



---

# *Illustrated Parts Manual*

*Models*

*4008PS*

31211269

October 24, 2016



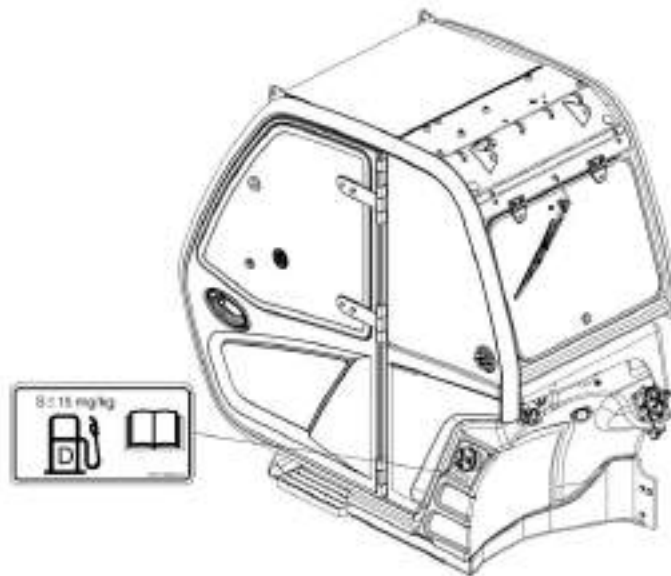


## EFFECTIVITY PAGE

October 24, 2016 - A - Original Issue of Manual

## Machine Configuration

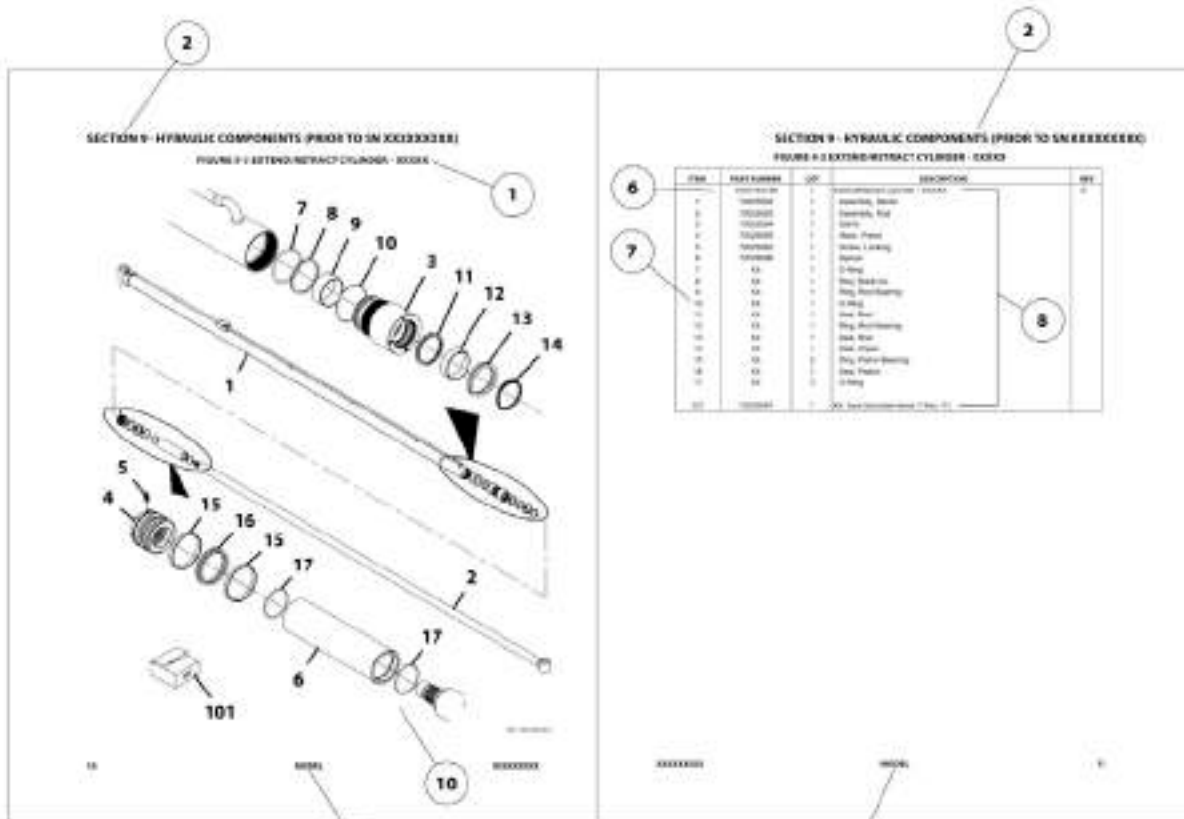
---



Two configurations of each machine are included in this manual. Determine if machine is equipped with Ultra Low Sulfur Fuel Decal (1).

If equipped with the Ultra Low Sulfur decal, all specific references to this machine configuration will be referred to as Ultra Low Sulfur (ULS) from this point forward.

If not equipped with the Ultra Low Sulfur decal, all specific references to this machine configuration will be referred to as Low Sulfur (LS) from this point forward.



## General Information

### 1. MACHINE IDENTIFICATION

Machines are identified by model and in some cases a combination of model, serial number (S/N) or regional standard (e.g. ANSI, CE, CSA, AUS). Components may also be identified by S/N or manufacturer. Common components that may be identified by these characteristics are attachments, engine, transmission and hydraulic components.

### 2. PARTS MANUAL ORGANIZATION

Product information in this manual is organized under section titles. Frame, Engine and Electrical are a few examples. Each section is organized by Figure and page number. The information within the Figure is then organized by item number, part number, description and corresponding illustration(s).

### 3. TABLE OF CONTENTS

A table of contents (TOC) is found toward the beginning of the manual. Figure number, description and page number are provided for quick reference to the page containing the related information.

### 4. RECOMMENDED SPARE PARTS

The Recommended Spare Parts, located near the end of the manual, references most frequently used maintenance parts.

### 5. PARTS NUMBER INDEX

A numerical index listing all part numbers and the corresponding page number(s) appears at the back of the manual.

### 6. NON-SERVICED PARTS

In some instances it is necessary to display non-serviced parts, assemblies or installations. In the case of assemblies and installations there will be a Ref in the QTY column and a note after the item description stating what is available for service within. In the case of parts that are not available for service within assemblies or components there will be a NSS (Not Sold Separately) listed in the part number column of the manual.

### 7. PARTS LIST ITEM NUMBERS

Numbers shown in the Item column correspond to numbers used in the associated illustration(s). Item numbers which are missing from sequence and are not shown in the illustration(s) are not used on that page.

### 8. INDENTED PART DESCRIPTION

An indented part description is included in the item under which it is indented.

## 9. ABBREVIATIONS AND SYMBOLS

AC	Alternating Current
A/C	Air Conditioning
ADE	Advanced Design Electronics
AG	Agriculture
AMP	Amperage
ANSI	American National Standards Institute
AR	As Required
ASSY	Assembly
AUS	Australia
AUX	Auxiliary
AWG	American Wire Gauge
CAC	Charge Air Cooler
CE	European Conformity
CM	Centimeter
CONST	Construction
CSA	Canadian Standards Association
DEF	Diesel Exhaust Fluid
DIA	Diameter
DC	Direct Current
DTZ	Decentralized Transmission Zeros
ECU	Electronic Control Unit
EMS	Emergency Stop
FNR	Forward Neutral Reverse
FT	Foot
GA	Gauge
GR	Grade
HBP	High Boom Pivot
HHP	High Horse Power
HOC	Hydraulic Oil Cooler
HVAC	Heating, Ventilating, and Air Conditioning
ID	Inside Diameter
IN	Inch
ISO	International Organization for Standards
ITSDF	Industrial Truck Standards Development Foundation
JIC	Joint Industry Council
KG	Kilogram
KW	Kilowatt
L	Liter

LB	Pound
LBP	Low Boom Pivot
LCD	Liquid Crystal Display
LED	Light Emitting Diode
LH	Left Hand
LHD	Left Hand Drive
LHP	Low Horse Power
LMIS	Load Management Indicator System
LS	Low Sulfur
LSI	Load Stability Indicator
LSS	Load Sensing System
M <sup>3</sup>	Cubic Meter
MA	Milliamp
M(m)	Metric/Meter
MM	Millimeter
N	Newton
NACD	North America Construction Division
NLA	No Longer Available
NSS	Not Sold Separately
OD	Outside Diameter
ORB	O-Ring Boss
ORFS	O-Ring Face Seal
OZ	Ounce
PR	Ply Rating
QT	Quart
QTY	Quantity
REF	Reference
REV	Revision
RH	Right Hand
RHD	Right Hand Drive
RHOC	Remote Hydraulic Oil Cooler
RUS	Russia
SAE	Society of Automotive Engineers
SAHR	Spring Applied Hydraulically Released
SN	Serial Number
SPD	Speed
TLU	Torque Lock Up
UGM	Universal Ground Module

## 10. ILLUSTRATION REFERENCE LETTERS

When necessary, illustrations may contain reference letters that are intended to track information from one point to another in the illustration such as harnesses and hoses or any other information that has been separated in the illustration.

**Note:** Due to continuous product improvements, JLG Industries, Inc. reserves the right to make specification changes without prior notification. Contact JLG Industries, Inc. for updated information.

# TABLE OF CONTENTS

SECTION 1 - FRAME AND ATTACHING PARTS.....	17
FIGURE 1-1. FRAME INSTALLATION.....	18
FIGURE 1-2. ENGINE ENCLOSURE INSTALLATION (NO RHOC).....	20
FIGURE 1-3. ENGINE ENCLOSURE INSTALLATION (RHOC).....	22
FIGURE 1-4. ENGINE ENCLOSURE COVER INSTALLATION (NO RHOC).....	24
FIGURE 1-5. ENGINE ENCLOSURE COVER INSTALLATION (RHOC).....	26
FIGURE 1-6. AIR INTAKE SEAL INSTALLATION.....	28
FIGURE 1-7. HOOD INSTALLATION.....	30
FIGURE 1-8. COVER PLATES INSTALLATION (NO OUTRIGGERS - ULS).....	32
FIGURE 1-9. COVER PLATES INSTALLATION (NO OUTRIGGERS - LS).....	34
FIGURE 1-10. COVER PLATE INSTALLATION (NO TRAILER BRAKES).....	36
FIGURE 1-11. COVER PLATE INSTALLATION (TRAILER BRAKES).....	38
FIGURE 1-12. COVER PLATE INSTALLATION (NO REAR AUX).....	40
FIGURE 1-13. COVER PLATE INSTALLATION (REAR AUX).....	42
FIGURE 1-14. COVER PLATE INSTALLATION (HYDRAULIC HITCH AND REAR AUX).....	44
FIGURE 1-15. REAR COVER PLATE INSTALLATION (NO HYDRAULIC HITCH).....	46
FIGURE 1-16. REAR COVER PLATE INSTALLATION (HYDRAULIC HITCH).....	48
FIGURE 1-17. COUNTERWEIGHT INSTALLATION.....	50
FIGURE 1-18. TANKS INSTALLATION.....	52
FIGURE 1-19. FUEL TANK INSTALLATION.....	54
FIGURE 1-20. HYDRAULIC TANK INSTALLATION.....	56
FIGURE 1-21. FUEL TANK ASSEMBLY.....	58
FIGURE 1-22. HYDRAULIC TANK ASSEMBLY.....	60
FIGURE 1-23. FUEL AND HYDRAULIC CAP INSTALLATION.....	62
FIGURE 1-24. HITCH RETRIEVAL INSTALLATION.....	64
FIGURE 1-25. HITCH INSTALLATION (EEC AUTO).....	66
FIGURE 1-26. HITCH INSTALLATION (PITON).....	68
FIGURE 1-27. HITCH ASSEMBLY (EEC AUTO).....	70
FIGURE 1-28. SLIDING HITCH ASSEMBLY (PITON).....	72
FIGURE 1-29. HITCH INSTALLATION (EEC MANUAL).....	74
FIGURE 1-30. HITCH ASSEMBLY (EEC MANUAL).....	76
FIGURE 1-31. HITCH INSTALLATION (CUNA CATEGORY C).....	78
FIGURE 1-32. HITCH ASSEMBLY (CUNA CATEGORY C).....	80
FIGURE 1-33. HITCH INSTALLATION (CUNA CATEGORY D2).....	82
FIGURE 1-34. HITCH ASSEMBLY (CUNA CATEGORY D2).....	84
FIGURE 1-35. HITCH INSTALLATION (FIXED).....	86
FIGURE 1-36. HITCH ASSEMBLY (FIXED).....	88
FIGURE 1-37. HITCH INSTALLATION (HYDRAULIC).....	90
FIGURE 1-38. TOOLBOX INSTALLATION.....	92
SECTION 2 - BOOM.....	95
FIGURE 2-1. BOOM INSTALLATION.....	96
FIGURE 2-2. BOOM ASSEMBLY.....	98
FIGURE 2-3. FIRST BOOM SECTION.....	100
FIGURE 2-4. SECOND BOOM SECTION ASSEMBLY.....	102
FIGURE 2-5. LINK ASSEMBLY.....	104
FIGURE 2-6. LEVER ASSEMBLY.....	106
FIGURE 2-7. MANUAL QUICK COUPLER INSTALLATION.....	108
FIGURE 2-8. HYDRAULIC QUICK COUPLER INSTALLATION.....	110
FIGURE 2-9. BOOM ANGLE INDICATOR INSTALLATION.....	112
FIGURE 2-10. BOOM PROP INSTALLATION.....	114
FIGURE 2-11. BOOM BRUSHES INSTALLATION.....	116
SECTION 3 - ATTACHMENTS.....	119
FIGURE 3-1. CARRIAGE ASSEMBLY (1524MM) (CE & AUS).....	120
FIGURE 3-2. CARRIAGE ASSEMBLY (1829MM) (CE & AUS).....	122
FIGURE 3-3. CARRIAGE ASSEMBLY (1225MM) (CE & AUS).....	124
FIGURE 3-4. CARRIAGE ASSEMBLY (1270MM) (ANSI).....	126
FIGURE 3-5. CARRIAGE ASSEMBLY (1524 MM) (ANSI).....	128
FIGURE 3-6. CARRIAGE ASSEMBLY (1829 MM) (ANSI).....	130
FIGURE 3-7. SIDE TILTING CARRIAGE (4.5 TON - 1225 MM) (CE & AUS).....	132
FIGURE 3-8. SIDE TILTING CARRIAGE (4.5 TON - 1270 MM) (ANSI).....	134
FIGURE 3-9. SIDE TILTING CARRIAGE (4.5 TON - 1575 MM) (ANSI).....	136

# TABLE OF CONTENTS

FIGURE 3-10. SIDE TILTING CARRIAGE (4.0 TON - 1575 MM) (CE & AUS)	138
FIGURE 3-11. SIDE TILTING CARRIAGE (4.5 TON - 1829 MM) (ANSI)	140
FIGURE 3-12. SIDE TILTING CARRIAGE (4.0 TON - 1829 MM) (CE & AUS)	142
FIGURE 3-13. SIDE SHIFT CARRIAGE (4.0 TON - 1225 MM) (CE & AUS)	144
FIGURE 3-14. SIDE SHIFT CARRIAGE (5.5 TON - 1270 MM) (ANSI)	146
FIGURE 3-15. FORK POSITIONING CARRIAGE WITH FORKS (4.0 TON) (CE & AUS)	148
FIGURE 3-16. FORK POSITIONING CARRIAGE WITH FORKS (4.5 TON) (ANSI)	150
FIGURE 3-17. DUAL FORK CARRIAGE ASSEMBLY	152
FIGURE 3-18. DUAL FORK CARRIAGE VALVE ASSEMBLY	154
FIGURE 3-19. FORK ROTATING CARRIAGE (4.5 TON - 1270 MM) (AUS)	156
FIGURE 3-20. CARRIAGE ASSEMBLY (JOHN DEERE FIT) (CE)	160
FIGURE 3-21. CARRIAGE ASSEMBLY (MANITOU FIT) (CE)	162
FIGURE 3-22. FORK ASSEMBLY (JCB FIT) (CE)	164
FIGURE 3-23. DUAL TINE BAILING FORK CARRIAGE (CE & AUS)	166
FIGURE 3-24. FEM CARRIAGE AND FORKS (CE & AUS)	168
FIGURE 3-25. PALLET FORK (50X100X1070) (CE)	170
FIGURE 3-26. PALLET FORK (50X100X1200) (CE)	172
FIGURE 3-27. PALLET FORK (50X120X1200) (CE)	174
FIGURE 3-28. PALLET FORK (50X120X1200) (CE & AUS - IF EQUIPPED WITH SIDE SHIFT CARRIAGE (4.0 TON - 1225MM))	176
FIGURE 3-29. PALLET FORK (2.36X4X48) (ANSI)	178
FIGURE 3-30. PALLET FORK (2.36X5X48) (ANSI)	180
FIGURE 3-31. PALLET FORK (2.00X6X72) (ANSI)	182
FIGURE 3-32. BLOCKING FORK (50X50X1220) (CE & AUS)	184
FIGURE 3-33. BLOCKING FORK (50X50X1220) (ANSI)	186
FIGURE 3-34. LUMBER FORK (40X150X1540) (ANSI)	188
FIGURE 3-35. LUMBER FORK (50X180X1540) (ANSI)	190
FIGURE 3-36. LUMBER FORK (60X150X1524) (ANSI)	192
FIGURE 3-37. BUCKET (1.15 M <sup>3</sup> ) (ANSI)	194
FIGURE 3-38. BUCKET (1 M <sup>3</sup> ) (CE & AUS)	196
FIGURE 3-39. BUCKET (1.5 M <sup>3</sup> ) (CE & AUS)	198
FIGURE 3-40. BUCKET (2 M <sup>3</sup> ) (CE & AUS)	200
FIGURE 3-41. BUCKET (2.5 M <sup>3</sup> ) (CE & AUS)	202
FIGURE 3-42. BUCKET (3 M <sup>3</sup> ) (CE & AUS)	204
FIGURE 3-43. BOLT-ON EDGE (2450 MM)	206
FIGURE 3-44. FORK MOUNTED BUCKET (1.0 M <sup>3</sup> ) (ANSI)	208
FIGURE 3-45. DIRT BUCKET (1.0 M <sup>3</sup> ) (CE & AUS)	210
FIGURE 3-46. 4 IN 1 BUCKET (0.6 M <sup>3</sup> ) (CE & AUS)	212
FIGURE 3-47. 4 IN 1 BUCKET (1.0 M <sup>3</sup> ) (CE & AUS)	214
FIGURE 3-48. MULTI-PURPOSE GRAPPLE BUCKET (2450 MM) (ANSI)	216
FIGURE 3-49. MULTI-PURPOSE GRAPPLE BUCKET (WIDE GRIP - 2450 MM) (CE & AUS)	218
FIGURE 3-50. MANURE GRAPPLE BUCKET (CE & AUS)	220
FIGURE 3-51. BUCKET GUARD	222
FIGURE 3-52. BUCKET TEETH KIT	224
FIGURE 3-53. BALE HANDLER KIT (SPIKES) (CE AND AUS)	226
FIGURE 3-54. BALE HANDLER KIT (SPIKES TO TUBE) (CE & AUS)	228
FIGURE 3-55. BALE HANDLER (TUBE CLAMP) (CE & AUS)	230
FIGURE 3-56. BALE HANDLER (SPIKE CLAMP) (CE & AUS)	232
FIGURE 3-57. TRUSS BOOM (4 TON - 2.1M) (CE AND AUS)	234
FIGURE 3-58. TRUSS BOOM (1 TON - 3.4M) (CE AND AUS)	236
FIGURE 3-59. TRUSS BOOM (0.9 TON - 3.7M) (ANSI)	238
FIGURE 3-60. TRUSS BOOM (1.8 TON - 3 FT WITH WINCH) (CE)	240
FIGURE 3-61. TRUSS BOOM (1.8 TON - 3 FT WITH WINCH) (ANSI)	242
FIGURE 3-62. TRUSS BOOM (3 FT WITH WINCH)	244
FIGURE 3-63. TRUSS BOOM (0.9 TON - 12 FT WITH WINCH) (CE)	246
FIGURE 3-64. TRUSS BOOM (0.9 TON - 3.7M WITH WINCH) (ANSI)	248
FIGURE 3-65. CRANE HOOK (CE AND AUS)	250
FIGURE 3-66. CRANE HOOK (ANSI)	252
FIGURE 3-67. FORK MOUNTED HOOK (4 TON) (ANSI)	254
FIGURE 3-68. FORK MOUNTED HOOK (4 TON) (CE)	256
FIGURE 3-69. MUCK FORK AND GRAB (CE & AUS)	258
FIGURE 3-70. FORK MOUNTED BASKET (DOMESTIC) (ANSI)	260
FIGURE 3-71. FORK MOUNTED BASKET (ISO) (ANSI)	262
FIGURE 3-72. FORK MOUNTED BASKET (FRENCH) (ANSI)	264
FIGURE 3-73. FORK MOUNTED PLATFORM	266
FIGURE 3-74. FORK MOUNTED TRASH HOPPER	268
FIGURE 3-75. CONCRETE BUCKET (CE)	270



# TABLE OF CONTENTS

FIGURE 3-76. SWEEPER (CE & AUS) .....	272
FIGURE 3-77. SWEEPER (ANSI) .....	274
FIGURE 3-78. AUGER (CE & AUS) .....	276
FIGURE 3-79. AUGER BIT, (6INX4IN) (CE & AUS).....	278
FIGURE 3-80. AUGER BIT, (9INX4IN) (CE & AUS).....	280
FIGURE 3-81. AUGER BIT, (12INX4IN) (CE & AUS).....	282
FIGURE 3-82. AUGER BIT, (15INX4IN) (CE & AUS).....	284
FIGURE 3-83. AUGER BIT, (18INX4IN) (CE & AUS).....	286
FIGURE 3-84. AUGER BIT, (24INX4IN) (CE & AUS).....	288
FIGURE 3-85. AUGER BIT, (36INX4IN) (CE & AUS).....	290
FIGURE 3-86. FORK EXTENSIONS (62X163X2286) (ANSI) .....	292
FIGURE 3-87. FORK EXTENSION (50X100X1910) (CE) .....	294
FIGURE 3-88. FORK EXTENSIONS (60X100X1920) (AUS) .....	296
FIGURE 3-89. FORK TRANSPORT LATCHES INSTALLATION .....	298
SECTION 4 - ENGINE AND ATTACHING PARTS .....	301
FIGURE 4-1. ENGINE INSTALLATION (74.4KW - ULS - PISTON PUMP).....	302
FIGURE 4-2. ENGINE INSTALLATION (90KW - ULS - PISTON PUMP).....	304
FIGURE 4-3. ENGINE INSTALLATION (100KW - ULS - PISTON PUMP).....	306
FIGURE 4-4. ENGINE INSTALLATION (74.4KW - LS - PISTON PUMP) .....	308
FIGURE 4-5. ENGINE INSTALLATION (90KW - LS - PISTON PUMP) .....	310
FIGURE 4-6. ENGINE MOUNTING INSTALLATION (74.4KW) .....	312
FIGURE 4-7. ENGINE MOUNTING INSTALLATION (90KW/100KW).....	314
FIGURE 4-8. 3.6L ENGINE (74.4KW - ULS - PISTON PUMP) .....	316
FIGURE 4-9. 3.6L ENGINE (90KW - ULS - PISTON PUMP) .....	318
FIGURE 4-10. 3.6L ENGINE (100KW - ULS - PISTON PUMP) .....	320
FIGURE 4-11. 3.6L ENGINE (74.4KW - LS - PISTON PUMP).....	322
FIGURE 4-12. 3.6L ENGINE (90KW - LS - PISTON PUMP).....	324
FIGURE 4-13. ENGINE ECU INSTALLATION (ULS) .....	326
FIGURE 4-14. ENGINE ECU INSTALLATION (LS).....	328
FIGURE 4-15. BRACKET GUARD INSTALLATION.....	330
FIGURE 4-16. FUEL LINES INSTALLATION (ULS).....	332
FIGURE 4-17. FUEL LINES INSTALLATION (ULS - RHOC) .....	334
FIGURE 4-18. FUEL LINES INSTALLATION (LS) .....	336
FIGURE 4-19. FUEL LINES INSTALLATION (LS - RHOC).....	338
FIGURE 4-20. EXHAUST INSTALLATION (ULS) .....	340
FIGURE 4-21. EXHAUST INSTALLATION (LS).....	342
FIGURE 4-22. COOLING PACKAGE INSTALLATION (74.4KW - ULS).....	344
FIGURE 4-23. COOLING PACKAGE INSTALLATION (74.4KW - LS) .....	346
FIGURE 4-24. COOLING PACKAGE INSTALLATION (90KW - ULS).....	348
FIGURE 4-25. COOLING PACKAGE INSTALLATION (90KW - LS) .....	350
FIGURE 4-26. COOLING FAN INSTALLATION .....	352
FIGURE 4-27. FAN LINES INSTALLATION (74.4KW).....	354
FIGURE 4-28. FAN LINES INSTALLATION (90KW).....	356
FIGURE 4-29. FAN DRIVE MOTOR.....	358
FIGURE 4-30. FAN DRIVE MOTOR (RHOC).....	360
FIGURE 4-31. PRIMARY FUEL FILTER INSTALLATION (74.4KW - ULS).....	362
FIGURE 4-32. FUEL FILTER INSTALLATION (90/100KW - ULS).....	364
FIGURE 4-33. PRIMARY FUEL FILTER INSTALLATION (90KW - LS) .....	366
FIGURE 4-34. AIR CLEANER INSTALLATION (74.4KW - ULS) .....	368
FIGURE 4-35. AIR CLEANER INSTALLATION (90/100KW).....	370
FIGURE 4-36. AIR CLEANER INSTALLATION (74.4KW - LS).....	372
FIGURE 4-37. AIR CLEANER ASSEMBLY (74.4KW).....	374
FIGURE 4-38. AIR CLEANER ASSEMBLY (90/100KW).....	376
FIGURE 4-39. AIR INTAKE LINES INSTALLATION (74.4KW - ULS) .....	378
FIGURE 4-40. AIR INTAKE LINES INSTALLATION (90/100KW - ULS).....	380
FIGURE 4-41. AIR INTAKE LINES INSTALLATION (74.4KW - LS).....	382
FIGURE 4-42. AIR INTAKE LINES INSTALLATION (90KW - LS).....	384
FIGURE 4-43. COOLER INSTALLATION (74.4KW) .....	386
FIGURE 4-44. COOLER INSTALLATION (90KW) .....	388
FIGURE 4-45. RADIATOR COOLING PACKAGE (74.4KW).....	390
FIGURE 4-46. RADIATOR COOLING PACKAGE (90KW).....	392
FIGURE 4-47. REMOTE HOC INSTALLATION .....	394
FIGURE 4-48. COOLANT LINES INSTALLATION (ULS).....	396
FIGURE 4-49. COOLANT LINES INSTALLATION (LS) .....	398
FIGURE 4-50. COOLER LINES INSTALLATION (74.4KW).....	400

# TABLE OF CONTENTS

FIGURE 4-51. COOLER LINES INSTALLATION (90KW).....	402
FIGURE 4-52. CAC LINES INSTALLATION (ULS).....	404
FIGURE 4-53. CAC LINES INSTALLATION (LS).....	406
FIGURE 4-54. SURGE TANK INSTALLATION.....	408
FIGURE 4-55. TANK EXPANSION.....	410
FIGURE 4-56. BULKHEAD INSTALLATION.....	412
FIGURE 4-57. DEF CONTROL MODULE INSTALLATION (ULS).....	414
FIGURE 4-58. DEF TANK INSTALLATION (ULS).....	416
FIGURE 4-59. DEF LINES INSTALLATION (ULS).....	418
FIGURE 4-60. DEF TANK ASSEMBLY (ULS).....	420
FIGURE 4-61. REMOTE FUEL PUMP INSTALLATION (74.4KW).....	422
FIGURE 4-62. HYDRAULIC PUMP INSTALLATION (74.4KW).....	424
FIGURE 4-63. HYDRAULIC PUMP INSTALLATION (90KW).....	426
FIGURE 4-64. HEATER LINES INSTALLATION (ULS).....	428
FIGURE 4-65. HEATER LINES INSTALLATION (LS).....	430
FIGURE 4-66. BLOCK HEATER INSTALLATION (230V - LS).....	432
FIGURE 4-67. BLOCK HEATER INSTALLATION (120V - LS).....	434
FIGURE 4-68. BLOCK HEATER (230V).....	436
FIGURE 4-69. BLOCK HEATER (120V).....	438
FIGURE 4-70. A/C PUMP INSTALLATION.....	440
FIGURE 4-71. A/C LINES INSTALLATION.....	442
SECTION 5 - DRIVE TRAIN.....	445
FIGURE 5-1. AXLES INSTALLATION (NO HYDRAULIC PARK BRAKE).....	446
FIGURE 5-2. AXLES INSTALLATION (HYDRAULIC PARK BRAKE).....	448
FIGURE 5-3. FRONT AXLE INSTALLATION (NO HYDRAULIC PARK BRAKE).....	450
FIGURE 5-4. FRONT AXLE, CENTRAL HOUSING (NO HYDRAULIC PARK BRAKE).....	452
FIGURE 5-5. FRONT AXLE, DIFFERENTIAL (NO HYDRAULIC PARK BRAKE).....	454
FIGURE 5-6. FRONT AXLE, HUB REDUCTION (NO HYDRAULIC PARK BRAKE).....	456
FIGURE 5-7. FRONT AXLE, BRAKES (NO HYDRAULIC PARK BRAKE).....	458
FIGURE 5-8. FRONT AXLE, STEERING (NO HYDRAULIC PARK BRAKE).....	460
FIGURE 5-9. FRONT AXLE INSTALLATION (HYDRAULIC PARK BRAKE).....	462
FIGURE 5-10. FRONT AXLE, CENTRAL HOUSING (HYDRAULIC PARK BRAKE).....	464
FIGURE 5-11. FRONT AXLE, DIFFERENTIAL (HYDRAULIC PARK BRAKE).....	466
FIGURE 5-12. FRONT AXLE, HUB REDUCTION (HYDRAULIC PARK BRAKE).....	468
FIGURE 5-13. FRONT AXLE, BRAKES (HYDRAULIC PARK BRAKE).....	470
FIGURE 5-14. FRONT AXLE, STEERING (HYDRAULIC PARK BRAKE).....	472
FIGURE 5-15. REAR AXLE INSTALLATION.....	474
FIGURE 5-16. REAR AXLE, CENTRAL HOUSING.....	476
FIGURE 5-17. REAR AXLE, DIFFERENTIAL.....	478
FIGURE 5-18. REAR AXLE, HUB REDUCTION.....	480
FIGURE 5-19. REAR AXLE, BRAKES.....	482
FIGURE 5-20. REAR AXLE, STEERING.....	484
FIGURE 5-21. DIFFERENTIAL KIT.....	486
FIGURE 5-22. REDUCTION BUSHING KIT.....	488
FIGURE 5-23. PLANET GEAR CARRIER KIT.....	490
FIGURE 5-24. STEERING CASE KIT, (LF, RR).....	492
FIGURE 5-25. STEERING CASE KIT, (RF, LR).....	494
FIGURE 5-26. STEERING ADJUST BOLT KIT.....	496
FIGURE 5-27. RING GEAR SUPPORT KIT.....	498
FIGURE 5-28. PISTON KIT (LH).....	500
FIGURE 5-29. PISTON KIT (RH).....	502
FIGURE 5-30. PISTON KIT.....	504
FIGURE 5-31. DIFFERENTIAL KIT.....	506
FIGURE 5-32. TRUNION KIT.....	508
FIGURE 5-33. DRIVE SHAFTS INSTALLATION.....	510
FIGURE 5-34. REMOTE GREASE SYSTEM INSTALLATION.....	512
FIGURE 5-35. AXLE SHIM INSTALLATION.....	514
FIGURE 5-36. TRANSMISSION INSTALLATION (4 SPD).....	516
FIGURE 5-37. TRANSMISSION INSTALLATION (6 SPD - 90KW).....	518
FIGURE 5-38. TRANSMISSION INSTALLATION (6 SPD - 97KW).....	520
FIGURE 5-39. TRANSMISSION (4 SPD).....	522
FIGURE 5-40. TRANSMISSION (6 SPD - 90KW).....	524
FIGURE 5-41. TRANSMISSION (6 SPD - HHP - 97KW).....	526
FIGURE 5-42. PLANETARY CASE AND PARTS GROUP.....	528
FIGURE 5-43. TORQUE CONVERTER GROUP.....	530

# TABLE OF CONTENTS

FIGURE 5-44. TORQUE CONVERTER GROUP .....	532
FIGURE 5-45. TRANSFER GEAR AND CASE GROUP .....	534
FIGURE 5-46. TRANSFER GEAR AND CASE GROUP .....	536
FIGURE 5-47. TRANSMISSION HYDRAULIC CONTROL GROUP.....	538
FIGURE 5-48. INPUT SHAFT GROUP .....	540
FIGURE 5-49. TRANSMISSION CLUTCH GROUP .....	542
FIGURE 5-50. CLUTCH AND GEAR GROUP.....	544
FIGURE 5-51. TRANSMISSION PUMP GROUP .....	546
FIGURE 5-52. OUTPUT SHAFT GROUP .....	548
FIGURE 5-53. SPEED SENSOR.....	550
FIGURE 5-54. IDLER GEAR .....	552
FIGURE 5-55. REAR TRANSMISSION CASE .....	554
FIGURE 5-56. PLANETARY CASE .....	556
FIGURE 5-57. FRONT TRANSFER CASE.....	558
FIGURE 5-58. REAR TRANSFER CASE .....	560
FIGURE 5-59. FRONT TRANSFER CASE.....	562
FIGURE 5-60. REAR TRANSFER CASE .....	564
FIGURE 5-61. RELIEF VALVE .....	566
FIGURE 5-62. SOLENOID VALVE.....	568
FIGURE 5-63. SOLENOID VALVE.....	570
FIGURE 5-64. FRONT TRANSMISSION CASE ASSEMBLY .....	572
FIGURE 5-65. REAR TRANSMISSION CASE ASSEMBLY .....	574
FIGURE 5-66. TIRE/WHEEL SET (AIR - 15.5/80-24 - 16PR) .....	576
FIGURE 5-67. RIGHT TIRE/WHEEL ASSEMBLY (AIR - 15.5/80-24 - 16PR) .....	578
FIGURE 5-68. LEFT TIRE/WHEEL ASSEMBLY (AIR - 15.5/80-24 - 16PR) .....	580
FIGURE 5-69. TIRE/WHEEL SET (AIR - 15.5 R25 XHA TL).....	582
FIGURE 5-70. RIGHT TIRE/WHEEL ASSEMBLY (AIR - 15.5 R25).....	584
FIGURE 5-71. LEFT TIRE/WHEEL ASSEMBLY (AIR - 15.5 R25) .....	586
FIGURE 5-72. TIRE/WHEEL SET (AIR - 460/70 R24 XMCL) .....	588
FIGURE 5-73. RIGHT TIRE/WHEEL ASSEMBLY (AIR - 460/70 R24).....	590
FIGURE 5-74. LEFT TIRE/WHEEL ASSEMBLY (AIR - 460/70 R24) .....	592
FIGURE 5-75. TIRE/WHEEL SET (AIR - 500/70 R24 XMCL) .....	594
FIGURE 5-76. RIGHT TIRE/WHEEL ASSEMBLY (AIR - 500/70 R24).....	596
FIGURE 5-77. LEFT TIRE/WHEEL ASSEMBLY (AIR - 500/70 R24) .....	598
FIGURE 5-78. TIRE/WHEEL SET (AIR - 440/80-24 POWER CL).....	600
FIGURE 5-79. RIGHT TIRE/WHEEL ASSEMBLY (AIR - 440/80-24) .....	602
FIGURE 5-80. LEFT TIRE/WHEEL ASSEMBLY (AIR - 440/80-24).....	604
FIGURE 5-81. TIRE/WHEEL SET (AIR - 400/80-24 POWER CL).....	606
FIGURE 5-82. RIGHT TIRE/WHEEL ASSEMBLY (AIR - 400/80-24) .....	608
FIGURE 5-83. LEFT TIRE/WHEEL ASSEMBLY (AIR - 400/80-24).....	610
FIGURE 5-84. TIRE/WHEEL SET (AIR - 370/75-28).....	612
FIGURE 5-85. TIRE/WHEEL ASSEMBLY (AIR - 370/75-28) .....	614
FIGURE 5-86. TIRE/WHEEL SET (FOAM - 13X24).....	616
FIGURE 5-87. TIRE/WHEEL SET (AIR - 460/70 R24 - BIBLOAD).....	618
FIGURE 5-88. RIGHT TIRE/WHEEL ASSEMBLY (AIR - 460/70 R24 - BIBLOAD) .....	620
FIGURE 5-89. LEFT TIRE/WHEEL ASSEMBLY (AIR - 460/70 R24 - BIBLOAD) .....	622
FIGURE 5-90. WHEEL CHOCK INSTALLATION .....	624
FIGURE 5-91. FENDER INSTALLATION (NO AIR - 460/70 R24 XMCL, AIR - 500/70 R24 XMCL, AIR - 440/80-24 POWER CL, AIR - 460/70 R24 - BIBLOAD) .....	626
FIGURE 5-92. FENDER ASSEMBLY .....	628
FIGURE 5-93. FENDER ASSEMBLY .....	630
FIGURE 5-94. FENDER ASSEMBLY .....	632
FIGURE 5-95. FENDER ASSEMBLY .....	634
FIGURE 5-96. FENDER INSTALLATION (AIR - 460/70 R24 XMCL, AIR - 500/70 R24 XMCL, AIR - 440/80-24 POWER CL, AIR - 460/70 R24 - BIBLOAD) .....	636
FIGURE 5-97. FENDER ASSEMBLY .....	638
FIGURE 5-98. FENDER ASSEMBLY .....	640
FIGURE 5-99. FENDER ASSEMBLY .....	642
FIGURE 5-100. FENDER ASSEMBLY .....	644
SECTION 6 - CAB.....	647
FIGURE 6-1. CAB MOUNTS INSTALLATION.....	648
FIGURE 6-2. ENCLOSED CAB INSTALLATION.....	650
FIGURE 6-3. ENCLOSED CAB ASSEMBLY.....	652
FIGURE 6-4. ENCLOSED CAB GROUP .....	654
FIGURE 6-5. ENCLOSED CAB .....	656

# TABLE OF CONTENTS

FIGURE 6-6. ENCLOSED CAB PLUG GROUP .....	658
FIGURE 6-7. REAR WINDOW INSTALLATION .....	660
FIGURE 6-8. REAR WINDOW ASSEMBLY .....	662
FIGURE 6-9. DOOR INSTALLATION .....	664
FIGURE 6-10. DOOR ASSEMBLY (AG) .....	666
FIGURE 6-11. CAB DOOR .....	668
FIGURE 6-12. DOOR UPPER GLASS ASSEMBLY .....	670
FIGURE 6-13. CAB LATCH ASSEMBLY .....	672
FIGURE 6-14. CAB DOOR TRIGGER ASSEMBLY .....	674
FIGURE 6-15. DOOR STRAP INSTALLATION .....	676
FIGURE 6-16. ENCLOSED CAB TRIM INSTALLATION .....	678
FIGURE 6-17. ENCLOSED CAB TRIM INSTALLATION .....	680
FIGURE 6-18. DASH COVER ASSEMBLY .....	682
FIGURE 6-19. RECIRCULATION GRILLE COVER PANEL ASSEMBLY .....	684
FIGURE 6-20. REAR PANEL COVER ASSEMBLY .....	686
FIGURE 6-21. ADJUSTABLE ARMREST INSTALLATION .....	688
FIGURE 6-22. HEADLINER INSTALLATION .....	690
FIGURE 6-23. HEADLINER/RADIO READY INSTALLATION .....	692
FIGURE 6-24. COMMON CAB TRIM INSTALLATION .....	694
FIGURE 6-25. CAB TRIM INSTALLATION .....	696
FIGURE 6-26. ROOF CAP INSTALLATION (A/C) .....	698
FIGURE 6-27. ROOF CAP INSTALLATION (NO A/C) .....	700
FIGURE 6-28. FRONT COVER INSTALLATION .....	702
FIGURE 6-29. FILTER TRAY PANEL .....	704
FIGURE 6-30. FRONT DUCT COVER .....	706
FIGURE 6-31. SEAT INSTALLATION (STANDARD) .....	708
FIGURE 6-32. SEAT ASSEMBLY .....	710
FIGURE 6-33. SEAT INSTALLATION (PREMIUM) .....	712
FIGURE 6-34. UPPER SEAT ASSEMBLY .....	714
FIGURE 6-35. UPPER SEAT ASSEMBLY .....	716
FIGURE 6-36. SUSPENSION KIT .....	718
FIGURE 6-37. SEAT INSTALLATION (MECHANICAL) .....	720
FIGURE 6-38. SEAT ASSEMBLY .....	722
FIGURE 6-39. SEAT BELT INSTALLATION (3IN) .....	724
FIGURE 6-40. SEAT BELT INSTALLATION (2IN) .....	726
FIGURE 6-41. HEATER INSTALLATION .....	728
FIGURE 6-42. HEATER AND A/C INSTALLATION .....	730
FIGURE 6-43. HEATER AND A/C INSTALLATION .....	732
FIGURE 6-44. HEATER ASSEMBLY .....	734
FIGURE 6-45. HEATER AND A/C ASSEMBLY .....	736
FIGURE 6-46. HEATER .....	738
FIGURE 6-47. HEATER AND A/C .....	740
FIGURE 6-48. CAB CONDENSER ASSEMBLY .....	742
FIGURE 6-49. CONDENSER .....	744
FIGURE 6-50. A/C RECEIVER DRIER .....	746
FIGURE 6-51. ROOF WIPER INSTALLATION .....	748
FIGURE 6-52. FRONT NOSE CONE INSTALLATION (SIDELIGHT) .....	750
FIGURE 6-53. RETRACTABLE SUNSCREEN INSTALLATION .....	752
FIGURE 6-54. CAB STEP INSTALLATION .....	754
FIGURE 6-55. FLOOR MAT INSTALLATION .....	756
FIGURE 6-56. EXTERNAL WINDOW RELEASE INSTALLATION .....	758
FIGURE 6-57. CAB GUARD INSTALLATION (TOP) .....	760
FIGURE 6-58. CAB GUARD INSTALLATION (FRONT) .....	762
FIGURE 6-59. CAB GUARD INSTALLATION (TOP AND FRONT) .....	764
FIGURE 6-60. NUMBER PLATE BRACKET INSTALLATION (NO CAB GUARD) .....	766
FIGURE 6-61. NUMBER PLATE BRACKET INSTALLATION (CAB GUARD) .....	768
FIGURE 6-62. MIRROR INSTALLATION .....	770
FIGURE 6-63. HITCH MIRROR INSTALLATION (CONVEX) .....	772
FIGURE 6-64. HITCH MIRROR INSTALLATION (FLAT) .....	774
FIGURE 6-65. MIRROR ASSEMBLY (CONVEX) .....	776
FIGURE 6-66. INTERIOR MIRROR INSTALLATION .....	778
FIGURE 6-67. INTERIOR MIRROR .....	780
FIGURE 6-68. BASIC MIRROR INSTALLATION .....	782
FIGURE 6-69. FRONT WIPER INSTALLATION .....	784
FIGURE 6-70. WASHER TANK INSTALLATION .....	786
FIGURE 6-71. WASHER BOTTLE .....	788
FIGURE 6-72. WASHER HOSES INSTALLATION .....	790

# TABLE OF CONTENTS

FIGURE 6-73. HAMMER INSTALLATION.....	792
FIGURE 6-74. HAMMER ATTACHMENT ASSEMBLY .....	794
FIGURE 6-75. LEVEL INDICATOR INSTALLATION.....	796
SECTION 7 - CONTROLS .....	799
FIGURE 7-1. ACCELERATOR PEDAL INSTALLATION.....	800
FIGURE 7-2. ACCELERATOR PEDAL .....	802
FIGURE 7-3. BRAKE PEDAL INSTALLATION.....	804
FIGURE 7-4. BRAKE PEDAL .....	806
FIGURE 7-5. BRAKE PEDAL PLATE.....	808
FIGURE 7-6. BRAKE SENSOR INSTALLATION .....	810
FIGURE 7-7. SWITCH PLATE ASSEMBLY .....	812
FIGURE 7-8. PARKING BRAKE INSTALLATION (CABLE) .....	814
FIGURE 7-9. PARKING BRAKE INSTALLATION (SAHR).....	816
FIGURE 7-10. PARKING BRAKE COVER (MECHANICAL) .....	818
FIGURE 7-11. PARKING CABLE ASSEMBLY (MECHANICAL).....	820
FIGURE 7-12. STEERING WHEEL INSTALLATION.....	822
FIGURE 7-13. STEERING WHEEL.....	824
FIGURE 7-14. STEERING COLUMN INSTALLATION.....	826
FIGURE 7-15. TILT STEERING COLUMN.....	828
FIGURE 7-16. HORN INSTALLATION .....	830
FIGURE 7-17. HORN BUTTON INSTALLATION .....	832
FIGURE 7-18. JOYSTICK INSTALLATION.....	834
FIGURE 7-19. WIPER-TURN SWITCH (0 SPEED - FNR).....	836
FIGURE 7-20. WIPER-TURN SWITCH (NO SPEED).....	838
SECTION 8 - HYDRAULIC CIRCUITS.....	841
FIGURE 8-1. COMMON HYDRAULICS INSTALLATION.....	842
FIGURE 8-2. HYDRAULICS INSTALLATION .....	844
FIGURE 8-3. MAIN CONTROL VALVE INSTALLATION.....	846
FIGURE 8-4. PRIORITY VALVE INSTALLATION .....	848
FIGURE 8-5. STEER SELECT VALVE INSTALLATION .....	850
FIGURE 8-6. MANUAL COUPLER LINES INSTALLATION (FRONT BOOM - SINGLE) .....	852
FIGURE 8-7. MANUAL COUPLER LINES INSTALLATION (FRONT BOOM - TWIN) .....	854
FIGURE 8-8. HYDRAULIC COUPLER LINES INSTALLATION (FRONT BOOM - SINGLE) .....	856
FIGURE 8-9. HYDRAULIC COUPLER LINES INSTALLATION (FRONT BOOM - TWIN) .....	858
FIGURE 8-10. BRAKE LINES INSTALLATION .....	860
FIGURE 8-11. BRAKE ACCUMLATOR INSTALLATION .....	862
FIGURE 8-12. SAHR LINES INSTALLATION .....	864
FIGURE 8-13. BRAKE LINES INSTALLATION.....	866
FIGURE 8-14. BRAKE ACCUMULATOR .....	868
FIGURE 8-15. STEERING LINES INSTALLATION.....	870
FIGURE 8-16. SUCTION LINES INSTALLATION .....	872
FIGURE 8-17. BOOM LINES INSTALLATION .....	874
FIGURE 8-18. PRIORITY LINES INSTALLATION .....	876
FIGURE 8-19. RETURN LINES INSTALLATION .....	878
FIGURE 8-20. RETURN LINES INSTALLATION (SAHR).....	880
FIGURE 8-21. BOOM RAISE HOSES INSTALLATION .....	882
FIGURE 8-22. BOOM RAISE HOSES INSTALLATION (RIDE CONTROL).....	884
FIGURE 8-23. REAR AUX HYDRAULICS INSTALLATION (SINGLE).....	886
FIGURE 8-24. REAR AUX HYDRAULICS INSTALLATION (TWIN).....	888
FIGURE 8-25. TRAILER BRAKE INSTALLATION .....	890
FIGURE 8-26. TRAILER BRAKE INSTALLATION .....	892
FIGURE 8-27. BOOM HYDRAULIC INSTALLATION.....	894
FIGURE 8-28. MAIN HYDRAULIC PUMP INSTALLATION.....	896
FIGURE 8-29. IMPLEMENT PUMP INSTALLATION .....	898
FIGURE 8-30. LIFT CYLINDER INSTALLATION .....	900
FIGURE 8-31. COMPENSATION CYLINDER INSTALLATION .....	902
SECTION 9 - HYDRAULIC COMPONENTS.....	905
FIGURE 9-1. LIFT CYLINDER .....	906
FIGURE 9-2. TILT CYLINDER .....	908
FIGURE 9-3. COMPENSATION CYLINDER.....	910
FIGURE 9-4. EXTEND/RETRACT CYLINDER ASSEMBLY .....	912

# TABLE OF CONTENTS

FIGURE 9-5. EXTEND/RETRACT CYLINDER .....	914
FIGURE 9-6. SIDE TILT CYLINDER.....	916
FIGURE 9-7. SIDE SHIFT CARRIAGE CYLINDER .....	918
FIGURE 9-8. FORK POSITIONING CYLINDER .....	920
FIGURE 9-9. COUPLER LOCKING CYLINDER .....	922
FIGURE 9-10. MAIN CONTROL VALVE.....	924
FIGURE 9-11. PRIORITY FLOW MANIFOLD .....	926
FIGURE 9-12. STEERING SELECT VALVE.....	928
FIGURE 9-13. DIVERTOR VALVE ASSEMBLY (HI FLOW) .....	930
FIGURE 9-14. DIVERTOR VALVE.....	932
FIGURE 9-15. DIVERTOR VALVE.....	934
FIGURE 9-16. DIVERTOR VALVE.....	936
FIGURE 9-17. FLOW DIVIDER VALVE .....	938
FIGURE 9-18. HYDRAULIC HITCH CONTROL VALVE .....	940
FIGURE 9-19. TRAILER BRAKE VALVE.....	942
FIGURE 9-20. FAN MOTOR CONTROL VALVE .....	944
FIGURE 9-21. IMPLEMENT PUMP .....	946
SECTION 10 - ELECTRICAL.....	949
FIGURE 10-1. MAIN ELECTRICAL INSTALLATION .....	950
FIGURE 10-2. CAB ELECTRICAL INSTALLATION.....	952
FIGURE 10-3. IGNITION SWITCH INSTALLATION .....	956
FIGURE 10-4. STANDARD ELECTRICAL BOARD ASSEMBLY.....	958
FIGURE 10-5. OPTION 1 ELECTRICAL BOARD ASSEMBLY .....	960
FIGURE 10-6. OPTION 2 ELECTRICAL BOARD ASSEMBLY .....	962
FIGURE 10-7. CAB HEATER HARNESS INSTALLATION .....	964
FIGURE 10-8. BOOM HARNESS INSTALLATION .....	966
FIGURE 10-9. ENGINE WIRING INSTALLATION (ULS).....	968
FIGURE 10-10. ENGINE WIRING INSTALLATION (LS) .....	970
FIGURE 10-11. ELECTRICAL COMPONENTS INSTALLATION .....	972
FIGURE 10-12. POWER DISTRIBUTION ELECTRICAL BOX .....	974
FIGURE 10-13. 200 AMP RELAY INSTALLATION.....	976
FIGURE 10-14. BATTERY INSTALLATION (STANDARD).....	978
FIGURE 10-15. BATTERY INSTALLATION (DUAL).....	980
FIGURE 10-16. DASH ELECTRICS INSTALLATION (ULS).....	982
FIGURE 10-17. DASH ELECTRICS INSTALLATION (LS) .....	984
FIGURE 10-18. MULTIFUNCTION DISPLAY INSTALLATION.....	986
FIGURE 10-19. REVERSE CAMERA INSTALLATION (TRAILER BRAKES).....	988
FIGURE 10-20. REVERSE CAMERA INSTALLATION (NO TRAILER BRAKES) .....	990
FIGURE 10-21. REVERSE ALARM INSTALLATION.....	992
FIGURE 10-22. REVERSE SENSOR INSTALLATION (NO HYDRAULIC HITCH).....	994
FIGURE 10-23. REVERSE SENSOR INSTALLATION (HYDRAULIC HITCH) .....	996
FIGURE 10-24. CLEARSKY INSTALLATION (A/C - LONG ROOF CAP).....	998
FIGURE 10-25. CLEARSKY INSTALLATION (NO A/C - SHORT ROOF CAP) .....	1000
FIGURE 10-26. TELEMATICS INSTALLATION (A/C - ULS) .....	1002
FIGURE 10-27. TELEMATICS INSTALLATION (A/C - LS).....	1004
FIGURE 10-28. TELEMATICS INSTALLATION (NO A/C - ULS).....	1006
FIGURE 10-29. TELEMATICS CAP INSTALLATION .....	1008
FIGURE 10-30. CAB WORKLIGHTS INSTALLATION (NO A/C) .....	1010
FIGURE 10-31. CAB WORKLIGHTS INSTALLATION (A/C) .....	1012
FIGURE 10-32. CAB WORKLIGHTS INSTALLATION (NO A/C - LED).....	1014
FIGURE 10-33. CAB WORKLIGHTS INSTALLATION (A/C - LED) .....	1016
FIGURE 10-34. BOOM WORKLIGHTS INSTALLATION .....	1018
FIGURE 10-35. BOOM LED WORKLIGHTS INSTALLATION .....	1020
FIGURE 10-36. BEACON LIGHT INSTALLATION.....	1022
FIGURE 10-37. BEACON BRACKET INSTALLATION .....	1024
FIGURE 10-38. DIP LIGHTS INSTALLATION (RHD - NO OUTRIGGERS).....	1026
FIGURE 10-39. DIP LIGHTS INSTALLATION (LHD - NO OUTRIGGERS) .....	1028
FIGURE 10-40. LICENSE PLATE LAMP INSTALLATION .....	1030
FIGURE 10-41. TRAILER ELECTRICS INSTALLATION .....	1032
FIGURE 10-42. ENGINE SPEED SET SWITCH INSTALLATION .....	1034
FIGURE 10-43. DECLUTCH SWITCH INSTALLATION.....	1036
FIGURE 10-44. FOG LAMP SWITCH INSTALLATION.....	1038
FIGURE 10-45. LSI SENSOR INSTALLATION.....	1040
FIGURE 10-46. LSI ASSEMBLY .....	1042
FIGURE 10-47. LSI SENSOR .....	1044

# TABLE OF CONTENTS

FIGURE 10-48. LMIS INSTALLATION (NO RIDE CONTROL) .....	1046
FIGURE 10-49. LMIS INSTALLATION (RIDE CONTROL) .....	1048
FIGURE 10-50. LMIS CONTROLLER INSTALLATION .....	1050
FIGURE 10-51. LMIS CABLE REEL INSTALLATION (NO RIDE CONTROL) .....	1052
FIGURE 10-52. LMIS CABLE REEL INSTALLATION (RIDE CONTROL) .....	1054
FIGURE 10-53. LMIS WIRING INSTALLATION .....	1056
FIGURE 10-54. LMIS BEACON INSTALLATION .....	1058
FIGURE 10-55. BOOM ANGLE SENSOR INSTALLATION .....	1060
FIGURE 10-56. EARTH STRAP INSTALLATION .....	1062
FIGURE 10-57. BOOM RETRACT SENSOR INSTALLATION .....	1064
FIGURE 10-58. FRONT FRAME HARNESS .....	1066
FIGURE 10-59. REAR FRAME HARNESS .....	1070
FIGURE 10-60. ENGINE HARNESS (ULS) .....	1074
FIGURE 10-61. ENGINE HARNESS (LS) .....	1082
FIGURE 10-62. FUEL PUMP HARNESS .....	1088
FIGURE 10-63. GLOW PLUG RELAY HARNESS .....	1090
FIGURE 10-64. BOOM HARNESS .....	1092
FIGURE 10-65. LMIS CHASSIS HARNESS .....	1094
FIGURE 10-66. CAB HARNESS .....	1096
FIGURE 10-67. CAB OPTION HARNESS .....	1104
FIGURE 10-68. CAB HEATER HARNESS .....	1106
FIGURE 10-69. A/C OPTION HARNESS .....	1108
FIGURE 10-70. REVERSE SENSOR HARNESS .....	1110
FIGURE 10-71. TELEMATICS HARNESS (A/C) .....	1112
FIGURE 10-72. TELEMATICS HARNESS (NO A/C) .....	1114
FIGURE 10-73. CLEARSKY HARNESS .....	1116
FIGURE 10-74. LICENSE LIGHT HARNESS .....	1118
FIGURE 10-75. LINK TRAILER HARNESS .....	1120
FIGURE 10-76. SEAT ADAPTOR HARNESS .....	1122
FIGURE 10-77. BOOM WORKLIGHTS HARNESS .....	1124
SECTION 11 - DECALS .....	1127
FIGURE 11-1. CAPACITY CHART HOLDER INSTALLATION .....	1128
FIGURE 11-2. CAPACITY CHART (METRIC) .....	1130
FIGURE 11-3. CAPACITY CHART (ANSI) .....	1132
FIGURE 11-4. CAPACITY CHART (AUS) .....	1134
FIGURE 11-5. DECALS INSTALLATION .....	1136
FIGURE 11-6. DECALS INSTALLATION (ANSI) .....	1138
FIGURE 11-7. DECALS INSTALLATION (CE & JAPAN) .....	1142
FIGURE 11-8. DECALS INSTALLATION (AUS) .....	1146
FIGURE 11-9. DECALS INSTALLATION (CIS) .....	1150
FIGURE 11-10. DECALS INSTALLATION (NO CIS & AUS) .....	1154
FIGURE 11-11. DECAL SOUND PLATE INSTALLATION (106DB) .....	1158
FIGURE 11-12. DECAL SOUND PLATE INSTALLATION (107DB) .....	1160
SECTION 12 - RECOMMENDED SPARE PARTS .....	1163
FIGURE 12-1. RECOMMENDED SPARE PARTS .....	1164
PART NUMBER INDEX .....	1167



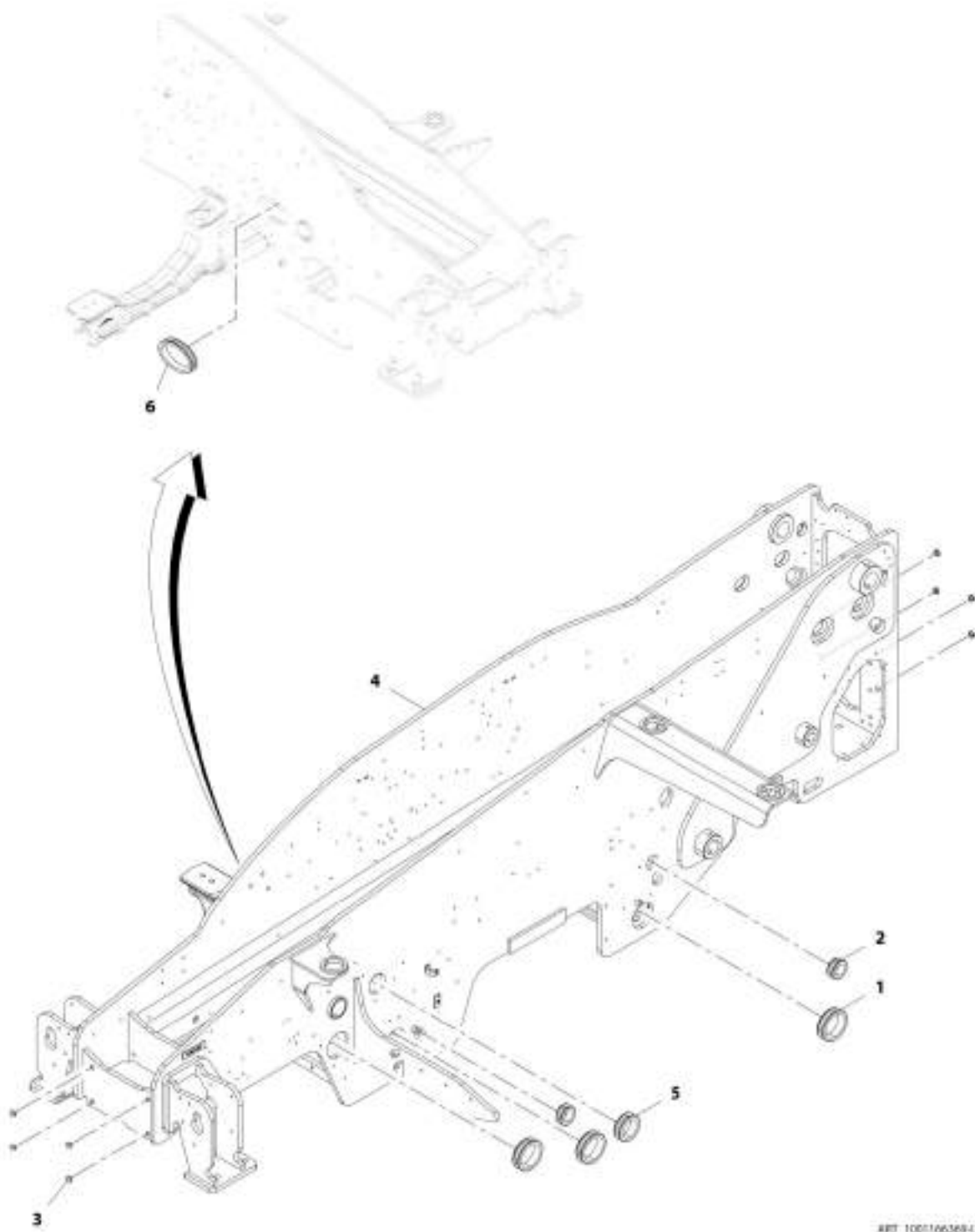


## **SECTION 1 - FRAME AND ATTACHING PARTS**

## **SECTION 1 - FRAME AND ATTACHING PARTS**

# SECTION 1 - FRAME AND ATTACHING PARTS

## FIGURE 1-1. FRAME INSTALLATION



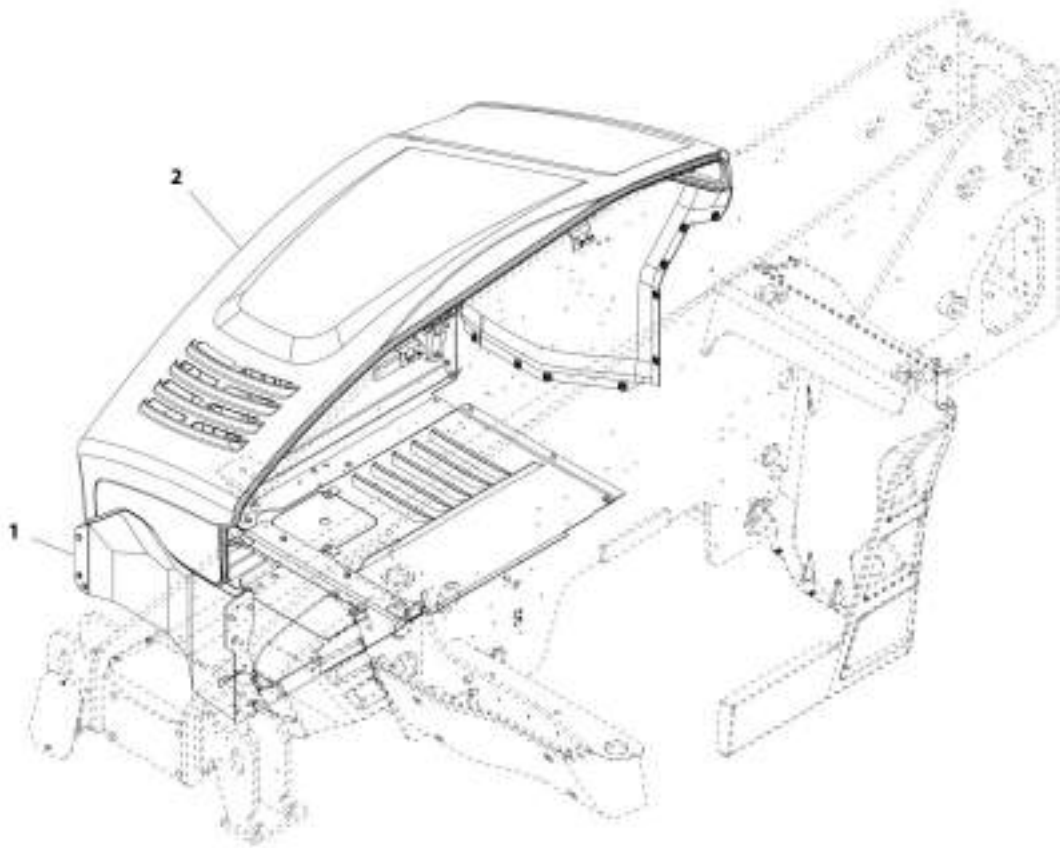
# SECTION 1 - FRAME AND ATTACHING PARTS

## FIGURE 1-1. FRAME INSTALLATION

ITEM	PART NUMBER	QTY	DESCRIPTION	REV
	1001166369	Ref	Frame Installation	1
1	1001003439	3	Grommet, 102DIA	
2	1001028308	2	Grommet, Rubber	
3	1001091126	8	Plug, Black	
4	1001153902J	1	Frame	
5	1001028291	1	Grommet	
6	1001217550	1	Grommet, Rubber	

# SECTION 1 - FRAME AND ATTACHING PARTS

FIGURE 1-2. ENGINE ENCLOSURE INSTALLATION (NO RHOC)



AFT\_100162423 0

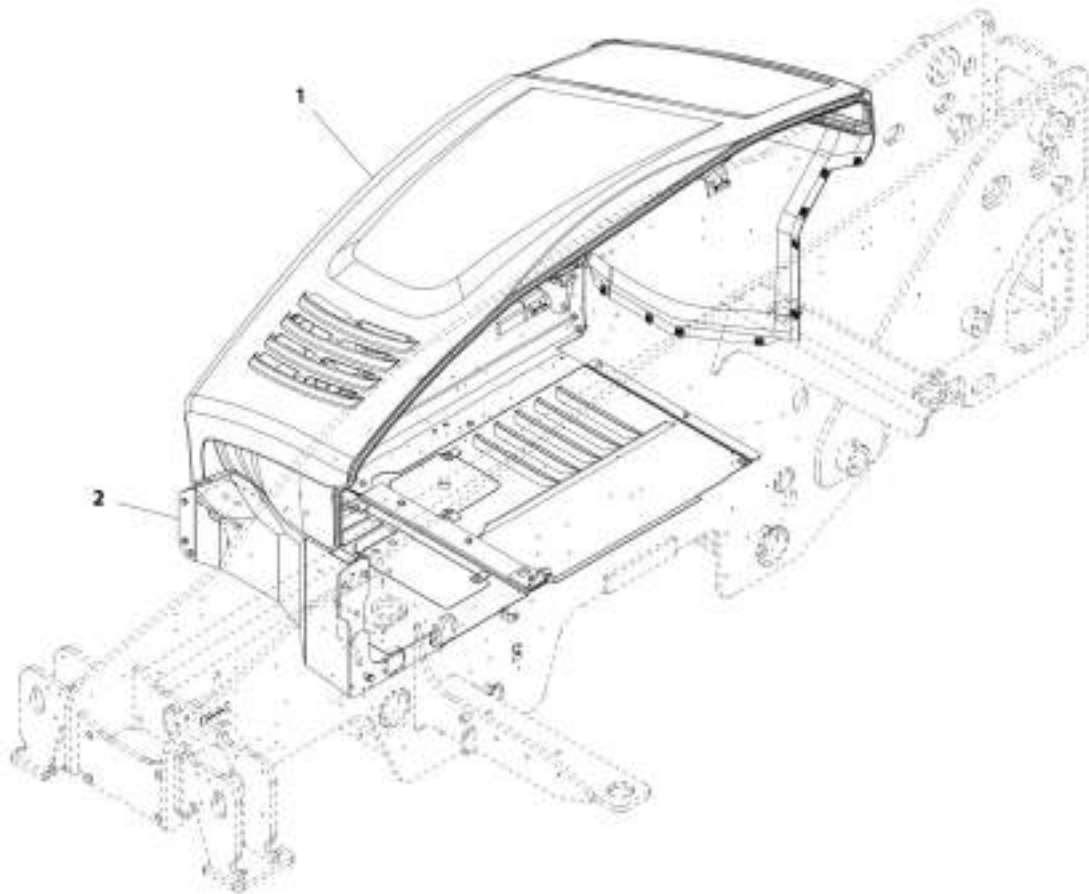
# SECTION 1 - FRAME AND ATTACHING PARTS

## FIGURE 1-2. ENGINE ENCLOSURE INSTALLATION (NO RHOC)

ITEM	PART NUMBER	QTY	DESCRIPTION	REV
1	1001182423	Ref	Engine Enclosure Installation (No RHOC - JLG)	D
	1001195827	Ref	Installation, Engine Enclosure Cover (No RHOC) (See Separate Breakdown in this Section)	
2	1001184514	Ref	Installation, Hood (JLG) (See Separate Breakdown in this Section)	

# SECTION 1 - FRAME AND ATTACHING PARTS

FIGURE 1-3. ENGINE ENCLOSURE INSTALLATION (RHOC)



ART\_1001185790-C

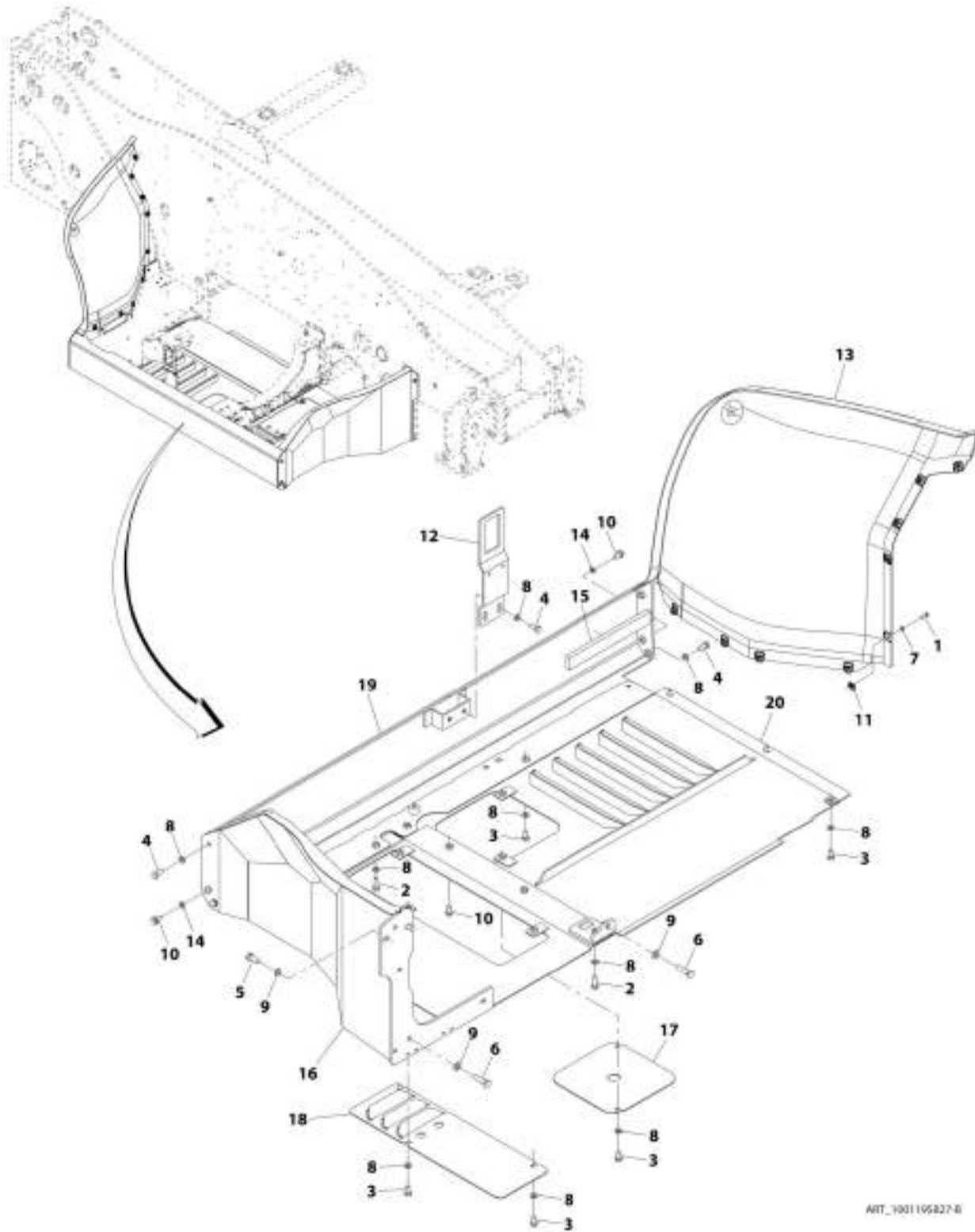
# SECTION 1 - FRAME AND ATTACHING PARTS

## FIGURE 1-3. ENGINE ENCLOSURE INSTALLATION (RHOC)

ITEM	PART NUMBER	QTY	DESCRIPTION	REV
1	1001185790	Ref	Engine Enclosure Installation (RHOC - JLG)	D
	1001184514	Ref	Installation, Hood (JLG) (See Separate Breakdown in this Section)	
2	1001195829	Ref	Installation, Engine Enclosure Cover (RHOC) (See Separate Breakdown in this Section)	

# SECTION 1 - FRAME AND ATTACHING PARTS

FIGURE 1-4. ENGINE ENCLOSURE COVER INSTALLATION (NO RHOC)



AIR\_1001195827-B



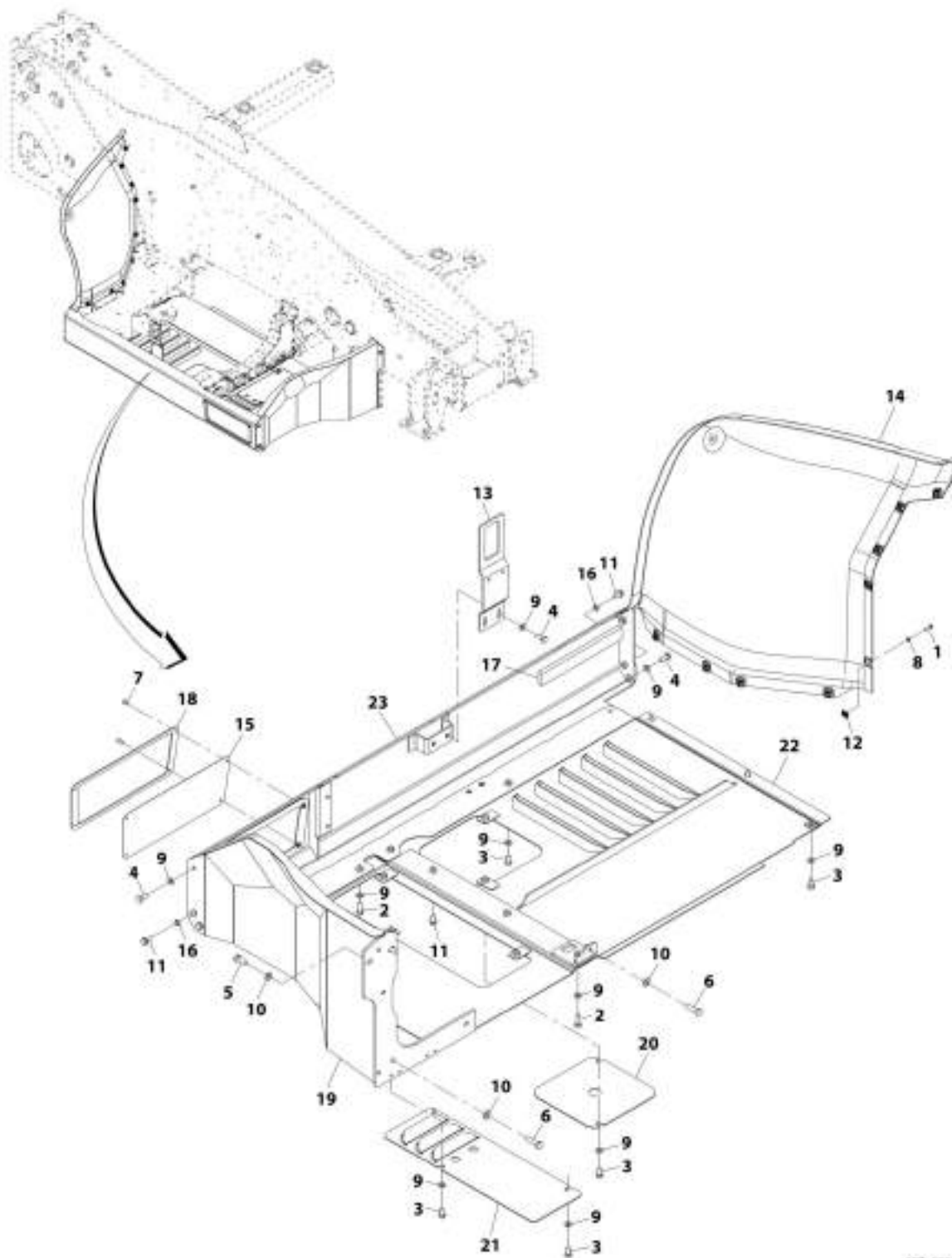
## SECTION 1 - FRAME AND ATTACHING PARTS

**FIGURE 1-4. ENGINE ENCLOSURE COVER INSTALLATION (NO RHOC)**

ITEM	PART NUMBER	QTY	DESCRIPTION	REV
	1001195827	Ref	Engine Enclosure Cover Installation (No RHOC)	B
1	0700610	9	Bolt, M6 X 20	
2	0701014	2	Bolt, M10X30	
3	0761010	10	Bolt, M10X20	
4	0761012	6	Bolt, M10X25	
5	0761214	2	Bolt, M12X30	
6	0761217	2	Bolt, M12X45	
7	4811700	9	Washer, M6	
8	4812000	18	Washer, M10	
9	4812100	4	Washer, M12	
10	5251010	4	Bolt, M10X20 Grade 10.9	
11	8305919	9	Nut, M6	
12	1001154688	1	Plate	
13	1001184524	1	Cover, Engine Enclosure Rear	
14	1001197135	2	Sleeve, Enclosure Skirt	
15	1001197266	1	Seal, Engine Enclosure	
16	1001195210J	1	Panel, Front Enclosure	
17	1001195240J	1	Plate	
18	1001195252J	1	Plate	
19	1001195274J	1	Panel, Engine Enclosure Side	
20	1001201805J	1	Panel, Engine Enclosure Base	

# SECTION 1 - FRAME AND ATTACHING PARTS

## FIGURE 1-5. ENGINE ENCLOSURE COVER INSTALLATION (RHOC)



ART\_1001195829-B

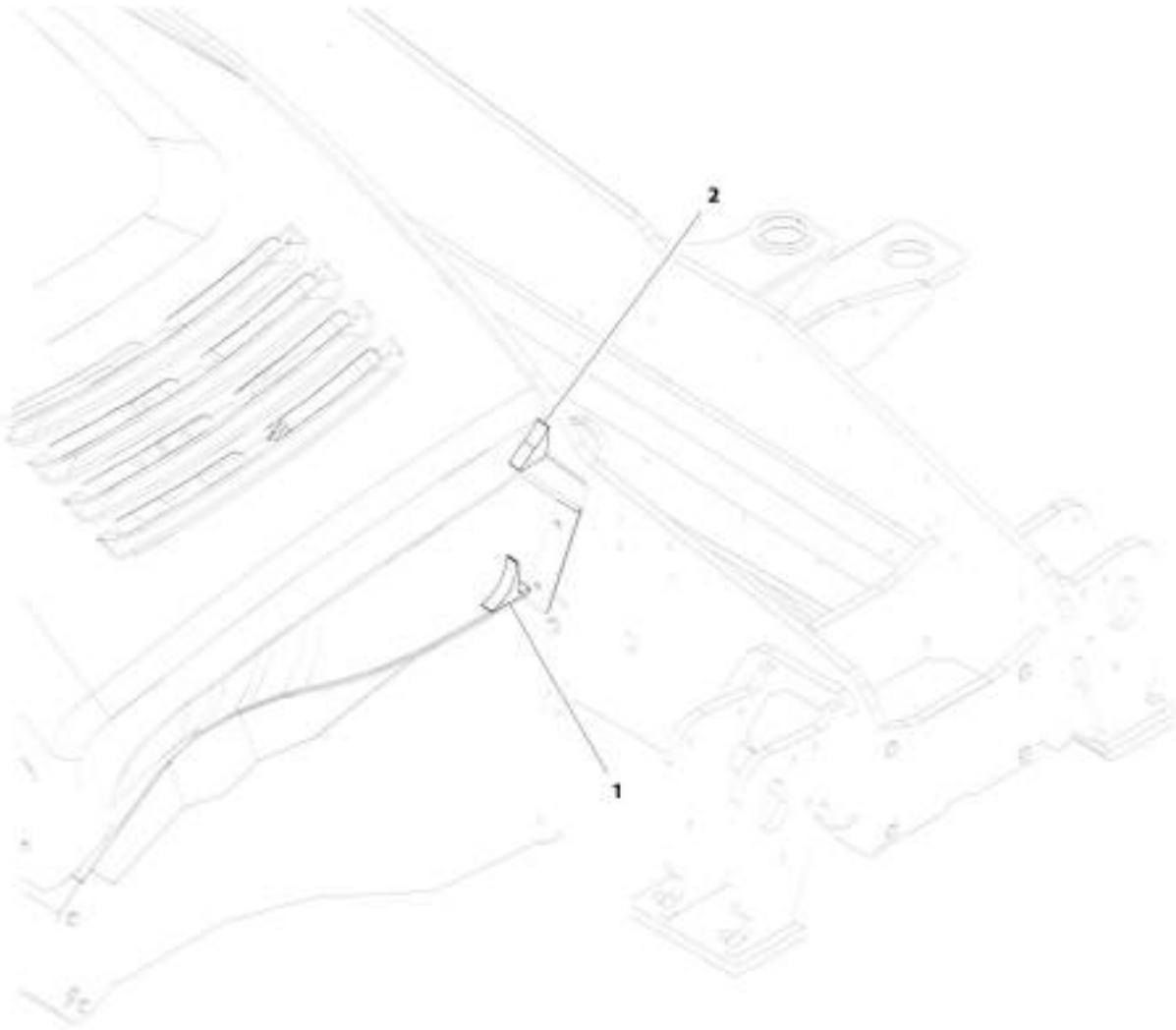
## SECTION 1 - FRAME AND ATTACHING PARTS

**FIGURE 1-5. ENGINE ENCLOSURE COVER INSTALLATION (RHOC)**

ITEM	PART NUMBER	QTY	DESCRIPTION	REV
	1001195829	Ref	Engine Enclosure Cover Installation (RHOC)	B
1	0700610	9	Bolt, M6 X 20	
2	0701014	2	Bolt, M10X30	
3	0761010	10	Bolt, M10X20	
4	0761012	6	Bolt, M10X25	
5	0761214	2	Bolt, M12X30	
6	0761217	2	Bolt, M12X45	
7	3900224	4	Screw	
8	4811700	9	Washer, M6	
9	4812000	18	Washer, M10	
10	4812100	4	Washer, M12	
11	5251010	4	Bolt, M10X20 Grade 10.9	
12	8305919	9	Nut, M6	
13	1001154688	1	Plate	
14	1001184524	1	Cover, Engine Enclosure Rear	
15	1001185061	1	Grill, Engine Enclosure	
16	1001197135	2	Sleeve, Enclosure Skirt	
17	1001197266	1	Seal, Engine Enclosure	
18	1001185023J	1	Panel, Front Vent	
19	1001195210J	1	Panel, Front Enclosure	
20	1001195240J	1	Plate	
21	1001195252J	1	Plate	
22	1001201805J	1	Panel, Engine Enclosure Base	
23	1001196876J	1	Panel, Engine Enclosure Side	

**SECTION 1 - FRAME AND ATTACHING PARTS**

**FIGURE 1-6. AIR INTAKE SEAL INSTALLATION**



AWT\_3001217552-A

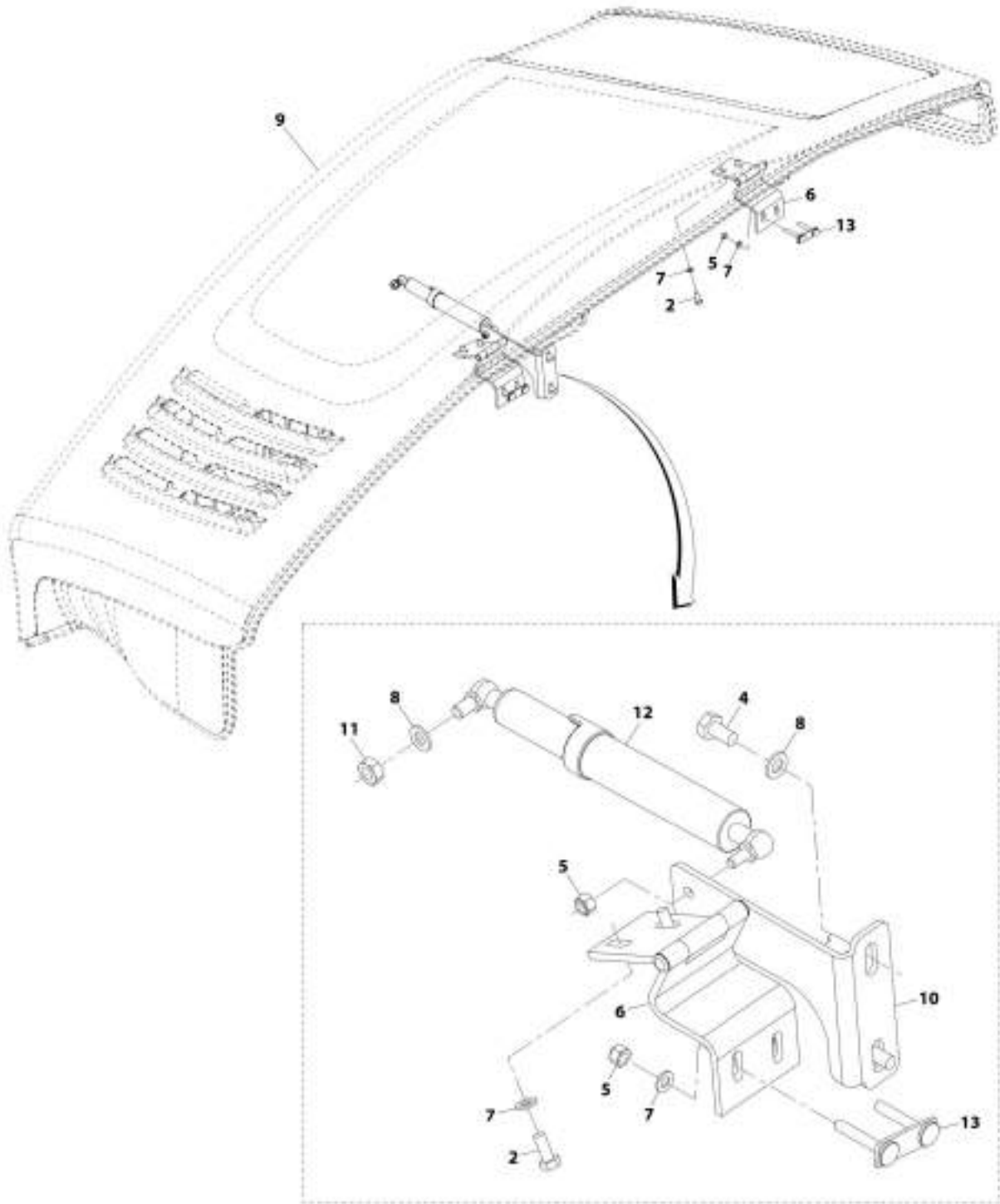
# SECTION 1 - FRAME AND ATTACHING PARTS

## FIGURE 1-6. AIR INTAKE SEAL INSTALLATION

ITEM	PART NUMBER	QTY	DESCRIPTION	REV
	1001217557	Ref	Air Intake Seal Installation	A
1	1001211786	1	Seal	
2	1001211787	1	Seal	

# SECTION 1 - FRAME AND ATTACHING PARTS

## FIGURE 1-7. HOOD INSTALLATION



ART\_1001104514-D

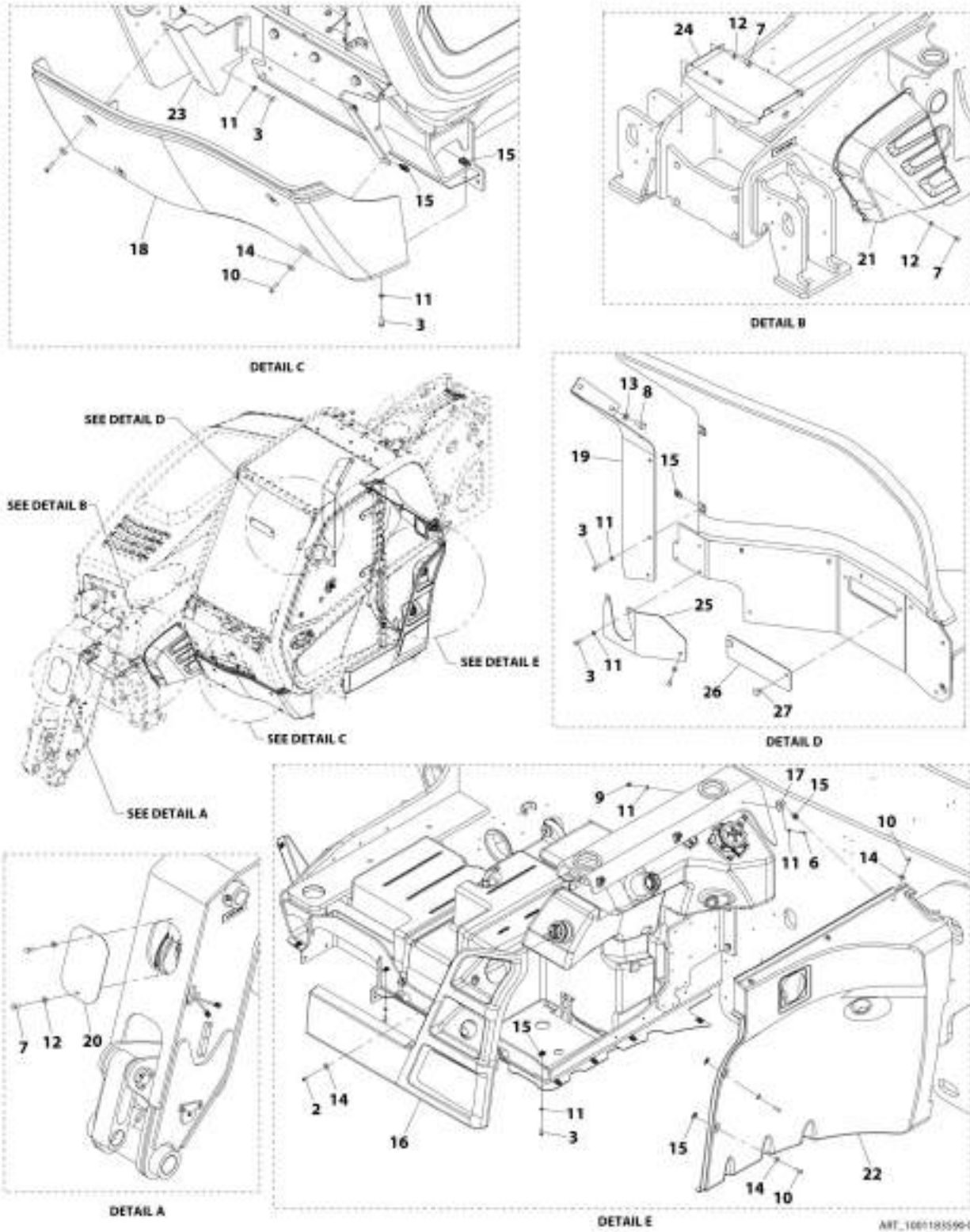
# SECTION 1 - FRAME AND ATTACHING PARTS

## FIGURE 1-7. HOOD INSTALLATION

ITEM	PART NUMBER	QTY	DESCRIPTION	REV
	1001184514	Ref	Hood Installation (JLG)	D
2	0760810	4	Bolt, M8X20	
4	0761010	2	Bolt, M10X20	
5	3290805	5	Nut, Lock M8X1.25 Grade 8	
6	1001205080	2	Hinge, Hood	
7	4811900	8	Washer, M8	
8	4812000	3	Washer, M10	
9	1001196418	1	Hood	
10	1001184431	1	Bracket	
11	3291001	1	Nut, M10X1.5 Grade 8	
12	1001167288	1	Spring	
13	1001195587	2	Brace	

# SECTION 1 - FRAME AND ATTACHING PARTS

## FIGURE 1-8. COVER PLATES INSTALLATION (NO OUTRIGGERS - ULS)





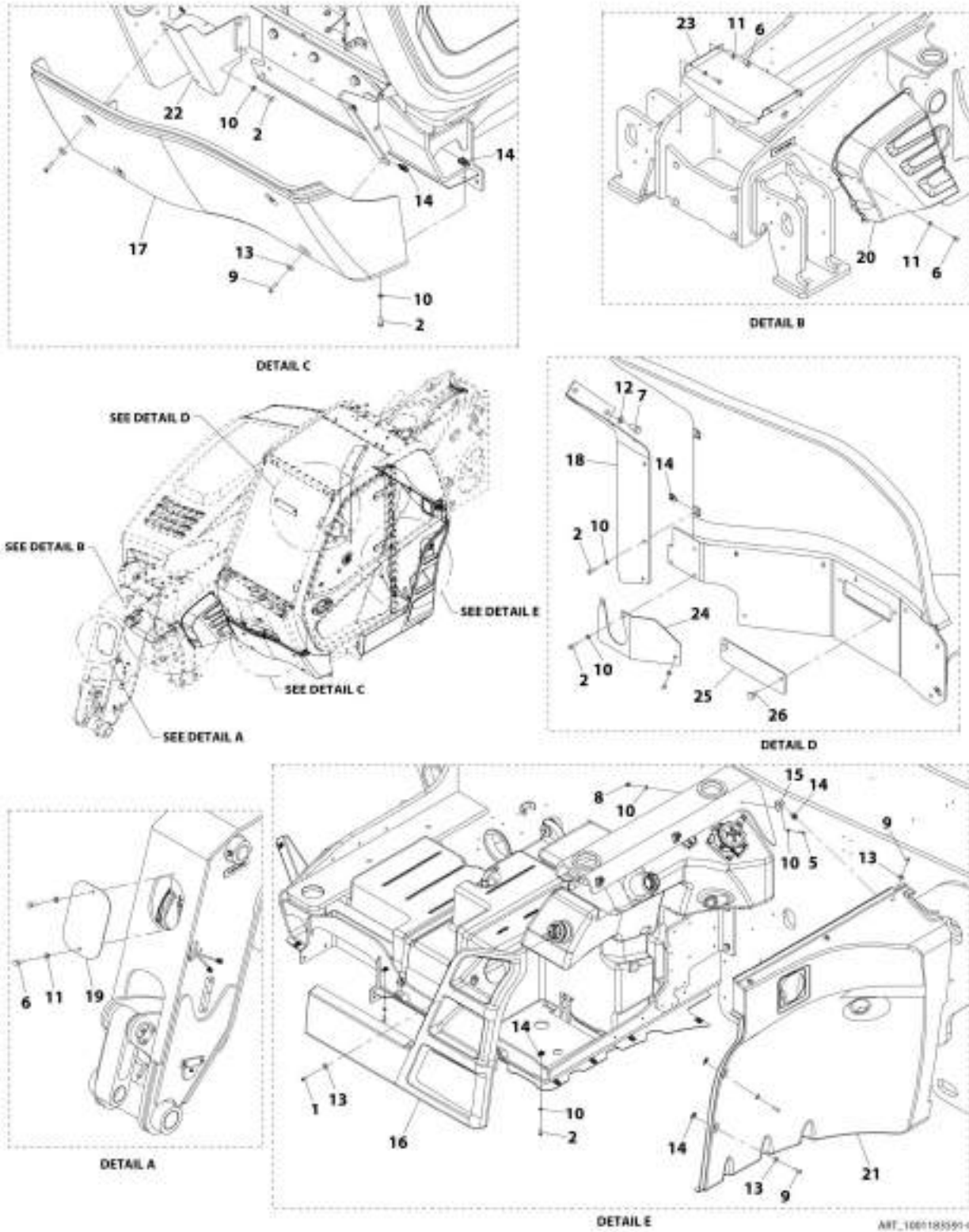
## SECTION 1 - FRAME AND ATTACHING PARTS

**FIGURE 1-8. COVER PLATES INSTALLATION (NO OUTRIGGERS - ULS)**

ITEM	PART NUMBER	QTY	DESCRIPTION	REV
	1001183590	Ref	Cover Plates Installation (No Outriggers - ULS)	D
2	0630576	1	Screw, M6X20	
3	0700610	14	Bolt, M6X20	
6	0760612	3	Bolt, M6X25	
7	0760810	10	Bolt, M8X20	
8	0761012	2	Bolt, M10X25	
9	3290605	3	Nut, Lock M6X1 Grade 8	
10	3900379	9	Screw, M6-1X25 Grade 10.9	
11	4811700	20	Washer, M6	
12	4811900	10	Washer, M8	
13	4812000	2	Washer, M10	
14	1001097540	10	Washer, M6	
15	8305919	17	Nut, M6	
16	1001168758	1	Cover, Side Tank	
17	1001171782	3	Plate, Angle Mount	
18	1001174328	1	Cover, Lower Front	
19	1001182210	1	Plate, Enclosure Rear	
20	1001185936	1	Plate, Cover Boom Head	
21	1001187717	1	Cover, ECU	
22	1001190408	1	Cover, Rear Tank	
23	1001191808	1	Bracket, Cover	
24	1001189984J	1	Panel, Frame	
25	1001201504J	1	Panel, Cover	
26	1001216923J	1	Plate, Radiator Cover	
27	2080092	2	Screw, Thumb M6X20	

# SECTION 1 - FRAME AND ATTACHING PARTS

## FIGURE 1-9. COVER PLATES INSTALLATION (NO OUTRIGGERS - LS)



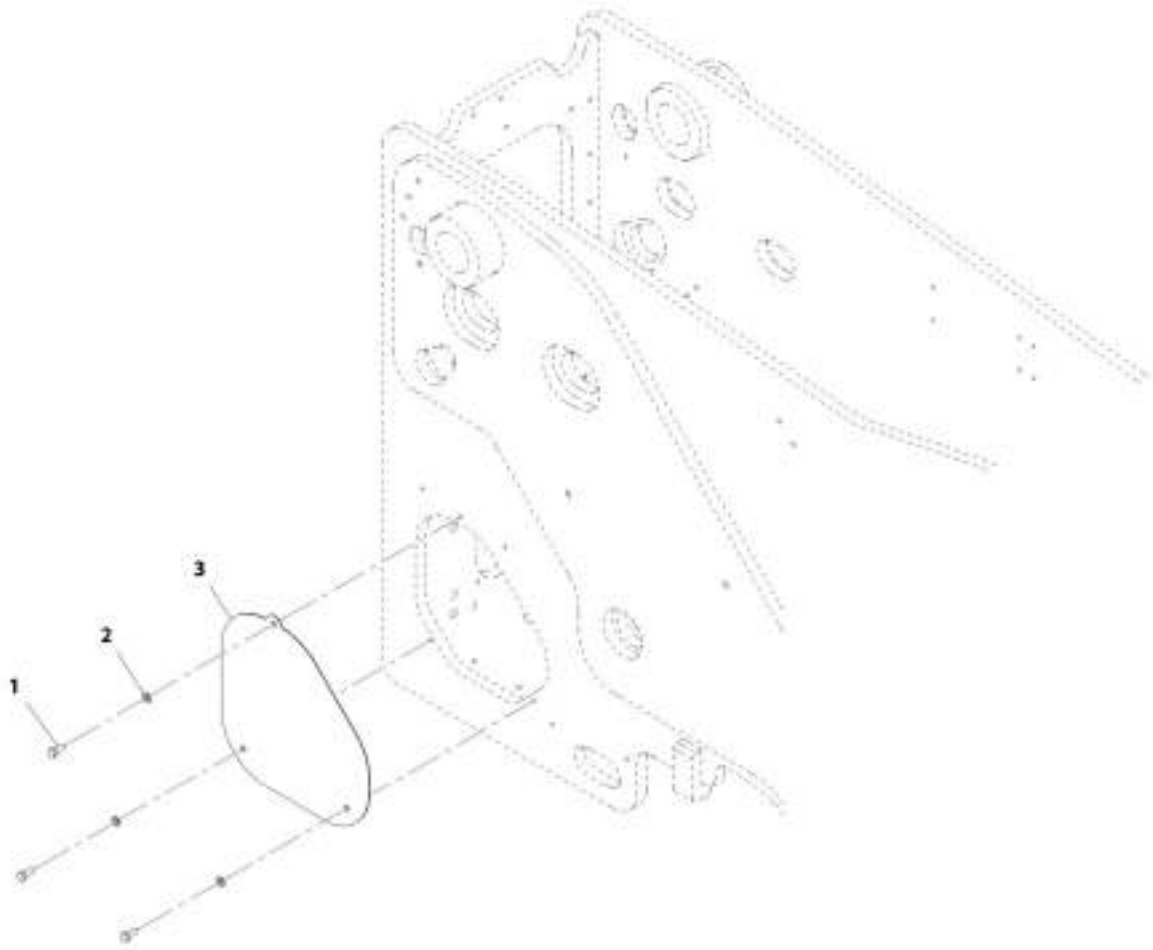
## SECTION 1 - FRAME AND ATTACHING PARTS

**FIGURE 1-9. COVER PLATES INSTALLATION (NO OUTRIGGERS - LS)**

ITEM	PART NUMBER	QTY	DESCRIPTION	REV
	1001183591	Ref	Cover Plates Installation (No Outriggers - LS)	C
1	0630576	1	Screw, M6X20	
2	0700610	14	Bolt, M6X20	
5	0760612	3	Bolt, M6X25	
6	0760810	10	Bolt, M8X20	
7	0761012	2	Bolt, M10X25	
8	3290605	3	Nut, Lock M6X1 Grade 8	
9	3900379	9	Screw, M6-1X25 Grade 10.9	
10	4811700	20	Washer, M6	
11	4811900	10	Washer, M8	
12	4812000	2	Washer, M10	
13	1001097540	10	Washer, M6	
14	8305919	17	Nut, M6	
15	1001171782	3	Plate, Angle Mount	
16	1001172829	1	Cover, Side Tank	
17	1001174328	1	Cover, Lower Front	
18	1001182210	1	Plate, Enclosure Rear	
19	1001185936	1	Plate, Cover Boom Head	
20	1001187717	1	Cover, ECU	
21	1001190408	1	Cover, Rear Tank	
22	1001191808	1	Bracket, Cover	
23	1001189984J	1	Panel, Frame	
24	1001201504J	1	Panel, Cover	
25	1001216923J	1	Plate, Radiator Cover	
26	2080092	2	Screw, Thumb M6X20	

# SECTION 1 - FRAME AND ATTACHING PARTS

FIGURE 1-10. COVER PLATE INSTALLATION (NO TRAILER BRAKES)



ART\_1001203189-A

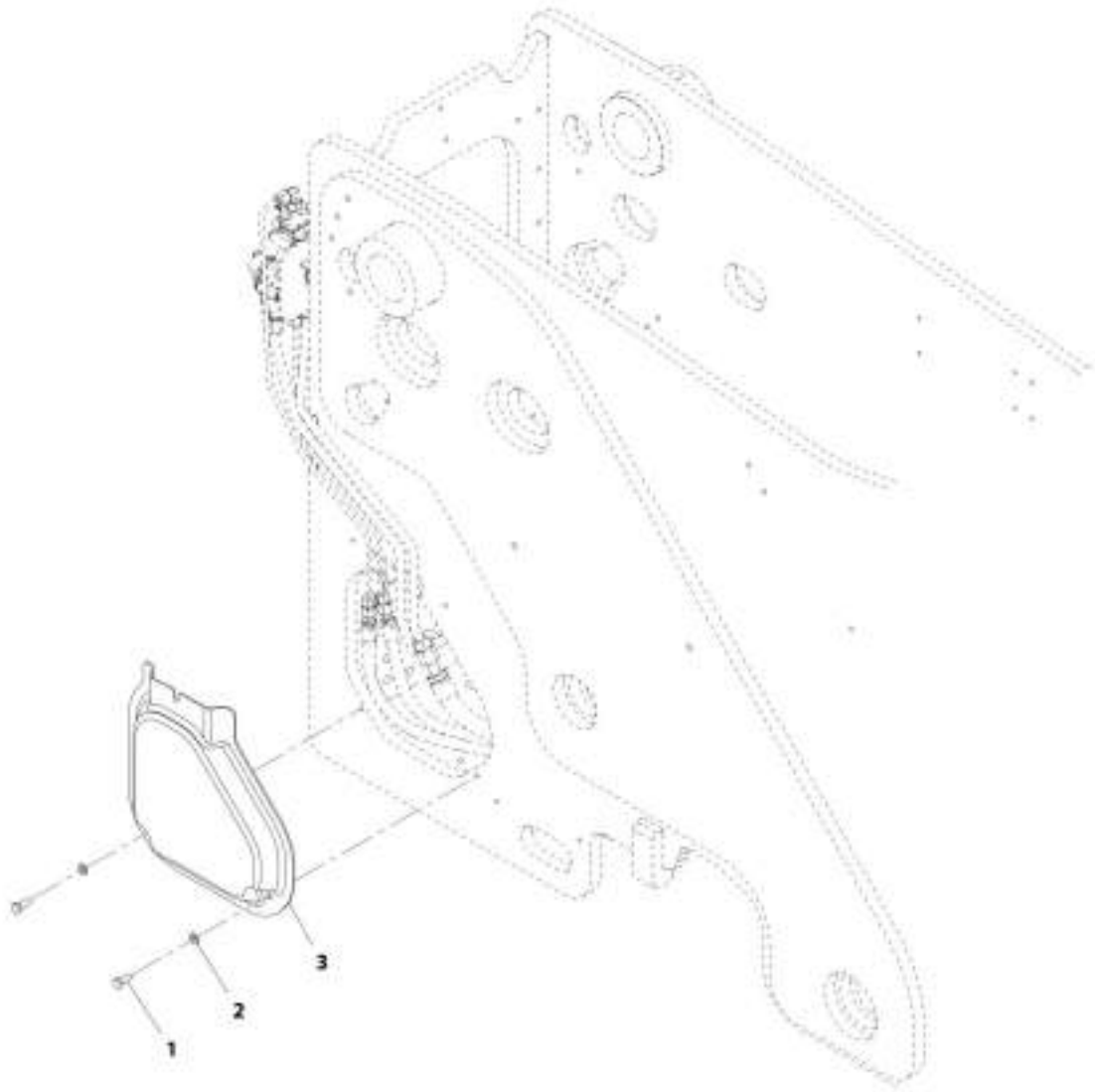
## SECTION 1 - FRAME AND ATTACHING PARTS

FIGURE 1-10. COVER PLATE INSTALLATION (NO TRAILER BRAKES)

ITEM	PART NUMBER	QTY	DESCRIPTION	REV
	1001203386	Ref	Cover Plate Installation (No Trailer Brakes)	A
1	0760810	3	Bolt, M8X20	
2	4811900	3	Washer, M8	
3	1001180574J	1	Plate, Cover	

# SECTION 1 - FRAME AND ATTACHING PARTS

FIGURE 1-11. COVER PLATE INSTALLATION (TRAILER BRAKES)



MYT\_3001205400-A

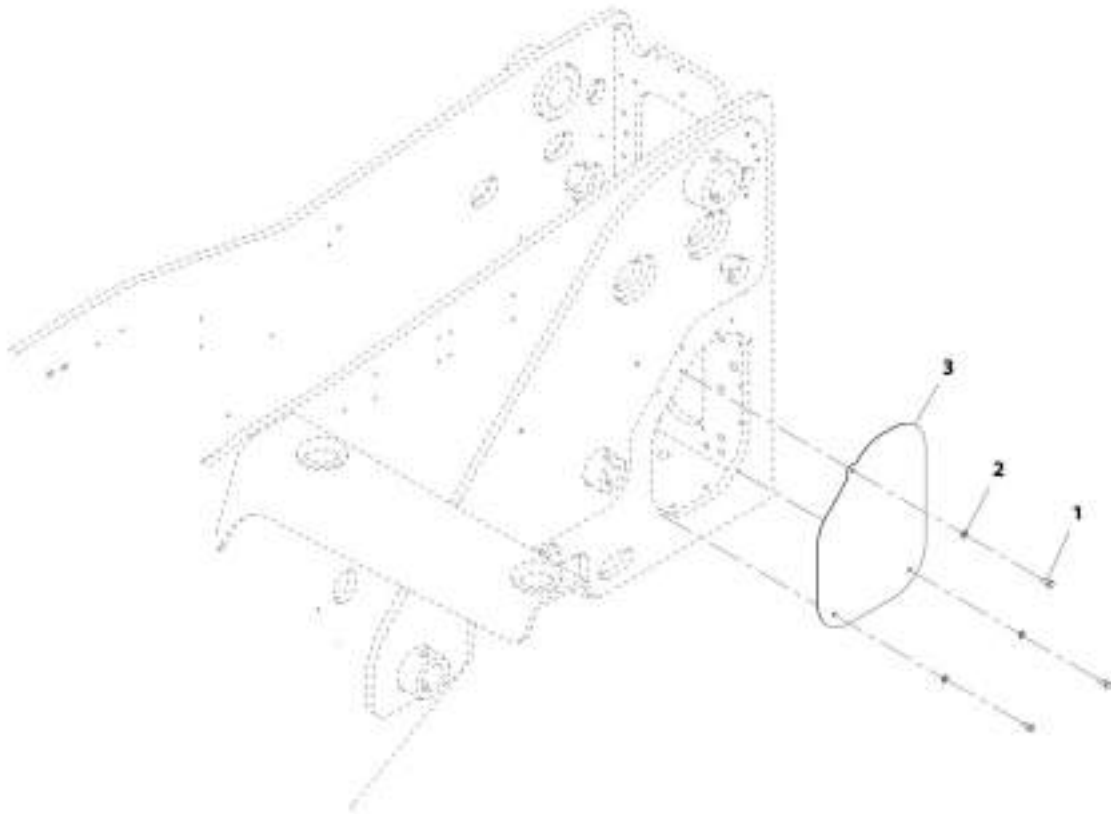
# SECTION 1 - FRAME AND ATTACHING PARTS

## FIGURE 1-11. COVER PLATE INSTALLATION (TRAILER BRAKES)

ITEM	PART NUMBER	QTY	DESCRIPTION	REV
	1001203406	Ref	Cover Plate Installation (Trailer Brakes)	A
1	0760810	2	Bolt, M8X20	
2	4811900	2	Washer, M8	
3	1001203410	1	Cover, Frame	

# SECTION 1 - FRAME AND ATTACHING PARTS

FIGURE 1-12. COVER PLATE INSTALLATION (NO REAR AUX)



AWT\_18012013274-A



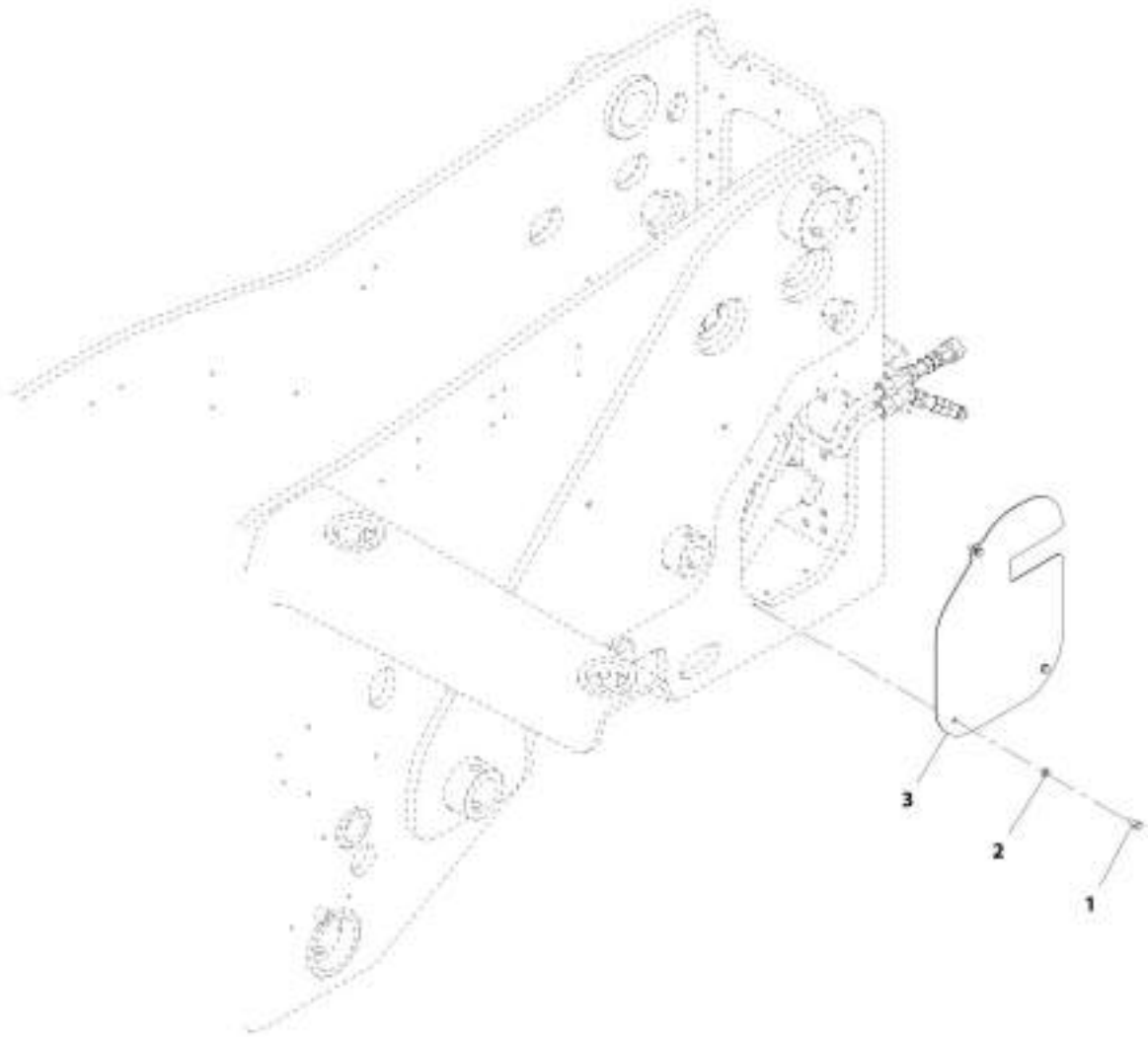
# SECTION 1 - FRAME AND ATTACHING PARTS

## FIGURE 1-12. COVER PLATE INSTALLATION (NO REAR AUX)

ITEM	PART NUMBER	QTY	DESCRIPTION	REV
	1001203374	Ref	Cover Plate Installation (No Rear Aux)	A
1	0760810	3	Bolt, M8X20	
2	4811900	3	Washer, M8	
3	1001183908J	1	Plate, Cover	

# SECTION 1 - FRAME AND ATTACHING PARTS

FIGURE 1-13. COVER PLATE INSTALLATION (REAR AUX)



ART\_1001200403-B

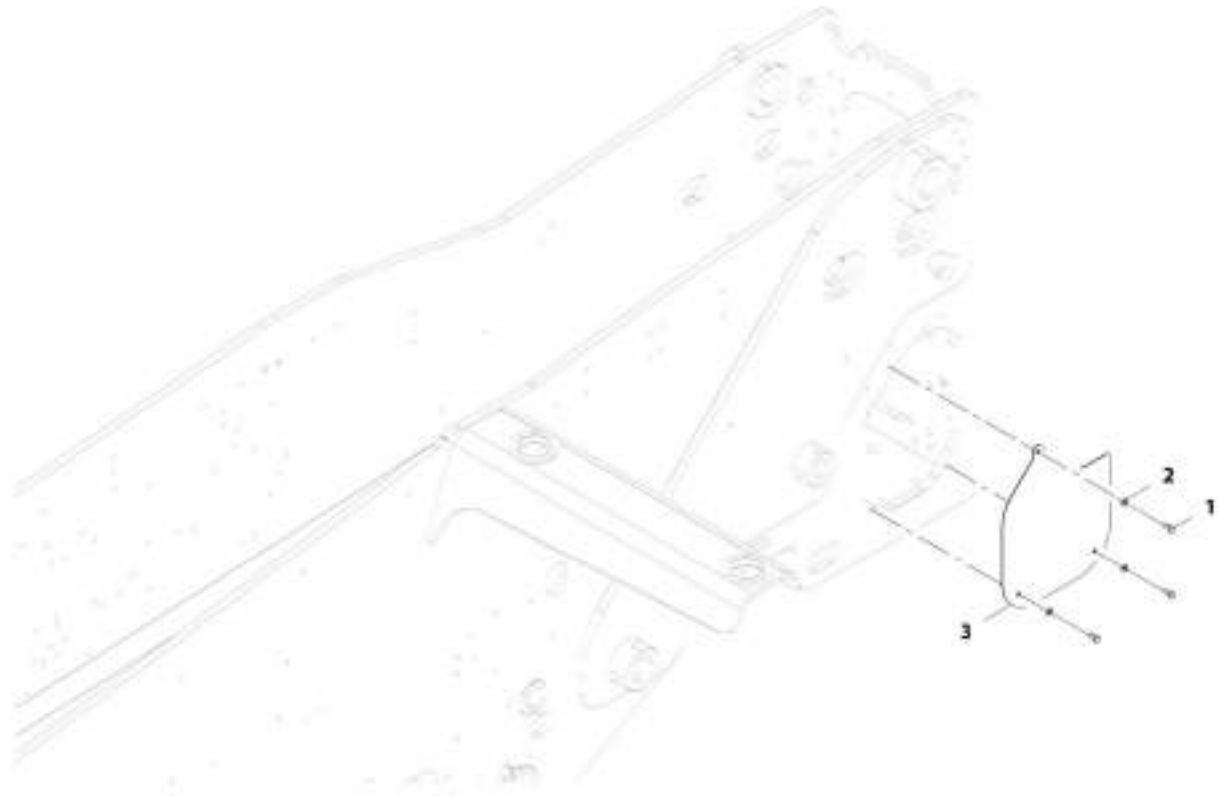
# SECTION 1 - FRAME AND ATTACHING PARTS

## FIGURE 1-13. COVER PLATE INSTALLATION (REAR AUX)

ITEM	PART NUMBER	QTY	DESCRIPTION	REV
	1001203402	Ref	Cover Plate Installation (Rear Aux)	B
1	0760810	3	Bolt, M8X20	
2	4811900	3	Washer, M8	
3	1001203408J	1	Plate, Cover	

# SECTION 1 - FRAME AND ATTACHING PARTS

FIGURE 1-14. COVER PLATE INSTALLATION (HYDRAULIC HITCH AND REAR AUX)



AWT\_3001214492-A

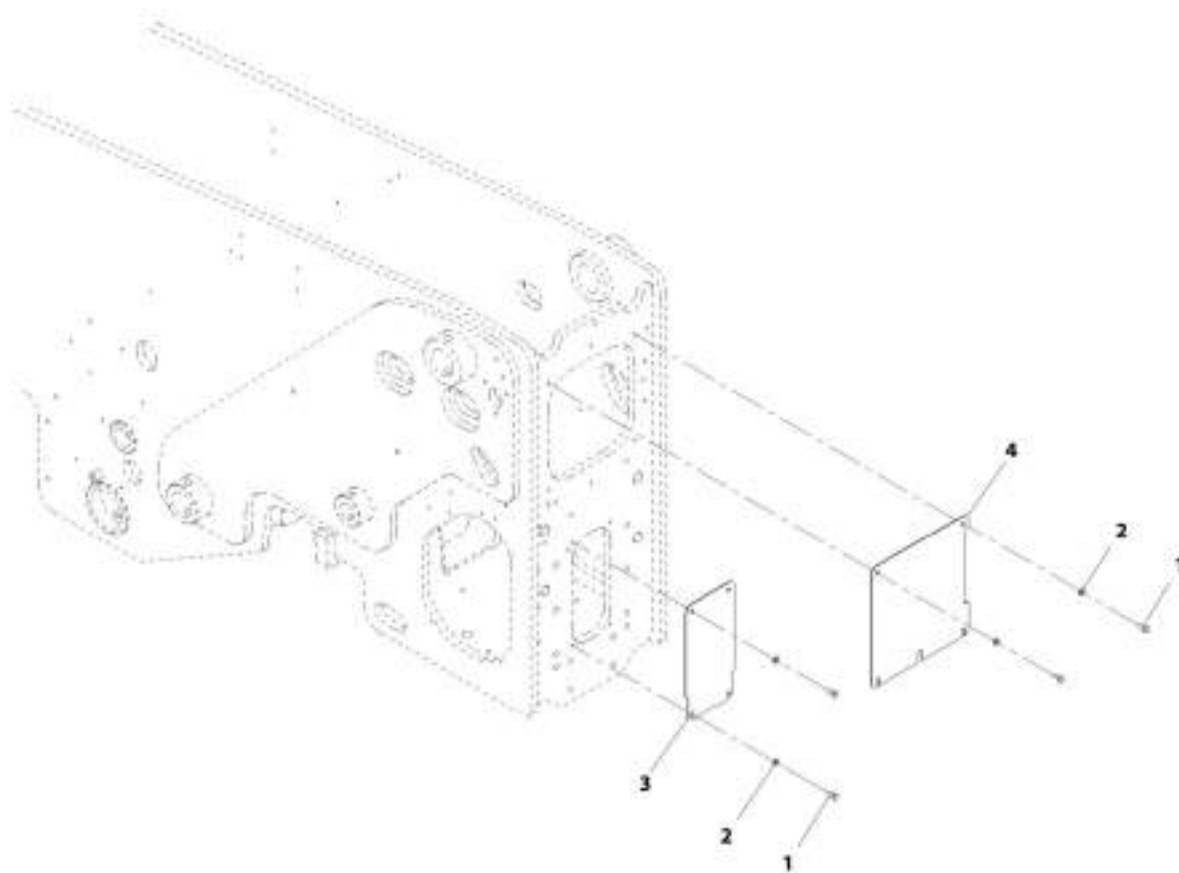
## SECTION 1 - FRAME AND ATTACHING PARTS

FIGURE 1-14. COVER PLATE INSTALLATION (HYDRAULIC HITCH AND REAR AUX)

ITEM	PART NUMBER	QTY	DESCRIPTION	REV
	1001214492	Ref	Cover Plate Installation (Hydraulic Hitch and Rear Aux)	A
1	0760810	3	Bolt, M8X20	
2	4811900	3	Washer, M8	
3	1001214036J	1	Plate	

# SECTION 1 - FRAME AND ATTACHING PARTS

FIGURE 1-15. REAR COVER PLATE INSTALLATION (NO HYDRAULIC HITCH)



MTT\_1001201291-E

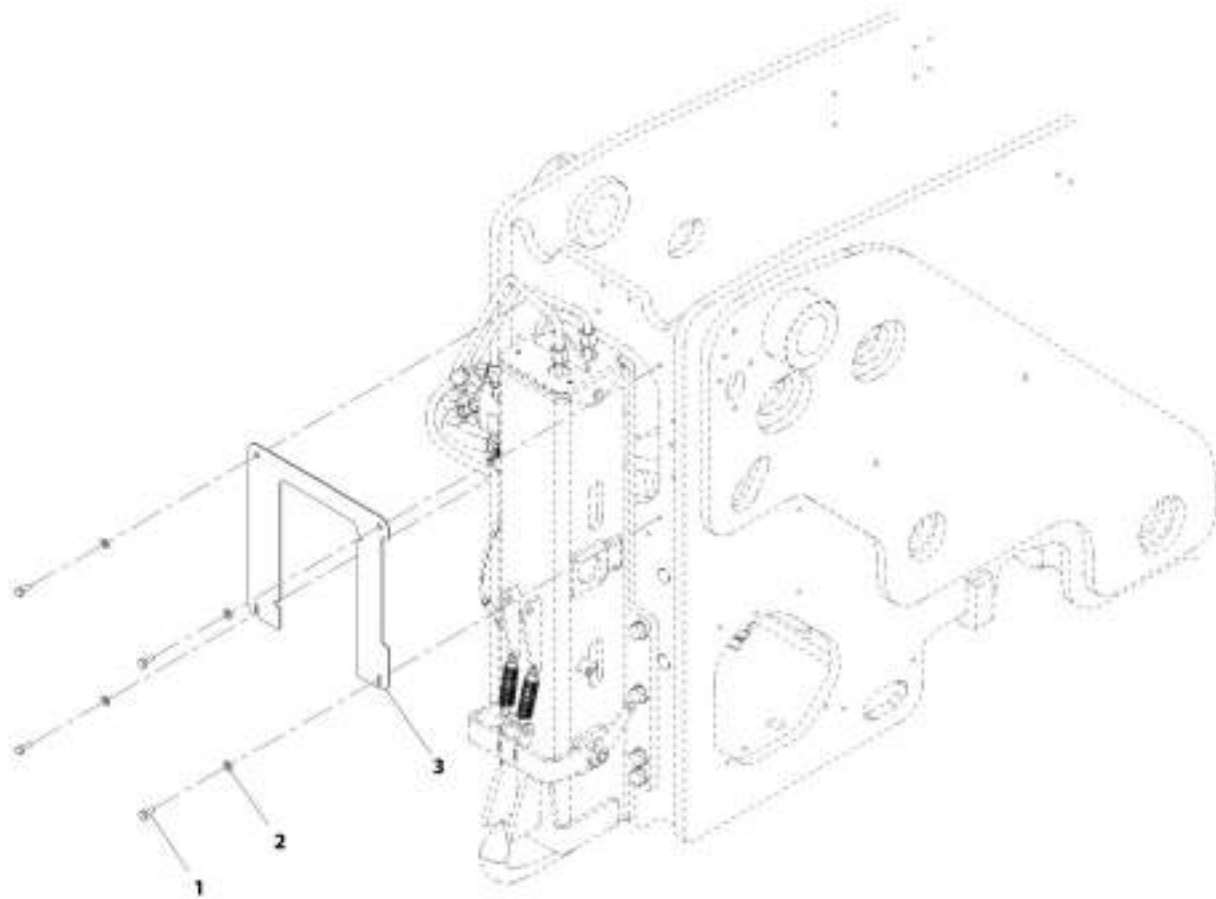
## SECTION 1 - FRAME AND ATTACHING PARTS

FIGURE 1-15. REAR COVER PLATE INSTALLATION (NO HYDRAULIC HITCH)

ITEM	PART NUMBER	QTY	DESCRIPTION	REV
	1001203291	Ref	Rear Cover Plate Installation (No Hydraulic Hitch)	B
1	0760810	8	Bolt, M8X20	
2	4811900	8	Washer, M8	
3	1001183909J	1	Plate, Cover	
4	1001183910J	1	Plate, Cover	

# SECTION 1 - FRAME AND ATTACHING PARTS

FIGURE 1-16. REAR COVER PLATE INSTALLATION (HYDRAULIC HITCH)



ART\_1001203269-0



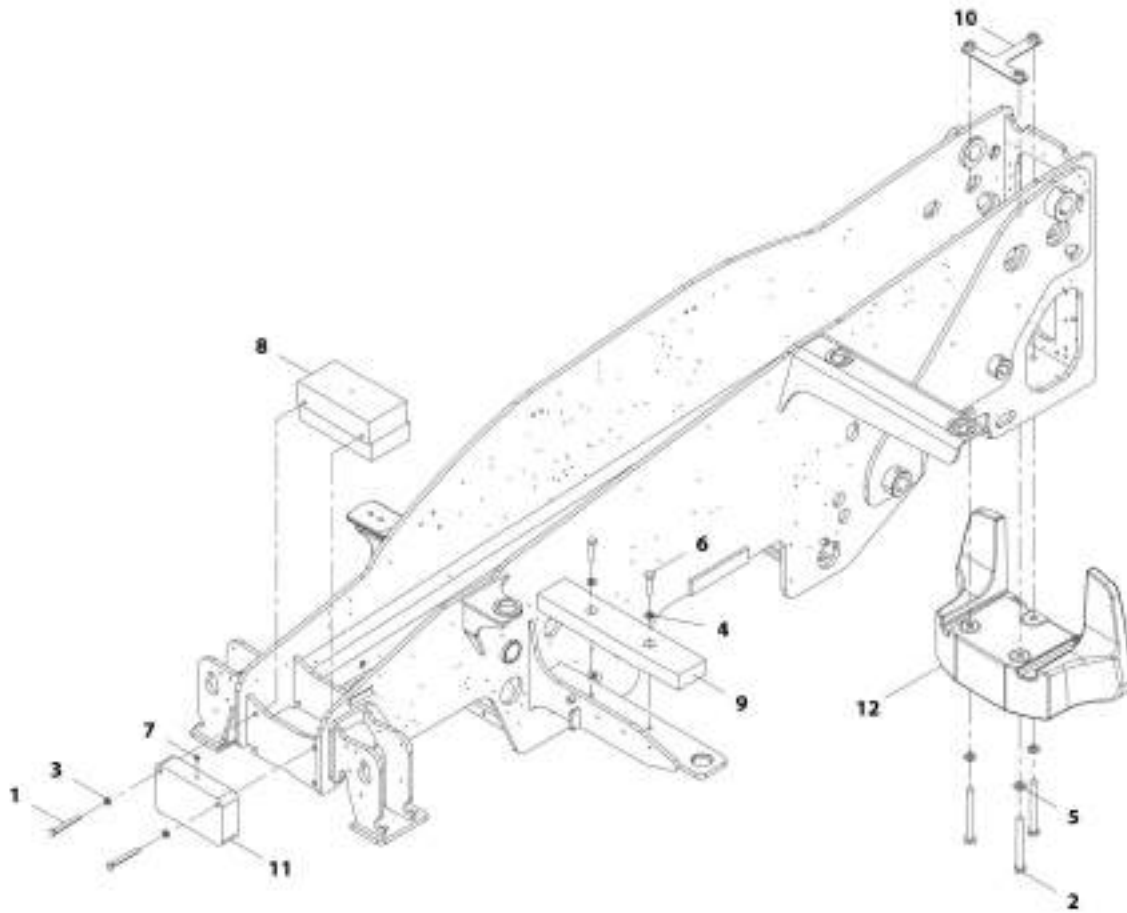
## SECTION 1 - FRAME AND ATTACHING PARTS

FIGURE 1-16. REAR COVER PLATE INSTALLATION (HYDRAULIC HITCH)

ITEM	PART NUMBER	QTY	DESCRIPTION	REV
	1001203293	Ref	Rear Cover Plate Installation (Hydraulic Hitch)	B
1	0760810	4	Bolt, M8X20	
2	4811900	4	Washer, M8	
3	1001203305J	1	Plate, Cover	

# SECTION 1 - FRAME AND ATTACHING PARTS

## FIGURE 1-17. COUNTERWEIGHT INSTALLATION



ART\_1001214208-A

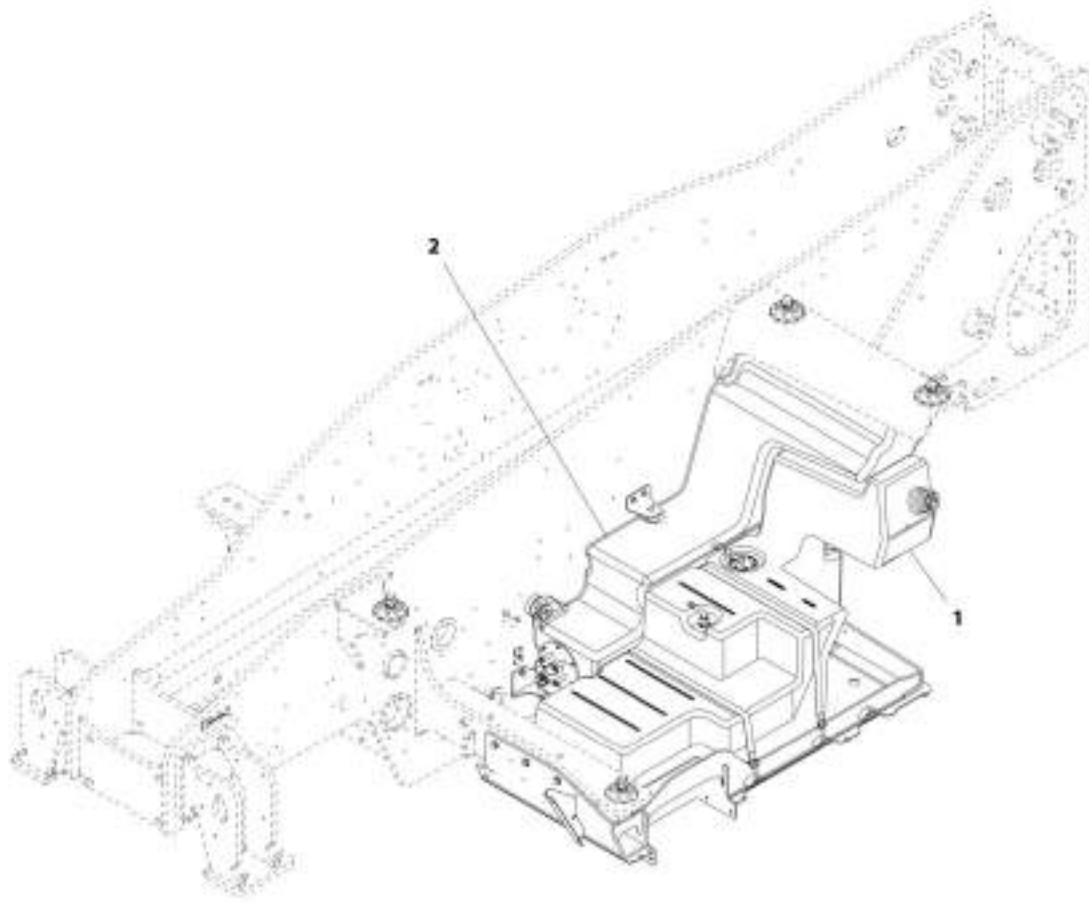
# SECTION 1 - FRAME AND ATTACHING PARTS

## FIGURE 1-17. COUNTERWEIGHT INSTALLATION

ITEM	PART NUMBER	QTY	DESCRIPTION	REV
	1001214356	Ref	Counterweight Installation	A
1	0701631	2	Bolt, M16X140	
2	0712439	3	Bolt, M24X220, Grade 10.9	
3	4812300	2	Washer, M16	
4	4812500	2	Washer, M20	
5	4812700	3	Washer, M24	
6	1001119057	2	Bolt	
7	1001176341	1	Bolt, M10X16	
8	1001187622	1	Weight, Counterweight	
9	1001187732	1	Plate, Counterweight	
10	1001212270	1	Plate, Counterweight	
11	1001187638J	1	Weight, Counterweight	
12	1001201030J	1	Weight, Counterweight	

# SECTION 1 - FRAME AND ATTACHING PARTS

FIGURE 1-18. TANKS INSTALLATION



ART\_100170904-0

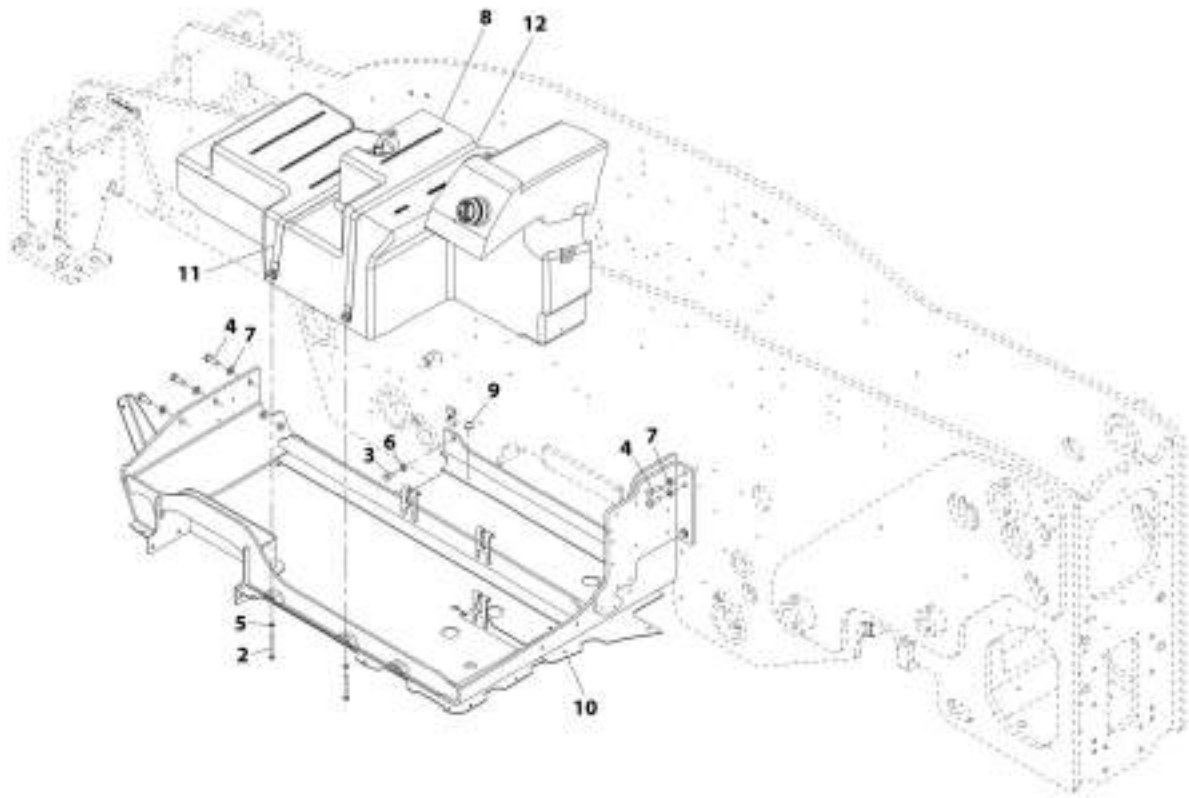
# SECTION 1 - FRAME AND ATTACHING PARTS

## FIGURE 1-18. TANKS INSTALLATION

ITEM	PART NUMBER	QTY	DESCRIPTION	REV
1	1001176964	Ref	Tanks Installation	B
	1001176965	Ref	Installation, Fuel Tank (See Separate Breakdown in this Section)	
	1001176966	Ref	Installation, Hydraulic Tank (See Separate Breakdown in this Section)	

# SECTION 1 - FRAME AND ATTACHING PARTS

FIGURE 1-19. FUEL TANK INSTALLATION



ART\_300117695-D

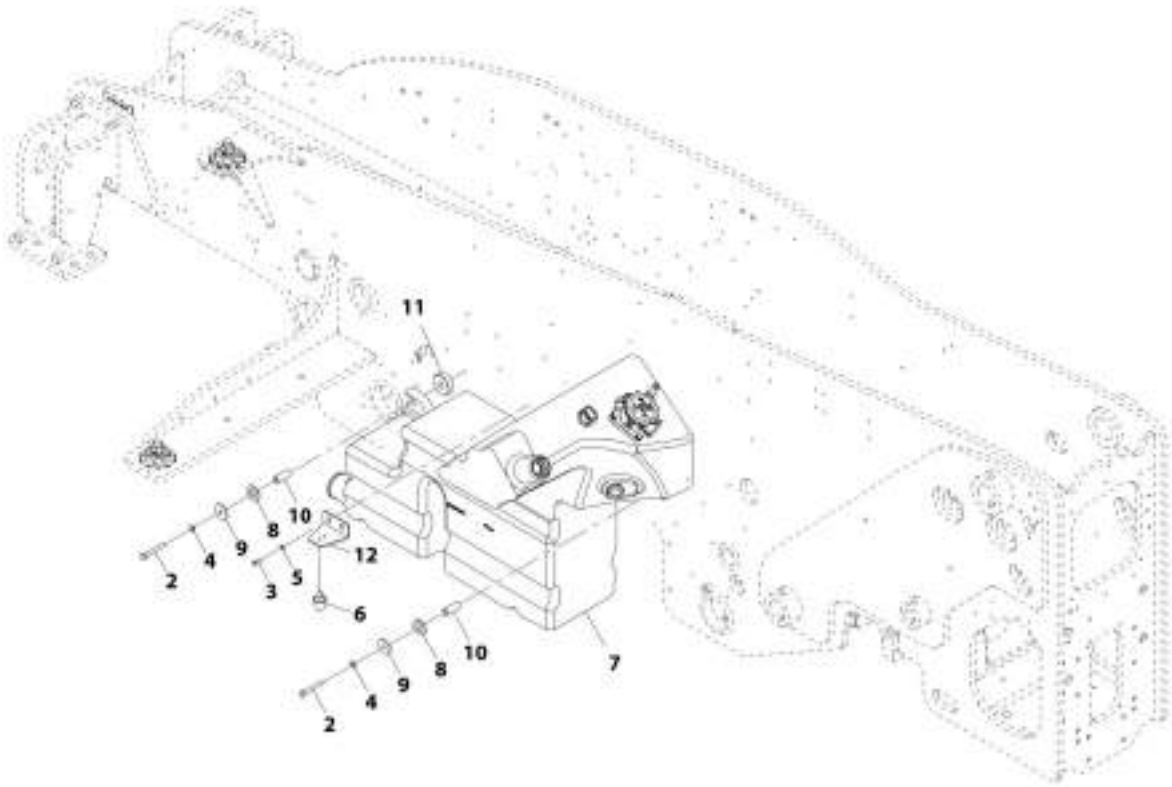
# SECTION 1 - FRAME AND ATTACHING PARTS

## FIGURE 1-19. FUEL TANK INSTALLATION

ITEM	PART NUMBER	QTY	DESCRIPTION	REV
	1001176965	Ref	Fuel Tank Installation	D
2	0760823	2	Bolt, M8X75	
3	0761012	1	Bolt, M10X25	
4	0761215	6	Bolt, M12X35	
5	4811900	2	Washer, M8	
6	4812000	1	Washer, M10	
7	4812100	6	Washer, M12	
8	1001192125	1	Assembly, Fuel Tank (See Separate Breakdown in this Section)	
9	1001169454	4	Mount	
10	1001197360	1	Support, Plate	
11	1001178474	1	Strap, Tank	
12	1001178693	1	Strap, Tank	

# SECTION 1 - FRAME AND ATTACHING PARTS

FIGURE 1-20. HYDRAULIC TANK INSTALLATION



ART\_1001170066-C



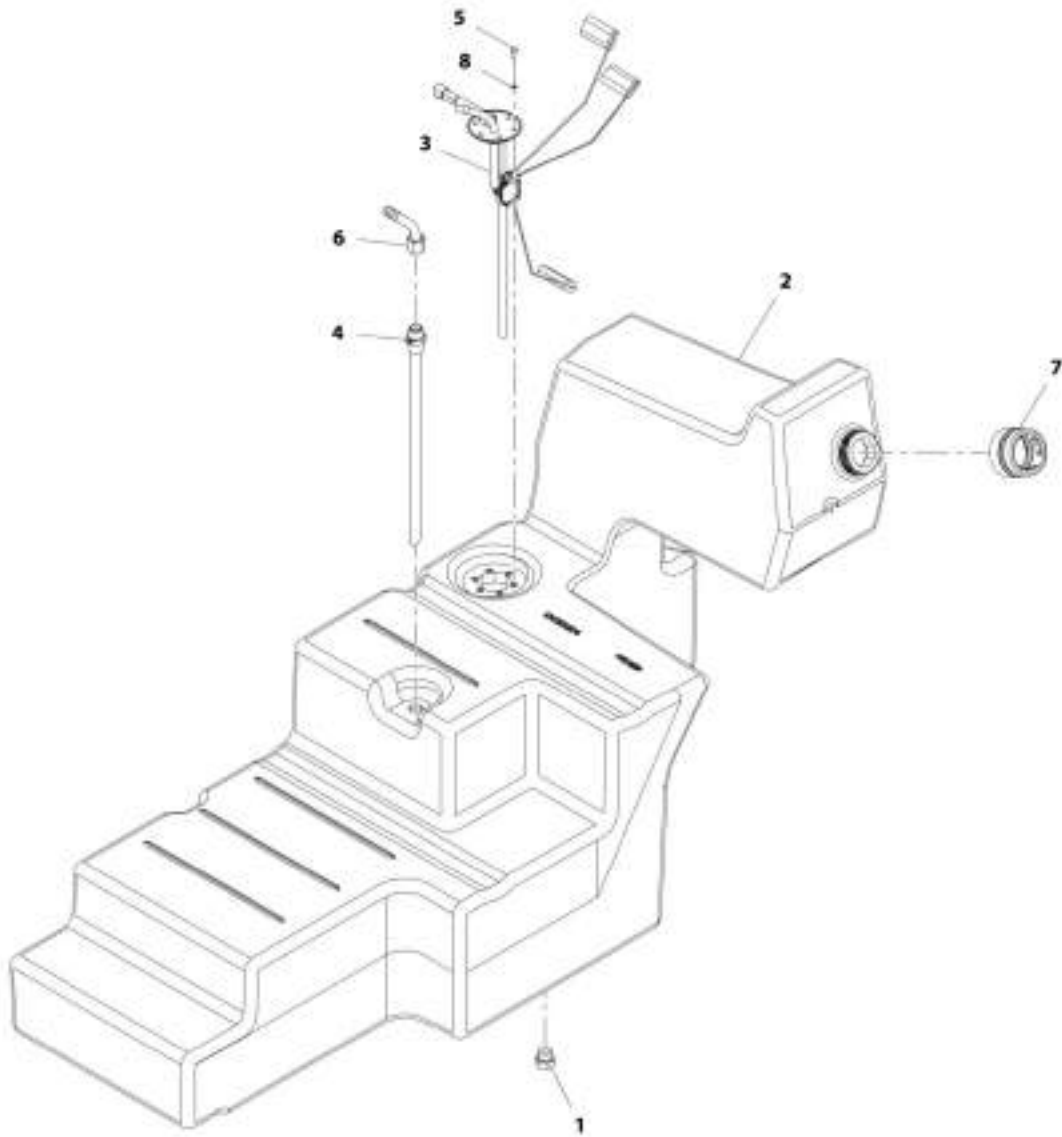
# SECTION 1 - FRAME AND ATTACHING PARTS

## FIGURE 1-20. HYDRAULIC TANK INSTALLATION

ITEM	PART NUMBER	QTY	DESCRIPTION	REV
	1001176966	Ref	Hydraulic Tank Installation	C
2	0701024	2	Bolt, M10X80	
3	0760812	2	Bolt, M8X25	
4	4812000	2	Washer, M10	
5	4811900	2	Washer, M8	
6	1001008575	1	Bumper	
7	1001191521	1	Assembly, Hydraulic Tank (See Separate Breakdown in this Section)	
8	1001172146	2	Washer	
9	1001172147	2	Washer, M10	
10	1001177060	2	Sleeve, Spacer	
11	1001177062	2	Washer	
12	1001177082	1	Bracket, Frame	

# SECTION 1 - FRAME AND ATTACHING PARTS

## FIGURE 1-21. FUEL TANK ASSEMBLY



ART\_1001192125-0

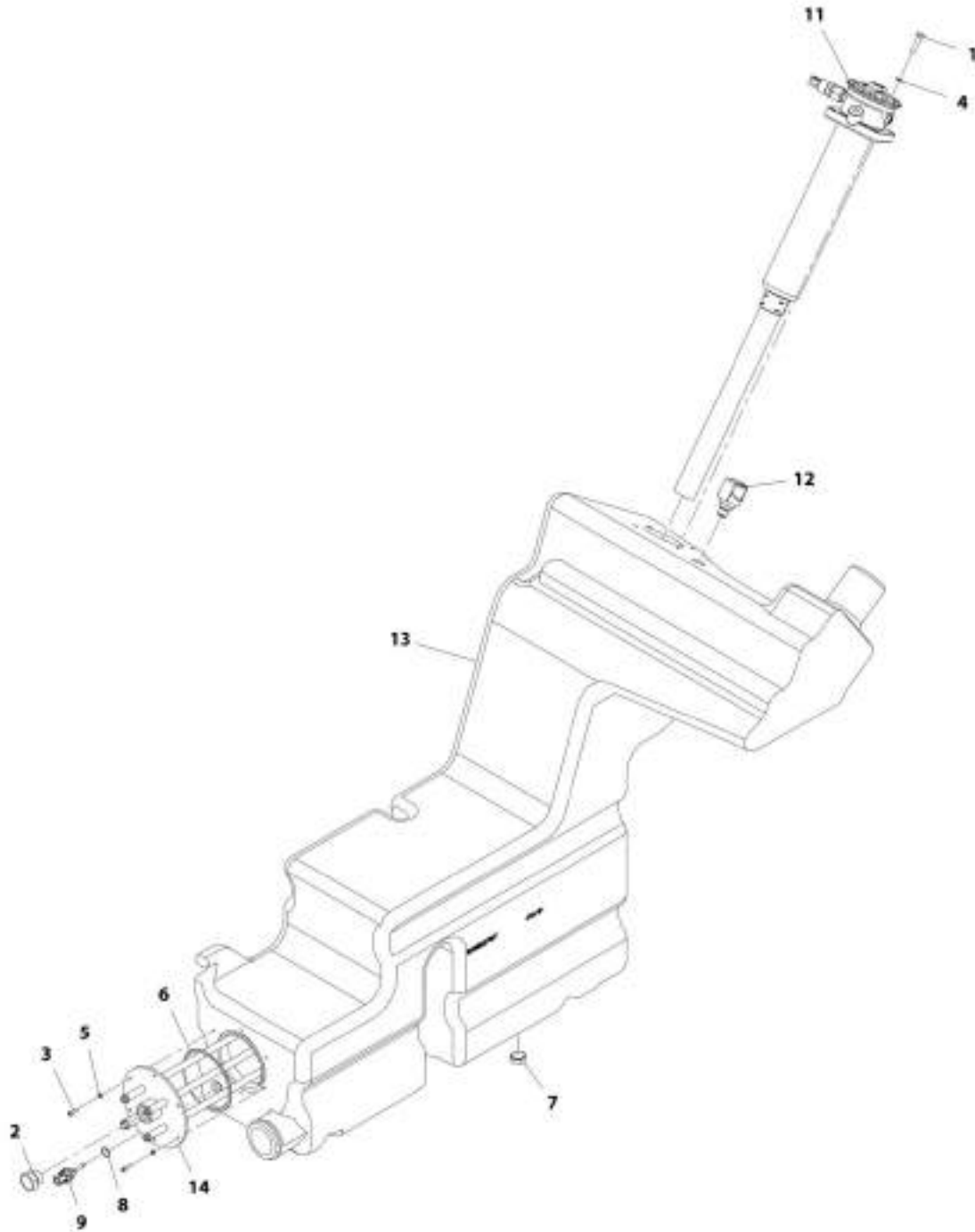
# SECTION 1 - FRAME AND ATTACHING PARTS

## FIGURE 1-21. FUEL TANK ASSEMBLY

ITEM	PART NUMBER	QTY	DESCRIPTION	REV
	1001192125	Ref	Fuel Tank Assembly	B
1	1001003427	1	Plug	
2	1001192124	1	Tank, Fuel	
3	1001222188	1	Sender, Fuel Level	
4	1001170106	1	Pipe, Fuel Supply	
5	4031607	6	Bolt, M5X16	
6	1001172693	1	Fitting, 90	
7	1001192392	1	Adapter	
8	1001222190	6	Washer	

# SECTION 1 - FRAME AND ATTACHING PARTS

FIGURE 1-22. HYDRAULIC TANK ASSEMBLY



ART\_1001191521-C

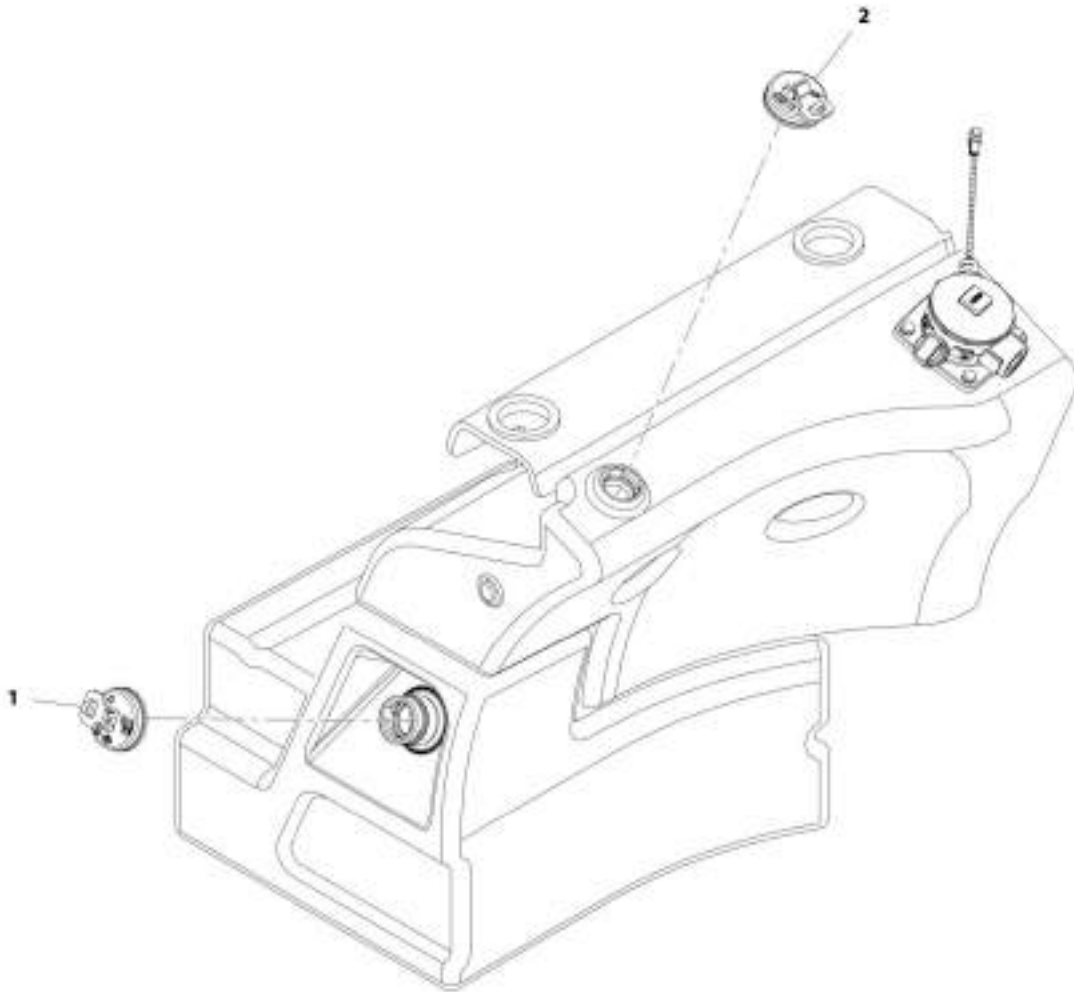
# SECTION 1 - FRAME AND ATTACHING PARTS

## FIGURE 1-22. HYDRAULIC TANK ASSEMBLY

ITEM	PART NUMBER	QTY	DESCRIPTION	REV
	1001191521	Ref	Hydraulic Tank Assembly	C
1	0700814	4	Bolt, M8X30	
2	2220240	1	Plug	
3	4031607	6	Screw, M5-0.8X16	
4	4811900	4	Washer, M8	
5	4831600	6	Washer, Lock M5	
6	1001003301	1	O-Ring	
7	2220239	1	Plug	
8	1001009163	1	O-Ring	
9	1001128478	1	Sensor, Temperature	
11	1001162659	1	Filter	
12	1001162662	1	Filter	
13	1001162767	1	Tank, Hydraulic	
14	1001191533	1	Manifold, Hydraulic Return	

# SECTION 1 - FRAME AND ATTACHING PARTS

FIGURE 1-23. FUEL AND HYDRAULIC CAP INSTALLATION



ART\_1001197275-A

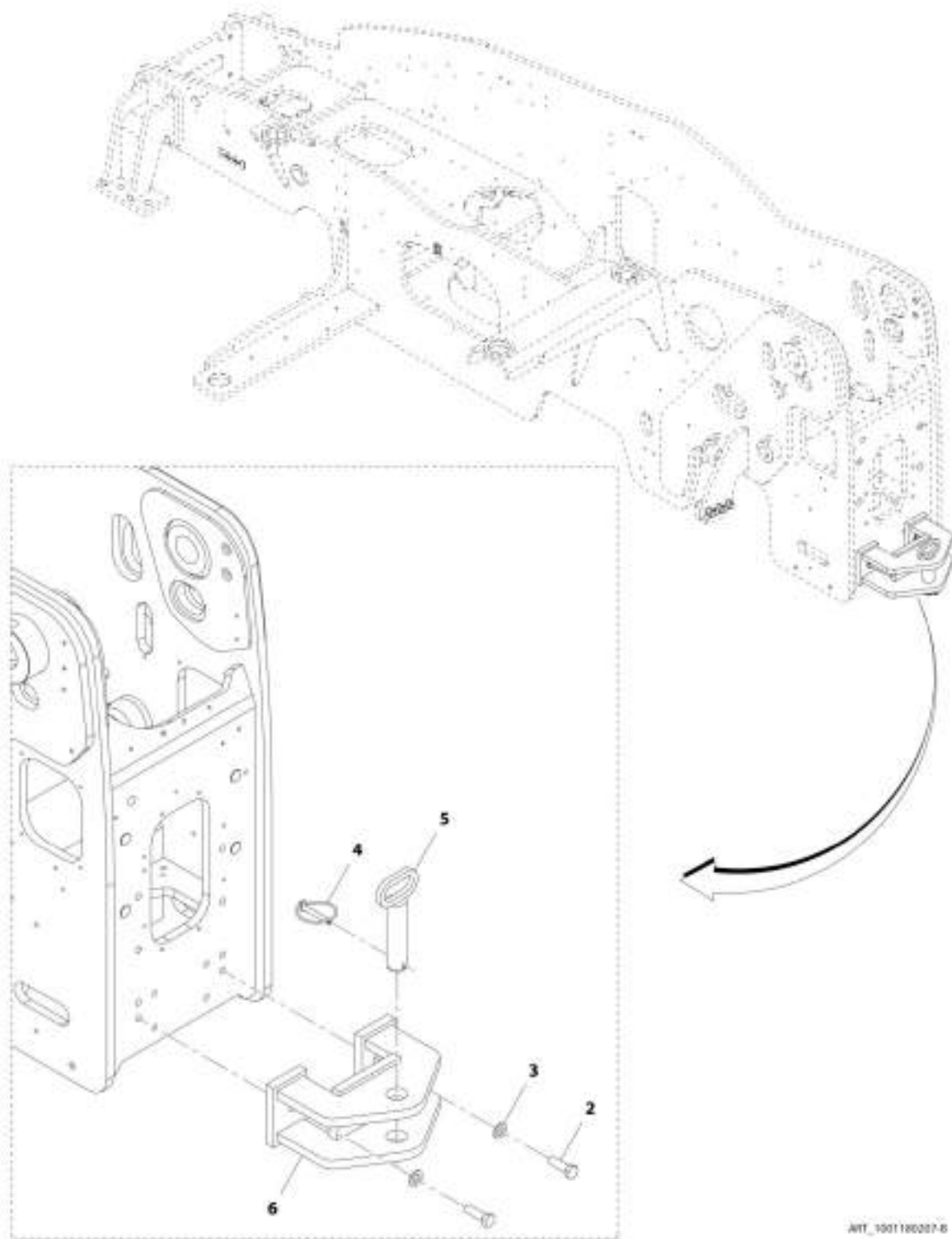
# SECTION 1 - FRAME AND ATTACHING PARTS

## FIGURE 1-23. FUEL AND HYDRAULIC CAP INSTALLATION

ITEM	PART NUMBER	QTY	DESCRIPTION	REV
	1001197275	Ref	Caps Installation	A
1	1001142658	1	Cap, Fuel	
2	1001142659	1	Cap, Hydraulic	

# SECTION 1 - FRAME AND ATTACHING PARTS

FIGURE 1-24. HITCH RETRIEVAL INSTALLATION



ATT\_1001180207-B



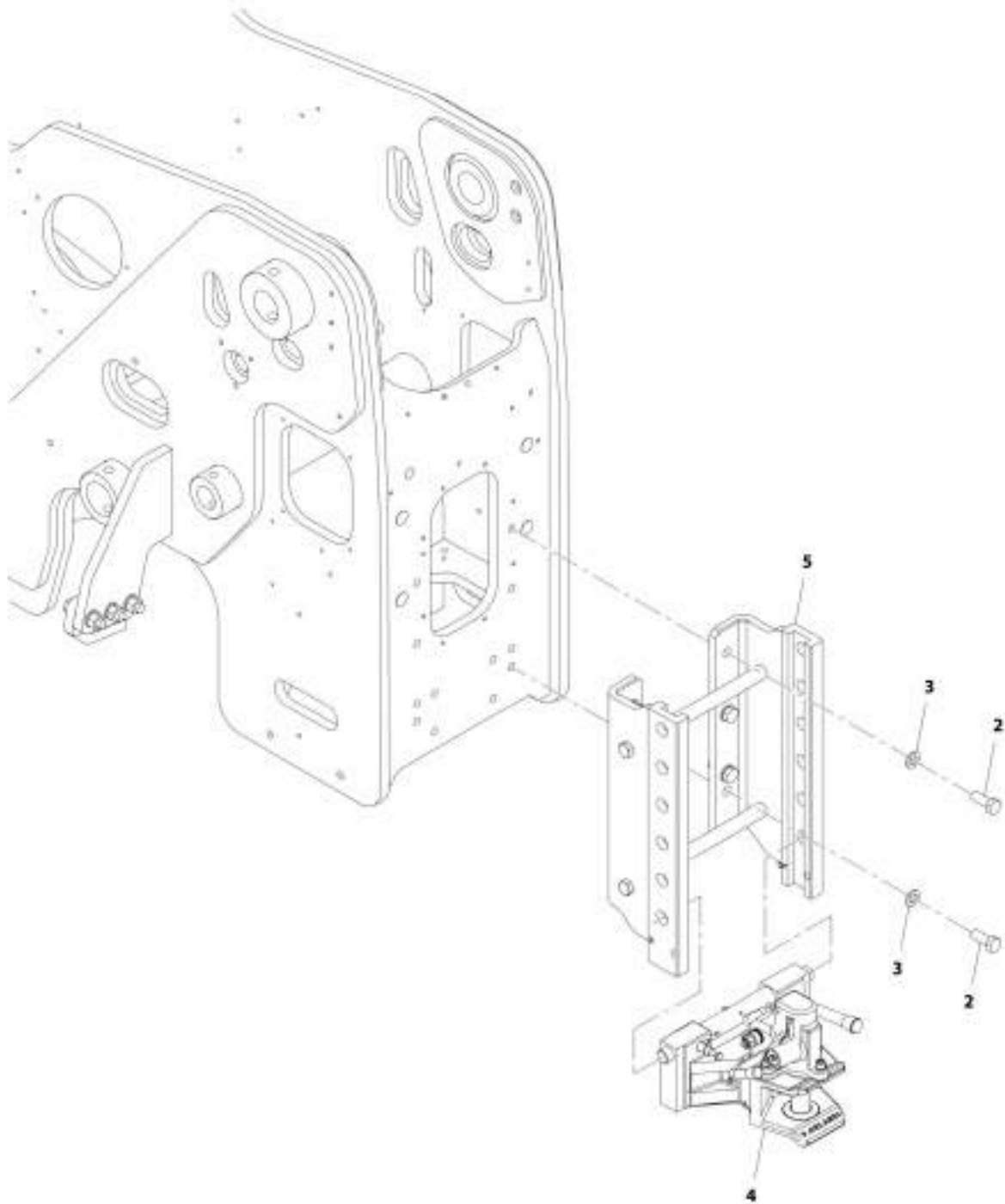
# SECTION 1 - FRAME AND ATTACHING PARTS

## FIGURE 1-24. HITCH RETRIEVAL INSTALLATION

ITEM	PART NUMBER	QTY	DESCRIPTION	REV
	1001180207	Ref	Hitch Retrieval Installation	B
2	0771618	2	Bolt, M16X50 Grade 10.9	
3	5241600	2	Washer, M16	
4	1001003803	1	Pin	
5	1001005267	1	Pin	
6	1001106570	1	Hitch, Retrieval	

# SECTION 1 - FRAME AND ATTACHING PARTS

FIGURE 1-25. HITCH INSTALLATION (EEC AUTO)



ART\_1001180196-B

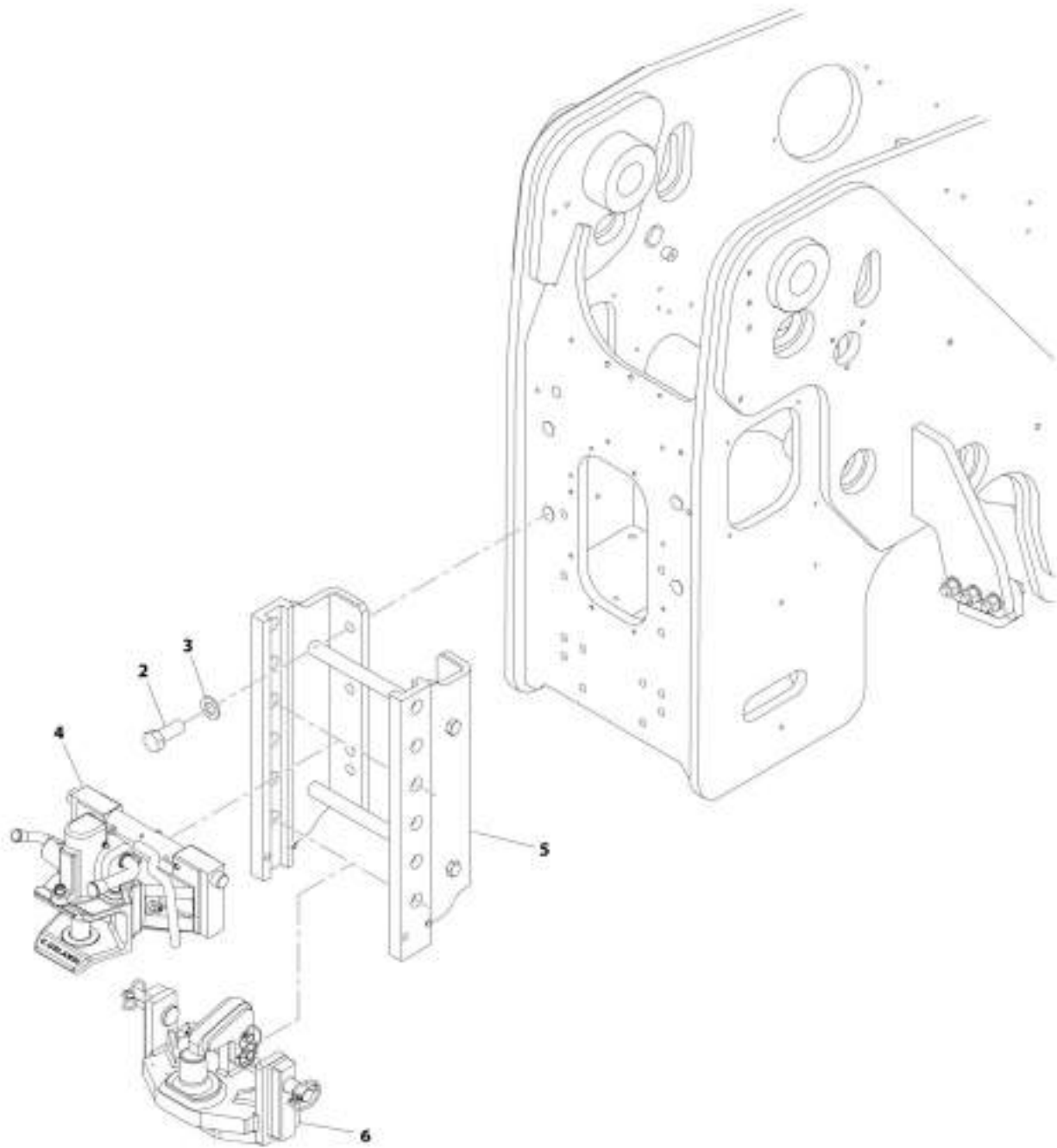
# SECTION 1 - FRAME AND ATTACHING PARTS

## FIGURE 1-25. HITCH INSTALLATION (EEC AUTO)

ITEM	PART NUMBER	QTY	DESCRIPTION	REV
	1001180196	Ref	Hitch Installation (EEC Auto)	B
2	0701616	8	Bolt, M16X40	
3	4812300	8	Washer, M6	
4	1001098629	1	Assembly, Hitch (EEC Auto) (See Separate Breakdown in this Section)	
5	1001183274	1	Hitch, Sliding Towing Bracket	

# SECTION 1 - FRAME AND ATTACHING PARTS

## FIGURE 1-26. HITCH INSTALLATION (PITON)



ART\_1001180200-8

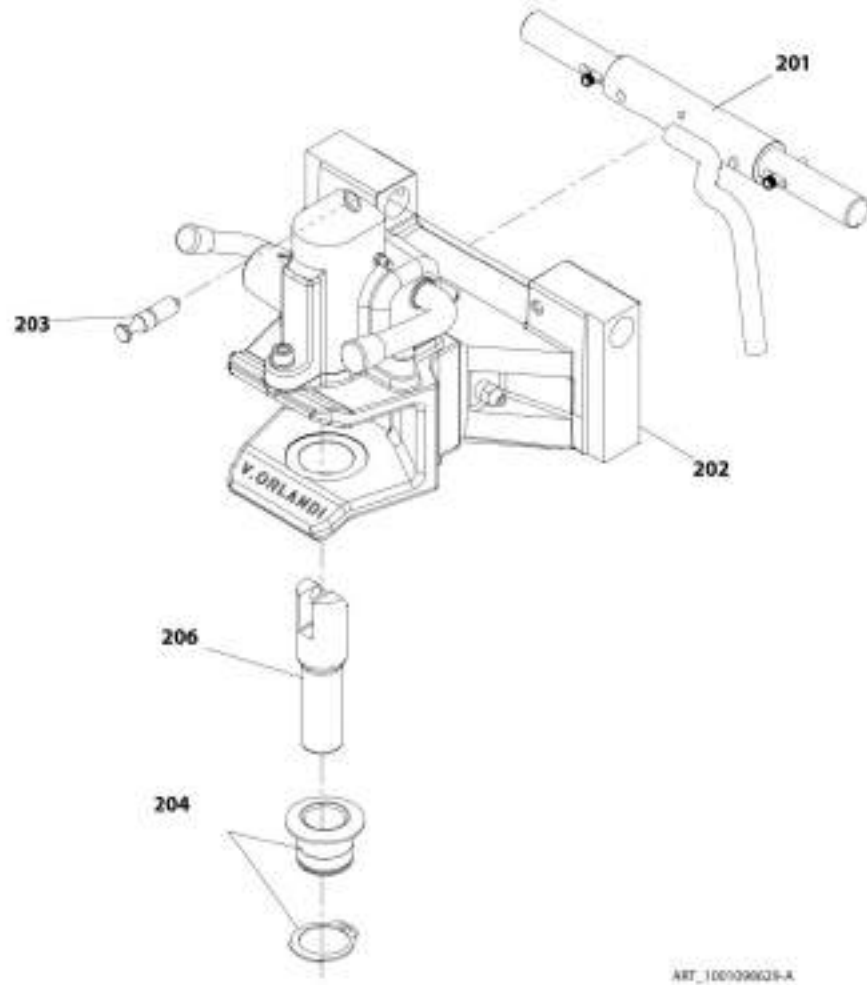
# SECTION 1 - FRAME AND ATTACHING PARTS

## FIGURE 1-26. HITCH INSTALLATION (PITON)

ITEM	PART NUMBER	QTY	DESCRIPTION	REV
	1001180202	Ref	Hitch Installation (Piton)	B
2	0701616	8	Bolt, M16X40	
3	4812300	8	Washer, M16	
4	1001098629	1	Assembly, Hitch (EEC AUTO) (See Separate Breakdown in this Section)	
5	1001183274	1	Hitch, Sliding Towing Bracket	
6	1001185248	1	Hitch, Sliding (Piton) (See Separate Breakdown in this Section)	

# SECTION 1 - FRAME AND ATTACHING PARTS

## FIGURE 1-27. HITCH ASSEMBLY (EEC AUTO)



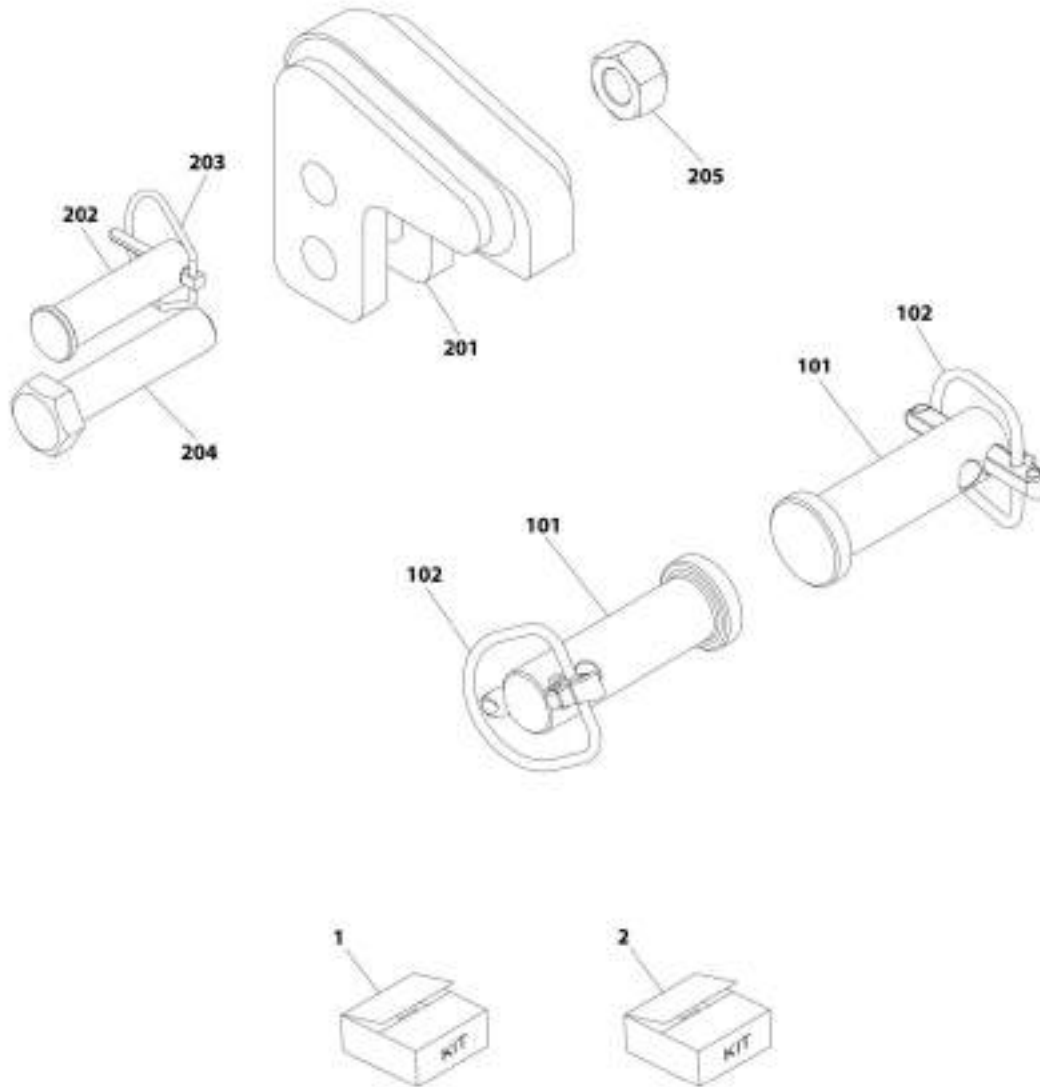
# SECTION 1 - FRAME AND ATTACHING PARTS

## FIGURE 1-27. HITCH ASSEMBLY (EEC AUTO)

ITEM	PART NUMBER	QTY	DESCRIPTION	REV
	1001098629	Ref	Hitch Assembly (EEC Auto)	A
201	70022821	1	Lever, Opening	
202	70022822	1	Mechanism, Box	
203	70022823	1	Pivot, Security	
204	70022824	1	Bushing	
206	70022825	1	Pin	

# SECTION 1 - FRAME AND ATTACHING PARTS

FIGURE 1-28. SLIDING HITCH ASSEMBLY (PITON)



WIT\_1001183248-A



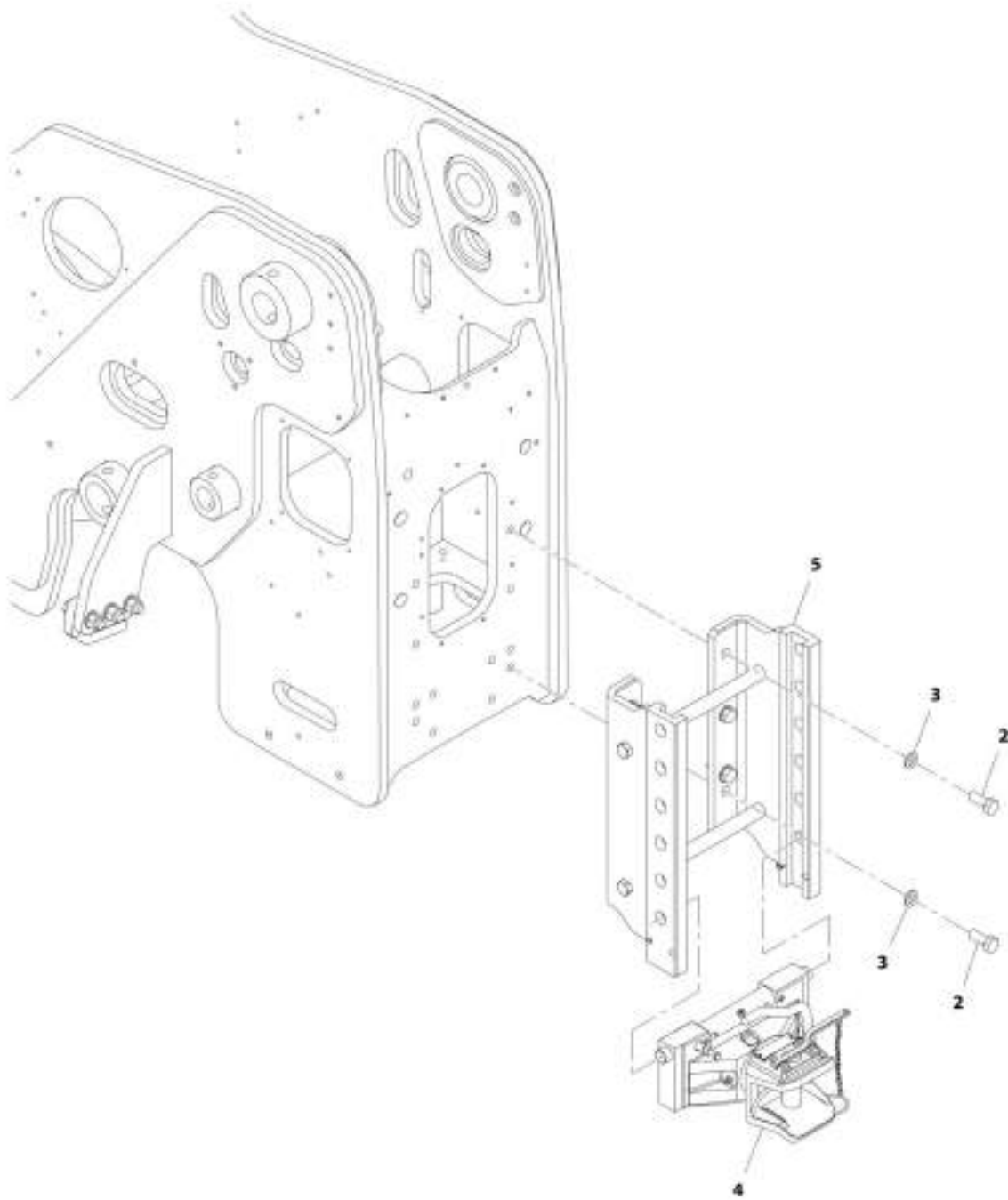
# SECTION 1 - FRAME AND ATTACHING PARTS

## FIGURE 1-28. SLIDING HITCH ASSEMBLY (PITON)

ITEM	PART NUMBER	QTY	DESCRIPTION	REV
	1001185248	Ref	Sliding Hitch Assembly (Piton)	A
1	70027175	1	Kit, Pins (includes items 101 and 102)	
2	70027174	1	Keeper, Kit (includes items 201 thru 205)	
101	Kit	2	Pin	
102	Kit	2	Pin, Safety	
201	Kit	1	Keeper	
202	Kit	1	Pin	
203	Kit	1	Pin, Safety	
204	Kit	1	Bolt, M20X95	
205	Kit	1	Nut	

# SECTION 1 - FRAME AND ATTACHING PARTS

FIGURE 1-29. HITCH INSTALLATION (EEC MANUAL)



ART. 3001180198 0

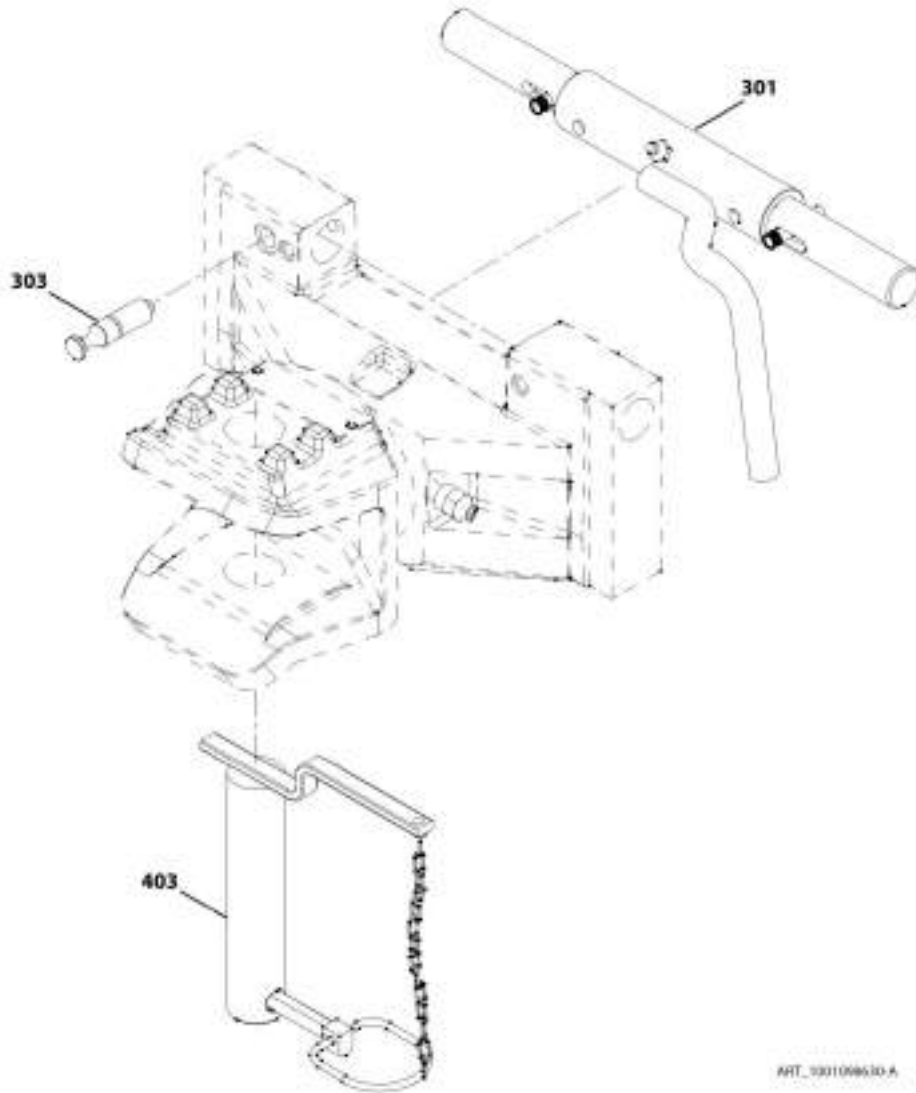
# SECTION 1 - FRAME AND ATTACHING PARTS

FIGURE 1-29. HITCH INSTALLATION (EEC MANUAL)

ITEM	PART NUMBER	QTY	DESCRIPTION	REV
	1001180198	Ref	Hitch Installation (EEC Manual)	B
2	0701616	8	Bolt, M16X40	
3	4812300	8	Washer, M16	
4	1001098630	1	Assembly, Hitch (EEC Manual) (See Separate Breakdown in this Section)	
5	1001183274	1	Hitch, Sliding Towing Bracket	

# SECTION 1 - FRAME AND ATTACHING PARTS

FIGURE 1-30. HITCH ASSEMBLY (EEC MANUAL)



ART. 3301098530-A

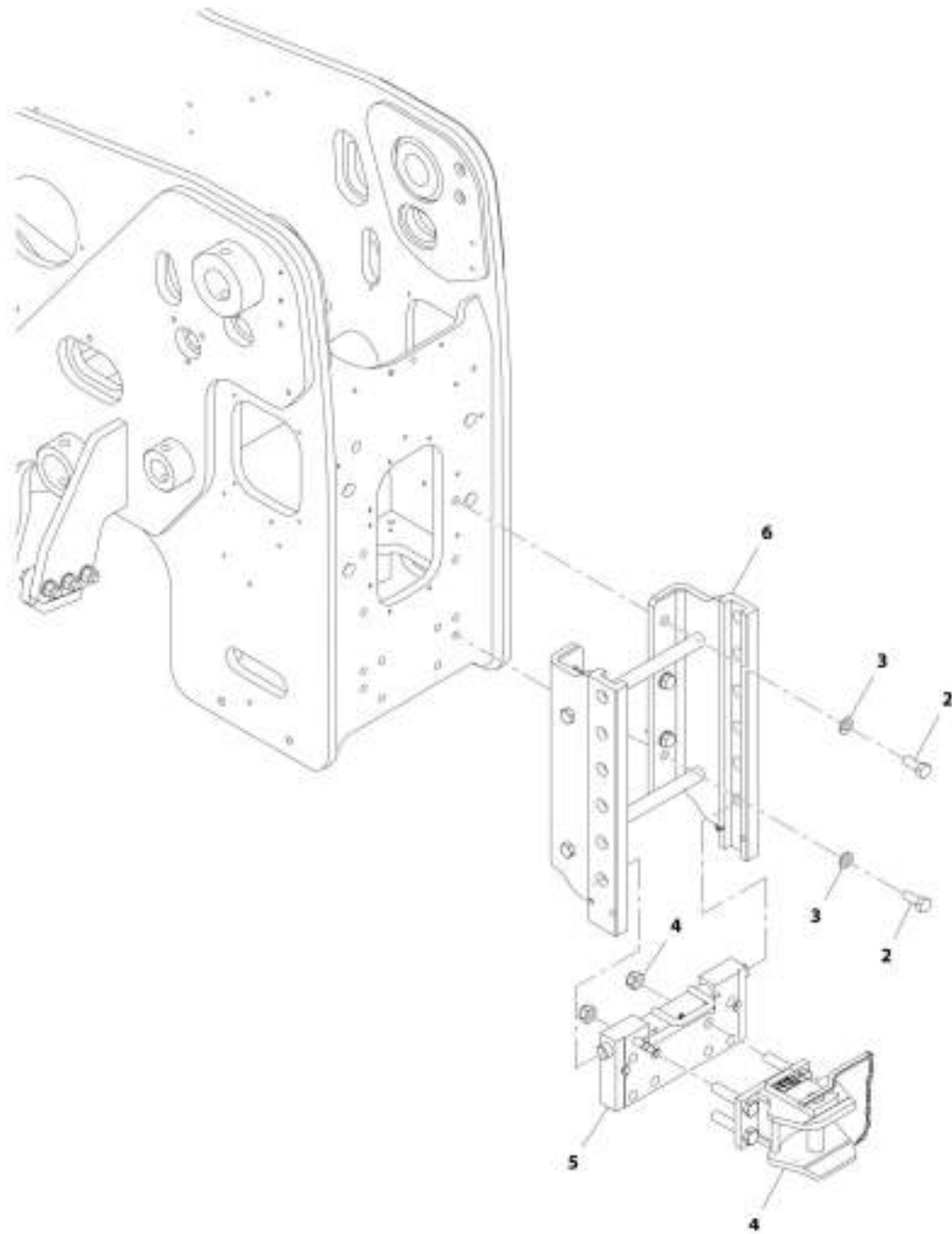
# SECTION 1 - FRAME AND ATTACHING PARTS

## FIGURE 1-30. HITCH ASSEMBLY (EEC MANUAL)

ITEM	PART NUMBER	QTY	DESCRIPTION	REV
	1001098630	Ref	Hitch Assembly (EEC Manual)	A
301	70022821	1	Lever, Opening	
303	70022823	1	Pivot, Security	
403	70022826	1	Pin	

# SECTION 1 - FRAME AND ATTACHING PARTS

FIGURE 1-31. HITCH INSTALLATION (CUNA CATEGORY C)



ART\_3001180199-B

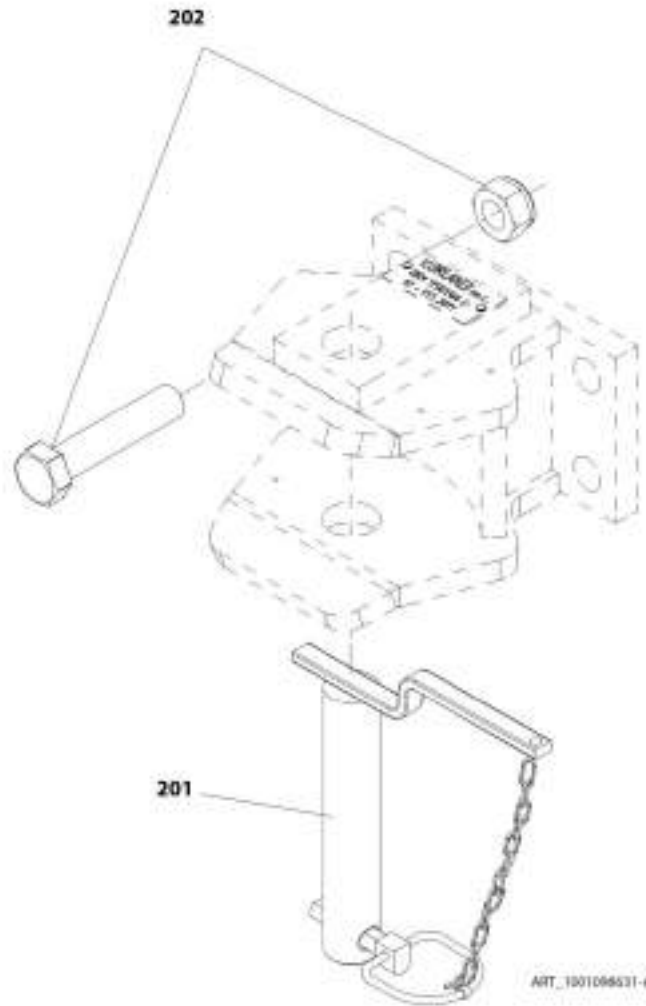
# SECTION 1 - FRAME AND ATTACHING PARTS

## FIGURE 1-31. HITCH INSTALLATION (CUNA CATEGORY C)

ITEM	PART NUMBER	QTY	DESCRIPTION	REV
	1001180199	Ref	Hitch Installation (CUNA Category C)	B
2	0701616	8	Bolt, M16X40	
3	4812300	8	Washer, M16	
4	1001098631	1	Assembly, Hitch (CUNA Category C) (See Separate Breakdown in this Section)	
5	1001098636	1	Plate, Adaptor	
6	1001183274	1	Hitch, Sliding Towing Bracket	

# SECTION 1 - FRAME AND ATTACHING PARTS

FIGURE 1-32. HITCH ASSEMBLY (CUNA CATEGORY C)





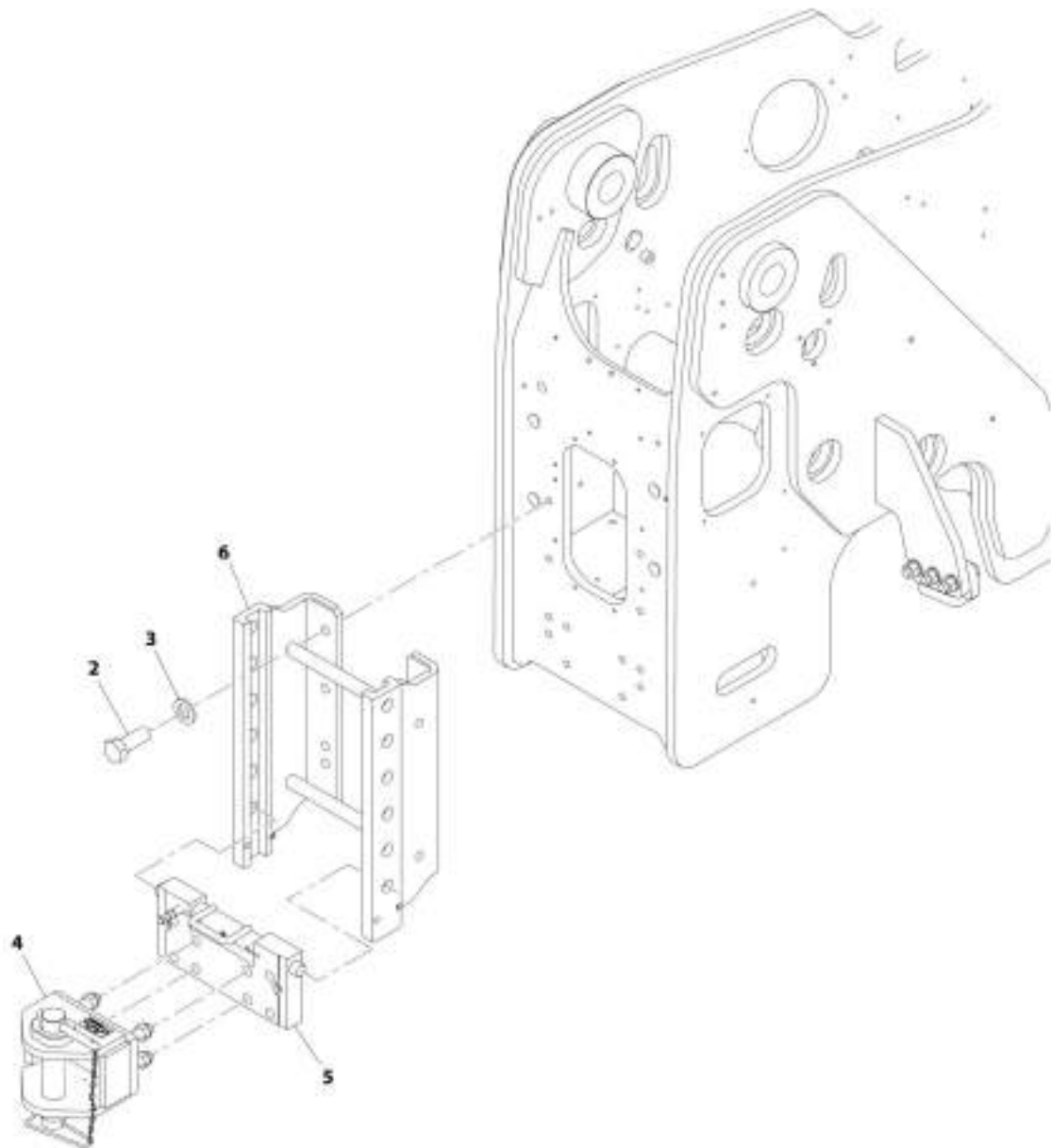
# SECTION 1 - FRAME AND ATTACHING PARTS

## FIGURE 1-32. HITCH ASSEMBLY (CUNA CATEGORY C)

ITEM	PART NUMBER	QTY	DESCRIPTION	REV
	1001098631	Ref	Hitch Assembly (CUNA Category C)	A
201	70022818	1	Pin	
202	70022819	1	Hardware, Mounting	

# SECTION 1 - FRAME AND ATTACHING PARTS

FIGURE 1-33. HITCH INSTALLATION (CUNA CATEGORY D2)



ART\_1001180200-0

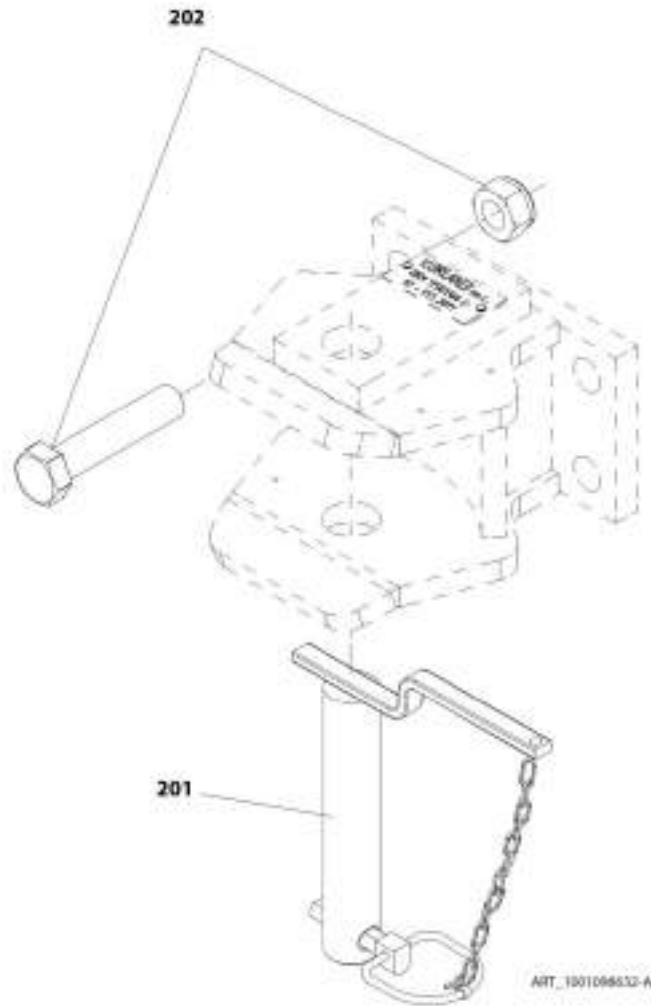
# SECTION 1 - FRAME AND ATTACHING PARTS

## FIGURE 1-33. HITCH INSTALLATION (CUNA CATEGORY D2)

ITEM	PART NUMBER	QTY	DESCRIPTION	REV
	1001180200	Ref	Hitch Installation (CUNA Category D2)	B
2	0701616	8	Bolt, M16X40	
3	4812300	8	Washer, M16	
4	1001098632	1	Assembly, Hitch (CUNA Category D2) (See Separate Breakdown in this Section)	
5	1001098636	1	Plate, Adaptor	
6	1001183274	1	Hitch, Sliding Towing Bracket	

# SECTION 1 - FRAME AND ATTACHING PARTS

FIGURE 1-34. HITCH ASSEMBLY (CUNA CATEGORY D2)



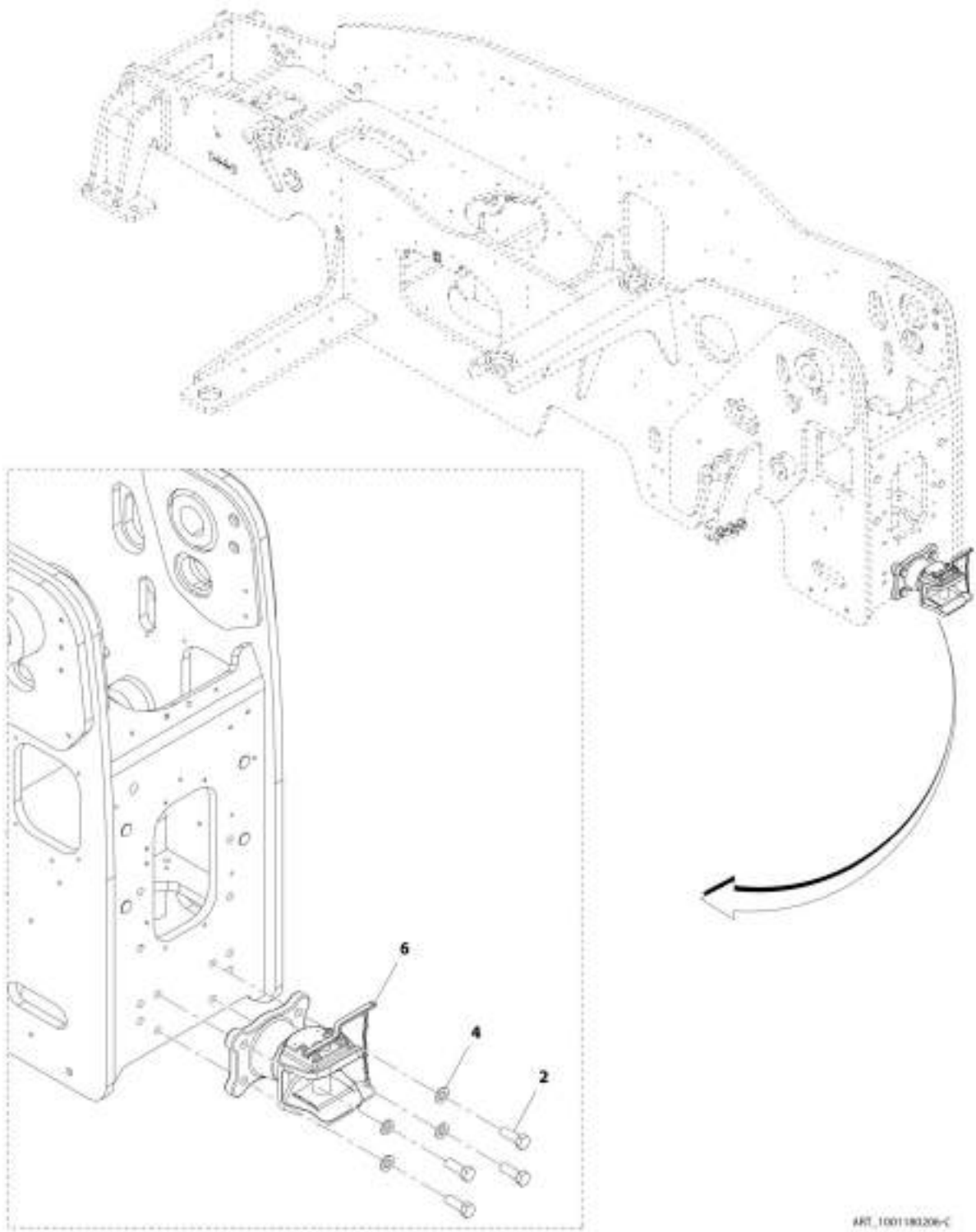
# SECTION 1 - FRAME AND ATTACHING PARTS

## FIGURE 1-34. HITCH ASSEMBLY (CUNA CATEGORY D2)

ITEM	PART NUMBER	QTY	DESCRIPTION	REV
	1001098632	Ref	Hitch Assembly (CUNA Category D2)	A
202	70022818	1	Hardware, Mounting	
301	70022819	4	Pin	

# SECTION 1 - FRAME AND ATTACHING PARTS

FIGURE 1-35. HITCH INSTALLATION (FIXED)



ART\_1001180206-C

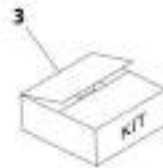
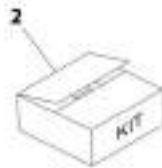
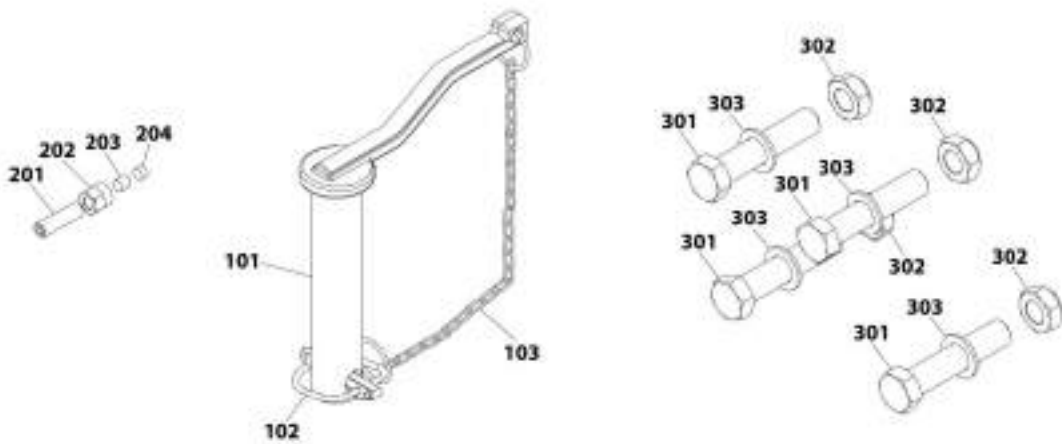
# SECTION 1 - FRAME AND ATTACHING PARTS

## FIGURE 1-35. HITCH INSTALLATION (FIXED)

ITEM	PART NUMBER	QTY	DESCRIPTION	REV
	1001180206	Ref	Hitch Installation (Fixed)	C
2	0701617	4	Bolt, M16X45	
4	4812300	4	Washer, M16	
6	1001110849	1	Assembly, Hitch (Fixed) (See Separate Breakdown in this Section)	

# SECTION 1 - FRAME AND ATTACHING PARTS

FIGURE 1-36. HITCH ASSEMBLY (FIXED)



WIT\_100110809-B



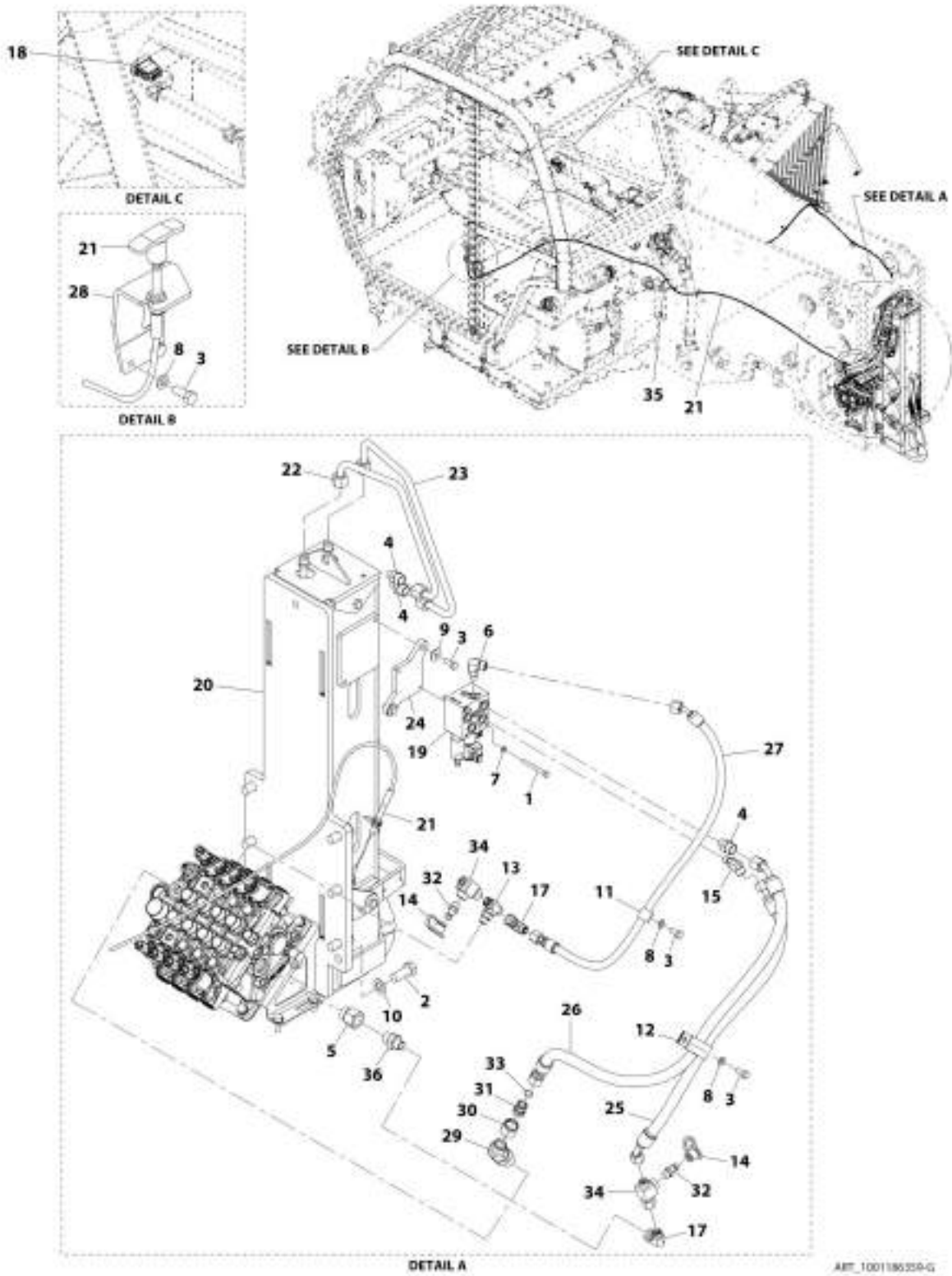
# SECTION 1 - FRAME AND ATTACHING PARTS

## FIGURE 1-36. HITCH ASSEMBLY (FIXED)

ITEM	PART NUMBER	QTY	DESCRIPTION	REV
	1001110849	Ref	Hitch Assembly (Fixed)	B
1	70027178	1	Kit, Towing Pin (includes items 101 thru 103)	
2	70027176	1	Kit, Friction (includes items 201 thru 204)	
3	70027177	1	Kit, Screws (includes items 301 thru 303)	
101	Kit	1	Pin	
102	Kit	1	Chain, Safety	
103	Kit	1	Pin, Safety	
201	Kit	1	Screw, M16X80	
202	Kit	1	Nut, M10	
203	Kit	1	Insert	
204	Kit	1	Insert	
301	Kit	4	Screw, M16X80	
302	Kit	4	Nut, M16	
303	Kit	4	Washer	

# SECTION 1 - FRAME AND ATTACHING PARTS

## FIGURE 1-37. HITCH INSTALLATION (HYDRAULIC)



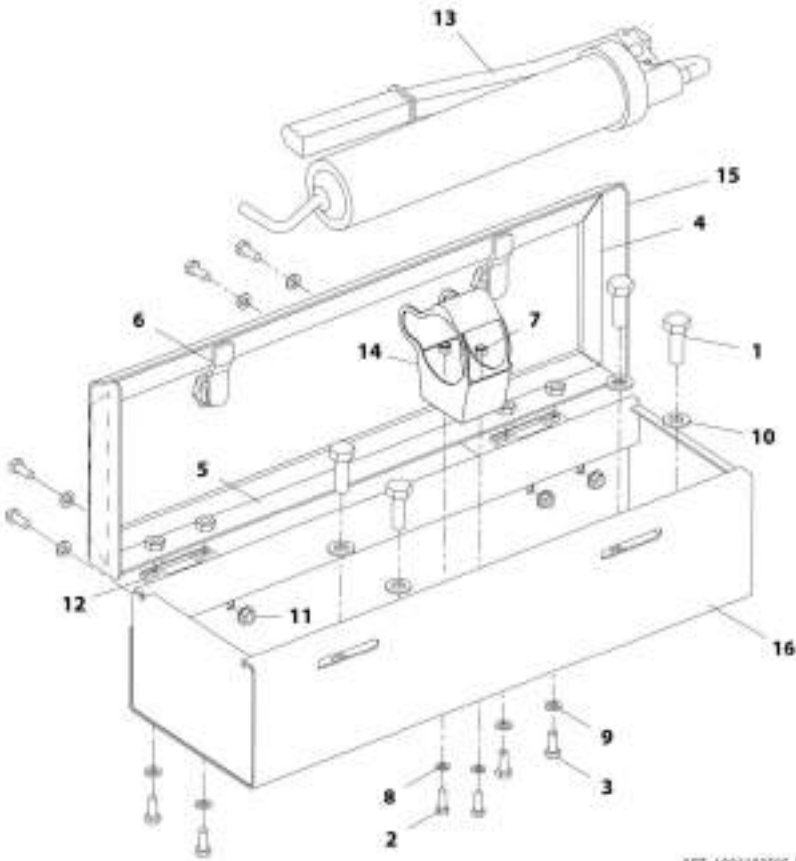
# SECTION 1 - FRAME AND ATTACHING PARTS

## FIGURE 1-37. HITCH INSTALLATION (HYDRAULIC)

ITEM	PART NUMBER	QTY	DESCRIPTION	REV
	1001186359	Ref	Hitch Installation (Hydraulic)	G
1	0700620	2	Bolt, M6X60	
2	0711616	8	Bolt, M16X40 Grade 10.9	
3	0760810	6	Bolt, M8X20	
4	2110806	3	Fitting, Straight ORFS	
5	8760550	1	Fitting, Tee	
6	2130604	1	Fitting, 90 ORFS	
7	4811700	2	Washer, M6	
8	4811900	4	Washer, M8	
9	4811902	2	Washer, M8	
10	4812300	8	Washer, M16	
11	1001009207	1	Clip	
12	1001008720	1	Clip	
13	2170406	1	Fitting, Tee ORFS	
14	1001008761	2	DUST CAP	
15	2150606	1	Fitting, 45 ORFS	
17	2172106	2	Fitting, 90 ORFS	
18	1001198836	1	Switch, Hitch	
19	1001173770	1	Valve, Hydraulic Hitch Control (See Separate Breakdown in Hydraulic Components Section)	
20	1001182763	1	Hitch, Hydraulic	
21	1001186392	1	Cable, Hitch Release	
22	1001204374	1	Pipe	
23	1001204375	1	Pipe	
24	1001188413	1	Plate	
25	1001204518	1	Hose, ORFS	
26	1001206557	1	Hose, ORFS	
27	1001206558	1	Hose, ORFS	
28	1001188722	1	Bracket, Hitch	
29	2151012	1	Fitting, 45 ORFS	
30	8770143	1	Nut, ORFS	
31	1001032853	1	Reducer, ORFS	
32	1001003590	2	Fitting, Straight	
33	1001008805	1	Seal	
34	1001033119	2	Adapter, ORFS	
35	1001146588	1	Tie Strap	
36	2110610	1	Fitting, Straight	

**SECTION 1 - FRAME AND ATTACHING PARTS**

**FIGURE 1-38. TOOLBOX INSTALLATION**



ART\_1001182506-A

# SECTION 1 - FRAME AND ATTACHING PARTS

## FIGURE 1-38. TOOLBOX INSTALLATION

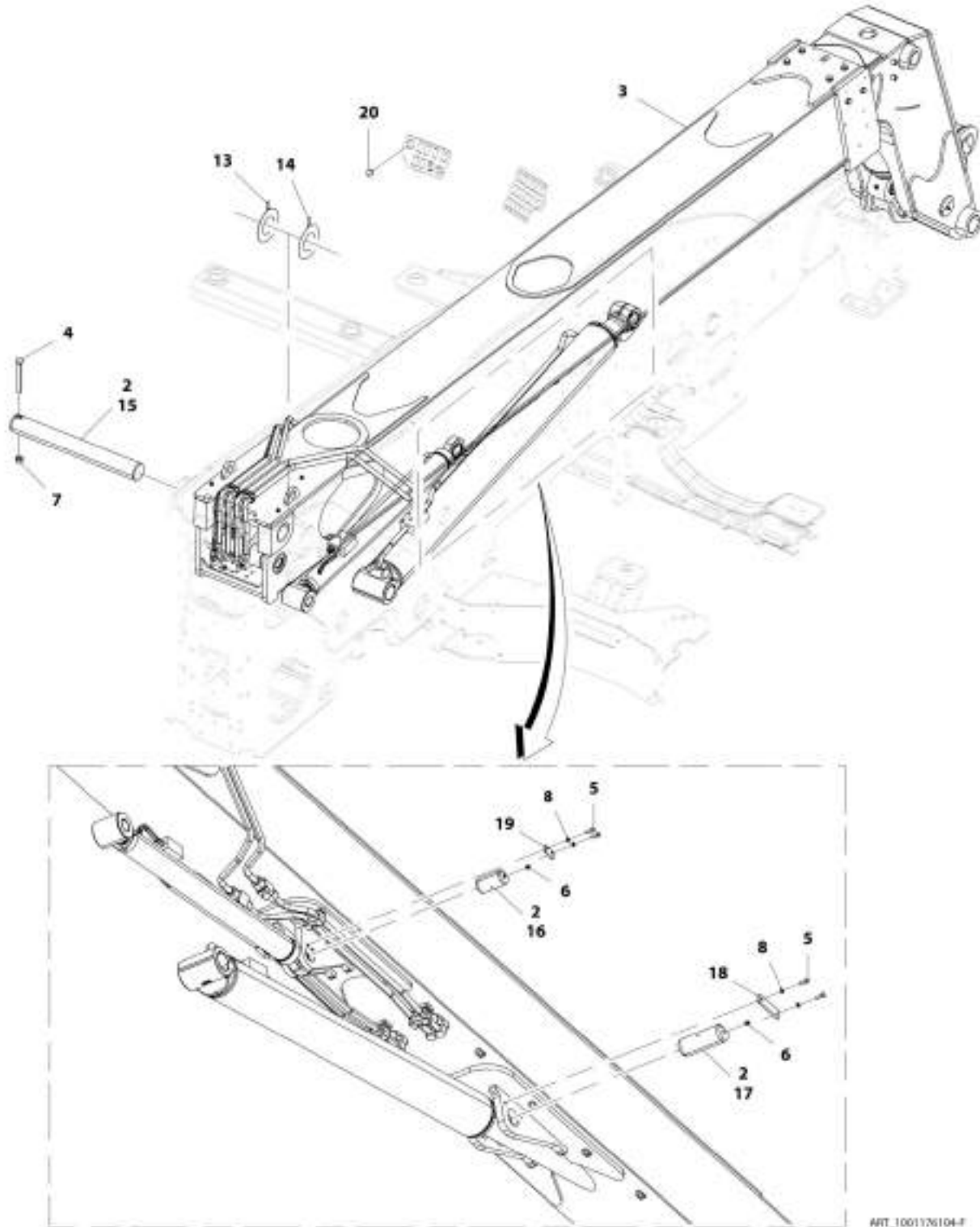
ITEM	PART NUMBER	QTY	DESCRIPTION	REV
	1001183595	Ref	Toolbox Installation	A
1	0701014	4	Bolt, M10	
2	0760508	2	Bolt, M5	
3	0760608	8	Bolt, M6	
4	909304	2	Seal	
5	909304	2	Seal	
6	2940119	2	Latch	
7	3290505	2	Nut, Lock M5	
8	4811600	2	Washer 5M	
9	4811700	8	Washer, M6	
10	4812000	4	Washer, M10	
11	5220600	4	Nut, M6	
12	8344010	2	Hinge	
13	1001093429	1	Gun, Pump Grease	
14	1001093696	1	Bracket	
15	1001211995	1	Lid, Toolbox	
16	1001211996	1	Base, Toolbox	



**SECTION 2 - BOOM**

# SECTION 2 - BOOM

## FIGURE 2-1. BOOM INSTALLATION



ART\_1001176104-F

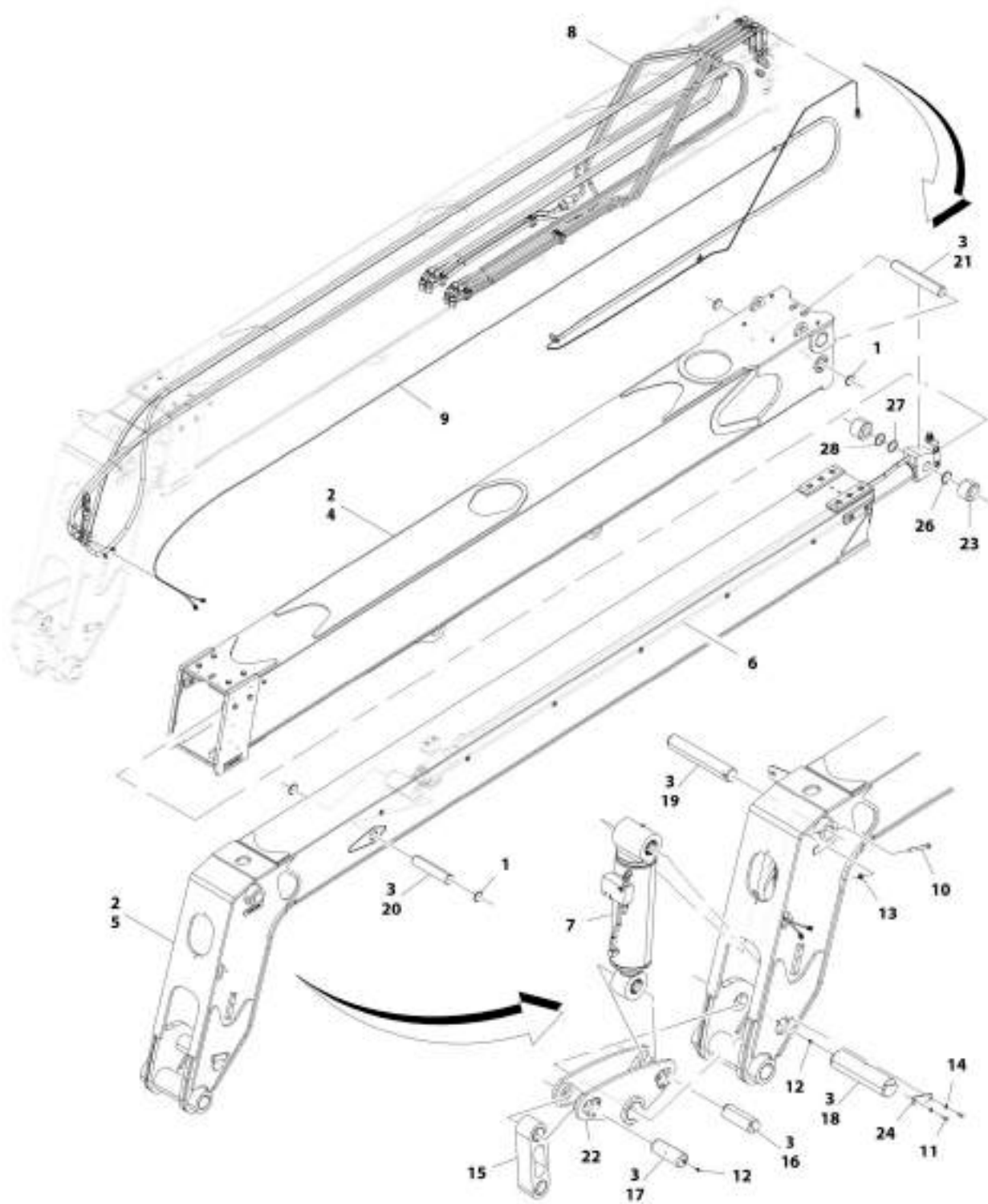


FIGURE 2-1. BOOM INSTALLATION

ITEM	PART NUMBER	QTY	DESCRIPTION	REV
	1001176104	Ref	Boom Installation	F
2	1001098457	AR	Grease, Lithium	
3	1001155408	1	Assembly, Boom (See Separate Breakdown in this Section)	
4	0711631	1	Bolt, M16X140	
5	0760812	4	Bolt, M8X25	
6	2160016	2	Fitting, Grease	
7	3291605	1	Nut, Lock M16X2	
8	4811900	4	Washer, M8	
13	1001169048	AR	Shim, 1MM	
14	1001169049	AR	Shim, 0.5MM	
15	1001175225	1	Pin	
16	1001175754	1	Pin	
17	1001175898	1	Pin	
18	1001191621	1	Plate	
19	1001176942	1	Bracket	
20	1001190589	1	Plug	

# SECTION 2 - BOOM

## FIGURE 2-2. BOOM ASSEMBLY



AWT\_1001155406-1

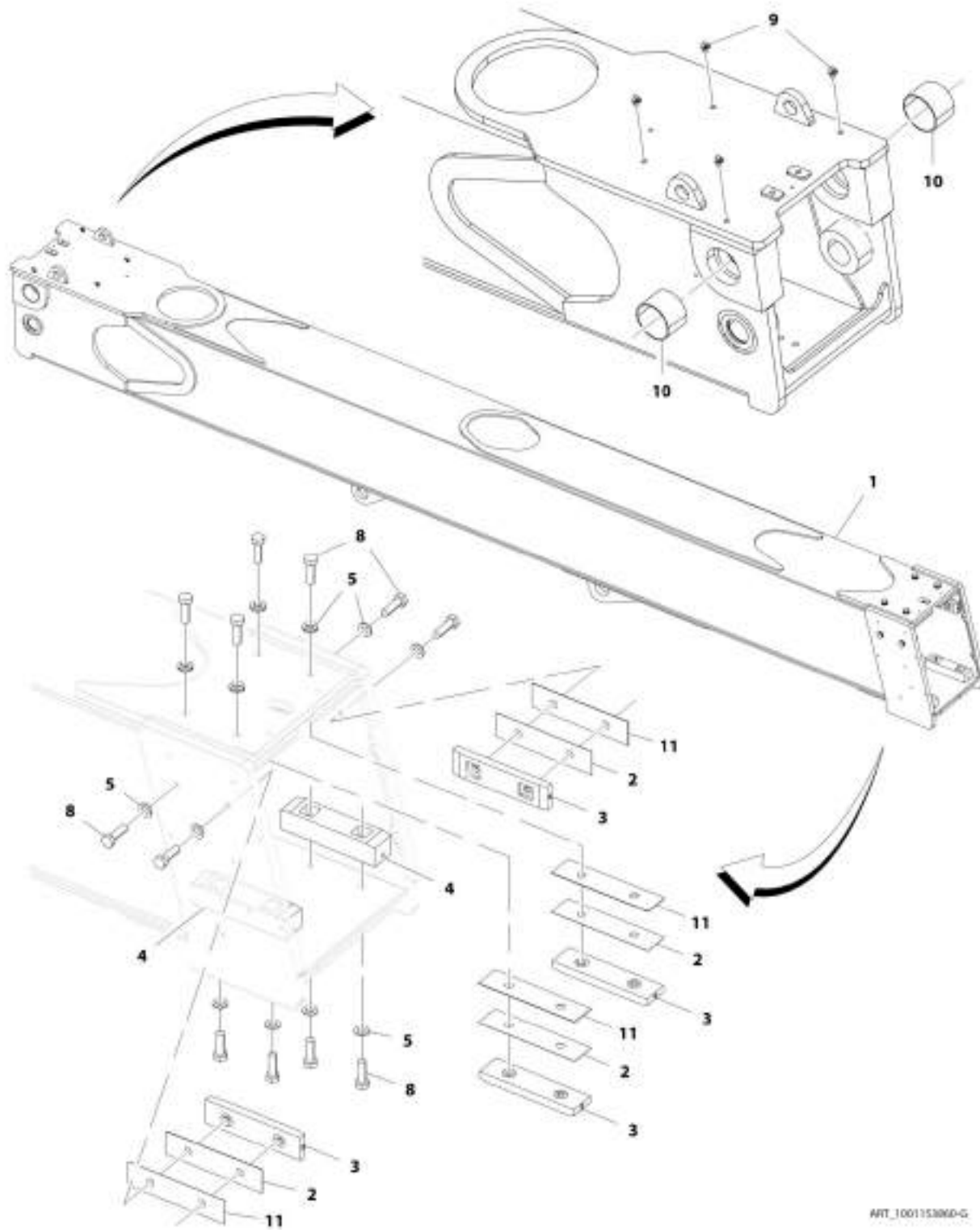
## SECTION 2 - BOOM

### FIGURE 2-2. BOOM ASSEMBLY

ITEM	PART NUMBER	QTY	DESCRIPTION	REV
	1001155408	Ref	Boom Assembly	1
1	314689	4	Ring, Retaining 50MM	
2	1001098457	AR	Grease, Lithium	
3	3020040	AR	Lubricant, Moly Paste	
4	1001153860	1	Assembly, First Boom Section (JLG) (See Separate Breakdown in this Section)	
5	1001153861	1	Assembly, Second Boom Section (See Separate Breakdown in this Section)	
6	1001203312	1	Assembly, Extend/Retract Cylinder (See Separate Breakdown in Hydraulic Components Section)	
7	1001180117	1	Cylinder, Tilt (See Separate Breakdown in Hydraulic Components Section)	
8	1001216312	Ref	Installation, Boom Hydraulic (See Separate Breakdown in Hydraulic Circuits Section)	
9	1001185364	Ref	Installation, Boom Harness (See Separate Breakdown in Electrical Section)	
10	0711228	1	Bolt, M12X110	
11	0760810	2	Bolt, M8X20	
12	2160016	2	Fitting, Grease	
13	3291205	1	Nut, Lock M12X1.75	
14	4831900	2	Washer, Lock M8	
15	1001096870	1	Assembly, Link (See Separate Breakdown in this Section)	
16	1001175746	1	Pin	
17	1001175749	1	Pin	
18	1001175747	1	Pin	
19	1001175896	1	Pin	
20	1001175897	1	Pin	
21	1001175900	1	Pin	
22	1001176407	1	Assembly, Lever (See Separate Breakdown in this Section)	
23	1001176691	2	Spacer	
24	1001191621	1	Plate	
26	1001155958	AR	Shim, 3MM	
27	1001155959	AR	Shim, 2MM	
28	1001155960	AR	Shim, 1MM	

# SECTION 2 - BOOM

## FIGURE 2-3. FIRST BOOM SECTION



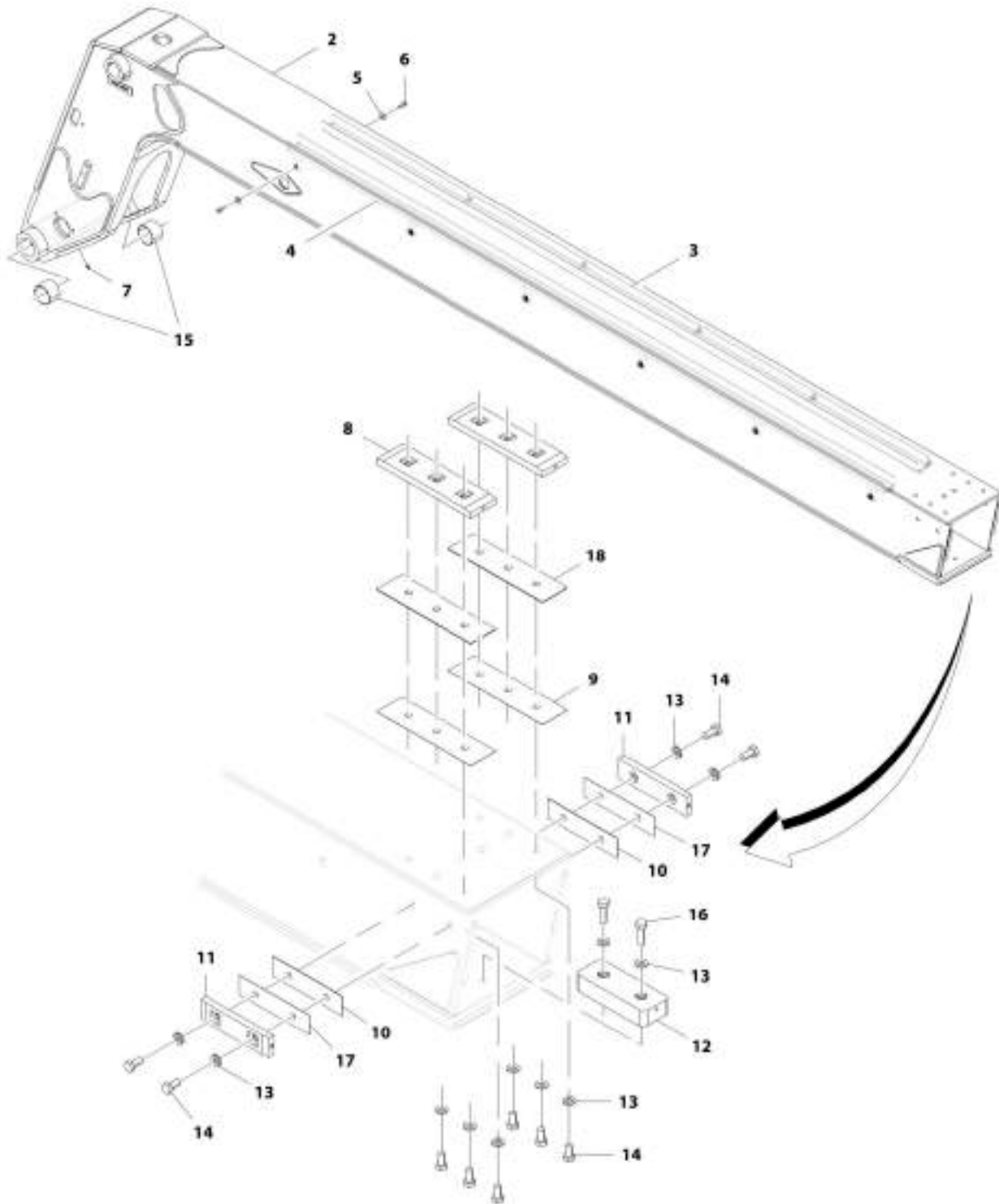
ART\_1001153060-G

FIGURE 2-3. FIRST BOOM SECTION

ITEM	PART NUMBER	QTY	DESCRIPTION	REV
	1001153860	Ref	First Boom Section	G
1	1001173789J	1	Weldment, First Boom Section	
2	1001147731	AR	Shim, M1X45X185	
3	1001147657	4	Pad, M15X45X181	
4	1001175853	2	Pad, M38X45X181	
5	1001125117	AR	Washer, M12	
8	0711216	12	Bolt, M12X40	
9	2160018	4	Fitting, Grease	
10	1001090150	2	Bearing, M70X50	
11	1001154174	AR	Shim, M0.5X45X185	

# SECTION 2 - BOOM

## FIGURE 2-4. SECOND BOOM SECTION ASSEMBLY



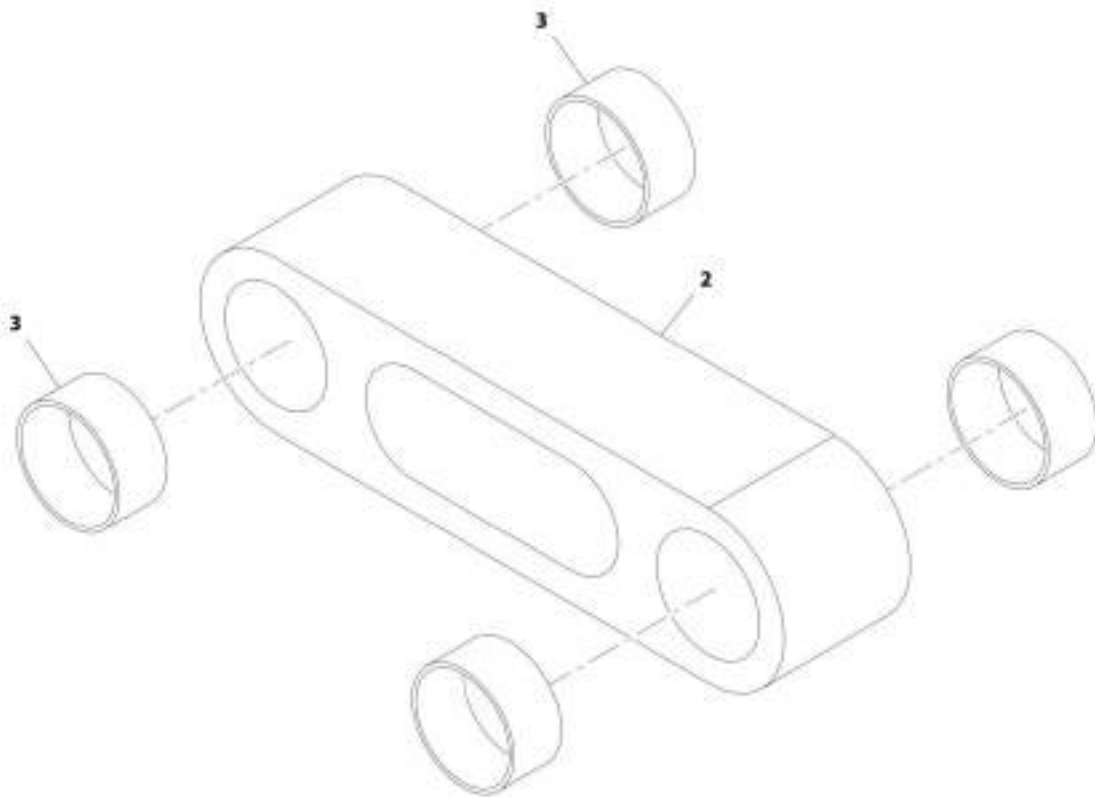
ART\_1001153861-G

FIGURE 2-4. SECOND BOOM SECTION ASSEMBLY

ITEM	PART NUMBER	QTY	DESCRIPTION	REV
	1001153861	Ref	Second Boom Section Assembly	G
2	1001180109	1	Weldment, Second Boom Section	
3	1001174557	1	Support, Hose	
4	1001175661	1	Support, Hose	
5	4811902	12	Washer, M8	
6	0760812	12	Bolt, M8X25	
7	2160016	1	Fitting, Grease	
8	1001177054	2	Pad, M67.5X250X15	
9	1001177073	AR	Shim, M1.5X67.5X250	
10	1001147731	AR	Shim, M1X45X185	
11	1001147657	2	Pad, M15X45X181	
12	1001175762	1	Pad, M38X67.5X181	
13	1001125117	AR	Washer, M12	
14	0771212	10	Bolt, M12X25	
15	1001090150	2	Bearing, M70X50	
16	0711216	2	Bolt, M12X40	
17	1001154174	AR	Shim, M0.5X45X185	
18	1001221577	AR	Shim, M0.5X67.5X250	

## SECTION 2 - BOOM

FIGURE 2-5. LINK ASSEMBLY



ART\_100106270-B

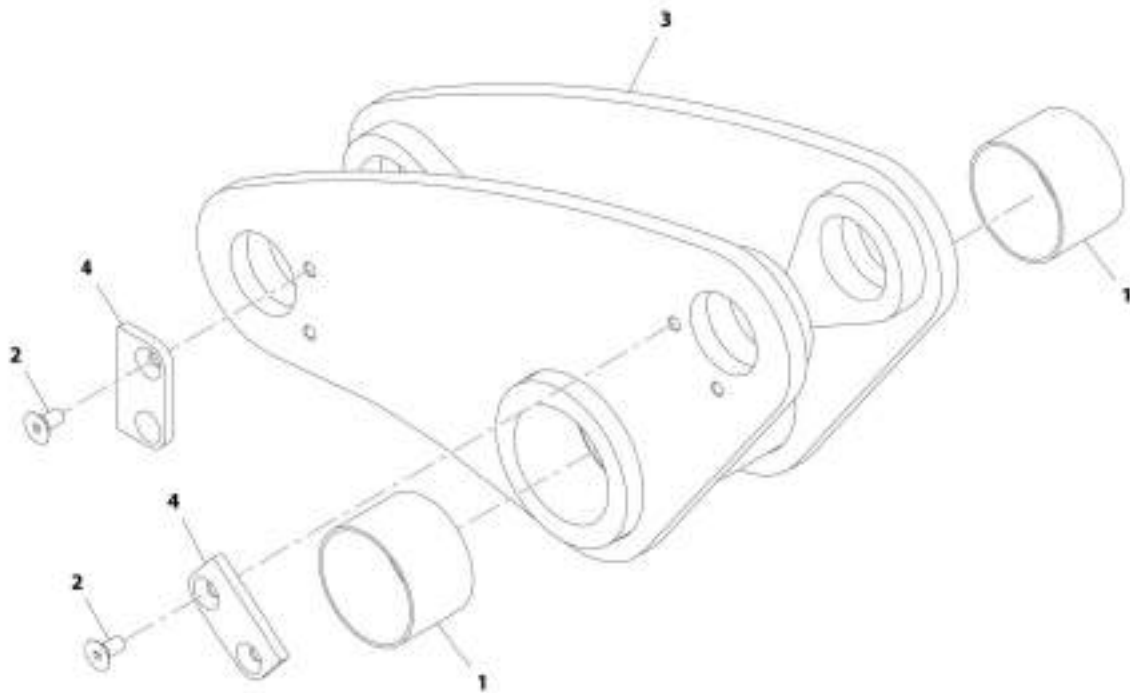


**FIGURE 2-5. LINK ASSEMBLY**

<b>ITEM</b>	<b>PART NUMBER</b>	<b>QTY</b>	<b>DESCRIPTION</b>	<b>REV</b>
	1001096870	Ref	Link Assembly	B
2	1001096726	1	Link	
3	1001100442	4	Bearing	

## SECTION 2 - BOOM

FIGURE 2-6. LEVER ASSEMBLY



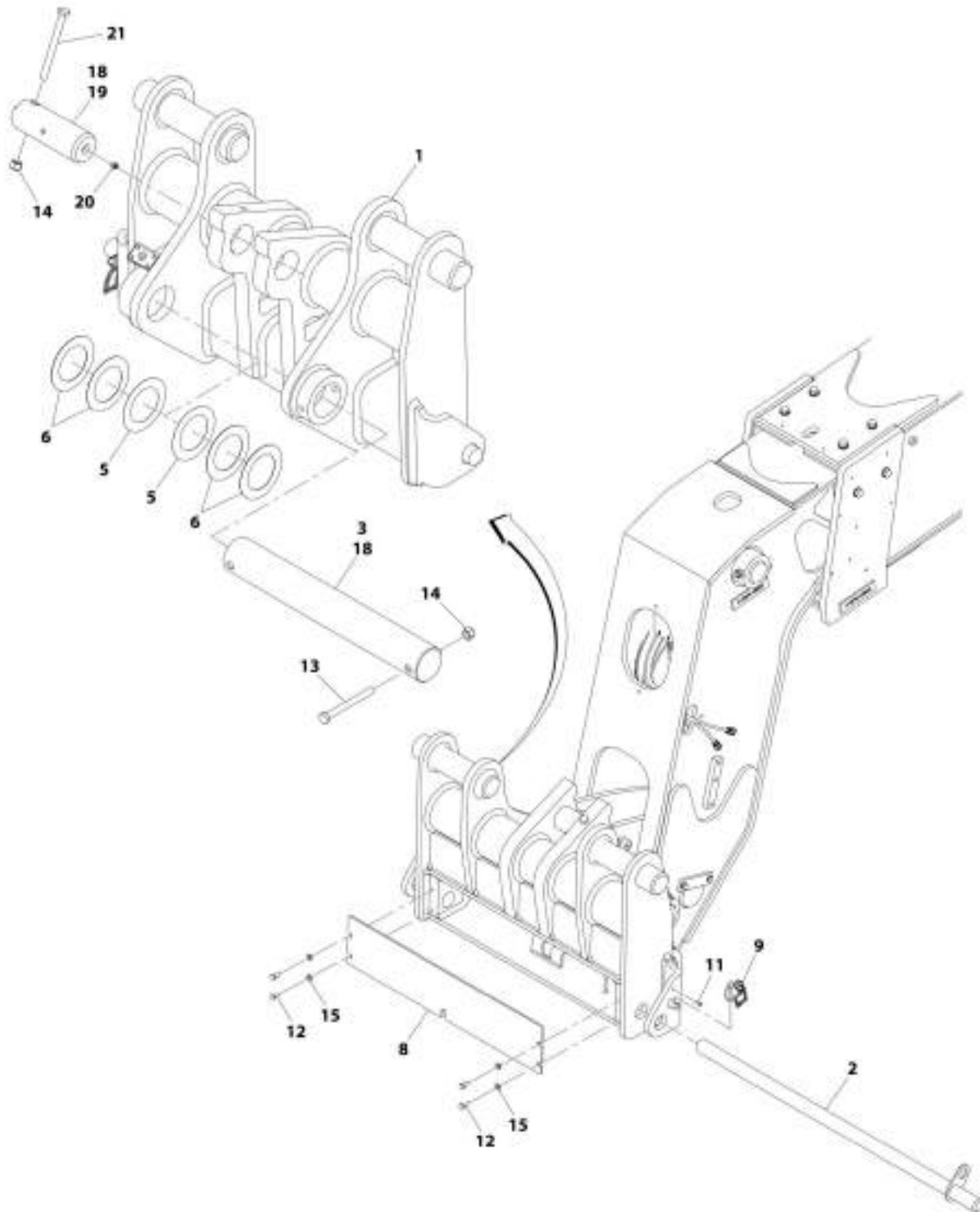
ART\_100176407-B

FIGURE 2-6. LEVER ASSEMBLY

ITEM	PART NUMBER	QTY	DESCRIPTION	REV
	1001176407	Ref	Lever Assembly	B
1	1001092298	2	Bearing	
2	1001155441	4	Screw, M10-1.5X20	
3	1001189480	1	Plate	
4	1001176882	2	Plate, Pin Retainer	

# SECTION 2 - BOOM

## FIGURE 2-7. MANUAL QUICK COUPLER INSTALLATION



ART\_100176526-E

FIGURE 2-7. MANUAL QUICK COUPLER INSTALLATION

ITEM	PART NUMBER	QTY	DESCRIPTION	REV
	1001178526	Ref	Manual Quick Coupler Installation	D
1	1001189099	1	Carriage	
2	1001162636	1	Pin	
3	1001172886	1	Pin	
5	1001098146	AR	Shim, M72X110X0.5	
6	1001098147	AR	Shim, M72X110X1.0	
8	1001171390	1	Plate	
9	1001149923	1	Chain, Retaining Pin	
11	0760507	1	Bolt, M5X14	
12	0760808	4	Bolt, M8X16	
13	0701229	1	Bolt, M12X120	
14	3291205	2	Nut, Lock M12X1.75 Grade 8	
15	4811900	4	Washer, M8	
18	1001098457	AR	Lube, Lithium Grease	
19	1001197479	1	Pin	
20	2160016	1	Fitting, Grease	
21	0701232	1	Bolt, M12X150	

## SECTION 2 - BOOM

FIGURE 2-8. HYDRAULIC QUICK COUPLER INSTALLATION

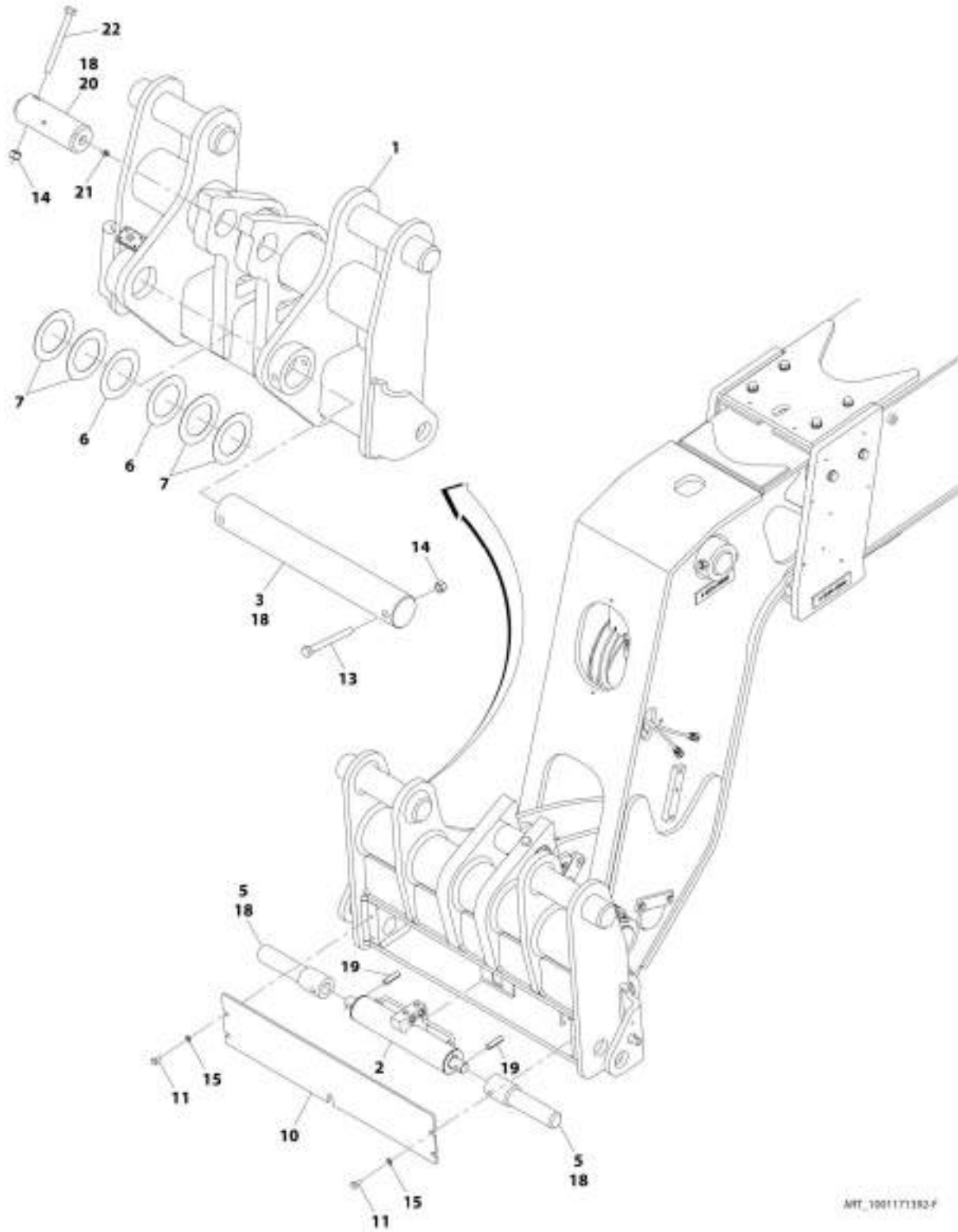
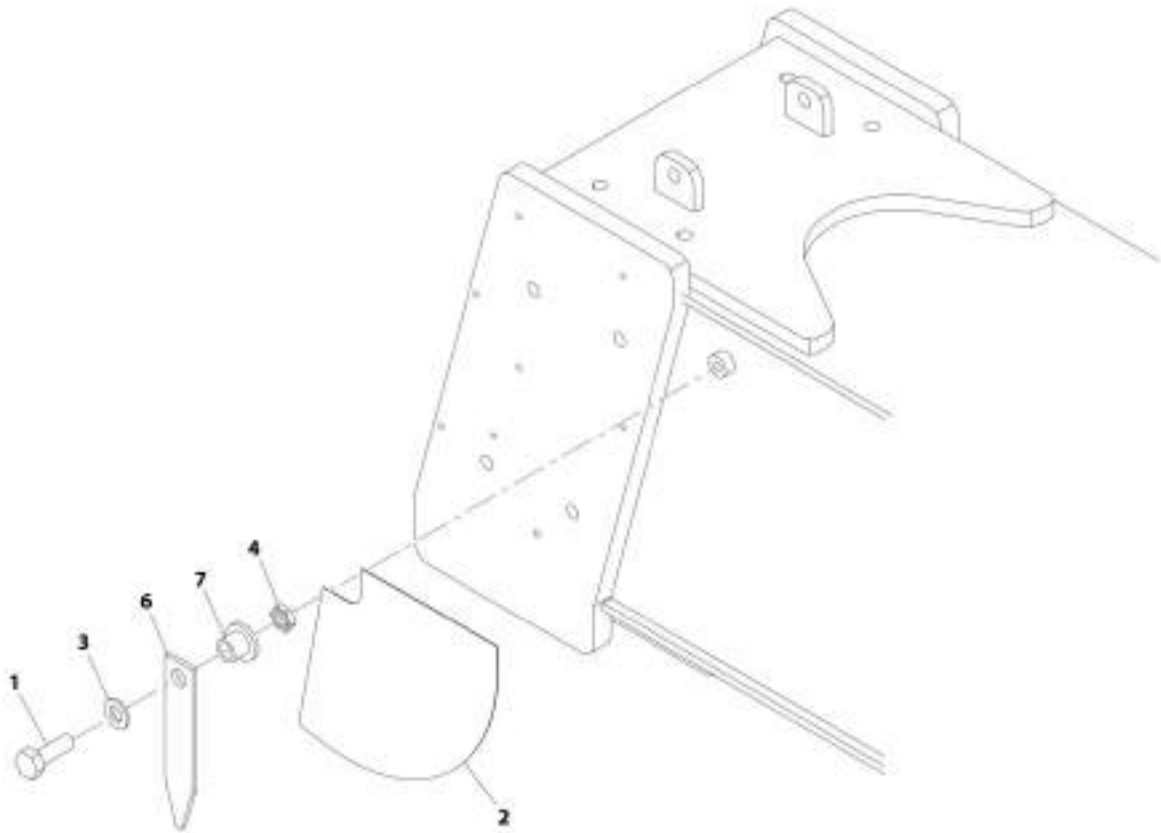


FIGURE 2-8. HYDRAULIC QUICK COUPLER INSTALLATION

ITEM	PART NUMBER	QTY	DESCRIPTION	REV
	1001171392	Ref	Hydraulic Quick Coupler Installation	F
1	1001189099	1	Carriage	
2	1001114787	1	Assembly, Coupler Locking Cylinder (See Separate Breakdown in Hydraulic Components Section)	
3	1001172886	1	Pin	
5	1001170984	2	Rod, Locking	
6	1001098146	AR	Shim, M72X110X0.5	
7	1001098147	AR	Shim, M72X110X1.0	
10	1001171390	1	Plate	
11	0760808	4	Bolt, M8X16	
13	0701229	1	Bolt, M12X120	
14	3291205	2	Nut, Lock M12X1.75 Grade 8	
15	4811900	4	Washer, M8	
18	1001098457	AR	Lube, Lithium Grease	
19	1001184610	2	Pin	
20	1001197479	1	Pin	
21	2160016	1	Fitting, Grease	
22	0701232	1	Bolt, M12X150	

## SECTION 2 - BOOM

FIGURE 2-9. BOOM ANGLE INDICATOR INSTALLATION



ART.100180190-C

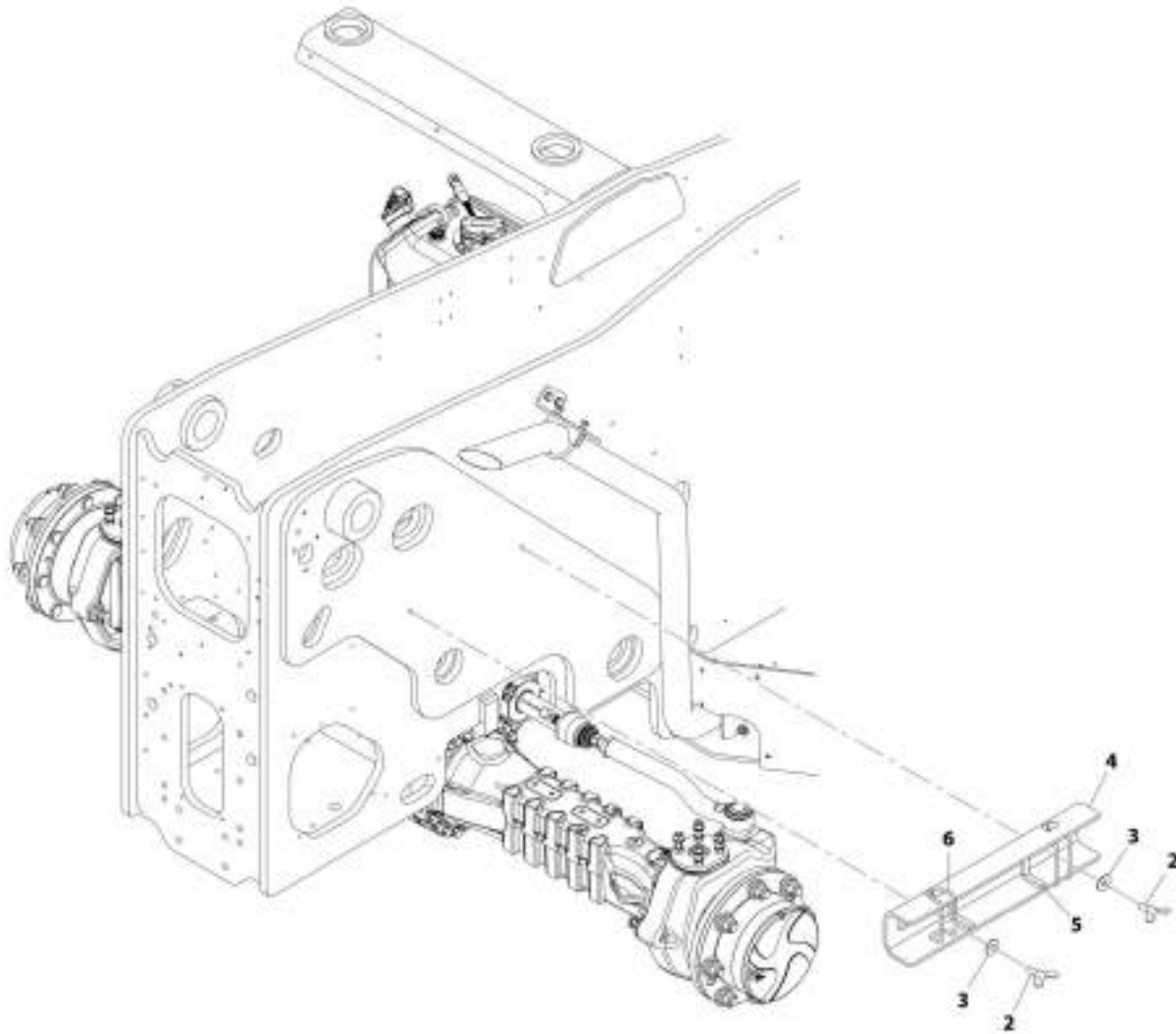


FIGURE 2-9. BOOM ANGLE INDICATOR INSTALLATION

ITEM	PART NUMBER	QTY	DESCRIPTION	REV
	1001188190	Ref	Boom Angle Indicator Installation	C
1	0701014	1	Bolt, M10X30	
2	4105262	1	Decal, Boom Angle Indicator	
3	4812000	1	Washer, M10	
4	8305438	1	Nut, M10X1.50	
6	1001098769	1	Plate, Boom Angle Indicator	
7	1001171808	1	Spacer	

## SECTION 2 - BOOM

FIGURE 2-10. BOOM PROP INSTALLATION



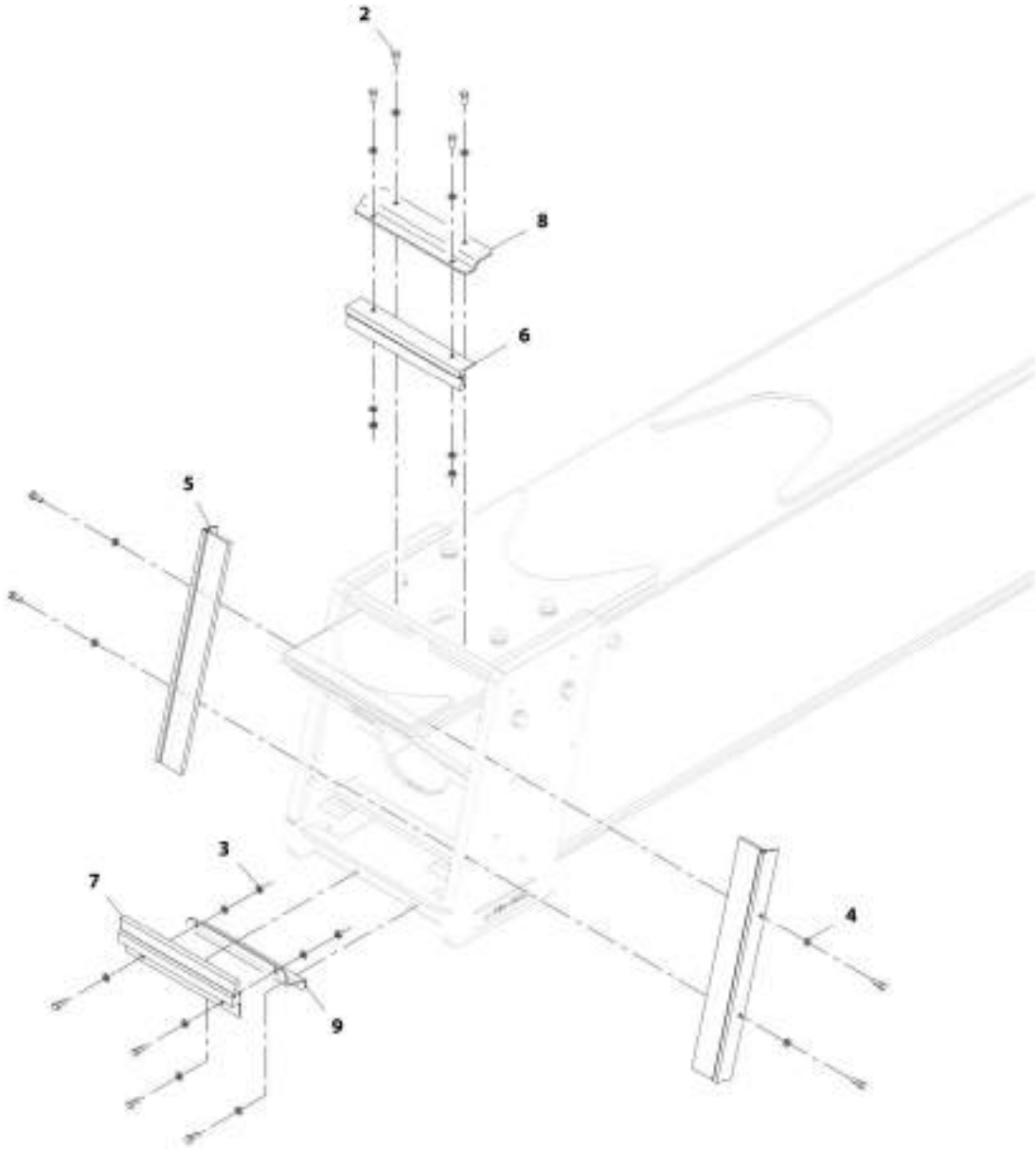
ART\_3001188475-D

FIGURE 2-10. BOOM PROP INSTALLATION

ITEM	PART NUMBER	QTY	DESCRIPTION	REV
	1001189475	Ref	Boom Prop Installation	D
2	443630	2	Screw, Wing M12X30	
3	4812102	2	Washer, M12	
4	1001204535	1	Bracket, Boom Support	
5	1001189476	2	Pad	
6	1784861	2	O-Ring	

**SECTION 2 - BOOM**

**FIGURE 2-11. BOOM BRUSHES INSTALLATION**



ART\_300118698-D

FIGURE 2-11. BOOM BRUSHES INSTALLATION

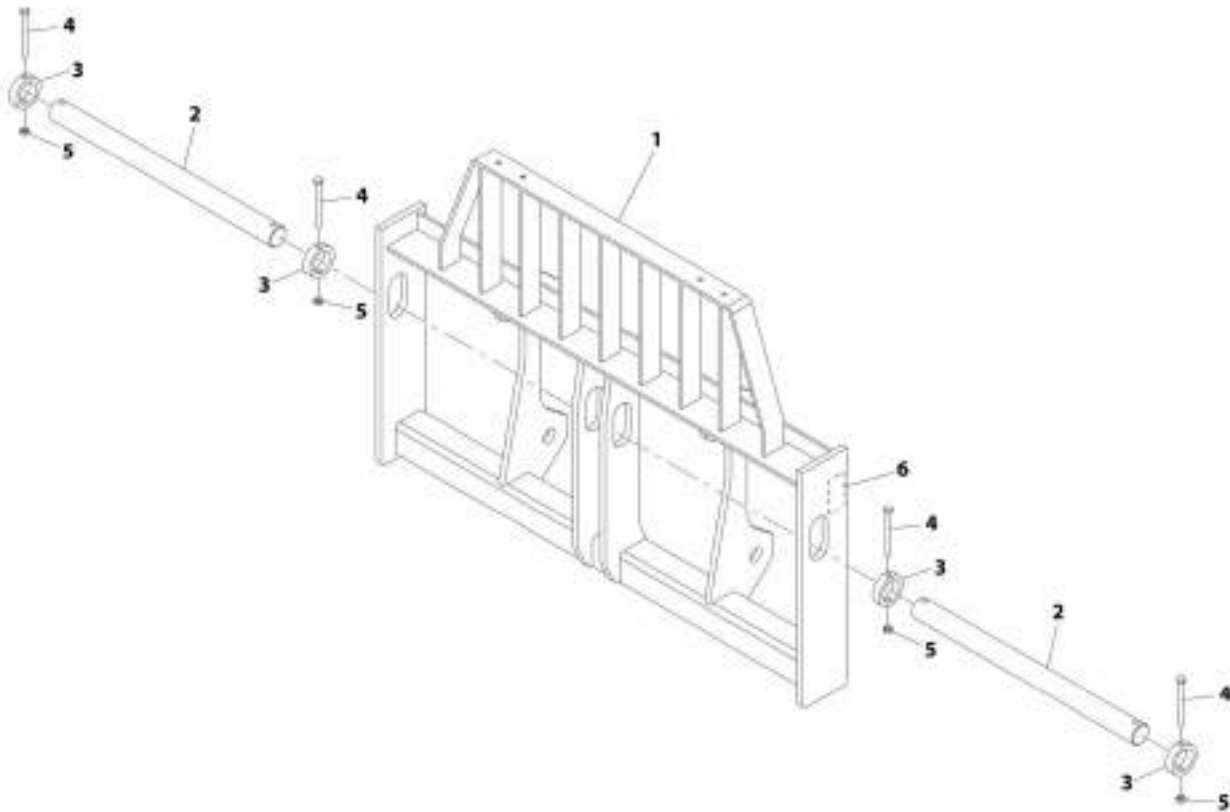
ITEM	PART NUMBER	QTY	DESCRIPTION	REV
	1001186698	Ref	Boom Brushes Installation	D
2	0760608	12	Bolt, M6X16	
3	3290601	4	Nut, M6X1	
4	4811700	16	Washer, M6	
5	1001184423	2	Seal	
6	1001184425	1	Seal	
7	1001184426	1	Seal	
8	1001214297	1	Bracket	
9	1001214312	1	Bracket	



**SECTION 3 - ATTACHMENTS**

# SECTION 3 - ATTACHMENTS

FIGURE 3-1. CARRIAGE ASSEMBLY (1524MM) (CE & AUS)



APP\_100158403-B



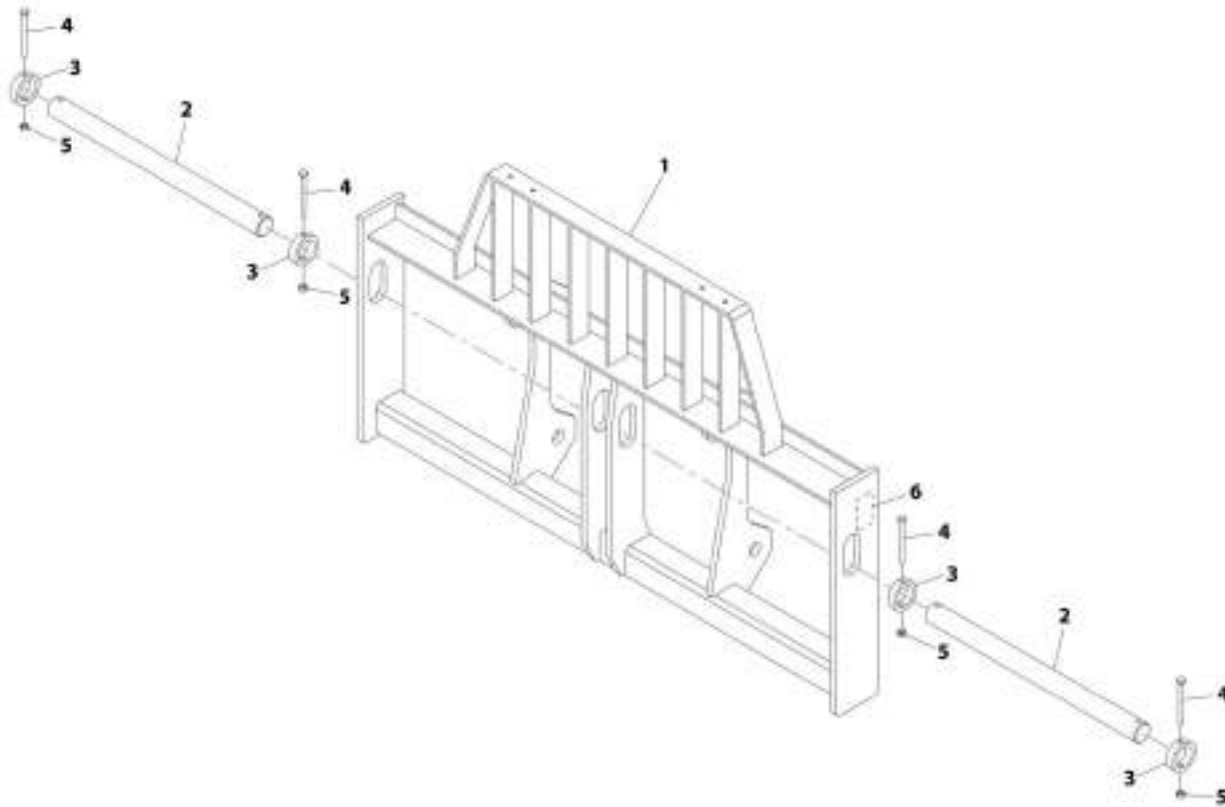
## SECTION 3 - ATTACHMENTS

### FIGURE 3-1. CARRIAGE ASSEMBLY (1524MM) (CE & AUS)

ITEM	PART NUMBER	QTY	DESCRIPTION	REV
	1001184033	1	Carriage Assembly (1524MM)	B
1	N.S.S.	1	Weldment, Carriage	
2	70027659	2	Shaft, Fork	
3	70027606	4	Pin, Block	
4	70027607	4	Bolt	
5	70021241	4	Nut, Lock M12	
6	N.S.S.	1	Plate, Serial Number	

# SECTION 3 - ATTACHMENTS

FIGURE 3-2. CARRIAGE ASSEMBLY (1829MM) (CE & AUS)



APP\_1001184035-B

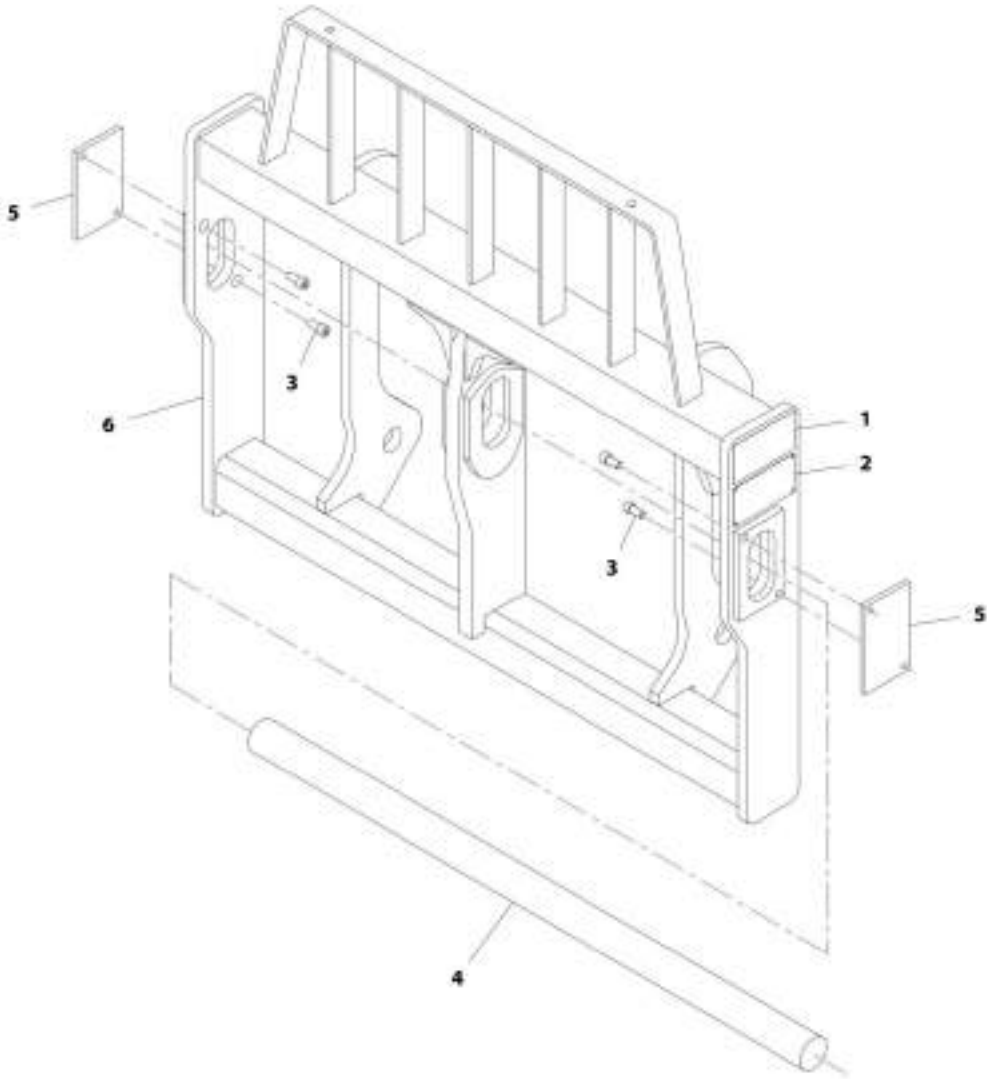
## SECTION 3 - ATTACHMENTS

### FIGURE 3-2. CARRIAGE ASSEMBLY (1829MM) (CE & AUS)

ITEM	PART NUMBER	QTY	DESCRIPTION	REV
	1001184035	1	Carriage Assembly (1829MM)	B
1	N.S.S.	1	Weldment, Carriage	
2	70027658	2	Shaft, Fork	
3	70027606	4	Pin, Block	
4	70027607	4	Bolt	
5	70021241	4	Nut, Lock M12	
6	N.S.S.	1	Plate, Serial Number	

**SECTION 3 - ATTACHMENTS**

**FIGURE 3-3. CARRIAGE ASSEMBLY (1225MM) (CE & AUS)**



ART\_3001107581-A

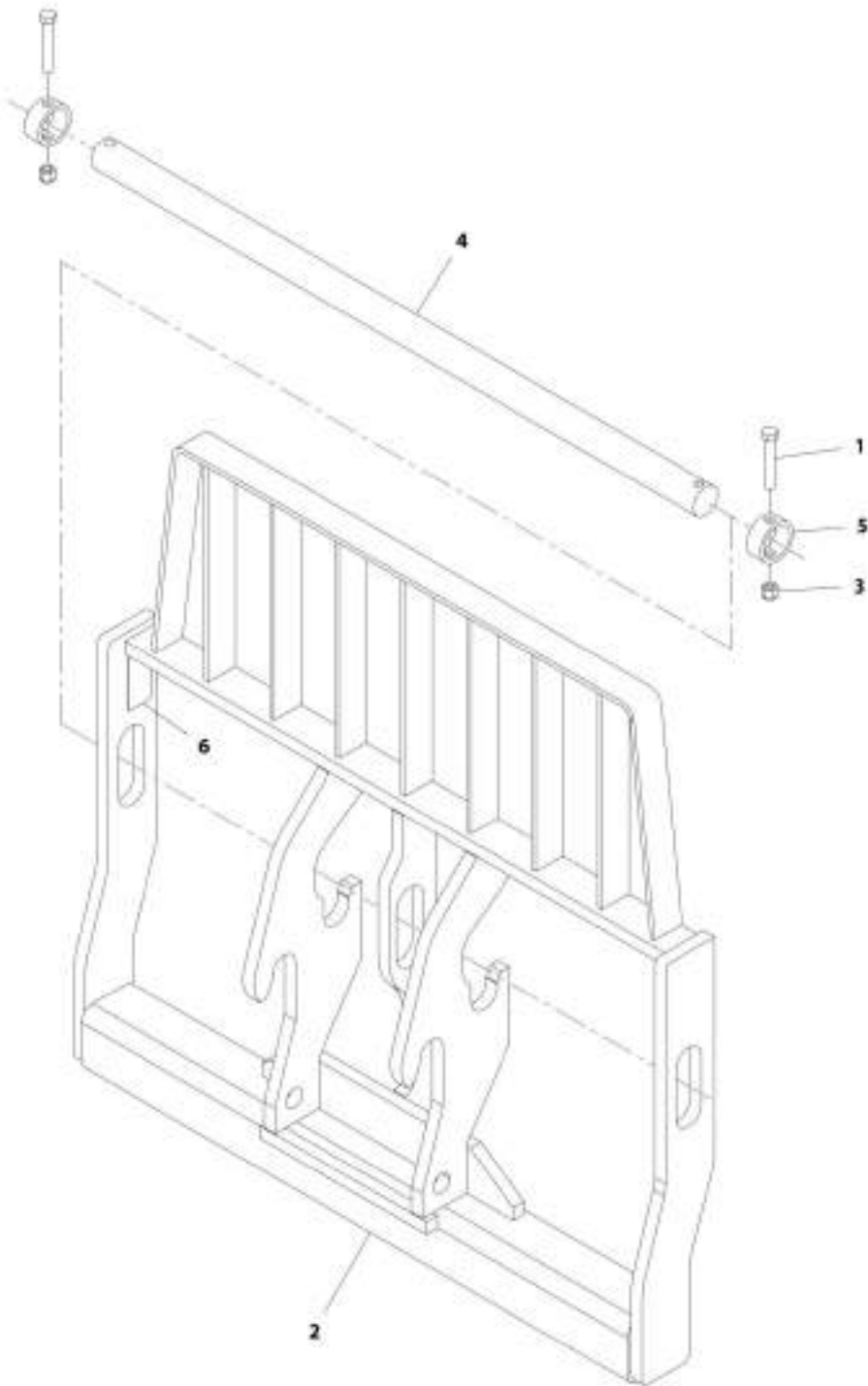
## SECTION 3 - ATTACHMENTS

### FIGURE 3-3. CARRIAGE ASSEMBLY (1225MM) (CE & AUS)

ITEM	PART NUMBER	QTY	DESCRIPTION	REV
	1001107581	1	Carriage Assembly (1225MM)	A
1	N.S.S.	1	Name Plate, Carriage	
2	N.S.S.	1	Plate, Serial Number	
3	4032109	4	Bolt, M12X25	
4	1001107336	1	Shaft, Carriage	
5	1001107338	2	Cover, Shaf	
6	N.S.S.	1	Weldment, Carriage	

**SECTION 3 - ATTACHMENTS**

**FIGURE 3-4. CARRIAGE ASSEMBLY (1270MM) (ANSI)**



AWT\_1170021-F

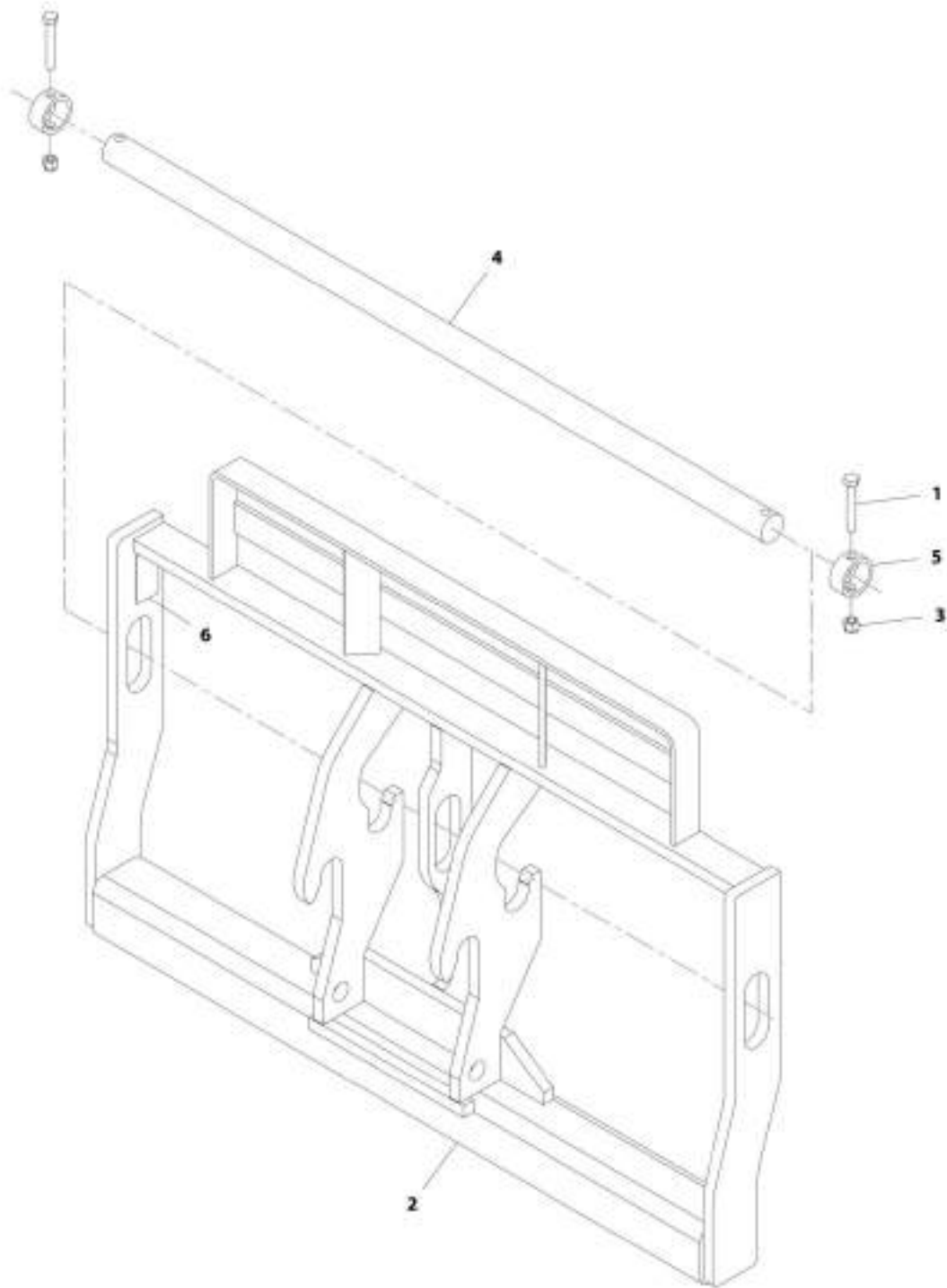
## SECTION 3 - ATTACHMENTS

### FIGURE 3-4. CARRIAGE ASSEMBLY (1270MM) (ANSI )

ITEM	PART NUMBER	QTY	DESCRIPTION	REV
	1170021	1	Carriage Assembly (1270MM) (ANSI)	F
1	0642032	2	Bolt, 5/8-11X4	
2	1170012	1	Weldment, Carriage	
3	3300240	2	Nut, Lock 5/8-11	
4	3423275	1	Pin, Fork	
5	90200003	1	Collar, Fork Pin	
6	N.S.S.	1	Plate, Serial Number	

# SECTION 3 - ATTACHMENTS

FIGURE 3-5. CARRIAGE ASSEMBLY (1524 MM) (ANSI)



AWT\_1170014-F



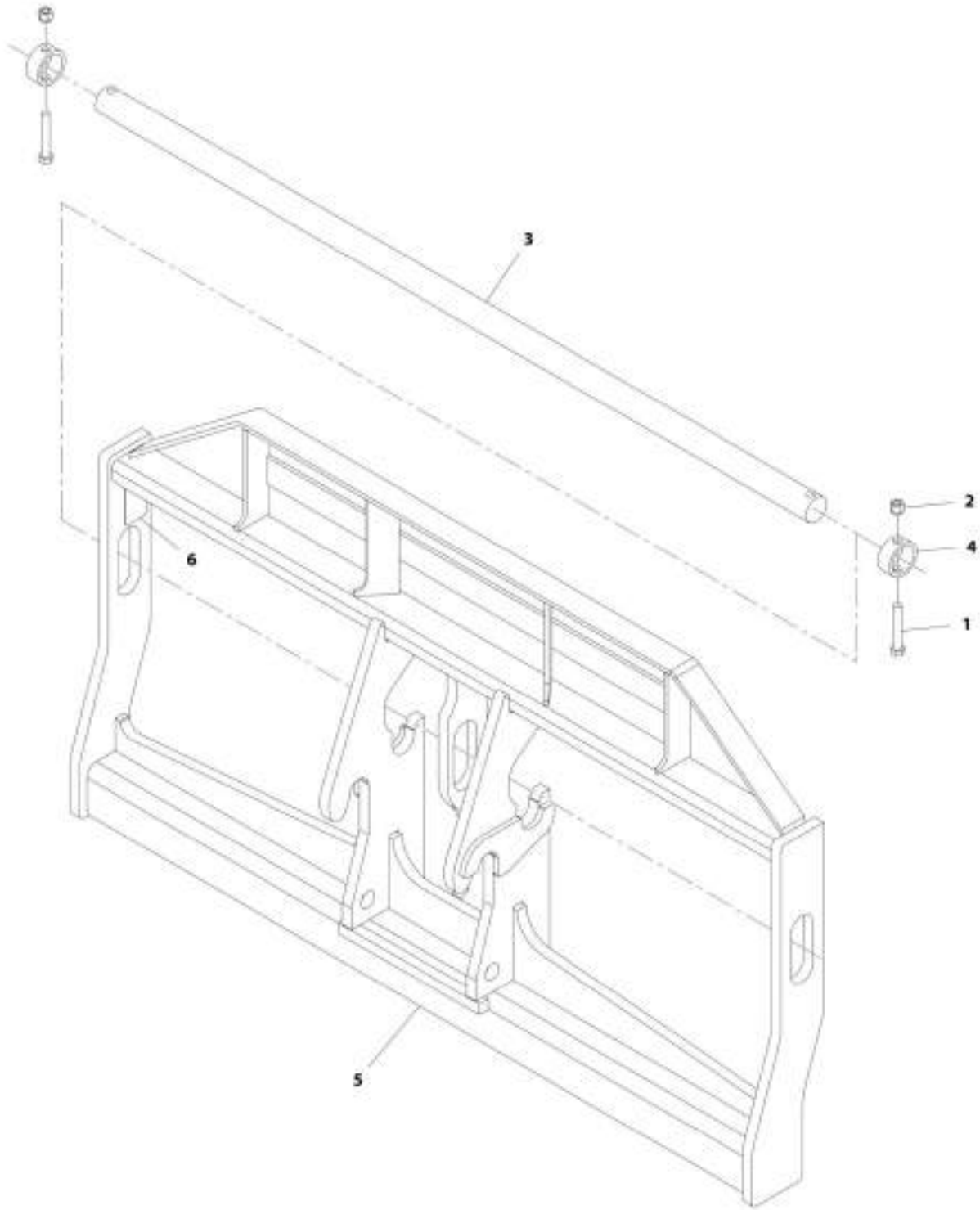
## SECTION 3 - ATTACHMENTS

### FIGURE 3-5. CARRIAGE ASSEMBLY (1524 MM) (ANSI)

ITEM	PART NUMBER	QTY	DESCRIPTION	REV
	1170024	1	Carriage Assembly (1524 MM)	F
1	0642032	2	Bolt, 5/8-11X4	
2	N.S.S.	1	Weldment, Carriage	
3	3300240	2	Nut, Locking 5/8-11	
4	3423242	1	Pin	
5	90200003	2	Sleeve	
6	N.S.S.	1	Plate, Serial Number	

# SECTION 3 - ATTACHMENTS

FIGURE 3-6. CARRIAGE ASSEMBLY (1829 MM) (ANSI)



ART\_100/211E16-A

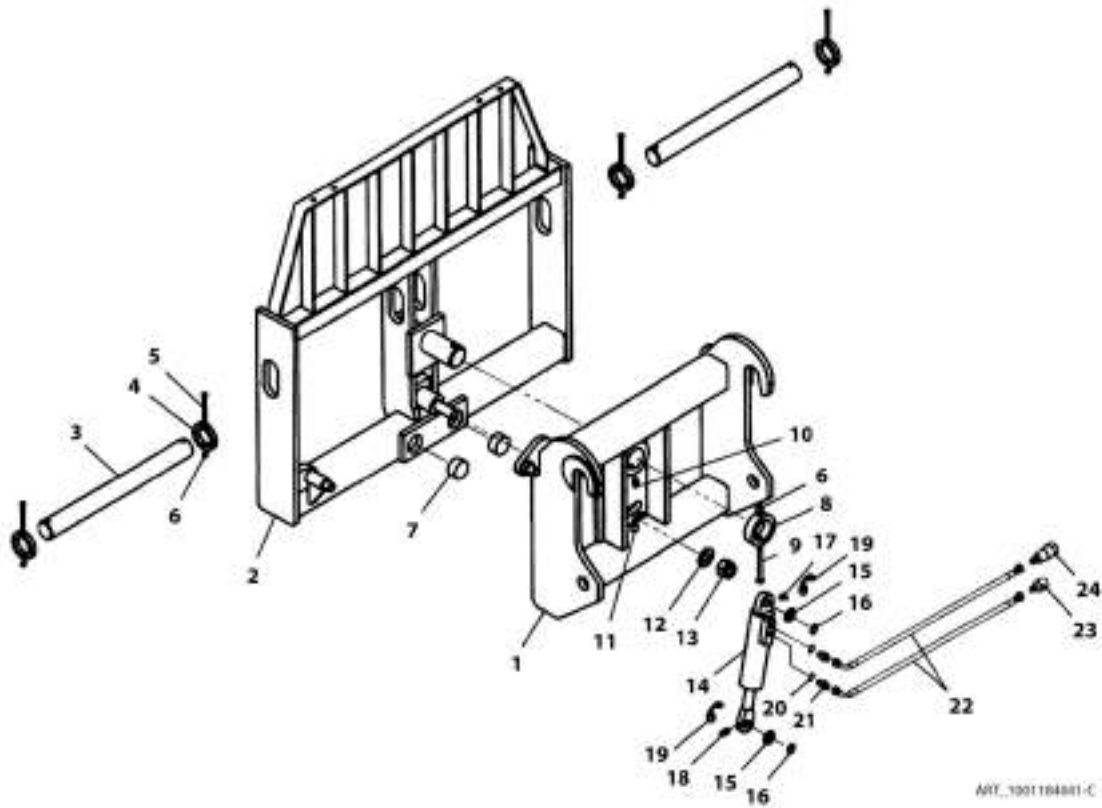
## SECTION 3 - ATTACHMENTS

### FIGURE 3-6. CARRIAGE ASSEMBLY (1829 MM) (ANSI)

ITEM	PART NUMBER	QTY	DESCRIPTION	REV
	1001211516	1	Carriage Assembly (1829 MM)	A
1	0642032	2	Bolt, 5/8-11X4	
2	3300240	2	Nut, Locking 5/8-11	
3	3423276	1	Pin	
4	90200003	2	Sleeve	
5	N.S.S.	1	Weldment, Carriage	
6	N.S.S.	1	Plate, Serial Number	

# SECTION 3 - ATTACHMENTS

FIGURE 3-7. SIDE TILTING CARRIAGE (4.5 TON - 1225 MM) (CE & AUS)



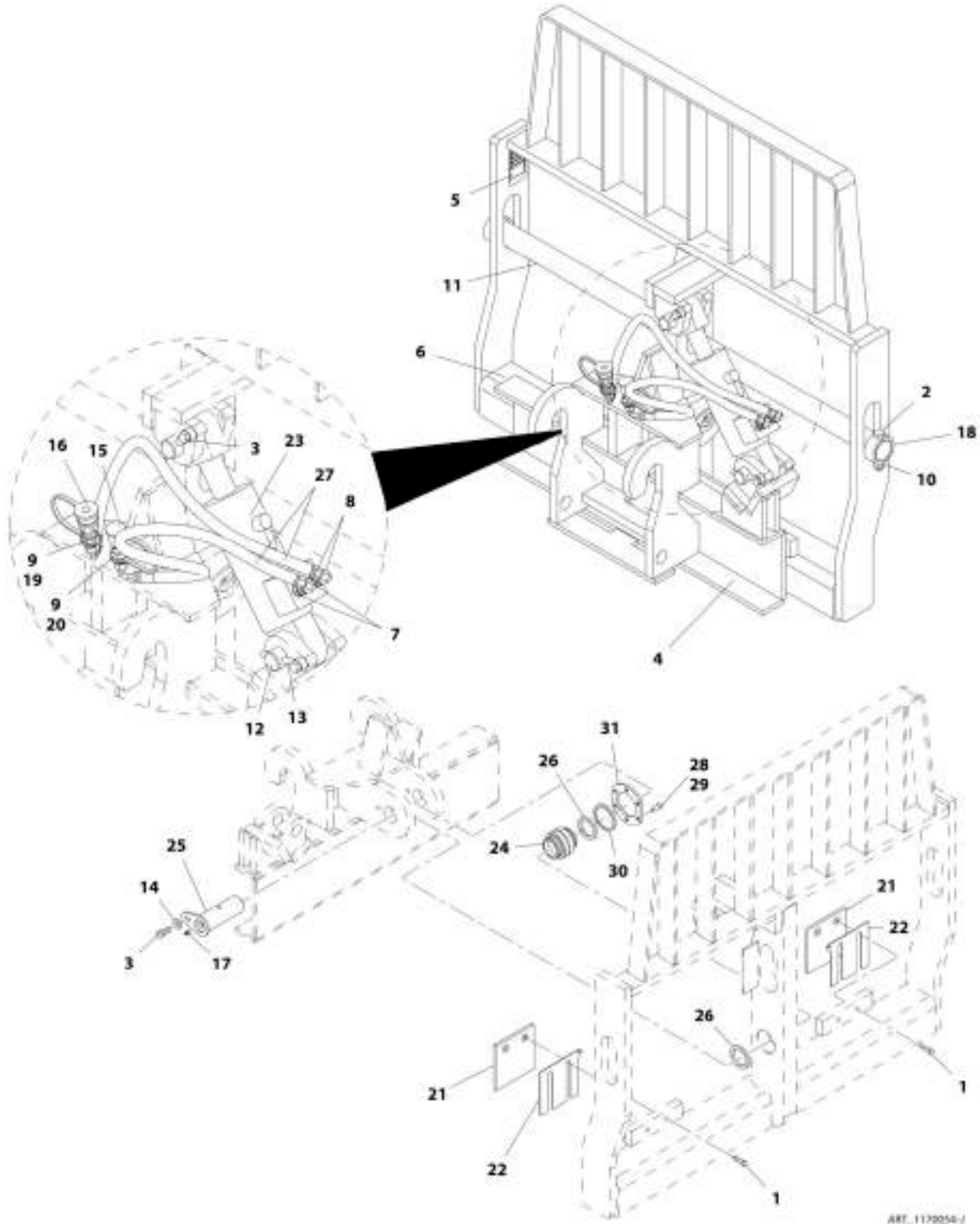
## SECTION 3 - ATTACHMENTS

**FIGURE 3-7. SIDE TILTING CARRIAGE (4.5 TON - 1225 MM) (CE & AUS)**

ITEM	PART NUMBER	QTY	DESCRIPTION	REV
	1001184041	1	Side Tilting Carriage (4.5 ton - 1225 MM)	C
1	N.S.S.	1	N.S.S.	
2	70027604	1	Fork, Carriage	
3	70027605	2	Pin	
4	70027606	4	Pin, Block	
5	70027607	4	Bolt	
6	70021241	5	Nut, Lock M12	
7	70021238	2	Buffer	
8	70021239	1	Collar	
9	70021240	1	Bolt	
10	70021242	1	Fitting, Grease	
11	70021243	1	Cover, Grease Fitting	
12	70021244	1	Washer	
13	70022697	1	Nut, Lock	
14	70020506	1	Cylinder	
15	70020507	1	Washer	
16	70020508	2	Ring, Snap	
17	70021245	1	Fitting, Grease	
18	70021246	1	Fitting, Grease	
19	70021247	2	Cover, Grease Fitting	
20	70020730	2	O-Ring	
21	70020731	2	Fitting	
22	70021248	2	Tube, Hydraulic	
23	1001094556	1	Coupling, Male Quick Disconnect	
24	1001094555	1	Coupling, Female Quick Disconnect	

# SECTION 3 - ATTACHMENTS

FIGURE 3-8. SIDE TILTING CARRIAGE (4.5 TON - 1270 MM) (ANSI)



ART. 1170054-1

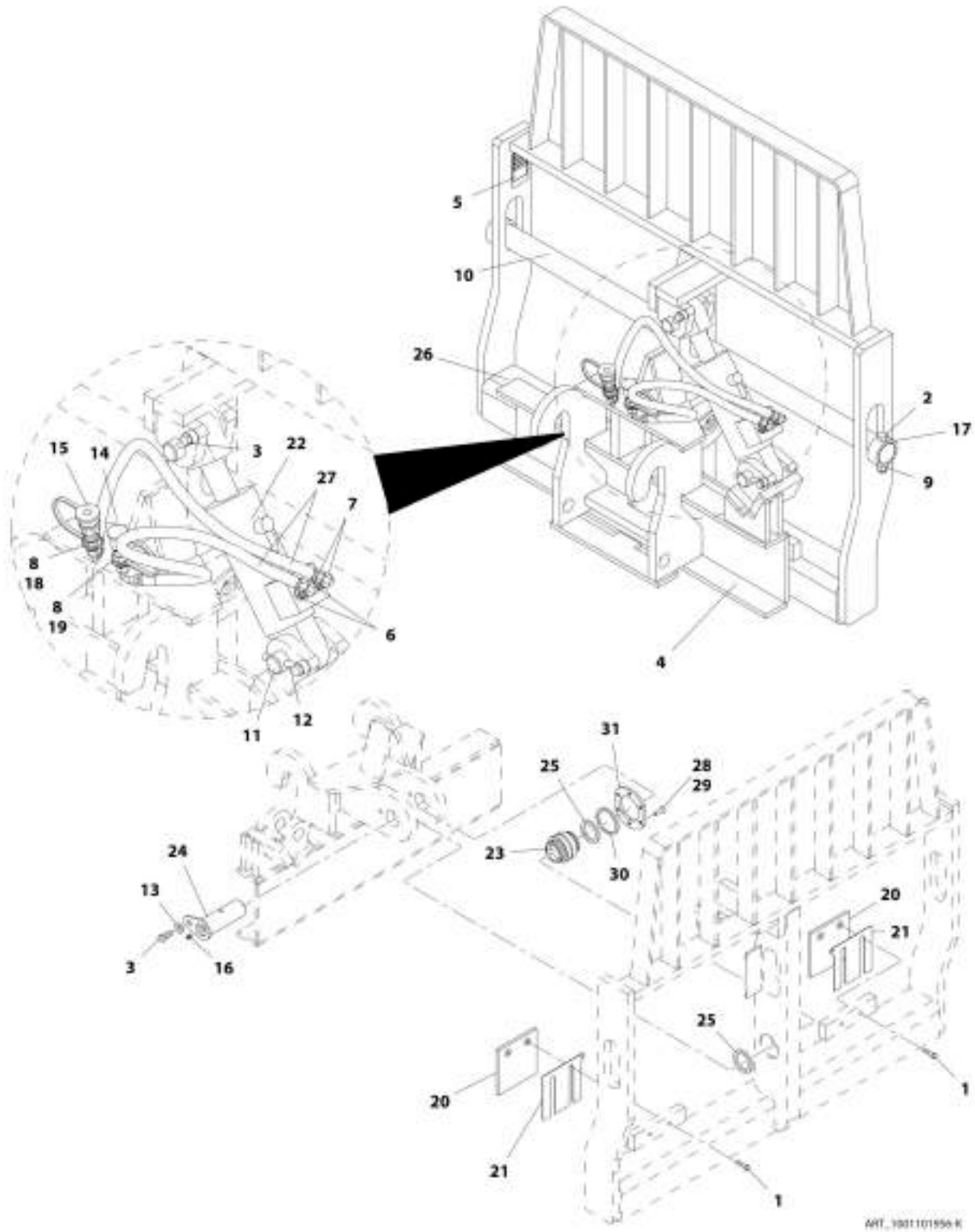
## SECTION 3 - ATTACHMENTS

**FIGURE 3-8. SIDE TILTING CARRIAGE (4.5 TON - 1270 MM) (ANSI)**

ITEM	PART NUMBER	QTY	DESCRIPTION	REV
	1170054	1	Side Tilting Carriage (ANSI)	J
1	0641612	4	Bolt, 3/8-16X1-1/2	
2	0642032	2	Bolt, 5/8-11X4	
3	0681810	3	Bolt, 1/2-13X1-1/4	
4	1001133072	1	Carriage, Base Pivot	
5	N.S.S.	1	Plate, Serial Number	
6	N.S.S.	1	Carriage, Side Tilt	
7	2110606	2	Fitting, Straight ORFS	
8	2172106	2	Fitting, 90 ORFS	
9	2110808	2	Fitting, Straight ORFS	
10	3300240	2	Nut, Locking 5/8-11	
11	3423275	1	Pin, Fork	
12	3423307	2	Pin	
13	3841203	2	Keeper	
14	4891800	1	Flatwasher	
15	8420053	1	Cap	
16	8420055	1	Plug	
17	88671001	1	Fitting, Grease	
18	90200003	2	Collar	
19	91403413	1	Fitting	
20	91403414	1	Fitting	
21	1001090063	2	Pad	
22	1001090064	AR	Shim	
23	1001163414	1	Cylinder, Side Tilt (See Separate Breakdown in Hydraulic Components Section)	
24	1001090140	1	Bearing	
25	1001099113	1	Pin	
26	1001099115	2	Sleeve	
27	1001102378	2	Hose	
28	0100011	AR	Compound, Locking	
29	0741610	6	Screw, 3/8-16X1.25	
30	1001120914	1	Shim	
31	1001120915	1	Plate	

# SECTION 3 - ATTACHMENTS

FIGURE 3-9. SIDE TILTING CARRIAGE (4.5 TON - 1575 MM) (ANSI)





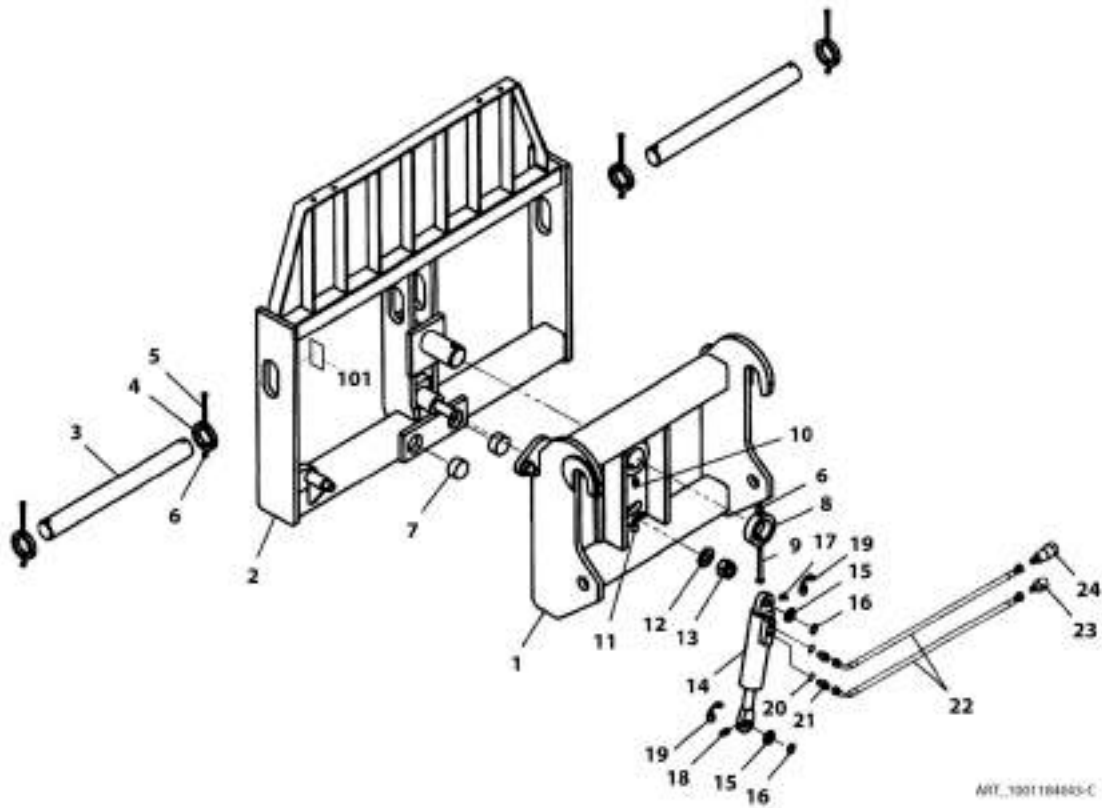
## SECTION 3 - ATTACHMENTS

**FIGURE 3-9. SIDE TILTING CARRIAGE (4.5 TON - 1575 MM) (ANSI)**

ITEM	PART NUMBER	QTY	DESCRIPTION	REV
	1001101956	1	Side Tilting Carriage (4.5 ton - 1575 MM)	K
1	0641612	4	Bolt, 3/8-16X1-1/2	
2	0642032	2	Bolt, 5/8-11X4	
3	0681810	3	Bolt, 1/2-13X1-1/4	
4	1001133072	1	Carriage, Base Pivot	
5	N.S.S.	1	Plate, Serial Number	
6	2110606	2	Fitting, Straight ORFS	
7	2172106	2	Fitting, 90 ORFS	
8	2110808	2	Fitting, Straight ORFS	
9	3300240	2	Nut, Locking 5/8-11	
10	3423242	1	Pin, Fork	
11	3423307	2	Pin	
12	3841203	2	Keeper	
13	4891800	1	Flatwasher	
14	8420053	1	Cap	
15	8420055	1	Plug	
16	88671001	1	Fitting, Grease	
17	90200003	2	Collar	
18	91403413	1	Fitting	
19	91403414	1	Fitting	
20	1001090063	2	Pad	
21	1001090064	AR	Shim	
22	1001163414	1	Cylinder, Side Tilt (See Separate Breakdown in Hydraulic Components Section)	
23	1001090140	1	Bearing	
24	1001099113	1	Pin, Frame Pivot	
25	1001099115	2	Spacer	
26	N.S.S.	1	Carriage, Side Tilting	
27	1001102378	2	Hose	
28	0100011	AR	Compound, Locking	
29	0741610	6	Screw, 3/8-16X1.25	
30	1001120914	1	Shim	
31	1001120915	1	Plate	

# SECTION 3 - ATTACHMENTS

FIGURE 3-10. SIDE TILTING CARRIAGE (4.0 TON - 1575 MM) (CE & AUS)



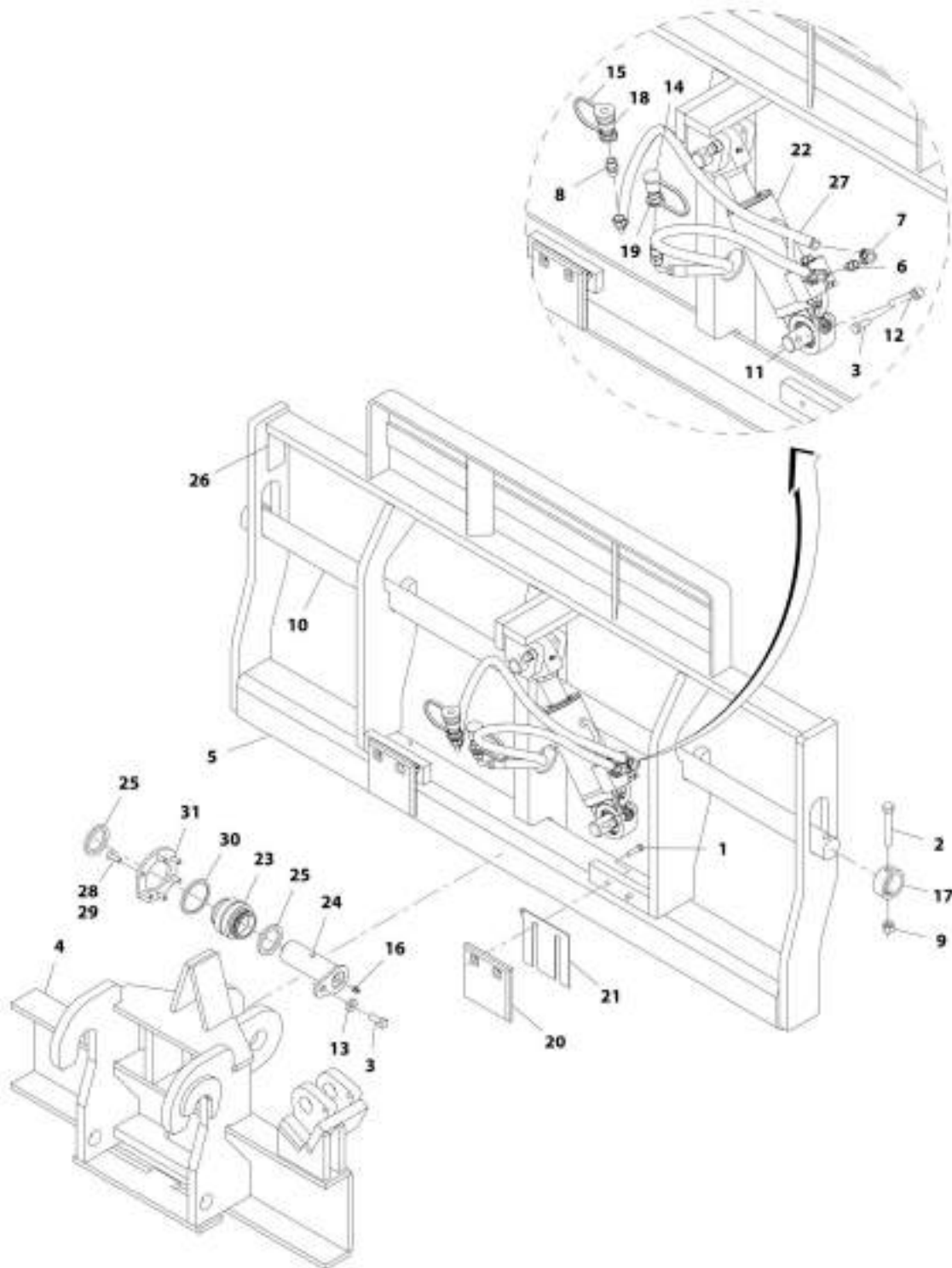
## SECTION 3 - ATTACHMENTS

**FIGURE 3-10. SIDE TILTING CARRIAGE (4.0 TON - 1575 MM) (CE & AUS)**

ITEM	PART NUMBER	QTY	DESCRIPTION	REV
	1001184043	1	ATTACH,1524 MM SIDE TILT CARRIAGE	C
1	N.S.S.	Ref	Weldment, Carriage	
2	70027604	1	Fork, Carriage	
3	70027605	2	Pin	
4	70027606	4	Pin, Block	
5	70027607	4	Bolt	
6	70021241	5	Locknut, M12	
7	70021238	2	Buffer	
8	70021239	1	Collar	
9	70021240	1	Bolt	
10	70021242	1	Fitting, Grease	
11	70021243	1	Cover, Grease Fitting	
12	70021244	1	Washer	
13	70022697	1	Bolt	
14	70020506	1	Cylinder	
15	70020507	1	Washer	
16	70020508	2	Ring, Snap	
17	70021245	1	Fitting, Grease	
18	70021246	1	Fitting, Grease	
19	70021247	2	Cover, Grease Fitting	
20	70020730	2	O-Ring	
21	70020731	2	Fitting, Straight	
22	70021248	2	Tube	
23	1001094556	1	Coupling, Male Quick Disconnect	
24	1001094555	1	Coupling, Female Quick Disconnect	
101	N.S.S.	Ref	Plate, Serial Number	

# SECTION 3 - ATTACHMENTS

FIGURE 3-11. SIDE TILTING CARRIAGE (4.5 TON - 1829 MM) (ANSI)



ART\_1170657-J

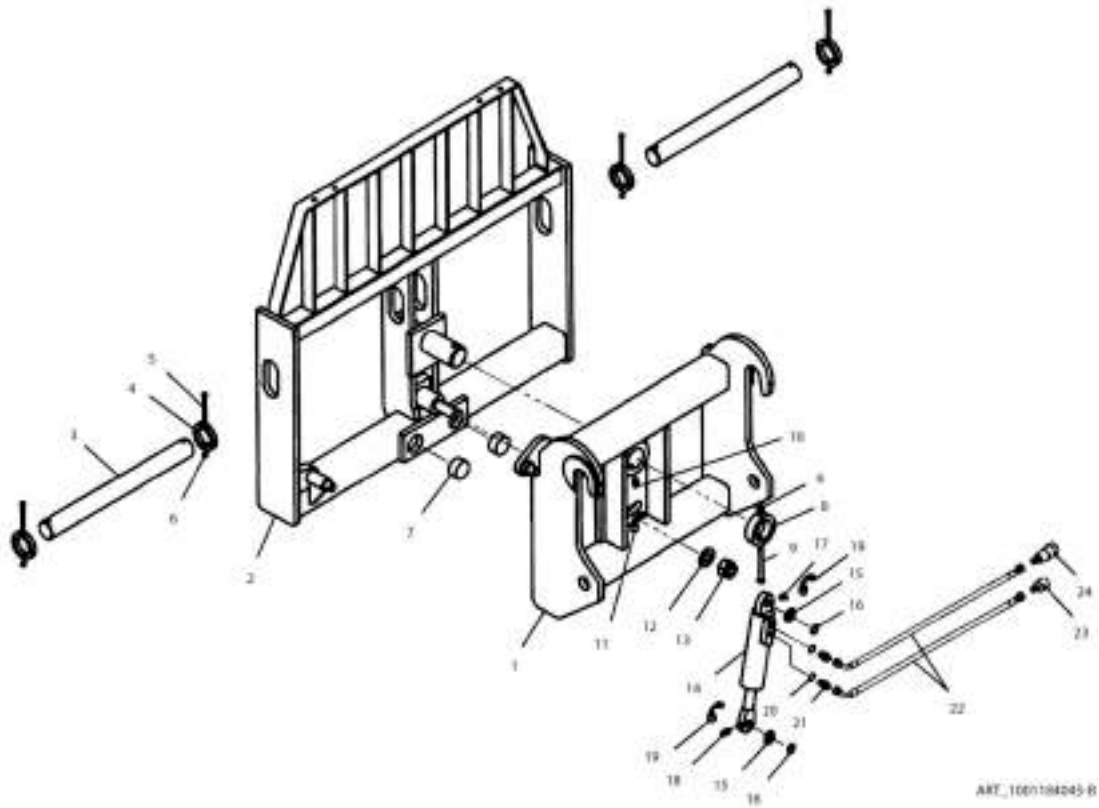
## SECTION 3 - ATTACHMENTS

**FIGURE 3-11. SIDE TILTING CARRIAGE (4.5 TON - 1829 MM) (ANSI)**

ITEM	PART NUMBER	QTY	DESCRIPTION	REV
	1170057	1	Side Tilting Carriage (4.5 ton - 1829 MM)	J
1	0641612	4	Bolt, 3/8-16X1-1/2	
2	0642032	2	Bolt, 5/8-11X4	
3	0681810	3	Bolt, 1/2-13X1-1/4	
4	1001133072	1	Carriage, Base Pivot	
5	N.S.S.	1	Carriage, Side Tilting	
6	2110606	2	Fitting, Straight ORFS	
7	2172106	2	Fitting, 90 ORFS	
8	2110808	2	Fitting, Straight ORFS	
9	3300240	2	Nut, Locking 5/8-11	
10	3423276	1	Pin, Fork	
11	3423307	2	Pin	
12	3841203	2	Keeper	
13	4891800	1	Flatwasher	
14	8420053	1	Cap	
15	8420055	1	Plug	
16	88671001	1	Fitting, Grease	
17	90200003	2	Collar	
18	91403413	1	Fitting	
19	91403414	1	Fitting	
20	1001090063	2	Pad	
21	1001090064	AR	Shim	
22	N.S.S.	1	Cylinder, Side Tilt (See Separate Breakdown in Hydraulic Components Section)	
23	1001090140	1	Bearing	
24	1001099113	1	Pin	
25	1001099115	2	Sleeve	
26	N.S.S.	1	Plate, Serial Number	
27	1001102378	2	Hose	
28	0100011	AR	Compound, Locking	
29	0741610	6	Screw, 3/8-16X1.25	
30	1001120914	1	Shim	
31	1001120915	1	Plate	

# SECTION 3 - ATTACHMENTS

FIGURE 3-12. SIDE TILTING CARRIAGE (4.0 TON - 1829 MM) (CE & AUS)



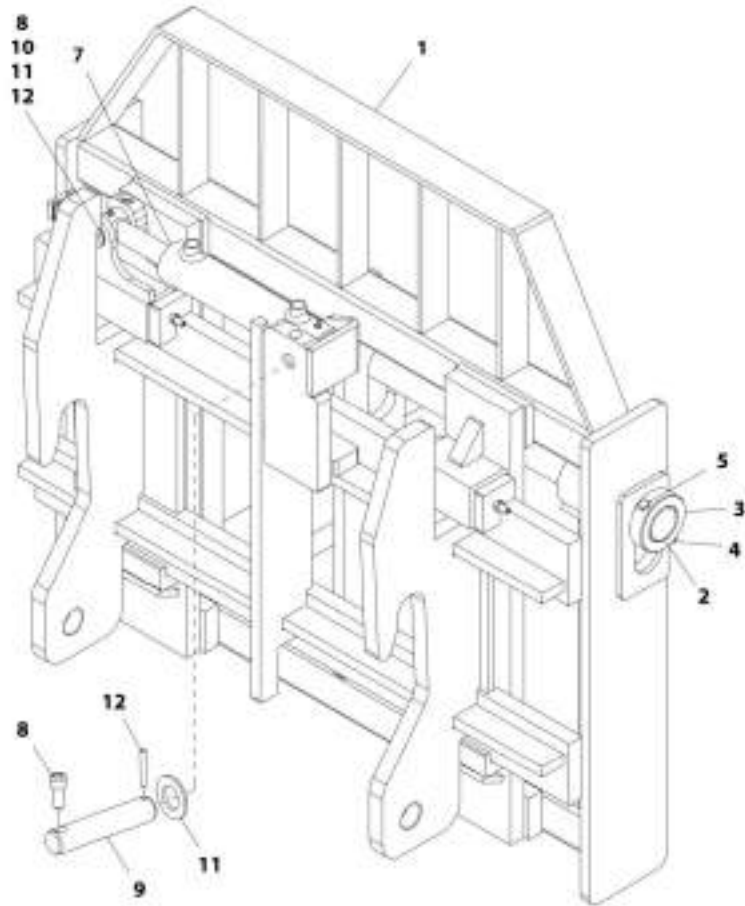
## SECTION 3 - ATTACHMENTS

**FIGURE 3-12. SIDE TILTING CARRIAGE (4.0 TON - 1829 MM) (CE & AUS)**

ITEM	PART NUMBER	QTY	DESCRIPTION	REV
	1001184045	1	Side Tilting Carriage (4.0 ton - 1829 MM)	B
1	N.S.S.	1	Weldment	
2	N.S.S.	1	Weldment, Carriage	
3	70027658	2	Shaft, Fork	
4	70027606	4	Pin, Block	
5	70027607	4	Bolt	
6	70021241	5	Nut, Lock M12	
7	70021238	2	Buffer	
8	70021239	1	Collar	
9	70021240	1	Bolt	
10	70021242	1	Fitting, Grease	
11	70021243	1	Cover	
12	70021244	1	Washer	
13	70022697	1	Nut, Lock	
14	70020506	1	Cylinder	
15	70020507	1	Washer	
16	70020508	2	Ring	
17	70021245	1	Fitting, Grease	
18	70021246	1	Fitting, Grease	
19	70021247	2	Cover	
20	70020730	2	O-Ring	
21	70020731	2	Link	
22	70027608	2	Pipe, Flexible	
23	1001094556	1	Coupling, Male Quick Disconnect	
24	1001094555	1	Coupling, Female Quick Disconnect	

# SECTION 3 - ATTACHMENTS

FIGURE 3-13. SIDE SHIFT CARRIAGE (4.0 TON - 1225 MM) (CE & AUS)



ART\_1178002-1



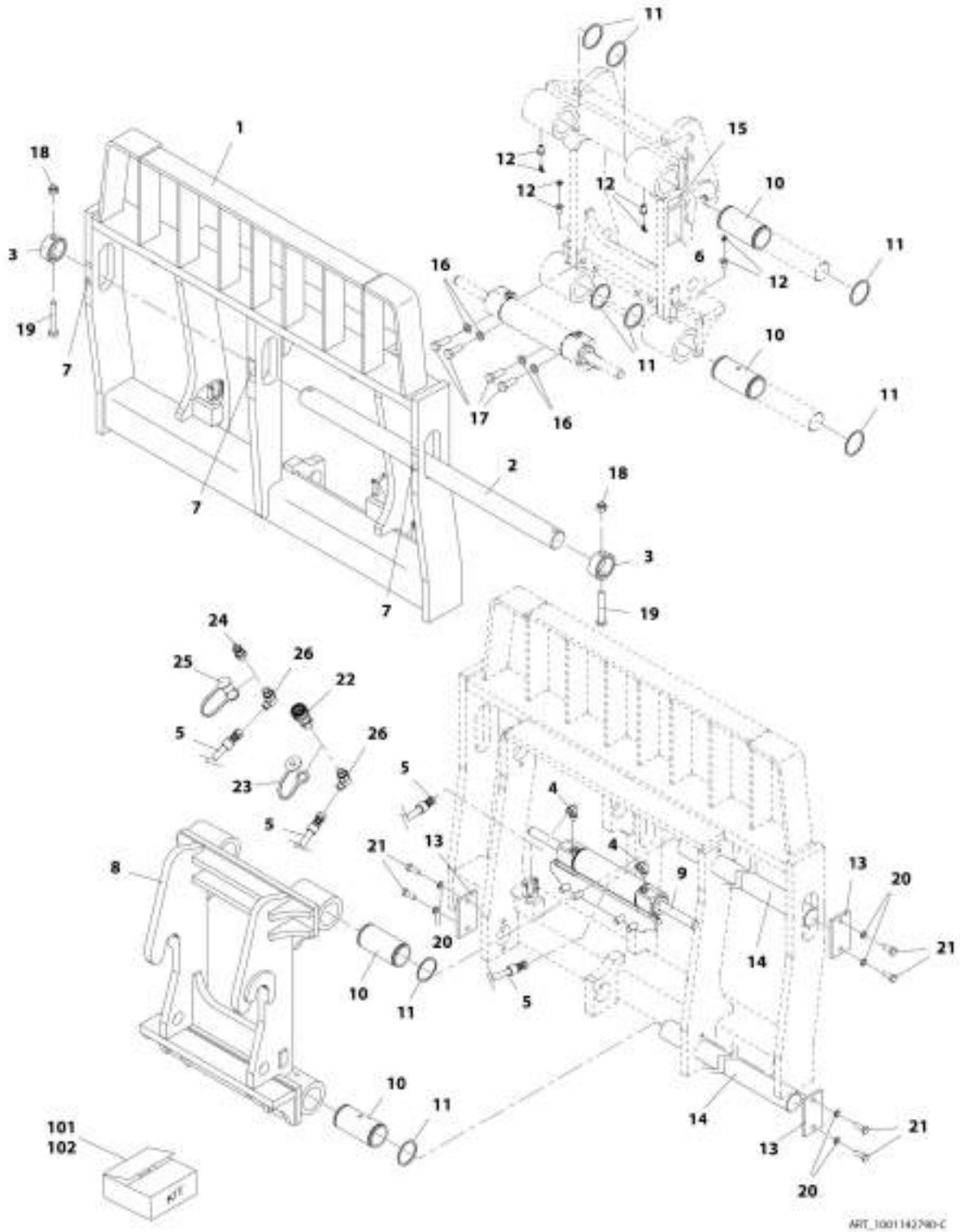
## SECTION 3 - ATTACHMENTS

**FIGURE 3-13. SIDE SHIFT CARRIAGE (4.0 TON - 1225 MM) (CE & AUS)**

ITEM	PART NUMBER	QTY	DESCRIPTION	REV
	1170002	1	Side Shift Carriage (CE and AUS)	1
1	N.S.S.	1	Carriage, Side Shift	
2	7028136	1	Bar, Fork Carrier	
3	7028137	1	Collar	
4	3291005	2	Nut, Lock M10X1.5	
5	0701029	2	Bolt, M10X120	
7	70021558	1	Cylinder	
8	70021559	2	Bolt	
9	70021560	1	Pin	
10	70021561	1	Pin	
11	70021562	2	Washer	
12	70021563	2	Pin	
13	N.S.S.	1	Plate, Serial Number	

# SECTION 3 - ATTACHMENTS

FIGURE 3-14. SIDE SHIFT CARRIAGE (5.5 TON - 1270 MM) (ANSI)



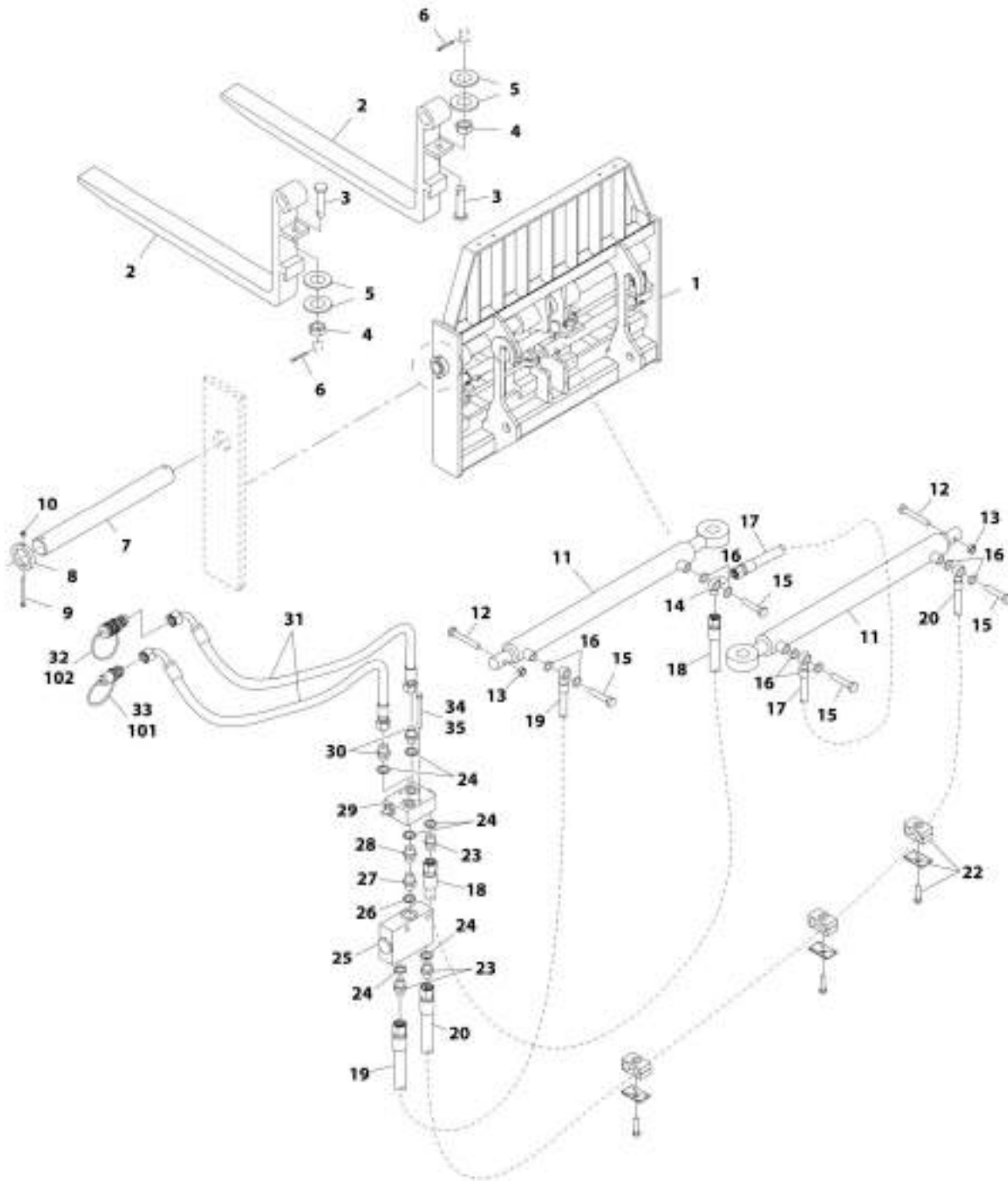
## SECTION 3 - ATTACHMENTS

**FIGURE 3-14. SIDE SHIFT CARRIAGE (5.5 TON - 1270 MM) (ANSI)**

ITEM	PART NUMBER	QTY	DESCRIPTION	REV
	1001142790	1	Side Shift Carriage (ANSI)	C
1	N.S.S.	1	Weldment	
2	70024535	1	Shaft	
3	70024536	2	Collar	
4	70024123	2	Fitting, 90	
5	70024537	2	Hose	
6	N.S.S.	1	Plate, Serial Number	
7	70024538	3	Decal, Warning	
8	N.S.S.	1	Weldment	
9	70024539	1	Cylinder, Side Shift (ANSI) (See Separate Breakdown in Hydraulic Components Section)	
10	70024540	4	Bushing	
11	70024541	8	Circlip	
12	70024542	4	Fitting, Grease	
13	70024543	4	Retainer	
14	70024544	2	Shaft	
15	N.S.S.	1	Plate, Serial Number	
16	70024551	4	Washer, Lock M16	
17	70024552	4	Bolt, M16X45	
18	70024553	2	Nut, Hex M16	
19	70024554	2	Bolt, M16X100	
20	70022997	8	Washer, Lock M12	
21	70024555	8	Bolt, M12X35	
22	91403413	1	Fitting, Straight	
23	8420055	1	Plug	
24	91403414	1	Fitting, Straight	
25	8420053	1	Cap, Dust	
26	70024550	2	Fitting, 90	
101	70024545	1	Kit, Hydraulic Repair (includes items 5 and 22 thru 26)	
102	70024546	1	Kit, Retainer (includes items 13, 20 and 21)	

# SECTION 3 - ATTACHMENTS

FIGURE 3-15. FORK POSITIONING CARRIAGE WITH FORKS (4.0 TON) (CE & AUS)



ART\_1001091313-A

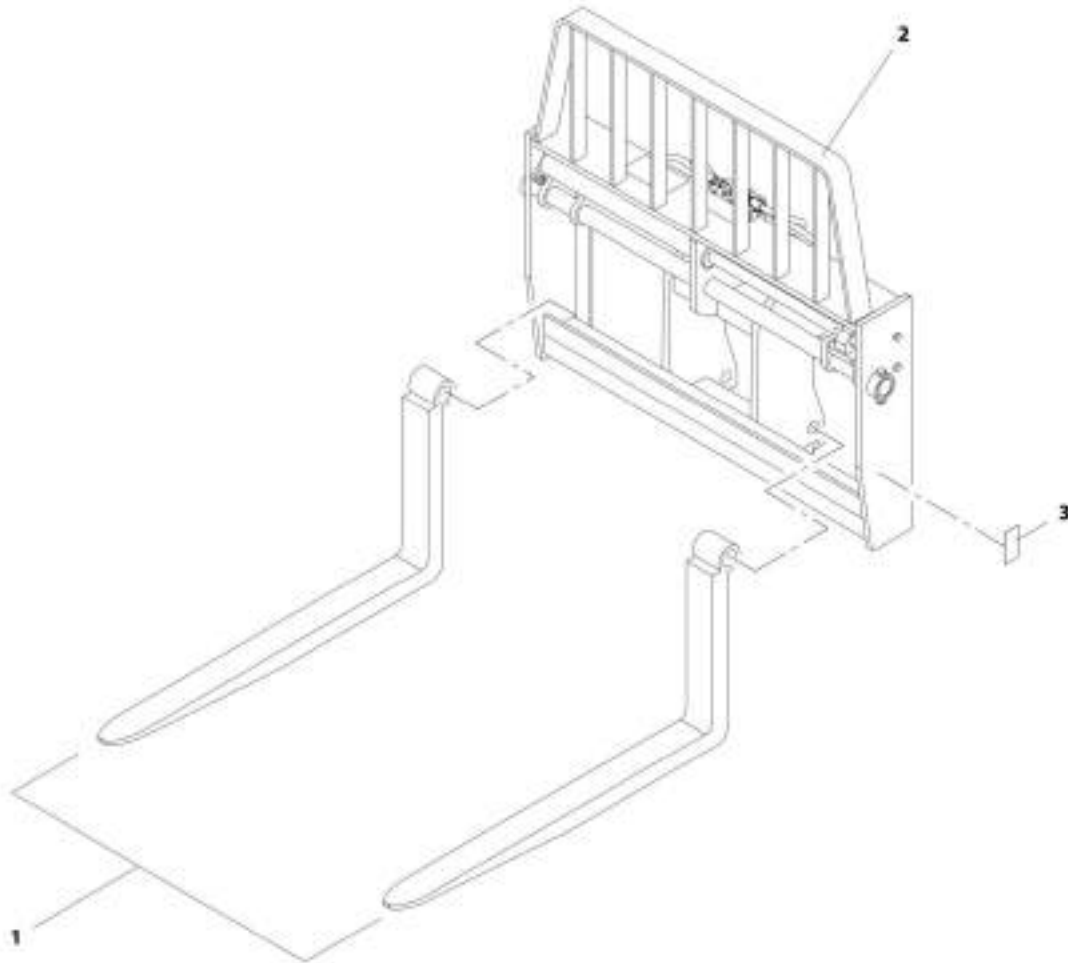
## SECTION 3 - ATTACHMENTS

**FIGURE 3-15. FORK POSITIONING CARRIAGE WITH FORKS (4.0 TON) (CE & AUS)**

ITEM	PART NUMBER	QTY	DESCRIPTION	REV
	1001091313	1	Fork Positioning Carriage with Forks (4.0 ton) (CE & AUS)	A
1	N.S.S.	1	Weldment	
2	70022922	2	Forks, (100X50X1200), (2000kg per fork)	
3	70021835	2	Rod Pin	
4		Ref	Nut, M30X3	
5		Ref	Washer	
6	70021836	2	Split Pin	
7	70022923	2	Carriage Shaft	
8	70022924	4	Shaft Collar	
9		Ref	Bolt, M12X110	
10	70021241	4	Hex Locknut, M12	
11	70023276	2	Cylinder	
11	70023278	AR	Seal Kit, (use with cylinders marked 1.3351.01C.02.01)	
11	70023277	AR	Seal Kit, (use with cylinders marked 1.3351.01C.02.02)	
12		Ref	Bolt, M10X70	
13		Ref	Locknut, M10	
14	70022925	1	Elbow, 90	
15	1001103530	4	Bolt	
16	70020730	8	O-Ring	
17	70021838	1	Hose	
18	70021839	1	Hose	
19	70021840	1	Hose	
20	70021841	1	Hose	
22	1001103533	3	Clamp Set, (includes screw and plate)	
23	70020731	3	Fitting	
24	70022907	6	O-Ring	
25	70021842	1	Counter Valve	
26	70022927	1	O-Ring	
27	70022928	1	Fitting	
28	70022929	1	Fitting	
29	70021843	1	Pressure Valve	
30	70022906	2	Adapter	
31	70022930	2	Pipe	
32	1001094555	1	Female Quick Disconnect Coupling	
33	1001094556	1	Male Quick Disconnect Coupling	
34		Ref	Bolt	
35		Ref	Hex Nut, M6	
101	1001093826	1	Dust Cap	
102	1001093827	1	Dust Plug	

## SECTION 3 - ATTACHMENTS

FIGURE 3-16. FORK POSITIONING CARRIAGE WITH FORKS (4.5 TON) (ANSI)



ART\_7301205-F

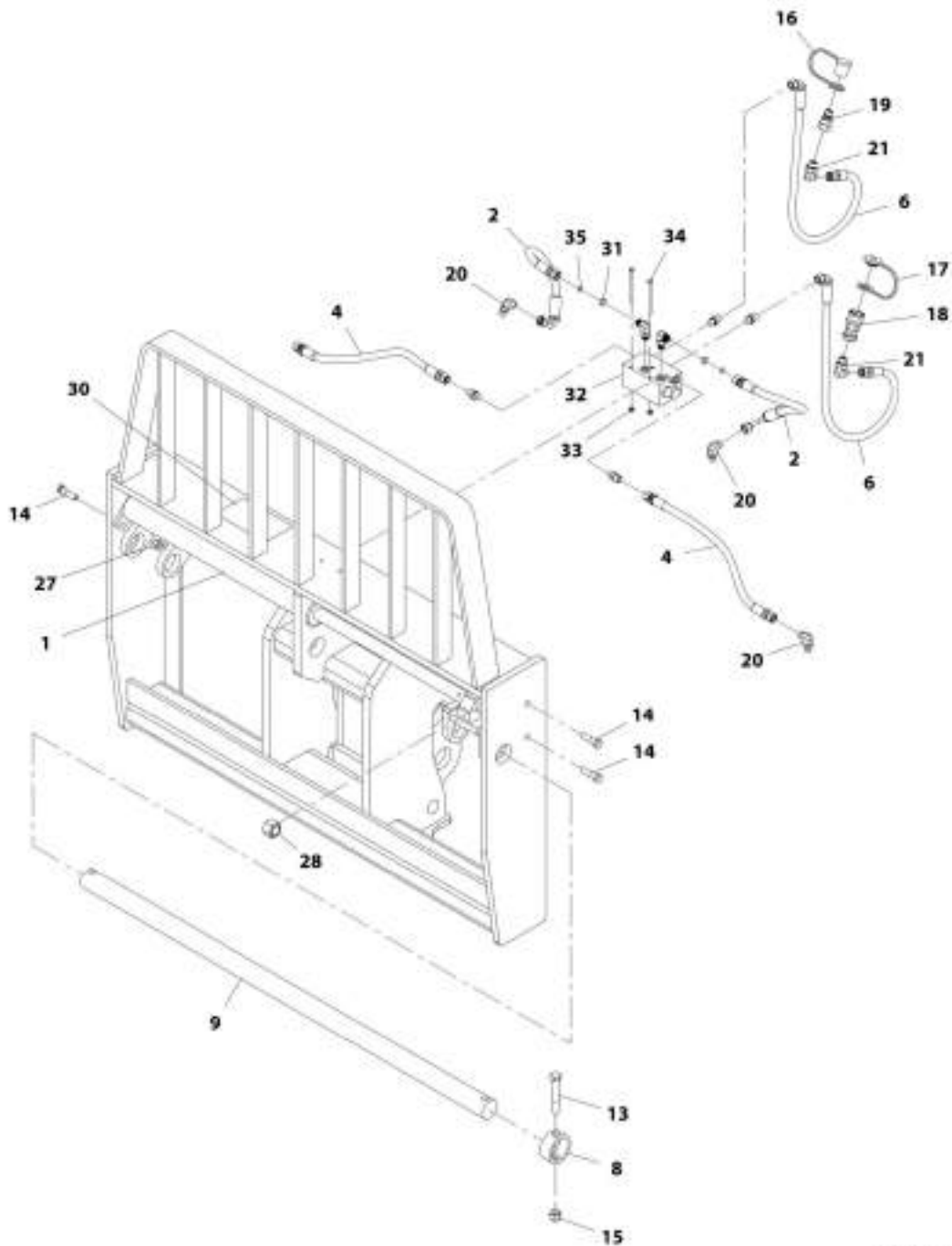
## SECTION 3 - ATTACHMENTS

**FIGURE 3-16. FORK POSITIONING CARRIAGE WITH FORKS (4.5 TON) (ANSI)**

ITEM	PART NUMBER	QTY	DESCRIPTION	REV
	7301295	1	Fork Positioning Carriage (ANSI)	F
1	7301408	2	Fork, Pallet	
2	7301568	1	Assembly, Dual Fork Carriage (See Separate Breakdown in this Section)	
3	N.S.S.	1	Plate, Serial Number	

# SECTION 3 - ATTACHMENTS

## FIGURE 3-17. DUAL FORK CARRIAGE ASSEMBLY



WIT 79015681



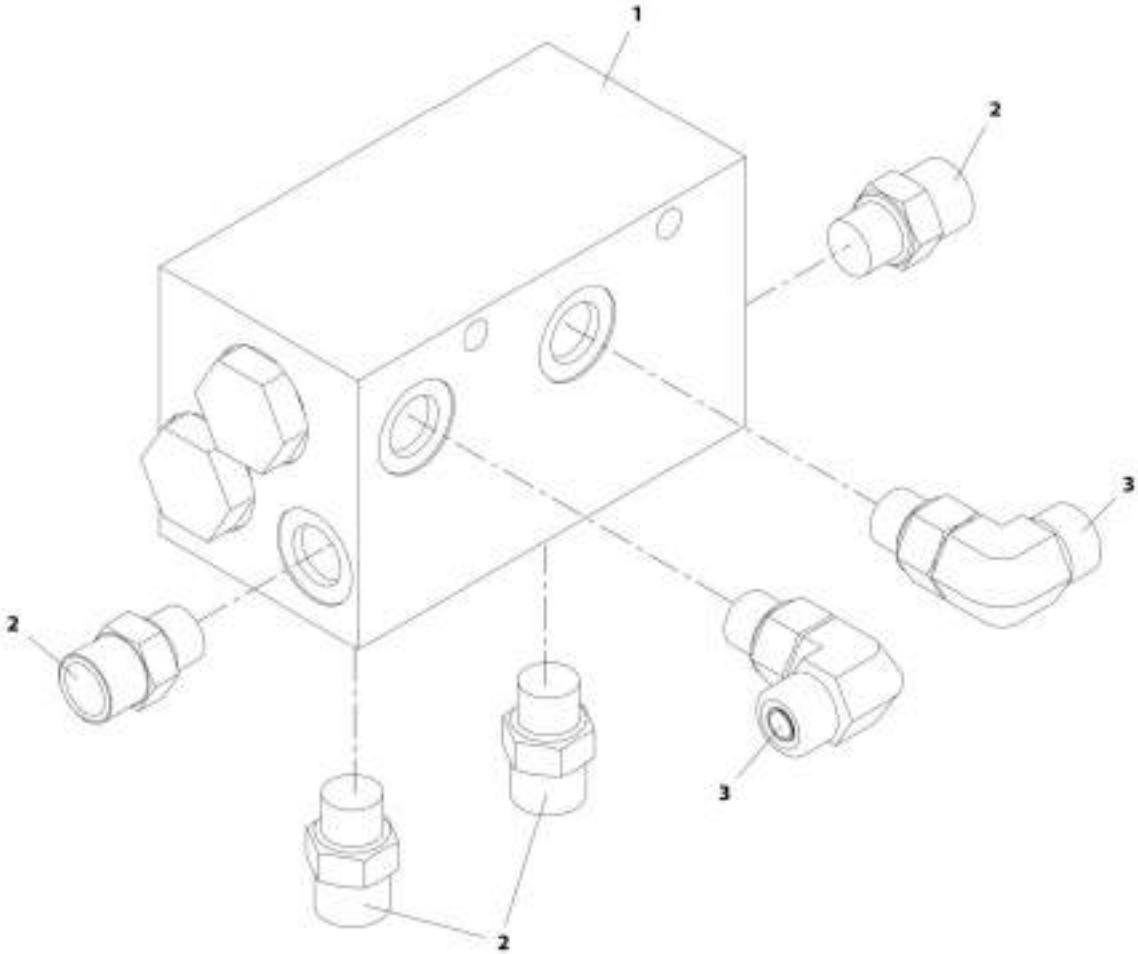
## SECTION 3 - ATTACHMENTS

### FIGURE 3-17. DUAL FORK CARRIAGE ASSEMBLY

ITEM	PART NUMBER	QTY	DESCRIPTION	REV
	7301568	Ref	Dual Fork Carriage Assembly	1
1	2717283	2	Cylinder, Fork Positioning (See Separate Breakdown in Hydraulic Components Section)	
2	2717160	2	Hose	
4	2717161	2	Hose	
6	2717162	2	Hose	
8	90200003	2	Collar, Fork Pin	
9	90451058	1	Shaft, Fork	
13	8303634	2	Bolt, 5/8-11X4	
14	8303658	4	Bolt, 1/2-13X2	
15	8305643	2	Nut, Lock 5/8-11	
16	8420053	1	Cap, Dust	
17	8420055	1	Plug, Dust	
18	91403413	1	Fitting, Straight	
19	91403414	1	Fitting, Straight	
20	2130606	4	Fitting, 90	
21	2130608	2	Fitting, 90	
27	8310302	4	Nut, Lock 1/2-13	
28	10705034	2	Nut, Lock 1-14	
30	4110473	1	Decal, Warning Route Hoses	
31	7139918	2	Disk, Orifice	
32	4641502	1	Assembly, Dual Fork Carriage Valve (See Separate Breakdown in this Section)	
33	8305624	2	Nut, Lock 1/4-20	
34	8310435	2	Bolt, 1/4-20X3-3/4	
35	8630003	2	O-Ring	

**SECTION 3 - ATTACHMENTS**

**FIGURE 3-18. DUAL FORK CARRIAGE VALVE ASSEMBLY**



ART\_4641502\_B

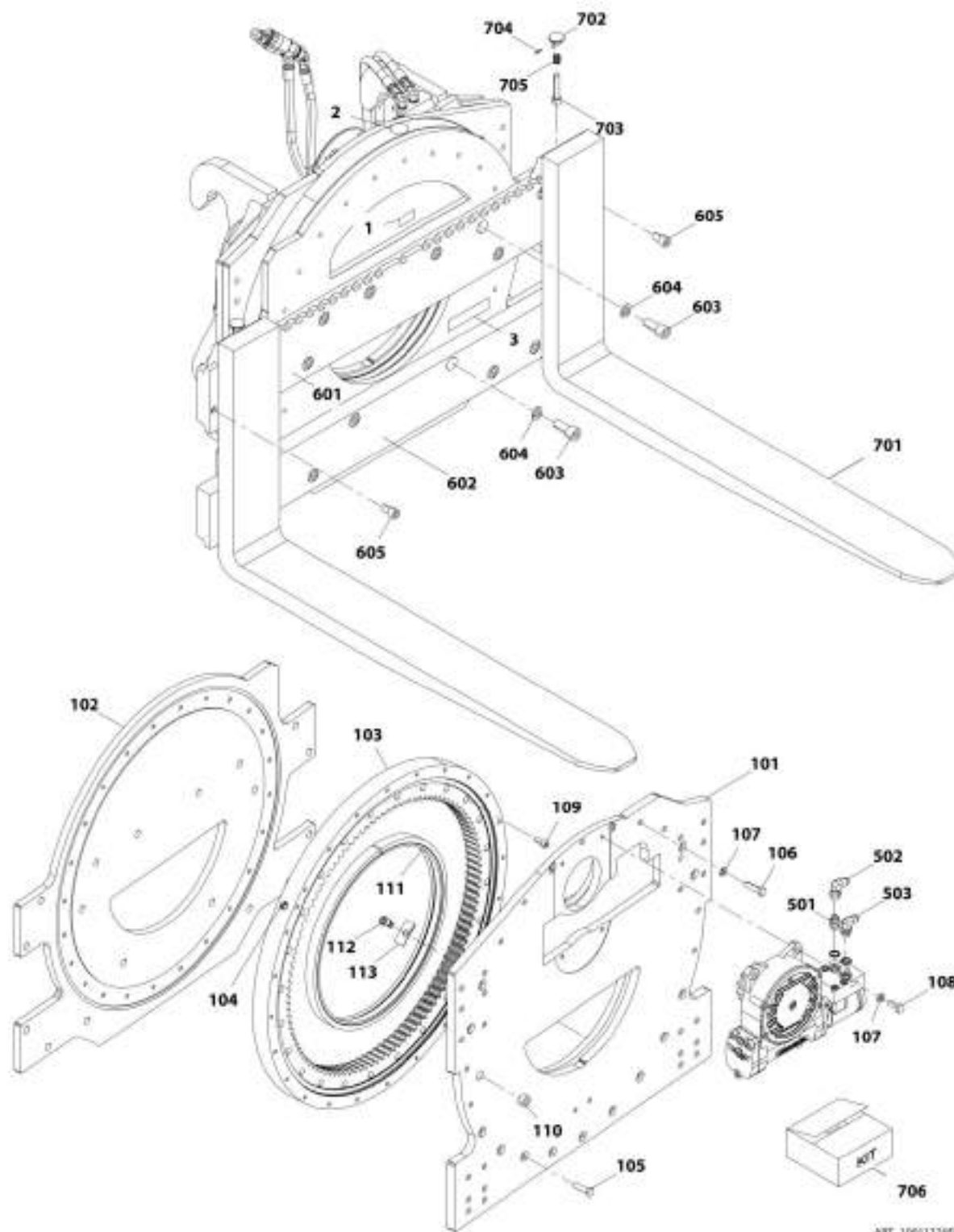
## SECTION 3 - ATTACHMENTS

### FIGURE 3-18. DUAL FORK CARRIAGE VALVE ASSEMBLY

ITEM	PART NUMBER	QTY	DESCRIPTION	REV
	4641502	Ref	Dual Fork Carriage Valve Assembly	B
1	4641501	1	Valve, Flow Divider (See Separate Breakdown in Hydraulic Components Section)	
2	2110606	4	Fitting, Straight ORFS	
3	2130606	2	Fitting, 90	

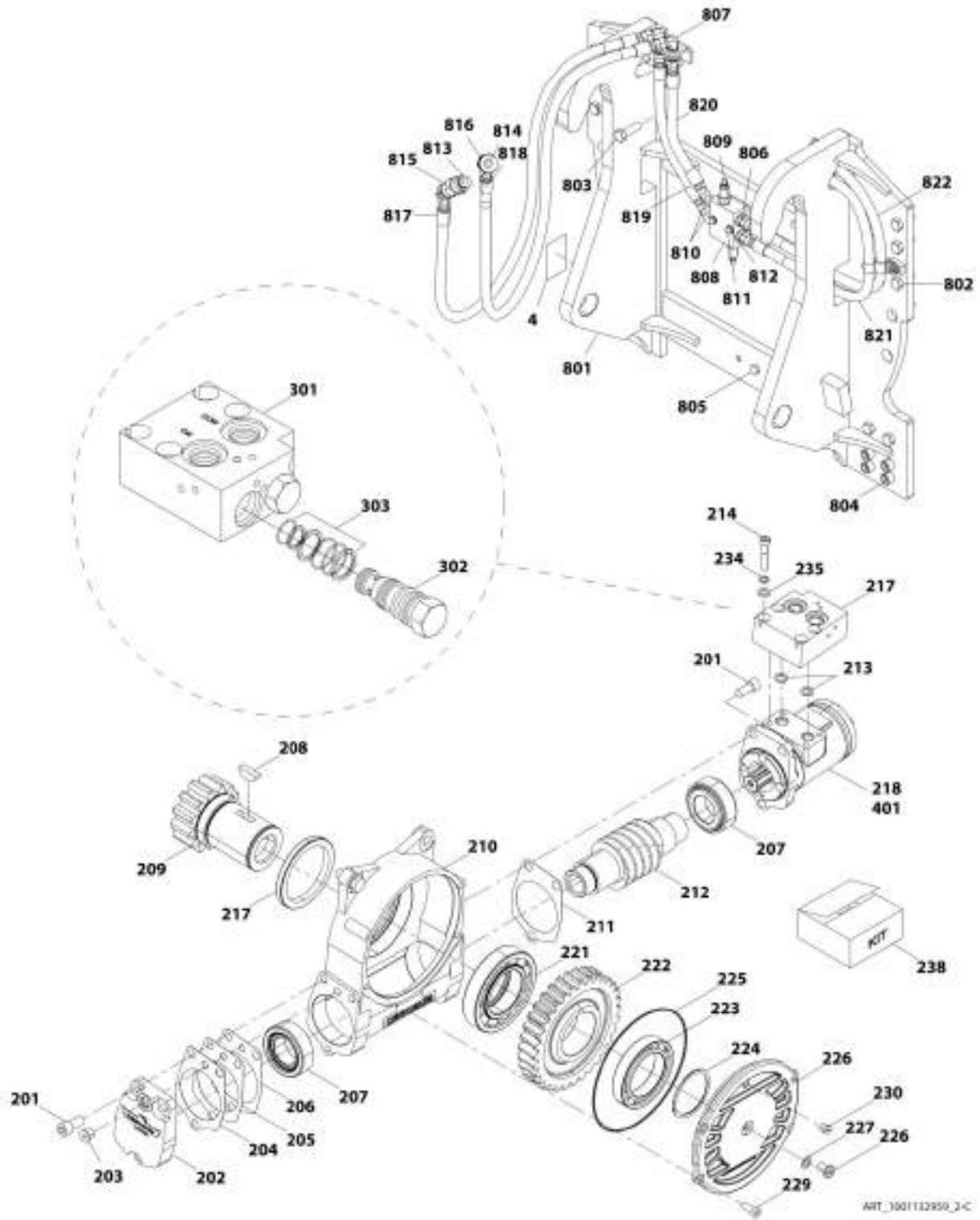
# SECTION 3 - ATTACHMENTS

FIGURE 3-19. FORK ROTATING CARRIAGE (4.5 TON - 1270 MM) (AUS)



ART\_100132858\_1-C

# SECTION 3 - ATTACHMENTS



## SECTION 3 - ATTACHMENTS

**FIGURE 3-19. FORK ROTATING CARRIAGE (4.5 TON - 1270 MM) (AUS)**

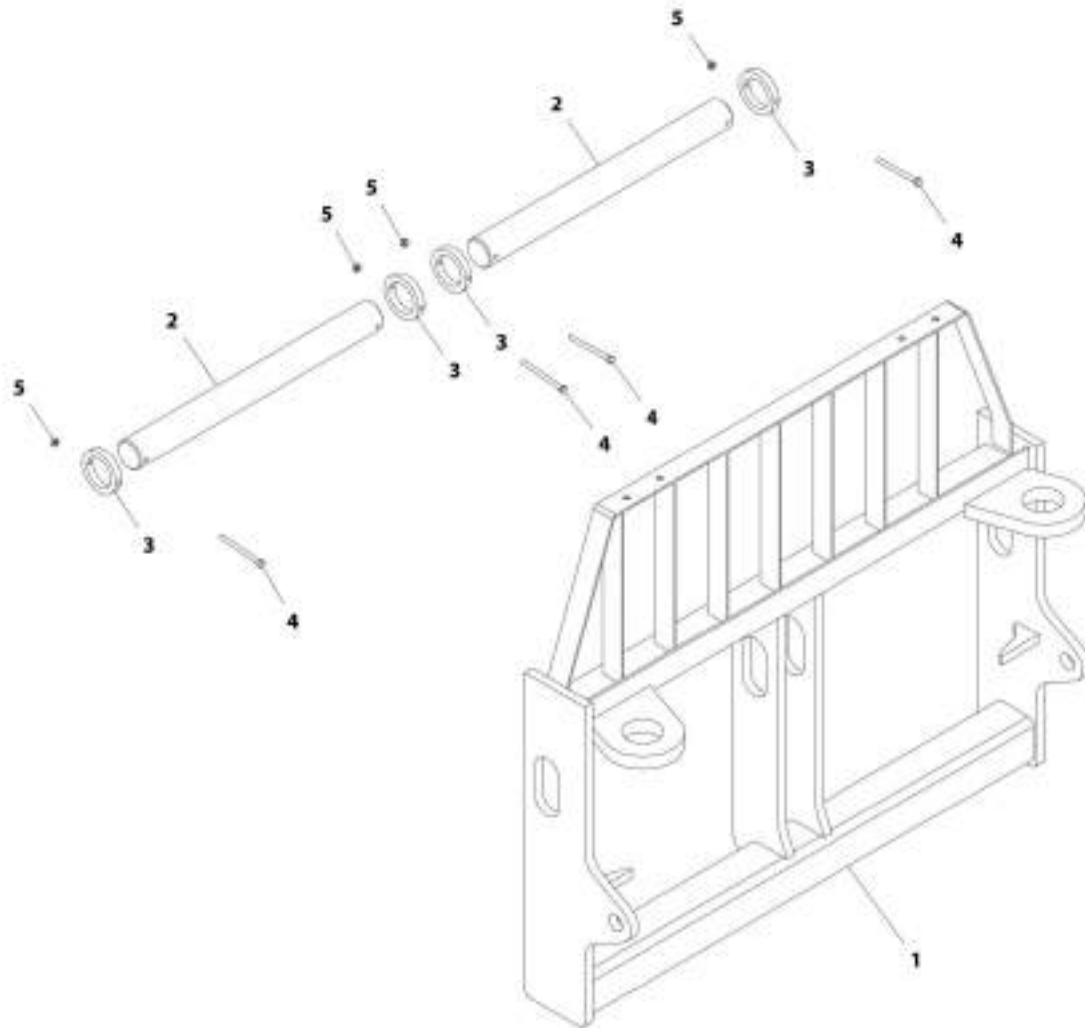
ITEM	PART NUMBER	QTY	DESCRIPTION	REV
	1001132959	1	Fork Rotating Carriage (4.5 ton - 1270 MM) (CE & AUS)	C
1	70024538	1	Decal, Pinch Point	
2	70024787	1	Decal, No Step	
3	70024788	1	Decal, Capacity	
4	N.S.S.	Ref	Plate, Serial Number	
101	70024676	1	Baseplate	
102	70024677	1	Faceplate	
103	70024678	1	Bearing	
104	70024679	1	Fitting, Grease	
105	70024680	13	Bolt, M12X40	
106	70024681	11	Bolt, M12X45	
107	70024682	15	Washer, Lock M12	
108	70024683	4	Bolt, M12X30	
109	70024684	24	Bolt, M12X40	
110	70024685	1	Plug	
111	70024686	1	Seal	
112	70024687	1	Bolt, M12X20	
113	70024688	1	Plate	
201	70024690	6	Bolt, M12X25	
202	70024691	1	Cover	
203	70024692	1	Fitting	
204	Kit	AR	Shim, 0.10	
205	Kit	AR	Shim, 0.15	
206	Kit	1	Shim, 0.20	
207	70024696	2	Bearing	
208	70024697	1	Key	
209	70024698	1	Pinion	
210	70024699	1	Housing	
211	Kit	1	Gasket	
212	70024701	1	Worm	
213	70024702	2	O-Ring	
214	70024703	4	Bolt, M8X40	
217	70024731	1	Assembly, Check Valve (includes items 301 thru 303)	
218	70024744	1	Motor, Drive (includes item 401)	
220	70024706	1	Seal	
221	70024713	1	Bearing	
222	70024707	1	Gear, Worm	
223	70024708	1	Bearing	
224	70024709	1	Ring, Snap	
225	Kit	1	O-Ring	
226	70024711	1	Cover	
227	70024712	1	Seal	
228	70024714	1	Bolt, M10X16	
229	70024715	4	Bolt, M8X20	
230	70024716	1	Fitting	
234	70024720	4	Washer, M8	
235	70024721	4	Washer, M8	
237	Kit	1	Sealant	
238	70024724	1	Kit, Shim Service	
301	N.S.S.	Ref	Valve, Body	

## SECTION 3 - ATTACHMENTS

ITEM	PART NUMBER	QTY	DESCRIPTION	REV
302	70024733	2	Valve, Check	
303	70024734	2	Kit, Service	
401	70024745	1	Kit, Service	
501	70024748	1	Fitting	
502	70024749	1	Fitting	
503	70024750	1	Fitting	
601	70024752	1	Bar, Upper Fork	
602	70024753	1	Bar, Lower Fork	
603	70024754	18	Bolt, M20X45	
604	70024755	18	Washer, Lock M20	
605	70024756	2	Bolt, M16X25	
700	70024757	1	Assembly, Fork (includes items 701 thru 705)	
701	70024758	1	Fork	
702	Kit	1	Knob	
703	Kit	1	Pin	
704	Kit	1	Pin, Coiled Spring	
705	Kit	1	Spring	
706	70024786	1	Kit, Pin (includes items 702 thru 705)	
801	N.S.S.	Ref	Plate, Mounting	
802	70024765	12	Bolt, M16X40	
803	70024766	4	Bolt, M16X35	
804	70024767	8	Bolt, M16X40	
805	70024768	2	Bolt	
806	70024748	2	Fitting	
807	70024770	2	Fitting	
808	70024771	1	Body, Valve	
809	70024772	2	Valve, Relief	
810	70024773	2	Fitting	
811	70024774	2	Washer	
812	70024775	2	Bolt	
813	70024776	1	Coupler, Male	
814	70024777	1	Coupler, Female	
815	70024778	1	Fitting	
816	70024779	1	Fitting	
817	70024780	1	Hose	
818	70024781	1	Hose	
819	70024782	1	Hose	
820	70024783	1	Hose	
821	70024784	1	Hose	
822	70024785	1	Hose	

# SECTION 3 - ATTACHMENTS

FIGURE 3-20. CARRIAGE ASSEMBLY (JOHN DEERE FIT) (CE)



ART\_1001102554-B



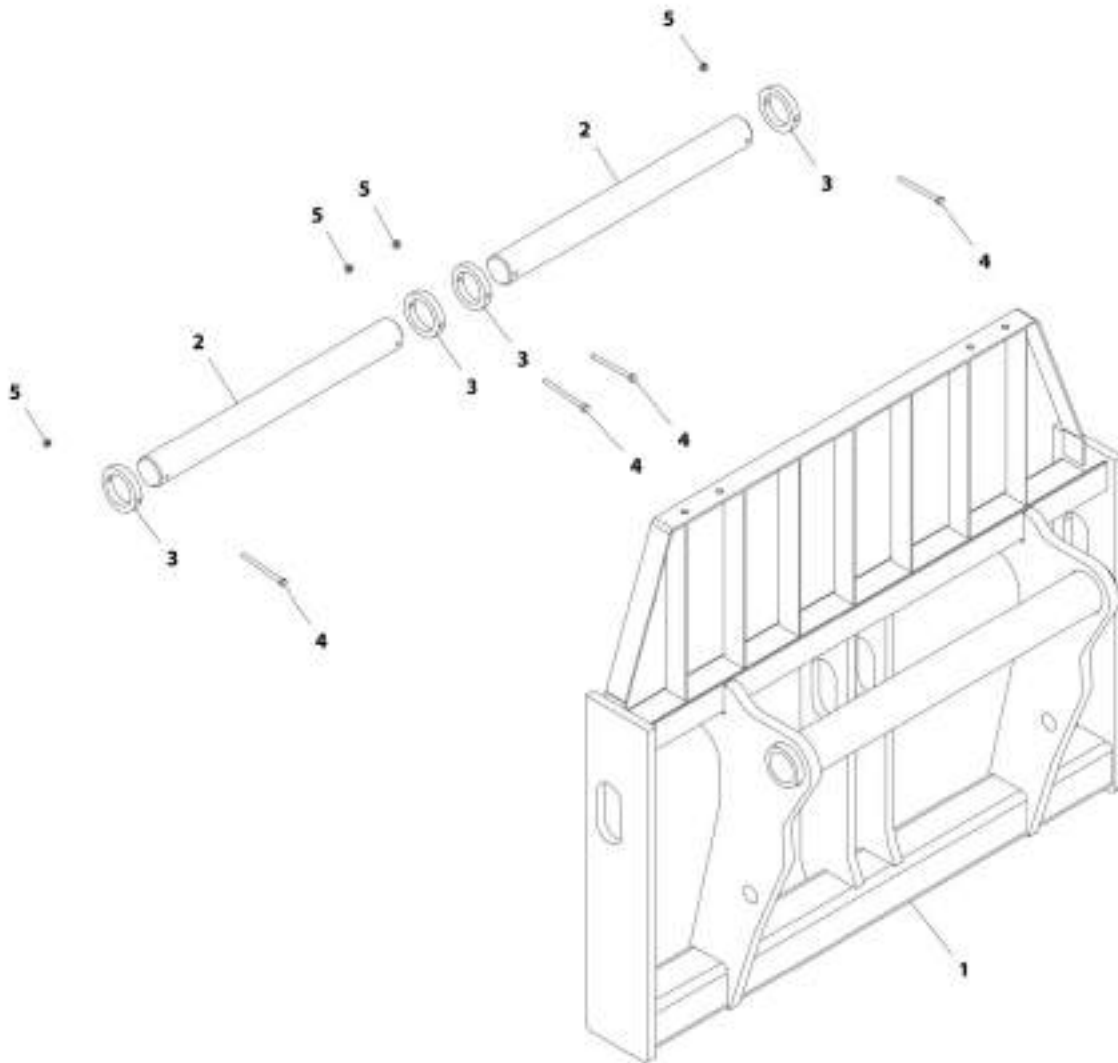
## SECTION 3 - ATTACHMENTS

**FIGURE 3-20. CARRIAGE ASSEMBLY (JOHN DEERE FIT) (CE)**

ITEM	PART NUMBER	QTY	DESCRIPTION	REV
	1001102554	1	Carriage Assembly (John Deere Fit)	B
1	N.S.S.	1	Weldment, Carriage	
2	4040283	2	Shaft, Carriage	
3	3760508	4	Collar, Shaft	
4	0700827	4	Bolt, M8X100	
5	3290805	4	Nut, M8X1.25 Grade 8	

# SECTION 3 - ATTACHMENTS

FIGURE 3-21. CARRIAGE ASSEMBLY (MANITOU FIT) (CE)



ART\_1901102553-0

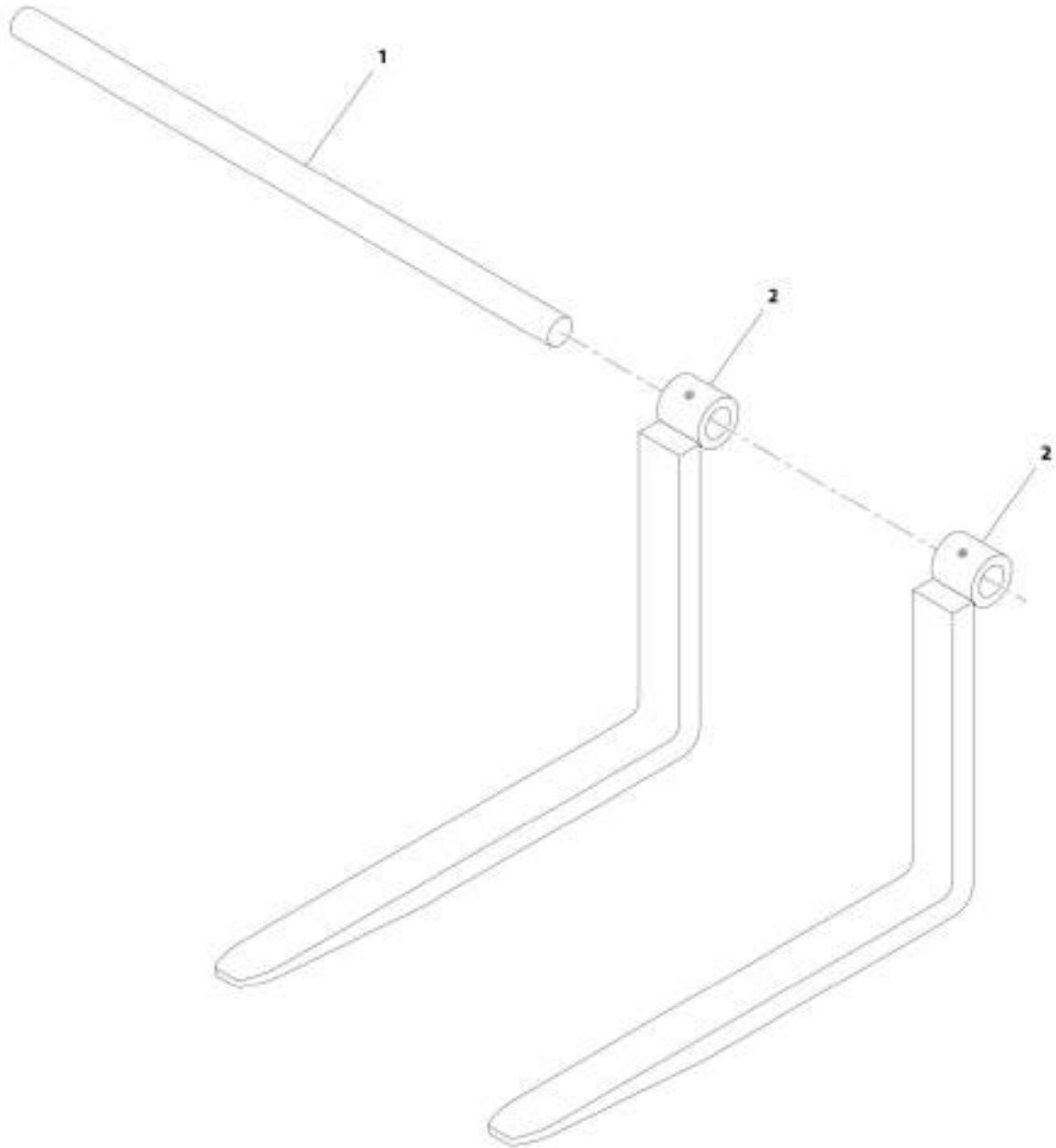
## SECTION 3 - ATTACHMENTS

### FIGURE 3-21. CARRIAGE ASSEMBLY (MANITOU FIT) (CE)

ITEM	PART NUMBER	QTY	DESCRIPTION	REV
	1001102553	Ref	Carriage Assembly (Manitou Fit)	B
1	NSS	1	Weldment, Carriage	
2	4040283	2	Shaft, Carriage	
3	3760508	4	Collar, Shaft	
4	0700827	4	Bolt, M8X100	
5	3290805	4	Nut, M8X1.25 Grade 8	

# SECTION 3 - ATTACHMENTS

FIGURE 3-22. FORK ASSEMBLY (JCB FIT) (CE)



ART\_100111758-E

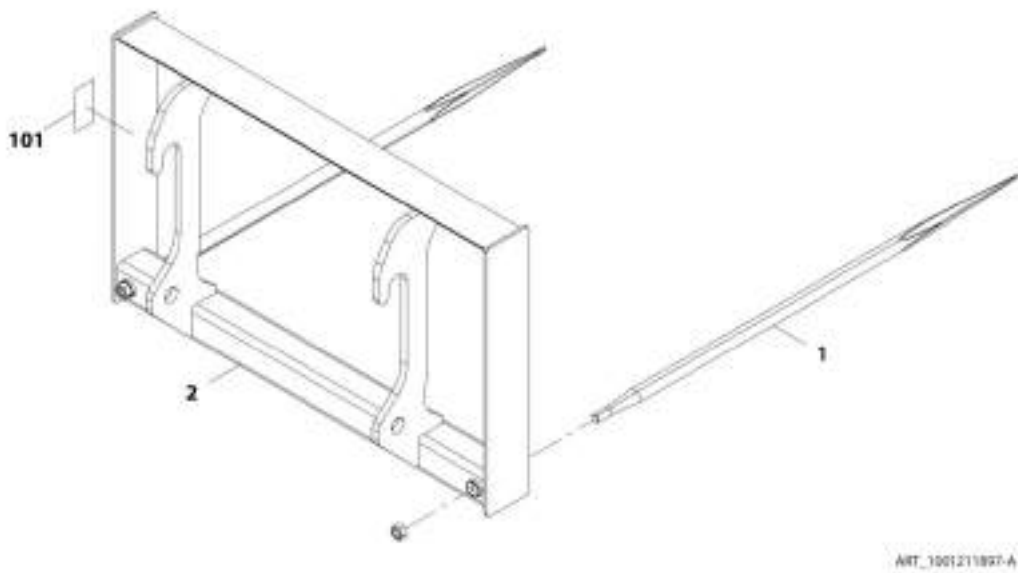
## SECTION 3 - ATTACHMENTS

**FIGURE 3-22. FORK ASSEMBLY (JCB FIT) (CE)**

ITEM	PART NUMBER	QTY	DESCRIPTION	REV
	1001111758	Ref	Fork Assembly (JCB Fit)	E
1	1001108133	1	Fork Bar	
2	1001111757	2	Fork	

## SECTION 3 - ATTACHMENTS

FIGURE 3-23. DUAL TINE BAILING FORK CARRIAGE (CE & AUS)



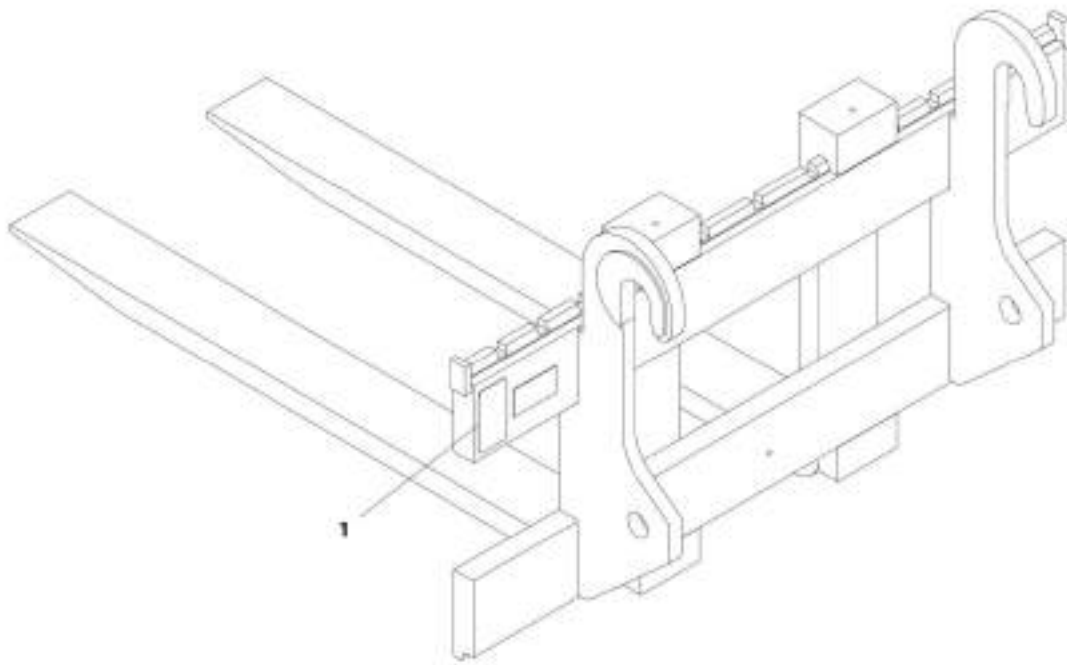
## SECTION 3 - ATTACHMENTS

**FIGURE 3-23. DUAL TINE BAILING FORK CARRIAGE (CE & AUS)**

ITEM	PART NUMBER	QTY	DESCRIPTION	REV
	1001211897	1	Dual Tine Baling Fork Carriage (CE & AUS)	A
1	70027631	2	Tine, Bale (includes Hex Nut)	
2	N.S.S.	Ref	Weldment, Carriage	
101	N.S.S.	Ref	Plate, Serial Number	

## SECTION 3 - ATTACHMENTS

FIGURE 3-24. FEM CARRIAGE AND FORKS (CE & AUS)



ART\_1001172667-B



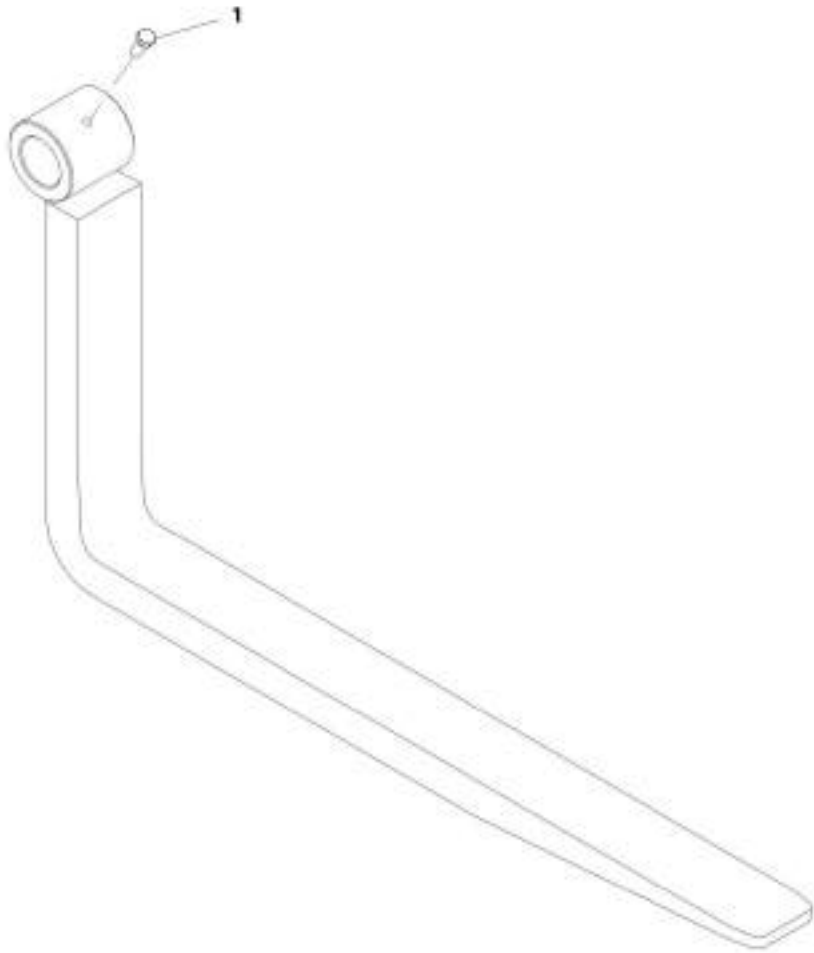
## SECTION 3 - ATTACHMENTS

### FIGURE 3-24. FEM CARRIAGE AND FORKS (CE & AUS)

ITEM	PART NUMBER	QTY	DESCRIPTION	REV
1	1001172667	1	FEM Carriage and Forks (CE & AUS)	B
	N.S.S.	1	Plate, Serial Number	

# SECTION 3 - ATTACHMENTS

FIGURE 3-25. PALLET FORK (50X100X1070) (CE)



ART\_1001170488-A

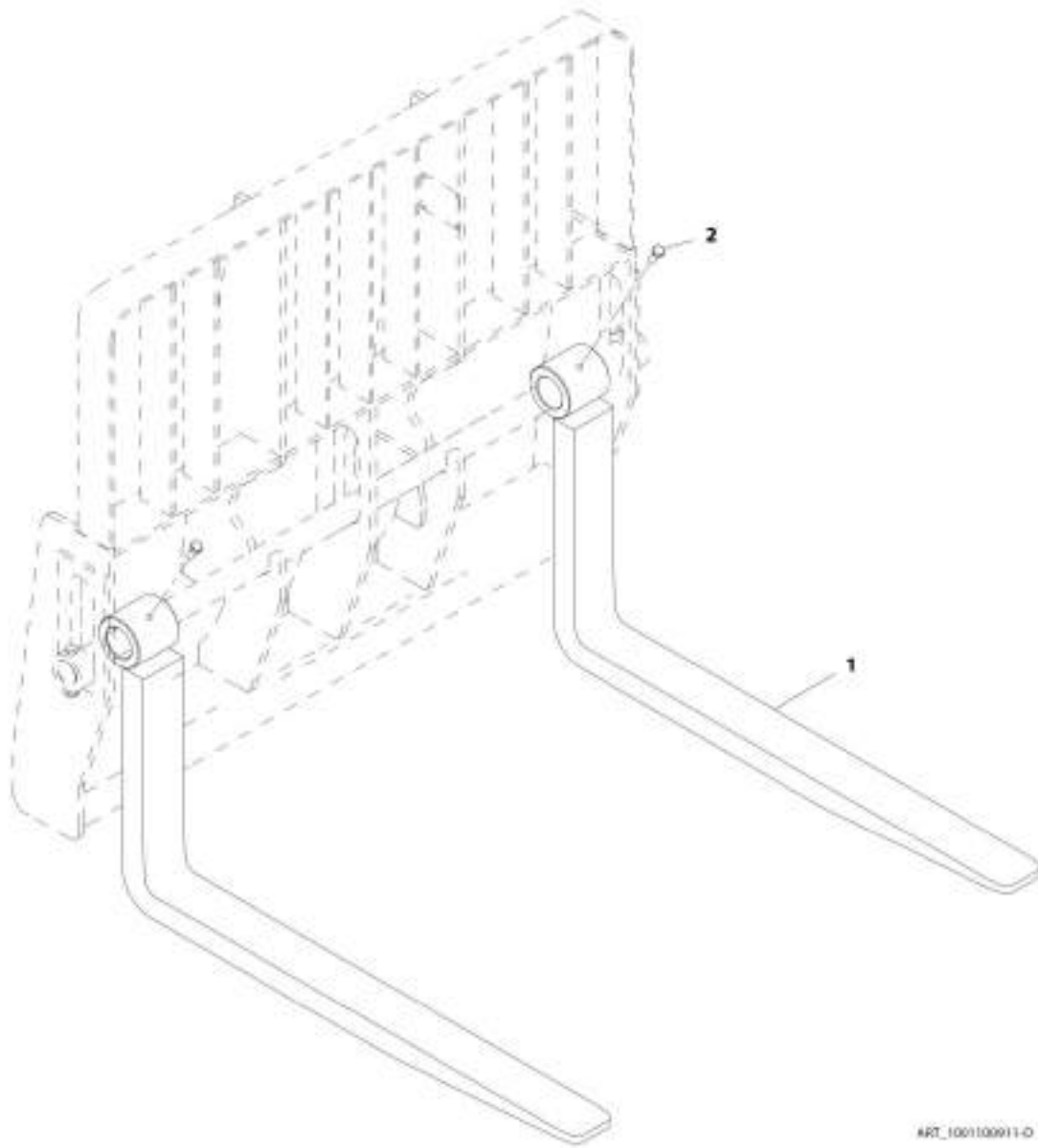
## SECTION 3 - ATTACHMENTS

**FIGURE 3-25. PALLET FORK (50X100X1070) (CE)**

ITEM	PART NUMBER	QTY	DESCRIPTION	REV
1	1001170488	1	Pallet Fork (60X100X1070)	A
	70027179	1	Screw	
	Note	Ref	<p>FORKS RATED LESS THAN THE ATTACHMENT OR MACHINE'S CAPACITY DECREASES CAPACITY OF THE ATTACHMENT OR MACHINE TO THAT OF THE FORKS. FORKS RATED MORE THAN THE ATTACHMENT OR MACHINE'S CAPACITY DO NOT INCREASE ATTACHMENT OR MACHINE'S CAPACITY.</p>	
	Note	Ref	<p>PLEASE CONSULT JLG PARTS DEPARTMENT TO DETERMINE THE CORRECT FORKS APPLICABLE TO YOUR SPECIFIC CARRIAGE ASSEMBLY AND APPLICATION.</p>	

# SECTION 3 - ATTACHMENTS

FIGURE 3-26. PALLET FORK (50X100X1200) (CE)



ART\_1001100911-D

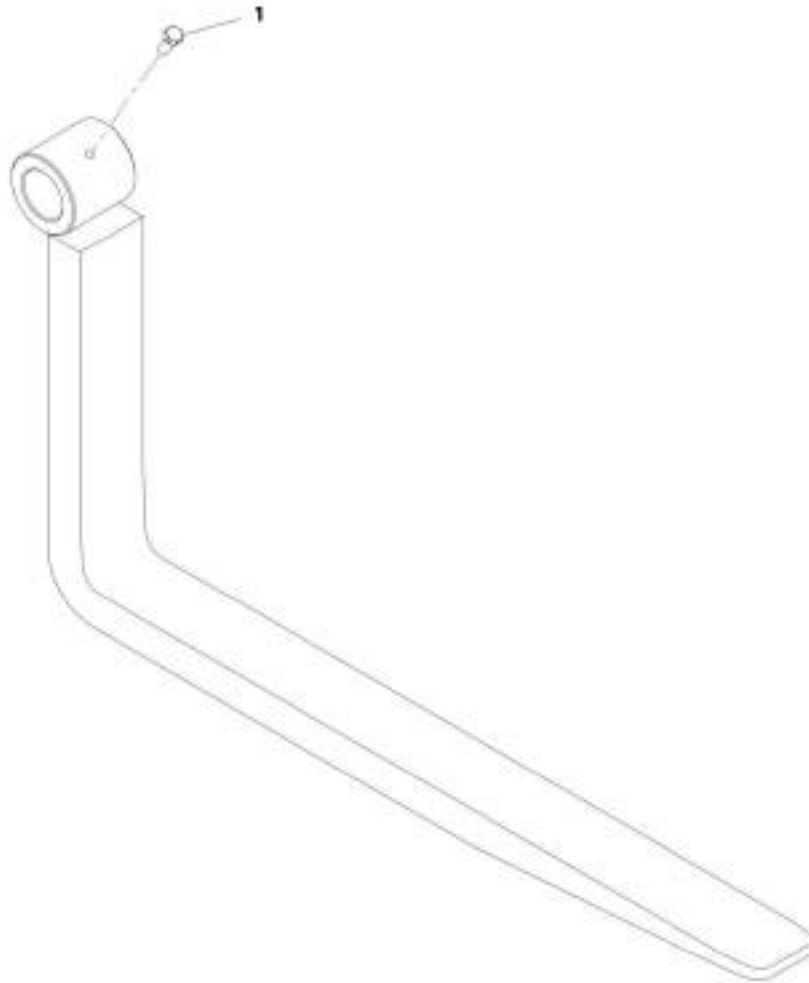
## SECTION 3 - ATTACHMENTS

**FIGURE 3-26. PALLET FORK (50X100X1200) (CE)**

ITEM	PART NUMBER	QTY	DESCRIPTION	REV
1	1001100911	1 pr	Pallet Fork (50X100X1220)	D
2	70027179	2	Screw	
	Note	Ref	<p>FORKS RATED LESS THAN THE ATTACHMENT OR MACHINE'S CAPACITY DECREASES CAPACITY OF THE ATTACHMENT OR MACHINE TO THAT OF THE FORKS. FORKS RATED MORE THAN THE ATTACHMENT OR MACHINE'S CAPACITY DO NOT INCREASE ATTACHMENT OR MACHINE'S CAPACITY.</p>	
	Note	Ref	<p>PLEASE CONSULT JLG PARTS DEPARTMENT TO DETERMINE THE CORRECT FORKS APPLICABLE TO YOUR SPECIFIC CARRIAGE ASSEMBLY AND APPLICATION.</p>	

# SECTION 3 - ATTACHMENTS

FIGURE 3-27. PALLET FORK (50X120X1200) (CE)



ART\_1001117945-0

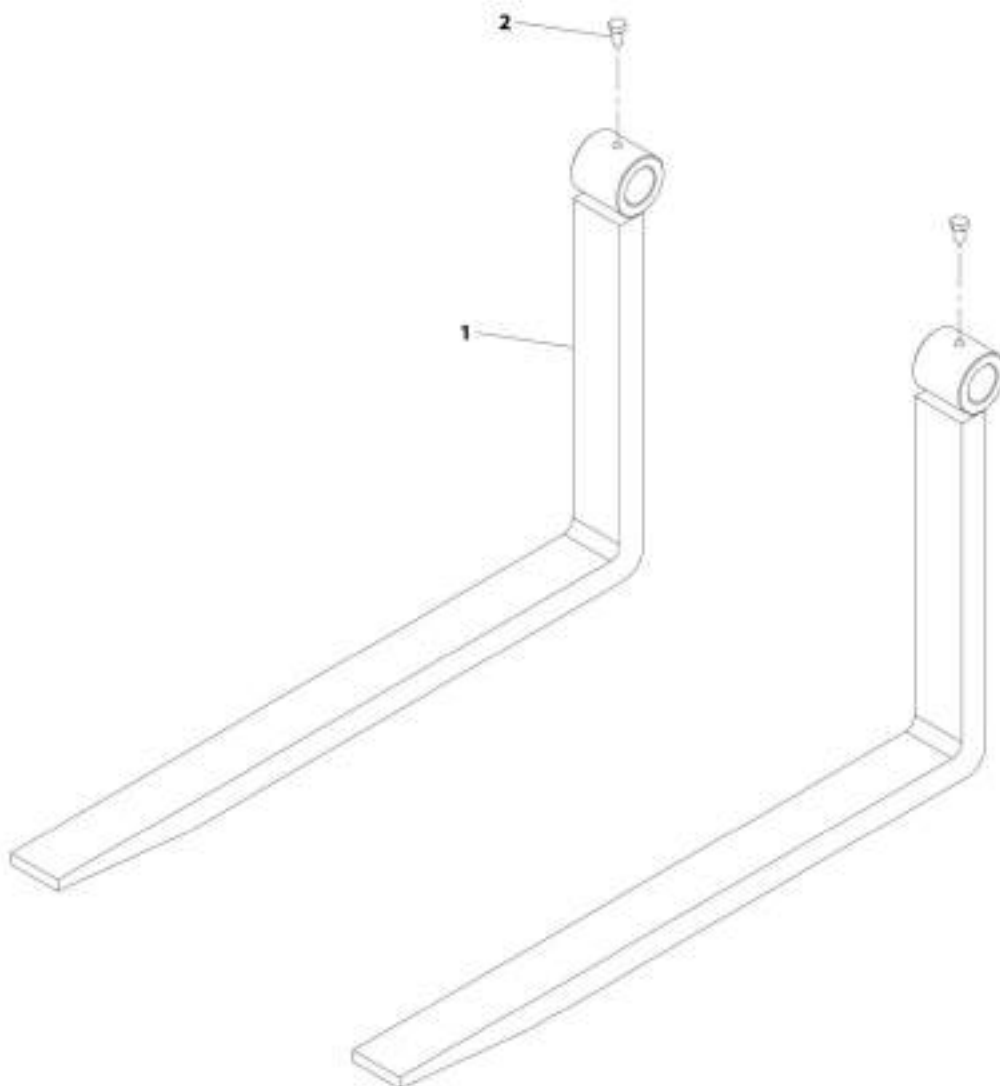
## SECTION 3 - ATTACHMENTS

**FIGURE 3-27. PALLET FORK (50X120X1200) (CE)**

ITEM	PART NUMBER	QTY	DESCRIPTION	REV
1	1001117945 0761612 Note	1 pr 2 Ref	Pallet Fork (50X120X1200) Bolt, M16X25 FORKS RATED LESS THAN THE ATTACHMENT OR MACHINE'S CAPACITY DECREASES CAPACITY OF THE ATTACHMENT OR MACHINE TO THAT OF THE FORKS. FORKS RATED MORE THAN THE ATTACHMENT OR MACHINE'S CAPACITY DO NOT INCREASE ATTACHMENT OR MACHINE'S CAPACITY.	B
	Note	Ref	PLEASE CONSULT JLG PARTS DEPARTMENT TO DETERMINE THE CORRECT FORKS APPLICABLE TO YOUR SPECIFIC CARRIAGE ASSEMBLY AND APPLICATION.	

### SECTION 3 - ATTACHMENTS

FIGURE 3-28. PALLET FORK (50X120X1200) (CE & AUS - IF EQUIPPED WITH SIDE SHIFT CARRIAGE)  
(4.0 TON - 1225MM)



ART\_2540690.D



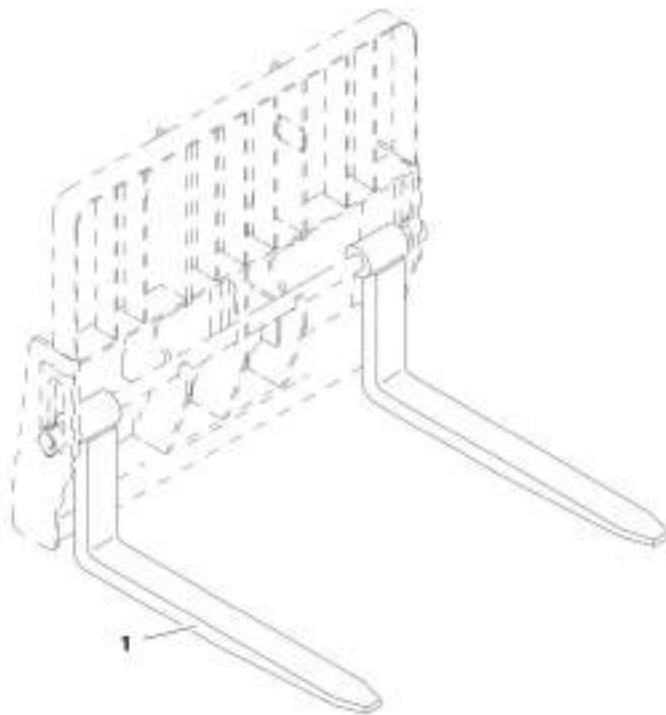
## SECTION 3 - ATTACHMENTS

**FIGURE 3-28. PALLET FORK (50X120X1200) (CE & AUS - IF EQUIPPED WITH SIDE SHIFT CARRIAGE  
(4.0 TON - 1225MM))**

ITEM	PART NUMBER	QTY	DESCRIPTION	REV
1	2340030	2 pr	Pallet Fork (50X120X1200)	D
2	0761612	2	Bolt, M16X25	
	Note	Ref	FORKS RATED LESS THAN THE ATTACHMENT OR MACHINE'S CAPACITY DECREASES CAPACITY OF THE ATTACHMENT OR MACHINE TO THAT OF THE FORKS. FORKS RATED MORE THAN THE ATTACHMENT OR MACHINE'S CAPACITY DO NOT INCREASE ATTACHMENT OR MACHINE'S CAPACITY.	
	Note	Ref	PLEASE CONSULT JLG PARTS DEPARTMENT TO DETERMINE THE CORRECT FORKS APPLICABLE TO YOUR SPECIFIC CARRIAGE ASSEMBLY AND APPLICATION.	

## SECTION 3 - ATTACHMENTS

FIGURE 3-29. PALLET FORK (2.36X4X48) (ANSI)



ART\_3340045\_B

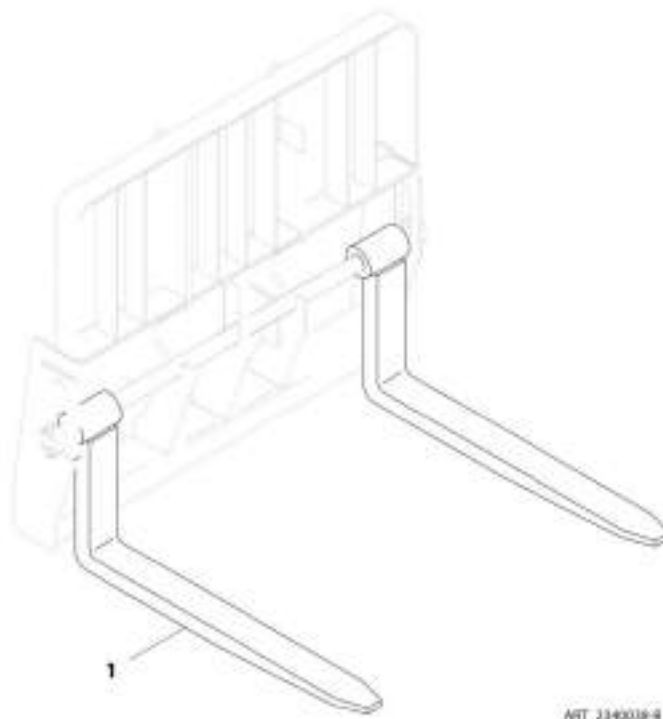
## SECTION 3 - ATTACHMENTS

**FIGURE 3-29. PALLET FORK (2.36X4X48) (ANSI)**

ITEM	PART NUMBER	QTY	DESCRIPTION	REV
1	2340045	2	Pallet Fork (2.36X4X48) (ANSI)	B
	Note	Ref	<b>FORKS RATED LESS THAN THE ATTACHMENT OR MACHINE'S CAPACITY DECREASES CAPACITY OF THE ATTACHMENT OR MACHINE TO THAT OF THE FORKS. FORKS RATED MORE THAN THE ATTACHMENT OR MACHINE'S CAPACITY DO NOT INCREASE ATTACHMENT OR MACHINE'S CAPACITY.</b>	
	Note	Ref	<b>PLEASE CONSULT JLG PARTS DEPARTMENT TO DETERMINE THE CORRECT FORKS APPLICABLE TO YOUR SPECIFIC CARRIAGE ASSEMBLY AND APPLICATION.</b>	

## SECTION 3 - ATTACHMENTS

FIGURE 3-30. PALLET FORK (2.36X5X48) (ANSI)



ART\_3140038-4

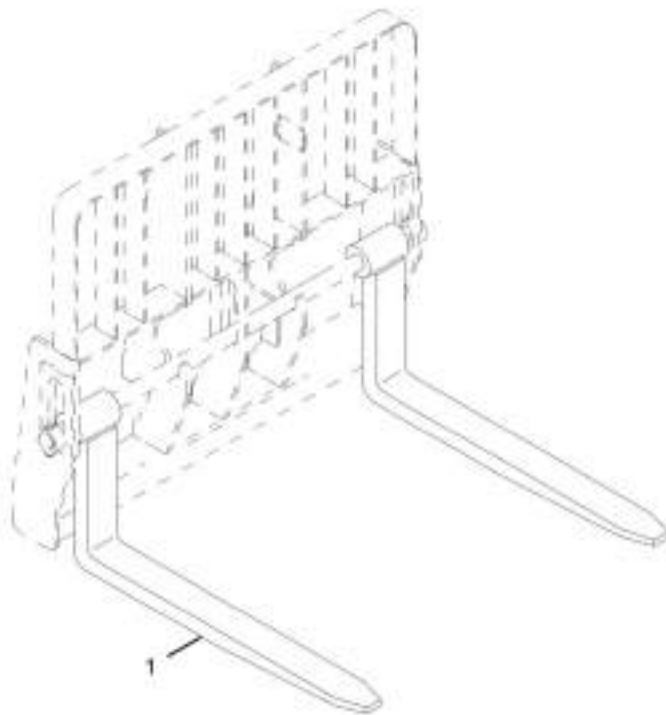
## SECTION 3 - ATTACHMENTS

**FIGURE 3-30. PALLET FORK (2.36X5X48) (ANSI)**

ITEM	PART NUMBER	QTY	DESCRIPTION	REV
1	2340038	2	Pallet Fork (2.36X5X48) (ANSI)	B
	Note	Ref	<b>FORKS RATED LESS THAN THE ATTACHMENT OR MACHINE'S CAPACITY DECREASES CAPACITY OF THE ATTACHMENT OR MACHINE TO THAT OF THE FORKS. FORKS RATED MORE THAN THE ATTACHMENT OR MACHINE'S CAPACITY DO NOT INCREASE ATTACHMENT OR MACHINE'S CAPACITY.</b>	
	Note	Ref	<b>PLEASE CONSULT JLG PARTS DEPARTMENT TO DETERMINE THE CORRECT FORKS APPLICABLE TO YOUR SPECIFIC CARRIAGE ASSEMBLY AND APPLICATION.</b>	

## SECTION 3 - ATTACHMENTS

FIGURE 3-31. PALLET FORK (2.00X6X72) (ANSI)



ART\_38016R2301\_B

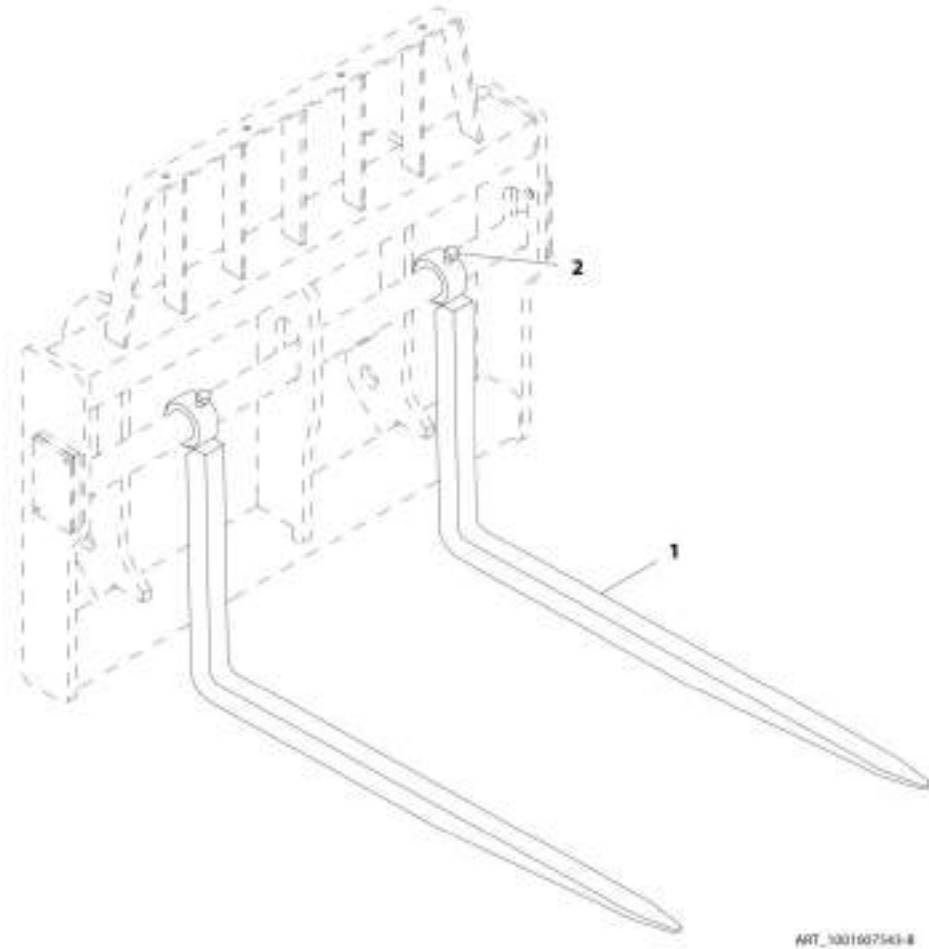
## SECTION 3 - ATTACHMENTS

**FIGURE 3-31. PALLET FORK (2.00X6X72) (ANSI)**

ITEM	PART NUMBER	QTY	DESCRIPTION	REV
N1	1001092391 Note	2 Ref	Fork - Pallet (2.36X6X72) <b>FORKS RATED LESS THAN THE ATTACHMENT OR MACHINE'S CAPACITY DECREASES CAPACITY OF THE ATTACHMENT OR MACHINE TO THAT OF THE FORKS. FORKS RATED MORE THAN THE ATTACHMENT OR MACHINE'S CAPACITY DO NOT INCREASE ATTACHMENT OR MACHINE'S CAPACITY.</b>	B
N2	Note	Ref	<b>PLEASE CONSULT JLG PARTS DEPARTMENT TO DETERMINE THE CORRECT FORKS APPLICABLE TO YOUR SPECIFIC CARRIAGE ASSEMBLY AND APPLICATION.</b>	

## SECTION 3 - ATTACHMENTS

FIGURE 3-32. BLOCKING FORK (50X50X1220) (CE & AUS)





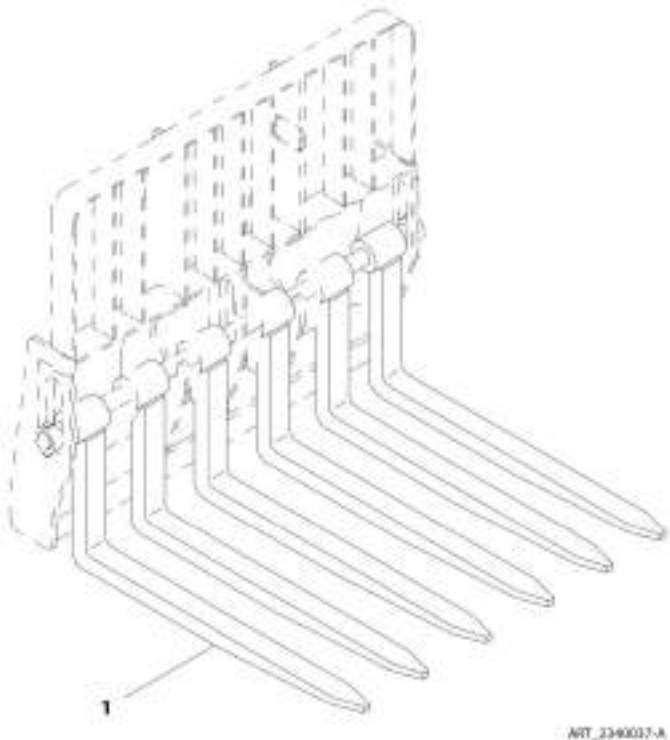
## SECTION 3 - ATTACHMENTS

**FIGURE 3-32. BLOCKING FORK (50X50X1220) (CE & AUS)**

ITEM	PART NUMBER	QTY	DESCRIPTION	REV
1	1001007543 NSS	1 2	Blocking Fork (50X50X1220) (CE & AUS) (pair) Fork	B
2	1001109113 Note	2 Ref	Bolt, 5/8-18X1.50, Grade 8 FORKS RATED LESS THAN THE ATTACHMENT OR MACHINE'S CAPACITY DECREASES CAPACITY OF THE ATTACHMENT OR MACHINE TO THAT OF THE FORKS. FORKS RATED MORE THAN THE ATTACHMENT OR MACHINE'S CAPACITY DO NOT INCREASE ATTACHMENT OR MACHINE'S CAPACITY.	
	Note	Ref	PLEASE CONSULT JLG PARTS DEPARTMENT TO DETERMINE THE CORRECT FORKS APPLICABLE TO YOUR SPECIFIC CARRIAGE ASSEMBLY AND APPLICATION.	

**SECTION 3 - ATTACHMENTS**

**FIGURE 3-33. BLOCKING FORK (50X50X1220) (ANSI)**



ART\_2340007-A

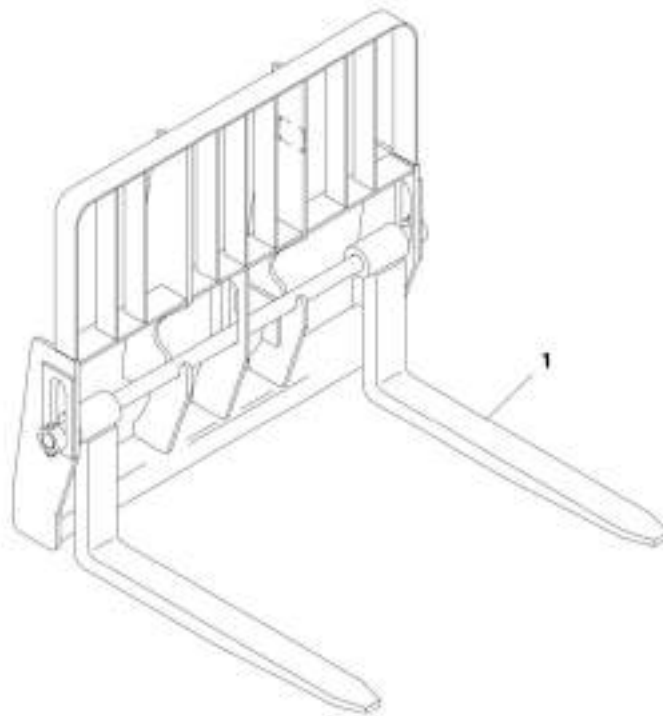
## SECTION 3 - ATTACHMENTS

**FIGURE 3-33. BLOCKING FORK (50X50X1220) (ANSI)**

ITEM	PART NUMBER	QTY	DESCRIPTION	REV
1	2340037	1	Blocking Fork (50X50X1220) (ANSI)	A
	Note	Ref	FORKS RATED LESS THAN THE ATTACHMENT OR MACHINE'S CAPACITY DECREASES CAPACITY OF THE ATTACHMENT OR MACHINE TO THAT OF THE FORKS. FORKS RATED MORE THAN THE ATTACHMENT OR MACHINE'S CAPACITY DO NOT INCREASE ATTACHMENT OR MACHINE'S CAPACITY.	
	Note	Ref	PLEASE CONSULT JLG PARTS DEPARTMENT TO DETERMINE THE CORRECT FORKS APPLICABLE TO YOUR SPECIFIC CARRIAGE ASSEMBLY AND APPLICATION.	

## SECTION 3 - ATTACHMENTS

FIGURE 3-34. LUMBER FORK (40X150X1540) (ANSI)



ART\_100189945T-C

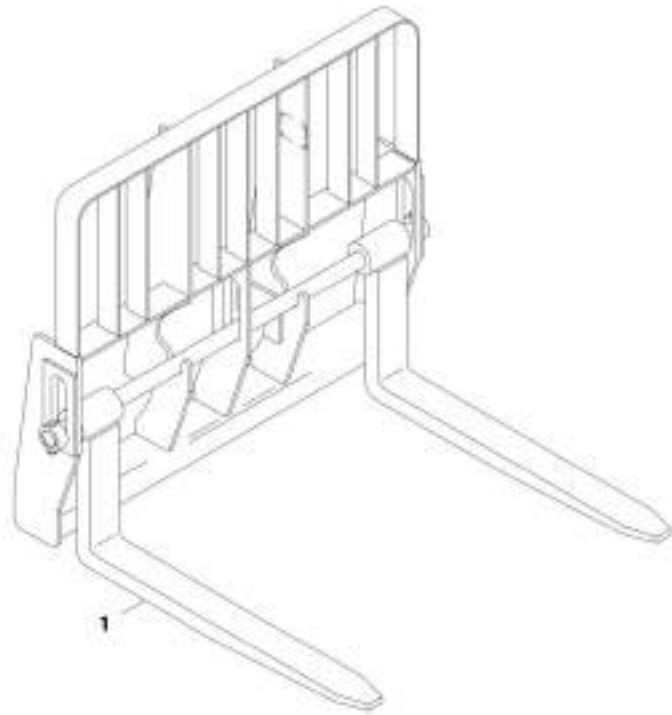
## SECTION 3 - ATTACHMENTS

**FIGURE 3-34. LUMBER FORK (40X150X1540) (ANSI)**

ITEM	PART NUMBER	QTY	DESCRIPTION	REV
1	1001099457	2	Lumber Fork (40X150X1540)	C

## SECTION 3 - ATTACHMENTS

FIGURE 3-35. LUMBER FORK (50X180X1540) (ANSI)



ART\_1001097110-A

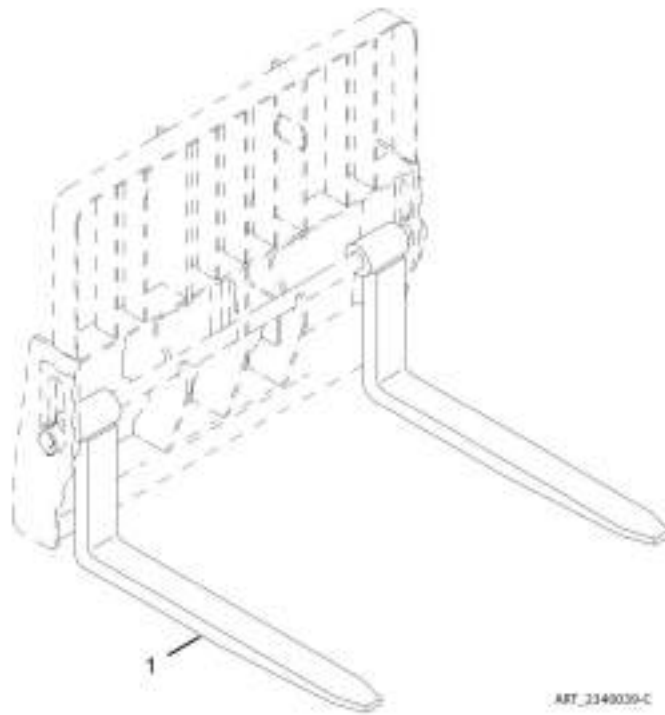
## SECTION 3 - ATTACHMENTS

**FIGURE 3-35. LUMBER FORK (50X180X1540) (ANSI)**

ITEM	PART NUMBER	QTY	DESCRIPTION	REV
1	1001097110	2	Lumber Fork (50X180X1540) (ANSI - JLG)	A
	Note	Ref	FORKS RATED LESS THAN THE ATTACHMENT OR MACHINE'S CAPACITY DECREASES CAPACITY OF THE ATTACHMENT OR MACHINE TO THAT OF THE FORKS. FORKS RATED MORE THAN THE ATTACHMENT OR MACHINE'S CAPACITY DO NOT INCREASE ATTACHMENT OR MACHINE'S CAPACITY.	
	Note	Ref	PLEASE CONSULT JLG PARTS DEPARTMENT TO DETERMINE THE CORRECT FORKS APPLICABLE TO YOUR SPECIFIC CARRIAGE ASSEMBLY AND APPLICATION.	

## SECTION 3 - ATTACHMENTS

FIGURE 3-36. LUMBER FORK (60X150X1524) (ANSI)





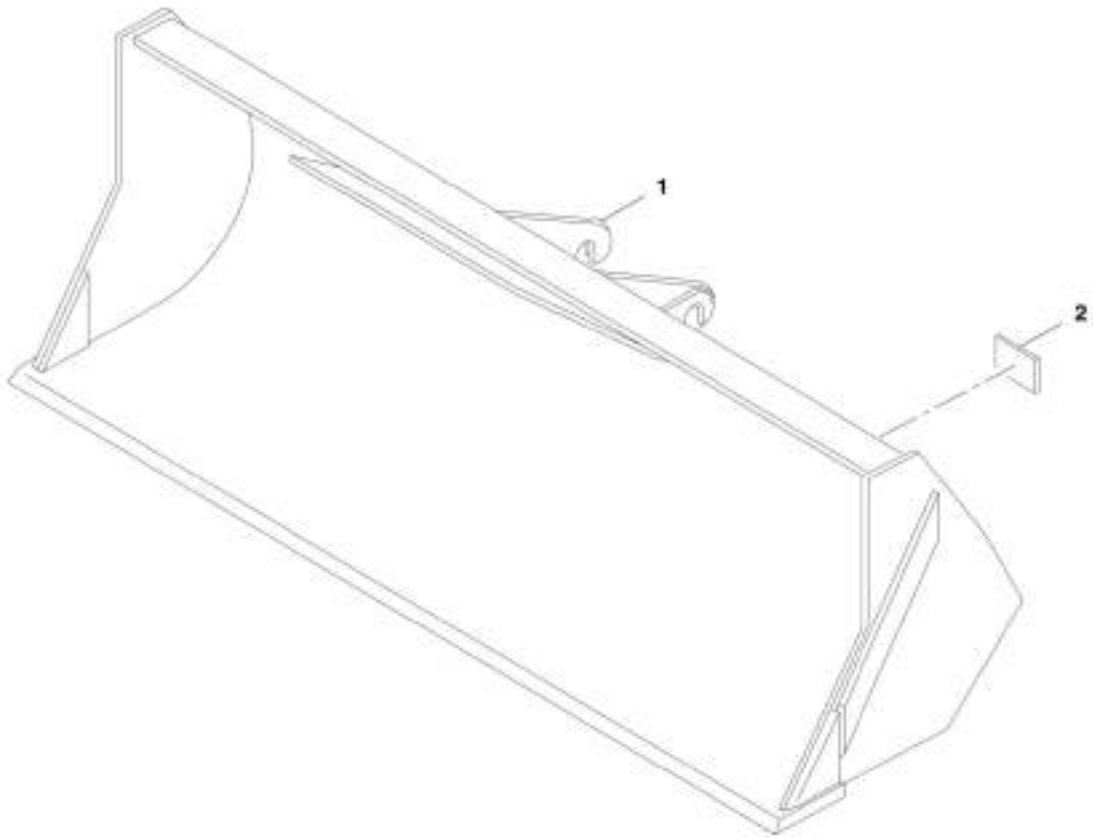
## SECTION 3 - ATTACHMENTS

**FIGURE 3-36. LUMBER FORK (60X150X1524) (ANSI)**

ITEM	PART NUMBER	QTY	DESCRIPTION	REV
1	2340039	2	Lumber Fork (60X150X1524) (ANSI - JLG)	C
	Note	Ref	FORKS RATED LESS THAN THE ATTACHMENT OR MACHINE'S CAPACITY DECREASES CAPACITY OF THE ATTACHMENT OR MACHINE TO THAT OF THE FORKS. FORKS RATED MORE THAN THE ATTACHMENT OR MACHINE'S CAPACITY DO NOT INCREASE ATTACHMENT OR MACHINE'S CAPACITY.	
	Note	Ref	PLEASE CONSULT JLG PARTS DEPARTMENT TO DETERMINE THE CORRECT FORKS APPLICABLE TO YOUR SPECIFIC CARRIAGE ASSEMBLY AND APPLICATION.	

# SECTION 3 - ATTACHMENTS

FIGURE 3-37. BUCKET (1.15 M<sup>3</sup>) (ANSI)



ART\_1901100023-C

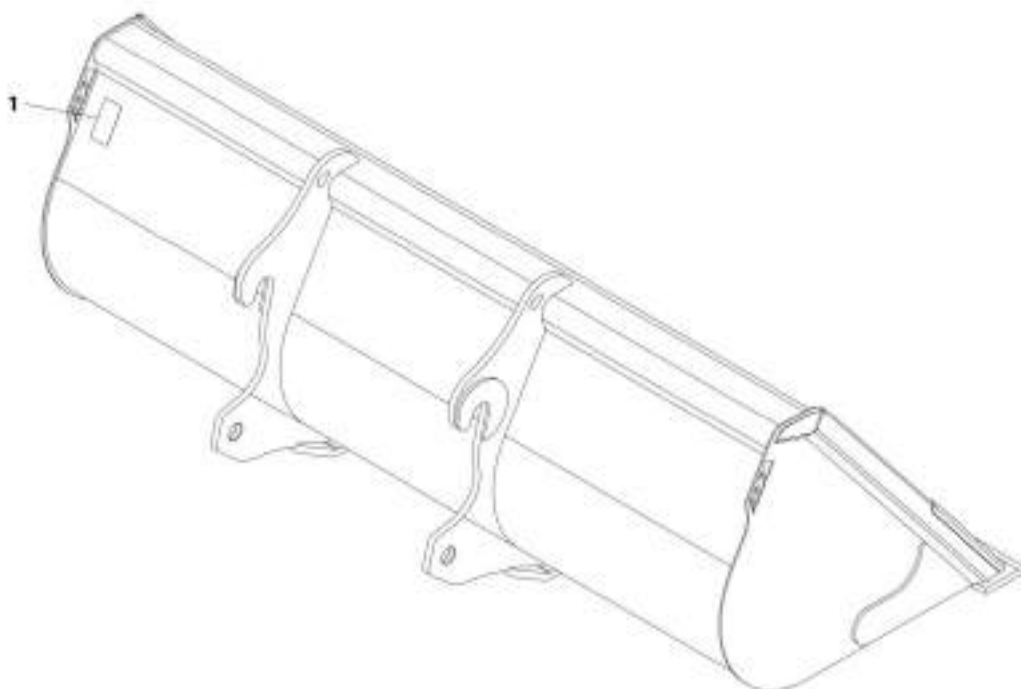
## SECTION 3 - ATTACHMENTS

**FIGURE 3-37. BUCKET (1.15 M<sup>3</sup>) (ANSI)**

ITEM	PART NUMBER	QTY	DESCRIPTION	REV
1	1001100823	1	Bucket (1.15 m <sup>3</sup> )	C
2	N.S.S.	1	Plate, Serial Number	

## SECTION 3 - ATTACHMENTS

FIGURE 3-38. BUCKET (1 M<sup>3</sup>) (CE & AUS)



ART\_10012150R8-A

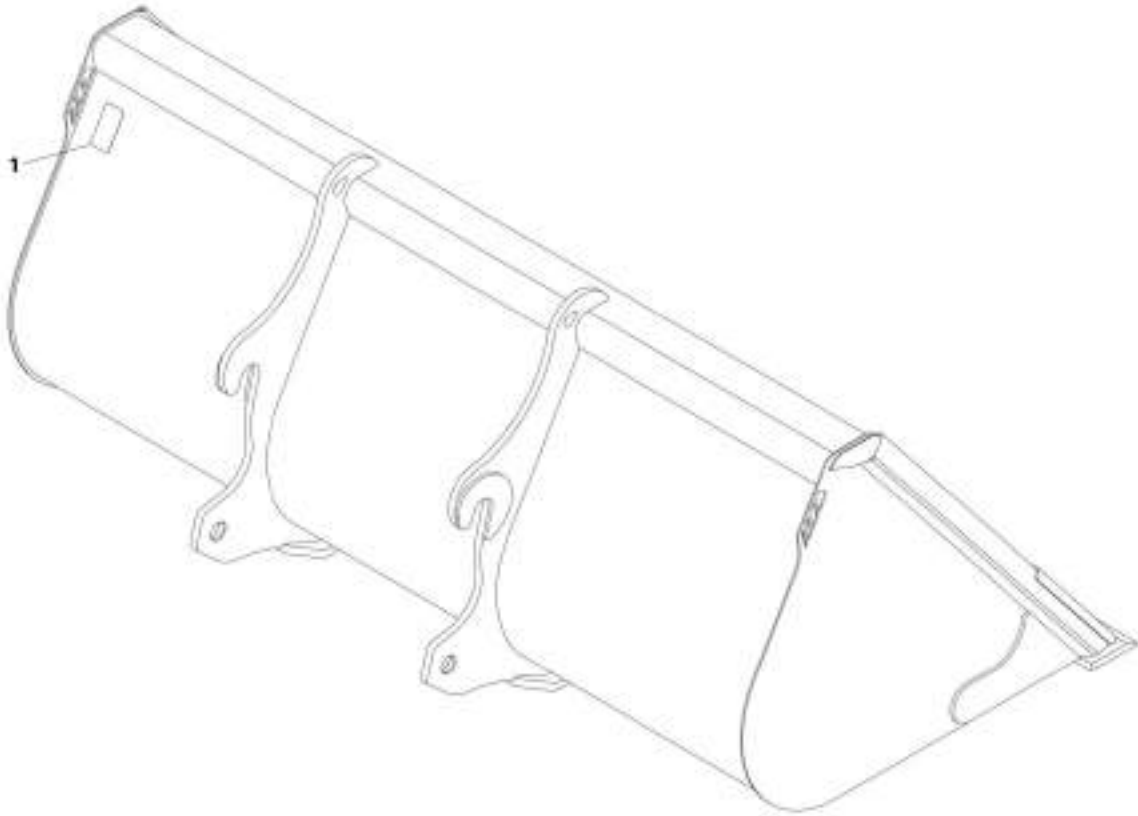
## SECTION 3 - ATTACHMENTS

**FIGURE 3-38. BUCKET (1 M<sup>3</sup>) (CE & AUS)**

ITEM	PART NUMBER	QTY	DESCRIPTION	REV
1	1001215988	1	Bucket (1 m <sup>3</sup> )	A
	N.S.S.	1	Plate, Serial Number	

## SECTION 3 - ATTACHMENTS

FIGURE 3-39. BUCKET (1.5 M<sup>3</sup>) (CE & AUS)



ART\_1001215060-A

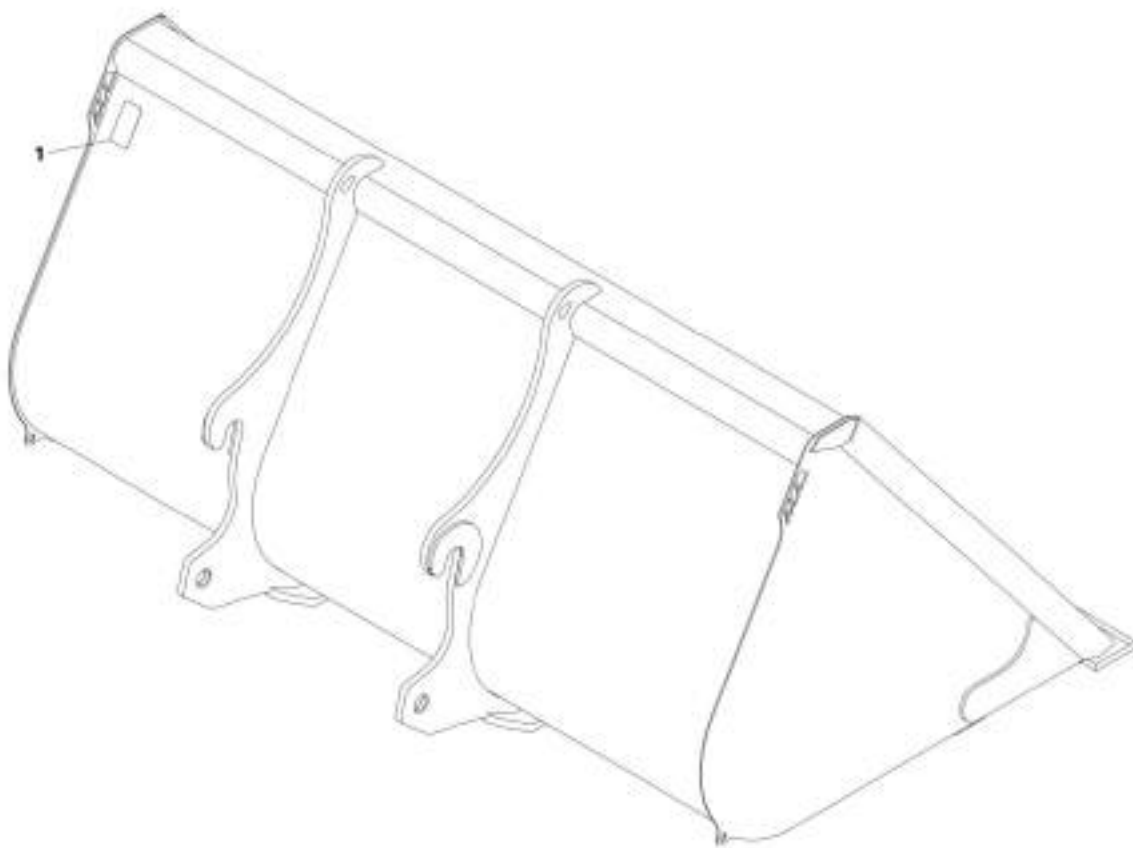
## SECTION 3 - ATTACHMENTS

**FIGURE 3-39. BUCKET (1.5 M<sup>3</sup>) (CE & AUS)**

ITEM	PART NUMBER	QTY	DESCRIPTION	REV
1	1001215990	1	Bucket (1.5 m <sup>3</sup> )	A
	N.S.S.	1	Plate, Serial Number	

## SECTION 3 - ATTACHMENTS

FIGURE 3-40. BUCKET (2 M<sup>3</sup>) (CE & AUS)



ART\_1001215992-A



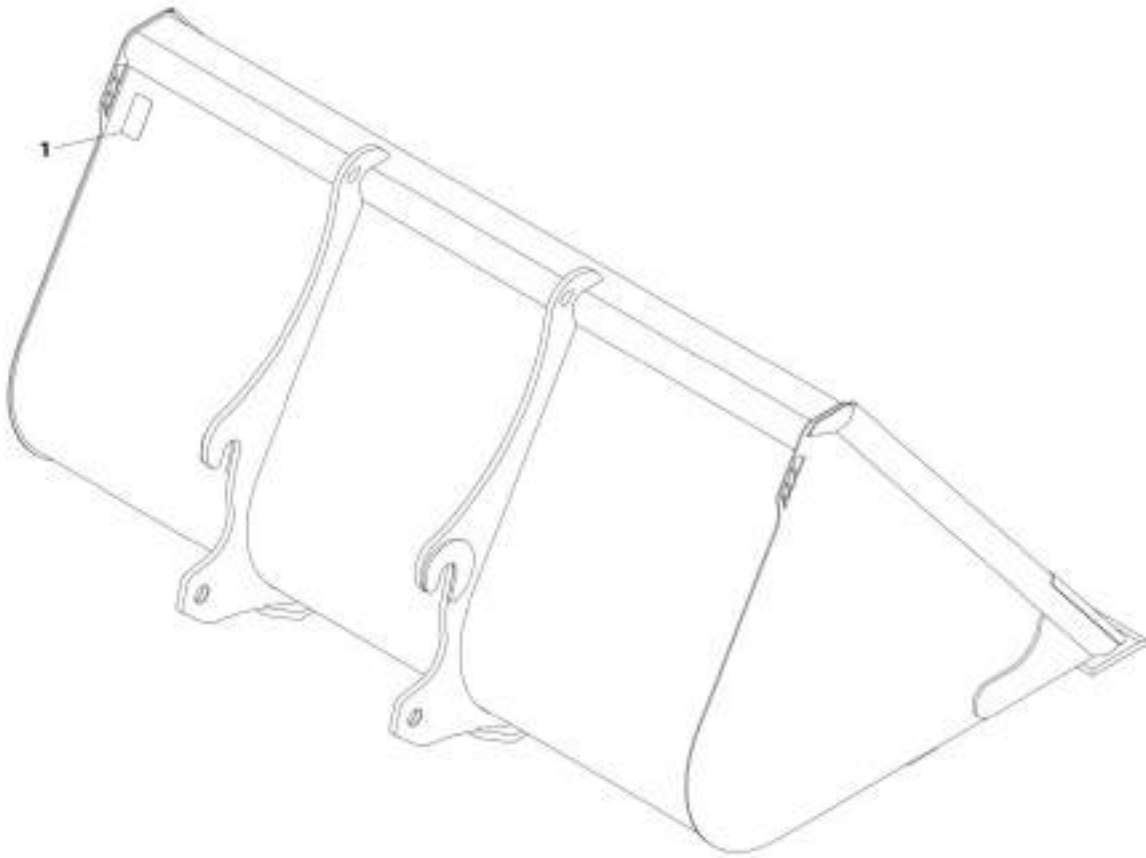
## SECTION 3 - ATTACHMENTS

**FIGURE 3-40. BUCKET (2 M<sup>3</sup>) (CE & AUS)**

ITEM	PART NUMBER	QTY	DESCRIPTION	REV
1	1001215992	1	Bucket (2 m <sup>3</sup> )	A
	1001215993	1	Plate, Serial Number	

## SECTION 3 - ATTACHMENTS

FIGURE 3-41. BUCKET (2.5 M<sup>3</sup>) (CE & AUS)



ART\_1001215994-A

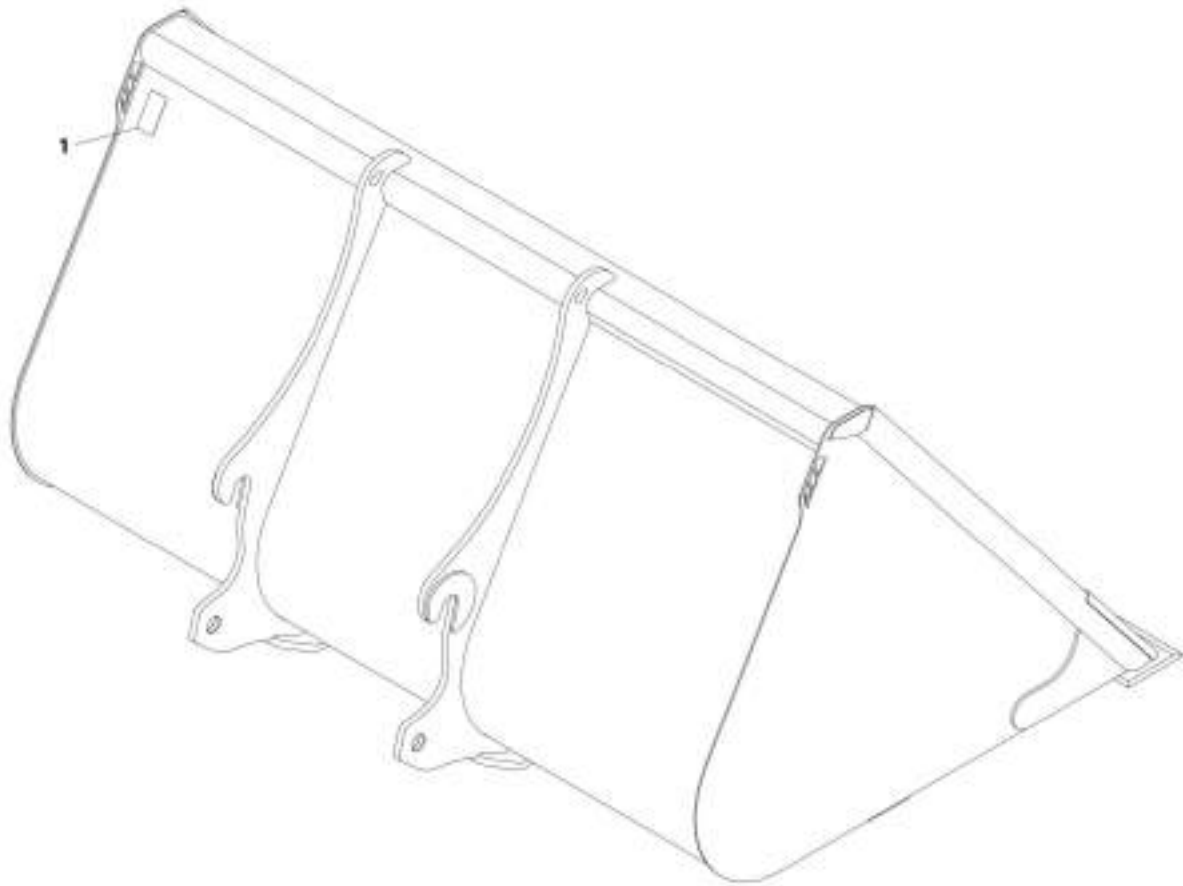
## SECTION 3 - ATTACHMENTS

**FIGURE 3-41. BUCKET (2.5 M<sup>3</sup>) (CE & AUS)**

ITEM	PART NUMBER	QTY	DESCRIPTION	REV
1	1001215994	1	Bucket (2.5 m <sup>3</sup> )	A
	N.S.S.	1	Plate, Serial Number	

## SECTION 3 - ATTACHMENTS

FIGURE 3-42. BUCKET (3 M<sup>3</sup>) (CE & AUS)



ART\_1001215996-A

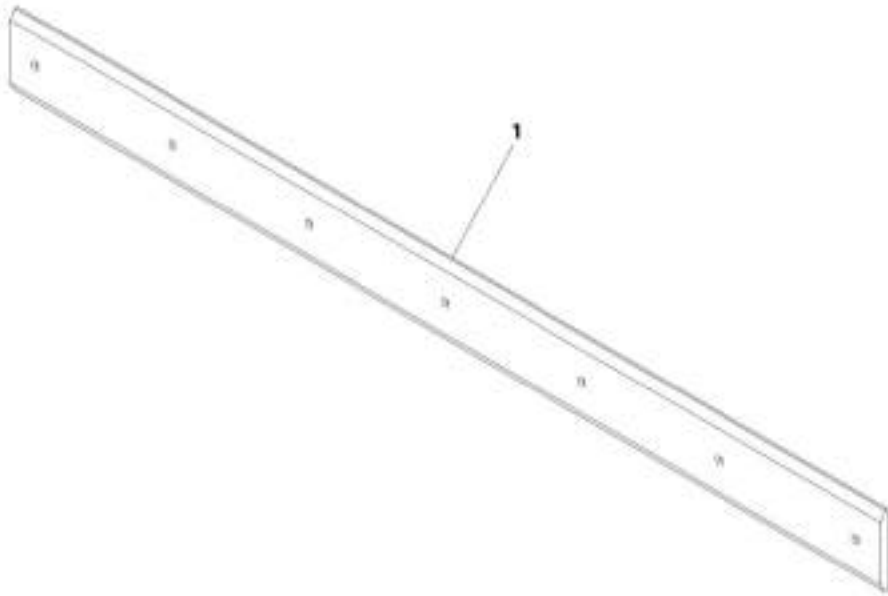
## SECTION 3 - ATTACHMENTS

**FIGURE 3-42. BUCKET (3 M<sup>3</sup>) (CE & AUS)**

ITEM	PART NUMBER	QTY	DESCRIPTION	REV
1	1001215996	1	Bucket (3 m <sup>3</sup> )	A
	N.S.S.	1	Plate, Serial Number	

# SECTION 3 - ATTACHMENTS

FIGURE 3-43. BOLT-ON EDGE (2450 MM)



AWT\_30020392-A

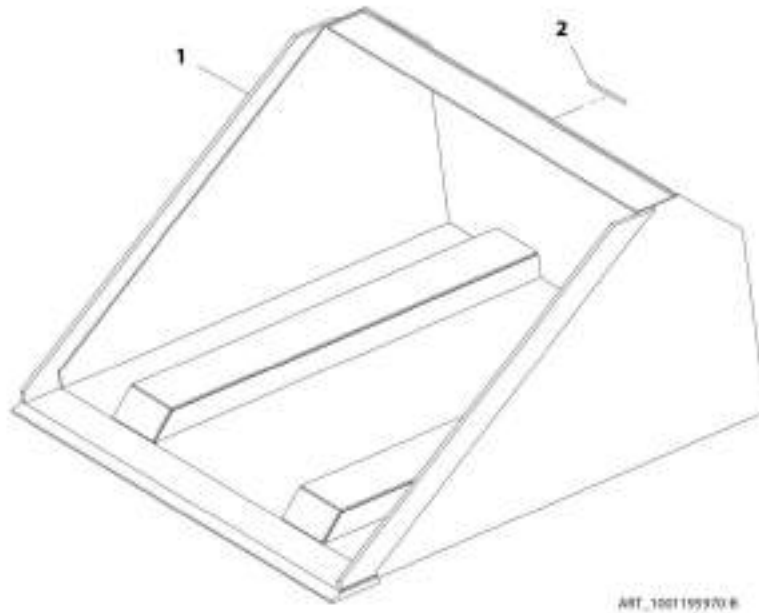
## SECTION 3 - ATTACHMENTS

**FIGURE 3-43. BOLT-ON EDGE (2450 MM)**

ITEM	PART NUMBER	QTY	DESCRIPTION	REV
1	70020392	1	Bolt-on Edge (2450 MM)	A
	N.S.S.	7	Bolt	
	N.S.S.	7	Nut	

## SECTION 3 - ATTACHMENTS

FIGURE 3-44. FORK MOUNTED BUCKET (1.0 M<sup>3</sup>) (ANSI)





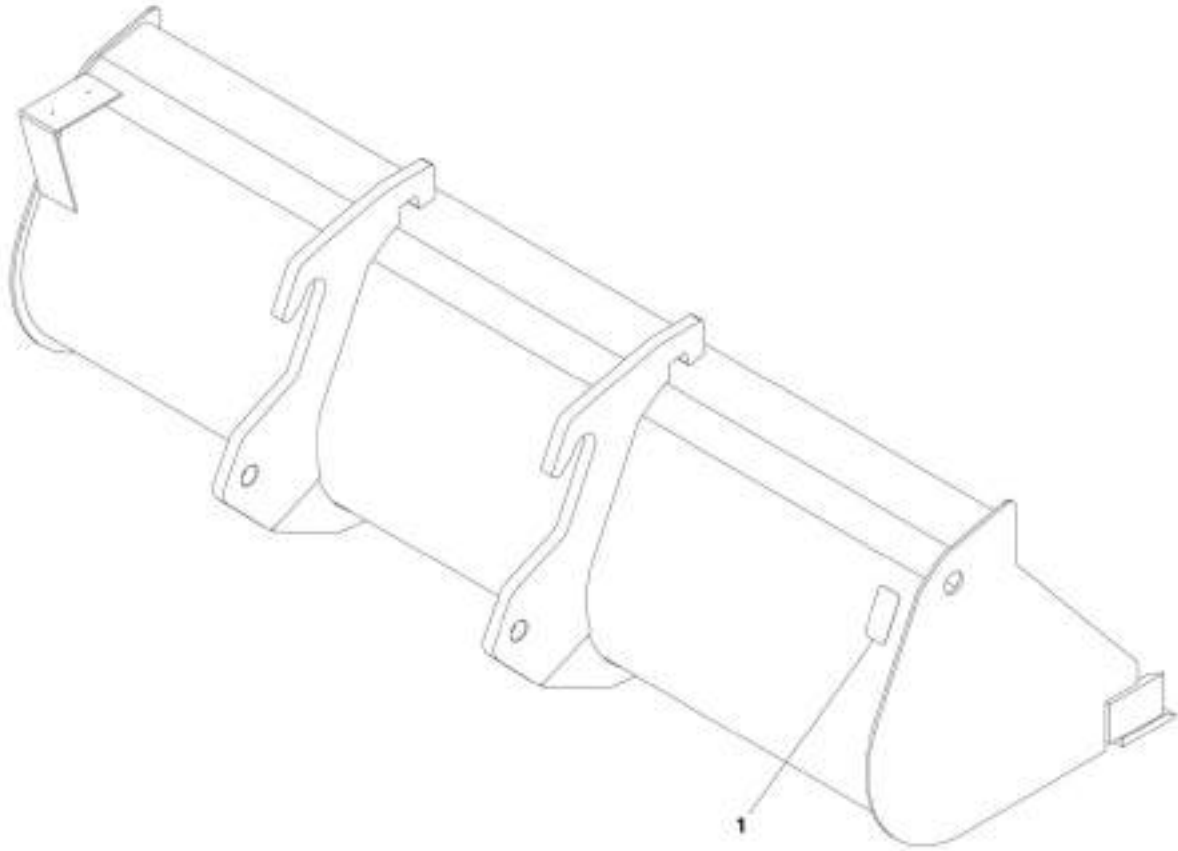
## SECTION 3 - ATTACHMENTS

**FIGURE 3-44. FORK MOUNTED BUCKET (1.0 M<sup>3</sup>) (ANSI)**

ITEM	PART NUMBER	QTY	DESCRIPTION	REV
1	1001195970	1	Bucket 1.0 m <sup>3</sup> (Fork Mounted - JLG)	B
2	N.S.S.	1	Plate, Serial Number	

## SECTION 3 - ATTACHMENTS

FIGURE 3-45. DIRT BUCKET (1.0 M<sup>3</sup>) (CE & AUS)



ART\_1001107045-A

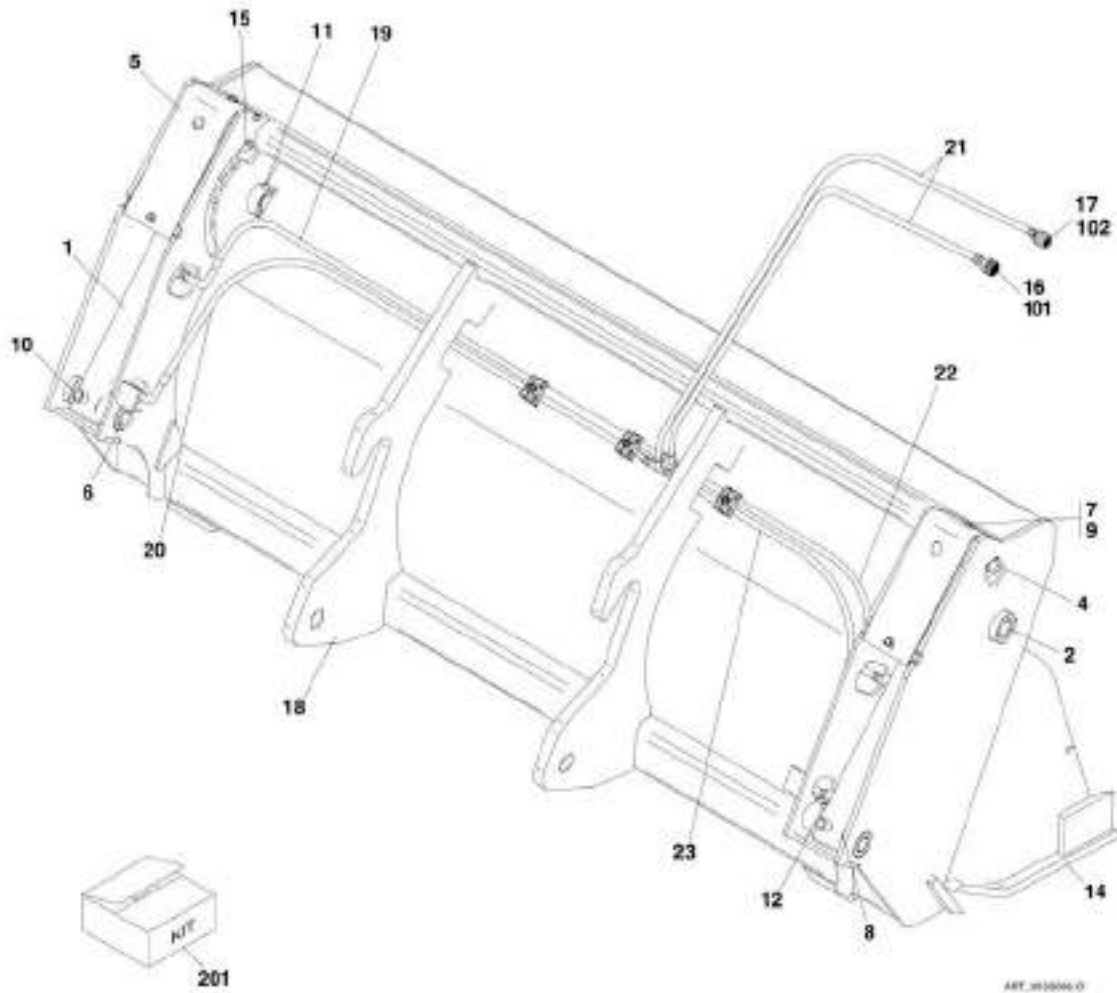
## SECTION 3 - ATTACHMENTS

**FIGURE 3-45. DIRT BUCKET (1.0 M<sup>3</sup>) (CE & AUS)**

ITEM	PART NUMBER	QTY	DESCRIPTION	REV
1	1001197945	1	Dig Bucket (1.0 m <sup>3</sup> )	A
	N.S.S.	1	Plate, Serial Number	

# SECTION 3 - ATTACHMENTS

FIGURE 3-46. 4 IN 1 BUCKET (0.6 M<sup>3</sup>) (CE & AUS)



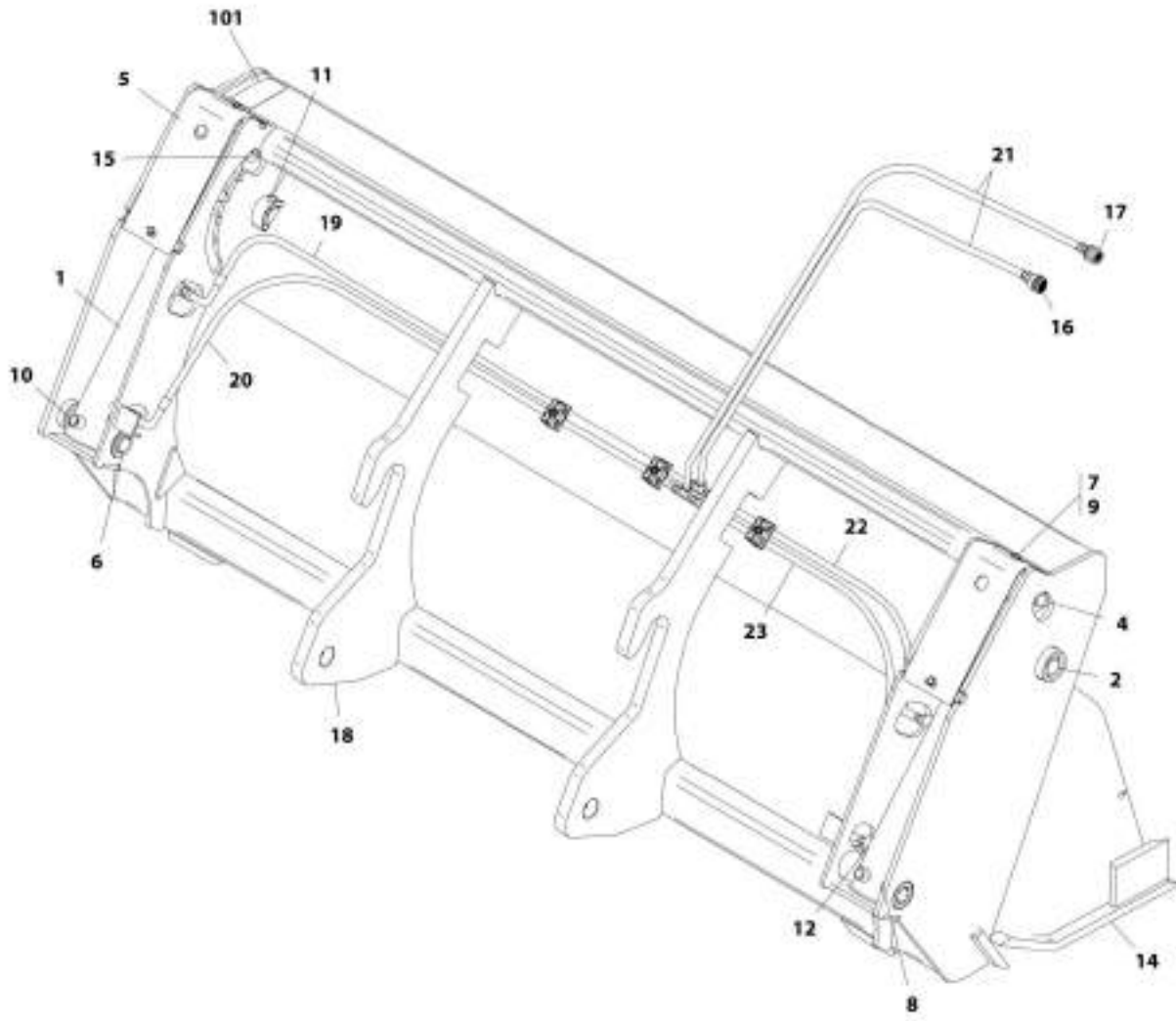
## SECTION 3 - ATTACHMENTS

**FIGURE 3-46. 4 IN 1 BUCKET (0.6 M<sup>3</sup>) (CE & AUS)**

ITEM	PART NUMBER	QTY	DESCRIPTION	REV
	0930006	1	4 in 1 Bucket 0.6 M <sup>3</sup> (CE & AUS)	D
1	7028990	2	Cylinder	
1	7028910	1	Kit, Seal, Cylinder	
2	7028911	2	Pin	
3	7028912	6	Nut	
4	7028913	2	Pin	
5	7028914	2	Plate, Protective	
6	7028915	2	Pin	
7	7028916	4	Bolt	
8	7028131	6	Bushing	
9	7028917	4	Washer	
10	7028918	6	Nipple, Grease	
11	7028920	2	Screw	
12	7028919	4	Screw	
14	N.S.S.	1	Weldment	
15	7028923	1	Gauge	
16	1001094555	1	Adapter, Female Quick Disconnect	
17	1001094556	1	Adapter, Male Quick Disconnect	
18	N.S.S.	1	Weldment	
19	7028982	1	Hose	
20	7028983	1	Hose	
21	7028984	2	Hose	
22	7028985	1	Hose	
23	7028991	1	Hose	
101	1001093826	1	Cap, Dust	
102	1001093827	1	Plug, Dust	
201	1001097287	1	Kit, Quick Disconnect Adapter (includes items 16, 17, 101 & 102)	

# SECTION 3 - ATTACHMENTS

FIGURE 3-47. 4 IN 1 BUCKET (1.0 M<sup>3</sup>) (CE & AUS)



MT\_090001-F

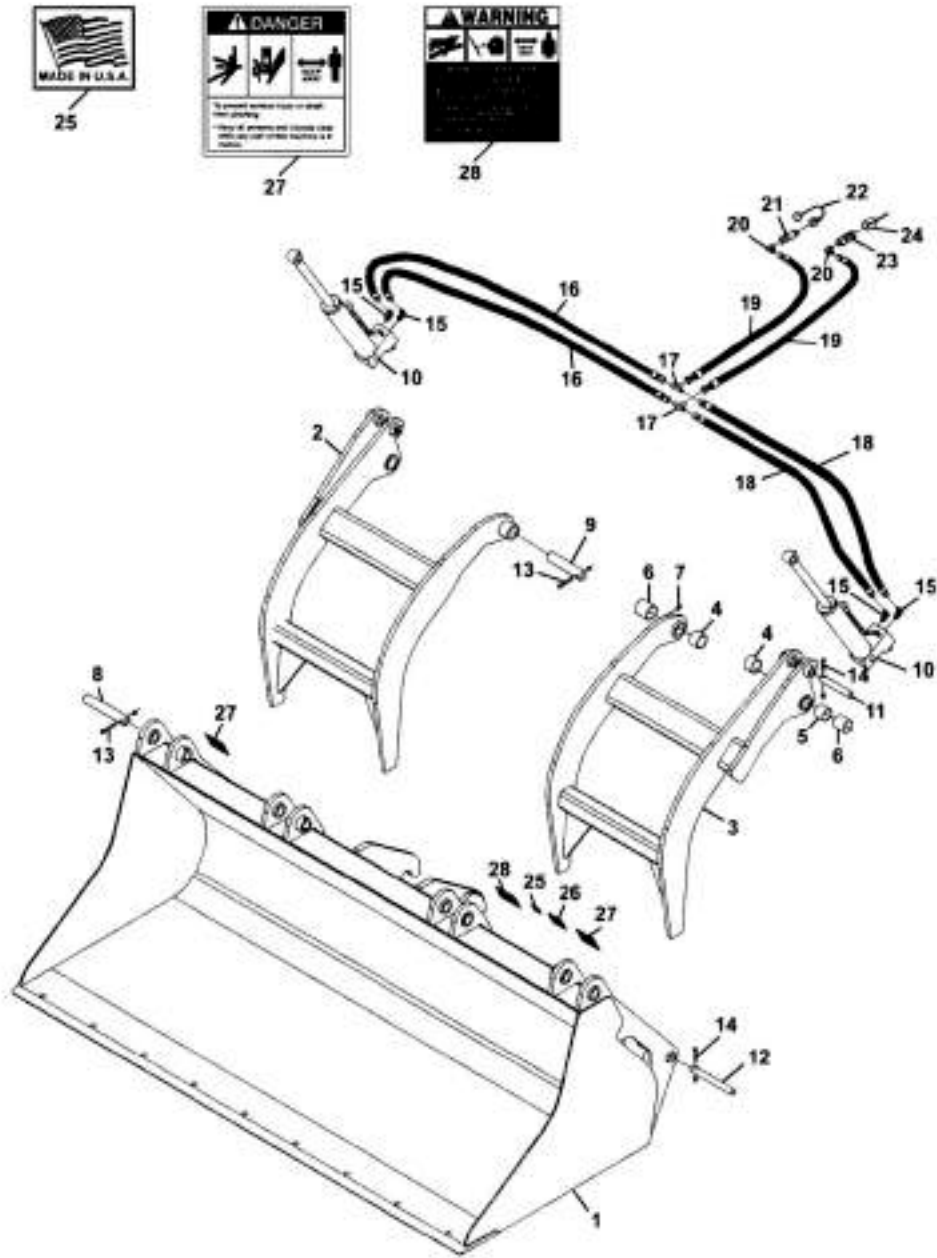
## SECTION 3 - ATTACHMENTS

**FIGURE 3-47. 4 IN 1 BUCKET (1.0 M<sup>3</sup>) (CE & AUS)**

ITEM	PART NUMBER	QTY	DESCRIPTION	REV
	0930003	1	4 in 1 Bucket (1.0 m <sup>3</sup> ) (CE & AUS)	F
1	7028990	2	Cylinder	
	7028910	AR	Kit, Seal, Cylinder	
2	7028911	2	Pin	
3	7028912	6	Nut (not shown)	
4	7028913	2	Pin	
5	7028914	2	Plate	
6	7028915	2	Pin	
7	7028916	4	Bolt	
8	7028131	6	Bushing	
9	7028917	4	Washer	
10	7028918	6	Nipple, Grease	
11	7028920	2	Screw	
12	7028919	4	Screw	
14	N.S.S.	1	Weldment	
15	7028923	1	Gauge	
16	1001094555	1	Coupling, Female Quick Disconnect	
17	1001094556	1	Coupling, Male Quick Disconnect	
18	N.S.S.	1	Weldment	
19	7028982	1	Hose	
20	7028983	1	Hose	
21	7028984	2	Hose	
22	7028985	1	Hose	
23	7028991	1	Hose	
101	N.S.S.	1	Plate, Serial Number	

# SECTION 3 - ATTACHMENTS

## FIGURE 3-48. MULTI-PURPOSE GRAPPLE BUCKET (2450 MM) (ANSI)



ART\_0930025-H



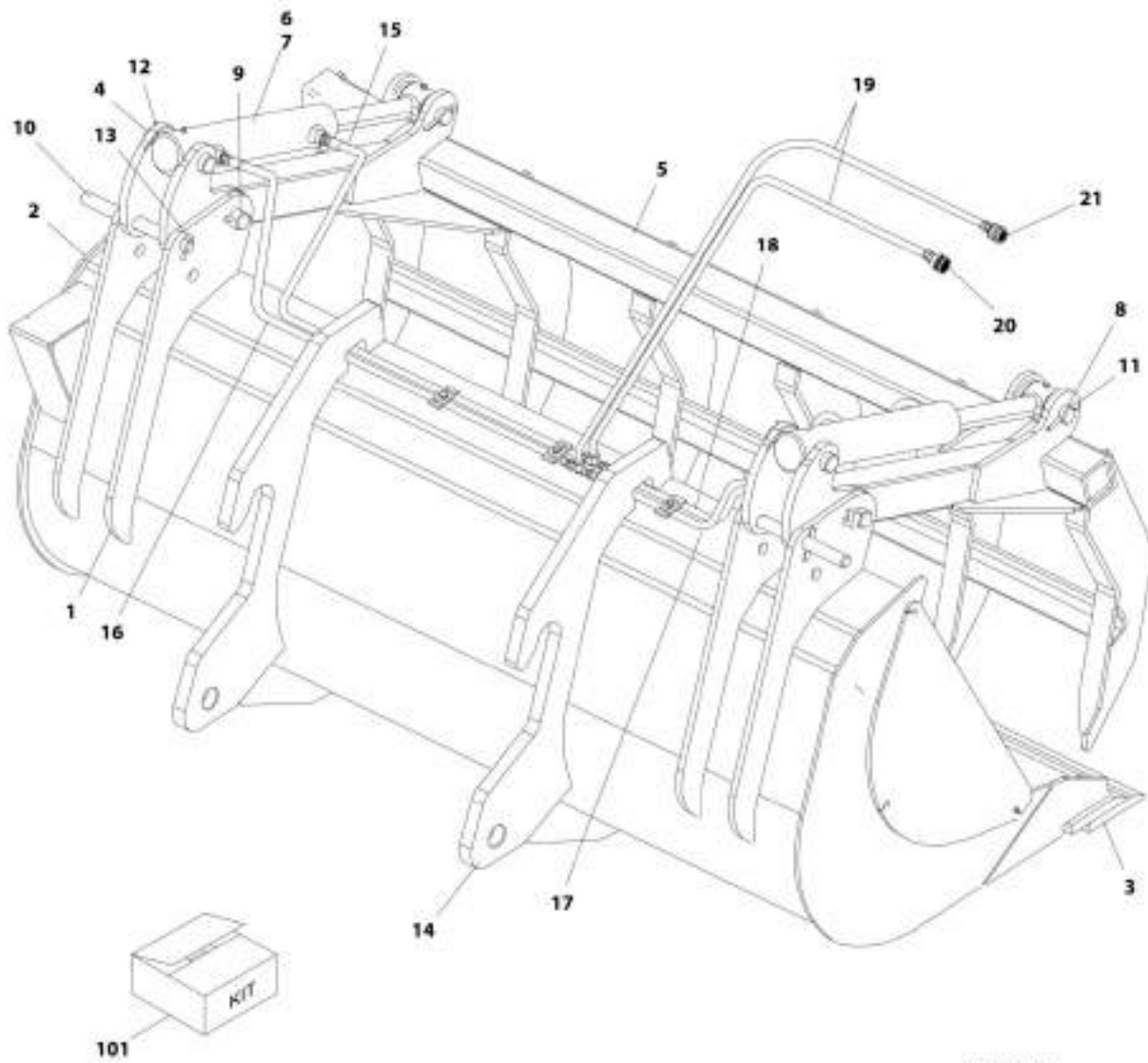
## SECTION 3 - ATTACHMENTS

**FIGURE 3-48. MULTI-PURPOSE GRAPPLE BUCKET (2450 MM) (ANSI)**

ITEM	PART NUMBER	QTY	DESCRIPTION	REV
	0930020	Ref	Multi-Purpose Grapple Bucket (2450 MM)	H
1	N.S.S.	1	Bucket	
1	70021387	4	Clamp, Hose	
2	70021391	1	Hook, RH Grapple	
3	70021392	1	Hook, LH Grapple	
4	70021358	4	Bushing	
5	70021359	2	Spacer	
6	70021360	4	Bushing	
7	7029714	4	Fitting, Grease	
8	70021361	2	Pin	
9	70021362	2	Pin	
10	70021393	2	Cylinder, Grapple Bucket (See Separate Breakdown in Hydraulic Components Section)	
11	70021364	2	Pin	
12	70021365	2	Pin	
13	70021366	4	Bolt, 3/8X2-3/4	
13	70021367	4	Nut, Lock 3/8	
14	70021399	4	Bolt, 3/8X2-1/4	
14	70021367	4	Nut, Lock 3/8	
15	90554065	4	Fitting, 90	
16	70021980	2	Hose	
17	70020562	2	Fitting, Tee	
18	70021981	2	Hose	
19	70021982	2	Hose	
20	70022527	2	Fitting, 90	
21	7029692	1	Coupler	
22	90554062	1	Cover	
23	70021342	1	Coupler	
24	90554076	1	Cover	
25	90554016	1	Decal, Made in USA	
26	N.S.S.	1	Plate, Serial Number	
27	90554017	2	Decal, Danger Pinch Point	
28	90554018	1	Decal, Warning High Pressure	

# SECTION 3 - ATTACHMENTS

FIGURE 3-49. MULTI-PURPOSE GRAPPLE BUCKET (WIDE GRIP - 2450 MM) (CE & AUS)



ART\_0930004-E

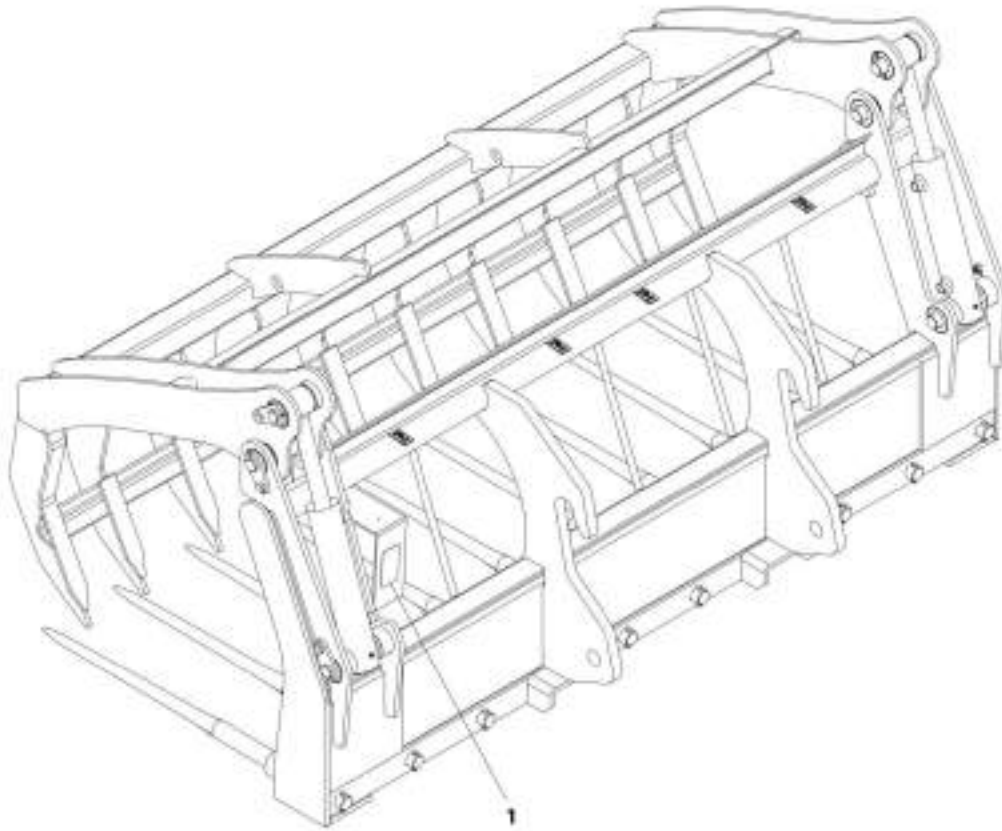
## SECTION 3 - ATTACHMENTS

**FIGURE 3-49. MULTI-PURPOSE GRAPPLE BUCKET (WIDE GRIP - 2450 MM) (CE & AUS)**

ITEM	PART NUMBER	QTY	DESCRIPTION	REV
	0930004	1	Multi-Purpose Grapple Bucket (Wide Grip - 2450 MM) (CE & AUS)	E
1	N.S.S.	1	Weldment	
2	7028133	1	Plate	
3	7028132	1	Assembly, Blade (includes blade and the following hardware)	
	7029356	8	Nut, Lock M16	
	70023484	8	Bolt, M16X60	
4	7028126	2	Bracket	
5	7028125	1	Grapple	
6	7028127	2	Cylinder, Tilt	
	7028910	AR	Kit, Seal	
7	7028131	6	Bushing	
8	7028128	2	Pin	
9	7028129	2	Pin, Locking	
10	7028130	2	Pin	
11	7028135	4	Pin, Roll	
12	7028134	8	Pin, Roll	
13	7029124	2	Circlip	
14	7029749	1	Assembly, Connecting	
15	7028986	1	Hose	
16	7028987	1	Hose	
17	7028988	1	Hose	
18	7028989	1	Hose	
19	7028984	2	Hose	
20	1001094555	1	Coupler, Female	
21	1001094556	1	Coupler, Male	
101	Kit	1	Kit	

## SECTION 3 - ATTACHMENTS

FIGURE 3-50. MANURE GRAPPLE BUCKET (CE & AUS)



ART\_1001216001-A

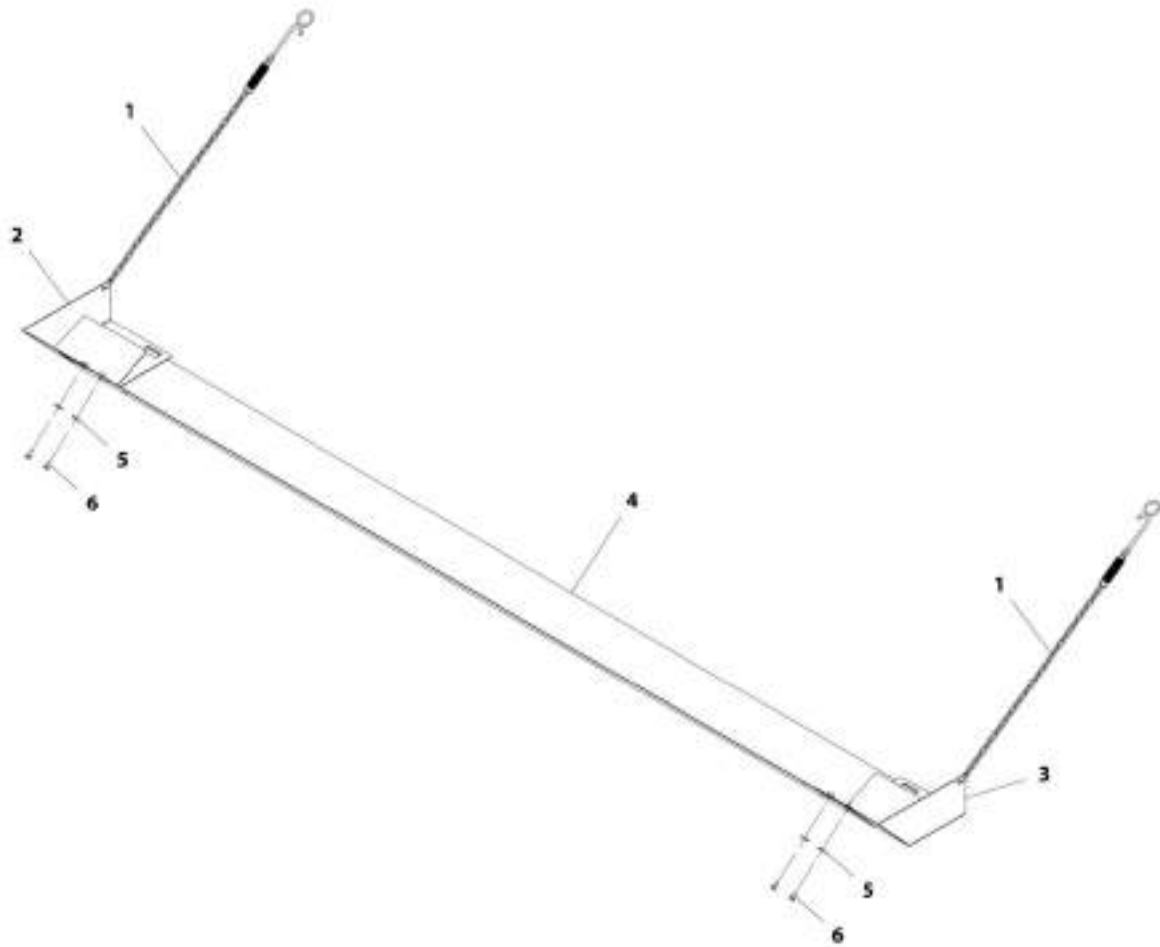
## SECTION 3 - ATTACHMENTS

**FIGURE 3-50. MANURE GRAPPLE BUCKET (CE & AUS)**

ITEM	PART NUMBER	QTY	DESCRIPTION	REV
1	1001216001	1	Manure Grapple Bucket	A
	N.S.S.	1	Plate, Serial Number	

# SECTION 3 - ATTACHMENTS

## FIGURE 3-51. BUCKET GUARD



ART\_1001004620-B

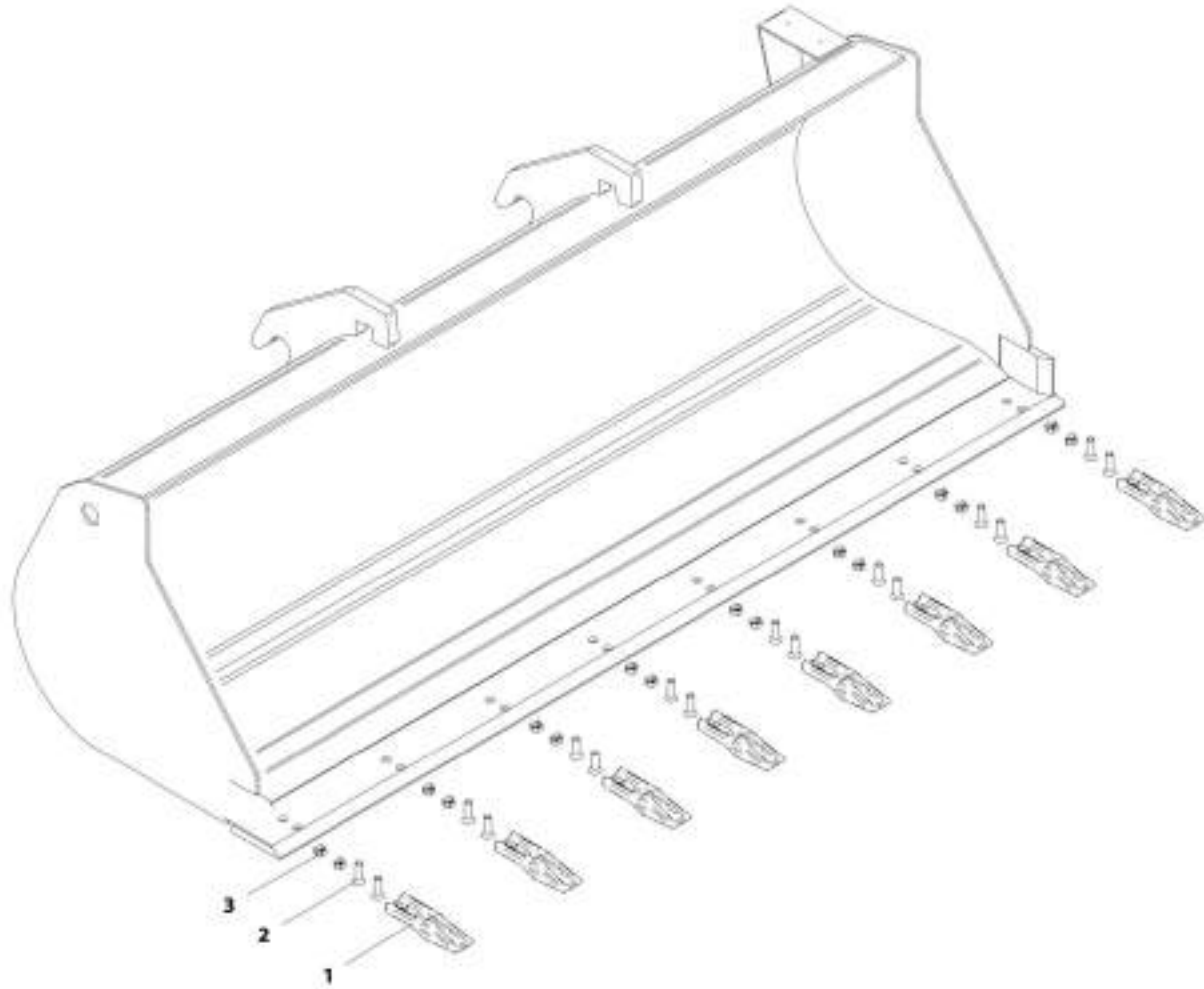
## SECTION 3 - ATTACHMENTS

### FIGURE 3-51. BUCKET GUARD

ITEM	PART NUMBER	QTY	DESCRIPTION	REV
	1001004620	1	Bucket Guard	B
1	1001003064	2	Assembly, Retainer	
2	1001004617	1	Plate	
3	1001004618	1	Plate	
4	1001004619	1	Plate	
5	1001008665	4	Washer	
6	1001009105	4	Bolt, M6X1	

# SECTION 3 - ATTACHMENTS

## FIGURE 3-52. BUCKET TEETH KIT



ART\_1001106251-A



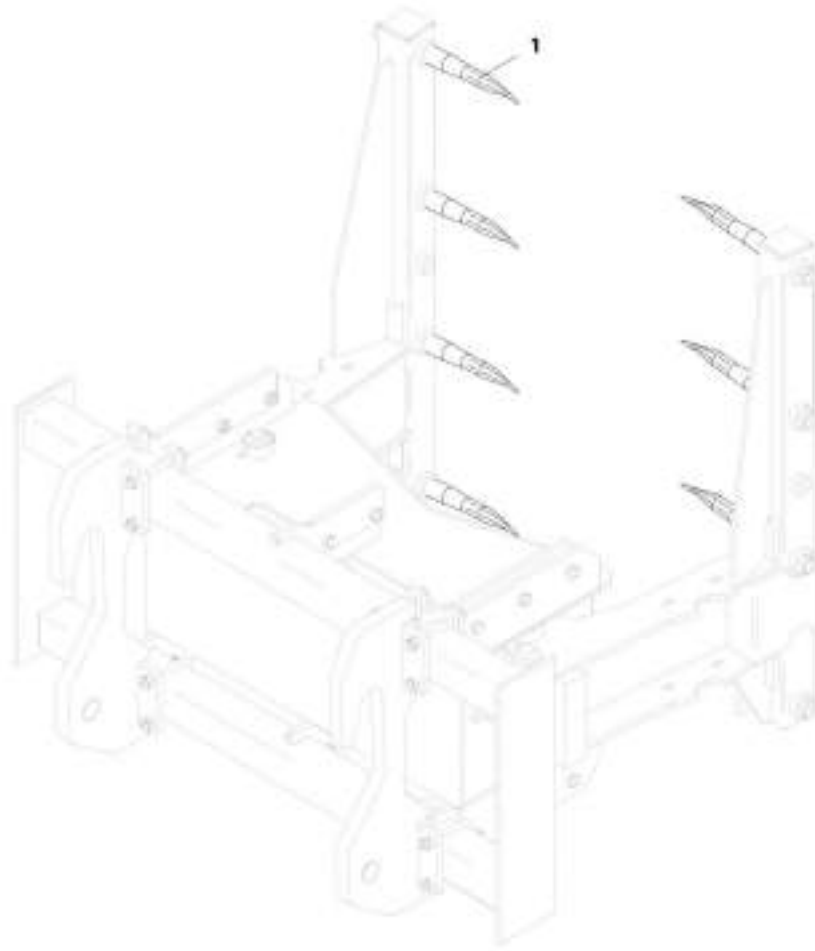
## SECTION 3 - ATTACHMENTS

### FIGURE 3-52. BUCKET TEETH KIT

ITEM	PART NUMBER	QTY	DESCRIPTION	REV
	1001196751	1	Bucket Teeth Kit	A
1	Kit	8	Tooth	
2	Kit	16	Screw	
3	Kit	16	Nut	

## SECTION 3 - ATTACHMENTS

FIGURE 3-53. BALE HANDLER KIT (SPIKES) (CE AND AUS)



ART\_2902441-A

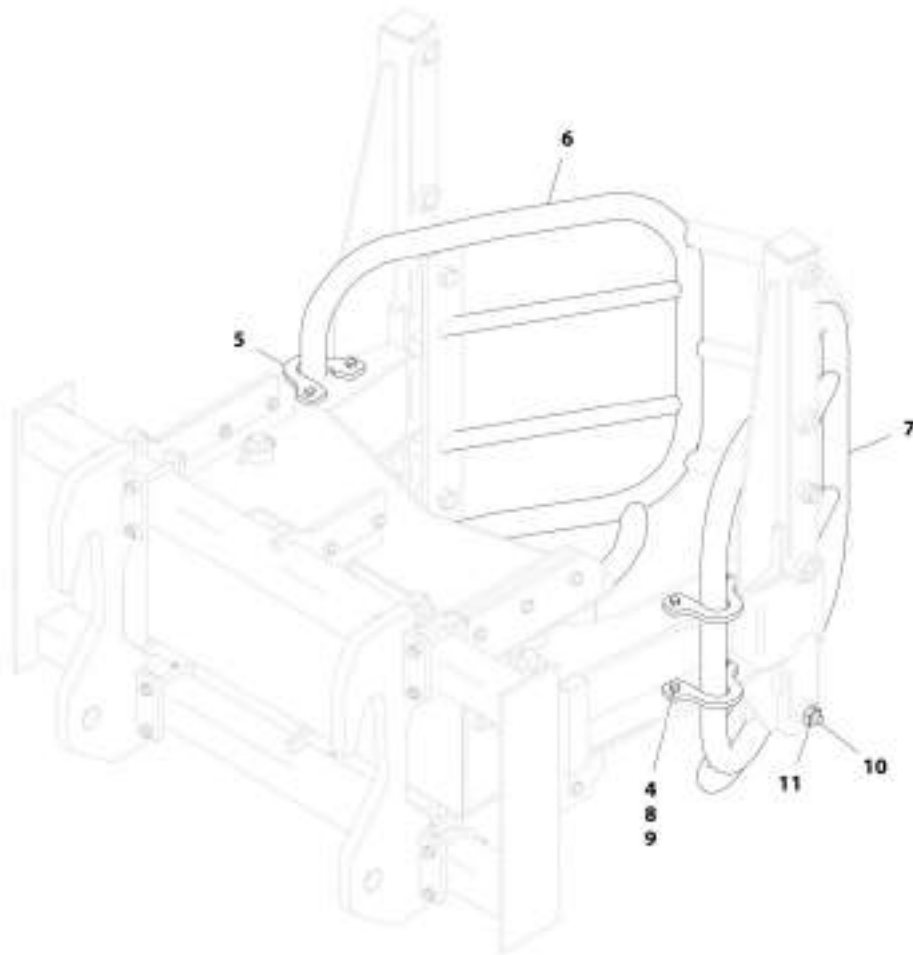
## SECTION 3 - ATTACHMENTS

**FIGURE 3-53. BALE HANDLER KIT (SPIKES) (CE AND AUS)**

ITEM	PART NUMBER	QTY	DESCRIPTION	REV
1	2902441 Kit	1 1	Bale Handler Kit (Spikes) (CE and AUS) Kit	A

## SECTION 3 - ATTACHMENTS

FIGURE 3-54. BALE HANDLER KIT (SPIKES TO TUBE) (CE & AUS)



ART 290244D-A

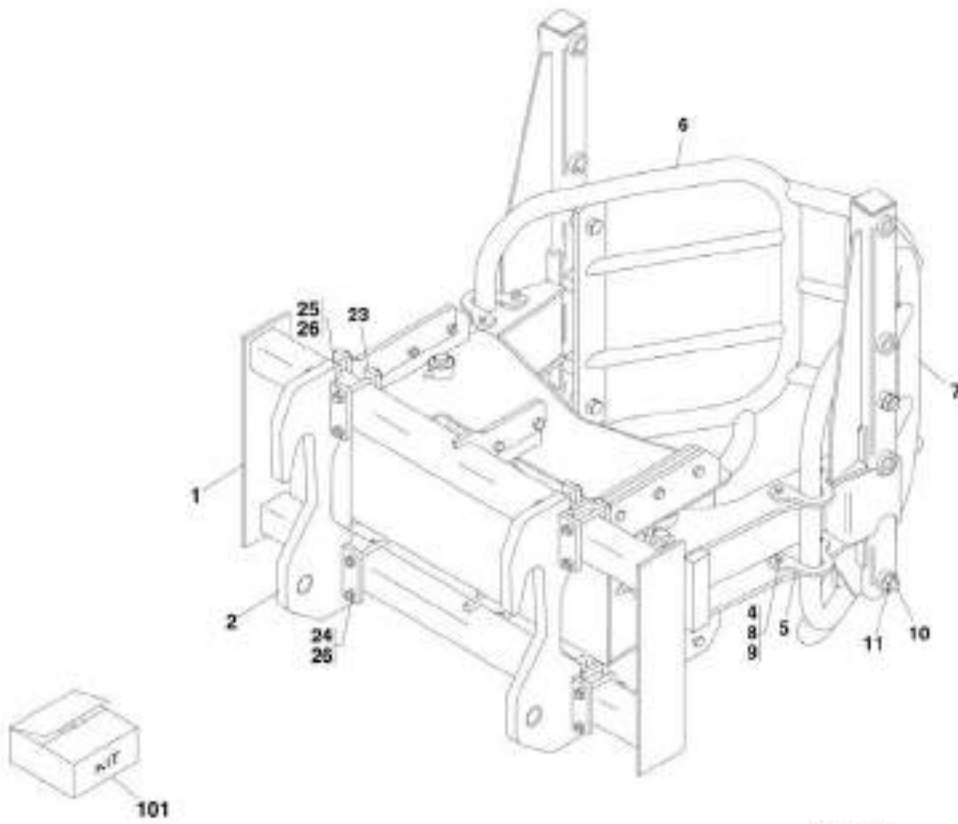
## SECTION 3 - ATTACHMENTS

**FIGURE 3-54. BALE HANDLER KIT (SPIKES TO TUBE) (CE & AUS)**

ITEM	PART NUMBER	QTY	DESCRIPTION	REV
	2902440	1	Bale Handler Kit (Spikes to Tube) (CE and AUS)	A
1	Kit	1	Kit, Bale Handler (includes items 4 thru 11)	

# SECTION 3 - ATTACHMENTS

## FIGURE 3-55. BALE HANDLER (TUBE CLAMP) (CE & AUS)



MP\_0240118

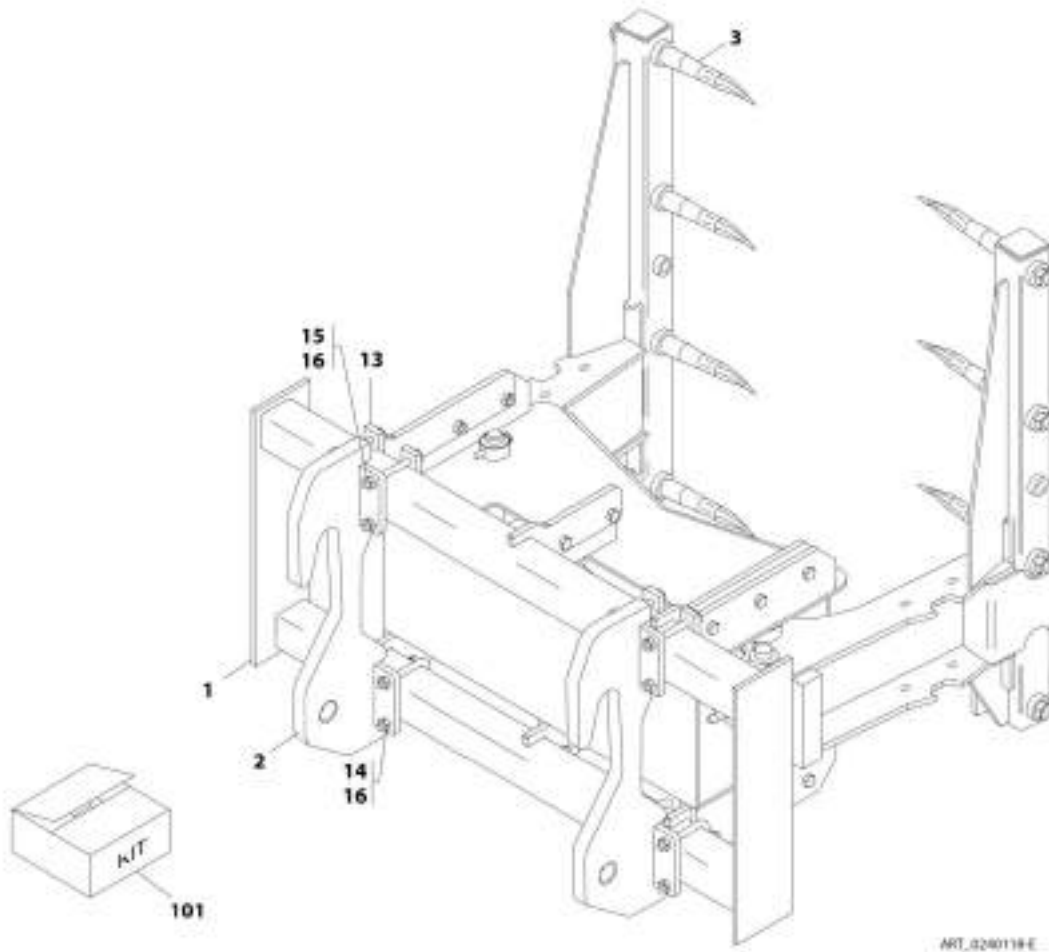
## SECTION 3 - ATTACHMENTS

**FIGURE 3-55. BALE HANDLER (TUBE CLAMP) (CE & AUS)**

ITEM	PART NUMBER	QTY	DESCRIPTION	REV
	0240117	1	Bale Handler (Tube Clamp) (CE & AUS)	E
1	N.S.S.	1	Weldment	
2	7029344	1	Weldment, Attach (includes items 23 thru 26)	
4	7029345	8	Bolt, M12X45	
5	7029346	4	Strap	
6	7029347	1	Arm, Left Tube	
7	7029348	1	Arm, Right Tube	
8	7029349	8	Washer, M12	
9	7029350	8	Locknut, M12X8	
10	7029351	4	Bolt, M22X180	
11	7029352	4	Locknut, M22X8	
23	7029353	4	Plate	
24	7029354	4	U-Bolt	
25	7029355	8	Bolt, M16X130	
26	7029356	16	Locknut, M16X8	
101	2902440	1	Kit, Bale Handler (Spikes to Tube) (CE & AUS) (includes items 4 thru 11) (See Separate Breakdown in this Section)	

## SECTION 3 - ATTACHMENTS

FIGURE 3-56. BALE HANDLER (SPIKE CLAMP) (CE & AUS)





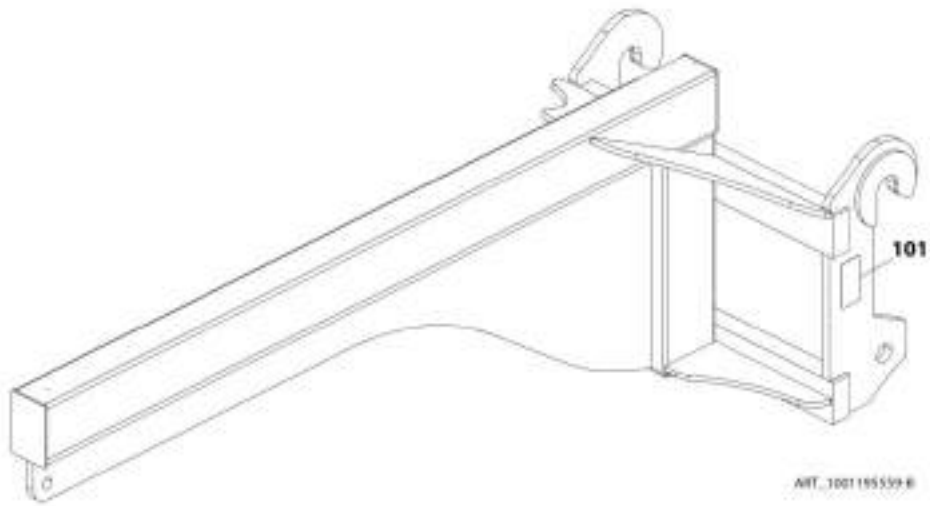
## SECTION 3 - ATTACHMENTS

**FIGURE 3-56. BALE HANDLER (SPIKE CLAMP) (CE & AUS)**

ITEM	PART NUMBER	QTY	DESCRIPTION	REV
	0240118	1	Bale Handler (Spike Clamp)	E
1	N.S.S.	1	Weldment	
2	7029344	1	Weldment, Attach (includes items 113 thru 116)	
3	7029357	8	Spike	
13	7029353	4	Plate	
14	7029354	4	U-Bolt	
15	7029355	8	Bolt, M16X130	
16	7029356	16	Locknut, M16X8	
101	2902441	1	Kit, Bale Handler Kit (Spikes) (CE & AUS) (includes item 3) (See Separate Breakdown in this Section)	

## SECTION 3 - ATTACHMENTS

FIGURE 3-57. TRUSS BOOM (4 TON - 2.1M) (CE AND AUS)



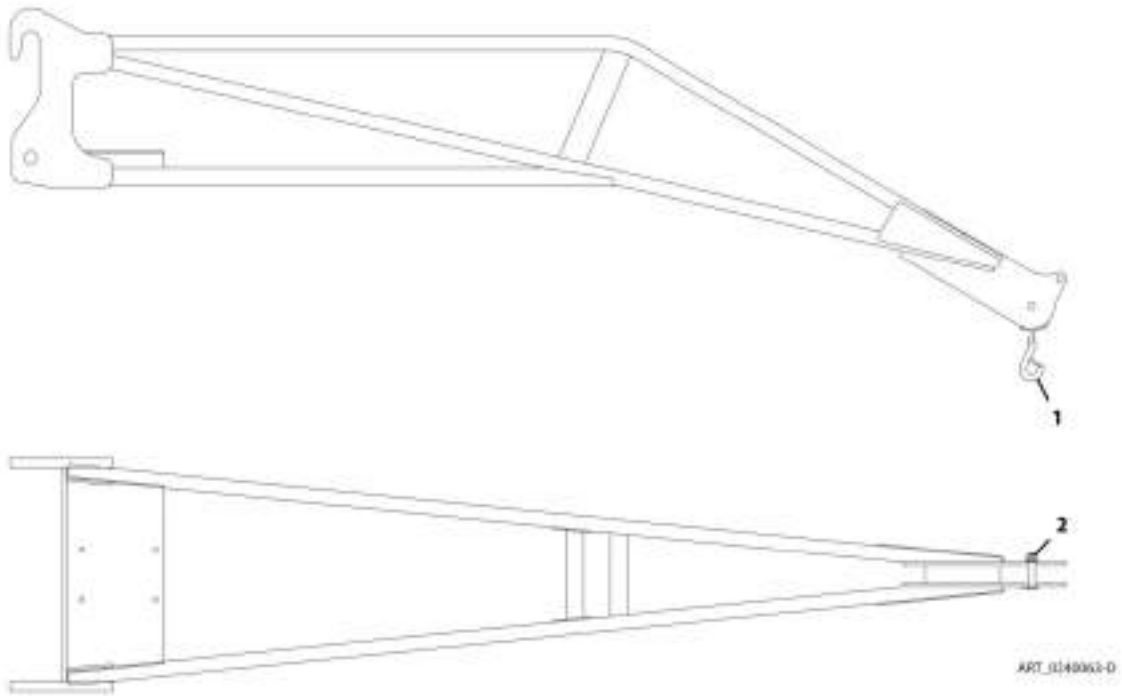
## SECTION 3 - ATTACHMENTS

**FIGURE 3-57. TRUSS BOOM (4 TON - 2.1M) (CE AND AUS)**

ITEM	PART NUMBER	QTY	DESCRIPTION	REV
	1001195559	1	Truss Boom (4 Ton - 2.1M) (CE and AUS)	B
101	N.S.S.	1	Plate, Serial Number	

# SECTION 3 - ATTACHMENTS

FIGURE 3-58. TRUSS BOOM (1 TON - 3.4M) (CE AND AUS)



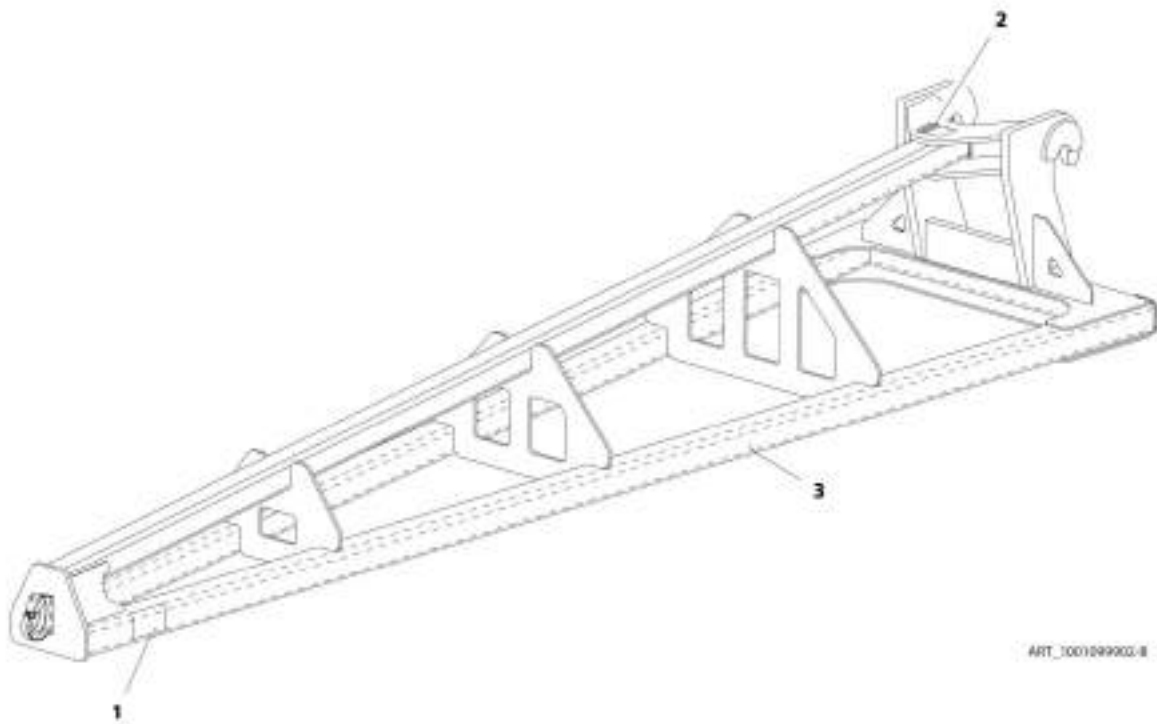
## SECTION 3 - ATTACHMENTS

**FIGURE 3-58. TRUSS BOOM (1 TON - 3.4M) (CE AND AUS)**

ITEM	PART NUMBER	QTY	DESCRIPTION	REV
	0240063	1	Truss Boom (1 Ton - 3.4M) (CE & AUS)	D
1	70020421	1	Hook	
2	70020422	1	Bolt	

## SECTION 3 - ATTACHMENTS

FIGURE 3-59. TRUSS BOOM (0.9 TON - 3.7M) (ANSI)



ART\_1001099003-8

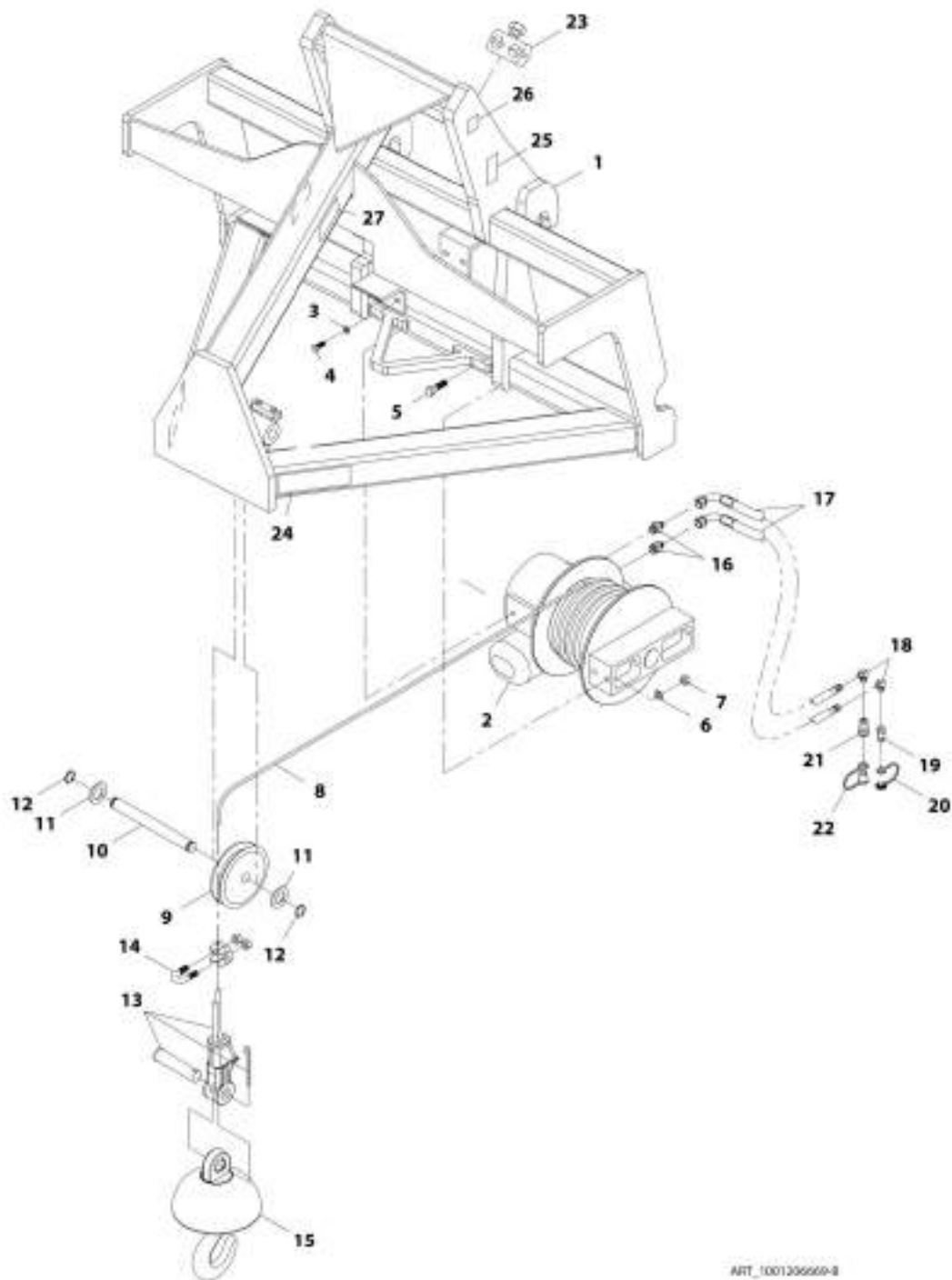
## SECTION 3 - ATTACHMENTS

**FIGURE 3-59. TRUSS BOOM (0.9 TON - 3.7M) (ANSI)**

ITEM	PART NUMBER	QTY	DESCRIPTION	REV
	1001099902	1	Truss Boom (0.9 Ton - 3.7M)	B
1	4110422	2	Decal, Danger Swinging Loads	
2	N.S.S.	1	Plate, Serial Number	
3	N.S.S.	1	Boom, Truss	

# SECTION 3 - ATTACHMENTS

FIGURE 3-60. TRUSS BOOM (1.8 TON - 3 FT WITH WINCH) (CE)





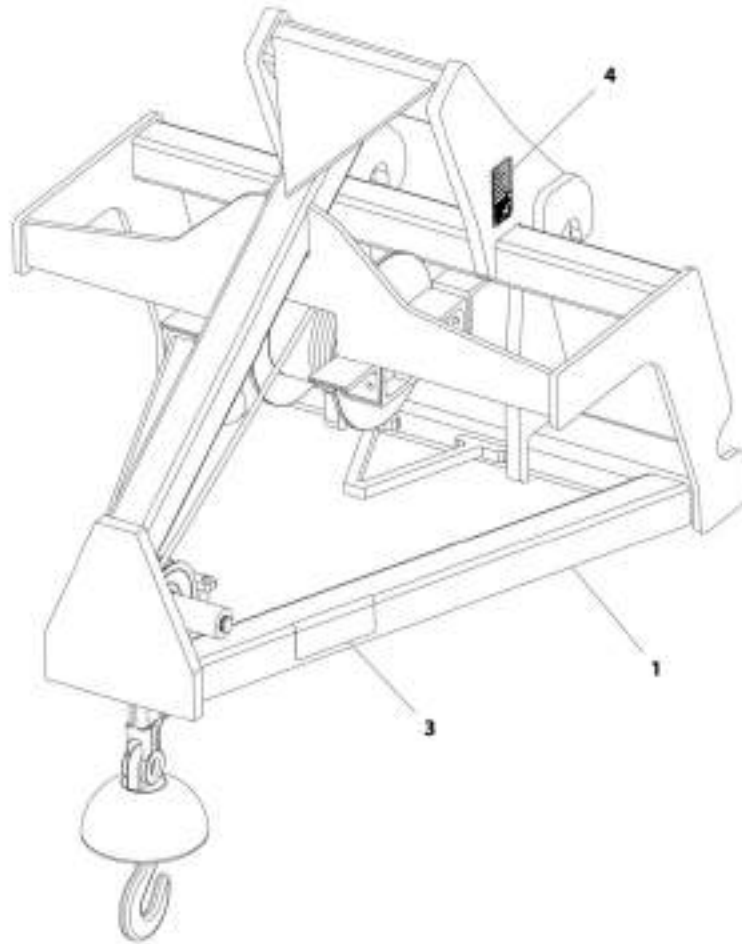
## SECTION 3 - ATTACHMENTS

**FIGURE 3-60. TRUSS BOOM (1.8 TON - 3 FT WITH WINCH) (CE)**

ITEM	PART NUMBER	QTY	DESCRIPTION	REV
	1001206669	1	Trusss Boom (1.8 Ton - 3 FT with Winch) (CE & ANSI)	B
1	N.S.S.	1	Weldment, Truss Boom Frame	
2	70021921	1	Winch	
3	90554042	4	Washer	
4	70021349	4	Bolt	
5	70024059	2	Bolt	
6	90554020	2	Washer	
7	90554054	2	Nut	
8	70022028	1	Cable	
9	70021935	1	Pulley	
10	70022529	1	Pin	
11	70027009	2	Washer	
12	70026698	2	Ring, Snap	
13	70021979	1	Assembly, Socket (includes Pin & Cotter Pin)	
14	70022528	1	Clamp	
15	70021978	1	Hook, Ball Swivel	
16	70021415	2	Fitting	
17	70021977	2	Hose	
18	70022527	2	Fitting, 90	
19	7029692	1	Coupler, Male Quick	
20	1001003475	1	Cap, Dust	
21	70021342	1	Coupler, Female Quick	
22	1001003474	1	Plug, Dust	
23	70021387	1	Clamp, Hose	
24	4110422	2	Decal, Swinging Loads Danger	
25	N.S.S.	1	Plate, Serial Number	
26	90554016	1	Decal, Made in USA	

## SECTION 3 - ATTACHMENTS

FIGURE 3-61. TRUSS BOOM (1.8 TON - 3 FT WITH WINCH) (ANSI)



ART\_1301150467-B

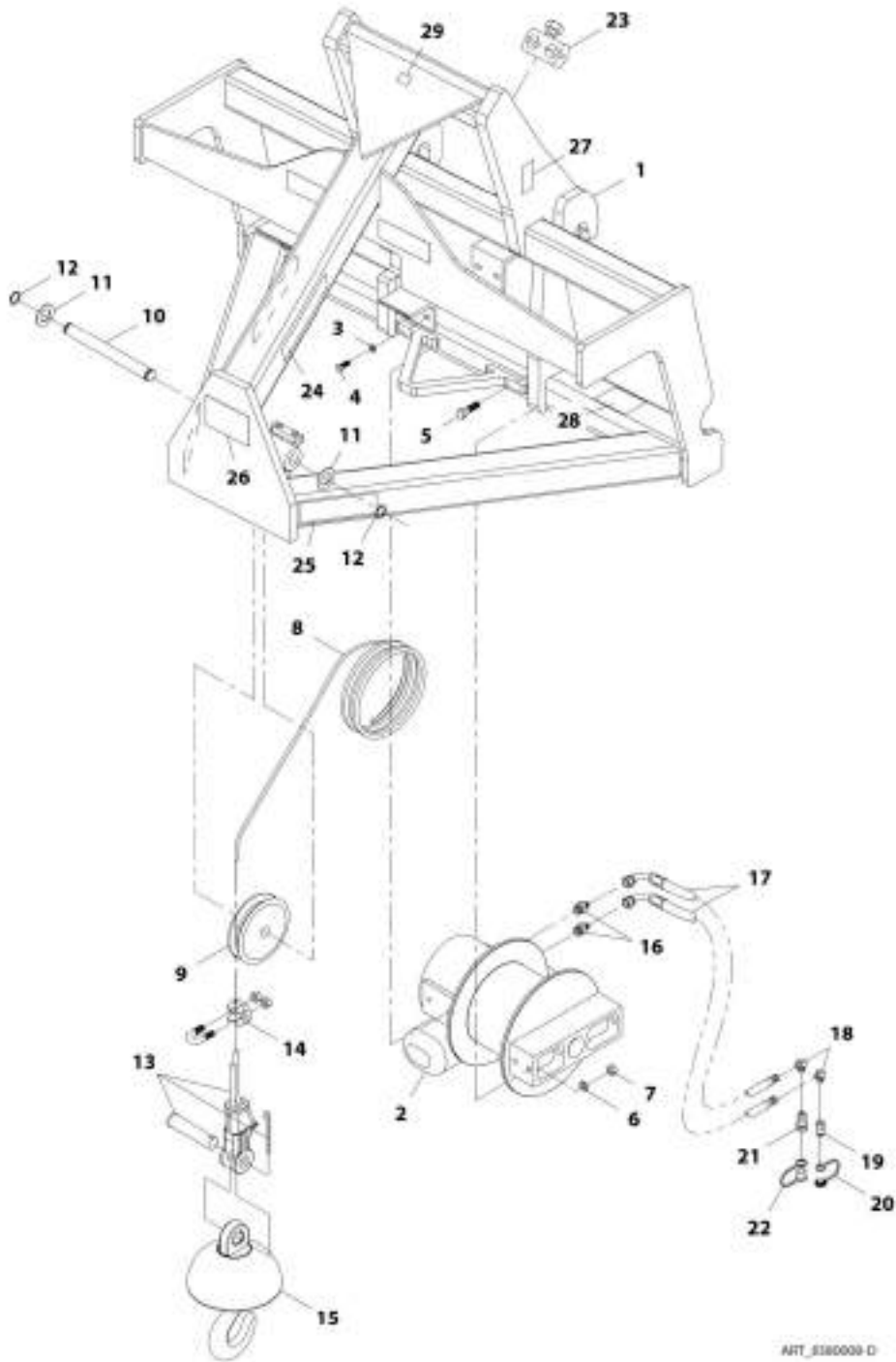
## SECTION 3 - ATTACHMENTS

**FIGURE 3-61. TRUSS BOOM (1.8 TON - 3 FT WITH WINCH) (ANSI)**

ITEM	PART NUMBER	QTY	DESCRIPTION	REV
1	1001100967 8380008	1 Ref	Truss Boom (1.8 Ton - 1M FT with Winch) Truss Boom (3 Foot with Winch) (See Separate Breakdown in this Section)	B
3	4110422	2	Decal, Danger, Swinging Loads	
4	N.S.S.	1	Plate, Serial Number	

# SECTION 3 - ATTACHMENTS

## FIGURE 3-62. TRUSS BOOM (3 FT WITH WINCH)



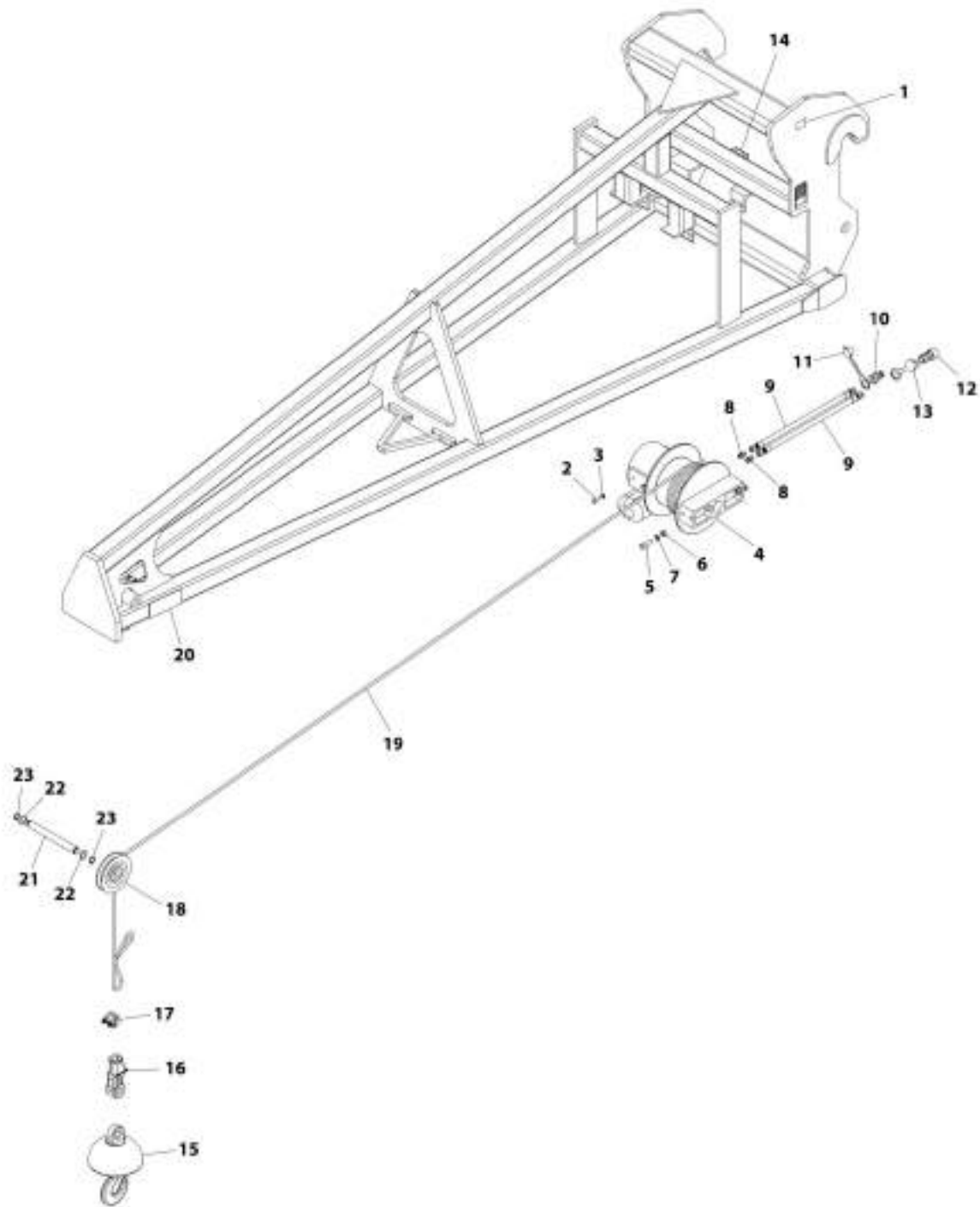
## SECTION 3 - ATTACHMENTS

### FIGURE 3-62. TRUSS BOOM (3 FT WITH WINCH)

ITEM	PART NUMBER	QTY	DESCRIPTION	REV
	8380008	1	Truss Boom (3 Foot with Winch)	D
1	N.S.S.	1	Weldment	
2	70021921	1	Winch	
3	90554042	4	Washer, Lock 3/8	
4	70021349	4	Bolt, 3/8X1	
5	70024059	2	Bolt, 1/2X1-3/4	
6	90554020	2	Washer, Lock 1/2	
7	90554054	2	Nut, 1/2	
8	70022028	1	Cable	
9	70021935	1	Pulley	
10	70022529	1	Pin	
11	70024060	2	Washer	
12	70024061	2	Ring, Snap	
13	70021979	1	Assembly, Socket (includes pin and cotter pin)	
14	70022528	1	Clamp	
15	70021978	1	Hook	
16	2220371	2	Connector	
17	70021977	2	Hose	
18	2220628	2	Fitting, 90 JIC	
19	91403413	1	Coupler, Quick Disconnect	
20	8420055	1	Plug, Dust	
21	91403414	1	Coupler, Quick Disconnect	
22	8420053	1	Plug, Dust	
23	70021387	1	Clamp	
24	70024062	2	Decal, Capacity	
25	70024063	4	Decal, Rotating Part	
26	70024064	1	Decal, Do Not Tow	
27	N.S.S.	1	Plate, Serial Number	
28	90554018	1	Decal, High Pressure Warning	
29	90554016	1	Decal, Made In USA	

# SECTION 3 - ATTACHMENTS

FIGURE 3-63. TRUSS BOOM (0.9 TON - 12 FT WITH WINCH) (CE)



ARC\_100/206271-0

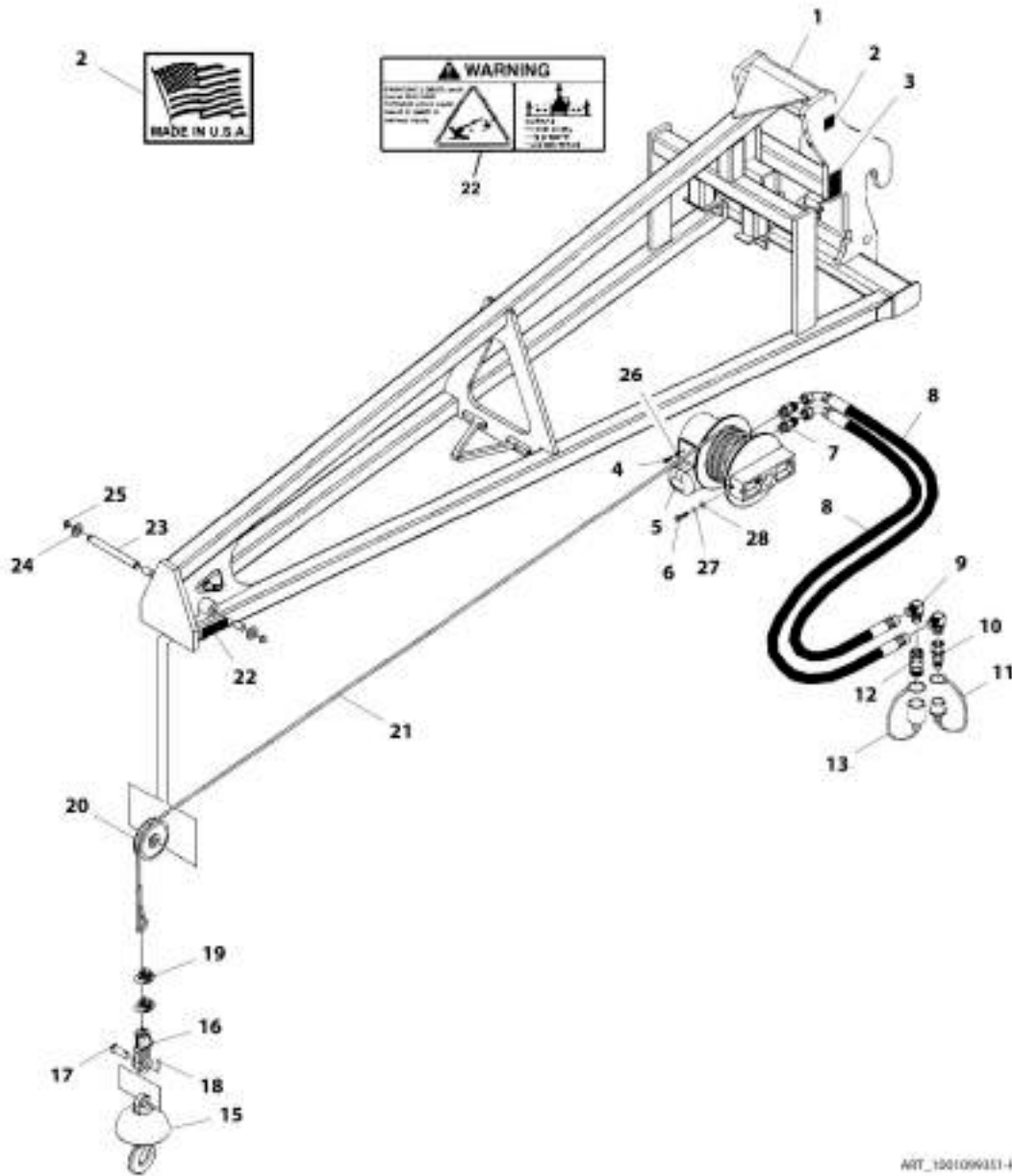
## SECTION 3 - ATTACHMENTS

**FIGURE 3-63. TRUSS BOOM (0.9 TON - 12 FT WITH WINCH) (CE)**

ITEM	PART NUMBER	QTY	DESCRIPTION	REV
	1001206671	1	Truss Boom (1.8 Ton - 3 FT with Winch)	B
1	N.S.S.	1	Plate, Serial Number	
2	4110422	1	Decal, Swinging Loads Danger	

# SECTION 3 - ATTACHMENTS

FIGURE 3-64. TRUSS BOOM (0.9 TON - 3.7M WITH WINCH) (ANSI)





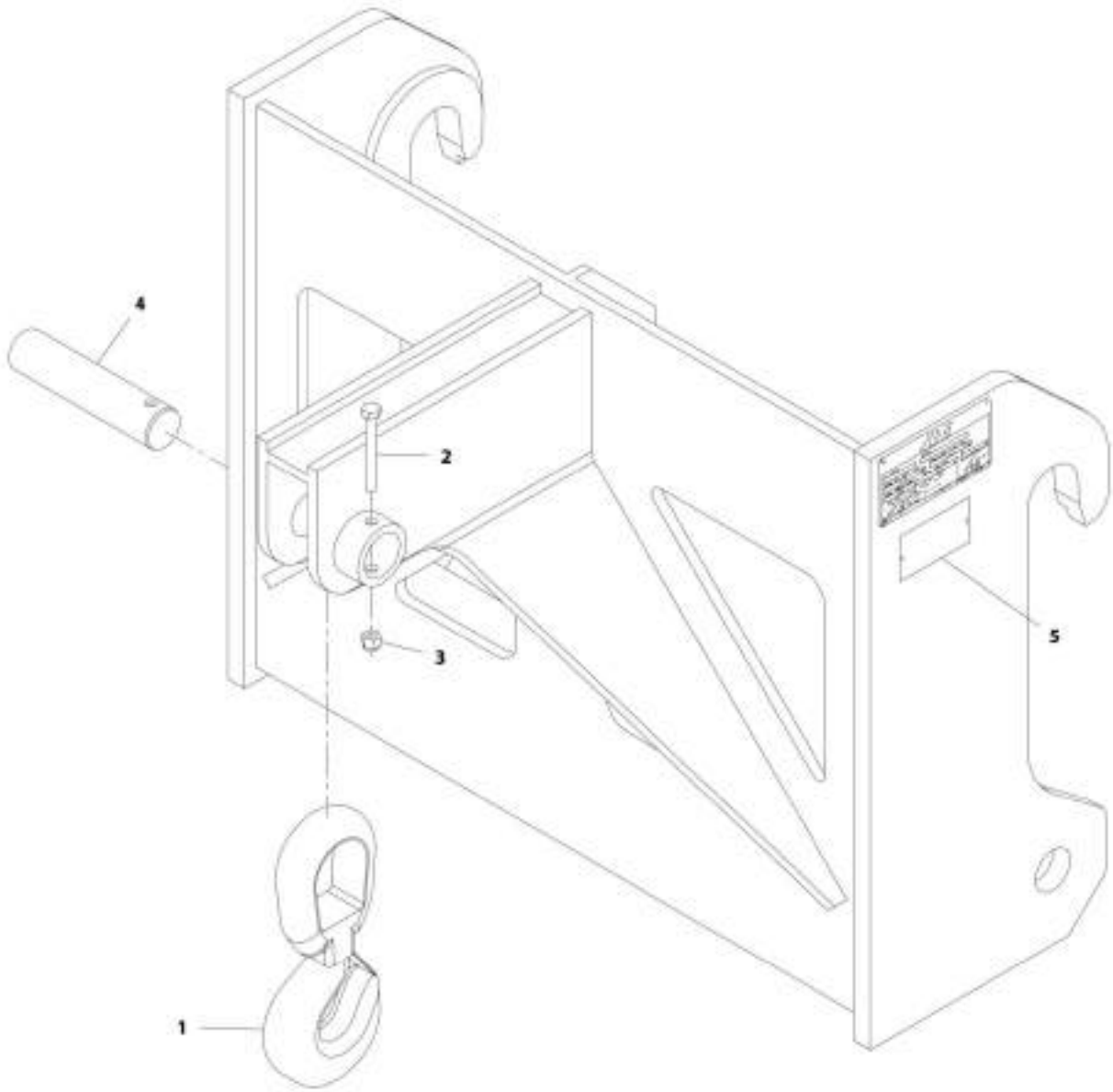
## SECTION 3 - ATTACHMENTS

**FIGURE 3-64. TRUSS BOOM (0.9 TON - 3.7M WITH WINCH) (ANSI)**

ITEM	PART NUMBER	QTY	DESCRIPTION	REV
	1001099351	1	Truss Boom (0.9 Ton - 3.7M with Winch)	H
1	N.S.S.	1	Frame, Truss Boom	
2	90554016	1	Decal, Made in USA	
3	N.S.S.	1	Plate, Serial Number	
4	70021349	4	Bolt, 3/8X1	
5	70021921	1	Motor, Truss Boom Winch	
6	70024059	2	Bolt, 1/2X1-3/4	
7	70021415	2	Connector	
8	70021977	2	Hose	
9	70022527	2	Fitting, 90	
10	7029692	1	Quick Coupler, Male	
11	90554062	1	Cap, Dust	
12	70021342	1	Quick Coupler, Female	
13	90554076	1	Cap, Dust	
15	70021978	1	Ball Swivel with Safety Hook	
16	70021979	1	Assembly, Socket (includes items 17 thru 18)	
17	N.S.S.	1	Pin	
18	N.S.S.	1	Pin, Cotter	
19	70022528	2	Clamp	
20	70021935	1	Pulley	
21	70022028	1	Cable	
22	4110422	2	Decal, Warning Swinging Loads	
23	70022529	1	Pin	
24	70024060	2	Washer	
25	70026698	2	Ring, Snap	
26	90554042	4	Washer, Lock 3/8	
27	90554020	2	Washer, Lock 1/2	
28	90554054	2	Nut, 1/2	

# SECTION 3 - ATTACHMENTS

FIGURE 3-65. CRANE HOOK (CE AND AUS)



ART\_1170056-C

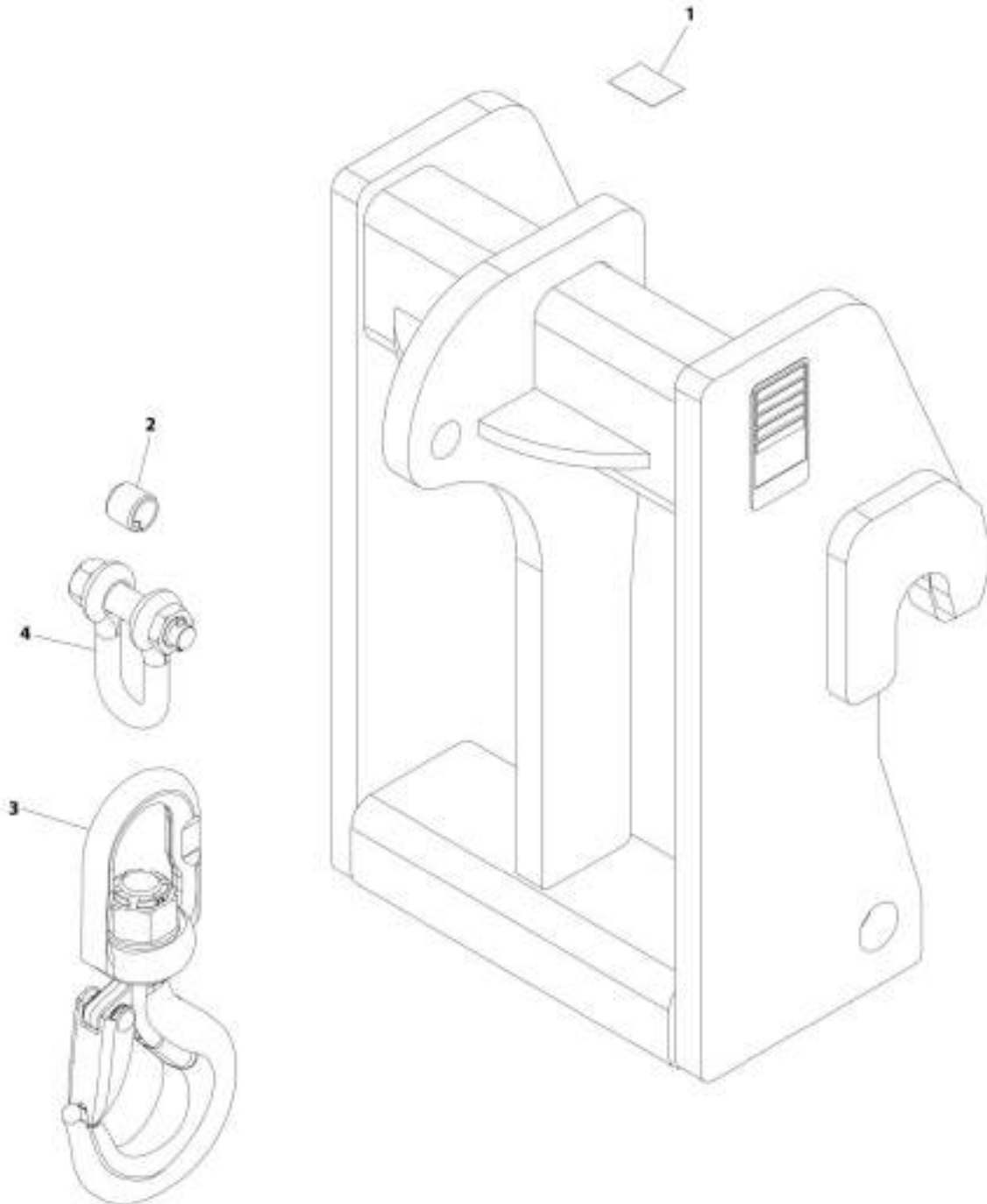
## SECTION 3 - ATTACHMENTS

### FIGURE 3-65. CRANE HOOK (CE AND AUS)

ITEM	PART NUMBER	QTY	DESCRIPTION	REV
	1170058	1	Crane Hook (CE and AUS)	C
1	70020417	1	Hook	
2	70020205	1	Bolt	
3	70020206	1	Nut, Locking	
4	70020201	1	Pin	
5	N.S.S.	1	Plate, Serial Number	

**SECTION 3 - ATTACHMENTS**

**FIGURE 3-66. CRANE HOOK (ANSI)**



ART\_1001207606-8

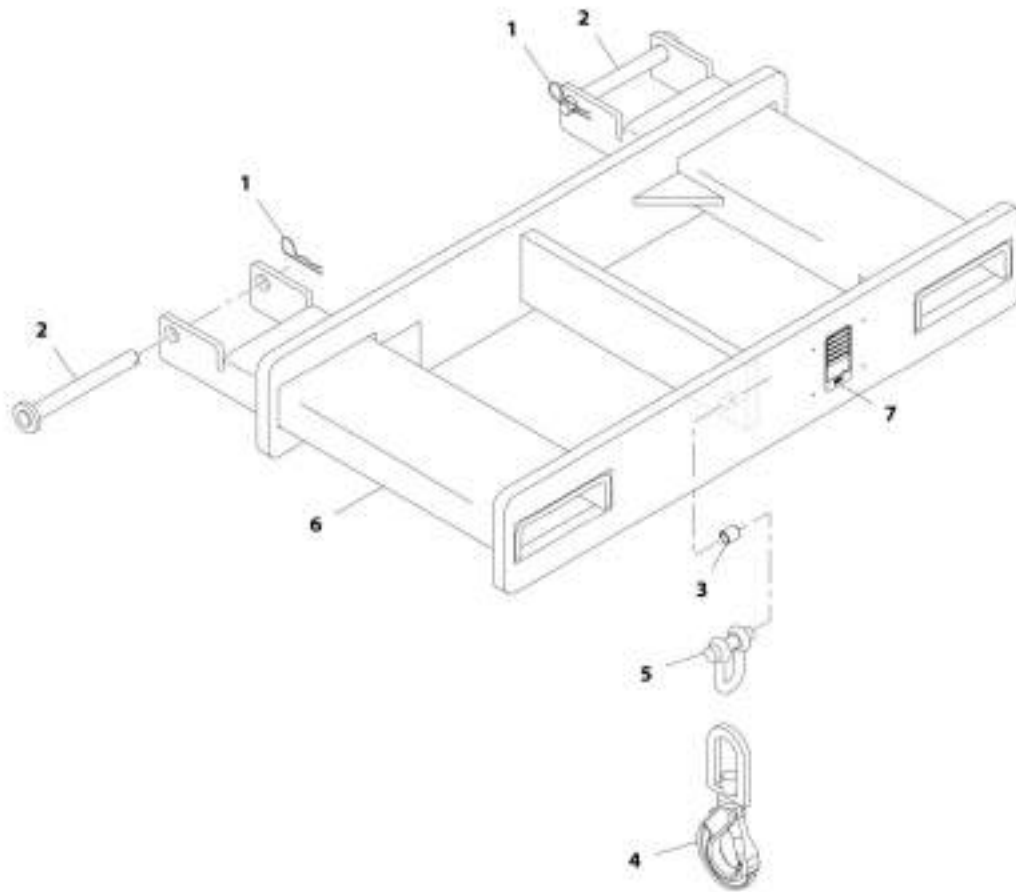
## SECTION 3 - ATTACHMENTS

### FIGURE 3-66. CRANE HOOK (ANSI)

ITEM	PART NUMBER	QTY	DESCRIPTION	REV
	1001207606	Ref	Crane Hook (ANSI)	B
1	90554016	1	Decal	
2	70020555	1	Bushing	
3	70026745	1	Hook Swivel	
4	70026746	1	Shackle Chain	

# SECTION 3 - ATTACHMENTS

FIGURE 3-67. FORK MOUNTED HOOK (4 TON) (ANSI)



ART\_1001097205-G

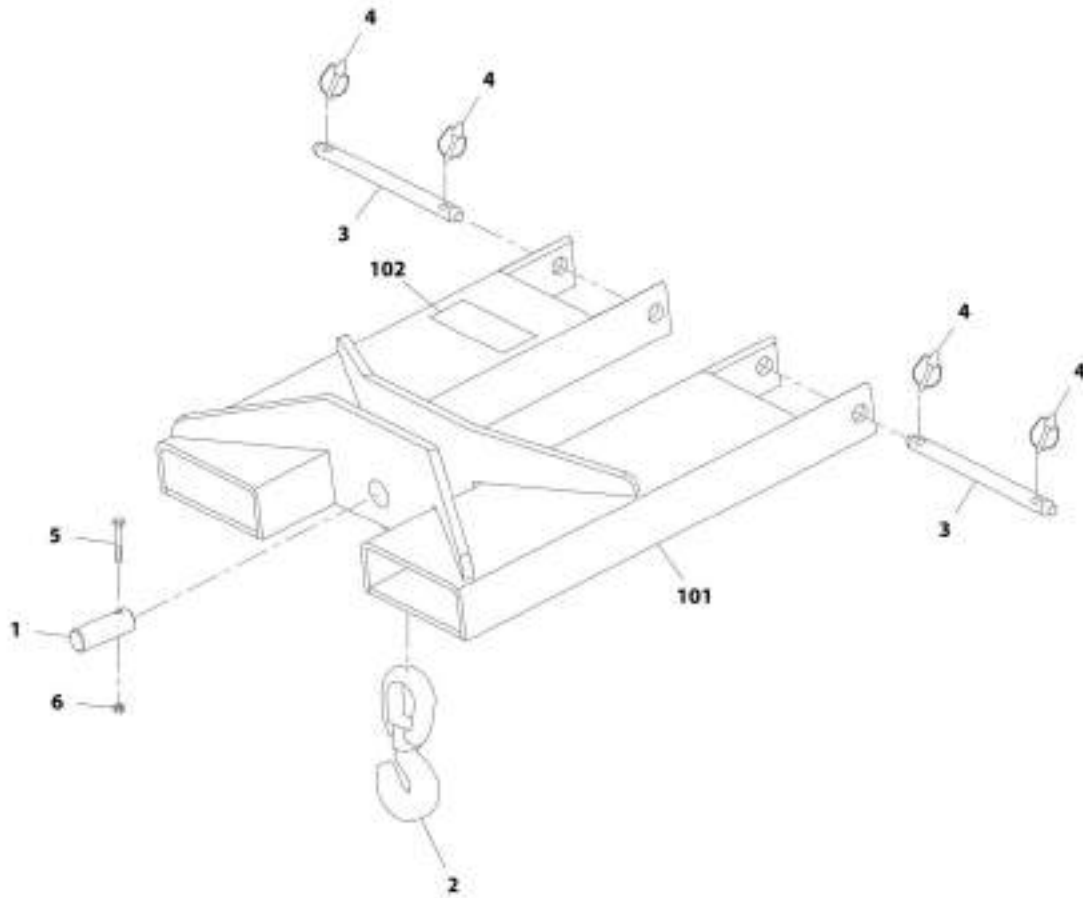
## SECTION 3 - ATTACHMENTS

### FIGURE 3-67. FORK MOUNTED HOOK (4 TON) (ANSI)

ITEM	PART NUMBER	QTY	DESCRIPTION	REV
	1001097205	1	Fork Mounted Hook (4 Ton) (ANSI)	G
1	7029520	2	Pin, Cotter	
2	1001093171	2	Pin	
3	70020555	1	Bushing	
4	90554080	1	Hook	
5	7029521	1	Shackle	
6	N.S.S.	1	Weldment, Hook	
7	N.S.S.	1	Plate, Serial Number	

# SECTION 3 - ATTACHMENTS

FIGURE 3-68. FORK MOUNTED HOOK (4 TON) (CE)



AWT\_2700118-C



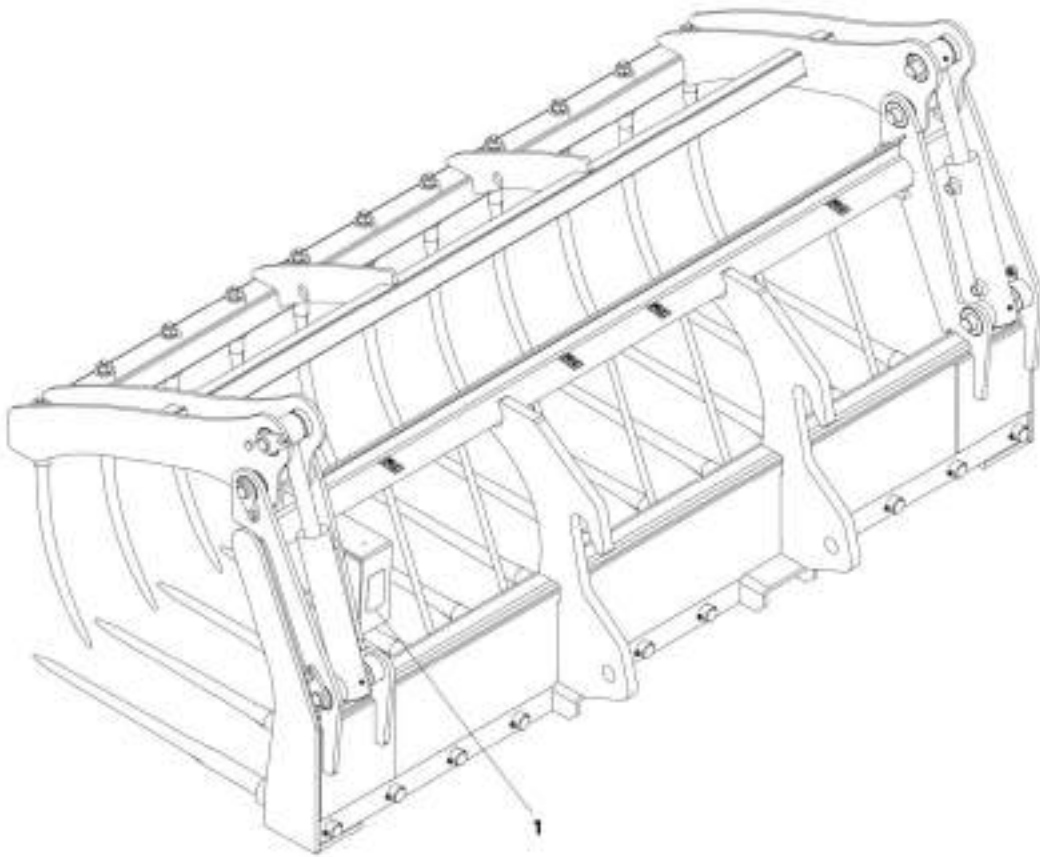
## SECTION 3 - ATTACHMENTS

### FIGURE 3-68. FORK MOUNTED HOOK (4 TON) (CE)

ITEM	PART NUMBER	QTY	DESCRIPTION	REV
	2700118	1	Fork Mounted Hook (4 Ton) (CE and AUS)	C
1	70020201	1	Pin	
2	70020202	1	Hook	
3	70020203	2	Pin	
4	70020204	4	Pin, Retaining	
5	70020205	1	Bolt	
6	70020206	1	Nut, Self Locking	
101	N.S.S.	1	Weldment	
102	N.S.S.	1	Plate, Serial Number	

## SECTION 3 - ATTACHMENTS

FIGURE 3-69. MUCK FORK AND GRAB (CE & AUS)



ARE\_1001216009-A

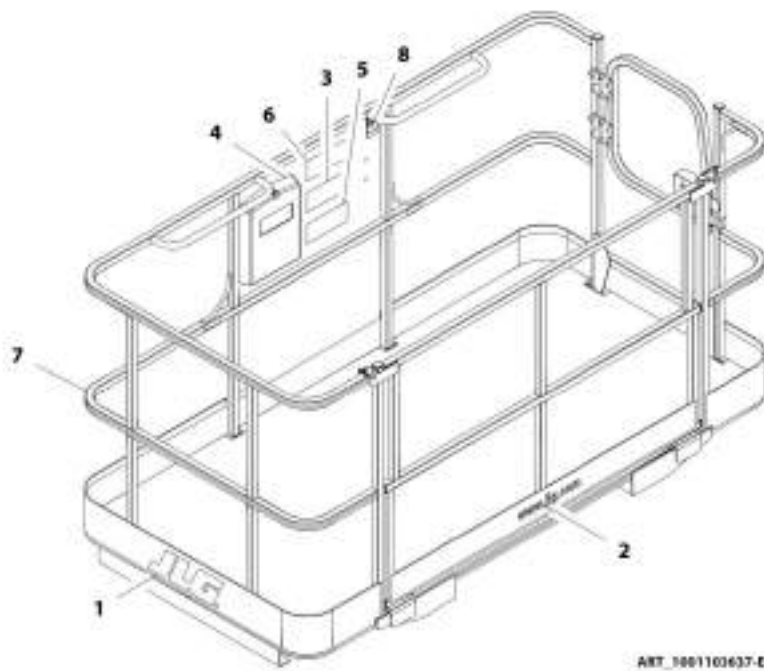
## SECTION 3 - ATTACHMENTS

### FIGURE 3-69. MUCK FORK AND GRAB (CE & AUS)

ITEM	PART NUMBER	QTY	DESCRIPTION	REV
1	1001216003	1	Muck Fork and Grab	A
	N.S.S.	1	Plate, Serial Number	

## SECTION 3 - ATTACHMENTS

FIGURE 3-70. FORK MOUNTED BASKET (DOMESTIC) (ANSI)



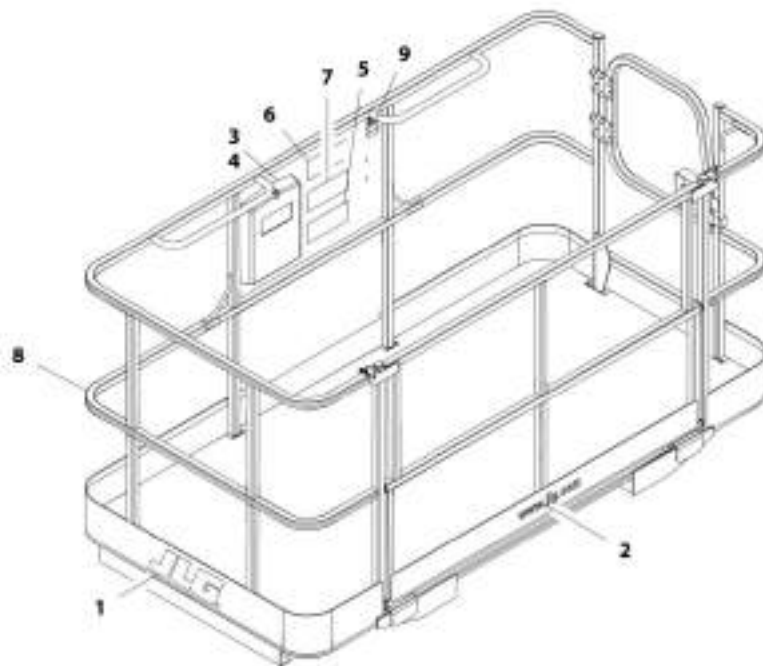
## SECTION 3 - ATTACHMENTS

### FIGURE 3-70. FORK MOUNTED BASKET (DOMESTIC) (ANSI)

ITEM	PART NUMBER	QTY	DESCRIPTION	REV
	1001103637	1	Fork Mounted Basket (ANSI - JLG)	E
1	1702773	2	Decal, JLG	
2	1704885	1	Decal, Website	
3	1706892	1	Decal, Platform Warning	
4	31200160	1	Manual, Personnel Work Platform Operation and Safety	
5	1001092481	1	Decal, Warning Attachment	
6	1001092482	1	Decal, Platform Capacity	
7	1001096162	1	Platform, Fork Mounted (ANSI) (See Separate Breakdown in this Section)	
8	N.S.S.	1	Plate, Serial Number	

## SECTION 3 - ATTACHMENTS

FIGURE 3-71. FORK MOUNTED BASKET (ISO) (ANSI)



ART\_100103738 E

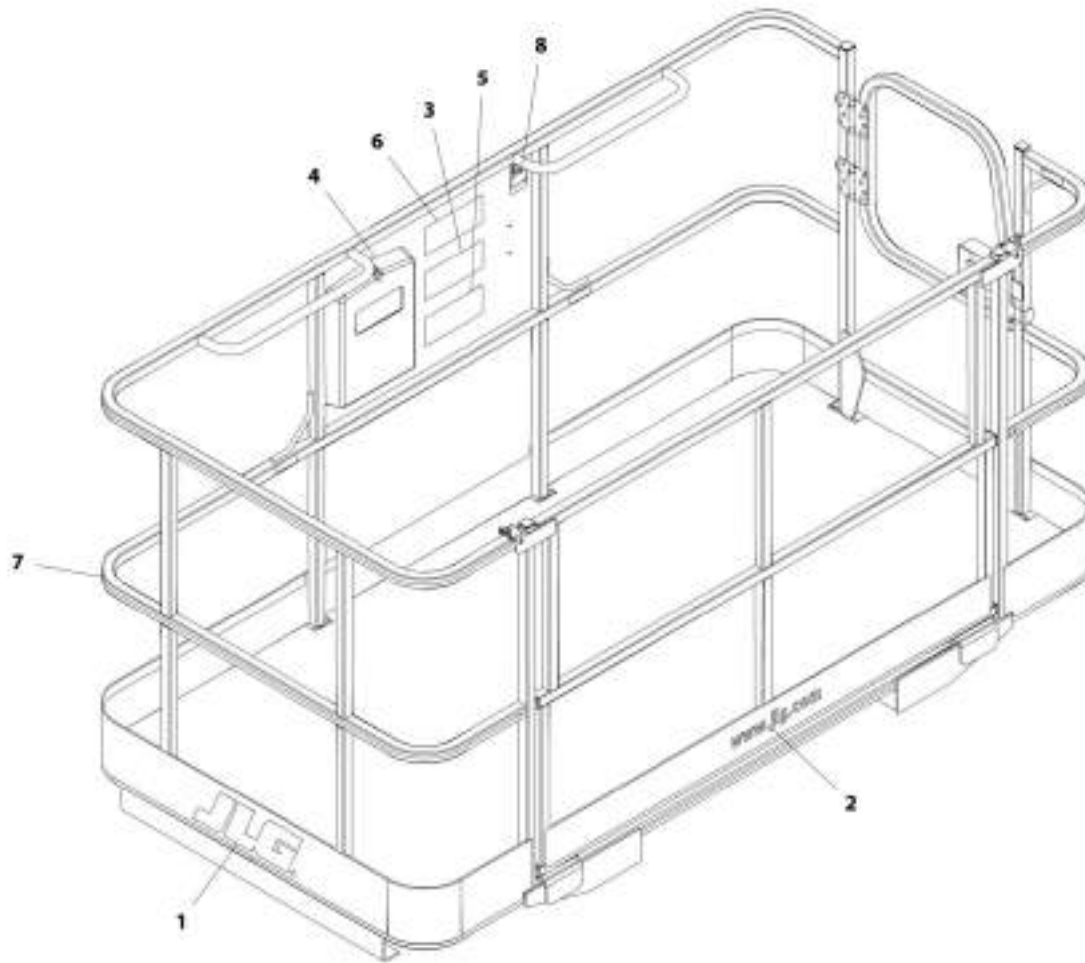
## SECTION 3 - ATTACHMENTS

**FIGURE 3-71. FORK MOUNTED BASKET (ISO) (ANSI)**

ITEM	PART NUMBER	QTY	DESCRIPTION	REV
	1001103730	1	Fork Mounted Basket (ISO)	E
1	1702773	2	Decal, JLG	
2	1704885	1	Decal, Website	
3	31200387	1	Manual, Operation and Safety, Spanish	
4	31200388	1	Manual, Operation and Safety, Portuguese	
5	1001096021	1	Decal, Warning Attachment	
6	1001096023	1	Decal, Platform Capacity	
7	1001096025	1	Decal, Platform Warning	
8	1001096162	1	Platform, Fork Mounted (ANSI) (See Separate Breakdown in this Section)	
9	N.S.S.	1	Plate, Serial Number	

# SECTION 3 - ATTACHMENTS

FIGURE 3-72. FORK MOUNTED BASKET (FRENCH) (ANSI)



ART\_3001103790-E



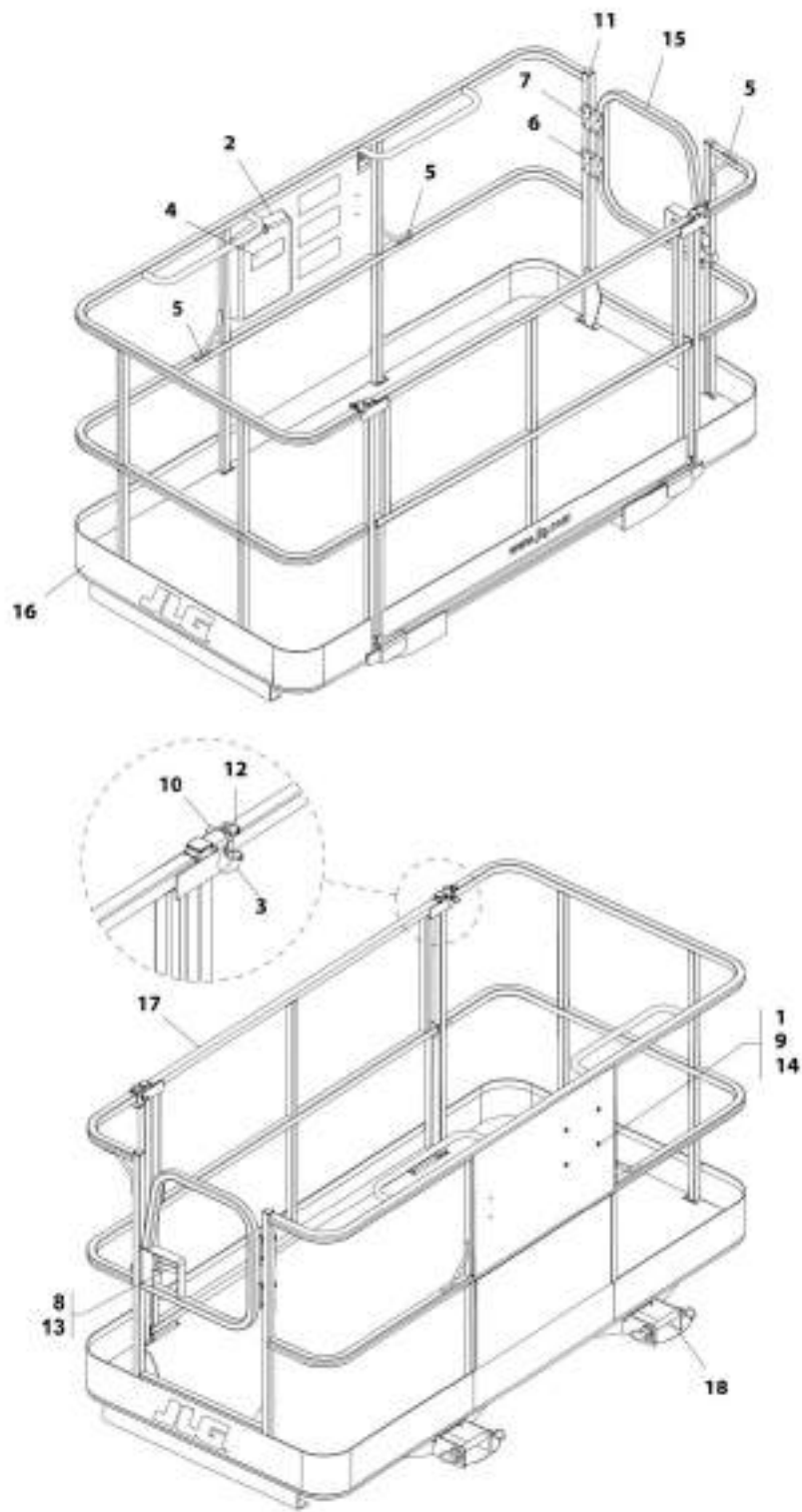
## SECTION 3 - ATTACHMENTS

### FIGURE 3-72. FORK MOUNTED BASKET (FRENCH) (ANSI)

ITEM	PART NUMBER	QTY	DESCRIPTION	REV
	1001103736	1	Fork Mounted Basket (France)	E
1	1702773	2	Decal, JLG	
2	1704885	1	Decal, Website	
3	31200386	1	Manual, Operation and Safety (French)	
4	1001096019	1	Decal, Warning Attachment (French)	
5	1001096020	1	Decal, Platform Capacity (French)	
6	1001096024	1	Decal, Platform Warning (French)	
7	1001096162	1	Platform, Fork Mounted (ANSI) (See Separate Breakdown in this Section)	
8	N.S.S.	1	Plate, Serial Number	

# SECTION 3 - ATTACHMENTS

## FIGURE 3-73. FORK MOUNTED PLATFORM



ART\_3001085162\_1

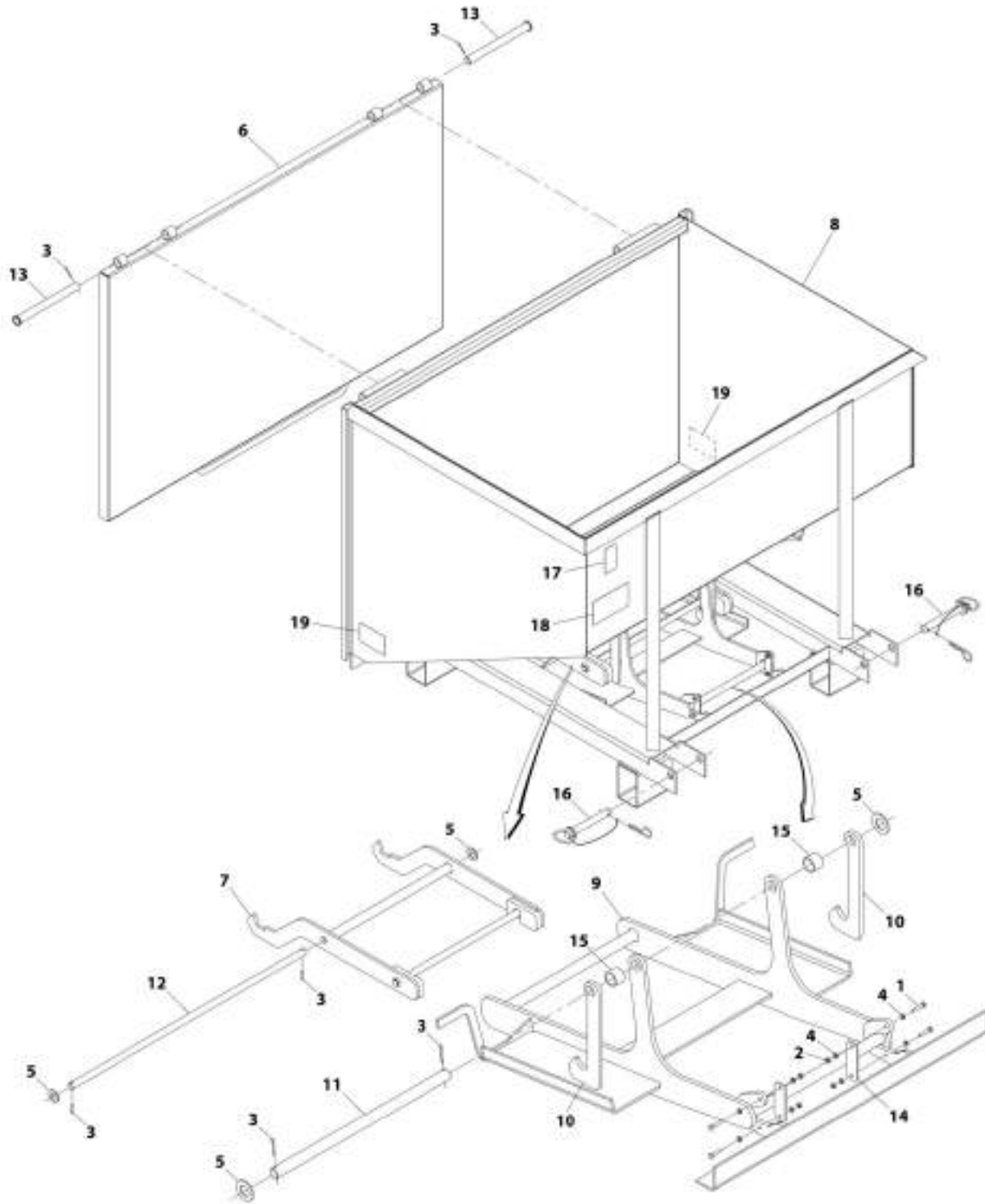
## SECTION 3 - ATTACHMENTS

### FIGURE 3-73. FORK MOUNTED PLATFORM

ITEM	PART NUMBER	QTY	DESCRIPTION	REV
	1001096162	Ref	Fork Mounted Platform (ANSI)	J
1	0641405	4	Bolt, 1/4-20X5/8	
2	0860520	1	Box, Manual Storage	
3	1060379	2	Cable, Lanyard	
4	1701509	1	Decal, Manual	
5	1704277	3	Decal, Lanyard Attach	
6	2080040	16	Fastener	
7	2600281	2	Hinge	
8	2940074	1	Latch	
9	3311405	4	Nut, Lock 1/4-20	
10	3421453	2	Pin	
11	3520072	10	Plug	
12	3760170	4	Ring	
13	3820020	4	Rivet	
14	4711400	8	Washer, 1/4	
15	4846452	1	Weldment, Gate	
16	N.S.S.	1	Platform, Fork Mounted	
17	1001095810	1	Weldment, Gate	
18	1001102813	2	Pin, Hitch	

# SECTION 3 - ATTACHMENTS

## FIGURE 3-74. FORK MOUNTED TRASH HOPPER



AWT\_1001195082-F

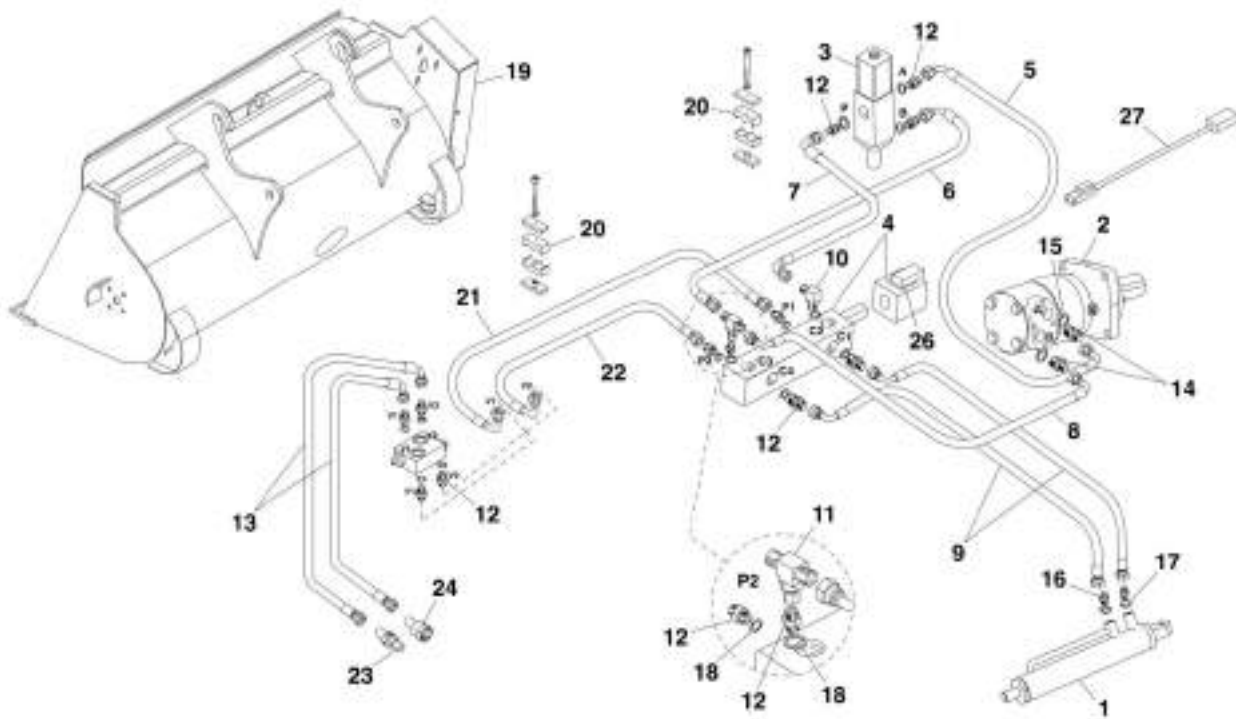
## SECTION 3 - ATTACHMENTS

**FIGURE 3-74. FORK MOUNTED TRASH HOPPER**

ITEM	PART NUMBER	QTY	DESCRIPTION	REV
	1001195082	1	Fork Mounted Trash Hopper (ANSI)	F
1	0700614	4	Bolt, M6X30	
2	3290601	4	Nut, M6X1 Grade 8	
3	3391410	6	Pin	
4	4811700	8	Washer, M6	
5	5242400	4	Washer, M24	
6	1001192711	1	Door Assembly	
7	1001192720	1	Hook Assembly	
8	N.S.S.	1	Weldment, Trash Hopper	
9	1001192875	1	Tray Assembly	
10	1001192876	2	Arm, Swing	
11	1001192877	1	Rod, Swing	
12	1001193525	1	Bar	
13	1001193540	2	Pin	
14	1001193729	2	Plate	
15	1001198355	2	Spacer	
16	1001102813	2	Pin	
17	N.S.S.	1	Plate, Serial Number	
18	1001203503	1	Decal, Trash Hopper Operation	
19	1706302	2	Decal, Pinch Point	

# SECTION 3 - ATTACHMENTS

## FIGURE 3-75. CONCRETE BUCKET (CE)



ARC\_1001106930-B

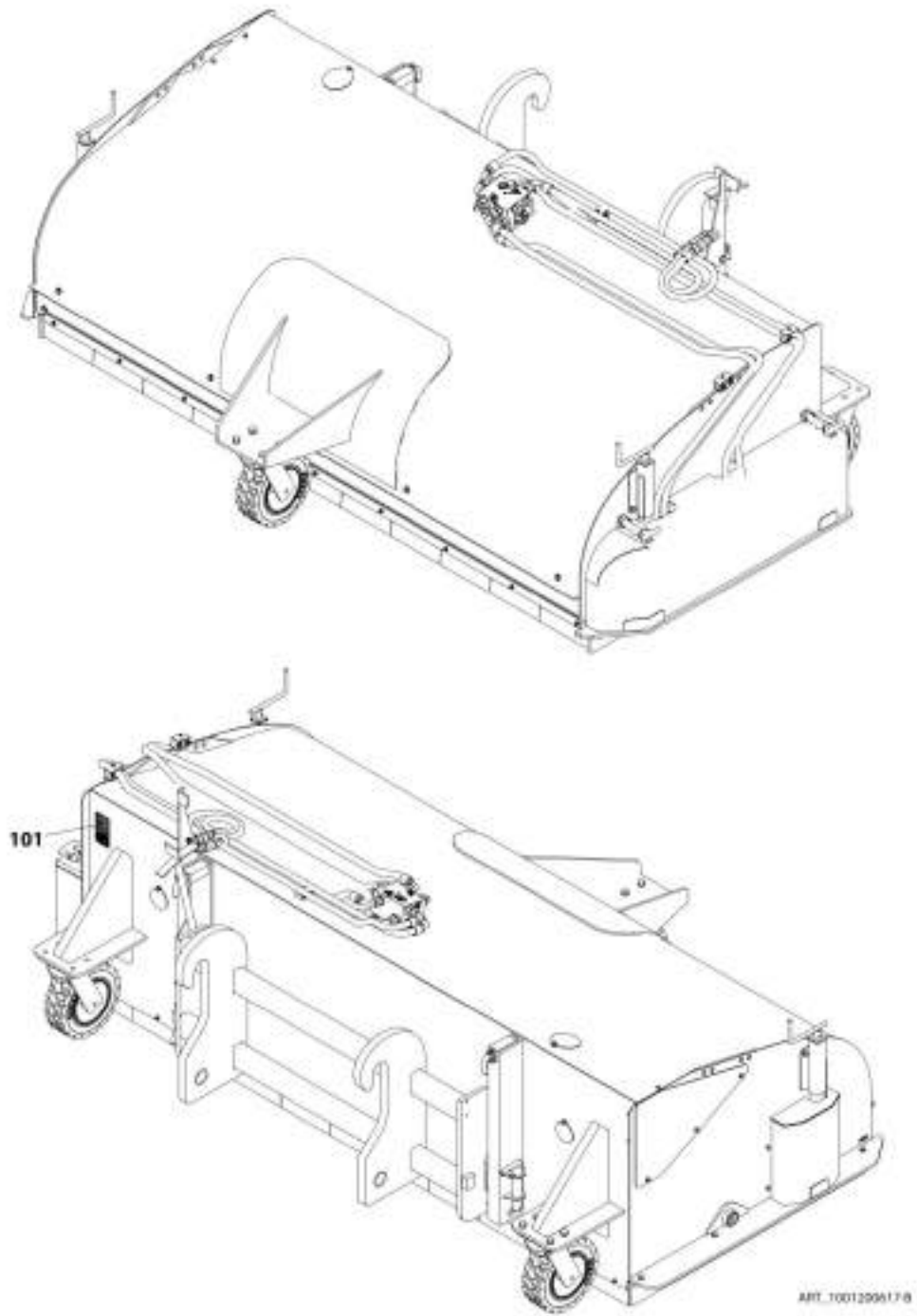
## SECTION 3 - ATTACHMENTS

### FIGURE 3-75. CONCRETE BUCKET (CE)

ITEM	PART NUMBER	QTY	DESCRIPTION	REV
	1001106930	1	Concrete Bucket	B
1	70024436	1	Cylinder, Concrete Bucket	
2	70024437	1	Engine, Hydraulic	
3	70024438	1	Valve, Flow Divisor	
4	70024439	1	Valve, Solenoid	
5	70024440	1	Pipe	
6	70024441	1	Pipe	
7	70024442	1	Pipe	
8	70024443	1	Pipe	
9	70024444	2	Pipe	
10	70024445	1	Fitting, 90	
11	70024446	1	Fitting, Tee	
12	70024447	12	Fitting, Straight	
13	70024448	2	Pipe	
14	70024449	2	Fitting, Straight	
15	70024450	2	Gasket	
16	1001104958	2	Fitting, Straight	
17	70020730	2	O-Ring	
18	70022927	13	O-Ring	
19	70024451	1	Bucket, Mixer	
20	70024452	2	Clamp	
21	70024453	1	Pipe	
22	70024454	1	Pipe	
23	1001094556	1	Fitting, Straight	
24	1001094555	1	Fitting, Straight	
26	70024455	1	Coil	
27	70024456	1	Harness	

## SECTION 3 - ATTACHMENTS

FIGURE 3-76. SWEEPER (CE & AUS)





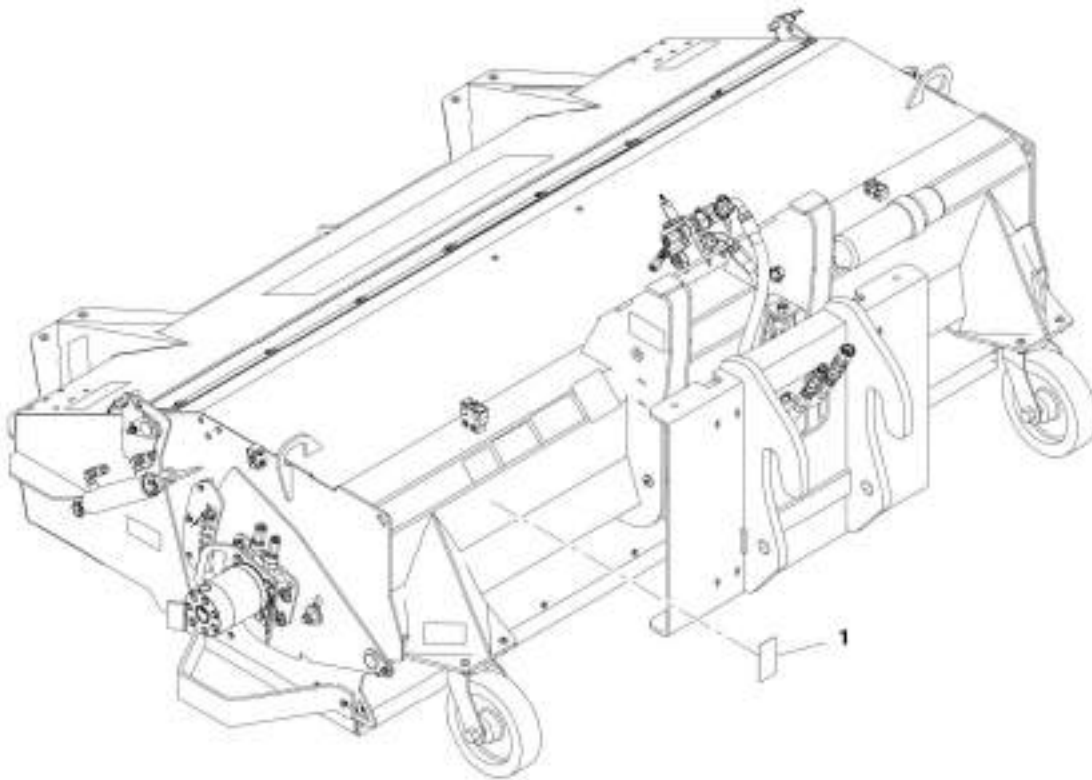
## SECTION 3 - ATTACHMENTS

### FIGURE 3-76. SWEEPER (CE & AUS)

ITEM	PART NUMBER	QTY	DESCRIPTION	REV
101	1001200617	1	Sweeper (CE & AUS)	B
	N.S.S.	1	Plate, Serial Number	

## SECTION 3 - ATTACHMENTS

FIGURE 3-77. SWEEPER (ANSI)



ART\_1001202904-B

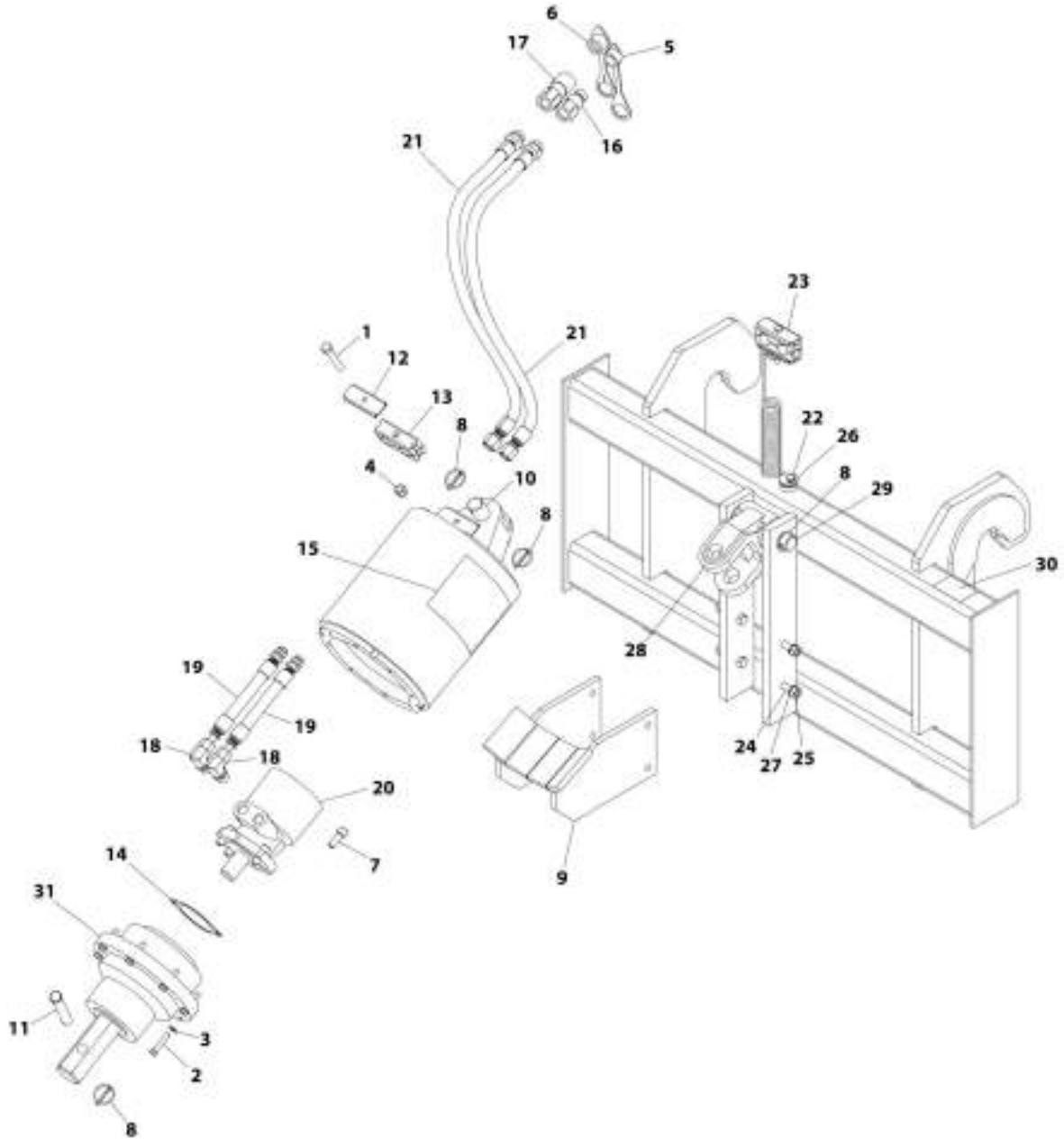
## SECTION 3 - ATTACHMENTS

### FIGURE 3-77. SWEEPER (ANSI)

ITEM	PART NUMBER	QTY	DESCRIPTION	REV
1	1001202904	1	Sweeper Assembly (ANSI)	B
	N.S.S.	1	Plate, Serial Number	

# SECTION 3 - ATTACHMENTS

## FIGURE 3-78. AUGER (CE & AUS)



ART\_1001206173-B

## SECTION 3 - ATTACHMENTS

### FIGURE 3-78. AUGER (CE & AUS)

ITEM	PART NUMBER	QTY	DESCRIPTION	REV
	1001206173	1	Auger (Coupler Mounted) (CE & AUS)	B
1	90554070	1	Bolt	
2	70027774	8	Bolt	
3	90554042	8	Washer, Lock	
4	70027775	1	Nut, Lock	
5	1001093826	1	Cap, Male Dust	
6	1001093827	1	Cap, Female Dust	
7	70027776	4	Bolt	
8	70027777	5	Pin	
9	70027778	1	Bracket, Cradle	
10	70027781	1	Pin	
11	70027782	1	Pin	
12	70027783	1	Plate, Hose Cushion	
13	70027784	1	Block, Hose Cushion	
14	70027785	1	Gasket, Motor	
15	70027787	2	Decal, Danger	
16	1001101041	1	Coupler, Male Hydraulic	
17	1001101042	1	Coupler, Female Hydraulic	
18	70027788	2	Fitting	
19	70027789	2	Hose	
20	70027791	1	Motor	
21	70027794	2	Hose	
22	70027773	1	Bolt	
23	70027792	1	Clamp, Hose	
24	90554019	4	Bolt	
25	90554054	4	Nut	
26	90554067	1	Washer, Lock	
27	90554020	4	Washer, Lock	
28	70027779	1	Swivel	
29	70027780	1	Pin	
30	70027786	1	Decal, Warning	
31	70027793	1	Gearbox, Planetary	
101	N.S.S.	1	Plate, Serial Number	

## SECTION 3 - ATTACHMENTS

FIGURE 3-79. AUGER BIT, (6INX4IN) (CE & AUS)



ART\_1001204120-B

## SECTION 3 - ATTACHMENTS

**FIGURE 3-79. AUGER BIT, (6INX4IN) (CE & AUS)**

ITEM	PART NUMBER	QTY	DESCRIPTION	REV
	1001204128	Ref	Auger Bit (6INX4IN)	B

## SECTION 3 - ATTACHMENTS

FIGURE 3-80. AUGER BIT, (9INX4IN) (CE & AUS)



AWT\_1001204129-B



## SECTION 3 - ATTACHMENTS

**FIGURE 3-80. AUGER BIT, (9INX4IN) (CE & AUS)**

ITEM	PART NUMBER	QTY	DESCRIPTION	REV
	1001204129	Ref	Auger Bit (9INX4IN)	B

## SECTION 3 - ATTACHMENTS

FIGURE 3-81. AUGER BIT, (12INX4IN) (CE & AUS)



AWT\_1001204130-B

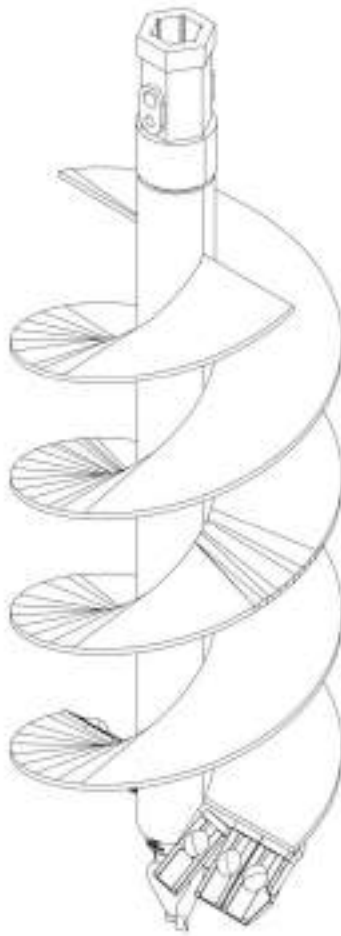
## SECTION 3 - ATTACHMENTS

**FIGURE 3-81. AUGER BIT, (12INX4IN) (CE & AUS)**

ITEM	PART NUMBER	QTY	DESCRIPTION	REV
	1001204130	Ref	Auger Bit (12INX4IN)	B

## SECTION 3 - ATTACHMENTS

FIGURE 3-82. AUGER BIT, (15INX4IN) (CE & AUS)



AWT\_1001204151-B

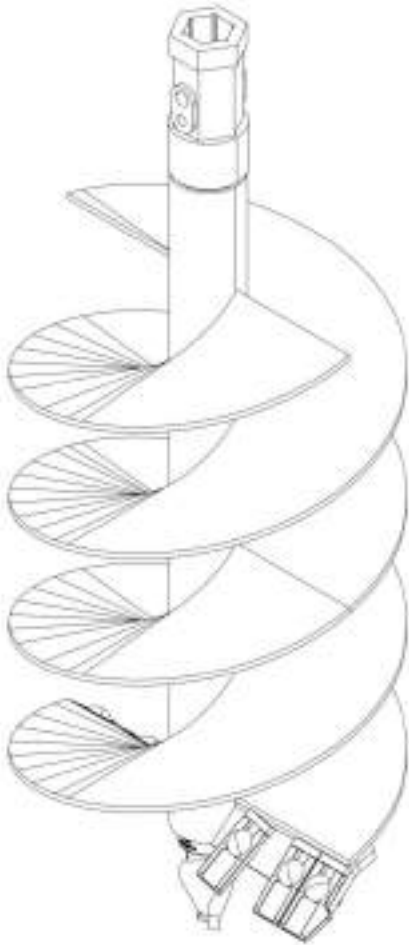
## SECTION 3 - ATTACHMENTS

**FIGURE 3-82. AUGER BIT, (15INX4IN) (CE & AUS)**

ITEM	PART NUMBER	QTY	DESCRIPTION	REV
	1001204131	Ref	Auger Bit (15INX4IN)	B

**SECTION 3 - ATTACHMENTS**

**FIGURE 3-83. AUGER BIT, (18INX4IN) (CE & AUS)**



AWT\_10012041S2-B

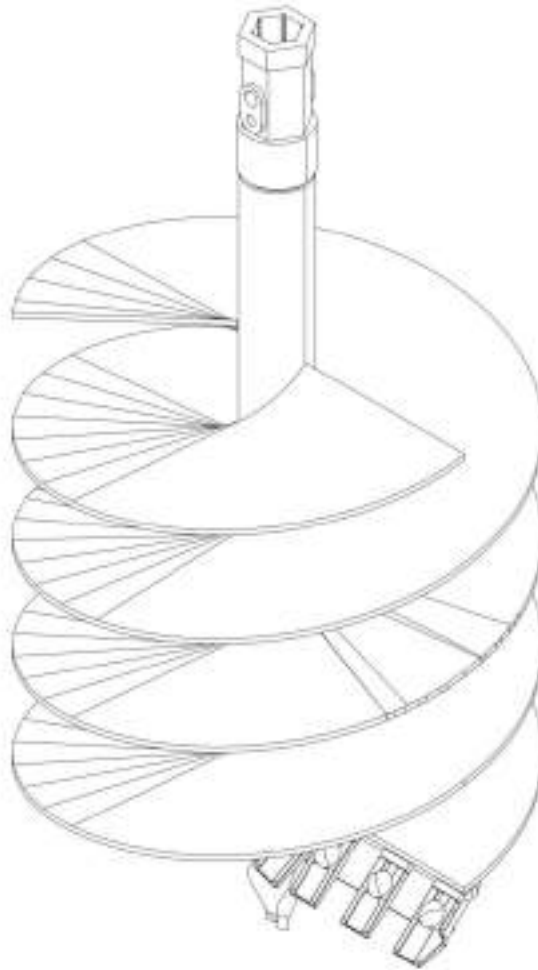
## SECTION 3 - ATTACHMENTS

**FIGURE 3-83. AUGER BIT, (18INX4IN) (CE & AUS)**

ITEM	PART NUMBER	QTY	DESCRIPTION	REV
	1001204132	Ref	Auger Bit (18INX4IN)	B

## SECTION 3 - ATTACHMENTS

FIGURE 3-84. AUGER BIT, (24INX4IN) (CE & AUS)



ART\_1001204133-B



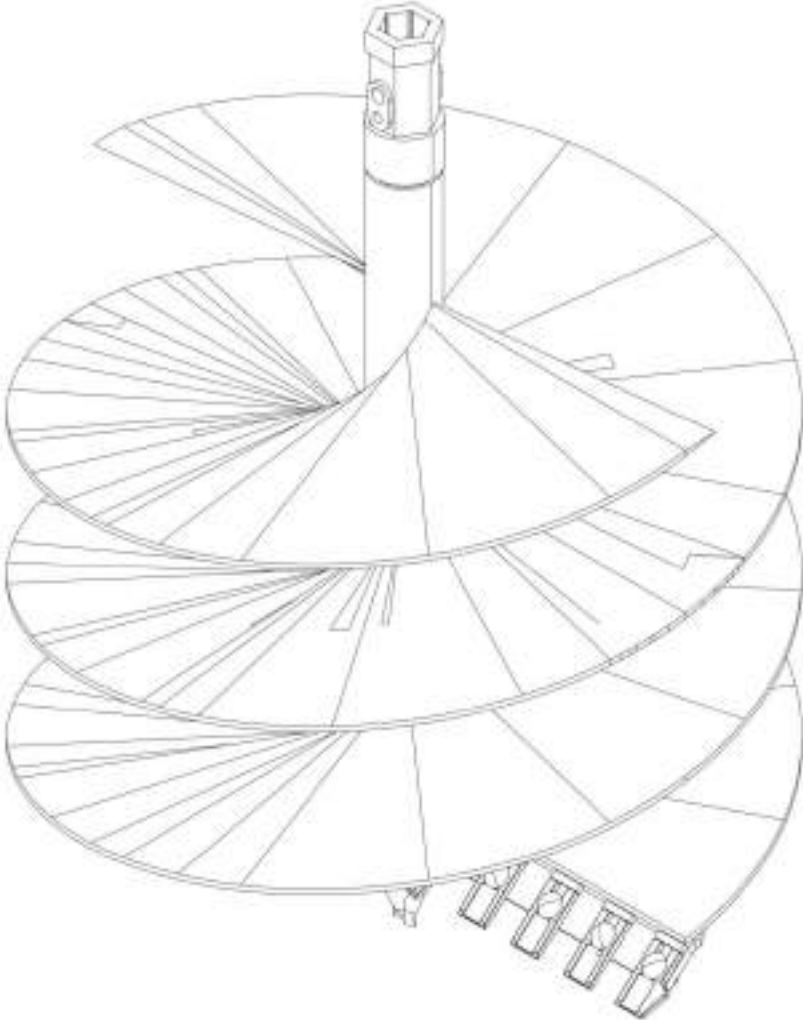
## SECTION 3 - ATTACHMENTS

**FIGURE 3-84. AUGER BIT, (24INX4IN) (CE & AUS)**

ITEM	PART NUMBER	QTY	DESCRIPTION	REV
	1001204133	Ref	Auger Bit (24INX4IN)	B

**SECTION 3 - ATTACHMENTS**

**FIGURE 3-85. AUGER BIT, (36INX4IN) (CE & AUS)**



ART\_1001204134 B

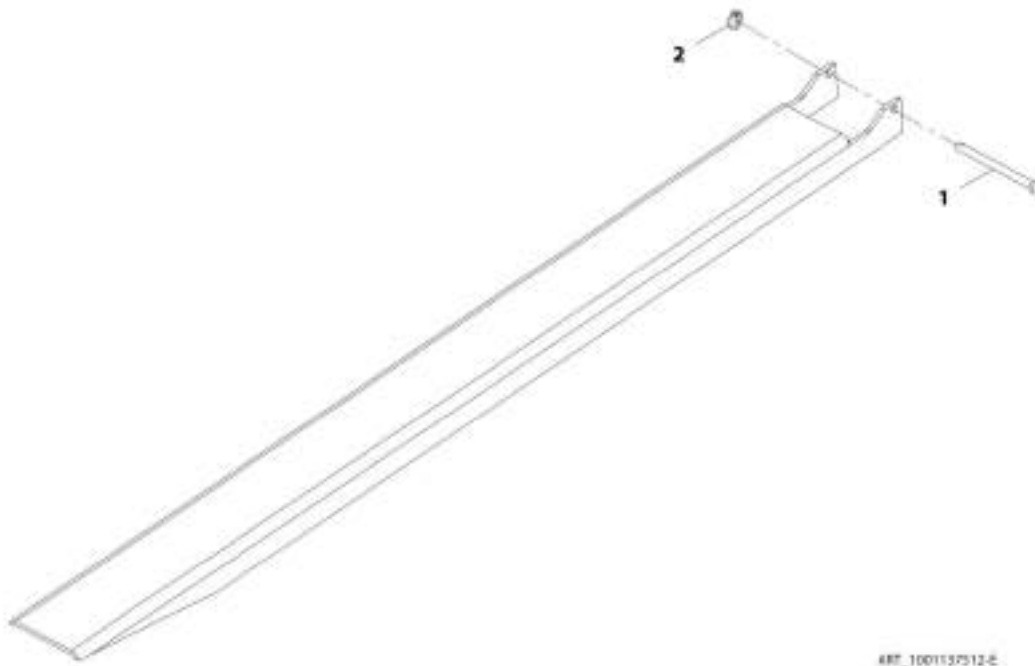
## SECTION 3 - ATTACHMENTS

**FIGURE 3-85. AUGER BIT, (36INX4IN) (CE & AUS)**

ITEM	PART NUMBER	QTY	DESCRIPTION	REV
	1001204134	Ref	Auger Bit (36INX4IN)	B

## SECTION 3 - ATTACHMENTS

FIGURE 3-86. FORK EXTENSIONS (62X163X2286) (ANSI)



ART\_1001137512-E

## SECTION 3 - ATTACHMENTS

**FIGURE 3-86. FORK EXTENSIONS (62X163X2286) (ANSI)**

ITEM	PART NUMBER	QTY	DESCRIPTION	REV
	1001137512	2 pr	Fork Extensions (62X163X2286) (ANSI - JLG)	E
1	70024306	1	Pin	
2	70024307	1	Clip	

# SECTION 3 - ATTACHMENTS

FIGURE 3-87. FORK EXTENSION (50X100X1910) (CE)



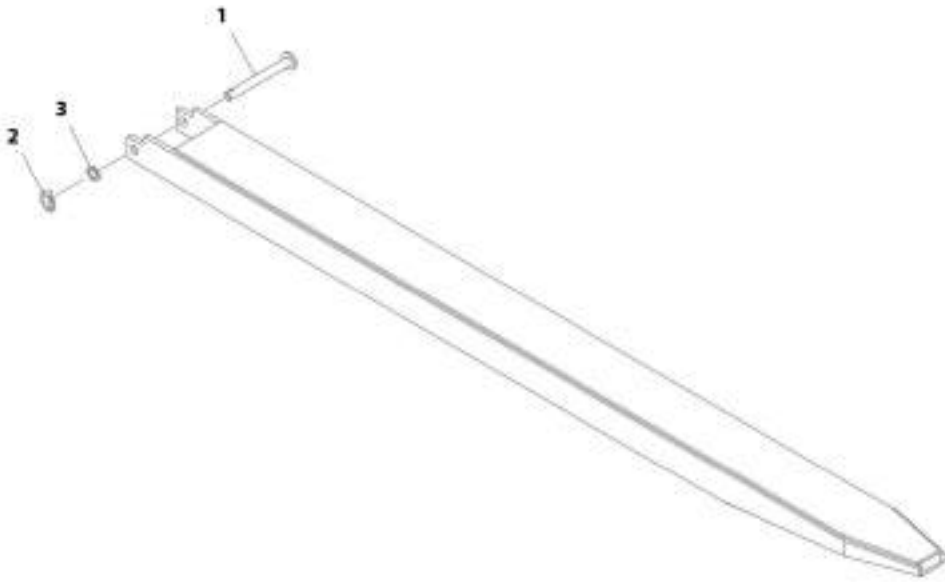
## SECTION 3 - ATTACHMENTS

### FIGURE 3-87. FORK EXTENSION (50X100X1910) (CE)

ITEM	PART NUMBER	QTY	DESCRIPTION	REV
	1001112559	1	Fork Extension (50X100X1910) (CE & AUS)	C
1	70022831	1	Kit, Pin	
2	N.S.S.	1	Pin, Locking	
3	N.S.S.	1	Washer	

## SECTION 3 - ATTACHMENTS

FIGURE 3-88. FORK EXTENSIONS (60X100X1920) (AUS)



ART\_100112590-B



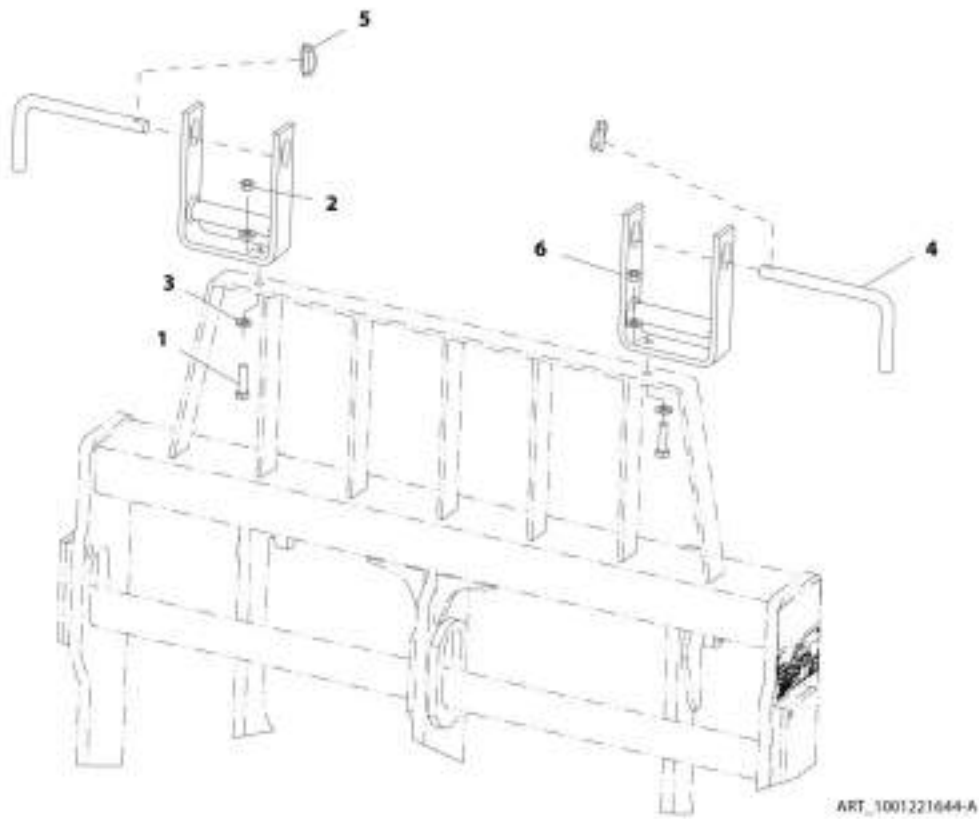
## SECTION 3 - ATTACHMENTS

**FIGURE 3-88. FORK EXTENSIONS (60X100X1920) (AUS)**

ITEM	PART NUMBER	QTY	DESCRIPTION	REV
	1001112560	1	Fork Extension (60X100X1920)	B
1	70022831	1	Kit, Pin	
2	N.S.S.	1	Pin, Locking	
3	N.S.S.	1	Washer	

# SECTION 3 - ATTACHMENTS

FIGURE 3-89. FORK TRANSPORT LATCHES INSTALLATION



## SECTION 3 - ATTACHMENTS

### FIGURE 3-89. FORK TRANSPORT LATCHES INSTALLATION

ITEM	PART NUMBER	QTY	DESCRIPTION	REV
	1001221644	Ref	Fork Transport Latches Installation	A
1	0701217	2	Bolt, M12X45	
2	3291201	2	Nut, M12X1.75	
3	5241200	4	Washer, M12	
4	1001100262	2	Pin	
5	1001109387	2	Pin	
6	1001152259	2	Bracket	

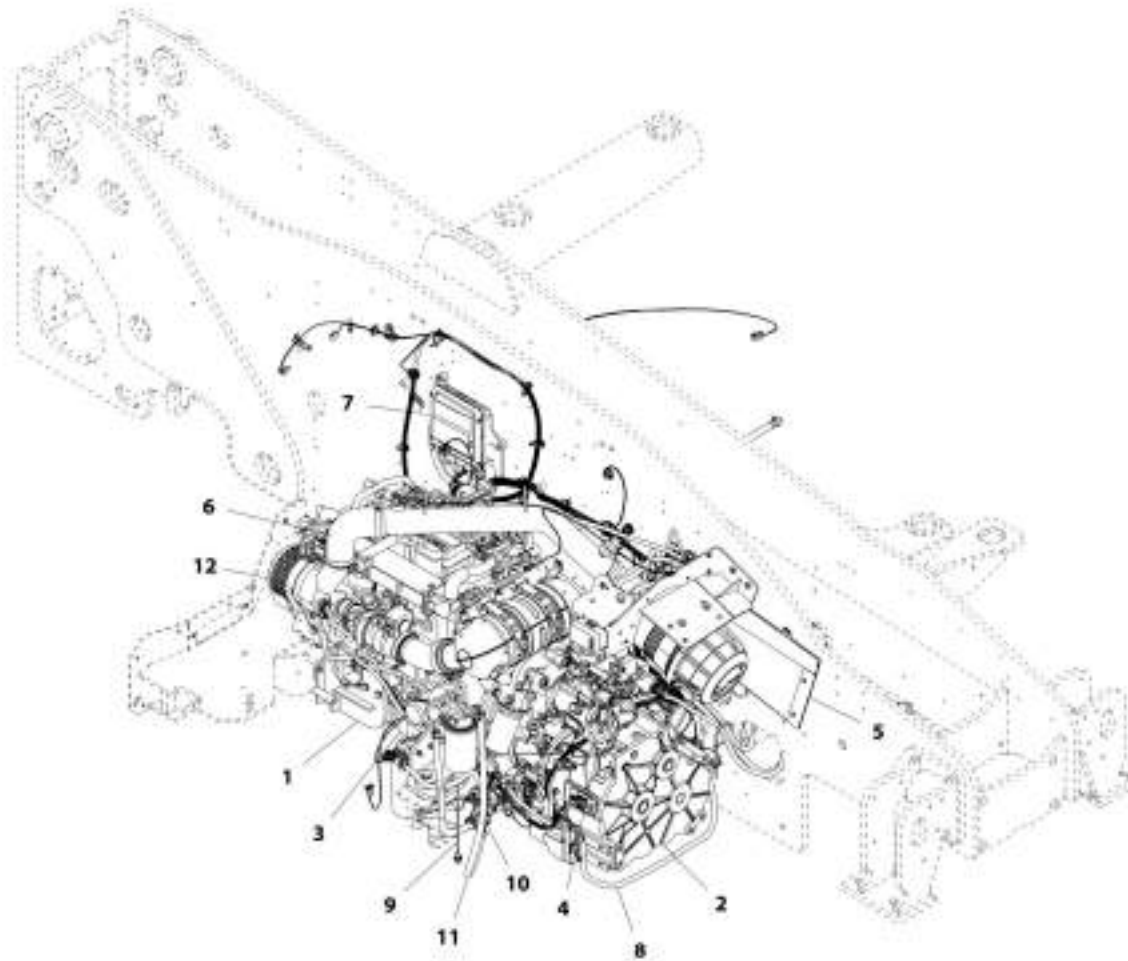


## **SECTION 4 - ENGINE AND ATTACHING PARTS**

## **SECTION 4 - ENGINE AND ATTACHING PARTS**

## SECTION 4 - ENGINE AND ATTACHING PARTS

FIGURE 4-1. ENGINE INSTALLATION (74.4KW - ULS - PISTON PUMP)



ART\_1001175308-E

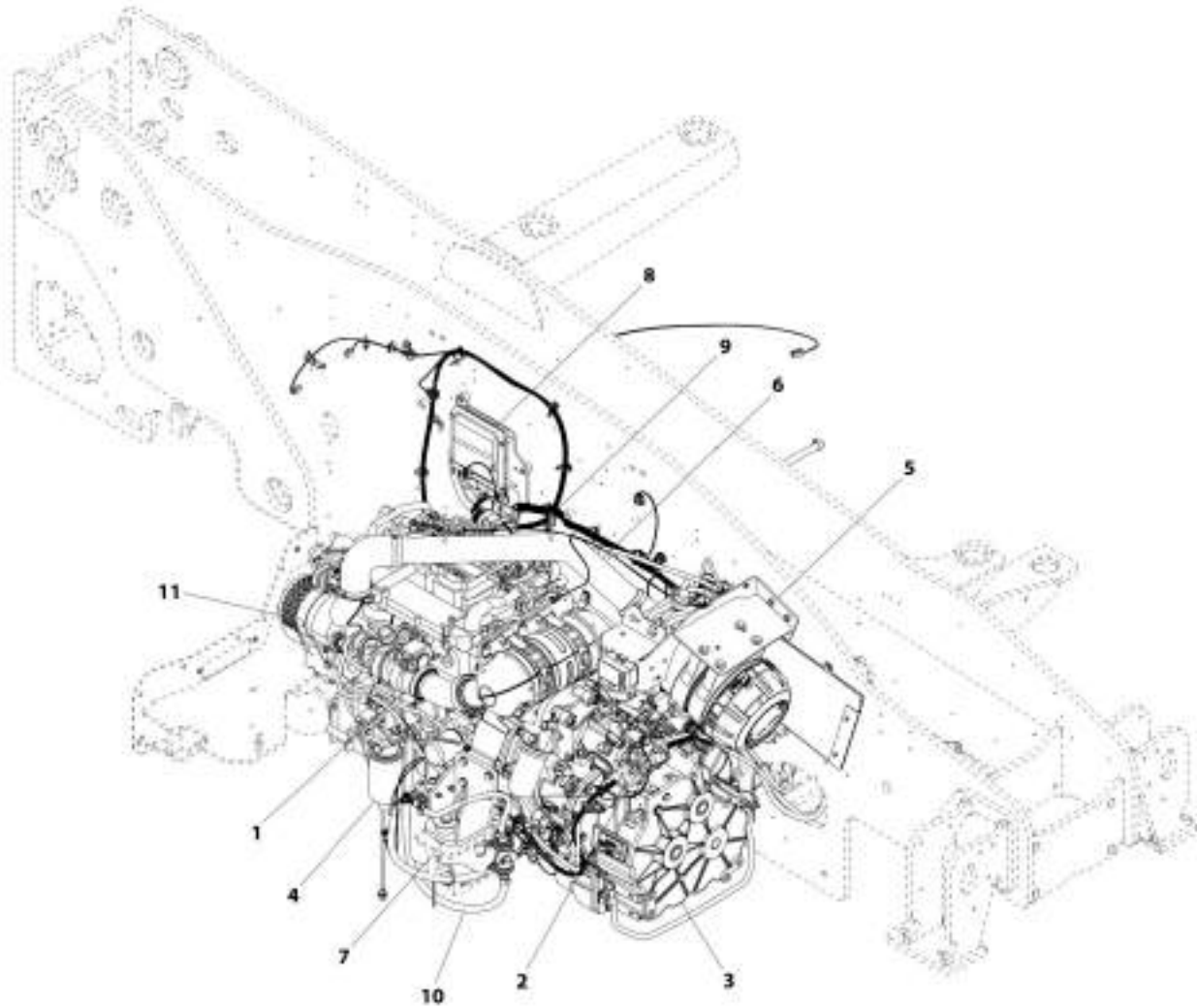
## SECTION 4 - ENGINE AND ATTACHING PARTS

**FIGURE 4-1. ENGINE INSTALLATION (74.4KW - ULS - PISTON PUMP)**

ITEM	PART NUMBER	QTY	DESCRIPTION	REV
1	1001175306	Ref	Engine Installation (74.4KW - ULS - Piston Pump)	E
	1001188466	Ref	Installation, Engine Mounting (74.4KW) (See Separate Breakdown in this Section)	
2	1001200180	Ref	Installation, Transmission (4 SPD) (See Separate Breakdown in Drivetrain Section)	
3	1001175550	1	Engine, 3.6L (74.4KW - ULS - Piston Pump) (See Separate Breakdown in this Section)	
4	1001177863	Ref	Installation, Main Hydraulic Pump (See Separate Breakdown in Hydraulic Circuits Section)	
5	1001182040	Ref	Installation, Air Cleaner (74.4KW - ULS) (See Separate Breakdown in this Section)	
6	1001182041	Ref	Installation, Air Intake Lines (74.4KW - ULS) (See Separate Breakdown in this Section)	
7	1001182735	Ref	Installation, Engine ECU (ULS) (See Separate Breakdown in Electrical Section)	
8	1001185375	Ref	Installation, Engine Wiring (ULS) (See Separate Breakdown in Electrical Section)	
9	1001211729	Ref	Installation, Primary Fuel Filter (74.4KW - ULS) (See Separate Breakdown in this Section)	
10	1001165789	Ref	Installation, Remote Fuel Pump (74.4KW) (See Separate Breakdown in this Section)	
11	1001185181	Ref	Installation, Fuel Lines (ULS) (See Separate Breakdown in this Section)	
12	1001182235	Ref	Installation, Bracket Guard (See Separate Breakdown in this Section)	

## SECTION 4 - ENGINE AND ATTACHING PARTS

FIGURE 4-2. ENGINE INSTALLATION (90KW - ULS - PISTON PUMP)



AIT\_100175309-D



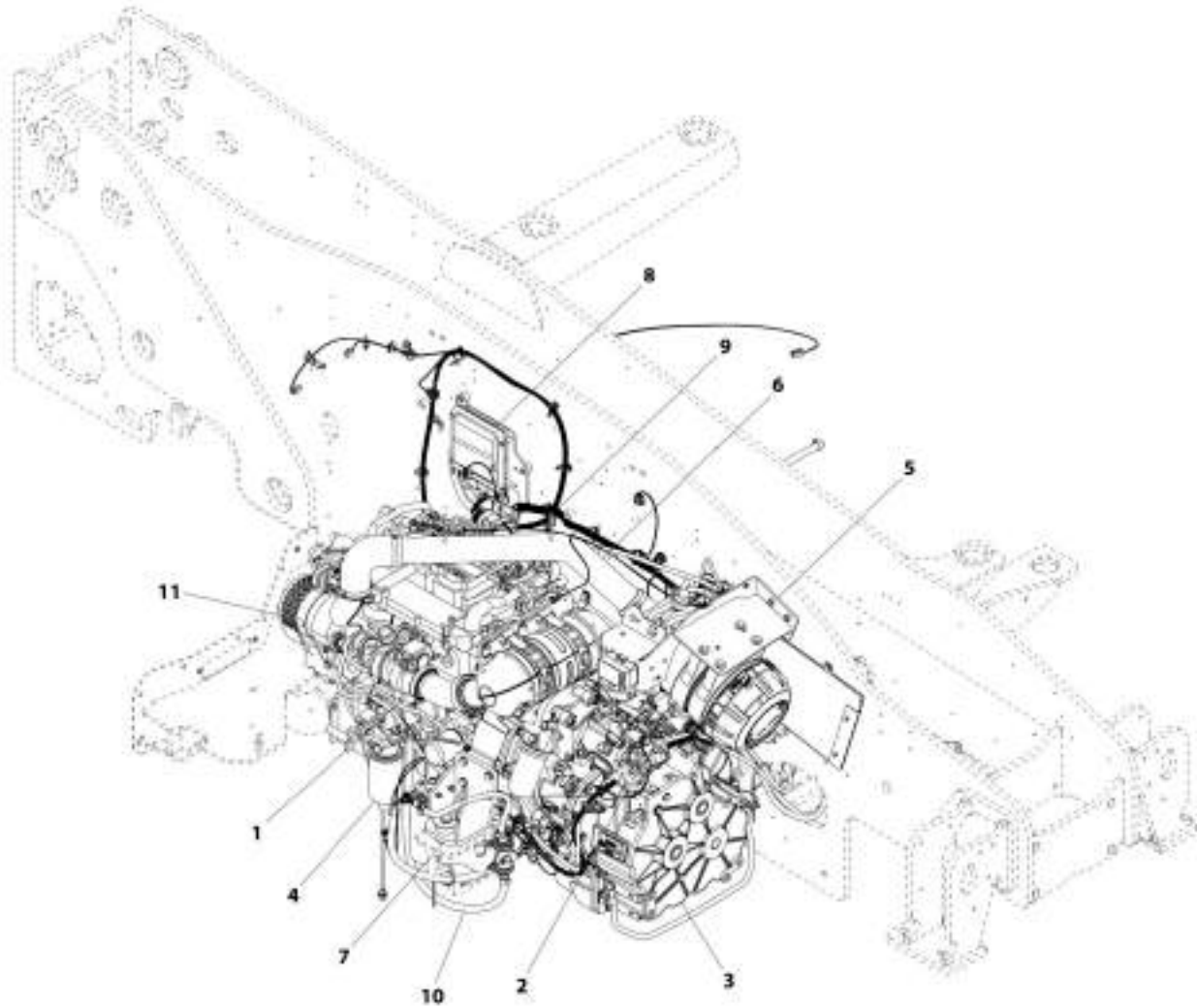
## SECTION 4 - ENGINE AND ATTACHING PARTS

**FIGURE 4-2. ENGINE INSTALLATION (90KW - ULS - PISTON PUMP)**

ITEM	PART NUMBER	QTY	DESCRIPTION	REV
	1001175309	Ref	Engine Installation (90KW - ULS - Piston Pump)	D
1	1001175553	1	Engine, 3.6L (90KW - ULS - Piston Pump) (See Separate Breakdown in this Section)	
2	1001177863	Ref	Installation, Main Hydraulic Pump (See Separate Breakdown in Hydraulic Circuits Section)	
3	1001178439	Ref	Installation, Transmission (6 SPD) (See Separate Breakdown in Drivetrain Section)	
4	1001181951	Ref	Installation, Fuel Filter (90/100KW - ULS) (See Separate Breakdown in this Section)	
5	1001182036	Ref	Installation, Air Cleaner (90/100KW) (See Separate Breakdown in this Section)	
6	1001182037	Ref	Installation, Air Intake Lines (90/100KW - ULS) (See Separate Breakdown in this Section)	
7	1001182582	Ref	Installation, Engine Mounting (90/100KW) (See Separate Breakdown in this Section)	
8	1001182735	Ref	Installation, Engine ECU (ULS) (See Separate Breakdown in Electrical Section)	
9	1001185375	Ref	Installation, Engine Wiring (ULS) (See Separate Breakdown in Electrical Section)	
10	1001197821	Ref	Installation, Fuel Lines (ULS - RHOC) (See Separate Breakdown in this Section)	
11	1001182235	Ref	Installation, Bracket Guard (See Separate Breakdown in this Section)	

## SECTION 4 - ENGINE AND ATTACHING PARTS

FIGURE 4-3. ENGINE INSTALLATION (100KW - ULS - PISTON PUMP)



ART\_100170623 E

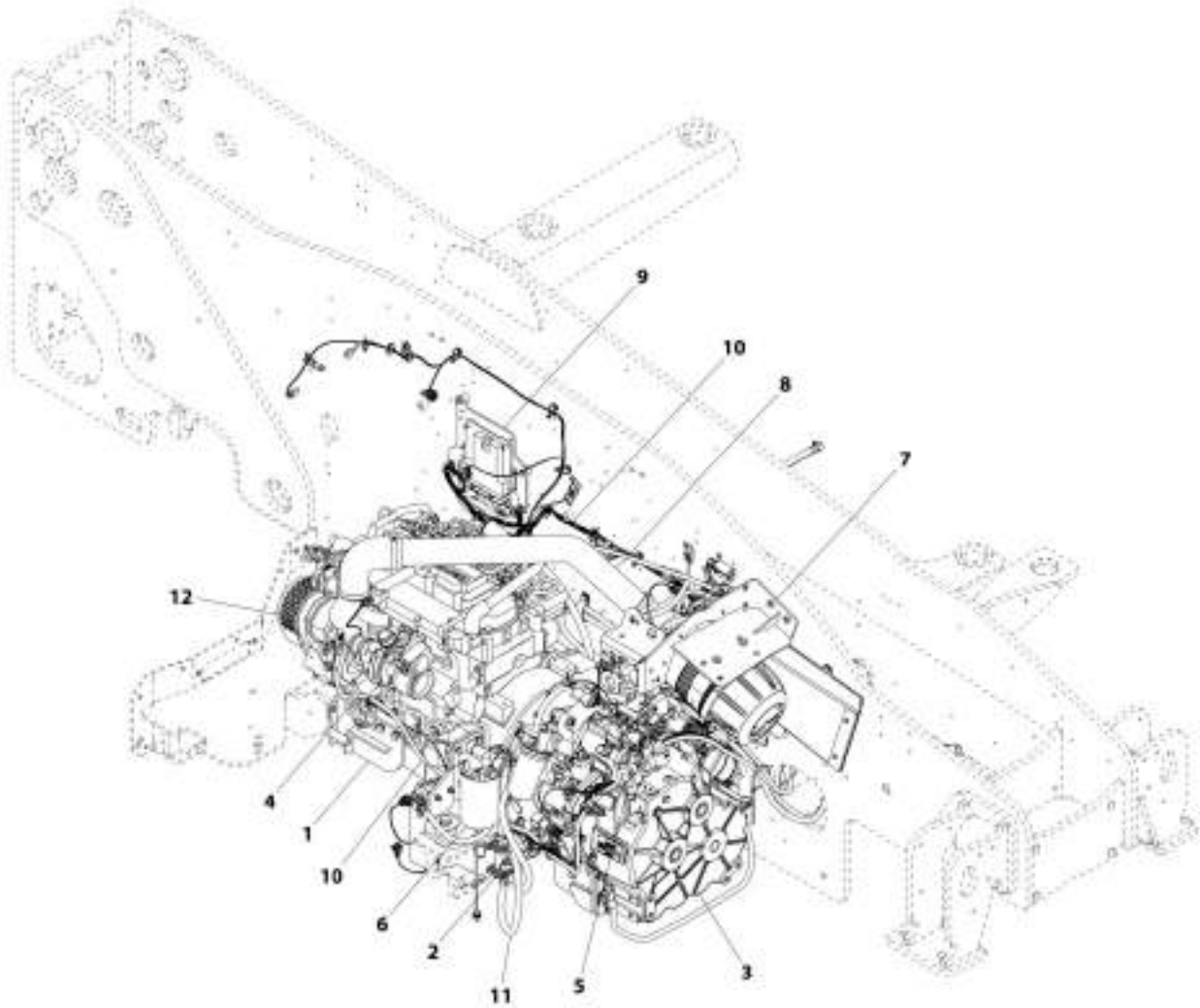
## SECTION 4 - ENGINE AND ATTACHING PARTS

**FIGURE 4-3. ENGINE INSTALLATION (100KW - ULS - PISTON PUMP)**

ITEM	PART NUMBER	QTY	DESCRIPTION	REV
1	1001178622 1001175555	Ref 1	Engine Installation (100KW - ULS - Piston Pump) Engine, 3.6L (100KW - ULS - Piston Pump) (See Separate Breakdown in this Section)	E
2	1001177863	Ref	Installation, Main Hydraulic Pump (See Separate Breakdown in Hydraulic Circuits Section)	
3	1001182647	Ref	Installation, Transmission (6 SPD - HHP) (See Separate Breakdown in Drivetrain Section)	
4	1001181951	Ref	Installation, Fuel Filter (90/100KW - ULS) (See Separate Breakdown in this Section)	
5	1001182036	Ref	Installation, Air Cleaner (90/100KW) (See Separate Breakdown in this Section)	
6	1001182037	Ref	Installation, Air Intake Lines (90/100KW - ULS) (See Separate Breakdown in this Section)	
7	1001182582	Ref	Installation, Engine Mounting (90/100KW) (See Separate Breakdown in this Section)	
8	1001182735	Ref	Installation, Engine ECU (ULS) (See Separate Breakdown in Electrical Section)	
9	1001185375	Ref	Installation, Engine Wiring (ULS) (See Separate Breakdown in Electrical Section)	
10	1001197821	Ref	Installation, Fuel Lines (ULS - RHOC) (See Separate Breakdown in this Section)	
11	1001182235	Ref	Installation, Bracket Guard (See Separate Breakdown in this Section)	

## SECTION 4 - ENGINE AND ATTACHING PARTS

FIGURE 4-4. ENGINE INSTALLATION (74.4KW - LS - PISTON PUMP)



AWT\_100125313-E

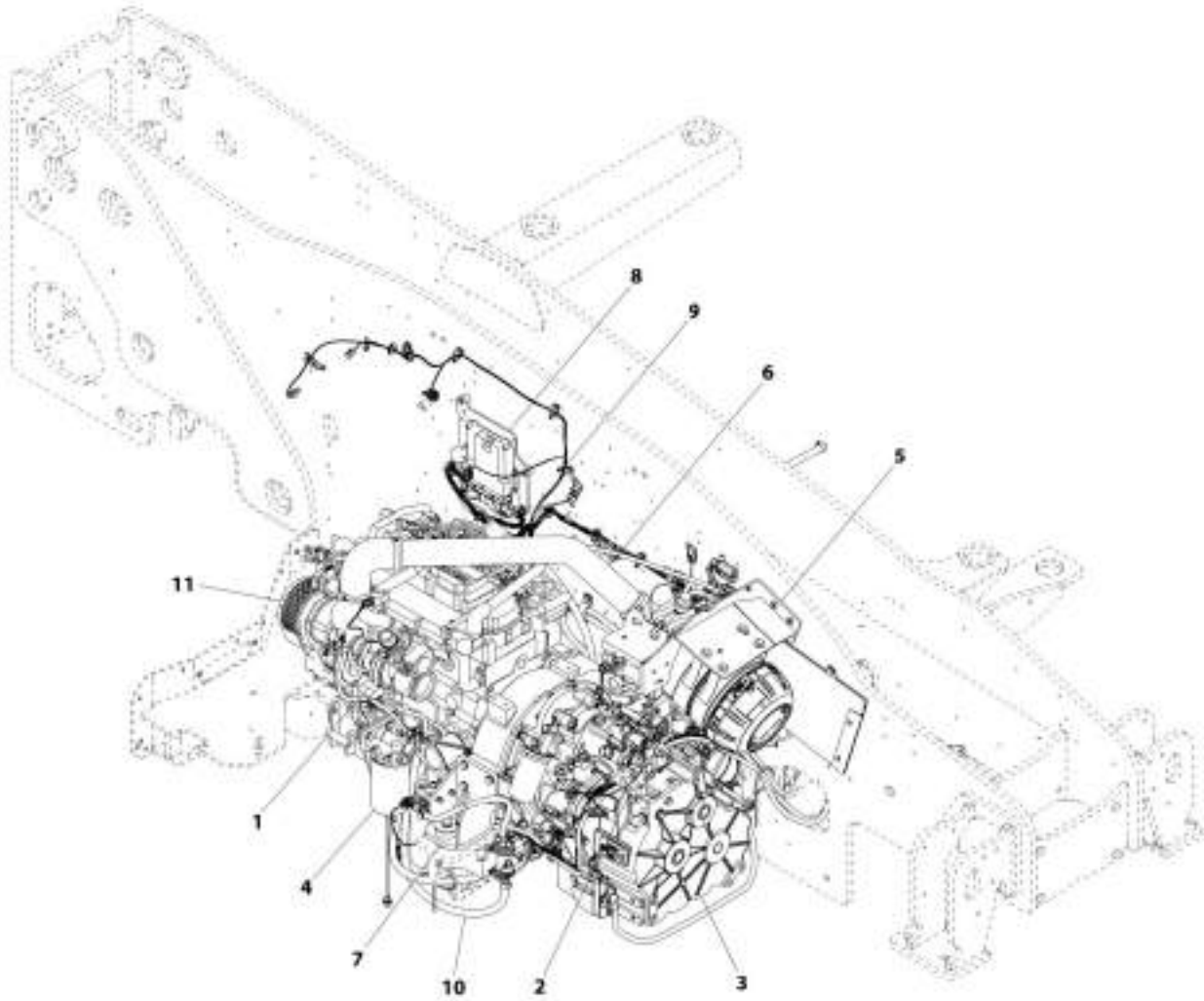
## SECTION 4 - ENGINE AND ATTACHING PARTS

**FIGURE 4-4. ENGINE INSTALLATION (74.4KW - LS - PISTON PUMP)**

ITEM	PART NUMBER	QTY	DESCRIPTION	REV
1	1001175313	Ref	Engine Installation (74.4KW - LS - Piston Pump)	E
	1001188466	Ref	Installation, Engine Mounting (74.4KW) (See Separate Breakdown in this Section)	
2	1001165789	Ref	Installation, Remote Fuel Pump (74.4KW) (See Separate Breakdown in this Section)	
3	1001200180	Ref	Installation, Transmission (4 SPD) (See Separate Breakdown in Drivetrain Section)	
4	1001175552	1	Engine, 3.6L (74.4KW - LS - Piston Pump) (See Separate Breakdown in this Section)	
5	1001177863	Ref	Installation, Main Hydraulic Pump (See Separate Breakdown in Hydraulic Circuits Section)	
6	1001211730	Ref	Installation, Primary Fuel Filter (74.4KW - LS) (See Separate Breakdown in this Section)	
7	1001182042	Ref	Installation, Air Cleaner (74.4KW - LS) (See Separate Breakdown in this Section)	
8	1001182043	Ref	Installation, Air Intake Lines (74.4KW - LS) (See Separate Breakdown in this Section)	
9	1001182736	Ref	Installation, Engine ECU (LS) (See Separate Breakdown in Electrical Section)	
10	1001185377	Ref	Installation, Engine Wiring (LS) (See Separate Breakdown in Electrical Section)	
11	1001197826	Ref	Installation, Fuel Lines (LS) (See Separate Breakdown in this Section)	
12	1001182235	Ref	Installation, Bracket Guard (See Separate Breakdown in this Section)	

## SECTION 4 - ENGINE AND ATTACHING PARTS

FIGURE 4-5. ENGINE INSTALLATION (90KW - LS - PISTON PUMP)



408\_1001175315 (3)

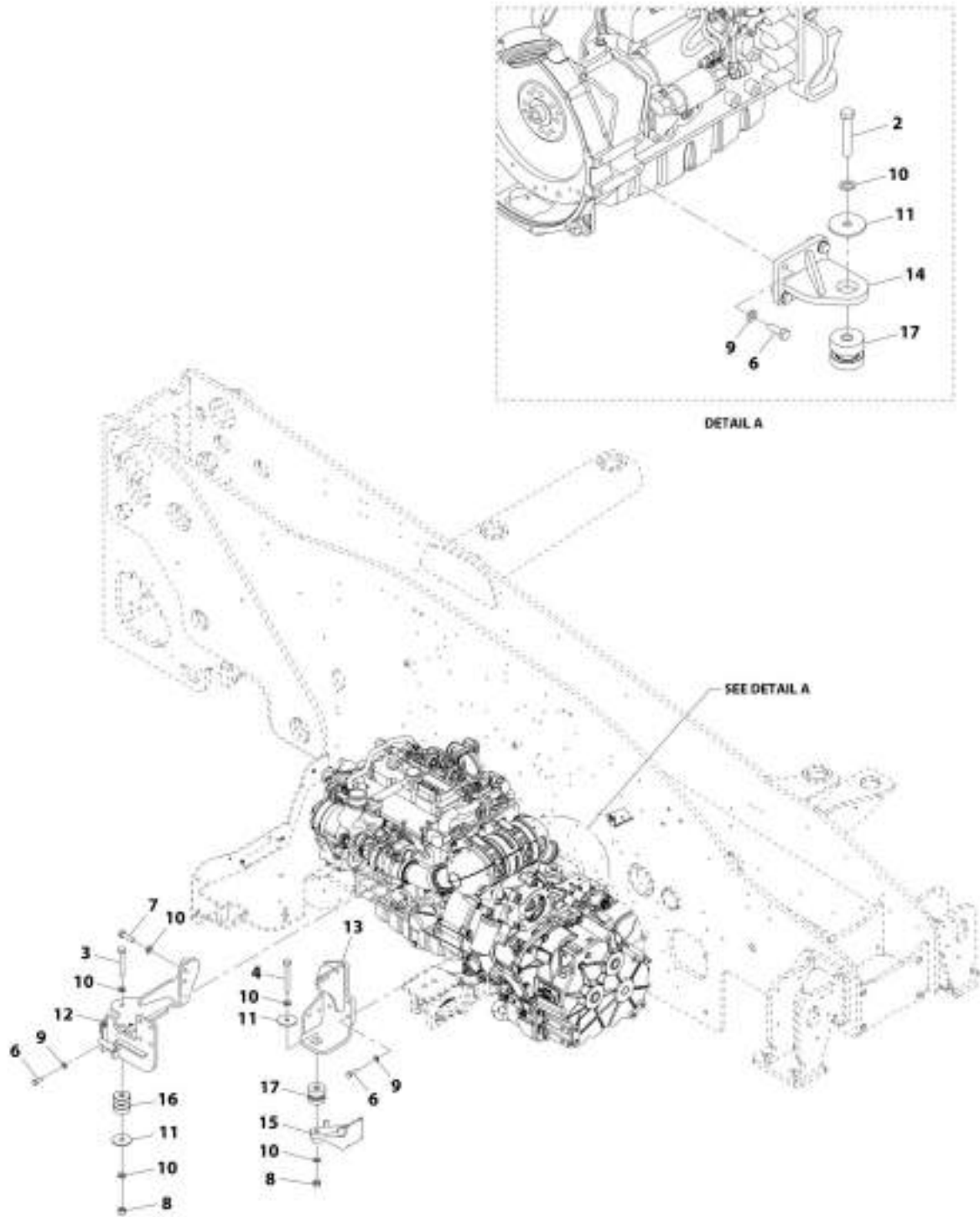
## SECTION 4 - ENGINE AND ATTACHING PARTS

**FIGURE 4-5. ENGINE INSTALLATION (90KW - LS - PISTON PUMP)**

ITEM	PART NUMBER	QTY	DESCRIPTION	REV
1	1001175315 1001175554	Ref 1	Engine Installation (90KW - LS - Piston Pump) Engine, 3.6L (90KW - LS - Piston Pump) (See Separate Breakdown in this Section)	D
2	1001177863	Ref	Installation, Main Hydraulic Pump (See Separate Breakdown in Hydraulic Circuits Section)	
3	1001178439	Ref	Installation, Transmission (6 SPD) (See Separate Breakdown in Drivetrain Section)	
4	1001181952	Ref	Installation, Primary Fuel Filter (90KW - LS) (See Separate Breakdown in this Section)	
5	1001182036	Ref	Installation, Air Cleaner (90/100KW) (See Separate Breakdown in this Section)	
6	1001182039	Ref	Installation, Air Intake Lines (90KW - LS) (See Separate Breakdown in this Section)	
7	1001182582	Ref	Installation, Engine Mounting (90/100KW) (See Separate Breakdown in this Section)	
8	1001182736	Ref	Installation, Engine ECU (LS) (See Separate Breakdown in Electrical Section)	
9	1001185377	Ref	Installation, Engine Wiring (LS) (See Separate Breakdown in Electrical Section)	
10	1001185189	Ref	Installation, Fuel Lines (LS - RHOC) (See Separate Breakdown in this Section)	
11	1001182235	Ref	Installation, Bracket Guard (See Separate Breakdown in this Section)	

# SECTION 4 - ENGINE AND ATTACHING PARTS

## FIGURE 4-6. ENGINE MOUNTING INSTALLATION (74.4KW)



ART\_1001180466-C



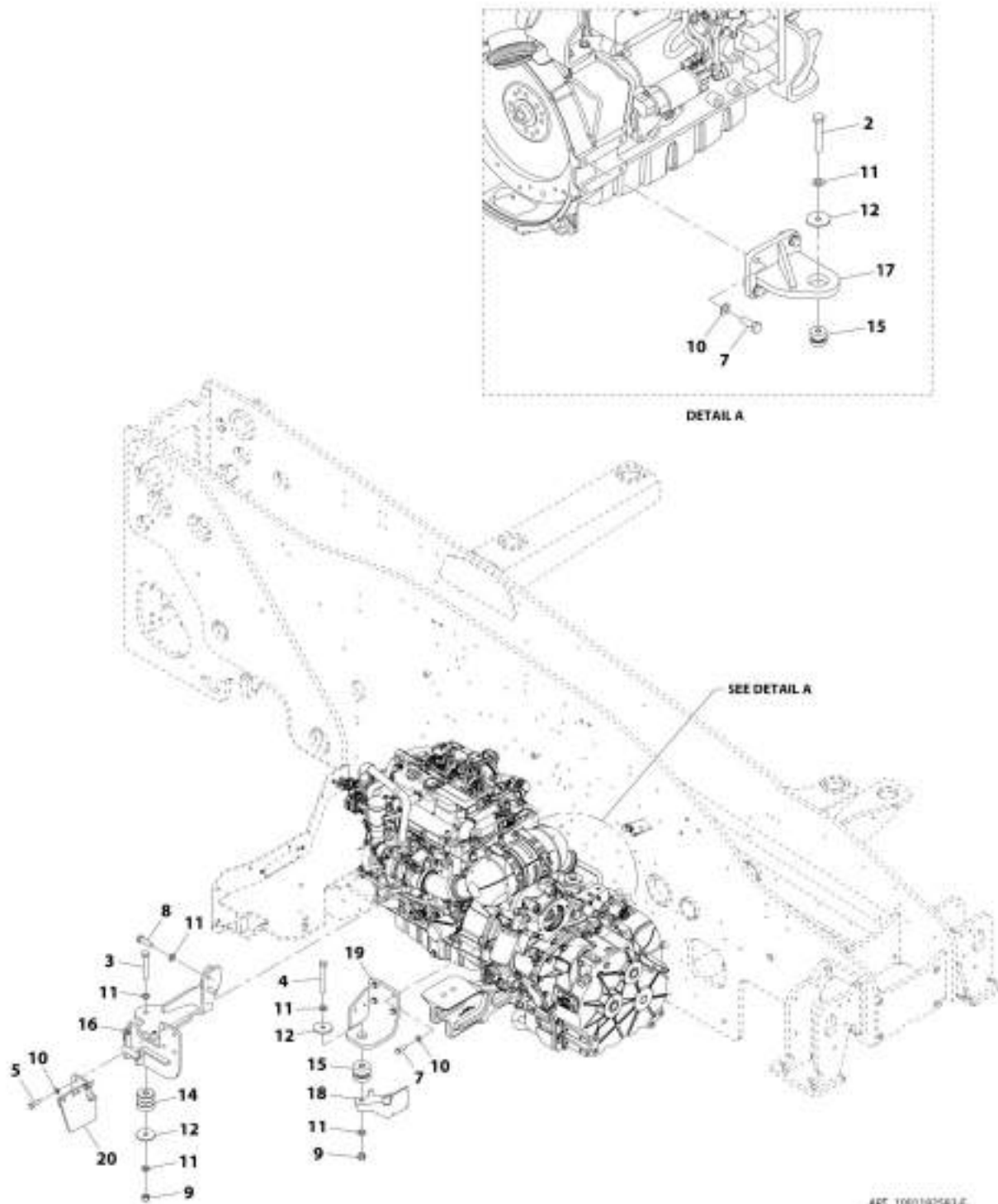
## SECTION 4 - ENGINE AND ATTACHING PARTS

**FIGURE 4-6. ENGINE MOUNTING INSTALLATION (74.4KW)**

ITEM	PART NUMBER	QTY	DESCRIPTION	REV
	1001188466	Ref	Engine Mounting Installation (74.4KW)	E
2	0701626	1	Bolt, M16X90	
3	0701628	1	Bolt, M16X110	
4	0701630	1	Bolt, M16X130	
6	0761215	12	Bolt, M12X35	
7	0761619	2	Bolt, M16X55	
8	3291605	2	Bolt, M16X2	
9	4812100	12	Washer, M12	
10	4812300	7	Washer, M16	
11	7300435	3	Washer	
12	1001169216	1	Bracket, Engine Mount	
13	1001169309	1	Bracket, Engine Mount	
14	1001169424	1	Bracket, Engine Mount	
15	1001188204	1	Bracket, Fuel Pump	
16	1001163387	1	Mount, Isolator Engine	
17	1001195518	2	Mount, Isolator Engine	

# SECTION 4 - ENGINE AND ATTACHING PARTS

## FIGURE 4-7. ENGINE MOUNTING INSTALLATION (90KW/100KW)



ARF\_T001182583-F

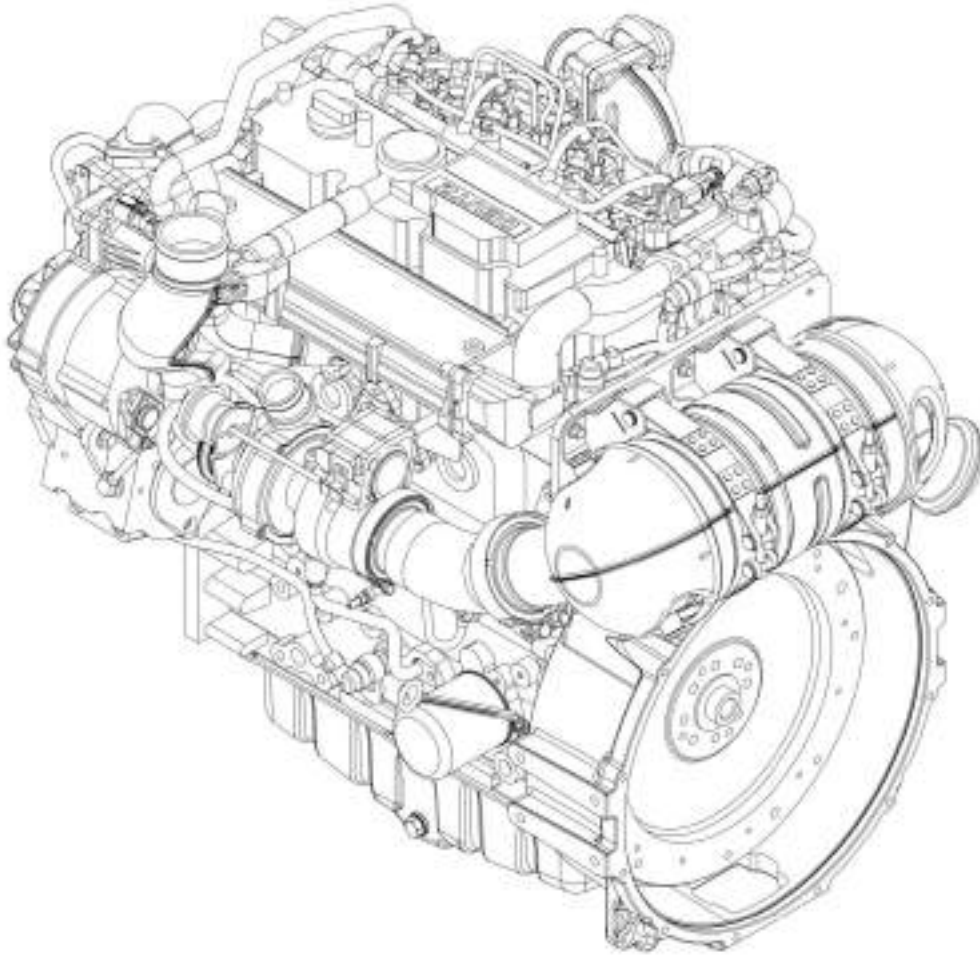
## SECTION 4 - ENGINE AND ATTACHING PARTS

**FIGURE 4-7. ENGINE MOUNTING INSTALLATION (90KW/100KW)**

ITEM	PART NUMBER	QTY	DESCRIPTION	REV
	1001182582	Ref	Engine Mounting Installation (90KW/100KW)	F
2	0701626	1	Bolt, M16X90	
3	0701628	1	Bolt, M16X110	
4	0701630	1	Bolt, M16X130	
5	0761216	4	Bolt, M12X40	
7	0761215	8	Bolt, M12X35	
8	0761619	2	Bolt, M16X55	
9	3291605	2	Bolt, M16X2	
10	4812100	12	Washer, M12	
11	4812300	7	Washer, M16	
12	7300435	3	Washer	
14	1001163387	1	Mount, Isolator Engine	
15	1001195518	2	Mount, Isolator Engine	
16	1001169216	1	Bracket, Engine Mount	
17	1001169424	1	Bracket, Engine Mount	
18	1001188204	1	Bracket, Fuel Pump	
19	1001183745	1	Bracket, Engine Mount	
20	1001189586	1	Bracket, Fuel Filter	

## SECTION 4 - ENGINE AND ATTACHING PARTS

FIGURE 4-8. 3.6L ENGINE (74.4KW - ULS - PISTON PUMP)



ART\_1001175550-D

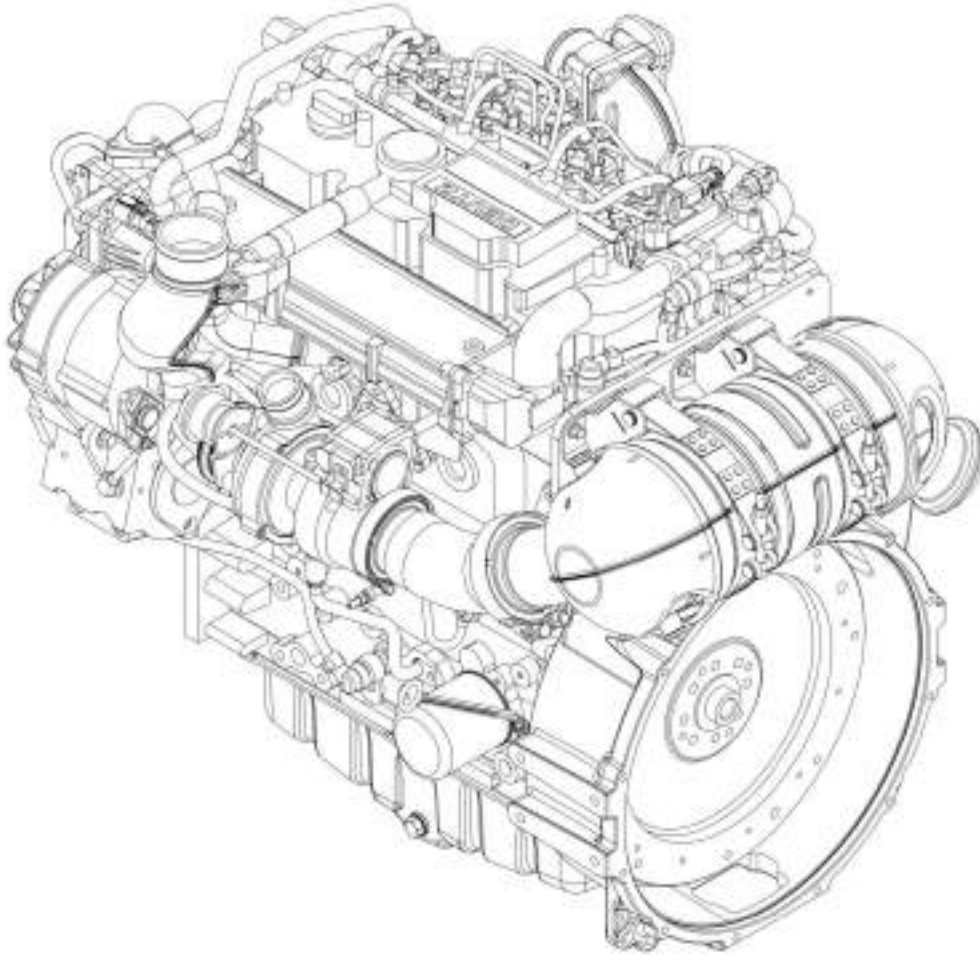
## SECTION 4 - ENGINE AND ATTACHING PARTS

**FIGURE 4-8. 3.6L ENGINE (74.4KW - ULS - PISTON PUMP)**

ITEM	PART NUMBER	QTY	DESCRIPTION	REV
	1001175550	Ref	3.6L Engine (74.4KW - ULS - Piston Pump)	C
	70027657	1	Dipstick	
	7020442	2	O-Ring	
	7020465	1	Cap, Filler	
	70025205	1	Gasket	
	70004280	1	Seal	
	7016331	1	Filter, Oil	
	70024494	1	Oil cooler	
	70024495	1	Gasket	
	70024509	1	Gasket	
	70011901	1	Pump, High Pressure	
	70024485	4	Injector, Fuel	
	70024504	1	Sensor, Pressure	
	70024920	1	Seal	
	70026011	1	Pump, Water	
	70024918	1	Sender, Temperature	
	70005504	1	Sensor, Pressure	
	70005505	2	O-Seal	
	70027405	1	Sensor, Temperature	
	70005507	2	O-Seal	
	70005515	1	Turbocharger	
	70024480	1	Gasket	
	70027404	1	Generator	
	70027403	1	V-Belt	
	70025535	1	Starter	
	70026210	1	Generator	
	70005191	1	O-Ring	
	70005556	1	Sensor, Temperture	
	70005559	1	Sensor, Temperture	
	70027417	1	Filter, Fuel	
	70024961	1	Prefilter, Fuel	

## SECTION 4 - ENGINE AND ATTACHING PARTS

FIGURE 4-9. 3.6L ENGINE (90KW - ULS - PISTON PUMP)



ART\_100117553-C

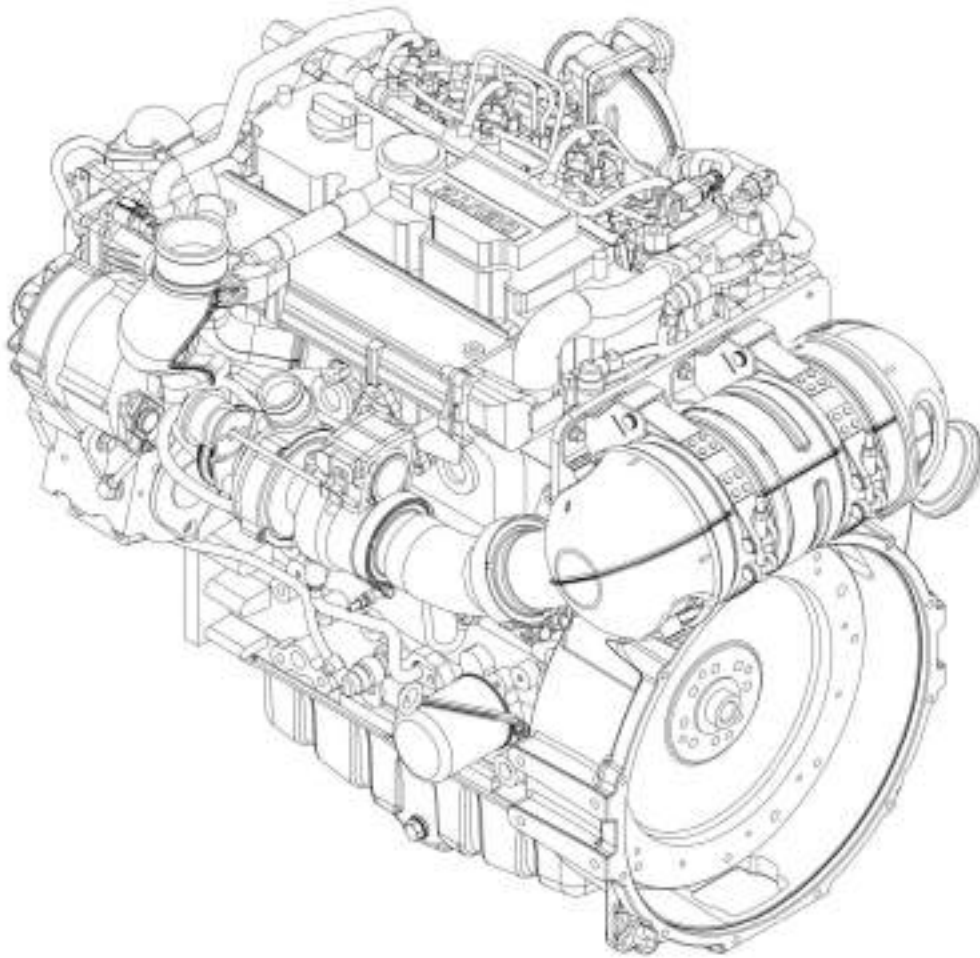
## SECTION 4 - ENGINE AND ATTACHING PARTS

**FIGURE 4-9. 3.6L ENGINE (90KW - ULS - PISTON PUMP)**

ITEM	PART NUMBER	QTY	DESCRIPTION	REV
	1001175553	Ref	3.6L Engine (90KW - ULS - Piston Pump)	C
	70027657	1	Dipstick	
	7020442	2	O-Ring	
	7020465	1	Cap, Filler	
	70025205	1	Gasket	
	70004280	1	Seal	
	7016331	1	Filter, Oil	
	70024494	1	Oil cooler	
	70024495	1	Gasket	
	70024509	1	Gasket	
	70011901	1	Pump, High Pressure	
	70024485	4	Injector, Fuel	
	70024504	1	Sensor, Pressure	
	70024920	1	Seal	
	70026011	1	Pump, Water	
	70024918	1	Sender, Temperature	
	70005504	1	Sensor, Pressure	
	70005505	2	O-Seal	
	70027405	1	Sensor, Temperature	
	70005507	2	O-Seal	
	70005515	1	Turbocharger	
	70024480	1	Gasket	
	70027404	1	Generator	
	70027403	1	V-Belt	
	70025535	1	Starter	
	70026210	1	Generator	
	70005191	1	O-Ring	
	70024505	1	Sensor, Temperture	
	70005556	1	Sensor, Temperture	
	70005559	1	Sensor, Temperature	
	70004511	1	Filter, Fuel	
	70025153	1	Prefilter, Fuel	

## SECTION 4 - ENGINE AND ATTACHING PARTS

FIGURE 4-10. 3.6L ENGINE (100KW - ULS - PISTON PUMP)



ART\_100117555-C



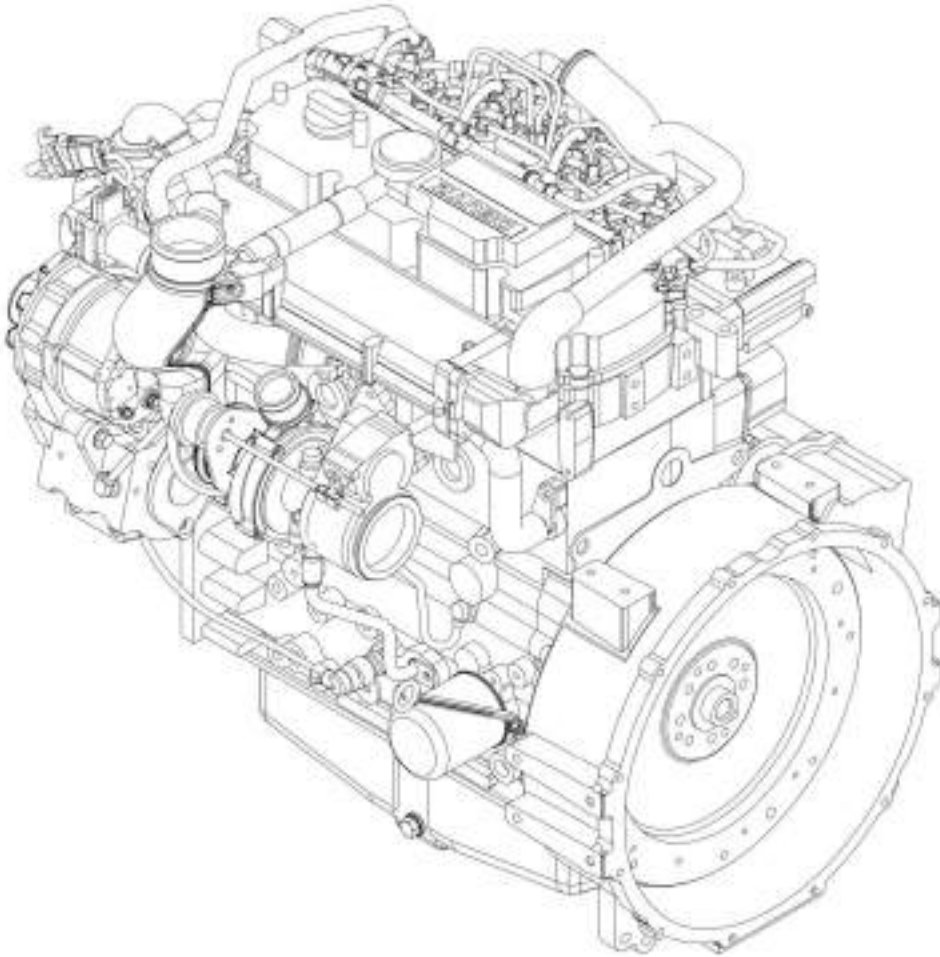
## SECTION 4 - ENGINE AND ATTACHING PARTS

**FIGURE 4-10. 3.6L ENGINE (100KW - ULS - PISTON PUMP)**

ITEM	PART NUMBER	QTY	DESCRIPTION	REV
	1001175555	Ref	3.6L Engine (100KW - ULS - Piston Pump)	C
	70027657	1	Dipstick	
	7020442	2	O-Ring	
	7020465	1	Cap, Filler	
	70025205	1	Gasket	
	70004280	1	Seal	
	7016331	1	Filter, Oil	
	70024494	1	Oil cooler	
	70024495	1	Gasket	
	70024509	1	Gasket	
	70011901	1	Pump, High Pressure	
	70024485	4	Injector, Fuel	
	70024504	1	Sensor, Pressure	
	70024920	1	Seal	
	70026011	1	Pump, Water	
	70024918	1	Sender, Temperature	
	70005504	1	Sensor, Pressure	
	70005505	2	O-Seal	
	70027405	1	Sensor, Temperature	
	70005507	2	O-Seal	
	70005515	1	Turbocharger	
	70024480	1	Gasket	
	70027404	1	Generator	
	70027403	1	V-Belt	
	70025535	1	Starter	
	70026210	1	Generator	
	70005191	1	O-Ring	
	70024505	1	Sensor, Temperture	
	70005556	1	Sensor, Temperture	
	70005559	1	Sensor, Temperature	
	70027417	1	Filter, Fuel	
	70025153	1	Prefilter, Fuel	

## SECTION 4 - ENGINE AND ATTACHING PARTS

FIGURE 4-11. 3.6L ENGINE (74.4KW - LS - PISTON PUMP)



AWT\_3001175552-C

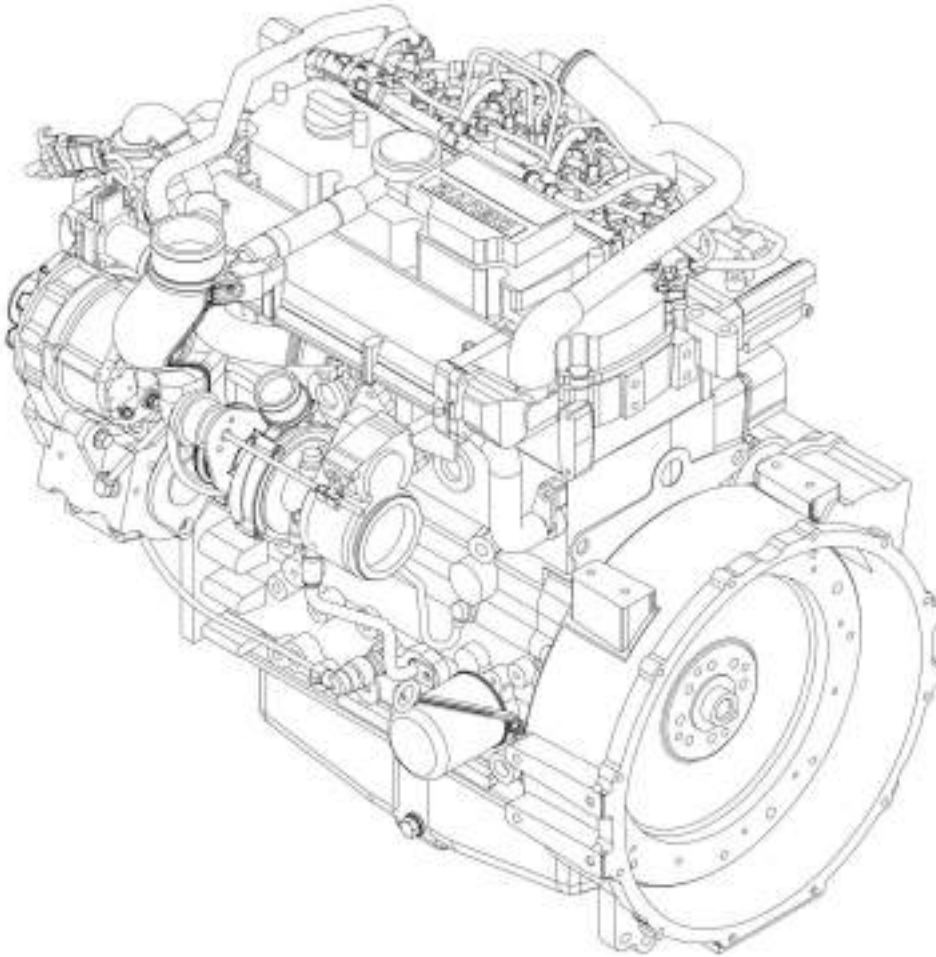
## SECTION 4 - ENGINE AND ATTACHING PARTS

**FIGURE 4-11. 3.6L ENGINE (74.4KW - LS - PISTON PUMP)**

ITEM	PART NUMBER	QTY	DESCRIPTION	REV
	1001175552	Ref	3.6L Engine (74.4KW - LS - Piston Pump)	C
	70027657	1	Dipstick	
	7020442	2	O-Ring	
	7020465	1	Cap, Filler	
	70025205	1	Gasket	
	70004280	1	Seal	
	7016331	1	Filter, Oil	
	70024494	1	Oil cooler	
	70024495	1	Gasket	
	70024509	1	Gasket	
	70011901	1	Pump, High Pressure	
	70024485	4	Injector, Fuel	
	70004512	1	Filter, Fuel	
	70024504	1	Sensor, Pressure	
	70005504	1	Sensor, Pressure	
	70026011	1	Pump, Water	
	70024918	1	Sender, Temperature	
	70004518	1	Turbocharger	
	70024480	1	Gasket	
	70025533	1	Generator	
	70025478	1	V-Belt	
	70025535	1	Starter	
	70026210	2	Generator	
	70005191	2	O-Ring	
	70027417	1	Filter, Fuel	

## SECTION 4 - ENGINE AND ATTACHING PARTS

FIGURE 4-12. 3.6L ENGINE (90KW - LS - PISTON PUMP)



AWT\_3001175554-C

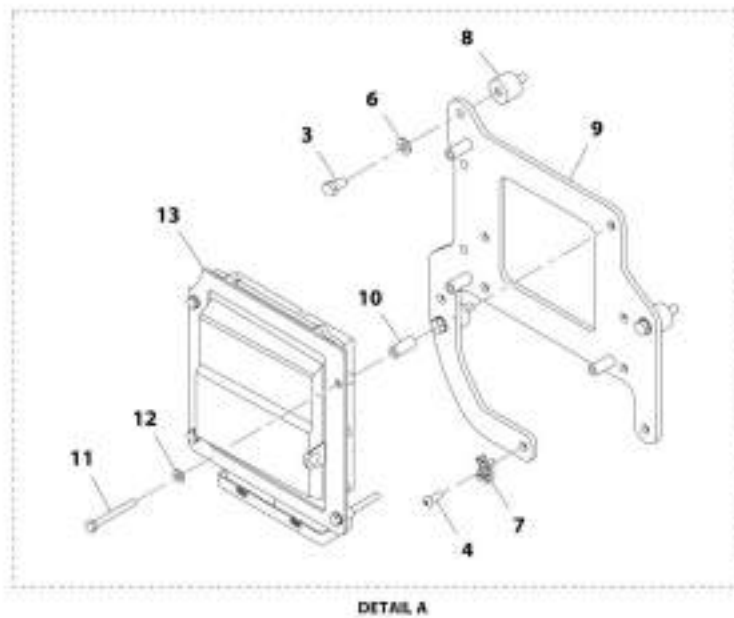
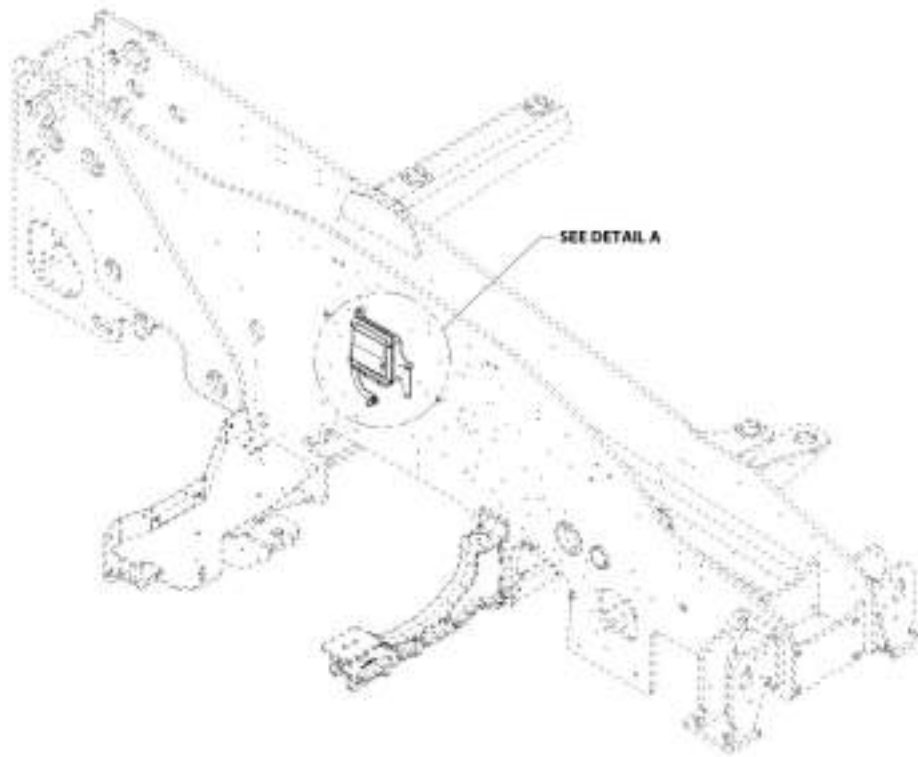
## SECTION 4 - ENGINE AND ATTACHING PARTS

**FIGURE 4-12. 3.6L ENGINE (90KW - LS - PISTON PUMP)**

ITEM	PART NUMBER	QTY	DESCRIPTION	REV
	1001175554	Ref	3.6L Engine (90KW - LS - Piston Pump)	C
	70027657	1	Dipstick	
	7020442	2	O-Ring	
	7020465	1	Cap, Filler	
	70025205	1	Gasket	
	70004280	1	Seal	
	7016331	1	Filter, Oil	
	70024494	1	Oil cooler	
	70024495	1	Gasket	
	70024509	1	Gasket	
	70011901	1	Pump, High Pressure	
	70024485	4	Injector, Fuel	
	70004512	1	Filter, Fuel	
	70024504	1	Sensor, Pressure	
	70005504	1	Sensor, Pressure	
	70026011	1	Pump, Water	
	70024918	1	Sender, Temperature	
	70004518	1	Turbocharger	
	70024480	1	Gasket	
	70025533	1	Generator	
	70025478	1	V-Belt	
	70025535	1	Starter	
	70026210	2	Generator	
	70005191	2	O-Ring	
	70027417	1	Filter, Fuel	

# SECTION 4 - ENGINE AND ATTACHING PARTS

## FIGURE 4-13. ENGINE ECU INSTALLATION (ULS)



ART\_3001162735-D

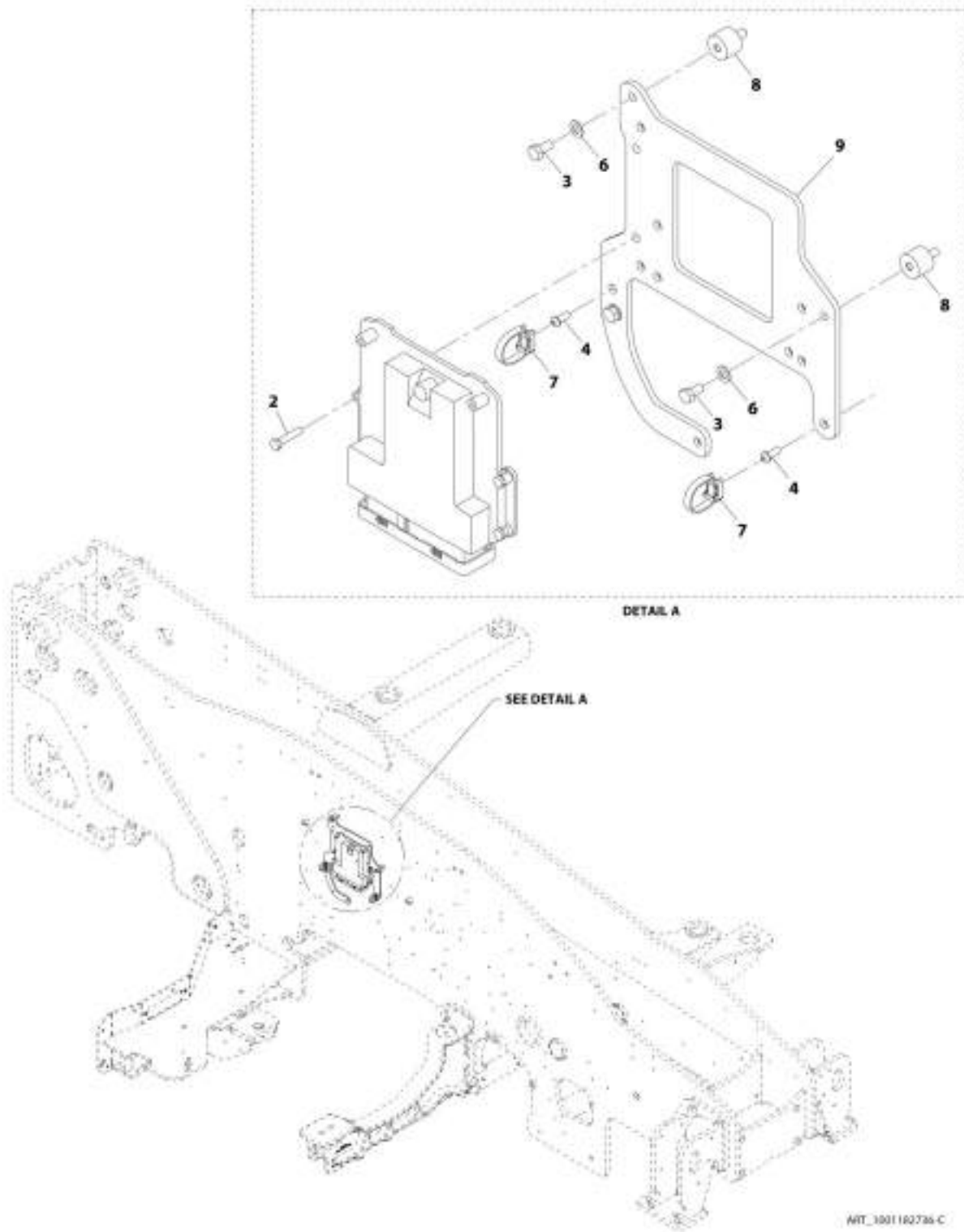
## SECTION 4 - ENGINE AND ATTACHING PARTS

FIGURE 4-13. ENGINE ECU INSTALLATION (ULS)

ITEM	PART NUMBER	QTY	DESCRIPTION	REV
	1001182735	Ref	Engine ECU Installation (ULS)	D
3	0760808	3	Bolt, M8X16	
4	3900357	1	Capscrew, M6X16	
6	4811900	3	Washer, M8	
7	1001138645	1	Mount, Cable Tie	
8	1001179907	3	Mount, Isolator	
9	1001183347	1	Plate	
10	1001196587	4	Sleeve, Spacer	
11	0760619	4	Bolt, M6X55	
12	4811700	4	Washer, M6	
13	1001206120	1	Plate	

# SECTION 4 - ENGINE AND ATTACHING PARTS

## FIGURE 4-14. ENGINE ECU INSTALLATION (LS)



WRT\_1001102786-C



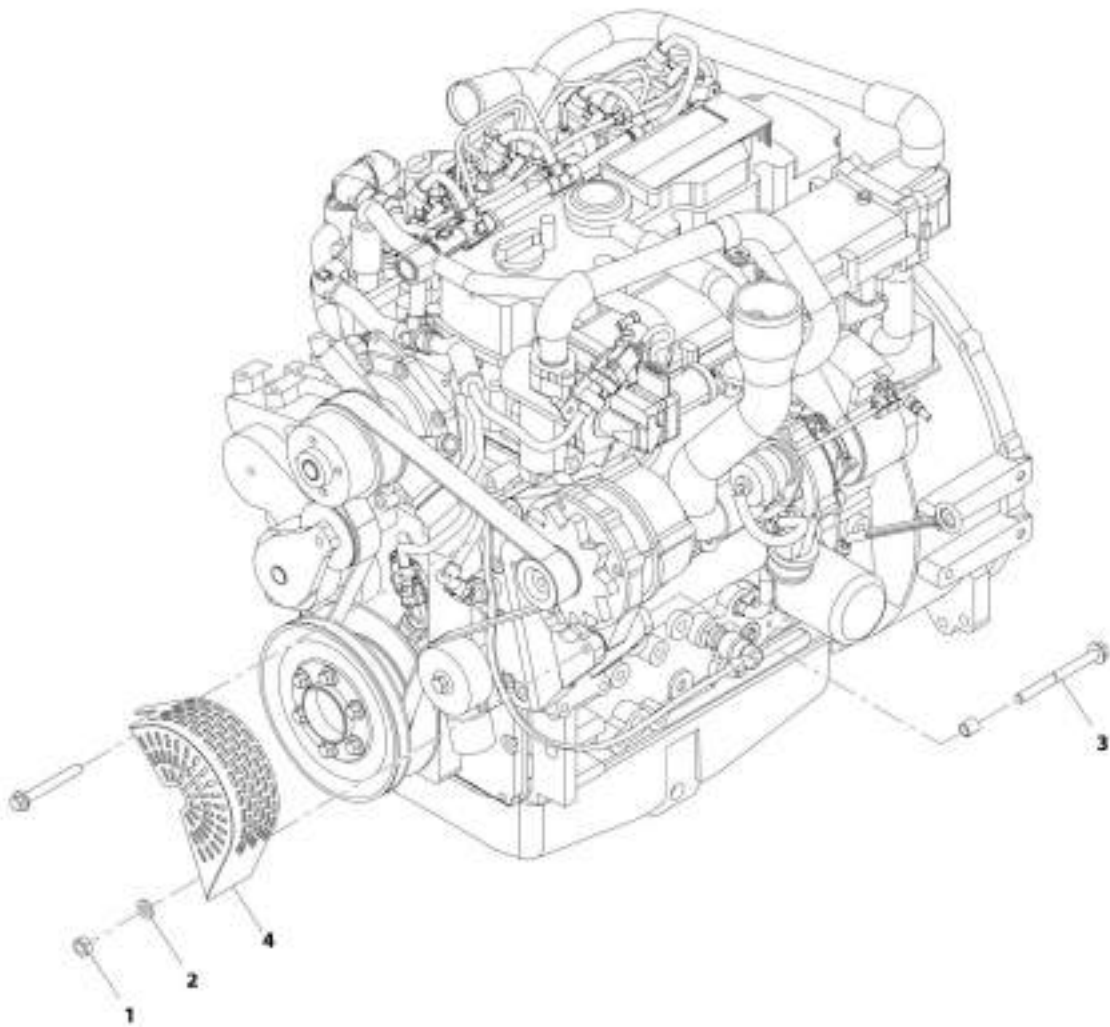
## SECTION 4 - ENGINE AND ATTACHING PARTS

FIGURE 4-14. ENGINE ECU INSTALLATION (LS)

ITEM	PART NUMBER	QTY	DESCRIPTION	REV
	1001182736	Ref	Engine ECU Installation (LS)	C
2	0700614	4	Bolt, M6X30	
3	0760808	3	Bolt, M8X16	
4	3900357	2	Capscrew, M6X16	
6	4811900	3	Washer, M8	
7	1001138645	2	Mount, Cable Tie	
8	1001179907	3	Mount, Isolator	
9	1001183347	1	Plate	

# SECTION 4 - ENGINE AND ATTACHING PARTS

## FIGURE 4-15. BRACKET GUARD INSTALLATION



ART\_100110225-R

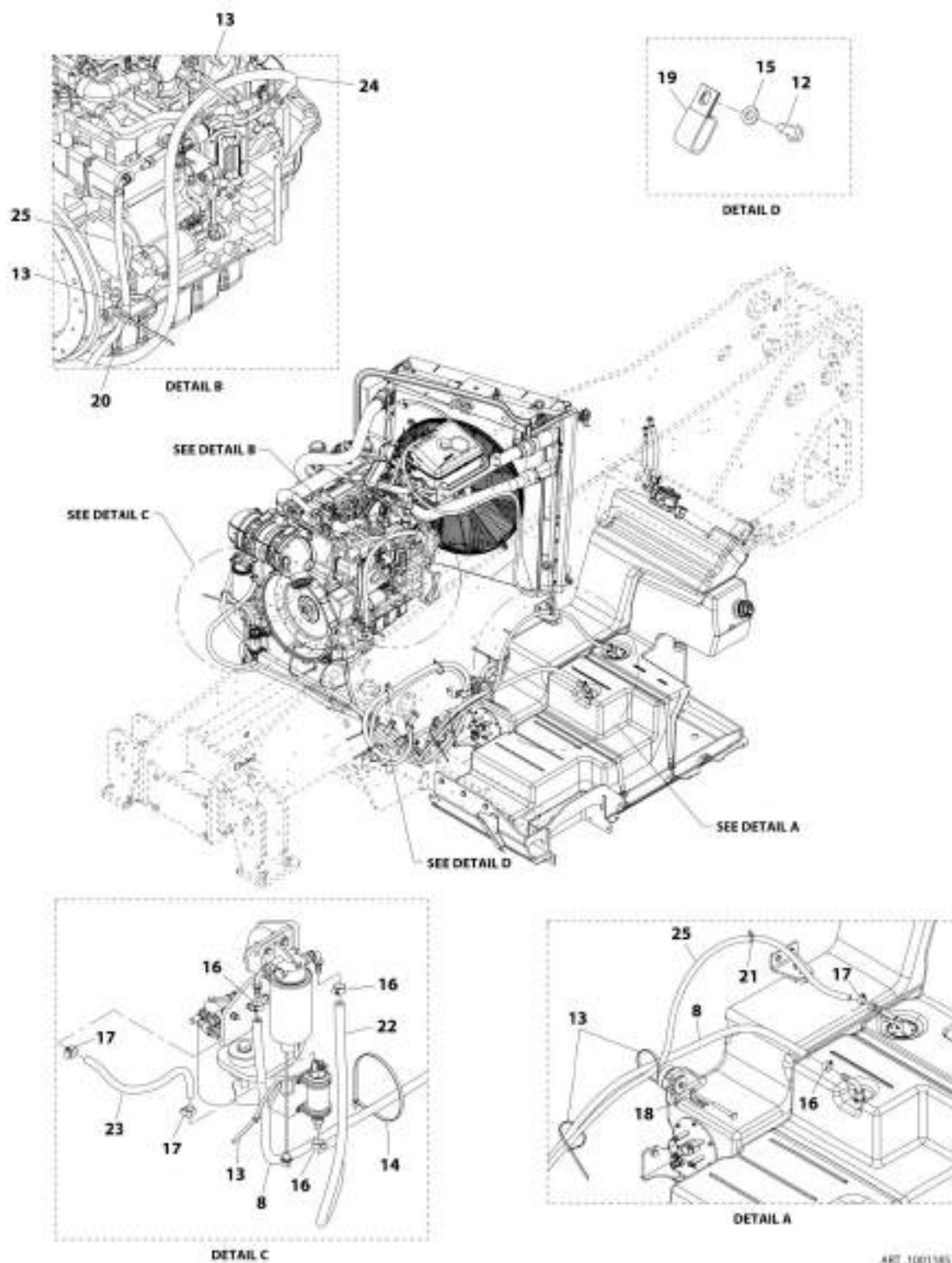
## SECTION 4 - ENGINE AND ATTACHING PARTS

FIGURE 4-15. BRACKET GUARD INSTALLATION

ITEM	PART NUMBER	QTY	DESCRIPTION	REV
	1001182235	Ref	Bracket Guard Installation	B
1	3291001	1	Nut, M10X1.5 Grade 8	
2	4812000	1	Washer, M10	
3	1001152378	1	Bolt, M10X110 Grade 10.9	
4	1001213006	1	Bracket, Guard	

# SECTION 4 - ENGINE AND ATTACHING PARTS

## FIGURE 4-16. FUEL LINES INSTALLATION (ULS)



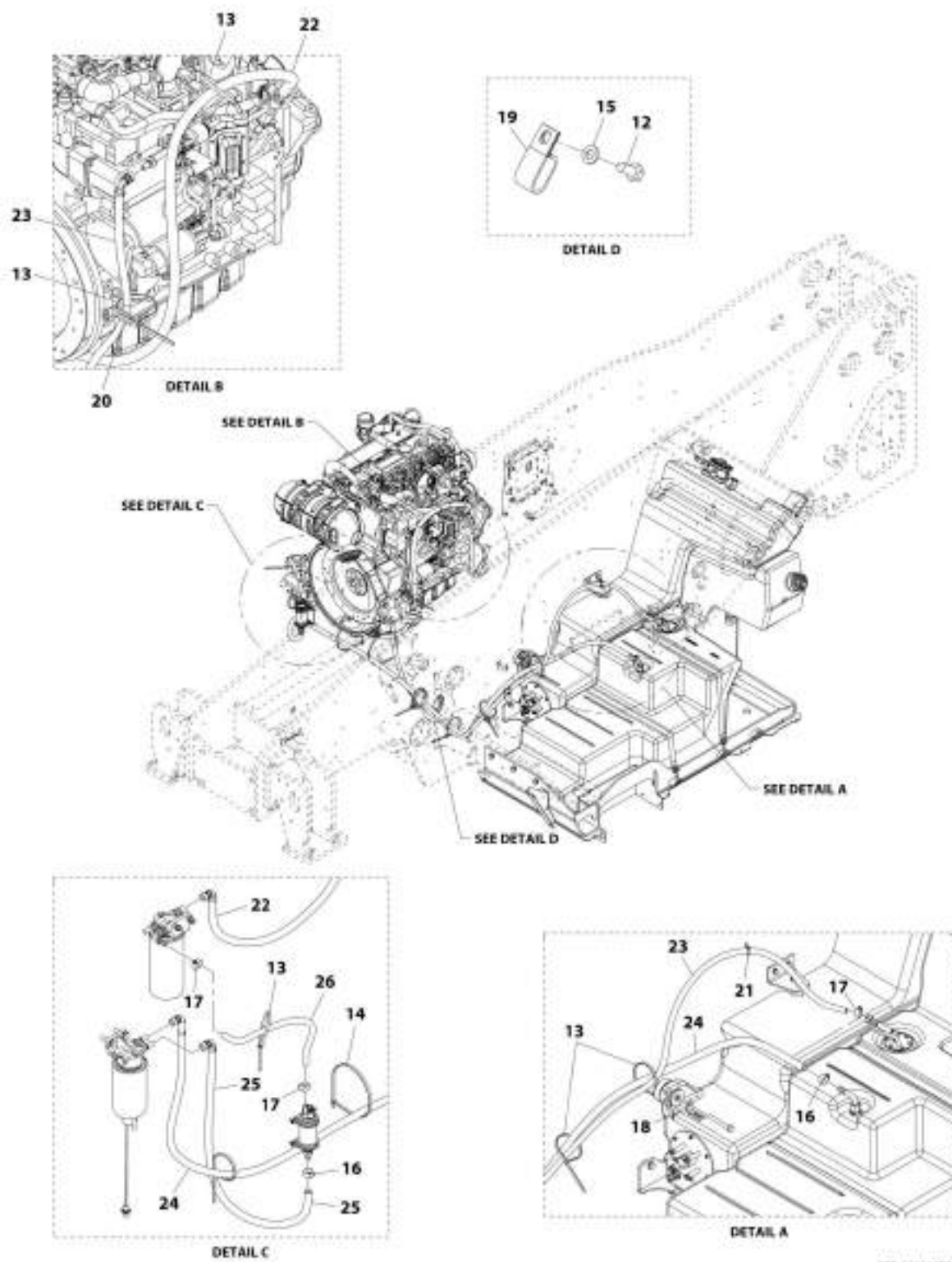
## SECTION 4 - ENGINE AND ATTACHING PARTS

**FIGURE 4-16. FUEL LINES INSTALLATION (ULS)**

ITEM	PART NUMBER	QTY	DESCRIPTION	REV
	1001185181	Ref	Fuel Lines Installation (ULS)	B
8	1001200192	1	Hose, 0.5IN Fuel	
12	0761012	1	Bolt, M10X25	
13	1062255	AR	Strap, Tie	
14	4240127	AR	Strap, Tie	
15	4812000	1	Washer, M10	
16	8405006	4	Clamp, Gear	
17	8410013	3	Clamp, Gear	
18	1001003305	1	Clip	
19	1001026104	1	Clip	
20	1001130198	1	Clip, 90	
21	1001146588	1	Strap, Fir Tree Cable Tie	
22	1001204839	1	Hose, 0.5IN Fuel	
23	1001204840	1	Hose, 0.38IN Fuel	
24	1001204841	1	Hose, 0.5IN Fuel	
25	1001204842	1	Hose, 0.38IN Fuel	

# SECTION 4 - ENGINE AND ATTACHING PARTS

## FIGURE 4-17. FUEL LINES INSTALLATION (ULS - RHOC)



ART\_1001107025-C

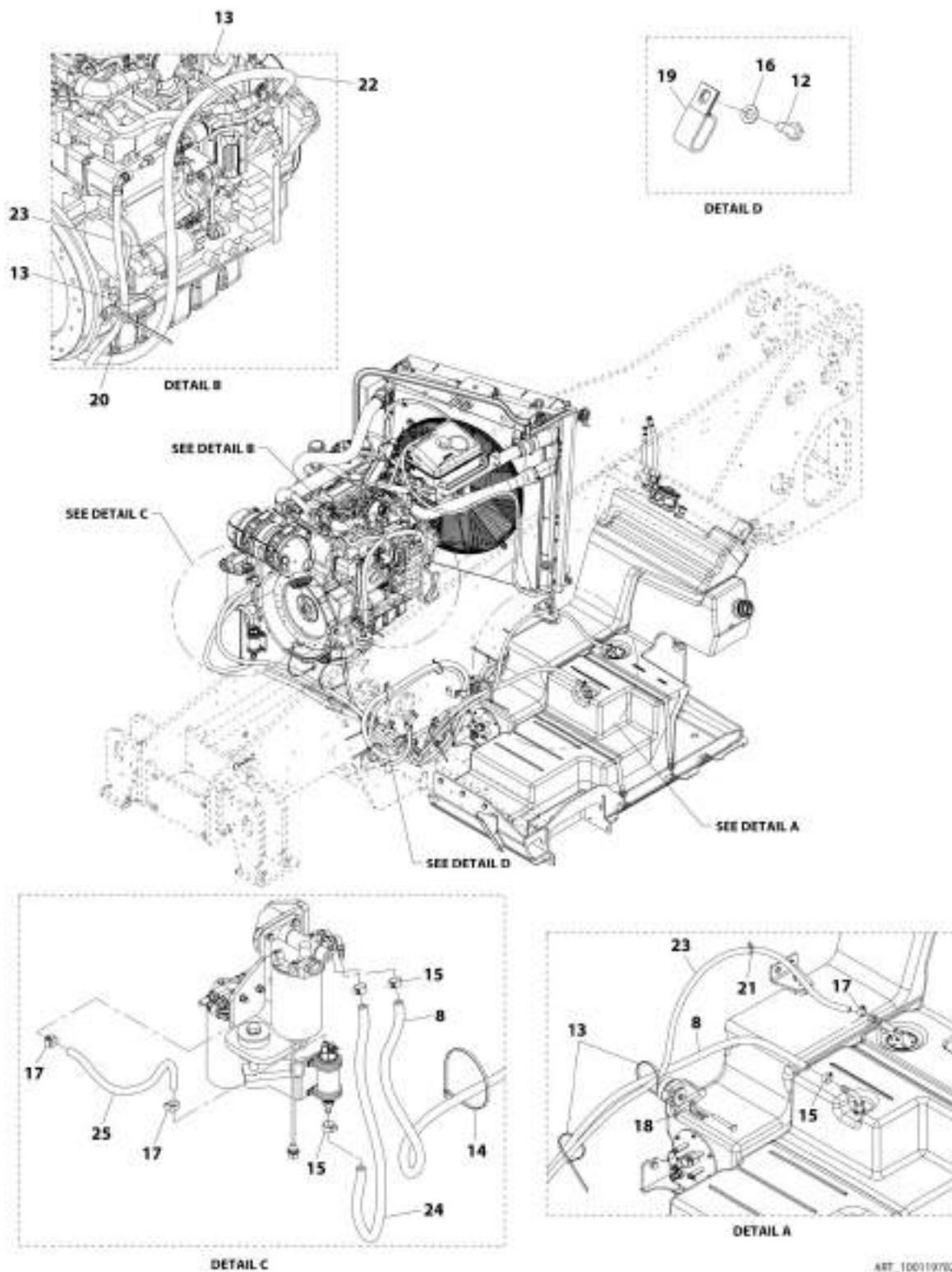
## SECTION 4 - ENGINE AND ATTACHING PARTS

**FIGURE 4-17. FUEL LINES INSTALLATION (ULS - RHOC)**

ITEM	PART NUMBER	QTY	DESCRIPTION	REV
	1001197821	Ref	Fuel Lines Installation (ULS - RHOC)	B
12	0761012	1	Bolt, M10X25	
13	1062255	AR	Strap, Tie	
14	4240127	AR	Strap, Tie	
15	4812000	1	Washer, M10	
16	8405006	2	Clamp, Gear	
17	8410013	3	Clamp, Gear	
18	1001003305	1	Clip	
19	1001026104	1	Clip	
20	1001130198	1	Clip, 90	
21	1001146588	1	Strap, Fir Tree Cable Tie	
22	1001204841	1	Hose, 0.5IN Fuel	
23	1001204842	1	Hose, 0.38IN Fuel	
24	1001216854	1	Hose, 0.5IN Fuel	
25	1001216855	1	Hose, 0.5IN Fuel	
26	1001205041	1	Hose, 0.38IN Fuel	

# SECTION 4 - ENGINE AND ATTACHING PARTS

## FIGURE 4-18. FUEL LINES INSTALLATION (LS)



ART\_1001197026-B



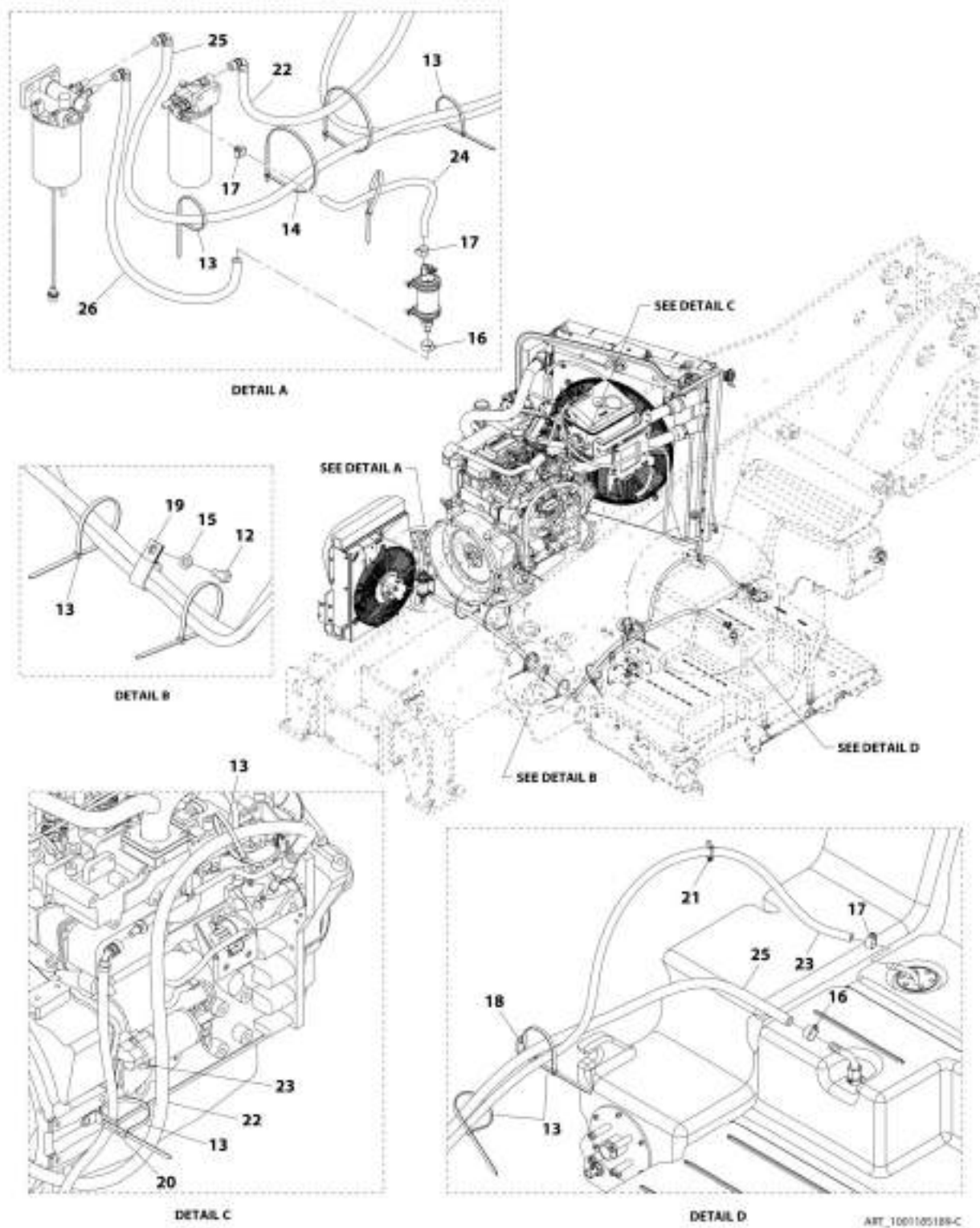
## SECTION 4 - ENGINE AND ATTACHING PARTS

**FIGURE 4-18. FUEL LINES INSTALLATION (LS)**

ITEM	PART NUMBER	QTY	DESCRIPTION	REV
	1001197826	Ref	Fuel Lines Installation (LS)	B
8	1001200192	1	Hose, 0.5IN Fuel	
12	0761012	1	Bolt, M10X25	
13	1062255	AR	Strap, Tie	
14	4240127	AR	Strap, Tie	
15	8405006	4	Clamp, Gear	
16	4812000	1	Washer, M10	
17	8410013	3	Clamp, Gear	
18	1001003305	1	Clip	
19	1001026104	1	Clip	
20	1001130198	1	Clip, 90	
21	1001146588	1	Strap, Fir Tree Cable Tie	
22	1001204841	1	Hose, 0.5IN Fuel	
23	1001204842	1	Hose, 0.38IN Fuel	
24	1001204839	1	Hose, 0.5IN Fuel	
25	1001204840	1	Hose, 0.38IN Fuel	

# SECTION 4 - ENGINE AND ATTACHING PARTS

## FIGURE 4-19. FUEL LINES INSTALLATION (LS - RHOC)



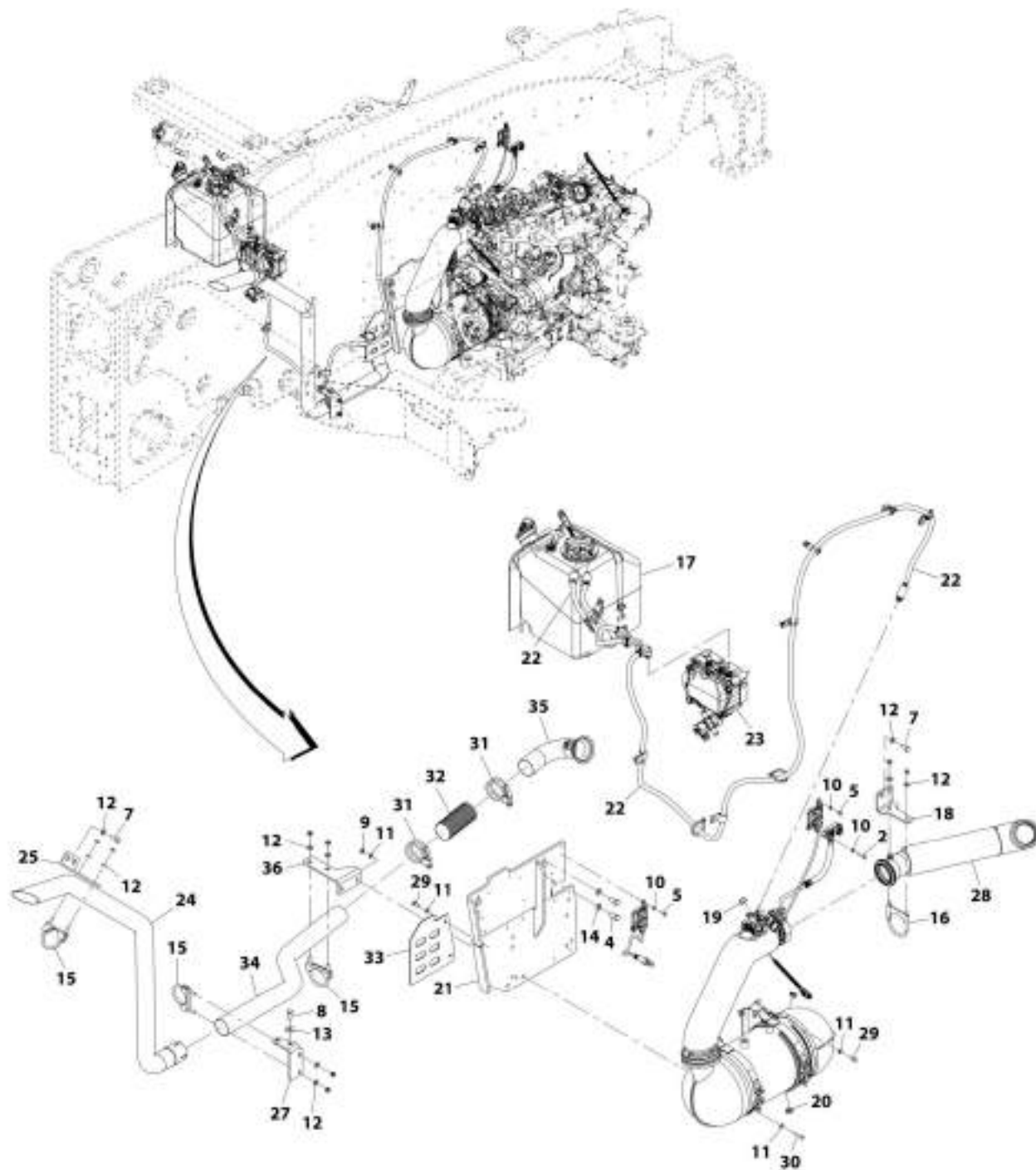
## SECTION 4 - ENGINE AND ATTACHING PARTS

**FIGURE 4-19. FUEL LINES INSTALLATION (LS - RHOC)**

ITEM	PART NUMBER	QTY	DESCRIPTION	REV
	1001185189	Ref	Fuel Lines Installation (LS - RHOC)	C
12	0761012	1	Bolt, M10X25	
13	1062255	AR	Strap, Tie	
14	4240127	AR	Strap, Tie	
15	4812000	1	Washer, M10	
16	8405006	2	Clamp, Gear	
17	8410013	3	Clamp, Gear	
18	1001003305	1	Clip	
19	1001026104	1	Clip	
20	1001130198	1	Clip, 90	
21	1001146588	1	Strap, Fir Tree Cable Tie	
22	1001204841	1	Hose, 0.5IN Fuel	
23	1001204842	1	Hose, 0.38IN Fuel	
24	1001205041	1	Hose, 0.38IN Fuel	
25	1001216854	1	Hose, 0.5IN Fuel	
26	1001216855	1	Hose, 0.5IN Fuel	

# SECTION 4 - ENGINE AND ATTACHING PARTS

## FIGURE 4-20. EXHAUST INSTALLATION (ULS)



ART\_100175324-E

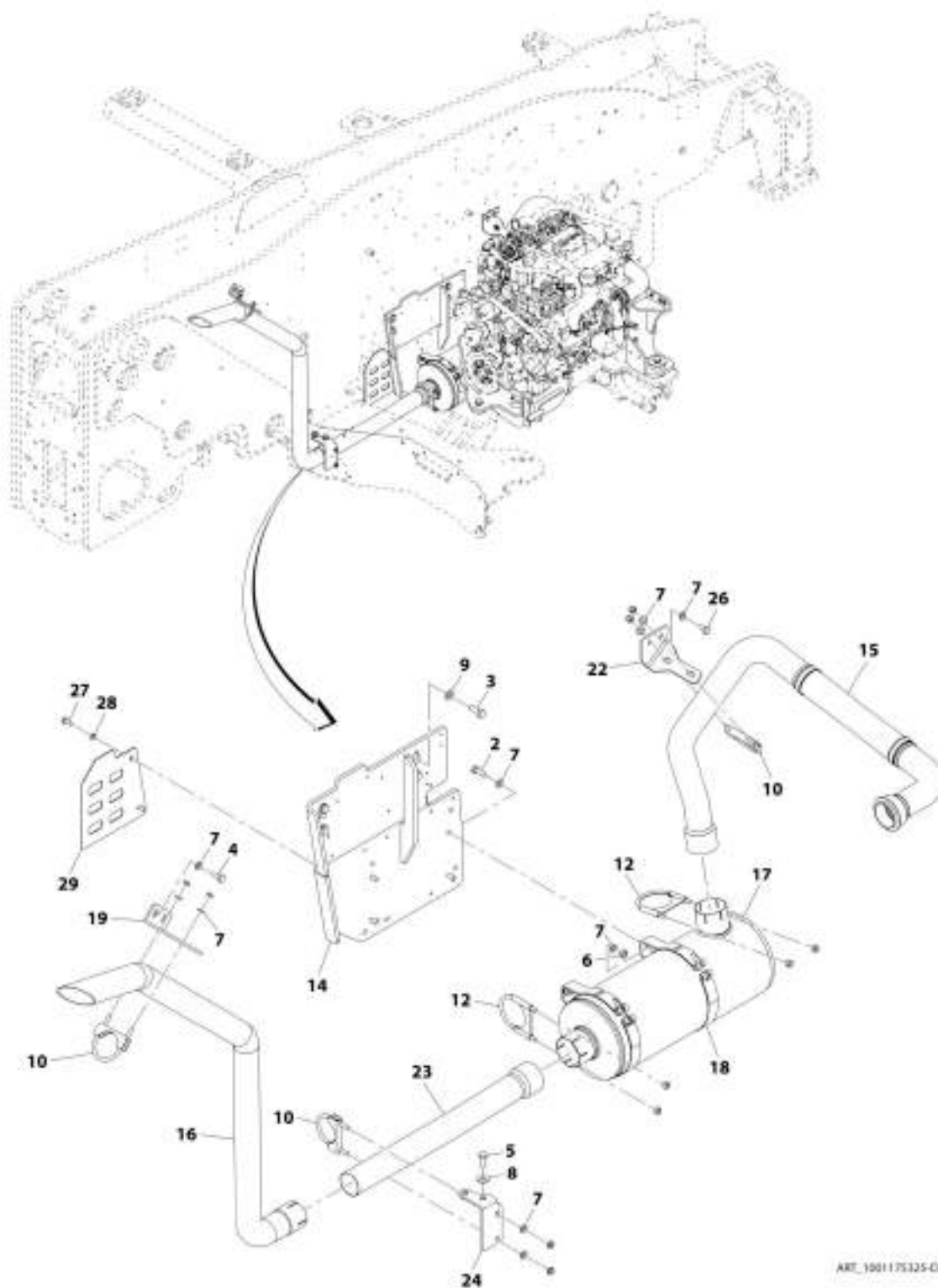
## SECTION 4 - ENGINE AND ATTACHING PARTS

**FIGURE 4-20. EXHAUST INSTALLATION (ULS)**

ITEM	PART NUMBER	QTY	DESCRIPTION	REV
	1001175324	Ref	Exhaust Installation (ULS)	E
2	0700614	2	Bolt, M6X30	
4	0701214	4	Bolt, M12X30	
5	0760607	4	Bolt, M6X14	
7	0761012	4	Bolt, M10X25	
8	0761014	2	Bolt, M10X30	
9	3290805	2	Nut, Lock M8X1.25 Grade 8	
10	4811700	6	Washer, M6	
11	4811900	12	Washer, M8	
12	4812000	12	Washer, M10	
13	4812002	2	Washer, M10	
14	4812100	4	Washer, M12	
15	8275212	3	Clamp, Muffler	
16	24921332	1	Clamp, Exhaust	
17	1001168639	Ref	Installation, DEF Tank (ULS) (See Separate Breakdown in this Section)	
18	1001169918	1	Plate, Exhaust	
19	1001171913	1	Cap	
20	1001171959	2	Plug	
21	1001210022	1	Bracket	
22	1001176977	Ref	Installation, DEF Lines (ULS) (See Separate Breakdown in this Section)	
23	1001178030	Ref	Installation, DEF Control Module (ULS) (See Separate Breakdown in this Section)	
24	1001178115	1	Pipe, Tail Exhaust	
25	1001182824	1	Bracket, Tailpipe	
27	1001201811	1	Bracket, Tailpipe	
28	1001193551	1	Pipe, Exhaust Flex	
29	0760810	8	Bolt, M8X20	
30	0760815	2	Bolt, M8X35	
31	91163268	2	Clamp, Flex Pipe	
32	1001201766	1	Pipe, Exhaust Flex	
33	1001201823	1	Plate, Airflow	
34	1001201929	1	Pipe, Exhaust	
35	1001201930	1	Pipe, Exhaust	
36	1001201933	1	Support, Exhaust Pipe	

# SECTION 4 - ENGINE AND ATTACHING PARTS

## FIGURE 4-21. EXHAUST INSTALLATION (LS)



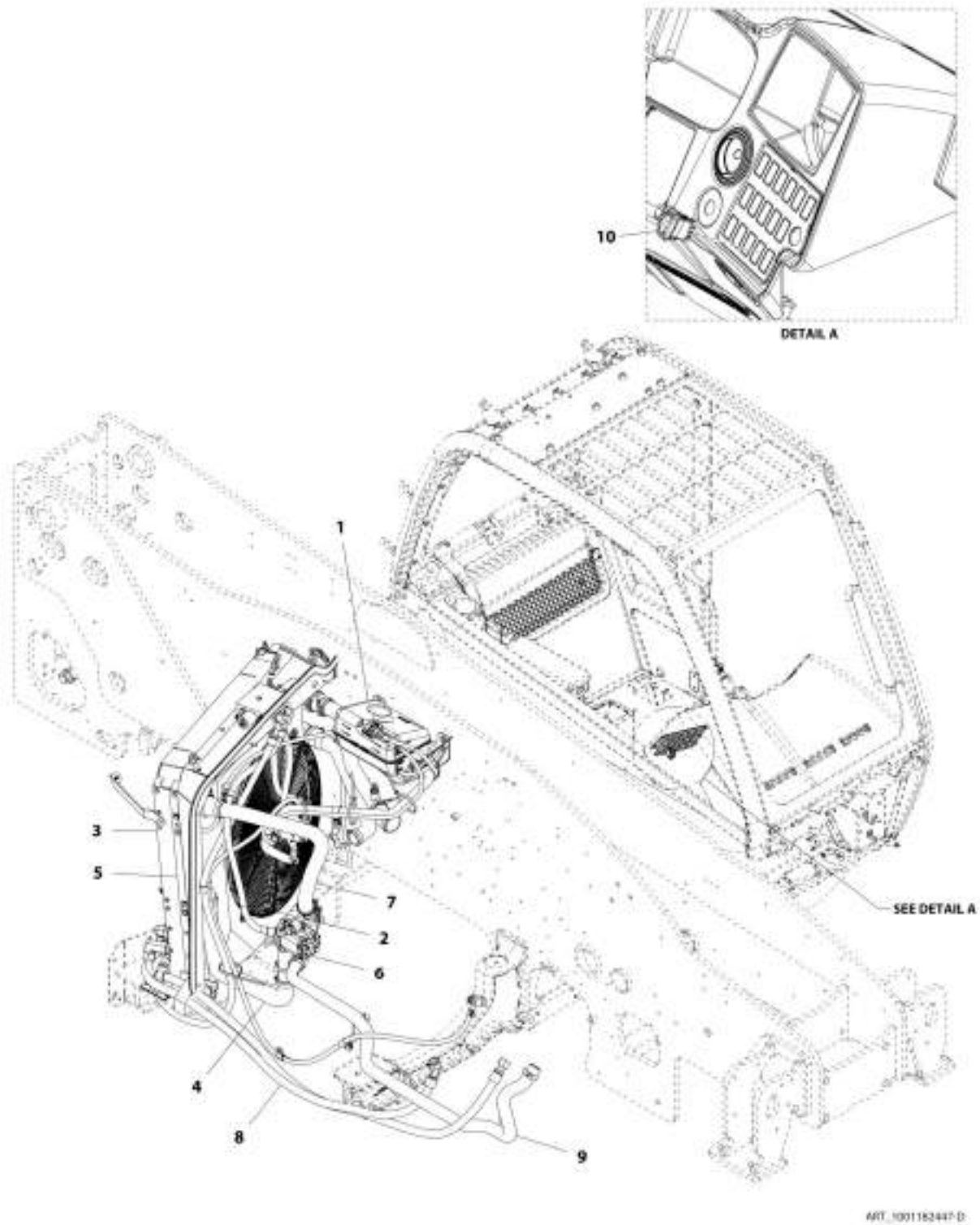
## SECTION 4 - ENGINE AND ATTACHING PARTS

**FIGURE 4-21. EXHAUST INSTALLATION (LS)**

ITEM	PART NUMBER	QTY	DESCRIPTION	REV
	1001175325	Ref	Exhaust Installation (LS)	D
2	0701014	4	Bolt, M10X30	
3	0701214	4	Bolt, M12X30	
4	0761012	2	Bolt, M10X25	
5	0761014	2	Bolt, M10X30	
6	3291007	4	Nut, Lock M10X1.5 Grade 8	
7	4812000	18	Washer, M10	
8	4812002	2	Washer, M10	
9	4812100	4	Washer, M12	
10	8275212	3	Clamp, Muffler	
12	24921332	2	Clamp, Exhaust	
14	1001210022	1	Bracket	
15	1001208281	1	Pipe, Exhaust	
16	1001178115	1	Pipe, Tail Exhaust	
17	1001180226	1	Muffler, Exhaust	
18	1001180227	2	Clamp, Muffler	
19	1001182824	1	Bracket, Tailpipe	
22	1001190740	1	Plate, Exhaust	
23	1001184710	1	Tube, Exhaust	
24	1001201811	1	Bracket, Tailpipe	
26	0761010	2	Bolt, M10X20	
27	0760810	2	Bolt, M8X20	
28	4811900	2	Washer, M8	
29	1001201823	1	Plate, Airflow	

# SECTION 4 - ENGINE AND ATTACHING PARTS

FIGURE 4-22. COOLING PACKAGE INSTALLATION (74.4KW - ULS)





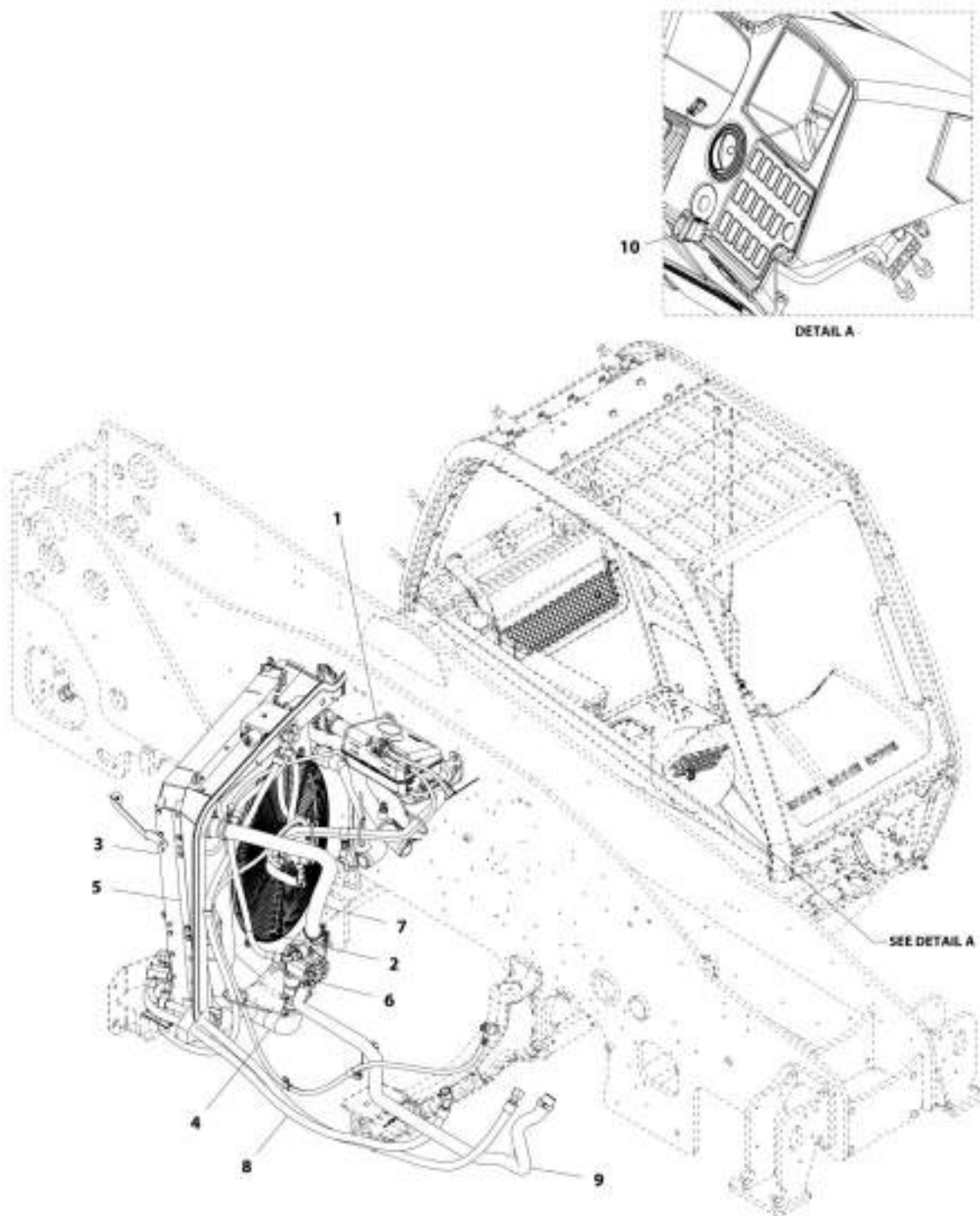
## SECTION 4 - ENGINE AND ATTACHING PARTS

**FIGURE 4-22. COOLING PACKAGE INSTALLATION (74.4KW - ULS)**

ITEM	PART NUMBER	QTY	DESCRIPTION	REV
	1001182447	Ref	Cooling Package Installation (74.4KW - ULS)	D
1	1001179864	Ref	Installation, Surge Tank (See Separate Breakdown in this Section)	
2	1001182112	Ref	Installation, Cooling Fan (See Separate Breakdown in this Section)	
3	1001184061	Ref	Installation, Cooler (74.4KW) (See Separate Breakdown in this Section)	
4	1001184120	Ref	Installation, Coolant Lines (ULS) (See Separate Breakdown in this Section)	
5	1001184955	Ref	Installation, Bulkhead (See Separate Breakdown in this Section)	
6	1001185865	Ref	Installation, Hydraulic Pump (74.4KW) (See Separate Breakdown in this Section)	
7	1001186849	Ref	Installation, CAC Lines (ULS) (See Separate Breakdown in this Section)	
8	1001183075	Ref	Installation, Cooler Lines (74.4KW) (See Separate Breakdown in this Section)	
9	1001188220	Ref	Installation, Fan Lines (74.4KW) (See Separate Breakdown in this Section)	
10	1001145204	1	Switch, Reversing Fan	

# SECTION 4 - ENGINE AND ATTACHING PARTS

FIGURE 4-23. COOLING PACKAGE INSTALLATION (74.4KW - LS)



ART\_1001184315-D

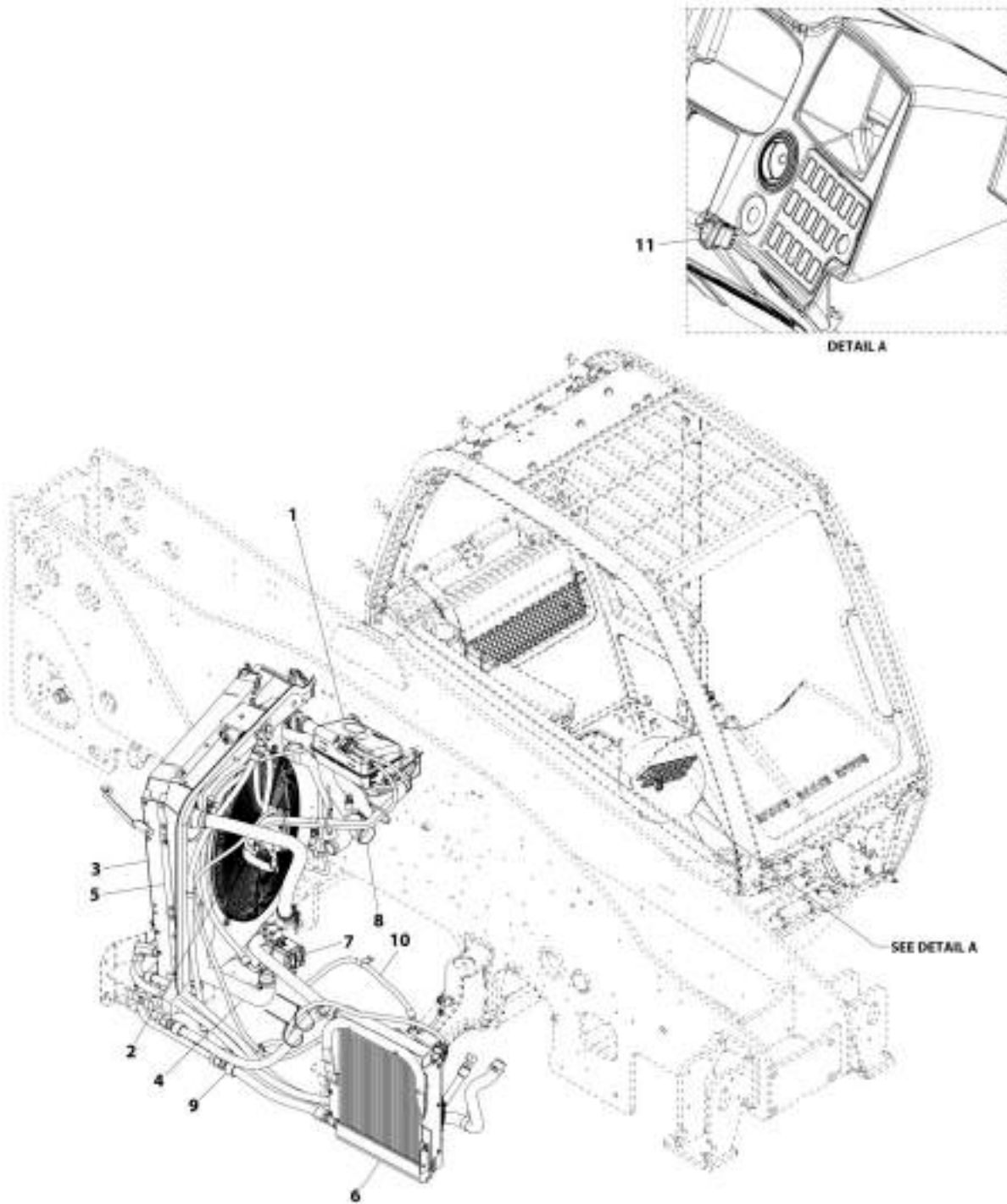
## SECTION 4 - ENGINE AND ATTACHING PARTS

**FIGURE 4-23. COOLING PACKAGE INSTALLATION (74.4KW - LS)**

ITEM	PART NUMBER	QTY	DESCRIPTION	REV
	1001184315	Ref	Cooling Package Installation (74.4KW - LS)	D
1	1001179864	Ref	Installation, Surge Tank (See Separate Breakdown in this Section)	
2	1001182112	Ref	Installation, Cooling Fan (See Separate Breakdown in this Section)	
3	1001184061	Ref	Installation, Cooler (74.4KW) (See Separate Breakdown in this Section)	
4	1001184132	Ref	Installation, Coolant Lines (LS) (See Separate Breakdown in this Section)	
5	1001184955	Ref	Installation, Bulkhead (See Separate Breakdown in this Section)	
6	1001185865	Ref	Installation, Hydraulic Pump (74.4KW) (See Separate Breakdown in this Section)	
7	1001186848	Ref	Installation, CAC Lines (LS) (See Separate Breakdown in this Section)	
8	1001183075	Ref	Installation, Cooler Lines (74.4KW) (See Separate Breakdown in this Section)	
9	1001188220	Ref	Installation, Fan Lines (74.4KW) (See Separate Breakdown in this Section)	
10	1001145204	1	Switch, Reversing Fan	

# SECTION 4 - ENGINE AND ATTACHING PARTS

FIGURE 4-24. COOLING PACKAGE INSTALLATION (90KW - ULS)



ART\_10E1182450-D

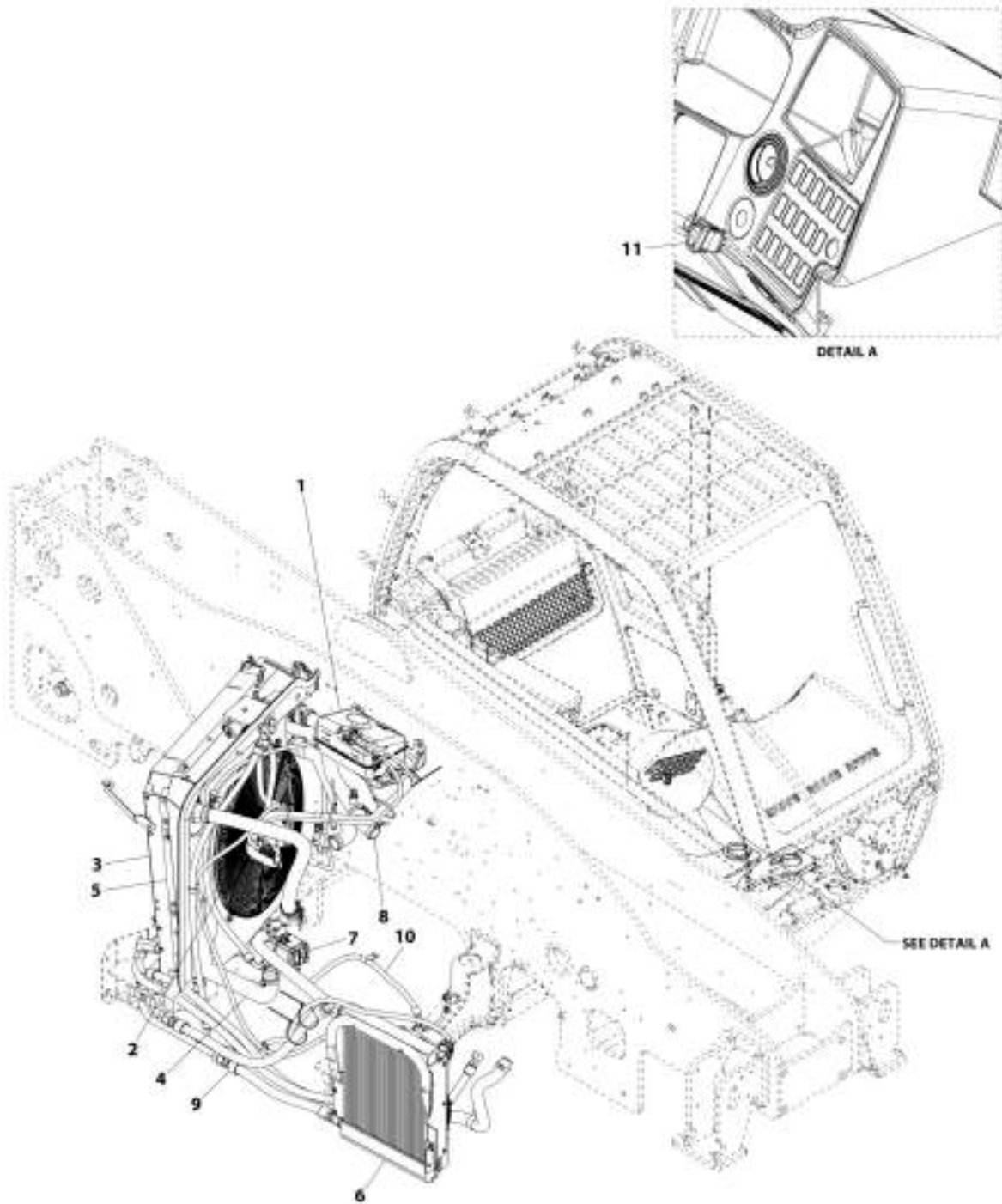
## SECTION 4 - ENGINE AND ATTACHING PARTS

**FIGURE 4-24. COOLING PACKAGE INSTALLATION (90KW - ULS)**

ITEM	PART NUMBER	QTY	DESCRIPTION	REV
	1001182450	Ref	Cooling Package Installation (90KW - ULS)	D
1	1001179864	Ref	Installation, Surge Tank (See Separate Breakdown in this Section)	
2	1001182112	Ref	Installation, Cooling Fan (See Separate Breakdown in this Section)	
3	1001184062	Ref	Installation, Cooler (90KW) (See Separate Breakdown in this Section)	
4	1001184120	Ref	Installation, Coolant Lines (ULS) (See Separate Breakdown in this Section)	
5	1001184955	Ref	Installation, Bulkhead (See Separate Breakdown in this Section)	
6	1001185337	Ref	Installation, Remote HOC (See Separate Breakdown in this Section)	
7	1001185864	Ref	Installation, Hydraulic Pump (90KW) (See Separate Breakdown in this Section)	
8	1001186849	Ref	Installation, CAC Lines (ULS) (See Separate Breakdown in this Section)	
9	1001183076	Ref	Installation, Cooler Lines (90KW) (See Separate Breakdown in this Section)	
10	1001187276	Ref	Installation, Fan Lines (90KW) (See Separate Breakdown in this Section)	
11	1001145204	1	Switch, Reversing Fan	

# SECTION 4 - ENGINE AND ATTACHING PARTS

FIGURE 4-25. COOLING PACKAGE INSTALLATION (90KW - LS)



ART\_1001184322-D

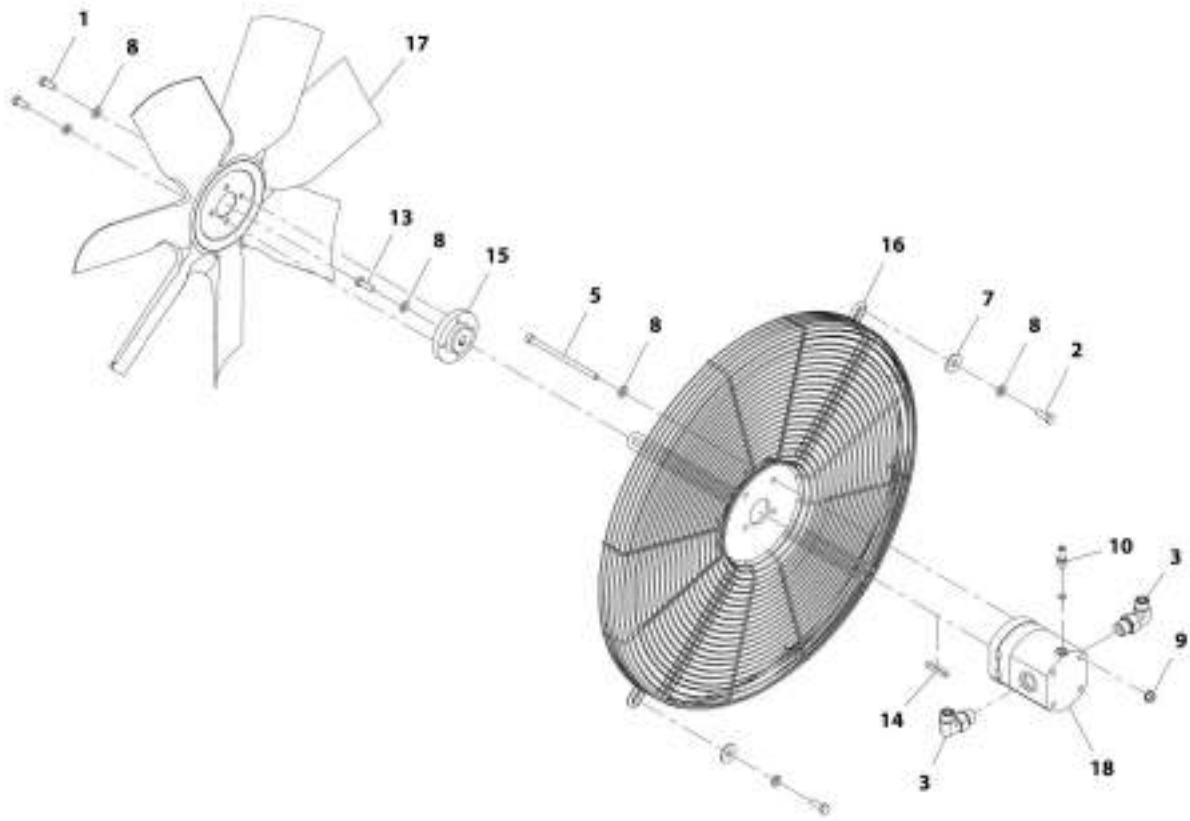
## SECTION 4 - ENGINE AND ATTACHING PARTS

**FIGURE 4-25. COOLING PACKAGE INSTALLATION (90KW - LS)**

ITEM	PART NUMBER	QTY	DESCRIPTION	REV
	1001184322	Ref	Cooling Package Installation (90KW - LS)	D
1	1001179864	Ref	Installation, Surge Tank (See Separate Breakdown in this Section)	
2	1001182112	Ref	Installation, Cooling Fan (See Separate Breakdown in this Section)	
3	1001184062	Ref	Installation, Cooler (90KW) (See Separate Breakdown in this Section)	
4	1001184132	Ref	Installation, Coolant Lines (LS) (See Separate Breakdown in this Section)	
5	1001184955	Ref	Installation, Bulkhead (See Separate Breakdown in this Section)	
6	1001185337	Ref	Installation, Remote HOC (See Separate Breakdown in this Section)	
7	1001185864	Ref	Installation, Hydraulic Pump (90KW) (See Separate Breakdown in this Section)	
8	1001186848	Ref	Installation, CAC Lines (LS) (See Separate Breakdown in this Section)	
9	1001183076	Ref	Installation, Cooler Lines (90KW) (See Separate Breakdown in this Section)	
10	1001187276	Ref	Installation, Fan Lines (90KW) (See Separate Breakdown in this Section)	
11	1001145204	1	Switch, Reversing Fan	

# SECTION 4 - ENGINE AND ATTACHING PARTS

## FIGURE 4-26. COOLING FAN INSTALLATION



4RT\_1001182112-0



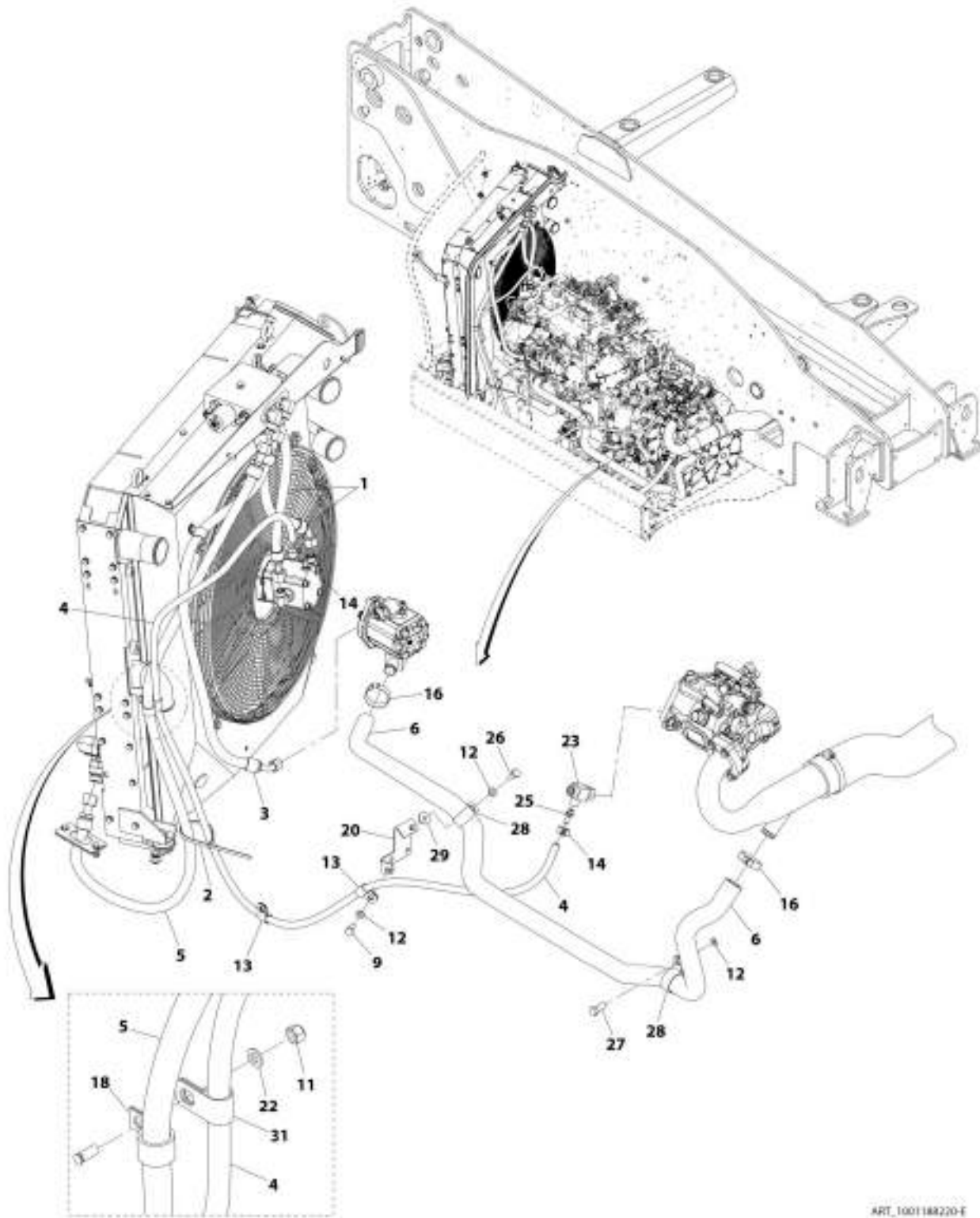
## SECTION 4 - ENGINE AND ATTACHING PARTS

FIGURE 4-26. COOLING FAN INSTALLATION

ITEM	PART NUMBER	QTY	DESCRIPTION	REV
	1001182112	Ref	Cooling Fan Installation	D
1	0770810	4	Bolt, M8X20 Grade 10.9	
2	0760812	4	Bolt, M8X25	
3	2130810	2	Fitting, 90 ORFS	
5	4031927	4	Bolt, M8X140	
7	4812002	4	Washer, M10	
8	5240800	13	Washer, M8	
9	5260800	4	Nut, M10	
10	1001093401	1	Fitting, Straight ORFS	
13	1001139034	1	Bolt	
14	1001152940	1	Key, Fan Hub	
15	1001191508	1	Adapter, Fan Hub	
16	1001182111	1	Shield, Fan	
17	1001182193	1	Fan, M610	
18	1001182949	1	Motor, Fan Drive (14.53CC) (See Separate Breakdown in this Section)	

# SECTION 4 - ENGINE AND ATTACHING PARTS

## FIGURE 4-27. FAN LINES INSTALLATION (74.4KW)



ART. 1001188220-E

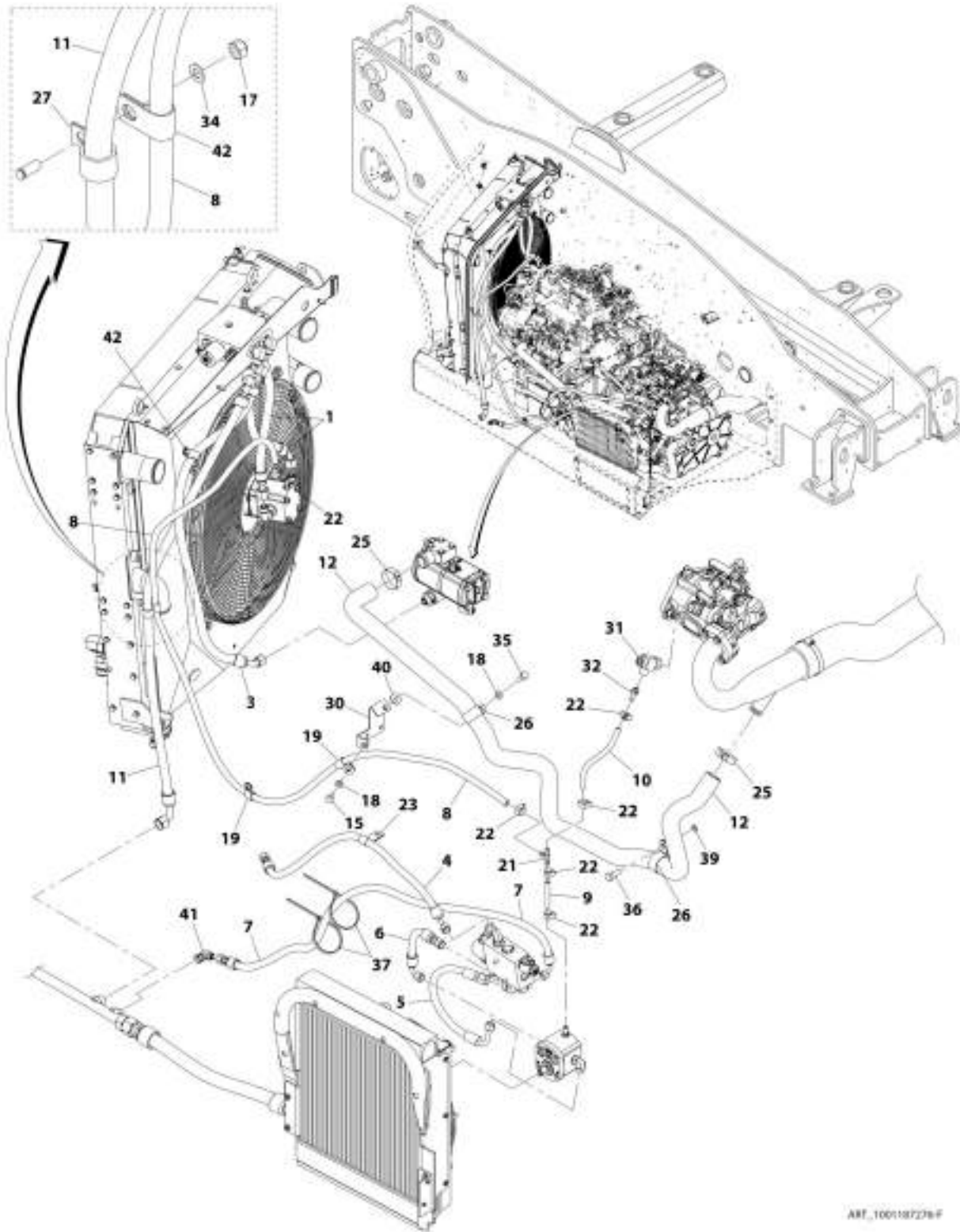
## SECTION 4 - ENGINE AND ATTACHING PARTS

**FIGURE 4-27. FAN LINES INSTALLATION (74.4KW)**

ITEM	PART NUMBER	QTY	DESCRIPTION	REV
	1001188220	Ref	Fan Lines Installation (74.4KW)	E
1	1001187277	2	Hose	
2	1062255	1	Strap, Tie	
3	1001200798	1	Hose, 0.50IN ORFS	
4	1001187550	1	Hose	
5	1001203287	1	Hose, 0.63IN ORFS	
6	1001202484	1	Hose, 1.25IN	
9	0761010	1	Bolt, M10X20	
11	3290805	1	Nut, Lock M8X1.25 Grade 8	
12	4812000	3	Washer, M10	
13	8406105	2	Clip	
14	8410013	2	Clamp, Gear	
16	1001008657	2	Clamp, Hose	
18	1001009384	1	Clip	
20	1001187712	1	Bracket	
22	4811900	2	Washer, M8	
23	1001033120	1	Fitting, Tee ORFS	
25	1001168030	1	Barb, Hose	
26	0701012	1	Bolt, M10X25	
27	0701214	1	Bolt, M12X30	
28	1320239	2	Clamp, 1-3/4IN	
29	4812002	1	Washer, M10	
31	1001008720	2	Clip	

# SECTION 4 - ENGINE AND ATTACHING PARTS

FIGURE 4-28. FAN LINES INSTALLATION (90KW)



ARF\_1001187236-F

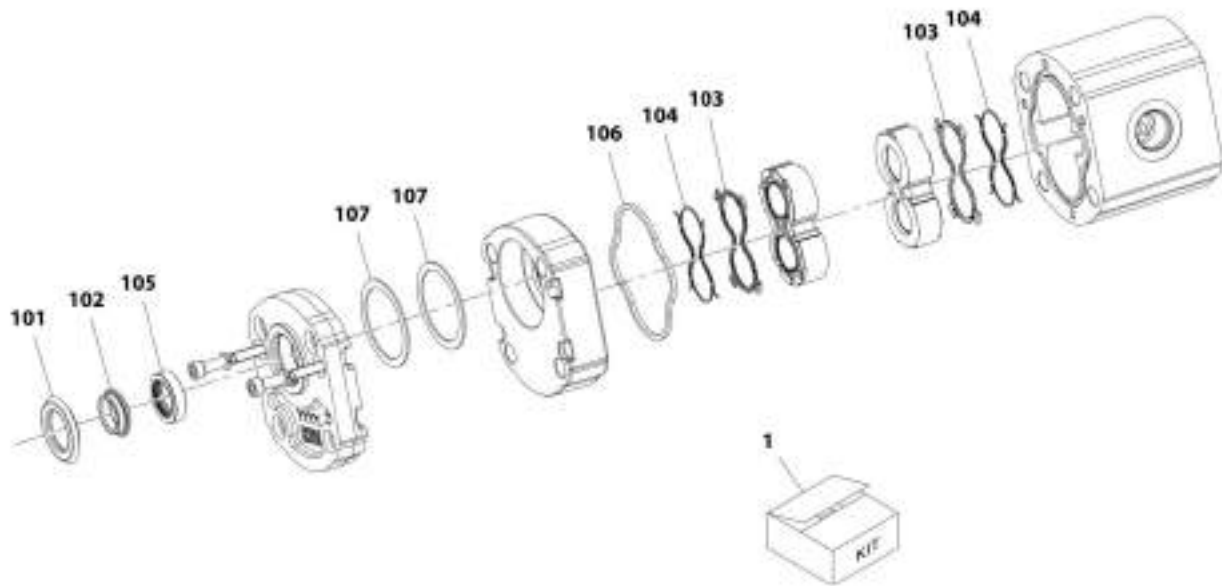
## SECTION 4 - ENGINE AND ATTACHING PARTS

**FIGURE 4-28. FAN LINES INSTALLATION (90KW)**

ITEM	PART NUMBER	QTY	DESCRIPTION	REV
	1001187276	Ref	Fan Lines Installation (90KW)	F
1	1001187277	2	Hose	
3	1001203025	1	Hose, ORFS	
4	1001202922	1	Hose, ORFS	
5	1001220145	1	Hose, ORFS	
6	1001187407	1	Hose	
7	1001196662	1	Hose, ORFS	
8	1001187550	1	Hose	
9	1001187551	1	Hose	
10	1001187552	1	Hose	
11	1001203178	1	Hose, ORFS	
12	1001199403	1	Hose	
15	0761010	1	Bolt, M10X20	
17	3290805	1	Nut, Lock M8X1.25 Grade 8	
18	4812000	2	Washer, M10	
19	8406105	2	Clip, 0.75IN	
21	1001003934	1	Fitting, Tee Barb	
22	8410013	6	Clamp, Gear	
23	1001004143	1	Clip	
25	1001008657	2	Clamp, Hose	
26	1320239	2	Clamp, 1-3/4IN	
27	1001009384	1	Clip	
30	1001187712	1	Bracket	
31	1001033120	1	Fitting, Tee ORFS	
32	1001168030	1	Barb, Hose	
34	4811900	1	Washer, M8	
35	0701012	1	Bolt, M10X25	
36	0701214	1	Bolt, M12X30	
37	1062255	3	Strap, Tie	
39	4812100	1	Washer, M12	
40	4812002	1	Washer, M10	
41	2172106	1	Fitting, 90 ORFS	
42	1001008720	2	Clip	

# SECTION 4 - ENGINE AND ATTACHING PARTS

FIGURE 4-29. FAN DRIVE MOTOR



ART\_1001382948-8

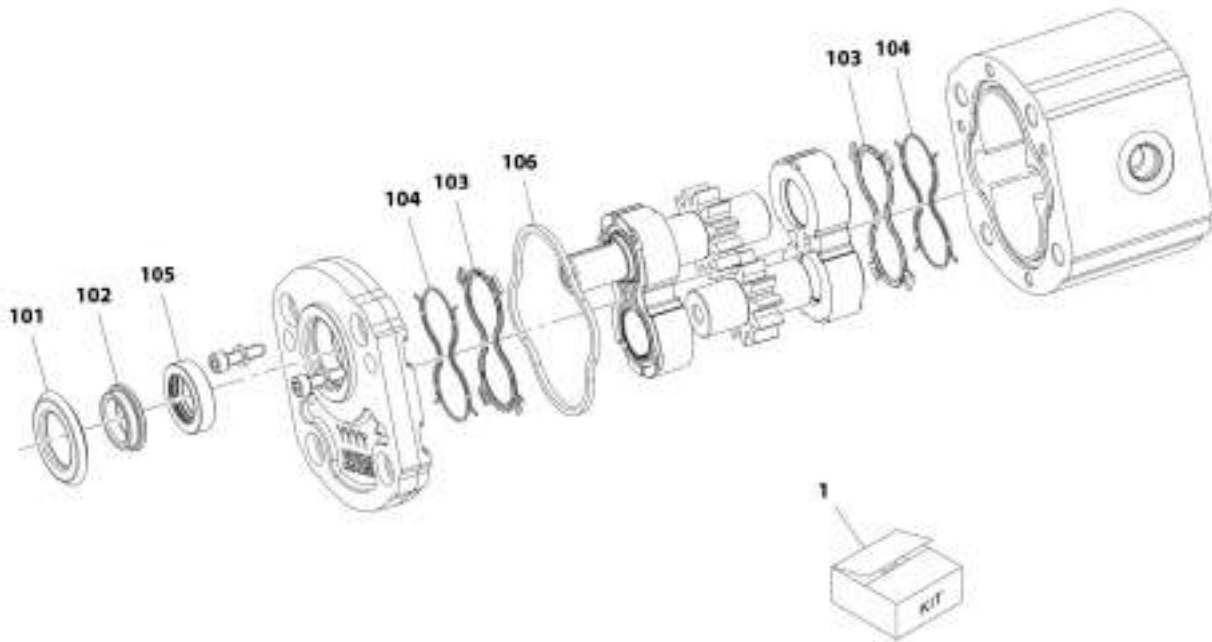
## SECTION 4 - ENGINE AND ATTACHING PARTS

### FIGURE 4-29. FAN DRIVE MOTOR

ITEM	PART NUMBER	QTY	DESCRIPTION	REV
	1001182949	Ref	Fan Drive Motor (14.53CC)	B
1	70027008	1	Kit, Seal	
101	Kit	1	Seal	
102	Kit	1	Holder Bushing	
103	Kit	2	Seal	
104	Kit	2	Ring, Anti-Extrusion	
105	Kit	1	Seal, Shaft	
106	Kit	1	Seal	
107	Kit	2	Seal	

# SECTION 4 - ENGINE AND ATTACHING PARTS

FIGURE 4-30. FAN DRIVE MOTOR (RHOC)



ART. 1001182850-8



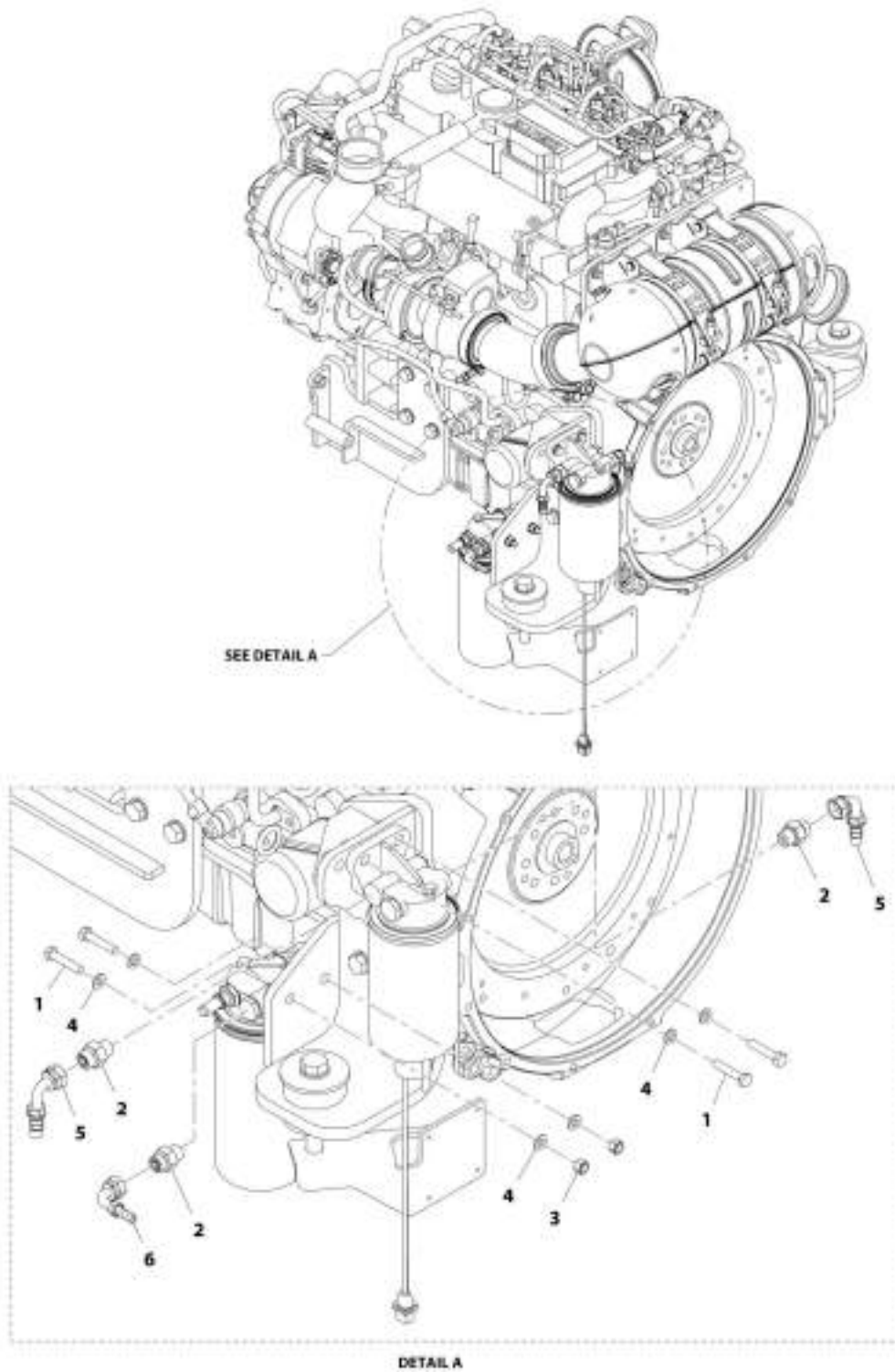
## SECTION 4 - ENGINE AND ATTACHING PARTS

FIGURE 4-30. FAN DRIVE MOTOR (RHOC)

ITEM	PART NUMBER	QTY	DESCRIPTION	REV
	1001182950	Ref	Fan Drive Motor (7.29CC)	B
1	70027037	1	Kit, Seal	
101	N.S.S.	1	Seal, Axial	
102	N.S.S.	1	Bush Holder	
103	N.S.S.	2	Seal	
104	N.S.S.	2	Ring	
105	N.S.S.	1	Seal	
106	N.S.S.	1	Seal	

# SECTION 4 - ENGINE AND ATTACHING PARTS

FIGURE 4-31. PRIMARY FUEL FILTER INSTALLATION (74.4KW - ULS)



ART\_1001211729-4

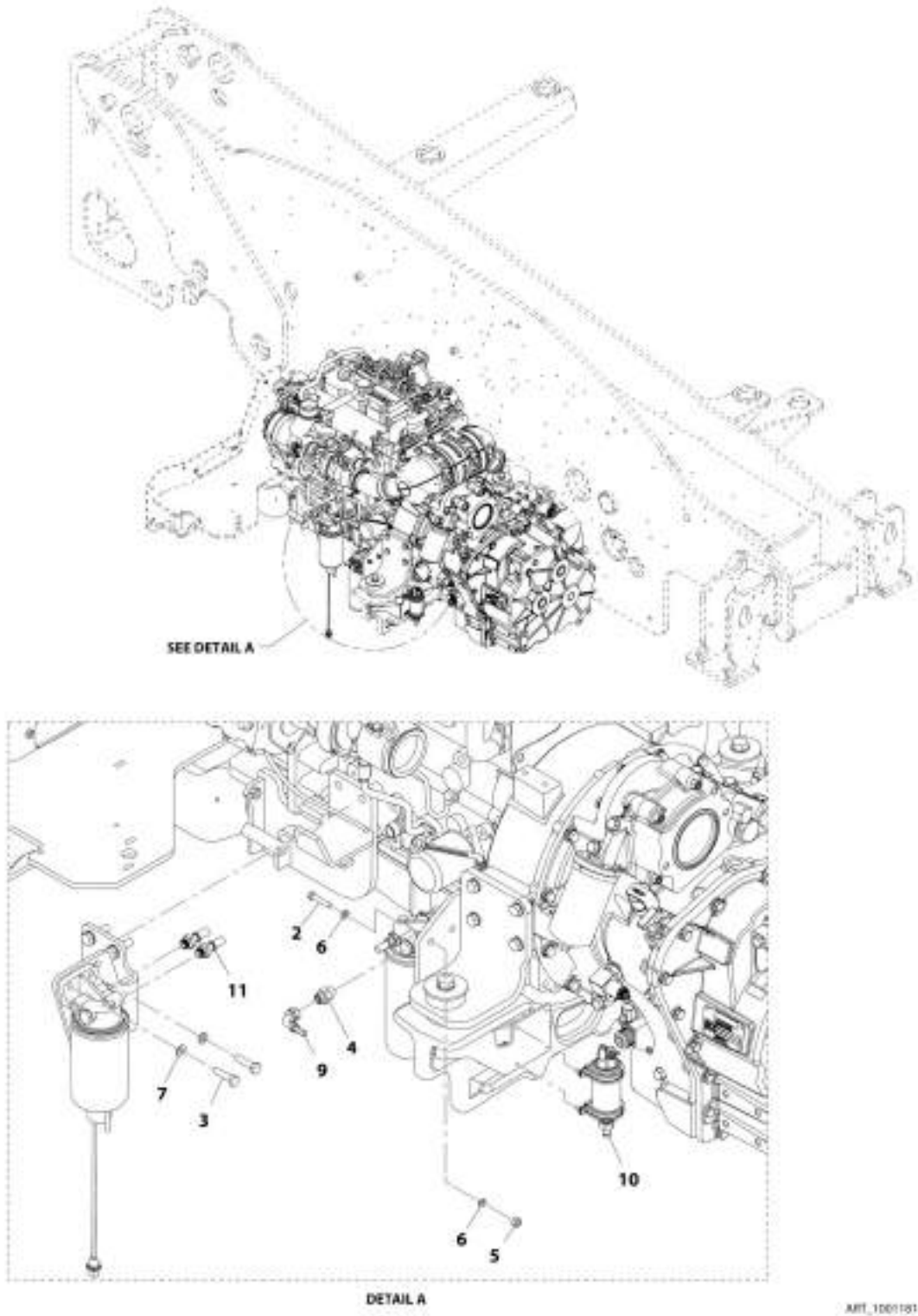
## SECTION 4 - ENGINE AND ATTACHING PARTS

FIGURE 4-31. PRIMARY FUEL FILTER INSTALLATION (74.4KW - ULS)

ITEM	PART NUMBER	QTY	DESCRIPTION	REV
	1001211729	Ref	Primary Fuel Filter Installation (74.4KW - ULS)	A
1	0700816	4	Bolt, M8X40	
2	2144606	3	Fitting, Straight ORFS	
3	3290805	2	Nut, Lock M8X1.25 Grade 8	
4	4811900	6	Washer, M8	
5	1001095301	2	Fitting, 90 ORFS	
6	1001133793	1	Fitting, 90 ORFS	

# SECTION 4 - ENGINE AND ATTACHING PARTS

FIGURE 4-32. FUEL FILTER INSTALLATION (90/100KW - ULS)



AMT\_1001101001-0

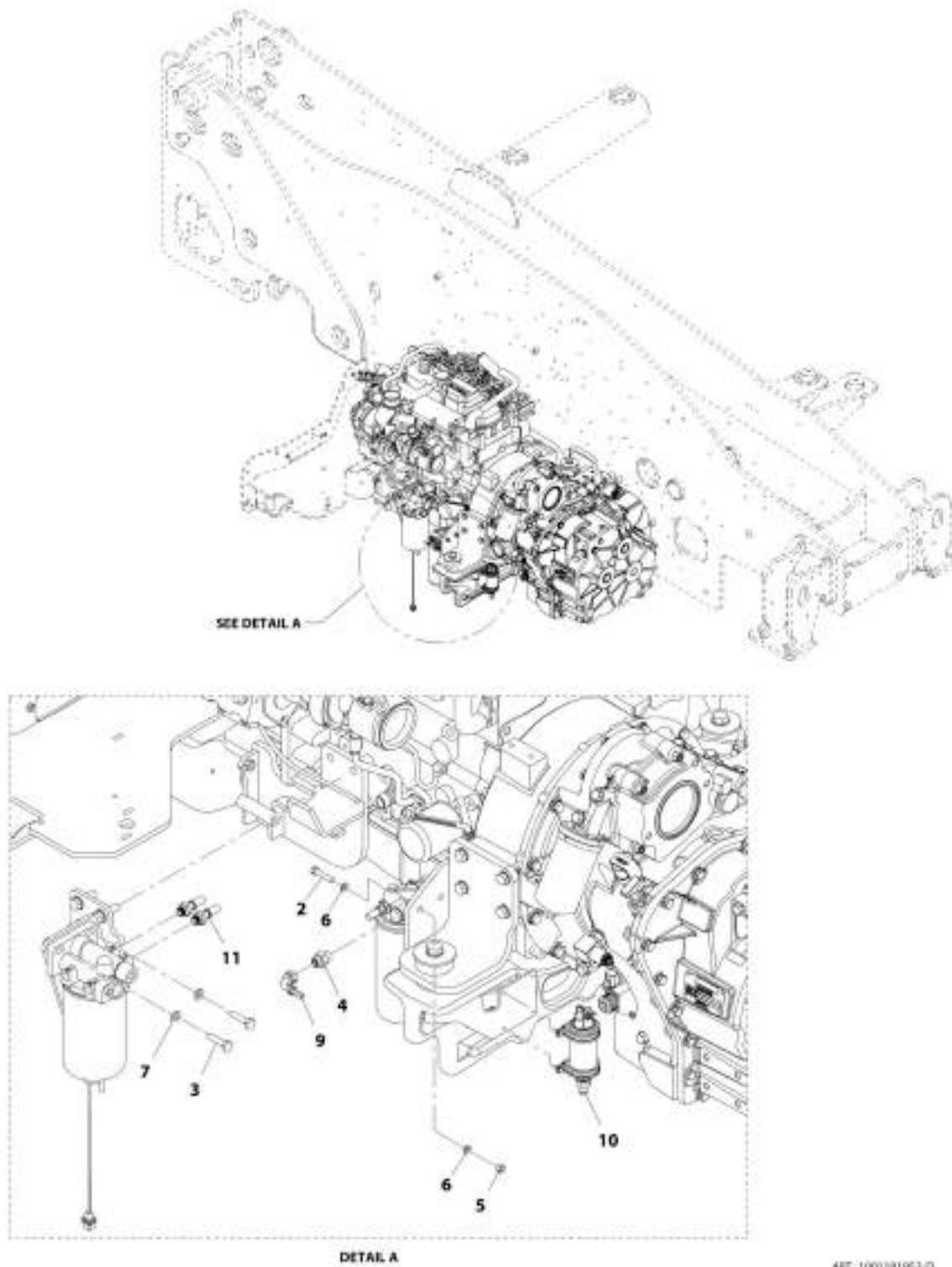
## SECTION 4 - ENGINE AND ATTACHING PARTS

**FIGURE 4-32. FUEL FILTER INSTALLATION (90/100KW - ULS)**

ITEM	PART NUMBER	QTY	DESCRIPTION	REV
	1001181951	Ref	Fuel Filter Installation (90/100KW - ULS)	D
2	0700816	2	Bolt, M8X40	
3	0701016	2	Bolt, M10X40	
4	2144606	1	Fitting, Straight ORFS	
5	3290805	2	Nut, Lock M8X1.25 Grade 8	
6	4811900	4	Washer, M8	
7	4812000	2	Washer, M10	
9	1001133793	1	Fitting, 90 ORFS	
10	1001165789	Ref	Installation, Remote Fuel Pump (74.4KW) (See Separate Breakdown in this Section)	
11	1001133690	2	Coupling, M16X1.5	

# SECTION 4 - ENGINE AND ATTACHING PARTS

FIGURE 4-33. PRIMARY FUEL FILTER INSTALLATION (90KW - LS)



APR\_1001181953-D

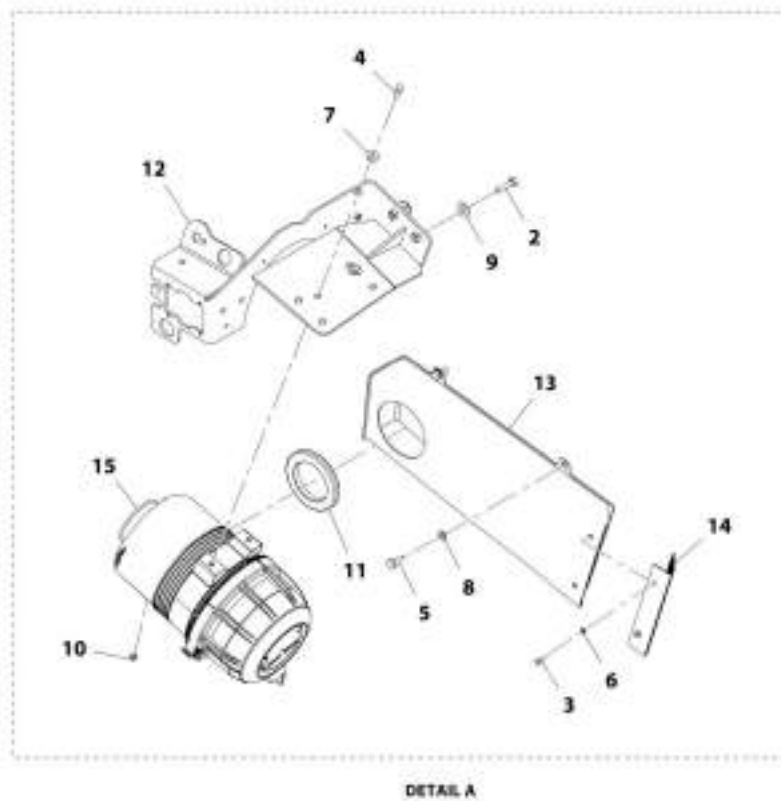
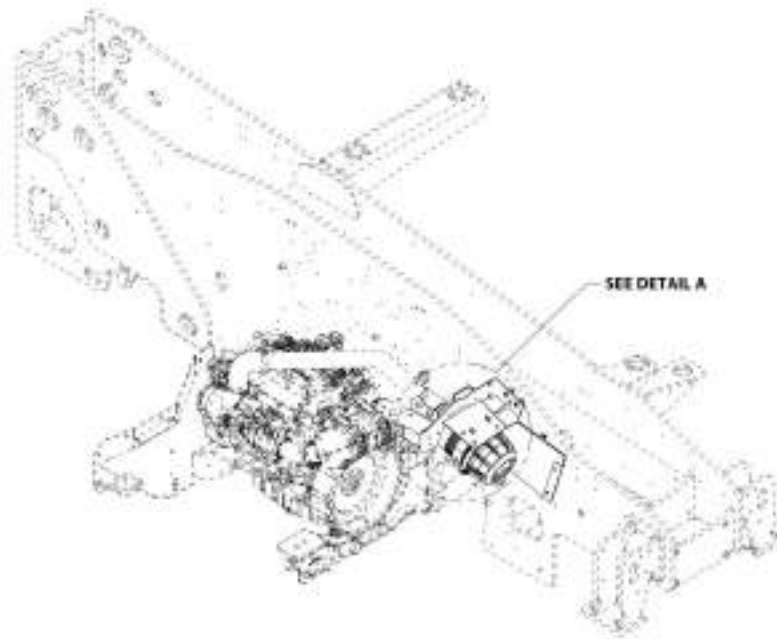
## SECTION 4 - ENGINE AND ATTACHING PARTS

FIGURE 4-33. PRIMARY FUEL FILTER INSTALLATION (90KW - LS)

ITEM	PART NUMBER	QTY	DESCRIPTION	REV
	1001181952	Ref	Primary Fuel Filter Installation (90KW - LS)	D
2	0700816	2	Bolt, M8X40	
3	0701016	2	Bolt, M10X40	
4	2144606	1	Fitting, Straight ORFS	
5	3290805	2	Nut, Lock M8X1.25 Grade 8	
6	4811900	4	Washer, M8	
7	4812000	2	Washer, M10	
9	1001133793	1	Fitting, 90 ORFS	
10	1001165789	Ref	Installation, Remote Fuel Pump (74.4KW) (See Separate Breakdown in this Section)	
11	1001133690	2	Coupling, M16X1.5	

# SECTION 4 - ENGINE AND ATTACHING PARTS

FIGURE 4-34. AIR CLEANER INSTALLATION (74.4KW - ULS)



ART\_100192045-0



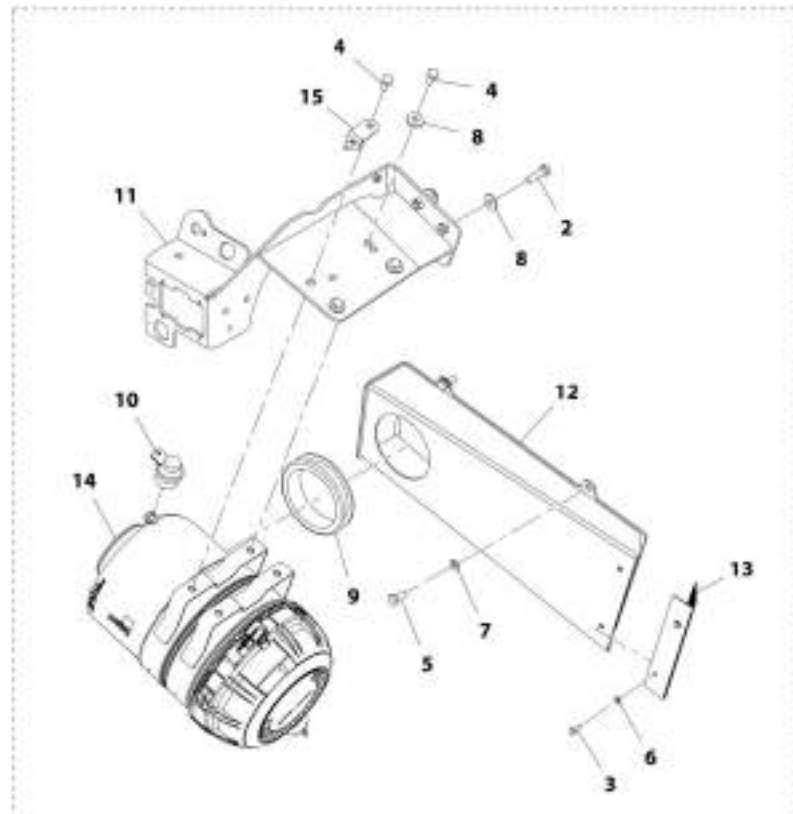
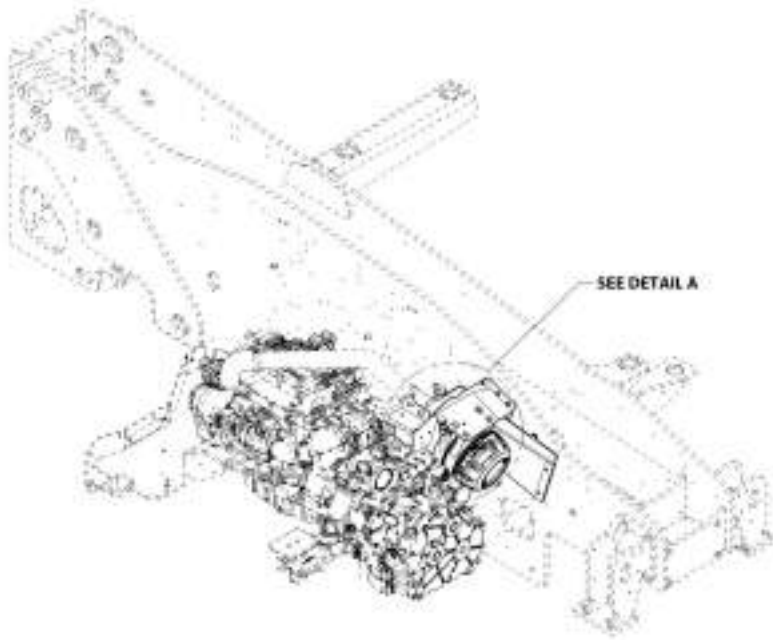
## SECTION 4 - ENGINE AND ATTACHING PARTS

**FIGURE 4-34. AIR CLEANER INSTALLATION (74.4KW - ULS)**

ITEM	PART NUMBER	QTY	DESCRIPTION	REV
	1001182040	Ref	Air Cleaner Installation (74.4KW - ULS)	D
2	0701016	3	Bolt, M10X40	
3	0760608	2	Bolt, M6X16	
4	0760810	2	Bolt, M8X20	
5	0761012	4	Bolt, M10X25	
6	4811700	2	Washer, M6	
7	4811902	2	Washer, M8	
8	4812000	4	Washer, M10	
9	4812002	3	Washer, M10	
10	1001183177	1	Cap	
11	1001183830	1	Grommet	
12	1001212907	1	Bracket	
13	1001186009	1	Duct	
14	1001186290	1	Grill	
15	1001166566	1	Filter, Air Cleaner (74.4KW) (See Separate Breakdown in this Section)	

# SECTION 4 - ENGINE AND ATTACHING PARTS

FIGURE 4-35. AIR CLEANER INSTALLATION (90/100KW)



DETAIL A

ART\_1001182036-F

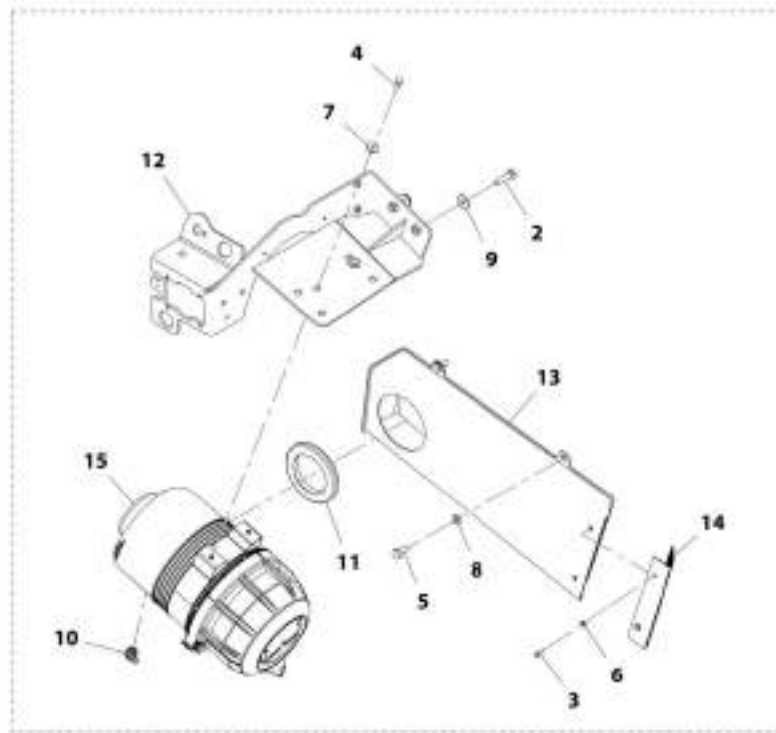
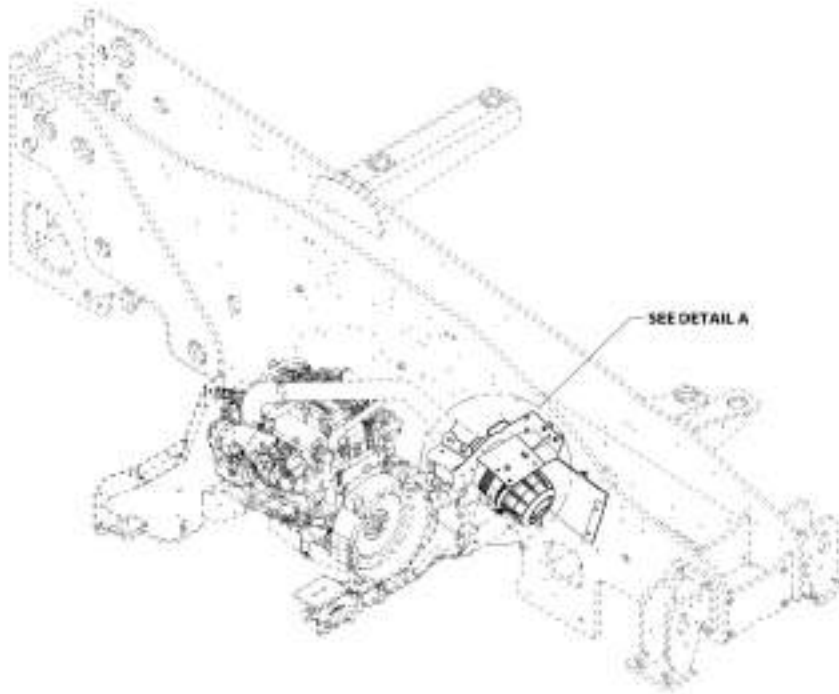
## SECTION 4 - ENGINE AND ATTACHING PARTS

**FIGURE 4-35. AIR CLEANER INSTALLATION (90/100KW)**

ITEM	PART NUMBER	QTY	DESCRIPTION	REV
	1001182036	Ref	Air Cleaner Installation (90/100KW)	F
2	0701016	3	Bolt, M10X40	
3	0760608	2	Bolt, M6X16	
4	0761010	4	Bolt, M10X20	
5	0761012	4	Bolt, M10X25	
6	4811700	2	Washer, M6	
7	4812000	4	Washer, M10	
8	4812002	6	Washer, M10	
9	1001166397	1	Grommet	
10	1001166715	1	Indicator	
11	1001212906	1	Bracket	
12	1001186009	1	Duct	
13	1001186290	1	Grill	
14	1001166565	1	Filter, Air Cleaner (90/100KW) (See Separate Breakdown in this Section)	
15	1001218486	1	Bracket	

# SECTION 4 - ENGINE AND ATTACHING PARTS

FIGURE 4-36. AIR CLEANER INSTALLATION (74.4KW - LS)



DETAIL A

ARE\_1001182042-0

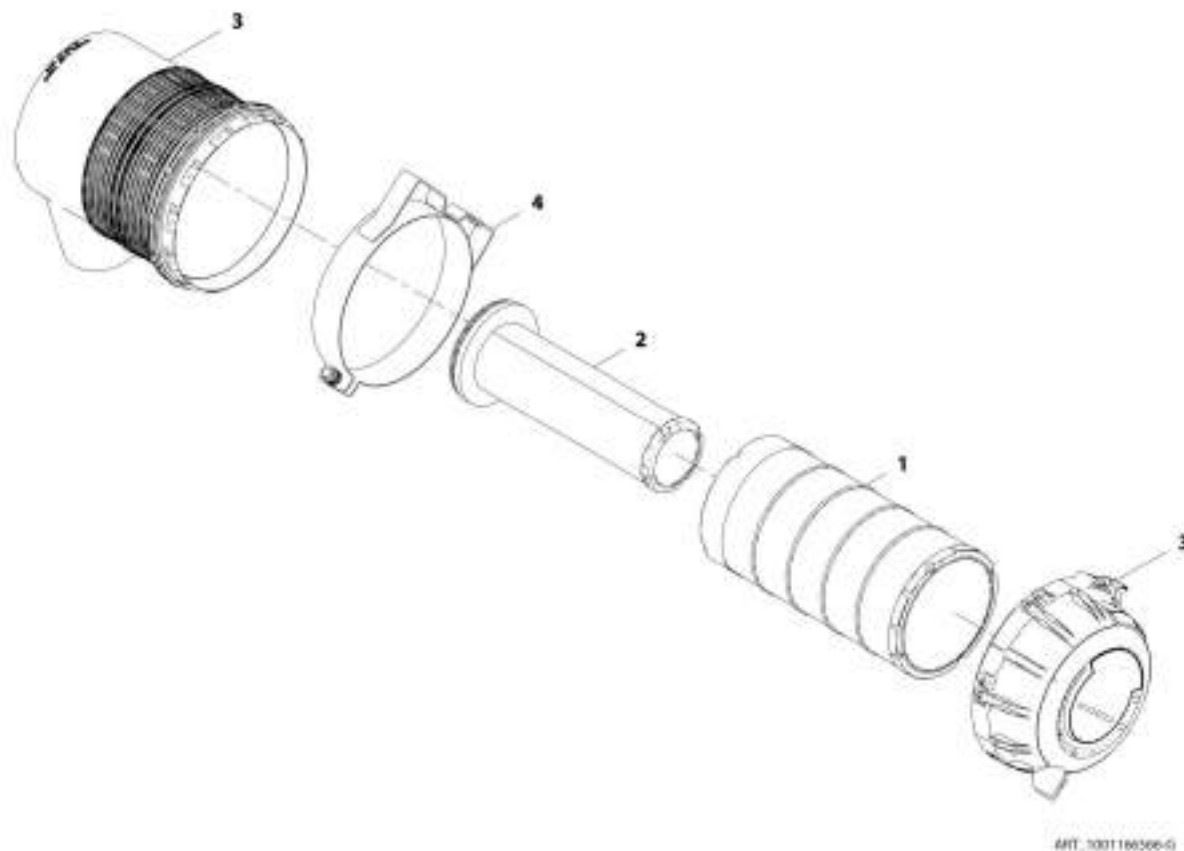
## SECTION 4 - ENGINE AND ATTACHING PARTS

**FIGURE 4-36. AIR CLEANER INSTALLATION (74.4KW - LS)**

ITEM	PART NUMBER	QTY	DESCRIPTION	REV
	1001182042	Ref	Air Cleaner Installation (74.4KW - LS)	D
2	0701016	3	Bolt, M10X40	
3	0760608	2	Bolt, M6X16	
4	0760810	2	Bolt, M8X20	
5	0761012	4	Bolt, M10X25	
6	4811700	2	Washer, M6	
7	4811902	2	Washer, M8	
8	4812000	4	Washer, M10	
9	4812002	3	Washer, M10	
10	1001166715	1	Indicator	
11	1001183830	1	Grommet	
12	1001212907	1	Bracket	
13	1001186009	1	Duct	
14	1001186290	1	Grill	
15	1001166566	1	Filter, Air Cleaner (74.4KW) (See Separate Breakdown in this Section)	

## SECTION 4 - ENGINE AND ATTACHING PARTS

FIGURE 4-37. AIR CLEANER ASSEMBLY (74.4KW)



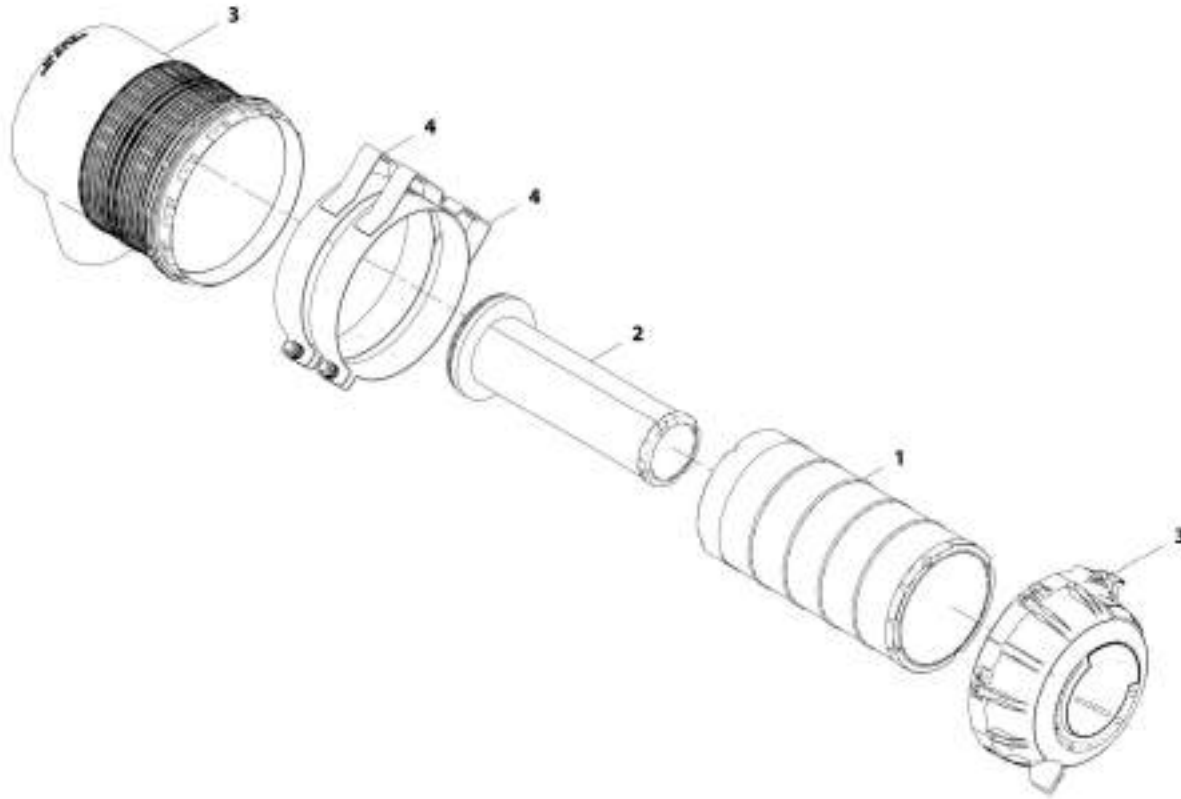
## SECTION 4 - ENGINE AND ATTACHING PARTS

FIGURE 4-37. AIR CLEANER ASSEMBLY (74.4KW)

ITEM	PART NUMBER	QTY	DESCRIPTION	REV
	1001166566	Ref	Air Cleaner Assembly (74.4KW)	F
1	70025852	1	Filter, Air Cylindrical Primary	
2	70025853	1	Filter, Air Cylindrical Secondary	
3	70026393	1	Cover, Air Cleaner	
4	70026394	1	Bracket, Mounting Band	

## SECTION 4 - ENGINE AND ATTACHING PARTS

FIGURE 4-38. AIR CLEANER ASSEMBLY (90/100KW)



ART. 1001160505-E



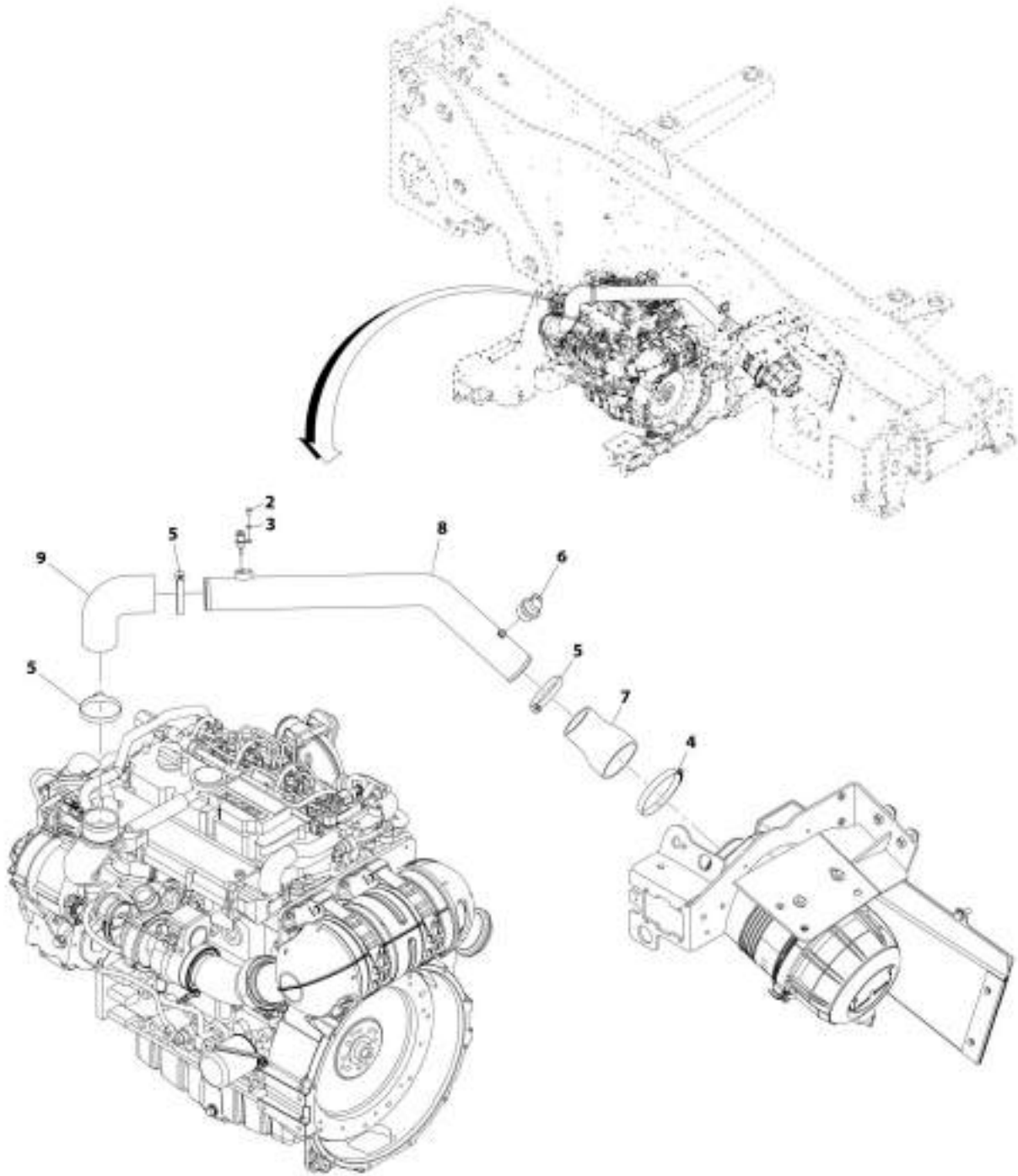
## SECTION 4 - ENGINE AND ATTACHING PARTS

FIGURE 4-38. AIR CLEANER ASSEMBLY (90/100KW)

ITEM	PART NUMBER	QTY	DESCRIPTION	REV
	1001166565	Ref	Air Cleaner Assembly (90/100KW)	E
1	70025850	1	Filter, Cylindrical Air Primary	
2	70025851	1	Filter, Cylindrical Air Secondary	
3	70026395	1	Cover, Air Cleaner	
4	70026396	2	Bracket, Mounting Band	

## SECTION 4 - ENGINE AND ATTACHING PARTS

FIGURE 4-39. AIR INTAKE LINES INSTALLATION (74.4KW - ULS)



ART\_13011R2041-B

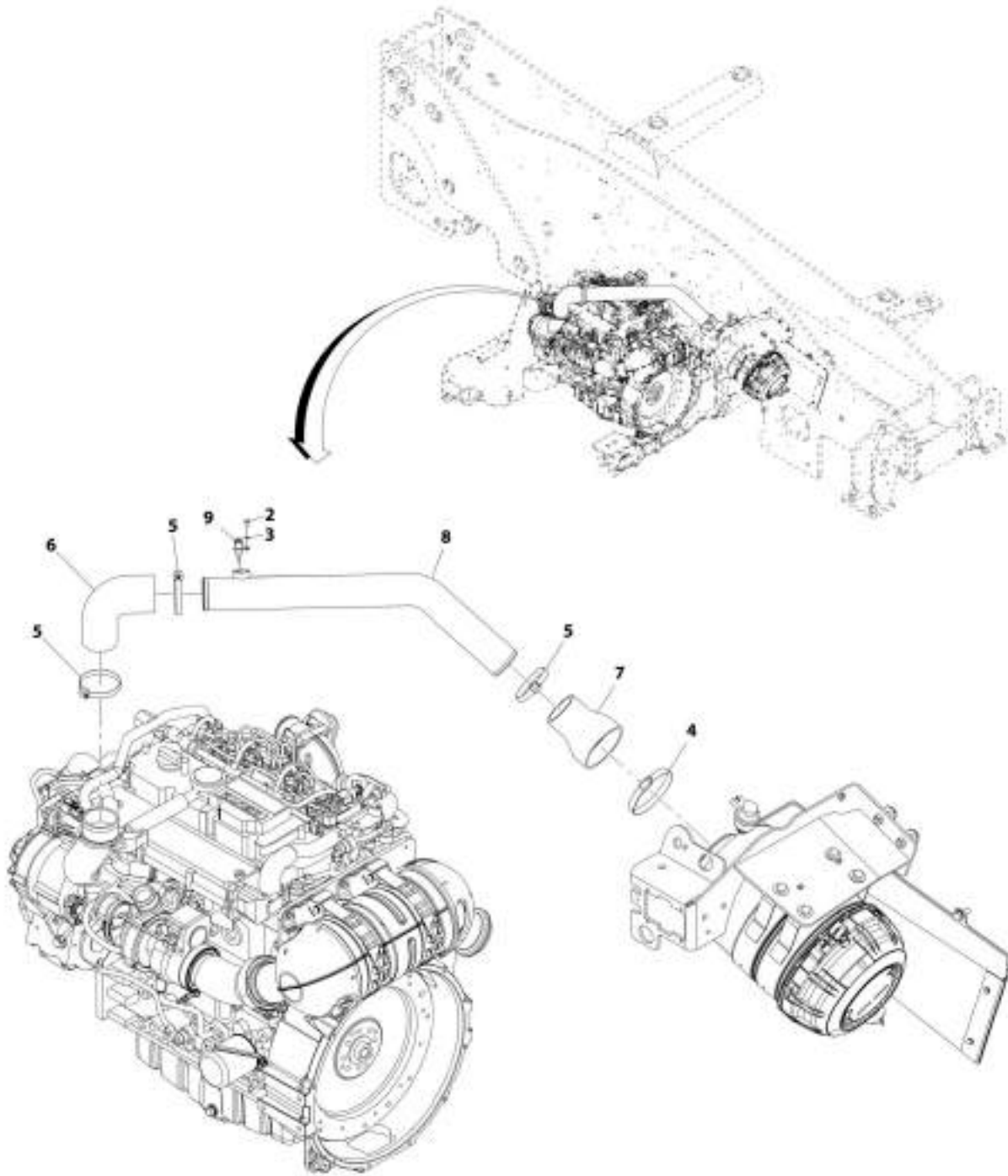
## SECTION 4 - ENGINE AND ATTACHING PARTS

FIGURE 4-39. AIR INTAKE LINES INSTALLATION (74.4KW - ULS)

ITEM	PART NUMBER	QTY	DESCRIPTION	REV
	1001182041	Ref	Air Intake Lines Installation (74.4KW - ULS)	B
2	0760605	1	Bolt, M6X10	
3	4811700	1	Washer, M6	
4	8405402	1	Clamp	
5	8410011	3	Clamp, Gear	
6	1001166715	1	Indicator	
7	1001175586	1	Sleeve	
8	1001182880	1	Tube	
9	1001182881	1	Hose	

# SECTION 4 - ENGINE AND ATTACHING PARTS

FIGURE 4-40. AIR INTAKE LINES INSTALLATION (90/100KW - ULS)



ART\_1001162027-C

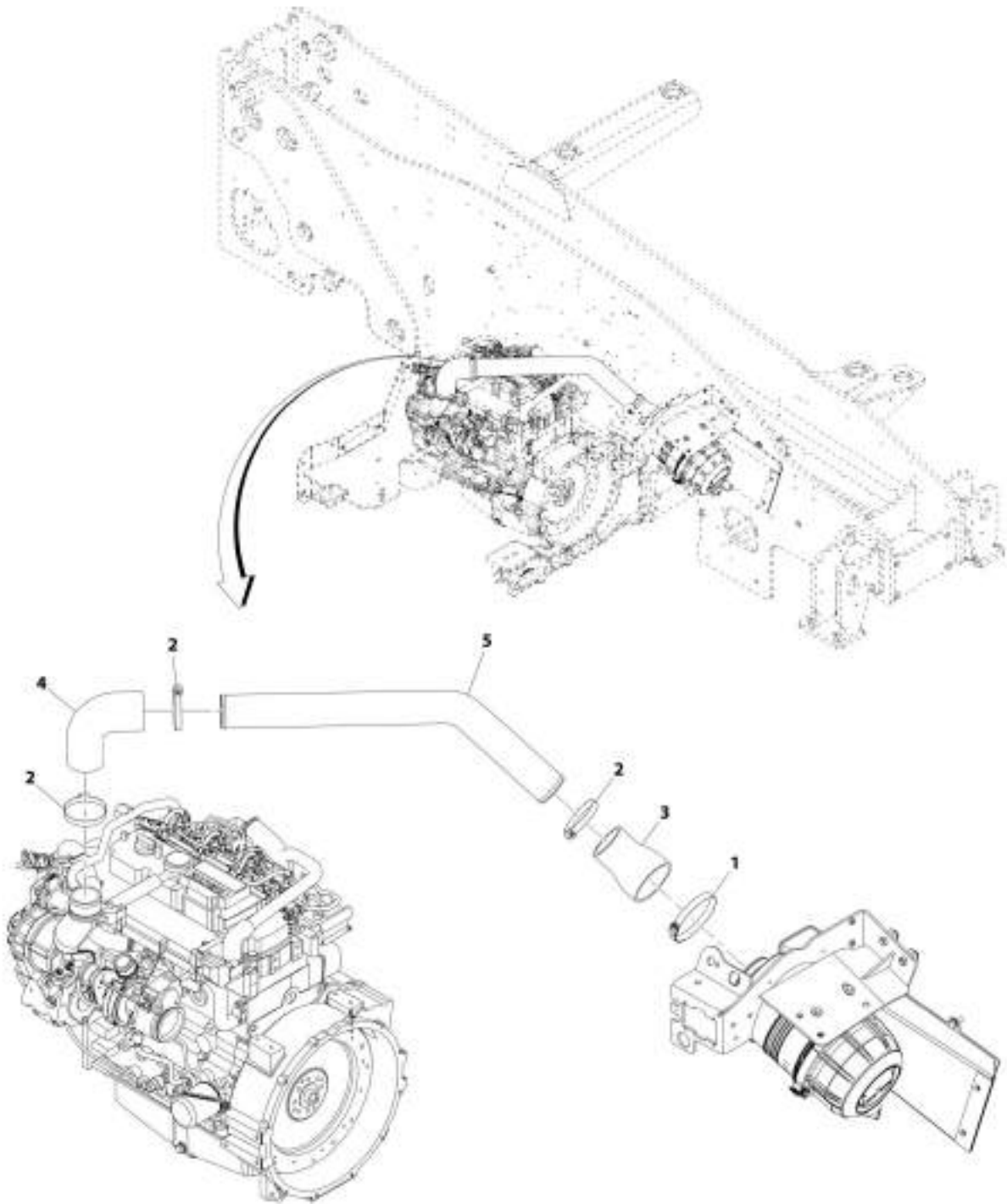
## SECTION 4 - ENGINE AND ATTACHING PARTS

**FIGURE 4-40. AIR INTAKE LINES INSTALLATION (90/100KW - ULS)**

ITEM	PART NUMBER	QTY	DESCRIPTION	REV
	1001182037	Ref	Air Intake Lines Installation (90/100KW - ULS)	C
2	0760605	1	Bolt, M6X10	
3	4811700	1	Washer, M6	
4	8405402	1	Clamp	
5	8410011	3	Clamp, Gear	
6	1001182881	1	Hose	
7	1001182885	1	Hose	
8	1001182886	1	Tube	
9	1001211556	1	Sensor	

## SECTION 4 - ENGINE AND ATTACHING PARTS

FIGURE 4-41. AIR INTAKE LINES INSTALLATION (74.4KW - LS)



ART\_1001180943-A

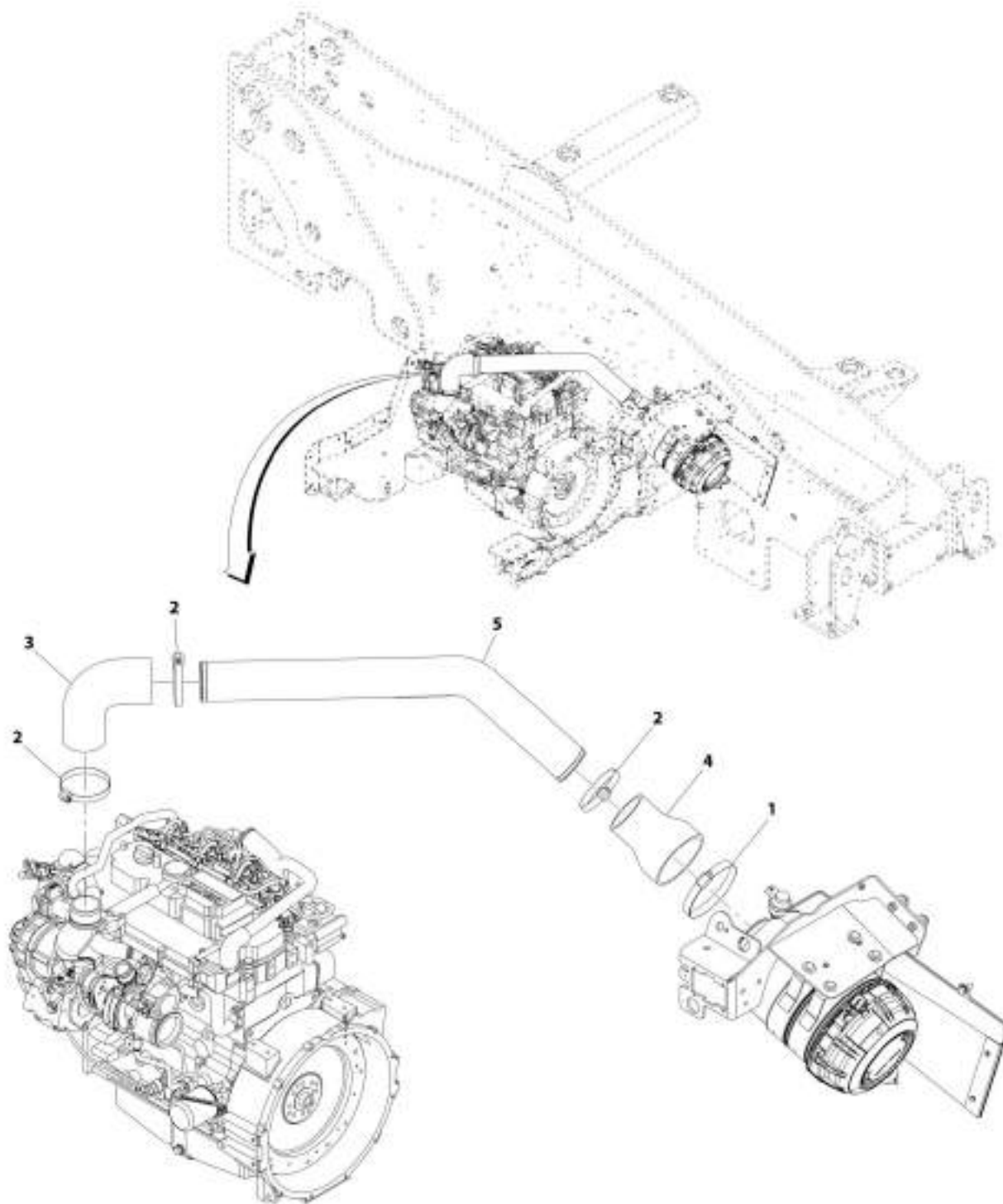
## SECTION 4 - ENGINE AND ATTACHING PARTS

FIGURE 4-41. AIR INTAKE LINES INSTALLATION (74.4KW - LS)

ITEM	PART NUMBER	QTY	DESCRIPTION	REV
	1001182043	Ref	Air Intake Lines Installation (74.4KW - LS)	A
1	8405402	1	Clamp	
2	8410011	3	Clamp, Gear	
3	1001175586	1	Sleeve	
4	1001182881	1	Hose	
5	1001182887	1	Tube	

## SECTION 4 - ENGINE AND ATTACHING PARTS

FIGURE 4-42. AIR INTAKE LINES INSTALLATION (90KW - LS)



ART\_1001182016-A



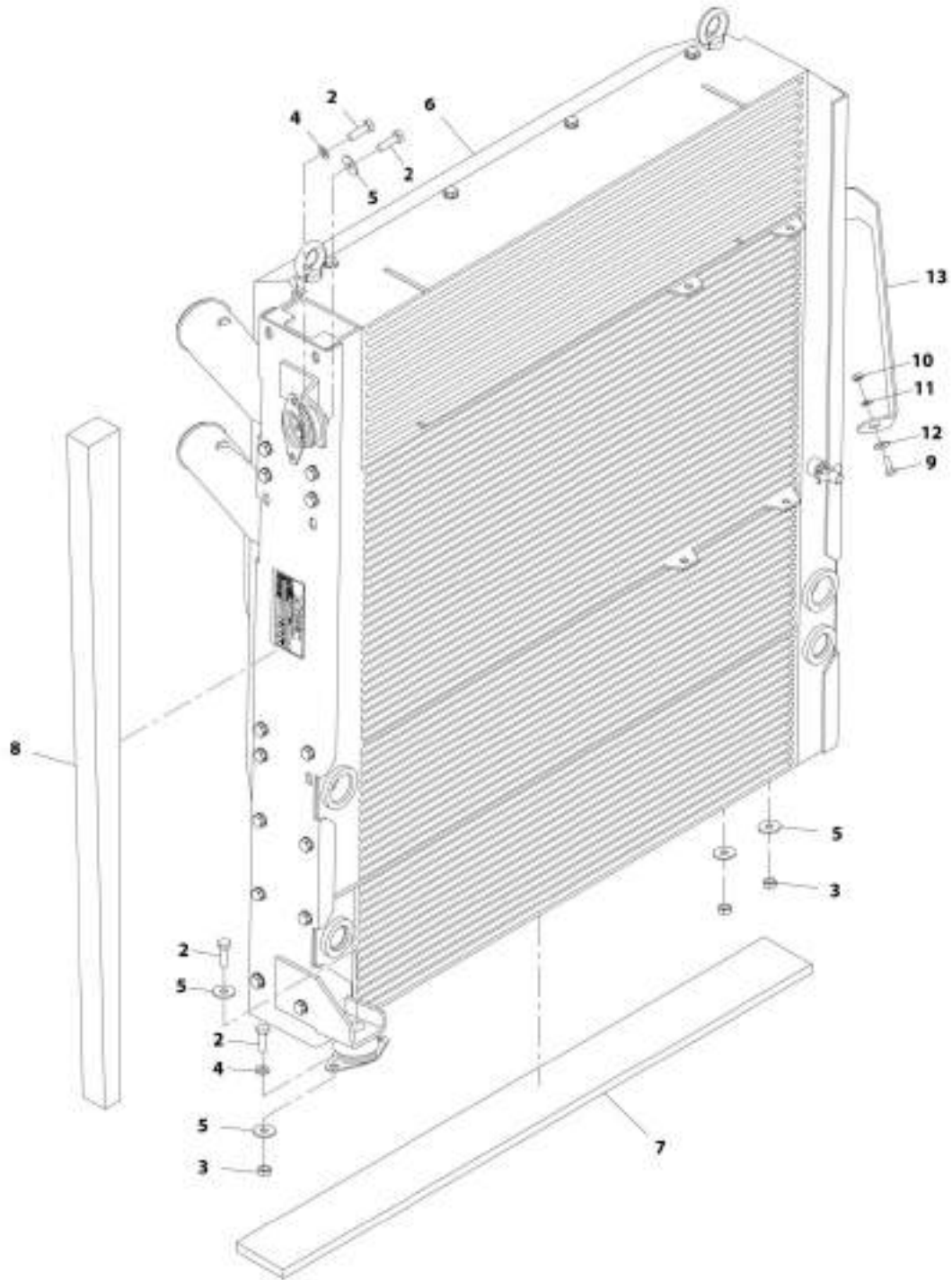
## SECTION 4 - ENGINE AND ATTACHING PARTS

FIGURE 4-42. AIR INTAKE LINES INSTALLATION (90KW - LS)

ITEM	PART NUMBER	QTY	DESCRIPTION	REV
	1001182039	Ref	Air Intake Lines Installation (90KW - LS)	A
1	8405402	1	Clamp	
2	8410011	3	Clamp, Gear	
3	1001182881	1	Hose	
4	1001182885	1	Hose	
5	1001182888	1	Tube	

# SECTION 4 - ENGINE AND ATTACHING PARTS

## FIGURE 4-43. COOLER INSTALLATION (74.4KW)



ARR\_1001104061 E

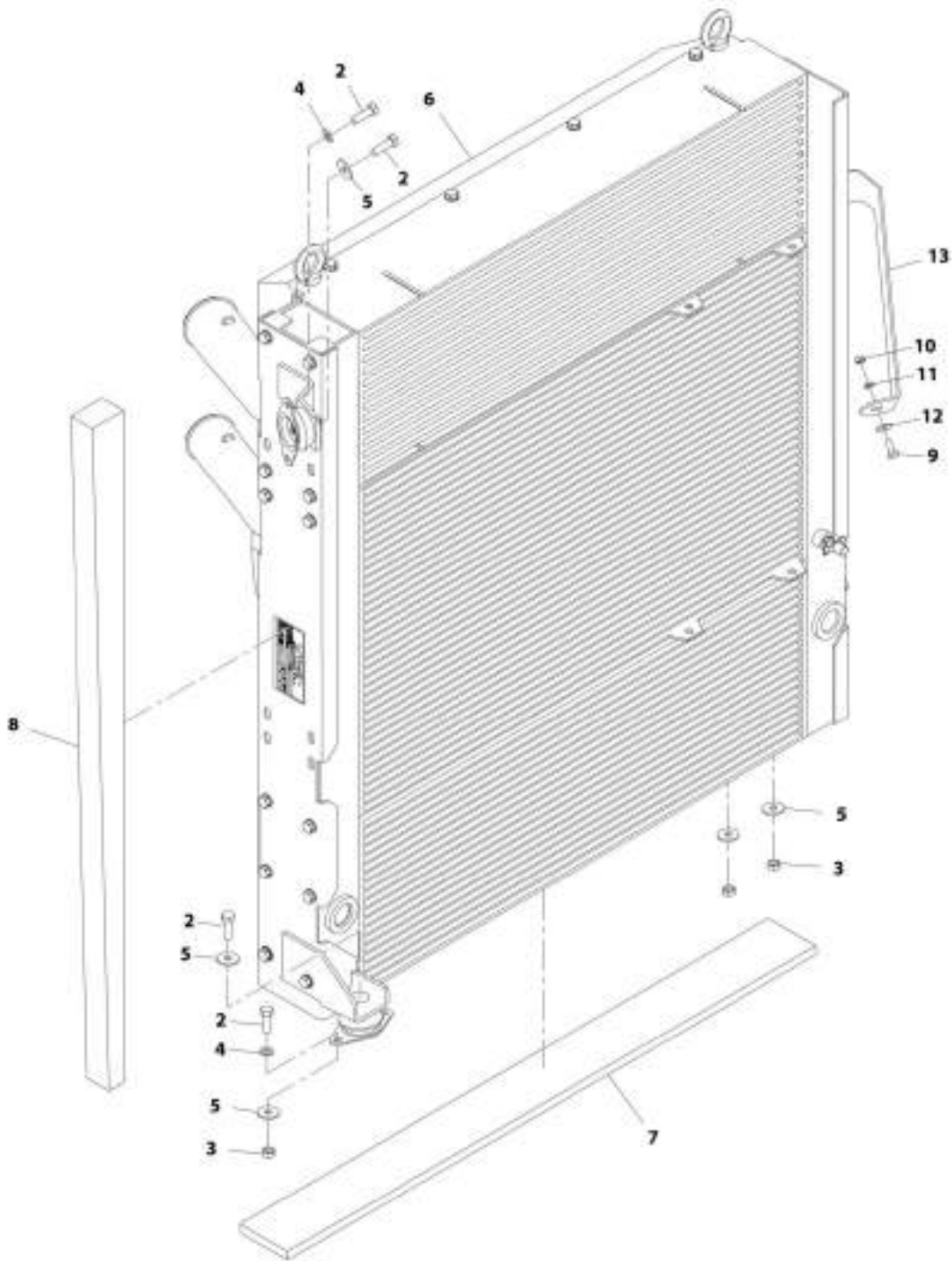
## SECTION 4 - ENGINE AND ATTACHING PARTS

**FIGURE 4-43. COOLER INSTALLATION (74.4KW)**

ITEM	PART NUMBER	QTY	DESCRIPTION	REV
	1001184061	Ref	Cooler Installation (74.4KW)	E
2	0760812	9	Bolt, M8X25	
3	3290801	4	Nut, M8X1.25 Grade 8	
4	4811900	6	Washer, M8	
5	4811902	7	Washer, M8	
6	1001180581	1	Package, Radiator Cooling (74.4KW) (See Separate Breakdown in this Section)	
7	1001182994	1	Seal	
8	1001182995	1	Seal	
9	0760608	1	Bolt, M6X16	
10	3290601	1	Nut, M6X1 Grade 8	
11	4811700	1	Washer, M6	
12	4811702	1	Washer, M6	
13	1001202120	1	Plate	

# SECTION 4 - ENGINE AND ATTACHING PARTS

FIGURE 4-44. COOLER INSTALLATION (90KW)



ARE\_1001184062-0

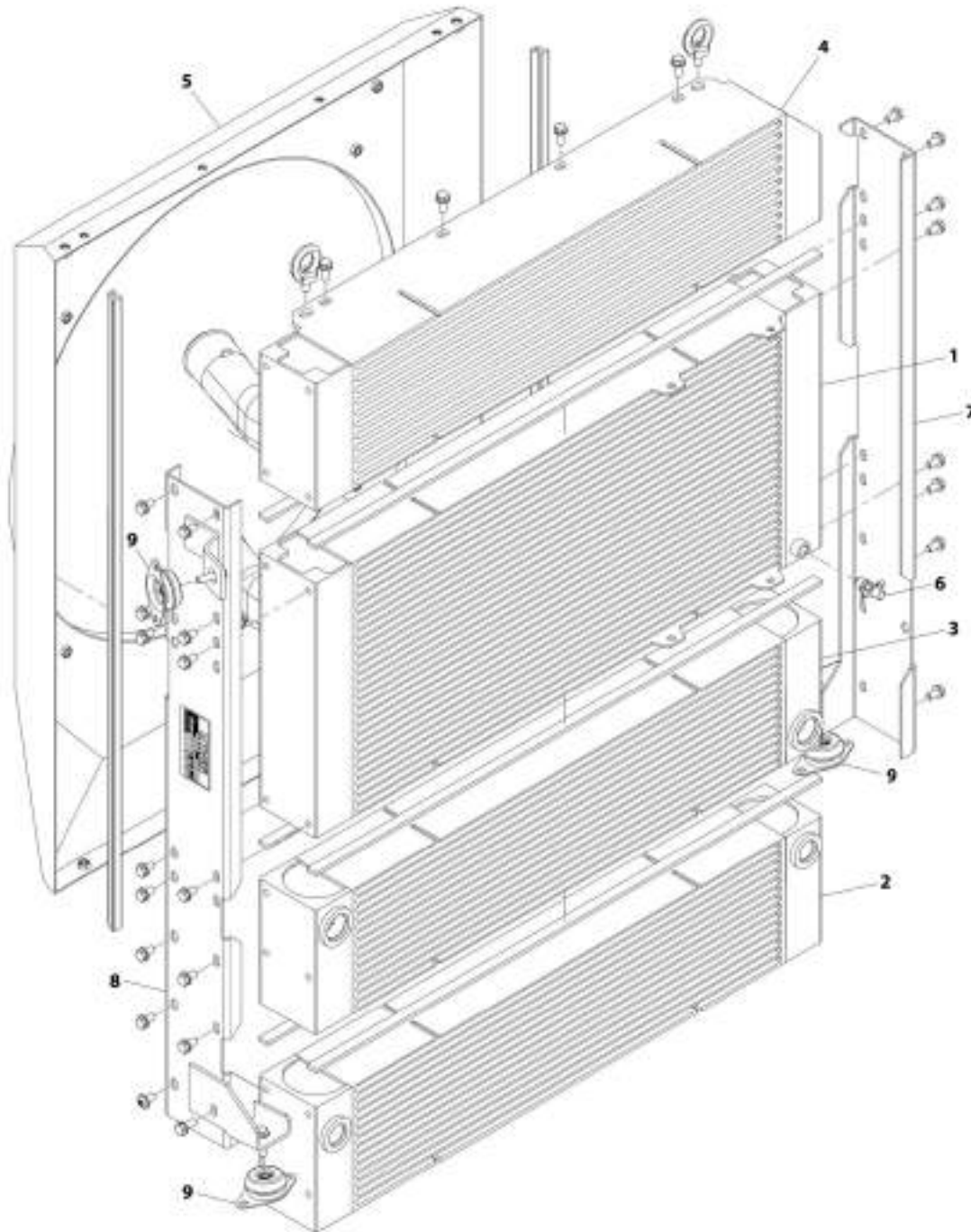
## SECTION 4 - ENGINE AND ATTACHING PARTS

**FIGURE 4-44. COOLER INSTALLATION (90KW)**

ITEM	PART NUMBER	QTY	DESCRIPTION	REV
	1001184062	Ref	Cooler Installation (90KW)	D
2	0760812	9	Bolt, M8X25	
3	3290801	4	Nut, M8X1.25 Grade 8	
4	4811900	6	Washer, M8	
5	4811902	7	Washer, M8	
6	1001175320	1	Package, Radiator Cooling (90KW) (See Separate Breakdown in this Section)	
7	1001182994	1	Seal	
8	1001182995	1	Seal	
9	0760608	1	Bolt, M6X16	
10	3290601	1	Nut, M6X1 Grade 8	
11	4811700	1	Washer, M6	
12	4811702	1	Washer, M6	
13	1001202120	1	Plate	

# SECTION 4 - ENGINE AND ATTACHING PARTS

FIGURE 4-45. RADIATOR COOLING PACKAGE (74.4KW)



ART. 1001300561 C

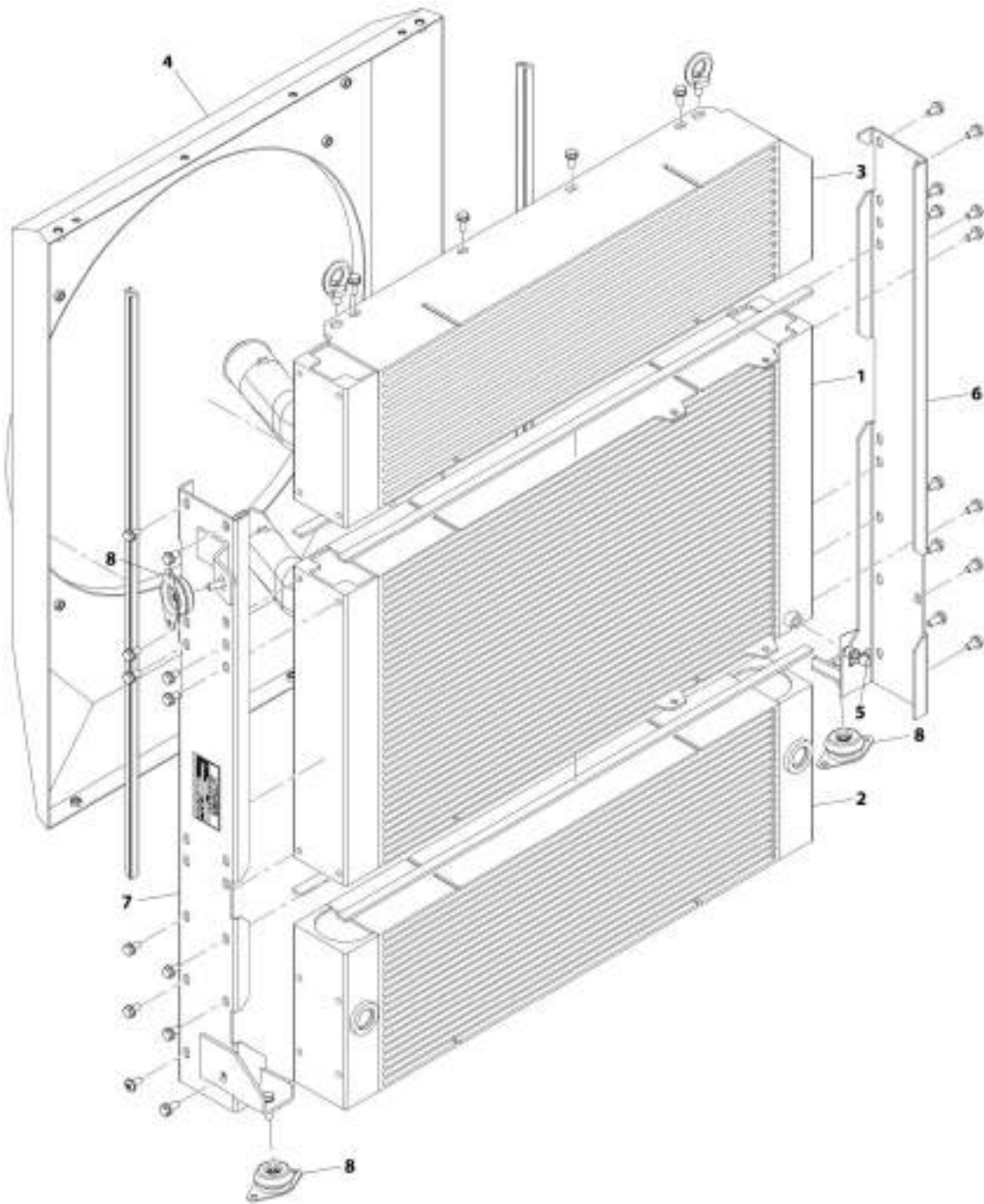
## SECTION 4 - ENGINE AND ATTACHING PARTS

FIGURE 4-45. RADIATOR COOLING PACKAGE (74.4KW)

ITEM	PART NUMBER	QTY	DESCRIPTION	REV
	1001180581	Ref	Radiator Cooling Package (74.4KW)	C
1	70027205	1	Cooler, Water	
2	70027207	1	Cooler, Oil	
3	70027206	1	Cooler, Oil	
4	70027208	1	Cooler, Air	
5	70027202	1	Shroud	
6	70025644	1	Valve, Drain	
7	70027203	1	Bracket, Mounting	
8	70027204	1	Bracket, Mounting	
9	1001184609	1	Isolator, Mount	

# SECTION 4 - ENGINE AND ATTACHING PARTS

FIGURE 4-46. RADIATOR COOLING PACKAGE (90KW)



ART\_1001175320-C



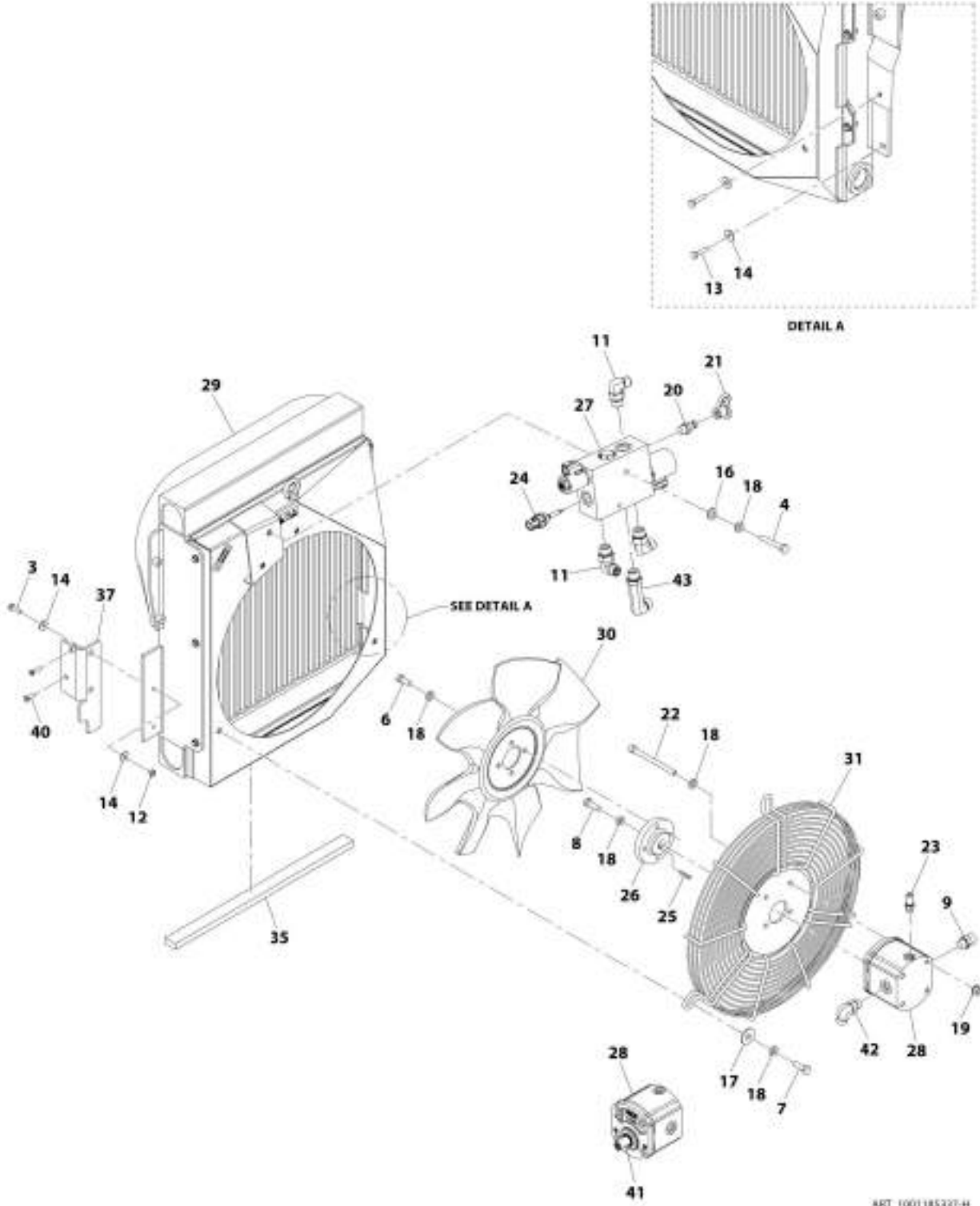
## SECTION 4 - ENGINE AND ATTACHING PARTS

FIGURE 4-46. RADIATOR COOLING PACKAGE (90KW)

ITEM	PART NUMBER	QTY	DESCRIPTION	REV
	1001175320	Ref	Radiator Cooling Package (90KW)	C
1	70027199	1	Cooler, Water	
2	70027200	1	Cooler, Oil	
3	70027201	1	Cooler, Air	
4	70027202	1	Shroud	
5	70025644	1	Valve, Drain	
6	70027203	1	Bracket, Mounting	
7	70027204	1	Bracket, Mounting	
8	1001184609	1	Isolator, Mount	

# SECTION 4 - ENGINE AND ATTACHING PARTS

## FIGURE 4-47. REMOTE HOC INSTALLATION



ART\_1001185207-H

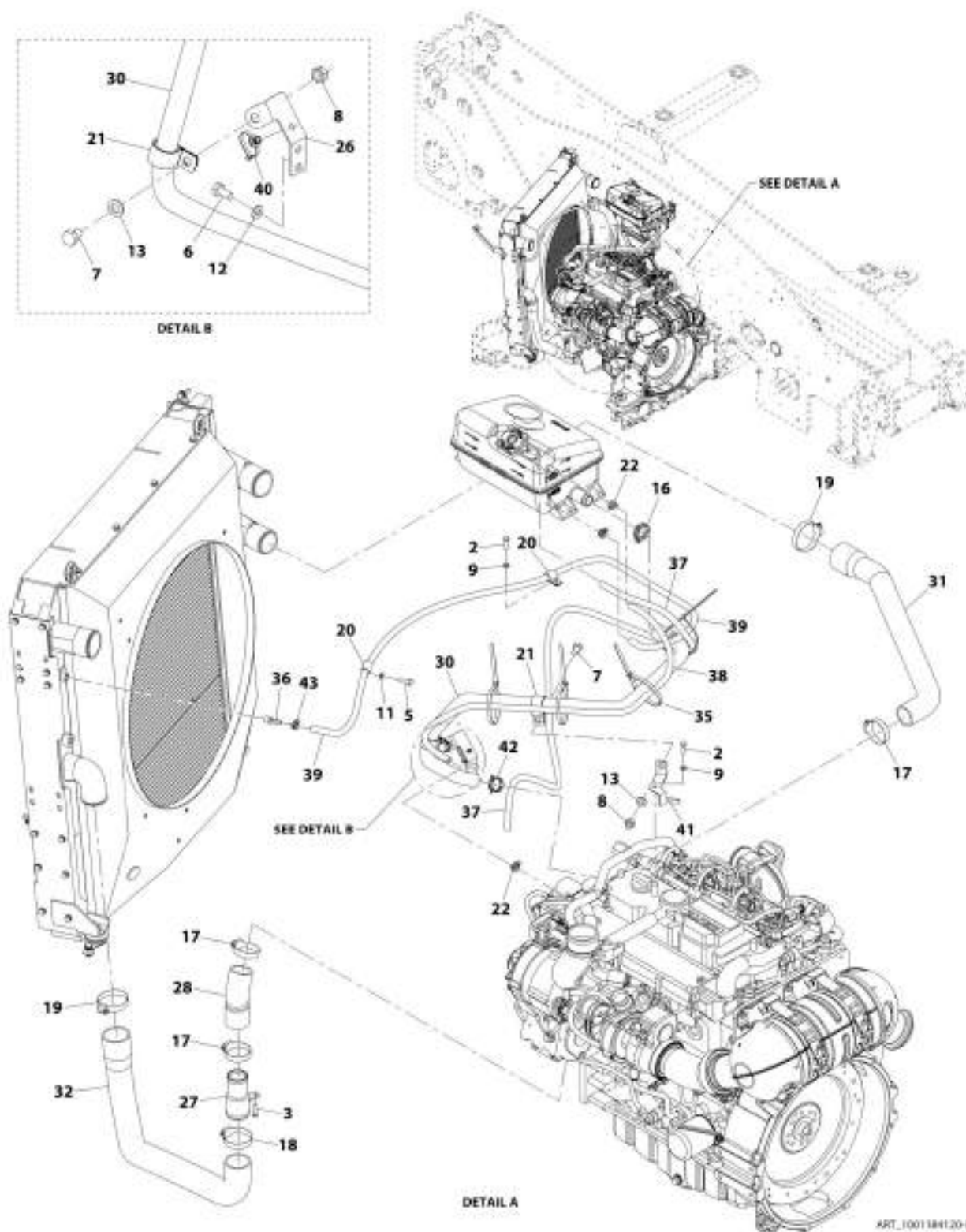
## SECTION 4 - ENGINE AND ATTACHING PARTS

### FIGURE 4-47. REMOTE HOC INSTALLATION

ITEM	PART NUMBER	QTY	DESCRIPTION	REV
	1001185337	Ref	Remote HOC Installation	H
3	0700610	2	Bolt, M6X20	
4	0700821	2	Bolt, M8X65	
6	0770810	4	Bolt, M8X20 Grade 10.9	
7	0760812	3	Bolt, M8X25	
8	1001139034	1	Bolt	
9	2110606	1	Fitting, Straight ORFS	
11	2130608	3	Fitting, 90 ORFS	
12	3290601	2	Nut, M6X1 Grade 8	
13	0700612	2	Bolt, M6X25	
14	4811702	6	Washer, M6	
16	4812000	2	Washer, M10	
17	4812002	3	Washer, M10	
18	5240800	14	Washer, M8	
19	5260800	4	Nut, M8	
20	1001003590	1	Fitting, Straight	
21	1001008761	1	Cap, Dust	
22	1001093277	4	Bolt, M8X100	
23	1001093401	1	Fitting, Straight ORFS	
24	1001128478	1	Sensor, Temperature	
25	1001152940	1	Key, Fan Hub	
26	1001191508	1	Adapter, Fan Hub	
27	1001182213	1	Valve, Fan Motor Control (See Separate Breakdown in Hydraulic Components Section)	
28	1001182950	1	Motor, Fan Drive (7.29CC) (See Separate Breakdown in this Section)	
29	1001183956	1	Cooler, Oil	
30	1001185210	1	Fan	
31	1001185282	1	Shield, Fan	
35	1001219810	1	Seal	
37	1001197430	1	Bracket	
40	0630576	2	Screw, M6X20	
41	1001125466	AR	Compound, Locking	
42	2130606	1	Fitting, 90 ORFS	
43	2170208	1	Fitting, 90 ORFS	

# SECTION 4 - ENGINE AND ATTACHING PARTS

## FIGURE 4-48. COOLANT LINES INSTALLATION (ULS)



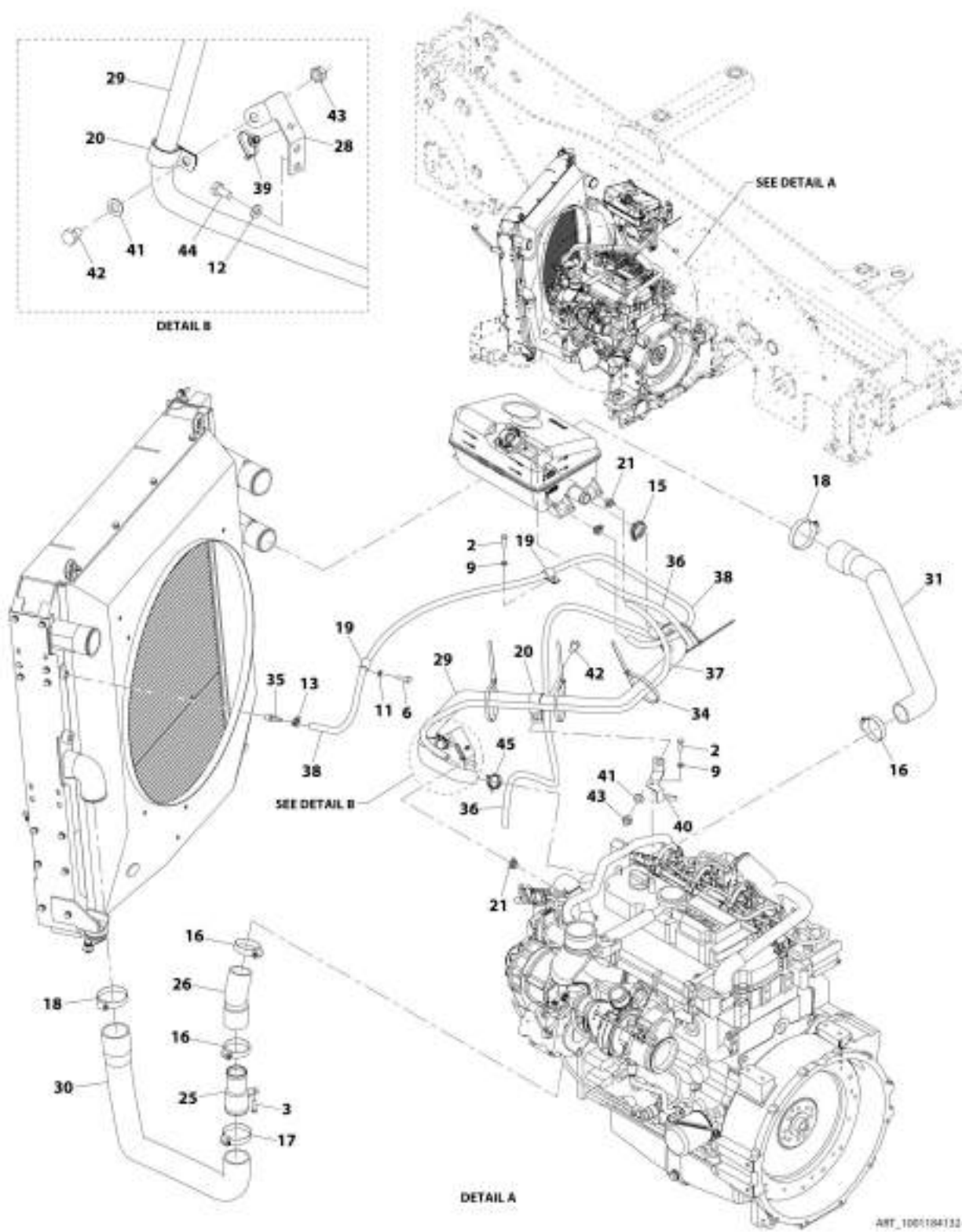
## SECTION 4 - ENGINE AND ATTACHING PARTS

**FIGURE 4-48. COOLANT LINES INSTALLATION (ULS)**

ITEM	PART NUMBER	QTY	DESCRIPTION	REV
	1001184120	Ref	Coolant Lines Installation (ULS)	1
2	0700610	2	Bolt, M6X20	
3	0700614	1	Bolt, M6X30	
5	0760812	1	Bolt, M8X25	
6	0761010	2	Bolt, M10X20	
7	0761210	2	Bolt, M12X20	
8	3291201	2	Nut, M12X1.75 Grade 8	
9	4811700	2	Washer, M6	
11	4811900	1	Washer, M8	
12	4812000	2	Washer, M10	
13	4812100	2	Washer, M12	
16	1001212949	1	Clamp	
17	8405104	3	Clamp	
18	8405201	1	Clamp	
19	8405202	2	Clamp, Gear	
20	1001008580	2	Clip	
21	8406302	2	Clamp, Hose	
22	1001195443	3	Clamp	
26	1001168727	1	Bracket	
27	1001178657	1	Pipe	
28	1001178659	1	Hose	
30	1001184099	1	Hose	
31	1001184129	1	Hose	
32	1001184128	1	Hose	
35	1062255	AR	Strap, Tie	
36	8420231	1	Adapter	
37	1001203009	1	Hose	
38	1001203027	1	Hose	
39	1001203028	1	Hose	
40	1001146588	1	Strap	
41	1001205551	1	Bracket	
42	1001212948	1	Clamp	
43	1001140296	1	Clamp	

# SECTION 4 - ENGINE AND ATTACHING PARTS

## FIGURE 4-49. COOLANT LINES INSTALLATION (LS)



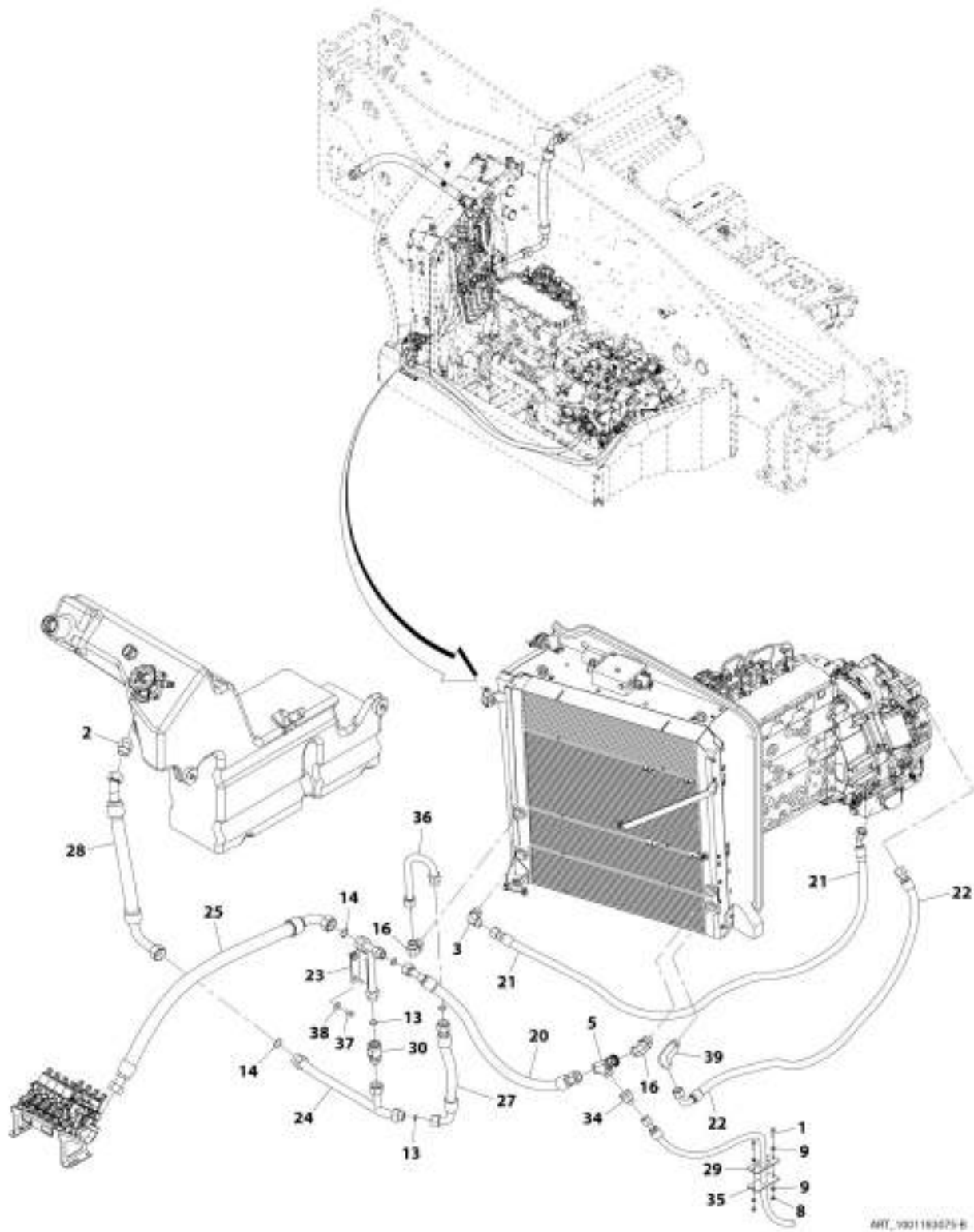
## SECTION 4 - ENGINE AND ATTACHING PARTS

**FIGURE 4-49. COOLANT LINES INSTALLATION (LS)**

ITEM	PART NUMBER	QTY	DESCRIPTION	REV
	1001184132	Ref	Coolant Lines Installation (LS)	1
2	0700610	2	Bolt, M6X20	
3	0700614	1	Bolt, M6X30	
6	0760812	1	Bolt, M8X25	
9	4811700	2	Washer, M6	
11	4811900	1	Washer, M8	
12	4812000	2	Washer, M10	
13	1001140296	1	Clamp	
15	1001212949	1	Clamp	
16	8405104	3	Clamp	
17	8405201	1	Clamp	
18	8405202	2	Clamp, Gear	
19	1001008580	2	Clip	
20	8406302	2	Clamp, Hose	
21	1001195443	3	Clamp	
25	1001178657	1	Pipe	
26	1001178659	1	Hose	
28	1001168727	1	Bracket	
29	1001184099	1	Hose	
30	1001184128	1	Hose	
31	1001184129	1	Hose	
34	1062255	AR	Strap, Tie	
35	8420231	1	Adapter	
36	1001203009	1	Hose	
37	1001203027	1	Hose	
38	1001203028	1	Hose	
39	1001146588	1	Strap	
40	1001205551	1	Bracket	
41	4812100	2	Washer, M12	
42	0761210	2	Bolt, M12X20	
43	3291201	2	Nut, M12X1.75 Grade 8	
44	0761010	2	Bolt, M10X20	
45	1001212948	1	Clamp	

# SECTION 4 - ENGINE AND ATTACHING PARTS

## FIGURE 4-50. COOLER LINES INSTALLATION (74.4KW)





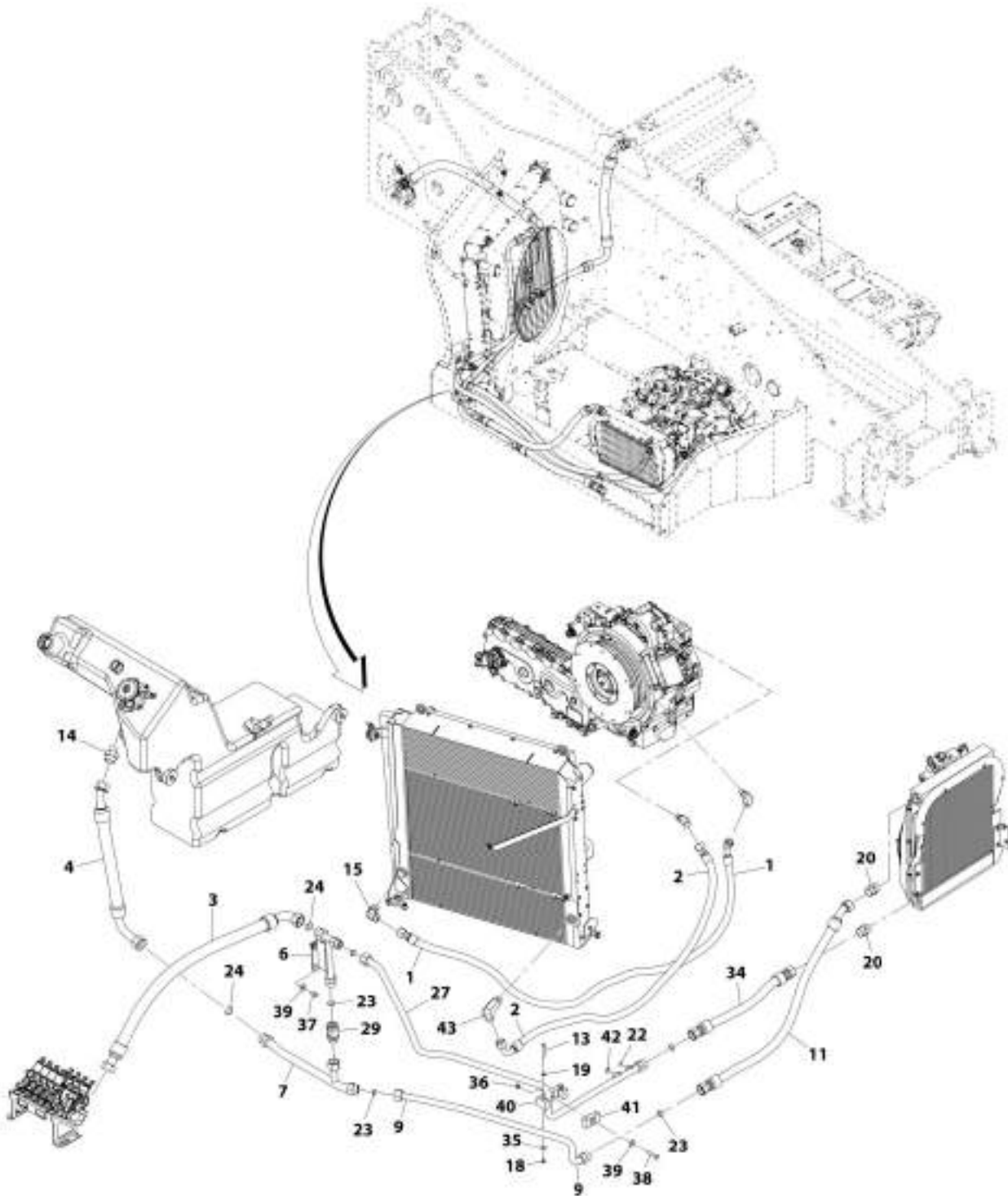
## SECTION 4 - ENGINE AND ATTACHING PARTS

**FIGURE 4-50. COOLER LINES INSTALLATION (74.4KW)**

ITEM	PART NUMBER	QTY	DESCRIPTION	REV
	1001183075	Ref	Cooler Lines Installation (74.4KW)	B
1	0760814	2	Bolt, M8X30	
2	2112016	1	Fitting, Straight ORFS	
3	2131212	1	Fitting, 90 ORFS	
5	2170716	1	Fitting, Tee ORFS	
8	3290801	2	Nut, M8X1.25 Grade 8	
9	4811900	4	Washer, M8	
13	1001010240	4	Seal, O-Ring ORFS	
14	1001010938	2	Seal, O-Ring ORFS	
16	2131616	2	Fitting, 90 ORFS	
20	1001202253	1	Hose, ORFS	
21	1001203173	1	Hose, ORFS	
22	1001203174	1	Hose, ORFS	
23	1001202445	1	Pipe, ORFS	
24	1001203014	1	Pipe, ORFS	
25	1001202249	1	Hose, ORFS	
27	1001202251	1	Hose, ORFS	
28	1001203039	1	Hose, ORFS	
29	1001200449	1	Plate	
30	1001185871	1	Check, Valve ORFS	
34	1001202805	1	Reducer, ORFS	
35	1001200450	1	Gasket	
36	1001202506	1	Pipe, ORFS	
37	0701012	2	Bolt, M10X25	
38	4812002	2	Washer, M10	
39	2170212	1	Fitting, 90 ORFS	

# SECTION 4 - ENGINE AND ATTACHING PARTS

FIGURE 4-51. COOLER LINES INSTALLATION (90KW)



ART\_3001183276-C

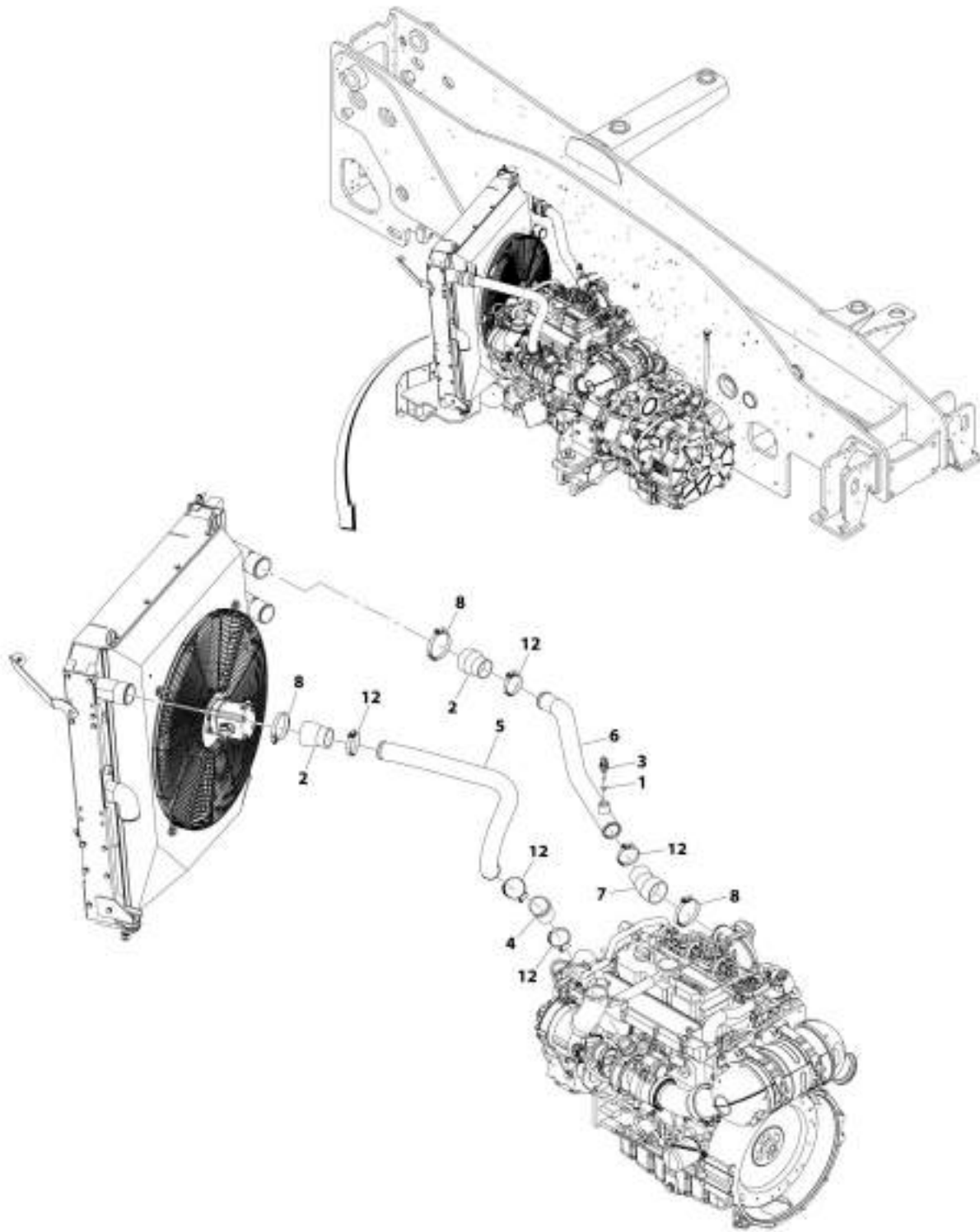
## SECTION 4 - ENGINE AND ATTACHING PARTS

### FIGURE 4-51. COOLER LINES INSTALLATION (90KW)

ITEM	PART NUMBER	QTY	DESCRIPTION	REV
	1001183076	Ref	Cooler Lines Installation (90KW)	C
1	1001203173	1	Hose, ORFS	
2	1001203174	1	Hose, ORFS	
3	1001202249	1	Hose, ORFS	
4	1001203039	1	Hose, ORFS	
6	1001202445	1	Pipe, ORFS	
7	1001203014	1	Pipe, ORFS	
9	1001202329	1	Pipe, ORFS	
11	1001202375	1	Hose, ORFS	
13	0700820	2	Bolt, M8X60	
14	2112016	1	Fitting, Straight ORFS	
15	2131212	1	Fitting, 90 ORFS	
18	3290801	2	Nut, M8X1.25 Grade 8	
19	4811900	2	Washer, M8	
20	2111616	2	Fitting, Straight ORFS	
22	1001008804	1	Seal	
23	1001010240	5	Seal, O-Ring ORFS	
24	1001010938	2	Seal, O-Ring ORFS	
27	1001202328	1	Pipe, ORFS	
29	1001185871	1	Check, Valve ORFS	
34	1001202376	1	Hose, ORFS	
35	4811902	2	Washer, M8	
36	3291001	1	Nut, M10X1.5 Grade 8	
37	0701012	2	Bolt, M10X25	
38	0701018	1	Bolt, M10X50	
39	4812002	3	Washer, M10	
40	1001202653	1	Clamp, Pipes Female	
41	1001202654	1	Clamp, Pipes Male	
42	1001008922	1	Seal	
43	2170212	1	Fitting, 90 ORFS	

# SECTION 4 - ENGINE AND ATTACHING PARTS

FIGURE 4-52. CAC LINES INSTALLATION (ULS)



ART\_1001106649.E

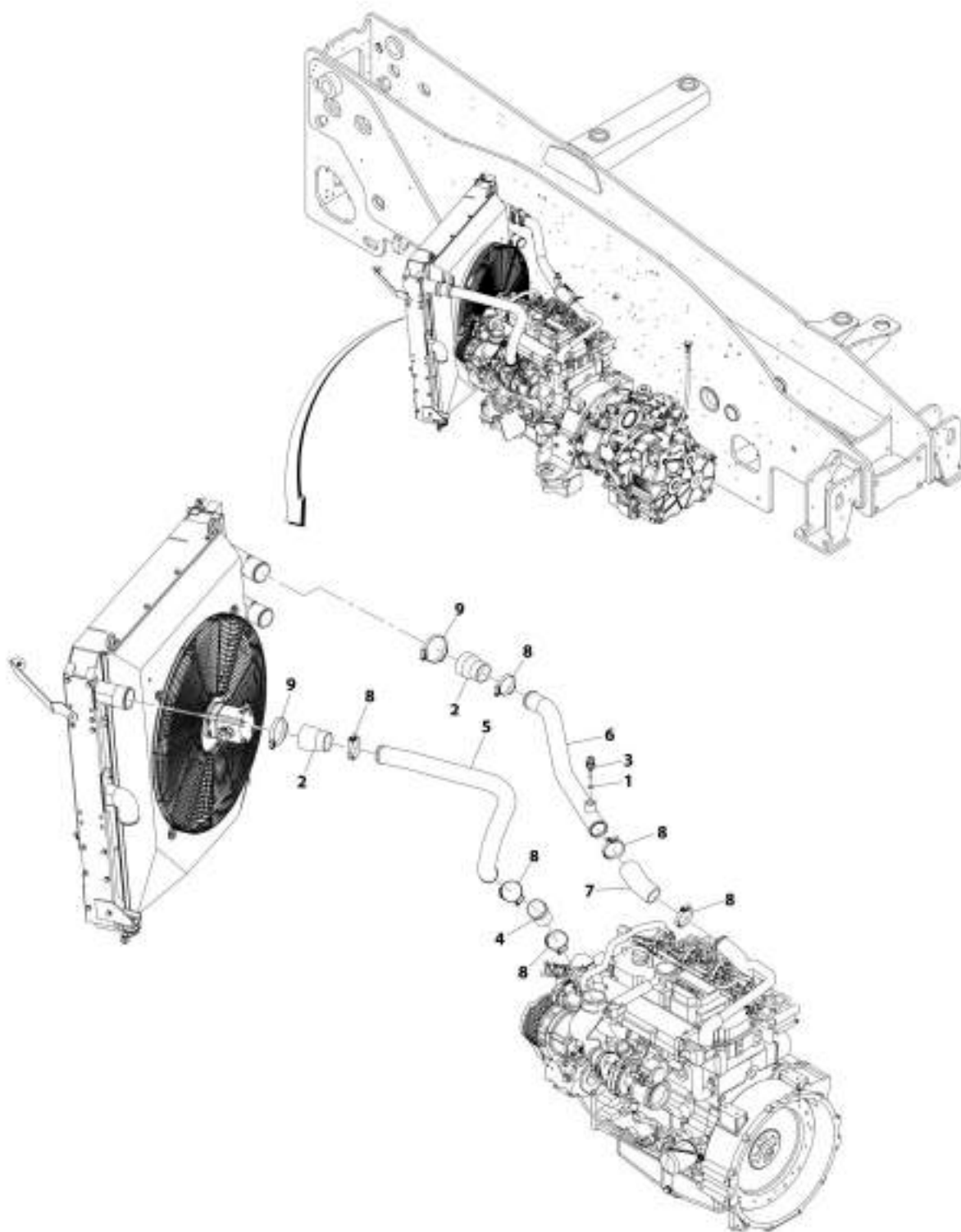
## SECTION 4 - ENGINE AND ATTACHING PARTS

FIGURE 4-52. CAC LINES INSTALLATION (ULS)

ITEM	PART NUMBER	QTY	DESCRIPTION	REV
	1001186849	Ref	CAC Lines Installation (ULS)	E
1	1001009163	1	O-Ring	
2	1001117244	2	Coupling, Reducer	
3	1001128478	1	Sensor	
4	1001197653	1	Coupling, Reducer	
5	1001197641	1	Pipe	
6	1001197638	1	Pipe	
7	1001197654	1	Coupling, Reducer	
8	1001215022	3	Clamp	
12	1001215024	5	Clamp	

# SECTION 4 - ENGINE AND ATTACHING PARTS

FIGURE 4-53. CAC LINES INSTALLATION (LS)



ART\_1001188840-1

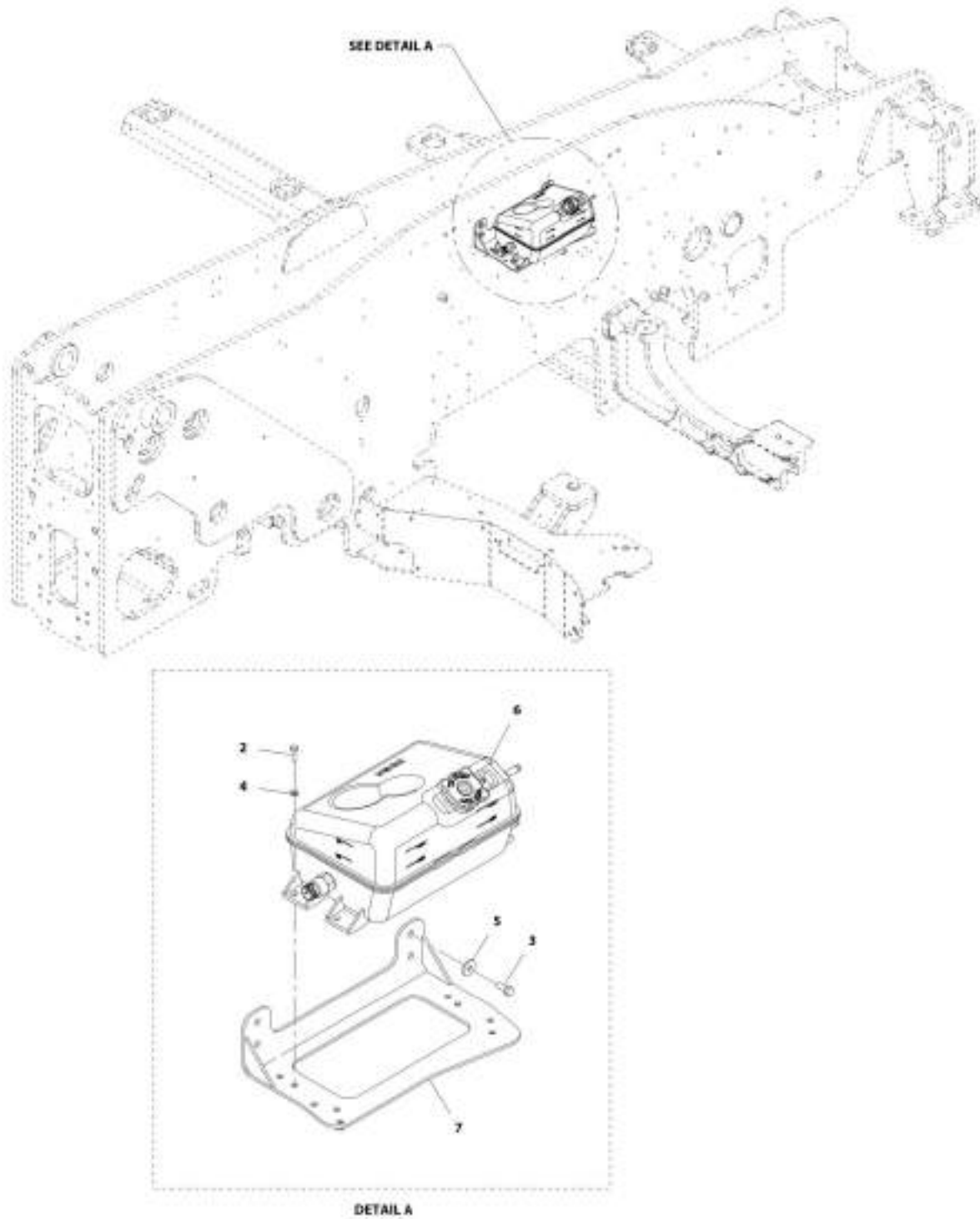
## SECTION 4 - ENGINE AND ATTACHING PARTS

FIGURE 4-53. CAC LINES INSTALLATION (LS)

ITEM	PART NUMBER	QTY	DESCRIPTION	REV
	1001186848	Ref	CAC Lines Installation (LS)	E
1	1001009163	1	O'Ring	
2	1001117244	2	Coupling, Reducer	
3	1001128478	1	Sensor	
4	1001197653	1	Coupling, Reducer	
5	1001197641	1	Pipe	
6	1001197638	1	Pipe	
7	1001197655	1	Coupling, Reducer	
8	1001215024	6	Clamp	
9	1001215022	2	Clamp	

# SECTION 4 - ENGINE AND ATTACHING PARTS

## FIGURE 4-54. SURGE TANK INSTALLATION



ART\_100175064-C



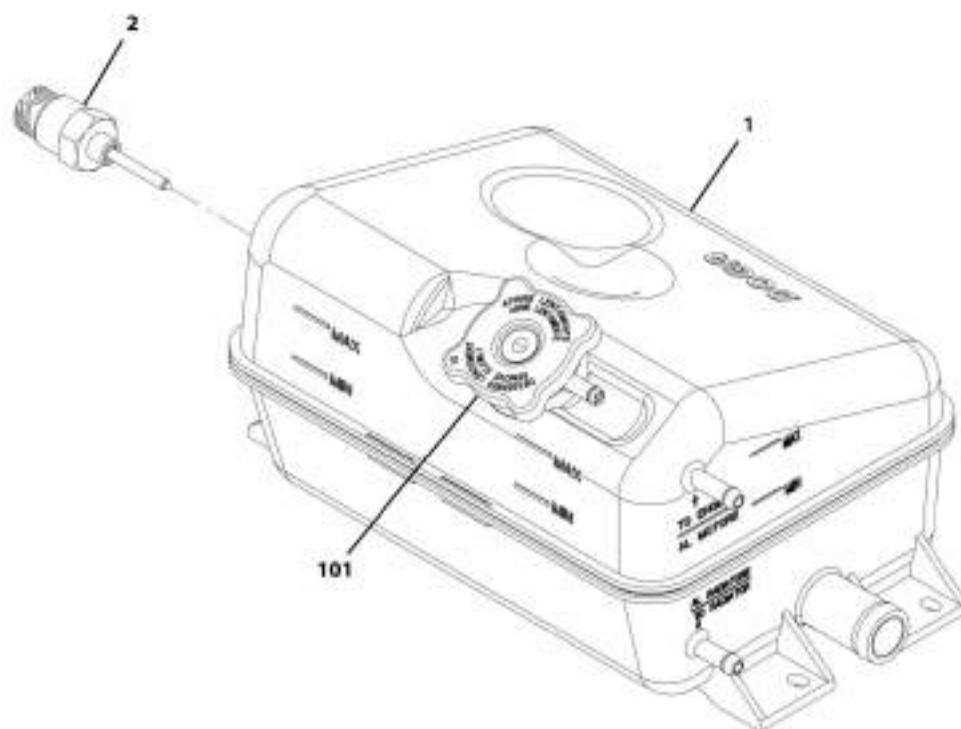
## SECTION 4 - ENGINE AND ATTACHING PARTS

### FIGURE 4-54. SURGE TANK INSTALLATION

ITEM	PART NUMBER	QTY	DESCRIPTION	REV
	1001179864	Ref	Surge Tank Installation	C
2	0700610	4	Bolt, M6X20	
3	0760810	4	Bolt, M8X20	
4	4811700	4	Washer, M6	
5	4811902	4	Washer, M8	
6	1001149375	1	Tank, Expansion (See Separate Breakdown in this Section)	
7	1001188407	1	Bracket	

## SECTION 4 - ENGINE AND ATTACHING PARTS

FIGURE 4-55. TANK EXPANSION



ART\_1001140325-B

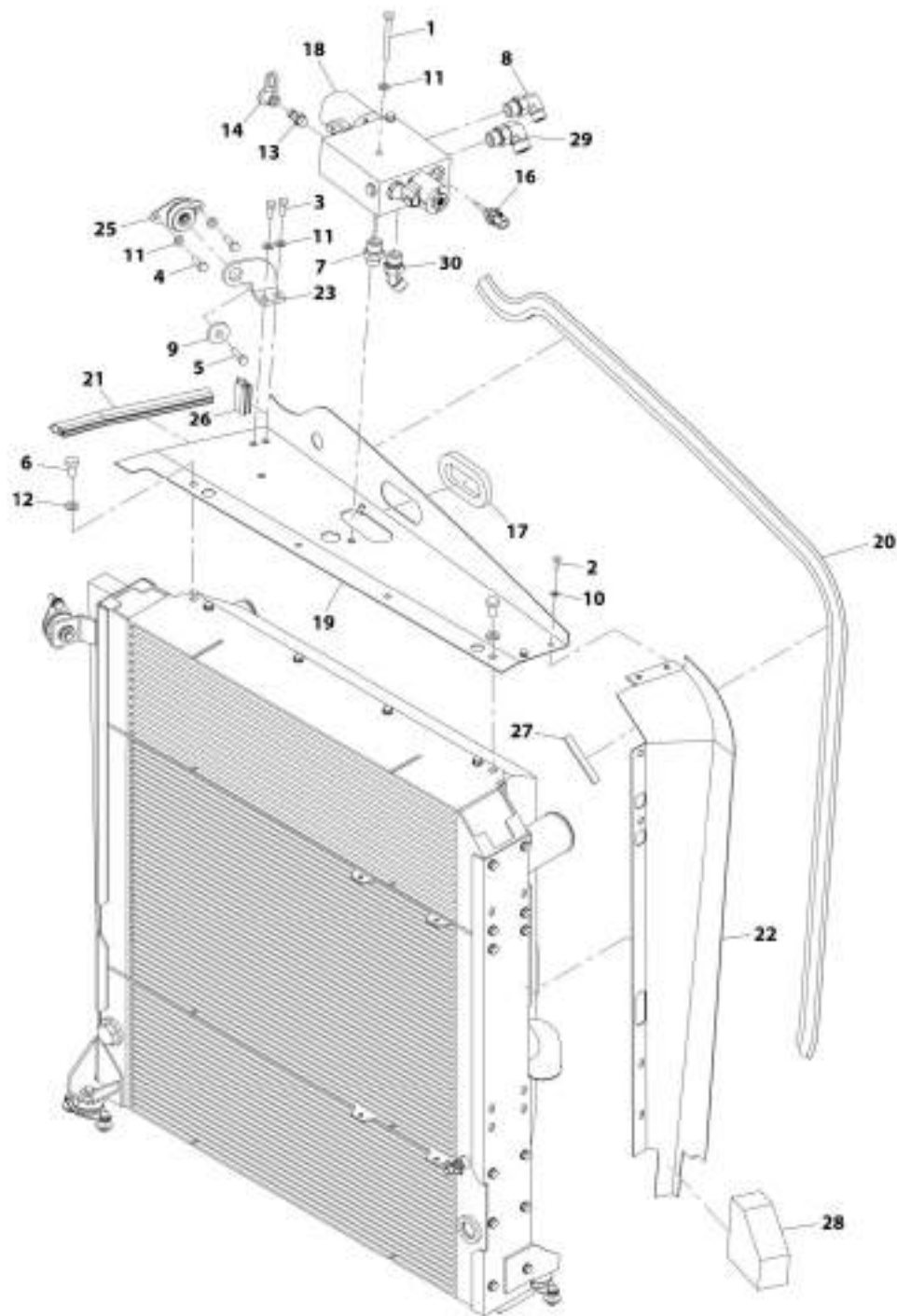
## SECTION 4 - ENGINE AND ATTACHING PARTS

### FIGURE 4-55. TANK EXPANSION

ITEM	PART NUMBER	QTY	DESCRIPTION	REV
	1001149375	Ref	Tank Expansion	B
1	1001149308	1	Tank Expansion	
2	1001149376	1	Sensor	
101	70026997	1	Cap	

# SECTION 4 - ENGINE AND ATTACHING PARTS

## FIGURE 4-56. BULKHEAD INSTALLATION



ART\_1001184925-F

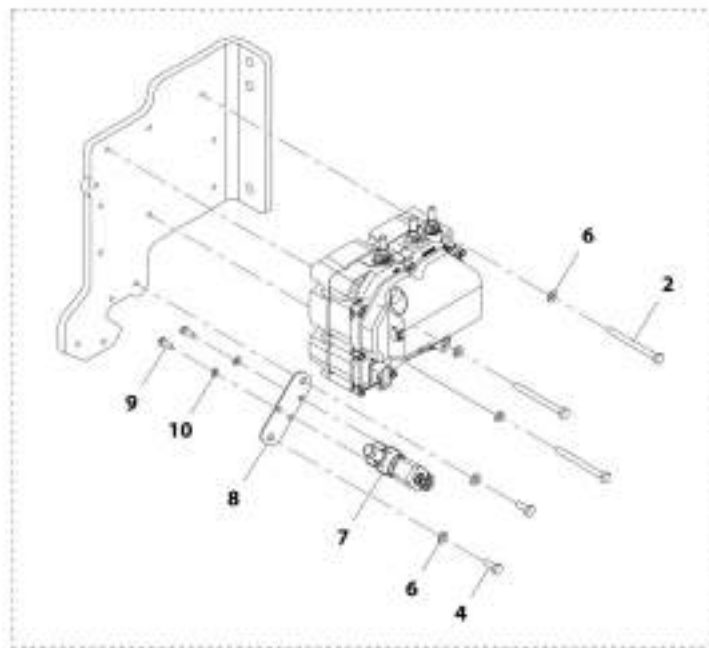
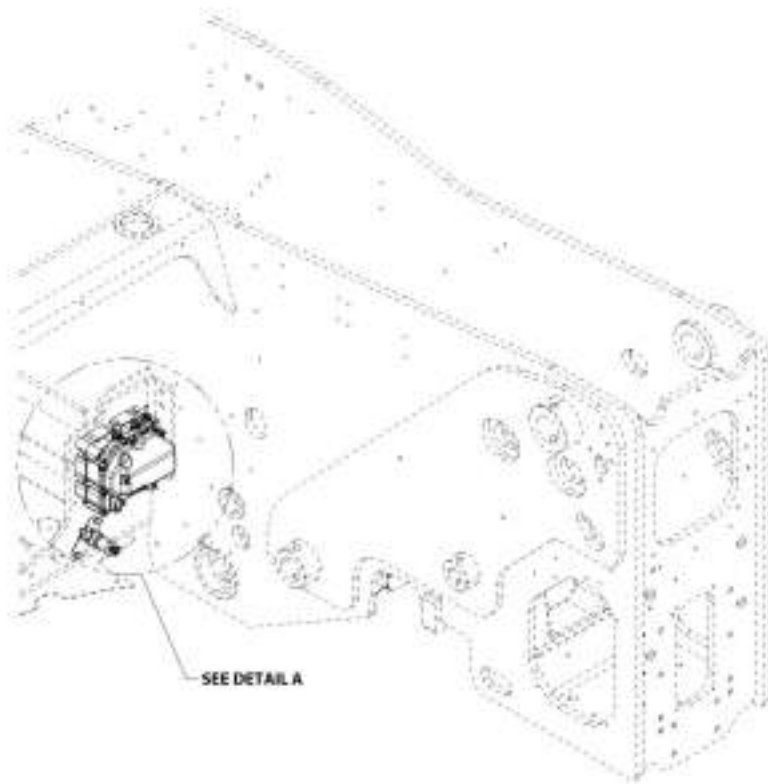
## SECTION 4 - ENGINE AND ATTACHING PARTS

### FIGURE 4-56. BULKHEAD INSTALLATION

ITEM	PART NUMBER	QTY	DESCRIPTION	REV
	1001184955	Ref	Bulkhead Installation	F
1	0700823	2	Bolt, M8X75	
2	0760607	2	Bolt, M6X14	
3	0760810	2	Bolt, M8X20	
4	0760812	2	Bolt, M8X25	
5	0760814	1	Bolt, M8X30	
6	0761011	2	Bolt, M10X22	
7	2110810	1	Fitting, Straight ORFS	
8	2130810	1	Fitting, 90 ORFS	
9	4740572	1	Washer, M10	
10	4811700	2	Washer, M6	
11	4811900	6	Washer, M8	
12	4812000	2	Washer, M10	
13	1001003590	1	Fitting, Straight	
14	1001008761	1	Cap	
16	1001128478	1	Sensor	
17	1001132239	1	Seal	
18	1001200908	1	Valve, Fan Motor Control	
19	1001182424	1	Panel	
20	1001182452	1	Seal	
21	1001182453	1	Seal	
22	1001183958	1	Panel	
23	1001184445	1	Bracket	
25	1001184609	1	Mount	
26	1001184800	1	Seal	
27	1001155278	AR	Strap	
28	1001186370	1	Seal	
29	2131010	1	Fitting, 90 ORFS	
30	2150810	1	Fitting, 45 ORFS	

# SECTION 4 - ENGINE AND ATTACHING PARTS

FIGURE 4-57. DEF CONTROL MODULE INSTALLATION (ULS)



DETAIL A

ART\_1001178035-B

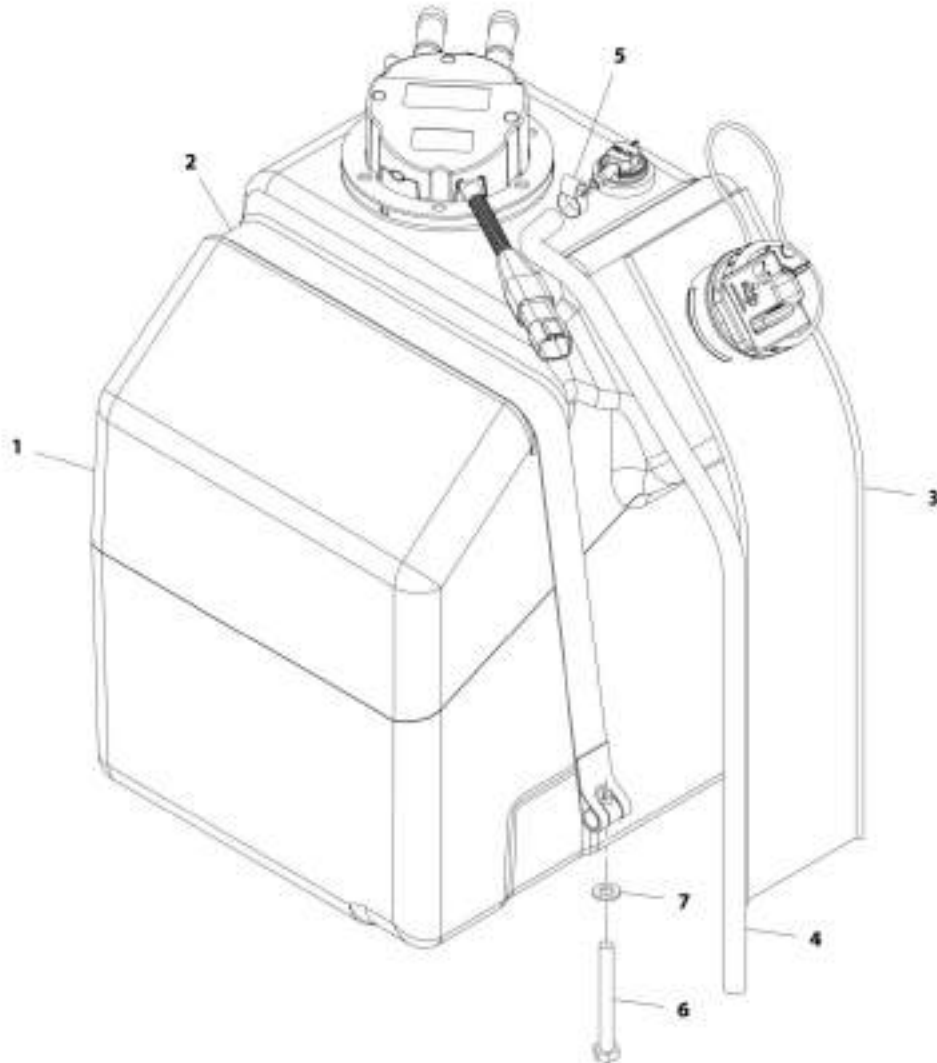
## SECTION 4 - ENGINE AND ATTACHING PARTS

FIGURE 4-57. DEF CONTROL MODULE INSTALLATION (ULS)

ITEM	PART NUMBER	QTY	DESCRIPTION	REV
	1001178030	Ref	DEF Control Module Installation (ULS)	B
2	0700826	3	Bolt, M8X90	
4	0760810	2	Bolt, M8X20	
6	4811900	5	Washer, M8	
7	1001199670	1	Valve	
8	1001200201	1	Bracket	
9	0700608	3	Bolt, M6X16	
10	4811700	3	Washer, M6	

# SECTION 4 - ENGINE AND ATTACHING PARTS

FIGURE 4-58. DEF TANK INSTALLATION (ULS)



ART\_100106639-1



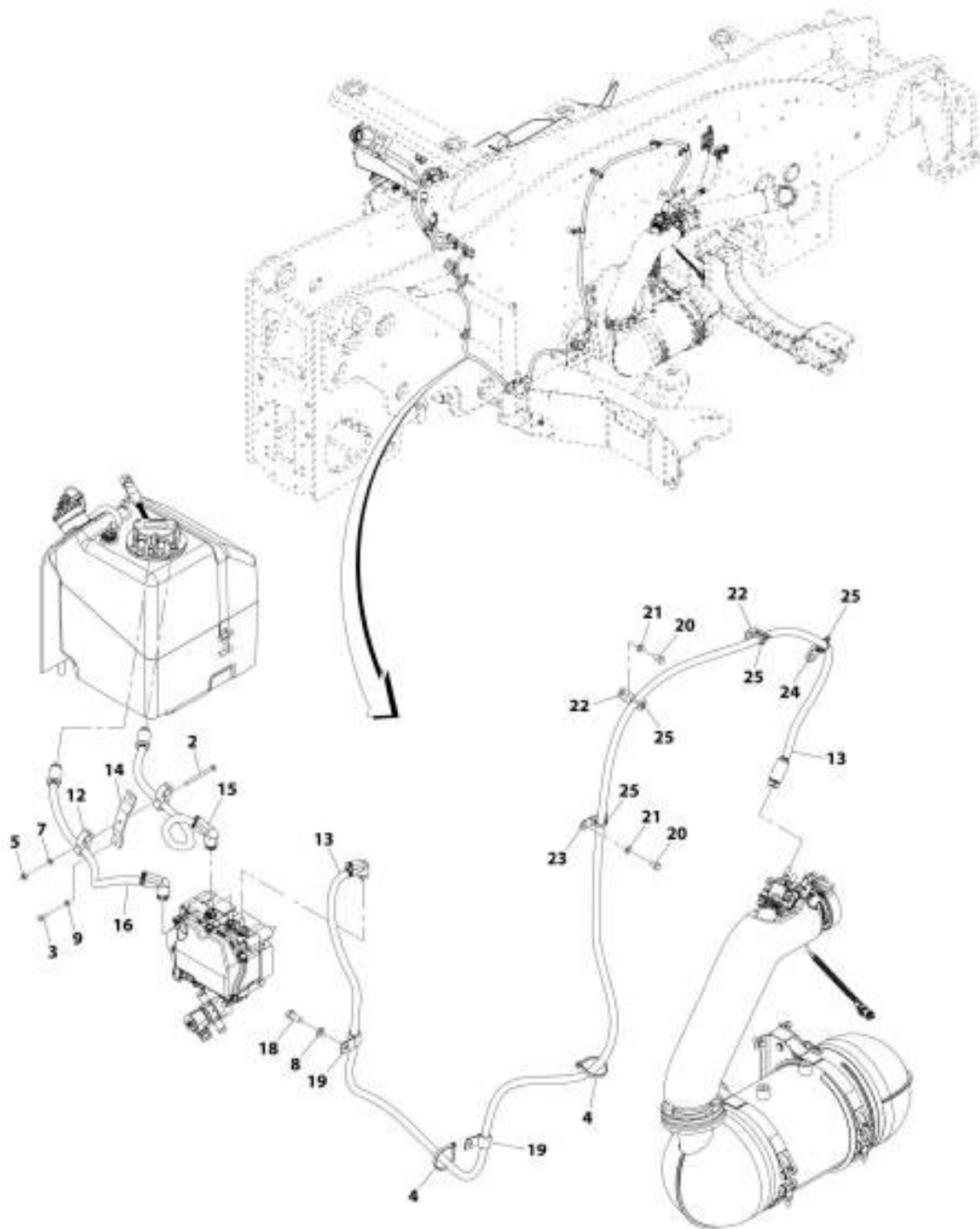
## SECTION 4 - ENGINE AND ATTACHING PARTS

FIGURE 4-58. DEF TANK INSTALLATION (ULS)

ITEM	PART NUMBER	QTY	DESCRIPTION	REV
	1001168639	Ref	DEF Tank Installation (ULS)	J
1	1001164968	1	DEF Tank Assembly (ULS) (See Separate Breakdown in this Section)	
2	1001178791	1	Strap	
3	1001168272	1	Sleeve	
4	1001175201	0.6 m	Hose	
5	8405009	1	Clamp	
6	0760823	1	Bolt, M8X75	
7	4811900	1	Washer, M8	

# SECTION 4 - ENGINE AND ATTACHING PARTS

FIGURE 4-59. DEF LINES INSTALLATION (ULS)



ART\_1001176977-D

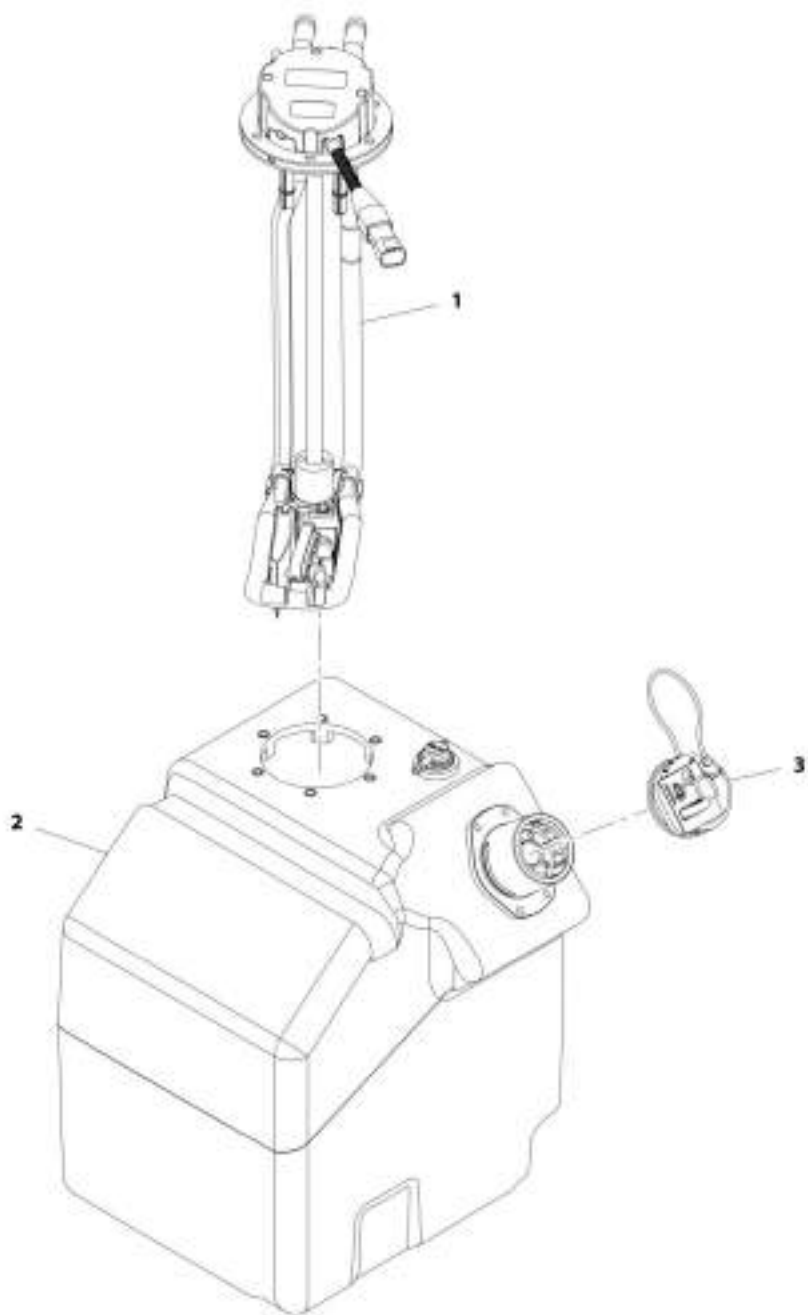
## SECTION 4 - ENGINE AND ATTACHING PARTS

**FIGURE 4-59. DEF LINES INSTALLATION (ULS)**

ITEM	PART NUMBER	QTY	DESCRIPTION	REV
	1001176977	Ref	DEF Lines Installation (ULS)	D
2	0700624	1	Bolt, M6X80	
3	0760607	2	Bolt, M6X14	
4	1062255	2	Strap, Tie	
5	3290605	1	Nut, Lock M6X1 Grade 8	
7	4811700	1	Washer, M6	
8	4812000	1	Washer, M10	
9	4831700	2	Washer, Lock M6	
12	1001094301	2	Clamp	
13	1001207486	1	Hose	
14	1001180328	1	Bracket	
15	1001180435	1	Hose	
16	1001180436	1	Hose	
18	0761012	1	Bolt, M10X25	
19	1001008574	2	Clip	
20	0760808	2	Bolt, M8X16	
21	4811900	2	Washer, M8	
22	1001003305	2	Clip	
23	1001008593	1	Clip	
24	1001169146	1	Mount	
25	471678	4	Strap, Tie	

## SECTION 4 - ENGINE AND ATTACHING PARTS

FIGURE 4-60. DEF TANK ASSEMBLY (ULS)



ART\_100116ANK-E

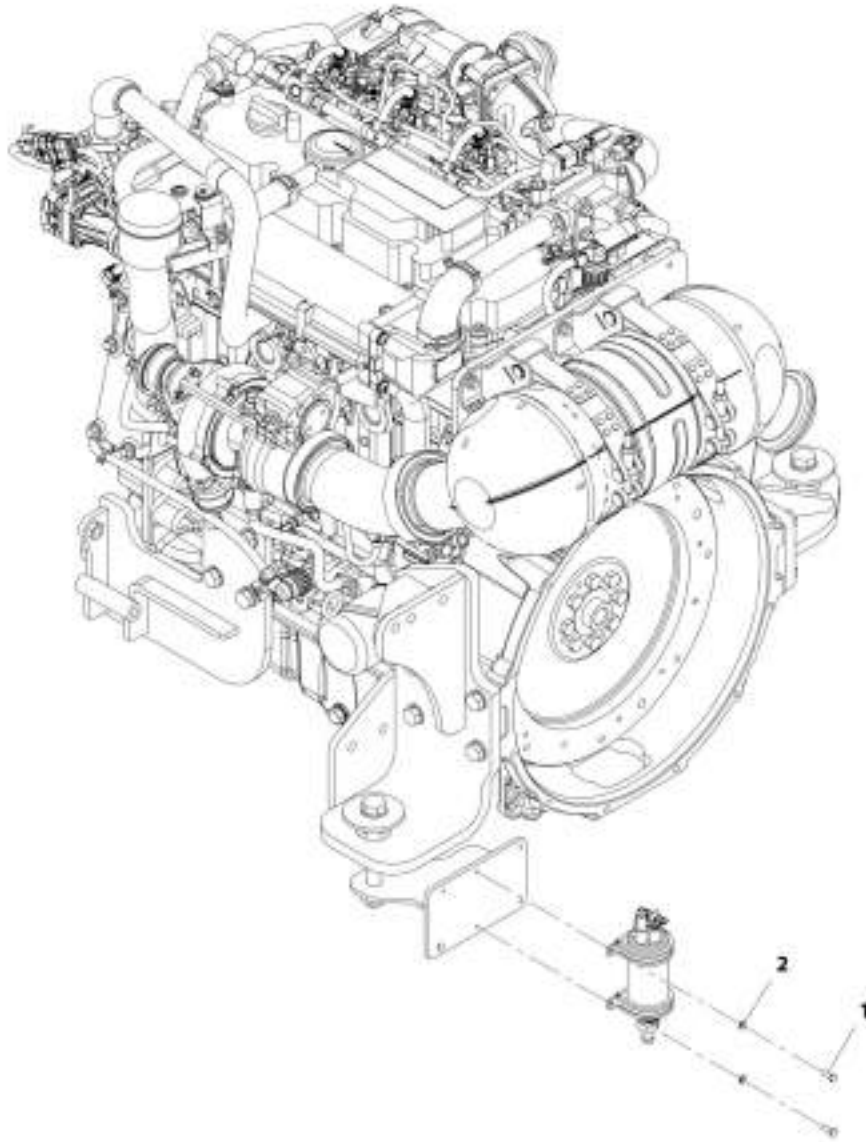
## SECTION 4 - ENGINE AND ATTACHING PARTS

FIGURE 4-60. DEF TANK ASSEMBLY (ULS)

ITEM	PART NUMBER	QTY	DESCRIPTION	REV
	1001164968	Ref	DEF Tank Assembly (ULS)	E
1	1001164965	1	DEF, Header	
2	1001164967	1	Tank, DEF	
3	1001174795	1	Cap	

## SECTION 4 - ENGINE AND ATTACHING PARTS

FIGURE 4-61. REMOTE FUEL PUMP INSTALLATION (74.4KW)



ARL\_1001185789-D

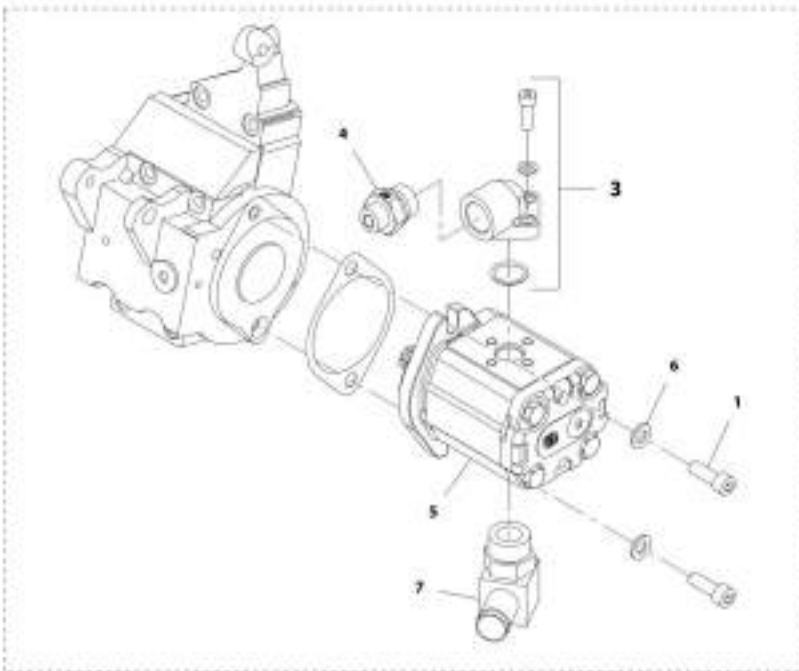
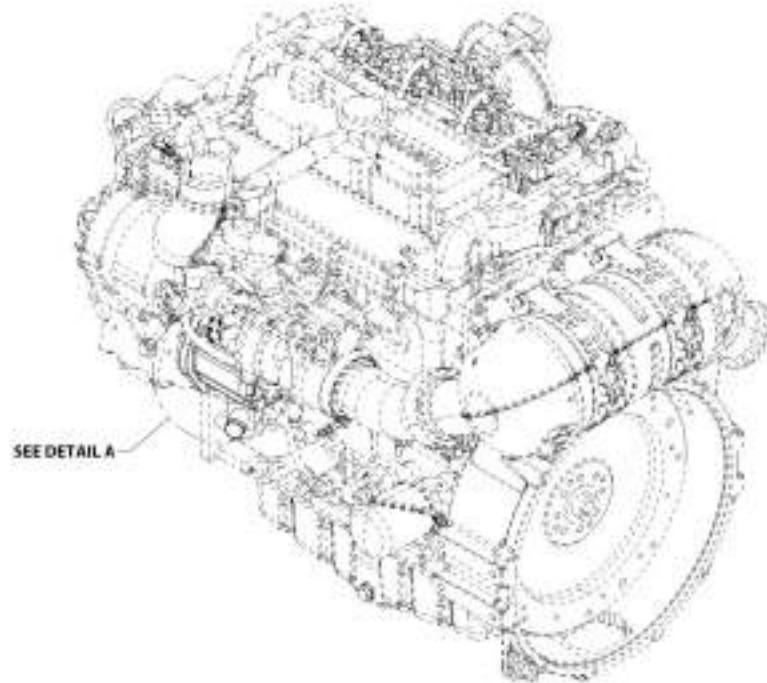
## SECTION 4 - ENGINE AND ATTACHING PARTS

FIGURE 4-61. REMOTE FUEL PUMP INSTALLATION (74.4KW)

ITEM	PART NUMBER	QTY	DESCRIPTION	REV
	1001165789	Ref	Remote Fuel Pump Installation (74.4KW)	D
1	0760507	4	Bolt, M5X14	
2	4811600	4	Washer, M5	

# SECTION 4 - ENGINE AND ATTACHING PARTS

FIGURE 4-62. HYDRAULIC PUMP INSTALLATION (74.4KW)



ART\_1001185865-2



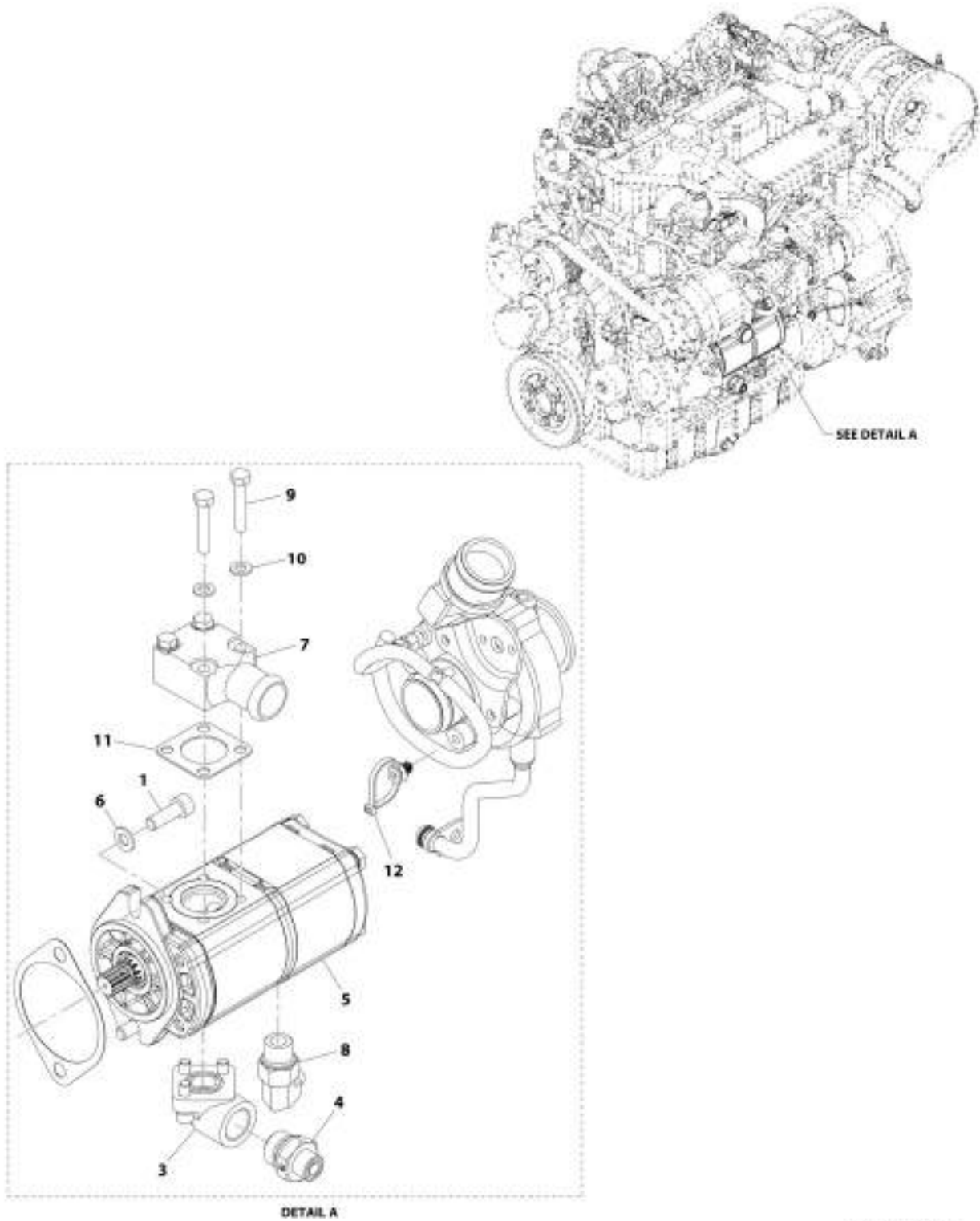
## SECTION 4 - ENGINE AND ATTACHING PARTS

FIGURE 4-62. HYDRAULIC PUMP INSTALLATION (74.4KW)

ITEM	PART NUMBER	QTY	DESCRIPTION	REV
	1001185865	Ref	Hydraulic Pump Installation (74.4KW)	E
1	4032010	2	Bolt, M10X30	
3	1001135245	1	Elbow, Adapter	
4	1001192411	1	Fitting, Straight ORFS	
5	1001182943	1	Pump	
6	4812000	2	Washer, M10	
7	1001109494	1	Fitting, 90 ORFS	

# SECTION 4 - ENGINE AND ATTACHING PARTS

FIGURE 4-63. HYDRAULIC PUMP INSTALLATION (90KW)



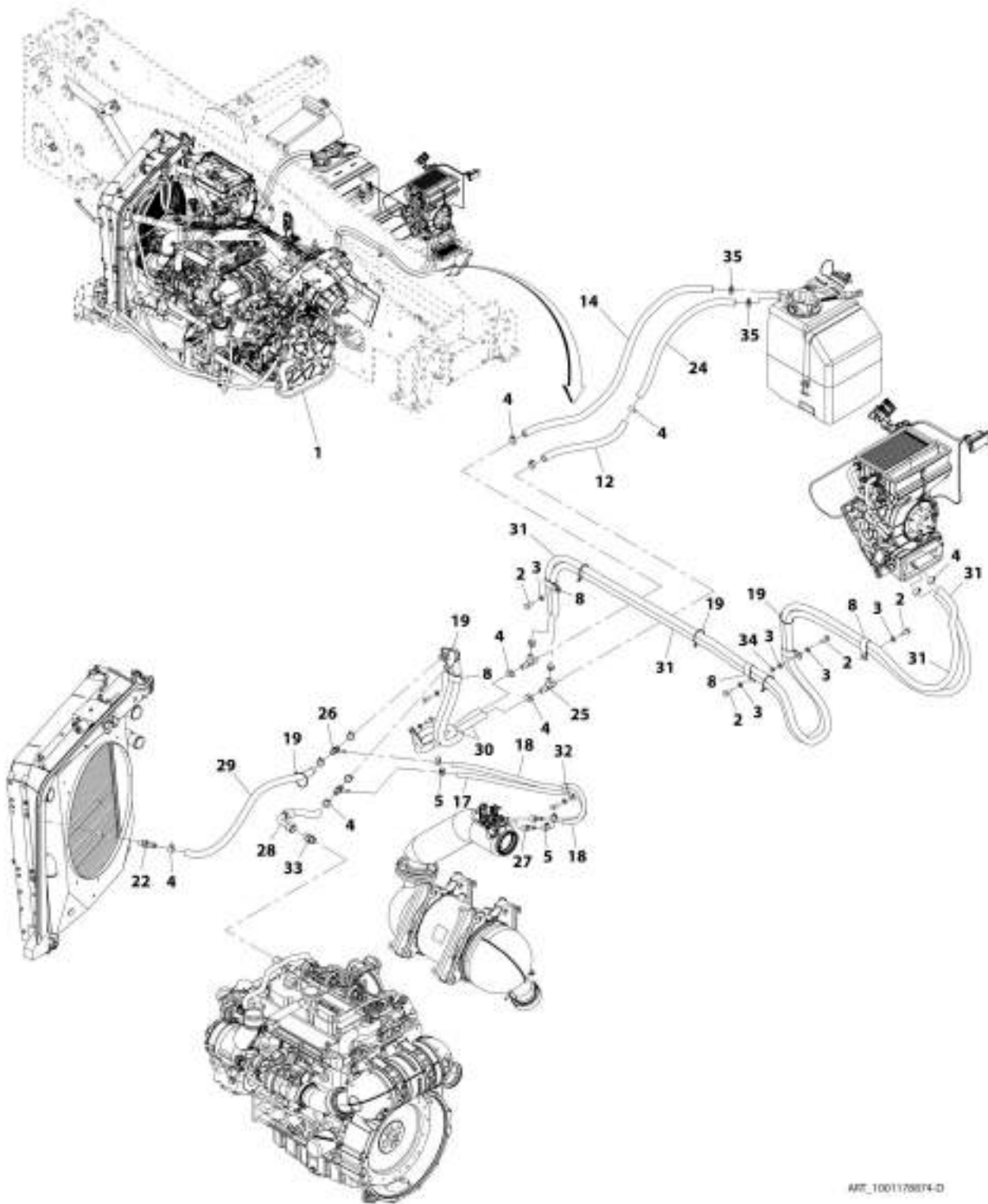
## SECTION 4 - ENGINE AND ATTACHING PARTS

**FIGURE 4-63. HYDRAULIC PUMP INSTALLATION (90KW)**

ITEM	PART NUMBER	QTY	DESCRIPTION	REV
	1001185864	Ref	Hydraulic Pump Installation (90KW)	G
1	4032010	2	Bolt, M10X30	
3	1001135245	1	Elbow, Adapter	
4	1001192411	1	Fitting, Straight ORFS	
5	1001182935	1	Pump	
6	4812000	2	Washer, M10	
7	1001202643	1	Fitting	
8	2130610	1	Fitting, 90 ORFS	
9	0700817	4	Bolt, M8X45	
10	4811900	4	Washer, M8	
11	1001203012	1	Seal	
12	1001146588	1	Strap	

# SECTION 4 - ENGINE AND ATTACHING PARTS

## FIGURE 4-64. HEATER LINES INSTALLATION (ULS)



ART\_1001178874-D

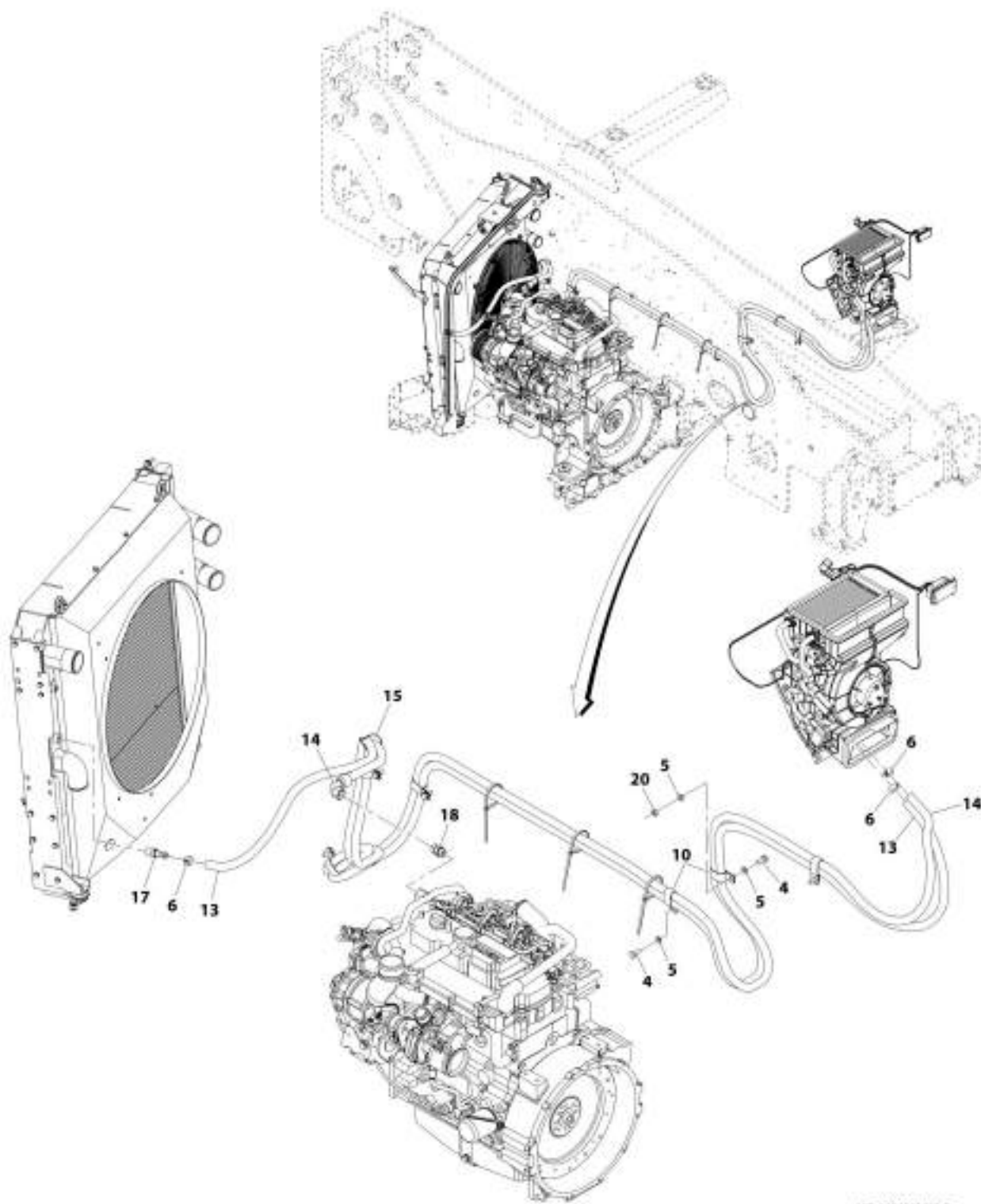
## SECTION 4 - ENGINE AND ATTACHING PARTS

**FIGURE 4-64. HEATER LINES INSTALLATION (ULS)**

ITEM	PART NUMBER	QTY	DESCRIPTION	REV
	1001178874	Ref	Heater Lines Installation (ULS)	D
2	0761012	7	Bolt, M10X25	
3	4812000	8	Washer, M10	
4	8410009	15	Clamp	
5	8410013	4	Clamp	
8	1001008720	6	Clip	
12	1001202478	1	Hose	
14	1001202479	1	Hose	
17	1001202473	1	Hose	
18	1001202474	1	Hose	
19	1001008559	8	Strap	
22	1001104685	1	Fitting, Barbed	
24	1001180429	1	Hose	
25	1001183125	2	Fitting, Tee	
26	1001183149	2	Fitting, Tee	
27	1001183357	2	Fitting, Straight	
28	1001212956	1	HOSE ASSY,.63" ORFS/NONE	
29	1001202476	1	Hose	
30	1001202477	2	Hose	
31	1001202480	2	Hose	
32	1001008573	1	Clip	
33	1001202921	1	Fitting, Straight ORFS	
34	3291001	1	Nut, M10X1.5 Grade 8	
35	1001152730	2	Clamp	

# SECTION 4 - ENGINE AND ATTACHING PARTS

## FIGURE 4-65. HEATER LINES INSTALLATION (LS)



48E\_1001181413-C

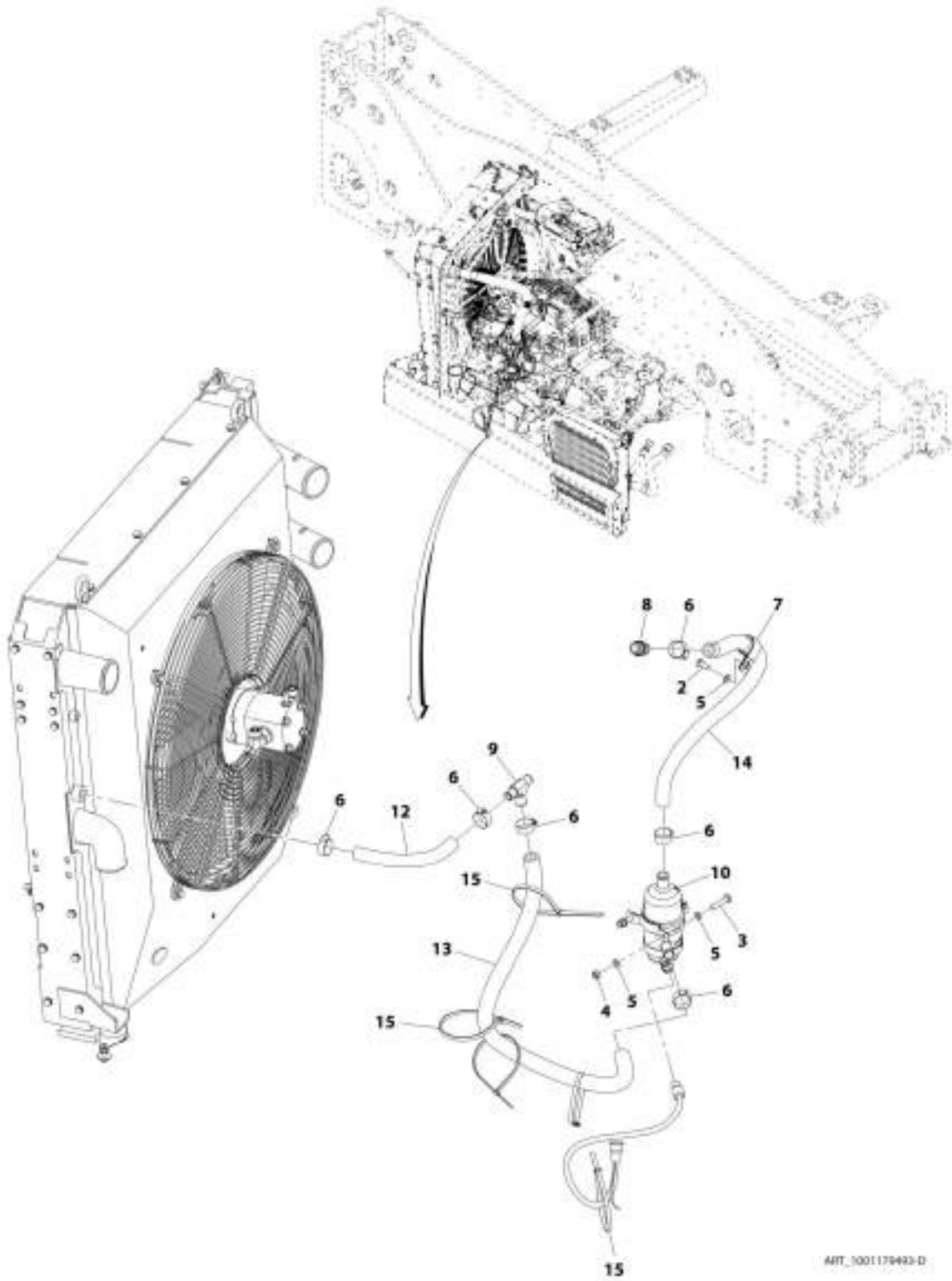
## SECTION 4 - ENGINE AND ATTACHING PARTS

### FIGURE 4-65. HEATER LINES INSTALLATION (LS)

ITEM	PART NUMBER	QTY	DESCRIPTION	REV
	1001181413	Ref	Heater Lines Installation (LS)	C
4	0761012	6	Bolt, M10X25	
5	4812000	7	Washer, M10	
6	8410009	3	Clamp	
10	1001008720	6	Clip	
13	1001201296	1	Hose	
14	1001202772	1	Hose	
15	1001008559	2	Strap	
17	1001104685	1	Fitting, Barbed	
18	1001202921	1	Fitting, Straight ORFS	
20	3291001	1	Nut, M10X1.5	

# SECTION 4 - ENGINE AND ATTACHING PARTS

FIGURE 4-66. BLOCK HEATER INSTALLATION (230V - LS)





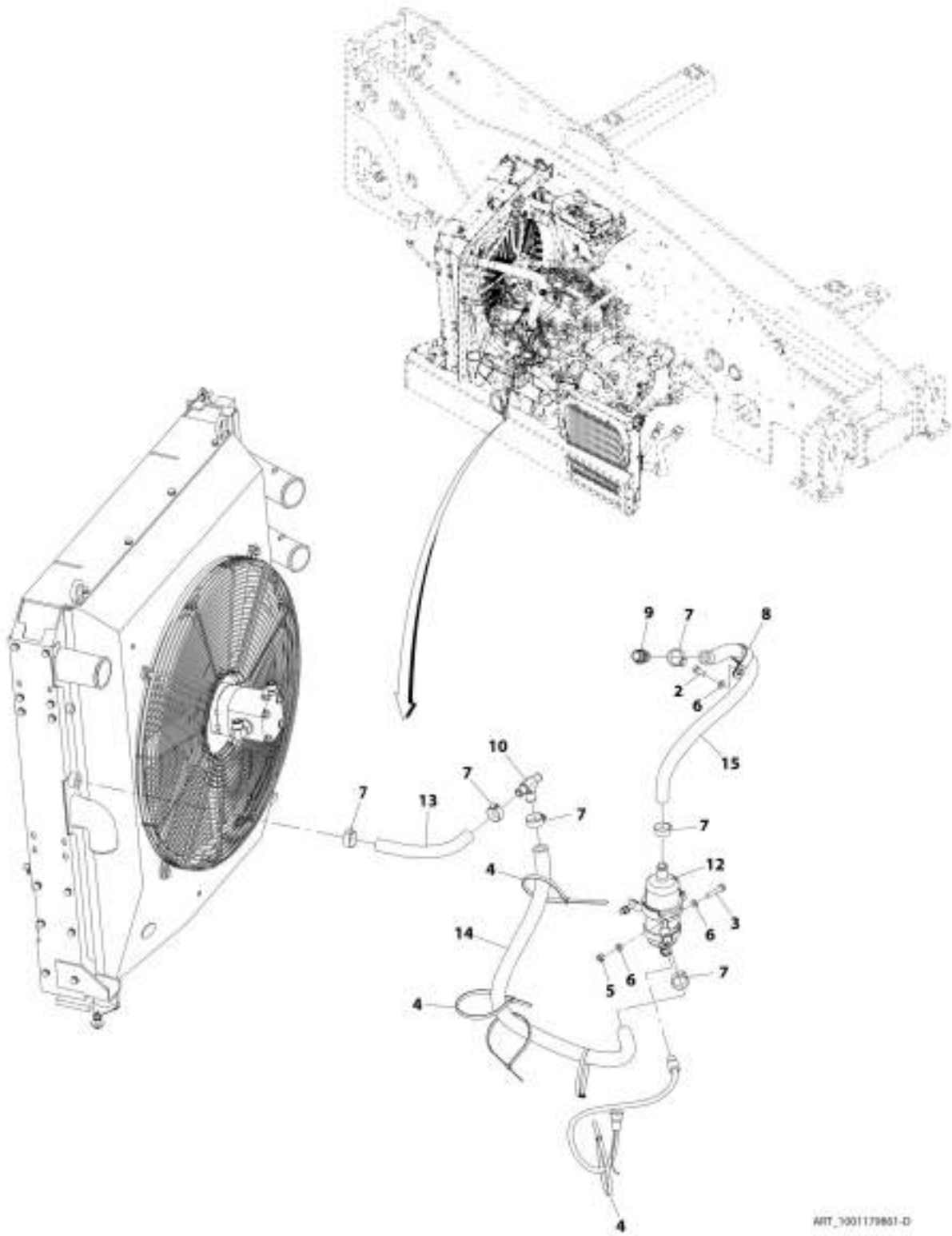
## SECTION 4 - ENGINE AND ATTACHING PARTS

**FIGURE 4-66. BLOCK HEATER INSTALLATION (230V - LS)**

ITEM	PART NUMBER	QTY	DESCRIPTION	REV
	1001179493	Ref	Block Heater Installation (230V - LS)	D
2	0760810	1	Bolt, M8X20	
3	0760816	2	Bolt, M8X40	
4	3290805	2	Nut, Lock M8X1.25 Grade 8	
5	4811900	5	Washer, M8	
6	8405007	6	Clamp	
7	8406302	1	Clamp	
8	1001167408	1	Adapter, Hose	
9	1001167773	1	Fitting, Tee	
10	1001165069	1	Block Heater (230V) (See Separate Breakdown in this Section)	
12	1001204302	1	Hose	
13	1001204301	1	Hose	
14	1001204373	1	Hose	
15	1062255	5	Strap, Tie	

# SECTION 4 - ENGINE AND ATTACHING PARTS

FIGURE 4-67. BLOCK HEATER INSTALLATION (120V - LS)



ART\_3001179601-D

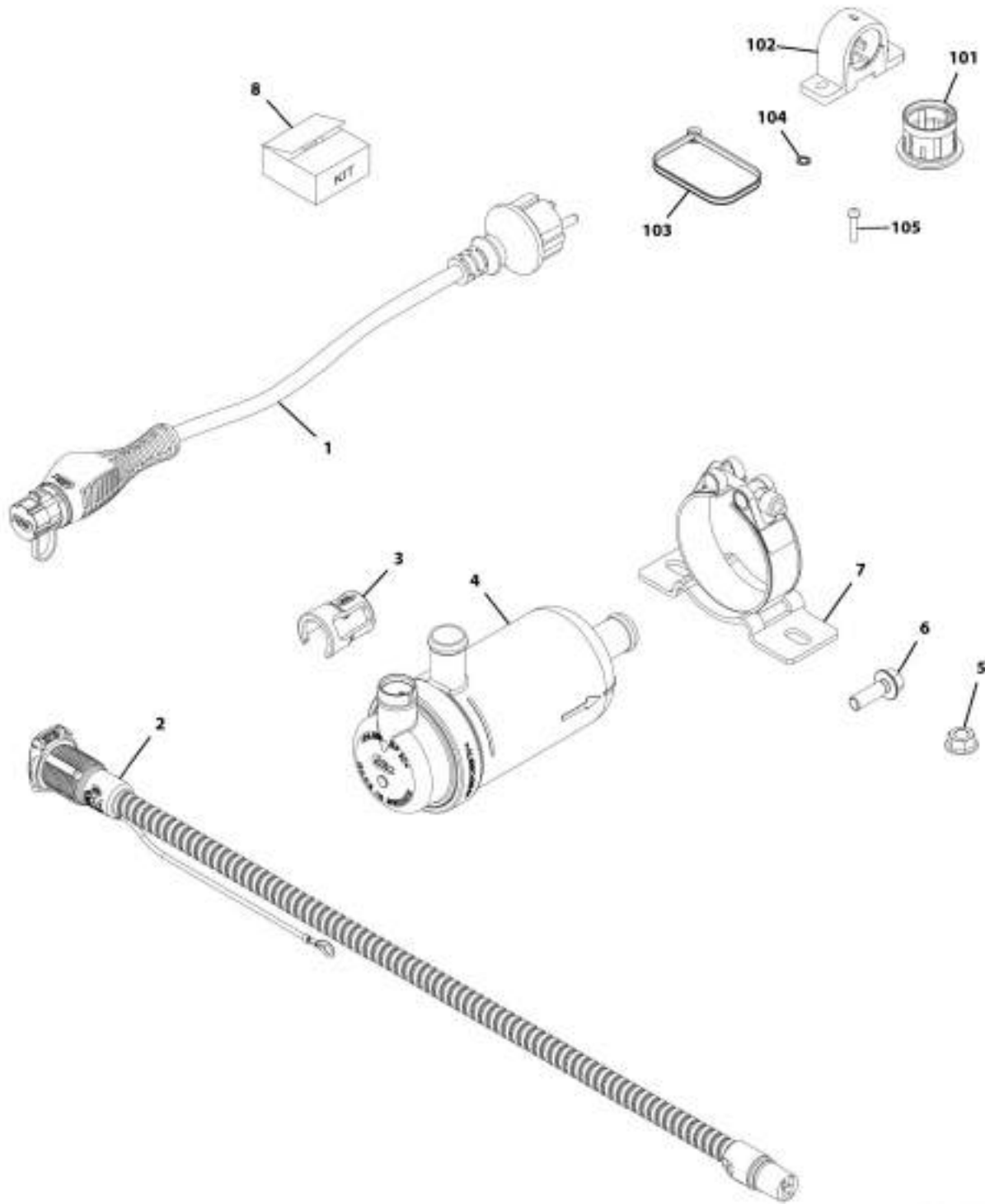
## SECTION 4 - ENGINE AND ATTACHING PARTS

**FIGURE 4-67. BLOCK HEATER INSTALLATION (120V - LS)**

ITEM	PART NUMBER	QTY	DESCRIPTION	REV
	1001179861	Ref	Block Heater Installation (120V - LS - JLG)	D
2	0760810	1	Bolt, M8X20	
3	0760816	2	Bolt, M8X40	
4	1062255	5	Strap, Tie	
5	3290805	2	Nut, Lock M8X1.25 Grade 8	
6	4811900	5	Washer, M8	
7	8405007	6	Clamp	
8	8406302	1	Clamp	
9	1001167408	1	Adapter, Hose	
10	1001167773	1	Fitting, Tee	
12	1001179910	1	Block Heater (120V) (See Separate Breakdown in this Section)	
13	1001204302	1	Hose	
14	1001204301	1	Hose	
15	1001204373	1	Hose	

# SECTION 4 - ENGINE AND ATTACHING PARTS

## FIGURE 4-68. BLOCK HEATER (230V)



MTT\_1001165069-6

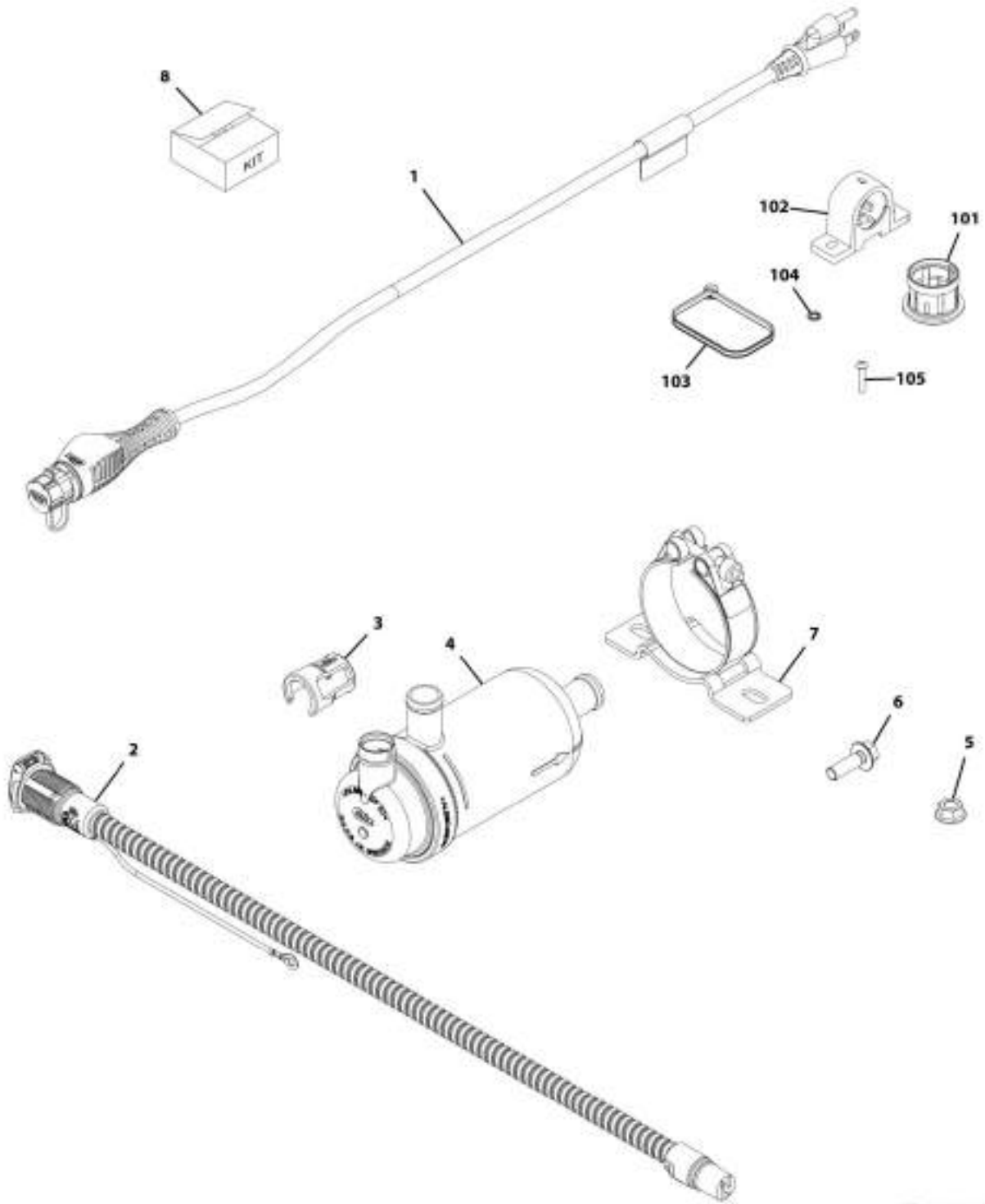
## SECTION 4 - ENGINE AND ATTACHING PARTS

**FIGURE 4-68. BLOCK HEATER (230V)**

ITEM	PART NUMBER	QTY	DESCRIPTION	REV
	1001165069	Ref	Block heater (230V)	B
1	70026718	1	Cable, Supply	
2	70026717	1	Cable, Inlet	
3	70026720	1	Clip, Safety	
4	70026721	1	Heater	
5	70026722	2	Nut, Flange M8X8	
6	70026723	2	Screw, Flange M8X25	
7	70026724	1	Clamp	
8	70026719	1	Kit, MK Assembly	
101	Kit	1	Expander	
102	Kit	1	Clamp	
103	Kit	5	Wrap, Tie	
104	Kit	2	Washer, Lock	
105	Kit	3	Screw	

# SECTION 4 - ENGINE AND ATTACHING PARTS

FIGURE 4-69. BLOCK HEATER (120V)



MT\_1001179810-B

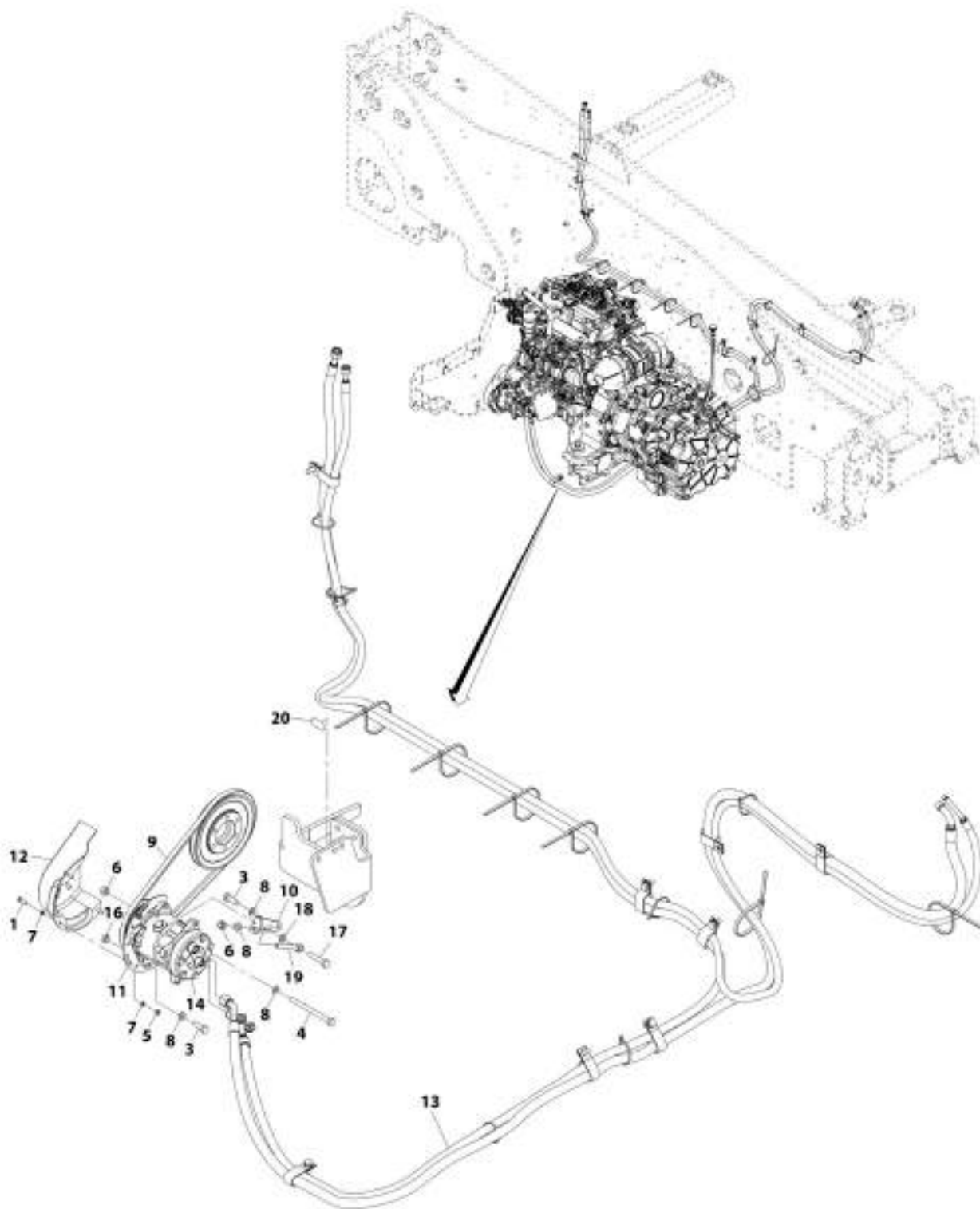
## SECTION 4 - ENGINE AND ATTACHING PARTS

**FIGURE 4-69. BLOCK HEATER (120V)**

ITEM	PART NUMBER	QTY	DESCRIPTION	REV
	1001179910	Ref	Block Heater (120V)	B
1	70026725	1	Cable, Supply	
2	70026726	1	Cable, Inlet	
3	70026720	1	Clip, Safety	
4	70026721	1	Heater	
5	70026722	2	Nut, Flange M8X8	
6	70026723	2	Screw, Flange M8X25	
7	70026724	1	Clamp	
8	70026719	1	Kit, MK Assembly	
101	Kit	1	Expander	
102	Kit	1	Clamp	
103	Kit	5	Wrap, Tie	
104	Kit	2	Washer, Lock	
105	Kit	3	Screw	

# SECTION 4 - ENGINE AND ATTACHING PARTS

## FIGURE 4-70. A/C PUMP INSTALLATION





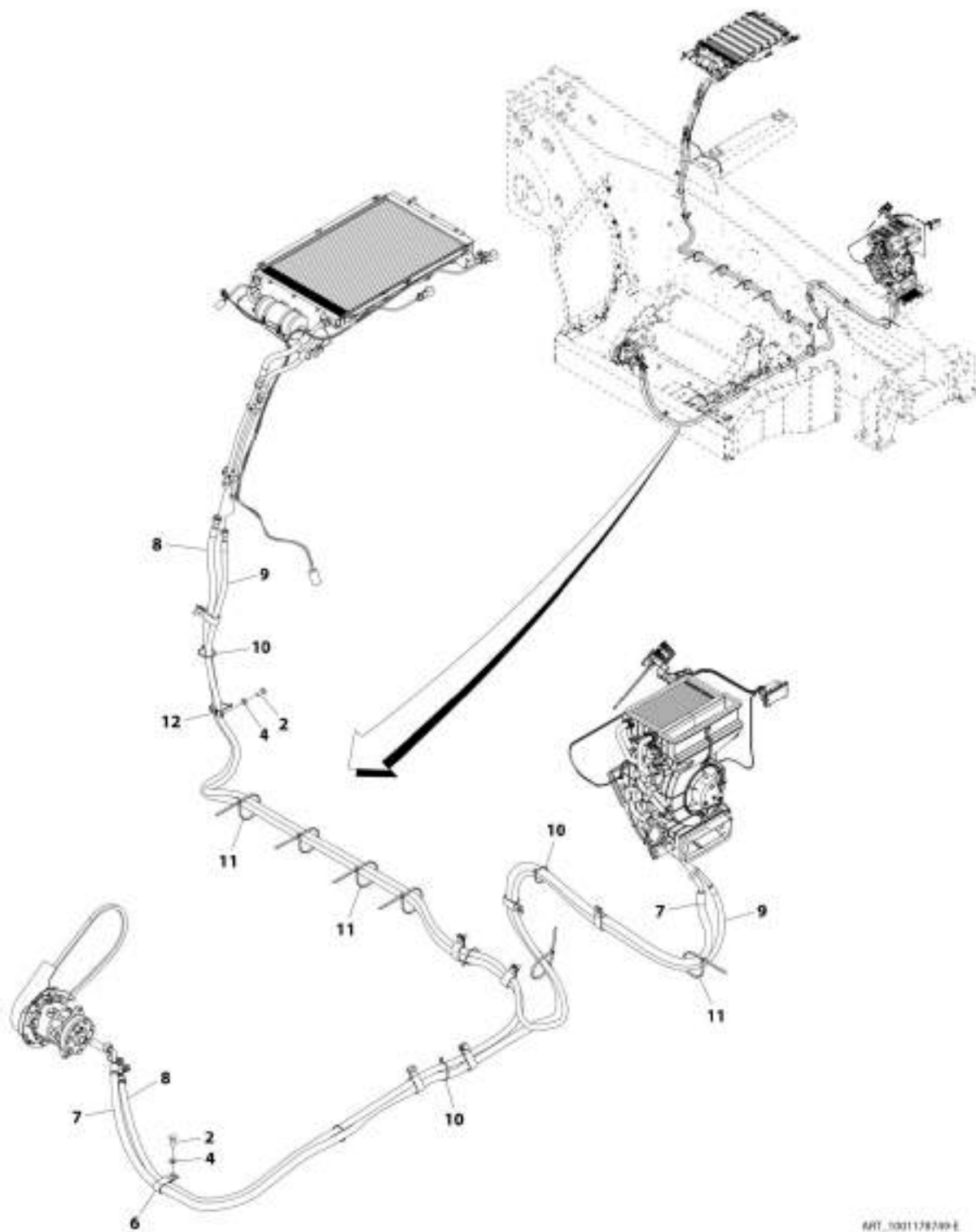
## SECTION 4 - ENGINE AND ATTACHING PARTS

### FIGURE 4-70. A/C PUMP INSTALLATION

ITEM	PART NUMBER	QTY	DESCRIPTION	REV
	1001178725	Ref	A/C Pump Installation	D
1	0700610	3	Bolt, M6X20	
3	0701014	3	Bolt, M10X30	
4	0701030	1	Bolt, M10X130	
5	3290605	3	Nut, Lock M6X1 Grade 8	
6	3291005	2	Nut, Lock M10X1.5 Grade 8	
7	4811700	6	Washer, M6	
8	4812000	5	Washer, M10	
9	1001167356	1	Belt, Drive A/C	
10	1001188855	1	Plate	
11	1001193735	1	Support	
12	1001171000	1	Cover	
13	1001178749	Ref	Installation, A/C Lines (See Separate Breakdown in this Section)	
14	1001119220	1	Compressor	
16	3291001	2	Nut, M10X1.5 Grade 8	
17	0701018	1	Bolt, M10X50	
18	5241000	1	Washer, M10	
19	1001188856	1	Rod	
20	1001193026	1	Decal	

# SECTION 4 - ENGINE AND ATTACHING PARTS

## FIGURE 4-71. A/C LINES INSTALLATION



AWT\_3031178700-E

## SECTION 4 - ENGINE AND ATTACHING PARTS

### FIGURE 4-71. A/C LINES INSTALLATION

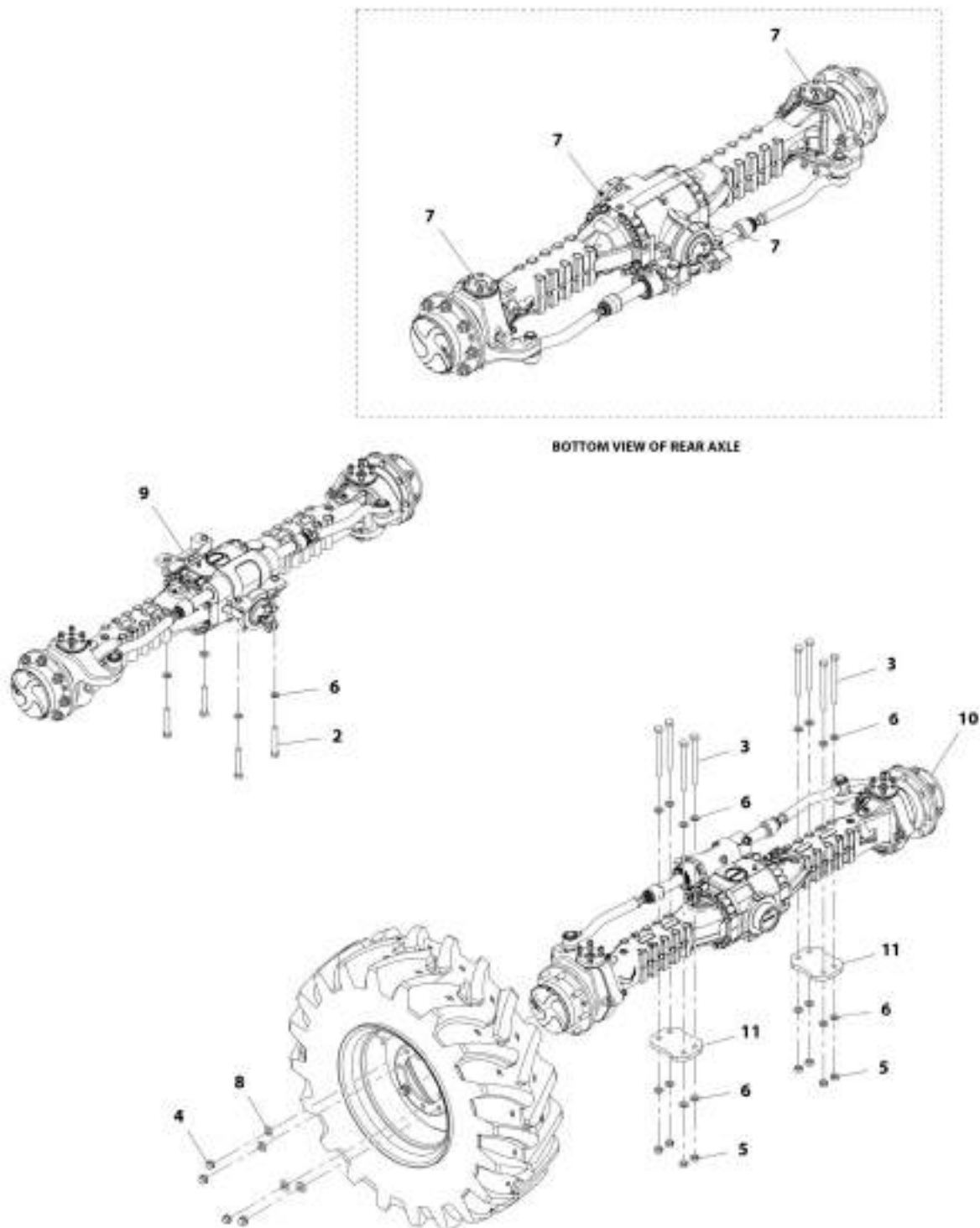
ITEM	PART NUMBER	QTY	DESCRIPTION	REV
	1001178749	Ref	A/C Lines Installation	E
2	0761012	7	Bolt, M10X25	
4	4812000	7	Washer, M10	
6	1001008720	8	Clip	
7	1001203825	1	Hose	
8	1001180593	1	Hose	
9	1001203826	1	Hose	
10	1001008559	6	Strap	
11	1062255	6	Strap, Tie	
12	1001008593	1	Clip	



**SECTION 5 - DRIVE TRAIN**

# SECTION 5 - DRIVE TRAIN

## FIGURE 5-1. AXLES INSTALLATION (NO HYDRAULIC PARK BRAKE)



BOTTOM VIEW OF REAR AXLE

ART\_1001175295-D

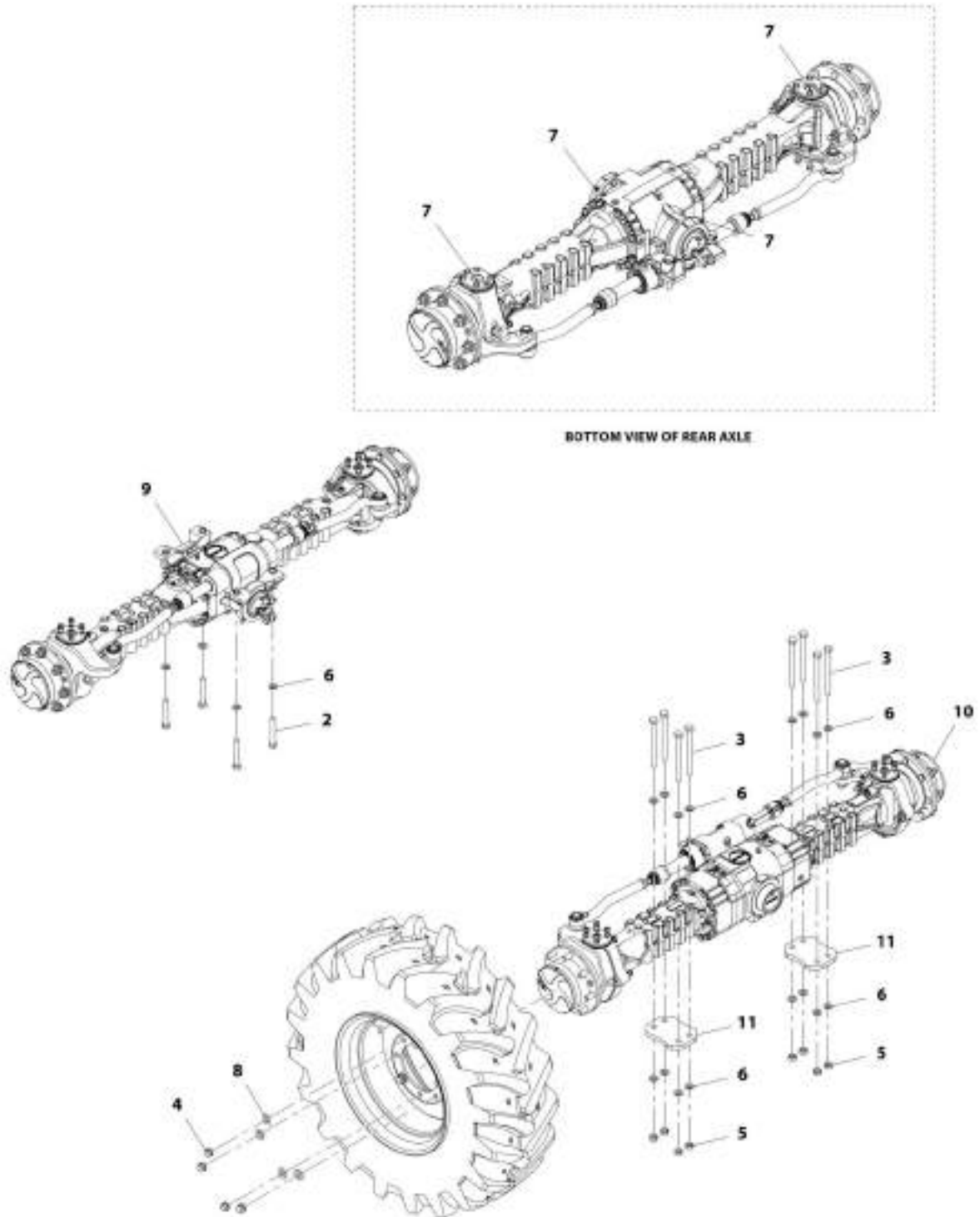
## SECTION 5 - DRIVE TRAIN

**FIGURE 5-1. AXLES INSTALLATION (NO HYDRAULIC PARK BRAKE)**

ITEM	PART NUMBER	QTY	DESCRIPTION	REV
	1001175295	Ref	Axles Installation (No Hydraulic Park Brake)	D
2	0712030	4	Bolt, M20X130 Grade 10.9	
3	0712040	8	Bolt, M20X230 Grade 10.9	
4	3300479	32	Nut, M22X1.5	
5	3332011	8	Nut, M20X2.5	
6	1001197130	20	Washer	
7	1001008462	AR	Grease	
8	1001114802	32	Washer	
9	1001165857	Ref	Installation, Rear Axle (See Separate Breakdown in this Section)	
10	1001175670	Ref	Installation, Front Axle (No Hydraulic Park Brake) (See Separate Breakdown in this Section)	
11	1001190542	2	Plate	

# SECTION 5 - DRIVE TRAIN

## FIGURE 5-2. AXLES INSTALLATION (HYDRAULIC PARK BRAKE)



ART\_1001176839-D



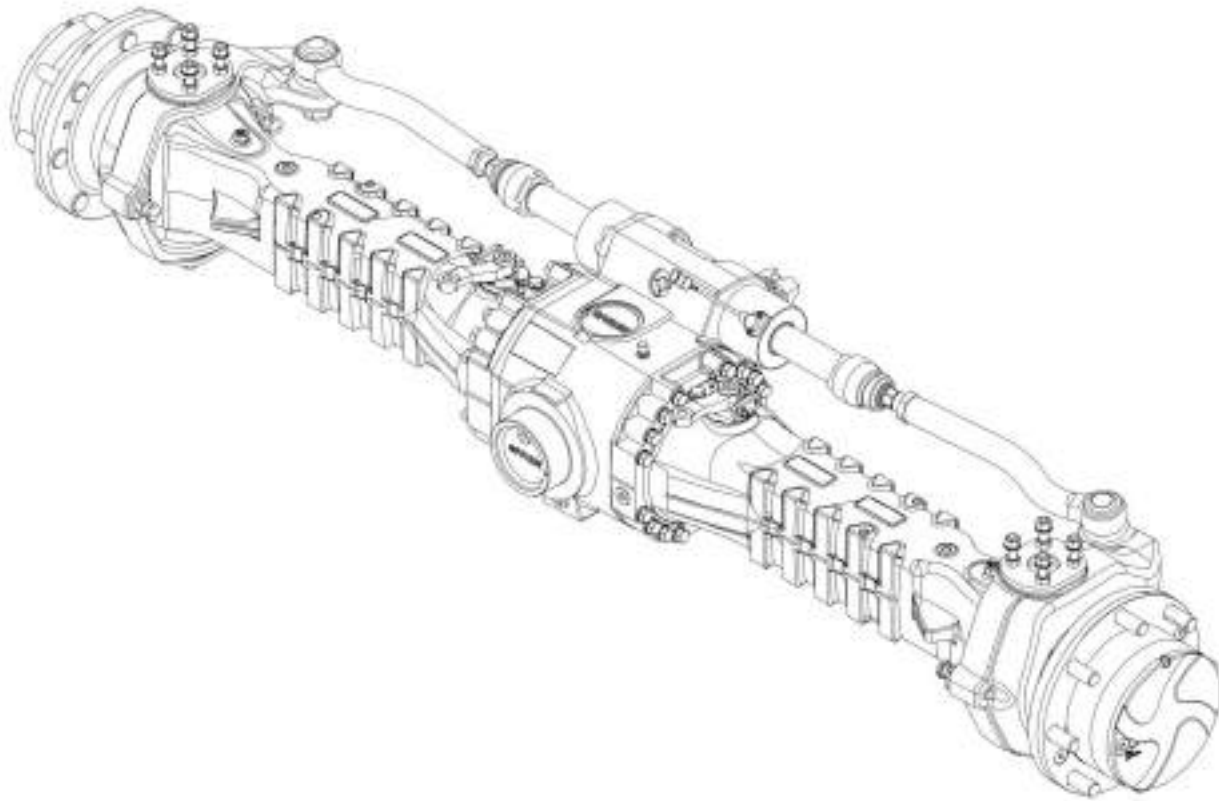
## SECTION 5 - DRIVE TRAIN

**FIGURE 5-2. AXLES INSTALLATION (HYDRAULIC PARK BRAKE)**

ITEM	PART NUMBER	QTY	DESCRIPTION	REV
	1001176839	Ref	Axles Installation (Hydraulic Park Brake)	D
2	0712030	4	Bolt, M20X130 Grade 10.9	
3	0712040	8	Bolt, M20X230 Grade 10.9	
4	3300479	32	Nut, M22X1.5	
5	3332011	8	Nut, M20X2.5	
6	1001197130	20	Washer	
7	1001008462	AR	Grease	
8	1001114802	32	Washer	
9	1001165857	Ref	Installation, Rear Axle (See Separate Breakdown in this Section)	
10	1001175671	Ref	Installation, Front Axle (Hydraulic Park Brake) (See Separate Breakdown in this Section)	
11	1001190542	2	Plate	

## SECTION 5 - DRIVE TRAIN

FIGURE 5-3. FRONT AXLE INSTALLATION (NO HYDRAULIC PARK BRAKE)



ART\_100117567D-E

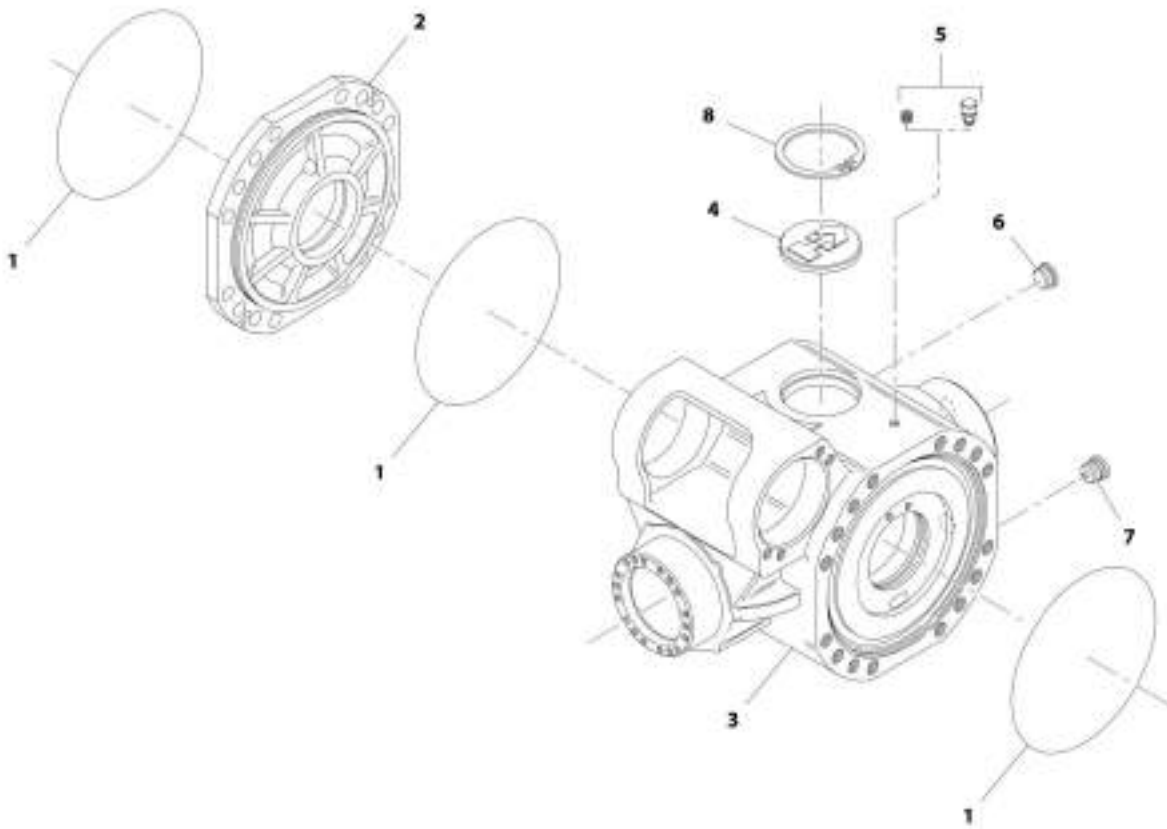
## SECTION 5 - DRIVE TRAIN

**FIGURE 5-3. FRONT AXLE INSTALLATION (NO HYDRAULIC PARK BRAKE)**

ITEM	PART NUMBER	QTY	DESCRIPTION	REV
	1001175670	Ref	Front Axle Installation (No Hydraulic Park Brake)	E
		Ref	<b>Front Axle, Central Housing (No Hydraulic Park Brake) (See Separate Breakdown in this Section)</b>	
		Ref	<b>Front Axle, Differential (No Hydraulic Park Brake) (See Separate Breakdown in this Section)</b>	
		Ref	<b>Front Axle, Hub Reduction (No Hydraulic Park Brake) (See Separate Breakdown in this Section)</b>	
		Ref	<b>Front Axle, Brakes (No Hydraulic Park Brake) (See Separate Breakdown in this Section)</b>	
		Ref	<b>Front Axle, Steering (No Hydraulic Park Brake) (See Separate Breakdown in this Section)</b>	

# SECTION 5 - DRIVE TRAIN

FIGURE 5-4. FRONT AXLE, CENTRAL HOUSING (NO HYDRAULIC PARK BRAKE)



ART\_1001175670\_1-E

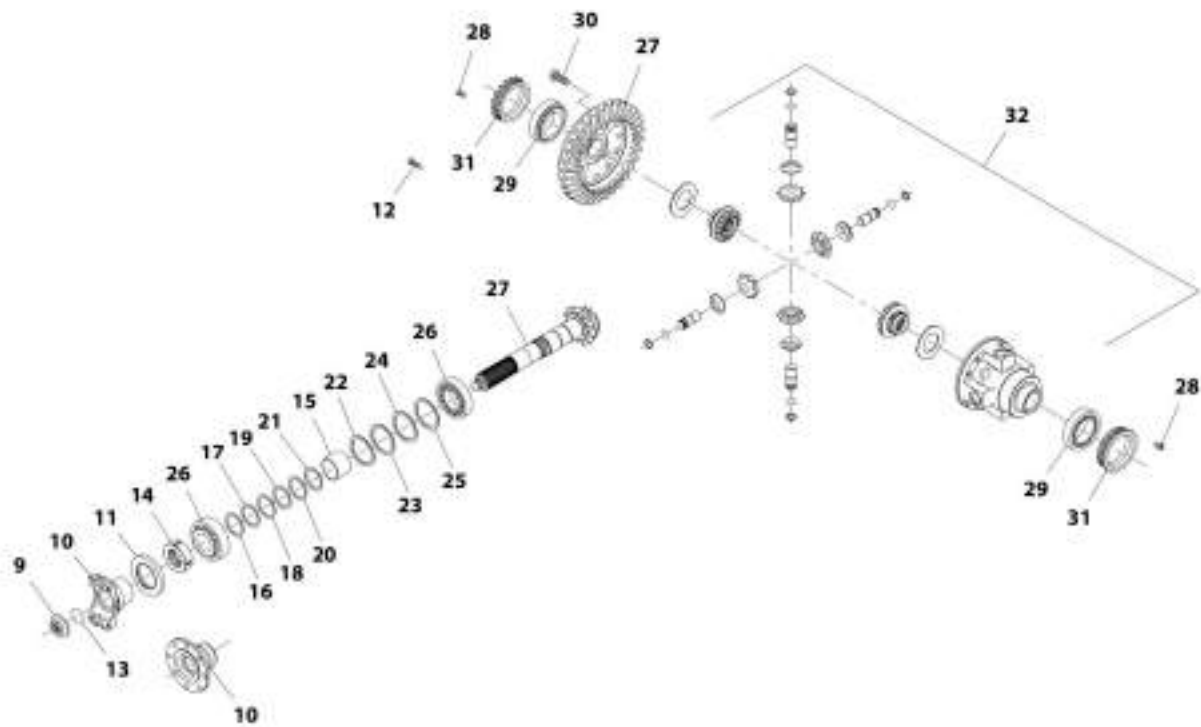
## SECTION 5 - DRIVE TRAIN

**FIGURE 5-4. FRONT AXLE, CENTRAL HOUSING (NO HYDRAULIC PARK BRAKE)**

ITEM	PART NUMBER	QTY	DESCRIPTION	REV
1	91474507	3	O-Ring	
2	70024519	1	Cover	
3	70026749	1	Housing	
4	91514098	1	Plug	
5	91474512	1	Vent	
6	91514188	1	Plug	
7	91474513	1	Plug, Magnet	
8	80204005	1	Circlip	

# SECTION 5 - DRIVE TRAIN

FIGURE 5-5. FRONT AXLE, DIFFERENTIAL (NO HYDRAULIC PARK BRAKE)



ART\_100175670\_2 E

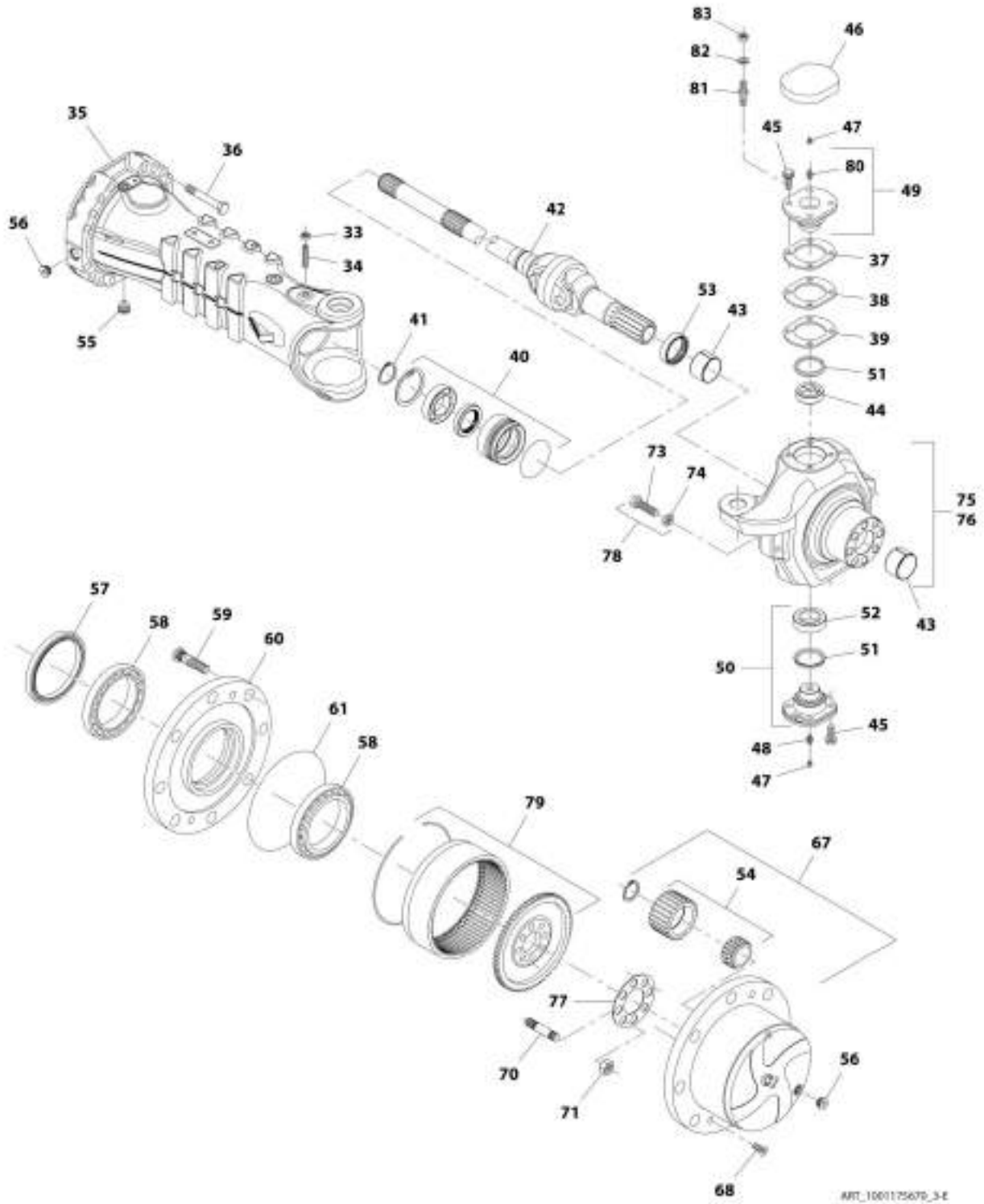
## SECTION 5 - DRIVE TRAIN

**FIGURE 5-5. FRONT AXLE, DIFFERENTIAL (NO HYDRAULIC PARK BRAKE)**

ITEM	PART NUMBER	QTY	DESCRIPTION	REV
9	70026631	1	Nut	
10	7029427	1	Flange	
11	70024522	1	Seal	
12	91474591	4	Bolt	
13	91474529	1	O-Ring	
14	91474533	1	Nut, Ring	
15	91474539	1	Spacer	
16	91474535	1	Shim	
17	91474536	1	Shim	
18	91474537	1	Shim	
19	91474538	1	Shim	
20	70024520	2	Shim	
21	70024520	1	Shim	
22	91474540	1	Shim	
23	91474541	1	Shim	
24	91474541	1	Shim	
25	91474543	1	Shim	
26	3968141	2	Bearing, Taper Roller	
27	8007749	1	Bevel Gear Set	
28	91514134	2	Bolt	
29	70026031	2	Bearing, Taper Roller	
30	91514123	12	Bolt	
31	91474547	2	Nut, Ring	
32	7028710	1	Kit, Differential (See Separate Breakdown in this Section)	

# SECTION 5 - DRIVE TRAIN

FIGURE 5-6. FRONT AXLE, HUB REDUCTION (NO HYDRAULIC PARK BRAKE)





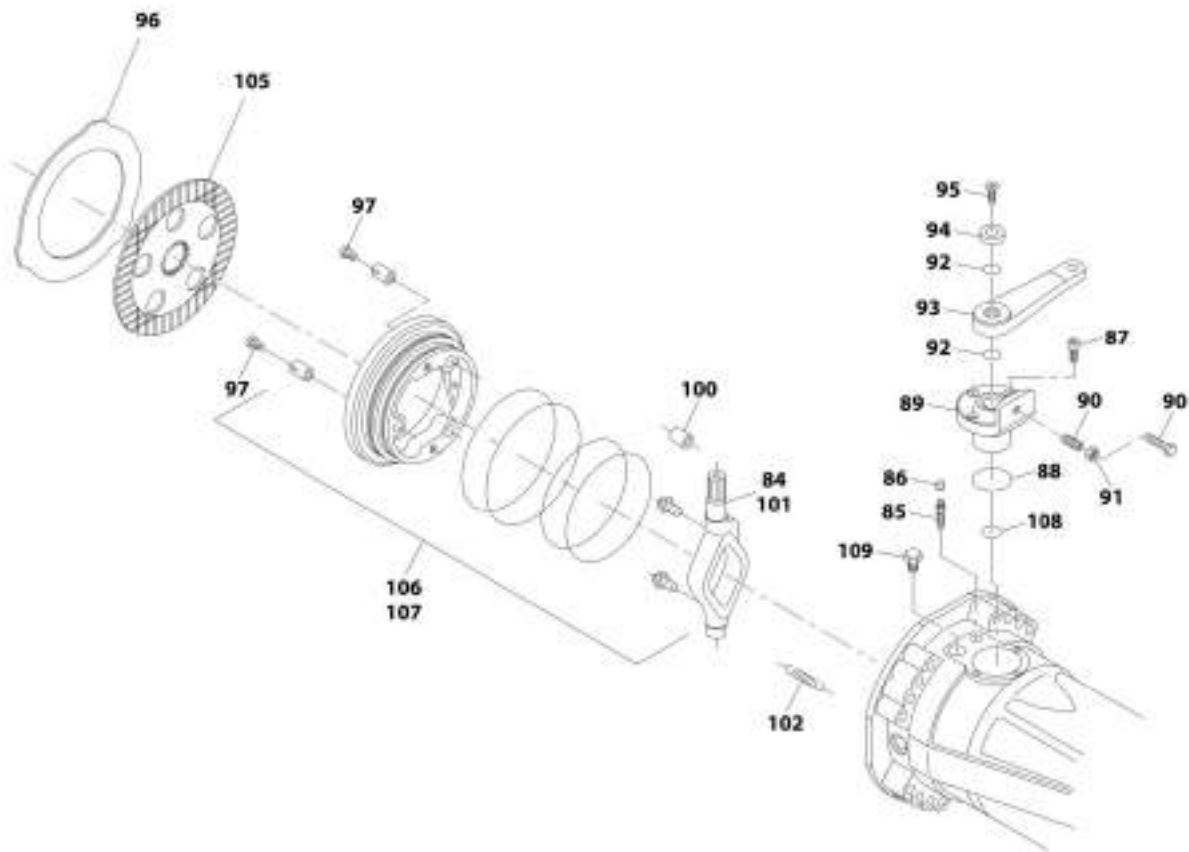
## SECTION 5 - DRIVE TRAIN

**FIGURE 5-6. FRONT AXLE, HUB REDUCTION (NO HYDRAULIC PARK BRAKE)**

ITEM	PART NUMBER	QTY	DESCRIPTION	REV
33	91514082	2	Nut	
34	2400600	2	Bolt	
35	70026950	2	Case, Axle	
36	7029428	32	Bolt	
37	8007779	2	Shim	
38	8007780	2	Shim	
39	8007782	2	Shim	
40	91514149	2	Kit, Reduction Bushing (See Separate Breakdown in this Section)	
41	80204071	2	Circlip	
42	70026824	2	Joint, Double Universal	
43	8004468	2	Bushing, Thrust	
44	70020173	2	Bushing	
45	70025562	12	Bolt	
46	70025549	2	Cover	
47	2997103	4	Plug	
48	91514099	2	Fitting, Grease	
49	70025567	2	Pin, Pivot	
50	8006605	2	Pin, Pivot	
51	2401043	4	Seal	
52	2401258	2	Bearing	
53	8007771	2	Seal	
54	70023900	8	Kit, Planet Gear (includes Planet Gear and Bearing)	
55	91474513	2	Plug, Magnet	
56	91514188	4	Plug	
57	7029430	2	Seal	
58	3984301	4	Bearing	
59	8000877	16	Stud, Wheel	
60	70026818	2	Hub, Wheel	
61	91474507	2	O-Ring	
67	70026827	2	Kit, Planet Gear Carrier (See Separate Breakdown in this Section)	
68	91514189	4	Bolt	
70	91474583	16	Stud	
71	91474584	16	Nut	
72	91474579	2	Circlip	
73	91514117	4	Bolt	
74	80204065	4	Nut	
75	8007774	1	Kit, Steering Case (LF, RR) (See Separate Breakdown in this Section)	
76	8007777	1	Kit, Steering Case (RF, LR) (See Separate Breakdown in this Section)	
77	3983731	2	Plate	
78	7028733	4	Kit, Steering Adjust Bolt (See Separate Breakdown in this Section)	
79	7029432	2	Kit, Ring Gear Support (See Separate Breakdown in this Section)	
80	7028115	2	Fitting, Grease	
81	70025819	8	Stud	
82	91514119	8	Washer	
83	91514120	8	Nut	

# SECTION 5 - DRIVE TRAIN

## FIGURE 5-7. FRONT AXLE, BRAKES (NO HYDRAULIC PARK BRAKE)



ART\_1001175070\_4-E

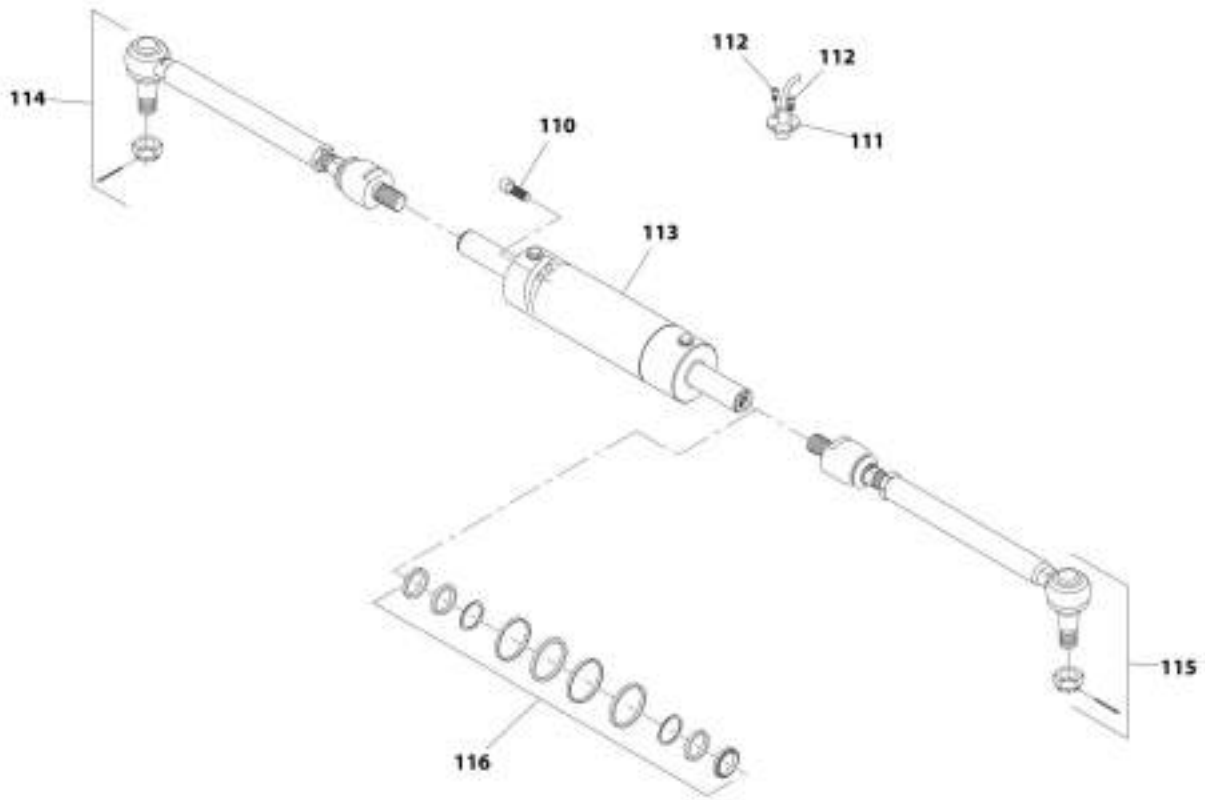
## SECTION 5 - DRIVE TRAIN

**FIGURE 5-7. FRONT AXLE, BRAKES (NO HYDRAULIC PARK BRAKE)**

ITEM	PART NUMBER	QTY	DESCRIPTION	REV
84	8007785	1	Lever, Right	
85	80204281	2	Bleeding Bolt	
86	80204117	2	Plug	
87	2401736	6	Bolt, Cylinder	
88	3986405	2	O-Ring	
89	8007788	2	Bushing, Reduction	
90	8002798	2	Setscrew	
91	8008168	2	Nut	
92	7028038	2	O-Ring	
93	70025568	2	Lever	
94	7028039	2	Washer	
95	8008169	2	Bolt, Countersunk	
96	70025823	10	Disc, Intermediate Brake	
97	7029786	6	Bolt, Adjusting	
100	7029433	2	Dowel	
101	8007786	1	Lever, Left	
102	3984425	6	Spring	
105	91474568	8	Disc	
106	70026069	1	Kit, Piston (Left) (See Separate Breakdown in this Section)	
107	70026068	1	Kit, Piston (Right) (See Separate Breakdown in this Section)	
108	8007802	2	O-Ring	
109	91514154	2	Plug	

# SECTION 5 - DRIVE TRAIN

FIGURE 5-8. FRONT AXLE, STEERING (NO HYDRAULIC PARK BRAKE)



ART\_1001175670\_5-8

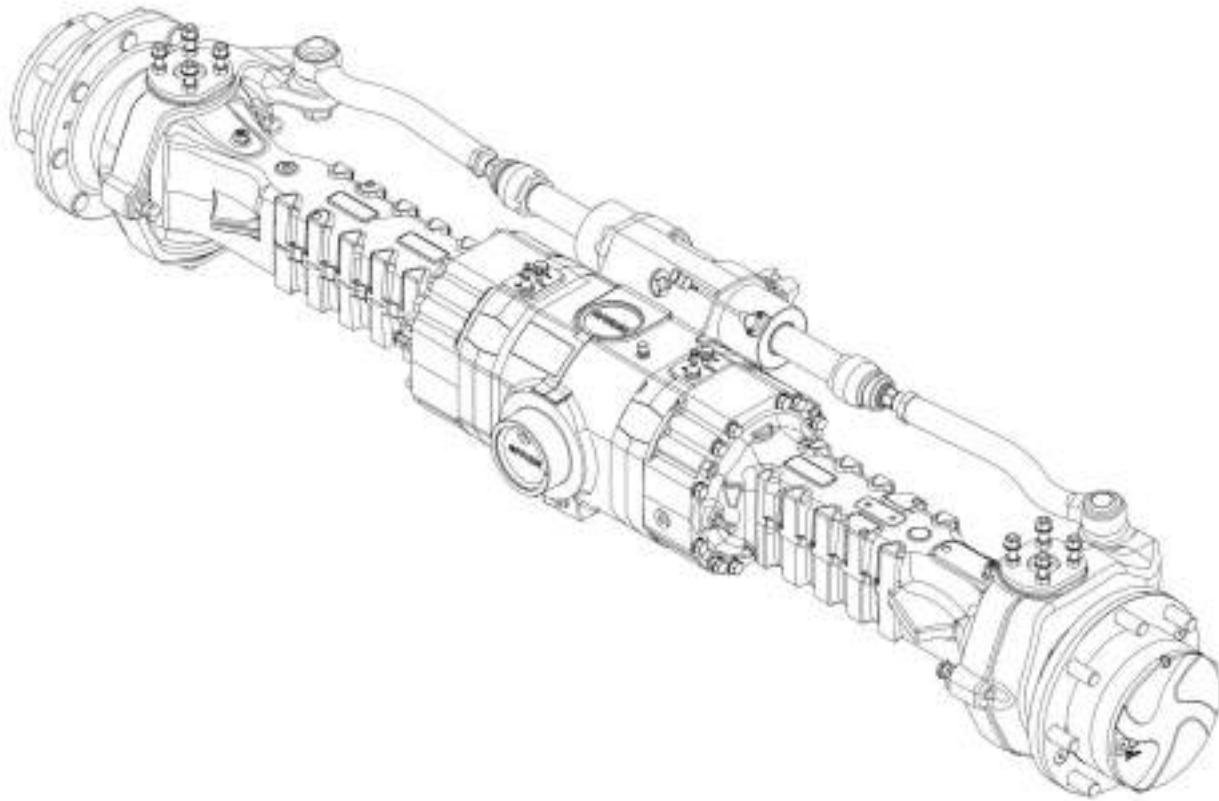
## SECTION 5 - DRIVE TRAIN

**FIGURE 5-8. FRONT AXLE, STEERING (NO HYDRAULIC PARK BRAKE)**

ITEM	PART NUMBER	QTY	DESCRIPTION	REV
110	91474522	4	Bolt	
111	70026808	1	Sensor	
112	8008175	2	Bolt	
113	70026826	1	Cylinder	
114	70026819	1	Rod, Tie	
115	70026820	1	Rod, Tie	
116	70025842	1	Kit, Seal	

## SECTION 5 - DRIVE TRAIN

FIGURE 5-9. FRONT AXLE INSTALLATION (HYDRAULIC PARK BRAKE)



ART\_1001175673-C

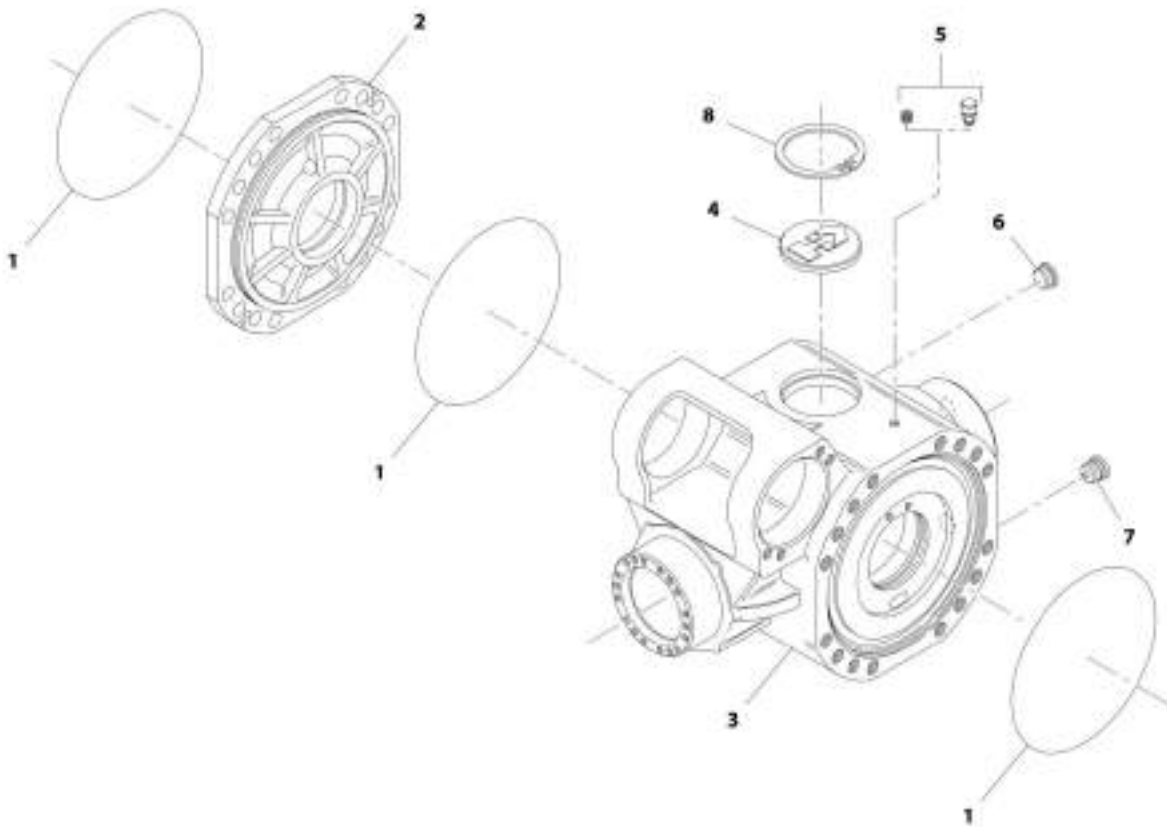
## SECTION 5 - DRIVE TRAIN

**FIGURE 5-9. FRONT AXLE INSTALLATION (HYDRAULIC PARK BRAKE)**

ITEM	PART NUMBER	QTY	DESCRIPTION	REV
	1001175671	Ref	Front Axle Installation (Hydraulic Park Brake)	C
		Ref	<b>Front Axle, Central Housing (Hydraulic Park Brake) (See Separate Breakdown in this Section)</b>	
		Ref	<b>Front Axle, Differential (Hydraulic Park Brake) (See Separate Breakdown in this Section)</b>	
		Ref	<b>Front Axle, Hub Reduction (Hydraulic Park Brake) (See Separate Breakdown in this Section)</b>	
		Ref	<b>Front Axle, Brakes (Hydraulic Park Brake) (See Separate Breakdown in this Section)</b>	
		Ref	<b>Front Axle, Steering (Hydraulic Park Brake) (See Separate Breakdown in this Section)</b>	

## SECTION 5 - DRIVE TRAIN

FIGURE 5-10. FRONT AXLE, CENTRAL HOUSING (HYDRAULIC PARK BRAKE)



ART\_3001175671\_1-C



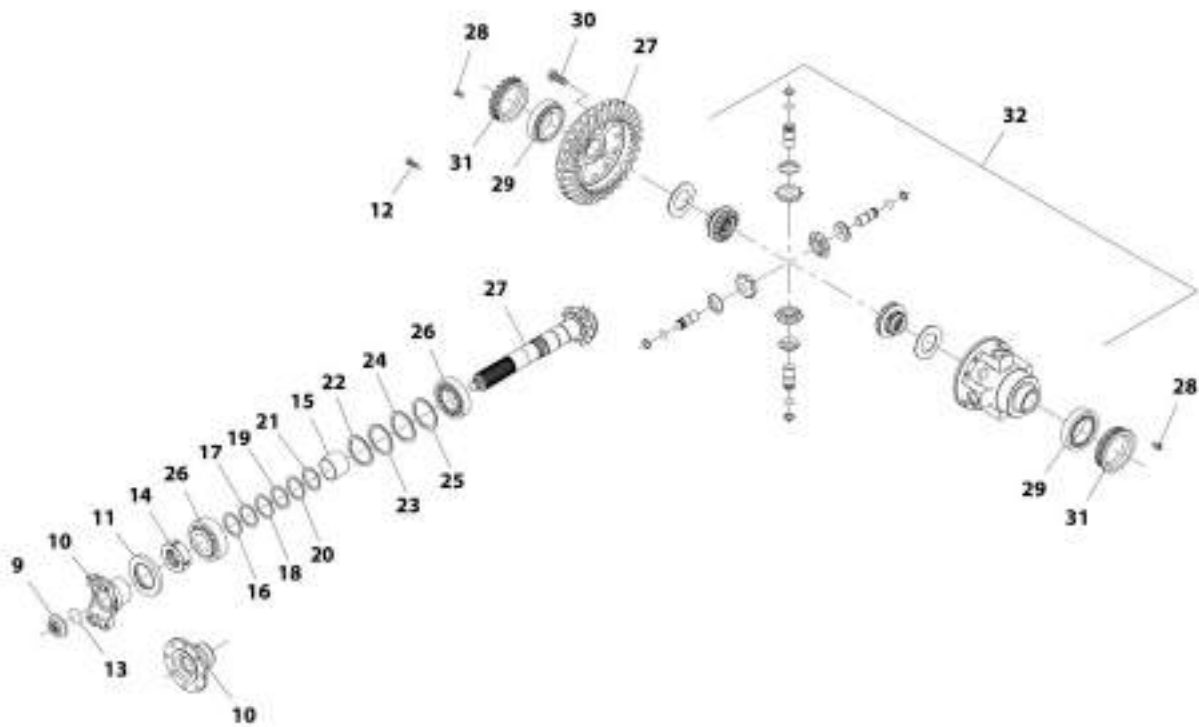
## SECTION 5 - DRIVE TRAIN

**FIGURE 5-10. FRONT AXLE, CENTRAL HOUSING (HYDRAULIC PARK BRAKE)**

ITEM	PART NUMBER	QTY	DESCRIPTION	REV
1	91474507	3	O-Ring	
2	70024519	1	Cover	
3	70026749	1	Housing	
4	91514098	1	Plug	
5	91474512	1	Vent	
6	91514188	1	Plug	
7	91474513	1	Plug, Magnet	
8	80204005	1	Circlip	

# SECTION 5 - DRIVE TRAIN

FIGURE 5-11. FRONT AXLE, DIFFERENTIAL (HYDRAULIC PARK BRAKE)



WIT\_1801175871\_3-C

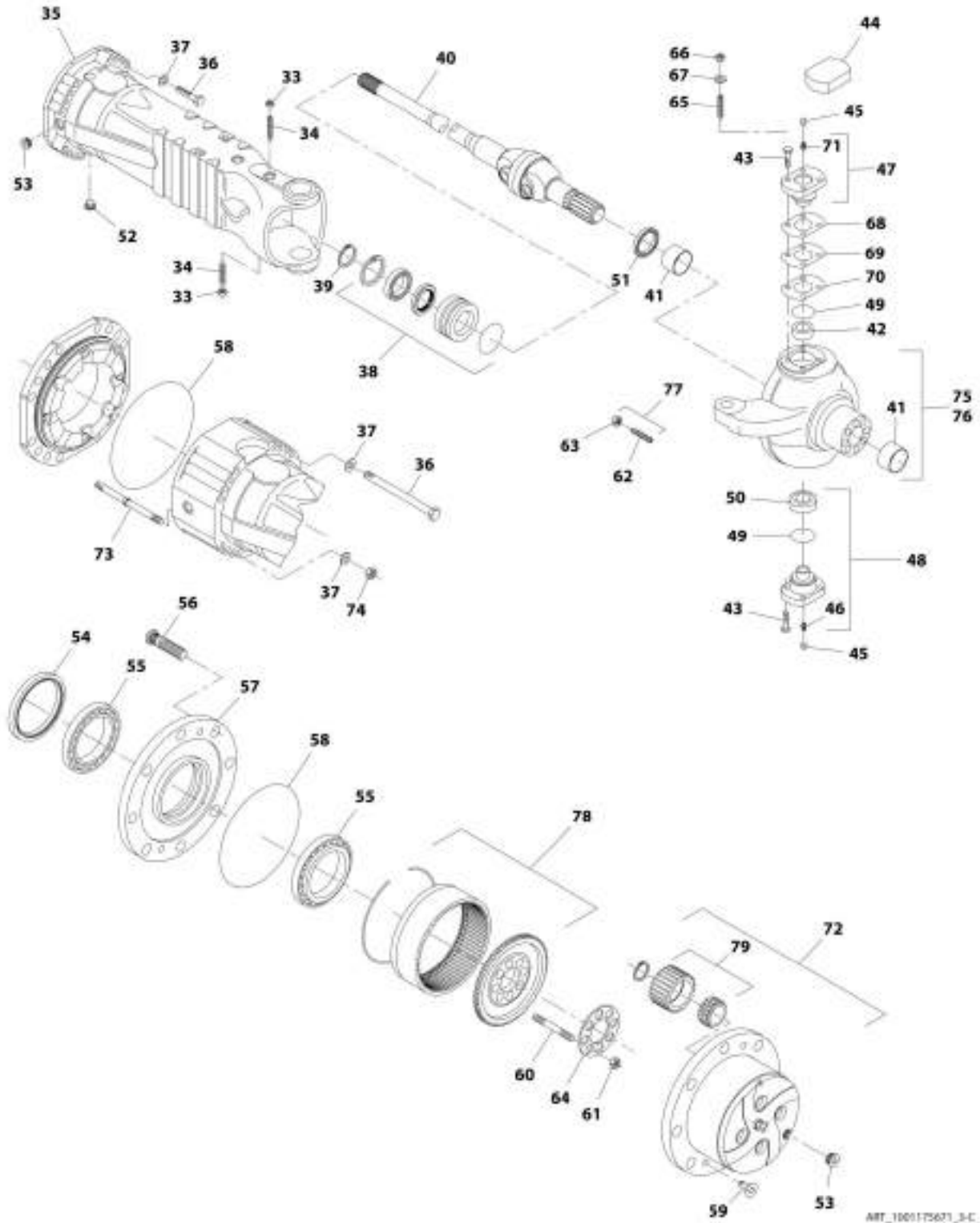
## SECTION 5 - DRIVE TRAIN

**FIGURE 5-11. FRONT AXLE, DIFFERENTIAL (HYDRAULIC PARK BRAKE)**

ITEM	PART NUMBER	QTY	DESCRIPTION	REV
9	70026631	1	Nut	
10	7029427	1	Flange	
11	70024522	1	Seal	
12	91474591	4	Bolt	
13	91474529	1	O-Ring	
14	91474533	1	Nut, Ring	
15	91474539	1	Spacer	
16	91474535	1	Shim	
17	91474536	1	Shim	
18	91474537	1	Shim	
19	91474538	1	Shim	
20	70024520	1	Shim	
21	70024521	1	Shim	
22	91474540	1	Shim	
23	91474541	1	Shim	
24	91474542	1	Shim	
25	91474543	1	Shim	
26	3968141	2	Bearing, Taper Roller	
27	8007749	1	Bevel Gear Set	
28	91514134	2	Bolt	
29	70026031	2	Bearing, Taper Roller	
30	91514123	12	Bolt	
31	91474547	2	Nut, Ring	
32	7028710	1	Front Axle, Differential Kit (Hydraulic Park Brake) (See Separate Breakdown in this Section)	

# SECTION 5 - DRIVE TRAIN

## FIGURE 5-12. FRONT AXLE, HUB REDUCTION (HYDRAULIC PARK BRAKE)



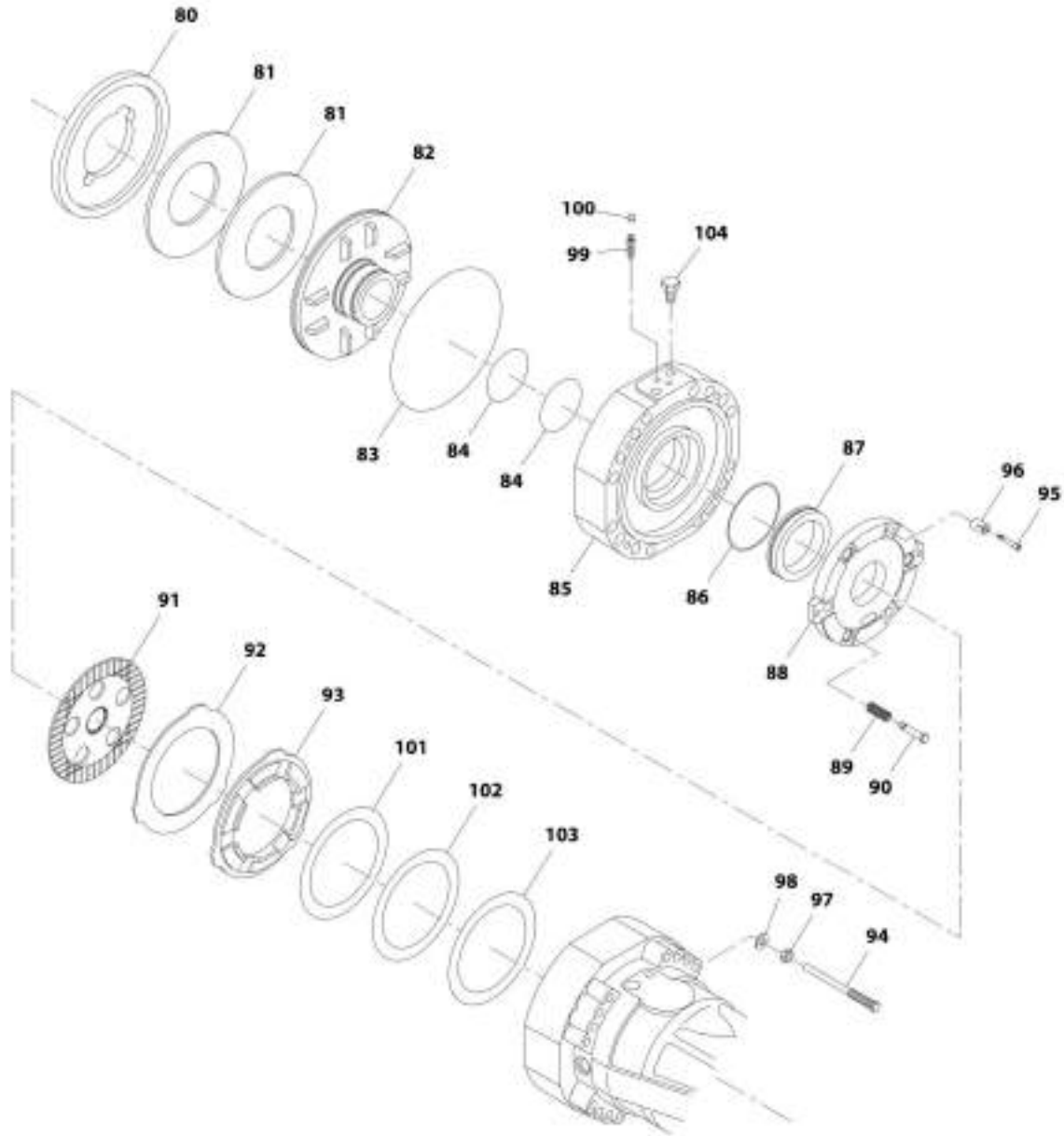
## SECTION 5 - DRIVE TRAIN

**FIGURE 5-12. FRONT AXLE, HUB REDUCTION (HYDRAULIC PARK BRAKE)**

ITEM	PART NUMBER	QTY	DESCRIPTION	REV
33	91514082	2	Nut	
34	2400600	2	Bolt	
35	70026817	2	Case, Axle	
36	70025012	24	Bolt	
37	91514084	8	Washer	
38	91514149	2	Kit, Reduction Bushing (See Separate Breakdown in this Section)	
39	80204071	2	Circlip	
40	70026824	2	Joint, Double Universal	
41	8004468	2	Bushing, Thrust	
42	70020173	2	Bushing	
43	70025562	24	Bolt	
44	70025549	2	Cover	
45	80204117	2	Plug	
46	91514099	4	Fitting, Grease	
47	70025567	2	Pin, Pivot	
48	8006605	2	Pin, Pivot	
49	2401043	4	Seal	
50	2401258	2	Bearing	
51	8007771	2	Seal	
52	91474513	2	Plug, Magnet	
53	91514188	4	Plug	
54	7029430	2	Seal	
55	3984301	4	Bearing	
56	8000877	16	Stud, Wheel	
57	70026818	2	Hub, Wheel	
58	91474507	2	O-Ring	
59	91514189	4	Bolt	
60	91474583	16	Stud	
61	91474584	16	Nut	
62	91514117	4	Bolt	
63	80204065	4	Nut	
64	3983731	2	Plate	
65	70025819	8	Stud	
66	91514120	8	Nut	
67	91514119	8	Washer	
68	8007779	2	Shim	
69	8007780	2	Shim	
70	8007782	2	Shim	
71	7028115	2	Fitting, Grease	
72	70026827	2	Kit, Planet Gear Carrier (See Separate Breakdown in this Section)	
73	70025014	8	Stud	
74	91514083	8	Nut	
75	8007774	1	Kit, Steering Case (LF, RR) (See Separate Breakdown in this Section)	
76	8007777	1	Kit, Steering Case (RF, LR) (See Separate Breakdown in this Section)	
77	7028733	4	Kit, Steering Adjust Bolt (See Separate Breakdown in this Section)	
78	7029432	2	Kit, Ring Gear Support (See Separate Breakdown in this Section)	
79	70023900	8	Kit, Planet Gear (includes Planet Gear and Bearing)	

# SECTION 5 - DRIVE TRAIN

## FIGURE 5-13. FRONT AXLE, BRAKES (HYDRAULIC PARK BRAKE)



ART\_3001175071\_4-C

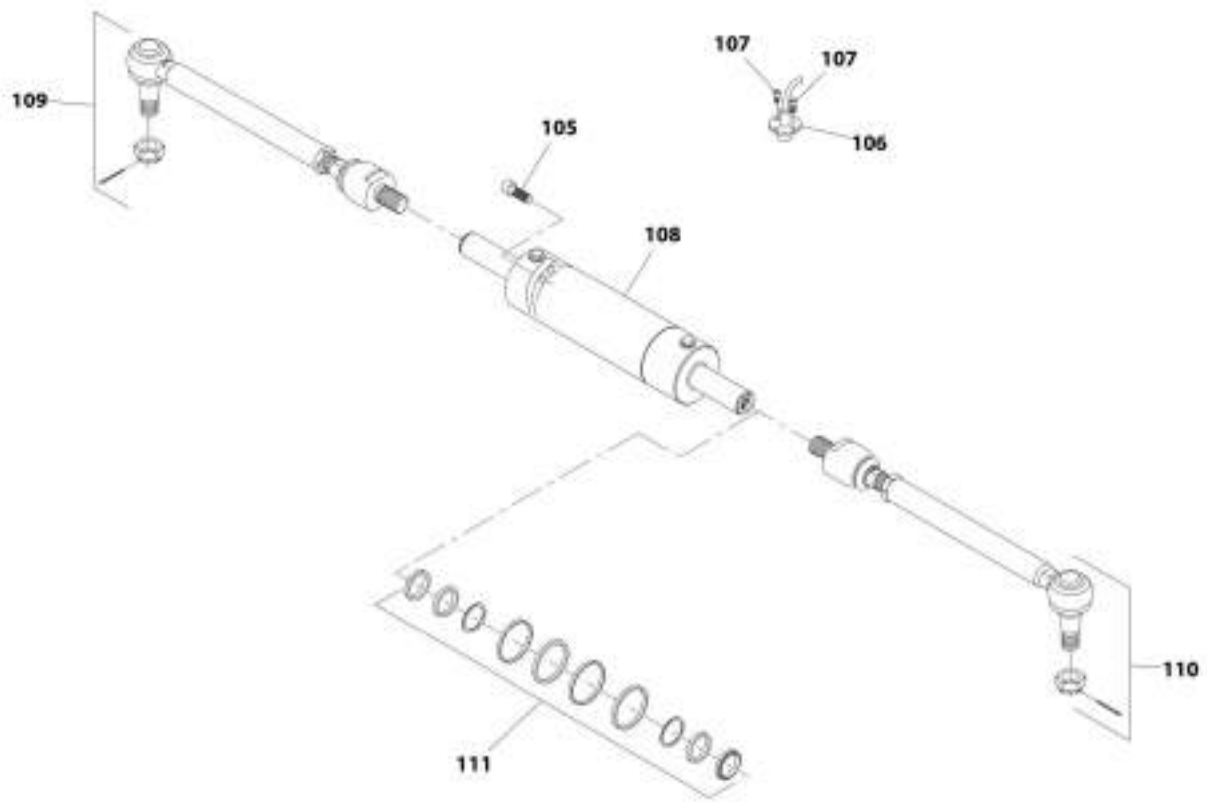
## SECTION 5 - DRIVE TRAIN

**FIGURE 5-13. FRONT AXLE, BRAKES (HYDRAULIC PARK BRAKE)**

ITEM	PART NUMBER	QTY	DESCRIPTION	REV
80	7028734	1	Spacer	
81	91474559	4	Spring	
82	91474560	2	Piston	
83	91474561	2	O-Ring	
84	70026262	4	Seal	
85	7028735	2	Cover	
86	70026623	2	Seal	
87	91474564	2	Piston	
88	91474565	2	Disc, Intermediate Brake	
89	91514159	6	Spring	
90	70024210	6	Bolt	
91	91474568	8	Disc	
92	70025823	8	Disc, Intermediate Brake	
93	91474570	2	Spacer	
94	70024213	4	Bolt, M12X122.5	
95	7029788	6	Bolt	
96	91514165	6	Spring	
97	80204060	4	Nut	
98	80204108	4	Washer, Lock	
99	80204281	4	Bolt	
100	80204117	4	Plug	
101	91474571	2	Shim	
102	91474572	2	Shim	
103	91474573	2	Shim	
104	91514154	4	Plug	

# SECTION 5 - DRIVE TRAIN

## FIGURE 5-14. FRONT AXLE, STEERING (HYDRAULIC PARK BRAKE)



ART\_1001175871\_3-C



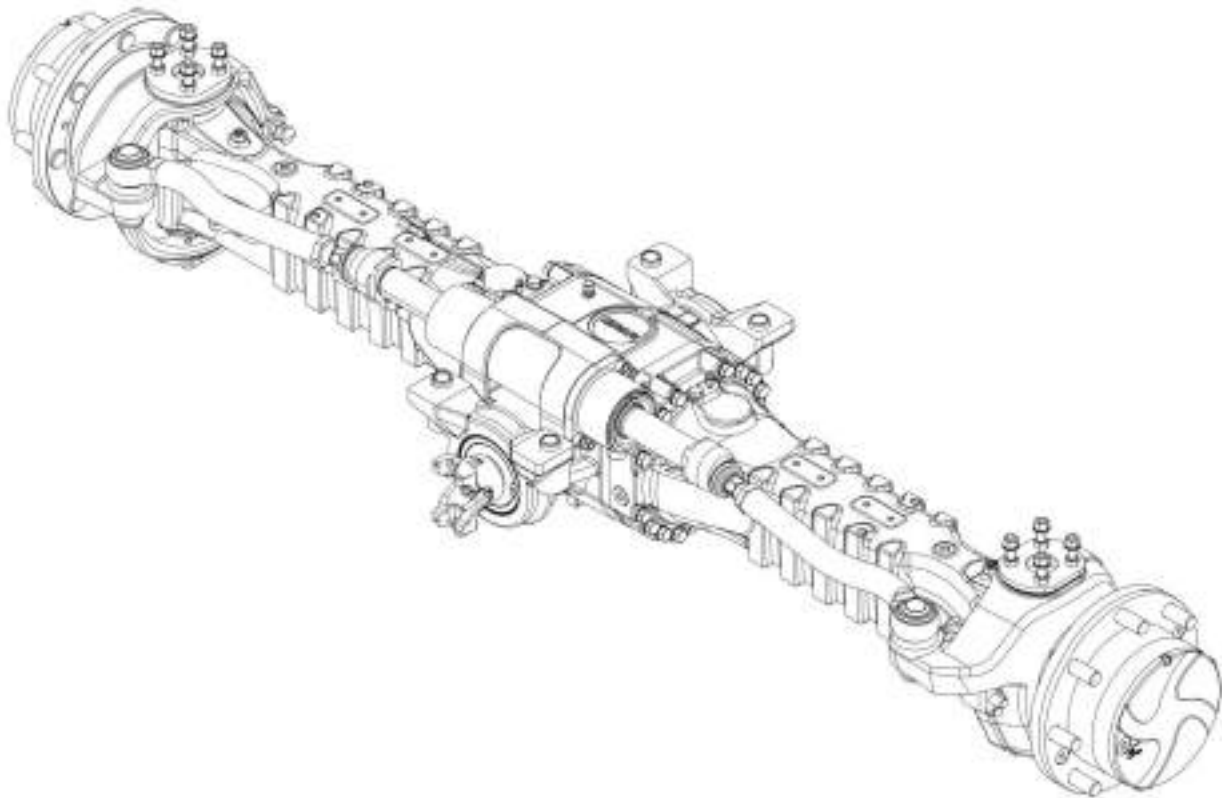
## SECTION 5 - DRIVE TRAIN

**FIGURE 5-14. FRONT AXLE, STEERING (HYDRAULIC PARK BRAKE)**

ITEM	PART NUMBER	QTY	DESCRIPTION	REV
105	91474522	4	Bolt	
106	70026808	1	Sensor	
107	8008175	2	Bolt	
108	70026826	1	Cylinder	
109	70026819	1	Rod, Tie	
110	70026820	1	Rod, Tie	
111	70025842	1	Kit, Seal	

## SECTION 5 - DRIVE TRAIN

FIGURE 5-15. REAR AXLE INSTALLATION



ARIT\_1001165857-H

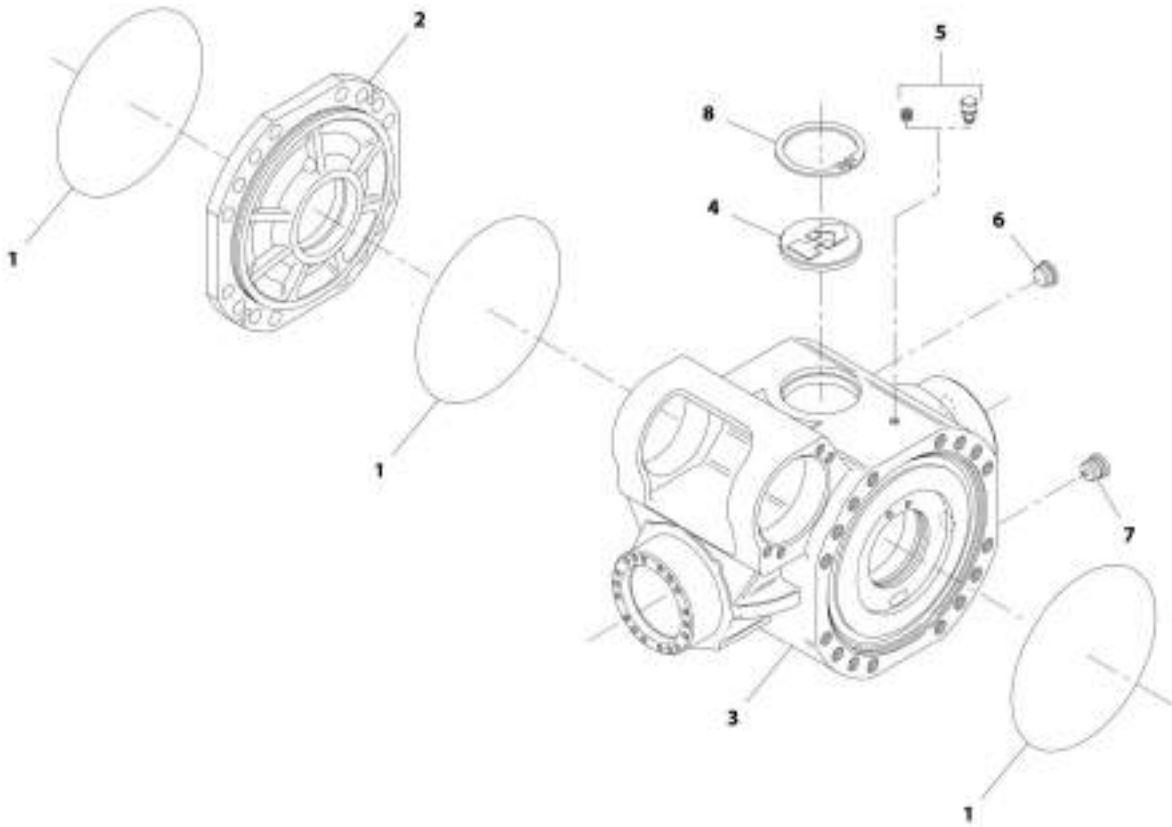
## SECTION 5 - DRIVE TRAIN

### FIGURE 5-15. REAR AXLE INSTALLATION

ITEM	PART NUMBER	QTY	DESCRIPTION	REV
	1001165857	Ref	Rear Axle Installation	H
		Ref	<b>Rear Axle, Central Housing (See Separate Breakdown in this Section)</b>	
		Ref	<b>Rear Axle, Differential (See Separate Breakdown in this Section)</b>	
		Ref	<b>Rear Axle, Hub Reduction (See Separate Breakdown in this Section)</b>	
		Ref	<b>Rear Axle, Brakes (See Separate Breakdown in this Section)</b>	
		Ref	<b>Rear Axle, Steering (See Separate Breakdown in this Section)</b>	
		Ref	<b>Rear Axle, Trunion (See Separate Breakdown in this Section)</b>	

# SECTION 5 - DRIVE TRAIN

## FIGURE 5-16. REAR AXLE, CENTRAL HOUSING



ART\_100140887\_1-H

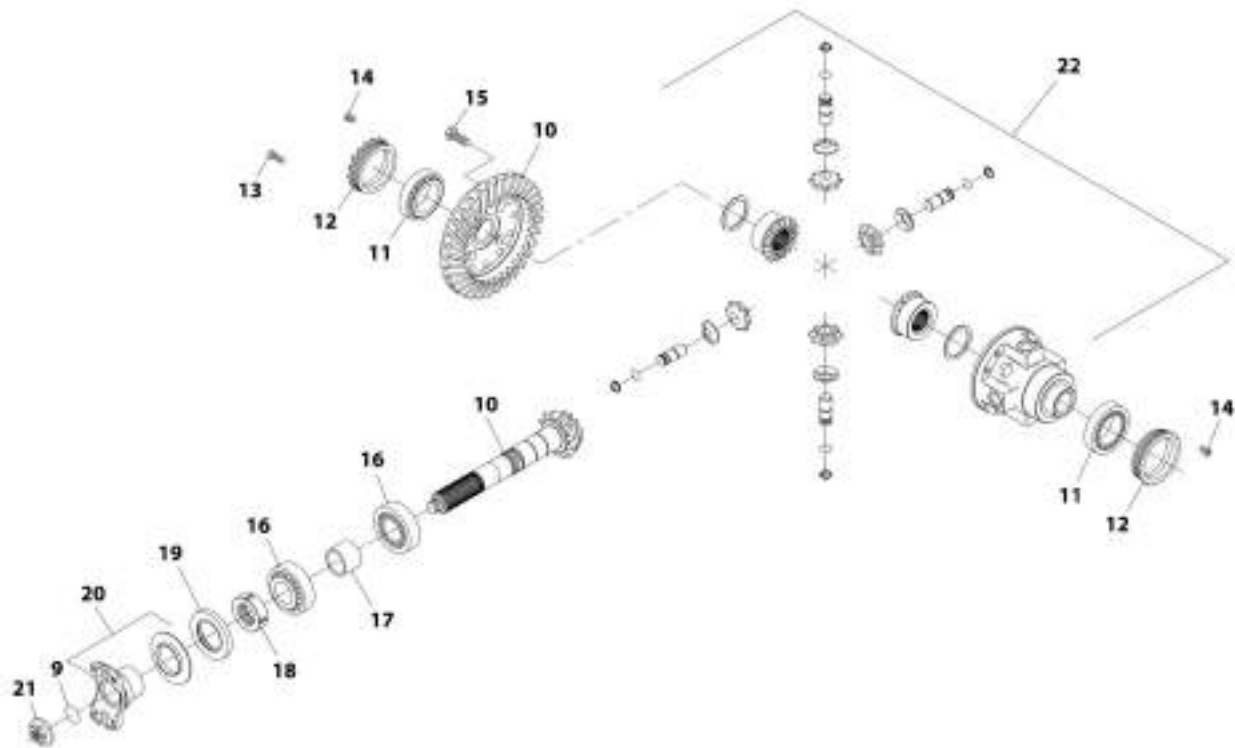
## SECTION 5 - DRIVE TRAIN

### FIGURE 5-16. REAR AXLE, CENTRAL HOUSING

ITEM	PART NUMBER	QTY	DESCRIPTION	REV
1	91474507	3	O-Ring	
2	70024519	1	Cover	
3	70026749	1	Housing	
4	91514098	1	Plug	
5	91474512	1	Vent	
6	91514188	1	Plug	
7	91474513	1	Plug, Magnet	
8	80204005	1	Circlip	

# SECTION 5 - DRIVE TRAIN

## FIGURE 5-17. REAR AXLE, DIFFERENTIAL



ART\_1001100007\_3-H

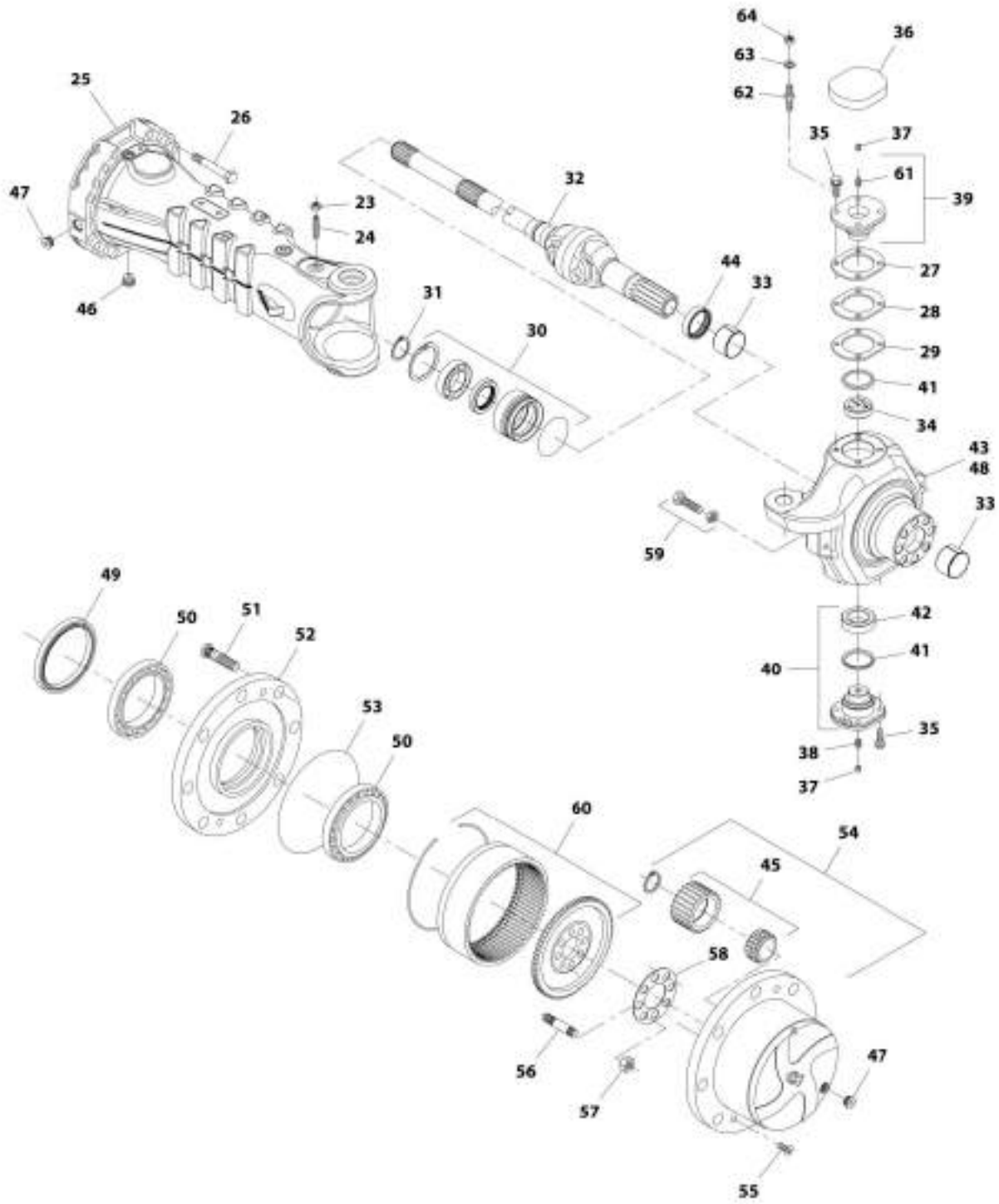
## SECTION 5 - DRIVE TRAIN

### FIGURE 5-17. REAR AXLE, DIFFERENTIAL

ITEM	PART NUMBER	QTY	DESCRIPTION	REV
9	91474529	1	O-Ring	
10	7028043	1	Bevel Gear Set	
11	70026031	2	Bearing, Taper Roller	
12	91474547	2	Nut, Ring	
13	3043222	4	Bolt	
14	91514134	2	Bolt	
15	91514123	12	Bolt	
16	3968141	2	Bearing, Taper Roller	
17	91474539	1	Spacer	
18	91474533	1	Nut, Ring	
19	70024522	1	Seal	
20	7029427	1	Flange	
21	70026631	1	Nut	
22	70021140	1	Kit, Differential (See Separate Breakdown in this Section)	

# SECTION 5 - DRIVE TRAIN

## FIGURE 5-18. REAR AXLE, HUB REDUCTION



ART\_1001105852\_5-H



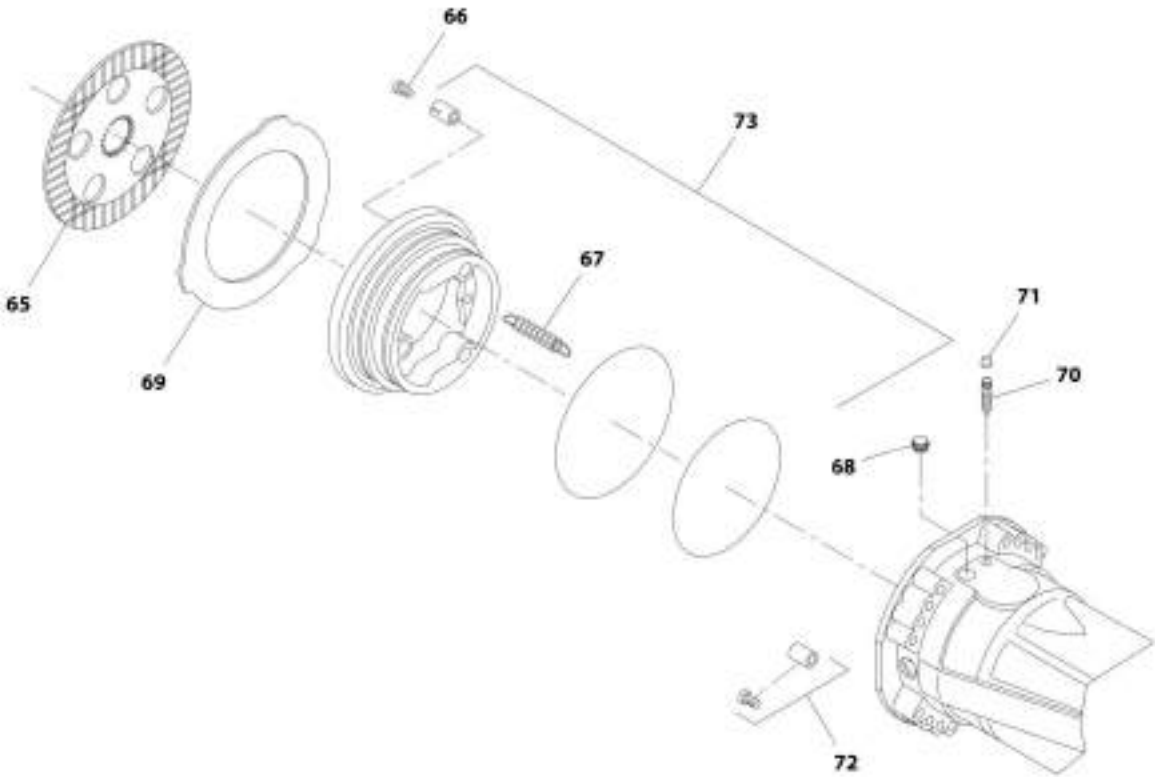
## SECTION 5 - DRIVE TRAIN

**FIGURE 5-18. REAR AXLE, HUB REDUCTION**

ITEM	PART NUMBER	QTY	DESCRIPTION	REV
23	91514082	2	Nut	
24	2400600	2	Bolt	
25	70026822	2	Case, Axle	
26	7029428	24	Bolt	
27	8007779	2	Shim	
28	8007780	2	Shim	
29	8007782	2	Shim	
30	91514149	2	Kit, Bushing Reduction (See Separate Breakdown in this Section)	
31	80204071	2	Circlip	
32	70025810	2	Joint, Double Universal	
33	8004468	2	Bushing, Thrust	
34	70020173	2	Bushing	
35	70025562	24	Bolt	
36	70025549	2	Cover	
37	80204117	2	Plug	
38	91514099	4	Grease Fitting	
39	70025567	2	Pin, Pivot	
40	8006605	2	Pin, Pivot	
41	2401043	4	Seal	
42	2401258	2	Bearing	
43	8007775	1	Case, Steering	
44	8007771	2	Seal	
45	70023900	8	Kit, Planet Gear (includes Planet Gear and Bearing)	
46	91474513	2	Plug, Magnet	
47	91514188	4	Plug	
48	7029429	1	Case, Steering	
49	7029430	2	Seal	
50	3984301	4	Bearing	
51	8000877	16	Wheel Stud	
52	70026818	2	Hub, Wheel	
53	91474507	2	O-Ring	
54	70026827	2	Kit, Planet Gear Carrier (See Separate Breakdown in this Section)	
55	91514189	4	Bolt	
56	91474583	16	Stud	
57	91474584	16	Nut	
58	3983731	2	Plate	
59	7028733	4	Kit, Steering Adjust Bolt (includes nut and bolt)	
60	7029432	2	Kit, Ring Gear Support (See Separate Breakdown in this Section)	
61	7028115	2	Fitting, Grease	
62	70025819	8	Stud	
63	91514119	8	Washer	
64	91514120	8	Nut	

**SECTION 5 - DRIVE TRAIN**

**FIGURE 5-19. REAR AXLE, BRAKES**



4RT\_1001102827\_4 H

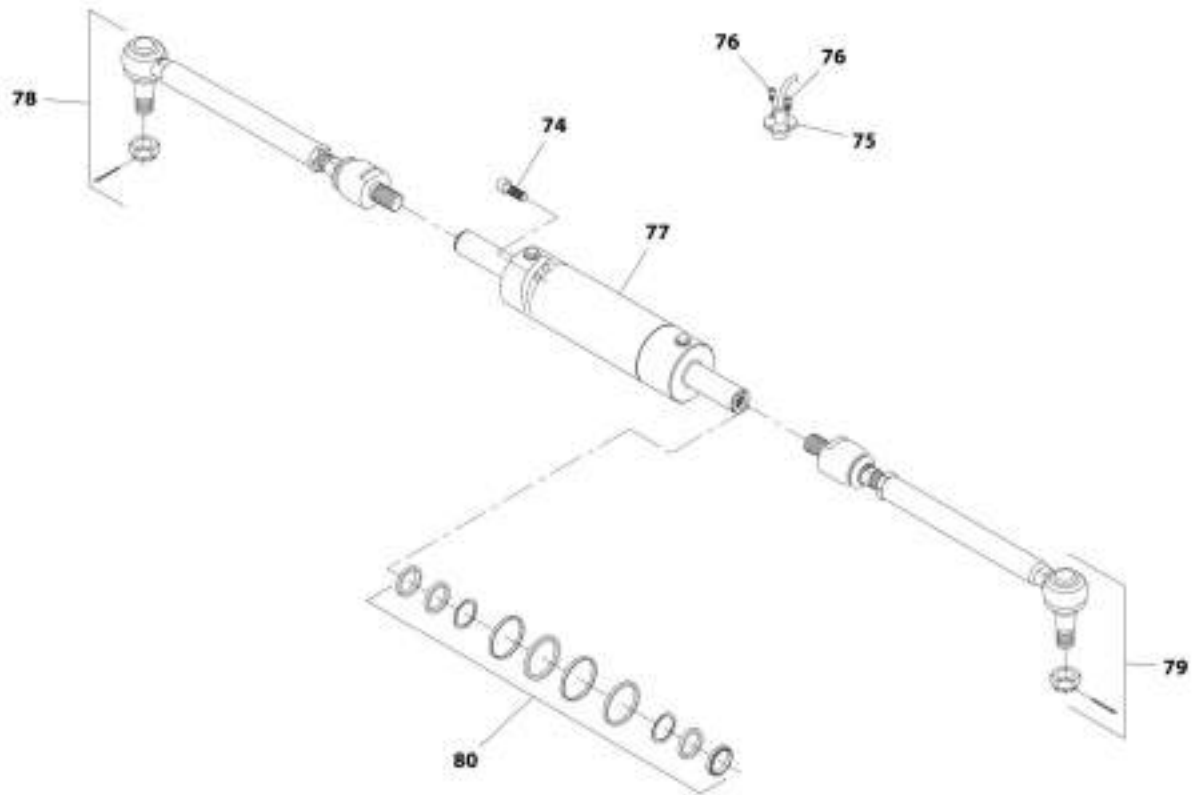
## SECTION 5 - DRIVE TRAIN

### FIGURE 5-19. REAR AXLE, BRAKES

ITEM	PART NUMBER	QTY	DESCRIPTION	REV
65	91474568	6	Disc	
66	7029786	6	Bolt	
67	3984425	6	Spring	
68	91514154	2	Plug	
69	70025823	8	Disc, Intermediate Brake	
70	80204281	2	Bleeding Bolt	
71	80204117	2	Plug	
72	70021613	2	Bolt	
73	70026823	2	Kit, Piston (See Separate Breakdown in this Section)	

# SECTION 5 - DRIVE TRAIN

## FIGURE 5-20. REAR AXLE, STEERING



ART\_1001165857\_3-H

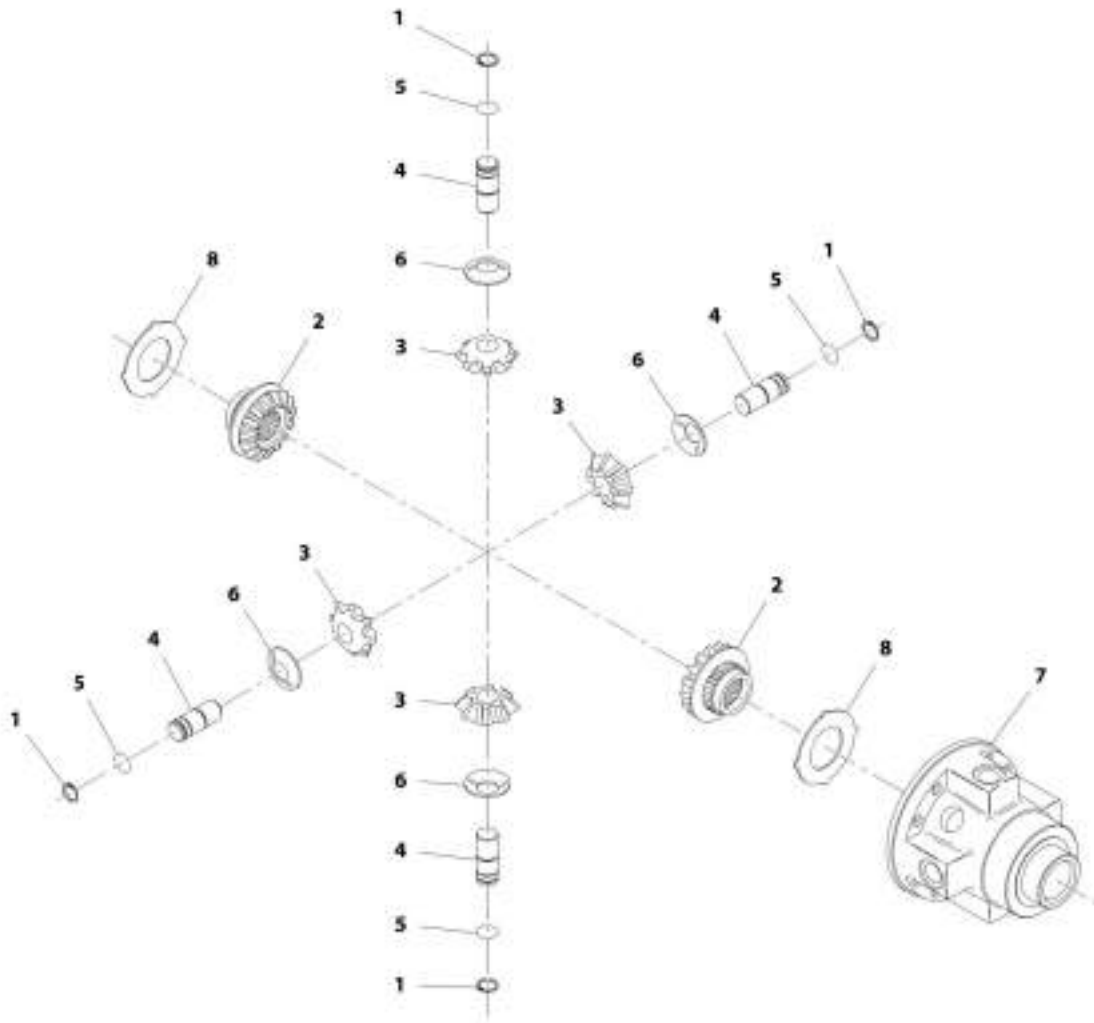
## SECTION 5 - DRIVE TRAIN

### FIGURE 5-20. REAR AXLE, STEERING

ITEM	PART NUMBER	QTY	DESCRIPTION	REV
74	91474522	4	Bolt	
75	70026808	1	Sensor	
76	8008175	2	Bolt	
77	70026826	1	Cylinder	
78	70026819	1	Rod, Tie	
79	70026820	1	Rod, Tie	
80	70025842	1	Kit, Seal	

# SECTION 5 - DRIVE TRAIN

## FIGURE 5-21. DIFFERENTIAL KIT



AKS\_2018710-E

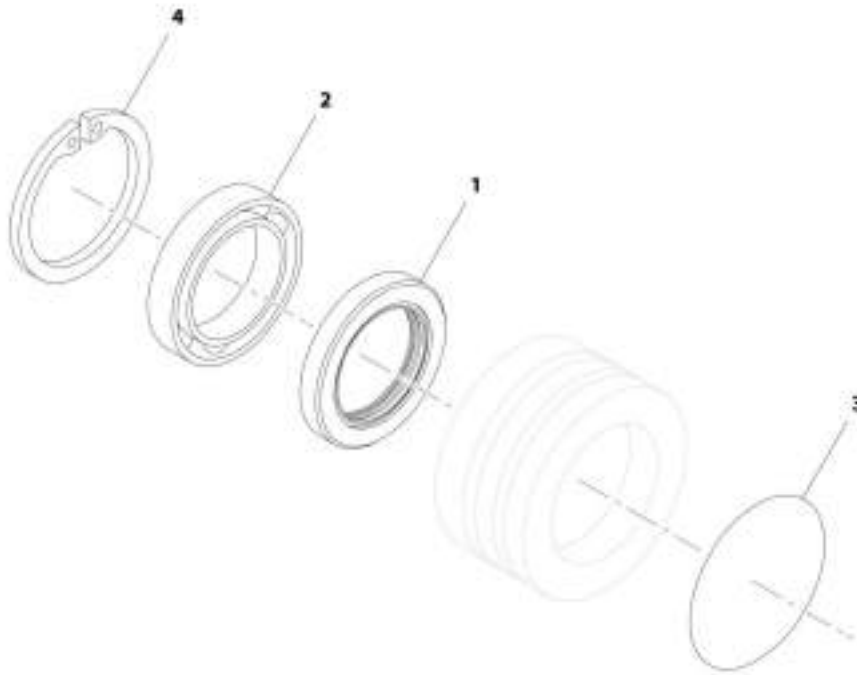
## SECTION 5 - DRIVE TRAIN

### FIGURE 5-21. DIFFERENTIAL KIT

ITEM	PART NUMBER	QTY	DESCRIPTION	REV
	7028710	Ref	Differential Kit	
1	91474550	4	Circlip	
2	91474549	2	Gear, Differential Side	
3	7029129	4	Pinion, Differential	
4	7029131	4	Pin	
5	91474551	4	Circlip	
6	91474553	4	Washer, Friction	
7	8007751	1	Carrier, Differential	
8	8007755	2	Disc	

## SECTION 5 - DRIVE TRAIN

FIGURE 5-22. REDUCTION BUSHING KIT



ART\_31514149-E



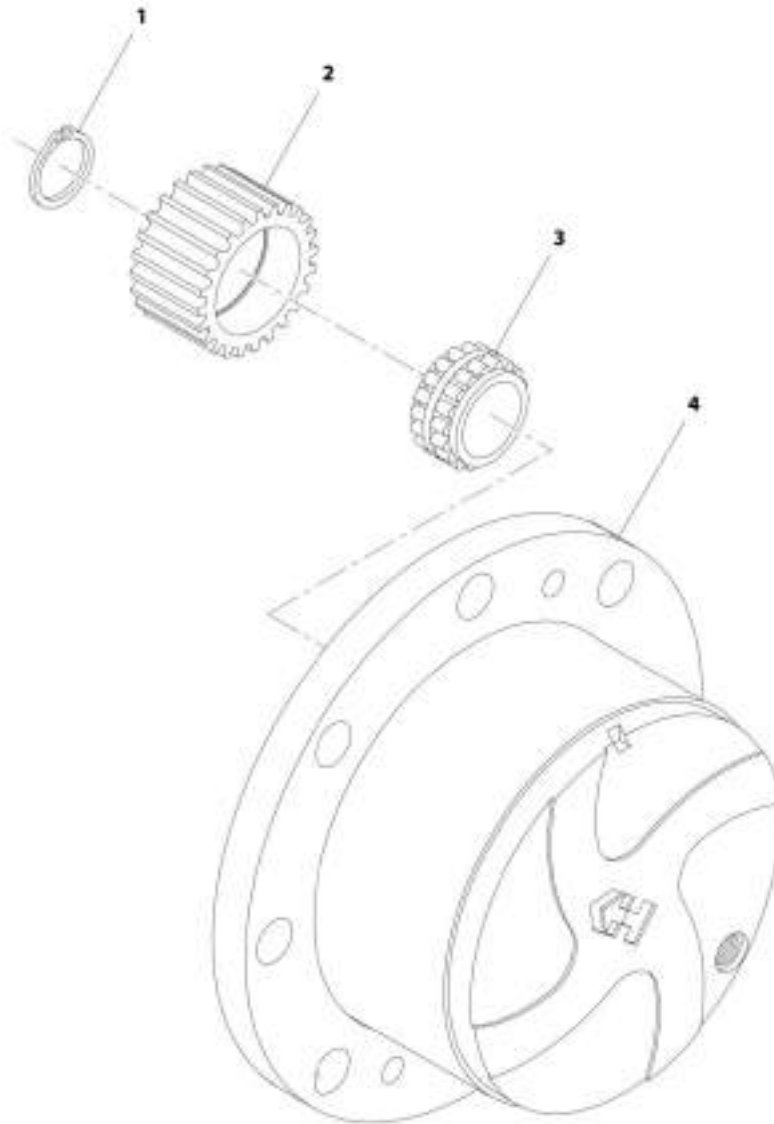
## SECTION 5 - DRIVE TRAIN

### FIGURE 5-22. REDUCTION BUSHING KIT

ITEM	PART NUMBER	QTY	DESCRIPTION	REV
	91514149	Ref	Reduction Bushing Kit	
1	91514147	1	Seal	
2	91514146	1	Bearing, Ball	
3	91514148	1	O-Ring	
4	80204005	1	Circlip	

## SECTION 5 - DRIVE TRAIN

FIGURE 5-23. PLANET GEAR CARRIER KIT



AWT\_70026827-E

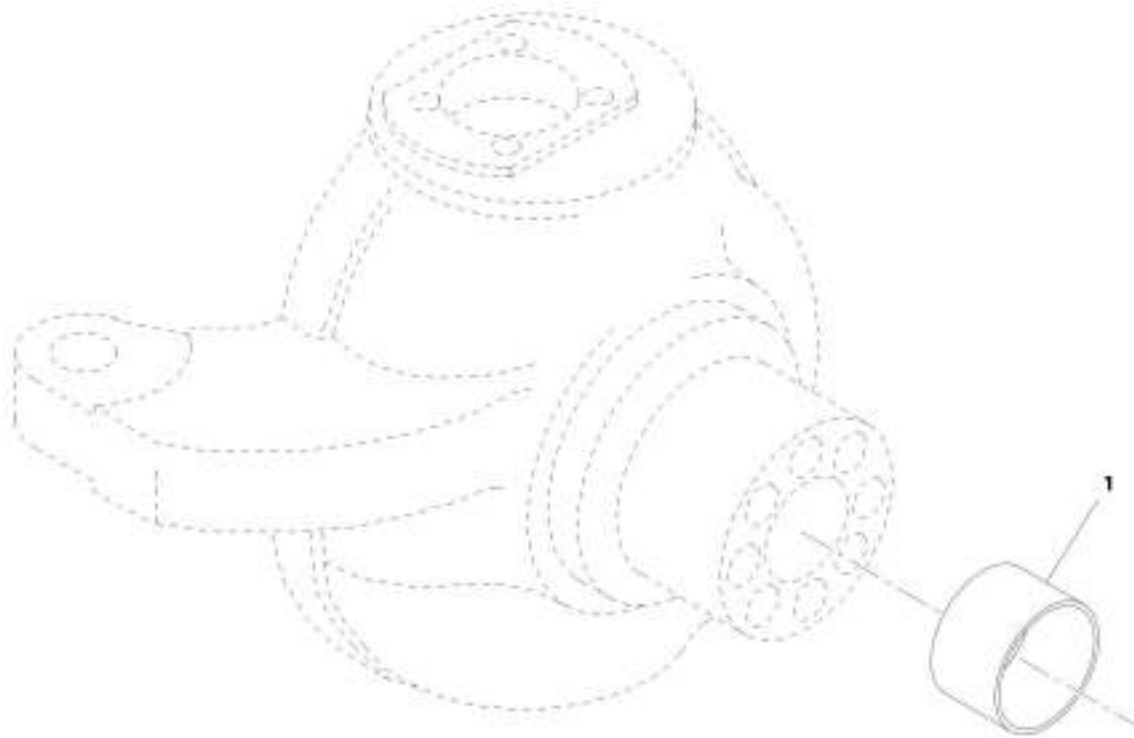
## SECTION 5 - DRIVE TRAIN

FIGURE 5-23. PLANET GEAR CARRIER KIT

ITEM	PART NUMBER	QTY	DESCRIPTION	REV
	70026827	Ref	Planet Gear Carrier Kit	
1	91474585	2	Circlip	
2	91474586	4	Gear, Planet	
3	91474587	4	Bearing	
4	70026821	1	Carrier, Planet Gear	

# SECTION 5 - DRIVE TRAIN

FIGURE 5-24. STEERING CASE KIT, (LF, RR)



ART\_895774

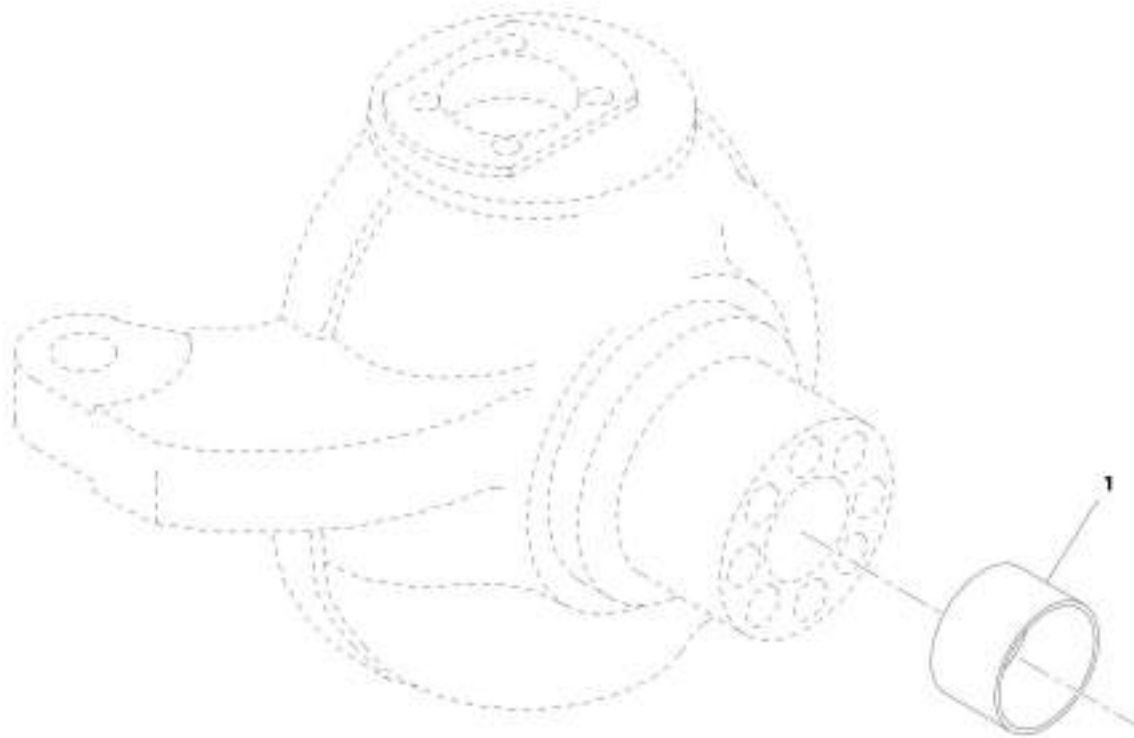
## SECTION 5 - DRIVE TRAIN

**FIGURE 5-24. STEERING CASE KIT, (LF, RR)**

ITEM	PART NUMBER	QTY	DESCRIPTION	REV
1	8007774	Ref	Steering Case Kit, (LF, RR)	
	8004468	1	Bushing, Thurst	

# SECTION 5 - DRIVE TRAIN

FIGURE 5-25. STEERING CASE KIT, (RF, LR)



ART\_895777

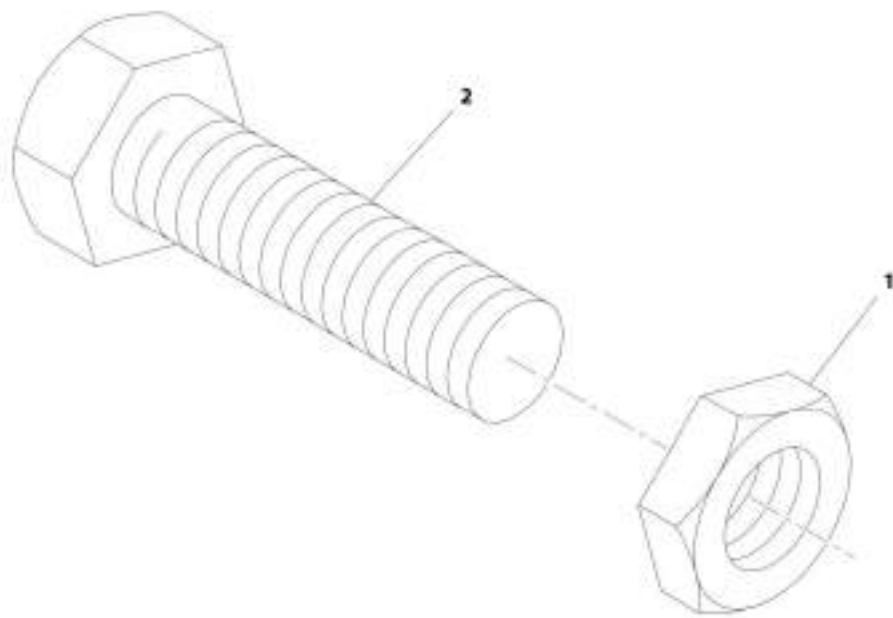
## SECTION 5 - DRIVE TRAIN

**FIGURE 5-25. STEERING CASE KIT, (RF, LR)**

ITEM	PART NUMBER	QTY	DESCRIPTION	REV
1	8007777 8004468	Ref 1	Steering Case Kit, (RF, LR) Bushing, Thrust	

## SECTION 5 - DRIVE TRAIN

FIGURE 5-26. STEERING ADJUST BOLT KIT



ART\_T126733



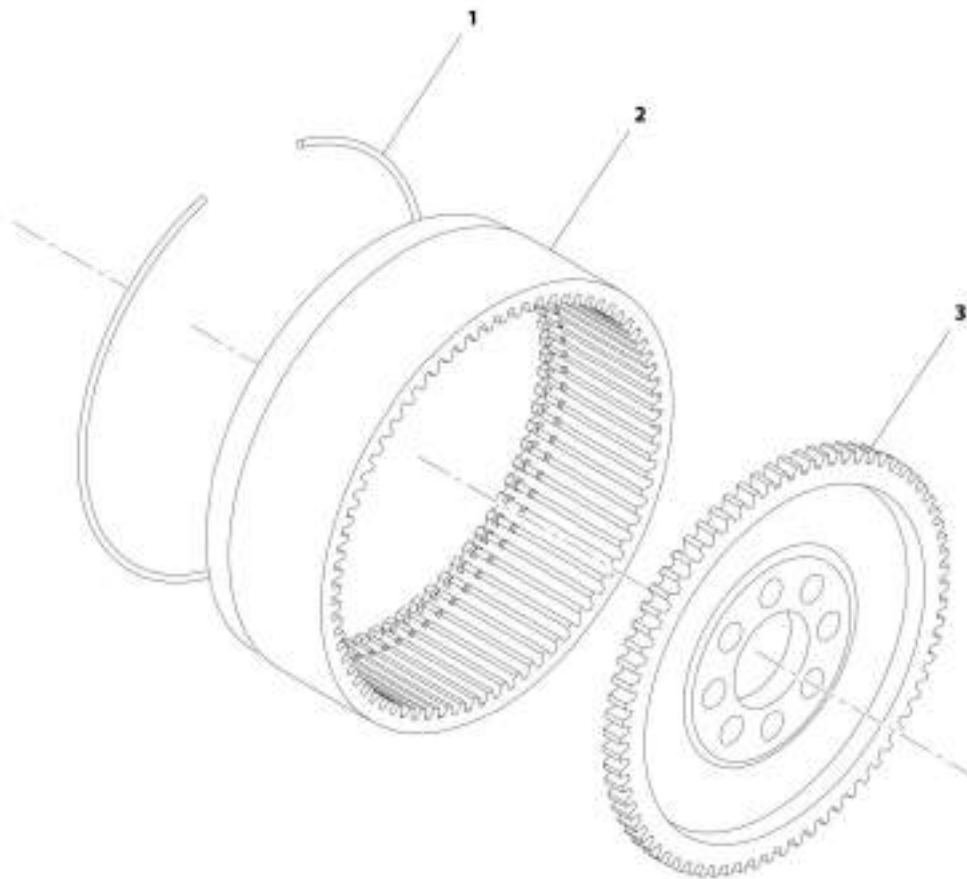
## SECTION 5 - DRIVE TRAIN

### FIGURE 5-26. STEERING ADJUST BOLT KIT

ITEM	PART NUMBER	QTY	DESCRIPTION	REV
	7028733	Ref	Steering Adjust Bolt Kit	
1	80204065	2	Nut	
2	91514117	2	Bolt	

# SECTION 5 - DRIVE TRAIN

## FIGURE 5-27. RING GEAR SUPPORT KIT



ART. 7329452

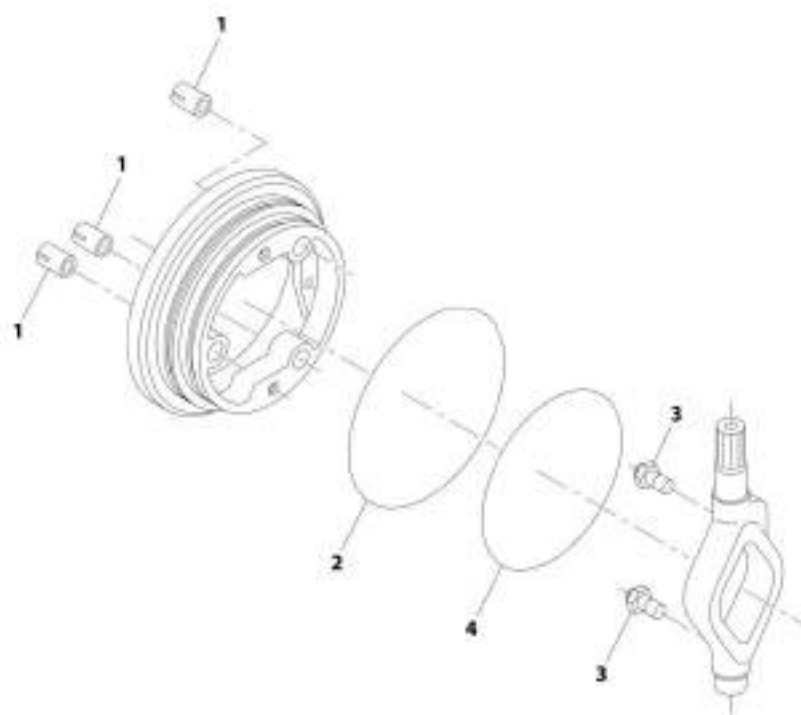
## SECTION 5 - DRIVE TRAIN

### FIGURE 5-27. RING GEAR SUPPORT KIT

ITEM	PART NUMBER	QTY	DESCRIPTION	REV
	7029432	Ref	Ring Gear Support Kit	
1	91474580	1	Gear, Ring	
2	3983720	1	Support, Ring Gear	
3	91474579	1	Circlip	

# SECTION 5 - DRIVE TRAIN

## FIGURE 5-28. PISTON KIT (LH)



ART\_70018009

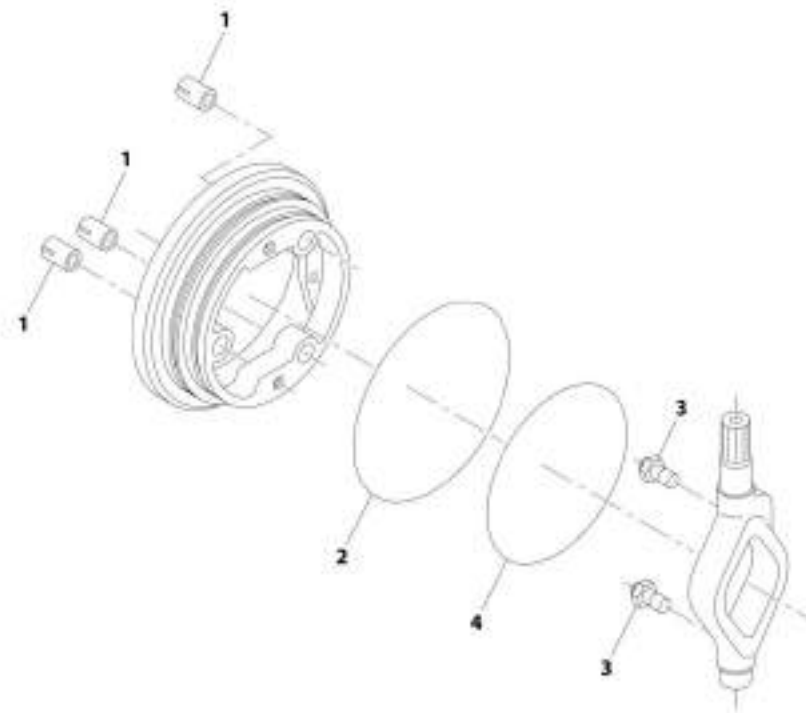
## SECTION 5 - DRIVE TRAIN

### FIGURE 5-28. PISTON KIT (LH)

ITEM	PART NUMBER	QTY	DESCRIPTION	REV
	70026069	Ref	Piston Kit (LH)	
98	91514165	6	Spring	
99	70025821	2	O-Ring	
103	2903197	4	Pusher	
104	70025822	2	O-Ring	

# SECTION 5 - DRIVE TRAIN

## FIGURE 5-29. PISTON KIT (RH)



ART\_7020048

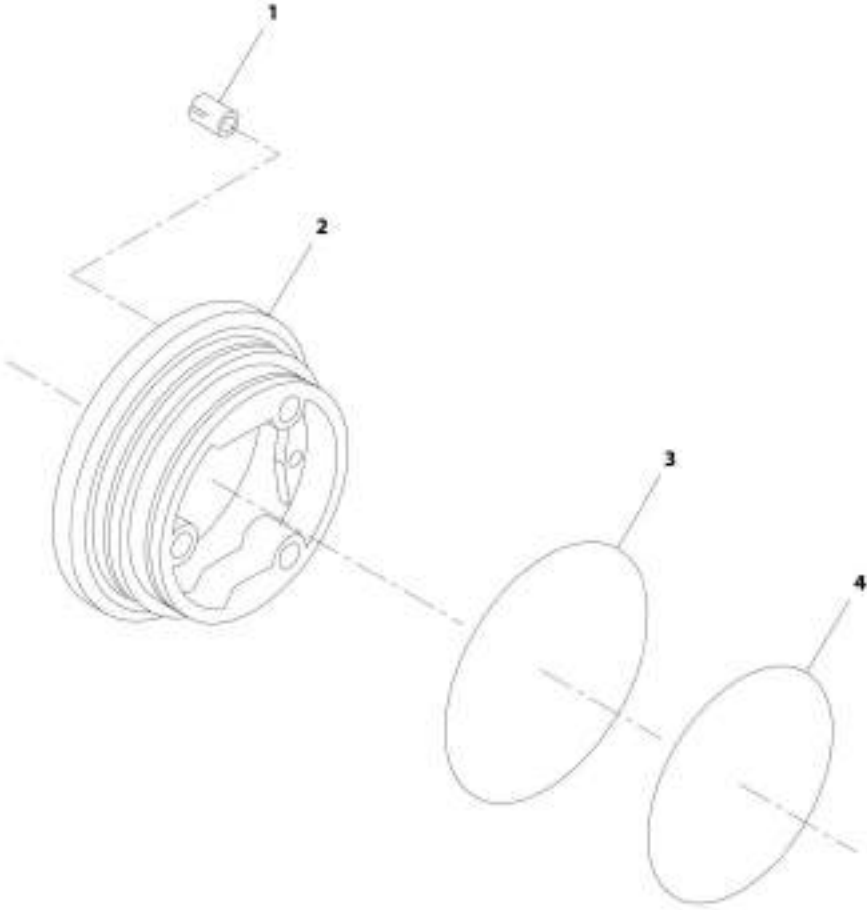
## SECTION 5 - DRIVE TRAIN

### FIGURE 5-29. PISTON KIT (RH)

ITEM	PART NUMBER	QTY	DESCRIPTION	REV
	70026068	Ref	Piston Kit (RH)	
98	91514165	6	Spring	
99	70025821	2	O-Ring	
103	2903197	4	Pusher	
104	70025822	2	O-Ring	

**SECTION 5 - DRIVE TRAIN**

**FIGURE 5-30. PISTON KIT**



ART\_70026825H



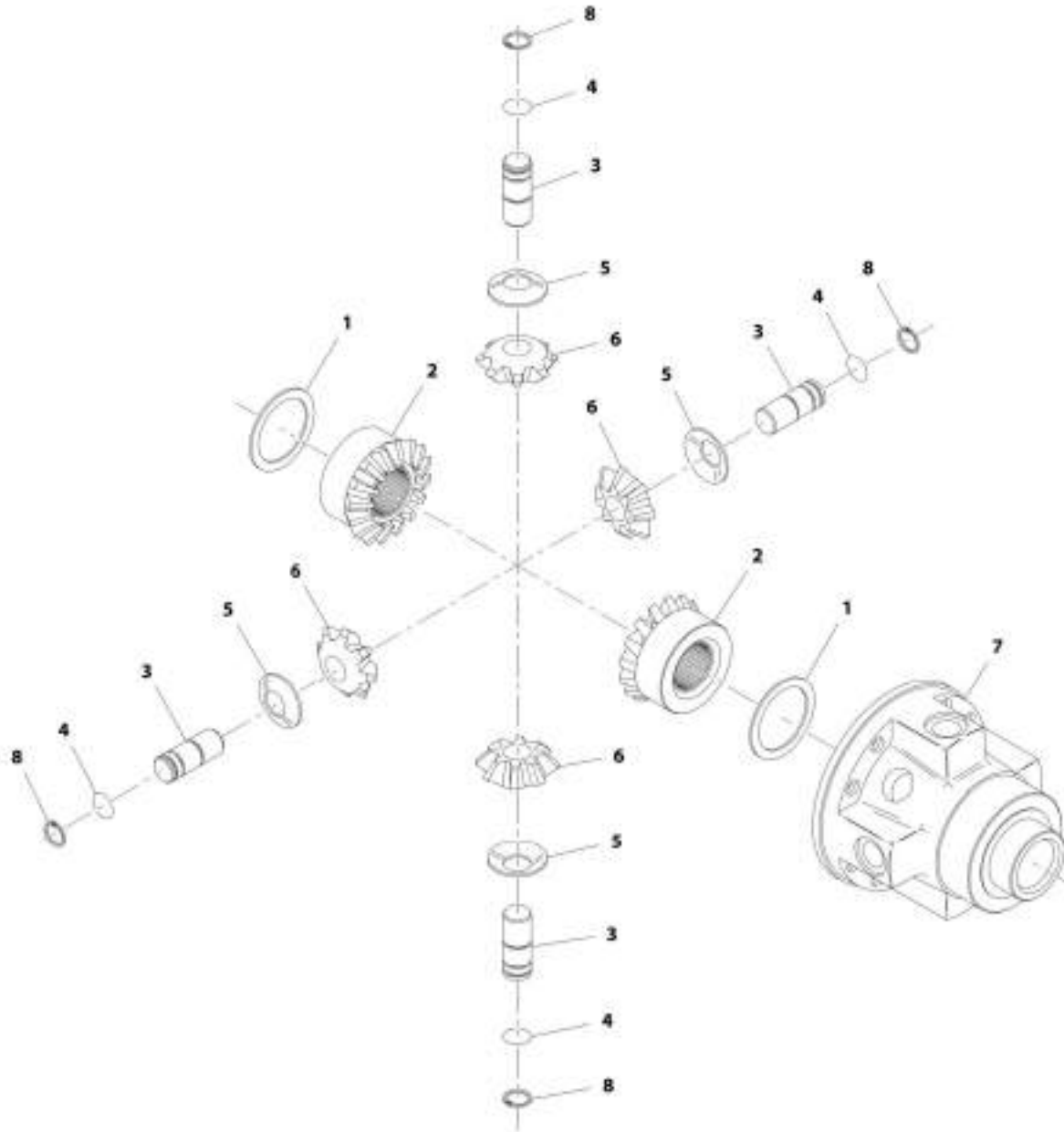
## SECTION 5 - DRIVE TRAIN

FIGURE 5-30. PISTON KIT

ITEM	PART NUMBER	QTY	DESCRIPTION	REV
	70026823	Ref	Kit, Piston	
1	91514165	3	Spring	
2	7028053	1	Piston	
3	70025821	1	O-Ring	
4	70025822	1	O-Ring	

# SECTION 5 - DRIVE TRAIN

## FIGURE 5-31. DIFFERENTIAL KIT



ART\_70021140

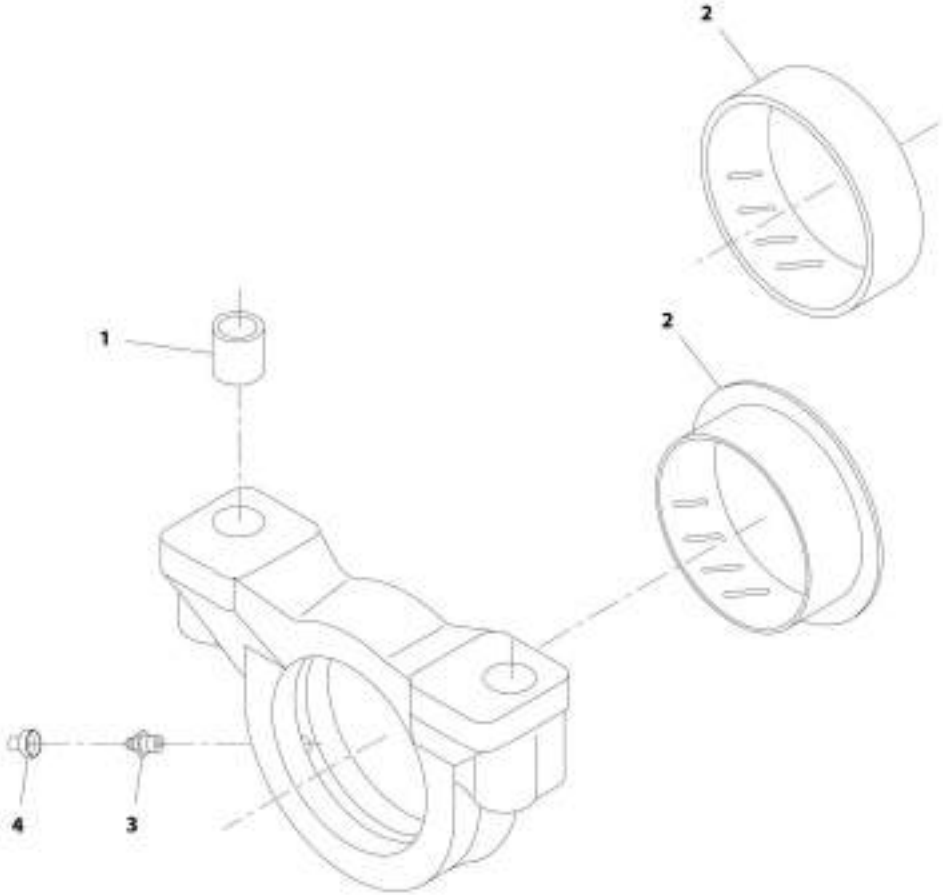
## SECTION 5 - DRIVE TRAIN

### FIGURE 5-31. DIFFERENTIAL KIT

ITEM	PART NUMBER	QTY	DESCRIPTION	REV
	70021140	Ref	Differential Kit	
1	91474593	2	Washer, Friction	
2	70025569	2	Gear, Differential Side	
3	7029131	4	Pin	
4	91474551	4	Circlip	
5	91474553	4	Washer, Friction	
6	70025570	4	Pinion, Differential	
7	91474595	1	Carrier, Differential	
8	91474550	4	Circlip	

**SECTION 5 - DRIVE TRAIN**

**FIGURE 5-32. TRUNION KIT**



ART\_70026630

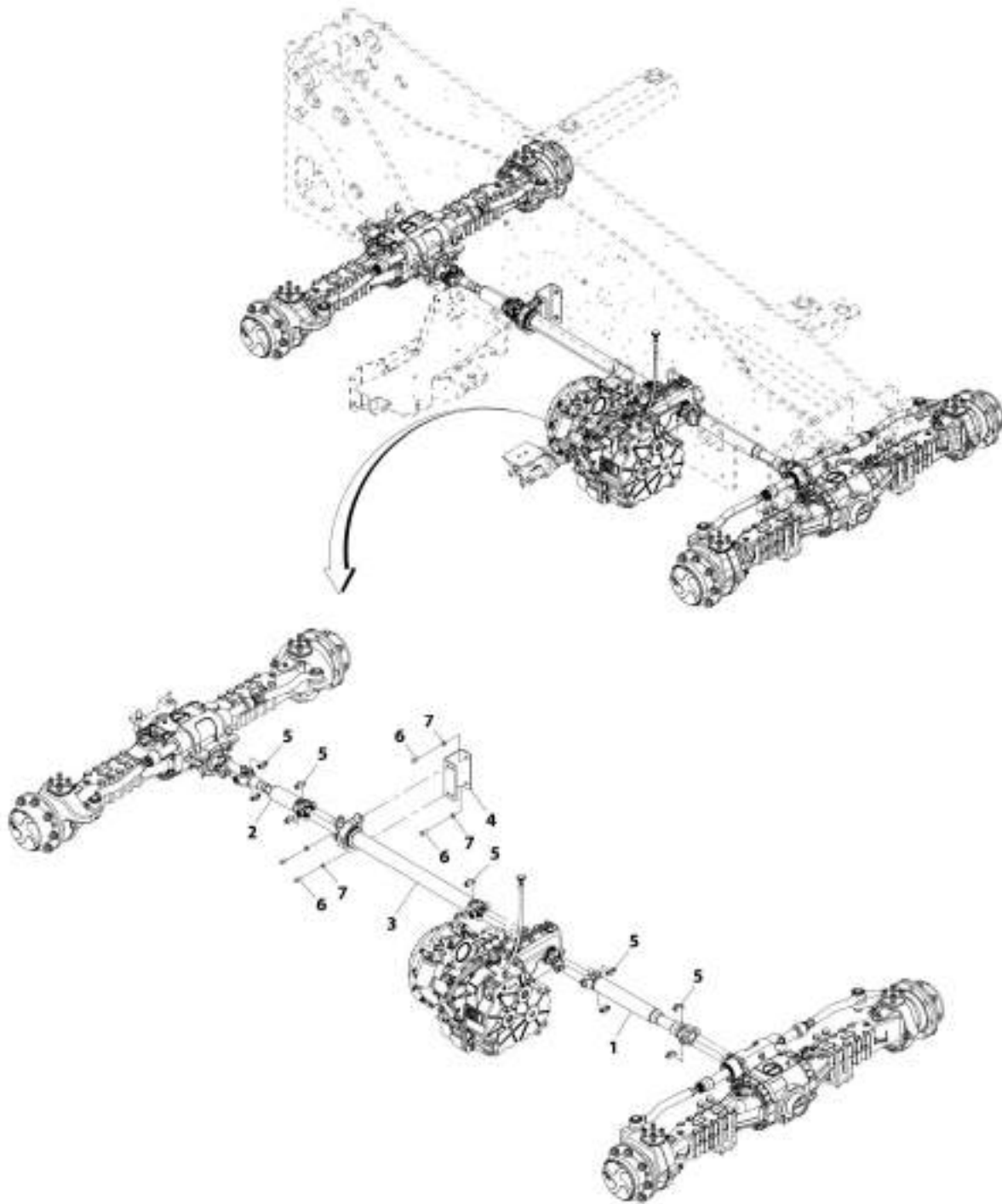
## SECTION 5 - DRIVE TRAIN

### FIGURE 5-32. TRUNION KIT

ITEM	PART NUMBER	QTY	DESCRIPTION	REV
	70026630	1	Kit, Trunion	
1	91474516	2	Bushing, Reduction	
2	91474515	1	Bushing, Thrust	
3	7028083	1	Support	
4	91514099	1	Fitting, Grease	
5	80204117	1	Plug	
6	70025884	1	Bolt	

# SECTION 5 - DRIVE TRAIN

## FIGURE 5-33. DRIVE SHAFTS INSTALLATION



ART\_100117938-E

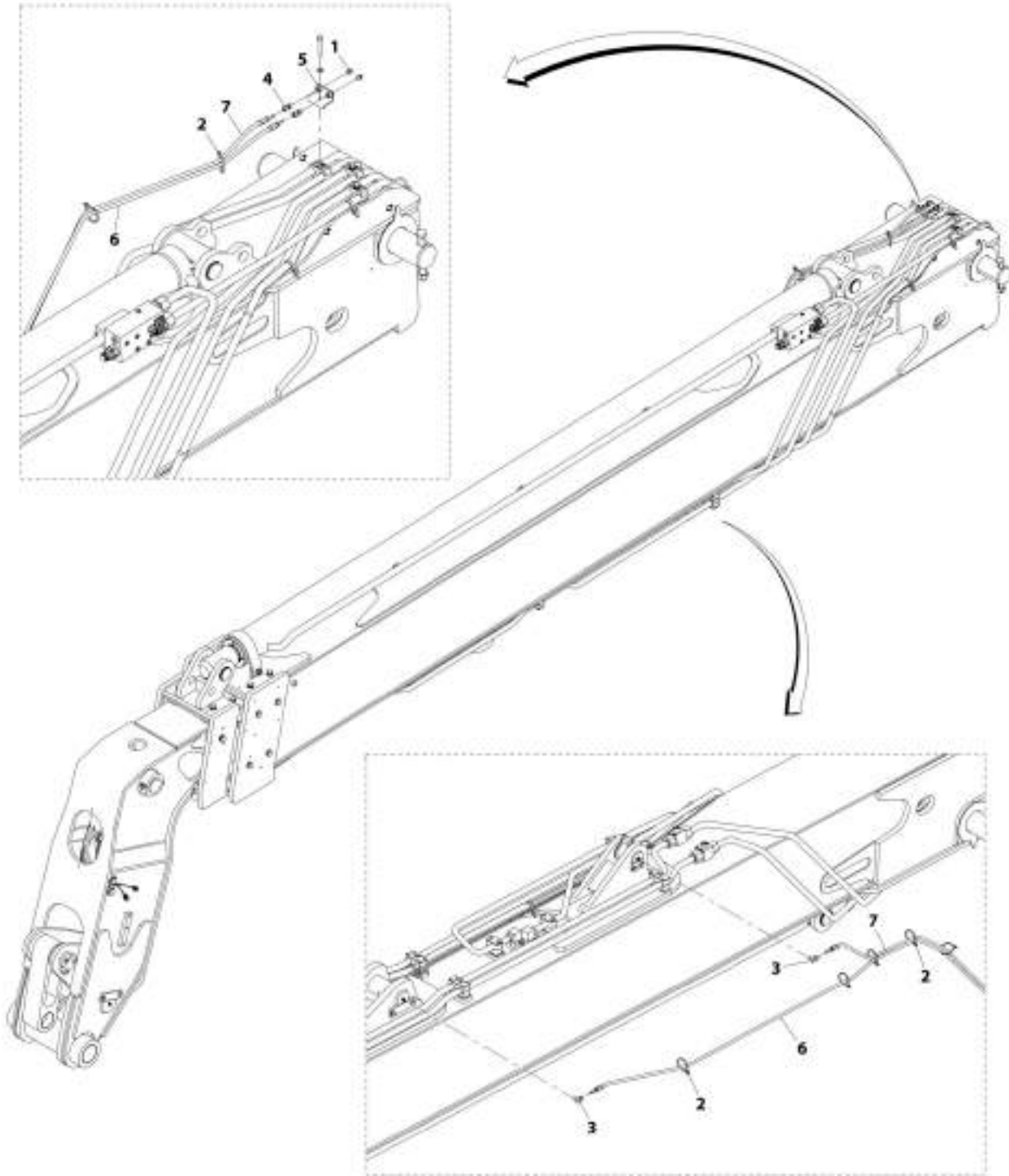
## SECTION 5 - DRIVE TRAIN

### FIGURE 5-33. DRIVE SHAFTS INSTALLATION

ITEM	PART NUMBER	QTY	DESCRIPTION	REV
	1001177638	Ref	Drive Shafts Installation	B
1	1001174879	1	Shaft, Drive	
2	1001174880	1	Shaft, Drive	
3	1001174881	1	Shaft, Drive	
4	1001177870	1	Support	
5	8005079	10	Clampset	
6	0761214	4	Bolt, M12X30	
7	4812100	4	Washer, M12	

# SECTION 5 - DRIVE TRAIN

## FIGURE 5-34. REMOTE GREASE SYSTEM INSTALLATION



ART\_1001210417-A



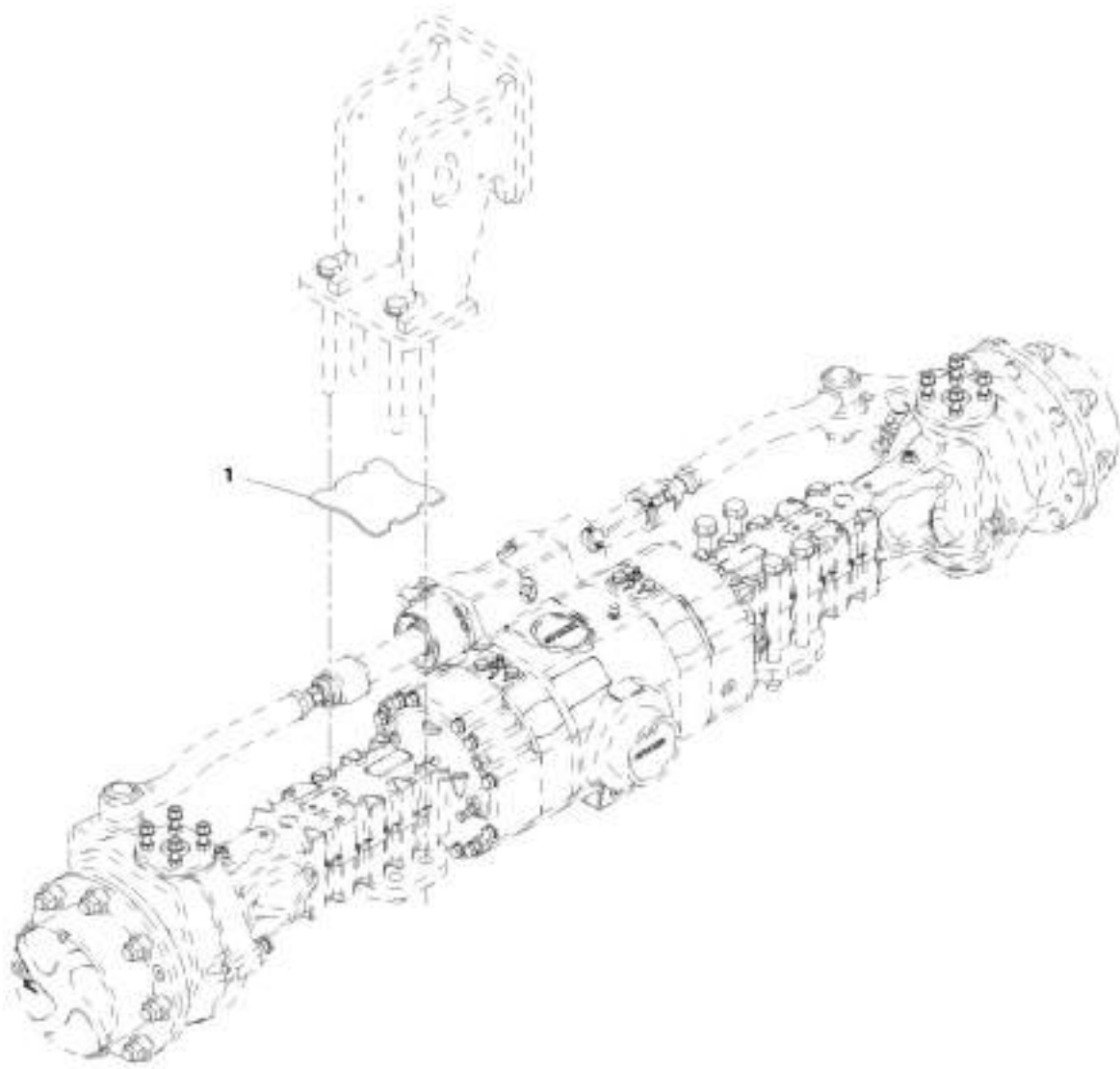
## SECTION 5 - DRIVE TRAIN

### FIGURE 5-34. REMOTE GREASE SYSTEM INSTALLATION

ITEM	PART NUMBER	QTY	DESCRIPTION	REV
	1001210417	Ref	Remote Grease System Installation	A
1	2160016	1	Fitting, Grease	
2	1001008559	7	Strap, Cable	
3	1001101561	2	Adapter, 90 Grease	
4	1001101563	2	Adapter, Straight Grease	
5	1001210409	1	Bracket	
6	1001210431	1	Hose, Grease	
7	1001210432	1	Hose, Grease	

# SECTION 5 - DRIVE TRAIN

## FIGURE 5-35. AXLE SHIM INSTALLATION



ART\_1061186574-C

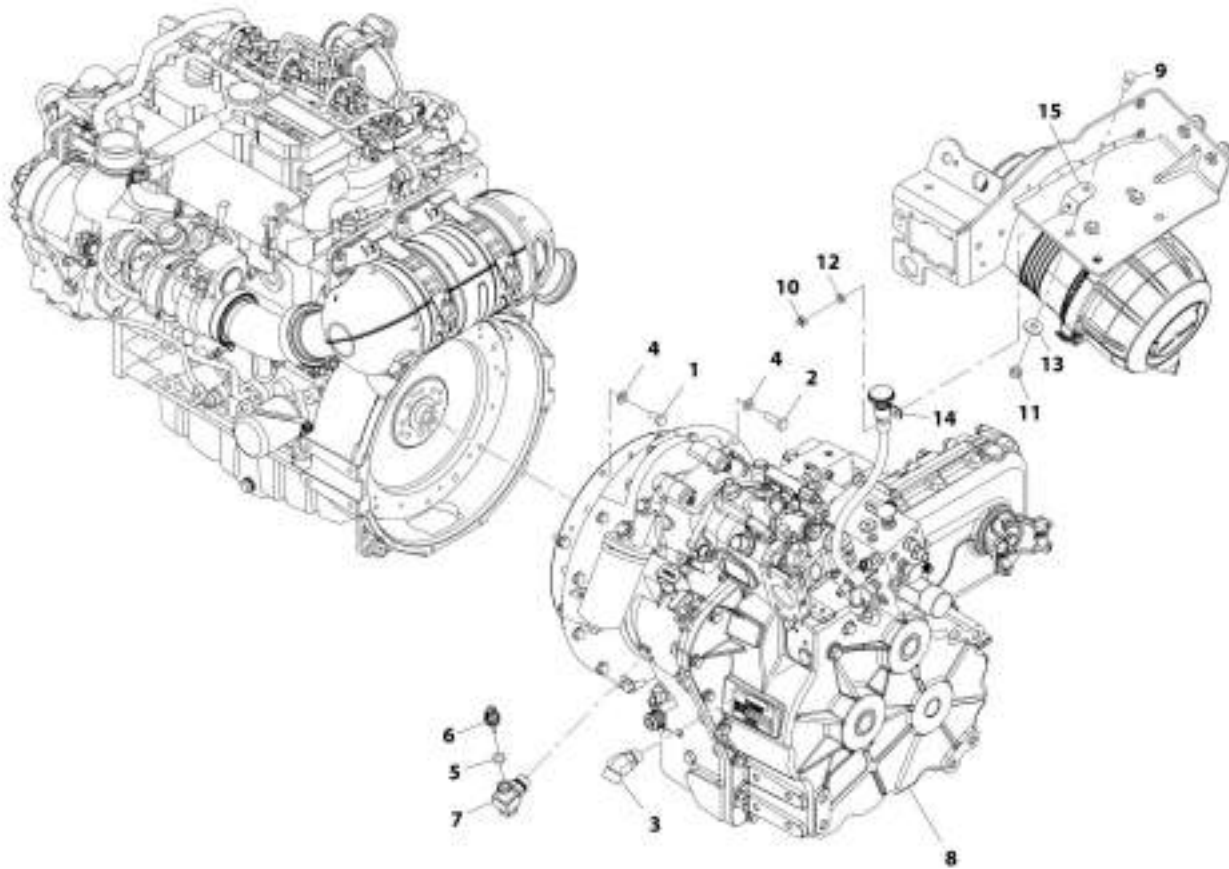
## SECTION 5 - DRIVE TRAIN

### FIGURE 5-35. AXLE SHIM INSTALLATION

ITEM	PART NUMBER	QTY	DESCRIPTION	REV
1	1001186574 1001190541	Ref 1	Axle Shim Installation (24IN Wheel) Plate, Axle Shim	C

# SECTION 5 - DRIVE TRAIN

## FIGURE 5-36. TRANSMISSION INSTALLATION (4 SPD)



ARR, 1001200180-B

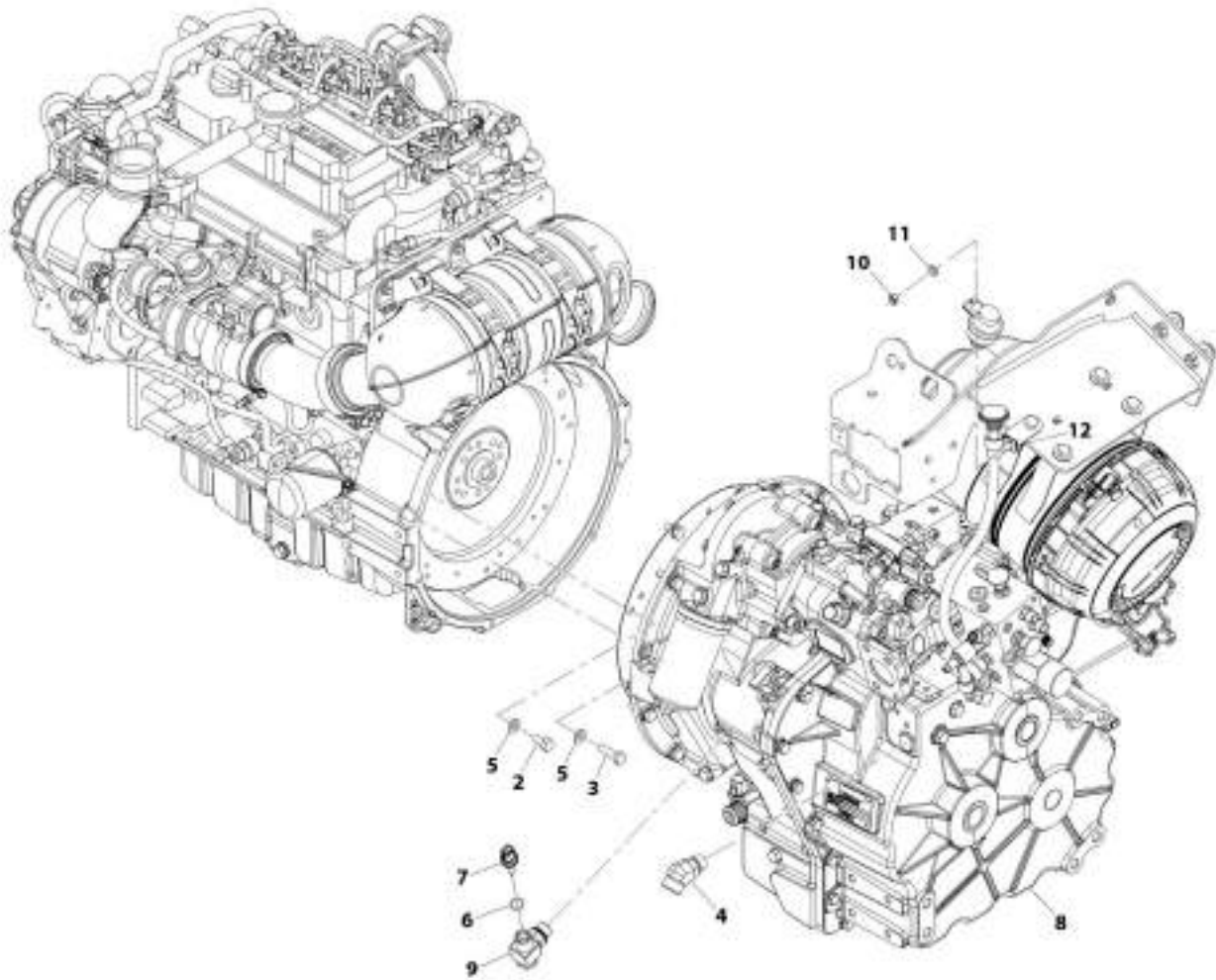
## SECTION 5 - DRIVE TRAIN

**FIGURE 5-36. TRANSMISSION INSTALLATION (4 SPD)**

ITEM	PART NUMBER	QTY	DESCRIPTION	REV
	1001200180	Ref	Transmission Installation (4 SPD)	B
1	0761010	8	Bolt, M10X20	
2	0761015	10	Bolt, M10X35	
3	2151210	1	Fitting, 45 ORFS	
4	4812000	18	Washer, M10	
5	1001009163	1	O'Ring	
6	1001128478	1	Sensor	
7	1001183122	1	Adapter, ORFS	
8	1001199948	1	Transmission (4 SPD) (See Separate Breakdown in this Section)	
9	0701012	1	Bolt, M10X25	
10	3290805	1	Nut, Lock M8X1.25 Grade 8	
11	3291005	1	Nut, Lock M10X1.5 Grade 8	
12	4811900	1	Washer, M8	
13	4812002	1	Washer, M10	
14	91043147	1	Clamp	
15	1001218486	1	Bracket	

## SECTION 5 - DRIVE TRAIN

FIGURE 5-37. TRANSMISSION INSTALLATION (6 SPD - 90KW)



ART\_300178429-E

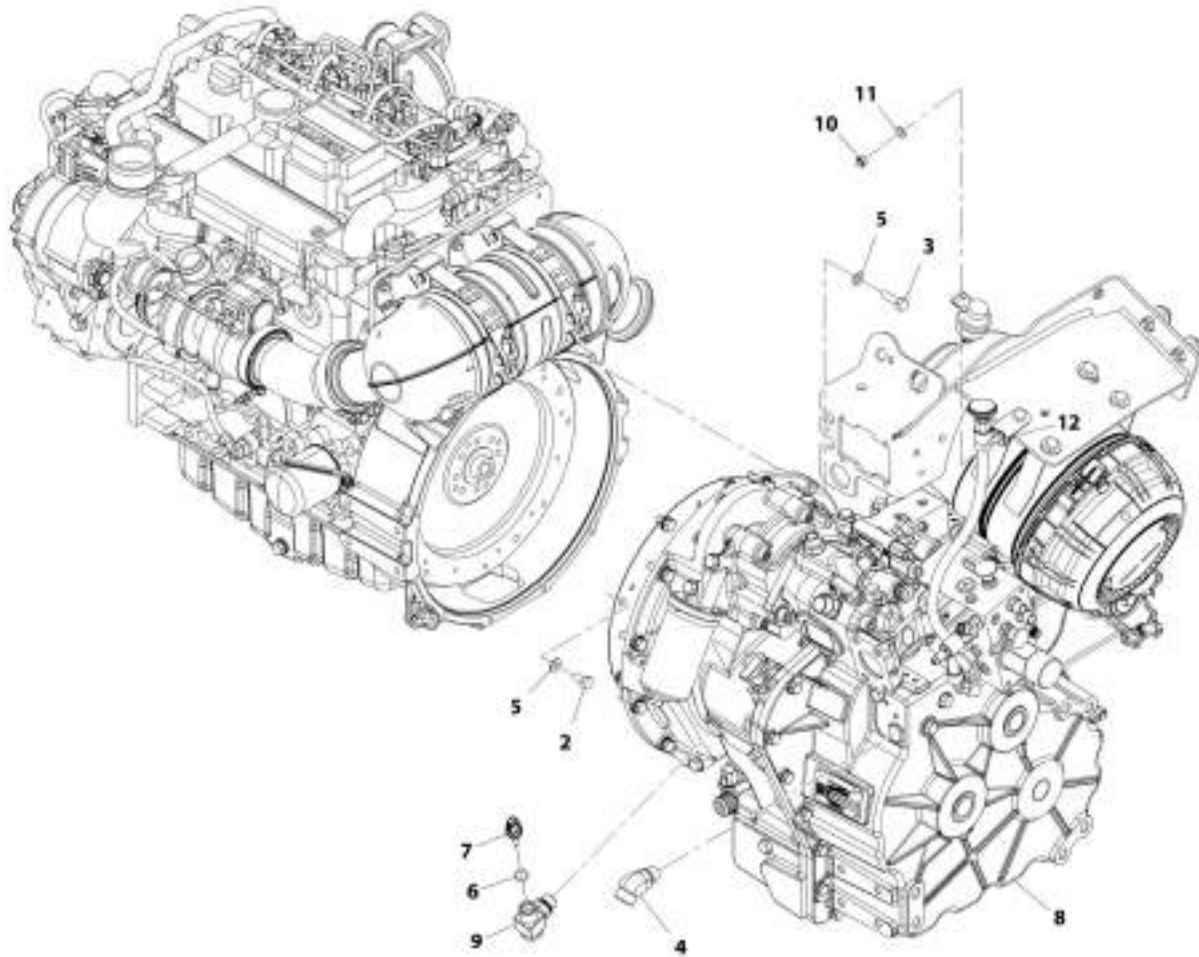
## SECTION 5 - DRIVE TRAIN

**FIGURE 5-37. TRANSMISSION INSTALLATION (6 SPD - 90KW)**

ITEM	PART NUMBER	QTY	DESCRIPTION	REV
	1001178439	Ref	Transmission Installation (6 SPD)	E
2	0761010	8	Bolt, M10X20	
3	0761015	10	Bolt, M10X35	
4	2151210	1	Fitting, 45 ORFS	
5	4812000	18	Washer, M10	
6	1001009163	1	O'Ring	
7	1001128478	1	Sensor	
8	1001177851	1	Transmission (6 SPD - DTZ - 90KW) (See Separate Breakdown in this Section)	
9	1001183122	1	Adapter, ORFS	
10	3290805	1	Nut, Lock M8X1.25 Grade 8	
11	4811900	1	Washer, M8	
12	91043147	1	Clamp	

# SECTION 5 - DRIVE TRAIN

FIGURE 5-38. TRANSMISSION INSTALLATION (6 SPD - 97KW)



ARR\_1001102647-D



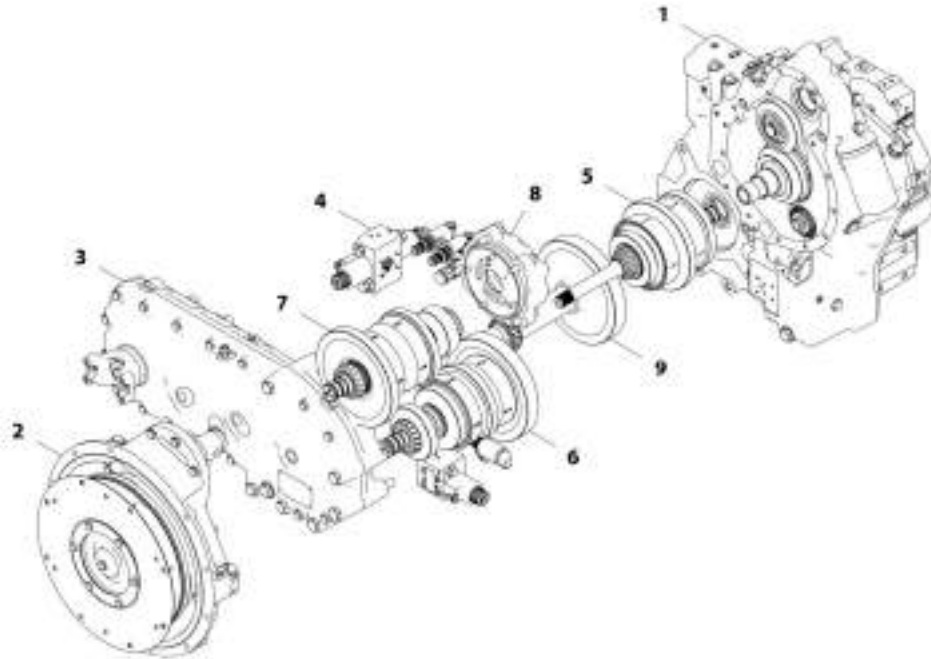
## SECTION 5 - DRIVE TRAIN

**FIGURE 5-38. TRANSMISSION INSTALLATION (6 SPD - 97KW)**

ITEM	PART NUMBER	QTY	DESCRIPTION	REV
	1001182647	Ref	Transmission Installation (6 SPD - HHP)	D
2	0761010	8	Bolt, M10X20	
3	0761015	10	Bolt, M10X35	
4	2151210	1	Fitting, 45 ORFS	
5	4812000	18	Washer, M10	
6	1001009163	1	O'Ring	
7	1001128478	1	Sensor	
8	1001181559	1	Transmission (6 SPD - HHP - 97KW) (See Separate Breakdown in this Section)	
9	1001219182	1	Fitting, Tee ORFS	
10	3290805	1	Nut, Lock M8X1.25 Grade 8	
11	4811900	1	Washer, M8	
12	91043147	1	Clamp	

## SECTION 5 - DRIVE TRAIN

FIGURE 5-39. TRANSMISSION (4 SPD)



AWT\_1001199940-B

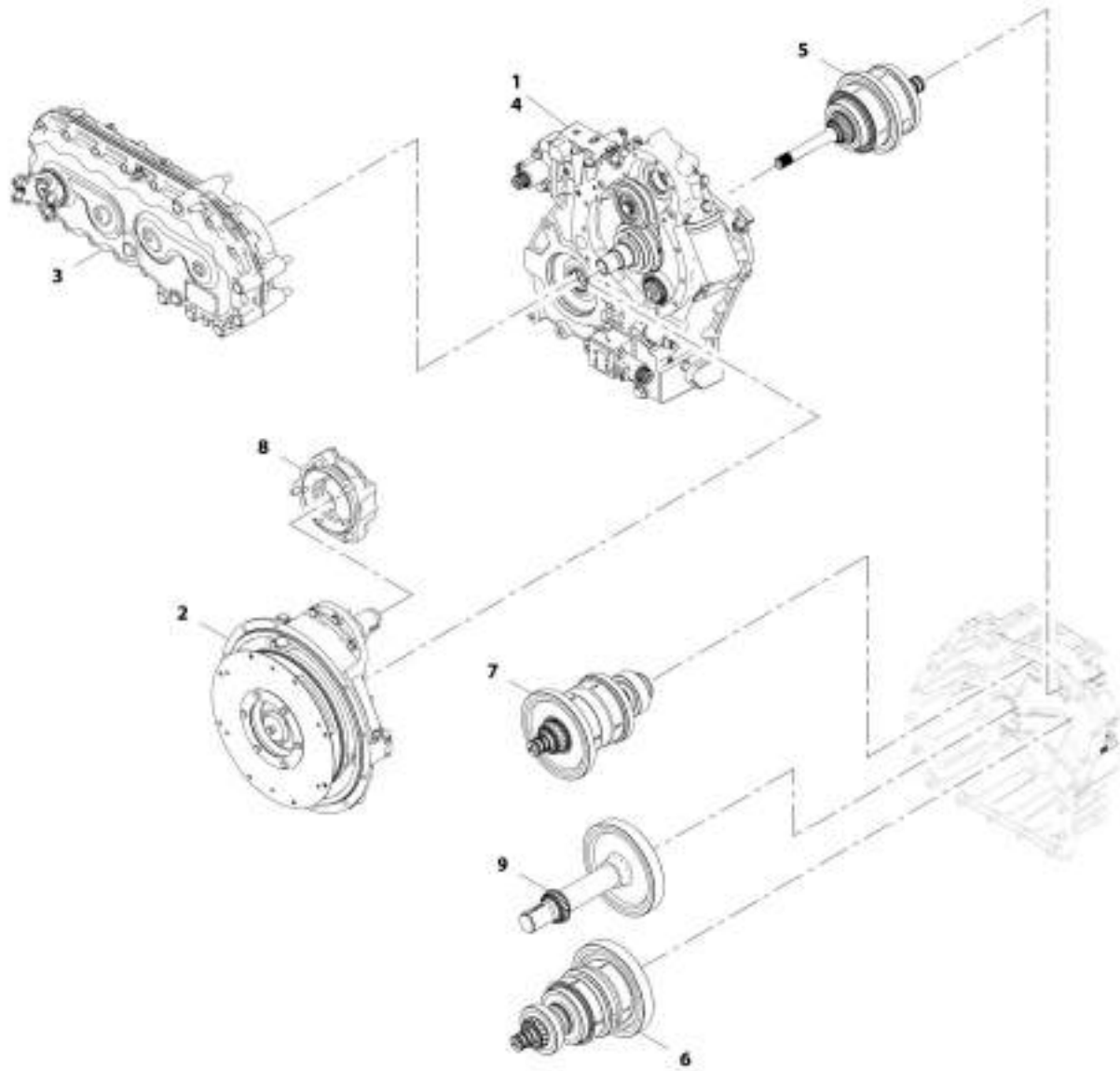
## SECTION 5 - DRIVE TRAIN

**FIGURE 5-39. TRANSMISSION (4 SPD)**

ITEM	PART NUMBER	QTY	DESCRIPTION	REV
	1001199948	Ref	Transmission (4 SPD)	B
1	70027723	Ref	Group, Planetary Case and Parts (See Separate Breakdown in this Section)	
2	70027721	Ref	Group, Torque Converter (See Separate Breakdown in this Section)	
3	70027722	Ref	Group, Transfer Gear and Case (See Separate Breakdown in this Section)	
4	70027720	Ref	Group, Transmission Hydraulic Control (See Separate Breakdown in this Section)	
5	70027717	Ref	Group, Input Shaft (See Separate Breakdown in this Section)	
6	70027718	Ref	Group, Transmission Clutch (See Separate Breakdown in this Section)	
7	70027715	Ref	Group, Clutch & Gear (See Separate Breakdown in this Section)	
8	70027719	Ref	Group, Transmission Pump (See Separate Breakdown in this Section)	
9	70027716	Ref	Group, Output Shaft (See Separate Breakdown in this Section)	

# SECTION 5 - DRIVE TRAIN

## FIGURE 5-40. TRANSMISSION (6 SPD - 90KW)



AWT\_100117851-D

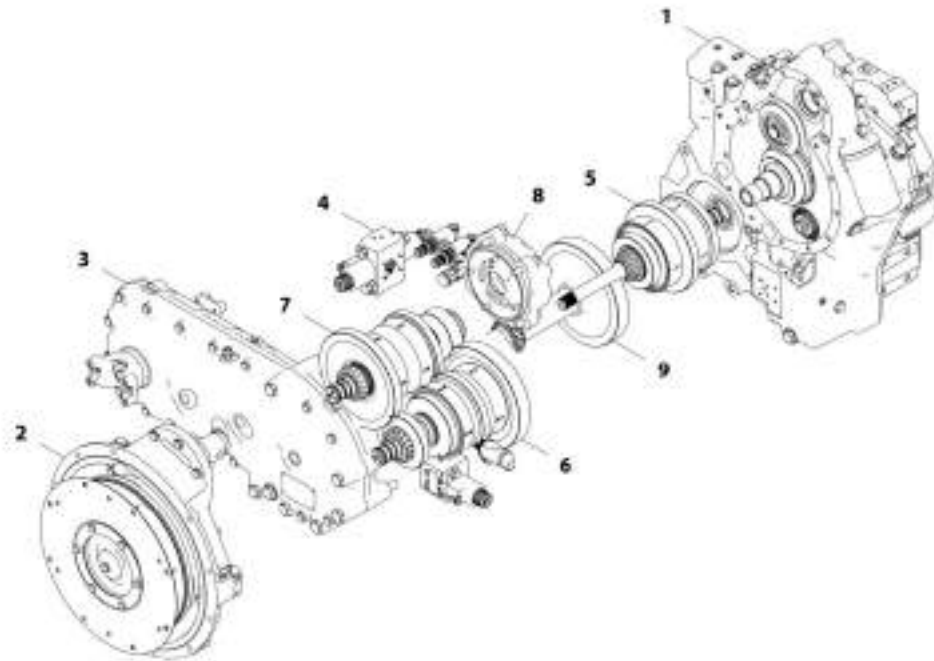
## SECTION 5 - DRIVE TRAIN

### FIGURE 5-40. TRANSMISSION (6 SPD - 90KW)

ITEM	PART NUMBER	QTY	DESCRIPTION	REV
1	1001177851	Ref	Transmission (6 SPD - 90KW)	D
	70027723	Ref	Group, Planetary Case & Parts (See Separate Breakdown in this Section)	
2	70027721	Ref	Group, Torque Converter (See Separate Breakdown in this Section)	
3	70027725	Ref	Group, Transfer Gear & Case (See Separate Breakdown in this Section)	
4	70027720	Ref	Group, Transmission Hydraulic Control (See Separate Breakdown in this Section)	
5	70027717	Ref	Group, Input Shaft (See Separate Breakdown in this Section)	
6	70027718	Ref	Group, Transmission Clutch (See Separate Breakdown in this Section)	
7	70027715	Ref	Group, Clutch & Gear (See Separate Breakdown in this Section)	
8	70027719	Ref	Group, Transmission Pump (See Separate Breakdown in this Section)	
9	70027716	Ref	Group, Output Shaft (See Separate Breakdown in this Section)	

## SECTION 5 - DRIVE TRAIN

FIGURE 5-41. TRANSMISSION (6 SPD - HHP - 97KW)



AWT\_1001181559-C

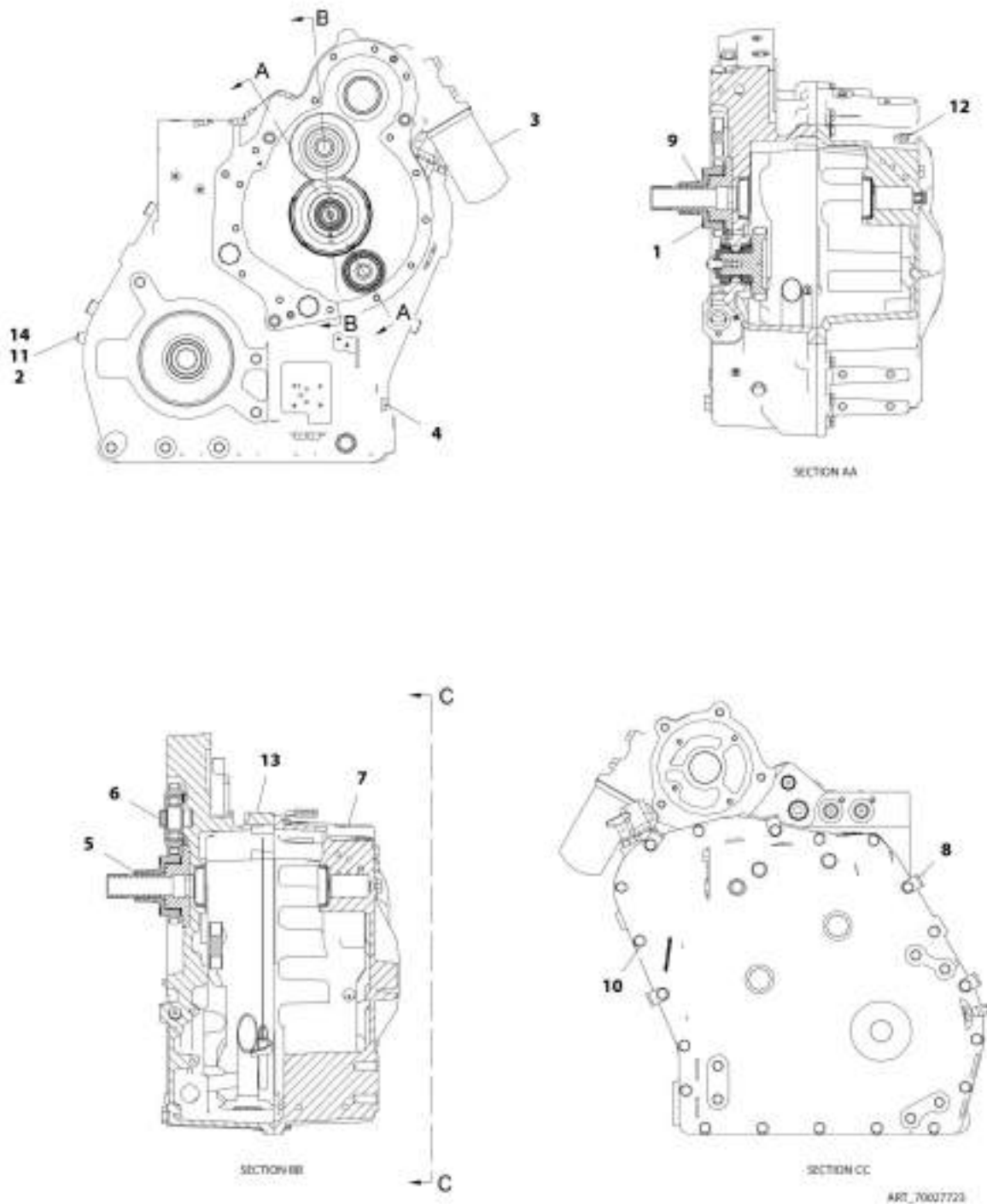
## SECTION 5 - DRIVE TRAIN

**FIGURE 5-41. TRANSMISSION (6 SPD - HHP - 97KW)**

ITEM	PART NUMBER	QTY	DESCRIPTION	REV
1	1001181559	Ref	Transmission (6 SPD - HHP - 97KW)	C
	70027723	Ref	Group, Planetary Case & Parts (See Separate Breakdown in this Section)	
2	70027724	Ref	Group, Torque Converter (See Separate Breakdown in this Section)	
3	70027725	Ref	Group, Transfer Gear & Case (See Separate Breakdown in this Section)	
4	70027720	Ref	Group, Transmission Hydraulic Control (See Separate Breakdown in this Section)	
5	70027717	Ref	Group, Input Shaft (See Separate Breakdown in this Section)	
6	70027718	Ref	Group, Transmission Clutch (See Separate Breakdown in this Section)	
7	70027715	Ref	Group, Clutch & Gear (See Separate Breakdown in this Section)	
8	70027719	Ref	Group, Transmission Pump (See Separate Breakdown in this Section)	
9	70027716	Ref	Group, Output Shaft (See Separate Breakdown in this Section)	

# SECTION 5 - DRIVE TRAIN

## FIGURE 5-42. PLANETARY CASE AND PARTS GROUP





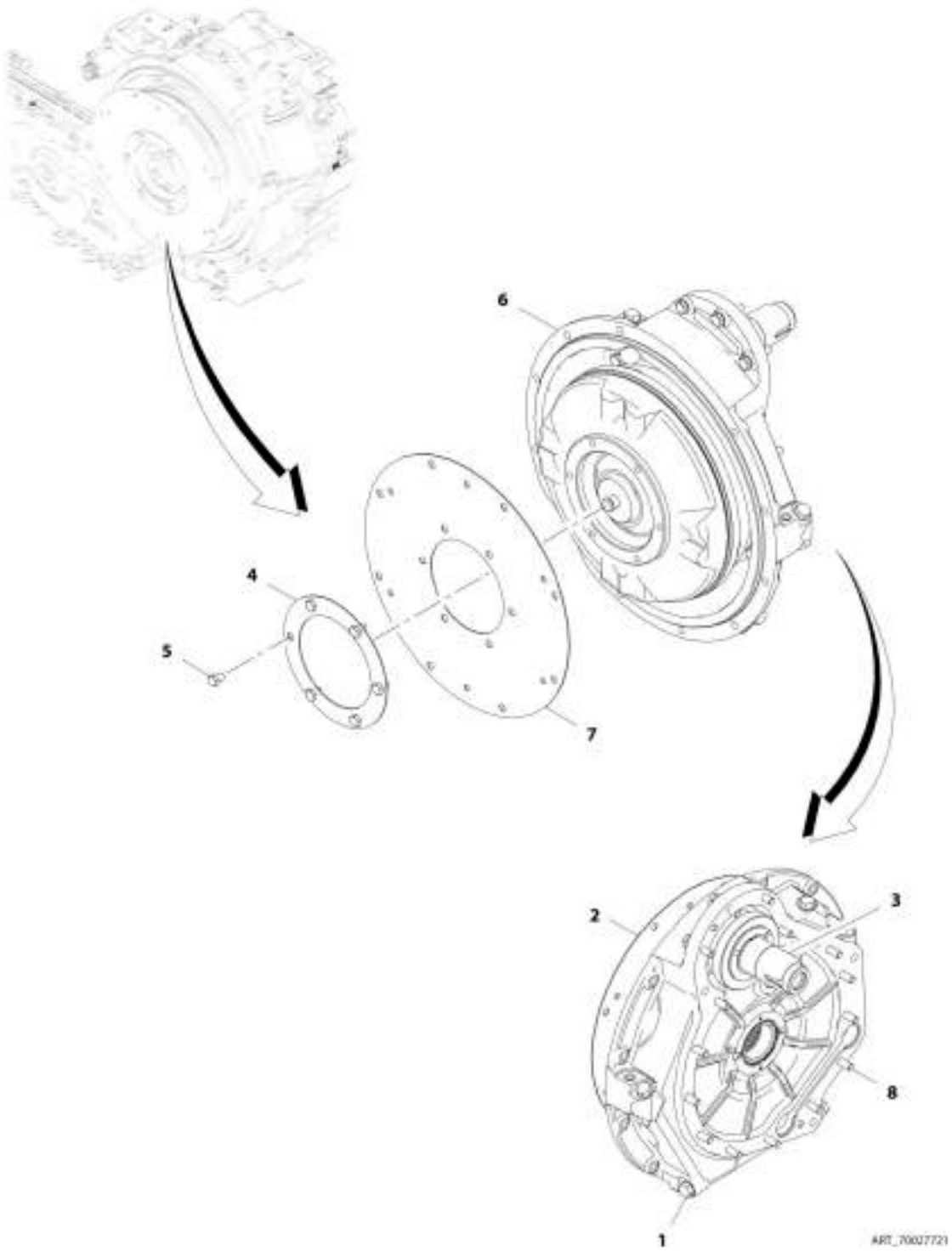
## SECTION 5 - DRIVE TRAIN

**FIGURE 5-42. PLANETARY CASE AND PARTS GROUP**

ITEM	PART NUMBER	QTY	DESCRIPTION	REV
	70027723	Ref	Planetary Case & Parts Group	
1	70025511	2	Washer, Thrust	
2	70025526	1	Sensor, Speed (See Separate Breakdown in this Section)	
3	70025453	1	Filter, Transmission	
4	70027663	1	Assembly, Plug	
	70025525	1	O-Ring	
	70025524	1	Plug	
5	70027341	1	Assembly, Gear	
6	70027707	1	Gear, Idler (See Separate Breakdown in this Section)	
7	70027711	1	Case, Rear Transmission (See Separate Breakdown in this Section)	
8	70027331	5	Clip	
9	70025512	1	O-Ring	
10	70025514	20	Bolt	
11	70025528	1	Bolt	
12	70025529	1	Plug	
13	70027714	1	Case, Planetary (See Separate Breakdown in this Section)	
14	70025527	1	O-Ring	

# SECTION 5 - DRIVE TRAIN

## FIGURE 5-43. TORQUE CONVERTER GROUP



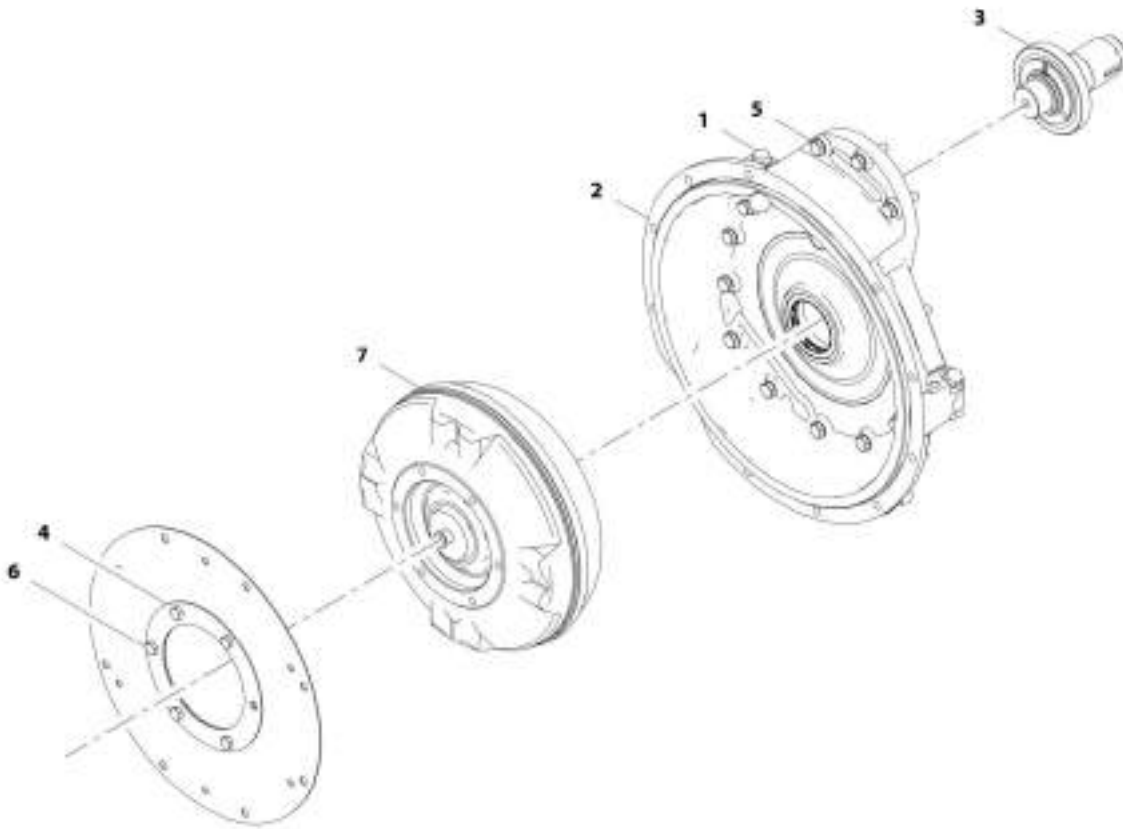
## SECTION 5 - DRIVE TRAIN

**FIGURE 5-43. TORQUE CONVERTER GROUP**

ITEM	PART NUMBER	QTY	DESCRIPTION	REV
1	70027721	Ref	Torque Converter Group	
	70027663	7	Assembly, Plug	
	70025525	1	O-Ring	
	70025524	1	Plug	
2	70027666	1	Assembly, Torque Converter	
	70027676	1	Bearing	
	70025383	1	Seal	
	70025382	2	Pin	
	70027345	1	Converter	
3	70027667	1	Assembly, Shaft	
	70025510	2	Ring, Snap	
	70025393	2	Disc, Thrust	
	70025392	1	Pump, Gear	
4	70025397	1	Plate, Converter Drive	
5	70025398	6	Screw	
6	70027382	1	Converter, Torque	
7	70027670	1	Plate, Converter Drive	
8	70027682	15	Bolt	

## SECTION 5 - DRIVE TRAIN

FIGURE 5-44. TORQUE CONVERTER GROUP



ART\_70027724

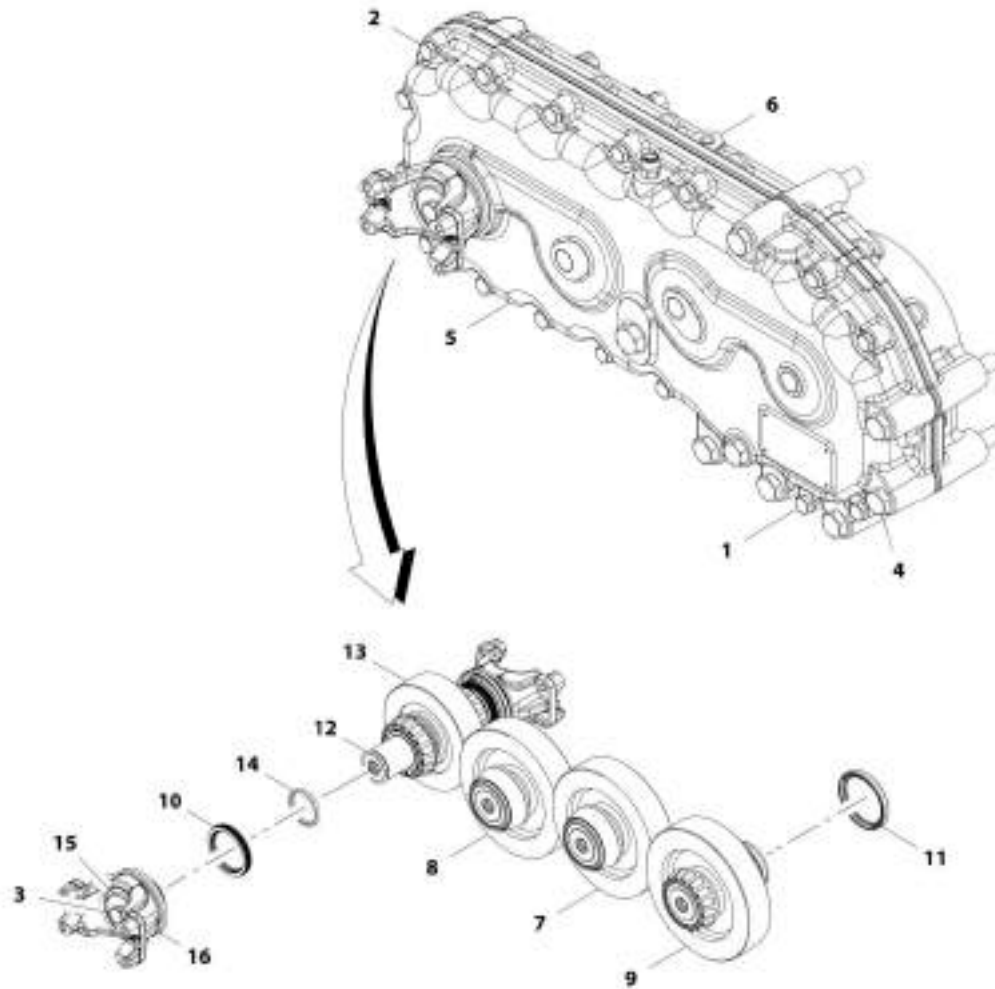
## SECTION 5 - DRIVE TRAIN

**FIGURE 5-44. TORQUE CONVERTER GROUP**

ITEM	PART NUMBER	QTY	DESCRIPTION	REV
1	70027724	Ref	Torque Converter Group	
	70027663	7	Assembly, Plug	
	70025525	1	O-Ring	
	70025524	1	Plug	
2	70027666	1	Torque Converter	
	70027676	1	Bearing	
	70025383	1	Seal	
	70025382	2	Pin	
	70027345	1	Converter	
3	70027667	1	Assembly, Shaft	
	70025510	2	Ring, Snap	
	70025393	2	Disc, Thrust	
	70025392	1	Pump, Gear	
4	70025397	1	Plate, Converter	
5	70025514	15	Bolt	
6	70025398	6	Setscrew	
7	70027383	1	Converter, Torque	

# SECTION 5 - DRIVE TRAIN

## FIGURE 5-45. TRANSFER GEAR AND CASE GROUP



ART\_7007723

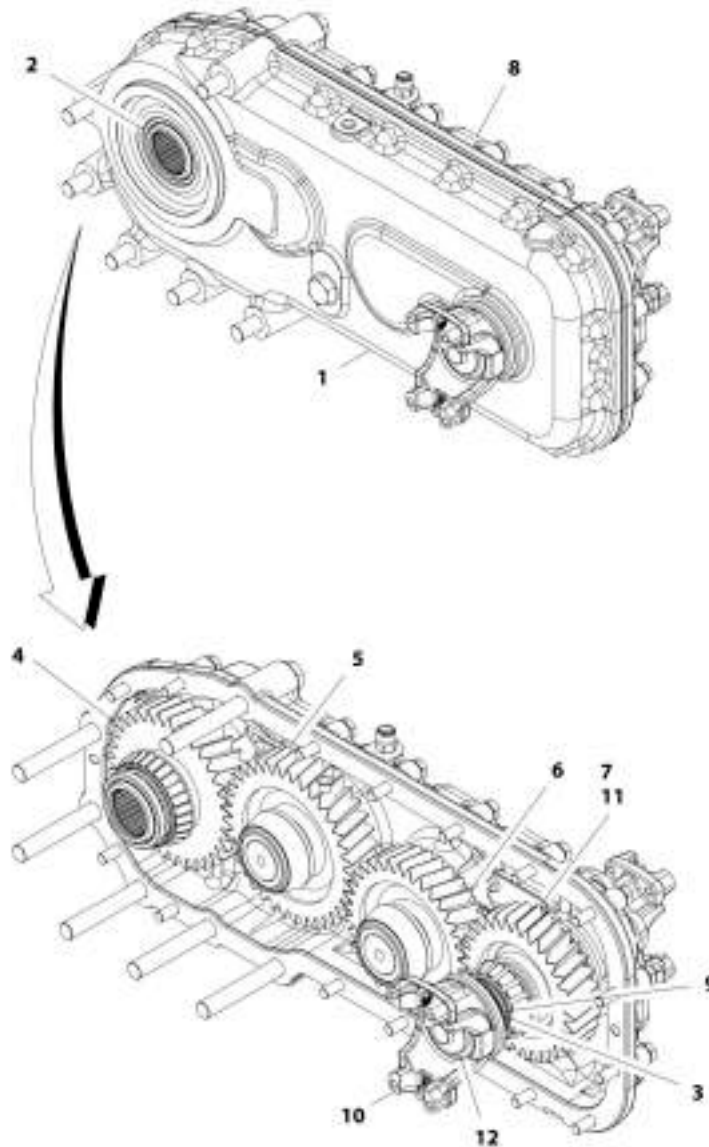
## SECTION 5 - DRIVE TRAIN

**FIGURE 5-45. TRANSFER GEAR AND CASE GROUP**

ITEM	PART NUMBER	QTY	DESCRIPTION	REV
	70027722	Ref	Torque Converter Group	
1	70027708	2	Bolt	
2	70027709	14	Bolt	
3	70025505	2	Bolt	
4	70025507	6	Bolt	
5	70027713	1	Case, Front Transfer (See Separate Breakdown in this Section)	
6	70027712	1	Case, Rear Transfer (See Separate Breakdown in this Section)	
7	70027342	1	Gear	
8	70027343	1	Gear	
	70025493	2	Cone, Bearing	
9	70027356	1	Assembly, Input Gear	
	70025496	1	Cone, Roller Bearing	
	70024634	1	Cone, Roller Bearing	
10	70027376	2	Seal	
11	70024642	1	Seal	
12	70025503	2	O-Ring	
13	70027711	1	Assembly, Output Shaft	
	70025498	2	Ring, Retaining	
	70025496	2	Cone, Roller Bearing	
	70024639	1	Shaft, Output	
	70024638	1	Gear, Output	
14	70024644	2	Spacer	
15	70025504	2	Washer	
16	70024645	2	Yoke	

# SECTION 5 - DRIVE TRAIN

FIGURE 5-46. TRANSFER GEAR AND CASE GROUP



ART\_7007725



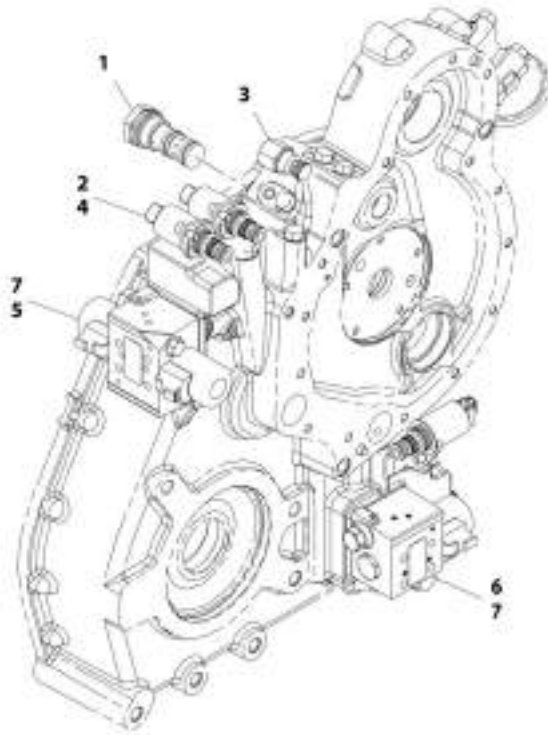
## SECTION 5 - DRIVE TRAIN

**FIGURE 5-46. TRANSFER GEAR AND CASE GROUP**

ITEM	PART NUMBER	QTY	DESCRIPTION	REV
	70027725	Ref	Group, Transfer Gear & Case	
1	70027373	1	Case, Front Transfer (See Separate Breakdown in this Section)	
2	70024642	1	Seal, Lip	
3	70027376	2	Seal, Lip	
4	70027672	1	Gear Assembly	
	70025496	2	Cone, Roller Bearing	
	70024634	1	Cone, Roller Bearing	
	70027368	1	Gear, Input	
5	70027673	1	Assembly, Idler Gear	
	70025493	2	Bearing, Cone	
	70027369	1	Idler, Gear	
6	70027674	1	Assembly, Idler Gear	
	70025493	2	Bearing, Cone	
	70027370	1	Idler, Gear	
7	70027675	1	Assembly, Output Shaft	
	70025496	2	Cone, Roller Bearing	
	70025498	2	Ring, Retaining	
	70024639	1	Shaft, Output	
	70027371	1	Gear, Output	
8	70027375	1	Case, Rear Transfer (See Separate Breakdown in this Section)	
9	70024644	2	Spacer	
10	70024645	2	Yoke	
11	70025503	2	O-Ring	
12	70025504	2	Washer	

## SECTION 5 - DRIVE TRAIN

FIGURE 5-47. TRANSMISSION HYDRAULIC CONTROL GROUP



ART\_7007720

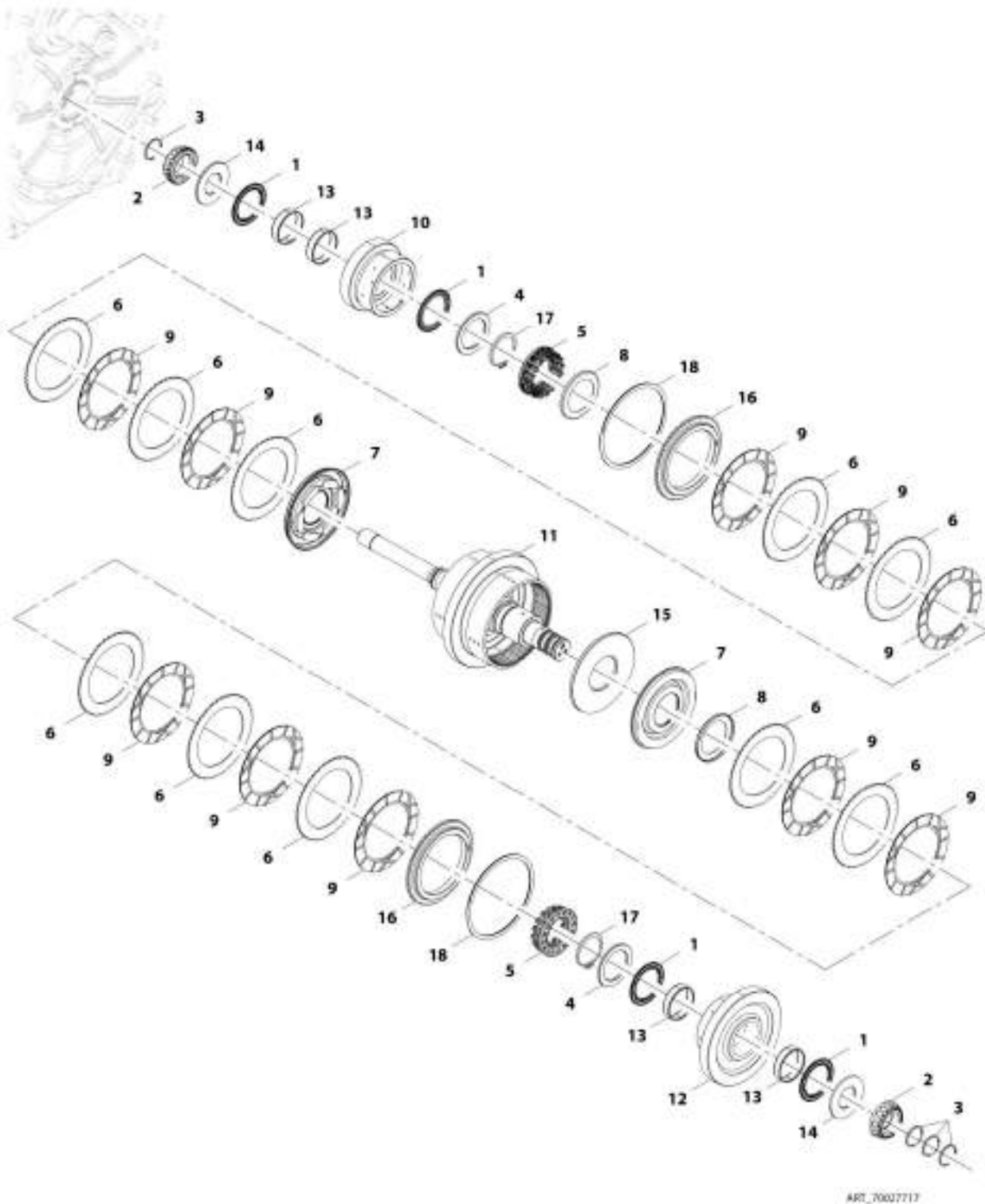
## SECTION 5 - DRIVE TRAIN

**FIGURE 5-47. TRANSMISSION HYDRAULIC CONTROL GROUP**

ITEM	PART NUMBER	QTY	DESCRIPTION	REV
	70027720	Ref	Transmission Hydraulic Control Group	
1	70025469	1	Valve, Relief (See Separate Breakdown in this Section)	
2	70025520	3	Capscrew	
3	70025470	1	Valve, Relief	
	70027387	1	O-Ring	
	70027680	1	O-Ring	
4	70025451	3	Valve, Solenoid	
5	70027362	1	Valve, Solenoid (See Separate Breakdown in this Section)	
6	70027363	1	Valve, Solenoid (See Separate Breakdown in this Section)	
7	70027671	8	Bolt	

# SECTION 5 - DRIVE TRAIN

## FIGURE 5-48. INPUT SHAFT GROUP



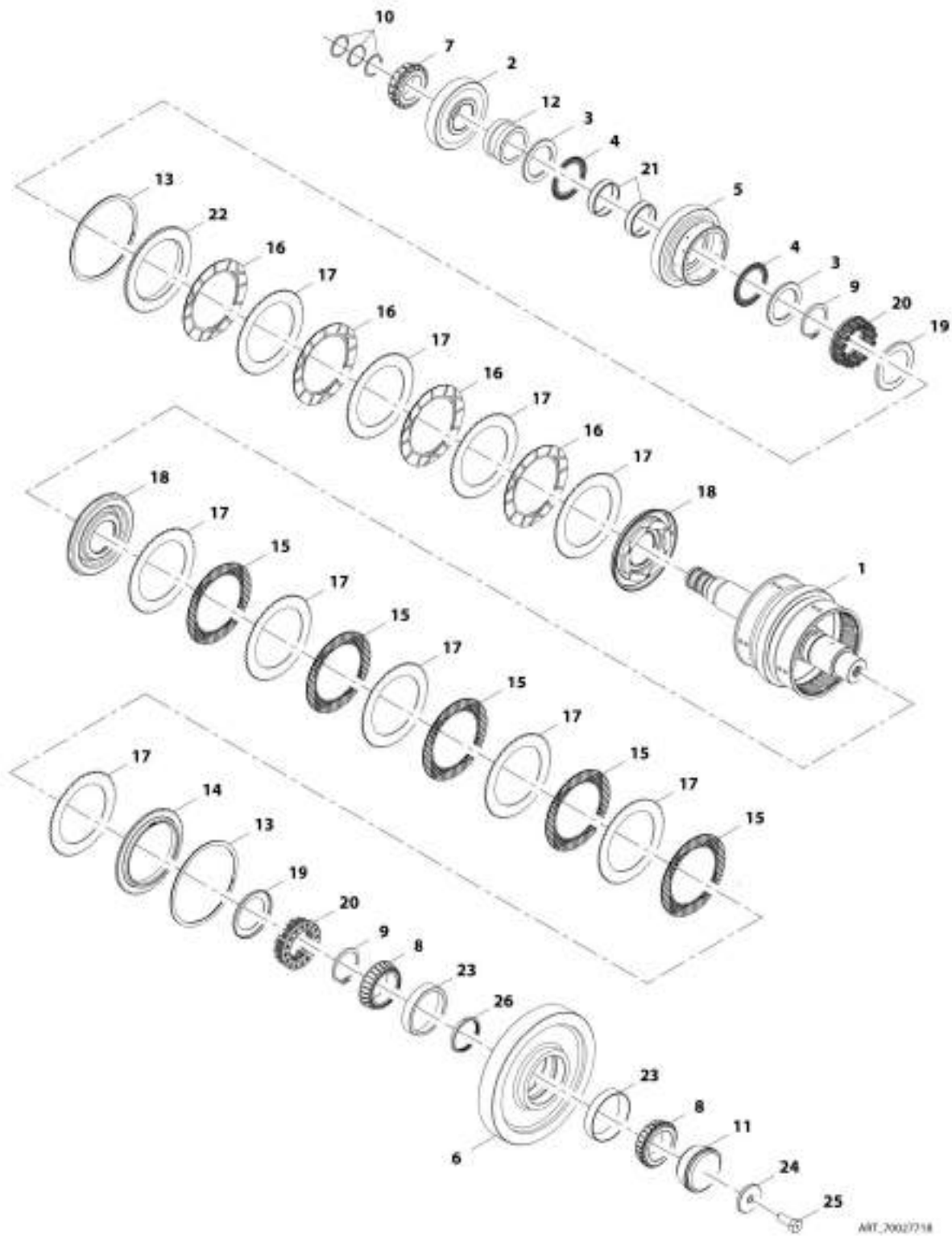
## SECTION 5 - DRIVE TRAIN

### FIGURE 5-48. INPUT SHAFT GROUP

ITEM	PART NUMBER	QTY	DESCRIPTION	REV
	70027717	Ref	Input Shaft Group	
1	70025432	4	Bearing, Thrust	
2	70025508	2	Bearing, Roller Cone	
3	70025433	4	Ring, Sealing	
4	70025429	2	Washer, Thrust	
5	70025440	2	Assembly, Spring and Retainer	
6	70025437	10	Plate, Clutch	
7	70025438	2	Piston, Clutch	
8	70025439	2	Retainer, Spring	
9	70025448	10	Disc, Friction	
10	70025400	1	Gear	
11	70025445	1	Assembly, Plug	
	70027328	2	Plug	
	70027348	1	Plug, Orifice	
12	70025401	1	Gear	
13	70025424	4	Bearing, Needle Roller	
14	70025446	2	Washer, Thrust	
15	70025449	1	Spacer, Piston	
16	70025447	2	Plate, Retainer	
17	70025498	2	Ring, Retaining	
18	70027681	2	Ring, Retaining	

# SECTION 5 - DRIVE TRAIN

FIGURE 5-49. TRANSMISSION CLUTCH GROUP



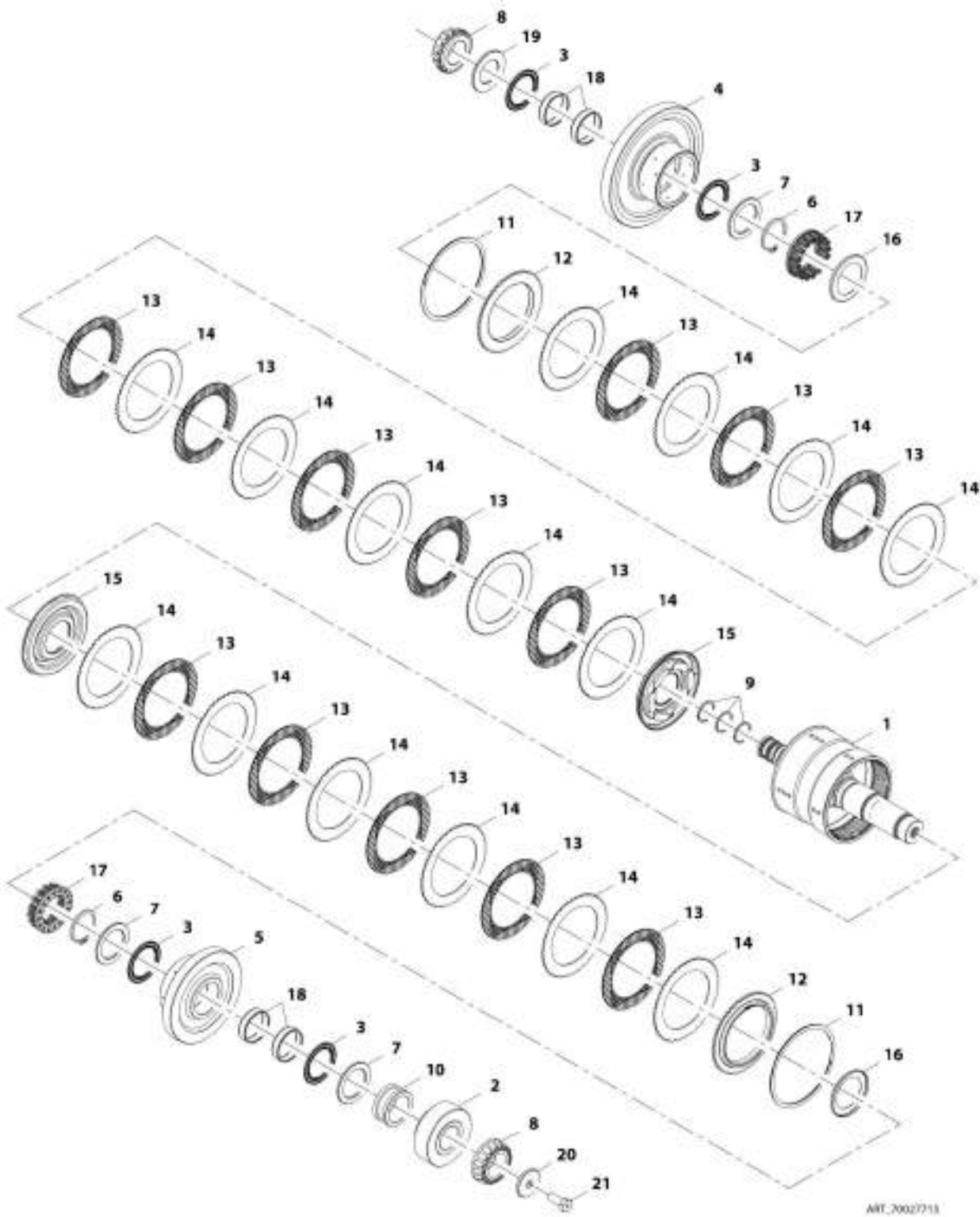
## SECTION 5 - DRIVE TRAIN

### FIGURE 5-49. TRANSMISSION CLUTCH GROUP

ITEM	PART NUMBER	QTY	DESCRIPTION	REV
	70027718	Ref	Transmission Clutch Group	
1	70025450	1	Shaft, Forward High/3rd	
	70027339	2	Plug	
	70027344	1	Plug-Orifice	
2	70025402	1	Gear	
3	70025429	2	Washer, Thrust	
4	70025432	2	Bearing, Thrust	
5	70025403	1	Gear	
6	70025404	1	Gear	
7	70025406	1	Bearing, Cone Roller	
8	70025407	2	Bearing, Cone Roller	
9	70025498	2	Ring, Retaining	
10	70025433	3	Ring, Sealing	
11	70025493	1	Bearing, Cone Roller	
12	70025409	1	Spacer	
13	70027681	2	Ring, Retaining	
14	70025435	1	Plate, Retainer	
15	70025436	5	Disc-Friction	
16	70025448	4	Disc-Friction	
17	70025437	10	Plate, Clutch	
18	70025438	2	Piston, Clutch	
19	70025439	2	Spring, Retainer	
20	70025440	2	Assembly, Spring and Retainer	
21	70025424	2	Bearing, Needle Roller	
22	70025447	1	Plate, Retaining	
23	70025408	2	Bearing, Cup	
24	70025504	1	Washer	
25	70025442	1	Bolt	
26	70025410	AR	Spacer, 5.88-5.90	
	70025411	AR	Spacer, 5.85-5.87	
	70025412	AR	Spacer, 5.82-5.84	
	70025413	AR	Spacer, 5.79-5.81	
	70025414	AR	Spacer, 6.00-6.02	
	70025415	AR	Spacer, 5.97-5.99	
	70025416	AR	Spacer, 5.94-5.96	
	70025417	AR	Spacer, 5.91-5.93	
	70025418	AR	Spacer, 6.09-6.11	
	70025419	AR	Spacer, 6.06-6.08	
	70027358	AR	Spacer, 6.12-6.14	
	70027359	AR	Spacer, 6.15-6.17	
	70025420	AR	Spacer, 6.03-6.05	
	70027364	AR	Spacer, 6.20-6.22	
	70027365	AR	Spacer, 6.25-6.27	

# SECTION 5 - DRIVE TRAIN

## FIGURE 5-50. CLUTCH AND GEAR GROUP





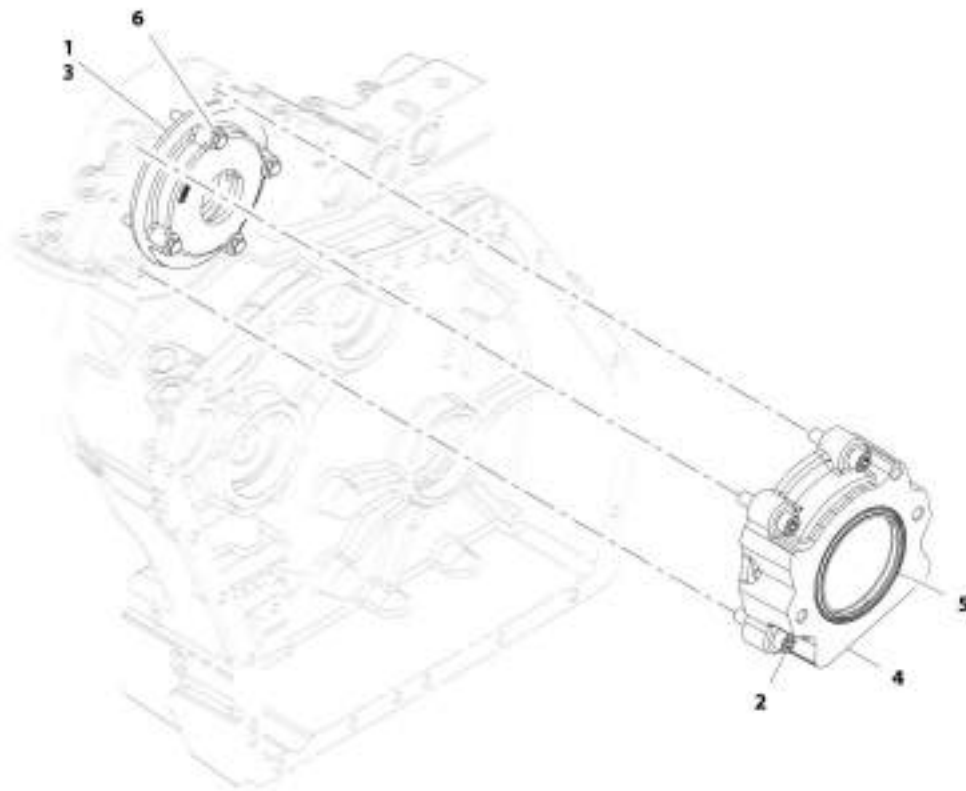
## SECTION 5 - DRIVE TRAIN

### FIGURE 5-50. CLUTCH AND GEAR GROUP

ITEM	PART NUMBER	QTY	DESCRIPTION	REV
	70027715	Ref	Clutch & Gear Group	
1	70025431	1	Assembly, Plug	
	70027328	2	Plug	
	70027344	1	Plug, Orifice	
	70027349	1	Plug, Orifice	
2	70025423	1	Gear	
3	70025432	4	Bearing, Thrust	
4	70025425	1	Gear	
5	70025401	1	Gear	
6	70025498	2	Ring, Retaining	
7	70025429	3	Washer, Thrust	
8	70025496	2	Cone, Roller Bearing	
9	70025433	3	Ring, Sealing	
10	70025426	1	Spacer	
11	70027681	2	Ring, Retaining	
12	70025435	2	Plate, Retainer	
13	70025436	13	Disc, Friction	
14	70025437	15	Plate, Clutch	
15	70025438	2	Piston, Clutch	
16	70025439	2	Retainer, Spring	
17	70025440	2	Assembly, Spring and Retainer	
18	70025424	4	Bearing, Needle Roller	
19	70025441	1	Washer, Thrust	
20	70025504	1	Washer	
21	70025442	1	Bolt	

# SECTION 5 - DRIVE TRAIN

## FIGURE 5-51. TRANSMISSION PUMP GROUP



ART\_70027718

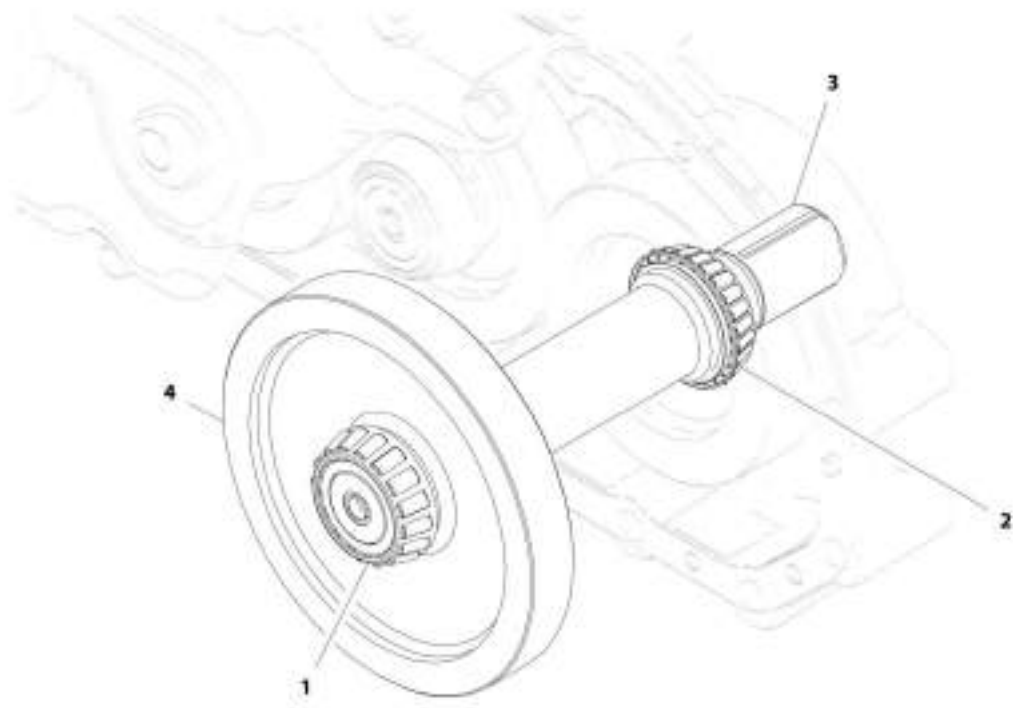
## SECTION 5 - DRIVE TRAIN

### FIGURE 5-51. TRANSMISSION PUMP GROUP

ITEM	PART NUMBER	QTY	DESCRIPTION	REV
	70027719	Ref	Transmission Pump Group	
1	70025464	1	O-Ring	
2	70025463	4	Capscrew	
3	70025459	1	Pump, Charge	
4	70025452	1	Housing, Pump	
5	70027347	1	Plug	
6	70025522	4	Bolt	

## SECTION 5 - DRIVE TRAIN

FIGURE 5-52. OUTPUT SHAFT GROUP



ART\_70027718

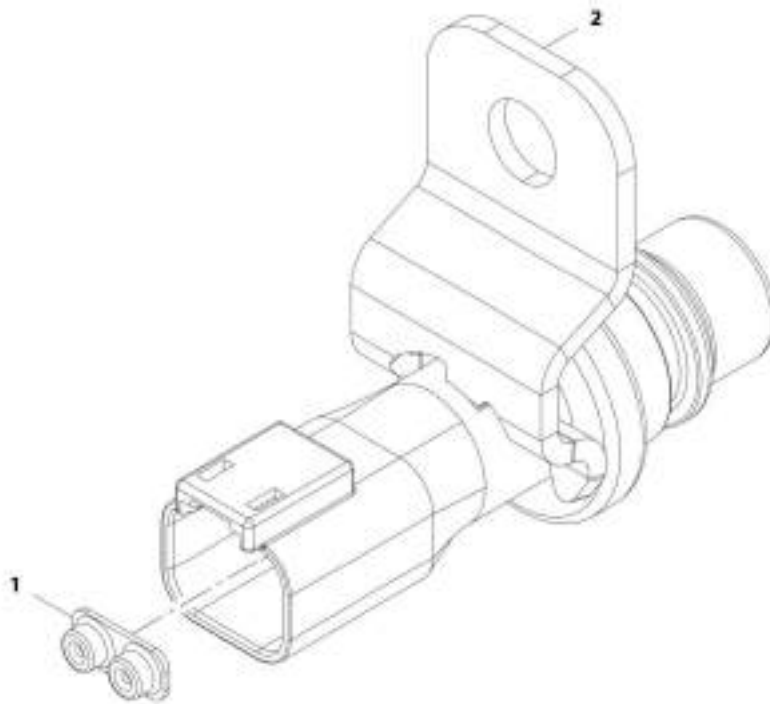
## SECTION 5 - DRIVE TRAIN

### FIGURE 5-52. OUTPUT SHAFT GROUP

ITEM	PART NUMBER	QTY	DESCRIPTION	REV
	70027716	Ref	Output Shaft Group	
1	70025496	1	Cone, Roller Bearing	
2	70025407	1	Cone, Roller Bearing	
3	70025428	1	Gear	
4	70025427	1	Shaft, Output	

## SECTION 5 - DRIVE TRAIN

FIGURE 5-53. SPEED SENSOR



ART\_70025528

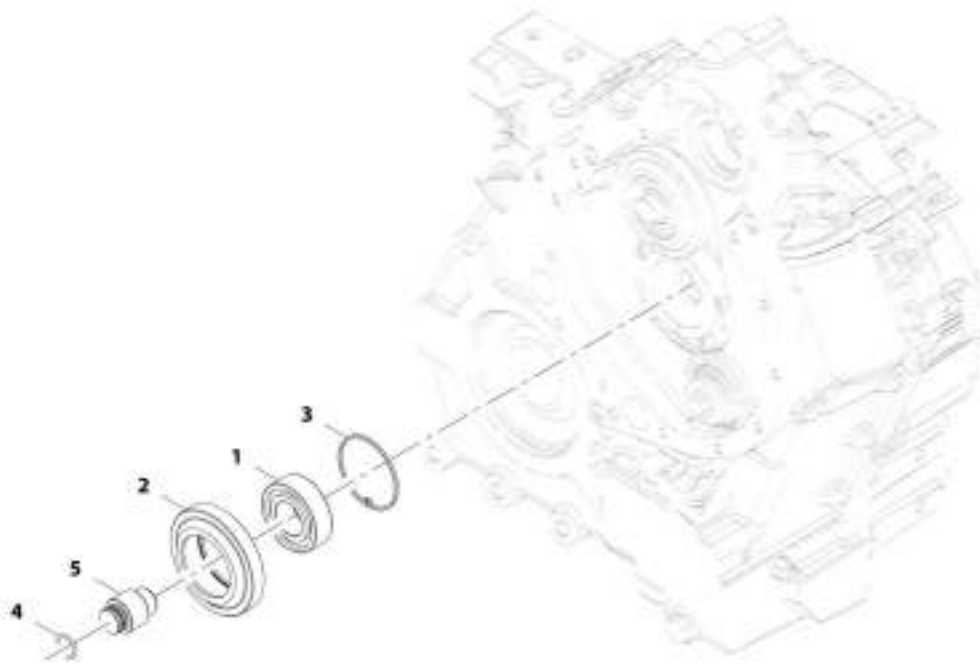
## SECTION 5 - DRIVE TRAIN

### FIGURE 5-53. SPEED SENSOR

ITEM	PART NUMBER	QTY	DESCRIPTION	REV
	70025526	Ref	Speed Sensor	
1	70027332	1	Connector	
2	70027661	1	Bracket	

## SECTION 5 - DRIVE TRAIN

FIGURE 5-54. IDLER GEAR



ART\_70027787



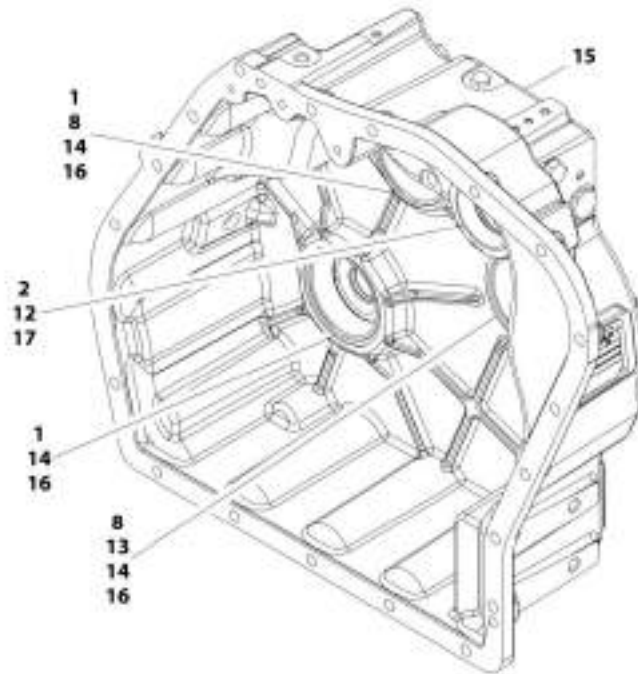
## SECTION 5 - DRIVE TRAIN

### FIGURE 5-54. IDLER GEAR

ITEM	PART NUMBER	QTY	DESCRIPTION	REV
	70027707	Ref	Idler Gear Group	
1	70025389	1	Bearing, Roller	
2	70025388	1	Pump, Idler Gear	
3	70025391	1	Circlip	
4	70025390	1	O-Ring	
5	70025387	1	Pump, Output Shaft	

# SECTION 5 - DRIVE TRAIN

## FIGURE 5-55. REAR TRANSMISSION CASE



ART\_70027711

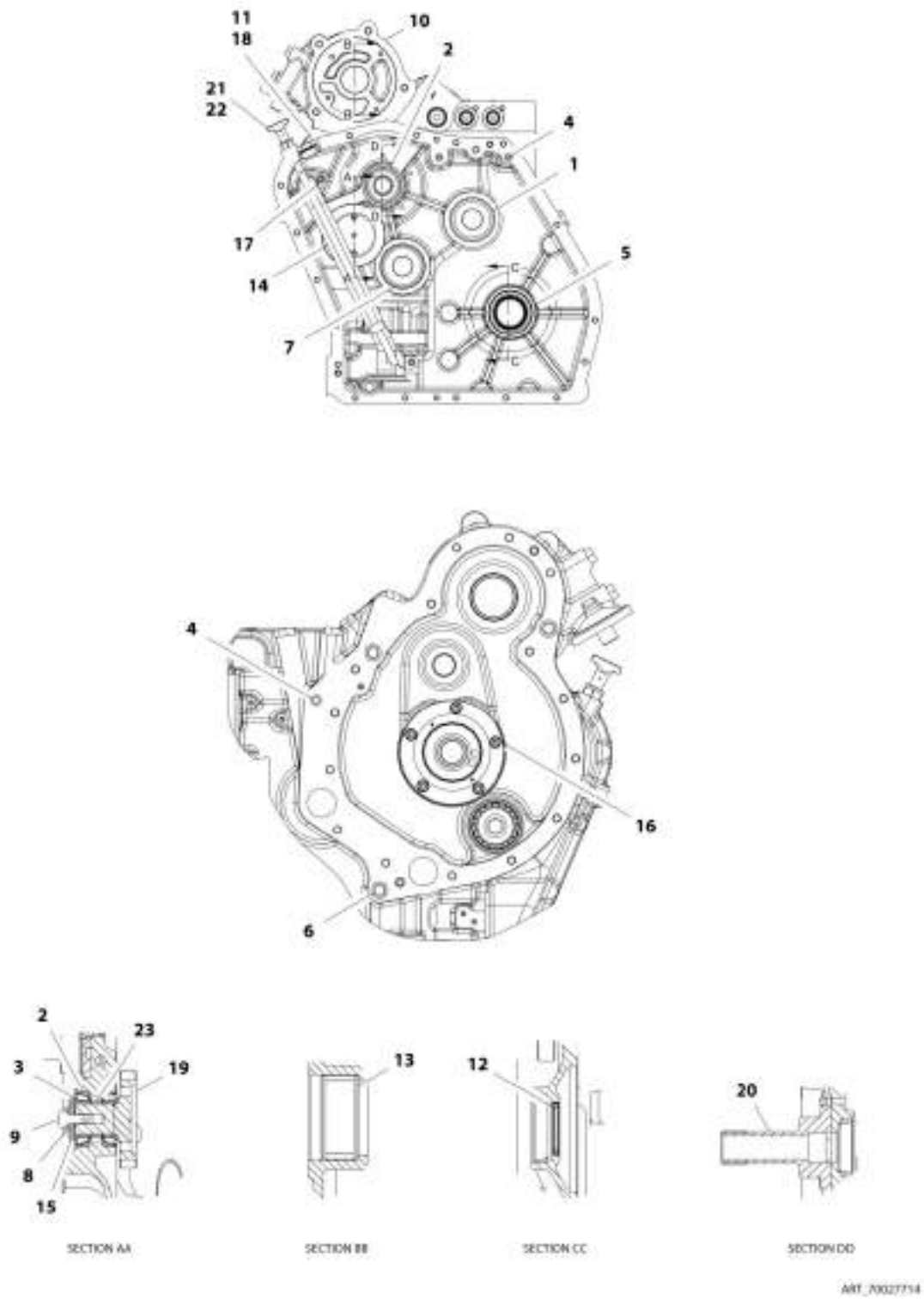
## SECTION 5 - DRIVE TRAIN

### FIGURE 5-55. REAR TRANSMISSION CASE

ITEM	PART NUMBER	QTY	DESCRIPTION	REV
	70027711	Ref	Rear Transmission Case	
1	70025497	2	Cup, Roller Bearing	
2	70025443	AR	Shim, 0.508	
	70025444	AR	Shim, 0.381	
	70025518	AR	Shim, 0.051	
	70025515	AR	Shim, 0.178	
	70025516	AR	Shim, 0.127	
	70025517	AR	Shim, 0.076	
8	70025502	AR	Shim, 0.599	
	70025501	AR	Shim, 0.178	
	70025500	AR	Shim, 0.076	
	70025499	AR	Shim, 0.051	
12	70025509	1	Cup, Roller Bearing	
13	70025494	1	Cup, Bearing	
14	70025476	3	Cap	
15	70025430	1	Assembly, Rear Transmission Case (See Separate Breakdown in this Section)	
16	70025421	3	Shim	
17	70027350	1	Spacer	

# SECTION 5 - DRIVE TRAIN

## FIGURE 5-56. PLANETARY CASE



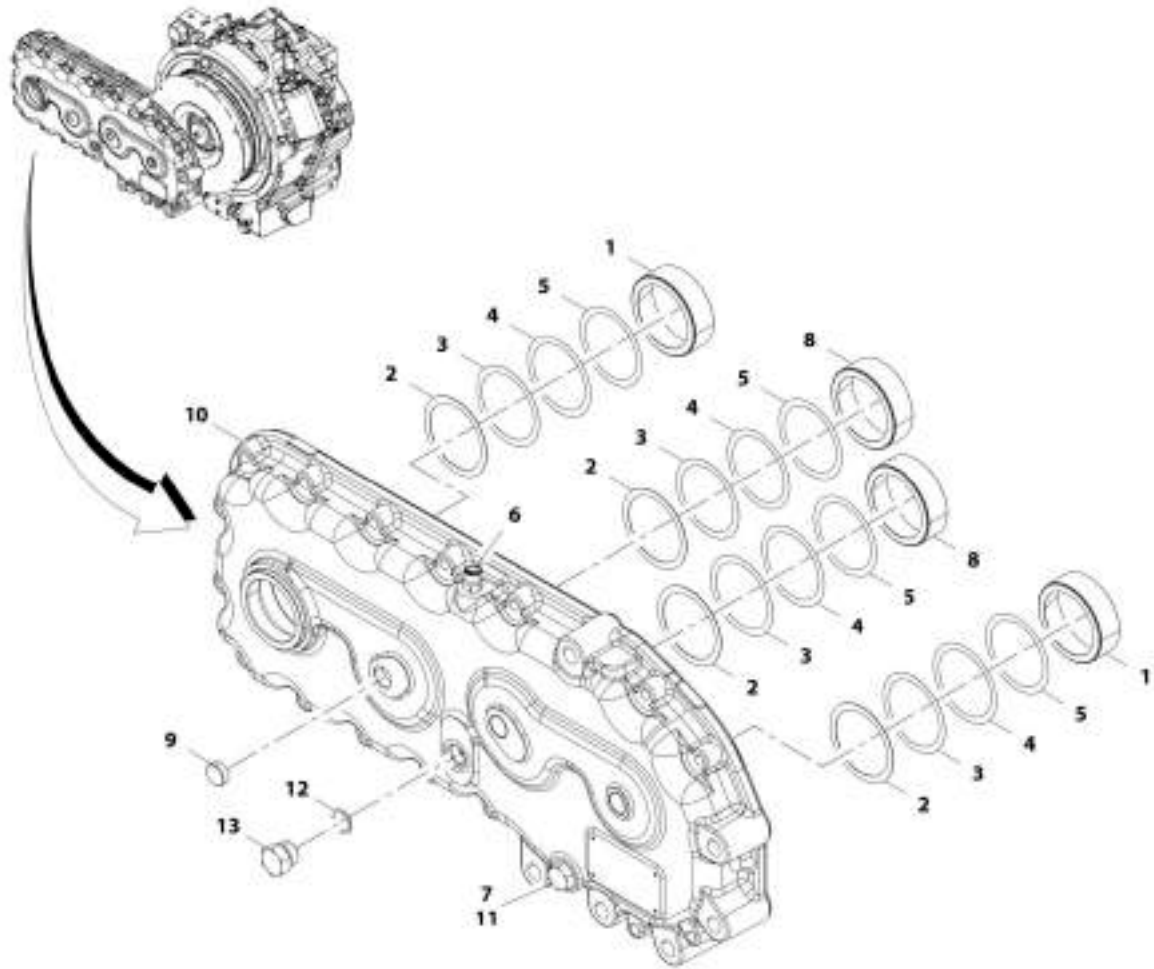
## SECTION 5 - DRIVE TRAIN

### FIGURE 5-56. PLANETARY CASE

ITEM	PART NUMBER	QTY	DESCRIPTION	REV
	70027714	Ref	Planetary Case	
1	70025497	1	Cup, Roller Bearing	
2	70025509	3	Cup, Roller Bearing	
3	70025508	1	Cone, Roller Bearing	
4	70025523	4	O-Ring	
5	70025408	1	Cup, Bearing	
6	70025468	3	O-Ring	
7	70027340	1	Bearing	
8	70025380	1	Washer, Bevel Spring	
9	70025505	1	Bolt	
10	70025467	1	Assembly, Front Transmission Case (See Separate Breakdown in this Section)	
11	70027664	1	Housing	
12	70027376	1	Seal, Lip	
13	70025360	1	Bearing, Needle Roller	
14	70027668	1	Assembly, Strainer	
	70025461	2	O-Ring	
	70025460	1	Strainer	
15	70025504	1	Washer	
16	70025513	5	Capscrew	
17	70025520	3	Capscrew	
18	70025472	1	Washer	
19	70027665	1	Shaft, Idler	
	70025508	1	Cone, Bearing	
	70025361	1	Gear, Reverse Idler	
20	70025394	1	Support	
	70025382	2	Pin	
21	70025465	1	Dipstick	
22	70025462	1	Assembly, Dipstick Tube	
	70027388	1	O-Ring	
	70027346	1	Tube	
23	70025370	AR	Spacer, 15.09-15.11	
	70025376	AR	Spacer, 15.27-15.29	
	70025362	AR	Spacer, 14.85-14.87	
	70025377	AR	Spacer, 15.30-15.32	
	70025371	AR	Spacer, 15.12-15.14	
	70025372	AR	Spacer, 15.15-15.17	
	70025373	AR	Spacer, 15.18-15.20	
	70025363	AR	Spacer, 14.88-14.90	
	70025364	AR	Spacer, 14.91-14.93	
	70025365	AR	Spacer, 14.94-14.96	
	70025366	AR	Spacer, 14.97-14.99	
	70025367	AR	Spacer, 15.00-15.02	
	70025368	AR	Spacer, 15.03-15.05	
	70025369	AR	Spacer, 15.06-15.08	
	70025374	AR	Spacer, 15.21-15.23	
	70025378	AR	Spacer, 15.33-15.35	
	70025379	AR	Spacer, 15.36-15.38	
	70025375	AR	Spacer, 15.24-15.26	

# SECTION 5 - DRIVE TRAIN

## FIGURE 5-57. FRONT TRANSFER CASE



ART\_70027713

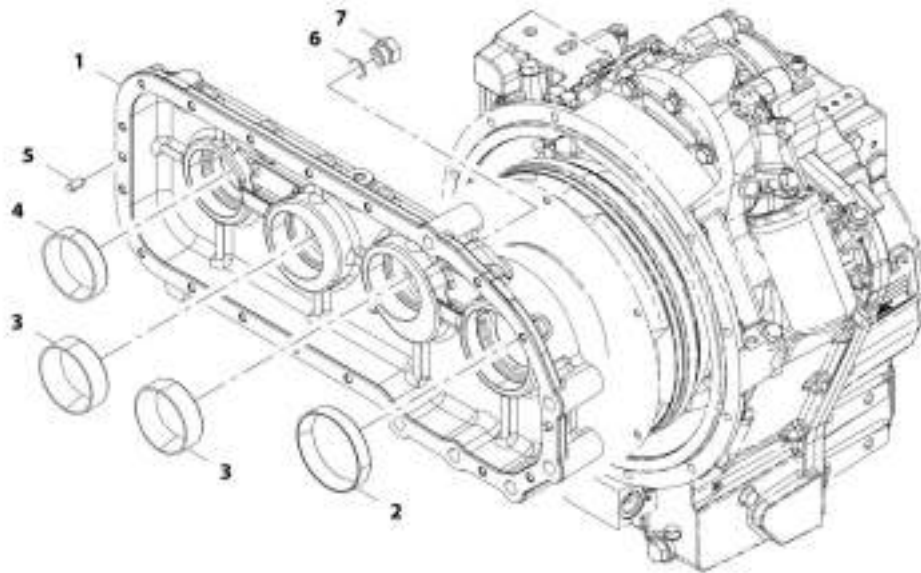
## SECTION 5 - DRIVE TRAIN

### FIGURE 5-57. FRONT TRANSFER CASE

ITEM	PART NUMBER	QTY	DESCRIPTION	REV
	70027713	Ref	Front Transfer Case	
1	70025497	2	Cup, Roller Bearing	
2	70025502	4	Shim, 0.236	
3	70025501	4	Shim, 0.007	
4	70025500	4	Shim, 0.003	
5	70025499	4	Shim, 0.002	
6	70027374	1	Breather	
7	70024646	1	Plug	
8	70025494	1	Cup, Bearing	
9	70024641	1	Cap	
10	70027357	1	Case, Transfer	
11	7022730	1	O-Ring	
12	70027387	1	O-Ring	
13	70025506	1	Plug	

## SECTION 5 - DRIVE TRAIN

FIGURE 5-58. REAR TRANSFER CASE



ART\_70027712



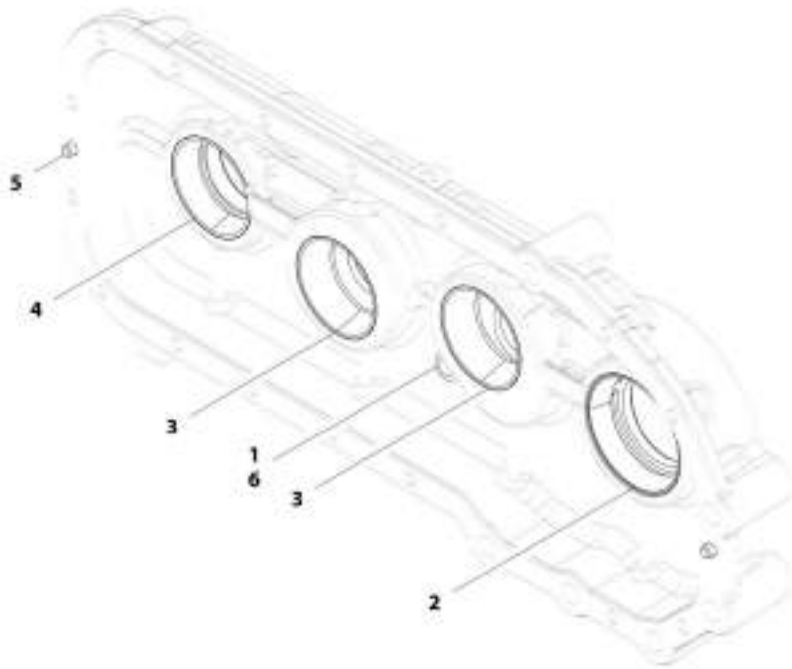
## SECTION 5 - DRIVE TRAIN

### FIGURE 5-58. REAR TRANSFER CASE

ITEM	PART NUMBER	QTY	DESCRIPTION	REV
	70027712	Ref	Rear Transfer Case	
1	70027367	1	Case, Rear Transfer	
2	70024635	1	Cup, Roller Bearing	
3	70025494	2	Cup, Bearing	
4	70025497	1	Cup, Roller Bearing	
5	70025495	2	Dowel	
6	70027387	1	Seal	
7	70025506	1	Plug	

# SECTION 5 - DRIVE TRAIN

## FIGURE 5-59. FRONT TRANSFER CASE



ART\_7007373

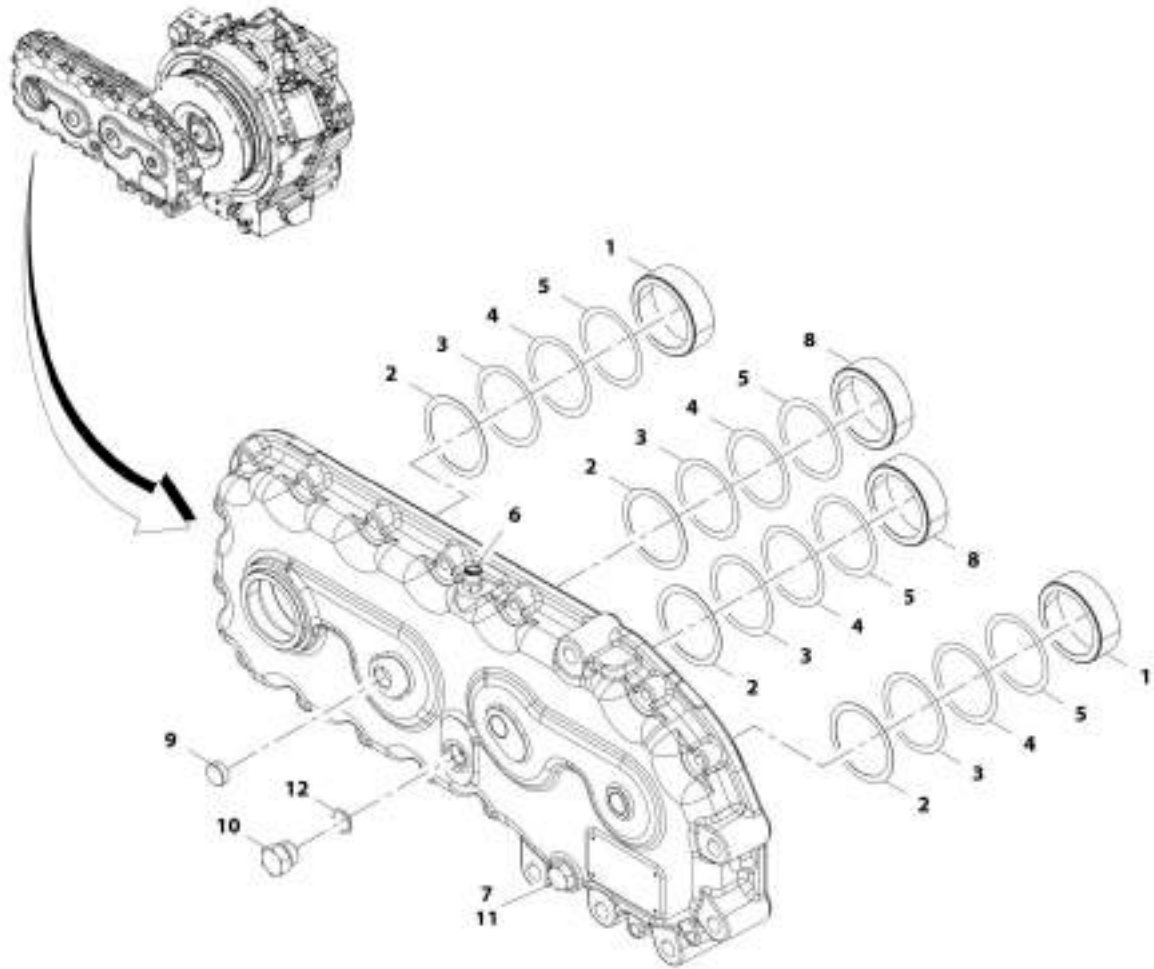
## SECTION 5 - DRIVE TRAIN

### FIGURE 5-59. FRONT TRANSFER CASE

ITEM	PART NUMBER	QTY	DESCRIPTION	REV
	70027373	Ref	Front Transfer Case	
1	70025506	1	Plug	
2	70024635	1	Cup, Roller Bearing	
3	70025494	2	Cup, Bearing	
4	70025497	1	Cup, Roller Bearing	
5	70025495	2	Dowel	
6	70027387	1	O-Ring	

# SECTION 5 - DRIVE TRAIN

## FIGURE 5-60. REAR TRANSFER CASE



ART\_70027375

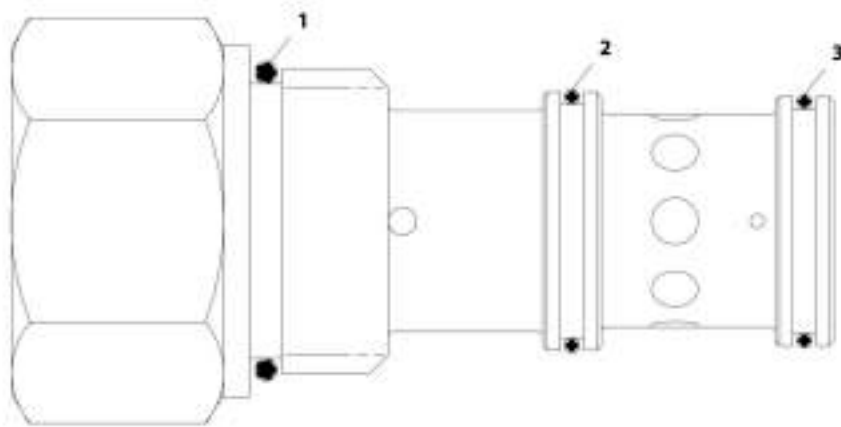
## SECTION 5 - DRIVE TRAIN

### FIGURE 5-60. REAR TRANSFER CASE

ITEM	PART NUMBER	QTY	DESCRIPTION	REV
	70027375	Ref	Rear Transfer Case	
1	70025497	2	Cup, Roller Bearing	
2	70025502	4	Shim, 0.236	
3	70025501	4	Shim, 0.007	
4	70025500	4	Shim, 0.003	
5	70025499	4	Shim, 0.002	
6	70027374	1	Breather	
7	70024646	1	Plug	
8	70025494	2	Cup, Bearing	
9	70024641	3	Cap	
10	70025506	1	Plug	
11	7022730	1	O-Ring	
12	70027387	1	O-Ring	

# SECTION 5 - DRIVE TRAIN

## FIGURE 5-61. RELIEF VALVE



ALT\_70025489

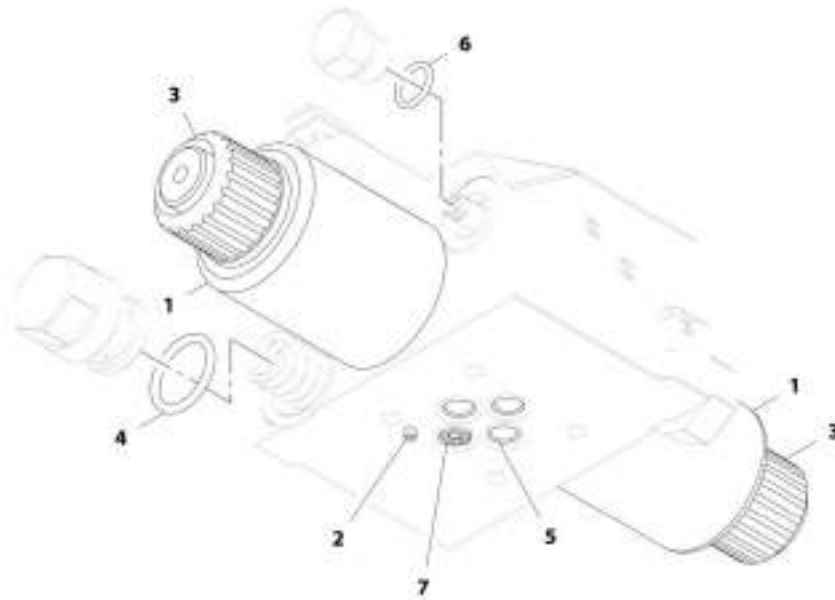
## SECTION 5 - DRIVE TRAIN

### FIGURE 5-61. RELIEF VALVE

ITEM	PART NUMBER	QTY	DESCRIPTION	REV
	70025469	Ref	Valve, Relief	
1	70027679	1	O-Ring	
2	70027678	1	O-Ring	
3	70027660	1	O-Ring	

# SECTION 5 - DRIVE TRAIN

## FIGURE 5-62. SOLENOID VALVE



ART\_70027382



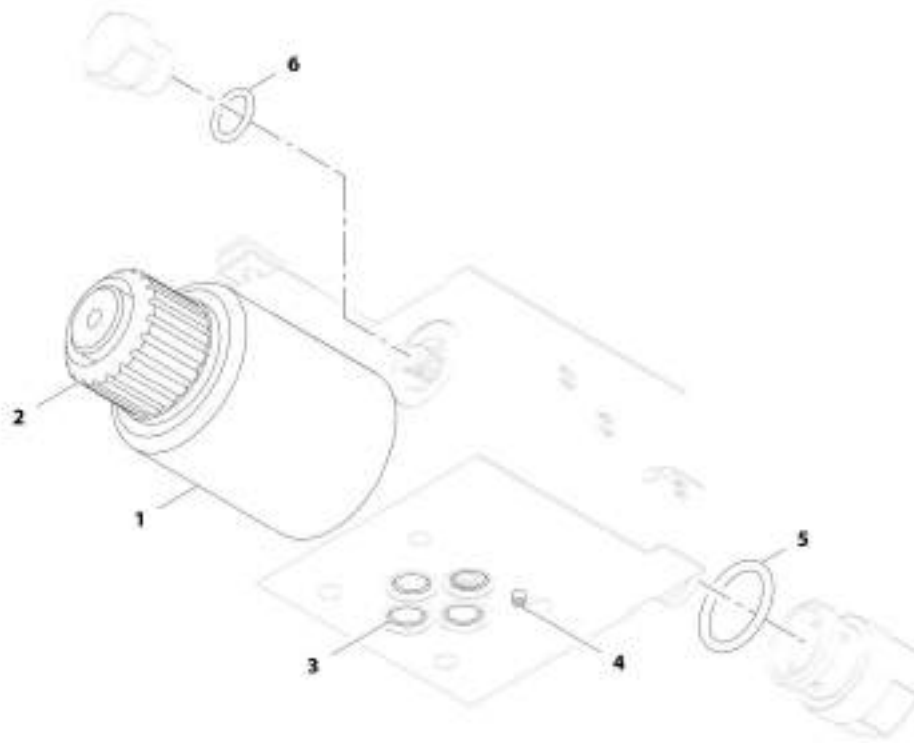
## SECTION 5 - DRIVE TRAIN

### FIGURE 5-62. SOLENOID VALVE

ITEM	PART NUMBER	QTY	DESCRIPTION	REV
	70027362	Ref	Solenoid Valve	
1	70025456	2	Coil, Solenoid	
2	70027389	1	Pin	
3	70025457	2	Assembly, Solenoid	
	70027677	1	O-Ring	
	70025455	1	Nut, Self Locking	
4	70027352	2	O-Ring	
5	70025466	4	O-Ring	
6	70027353	2	O-Ring	
7	70027361	1	Plug	

## SECTION 5 - DRIVE TRAIN

FIGURE 5-63. SOLENOID VALVE



ART\_70027383

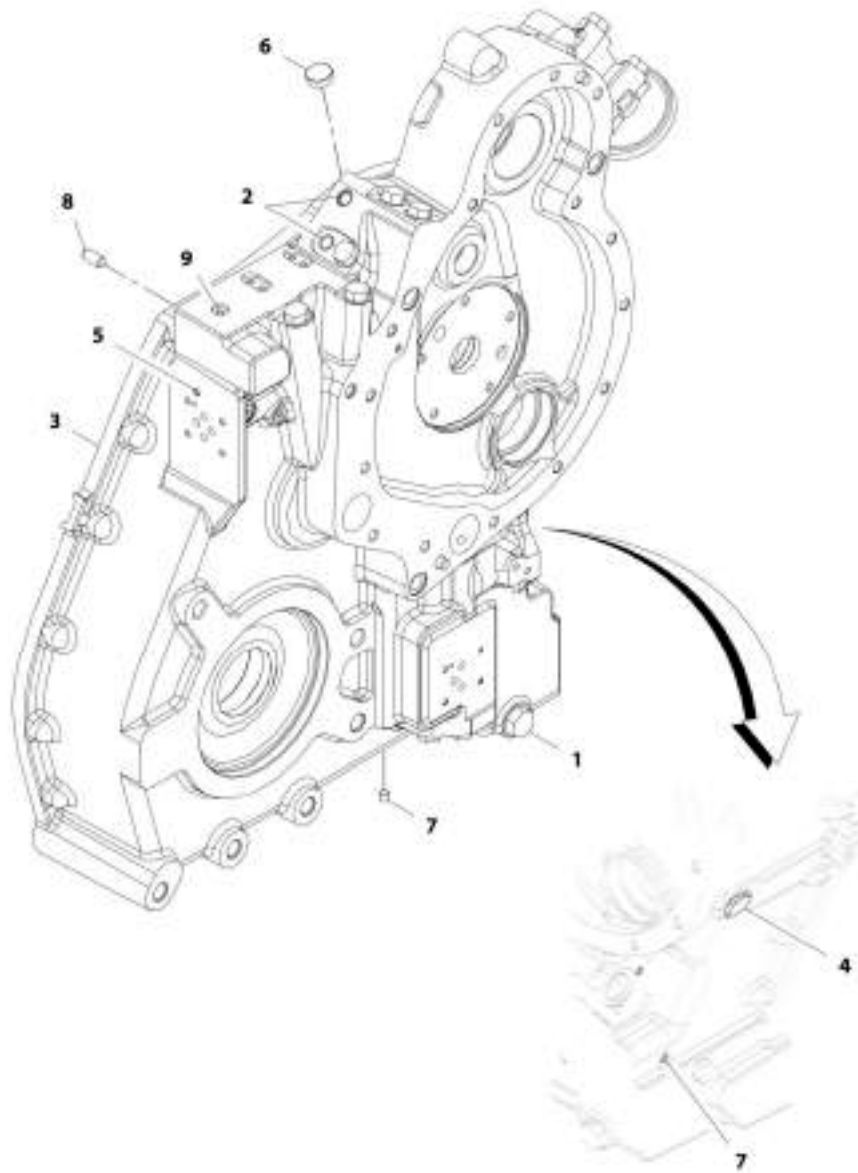
## SECTION 5 - DRIVE TRAIN

### FIGURE 5-63. SOLENOID VALVE

ITEM	PART NUMBER	QTY	DESCRIPTION	REV
	70027363	Ref	Solenoid Valve	
1	70025456	1	Coil, Solenoid	
2	70025457	1	Tube	
	70027677	1	O-Ring	
	70025455	1	Nut, Self Locking	
3	70025466	4	O-Ring	
4	70027389	1	Pin	
5	70027352	1	O-Ring	
6	70027353	1	O-Ring	

# SECTION 5 - DRIVE TRAIN

## FIGURE 5-64. FRONT TRANSMISSION CASE ASSEMBLY



ART\_70025487

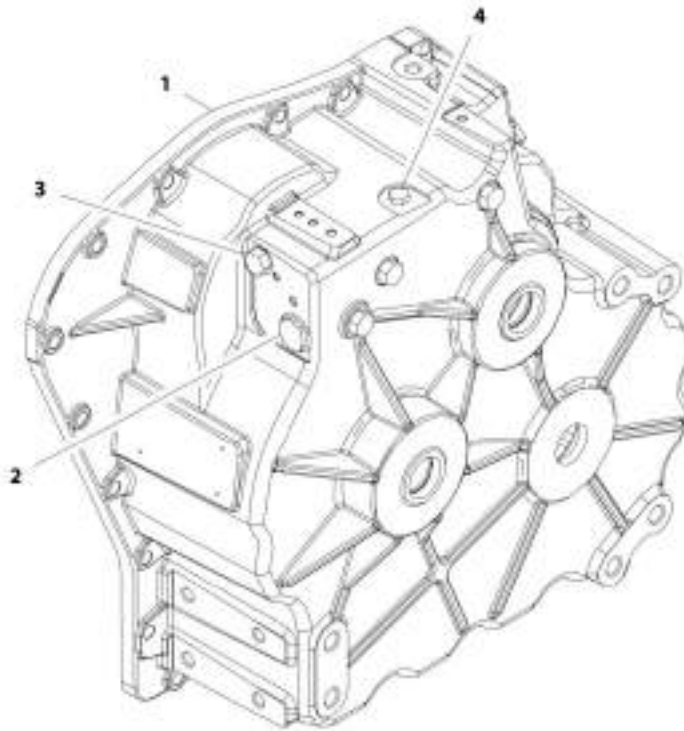
## SECTION 5 - DRIVE TRAIN

### FIGURE 5-64. FRONT TRANSMISSION CASE ASSEMBLY

ITEM	PART NUMBER	QTY	DESCRIPTION	REV
	70025467	Ref	Front Transmission Case Assembly	
1	70024646	1	Plug	
2	70025471	2	Plug	
3	70027669	1	Case, Front Transmission	
	70027354	1	Adapter	
4	70027337	1	Plug	
5	70027338	4	Plug	
6	70024641	1	Cap	
7	70027339	3	Plug	
8	70025495	4	Dowel	
9	70027328	7	Plug	

## SECTION 5 - DRIVE TRAIN

FIGURE 5-65. REAR TRANSMISSION CASE ASSEMBLY



ART\_70025430

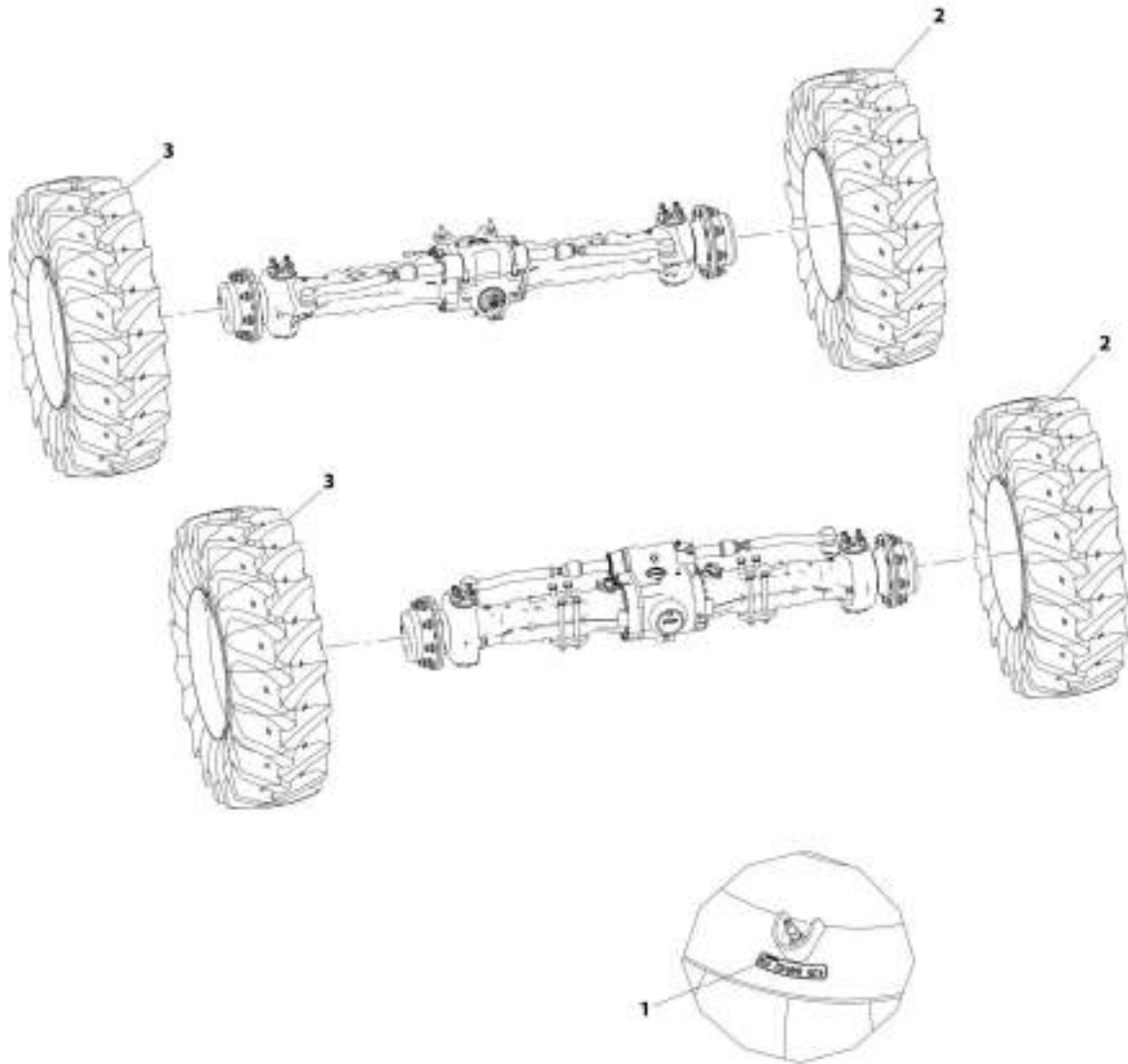
## SECTION 5 - DRIVE TRAIN

**FIGURE 5-65. REAR TRANSMISSION CASE ASSEMBLY**

ITEM	PART NUMBER	QTY	DESCRIPTION	REV
	70025430	Ref	Rear Transmission Case Assembly	
1	70027366	1	Case, Rear Transmission	
	70027338	4	Plug	
	70027339	4	Plug	
2	70027337	1	Plug	
3	70027663	4	Assembly, Plug	
	70025525	1	O-Ring	
	70025524	1	Plug	
4	70025529	1	Plug	

# SECTION 5 - DRIVE TRAIN

FIGURE 5-66. TIRE/WHEEL SET (AIR - 15.5/80-24 - 16PR)



ART\_1001214811-A



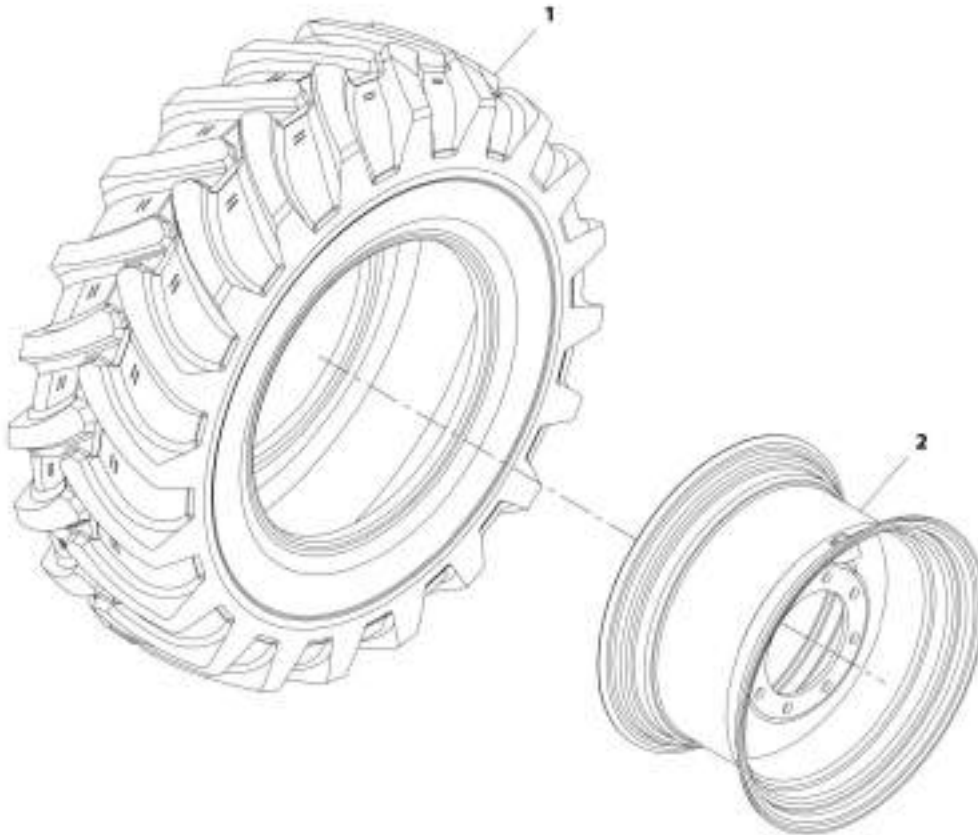
## SECTION 5 - DRIVE TRAIN

**FIGURE 5-66. TIRE/WHEEL SET (AIR - 15.5/80-24 - 16PR)**

ITEM	PART NUMBER	QTY	DESCRIPTION	REV
	1001216851	1	Tire/Wheel Set (Air - 15.5/80-24 - 16PR or PLY)	A
1	1001112924	4	Decal	
2	1001216664	2	Assembly, Left Tire/Wheel (Air - 15.5/80-24 - 16PR) (See Separate Breakdown in this Section)	
3	1001216667	2	Assembly, Right Tire/Wheel (Air - 15.5/80-24 - 16PR) (See Separate Breakdown in this Section)	

## SECTION 5 - DRIVE TRAIN

FIGURE 5-67. RIGHT TIRE/WHEEL ASSEMBLY (AIR - 15.5/80-24 - 16PR)



WIT\_330125007-A

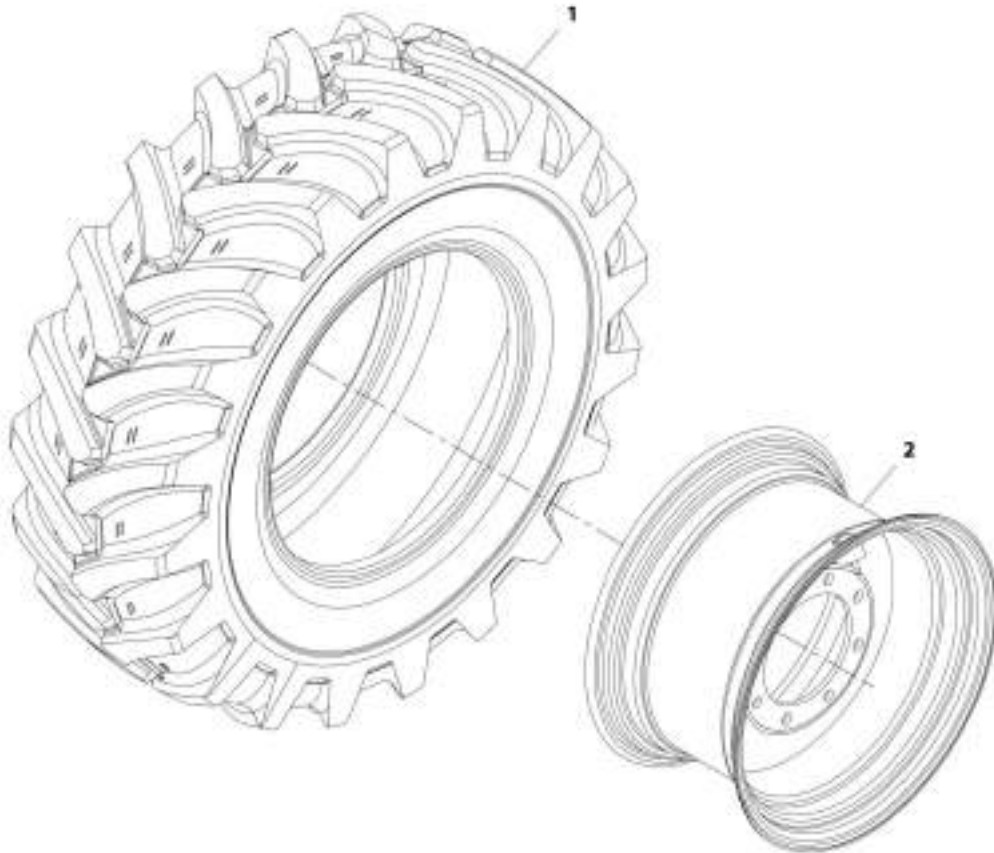
## SECTION 5 - DRIVE TRAIN

**FIGURE 5-67. RIGHT TIRE/WHEEL ASSEMBLY (AIR - 15.5/80-24 - 16PR)**

ITEM	PART NUMBER	QTY	DESCRIPTION	REV
	1001216667	Ref	Right Tire/Wheel Assembly (Air - 15.5/80-24 - 16PR)	A
1	1001214479	1	Tire, 15.5/80-24 16 PLY	
2	1001216661	1	Wheel, RH Rim	

## SECTION 5 - DRIVE TRAIN

FIGURE 5-68. LEFT TIRE/WHEEL ASSEMBLY (AIR - 15.5/80-24 - 16PR)



ART\_1001218864-A

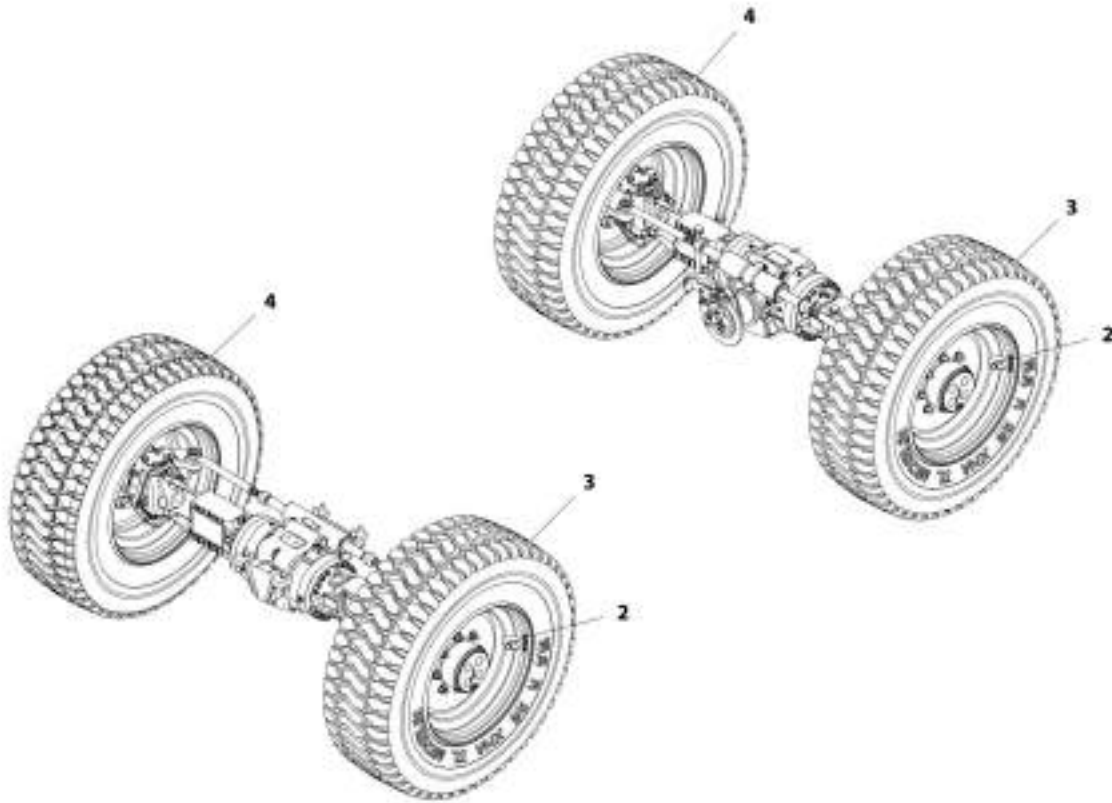
## SECTION 5 - DRIVE TRAIN

**FIGURE 5-68. LEFT TIRE/WHEEL ASSEMBLY (AIR - 15.5/80-24 - 16PR)**

ITEM	PART NUMBER	QTY	DESCRIPTION	REV
	1001216664	Ref	Left Tire/Wheel Assembly (Air - 15.5/80-24 - 16PR)	A
1	1001214479	1	Tire, 15.5/80-24 16 PLY	
2	1001216658	1	Wheel, LH Rim	

## SECTION 5 - DRIVE TRAIN

FIGURE 5-69. TIRE/WHEEL SET (AIR - 15.5 R25 XHA TL)



ART\_100117800-8

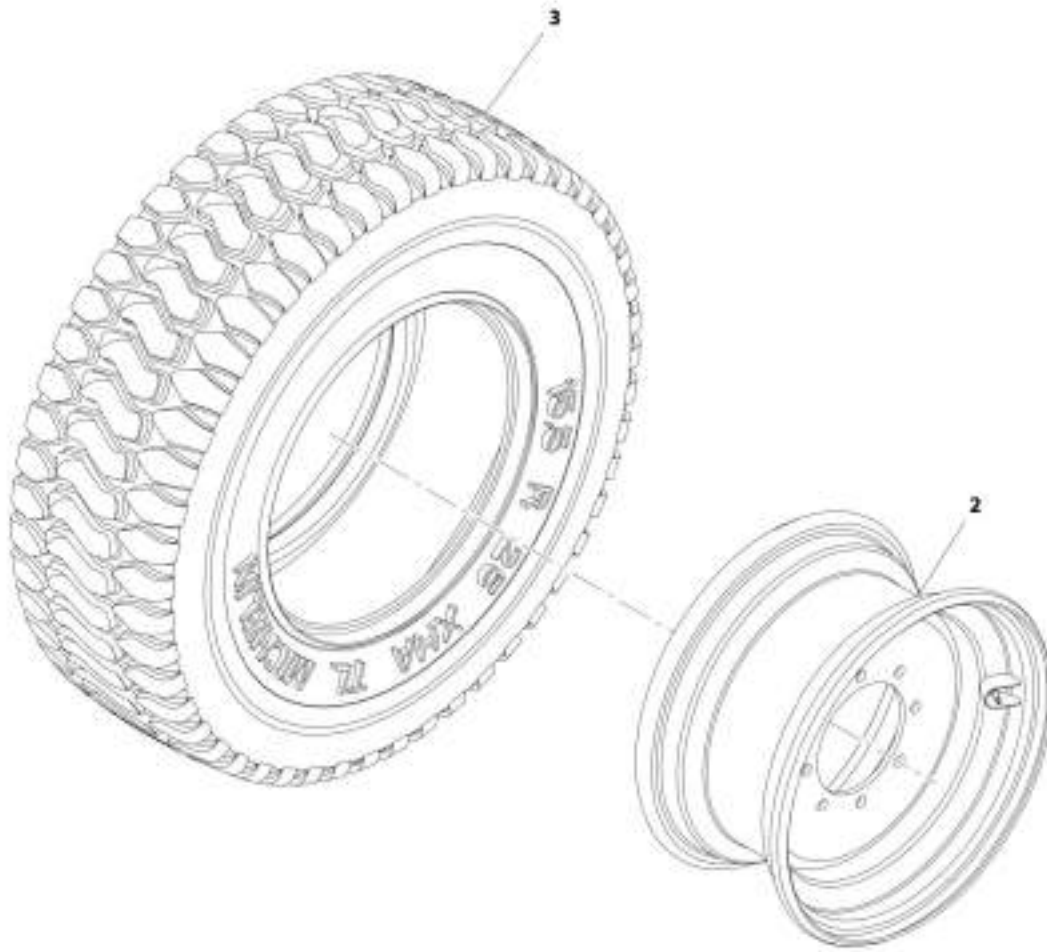
## SECTION 5 - DRIVE TRAIN

**FIGURE 5-69. TIRE/WHEEL SET (AIR - 15.5 R25 XHA TL)**

ITEM	PART NUMBER	QTY	DESCRIPTION	REV
	1001178300	1	Tire/Wheel Set (Air - 15.5 R25 XHA TL)	B
2	1001112924	1	Decal	
3	1001178298	2	Assembly, Right Tire/Wheel (Air - 15.5 R25) (See Separate Breakdown in this Section)	
4	1001178299	2	Assembly, Left Tire/Wheel (Air - 15.5 R25) (See Separate Breakdown in this Section)	

## SECTION 5 - DRIVE TRAIN

FIGURE 5-70. RIGHT TIRE/WHEEL ASSEMBLY (AIR - 15.5 R25)



ART\_1001178299-B



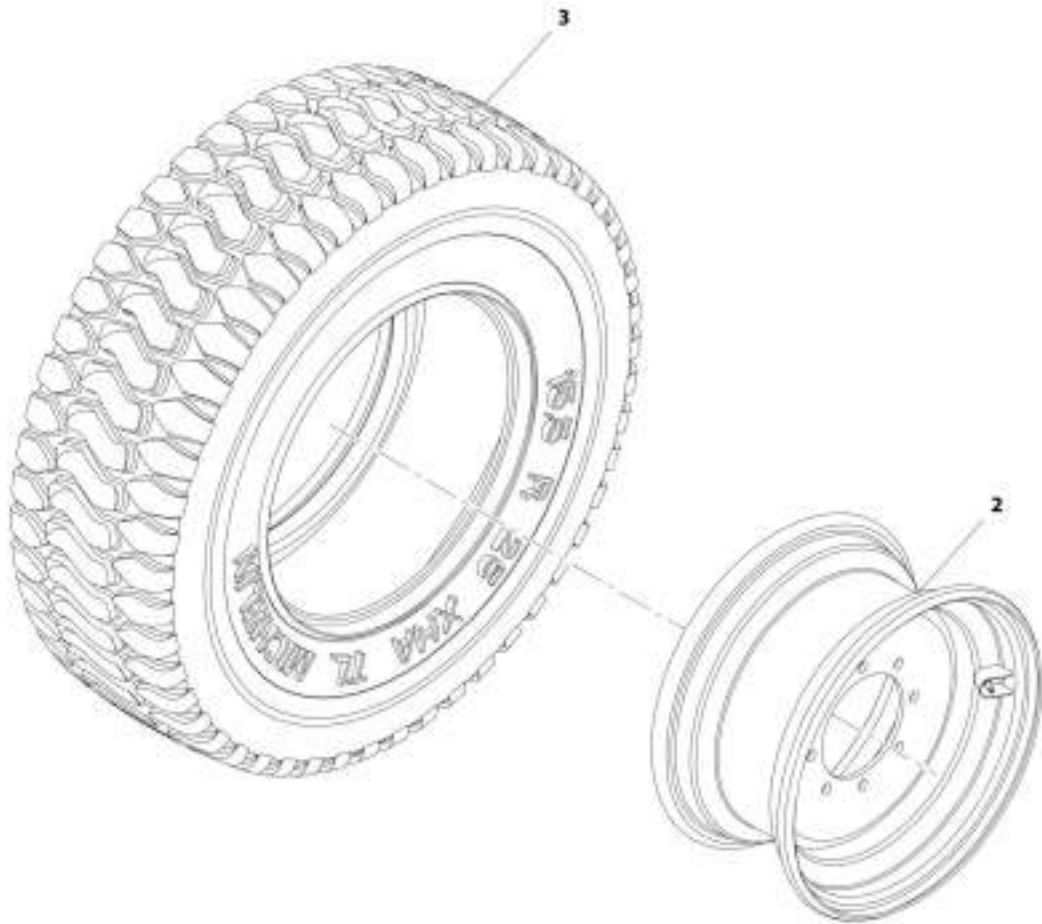
## SECTION 5 - DRIVE TRAIN

**FIGURE 5-70. RIGHT TIRE/WHEEL ASSEMBLY (AIR - 15.5 R25)**

ITEM	PART NUMBER	QTY	DESCRIPTION	REV
	1001178298	Ref	Right Tire/Wheel Assembly (Air - 15.5 R25)	B
2	1001212602	1	Wheel, RH Rim	
3	1001172807	1	Tire, 15.5 R 25 XHA TL	

## SECTION 5 - DRIVE TRAIN

FIGURE 5-71. LEFT TIRE/WHEEL ASSEMBLY (AIR - 15.5 R25)



ART\_3001178299-B

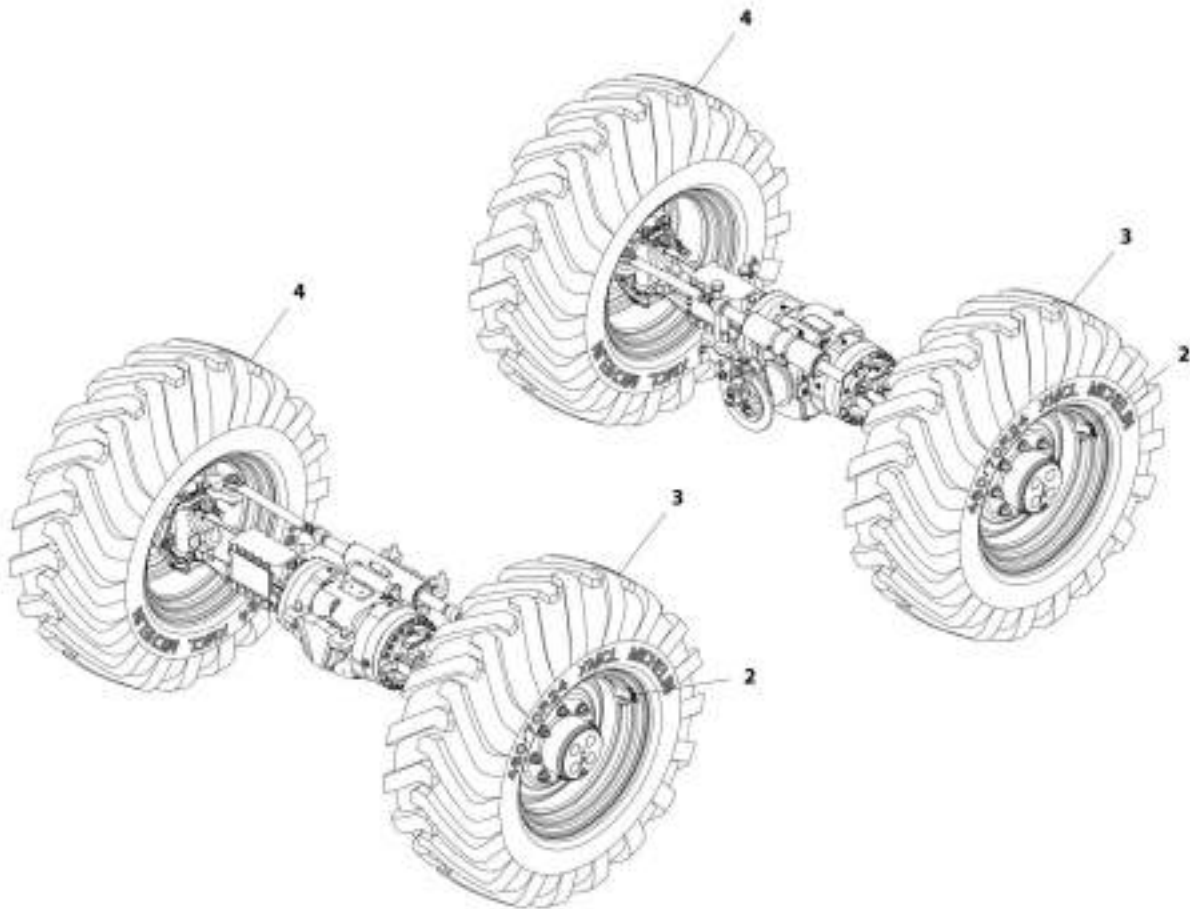
## SECTION 5 - DRIVE TRAIN

FIGURE 5-71. LEFT TIRE/WHEEL ASSEMBLY (AIR - 15.5 R25)

ITEM	PART NUMBER	QTY	DESCRIPTION	REV
	1001178299	Ref	Left Tire/Wheel Assembly (Air - 15.5 R25)	B
2	1001212603	1	Wheel, LH Rim	
3	1001172807	1	Tire, 15.5 R 25 XHA TL	

## SECTION 5 - DRIVE TRAIN

FIGURE 5-72. TIRE/WHEEL SET (AIR - 460/70 R24 XMCL)



MT\_9001142285-D

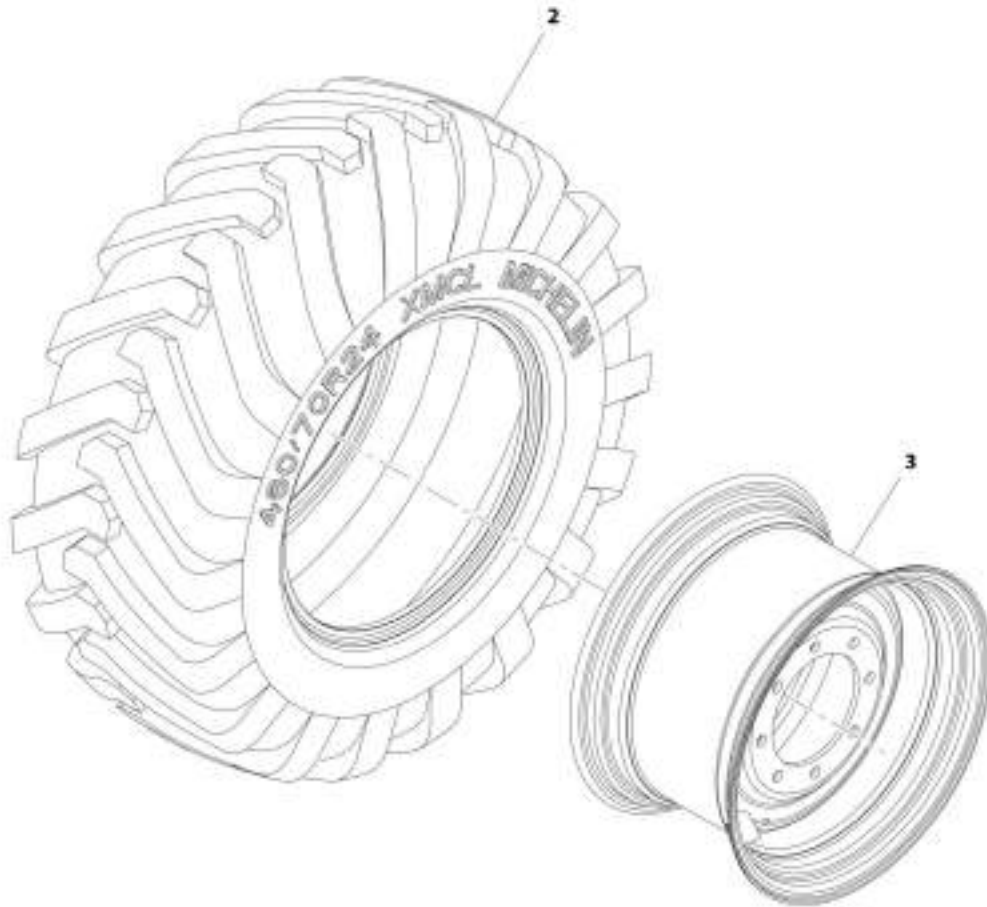
## SECTION 5 - DRIVE TRAIN

**FIGURE 5-72. TIRE/WHEEL SET (AIR - 460/70 R24 XMCL)**

ITEM	PART NUMBER	QTY	DESCRIPTION	REV
	1001142285	1	Tire/Wheel Set (Air - 460/70 R24 XMCL)	D
2	8005827	4	Label	
3	1001142286	2	Assembly, Right Tire/Wheel (Air - 460/70 R24) (See Separate Breakdown in this Section)	
4	1001142287	2	Assembly, Left Tire/Wheel (Air - 460/70 R24) (See Separate Breakdown in this Section)	

## SECTION 5 - DRIVE TRAIN

FIGURE 5-73. RIGHT TIRE/WHEEL ASSEMBLY (AIR - 460/70 R24)



ART\_100142289-C

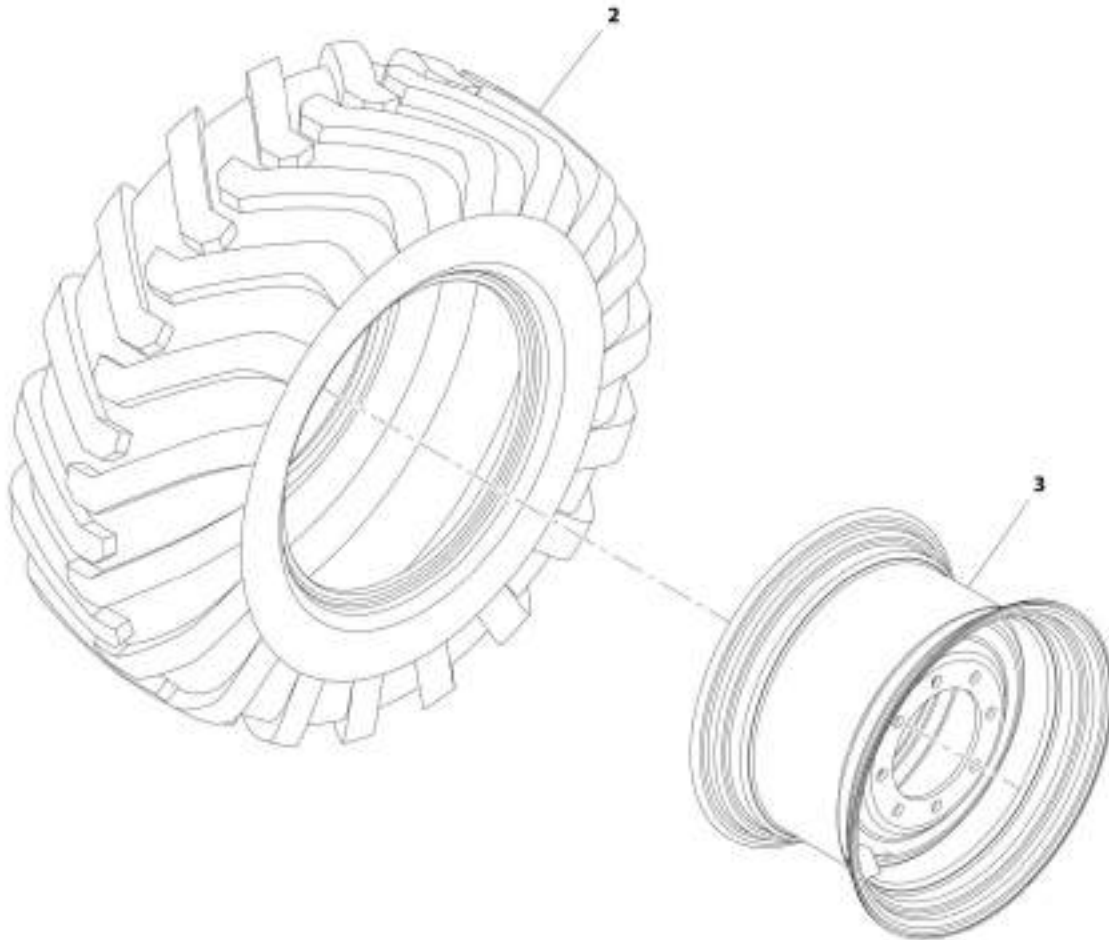
## SECTION 5 - DRIVE TRAIN

**FIGURE 5-73. RIGHT TIRE/WHEEL ASSEMBLY (AIR - 460/70 R24)**

ITEM	PART NUMBER	QTY	DESCRIPTION	REV
	1001142286	Ref	Right Tire/Wheel Assembly (Air - 460/70 R24)	C
2	1001092008	1	Tire, 460/70 R 24 XMCL	
3	1001212590	1	Wheel, RH Rim	

## SECTION 5 - DRIVE TRAIN

FIGURE 5-74. LEFT TIRE/WHEEL ASSEMBLY (AIR - 460/70 R24)



ART\_1001142267-C



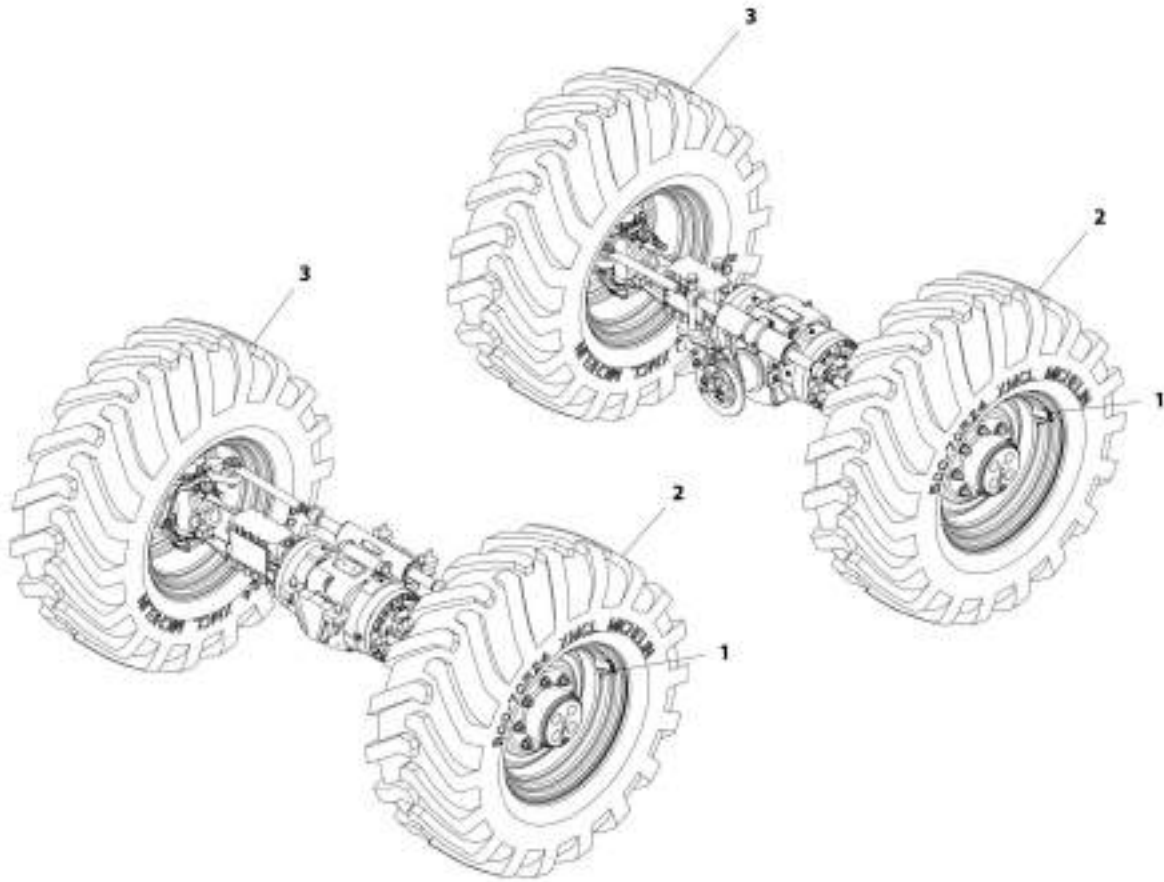
## SECTION 5 - DRIVE TRAIN

**FIGURE 5-74. LEFT TIRE/WHEEL ASSEMBLY (AIR - 460/70 R24)**

ITEM	PART NUMBER	QTY	DESCRIPTION	REV
	1001142287	Ref	Left Tire/Wheel Assembly (Air - 460/70 R24)	C
2	1001092008	1	Tire, 460/70 R 24 XMCL	
3	1001212591	1	Wheel, LH Rim	

## SECTION 5 - DRIVE TRAIN

FIGURE 5-75. TIRE/WHEEL SET (AIR - 500/70 R24 XMCL)



ART\_1001142206-D

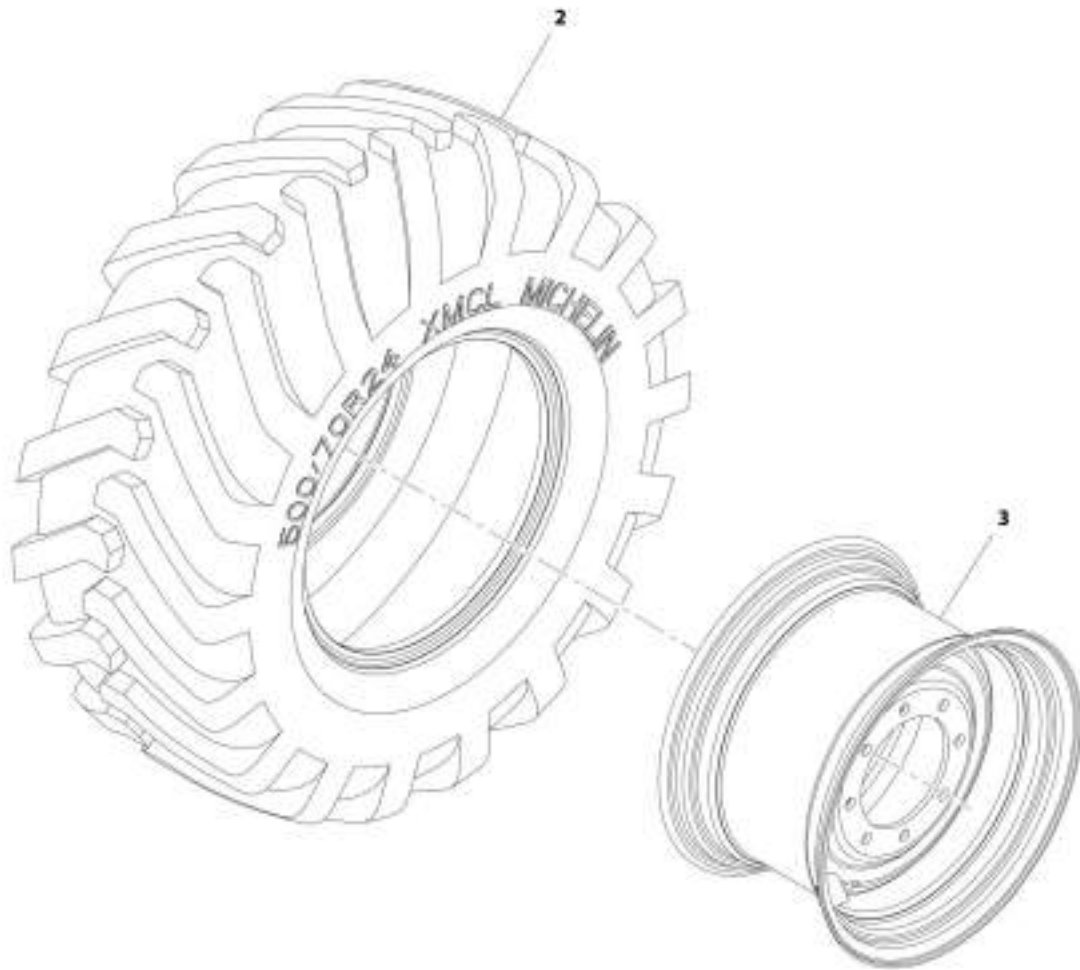
## SECTION 5 - DRIVE TRAIN

**FIGURE 5-75. TIRE/WHEEL SET (AIR - 500/70 R24 XMCL)**

ITEM	PART NUMBER	QTY	DESCRIPTION	REV
	1001142288	1	Tire/Wheel Set (Air - 500/70 R24 XMCL)	D
1	1001127728	4	Decal	
2	1001142289	2	Assembly, Right Tire/Wheel (Air - 500/70 R24) (See Separate Breakdown in this Section)	
3	1001142290	2	Assembly, Left Tire/Wheel (Air - 500/70 R24) (See Separate Breakdown in this Section)	

## SECTION 5 - DRIVE TRAIN

FIGURE 5-76. RIGHT TIRE/WHEEL ASSEMBLY (AIR - 500/70 R24)



ART\_1901142289-R

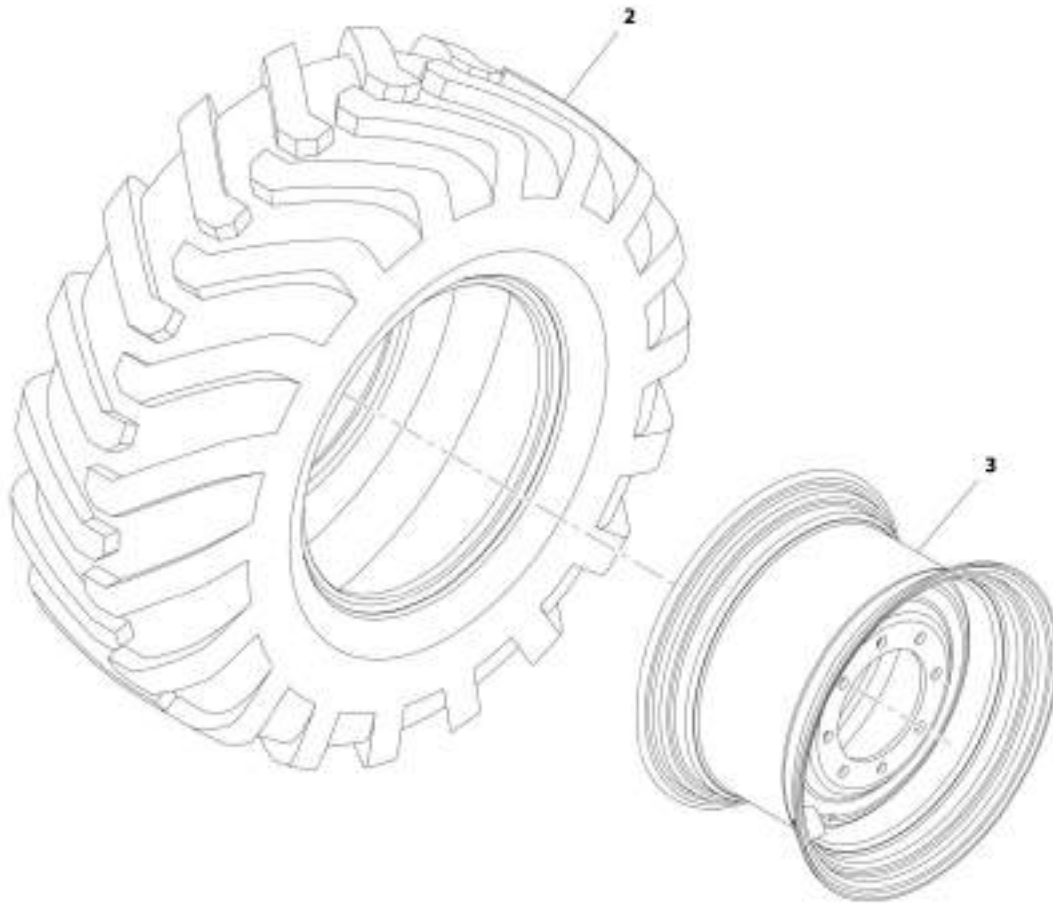
## SECTION 5 - DRIVE TRAIN

**FIGURE 5-76. RIGHT TIRE/WHEEL ASSEMBLY (AIR - 500/70 R24)**

ITEM	PART NUMBER	QTY	DESCRIPTION	REV
	1001142289	Ref	Right Tire/Wheel Assembly (Air - 500/70 R24)	B
2	1001092009	1	Tire, 500/70 R 24 XMCL	
3	1001212598	1	Wheel, RH Rim	

## SECTION 5 - DRIVE TRAIN

FIGURE 5-77. LEFT TIRE/WHEEL ASSEMBLY (AIR - 500/70 R24)



ART\_100140290-B

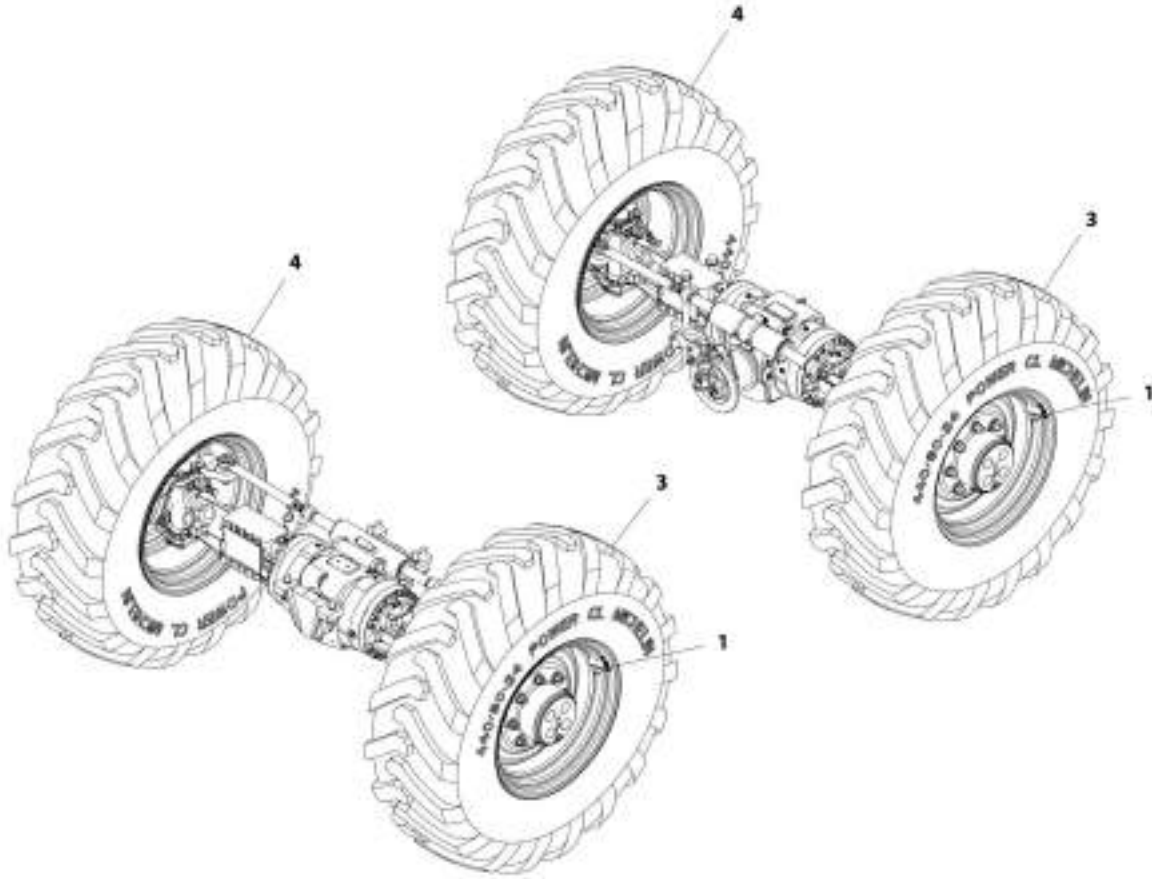
## SECTION 5 - DRIVE TRAIN

FIGURE 5-77. LEFT TIRE/WHEEL ASSEMBLY (AIR - 500/70 R24)

ITEM	PART NUMBER	QTY	DESCRIPTION	REV
	1001142290	Ref	Left Tire/Wheel Assembly (Air - 500/70 R24)	B
2	1001092009	1	Tire, 500/70 R 24 XMCL	
3	1001212599	1	Wheel, LH Rim	

## SECTION 5 - DRIVE TRAIN

FIGURE 5-78. TIRE/WHEEL SET (AIR - 440/80-24 POWER CL)



ART\_100142291-C



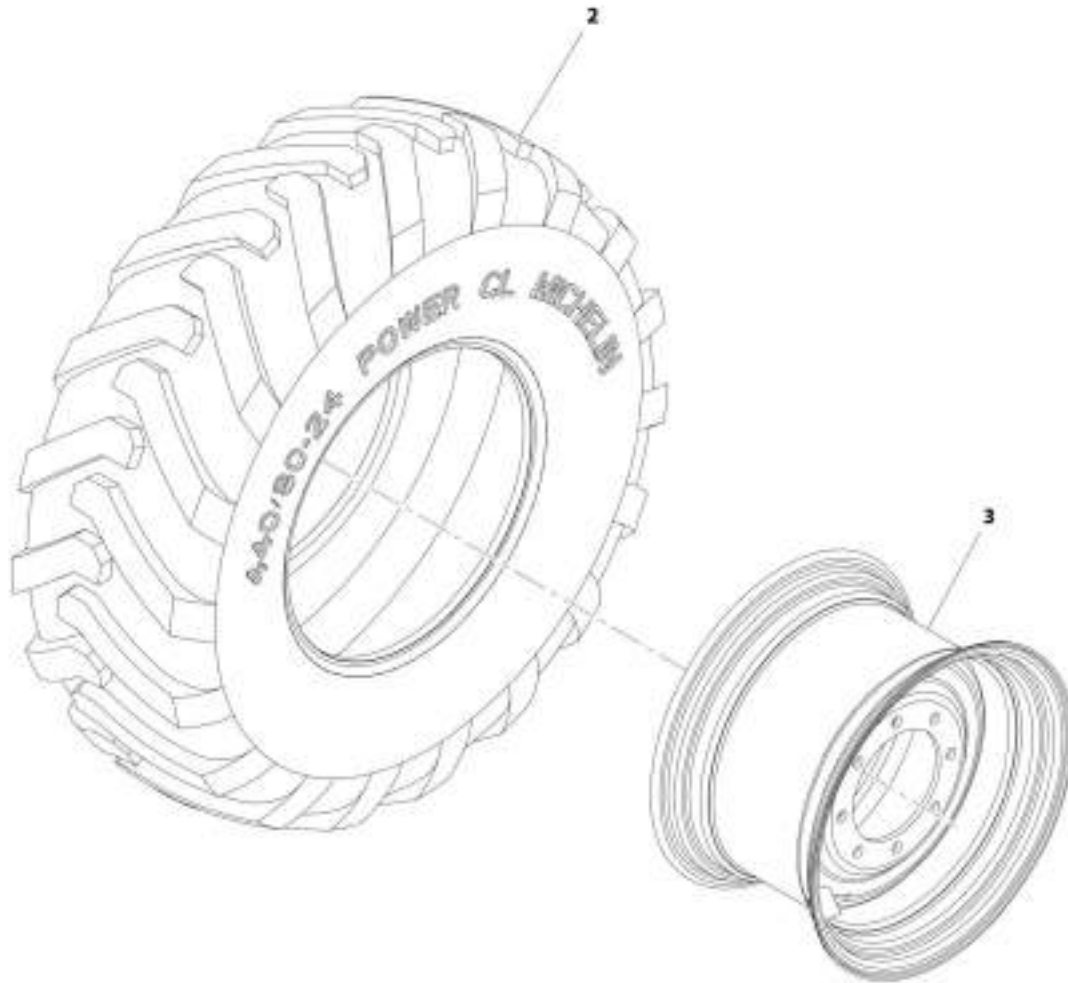
## SECTION 5 - DRIVE TRAIN

**FIGURE 5-78. TIRE/WHEEL SET (AIR - 440/80-24 POWER CL)**

ITEM	PART NUMBER	QTY	DESCRIPTION	REV
	1001142291	1	Tire/Wheel Set (Air - 440/80-24 Power CL)	C
1	8005825	4	Label	
3	1001142292	2	Assembly, Right Tire/Wheel (Air - 440/80-24) (See Separate Breakdown in this Section)	
4	1001142293	2	Assembly, Left Tire/Wheel (Air - 440/80-24) (See Separate Breakdown in this Section)	

## SECTION 5 - DRIVE TRAIN

FIGURE 5-79. RIGHT TIRE/WHEEL ASSEMBLY (AIR - 440/80-24)



ART\_1001142282-B

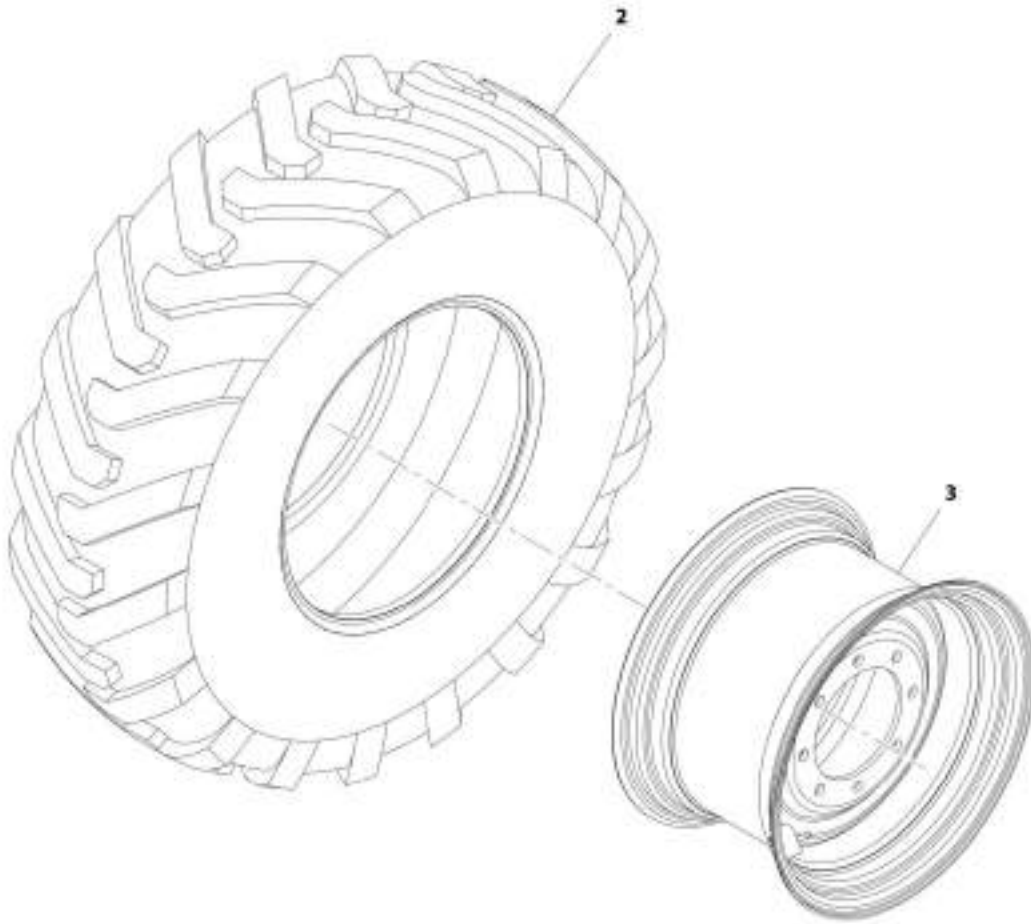
## SECTION 5 - DRIVE TRAIN

**FIGURE 5-79. RIGHT TIRE/WHEEL ASSEMBLY (AIR - 440/80-24)**

ITEM	PART NUMBER	QTY	DESCRIPTION	REV
	1001142292	Ref	Right Tire/Wheel Assembly (Air - 440/80-24)	B
2	1001100651	1	Tire, 440/80-24 Power CL	
3	1001212600	1	Wheel, RH Rim	

## SECTION 5 - DRIVE TRAIN

FIGURE 5-80. LEFT TIRE/WHEEL ASSEMBLY (AIR - 440/80-24)



WIT\_1001142283-R

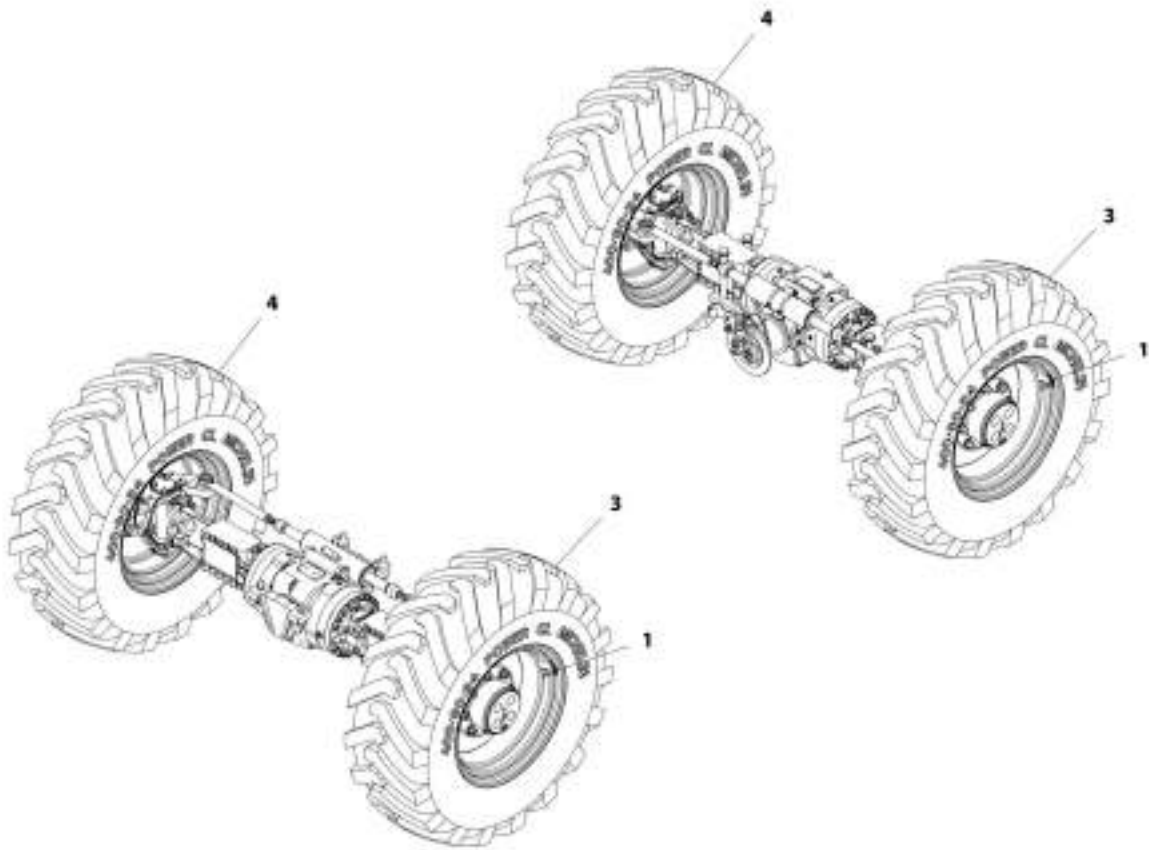
## SECTION 5 - DRIVE TRAIN

**FIGURE 5-80. LEFT TIRE/WHEEL ASSEMBLY (AIR - 440/80-24)**

ITEM	PART NUMBER	QTY	DESCRIPTION	REV
	1001142293	Ref	Left Tire/Wheel Assembly (Air - 440/80-24)	B
2	1001100651	1	Tire, 440/80-24 Power CL	
3	1001212601	1	Wheel, LH Rim	

## SECTION 5 - DRIVE TRAIN

FIGURE 5-81. TIRE/WHEEL SET (AIR - 400/80-24 POWER CL)



ART\_1001142315-C

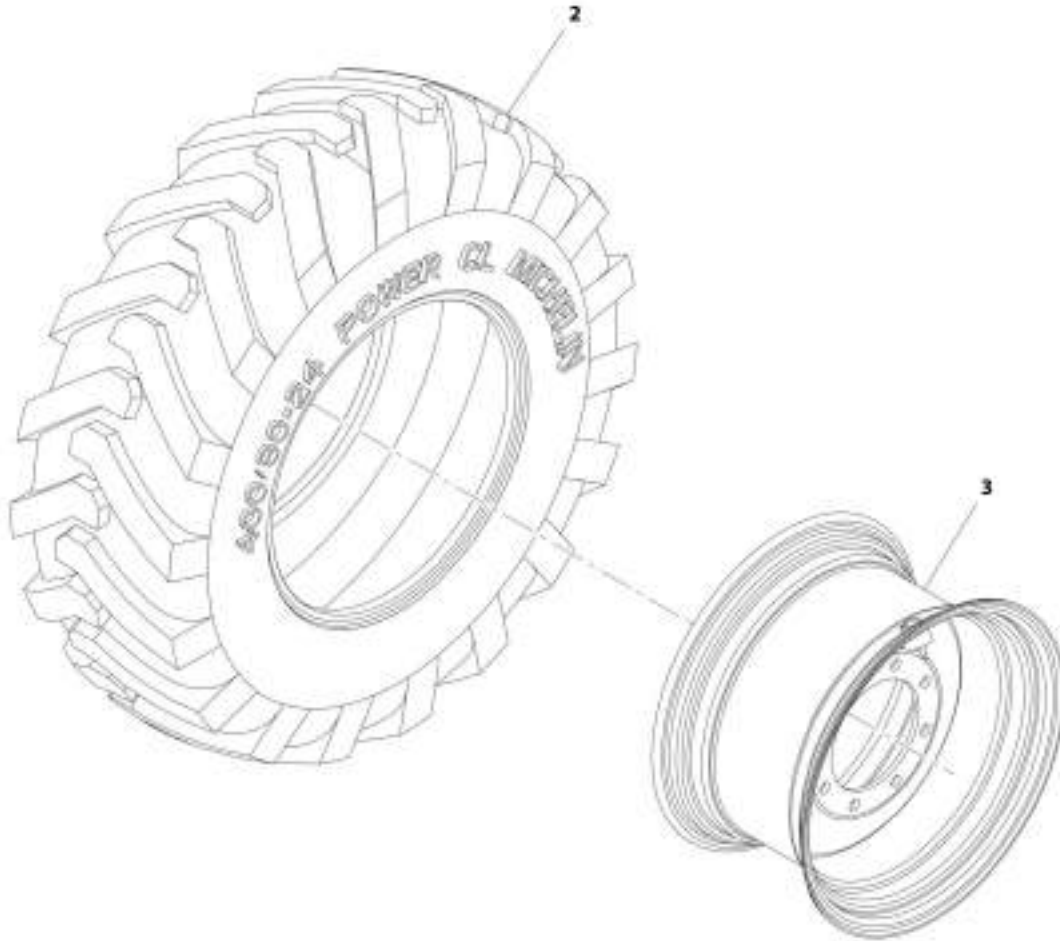
## SECTION 5 - DRIVE TRAIN

### FIGURE 5-81. TIRE/WHEEL SET (AIR - 400/80-24 POWER CL)

ITEM	PART NUMBER	QTY	DESCRIPTION	REV
	1001142315	1	Tire/Wheel Set (Air - 400/80-24 Power CL)	C
1	8005827	4	Label	
3	1001142281	2	Assembly, Right Tire/Wheel (Air - 400/80-24) (See Separate Breakdown in this Section)	
4	1001142316	2	Assembly, Left Tire/Wheel (Air - 400/80-24) (See Separate Breakdown in this Section)	

## SECTION 5 - DRIVE TRAIN

FIGURE 5-82. RIGHT TIRE/WHEEL ASSEMBLY (AIR - 400/80-24)



WIT\_1001143281-B



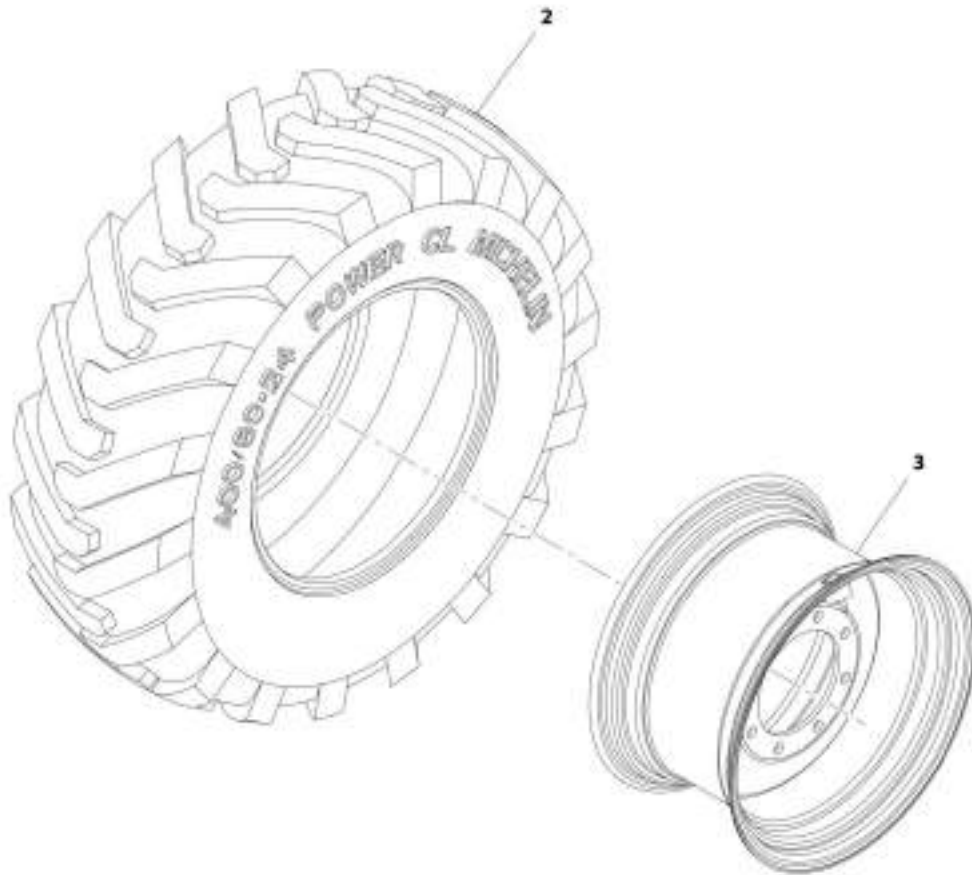
## SECTION 5 - DRIVE TRAIN

**FIGURE 5-82. RIGHT TIRE/WHEEL ASSEMBLY (AIR - 400/80-24)**

ITEM	PART NUMBER	QTY	DESCRIPTION	REV
	1001142281	Ref	Right Tire/Wheel Assembly (Air - 400/80-24)	B
2	1001099204	1	Tire, 400/80 - 24 Power CL	
3	1001212594	1	Wheel, RH Rim	

## SECTION 5 - DRIVE TRAIN

FIGURE 5-83. LEFT TIRE/WHEEL ASSEMBLY (AIR - 400/80-24)



ART\_1001142916-8

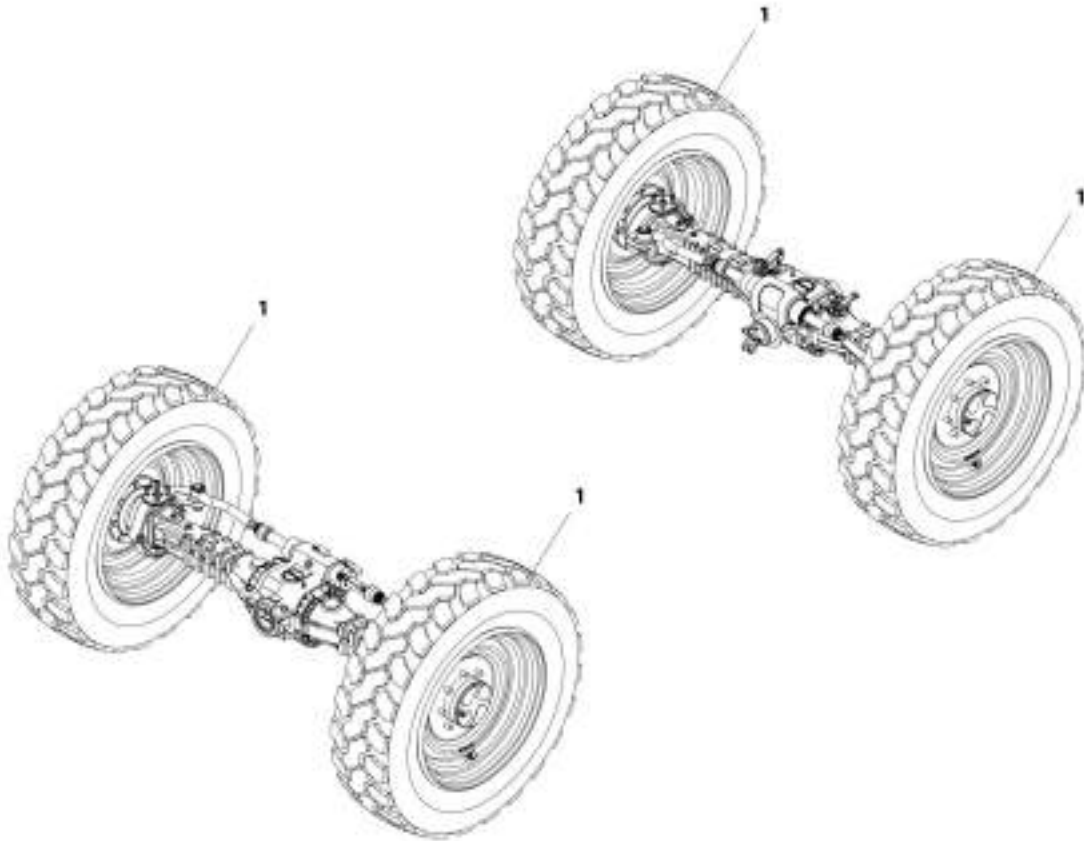
## SECTION 5 - DRIVE TRAIN

**FIGURE 5-83. LEFT TIRE/WHEEL ASSEMBLY (AIR - 400/80-24)**

ITEM	PART NUMBER	QTY	DESCRIPTION	REV
	1001142316	Ref	Left Tire/Wheel Assembly (Air - 400/80-24)	B
2	1001099204	1	Tire, 400/80 - 24 Power CL	
3	1001212595	1	Wheel, LH Rim	

## SECTION 5 - DRIVE TRAIN

FIGURE 5-84. TIRE/WHEEL SET (AIR - 370/75-28)



MFT\_10015/PK119-A

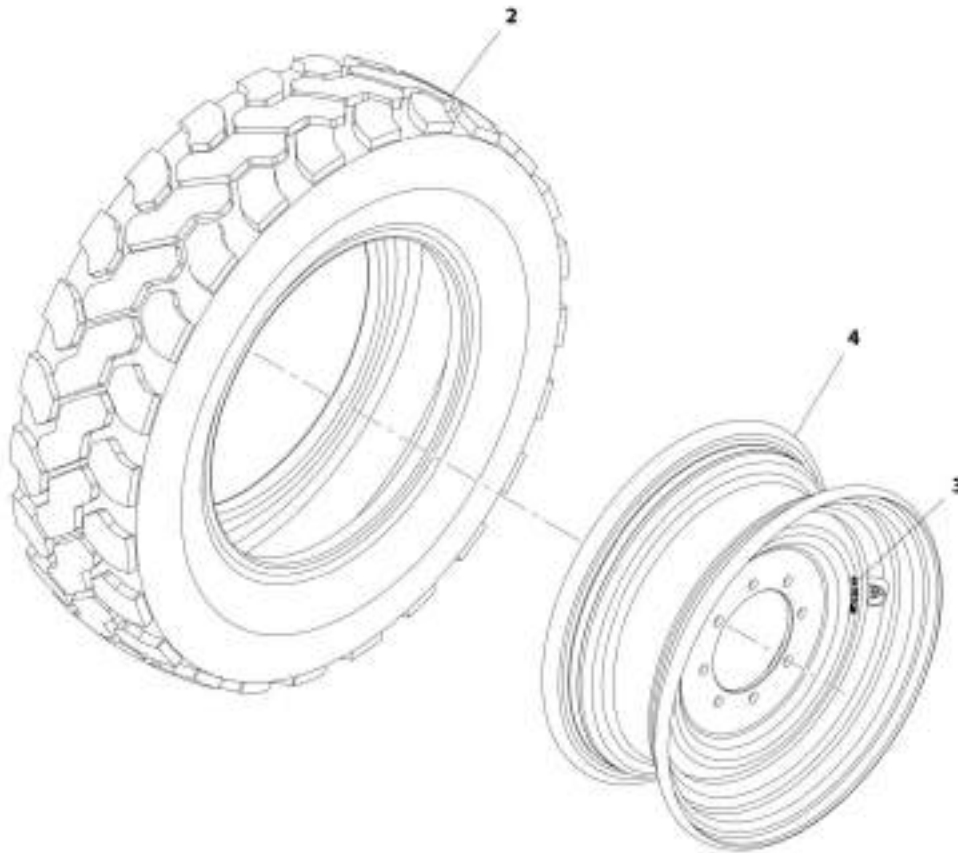
## SECTION 5 - DRIVE TRAIN

**FIGURE 5-84. TIRE/WHEEL SET (AIR - 370/75-28)**

ITEM	PART NUMBER	QTY	DESCRIPTION	REV
1	1001179719	1	Tire/Wheel Set (Air - 370/75-28)	A
	1001196385	4	Assembly, Tire/Wheel (Air - 370/75-28 14PR) (See Separate Breakdown in this Section)	

## SECTION 5 - DRIVE TRAIN

FIGURE 5-85. TIRE/WHEEL ASSEMBLY (AIR - 370/75-28)



ART\_100119A05-B

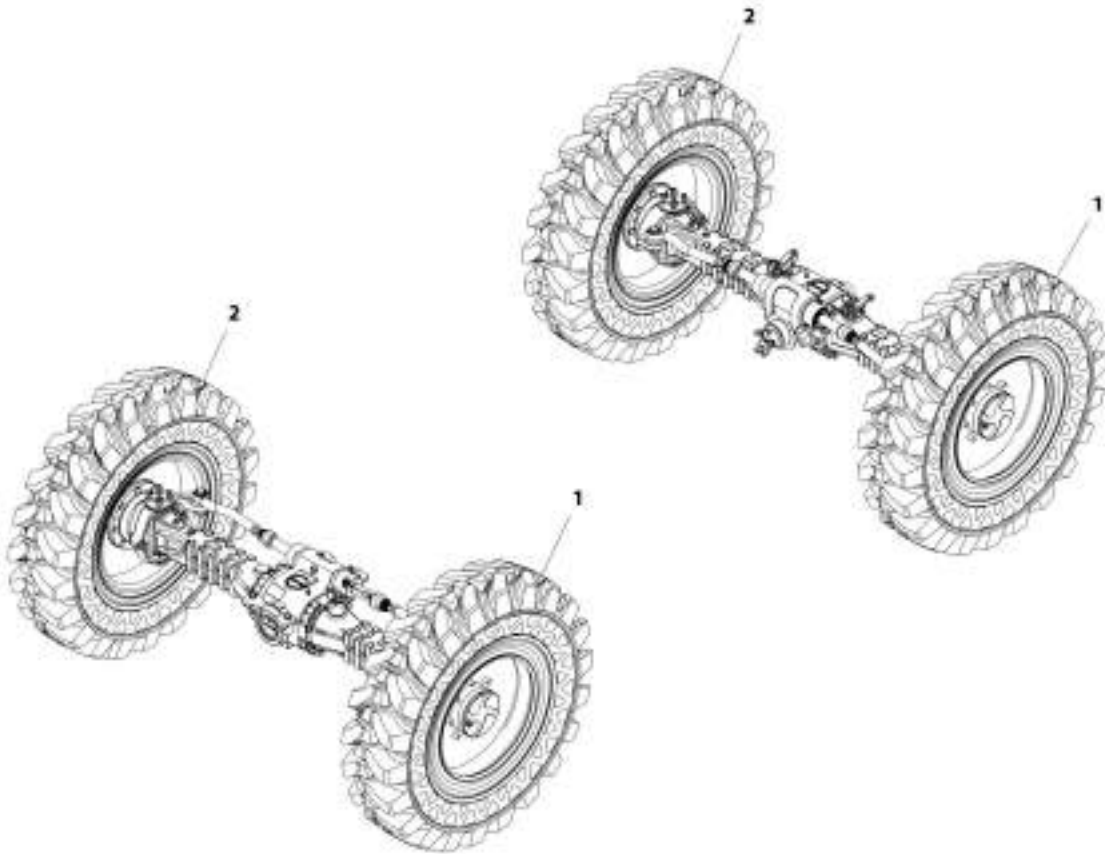
## SECTION 5 - DRIVE TRAIN

**FIGURE 5-85. TIRE/WHEEL ASSEMBLY (AIR - 370/75-28)**

ITEM	PART NUMBER	QTY	DESCRIPTION	REV
	1001196385	Ref	Tire/Wheel Assembly (Air - 370/75-28 14PR)	B
2	1001100284	1	Tire, 370/75-28	
3	1001112923	1	Decal	
4	1001219857	1	Wheel, Rim	

## SECTION 5 - DRIVE TRAIN

FIGURE 5-86. TIRE/WHEEL SET (FOAM - 13X24)



ART\_3001176720-A



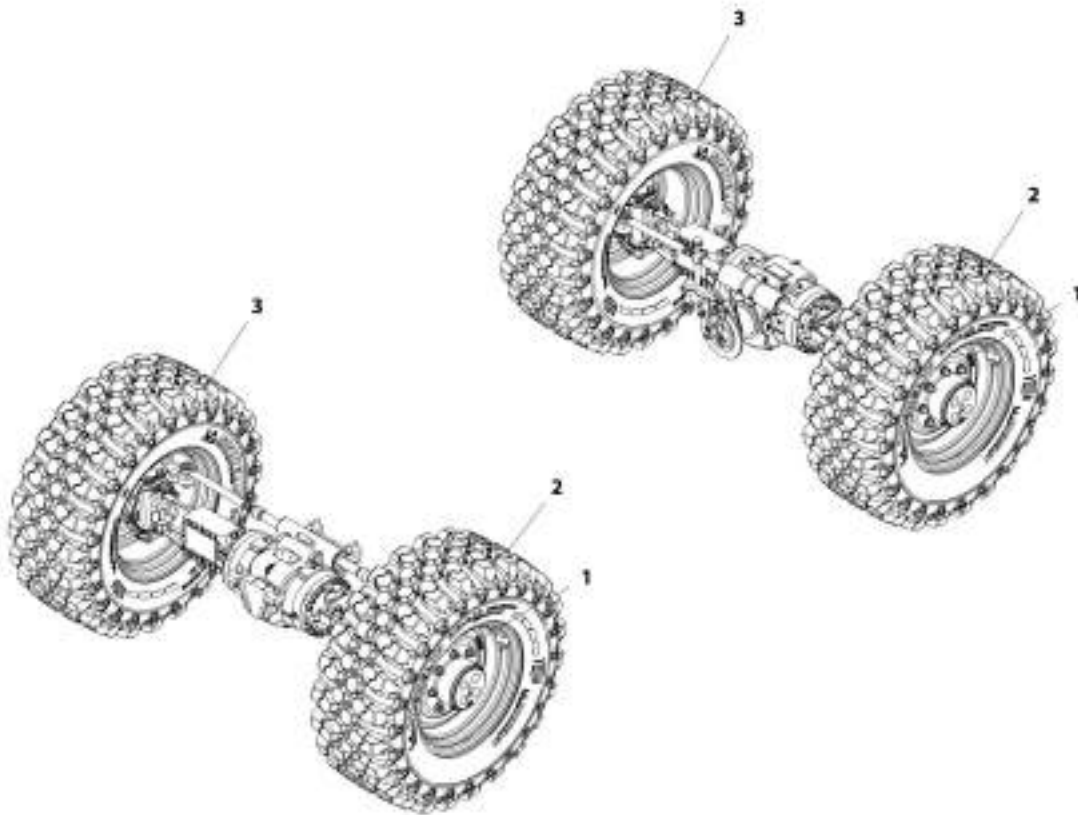
## SECTION 5 - DRIVE TRAIN

FIGURE 5-86. TIRE/WHEEL SET (FOAM - 13X24)

ITEM	PART NUMBER	QTY	DESCRIPTION	REV
	1001179720	1	Tire/Wheel Set (Foam - 13X24)	A
1	1001196448J	2	Wheel, RH 13X24 Solid	
2	1001196449J	2	Wheel, LH 13X24 Solid	

## SECTION 5 - DRIVE TRAIN

FIGURE 5-87. TIRE/WHEEL SET (AIR - 460/70 R24 - BIBLOAD)



ART\_1001200143-A

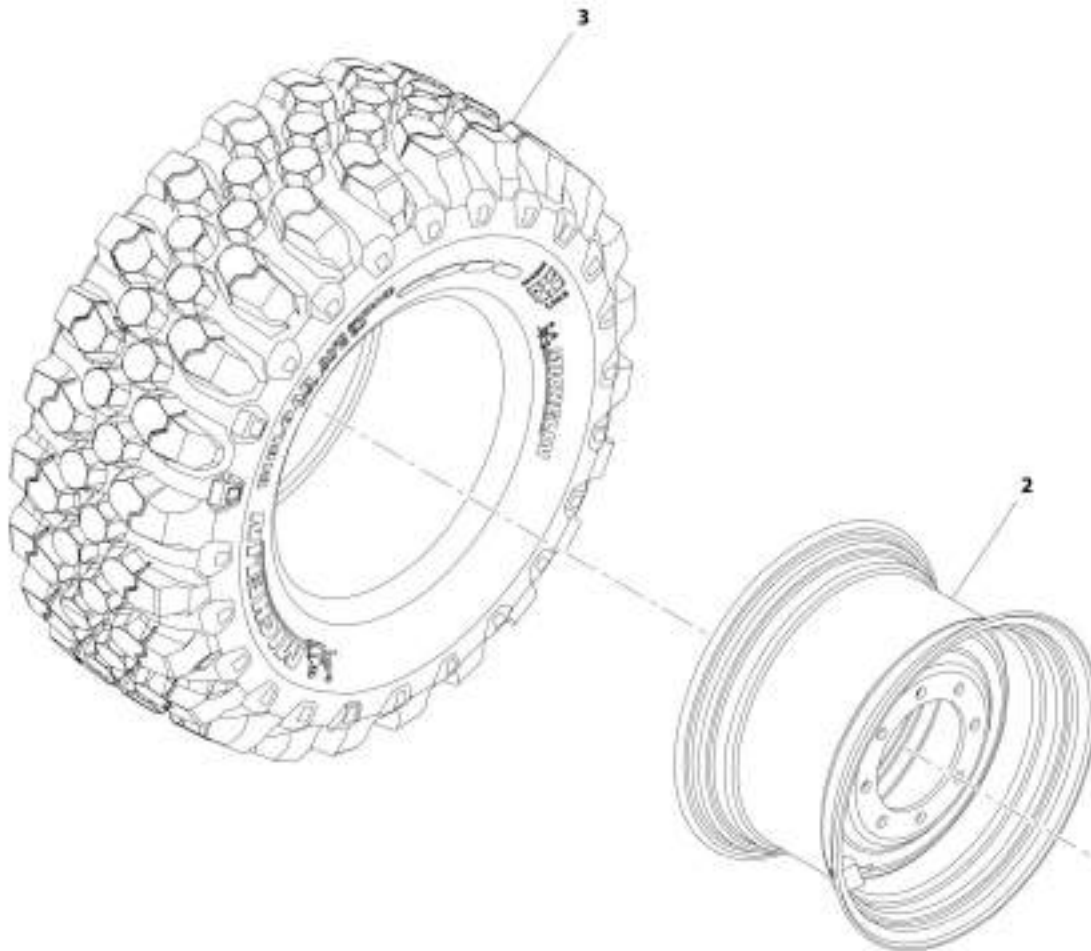
## SECTION 5 - DRIVE TRAIN

**FIGURE 5-87. TIRE/WHEEL SET (AIR - 460/70 R24 - BIBLOAD)**

ITEM	PART NUMBER	QTY	DESCRIPTION	REV
1	1001200143	1	Tire/Wheel Set (Air - 460/70 R24 - Bibload)	A
1	8005827	4	Label	
2	1001200141	2	Assembly, Right Tire/Wheel (Air - 460/70 R24 - Bibload) (See Separate Breakdown in this Section)	
3	1001200142	2	Assembly, Left Tire/Wheel (Air - 460/70 R24 - Bibload) (See Separate Breakdown in this Section)	

## SECTION 5 - DRIVE TRAIN

FIGURE 5-88. RIGHT TIRE/WHEEL ASSEMBLY (AIR - 460/70 R24 - BIBLOAD)



ART\_100130141-8

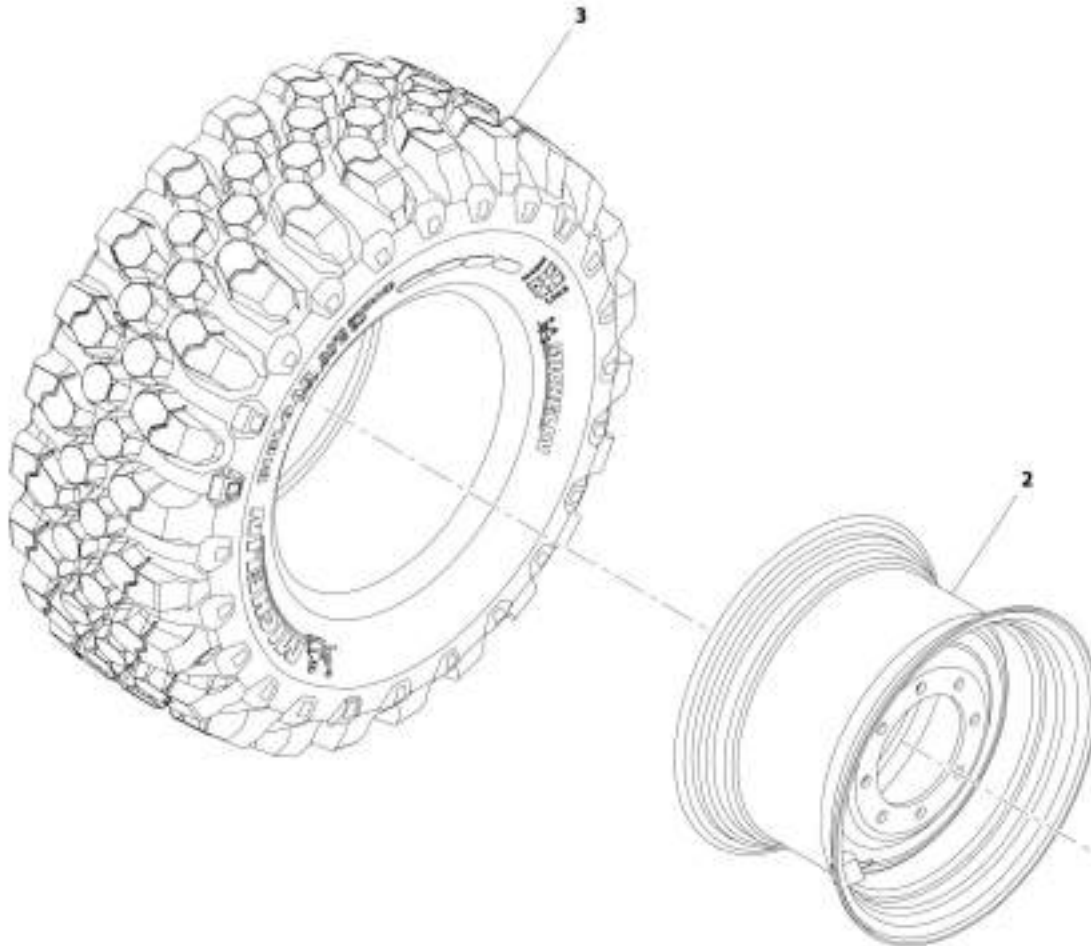
## SECTION 5 - DRIVE TRAIN

**FIGURE 5-88. RIGHT TIRE/WHEEL ASSEMBLY (AIR - 460/70 R24 - BIBLOAD)**

ITEM	PART NUMBER	QTY	DESCRIPTION	REV
	1001200141	Ref	Right Tire/Wheel Assembly (Air - 460/70 R24 - Bibload)	B
2	1001212596	1	Wheel, RH Rim	
3	1001199390	1	Tire, 460/70 R24	

## SECTION 5 - DRIVE TRAIN

FIGURE 5-89. LEFT TIRE/WHEEL ASSEMBLY (AIR - 460/70 R24 - BIBLOAD)



ART\_100130140-8

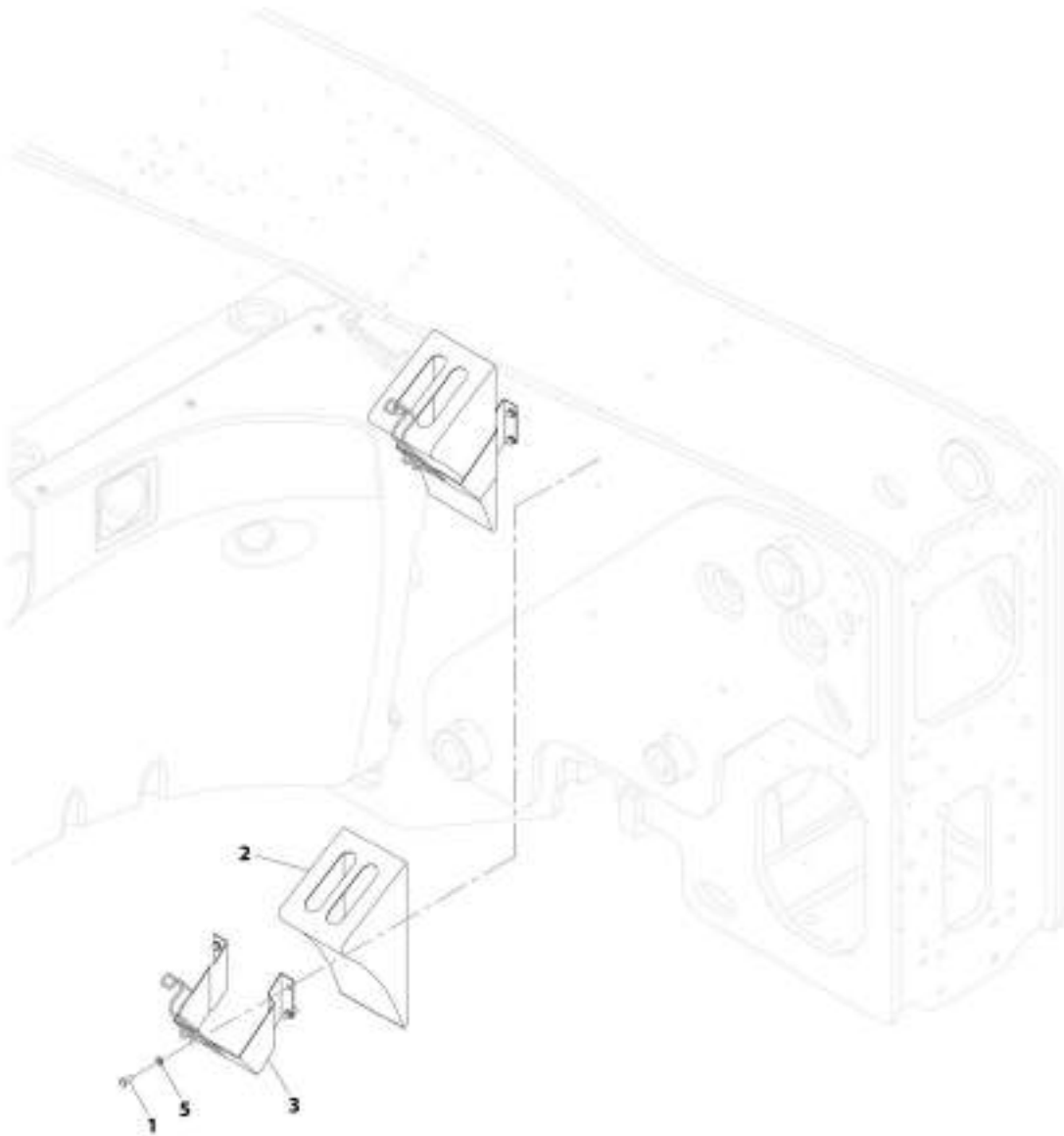
## SECTION 5 - DRIVE TRAIN

**FIGURE 5-89. LEFT TIRE/WHEEL ASSEMBLY (AIR - 460/70 R24 - BIBLOAD)**

ITEM	PART NUMBER	QTY	DESCRIPTION	REV
	1001200142	Ref	Left Tire/Wheel Assembly (Air - 460/70 R24 - Bibload)	B
2	1001212597	1	Wheel, LH Rim	
3	1001199390	1	Tire, 460/70 R24	

# SECTION 5 - DRIVE TRAIN

## FIGURE 5-90. WHEEL CHOCK INSTALLATION



WIT\_1001180413-C



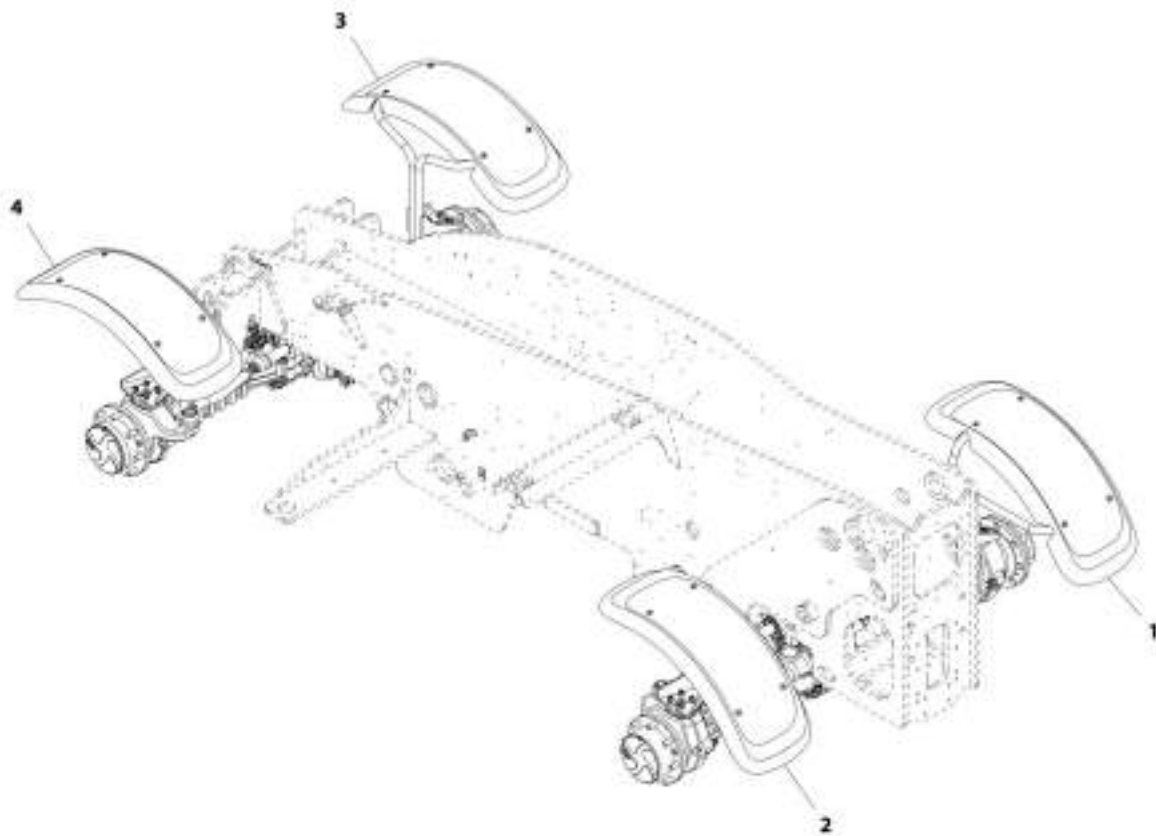
## SECTION 5 - DRIVE TRAIN

### FIGURE 5-90. WHEEL CHOCK INSTALLATION

ITEM	PART NUMBER	QTY	DESCRIPTION	REV
	1001180413	Ref	Wheel Chock Installation	C
1	0760810	8	Bolt, M8X20	
2	806253	2	Wedge	
3	806264	2	Holder, Wedge	
5	4811900	8	Washer, M8	

## SECTION 5 - DRIVE TRAIN

FIGURE 5-91. FENDER INSTALLATION (NO AIR - 460/70 R24 XMCL, AIR - 500/70 R24 XMCL, AIR - 440/80-24 POWER CL, AIR - 460/70 R24 - BIBLOAD)



AWT\_1001176123-C

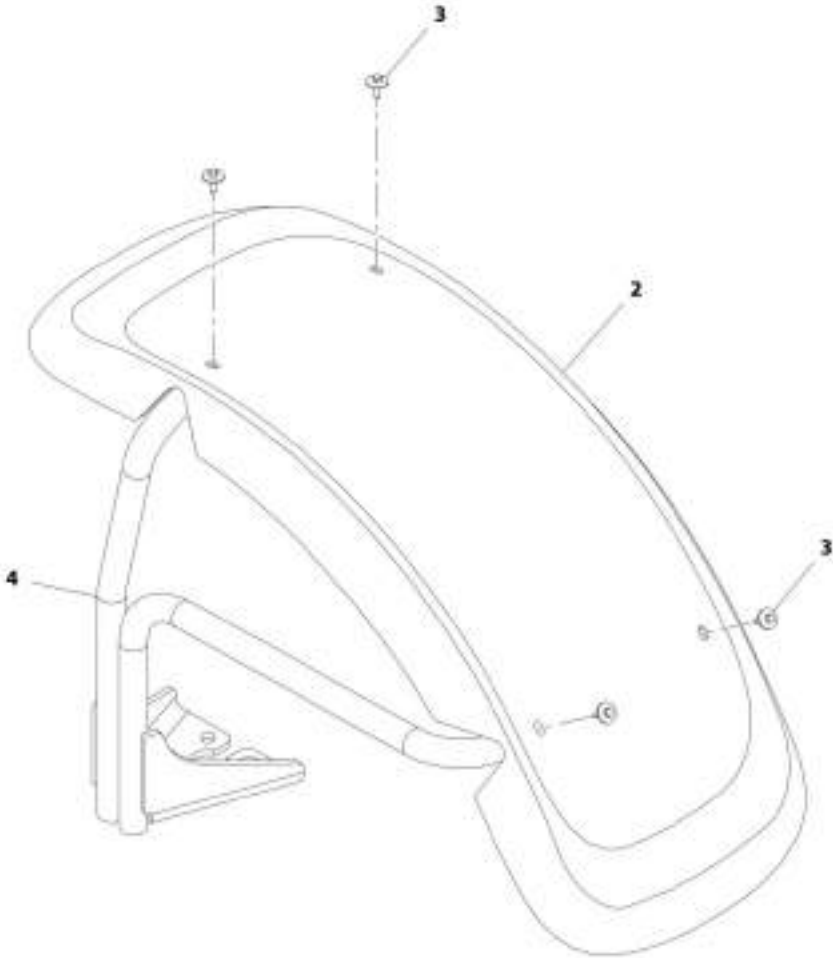
## SECTION 5 - DRIVE TRAIN

**FIGURE 5-91. FENDER INSTALLATION (NO AIR - 460/70 R24 XMCL, AIR - 500/70 R24 XMCL, AIR - 440/80-24 POWER CL, AIR - 460/70 R24 - BIBLOAD)**

ITEM	PART NUMBER	QTY	DESCRIPTION	REV
	1001176123	Ref	Fender Installation	C
1	1001176349	1	Assembly, Fender (See Separate Breakdown in this Section)	
2	1001176350	1	Assembly, Fender (See Separate Breakdown in this Section)	
3	1001176916	1	Assembly, Fender (See Separate Breakdown in this Section)	
4	1001176950	1	Assembly, Fender (See Separate Breakdown in this Section)	

**SECTION 5 - DRIVE TRAIN**

**FIGURE 5-92. FENDER ASSEMBLY**



ART\_1001176349-B

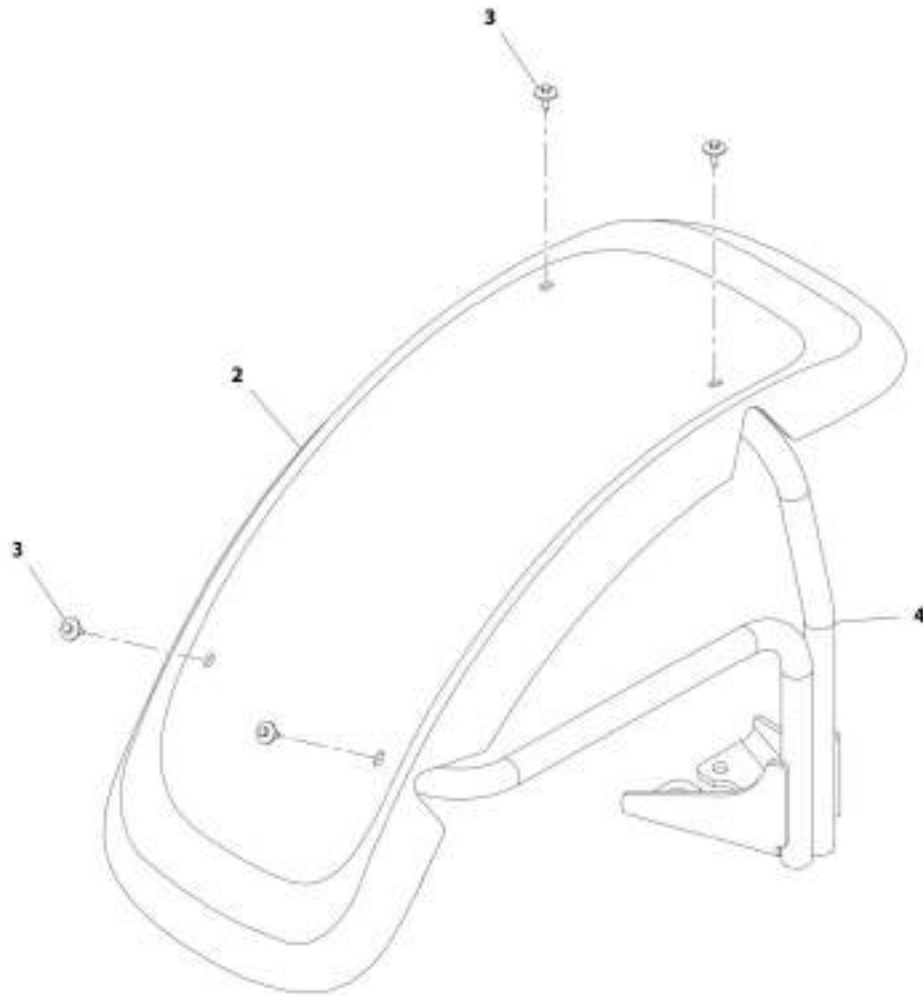
## SECTION 5 - DRIVE TRAIN

### FIGURE 5-92. FENDER ASSEMBLY

ITEM	PART NUMBER	QTY	DESCRIPTION	REV
	1001176349	Ref	Fender Assembly (Standard)	B
2	1001168264	1	Fender, Plastic	
3	1001170697	4	Screw, Self-Tapping	
4	1001176129	1	Bracket, Fender	

# SECTION 5 - DRIVE TRAIN

## FIGURE 5-93. FENDER ASSEMBLY



ART. 1001170390-B

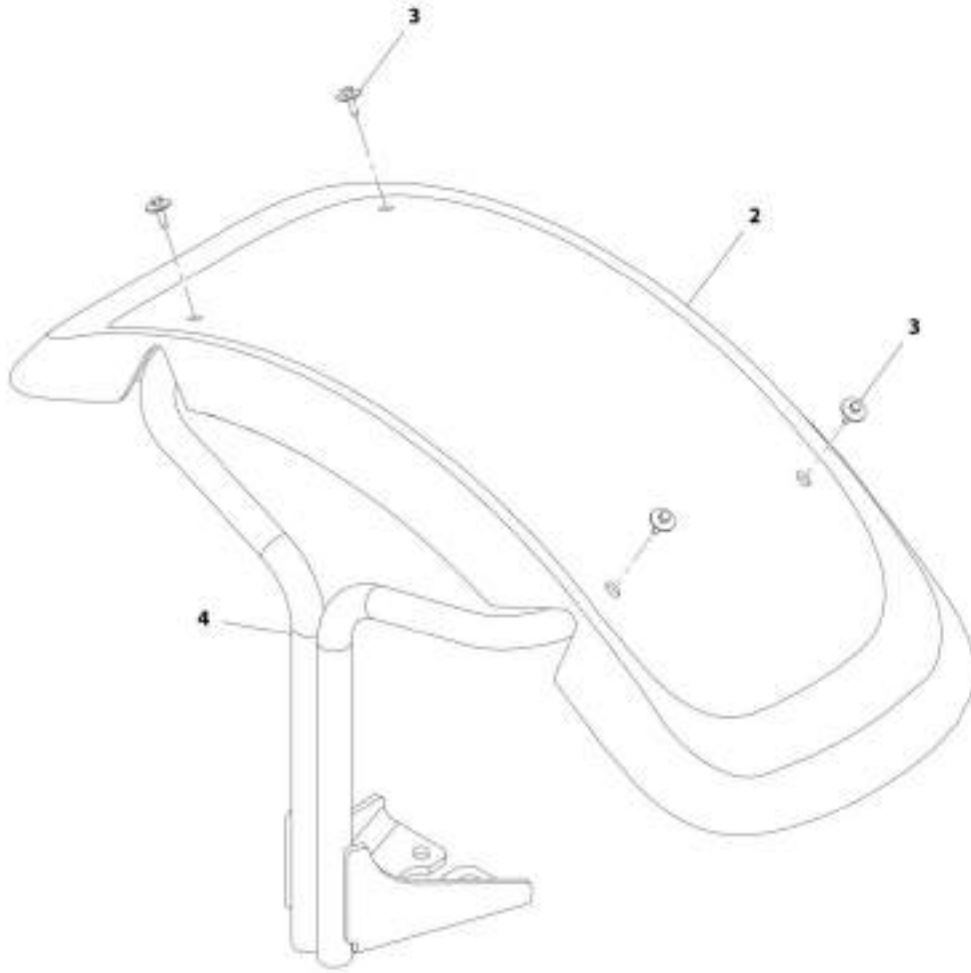
## SECTION 5 - DRIVE TRAIN

### FIGURE 5-93. FENDER ASSEMBLY

ITEM	PART NUMBER	QTY	DESCRIPTION	REV
	1001176350	Ref	Fender Assembly (Standard)	B
2	1001168264	1	Fender, Plastic	
3	1001170697	4	Screw, Self-Tapping	
4	1001176130	1	Bracket, Fender	

# SECTION 5 - DRIVE TRAIN

## FIGURE 5-94. FENDER ASSEMBLY



ART\_198117A09-B



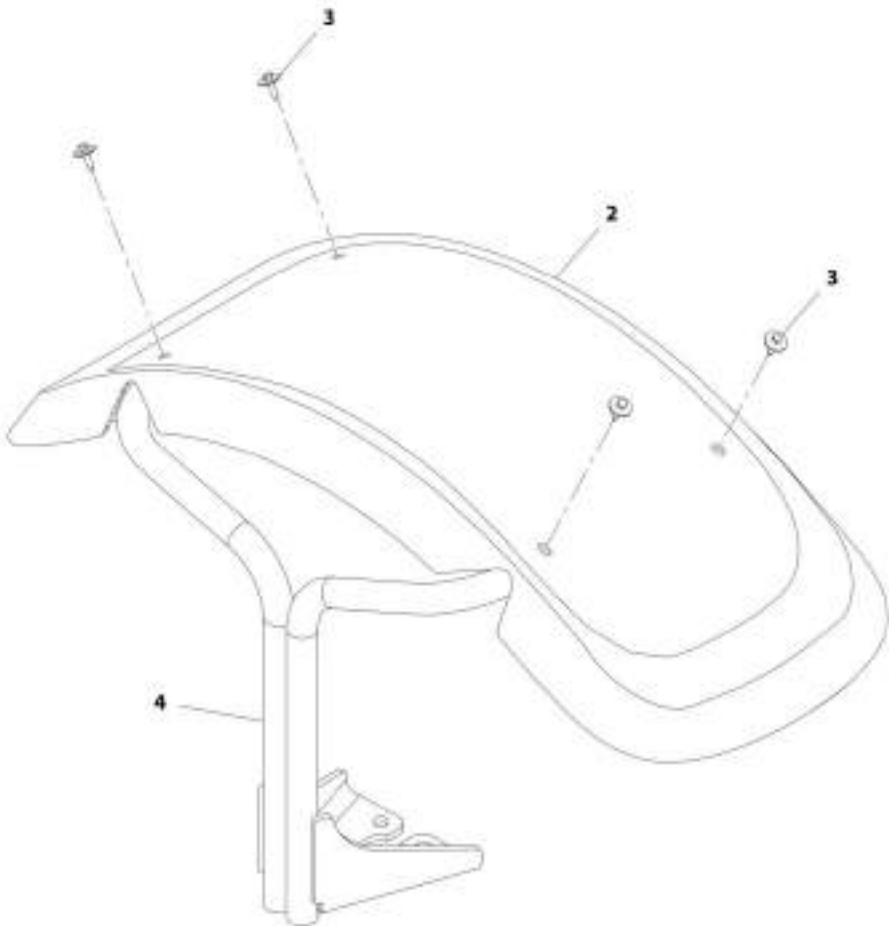
## SECTION 5 - DRIVE TRAIN

### FIGURE 5-94. FENDER ASSEMBLY

ITEM	PART NUMBER	QTY	DESCRIPTION	REV
	1001176916	Ref	Fender Assembly (Standard)	B
2	1001168264	1	Fender, Plastic	
3	1001170697	4	Screw, Self-Tapping	
4	1001176914	1	Bracket, Fender	

**SECTION 5 - DRIVE TRAIN**

**FIGURE 5-95. FENDER ASSEMBLY**



ART\_100176950-0

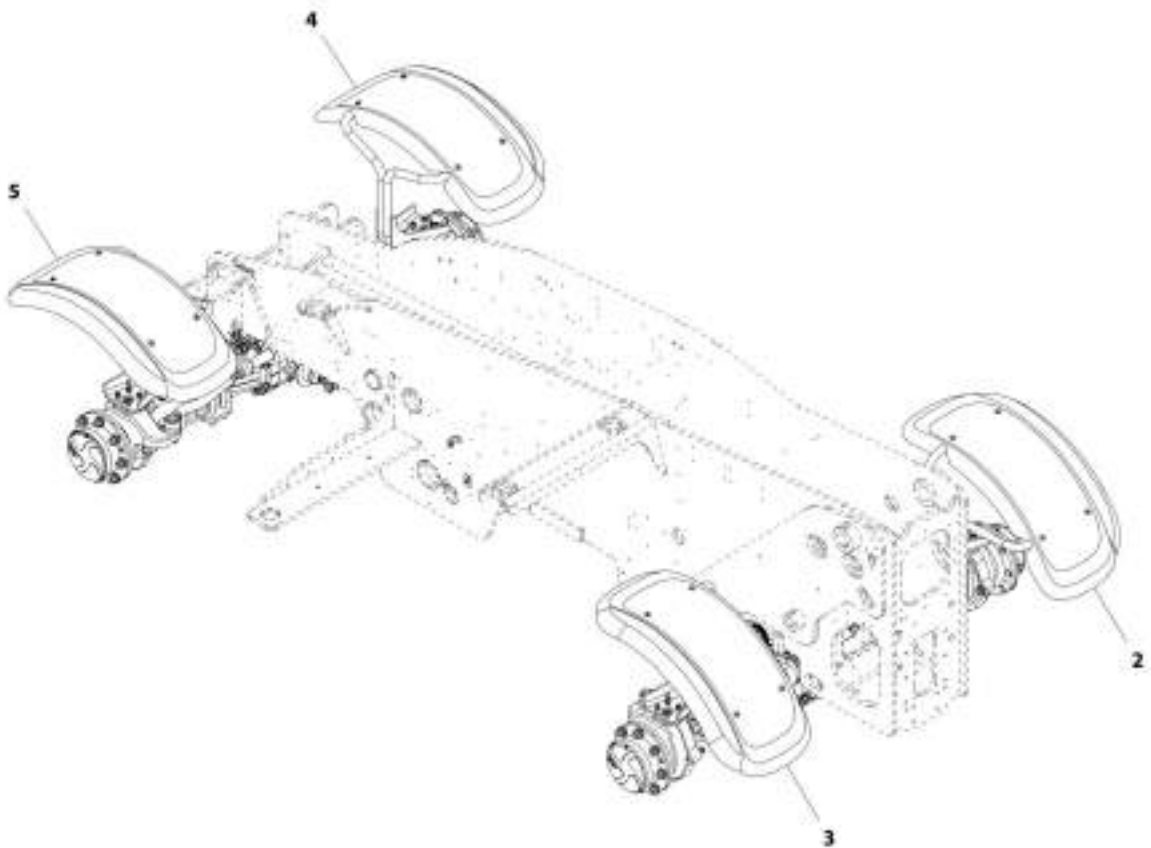
## SECTION 5 - DRIVE TRAIN

### FIGURE 5-95. FENDER ASSEMBLY

ITEM	PART NUMBER	QTY	DESCRIPTION	REV
	1001176950	Ref	Fender Assembly (Standard)	B
2	1001168264	1	Fender, Plastic	
3	1001170697	4	Screw, Self-Tapping	
4	1001176949	1	Bracket, Fender	

## SECTION 5 - DRIVE TRAIN

FIGURE 5-96. FENDER INSTALLATION (AIR - 460/70 R24 XMCL, AIR - 500/70 R24 XMCL, AIR - 440/80-24 POWER CL, AIR - 460/70 R24 - BIBLOAD)



AMT\_100170122-C

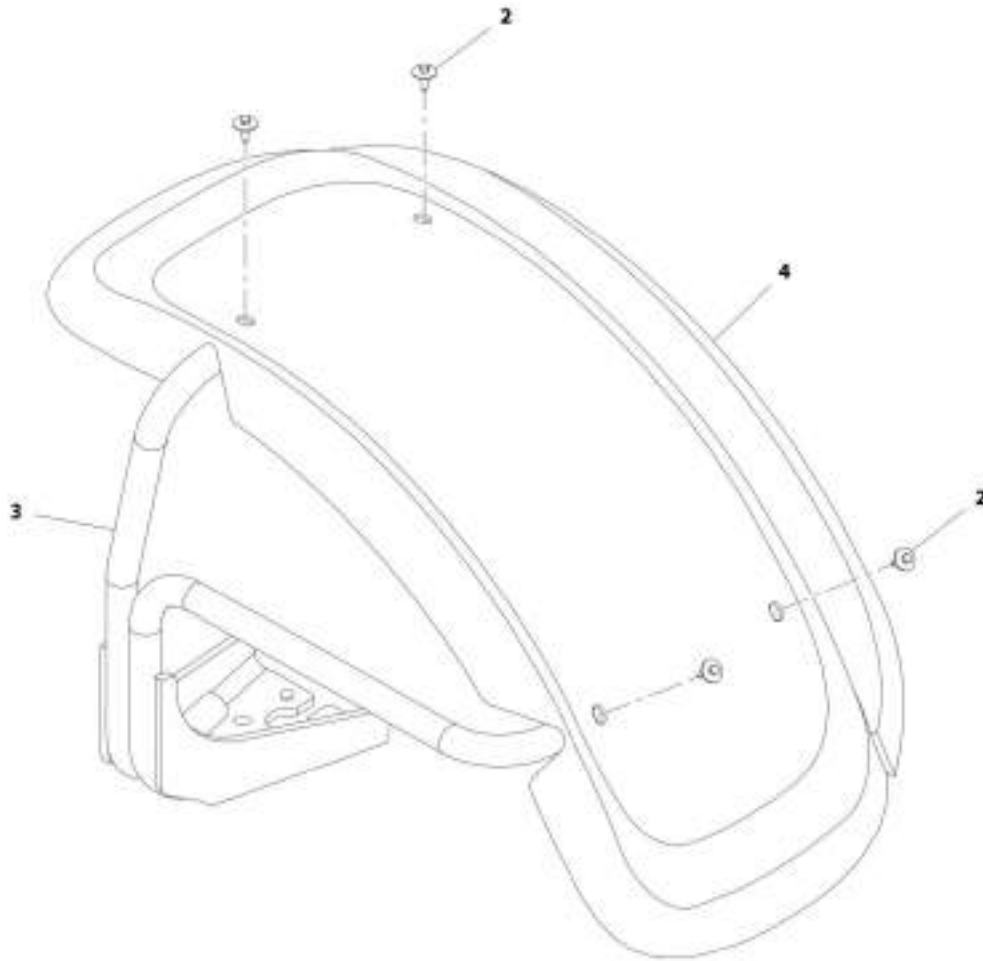
## SECTION 5 - DRIVE TRAIN

**FIGURE 5-96. FENDER INSTALLATION (AIR - 460/70 R24 XMCL, AIR - 500/70 R24 XMCL, AIR - 440/80-24 POWER CL, AIR - 460/70 R24 - BIBLOAD)**

ITEM	PART NUMBER	QTY	DESCRIPTION	REV
	1001176122	Ref	Fender Installation	C
2	1001176351	1	Assembly, Fender (See Separate Breakdown in this Section)	
3	1001176352	1	Assembly, Fender (See Separate Breakdown in this Section)	
4	1001176353	1	Assembly, Fender (See Separate Breakdown in this Section)	
5	1001176354	1	Assembly, Fender (See Separate Breakdown in this Section)	

# SECTION 5 - DRIVE TRAIN

## FIGURE 5-97. FENDER ASSEMBLY



ART\_100176351-0

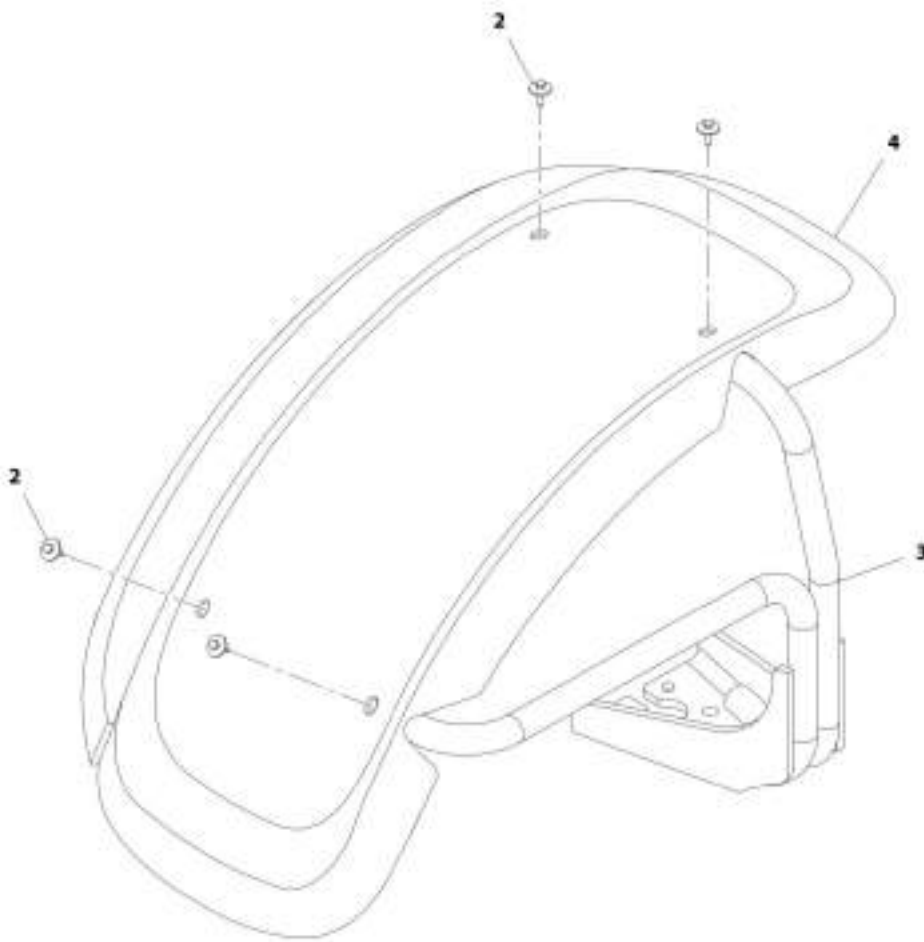
## SECTION 5 - DRIVE TRAIN

### FIGURE 5-97. FENDER ASSEMBLY

ITEM	PART NUMBER	QTY	DESCRIPTION	REV
	1001176351	Ref	Fender Assembly (500MM)	B
2	1001170697	4	Screw, Self-Tapping	
3	1001176125	1	Bracket, Fender	
4	1001178171	1	Fender, Plastic	

# SECTION 5 - DRIVE TRAIN

## FIGURE 5-98. FENDER ASSEMBLY



487\_1001170352-8



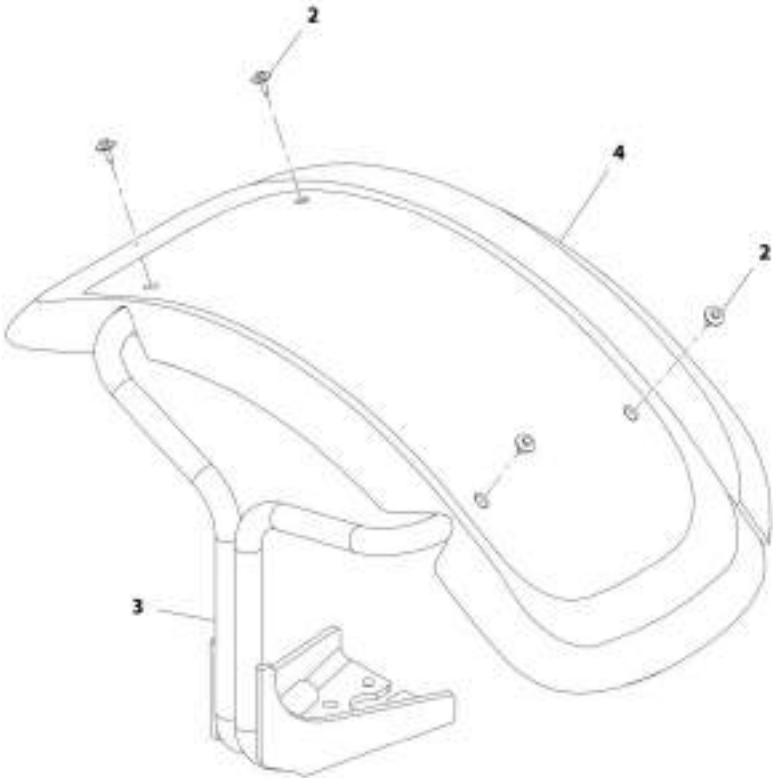
## SECTION 5 - DRIVE TRAIN

### FIGURE 5-98. FENDER ASSEMBLY

ITEM	PART NUMBER	QTY	DESCRIPTION	REV
	1001176352	Ref	Fender Assembly (500MM)	B
2	1001170697	4	Screw, Self-Tapping	
3	1001176126	1	Bracket, Fender	
4	1001178171	1	Fender, Plastic	

**SECTION 5 - DRIVE TRAIN**

**FIGURE 5-99. FENDER ASSEMBLY**



ART\_1001178353-B

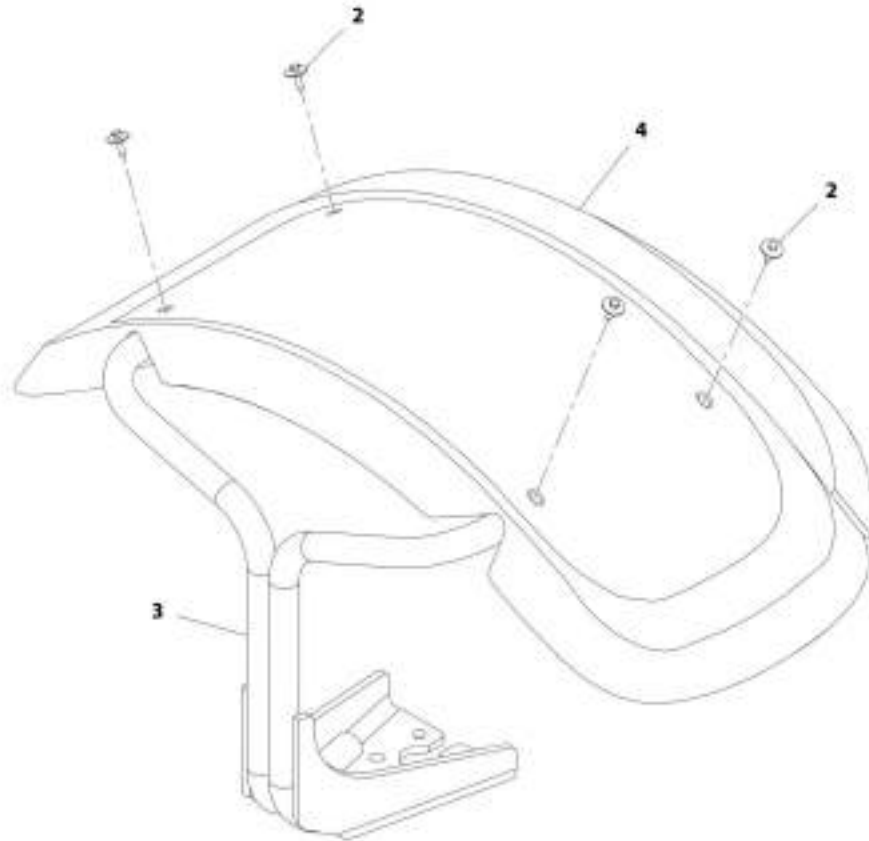
## SECTION 5 - DRIVE TRAIN

### FIGURE 5-99. FENDER ASSEMBLY

ITEM	PART NUMBER	QTY	DESCRIPTION	REV
	1001176353	Ref	Fender Assembly (500MM)	B
2	1001170697	4	Screw, Self-Tapping	
3	1001176127	1	Bracket, Fender	
4	1001178171	1	Fender, Plastic	

# SECTION 5 - DRIVE TRAIN

## FIGURE 5-100. FENDER ASSEMBLY



ART\_1001176354-B

## SECTION 5 - DRIVE TRAIN

### FIGURE 5-100. FENDER ASSEMBLY

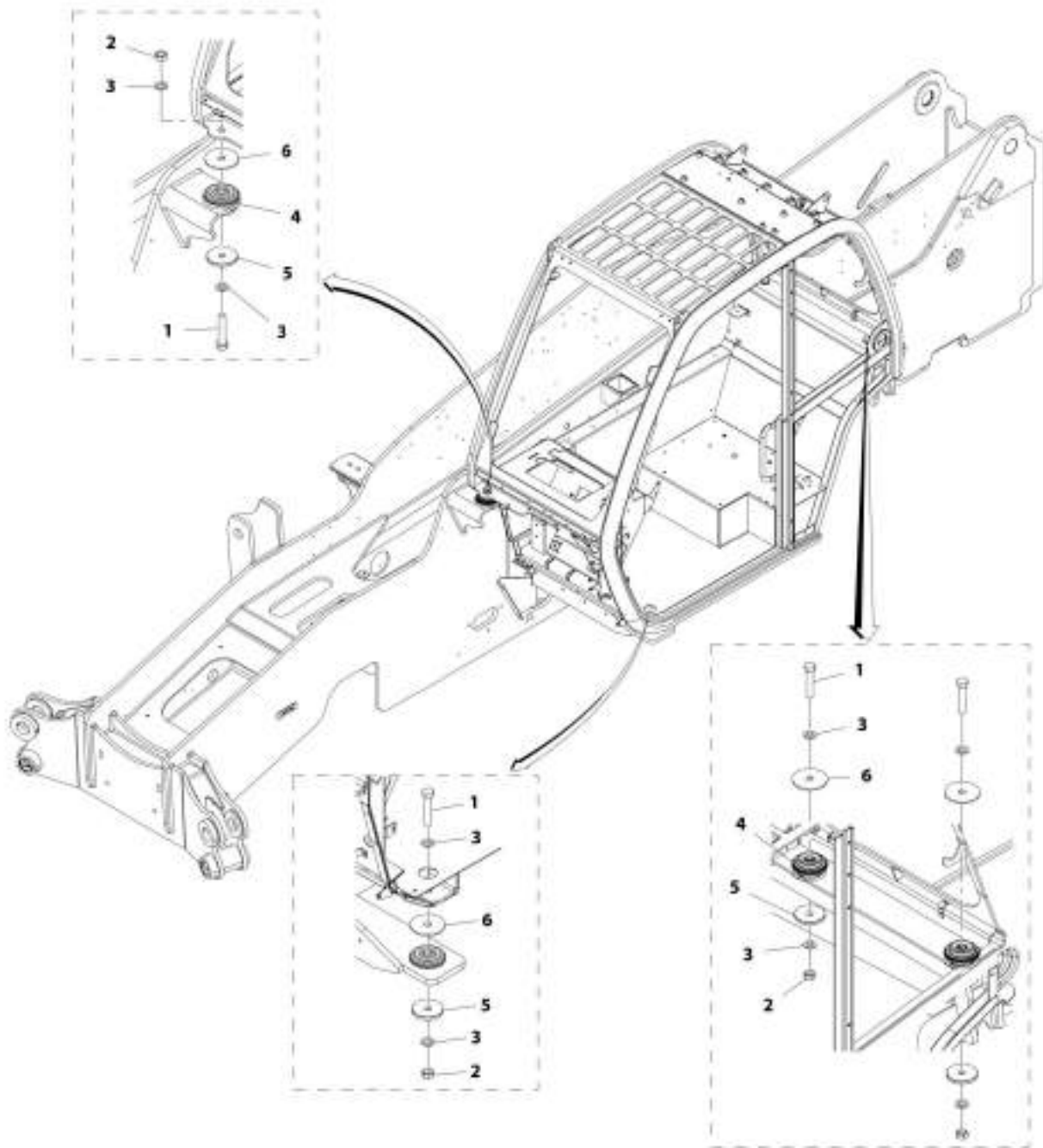
ITEM	PART NUMBER	QTY	DESCRIPTION	REV
	1001176354	Ref	Fender Assembly (500MM)	B
2	1001170697	4	Screw, Self-Tapping	
3	1001176128	1	Bracket, Fender	
4	1001178171	1	Fender, Plastic	



**SECTION 6 - CAB**

# SECTION 6 - CAB

## FIGURE 6-1. CAB MOUNTS INSTALLATION



ART\_100155446-E

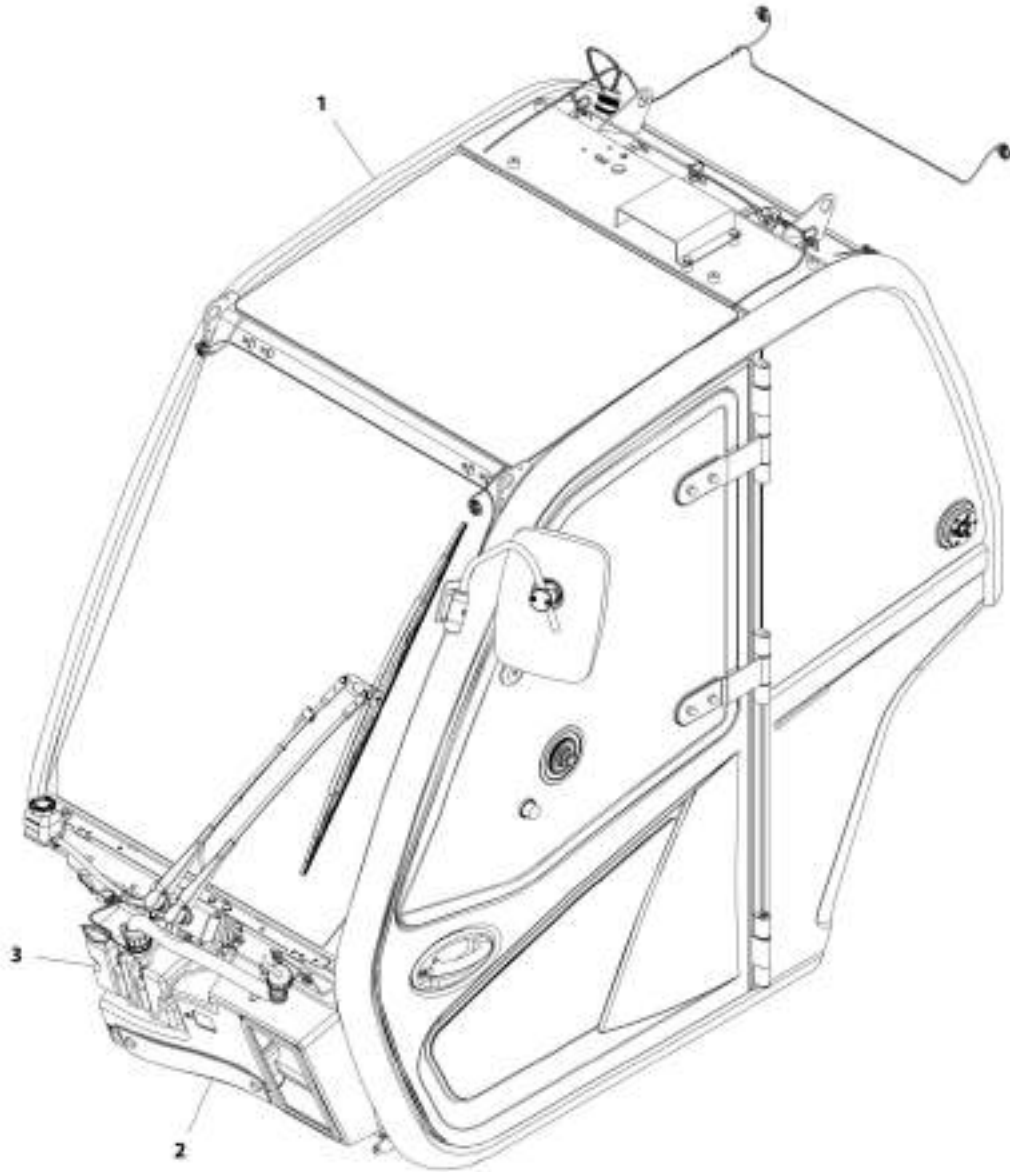


FIGURE 6-1. CAB MOUNTS INSTALLATION

ITEM	PART NUMBER	QTY	DESCRIPTION	REV
	1001155446	Ref	Cab Mounts Installation	E
1	0712027	4	Bolt, M20X100	
2	3332011	4	Nut, M20X2.5	
3	4812500	8	Washer, M20	
4	1001166754	4	Mount, Cab Isolation	
5	1001166755	4	Washer, Cab Rebound	
6	1001220540	4	Washer, Cab Mount	

# SECTION 6 - CAB

## FIGURE 6-2. ENCLOSED CAB INSTALLATION



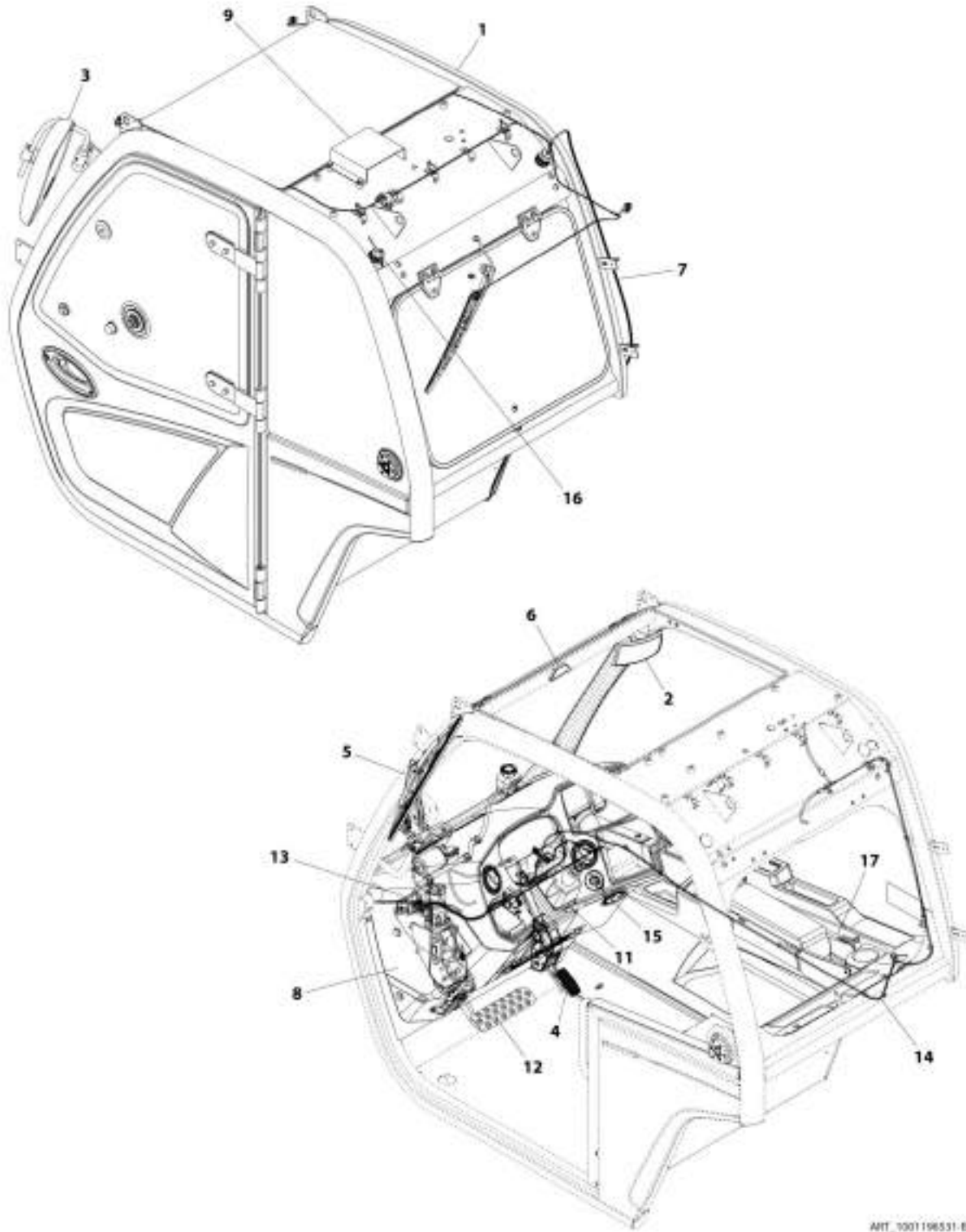
ART\_100120200-B

**FIGURE 6-2. ENCLOSED CAB INSTALLATION**

ITEM	PART NUMBER	QTY	DESCRIPTION	REV
	1001202086	Ref	Enclosed Cab Installation (JLG)	B
	1001196531	Ref	Assembly, Enclosed Cab (JLG) (See Separate Breakdown in this Section)	
	1001170366	Ref	Installation, Front Cover (See Separate Breakdown in this Section)	
	1001201027	Ref	Installation, Washer Tank (See Separate Breakdown in this Section)	

# SECTION 6 - CAB

## FIGURE 6-3. ENCLOSED CAB ASSEMBLY



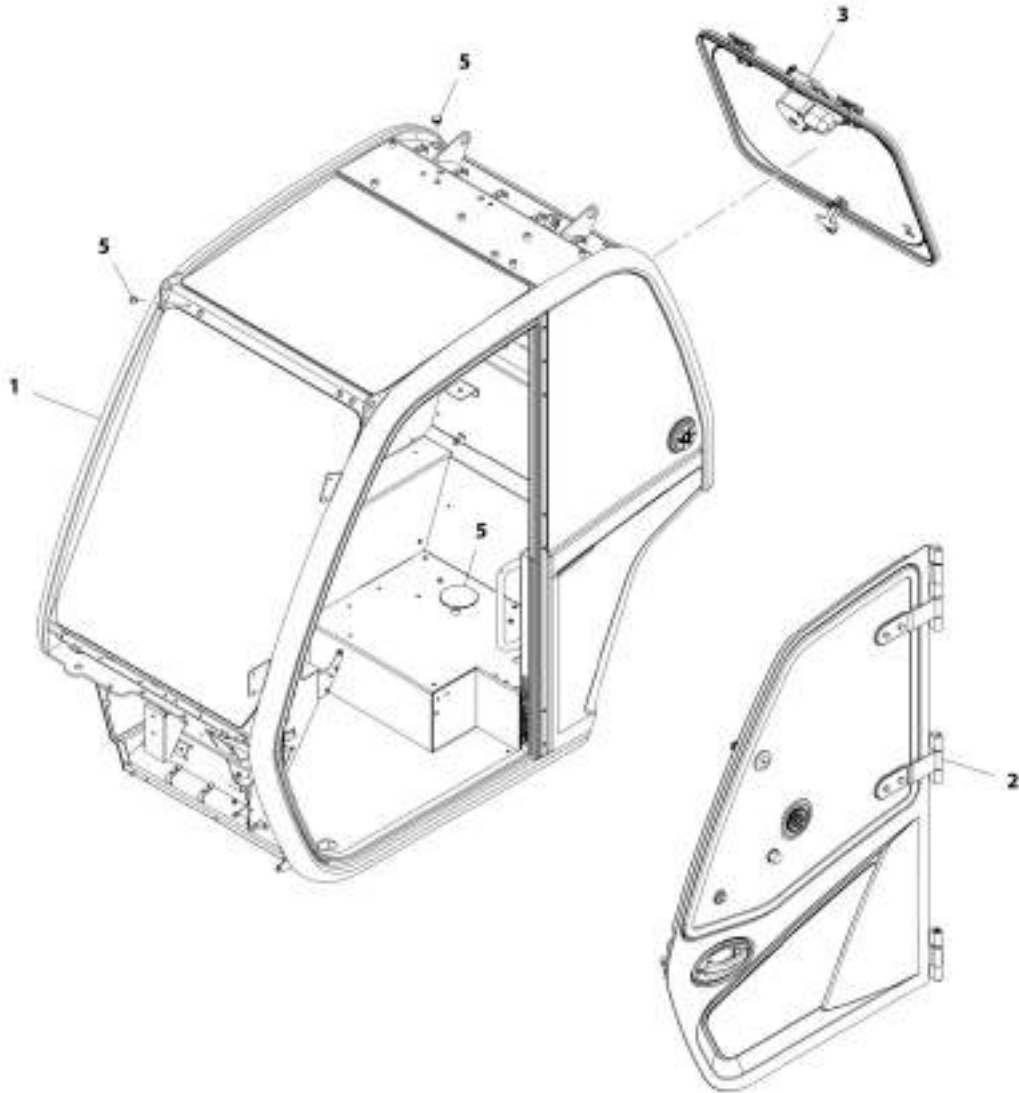
AMT\_1001196531-B

FIGURE 6-3. ENCLOSED CAB ASSEMBLY

ITEM	PART NUMBER	QTY	DESCRIPTION	REV
1	1001196531	Ref	Enclosed Cab Assembly (JLG)	B
	1001168152	Ref	Group, Enclosed Cab (JLG) (See Separate Breakdown in this Section)	
2	1001166192	Ref	Installation, Interior Mirror (See Separate Breakdown in this Section)	
3	1001160508	Ref	Installation, Interior Mirror (See Separate Breakdown in this Section)	
4	1001161499	Ref	Installation, Accelerator Pedal (See Separate Breakdown in this Section)	
5	1001155447	Ref	Installation, Front Wiper (See Separate Breakdown in this Section)	
6	1001172401	Ref	Installation, Level Indicator (See Separate Breakdown in this Section)	
7	1001184069	Ref	Installation, Cab Electrical (See Separate Breakdown in this Section)	
8	1001167981	Ref	Installation, Enclosed Cab Trim (See Separate Breakdown in this Section)	
9	1001200689	Ref	Installation, Beacon Bracket (See Separate Breakdown in this Section)	
11	1001162704	Ref	Installation, Steering Column Tilt (See Separate Breakdown in this Section)	
12	1001188262	Ref	Installation, Brake Pedal (See Separate Breakdown in this Section)	
13	1001201340	Ref	Installation, Cab Heater Harness (See Separate Breakdown in this Section)	
14	1001201520	Ref	Installation, Washer Hoses (See Separate Breakdown in this Section)	
15	1001208518	Ref	Installation, Ignition Switch (JLG) (See Separate Breakdown in this Section)	
16	1001201161	Ref	Installation, Telematics Cap (See Separate Breakdown in this Section)	
17	1001210628	Ref	Installation, Hammer (See Separate Breakdown in this Section)	

# SECTION 6 - CAB

## FIGURE 6-4. ENCLOSED CAB GROUP



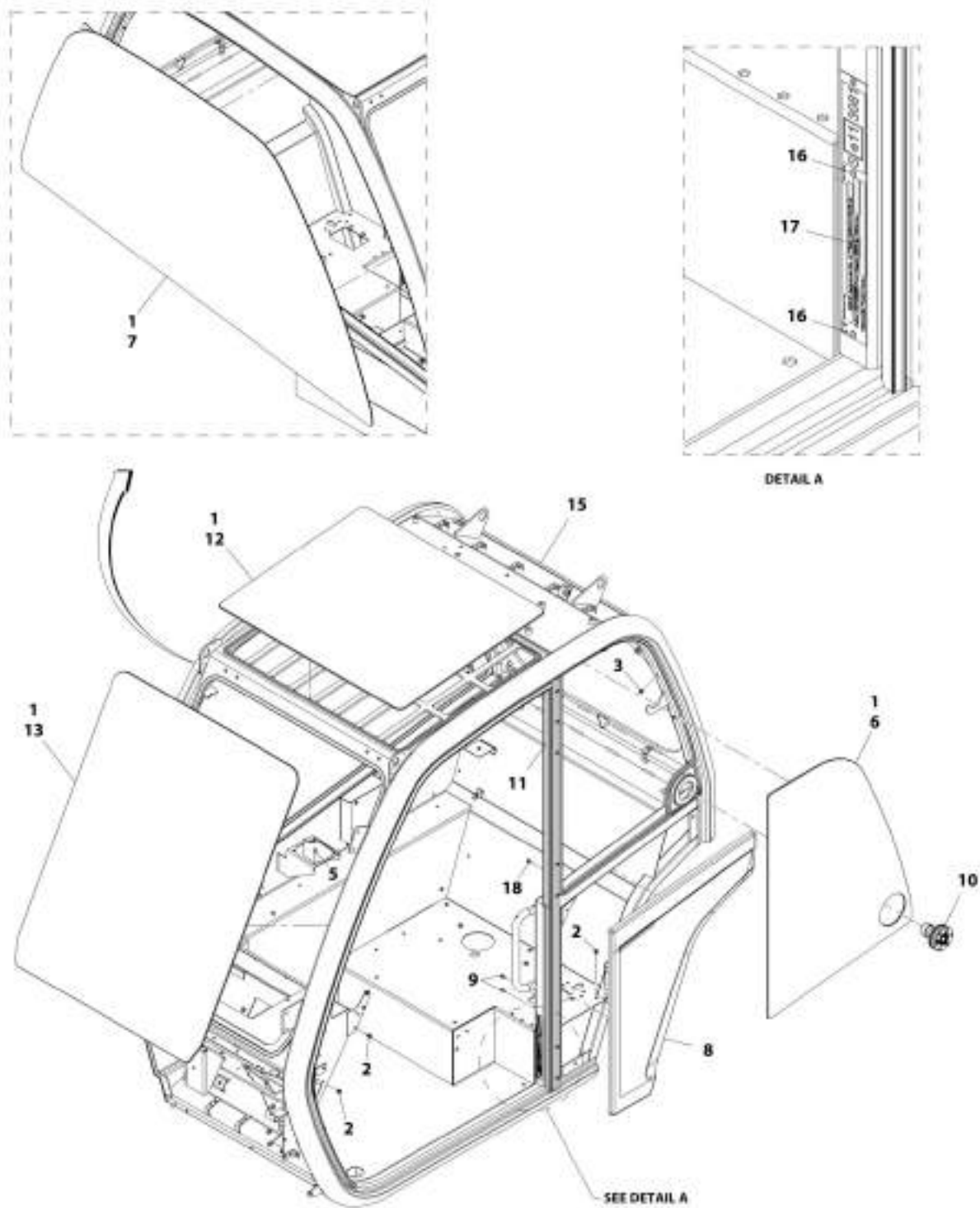
ART\_1001388152-B

**FIGURE 6-4. ENCLOSED CAB GROUP**

ITEM	PART NUMBER	QTY	DESCRIPTION	REV
	1001168152	Ref	Enclosed Cab Group (JLG)	B
1	1001173641	1	Cab, Enclosed (JLG) (See Separate Breakdown in this Section)	
2	1001155228	Ref	Installation, Door (JLG) (See Separate Breakdown in this Section)	
3	1001178678	Ref	Installation, Rear Window (See Separate Breakdown in this Section)	
5	1001170603	Ref	Group, Enclosed Cab Plug (See Separate Breakdown in this Section)	

# SECTION 6 - CAB

## FIGURE 6-5. ENCLOSED CAB



ART\_1001179641-D

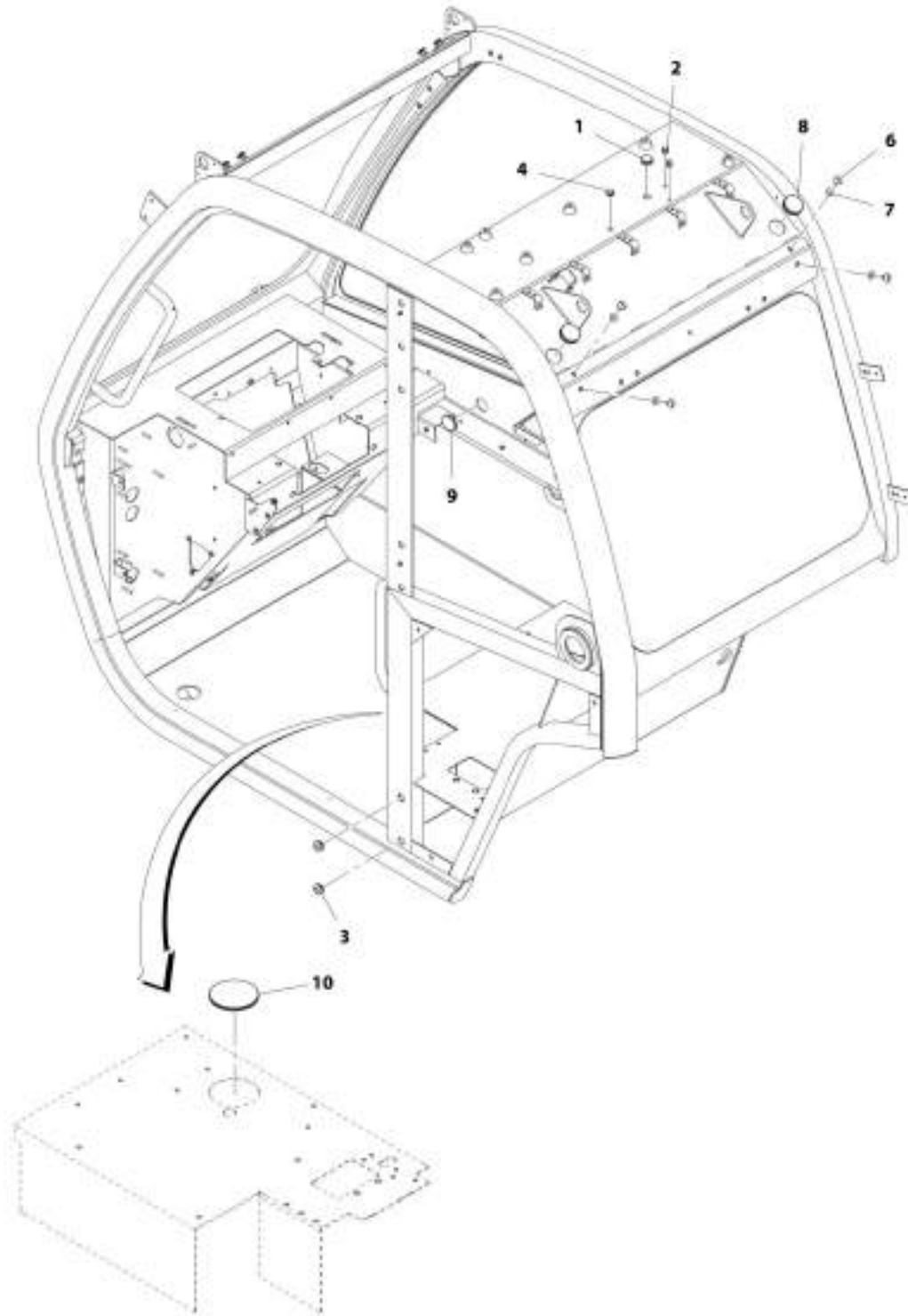


FIGURE 6-5. ENCLOSED CAB

ITEM	PART NUMBER	QTY	DESCRIPTION	REV
	1001173641	Ref	Enclosed Cab (JLG)	D
1	1001111317	AR	Compound, Locking	
2	2080086	25	Rivnut, M6X1	
3	2080087	16	Rivnut, M8X1.25	
5	1001100691	4	Nut	
6	1001152915	1	Glass, LH Screen	
7	1001152947	1	Glass, RH Screen	
8	1001160345	1	Panel, Cab Quarter	
9	1001172193	2	Rivnut, M5X0.8	
10	1001174320	1	Latch, Top Window	
11	1001175226	1	Seal, Cab Door	
12	1001178159	1	Glass, Roof Laminated	
13	1001178160	1	Glass, Front Laminated	
15	1001156259J	1	Weldment, Cab	
16	1001099170	2	Rivet, 4MM	
17	N.S.S.	1	Plate, Serial Number	
18	1001195878	2	Rivnut, M5X0.8	

SECTION 6 - CAB

FIGURE 6-6. ENCLOSED CAB PLUG GROUP



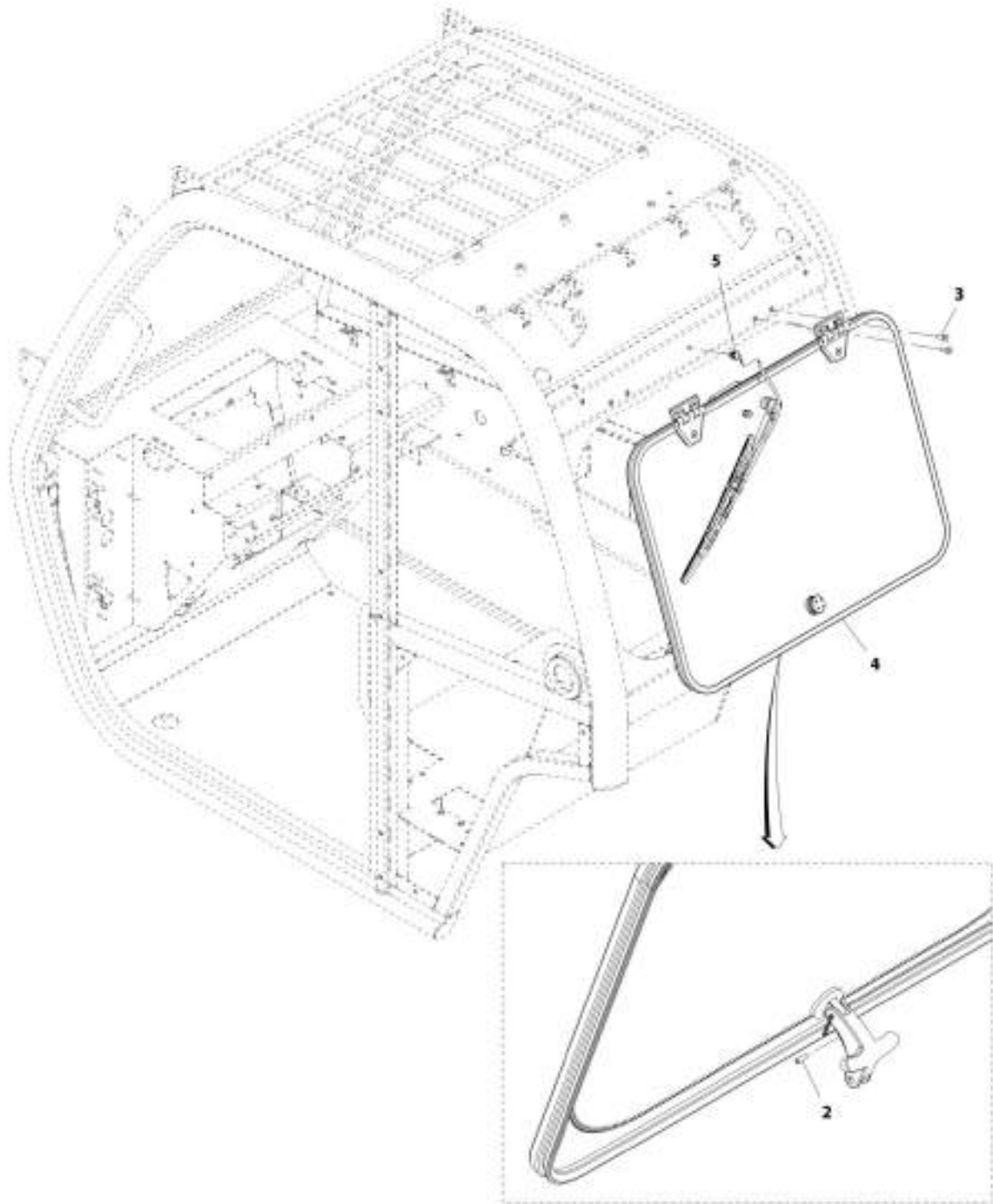
487\_1001130603-C

FIGURE 6-6. ENCLOSED CAB PLUG GROUP

ITEM	PART NUMBER	QTY	DESCRIPTION	REV
	1001170603	Ref	Enclosed Cab Plug Group	C
1	1001176273	1	Plug	
2	1001176272	2	Plug	
3	1001143200	2	Plug	
4	1001176626	1	Plug	
6	1001181920	8	Screw, M8X16	
7	1001181921	8	Washer, Rubber M8	
8	1001182123	2	Plug	
9	1001182139	1	Plug	
10	1001209899	1	Plug	

# SECTION 6 - CAB

## FIGURE 6-7. REAR WINDOW INSTALLATION



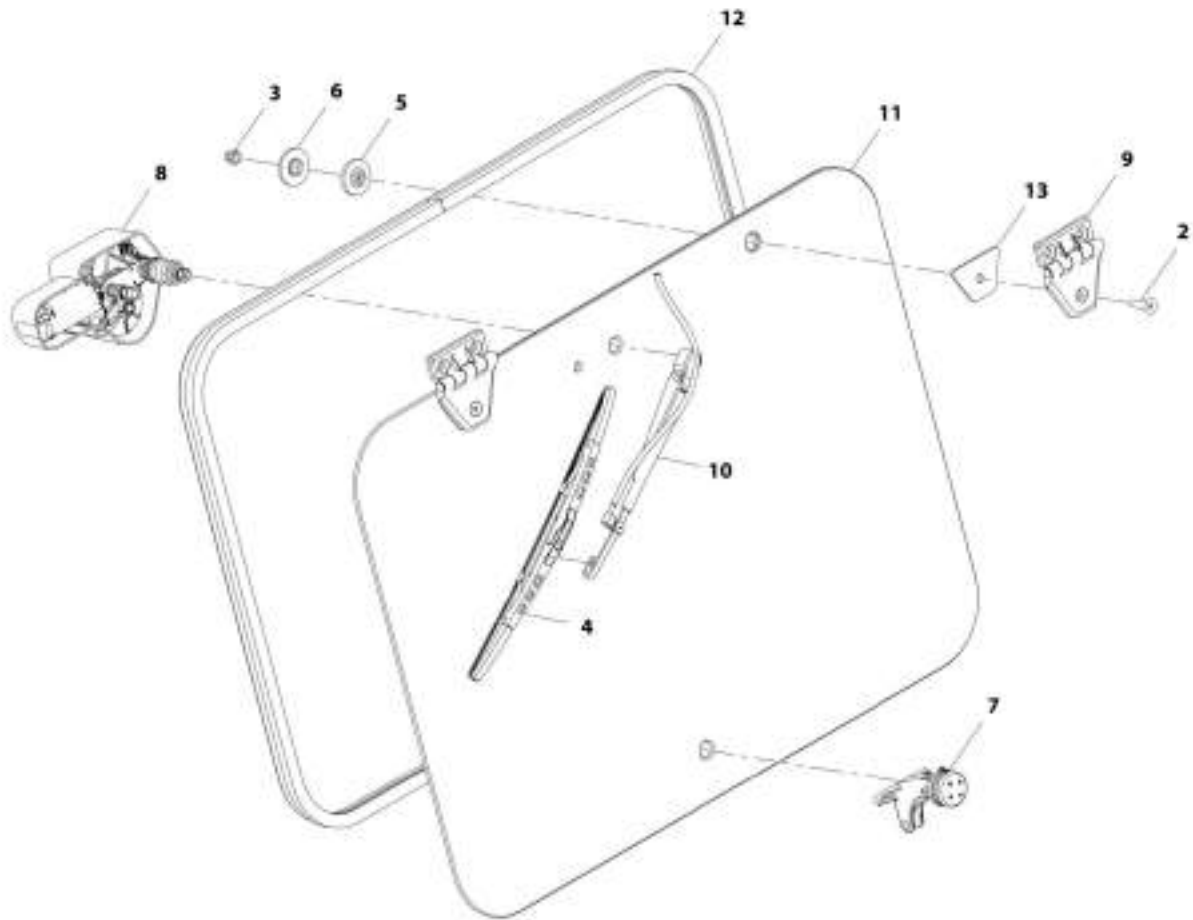
ART\_1001178670-C

FIGURE 6-7. REAR WINDOW INSTALLATION

ITEM	PART NUMBER	QTY	DESCRIPTION	REV
	1001178678	Ref	Rear Window Installation	C
2	1001003043	1	Pin, Spring	
3	1001097586	4	Screw, M8X1.25	
4	1001178679	1	Assembly, Rear Window (See Separate Breakdown in this Section)	
5	1001090343	1	Connector	

# SECTION 6 - CAB

## FIGURE 6-8. REAR WINDOW ASSEMBLY



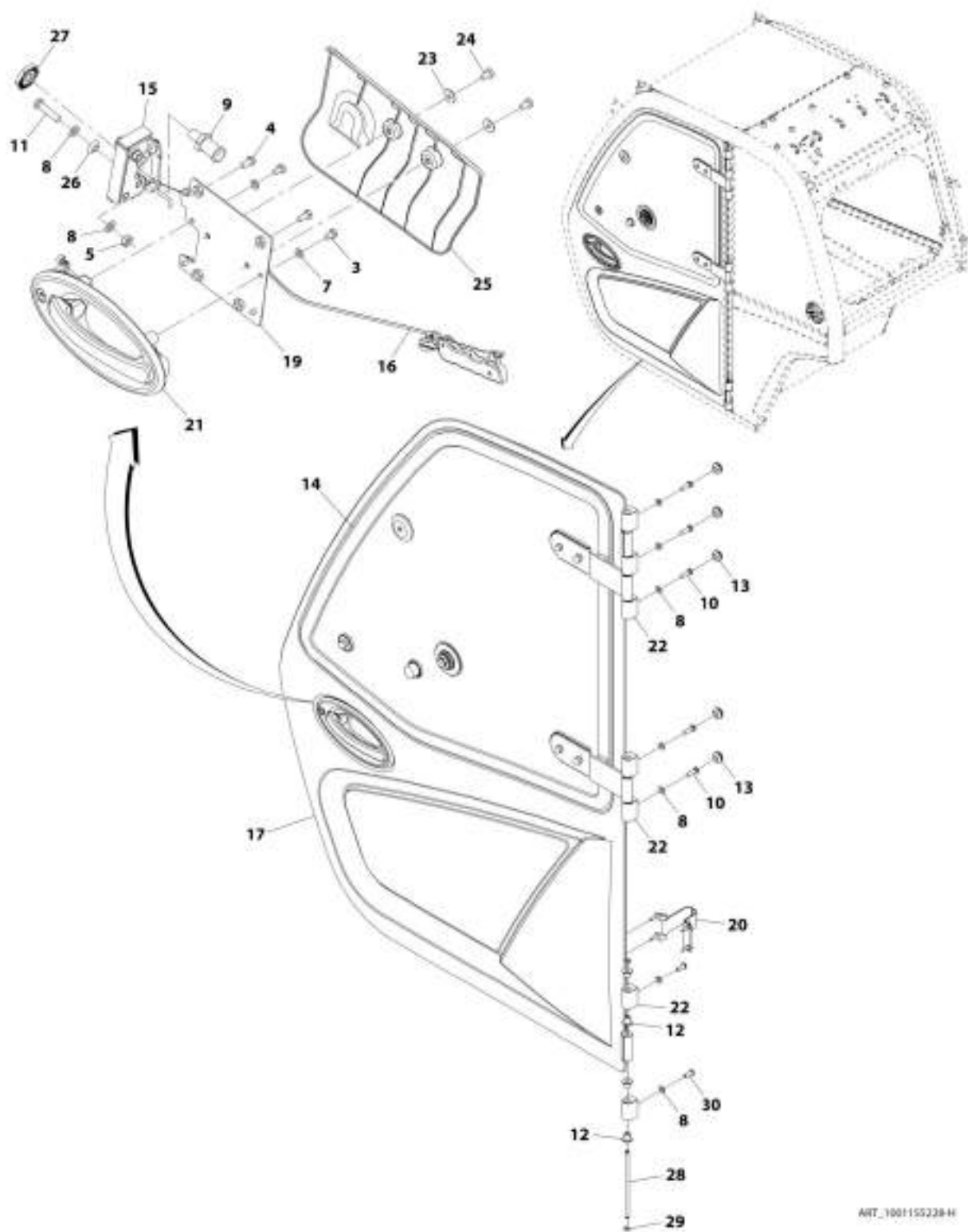
ART\_180178629-C

FIGURE 6-8. REAR WINDOW ASSEMBLY

ITEM	PART NUMBER	QTY	DESCRIPTION	REV
	1001178679	Ref	Rear Window Assembly	B
2	2080078	2	Fastener, M8X30	
3	3290806	2	Nut, M8X1.25 Grade 8	
4	4807718	1	Blade, Wiper	
5	8000759	2	Spacer	
6	8004398	2	Spacer	
7	1001005368	1	Latch, Window	
8	1001139552	1	Motor, Rear Wiper	
9	1001139568	2	Hinge	
10	1001141312	1	Arm, Rear Window Wiper	
11	1001178680	1	Glass, Rear Window	
12	1001178681	1	Seal	
13	1001181411	2	Gasket, Rear Window Hinge	

# SECTION 6 - CAB

## FIGURE 6-9. DOOR INSTALLATION



ART\_100155238-H

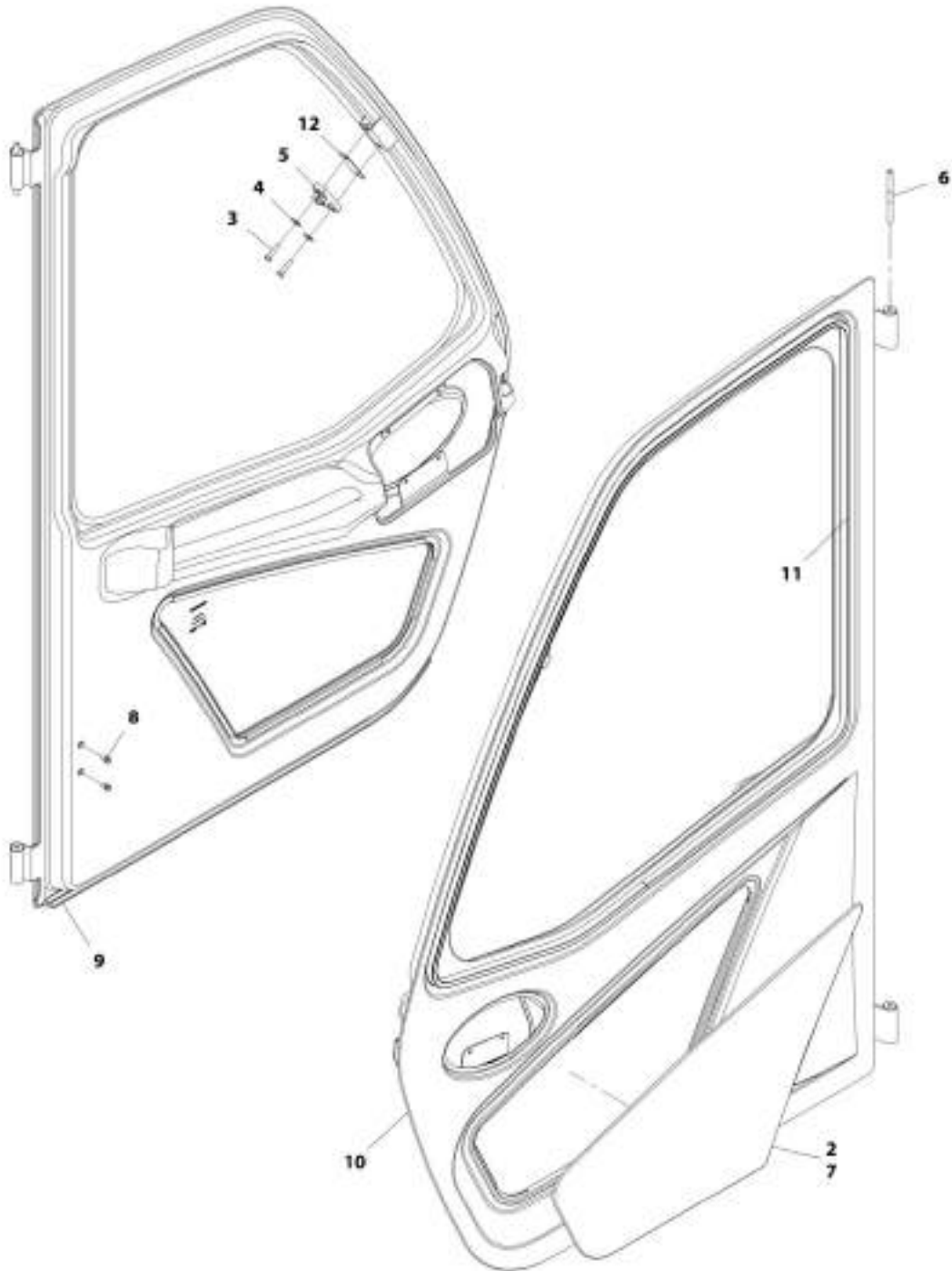


FIGURE 6-9. DOOR INSTALLATION

ITEM	PART NUMBER	QTY	DESCRIPTION	REV
	1001155228	Ref	Door Installation (JLG)	H
3	0760605	4	Bolt, M6X10	
4	0760607	4	Bolt, M6X14	
5	3290801	2	Nut, M8X1.25 Grade 8	
7	4811700	4	Washer, 6MM	
8	4811900	11	Washer, 8MM	
9	8000803	1	Pin, Door Striker	
10	1001008988	5	Screw M8X25	
11	1001047062	2	Screw, M8X35	
12	1001107192	10	Sleeve, Hinge	
13	1001143200	5	Plug	
14	1001205532	1	Assembly, Door Upper Glass (See Separate Breakdown in this Section)	
15	1001192766	1	Assembly, Cab Latch (See Separate Breakdown in this Section)	
16	1001167958	1	Assembly, Cab Door Trigger (See Separate Breakdown in this Section)	
17	1001170114	1	Assembly, Door (JLG) (See Separate Breakdown in this Section)	
19	1001173298	1	Bracket	
20	1001174295	1	Installation, Door Strap (See Separate Breakdown in this Section)	
21	1001192646	1	Handle, Exterior Door	
22	1001170601J	7	Lug, Hinge	
23	4811702	2	Washer, 6MM	
24	1001099566	2	Screw, M6-1X12	
25	1001175477	1	Cover, Cab Door Interior	
26	1001184439	2	Bushing	
27	1001192309	1	Nut, M12X1	
28	1001213791	1	Pin	
29	0498748	2	Washer, Lock	
30	1001164726	2	Bolt, M8X20	

SECTION 6 - CAB

FIGURE 6-10. DOOR ASSEMBLY (AG)



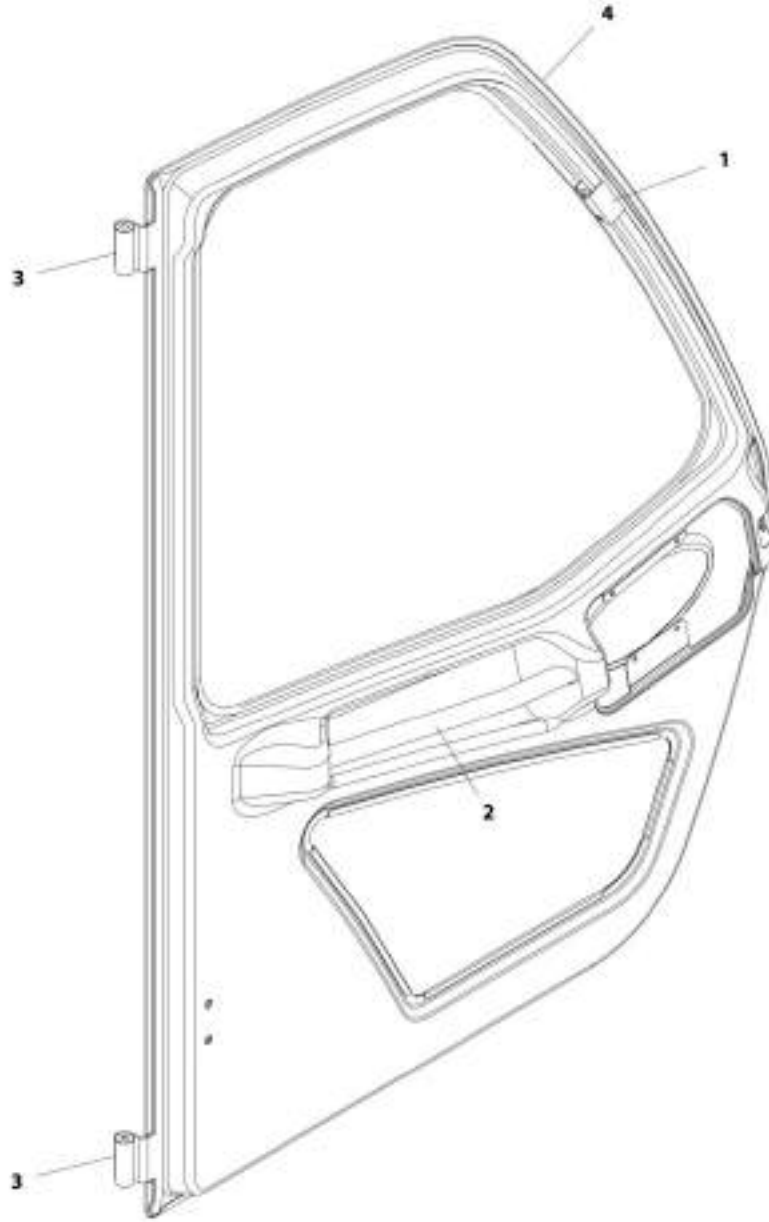
APT\_1001170114-H

FIGURE 6-10. DOOR ASSEMBLY (AG)

ITEM	PART NUMBER	QTY	DESCRIPTION	REV
	1001170114	Ref	Door Assembly (JLG)	H
2	1001111317	AR	Compound, Locking	
3	0700612	2	Bolt, M6X25	
4	4811702	2	Washer, 6MM	
5	1001165276	1	Plate, Window Latch Striker	
6	1001166634	1	Pin, Hinge	
7	1001169880	1	Window, Lower Glass	
8	1001172193	2	Rivnut, M5X0.8	
9	1001175227	1	Seal, Cab Door	
10	1001170113J	1	Door, Cab (See Separate Breakdown in this Section)	
11	1001178213	1	Seal, Cab Door Window	
12	1001193210	AR	Shim, Window Latch	

SECTION 6 - CAB

FIGURE 6-11. CAB DOOR



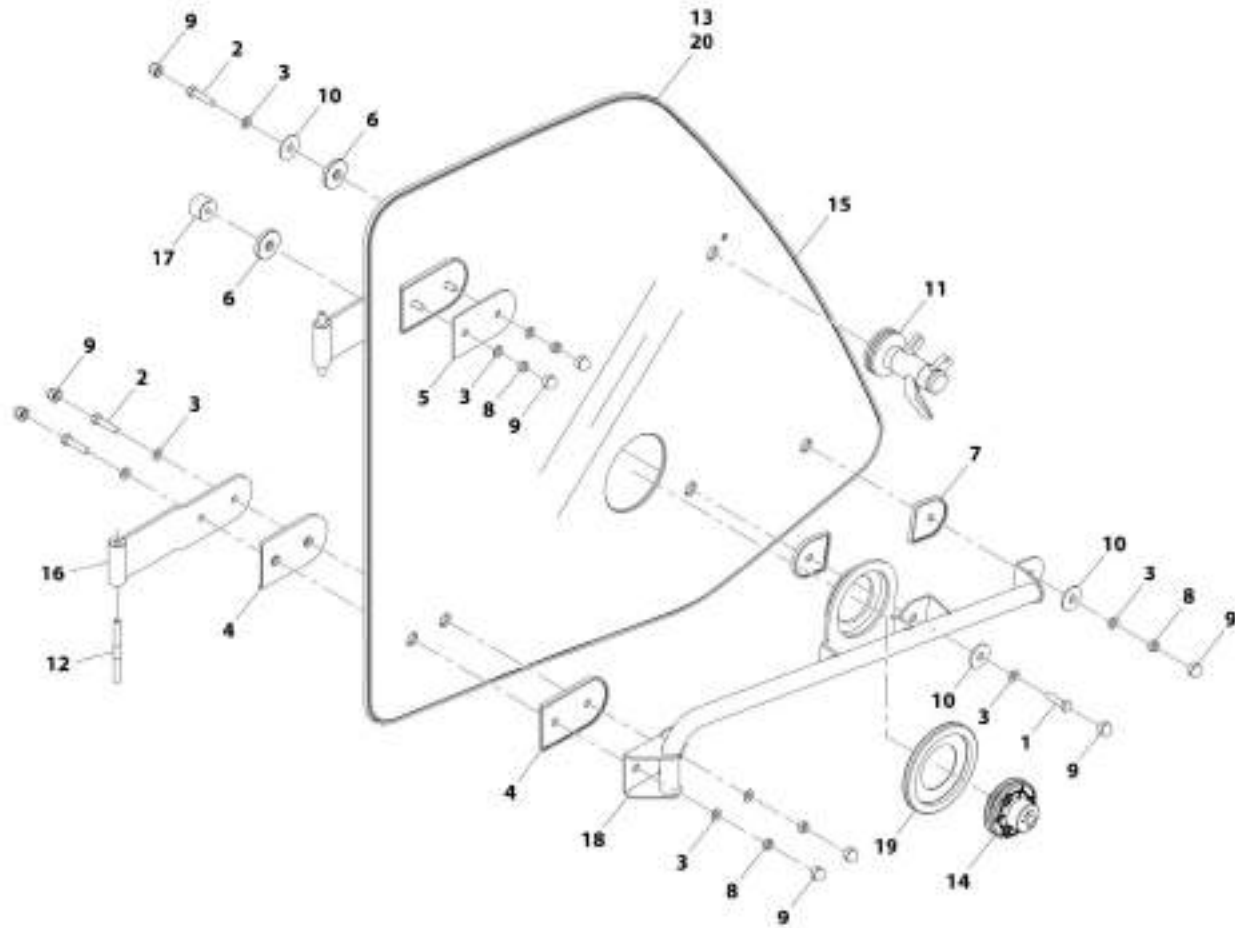
ART. 10011/20113-D

FIGURE 6-11. CAB DOOR

ITEM	PART NUMBER	QTY	DESCRIPTION	REV
	1001170113	Ref	Cab Door	D
1	1001169883	1	Bracket, Window Latch	
2	1001169885	1	Handle, Interior Door	
3	1001171037	1	Plate, Hinge	
4	1001171635	1	Frame, Door	

# SECTION 6 - CAB

## FIGURE 6-12. DOOR UPPER GLASS ASSEMBLY



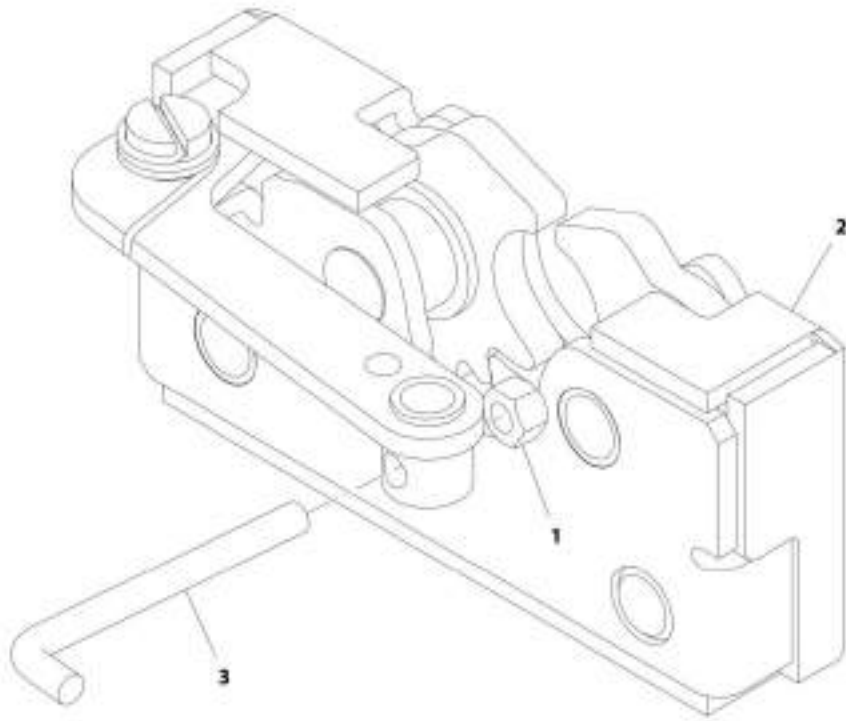
ART\_1001200532-A

FIGURE 6-12. DOOR UPPER GLASS ASSEMBLY

ITEM	PART NUMBER	QTY	DESCRIPTION	REV
	1001205532	Ref	Door Upper Glass Assembly	A
1	0760814	1	Bolt, M8X30	
2	0760815	5	Bolt, M8X35	
3	4811900	11	Washer, 8MM	
4	1001002946	4	Mount, Hinge	
5	1001002947	1	Mount, Hinge	
6	1001002953	2	Mount, Rubber	
7	1001002957	2	Mount, Latch	
8	1001008857	5	Nut, Lock	
9	1001096365	11	Cap, M8	
10	1001141246	3	Mount, Rubber	
11	1001165275	1	Latch, Window	
12	1001166634	2	Pin, Hinge	
13	1001170944	1	Panel, Window Surround	
14	1001174321	1	Striker, Top Window	
15	1001204066	1	Glass, Window	
16	1001204115	2	Hinge	
17	1001204117	1	Buffer, Cab	
18	1001204120	1	Handle	
19	1001213331	1	Gasket	
20	1001215531	AR	Adhesive	

**SECTION 6 - CAB**

**FIGURE 6-13. CAB LATCH ASSEMBLY**



ART\_10011K2766-A

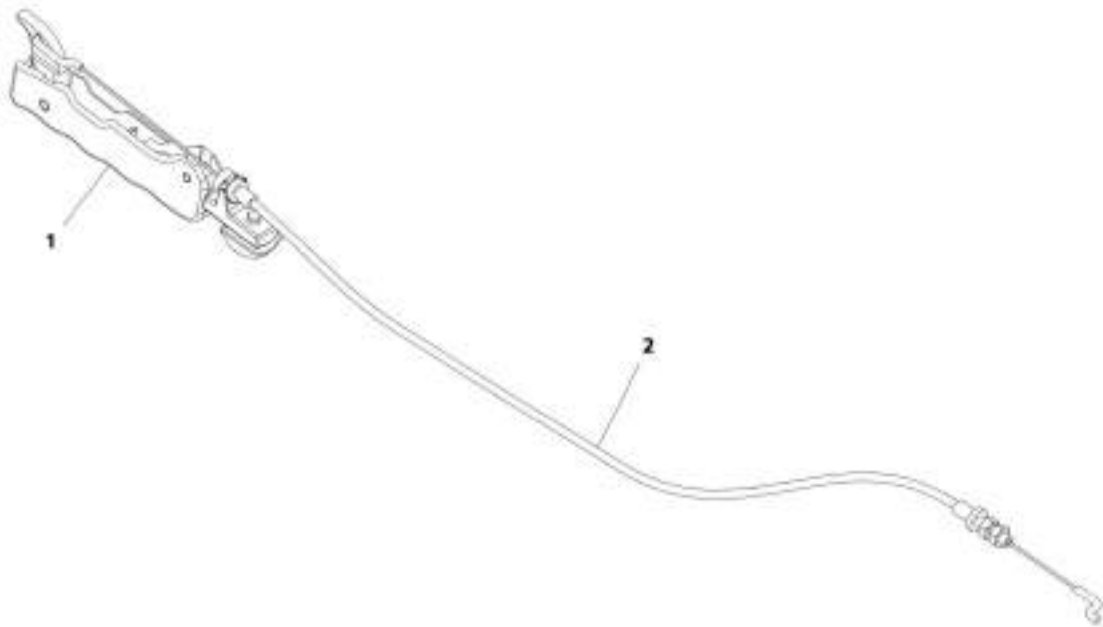


**FIGURE 6-13. CAB LATCH ASSEMBLY**

<b>ITEM</b>	<b>PART NUMBER</b>	<b>QTY</b>	<b>DESCRIPTION</b>	<b>REV</b>
	1001192766	Ref	Cab Latch Assembly	A
1	3290405	1	Nut, M4X0.7 Grade 8	
2	1001192643	1	Latch	
3	1001192755	1	Link, Door Handle	

# SECTION 6 - CAB

## FIGURE 6-14. CAB DOOR TRIGGER ASSEMBLY



ART\_1001107958-E

**FIGURE 6-14. CAB DOOR TRIGGER ASSEMBLY**

<b>ITEM</b>	<b>PART NUMBER</b>	<b>QTY</b>	<b>DESCRIPTION</b>	<b>REV</b>
	1001167958	Ref	Cab Door Trigger Assembly	E
1	1001167937	1	Trigger, Cab Interior Release	
2	1001192644	1	Cable, Cab Latch Release	

# SECTION 6 - CAB

## FIGURE 6-15. DOOR STRAP INSTALLATION

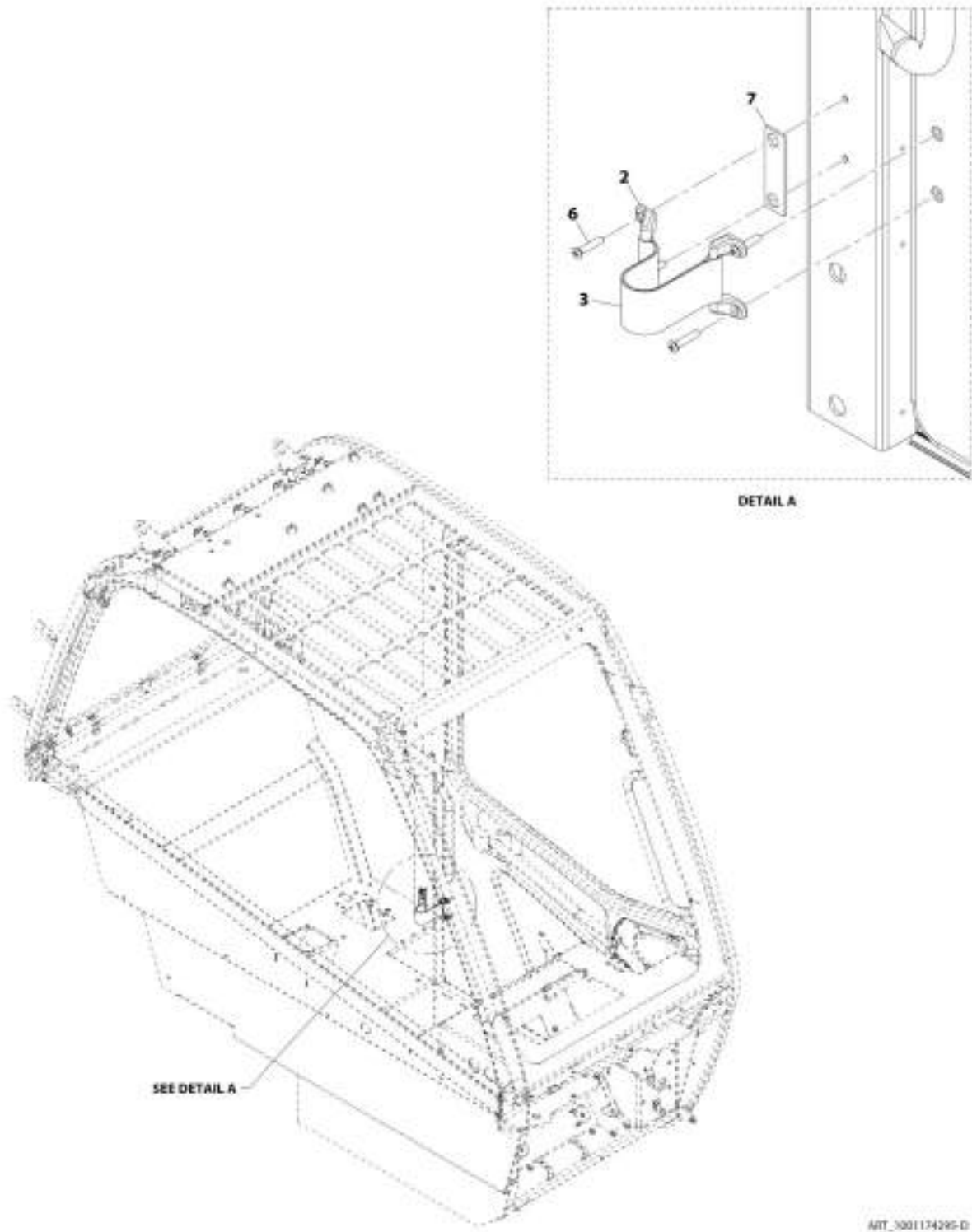
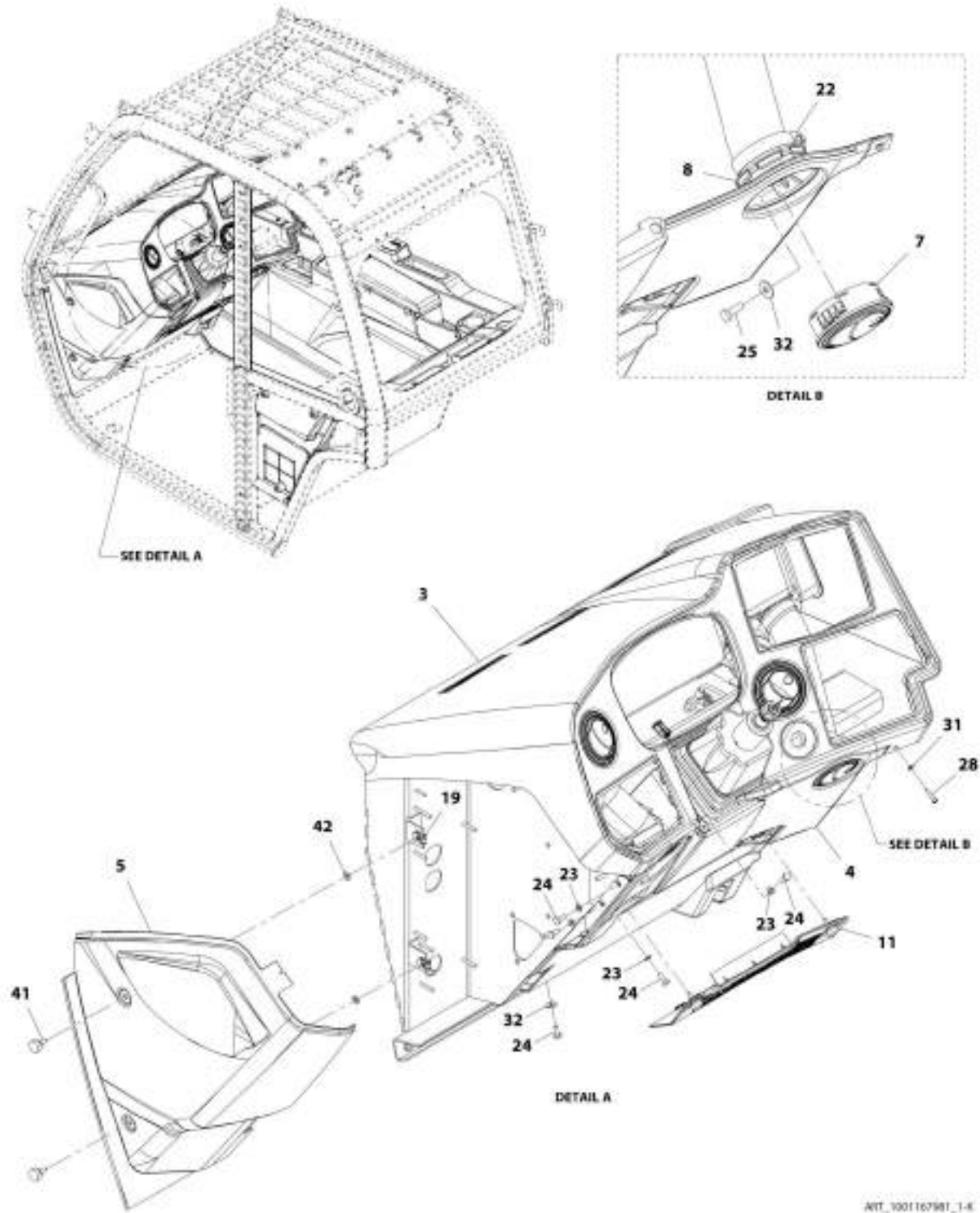


FIGURE 6-15. DOOR STRAP INSTALLATION

ITEM	PART NUMBER	QTY	DESCRIPTION	REV
	1001174295	Ref	Door Strap Installation	D
2	8001332	2	Bracket, Strap Holder	
3	1001212011	1	Strap, Door Hold Open	
6	1001190979	4	Screw	
7	1001191091	1	Plate, Cab Door Strap	

# SECTION 6 - CAB

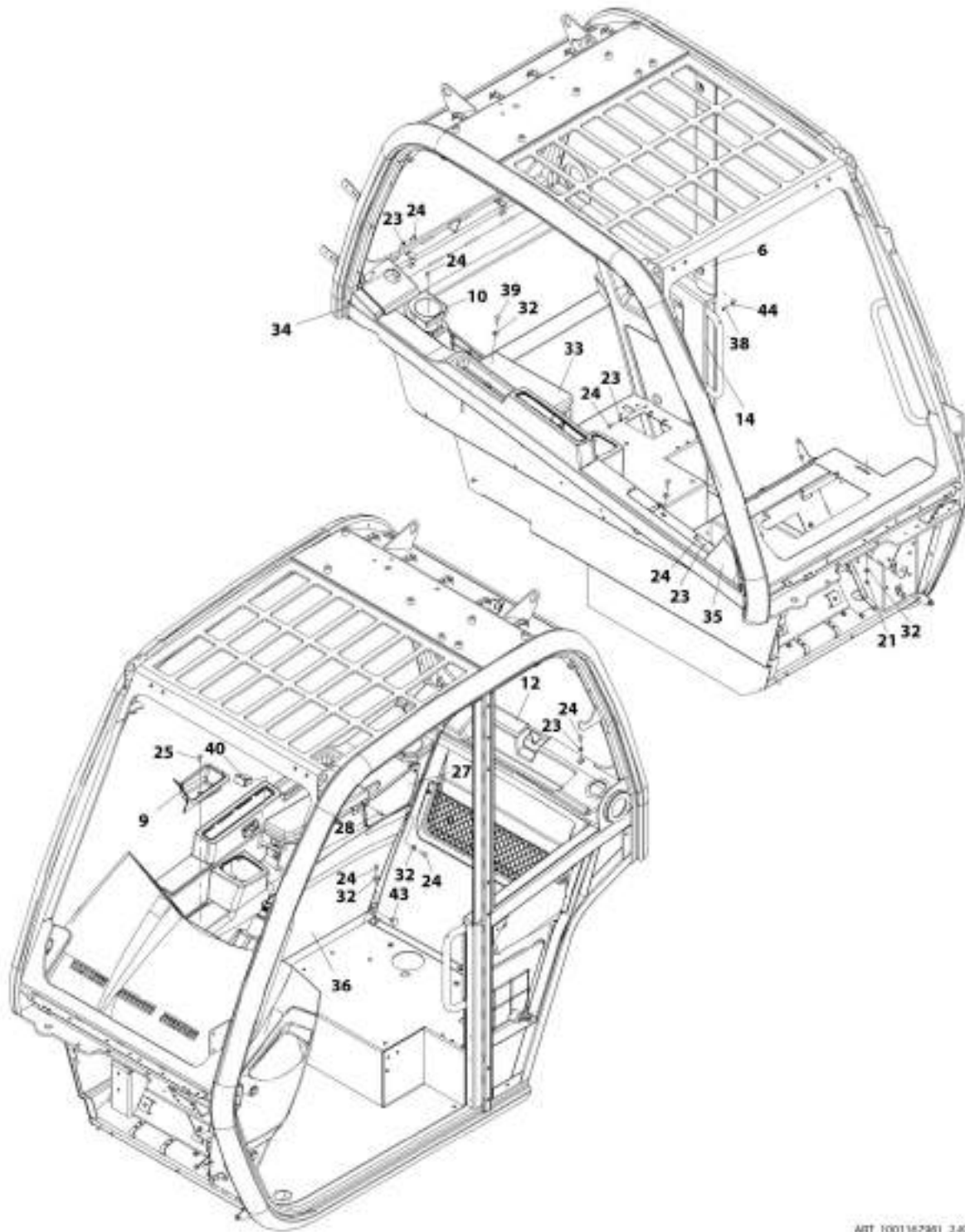
## FIGURE 6-16. ENCLOSED CAB TRIM INSTALLATION





# SECTION 6 - CAB

## FIGURE 6-17. ENCLOSED CAB TRIM INSTALLATION



ART\_1001167861\_2-K

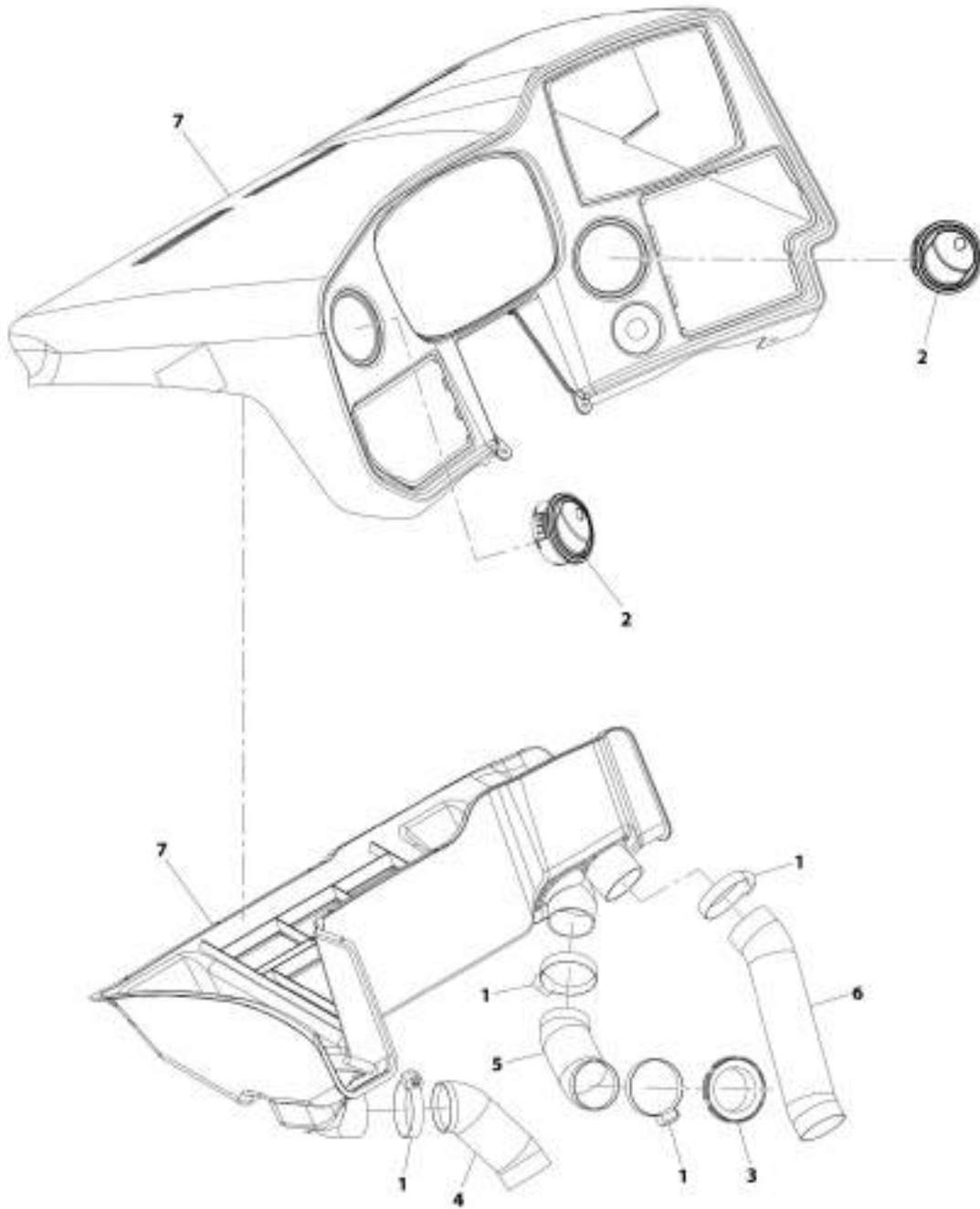


FIGURE 6-17. ENCLOSED CAB TRIM INSTALLATION

ITEM	PART NUMBER	QTY	DESCRIPTION	REV
	1001167981	Ref	Enclosed Cab Trim Installation	K
3	1001215154	1	Assembly, Dash Cover (See Separate Breakdown in this Section)	
4	1001175903	1	Panel, Lower Dash	
5	1001161855	1	Panel, LH Dash	
6	1001161251	1	Panel, Cover	
7	1001147449	2	Vent, Air	
8	1001149278	2	Vent, Connector	
9	1001169603	1	Panel, Trinket Tray	
10	1001170518	1	Holder, Cup	
11	1001170506	1	Panel, Recirculation Grille Cover (See Separate Breakdown in this Section)	
12	1001170519	1	Assmby, Rear Panel Cover (See Separate Breakdown in this Section)	
14	1001161068	1	Panel, Cover	
19	8305919	2	Nut, M6	
21	3290605	2	Nut, Lock M6X1 Grade 8	
22	8405201	2	Clamp, Gear	
23	4811700	18	Washer, M6	
24	4010608002	20	Screw, M6X16	
25	4010510002	2	Screw, M5X20	
27	1001173965	1	Bezel, RH	
28	4031608	3	Bolt, M5X20	
31	4811600	3	Washer, M5	
32	4811702	12	Washer, M6	
33	1001181726	Ref	Installation, Adjustable Armrest (See Separate Breakdown in this Section)	
34	1001182834	1	Panel, Cover	
35	1001185870	1	Panel, Cover	
36	1001189182	1	Panel, Cover	
38	4031607	2	Bolt, M5-.8X16	
39	4010612002	3	Screw, M6X25	
41	1001208308	2	Bolt, M6X15	
42	1001148557	2	Washer, Star	
43	1001211907	1	Screw, Retainer	
44	4811602	2	Washer, 5M	

SECTION 6 - CAB

FIGURE 6-18. DASH COVER ASSEMBLY



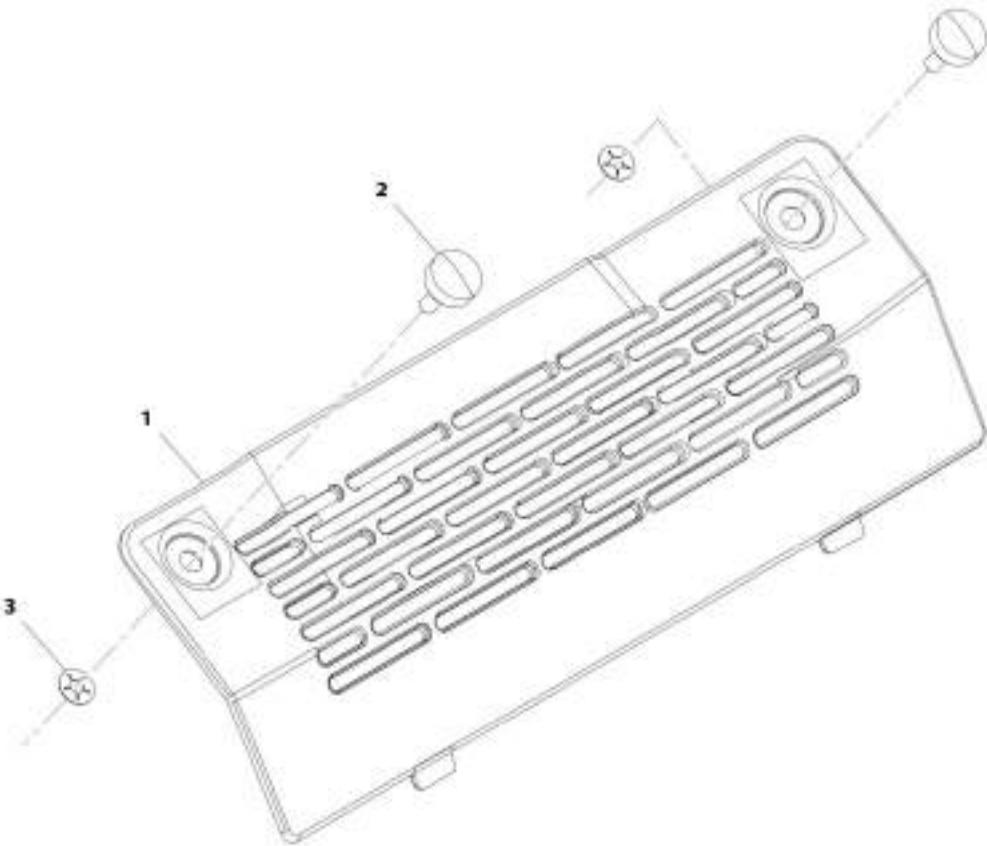
ART\_1001215134-A

FIGURE 6-18. DASH COVER ASSEMBLY

ITEM	PART NUMBER	QTY	DESCRIPTION	REV
	1001215154	Ref	COVER,DASH AS	A
1	8405201	4	Clamp, Gear	
2	1001147449	2	Vent, Air	
3	1001149278	1	Vent, Connector	
4	1001174652	1	Hose	
5	1001174653	1	Hose	
6	1001174655	1	Hose	
7	1001214951	1	Panel, Top Dash	

**SECTION 6 - CAB**

**FIGURE 6-19. RECIRCULATION GRILLE COVER PANEL ASSEMBLY**



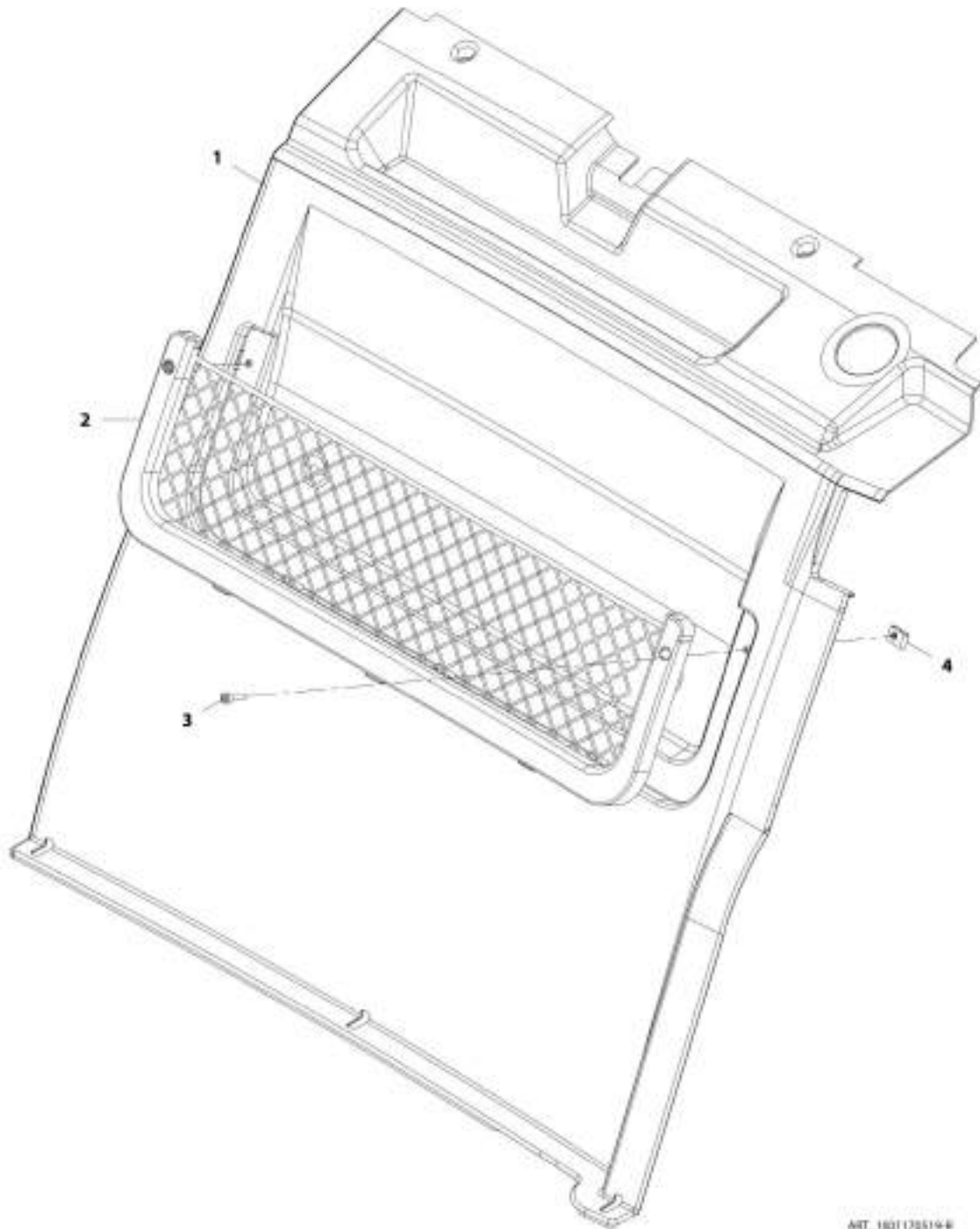
AWT\_100170906-D

**FIGURE 6-19. RECIRCULATION GRILLE COVER PANEL ASSEMBLY**

<b>ITEM</b>	<b>PART NUMBER</b>	<b>QTY</b>	<b>DESCRIPTION</b>	<b>REV</b>
	1001170506	1	Recirculation Grille Cover Panel Assembly	D
1	1001170504	1	Cover, HVAC Recirc Grille	
2	2080092	2	Fastener, Thumb Bolt	
3	1001148557	2	Washer, Star	

# SECTION 6 - CAB

## FIGURE 6-20. REAR PANEL COVER ASSEMBLY



ART\_182178519-6

FIGURE 6-20. REAR PANEL COVER ASSEMBLY

ITEM	PART NUMBER	QTY	DESCRIPTION	REV
	1001170519	Ref	Rear Panel Cover Assembly	B
1	1001161067	1	Panel, Rear	
2	1001170514	1	Storage Net, Rear Panel	
3	4031608	2	Bolt, M5X20	
4	1001183550	2	Nut, Cage M5	

# SECTION 6 - CAB

## FIGURE 6-21. ADJUSTABLE ARMREST INSTALLATION

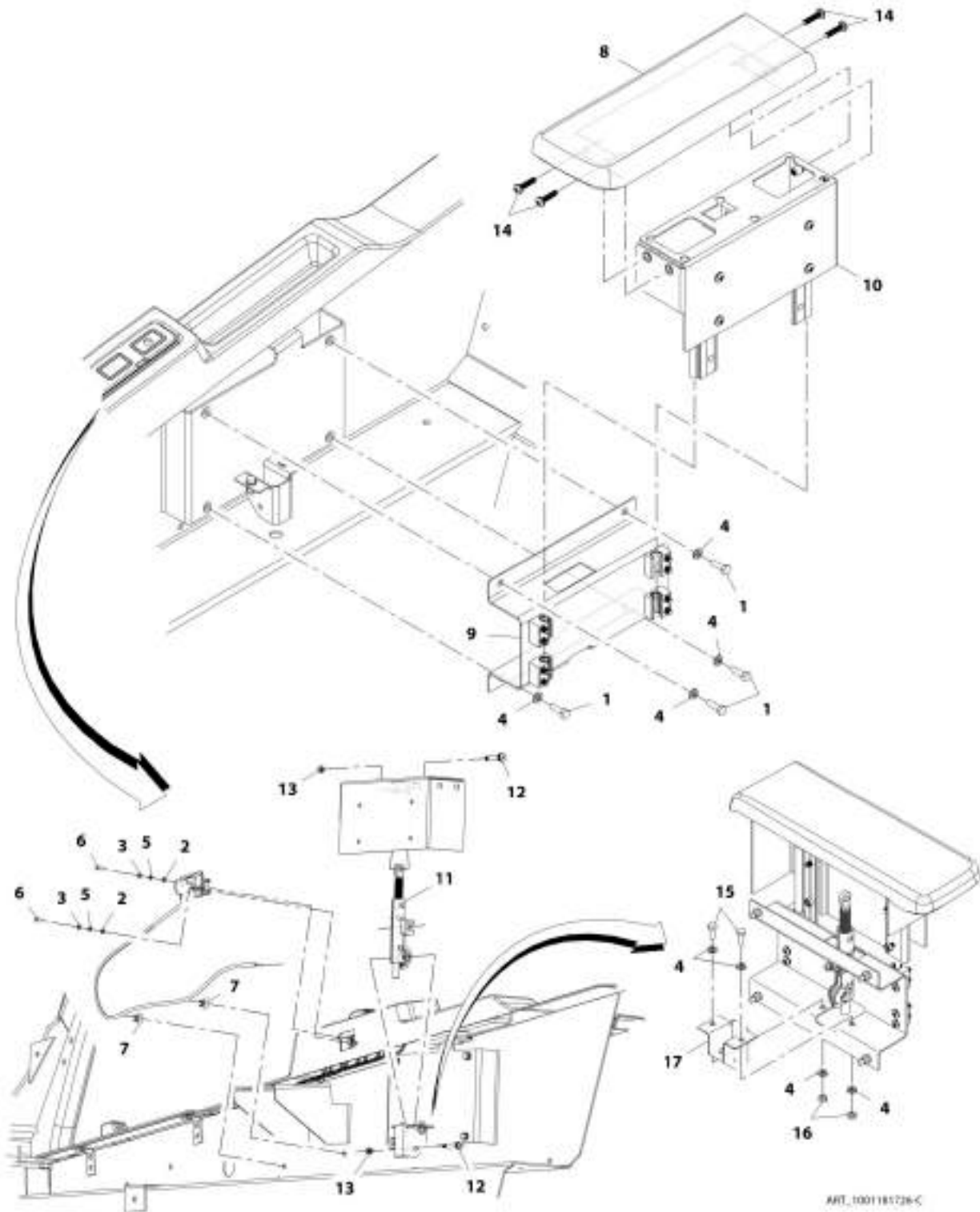


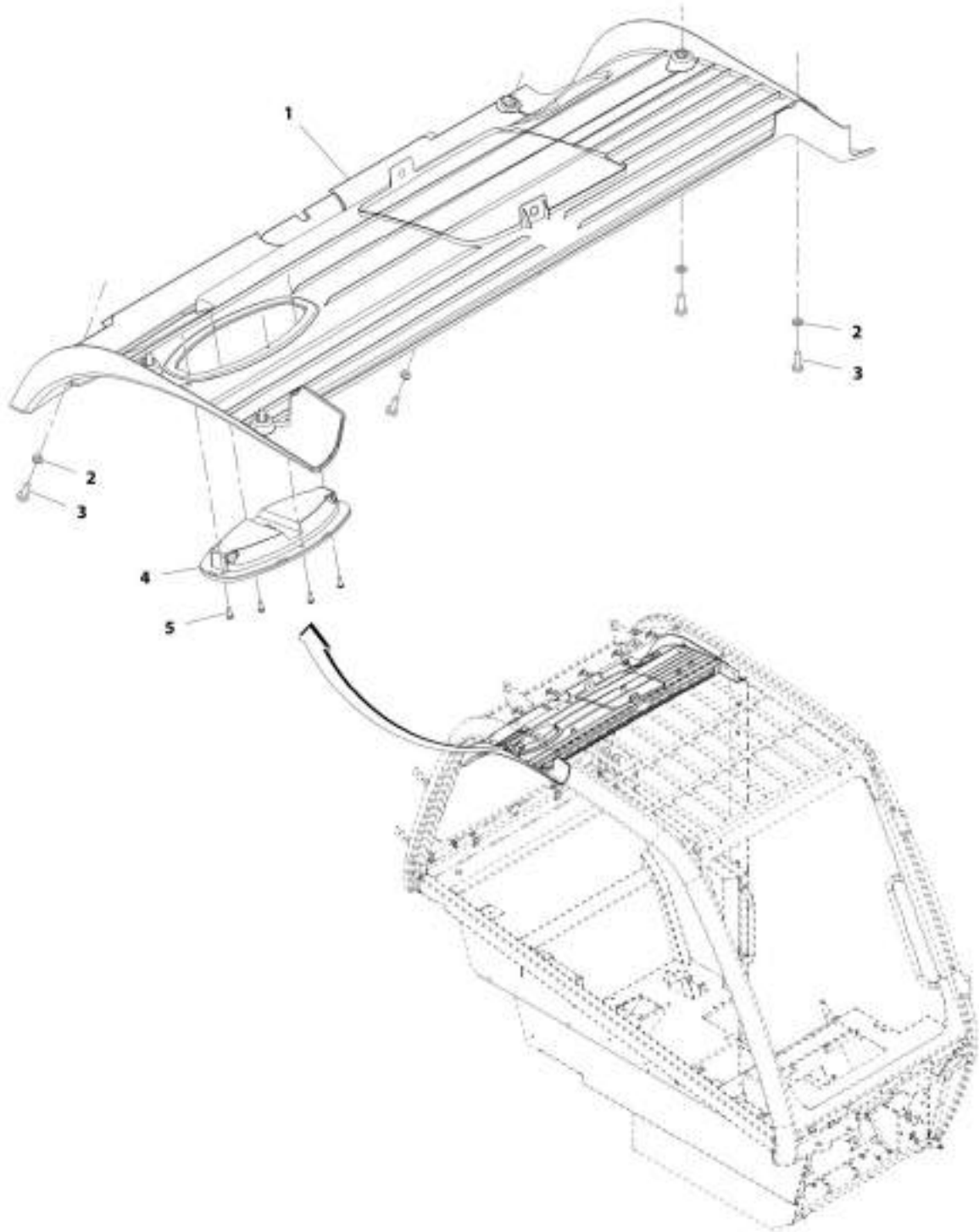


FIGURE 6-21. ADJUSTABLE ARMREST INSTALLATION

ITEM	PART NUMBER	QTY	DESCRIPTION	REV
	1001181726	Ref	Adjustable Armrest Installation	C
1	0700610	4	Bolt, M6X20	
2	3290401	2	Nut, M4X0.7	
3	4811400	2	Washer, M4	
4	4811700	8	Washer, M6	
5	4831400	2	Washer, Lock M4	
6	1001097244	2	Screw, M4X12	
7	1001165458	4	Hose	
8	1001191281	1	Armrest	
9	1001191283	1	Armrest Carriage, Fixed Slide	
10	1001191284	1	Armrest Carriage, Moving Slide	
11	1001191285	1	Armrest, Gas Spring	
12	1001191370	2	Screw, M6	
13	3290605	2	Nut, M6X1 Grade 8	
14	4010612002	4	Screw, M6X25	
15	0760608	2	Bolt, M6X16	
16	3290601	2	Nut, M6X1	
17	1001212468	1	Bracket, Locking Spring Mount	

# SECTION 6 - CAB

## FIGURE 6-22. HEADLINER INSTALLATION



MYT\_3001170716-C

FIGURE 6-22. HEADLINER INSTALLATION

ITEM	PART NUMBER	QTY	DESCRIPTION	REV
	1001170718	Ref	Headliner Installation	C
1	1001170716	1	Panel, Headliner	
2	4811700	6	Washer, M6	
3	4010610002	6	Screw, M6X20	
4	1001167015	1	Lamp	
5	7029486	4	Screw	

# SECTION 6 - CAB

## FIGURE 6-23. HEADLINER/RADIO READY INSTALLATION

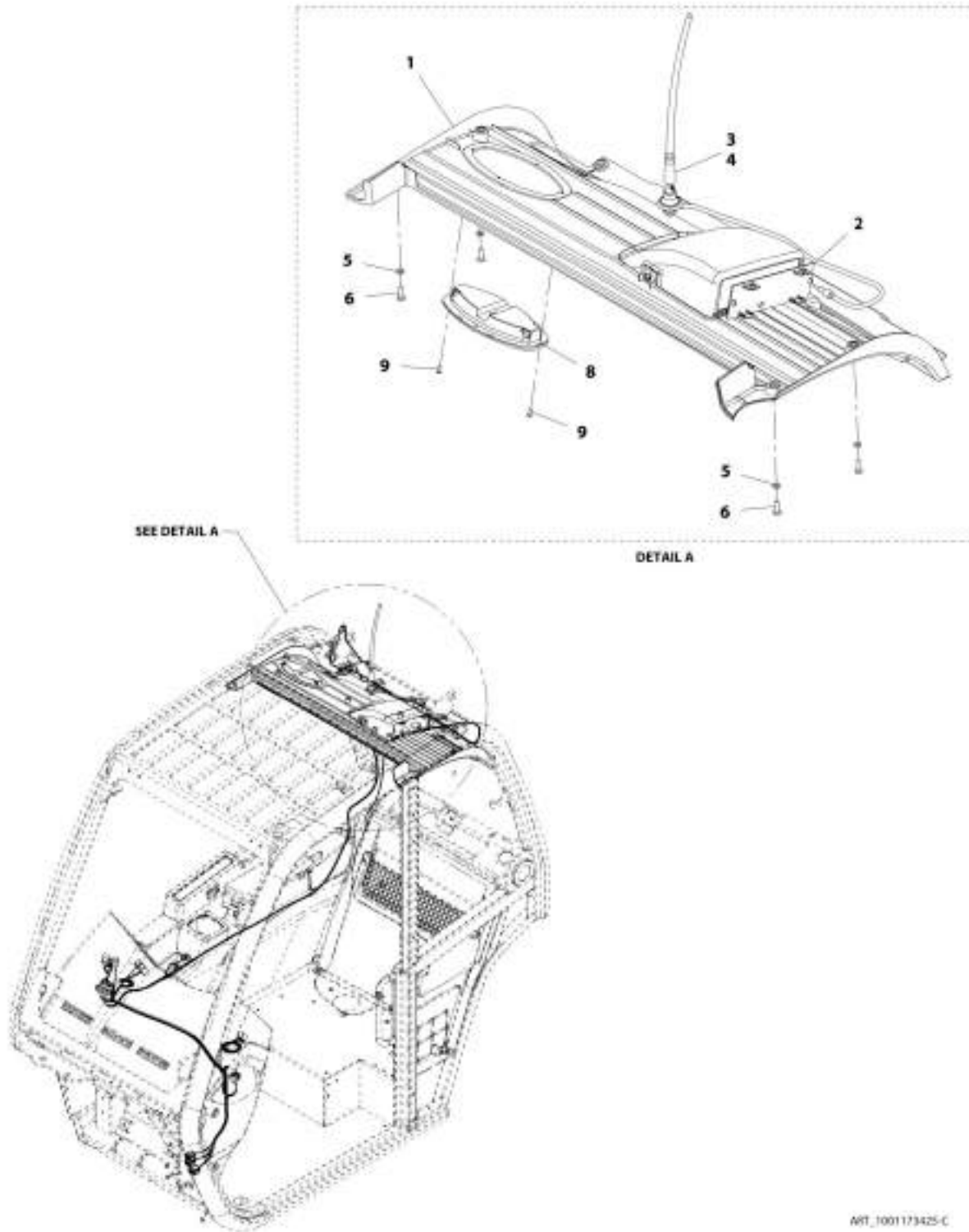
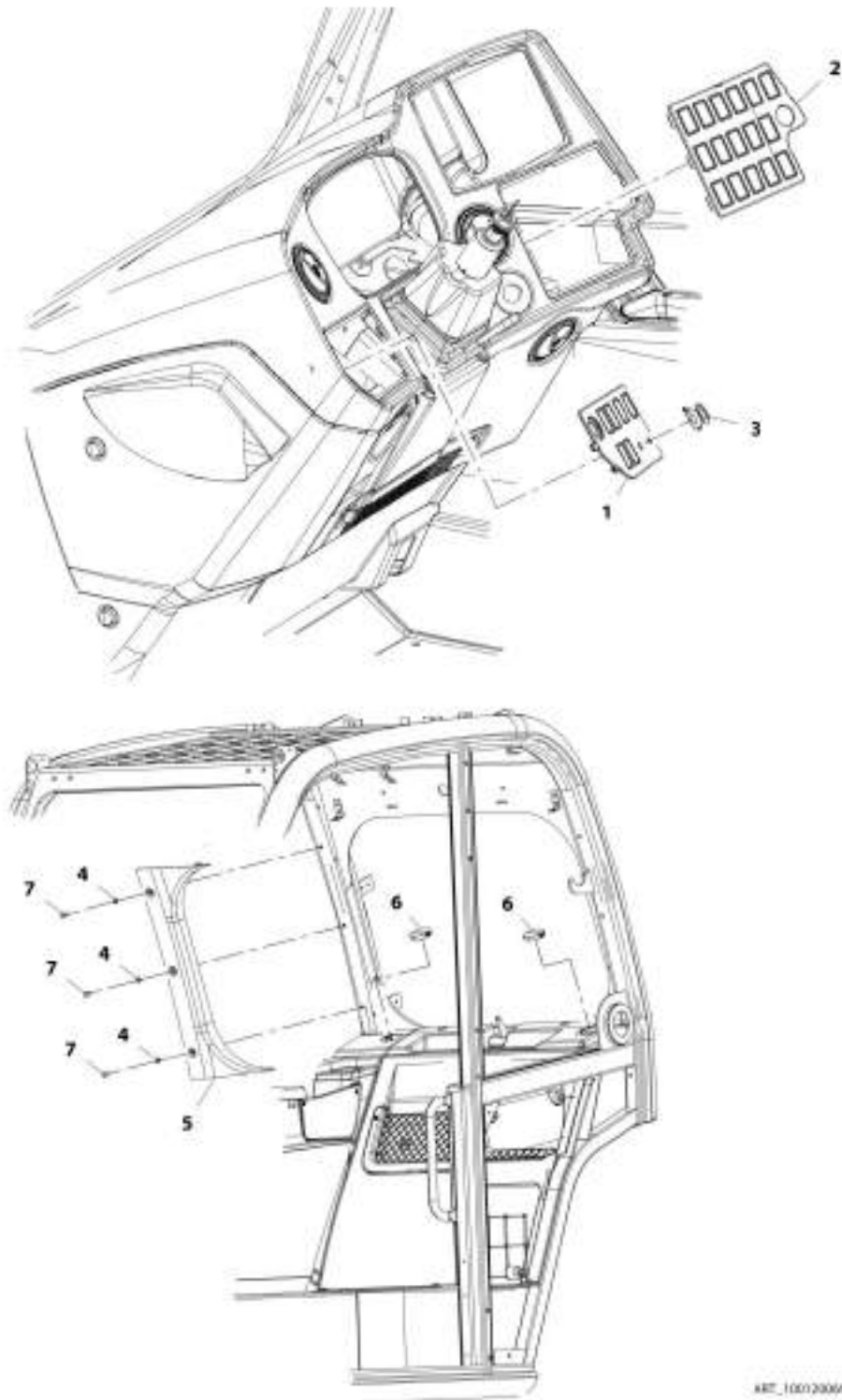


FIGURE 6-23. HEADLINER/RADIO READY INSTALLATION

ITEM	PART NUMBER	QTY	DESCRIPTION	REV
	1001173425	Ref	Headliner/Radio Ready Installation	C
1	1001182836	1	Cover, Headliner	
2	1001200968	1	Plate	
3	8005901	1	Antenna	
4	1001116128	AR	Sealant, Polysiloxane	
5	4811700	6	Washer, 6M	
6	4010610002	6	Screw, M6X20	
8	1001167015	1	Lamp	
9	7029486	4	Screw	

# SECTION 6 - CAB

## FIGURE 6-24. COMMON CAB TRIM INSTALLATION



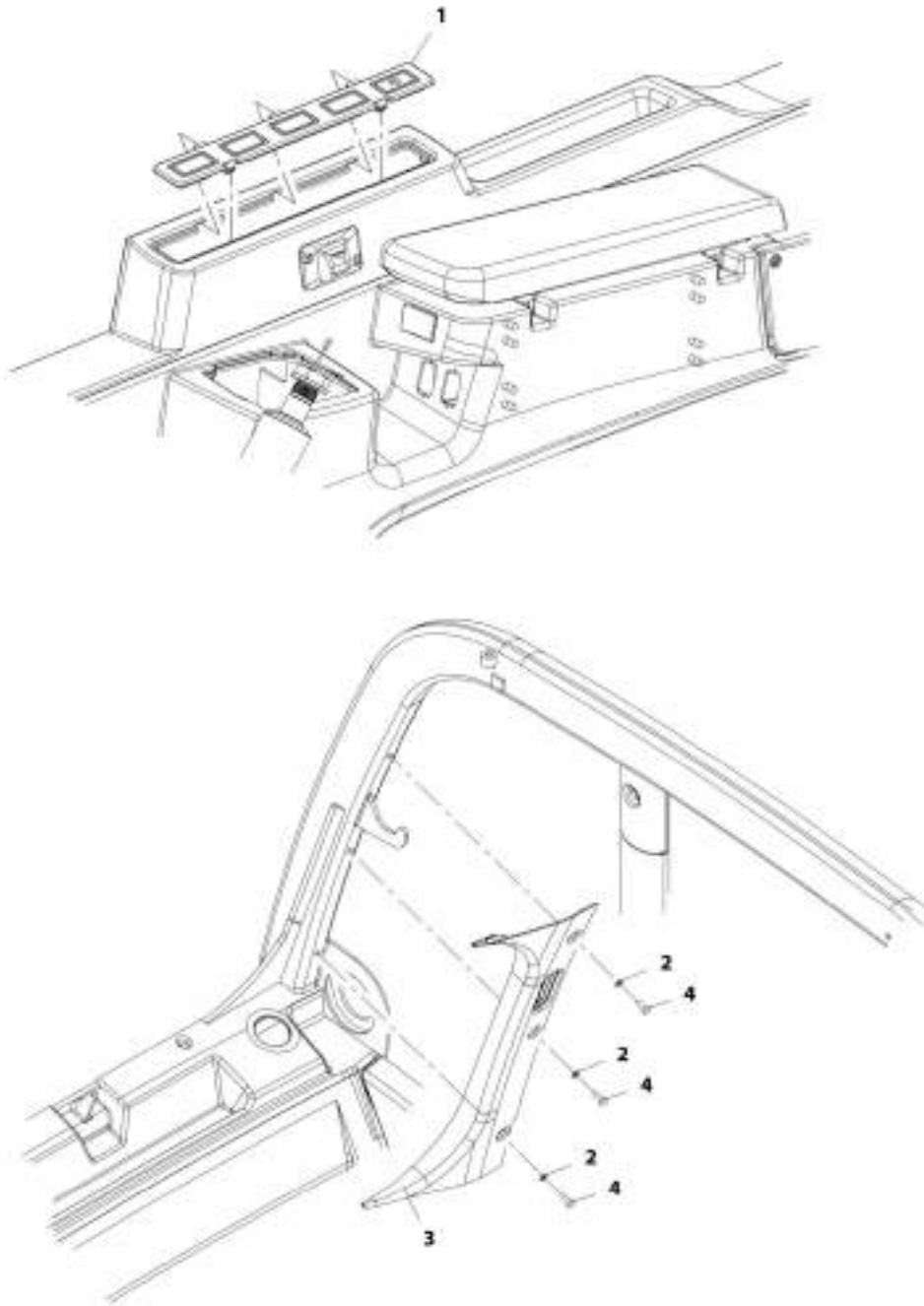
KIT\_1001200694-8

FIGURE 6-24. COMMON CAB TRIM INSTALLATION

ITEM	PART NUMBER	QTY	DESCRIPTION	REV
	1001200694	Ref	Common Cab Trim Installation	B
1	1001165066	1	Plate, LH Switch	
2	1001165067	1	Plate, RH Switch	
3	1001184975	1	Decal, HVAC	
4	4811700	3	Washer, M6	
5	1001161253	1	Panel, Cover	
6	1001190413	2	Plug	
7	4010608002	3	Screw, M6X16	

# SECTION 6 - CAB

## FIGURE 6-25. CAB TRIM INSTALLATION



ART\_1001201207-B



FIGURE 6-25. CAB TRIM INSTALLATION

ITEM	PART NUMBER	QTY	DESCRIPTION	REV
	1001201207	Ref	Cab Trim Installation	B
1	1001177464	1	Plate, Switch	
2	4811700	3	Washer, M6	
3	1001161252	1	Panel, Cover	
4	4010608002	3	Screw, M6X16	

# SECTION 6 - CAB

## FIGURE 6-26. ROOF CAP INSTALLATION (A/C)

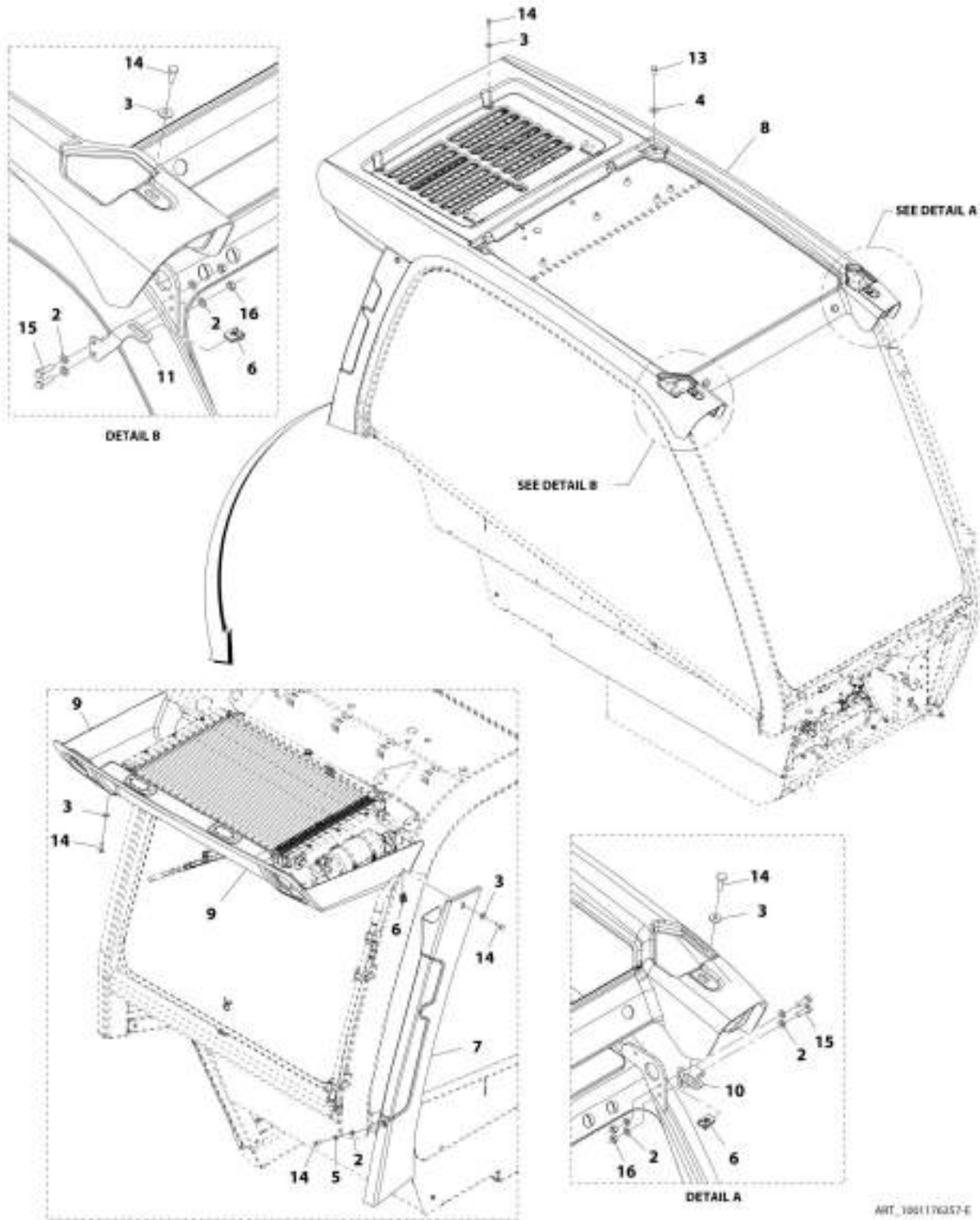
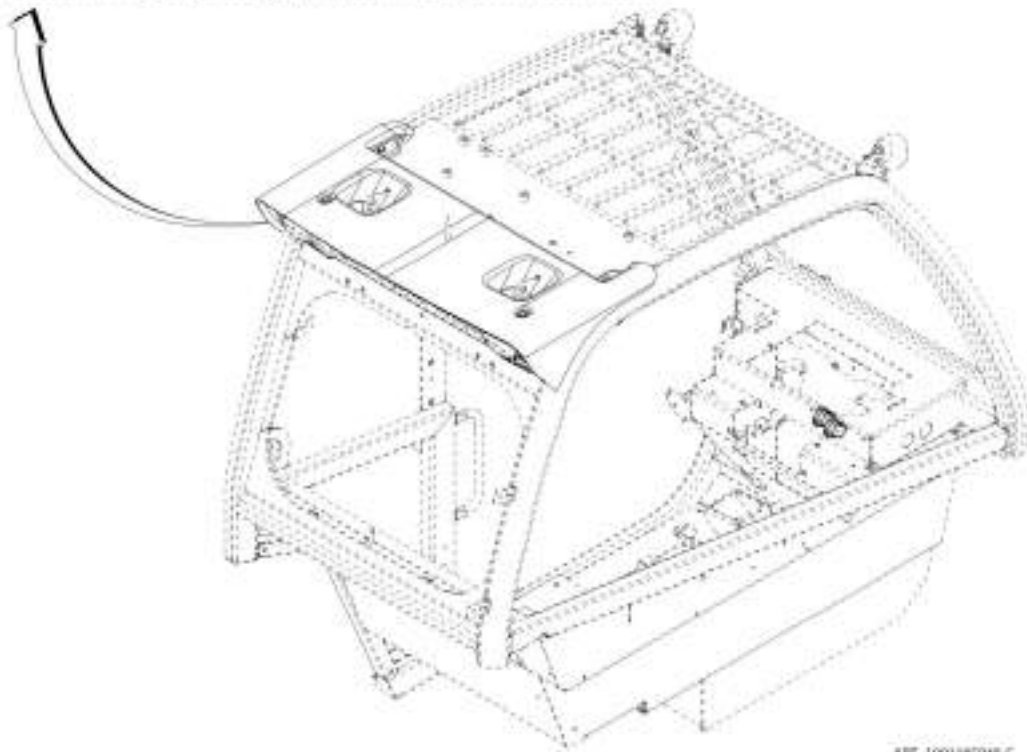
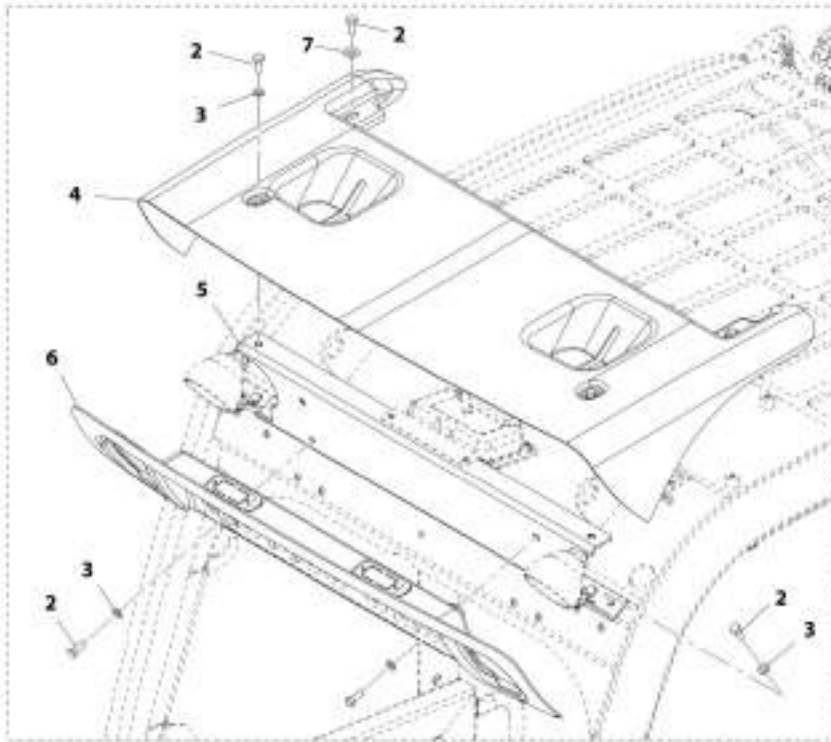


FIGURE 6-26. ROOF CAP INSTALLATION (A/C)

ITEM	PART NUMBER	QTY	DESCRIPTION	REV
	1001176257	Ref	Roof Cap Installation (A/C - JLG)	E
2	4811700	9	Washer, M6	
3	4811702	10	Washer, M6	
4	4811902	2	Washer, M8	
5	4831700	1	Washer, Lock M6	
6	8305919	3	Nut, M6	
7	1001174741	1	Cover	
8	1001176140	1	Cover	
9	1001176318	1	Cover	
10	1001174800	1	Bracket	
11	1001174801	1	Bracket	
13	4010810002	2	Screw, Posi-Drive M8X20	
14	4010610002	11	Screw, Posi-Drive M6X20	
15	0700610	4	Bolt, M6X20	
16	3290601	4	Nut, M6X1	

# SECTION 6 - CAB

## FIGURE 6-27. ROOF CAP INSTALLATION (NO A/C)



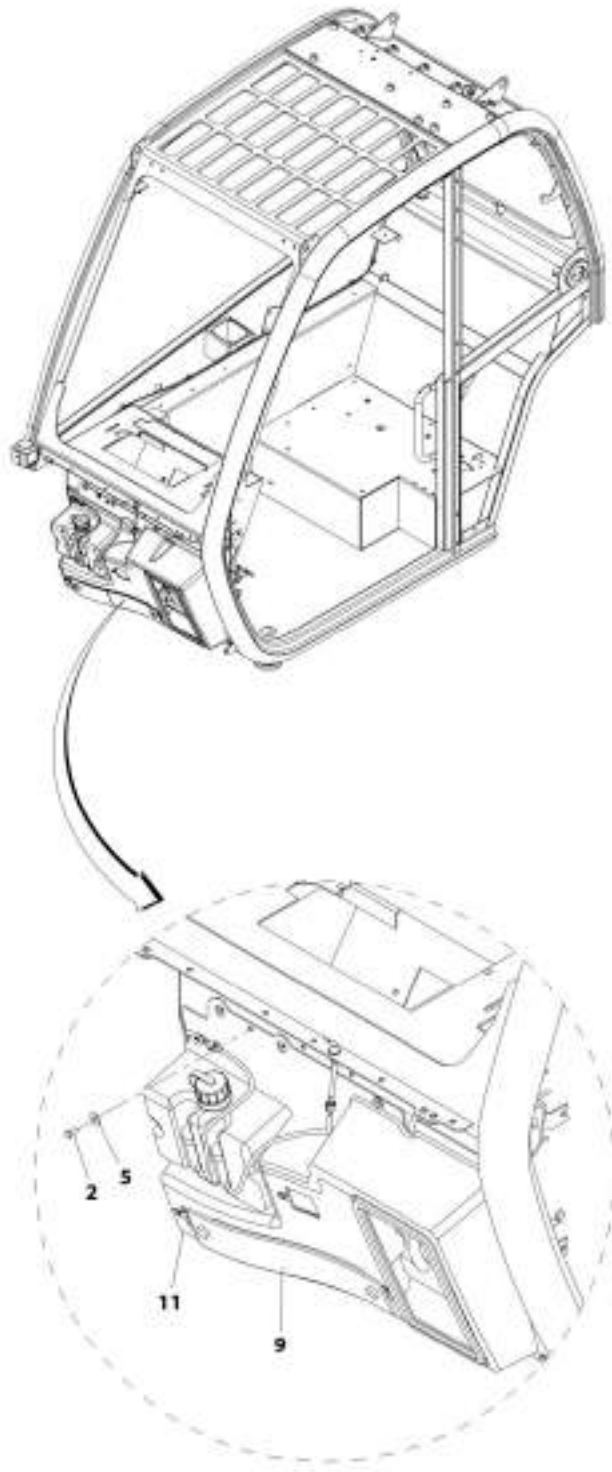
ART\_1001182948-C

FIGURE 6-27. ROOF CAP INSTALLATION (NO A/C)

ITEM	PART NUMBER	QTY	DESCRIPTION	REV
	1001185848	Ref	Roof Cap Installation (No A/C - AG - JLG)	C
2	0760810	10	Bolt, M8X20	
3	4811900	8	Washer, M8	
4	1001182330	1	Cover, Short Upper Roof Cap	
5	1001185633	1	Bracket, Roof Cap Mount	
6	1001185845	1	Cover, Short Lower Roof Cap	
7	4811902	2	Washer, M8	

# SECTION 6 - CAB

## FIGURE 6-28. FRONT COVER INSTALLATION



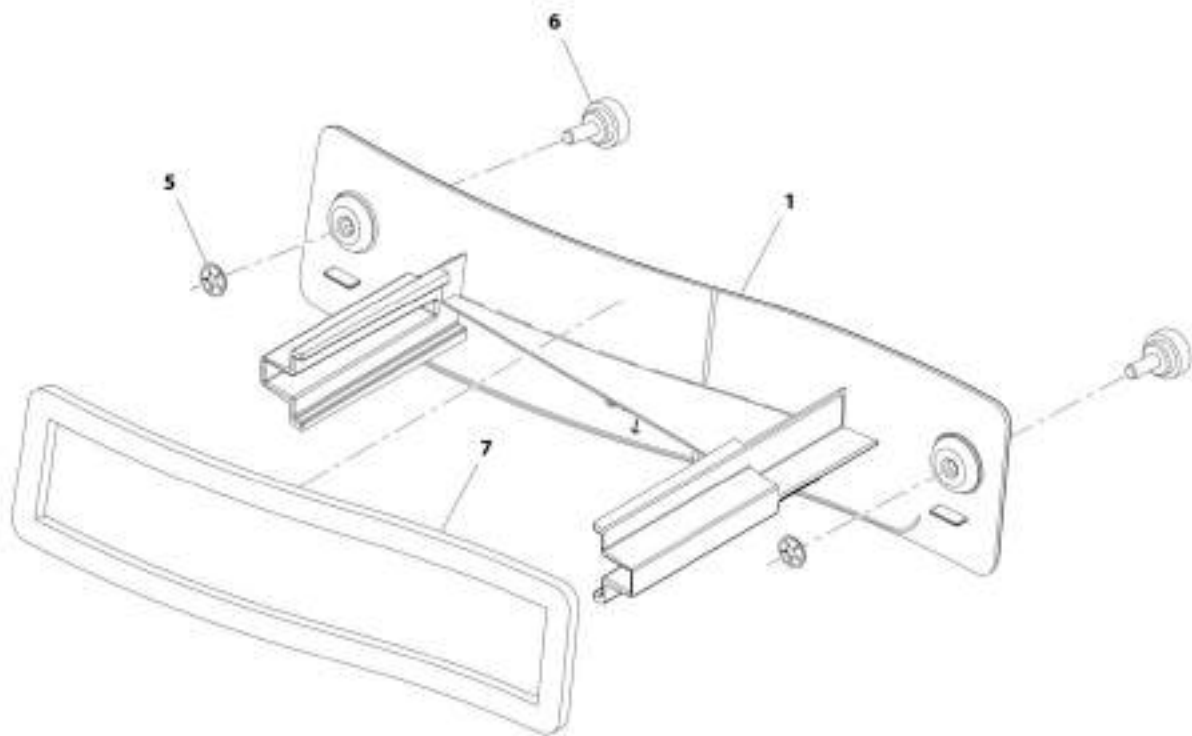
ART\_1001370M6-E

FIGURE 6-28. FRONT COVER INSTALLATION

ITEM	PART NUMBER	QTY	DESCRIPTION	REV
	1001170366	Ref	Front Cover Installation	E
2	0760608	7	Bolt, M6X16	
5	4811702	7	Washer, M6	
9	1001175471	1	Panel, Filter Tray (See Separate Breakdown in this Section)	
11	1001176121	1	Cover, Front Duct (See Separate Breakdown in this Section)	

**SECTION 6 - CAB**

**FIGURE 6-29. FILTER TRAY PANEL**



ART\_1001175471-C

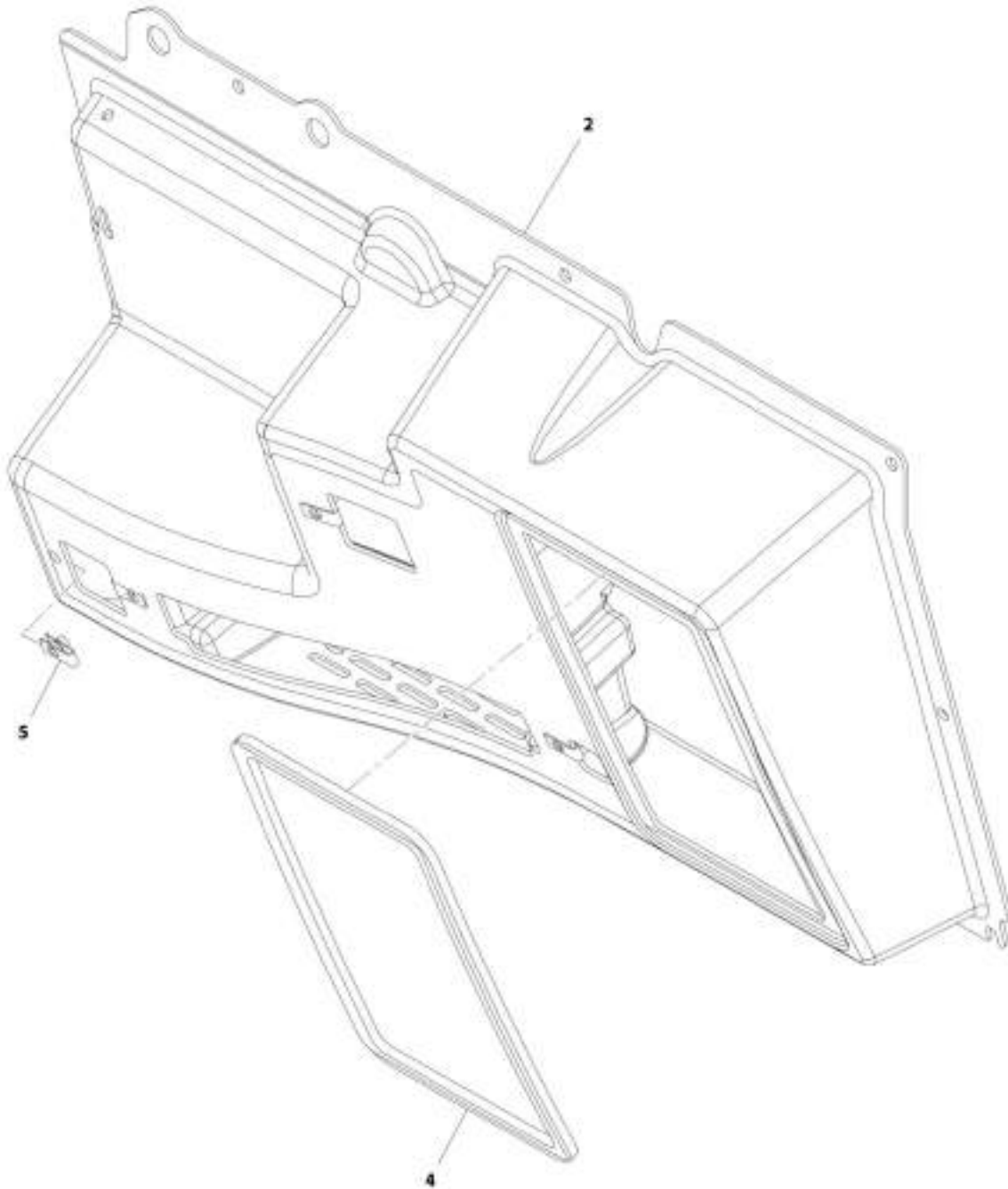


FIGURE 6-29. FILTER TRAY PANEL

ITEM	PART NUMBER	QTY	DESCRIPTION	REV
	1001175471	Ref	Filter Tray Panel	C
1	1001170993	1	Panel, Front Inlet	
5	1001148557	2	Washer	
6	2080092	2	Screw, Thumb M5x20	
7	1001171767	1	Cab, Front Panel Seal	

# SECTION 6 - CAB

## FIGURE 6-30. FRONT DUCT COVER



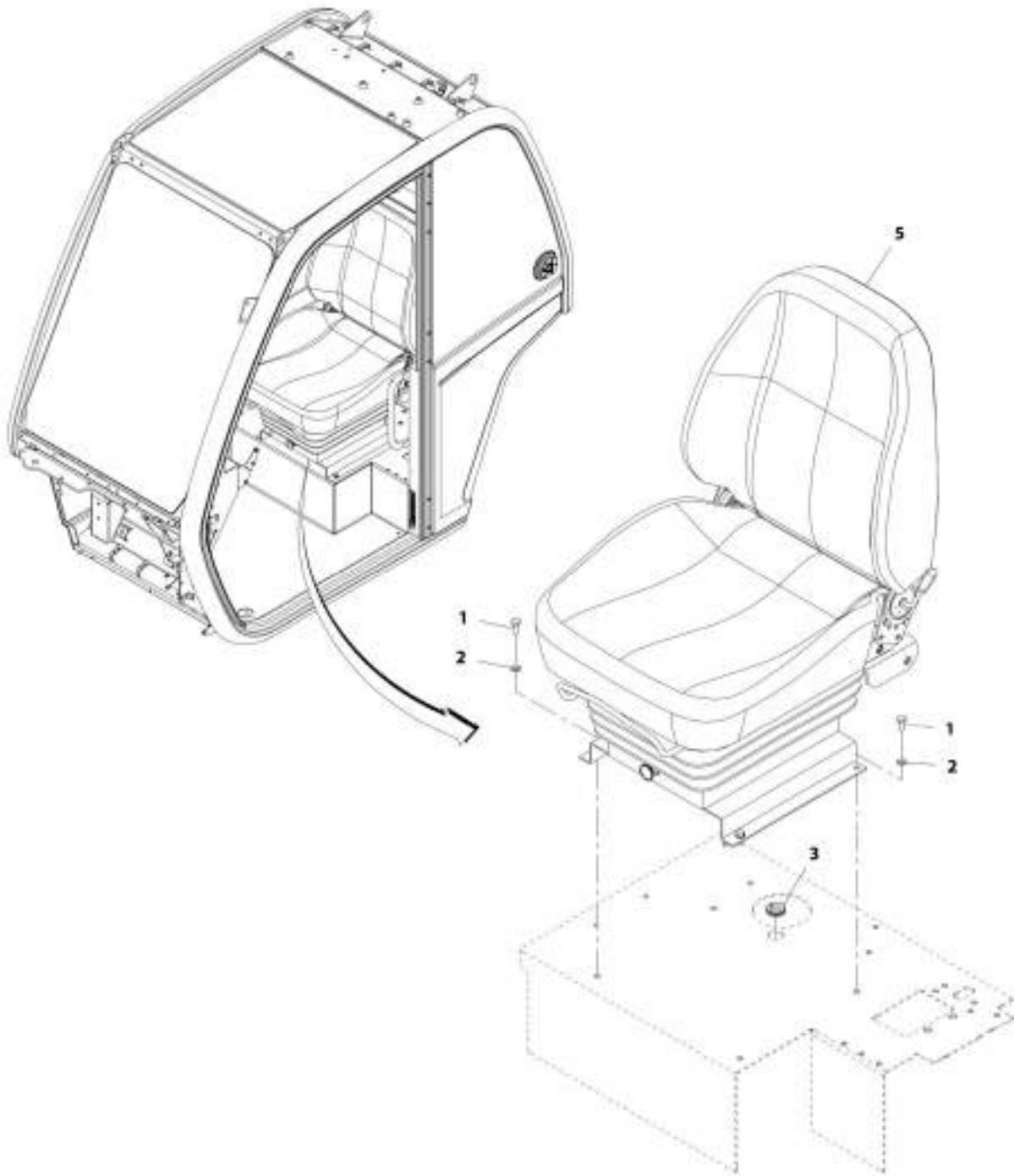
ART\_3001176121-D

**FIGURE 6-30. FRONT DUCT COVER**

<b>ITEM</b>	<b>PART NUMBER</b>	<b>QTY</b>	<b>DESCRIPTION</b>	<b>REV</b>
	1001176121	Ref	Font Duct Cover	D
2	1001170326	1	Cover, Front	
4	1001175470	1	Seal, Front Cab Panel	
5	1001176336	4	Nut	

# SECTION 6 - CAB

## FIGURE 6-31. SEAT INSTALLATION (STANDARD)



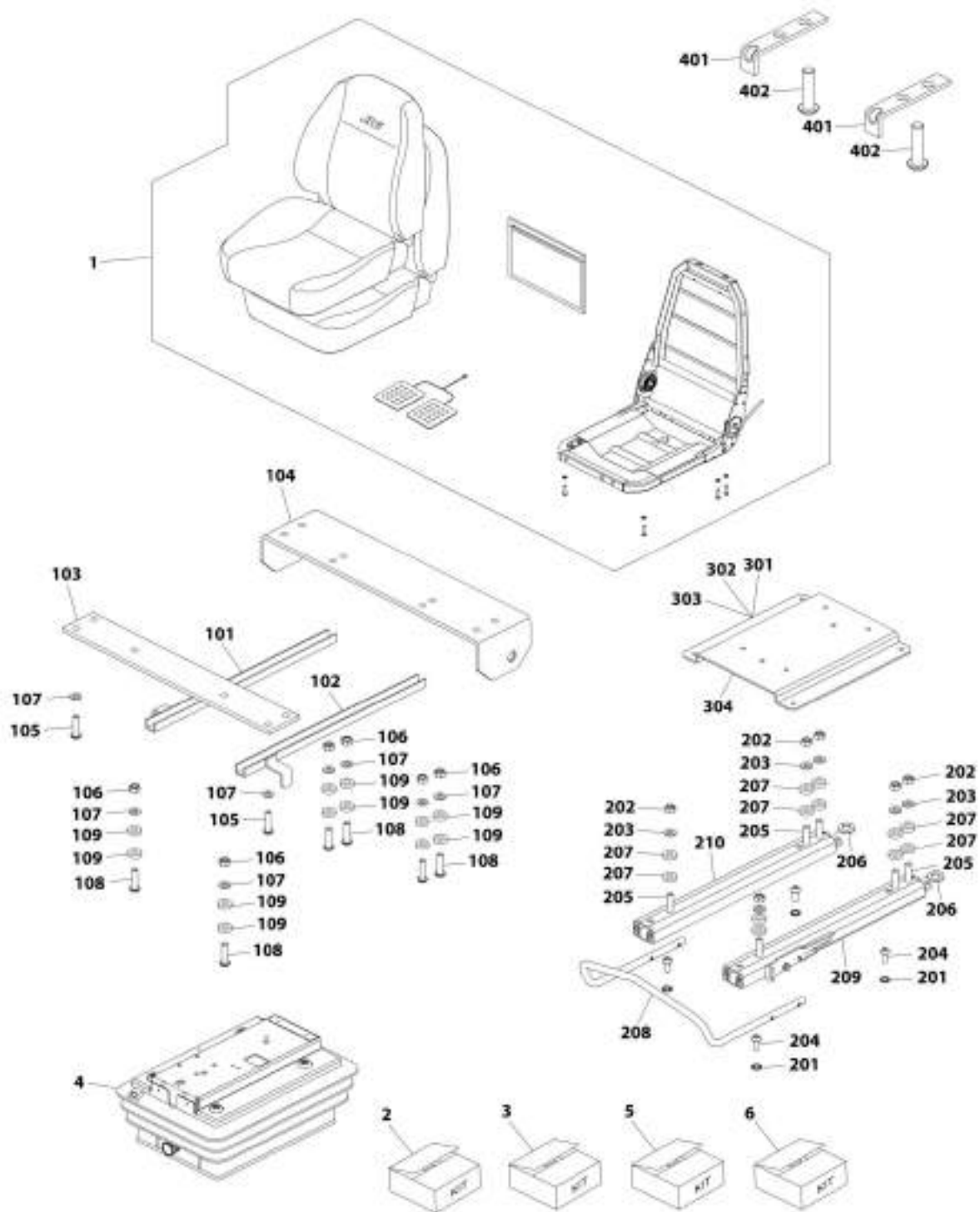
ART\_100118596-D

FIGURE 6-31. SEAT INSTALLATION (STANDARD)

ITEM	PART NUMBER	QTY	DESCRIPTION	REV
	1001158596	Ref	Seat Installation (Standard - JLG)	D
1	0760810	4	Bolt, M8X20	
2	4811900	4	Washer, M8	
3	1001216974	1	Grommet	
5	1001165573	1	Assembly, Seat (See Separate Breakdown in this Section)	

# SECTION 6 - CAB

## FIGURE 6-32. SEAT ASSEMBLY



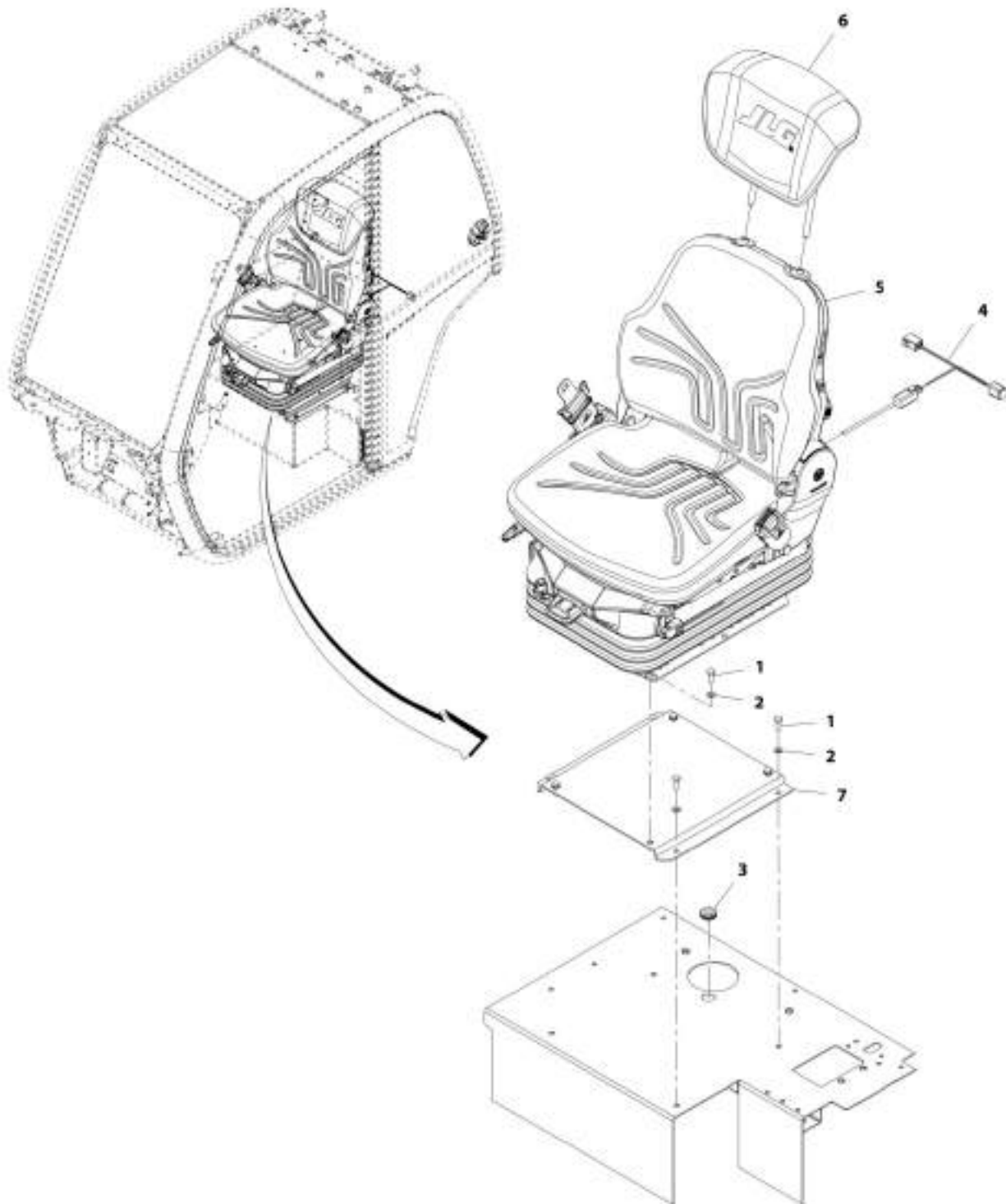
ART\_1001185575-C

FIGURE 6-32. SEAT ASSEMBLY

ITEM	PART NUMBER	QTY	DESCRIPTION	REV
	1001165573	1	Seat Assembly	C
1	70027392	1	Assembly, Upper Seat (See Separate Breakdown in this Section)	
2	70021317	1	Kit, Cross Strap (includes items 101 thru 109)	
3	70021318	1	Kit, Fore and Aft Adjustment (includes items 201 thru 210)	
4	70021319	1	Kit, Suspension (See Separate Breakdown in this Section)	
5	70027395	1	Kit, Adapter Plate (includes items 301 thru 304)	
6	70021322	1	Kit, Slide Rail Stop (includes items 401 & 402)	
101	N.S.S.	1	Channel	
102	N.S.S.	1	Channel	
103	N.S.S.	1	Plate, Strap	
104	N.S.S.	1	Plate, Strap	
105	N.S.S.	4	Bolt, M8X25	
106	N.S.S.	6	Nut, M8	
107	N.S.S.	10	Washer	
108	N.S.S.	6	Bolt, M8X30	
109	N.S.S.	12	Spacer	
201	N.S.S.	4	Washer, Spring M8	
202	N.S.S.	1	Nut, M8	
203	N.S.S.	1	Washer	
204	N.S.S.	1	Bolt, M8X16	
205	N.S.S.	1	Bolt, M8X30	
206	N.S.S.	1	Washer	
207	N.S.S.	1	Spacer	
208	N.S.S.	1	Handle	
209	N.S.S.	1	Rail, Slide	
210	N.S.S.	1	Rail, Slide	
301	N.S.S.	1	Bolt, M8X25	
302	N.S.S.	1	Bolt, M8X16	
303	N.S.S.	1	Washer	
304	N.S.S.	1	Plate, Adapter	
401	N.S.S.	1	Stop, Sliderrail	
402	N.S.S.	1	Bolt, M8X16	

# SECTION 6 - CAB

## FIGURE 6-33. SEAT INSTALLATION (PREMIUM)



ART\_1001205648-0

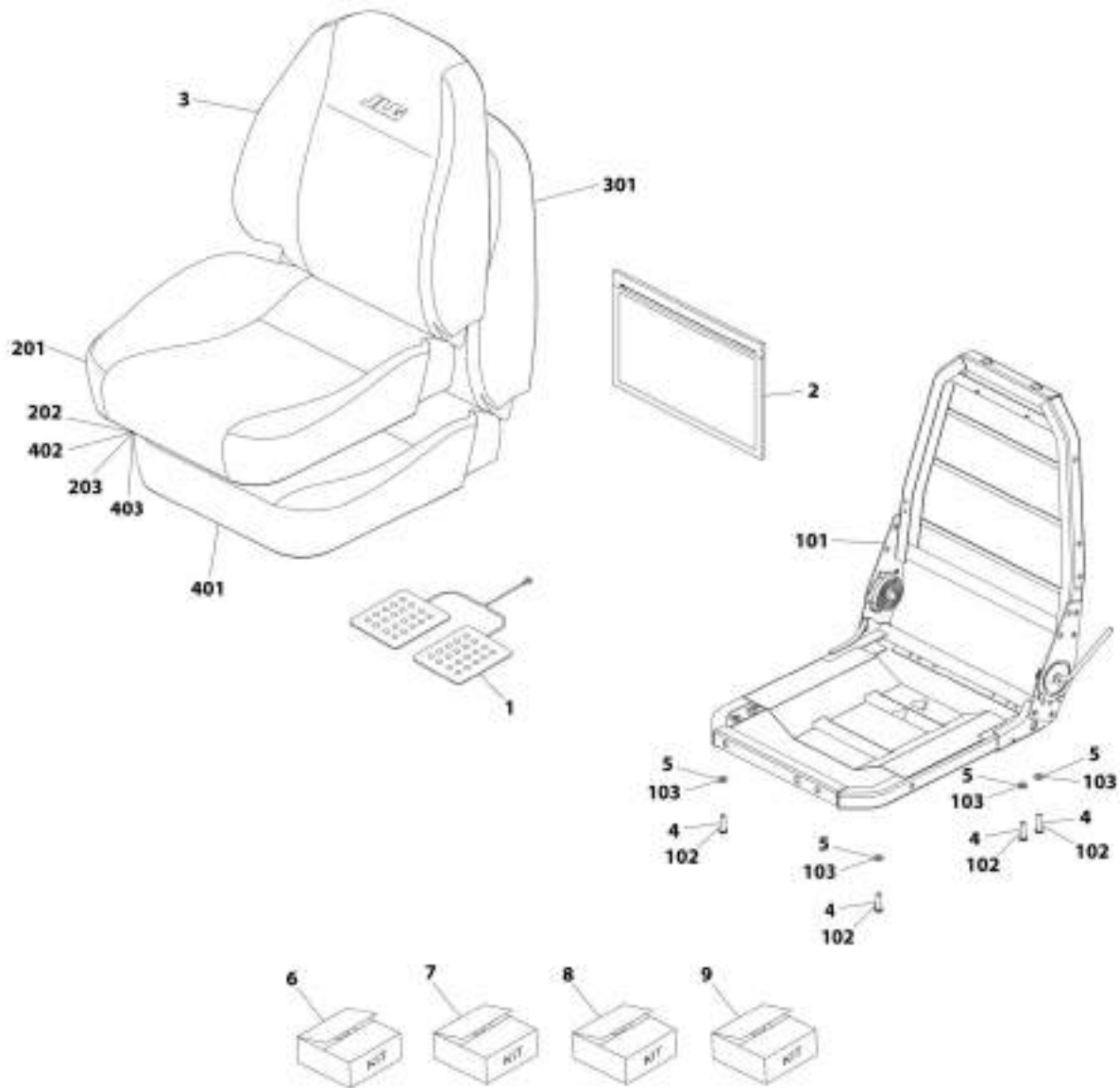


FIGURE 6-33. SEAT INSTALLATION (PREMIUM)

ITEM	PART NUMBER	QTY	DESCRIPTION	REV
	1001205648	1	Installation, Seat (Premium - JLG)	B
1	0760810	8	Bolt, M8X20	
2	4811900	8	Washer, M8	
3	1001216974	1	Grommet	
4	1001168531	1	Harness, Seat Adaptor (See Separate Breakdown in Electrical Section)	
5	1001169135	1	Assembly, Seat	
6	1001182529	1	Headrest	
7	1001158736C	1	Plinth, Seat	

# SECTION 6 - CAB

## FIGURE 6-34. UPPER SEAT ASSEMBLY



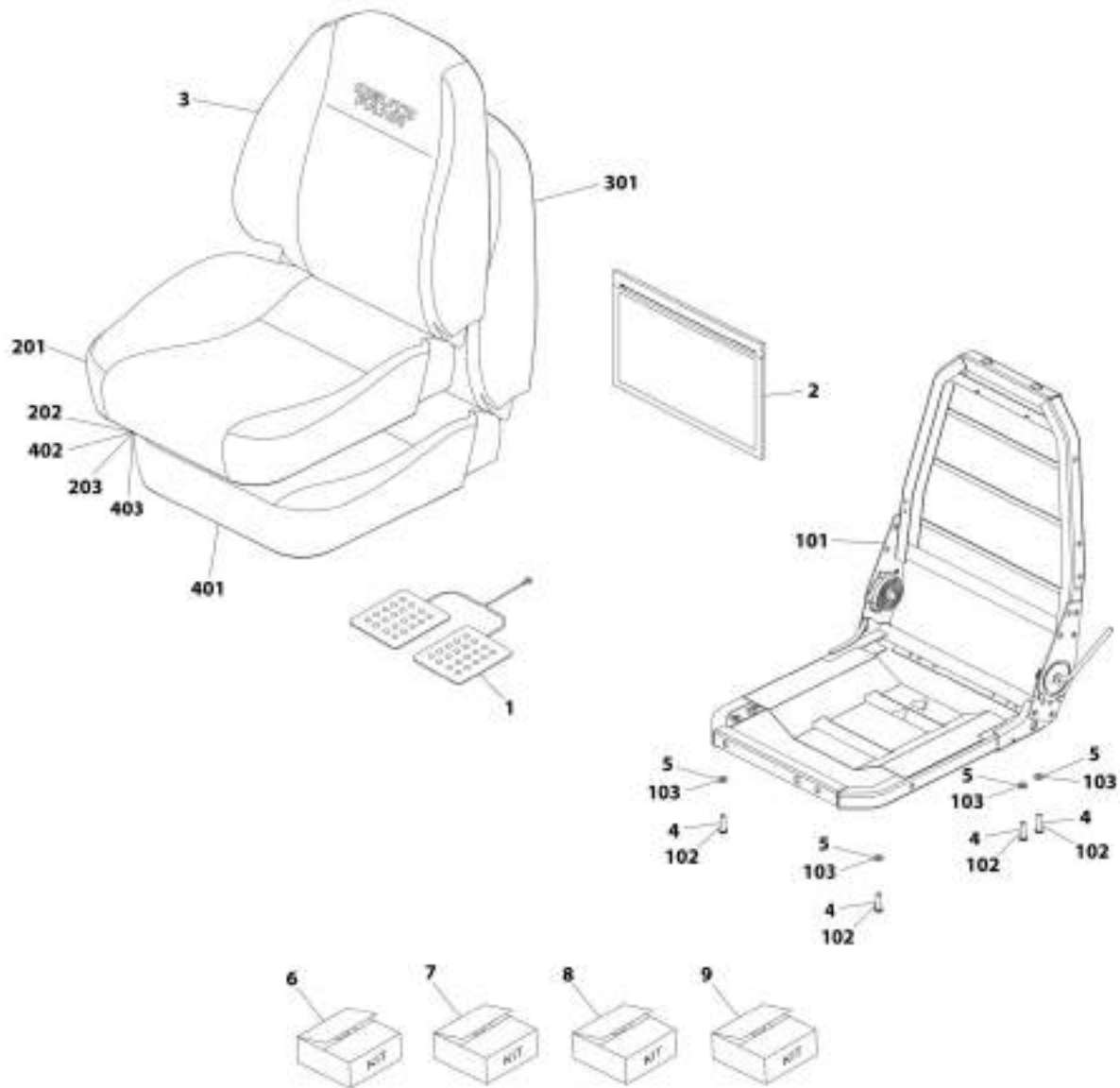
ART\_30027392

FIGURE 6-34. UPPER SEAT ASSEMBLY

ITEM	PART NUMBER	QTY	DESCRIPTION	REV
	70027392	Ref	Assembly, Upper Seat	
1	70025539	1	Pad, Sensor	
2	70021316	1	Bag	
3	70027393	1	Cover, Back	
4	N.S.S.	4	Bolt, M8X25	
5	N.S.S.	4	Washer	
6	70021314	1	Kit, Frame (includes items 101 thru 103)	
7	70027394	1	Kit, Bottom Seat Cover (includes items 201 thru 203)	
8	80264002	1	Kit, Back Foam (includes items 301 thru 303)	
9	80264004	1	Kit, Seat Foam (includes items 401 thru 403)	
101	N.S.S.	1	Frame, Seat	
102	N.S.S.	4	Bolt, M8X25	
103	N.S.S.	4	Washer	
201	N.S.S.	1	Cover, Seat	
202	N.S.S.	2	Clip	
203	N.S.S.	17	Clip	
301	N.S.S.	1	Foam, Back	
302	N.S.S.	3	Bar, Trim	
303	N.S.S.	4	Ring	
401	N.S.S.	1	Foam, Seat	
402	N.S.S.	2	Clip	
403	N.S.S.	17	Clip	

# SECTION 6 - CAB

## FIGURE 6-35. UPPER SEAT ASSEMBLY



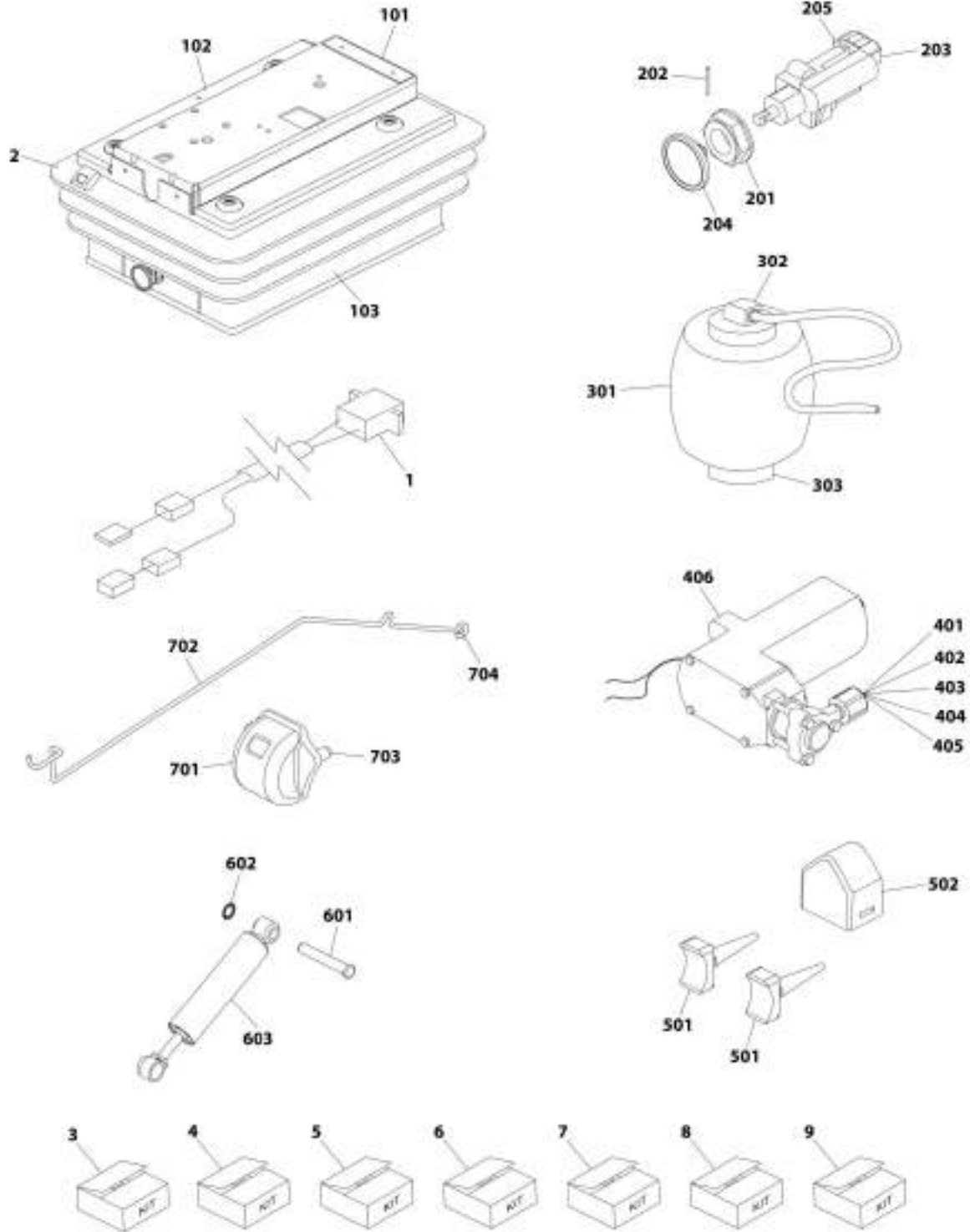
AMT\_70027396

FIGURE 6-35. UPPER SEAT ASSEMBLY

ITEM	PART NUMBER	QTY	DESCRIPTION	REV
	70027396	Ref	Upper Seat Assembly	
1	70025539	1	Pad, Sensor	
2	70021316	1	Bag	
3	70027397	1	Cover, Back	
4	N.S.S.	4	Bolt, M8X25	
5	N.S.S.	4	Washer	
6	70021314	1	Kit, Frame (includes items 101 thru 103)	
7	70027394	1	Kit, Bottom Seat Cover (includes items 201 thru 203)	
8	80264002	1	Kit, Back Foam (includes items 301 thru 303)	
9	80264004	1	Kit, Seat Foam (includes items 401 thru 403)	
101	N.S.S.	1	Frame	
102	N.S.S.	4	Bolt, M8X25	
103	N.S.S.	4	Washer	
201	N.S.S.	1	Cover, Seat	
202	N.S.S.	2	Clip	
203	N.S.S.	17	Clip	
301	N.S.S.	1	Foam, Back	
302	N.S.S.	3	Bar, Trim	
303	N.S.S.	4	Ring	
401	N.S.S.	1	Foam, Seat	
402	N.S.S.	2	Clip	
403	N.S.S.	17	Clip	

SECTION 6 - CAB

FIGURE 6-36. SUSPENSION KIT



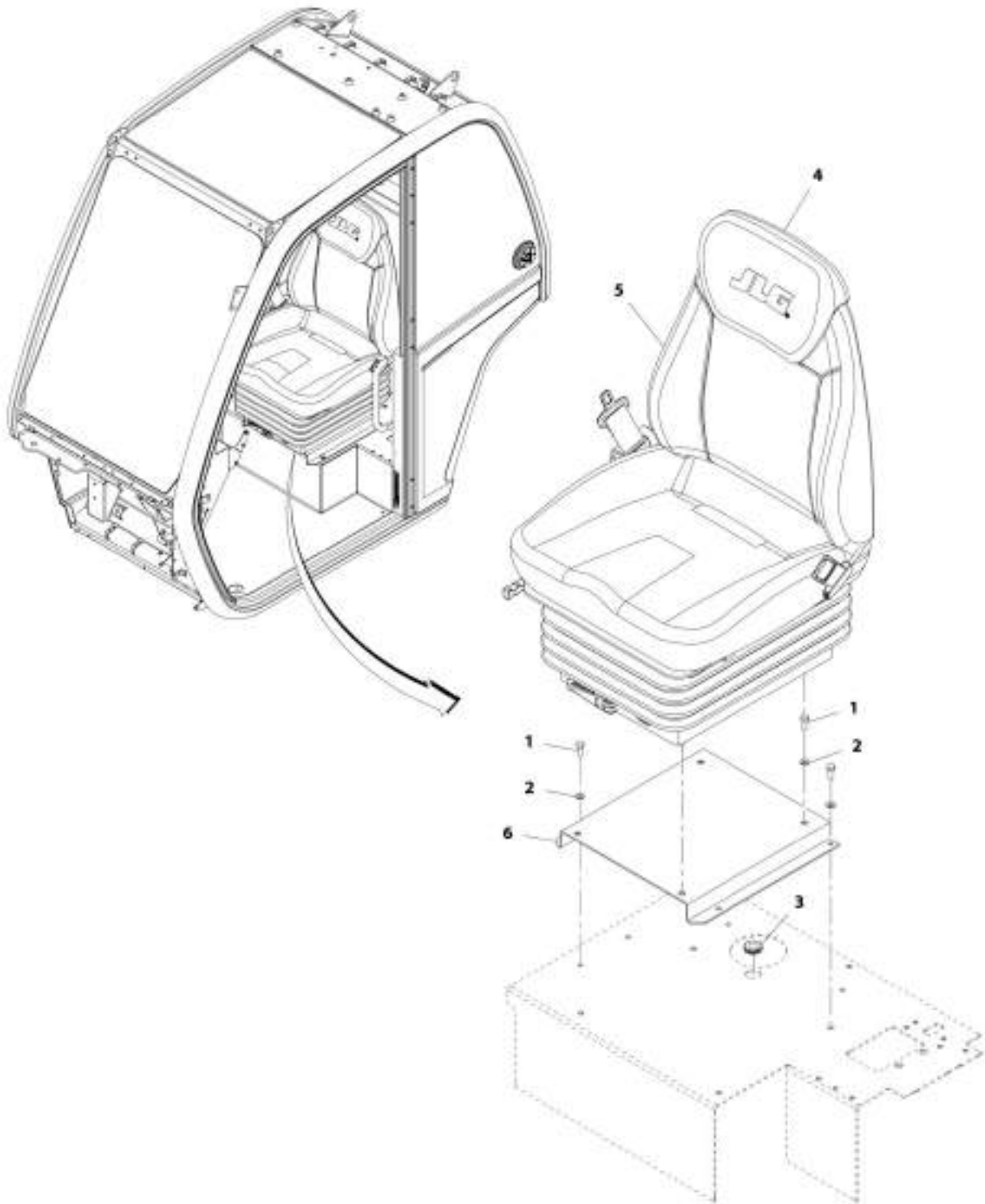
ART\_70021313

FIGURE 6-36. SUSPENSION KIT

ITEM	PART NUMBER	QTY	DESCRIPTION	REV
	70021319	Ref	Suspension Kit	
1	70021330	1	Lead, Fly	
2	N.S.S.	1	Suspension	
3	70021321	1	Kit, Suspension Cover (includes items 101 thru 103)	
4	70021323	1	Kit, Air Valve (includes items 201 thru 205)	
5	70021324	1	Kit, Air Spring (includes items 301 thru 303)	
6	70021325	1	Kit, Compressor (includes items 401 thru 406)	
7	70021326	1	Kit, Upstop/Bumpstop (includes items 501 & 502)	
8	70021327	1	Kit, Damper (includes items 601 thru 603)	
9	70021328	1	Kit, Ride Indicator (includes items 701 thru 704)	
101	N.S.S.	6	Clip, Cover	
102	N.S.S.	1	Cover, Suspension	
103	N.S.S.	5	Clip, Cover	
201	N.S.S.	1	Nut, Air Valve	
202	N.S.S.	1	Pin, Retaining	
203	N.S.S.	1	Valve, Combination	
204	N.S.S.	1	Knob	
205	N.S.S.	2	Tie, Plastic	
301	N.S.S.	1	Spring, Air	
302	N.S.S.	1	Clip	
303	N.S.S.	1	Screw, Countersunk Self Tapping	
401	N.S.S.	1	Clip	
402	N.S.S.	1	Pad	
403	N.S.S.	1	Loom	
404	N.S.S.	2	Tie, Cable	
405	N.S.S.	3	Tie, Plastic	
406	N.S.S.	1	Compressor (with Elbow)	
501	N.S.S.	2	Upstop	
502	N.S.S.	1	Bumpstop	
601	N.S.S.	2	Pin	
602	N.S.S.	2	Washer, Starlock	
603	N.S.S.	1	Damper	
701	N.S.S.	1	Indicator, Ride	
702	N.S.S.	1	Wire, Ride Indicator	
703	N.S.S.	2	Washer, Starlock	
704	N.S.S.	1	Washer, Grip M4	

# SECTION 6 - CAB

## FIGURE 6-37. SEAT INSTALLATION (MECHANICAL)



WTT\_1001205782-B

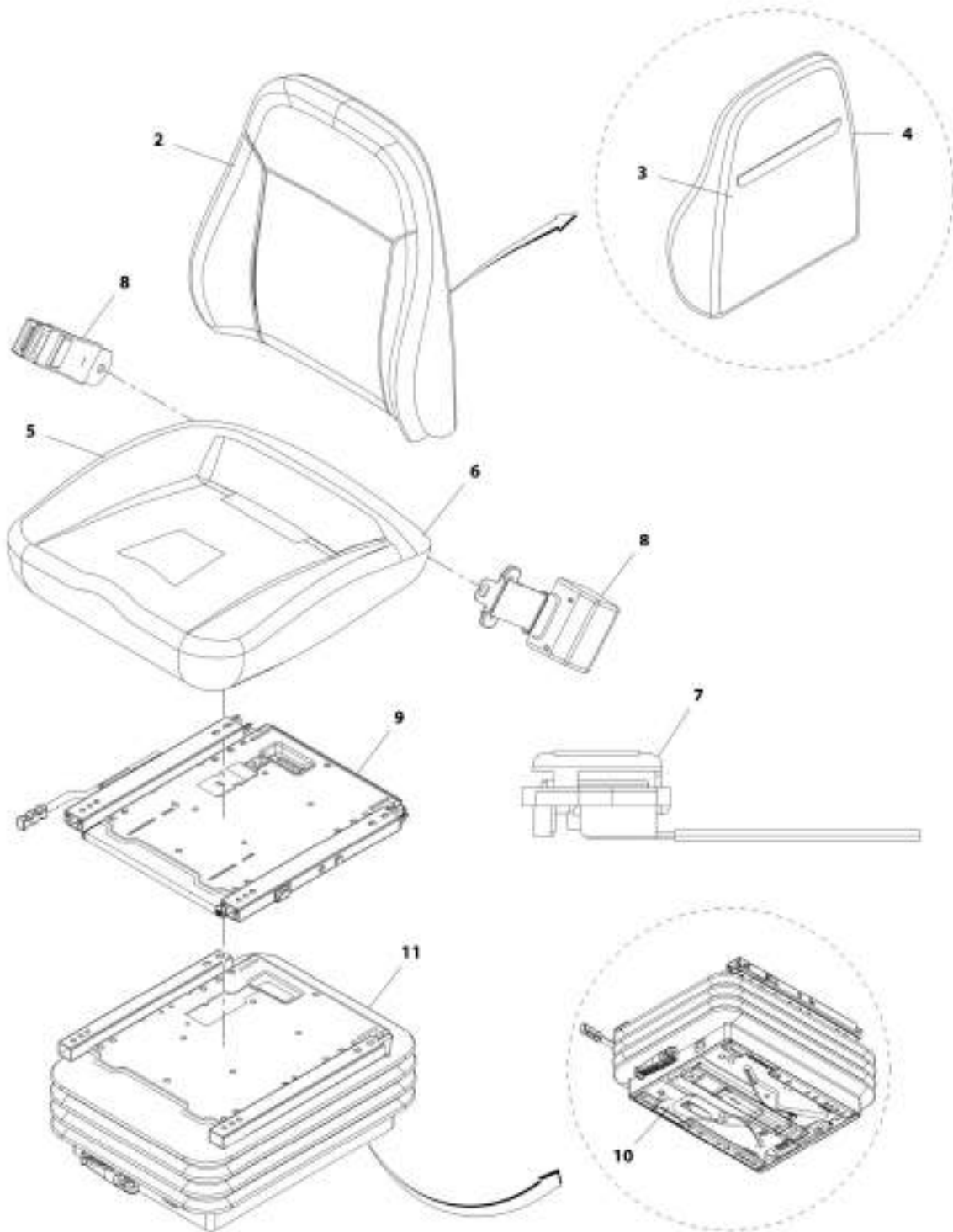


FIGURE 6-37. SEAT INSTALLATION (MECHANICAL)

ITEM	PART NUMBER	QTY	DESCRIPTION	REV
	1001205782	Ref	Seat Installation (Mechanical - JLG)	B
1	0760810	8	Bolt, M8X20	
2	4811900	8	Washer, M8	
3	1001216974	1	Grommet	
4	1001119467	1	Headrest, Cloth	
5	1001150294	1	Seat, Assembly (See Separate Breakdown in this Section)	
6	1001205514	1	Plinth, Seat	

# SECTION 6 - CAB

## FIGURE 6-38. SEAT ASSEMBLY



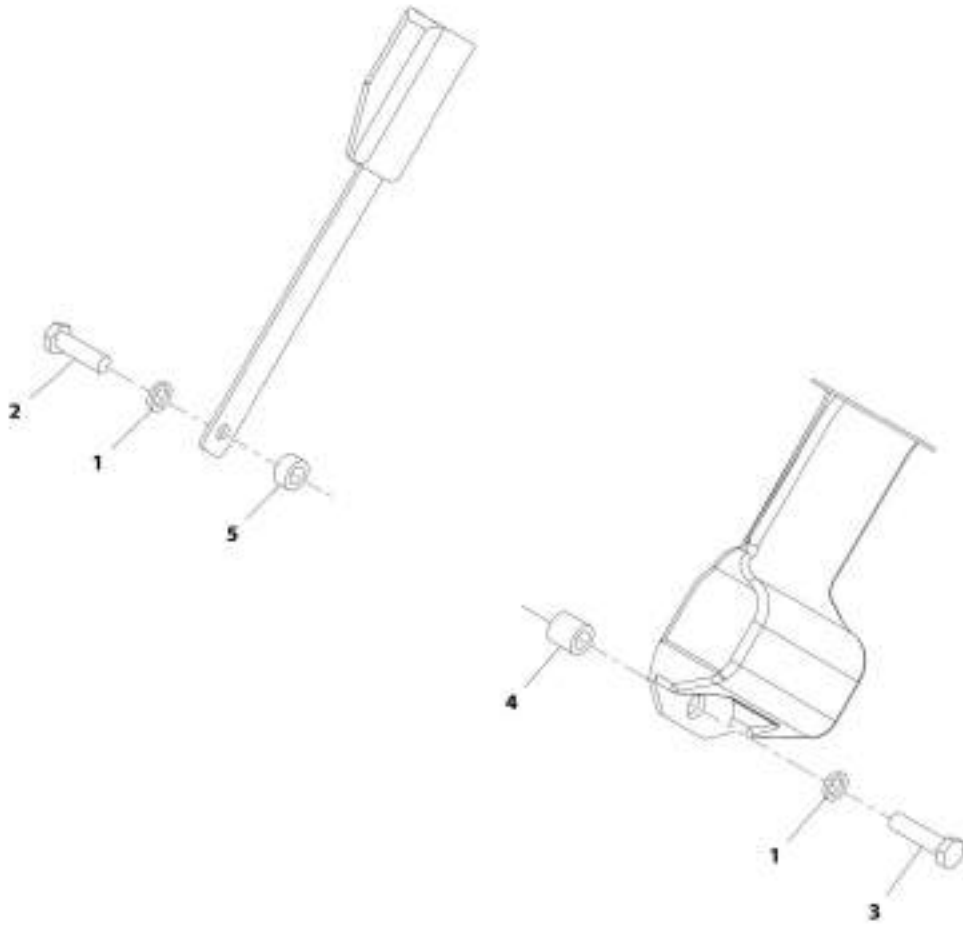
ART\_1001190294-E

FIGURE 6-38. SEAT ASSEMBLY

ITEM	PART NUMBER	QTY	DESCRIPTION	REV
	1001150294	1	Seat Assembly (Mechanical)	E
2	70025489	1	Fabric, Upper Seat	
3	70025490	1	Cover, Back	
4	70025483	1	Foam, Back	
5	70025491	1	Cover, Seat	
6	70025485	1	Foam, Seat	
7	70025486	1	Switch, Contact	
8	7029767	1	Belt, Seat	
9	70021252	1	Rail, Slide	
10	70021251	1	Unit, Suspension	
11	70022034	1	Cover, Rubber	

# SECTION 6 - CAB

## FIGURE 6-39. SEAT BELT INSTALLATION (3IN)



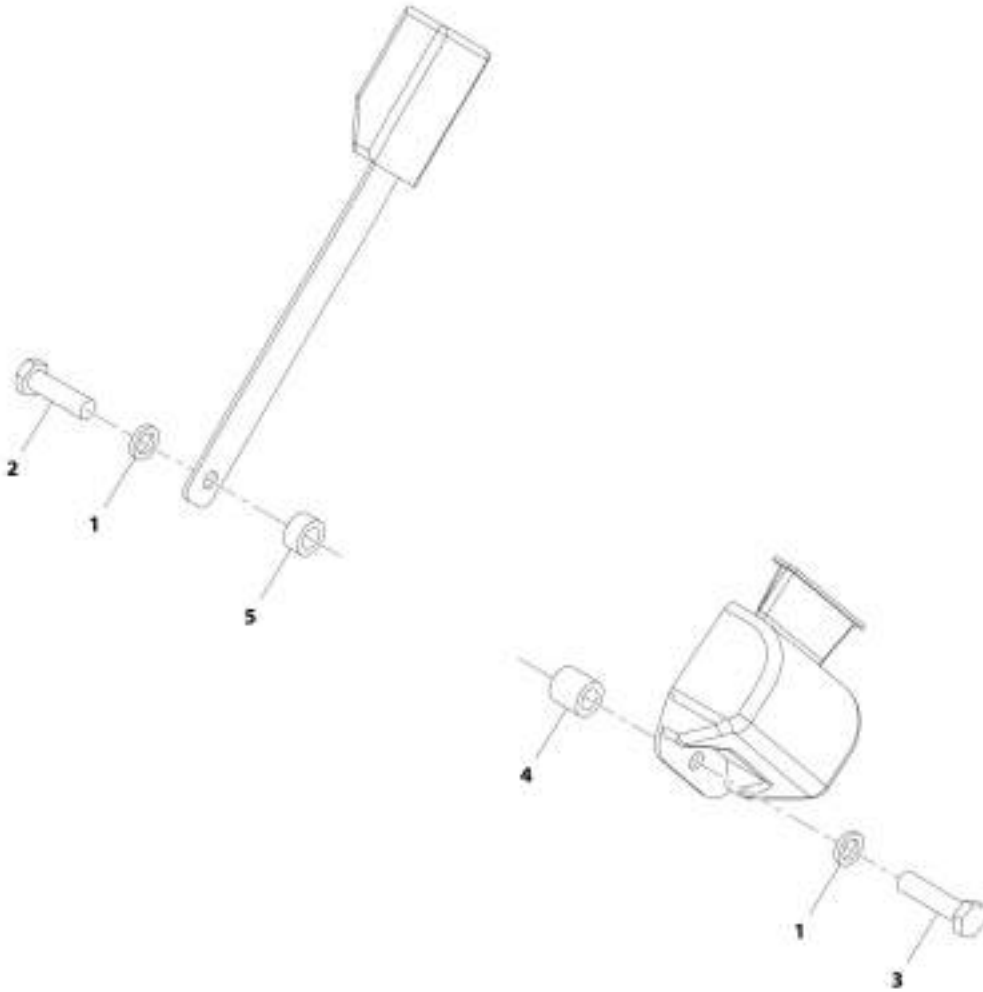
ARC\_1001006731-B

**FIGURE 6-39. SEAT BELT INSTALLATION (3IN)**

<b>ITEM</b>	<b>PART NUMBER</b>	<b>QTY</b>	<b>DESCRIPTION</b>	<b>REV</b>
	1001006731	Ref	Seat Belt Installation (3IN)	B
1	1001010646	2	Washer	
2	1001010647	1	Bolt	
3	1001010648	1	Bolt	
4	1001010649	1	Spacer	
5	1001010650	1	Spacer	

# SECTION 6 - CAB

## FIGURE 6-40. SEAT BELT INSTALLATION (2IN)



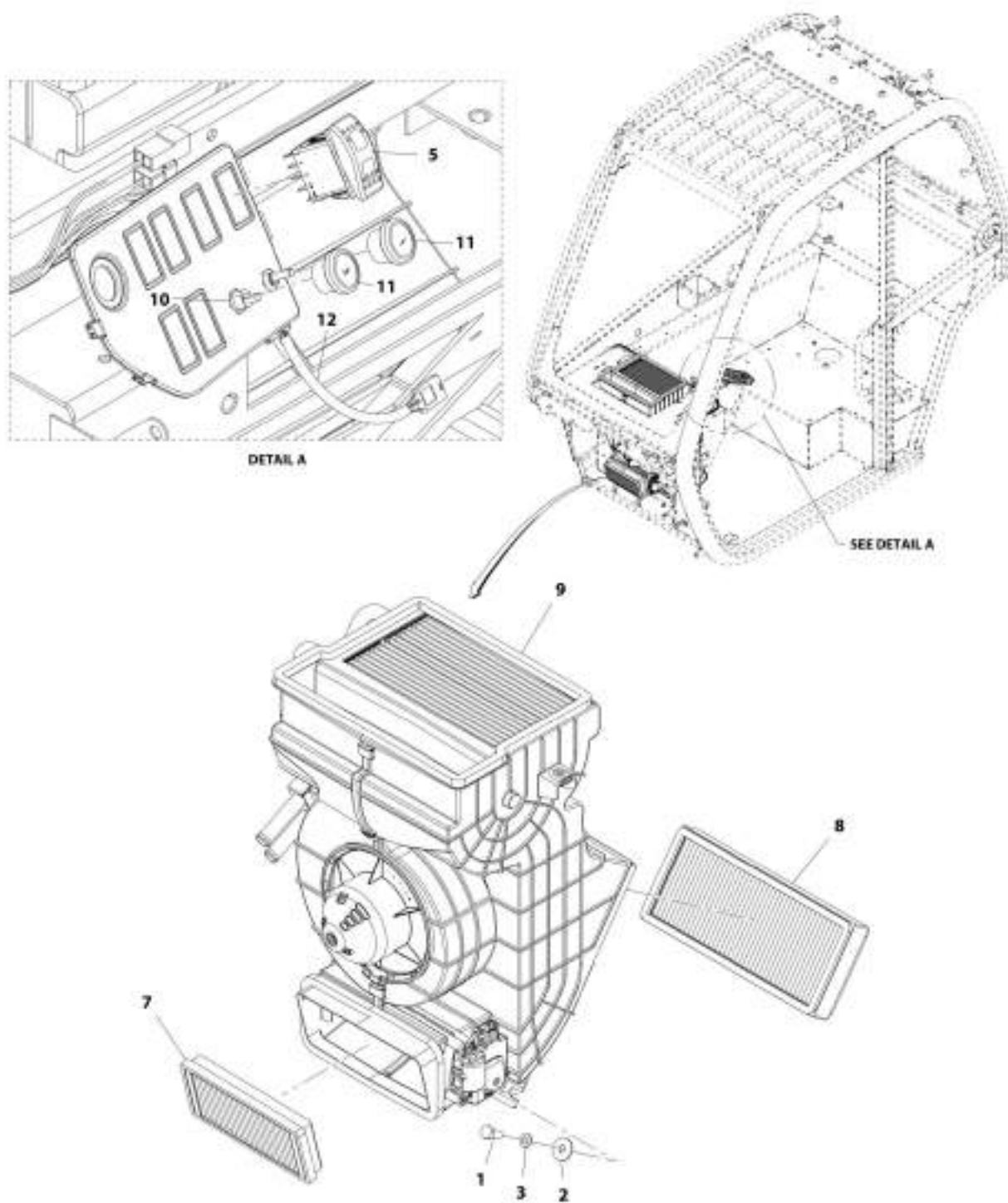
WIT\_1001086730-C

FIGURE 6-40. SEAT BELT INSTALLATION (2IN)

ITEM	PART NUMBER	QTY	DESCRIPTION	REV
	1001006730	Ref	Seat Belt Installation (2IN)	C
1	1001010646	2	Washer	
2	1001010647	1	Bolt	
3	1001010648	1	Bolt	
4	1001010649	1	Spacer, Shim	
5	1001010650	1	Spacer, Shim	

# SECTION 6 - CAB

## FIGURE 6-41. HEATER INSTALLATION



AWT\_1001201336-C

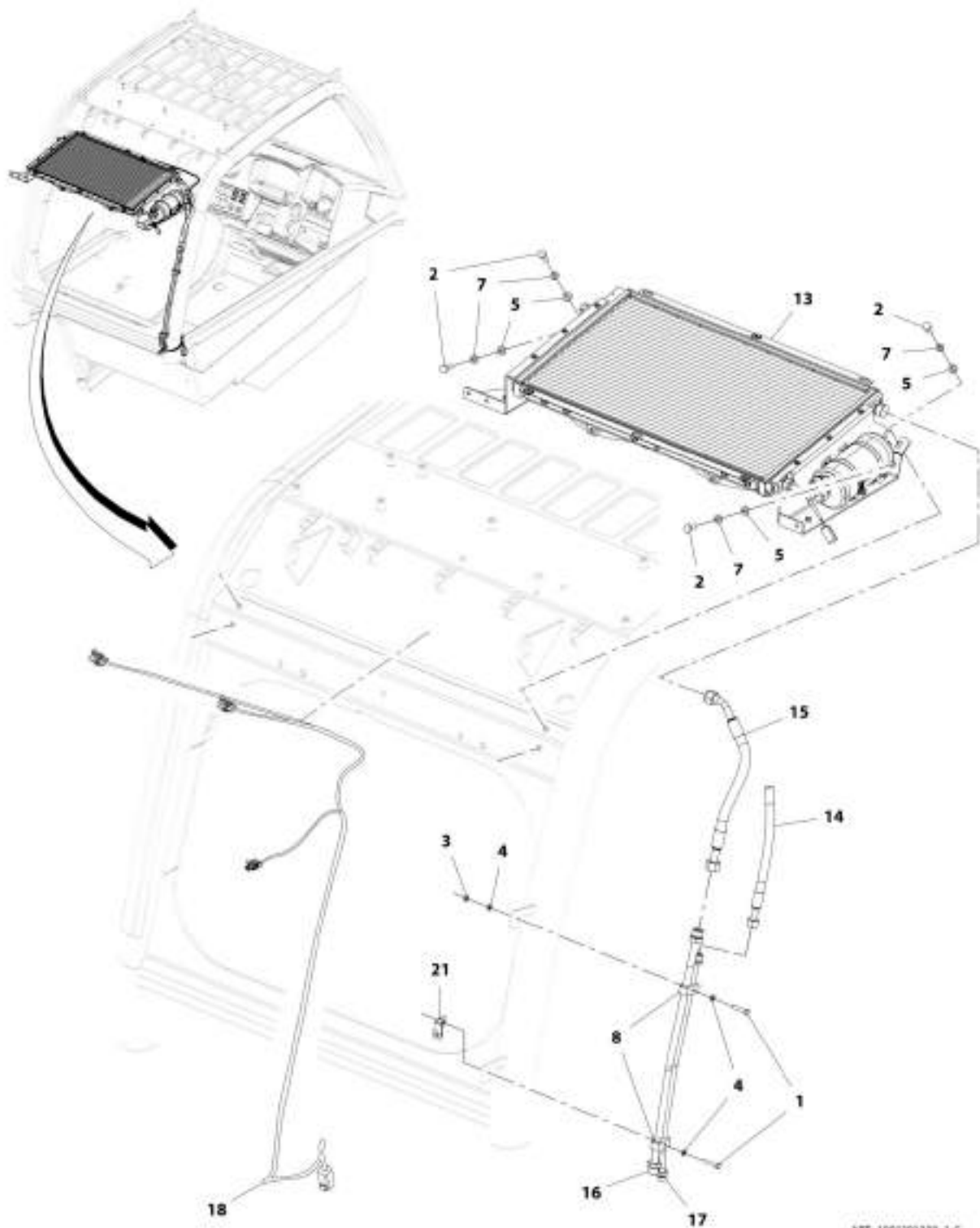


FIGURE 6-41. HEATER INSTALLATION

ITEM	PART NUMBER	QTY	DESCRIPTION	REV
	1001201336	Ref	Heater Installation	C
1	0760810	2	Bolt, M8X20	
2	4811902	2	Washer, M8	
3	4831900	2	Washer, Lock M8	
5	1001159925	1	Switch, HVAC Recycle	
7	1001172546	1	Filter, HVAC Air	
8	1001172553	1	Filter, HVAC Recirculation Air	
9	1001201498	1	Assembly, Heater (See Separate Breakdown in this Section)	
10	1001172547	1	Switch	
11	1001172550	2	Knob, HVAC	
12	1001172552	1	Cable, HVAC	

# SECTION 6 - CAB

## FIGURE 6-42. HEATER AND A/C INSTALLATION

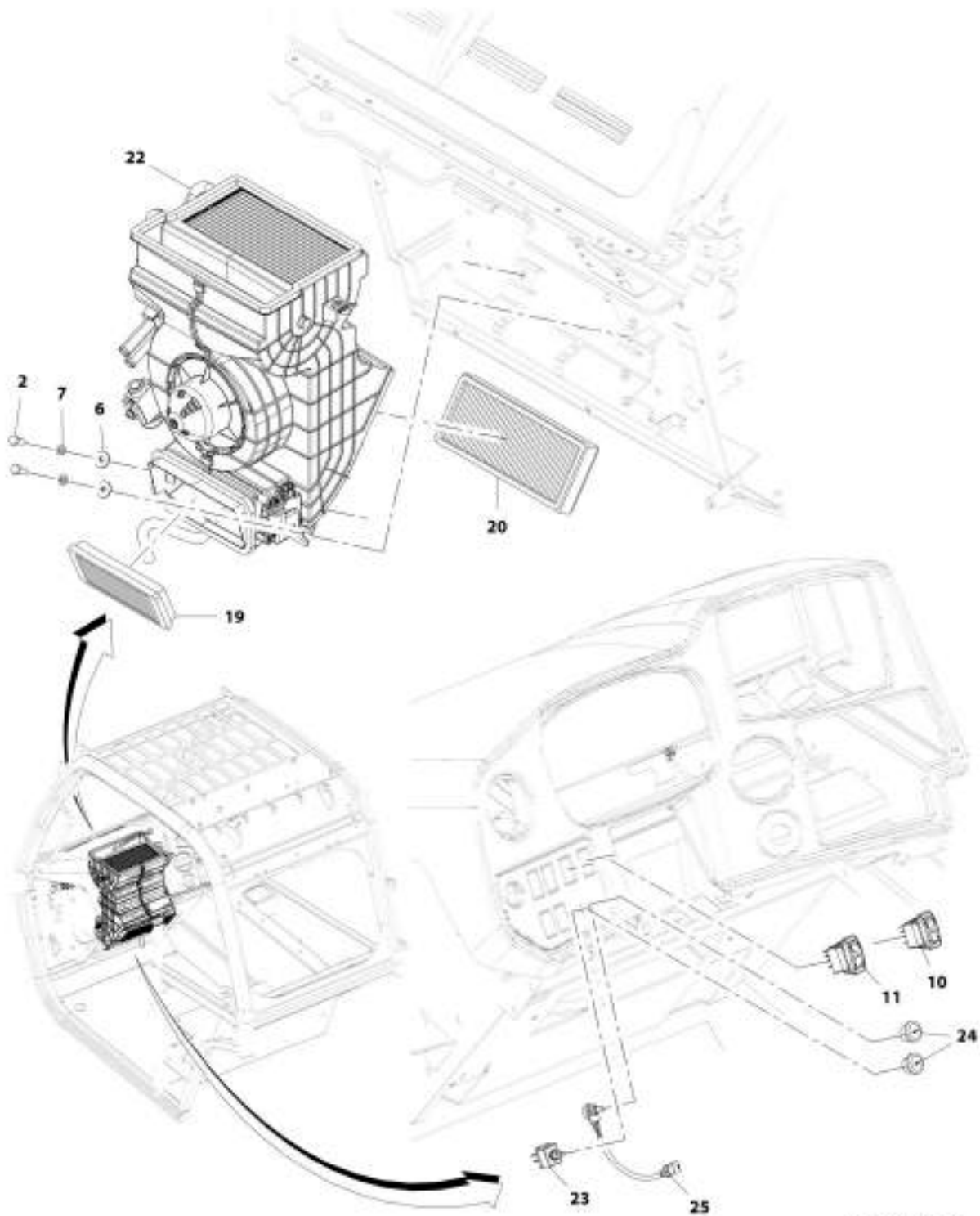


ART\_1001201338\_1-C



# SECTION 6 - CAB

## FIGURE 6-43. HEATER AND A/C INSTALLATION



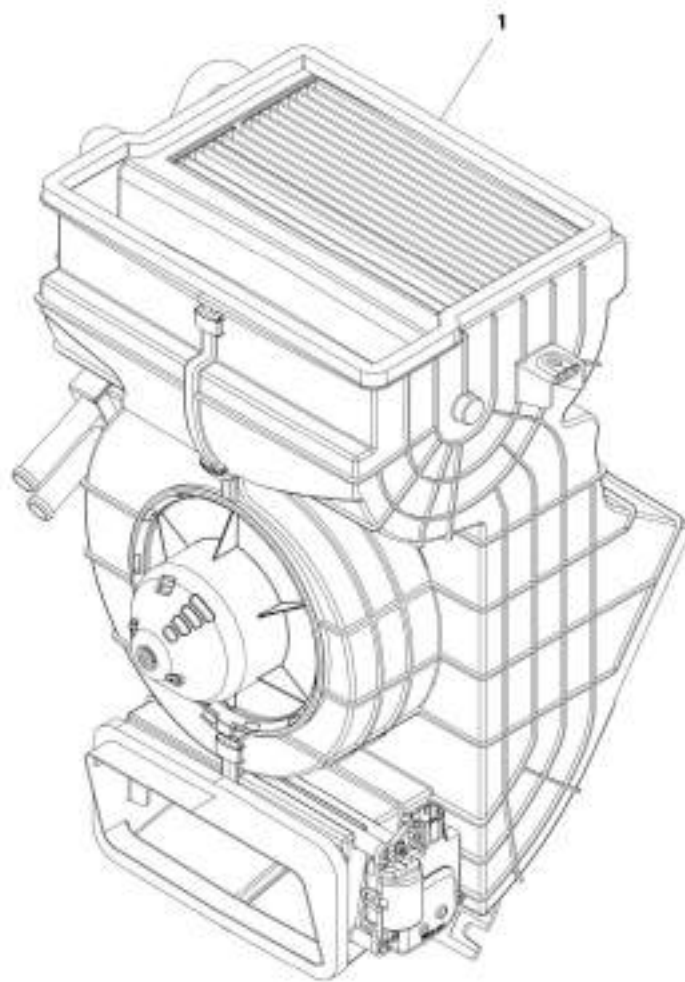
ART\_1001201338\_2-C

FIGURE 6-43. HEATER AND A/C INSTALLATION

ITEM	PART NUMBER	QTY	DESCRIPTION	REV
	1001201338	Ref	Heater and A/C Installation	C
1	0700614	2	Bolt, M6X30	
2	0760810	6	Bolt, M8X20	
3	3290601	1	Nut, M6X1	
4	4811700	3	Washer, M6	
5	4811900	4	Washer, M8	
6	4811902	2	Washer, M8	
7	4831900	6	Washer, Lock M8	
8	1001145539	2	Support, Pipe	
10	1001159925	1	Switch, HVAC Recycle	
11	1001160326	1	Switch, HVAC On/Off	
13	1001162953	1	Assembly, Cab Condenser (See Separate Breakdown in this Section)	
14	1001168327	1	Hose	
15	1001168330	1	Hose	
16	1001168331	1	Tube	
17	1001168456	1	Tube	
18	1001169151	1	Harness, A/C Option (See Separate Breakdown in Electrical Section)	
19	1001172546	1	Filter, HVAC Fresh Air	
20	1001172553	1	Filter, HVAC Air Recirculation	
21	1001178170	1	Bracket	
22	1001201497	1	Assembly, Heater and A/C (See Separate Breakdown in this Section)	
23	1001172547	1	Switch, HVAC Rotary 3 Speed	
24	1001172550	2	Knob, HVAC Control	
25	1001172552	1	Cable, HVAC	

**SECTION 6 - CAB**

**FIGURE 6-44. HEATER ASSEMBLY**



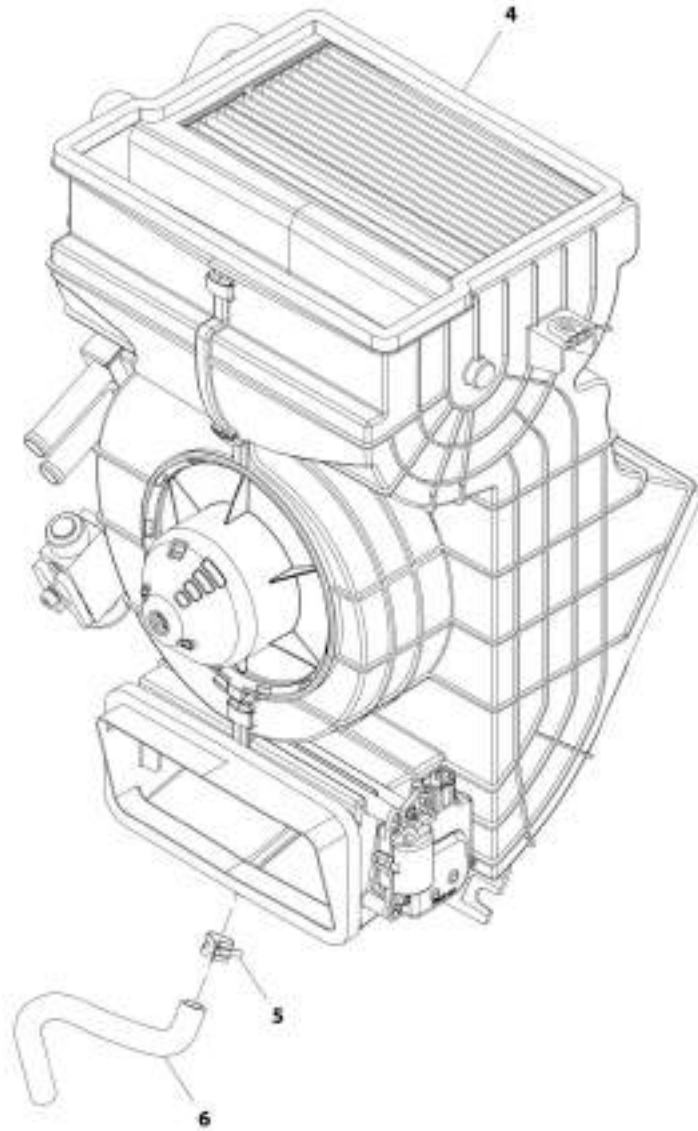
ART\_1001201496-8

**FIGURE 6-44. HEATER ASSEMBLY**

<b>ITEM</b>	<b>PART NUMBER</b>	<b>QTY</b>	<b>DESCRIPTION</b>	<b>REV</b>
1	1001201498 1001152908	Ref 1	Heater Assembly Heater (See Separate Breakdown in this Section)	B

# SECTION 6 - CAB

## FIGURE 6-45. HEATER AND A/C ASSEMBLY



ART\_1001201487-C

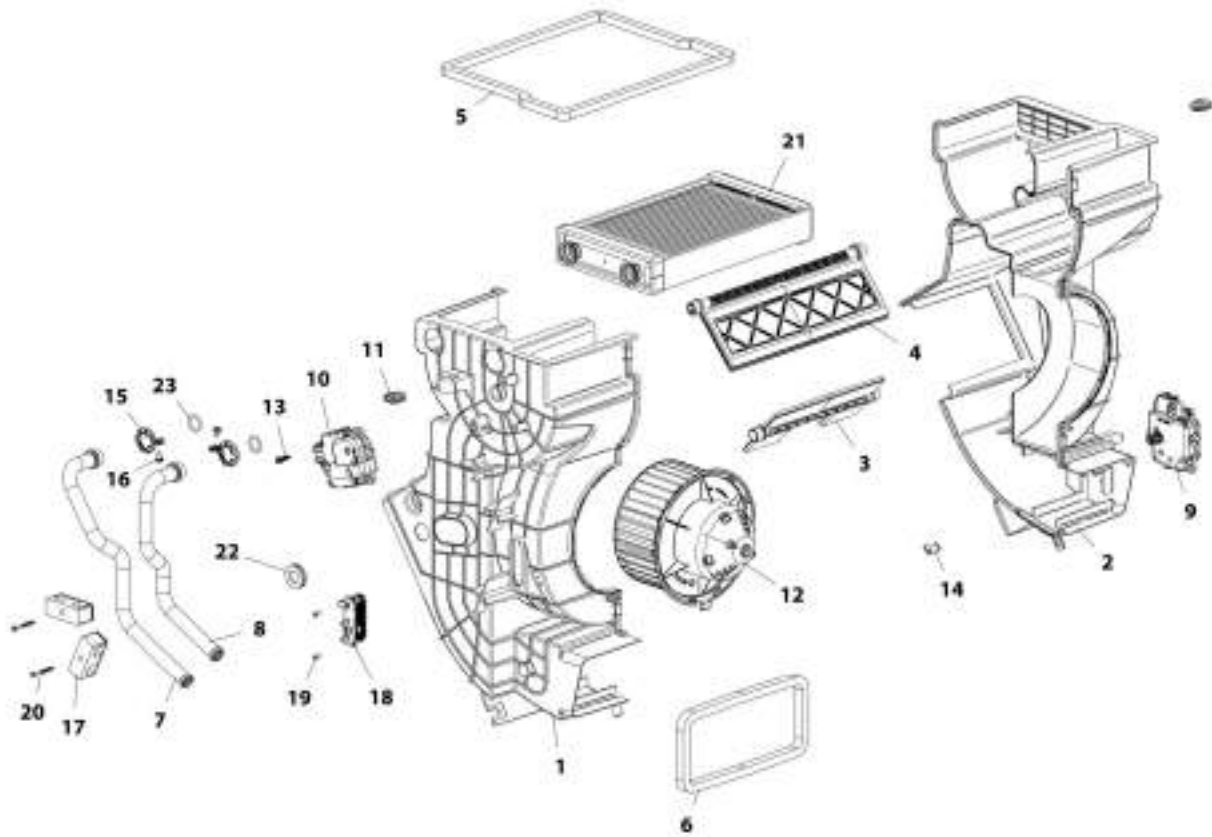


**FIGURE 6-45. HEATER AND A/C ASSEMBLY**

<b>ITEM</b>	<b>PART NUMBER</b>	<b>QTY</b>	<b>DESCRIPTION</b>	<b>REV</b>
	1001201497	Ref	Heater and A/C Assembly	C
4	1001188275	1	Heater and AC (See Separate Breakdown in this Section)	
5	1001152729	1	Clamp, Hose	
6	1001161865	1	Hose	

# SECTION 6 - CAB

## FIGURE 6-46. HEATER



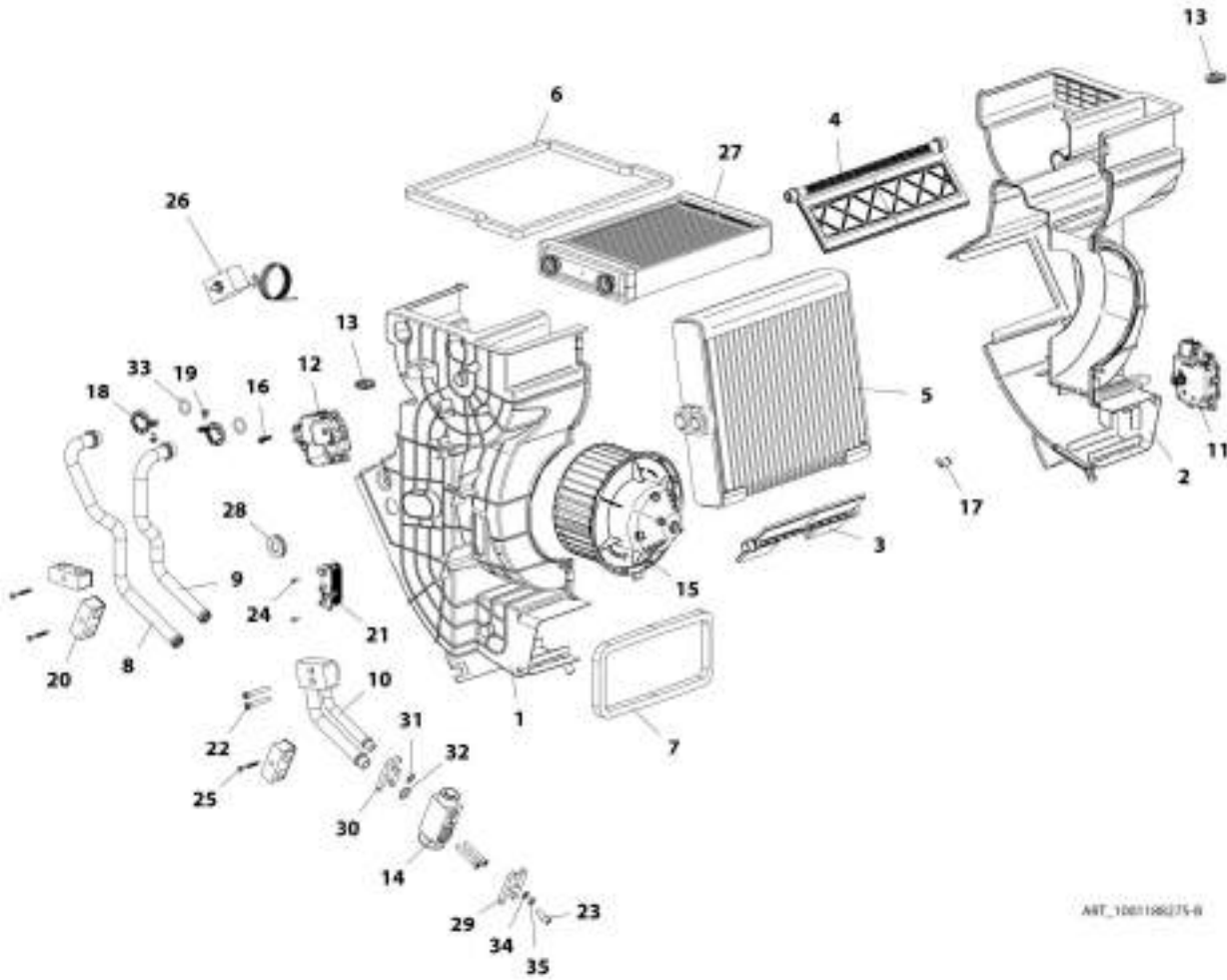
ART\_100152968-C

FIGURE 6-46. HEATER

ITEM	PART NUMBER	QTY	DESCRIPTION	REV
	1001152908	Ref	Heater	C
1	1001166091	1	Housing, RH	
2	1001166092	1	Housing, LH	
3	1001184275	1	Flap, Recirculation with Foam	
4	1001184278	1	Flap, Mixing with Foam	
5	1001184294	1	Foam, Air Outlet	
6	1001184295	1	Foam, Air Inlet	
7	1001184296	1	Pipe, Water	
8	1001184297	1	Pipe, Water	
9	1001188577	1	Actuator, Fresh/Recirculation Air	
10	1001188578	1	Actuator, Hot/Cold	
11	1001188590	2	Grommet	
12	1001188594	1	Fan, 12V	
13	1001188602	4	Screw	
14	1001188603	9	Clamp	
15	1001188604	2	Clamp	
16	1001188610	2	Screw	
17	1001188612	2	Clamp	
18	1001188614	1	Resistor	
19	1001188720	2	Screw	
20	1001188725	2	Screw	
21	1001188729	1	Radiator, Heater Core	
22	1001188733	1	Grommet	
23	1001189025	2	O-Ring	

# SECTION 6 - CAB

## FIGURE 6-47. HEATER AND A/C



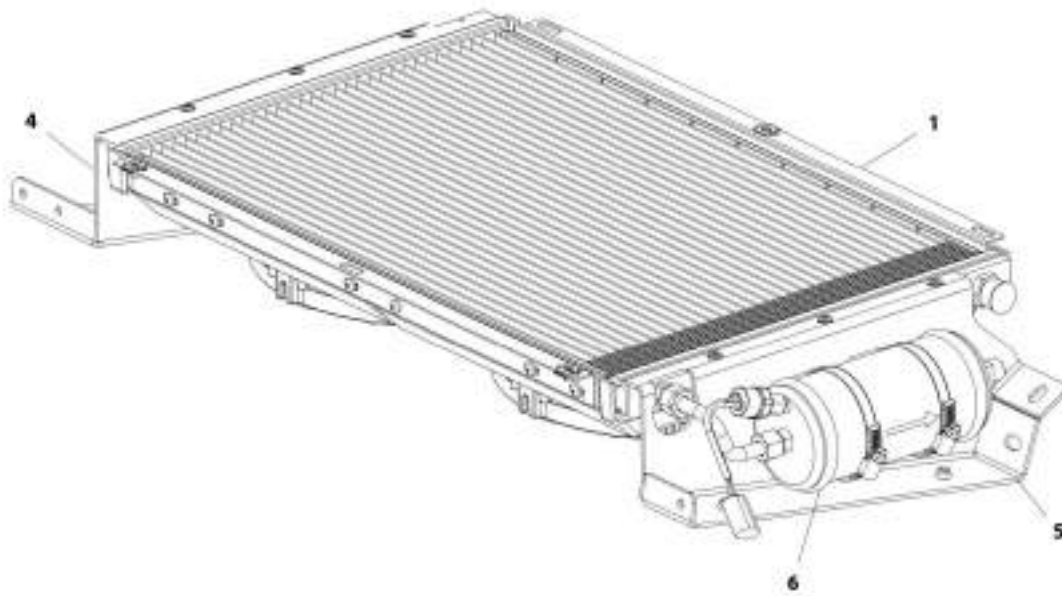
ART\_1001186215-B

FIGURE 6-47. HEATER AND A/C

ITEM	PART NUMBER	QTY	DESCRIPTION	REV
	1001188275	Ref	Heater and A/C	B
1	1001166091	1	Housing, HVAC RH	
2	1001166092	1	Housing, HVAC LH	
3	1001184275	1	Foam, Heater Flap	
4	1001184278	1	Foam, Heater Mixing Flap	
5	1001184280	1	Evaporator, Heater	
6	1001184294	1	Seal, Heater Foam	
7	1001184295	1	Seal, Air Inlet Foam	
8	1001184296	1	Pipe, Heater Water	
9	1001184297	1	Pipe, Heater Water	
10	1001184427	1	Pipe, Heater	
11	1001188577	1	Actuator, Fresh/Recirculation Air	
12	1001188578	1	Actuator, Hot/Cold Mixing	
13	1001188590	2	Grommet	
14	1001188592	1	Valve, HVAC Expansion	
15	1001188594	1	Fan, HVAC Centrifugal 12V	
16	1001188602	4	Screw, M4	
17	1001188603	9	Clamp, HVAC Case	
18	1001188604	2	Clamp, HVAC Pipe	
19	1001188610	2	Screw, M4X0.7	
20	1001188612	3	Clamp, Pipe	
21	1001188614	1	Resistor	
22	1001188618	4	Screw, M5	
23	1001188619	1	Screw, M6	
24	1001188720	2	Screw, M2.9X9.5	
25	1001188725	3	Screw, M4X35	
26	1001188728	1	Sensor, HVAC Thermostat	
27	1001188729	1	Radiator, Heater Core	
28	1001188733	1	Grommet	
29	1001188817	1	Clamp, Hose	
30	1001188818	1	Clamp, HVAC EVAP/Valve	
31	1001189023	1	O-Ring	
32	1001189024	1	O-Ring	
33	1001189025	2	O-Ring	
34	1001189048	1	Washer	
35	1001189054	1	Washer, Spring	

# SECTION 6 - CAB

## FIGURE 6-48. CAB CONDENSER ASSEMBLY



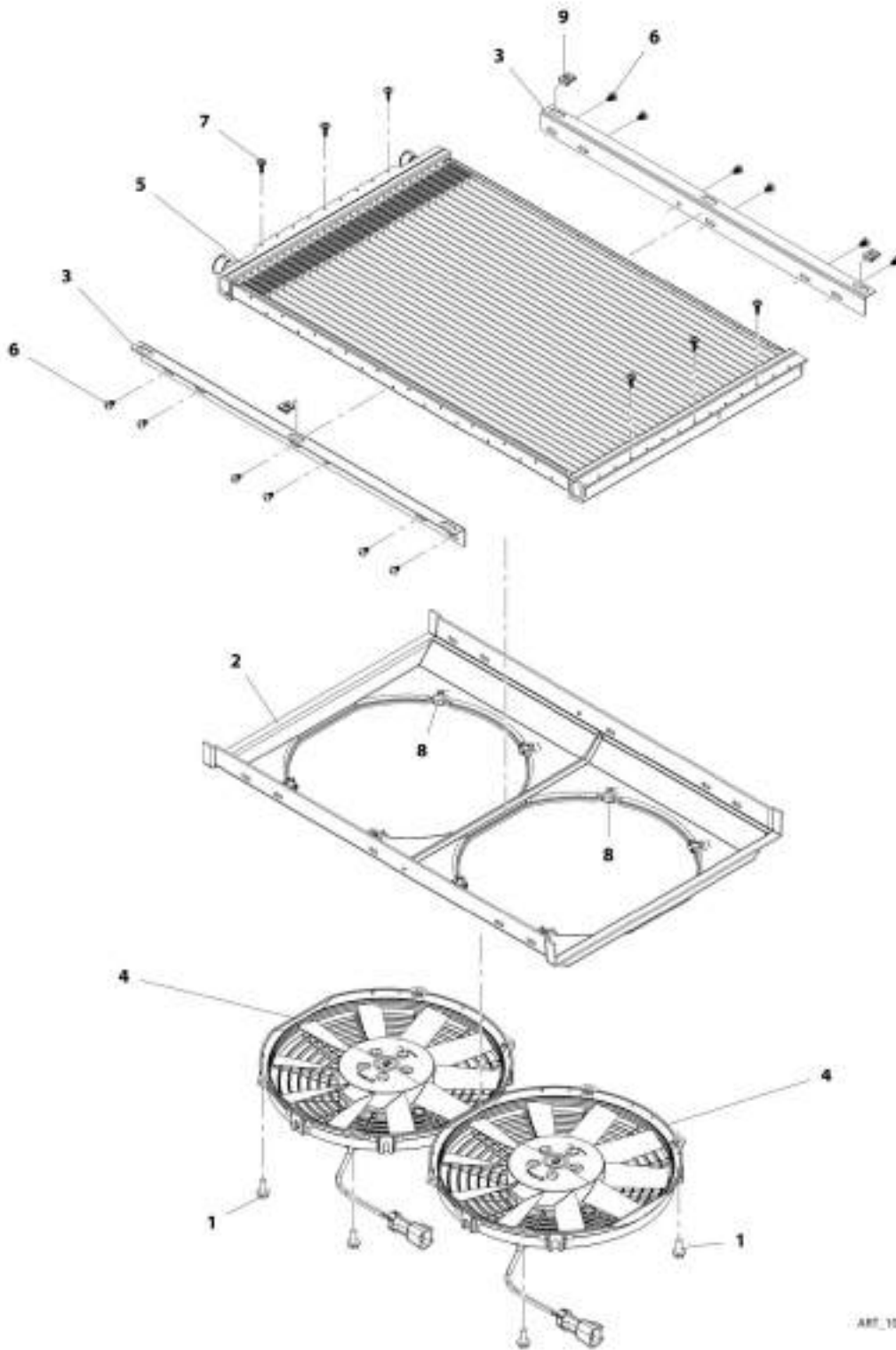
ART\_3001162953-F

FIGURE 6-48. CAB CONDENSER ASSEMBLY

ITEM	PART NUMBER	QTY	DESCRIPTION	REV
	1001162953	Ref	Cab Condenser Assembly	F
1	1001167266	1	Condenser (See Separate Breakdown in this Section)	
4	1001179080	1	Bracket	
5	1001179081	1	Bracket	
6	1001179130	1	Drier, A/C Receiver (See Separate Breakdown in this Section)	

SECTION 6 - CAB

FIGURE 6-49. CONDENSER



ART. 100160280 C

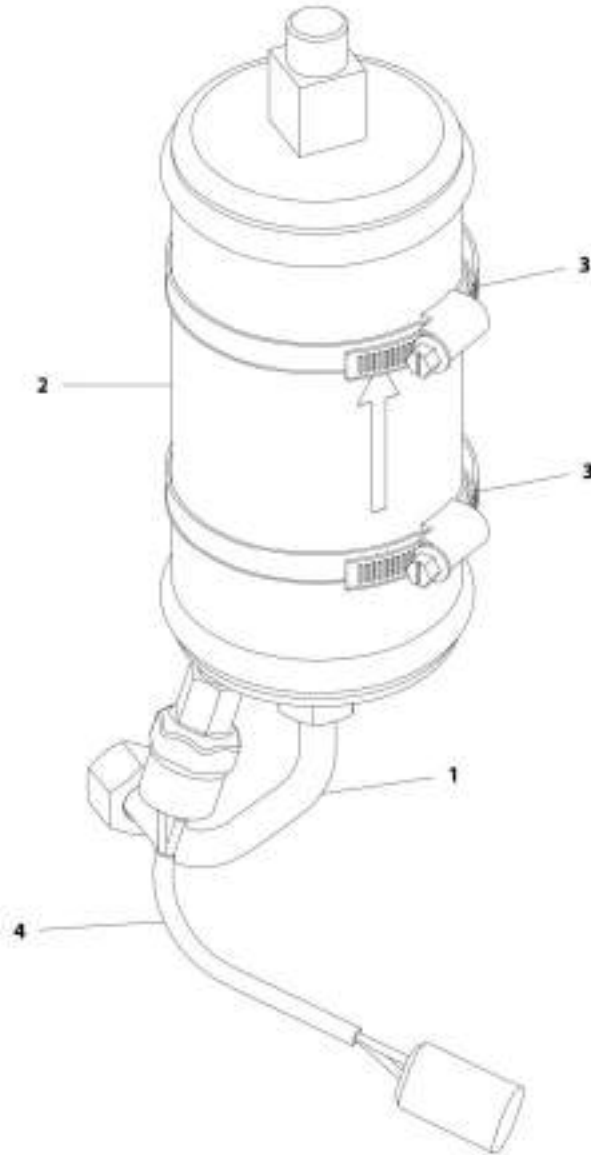


FIGURE 6-49. CONDENSER

ITEM	PART NUMBER	QTY	DESCRIPTION	REV
	1001167266	Ref	Condenser	C
1	5250608	8	Bolt, M6X16	
2	1001195342	1	Bracket, Condenser Fan Mount	
3	1001195343	2	Support, Condenser	
4	1001195345	2	Fan, Condenser	
5	1001195346	1	Condenser	
6	1001195385	12	Screw, M3.9X9.5	
7	1001195386	6	Screw, M4.2X16	
8	1001195437	8	Clip, M6X1	
9	1001195438	3	Clip, M6X1	

**SECTION 6 - CAB**

**FIGURE 6-50. A/C RECEIVER DRIER**



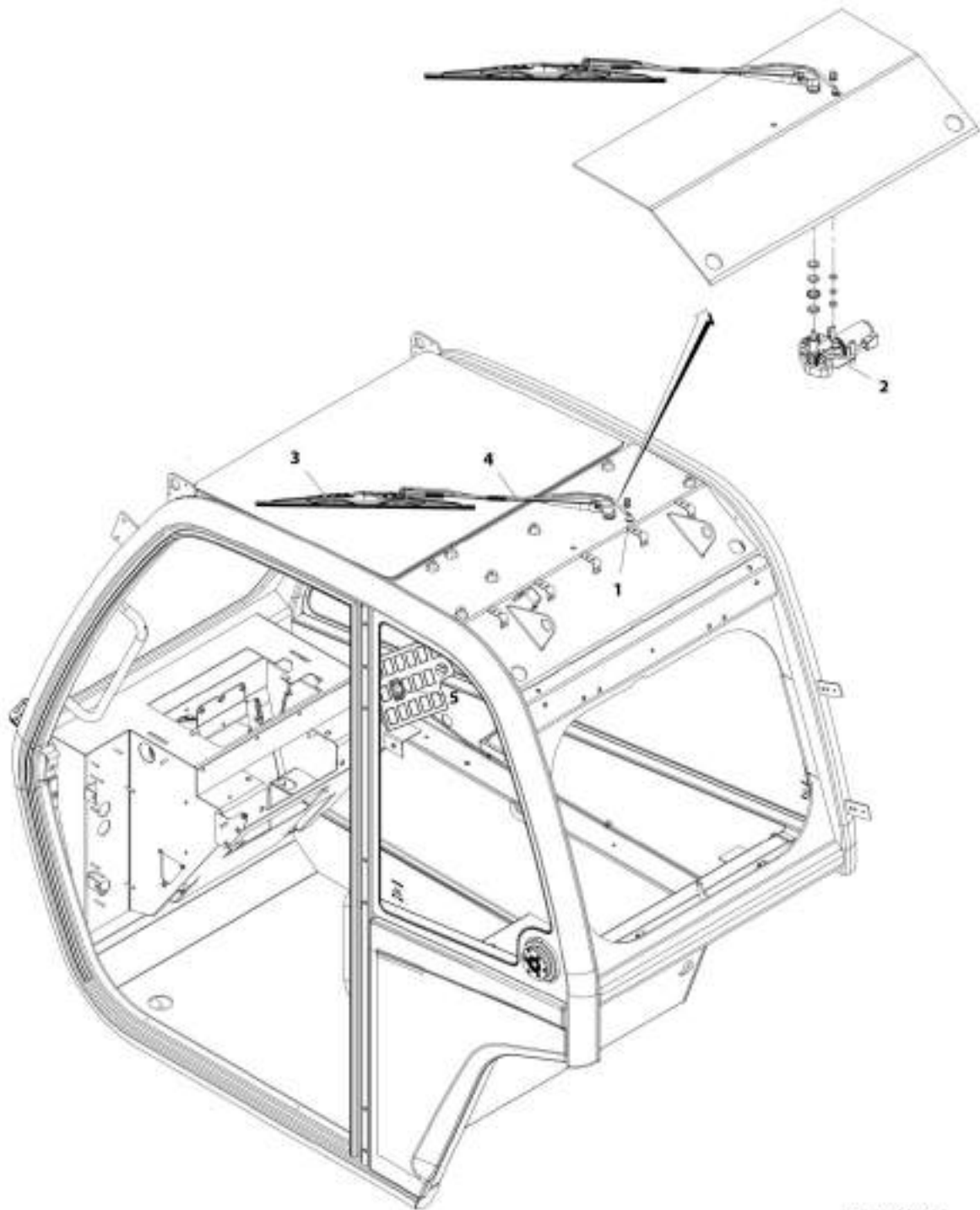
ART\_1001/0130-0

FIGURE 6-50. A/C RECEIVER DRIER

ITEM	PART NUMBER	QTY	DESCRIPTION	REV
	1001179130	Ref	A/C Receiver Drier	B
1	1001184403	1	Tube, Heater	
2	1001184404	1	Receiver, Heater Drier	
3	1001184405	2	Clamp	
4	1001184406	1	Connector, Heater	

# SECTION 6 - CAB

## FIGURE 6-51. ROOF WIPER INSTALLATION



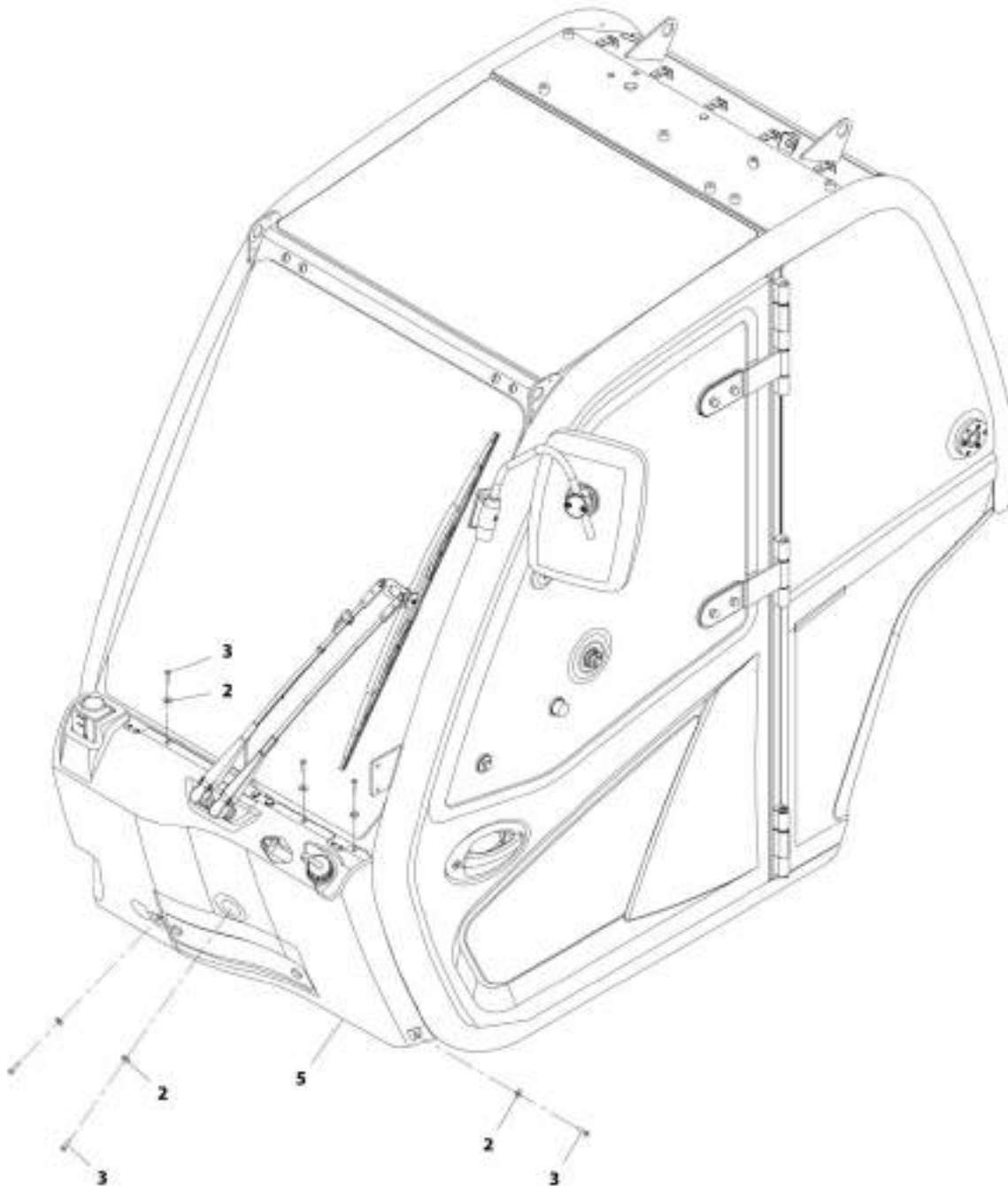
ART\_100155486-B

FIGURE 6-51. ROOF WIPER INSTALLATION

ITEM	PART NUMBER	QTY	DESCRIPTION	REV
	1001155486	Ref	Roof Wiper Installation	B
1	1001090343	1	Connector	
2	1001139551	1	Motor, Roof Wiper	
3	1001141313	1	Blade, Roof Wiper	
4	1001141311	1	Arm, Roof Wiper Blade	
5	1001159736	1	Switch, Roof Wiper	

# SECTION 6 - CAB

## FIGURE 6-52. FRONT NOSE CONE INSTALLATION (SIDELIGHT)



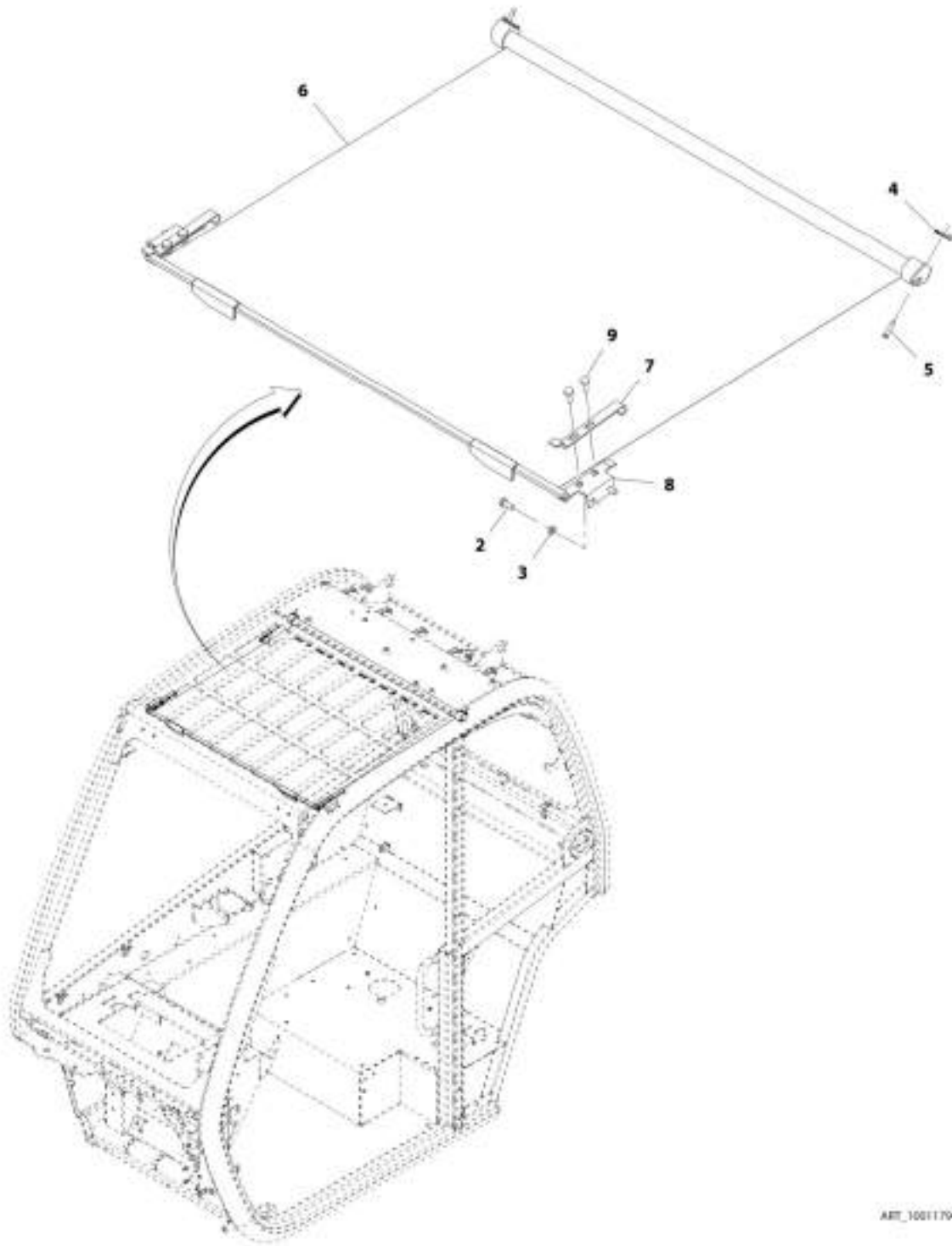
ART\_1001170605-E

**FIGURE 6-52. FRONT NOSE CONE INSTALLATION (SIDELIGHT)**

<b>ITEM</b>	<b>PART NUMBER</b>	<b>QTY</b>	<b>DESCRIPTION</b>	<b>REV</b>
	1001179895	Ref	Front Nose Cone Installation (Sidelight)	E
2	4811702	6	Washer, M6	
3	1001134428	6	Screw, M6X25MM	
5	1001179898	1	Cover	

# SECTION 6 - CAB

## FIGURE 6-53. RETRACTABLE SUNSCREEN INSTALLATION



ART\_1001170482-D

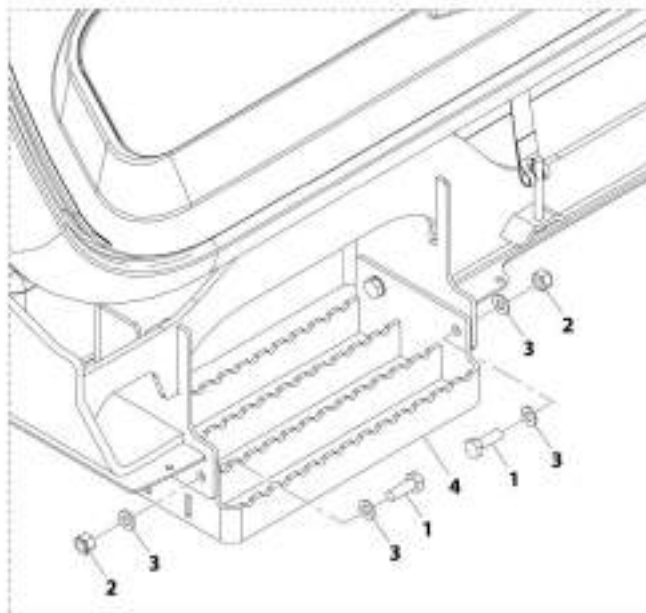
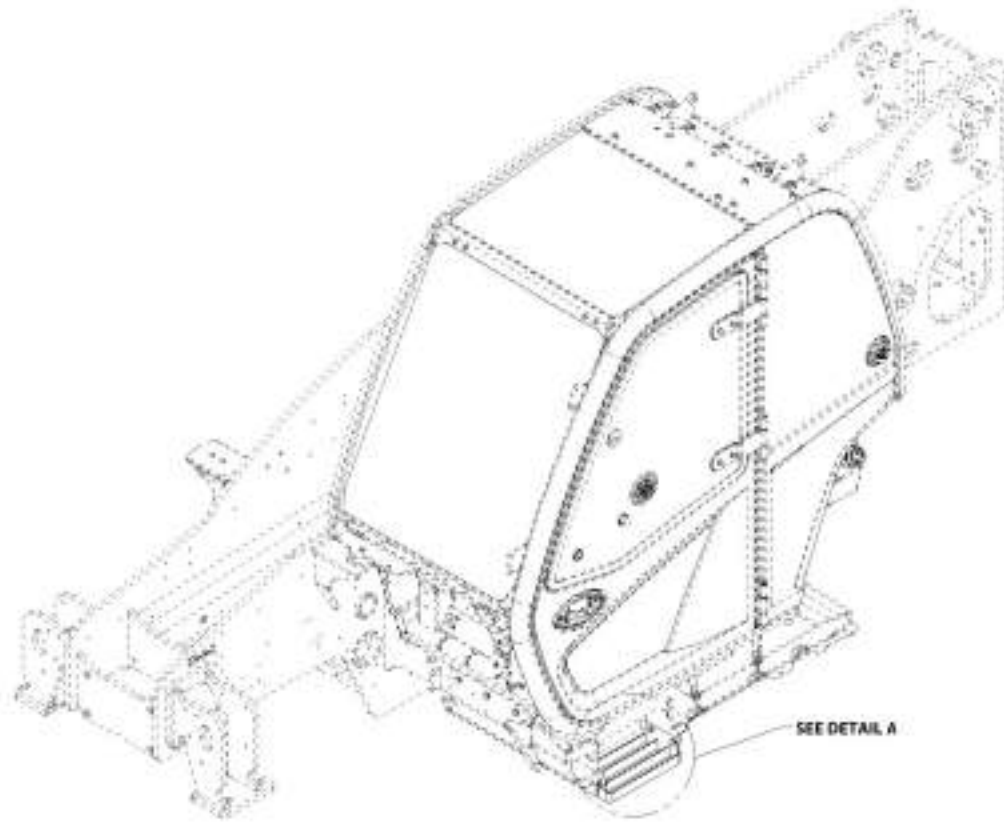


FIGURE 6-53. RETRACTABLE SUNSCREEN INSTALLATION

ITEM	PART NUMBER	QTY	DESCRIPTION	REV
	1001179482	Ref	Retractable Sunscreen Installation	D
2	0760608	4	Bolt, M6X16	
3	4811700	4	Washer, M6	
4	1001111076	2	Nut, Spire	
5	1001111147	2	Screw, Self Tapping	
6	1001179483	1	Cab, Sun Blind	
7	1001209463	2	Bracket	
8	1001166385	2	Bracket	
9	4010608002	4	Screw, Posi-Drive M6X16	

# SECTION 6 - CAB

## FIGURE 6-54. CAB STEP INSTALLATION



DETAIL A

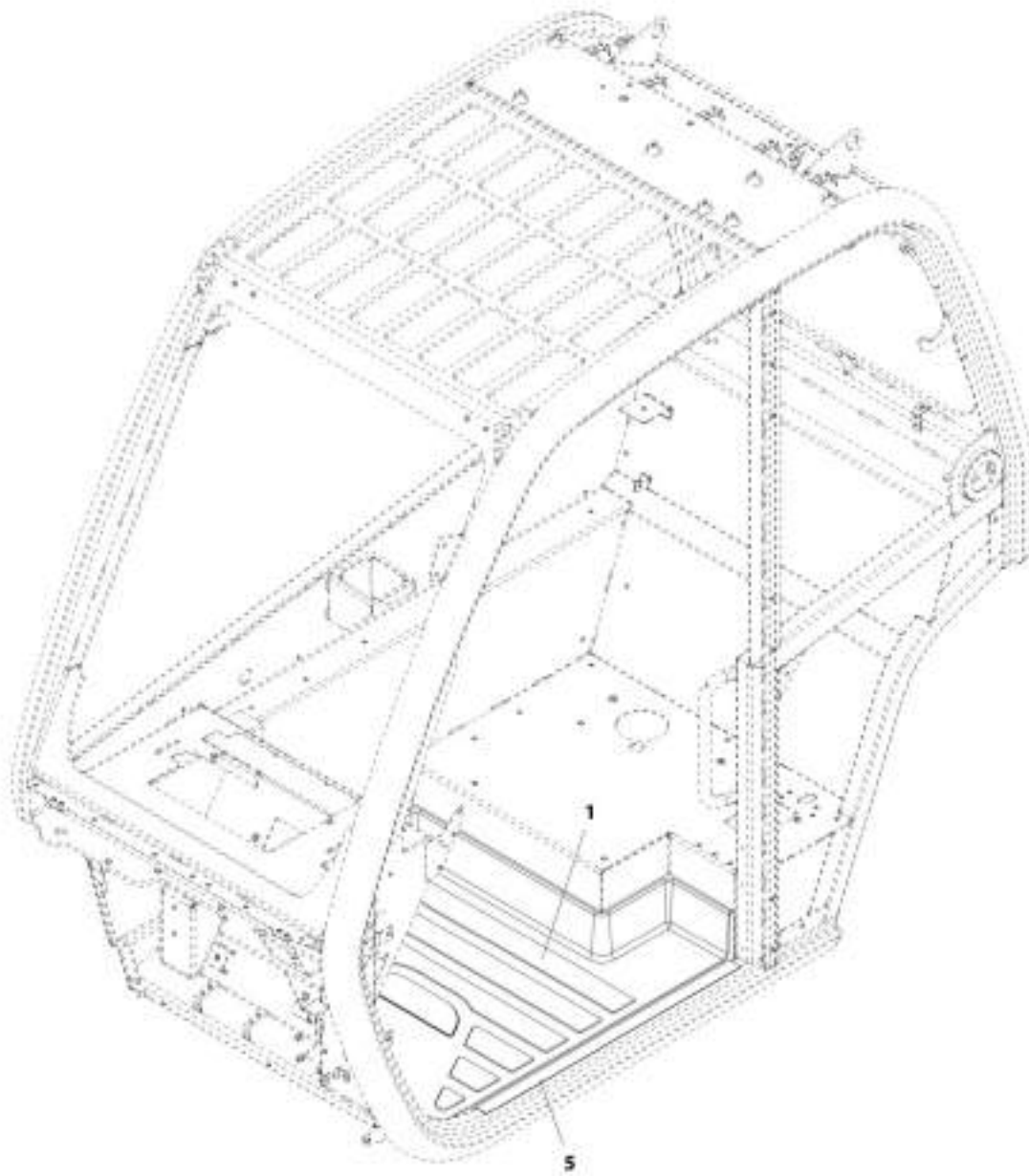
ART\_300119855-B

FIGURE 6-54. CAB STEP INSTALLATION

ITEM	PART NUMBER	QTY	DESCRIPTION	REV
	1001198958	Ref	Cab Step Installation	A
1	0701014	4	Bolt, M10X30	
2	3291005	4	Nut, Lock M10X1.5 Grade 8	
3	4812000	8	Washer, M10	
4	1001198924	1	Bracket, Step	

**SECTION 6 - CAB**

**FIGURE 6-55. FLOOR MAT INSTALLATION**



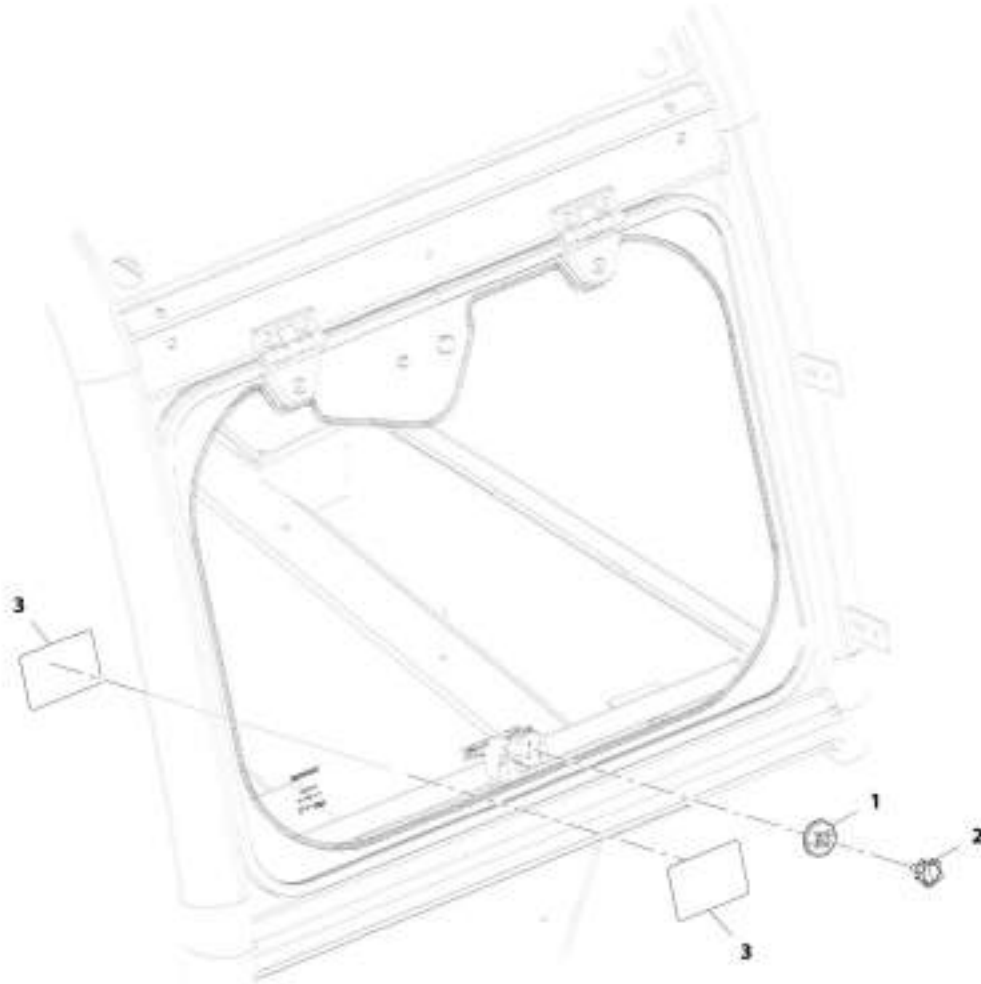
ART\_1001561080-E

**FIGURE 6-55. FLOOR MAT INSTALLATION**

<b>ITEM</b>	<b>PART NUMBER</b>	<b>QTY</b>	<b>DESCRIPTION</b>	<b>REV</b>
	1001161080	Ref	Floor Mat Installation	E
1	1001161078	1	Cab, Floor Mat	
5	1001197259	1	Tape, Frame Non Skid	

# SECTION 6 - CAB

## FIGURE 6-56. EXTERNAL WINDOW RELEASE INSTALLATION



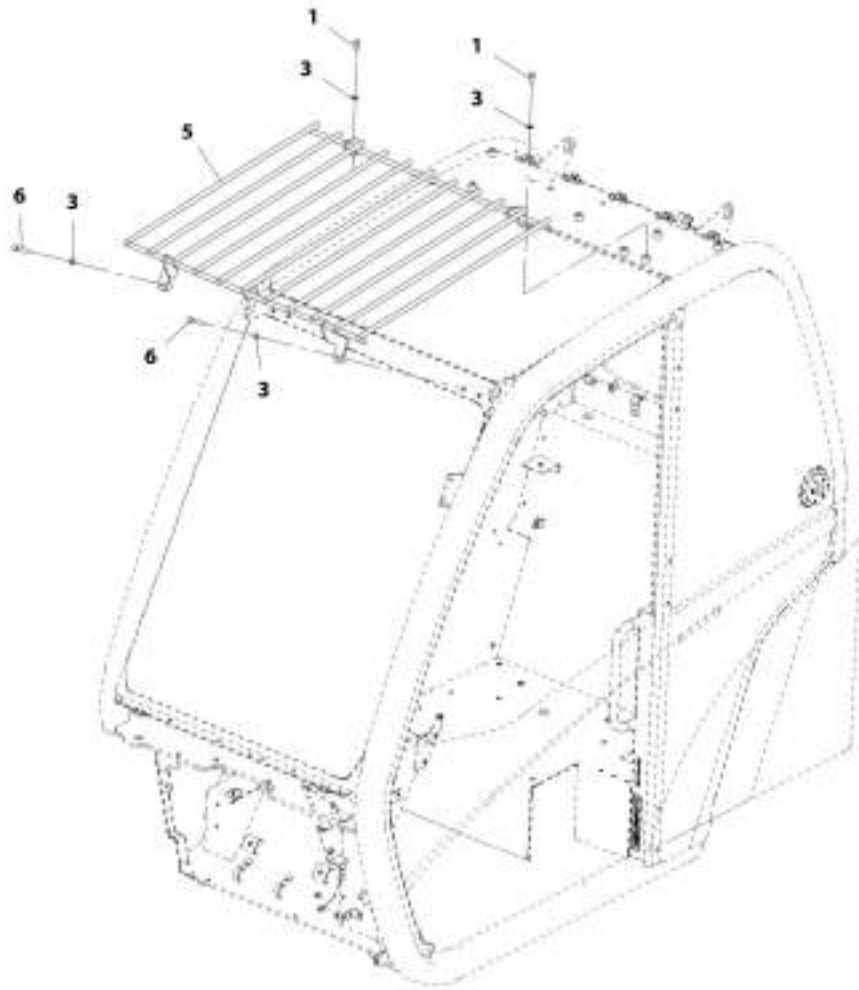
AWT\_1001178A26-B

**FIGURE 6-56. EXTERNAL WINDOW RELEASE INSTALLATION**

<b>ITEM</b>	<b>PART NUMBER</b>	<b>QTY</b>	<b>DESCRIPTION</b>	<b>REV</b>
	1001178826	Ref	External Window Release Installation	B
1	1001179008	1	Cap, Latch Window	
2	1001179009	1	Knob	
3	1001204709	2	Decal, Emergency Exit EN/FR	

# SECTION 6 - CAB

## FIGURE 6-57. CAB GUARD INSTALLATION (TOP)



ART\_1001100496-F

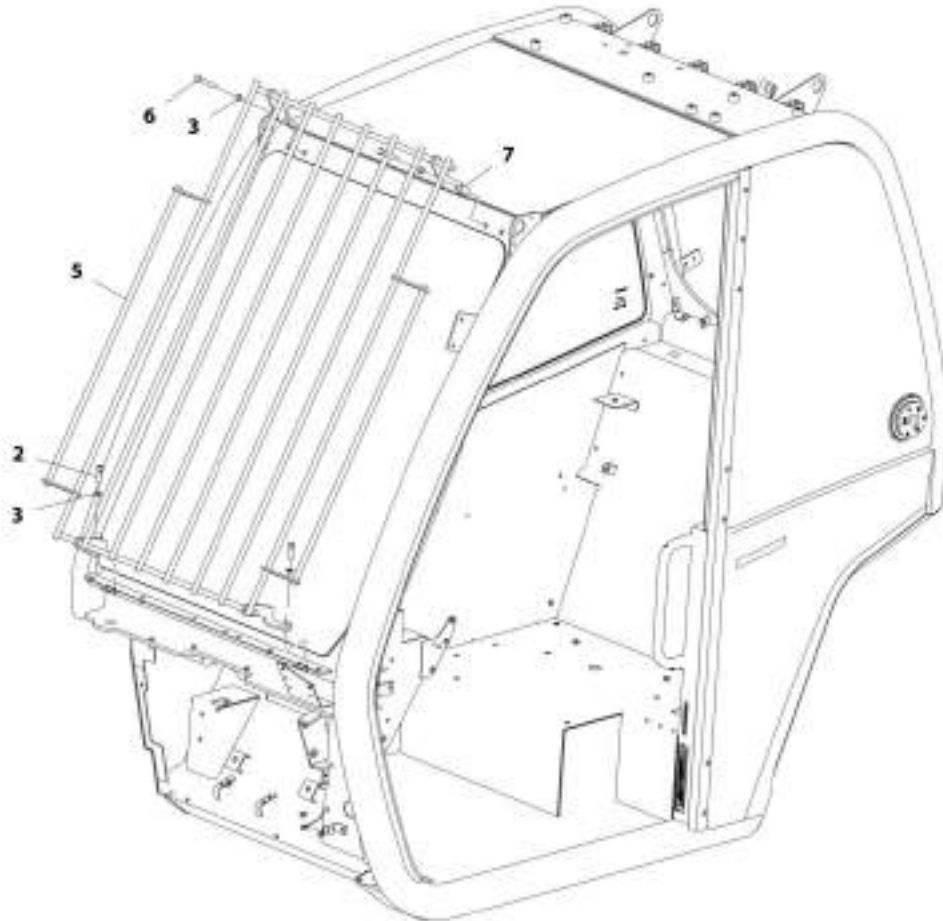


FIGURE 6-57. CAB GUARD INSTALLATION (TOP)

ITEM	PART NUMBER	QTY	DESCRIPTION	REV
	1001160496	Ref	Cab Guard Installation (Top)	F
1	0760810	2	Bolt, M8X20	
3	4811900	4	Washer, M8	
5	1001160503	1	Top Screen Guard	
6	0700820	2	Bolt, M8X60	

## SECTION 6 - CAB

FIGURE 6-58. CAB GUARD INSTALLATION (FRONT)



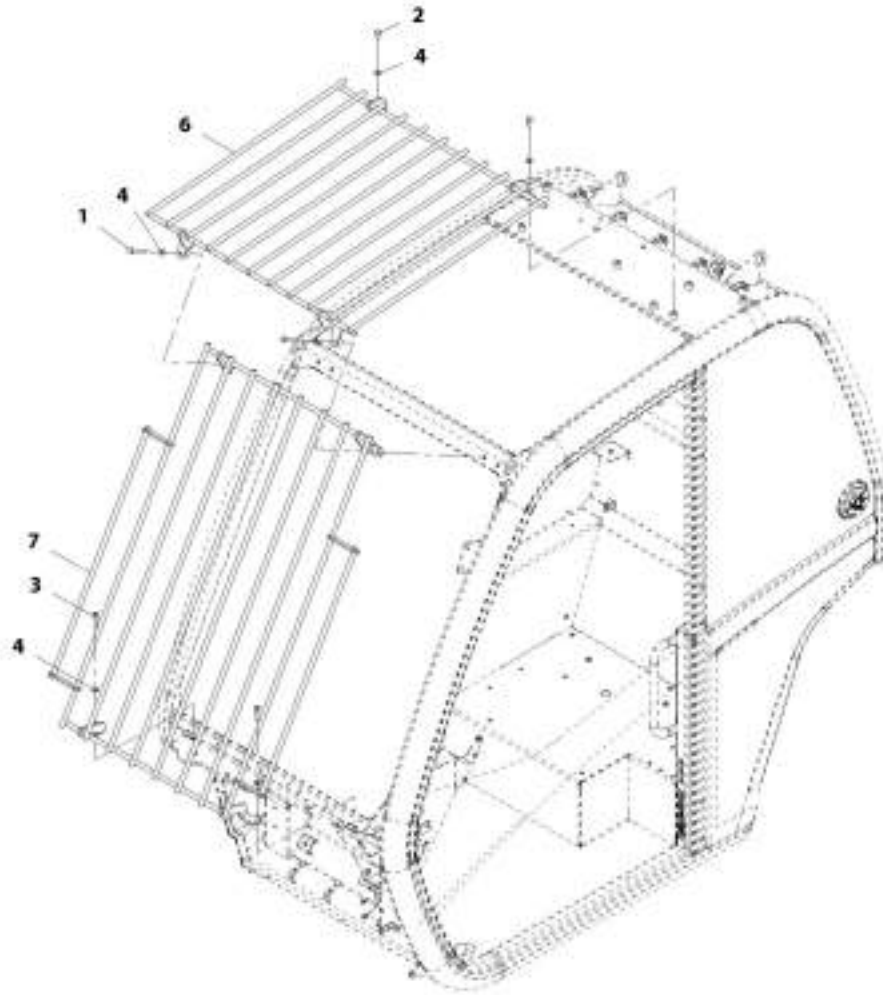
ART\_1001590106-G

FIGURE 6-58. CAB GUARD INSTALLATION (FRONT)

ITEM	PART NUMBER	QTY	DESCRIPTION	REV
	1001160506	Ref	Cab Guard Installation (Front)	G
2	4031910	2	Bolt, M8X30	
3	4811900	4	Washer, M8	
5	1001180263	1	Guard, Front Screen	
6	0700820	2	Bolt, M8X60	
7	1001173257	2	Spacer	

# SECTION 6 - CAB

FIGURE 6-59. CAB GUARD INSTALLATION (TOP AND FRONT)



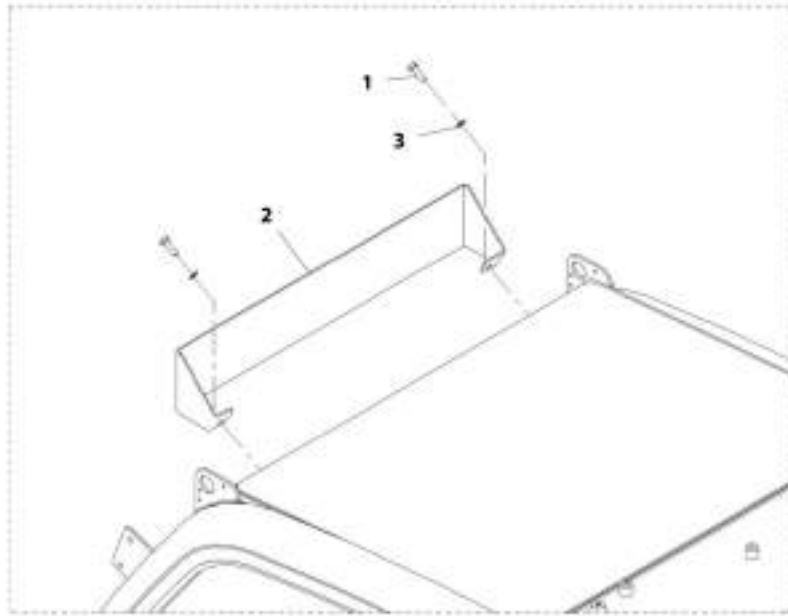
AWT\_1001122774-F

**FIGURE 6-59. CAB GUARD INSTALLATION (TOP AND FRONT)**

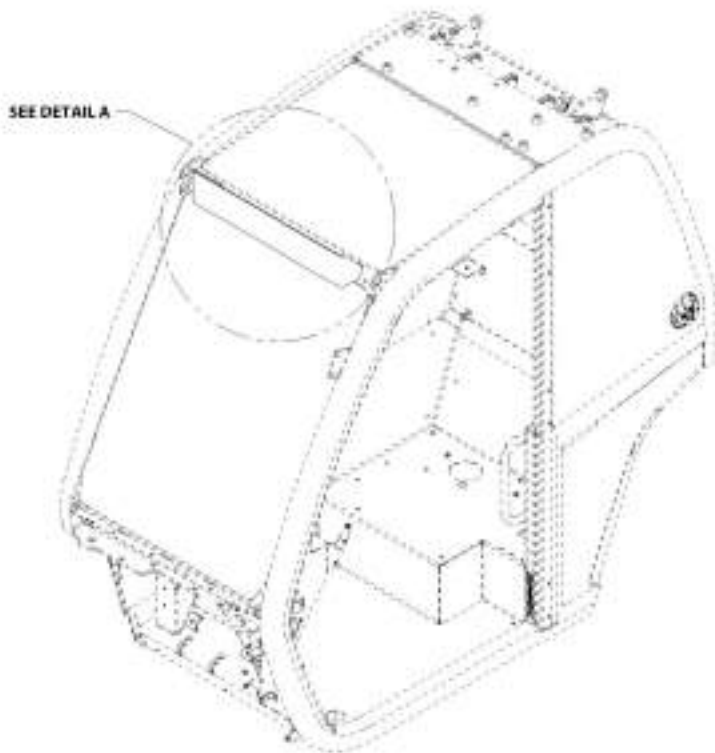
ITEM	PART NUMBER	QTY	DESCRIPTION	REV
	1001172774	Ref	Cab Guard Installation (Top and Front)	F
1	0700820	2	Bolt, M8X60	
2	0760810	2	Bolt, M8X20	
3	4031910	2	Bolt, M8X30	
4	4811900	6	Washer, M8	
6	1001160503	1	Top Screen Guard	
7	1001180263	1	Front Screen Guard	

# SECTION 6 - CAB

## FIGURE 6-60. NUMBER PLATE BRACKET INSTALLATION (NO CAB GUARD)



DETAIL A



SEE DETAIL A

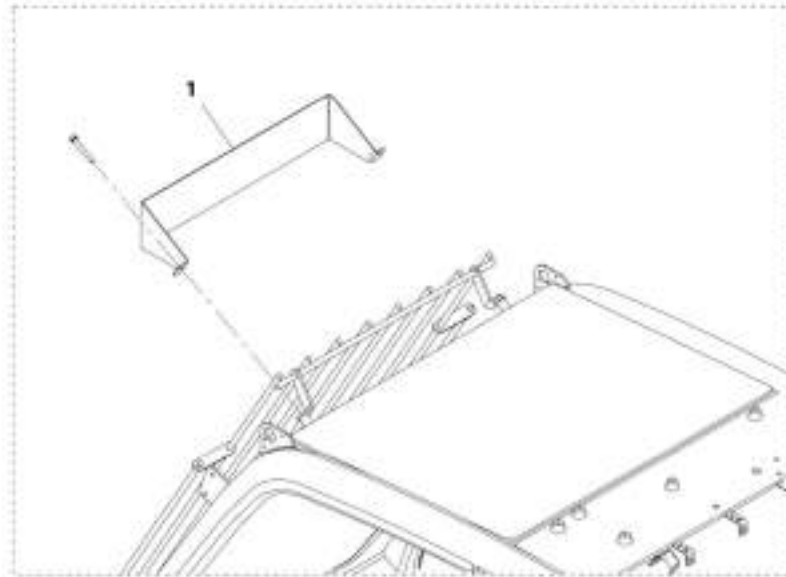
ART\_100121800-A

**FIGURE 6-60. NUMBER PLATE BRACKET INSTALLATION (NO CAB GUARD)**

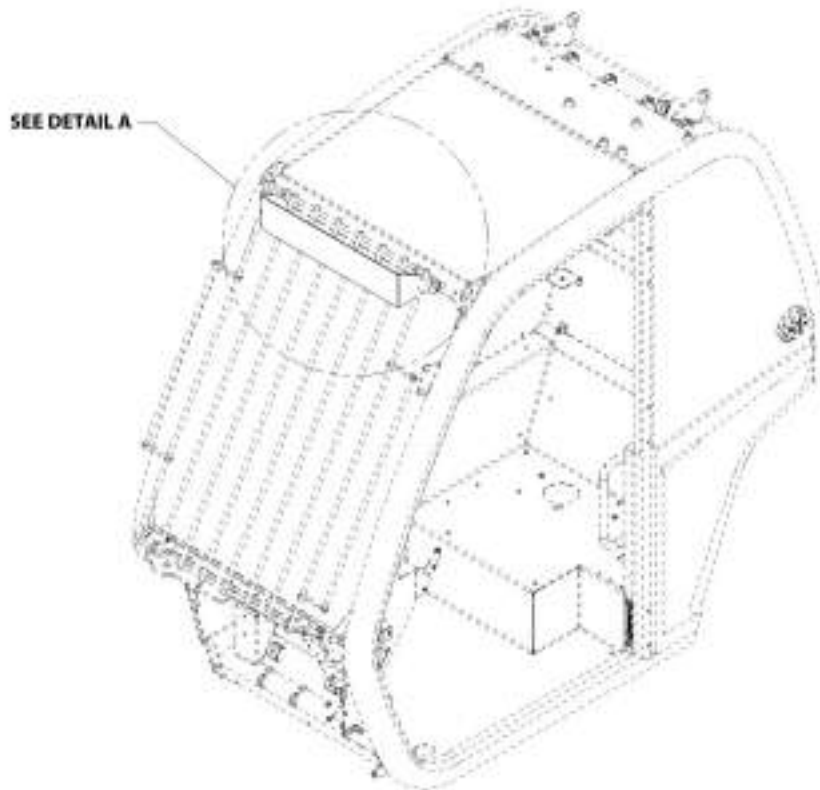
<b>ITEM</b>	<b>PART NUMBER</b>	<b>QTY</b>	<b>DESCRIPTION</b>	<b>REV</b>
	1001210804	Ref	Number Plate Bracket Installation (No Cab Guard)	A
1	0760812	2	Bolt, M8X25	
2	1001210802	1	Bracket, Number Plate (No Cab Guard)	
3	4811900	2	Washer, M8	

# SECTION 6 - CAB

## FIGURE 6-61. NUMBER PLATE BRACKET INSTALLATION (CAB GUARD)



DETAIL A



ART\_1001210799-A

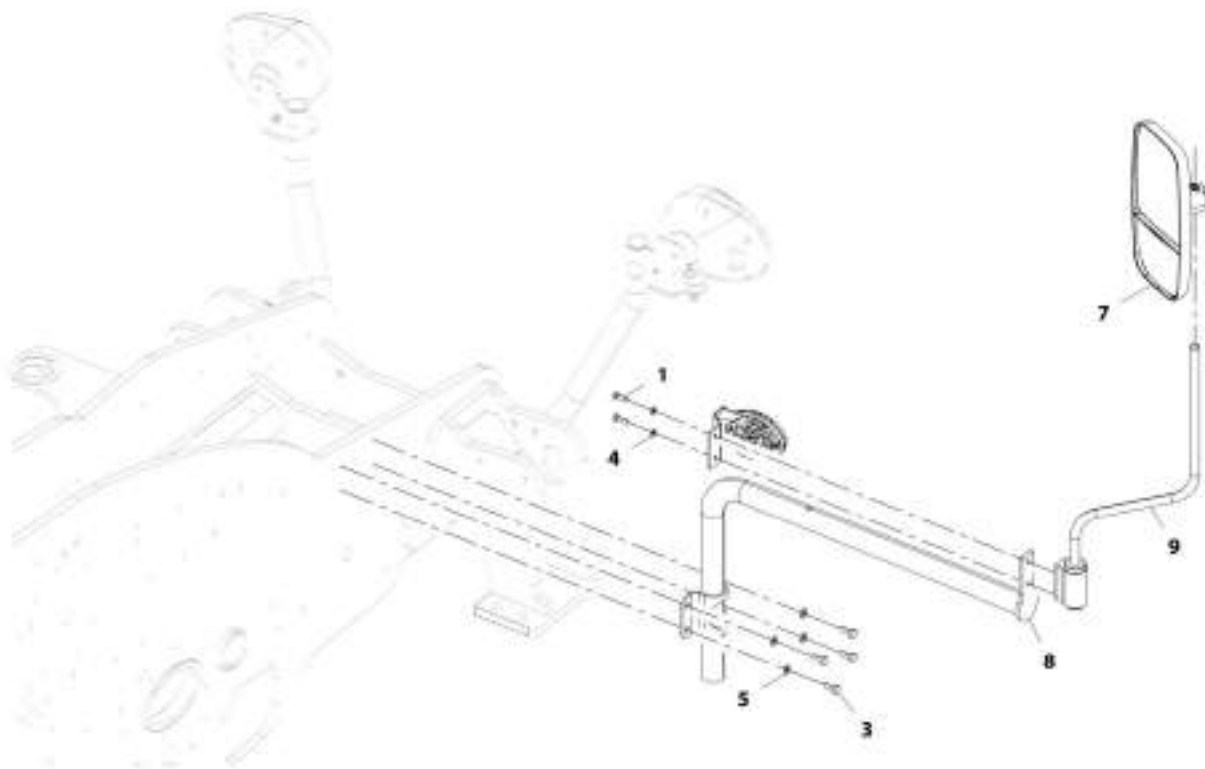


**FIGURE 6-61. NUMBER PLATE BRACKET INSTALLATION (CAB GUARD)**

<b>ITEM</b>	<b>PART NUMBER</b>	<b>QTY</b>	<b>DESCRIPTION</b>	<b>REV</b>
1	1001210799 1001210798	Ref 1	Number Plate Bracket Installation (Cab Guard) Bracket	A

SECTION 6 - CAB

FIGURE 6-62. MIRROR INSTALLATION



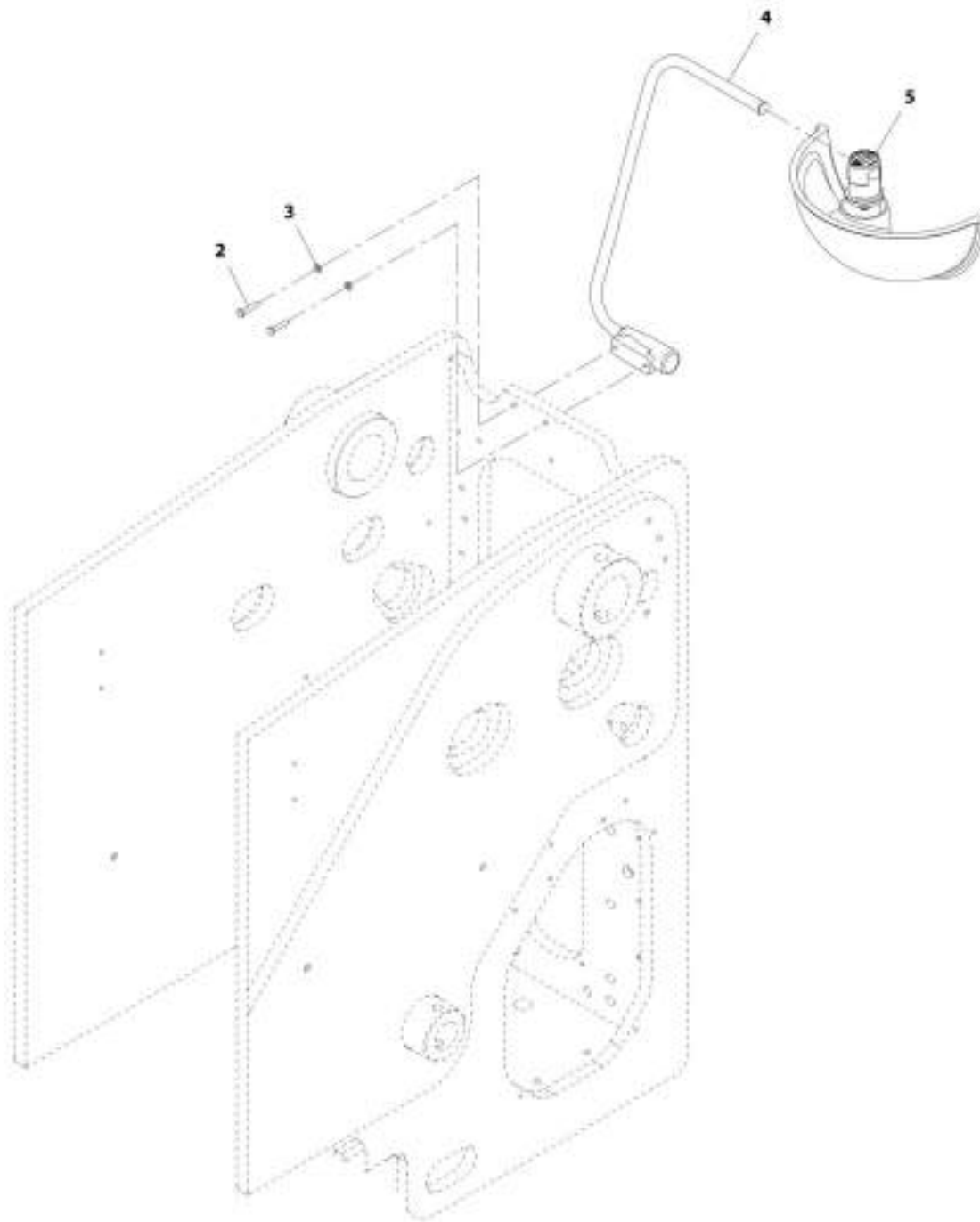
ART\_3001186335-0

FIGURE 6-62. MIRROR INSTALLATION

ITEM	PART NUMBER	QTY	DESCRIPTION	REV
	1001186393	Ref	Mirror Installation	G
1	0760812	2	Bolt, M8X25	
3	0761012	4	Bolt, M10X25	
4	4811900	2	Washer, M8	
5	4812000	4	Washer, M10	
7	1001175812	1	Mirror, Dual Lens	
8	1001181360	1	Bracket	
9	1001189193	1	Bracket	

# SECTION 6 - CAB

## FIGURE 6-63. HITCH MIRROR INSTALLATION (CONVEX)



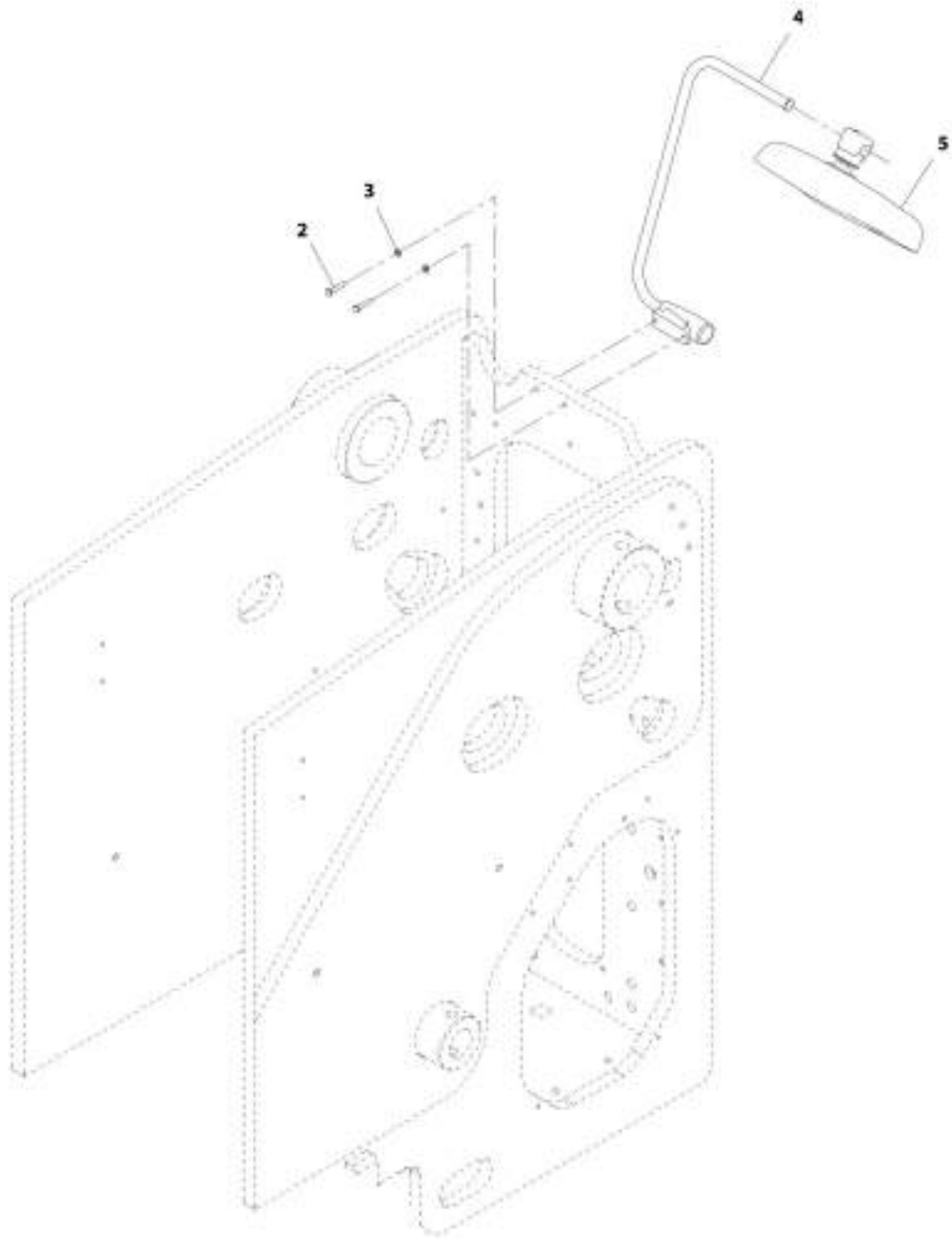
ART\_1001196430-B

FIGURE 6-63. HITCH MIRROR INSTALLATION (CONVEX)

ITEM	PART NUMBER	QTY	DESCRIPTION	REV
	1001186439	Ref	Hitch Mirror Installation (Fish Eye)	B
2	0700614	2	Bolt, M6X30	
3	4811700	2	Washer, M6	
4	1001005980	1	Arm	
5	1001008436	1	Assembly, Mirror (Convex) (See Separate Breakdown in this Section)	

# SECTION 6 - CAB

## FIGURE 6-64. HITCH MIRROR INSTALLATION (FLAT)



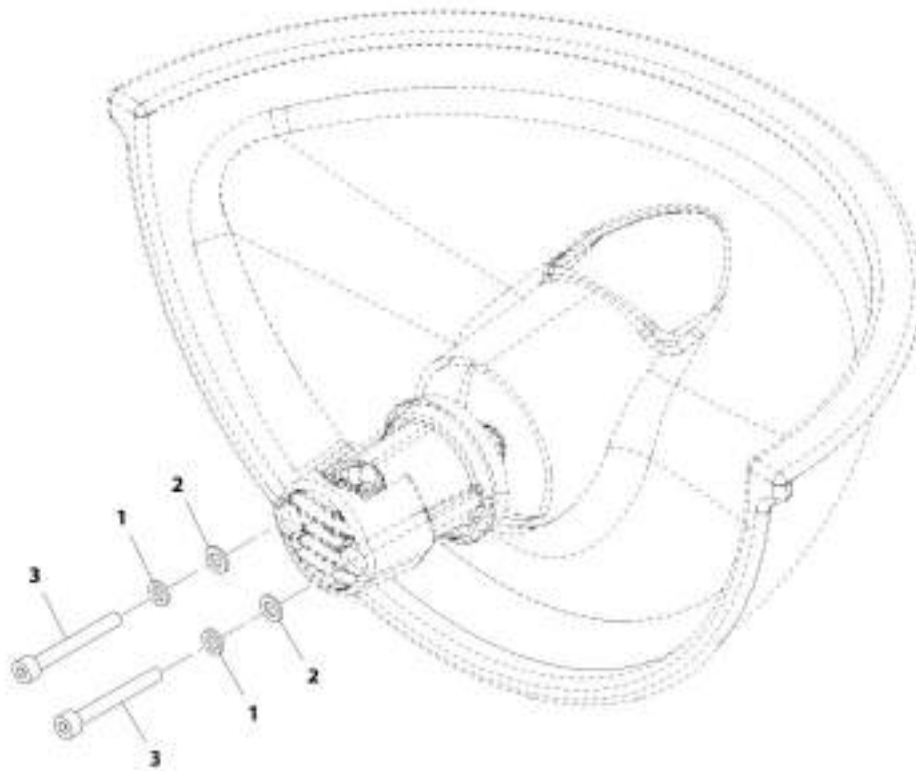
ART\_100186385-0

FIGURE 6-64. HITCH MIRROR INSTALLATION (FLAT)

ITEM	PART NUMBER	QTY	DESCRIPTION	REV
	1001186395	Ref	Hitch Mirror Installation (Flat)	B
2	0700614	2	Bolt, M6X30	
3	4811700	2	Washer, M6	
4	1001005980	1	Arm	
5	1001005981	1	Assembly, Hitch Mirror (Flat)	

# SECTION 6 - CAB

## FIGURE 6-65. MIRROR ASSEMBLY (CONVEX)



ART\_1001008438-0

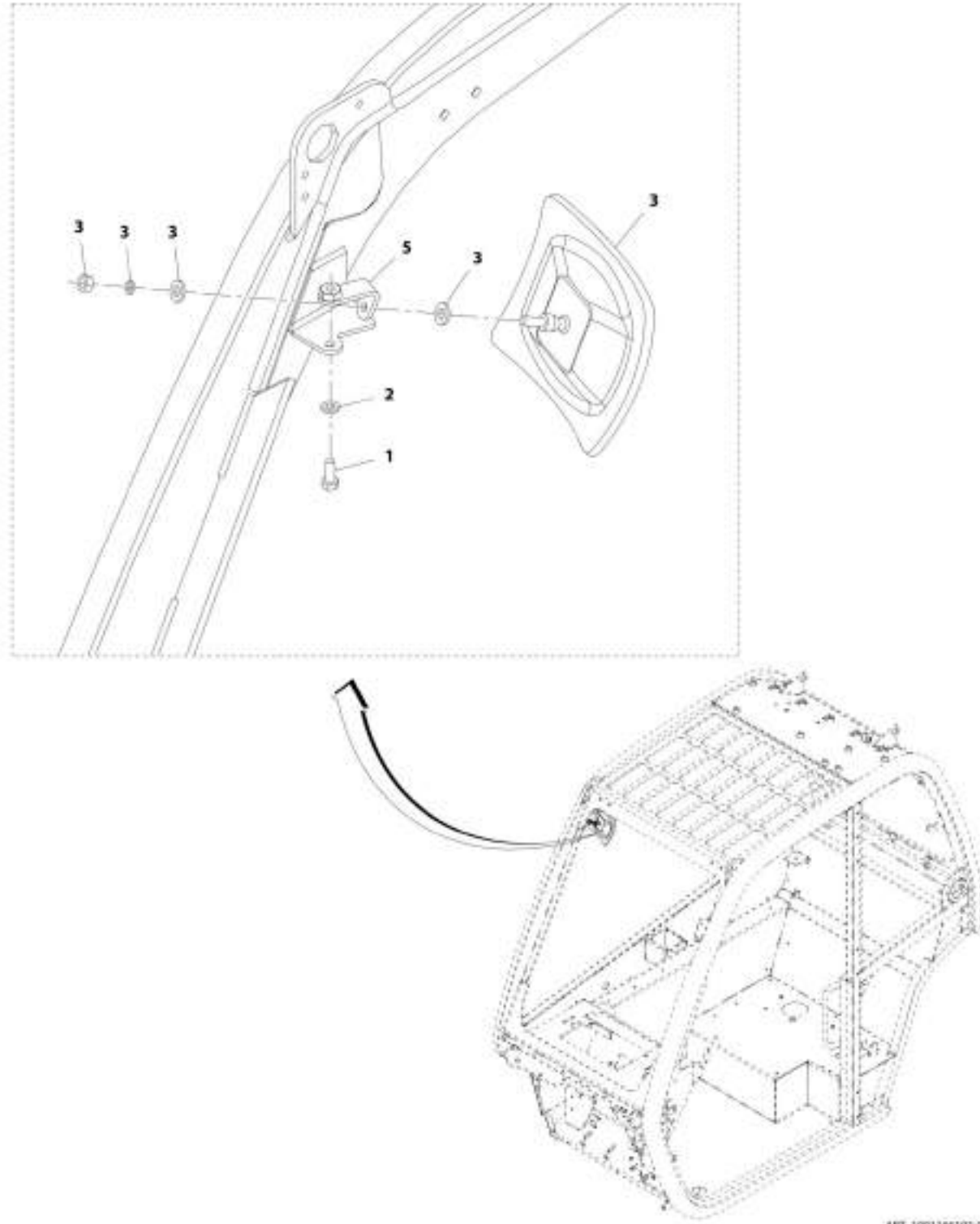


FIGURE 6-65. MIRROR ASSEMBLY (CONVEX)

ITEM	PART NUMBER	QTY	DESCRIPTION	REV
	1001008436	1	Mirror Assembly (Convex)	D
1	1001008475	2	Washer, Lock	
2	1001009062	2	Washer	
3	1001010838	2	Bolt	

# SECTION 6 - CAB

## FIGURE 6-66. INTERIOR MIRROR INSTALLATION



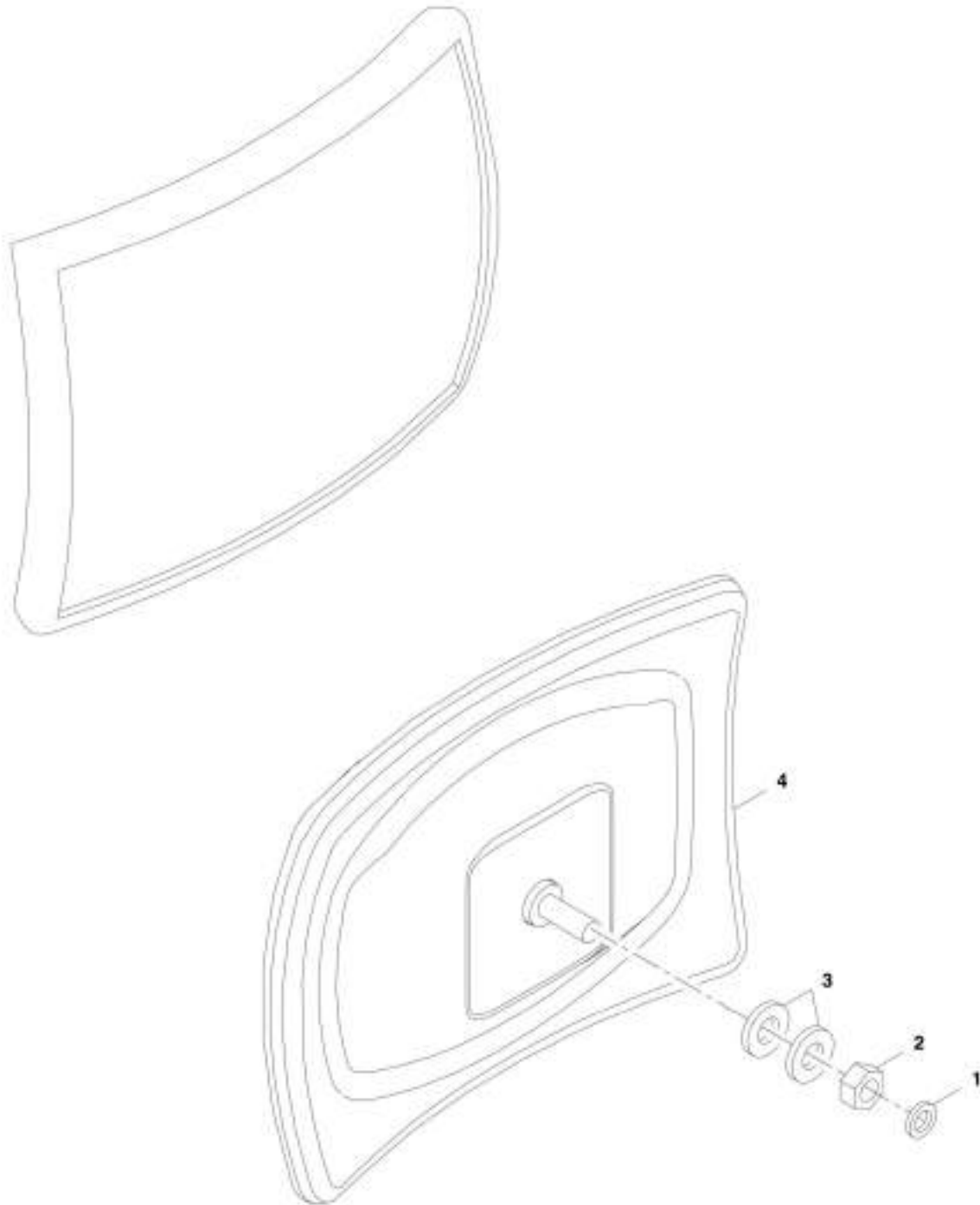
ART\_1001186192-C

FIGURE 6-66. INTERIOR MIRROR INSTALLATION

ITEM	PART NUMBER	QTY	DESCRIPTION	REV
	1001166192	Ref	Interior Mirror Installation	C
1	0760608	1	Bolt, M6X16	
2	4811700	1	Washer, M6	
3	1001007641	1	Mirror, Interior (See Separate Breakdown in this Section)	
5	1001166191	1	Bracket	

**SECTION 6 - CAB**

**FIGURE 6-67. INTERIOR MIRROR**



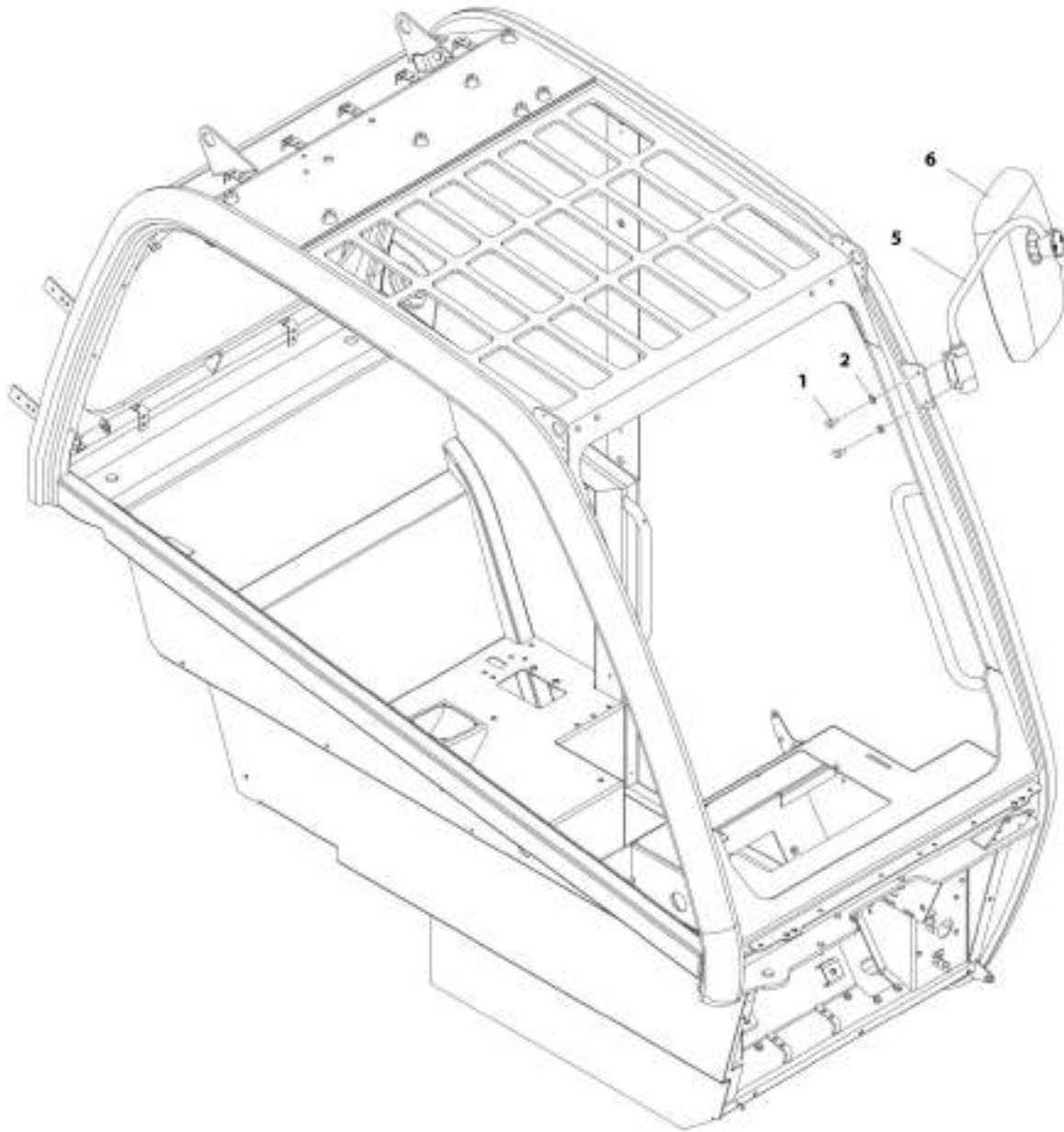
ART\_1001007641-0

FIGURE 6-67. INTERIOR MIRROR

ITEM	PART NUMBER	QTY	DESCRIPTION	REV
	1001007641	1	Mirror, Interior	B
1	1001008475	1	Washer, Lock 12	
2	1001008604	1	Nut	
3	1001009124	2	Washer	
4	1001010839	1	Mirror	

# SECTION 6 - CAB

## FIGURE 6-68. BASIC MIRROR INSTALLATION



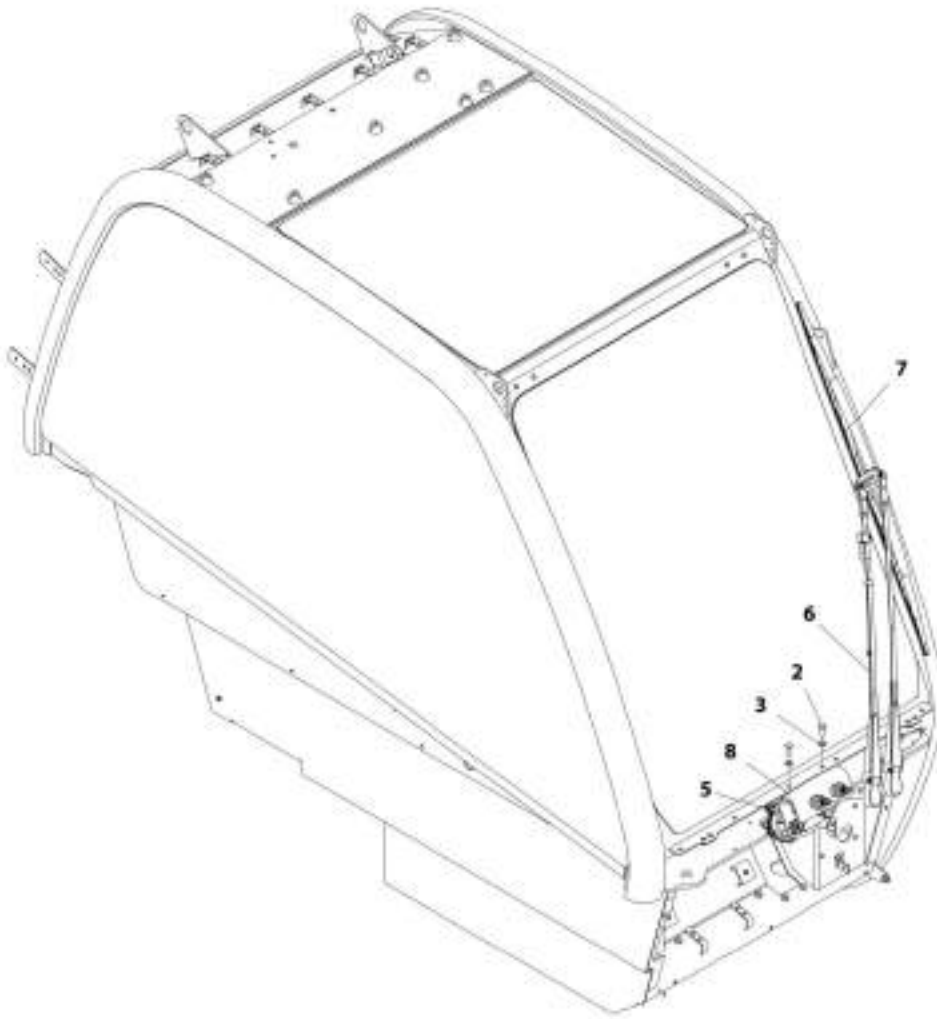
AWT\_1001160508 E

FIGURE 6-68. BASIC MIRROR INSTALLATION

ITEM	PART NUMBER	QTY	DESCRIPTION	REV
	1001160508	Ref	Basic Mirror Installation	E
1	0760808	2	Bolt, M8X16	
2	4811900	2	Washer, M8	
5	1001164655	1	Bracket	
6	80363195	1	Mirror	

# SECTION 6 - CAB

## FIGURE 6-69. FRONT WIPER INSTALLATION



ART\_900155447-F

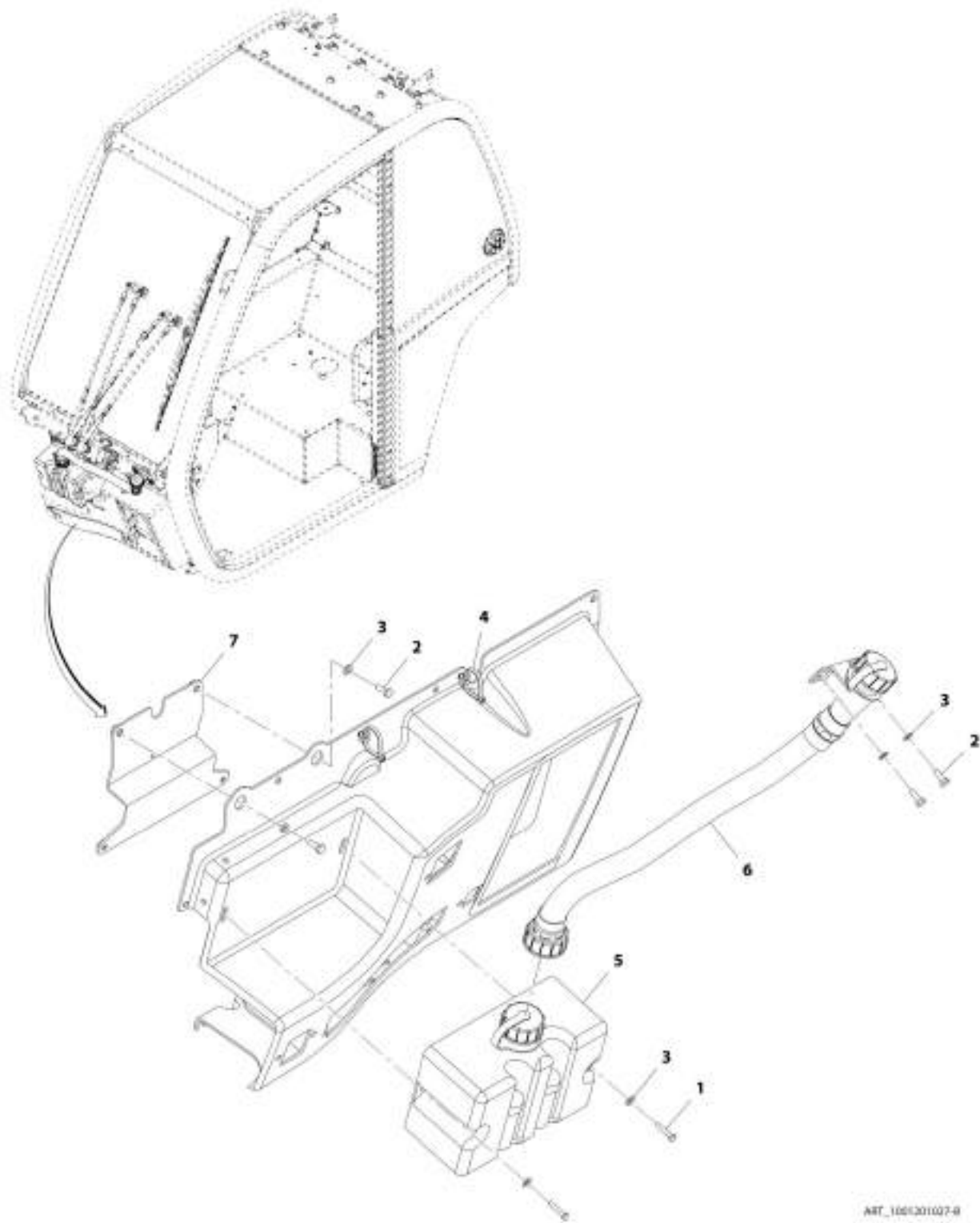


FIGURE 6-69. FRONT WIPER INSTALLATION

ITEM	PART NUMBER	QTY	DESCRIPTION	REV
	1001155447	Ref	Front Wiper Installation	F
2	0760810	2	Bolt, M8X20	
3	4811900	2	Washer, M8	
5	1001214092	1	Motor, Front Wiper	
6	1001212369	1	Blade, Front Arm Wiper	
7	1001141281	1	Blade, Wiper	
8	1001165637	1	Bracket	

# SECTION 6 - CAB

## FIGURE 6-70. WASHER TANK INSTALLATION



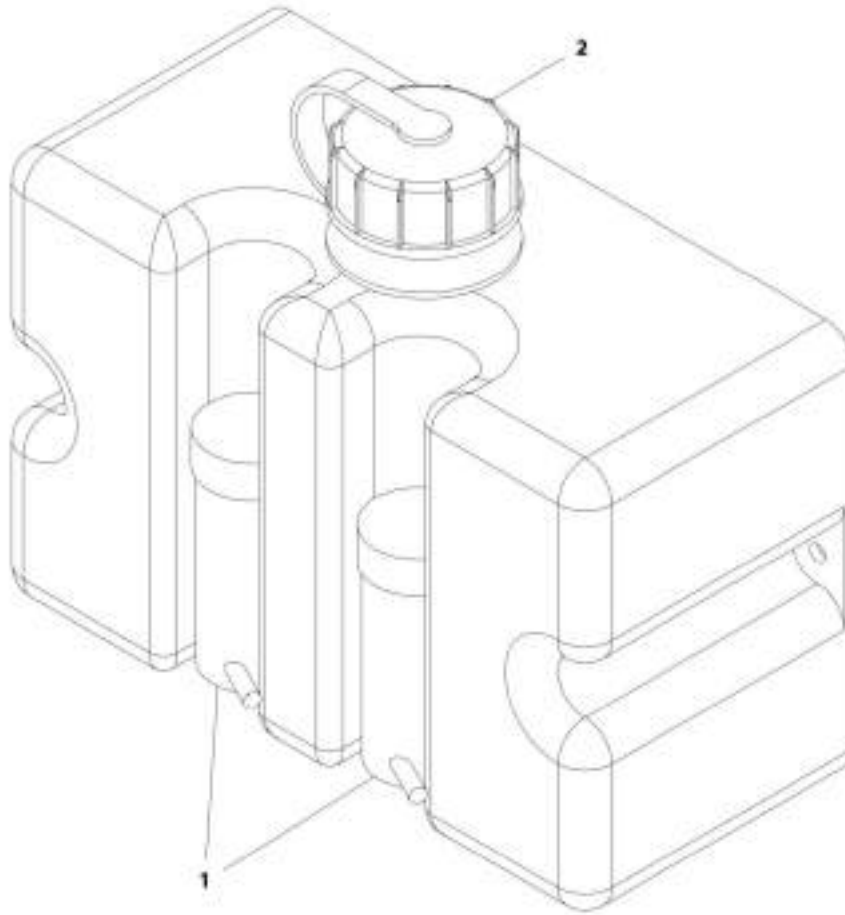
ART\_1001301027-9

FIGURE 6-70. WASHER TANK INSTALLATION

ITEM	PART NUMBER	QTY	DESCRIPTION	REV
	1001201027	Ref	Washer Tank Installation	B
1	0760512	2	Bolt M5X25	
2	0760608	4	Bolt, M6X16	
3	4811700	6	Washer, M6	
4	1001004720	2	Strap, Cable	
5	1001165269	1	Bottle, Washer (See Separate Breakdown in this Section)	
6	1001165270	1	Hose, Washer Filler	
7	1001171756	1	Bracket	

**SECTION 6 - CAB**

**FIGURE 6-71. WASHER BOTTLE**



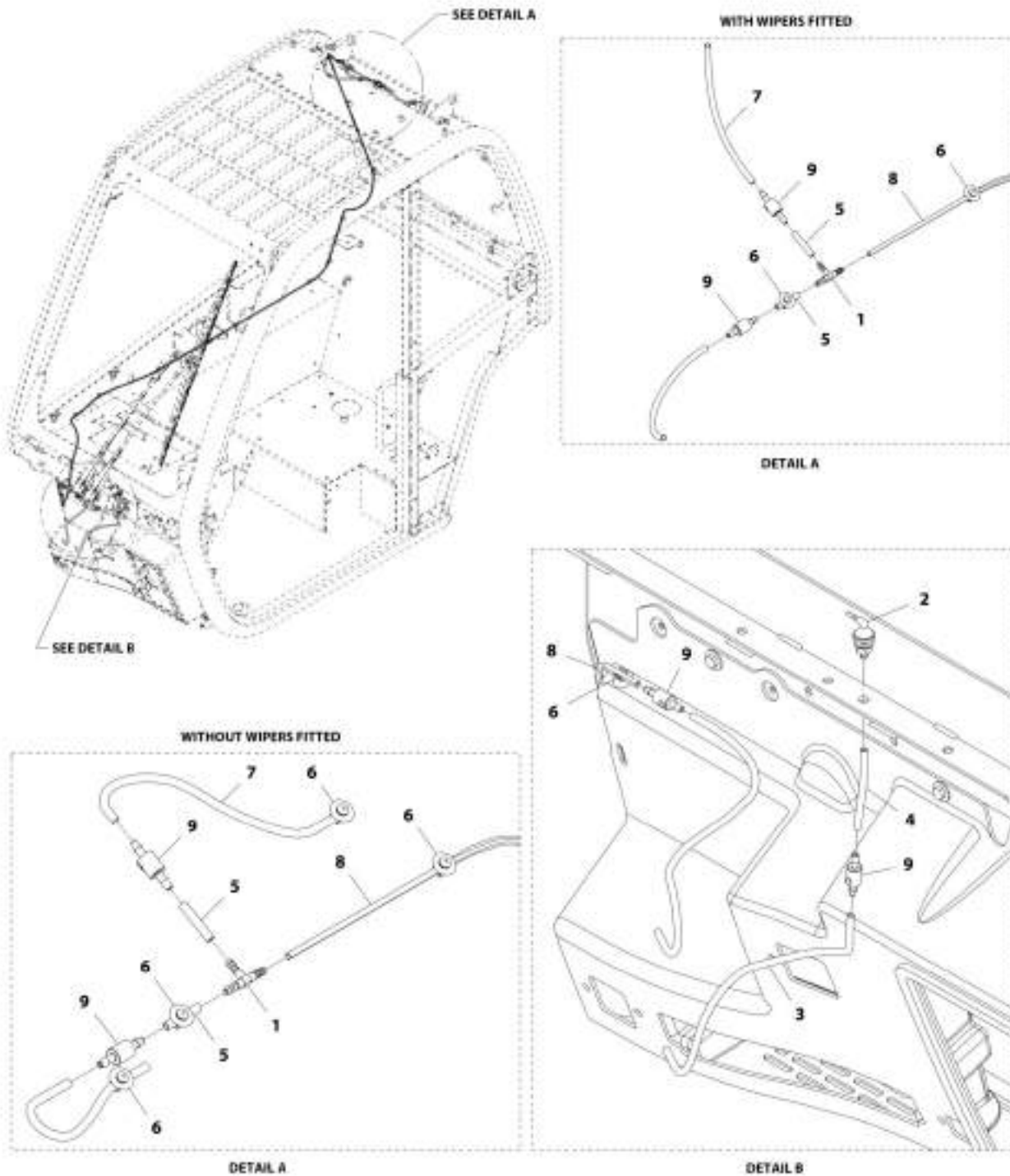
ART\_1001953269-8

**FIGURE 6-71. WASHER BOTTLE**

<b>ITEM</b>	<b>PART NUMBER</b>	<b>QTY</b>	<b>DESCRIPTION</b>	<b>REV</b>
	1001165269	Ref	Washer Bottle	B
1	1001165327	2	Motor, Washer	
2	1001165273	1	Cap, Washer	

# SECTION 6 - CAB

## FIGURE 6-72. WASHER HOSES INSTALLATION



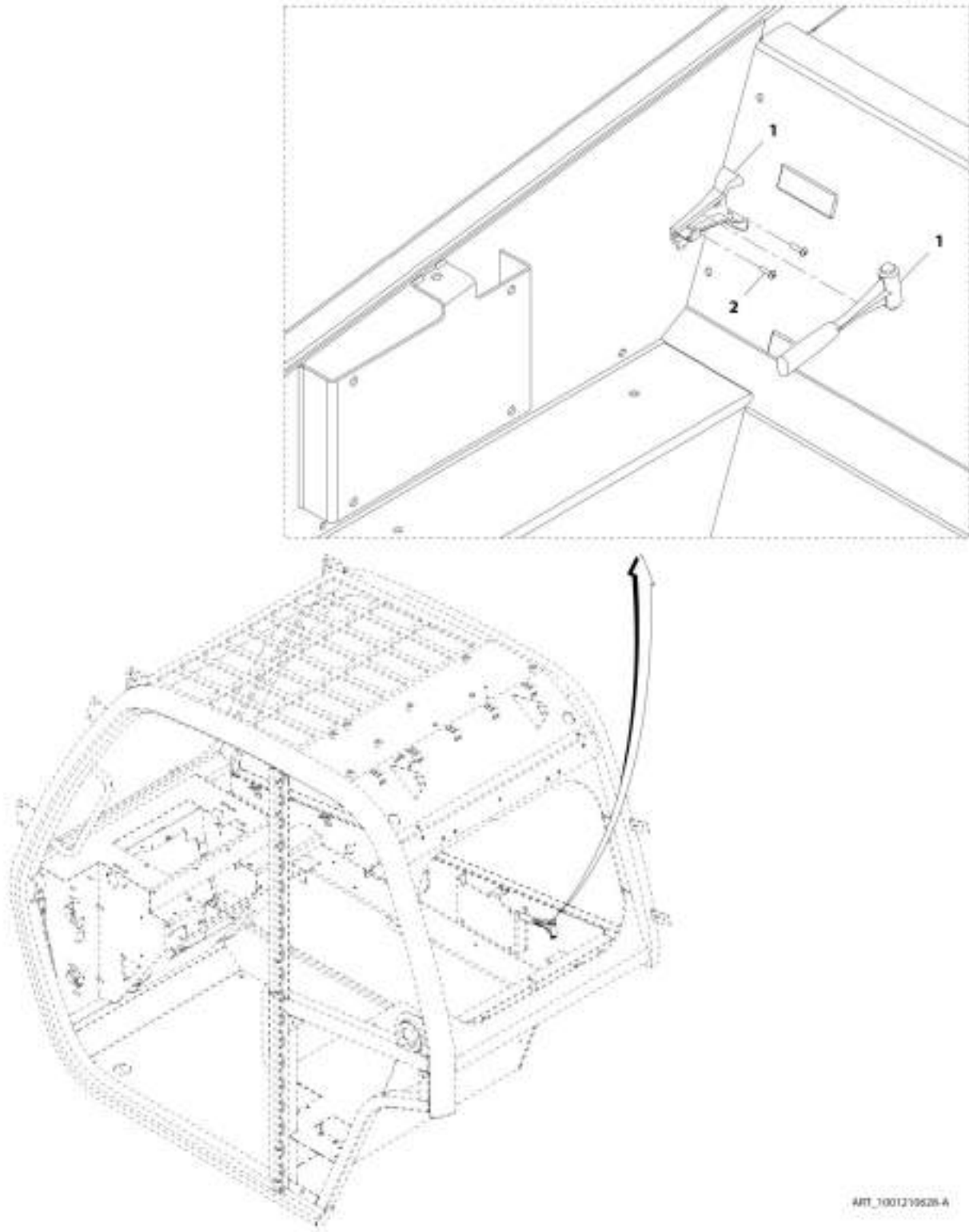
ART\_3001201520-A

FIGURE 6-72. WASHER HOSES INSTALLATION

ITEM	PART NUMBER	QTY	DESCRIPTION	REV
	1001201520	Ref	Washer Hoses Installation	A
1	1001008742	1	Coupling, Tee	
2	1001090343	1	Connector	
3	1001165351	2	Hose	
4	1001165416	1	Hose	
5	1001165455	2	Hose	
6	1001165458	16	Mount, Hose	
7	1001178123	2	Hose	
8	1001180045	1	Hose	
9	1001201331	4	Valve, Check	

# SECTION 6 - CAB

## FIGURE 6-73. HAMMER INSTALLATION



ART\_1001219628-A

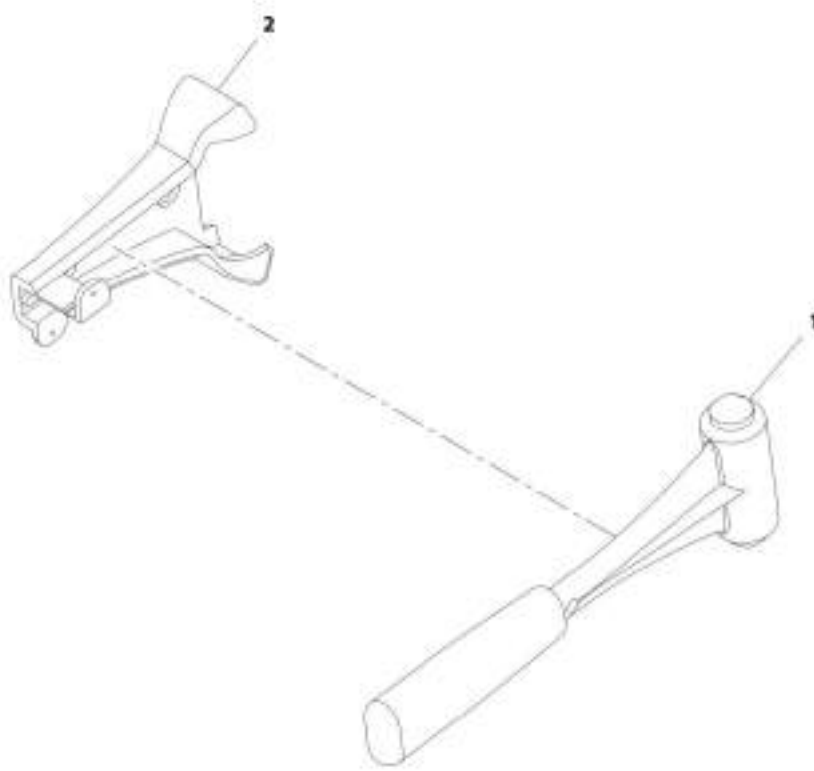


**FIGURE 6-73. HAMMER INSTALLATION**

<b>ITEM</b>	<b>PART NUMBER</b>	<b>QTY</b>	<b>DESCRIPTION</b>	<b>REV</b>
1	1001210628 1001005038	Ref 1	Hammer Installation Assembly, Hammer Attachment (See Separate Breakdown in this Section)	A
2	1001005193	2	Screw	

# SECTION 6 - CAB

## FIGURE 6-74. HAMMER ATTACHMENT ASSEMBLY



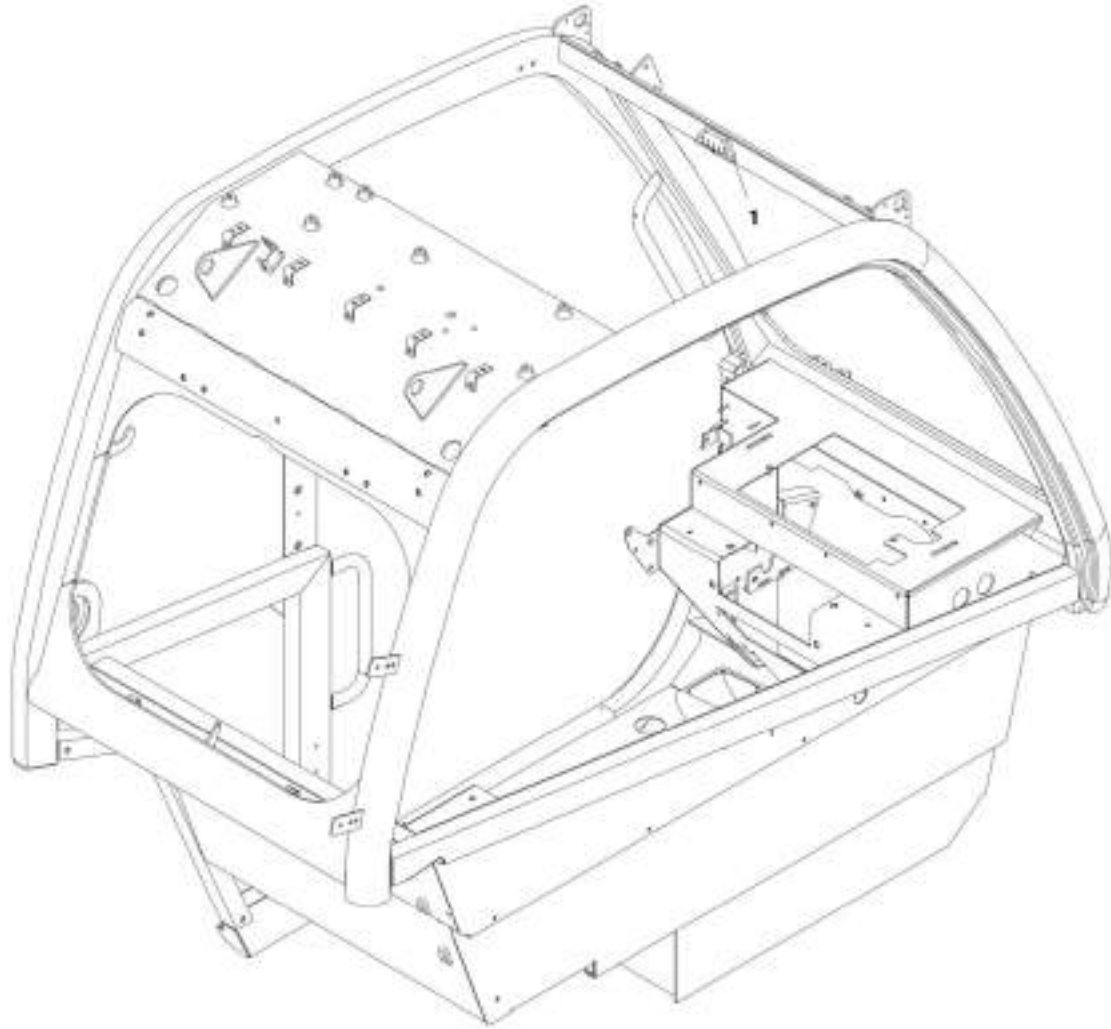
ART. 100000018-0

**FIGURE 6-74. HAMMER ATTACHMENT ASSEMBLY**

<b>ITEM</b>	<b>PART NUMBER</b>	<b>QTY</b>	<b>DESCRIPTION</b>	<b>REV</b>
	1001005038	Ref	Hammer Attachment Assembly	B
1	1001006954	1	Hammer	
2	1001006955	1	Bracket, Hammer	

## SECTION 6 - CAB

FIGURE 6-75. LEVEL INDICATOR INSTALLATION



ART\_1001172401-B

**FIGURE 6-75. LEVEL INDICATOR INSTALLATION**

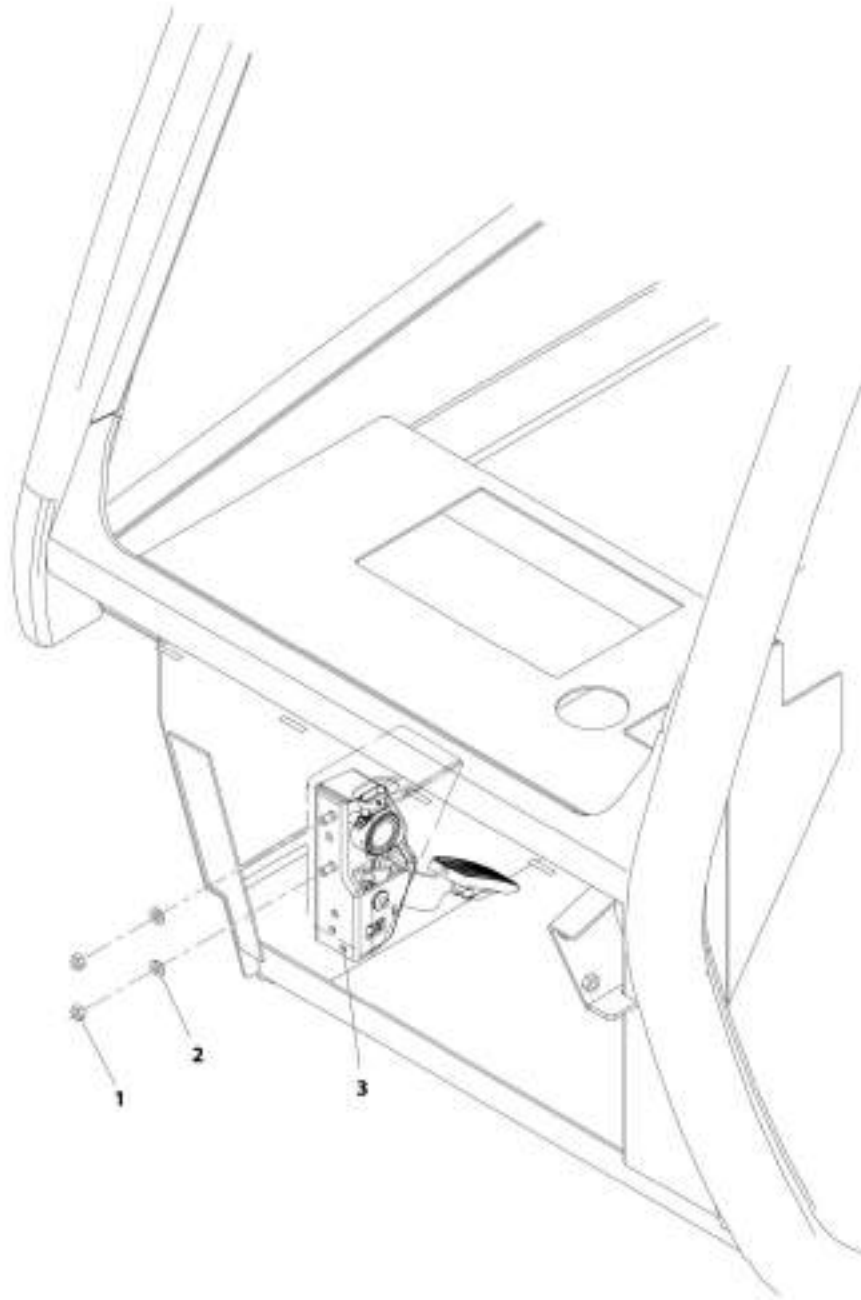
ITEM	PART NUMBER	QTY	DESCRIPTION	REV
1	1001172401 8466306	Ref 1	Level Indicator Installation Gauge, Tilt Angle	B



**SECTION 7 - CONTROLS**

## SECTION 7 - CONTROLS

FIGURE 7-1. ACCELERATOR PEDAL INSTALLATION



ART\_1001163499-C



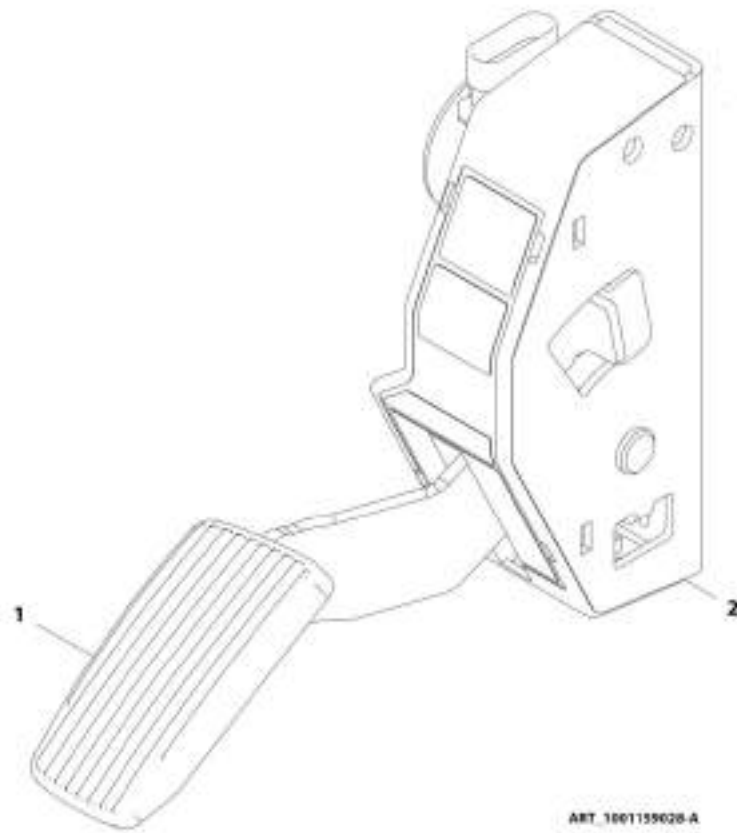
## SECTION 7 - CONTROLS

### FIGURE 7-1. ACCELERATOR PEDAL INSTALLATION

ITEM	PART NUMBER	QTY	DESCRIPTION	REV
	1001161499	Ref	Accelerator Pedal Installation	C
1	3290801	2	Nut, M8X1.25	
2	4811900	2	Washer, M8	
3	1001159028	1	Pedal, Accelerator (See Separate Breakdown in this Section)	

## SECTION 7 - CONTROLS

FIGURE 7-2. ACCELERATOR PEDAL



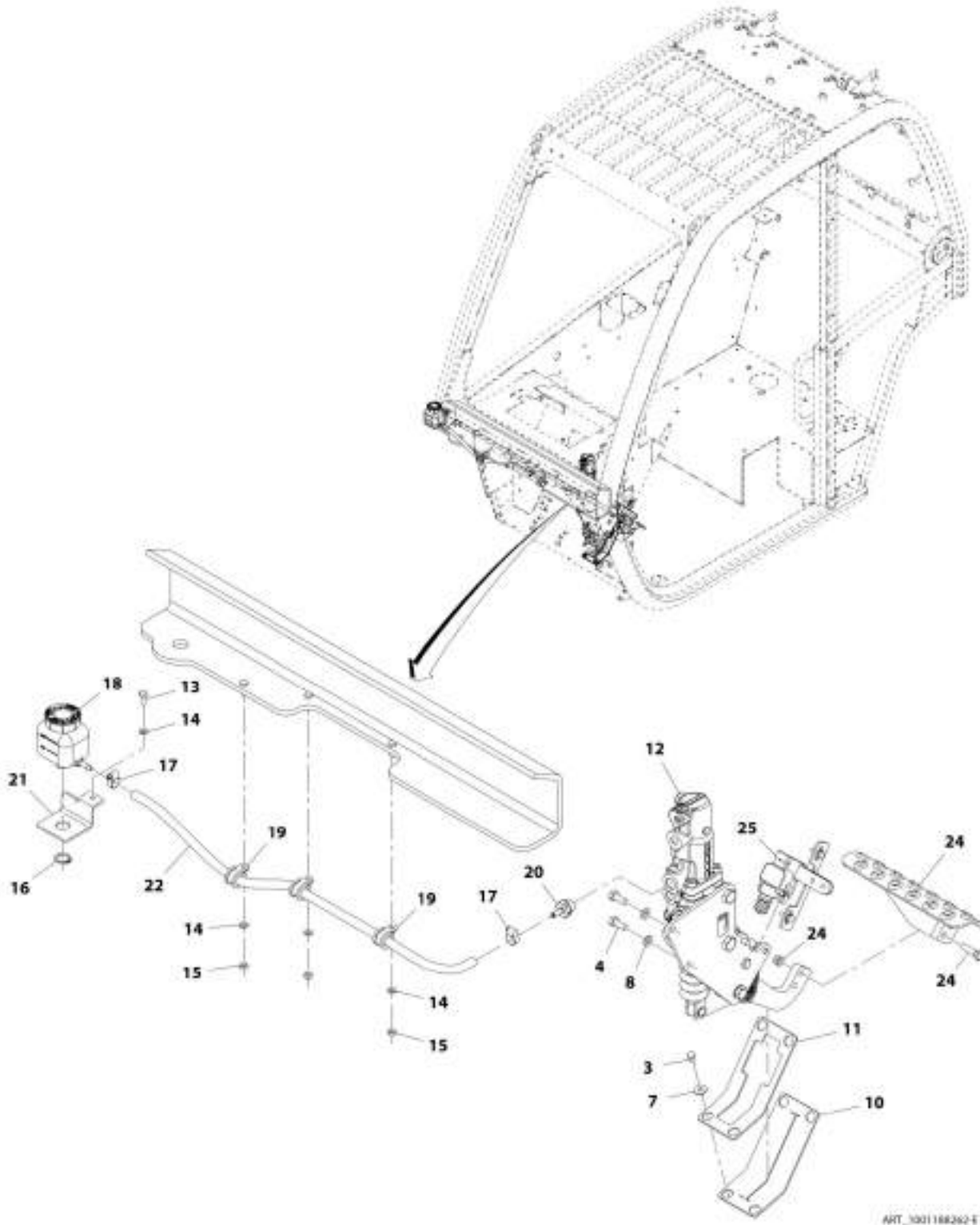
## SECTION 7 - CONTROLS

### FIGURE 7-2. ACCELERATOR PEDAL

ITEM	PART NUMBER	QTY	DESCRIPTION	REV
	1001159028	Ref	Accelerator Pedal	A
1	70025816	1	Pad, Rubber	
2	70025817	1	Cover, Rubber	

# SECTION 7 - CONTROLS

## FIGURE 7-3. BRAKE PEDAL INSTALLATION



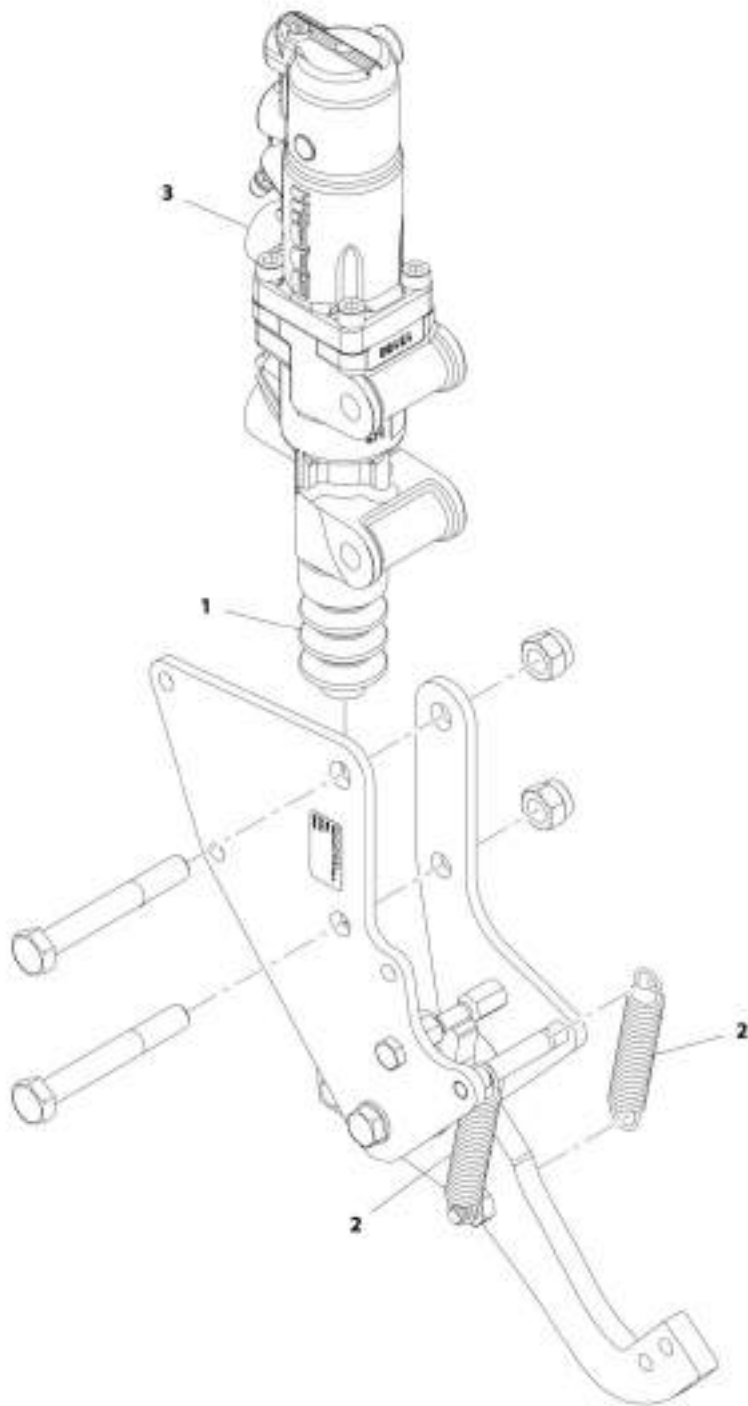
## SECTION 7 - CONTROLS

### FIGURE 7-3. BRAKE PEDAL INSTALLATION

ITEM	PART NUMBER	QTY	DESCRIPTION	REV
	1001188262	Ref	Brake Pedal Installation	E
3	0760605	4	Bolt, M6X10	
4	0760810	3	Bolt, M8X20	
7	4811702	4	Washer, M6	
8	4811900	3	Washer, M8	
10	1001162920	1	Gasket, Brake Pedal	
11	1001162922	1	Plate	
12	1001187413	1	Pedal, Brake (See Separate Breakdown in this Section)	
13	0760608	1	Bolt, M6X16	
14	4811700	4	Washer, M6	
15	3290601	3	Nut, M6X1 Grade 8	
16	3760348	1	Ring, Retaining	
17	8405009	2	Clamp, Gear	
18	1001214220	1	Reservoir, Brake	
19	1001170231	3	Clip	
20	1001171874	1	Fitting, Hose Barb	
21	1001172088	1	Bracket	
22	1001172094	1	Hose	
24	1001197139	1	Plate, Brake Pedal (See Separate Breakdown in this Section)	
25	1001205061	Ref	Installation, Brake Sensor (See Separate Breakdown in this Section)	

# SECTION 7 - CONTROLS

## FIGURE 7-4. BRAKE PEDAL



AWT\_1001107413-D

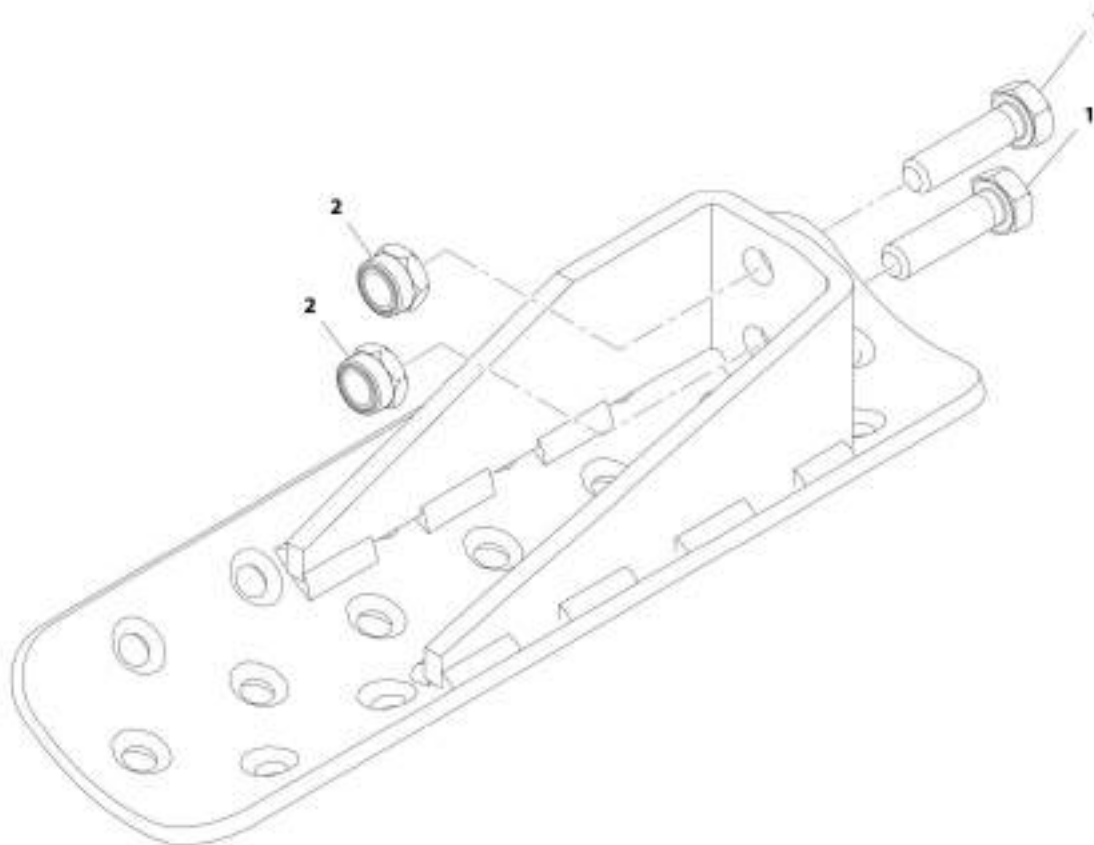
## SECTION 7 - CONTROLS

**FIGURE 7-4. BRAKE PEDAL**

ITEM	PART NUMBER	QTY	DESCRIPTION	REV
	1001187413	Ref	Brake Pedal	D
1	70025859	1	Cover, Dust	
2	70025860	1	Spring, Return	
3	70026537	1	Cylinder, Master	

# SECTION 7 - CONTROLS

## FIGURE 7-5. BRAKE PEDAL PLATE



ART\_1001197130-A



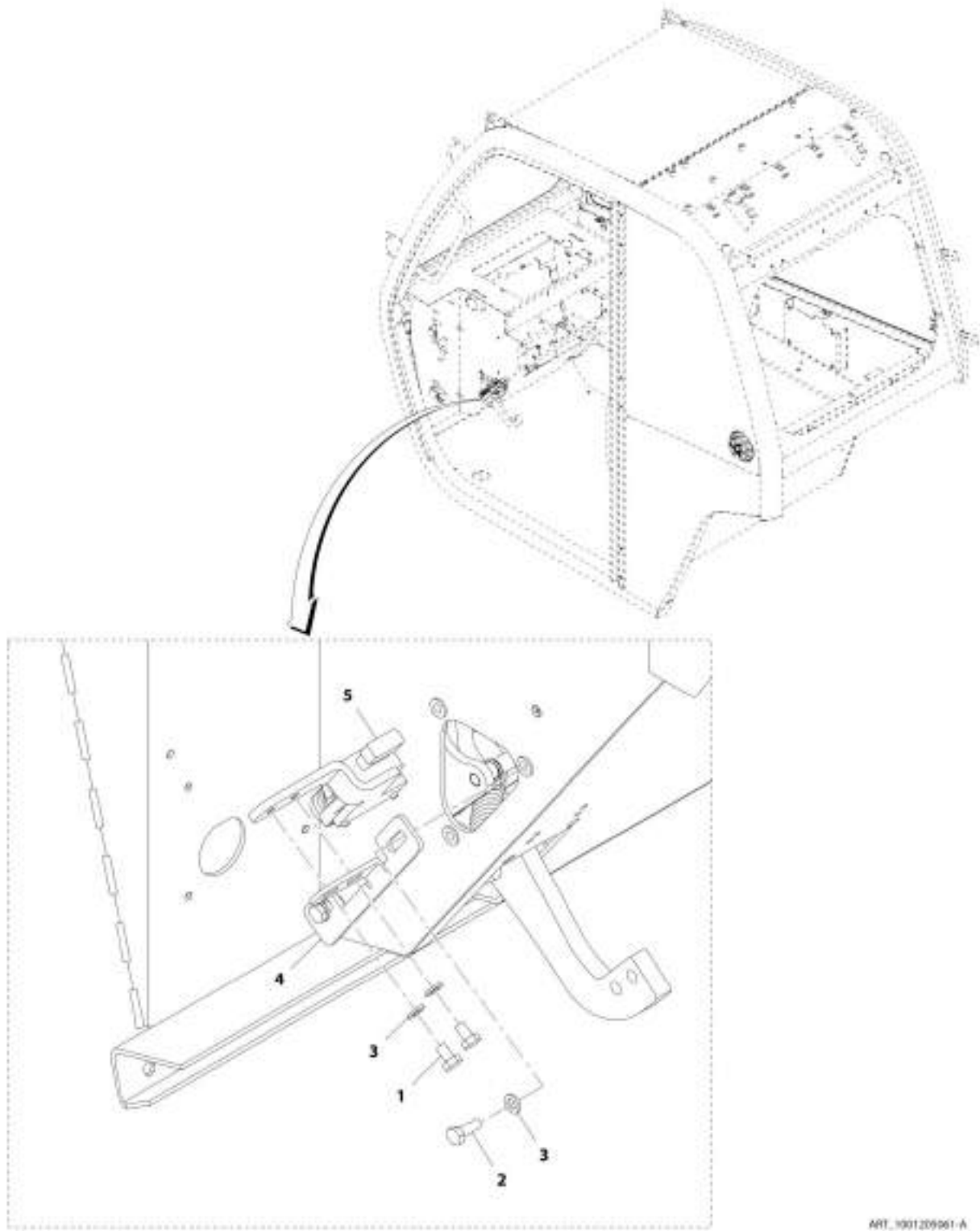
## SECTION 7 - CONTROLS

### FIGURE 7-5. BRAKE PEDAL PLATE

ITEM	PART NUMBER	QTY	DESCRIPTION	REV
	1001197139	Ref	Brake Pedal Plate	A
1	0770814	1	Bolt, M8X30 Grade 10.9	
2	3290805	1	Nut, Lock M8X1.25 Grade 8	

# SECTION 7 - CONTROLS

## FIGURE 7-6. BRAKE SENSOR INSTALLATION



ART. 1001209001-A

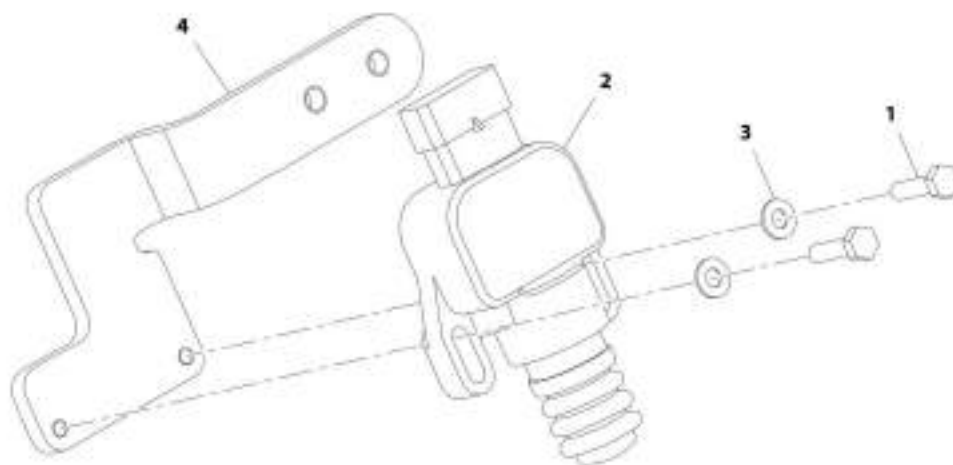
## SECTION 7 - CONTROLS

### FIGURE 7-6. BRAKE SENSOR INSTALLATION

ITEM	PART NUMBER	QTY	DESCRIPTION	REV
	1001205061	Ref	Brake Sensor Installation	A
1	0760605	2	Bolt, M6X10	
2	0760608	2	Bolt, M6X16	
3	4811700	4	Washer, M6	
4	1001201499	1	Plate, Switch Adjustment	
5	1001201501	1	Assembly, Switch Plate (See Separate Breakdown in this Section)	

# SECTION 7 - CONTROLS

## FIGURE 7-7. SWITCH PLATE ASSEMBLY



MTI\_1001201301-4

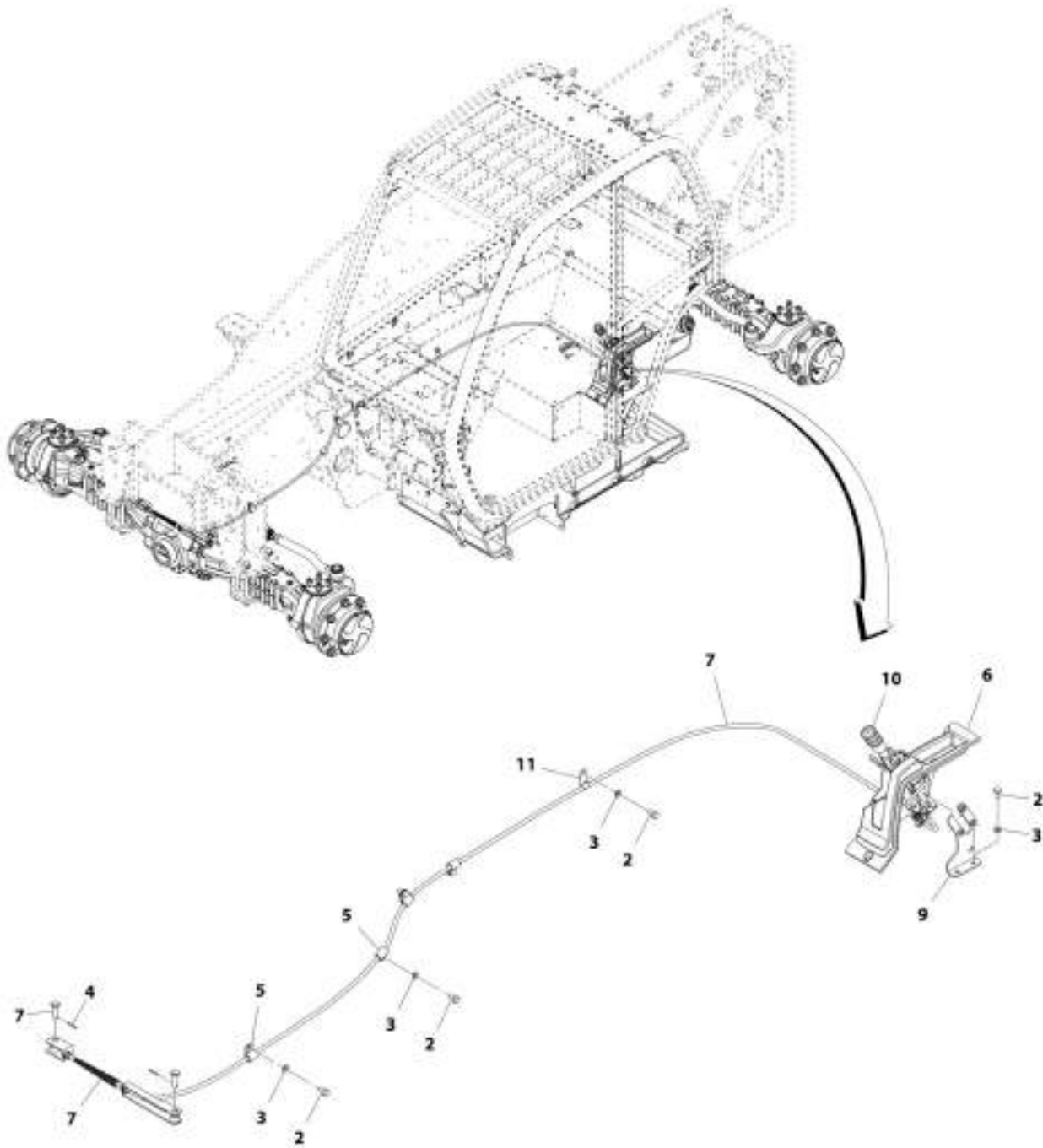
## SECTION 7 - CONTROLS

### FIGURE 7-7. SWITCH PLATE ASSEMBLY

ITEM	PART NUMBER	QTY	DESCRIPTION	REV
	1001201501	Ref	Switch Plate Assembly	A
1	0700408	2	Bolt, M4X16	
2	4360658	1	Switch, Brake Light	
3	4811400	2	Washer, M4	
4	1001201500	1	Plate	

# SECTION 7 - CONTROLS

## FIGURE 7-8. PARKING BRAKE INSTALLATION (CABLE)



ART\_1001180422-D

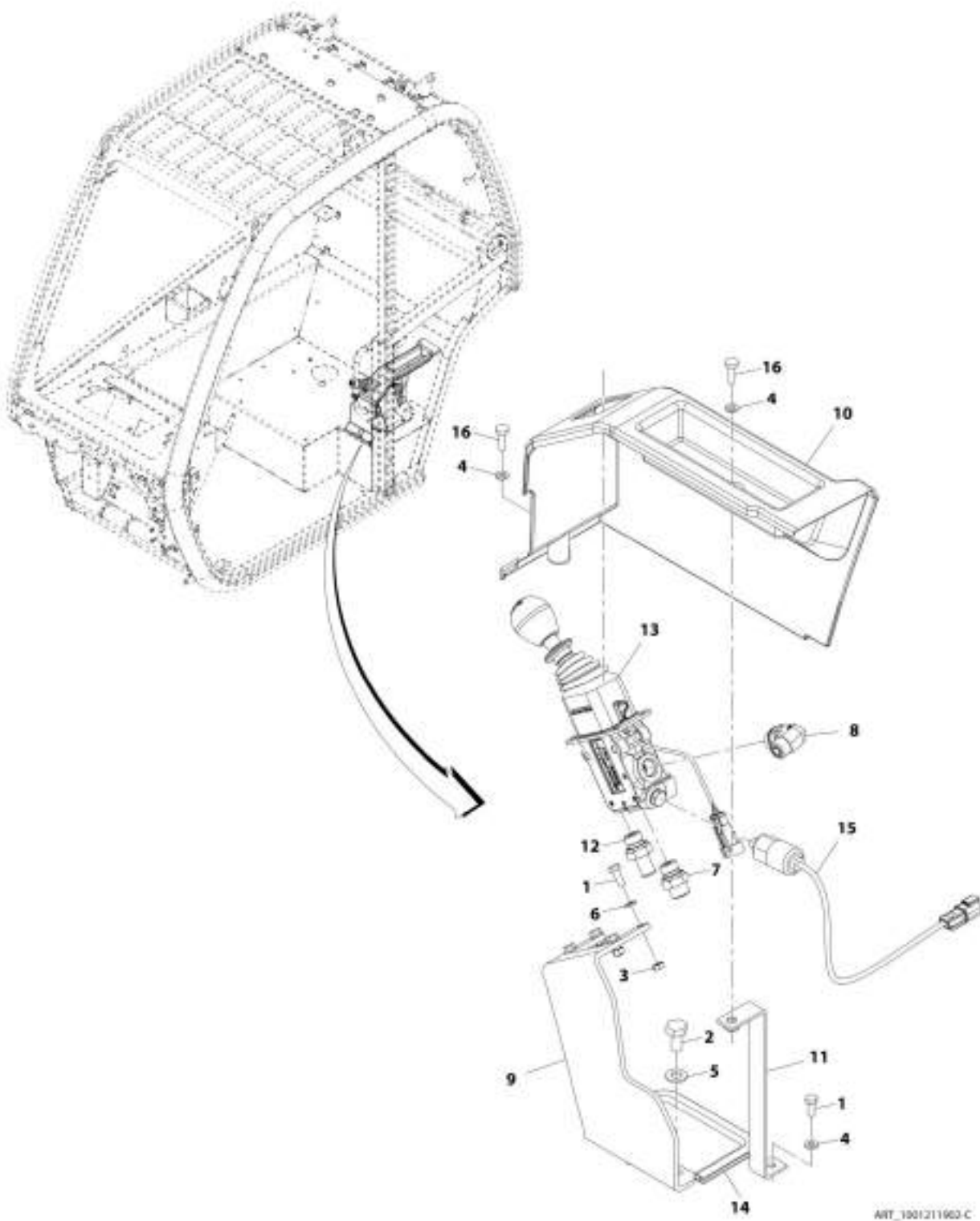
## SECTION 7 - CONTROLS

### FIGURE 7-8. PARKING BRAKE INSTALLATION (CABLE)

ITEM	PART NUMBER	QTY	DESCRIPTION	REV
	1001180472	Ref	Parking Brake Installation (Cable)	D
2	0761010	7	Bolt, M10X20	
3	4812000	7	Washer, M10	
4	3391408	2	Pin	
5	1001003809	4	Clamp	
6	1001174567	1	Cover, Parking Brake (Mechanical) (See Separate Breakdown in this Section)	
7	1001177053	1	Assembly, Parking Cable (Mechanical) (See Separate Breakdown in this Section)	
9	1001195207	1	Bracket	
10	1001201951	1	Lever, Parking Brake (Mechanical)	
11	1001202287	1	Clip	

# SECTION 7 - CONTROLS

## FIGURE 7-9. PARKING BRAKE INSTALLATION (SAHR)



ART\_1001211903.C



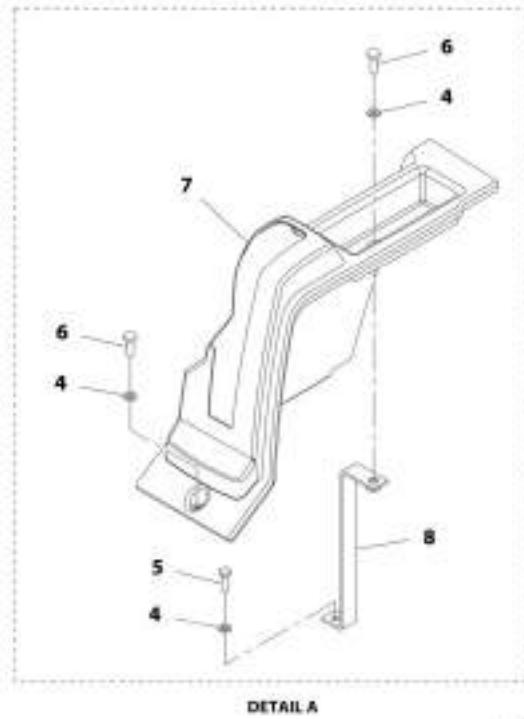
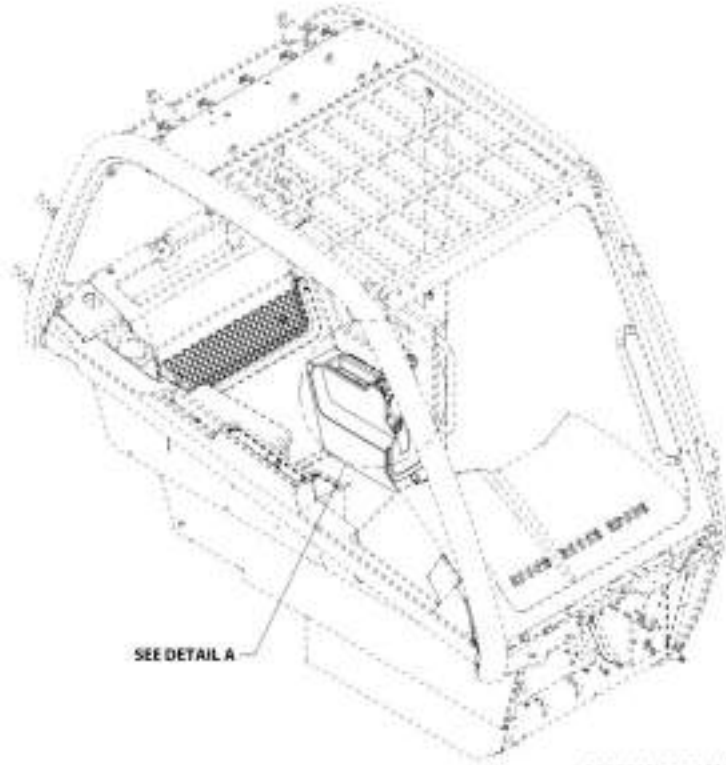
## SECTION 7 - CONTROLS

**FIGURE 7-9. PARKING BRAKE INSTALLATION (SAHR)**

ITEM	PART NUMBER	QTY	DESCRIPTION	REV
	1001211902	Ref	Parking Brake Installation (SAHR)	C
1	0760608	5	Bolt, 6X16	
2	0761010	2	Bolt, M10X20	
3	3290601	4	Nut, M6X1 Grade 8	
4	4811700	3	Washer, M6	
5	4812000	2	Washer, M10	
6	4831700	4	Washer, Lock M6	
7	1001101702	1	Fitting, Straight ORFS	
8	1001125222	1	Fitting, 90 ORFS	
9	1001191915	1	Bracket	
10	1001193474	1	Panel, Brake Cover	
11	1001195254	1	Bracket	
12	1001206744	1	Fitting, Grease	
13	1001207956	1	Valve, Hydraulic Park Brake Release	
14	1001208037	1	Seal	
15	1001211915	1	Switch, Hydraulic Pressure	
16	4010610002	2	Screw, M6X20	

# SECTION 7 - CONTROLS

## FIGURE 7-10. PARKING BRAKE COVER (MECHANICAL)



ART\_1001170567-0

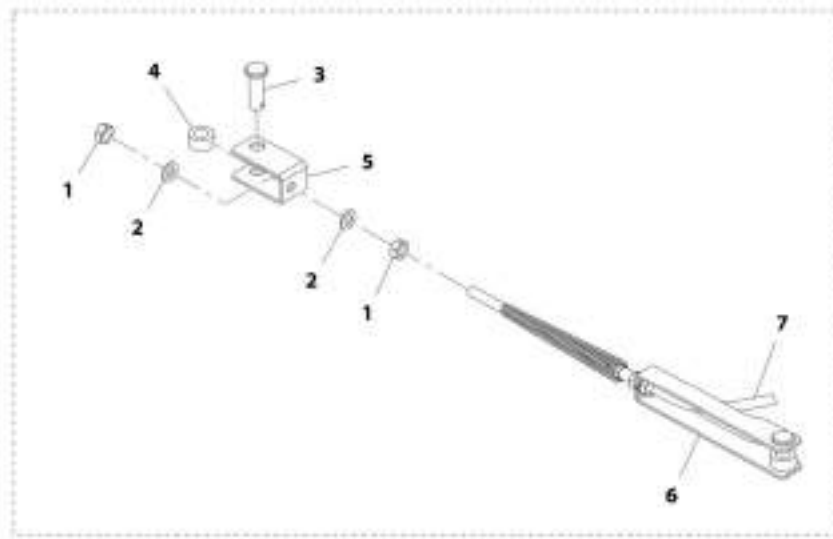
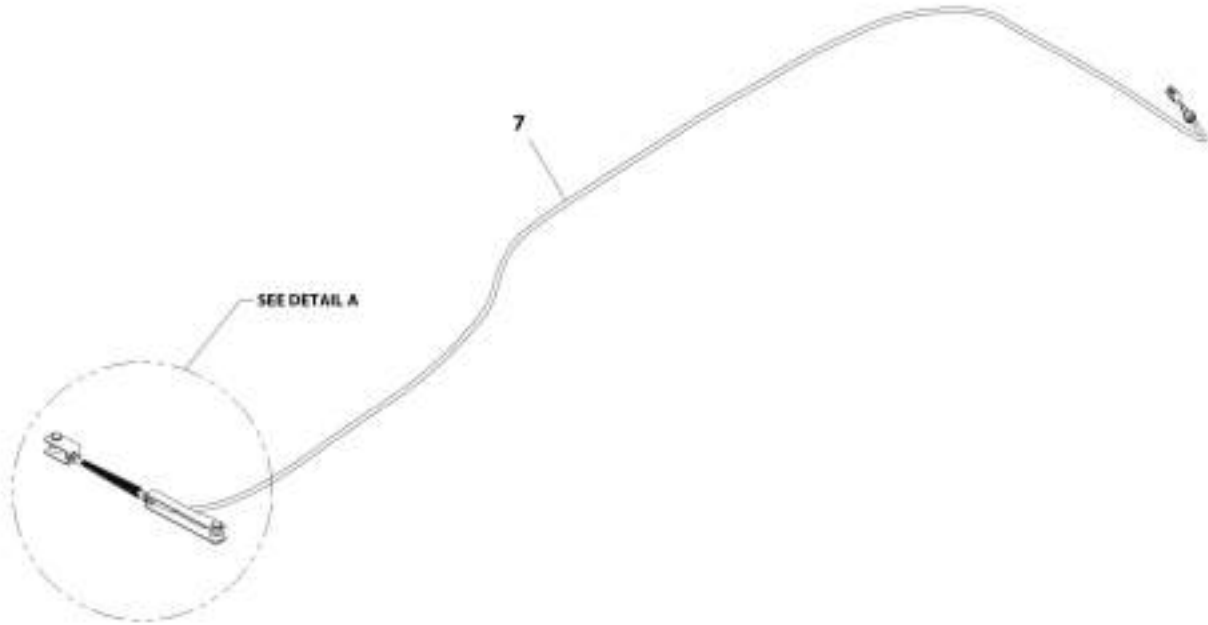
## SECTION 7 - CONTROLS

### FIGURE 7-10. PARKING BRAKE COVER (MECHANICAL)

ITEM	PART NUMBER	QTY	DESCRIPTION	REV
	1001174567	Ref	Parking Brake Cover (Mechanical)	B
4	4811700	3	Washer, M6	
5	0700610	1	Bolt, M6X20	
6	4010610002	2	Screw, M6X20	
7	1001195004	1	Panel, Brake Cover	
8	1001195254	1	Bracket	

# SECTION 7 - CONTROLS

## FIGURE 7-11. PARKING CABLE ASSEMBLY (MECHANICAL)



DETAIL A

ART\_1001127053-A

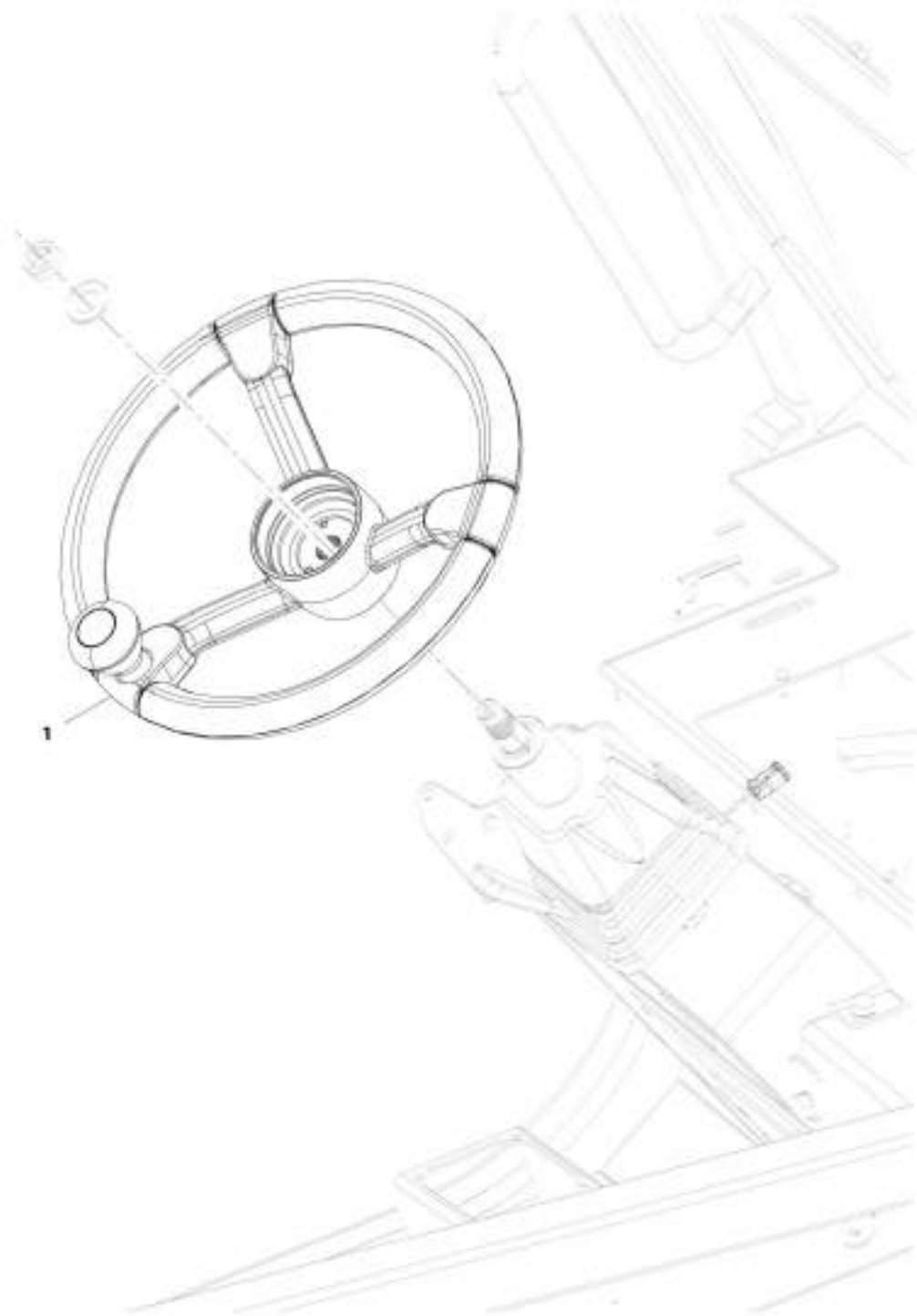
## SECTION 7 - CONTROLS

### FIGURE 7-11. PARKING CABLE ASSEMBLY (MECHANICAL)

ITEM	PART NUMBER	QTY	DESCRIPTION	REV
	1001177053	Ref	Parking Cable Assembly (Mechanical)	A
1	3291001	4	Nut, M10X1.5 Grade 8	
2	4812000	4	Washer, M10	
3	1001177048	2	Pin	
4	1001177049	2	Spacer	
5	1001177050	1	Clevis, Park Brake Small	
6	1001177051	1	Clevis, Park Brake Large	
7	1001177052	1	Cable, Hand Brake	

## SECTION 7 - CONTROLS

FIGURE 7-12. STEERING WHEEL INSTALLATION



ART\_100168751-C

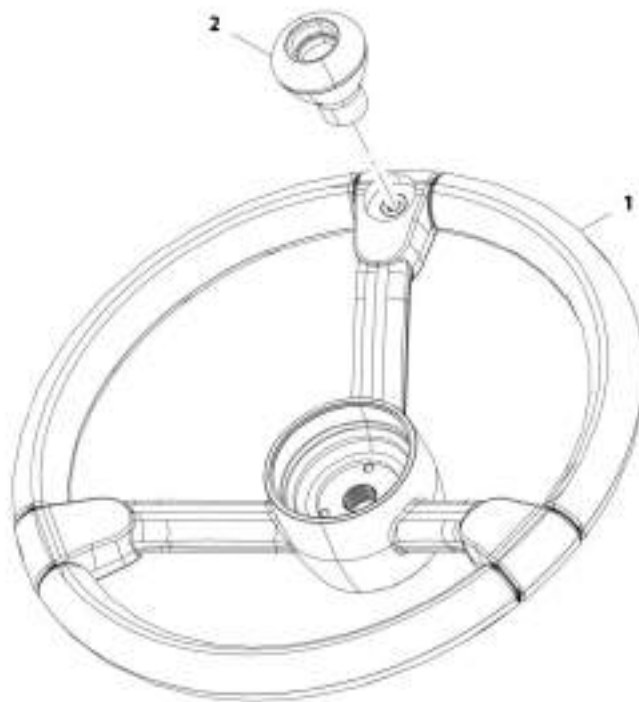
## SECTION 7 - CONTROLS

**FIGURE 7-12. STEERING WHEEL INSTALLATION**

ITEM	PART NUMBER	QTY	DESCRIPTION	REV
1	1001169751 1001169354	Ref 1	Steering Wheel Installation Wheel, Steering (See Separate Breakdown in this Section)	C

## SECTION 7 - CONTROLS

FIGURE 7-13. STEERING WHEEL



ART\_3001169354-D



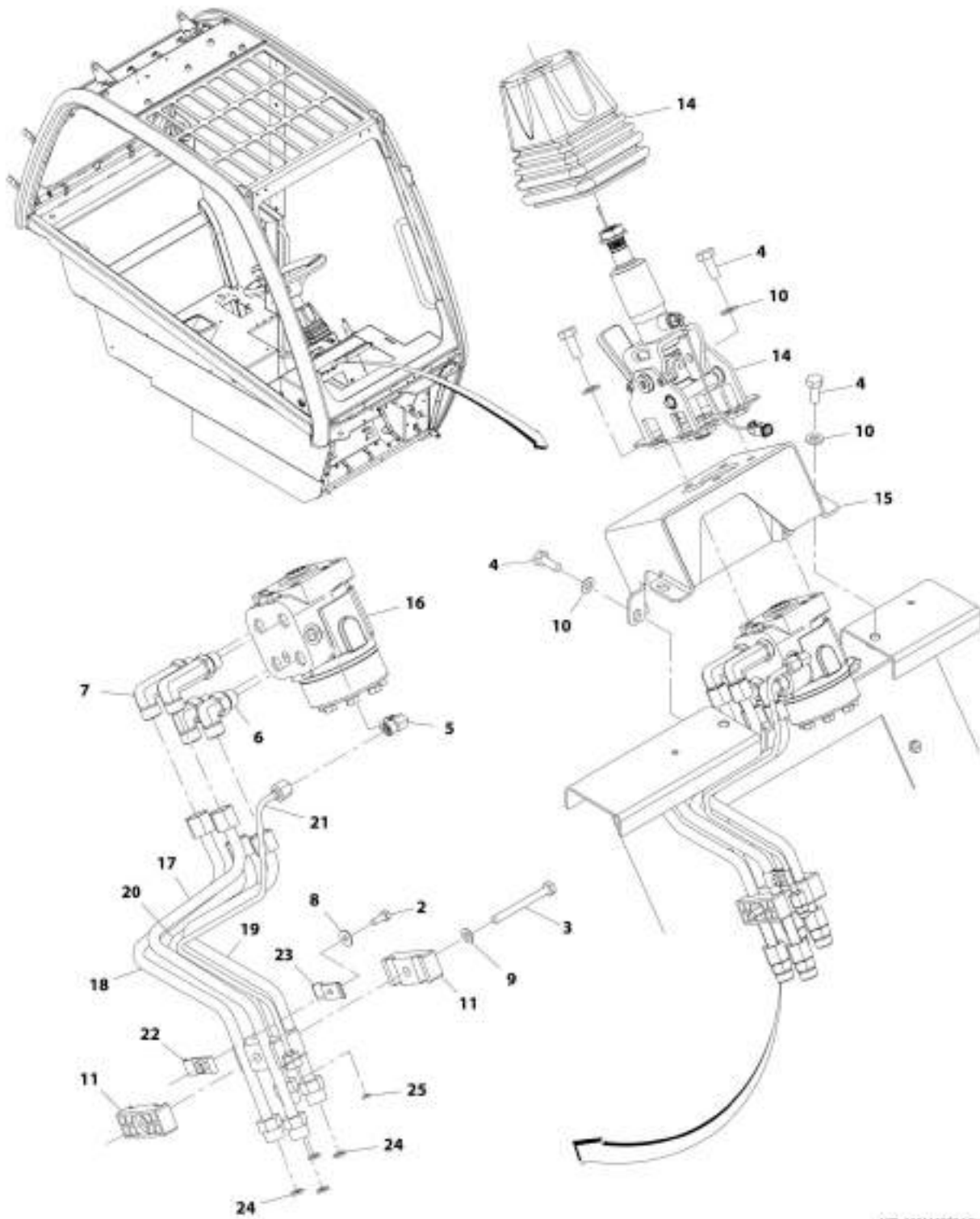
## SECTION 7 - CONTROLS

### FIGURE 7-13. STEERING WHEEL

ITEM	PART NUMBER	QTY	DESCRIPTION	REV
	1001169354	Ref	Steering Wheel	D
1	1001169367	1	Wheel, Steering	
2	1001169355	1	Handle, Steer Spinner	

# SECTION 7 - CONTROLS

## FIGURE 7-14. STEERING COLUMN INSTALLATION



ART\_1001162704-F

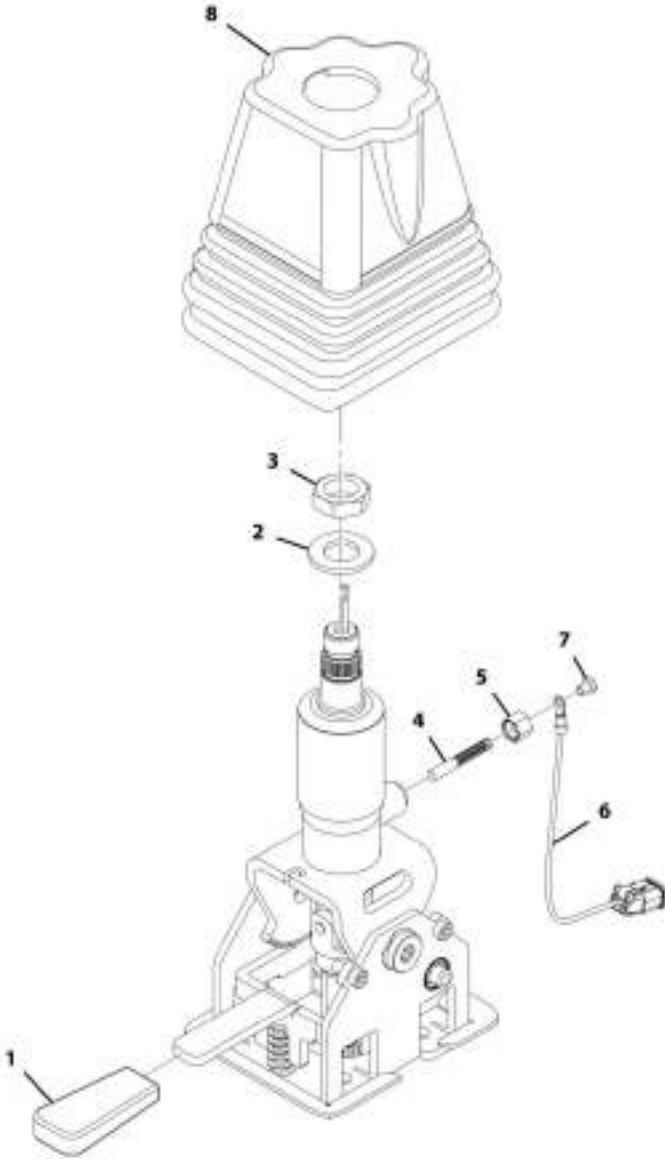
## SECTION 7 - CONTROLS

**FIGURE 7-14. STEERING COLUMN INSTALLATION**

ITEM	PART NUMBER	QTY	DESCRIPTION	REV
	1001162704	Ref	Steering Column Installation (24IN Wheel)	F
2	0760608	1	Bolt, M6X16	
3	0700824	1	Bolt, M8X80	
4	0761012	8	Bolt, M10X25	
5	2130404	1	Fitting, 90 ORFS	
6	2130808	2	Fitting, 90 ORFS	
7	2170208	2	Fitting, 90 ORFS	
8	4811702	1	Washer, M6	
9	4811900	1	Washer, M8	
10	4812000	8	Washer, M10	
11	1001004640	4	Clamp	
14	1001155276	1	Column, Tilt Steering (See Separate Breakdown in this Section)	
15	1001156265	1	Bracket, Support	
16	1001191217	1	Valve, Steering Unit	
17	1001161672	1	Pipe	
18	1001161896	1	Pipe	
19	1001161897	1	Pipe	
20	1001161898	1	Pipe	
21	1001162979	1	Pipe	
22	1001168142	1	Bracket	
23	1001168151	1	Bracket	
24	1001010992	4	Seal	
25	1001011007	1	Seal	

**SECTION 7 - CONTROLS**

**FIGURE 7-15. TILT STEERING COLUMN**



ART\_1001130270-E

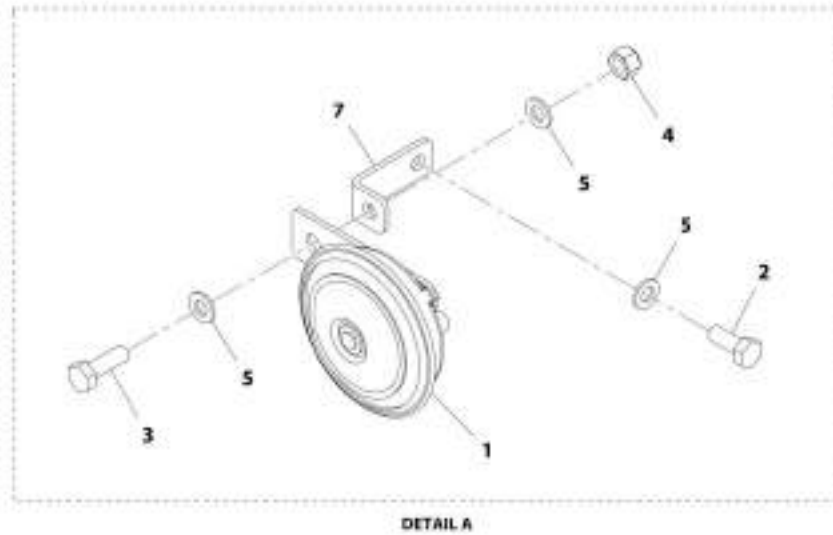
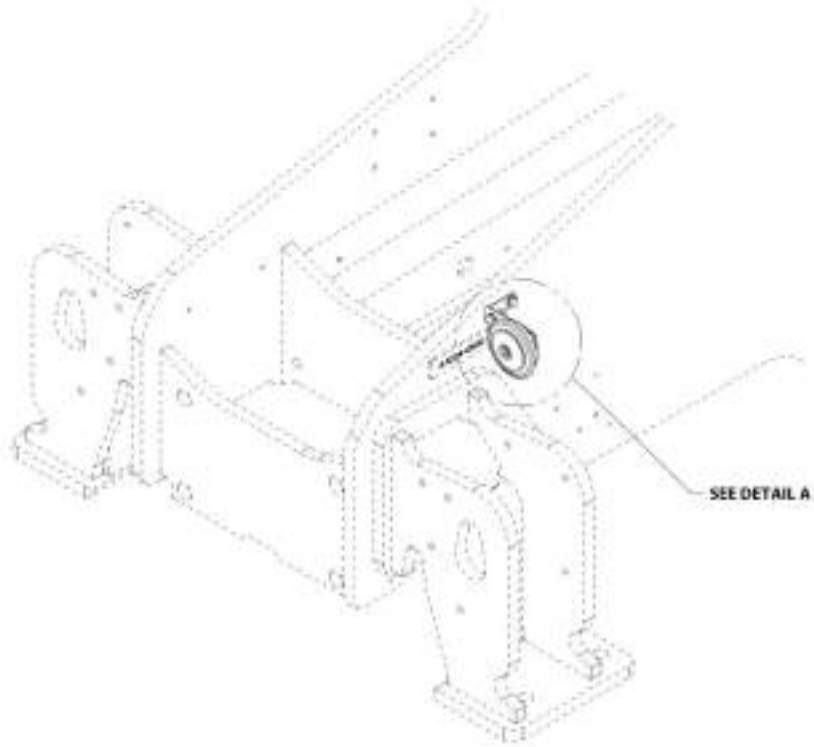
## SECTION 7 - CONTROLS

### FIGURE 7-15. TILT STEERING COLUMN

ITEM	PART NUMBER	QTY	DESCRIPTION	REV
	1001155276	Ref	Tilt Steering Column	E
1	70026366	1	Knob	
2	70026364	1	Washer	
3	70026363	1	Nut	
4	70026362	1	Contact, Sliding	
5	70026361	1	Cap, Brass	
6	70026367	1	Cable	
7	70026365	1	Screw, Cap	
8	1001184504	1	Gaiter	

# SECTION 7 - CONTROLS

## FIGURE 7-16. HORN INSTALLATION



AHT\_1001180416-C

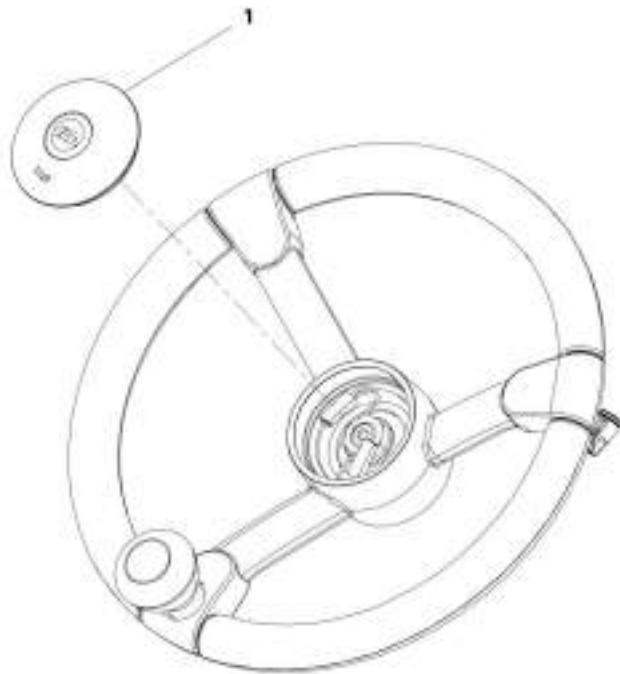
## SECTION 7 - CONTROLS

### FIGURE 7-16. HORN INSTALLATION

ITEM	PART NUMBER	QTY	DESCRIPTION	REV
	1001180418	Ref	Horn Installation	C
1	1001003596	1	Horn	
2	0760810	1	Bolt, M8X20	
3	0760812	1	Bolt, M8X25	
4	3290805	1	Nut, Lock M8X1.25 Grade 8	
5	4811900	3	Washer, M8	
7	1001104437	1	Bracket, Horn Mount	

## SECTION 7 - CONTROLS

FIGURE 7-17. HORN BUTTON INSTALLATION



ART\_100160763-A



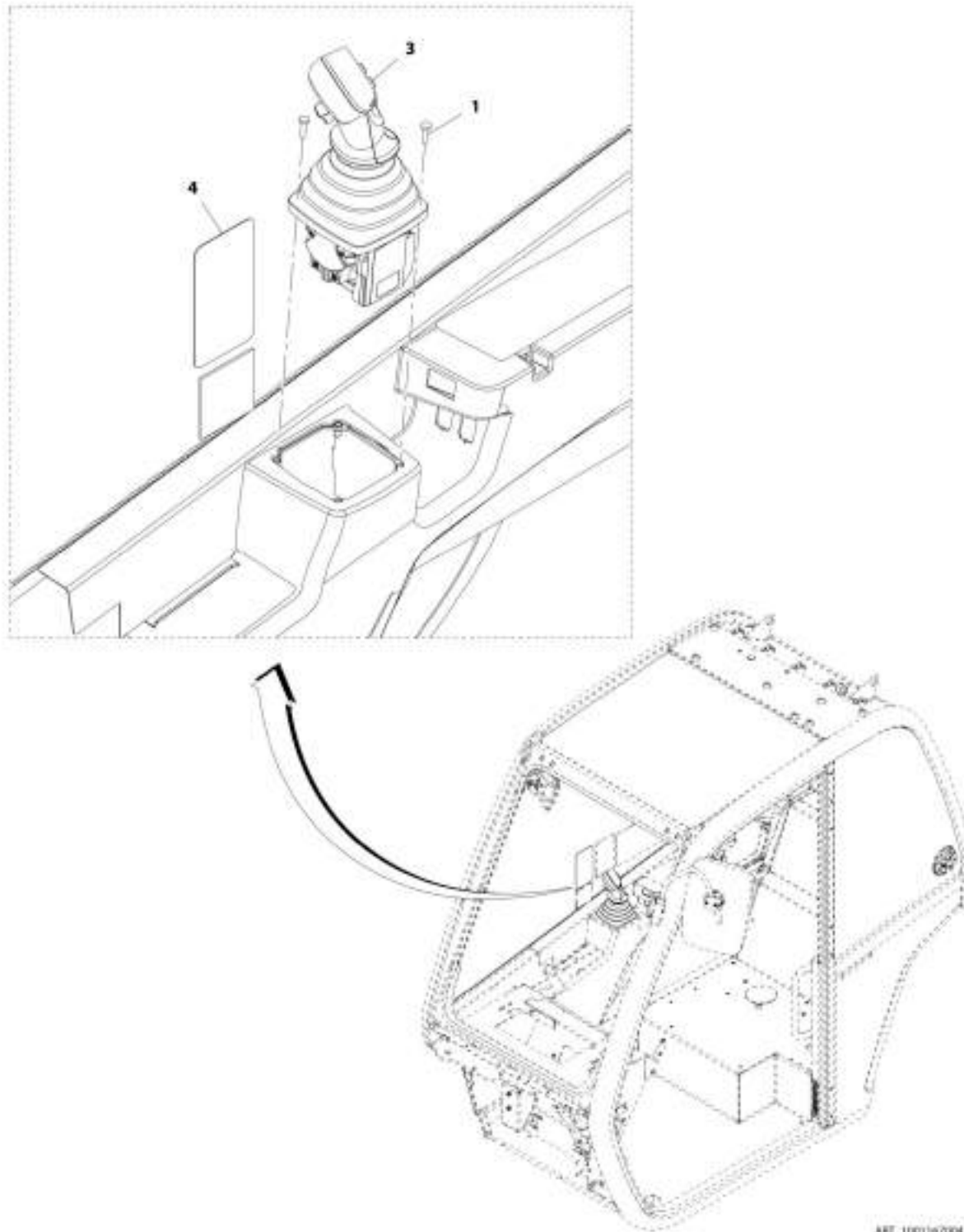
## SECTION 7 - CONTROLS

**FIGURE 7-17. HORN BUTTON INSTALLATION**

ITEM	PART NUMBER	QTY	DESCRIPTION	REV
1	1001169763 1001169268	Ref 1	Horn Button Installation (JLG) Button, Horn	A

# SECTION 7 - CONTROLS

## FIGURE 7-18. JOYSTICK INSTALLATION



ARE\_1001167004-C

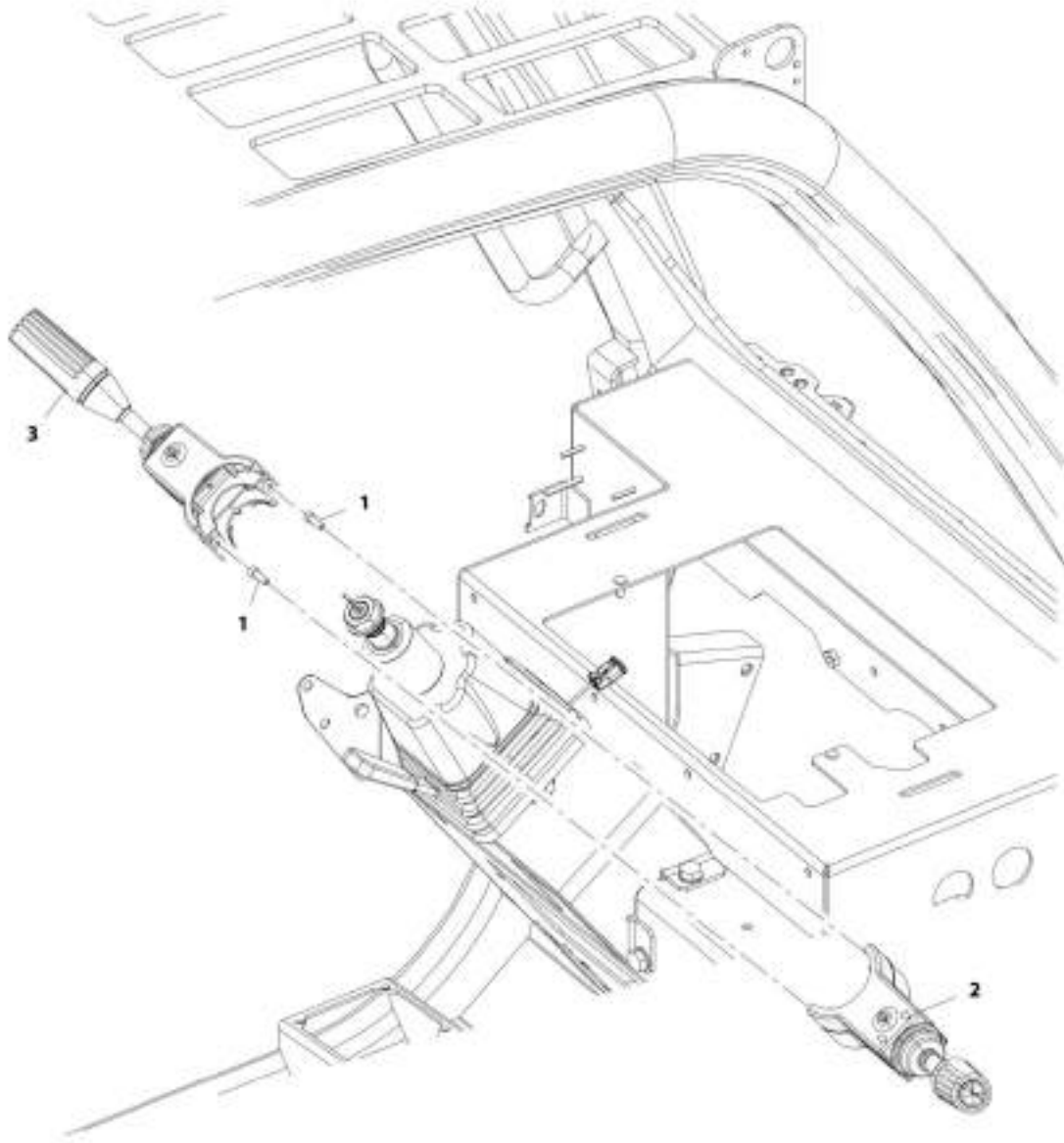
## SECTION 7 - CONTROLS

### FIGURE 7-18. JOYSTICK INSTALLATION

ITEM	PART NUMBER	QTY	DESCRIPTION	REV
	1001167004	Ref	Joystick Installation	C
1	4010510	4	Screw, M5X20	
3	1001160125	1	Joystick	
4	1001181542	1	Decal, Joystick	

## SECTION 7 - CONTROLS

FIGURE 7-19. WIPER-TURN SWITCH (0 SPEED - FNR)



ART\_1001581927-C

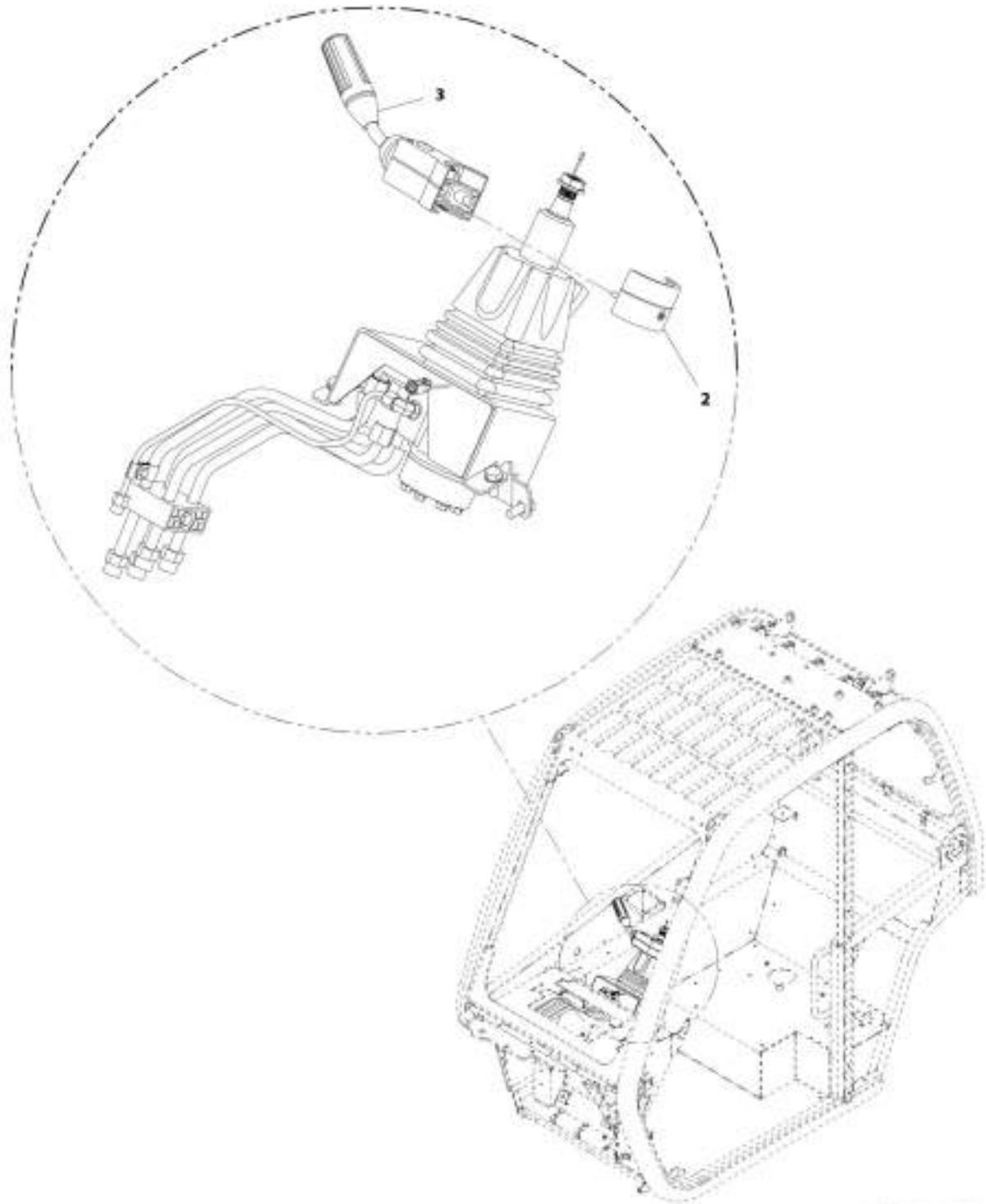
## SECTION 7 - CONTROLS

**FIGURE 7-19. WIPER-TURN SWITCH (0 SPEED - FNR)**

ITEM	PART NUMBER	QTY	DESCRIPTION	REV
	1001181927	Ref	Wiper-Turn Switch (0 Speed - FNR)	C
1	4031607	2	Bolt, M5-.8X16	
2	1001163695	1	Switch, Turn-Wiper	
3	1001163697	1	Switch, Zero Speed	

# SECTION 7 - CONTROLS

## FIGURE 7-20. WIPER-TURN SWITCH (NO SPEED)



ART. 1001581928-C

## SECTION 7 - CONTROLS

**FIGURE 7-20. WIPER-TURN SWITCH (NO SPEED)**

ITEM	PART NUMBER	QTY	DESCRIPTION	REV
	1001181928	Ref	Wiper-Turn Switch (No Speed)	C
2	1001146949	1	Clamp	
3	1001163695	1	Switch, Turn-Wiper	

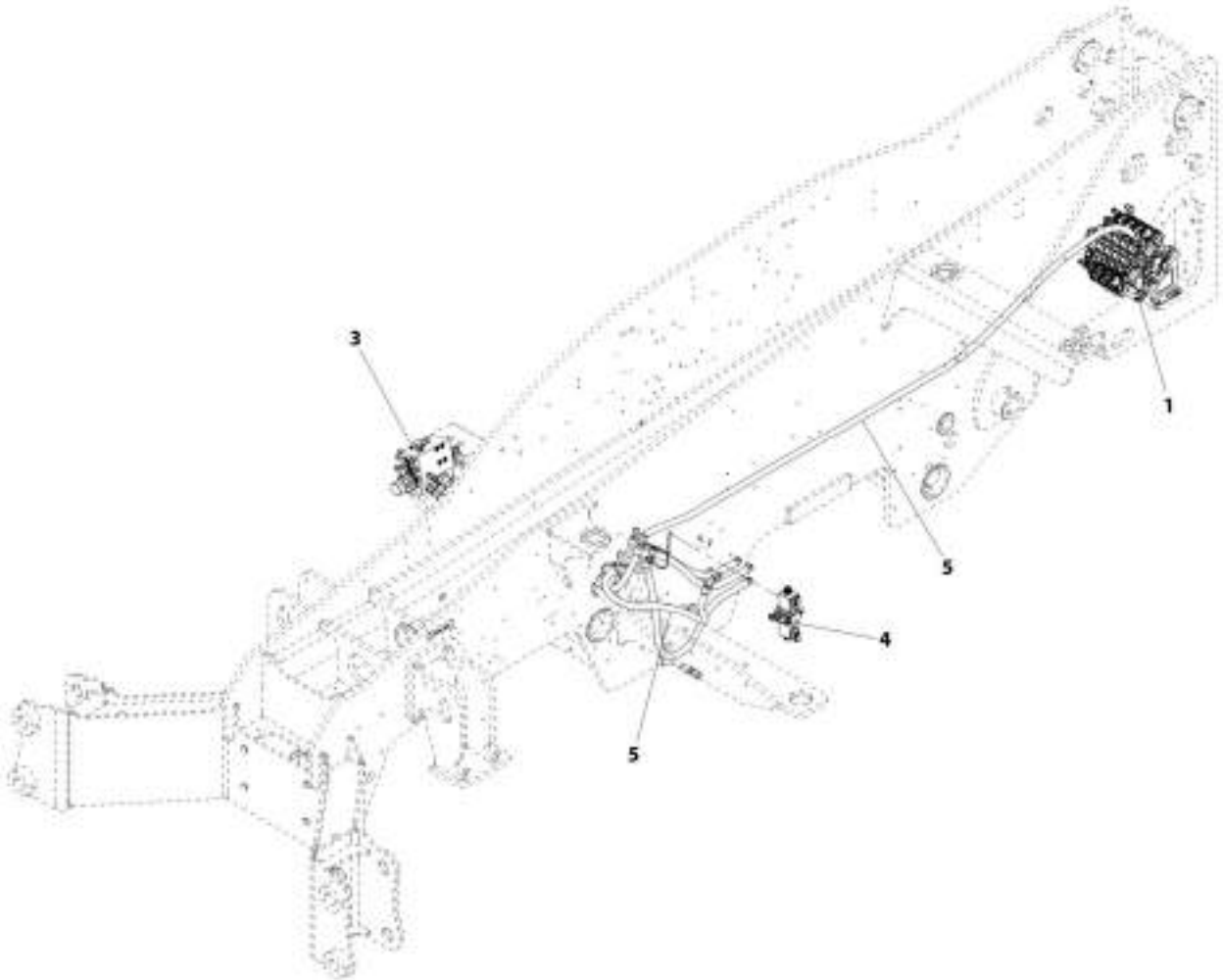




**SECTION 8 - HYDRAULIC CIRCUITS**

**SECTION 8 - HYDRAULIC CIRCUITS**

**FIGURE 8-1. COMMON HYDRAULICS INSTALLATION**



ART\_1001172600-0

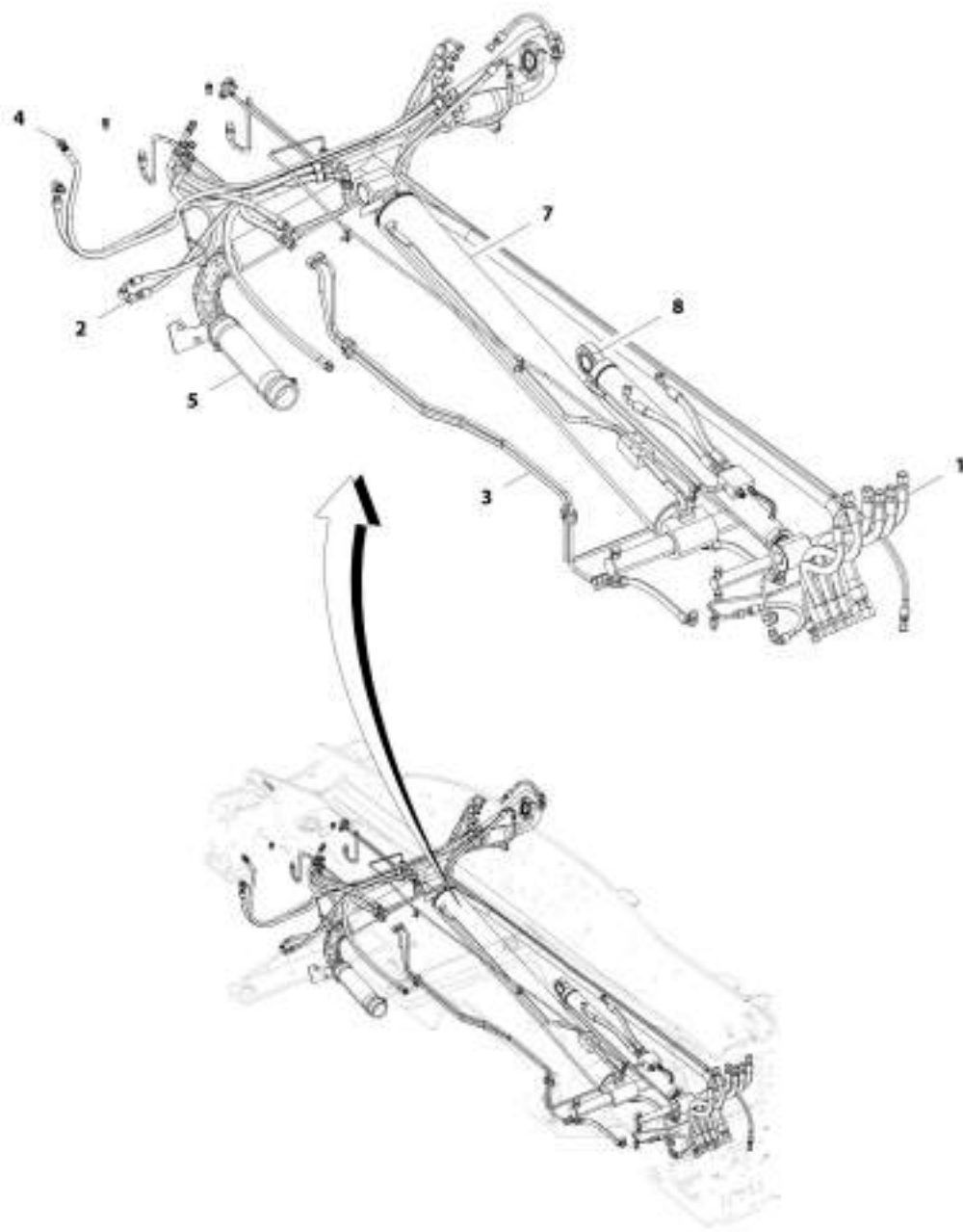
## SECTION 8 - HYDRAULIC CIRCUITS

**FIGURE 8-1. COMMON HYDRAULICS INSTALLATION**

ITEM	PART NUMBER	QTY	DESCRIPTION	REV
	1001172892	Ref	Common Hydraulics Installation	B
	1001172900	Ref	Installation, Main Control Valve (See Separate Breakdown in this Section)	
	1001172901	Ref	Installation, Priority Valve (See Separate Breakdown in this Section)	
	1001172894	Ref	Installation, Steer Select Valve (See Separate Breakdown in this Section)	
	1001185351	Ref	Installation, Return Lines (See Separate Breakdown in this Section)	

# SECTION 8 - HYDRAULIC CIRCUITS

## FIGURE 8-2. HYDRAULICS INSTALLATION



ART\_3001172937-B

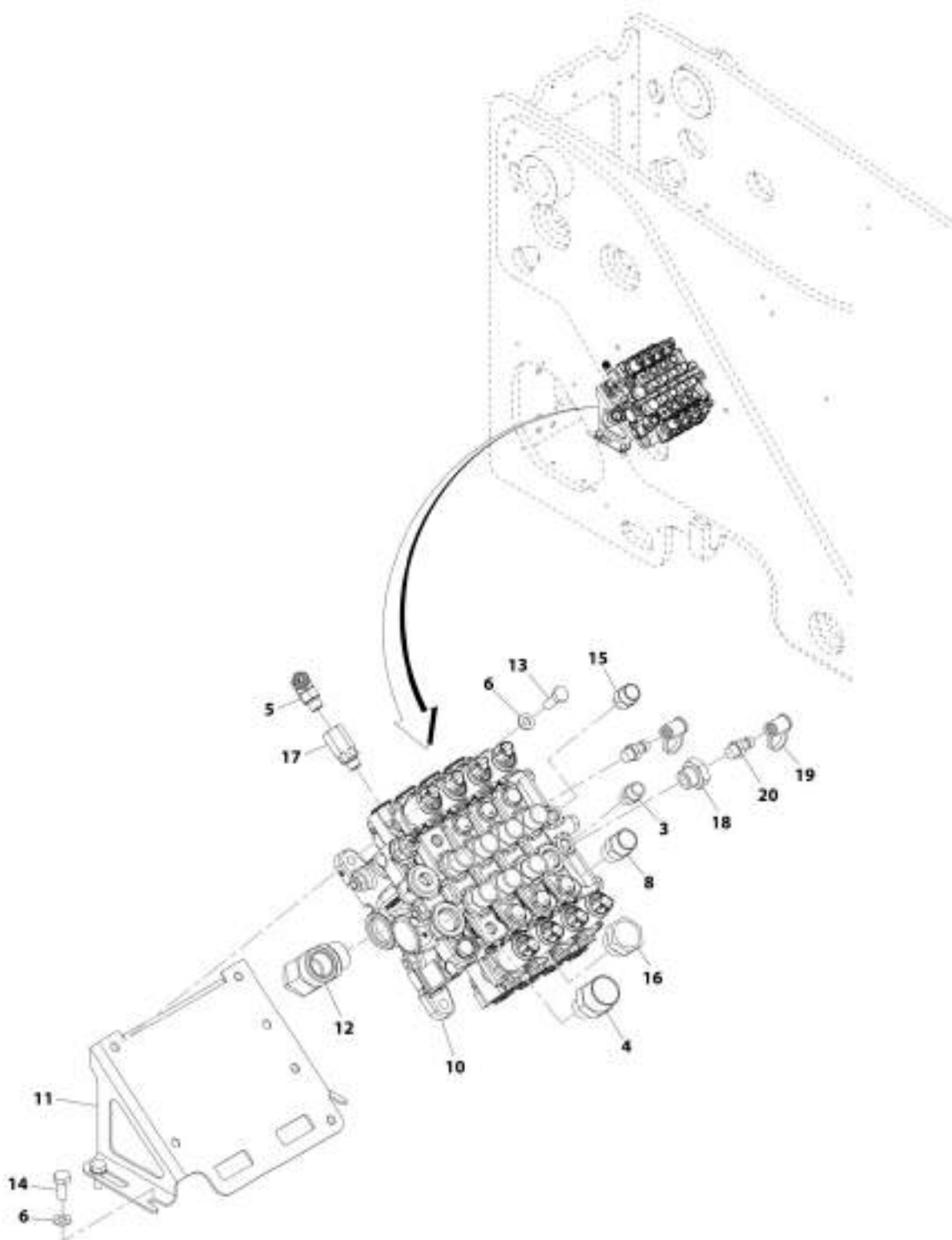
## SECTION 8 - HYDRAULIC CIRCUITS

### FIGURE 8-2. HYDRAULICS INSTALLATION

ITEM	PART NUMBER	QTY	DESCRIPTION	REV
	1001172937	Ref	Hydraulics Installation	B
	1001173013	Ref	Installation, Boom Lines (See Separate Breakdown in this Section)	
	1001180845	Ref	Installation, Priority Lines (See Separate Breakdown in this Section)	
	1001180134	Ref	Installation, Steering Lines (See Separate Breakdown in this Section)	
	1001172909	Ref	Installation, Brake Lines (See Separate Breakdown in this Section)	
	1001184531	Ref	Installation, Suction Lines (See Separate Breakdown in this Section)	
	1001173015	Ref	Installation, Lift Cylinder (See Separate Breakdown in this Section)	
	1001173017	Ref	Installation, Compensation Cylinder (See Separate Breakdown in this Section)	

# SECTION 8 - HYDRAULIC CIRCUITS

## FIGURE 8-3. MAIN CONTROL VALVE INSTALLATION



ART\_1001172900-G

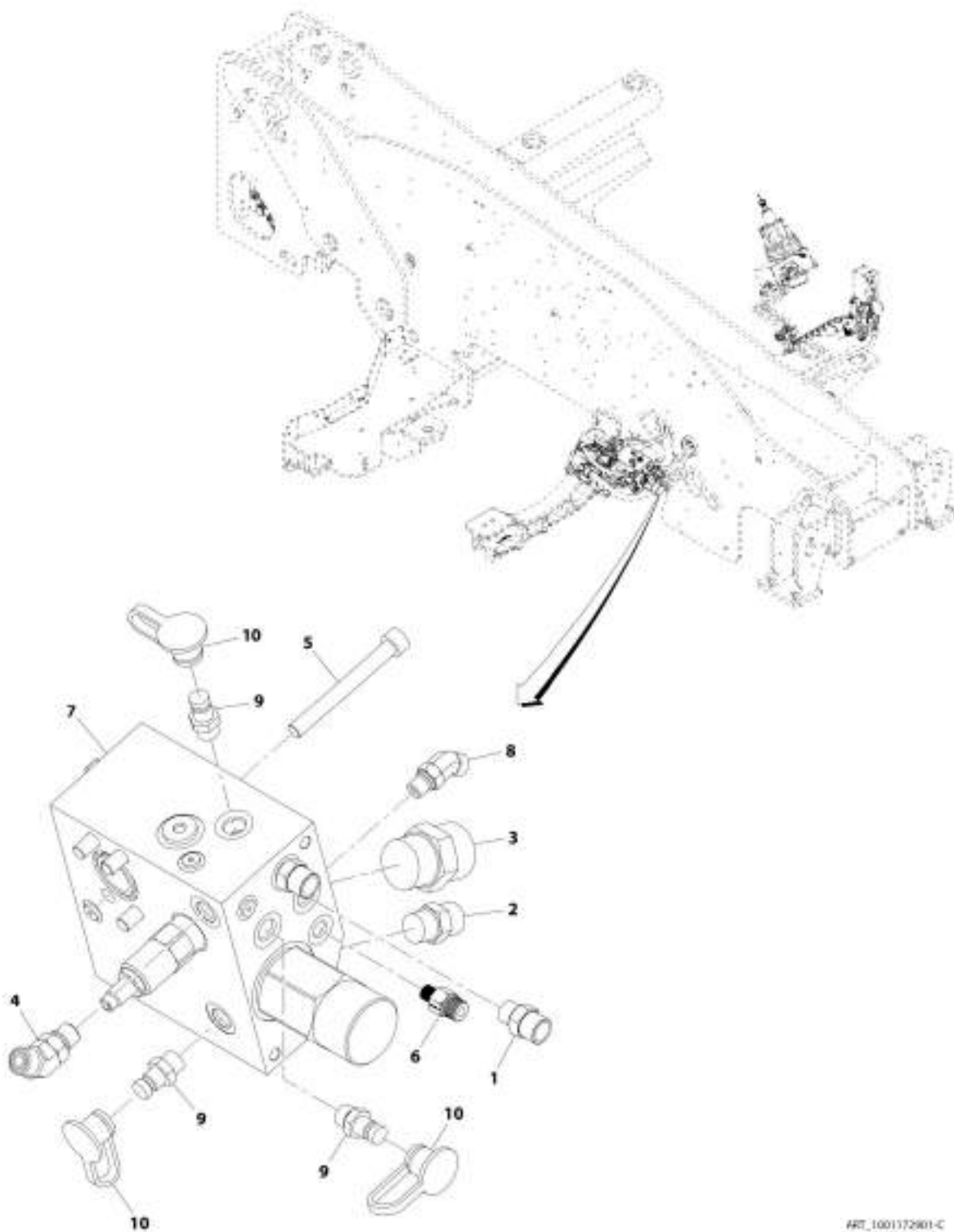
## SECTION 8 - HYDRAULIC CIRCUITS

### FIGURE 8-3. MAIN CONTROL VALVE INSTALLATION

ITEM	PART NUMBER	QTY	DESCRIPTION	REV
	1001172900	Ref	Main Control Valve Installation	G
3	2110606	1	Fitting, Straight ORFS	
4	2111612	1	Fitting, Straight ORFS	
5	2130606	1	Fitting, 90 ORFS	
6	4812000	7	Washer, M10	
8	2111010	8	Fitting, Straight ORFS	
10	1001180252	1	Valve, Main Control (See Separate Breakdown in Hydraulic Components Section)	
11	1001182231	1	Bracket	
12	2132016	1	Fitting, 90 ORFS	
13	0701014	3	Bolt, M10X30	
14	0701012	4	Bolt, M10X25	
15	2110806	1	Fitting, Straight ORFS	
16	2220242	1	Fitting ( <b>Prior to SN 82560</b> )	
17	1001187355	1	Valve, Check	
18	2220221	1	Fitting, Reducer	
19	1001008761	2	Cap	
20	1001003590	2	Fitting, Straight	

# SECTION 8 - HYDRAULIC CIRCUITS

## FIGURE 8-4. PRIORITY VALVE INSTALLATION



ART\_100132901-C



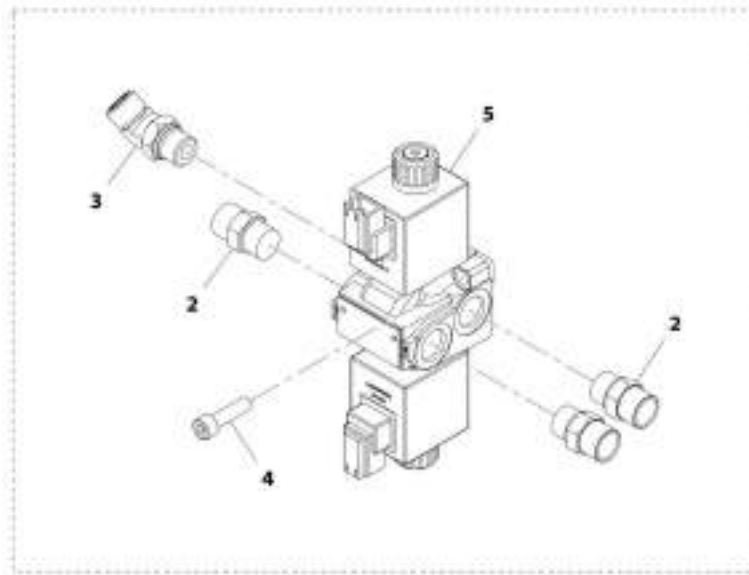
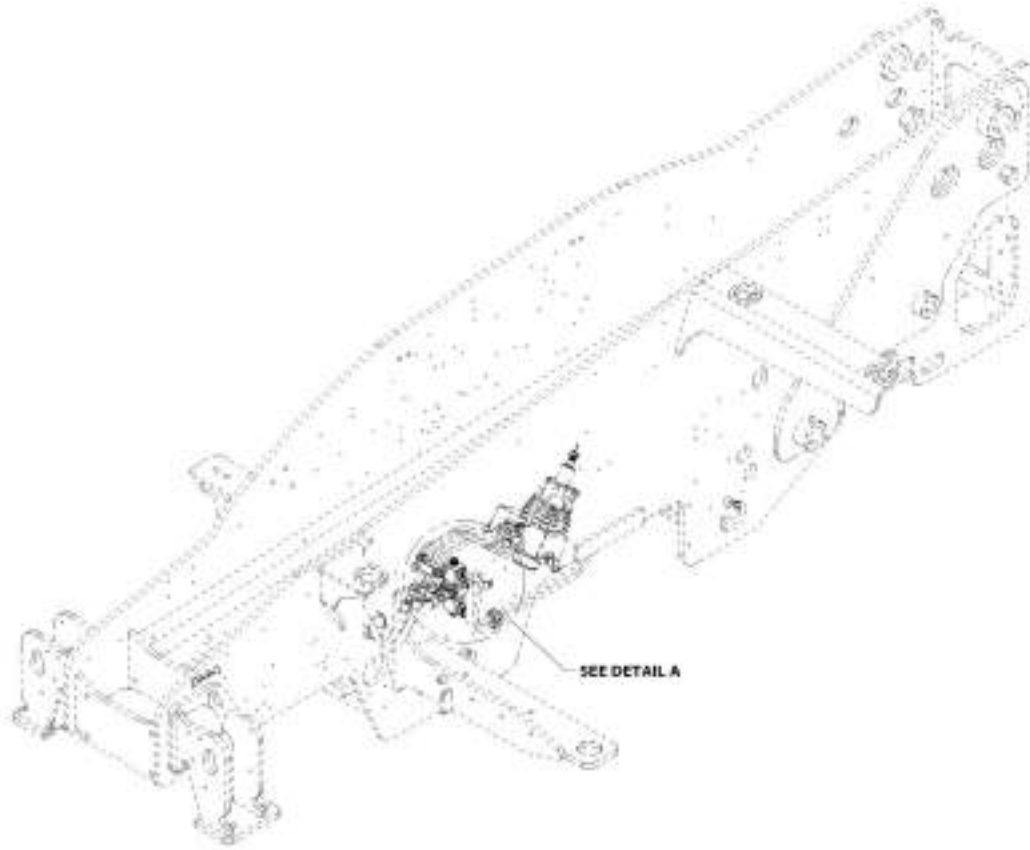
## SECTION 8 - HYDRAULIC CIRCUITS

### FIGURE 8-4. PRIORITY VALVE INSTALLATION

ITEM	PART NUMBER	QTY	DESCRIPTION	REV
	1001172901	Ref	Priority Valve Installation	C
1	2110606	2	Fitting, Straight ORFS	
2	2110808	1	Fitting, Straight ORFS	
3	2111616	1	Fitting, Straight ORFS	
4	2150606	1	Fitting, 45 ORFS	
5	5272022	4	Screw, M10X1.5X90	
6	4641237	1	Valve, Check	
7	1001179462	1	Manifold, Priority Flow (See Separate Breakdown in Hydraulic Components Section)	
8	2150404	1	Fitting, 45 ORFS	
9	1001003590	3	Fitting, Straight	
10	1001008761	3	Cap	

# SECTION 8 - HYDRAULIC CIRCUITS

## FIGURE 8-5. STEER SELECT VALVE INSTALLATION



DETAIL A

AWT\_1001172894-B

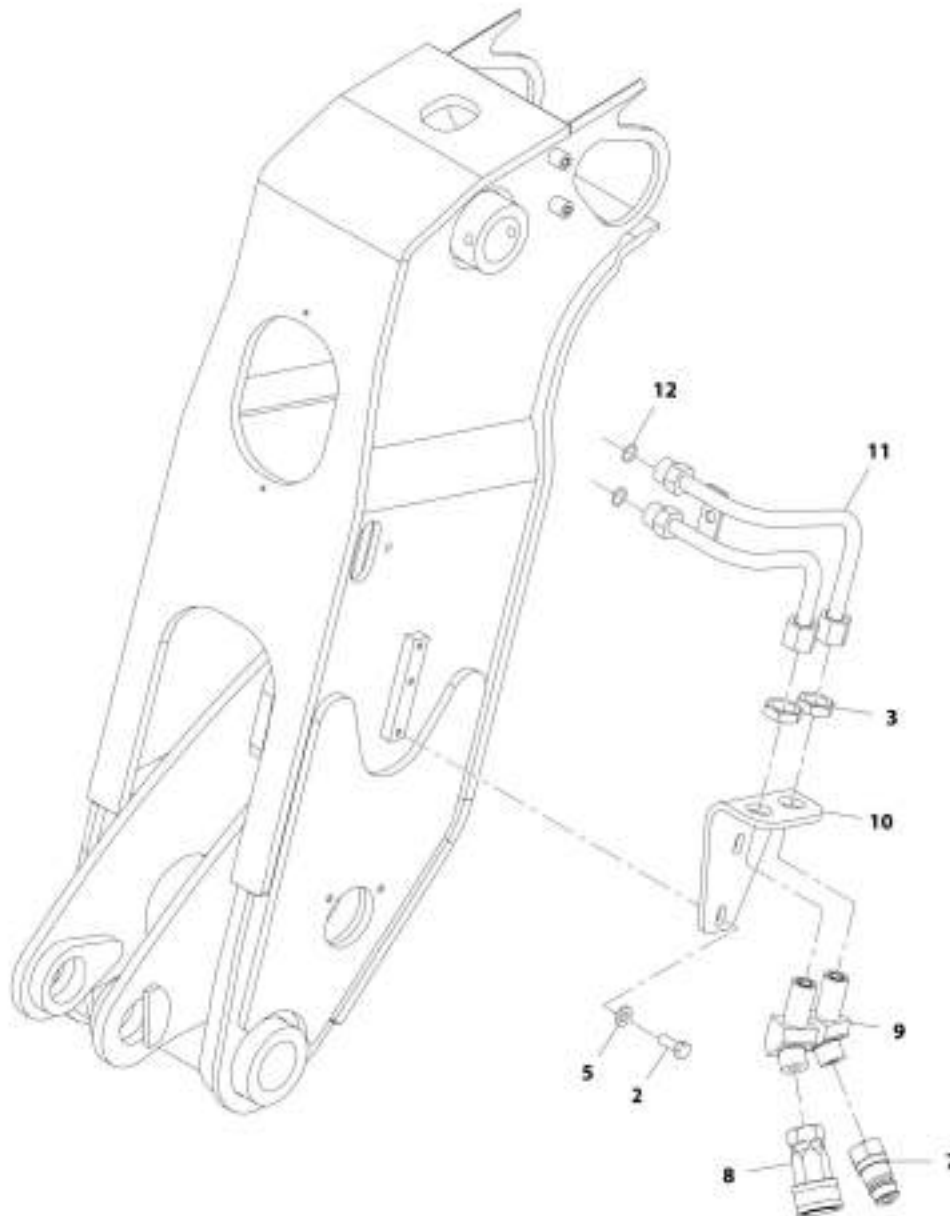
## SECTION 8 - HYDRAULIC CIRCUITS

### FIGURE 8-5. STEER SELECT VALVE INSTALLATION

ITEM	PART NUMBER	QTY	DESCRIPTION	REV
	1001172894	Ref	Steer Select Valve Installation	B
2	2110808	3	Fitting, Straight ORFS	
3	2150808	1	Fitting, 45 ORFS	
4	4031910	2	Screw, M8X30	
5	1001153748	1	Valve, Steering Select (See Separate Breakdown in Hydraulic Components Section)	

## SECTION 8 - HYDRAULIC CIRCUITS

FIGURE 8-6. MANUAL COUPLER LINES INSTALLATION (FRONT BOOM - SINGLE)



AWT\_1001179024-C

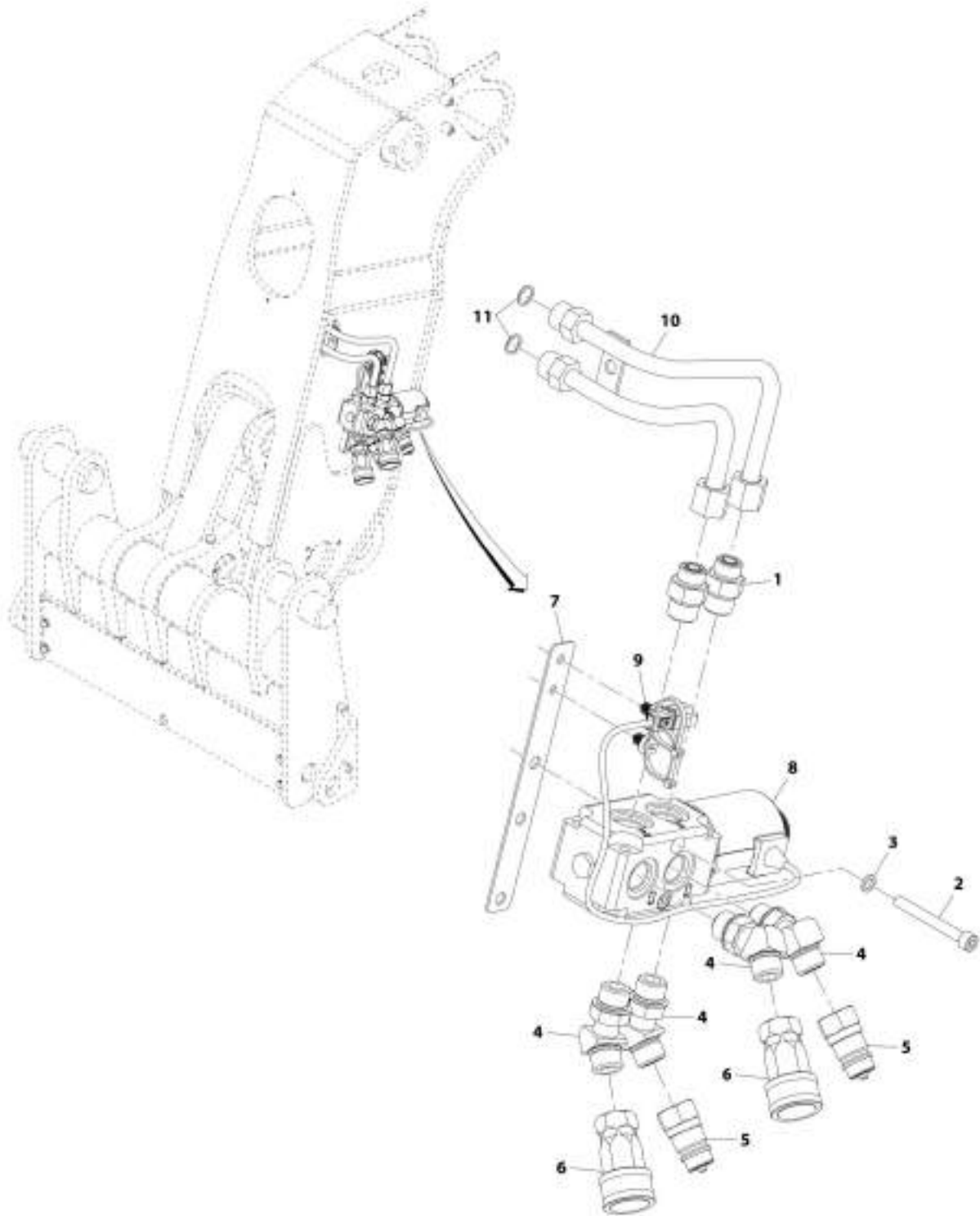
## SECTION 8 - HYDRAULIC CIRCUITS

**FIGURE 8-6. MANUAL COUPLER LINES INSTALLATION (FRONT BOOM - SINGLE)**

ITEM	PART NUMBER	QTY	DESCRIPTION	REV
	1001179054	Ref	Manual Coupler Lines Installation (Front Boom - Single)	C
2	0760810	2	Bolt, M8X20	
3	2172208	2	Nut	
5	5240800	2	Washer, M8	
7	1001101041	1	Adapter, Male Quick Disconnect	
8	1001101042	1	Adapter, Female Quick Disconnect	
9	1001103640	2	Adapter, 45 ORFS	
10	1001202177	1	Plate	
11	1001181161	1	Tube	
12	1001008805	2	Seal	

# SECTION 8 - HYDRAULIC CIRCUITS

FIGURE 8-7. MANUAL COUPLER LINES INSTALLATION (FRONT BOOM - TWIN)



MTT\_3001201205-B

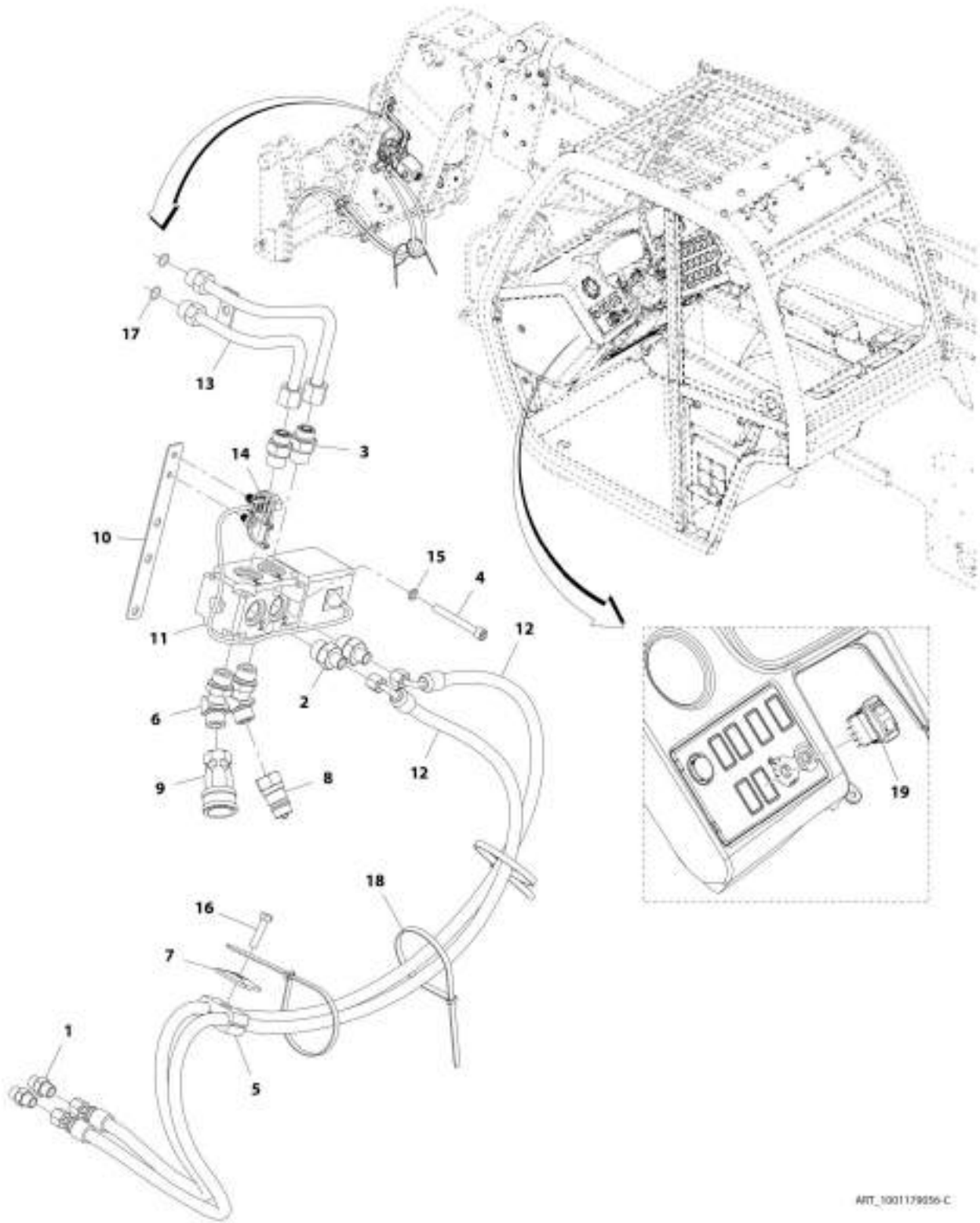
## SECTION 8 - HYDRAULIC CIRCUITS

**FIGURE 8-7. MANUAL COUPLER LINES INSTALLATION (FRONT BOOM - TWIN)**

ITEM	PART NUMBER	QTY	DESCRIPTION	REV
	1001201205	Ref	Manual Coupler Lines Installation (Front Boom - Twin)	B
1	2110810	2	Fitting, Straight ORFS	
2	4031918	2	Bolt, M8X70	
3	1001005262	2	Washer	
4	1001005904	4	Fitting, 45	
5	1001101041	2	Adapter, Male Quick Disconnect	
6	1001101042	2	Adapter, Female Quick Disconnect	
7	1001108918	1	Plate	
8	1001110023	1	Valve, Divertor (See Separate Breakdown in Hydraulic Components Section)	
9	1001146588	2	Strap, Cable	
10	1001181161	1	Tube	
11	1001008805	2	Seal	

# SECTION 8 - HYDRAULIC CIRCUITS

FIGURE 8-8. HYDRAULIC COUPLER LINES INSTALLATION (FRONT BOOM - SINGLE)



ART\_1001179056-C



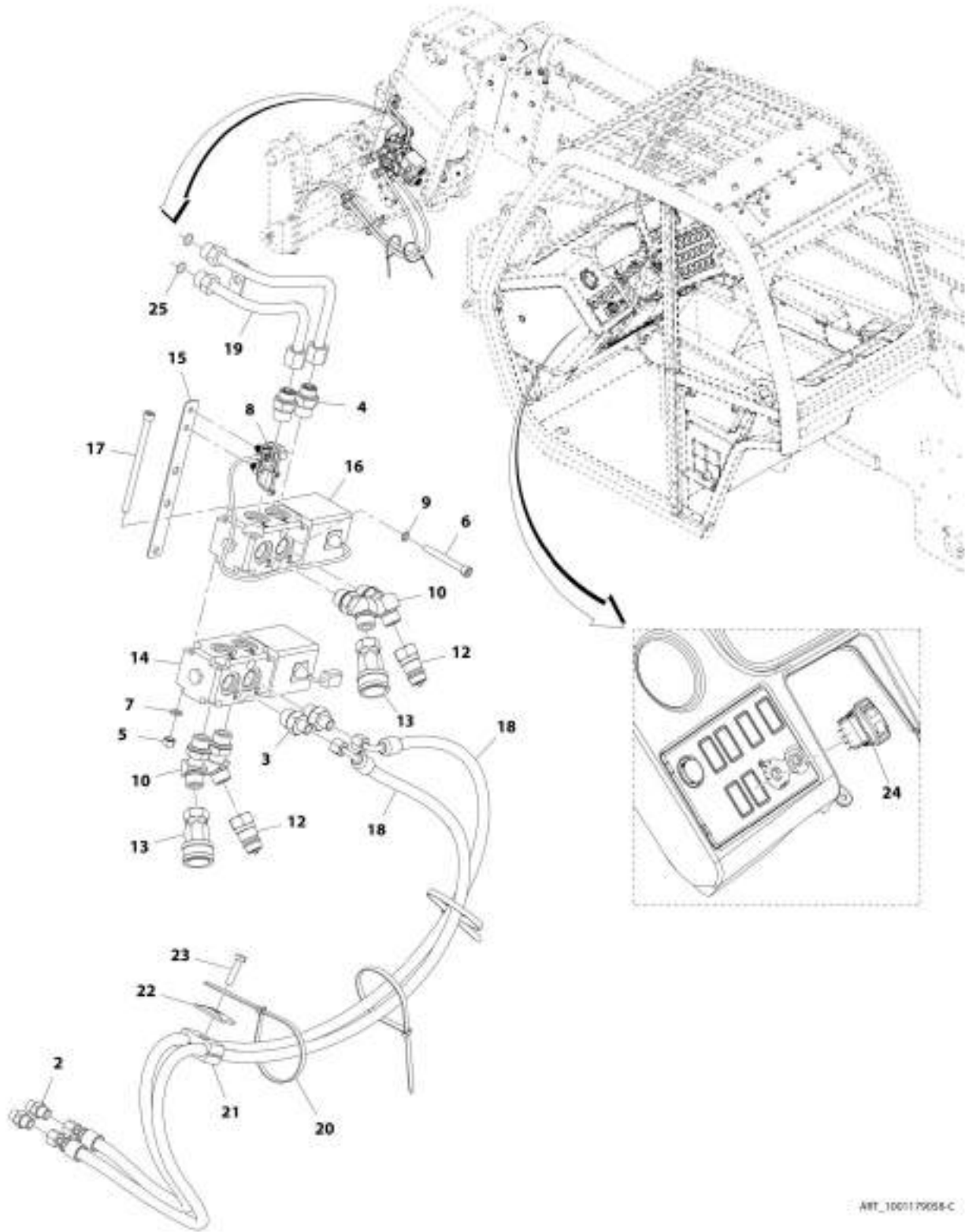
## SECTION 8 - HYDRAULIC CIRCUITS

**FIGURE 8-8. HYDRAULIC COUPLER LINES INSTALLATION (FRONT BOOM - SINGLE)**

ITEM	PART NUMBER	QTY	DESCRIPTION	REV
	1001179056	Ref	Hydraulic Coupler Lines Installation (Front Boom - Single)	C
1	2110406	2	Fitting, Straight ORFS	
2	2110410	2	Fitting, Straight ORFS	
3	2110810	2	Fitting, Straight ORFS	
4	4031918	2	Bolt, M8X70	
5	8769124	1	Clamp	
6	1001005904	2	Elbow	
7	77133140	1	Plate, Cover	
8	1001101041	1	Coupling, Male Quick Disconnect	
9	1001101042	1	Coupling, Female Quick Disconnect	
10	1001108918	1	Plate	
11	1001110023	1	Valve, Divertor (See Separate Breakdown in Hydraulic Components Section)	
12	1001200218	2	Hose, ORFS	
13	1001181161	1	Tube	
14	1001146588	2	Strap, Fir Tree Cable Tie	
15	1001005262	2	Washer	
16	77133177	1	Bolt, M5/16X1-3/8	
17	1001008805	2	Seal	
18	1062255	3	Strap, Tie	
19	1001080375	1	Switch, Quick Switch	

# SECTION 8 - HYDRAULIC CIRCUITS

FIGURE 8-9. HYDRAULIC COUPLER LINES INSTALLATION (FRONT BOOM - TWIN)



ART\_100179058-C

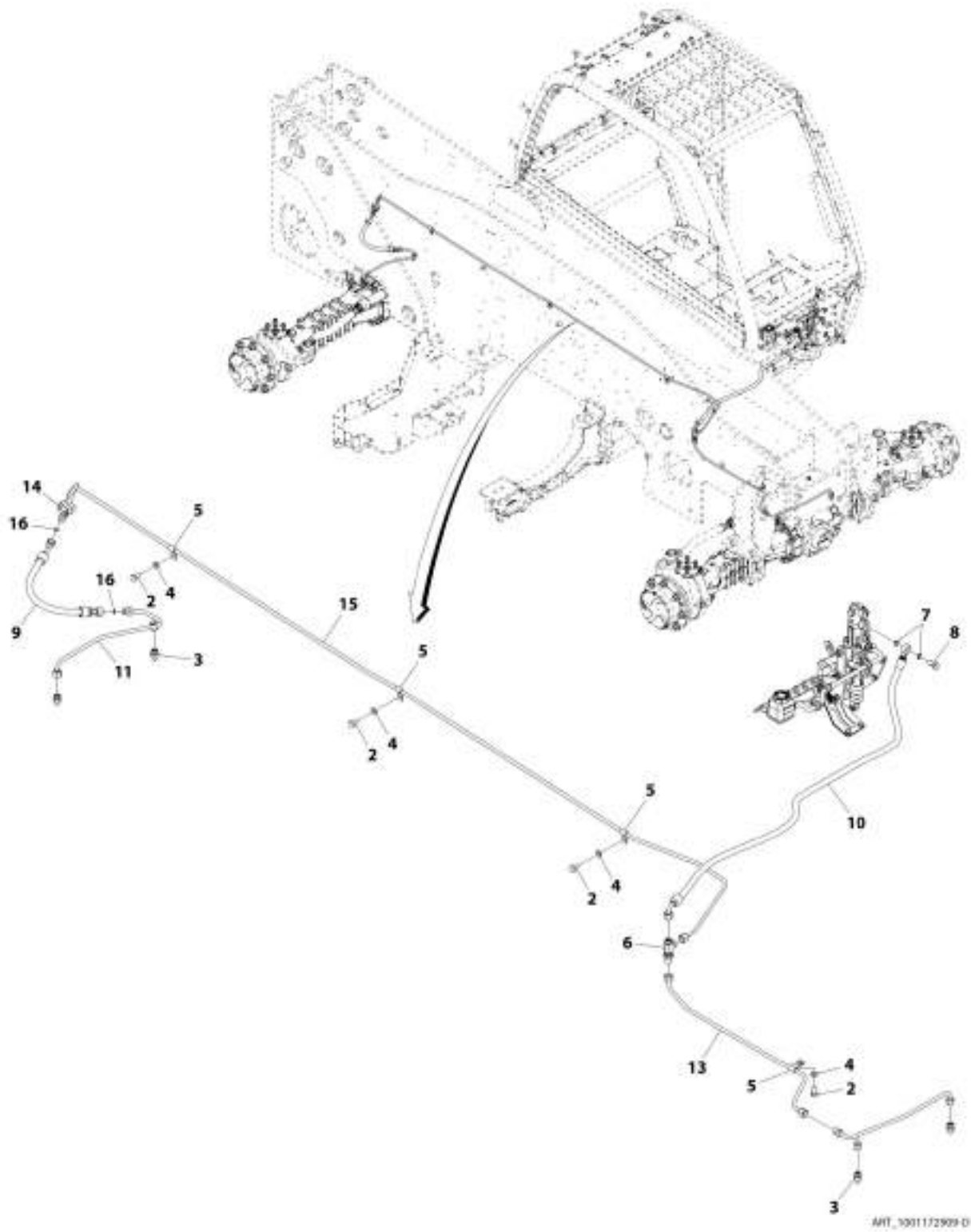
## SECTION 8 - HYDRAULIC CIRCUITS

**FIGURE 8-9. HYDRAULIC COUPLER LINES INSTALLATION (FRONT BOOM - TWIN)**

ITEM	PART NUMBER	QTY	DESCRIPTION	REV
	1001179058	Ref	Hydraulic Coupler Lines Installation (Front Boom - Twin)	C
2	2110406	2	Fitting, Straight ORFS	
3	2110410	2	Fitting, Straight ORFS	
4	2110810	2	Fitting, Straight ORFS	
5	3290805	4	Nut, Lock M8X1.25 Grade 8	
6	4031918	2	Bolt, M8X70	
7	4831900	4	Washer, Lock M8	
8	1001146588	2	Strap, Fir Tree Cable Tie	
9	1001005262	2	Washer	
10	1001005904	4	Elbow	
12	1001101041	2	Coupling, Male Quick Disconnect	
13	1001101042	2	Coupling, Female Quick Disconnect	
14	1001104477	1	Valve, Divertor (See Separate Breakdown in Hydraulic Components Section)	
15	1001108918	1	Plate	
16	1001110023	1	Valve, Divertor (See Separate Breakdown in Hydraulic Components Section)	
17	1001110115	4	Bolt, M8X100	
18	1001200218	2	Hose, ORFS	
19	1001181161	1	Tube	
20	1062255	3	Strap, Tie	
21	8769124	1	Clamp	
22	77133140	1	Plate, Cover	
23	77133177	1	Bolt, M5/16X1-3/8	
24	1001080375	1	Switch, Quick Switch	
25	1001008805	2	Seal	

# SECTION 8 - HYDRAULIC CIRCUITS

## FIGURE 8-10. BRAKE LINES INSTALLATION



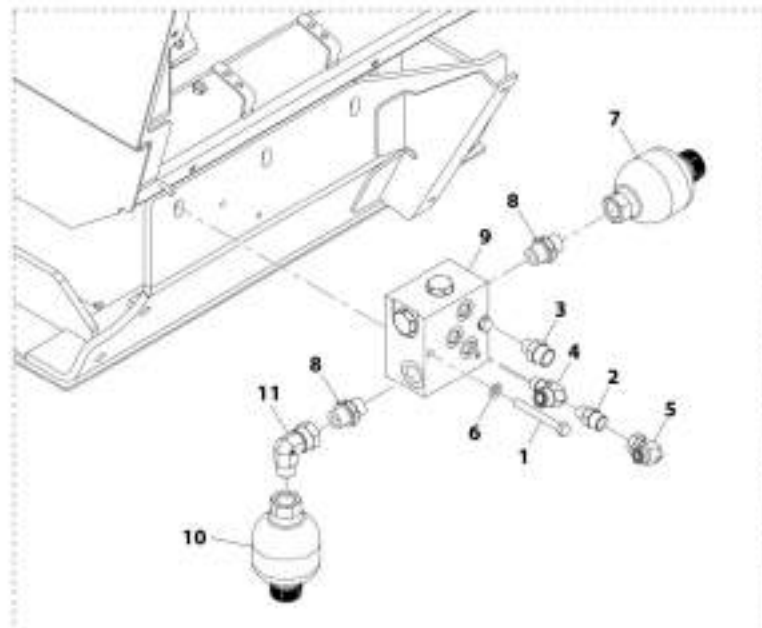
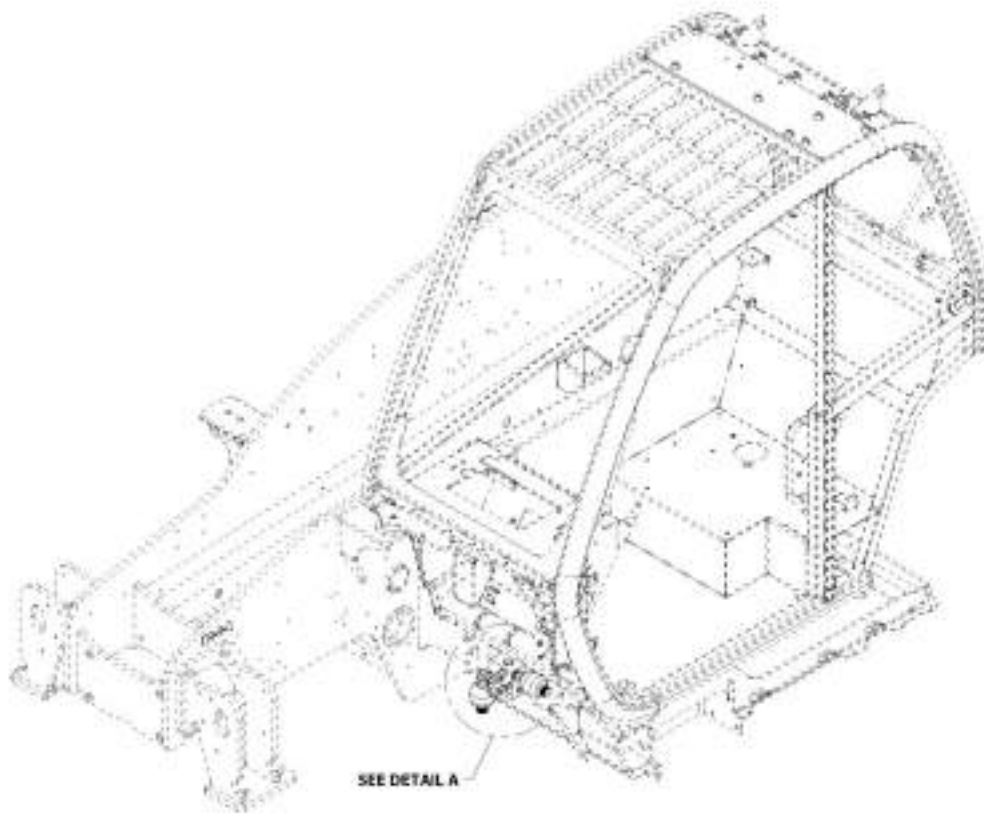
## SECTION 8 - HYDRAULIC CIRCUITS

### FIGURE 8-10. BRAKE LINES INSTALLATION

ITEM	PART NUMBER	QTY	DESCRIPTION	REV
	1001172909	Ref	Brake Lines Installation	D
2	0761010	4	Bolt, M10X20	
3	2144605	4	Fitting, Straight ORFS	
4	4812000	4	Washer, M10	
5	1001008773	4	Clip	
6	88662434	1	Fitting, Tee ORFS	
7	1001105639	2	Washer	
8	1001105643	1	Bolt	
9	1001181008	1	Hose, Rear Brake	
10	1001196912	1	Hose, ORFS	
11	1001181016	1	Pipe, ORFS	
13	1001181019	1	Pipe, ORFS	
14	1001181170	1	Clamp	
15	1001203046	1	Pipe, ORFS	
16	1001008804	2	Seal	

# SECTION 8 - HYDRAULIC CIRCUITS

## FIGURE 8-11. BRAKE ACCUMLATOR INSTALLATION



DETAIL A

ART\_1001207694-B

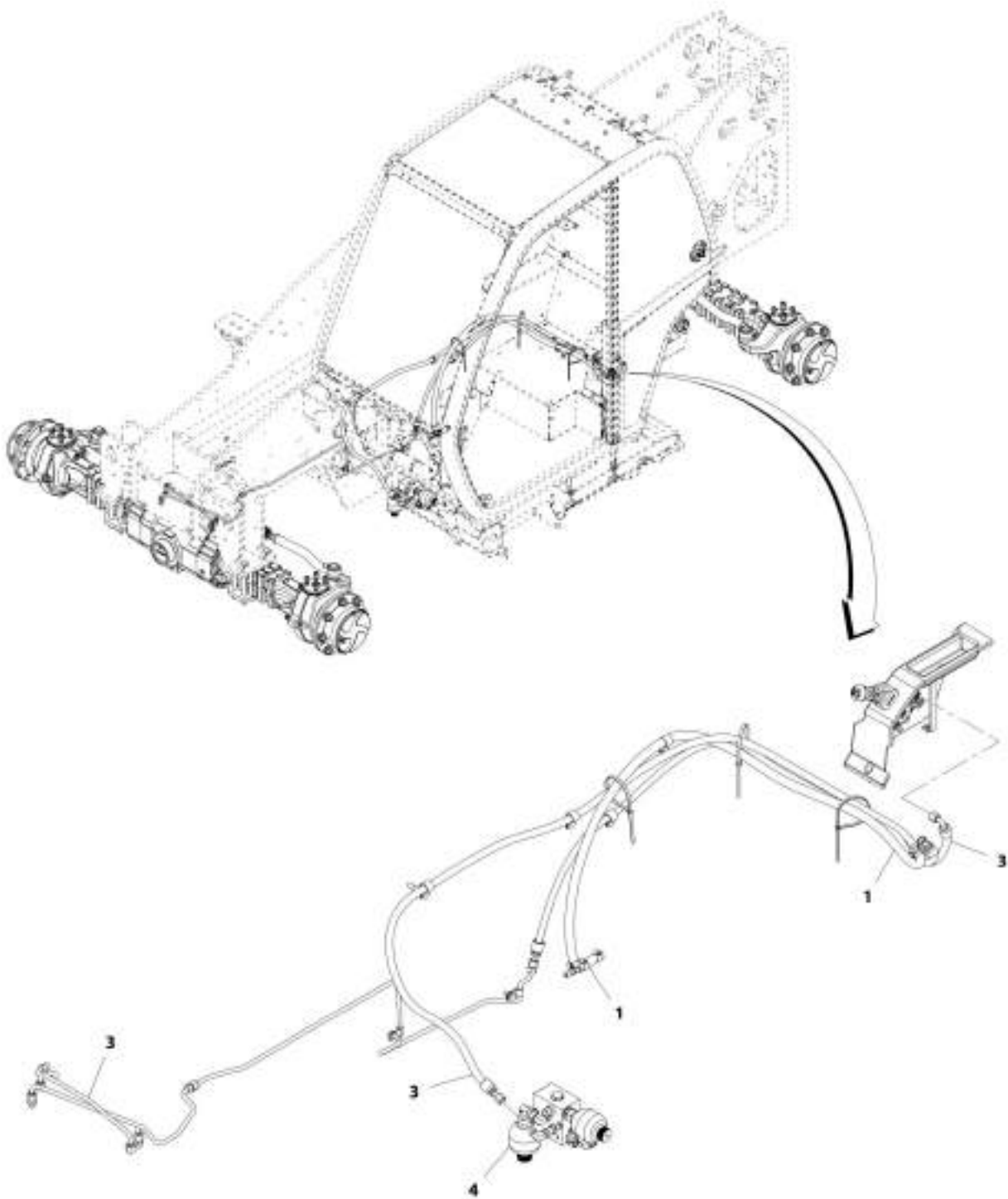
## SECTION 8 - HYDRAULIC CIRCUITS

### FIGURE 8-11. BRAKE ACCUMLATOR INSTALLATION

ITEM	PART NUMBER	QTY	DESCRIPTION	REV
	1001207694	Ref	Brake Accumlator Installation	B
1	0700822	2	Bolt, M8X70	
2	2110606	1	Fitting, Straight ORFS	
3	2110806	1	Fitting, Straight ORFS	
4	2130806	1	Fitting, 90 ORFS	
5	2172106	1	Fitting, 90 ORFS	
6	4811900	2	Washer, M8	
7	1001173418	1	Brake	
8	1001179926	2	Adapter	
9	1001215589	1	Manifold	
10	1001209651	1	Brake, Damper	
11	1001211376	1	Fitting, 90 ORFS	

# SECTION 8 - HYDRAULIC CIRCUITS

## FIGURE 8-12. SAHR LINES INSTALLATION



ART\_1001103723-C



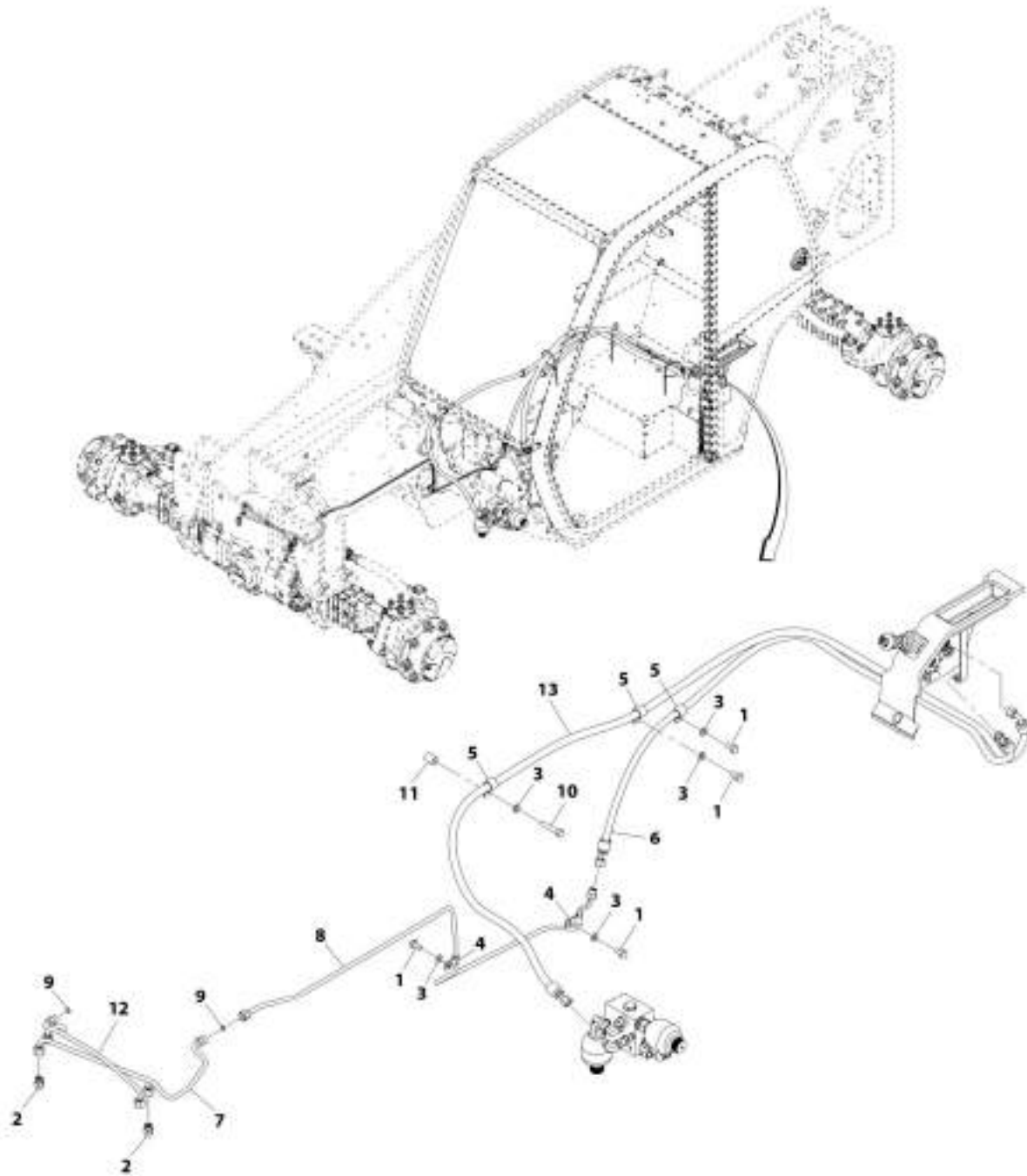
## SECTION 8 - HYDRAULIC CIRCUITS

**FIGURE 8-12. SAHR LINES INSTALLATION**

ITEM	PART NUMBER	QTY	DESCRIPTION	REV
1	1001193722	Ref	SAHR Lines Installation	C
	1001187400	Ref	Installation, Return Lines (See Separate Breakdown in this Section)	
3	1001188609	Ref	Installation, Brake Lines (See Separate Breakdown in this Section)	
4	1001207694	Ref	Installation, Brake Accumlator (See Separate Breakdown in this Section)	

# SECTION 8 - HYDRAULIC CIRCUITS

## FIGURE 8-13. BRAKE LINES INSTALLATION



ART\_100108609-C

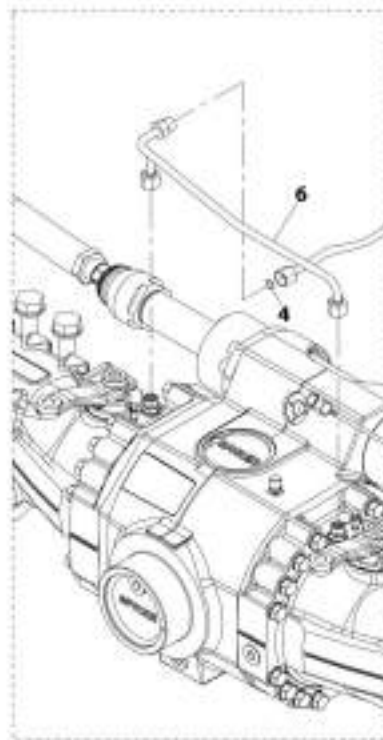
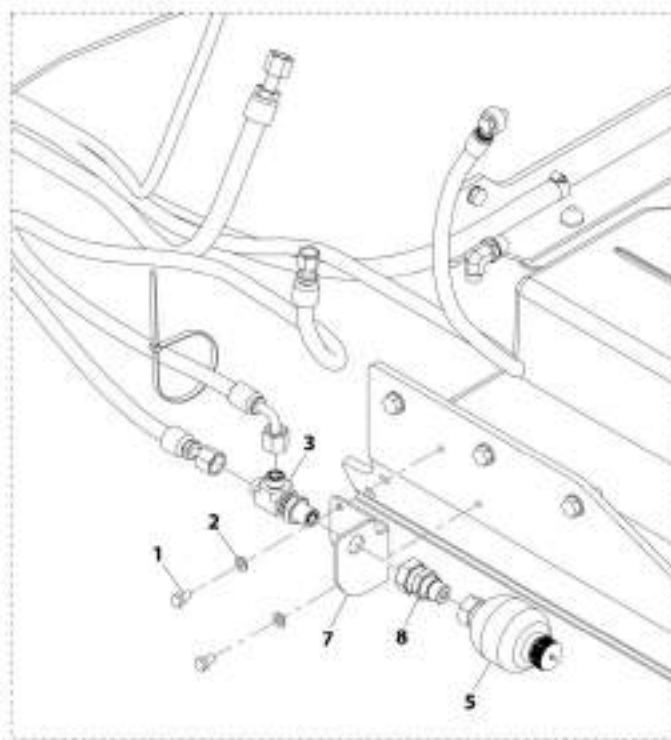
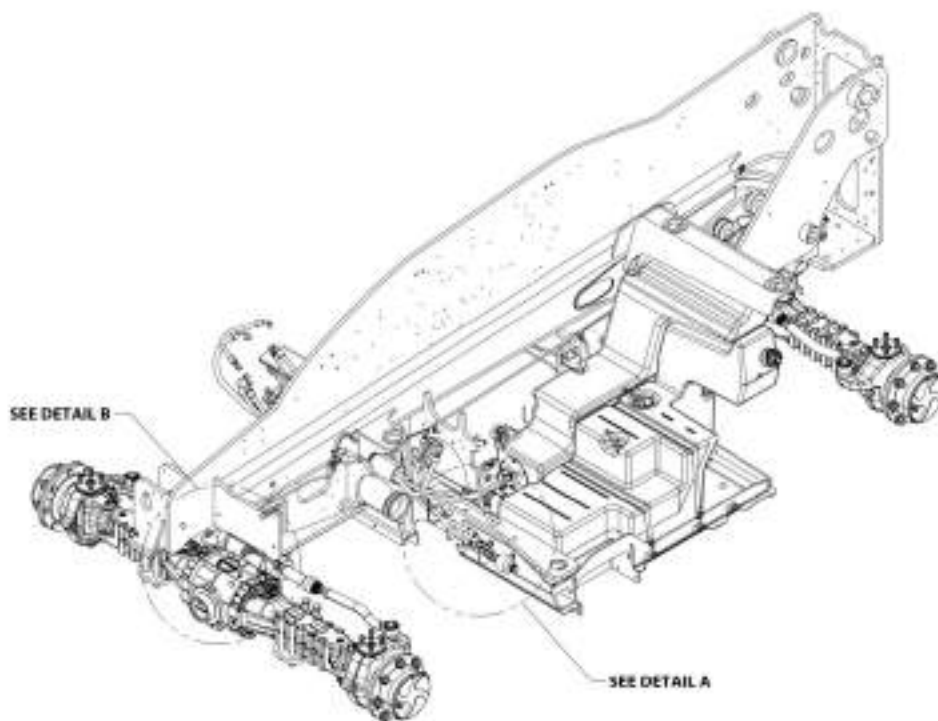
## SECTION 8 - HYDRAULIC CIRCUITS

### FIGURE 8-13. BRAKE LINES INSTALLATION

ITEM	PART NUMBER	QTY	DESCRIPTION	REV
	1001188609	Ref	Brake Lines Installation	C
1	0761010	4	Bolt, M10X20	
2	2144605	2	Fitting, Straight ORFS	
3	4812000	5	Washer, M10	
4	1001008773	2	Clip	
5	1001004144	3	Clip	
6	1001207908	1	Hose, ORFS	
7	1001201941	1	Pipe, ORFS	
8	1001207903	1	Pipe, ORFS	
9	1001008804	3	Seal	
10	0701019	1	Bolt, M10X55	
11	1001188548	1	Boss	
12	1001201940	1	Pipe, ORFS	
13	1001207804	1	Hose, ORFS	

# SECTION 8 - HYDRAULIC CIRCUITS

## FIGURE 8-14. BRAKE ACCUMULATOR



ART\_1001213031-A

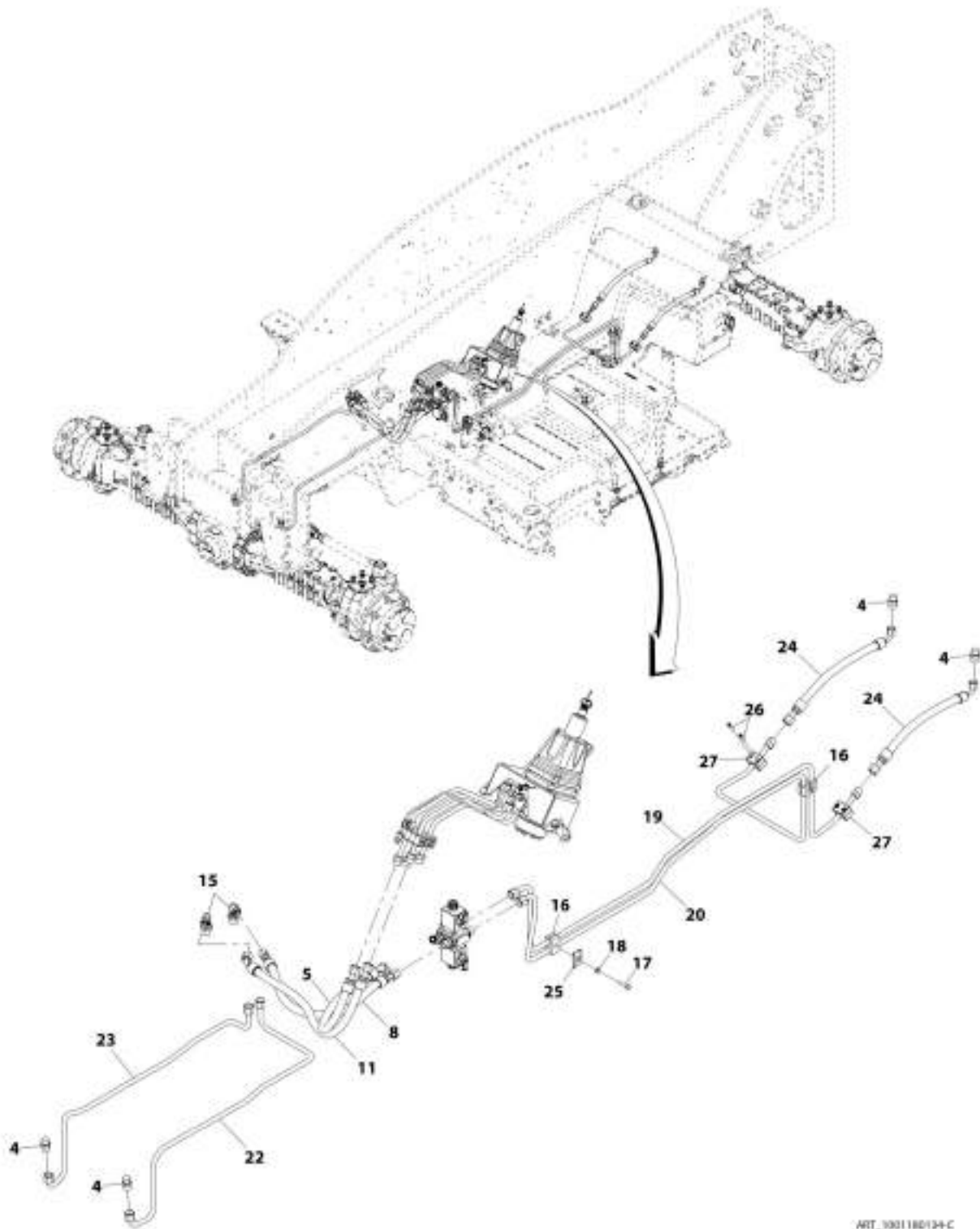
## SECTION 8 - HYDRAULIC CIRCUITS

### FIGURE 8-14. BRAKE ACCUMULATOR

ITEM	PART NUMBER	QTY	DESCRIPTION	REV
	1001213031	Ref	Brake Accumulator	A
1	0760807	2	Bolt, M8X14	
2	4811900	2	Washer, M8	
3	8770167	1	Fitting, Tee ORFS	
4	1001008804	1	Seal	
5	1001173418	1	Brake, Damper	
6	1001181017	1	Pipe, ORFS	
7	1001207522	1	Bracket, Accumulator	
8	1001207523	1	Fitting, Straight ORFS	

# SECTION 8 - HYDRAULIC CIRCUITS

## FIGURE 8-15. STEERING LINES INSTALLATION



ART\_3001180134-C

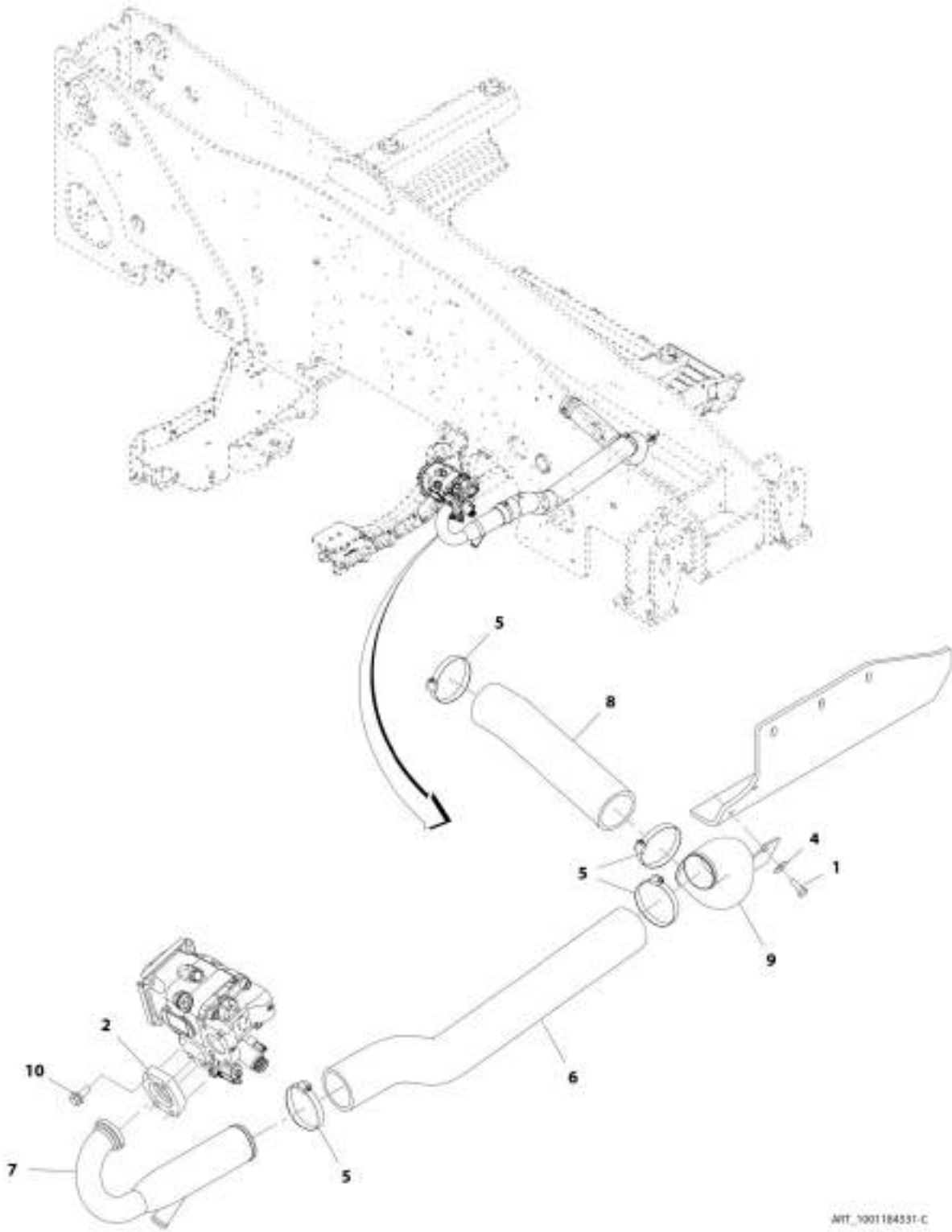
## SECTION 8 - HYDRAULIC CIRCUITS

### FIGURE 8-15. STEERING LINES INSTALLATION

ITEM	PART NUMBER	QTY	DESCRIPTION	REV
	1001180134	Ref	Steering Lines Installation	C
4	2110808	4	Fitting, Straight ORFS	
5	1001180810	1	Hose, Steering	
8	1001180809	1	Hose, Steering	
11	1001180811	1	Hose, Steering	
15	2171208	2	Adapter, ORFS	
16	77133168	2	Clamp	
17	0700815	2	Bolt, M8X35	
18	4811900	2	Washer, M8	
19	1001195741	1	Pipe, ORFS	
20	1001195742	1	Pipe, ORFS	
22	1001193515	1	Pipe, ORFS	
23	1001193514	1	Pipe, ORFS	
24	1001193513	2	Hose, ORFS	
25	77133140	2	Plate, Cover	
26	4031709	4	Bolt, M6X25	
27	1001104934	2	Clamp	

# SECTION 8 - HYDRAULIC CIRCUITS

## FIGURE 8-16. SUCTION LINES INSTALLATION



AWT\_1001184331-C



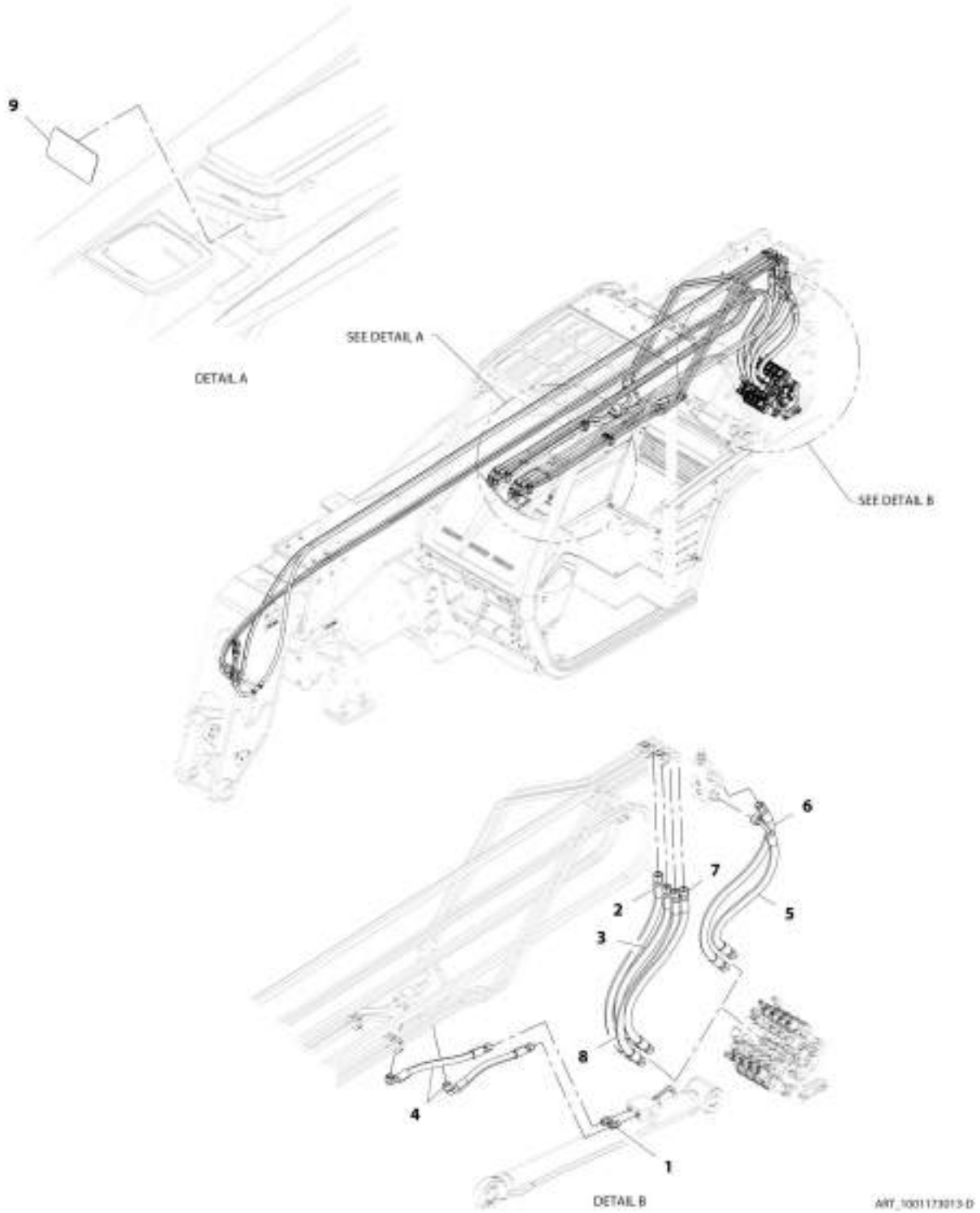
## SECTION 8 - HYDRAULIC CIRCUITS

### FIGURE 8-16. SUCTION LINES INSTALLATION

ITEM	PART NUMBER	QTY	DESCRIPTION	REV
	1001184531	Ref	Suction Lines Installation	C
1	0761014	2	Bolt, M10X30	
2	2171832	1	Fitting, Straight	
4	4812002	2	Washer, M10	
5	8405301	4	Clamp	
6	1001176313	1	Hose	
7	1001202135	1	Pipe	
8	1001193421	1	Hose	
9	1001184530	1	Pipe	
10	5201215	4	Bolt, M12X35	

# SECTION 8 - HYDRAULIC CIRCUITS

## FIGURE 8-17. BOOM LINES INSTALLATION



AWT\_1001173013-D

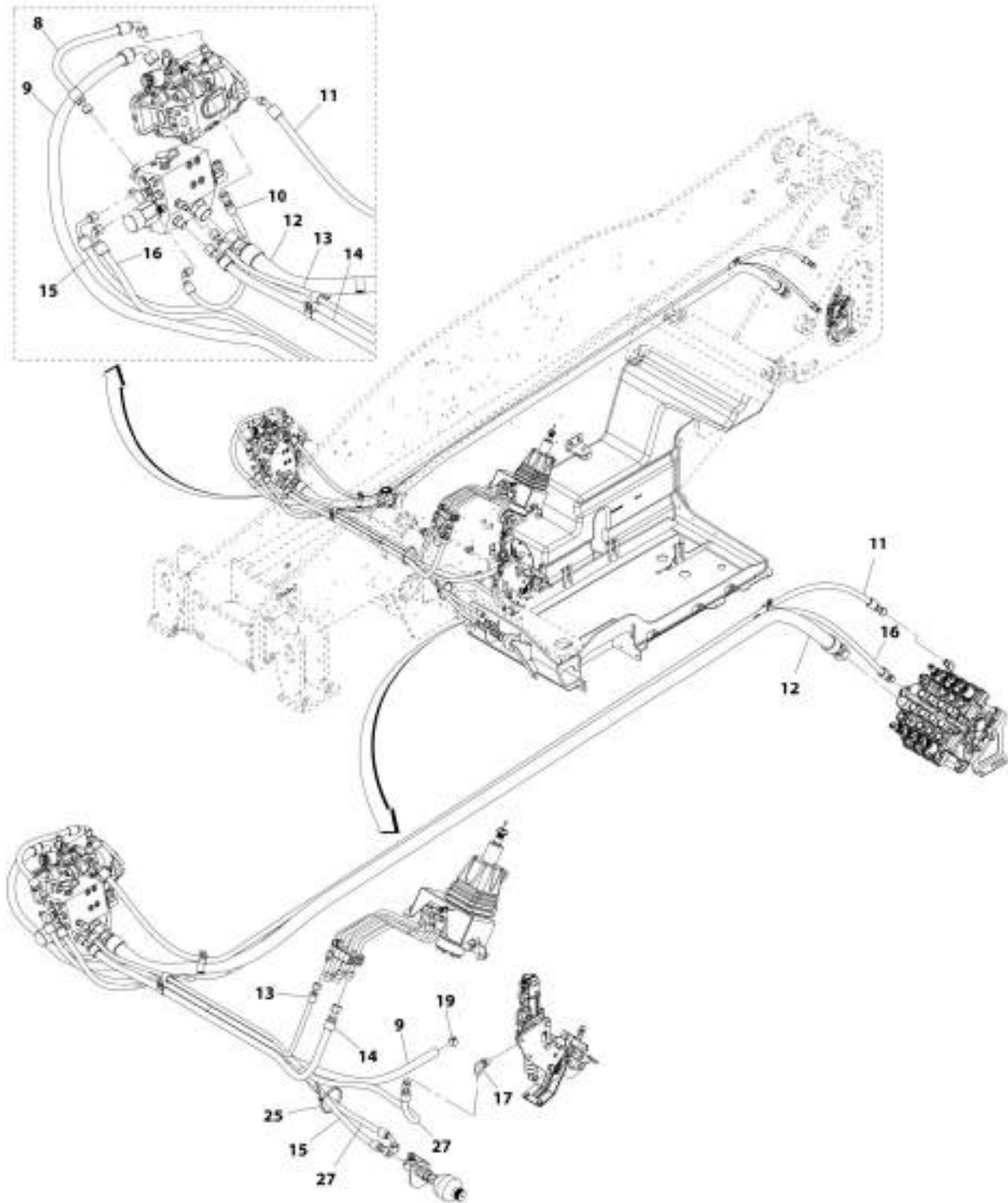
## SECTION 8 - HYDRAULIC CIRCUITS

### FIGURE 8-17. BOOM LINES INSTALLATION

ITEM	PART NUMBER	QTY	DESCRIPTION	REV
	1001173013	Ref	Boom Lines Installation	D
1	2110808	2	Fitting, Straight ORFS	
2	1001181562	1	Hose	
3	1001181563	1	Hose	
4	1001181784	2	Hose	
5	1001181568	1	Hose	
6	1001181569	1	Hose	
7	1001181565	1	Hose	
8	1001181564	1	Hose	
9	1670836	1	Cover, Boom	

# SECTION 8 - HYDRAULIC CIRCUITS

## FIGURE 8-18. PRIORITY LINES INSTALLATION



ART\_1001180043-E

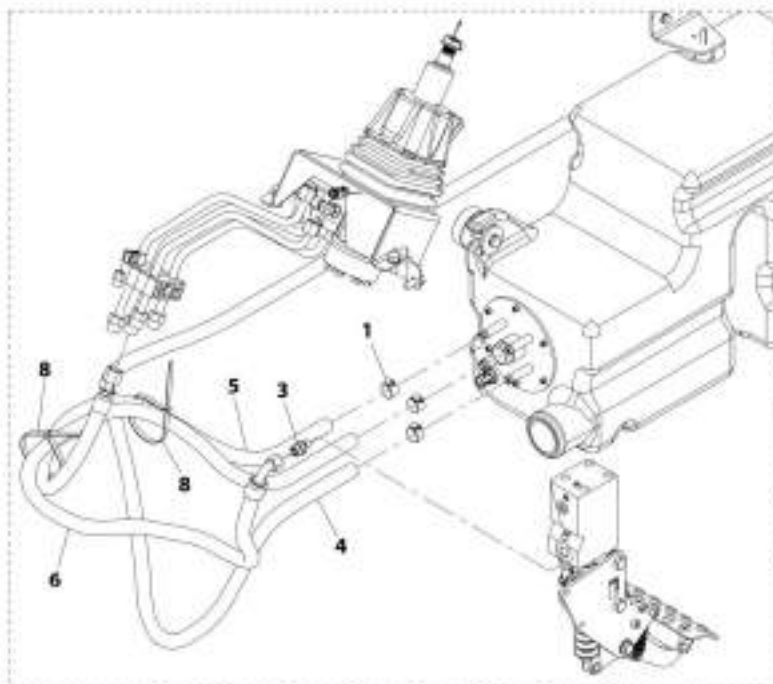
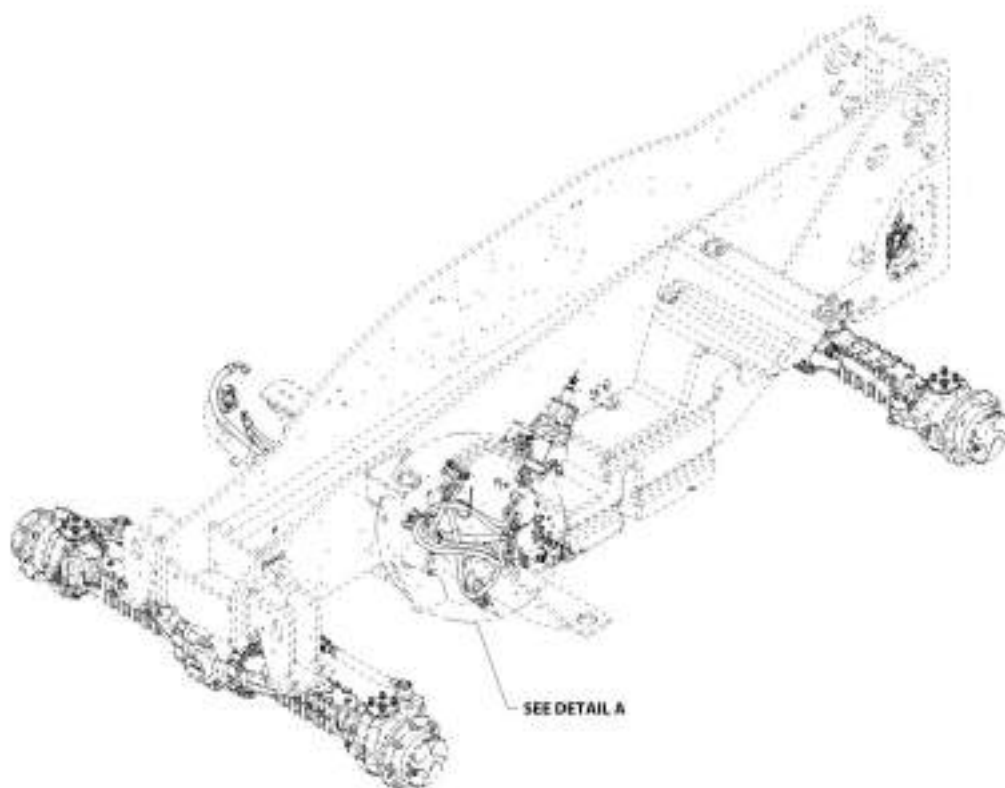
## SECTION 8 - HYDRAULIC CIRCUITS

### FIGURE 8-18. PRIORITY LINES INSTALLATION

ITEM	PART NUMBER	QTY	DESCRIPTION	REV
	1001180845	Ref	Priority Lines Installation	E
8	1001180850	1	Hose	
9	1001196723	1	Hose, ORFS	
10	1001195994	1	Hose, ORFS	
11	1001196002	1	Hose, ORFS	
12	1001195992	1	Hose, ORFS	
13	1001180855	1	Hose	
14	1001180856	1	Hose	
15	1001207526	1	Hose, ORFS	
16	1001201422	1	Hose, ORFS	
17	80333151	1	Fitting, 90 ORFS	
19	8405006	1	Clamp	
25	1062255	1	Strap, Tie	
27	1001207525	1	Hose, ORFS	

# SECTION 8 - HYDRAULIC CIRCUITS

## FIGURE 8-19. RETURN LINES INSTALLATION



DETAIL A

ART\_1001185351-B

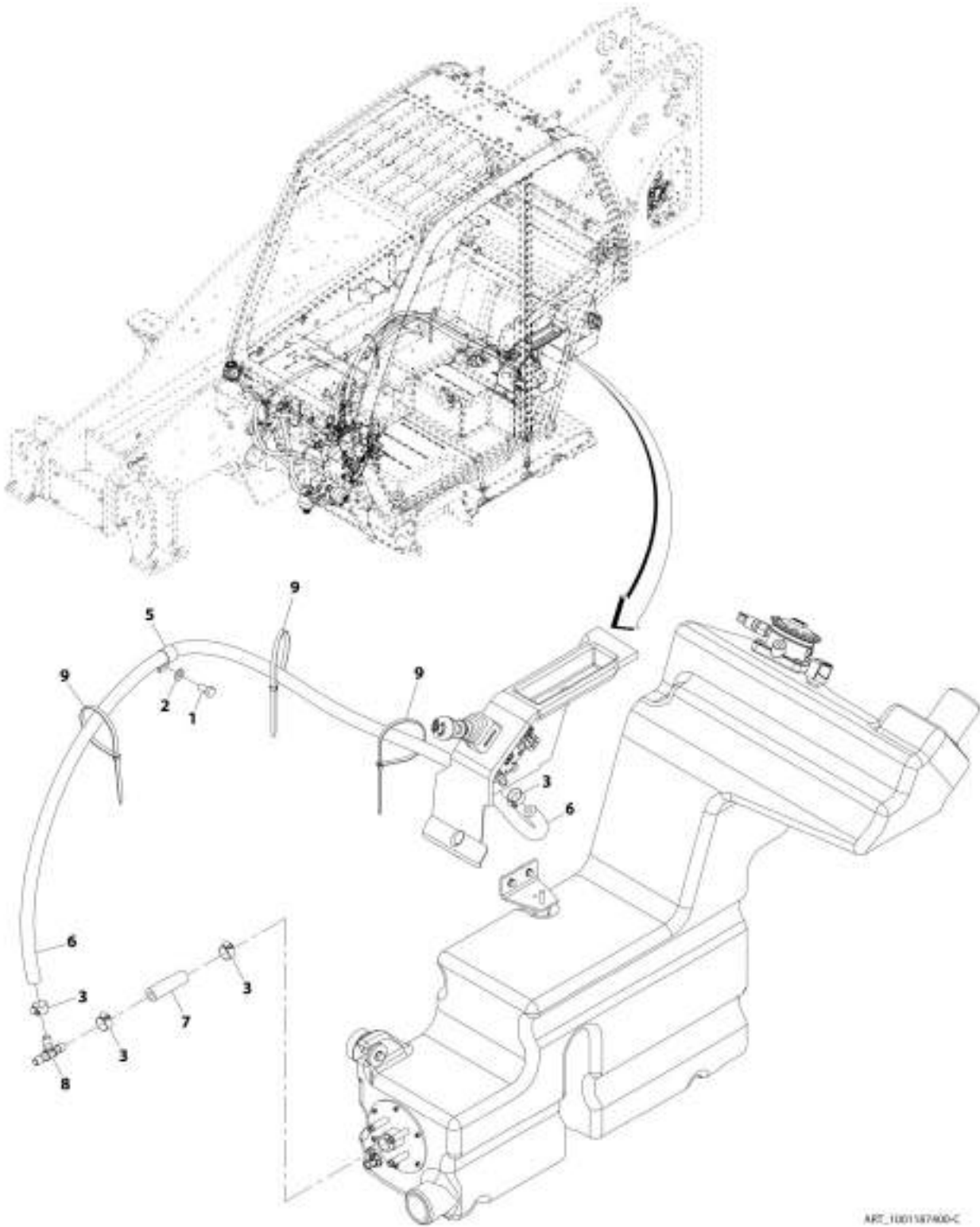
## SECTION 8 - HYDRAULIC CIRCUITS

**FIGURE 8-19. RETURN LINES INSTALLATION**

ITEM	PART NUMBER	QTY	DESCRIPTION	REV
	1001185351	Ref	Return Lines Installation	B
1	8410009	3	Clamp, Gear	
3	80233218	1	Adapter, Straight ORFS	
4	1001196787	1	Hose, ORFS	
5	1001201943	1	Hose, ORFS	
6	1001196661	1	Hose, ORFS	
8	1062255	2	Strap, Tie	

# SECTION 8 - HYDRAULIC CIRCUITS

FIGURE 8-20. RETURN LINES INSTALLATION (SAHR)



ARE\_100187A00-C



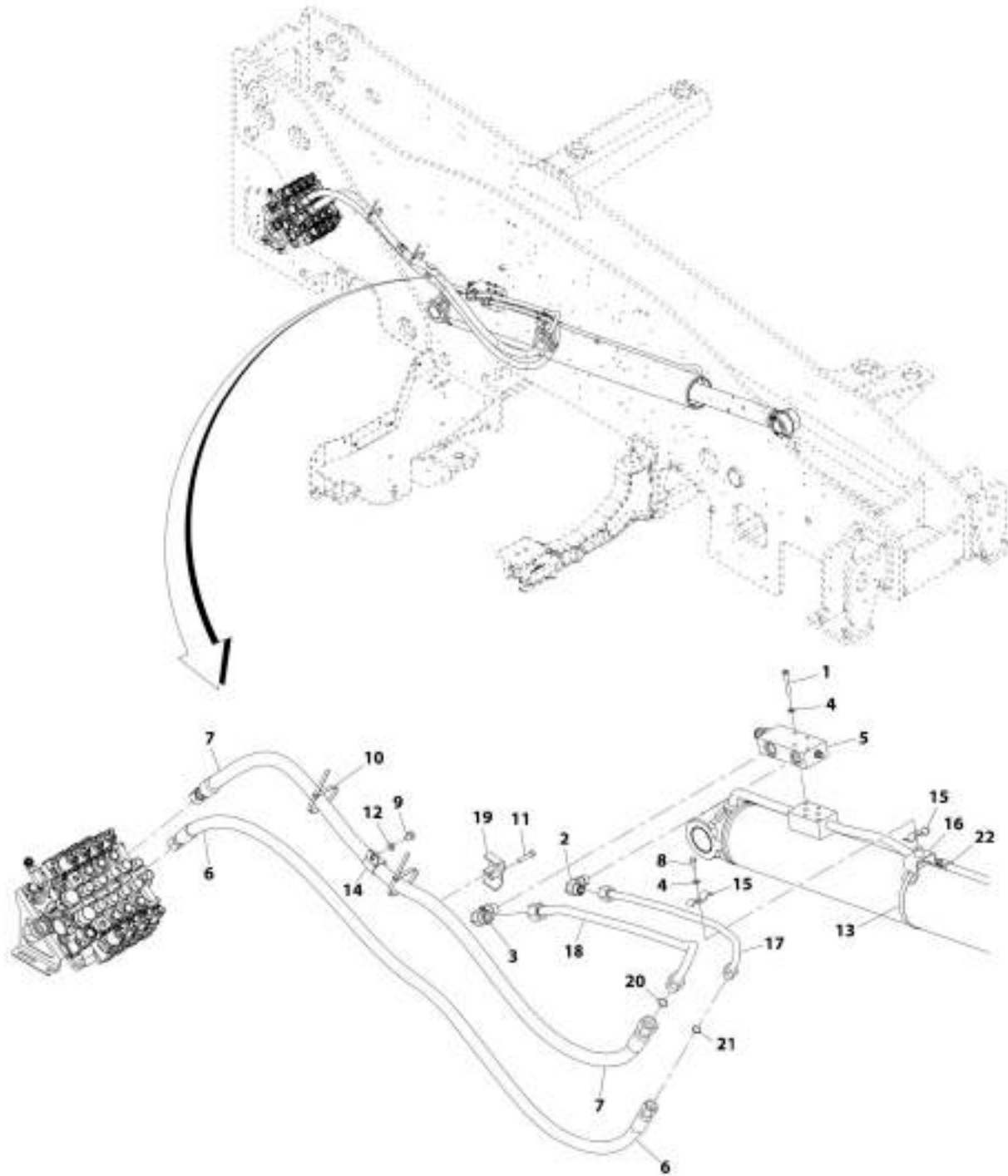
## SECTION 8 - HYDRAULIC CIRCUITS

### FIGURE 8-20. RETURN LINES INSTALLATION (SAHR)

ITEM	PART NUMBER	QTY	DESCRIPTION	REV
	1001187400	Ref	Return Lines Installation	C
1	0761010	1	Bolt, M10X20	
2	4812000	1	Washer, M10	
3	8410009	4	Clamp, Gear	
5	1001004144	1	Clip	
6	1001207754	1	Hose	
7	1001187416	1	Hose	
8	1001176411	1	Adapter, Tee	
9	1062255	3	Strap, Tie	

# SECTION 8 - HYDRAULIC CIRCUITS

## FIGURE 8-21. BOOM RAISE HOSES INSTALLATION



MIT\_100170041-C

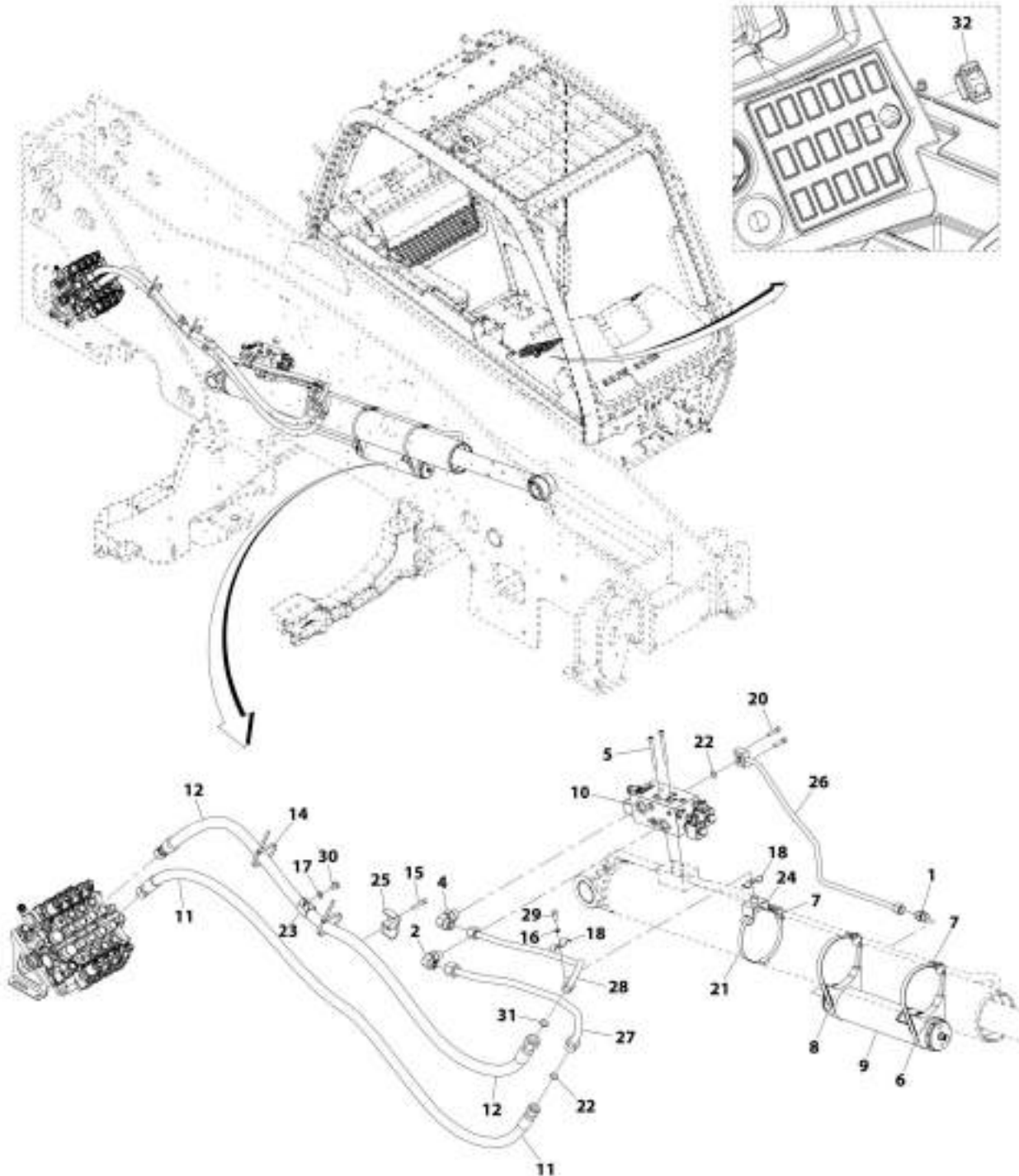
## SECTION 8 - HYDRAULIC CIRCUITS

**FIGURE 8-21. BOOM RAISE HOSES INSTALLATION**

ITEM	PART NUMBER	QTY	DESCRIPTION	REV
	1001179041	Ref	Boom Raise Hoses Installation	C
1	5271814	4	Bolt, M8X50	
2	2131010	1	Fitting, 90 ORFS	
3	2131212	1	Fitting, 90 ORFS	
4	4811900	5	Washer, M8	
5	1001201245	1	Valve, Counterbalance	
6	1001203923	1	Hose, ORFS	
7	1001203922	1	Hose, ORFS	
8	0760810	1	Bolt, M8X20	
9	0761007	1	Bolt, M10X14	
10	1062255	2	Strap, Tie	
11	4031912	2	Bolt, M8X40	
12	4812000	1	Washer, M10	
13	8405502	1	Clamp	
14	1001008572	1	Clip	
15	1001198331	2	Clamp, Twin	
16	1001200038	1	Bracket	
17	1001203905	1	Pipe, ORFS	
18	1001203915	1	Pipe, ORFS	
19	1001203919	1	Bracket	
20	1001008863	1	Seal	
21	1001008922	1	Seal	
22	1001101064	1	Clip	

# SECTION 8 - HYDRAULIC CIRCUITS

FIGURE 8-22. BOOM RAISE HOSES INSTALLATION (RIDE CONTROL)



ART\_1001179343-D

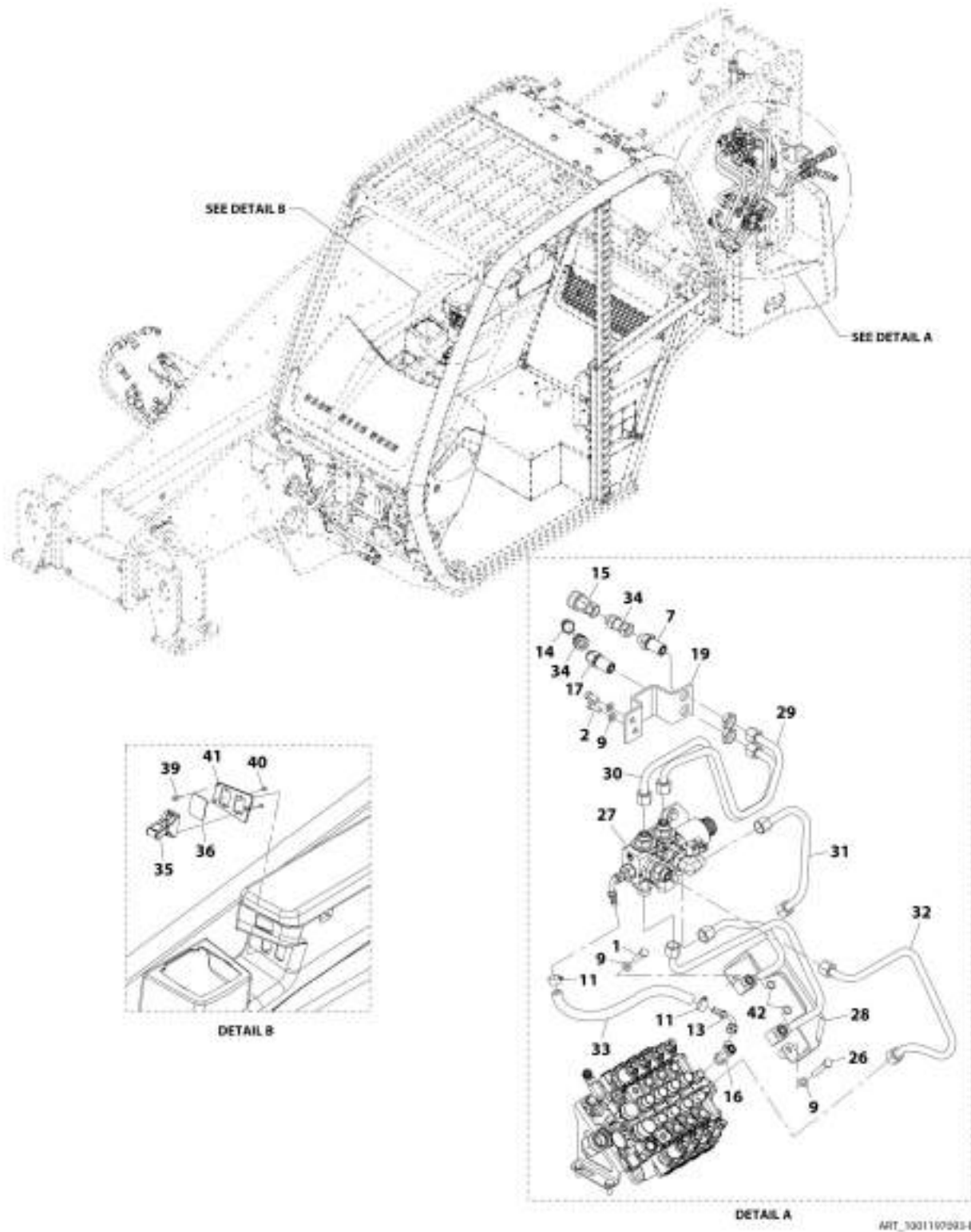
## SECTION 8 - HYDRAULIC CIRCUITS

**FIGURE 8-22. BOOM RAISE HOSES INSTALLATION (RIDE CONTROL)**

ITEM	PART NUMBER	QTY	DESCRIPTION	REV
	1001179043	Ref	Boom Raise Hoses Installation (Ride Control)	D
1	1001216636	1	Valve, Check	
2	2131012	1	Fitting, 90 ORFS <b>(Prior to SN 0300087631)</b>	
4	2131212	1	Fitting, 90 ORFS	
5	5271922	4	Bolt, M8X90	
6	1001101063	2	Clamp	
7	1001101064	3	Clip	
8	1001208035	2	Bumper	
9	1001106729	1	Cylinder, Piston Accum	
10	1001215261	1	Valve, Ride Control (See Separate Breakdown in Hydraulic Components Section)	
11	1001203923	1	Hose, ORFS	
12	1001203922	1	Hose, ORFS	
14	1062255	2	Strap, Tie	
15	4031912	2	Bolt, M8X40	
16	4811900	1	Washer, M8	
17	4812000	1	Washer, M10	
18	1001198331	2	Clamp	
20	5271808	4	Screw, M8X20	
21	8405502	1	Clamp	
22	1001008922	2	Seal	
23	1001008572	1	Clip	
24	1001200038	1	Bracket	
25	1001203919	1	Bracket	
26	1001211452	1	Pipe, ORFS	
27	1001204974	1	Pipe, ORFS	
28	1001204975	1	Pipe, ORFS	
29	0760810	1	Bolt, M8X20	
30	0761007	1	Bolt, M10X14	
31	1001008863	1	Seal	
32	1001159745	1	Switch	

# SECTION 8 - HYDRAULIC CIRCUITS

## FIGURE 8-23. REAR AUX HYDRAULICS INSTALLATION (SINGLE)



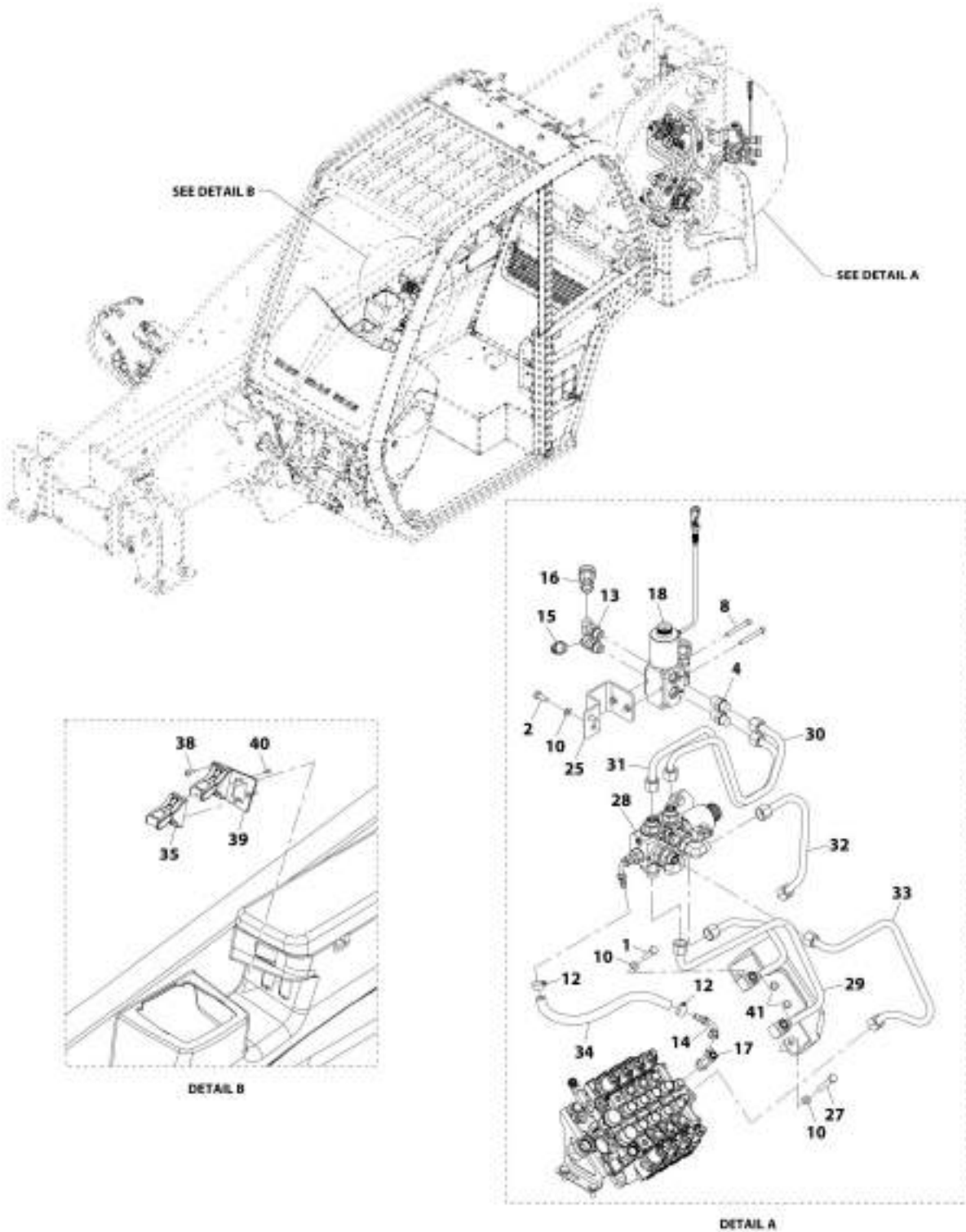
## SECTION 8 - HYDRAULIC CIRCUITS

**FIGURE 8-23. REAR AUX HYDRAULICS INSTALLATION (SINGLE)**

ITEM	PART NUMBER	QTY	DESCRIPTION	REV
	1001197093	Ref	Rear Aux Hydraulics Installation (Single)	E
1	0701016	1	Bolt, M10X40	
2	0761012	2	Bolt, M10X25	
7	2171110	1	Fitting, Straight ORFS	
9	4812000	4	Washer, M10	
11	8405006	2	Clamp	
13	1001095301	1	Fitting, 90 ORFS	
14	1001101041	1	Coupling, Male Quick Disconnect	
15	1001101042	1	Coupling, Female Quick Disconnect	
16	1001104646	1	Fitting, Tee ORFS	
17	2171310	1	Fitting, 45 ORFS	
19	1001213829	1	Bracket	
26	0701021	1	Bolt, M10X65	
27	1001204420	1	Assembly, Divertor Valve (Hi Flow) (See Separate Breakdown in Hydraulic Components Section)	
28	1001204421	1	Pipe	
29	1001213771	1	Pipe, ORFS	
30	1001213772	1	Pipe, ORFS	
31	1001204427	1	Pipe, ORFS	
32	1001204428	1	Pipe, ORFS	
33	1001204437	1	Hose	
34	1001001556	2	Fitting, Straight ORFS	
35	1001157919	1	Joystick, Fingertip Control	
36	1001214399	1	Cover	
39	1001005193	3	Screw	
40	1001216232	2	Screw	
41	1001216163	1	Plate	
42	1001008922	2	Seal	

# SECTION 8 - HYDRAULIC CIRCUITS

## FIGURE 8-24. REAR AUX HYDRAULICS INSTALLATION (TWIN)



ART\_1001107090-E



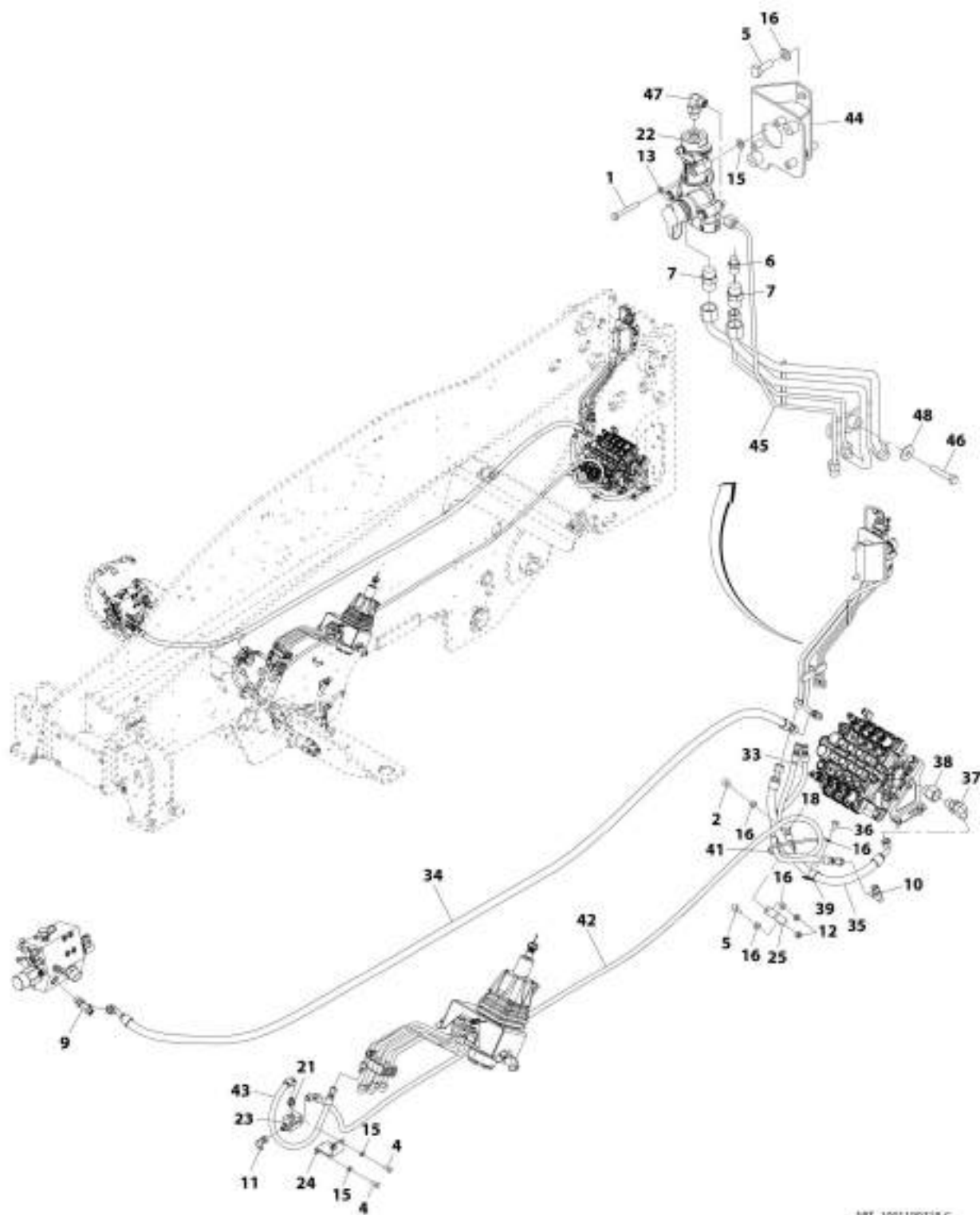
## SECTION 8 - HYDRAULIC CIRCUITS

**FIGURE 8-24. REAR AUX HYDRAULICS INSTALLATION (TWIN)**

ITEM	PART NUMBER	QTY	DESCRIPTION	REV
	1001197090	Ref	Rear Aux Hydraulics Installation (Twin)	E
1	0701016	1	Bolt, M10X40	
2	0761012	2	Bolt, M10X25	
4	2111010	2	Fitting, Straight ORFS	
8	4031918	2	Bolt, M8X70	
10	4812000	4	Washer, M10	
12	8405006	2	Clamp	
13	1001005904	4	Fitting, 45	
14	1001095301	1	Fitting, 90 ORFS	
15	1001101041	2	Coupling, Male Quick Disconnect	
16	1001101042	2	Coupling, Female Quick Disconnect	
17	1001104646	1	Fitting, Tee ORFS	
18	1001110023	1	Valve, Divertor (See Separate Breakdown in Hydraulic Components Section)	
25	1001213871	1	Bracket	
27	0701021	1	Bolt, M10X65	
28	1001204420	1	Assembly, Divertor Valve (Hi Flow) (See Separate Breakdown in Hydraulic Components Section)	
29	1001204421	1	Pipe	
30	1001213771	1	Pipe, ORFS	
31	1001213772	1	Pipe, ORFS	
32	1001204427	1	Pipe, ORFS	
33	1001204428	1	Pipe, ORFS	
34	1001204437	1	Hose	
35	1001157919	2	Joystick, Fingertip Control	
38	1001005193	3	Screw	
39	1001216163	1	Plate	
40	1001216232	4	Screw	
41	1001008922	2	Seal	

# SECTION 8 - HYDRAULIC CIRCUITS

## FIGURE 8-25. TRAILER BRAKE INSTALLATION



ART\_1001190718-C

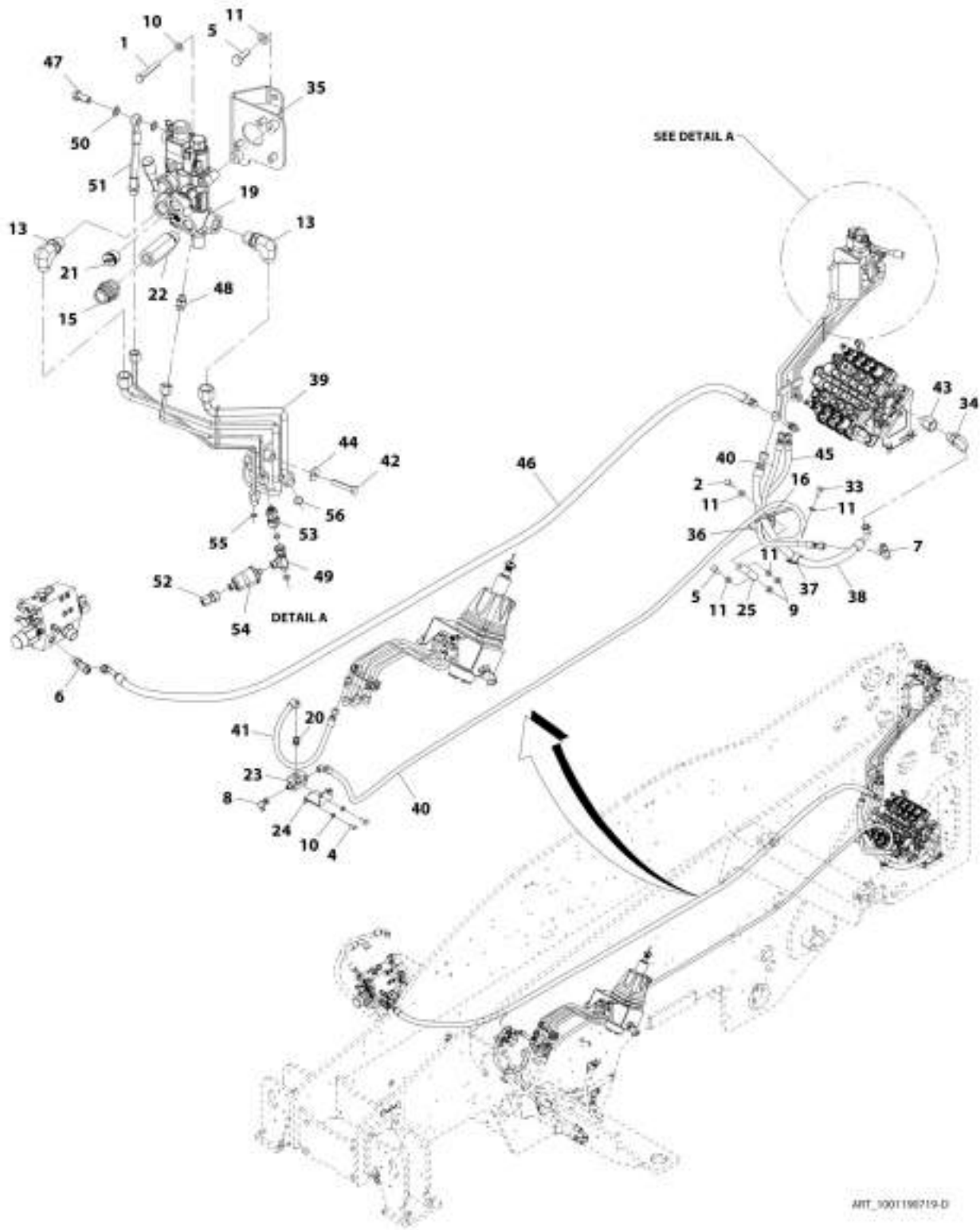
## SECTION 8 - HYDRAULIC CIRCUITS

**FIGURE 8-25. TRAILER BRAKE INSTALLATION**

ITEM	PART NUMBER	QTY	DESCRIPTION	REV
	1001190718	Ref	Trailer Brake Installation	C
1	0700618	3	Bolt, M6X50	
2	0701012	1	Bolt, M10X25	
4	0760810	4	Bolt, M8X20	
5	0761014	3	Bolt, M10X30	
6	1001206179	1	Valve, Check	
7	2110808	2	Fitting, Straight ORFS	
9	2170308	1	Fitting, Tee ORFS	
10	2170706	1	Fitting, Tee ORFS	
11	2172104	1	Fitting, 90 ORFS	
12	3291001	2	Nut, M10X1.5 Grade 8	
13	4811700	3	Washer, M6	
15	4811900	7	Washer, M8	
16	4812000	6	Washer, M10	
18	1001008626	1	Clip	
21	1001120501	1	Fitting, Straight ORFS	
22	1001212384	1	Valve, Trailer Brake	
23	1001151257	1	Valve, Dynamic Select	
24	1001184517	1	Bracket	
25	1001184518	1	Bracket	
33	1001204729	1	Hose, ORFS	
34	1001204731	1	Hose, ORFS	
35	1001205078	1	Hose, ORFS	
36	0701011	1	Bolt, M10X22	
37	2130812	1	Fitting, 90 ORFS	
38	2220550	1	Fitting, Straight ORFS	
39	1001009384	1	Clip	
41	1062255	1	Strap, Tie	
42	1001205392	1	Hose, ORFS	
43	1001205393	1	Hose, ORFS	
44	1001204629	1	Bracket	
45	1001204681	1	Pipe	
46	0700817	1	Bolt, M8X45	
47	2130406	1	Fitting, 90 ORFS	
48	4811902	1	Washer, M8	

# SECTION 8 - HYDRAULIC CIRCUITS

## FIGURE 8-26. TRAILER BRAKE INSTALLATION



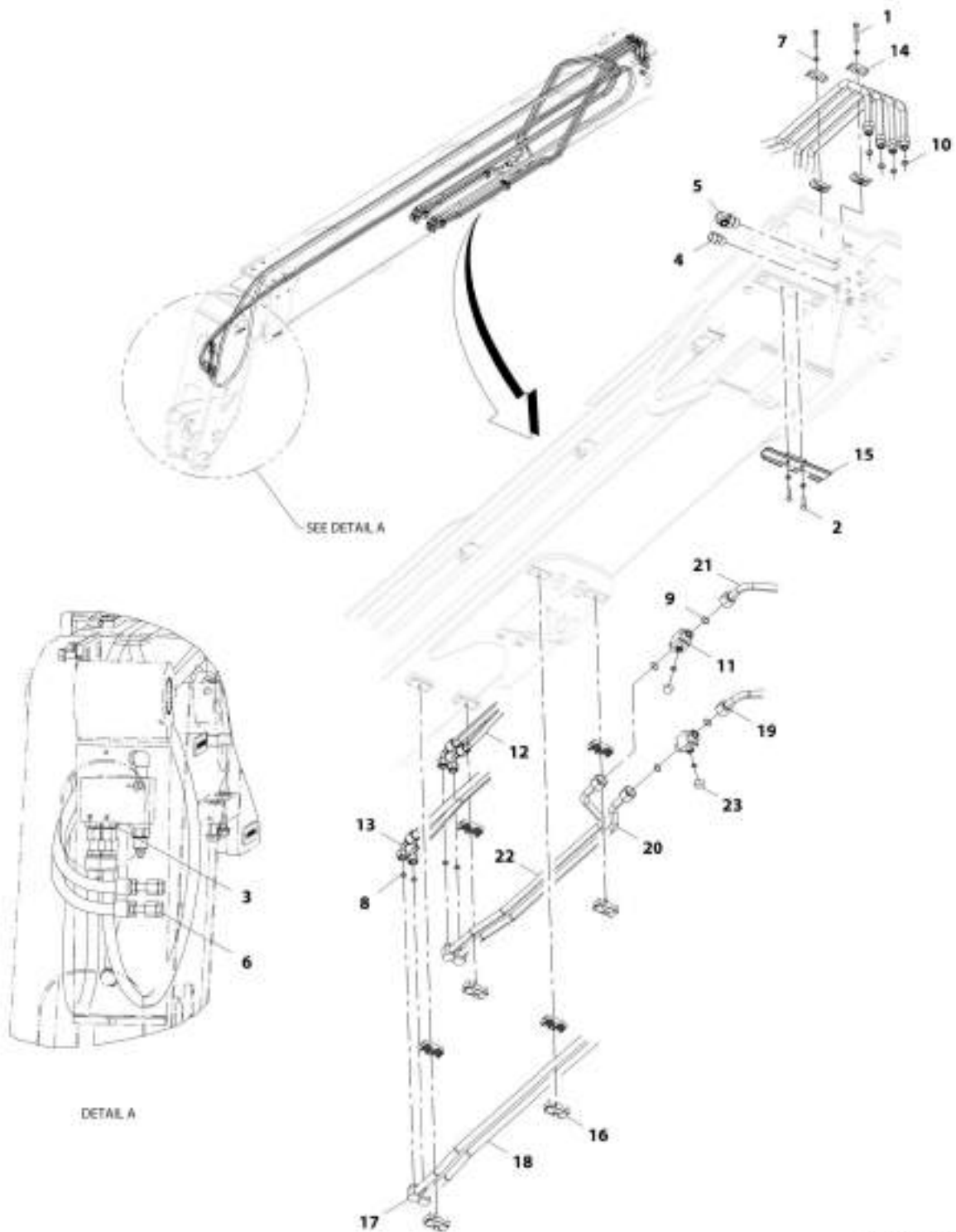
## SECTION 8 - HYDRAULIC CIRCUITS

**FIGURE 8-26. TRAILER BRAKE INSTALLATION**

ITEM	PART NUMBER	QTY	DESCRIPTION	REV
	1001190719	Ref	Trailer Brake Installation (Italian)	D
1	0700819	2	Bolt, M8X55	
2	0701012	1	Bolt, M10X25	
4	0760810	4	Bolt, M8X20	
5	0761014	3	Bolt, M10X30	
6	2170308	1	Fitting, Tee ORFS	
7	2170706	1	Fitting, Tee ORFS	
8	2172104	1	Fitting, 90 ORFS	
9	3291001	2	Nut, M10X1.5 Grade 8	
10	4811900	8	Washer, M8	
11	4812000	6	Washer, M10	
13	8770175	2	Fitting, 90 ORFS	
15	1001005893	1	Coupler	
16	1001008626	1	Clip	
19	1001211323	1	Valve, Trailer Brake (Italian) (See Separate Breakdown in Hydraulic Components Section)	
20	1001120501	1	Fitting, Straight ORFS	
21	1001120505	1	Plug	
22	1001120602	1	Adapter	
23	1001151257	1	Valve, Dynamic Select	
24	1001184517	1	Bracket	
25	1001184518	1	Bracket	
33	0701011	1	Bolt, M10X22	
34	2130812	1	Fitting, 90 ORFS	
35	1001204629	1	Bracket	
36	1062255	1	Strap, Tie	
37	1001009384	1	Clip	
38	1001205078	1	Hose, ORFS	
39	1001218654	1	Bracket	
40	1001205392	1	Hose, ORFS	
41	1001205393	1	Hose, ORFS	
42	0700817	1	Bolt, M8X45	
43	2220550	1	Fitting, Straight ORFS	
44	4811902	1	Washer, M8	
45	1001204729	1	Hose, ORFS	
46	1001204731	1	Hose, ORFS	
47	0630609	1	Bolt, M12X1.25	
48	2144601	1	Fitting, Straight ORFS	
49	2170704	1	Fitting, Tee ORFS	
50	4740566	2	Washer, M12	
51	1001149050	1	Hose	
52	1001218962	1	Fitting, Straight	
53	1001169803	1	Valve, Check	
54	1001219481	1	Sensor	
55	1001008586	3	Seal	
56	1001008805	2	Seal	

# SECTION 8 - HYDRAULIC CIRCUITS

## FIGURE 8-27. BOOM HYDRAULIC INSTALLATION



WIT\_8801238312-B

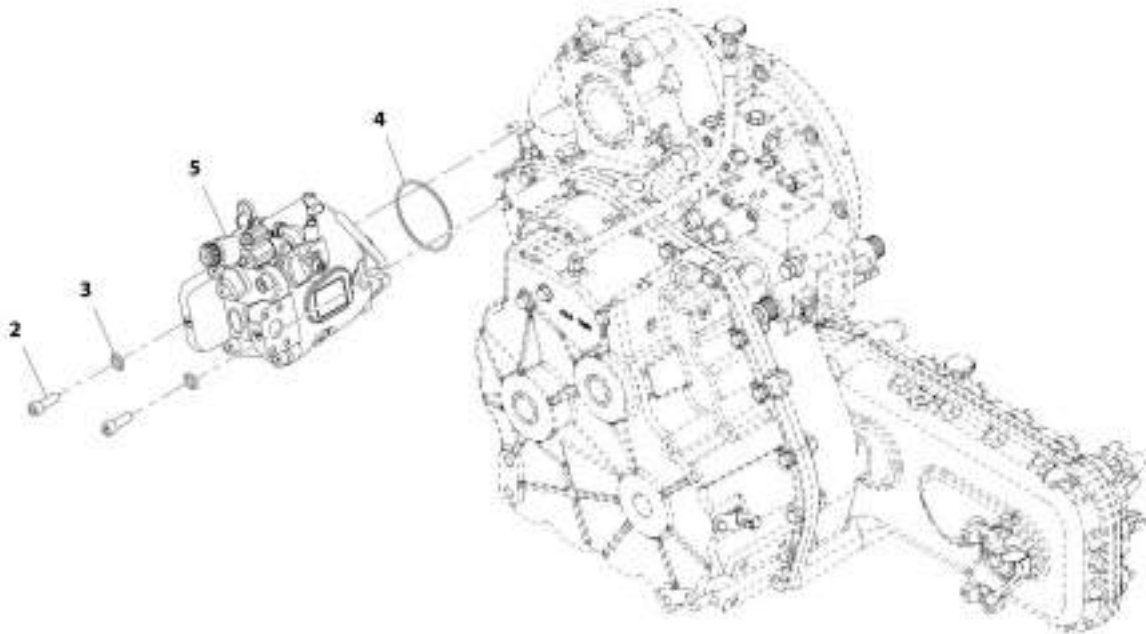
## SECTION 8 - HYDRAULIC CIRCUITS

**FIGURE 8-27. BOOM HYDRAULIC INSTALLATION**

ITEM	PART NUMBER	QTY	DESCRIPTION	REV
	1001216312	Ref	Boom Hydraulic Installation	B
1	0700819	2	Bolt, M8X55	
2	0760815	2	Bolt, M8X35	
3	2110808	2	Fitting, Straight ORFS	
4	2111010	1	Fitting, Straight ORFS	
5	2131012	1	Fitting, 90 ORFS <b>(Prior to SN 0300087631)</b>	
6	2171008	2	Plug	
7	4811900	4	Washer, M8	
8	1001008805	6	Seal	
9	1001008863	4	Seal	
10	1001008922	4	Seal	
11	1001182793	2	Fitting, Straight ORFS	
12	1001188708	1	Hose	
13	1001188808	1	Hose	
14	1001213883	2	Clamp	
15	1001213925	1	Clamp	
16	1001216237	4	Clamp	
17	1001216275	1	Tube	
18	1001216276	1	Pipe	
19	1001216277	1	Pipe	
20	1001216278	1	Pipe	
21	1001216279	1	Pipe	
22	1001216280	1	Pipe	
23	2170908	2	Cap	

## SECTION 8 - HYDRAULIC CIRCUITS

FIGURE 8-28. MAIN HYDRAULIC PUMP INSTALLATION



WTT\_1001177805-B



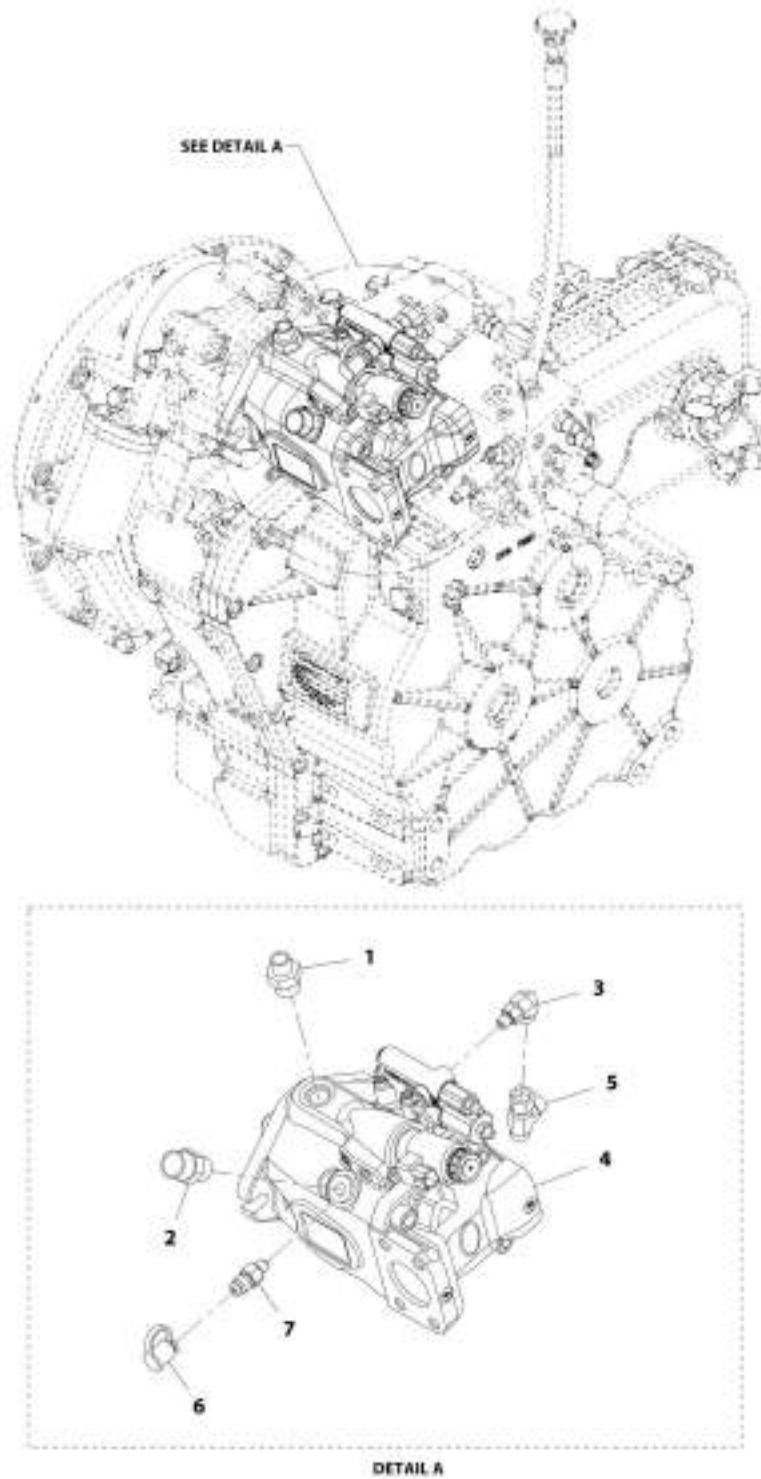
## SECTION 8 - HYDRAULIC CIRCUITS

**FIGURE 8-28. MAIN HYDRAULIC PUMP INSTALLATION**

ITEM	PART NUMBER	QTY	DESCRIPTION	REV
	1001177863	Ref	Main Hydraulic Pump Installation	B
2	4032111	2	Bolt, M12X35	
3	4740532	2	Washer, M12	
4	1001008450	1	O-Ring	
5	1001183983	Ref	Installation, Implement Pump (See Separate Breakdown in this Section)	

# SECTION 8 - HYDRAULIC CIRCUITS

## FIGURE 8-29. IMPLEMENT PUMP INSTALLATION



ART\_1001183983-0

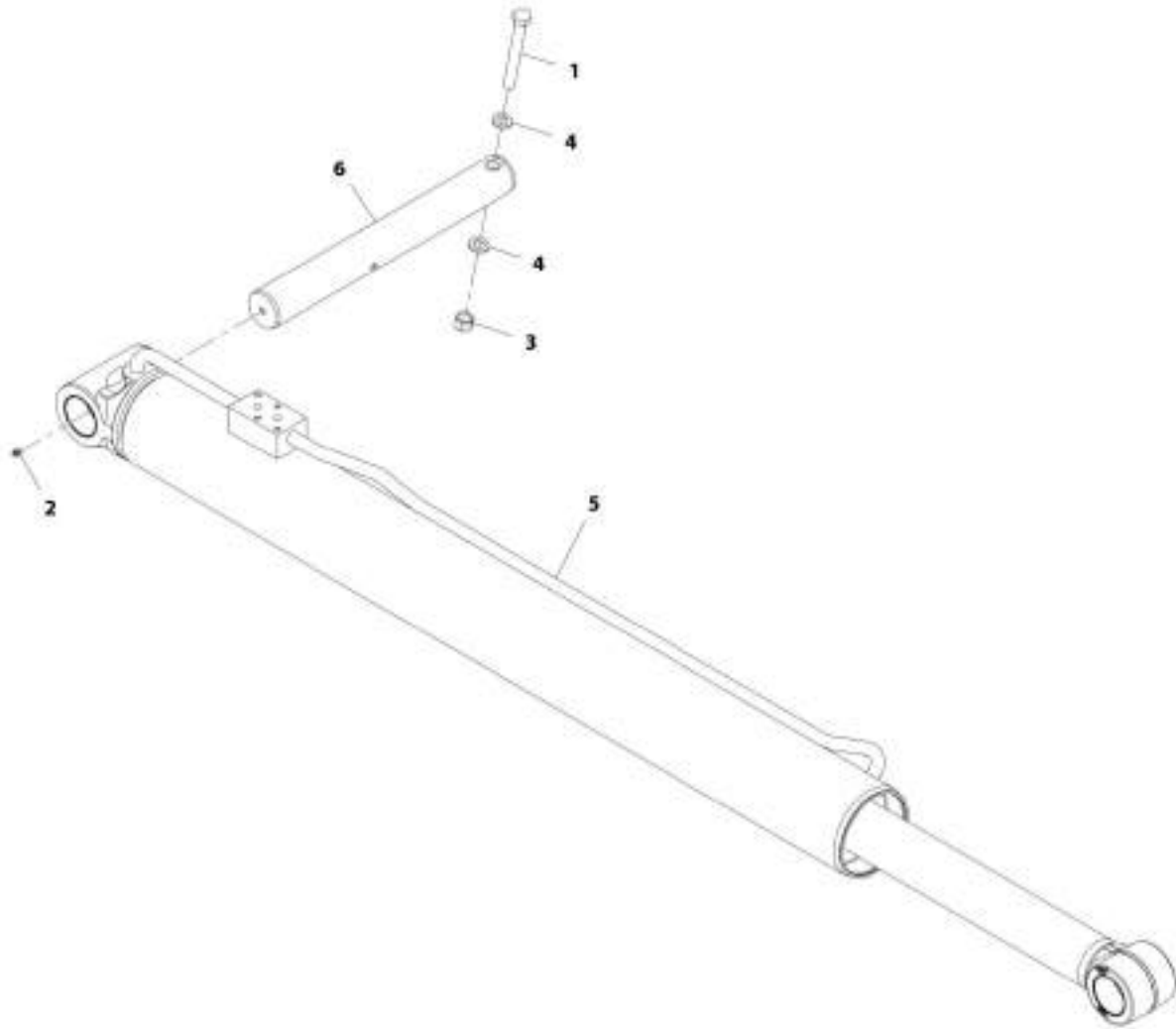
## SECTION 8 - HYDRAULIC CIRCUITS

**FIGURE 8-29. IMPLEMENT PUMP INSTALLATION**

ITEM	PART NUMBER	QTY	DESCRIPTION	REV
	1001183983	Ref	Implement Pump Installation	B
1	2110610	1	Fitting, Straight ORFS	
2	2111010	1	Fitting, Straight ORFS	
3	2130604	1	Fitting, 90 ORFS	
4	1001200815	1	Pump, Implement (See Separate Breakdown in Hydraulic Components Section)	
5	2170706	1	Fitting, Tee ORFS	
6	8430032	1	Plug	
7	8430033	1	Adapter	

# SECTION 8 - HYDRAULIC CIRCUITS

## FIGURE 8-30. LIFT CYLINDER INSTALLATION



ART\_1001573015-A

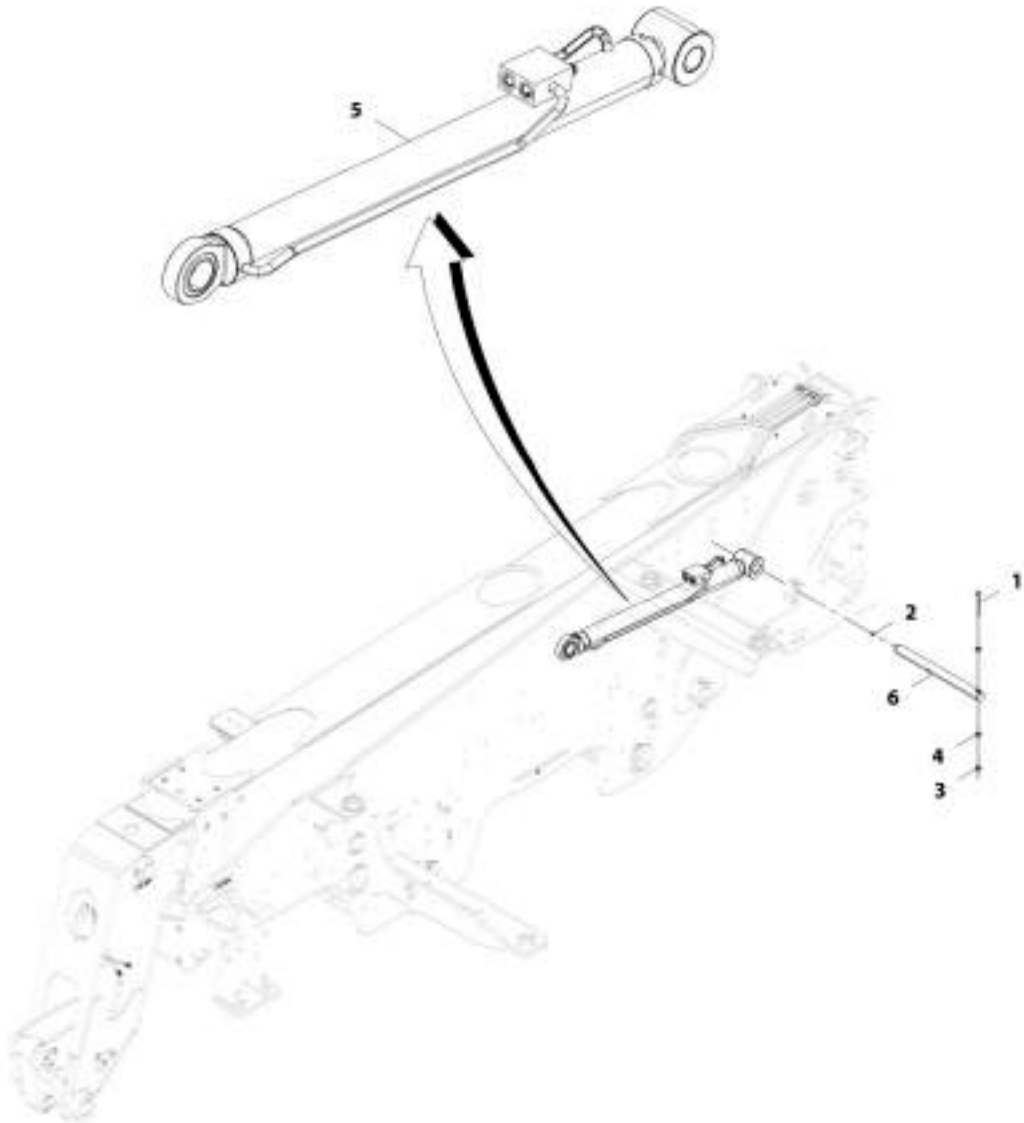
## SECTION 8 - HYDRAULIC CIRCUITS

### FIGURE 8-30. LIFT CYLINDER INSTALLATION

ITEM	PART NUMBER	QTY	DESCRIPTION	REV
	1001173015	Ref	Lift Cylinder Installation	A
1	0701630	1	Bolt, M16X130	
2	2160016	1	Fitting, Grease	
3	3291605	1	Nut, Lock M16X2 Grade 8	
4	4812300	2	Washer, M16	
5	1001175016	1	Cylinder, Lift (See Separate Breakdown in Hydraulic Components Section)	
6	1001183460	1	Pin	

**SECTION 8 - HYDRAULIC CIRCUITS**

**FIGURE 8-31. COMPENSATION CYLINDER INSTALLATION**



AWT\_3001173017-B

## SECTION 8 - HYDRAULIC CIRCUITS

### FIGURE 8-31. COMPENSATION CYLINDER INSTALLATION

ITEM	PART NUMBER	QTY	DESCRIPTION	REV
	1001173017	Ref	Compensation Cylinder Installation	B
1	0761228	1	Bolt, M12X110	
2	2160016	1	Fitting, Grease	
3	3291205	1	Nut, Lock M12X1.75 Grade 8	
4	4812100	2	Washer, M12	
5	1001180326	1	Cylinder, Compensation (See Separate Breakdown in Hydraulic Components Section)	
6	1001183461	1	Pin	

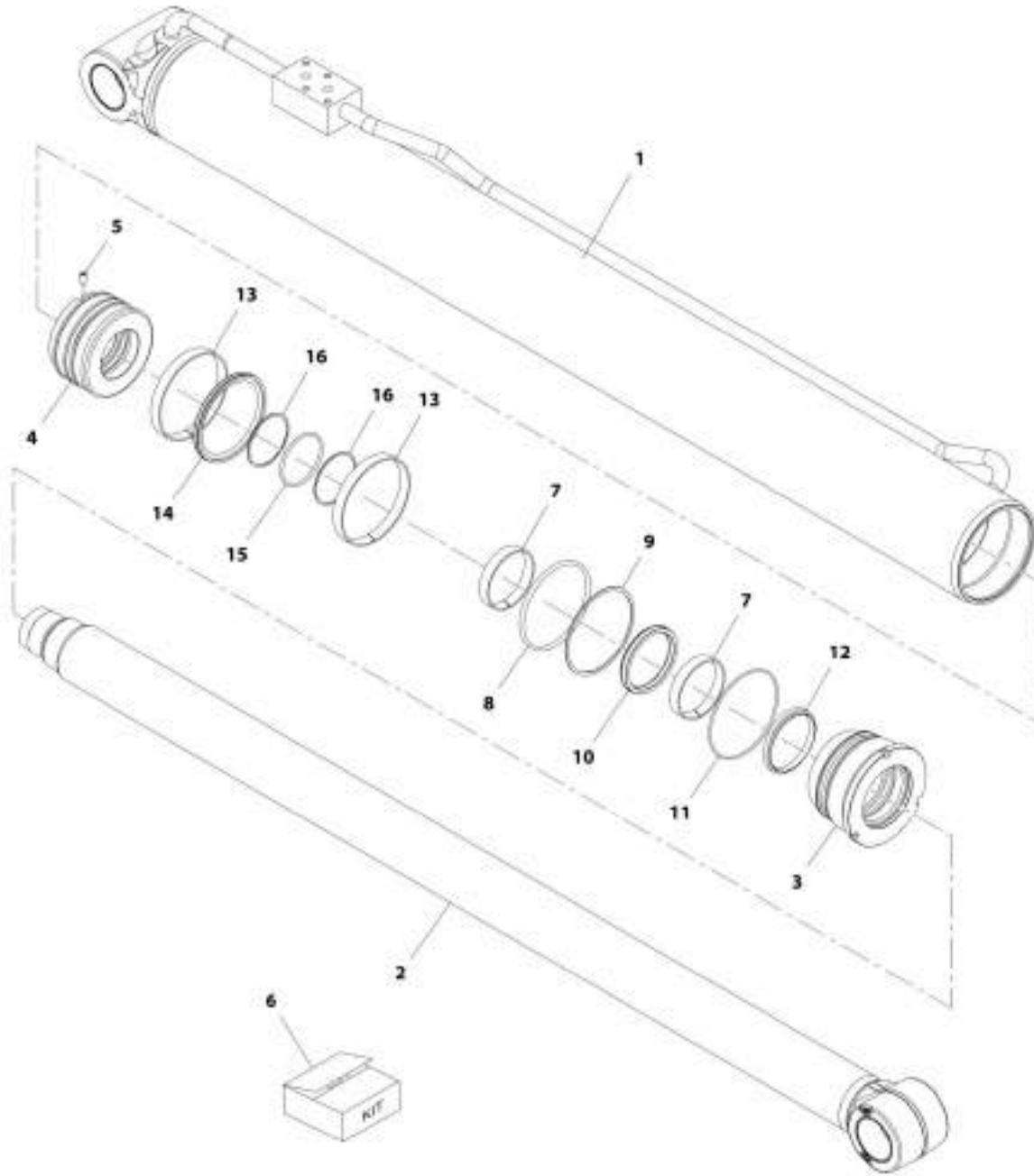




**SECTION 9 - HYDRAULIC COMPONENTS**

# SECTION 9 - HYDRAULIC COMPONENTS

## FIGURE 9-1. LIFT CYLINDER



ART\_100175014-E

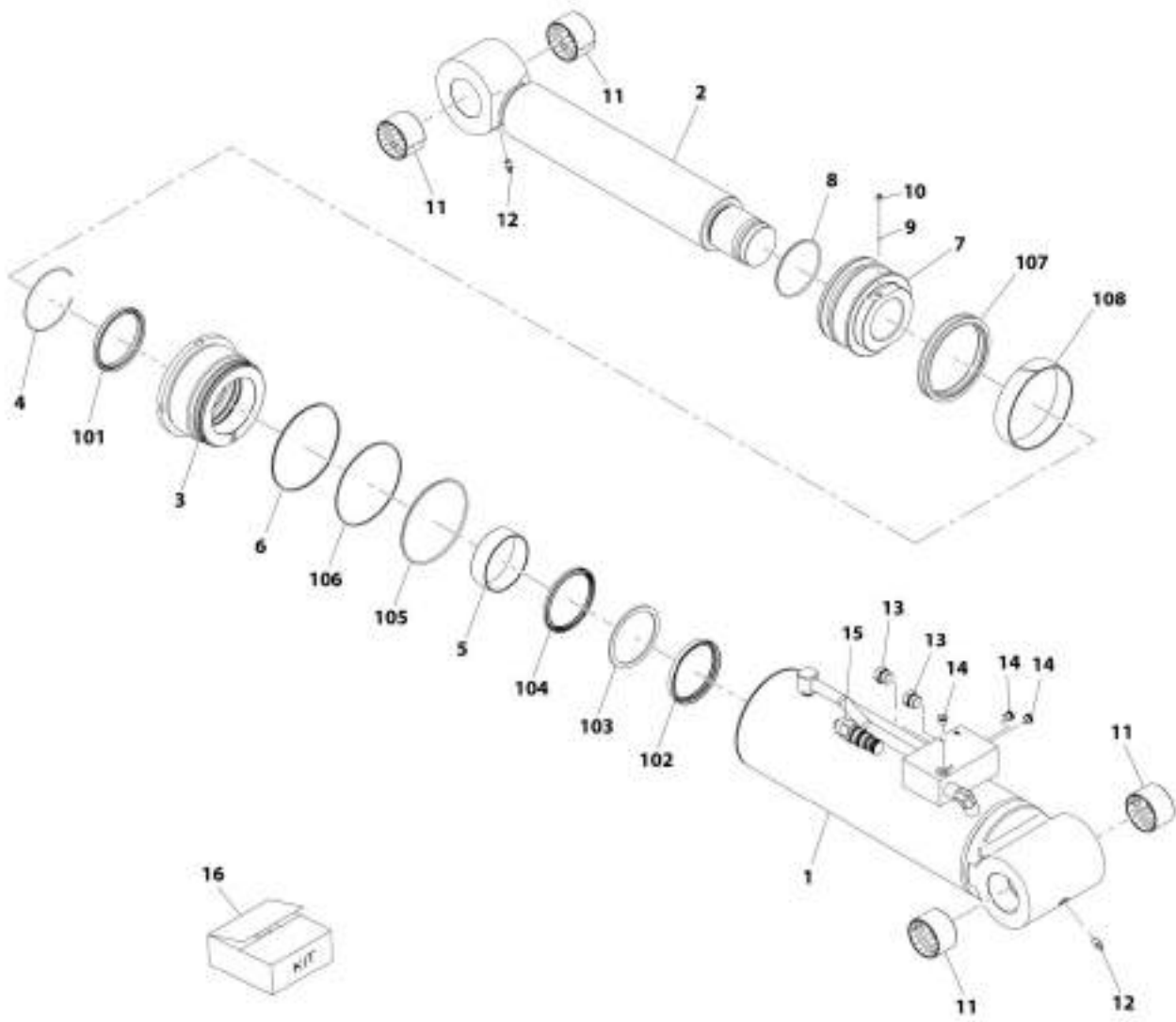
## SECTION 9 - HYDRAULIC COMPONENTS

### FIGURE 9-1. LIFT CYLINDER

ITEM	PART NUMBER	QTY	DESCRIPTION	REV
	1001175016	Ref	Lift Cylinder	E
1	70026845	1	Barrel	
2	70026846	1	Rod	
3	70026847	1	Guide, Rod	
4	70026843	1	Piston	
5	70020438	1	Screw	
6	70026848	1	Kit, Seal	
7	Kit	2	Bearing	
8	Kit	1	O-Ring	
9	Kit	1	Ring, Backup	
10	Kit	1	Seal, Rod	
11	Kit	1	O-Ring	
12	Kit	1	Wiper	
13	Kit	2	Bearing	
14	Kit	1	Seal, Piston	
15	Kit	1	O-Ring	
16	Kit	2	Ring, Backup	

# SECTION 9 - HYDRAULIC COMPONENTS

## FIGURE 9-2. TILT CYLINDER



ART\_180188017-0

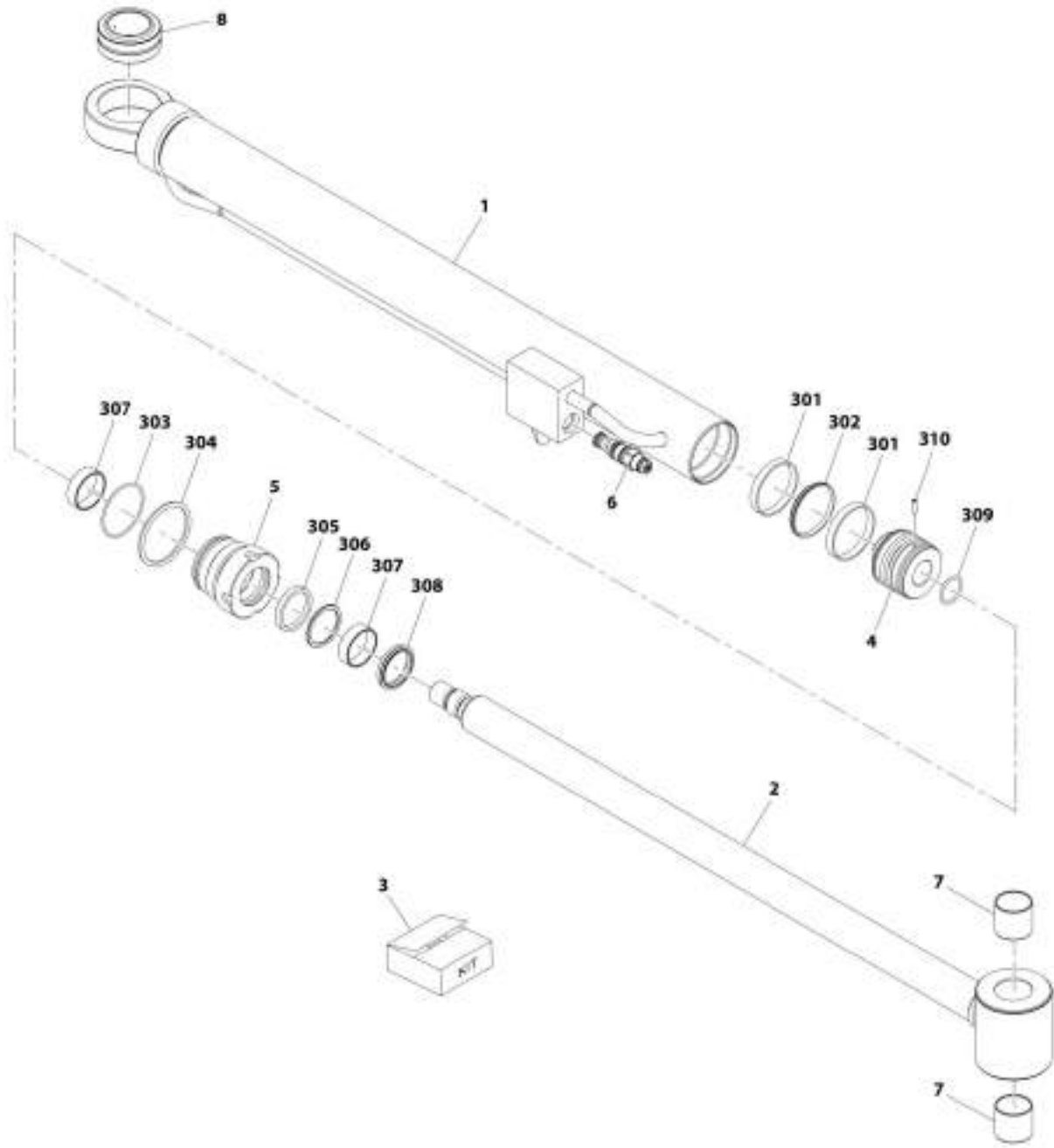
## SECTION 9 - HYDRAULIC COMPONENTS

### FIGURE 9-2. TILT CYLINDER

ITEM	PART NUMBER	QTY	DESCRIPTION	REV
	1001180117	Ref	Tilt Cylinder	D
1	70027743	1	Barrel	
2	70027744	1	Rod	
3	70027745	1	Gland	
4	70023380	1	Ring, Retaining	
5	70027225	1	Bearing, Dry	
6	70005841	1	O-Ring	
7	70027746	1	Piston	
8	70050801	1	O-Ring	
9	70022564	1	Ball, Steel	
10	70022563	1	Screw, Set	
11	70026543	4	Bearing, Dry	
12	70026308	2	Fitting, Grease	
13	70023372	2	Plug, Hex	
14	2220883	3	Plug, Hex	
15	1001189888	1	Valve, Counterbalance	
16	70027747	1	Kit, Seal	
101	Kit	1	Wiper, Dust	
102	Kit	1	Seal, Rod	
103	Kit	1	Ring, Backup	
104	Kit	1	Ring, Buffer	
105	Kit	1	O-Ring	
106	Kit	1	Ring, Backup	
107	Kit	1	Seal, Piston	
108	Kit	1	Ring, Wear	

# SECTION 9 - HYDRAULIC COMPONENTS

## FIGURE 9-3. COMPENSATION CYLINDER



ART\_1001180326-E

## SECTION 9 - HYDRAULIC COMPONENTS

### FIGURE 9-3. COMPENSATION CYLINDER

ITEM	PART NUMBER	QTY	DESCRIPTION	REV
	1001180326	Ref	Compensation Cylinder	E
1	70027734	1	Barrel	
2	70027730	1	Rod	
3	70027731	1	Kit, Seal (includes items 301 and 310)	
4	70027732	1	Piston	
5	70027733	1	Retainer	
6	1001164336	1	Valve, Counterbalance	
7	70027234	2	Bearing	
8	70027235	1	Bearing, Spherical	
301	Kit	2	Kit	
302	Kit	1	Kit	
303	Kit	1	Kit	
304	Kit	1	Kit	
305	Kit	1	Kit	
306	Kit	1	Kit	
307	Kit	2	Kit	
308	Kit	1	Kit	
309	Kit	1	Kit	
310	Kit	1	Kit	

**SECTION 9 - HYDRAULIC COMPONENTS**

**FIGURE 9-4. EXTEND/RETRACT CYLINDER ASSEMBLY**



ART\_100122312-E



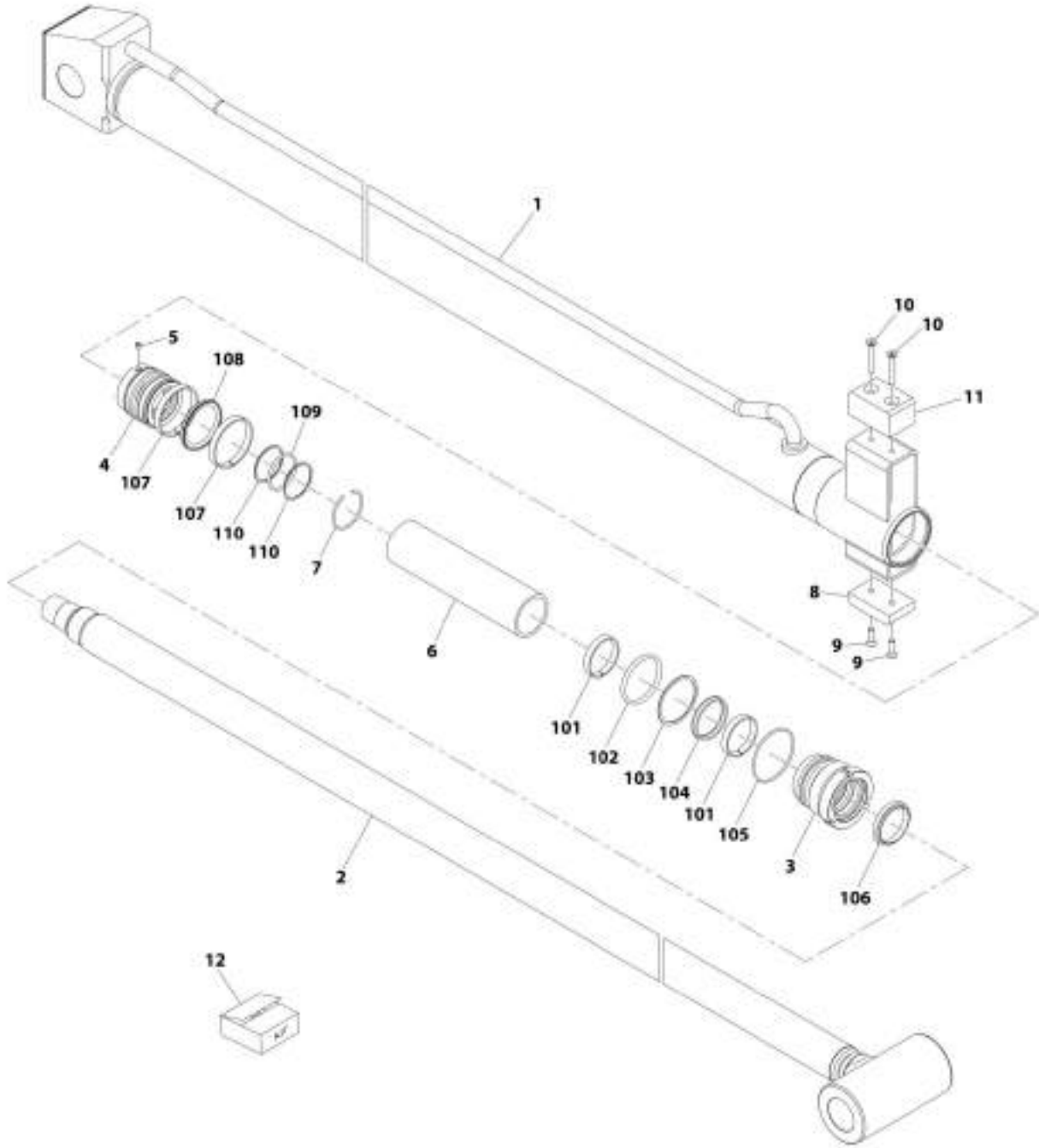
## SECTION 9 - HYDRAULIC COMPONENTS

**FIGURE 9-4. EXTEND/RETRACT CYLINDER ASSEMBLY**

ITEM	PART NUMBER	QTY	DESCRIPTION	REV
	1001203312	Ref	Extend/Retract Cylinder Assembly	E
2	1001204078	1	Cylinder, Telescope (See Separate Breakdown in this Section)	
3	1001201245	1	Valve, Counterbalance	
101	70023916	4	Screw, M8X45	

# SECTION 9 - HYDRAULIC COMPONENTS

FIGURE 9-5. EXTEND/RETRACT CYLINDER



ART\_1001394079-D

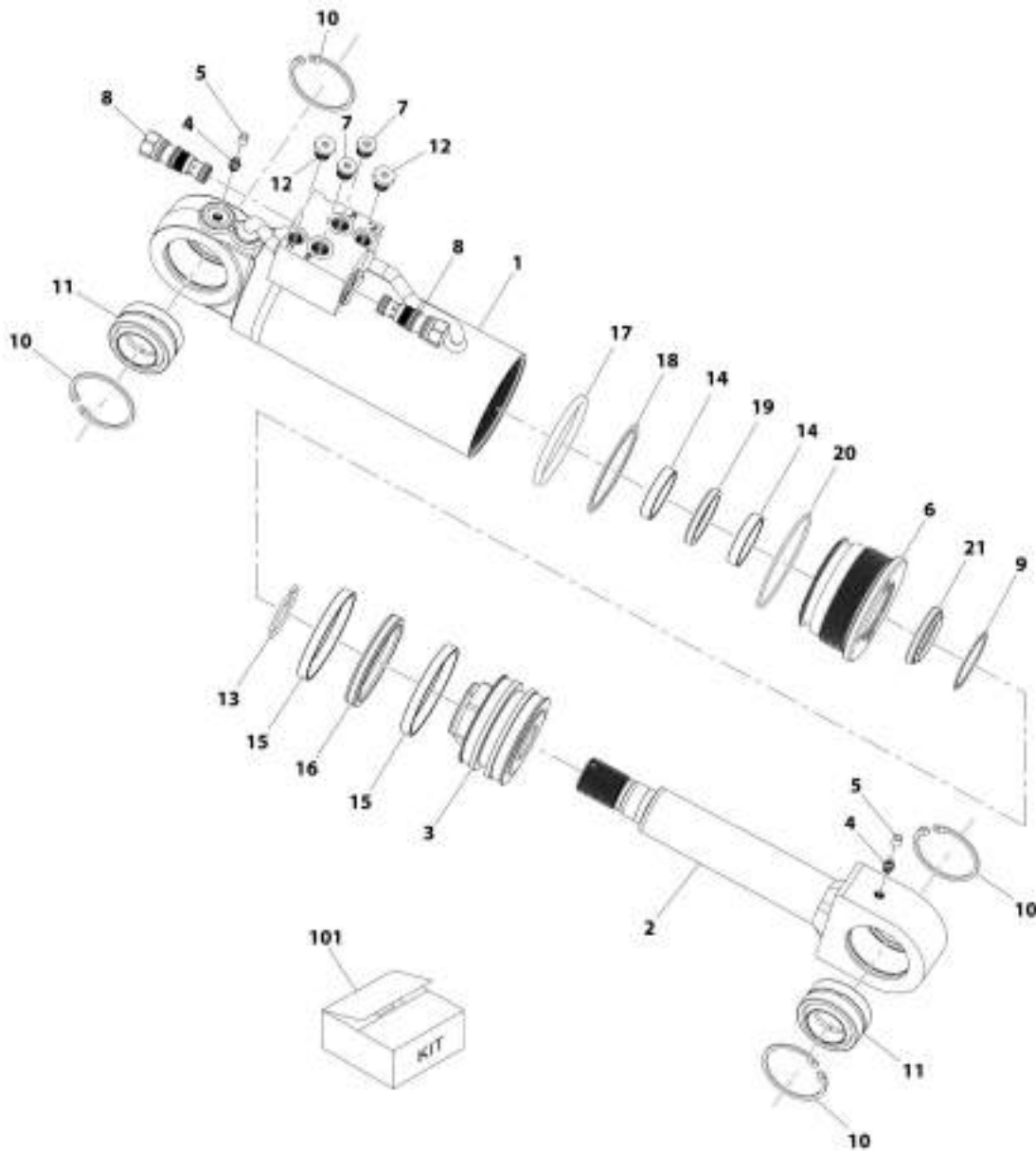
## SECTION 9 - HYDRAULIC COMPONENTS

### FIGURE 9-5. EXTEND/RETRACT CYLINDER

ITEM	PART NUMBER	QTY	DESCRIPTION	REV
	1001204078	Ref	CYLINDER, TELE	D
1	70027823	1	Rod	
2	70027824	1	Guide, Rod	
3	70026418	1	Piston	
4	70023915	1	Screw, Set M6X8	
5	70027809	1	Spacer	
6	70027810	1	Ring, Snap	
7	70027811	1	Pad, Wear	
8	70024223	2	Screw	
9	70027812	2	Screw	
10	70027813	1	Pad, Wear	
11	70027825	1	Kit, Seal (includes items 101 thru 110)	
101	N.S.S.	2	Ring, Wear	
102	N.S.S.	1	O-Ring	
103	N.S.S.	1	Ring, Backup	
104	N.S.S.	1	Seal, Rod	
105	N.S.S.	1	O-Ring	
106	N.S.S.	1	Wiper	
107	N.S.S.	2	Ring, Wear	
108	N.S.S.	1	Seal, Piston	
109	N.S.S.	1	O-Ring	
110	N.S.S.	2	Ring, Backup	

# SECTION 9 - HYDRAULIC COMPONENTS

## FIGURE 9-6. SIDE TILT CYLINDER



ART\_100163434-A

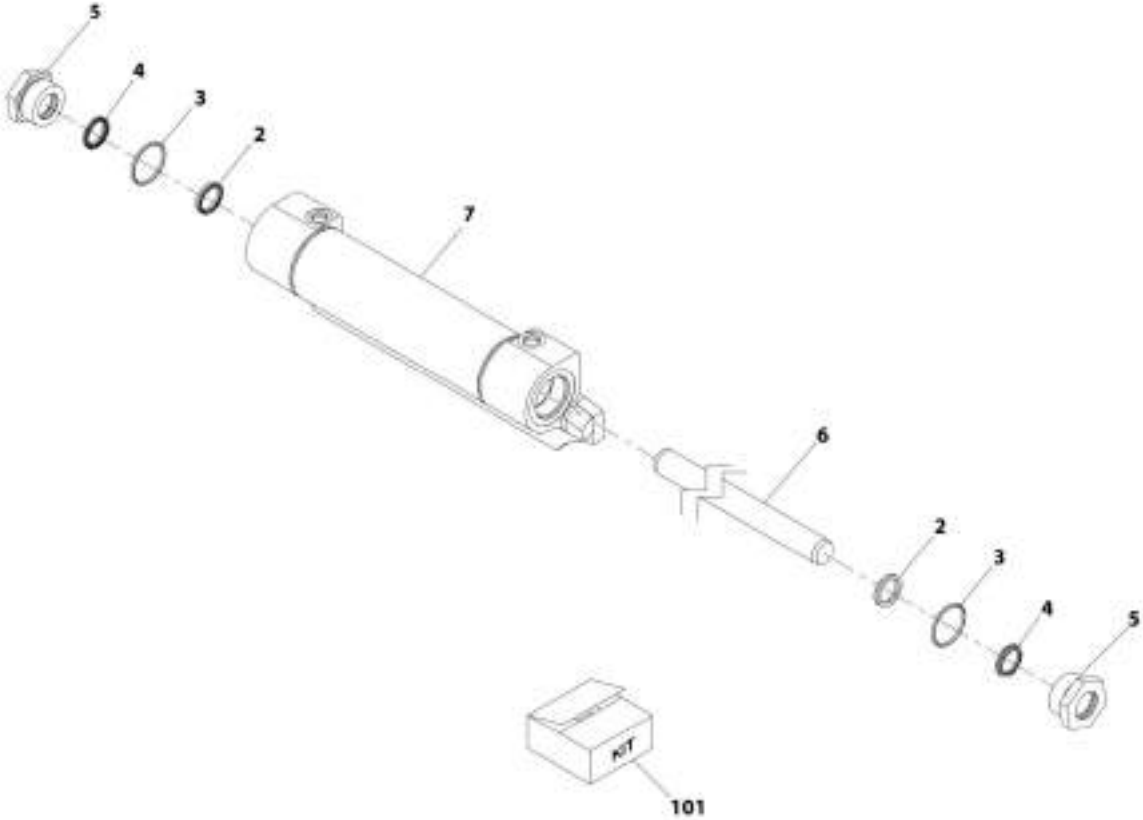
## SECTION 9 - HYDRAULIC COMPONENTS

### FIGURE 9-6. SIDE TILT CYLINDER

ITEM	PART NUMBER	QTY	DESCRIPTION	REV
	1001163414	Ref	Side Tilt Cylinder	A
1	70026056	1	Barrel	
2	70026057	1	Rod	
3	70026058	1	Head, Piston	
4	70025606	2	Nipple, Grease	
5	70024020	2	Fitting, Grease	
6	70003849	1	Gland	
7	70025959	2	Plug	
8	70026059	2	Valve, P.O. Check	
9	70002219	1	Ring, Internal Snap	
10	70026060	4	Ring, Internal Snap	
11	70026061	2	Bearing, Spherical	
12	70024262	2	Plug	
13	70002224	1	Ring, Locking	
14	Kit	2	Ring, Rod Bearing	
15	Kit	2	Ring, Piston Bearing	
16	Kit	1	Seal, Piston	
17	Kit	1	O-Ring	
18	Kit	1	Ring, Back-Up	
19	Kit	1	Seal, Rod	
20	Kit	1	O-Ring	
21	Kit	1	Seal, Wiper	
101	Kit	1	Kit, Seal (includes items 14 thru 21)	

**SECTION 9 - HYDRAULIC COMPONENTS**

**FIGURE 9-7. SIDE SHIFT CARRIAGE CYLINDER**



ART\_70004539-B

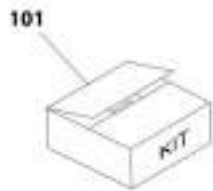
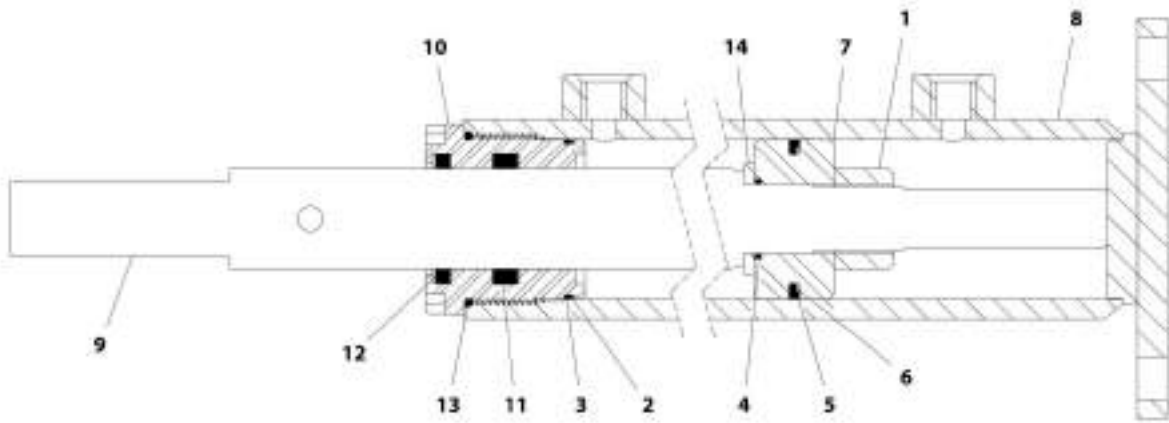
## SECTION 9 - HYDRAULIC COMPONENTS

### FIGURE 9-7. SIDE SHIFT CARRIAGE CYLINDER

ITEM	PART NUMBER	QTY	DESCRIPTION	REV
	70024539	Ref	Side Shift Carriage Cylinder	B
2	Kit	2	Seal, Rod	
3	70024547	2	O-Ring	
4	Kit	2	Seal, Rod Wiper	
5	70024548	2	Seal, Retainer	
6	N.S.S.	1	Rod	
7	N.S.S.	1	Barrel	
101	70024549	1	Kit, Seal (includes items 2 and 4)	

# SECTION 9 - HYDRAULIC COMPONENTS

## FIGURE 9-8. FORK POSITIONING CYLINDER



ART\_2717283-4A



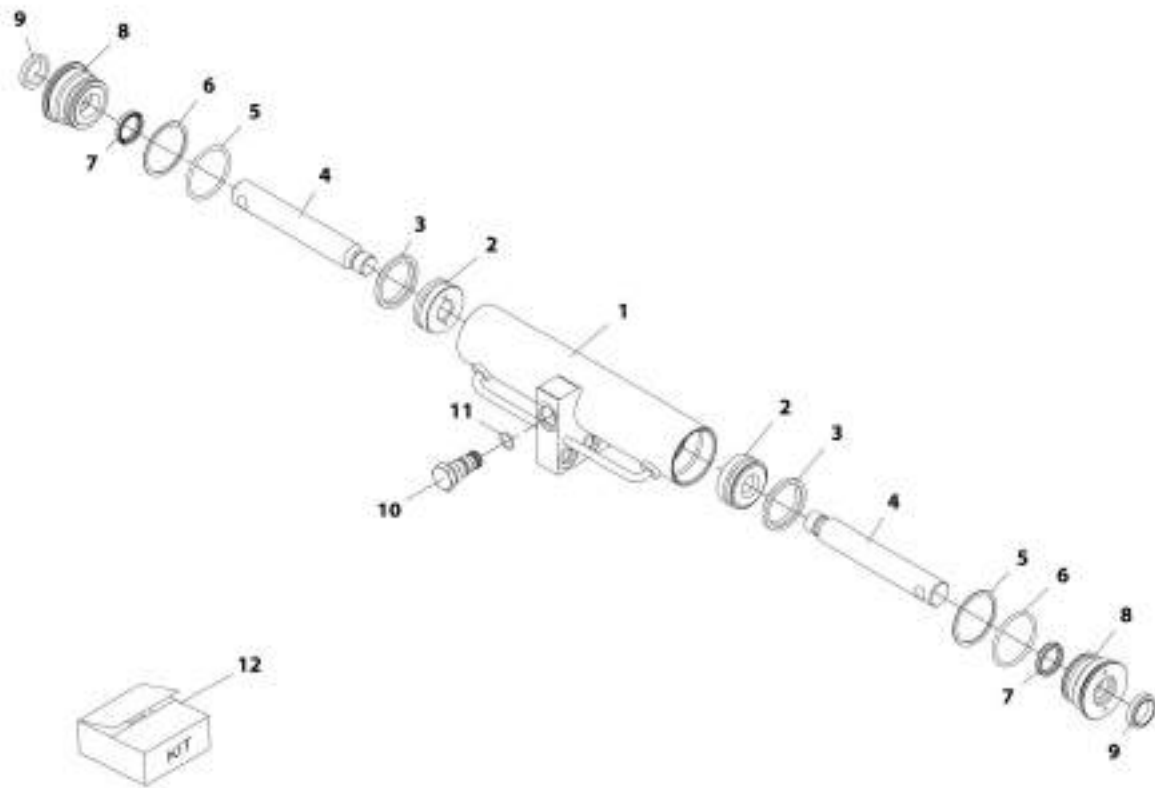
## SECTION 9 - HYDRAULIC COMPONENTS

### FIGURE 9-8. FORK POSITIONING CYLINDER

ITEM	PART NUMBER	QTY	DESCRIPTION	REV
	2717283	Ref	Fork Positioning Cylinder	AA
1	70026770	1	Nut, Lock	
2	Kit	1	O-Ring	
3	Kit	1	Ring, Back-Up	
4	Kit	1	O-Ring	
5	Kit	1	Ring, Piston	
6	Kit	1	O-Ring	
7	70026771	1	Piston	
8	70026772	1	Barrel, Cylinder	
9	70026773	1	Rod, Cylinder	
10	70026774	1	Gland	
11	Kit	1	Poly-Pak	
12	Kit	1	Wiper, Rod	
13	Kit	1	O-Ring	
14	70026775	1	Washer, Special	
101	8036733	1	Kit, Seal (includes items 2 thru 6 & 11 thru 13)	

# SECTION 9 - HYDRAULIC COMPONENTS

## FIGURE 9-9. COUPLER LOCKING CYLINDER



ART\_1001345390-A

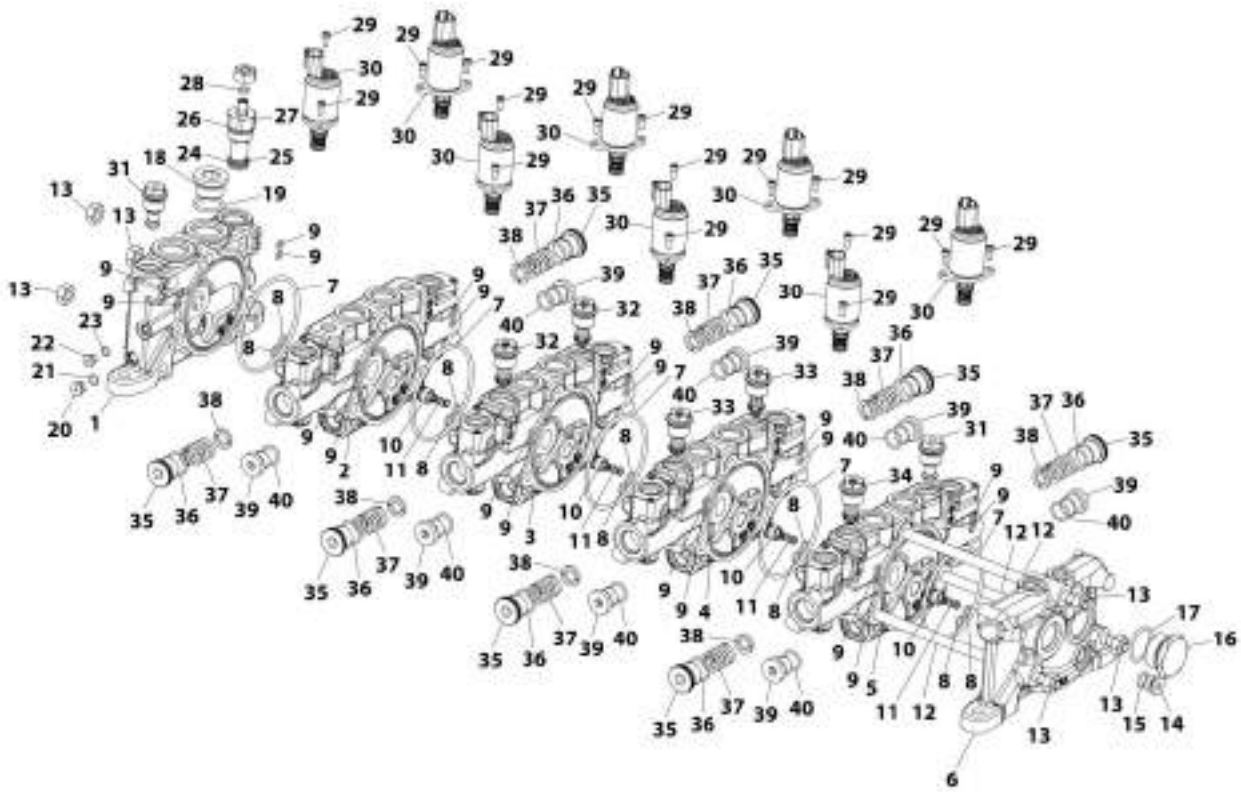
## SECTION 9 - HYDRAULIC COMPONENTS

### FIGURE 9-9. COUPLER LOCKING CYLINDER

ITEM	PART NUMBER	QTY	DESCRIPTION	REV
	1001145390	Ref	Coupler Locking Cylinder	A
1	70024164	2	Body	
2	70024165	2	Piston	
3	Kit	2	Seal, Piston	
4	70024166	2	Rod	
5	Kit	2	O-Ring	
6	Kit	2	Ring, Backup	
7	Kit	2	Seal, Rod	
8	70024167	2	Gland	
9	Kit	2	Seal, Wiper	
10	1001007056	1	Valve, Check	
11	91574001	1	Seal, Check Valve	
12	70024168	1	Kit, Seal (includes items 3, 5, 6, 7, and 9)	

# SECTION 9 - HYDRAULIC COMPONENTS

## FIGURE 9-10. MAIN CONTROL VALVE



ART\_1001180252-I

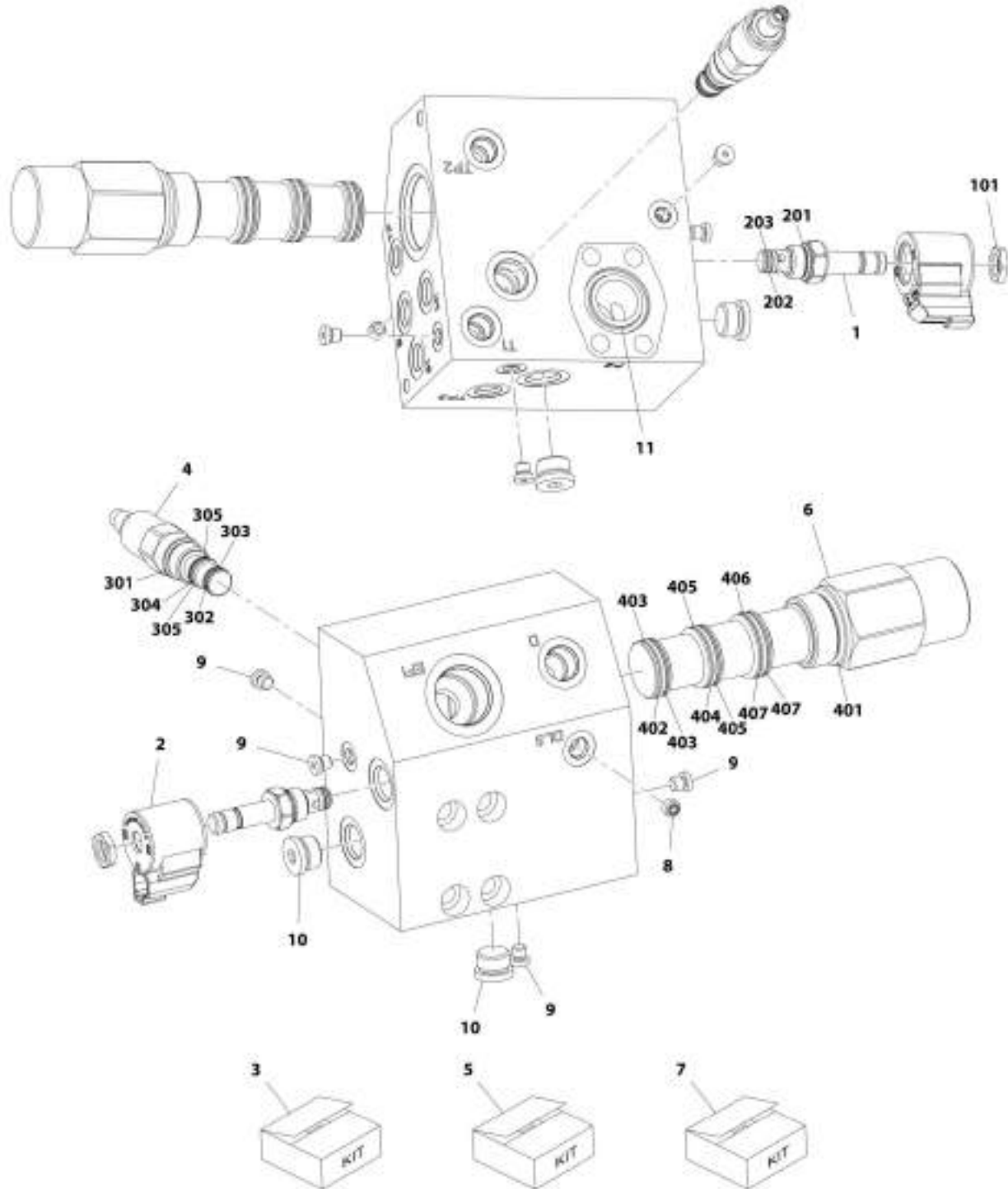
## SECTION 9 - HYDRAULIC COMPONENTS

### FIGURE 9-10. MAIN CONTROL VALVE

ITEM	PART NUMBER	QTY	DESCRIPTION	REV
	1001180252	Ref	Main Control Valve (AG)	1
1	70027136	1	Section, Inlet	
2	70027140	1	Section, Lift	
3	70027137	1	Section, Tilt	
4	70027138	1	Section, Aux	
5	70027139	1	Section, Tele	
6	70027141	1	Section, Outlet	
7	8034697	5	O-Ring	
8	10837926	10	O-Ring	
9	70027128	20	O-Ring	
10	10837929	4	Poppet	
11	10837937	4	Spring	
12	70026375	3	Tie Rod	
13	70050481	6	Nut	
14	70050475	1	Plug	
15	8036533	1	O-Ring	
16	8035835	1	Plug	
17	7013903	1	O-Ring	
18	90201309	1	Plug	
19	70026374	1	O-Ring	
20	70027096	1	Plug	
21	70026371	1	O-Ring	
22	91044238	1	Plug	
23	70026372	1	O-Ring	
24	70026370	1	O-Ring	
25	70026376	1	Ring	
26	10837928	1	O-Ring	
27	70027132	1	Drain, Regulator	
28	70026373	1	O-Ring	
29	70027135	16	Cap	
30	70051155	8	Valve	
31	70026382	2	Plug	
32	70022010	2	Valve	
33	70027133	2	Valve	
34	70027134	1	Valve	
35	70050503	8	Plug	
36	70026777	8	O-Ring	
37	70026377	8	Spring	
38	70027129	8	Spring	
39	70027131	8	Plug	
40	70027130	8	O-Ring	

# SECTION 9 - HYDRAULIC COMPONENTS

## FIGURE 9-11. PRIORITY FLOW MANIFOLD



ART\_1001179462-D

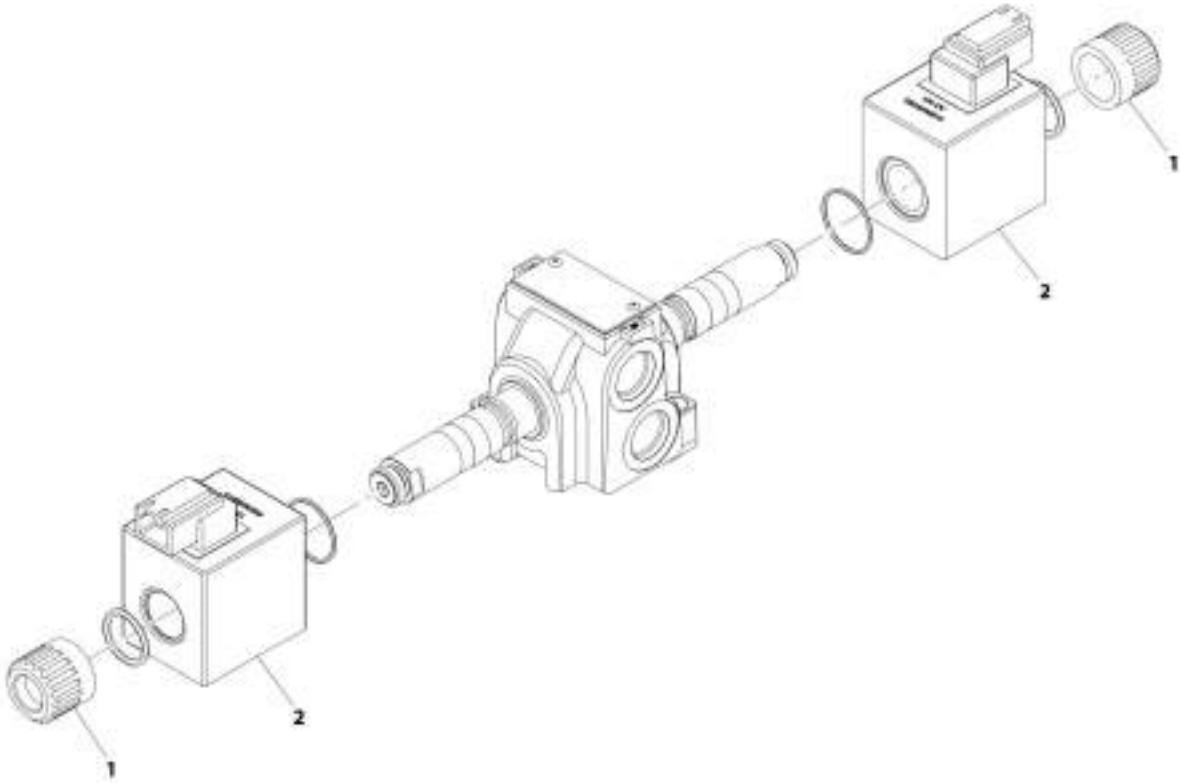
## SECTION 9 - HYDRAULIC COMPONENTS

**FIGURE 9-11. PRIORITY FLOW MANIFOLD**

ITEM	PART NUMBER	QTY	DESCRIPTION	REV
	1001179462	Ref	Priority Flow Manifold	D
1	70027001	1	Valve, Solenoid	
2	70002386	1	Coil	
3	7012998	1	Kit, Seal (includes items 201 thru 203)	
4	70027002	1	Reducer, Pressure	
5	7021653	1	Kit, Seal (includes items 301 thru 305)	
6	70027003	1	Compensator, Pressure	
7	70026333	1	Kit, Seal (includes items 401 thru 407)	
8	70026313	1	Plug	
9	2220881	4	Plug	
10	2220886	2	Plug	
11	70027000	1	O-Ring	
101	Kit	1	Nut	
201	Kit	1	O-Ring	
202	Kit	1	O-Ring	
203	Kit	1	Ring, Backup	
301	Kit	1	O-Ring	
302	Kit	1	O-Ring	
303	Kit	1	Ring, Backup	
304	Kit	1	O-Ring	
305	Kit	2	Ring, Backup	
401	Kit	1	O-Ring	
402	Kit	1	O-Ring	
403	Kit	2	Ring, Backup	
404	Kit	1	O-Ring	
405	Kit	2	Ring, Backup	
406	Kit	1	O-Ring	
407	Kit	2	Ring, Backup	

**SECTION 9 - HYDRAULIC COMPONENTS**

**FIGURE 9-12. STEERING SELECT VALVE**



AMF\_1001155748-C



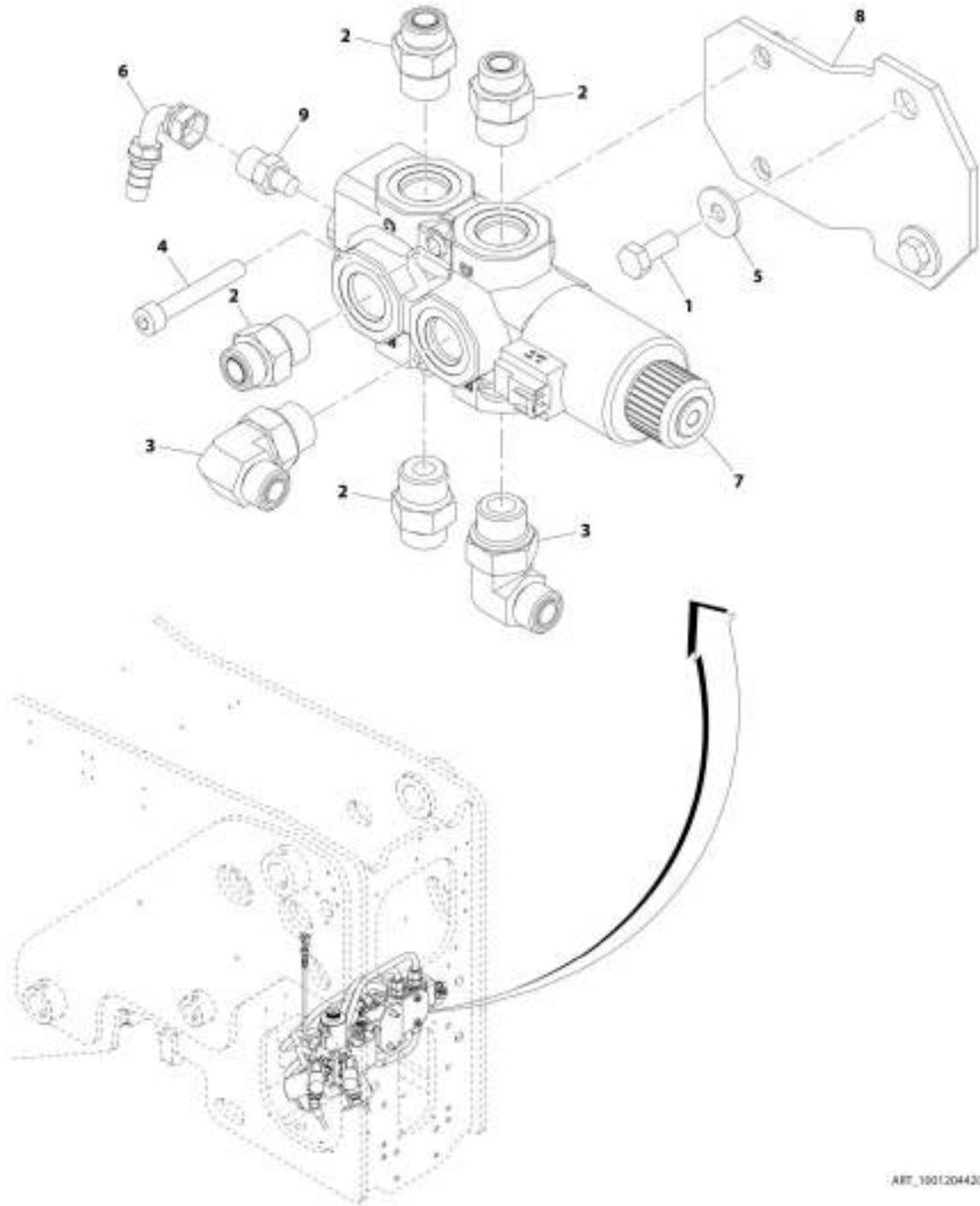
## SECTION 9 - HYDRAULIC COMPONENTS

### FIGURE 9-12. STEERING SELECT VALVE

ITEM	PART NUMBER	QTY	DESCRIPTION	REV
	1001153748	Ref	Steering Select Valve	C
1	70020867	2	Nut, Coil	
2	70026582	2	Coil	

# SECTION 9 - HYDRAULIC COMPONENTS

FIGURE 9-13. DIVERTOR VALVE ASSEMBLY (HI FLOW)



ART\_1001204433-0

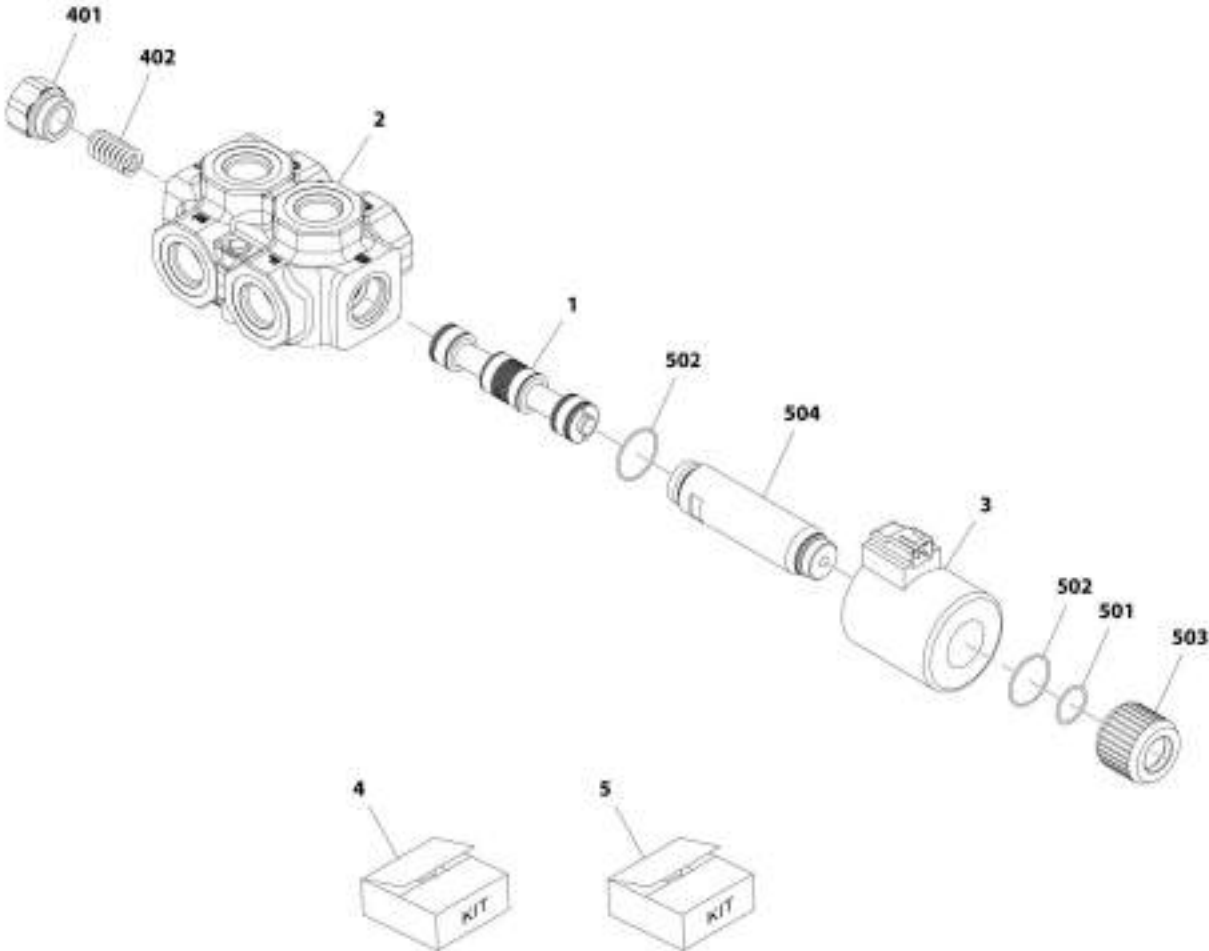
## SECTION 9 - HYDRAULIC COMPONENTS

**FIGURE 9-13. DIVERTOR VALVE ASSEMBLY (HI FLOW)**

ITEM	PART NUMBER	QTY	DESCRIPTION	REV
	1001204420	Ref	Divertor Valve Assembly (Hi Flow)	B
1	0761012	2	Bolt, M10X25	
2	2111012	4	Fitting, Straight ORFS	
3	2131012	2	Fitting, 90 ORFS <b>(Prior to SN 0300087631)</b>	
4	4032017	2	Bolt	
5	4812002	2	Washer, M10	
6	1001095301	1	Fitting, 90 ORFS	
7	1001173771	1	Valve, Divertor (Hi Flow) (See Separate Breakdown in this Section)	
8	1001213748	1	Bracket	
9	2110604	1	Fitting, Straight ORFS	

**SECTION 9 - HYDRAULIC COMPONENTS**

**FIGURE 9-14. DIVERTOR VALVE**



ART\_1001173771-D

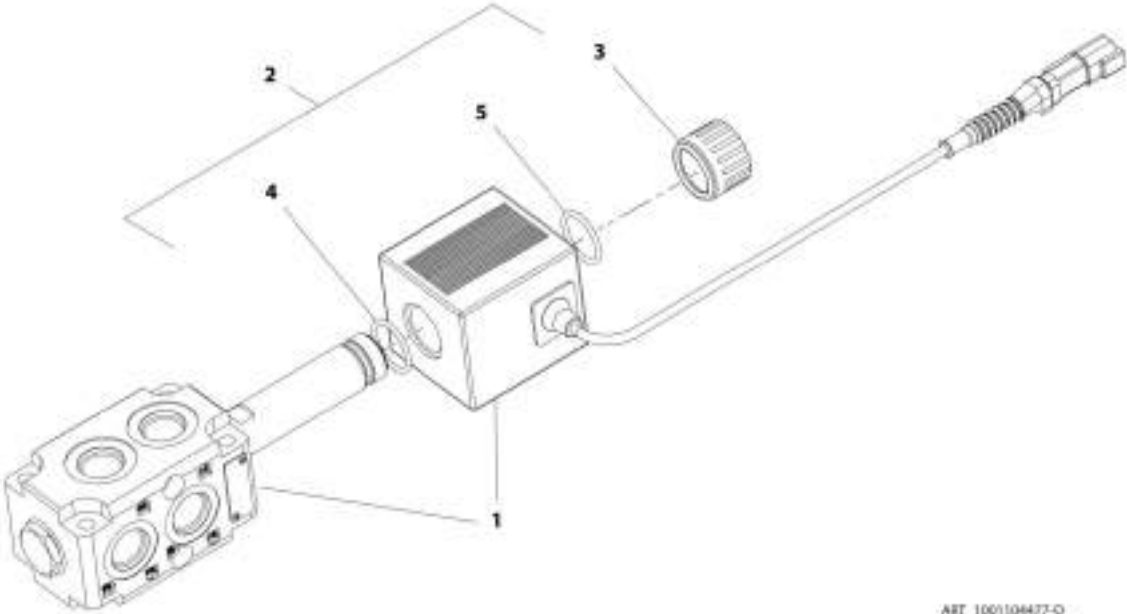
## SECTION 9 - HYDRAULIC COMPONENTS

### FIGURE 9-14. DIVERTOR VALVE

ITEM	PART NUMBER	QTY	DESCRIPTION	REV
	1001173771	Ref	Divertor Valve	D
1	70027267	1	Spool, Divertor	
2	70027268	1	Body, Divertor	
3	70027269	1	Coil	
4	70027270	1	Kit, Drain Plug	
401	Kit	1	Plug	
402	Kit	1	Spring	
5	70027271	1	Kit, Tube	
501	Kit	1	O-Ring	
502	Kit	2	O-Ring	
503	Kit	1	Plug	
504	Kit	1	Tube	

**SECTION 9 - HYDRAULIC COMPONENTS**

**FIGURE 9-15. DIVERTOR VALVE**



ART\_1001104477-0

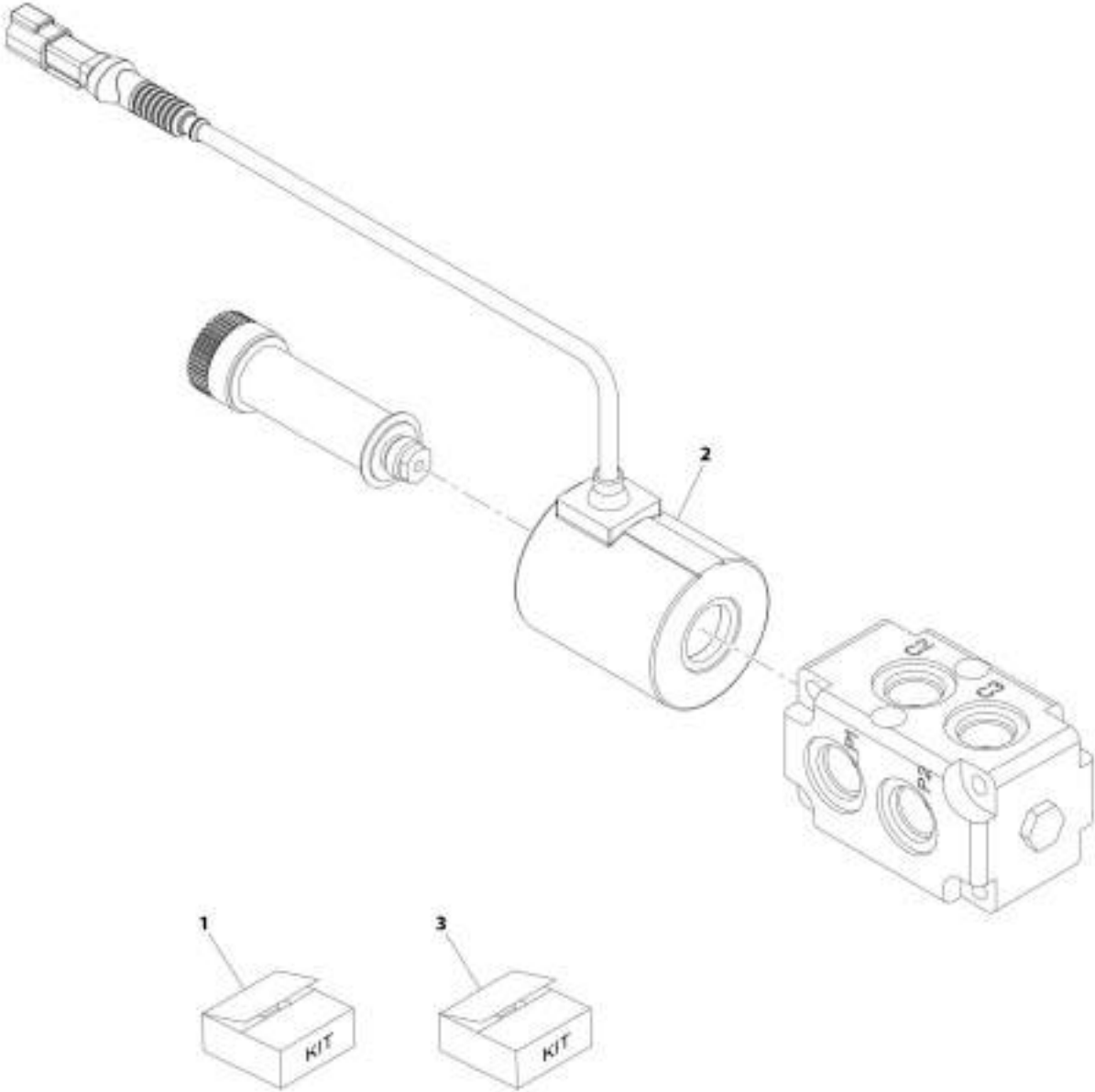
## SECTION 9 - HYDRAULIC COMPONENTS

### FIGURE 9-15. DIVERTOR VALVE

ITEM	PART NUMBER	QTY	DESCRIPTION	REV
	1001104477	Ref	Divertor Valve	D
1	70020764	1	Coil	
2	70021531	1	Kit, Retainer	
3	Kit	1	Nut	
4	Kit	1	O-Ring	
5	Kit	1	O-Ring	

**SECTION 9 - HYDRAULIC COMPONENTS**

**FIGURE 9-16. DIVERTOR VALVE**



ART\_100113023-B



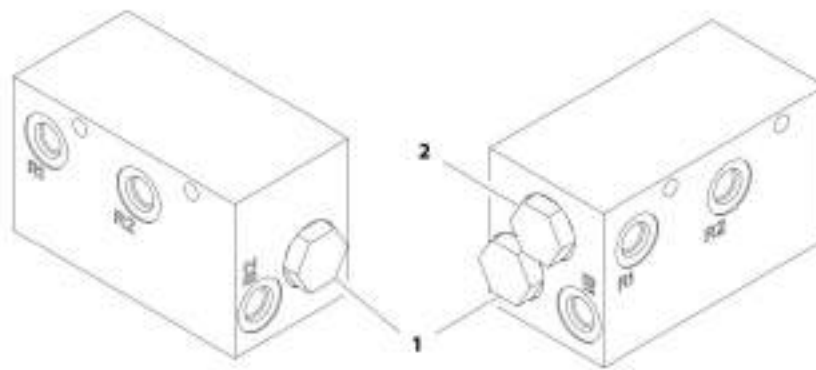
# SECTION 9 - HYDRAULIC COMPONENTS

## FIGURE 9-16. DIVERTOR VALVE

ITEM	PART NUMBER	QTY	DESCRIPTION	REV
	1001110023	Ref	Divertor Valve	B
1	70027596	1	Kit, Seal	
	Kit	2	O-Ring	
2	70020764	1	Coil	
3	70021531	1	Kit, Coil Nut	
	N.S.S.	1	O-Ring	
	N.S.S.	1	O-Ring	
	N.S.S.	1	Nut	

# SECTION 9 - HYDRAULIC COMPONENTS

FIGURE 9-17. FLOW DIVIDER VALVE



ART\_4641500-A

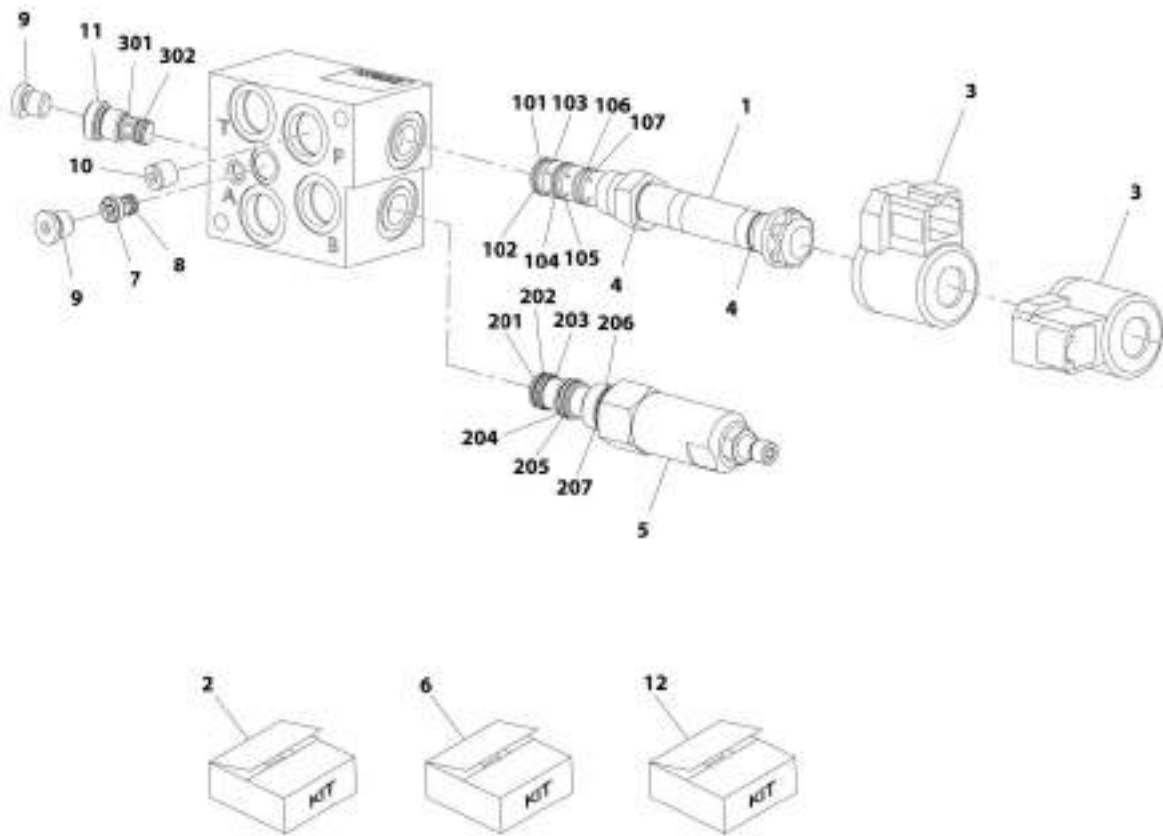
## SECTION 9 - HYDRAULIC COMPONENTS

### FIGURE 9-17. FLOW DIVIDER VALVE

ITEM	PART NUMBER	QTY	DESCRIPTION	REV
	4641501	Ref	Flow Divider Valve	A
1	70023928	2	Cartridge, PO Check Valve	
2	70023929	1	Cartridge, Valve	

# SECTION 9 - HYDRAULIC COMPONENTS

FIGURE 9-18. HYDRAULIC HITCH CONTROL VALVE



MTT\_1001173770-E

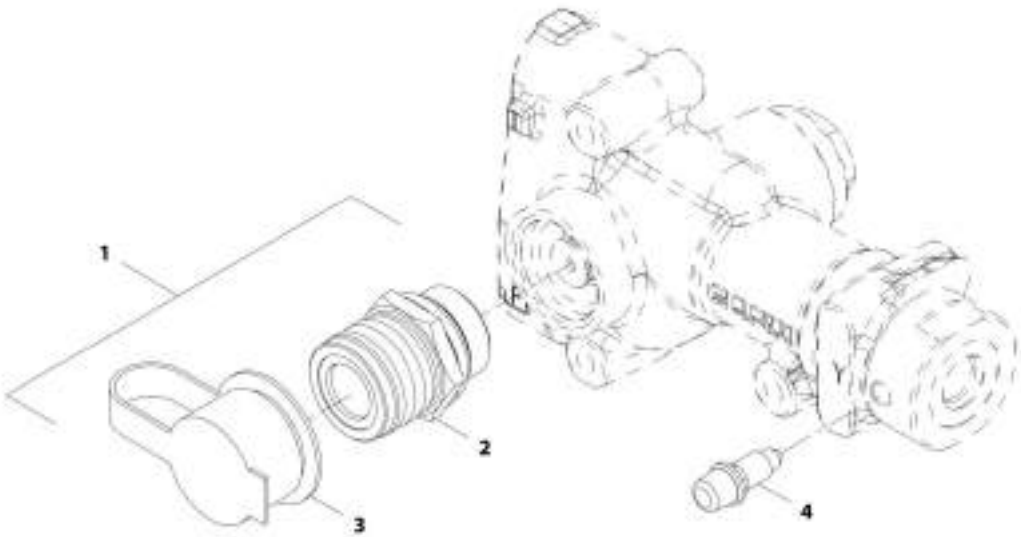
## SECTION 9 - HYDRAULIC COMPONENTS

**FIGURE 9-18. HYDRAULIC HITCH CONTROL VALVE**

ITEM	PART NUMBER	QTY	DESCRIPTION	REV
	1001173770	Ref	Hydraulic Hitch Control Valve	E
1	70026965	1	Valve	
2	70026966	1	Kit, Seal (includes items 101 thru 107)	
3	70026967	2	Coil	
4	70026968	1	Nut	
5	70026969	1	Valve	
6	70026970	1	Kit, Seal (includes items 201 thru 207)	
7	70026971	1	Valve	
8	70026972	1	Seal	
9	70026973	2	Plug	
10	70026974	1	Orifice	
11	70026975	1	Valve	
12	70026976	1	Kit, Seal (includes items 301 and 302)	
101	Kit	1	O-Ring	
102	Kit	1	O-Ring	
103	Kit	2	Ring, Support	
104	Kit	1	O-Ring	
105	Kit	2	Ring, Support	
106	Kit	1	O-Ring	
107	Kit	2	Ring, Support	
201	Kit	1	O-Ring	
202	Kit	1	O-Ring	
203	Kit	2	Ring, Support	
204	Kit	1	O-Ring	
205	Kit	2	Ring, Support	
206	Kit	1	O-Ring	
207	Kit	2	Ring, Support	
301	Kit	1	O-Ring	
302	Kit	1	O-Ring	

**SECTION 9 - HYDRAULIC COMPONENTS**

**FIGURE 9-19. TRAILER BRAKE VALVE**



ART\_1001212384-A

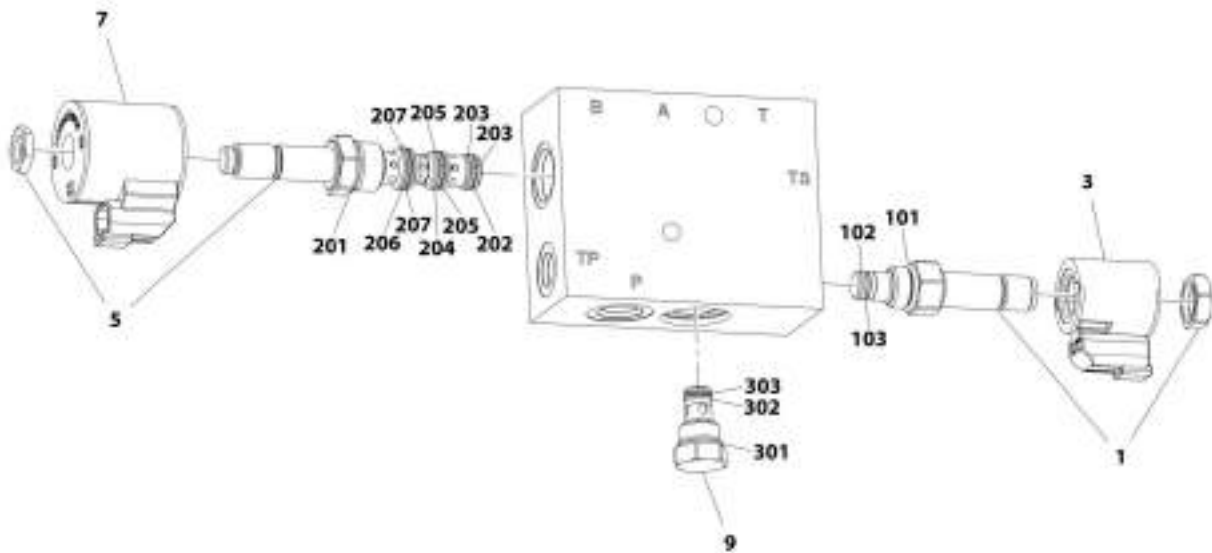
## SECTION 9 - HYDRAULIC COMPONENTS

FIGURE 9-19. TRAILER BRAKE VALVE

ITEM	PART NUMBER	QTY	DESCRIPTION	REV
	1001212384	Ref	Trailer Brake Valve	A
1	70024401	1	Assembly, Coupling (includes items 2 & 3)	
2	N.S.S.	1	Coupling	
3	70024399	1	Cap	
4	70024400	1	Screw, Bleeding	

# SECTION 9 - HYDRAULIC COMPONENTS

## FIGURE 9-20. FAN MOTOR CONTROL VALVE



ART\_1001182211-C



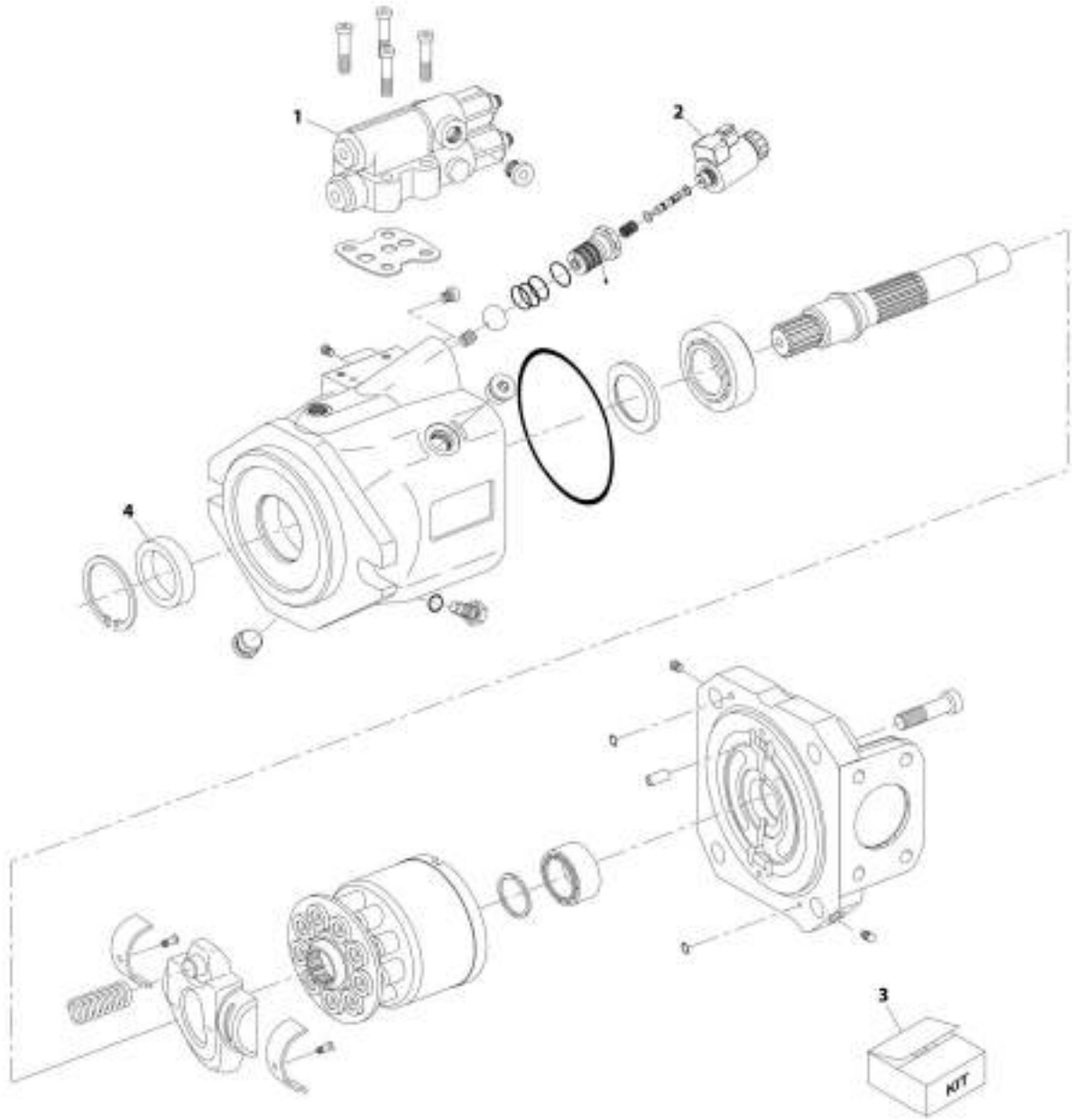
## SECTION 9 - HYDRAULIC COMPONENTS

### FIGURE 9-20. FAN MOTOR CONTROL VALVE

ITEM	PART NUMBER	QTY	DESCRIPTION	REV
	1001182213	Ref	Fan Motor Control Valve	C
1	70027004	1	Valve, Proportional	
3	70002971	1	Coil	
4	7012998	1	Kit, Seal (includes items 101 thru 103)	
5	8036580	1	Valve, Solenoid	
7	70003788	1	Coil	
8	7012903	1	Kit, Seal (includes items 201 thru 207)	
9	7022391	1	Valve, Check	
10	7012998	1	Kit, Seal (includes items 301 thru 303)	
101	N.S.S.	1	O-Ring	
102	N.S.S.	1	O-Ring	
103	N.S.S.	1	O-Ring, Back-up	
201	N.S.S.	1	O-Ring	
202	N.S.S.	1	O-Ring	
203	N.S.S.	2	O-Ring, Back-up	
204	N.S.S.	1	O-Ring	
205	N.S.S.	2	O-Ring, Back-up	
206	N.S.S.	1	O-Ring	
207	N.S.S.	2	O-Ring, Back-up	
301	N.S.S.	1	O-Ring	
302	N.S.S.	1	O-Ring	
303	N.S.S.	1	O-Ring, Back-up	

# SECTION 9 - HYDRAULIC COMPONENTS

FIGURE 9-21. IMPLEMENT PUMP



ART\_1001200815-B

## SECTION 9 - HYDRAULIC COMPONENTS

### FIGURE 9-21. IMPLEMENT PUMP

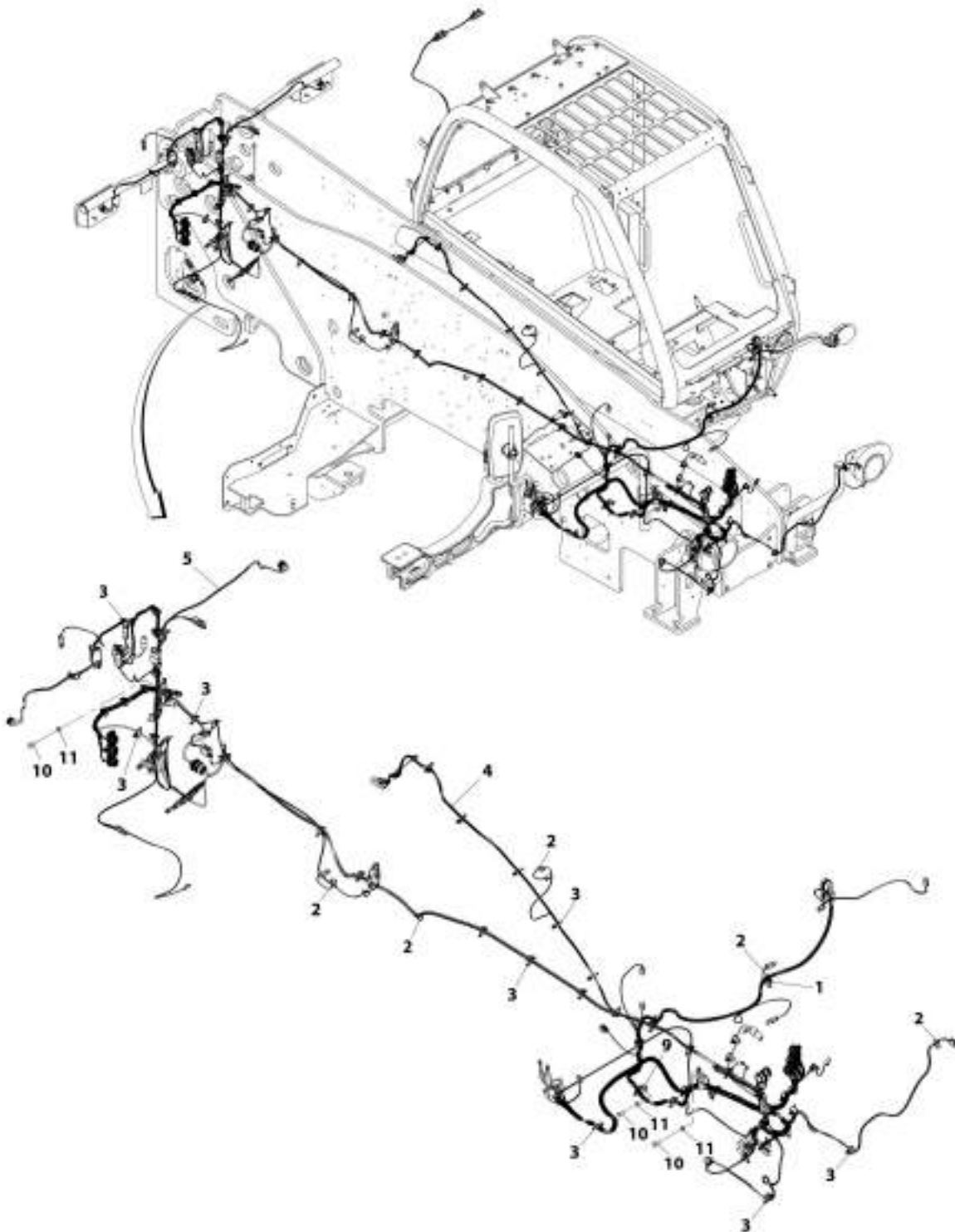
ITEM	PART NUMBER	QTY	DESCRIPTION	REV
	1001200815	Ref	Implement Pump	B
1	70027595	1	Controller, DSR	
2	70024186	1	Controller, EK	
3	70024189	1	Kit, Seal	
4	7024947	1	SHAFT SEAL	
	Kit	1	O-Ring	
	Kit	2	O-Ring	
	Kit	2	O-Ring	
	Kit	4	O-Ring	
	Kit	2	O-Ring	
	Kit	1	Seal	
	Kit	1	Ring, Retaining	
	Kit	1	O-Ring	
	Kit	1	Seal	
	Kit	1	O-Ring	
	Kit	6	Seal	
	Kit	1	O-Ring	
	Kit	1	O-Ring	
	Kit	2	O-Ring	
	Kit	2	Ring, Thrust	
	Kit	1	O-Ring	
	Kit	1	O-Ring	
	Kit	1	Ring, Backup	
	Kit	1	O-Ring	
	Kit	1	Ring, Backup	



**SECTION 10 - ELECTRICAL**

# SECTION 10 - ELECTRICAL

## FIGURE 10-1. MAIN ELECTRICAL INSTALLATION



AMT\_1001185/901-C

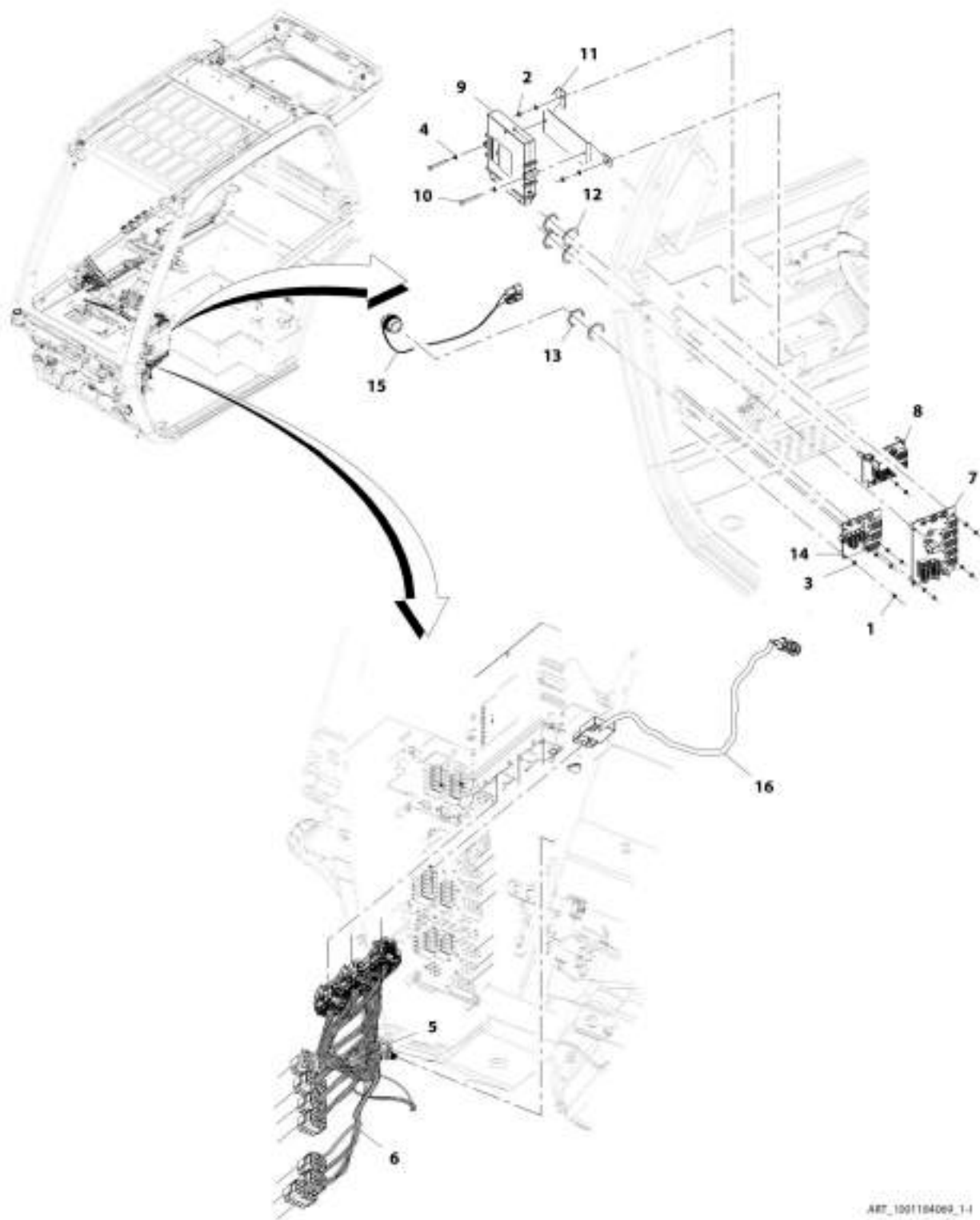
## SECTION 10 - ELECTRICAL

### FIGURE 10-1. MAIN ELECTRICAL INSTALLATION

ITEM	PART NUMBER	QTY	DESCRIPTION	REV
	1001185391	Ref	Main Electrical Installation	C
1	1001004723	1	Saddle	
2	1001008559	9	Strap, Cable	
3	1001146588	54	Strap, Cable Tie	
4	1001180524	1	Harness, Front Frame (See Separate Breakdown in this Section)	
5	1001180525	1	Harness, Rear Frame (See Separate Breakdown in this Section)	
9	1001003305	1	Clip	
10	0761012	3	Bolt, M10X25	
11	4812000	3	Washer, M10	

# SECTION 10 - ELECTRICAL

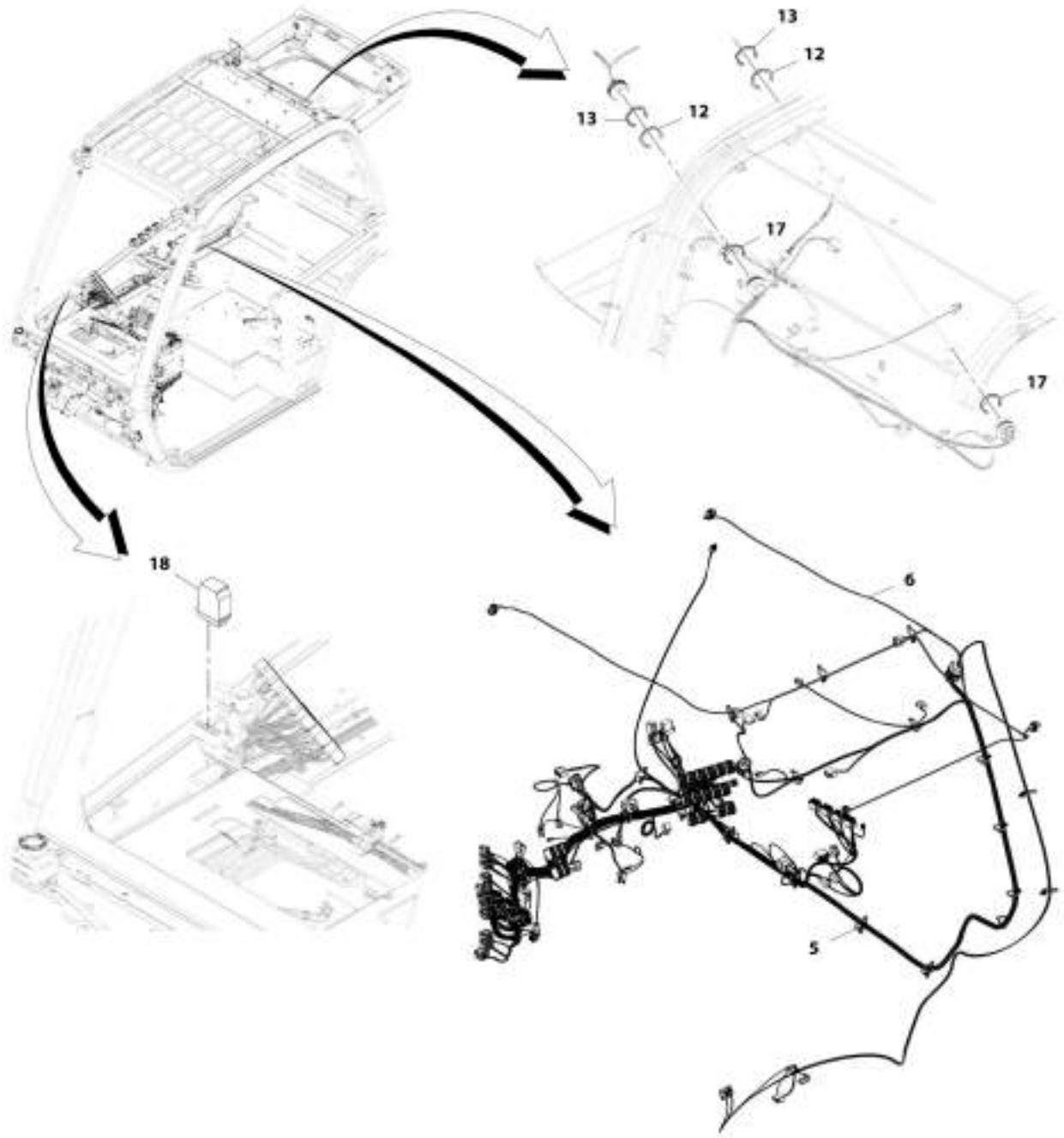
## FIGURE 10-2. CAB ELECTRICAL INSTALLATION



ART\_1001184069\_1-1



# SECTION 10 - ELECTRICAL



REF\_1001184069\_2-1

## SECTION 10 - ELECTRICAL

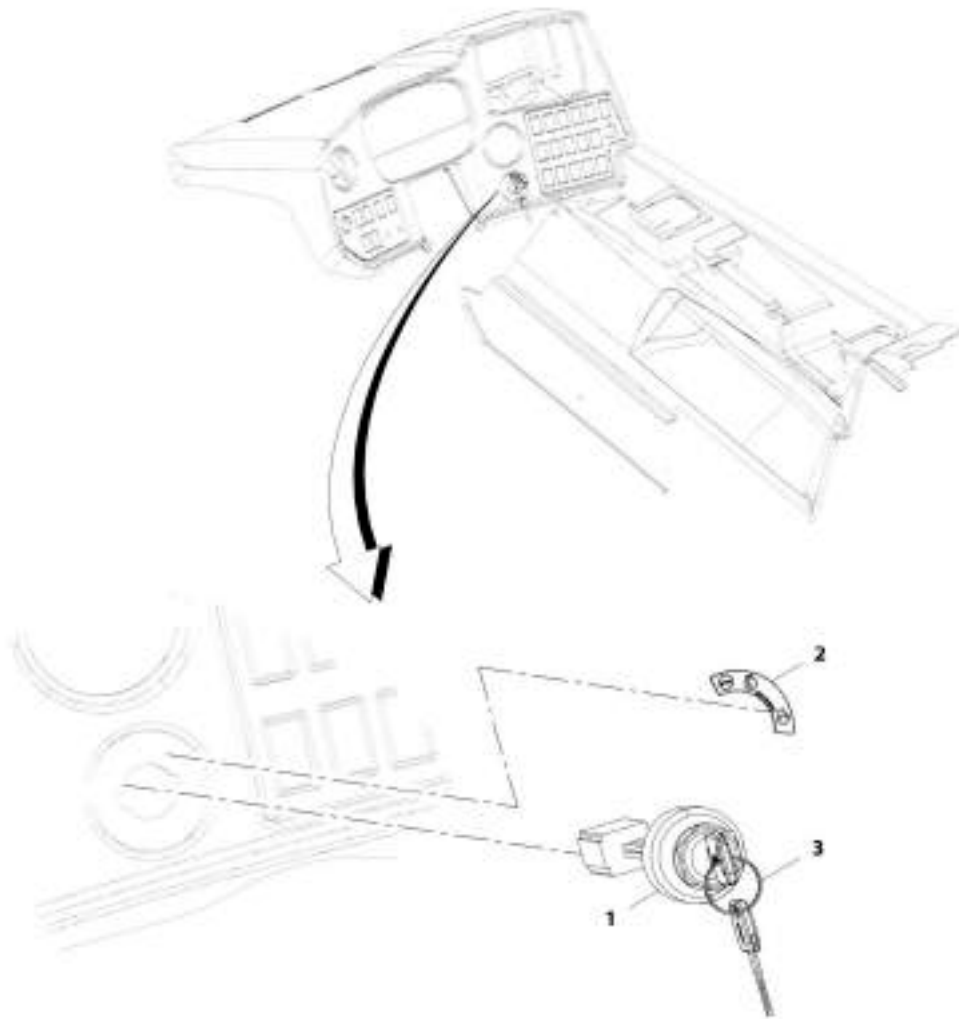
**FIGURE 10-2. CAB ELECTRICAL INSTALLATION**

ITEM	PART NUMBER	QTY	DESCRIPTION	REV
	1001184069	Ref	Cab Electrical Installation	I
1	3290501	7	Nut, M5X0.8 Grade 8	
2	3290601	2	Nut, M6X1 Grade 8	
3	120034	7	Washer, Plastic	
4	4811700	4	Washer, M6	
5	1001146588	23	Strap, Cable Tie	
6	1001184070	1	Harness, Cab (See Separate Breakdown in this Section)	
7	1001161769	1	Assembly, Standard Electrical Board (See Separate Breakdown in this Section)	
8	1001161770	1	Assembly, Option 1 Electrical Board (See Separate Breakdown in this Section)	
9	1001209578	1	Module, Cab Control	
10	0700618	2	Bolt, M6X50	
11	1001178933	1	Bracket	
12	4460496	5	Washer, Terminal Lock	
13	4460497	5	Nut, Terminal	
14	1001161771	1	Assembly, Option 2 Electrical Board (See Separate Breakdown in this Section)	
15	1001181681	1	Harness, Cab Option LBP (See Separate Breakdown in this Section)	
16	1001213988	1	Cable, Communication Analyzer	
17	1001211693	1	Seal	
18	1001214281	1	Connector, Wiper Module	



# SECTION 10 - ELECTRICAL

## FIGURE 10-3. IGNITION SWITCH INSTALLATION



ART\_001208310-B

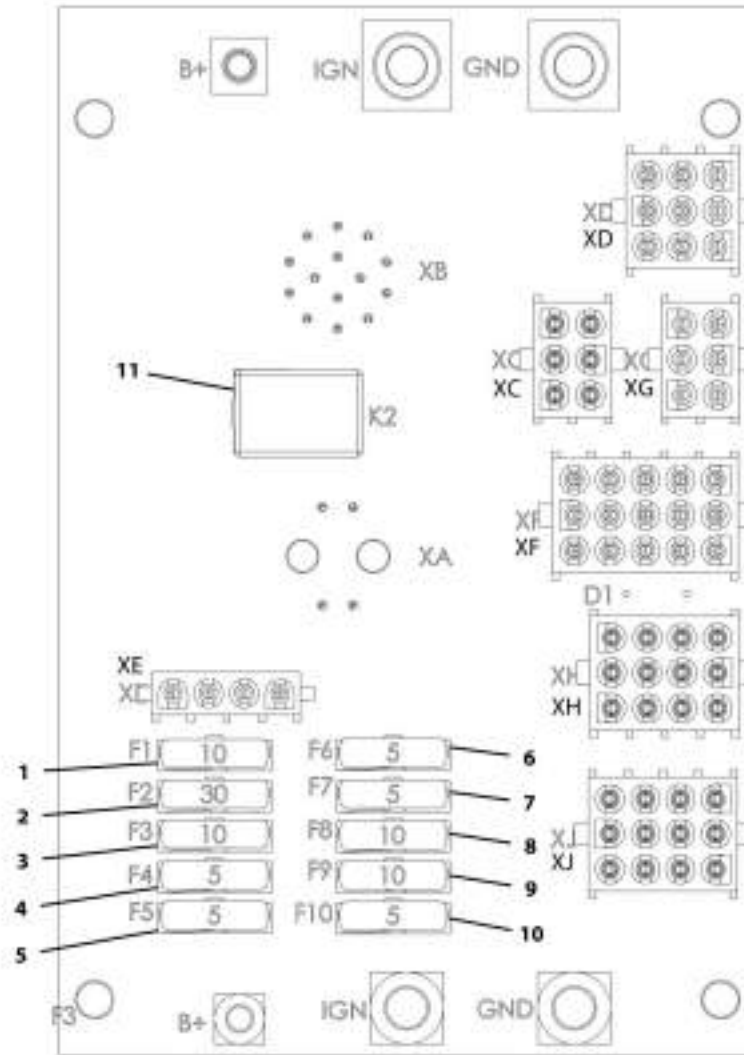
## SECTION 10 - ELECTRICAL

### FIGURE 10-3. IGNITION SWITCH INSTALLATION

ITEM	PART NUMBER	QTY	DESCRIPTION	REV
	1001208518	Ref	Ignition Switch Installation (JLG)	B
1	1001206886	1	Switch, Ignition	
2	1001181531	1	Decal, Ignition Switch	
3	1001218328	1	Key	

# SECTION 10 - ELECTRICAL

FIGURE 10-4. STANDARD ELECTRICAL BOARD ASSEMBLY



ART\_100161700-C

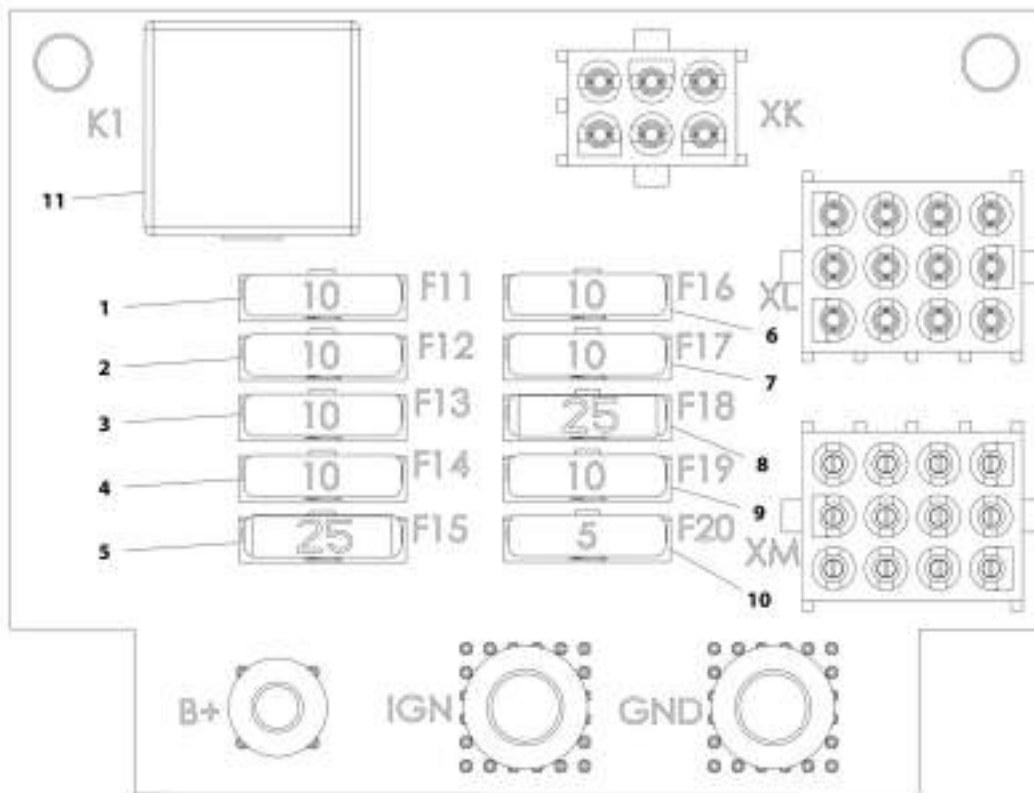
## SECTION 10 - ELECTRICAL

### FIGURE 10-4. STANDARD ELECTRICAL BOARD ASSEMBLY

ITEM	PART NUMBER	QTY	DESCRIPTION	REV
	1001161769	Ref	Standard Electrical Board Assembly	C
1	80983191	1	Fuse, 10AMP	
2	8229245	1	Fuse, 30AMP	
3	80983191	1	Fuse, 10AMP	
4	8229242	1	Fuse, 5AMP	
5	8229242	1	Fuse, 5AMP	
6	8229242	1	Fuse, 5AMP	
7	8229242	1	Fuse, 5AMP	
8	80983191	1	Fuse, 10AMP	
9	80983191	1	Fuse, 10AMP	
10	8229242	1	Fuse, 5AMP	
11	70026292	1	Fuse, 35AMP	

# SECTION 10 - ELECTRICAL

## FIGURE 10-5. OPTION 1 ELECTRICAL BOARD ASSEMBLY



ART\_100156177D-C



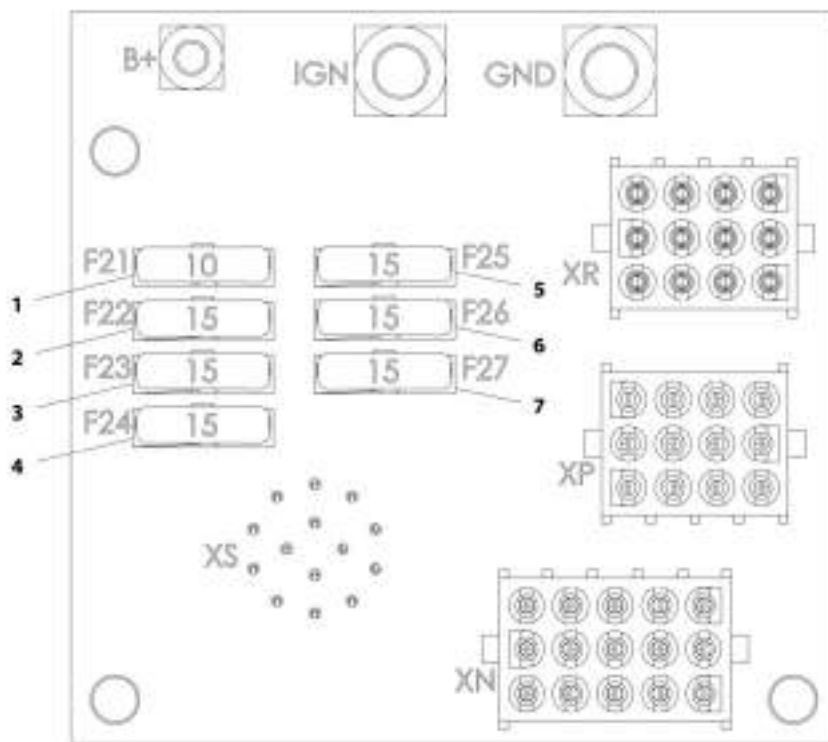
## SECTION 10 - ELECTRICAL

### FIGURE 10-5. OPTION 1 ELECTRICAL BOARD ASSEMBLY

ITEM	PART NUMBER	QTY	DESCRIPTION	REV
	1001161770	Ref	Option 1 Electrical Board Assembly	C
1	80983191	1	Fuse, 10AMP	
2	80983191	1	Fuse, 10AMP	
3	80983191	1	Fuse, 10AMP	
4	80983191	1	Fuse, 10AMP	
5	8229247	1	Fuse, 25AMP	
6	80983191	1	Fuse, 10AMP	
7	80983191	1	Fuse, 10AMP	
8	8229247	1	Fuse, 25AMP	
9	80983191	1	Fuse, 10AMP	
10	8229242	1	Fuse, 5AMP	
11	70026293	1	Fuse, 50AMP	

# SECTION 10 - ELECTRICAL

## FIGURE 10-6. OPTION 2 ELECTRICAL BOARD ASSEMBLY



ART\_300161771-8

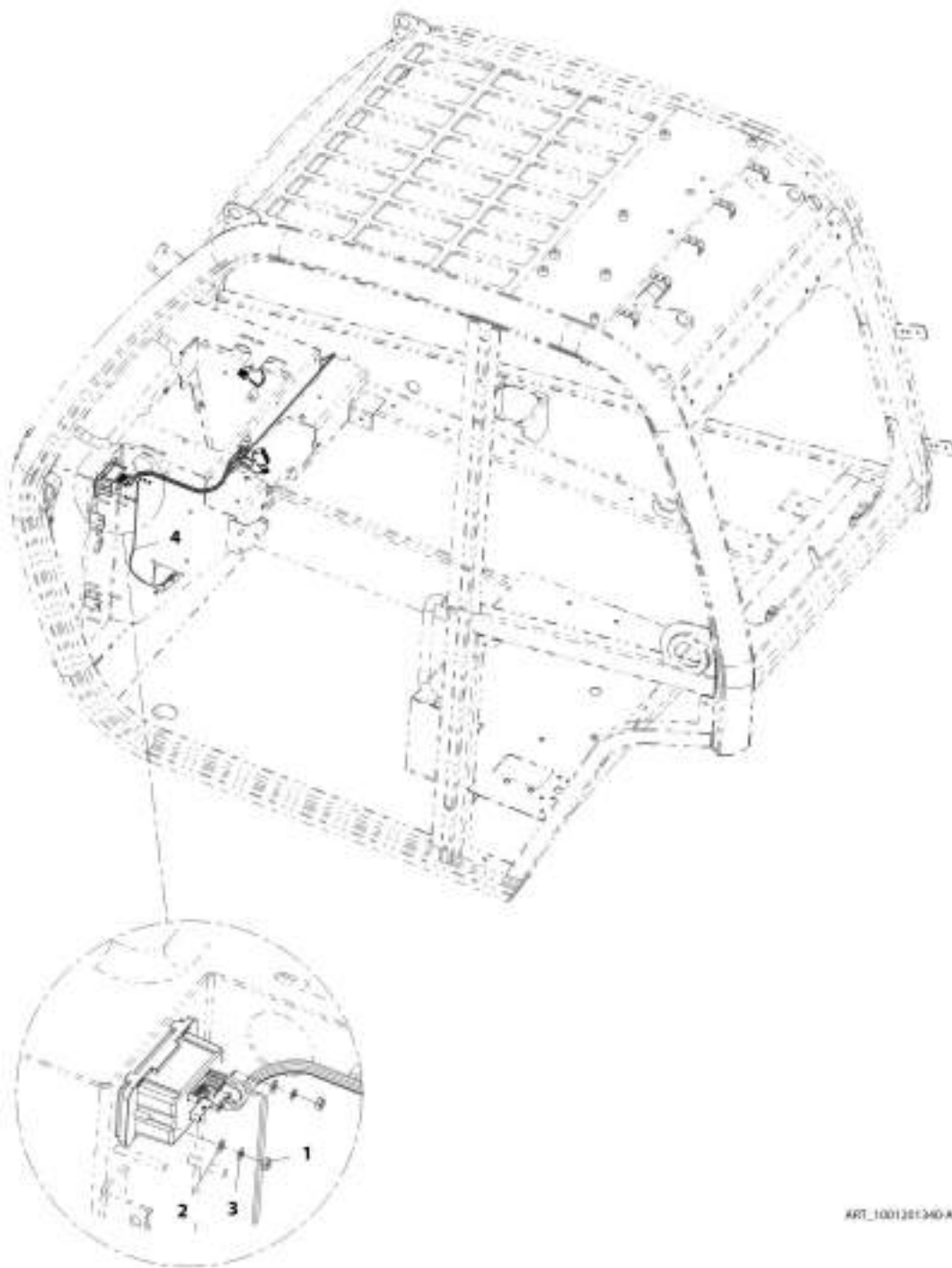
## SECTION 10 - ELECTRICAL

### FIGURE 10-6. OPTION 2 ELECTRICAL BOARD ASSEMBLY

ITEM	PART NUMBER	QTY	DESCRIPTION	REV
	1001161771	Ref	Option 2 Electrical Board Assembly	B
1	80983191	1	Fuse, 10AMP	
2	8229244	1	Fuse, 15AMP	
3	8229244	1	Fuse, 15AMP	
4	8229244	1	Fuse, 15AMP	
5	8229244	1	Fuse, 15AMP	
6	8229244	1	Fuse, 15AMP	
7	8229244	1	Fuse, 15AMP	

# SECTION 10 - ELECTRICAL

## FIGURE 10-7. CAB HEATER HARNESS INSTALLATION



ART\_1001281340-A

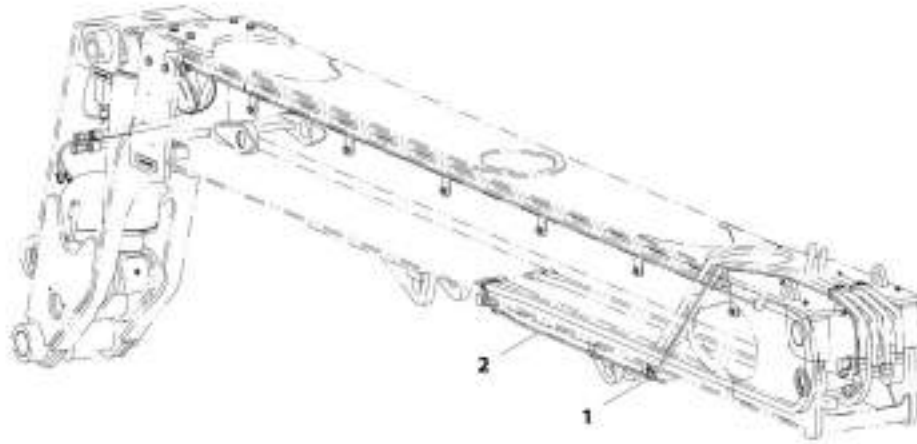
## SECTION 10 - ELECTRICAL

### FIGURE 10-7. CAB HEATER HARNESS INSTALLATION

ITEM	PART NUMBER	QTY	DESCRIPTION	REV
	1001201340	Ref	Cab Heater Harness Installation	A
1	3290401	2	Nut, M4X0.7 Grade 8	
2	4811400	2	Washer, M4	
3	4831400	2	Washer, Lock M4	
4	1001202516	1	Harness, Cab Heater (See Separate Breakdown in this Section)	

# SECTION 10 - ELECTRICAL

## FIGURE 10-8. BOOM HARNESS INSTALLATION



ART\_1001204278-C

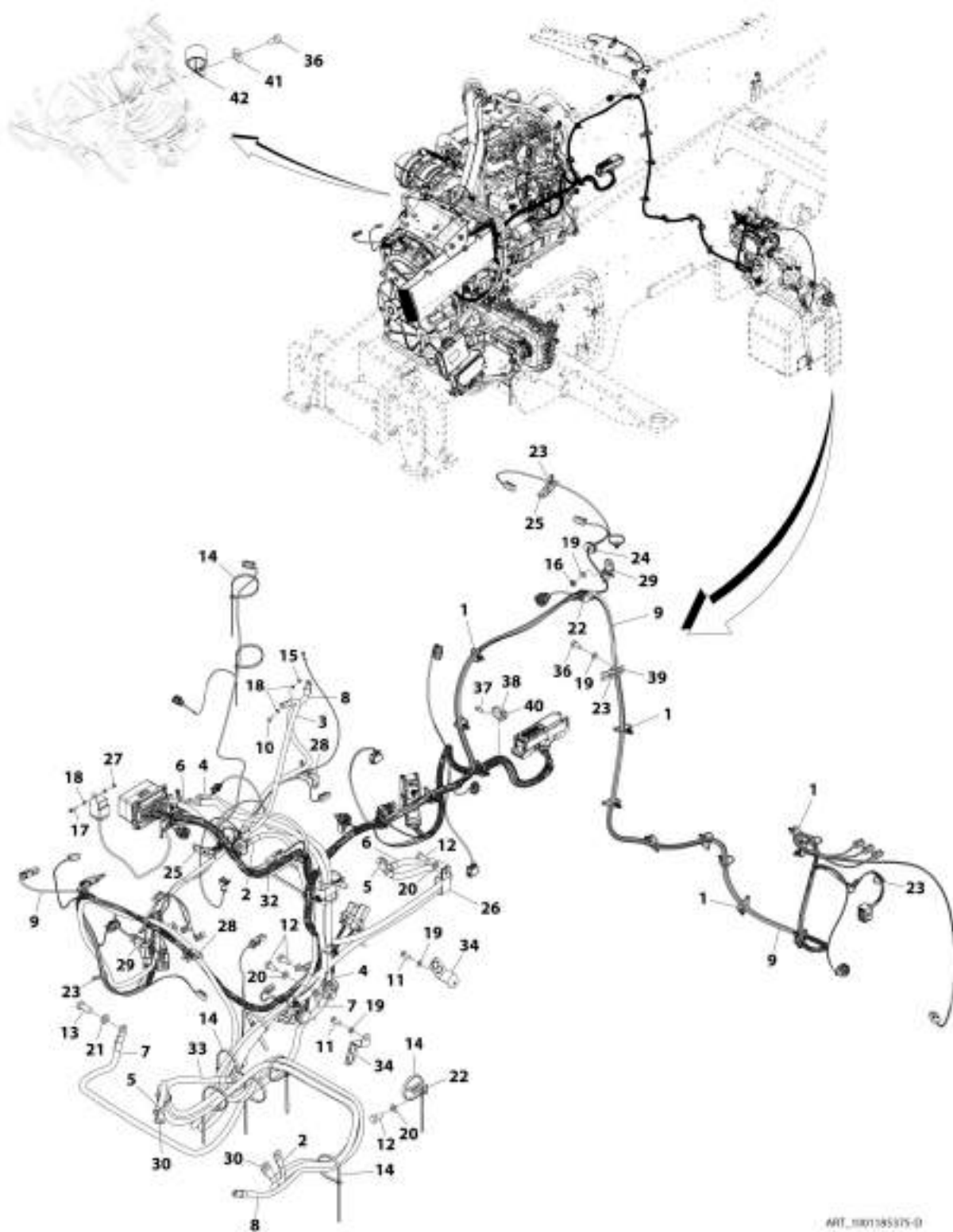
## SECTION 10 - ELECTRICAL

### FIGURE 10-8. BOOM HARNESS INSTALLATION

ITEM	PART NUMBER	QTY	DESCRIPTION	REV
1	1001185364	Ref	Boom Harness Installation	C
	1001008923	AR	Strap, Cable	
	1001184421	1	Harness, Boom (See Separate Breakdown in this Section)	

# SECTION 10 - ELECTRICAL

## FIGURE 10-9. ENGINE WIRING INSTALLATION (ULS)



ART\_00135575-0



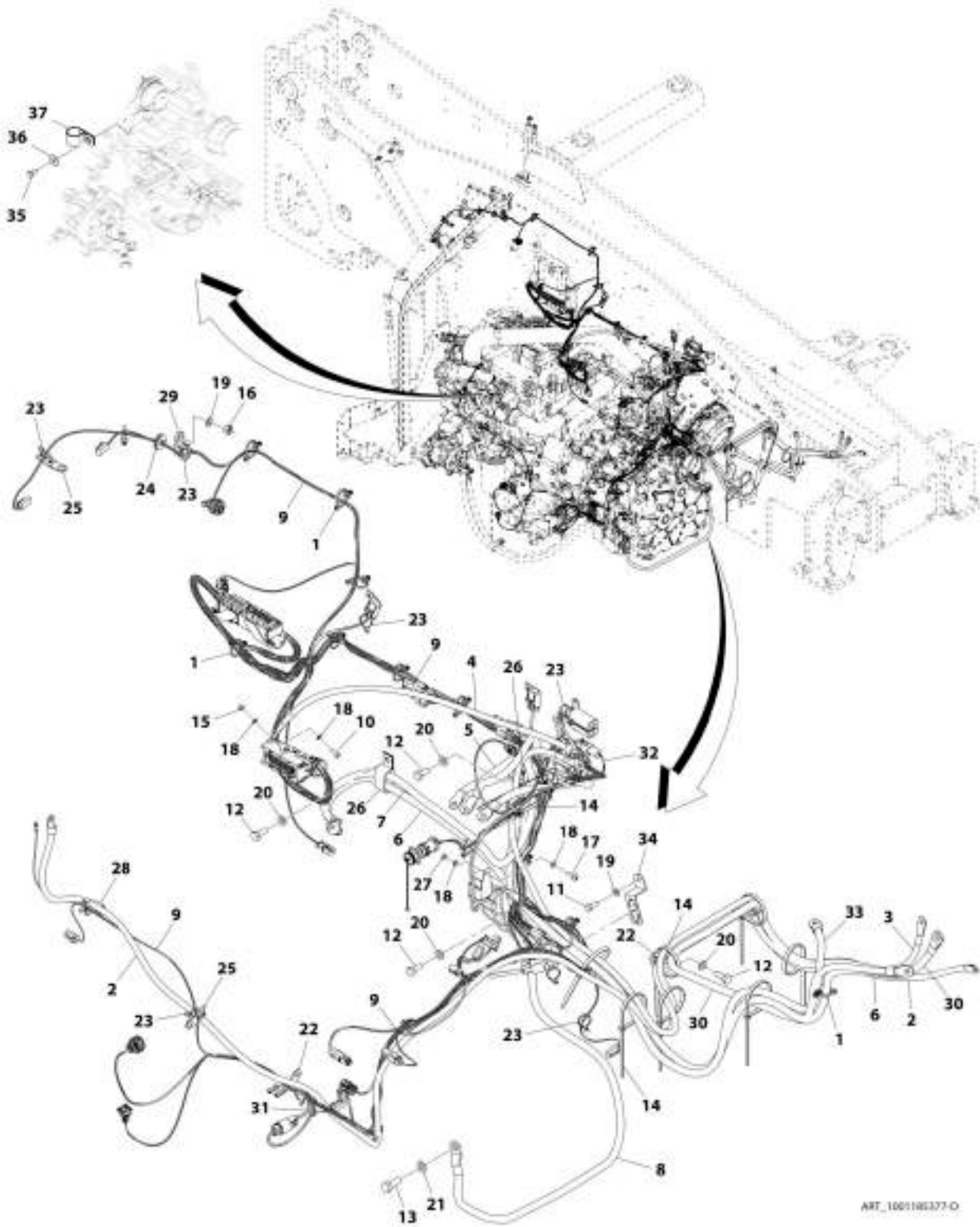
## SECTION 10 - ELECTRICAL

### FIGURE 10-9. ENGINE WIRING INSTALLATION (ULS)

ITEM	PART NUMBER	QTY	DESCRIPTION	REV
	1001185375	Ref	Engine Wiring Installation (ULS)	D
1	1001146588	24	Strap, Tie	
2	1001182218	1	Cable, PDM to Glow Plug Relay	
3	1001182219	1	Cable, Glow Plug to Relay	
4	1001182654	1	Cable, Batt to Ground	
5	1001182650	1	Cable, Starter to Battery +	
6	1001182651	1	Cable, Starter to Remote B+	
7	1001182652	1	Cable, Ground Buss to Engine Ground	
8	1001182216	1	Cable, Alternator	
9	1001183615	1	Harness, Engine (ULS) (See Separate Breakdown in this Section)	
10	0760507	1	Bolt, M5X14	
11	0760810	2	Bolt, M8X20	
12	0761012	6	Bolt, M10X25	
13	0761214	1	Bolt, M12X30	
14	1062255	13	Strap, Tie	
15	3290505	1	Nut, Lock M5X0.8 Grade 8	
16	3290805	1	Nut, Lock M8X1.25 Grade 8	
17	3900381	1	Screw, M5X16	
18	4811600	4	Washer, M5	
19	4811900	5	Washer, M8	
20	4812000	6	Washer, M10	
21	4812100	1	Washer, M12	
22	1001003305	4	Clip	
23	1001008559	12	Strap, Tie	
24	1001009375	1	Grommet	
25	1001025750	2	Clip, Ladder	
26	1001008720	2	Clip	
27	1001128972	1	Nut, M5X0.8	
28	1001130198	3	Clip, Ladder	
29	1001169146	1	Mount	
30	1001182217	1	Cable, Batt + to PDM	
31	1001182929	1	Harness, Fuel Pump (See Separate Breakdown in this Section)	
32	1001182930	1	Harness, Glow Plug Relay (See Separate Breakdown in this Section)	
33	1001203015	1	Cable, Batt (-) to Batt Disc	
34	1001203882	2	Bracket, Harness Tie Wrap	
36	0760808	3	Bolt, M8X16	
37	3900357	1	Screw, M6X16	
38	8881800	1	Strap, Tie	
39	1001008593	1	Clip	
40	1001138645	1	Mount, Cable Tie	
41	4811902	1	Washer, M8	
42	8406302	1	Clamp	

# SECTION 10 - ELECTRICAL

## FIGURE 10-10. ENGINE WIRING INSTALLATION (LS)



ART\_1001NBS377-D

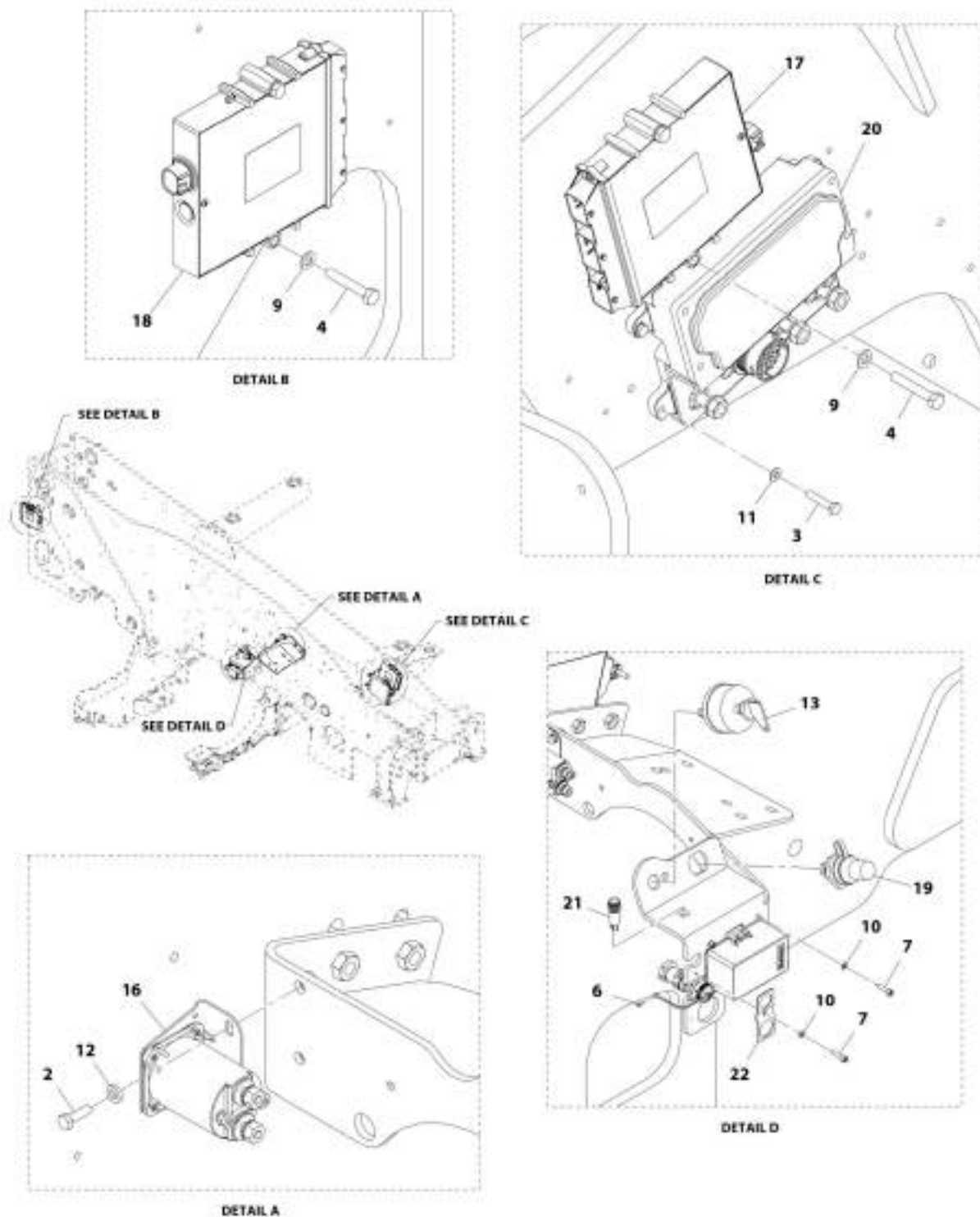
## SECTION 10 - ELECTRICAL

**FIGURE 10-10. ENGINE WIRING INSTALLATION (LS)**

ITEM	PART NUMBER	QTY	DESCRIPTION	REV
	1001185377	Ref	Engine Wiring Installation (LS)	D
1	1001146588	16	Strap, Cable Tie	
2	1001182216	1	Cable	
3	1001182218	1	Cable	
4	1001182219	1	Cable	
5	1001182654	1	Cable	
6	1001182650	1	Cable	
7	1001182651	1	Cable	
8	1001182652	1	Cable	
9	1001184503	1	Harness, Engine (LS) (See Separate Breakdown in this Section)	
10	0760507	1	Bolt, M5X14	
11	0760810	1	Bolt, M8X20	
12	0761012	6	Bolt, M10X25	
13	0761214	1	Bolt, M12X30	
14	1062255	10	Strap, Tie	
15	3290505	1	Nut, Lock M5X0.8	
16	3290805	1	Nut, Lock M8X1.25	
17	3900381	1	Screw, M5X16	
18	4811600	4	Washer, M5	
19	4811900	2	Washer, M8	
20	4812000	6	Washer, M10	
21	4812100	1	Washer, M12	
22	1001003305	3	Clip	
23	1001008559	13	Strap, Cable	
24	1001009375	1	Grommet	
25	1001025750	2	Clip	
26	1001008720	2	Clip	
27	1001128972	1	Nut, M5X.8	
28	1001130198	2	Clip	
29	1001169146	1	Mount	
30	1001182217	1	Cable	
31	1001182929	1	Harness, Fuel Pump (See Separate Breakdown in this Section)	
32	1001182930	1	Harness, Glow Plug Relay (See Separate Breakdown in this Section)	
33	1001203015	1	Cable	
34	1001203882	1	Bracket	
35	0760808	1	Bolt, M8X16	
36	4811902	1	Washer, M8	
37	8406302	1	Clamp	

# SECTION 10 - ELECTRICAL

## FIGURE 10-11. ELECTRICAL COMPONENTS INSTALLATION



ART\_1001183008-C

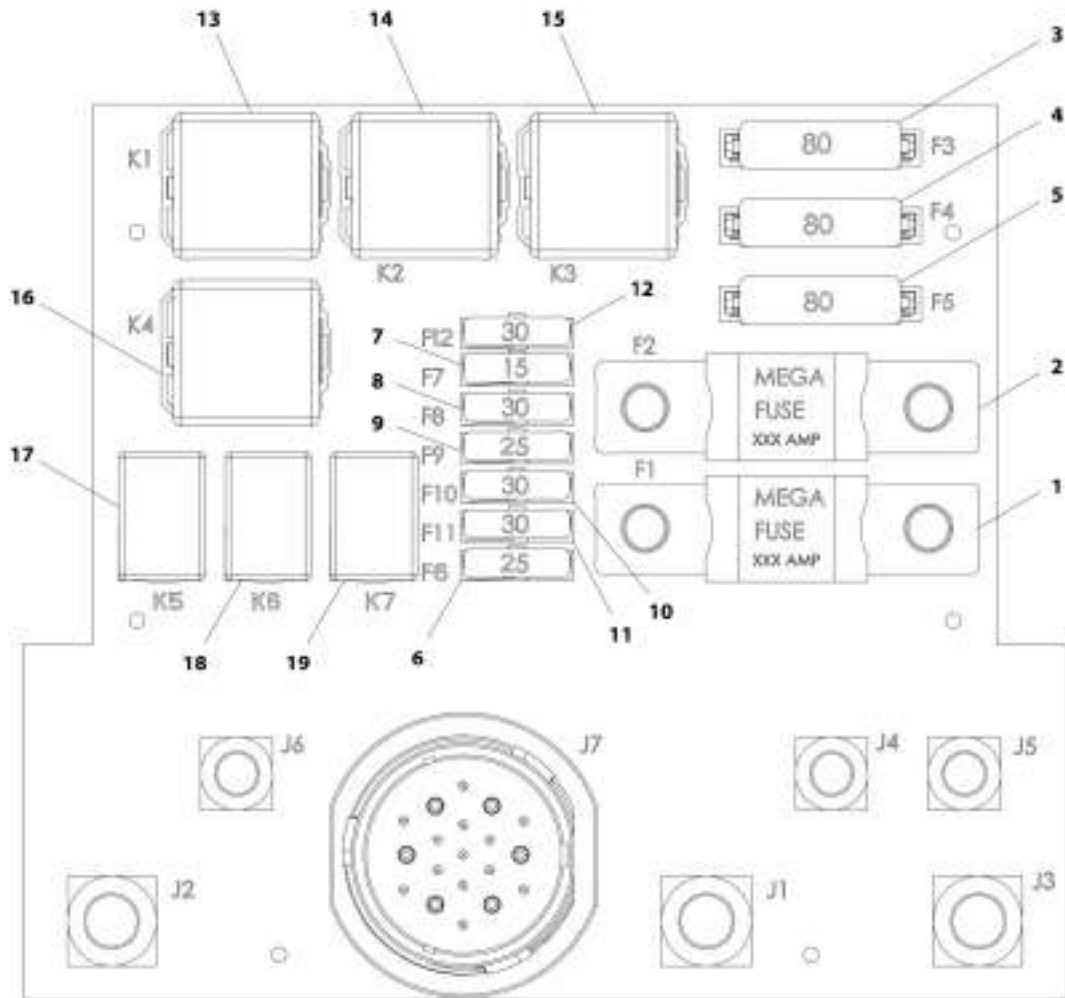
## SECTION 10 - ELECTRICAL

**FIGURE 10-11. ELECTRICAL COMPONENTS INSTALLATION**

ITEM	PART NUMBER	QTY	DESCRIPTION	REV
	1001183838	Ref	Electrical Components Installation	C
2	0700610	2	Bolt, M6X20	
3	0700614	4	Bolt, M6X30	
4	0700818	4	Bolt, M8X50	
6	3900349	1	Screw, M2.5X0.45	
7	4031608	5	Screw, M5X20	
9	4811900	4	Washer, M8	
10	4831600	5	Washer, Lock M5	
11	4831700	4	Washer, Lock M6	
12	5240600	2	Washer, M6	
13	1001008926	1	Switch, Disconnect	
16	1001117308	1	Relay, 200 AMP (See Separate Breakdown in this Section)	
17	1001209577	1	Control, TMH Front Frame Module LBP	
18	1001209576	1	Control, TMH Rear Frame Module LBP	
19	1001193993	1	Terminal, Battery	
20	1001164402	1	Box, Power Distribution Electrical (See Separate Breakdown in this Section)	
21	1001169825	1	Lamp, 12V Yellow	
22	1001186693	1	Plate	

# SECTION 10 - ELECTRICAL

## FIGURE 10-12. POWER DISTRIBUTION ELECTRICAL BOX



ART\_1001164402 E

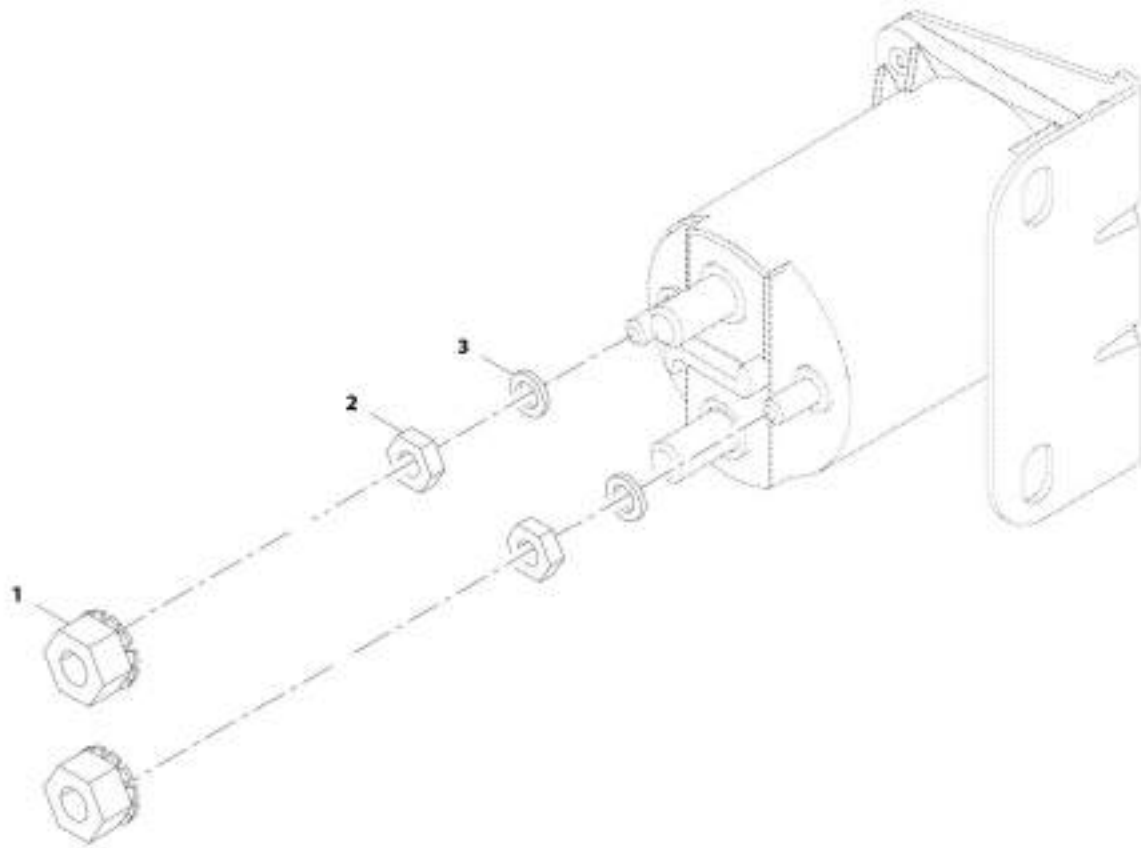
## SECTION 10 - ELECTRICAL

### FIGURE 10-12. POWER DISTRIBUTION ELECTRICAL BOX

ITEM	PART NUMBER	QTY	DESCRIPTION	REV
	1001164402	Ref	Power Distribution Electrical Box	E
1	1001095336	1	Fuse, 150AMP	
2	70026296	1	Fuse, 200AMP	
3	70026297	1	Fuse, 80AMP	
4	70026297	1	Fuse, 80AMP	
5	70026297	1	Fuse, 80AMP	
6	8229247	1	Fuse, 25AMP	
7	8229244	1	Fuse, 15AMP	
8	8229245	1	Fuse, 30AMP	
9	8229247	1	Fuse, 25AMP	
10	8229245	1	Fuse, 30AMP	
11	8229245	1	Fuse, 30AMP	
12	8229245	1	Fuse, 30AMP	
13	70026294	1	Fuse, 70AMP	
14	70026294	1	Fuse, 70AMP	
15	70026294	1	Fuse, 70AMP	
16	70026294	1	Fuse, 70AMP	
17	70026295	1	Fuse, 35AMP	
18	70026295	1	Fuse, 35AMP	
19	70026295	1	Fuse, 35AMP	

# SECTION 10 - ELECTRICAL

## FIGURE 10-13. 200 AMP RELAY INSTALLATION



ART\_1001117300-B



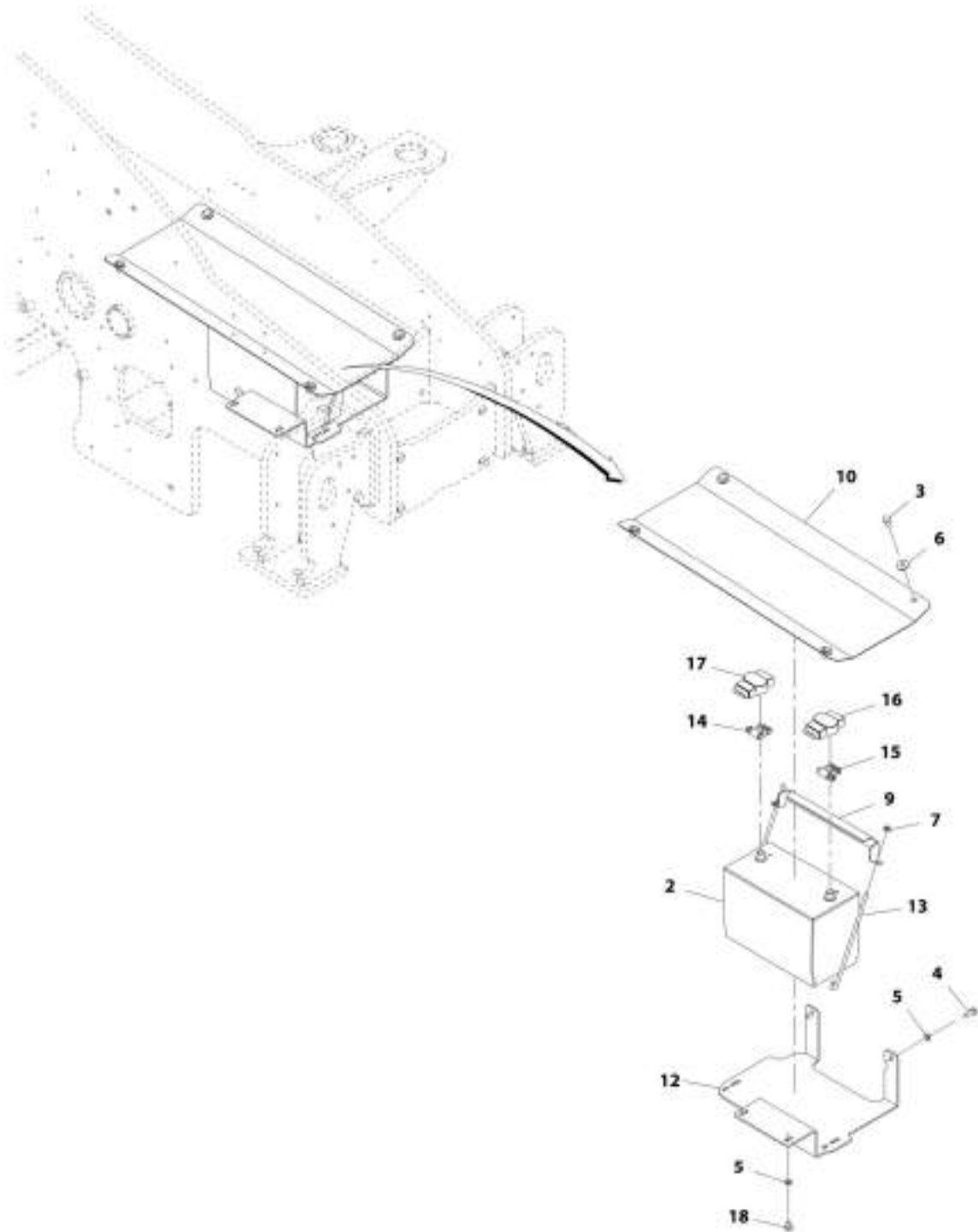
## SECTION 10 - ELECTRICAL

### FIGURE 10-13. 200 AMP RELAY INSTALLATION

ITEM	PART NUMBER	QTY	DESCRIPTION	REV
	1001117308	Ref	200 AMP Relay Installation	B
1	3300220	2	Nut, Washer	
2	3321001	2	Nut	
3	4761000	2	Washer, Lock	
4	1001111424	2	Washer	

# SECTION 10 - ELECTRICAL

## FIGURE 10-14. BATTERY INSTALLATION (STANDARD)



ART\_1001180267-E

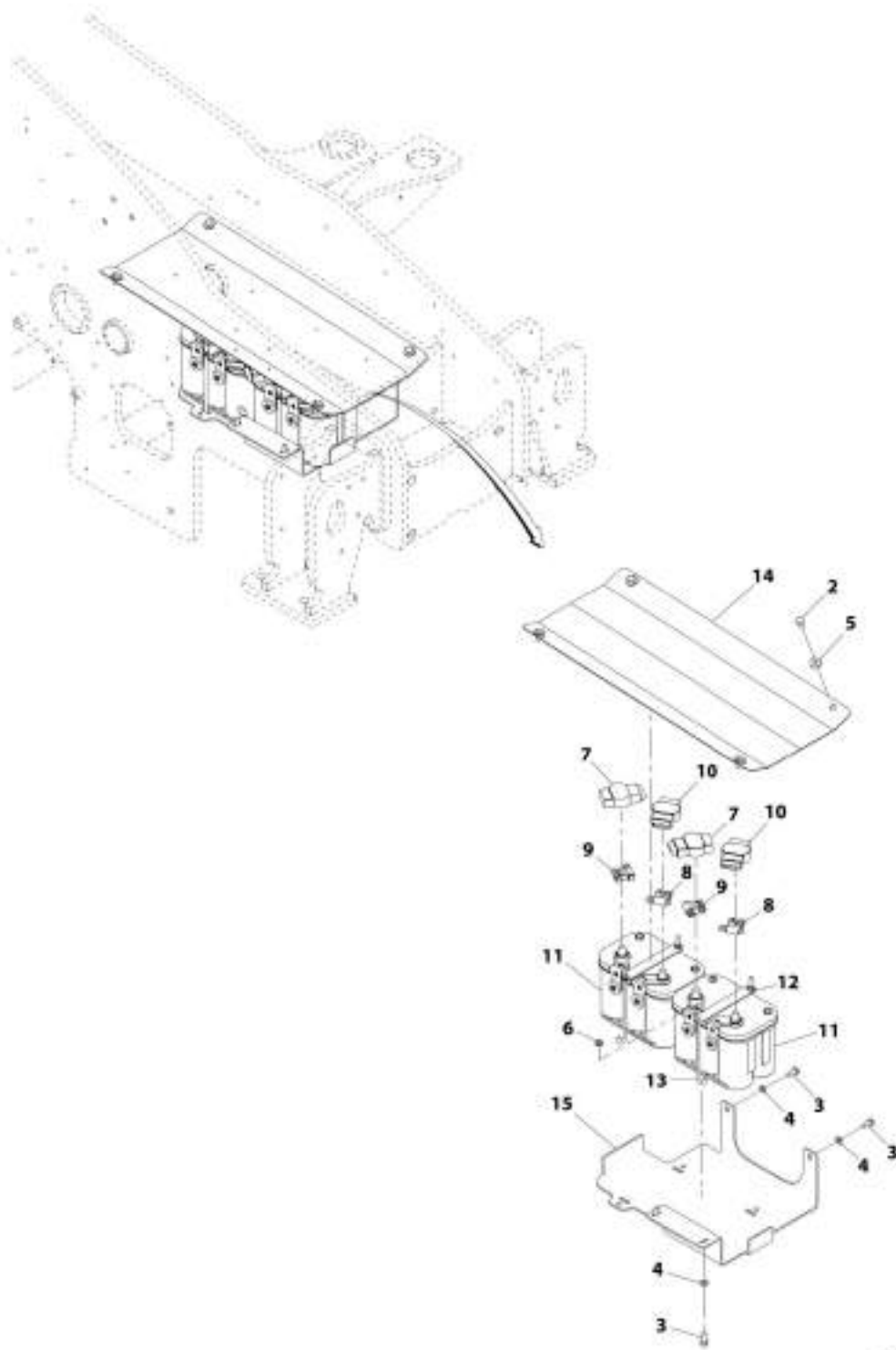
## SECTION 10 - ELECTRICAL

### FIGURE 10-14. BATTERY INSTALLATION (STANDARD)

ITEM	PART NUMBER	QTY	DESCRIPTION	REV
	1001180267	Ref	Battery Installation (Standard)	E
2	0400075	1	Battery, 12V	
3	0761010	4	Bolt, M10X20	
4	0761012	2	Bolt, M10X25	
5	4812000	4	Washer, M10	
6	4812002	4	Washer, M10	
7	5220800	2	Nut, M8	
9	1001141596	1	Plate	
10	1001179221J	1	Cover	
12	1001217179	1	Tray	
13	1001160928	2	J-Bolt	
14	8270147	1	Clamp	
15	8270148	1	Clamp	
16	7301893	1	Insulator, Battery Terminal	
17	1001145300	1	Insulator, Battery Terminal	
18	0761007	2	Bolt, M10X14	

# SECTION 10 - ELECTRICAL

## FIGURE 10-15. BATTERY INSTALLATION (DUAL)



ART\_1001179107-B

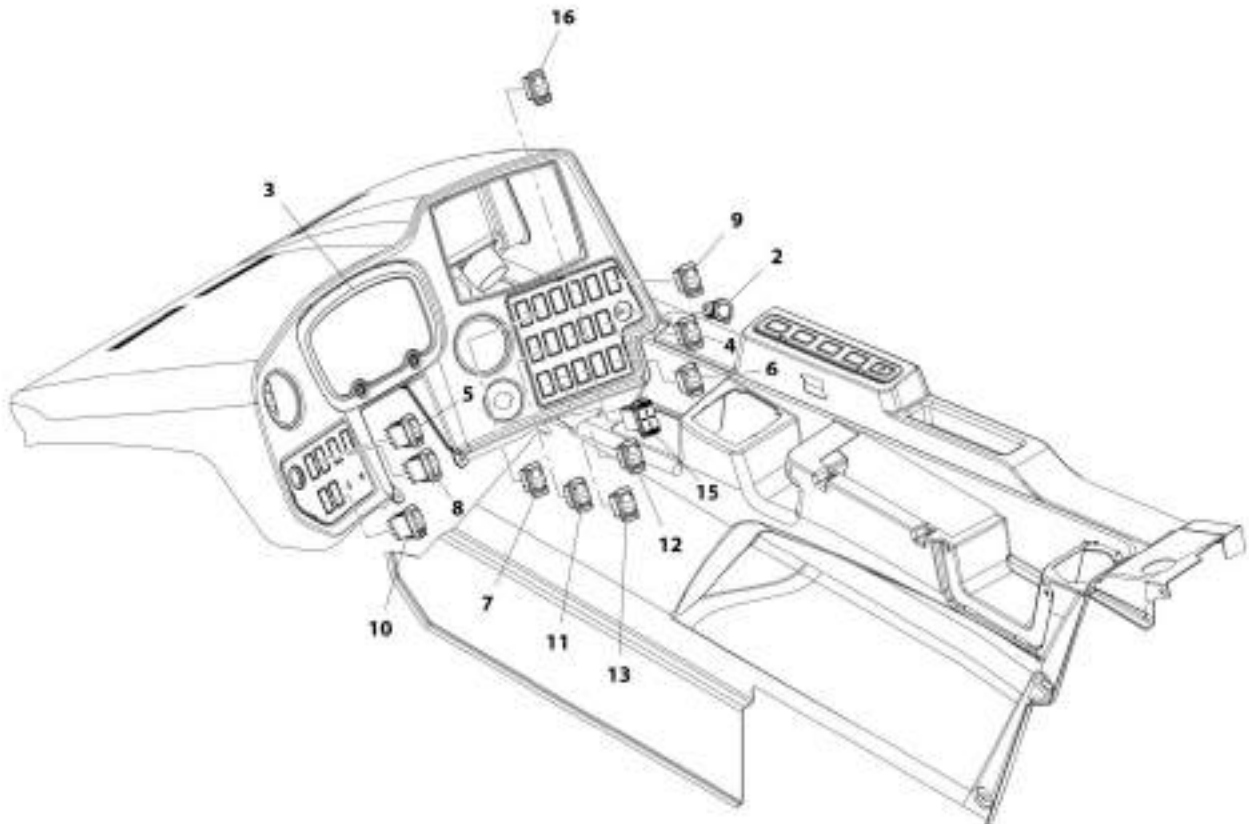
## SECTION 10 - ELECTRICAL

**FIGURE 10-15. BATTERY INSTALLATION (DUAL)**

ITEM	PART NUMBER	QTY	DESCRIPTION	REV
	1001179197	Ref	Battery Installation (Dual)	B
2	0761010	4	Bolt, M10X20	
3	0761012	4	Bolt, M10X25	
4	4812000	4	Washer, M10	
5	4812002	4	Washer, M10	
6	5220800	4	Nut, M8	
7	7301893	2	Insulator, Battery Terminal	
8	8270147	2	Clamp	
9	8270148	2	Clamp	
10	1001145300	2	Insulator, Battery Terminal	
11	1001167212	2	Battery	
12	1001179585	2	Bracket	
13	1001179586	4	Bolt	
14	1001179221J	1	Cover	
15	1001203417J	1	Tray	

# SECTION 10 - ELECTRICAL

## FIGURE 10-16. DASH ELECTRICS INSTALLATION (ULS)



ART\_1001185809-D

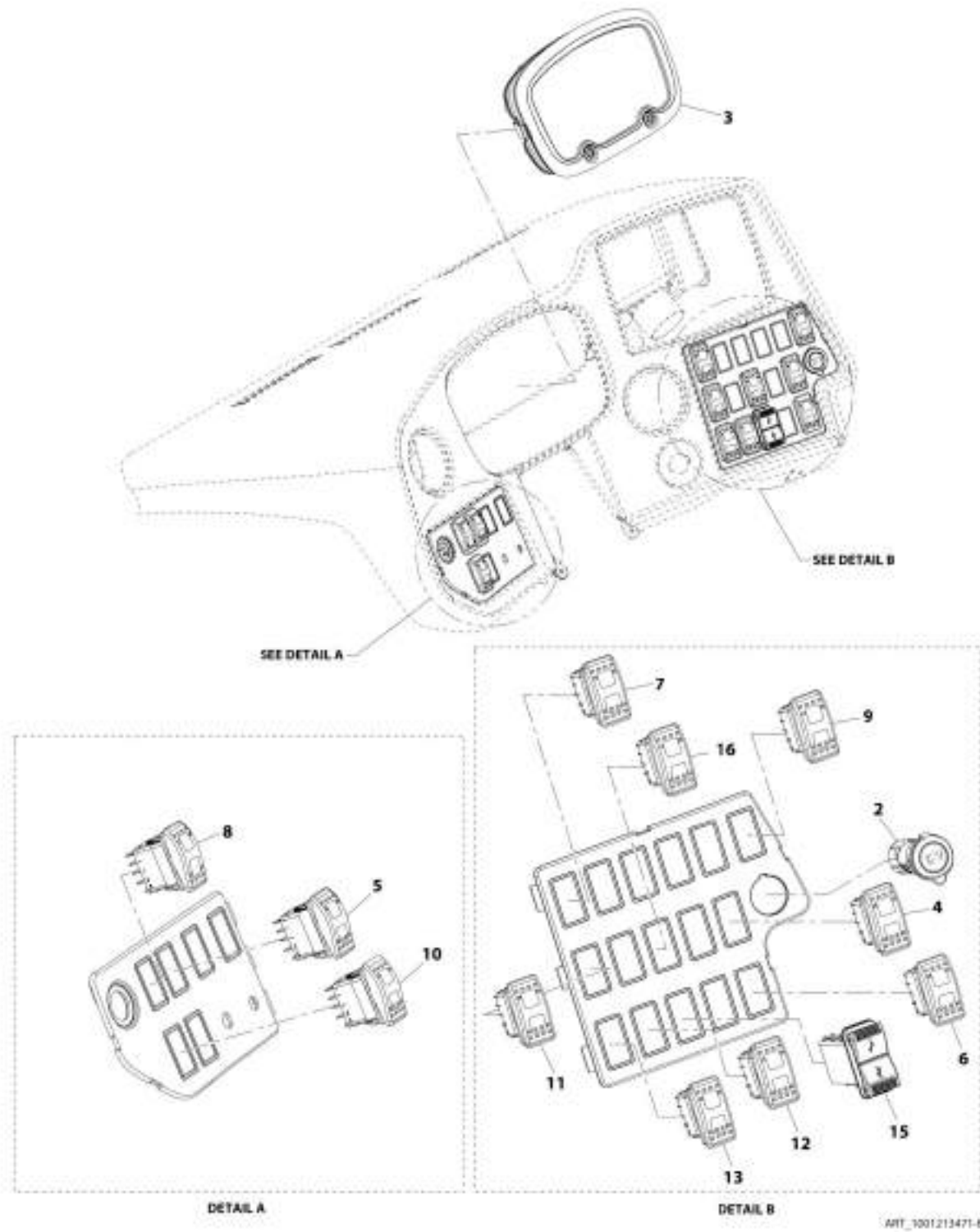
## SECTION 10 - ELECTRICAL

**FIGURE 10-16. DASH ELECTRICS INSTALLATION (ULS)**

ITEM	PART NUMBER	QTY	DESCRIPTION	REV
	1001185809	Ref	Dash Electrics Installation (ULS)	D
2	1001095804	1	Connector, 12V Power Socket	
3	1001158146	1	Cluster, Electrical Gauge	
4	1001104654	1	Switch, AUX Decomp	
5	1001159741	1	Switch, Constanst AUX	
6	1001163639	1	Switch, Driving Lights	
7	1001159737	1	Switch, Fog Lights	
8	1001189898	1	Switch, Framer/Loader	
9	1001159734	1	Switch, Hazard	
10	1001159742	1	Switch, LSI Override	
11	1001159735	1	Switch, Rear Wiper	
12	1001159743	1	Switch, Road Use	
13	1001159849	1	Switch, Steer Mode	
15	1001174712	1	Switch, USB Charger	
16	1001159748	1	Switch, Bucket Mode	

# SECTION 10 - ELECTRICAL

## FIGURE 10-17. DASH ELECTRICS INSTALLATION (LS)



ART\_1001213471-B



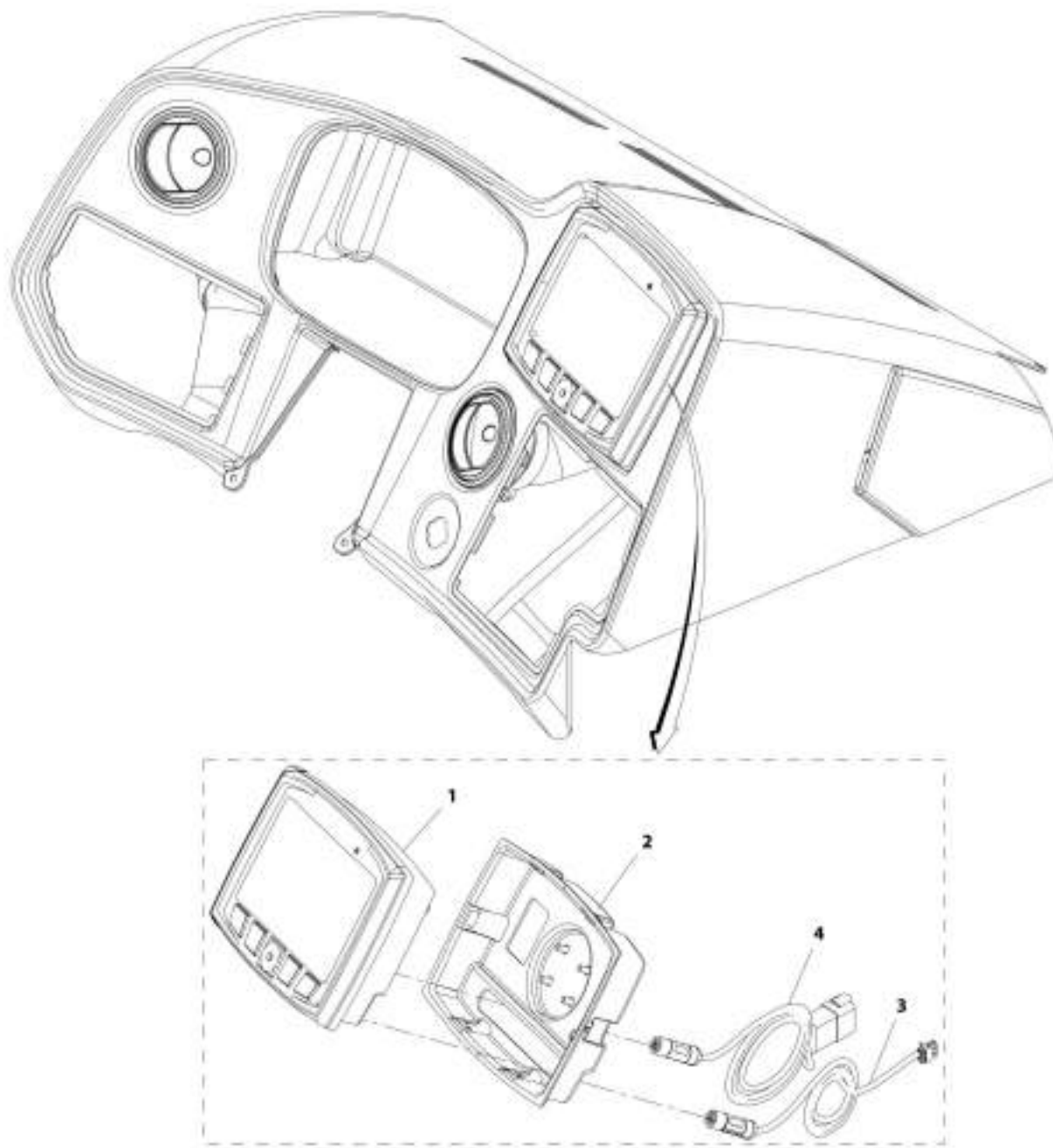
## SECTION 10 - ELECTRICAL

**FIGURE 10-17. DASH ELECTRICS INSTALLATION (LS)**

ITEM	PART NUMBER	QTY	DESCRIPTION	REV
	1001213471	Ref	Dash Electrics Installation (LS)	B
2	1001095804	1	Connector, 12V Power Socket	
3	1001202454	1	Gauge (LS)	
4	1001104654	1	Switch, AUX Decomp	
5	1001159741	1	Switch, Constanst AUX	
6	1001163639	1	Switch, Driving Lights	
7	1001159737	1	Switch, Fog Lights	
8	1001189898	1	Switch, Framer/Loader	
9	1001159734	1	Switch, Hazard	
10	1001159742	1	Switch, LSI Override	
11	1001159735	1	Switch, Rear Wiper	
12	1001159743	1	Switch, Road Use	
13	1001159849	1	Switch, Steer Mode	
15	1001174712	1	Switch, USB Charger	
16	1001159748	1	Switch, Bucket Mode	

# SECTION 10 - ELECTRICAL

## FIGURE 10-18. MULTIFUNCTION DISPLAY INSTALLATION



AFE\_1001176336-0

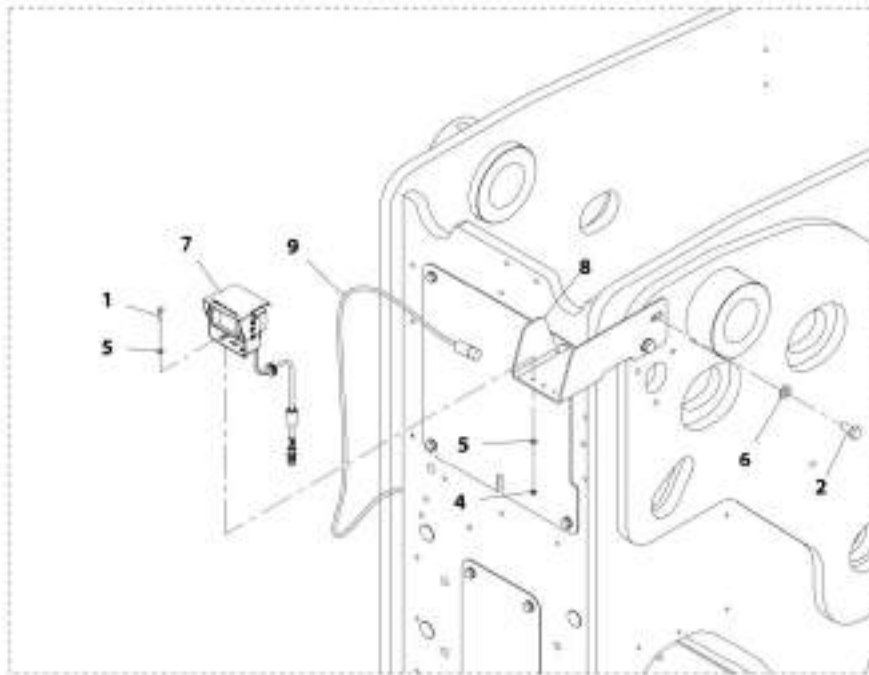
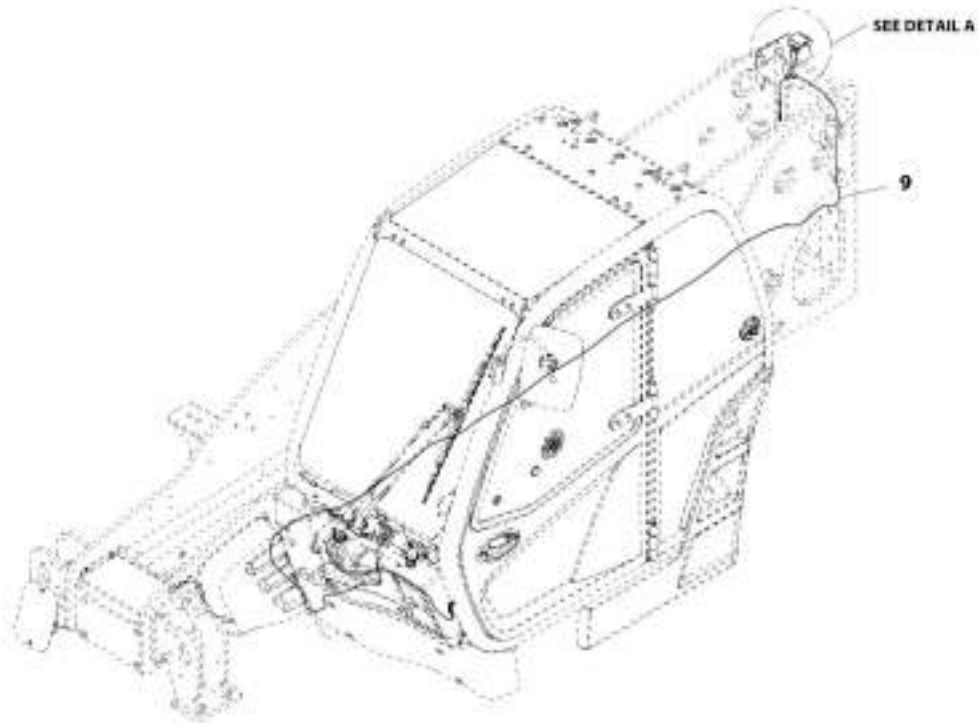
## SECTION 10 - ELECTRICAL

### FIGURE 10-18. MULTIFUNCTION DISPLAY INSTALLATION

ITEM	PART NUMBER	QTY	DESCRIPTION	REV
	1001176338	Ref	Multifunction Display Installation	B
1	1001211357	1	Display	
2	1001178783	1	Bezel	
3	1001180682	1	Cable	
4	1001180683	1	Cable, Video	

# SECTION 10 - ELECTRICAL

## FIGURE 10-19. REVERSE CAMERA INSTALLATION (TRAILER BRAKES)



DETAIL A

ART\_3001160225-B

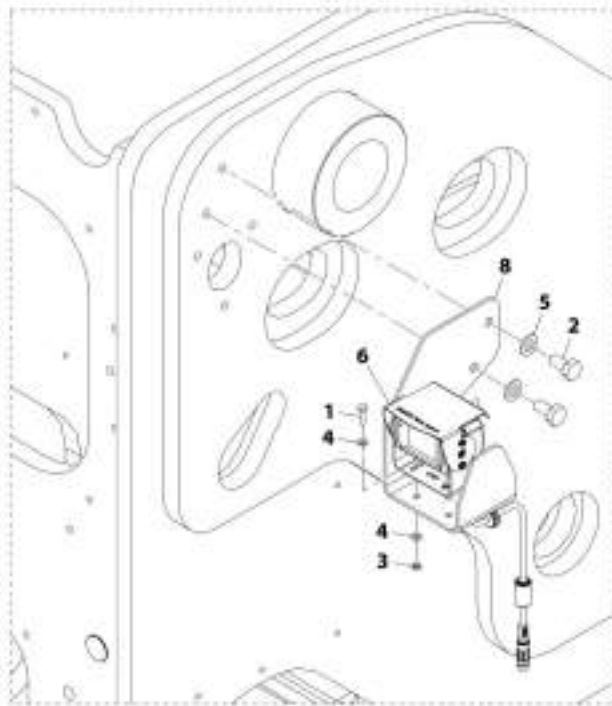
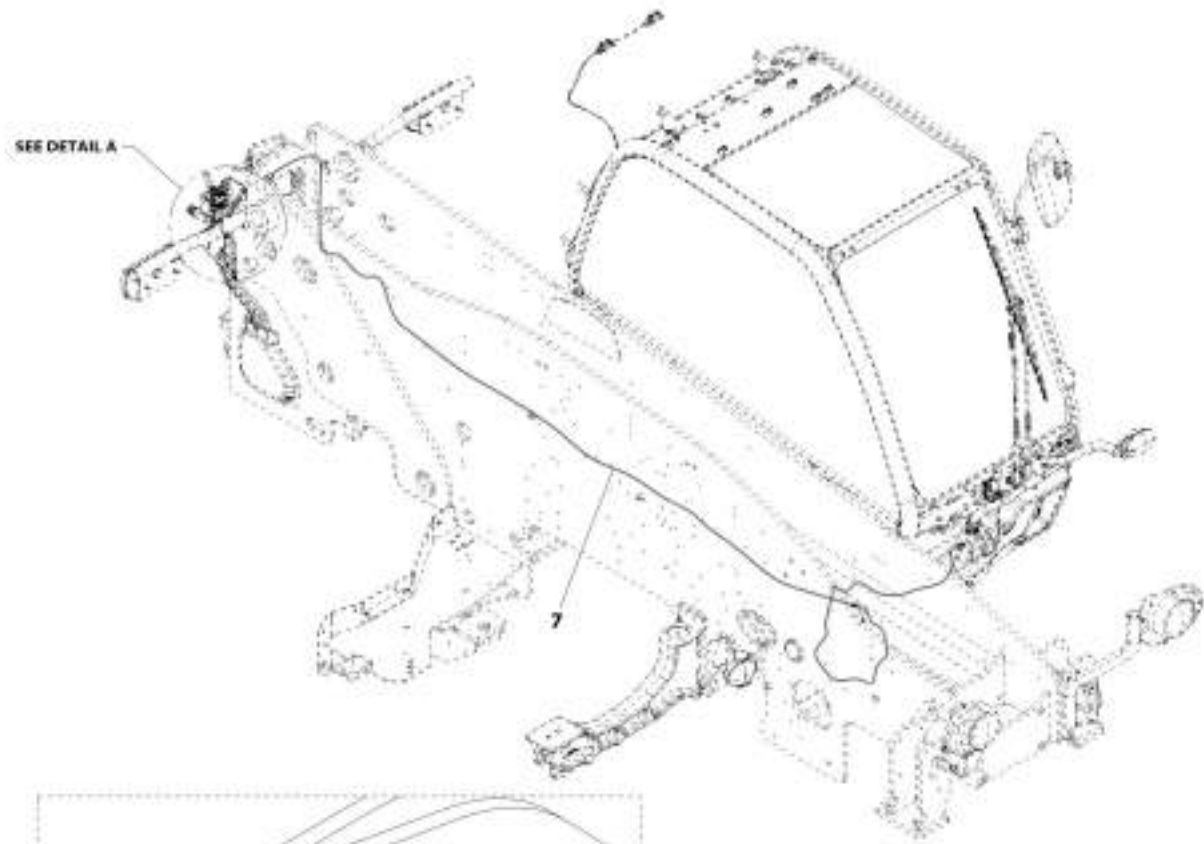
## SECTION 10 - ELECTRICAL

**FIGURE 10-19. REVERSE CAMERA INSTALLATION (TRAILER BRAKES)**

ITEM	PART NUMBER	QTY	DESCRIPTION	REV
	1001190225	Ref	Reverse Camera Installation (Trailer Brakes)	B
1	0700408	2	Bolt, M4X16	
2	0761010	2	Bolt, M10X20	
4	3290401	2	Nut, M4X0.7	
5	4811400	4	Washer, M4	
6	4812000	2	Washer, M10	
7	1001167017	1	Camera	
8	1001202293	1	Bracket	
9	1001202558	1	Cable	

# SECTION 10 - ELECTRICAL

## FIGURE 10-20. REVERSE CAMERA INSTALLATION (NO TRAILER BRAKES)



DETAIL A

ART\_1001217625-B

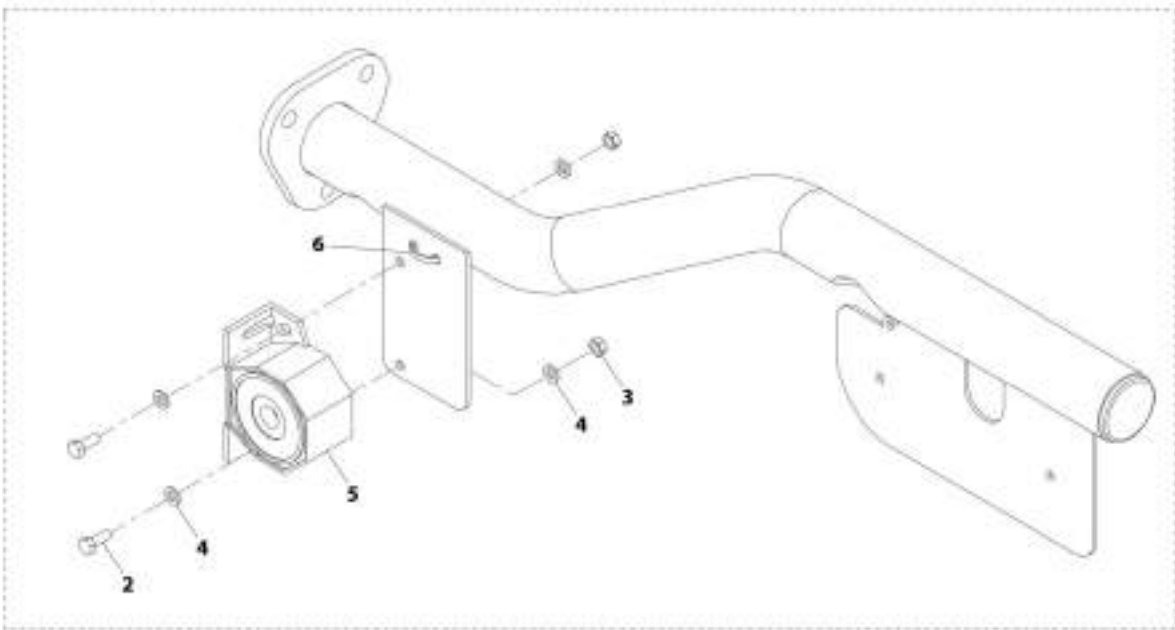
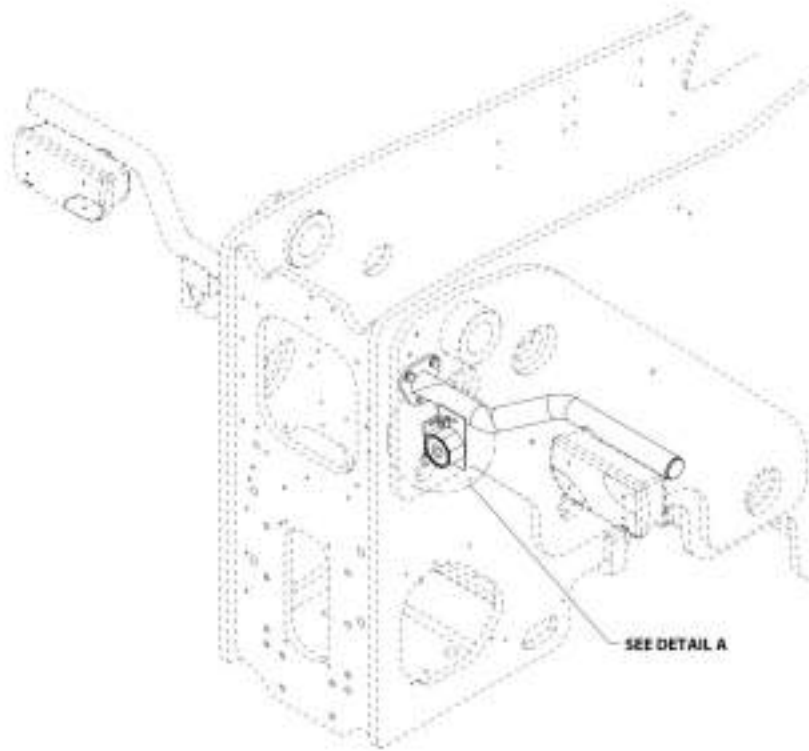
## SECTION 10 - ELECTRICAL

**FIGURE 10-20. REVERSE CAMERA INSTALLATION (NO TRAILER BRAKES)**

ITEM	PART NUMBER	QTY	DESCRIPTION	REV
	1001217635	Ref	Reverse Camera Installation (No Trailer Brakes)	B
1	0700408	2	Bolt, M4X16	
2	0761010	2	Bolt, M10X20	
3	3290401	2	Nut, M4X0.7	
4	4811400	4	Washer, M4	
5	4812000	2	Washer, M10	
6	1001167017	1	Camera	
7	1001202558	1	Cable, Reverse Camera	
8	1001222519	1	Bracket	

# SECTION 10 - ELECTRICAL

## FIGURE 10-21. REVERSE ALARM INSTALLATION



DETAIL A

AMT\_1001183596-D



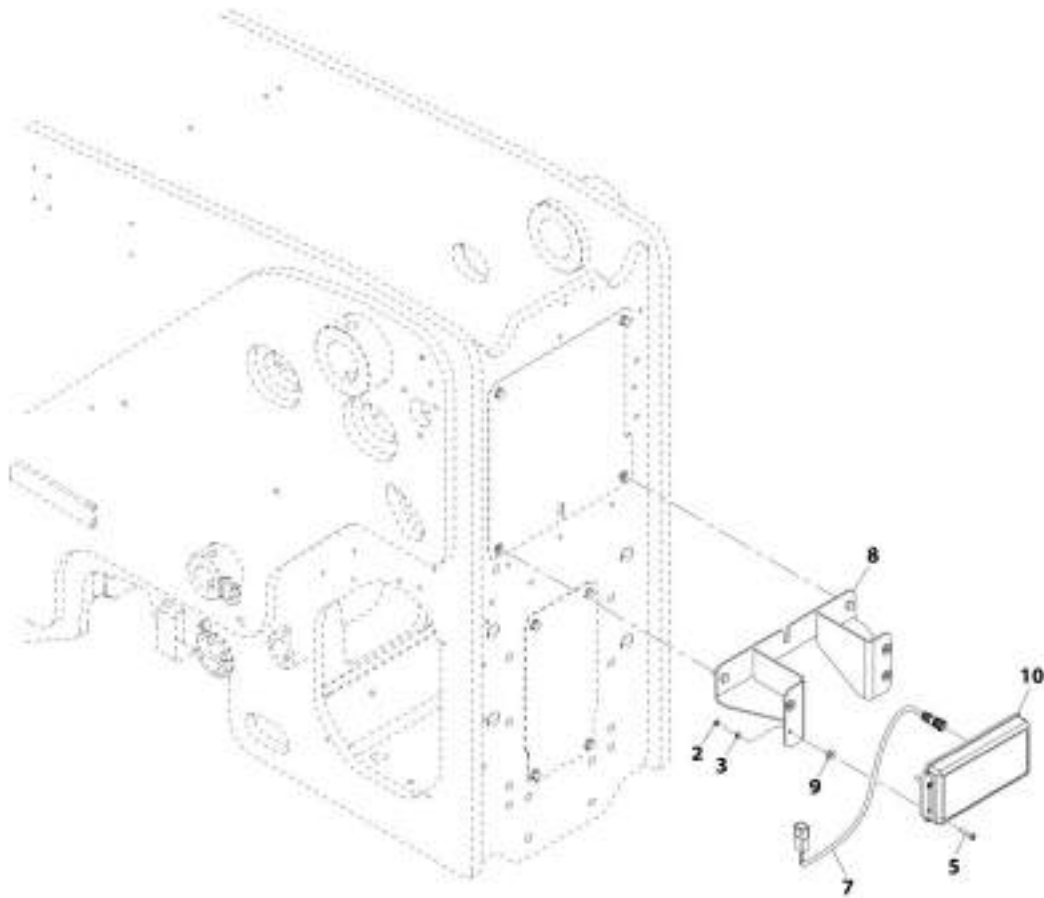
## SECTION 10 - ELECTRICAL

### FIGURE 10-21. REVERSE ALARM INSTALLATION

ITEM	PART NUMBER	QTY	DESCRIPTION	REV
	1001183596	Ref	Reverse Alarm Installation	D
2	0760608	2	Bolt, M6X16	
3	3290601	2	Nut, M6X1	
4	4811700	4	Washer, M6	
5	1001147060	1	Alarm, Reverse	
6	1001008559	1	Strap, Cable	

# SECTION 10 - ELECTRICAL

FIGURE 10-22. REVERSE SENSOR INSTALLATION (NO HYDRAULIC HITCH)



AWT\_1001196227-C

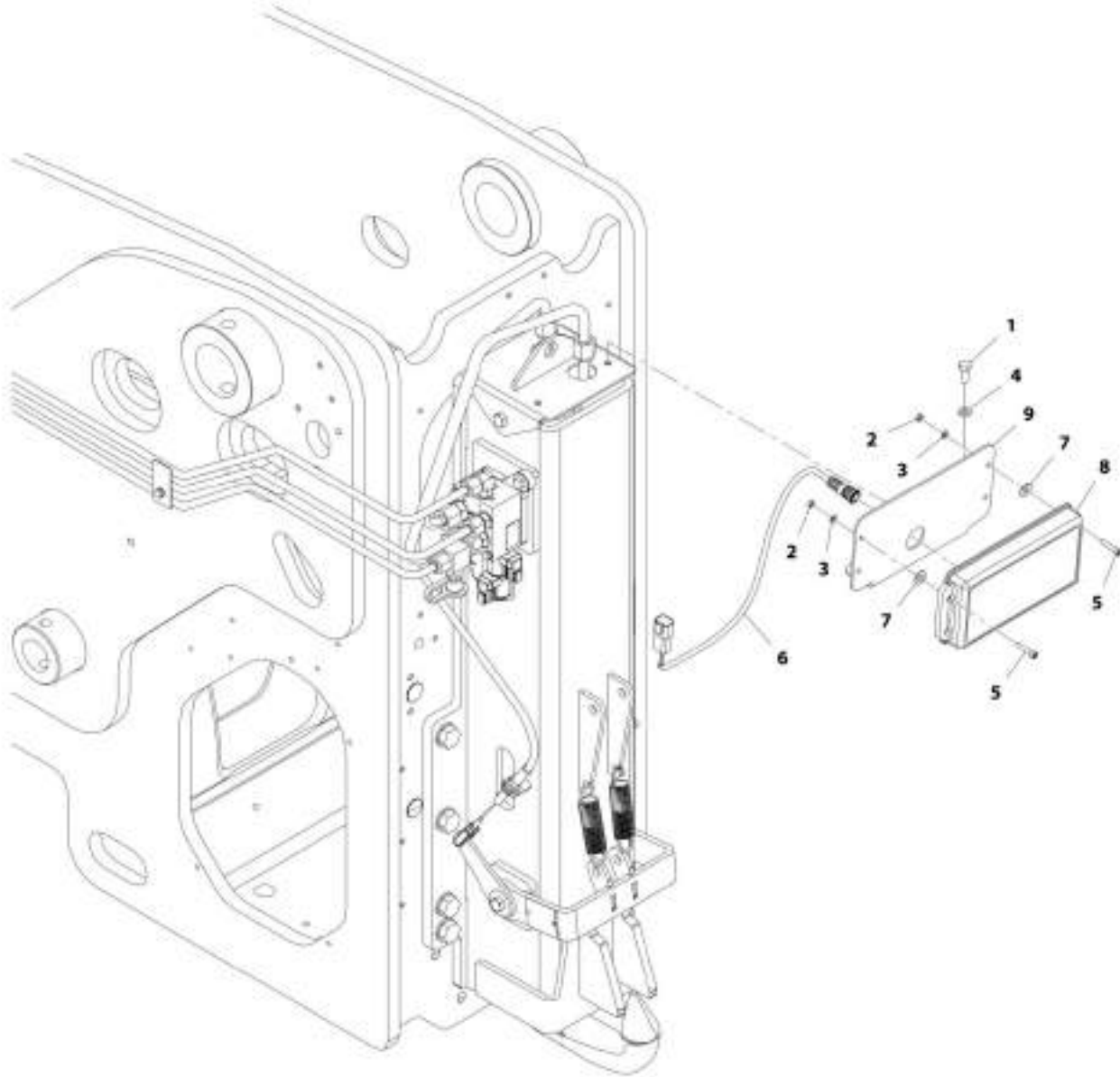
## SECTION 10 - ELECTRICAL

**FIGURE 10-22. REVERSE SENSOR INSTALLATION (NO HYDRAULIC HITCH)**

ITEM	PART NUMBER	QTY	DESCRIPTION	REV
	1001190227	Ref	Reverse Sensor Installation (No Hydraulic Hitch)	C
2	3290501	4	Nut, M5X0.8	
3	4811600	4	Washer, M5	
5	5271609	4	Screw, M5X25	
7	1001175776	1	Harness, Reverse Sensor (See Separate Breakdown in this Section)	
8	1001202288	1	Bracket	
9	1001181921	4	Washer, Rubber M8	
10	1001189997	1	Sensor, Reverse	

# SECTION 10 - ELECTRICAL

## FIGURE 10-23. REVERSE SENSOR INSTALLATION (HYDRAULIC HITCH)



ART\_3001202395-C

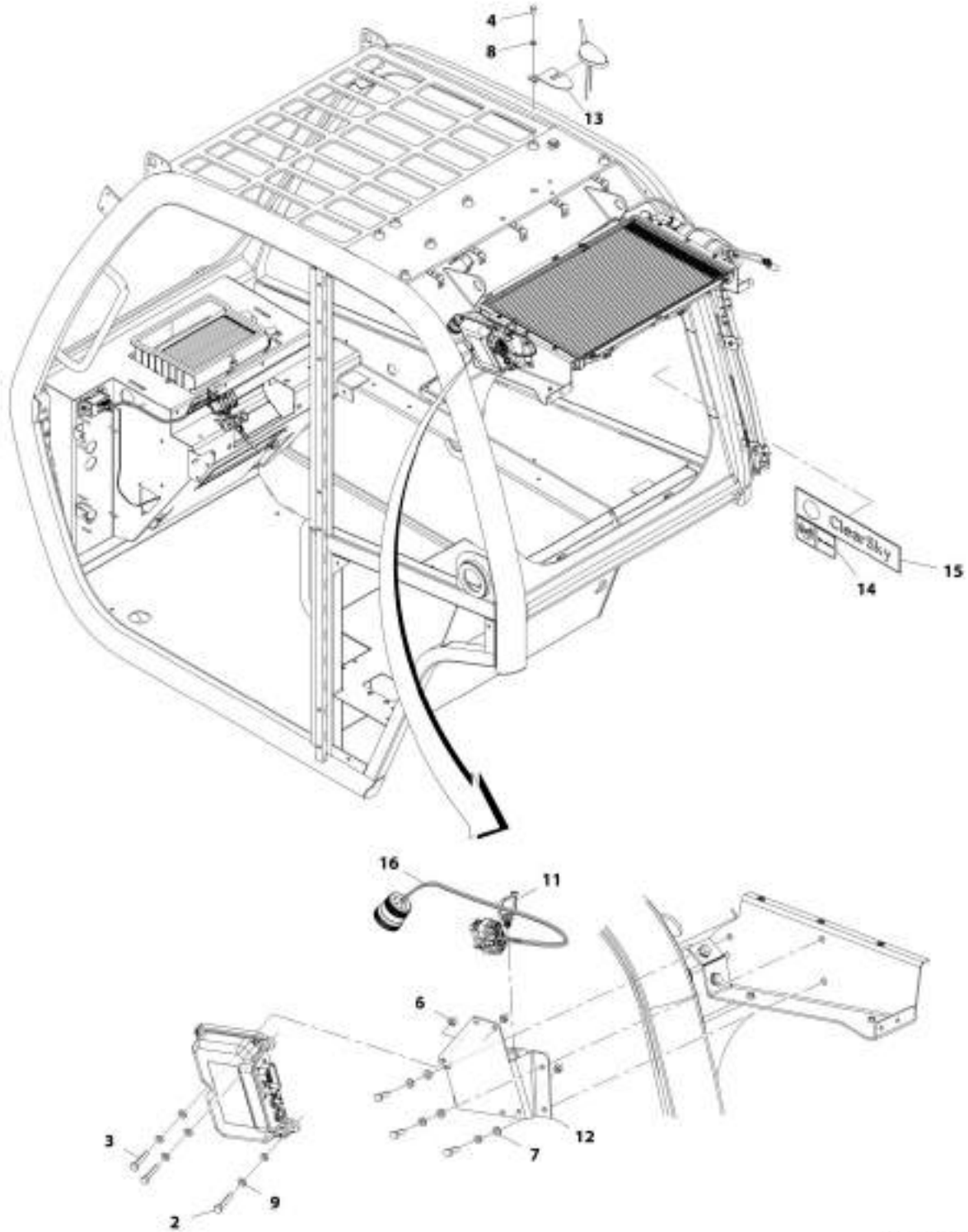
## SECTION 10 - ELECTRICAL

**FIGURE 10-23. REVERSE SENSOR INSTALLATION (HYDRAULIC HITCH)**

ITEM	PART NUMBER	QTY	DESCRIPTION	REV
	1001202395	Ref	Reverse Sensor Installation (Hydraulic Hitch)	C
1	0760810	2	Bolt, M8X20	
2	3290501	4	Nut, M5X0.8 Grade 8	
3	4811600	4	Washer, M5	
4	4811900	2	Washer, M8	
5	5271609	4	Screw, M12.9	
6	1001175776	1	Harness, Reverse Sensor (See Separate Breakdown in this Section)	
7	1001181921	4	Washer, Rubber M8	
8	1001189997	1	Sensor, Reverse	
9	1001202286	1	Bracket	

# SECTION 10 - ELECTRICAL

## FIGURE 10-24. CLEARSKY INSTALLATION (A/C - LONG ROOF CAP)



ART\_1001174366-F

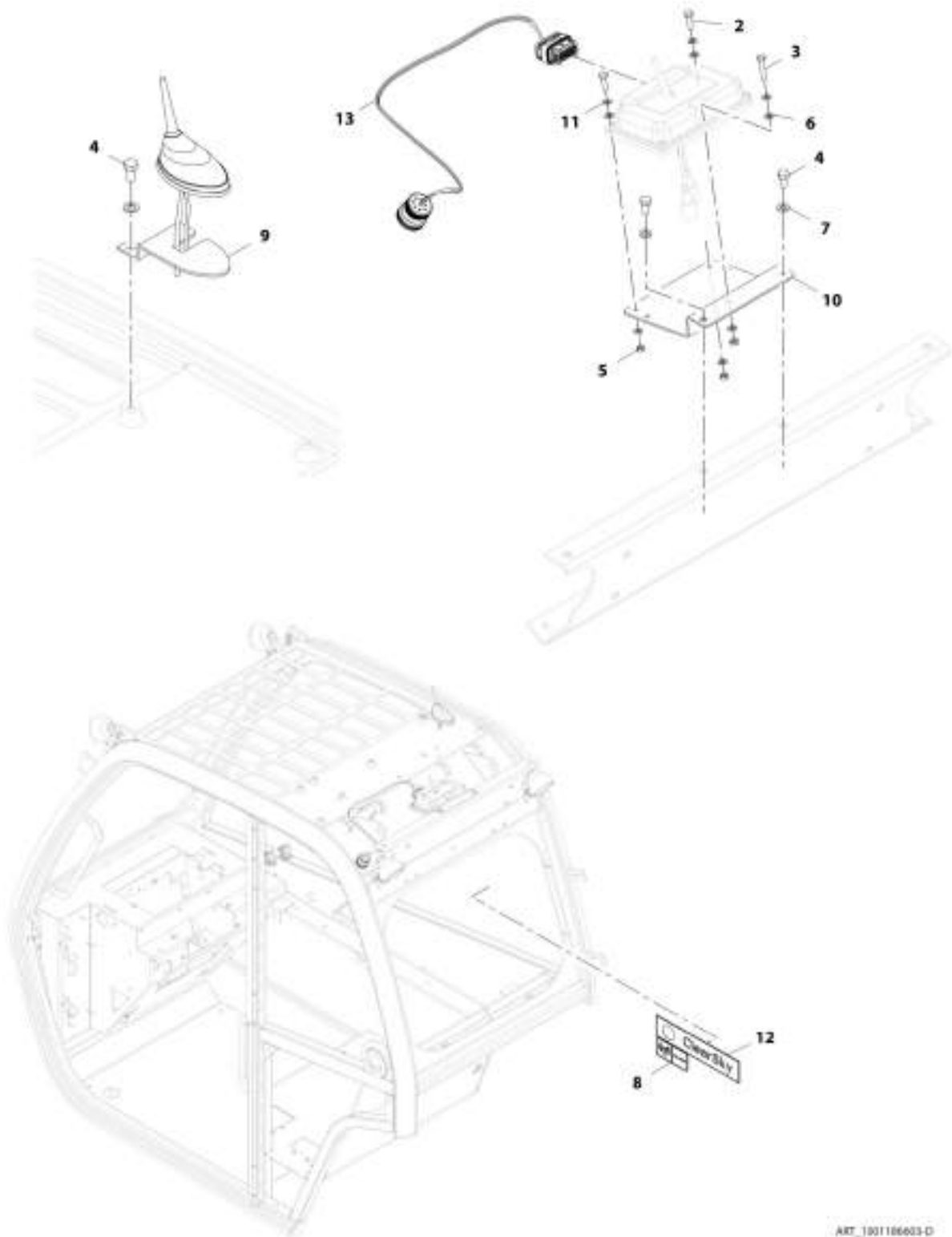
## SECTION 10 - ELECTRICAL

**FIGURE 10-24. CLEARSKY INSTALLATION (A/C - LONG ROOF CAP)**

ITEM	PART NUMBER	QTY	DESCRIPTION	REV
	1001174368	Ref	Clearsky Installation (A/C - Long Roof Cap)	F
2	0700610	5	Bolt, M6X20	
3	0700614	1	Bolt, M6X30	
4	0760808	1	Bolt, M8X16	
6	3290601	3	Nut, M6X1 Grade 8	
7	4811700	6	Washer, M6	
8	4811900	1	Washer, M8	
9	4831700	6	Washer, Lock M6	
11	1001146588	1	Strap, Cable	
12	1001220947	1	Bracket	
13	1001174372	1	Bracket, Antenna	
14	1001120989	1	Decal, Radio Frequency	
15	1001116208	1	Decal, Clearsky	
16	1001196452	1	Harness, Clearsky (See Separate Breakdown in this Section)	

# SECTION 10 - ELECTRICAL

## FIGURE 10-25. CLEARSKY INSTALLATION (NO A/C - SHORT ROOF CAP)



ART\_100106603-D



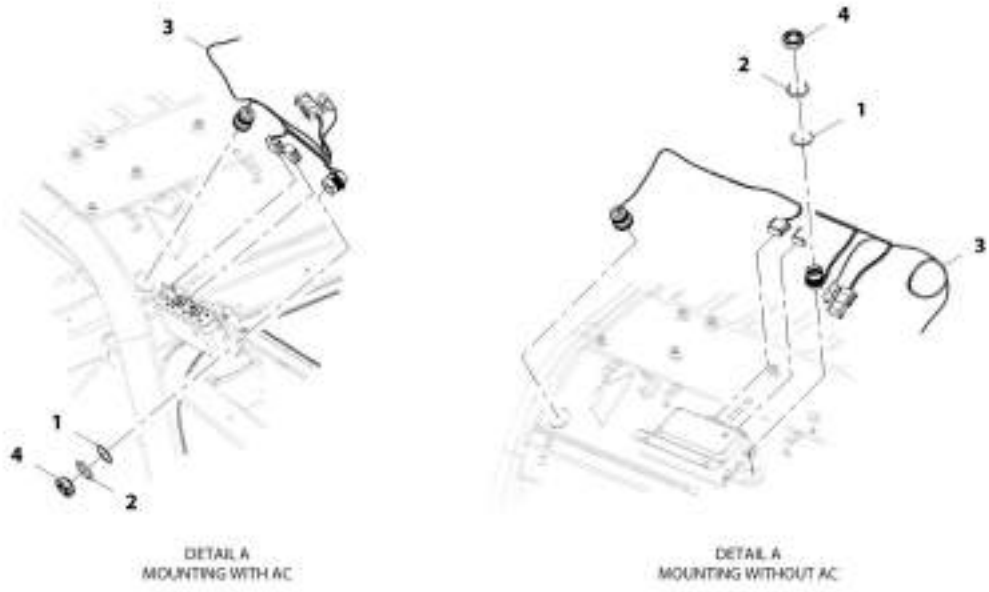
## SECTION 10 - ELECTRICAL

**FIGURE 10-25. CLEARSKY INSTALLATION (NO A/C - SHORT ROOF CAP)**

ITEM	PART NUMBER	QTY	DESCRIPTION	REV
	1001186603	Ref	Clearsky Installation (No A/C - Short Roof Cap)	D
2	0700610	2	Bolt, M6X20	
3	0700614	1	Bolt, M6X30	
4	0760808	3	Bolt, M8X16	
5	3290601	3	Nut, M6X1 Grade 8	
6	4811700	6	Washer, M6	
7	4811900	3	Washer, M8	
8	1001120989	1	Decal, Radio Frequency	
9	1001174372	1	Bracket, Antenna	
10	1001185722	1	Bracket	
11	4831700	3	Washer, Lock M6	
12	1001116208	1	Decal, Clearsky	
13	1001196452	1	Harness, Clearsky (See Separate Breakdown in this Section)	

# SECTION 10 - ELECTRICAL

## FIGURE 10-26. TELEMATICS INSTALLATION (A/C - ULS)



AWT\_3001216011-A

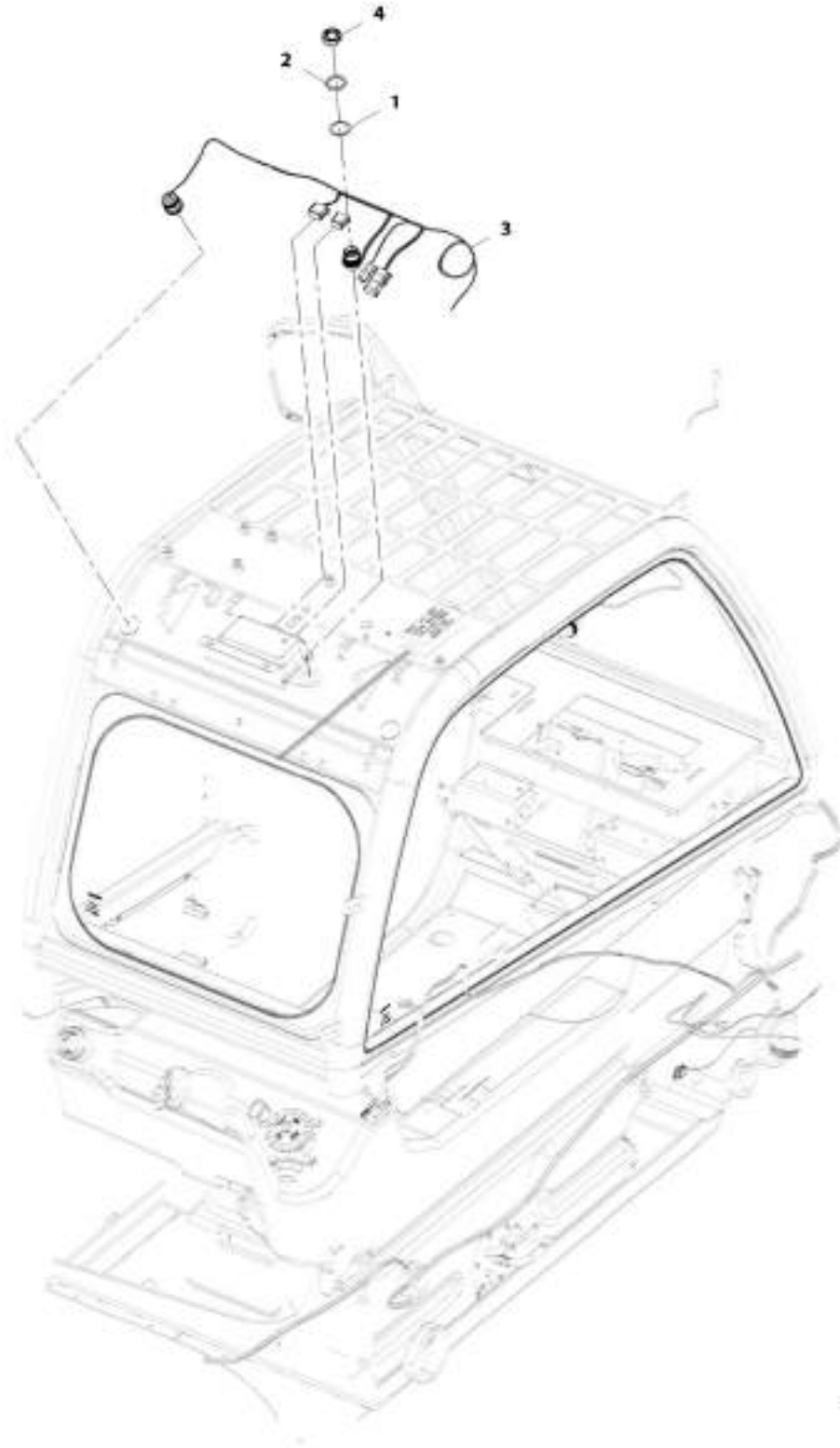
## SECTION 10 - ELECTRICAL

### FIGURE 10-26. TELEMATICS INSTALLATION (A/C - ULS)

ITEM	PART NUMBER	QTY	DESCRIPTION	REV
	1001216611	Ref	Telematics Installation (A/C - ULS)	A
1	4460496	1	Washer, Terminal Lock	
2	4460497	1	Nut, Terminal	
3	1001196898	1	Harness, Telematics (A/C) (See Separate Breakdown in this Section)	
4	1001202134	1	Cap	

# SECTION 10 - ELECTRICAL

## FIGURE 10-27. TELEMATICS INSTALLATION (A/C - LS)



AWT\_300121M12-A

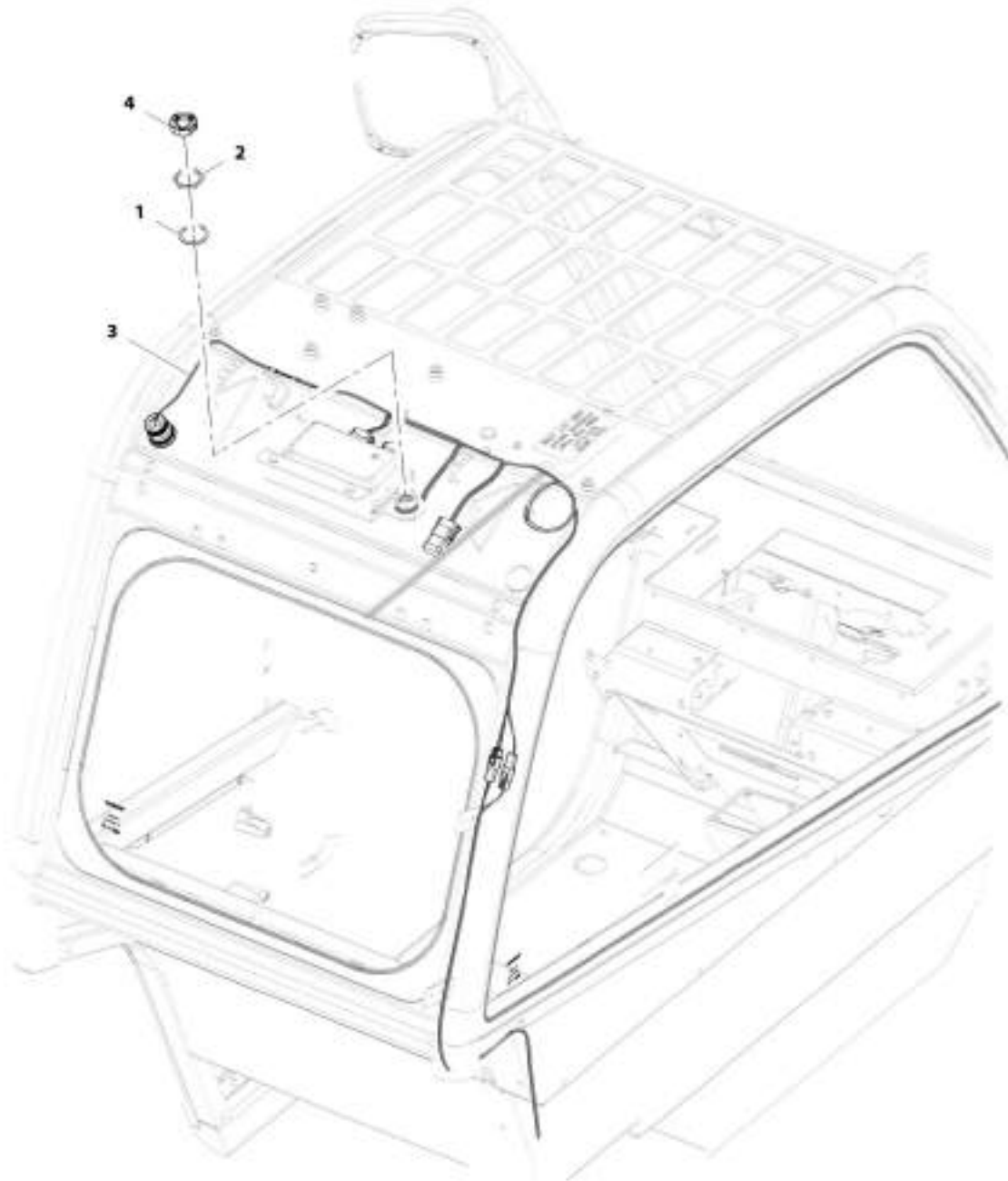
## SECTION 10 - ELECTRICAL

### FIGURE 10-27. TELEMATICS INSTALLATION (A/C - LS)

ITEM	PART NUMBER	QTY	DESCRIPTION	REV
	1001216612	Ref	Telematics Installation (A/C - LS)	A
1	4460496	1	Washer, Terminal Lock	
2	4460497	1	Nut, Terminal	
3	1001196899	1	Harness, Telematics (A/C) (See Separate Breakdown in this Section)	
4	1001202134	1	Cap	

# SECTION 10 - ELECTRICAL

FIGURE 10-28. TELEMATICS INSTALLATION (NO A/C - ULS)



AWT\_1001216013-B

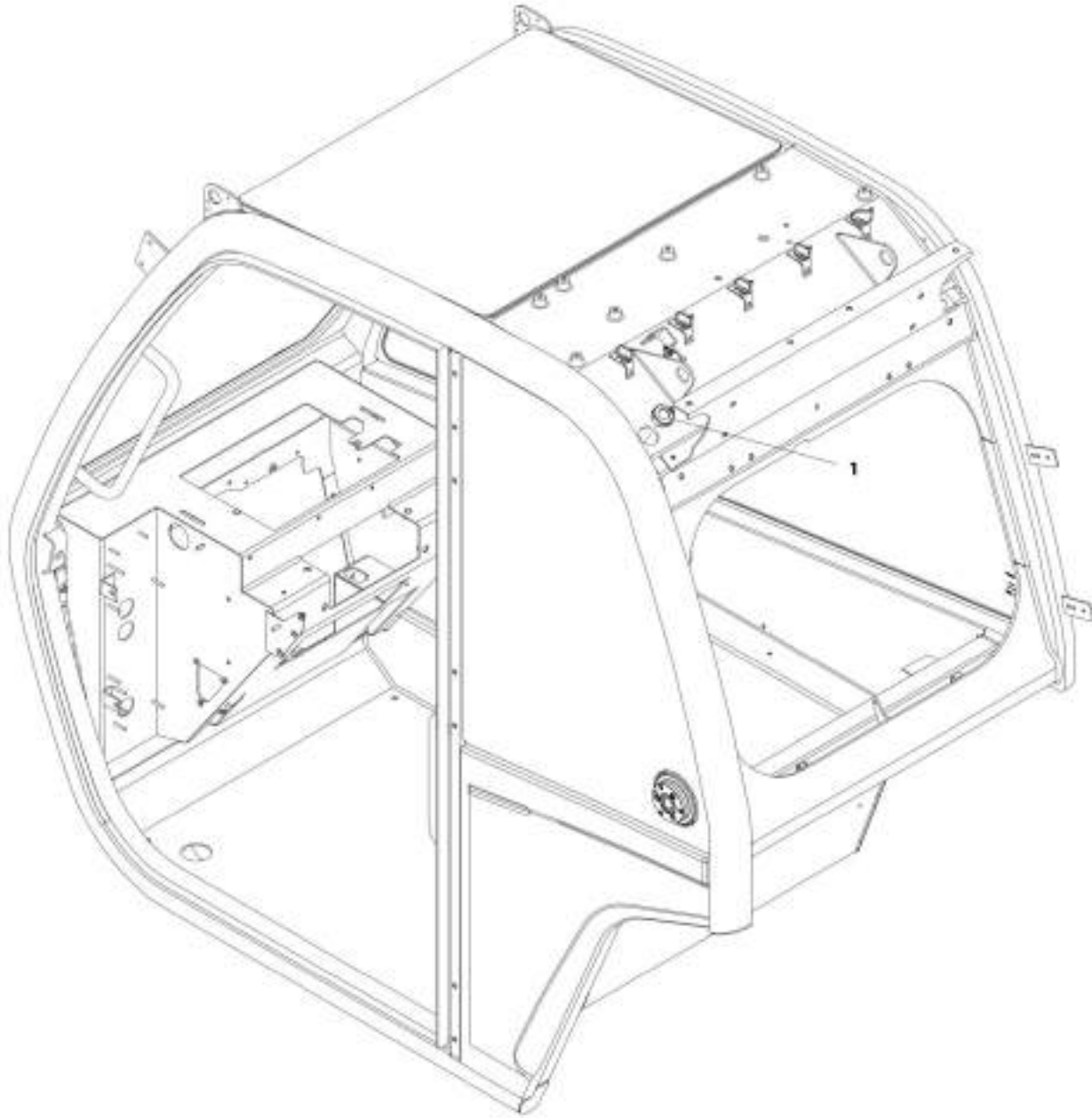
## SECTION 10 - ELECTRICAL

**FIGURE 10-28. TELEMATICS INSTALLATION (NO A/C - ULS)**

ITEM	PART NUMBER	QTY	DESCRIPTION	REV
	1001216613	Ref	Telematics Installation (No A/C - ULS)	A
1	4460496	1	Washer, Terminal Lock	
2	4460497	1	Nut, Terminal	
3	1001196900	1	Harness, Telematics (No A/C) (See Separate Breakdown in this Section)	
4	1001202134	1	Cap	

# SECTION 10 - ELECTRICAL

## FIGURE 10-29. TELEMATICS CAP INSTALLATION



ART\_1001201361-A



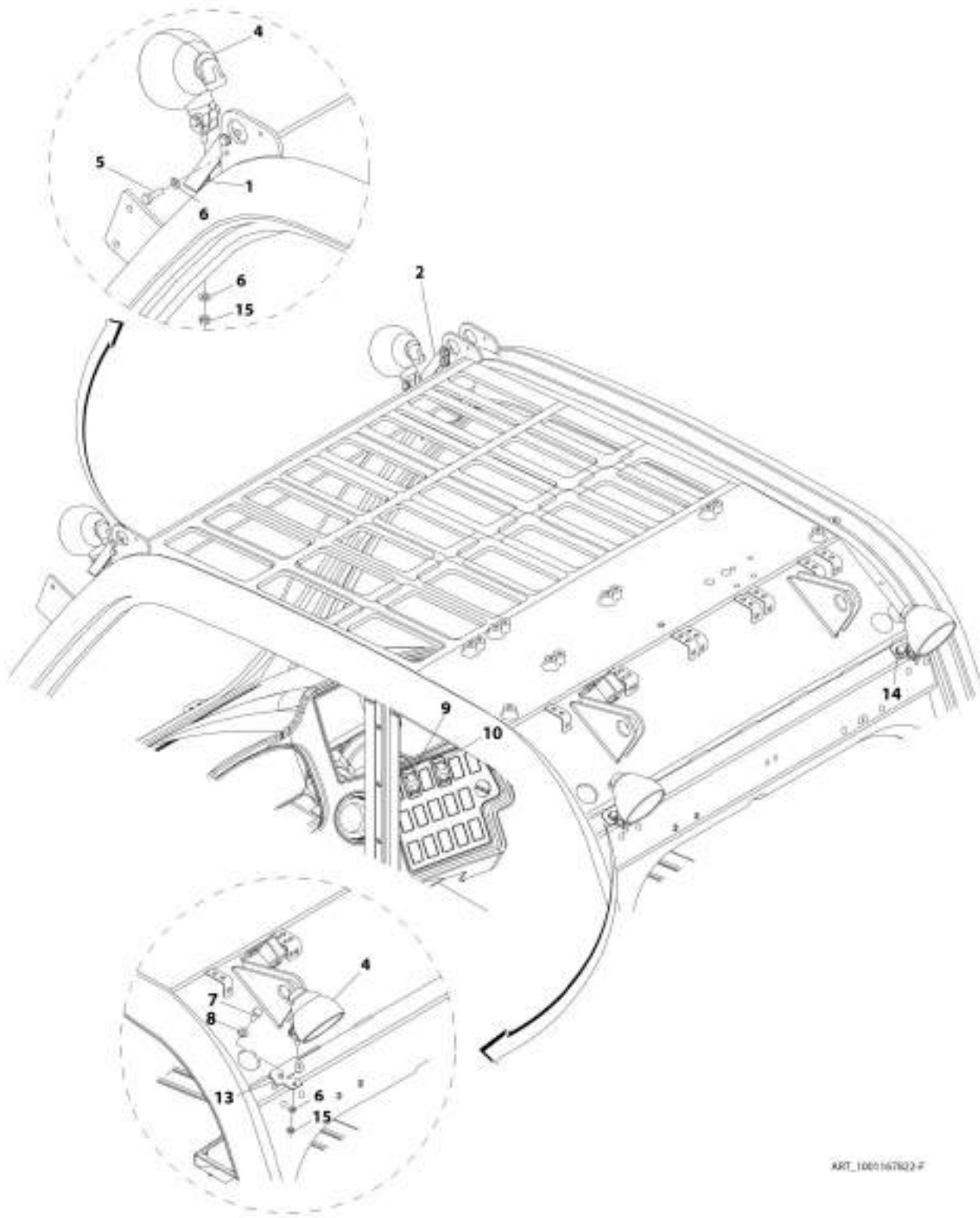
## SECTION 10 - ELECTRICAL

### FIGURE 10-29. TELEMATICS CAP INSTALLATION

ITEM	PART NUMBER	QTY	DESCRIPTION	REV
1	1001201161 1001201162	Ref 1	Telematics Cap Installation Cap	A

# SECTION 10 - ELECTRICAL

FIGURE 10-30. CAB WORKLIGHTS INSTALLATION (NO A/C)



ART\_100167822-F

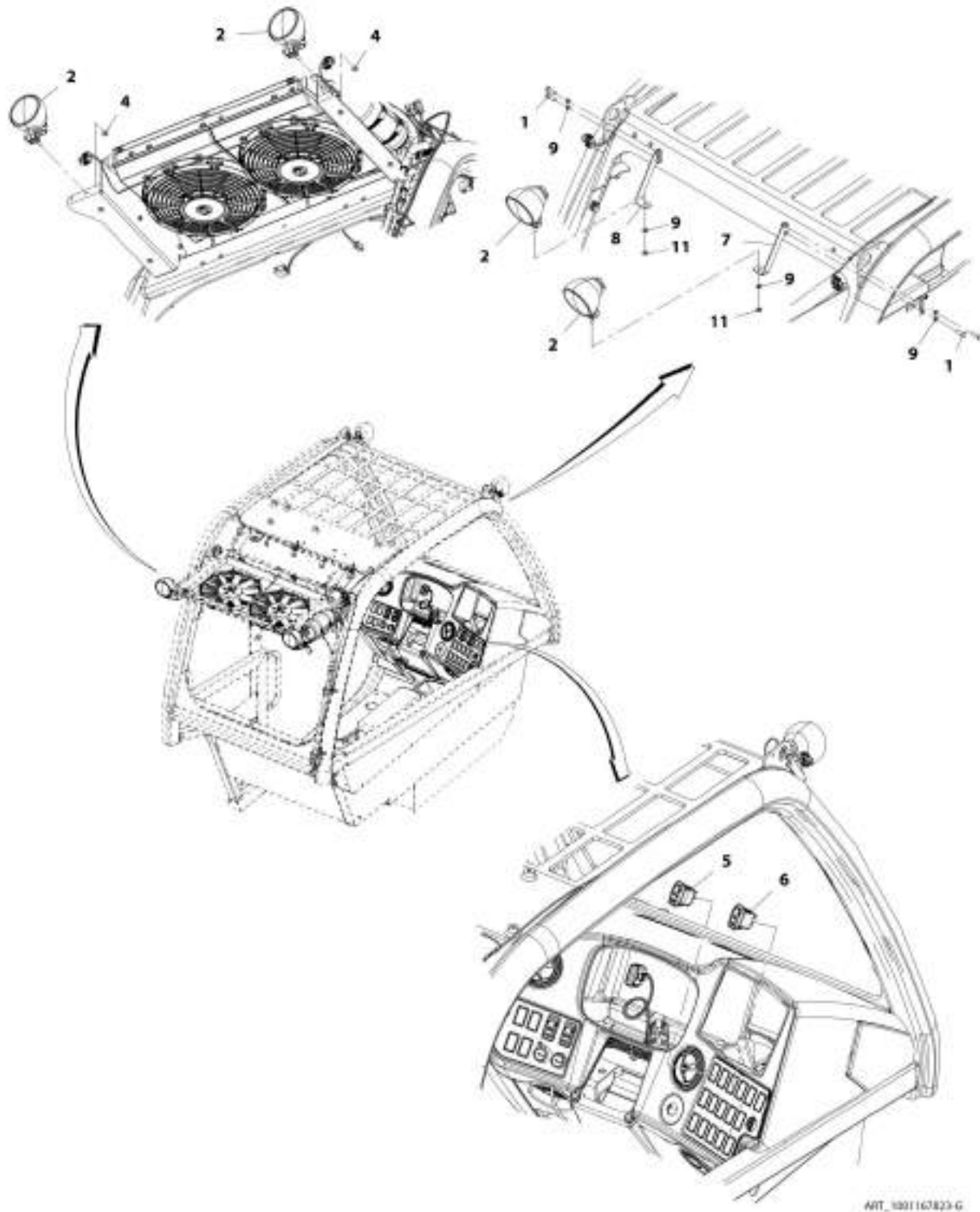
## SECTION 10 - ELECTRICAL

### FIGURE 10-30. CAB WORKLIGHTS INSTALLATION (NO A/C)

ITEM	PART NUMBER	QTY	DESCRIPTION	REV
	1001167822	Ref	Cab Worklights Installation (No A/C)	F
1	1001186567	1	Bracket, Work Light LH	
2	1001186565	1	Bracket, Work Light RH	
4	2920206	4	Worklight	
5	0700610	4	Bolt, M6X20	
6	4811700	8	Washer, M6	
7	0760810	2	Bolt, M8X20	
8	4811900	2	Washer, M8	
9	1001159845	1	Switch, Front Worklights	
10	1001159846	1	Switch, Rear Worklights	
13	1001183888	1	Bracket, Work Light LH	
14	1001183890	1	Bracket, Work Light RH	
15	3290601	4	Nut, M6X1 Grade 8	

# SECTION 10 - ELECTRICAL

## FIGURE 10-31. CAB WORKLIGHTS INSTALLATION (A/C)



ART\_1001167823-G

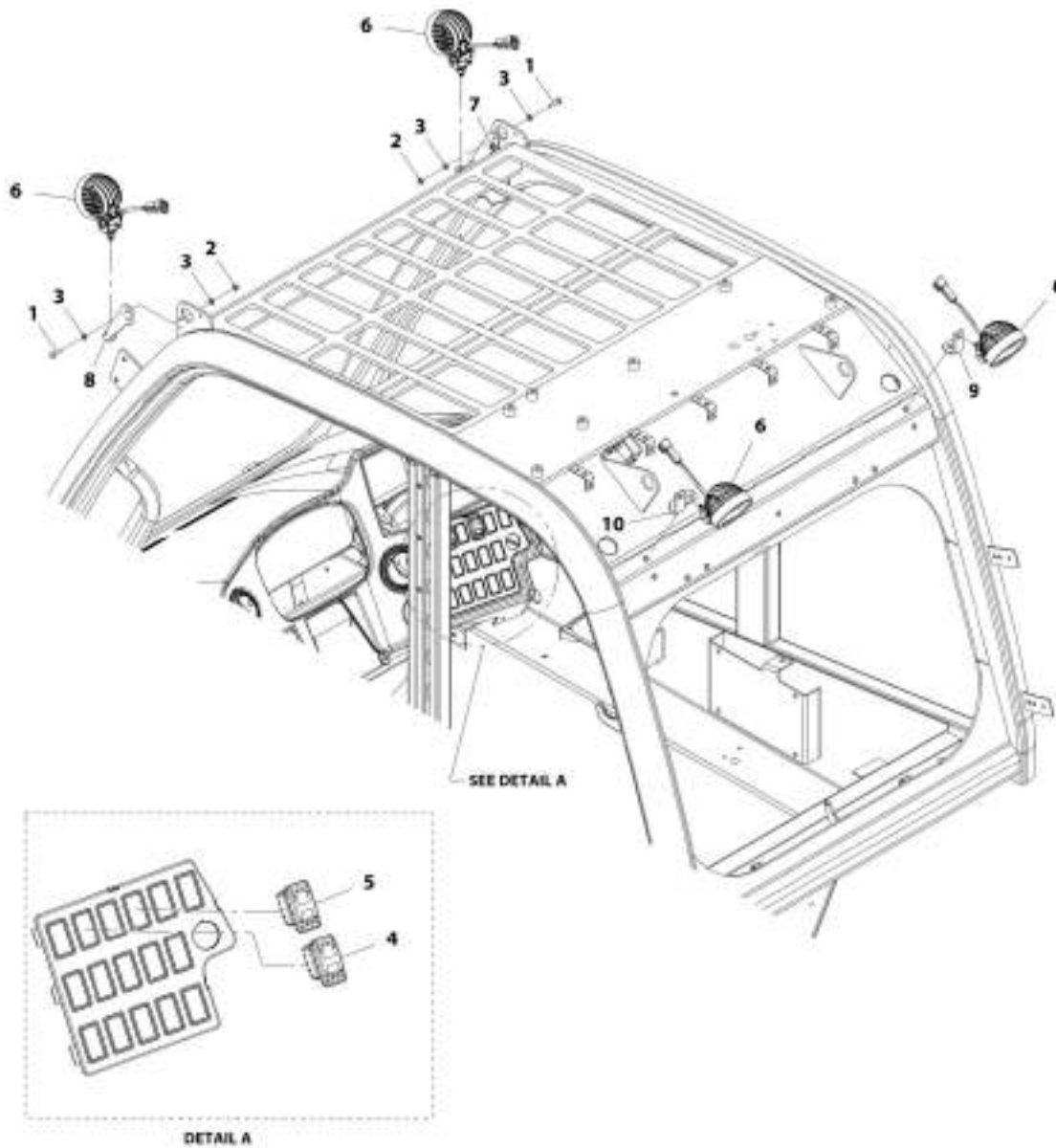
## SECTION 10 - ELECTRICAL

### FIGURE 10-31. CAB WORKLIGHTS INSTALLATION (A/C)

ITEM	PART NUMBER	QTY	DESCRIPTION	REV
	1001167823	Ref	Cab Worklights Installation (A/C)	G
1	0700610	4	Bolt, M6X20	
2	2920206	4	Worklight	
4	5220600	2	Nut, M6	
5	1001159845	1	Switch, Front Worklights	
6	1001159846	1	Switch, Rear Worklights	
7	1001186567	1	Bracket, Work Light LH	
8	1001186565	1	Bracket, Work Light RH	
9	4811700	6	Washer, M6	
11	3290601	2	Nut, M6X1 Grade 8	

# SECTION 10 - ELECTRICAL

## FIGURE 10-32. CAB WORKLIGHTS INSTALLATION (NO A/C - LED)



ART\_1001200538-A

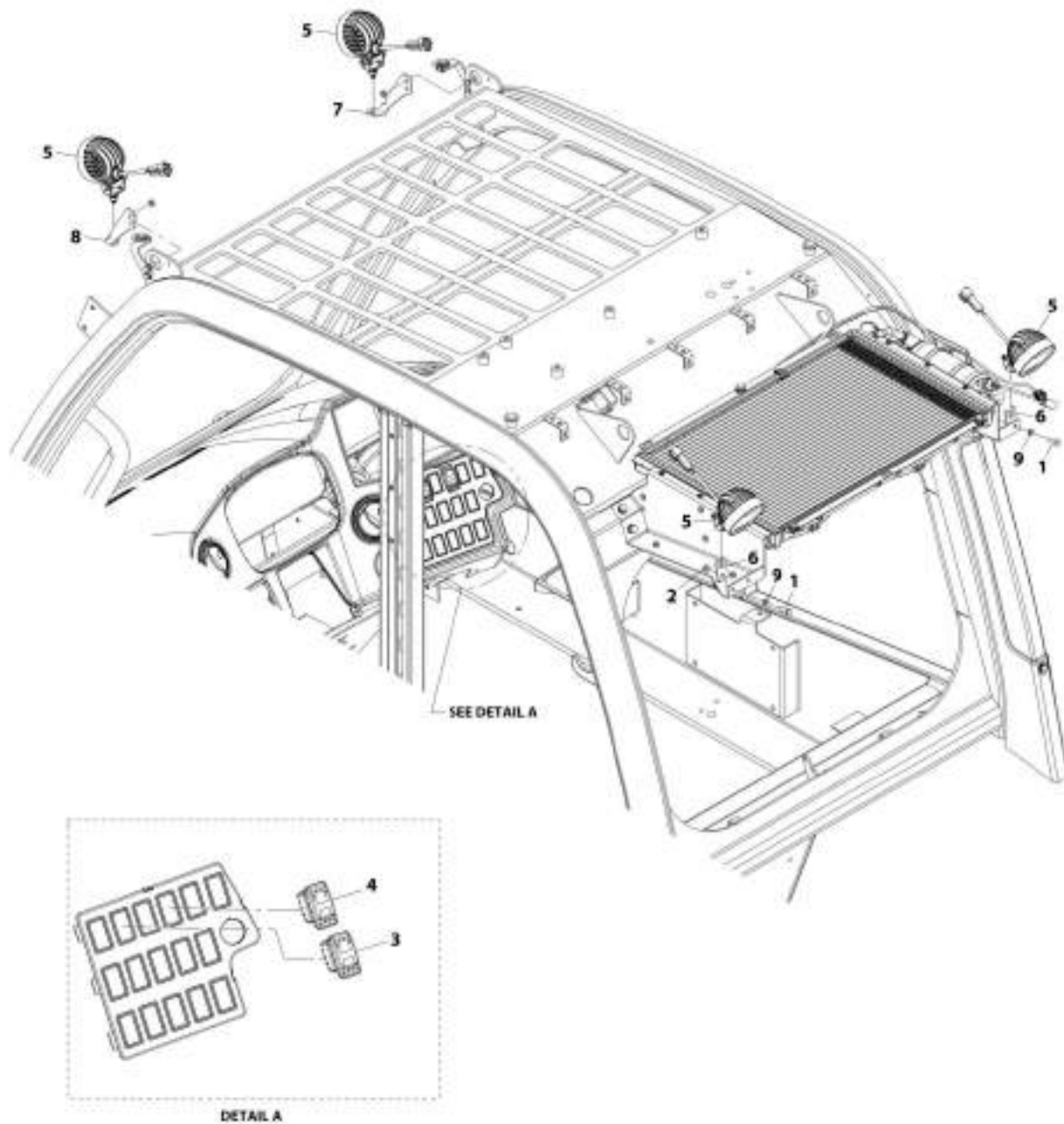
## SECTION 10 - ELECTRICAL

### FIGURE 10-32. CAB WORKLIGHTS INSTALLATION (NO A/C - LED)

ITEM	PART NUMBER	QTY	DESCRIPTION	REV
	1001200538	Ref	Cab Worklights Installation (No A/C - LED)	A
1	0700610	4	Bolt, M6X20	
2	3290601	4	Nut, M6X1	
3	4811700	8	Washer, M6	
4	1001159845	1	Switch, Front Worklights	
5	1001159846	1	Switch, Rear Worklights	
6	1001203640	4	Lamp, LED Work Light	
7	1001204444	1	Support, LED Work Light RH	
8	1001204445	1	Support, LED Work Light LH	
9	1001204528	1	Support, LED Work Light RH	
10	1001204530	1	Support, LED Work Light LH	

# SECTION 10 - ELECTRICAL

## FIGURE 10-33. CAB WORKLIGHTS INSTALLATION (A/C - LED)



ART\_1001200539-B



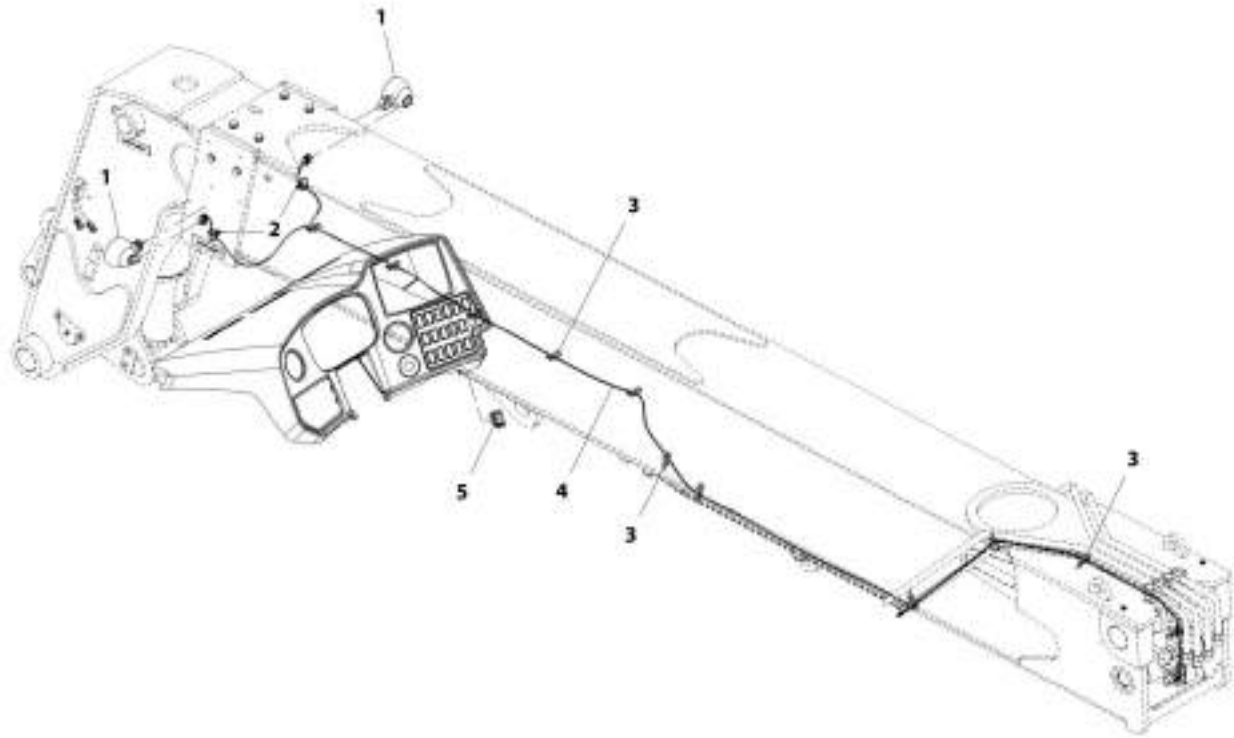
## SECTION 10 - ELECTRICAL

### FIGURE 10-33. CAB WORKLIGHTS INSTALLATION (A/C - LED)

ITEM	PART NUMBER	QTY	DESCRIPTION	REV
	1001200539	Ref	Cab Worklights Installation (A/C - LED)	B
1	0700610	2	Bolt, M6X20	
2	5220600	2	Nut, M6	
3	1001159845	1	Switch, Front Worklights	
4	1001159846	1	Switch, Rear Worklights	
5	1001203640	4	Lamp, LED Work Light	
6	1001204060	2	Bracket	
7	1001204444	1	Support, LED Work Light RH	
8	1001204445	1	Support, LED Work Light LH	
9	4811700	2	Washer, M6	

# SECTION 10 - ELECTRICAL

## FIGURE 10-34. BOOM WORKLIGHTS INSTALLATION



ART\_1001180529-C

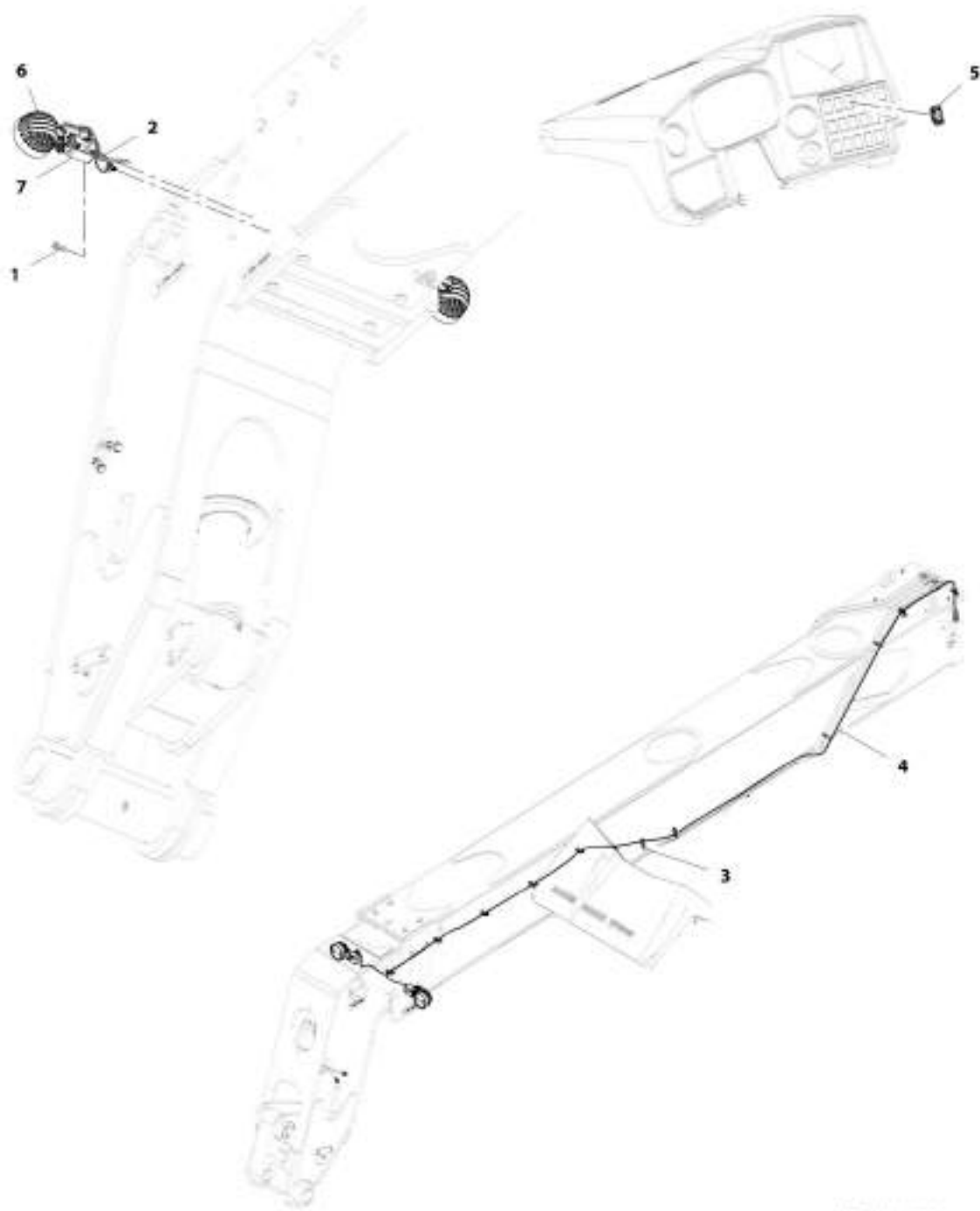
## SECTION 10 - ELECTRICAL

### FIGURE 10-34. BOOM WORKLIGHTS INSTALLATION

ITEM	PART NUMBER	QTY	DESCRIPTION	REV
	1001180529	Ref	Boom Worklights Installation	C
1	2920206	2	Worklight	
2	1001146588	2	Strap, Cable	
3	1001008923	11	Strap, Cable	
4	1001183297	1	Harness, Boom Worklights (See Separate Breakdown in this Section)	
5	1001159739	1	Switch, Boom Worklights	

# SECTION 10 - ELECTRICAL

## FIGURE 10-35. BOOM LED WORKLIGHTS INSTALLATION



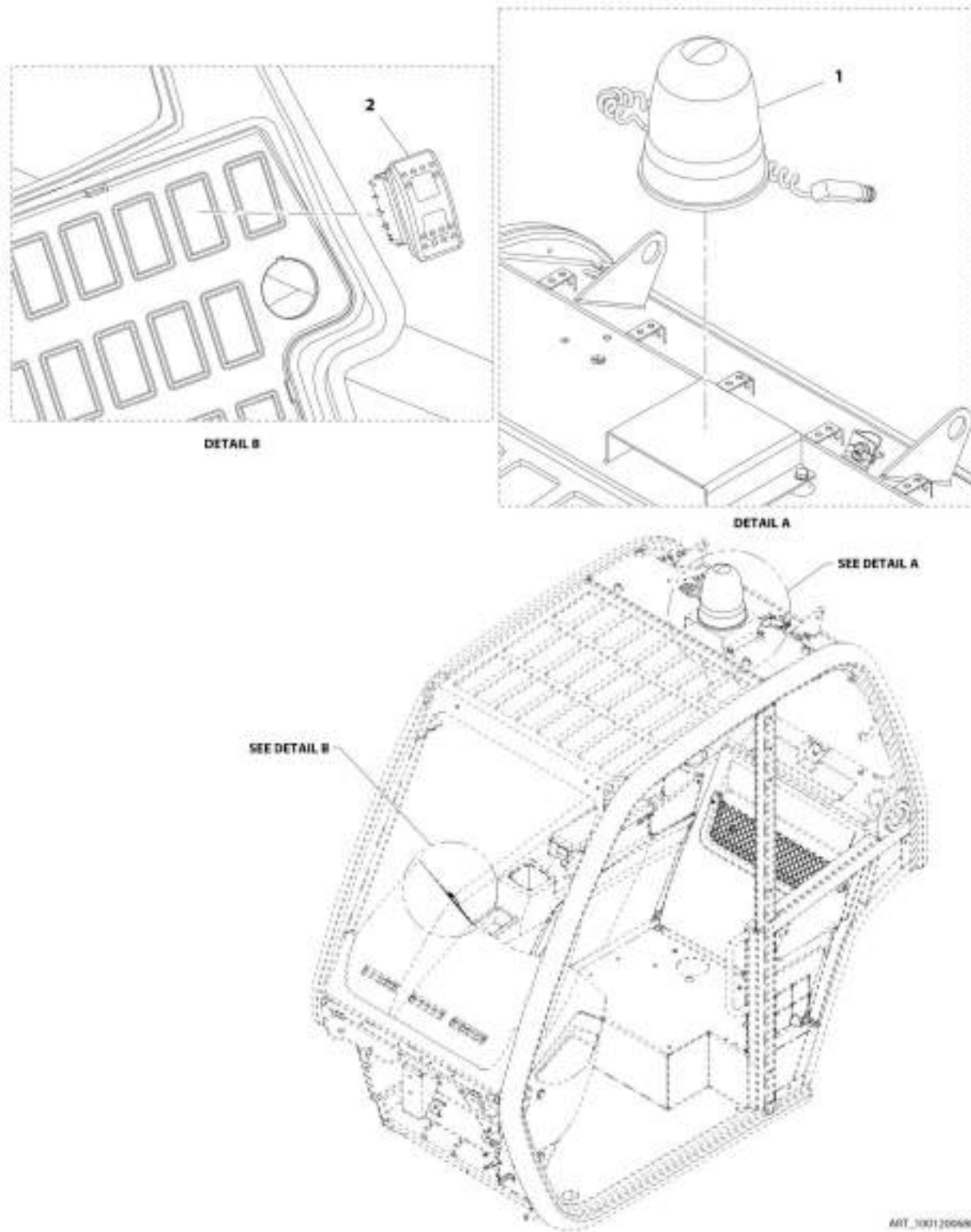
## SECTION 10 - ELECTRICAL

### FIGURE 10-35. BOOM LED WORKLIGHTS INSTALLATION

ITEM	PART NUMBER	QTY	DESCRIPTION	REV
	1001210961	Ref	Boom LED Worklights Installation	A
1	0760610	2	Bolt, M6X20	
2	1001146588	2	Strap, Tie	
3	1001008923	11	Strap, Cable	
4	1001183297	1	Harness, Boom Worklight (See Separate Breakdown in this Section)	
5	1001159739	1	Switch, Boom Worklights	
6	1001203640	2	Lamp, Led Worklight	
7	1001210962	2	Bracket	

# SECTION 10 - ELECTRICAL

## FIGURE 10-36. BEACON LIGHT INSTALLATION



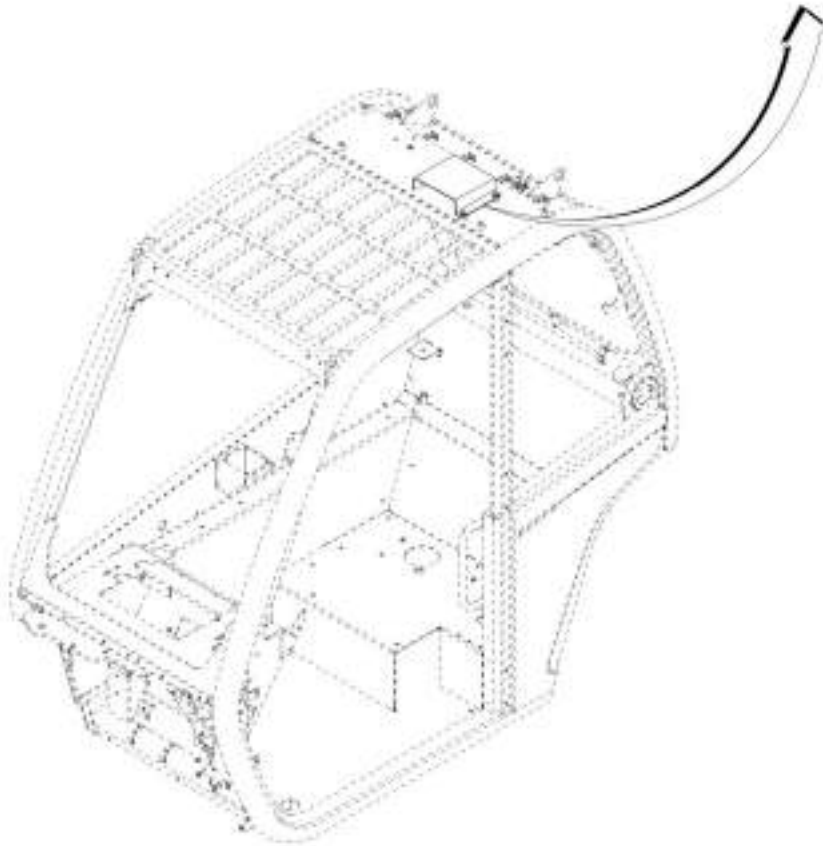
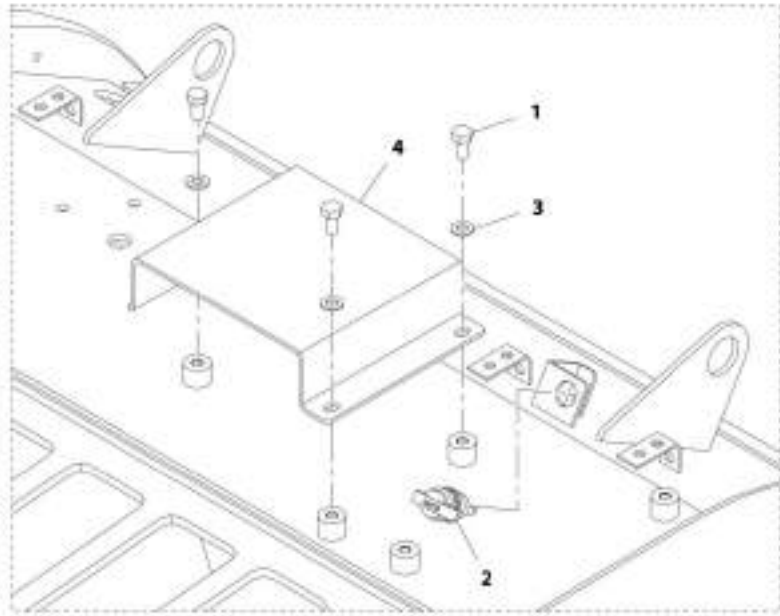
## SECTION 10 - ELECTRICAL

### FIGURE 10-36. BEACON LIGHT INSTALLATION

ITEM	PART NUMBER	QTY	DESCRIPTION	REV
	1001200688	Ref	Beacon Light Installation	B
1	1001217623	1	Light, Warning	
2	1001159738	1	Switch, Beacon	

# SECTION 10 - ELECTRICAL

## FIGURE 10-37. BEACON BRACKET INSTALLATION



ART\_100120689-A



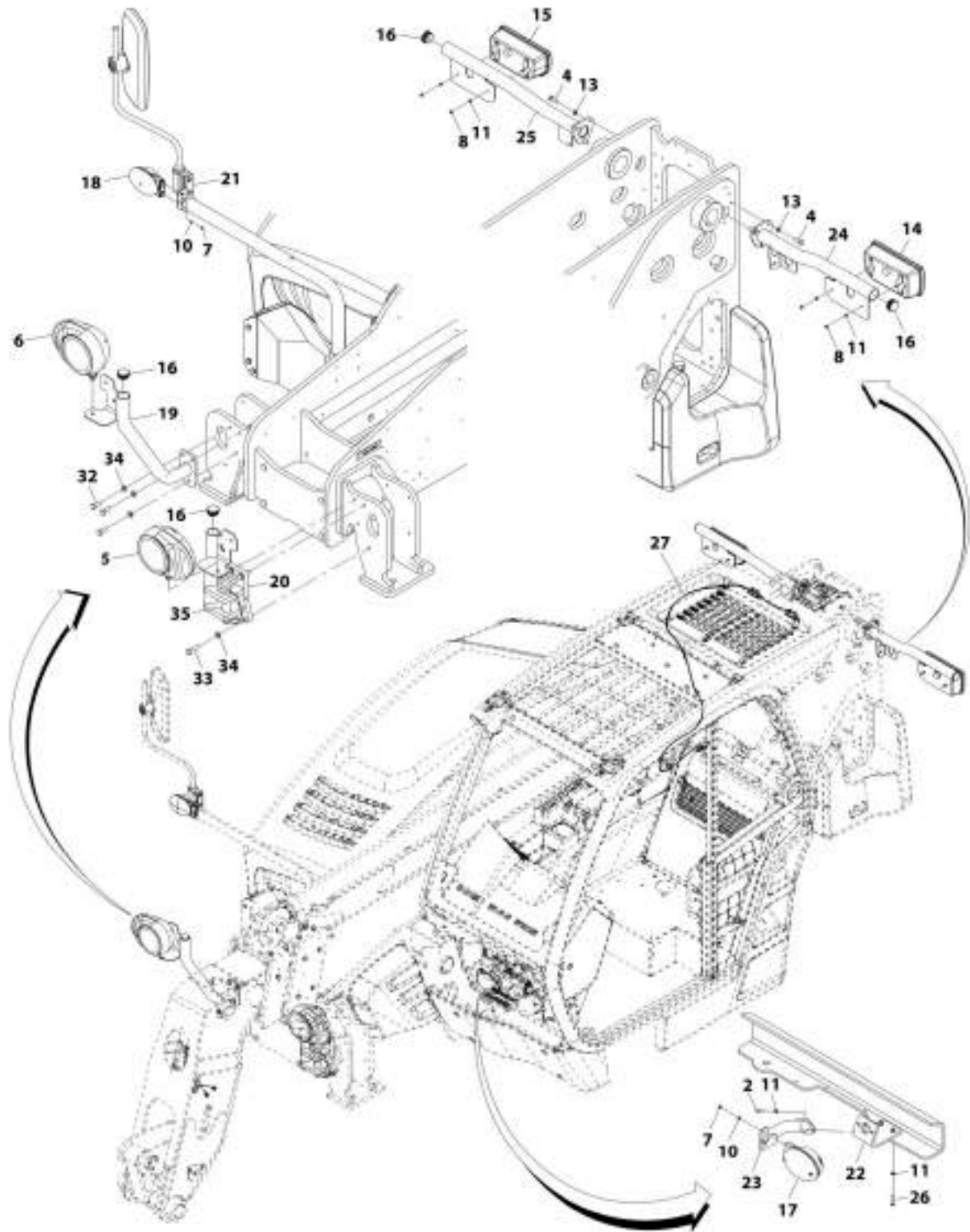
## SECTION 10 - ELECTRICAL

### FIGURE 10-37. BEACON BRACKET INSTALLATION

ITEM	PART NUMBER	QTY	DESCRIPTION	REV
	1001200689	Ref	Beacon Bracket Installation	A
1	0760808	3	Bolt, M8X16	
2	4461174	1	Terminal, 12 Volt	
3	4811900	3	Washer, M8	
4	1001174796	1	Bracket, Beacon	

# SECTION 10 - ELECTRICAL

## FIGURE 10-38. DIP LIGHTS INSTALLATION (RHD - NO OUTRIGGERS)



ART\_100117992-C

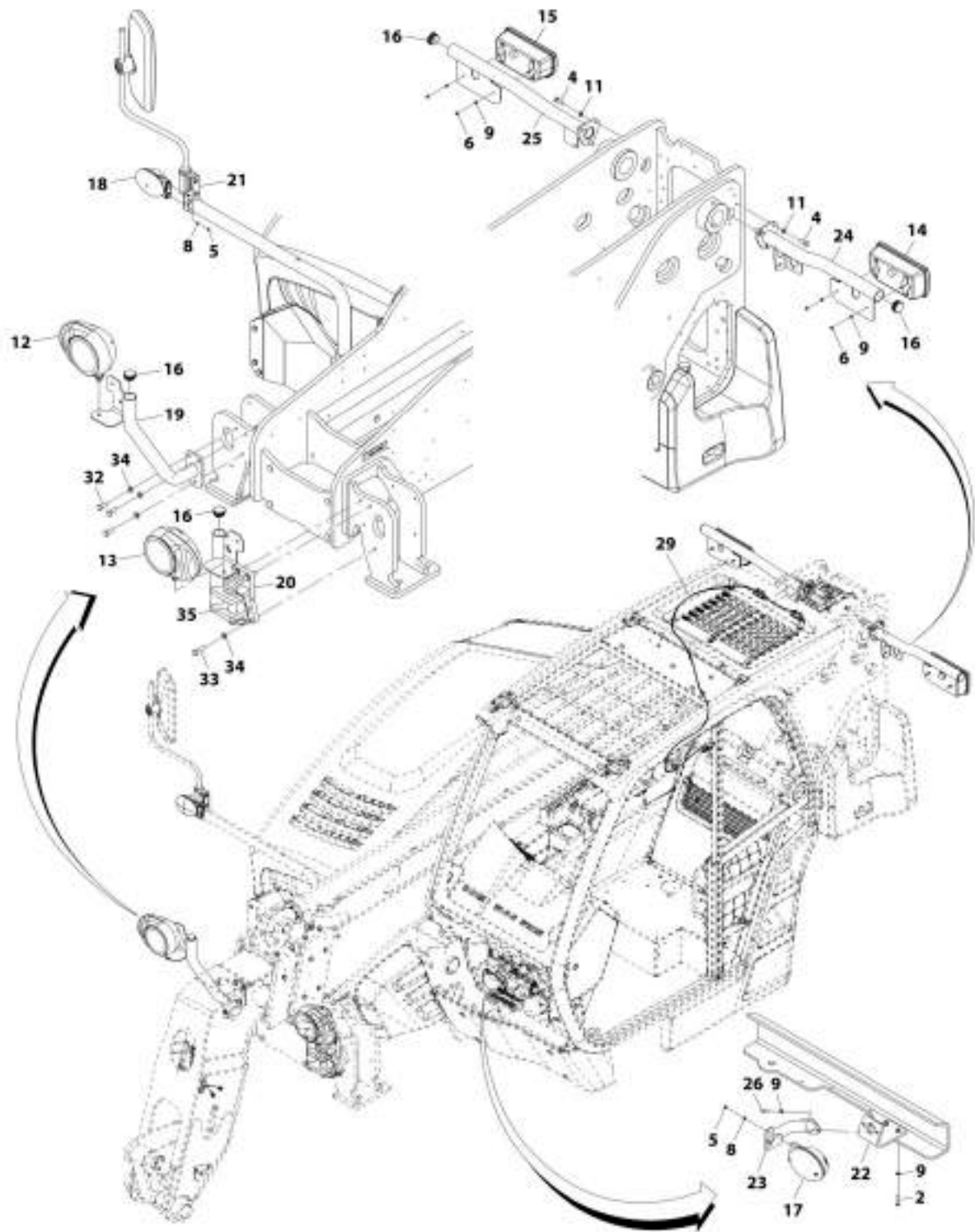
## SECTION 10 - ELECTRICAL

**FIGURE 10-38. DIP LIGHTS INSTALLATION (RHD - NO OUTRIGGERS)**

ITEM	PART NUMBER	QTY	DESCRIPTION	REV
	1001179092	Ref	Dip Lights Installation (RHD - No Outriggers)	C
2	0700612	2	Bolt, M6X25	
4	0761014	6	Bolt, M10X30	
5	2920207	1	Driving Light (RHD - LH)	
	7029969	1	Bulb, 4W	
	7029970	1	Bulb, 55W	
	7029971	1	Bulb, 21W	
6	2920208	1	Driving Light (RHD - RH)	
	7029969	1	Bulb, 4W	
	7029970	1	Bulb, 55W	
	7029971	1	Bulb, 21W	
7	3290505	4	Nut, Lock M5X0.8 Grade 8	
8	3290601	4	Nut, M6X1 Grade 8	
10	4811600	4	Washer, M5	
11	4811700	8	Washer, M6	
13	4812000	6	Washer, M10	
14	1001091715	1	Lamp, Rear (LH)	
	70021341	1	Bulb, 5W	
	70021340	1	Bulb, 21W	
	7029971	1	Bulb, 21W	
15	1001091716	1	Lamp, Rear (RH)	
	70021341	1	Bulb, 5W	
	70021340	1	Bulb, 21W	
	7029971	1	Bulb, 21W	
16	1001096913	4	Bracket	
17	1001105167	1	Sidelight (LH)	
	70021340	1	Bulb, 21W	
	70021341	1	Bulb, 5W	
	70027287	1	Lens	
18	1001105168	1	Sidelight (RH)	
	70021340	1	Bulb, 21W	
	70021341	1	Bulb, 5W	
	70027287	1	Lens	
19	1001198621	1	Bracket	
20	1001208531	1	Bracket	
21	1001208763	1	Bracket	
22	1001197015	1	Mount	
23	1001198796	1	Bracket	
24	1001213825	1	Bracket	
25	1001213826	1	Bracket	
26	0700614	2	Bolt, M6X30	
27	1001189569	Ref	Installation, License Plate Lamp (See Separate Breakdown in this Section)	
32	0701215	3	Bolt, M12X35	
33	0701217	4	Bolt, M12X45	
34	4812100	7	Washer, M12	
35	1001003391	1	Pin	

# SECTION 10 - ELECTRICAL

## FIGURE 10-39. DIP LIGHTS INSTALLATION (LHD - NO OUTRIGGERS)



ART\_1001179025-C

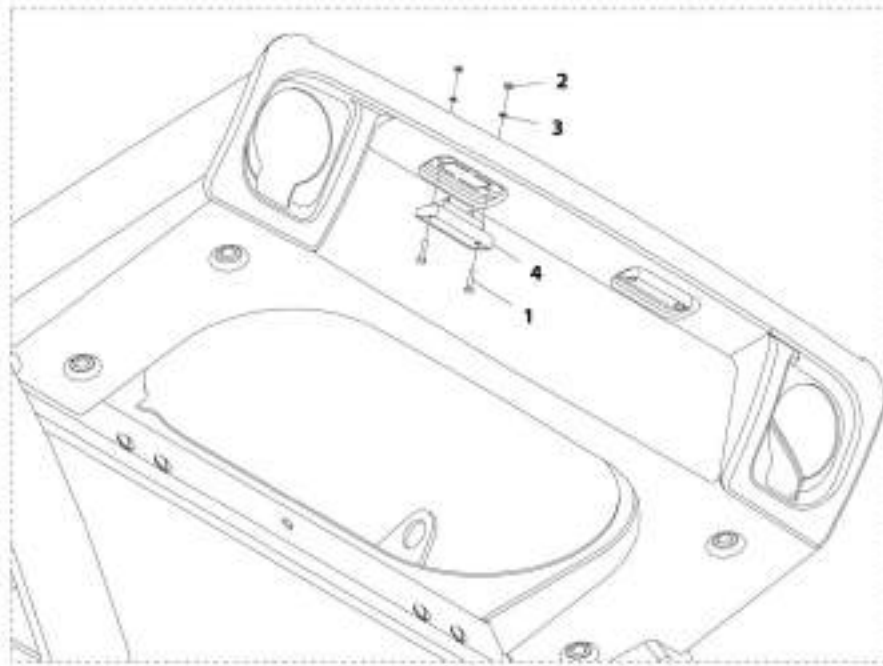
## SECTION 10 - ELECTRICAL

**FIGURE 10-39. DIP LIGHTS INSTALLATION (LHD - NO OUTRIGGERS)**

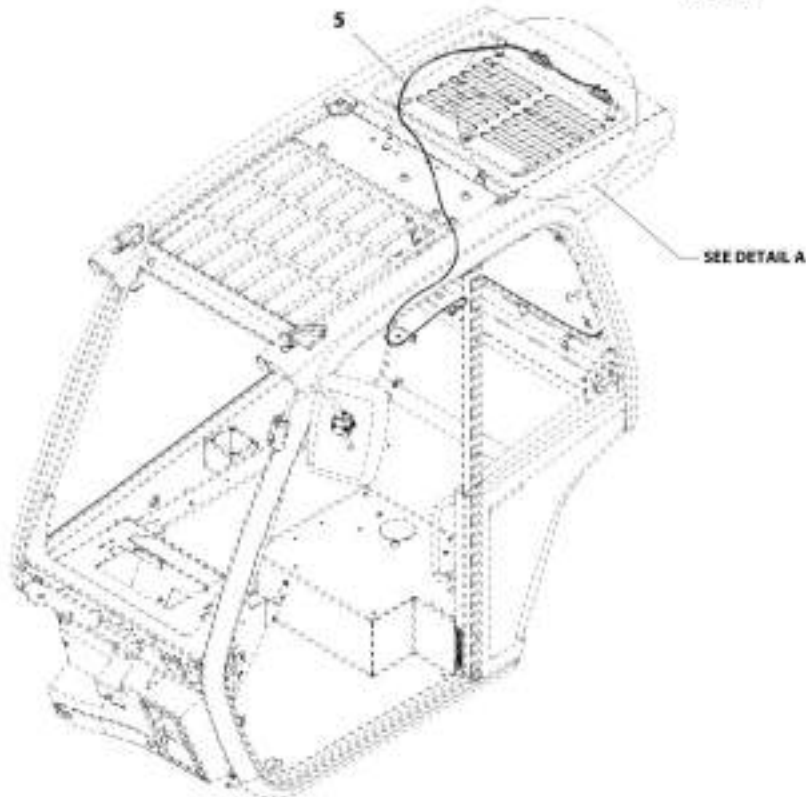
ITEM	PART NUMBER	QTY	DESCRIPTION	REV
	1001179093	Ref	Dip Lights Installation (LHD - No Outriggers)	C
2	0700614	2	Bolt, M6X30	
4	0761014	6	Bolt, M10X30	
5	3290505	4	Nut, Lock M5X0.8 Grade 8	
6	3290601	4	Nut, M6X1 Grade 8	
8	4811600	4	Washer, M5	
9	4811700	8	Washer, M6	
11	4812000	6	Washer, M10	
12	1001002778	1	Light, Driving (LHD - RH)	
	7029969	1	Bulb, 4W	
	7029970	1	Bulb, 55W	
	7029971	1	Bulb, 21W	
13	1001002779	1	Light, Driving (LHD - LH)	
	7029969	1	Bulb, 4W	
	7029970	1	Bulb, 55W	
	7029971	1	Bulb, 21W	
14	1001091715	1	Lamp, Rear (LH)	
	70021341	1	Bulb, 5W	
	70021340	1	Bulb, 21W	
	7029971	1	Bulb, 21W	
15	1001091716	1	Lamp, Rear (RH)	
	70021341	1	Bulb, 5W	
	70021340	1	Bulb, 21W	
	7029971	1	Bulb, 21W	
16	1001096913	4	Bracket	
17	1001105167	1	Sidelight (LH)	
	70021340	1	Bulb, 21W	
	70021341	1	Bulb, 5W	
	70027287	1	Lens	
18	1001105168	1	Sidelight (RH)	
	70021340	1	Bulb, 21W	
	70021341	1	Bulb, 5W	
	70027287	1	Lens	
19	1001198621	1	Bracket	
20	1001208531	1	Bracket	
21	1001208763	1	Bracket	
22	1001197015	1	Mount	
23	1001198796	1	Bracket	
24	1001213825	1	Bracket	
25	1001213826	1	Bracket	
26	0700612	2	Bolt, M6X25	
29	1001189569	Ref	Installation, License Plate Lamp (See Separate Breakdown in this Section)	
32	0701215	3	Bolt, M12X35	
33	0701217	4	Bolt, M12X45	
34	4812100	7	Washer, M12	
35	1001003391	1	Pin	

# SECTION 10 - ELECTRICAL

## FIGURE 10-40. LICENSE PLATE LAMP INSTALLATION



DETAIL A



ART\_1001189569-A

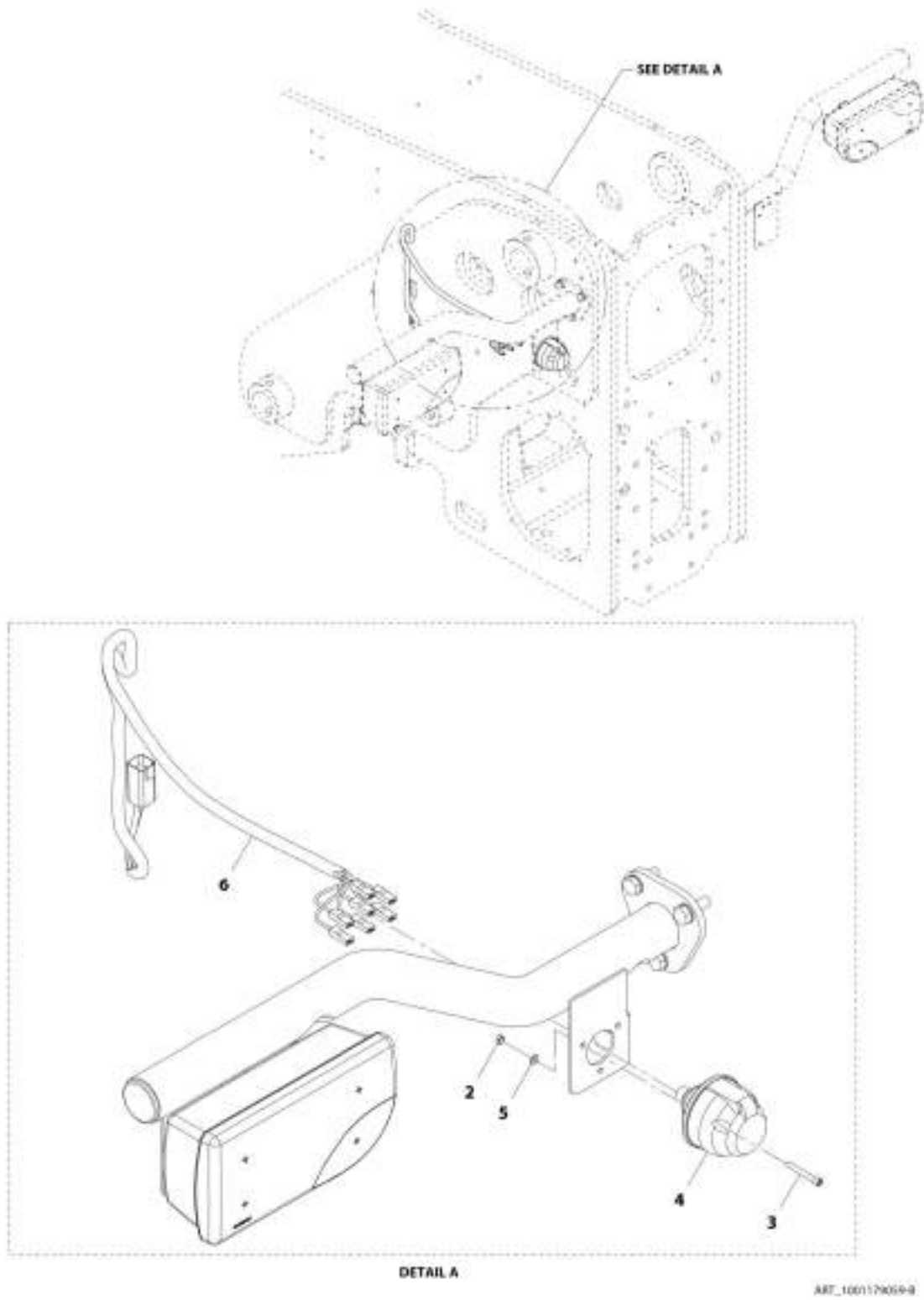
## SECTION 10 - ELECTRICAL

### FIGURE 10-40. LICENSE PLATE LAMP INSTALLATION

ITEM	PART NUMBER	QTY	DESCRIPTION	REV
	1001189569	Ref	License Plate Lamp Installation	A
1	0760410	4	Bolt, M4X20	
2	3290401	4	Nut, M4X0.7 Grade 8	
3	4831400	4	Washer, Lock M4	
4	1001173829	2	Lamp, License Plate	
5	1001178053	1	Harness, License Light (See Separate Breakdown in this Section)	

# SECTION 10 - ELECTRICAL

## FIGURE 10-41. TRAILER ELECTRICS INSTALLATION





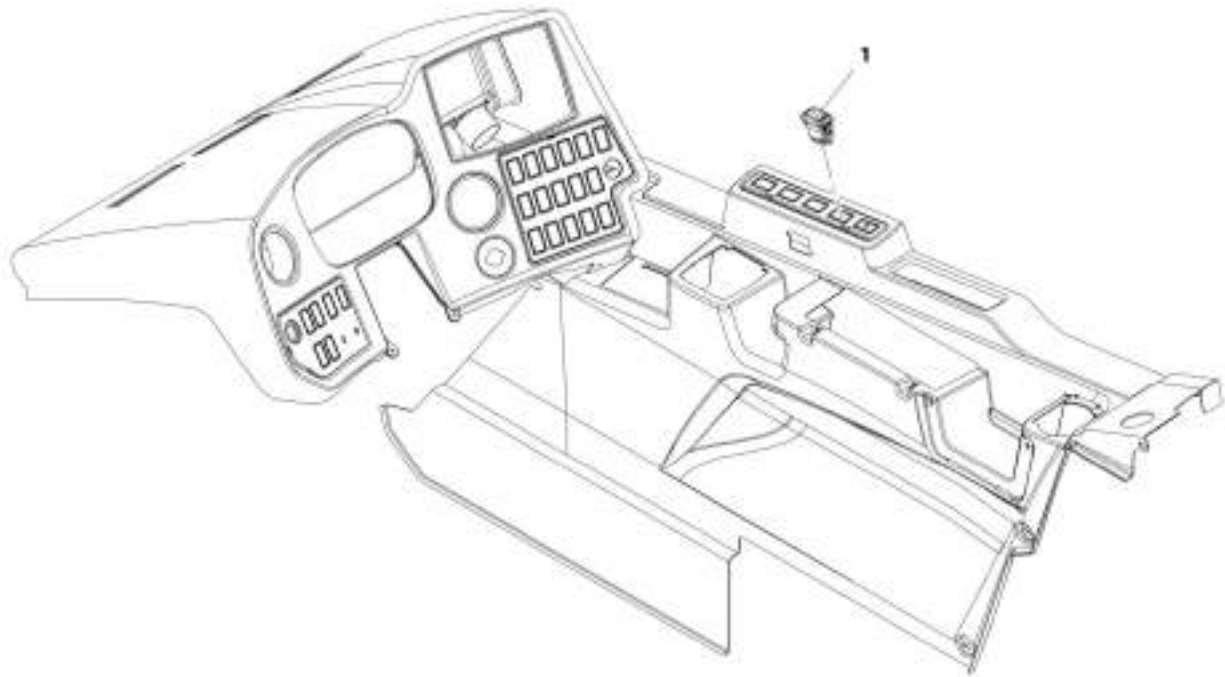
## SECTION 10 - ELECTRICAL

### FIGURE 10-41. TRAILER ELECTRICS INSTALLATION

ITEM	PART NUMBER	QTY	DESCRIPTION	REV
	1001179059	Ref	Trailer Electrics Installation	B
2	3290501	3	Nut, M5X0.8	
3	4031612	3	Bolt, M5X40	
4	4461170	1	Connector	
5	4811600	3	Washer, M5	
6	1001184839	1	Harness, Link Trailer (See Separate Breakdown in this Section)	

## SECTION 10 - ELECTRICAL

FIGURE 10-42. ENGINE SPEED SET SWITCH INSTALLATION



ART\_33011976209-8

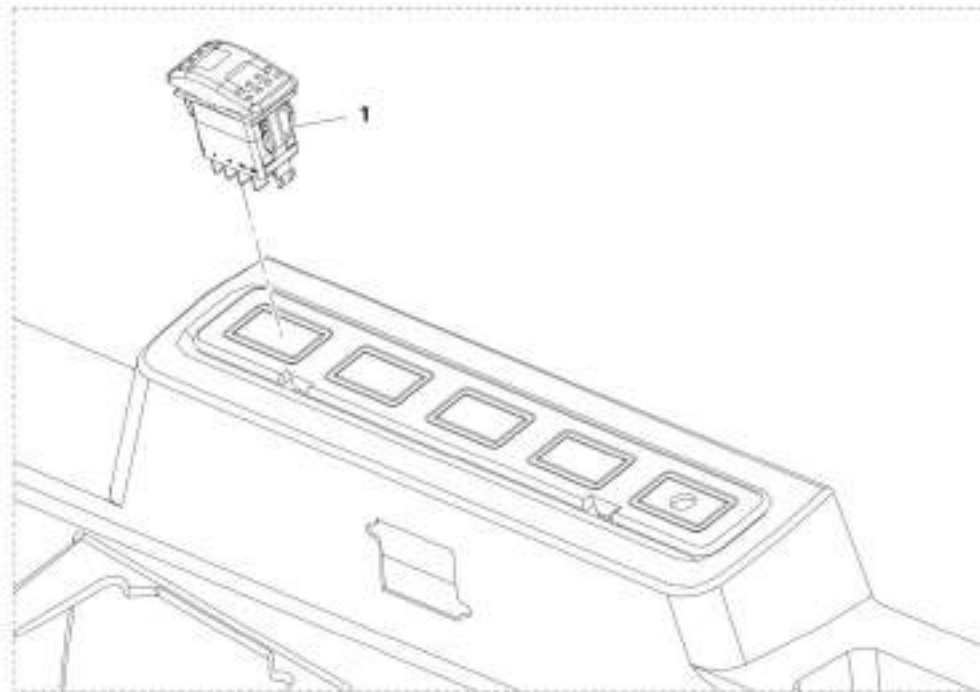
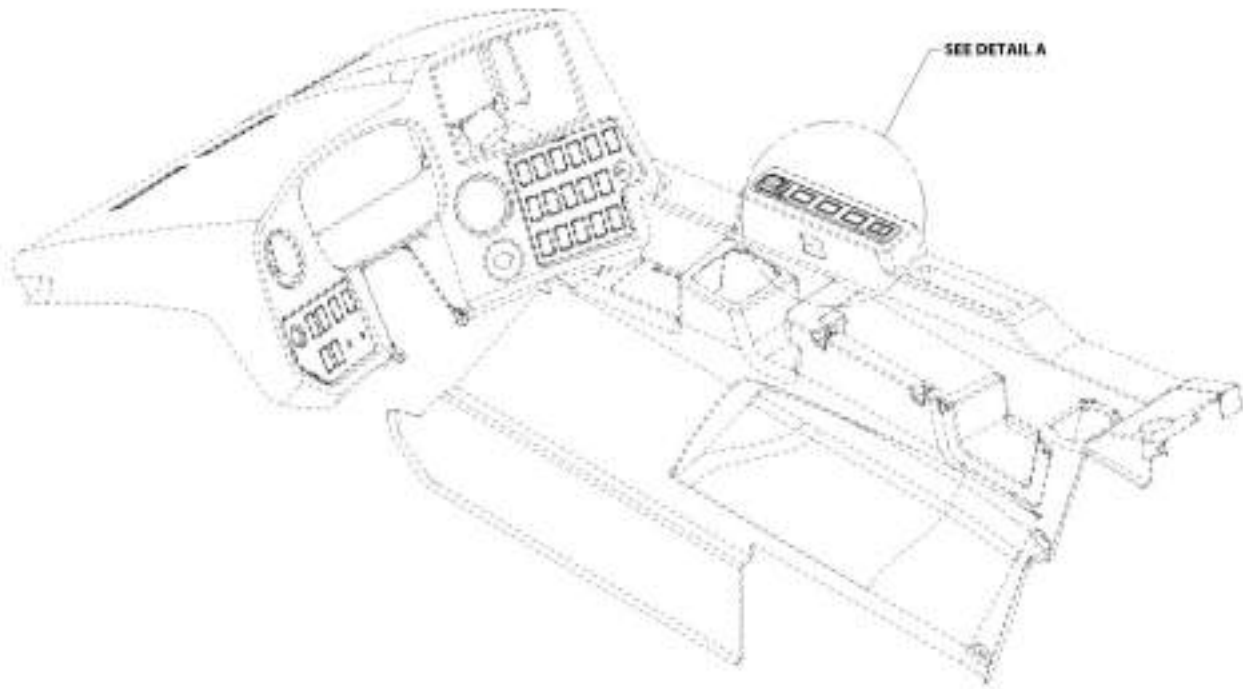
## SECTION 10 - ELECTRICAL

**FIGURE 10-42. ENGINE SPEED SET SWITCH INSTALLATION**

ITEM	PART NUMBER	QTY	DESCRIPTION	REV
1	1001197639	1	Engine Speed Set Switch Installation	B
	1001198932	1	Switch, Engine Speed Set	

# SECTION 10 - ELECTRICAL

## FIGURE 10-43. DECLUTCH SWITCH INSTALLATION



DETAIL A

ART\_100120243D-A

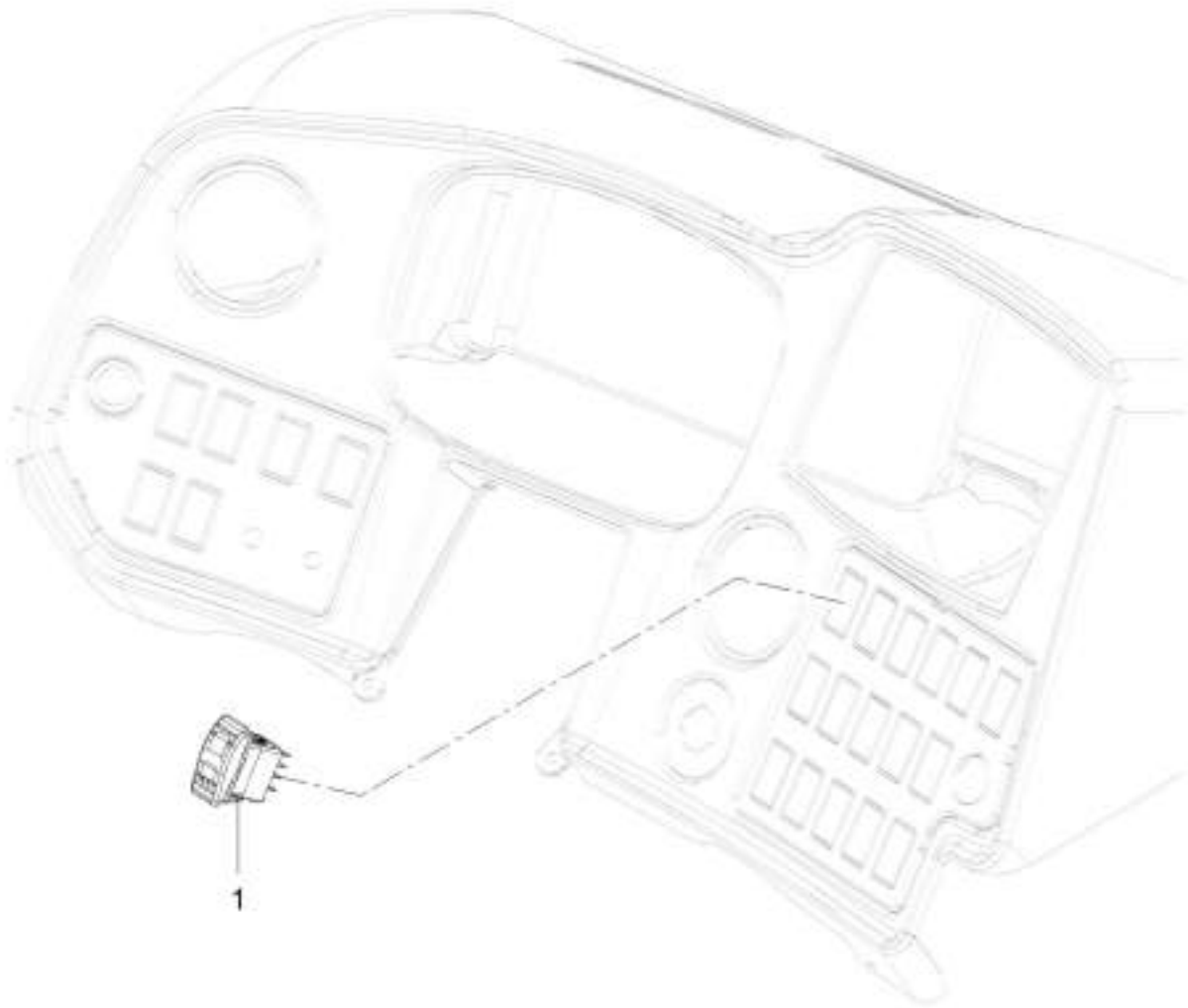
## SECTION 10 - ELECTRICAL

### FIGURE 10-43. DECLUTCH SWITCH INSTALLATION

ITEM	PART NUMBER	QTY	DESCRIPTION	REV
1	1001202430 1001202421	Ref 1	Declutch Switch Installation Switch	A

# SECTION 10 - ELECTRICAL

## FIGURE 10-44. FOG LAMP SWITCH INSTALLATION



ART\_1001180714-A

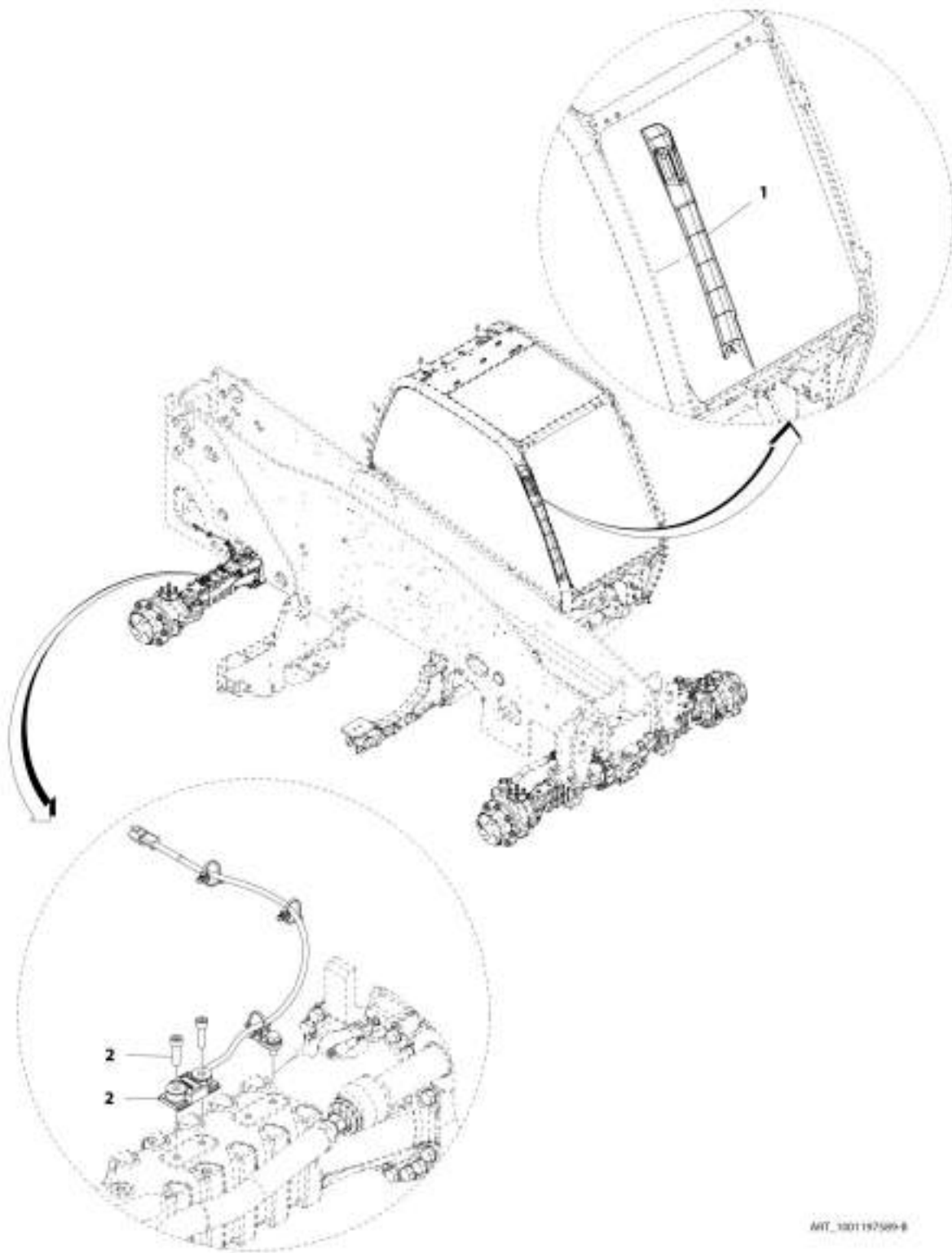
## SECTION 10 - ELECTRICAL

### FIGURE 10-44. FOG LAMP SWITCH INSTALLATION

ITEM	PART NUMBER	QTY	DESCRIPTION	REV
1	1001186714 1001159737	Ref 1	Fog Lamp Switch Installation Switch, Fog Lights	A

# SECTION 10 - ELECTRICAL

## FIGURE 10-45. LSI SENSOR INSTALLATION





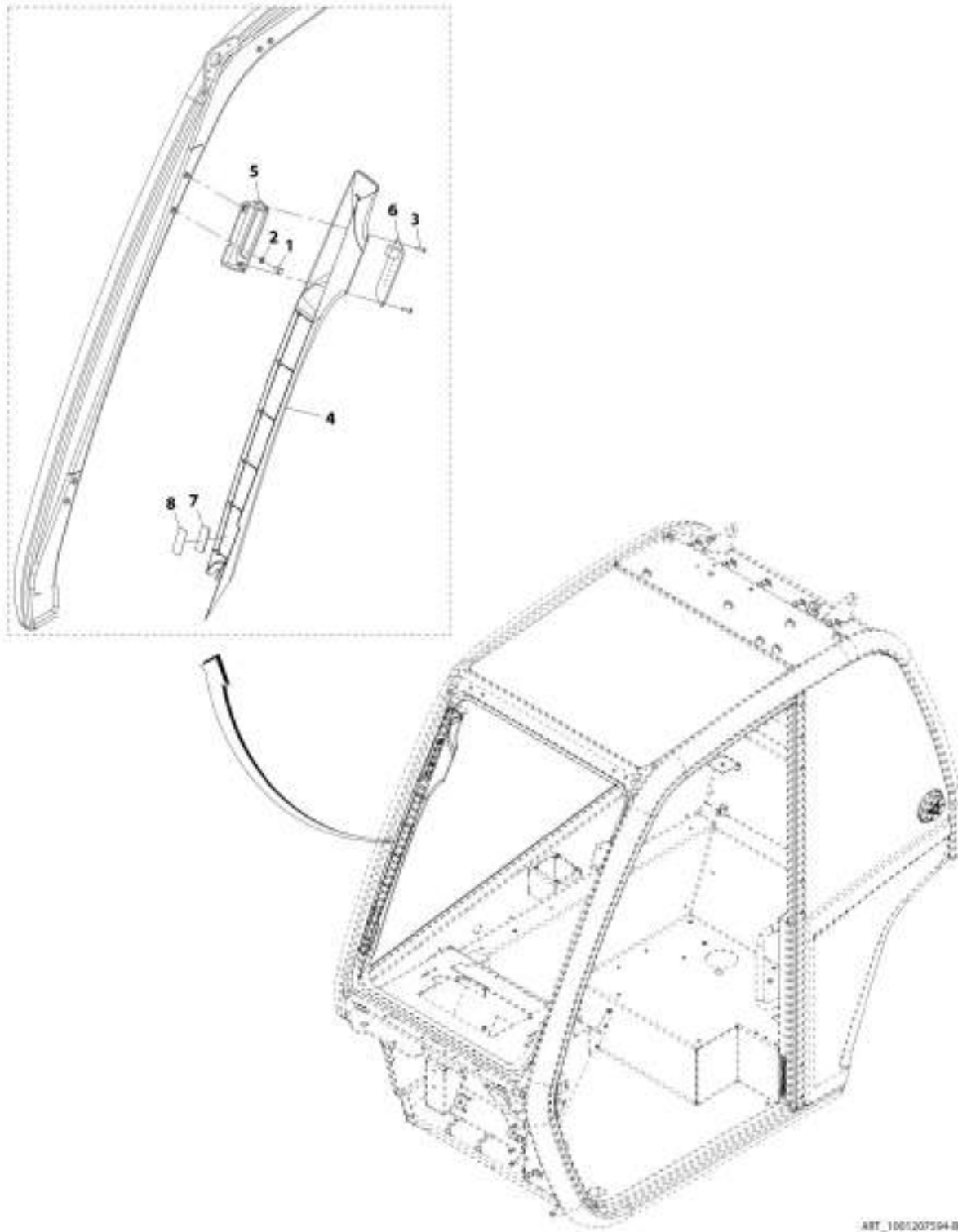
## SECTION 10 - ELECTRICAL

### FIGURE 10-45. LSI SENSOR INSTALLATION

ITEM	PART NUMBER	QTY	DESCRIPTION	REV
1	1001197589	Ref	LSI Sensor Installation (24IN Wheel)	B
	1001207594	Ref	Installation, LSI Assembly (See Separate Breakdown in this Section)	
2	1001199935	Ref	Installation, LSI Sensor (24IN Wheel) (See Separate Breakdown in this Section)	

# SECTION 10 - ELECTRICAL

## FIGURE 10-46. LSI ASSEMBLY



ART\_1001207594-B

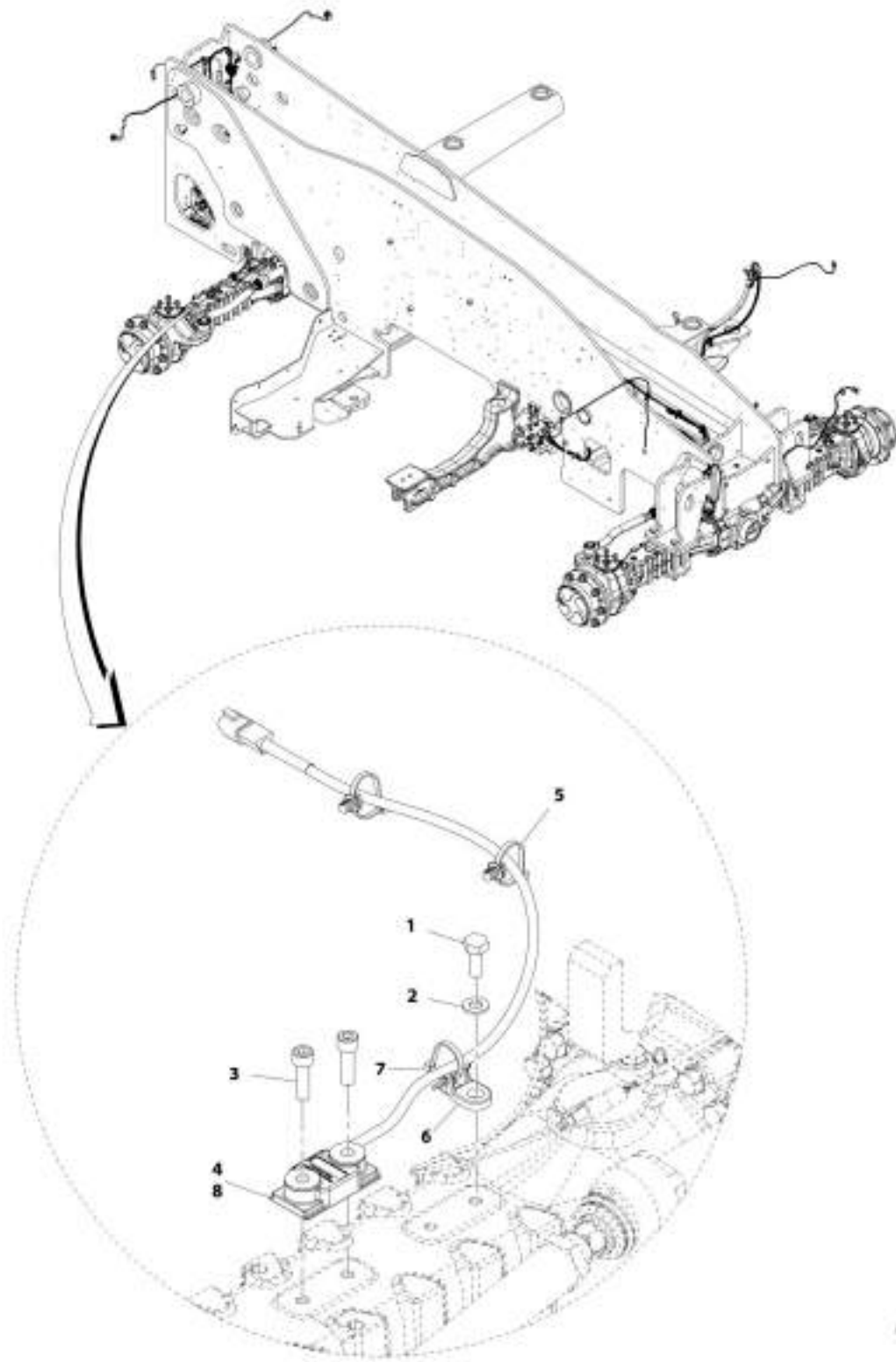
# SECTION 10 - ELECTRICAL

## FIGURE 10-46. LSI ASSEMBLY

ITEM	PART NUMBER	QTY	DESCRIPTION	REV
	1001207594	Ref	LSI Assembly	B
1	0760606	2	Bolt, M6X12	
2	4811700	2	Washer, M6	
3	1001126837	2	Screw, M4X16	
4	1001182839	1	Cover	
5	1001214401	1	Bracket	
6	1001213752	1	Display, LSI	
7	1001221318	1	Tape, Hook Fastener	
8	1001221319	1	Tape, Hook Fastener	

# SECTION 10 - ELECTRICAL

## FIGURE 10-47. LSI SENSOR



ART\_100190035-R

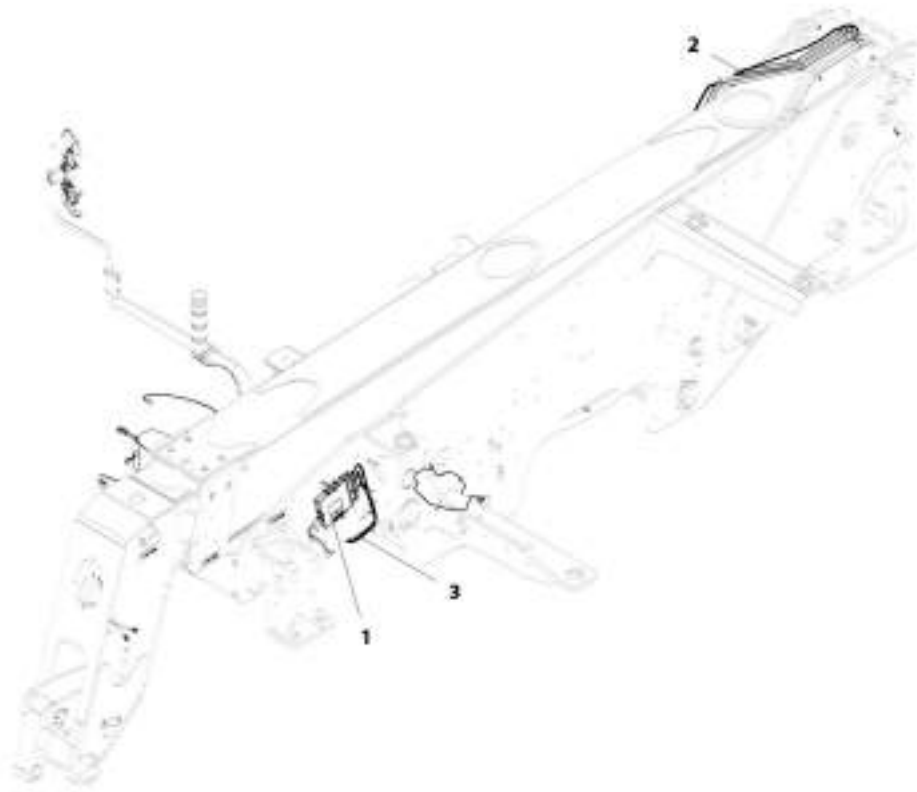
## SECTION 10 - ELECTRICAL

### FIGURE 10-47. LSI SENSOR

ITEM	PART NUMBER	QTY	DESCRIPTION	REV
	1001199935	Ref	LSI Sensor (24IN Wheel)	B
1	0761012	1	Bolt, M10X25	
2	4812000	1	Washer, M10	
3	5272011	2	Screw, M10X35	
4	1001116128	1	Sealant, Polysiloxane	
5	1001146588	2	Strap, Cable	
6	1001169146	1	Mount	
7	1001004720	1	Strap, Cable	
8	1001160730	1	Sensor, Rear Axle LSI	

# SECTION 10 - ELECTRICAL

FIGURE 10-48. LMIS INSTALLATION (NO RIDE CONTROL)



AWT\_3001183817-C

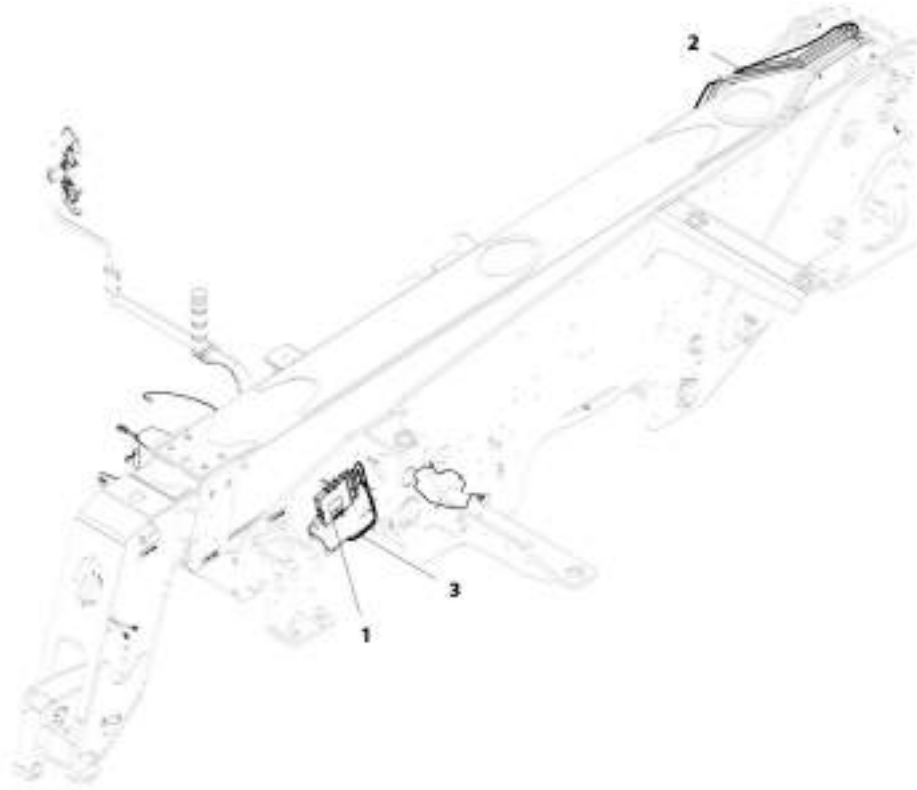
## SECTION 10 - ELECTRICAL

**FIGURE 10-48. LMIS INSTALLATION (NO RIDE CONTROL)**

ITEM	PART NUMBER	QTY	DESCRIPTION	REV
1	1001183817	Ref	LMIS Installation	C
	1001183818	Ref	Installation, LMIS Controller (See Separate Breakdown in this Section)	
2	1001183819	Ref	Installation, LMIS Mech (See Separate Breakdown in this Section)	
3	1001186012	Ref	Installation, LMIS Wiring (See Separate Breakdown in this Section)	

# SECTION 10 - ELECTRICAL

## FIGURE 10-49. LMIS INSTALLATION (RIDE CONTROL)



AWT\_3001212452-A



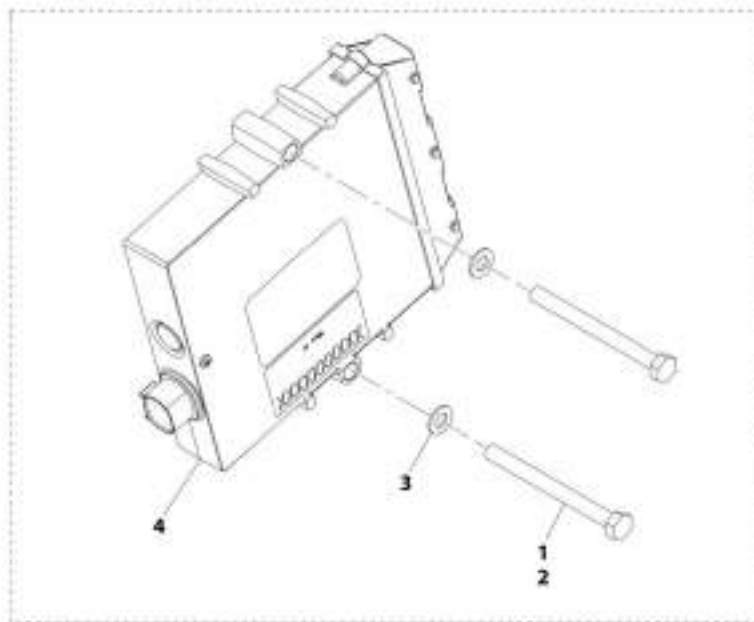
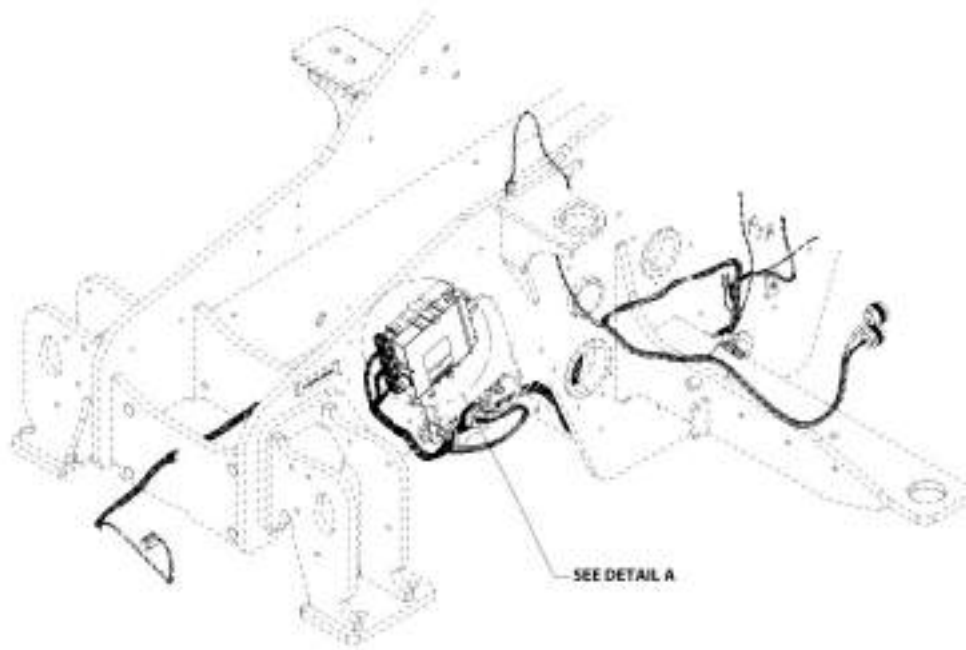
## SECTION 10 - ELECTRICAL

**FIGURE 10-49. LMIS INSTALLATION (RIDE CONTROL)**

ITEM	PART NUMBER	QTY	DESCRIPTION	REV
1	1001212437	Ref	LMIS Installation (Ride Control)	A
	1001183818	1	Installation, LMIS Controller (See Separate Breakdown in this Section)	
2	1001186012	1	Installation, LMIS Wiring (See Separate Breakdown in this Section)	
3	1001217961	1	Installation, LMIS Mech (See Separate Breakdown in this Section)	

# SECTION 10 - ELECTRICAL

## FIGURE 10-50. LMIS CONTROLLER INSTALLATION



DETAIL A

ART\_1001183910-A

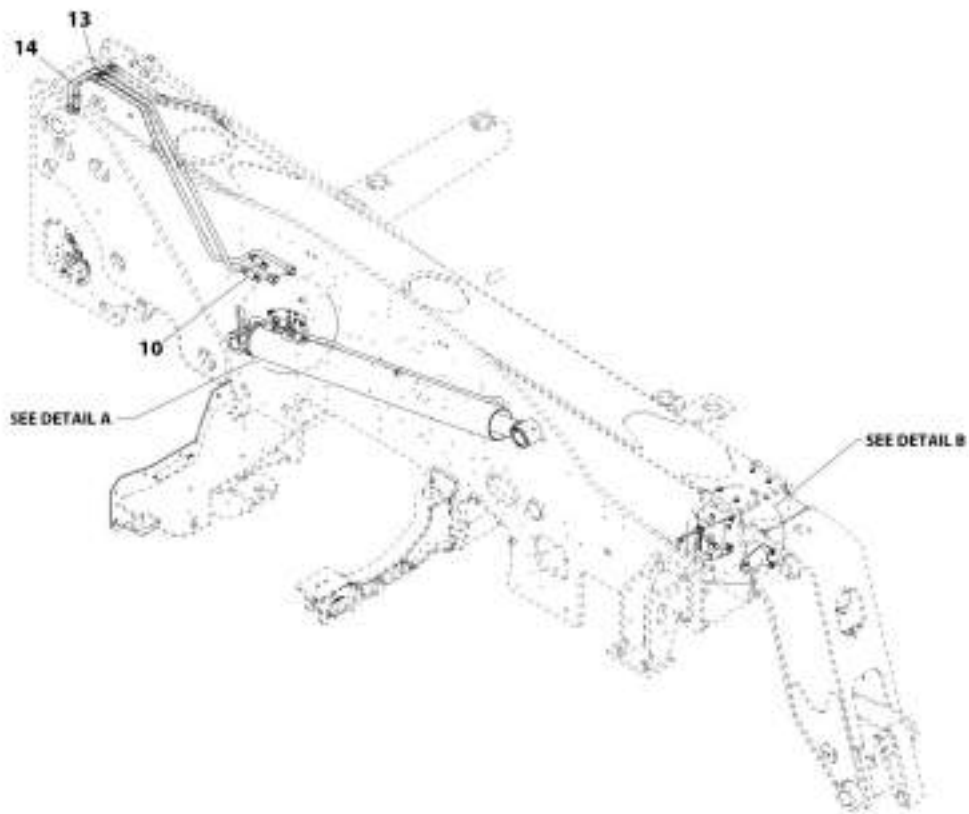
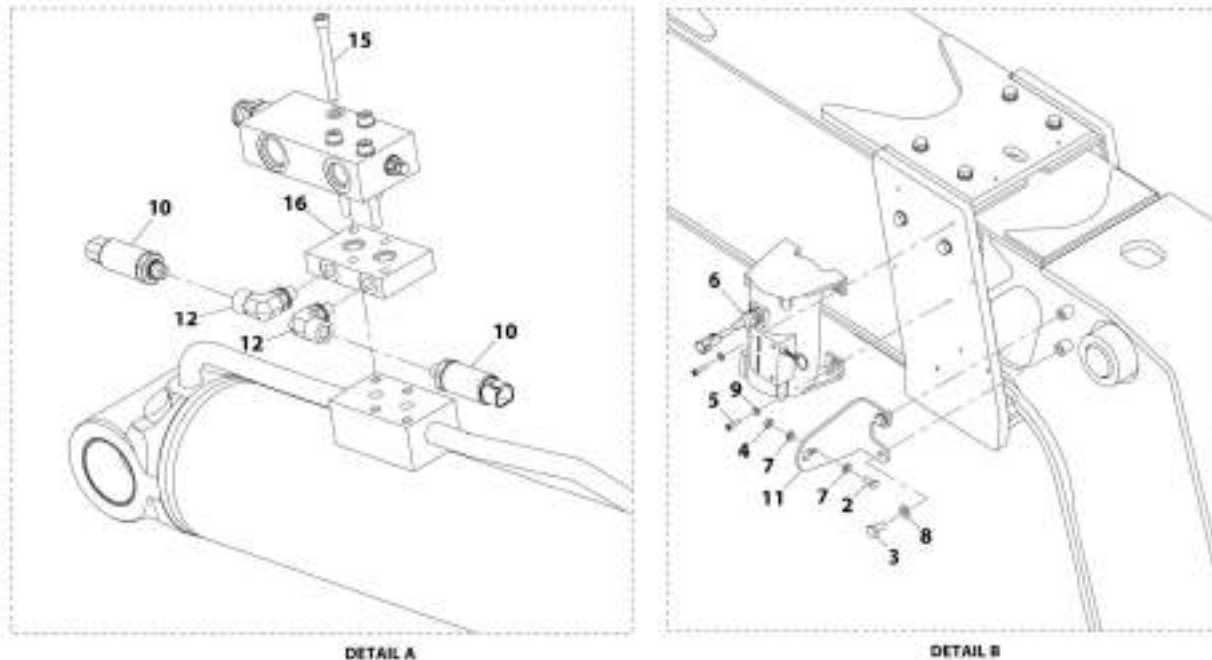
## SECTION 10 - ELECTRICAL

### FIGURE 10-50. LMIS CONTROLLER INSTALLATION

ITEM	PART NUMBER	QTY	DESCRIPTION	REV
	1001183818	Ref	LMIS Controller Installation	A
1	1001095650	AR	Compound, Locking	
2	0700826	2	Bolt, M8X90	
3	4811900	2	Washer, M8	
4	1001179901	1	Module, LMIS Control	

# SECTION 10 - ELECTRICAL

## FIGURE 10-51. LMIS CABLE REEL INSTALLATION (NO RIDE CONTROL)



ARE\_1001183019-0

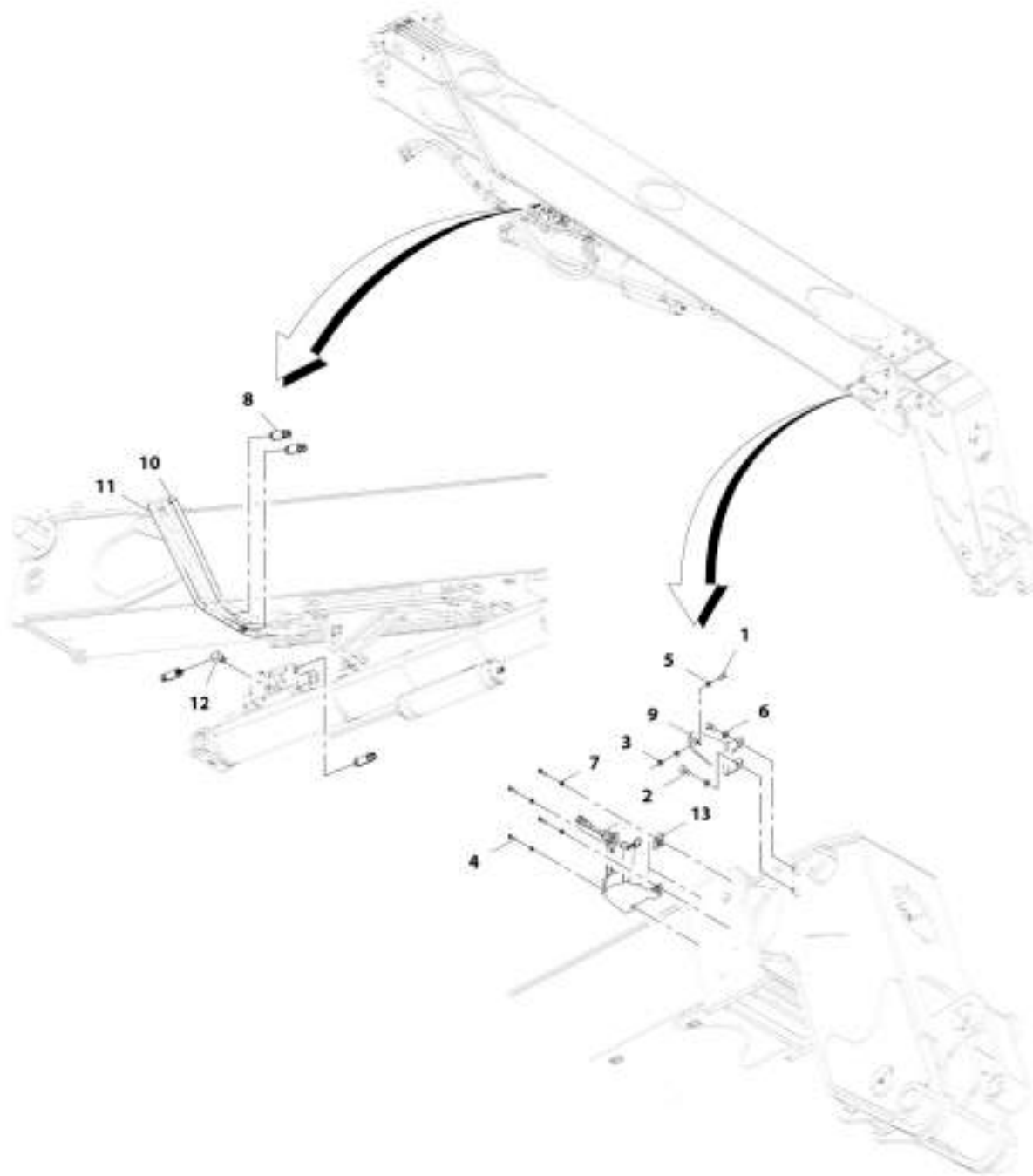
## SECTION 10 - ELECTRICAL

**FIGURE 10-51. LMIS CABLE REEL INSTALLATION (NO RIDE CONTROL)**

ITEM	PART NUMBER	QTY	DESCRIPTION	REV
	1001183819	Ref	LMIS Cable Reel Installation	D
2	0760808	1	Bolt, M8X16	
3	0761010	2	Bolt, M10X20	
4	3290801	1	Nut, M8X1.25	
5	4031708	4	Bolt, M6X20	
6	1001211389	1	Sensor	
7	4811900	2	Washer, M8	
8	4812000	2	Washer, M10	
9	5240600	4	Washer, M6	
10	1001162885	4	Sensor	
11	1001190657	1	Bracket	
12	1001184172	2	Fitting, 90	
13	1001203284	1	Hose	
14	1001203285	1	Hose	
15	5271919	4	Screw	
16	1001108857	1	Manifold	

# SECTION 10 - ELECTRICAL

## FIGURE 10-52. LMIS CABLE REEL INSTALLATION (RIDE CONTROL)



AWT\_1001217901-A

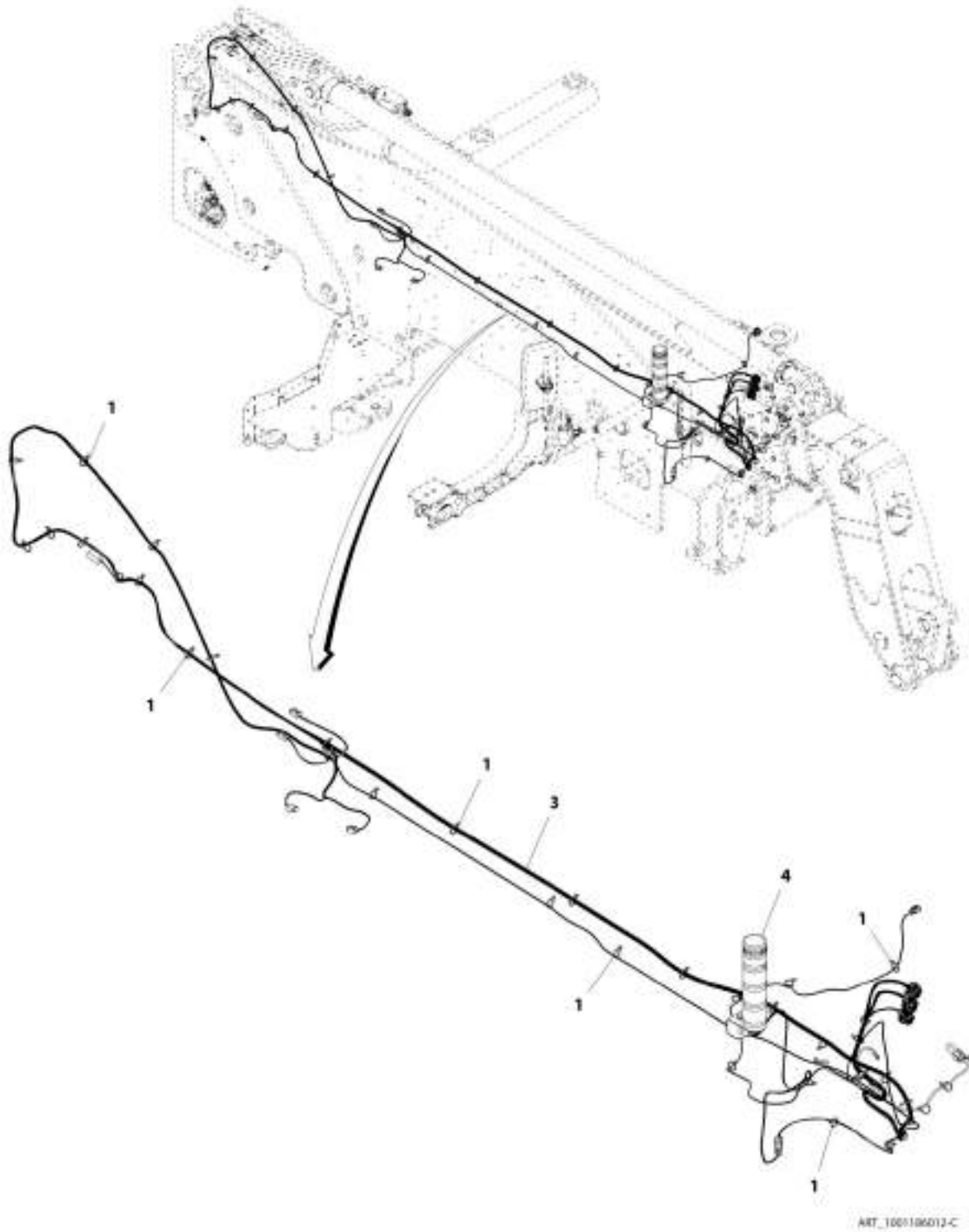
## SECTION 10 - ELECTRICAL

**FIGURE 10-52. LMIS CABLE REEL INSTALLATION (RIDE CONTROL)**

ITEM	PART NUMBER	QTY	DESCRIPTION	REV
	1001217961	Ref	LMIS Installation Mech (Ride Control)	A
1	0760808	1	Bolt, M8X16	
2	0761010	2	Bolt, M10X20	
3	3290801	1	Nut, M8X1.25	
4	4031708	4	Bolt, M6X20	
5	4811900	2	Washer, M8	
6	4812000	2	Washer, M10	
7	5240600	4	Washer, M6	
8	1001162885	4	Sensor, Pressure	
9	1001190657	1	Bracket	
10	1001203284	1	Pipe	
11	1001203285	1	Pipe	
12	1001209986	1	Fitting, 90	
13	1001211389	1	Sensor	

# SECTION 10 - ELECTRICAL

## FIGURE 10-53. LMIS WIRING INSTALLATION





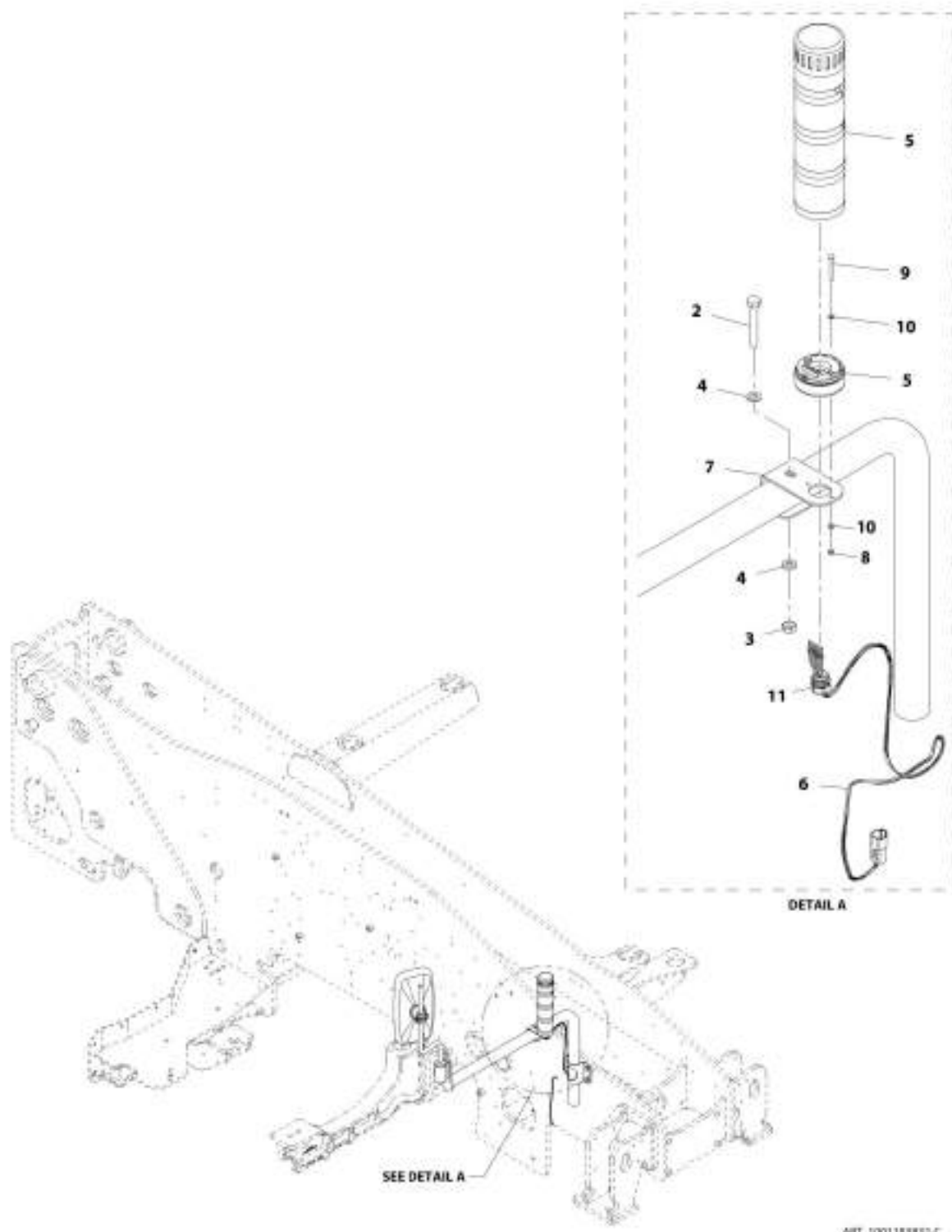
## SECTION 10 - ELECTRICAL

### FIGURE 10-53. LMIS WIRING INSTALLATION

ITEM	PART NUMBER	QTY	DESCRIPTION	REV
	1001186012	Ref	LMIS Wiring Installation	C
1	1001008559	38	Strap, Cable	
3	1001185959	1	Wiring, LMIS (See Separate Breakdown in this Section)	
4	1001183832	1	Installation, LMIS Beacon (See Separate Breakdown in this Section)	

# SECTION 10 - ELECTRICAL

## FIGURE 10-54. LMIS BEACON INSTALLATION



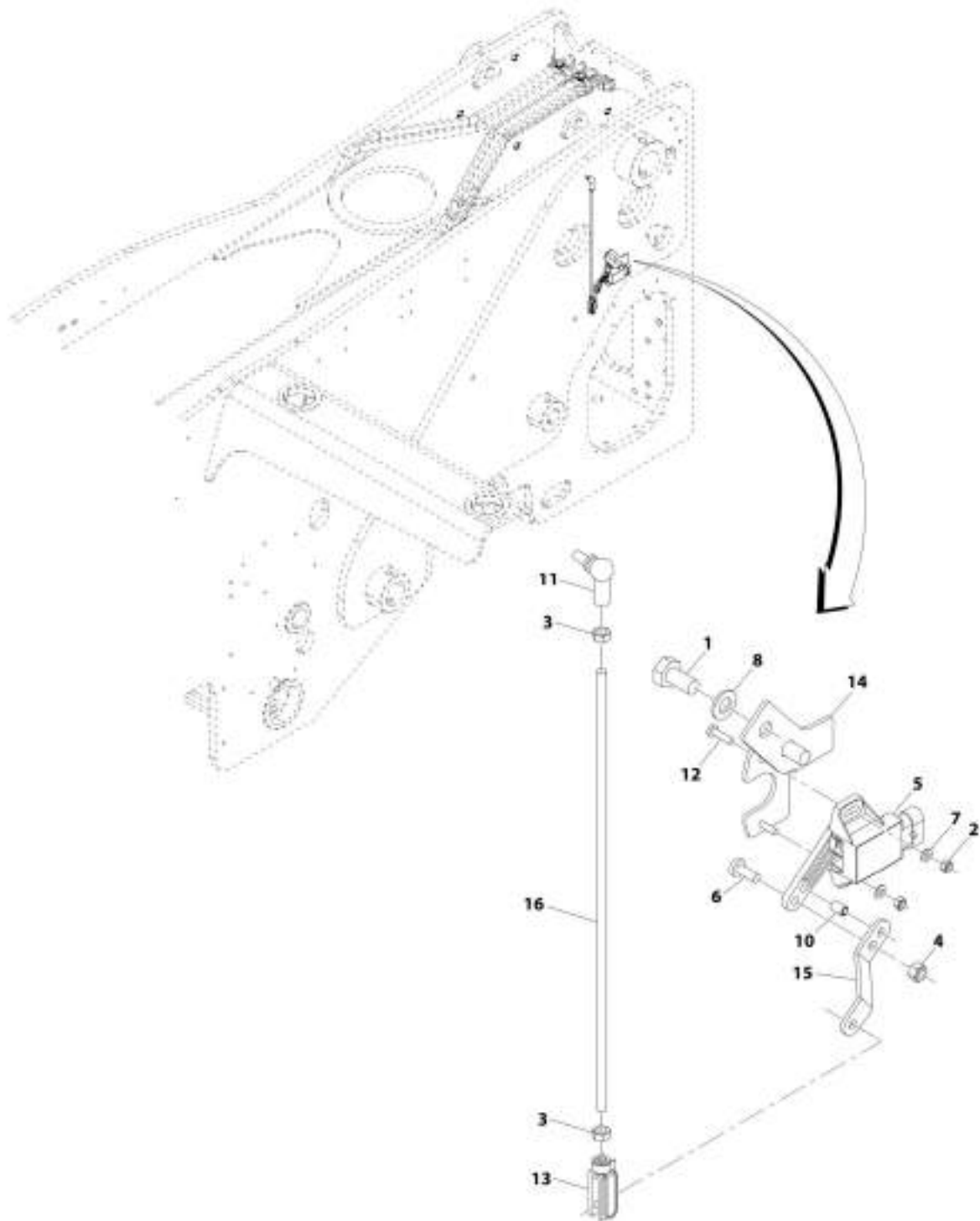
## SECTION 10 - ELECTRICAL

### FIGURE 10-54. LMIS BEACON INSTALLATION

ITEM	PART NUMBER	QTY	DESCRIPTION	REV
	1001183832	Ref	LMIS Beacon Installation	C
2	0701022	1	Bolt, M10X70	
3	3291001	1	Nut, M10X1.5 Grade 8	
4	4812000	2	Washer, M10	
5	1001108661	1	Lamp, LMIS Beacon Alarm	
6	1001117247	1	Harness, LMIS Beacon Option	
7	1001191259	1	Bracket	
8	3290405	2	Nut, Lock M4X0.7	
9	4010416	2	Screw, Pozidrive M4X40	
10	4811400	4	Washer, M4	
11	E000269	1	Connector, Strain Relief	

# SECTION 10 - ELECTRICAL

## FIGURE 10-55. BOOM ANGLE SENSOR INSTALLATION



AWT\_1001179937-0

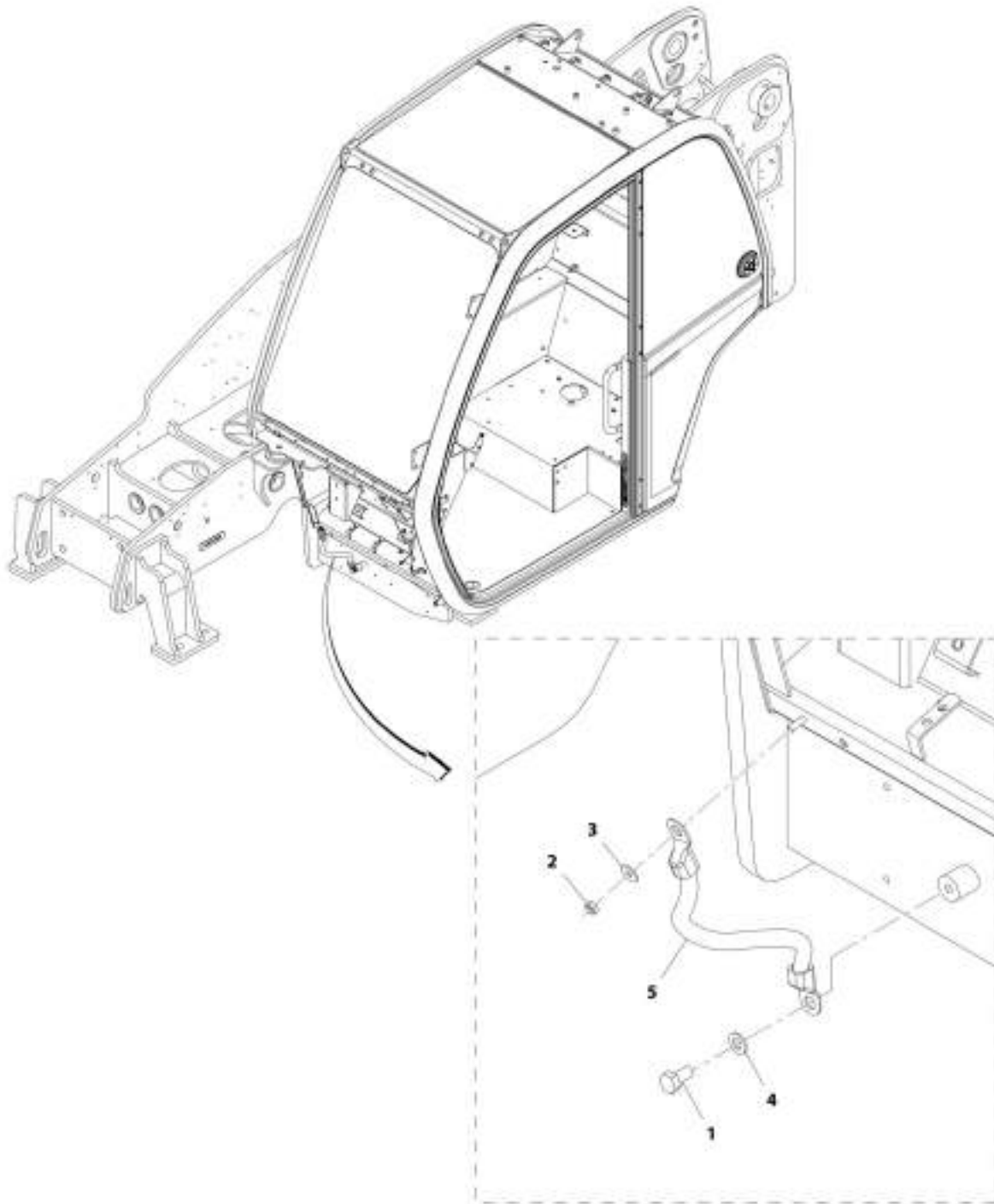
## SECTION 10 - ELECTRICAL

**FIGURE 10-55. BOOM ANGLE SENSOR INSTALLATION**

ITEM	PART NUMBER	QTY	DESCRIPTION	REV
	1001179937	Ref	Boom Angle Sensor Installation	B
1	0761010	2	Bolt, M10X20	
2	3290405	2	Nut, Lock M4X0.7 Grade 8	
3	3290601	2	Nut, M6X1	
4	3290605	1	Nut, Lock M6X1 Grade 8	
5	4000015	1	Sensor, Angle	
6	4010608	1	Screw, M6X16	
7	4811400	2	Washer, M4	
8	4812000	2	Washer, M10	
10	1001103156	1	Pin	
11	1001103300	1	Ball, Joint	
12	1001126837	2	Screw, M4X16	
13	1001134274	1	Clevis	
14	1001187851	1	Bracket	
15	1001187852	1	Link	
16	1001187853	1	Rod	

# SECTION 10 - ELECTRICAL

## FIGURE 10-56. EARTH STRAP INSTALLATION



AUT\_1001186645-0

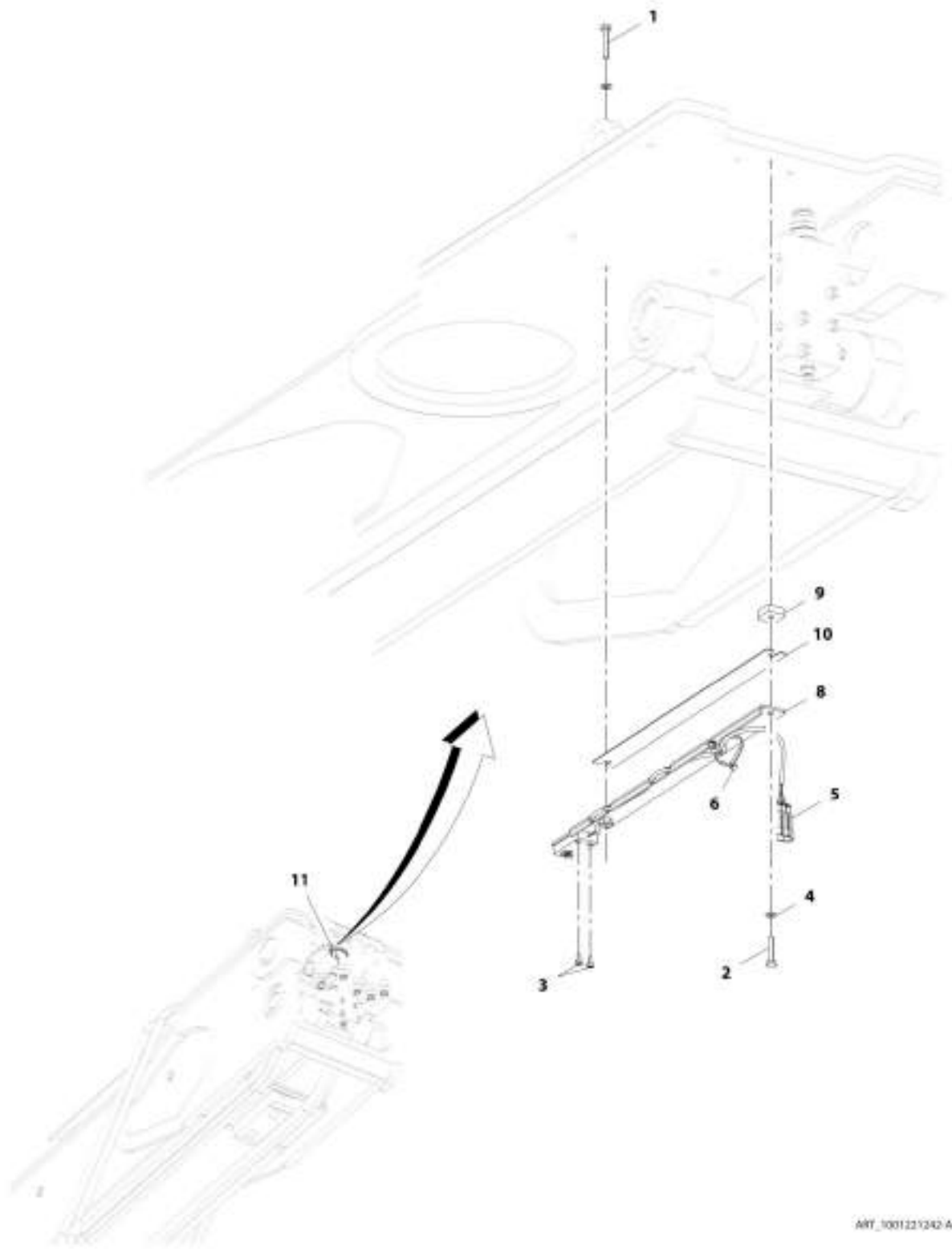
## SECTION 10 - ELECTRICAL

### FIGURE 10-56. EARTH STRAP INSTALLATION

ITEM	PART NUMBER	QTY	DESCRIPTION	REV
	1001186646	Ref	Earth Strap Installation	B
1	0761010	1	Bolt, M10X20	
2	3290601	1	Nut, M6X1 Grade 8	
3	4811702	1	Washer, M6	
4	4812000	1	Washer, M10	
5	1001009038	1	Strap, Earth	

# SECTION 10 - ELECTRICAL

## FIGURE 10-57. BOOM RETRACT SENSOR INSTALLATION





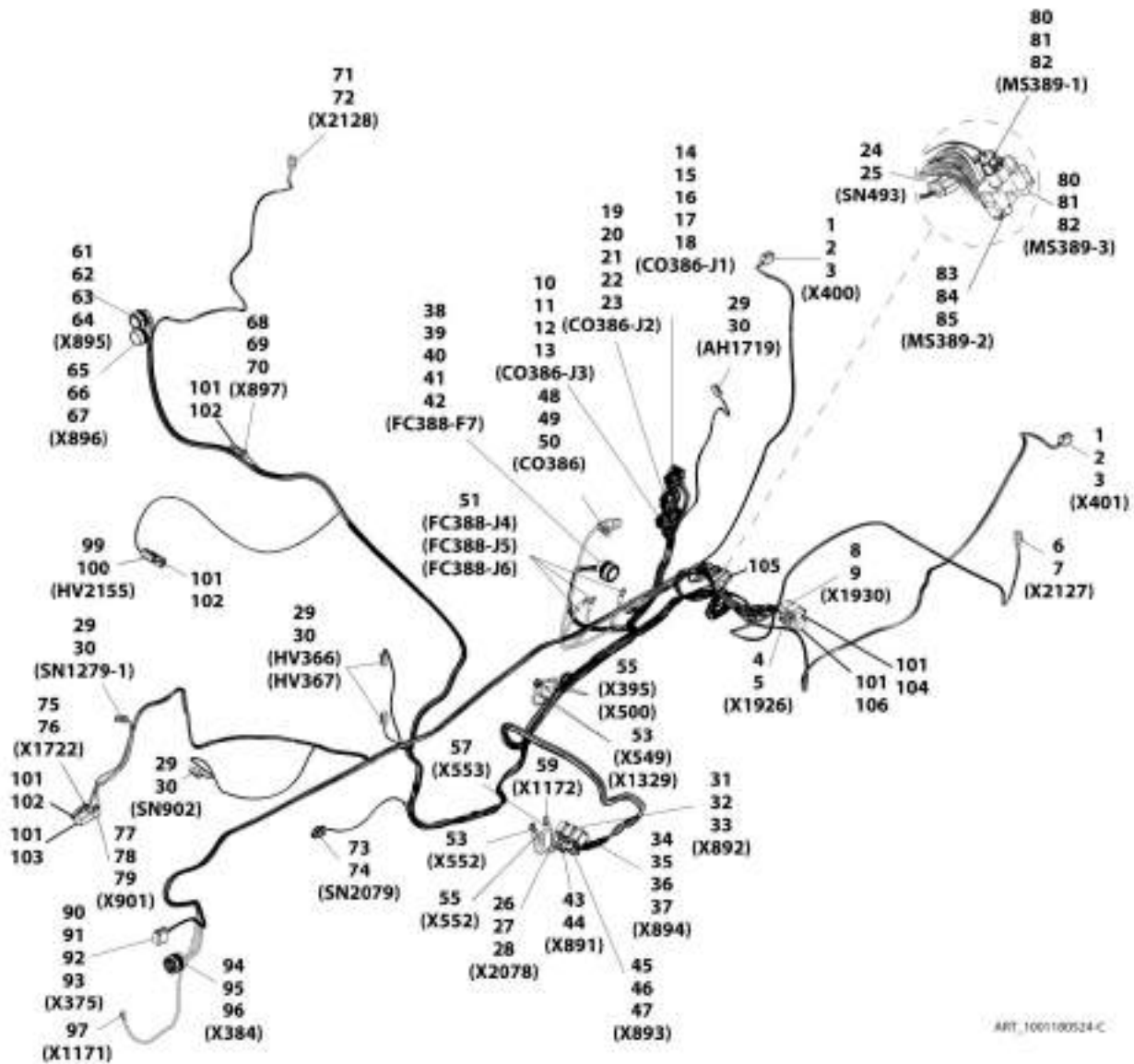
## SECTION 10 - ELECTRICAL

### FIGURE 10-57. BOOM RETRACT SENSOR INSTALLATION

ITEM	PART NUMBER	QTY	DESCRIPTION	REV
	1001221242	Ref	Boom Retract Sensor Installation	A
1	0700615	1	Bolt, M6X35	
2	0760614	1	Bolt, M6X30	
3	4031504	2	Screw, M4X8 (SN 1160005870 to Present)	
4	4811700	2	Washer, M6	
5	1001121021	1	Sensor, Proximity	
6	1001146588	1	Strap, Cable	
8	1001221249	1	Bracket	
9	1001221257	1	Plate	
10	1001221293	1	Shim	
11	1001008923	1	Strap, Cable	

# SECTION 10 - ELECTRICAL

## FIGURE 10-58. FRONT FRAME HARNESS



# SECTION 10 - ELECTRICAL

## FIGURE 10-58. FRONT FRAME HARNESS

ITEM	PART NUMBER	QTY	DESCRIPTION	REV
	1001180524	Ref	Front Frame Harness	C
1	4460894	2	Connector	
2	4460942	10	Terminal	
3	4460466	2	Plug	
4	4460933	1	Connector	
5	4460465	10	Terminal	
6	4460539	1	Connector	
7	4460942	3	Terminal	
8	4460970	1	Connector	
9	4460464	12	Terminal	
10	1001160500	1	Connector	
11	1001161095	13	Terminal	
12	1001161099	7	Terminal	
13	1001161100	12	Terminal	
14	1001161957	1	Connector	
15	1001161095	20	Terminal	
16	1001161099	3	Terminal	
17	1001161100	5	Terminal	
18	1001161101	3	Terminal	
19	1001161963	1	Connector	
20	1001161095	27	Terminal	
21	1001161099	6	Terminal	
22	1001161100	13	Terminal	
23	1001161101	2	Terminal	
24	4460911	1	Connector	
25	1001126008	3	Terminal	
26	4460970	1	Connector	
27	4460464	7	Terminal	
28	4460466	5	Plug	
29	4460891	5	Connector	
30	4460465	15	Terminal	
31	4460933	1	Connector	
32	4460465	11	Terminal	
33	4460942	1	Terminal	
34	4460836	1	Connector	
35	4460465	9	Terminal	
36	4460942	1	Terminal	
37	4460466	2	Plug	
38	1001165309	1	Connector	
39	4460465	9	Terminal	
40	4460942	1	Terminal	
41	4460509	6	Terminal	
42	4460466	3	Plug	
43	1001116810	1	Connector	
44	4460509	4	Terminal	
45	1001116812	1	Connector	
46	4460465	2	Terminal	
47	4460466	1	Plug	
48	1001160509	1	Connector	
49	1001160510	1	Terminal	

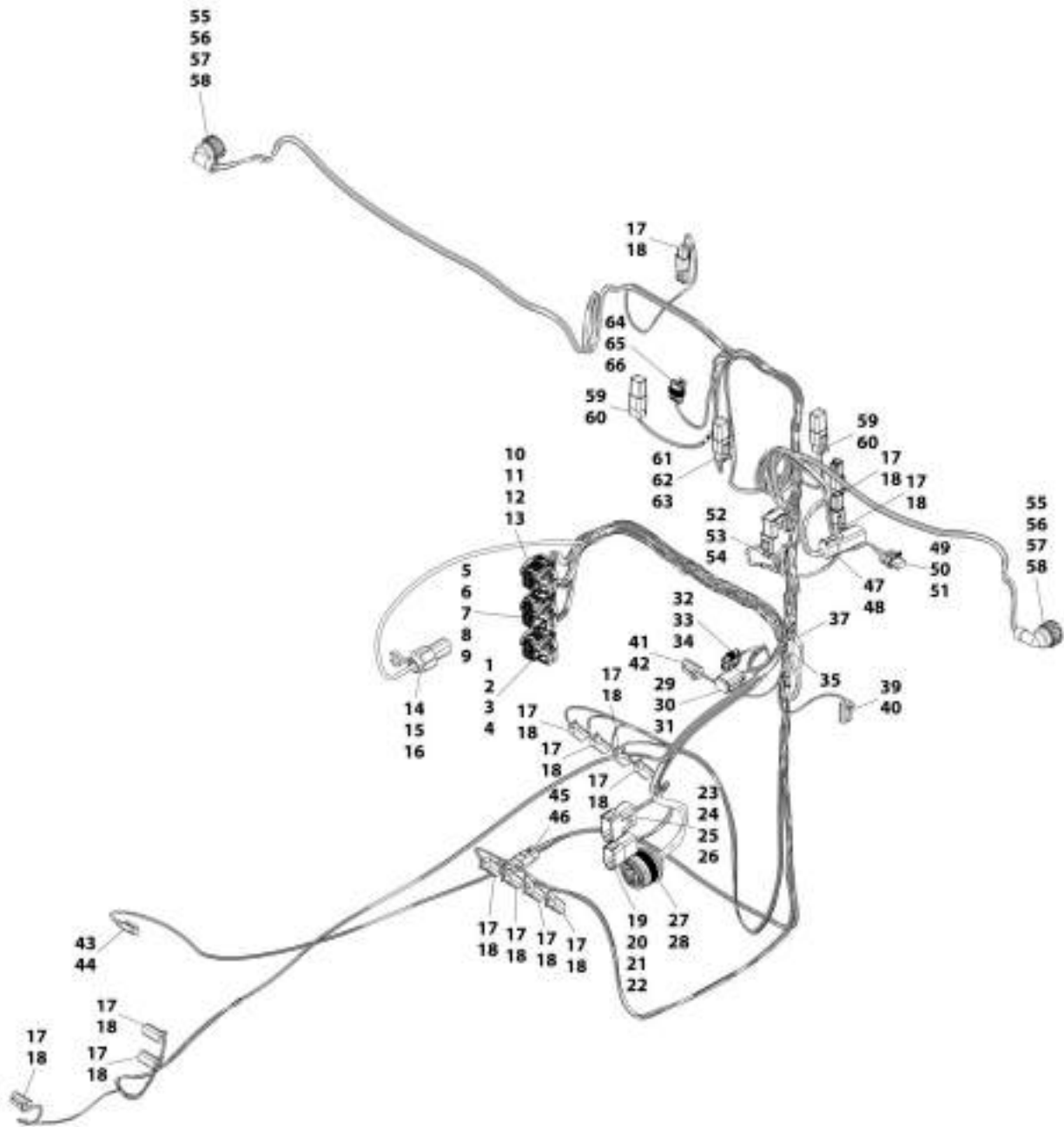
## SECTION 10 - ELECTRICAL

ITEM	PART NUMBER	QTY	DESCRIPTION	REV
50	1001175266	1	Seal	
51	8220114	3	Terminal, Ring	
53	1001117110	3	Terminal, Ring	
55	1001117108	3	Terminal, Ring	
57	1001128127	1	Terminal, Ring	
59	1001117109	1	Terminal, Ring	
61	1001118323	1	Connector	
62	4460942	3	Terminal	
63	91013192	2	Terminal	
64	4460466	1	Terminal	
65	4461015	1	Connector	
66	4460465	8	Terminal	
67	4460466	6	Terminal	
68	4460891	1	Connector	
69	1001157890	1	Terminal	
70	4460466	1	Terminal	
71	4460539	1	Connector	
72	4460942	3	Terminal	
73	1001116950	1	Connector	
74	4460465	2	Terminal	
75	4460891	1	Connector	
76	4460942	2	Terminal	
77	4460894	1	Connector	
78	4460942	4	Terminal	
79	4460465	2	Terminal	
80	1001116812	2	Connector	
81	4460944	4	Terminal	
82	4460466	2	Terminal	
83	4460539	1	Connector	
84	4460944	2	Terminal	
85	4460466	1	Terminal	
90	4460933	1	Connector	
91	4460465	6	Terminal	
92	1001157890	1	Terminal	
93	4460466	5	Plug	
94	1001165310	1	Connector	
95	1001116686	4	Terminal	
96	4460466	2	Plug	
97	1001117109	1	Connector	
99	4460891	1	Connector	
100	4460465	2	Terminal	
101	4460466	36	Plug	
102	4460897	3	Connector	
103	4460899	1	Terminal	
104	4460933	1	Plug	
105	4460945	1	Connector, 3Way	
106	4460970	1	Plug	



# SECTION 10 - ELECTRICAL

## FIGURE 10-59. REAR FRAME HARNESS



MIT\_0001180525-C

# SECTION 10 - ELECTRICAL

## FIGURE 10-59. REAR FRAME HARNESS

ITEM	PART NUMBER	QTY	DESCRIPTION	REV
	1001180525	Ref	Rear Frame Harness	C
1	1001161957	1	Connector	
2	1001161095	11	Terminal	
3	1001161100	13	Plug	
4	1001161101	8	Plug	
5	1001161963	1	Connector	
6	1001161095	26	Terminal	
7	1001161099	6	Terminal	
8	1001161100	14	Plug	
9	1001161101	2	Plug	
10	1001160500	1	Connector	
11	1001161095	4	Terminal	
12	1001161100	20	Plug	
13	1001161099	8	Terminal	
14	1001160509	1	Connector	
15	1001160510	1	Terminal	
16	1001175266	1	Plug	
17	4460891	14	Connector	
18	4460465	28	Terminal	
19	4460931	1	Connector	
20	4460941	1	Terminal	
21	4460464	4	Terminal	
22	4460466	3	Plug	
23	4460970	1	Connector	
24	4460464	6	Terminal	
25	4460466	5	Plug	
26	1001157891	1	Plug	
27	1001165311	1	Connector	
28	91013191	2	Terminal	
29	4460894	1	Connector	
30	4460465	2	Terminal	
31	4460466	4	Plug	
32	4461262	1	Connector	
33	1001107854	3	Terminal	
34	1001104498	3	Seal	
35	1001117110	1	Terminal, Ring	
37	1001117108	1	Terminal, Ring	
39	4460891	1	Connector	
40	4460509	2	Terminal	
41	4460891	1	Connector	
42	4460509	2	Terminal	
43	4460911	1	Connector	
44	1001126008	3	Terminal	
45	4460539	1	Connector	
46	4460465	3	Terminal	
47	4460894	1	Connector	
48	4460942	6	Terminal	
49	1001117021	1	Connector	
50	1001116728	2	Terminal	
51	4460458	2	Seal	

## SECTION 10 - ELECTRICAL

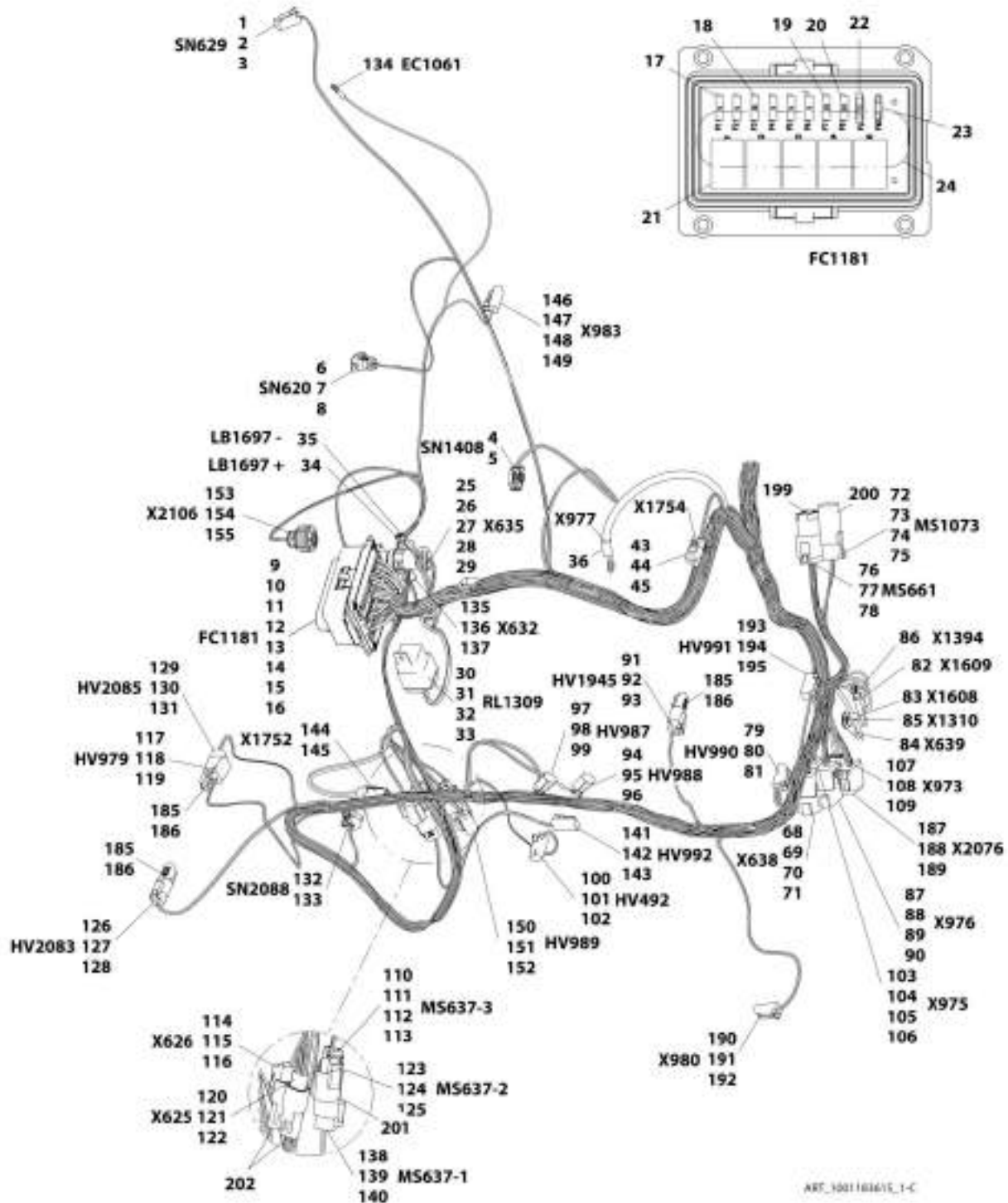
ITEM	PART NUMBER	QTY	DESCRIPTION	REV
52	4460933	1	Connector	
53	4460465	8	Terminal	
54	4460466	4	Plug	
55	1001116996	2	Connector	
56	1001118392	12	Terminal	
57	1001116696	2	Plug	
58	4461054	10	Seal	
59	4460884	2	Connector	
60	4460465	10	Terminal	
61	4460884	1	Connector	
62	4460465	2	Terminal	
63	4460466	2	Plug	
64	4461262	1	Connector	
65	1001107854	3	Terminal	
66	1001104498	3	Seal	



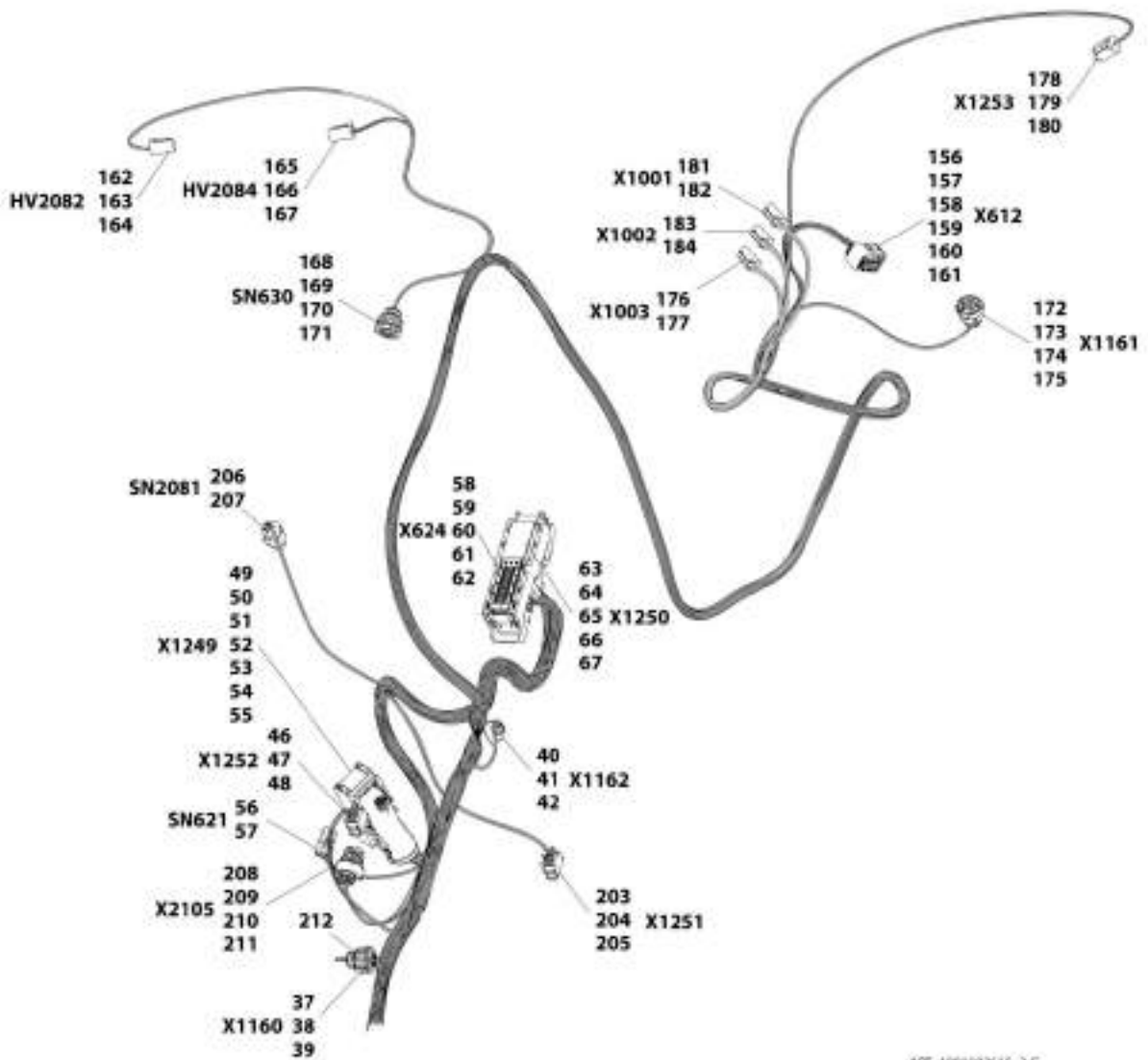


# SECTION 10 - ELECTRICAL

## FIGURE 10-60. ENGINE HARNESS (ULS)



# SECTION 10 - ELECTRICAL



REF\_1001182615\_2-C

# SECTION 10 - ELECTRICAL

## FIGURE 10-60. ENGINE HARNESS (ULS)

ITEM	PART NUMBER	QTY	DESCRIPTION	REV
	1001183615	Ref	Engine Harness (ULS)	C
1	1001167688	1	Connector	
2	1001167634	2	Terminal	
3	1001126485	2	Seal	
4	4461118	1	Connector	
5	1001107854	2	Terminal	
6	1001126487	1	Connector	
7	1001167634	2	Terminal	
8	1001126485	2	Seal	
9	1001167616	1	Box, Fuse	
10	8220097	21	Terminal	
11	8220098	16	Terminal	
12	1001116725	3	Terminal	
13	1001175265	5	Seal	
14	4460458	16	Seal	
15	80963067	2	Seal	
16	4460748	5	Plug	
17	8229242	5	Fuse, 5A	
18	8229244	1	Fuse, 15A	
19	8229247	1	Fuse, 25A	
20	8229245	1	Fuse, 30A	
21	1001205172	5	Fuse, 35A	
22	1001177597	1	Fuse, 6A	
23	1001197719	1	Resistor	
24	1001190921	1	Seal, Fuse Box	
25	2902443	1	Kit, Receptacle	
26	4461071	8	Terminal	
27	4461072	1	Housing, Flange Mount Receptacle Inner	
28	4461073	1	Cap, Dust	
29	4461074	1	Housing, Receptacle Outer	
30	1001118282	1	Connector	
31	1001116734	2	Terminal	
32	1001116732	2	Terminal	
33	1001128128	1	Plug	
34	8220108	1	Terminal, Blade	
35	8220108	1	Terminal, Blade	
36	8220115	1	Terminal, Ring	
37	1001167633	1	Connector	
38	1001133715	3	Terminal	
39	1001135650	3	Seal	
40	1001126487	1	Connector	
41	1001167635	2	Terminal	
42	1001126485	2	Seal	
43	4460539	1	Connector	
44	77363244	1	Lock, Connector	
45	4460465	3	Terminal	
46	1001167631	1	Connector	
47	1001167630	4	Terminal	
48	1001126485	4	Seal	
49	1001126362	1	Connector	

## SECTION 10 - ELECTRICAL

ITEM	PART NUMBER	QTY	DESCRIPTION	REV
50	1001166556	30	Terminal	
51	1001166774	10	Terminal	
52	1001166541	2	Terminal	
53	1001166543	2	Terminal	
54	1001126391	16	Plug	
55	4461008	2	Plug	
56	1001126245	1	Connector	
57	1001126008	2	Terminal	
58	1001167615	1	Connector	
59	1001166551	6	Terminal	
60	1001126353	6	Seal	
61	1001167621	21	Terminal	
62	1001167622	64	Plug	
63	1001167625	1	Connector	
64	1001166555	13	Terminal	
65	1001167621	50	Terminal	
66	1001167623	5	Plug	
67	1001167622	37	Plug	
68	4460950	1	Connector	
69	80363179	1	Lock, Connector	
70	4460464	8	Terminal	
71	4460466	4	Plug	
72	4460894	1	Connector	
73	91504107	1	Lock, Connector	
74	4460465	4	Terminal	
75	4460466	1	Plug	
76	4460933	1	Connector	
77	80604016	1	Lock, Connector	
78	4460944	12	Terminal	
79	4460891	1	Connector	
80	80604018	1	Lock, Connector	
81	4460465	2	Terminal	
82	1001117109	1	Terminal, Ring	
83	1001117110	1	Terminal, Ring	
84	1001117110	1	Terminal, Ring	
85	1001117110	1	Terminal, Ring	
86	4460256	1	Terminal, Ring	
87	4460970	1	Connector	
88	80363179	1	Lock, Connector	
89	4460464	8	Terminal	
90	4460466	4	Plug	
91	4460891	1	Connector	
92	80604016	1	Lock, Connector	
93	4460465	2	Terminal	
94	4460891	1	Connector	
95	80604016	1	Lock, Connector	
96	4460465	2	Terminal	
97	4460891	1	Connector	
98	80604016	1	Lock, Connector	
99	4460465	2	Terminal	
100	4460891	1	Connector	

## SECTION 10 - ELECTRICAL

ITEM	PART NUMBER	QTY	DESCRIPTION	REV
101	80604016	1	Lock, Connector	
102	4460465	2	Terminal	
103	1001144147	1	Connector	
104	91554022	1	Lock, Connector	
105	4460464	2	Terminal	
106	4460466	1	Plug	
107	1001116811	1	Connector	
108	4460508	3	Plug	
109	4460466	1	Plug	
110	1001116812	1	Connector	
111	91554019	1	Lock, Connector	
112	4460944	2	Terminal	
113	4460466	1	Plug	
114	4461095	1	Connector	
115	4460465	2	Terminal	
116	4460466	1	Plug	
117	4460891	1	Connector	
118	80604016	1	Lock, Connector	
119	4460465	2	Terminal	
120	4461095	1	Connector	
121	4460465	2	Terminal	
122	4460466	1	Plug	
123	4460539	1	Connector	
124	4460944	2	Terminal	
125	4460466	1	Plug	
126	4460891	1	Connector	
127	80604016	1	Lock, Connector	
128	4460465	2	Terminal	
129	4460891	1	Connector	
130	80604016	1	Lock, Connector	
131	4460465	2	Terminal	
132	1001116950	1	Connector	
133	4460465	2	Terminal	
134	4460247	1	Terminal, Ring	
135	1001167636	1	Connector	
136	1001166702	2	Terminal	
137	4461006	2	Seal	
138	1001116812	1	Connector	
139	4460944	2	Terminal	
140	4460466	1	Plug	
141	4460891	1	Connector	
142	80604016	1	Lock, Connector	
143	4460465	2	Terminal	
144	4461018	1	Connector	
145	4460509	2	Terminal	
146	4460891	1	Connector	
147	80604016	1	Lock, Connector	
148	4460465	1	Terminal	
149	4460466	1	Plug	
150	4460891	1	Connector	
151	80604016	1	Lock, Connector	

## SECTION 10 - ELECTRICAL

ITEM	PART NUMBER	QTY	DESCRIPTION	REV
152	4460465	2	Terminal	
153	1001133714	1	Connector	
154	4460508	3	Terminal	
155	4460466	1	Plug	
156	1001165194	1	Connector	
157	1001166556	8	Terminal	
158	1001116701	8	Seal	
159	1001166774	2	Terminal	
160	1001126393	2	Seal	
161	1001126391	2	Plug	
162	4460891	1	Connector	
163	80604016	1	Lock, Connector	
164	4460465	2	Terminal	
165	4460891	1	Connector	
166	80604016	1	Lock, Connector	
167	4460465	2	Terminal	
168	1001133714	1	Connector	
169	1001133715	3	Terminal	
170	1001135650	3	Seal	
171	1001135651	1	Plug	
172	1001167620	1	Connector	
173	1001167622	2	Terminal	
174	1001167623	2	Plug	
175	1001167624	2	Plug	
176	4460891	1	Connector	
177	4460942	2	Terminal	
178	4460884	1	Connector	
179	80604021	1	Lock, Connector	
180	4460465	4	Terminal	
181	4460891	1	Connector	
182	4460942	2	Terminal	
183	4460891	1	Connector	
184	4460942	2	Terminal	
185	4460897	3	Connector	
186	4460466	2	Plug	
187	4460933	1	Connector	
188	4460465	7	Terminal	
189	4460466	5	Plug	
190	4460891	1	Connector	
191	80604016	1	Lock, Connector	
192	4460465	2	Terminal	
193	4460891	1	Connector	
194	80604016	1	Lock, Connector	
195	4460465	2	Terminal	
196	4460891	1	Connector	
197	80604016	1	Lock, Connector	
198	4460465	2	Terminal	
199	1001125677	1	Connector	
200	4460892	1	Terminal	
201	4460945	1	Receptacle, 3-Way	
202	4461070	2	Connector	

## SECTION 10 - ELECTRICAL

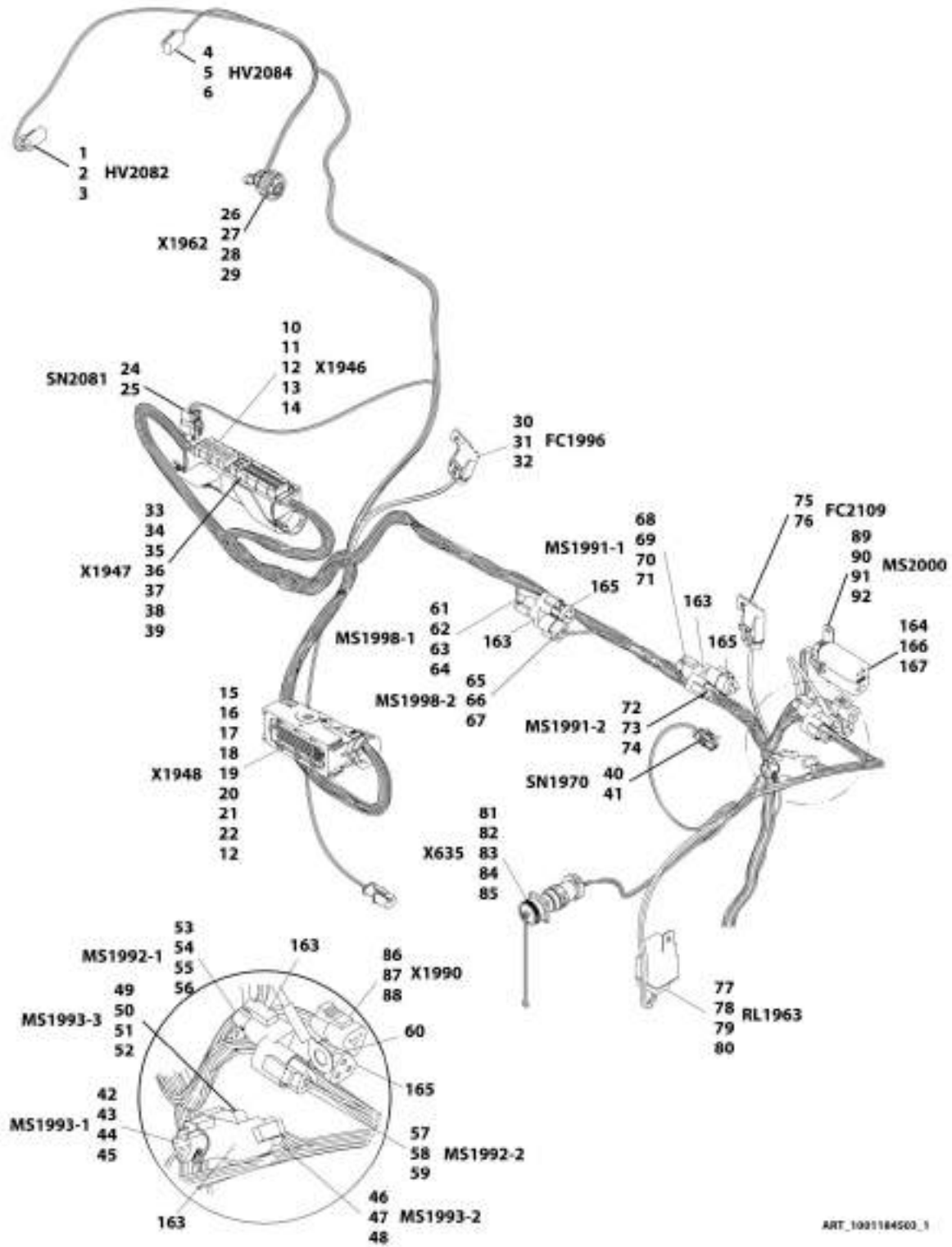
ITEM	PART NUMBER	QTY	DESCRIPTION	REV
203	1001167629	1	Connector	
204	1001167630	4	Terminal	
205	1001126485	4	Seal	
206	1001116950	1	Connector	
207	4460465	2	Terminal	
208	1001148842	1	Connector	
209	1001148841	3	Terminal	
210	1001135650	3	Seal	
211	4460508	1	Plug	
212	1001201478	1	Connector, Strain Relief	





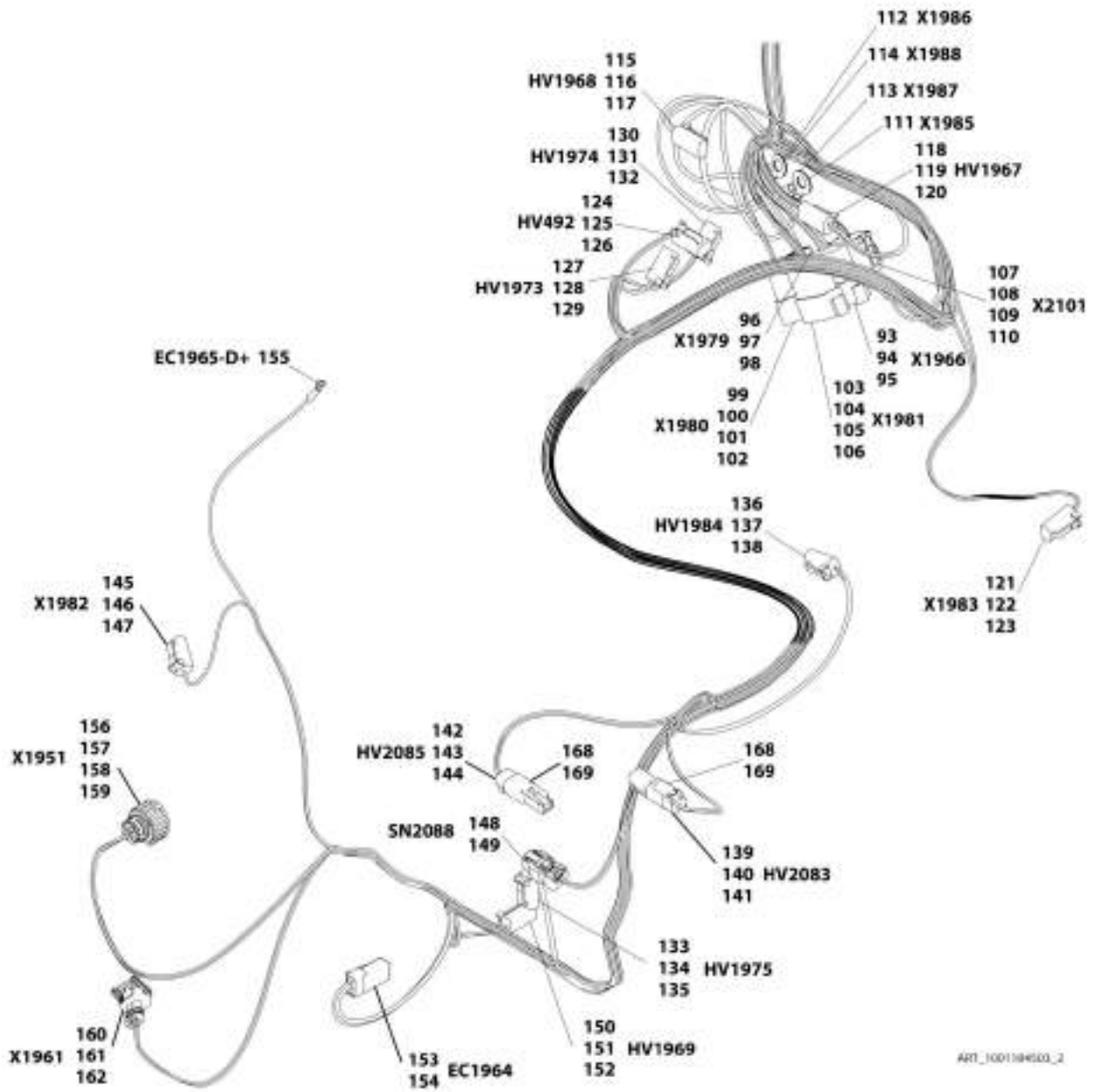
# SECTION 10 - ELECTRICAL

## FIGURE 10-61. ENGINE HARNESS (LS)



ART\_1001184503\_1

# SECTION 10 - ELECTRICAL



# SECTION 10 - ELECTRICAL

## FIGURE 10-61. ENGINE HARNESS (LS)

ITEM	PART NUMBER	QTY	DESCRIPTION	REV
	1001184503	Ref	Engine Harness (LS)	C
1	4460891	1	Connector	
2	80604018	1	Lock, Connector	
3	4460465	2	Terminal	
4	4460891	1	Connector	
5	80604018	1	Lock, Connector	
6	4460465	2	Terminal	
7	1001138110	1	Connector	
8	1001138111	2	Terminal	
9	1001138113	2	Seal	
10	1001126360	1	Connector	
11	1001126351	13	Terminal	
12	1001126384	17	Terminal	
13	1001126357	11	Plug	
14	1001126356	19	Plug	
15	1001126362	1	Connector	
16	1001166556	24	Terminal	
17	1001166701	24	Seal	
18	1001166774	10	Terminal	
19	1001126393	10	Seal	
20	1001166543	2	Terminal	
21	4461054	2	Seal	
22	1001126391	22	Plug	
23	1001116696	4	Plug	
24	1001116950	1	Connector	
25	4460465	2	Terminal	
26	1001133714	1	Connector	
27	1001133715	3	Terminal	
28	1001135650	3	Seal	
29	1001135651	1	Plug	
30	1001117018	1	Connector (includes 25 amp auto fuse)	
31	1001116734	1	Terminal	
32	1001116735	1	Terminal	
33	1001126349	1	Connector	
34	1001126352	6	Terminal	
35	1001126353	6	Seal	
36	1001126384	19	Terminal	
37	1001126351	2	Terminal	
38	1001126356	65	Terminal	
39	1001126357	2	Plug	
40	4461118	1	Connector	
41	1001107854	2	Terminal	
42	1001116812	1	Connector	
43	91554019	1	Lock, Connector	
44	4460944	2	Terminal	
45	4460466	1	Plug	
46	4460539	1	Connector	
47	4460944	2	Terminal	
48	4460466	1	Plug	
49	1001116812	1	Connector	

## SECTION 10 - ELECTRICAL

ITEM	PART NUMBER	QTY	DESCRIPTION	REV
50	91554019	1	Lock, Connector	
51	4460944	2	Terminal	
52	4460466	1	Plug	
53	1001116812	1	Connector	
54	91554019	1	Lock, Connector	
55	4460944	2	Terminal	
56	4460466	1	Plug	
57	4460539	1	Connector	
58	4460944	2	Terminal	
59	4460466	1	Plug	
60	1001117110	1	Ring, Terminal	
61	1001116812	1	Connector	
62	91554019	1	Lock, Connector	
63	4460944	2	Terminal	
64	4460466	1	Plug	
65	4460539	1	Connector	
66	4460944	2	Terminal	
67	4460466	1	Plug	
68	1001116812	1	Connector	
69	91554019	1	Lock, Connector	
70	4460944	2	Terminal	
71	4460466	1	Plug	
72	4460539	1	Connector	
73	4460944	2	Terminal	
74	4460466	1	Plug	
75	1001117018	1	Connector (includes 25 amp auto fuse)	
76	1001116734	2	Terminal	
77	1001118282	1	Connector	
78	1001116734	3	Terminal	
79	1001116732	1	Terminal	
80	1001128128	1	Plug	
81	2902443	1	Kit, Receptacle	
82	4461071	8	Terminal	
83	4461072	1	Housing, Flange Mount Receptacle Inner	
84	4461073	1	Cap, Dust	
85	4461074	1	Housing, Receptacle Outer	
86	4460539	1	Connector	
87	4460944	2	Terminal	
88	4460466	1	Plug	
89	1001184551	1	Connector	
90	1001116728	7	Terminal	
91	1001116747	1	Terminal	
92	1001175265	8	Seal	
93	4460970	1	Connector	
94	4460464	7	Terminal	
95	4460466	5	Plug	
96	1001116811	1	Connector	
97	4460508	3	Terminal	
98	4460466	1	Plug	
99	1001144147	1	Connector	
100	91554022	1	Lock, Connector	

## SECTION 10 - ELECTRICAL

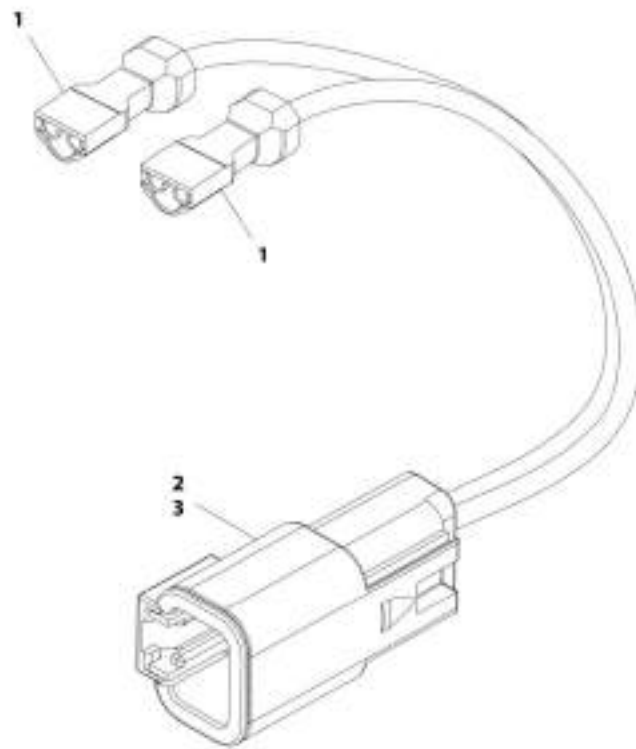
ITEM	PART NUMBER	QTY	DESCRIPTION	REV
101	4460464	2	Terminal	
102	4460466	1	Plug	
103	4460950	1	CONNECTOR HOUSING	
104	80363179	1	Lock, Connector	
105	4460464	8	Terminal	
106	4460466	4	Plug	
107	4460933	1	Connector	
108	80604016	1	Lock, Connector	
109	4460944	7	Terminal	
110	4460466	5	Plug	
111	1001117110	1	Ring, Terminal	
112	1001117109	1	Ring, Terminal	
113	1001117110	1	Ring, Terminal	
114	1001117110	1	Ring, Terminal	
115	4460891	1	Connector	
116	80604018	1	Lock, Connector	
117	4460465	2	Terminal	
118	4460891	1	Connector	
119	80604018	1	Lock, Connector	
120	4460465	2	Terminal	
121	4460891	1	Connector	
122	80604018	1	Lock, Connector	
123	4460465	2	Terminal	
124	4460891	1	Connector	
125	80604018	1	Lock, Connector	
126	4460465	2	Terminal	
127	4460891	1	Connector	
128	80604018	1	Lock, Connector	
129	4460465	2	Terminal	
130	4460891	1	Connector	
131	80604018	1	Lock, Connector	
132	4460465	2	Terminal	
133	4460891	1	Connector	
134	80604018	1	Lock, Connector	
135	4460465	2	Terminal	
136	4460891	1	Connector	
137	80604018	1	Lock, Connector	
138	4460465	2	Terminal	
139	4460891	1	Connector	
140	80604018	1	Lock, Connector	
141	4460465	2	Terminal	
142	4460891	1	Connector	
143	80604018	1	Lock, Connector	
144	4460465	2	Terminal	
145	4460891	1	Connector	
146	80604018	1	Lock, Connector	
147	4460465	2	Terminal	
148	1001116950	1	Connector	
149	4460465	2	Terminal	
150	4460891	1	Connector	
151	80604018	1	Lock, Connector	

## SECTION 10 - ELECTRICAL

ITEM	PART NUMBER	QTY	DESCRIPTION	REV
152	4460465	2	Terminal	
153	4461018	1	Connector	
154	4460509	2	Belgium Built Machines - Use Terminal	
155	4460247	1	Terminal, Ring	
156	1001133714	1	Connector	
157	1001133715	3	Terminal	
158	1001135650	3	Seal	
159	1001135651	1	Plug	
160	1001116983	1	Connector	
161	1001116710	2	Terminal	
162	4461006	2	Seal	
163	4460945	4	Connector	
164	8229242	1	Fuse, 5A	
165	1001116815	3	Connector	
166	1001177597	1	Diode, 6A	
167	1001197719	2	Resistor	
168	4460466	4	Plug	
169	4460897	2	Connector	

# SECTION 10 - ELECTRICAL

## FIGURE 10-62. FUEL PUMP HARNESS



APP\_1001182926-B



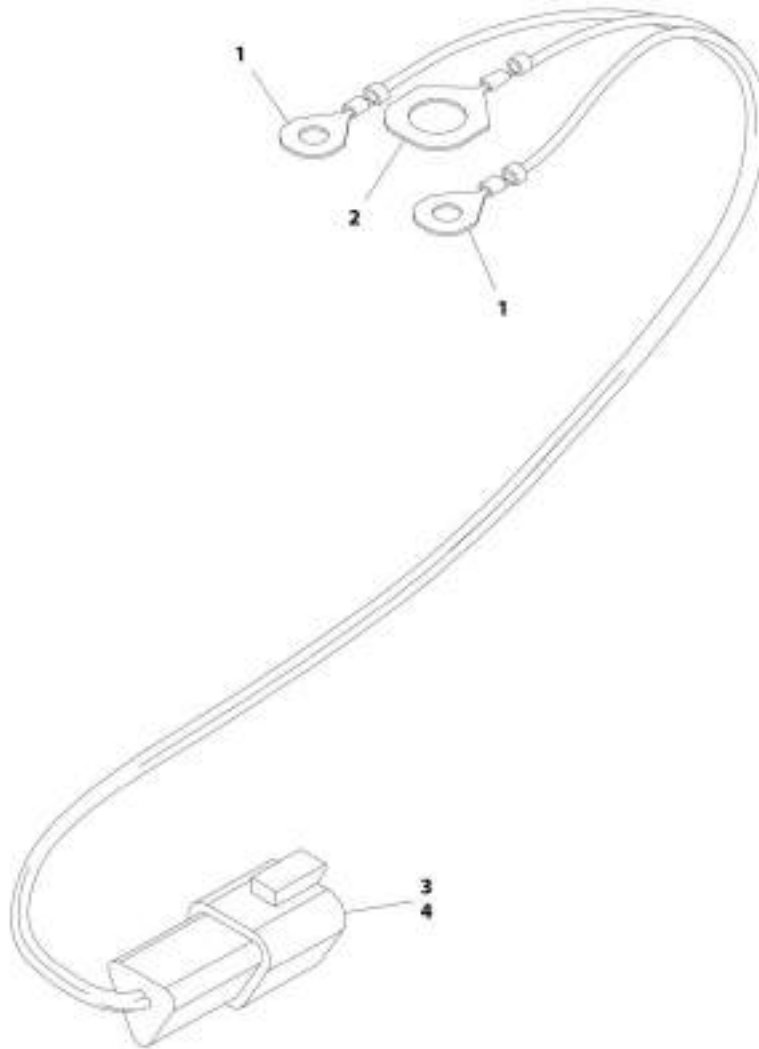
## SECTION 10 - ELECTRICAL

### FIGURE 10-62. FUEL PUMP HARNESS

ITEM	PART NUMBER	QTY	DESCRIPTION	REV
	1001182929	Ref	Fuel Pump Harness	E
1	8220043	2	Connector	
2	4461017	1	Connector	
3	4460508	2	Terminal	

# SECTION 10 - ELECTRICAL

## FIGURE 10-63. GLOW PLUG RELAY HARNESS



8RT\_100118/2930-C

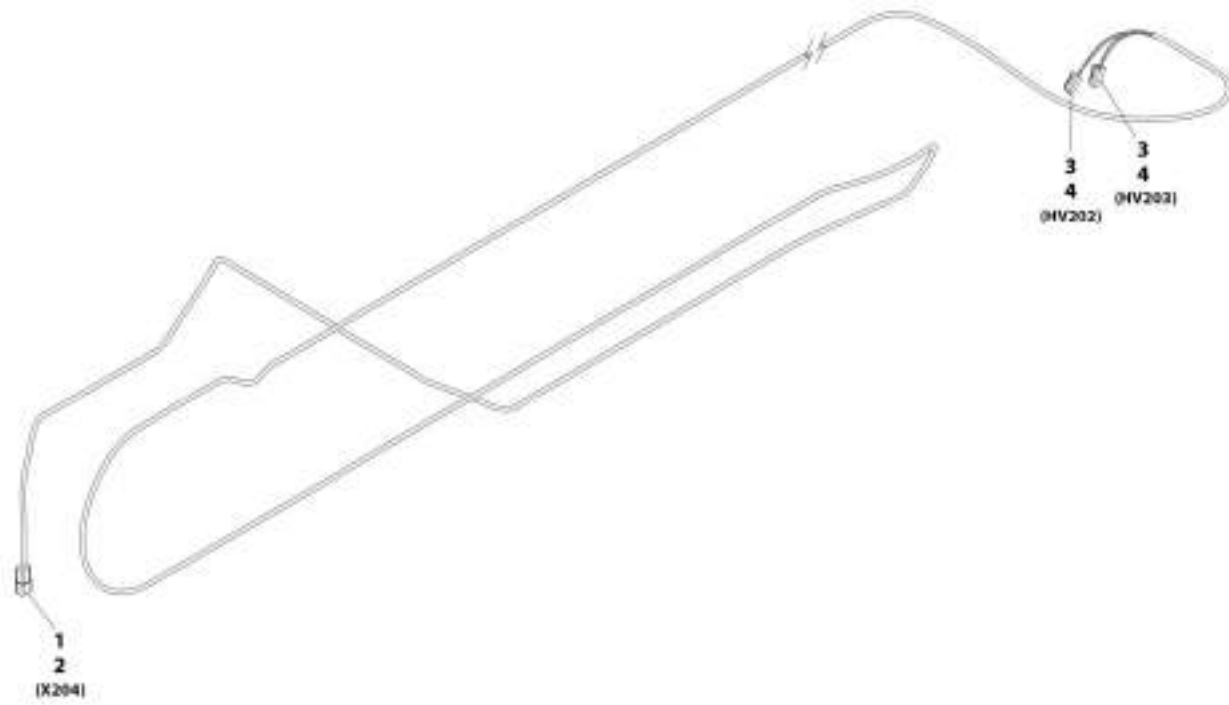
## SECTION 10 - ELECTRICAL

### FIGURE 10-63. GLOW PLUG RELAY HARNESS

ITEM	PART NUMBER	QTY	DESCRIPTION	REV
	1001182930	Ref	Glow Plug Relay Harness	C
1	1001187070	2	Ring, Terminal	
2	1001187077	1	Ring, Terminal	
3	4460536	1	Connector	
4	4460464	3	Terminal	

# SECTION 10 - ELECTRICAL

## FIGURE 10-64. BOOM HARNESS



ART\_1001104421-C

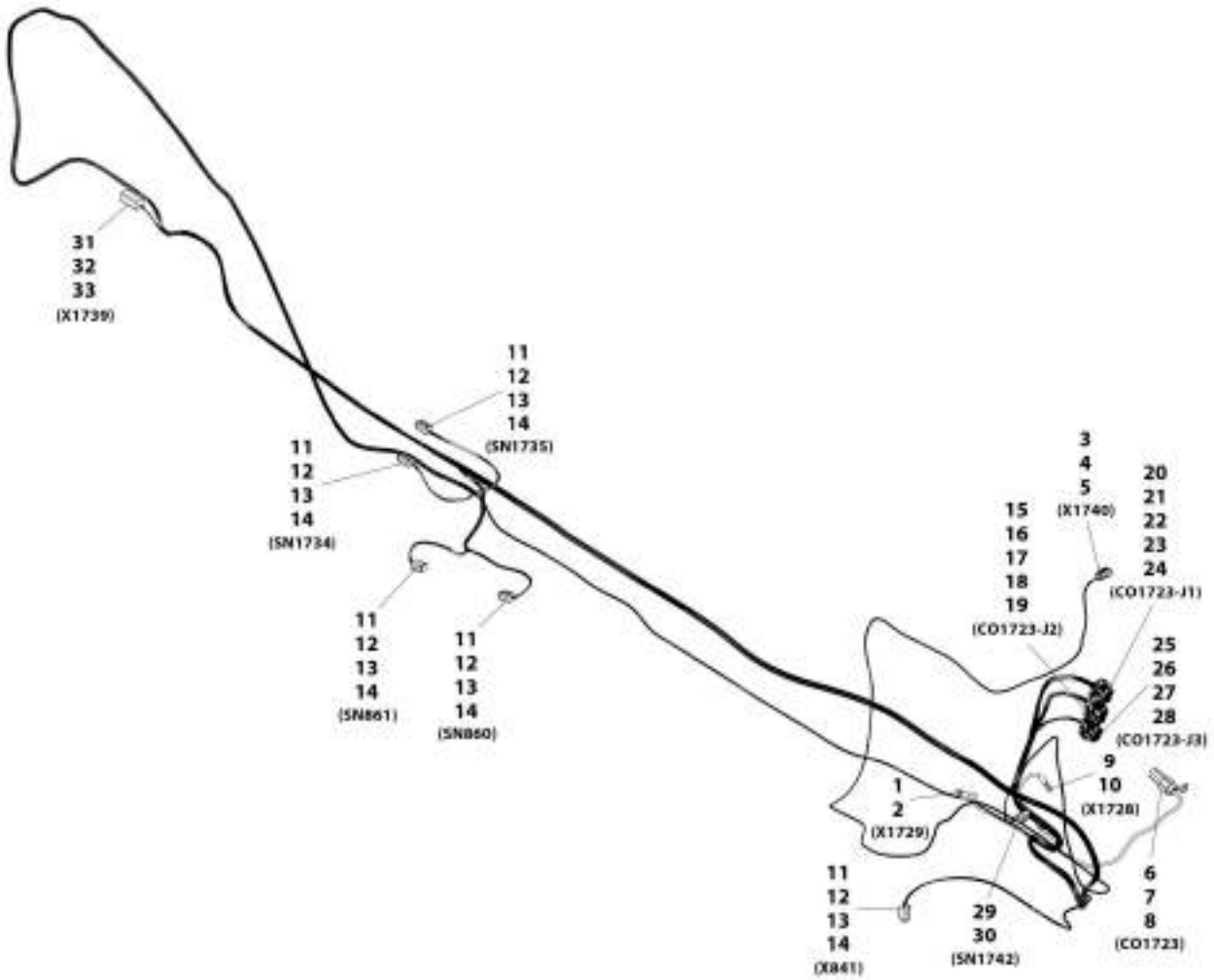
# SECTION 10 - ELECTRICAL

## FIGURE 10-64. BOOM HARNESS

ITEM	PART NUMBER	QTY	DESCRIPTION	REV
	1001184421	Ref	Boom Harness	C
1	4460932	1	Connector	
2	80604018	1	Lock, Connector	
3	4460891	2	Connector	
4	80604018	2	Lock, Connector	

# SECTION 10 - ELECTRICAL

## FIGURE 10-65. LMIS CHASSIS HARNESS



ART\_1001185999-C

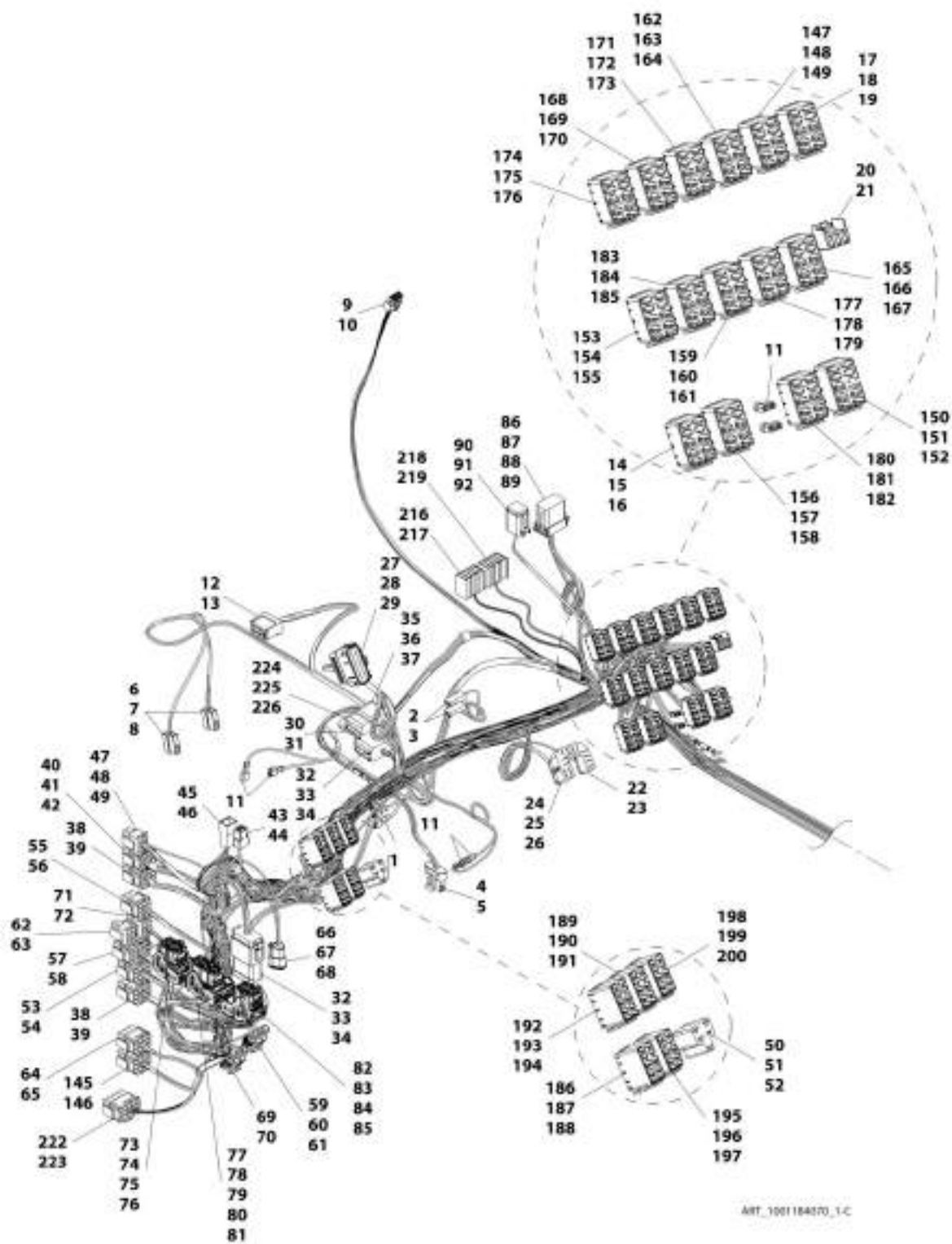
## SECTION 10 - ELECTRICAL

### FIGURE 10-65. LMIS CHASSIS HARNESS

ITEM	PART NUMBER	QTY	DESCRIPTION	REV
	1001185959	Ref	LMIS Harness	C
1	1001117109	1	Terminal, Ring	
3	1001116812	1	Connector	
4	4460944	2	Terminal	
5	4460466	1	Plug	
6	1001160509	1	Connector	
7	1001160510	1	Terminal	
8	1001175266	1	Seal	
9	8220114	1	Terminal, Ring	
11	4460884	1	Connector	
12	4460464	2	Terminal	
13	4460465	16	Terminal	
14	4460942	4	Terminal	
15	1001161963	1	Connector	
16	1001161095	16	Terminal	
17	1001161100	24	Plug	
18	1001161099	3	Terminal	
19	1001161101	5	Plug	
20	1001161957	1	Connector	
21	1001161095	11	Terminal	
22	1001161100	13	Plug	
23	1001161099	4	Terminal	
24	1001161101	4	Plug	
25	1001161957	1	Connector	
26	1001161095	5	Terminal	
27	1001161100	19	Plug	
28	1001161099	8	Terminal	
29	4460539	1	Connector	
30	4460465	3	Terminal	
31	4460899	1	Connector	
32	4460464	2	Terminal	
33	4460466	4	Plug	

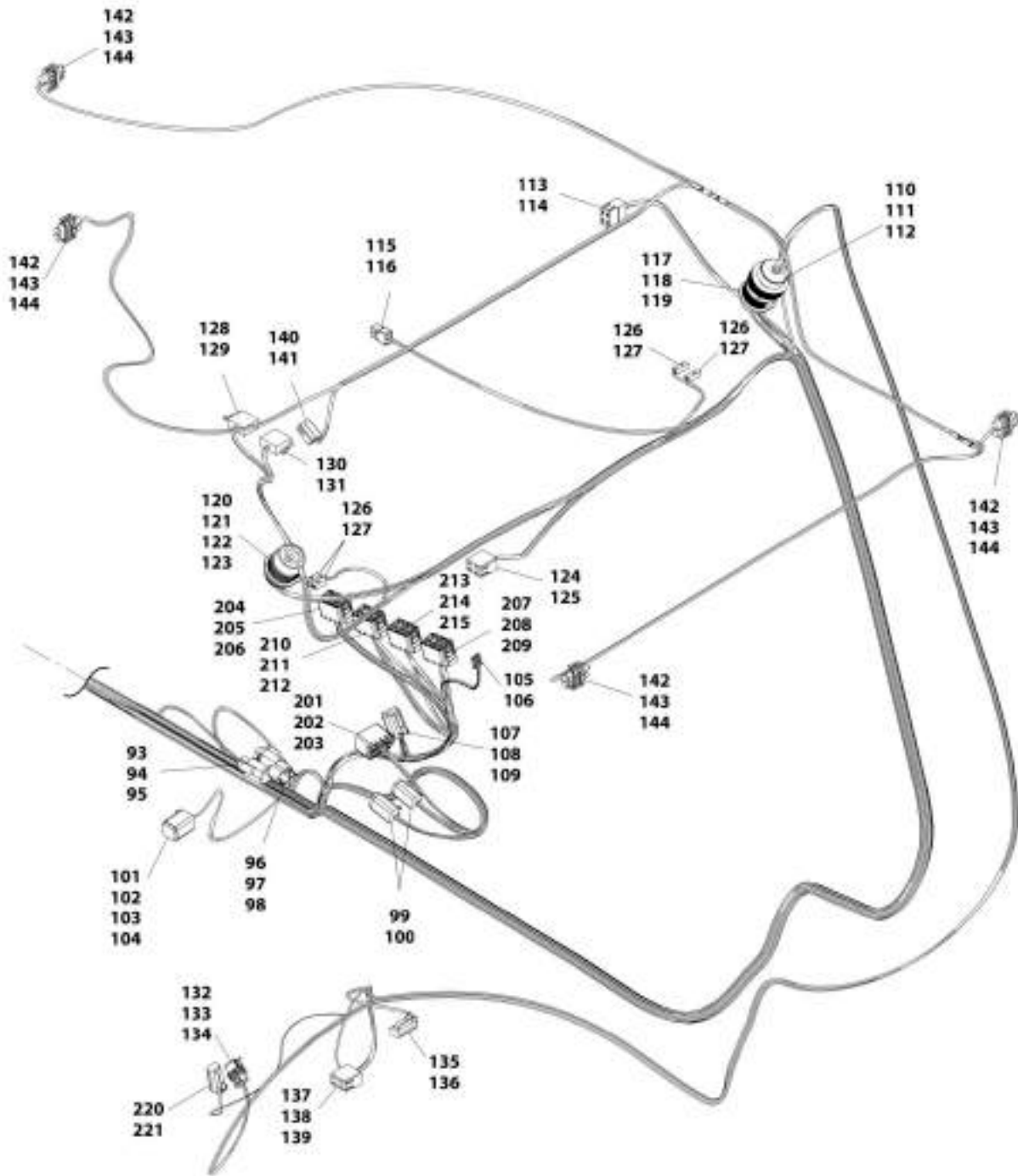
# SECTION 10 - ELECTRICAL

## FIGURE 10-66. CAB HARNESS





# SECTION 10 - ELECTRICAL



ART\_1001184070\_2/C

# SECTION 10 - ELECTRICAL

## FIGURE 10-66. CAB HARNESS

ITEM	PART NUMBER	QTY	DESCRIPTION	REV
	1001184070	Ref	Cab Harness	C
1	8220051	3	Connector	
2	1001116995	2	Connector	
3	1001118379	3	Terminal	
4	1001117064	1	Connector	
5	91554014	6	Terminal	
6	4460994	1	Connector	
7	1001118384	1	Terminal	
8	1001116723	2	Terminal	
9	1001150735	1	Connector	
10	1001150737	7	Terminal	
11	8220051	6	Connector	
12	1001116997	1	Connector	
13	1001118384	5	Terminal	
14	1001117081	1	Connector	
15	1001118384	5	Terminal	
16	1001116723	6	Terminal	
17	1001117079	1	Connector	
18	1001118384	2	Terminal	
19	1001116723	6	Terminal	
20	1001118684	1	Connector	
21	1001116754	2	Terminal	
22	1001117121	1	Connector	
23	1001104519	1	Terminal	
24	1001118685	1	Connector	
25	1001104519	2	Terminal	
26	1001118383	2	Terminal	
27	1001162886	1	Connector	
28	1001163340	13	Plug	
29	1001162887	7	Terminal	
30	4460897	1	Connector	
31	4460464	1	Terminal	
32	4460933	2	Connector	
33	4460465	21	Terminal	
34	4460466	3	Plug	
35	4460836	1	Connector	
36	4460465	8	Terminal	
37	4460942	4	Terminal	
38	4460343	2	Connector	
39	4460267	15	Terminal	
40	4460343	1	Connector	
41	4460268	8	Terminal	
42	4460906	1	Terminal	
43	1001116991	1	Connector	
44	1001118384	2	Terminal	
45	1001116999	1	Connector	
46	1001116700	4	Terminal	
47	4460225	1	Connector	
48	4460267	5	Terminal	
49	4460906	1	Terminal	

## SECTION 10 - ELECTRICAL

ITEM	PART NUMBER	QTY	DESCRIPTION	REV
50	1001173411	1	Connector	
51	1001116716	2	Terminal	
52	1001104519	5	Terminal	
53	4460343	1	Connector	
54	4460268	9	Terminal	
55	4460265	1	Connector	
56	4460268	9	Terminal	
57	4460434	1	Connector	
58	4460268	7	Terminal	
59	1001103012	1	Connector	
60	1001116697	2	Terminal	
61	1001116698	2	Plug	
62	4460225	1	Connector	
63	4460267	3	Terminal	
64	4460434	1	Connector	
65	4460267	3	Terminal	
66	1001116812	1	Connector	
67	4460944	2	Terminal	
68	4460466	1	Plug	
69	4461262	1	Connector	
70	1001107854	3	Terminal	
71	4460225	1	Connector	
72	4460268	5	Terminal	
73	1001160498	1	Connector	
74	1001161095	24	Terminal	
75	1001161098	6	Terminal	
76	1001161099	1	Terminal	
77	1001160502	1	Connector	
78	1001161095	23	Terminal	
79	1001161097	1	Terminal	
80	1001161098	5	Terminal	
81	1001161099	1	Terminal	
82	1001161959	1	Connector	
83	1001161095	12	Terminal	
84	1001161097	6	Terminal	
85	1001161098	1	Terminal	
86	1001176333	1	Connector	
87	4460465	3	Terminal	
88	4460466	11	Plug	
89	4460994	4	Terminal	
90	4460930	1	Connector	
91	4460465	2	Terminal	
92	4460466	6	Plug	
93	4460539	1	Connector	
94	4460466	1	Plug	
95	4460994	2	Terminal	
96	1001116812	1	Connector	
97	4460466	1	Plug	
98	4460994	2	Terminal	
99	4460884	2	Connector	
100	4460465	8	Terminal	

## SECTION 10 - ELECTRICAL

ITEM	PART NUMBER	QTY	DESCRIPTION	REV
101	4460894	1	Connector	
102	4460465	3	Terminal	
103	4460466	1	Plug	
104	4460994	2	Terminal	
105	1001184473	1	Connector	
106	1001184479	3	Terminal	
107	4460884	1	Connector	
108	1001201070	1	Connector	
109	4460465	4	Terminal	
110	1001201080	1	Connector	
111	4460465	7	Terminal	
112	4460942	6	Terminal	
113	1001116986	1	Connector	
114	1001118384	4	Terminal	
115	1001116991	1	Connector	
116	1001118384	2	Terminal	
117	1001201081	1	Connector	
118	4460464	7	Terminal	
119	4460943	6	Terminal	
120	1001112612	1	Connector	
121	4460464	7	Terminal	
122	4460466	3	Plug	
123	4460943	6	Terminal	
124	1001116986	1	Connector	
125	1001118384	4	Terminal	
126	1001116998	4	Connector	
127	1001118387	4	Terminal	
128	1001116985	1	Connector	
129	1001118386	3	Terminal	
130	1001116984	1	Connector	
131	1001118386	4	Terminal	
132	4461262	1	Connector	
133	1001107854	2	Terminal	
134	1001116698	1	Plug	
135	4460891	1	Connector	
136	4460465	2	Terminal	
137	1001116986	1	Connector	
138	1001118384	3	Terminal	
139	1001116723	2	Terminal	
140	4460994	1	Connector	
141	1001118384	2	Terminal	
142	4461115	4	Connector	
143	1001116728	8	Terminal	
144	4460458	8	Seal	
145	4460434	1	Connector	
146	4460268	5	Terminal	
147	1001117081	1	Connector	
148	1001118384	2	Terminal	
149	1001116723	4	Terminal	
150	1001117081	1	Connector	
151	1001118384	10	Terminal	

## SECTION 10 - ELECTRICAL

ITEM	PART NUMBER	QTY	DESCRIPTION	REV
152	1001116723	1	Terminal	
153	1001117081	1	Connector	
154	1001118384	4	Terminal	
155	1001116723	6	Terminal	
156	1001117081	1	Connector	
157	1001118384	1	Terminal	
158	1001116723	6	Terminal	
159	1001117081	1	Connector	
160	1001118384	3	Terminal	
161	1001116723	4	Terminal	
162	1001117081	1	Connector	
163	1001118384	2	Terminal	
164	1001116723	4	Terminal	
165	1001117081	1	Connector	
166	1001118384	1	Terminal	
167	1001116723	6	Terminal	
168	1001117081	1	Connector	
169	1001118384	2	Terminal	
170	1001116723	4	Terminal	
171	1001117081	1	Connector	
172	1001118384	2	Terminal	
173	1001116723	4	Terminal	
174	1001117081	1	Connector	
175	1001118384	1	Terminal	
176	1001116723	6	Terminal	
177	1001117081	1	Connector	
178	1001118384	1	Terminal	
179	1001116723	6	Terminal	
180	1001117081	1	Connector	
181	1001118384	2	Terminal	
182	1001116723	8	Terminal	
183	1001117081	1	Connector	
184	1001118384	3	Terminal	
185	1001116723	4	Terminal	
186	1001117081	1	Connector	
187	1001118384	1	Terminal	
188	1001116723	6	Terminal	
189	1001117081	1	Connector	
190	1001118384	1	Terminal	
191	1001116723	6	Terminal	
192	1001117081	1	Connector	
193	1001118384	1	Terminal	
194	1001116723	6	Terminal	
195	1001117081	1	Connector	
196	1001118384	1	Terminal	
197	1001116723	6	Terminal	
198	1001117081	1	Connector	
199	1001118384	2	Terminal	
200	1001116723	4	Terminal	
201	1001117081	1	Connector	
202	1001118384	4	Terminal	

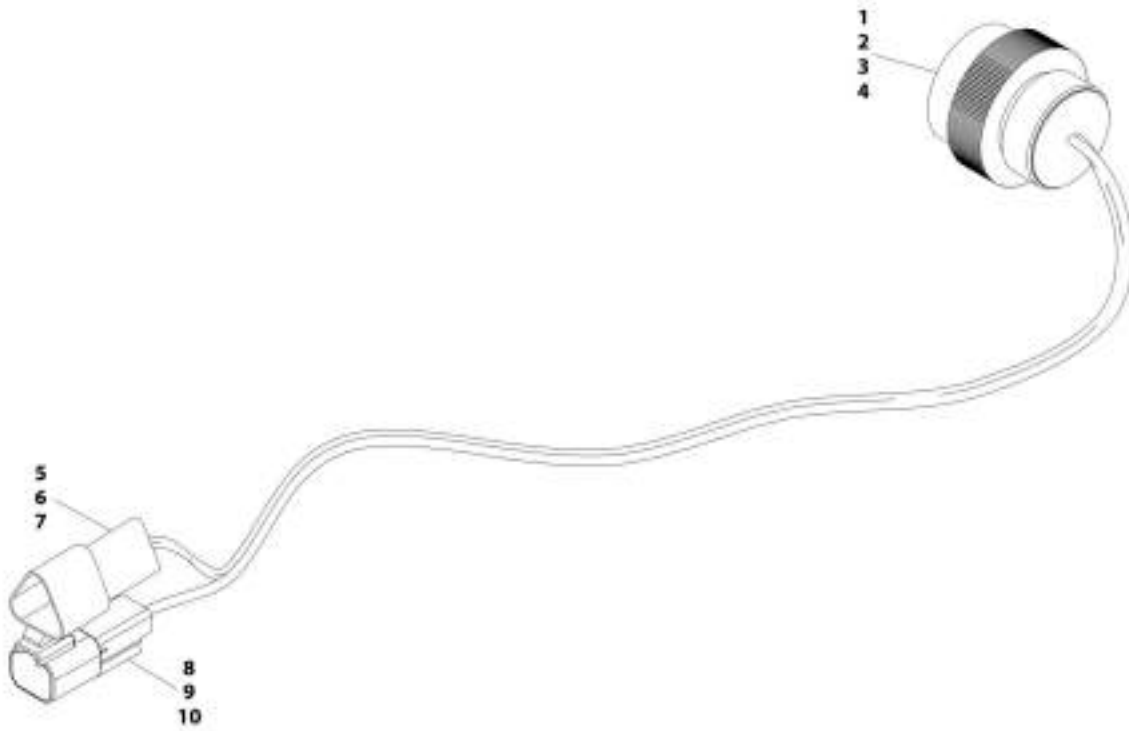
## SECTION 10 - ELECTRICAL

ITEM	PART NUMBER	QTY	DESCRIPTION	REV
203	1001116723	2	Terminal	
204	1001117081	1	Connector	
205	1001118384	1	Terminal	
206	1001116723	12	Terminal	
207	1001117081	1	Connector	
208	1001118384	1	Terminal	
209	1001116723	6	Terminal	
210	1001117081	1	Connector	
211	1001118384	1	Terminal	
212	1001116723	6	Terminal	
213	1001117081	1	Connector	
214	1001118384	1	Terminal	
215	1001116723	6	Terminal	
216	1001214686	1	Connector	
217	1001116753	1	Terminal	
218	1001214687	1	Connector	
219	1001116753	3	Terminal	
220	4460891	1	Connector	
221	4460465	2	Terminal	
222	4460434	1	Connector	
223	4460268	15	Terminal	
224	4460884	1	Connector	
225	4460942	1	Terminal	
226	4460466	2	Plug	
227	4460994	1	Connector	
228	1001118384	2	Terminal	



# SECTION 10 - ELECTRICAL

## FIGURE 10-67. CAB OPTION HARNESS



ART\_1001181681-B



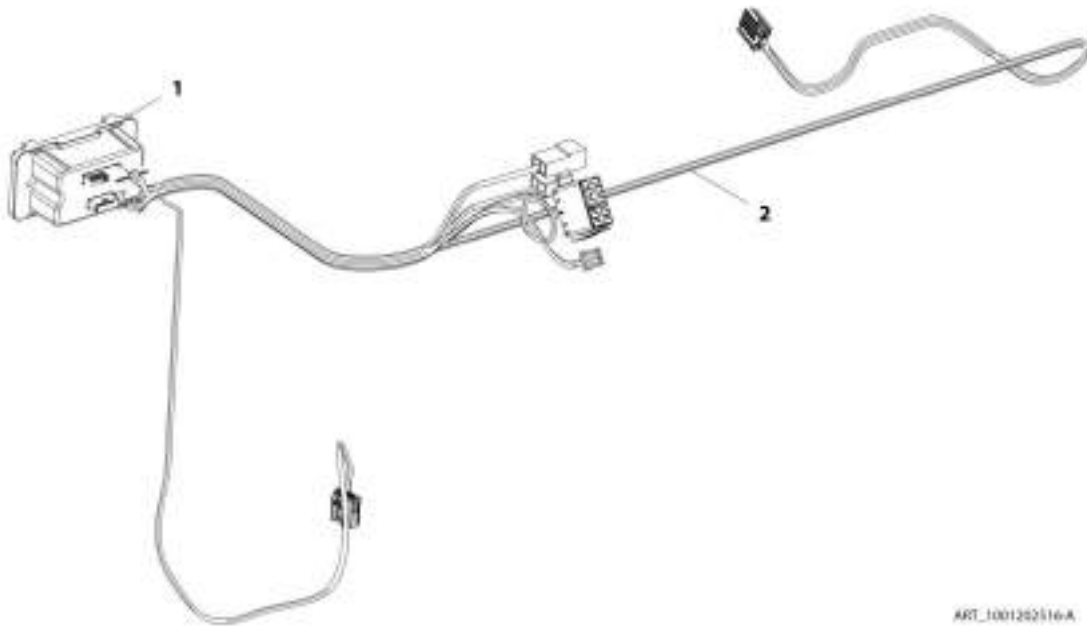
## SECTION 10 - ELECTRICAL

### FIGURE 10-67. CAB OPTION HARNESS

ITEM	PART NUMBER	QTY	DESCRIPTION	REV
	1001181681	Ref	Cab Option Harness	B
1	4461015	1	Connector	
2	4460465	2	Terminal	
3	4460466	11	Plug	
4	4460942	1	Terminal	
5	4461015	1	Connector	
6	4460466	1	Plug	
7	4460943	2	Terminal	
8	4461015	1	Connector	
9	4460466	1	Plug	
10	4460941	1	Terminal	

# SECTION 10 - ELECTRICAL

## FIGURE 10-68. CAB HEATER HARNESS



ART\_1001202516-A

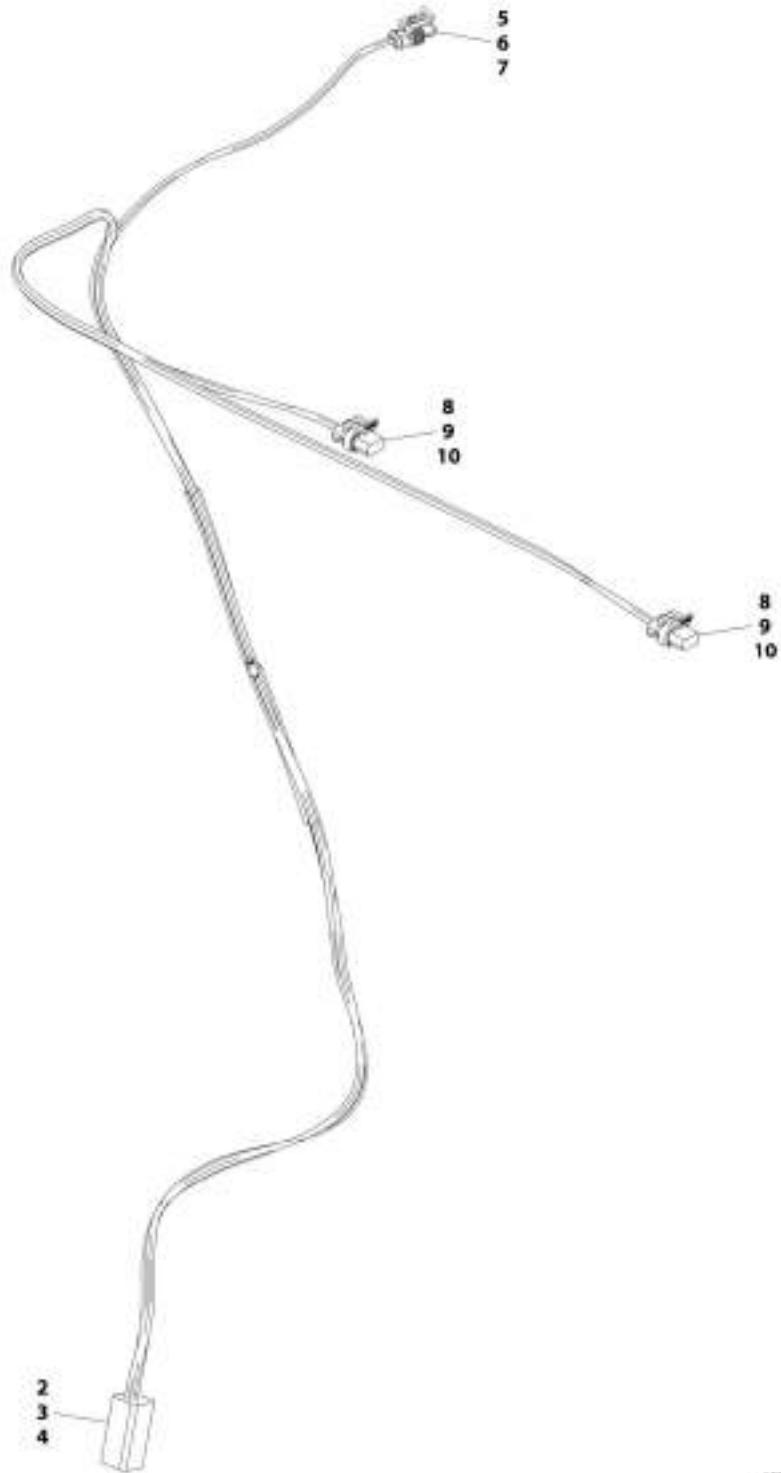
## SECTION 10 - ELECTRICAL

### FIGURE 10-68. CAB HEATER HARNESS

ITEM	PART NUMBER	QTY	DESCRIPTION	REV
1	1001202516	Ref	Cab Heater Harness	A
	1001172551	Ref	Actuator, HVAC (See Separate Breakdown in Cab Section)	
	1001173571	Ref	Harness, HVAC Cab Actuator (See Separate Breakdown in Same section)	

# SECTION 10 - ELECTRICAL

## FIGURE 10-69. A/C OPTION HARNESS



ART\_1001369151-D

# SECTION 10 - ELECTRICAL

## FIGURE 10-69. A/C OPTION HARNESS

ITEM	PART NUMBER	QTY	DESCRIPTION	REV
	1001169151	Ref	A/C Option Harness	D
2	4460899	1	Connector	
3	4460941	4	Terminal	
4	4460464	2	Terminal	
5	4461118	1	Connector	
6	1001107854	2	Terminal	
7	1001116763	2	Seal	
8	1001117021	2	Connector	
9	1001116747	4	Terminal	
10	4460789	4	Seal	

# SECTION 10 - ELECTRICAL

## FIGURE 10-70. REVERSE SENSOR HARNESS



ART\_300175739-C

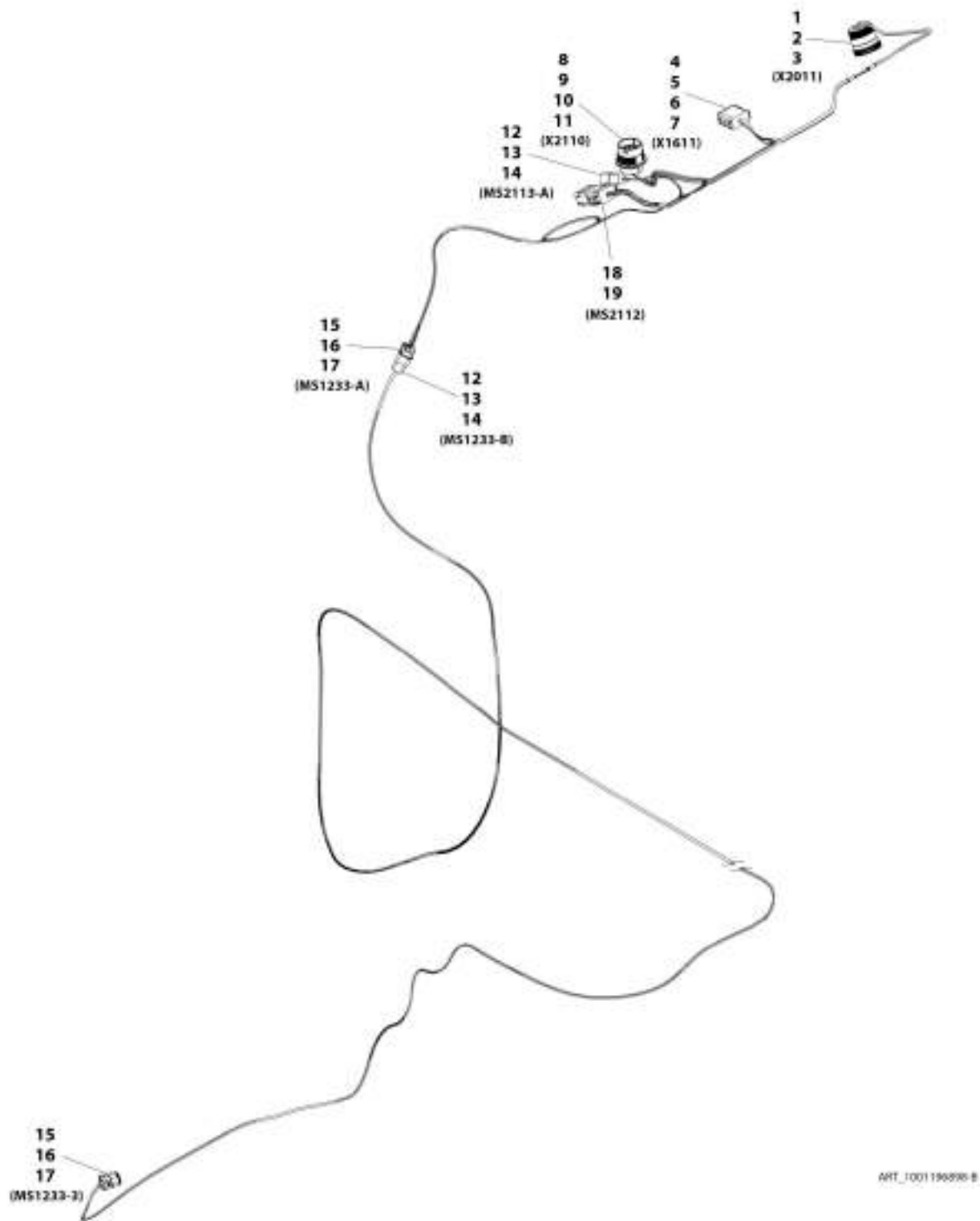
## SECTION 10 - ELECTRICAL

### FIGURE 10-70. REVERSE SENSOR HARNESS

ITEM	PART NUMBER	QTY	DESCRIPTION	REV
	1001175776	Ref	Reverse Sensor Harness	C
1	1001175733	1	Connector	
2	4460932	1	Connector	
3	80604020	1	Lock, Connector	
4	4460464	4	Terminal	

# SECTION 10 - ELECTRICAL

## FIGURE 10-71. TELEMATICS HARNESS (A/C)



ART\_1001190890-B



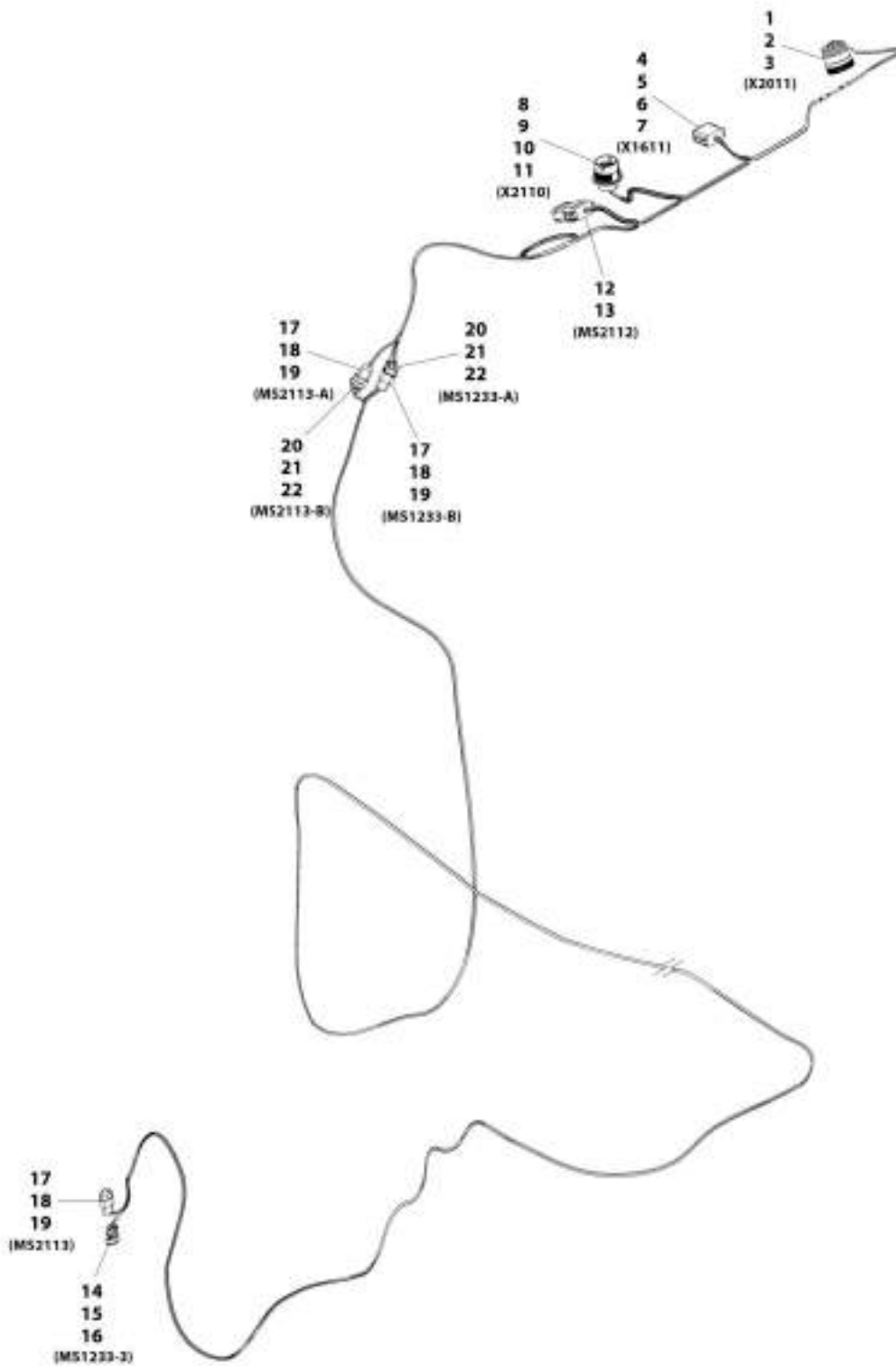
## SECTION 10 - ELECTRICAL

### FIGURE 10-71. TELEMATICS HARNESS (A/C)

ITEM	PART NUMBER	QTY	DESCRIPTION	REV
	1001196898	Ref	Telematics Harness (A/C)	B
1	1001112796	1	Connector	
2	4460465	3	Terminal	
3	4460466	6	Plug	
4	4460836	1	Connector	
5	4460465	8	Terminal	
6	4460465	2	Plug	
7	4460944	2	Terminal	
8	1001201081	1	Connector	
9	4460464	6	Terminal	
10	4460943	2	Terminal	
11	4460466	6	Plug	
12	1001144147	2	Connector	
13	4460943	4	Terminal	
14	4460466	2	Plug	
15	1001116812	2	Connector	
16	4460944	4	Terminal	
17	4460466	2	Plug	
18	4460930	1	Connector	
19	4460465	8	Plug	

# SECTION 10 - ELECTRICAL

## FIGURE 10-72. TELEMATICS HARNESS (NO A/C)



ART\_100119000-B

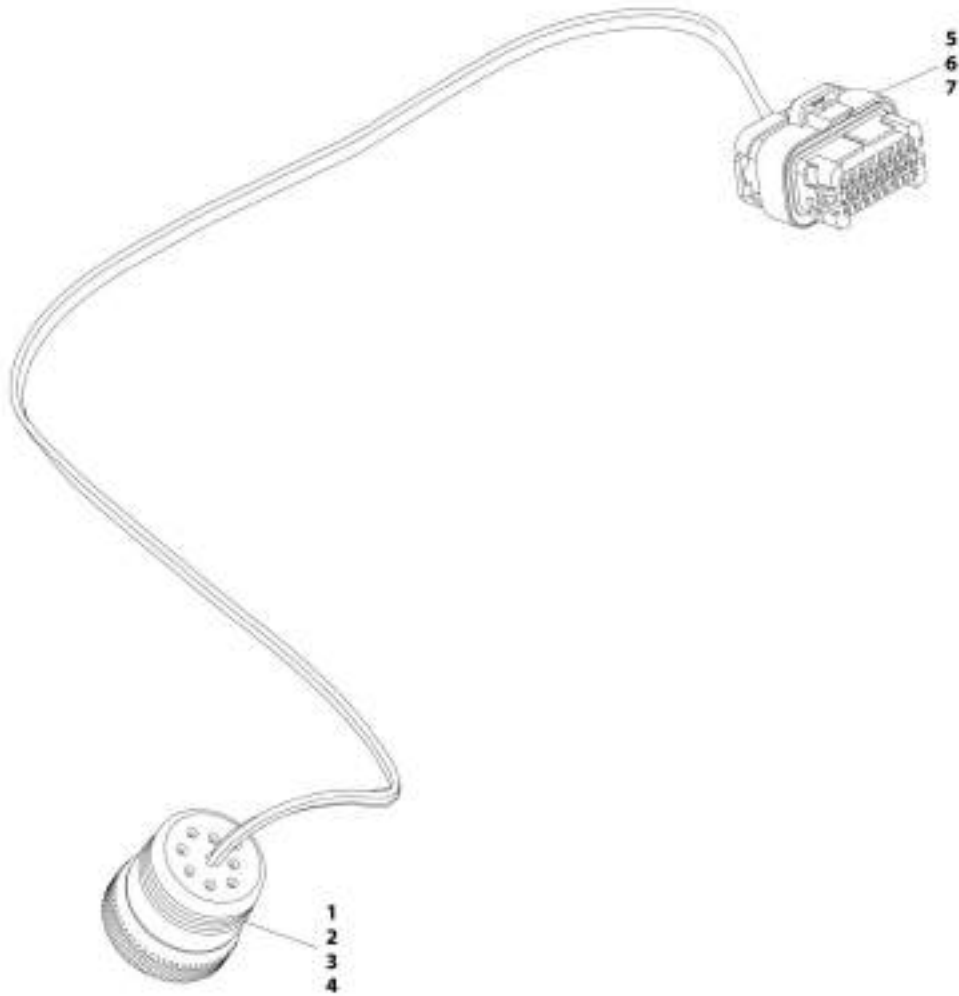
## SECTION 10 - ELECTRICAL

**FIGURE 10-72. TELEMATICS HARNESS (NO A/C)**

ITEM	PART NUMBER	QTY	DESCRIPTION	REV
	1001196900	1	HARNESS,PL641	B
1	1001112796	1	CONNECTOR,DEUTSCH HD16-9-1939S-SE	
2	4460465	3	TERMINAL,DEUTSCH #16/#18 SOCKET	
3	4460466	6	TERMINAL,SEALING PLUG	
4	4460836	1	TERMINAL CONNECTOR,12 POS. DEUSTCH	
5	4460465	8	TERMINAL,DEUTSCH #16/#18 SOCKET	
6	4460466	2	TERMINAL,SEALING PLUG	
7	4460944	2	TERMINAL,16-18 GA SOCKET (GOLD)	
8	1001201081	1	CONNECTOR,DEUTSCH RECEPTACLE	
9	4460464	6	TERMINAL,DEUTSCH #16/#18 PIN	
10	4460943	2	TERMINAL,16-18 GA PIN (GOLD)	
11	4460466	6	TERMINAL,SEALING PLUG	
12	4460930	1	PLUG,8 PIN PLUG (DEUTSCH)	
13	4460465	8	TERMINAL,DEUTSCH #16/#18 SOCKET	
14	1001116812	1	CONNECTOR,DT 3-PIN PLUG J1939	
15	4460944	2	TERMINAL,16-18 GA SOCKET (GOLD)	
16	4460466	1	TERMINAL,SEALING PLUG	
17	1001144147	2	CONNECTOR,RECEPTACLE,3 PIN MALE	
18	4460943	6	TERMINAL,16-18 GA PIN (GOLD)	
19	4460466	3	TERMINAL,SEALING PLUG	
20	1001116812	2	CONNECTOR,DT 3-PIN PLUG J1939	
21	4460944	4	TERMINAL,16-18 GA SOCKET (GOLD)	
22	4460466	2	TERMINAL,SEALING PLUG	

# SECTION 10 - ELECTRICAL

## FIGURE 10-73. CLEARSKY HARNESS



ART\_1001106452\_A

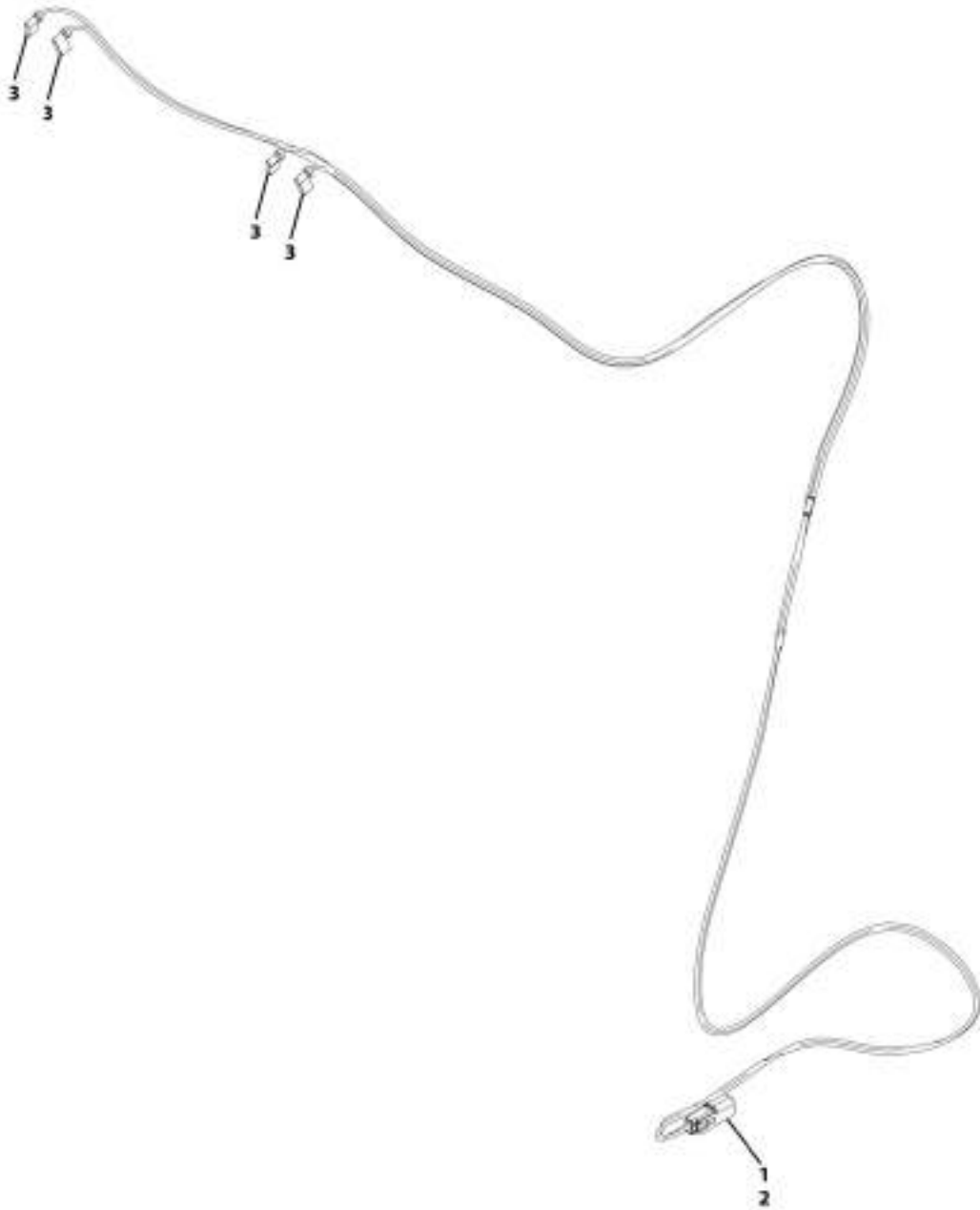
## SECTION 10 - ELECTRICAL

### FIGURE 10-73. CLEARSKY HARNESS

ITEM	PART NUMBER	QTY	DESCRIPTION	REV
	1001196452	Ref	Clearsky Harness	A
1	1001112796	1	Connector	
2	4460465	3	Terminal	
3	4460944	2	Terminal	
4	4460466	4	Plug	
5	1001116994	1	Connector	
6	4460871	5	Terminal	
7	4460905	18	Plug	

**SECTION 10 - ELECTRICAL**

**FIGURE 10-74. LICENSE LIGHT HARNESS**



ART\_1001128055-C

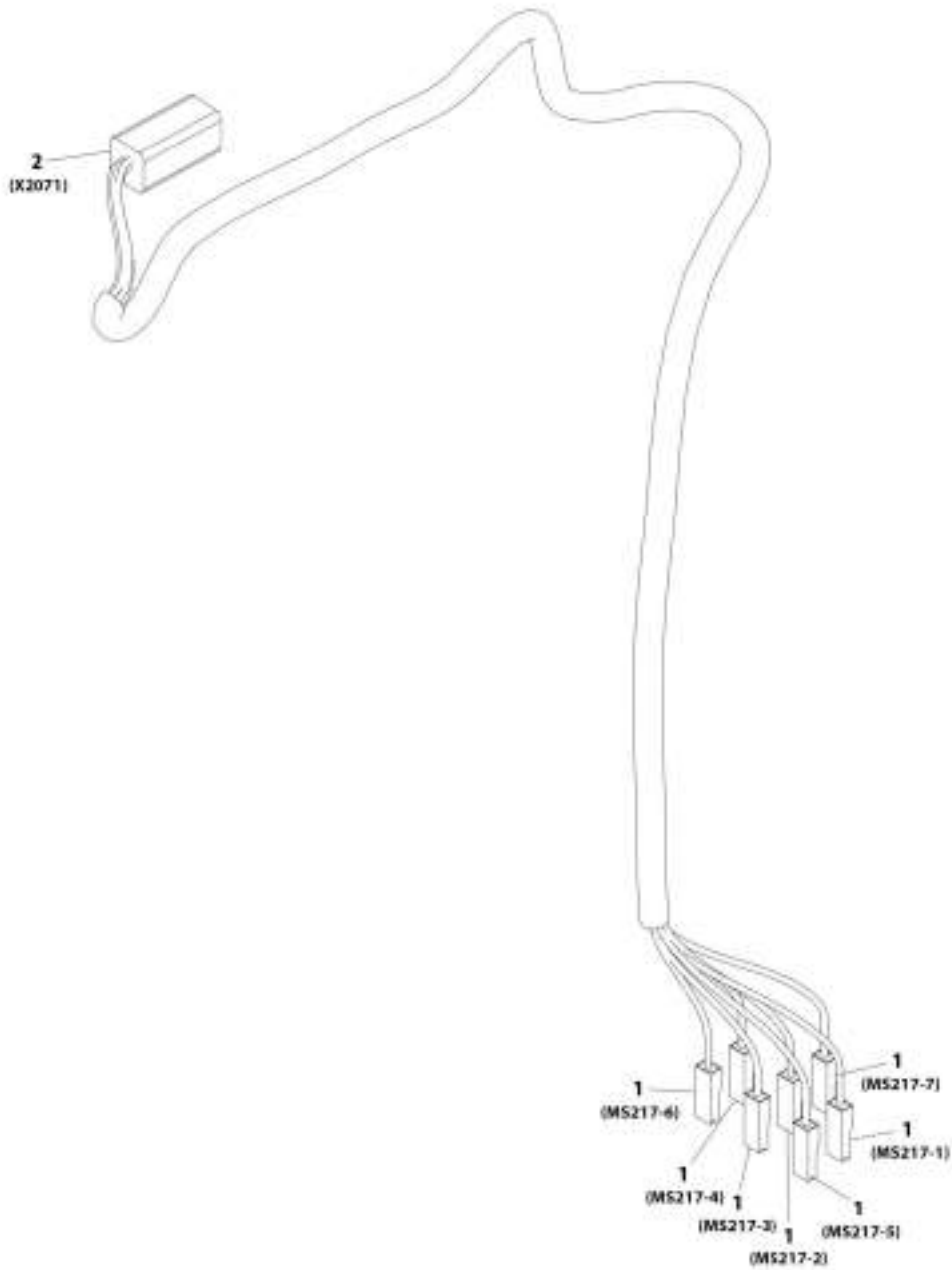
## SECTION 10 - ELECTRICAL

### FIGURE 10-74. LICENSE LIGHT HARNESS

ITEM	PART NUMBER	QTY	DESCRIPTION	REV
	1001178053	Ref	License Light Harness	C
1	4460897	1	Connector	
2	4460941	2	Terminal	
3	1001190396	4	Connector	

# SECTION 10 - ELECTRICAL

## FIGURE 10-75. LINK TRAILER HARNESS



ART. 1001184039-B



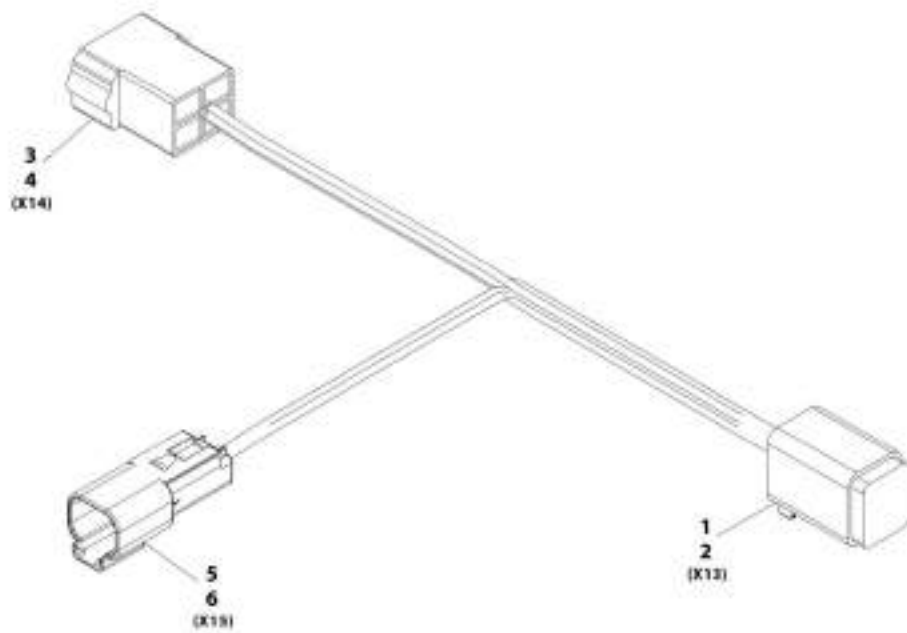
## SECTION 10 - ELECTRICAL

### FIGURE 10-75. LINK TRAILER HARNESS

ITEM	PART NUMBER	QTY	DESCRIPTION	REV
	1001184839	Ref	Link Trailer Harness	B
1	1001116995	7	Connector	
2	4460899	1	Connector	
	4460941	5	Terminal	
	4460466	1	Plug	

# SECTION 10 - ELECTRICAL

## FIGURE 10-76. SEAT ADAPTOR HARNESS



ART\_300168531-A

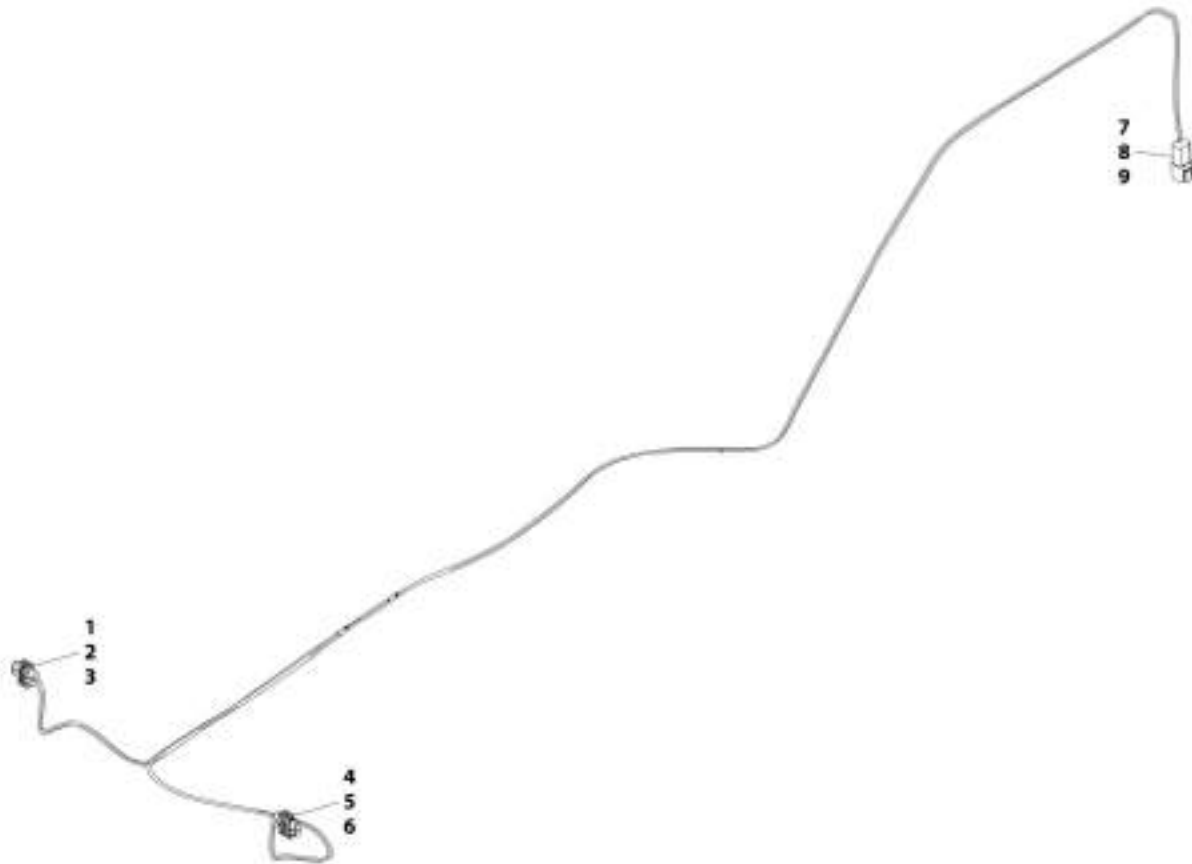
## SECTION 10 - ELECTRICAL

### FIGURE 10-76. SEAT ADAPTOR HARNESS

ITEM	PART NUMBER	QTY	DESCRIPTION	REV
	1001168531	Ref	Seat Adaptor Harness	A
1	4460894	1	Connector	
2	91504107	1	Lock, Connector	
3	4460465	6	Terminal	
4	1001117011	1	Connector	
5	1001116700	3	Terminal	
6	4460897	1	Connector	
7	80604017	1	Lock, Connector	
8	4460943	2	Terminal	

# SECTION 10 - ELECTRICAL

## FIGURE 10-77. BOOM WORKLIGHTS HARNESS



WRT\_3001183297-6

## SECTION 10 - ELECTRICAL

### FIGURE 10-77. BOOM WORKLIGHTS HARNESS

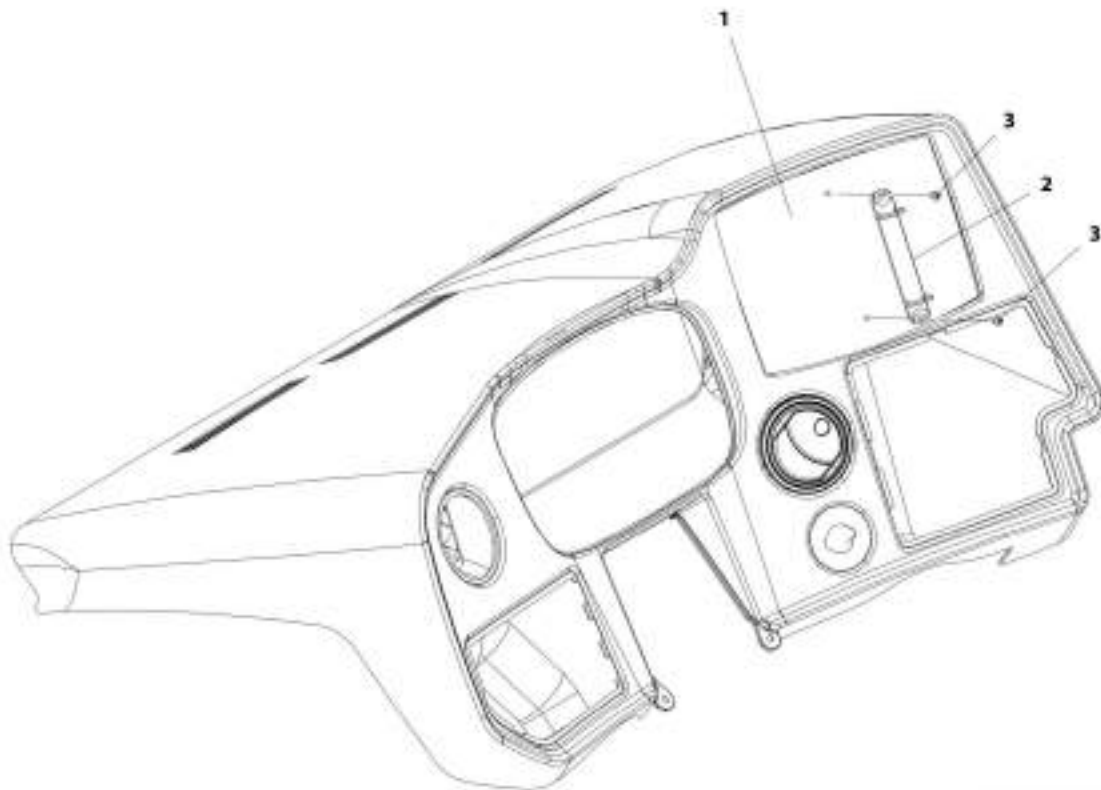
ITEM	PART NUMBER	QTY	DESCRIPTION	REV
	1001183297	Ref	Boom Worklights Harness	B
1	4461115	1	Connector	
2	1001116728	2	Terminal	
3	4460458	2	Seal	
4	4461115	1	Connector	
5	1001116728	2	Terminal	
6	4460458	2	Seal	
7	4460932	1	Connector	
8	4460464	2	Terminal	
9	4460466	2	Plug	



**SECTION 11 - DECALS**

# SECTION 11 - DECALS

## FIGURE 11-1. CAPACITY CHART HOLDER INSTALLATION



ART\_1001178700-A



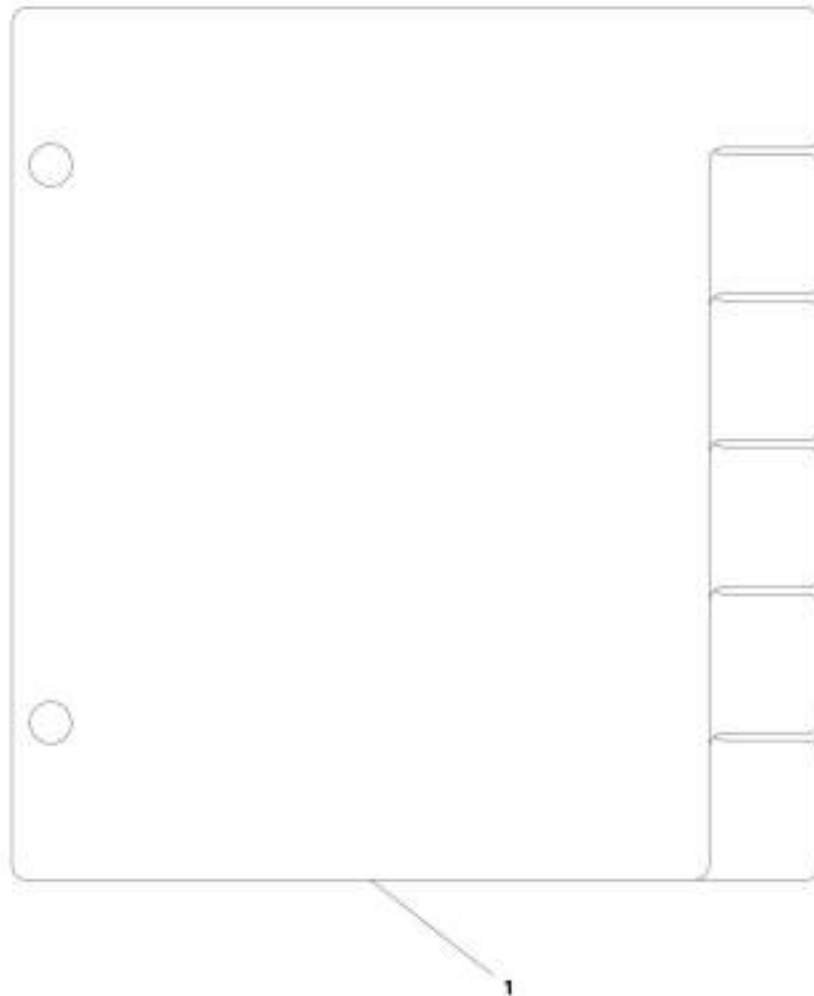
## SECTION 11 - DECALS

### FIGURE 11-1. CAPACITY CHART HOLDER INSTALLATION

ITEM	PART NUMBER	QTY	DESCRIPTION	REV
	1001178706	Ref	Capacity Chart Holder Installation	A
1	1001179297	1	Load Chart, Bezel	
2	1001005960	1	Holder	
3	7029486	2	Screw	

# SECTION 11 - DECALS

## FIGURE 11-2. CAPACITY CHART (METRIC)



ART\_1001183645-A

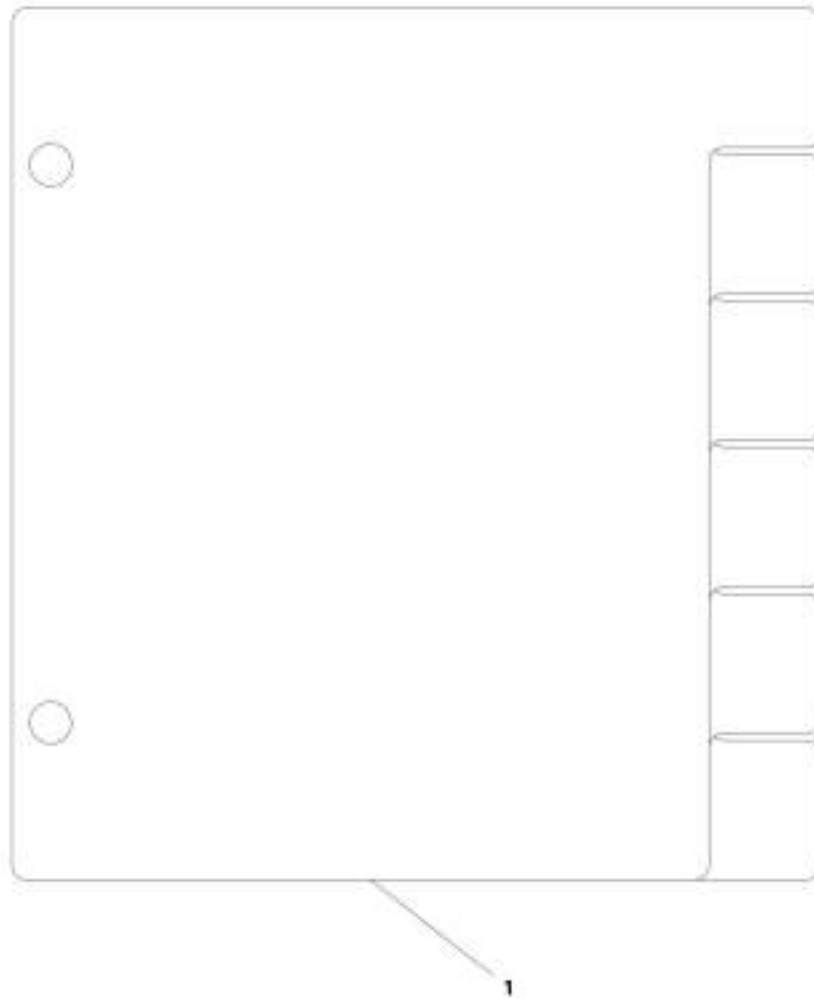
## SECTION 11 - DECALS

**FIGURE 11-2. CAPACITY CHART (METRIC)**

ITEM	PART NUMBER	QTY	DESCRIPTION	REV
1	1001183645	1	Capacity Chart (METRIC)	A

# SECTION 11 - DECALS

## FIGURE 11-3. CAPACITY CHART (ANSI)



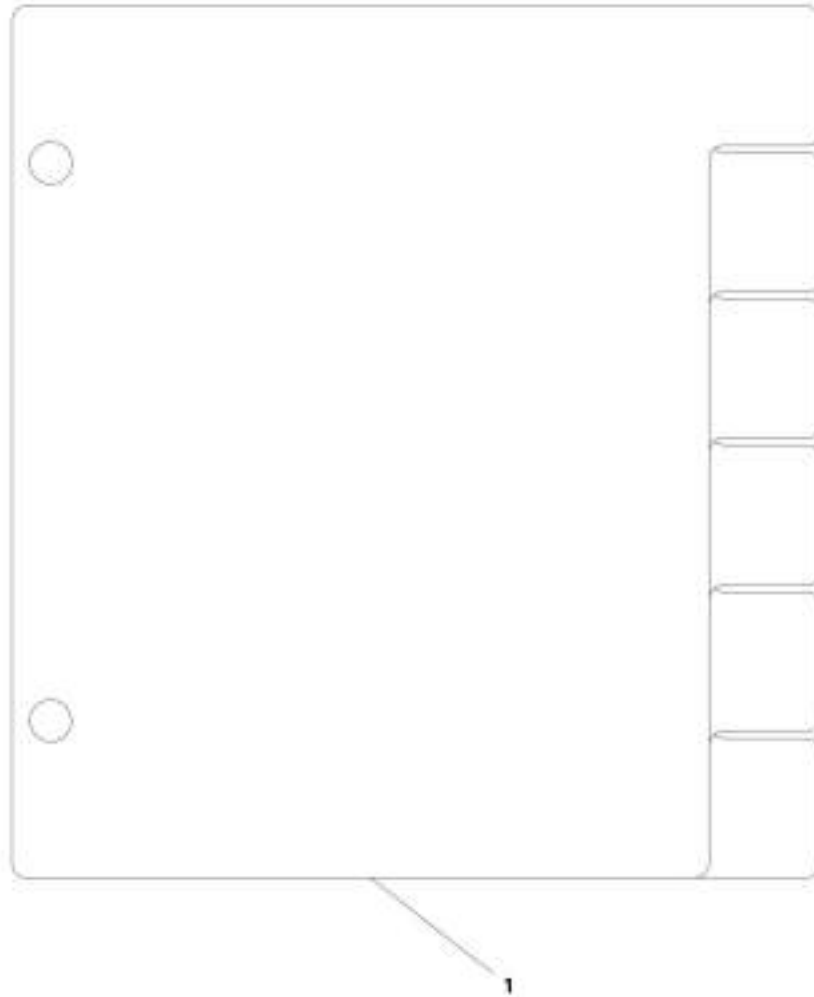
ART\_1001183646-A

**FIGURE 11-3. CAPACITY CHART (ANSI)**

ITEM	PART NUMBER	QTY	DESCRIPTION	REV
1	1001183646	1	Capacity Chart (ANSI)	A

# SECTION 11 - DECALS

## FIGURE 11-4. CAPACITY CHART (AUS)



ART\_1001183647-A

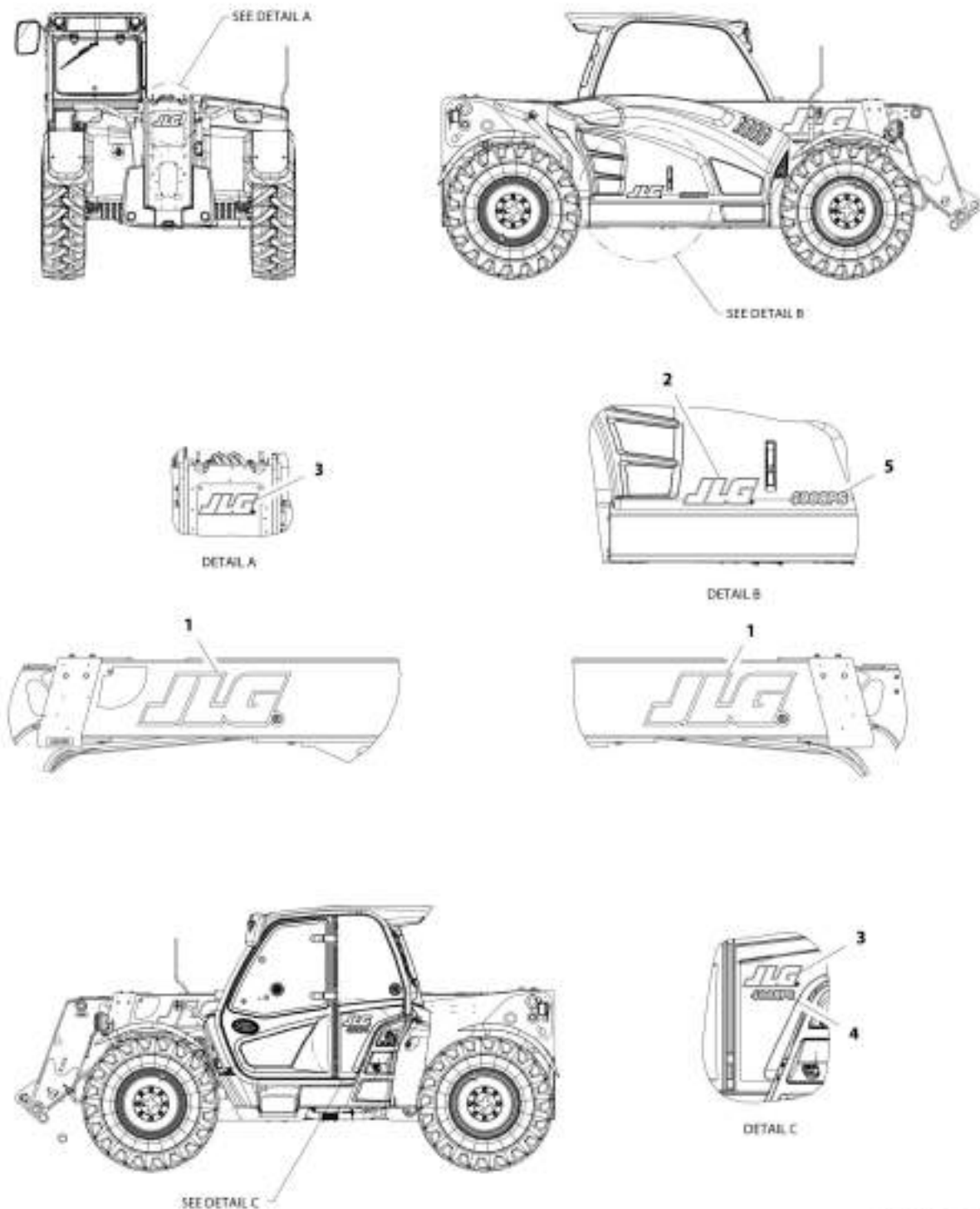
## SECTION 11 - DECALS

**FIGURE 11-4. CAPACITY CHART (AUS)**

ITEM	PART NUMBER	QTY	DESCRIPTION	REV
1	1001183647	1	Capacity Chart (AUS)	A

# SECTION 11 - DECALS

## FIGURE 11-5. DECALS INSTALLATION



WIT\_1001183004-A



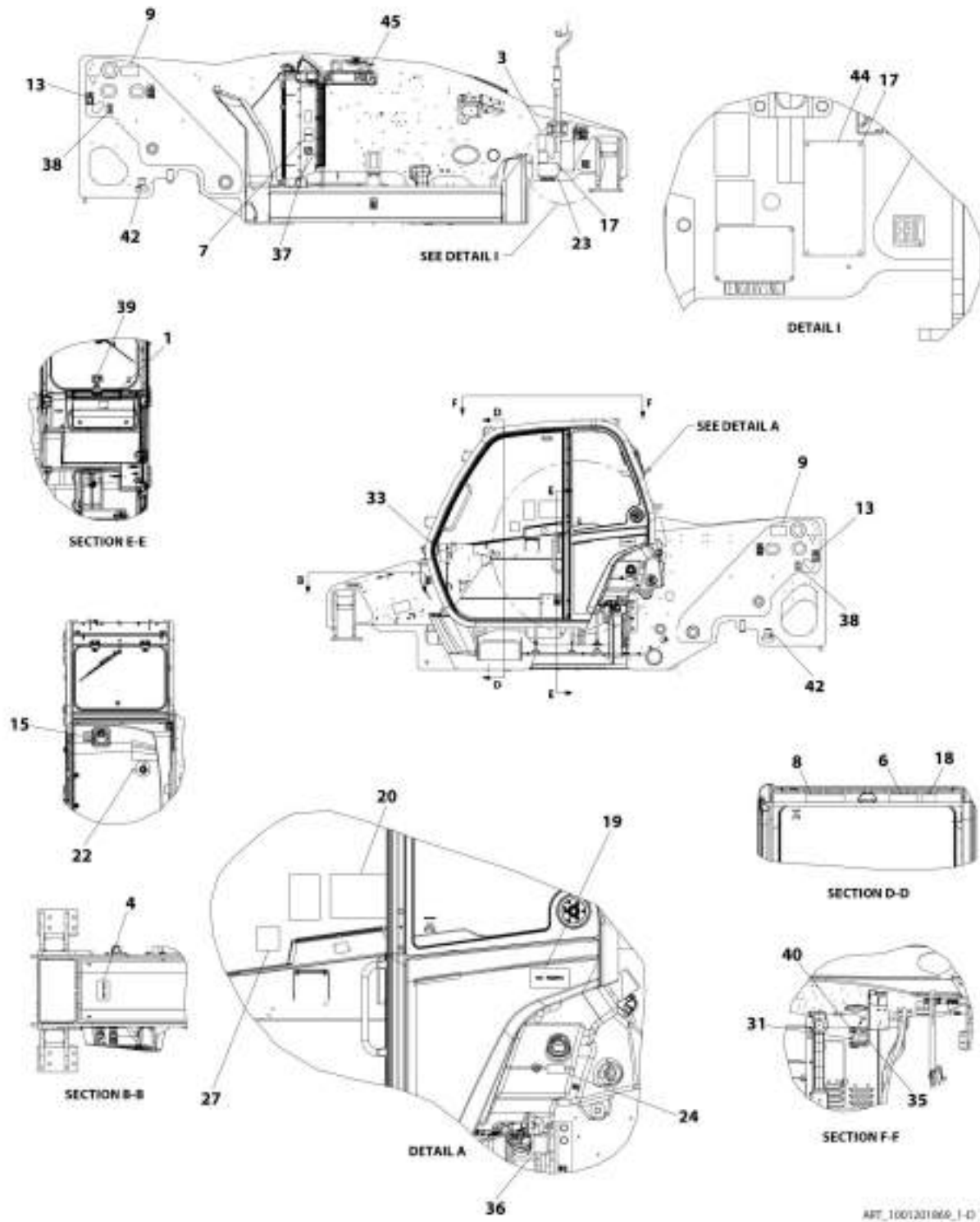
## SECTION 11 - DECALS

### FIGURE 11-5. DECALS INSTALLATION

ITEM	PART NUMBER	QTY	DESCRIPTION	REV
	1001183604	Ref	Decals Installation	A
1	1001159728	2	Decal, JLG Logo	
2	1001160775	1	Decal, JLG - 5" Black	
3	1001169674	2	Decal, JLG M100X285	
4	1001206722	1	Decal, JLG 4008PS Cab	
5	1001206723	1	Decal, JLG 4008PS Hood	

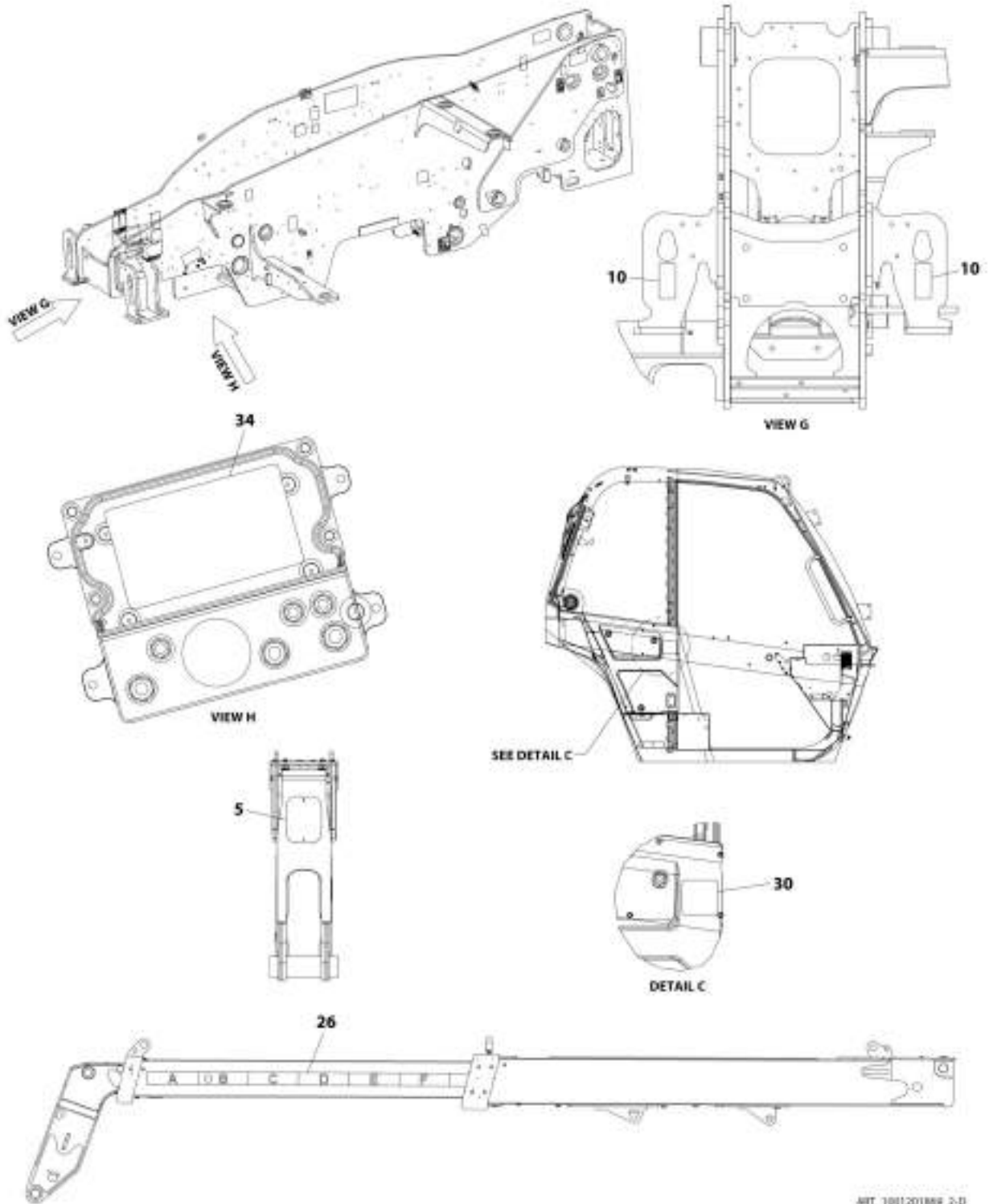
# SECTION 11 - DECALS

## FIGURE 11-6. DECALS INSTALLATION (ANSI)



APT\_1001201066\_I-D

# SECTION 11 - DECALS



AWT\_1001201809\_2-D

# SECTION 11 - DECALS

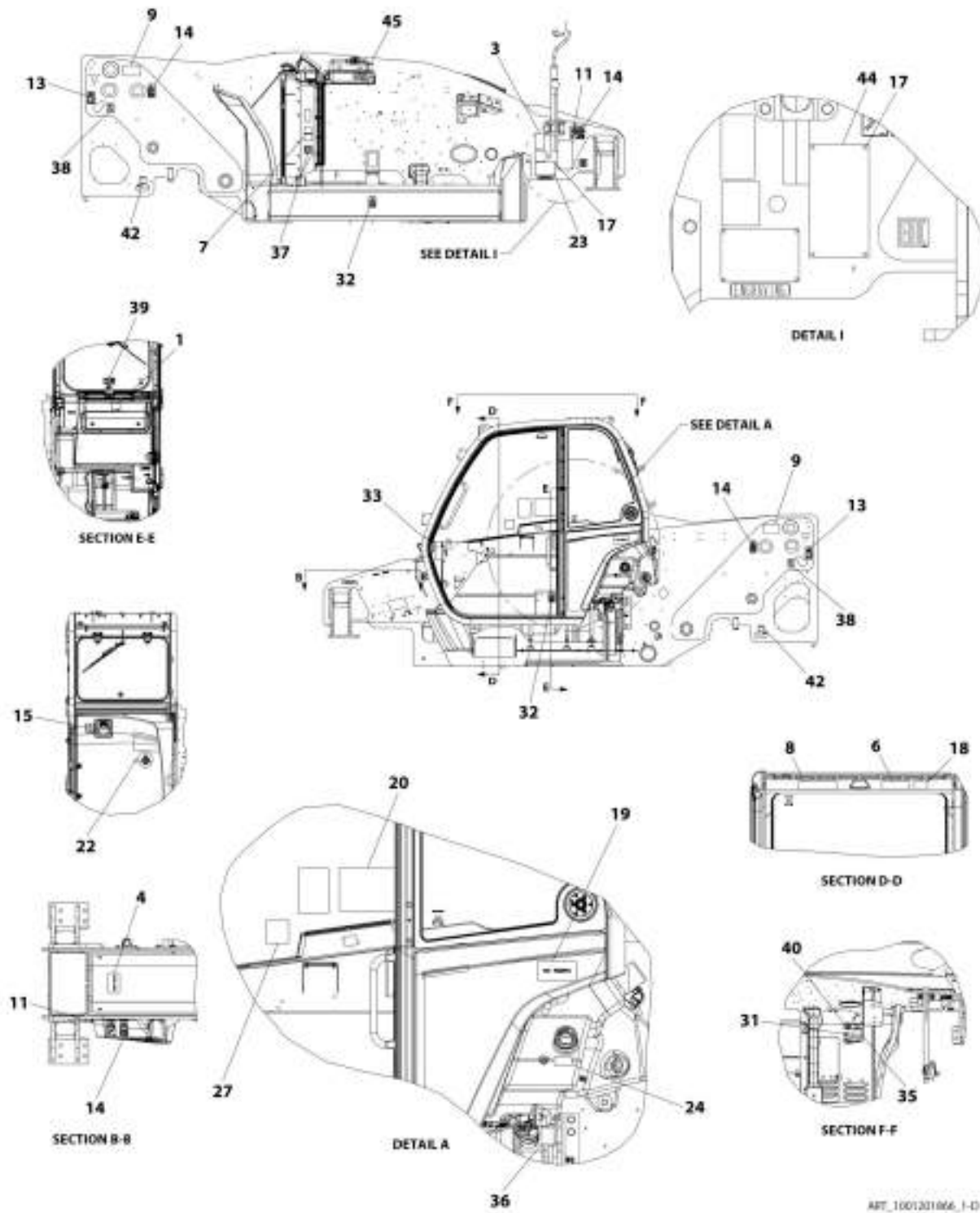
**FIGURE 11-6. DECALS INSTALLATION (ANSI)**

ITEM	PART NUMBER	QTY	DESCRIPTION	REV
	1001201869	Ref	Decals Installation (ULS)	D
1	1701640	1	Decal, Manual	
3	1706098	1	Decal, Ether Warning	
4	1706296	1	Decal, Battery Warning (ANSI)	
5	1001195849	1	Decal, Carry Personnel	
6	1706299	1	Decal, Contacting Power Lines Warning	
7	1706301	1	Decal, Keep Clear Of Rotating Parts Warning	
8	1706306	1	Decal, Tip Over Warning	
9	1706302	2	Decal, Pinch Point Boom Holes	
10	1001100957	2	Decal, Lift/Tie Down Point	
13	8006612	2	Decal, Stay Clear of Swing Area	
15	1001094708	1	Decal, Hydraulic Oil	
17	1001009178	8	Tack, Metal	
18	1706850	1	Decal, Crush Hazard Warning	
19	1706768	1	Decal, Vehicle Roll Away	
20	1707078	1	Decal, Warning/Danger	
22	1001130323	1	Decal, Oil Level	
23	1001174911	1	Decal, Nameplate Serial Number	
24	1001125387	1	Decal, Ultra Low Sulfur Diesel	
26	1001217423	1	Decal, Boom Extend	
27	1001172035	1	Decal, No Weld or Drill	
30	1001214206	1	Decal, Park Brake	
31	1001184632	1	Decal, Battery Positive	
33	1001191229	1	Decal, Fuse Panel	
34	1001191487	1	Decal, Fuse Panel	
35	1001195855	1	Decal, Battery Disconnect	
36	1001196806	1	Decal, Diesel Exhaust Fluid	
37	AU2105	1	Decal, No Karcher	
38	8005616	2	Decal, Lifting Point	
39	8005870	1	Decal, Emergency Exit	
40	1001008540	1	Plate, Battery	
42	4109801	2	Decal, Tie Down Point	
44	1001138051	1	Plate, Homologation	
45	1001109053	1	Decal, Coolant Fill	

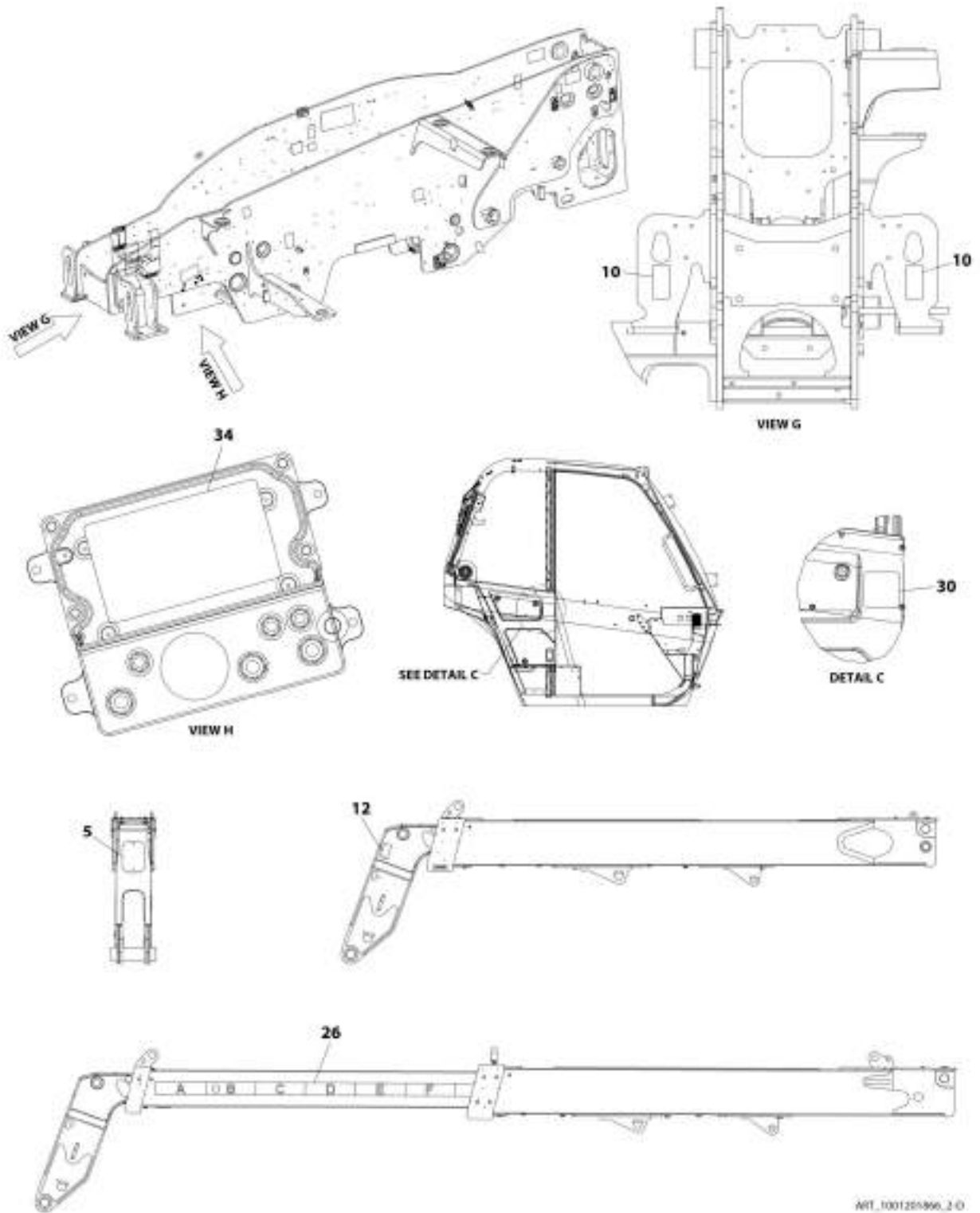


# SECTION 11 - DECALS

## FIGURE 11-7. DECALS INSTALLATION (CE & JAPAN)



# SECTION 11 - DECALS



ART\_100125/896\_2-0

## SECTION 11 - DECALS

FIGURE 11-7. DECALS INSTALLATION (CE & JAPAN)

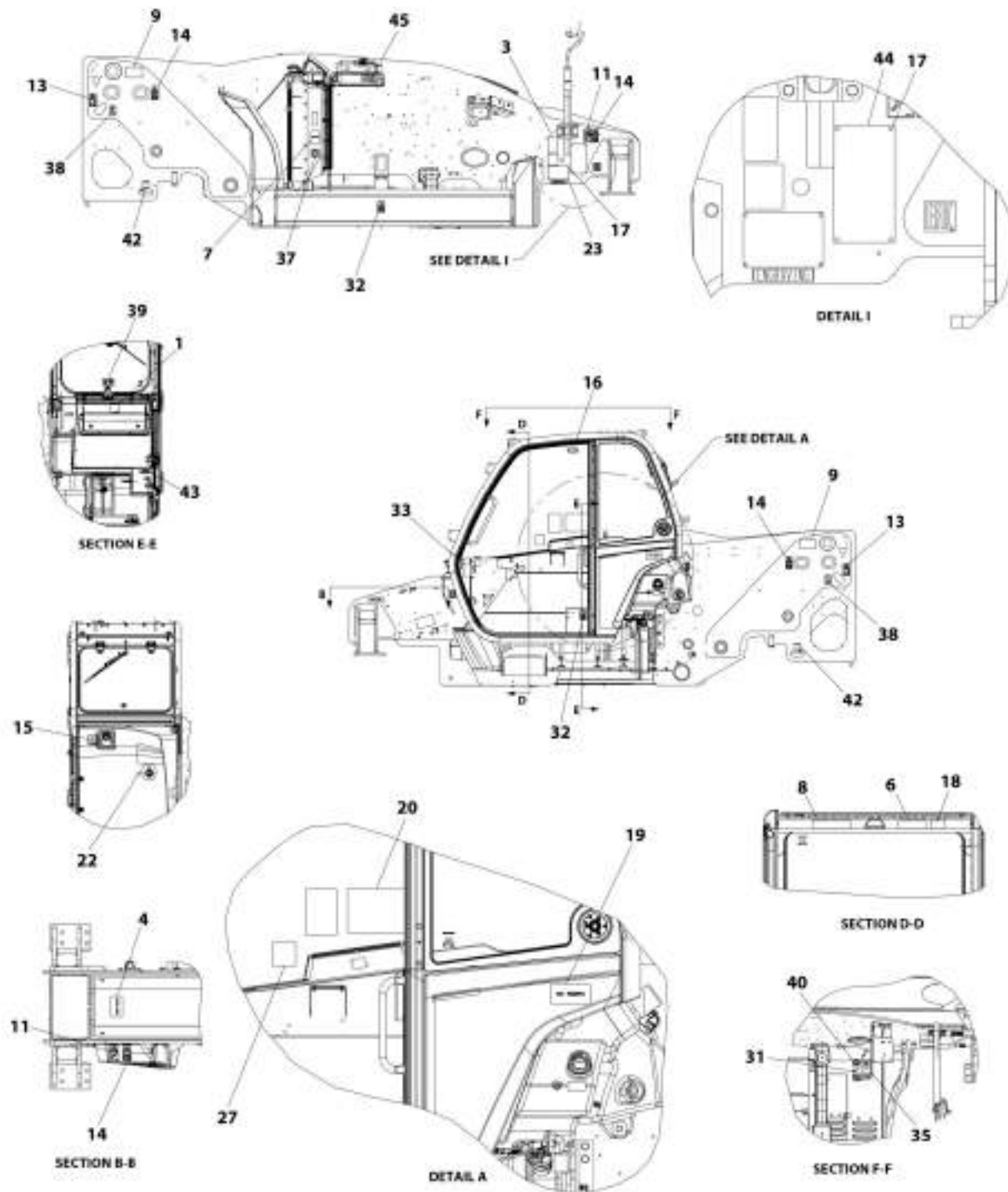
ITEM	PART NUMBER	QTY	DESCRIPTION	REV
	1001201866	Ref	Decals Installation (ULS)	D
1	1701640	1	Decal, Manual	
3	1706098	1	Decal, Warning Ether Start	
4	1706281	1	Decal, Battery Warning	
5	1706282	1	Decal, Carry Personnel	
6	1706284	1	Decal, Electrocutation Hazard	
7	1706285	1	Decal, Moving Parts (ISO)	
8	1706288	1	Decal, Tip Over Warning	
9	1706292	2	Decal, Pinch Point Boom Holes	
10	1001100957	2	Decal, Lift/Tie Down Point	
11	8005671	2	Decal, Cylinder Lock Warning	
12	8005675	2	Decal, Watch for Raised Boom Warning	
13	8006612	2	Decal, Stay Clear of Swing Area	
14	8008657	4	Decal, Set Brake Lever Warning	
15	1001094708	1	Decal, Hydraulic Oil	
17	1001009178	8	Tack, Metal	
18	1001092877	1	Decal, Crush Hazard Warning	
19	1001092878	1	Decal, No Riders	
20	1001101895	1	Decal, Cab Warning	
22	1001130323	1	Decal, Oil Level	
23	1001139647	1	Decal, Nameplate Serial Number	
24	1001139654	1	Decal, Ultra Low Sulphur Fuel	
26	1001217423	1	Decal, Boom Extend	
27	1001172035	1	Decal, No Weld Or Drill	
30	1001214206	1	Decal, Park Brake	
31	1001184632	1	Decal, Battery Positive	
32	1001189154	2	Decal, Read Operators Manual Instruction	
33	1001191229	1	Decal, Fuse Panel	
34	1001191487	1	Decal, Fuse Panel	
35	1001195855	1	Decal, Battery Disconnect	
36	1001196806	1	Decal, Diesel Exhaust Fluid	
37	AU2105	1	Decal, No Karcher	
38	8005616	2	Decal, Lifting Point	
39	8005870	1	Decal, Emergency Exit	
40	1001008540	1	Plate, Battery	
42	4109801	2	Decal, Tie Down Point	
44	1001138051	1	Plate, Homologation	
45	1001109053	1	Decal, Coolant Fill	





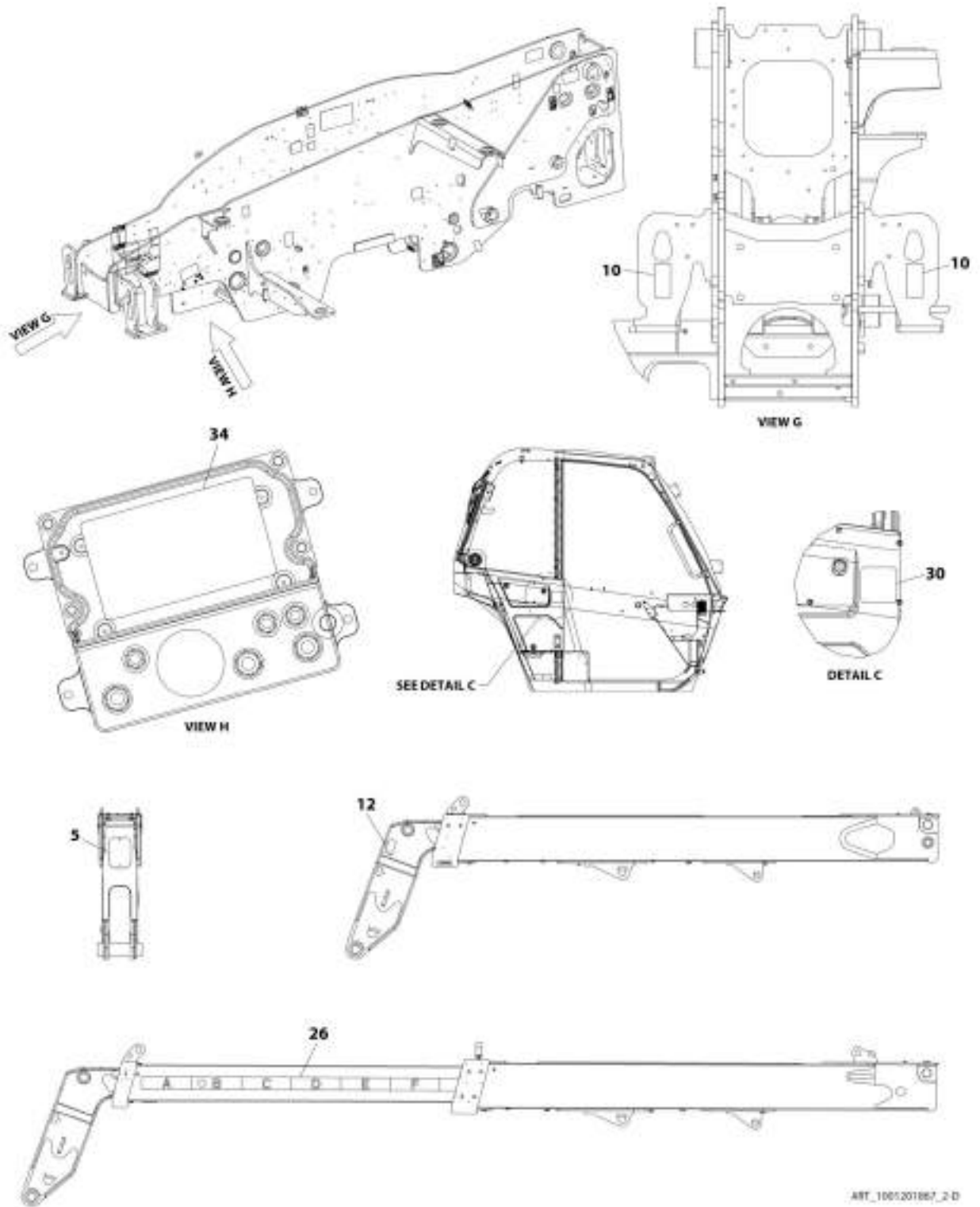
# SECTION 11 - DECALS

## FIGURE 11-8. DECALS INSTALLATION (AUS)



ART\_1001201867\_1-D

# SECTION 11 - DECALS



# SECTION 11 - DECALS

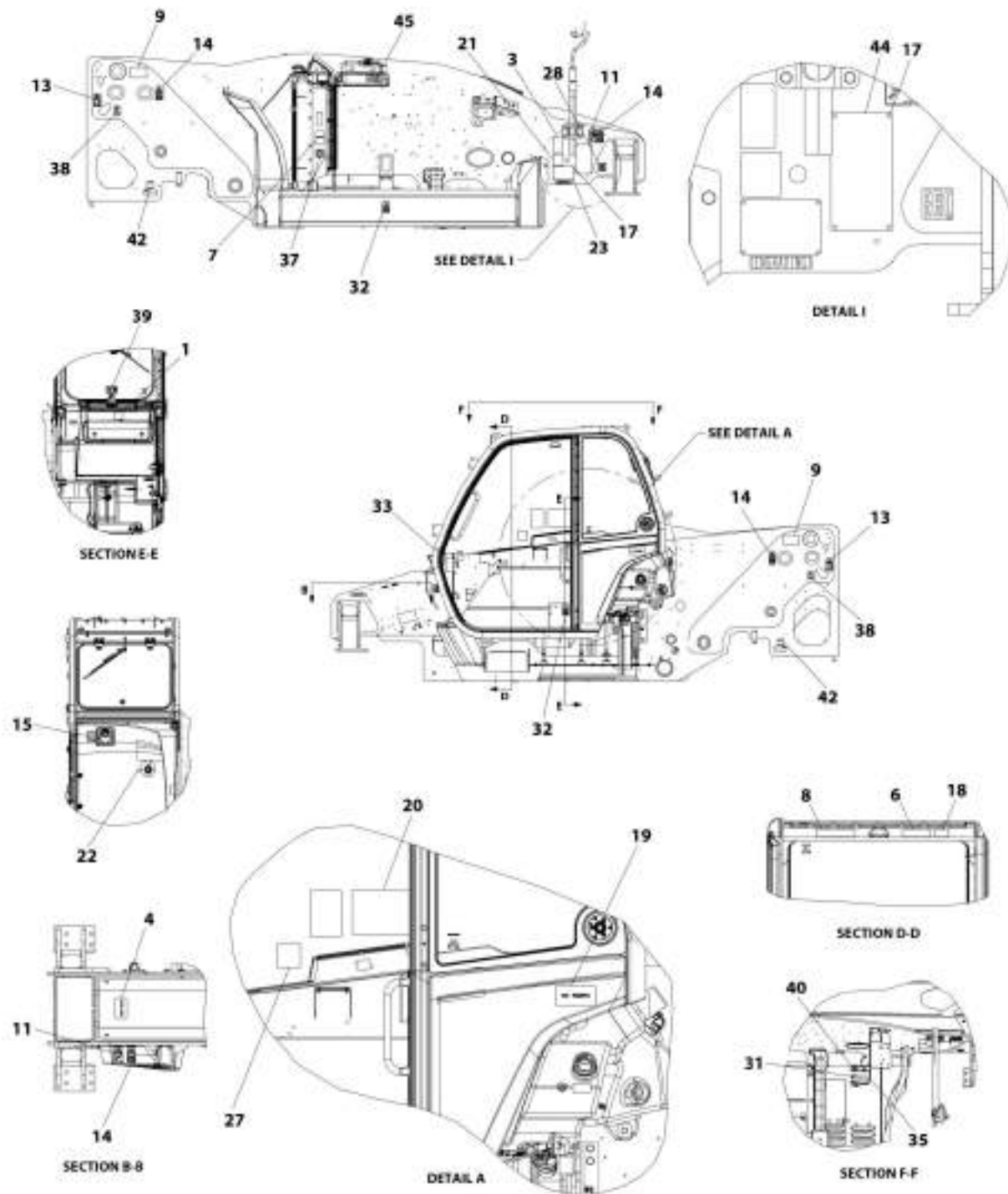
**FIGURE 11-8. DECALS INSTALLATION (AUS)**

ITEM	PART NUMBER	QTY	DESCRIPTION	REV
	1001201867	Ref	Decals Installation (LS)	D
1	1701640	1	Decal, Manual	
3	1706098	1	Decal, Warning Ether Start	
4	1706281	1	Decal, Battery Warning	
5	1706282	1	Decal, Carry Personnel	
6	1706284	1	Decal, Electrocutation Hazard	
7	1706285	1	Decal, Moving Parts (ISO)	
8	1706288	1	Decal, Tip Over Warning	
9	1706292	2	Decal, Pinch Point Boom Holes	
10	1001100957	4	Decal, Lift/Tie Down Point	
11	8005671	2	Decal, Cylinder Lock Warning	
12	8005675	2	Decal, Watch for Raised Boom Warning	
13	8006612	2	Decal, Stay Clear of Swing Area	
14	8008657	4	Decal, Set Brake Lever Warning	
15	1001094708	1	Decal, Hydraulic Oil	
16	8466306	1	Gage, Tilt Angle	
17	1001009178	8	Tack, Metal	
18	1001092877	1	Decal, Crush Hazard Warning	
19	1001092878	1	Decal, No Riders	
20	1001101895	1	Decal, Cab Warning	
22	1001130323	1	Decal, Oil Level	
23	1001155231	1	Decal, Nameplate Serial Number AUS	
26	1001217423	1	Decal, Boom Extend	
27	1001172035	1	Decal, No Weld Or Drill	
30	1001214206	1	Decal, Park Brake	
31	1001184632	1	Decal, Battery Positive	
32	1001189154	2	Decal, Read Operators Manual Instruction	
33	1001191229	1	Decal, Fuse Panel	
34	1001191487	1	Decal, Fuse Panel	
35	1001195855	1	Decal, Battery Disconnect	
37	AU2105	1	Decal, No Karcher	
38	8005616	2	Decal, Lifting Point	
39	8005870	1	Decal, Emergency Exit	
40	1001008540	1	Plate, Battery	
42	4109801	2	Decal, Tie Down Point	
43	1001155230	1	Decal, Cab AUS Safety	
44	1001138051	1	Plate, Homologation	
45	1001109053	1	Decal, Coolant Fill	



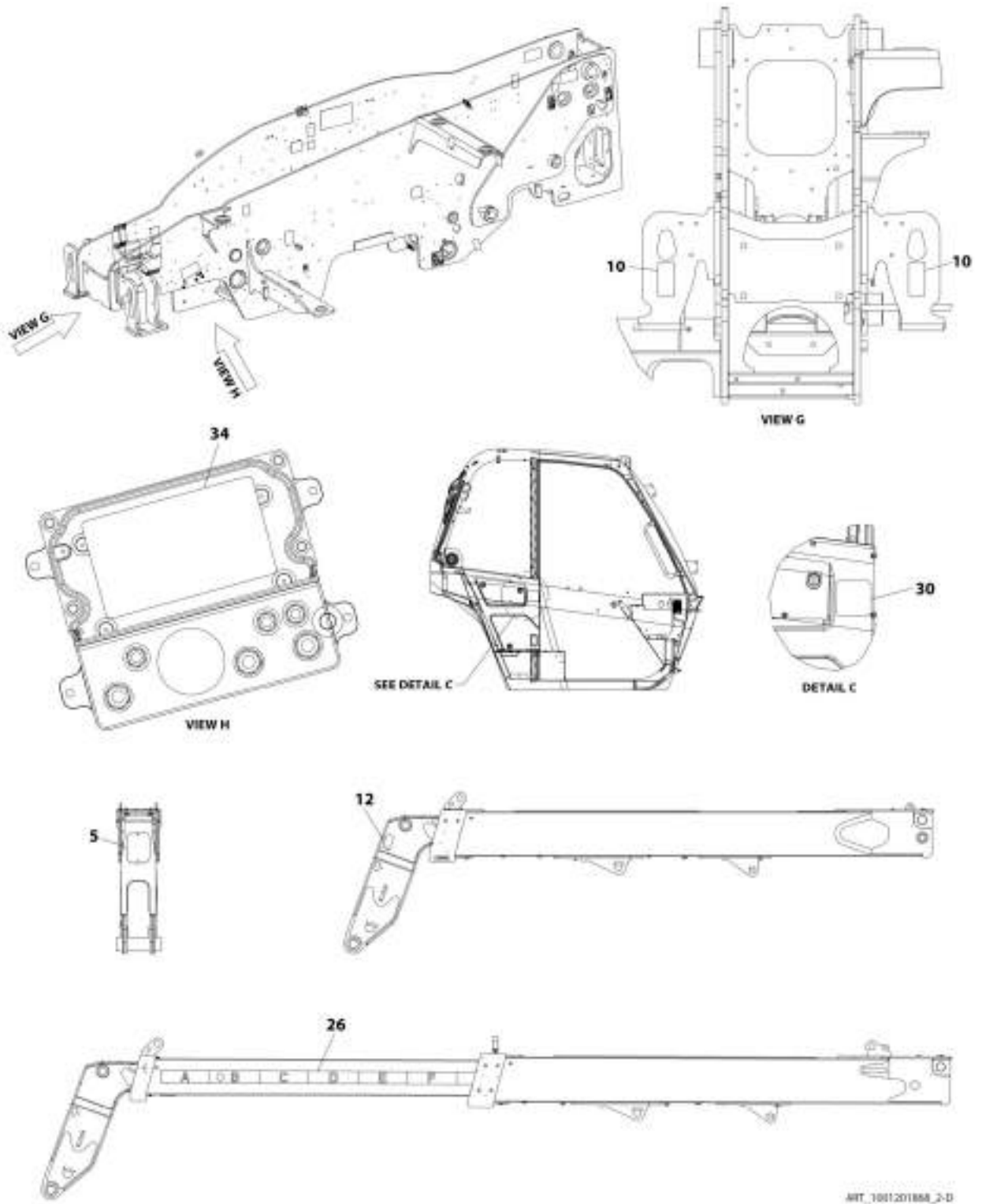
# SECTION 11 - DECALS

## FIGURE 11-9. DECALS INSTALLATION (CIS)



AIT\_1001201868\_1-D

# SECTION 11 - DECALS



AWT\_1001201804\_2-D

# SECTION 11 - DECALS

**FIGURE 11-9. DECALS INSTALLATION (CIS)**

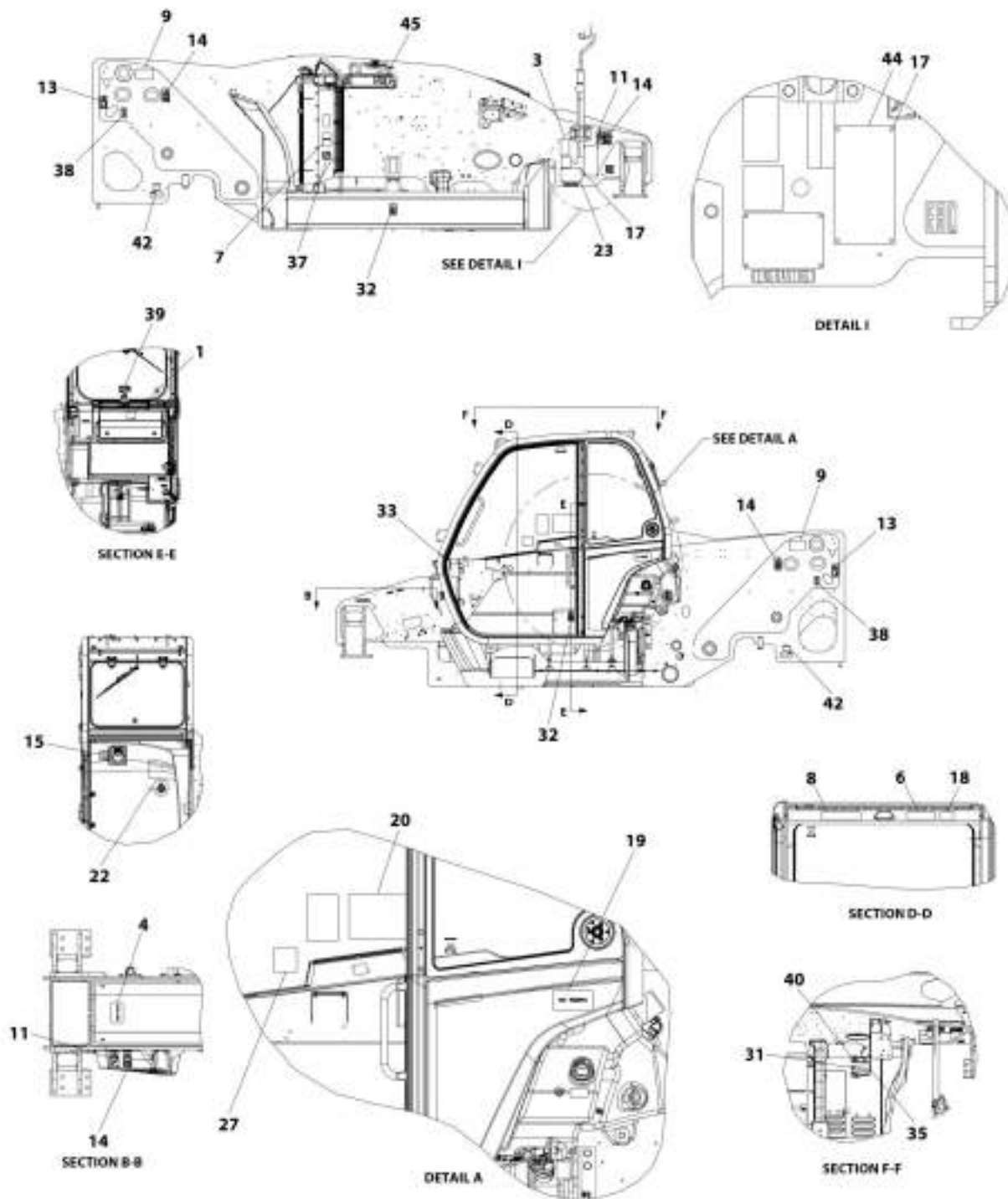
ITEM	PART NUMBER	QTY	DESCRIPTION	REV
	1001201868	Ref	Decals Installation (LS)	D
1	1701640	1	Decal, Manual	
3	1706098	1	Decal, Warning Ether Start	
4	1706281	1	Decal, Battery Warning	
5	1706282	1	Decal, Carry Personnel	
6	1706284	1	Decal, Electrocutation Hazard	
7	1706285	1	Decal, Moving Parts (ISO)	
8	1706288	1	Decal, Tip Over Warning	
9	1706292	2	Decal, Pinch Point Boom Holes	
10	1001100957	2	Decal, Lift/Tie Down Point	
11	8005671	2	Decal, Cylinder Lock Warning	
12	8005675	2	Decal, Watch for Raised Boom Warning	
13	8006612	2	Decal, Stay Clear of Swing Area	
14	8008657	4	Decal, Set Brake Lever Warning	
15	1001094708	1	Decal, Hydraulic Oil	
17	1001009178	8	Tack, Metal	
18	1001092877	1	Decal, Crush Hazard Warning	
19	1001092878	1	Decal, No Riders	
20	1001101895	1	Decal, Cab Warning	
21	1001121555	1	Decal, PCT Russia	
22	1001130323	1	Decal, Oil Level	
23	1001139647	1	Decal, Nameplate Serial Number	
26	1001217423	1	Decal, Boom Extend	
27	1001172035	1	Decal, No Weld Or Drill	
28	1001173703	1	Decal, EAC	
30	1001214206	1	Decal, Park Brake	
31	1001184632	1	Decal, Battery Positive	
32	1001189154	2	Decal, Read Operators Manual Instruction	
33	1001191229	1	Decal, Fuse Panel	
34	1001191487	1	Decal, Fuse Panel	
35	1001195855	1	Decal, Battery Disconnect	
37	AU2105	1	Decal, No Karcher	
38	8005616	2	Decal, Lifting Point	
39	8005870	1	Decal, Emergency Exit	
40	1001008540	1	Plate, Battery	
42	4109801	2	Decal, Tie Down Point	
44	1001138051	1	Plate, Homologation	
45	1001109053	1	Decal, Coolant Fill	





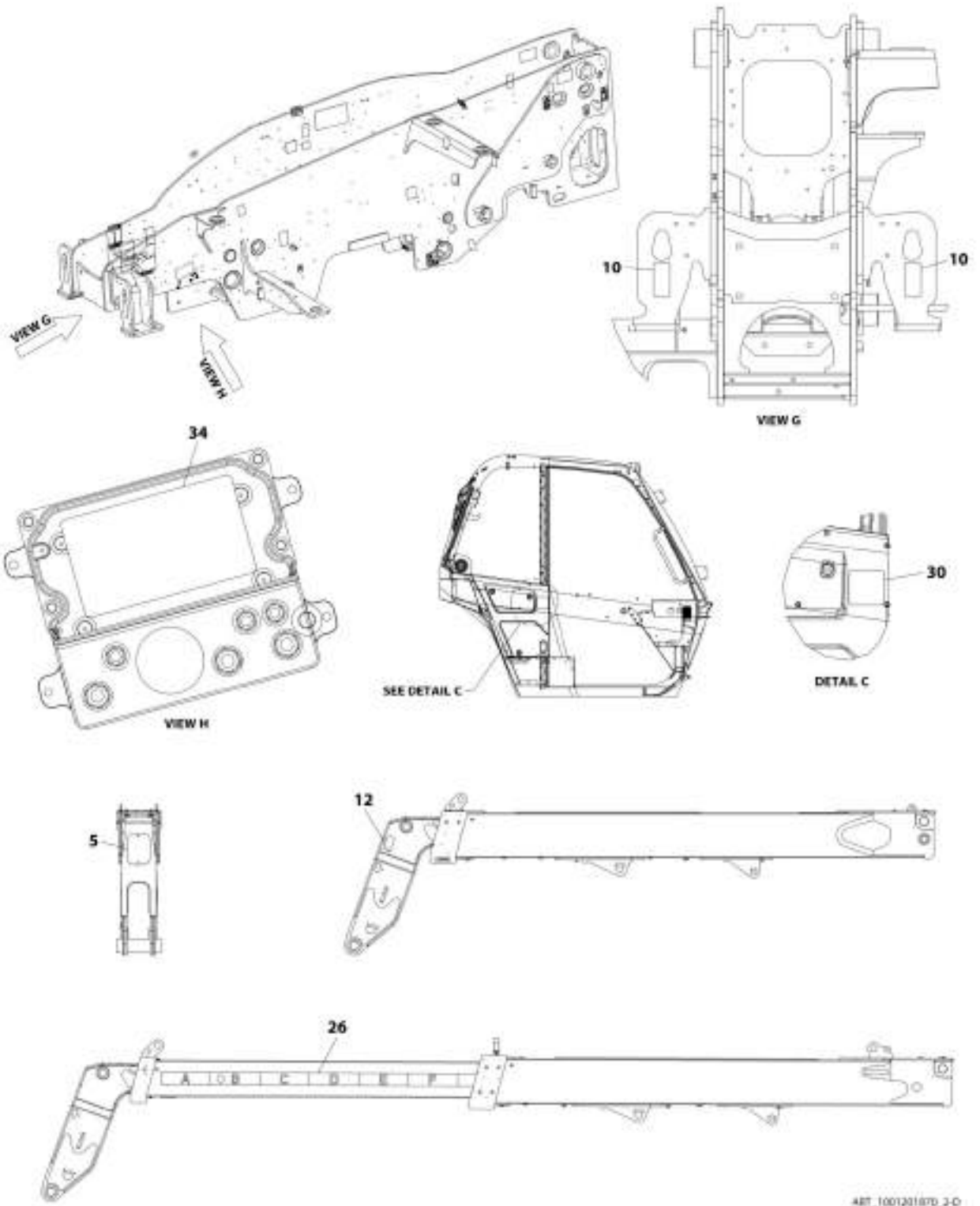
# SECTION 11 - DECALS

## FIGURE 11-10. DECALS INSTALLATION (NO CIS & AUS)



ART\_1001201870\_3-D

# SECTION 11 - DECALS



## SECTION 11 - DECALS

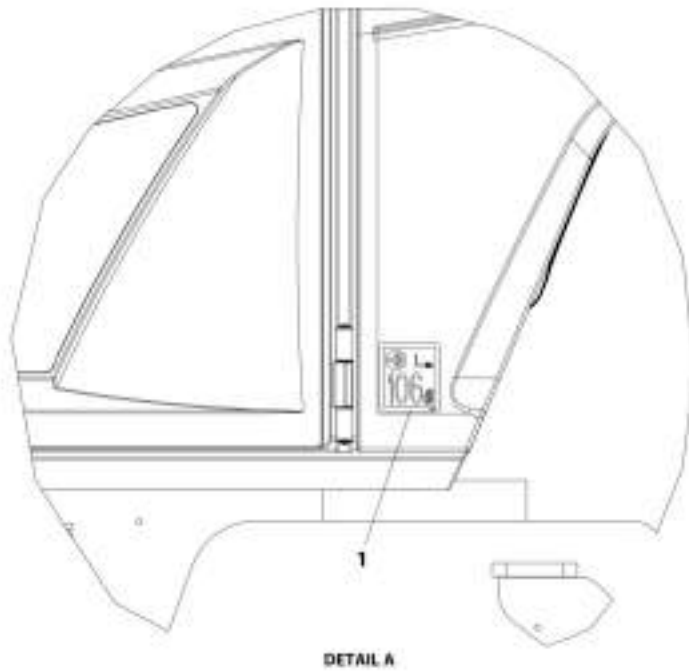
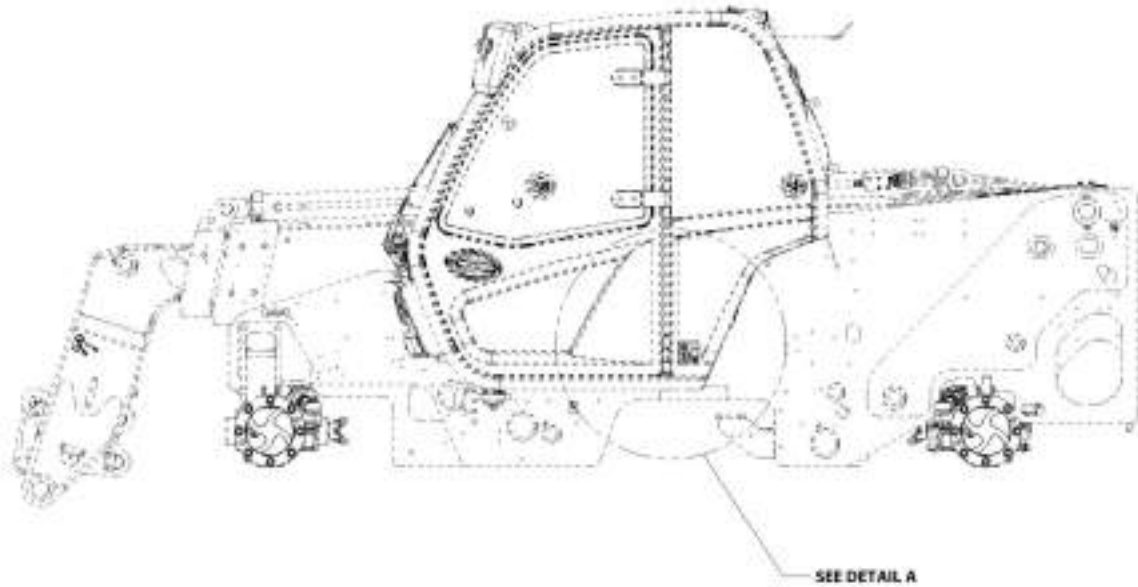
FIGURE 11-10. DECALS INSTALLATION (NO CIS & AUS)

ITEM	PART NUMBER	QTY	DESCRIPTION	REV
	1001201870	Ref	Decals Installation (LS)	D
1	1701640	1	Decal, Manual	
3	1706098	1	Decal, Warning Ether Start	
4	1706281	1	Decal, Battery Warning	
5	1706282	1	Decal, Carry Personnel	
6	1706284	1	Decal, Electrocutation Hazard	
7	1706285	1	Decal, Moving Parts (ISO)	
8	1706288	1	Decal, Tip Over Warning	
9	1706292	2	Decal, Pinch Point Boom Holes	
10	1001100957	2	Decal, Lift/Tie Down Point	
11	8005671	2	Decal, Cylinder Lock Warning	
12	8005675	2	Decal, Watch for Raised Boom Warning	
13	8006612	2	Decal, Stay Clear of Swing Area	
14	8008657	4	Decal, Set Brake Lever Warning	
15	1001094708	1	Decal, Hydraulic Oil	
17	1001009178	8	Tack, Metal	
18	1001092877	1	Decal, Crush Hazard Warning	
19	1001092878	1	Decal, No Riders	
20	1001101895	1	Decal, Cab Warning	
22	1001130323	1	Decal, Oil Level	
23	1001139647	1	Decal, Nameplate Serial Number	
26	1001217423	1	Decal, Boom Extend	
27	1001172035	1	Decal, No Weld Or Drill	
30	1001214206	1	Decal, Park Brake	
31	1001184632	1	Decal, Battery Positive	
32	1001189154	2	Decal, Read Operators Manual Instruction	
33	1001191229	1	Decal, Fuse Panel	
34	1001191487	1	Decal, Fuse Panel	
35	1001195855	1	Decal, Battery Disconnect	
37	AU2105	1	Decal, No Karcher	
38	8005616	2	Decal, Lifting Point	
39	8005870	1	Decal, Emergency Exit	
40	1001008540	1	Plate, Battery	
42	4109801	2	Decal, Tie Down Point	
44	1001138051	1	Plate, Homologation	
45	1001109053	1	Decal, Coolant Fill	



# SECTION 11 - DECALS

FIGURE 11-11. DECAL SOUND PLATE INSTALLATION (106DB)



ART\_1001228905-A

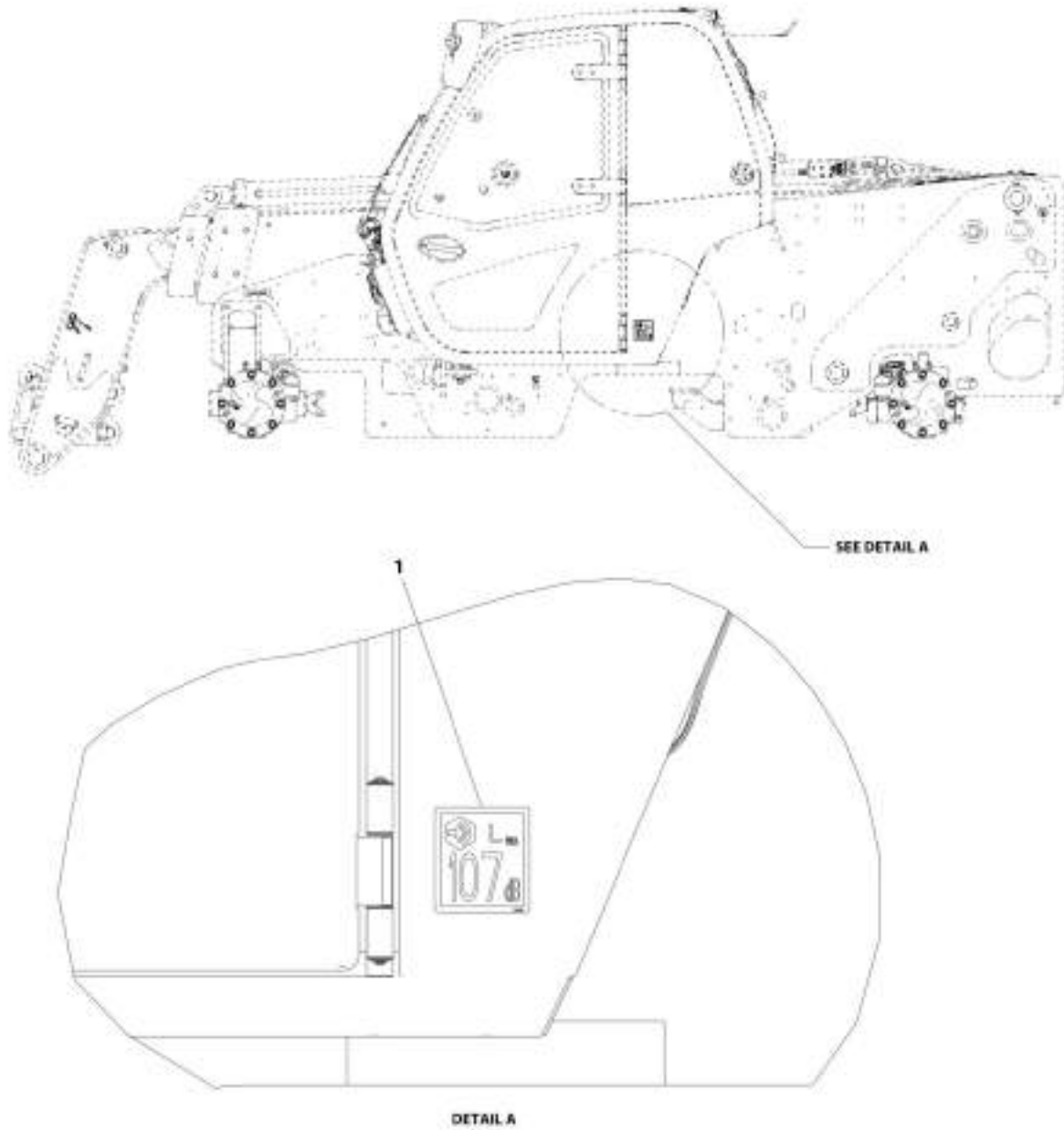
## SECTION 11 - DECALS

**FIGURE 11-11. DECAL SOUND PLATE INSTALLATION (106DB)**

ITEM	PART NUMBER	QTY	DESCRIPTION	REV
1	1001220865 1705980	Ref 1	Decal Sound Plate Installation (106db) Decal, Acoustic Power (106db)	A

# SECTION 11 - DECALS

FIGURE 11-12. DECAL SOUND PLATE INSTALLATION (107DB)



ART\_1001220541-A



## SECTION 11 - DECALS

**FIGURE 11-12. DECAL SOUND PLATE INSTALLATION (107DB)**

ITEM	PART NUMBER	QTY	DESCRIPTION	REV
1	1001220541	Ref	Decal Sound Plate Installation (107db)	A
	1001102782	1	Decal, Plate-Exterior Sound (107db)	



## **SECTION 12 - RECOMMENDED SPARE PARTS**

## **SECTION 12 - RECOMMENDED SPARE PARTS**

# SECTION 12 - RECOMMENDED SPARE PARTS

FIGURE 12-1. RECOMMENDED SPARE PARTS

ITEM	PART NUMBER	QTY	DESCRIPTION	REV
		Ref	<b>Frame and Attaching Parts</b>	
	1001142658	1	Cap, Fuel	
	1001142659	1	Cap, Hydraulic	
	1001162659	1	Filter, Hydraulic	
		Ref	<b>Boom</b>	
	1001169048	AR	Shim, 1MM	
	1001169049	AR	Shim, 0.5MM	
	1001147731	1	SHIM,1 X 45 X 185,100 HOLE CTRS	
	1001177073	1	SHIM,1.5 X 67.5 X 250	
	1001147657	1	PAD,15 X 45 X 181,NYLUBE	
	1001175853	1	PAD,38 X 45 X 181MM	
	1001177054	1	PAD,67.5 X 250 X 15	
	1001175762	1	PAD,38X67.5X181	
		Ref	<b>Engine and Attaching Parts</b>	
	7016331	1	Filter, Oil	
		Ref	<b>3.6L Engine (74.4KW - ULS - Piston Pump)</b>	
	70027417	1	Filter, Fuel	
	70024961	1	Prefilter, Fuel	
		Ref	<b>3.6LEngine (90KW - ULS - Piston Pump)</b>	
	70004511	1	Filter, Fuel	
	70025153	1	Filter, Fuel	
		Ref	<b>3.6L Engine (100KW - ULS - Piston Pump)</b>	
	70027417	1	Filter, Fuel	
	70025153	1	Prefilter, Fuel	
		Ref	<b>3.6L Engine (74.4KW &amp; 90KW - LS - Piston Pump)</b>	
	70004512	1	Filter, Fuel	
	70027417	1	Filter, Fuel	
	70027657	1	Dipstick	
	70025535	1	Starter	
	70027403	1	V-Belt (ULS)	
	70025478	1	V-Belt (LS)	
		Ref	<b>Drive Train</b>	
	70025453	1	Filter, Transmission	
		Ref	<b>Cab</b>	
	1001172546	1	FILTER,HVAC FRESH AIR FILTER	
	1001172553	1	FILTER,HVAC,RECIRCULATION,AIR	
	1001141281	1	BLADE,800MM	
	1001212369	1	BLADE,ARM FRONT WIPER	
	1001141313	1	BLADE,ROOF,500MM	
		Ref	<b>Hydraulic Components</b>	
	70026848	1	Kit, Seal, Lift Cylinder	
	70027747	1	Kit, Seal, Tilt Cylinder	
	70027731	1	Kit, Seal, Compensation Cylinder	
	70027825	1	Kit, Seal, Extend/Retract Cylinder	
	70024168	1	Kit, Seal, Coupler Locking Cylinder	
		Ref	<b>Electrical</b>	
	0400075	1	Battery, 12V (Standard)	
	1001167212	2	Battery, 12V (Dual)	

## SECTION 12 - RECOMMENDED SPARE PARTS

ITEM	PART NUMBER	QTY	DESCRIPTION	REV
	1001218328	1	Key	



**PART NUMBER INDEX**

# PART NUMBER INDEX

0100011.....135, 137, 141	0701617.....87	341, 343, 369, 371,	1001005893.....893
0240063.....237	0701626.....313, 315	373, 419, 429, 431,	1001005904.....855, 857,
0240117.....231	0701628.....313, 315	443, 771, 827, 887,	859, 889
0240118.....233	0701630....313, 315, 901	889, 931, 951, 969,	1001005960.....1129
0400075.....979, 1164	0701631.....51	971, 979, 981, 1045	1001005980.....773, 775
0498748.....665	0711216.....101, 103	0761014 ... 341, 343, 873,	1001005981.....775
0630576.....33, 35, 395	0711228.....99	891, 893, 1027, 1029	1001006730.....727
0630609.....893	0711616.....91	0761015 ....517, 519, 521	1001006731.....725
0641405.....267	0711631.....97	0761210 .....397, 399	1001006954.....795
0641612.....135, 137, 141	0712027.....649	076121425, 27, 511, 969,	1001006955.....795
0642032....127, 129, 131,	0712030.....447, 449	971	1001007056.....923
135, 137, 141	0712040.....447, 449	0761215 .....55, 313, 315	1001007543.....185
0681810.....135, 137, 141	0712439.....51	0761216 .....315	1001007641.....779, 781
0700408.....813, 989, 991	0741610 ....135, 137, 141	0761217 .....25, 27	1001008436.....773, 777
0700608.....415	0760410.....1031	0761228 .....903	1001008450.....897
0700610....25, 27, 33, 35,	0760507 ... 109, 423, 969,	0761612 .....175, 177	1001008462.....447, 449
395, 397, 399, 409,	971	0761619 .....313, 315	1001008475.....777, 781
441, 689, 699, 819,	0760508.....93	0770810 .....353, 395	1001008540..1140, 1144,
973, 999, 1001, 1011,	0760512.....787	0770814 .....809	1148, 1152, 1156
1013, 1015, 1017	0760605 ... 379, 381, 665,	0771212 .....103	1001008559.....429, 431,
0700612..395, 667, 1027,	805, 811	0771618 .....65	443, 513, 951, 969,
1029	0760606 .....1043	0860520 .....267	971, 993, 1057
0700614....269, 329, 341,	0760607 ... 341, 413, 419,	0930003 .....215	1001008572.....883, 885
397, 399, 733, 773,	665	0930004 .....219	1001008573.....429
775, 973, 999, 1001,	0760608 .....93, 117, 369,	0930006 .....213	1001008574.....419
1027, 1029	371, 373, 387, 389,	0930020 .....217	1001008575.....57
0700615.....1065	689, 703, 753, 779,	1001001556 .....887	1001008580.....397, 399
0700618.....891, 954	787, 805, 811, 817,	1001002778 .....1029	1001008586.....893
0700620.....91	827, 993	1001002779 .....1029	1001008593.....419, 443,
0700624.....419	0760610 .....1021	1001002946 .....671	969
0700814.....61	0760612 .....33, 35	1001002947 .....671	1001008604.....781
0700815.....871	0760614 .....1065	1001002953 .....671	1001008626.....891, 893
0700816.....363, 365, 367	0760619 .....327	1001002957 .....671	1001008657.....355, 357
0700817.....427, 891, 893	0760807 .....869	1001003043 .....661	1001008665.....223
0700818.....973	0760808 ... 109, 111, 327,	1001003064 .....223	100100872091, 355, 357,
0700819.....893, 895	329, 419, 783, 969,	1001003301 .....61	429, 431, 443, 969, 971
0700820....403, 761, 763,	971, 999, 1001, 1025,	1001003305 ....333, 335,	1001008742.....791
765	1053, 1055	337, 339, 419, 951,	100100876191, 395, 413,
0700821.....395	0760810 ... 31, 33, 35, 37,	969, 971	847, 849
0700822.....863	39, 41, 43, 45, 47, 49,	1001003391 .. 1027, 1029	1001008773.....861, 867
0700823.....413	91, 99, 341, 343, 369,	1001003427 .....59	1001008804.....403, 861,
0700824.....827	373, 409, 413, 415,	1001003439 .....19	867, 869
0700826.....415, 1051	433, 435, 625, 701,	1001003474 .....241	100100880591, 853, 855,
0700827.....161, 163	709, 713, 721, 729,	1001003475 .....241	857, 859, 893, 895
0701011.....891, 893	733, 761, 765, 785,	100100359091, 395, 413,	1001008857.....671
0701012....355, 357, 401,	805, 831, 853, 883,	847, 849	1001008863.....883, 885,
403, 517, 847, 891, 893	885, 891, 893, 969,	1001003596 .....831	895
0701014..25, 27, 93, 113,	971, 997, 1011	1001003803 .....65	1001008922.....403, 883,
343, 441, 755, 847	076081257, 97, 103, 353,	1001003809 .....815	885, 887, 889, 895
0701016....365, 367, 369,	387, 389, 395, 397,	1001003934 .....357	1001008923....967, 1019,
371, 373, 887, 889	399, 413, 767, 771, 831	1001004143 .....357	1021, 1065
0701018.....403, 441	0760814 ....401, 413, 671	1001004144 .....867, 881	1001008926.....973
0701019.....867	0760815 ....341, 671, 895	1001004617 .....223	1001008988.....665
0701021.....887, 889	0760816 .....433, 435	1001004618 .....223	1001009038.....1063
0701022.....1059	0760823 .....55, 417	1001004619 .....223	1001009062.....777
0701024.....57	0761007 ... 883, 885, 979	1001004620 .....223	1001009105.....223
0701029.....145	0761010 . 25, 27, 31, 343,	1001004640 .....827	1001009124.....781
0701030.....441	355, 357, 371, 397,	1001004720 ....787, 1045	100100916361, 405, 407,
0701214....341, 343, 355,	399, 517, 519, 521,	1001004723 .....951	517, 519, 521
357	815, 817, 861, 867,	1001005038 .....793, 795	1001009178..1140, 1144,
0701215.....1027, 1029	881, 979, 981, 989,	1001005193 ....793, 887,	1148, 1152, 1156
0701217.299, 1027, 1029	991, 1053, 1055, 1061,	889	1001009207.....91
0701229.....109, 111	1063	1001005262 ....855, 857,	1001009375.....969, 971
0701232.....109, 111	0761011 .....413	859	1001009384.....355, 357,
0701616....67, 69, 75, 79,	0761012 ... 25, 27, 33, 35,	1001005267 .....65	891, 893
83	55, 333, 335, 337, 339,	1001005368 .....663	1001010240.....401, 403



## PART NUMBER INDEX

1001010646 ..... 725, 727	1001096019.....265	1001103156.....1061	1001116701 ..... 1079
1001010647 ..... 725, 727	1001096020.....265	1001103300.....1061	1001116710 ..... 1087
1001010648 ..... 725, 727	1001096021.....263	1001103530.....149	1001116716 ..... 1099
1001010649 ..... 725, 727	1001096023.....263	1001103533.....149	1001116723 . 1098, 1100, 1101, 1102
1001010650 ..... 725, 727	1001096024.....265	1001103637.....261	1001116725 ..... 1076
1001010838 ..... 777	1001096025.....263	1001103640.....853	1001116728 . 1071, 1085, 1100, 1125
1001010839 ..... 781	1001096162.....261, 263, 265, 267	1001103730.....263	1001116732.. 1076, 1085
1001010938 ..... 401, 403	1001096365.....671	1001103736.....265	1001116734 . 1076, 1084, 1085
1001010992 ..... 827	1001096726.....105	1001104437.....831	1001116735 ..... 1084
1001011007 ..... 827	1001096870.....99, 105	1001104477.....859, 935	1001116747 .. 1085, 1109
1001025750 ..... 969, 971	1001096913... 1027, 1029	1001104498... 1071, 1072	1001116753 ..... 1102
1001026104 ..... 333, 335, 337, 339	1001097110.....191	1001104519... 1098, 1099	1001116754 ..... 1098
1001028291 ..... 19	1001097205.....255	1001104646.....887, 889	1001116763 ..... 1109
1001028308 ..... 19	1001097244.....689	1001104654.....983, 985	1001116810 ..... 1067
1001032853 ..... 91	1001097287.....213	1001104685.....429, 431	1001116811 .. 1078, 1085
1001033119 ..... 91	1001097540.....33, 35	1001104934.....871	1001116812 . 1067, 1068, 1078, 1084, 1085, 1095, 1099, 1113, 1115
1001033120 ..... 355, 357	1001097586.....661	1001104958.....271	1001116815 ..... 1087
1001047062 ..... 665	1001098146.....109, 111	1001105167... 1027, 1029	1001116950 . 1068, 1078, 1080, 1084, 1086
1001080375 ..... 857, 859	1001098147.....109, 111	1001105168... 1027, 1029	1001116983 ..... 1087
1001090063 ..... 135, 137, 141	1001098457.. 97, 99, 109, 111	1001105639.....861	1001116984 ..... 1100
1001090064 ..... 135, 137, 141	1001098629.....67, 69, 71	1001105643.....861	1001116985 ..... 1100
1001090140 ..... 135, 137, 141	1001098630.....75, 77	1001106570.....65	1001116986 ..... 1100
1001090150 ..... 101, 103	1001098631.....79, 81	1001106729.....885	1001116991 .. 1098, 1100
1001090343 ..... 661, 749, 791	1001098632.....83, 85	1001106930.....271	1001116994 ..... 1117
1001091126 ..... 19	1001098636.....79, 83	1001107192.....665	1001116995 .. 1098, 1121
1001091313 ..... 149	1001098769.....113	1001107336.....125	1001116996 ..... 1072
1001091715 .. 1027, 1029	1001099113.....135, 137, 141	1001107338.....125	1001116997 ..... 1098
1001091716 .. 1027, 1029	1001099115.....135, 137, 141	1001107581.....125	1001116998 ..... 1100
1001092008 ..... 591, 593	1001099170.....657	1001107854.. 1071, 1072, 1076, 1084, 1099, 1100, 1109	1001116999 ..... 1098
1001092009 ..... 597, 599	1001099204.....609, 611	1001108133.....165	1001117011 ..... 1123
1001092298 ..... 107	1001099351.....249	1001108661.....1059	1001117018 .. 1084, 1085
1001092391 ..... 183	1001099457.....189	1001108857.....1053	1001117021 .. 1071, 1109
1001092481 ..... 261	1001099566.....665	1001108918.....855, 857, 859	1001117064 ..... 1098
1001092482 ..... 261	1001099902.....239	1001109053.. 1140, 1144, 1148, 1152, 1156	1001117079 ..... 1098
1001092877 . 1144, 1148, 1152, 1156	1001100262.....299	1001109113.....185	1001117081 . 1098, 1100, 1101, 1102
1001092878 . 1144, 1148, 1152, 1156	1001100284.....615	1001109387.....299	1001117108 .. 1068, 1071
1001093171 ..... 255	1001100442.....105	1001109494.....425	1001117109 . 1068, 1077, 1086, 1095
1001093277 ..... 395	1001100651.....603, 605	1001110023.....855, 857, 859, 889, 937	1001117110 . 1068, 1071, 1077, 1085, 1086
1001093401 ..... 353, 395	1001100691.....657	1001110115.....859	1001117121 ..... 1098
1001093429 ..... 93	1001100823.....195	1001110849.....87, 89	1001117244 ..... 405, 407
1001093696 ..... 93	1001100911.....173	1001111076.....753	1001117247 ..... 1059
1001093826 ..... 149, 213, 277	1001100957.. 1140, 1144, 1148, 1152, 1156	1001111147.....753	1001117308 ..... 973, 977
1001093827 ..... 149, 213, 277	1001100967.....243	1001111317.....657, 667	1001117945 ..... 175
1001094301 ..... 419	1001101041.....277, 853, 855, 857, 859, 887, 889	1001111424.....977	1001118282 .. 1076, 1085
1001094555 ..... 133, 139, 143, 149, 213, 215, 219, 271	1001101042.....277, 853, 855, 857, 859, 887, 889	1001111757.....165	1001118323 ..... 1068
1001094556 ..... 133, 139, 143, 149, 213, 215, 219, 271	1001101043.....277, 853, 855, 857, 859, 887, 889	1001111758.....165	1001118379 ..... 1098
1001094708 . 1140, 1144, 1148, 1152, 1156	1001101063.....885	1001112559.....295	1001118383 ..... 1098
1001095301 ..... 363, 887, 889, 931	1001101064.....883, 885	1001112560.....297	1001118384 . 1098, 1100, 1101, 1102
1001095336 ..... 975	1001101561.....513	1001112612.....1100	1001118386 ..... 1100
1001095650 ..... 1051	1001101563.....513	1001112796.. 1113, 1115, 1117	1001118387 ..... 1100
1001095804 ..... 983, 985	1001101702.....817	1001112923.....615	1001118392 ..... 1072
1001095810 ..... 267	1001101895.. 1144, 1148, 1152, 1156	1001112924.....577, 583	1001118684 ..... 1098
	1001101956.....137	1001114787.....111	1001118685 ..... 1098
	1001102378.....135, 137, 141	1001114802.....447, 449	1001119057 ..... 51
	1001102553.....163	1001116128.....693, 1045	1001119220 ..... 441
	1001102554.....161	1001116208.....999, 1001	1001119467 ..... 721
	1001102782.....1161	1001116686.....1068	1001120501 ..... 891, 893
	1001102813.....267, 269	1001116696... 1072, 1084	
	1001103012.....1099	1001116697.....1099	
		1001116698... 1099, 1100	
		1001116700... 1098, 1123	

# PART NUMBER INDEX

1001120505.....893	1001138645 ..... 327, 329, 969	1001152378 ..... 331	1001160510.. 1067, 1071, 1095
1001120602.....893	1001139034..... 353, 395	1001152729 ..... 737	1001160730..... 1045
1001120914..... 135, 137, 141	1001139551 ..... 749	1001152730 ..... 429	1001160775..... 1137
1001120915..... 135, 137, 141	1001139552 ..... 663	1001152908 ..... 735, 739	1001160928..... 979
1001120989.....999, 1001	1001139568 ..... 663	1001152915 ..... 657	1001161067..... 687
1001121021 ..... 1065	1001139647. 1144, 1152, 1156	1001152940 ..... 353, 395	1001161068..... 681
1001121555 ..... 1152	1001139654 ..... 1144	1001152947 ..... 657	1001161078..... 757
1001125117 ..... 101, 103	1001140296 ..... 397, 399	1001153748 ..... 851, 929	1001161080..... 757
1001125222 ..... 817	1001141246 ..... 671	1001153860 ..... 99, 101	1001161095.. 1067, 1071, 1095, 1099
1001125387 ..... 1140	1001141281 .... 785, 1164	1001153861 ..... 99, 103	1001161097..... 1099
1001125466 ..... 395	1001141311 ..... 749	1001153902J..... 19	1001161098..... 1099
1001125677 ..... 1079	1001141312 ..... 663	1001154174 ..... 101, 103	1001161099.. 1067, 1071, 1095, 1099
1001126008.. 1067, 1071, 1077	1001141313 .... 749, 1164	1001154688 ..... 25, 27	1001161100.. 1067, 1071, 1095
1001126245..... 1077	1001141596 ..... 979	1001155228 ..... 655, 665	1001161101.. 1067, 1071, 1095
1001126349..... 1084	1001142281 ..... 607, 609	1001155230 ..... 1148	1001161251..... 681
1001126351 ..... 1084	1001142285 ..... 589	1001155276 ..... 827, 829	1001161252..... 697
1001126352 ..... 1084	1001142286 ..... 589, 591	1001155278 ..... 413	1001161253..... 695
1001126353... 1077, 1084	1001142287 ..... 589, 593	1001155408 ..... 97, 99	1001161499..... 653, 801
1001126356 ..... 1084	1001142288 ..... 595	1001155441 ..... 107	1001161672..... 827
1001126357 ..... 1084	1001142289 ..... 595, 597	1001155446 ..... 649	1001161769..... 954, 959
1001126360..... 1084	1001142290 ..... 595, 599	1001155447 ..... 653, 785	1001161770..... 954, 961
1001126362... 1076, 1084	1001142291 ..... 601	1001155486 ..... 749	1001161771..... 954, 963
1001126384..... 1084	1001142292 ..... 601, 603	1001155958 ..... 99	1001161855..... 681
1001126391.. 1077, 1079, 1084	1001142293 ..... 601, 605	1001155959 ..... 99	1001161865..... 737
1001126393... 1079, 1084	1001142299 ..... 607	1001155960 ..... 99	1001161896..... 827
1001126485... 1076, 1080	1001142315 ..... 607, 611	1001156259J..... 657	1001161897..... 827
1001126487..... 1076	1001142316 ..... 607, 611	1001156265 ..... 827	1001161898..... 827
1001126488... 1076	1001142658 ..... 63, 1164	1001156266 ..... 827	1001161957.. 1067, 1071, 1095
1001126837 ... 1043, 1061	1001142659 ..... 63, 1164	1001157890 ..... 1068	1001161959..... 1099
1001127728..... 595	1001142790 ..... 147	1001157891 ..... 1071	1001161963.. 1067, 1071, 1095
1001128127 ..... 1068	1001143200 ..... 659, 665	1001157919 ..... 887, 889	1001162636..... 109
1001128128... 1076, 1085	1001144147. 1078, 1085, 1113, 1115	1001158146 ..... 983	1001162659..... 61, 1164
100112847861, 395, 405, 407, 413, 517, 519, 521	1001145204 ..... 345, 347, 349, 351	1001158596 ..... 709	1001162662..... 61
1001128972 ..... 969, 971	1001145300 ..... 979, 981	1001158736C..... 713	1001162704..... 653, 827
1001130198 ..... 333, 335, 337, 339, 969, 971	1001145390 ..... 923	1001159028 ..... 801, 803	1001162767 ..... 61
1001130323.. 1140, 1144, 1148, 1152, 1156	1001145539 ..... 733	1001159278 ..... 1137	1001162885... 1053, 1055
1001132239 ..... 413	100114658891, 333, 335, 337, 339, 397, 399, 427, 855, 857, 859, 951, 954, 969, 971, 999, 1019, 1021, 1045, 1065	1001159734 ..... 983, 985	1001162886..... 1098
1001132959 ..... 158	1001146949 ..... 839	1001159735 ..... 983, 985	1001162887 ..... 1098
1001133072 ..... 135, 137, 141	1001147060 ..... 993	1001159736 ..... 749	1001162920..... 805
1001133690..... 365, 367	1001147449 ..... 681, 683	1001159737 .... 983, 985, 1039	1001162922..... 805
1001133714.. 1079, 1084, 1087	1001147657 ..... 101, 103, 1164	1001159738 ..... 1023	1001162953..... 733, 743
1001133715.. 1076, 1079, 1084, 1087	1001147731 ..... 101, 103, 1164	1001159739 .. 1019, 1021	1001162979..... 827
1001133793..... 363, 365, 367	1001148557 ..... 681, 685, 705	1001159741 ..... 983, 985	1001163340..... 1098
1001134274 ..... 1061	1001148841 ..... 1080	1001159742 ..... 983, 985	1001163387..... 313, 315
1001134428 ..... 751	1001148842 ..... 1080	1001159743 ..... 983, 985	1001163414..... 135, 137, 917
1001135245..... 425, 427	1001149050 ..... 893	1001159745 ..... 885	1001163639..... 983, 985
1001135650.. 1076, 1079, 1080, 1084, 1087	1001149278 ..... 681, 683	1001159748 ..... 983, 985	1001163695..... 837, 839
1001135651.. 1079, 1084, 1087	1001149308 ..... 411	1001159845 . 1011, 1013, 1015, 1017	1001163697..... 837
1001137512 ..... 293	1001149375 ..... 409, 411	1001159846 . 1011, 1013, 1015, 1017	1001164336..... 911
1001138051.. 1140, 1144, 1148, 1152, 1156	1001149376 ..... 411	1001159849 ..... 983, 985	1001164402..... 973, 975
1001138110..... 1084	1001149923 ..... 109	1001159925 ..... 729, 733	1001164655..... 783
1001138111 ..... 1084	1001150294 ..... 721, 723	1001160125 ..... 835	1001164726..... 665
1001138113 ..... 1084	1001150294 ..... 721, 723	1001160326 ..... 733	1001164965..... 421
	1001150735 ..... 1098	1001160345 ..... 657	1001164967..... 421
	1001150737 ..... 1098	1001160496 ..... 761	1001164968..... 417, 421
	1001151257 ..... 891, 893	1001160498 ..... 1099	1001165066..... 695
	1001152259 ..... 299	1001160500 .. 1067, 1071	1001165067..... 695
		1001160502 ..... 1099	1001165069..... 433, 437
		1001160503 ..... 761, 765	1001165194..... 1079
		1001160506 ..... 763	
		1001160508 ..... 653, 783	
		1001160509 . 1067, 1071, 1095	

## PART NUMBER INDEX

1001165269 ..... 787, 789	1001167688..... 1076	1001170984..... 111	1001174653..... 683
1001165270 ..... 787	1001167773..... 433, 435	1001170993..... 705	1001174655 ..... 683
1001165273 ..... 789	1001167822..... 1011	1001171000..... 441	1001174712 ..... 983, 985
1001165275 ..... 671	1001167823..... 1013	1001171037..... 669	1001174741 ..... 699
1001165276 ..... 667	1001167937..... 675	1001171390..... 109, 111	1001174795 ..... 421
1001165309 ..... 1067	1001167958..... 665, 675	1001171392..... 111	1001174796 ..... 1025
1001165310 ..... 1068	1001167981..... 653, 681	1001171635..... 669	1001174800 ..... 699
1001165311 ..... 1071	1001168030..... 355, 357	1001171756..... 787	1001174801 ..... 699
1001165327 ..... 789	1001168142..... 827	1001171767..... 705	1001174879 ..... 511
1001165351 ..... 791	1001168151..... 827	1001171782..... 33, 35	1001174880 ..... 511
1001165416 ..... 791	1001168152..... 653, 655	1001171808..... 113	1001174881 ..... 511
1001165455 ..... 791	1001168264..... 629, 631, 633, 635	1001171874..... 805	1001174911 ..... 1140
1001165458 ..... 689, 791	1001168272..... 417	1001171913..... 341	1001175016 ..... 901, 907
1001165573 ..... 709, 711	1001168327..... 733	1001171959..... 341	1001175201 ..... 417
1001165637 ..... 785	1001168330..... 733	1001172035.. 1140, 1144, 1148, 1152, 1156	1001175225 ..... 97
1001165789 ..... 303, 309, 365, 367, 423	1001168331..... 733	1001172088..... 805	1001175226 ..... 657
1001165857 ..... 447, 449, 475	1001168456..... 733	1001172094..... 805	1001175227 ..... 667
1001166091 ..... 739, 741	1001168531..... 713, 1123	1001172146..... 57	1001175265.. 1076, 1085
1001166092 ..... 739, 741	1001168639..... 341, 417	1001172147 ..... 57	1001175266.. 1068, 1071, 1095
1001166191 ..... 779	1001168727..... 397, 399	1001172193..... 657, 667	1001175295 ..... 447
1001166192 ..... 653, 779	1001168758..... 33	1001172401..... 653, 797	1001175306 ..... 303
1001166369 ..... 19	1001169048..... 97, 1164	1001172546..... 729, 733, 1164	1001175309 ..... 305
1001166385 ..... 753	1001169049..... 97, 1164	1001172547..... 729, 733	1001175313 ..... 309
1001166397 ..... 371	1001169135..... 713	1001172550..... 729, 733	1001175315 ..... 311
1001166541 ..... 1077	1001169146..... 419, 969, 971, 1045	1001172551..... 1107	1001175320 ..... 389, 393
1001166543 .. 1077, 1084	1001169151..... 733, 1109	1001172552..... 729, 733	1001175324 ..... 341
1001166551 ..... 1077	1001169216..... 313, 315	1001172553..... 729, 733, 1164	1001175325 ..... 343
1001166555 ..... 1077	1001169268..... 833	1001172667 ..... 169	1001175470 ..... 707
1001166556 .. 1077, 1079, 1084	1001169309..... 313	1001172667 ..... 169	1001175471 ..... 703, 705
1001166565 ..... 371, 377	1001169354..... 823, 825	1001172693..... 59	1001175477 ..... 665
1001166566 ..... 369, 373, 375	1001169355..... 825	1001172774..... 765	1001175550 ..... 303, 317
1001166634 ..... 667, 671	1001169367..... 825	1001172807..... 585, 587	1001175552 ..... 309, 323
1001166701 ..... 1084	1001169424..... 313, 315	1001172829..... 35	1001175553 ..... 305, 319
1001166702 ..... 1078	1001169454..... 55	1001172886..... 109, 111	1001175554 ..... 311, 325
1001166715 ..... 371, 373, 379	1001169603..... 681	1001172886..... 109, 111	1001175555 ..... 307, 321
1001166754 ..... 649	1001169603..... 681	1001172892..... 843	1001175586 ..... 379, 383
1001166755 ..... 649	1001169674..... 1137	1001172894..... 843, 851	1001175661 ..... 103
1001166774 .. 1077, 1079, 1084	1001169751..... 823	1001172900..... 843, 847	1001175670 ..... 447, 451
1001167004 ..... 835	1001169763..... 833	1001172901..... 843, 849	1001175671 ..... 449, 463
1001167015 ..... 691, 693	1001169803..... 893	1001172909..... 845, 861	1001175733 ..... 1111
1001167017 ..... 989, 991	1001169825..... 973	1001172937 ..... 845	1001175746 ..... 99
1001167212 .... 981, 1164	1001169880..... 667	1001173013..... 845, 875	1001175747 ..... 99
1001167266 ..... 743, 745	1001169883..... 669	1001173015..... 845, 901	1001175749 ..... 99
1001167288 ..... 31	1001169885..... 669	1001173017 ..... 845, 903	1001175754 ..... 97
1001167356 ..... 441	1001169918..... 341	1001173257 ..... 763	1001175762 .... 103, 1164
1001167408 ..... 433, 435	1001170106..... 59	1001173298..... 665	1001175776 ..... 995, 997, 1111
1001167615 ..... 1077	1001170113..... 669	1001173411 ..... 1099	1001175812 ..... 771
1001167616 ..... 1076	1001170113J..... 667	1001173418..... 863, 869	1001175853 .... 101, 1164
1001167620 ..... 1079	1001170114..... 665, 667	1001173425..... 693	1001175896 ..... 99
1001167621 ..... 1077	1001170231..... 805	1001173571 ..... 1107	1001175897 ..... 99
1001167622 .. 1077, 1079	1001170326..... 707	1001173641 ..... 655, 657	1001175898 ..... 97
1001167623 .. 1077, 1079	1001170366..... 651, 703	1001173703..... 1152	1001175900 ..... 99
1001167624 ..... 1079	1001170488..... 171	1001173770..... 91, 941	1001175903 ..... 681
1001167625 ..... 1077	1001170504..... 685	1001173771..... 931, 933	1001176104 ..... 97
1001167629 ..... 1080	1001170506..... 681, 685	1001173789J..... 101	1001176121 ..... 703, 707
1001167630 .. 1076, 1080	1001170514..... 687	1001173829..... 1031	1001176122 ..... 637
1001167631 ..... 1076	1001170518..... 681	1001173965..... 681	1001176123 ..... 627
1001167633 ..... 1076	1001170519..... 681, 687	1001174295..... 665, 677	1001176125 ..... 639
1001167634 ..... 1076	1001170601J..... 665	1001174320..... 657	1001176126 ..... 641
1001167635 ..... 1076	1001170603..... 655, 659	1001174321..... 671	1001176127 ..... 643
1001167636 ..... 1078	1001170697..... 629, 631, 633, 635, 639, 641, 643, 645	1001174328..... 33, 35	1001176127 ..... 643
	1001170716..... 691	1001174368..... 999	1001176128 ..... 645
	1001170718..... 691	1001174372..... 999, 1001	1001176129 ..... 629
	1001170944..... 671	1001174557..... 103	1001176130 ..... 631
		1001174567..... 815, 819	1001176140 ..... 699
		1001174652..... 683	1001176257 ..... 699

# PART NUMBER INDEX

1001176272.....659	1001178678..... 655, 661	1001180429..... 429	1001182217.....969, 971
1001176273.....659	1001178679..... 661, 663	1001180435..... 419	1001182218.....969, 971
1001176313.....873	1001178680..... 663	1001180436..... 419	1001182219.....969, 971
1001176318.....699	1001178681..... 663	1001180472..... 815	1001182231.....847
1001176333.....1099	1001178693..... 55	1001180524.... 951, 1067	1001182235.....303, 305, 307, 309, 311, 331
1001176336.....707	1001178706..... 1129	1001180525.... 951, 1071	1001182330.....701
1001176338.....987	1001178725..... 441	1001180529..... 1019	1001182423.....21
1001176341.....51	1001178749..... 441, 443	1001180574J..... 37	1001182424..... 413
1001176349.....627, 629	1001178783..... 987	1001180581..... 387, 391	1001182447.....345
1001176350.....627, 631	1001178791..... 417	1001180593..... 443	1001182450.....349
1001176351.....637, 639	1001178826..... 759	1001180682..... 987	1001182452.....413
1001176352.....637, 641	1001178874..... 429	1001180683..... 987	1001182453.....413
1001176353.....637, 643	1001178933..... 954	1001180809..... 871	1001182529.....713
1001176354.....637, 645	1001179008..... 759	1001180810..... 871	1001182582.....305, 307, 311, 315
1001176407.....99, 107	1001179009..... 759	1001180811..... 871	1001182647.....307, 521
1001176411.....881	1001179041..... 883	1001180845..... 845, 877	1001182650.....969, 971
1001176626.....659	1001179043..... 885	1001180850..... 877	1001182651.....969, 971
1001176691.....99	1001179054..... 853	1001180855..... 877	1001182652.....969, 971
1001176839.....449	1001179056..... 857	1001180856..... 877	1001182654.....969, 971
1001176882.....107	1001179058..... 859	1001181008..... 861	1001182735.....303, 305, 307, 327
1001176914.....633	1001179059..... 1033	1001181016..... 861	1001182736.....309, 311, 329
1001176916.....627, 633	1001179080..... 743	1001181017..... 869	1001182763.....91
1001176942.....97	1001179081..... 743	1001181019..... 861	1001182793.....895
1001176949.....635	1001179092..... 1027	1001181161..... 853, 855, 857, 859	1001182824.....341, 343
1001176950.....627, 635	1001179093..... 1029	1001181170..... 861	1001182834.....681
1001176964.....53	1001179130..... 743, 747	1001181360..... 771	1001182836.....693
1001176965.....53, 55	1001179197..... 981	1001181411..... 663	1001182839.....1043
1001176966.....53, 57	1001179221J.... 979, 981	1001181413..... 431	1001182880.....379
1001176977.....341, 419	1001179297..... 1129	1001181531..... 957	1001182881.....379, 381, 383, 385
1001177048.....821	1001179462..... 849, 927	1001181531..... 957	1001182885.....381, 385
1001177049.....821	1001179482..... 753	1001181542..... 835	1001182886.....381
1001177050.....821	1001179483..... 753	1001181559..... 521, 527	1001182887.....383
1001177051.....821	1001179493..... 433	1001181562..... 875	1001182888.....385
1001177052.....821	1001179585..... 981	1001181563..... 875	1001182929.....969, 971, 1089
1001177053.....815, 821	1001179586..... 981	1001181564..... 875	1001182930.....969, 971, 1091
1001177054.....103, 1164	1001179719..... 613	1001181565..... 875	1001182935.....427
1001177060.....57	1001179720..... 617	1001181568..... 875	1001182943.....425
1001177062.....57	1001179861..... 435	1001181569..... 875	1001182949.....353, 359
1001177073.....103, 1164	1001179864..... 345, 347, 349, 351, 409	1001181681..... 954, 1105	1001182950.....361, 395
1001177082.....57	1001179895..... 751	1001181726..... 681, 689	1001182994.....387, 389
1001177464.....697	1001179898..... 751	1001181784..... 875	1001182995.....387, 389
1001177597...1076, 1087	1001179901..... 1051	1001181920..... 659	1001183075.....345, 347, 401
1001177638.....511	1001179907..... 327, 329	1001181921..... 659, 995, 997	1001183076.....349, 351, 403
1001177851.....519, 525	1001179910..... 435, 439	1001181927..... 837	1001183122.....517, 519
1001177863.....303, 305, 307, 309, 311, 897	1001179926..... 863	1001181928..... 839	1001183125.....429
1001177870.....511	1001179937..... 1061	1001181951..... 305, 307, 365	1001183149.....429
1001178030.....341, 415	1001180045..... 791	1001181952..... 311, 367	1001183177.....369
1001178053...1031, 1119	1001180109..... 103	1001182036..... 305, 307, 311, 371	1001183274...67, 69, 75, 79, 83
1001178115.....341, 343	1001180117..... 99, 909	1001182037..... 305, 307, 381	1001183297..1019, 1021, 1125
1001178123.....791	1001180134..... 845, 871	1001182039..... 311, 385	1001183347.....327, 329
1001178159.....657	1001180196..... 67	1001182040..... 303, 369	1001183357.....429
1001178160.....657	1001180198..... 75	1001182041..... 303, 379	1001183460.....901
1001178170.....733	1001180199..... 79	1001182042..... 309, 373	1001183461.....903
1001178171.....639, 641, 643, 645	1001180200..... 83	1001182043..... 309, 383	1001183550.....687
1001178213.....667	1001180202..... 69	1001182111..... 353	1001183590.....33
1001178298.....583, 585	1001180206..... 87	1001182112..... 345, 347, 349, 351, 353	1001183591.....35
1001178299.....583, 587	1001180207..... 65	1001182123..... 659	
1001178300.....583	1001180226..... 343	1001182139..... 659	
1001178439.....305, 311, 519	1001180227..... 343	1001182193..... 353	
1001178474.....55	1001180252..... 847, 925	1001182210..... 33, 35	
1001178526.....109	1001180263..... 763, 765	1001182213..... 395, 945	
1001178622.....307	1001180267..... 979	1001182216..... 969, 971	
1001178657.....397, 399	1001180326..... 903, 911		
1001178659.....397, 399	1001180328..... 419		
	1001180413..... 625		
	1001180418..... 831		

## PART NUMBER INDEX

1001183595 .....	93	1001184514.....	21, 23, 31	1001186714.....	1039	1001189054 .....	741
1001183596 .....	993	1001184517.....	891, 893	1001186848.....	347, 351, 407	1001189099 .....	109, 111
1001183604 .....	1137	1001184518.....	891, 893	1001186849.....	345, 349, 405	1001189154, 1144, 1148, 1152, 1156	
1001183615 ....	969, 1076	1001184524.....	25, 27	1001187070.....	1091	1001189182 .....	681
1001183645 .....	1131	1001184530.....	873	1001187077.....	1091	1001189193 .....	771
1001183646 .....	1133	1001184531.....	845, 873	1001187276.....	349, 351, 357	1001189475 .....	115
1001183647 .....	1135	1001184551.....	1085	1001187277.....	355, 357	1001189476 .....	115
1001183745 .....	315	1001184609.....	391, 393, 413	1001187355.....	847	1001189480 .....	107
1001183817 .....	1047	1001184610.....	111	1001187400.....	865, 881	1001189569 . 1027, 1029, 1031	
1001183818 . 1047, 1049, 1051		1001184632..	1140, 1144, 1148, 1152, 1156	1001187407 .....	357	1001189586 .....	315
1001183819 .. 1047, 1053		1001184710.....	343	1001187413.....	805, 807	1001189888 .....	909
1001183830 .....	369, 373	1001184800.....	413	1001187416.....	881	1001189898 .....	983, 985
1001183832 .. 1057, 1059		1001184839... 1033, 1121		1001187550.....	355, 357	1001189984J .....	33, 35
1001183838 .....	973	1001184955.....	345, 347, 349, 351, 413	1001187551.....	357	1001189997 .....	995, 997
1001183888 .....	1011	1001184975.....	695	1001187552.....	357	1001190225 .....	989
1001183890 .....	1011	1001185023J.....	27	1001187622.....	51	1001190227 .....	995
1001183908J .....	41	1001185061.....	27	1001187638J.....	51	1001190396 .....	1119
1001183909J .....	47	1001185181.....	303, 333	1001187712.....	355, 357	1001190408 .....	33, 35
1001183910J .....	47	1001185189.....	311, 339	1001187717.....	33, 35	1001190413 .....	695
1001183956 .....	395	1001185210.....	395	1001187732.....	51	1001190541 .....	515
1001183958 .....	413	1001185248.....	69, 73	1001187851.....	1061	1001190542 .....	447, 449
1001183983 .....	897, 899	1001185282.....	395	1001187852.....	1061	1001190589 .....	97
1001184033 .....	121	1001185337.....	349, 351, 395	1001187853.....	1061	1001190657 .. 1053, 1055	
1001184035 .....	123	1001185351.....	843, 879	1001188190.....	113	1001190718 .....	891
1001184041 .....	133	1001185364.....	99, 967	1001188204.....	313, 315	1001190719 .....	893
1001184043 .....	139	1001185375.....	303, 305, 307, 969	1001188220.....	345, 347, 355	1001190740 .....	343
1001184045 .....	143	1001185377.....	309, 311, 971	1001188262.....	653, 805	1001190921 .....	1076
1001184061 .....	345, 347, 387	1001185391.....	951	1001188275.....	737, 741	1001190979 .....	677
1001184062 .....	349, 351, 389	1001185633.....	701	1001188407.....	409	1001191091 .....	677
1001184069 .....	653, 954	1001185722.....	1001	1001188413.....	91	1001191217 .....	827
1001184070 ....	954, 1098	1001185790.....	23	1001188466.....	303, 309, 313	1001191229 . 1140, 1144, 1148, 1152, 1156	
1001184099 .....	397, 399	1001185809.....	983	1001188548.....	867	1001191259 .....	1059
1001184120 .....	345, 349, 397	1001185845.....	701	1001188577.....	739, 741	1001191281 .....	689
1001184128 .....	397, 399	1001185848.....	701	1001188578.....	739, 741	1001191283 .....	689
1001184129 .....	397, 399	1001185864.....	349, 351, 427	1001188590.....	739, 741	1001191284 .....	689
1001184132 .....	347, 351, 399	1001185865.....	345, 347, 425	1001188592.....	741	1001191285 .....	689
1001184172 .....	1053	1001185870.....	681	1001188594.....	739, 741	1001191370 .....	689
1001184275 .....	739, 741	1001185871.....	401, 403	1001188602.....	739, 741	1001191487 . 1140, 1144, 1148, 1152, 1156	
1001184278 .....	739, 741	1001185936.....	33, 35	1001188603.....	739, 741	1001191508 .....	353, 395
1001184280 .....	741	1001185959... 1057, 1095		1001188604.....	739, 741	1001191521 .....	57, 61
1001184294 .....	739, 741	1001186009.....	369, 371, 373	1001188609.....	865, 867	1001191533 .....	61
1001184295 .....	739, 741	1001186012.. 1047, 1049, 1057		1001188610.....	739, 741	1001191621 .....	97, 99
1001184296 .....	739, 741	1001186290.....	369, 371, 373	1001188612.....	739, 741	1001191808 .....	33, 35
1001184297 .....	739, 741	1001186359.....	91	1001188614.....	739, 741	1001191915 .....	817
1001184315 .....	347	1001186370.....	413	1001188618.....	741	1001192124 .....	59
1001184322 .....	351	1001186392.....	91	1001188619.....	741	1001192125 .....	55, 59
1001184403 .....	747	1001186393.....	771	1001188708.....	895	1001192309 .....	665
1001184404 .....	747	1001186395.....	775	1001188720.....	739, 741	1001192392 .....	59
1001184405 .....	747	1001186439.....	773	1001188722.....	91	1001192411 .....	425, 427
1001184406 .....	747	1001186565... 1011, 1013		1001188725.....	739, 741	1001192643 .....	673
1001184421 ....	967, 1093	1001186567... 1011, 1013		1001188728.....	741	1001192644 .....	675
1001184423 .....	117	1001186574.....	515	1001188729.....	739, 741	1001192646 .....	665
1001184425 .....	117	1001186603.....	1001	1001188733.....	739, 741	1001192711 .....	269
1001184426 .....	117	1001186646.....	1063	1001188739.....	895	1001192720 .....	269
1001184427 .....	741	1001186693.....	973	1001188808.....	895	1001192755 .....	673
1001184431 .....	31	1001186698.....	117	1001188817.....	741	1001192766 .....	665, 673
1001184439 .....	665			1001188818.....	741	1001192875 .....	269
1001184445 .....	413			1001188855.....	441	1001192876 .....	269
1001184473 .....	1100			1001188856.....	441	1001192877 .....	269
1001184479 .....	1100			1001189023.....	741	1001193026 .....	441
1001184503 ....	971, 1084			1001189024.....	741	1001193210 .....	667
1001184504 .....	829			1001189025.....	739, 741	1001193421 .....	873
				1001189048.....	741	1001193474 .....	817

# PART NUMBER INDEX

1001193513.....871	1001197259.....757	1001201340.....653, 965	1001203009.....397, 399
1001193514.....871	1001197266.....25, 27	1001201422.....877	1001203012.....427
1001193515.....871	1001197275.....63	1001201478.....1080	1001203014.....401, 403
1001193525.....269	1001197360.....55	1001201497.....733, 737	1001203015.....969, 971
1001193540.....269	1001197430.....395	1001201498.....729, 735	1001203025.....357
1001193551.....341	1001197479.....109, 111	1001201499.....811	1001203027.....397, 399
1001193722.....865	1001197589.....1041	1001201500.....813	1001203028.....397, 399
1001193729.....269	1001197638.....405, 407	1001201501.....811, 813	1001203039.....401, 403
1001193735.....441	1001197639.....1035	1001201504J.....33, 35	1001203046.....861
1001193993.....973	1001197641.....405, 407	1001201520.....653, 791	1001203173.....401, 403
1001195004.....819	1001197653.....405, 407	1001201766.....341	1001203174.....401, 403
1001195082.....269	1001197654.....405	1001201805J.....25, 27	1001203178.....357
1001195207.....815	1001197655.....407	1001201811.....341, 343	1001203284...1053, 1055
1001195210J.....25, 27	1001197719..1076, 1087	1001201823.....341, 343	1001203285...1053, 1055
1001195240J.....25, 27	1001197821.....305, 307, 335	1001201866.....1144	1001203287.....355
1001195254.....817, 819	1001197826.....309, 337	1001201867.....1148	1001203291.....47
1001195274J.....25	1001197945.....211	1001201868.....1152	1001203293.....49
1001195342.....745	1001198331.....883, 885	1001201869.....1140	1001203305J.....49
1001195343.....745	1001198355.....269	1001201870.....1156	1001203312.....99, 913
1001195345.....745	1001198621..1027, 1029	1001201929.....341	1001203374.....41
1001195346.....745	1001198796..1027, 1029	1001201930.....341	1001203386.....37
1001195385.....745	1001198836.....91	1001201933.....341	1001203402.....43
1001195386.....745	1001198924.....755	1001201940.....867	1001203406.....39
1001195437.....745	1001198932.....1035	1001201941.....867	1001203408J.....43
1001195438.....745	1001198958.....755	1001201943.....879	1001203410.....39
1001195443.....397, 399	1001199390.....621, 623	1001201951.....815	1001203417J.....981
1001195518.....313, 315	1001199403.....357	1001202086.....651	1001203503.....269
1001195559.....235	1001199670.....415	1001202120.....387, 389	1001203640..1015, 1017, 1021
1001195587.....31	1001199935..1041, 1045	1001202134 .1003, 1005, 1007	1001203825.....443
1001195741.....871	1001199948.....517, 523	1001202135.....873	1001203826.....443
1001195742.....871	1001200038.....883, 885	1001202177.....853	1001203882.....969, 971
1001195827.....21, 25	1001200141.....619, 621	1001202249.....401, 403	1001203905.....883
1001195829.....23, 27	1001200142.....619, 623	1001202251.....401	1001203915.....883
1001195849.....1140	1001200143.....619	1001202253.....401	1001203919.....883, 885
1001195855..1140, 1144, 1148, 1152, 1156	1001200180.....303, 309, 517	1001202286.....997	1001203922.....883, 885
1001195878.....657	1001200192.....333, 337	1001202287.....815	1001203923.....883, 885
1001195970.....209	1001200201.....415	1001202288.....995	1001204060.....1017
1001195992.....877	1001200218.....857, 859	1001202293.....989	1001204066.....671
1001195994.....877	1001200449.....401	1001202328.....403	1001204078.....913, 915
1001196002.....877	1001200450.....401	1001202329.....403	1001204115.....671
1001196385.....613, 615	1001200538.....1015	1001202375.....403	1001204117.....671
1001196418.....31	1001200539.....1017	1001202376.....403	1001204120.....671
1001196448J.....617	1001200617.....273	1001202395.....997	1001204128.....279
1001196449J.....617	1001200688.....1023	1001202421.....1037	1001204129.....281
1001196452....999, 1001, 1117	1001200689....653, 1025	1001202430.....1037	1001204130.....283
1001196531.....651, 653	1001200694.....695	1001202445.....401, 403	1001204131.....285
1001196587.....327	1001200798.....355	1001202454.....985	1001204132.....287
1001196661.....879	1001200815.....899, 947	1001202473.....429	1001204133.....289
1001196662.....357	1001200908.....413	1001202474.....429	1001204134.....291
1001196723.....877	1001200968.....693	1001202476.....429	1001204301.....433, 435
1001196751.....225	1001201027.....651, 787	1001202477.....429	1001204302.....433, 435
1001196787.....879	1001201030J.....51	1001202478.....429	1001204373.....433, 435
1001196806...1140, 1144	1001201070.....1100	1001202479.....429	1001204374.....91
1001196876J.....27	1001201080.....1100	1001202480.....429	1001204375.....91
1001196898...1003, 1113	1001201081 .1100, 1113, 1115	1001202484.....355	1001204420.....887, 889, 931
1001196899.....1005	1001201161....653, 1009	1001202506.....401	1001204421.....887, 889
1001196900...1007, 1115	1001201162.....1009	1001202516....965, 1107	1001204427.....887, 889
1001196912.....861	1001201205.....855	1001202558.....989, 991	1001204428.....887, 889
1001197015...1027, 1029	1001201207.....697	1001202643.....427	1001204437.....887, 889
1001197090.....889	1001201245.....883, 913	1001202653.....403	1001204444...1015, 1017
1001197093.....887	1001201296.....431	1001202654.....403	1001204445...1015, 1017
1001197130.....447, 449	1001201331.....791	1001202772.....431	1001204518.....91
1001197135.....25, 27	1001201336.....729	1001202805.....401	1001204528.....1015
1001197139.....805, 809	1001201338.....733	1001202904.....275	1001204530.....1015
		1001202921.....429, 431	1001204535.....115
		1001202922.....357	

# PART NUMBER INDEX

1001204629 ..... 891, 893	1001210432..... 513	1001214206..1140, 1144, 1148, 1152, 1156	1001219857 ..... 615
1001204681 ..... 891	1001210628..... 653, 793	1001214220.....805	1001220145 ..... 357
1001204709 ..... 759	1001210798..... 769	1001214281 .....954	1001220540 ..... 649
1001204729 ..... 891, 893	1001210799..... 769	1001214297 .....117	1001220541 ..... 1161
1001204731 ..... 891, 893	1001210802..... 767	1001214312 .....117	1001220865 ..... 1159
1001204839 ..... 333, 337	1001210804..... 767	1001214356.....51	1001220947 ..... 999
1001204840 ..... 333, 337	1001210961..... 1021	1001214399 .....887	1001221242 ..... 1065
1001204841 ..... 333, 335, 337, 339	1001210962..... 1021	1001214401 .....1043	1001221249 ..... 1065
1001204842 ..... 333, 335, 337, 339	1001211323..... 893	1001214479.....579, 581	1001221257 ..... 1065
1001204974 ..... 885	1001211357..... 987	1001214492 .....45	1001221293 ..... 1065
1001204975 ..... 885	1001211376..... 863	1001214686 .....1102	1001221318 ..... 1043
1001205041 ..... 335, 339	1001211389... 1053, 1055	1001214687 .....1102	1001221319 ..... 1043
1001205061 ..... 805, 811	1001211452..... 885	1001214951 .....683	1001221577 ..... 103
1001205078 ..... 891, 893	1001211516..... 131	1001215022 .....405, 407	1001221644 ..... 299
1001205080 ..... 31	1001211556..... 381	1001215024 .....405, 407	1001222188 ..... 59
1001205172 ..... 1076	1001211693..... 954	1001215154 .....681, 683	1001222190 ..... 59
1001205392 ..... 891, 893	1001211729..... 303, 363	1001215261 .....885	1001222519 ..... 991
1001205393 ..... 891, 893	1001211730..... 309	1001215531 .....671	1060379 ..... 267
1001205514 ..... 721	1001211786..... 29	1001215589 .....863	1062255 ... 333, 335, 337, 339, 355, 357, 397, 399, 419, 433, 435, 443, 857, 859, 877, 879, 881, 883, 885, 891, 893, 969, 971
1001205532 ..... 665, 671	1001211787..... 29	1001215988 .....197	10705034 ..... 153
1001205551 ..... 397, 399	1001211897..... 167	1001215990 .....199	10837926 ..... 925
1001205648 ..... 713	1001211902..... 817	1001215992 .....201	10837928 ..... 925
1001205782 ..... 721	1001211907..... 681	1001215993 .....201	10837929 ..... 925
1001206120 ..... 327	1001211915..... 817	1001215994 .....203	10837937 ..... 925
1001206173 ..... 277	1001211995..... 93	1001215996 .....205	1170002 ..... 145
1001206179 ..... 891	1001211996..... 93	1001216001 .....221	1170012 ..... 127
1001206557 ..... 91	1001212011..... 677	1001216003 .....259	1170021 ..... 127
1001206558 ..... 91	1001212270..... 51	1001216163 .....887, 889	1170024 ..... 129
1001206669 ..... 241	1001212369.... 785, 1164	1001216232 .....887, 889	1170054 ..... 135
1001206671 ..... 247	1001212384..... 891, 943	1001216237 .....895	1170057 ..... 141
1001206722 ..... 1137	1001212437..... 1049	1001216275 .....895	1170058 ..... 251
1001206723 ..... 1137	1001212468..... 689	1001216276 .....895	120034 ..... 954
1001206744 ..... 817	1001212590..... 591	1001216277 .....895	1320239 ..... 355, 357
1001206886 ..... 957	1001212591..... 593	1001216278 .....895	1670836 ..... 875
1001207486 ..... 419	1001212594..... 609	1001216279 .....895	1701509 ..... 267
1001207522 ..... 869	1001212595..... 611	1001216280 .....895	1701640 ..... 1140, 1144, 1148, 1152, 1156
1001207523 ..... 869	1001212596..... 621	1001216312 .....99, 895	1702773 .... 261, 263, 265
1001207525 ..... 877	1001212597..... 623	1001216611 .....1003	1704277 ..... 267
1001207526 ..... 877	1001212598..... 597	1001216612 .....1005	1704885 .... 261, 263, 265
1001207594 .. 1041, 1043	1001212599..... 599	1001216613 .....1007	1705980 ..... 1159
1001207606 ..... 253	1001212600..... 603	1001216636 .....885	1706098 ..... 1140, 1144, 1148, 1152, 1156
1001207694 ..... 863, 865	1001212601..... 605	1001216658 .....581	1706281 ..... 1144, 1148, 1152, 1156
1001207754 ..... 881	1001212602..... 585	1001216661 .....579	1706282 ..... 1144, 1148, 1152, 1156
1001207804 ..... 867	1001212603..... 587	1001216664 .....577, 581	1706284 ..... 1144, 1148, 1152, 1156
1001207903 ..... 867	1001212906..... 371	1001216667 .....577, 579	1706285 ..... 1144, 1148, 1152, 1156
1001207908 ..... 867	1001212907..... 369, 373	1001216851 .....577	1706288 ..... 1144, 1148, 1152, 1156
1001207956 ..... 817	1001212948..... 397, 399	1001216854 .....335, 339	1706292 ..... 1144, 1148, 1152, 1156
1001208035 ..... 885	1001212949..... 397, 399	1001216855 .....335, 339	1706296 ..... 1140
1001208037 ..... 817	1001212956..... 429	1001216923J .....33, 35	1706299 ..... 1140
1001208281 ..... 343	1001213006..... 331	1001216974 .....709, 713, 721	1706301 ..... 1140
1001208308 ..... 681	1001213031..... 869	1001217179 .....979	1706302 ..... 269, 1140
1001208518 ..... 653, 957	1001213331..... 671	1001217423..1140, 1144, 1148, 1152, 1156	1706306 ..... 1140
1001208531 .. 1027, 1029	1001213471..... 985	1001217550 .....19	1706768 ..... 1140
1001208763 .. 1027, 1029	1001213748..... 931	1001217557 .....29	1706850 ..... 1140
1001209463 ..... 753	1001213752..... 1043	1001217623 .....1023	
1001209576 ..... 973	1001213771..... 887, 889	1001217635 .....991	
1001209577 ..... 973	1001213772..... 887, 889	1001217961...1049, 1055	
1001209578 ..... 954	1001213791..... 665	1001218328 .....957, 1165	
1001209651 ..... 863	1001213825... 1027, 1029	1001218486 .....371, 517	
1001209899 ..... 659	1001213826... 1027, 1029	1001218654 .....893	
1001209986 ..... 1055	1001213829..... 887	1001218962 .....893	
1001210022 ..... 341, 343	1001213871..... 889	1001219182 .....521	
1001210409 ..... 513	1001213883..... 895	1001219481 .....893	
1001210417 ..... 513	1001213925..... 895	1001219810 .....395	
1001210431 ..... 513	1001213988..... 954		
	1001214036J..... 45		
	1001214092..... 785		

# PART NUMBER INDEX

1706892.....261	2171832 ..... 873	3290805 ..... 31, 161, 163,	4031918.... 855, 857, 859,
1707078.....1140	2172104 ..... 891, 893	341, 355, 357, 363,	889
1784861..... 115	2172106 ..... 91, 135, 137,	365, 367, 433, 435,	4031927.....353
2080040.....267	141, 357, 863	517, 519, 521, 809,	4032010.....425, 427
2080078.....663	2172208 ..... 853	831, 859, 969, 971	4032017..... 931
2080086.....657	2220221 ..... 847	3290806 ..... 663	4032109.....125
2080087.....657	2220239 ..... 61	3291001 ..... 31, 331, 403,	4032111.....897
2080092.33, 35, 685, 705	2220240 ..... 61	429, 431, 441, 821,	4040283..... 161, 163
2110406.....857, 859	2220242 ..... 847	891, 893, 1059	4105262.....113
2110410.....857, 859	2220371 ..... 245	3291005 ... 145, 441, 517,	4109801..... 1140, 1144,
2110604.....931	2220550 ..... 891, 893	755	1148, 1152, 1156
2110606.... 135, 137, 141,	2220628 ..... 245	3291007 ..... 343	4110422.... 239, 241, 243,
155, 395, 847, 849, 863	2220881 ..... 927	3291201 ... 299, 397, 399	247, 249
2110610.....91, 899	2220883 ..... 909	3291205 ..... 99, 109, 111,	4110473..... 153
2110806.....91, 847, 863	2220886 ..... 927	903	4240127.... 333, 335, 337,
2110808.... 135, 137, 141,	2340030 ..... 177	3291605 ..... 97, 313, 315,	339
849, 851, 871, 875,	2340037 ..... 187	901	4360658.....813
891, 895	2340038 ..... 181	3300220 ..... 977	443630..... 115
2110810.... 413, 855, 857,	2340039 ..... 193	3300240 ... 127, 129, 131,	4460225..... 1098, 1099
859	2340045 ..... 179	135, 137, 141	4460247..... 1078, 1087
2111010.... 847, 889, 895,	2400600 ... 457, 469, 481	3300479 ..... 447, 449	4460256..... 1077
899	2401043 ... 457, 469, 481	3311405 ..... 267	4460265..... 1099
2111012.....931	2401258 ... 457, 469, 481	3321001 ..... 977	4460267..... 1098, 1099
2111612.....847	2401736 ..... 459	3332011 ... 447, 449, 649	4460268..... 1098, 1099,
2111616.....403, 849	24921332 ..... 341, 343	3391408 ..... 815	1100, 1102
2112016.....401, 403	2600281 ..... 267	3391410 ..... 269	4460343..... 1098, 1099
2130404.....827	2700118 ..... 257	3421453 ..... 267	4460434..... 1099, 1100,
2130406.....891	2717160 ..... 153	3423242 ..... 129, 137	1102
2130604.....91, 899	2717161 ..... 153	3423275 ..... 127, 135	4460458..... 1071, 1076,
2130606.... 153, 155, 395,	2717162 ..... 153	3423276 ..... 131, 141	1100, 1125
847	2717283 ..... 153, 921	3423307 ... 135, 137, 141	4460464..... 1067, 1071,
2130608..... 153, 395	2902440 ..... 229, 231	3520072 ..... 267	1077, 1078, 1085,
2130610.....427	2902441 ..... 227, 233	3760170 ..... 267	1086, 1091, 1095,
2130806.....863	2902443 ..... 1076, 1085	3760348 ..... 805	1098, 1100, 1109,
2130808.....827	2903197 ..... 501, 503	3760508 ..... 161, 163	1111, 1113, 1115, 1125
2130810.....353, 413	2920206 ..... 1011, 1013,	3820020 ..... 267	4460465..... 1067, 1068,
2130812.....891, 893	1019	3841203 ... 135, 137, 141	1071, 1072, 1076,
2131010.....413, 883	2920207 ..... 1027	3900224 ..... 27	1077, 1078, 1079,
2131012.....885, 895, 931	2920208 ..... 1027	3900349 ..... 973	1080, 1084, 1086,
2131212.... 401, 403, 883,	2940074 ..... 267	3900357 ... 327, 329, 969	1087, 1095, 1098,
885	2940119 ..... 93	3900379 ..... 33, 35	1099, 1100, 1102,
2131616.....401	2997103 ..... 457	3900381 ..... 969, 971	1105, 1113, 1115,
2132016.....847	3020040 ..... 99	3968141 ... 455, 467, 479	1117, 1123
2144601.....893	3043222 ..... 479	3983720 ..... 499	4460466..... 1067, 1068,
2144605.....861, 867	31200160 ..... 261	3983731 ... 457, 469, 481	1071, 1072, 1077,
2144606.... 363, 365, 367	31200386 ..... 265	3984301 ... 457, 469, 481	1078, 1079, 1084,
2150404.....849	31200387 ..... 263	3984425 ..... 459, 483	1085, 1086, 1087,
2150606.....91, 849	31200388 ..... 263	3986405 ..... 459	1095, 1098, 1099,
2150808.....851	314689 ..... 99	4000015 ..... 1061	1100, 1102, 1105,
2150810.....413	3290401 ... 689, 965, 989,	4010416 ..... 1059	1113, 1115, 1117,
2151012.....91	991, 1031	4010510 ..... 835	1121, 1125
2151210.... 517, 519, 521	3290405.673, 1059, 1061	4010510002 ..... 681	4460496954, 1003, 1005,
216001697, 99, 103, 109,	3290501 ... 954, 995, 997,	4010608 ..... 1061	1007
111, 513, 901, 903	1033	4010608002 ..... 681, 695,	4460497954, 1003, 1005,
2160018..... 101	3290505 ..... 93, 969, 971,	697, 753	1007
2170208.....395, 827	1027, 1029	4010610002 ..... 691, 693,	4460508..... 1078, 1079,
2170212.....401, 403	3290601 ... 117, 269, 387,	699, 817, 819	1080, 1085, 1089
2170308.....891, 893	389, 395, 689, 699,	4010612002 ..... 681, 689	4460509..... 1067, 1071,
2170406.....91	733, 805, 817, 954,	4010810002 ..... 699	1078, 1087
2170704.....893	993, 999, 1001, 1011,	4031504 ..... 1065	4460536.....1091
2170706.... 891, 893, 899	1013, 1015, 1027,	4031607 59, 61, 681, 837	4460539..... 1067, 1068,
2170716.....401	1029, 1061, 1063	4031608 ... 681, 687, 973	1071, 1076, 1078,
2170908.....895	3290605 33, 35, 419, 441,	4031612 ..... 1033	1084, 1085, 1095, 1099
2171008.....895	681, 689, 1061	4031708 ..... 1053, 1055	4460748..... 1076
2171110.....887	3290801 ... 387, 389, 401,	4031709 ..... 871	4460789..... 1109
2171208.....871	403, 665, 801, 1053,	4031910 ... 763, 765, 851	4460836..... 1067, 1098,
2171310.....887	1055	4031912 ..... 883, 885	1113, 1115



## PART NUMBER INDEX

4460871 .....	1117	4740532 .....	897	1029, 1045, 1053,	70020201 .....	251, 257			
4460884 .....	1072, 1079,	4740566 .....	893	1055, 1059, 1061, 1063	70020202 .....	257			
1095, 1099, 1100, 1102	4740572 .....	413	4812002....	341, 343, 353,	70020203 .....	257			
4460891 .....	1067, 1068,	4761000 .....	977	355, 357, 369, 371,	70020204 .....	257			
1071, 1077, 1078,	4807718 .....	663	373, 395, 401, 403,	70020205 .....	251, 257				
1079, 1084, 1086,	4811400 ...	689, 813, 965,	517, 873, 931, 979, 981	70020206 .....	251, 257				
1093, 1100, 1102	989, 991, 1059, 1061	4811600 .....	315, 341, 343, 357,	70020392 .....	207				
4460892 .....	1079	969, 971, 995, 997,	397, 399, 511, 903,	70020417 .....	251				
4460894 .....	1067, 1068,	1027, 1029, 1033	969, 971, 1027, 1029	70020421 .....	237				
1071, 1077, 1100, 1123	4460897 .....	1068, 1079,	4812102.....	115	70020422 .....	237			
4460897 .....	1068, 1079,	1087, 1098, 1119, 1123	4812102.....	115	70020438 .....	907			
4460899 .....	1068, 1095,	4460905 .....	1117	4812300....	51, 67, 69, 75,	70020506 ..	133, 139, 143		
1109, 1121	4460906 .....	1098	79, 83, 87, 91, 313,	70020507 ..	133, 139, 143	70020508 ..	133, 139, 143		
4460905 .....	1117	4460909 .....	1071	315, 901	70020555 .....	253, 255	70020562 .....	217	
4460906 .....	1098	4460911 .....	1067, 1071	4812500.....	51, 649	70020730 ..	133, 139, 143,		
4460911 .....	1067, 1071	4460913 .....	1115	4812700.....	51	149, 271	70020731 ..	133, 139, 143,	
4460930 .....	1099, 1113,	4460931 .....	1071	4831400...689, 965, 1031	4831600.....	61, 973	149	70020764 .....	935, 937
1115	4460932 .....	1093, 1111,	1125	4831700....	419, 699, 817,	973, 999, 1001	70020867 .....	929	
4460931 .....	1071	4460933 .....	1067, 1068,	4831900.....	99, 729, 733,	859	70021140 .....	479, 507	
4460932 .....	1093, 1111,	1072, 1077, 1079,	1086, 1098	4846452.....	267	4891800....	135, 137, 141	70021238 ..	133, 139, 143
1125	4460933 .....	1067, 1068,	4460941 .....	1071, 1105,	1109, 1119, 1121	5201215.....	873	70021239 ..	133, 139, 143
4460933 .....	1067, 1068,	1072, 1077, 1079,	1086, 1098	5220600...93, 1013, 1017	5220800.....	979, 981	70021240 ..	133, 139, 143	
4460941 .....	1071, 1105,	1086, 1098	4460942 .....	1067, 1068,	1071, 1079, 1095,	5240600.973, 1053, 1055	70021241 ..	121, 123, 133,	
1109, 1119, 1121	1098, 1100, 1102, 1105	4460943 .....	1100, 1105,	1113, 1115, 1123	4460944 .....	1068, 1077,	139, 143, 149	70021242 ..	133, 139, 143
4460942 .....	1067, 1068,	1078, 1084, 1085,	1086, 1095, 1099,	1113, 1115, 1117	4460945 .....	1068, 1079,	70021243 ..	133, 139, 143	
1071, 1079, 1095,	1098, 1100, 1102, 1105	1086, 1095, 1099,	1113, 1115, 1117	4460945 .....	1068, 1079,	1087	70021244 ..	133, 139, 143	
1098, 1100, 1102, 1105	4460946 .....	1078, 1087	4461006 .....	1078, 1087	4461008 .....	1077	70021245 ..	133, 139, 143	
4460943 .....	1100, 1105,	1113, 1115, 1123	4461008 .....	1077	4461015 .....	1068, 1105	70021246 ..	133, 139, 143	
1113, 1115, 1123	4461015 .....	1068, 1105	4461017 .....	1089	4461017 .....	1089	70021247 ..	133, 139, 143	
4460944 .....	1068, 1077,	1078, 1084, 1085,	4461018 .....	1078, 1087	4461018 .....	1078, 1087	70021248 ..	133, 139	
1078, 1084, 1085,	4461018 .....	1078, 1087	4461054 .....	1072, 1084	4461054 .....	1072, 1084	70021251 .....	723	
1086, 1095, 1099,	4461018 .....	1078, 1087	4461070 .....	1079	4461070 .....	1079	70021252 .....	723	
1113, 1115, 1117	4461018 .....	1078, 1087	4461071 .....	1076, 1085	4461071 .....	1076, 1085	70021314 .....	715, 717	
4460945 .....	1068, 1079,	1087	4461072 .....	1076, 1085	4461072 .....	1076, 1085	70021316 .....	715, 717	
4460950 .....	1077, 1086	4460950 .....	1077, 1086	4461073 .....	1076, 1085	4461073 .....	1076, 1085	70021317 .....	711
4460970 .....	1067, 1068,	1071, 1077, 1085	4460994 .....	1098, 1099,	1100, 1102	4461006 .....	1078, 1087	70021318 .....	711
4460970 .....	1067, 1068,	1071, 1077, 1085	4461006 .....	1078, 1087	4461008 .....	1077	70021319 .....	711, 719	
4460994 .....	1098, 1099,	1100, 1102	4461008 .....	1077	4461015 .....	1068, 1105	70021321 .....	719	
1100, 1102	4461006 .....	1078, 1087	4461015 .....	1068, 1105	4461017 .....	1089	70021322 .....	711	
4461006 .....	1078, 1087	4461015 .....	1068, 1105	4461017 .....	1089	4461018 .....	1078, 1087	70021323 .....	719
4461008 .....	1077	4461017 .....	1089	4461018 .....	1078, 1087	4461018 .....	1078, 1087	70021324 .....	719
4461015 .....	1068, 1105	4461018 .....	1078, 1087	4461054 .....	1072, 1084	4461054 .....	1072, 1084	70021325 .....	719
4461017 .....	1089	4461054 .....	1072, 1084	4461070 .....	1079	4461070 .....	1079	70021326 .....	719
4461018 .....	1078, 1087	4461070 .....	1079	4461071 .....	1076, 1085	4461071 .....	1076, 1085	70021327 .....	719
4461054 .....	1072, 1084	4461071 .....	1076, 1085	4461072 .....	1076, 1085	4461072 .....	1076, 1085	70021328 .....	719
4461070 .....	1079	4461072 .....	1076, 1085	4461073 .....	1076, 1085	4461073 .....	1076, 1085	70021330 .....	719
4461071 .....	1076, 1085	4461073 .....	1076, 1085	4461074 .....	1076, 1085	4461074 .....	1076, 1085	70021340 .....	1027, 1029
4461072 .....	1076, 1085	4461074 .....	1076, 1085	4461095 .....	1078	4461095 .....	1078	70021341 .....	1027, 1029
4461073 .....	1076, 1085	4461095 .....	1078	4461115 .....	1100, 1125	4461115 .....	1100, 1125	70021342 ..	217, 241, 249
4461074 .....	1076, 1085	4461115 .....	1100, 1125	4461118 .....	1076, 1084,	1109	4461170 .....	1033	
4461095 .....	1078	4461118 .....	1076, 1084,	1109	4461170 .....	1033	4461174 .....	1025	
4461115 .....	1100, 1125	4461170 .....	1033	4461174 .....	1025	4461262 .....	1071, 1072,		
4461118 .....	1076, 1084,	4461262 .....	1071, 1072,	1099, 1100	4641237 .....	849	1099, 1100	70021362 .....	217
1109	4641237 .....	849	4641501 .....	155, 939	4641502 .....	153, 155	4711400 .....	267	
4461170 .....	1033	4641501 .....	155, 939	4641502 .....	153, 155	4711400 .....	267	70021364 .....	217
4461174 .....	1025	4711400 .....	267	471678 .....	419	4740532 .....	897	70021365 .....	217
4461262 .....	1071, 1072,	4740532 .....	897	4740566 .....	893	4740572 .....	413	70021366 .....	217
1099, 1100	4740566 .....	893	4740572 .....	413	4761000 .....	977	4807718 .....	663	
4641237 .....	849	4761000 .....	977	4807718 .....	663	4811400 ...	689, 813, 965,	70021367 .....	217
4641501 .....	155, 939	4807718 .....	663	4811400 ...	689, 813, 965,	989, 991, 1059, 1061	4811600 .....	93, 423, 681,	
4641502 .....	153, 155	4811400 ...	689, 813, 965,	989, 991, 1059, 1061	4811600 .....	93, 423, 681,	969, 971, 995, 997,	70021387 ..	217, 241, 245
4711400 .....	267	4811600 .....	93, 423, 681,	969, 971, 995, 997,	1027, 1029, 1033	4811602 .....	681	70021391 .....	217
471678 .....	419	4811602 .....	681	4811602 .....	681	4811700 ...	25, 27, 33, 35,	70021392 .....	217
		4811700 ...	25, 27, 33, 35,	91, 93, 117, 269, 327,	341, 369, 371, 373,	379, 381, 387, 389,	397, 399, 409, 413,		
		91, 93, 117, 269, 327,	341, 369, 371, 373,	379, 381, 387, 389,	397, 399, 409, 413,	415, 419, 441, 665,	681, 689, 691, 693,		
		379, 381, 387, 389,	397, 399, 409, 413,	415, 419, 441, 665,	681, 689, 691, 693,	695, 697, 699, 733,	753, 773, 775, 779,		
		415, 419, 441, 665,	681, 689, 691, 693,	695, 697, 699, 733,	753, 773, 775, 779,	787, 805, 811, 817,	819, 891, 954, 993,		
		681, 689, 691, 693,	695, 697, 699, 733,	753, 773, 775, 779,	787, 805, 811, 817,	819, 891, 954, 993,	999, 1001, 1011, 1013,		
		695, 697, 699, 733,	753, 773, 775, 779,	787, 805, 811, 817,	819, 891, 954, 993,	999, 1001, 1011, 1013,	1015, 1017, 1027,		
		753, 773, 775, 779,	787, 805, 811, 817,	819, 891, 954, 993,	999, 1001, 1011, 1013,	1015, 1017, 1027,	1029, 1043, 1065		
		787, 805, 811, 817,	819, 891, 954, 993,	999, 1001, 1011, 1013,	1015, 1017, 1027,	1029, 1043, 1065	4811702 ...	387, 389, 395,	
		819, 891, 954, 993,	999, 1001, 1011, 1013,	1015, 1017, 1027,	1029, 1043, 1065	4811702 ...	387, 389, 395,		
		999, 1001, 1011, 1013,	1015, 1017, 1027,	1029, 1043, 1065	4811702 ...	387, 389, 395,	665, 667, 681, 699,		
		1015, 1017, 1027,	1029, 1043, 1065	4811702 ...	387, 389, 395,	665, 667, 681, 699,	703, 751, 805, 827,		
		1029, 1043, 1065	4811702 ...	387, 389, 395,	665, 667, 681, 699,	703, 751, 805, 827,	1063		
		4811702 ...	387, 389, 395,	665, 667, 681, 699,	703, 751, 805, 827,	1063	4811900 ...	31, 33, 35, 37,	
		665, 667, 681, 699,	703, 751, 805, 827,	1063	4811900 ...	31, 33, 35, 37,	39, 41, 43, 45, 47, 49,		
		703, 751, 805, 827,	1063	4811900 ...	31, 33, 35, 37,	39, 41, 43, 45, 47, 49,	55, 57, 61, 91, 97, 109,		
		1063	4811900 ...	31, 33, 35, 37,	39, 41, 43, 45, 47, 49,	55, 57, 61, 91, 97, 109,	111, 327, 329, 341,		
		4811900 ...	31, 33, 35, 37,	39, 41, 43, 45, 47, 49,	55, 57, 61, 91, 97, 109,	111, 327, 329, 341,	343, 355, 357, 363,		
		39, 41, 43, 45, 47, 49,	55, 57, 61, 91, 97, 109,	111, 327, 329, 341,	343, 355, 357, 363,	365, 367, 387, 389,	397, 399, 401, 403,		
		55, 57, 61, 91, 97, 109,	111, 327, 329, 341,	343, 355, 357, 363,	365, 367, 387, 389,	397, 399, 401, 403,	413, 415, 417, 419,		
		111, 327, 329, 341,	343, 355, 357, 363,	365, 367, 387, 389,	397, 399, 401, 403,	413, 415, 417, 419,	427, 433, 435, 517,		
		343, 355, 357, 363,	365, 367, 387, 389,	397, 399, 401, 403,	413, 415, 417, 419,	427, 433, 435, 517,	519, 521, 625, 665,		
		365, 367, 387, 389,	397, 399, 401, 403,	413, 415, 417, 419,	427, 433, 435, 517,	519, 521, 625, 665,	671, 701, 709, 713,		
		397, 399, 401, 403,	413, 415, 417, 419,	427, 433, 435, 517,	519, 521, 625, 665,	671, 701, 709, 713,	721, 733, 761, 763,		
		413, 415, 417, 419,	427, 433, 435, 517,	519, 521, 625, 665,	671, 701, 709, 713,	721			

# PART NUMBER INDEX

70021393.....217	70024020..... 917	70024540..... 147	70024749..... 159
70021399.....217	70024059.. 241, 245, 249	70024541..... 147	70024750..... 159
70021415.....241, 249	70024060..... 245, 249	70024542..... 147	70024752..... 159
70021531.....935, 937	70024061..... 245	70024543..... 147	70024753..... 159
70021558..... 145	70024062..... 245	70024544..... 147	70024754..... 159
70021559..... 145	70024063..... 245	70024545..... 147	70024755..... 159
70021560..... 145	70024064..... 245	70024546..... 147	70024756..... 159
70021561..... 145	70024123..... 147	70024547..... 919	70024757..... 159
70021562..... 145	70024164..... 923	70024548..... 919	70024758..... 159
70021563..... 145	70024165..... 923	70024549..... 919	70024765..... 159
70021613.....483	70024166..... 923	70024550..... 147	70024766..... 159
70021835..... 149	70024167..... 923	70024551..... 147	70024767..... 159
70021836..... 149	70024168..... 923, 1164	70024552..... 147	70024768..... 159
70021838..... 149	70024186..... 947	70024553..... 147	70024770..... 159
70021839..... 149	70024189..... 947	70024554..... 147	70024771..... 159
70021840..... 149	70024210..... 471	70024555..... 147	70024772..... 159
70021841..... 149	70024213..... 471	70024634..... 535, 537	70024773..... 159
70021842..... 149	70024223..... 915	70024635..... 561, 563	70024774..... 159
70021843..... 149	70024262..... 917	70024638..... 535	70024775..... 159
70021921...241, 245, 249	70024306..... 293	70024639..... 535, 537	70024776..... 159
70021935...241, 245, 249	70024307..... 293	70024641.. 559, 565, 573	70024777..... 159
70021977...241, 245, 249	70024399..... 943	70024642..... 535, 537	70024778..... 159
70021978...241, 245, 249	70024400..... 943	70024644..... 535, 537	70024779..... 159
70021979...241, 245, 249	70024401..... 943	70024645..... 535, 537	70024780..... 159
70021980.....217	70024436..... 271	70024646.. 559, 565, 573	70024781..... 159
70021981.....217	70024437..... 271	70024676..... 158	70024782..... 159
70021982.....217	70024438..... 271	70024677..... 158	70024783..... 159
70022010.....925	70024439..... 271	70024678..... 158	70024784..... 159
70022028...241, 245, 249	70024440..... 271	70024679..... 158	70024785..... 159
70022034..... 723	70024441..... 271	70024680..... 158	70024786..... 159
70022527...217, 241, 249	70024442..... 271	70024681..... 158	70024787..... 158
70022528...241, 245, 249	70024443..... 271	70024682..... 158	70024788..... 158
70022529...241, 245, 249	70024444..... 271	70024683..... 158	70024918.. 317, 319, 321, 323, 325
70022563..... 909	70024445..... 271	70024684..... 158	70024920... 317, 319, 321
70022564..... 909	70024446..... 271	70024685..... 158	70024961..... 317, 1164
70022697... 133, 139, 143	70024447..... 271	70024686..... 158	70025012..... 469
70022818..... 81, 85	70024448..... 271	70024687..... 158	70025014..... 469
70022819..... 81, 85	70024449..... 271	70024688..... 158	70025153. 319, 321, 1164
70022821..... 71, 77	70024450..... 271	70024690..... 158	70025205.. 317, 319, 321, 323, 325
70022822..... 71	70024451..... 271	70024691..... 158	70025360..... 557
70022823..... 71, 77	70024452..... 271	70024692..... 158	70025361..... 557
70022824..... 71	70024453..... 271	70024696..... 158	70025362..... 557
70022825..... 71	70024454..... 271	70024697..... 158	70025363..... 557
70022826..... 77	70024455..... 271	70024698..... 158	70025364..... 557
70022831..... 295, 297	70024456..... 271	70024699..... 158	70025365..... 557
70022906..... 149	70024480. 317, 319, 321, 323, 325	70024701..... 158	70025366..... 557
70022907..... 149	70024485. 317, 319, 321, 323, 325	70024702..... 158	70025367..... 557
70022922..... 149	70024494. 317, 319, 321, 323, 325	70024703..... 158	70025368..... 557
70022923..... 149	70024495. 317, 319, 321, 323, 325	70024706..... 158	70025369..... 557
70022924..... 149	70024504. 317, 319, 321, 323, 325	70024707..... 158	70025370..... 557
70022925..... 149	70024505..... 319, 321	70024708..... 158	70025371..... 557
70022927..... 149, 271	70024509. 317, 319, 321, 323, 325	70024709..... 158	70025372..... 557
70022928..... 149	70024519.. 453, 465, 477	70024711..... 158	70025373..... 557
70022929..... 149	70024520..... 455, 467	70024712..... 158	70025374..... 557
70022930..... 149	70024521..... 467	70024713..... 158	70025375..... 557
70022997..... 147	70024522.. 455, 467, 479	70024714..... 158	70025376..... 557
70023276..... 149	70024535..... 147	70024715..... 158	70025377..... 557
70023277..... 149	70024536..... 147	70024716..... 158	70025378..... 557
70023278..... 149	70024537..... 147	70024720..... 158	70025379..... 557
70023372..... 909	70024538..... 147, 158	70024721..... 158	70025380..... 557
70023380..... 909	70024539..... 147, 919	70024724..... 158	70025382.. 531, 533, 557
70023484..... 219		70024731..... 158	70025383..... 531, 533
70023900...457, 469, 481		70024733..... 159	70025387..... 553
70023915..... 915		70024734..... 159	70025388..... 553
70023916..... 913		70024744..... 158	70025389..... 553
70023928..... 939		70024745..... 159	
70023929..... 939		70024748..... 159	

## PART NUMBER INDEX

70025390 .....	553	70025465 .....	557	70025569 .....	507	70026623 .....	471
70025391 .....	553	70025466 .....	569, 571	70025570 .....	507	70026630 .....	509
70025392 .....	531, 533	70025467 .....	557, 573	70025606 .....	917	70026631 ..	455, 467, 479
70025393 .....	531, 533	70025468 .....	557	70025644 .....	391, 393	70026698 .....	241, 249
70025394 .....	557	70025469 .....	539, 567	70025810 .....	481	70026717 .....	437
70025397 .....	531, 533	70025470 .....	539	70025816 .....	803	70026718 .....	437
70025398 .....	531, 533	70025471 .....	573	70025817 .....	803	70026719 .....	437, 439
70025400 .....	541	70025472 .....	557	70025819 ..	457, 469, 481	70026720 .....	437, 439
70025401 .....	541, 545	70025476 .....	555	70025821 ..	501, 503, 505	70026721 .....	437, 439
70025402 .....	543	70025478 ..	323, 325, 1164	70025822 ..	501, 503, 505	70026722 .....	437, 439
70025403 .....	543	70025483 .....	723	70025823 ..	459, 471, 483	70026723 .....	437, 439
70025404 .....	543	70025485 .....	723	70025842 ..	461, 473, 485	70026724 .....	437, 439
70025406 .....	543	70025486 .....	723	70025850 .....	377	70026725 .....	439
70025407 .....	543, 549	70025489 .....	723	70025851 .....	377	70026726 .....	439
70025408 .....	543, 557	70025490 .....	723	70025852 .....	375	70026745 .....	253
70025409 .....	543	70025491 .....	723	70025853 .....	375	70026746 .....	253
70025410 .....	543	70025493 ..	535, 537, 543	70025859 .....	807	70026749 ..	453, 465, 477
70025411 .....	543	70025494 ..	555, 559, 561, 563, 565	70025860 .....	807	70026770 .....	921
70025412 .....	543	70025495 ..	561, 563, 573	70025884 .....	509	70026771 .....	921
70025413 .....	543	70025496 ..	535, 537, 545, 549	70025959 .....	917	70026772 .....	921
70025414 .....	543	70025497 ..	555, 557, 559, 561, 563, 565	70026011 ..	317, 319, 321, 323, 325	70026773 .....	921
70025415 .....	543	70025498 ..	535, 537, 541, 543, 545	70026031 ..	455, 467, 479	70026774 .....	921
70025416 .....	543	70025499 ..	555, 559, 565	70026056 .....	917	70026775 .....	921
70025417 .....	543	70025500 ..	555, 559, 565	70026057 .....	917	70026777 .....	925
70025418 .....	543	70025501 ..	555, 559, 565	70026058 .....	917	70026808 ..	461, 473, 485
70025419 .....	543	70025502 ..	555, 559, 565	70026059 .....	917	70026817 .....	469
70025420 .....	543	70025503 .....	535, 537	70026060 .....	917	70026818 ..	457, 469, 481
70025421 .....	555	70025504 ..	535, 537, 543, 545, 557	70026061 .....	917	70026819 ..	461, 473, 485
70025422 .....	545	70025505 .....	535, 557	70026068 .....	459, 503	70026820 ..	461, 473, 485
70025423 .....	545	70025506 ..	559, 561, 563, 565	70026069 .....	459, 501	70026821 .....	491
70025424 ..	541, 543, 545	70025507 .....	535	70026210 ..	317, 319, 321, 323, 325	70026822 .....	481
70025425 .....	545	70025508 .....	541, 557	70026262 .....	471	70026823 .....	483, 505
70025426 .....	545	70025509 .....	555, 557	70026292 .....	959	70026824 .....	457, 469
70025427 .....	549	70025510 .....	531, 533	70026293 .....	961	70026826 ..	461, 473, 485
70025428 .....	549	70025511 .....	529	70026294 .....	975	70026827 ..	457, 469, 481, 491
70025429 ..	541, 543, 545	70025512 .....	529	70026295 .....	975	70026843 .....	907
70025430 .....	555, 575	70025513 .....	557	70026296 .....	975	70026845 .....	907
70025431 .....	545	70025514 .....	529, 533	70026297 .....	975	70026846 .....	907
70025432 ..	541, 543, 545	70025515 .....	555	70026299 .....	975	70026847 .....	907
70025433 ..	541, 543, 545	70025516 .....	555	70026308 .....	909	70026848 .....	907, 1164
70025435 .....	543, 545	70025517 .....	555	70026313 .....	927	70026950 .....	457
70025436 .....	543, 545	70025518 .....	555	70026333 .....	927	70026965 .....	941
70025437 ..	541, 543, 545	70025520 .....	539, 557	70026361 .....	829	70026966 .....	941
70025438 ..	541, 543, 545	70025522 .....	547	70026362 .....	829	70026967 .....	941
70025439 ..	541, 543, 545	70025523 .....	557	70026363 .....	829	70026968 .....	941
70025440 ..	541, 543, 545	70025524 ..	529, 531, 533, 575	70026364 .....	829	70026969 .....	941
70025441 .....	545	70025525 ..	529, 531, 533, 575	70026365 .....	829	70026970 .....	941
70025442 .....	543, 545	70025526 .....	529, 551	70026366 .....	829	70026971 .....	941
70025443 .....	555	70025527 .....	529	70026367 .....	829	70026972 .....	941
70025444 .....	555	70025528 .....	529	70026370 .....	925	70026973 .....	941
70025445 .....	541	70025529 .....	529, 575	70026371 .....	925	70026974 .....	941
70025446 .....	541	70025530 .....	529, 575	70026372 .....	925	70026975 .....	941
70025447 .....	541, 543	70025533 .....	323, 325	70026373 .....	925	70026976 .....	941
70025448 .....	541, 543	70025535 ..	317, 319, 321, 323, 325, 1164	70026374 .....	925	70026997 .....	411
70025449 .....	541	70025539 .....	715, 717	70026375 .....	925	70027000 .....	927
70025450 .....	543	70025549 ..	457, 469, 481	70026376 .....	925	70027001 .....	927
70025451 .....	539	70025562 ..	457, 469, 481	70026377 .....	925	70027002 .....	927
70025452 .....	547	70025567 ..	457, 469, 481	70026382 .....	925	70027003 .....	927
70025453 .....	529, 1164	70025568 .....	459	70026393 .....	375	70027004 .....	945
70025455 .....	569, 571			70026394 .....	375	70027008 .....	359
70025456 .....	569, 571			70026395 .....	377	70027009 .....	241
70025457 .....	569, 571			70026396 .....	377	70027037 .....	361
70025459 .....	547			70026418 .....	915	70027096 .....	925
70025460 .....	557			70026537 .....	807	70027128 .....	925
70025461 .....	557			70026543 .....	909	70027129 .....	925
70025462 .....	557			70026582 .....	929	70027130 .....	925
70025463 .....	547						
70025464 .....	547						

# PART NUMBER INDEX

70027131.....	925	70027368.....	537	70027712.....	535, 561	7013903.....	925
70027132.....	925	70027369.....	537	70027713.....	535, 559	7016331....	317, 319, 321, 323, 325, 1164
70027133.....	925	70027370.....	537	70027714.....	529, 557	7020442....	317, 319, 321, 323, 325
70027134.....	925	70027371.....	537	70027715.....	523, 525, 527, 545	7020465....	317, 319, 321, 323, 325
70027135.....	925	70027373.....	537, 563	70027716.....	523, 525, 527, 549	7021653.....	927
70027136.....	925	70027374.....	559, 565	70027717.....	523, 525, 527, 541	7022391.....	945
70027137.....	925	70027375.....	537, 565	70027718.....	523, 525, 527, 543	7022730.....	559, 565
70027138.....	925	70027376.....	535, 537, 557	70027719.....	523, 525, 527, 547	7024947.....	947
70027139.....	925	70027382.....	531	70027720.....	523, 525, 527, 539	7028038.....	459
70027140.....	925	70027383.....	533	70027721.....	523, 525, 531	7028039.....	459
70027141.....	925	70027387.....	539, 559, 561, 563, 565	70027722.....	523, 535	7028043.....	479
70027174.....	73	70027388.....	557	70027723.....	523, 525, 527, 529	7028053.....	505
70027175.....	73	70027389.....	569, 571	70027724.....	527, 533	7028083.....	509
70027176.....	89	70027392.....	711, 715	70027725.....	525, 527, 537	7028115....	457, 469, 481
70027177.....	89	70027393.....	715	70027730.....	911	7028125.....	219
70027178.....	89	70027394.....	715, 717	70027731.....	911, 1164	7028126.....	219
70027179.....	171, 173	70027395.....	711	70027732.....	911	7028127.....	219
70027199.....	393	70027396.....	717	70027733.....	911	7028128.....	219
70027200.....	393	70027397.....	717	70027734.....	911	7028129.....	219
70027201.....	393	70027403.....	317, 319, 321, 1164	70027743.....	909	7028130.....	219
70027202.....	391, 393	70027404.....	317, 319, 321	70027744.....	909	7028131....	213, 215, 219
70027203.....	391, 393	70027405.....	317, 319, 321	70027745.....	909	7028132.....	219
70027204.....	391, 393	70027417.....	317, 321, 323, 325, 1164	70027746.....	909	7028133.....	219
70027205.....	391	70027595.....	947	70027747.....	909, 1164	7028134.....	219
70027206.....	391	70027596.....	937	70027748.....	909	7028135.....	219
70027207.....	391	70027604.....	133, 139	70027749.....	909	7028136.....	145
70027208.....	391	70027605.....	133, 139	70027750.....	909, 1164	7028137.....	145
70027225.....	909	70027606.....	121, 123, 133, 139, 143	70027751.....	277	7028710....	455, 467, 487
70027234.....	911	70027607.....	121, 123, 133, 139, 143	70027752.....	277	7028733....	457, 469, 481, 497
70027235.....	911	70027608.....	143	70027753.....	277	7028734.....	471
70027267.....	933	70027631.....	167	70027754.....	277	7028735.....	471
70027268.....	933	70027657.....	317, 319, 321, 323, 325, 1164	70027755.....	277	7028910....	213, 215, 219
70027269.....	933	70027658.....	123, 143	70027756.....	277	7028911.....	213, 215
70027270.....	933	70027659.....	121	70027757.....	277	7028912.....	213, 215
70027271.....	933	70027660.....	567	70027758.....	277	7028913.....	213, 215
70027287.....	1027, 1029	70027661.....	551	70027759.....	277	7028914.....	213, 215
70027328.....	541, 545, 573	70027663.....	529, 531, 533, 575	70027760.....	277	7028915.....	213, 215
70027331.....	529	70027664.....	557	70027761.....	277	7028916.....	213, 215
70027332.....	551	70027665.....	557	70027762.....	277	7028917.....	213, 215
70027337.....	573, 575	70027666.....	531, 533	70027763.....	277	7028918.....	213, 215
70027338.....	573, 575	70027667.....	531, 533	70027764.....	277	7028919.....	213, 215
70027339.....	543, 573, 575	70027668.....	557	70027765.....	277	7028920.....	213, 215
70027340.....	557	70027669.....	573	70027766.....	277	7028923.....	213, 215
70027341.....	529	70027670.....	531	70027767.....	277	7028982.....	213, 215
70027342.....	535	70027671.....	539	70027768.....	277	7028983.....	213, 215
70027343.....	535	70027672.....	537	70027769.....	277	7028984....	213, 215, 219
70027344.....	543, 545	70027673.....	537	70027770.....	277	7028985.....	213, 215
70027345.....	531, 533	70027674.....	537	70027771.....	277	7028986.....	219
70027346.....	557	70027675.....	537	70027772.....	277	7028987.....	219
70027347.....	547	70027676.....	531, 533	70027773.....	277	7028988.....	219
70027348.....	541	70027677.....	569, 571	70027774.....	277	7028989.....	219
70027349.....	545	70027678.....	567	70027775.....	277	7028990.....	213, 215
70027350.....	555	70027679.....	567	70027776.....	277	7028991.....	213, 215
70027352.....	569, 571	70027680.....	539	70027777.....	277	7029124.....	219
70027353.....	569, 571	70027681.....	541, 543, 545	70027778.....	277	7029129.....	487
70027354.....	573	70027682.....	531	70027779.....	277	7029131.....	487, 507
70027356.....	535	70027707.....	529, 553	70027780.....	915	7029344.....	231, 233
70027357.....	559	70027708.....	535	70027810.....	915	7029345.....	231
70027358.....	543	70027709.....	535	70027811.....	915	7029346.....	231
70027359.....	543	70027711.....	529, 535, 555	70027812.....	915	7029347.....	231
70027361.....	569			70027813.....	915	7029348.....	231
70027362.....	539, 569			70027823.....	915	7029349.....	231
70027363.....	539, 571			70027824.....	915	7029350.....	231
70027364.....	543			70027825.....	915, 1164		
70027365.....	543			70050475.....	925		
70027366.....	575			70050481.....	925		
70027367.....	561			70050503.....	925		
				70050801.....	909		
				70051155.....	925		
				7012903.....	945		
				7012998.....	927, 945		

## PART NUMBER INDEX

7029351 .....	231	8007780 ....	457, 469, 481	8380008.....	243, 245	91403413.	135, 137, 141,
7029352 .....	231	8007782 ....	457, 469, 481	8405006....	333, 335, 337,	147, 153, 245	
7029353 .....	231, 233	8007785 .....	459	339, 877, 887, 889		91403414.	135, 137, 141,
7029354 .....	231, 233	8007786 .....	459	8405007.....	433, 435	147, 153, 245	
7029355 .....	231, 233	8007788 .....	459	8405009.....	417, 805	91474507.	453, 457, 465,
7029356 ....	219, 231, 233	8007802 .....	459	8405104.....	397, 399	469, 477, 481	
7029357 .....	233	8008168 .....	459	8405201....	397, 399, 681,	91474512..	453, 465, 477
7029427 ....	455, 467, 479	8008169 .....	459	683		91474513.	453, 457, 465,
7029428 .....	457, 481	8008175 ....	461, 473, 485	8405202.....	397, 399	469, 477, 481	
7029429 .....	481	8008657 .....	1144, 1148,	8405301.....	873	91474515 .....	509
7029430 ....	457, 469, 481	1152, 1156		8405402....	379, 381, 383,	91474516 .....	509
7029432 ...	457, 469, 481,	80204005 .	453, 465, 477,	385		91474522..	461, 473, 485
499		489		8405502.....	883, 885	91474529..	455, 467, 479
7029433 .....	459	80204060 .....	471	8406105.....	355, 357	91474533..	455, 467, 479
7029486 ..	691, 693, 1129	80204065 ..	457, 469, 497	8406302....	397, 399, 433,	91474535 .....	455, 467
7029520 .....	255	80204071 ..	457, 469, 481	435, 969, 971		91474536 .....	455, 467
7029521 .....	255	80204108 .....	471	8410009....	429, 431, 879,	91474537 .....	455, 467
7029692 ....	217, 241, 249	80204117 .	459, 469, 471,	881		91474538 .....	455, 467
7029714 .....	217	481, 483, 509		8410011....	379, 381, 383,	91474539..	455, 467, 479
7029749 .....	219	80204281 ..	459, 471, 483	385		91474540 .....	455, 467
7029767 .....	723	80233218 .....	879	8410013....	333, 335, 337,	91474541 .....	455, 467
7029786 .....	459, 483	80264002 .....	715, 717	339, 355, 357, 429		91474542.....	467
7029788 .....	471	80264004 .....	715, 717	8420053....	135, 137, 141,	91474543 .....	455, 467
7029969 .....	1027, 1029	80333151 .....	877	147, 153, 245		91474547 ..	455, 467, 479
7029970 .....	1027, 1029	8034697 .....	925	8420055....	135, 137, 141,	91474549 .....	487
7029971 .....	1027, 1029	8035835 .....	925	147, 153, 245		91474550 .....	487, 507
7139918 .....	153	80363179 .....	1077, 1086	8420231.....	397, 399	91474551 .....	487, 507
7300435 .....	313, 315	80363195 .....	783	8430032.....	899	91474553 .....	487, 507
7301295 .....	151	8036533 .....	925	8430033.....	899	91474559 .....	471
7301408 .....	151	8036580 .....	945	8466306.....	797, 1148	91474560 .....	471
7301568 .....	151, 153	8036733 .....	921	8630003.....	153	91474561 .....	471
7301893 .....	979, 981	80604016 ....	1077, 1078,	8760550.....	91	91474564 .....	471
77133140 ..	857, 859, 871	1079, 1086		8769124.....	857, 859	91474565 .....	471
77133168 .....	871	80604017 .....	1123	8770143.....	91	91474568 ..	459, 471, 483
77133177 .....	857, 859	80604018 ....	1077, 1084,	8770167.....	869	91474570 .....	471
77363244 .....	1076	1086, 1093		8770175.....	893	91474571 .....	471
8000759 .....	663	80604020 .....	1111	88662434.....	861	91474572.....	471
8000803 .....	665	80604021 .....	1079	88671001... 135, 137, 141		91474573.....	471
8000877 ....	457, 469, 481	806253 .....	625	8881800.....	969	91474579 .....	457, 499
8001332 .....	677	806264 .....	625	90200003.. 127, 129, 131,		91474580 .....	499
8002798 .....	459	80963067 .....	1076	135, 137, 141, 153		91474583 ..	457, 469, 481
8004398 .....	663	80983191 ..	959, 961, 963	90201309.....	925	91474584 ..	457, 469, 481
8004468 ...	457, 469, 481,	8220043 .....	1089	90451058.....	153	91474585 .....	491
493, 495		8220051 .....	1098	90554016.. 217, 241, 245,		91474586 .....	491
8005079 .....	511	8220097 .....	1076	249, 253		91474587 .....	491
8005616 .....	1140, 1144,	8220098 .....	1076	90554017.....	217	91474591 .....	455, 467
1148, 1152, 1156		8220108 .....	1076	90554018.....	217, 245	91474593 .....	507
8005671 .....	1144, 1148,	8220114 .....	1068, 1095	90554019.....	277	91474595 .....	507
1152, 1156		8220115 .....	1076	90554020.. 241, 245, 249,		91504107 .....	1077, 1123
8005675 .....	1144, 1148,	8229242 .	959, 961, 1076,	277		91514082 ..	457, 469, 481
1152, 1156		1087		90554042.. 241, 245, 249,		91514083 .....	469
8005825 .....	601	8229244 ..	963, 975, 1076	277		91514084 .....	469
8005827 ....	589, 607, 619	8229245 ..	959, 975, 1076	90554054.. 241, 245, 249,		91514098 ..	453, 465, 477
8005870 .....	1140, 1144,	8229247 ..	961, 975, 1076	277		91514099 .	457, 469, 481,
1148, 1152, 1156		8270147 .....	979, 981	90554062.....	217, 249	509	
8005901 .....	693	8270148 .....	979, 981	90554065.....	217	91514117 ..	457, 469, 497
8006605 ....	457, 469, 481	8275212 .....	341, 343	90554067.....	277	91514119 ..	457, 469, 481
8006612 .....	1140, 1144,	8303634 .....	153	90554070.....	277	91514120 ..	457, 469, 481
1148, 1152, 1156		8303658 .....	153	90554076.....	217, 249	91514123 ..	455, 467, 479
8007749 .....	455, 467	8305438 .....	113	90554080.....	255	91514134 ..	455, 467, 479
8007751 .....	487	8305624 .....	153	909304.....	93	91514146 .....	489
8007755 .....	487	8305643 .....	153	91013191.....	1071	91514147 .....	489
8007771 ....	457, 469, 481	8305919 ...	25, 27, 33, 35,	91013192.....	1068	91514148 .....	489
8007774 ....	457, 469, 493	681, 699		91043147... 517, 519, 521		91514149 .	457, 469, 481,
8007775 .....	481	8310302 .....	153	91044238.....	925	489	
8007777 ....	457, 469, 495	8310435 .....	153	91163268.....	341	91514154 ..	459, 471, 483
8007779 ....	457, 469, 481	8344010 .....	93			91514159 .....	471

## PART NUMBER INDEX

91514165..471, 501, 503,  
505

91514188..453, 457, 465,  
469, 477, 481

91514189.. 457, 469, 481

91554014 ..... 1098

91554019..... 1078, 1084,  
1085

91554022 ..... 1078, 1085

91574001 ..... 923

AU2105 ..... 1140, 1144,  
1148, 1152, 1156

E000269 ..... 1059





31211269



An Oshkosh Corporation Company

Corporate Office  
 JLG Industries, Inc.  
 1 JLG Drive  
 McConnellsburg, PA 17233-9533  
 USA

☎ +1-717-485-5161 (Corporate)  
 ☎ +1-877-554-5438 (Customer Support Toll Free)  
 ☎ +1-717-485-6417

## JLG Worldwide Locations

JLG Industries  
 358 Park Road  
 Regents Park  
 NSW 2143  
 Sydney 2143  
 Australia  
 ☎ +6 (1) 2 87186300  
 ☎ +6 (1) 2 65813058  
 Email: techservicesaus@jlg.com

JLG Ground Support Oude  
 Bunders 1034  
 Brebwaterstraat 12A  
 3630 Maasmechelen  
 Belgium  
 ☎ +32 (0)89 84 82 26  
 Email: emeaservices@jlg.com

JLG Latino Americana LTDA  
 Rua Antonia Martins Luiz, 580  
 Distrito Industrial Joao Navezzi  
 Indaiatuba-SP 13347-404  
 Brazil  
 ☎ +55 (19) 3936 7664 (Parts)  
 ☎ +55 (19) 3936 9049 (Service)  
 Email: comercialpeccas@jlg.com  
 Email: servicos@jlg.com

Oshkosh-JLG (Tianjin)  
 Equipment Technology LTD  
 Shanghai Branch  
 No 403 Xiao Nan Road  
 Feng Xian District  
 Shanghai 201204  
 China  
 ☎ +86 (21) 800 819 0050

JLG Industries Dubai  
 Jofza View  
 PO Box 262728, L8 19  
 20th Floor, Office 05  
 Jebel Ali, Dubai  
 ☎ +971 (0) 4 884 1131  
 ☎ +971 (0) 4 884 7683  
 Email: emeaservices@jlg.com

JLG France SAS  
 Z.I. Guillaume Mon Amy  
 30204 Fauillet  
 47400 Tonniens  
 France  
 ☎ +33 (0) 553 84 85 86  
 ☎ +33 (0) 553 84 85 74  
 Email: pieces@jlg.com

JLG Deutschland GmbH  
 M. Planck Str. 21  
 27721 Ritterhude-Impehl  
 Germany  
 ☎ +49 (0) 421 69350-0  
 ☎ +49 (0) 421 69350-45  
 Email: german-parts@jlg.com

JLG Equipment Services Ltd.  
 Rm 1107 Landmark North  
 39 Lung Sum Avenue  
 Sheung Shui N. T.  
 Hong Kong  
 ☎ +(852) 2639 5783  
 ☎ +(852) 2639 5797

JLG Industries (Italia) S. R. L.  
 Via Po, 22  
 IT-20010 Pregnana Milanese (MI)  
 Italy  
 ☎ +39 (0) 2 9359 5210  
 ☎ +39 (0) 2 9359 5211  
 Email: ricambi@jlg.com

JLGEEMA B.V.  
 Polaris Avenue 63  
 2132 JH Hoofddorp  
 The Netherlands  
 ☎ +31 (0) 23 565 5665  
 Email: emeaservices@jlg.com

JLG NZ Access Equipment & Services  
 28 Fisher Crescent  
 Mt Wellington 1060  
 Auckland, New Zealand  
 ☎ +6 (1) 2 87186300  
 ☎ +6 (1) 2 65813058  
 Email: techservicesaus@jlg.com

JLG Industries  
 Vahutinskoe shosse 24b  
 Khimki,  
 Moscow Region 141400  
 Russia Federation  
 ☎ +7 (499) 022 06 99  
 ☎ +7 (499) 022 06 99

Oshkosh-JLG Singapore  
 Technology Equipment Pte Ltd.  
 35 Tuas Avenue 2  
 Jurong Industrial Estate  
 Singapore 639454  
 ☎ +65 6591 9030  
 ☎ +65 6591 9045  
 Email: SEA@jlg.com

JLG Iberica S. L.  
 Trapadella, 2  
 Pol. Ind. Castellbisbal Sur  
 08755 Castellbisbal  
 Barcelona  
 Spain  
 ☎ +34 (0) 93 772 47 00  
 ☎ +34 (0) 93 77 117 62  
 Email: parts\_iberica@jlg.com

JLG Sverige AB  
 Enkopingsvagen 150  
 17627 Jarfalla  
 Sweden  
 ☎ +46 (0) 8 506 595 00  
 ☎ +46 (0) 8 506 595 27  
 Email: nordicsupport@jlg.com

JLG Industries (UK) Ltd.  
 Bentley House  
 Bentley Avenue  
 Middleton, Greater Manchester  
 M24 2GF  
 United Kingdom  
 ☎ +44 (0) 161 654 1000  
 ☎ +44 (0) 161 654 1003  
 Email: ukparts@jlg.com

[www.jlg.com](http://www.jlg.com)