



Illustrated Parts Manual

Models
15DVL
15DVSP
20DVL
20DVSP

P/N
3121137

January 9, 2017

ANSI



An Oshkosh Corporation Company

REVISION LOG

September 1, 2001 - Original Issue Of Manual (Manual edited to B/M 0010581)
October 15, 2001 - Revised Manual (Manual edited to B/M 0010581)
March 15, 2002 - Revised Manual (Manual edited to B/M 0010581 - Rev 7)
May 30, 2002 - Revised Manual (Manual edited to B/M 0010581 - Rev 10)
January 8, 2003 - Added 20DVSP
February 13, 2003 - Revised Manual (Manual edited to B/M 0010581 - Rev 21)
May 8, 2003 - Revised Manual (Manual edited to B/M 0010581 - Rev 25)
September 19, 2003 - Revised Manual (Manual edited to B/M 0010581 - Rev 29)
February 26, 2004 - Revised Manual (Manual edited to B/M 0010581 - Rev 32)
August 11, 2004 - Revised Manual (Manual edited to B/M 0010581 - Rev 36)
May 5, 2005 - Revised Manual (Manual edited to B/M 0010581 - Rev 45)
February 15, 2006 - Revised Manual (Manual edited to B/M 0010581 - Rev 48)
June 30, 2006 - Revised Manual (Manual edited to B/M 0010581 - Rev 48)
June 29, 2007 - Revised Manual (Manual edited to B/M 0010581 - Rev 48)
June 24, 2011 - Revised Manual
January 9, 2017 - Revised Manual

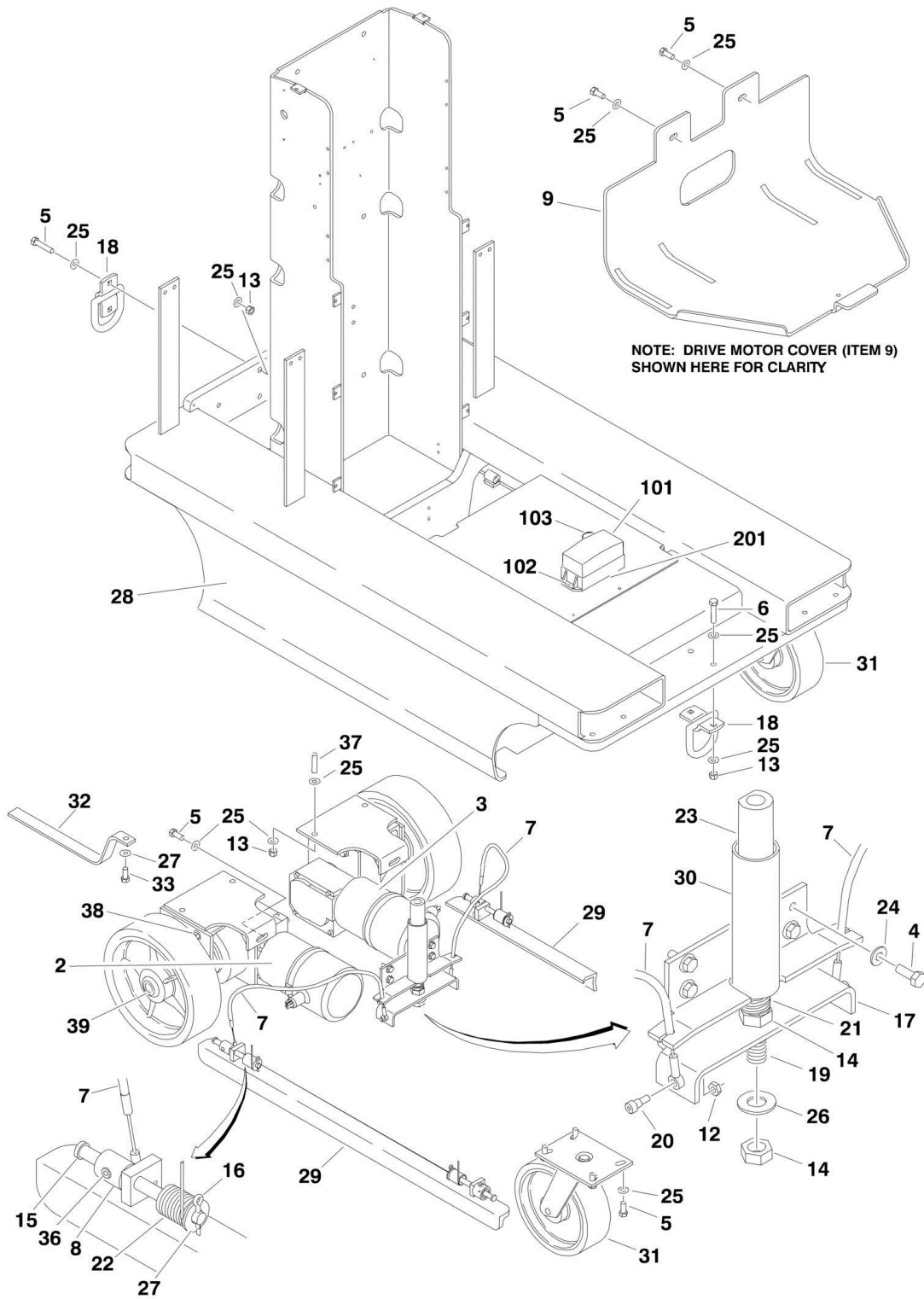
TABLE OF CONTENTS

SECTION 1 - BASE.....	7
FIGURE 1-1. BASE MOUNTED COMPONENTS INSTALLATION (Prior to SN 0130005271).....	8
FIGURE 1-2. BASE MOUNTED COMPONENTS INSTALLATION (SN 0130005271 to Present).....	12
FIGURE 1-3. DRIVE ASSEMBLY (Prior to SN 0130005271).....	16
FIGURE 1-4. DRIVE ASSEMBLY (SN 0130005271 to Present).....	20
FIGURE 1-5. DRIVE MOTOR ASSEMBLY.....	24
FIGURE 1-6. COVER INSTALLATION.....	26
FIGURE 1-7. MAST AND BATTERY BOX INSTALLATION.....	30
SECTION 2 - CONTROLS.....	33
FIGURE 2-1. PUMP/MOTOR/GROUND CONTROL/HORN INSTALLATIONS.....	34
FIGURE 2-2. PUMP/MOTOR ASSEMBLY - FENNER.....	38
FIGURE 2-3. PUMP/MOTOR ASSEMBLY - MONARCH (SERVICE REPLACEMENT).....	40
FIGURE 2-4. BATTERIES/CHARGER/SWITCHES INSTALLATION.....	42
FIGURE 2-5. BATTERY CHARGER ASSEMBLY.....	46
FIGURE 2-6. PLATFORM CABLE AND CONTROLS INSTALLATION.....	48
FIGURE 2-7. CONTROLLER ASSEMBLY (Prior to SN 0130007616).....	52
FIGURE 2-8. CONTROLLER ASSEMBLY (SN 0130007616 to Present).....	54
SECTION 3 - MAST.....	57
FIGURE 3-1. MAST ASSEMBLY.....	58
SECTION 4 - PLATFORM.....	63
FIGURE 4-1. PLATFORM WITH FRONT SLIDE BAR ENTRY (15DVL/20DVL).....	64
FIGURE 4-2. PLATFORM WITH GULLWING GATE (15DVL/20DVL).....	66
FIGURE 4-3. PLATFORM WITH MOLDED SIDES (DVL AND DVSP).....	70
FIGURE 4-4. PLATFORM WITH ROLLING EXTENSION (DVL AND DVSP).....	74
FIGURE 4-5. PLATFORM WITH FIXED SIDE RAILS (15DVSP/20DVSP).....	78
FIGURE 4-6. PLATFORM WITH FOLDING SIDE RAILS (15DVSP/20DVSP).....	82
FIGURE 4-7. PLATFORM WITH SIDE ENTRY (15DVSP).....	86
FIGURE 4-8. PLATFORM/SIDE ENTRY WITH MATERIAL TRAY (20DVL).....	90
FIGURE 4-9. PLATFORM/SIDE ENTRY WITH FOLDING TRAY (15DVSP/20DVSP).....	92
FIGURE 4-10. OBSTRUCTION SENSOR INSTALLATION (15DVSP/20DVSP) (OPTIONAL).....	94
FIGURE 4-11. QUICK-CHANGE PLATFORM INSTALLATION WITH SLIDE BAR.....	96
SECTION 5 - CYLINDER.....	99
FIGURE 5-1. LIFT CYLINDER ASSEMBLY.....	100
SECTION 6 - HYDRAULIC.....	103
FIGURE 6-1. HYDRAULIC DIAGRAM.....	104
SECTION 7 - ELECTRICAL.....	107
FIGURE 7-1. ELECTRICAL SCHEMATIC.....	108
FIGURE 7-2. ELECTRICAL COMPONENTS INSTALLATION.....	110
SECTION 8 - DECALS.....	117
FIGURE 8-1. DECAL INSTALLATION (ANSI SPEC).....	118
FIGURE 8-2. DECAL INSTALLATION (ANSI EXPORT SPEC).....	122
SECTION 9 - RECOMMENDED SERVICE PARTS STOCK.....	127
FIGURE 9-1. DVL/DVSP SERIES STANDARD PARTS.....	128
SECTION 10 - SPECIAL OPTIONS.....	129
FIGURE 10-1. SPECIAL OPTIONS.....	130
PART NUMBER INDEX.....	133

SECTION 1 - BASE

SECTION 1 - BASE

FIGURE 1-1. BASE MOUNTED COMPONENTS INSTALLATION (Prior to SN 0130005271)



SECTION 1 - BASE

FIGURE 1-1. BASE MOUNTED COMPONENTS INSTALLATION (Prior to SN 0130005271)

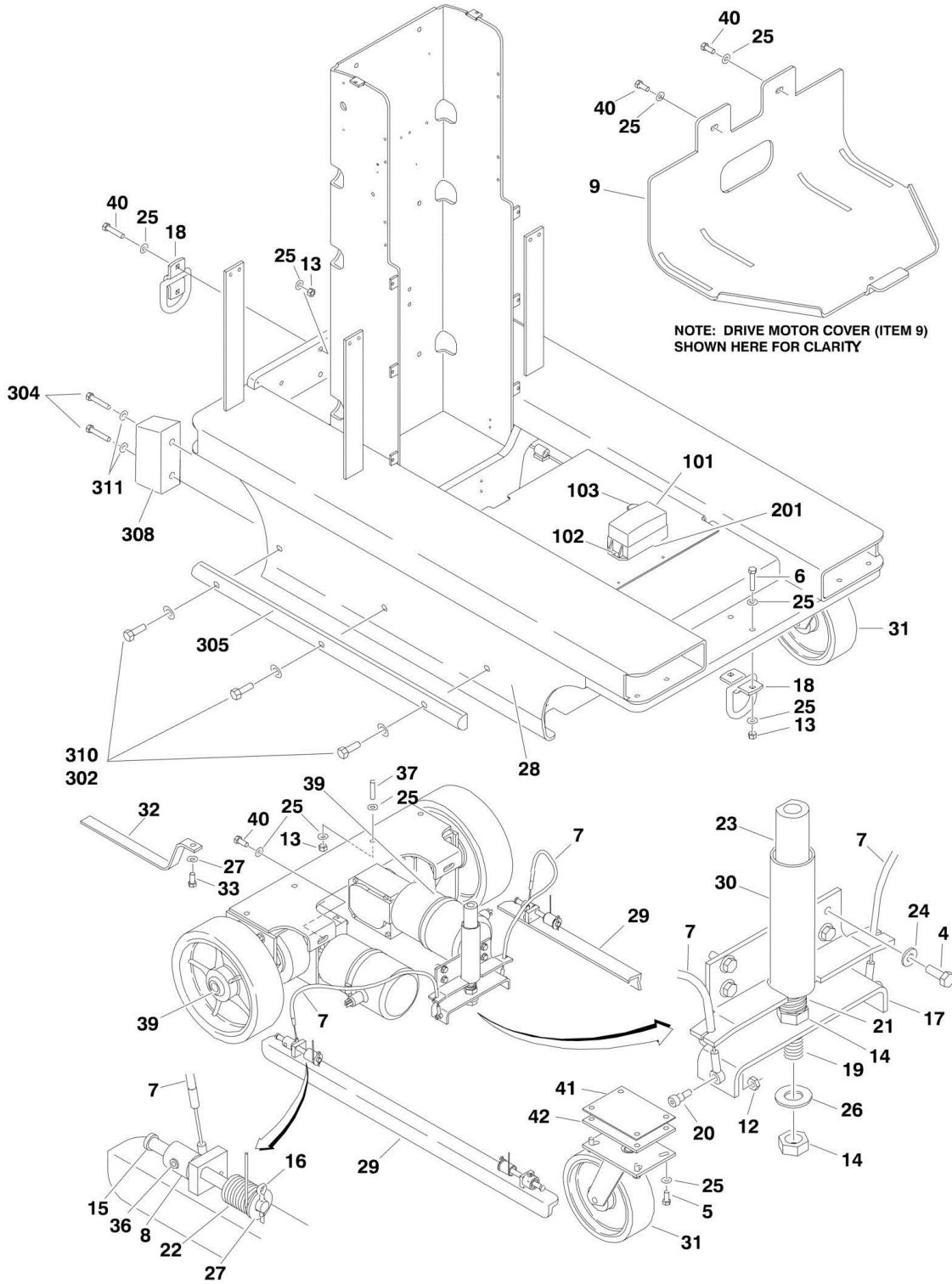
ITEM	PART NUMBER	QTY	DESCRIPTION	REV
		Ref	BASE ASSEMBLY OPTIONS:	
	0271258	Ref	Base Assembly - (Standard)	J
	0272776	Ref	Base Assembly - (Rubber Tires)	A
	0272981	Ref	Base Assembly - (Rubber Tires - Rear Only)	B
1	0100011	AR	Loctite #242 (Not Shown)	
2		Ref	Drive Assembly (Right Side) Options: (See DRIVE ASSEMBLY for Breakdown)	
2	0271460	1	Drive Assembly (Right Side) (Standard)	
2	0272775	1	Drive Assembly (Right Side) (Rubber Tires / Rubber Tires - Rear Only)	
3		Ref	Drive Assembly (Left Side) Options: (See DRIVE ASSEMBLY for Breakdown)	
3	0271461	1	Drive Assembly (Left Side) (Standard)	
3	0272774	1	Drive Assembly (Left Side) (Rubber Tires / Rubber Tires - Rear Only)	
4	0641406	4	Bolt 1/4in-20NC x 3/4in	
5	0641607	14	Bolt 3/8in-16NC x 7/8in	
6	0641614	2	Bolt 3/8in-16NC x 1 3/4in	
7	1060649	2	Cable, Pothole Protection	
8	1100103	2	Cam	
9	1671020	1	Cover, Drive Motor	
10	3020017	AR	Lubricant (Not Shown)	
11	3020022	AR	Grease, White Lithium (Not Shown)	
12	3311005	2	Locknut #10-24NC	
13	3311605	4	Locknut 3/8in-16NC	
14	3312002	2	Locknut 5/8in-11NC	
15	3430638	4	Pin, Clevis	
16	3450403	4	Pin, Cotter 1/8in x 3/4in	
17	3573093	1	Plate, Cable Mounting	
18	3760365	2	Ring, Tie Down	
19	3841343	1	Rod, Actuator	
20	3900202	4	Screw, Socket Head Shoulder	
21	4160160	1	Spring, Compression	
22	4160162	4	Spring, Compression	
23	4567203	1	Tube, Plunger	
24	4711400	4	Flatwasher 1/4in Narrow	
25	4711600	20	Flatwasher 3/8in Narrow	
26	4712000	1	Flatwasher 5/8in Narrow	
27	4751600	5	Flatwasher 3/8in Wide	
28	4846436	1	Base Weldment	
29	4846437	2	Bar, Pothole Protection	
30	4846446	1	Actuator	
31		Ref	Wheel, Caster Assembly Options:	
31	4860235	2	Standard / Rubber Tires - Rear Only	
31	4860239	2	Rubber Tires	
32		Ref	Strap, Static Options:	
32	4240084	1	Strap, Static (Prior to SN 0130004184)	
32	4240147	1	Strap, Static (SN 0130004184 through 0130005271)	
33	0641606	1	Bolt 3/8in-16NC x 3/4in	
34	4240127	2	Tie-Strap (Not Shown - Located at Motors)	

SECTION 1 - BASE

ITEM	PART NUMBER	QTY	DESCRIPTION	REV
35	0100035	AR	Loctite #222 (Not Shown)	
36	3900249	4	Setscrew	
37	4300154	2	Stud 3/8in-16NC x 2in	
38		Ref	Plate, Shim Options:	
38	4070547	4	Standard / Rubber Tires	
38	Not Required	0	Rubber Tires - Rear Only	
39		Ref	Shim, Caster Options:	
39	Not Required	0	Standard / Rubber Tires - Rear Only	
39	4071064		Rubber Tires	
40		Ref	Bolt Options: (Not Shown)	
40	Not Required	0	Standard	
40	0641610	2	Rubber Tires (3/8 - 16NC x 1/1/4in)	
40	0641609	6	Rubber Tires - Rear Only (3/8 - 16NC x 1/1/8in)	
	0271946	Ref	BEACON LIGHT INSTALLATION	B
101	2920155	Ref	Light, Beacon - Amber Options:	
101	2920155	1	Light, Beacon - Amber Preco Model 3970	
101	2920155	1	Light, Beacon - Amber Preco Model 3971	
101	7026196	1	Bulb, Replacement	
101	7026195	1	Lens, Replacement	
102	3820032	2	Rivet	
103	3520033	1	Plug, Hole 1in (SN 0130005521 through 0130005271)	
	0272061	Ref	BEACON HOLE PLUG INSTALLATION	B
201	3520033	2	Plug, Hole 1in	

SECTION 1 - BASE

FIGURE 1-2. BASE MOUNTED COMPONENTS INSTALLATION (SN 0130005271 to Present)



SECTION 1 - BASE

FIGURE 1-2. BASE MOUNTED COMPONENTS INSTALLATION (SN 0130005271 to Present)

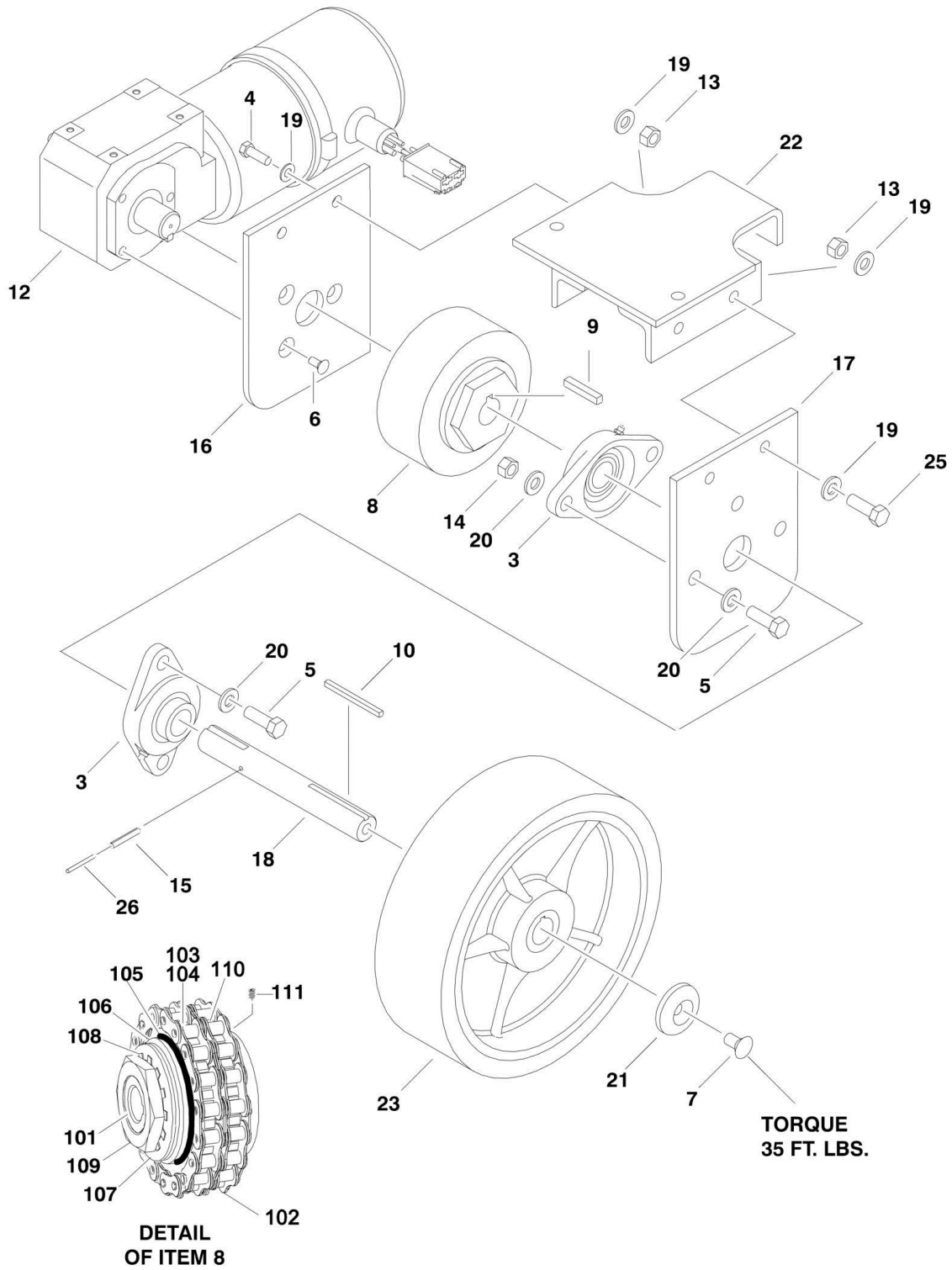
ITEM	PART NUMBER	QTY	DESCRIPTION	REV
		Ref	BASE ASSEMBLY OPTIONS:	
	0271258	Ref	Base Assembly - (Standard)	P
	0272776	Ref	Base Assembly - (Rubber Tires)	I
	0272981	Ref	Base Assembly - (Rubber Tires - Rear Only)	H
	0273083	Ref	Base Assembly - (30:1 Gear Ratio)	E
1	0100011	AR	Loctite #242 (Not Shown)	
4	0641406	4	Bolt 1/4in-20NC x 3/4in	
5		Ref	Bolt Options: 3/8in-16NC x 7/8in	
5	0641607	8	Bolt (Standard / Rubber Tires - Rear Only) (Prior to SN 0130005271)	
5	Not Required	8	Bolt (Rubber Tires)	
6	0641614	2	Bolt 3/8in-16NC x 1 3/4in	
7	1060649	2	Cable, Pothole Protection	
8	1100103	2	Cam	
9	1671020	1	Cover, Drive Motor	
10	3020017	AR	Lubricant (Not Shown)	
11	3020022	AR	Grease, White Lithium (Not Shown)	
12		Ref	Hardware Options:	
12	3311005	2	Locknut #10-24NC (Prior to SN 0130006320)	
12	3311402	2	Jam Nut 1/4in-20NC (SN 0130006320 to Present)	
13	3311605	4	Locknut 3/8in-16NC	
14	3312002	2	Locknut 5/8in-11NC	
15	3430638	4	Pin, Clevis	
16	3450403	4	Pin, Cotter 1/8in x 3/4in	
17		Ref	Plate, Cable Mounting Options:	
17	3573093	1	Plate, Cable Mounting (Prior to SN 0130006320)	
17	3575698	1	Plate, Cable Mounting (SN 0130006320 to Present)	
18	3760365	2	Ring, Tie Down	
19	3841343	1	Rod, Actuator	
20		Ref	Hardware Options:	
20	3900202	4	Screw, Socket Head Shoulder (Prior to SN 6320)	
20	0630590	4	Bolt 1/4in-20NC x 3/4 (SN 6320 to Present)	
21	4160160	1	Spring, Compression	
22	4160162	4	Spring, Compression	
23	4567203	1	Tube, Plunger	
24	4711400	4	Flatwasher 1/4in Narrow	
25	4711600	6	Flatwasher 3/8in Narrow	
26	4712000	1	Flatwasher 5/8in Narrow	
27	4751600	19	Flatwasher 3/8in Wide	
28	4846436	1	Base Weldment	
29		Ref	Bar, Pothole Protection Options:	
29	4846437	2	Bar, Pothole Protection (Prior to SN 5470)	
29	4846869	1	Bar, Pothole Protection Right Side (SN 5470 to Present)	
29	4846870	1	Bar, Pothole Protection Left Side (SN 5470 to Present)	
30	4846446	1	Actuator	
31		Ref	Wheel, Caster Assembly Options:	
31	4860235	2	Standard / Rubber Tires - Rear Only	
31	4860239	2	Rubber Tires	
32	4240147	1	Strap, Static	
33	0641606	1	Bolt 3/8in-16NC x 3/4in	

SECTION 1 - BASE

ITEM	PART NUMBER	QTY	DESCRIPTION	REV
34	4240127	2	Tie-Strap (Not Shown - Located at Motors)	
35	0100035	AR	Loctite #222 (Not Shown)	
36	3900249	4	Setscrew	
37	4300154	2	Stud 3/8in-16NC x 2in	
39		Ref	Drive Motor Frame Assembly Options: (See DRIVE ASSEMBLY for Breakdown)	
39	0272584	1	Standard	
39	0272830	1	Rubber Tires / Rubber Tires - Rear Only	
39	0273084	1	30:1 Gear Ratio	
40	0641609	14	Bolt 3/8in-16NC x 1 1/8in	
41	4071077	AR	Shims - .015 (SN 5470 to Present)	
42	4071078	AR	Shims - .036 (SN 5470 to Present)	
	0271946	Ref	BEACON LIGHT INSTALLATION	B
101	2920178	Ref	Light, Beacon - Amber Options: (was p/n 2920155)	
101	2920178	1	Light, Beacon - Amber Preco Model 3970	
101	2920178	1	Light, Beacon - Amber Preco Model 3971	
101	7026196	1	Bulb, Replacement	
101	7026195	1	Lens, Replacement	
102	3820032	2	Rivet	
103	3520033	1	Plug, Hole 1in (SN 5521 to Present)	
	0272061	Ref	BEACON HOLE PLUG INSTALLATION	B
201	3520033	2	Plug, Hole 1in	
	0272825	Ref	BUMPER INSTALLATION (15 DVSP OPTION ONLY)	A
301	0100011	AR	Loctite #242 (Not Shown)	
302	0641407	6	Bolt, 1/4-20 x 7/8in	
304	0641814	4	Bolt, 1/2-13NC x 1 3/4in	
305	0940105	2	Bumper, Side Base	
308	0940108	2	Bumper, Base	
310	4711400	26	Flatwasher 1/4in	
311	4751800	4	Flatwasher 1/2in Wide	

SECTION 1 - BASE

FIGURE 1-3. DRIVE ASSEMBLY (Prior to SN 0130005271)



SECTION 1 - BASE

FIGURE 1-3. DRIVE ASSEMBLY (Prior to SN 0130005271)

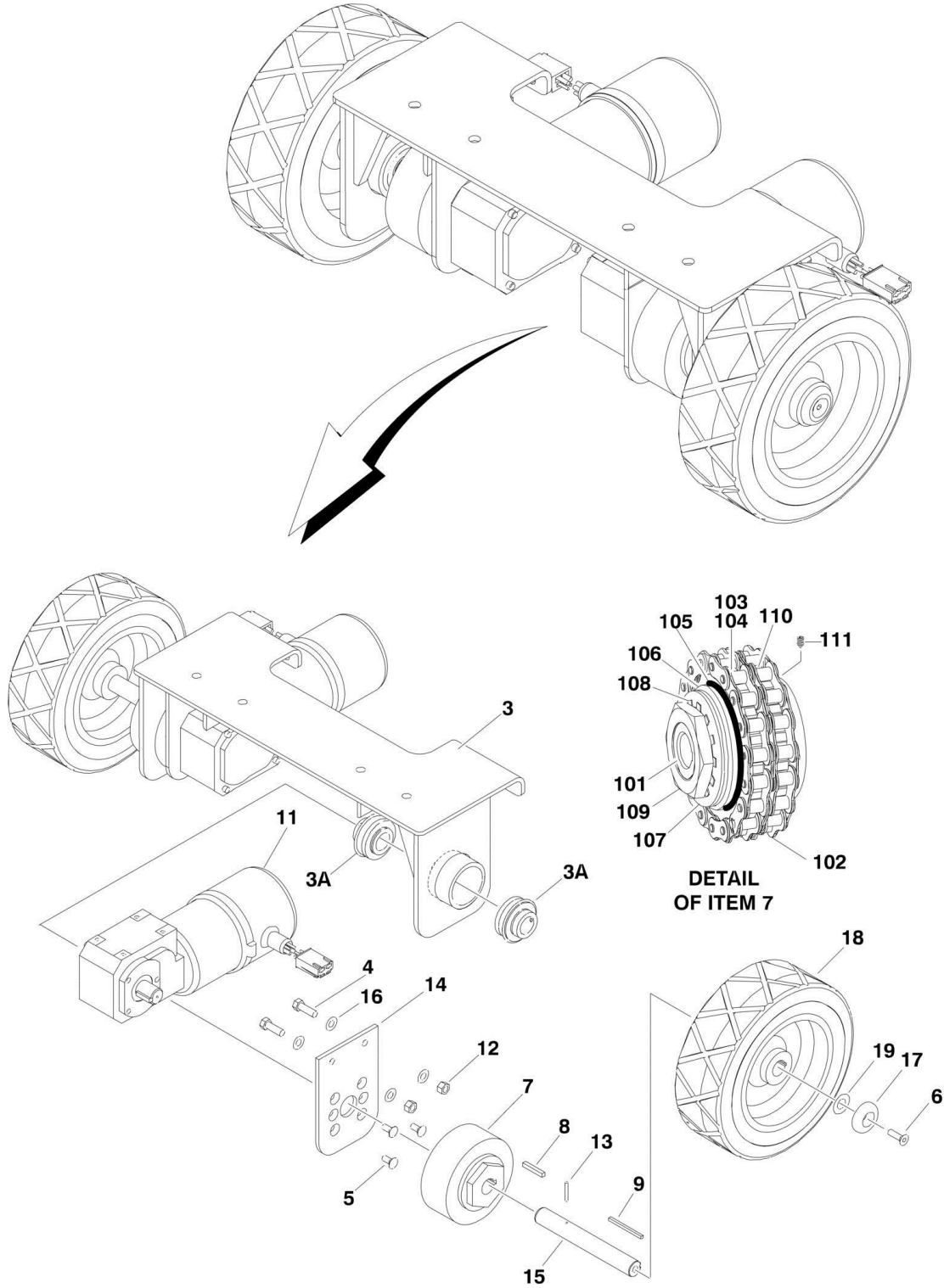
ITEM	PART NUMBER	QTY	DESCRIPTION	REV
		Ref	DRIVE ASSEMBLY OPTIONS:	
		Ref	Note: Quantities shown are for one side.	
		Ref	Drive Assembly (Standard)	F
	0271460	Ref	Right Side	
	0271461	Ref	Left Side	
		Ref	Drive Assembly (Rubber Tires / Rubber Tires - Rear Only)	A
	0272775	Ref	Right Side	
	0272774	Ref	Left Side	
1	0100011	AR	Loctite #242 (Not Shown)	
2	0100019	AR	Loctite #271 (Not Shown)	
3	0440221	2	Bearing, Axle	
4	0641609	AR	Bolt 3/8in-16NC x 1 1/8in	
5	0641816	AR	Bolt 1/2in-13NC x 2in	
6	0741506	3	Screw, Countersunk 5/16in-18NC x 3/4in	
7	0741609	1	Screw, Countersunk 3/8in-16NC x 1 1/4in	
8	1400126	1	Clutch, Torque Limiting (See Items 101-111 for Breakdown)	
9	2860027	1	Key, Clutch	
10	2860029	1	Key, Wheel	
11	3020017	AR	Lubricant (Not Shown)	
12	3160282	1	Drive Motor Assembly (See DRIVE MOTOR ASSEMBLY for Breakdown)	
13	3311605	4	Locknut 3/8in-16NC	
14	3311801	AR	Nut 1/2in-13NC	
15	3440520	1	Rollpin	
16		Ref	Plate, Motor Mounting Options:	
16	3573070	1	Right Side	
16	3573077	1	Left Side	
17	3573071	1	Plate, Bearing Mounting	
18	4040268	1	Shaft, Drive	
19	4711600	8	Flatwasher 3/8in Narrow	
20	4711800	AR	Flatwasher 1/2in	
21	4740478	1	Washer, Wheel Retainer	
22		Ref	Frame Options:	
22	4846440	1	Right Side	
22	4846441	1	Left Side	
23		Ref	Wheel Options:	
23	4860232	1	Standard	
23	4860240	1	Rubber Tires / Rubber Tires - Rear Only	
23	1705981	1	Decal - This Side In (Not Shown)	
24	0100038	AR	Primer #7471 (Not Shown)	
25	0641611	2	Bolt 3/8-16NC x 1 3/8	
26		Ref	Rollpin Options:	
26	Not Required	0	Standard	
26	3440320	1	Rubber Tires / Rubber Tires - Rear Only	
	1400126	Ref	TORQUE LIMITER CLUTCH ASSEMBLY	C
101	7023351	1	Hub	
102	7023352	1	Chain	
103	7023353	1	Sprocket	
104	7023354	1	Bushing	
105	7023355	2	Facing, Friction	

SECTION 1 - BASE

ITEM	PART NUMBER	QTY	DESCRIPTION	REV
106	7023356	1	Plate, Pressure	
107	7023357	3	Disc, Spring	
108	7023358	1	Lockwasher, Tabbed	
109	7023359	1	Nut, Adjusting	
110	7023360	1	Sprocket	
111	7023361	1	Setscrew	

SECTION 1 - BASE

FIGURE 1-4. DRIVE ASSEMBLY (SN 0130005271 to Present)



SECTION 1 - BASE

FIGURE 1-4. DRIVE ASSEMBLY (SN 0130005271 to Present)

ITEM	PART NUMBER	QTY	DESCRIPTION	REV
		Ref	DRIVE ASSEMBLY OPTIONS:	
		Ref	Note: Quantities shown are for one side.	
	0272584	Ref	Drive Assembly (Standard)	F
	0272830	Ref	Drive Assembly (Rubber Tires / Rubber Tires - Rear Only)	F
	0273084	Ref	Drive Assembly (30:1 Gear Ratio)	E
1	0100011	AR	Loctite #242 (Not Shown)	
2	0100038	AR	Loctite #7471 (Not Shown)	
3	0272595	1	Drive Motor Frame Assembly	
3A	0440258	4	Bearing	
4	0641609	4	Bolt, 3/8 - 16NC x 1 1/8in	
5	0741506	6	Screw, 5/16 - 18NC x 3/4in	
6	0741609	2	Screw, 3/8 - 16NC x 1 1/8in	
7		Ref	Clutch, Torque Limiting Options:	
7	1400126	2	Clutch, Torque Limiting (See Items 101-111 for Breakdown) (Prior to SN 0130006340)	
7	1400128	NLA	Clutch, Torque Limiting (Use P/N 1400126).(No Serviceable Parts Available) (SN 0130006340 through 0130006397)	
7	1400126	2	Clutch, Torque Limiting (See Items 101-111 for Breakdown) (SN 0130006398 to Present)	
8	2860027	2	Key, Clutch	
9	2860031	2	Key, Wheel	
10	3020039	AR	Lubricant, Loctite Moly Paste #51049 (Not Shown)	
11		Ref	Drive Motor Assembly Options:	
11	3160282	2	Drive Motor Assembly (Standard and Rubber Tires / Rubber Tires - Rear Only) (See DRIVE MOTOR ASSEMBLY for Breakdown) (Prior to SN 0130006340)	
11	3160312	2	Drive Motor Assembly (Standard and Rubber Tires / Rubber Tires - Rear Only) (No Serviceable Parts) (SN 0130006340 to Present)	
11	3160283	2	Drive Motor Assembly (30:1 Gear Ratio) (See DRIVE MOTOR ASSEMBLY for Breakdown) (Prior to SN 0130006340)	
11	3160311	2	Drive Motor Assembly (30:1 Gear Ratio) (No Serviceable Parts) (SN 0130006340 to Present)	
12	3311605	4	Nut, 3/8-16NC	
13	3423050	2	Pin, Spiral Spring	
14	3573986	2	Plate, Drive Motor Mount	
15	4040268	2	Shaft, Drive	
16	4711600	8	Flatwasher 3/8in Narrow	
17	4740478	2	Washer, Wheel Retainer	
18		Ref	Wheel, Rear Options:	
18	4860232	2	Standard	
18	4860240	2	Rubber Tires / Rubber Tires - Rear Only	
18	1705981	2	Decal - This Side In (Not Shown)	
19	4812000	2	Flatwasher 10mm (Prior to SN 0130006183)	
		Ref	TORQUE LIMITER CLUTCH ASSEMBLY	
	1400126	Ref	Torque Limiter Clutch Assembly (Prior to SN 0130006340)	C
	1400128	Ref	Torque Limiter Clutch Assembly (No Serviceable Parts Available - Replaced with P/N 1400126) (SN 0130006340 through 0130006397)	C
	1400126	Ref	Torque Limiter Clutch Assembly (SN 0130006398 to Present)	C
101	7023351	1	Hub	
102	7023352	1	Chain	

SECTION 1 - BASE

ITEM	PART NUMBER	QTY	DESCRIPTION	REV
103	7023353	1	Sprocket	
104	7023354	1	Bushing	
105	7023355	2	Facing, Friction	
106	7023356	1	Plate, Pressure	
107	7023357	3	Disc, Spring	
108	7023358	1	Lockwasher, Tabbed	
109	7023359	1	Nut, Adjusting	
110	7023360	1	Sprocket	
111	7023361	1	Setscrew	

SECTION 1 - BASE

FIGURE 1-5. DRIVE MOTOR ASSEMBLY

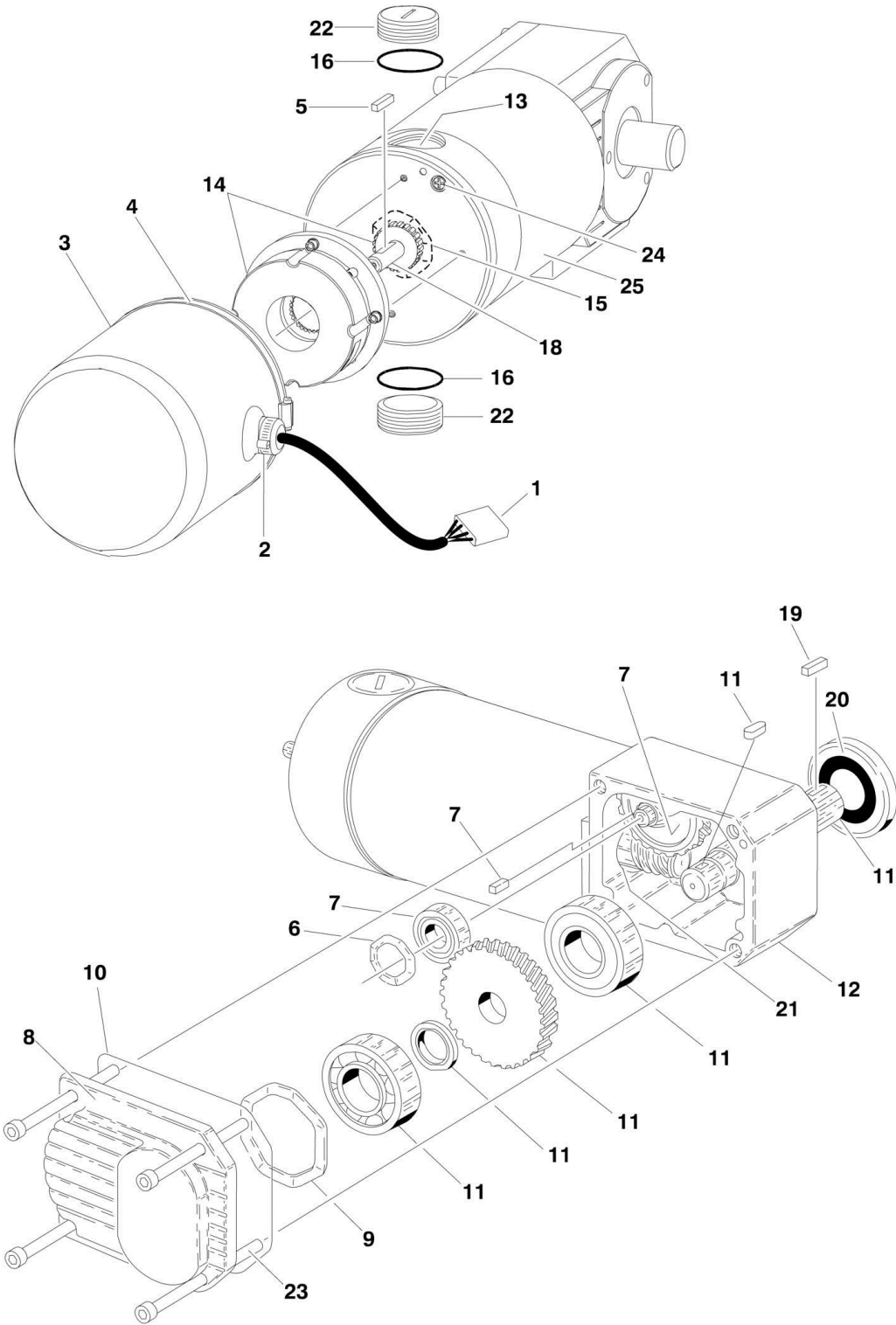
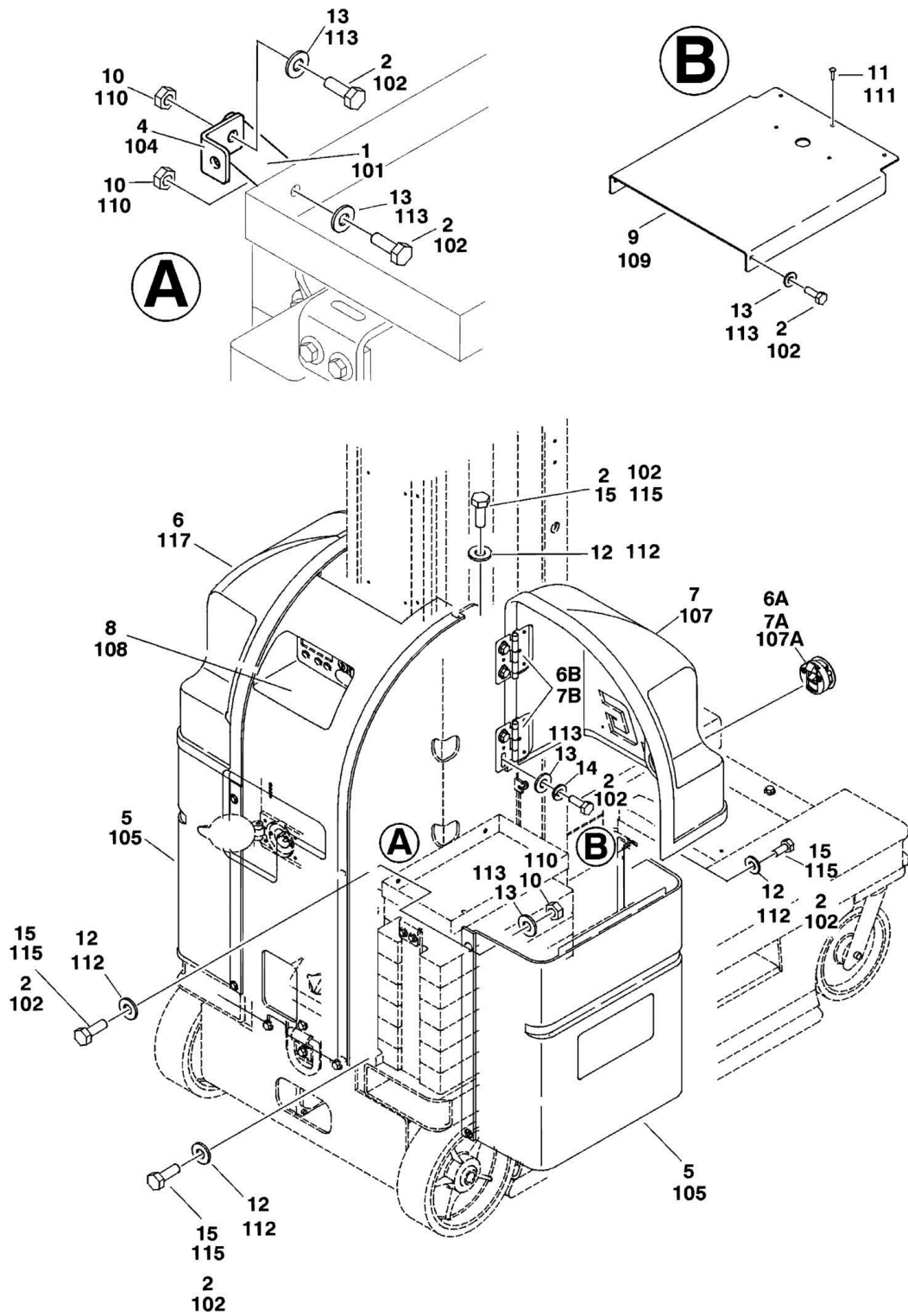


FIGURE 1-5. DRIVE MOTOR ASSEMBLY

ITEM	PART NUMBER	QTY	DESCRIPTION	REV
		Ref	DRIVE MOTOR ASSEMBLY OPTIONS:	
	3160282	Ref	24 Volt (Standard) (Prior to SN 0130006340)	G
	3160312	Ref	24 Volt (Standard) (SN 0130006340 to Present)	A
	3160283	Ref	24 Volt (UPS Spec) (Prior to SN 0130006340)	G
	3160311	Ref	24 Volt (UPS Spec) (SN 0130006340 to Present)	A
1	7018030	1	Boot, Terminal	
1	7018031	1	Housing, Terminal	
1	7018032	2	Terminal, Motor Lead	
1	Not Available	2	Terminal, Brake Lead	
2	7018033	1	Clamp	
3		Ref	Boot Options:	
3	7018034	1	Boot (Prior to SN 0130006340)	
3	7028062	1	Boot (SN 0130006340 to Present)	
4	7018035	1	Clamp	
5	7018001	1	Key	
6	7018009	2	Washer, Wave (Motor p/n 3160282 Only)	
7		Ref	Bearing, Gear and Pinion Assembly Options:	
7	7018040	1	Motor p/n 3160282	
7	7018046	1	Motor p/n 3160283	
8		Ref	Shield Options:	
8	7018041	1	Motor p/n 3160282	
8	7018047	1	Motor p/n 3160283	
9	7018010	1	Washer, Wave	
10		Ref	O-Ring Options:	
10	7018028	1	Motor p/n 3160282	
10	Not Available		Motor p/n 3160283	
11		Ref	Bearing, Gear and Driveshaft Assembly Options:	
11	7018042	1	Motor p/n 3160282	
11	7018048	1	Motor p/n 3160283	
12	7018043	1	Housing, Gear (Motor p/n 3160282 Only)	
13	7018000	1	Spring and Brush Kit (Includes (Qty 2 Each) of Brushes, Caps, Springs and Screws)	
13	70003676	1	Ring Assembly with Magnets (Not Shown)	
14	7018036	1	Brake Assembly	
15	7018011	1	Washer, Wave	
15	Not Available	1	Bearing	
16	7018037	2	O-Ring	
17	7018038	1	Ring Assembly	
18	7018039	1	Armature	
19	7018021	1	Key	
20	7018026	1	Seal	
21	70000933	1	Seal	
21	Not Available	1	Bearing	
22	7018045	2	Cap, Brush	
23	0641408	4	Bolt	
24	7018049	1	Bolt (Motor p/n 3160283 Only)	
25	7018050	1	Shield (Motor p/n 3160283 Only)	

SECTION 1 - BASE

FIGURE 1-6. COVER INSTALLATION



SECTION 1 - BASE

FIGURE 1-6. COVER INSTALLATION

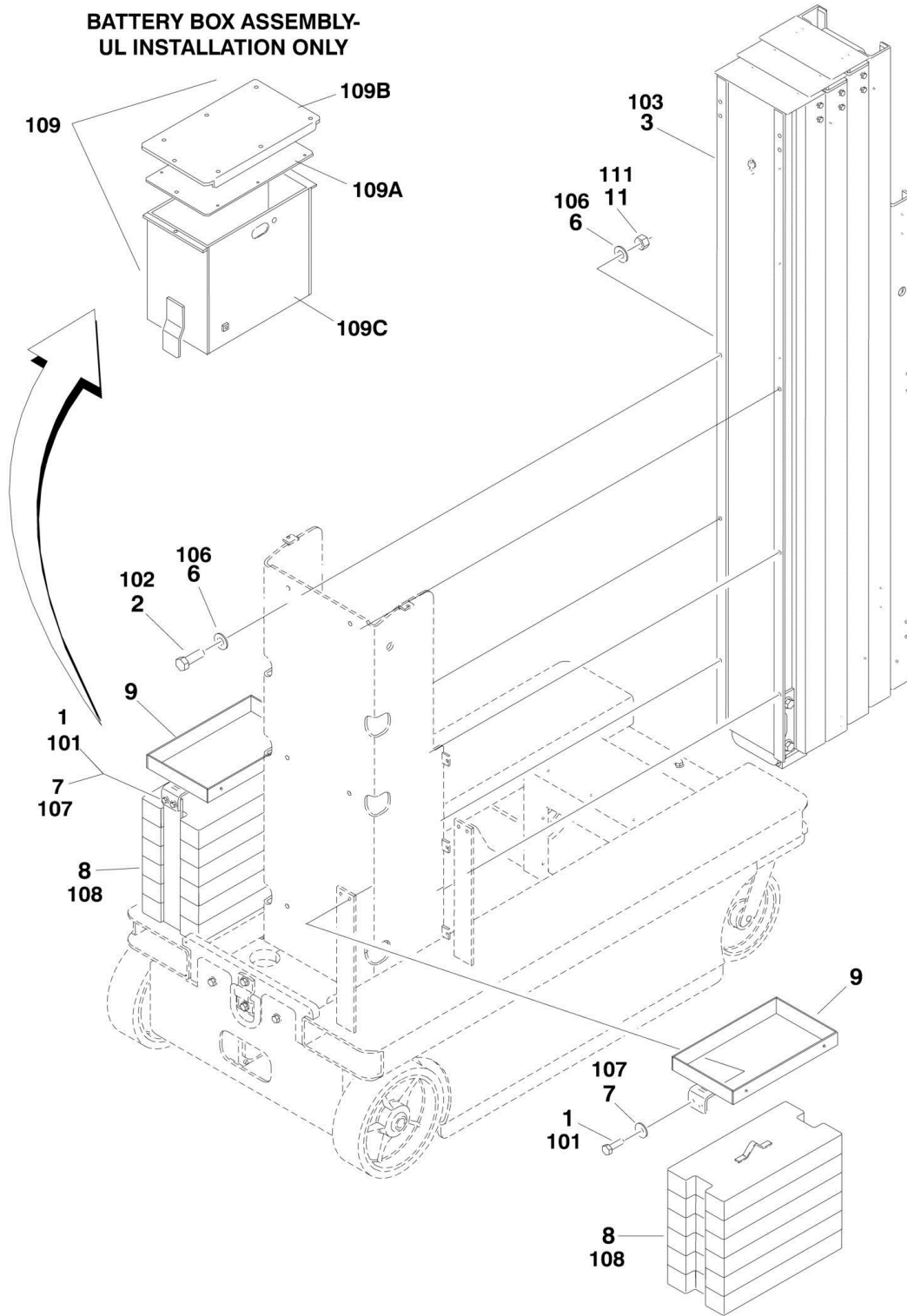
ITEM	PART NUMBER	QTY	DESCRIPTION	REV
		Ref	COVER INSTALLATIONS	
	0271264	Ref	HINGED	E
	0272161	Ref	HINGED LOCKABLE	C
	0272276	Ref	FIXED STANDARD (SN 0130004365 to Present)	C
	0272330	Ref	FIXED/SECURITY LOCK (SN 0130004365 to Present)	A
1	0120006	2	Adjuster, Hood	
2	0641405	AR	Bolt 1/4in-20NC x 5/8in	
3	0641408	2	Bolt 1/4in-20NC x 1in (Not Required On Fixed Cover)	
4		Ref	Bracket, Hood Support Options:	
4	0902737	2	Hinged Cover (Prior to SN 0130005597)	
4	0902836	2	Hinged Cover (SN 0130005597 to Present)	
4	0902836	4	Fixed Cover	
5	1671014	2	Cover, Counterweight	
6		Ref	Cover, Left Options:	
6	1671073	1	Fixed	
6	1671015	1	Hinged	
6	1671065	1	Hinged Lockable	
6A	7023493	1	Latch	
6B	2600258	2	Hinge	
7		Ref	Cover, Right Options:	
7	1671074	1	Fixed	
7	1671077	1	Fixed/Security Lock	
7	1671016	1	Hinged	
7	1671066	1	Hinged Lockable	
7A	7023493	1	Latch	
7B	2600258	2	Hinge	
8		Ref	Cover, Ground Station Options:	
8	1671017	1	Hinged	
8	1671072	1	Fixed	
9	1671026	1	Cover, Charger	
10	3311405	AR	Locknut 1/4in-20NC	
11	3820032	3	Rivet	
12	4711400	AR	Flatwasher 1/4in Narrow (Prior to SN 0130005597)	
13	4751400	AR	Flatwasher 1/4in	
14	4761400	8	Lockwasher 1/4in (Not Required On Fixed Cover)	
15	3900258	18	Button Head Screw 1/4-20NC x 3/4 (Fixed Cover Only)	
		Ref	Kit, Covers Options:	
	2902387	1	Hinged, Covers (Included Items 5 - 8) (SN 0130006279 to Present)	2
	2902388	1	Hinged Lockable, Covers (Included Items 5 - 8) (SN 0130006279 to Present)	2
	2902390	1	Fixed Standard Covers (Included Items 5 - 8) (SN 0130006279 to Present)	2
		Ref	COVER INSTALLATIONS (UL SPEC)	
	0272768	Ref	FIXED STANDARD (SN 0130004987 to Present)	C
	0272785	Ref	FIXED/SECURITY LOCK (SN 0130004987 through 0130005597)	A
101	0120006	2	Adjuster, Hood	
102	0641405	AR	Bolt 1/4in-20NC x 5/8in	
104	0902836	4	Bracket, Hood Support	
105	1671014	2	Cover, Counterweight	

SECTION 1 - BASE

ITEM	PART NUMBER	QTY	DESCRIPTION	REV
107		Ref	Cover, Right Options:	
107	1671074	1	Fixed	
107	1671077	1	Fixed/Security Lock	
107A	7023493	1	Latch	
108	1671072	1	Cover, Ground Station	
109	1671026	1	Cover, Charger	
110	3311405	AR	Locknut 1/4in-20NC	
111	3820032	3	Rivet	
112	4711400	AR	Flatwasher 1/4in Narrow (Prior to SN 0130005597)	
113	4751400	AR	Flatwasher 1/4in	
115	3900258	18	Button Head Screw 1/4-20NC x 3/4	
116	0641403	AR	Bolt 1/4in-20NC x 3/8in	
117	1671095	1	Cover, Left	
	2902389	1	Kit, Covers - Fixed Standard (Included Items 105, 107, 108 & 117) (SN 0130006279 to Present)	2

SECTION 1 - BASE

FIGURE 1-7. MAST AND BATTERY BOX INSTALLATION



SECTION 1 - BASE

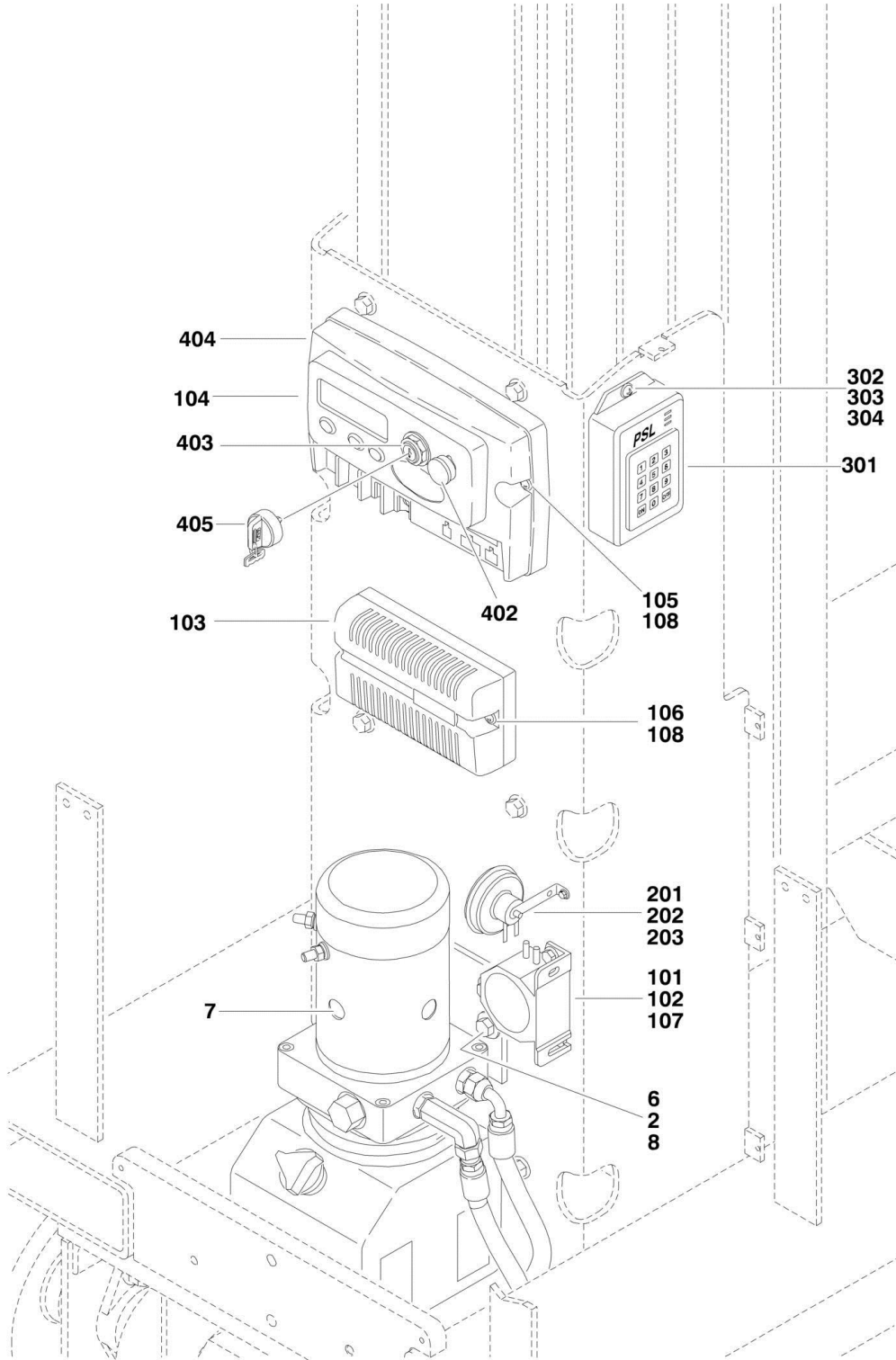
FIGURE 1-7. MAST AND BATTERY BOX INSTALLATION

ITEM	PART NUMBER	QTY	DESCRIPTION	REV
		Ref	MAST SUPPORT INSTALLATION	
	0271259	Ref	Mast Support Installation 15DVL/15DVSP	D
	0271260	Ref	Mast Support Installation 20DVL/20DVSP	D
	0273323	Ref	Mast Support Installation 15DVSP (No Lanyard Attach Point)	A
	0273322	Ref	Mast Support Installation 20DVSP (No Lanyard Attach Point)	A
1	0641407	AR	Bolt 1/4in-20NC x 7/8in	
2	0641609	6	Bolt 3/8in-16NC x 1 1/8in	
3		Ref	Mast Assembly (Not Shown - MAST SECTION for Breakdown)	
3	0801308	1	Mast Assembly 15DVL/15DVSP	
3	0801309	1	Mast Assembly 20DVL/20DVSP	
3	0801377	1	Mast Assembly 15DVSP (No Lanyard Attach Point)	
3	0801376	1	Mast Assembly 20DVSP (No Lanyard Attach Point)	
6	4711600	12	Flatwasher 3/8in Narrow	
7	4751400	8	Flatwasher 1/4in Wide	
8	4846445	2	Weldment, Counterweight	
9	4846447	2	Box, Battery	
10	0100019	AR	Loctite #421 (Not Shown)	
11	3311601	6	Nut 3/8in-16NC	
12	0100011	AR	Loctite #242 (Not Shown)	
		Ref	MAST SUPPORT INSTALLATION (UL SPEC) (SN 0130004987 to Present)	
	0272765	Ref	Mast Support Installation 20DVL	A
	0272766	Ref	Mast Support Installation 15DVL/15DVSP	A
	0273325	Ref	Mast Support Installation 15DVSP (No Lanyard Attach Point)	A
101	0641407	AR	Bolt 1/4in-20NC x 7/8in	
102	0641609	6	Bolt 3/8in-16NC x 1 1/8in	
103		Ref	Mast Assembly (Not Shown - MAST SECTION for Breakdown)	
103	0801308	1	Mast Assembly 15DVL/15DVSP	
103	0801309	1	Mast Assembly 20DVL	
103	0801377	1	Mast Assembly 15DVSP (No Lanyard Attach Point)	
104	3311405	2	Lock Nut 1/4-20NC	
106	4711600	12	Flatwasher 3/8in Narrow	
107	4751400	8	Flatwasher 1/4in Wide	
108	4846445	2	Weldment, Counterweight	
109	0272782	2	Battery Box Assembly	
109A	4061055	2	Shield, Battery Lid	
109B	4846782	2	Box Lid	
109C	4846783	2	Battery Box	
110	0100019	AR	Loctite #421 (Not Shown)	
111	3311601	6	Nut 3/8in-16NC	
112	0100011	AR	Loctite #242 (Not Shown)	

SECTION 2 - CONTROLS

SECTION 2 - CONTROLS

FIGURE 2-1. PUMP/MOTOR/GROUND CONTROL/HORN INSTALLATIONS



SECTION 2 - CONTROLS

FIGURE 2-1. PUMP/MOTOR/GROUND CONTROL/HORN INSTALLATIONS

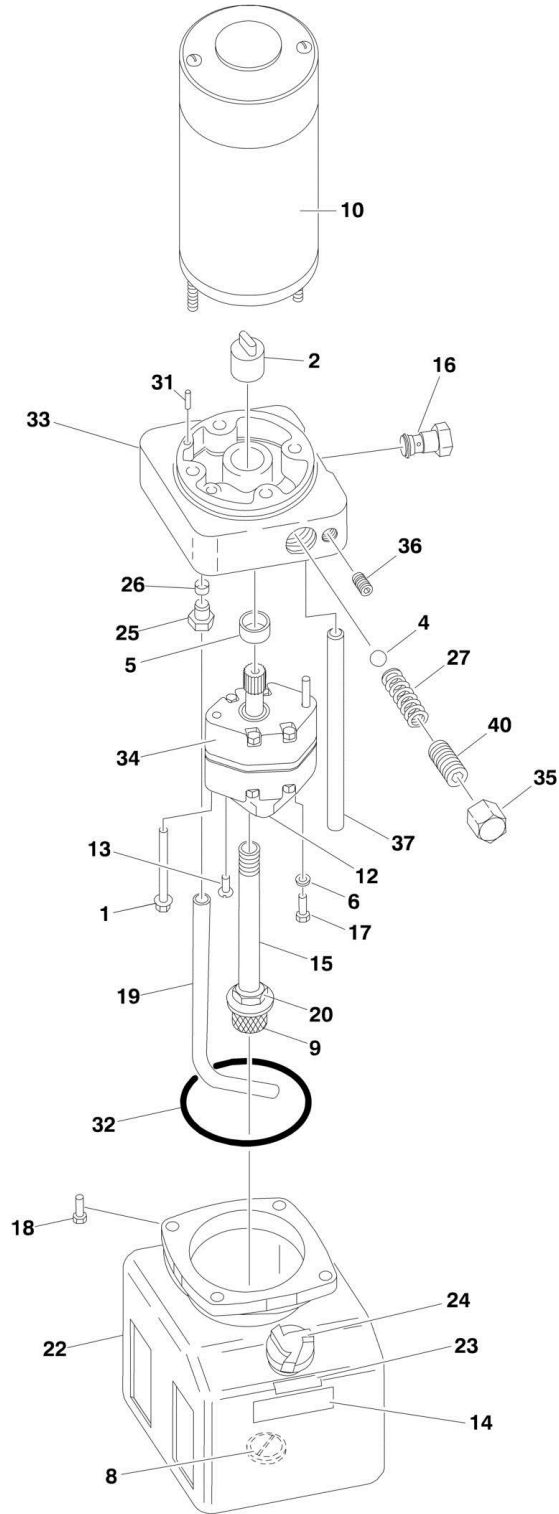
ITEM	PART NUMBER	QTY	DESCRIPTION	REV
	0271261	Ref	PUMP/MOTOR INSTALLATION	B
1	0100011	AR	Loctite #242 (Not Shown)	
2	0641606	4	Bolt 3/8in-16NC x 3/4in	
3	0741605	2	Screw, Flathead 3/8in-16NC x 5/8in	
6	3571734	1	Plate, Mounting	
7	3600326	NLA	Pump/Motor Assembly (See PUMP/MOTOR ASSEMBLY - FENNER for Breakdown) (use p/n 3600463)	
7	3600463	1	Pump/Motor Assembly (Service Replacement) (See PUMP/MOTOR ASSEMBLY - MONARCH (SERVICE REPLACEMENT) for Breakdown)	
8	4751600	4	Flatwasher 3/8in	
		Ref	GROUND CONTROL/POWER PACK INSTALLATIONS:	
	0271262	Ref	Ground Control (Standard)	B
	0272273	Ref	Ground Control (Chinese)	C
	0272271	Ref	Ground Control (Japanese)	C
	0271664	Ref	Ground Control (Keyless)	B
	0272272	Ref	Ground Control (Keyless) (Chinese/Japanese)	B
101	0140033	1	Alarm	
102	0641404	2	Bolt 1/4in-20NC x 1/2in	
103		Ref	Module, Traction Options:	
103	1600321	NLA	Module, Traction (use p/n 1600397) (Prior to SN 0130007870)	
103	1600397	1	Module, Traction (SN 0130007870 to Present)	
104		Ref	Module, Ground Control Options: (See Items 401 to 405 for breakdown)	
104	1600322	1	Module with Key (Standard)	
104	1600339	1	Module with Key (Chinese Spec)	
104	1600341	1	Module with Key (Japanese Spec)	
104	1600329	1	Module, Keyless	
104	1600340	1	Module, Keyless (Chinese/Japanese Spec)	
105	3911016	2	Screw #10-24NC	
106	3911020	2	Screw #10-24NC	
107	4711400	4	Flatwasher 1/4in Narrow	
108	4751000	AR	Flatwasher #10	
	0271982	Ref	HORN INSTALLATION	C
201	0140022	1	Horn	
202	0641404	1	Bolt 1/4in-20NC x 1/2in	
203	4711400	1	Flatwasher 1/4in Narrow	
		Ref	PROGRAMMABLE SECURITY LOCK INSTALLATION (OPTIONAL)	
	0271981	Ref	Hinged Cover	B
	0272329	Ref	Fixed Cover	B
301	See Note	1	Lock, Electronic (Note: Purchase p/n 0272181 as pre-wired service replacement)	
302		Ref	Screw Options:	
302	3911008	2	Hinged Cover	
302	3911010	2	Fixed Cover	
303	4751000	AR	Flatwasher #10	
304	3311005	2	Locknut #10-24NC (Fixed Cover Only)	
		Ref	GROUND CONTROL MODULE COMPONENTS OPTIONS:	
	1600322	Ref	Module with Key (Standard)	
	1600339	Ref	Module with Key (Chinese Spec)	

SECTION 2 - CONTROLS

ITEM	PART NUMBER	QTY	DESCRIPTION	REV
	1600341	Ref	Module with Key (Japanese Spec)	
	1600329	Ref	Module, Keyless	
	1600340	Ref	Module, Keyless (Chinese/Japanese Spec)	
401	70000087	1	Cable, P & G Software Upgrade (Not Shown)	
402	7024428	1	Switch, Emergency Stop	
403		Ref	Switch Options:	
403	7024429	1	Sealed Keyswitch Assembly (Used with Module 1600322 & 1600339)	
403	7024430	1	Selector Switch Assembly (Used with Module 1600329 & 1600340)	
403	7024591	1	Sealed Keyswitch Assembly (Used with Module 1600340)	
404		Ref	Cover Assembly Options:	
404	7024431	1	Cover Assembly w/Keyswitch (Used with Module 1600322 & 1600339)	
404	7024460	1	Cover Assembly (Used with Module 1600329 & 1600340)	
404	7024592	1	Cover Assembly w/Keyswitch (Used with Module 1600341)	
405		Ref	Key Replacement (Set of 2) Options:	
405	2860030	2	Modules - 1600322, 1600339 & 1600341	
405	Not Required	2	Modules - 1600329 & 1600340	

SECTION 2 - CONTROLS

FIGURE 2-2. PUMP/MOTOR ASSEMBLY - FENNER



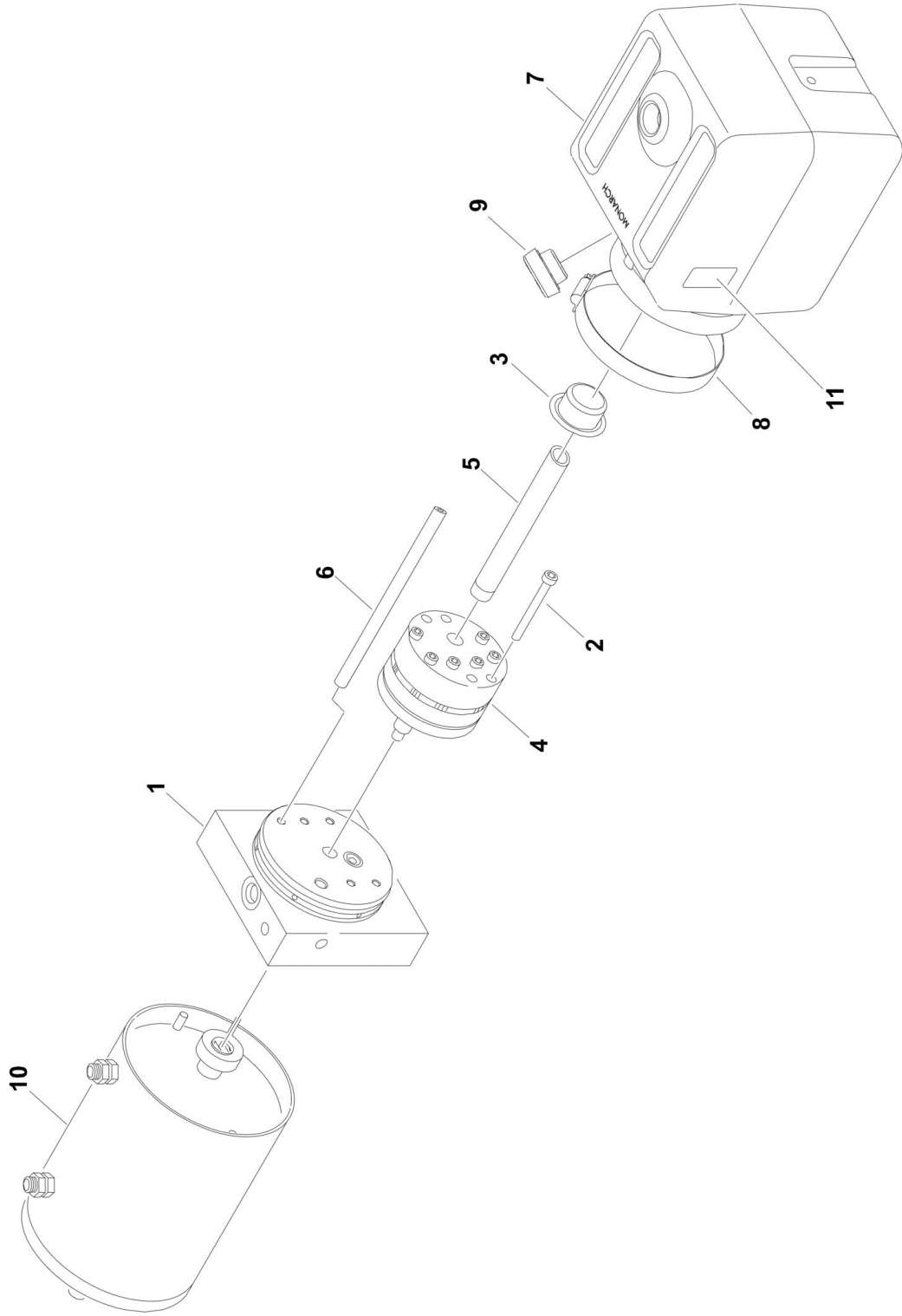
SECTION 2 - CONTROLS

FIGURE 2-2. PUMP/MOTOR ASSEMBLY - FENNER

ITEM	PART NUMBER	QTY	DESCRIPTION	REV
	3600326	Ref	PUMP/MOTOR/TANK ASSEMBLY	F
1	7013713	2	Bolt 5/16in-24NF x 2 3/4in	
2	7016735	1	Coupling	
4	7013715	1	Ball	
5	7013716	1	Seal, Shaft	
6	7013717	1	Washer	
8	7013722	1	Magnet	
9	7013723	1	Filter - 149 Micron	
10	7016710	1	Motor	
10	7016718	1	Brush Kit	
12	7013727	1	Cover	
13	7013728	2	Screw M6 x 1	
14	Not Serviced	1	Nameplate - Serial Number	
15	7016719	1	Pipe, PCV	
16	7013708	1	Valve, Check Cartridge	
17	3931516	1	Bolt, Socket Head 5/16in-18NC x 1in	
18	7016721	4	Bolt #12-24NC x 1/2in	
19	7022210	1	Tube, Return	
20	7016722	1	Nut 3/8in	
22	7016712	1	Tank, Plastic	
23	7016713	1	Decal - Tank Fill Line	
24	7016714	1	Breather	
25	7013792	1	Nut, Compression	
26	7013793	1	Sleeve, Compression	
27	7022211	1	Spring	
31	7013766	1	Pin	
32	7013743	1	O-Ring	
33	7022212	1	Endhead	
34	7016717	1	Pump Assembly	
34	7013701	1	Seal Kit - Pump	
35	7013779	1	Cap	
36	7013720	2	Plug 1/16in	
37	7016724	1	Tube	
40	7013770	1	Valve, Screw Adjustment	

SECTION 2 - CONTROLS

FIGURE 2-3. PUMP/MOTOR ASSEMBLY - MONARCH (SERVICE REPLACEMENT)



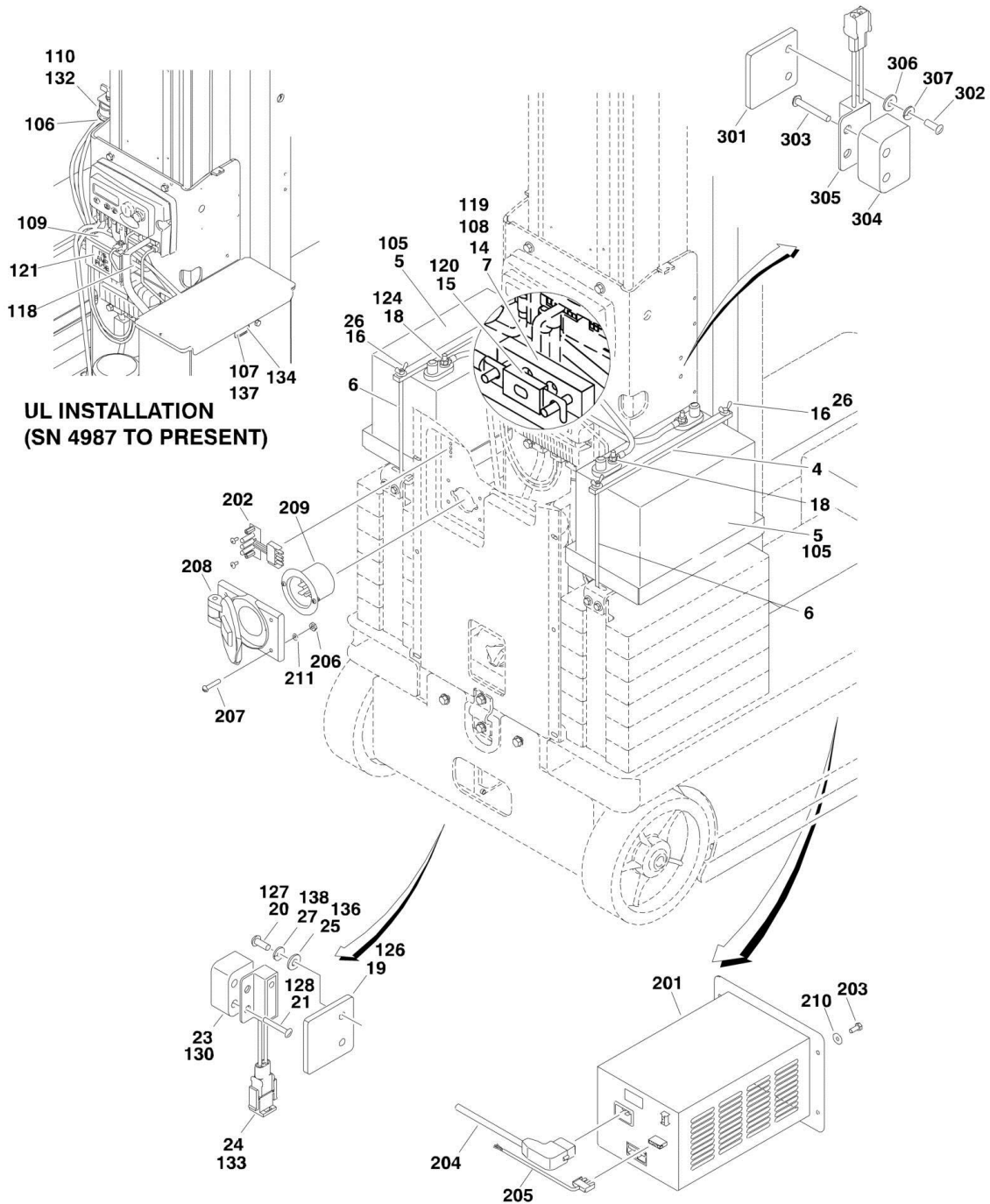
SECTION 2 - CONTROLS

FIGURE 2-3. PUMP/MOTOR ASSEMBLY - MONARCH (SERVICE REPLACEMENT)

ITEM	PART NUMBER	QTY	DESCRIPTION	REV
	3600463	Ref	PUMP/MOTOR ASSEMBLY	A
1	70001019	1	Base Assembly	
2	70001020	4	Capscrew 1/4in-20NC x 2 3/4in	
3	7026165	1	Filter	
4	70001021	1	Pump	
5	70001022	1	Tube, Suction	
6	70001023	1	Tube, Return	
7	70001024	1	Reservoir	
8	7026335	1	Clamp	
9	70001025	1	Plug	
10	70001026	1	Motor	
10	70001028	4	Brushes	
11	70001027	1	Decal - Fill Line	

SECTION 2 - CONTROLS

FIGURE 2-4. BATTERIES/CHARGER/SWITCHES INSTALLATION



SECTION 2 - CONTROLS

FIGURE 2-4. BATTERIES/CHARGER/SWITCHES INSTALLATION

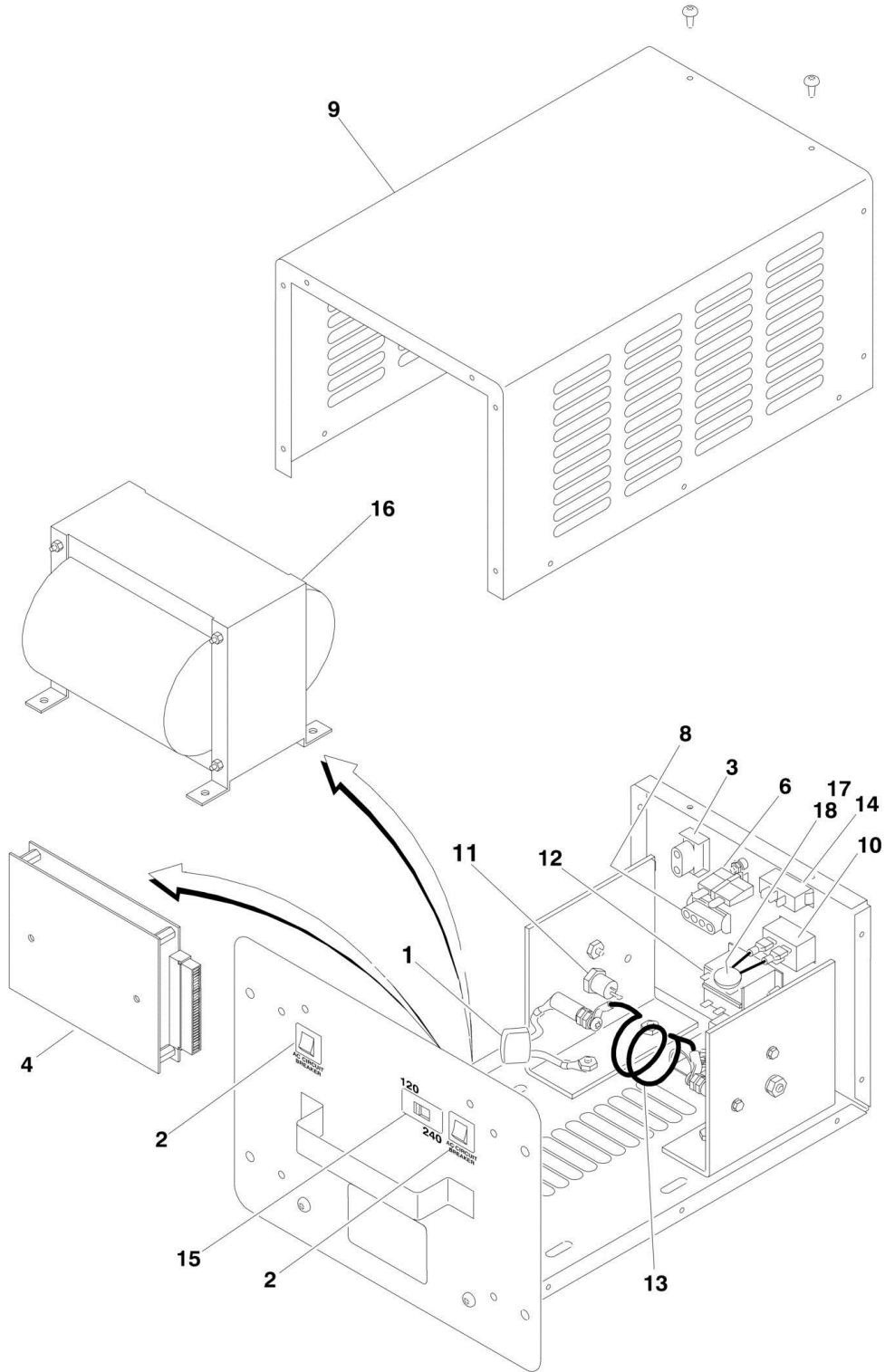
ITEM	PART NUMBER	QTY	DESCRIPTION	REV
	0271263	Ref	ELECTRICAL COMPONENTS INSTALLATION	E
1	0100035	AR	Loctite #222 (Not Shown)	
4	0362658	2	Bar, Battery Hold-down	
5	0400209	2	Battery	
6	0630552	4	Bolt	
7	0741006	2	Screw, Countersunk #10-24NC x 3/4in	
14	2400044	1	Block, Fuse Mounting	
15	2400069	1	Fuse	
16	3300202	4	Wingnut	
18	3311501	4	Nut 5/16in-18NC	
19	3572511	1	Plate, Proximity Switch Mounting	
20	3900205	2	Screw #10-24NC x 5/8in	
21	3911020	2	Screw #10-24NC x 1 1/4in	
23		Ref	Shim Options:	
23	4071043	1	Shim (Prior to SN 0130004660)	
23	4071058	1	Shim (SN 0130004660 to Present)	
24	4360514	1	Switch, Proximity	
25	4750800	2	Flatwasher #8	
26	4751400	4	Flatwasher 1/4in	
27	4761000	2	Lockwasher #10	
31	4240032	2	Tie, Wire (Not Shown)	
32	3020038	AR	Grease, Contact (Not Shown)	
33	4761500	4	Flatwasher 5/16in (Not Shown)	
	0272767	Ref	ELECTRICAL COMPONENTS INSTALLATION (U/L SPEC) (SN 0130004987 to Present)	D
101	0100035	AR	Loctite #222 (Not Shown)	
103	0100051	AR	Grease, Battery Terminal	
105	0400209	2	Battery	
106	0641406	4	Bolt, 1/4-20NC x 3/4in	
107	0641512	2	Bolt, 5/16-18NC x 1 1/2in	
108	0741006	2	Screw, Countersunk #10-24NC x 3/4in	
109	0861519	1	Box, Fuse (EE)	
110	0902889	1	Bracket, Master Switch (DVL)	
118	1705531	1	Decal, Fuse	
119	2400044	1	Block, Fuse Mounting	
120	2400069	1	Fuse	
121	2540040	2	Grommet, Rubber	
122	3020038	AR	Grease, Contact (Not Shown)	
124	3311501	4	Nut 5/16-18NC	
125	3311505	4	Locknut 5/16-18NC	
126	3572511	1	Plate, Proximity Switch Mounting	
127	3900205	2	Screw #10-24NC x 5/8in	
128	3911020	2	Screw #10-24NC x 1 1/4in	
130	4071058	1	Shim	
131	4240032	2	Tie, Wire (Not Shown)	
132	4360256	1	Switch, Master Disc.	
133	4360514	1	Switch, Proximity	
134	4568013	2	Tube, Battery Hold Down	
135	4711400	4	Flatwasher 1/4in (Not Shown)	
136	4750800	2	Flatwasher #8	

SECTION 2 - CONTROLS

ITEM	PART NUMBER	QTY	DESCRIPTION	REV
137	4751500	2	Flatwasher 5/16in	
138	4761000	2	Lockwasher #10	
142	4761500	4	Flatwasher 5/16in (Not Shown)	
		Ref	BATTERY CHARGER INSTALLATION	
	0271293	Ref	Charger with USA ANSI Spec Receptacle	C
	0271810	Ref	Charger with Locally Supplied Country Spec Receptacle	C
201	0400208	1	Battery Charger Assembly (See BATTERY CHARGER ASSEMBLY for Breakdown)	
202	0610131	1	LED Board	
203	0641405	4	Bolt 1/4in-20NC x 5/8in	
204	1060949	1	Harness	
205	1060753	1	Harness, LED Board	
206	3311001	4	Nut #10-24NC	
207	3911016	4	Screw #10-24NC x 1in	
208	4460802	1	Cover, Terminal	
209		Ref	Receptacle and Boot	
209	4460803	1	USA ANSI Spec Receptacle	
209	Not Available	0	Locally Supplied Country Spec Receptacle	
210	4751400	4	Flatwasher 1/4in	
211	4761000	4	Lockwasher #10	
	0271962	Ref	12FT LIMITER SWITCH INSTALLATION (15DVSP OPTION)	B
301	3572511	1	Plate, Proximity Switch Mounting	
302	3900205	2	Screw #10-24NC x 5/8in	
303	3911020	2	Screw #10-24NC x 1 1/4in	
304		Ref	Shim Options:	
304	4071043	1	Shim (Prior to SN 0130004670)	
304	4071058	1	Shim (SN 0130004670 to Present)	
305	4360515	1	Switch, Proximity	
306	4750800	2	Flatwasher #8	
307	4761000	2	Lockwasher #10	

SECTION 2 - CONTROLS

FIGURE 2-5. BATTERY CHARGER ASSEMBLY



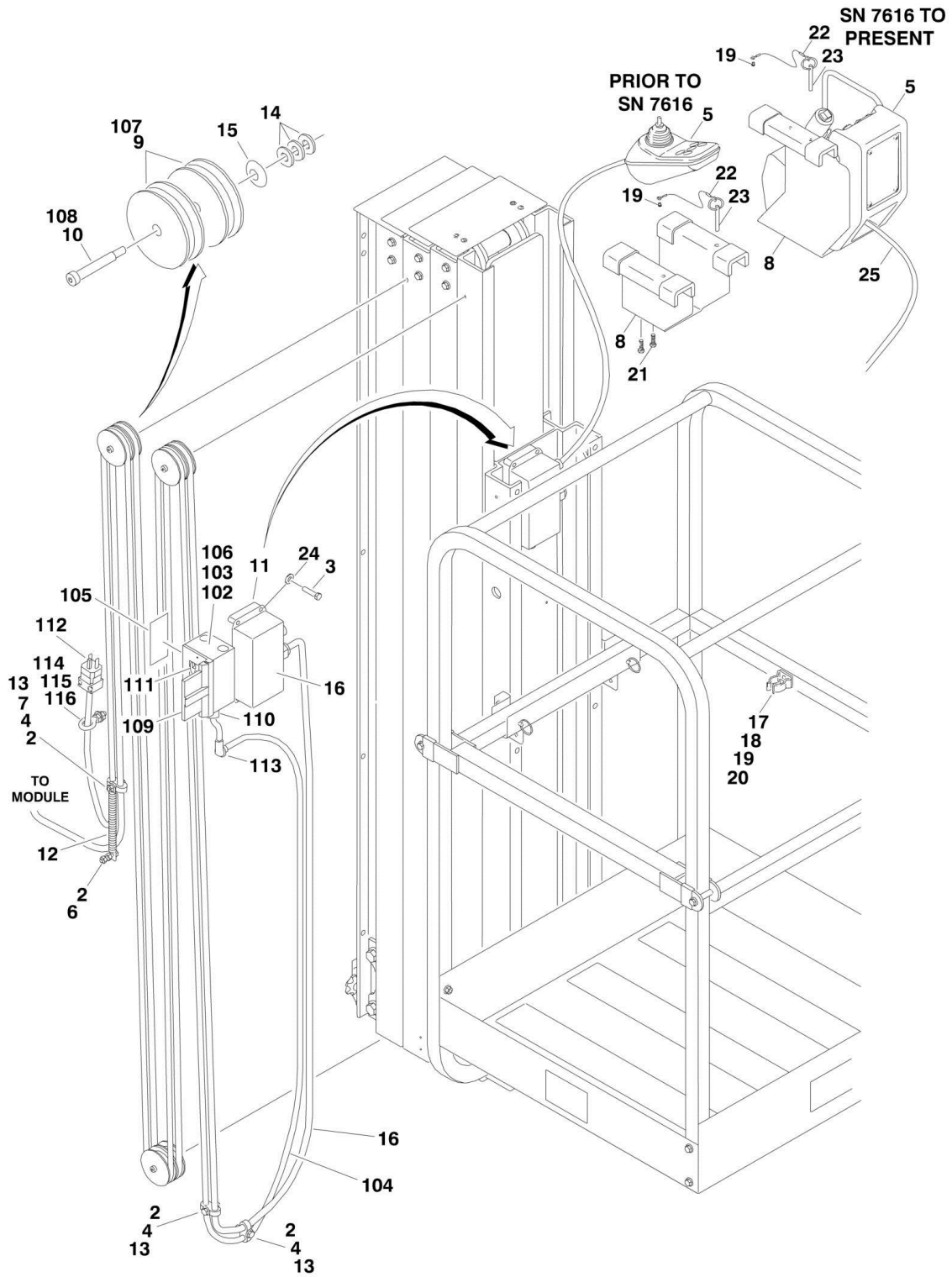
SECTION 2 - CONTROLS

FIGURE 2-5. BATTERY CHARGER ASSEMBLY

ITEM	PART NUMBER	QTY	DESCRIPTION	REV
	0400208	Ref	BATTERY CHARGER ASSEMBLY	D
1	7018577	2	Capacitor	
2	7018514	2	Breaker, Circuit - AC	
3	7011621	1	Connector - 2 Position	
4	7022926	1	Circuit, Control	
4	7022918	1	DC Harness Assembly	
5	7022942	1	Fuse Assembly (Not Shown) (SN 0130004468 to Present)	
6	7018570	1	Fuse 80 Amp	
7	7022919	1	Harness, SCR (Not Shown)	
8	7022920	1	Harness with 4 Position Connector	
9	7022921	1	Cover, Case	
10		Ref	Plug, AC Options:	
10	7020648	1	Plug, AC (Prior to SN 0130004468)	
10	7022943	1	Plug, AC (SN 0130004468 to Present)	
11	7020673	1	Rectifier, SCR	
12	7018564	1	Relay (Black)	
13		Ref	Shunt Assembly Options:	
13	7020651	1	Shunt Assembly (Prior to SN 0130004468)	
13	7020674	1	Shunt Assembly (SN 0130004468 to Present)	
14	7022922	1	Switch, 10 Amp Slide	
15	7018586	1	Switch, 12 Amp Slide	
16	7022923	1	Transformer	
17		Ref	Varistor Assembly Options:	
17	7018537	1	Varistor Assembly (Prior to SN 0130004468)	
17	7018589	1	Varistor Assembly (SN 0130004468 to Present)	
18	7020663	2	Varistor	

SECTION 2 - CONTROLS

FIGURE 2-6. PLATFORM CABLE AND CONTROLS INSTALLATION



SECTION 2 - CONTROLS

FIGURE 2-6. PLATFORM CABLE AND CONTROLS INSTALLATION

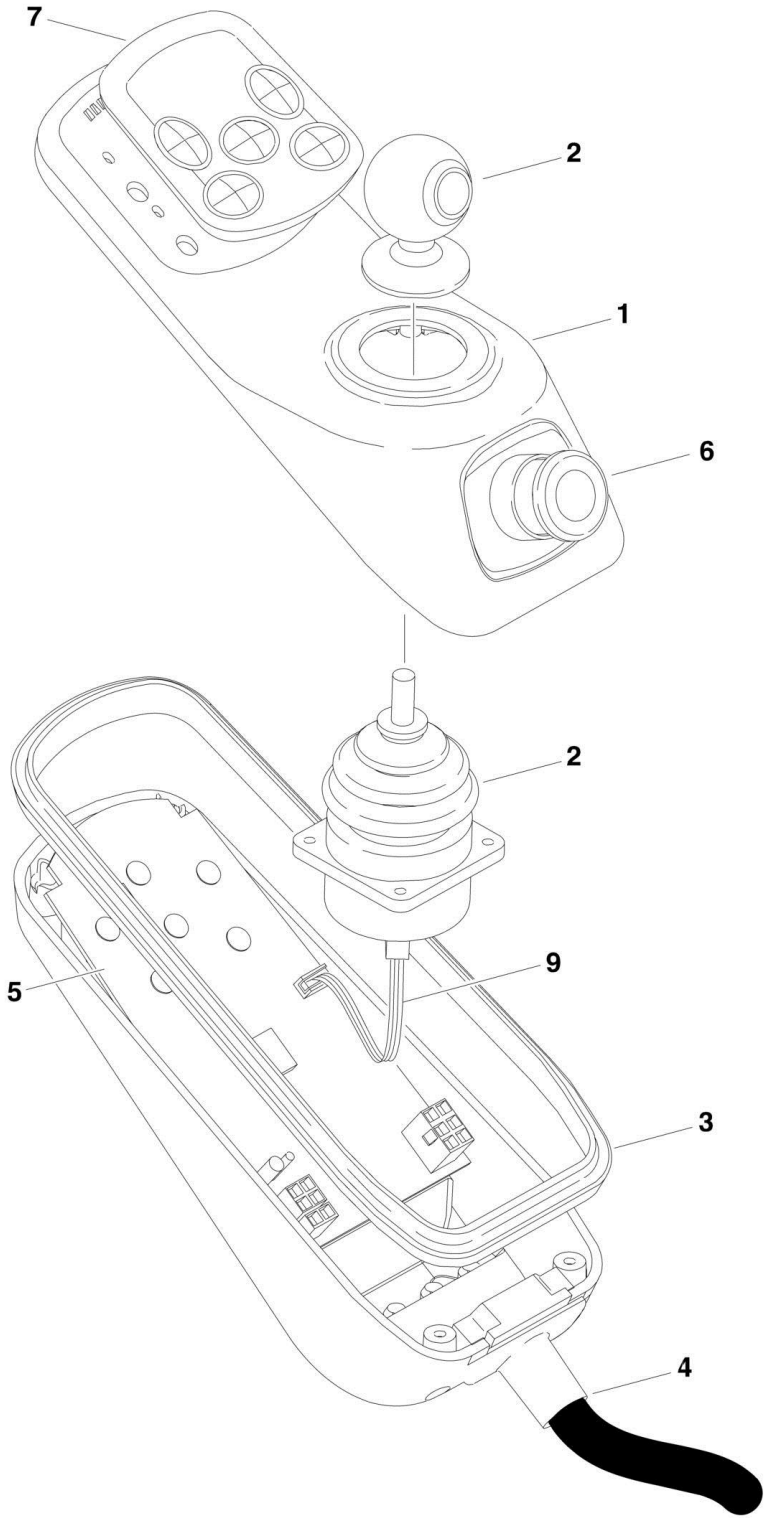
ITEM	PART NUMBER	QTY	DESCRIPTION	REV
		Ref	PLATFORM CONTROLS AND CABLES INSTALLATIONS	
	0271663	Ref	Platform Controls and Cables Installations 15DVSP/20DVSP	K
	0271273	Ref	Platform Controls and Cables Installations 15DVL/20DVL	L
1	0100011	AR	Loctite #242 (Not Shown)	
2	0641412	4	Bolt 1/4in-20NC x 1 1/2in	
3		Ref	Screw Options:	
3	0741008	4	Screw, Countersunk #10-24NC x 1in (Prior to SN 0130004257)	
3	3930816	4	Screw #8-32NC x 1in (SN 0130004257 through 0130004364)	
3	3931016	4	Screw #10-24NC x 1in (SN 0130004365 to Present)	
4	1320149	3	Clamp, Hose	
5		Ref	Controller Assembly Options:	
5	1600323	1	Controller Assembly (See CONTROLLER ASSEMBLY for Breakdown) (Prior to SN 0130007616)	
5	0861693	1	Controller Assembly (See CONTROLLER ASSEMBLY for Breakdown) (SN 0130007616 to Present)	
6	3311401	1	Nut 1/4in-20NC	
7	3311405	2	Locknut 1/4in-20NC	
8		Ref	Bracket, Joystick Options:	
8	3570680	1	Bracket, Joystick (Prior to SN 0130004173)	
8	3573546	1	Bracket, Joystick (SN 0130004173 through 0130007616)	
9		Ref	Pulley, Sheave Options:	
9	3580305	AR	Pulley, Sheave (Prior to SN 0130007127)	
9	3580344	AR	Pulley, Sheave (SN 0130007127 to Present)	
9		Ref	Pulley, Sheave 15DVSP/20DVSP	
9		Ref	Pulley, Sheave 15DVL/20DVL	
10		Ref	Screw, Shoulder Options:	
10		Ref	Screw, Shoulder 15DVSP without Accessory Receptacle Options: (See Item 108 for 15DVSP with Accessory Receptacle)	
10	3900315	3	Screw, Shoulder (Prior to SN 0130007127)	
10	3900264	3	Screw, Shoulder (SN 0130007127 through 0130007615)	
10	3900373	3	Screw, Shoulder (SN 0130007616 to Present)	
10	3900264	3	Screw, Shoulder 15DVL/20DVL	
11	4071032	2	Shim	
12	4160130	1	Spring, Extension	
13	4711400	4	Flatwasher 1/4in Narrow	
14	4751000	16	Flatwasher #10	
15	4751500	3	Flatwasher 5/16in	
16		Ref	Harness, Platform Control Options (See ELECTRICAL SECTION for Breakdown):	
16	4922559	1	Harness, Platform Control 15DVSP/20DVSP	
16	4922563	1	Harness, Platform Control 15DVL/20DVL (Prior to SN 0130005561)	
16	4922559	1	Harness, Platform Control 15DVL/20DVL (SN 0130005561 to Present)	
17	1320043	2	Clamp, Cable	
18	1380132	2	Clip, Gripper	
19	3820024	AR	Rivet, Pop	
20	4740120	2	Washer, Nylon	
21	0700507	2	Screw, Metric (Prior to SN 0130007616)	
22	1060380	1	Cable, Lanyard (SN 0130004173 to Present)	

SECTION 2 - CONTROLS

ITEM	PART NUMBER	QTY	DESCRIPTION	REV
23	3422657	1	Pin, Quick Release (SN 0130004173 to Present)	
24	4750800	4	Flatwasher #8 (Wide) (SN 0130004257 through 0130004365)	
25	4923316	1	Harness, Platform Control (SN 0130007616 to Present)	
		Ref	ACCESSORY OUTLET INSTALLATION	
	0271295	Ref	110V/120V (DVL)	B
	0271792	Ref	110V/120V (DVSP)	C
	0271296	Ref	220V/240V (DVL)	B
	0271793	Ref	220V/240V (DVSP)	C
	0272769	Ref	110V/120V (DVL) (UL INSTALLATION) (SN 0130004987 to Present)	A
	0272770	Ref	110V/120V (DVSP) (UL INSTALLATION) (SN 0130004987 to Present)	C
101	0100035	AR	Loctite #222 (Not Shown)	
102	0721006	2	Screw, Countersunk Hex #10-24NC x 3/4in	
103	0860946	1	Box, Receptacle	
104	1060948	AR	Cable, Electrical - 12/3	
105		Ref	Decal Options:	
105	3252761	2	120V	
105	3252760	2	220V - 240V	
106	3311001	2	Nut #10-24	
107		Ref	Pulley, Sheave Options:	
107	3580305	3	Pulley, Sheave 15DVSP (Prior to SN 0130007127)	
107	Not Required	0	Pulley, Sheave 20DVL	
108		Ref	Screw, Shoulder Options:	
108	3900264	3	Screw, Shoulder 15DVSP with Accessory Receptacle (Prior to SN 0130007127)	
108	Not Required	0	Screw, Shoulder 20DVL	
109		Ref	Cover, Receptacle Options:	
109	4060700	1	Cover, Receptacle 120V	
109	4060092	1	Cover, Receptacle 240V	
110	4460023	1	Connector, Strain Relief	
111		Ref	Receptacle, Female Options:	
111	4460346	1	Receptacle, Female 120V	
111	4460347	1	Receptacle, Female 120V / 15DVSP (UL Installation) (SN 0130004987 to Present)	
111	4460125	1	Receptacle, Female 240V	
112		Ref	Plug, Male Options:	
112	4460549	1	Plug, Male 120V	
112	4460205	1	Plug, Male 240V	
113	4460566	1	Connector, 90	
114	0630440	1	Bolt, Eye 1/4-20NC (SN 0130004094 to Present)	
115	3311405	1	Locknut 1/4-20NC (SN 0130004094 to Present)	
116	4711400	1	Flatwasher 1/4 (Narrow) (SN 0130004094 to Present)	

SECTION 2 - CONTROLS

FIGURE 2-7. CONTROLLER ASSEMBLY (Prior to SN 0130007616)



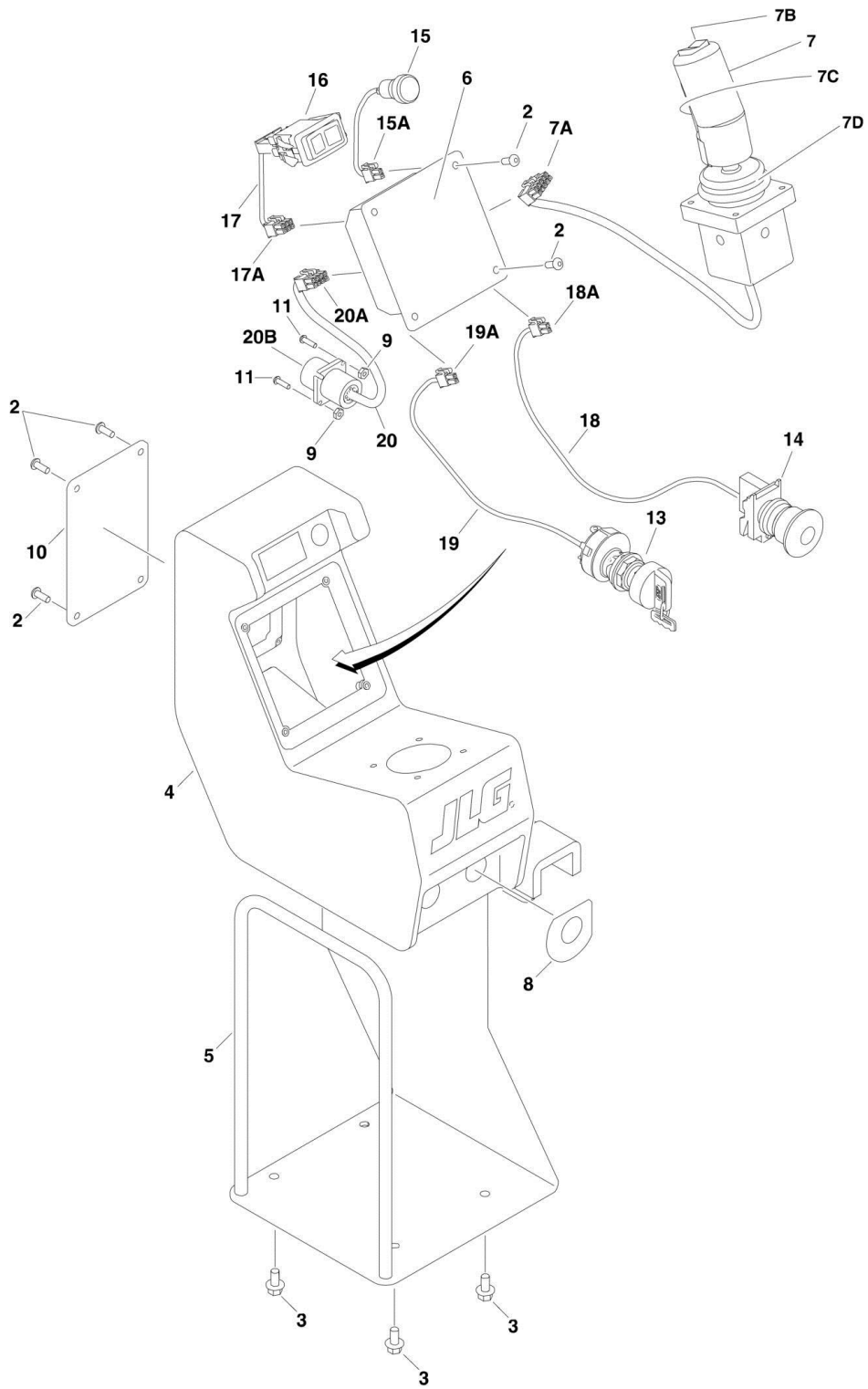
SECTION 2 - CONTROLS

FIGURE 2-7. CONTROLLER ASSEMBLY (Prior to SN 0130007616)

ITEM	PART NUMBER	QTY	DESCRIPTION	REV
	1600323	Ref	CONTROLLER ASSEMBLY	A
1	7024575	1	Case, Top (Includes Items 3 & 7)	
2	7024424	1	"Eyeball" Joystick Assembly	
3	7024425	1	Gasket	
4	7024427	1	Joystick Pigtail Cable	
5	7024426	1	Joystick PCB Assembly	
6	7024422	1	Emergency Stop Switch Assembly	
7	7024423	1	Silicone Button Keypad	
8	7024361	1	Joystick Calibration Key (Not Shown)	
9	7027302	1	Harness	
10	70000928	4	Screw (Not Shown - Holds case together)	

SECTION 2 - CONTROLS

FIGURE 2-8. CONTROLLER ASSEMBLY (SN 0130007616 to Present)



SECTION 2 - CONTROLS

FIGURE 2-8. CONTROLLER ASSEMBLY (SN 0130007616 to Present)

ITEM	PART NUMBER	QTY	DESCRIPTION	REV
	0861693	Ref	CONTROLLER ASSEMBLY	C
1	0100011	AR	Loctite #242 (Not Shown)	
2	0630464	8	Screw #10-24NC x 1/2in	
3	0791404	4	Bolt 1/4in-20NC x 1/2in	
4	0861767	1	Box, Control	
5	0903205	1	Bracket, Control Box	
6	1600378	1	Controller	
6	70003805	1	Decal - Directional Overlay	
7		Ref	Controller, Joystick Options:	
7	1600379	NLA	Controller, Joystick (Use p/n 1600454)	
7	1600454	1	Controller, Joystick (SN 0130008068 to Present)	
7A	250201	1	Connector - 10 Position	
7A	4461023	9	Socket, Female	
7B	7027764	1	Boot, Rubber (Steer Switch)	
7B	7027365	1	Actuator, Handle	
7B	70000082	2	Microswitch	
7B	7027366	1	Microswitch Harness (1600379 Controller Only)	
7B	70000684	2	Screw	
7B	70000686	2	Screw	
7B	70000683	4	Washer, Neoprene	
7B	70000685	2	Spacer	
7C	7027367	1	Switch, Push button	
7C	7027765	1	Lever, Enable	
7D		Ref	Boot, Rubber (Base of Controller) Options:	
7D	70000012	1	1600379 Controller	
7D	70000682	1	1600454 Controller	
7D	7027766	1	Ring, Retaining	
8	1706007	1	Decal - E-Stop	
9	3310601	4	Nut #6-32NC	
10	3380540	1	Panel, Control Box	
11	3910608	4	Screw #6-32NC x 1/2in	
12	3910804	2	Screw #8-32NC x 1/4in	
13	4360467	1	Switch, Key	
13	2860030	1	Key, Replacement (Set of 2)	
14	4360562	1	Switch, Emergency Stop	
15	4360567	1	Switch, Horn (Includes Harness)	
15A	Not Available	1	Connector - 2 Position (Molex MiniFit Jr. P/N 39-01-3022)	
15A	4461023	2	Socket, Female	
16	4360581	1	Switch, Rocker	
17	4923106	1	Harness, Drive and Lift Select	
17A	250200	1	Connector - 6 Position	
17A	4461023	3	Socket, Female	
18	4923107	1	Harness, Emergency Stop	
18A	Not Available	1	Connector - 2 Position (Molex MiniFit Jr. P/N 39-01-3022)	
18A	4461023	2	Socket, Female	
19	4923108	1	Harness, Key Switch	
19A	Not Available	1	Connector - 2 Position (Molex MiniFit Jr. P/N 39-01-3022)	
19A	4461023	2	Socket, Female	
19A	4923315	1	Harness, Power	
20	4461041	1	Connector - 8 Position	

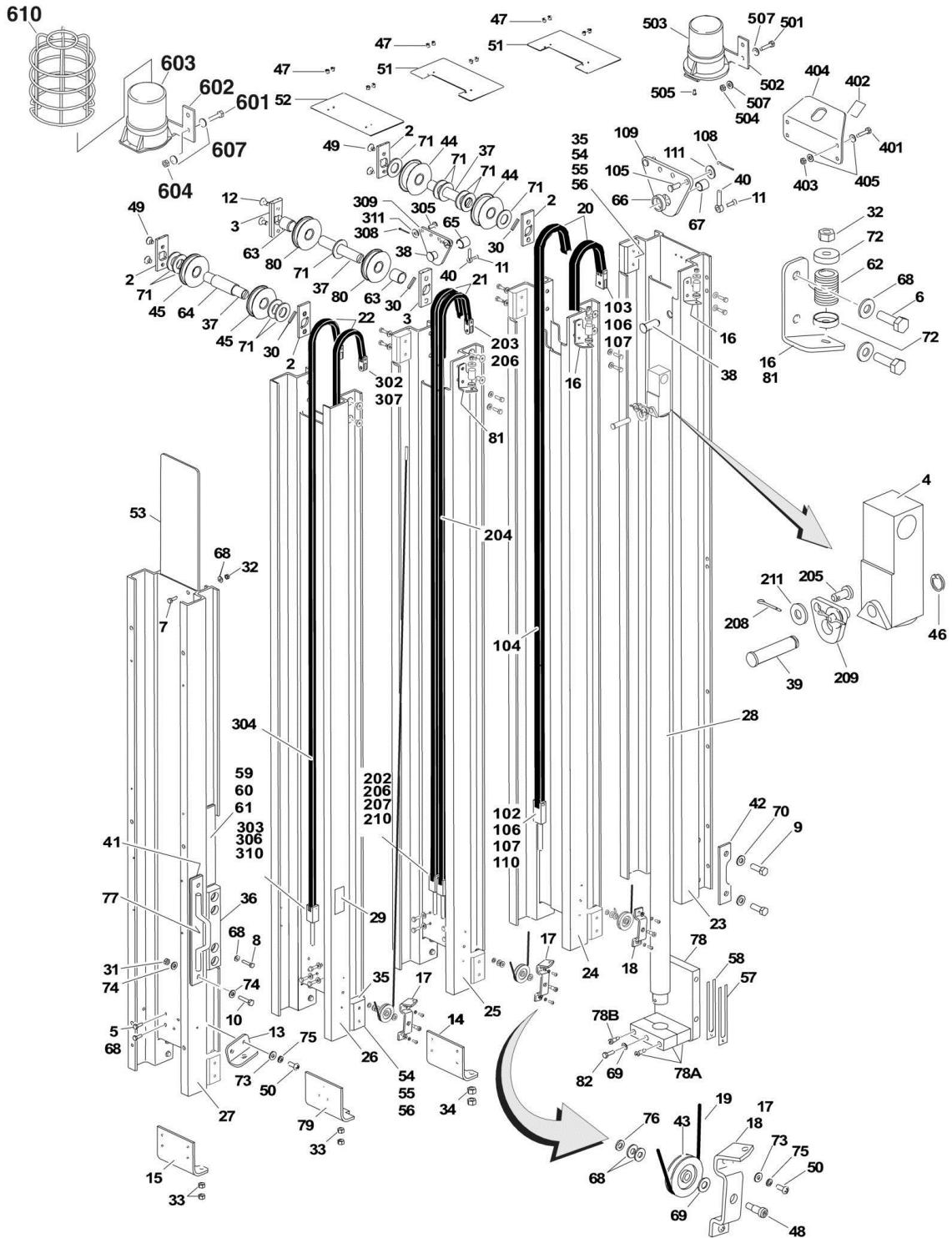
SECTION 2 - CONTROLS

ITEM	PART NUMBER	QTY	DESCRIPTION	REV
20A	4461023	6	Socket, Female	
20A	70001798	1	Connector, Female - 9 Position (Clipper CL1M2102)	
20B	70001799	6	Pin, Male (Clipper CM16PC10MQ)	

SECTION 3 - MAST

SECTION 3 - MAST

FIGURE 3-1. MAST ASSEMBLY



SECTION 3 - MAST

FIGURE 3-1. MAST ASSEMBLY

ITEM	PART NUMBER	QTY	DESCRIPTION	REV
		Ref	MAST ASSEMBLY	
	0801308	Ref	Mast Assembly 15DVL/15DVSP	H
	0801309	Ref	Mast Assembly 20DVL/20DVSP	H
	0801377	Ref	Mast Assembly 15DVSP (No Lanyard Attach Point)	A
	0801376	Ref	Mast Assembly 20DVSP (No Lanyard Attach Point)	A
1	0100011	AR	Loctite #242 (Not Shown)	
2	0362735	4	Bar, Sheave Pin Support	
3	0362736	2	Bar, Sheave Pin Support	
4	0561341	1	Block, Chain Anchor	
5	0641406	33	Bolt 1/4in-20NC x 3/4in	
6	0641407	6	Bolt 1/4in-20NC x 7/8in	
7	0641408	3	Bolt 1/4in-20NC x 1in	
8	0641410	8	Bolt 1/4in-20NC x 1 1/4in	
9	0641812	4	Bolt 1/2in-13NC x 1 1/2in	
10		Ref	Bolt 1/2in-13NC x 1 1/2in (Grade 8) Options:	
10	0681812	2	Standard Mast	
10	Not Required	0	Mast with No Lanyard Attach Point	
11	0741006	2	Screw #10-24NC x 3/4in	
12	0741606	4	Screw 3/8in-16NC x 3/4in	
13	0902047	1	Bracket, Sequence Cable	
14	0902422	1	Bracket, Bottom Chain Attach	
15	0902424	1	Bracket, Bottom Chain Attach	
16	0902431	2	Bracket, Sequence Cable	
17	0902445	2	Bracket, Sequence Cable	
18	0902698	1	Bracket, Sequence Cable	
19	1060920	3	Cable, Sequence	
20	1260368	1	Chain Assy - #544 (See Items 101-111 for Breakdown)	
21	1260371	1	Chain Assy - #534 (See Items 201-211 for Breakdown)	
22	1260370	1	Chain Assy - #444 (See Items 301-311 for Breakdown)	
23	1271486	1	Channel, Mast #1	
24	1271487	1	Channel, Mast #2	
25	1271488	1	Channel, Mast #3	
26	1271489	1	Channel, Mast #4	
27		Ref	Channel, Mast Header Options:	
27	1271490	1	Channel, Mast Header 15DVSP/15DVL	
27	1271493	1	Channel, Mast Header 20DVSP/20DVL	
28		Ref	Lift Cylinder Assy Options (See CYLINDER SECTION for Breakdown)	
28		Ref	Lift Cylinder Assy 15DVSP/15DVL	
28	1684143	1	Lift Cylinder Assy (Prior to SN 0130004516)	
28	1684234	1	Lift Cylinder Assy (SN 0130004516 to Present)	
28		Ref	Lift Cylinder Assy 20DVSP/20DVL	
28	1684144	1	Lift Cylinder Assy (Prior to SN 0130004516)	
28	1684233	1	Lift Cylinder Assy (SN 0130004516 to Present)	
29	1704277	1	Decal - Lanyard Attach	
30	2880310	3	Key	
31		Ref	Nut 1/2in-13NC (Grade 8) Options:	
31	3271805	2	Standard Mast	
31	Not Required	0	Mast with No Lanyard Attach Point	
32	3311401	6	Nut 1/4in-20NC	

SECTION 3 - MAST

ITEM	PART NUMBER	QTY	DESCRIPTION	REV
33	3311601	8	Nut 3/8in-16 NC	
34	3311801	4	Nut 1/2in-13NC	
35	3340845	14	Pad, Slide Guide	
36	3340858	2	Pad, Slide Guide	
37	3422717	3	Pin, Sheave	
38	3422750	2	Pin, Chain Equalizer	
39	3422752	1	Pin, Chain Equalizer	
40	3422757	2	Pin, Keeper	
41		Ref	Plate, Safety Attach Backing Options:	
41	3539814	1	Standard Mast	
41	Not Required	0	Mast with No Lanyard Attach Point	
42	3570893	1	Plate, Cylinder Mounting	
43	3580269	3	Sheave, Sequence Cable	
44	3580286	2	Sheave Assembly	
44	0440246	2	Bearing (1 Per Assembly)	
45	3580293	2	Sheave Assembly	
45	0440249	2	Bearing (1 Per Assembly)	
46	3760383	1	Ring, Retaining	
47	3820034	12	Rivet	
48	3900187	3	Screw, Shoulder	
49	3900192	8	Screw 3/8in-16NC x 1/2in	
50	3900205	8	Bolt #10-24NC x 5/8in	
51	4060960	2	Shield, Mast Cover	
52	4060961	1	Shield, Mast Cover	
53	4061034	1	Shield	
54	4070860	AR	Shim, Slide Pad	
55	4070861	AR	Shim, Slide Pad	
56	4070862	AR	Shim, Slide Pad	
57	4070970	2	Shim, Cylinder Mount	
58	4070971	4	Shim, Cylinder Mount	
59	4070988	2	Shim, Slide Pad	
60	4070989	2	Shim, Slide Pad	
61	4070990	2	Shim, Slide Pad	
62	4160124	3	Spring	
63	4567489	2	Tube, Spacer	
64	4567492	1	Tube, Spacer	
65	4567749	1	Tube, Spacer	
66	4567750	1	Tube, Spacer	
67	4567751	1	Tube, Spacer	
68	4711400	59	Flatwasher 1/4in Narrow	
69	4711500	4	Flatwasher 5/16in Narrow	
70	4711800	4	Flatwasher 1/2in Narrow	
71	4740007	11	Washer, Thrust	
72	4740414	6	Washer, Cup	
73	4750800	8	Flatwasher #8 Wide	
74		Ref	Flatwasher 1/2in Wide Options:	
74	4751800	4	Standard Mast	
74	Not Required	0	Mast with No Lanyard Attach Point	
75	4761000	8	Lockwasher #10	
76	4761400	3	Lockwasher 1/4in	
77		Ref	Attachment, Safety Options:	

SECTION 3 - MAST

ITEM	PART NUMBER	QTY	DESCRIPTION	REV
77	4845345	1	Standard Mast	
77	Not Required	0	Mast with No Lanyard Attach Point	
78	4846514	1	Mount, Cylinder	
78A	3572847	1	Mount Assembly	
78B	3900163	2	Screw, Socket Head 3/8in-16NC x 2in	
79	4846481	1	Bracket, Bottom Chain Attach	
80	3580291	2	Sheave Assembly	
80	0440248	2	Bearing (1 Per Assembly)	
81	0902775	1	Bracket, Sequence Cable	
82	0641508	1	Bolt 5/16in-18NC x 1in	
83	3020041	AR	Lube, Dry (Not Shown)	
		Ref	Mast Kit Options (Includes Items 23-27):	
	0271822	1	Mast Kit 15DVL/15DVSP	
	0271821	1	Mast Kit 20DVL/20DVSP	
	1260368	Rev.	CHAIN ASSEMBLY - #544 CHAIN	B
101	0100062	AR	Loctite #RC/640 (Not Shown)	
102	0561308	2	Block, Chain Anchor	
103	0561336	2	Block, Chain Anchor	
104	Purchased Assy	AR	Chain	
105	3422338	2	Pin, Equalizer	
106	3422720	4	Pin, Chain Anchor	
107	3450202	8	Pin, Cotter	
108	3450304	2	Pin, Cotter	
109	3571101	1	Plate, Chain Adjustment	
110	4300129	2	Stud	
111	4751500	2	Flatwasher 5/16in	
	1260371	Rev.	CHAIN ASSEMBLY - #534 CHAIN	A
201	0100062	AR	Loctite #RC/640 (Not Shown)	
202	0561309	2	Block, Chain Anchor	
203	0561337	2	Block, Chain Anchor	
204	Purchased Assy	AR	Chain	
205	3422338	2	Pin, Equalizer	
206	3422722	4	Pin, Chain Anchor	
207	3450202	4	Pin, Cotter	
208	3450304	2	Pin, Cotter	
209	3571103	1	Plate, Chain Adjustment	
210	4300111	2	Stud	
211	4751500	2	Flatwasher 5/16in	
	1260370	Rev.	CHAIN ASSEMBLY - #444 CHAIN	B
301	0100062	AR	Loctite #RC/640 (Not Shown)	
302	0561149	2	Block, Chain Anchor	
303	0561408	2	Block, Chain Anchor	
304	Purchased Assy	AR	Chain	
305	3422338	2	Pin, Equalizer	
306	3422346	2	Pin, Grooved	
307	3422355	2	Pin	
308	3450304	2	Pin, Cotter	
309	3571101	1	Plate, Chain Adjustment	
310	4300111	2	Stud	
311	4751500	2	Flatwasher 5/16in	
	0271297	Ref	CRANE HOOK INSTALLATION (OPTIONAL)	A

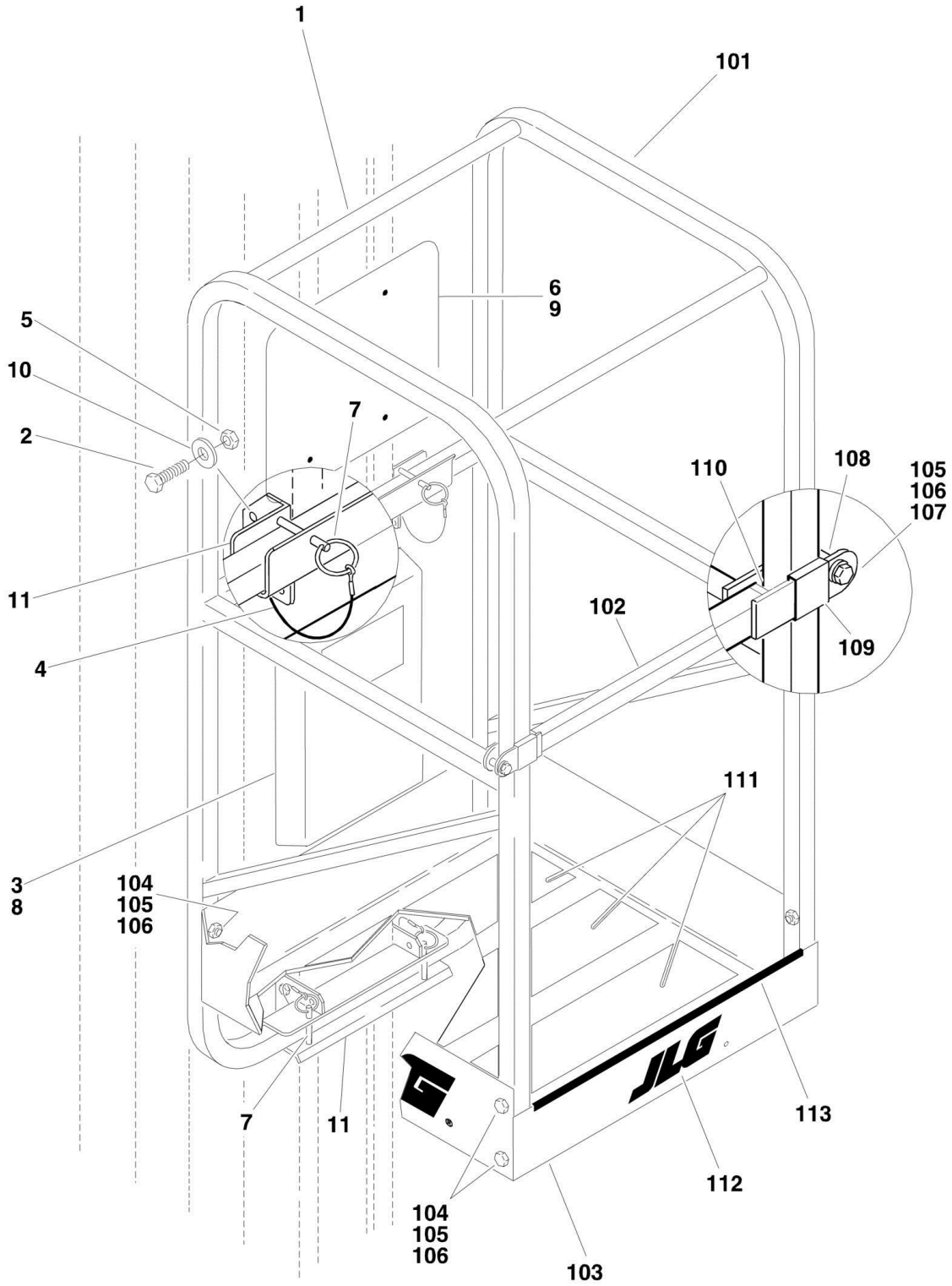
SECTION 3 - MAST

ITEM	PART NUMBER	QTY	DESCRIPTION	REV
401	0641612	4	Bolt 3/8in-16NC x 1 1/2in	
402	1703455	1	Decal - Crane Hook	
403	3311605	4	Locknut 3/8in-16NC	
404	3570976	1	Plate, Crane Hook	
405	4711600	8	Flatwasher 3/8inNarrow	
	0271947	Ref	BEACON LIGHT INSTALLATION (OPTIONAL)	B
501	0641607	2	Bolt 3/8in-16NC x 7/8in	
502	0902297	1	Bracket	
503	2920156	1	Light, Beacon	
503	Not Available	1	Bulb, Replacement	
504	3311605	2	Locknut 3/8in-16NC	
505	3820032	2	Rivet	
506	4240032	3	Tie-Strap	
507	4711600	4	Flatwasher 3/8inNarrow	
	0272771	Ref	UL BEACON LIGHT INSTALLATION (OPTIONAL) (SN 0130004987 to Present)	A
601	0641607	2	Bolt 3/8in-16NC x 7/8in	
602	0902297	1	Bracket	
603	2920160	1	Light, Beacon	
603	Not Available	1	Bulb, Replacement	
604	3311605	2	Locknut 3/8in-16NC	
606	4240032	3	Tie-Strap	
607	4711600	4	Flatwasher 3/8inNarrow	
608	0721006	2	Screw #10-24NC x 3/4in (Not Shown)	
609	3311005	2	Locknut #10-24NC (Not Shown)	
610	4060865	1	Guard, Strobe	
611	4751000	2	Flatwasher (Not Shown)	

SECTION 4 - PLATFORM

SECTION 4 - PLATFORM

FIGURE 4-1. PLATFORM WITH FRONT SLIDE BAR ENTRY (15DVL/20DVL)



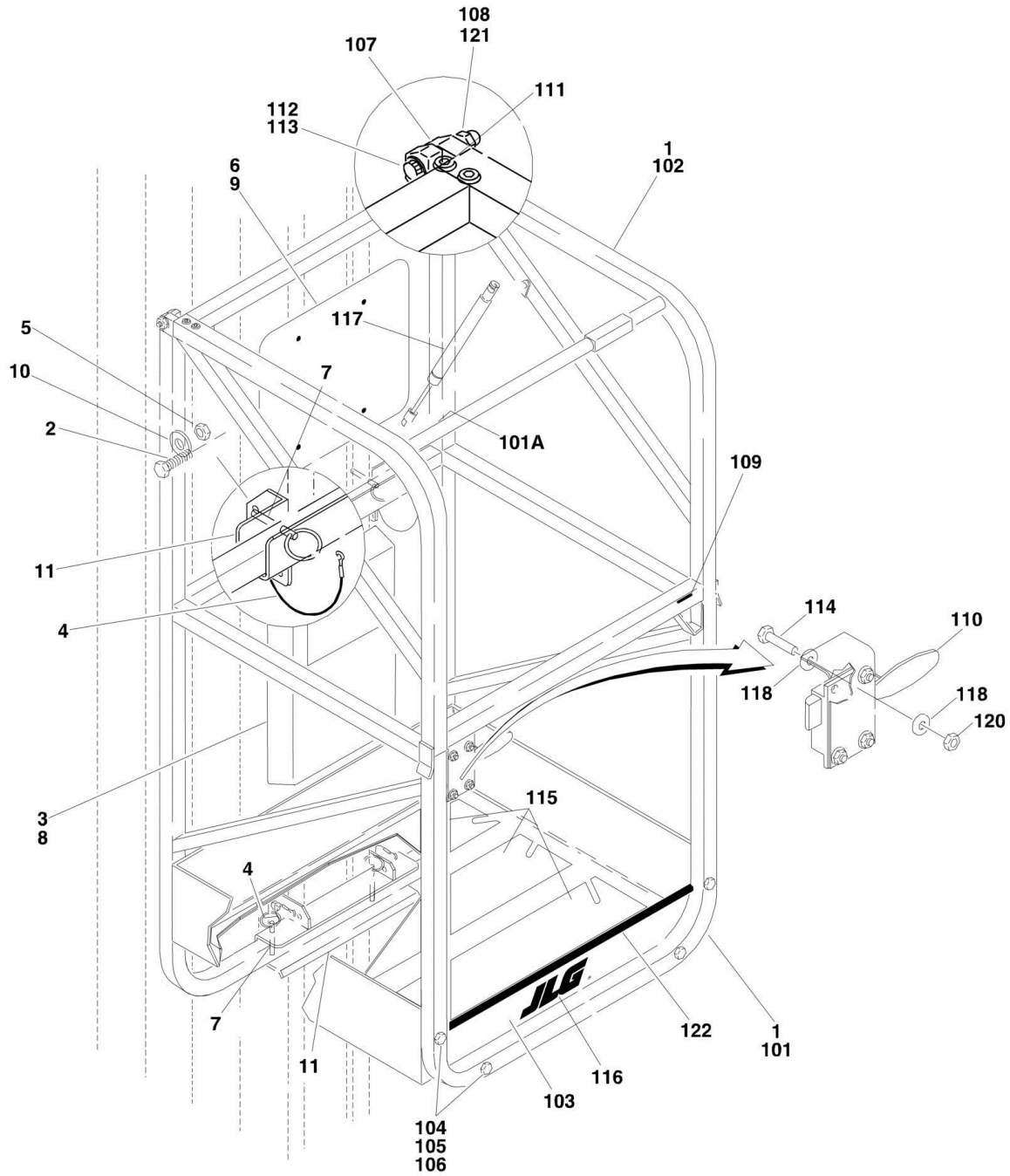
SECTION 4 - PLATFORM

FIGURE 4-1. PLATFORM WITH FRONT SLIDE BAR ENTRY (15DVL/20DVL)

ITEM	PART NUMBER	QTY	DESCRIPTION	REV
		Ref	PLATFORM INSTALLATION OPTIONS:	
	0271266	Ref	Platform Installation 20DVL with 26in x 26in (66cm x 66cm)	B
1	0257711	1	Platform Assembly (See Items 101-113 for Breakdown)	
2	0641408	8	Bolt 1/4in-20NC x 1in	
3	0860520	1	Box, Manual Storage	
4	1060380	4	Cable, Lanyard	
5	3311405	8	Locknut 1/4in-20NC	
6	3380466	1	Panel, Control	
7	3422657	4	Pin, Quick Release	
8	3820024	4	Rivet	
9	3820032	4	Rivet	
10	4711400	16	Flatwasher 1/4in Narrow	
11	4846021	2	Weldment, Platform Mount	
	0257711	Ref	PLATFORM ASSEMBLY	6-D
		Ref	(Note: Mast Mounted Lower Anchor Point (4845345) installation is required should a Quick Change Platform be installed in place of the standard Platform)	
		Ref	Note: Replacement Decals Must be Ordered Separately - See DECALS SECTION.	
101	4845577	1	Rail	
102	4845797	1	Weldment, Gate	
103	3570435	1	Plate, Platform Pan	
104	0641414	8	Bolt 1/4in-20NC x 1 3/4in	
105	4711400	20	Flatwasher 1/4in (Narrow)	
106	3311405	10	Locknut 1/4in-20NC	
107	0641418	2	Bolt 1/4in-20NC x 2 1/4in	
108	0961845	2	Bushing	
109	4280296	1.5 ft/0.5m	Tape	
110	3520169	2	Cap-Plug	
111	4420039	6 ft/1.8m	Tape, Non Skid	
112		Ref	Decal - JLG Options:	
112	1701612	3	Decal - JLG (Prior to SN 0130005035)	
112	1703681	3	Decal - JLG (SN 0130005035 to Present)	
113	4060803	2 ft/0.60m	Shield, Flex-Trim	

SECTION 4 - PLATFORM

FIGURE 4-2. PLATFORM WITH GULLWING GATE (15DVL/20DVL)



SECTION 4 - PLATFORM

FIGURE 4-2. PLATFORM WITH GULLWING GATE (15DVL/20DVL)

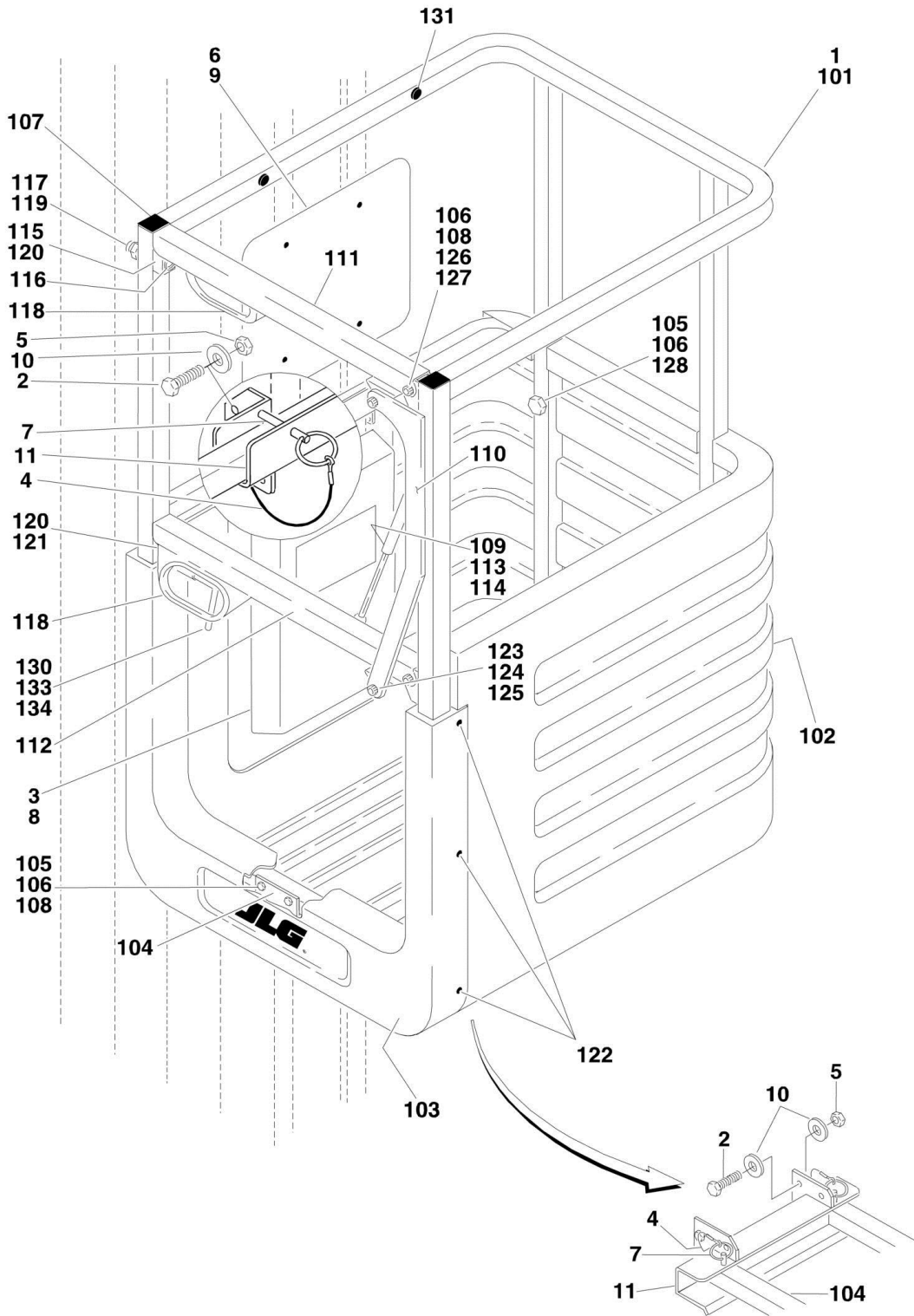
ITEM	PART NUMBER	QTY	DESCRIPTION	REV
		Ref	PLATFORM INSTALLATION OPTIONS:	
	0271268	Ref	Platform Installation 20DVL with 25in x 22in (63.5cm x 56cm)	B
	0271267	Ref	Platform Installation 20DVL with 26in x 28in (66cm x 71cm)	B
1		Ref	Platform Assembly (See Items 101-122 for Breakdown)	
1	0258587	1	Platform Assembly 25in X 22in (63.5cm x 56cm)	
1	0258588	1	Platform Assembly 26in X 28in (66cm x 71cm)	
2	0641408	8	Bolt 1/4in-20NC x 1in	
3	0860520	1	Box, Manual Storage	
4	1060380	4	Cable, Lanyard	
5	3311405	8	Locknut 1/4in-20NC	
6	3380466	1	Panel, Control	
7	3422657	4	Pin, Quick Release	
8	3820024	4	Rivet	
9	3820032	4	Rivet	
10	4711400	16	Flatwasher 1/4in Narrow	
11	4846021	2	Weldment, Platform Mount	
		Ref	PLATFORM ASSEMBLY	
	0258587	Ref	25in X 22in (63.5cm x 56cm)	4-D
	0258588	Ref	26in X 28in (66cm x 71cm)	5-D
		Ref	(Note: Mast Mounted Lower Anchor Point (4845345) installation is required should a Quick Change Platform be installed in place of the standard Platform)	
		Ref	Note: Replacement Decals Must be Ordered Separately - See DECALS SECTION.	
101		Ref	Weldment, Platform Rail Options:	
101	4845809	1	25in X 22in (63.5cm x 56cm)	
101	4845808	1	26in X 28in (66cm x 71cm)	
101A	0902877	1	Bracket, Gas Shock Mount	
102		Ref	Weldment, Gullwing Gate Options:	
102	4845805	1	25in X 22in (63.5cm x 56cm)	
102	4845813	1	26in X 28in (66cm x 71cm)	
103		Ref	Plate, Platform Pan Options:	
103	3570464	1	25in X 22in (63.5cm x 56cm)	
103	3570462	1	26in X 28in (66cm x 71cm)	
104	0641414	8	Bolt 1/4in-20NC x 1 3/4in	
105	4711400	16	Flatwasher 1/4in (Narrow)	
106	3311405	8	Locknut 1/4in-20NC	
107	2600225	4	Hinge, Gate	
108	3311505	2	Locknut 5/16in-18NC	
109	3520072	4	Cap-Plug	
110	2940074	1	Latch	
111	3900258	8	Screw, Button Head 1/4in-20NC x 3/4in	
112	3900032	2	Bolt, Shoulder	
113	4711600	AR	Flatwasher 3/8in (Narrow)	
114	0721006	4	Bolt 1/4in-20NC x 3/4in	
115	4420039	AR	Tape, Non Skid	
116		Ref	Decal - JLG Options:	
116	1701612	3	Decal - JLG (Prior to SN 0130005035)	
116	1703681	3	Decal - JLG (SN 0130005035 to Present)	
117	4160165	1	Spring, Gas Shock	

SECTION 4 - PLATFORM

ITEM	PART NUMBER	QTY	DESCRIPTION	REV
118	4751000	8	Flatwasher #10	
120	3311005	4	Locknut #10-24NC	
121	3300356	2	Nut, Acorn 5/16in-18NC	
122	4060803	AR	Shield, Flex-Trim	

SECTION 4 - PLATFORM

FIGURE 4-3. PLATFORM WITH MOLDED SIDES (DVL AND DVSP)



SECTION 4 - PLATFORM

FIGURE 4-3. PLATFORM WITH MOLDED SIDES (DVL AND DVSP)

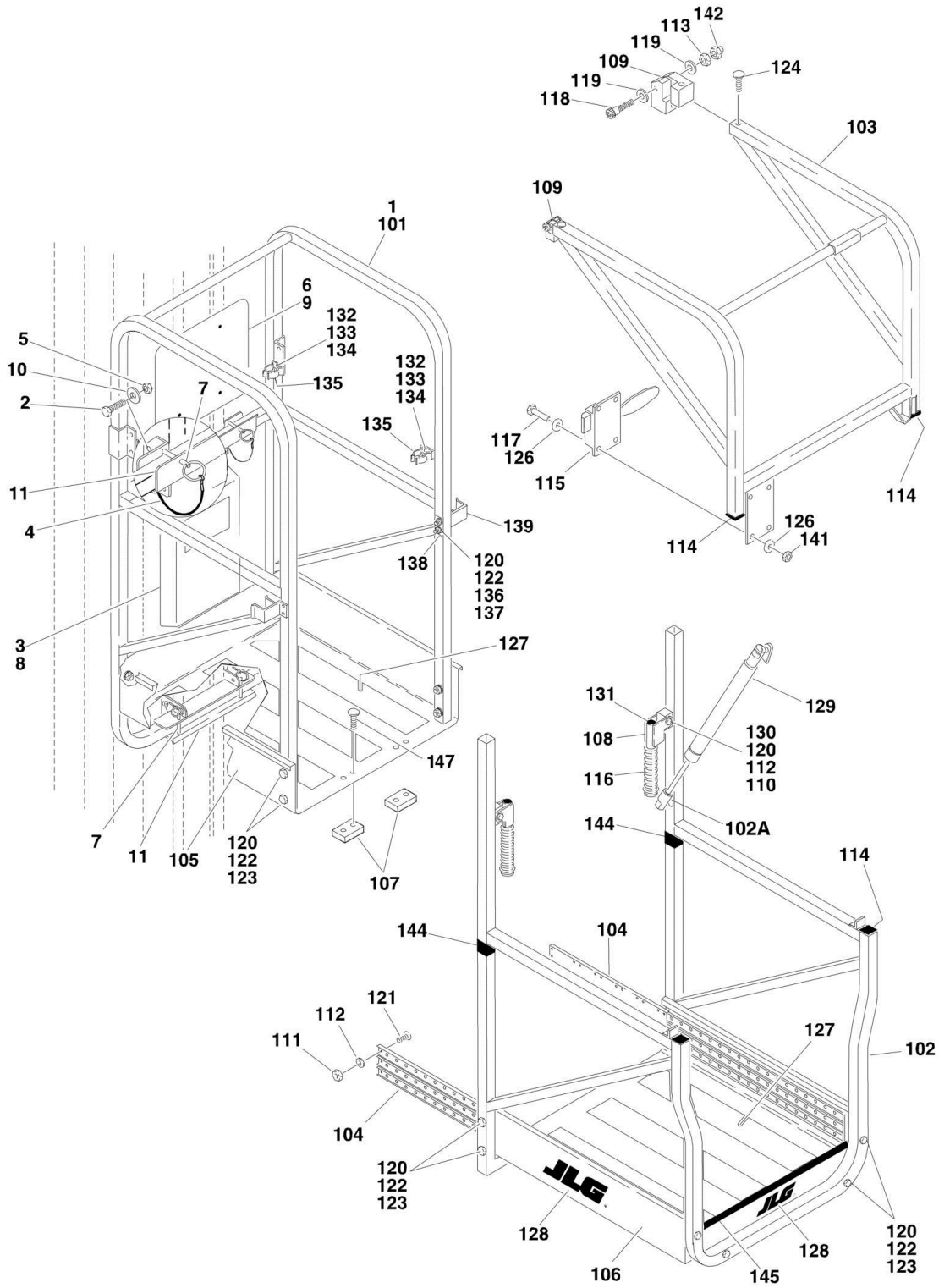
ITEM	PART NUMBER	QTY	DESCRIPTION	REV
		Ref	PLATFORM INSTALLATION OPTIONS:	
	0271269	Ref	25in x 26in (63.5cm x 66cm)	B
1	0258672	1	Platform Assembly (See Items 101-134 for Breakdown)	
2	0641408	8	Bolt 1/4in-20NC x 1in	
3	0860520	1	Box, Manual Storage	
4	1060380	4	Cable, Lanyard	
5	3311405	8	Locknut 1/4in-20NC	
6	3380466	1	Panel, Control	
7	3422657	4	Pin, Quick Release	
8	3820024	4	Rivet	
9	3820032	4	Rivet	
10	4711400	16	Flatwasher 1/4in Narrow	
11	4845821	2	Weldment, Platform Mount	
	0258672	Ref	PLATFORM ASSEMBLY	3-B
		Ref	(Note: Mast Mounted Lower Anchor Point (4845345) installation is required should a Quick Change Platform be installed in place of the standard Platform)	
		Ref	Note: Replacement Decals Must be Ordered Separately - See DECALS SECTION.	
101	4845822	1	Rail	
102	3510676	1	Basket	
103	4060882	1	Cover	
104	4845831	1	Weldment, Bottom Mount	
105	0641416	10	Bolt 1/4in-20NC x 2in	
106	4751400	22	Flatwasher 1/4in	
107	3520072	4	Cap	
108	3311405	12	Locknut 1/4in-20NC	
109	4160125	1	Spring, Gas	
110	0362347	1	Link, Gate	
111	3640924	1	Rail, Gate (Top)	
112	3640990	1	Rail, Gate (Bottom)	
113	4711500	1	Flatwasher 5/16in	
114	3311505	1	Locknut 5/16in-18NC	
115	3340746	1	Pad, Gate Rest	
116	3911032	4	Screw, Machine #10-24NC x 2in	
117	4751000	8	Flatwasher #10	
118	4060804	2 ft/0.6m	Flex-Trim	
119	3311001	4	Nut #10-24NC	
120	4070890	2	Shim, Gate Stop	
121	3340754	1	Pad, Gate Latch	
122	3900177	6	Screw, Plastite	
123	3900202	2	Bolt, Shoulder	
124	4740429	4	Washer, Nylon	
125	3311005	2	Locknut #10-24NC	
126	3900203	2	Bolt, Shoulder	
127	4740428	4	Washer, Nylon	
128	3300151	2	Nut, Acorn 1/4in-20NC	
129	0100011	AR	Loctite #242 (Not Shown)	
130	2940082	1	Latch, Gate	
131	3520028	5	Plug	

SECTION 4 - PLATFORM

ITEM	PART NUMBER	QTY	DESCRIPTION	REV
133	3820024	2	Rivet	
134	4070894	1	Shim, Gate Latch	

SECTION 4 - PLATFORM

FIGURE 4-4. PLATFORM WITH ROLLING EXTENSION (DVL AND DVSP)



SECTION 4 - PLATFORM

FIGURE 4-4. PLATFORM WITH ROLLING EXTENSION (DVL AND DVSP)

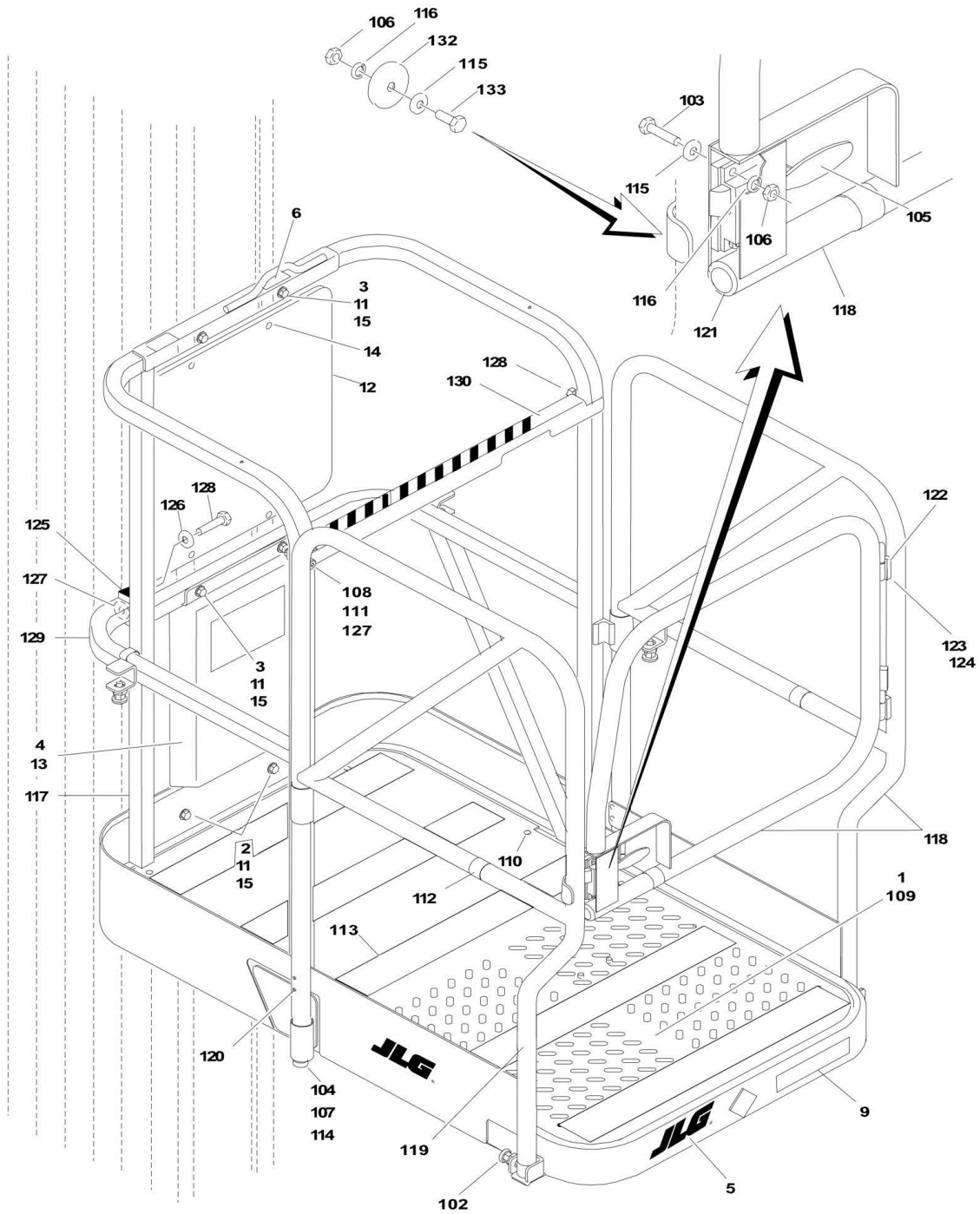
ITEM	PART NUMBER	QTY	DESCRIPTION	REV
		Ref	PLATFORM INSTALLATION OPTIONS:	
	0271270	Ref	26in x 50in (66cm x 127cm)	B
1	0258586	1	Platform Assembly (See Items 101-147 for Breakdown)	
2	0641408	8	Bolt 1/4in-20NC x 1in	
3	0860520	1	Box, Manual Storage	
4	1060380	4	Cable, Lanyard	
5	3311405	8	Locknut 1/4in-20NC	
6	3380466	1	Panel, Control	
7	3422657	4	Pin, Quick Release	
8	3820024	4	Rivet	
9	3820032	4	Rivet	
10	4711400	16	Flatwasher 1/4in Narrow	
11	4846021	2	Weldment, Platform Mount	
	0258586	Ref	PLATFORM ASSEMBLY	7-G
		Ref	(Note: Mast Mounted Lower Anchor Point (4845345) installation is required should a Quick Change Platform be installed in place of the standard Platform)	
		Ref	Note: Replacement Decals Must be Ordered Separately - See DECALS SECTION.	
101	4845810	1	Weldment, Platform Rail (Stationary)	
102	4845811	1	Weldment, Platform Rail (Extension)	
102A	0902877	1	Bracket, Gas Shock Mount	
103	4845812	1	Weldment, Gate	
104	2020005	1 Pair	Glides, Extension	
105	3570362	1	Pan, Floor (Stationary)	
106	3570274	1	Pan, Floor (Extension)	
107	3340829	2	Pad, Slide	
108	4845614	2	Handle	
109	2600225	4	Hinge, Gate	
110	3900200	2	Bolt, Shoulder	
111	3311005	64	Locknut #10-24NC	
112	4751000	66	Flatwasher #10	
113	3311505	2	Locknut 5/16in-18NC	
114	3520072	4	Cap-Plug	
115	2940074	1	Latch	
116	2560154	2	Grip, Handle	
117	0721006	4	Bolt #10-24NC x 3/4in	
118	3900032	2	Bolt, Shoulder	
119	4711600	AR	Flatwasher 3/8in (Narrow)	
120	3311405	22	Locknut 1/4in-20NC	
121	3900252	64	Screw, Button Head 1/4in-20NC	
122	4711400	40	Flatwasher 1/4in (Narrow)	
123	0641414	16	Bolt 1/4in-20NC x 1 3/4in	
124	3900258	8	Screw, Button Head 1/4in-20NC x 3/4in	
125	0100011	AR	Loctite #242 (Not Shown)	
126	4751000	8	Flatwasher #10	
127	4420039	11 ft/3.4m	Tape, Non Skid	
128	1703681	3	Decal - JLG	
129	4160165	1	Spring, Gas Shock	
130	4711500	4	Flatwasher 5/16in (Narrow)	

SECTION 4 - PLATFORM

ITEM	PART NUMBER	QTY	DESCRIPTION	REV
131	3520030	2	Plug, Hole	
132	0720805	4	Screw #8-32NC x 5/8in	
133	4750800	8	Flatwasher #8	
134	3310805	4	Locknut #8-32NC	
135	1380132	4	Clip, Gripper	
136	0641416	4	Bolt 1/4in-20NC x 2in	
137	3570653	2	Plate, Shim	
138	3570654	2	Plate, Backing	
139	4845657	2	Weldment, Stop	
141	3311005	4	Locknut #10-24NC	
142	3300356	2	Nut, Acorn 5/16in-18NC	
144	4280296	10	Strip, Wear	
		in/25cm		
145	4060803	4.3	Shield, Flex-Trim	
		ft/1.31m		
147	3900251	4	Screw, Button Head 1/4in-20NC x 3/8in (SN 0130006093 to Present)	

SECTION 4 - PLATFORM

FIGURE 4-5. PLATFORM WITH FIXED SIDE RAILS (15DVSP/20DVSP)



SECTION 4 - PLATFORM

FIGURE 4-5. PLATFORM WITH FIXED SIDE RAILS (15DVSP/20DVSP)

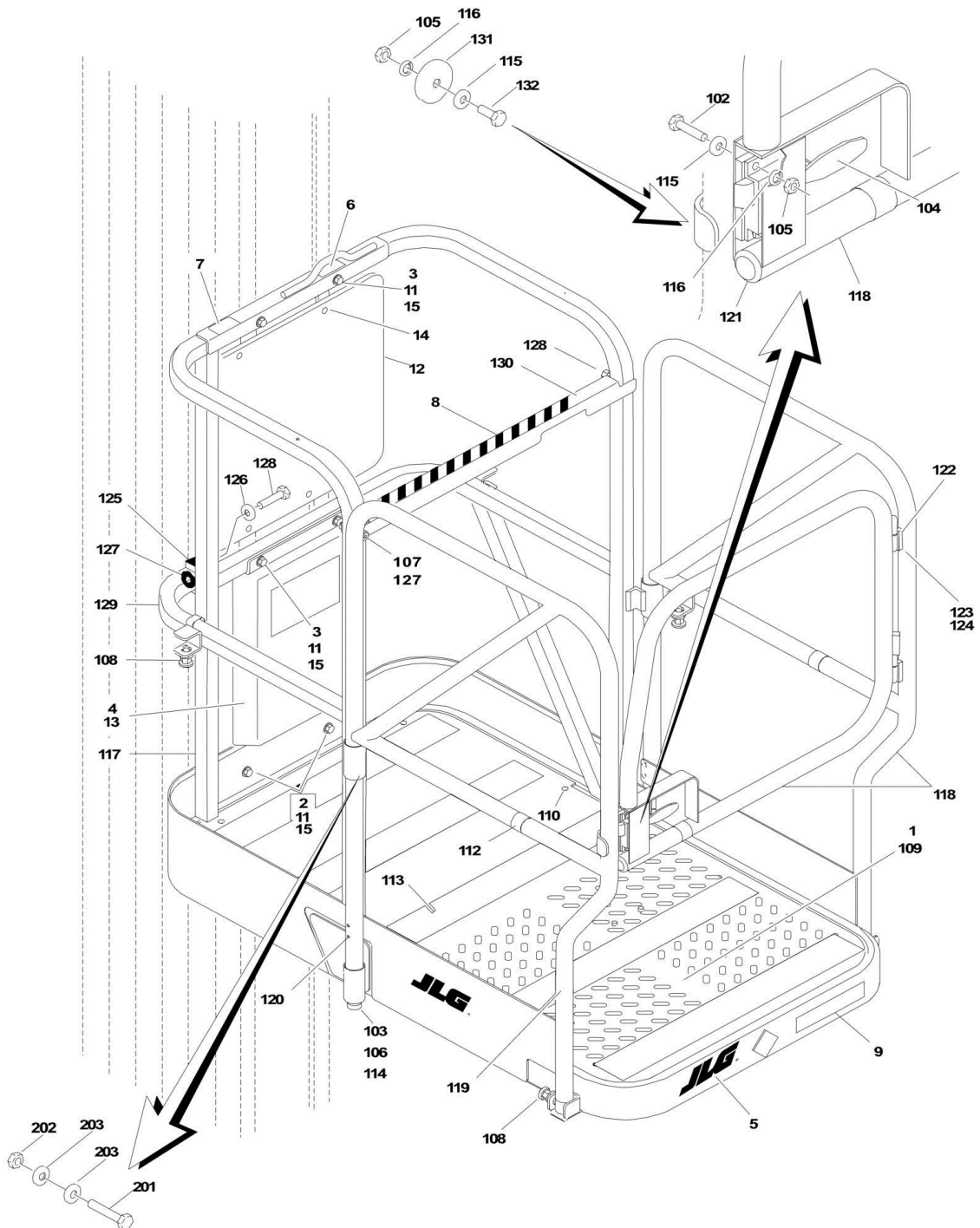
ITEM	PART NUMBER	QTY	DESCRIPTION	REV
		Ref	PLATFORM INSTALLATION OPTIONS:	
	0271272	Ref	Platform Installation 15DVSP with 28in x 48in (71cm x 122cm)	D
	0273397	Ref	Platform Installation 20DVSP with 28in x 48in (71cm x 122cm)	A
1	0271936	1	Platform Assembly (See Items 101-133 for Breakdown)	
2	0641616	2	Bolt 3/8-16NC x 2in	
3	0641620	4	Bolt 3/8-16NC x 2 1/2in	
4	0860520	1	Box, Manual Storage	
5	1703681	AR	Decal - JLG	
6	1704277	1	Decal - Lanyard Graphic	
9		Ref	Decal, Model Options:	
9	1705018	1	Decal, Model 15DVSP	
9	1705703	1	Decal, Model 20DVSP	
10	1705060	2	Decal - Axxessor (Not Shown)	
11	3311605	6	Locknut 3/8in-16NC	
12	3380466	1	Panel, Control	
13	3820024	4	Rivet	
14	3820032	4	Rivet	
15	4711600	12	Flatwasher 3/8in Narrow	
	0271936	Ref	PLATFORM ASSEMBLY	H
		Ref	Note: Replacement Decals Must be Ordered Separately - See DECALS SECTION.	
101	0100011	AR	Loctite #242 (Not Shown)	
102	0630572	2	Bolt 5/8in-18NC	
103	0721008	4	Screw	
104	0940049	2	Stopper, Hood	
105	2940074	1	Latch	
106	3311001	5	Nut #10-24NC	
107		Ref	Nut Options:	
107	3311501	4	Nut 5/16in-18NC (Prior to SN 0130006232)	
107	3311502	2	Jam Nut 5/16in-18NC (SN 0130006232 to Present)	
108	3311605	1	Locknut 3/8in-16NC	
109	3571552	1	Pan, Platform Floor	
110	3820032	12	Rivet	
111	3422744	1	Pin, Plunger	
112	4280296	AR	Strip, Wear Options:	
112	4280296	6	Strip, Wear (Prior to SN 0130007616)	
		in/15.3cm		
112	4280296	2 ft/0.7m	Strip, Wear (SN 0130007616 to Present)	
113	4420039	AR	Tape, Non Skid Options:	
113	4420039	8.5	Tape, Non Skid (Prior to SN 0130007616)	
		ft/2.6m		
113	4420039	9.3	Tape, Non Skid (SN 0130007616 to Present)	
		ft/2.86m		
114	4751500	4	Flatwasher 5/16in Wide (Prior to SN 0130006232)	
115	4751000	5	Flatwasher #10 Wide	
116	4761000	5	Lockwasher #10	
117	4846521	1	Platform	
118	4846324	1	Rail	
119	4846325	1	Rail	
120	2080040	4	Fastener, Huck	

SECTION 4 - PLATFORM

ITEM	PART NUMBER	QTY	DESCRIPTION	REV
121	3520176	1	Plug	
122	0962337	2	Bushing, Hinge	
123	3422866	2	Pin, Hinge	
124	3760448	2	Ring, Snap	
125	3520072	2	Plug, Cap	
126	4711800	2	Flatwasher 1/2in Narrow	
127	4711600	2	Flatwasher 3/8in Narrow	
128	3900270	2	Bolt, Shoulder 1/2in-16NC x 1/2in	
129	4846522	1	Gate	
130	4846536	1	Rail, Top	
131	0100019	AR	Loctite #271 (Not Shown)	
132	3080005	1	Magnet, Gate Hold (SN 0130004332 to Present)	
133	0721004	1	Bolt #10-24NC x 1/2in (SN 0130004332 to Present)	

SECTION 4 - PLATFORM

FIGURE 4-6. PLATFORM WITH FOLDING SIDE RAILS (15DVSP/20DVSP)



SECTION 4 - PLATFORM

FIGURE 4-6. PLATFORM WITH FOLDING SIDE RAILS (15DVSP/20DVSP)

ITEM	PART NUMBER	QTY	DESCRIPTION	REV
		Ref	PLATFORM INSTALLATION OPTIONS:	
	0271271	Ref	Platform Installation 15DVSP with 28in x 48in (71cm x 122cm)	D
	0273396	Ref	Platform Installation 20DVSP with 28in x 48in (71cm x 122cm)	A
1	0271823	1	Platform Assembly (See Items 101-132 for Breakdown)	
2	0641616	2	Bolt 3/8in-16NC x 2in	
3	0641620	4	Bolt 3/8in-16NC x 2 1/2in	
4	0860520	1	Box, Manual Storage	
5	1703681	AR	Decal - JLG	
6	1704277	1	Decal - Lanyard Graphic	
9		Ref	Decal, Model Options:	
9	1705018	1	Decal, Model 15DVSP	
9	1705703	1	Decal, Model 20DVSP	
10	1705060	2	Decal - Axxessor (Not Shown)	
11	3311605	6	Locknut 3/8in-16NC	
12	3380466	1	Panel, Control	
13	3820024	4	Rivet	
14	3820032	4	Rivet	
15	4711600	12	Flatwasher 3/8in Narrow	
	0271823	Ref	PLATFORM ASSEMBLY	G
		Ref	Note: Replacement Decals Must be Ordered Separately - See DECALS SECTION.	
101	0100011	AR	Loctite #242 (Not Shown)	
102	0721008	4	Screw	
103	0940049	2	Stopper, Hood	
104	2940074	1	Latch	
105	3311001	5	Nut #10-24NC	
106		Ref	Nut Options:	
106	3311501	4	Nut 5/16in-18NC (Prior to SN 0130006232)	
106	3311502	2	Jam Nut 5/16in-18NC (SN 0130006232 to Present)	
107	3311605	1	Locknut 3/8in-16NC	
108	3422744	6	Pin, Plunger	
109	3571552	1	Plate, Platform Pan	
110	3820032	12	Rivet	
112	4280296	AR	Strip, Wear Options:	
112	4280296	1.75 ft/.53m	Strip, Wear (Prior to SN 0130007616)	
112	4280296	3.7 ft/1.13m	Strip, Wear (SN 0130007616 to Present)	
113	4420039	AR	Tape, Non Skid Options:	
113	4420039	8.5 ft/2.6m	Tape, Non Skid (Prior to SN 0130007616)	
113	4420039	9.3 ft/2.83m	Tape, Non Skid (SN 0130007616 to Present)	
114	4751500	4	Flatwasher 5/16in Wide (Prior to SN 0130006232)	
115	4751000	5	Flatwasher #10 Wide	
116	4761000	5	Lockwasher #10	
117	4846521	1	Platform	
118	4846324	1	Rail	
119	4846325	1	Rail	
120	2080040	4	Fastener, Huck	
121	3520176	1	Plug	

SECTION 4 - PLATFORM

ITEM	PART NUMBER	QTY	DESCRIPTION	REV
122	0962337	2	Bushing, Hinge	
123	3422866	2	Pin, Hinge	
124	3760448	2	Ring, Snap	
125	3520072	2	Plug, Cap	
126	4711800	2	Flatwasher 1/2in Narrow	
127	4711600	2	Flatwasher 3/8in Narrow	
128	3900270	2	Bolt, Shoulder 1/2in-16NC x 1/2in	
129	4846522	1	Gate	
130	4846536	1	Rail, Top	
131	3080005	1	Magnet, Gate Hold (SN 0130004332 to Present)	
132	0721004	1	Bolt #10-24NC x 1/2in (SN 0130004332 to Present)	
	0272524	Ref	ENTRY GATE LOCK INSTALLATION	B
201	0641418	1	Bolt 1/4in-20NC x 2 1/4in	
202	3311405	1	Locknut 1/4in-20NC	
203	4751400	2	Flatwasher 1/4in	

SECTION 4 - PLATFORM

FIGURE 4-7. PLATFORM WITH SIDE ENTRY (15DVSP)

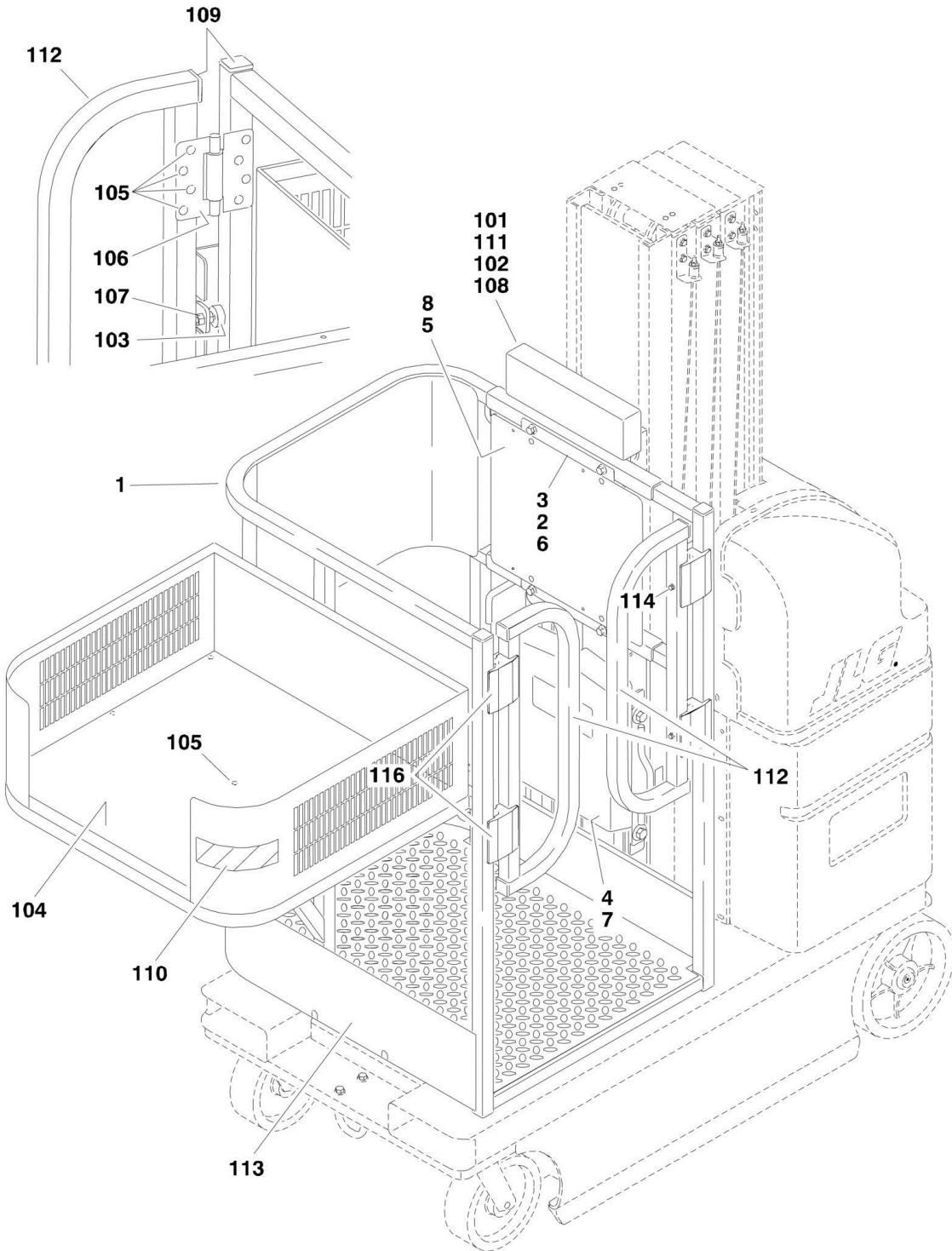
ITEM	PART NUMBER	QTY	DESCRIPTION	REV
		Ref	PLATFORM INSTALLATION	
	0272820	Ref	Platform Installation 15DVSP with 28in x 48in (71cm x 122cm)	A
1	0272812	1	Platform Assembly (See Items 101-129 for Breakdown)	
2	0641616	2	Bolt 3/8in-16NC x 2in	
3	0641620	4	Bolt 3/8in-16NC x 2 1/2in	
4	0860520	1	Box, Manual Storage	
5	1703681	2	Decal - JLG	
6	1704277	1	Decal - Lanyard Graphic	
7	1705018	1	Decal - 15DVSP/20DVSP	
8	3311605	6	Locknut 3/8in-16NC	
9	3380468	1	Panel, Control	
10	3820024	4	Rivet	
11	3820032	4	Rivet	
12	4711600	12	Flatwasher 3/8in Narrow	
	0272812	Ref	PLATFORM ASSEMBLY	C
		Ref	(Note: Mast Mounted Lower Anchor Point (4845345) installation is required should a Quick Change Platform be installed in place of the standard Platform)	
		Ref	Note: Replacement Decals Must be Ordered Separately - See DECALS SECTION.	
101	3422744	3	Pin, Plunger	
102	0641404	1	Bolt, 1/4-20NC x 1/2in	
103	0721008	4	Screw	
104	0940104	1	Bumper (Prior to SN 0130006232)	
105	1060808	4	Cable, Lanyard	
106	2080040	21	Fastener	
107	2600281	2	Hinge	
108	2940074	1	Latch	
109	3311001	4	Nut, #10-24NC	
110	3311405	1	Nut, 1/4-20NC	
111	3311501	2	Nut, 5/16-18NC (Prior to SN 0130006232)	
112	3422657	4	Pin, Quick Release	
113	3520072	3	Plug	
114	3520176	1	Plug	
115	3574226	1	Plate, Platform Pan	
116	3820032	12	Rivet	
117	4280296	2	Strip, Wear	
118	4420039	5	Tape, Non Skid	
119	4751000	4	Flatwasher #10 Wide	
120	4761000	4	Lockwasher #10	
121	4846324	1	Gate	
122	4846325	1	Rail	
123	4846803	1	Platform	
124	4846804	1	Door	
125	0100011	AR	Loctite #242 (Not Shown)	
126	4071092	AR	Shim (SN 0130006232 to Present)	
127	3300151	2	Acorn Nut 1/4in-20NC (SN 0130006232 to Present)	
128	0641422	2	Bolt 1/4in-20NC x 2 3/4in (SN 0130006232 to Present)	
129	4220225	2	Stop (SN 0130006232 to Present)	
	0272825	Ref	BUMPERS INSTALLATION	A

SECTION 4 - PLATFORM

ITEM	PART NUMBER	QTY	DESCRIPTION	REV
201	0100011	AR	Loctite #242	
203	0641416	10	Bolt, 1/4-20 x 2in	
206	0940106	2	Bumper, Platform Side	
207	0940107	2	Bumper, Platform Front	
209	3311401	10	Nut, 1/4-20NC	
210	4711400	26	Flatwasher 1/4in	

SECTION 4 - PLATFORM

FIGURE 4-8. PLATFORM/SIDE ENTRY WITH MATERIAL TRAY (20DVL)



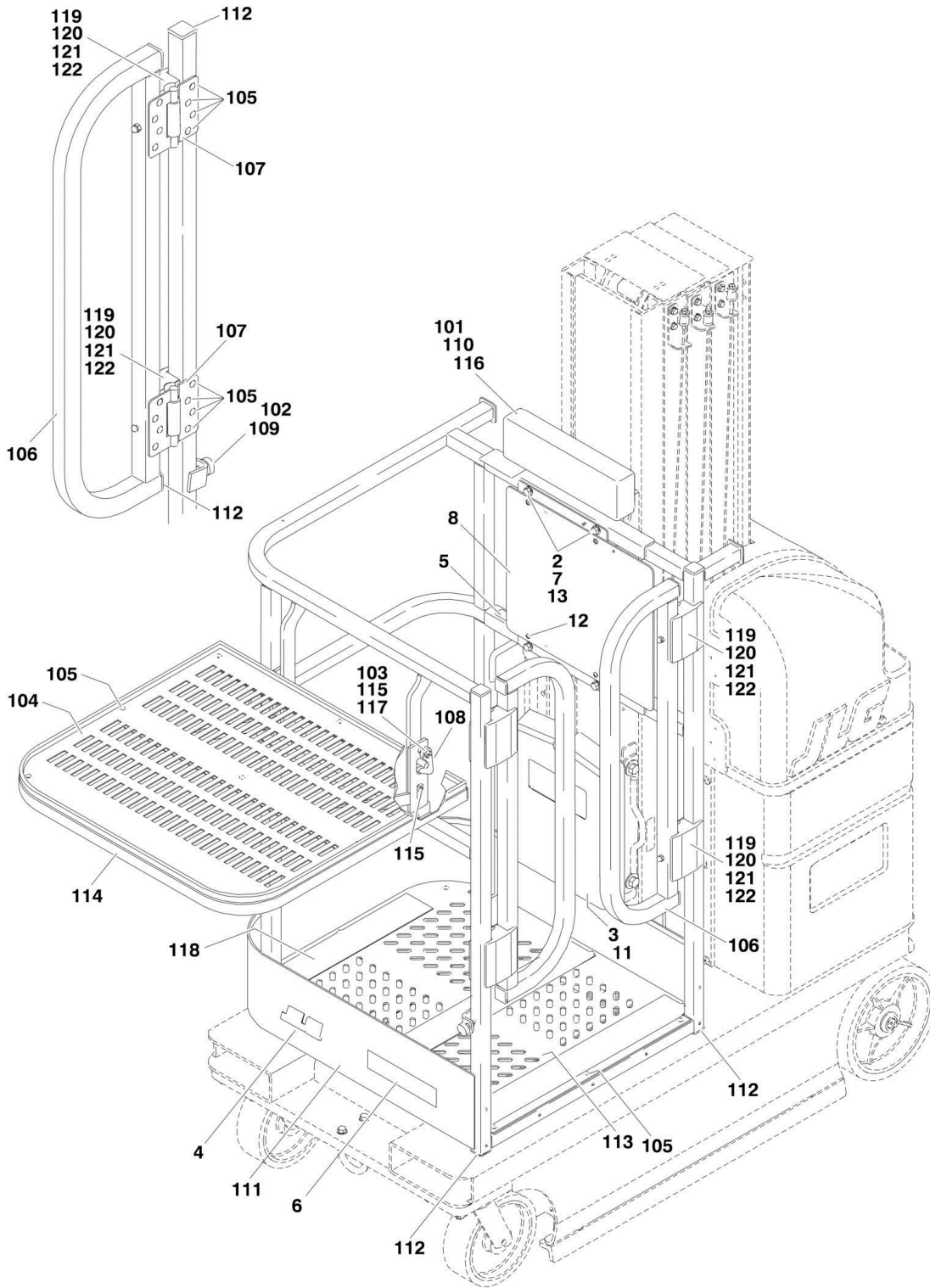
SECTION 4 - PLATFORM

FIGURE 4-8. PLATFORM/SIDE ENTRY WITH MATERIAL TRAY (20DVL)

ITEM	PART NUMBER	QTY	DESCRIPTION	REV
		Ref	PLATFORM INSTALLATION OPTIONS:	
	0273053	Ref	Platform Installation 20DVL with 27in x 23in (69cm x 59cm) (UPS Option)	B
1	0272716	1	Platform Assembly (UPS) (See Items 101-116 for Breakdown)	
2	0791620	6	Bolt, 3/8in-16NC x 2 1/2in	
3	3311608	6	Nut, 3/8in - 16NC	
4	0860520	1	Box, Manual Storage	
5	3380466	1	Panel, Control	
6	3574442	2	Plate	
7	3820024	4	Rivet	
8	3820032	4	Rivet	
	0272716	Ref	PLATFORM ASSEMBLY	D
		Ref	Note: Replacement Decals Must be Ordered Separately - See DECALS SECTION.	
101	0100011	AR	Loctite #242 (Not Shown)	
102	0641508	2	Bolt, 5/16in-18NC x 1in	
103	0940104	2	Bumper, 1in x 3/8in with 5/16in x 1in stud (Prior to SN 0130006483)	
104	1580019	1	Container, Material Tray	
105	2080040	39	Blind Fastener	
106	2600281	4	Hinge, Self Closing	
107	3311501	4	Nut, 5/16in-18NC	
108	3340977	1	Pad, Upholstered	
109	3520072	8	Plug-Spec, Cap	
110	4420051	14 in	Tape, Safety	
111	4751500	2	Flatwasher 5/16in Wide	
112	4846722	2	Weldment, Door	
113	4846864	1	Weldment, Platform	
114	0641422	4	Bolt, 1/4in-20NC x 2 3/4in	
115	4071092	AR	Shim (Not Shown)	
116	4220225	4	Stop	

SECTION 4 - PLATFORM

FIGURE 4-9. PLATFORM/SIDE ENTRY WITH FOLDING TRAY (15DVSP/20DVSP)



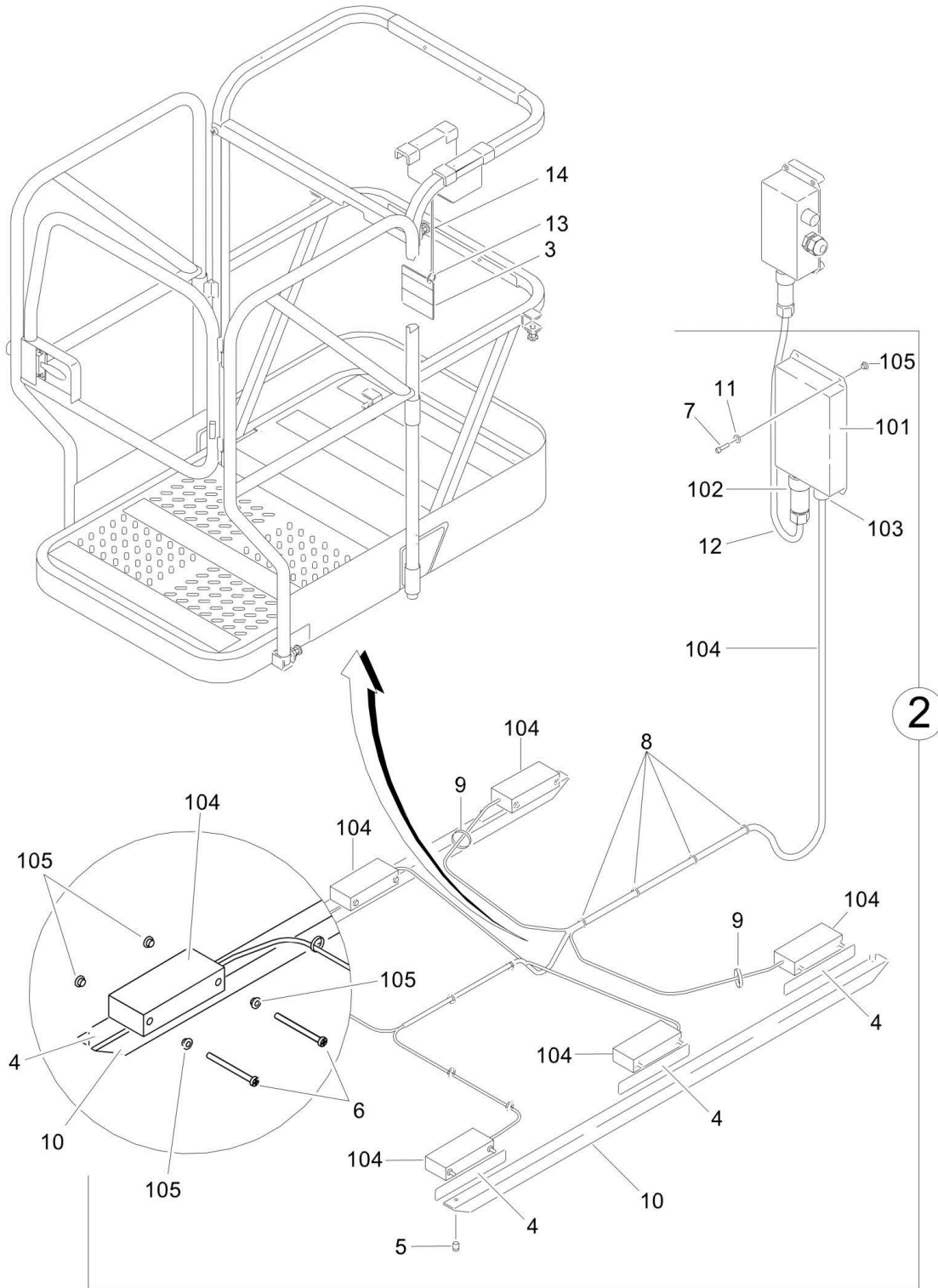
SECTION 4 - PLATFORM

FIGURE 4-9. PLATFORM/SIDE ENTRY WITH FOLDING TRAY (15DVSP/20DVSP)

ITEM	PART NUMBER	QTY	DESCRIPTION	REV
		Ref	PLATFORM INSTALLATION OPTIONS: (SN 0130006354 to Present)	
	0274324	Ref	Platform Installation 15DVSP with 26in x 30in (66cm x 76cm)	A
	0274241	Ref	Platform Installation 20DVSP with 26in x 30in (66cm x 76cm)	A
1	0641616	2	Bolt, 3/8in-16NC x 2in	
2	0641620	6	Bolt, 3/8in-16NC x 2 1/2in	
3	0860520	1	Box, Manual Storage	
4	1703681	2	Decal - JLG	
5	1704277	1	Decal - Lanyard Attach	
6		Ref	Decal - Model Options:	
6	1705018	1	Decal - Model 15DVSP	
6	1705703	1	Decal - Model 20DVSP	
7	3311605	6	Locknut 3/8in-16NC	
8	3380466	1	Panel, Control	
9	3510846	1	Platform Assembly (See Items 101-123 for Breakdown)	
10	3574442	2	Plate	
11	3820024	4	Rivet	
12	3820032	4	Rivet	
13	4711600	12	Flatwasher 3/8in (Narrow)	
	3510846	Ref	PLATFORM ASSEMBLY	C
		Ref	Note: Replacement Decals Must be Ordered Separately - See DECALS SECTION.	
101	0641508	2	Bolt, 5/16in-18NC x 1in	
102	0940104	1	Bumper, 1in x 3/8in with 5/16in x 1in stud	
103	0961892	2	Bushing, Flanged	
104	1580020	1	Container, Material Tray	
105	2080040	53	Blind Fastener	
106	2410008	2	Gate	
107	2600281	4	Hinge, Self Closing	
108	2700098	1	Hook, Load	
109	3311501	2	Nut, 5/16in-18NC	
110	3340977	1	Pad, Upholstered	
111	3510845	1	Weldment, Platform	
112	3520072	10	Plug-Spec, Cap	
113	3574683	1	Plate, Floor	
114	3641542	1	Weldment, Tray Support	
115	3900190	3	Screw, Shoulder	
116	4751500	2	Flatwasher 5/16in (Wide)	
117	4711600	3	Flatwasher 3/8in (Narrow)	
118	4420039	5 ft/1.6m	Tape, Non Skid	
119	0641422	4	Bolt 1/4in-20NC x 2 3/4in	
120	3300151	4	Acorn Nut 1/4in-20NC	
121	4071092	AR	Shim, Platform Gate	
122	4220225	4	Stop, Platform Gate	
123	0100011	AR	Loctite #242 (Not Shown)	

SECTION 4 - PLATFORM

FIGURE 4-10. OBSTRUCTION SENSOR INSTALLATION (15DVSP/20DVSP) (OPTIONAL)



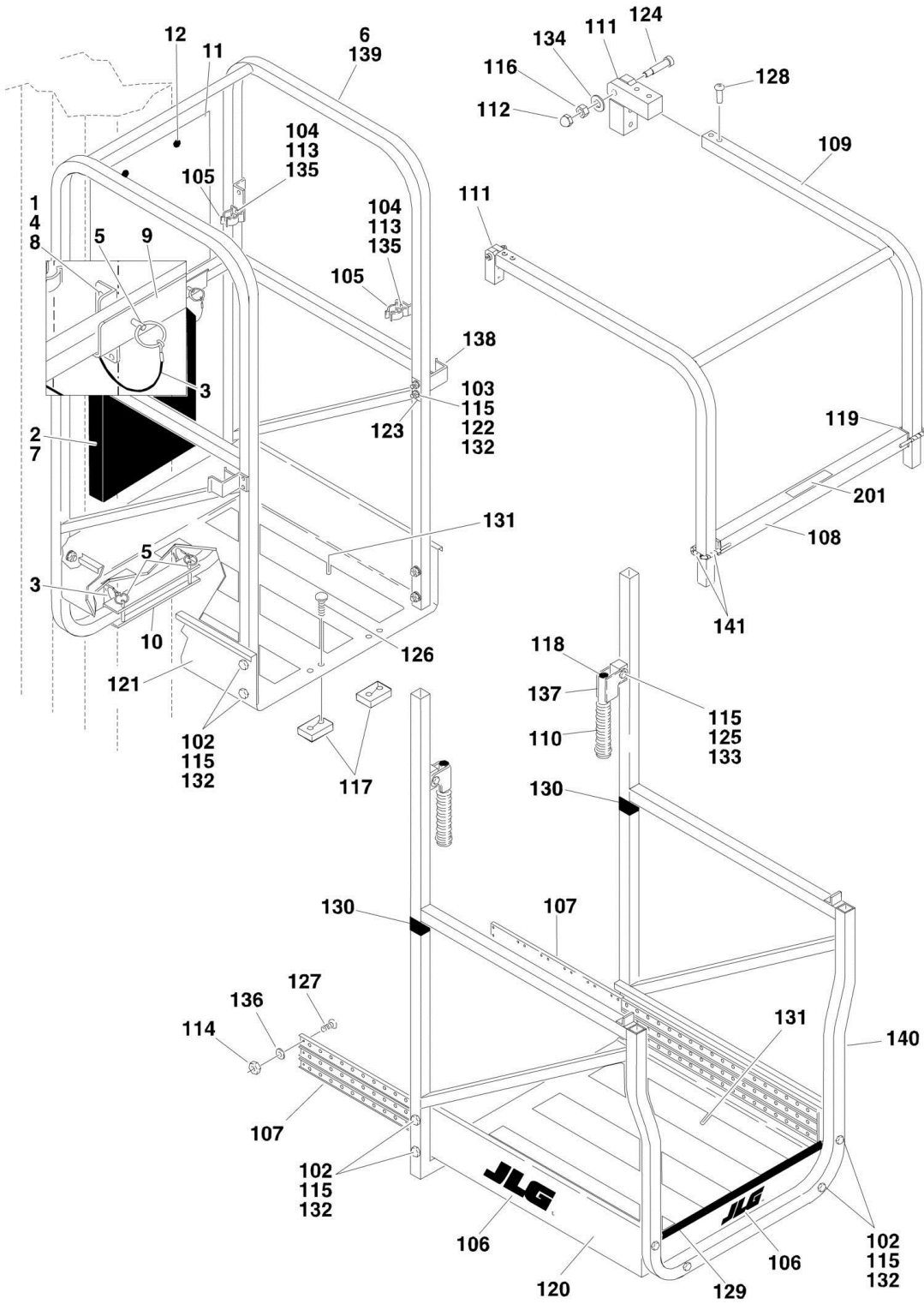
SECTION 4 - PLATFORM

FIGURE 4-10. OBSTRUCTION SENSOR INSTALLATION (15DVSP/20DVSP) (OPTIONAL)

ITEM	PART NUMBER	QTY	DESCRIPTION	REV
	0271294	Ref	OBSTRUCTION SENSOR INSTALLATION	C
1	0100035	AR	Loctite #242 (Not Shown)	
2	1600309	1	Obstruction Sensor System (See Items 101 to 105 for Breakdown)	
3	1704483	1	Decal - Operation (Prior to SN 0130005067)	
4	1704905	6	Decal - No Pressure Wash	
5	3820032	4	Rivet	
6	3900309	12	Screw	
7	3930808	4	Capscrew #8-32NC x1/2in	
8	4240032	13	Tie-Strap 4in	
9	4240033	2	Tie-Strap 7in	
10	4568261	2	Tube, Shield	
11	4740120	4	Washer, Nylon	
12	4922670	1	Harness (See ELECTRICAL SECTION for Breakdown)	
13	1060380	1	Cable, Lanyard (SN 0130005482 to Present)	
14	3760170	1	Ring, Split (SN 0130005482 to Present)	
	1600309	Ref	OBSTRUCTION SENSOR SYSTEM	F
101	Not Available	1	Electronics Box	
102	Not Available	1	Connector, Female - 9 Position (Clipper CL1M2102)	
102	Not Available	9	Pin (Clipper CF16PC10RF)	
103	Not Available	1	Connector, Strain Relief	
104	2910760	6	Sensor and Cable (Was p/n 7024306)	
105	0962288	28	Bushing, Isolation	
		Ref	OSS INSTRUCTION CARD OPTIONS:	
	1704483	1	English Spec	
	1705579	1	French Spec	
	1705578	1	Spanish Spec	
	1705580	1	German Spec	
	1705581	1	Italian Spec	
	1705582	1	Dutch Spec	
	1705587	1	Finnish Spec	
	1705588	1	Swedish Spec	
	1705583		Brazilian Spec	
	1705585	1	Japanese Spec	
	1705586	1	Chinese Spec	

SECTION 4 - PLATFORM

FIGURE 4-11. QUICK-CHANGE PLATFORM INSTALLATION WITH SLIDE BAR



SECTION 4 - PLATFORM

FIGURE 4-11. QUICK-CHANGE PLATFORM INSTALLATION WITH SLIDE BAR

ITEM	PART NUMBER	QTY	DESCRIPTION	REV
	0274343	Ref	PLATFORM INSTALLATION - 26in x 49in (66cm x 126.5cm)	A
1	0641408	8	Bolt, 1/4in-20NC x 1in	
2	0860520	1	Box, Manual Storage	
3	1060380	4	Cable, Lanyard	
4	3311405	8	Locknut, 1/4in-20NC	
5	3422657	4	Pin, Quick Release	
6	3510874	1	Assembly, Platform -26in x 49in (66cm x 126.5cm) (See Item 101 - 141 for Breakdown)	
7	3820024	4	Rivet	
8	4711400	16	Flatwasher 1/4in Narrow	
9	4845821	4	Platform Mount Weldment	
10	4846021	2	Platform Mount Weldment	
11	3380466	1	Panel, Control	
12	3820032	4	Rivet	
	3510874	Ref	PLATFORM ASSEMBLIES	A
		Ref	Note: Replacement Decals Must be Ordered Separately - See DECALS SECTION.	
101	0100011	AR	Loctite #242 (Not Shown)	
102	0641414	16	Bolt 1/4in-20NC x 1 3/4in	
103	0641416	4	Bolt 1/4in-20NC x 2in	
104	0720805	4	Bolt #8-32NC x 5/8in	
105	1380132	4	Clip, Gripper	
106	1703681	3	Decal - JLG	
107	2020005	1	Glides, Extension	
108	2410017	1	Gate, Slide Bar -26in x 49in (66cm x 126.5cm)	
109	2410019	1	Gate, Slide Bar -26in x 49in (66cm x 126.5cm)	
110	2560154	2	Grip, Handle	
111	2600225	4	Hinge, Gate	
112	3300356	2	Acorn, Nut 5/16in-18NC	
113	3310805	4	Locknut #8-32NC	
114	3311005	64	Locknut #10-24NC	
115	3311405	22	Locknut 1/4in-20NC	
116	3311505	2	Locknut 5/16in-18NC	
117	3340829	2	Pad, Slide	
118	3520030	2	Plug, Hole	
119	3520169	2	Cap, Plug	
120	3570274	1	Plate, Platform Pan (Extension)	
121	3570362	1	Plate, Platform Pan (Stationary)	
122	3570653	AR	Plate, Shim	
123	3570654	2	Plate, Backing	
124	3900032	2	Bolt, Shoulder	
125	3900200	2	Bolt, Shoulder 5/16in-18NC x 1 1/4in	
126	3900251	4	Screw 1/4in-20NC x 3/8in	
127	3900252	64	Screw, Button Head #10-24	
128	3900258	8	Screw, Button Head 1/4in-20NC x 3/4in	
129	4060803	AR	Shield, Flex Trim	
130	4280296	10	Strip, Wear	
		in/25cm		
131	4420039	AR	Tape, Non-Skid	
132	4711400	40	Flatwasher 1/4in	

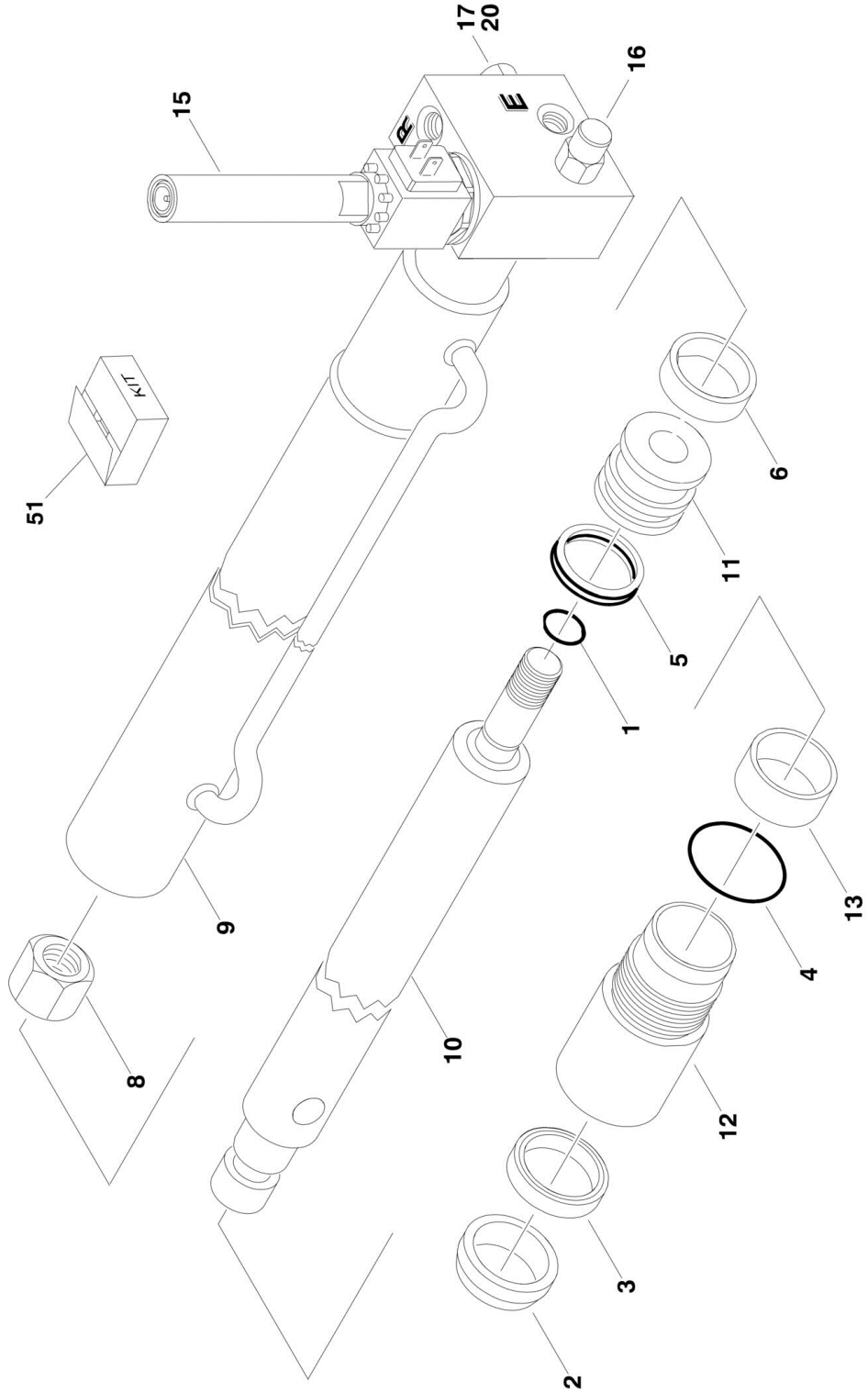
SECTION 4 - PLATFORM

ITEM	PART NUMBER	QTY	DESCRIPTION	REV
133	4711500	4	Flatwasher 5/16in Narrow	
134	4711600	2	Flatwasher 3/8in	
135	4750800	8	Flatwasher #8	
136	4751000	64	Flatwasher #10	
137	4845614	2	Handle	
138	4845657	2	Stop, Weldment	
139	4845810	1	Platform Rail Weldment	
140	4845811	1	Platform Extension Weldment	
141	1560019	1 ft/0.3m	Conduit, Spiral Loom	
		Ref	DECAL - DROPBAR INSTALLATION OPTIONS:	
		Ref	Decal - Dropbar Installation 15/20DVL	
	0274606	Ref	ANSI Specs	A
	0274629	Ref	Latin American Spanish Specs	A
	0274630	Ref	Brazilian Spec	A
	0274631	Ref	Japanese Specs	A
	0274632	Ref	Chinese Specs	A
	0274628	Ref	CSA Specs	A
201		Ref	Decal - Dropbar Options:	
201		Ref	Decal - Dropbar 15/20DVL	
201	1706385	1	ANSI Spec	
201	1706494	1	Latin American Spanish Specs	
201	1706496	1	Brazilian Spec	
201	1706504	1	Japanese Specs	
201	1706505	1	Chinese Specs	
201	1706495	1	CSA Specs	

SECTION 5 - CYLINDER

SECTION 5 - CYLINDER

FIGURE 5-1. LIFT CYLINDER ASSEMBLY



SECTION 5 - CYLINDER

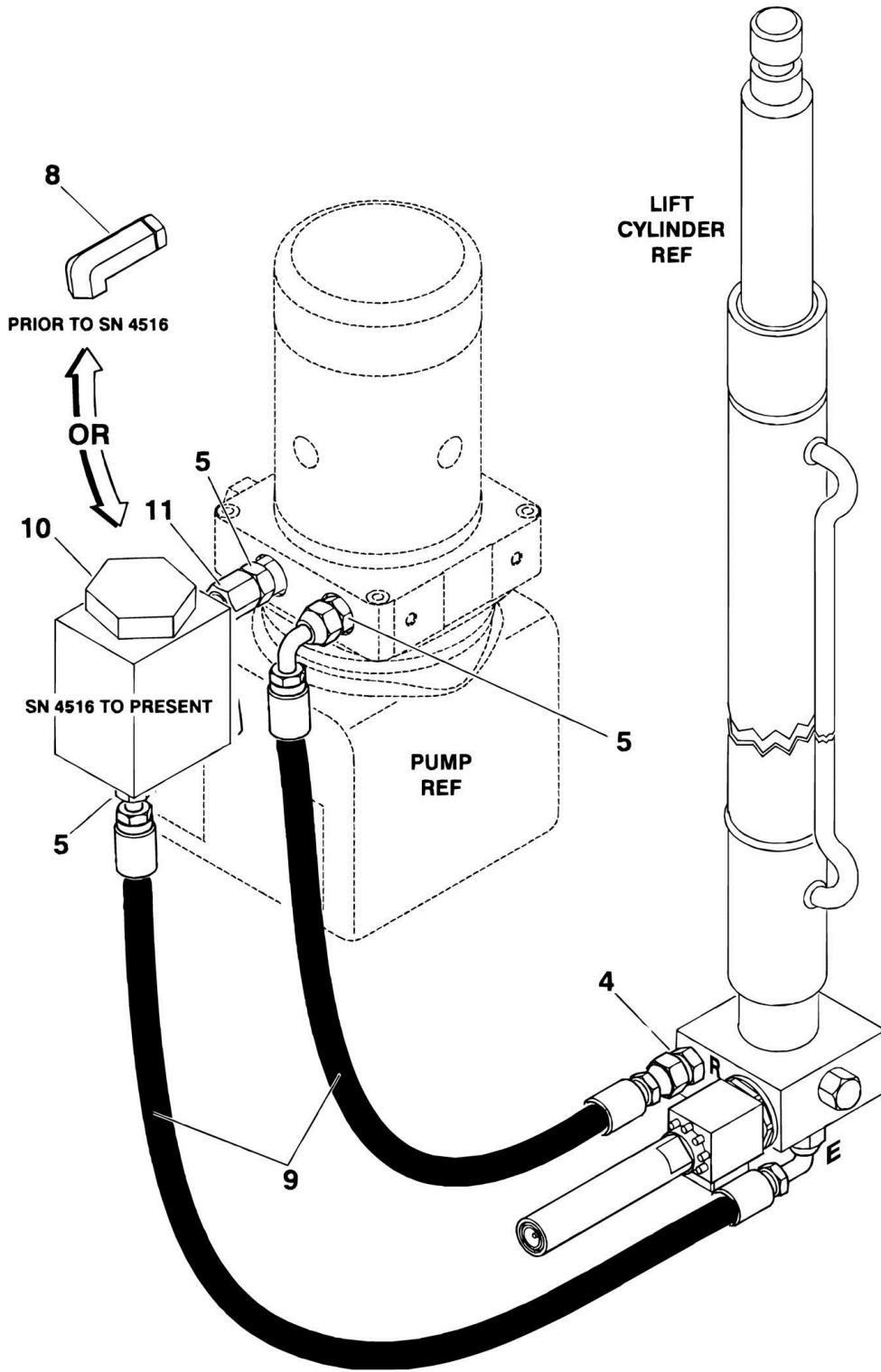
FIGURE 5-1. LIFT CYLINDER ASSEMBLY

ITEM	PART NUMBER	QTY	DESCRIPTION	REV
		Ref	LIFT CYLINDER ASSEMBLIES OPTIONS:	
		Ref	Lift Cylinder Assemblies 15DVL/15DVSP	
	1684143	Ref	Lift Cylinder Assemblies (Prior to SN 0130004516)	D
	1684234	Ref	Lift Cylinder Assemblies (SN 0130004516 to Present)	D
		Ref	Lift Cylinder Assemblies 20DVL/20DVSP	
	1684144	Ref	Lift Cylinder Assemblies (Prior to SN 0130004516)	D
	1684233	Ref	Lift Cylinder Assemblies (SN 0130004516 to Present)	D
1	See Note	NSS	O-Ring (Note: Use Item 51)	
2	See Note	NSS	Wiper (Note: Use Item 51)	
3	See Note	NSS	Seal, Rod (Note: Use Item 51)	
4	See Note	NSS	O-Ring (Note: Use Item 51)	
5	See Note	NSS	Seal, Piston (Note: Use Item 51)	
6	See Note	NSS	Ring, Wear (Note: Use Item 51)	
8	7023391	1	Locknut	
9	7023490	NLA	Barrel Assembly (Purchase Complete Cylinder Assembly)	
10	7023491	1	Rod	
11	7023392	1	Piston	
12	7023394	1	Head	
13		Ref	Spacer	
13	7023492	1	Spacer 15DVL/15DVSP	
13	Not Required	0	Spacer 20DVL/20DVSP	
15		Ref	Valve, Options:	
15	7024405		Poppet Valve (Prior to SN 0130004516)	
15	7024818	1	Coil	
15	7024819	1	Seal Kit	
15	7024820	1	Over Ride	
15	7024833	1	Manual Override Cartridge	
15	7024480	1	Proportional Valve (SN 0130004516 to Present)	
15	7026622	1	Coil	
15	7026623	1	Seal Kit	
15	7026624	1	Over Ride	
15	7026625	1	Manual Override Cartridge	
16	7024406	1	Valve, Check	
17	7024407	1	Valve, Control	
18	2220883	1	Plug, Male (Not Shown)	
19	Not Serviced	2	Plug, Valve (Not Shown)	
20	Not Serviced	1	Plug, Valve	
51	7023395	1	Seal Kit (Includes Items 1-6)	

SECTION 6 - HYDRAULIC

SECTION 6 - HYDRAULIC

FIGURE 6-1. HYDRAULIC DIAGRAM



SECTION 6 - HYDRAULIC

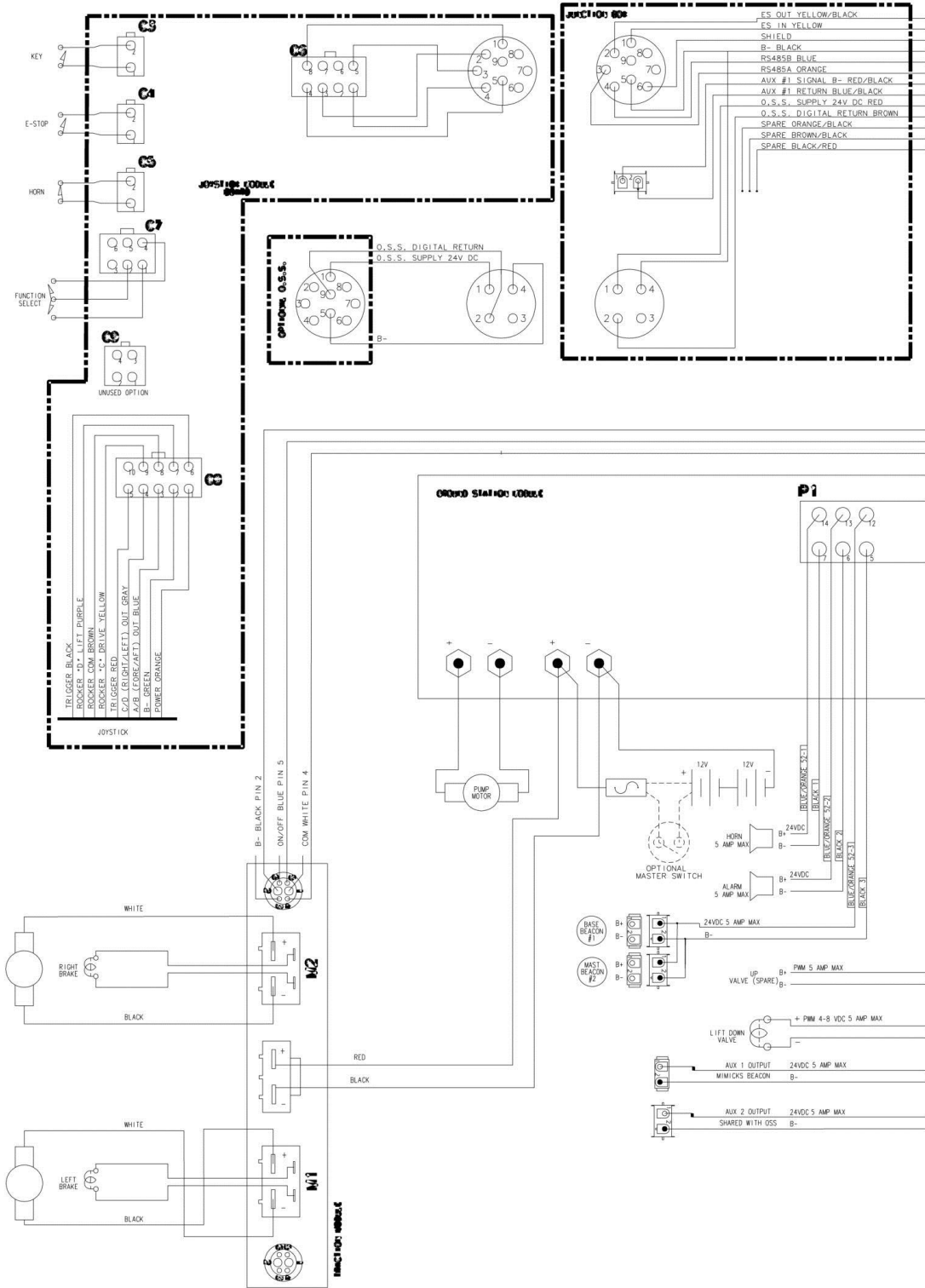
FIGURE 6-1. HYDRAULIC DIAGRAM

ITEM	PART NUMBER	QTY	DESCRIPTION	REV
	0271261	Ref	HYDRAULIC COMPONENTS	B
4	2110604	1	Fitting, Adapter	
5	2110606	3	Fitting, Adapter	
8	2170206		Fitting, Adapter (Prior to SN 0130004516)	
9	2753673	2	Hose	
10	2120183	1	Filter, In-Line (SN 0130004516 to Present)	
11	2221123	1	Fitting, 90 (SN 0130004516 to Present)	

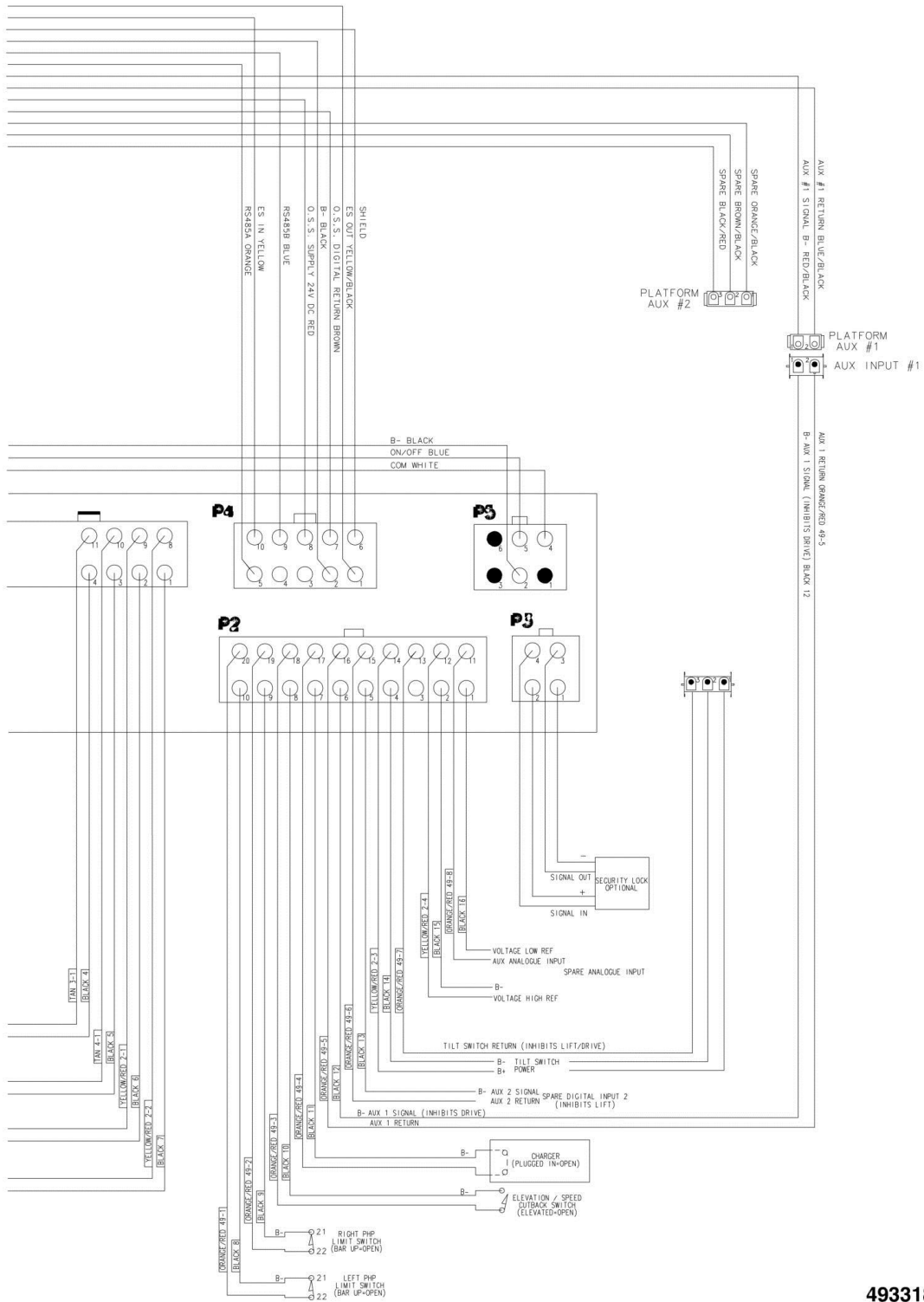
SECTION 7 - ELECTRICAL

SECTION 7 - ELECTRICAL

FIGURE 7-1. ELECTRICAL SCHEMATIC



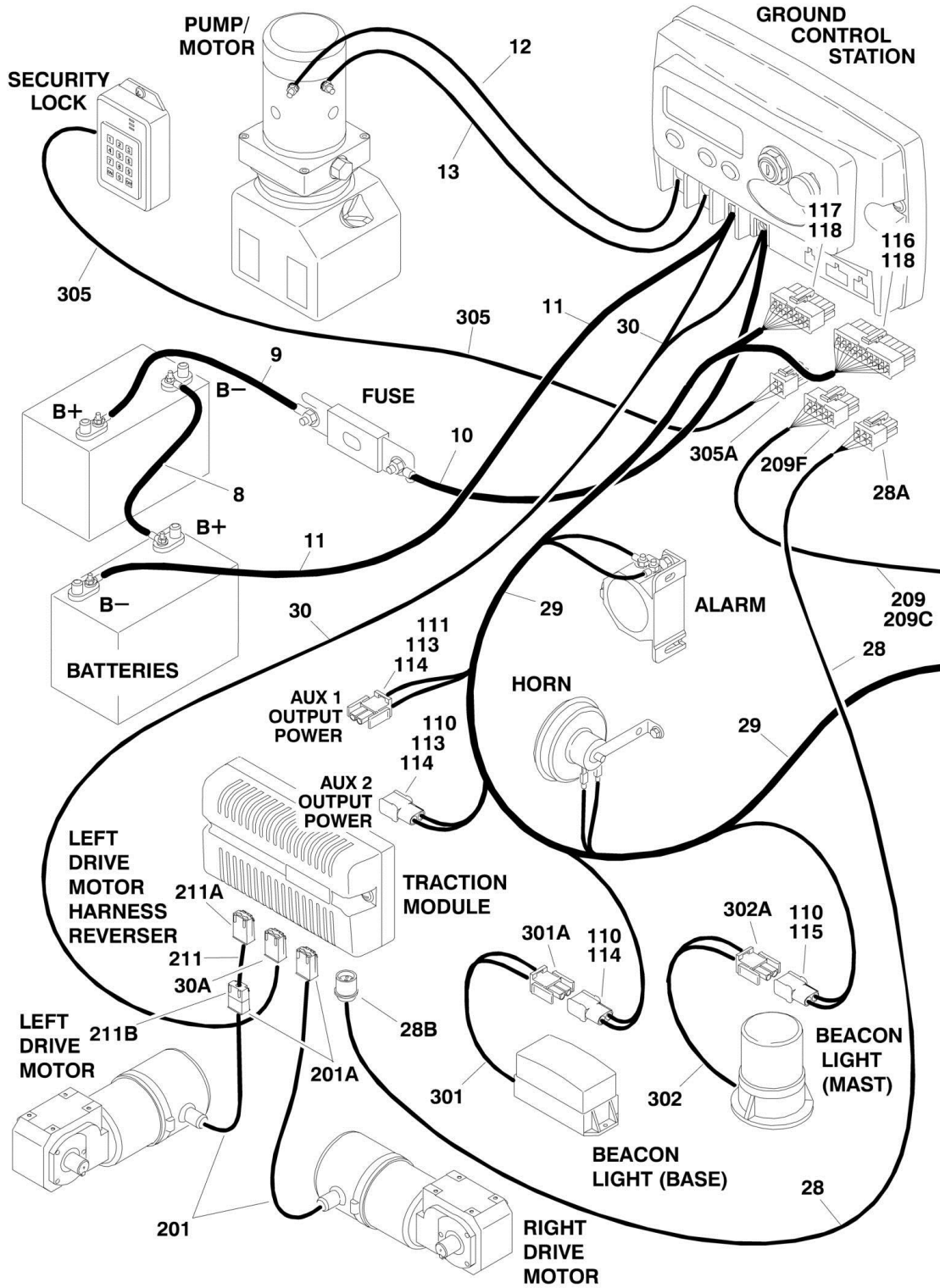
SECTION 7 - ELECTRICAL



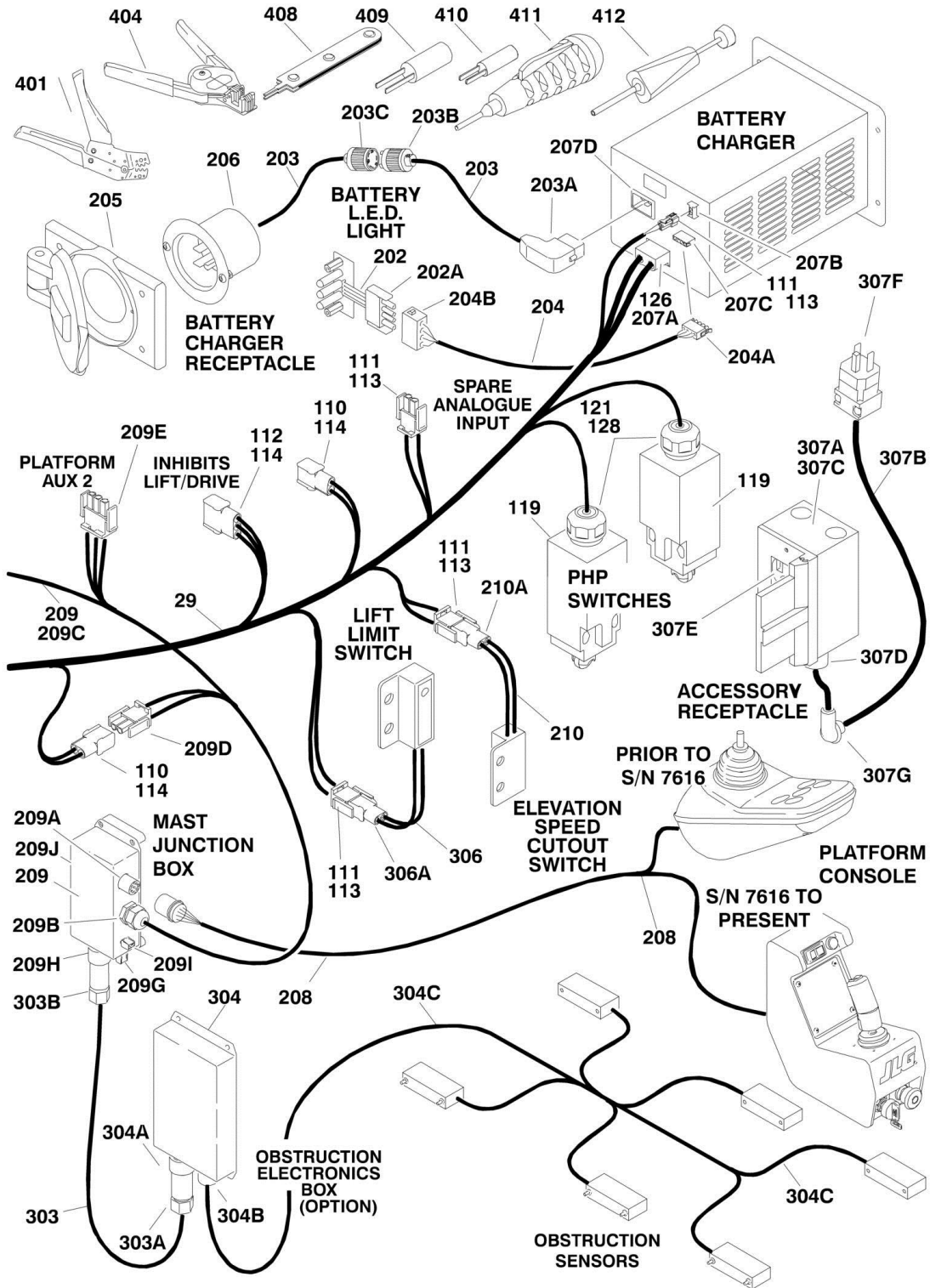
4933184 -E

SECTION 7 - ELECTRICAL

FIGURE 7-2. ELECTRICAL COMPONENTS INSTALLATION



SECTION 7 - ELECTRICAL



SECTION 7 - ELECTRICAL

FIGURE 7-2. ELECTRICAL COMPONENTS INSTALLATION

ITEM	PART NUMBER	QTY	DESCRIPTION	REV
	0271263	Ref	ELECTRICAL SYSTEM INSTALLATION	E
2	0100048	AR	Grease, Dielectric (Not Shown) (Prior to SN 0130004660)	
3	0100051	AR	Grease, Battery Terminal (Not Shown)	
8	1060939	1	Cable, Electrical (Battery+ to Battery-)	
9	1060940	1	Cable, Electrical (Battery+ to Fuse)	
10	1060941	1	Cable, Electrical (Fuse to Ground Station Module+)	
11	1060942	1	Cable, Electrical (Battery- to Ground Station Module-)	
12	1060943	1	Cable, Electrical (Ground Station Module P+ to Pump+)	
13	1060944	1	Cable, Electrical (Ground Station Module P- to Pump-)	
28	4922560	1	Ground Station to Traction Module Harness	
28A	Not Available	1	Connector - 6 Position	
28A	Not Available	6	Pin	
28B	Not Available	1	Receptacle, 6 Piece Female - 6 Position	A
29	4922562	1	Main Harness (See Items 101 to 128 for Breakdown)	
30	4922671	1	Power Harness (Ground Station Module to Traction Module)	
30A	Not Available	1	Connector - 2 Position	
32	0100038	AR	Grease, Contact (Not Shown) (SN 0130004660 to Present)	
	4922562	Ref	MAIN HARNESS ASSEMBLY	3-D
110	4460424	5	Connector - 2 Position	
111	4460320	5	Connector - 2 Position	
112	4460445	1	Connector - 3 Position	
113	4460226	12	Socket, Female	
114	4460227	11	Pin, Male	
115	4460267	2	Pin, Male	
116	4460919	1	Connector - 20 Position	
117	4460920	1	Connector - 14 Position	
118	4460672	33	Pin, Male	
119	4360456	2	Switch, Roller	
121	4460662	2	Connector, Strain Relief	
126	4460444	1	Connector, Anderson	
128	0962449	2	Bushing, Silicon DIX	
		Ref	STANDARD HARNESS ASSEMBLIES	
201	Not Available	2	Drive Motor Harness	
201A	7018030	1	Boot, Terminal	
201A	7018031	2	Housing, Terminal	
201A	7018032	2	Terminal	
202	0610131	1	LED PC Board and Harness	
202A	4460321	1	Connector - 4 Position	
202A	4460227	4	Pin, Male	
203	1060949	1	Battery Cable (Note: Does not include Plug, Terminal or Cover):	A
203A	Not Available	1	Connector, Female	
203B	4460710	1	Connector, Female	
203C	4460709	1	Connector, Male	
204	1060753	1	LED to Battery Charger Harness	
204A	4460321	1	Connector - 4 Position	
204A	4460226	4	Socket, Female	
204B	4460761	1	Connector, Female - 4 Position	
204B	4460226	4	Socket, Female	
205	4460802	1	Cover, Terminal	
206		Ref	Receptacle and Boot	

SECTION 7 - ELECTRICAL

ITEM	PART NUMBER	QTY	DESCRIPTION	REV
206	4460803	1	USA ANSI Spec Receptacle	
206	Not Available	0	Locally Supplied Country Spec Receptacle	
207		Ref	Battery Charger Components:	
207A	7022918	1	DC Receptacle and Internal Harness	
207B	7011621	1	Connector - 2 Position (Enable Switch)	
207C	4460761	1	Connector - 4 Position (To LED Light)	
207C	4460227	4	Pin, Male	
207D	7020648	1	AC Inlet Plug	
208		Ref	Controller Cable Assembly Options:	
208	7024427	1	Controller Cable Assembly (Connectors Not Available - Must Purchase Complete Assembly) (Prior to SN 0130007616)	
208	4923316	1	Controller Cable Assembly (SN 0130007616 to Present)	
208		Ref	Components at Junction Box:	
208	70001703	1	Connector - 9 Position (Clipper CLIF1201)	
208	70001704	1	Backshell (Clipper CL101021)	
208	70001705	6	Socket, Female (Clipper CM10SC10MQ)	
208		Ref	Components at Platform Box:	
208	70001706	1	Connector - 9 Position (Clipper CLIF2101)	
208	70001707	1	Backshell (Clipper CL102021)	
208	70001708	6	Socket, Female (Clipper CM16SC10MQ)	
209		Ref	Platform Controls Harness Options:	
209	4922559	1	Platform Controls Harness 15DVSP	
209	4922563	1	Platform Controls Harness 15DVL/20DVL (Prior to SN 0130005561)	
209	4922559	1	Platform Controls Harness 15DVL/20DVL (SN 0130005561 to Present)	
209A	7023498	1	Connector, Female - 9 Position	
209A	7023499	9	Pin, Male	
209B	4460633	1	Connector, Strain Relief	
209C	1060927	25 ft/7.6m	Cable, Electrical - 18/12	
209D	4460320	1	Connector - 2 Position	
209D	4460226	2	Socket, Female	
209E	4460326	1	Connector - 3 Position	
209E	4460226	3	Socket, Female	
209F	7024300	1	Connector - 10 Position	
209F	4461023	10	Socket, Female	
209G	4460424	1	Connector - 2 Position	
209G	4460226	2	Socket, Female	
209H	7024302	1	Connector - 4 Position (15DVSP) (Clipper CL1M1102)	
209H	70001799	3	Pin, Male (Clipper CM16PC10MQ)	
209I	4460424	1	Connector - 2 Position	
209I	4460227	2	Pin, Male	
209J	7027739	1	Junction Box	
209J	7020093	4	Screw, Countersunk M3 x 25	
210	Not Available	1	Proximity Switch Harness	
210A	4460424	1	Connector - 2 Position	
210A	4460227	2	Pin, Contact	
211	7024432	1	Reverser Harness	
211A	7018031	1	Housing, Terminal	
211A	7018032	2	Terminal	
211B	Not Available	1	Housing, Terminal	
211B	Not Available	2	Terminal	

SECTION 7 - ELECTRICAL

ITEM	PART NUMBER	QTY	DESCRIPTION	REV
		Ref	OPTIONAL HARNESS ASSEMBLIES	
301	Not Available	1	Base Mounted Beacon Light Harness	
301A	4460320	1	Connector - 2 Position	
301A	4460226	2	Socket, Female	
302	Not Available	1	Mast Mounted Beacon Light Harness	
302A	4460320	1	Connector - 2 Position	
302A	4460226	2	Socket, Female	
303	4922670	1	Obstruction Sensor Harness	
303	1060687	2 ft/61cm	Cable, Electrical - 16/5	
303A	4460773	1	Connector, Backshell	
303A	4460772	1	Connector - 9 Position	
303A	4460776	3	Socket, Female	
303B	4460923	1	Connector, Backshell	
303B	4460922	1	Connector - 4 Position	
303B	4460776	3	Socket, Female	
304	1600309	1	Obstruction Sensor System (15DVSP Only)	
304A	Not Available	1	Connector - 9 Position (Clipper CL1M2102)	
304A	Not Available	9	Pin (Clipper CF16PC10RF)	
304B	Not Available	1	Connector, Strain Relief	
304C	Not Available	1	Sensor Harness (Part of Sensor Assembly)	
305	Not Available	1	Security Lock Harness	
305A	250199	1	Connector - 4 Position	
305A	250220	4	Pin	
306	Not Available	1	Lift Limiter Harness	
306A	4460424	1	Connector - 2 Position	
306A	4460226	2	Socket, Female	
307		Ref	Accessory Receptacle Components	
307	0271295	AR	110V/120V (DVL)	
307	0271792	AR	110V/120V (DVSP)	
307	0271296	AR	220V/240V (DVL)	
307	0271793	AR	220V/240V (DVSP)	
307A	0860946	1	Box, Receptacle	
307B	1060948	AR	Cable, Electrical - 12/3	
307C		Ref	Cover, Receptacle Options:	
307C	4060700	1	Cover, Receptacle 120V	
307C	4060092	1	Cover, Receptacle 240V	
307D	4460023	1	Connector, Strain Relief	
307E		Ref	Receptacle, Female Options:	
307E	4460346	1	Receptacle, Female 120V	
307E	4460125	1	Receptacle, Female 240V	
307F		Ref	Plug, Male Options:	
307F	4460549	1	Plug, Male 120V	
307F	4460205	1	Plug, Male 240V	
307G	4460566	1	Connector, 90	
		Ref	TOOLS	
401	7002821	1	Crimper (For Wire to Pin/Socket Connections)	
404	7002828	1	Stripper, Wire	
405	7024361	1	Calibration Tool (Not Shown)	
406	7002842	1	Brake Crimp Removal Tool (Not Shown)	
407	7002841	1	Motor Crimp Removal Tool (Not Shown)	
408	7016618	1	Molex Tool (For Ground Control Station Electrical Connectors)	

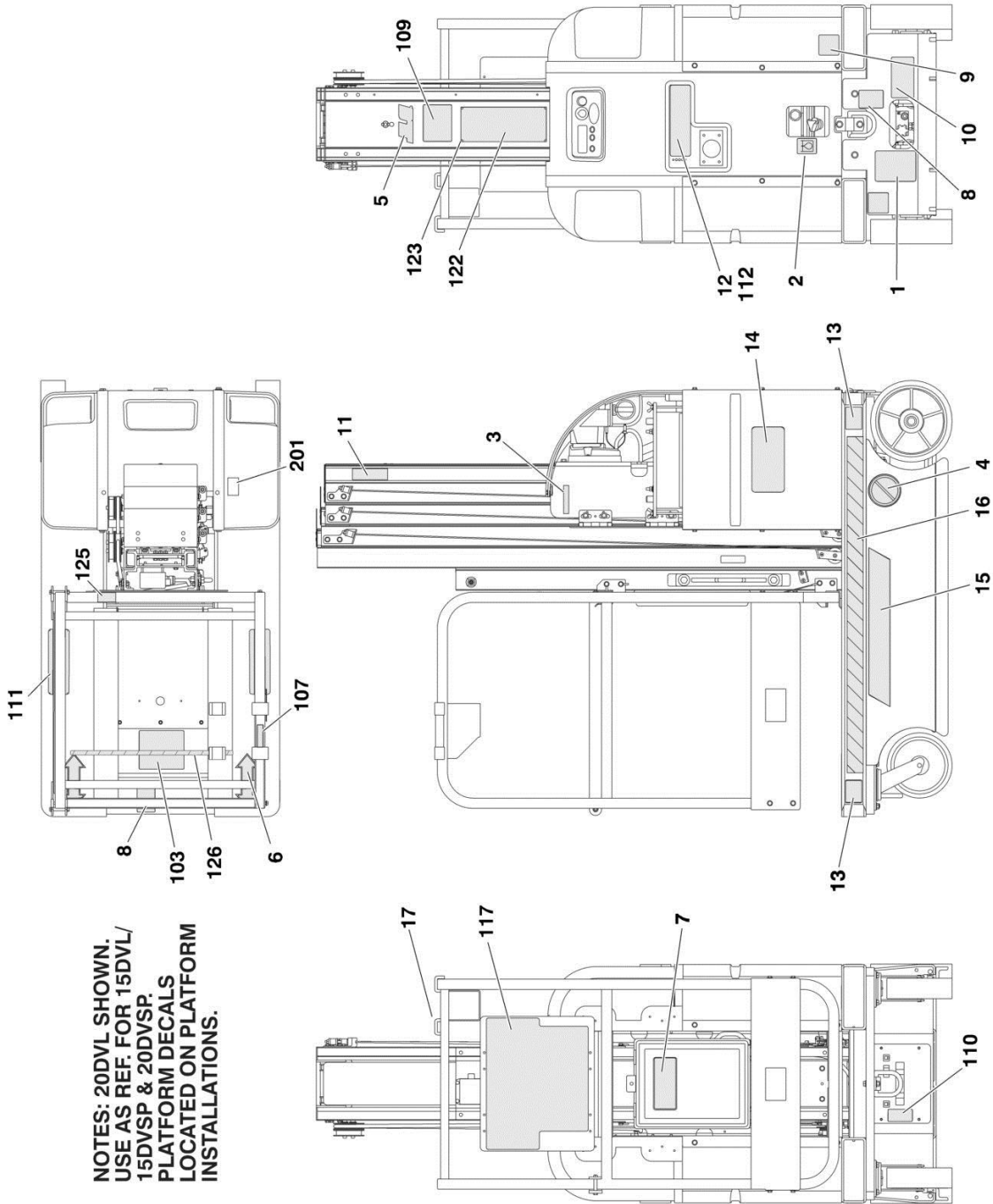
SECTION 7 - ELECTRICAL

ITEM	PART NUMBER	QTY	DESCRIPTION	REV
409	7002841	1	Intech Tool (For Drive Motor Electrical Connectors)	
410	7002842	1	Intech Tool (For Drive Motor Brake Electrical Connectors)	
411	7002847	1	Tyco / AMP Electronics Tool (For other General Electrical Connectors)	
412	7002848	1	Tyco / AMP Electronics Tool (For other General Electrical Connectors)	

SECTION 8 - DECALS

SECTION 8 - DECALS

FIGURE 8-1. DECAL INSTALLATION (ANSI SPEC)



NOTES: 20DVL SHOWN.
 USE AS REF FOR 15DVL/
 15DVSP & 20DVSP.
 PLATFORM DECALS
 LOCATED ON PLATFORM
 INSTALLATIONS.

SECTION 8 - DECALS

FIGURE 8-1. DECAL INSTALLATION (ANSI SPEC)

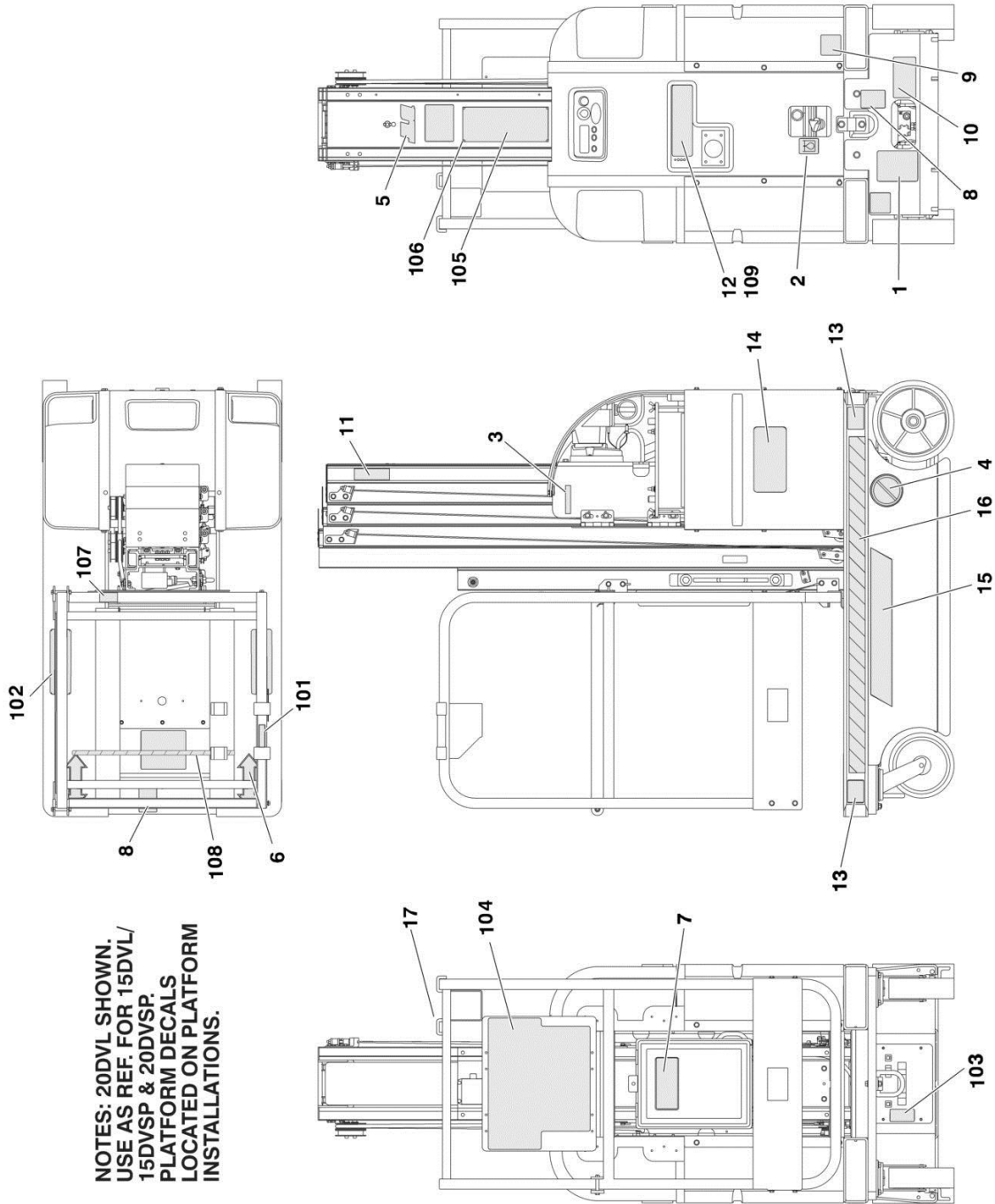
ITEM	PART NUMBER	QTY	DESCRIPTION	REV
		Ref	DECAL INSTALLATION (COMMON)	
	0272102	Ref	Decal Installation (Common) 15DVL	D
	0272015	Ref	Decal Installation (Common) 15DVSP	E
	0272016	Ref	Decal Installation (Common) 20DVL	E
	0272982	Ref	Decal Installation (Common) 20DVSP	B
1	1700584	1	Decal - Patent	
2	1701504	1	Decal - Hydraulic Oil	
3	Not Available	1	Decal - Bar Code	
4	1703072	2	Decal - No Forklift	
5	1703681	1	Decal - JLG	
6	1703687	2	Decal - Arrow	
7		Ref	Decal - Manual Options:	
7	1703788	1	Decal - Manual (Prior to SN 0130004365)	
7	1701509	1	Decal - Manual (SN 0130004365 to Present)	
8	1703814	2	Decal - Tie Down	
9	1703817	2	Decal - Fork Lift	
10	1705016	1	Decal - Manual Descent	
11		Ref	Decal - Model Designation Options:	
11	1705191	2	Decal - Model Designation 15DVL	
11	1705018	2	Decal - Model Designation 15DVSP	
11	1705017	2	Decal - Model Designation 20DVL	
11	1705703	2	Decal - Model Designation 20DVSP	
12	1705048	1	Decal - Axxessor and Address (Prior to SN 0130005806)	
13	1705059	4	Decal - Wheel Load	
14	1705060	2	Decal - Axxessor	
15	1705064	2	Decal - Axxessor	
16		Ref	Tape, Safety Option:	
16	Not Required	0	Tape, Safety 15DVL	
16	4420051	84 in/2.2m	Tape, Safety 15DVSP/20DVSP	
16	Not Required	0	Tape, Safety 20DVL	
17	1703688	2	Decal - Direction Arrow (SN 0130004184 to Present)	
		Ref	DECAL INSTALLATION (ANSI SPEC)	
	0272112	Ref	Decal Installation (ANSI Spec) 15DVL - STANDARD	D
	0271963	Ref	Decal Installation (ANSI Spec) 15DVSP - STANDARD	F
	0271274	Ref	Decal Installation (ANSI Spec) 20DVL - STANDARD	D
	0272983	Ref	Decal Installation (ANSI Spec) 20DVSP - STANDARD	C
	0272113	Ref	Decal Installation (ANSI Spec) 15DVL - CSA SPEC	C
	0271965	Ref	Decal Installation (ANSI Spec) 15DVSP - CSA SPEC	C
	0271276	Ref	Decal Installation (ANSI Spec) 20DVL - CSA SPEC	C
103		Ref	Decal - Inspection Options:	
103	1702153	1	Standard	
103	Not Required	0	CSA Spec	
107		Ref	Decal - Control Box Location Options:	
107	1703684	1	Standard	
107	1703719	1	CSA Spec	
109		Ref	Decal - USA Options:	
109	1703779	1	Standard	
109	Not Required	0	CSA Spec	
110		Ref	Decal - Warning Fire Hazard	
110	1703785	1	Standard	

SECTION 8 - DECALS

ITEM	PART NUMBER	QTY	DESCRIPTION	REV
110	1704797	1	CSA Spec	
111		Ref	Decal - Crushing Hazard Options:	
111	1703786	2	Standard	
111	1704039	2	CSA Spec	
112		Ref	Decal - Battery Charging Instruction Options:	
112	1705834	1	Standard	
112	1705853	1	CSA Spec	
117		Ref	Decal - Warning/Instruction Options:	
117	1705353	1	Decal - Warning/Instruction 15DVL (Prior to SN 0130007616)	
117	1706357	1	Decal - Warning/Instruction 15DVL (SN 0130007616 to Present)	
117	1705047	1	Decal - Warning/Instruction 15DVSP (Prior to SN 0130004255)	
117	1705352	1	Decal - Warning/Instruction 15DVSP (SN 0130004255 through 0130007615)	
117	1706356	1	Decal - Warning/Instruction 15DVSP (SN 0130007616 to Present)	
117	1705046	1	Decal - Warning/Instruction 20DVL (Prior to SN 0130007616)	
117	1706358	1	Decal - Warning/Instruction 20DVL (SN 0130007616 to Present)	
117	1705702	1	Decal - Warning/Instruction 20DVSP (Prior to SN 0130007616)	
117	1706370	1	Decal - Warning/Instruction 20DVSP (SN 0130007616 to Present)	
122	Not Serviced	1	Nameplate, Serial Number	
123	3820031	4	Rivet	
125		Ref	Decal - Fall Hazard Options (15DVSP Only): (SN 0130003910 to Present)	
125	1704366	AR	Standard	
125	1704804	AR	CSA Spec	
126		Ref	Decal - Close Gate Options (15DVSP Only): (SN 0130003910 to Present)	
126	1704469	AR	Standard	
126	1705156	AR	CSA Spec	
	0272763	Ref	DECAL INSTALLATION (UL SPEC)	
201	1702155	1	Decal - Battery Disconnect	
202 to 204	Not Serviced		Not Serviced	

SECTION 8 - DECALS

FIGURE 8-2. DECAL INSTALLATION (ANSI EXPORT SPEC)



**NOTES: 20DVL SHOWN.
 USE AS REF FOR 15DVL/
 15DVSP & 20DVSP.
 PLATFORM DECALS
 LOCATED ON PLATFORM
 INSTALLATIONS.**

SECTION 8 - DECALS

FIGURE 8-2. DECAL INSTALLATION (ANSI EXPORT SPEC)

ITEM	PART NUMBER	QTY	DESCRIPTION	REV
		Ref	DECAL INSTALLATION (COMMON)	
	0272102	Ref	Decal Installation (Common) 15DVL	D
	0272015	Ref	Decal Installation (Common) 15DVSP	E
	0272016	Ref	Decal Installation (Common) 20DVL	E
	0272982	Ref	Decal Installation (Common) 20DVSP	B
1	1700584	1	Decal - Patent	
2	1701504	1	Decal - Hydraulic Oil	
3	Not Available	1	Decal - Bar Code	
4	1703072	2	Decal - No Forklift	
5	1703681	1	Decal - JLG	
6	1703687	2	Decal - Arrow	
7		Ref	Decal - Manual Options:	
7	1703788	1	Decal - Manual (Prior to SN 0130004365)	
7	1701509	1	Decal - Manual (SN 0130004365 to Present)	
8	1703814	2	Decal - Tie Down	
9	1703817	2	Decal - Fork Lift	
10	1705016	1	Decal - Manual Descent	
11		Ref	Decal - Model Designation Options:	
11	1705191	2	Decal - Model Designation 15DVL	
11	1705018	2	Decal - Model Designation 15DVSP	
11	1705017	2	Decal - Model Designation 20DVL	
11	1705703	2	Decal - Model Designation 20DVSP	
12	1705048	1	Decal - Axxessor and Address (Prior to SN 0130005806)	
13	1705059	4	Decal - Wheel Load	
14	1705060	2	Decal - Axxessor	
15	1705064	2	Decal - Axxessor	
16		Ref	Tape, Safety Options:	
16	Not Required	0	Tape, Safety 15DVL	
16	4420051	84 in/2.2m	Tape, Safety 15DVSP/20DVSP	
16	Not Required	0	Tape, Safety 20DVL	
17	1703688	2	Decal - Direction Arrow	
		Ref	DECAL INSTALLATION (ANSI EXPORT SPEC)	
		Ref	Decal Installation (ANSI Export Spec) 15DVL:	
	0272123	Ref	Brazilian Language	C
	0272125	Ref	Chinese Language	C
	0272113	Ref	CSA Language	C
	0272124	Ref	Japanese Language (Prior to SN 0130006121)	B
	0273860	Ref	Japanese Language (SN 0130006121 to Present)	A
	0272122	Ref	Latin American Language	C
		Ref	Decal Installation (ANSI Export Spec) 15DVSP:	
	0271973	Ref	Brazilian Language	C
	0271975	Ref	Chinese Language	C
	0271965	Ref	CSA Language	C
	0271974	Ref	Japanese Language (Prior to SN 0130006121)	B
	0273861	Ref	Japanese Language (SN 0130006121 to Present)	A
	0271972	Ref	Latin American Language	C
		Ref	Decal Installation (ANSI Export Spec) 20DVL:	
	0271285	Ref	Brazilian Language	C
	0271287	Ref	Chinese Language	C
	0271276	Ref	CSA Language	C

SECTION 8 - DECALS

ITEM	PART NUMBER	QTY	DESCRIPTION	REV
	0271286	Ref	Japanese Language (Prior to SN 0130006121)	C
	0273850	Ref	Japanese Language (SN 0130006121 to Present)	A
	0271284	Ref	Latin American Language	C
101		Ref	Decal - Control Box Location Options:	
101	1703686	1	Brazilian	
101	1703751	1	Chinese	
101	1703719	1	CSA	
101	1703723	1	Japanese (Prior to SN 0130006121)	
101	1705959	1	Japanese (SN 0130006121 to Present)	
101	1703685	1	Latin American	
102		Ref	Decal - Crushing Hazard Options:	
102	1704024	2	Brazilian	
102	1704081	2	Chinese	
102	1704039	2	CSA	
102	1705099	2	Japanese	
102	1704032	2	Latin American	
103		Ref	Decal - Warning Fire Hazard Options:	
103	1704023	1	Brazilian	
103	1704079	1	Chinese	
103	1704797	1	CSA	
103	1704089	1	Japanese (Prior to SN 0130006121)	
103	1705803	1	Japanese (SN 0130006121 to Present)	
103	1704031	1	Latin American	
104		Ref	Decal - Warning/Instruction Options:	
104		Ref	Decal - Warning/Instruction 15DVL	
104	1705207	1	Brazilian (Prior to SN 0130007616)	
104	1706368	1	Brazilian (SN 0130007616 to Present)	
104	1705209	1	Chinese (Prior to SN 0130007616)	
104	1706369	1	Chinese (SN 0130007616 to Present)	
104	1705197	1	CSA (Prior to SN 0130007616)	
104	1706366	1	CSA (SN 0130007616 to Present)	
104	1705208	1	Japanese (Prior to SN 0130006121)	
104	1705963	1	Japanese (SN 0130006121 to Present)	
104	1705206	1	Latin American (Prior to SN 0130007616)	
104	1706367	1	Latin American (SN 0130007616 to Present)	
104		Ref	Decal - Warning/Instruction 15DVSP	
104	1705109	1	Brazilian (Prior to SN 0130007616)	
104	1706364	1	Brazilian (SN 0130007616 to Present)	
104	1705110	1	Chinese (Prior to SN 0130007616)	
104	1706365	1	Chinese (SN 0130007616 to Present)	
104	1705111	1	CSA (Prior to SN 0130007616)	
104	1706362	1	CSA (SN 0130007616 to Present)	
104	1705127	1	Japanese (Prior to SN 0130006121)	
104	1705962	1	Japanese (SN 0130006121 to Present)	
104	1705108	1	Latin American (Prior to SN 0130007616)	
104	1706363	1	Latin American (SN 0130007616 to Present)	
104		Ref	Decal - Warning/Instruction 20DVL	
104	1705105	1	Brazilian (Prior to SN 0130007616)	
104	1706361	1	Brazilian (SN 0130007616 to Present)	
104	1705106	1	Chinese (Prior to SN 0130007616)	
104	1706355	1	Chinese (SN 0130007616 to Present)	

SECTION 8 - DECALS

ITEM	PART NUMBER	QTY	DESCRIPTION	REV
104	1705107	1	CSA (Prior to SN 0130007616)	
104	1706359	1	CSA (SN 0130007616 to Present)	
104	1705118	1	Japanese (Prior to SN 0130006121)	
104	1705960	1	Japanese (SN 0130006121 to Present)	
104	1705104	1	Latin American (Prior to SN 0130007616)	
104	1706360	1	Latin American (SN 0130007616 to Present)	
105	Not Serviced	1	Nameplate, Serial Number	
106	3820031	4	Rivet	
107		Ref	Decal - Fall Hazard Options: (15DVSP Only)	
107	1705142	1	Brazilian	
107	1704970	1	Chinese	
107	1704804	1	CSA	
107	1704777	1	Japanese (Prior to SN 0130006121)	
107	1705965	1	Japanese (SN 0130006121 to Present)	
107	1705141	1	Latin American	
108		Ref	Decal - Close Gate Options: (15DVSP Only)	
108	1705154	1	Brazilian	
108	1705155	1	Chinese	
108	1705156	1	CSA	
108	1705164	1	Japanese (Prior to SN 0130006121)	
108	1705964	1	Japanese (SN 0130006121 to Present)	
108	1705153	1	Latin American	
109		Ref	Decal - Battery Charging Instruction Options:	
109	1705860	1	Brazilian	
109	1705862	1	Chinese	
109	1705853	1	CSA	
109	1705861	1	Japanese (Prior to SN 0130006121)	
109	1705958	1	Japanese (SN 0130006121 to Present)	
109	1705855	1	Latin American	

SECTION 9 - RECOMMENDED SERVICE PARTS STOCK

SECTION 9 - RECOMMENDED SERVICE PARTS STOCK

SECTION 9 - RECOMMENDED SERVICE PARTS STOCK

FIGURE 9-1. DVL/DVSP SERIES STANDARD PARTS

ITEM	PART NUMBER	QTY	DESCRIPTION	REV
	Note	Ref	Note: The following list will service one machine (built to current production per date on the front cover) with emergency repair parts which can be installed in the field. Parts from the list should be replaced when inventory is depleted to keep service parts stock supplied. For further information, contact your JLG dealer or the JLG Industries Parts Department.	
		Ref	STANDARD PARTS	
	2860030	1	Key, Replacement	
	7013723	1	Filter - 149 Micron	
	7016714	1	Breather	
	2400069	2	Fuse	
	4360515	1	Switch, Proximity	
	7018564	1	Relay, Interlock	
	7018514	1	Breaker, Circuit - AC	
	1600454	1	Controller	
		Ref	VARIABLE PARTS	
	2940074	1	Latch, Platform Gate (Without Drop Bar Gate or Molded Sides)	
	2940082	1	Latch, Platform Gate (DVL/DVSP with Molded Sides)	

SECTION 10 - SPECIAL OPTIONS

SECTION 10 - SPECIAL OPTIONS

FIGURE 10-1. SPECIAL OPTIONS

ITEM	PART NUMBER	QTY	DESCRIPTION	REV
	Note	Ref	Note: This list is to accomodate machines ordered with special equipment. Options may not be applicable to all models. For more specific parts information contact JLG Parts Department.	
		Ref	SPECIAL OPTION INSTALLATIONS	
	0273006	Ref	Beacon, Base (Circuit City)	
	0272718	Ref	Beacon, Mast (UPS)	
	0271198	Ref	Carrier, Rug	
	0272316	Ref	Cord Reel (120VAC)	
		Ref	Decal Options:	
	0272824	Ref	Circuit City Spec	
	0272380	Ref	Grainger (Electric Ladder)	
	0271256	Ref	House 2 Home Spec	
	0270873	Ref	Home Depot Spec	
	0271290	Ref	Home Depot Spec (Platform with Fixed or Folding Side Rails)	
	0271291	Ref	Home Depot Spec (Platform with Molded Sides and Material Tray)	
	0272000	Ref	Home Depot Spec Warning Decals (ANSI/CSA)	
	0272001	Ref	Home Depot Spec Warning Decals (Canadian French)	
	0272002	Ref	Home Depot Spec Warning Decals (Spanish)	
	0273591	Ref	Office Max Spec	
	0272777	Ref	PetSmart Spec	
	0272934	Ref	Sears (Service)	
	0273942	Ref	Target Spec	
	0272791	Ref	Toys R Us Spec	
	0270641	Ref	Wal-Mart Spec	
	0273101	Ref	UPS Spec	
	0255040	Ref	Flourescent Tube Caddy	
	0272022	Ref	Gate, Interlock Assembly	
	0273000	Ref	Hydraulic Oil Installation (Fire Resistant)	
	1704412	1	Decal - Hydraulic Oil	
	2300014	Ref	Hydraulic Oil - Mobil 424	
	2300021	Ref	Hydraulic Oil - Union Carbide Ucon HP5046 Fire Resistant	
	3128199	Ref	Inspection Packet	
	0273590	Ref	Light Box Attachment	
	0258799	Ref	Material Tray (Platform with Molded Sides)	
		Ref	Shipping Skid, Container	
	1580035	1	Shipping Skid, Container 15DVL & 20DVL	
	1580037	1	Shipping Skid, Container 20DVSP & 15DVSP	
	0255036	Ref	Tool Tray	
		Ref	Tools	
	0100048	AR	Compound, Silicone (Use on connectors/receptacles)	
	7002821	1	Crimper (For Wire to Pin/Socket Connections)	
	7002828	1	Stripper, Wire	
	7024361	1	Calibration Tool	
	7002842	1	Brake Crimp Removal Tool (Not Shown)	
	7002841	1	Motor Crimp Removal Tool (Not Shown)	
	7016618	1	Molex Tool (For Ground Control Station Electrical Connectors)	
	7002841	1	Intech Tool (For Drive Motor Electrical Connectors)	
	7002842	1	Intech Tool (For Drive Motor Brake Electrical Connectors)	

SECTION 10 - SPECIAL OPTIONS

ITEM	PART NUMBER	QTY	DESCRIPTION	REV
	7002847	1	Tyco / AMP Electronics Tool (For other General Electrical Connectors)	
	7002848	1	Tyco / AMP Electronics Tool (For other General Electrical Connectors)	
		Ref	Utility Rack Installation Options:	
	0272914	Ref	Utility Rack Installation 1 Piece	
	0272984	Ref	Utility Rack Installation 2 Piece	

PART NUMBER INDEX

PART NUMBER INDEX

01000119..... 13, 14, 17, 21, 31, 35, 49, 55, 59, 71, 75, 79, 83, 87, 88, 91, 93, 97	0271947 62	0273053 91	0641609.... 10, 14, 17, 21, 31
0100019..... 17, 31, 80	0271962 44	0273083 13	0641610..... 10
0100035.... 10, 14, 43, 50, 95	0271963 119	0273084 14, 21	0641611..... 17
0100038..... 17, 21, 112	0271965 119, 123	0273101 130	0641612..... 62
0100048..... 112, 130	0271972 123	0273322 31	0641614..... 9, 13
0100051..... 43, 112	0271973 123	0273323 31	0641616.... 79, 83, 87, 93
0100062..... 61	0271974 123	0273325 31	0641620.... 79, 83, 87, 93
0120006..... 27	0271975 123	0273396 83	0641812..... 59
0140022..... 35	0271981 35	0273397 79	0641814..... 14
0140033..... 35	0271982 35	0273590 130	0641816..... 17
0255036..... 130	0272000 130	0273591 130	0681812..... 59
0255040..... 130	0272001 130	0273850 124	0700507..... 49
0257711..... 65	0272002 130	0273860 123	0720805..... 76, 97
0258586..... 75	0272015 119, 123	0273861 123	0721004..... 80, 84
0258587..... 67	0272016 119, 123	0273942 130	0721006.... 50, 62, 67, 75
0258588..... 67	0272022 130	0274241 93	0721008..... 79, 83, 87
0258672..... 71	0272061 10, 14	0274324 93	0741006..... 43, 59
0258799..... 130	0272102 119, 123	0274343 97	0741008..... 49
0270641 130	0272112 119	0274606 98	0741506..... 17, 21
0270873..... 130	0272113 119, 123	0274628 98	0741605..... 35
0271198..... 130	0272122 123	0274629 98	0741606..... 59
0271256..... 130	0272123 123	0274630 98	0741609..... 17, 21
0271258..... 9, 13	0272124 123	0274631 98	0791404..... 55
0271259..... 31	0272125 123	0274632 98	0791620..... 91
0271260..... 31	0272161 27	0362347 71	0801308..... 31, 59
0271261..... 35, 105	0272271 35	0362658 43	0801309..... 31, 59
0271262..... 35	0272272 35	0362735 59	0801376..... 31, 59
0271263..... 43, 112	0272273 35	0362736 59	0801377..... 31, 59
0271264..... 27	0272276 27	0400208 44, 47	0860520... 65, 67, 71, 75, 79, 83, 87, 91, 93, 97
0271266..... 65	0272316 130	0400209 43	0860946..... 50, 114
0271267..... 67	0272329 35	0440221 17	0861519..... 43
0271268..... 67	0272330 27	0440246 60	0861693..... 49, 55
0271269..... 71	0272380 130	0440248 61	0861767..... 55
0271270..... 75	0272524 84	0440249 60	0902047..... 59
0271271..... 83	0272584 14, 21	0440258 21	0902297..... 62
0271272..... 79	0272595 21	0561149 61	0902422..... 59
0271273..... 49	0272716 91	0561308 61	0902424..... 59
0271274..... 119	0272718 130	0561309 61	0902431..... 59
0271276..... 119, 123	0272763 120	0561336 61	0902445..... 59
0271284..... 124	0272765 31	0561337 61	0902698..... 59
0271285..... 123	0272766 31	0561341 59	0902737..... 27
0271286..... 124	0272767 43	0561408 61	0902775..... 61
0271287..... 123	0272768 27	0610131 44, 112	0902836..... 27
0271290..... 130	0272769 50	0630440 50	0902877..... 67, 75
0271291..... 130	0272770 50	0630464 55	0902889..... 43
0271293..... 44	0272771 62	0630552 43	0903205..... 55
0271294..... 95	0272774 9, 17	0630572 79	0940049..... 79, 83
0271295..... 50, 114	0272775 9, 17	0630590 13	0940104..... 87, 91, 93
0271296..... 50, 114	0272776 9, 13	0641403 28	0940105..... 14
0271297..... 61	0272777 130	0641404 35, 87	0940106..... 88
0271460..... 9, 17	0272782 31	0641405 27, 44	0940107..... 88
0271461..... 9, 17	0272785 27	0641406 9, 13, 43, 59	0940108..... 14
0271663..... 49	0272791 130	0641407 14, 31, 59	0961845..... 65
0271664..... 35	0272812 87	0641408 ... 25, 27, 59, 65, 67, 71, 75, 97	0961892..... 93
0271792..... 50, 114	0272820 87	0641410 59	0962288..... 95
0271793..... 50, 114	0272824 130	0641412 49	0962337..... 80, 84
0271810..... 44	0272825 14, 87	0641414 65, 67, 75, 97	0962449..... 112
0271821..... 61	0272830 14, 21	0641416 ... 71, 76, 88, 97	1060380... 49, 65, 67, 71, 75, 95, 97
0271822..... 61	0272914 131	0641418 65, 84	1060649..... 9, 13
0271823..... 83	0272934 130	0641422 87, 91, 93	1060687..... 114
0271936..... 79	0272981 9, 13	0641422 87, 91, 93	1060753..... 44, 112
0271946..... 10, 14	0272982 119, 123	0641508 61, 91, 93	1060808..... 87
	0272983 119	0641512 43	1060920..... 59
	0272984 131	0641606 9, 13, 35	
	0273000 130	0641607 9, 13, 62	
	0273006 130		

PART NUMBER INDEX

1060927 113	1703681 ... 65, 67, 75, 79, 83, 87, 93, 97, 119, 123	1705208..... 124	2400044 43
1060939 112	1703684 119	1705209..... 124	2400069 43, 128
1060940 112	1703685 124	1705352..... 120	2410008 93
1060941 112	1703686 124	1705353..... 120	2410017 97
1060942 112	1703687 119, 123	1705531..... 43	2410019 97
1060943 112	1703688 119, 123	1705578..... 95	250199 114
1060944 112	1703719 119, 124	1705579..... 95	250200 55
1060948 50, 114	1703723 124	1705580..... 95	250201 55
1060949 44, 112	1703751 124	1705581..... 95	250220 114
1100103 9, 13	1703779 119	1705582..... 95	2540040 43
1260368 59, 61	1703785 119	1705583..... 95	2560154 75, 97
1260370 59, 61	1703786 120	1705585..... 95	2600225 67, 75, 97
1260371 59, 61	1703788 119, 123	1705586..... 95	2600258 27
1271486 59	1703814 119, 123	1705587..... 95	2600281 87, 91, 93
1271487 59	1703817 119, 123	1705588..... 95	2700098 93
1271488 59	1704023 124	1705702..... 120	2753673 105
1271489 59	1704024 124	1705703.. 79, 83, 93, 119, 123	2860027 17, 21
1271490 59	1704031 124	1705803..... 124	2860029 17
1271493 59	1704032 124	1705834..... 120	2860030 36, 55, 128
1320043 49	1704039 120, 124	1705853..... 120, 125	2860031 21
1320149 49	1704079 124	1705855..... 125	2880310 59
1380132 49, 76, 97	1704081 124	1705860..... 125	2902387 27
1400126 17, 21	1704089 124	1705861..... 125	2902388 27
1400128 21	1704277 ... 59, 79, 83, 87, 93	1705862..... 125	2902389 28
1560019 98	1704366 120	1705862..... 125	2902390 27
1580019 91	1704412 130	1705958..... 125	2910760 95
1580020 93	1704469 120	1705959..... 124	2920155 10
1580035 130	1704483 95	1705960..... 125	2920156 62
1580037 130	1704777 125	1705962..... 124	2920160 62
1600309 95, 114	1704797 120, 124	1705963..... 124	2920178 14
1600321 35	1704804 120, 125	1705964..... 125	2940074 ... 67, 75, 79, 83, 87, 128
1600322 35	1704905 95	1705965..... 125	2940082 71, 128
1600323 49, 53	1704970 125	1705981..... 17, 21	3020017 9, 13, 17
1600329 35, 36	1705016 119, 123	1706007..... 55	3020022 9, 13
1600339 35	1705017 119, 123	1706355..... 124	3020038 43
1600340 35, 36	1705018 ... 79, 83, 87, 93, 119, 123	1706356..... 120	3020039 21
1600341 35, 36	1705046 120	1706357..... 120	3020041 61
1600378 55	1705047 120	1706358..... 120	3020041 61
1600379 55	1705048 119, 123	1706359..... 125	3080005 80, 84
1600397 35	1705059 119, 123	1706360..... 125	3128199 130
1600454 55, 128	1705060 79, 83, 119, 123	1706361..... 124	3160282 17, 21, 25
1671014 27	1705064 119, 123	1706362..... 124	3160283 21, 25
1671015 27	1705099 124	1706363..... 124	3160311 21, 25
1671016 27	1705104 125	1706364..... 124	3160312 21, 25
1671017 27	1705105 124	1706365..... 124	3252760 50
1671020 9, 13	1705106 124	1706366..... 124	3252761 50
1671026 27, 28	1705107 125	1706367..... 124	3271805 59
1671065 27	1705108 124	1706368..... 124	3300151 71, 87, 93
1671066 27	1705109 124	1706369..... 124	3300202 43
1671072 27, 28	1705110 124	1706370..... 120	3300356 68, 76, 97
1671073 27	1705111 124	1706385..... 98	3310601 55
1671074 27, 28	1705118 125	1706494..... 98	3310805 76, 97
1671077 27, 28	1705127 124	1706495..... 98	3311001 ... 44, 50, 71, 79, 83, 87
1671095 28	1705141 125	1706496..... 98	3311005 9, 13, 35, 62, 68, 71, 75, 76, 97
1684143 59, 101	1705142 125	1706504..... 98	3311401 49, 59, 88
1684144 59, 101	1705153 125	1706505..... 98	3311402 13
1684233 59, 101	1705154 125	2020005..... 75, 97	3311405 ... 27, 28, 31, 49, 50, 65, 67, 71, 75, 84, 87, 97
1684234 59, 101	1705155 125	2080040 ... 79, 83, 87, 91, 93	3311501 ... 43, 79, 83, 87, 91, 93
1700584 119, 123	1705156 120, 125	2110604..... 105	3311502 79, 83
1701504 119, 123	1705164 125	2110606..... 105	3311505 ... 43, 67, 71, 75, 97
1701509 119, 123	1705191 119, 123	2120183..... 105	3311601 31, 60
1701612 65, 67	1705197 124	2170206..... 105	
1702153 119	1705206 124	2220883..... 101	
1702155 120	1705207 124	2221123..... 105	
1703072 119, 123		2300014..... 130	
1703455 62		2300021..... 130	

PART NUMBER INDEX

33116059, 13, 17, 21, 62, 79, 83, 87, 93	3573546 49	4060882 71	4460633.....113
3311608.....91	3573986 21	4060960 60	4460662.....112
3311801.....17, 60	3574226 87	4060961 60	4460672.....112
3312002.....9, 13	3574442 91, 93	4061034 60	4460709.....112
3340746.....71	3574683 93	4061055 31	4460710.....112
3340754.....71	3575698 13	4070547 10	4460761..... 112, 113
3340829.....75, 97	3580269 60	4070860 60	4460772.....114
3340845.....60	3580286 60	4070861 60	4460773.....114
3340858.....60	3580291 61	4070862 60	4460776.....114
3340977.....91, 93	3580293 60	4070890 71	4460802..... 44, 112
3380466....65, 67, 71, 75, 79, 83, 91, 93, 97	3580305 49, 50	4070894 72	4460803..... 44, 113
3380468.....87	3580344 49	4070970 60	4460919.....112
3380540.....55	3600326 35, 39	4070971 60	4460920.....112
3422338.....61	3600463 35, 41	4070988 60	4460922.....114
3422346.....61	3640924 71	4070989 60	4460923.....114
3422355.....61	3640990 71	4070990 60	4461023..... 55, 56, 113
3422657....50, 65, 67, 71, 75, 87, 97	3641542 93	4071032 49	4461041.....55
3422717.....60	3760170 95	4071043 43, 44	4567203.....9, 13
3422720.....61	3760365 9, 13	4071058 43, 44	4567489.....60
3422722.....61	3760383 60	4071064 10	4567492.....60
3422744.....79, 83, 87	3760448 80, 84	4071077 14	4567749.....60
3422750.....60	3820024 ... 49, 65, 67, 71, 72, 75, 79, 83, 87, 91, 93, 97	4071078 14	4567750.....60
3422752.....60	3820031 120, 125	4071092 87, 91, 93	4567751.....60
3422757.....60	3820032 ... 10, 14, 27, 28, 62, 65, 67, 71, 75, 79, 83, 87, 91, 93, 95, 97	4160124 60	4568013.....43
3422866.....80, 84	3820034 60	4160125 71	4568261.....95
3423050.....21	3841343 9, 13	4160130 49	47114009, 13, 14, 27, 28, 35, 43, 49, 50, 60, 65, 67, 71, 75, 88, 97
3430638.....9, 13	3900032 67, 75, 97	4160160 9, 13	4711500....60, 71, 75, 98
3440320.....17	3900163 61	4160162 9, 13	47116009, 13, 17, 21, 31, 62, 67, 75, 79, 80, 83, 84, 87, 93, 98
3440520.....17	3900177 71	4160165 67, 75	4711800....17, 60, 80, 84
3450202.....61	3900187 60	4220225 87, 91, 93	4712000.....9, 13
3450304.....61	3900190 93	4240032 43, 62, 95	4740007.....60
3450403.....9, 13	3900192 60	4240033 95	4740120.....49, 95
3510676.....71	3900200 75, 97	4240084 9	4740414.....60
3510845.....93	3900202 9, 13, 71	4240127 9, 14	4740428.....71
3510846.....93	3900203 71	4240147 9, 13	4740429.....71
3510874.....97	3900205 43, 44, 60	4280296 ... 65, 76, 79, 83, 87, 97	4740478.....17, 21
3520028.....71	3900249 10, 14	4300111 61	4750800....43, 44, 50, 60, 76, 98
3520030.....76, 97	3900251 76, 97	4300129 61	4751000....35, 49, 62, 68, 71, 75, 79, 83, 87, 98
3520033.....10, 14	3900252 75, 97	4300154 10, 14	4751400....27, 28, 31, 43, 44, 71, 84
3520072....67, 71, 75, 80, 84, 87, 91, 93	3900258 ... 27, 28, 67, 75, 97	4360256 43	4751500....44, 49, 61, 79, 83, 91, 93
3520169.....65, 97	3900264 49, 50	4360456 112	4751600.....9, 13, 35
3520176.....80, 83, 87	3900270 80, 84	4360467 55	4751800.....14, 60
3539814.....60	3900309 95	4360514 43	4761000....43, 44, 60, 79, 83, 87
3570274.....75, 97	3900315 49	4360515 44, 128	4761400.....27, 60
3570362.....75, 97	3900373 49	4360562 55	4761500.....43, 44
3570435.....65	3910608 55	4360567 55	4812000.....21
3570462.....67	3910804 55	4360581 55	4845345.....61
3570464.....67	3911008 35	4420039 ... 65, 67, 75, 79, 83, 87, 93, 97	4845577.....65
3570653.....76, 97	3911010 35	4420051 91, 119, 123	4845614.....75, 98
3570654.....76, 97	3911016 35, 44	4460023 50, 114	4845657.....76, 98
3570680.....49	3911020 35, 43, 44	4460125 50, 114	4845797.....65
3570893.....60	3911032 71	4460205 50, 114	4845805.....67
3570976.....62	3930808 95	4460226 112, 113, 114	4845808.....67
3571101.....61	3930816 49	4460227 112, 113	4845809.....67
3571103.....61	3931016 49	4460267 112	4845810.....75, 98
3571552.....79, 83	3931516 39	4460320 112, 113, 114	4845811.....75, 98
3571734.....35	4040268 17, 21	4460321 112	4845812.....75
3572511.....43, 44	4060092 50, 114	4460326 113	4845813.....67
3572847.....61	4060700 50, 114	4460346 50, 114	
3573070.....17	4060803 65, 68, 76, 97	4460347 50	
3573071.....17	4060804 71	4460424 112, 113, 114	
3573077.....17	4060865 62	4460444 112	
3573093.....9, 13		4460445 112	
		4460549 50, 114	
		4460566 50, 114	

PART NUMBER INDEX

4845821 71, 97	70001024 41	7018021 25	7023359 18, 22
4845822 71	70001025 41	7018026 25	7023360 18, 22
4845831 71	70001026 41	7018028 25	7023361 18, 22
4846021 65, 67, 75, 97	70001027 41	7018030 25, 112	7023391 101
4846324 79, 83, 87	70001028 41	7018031 25, 112, 113	7023392 101
4846325 79, 83, 87	70001703 113	7018032 25, 112, 113	7023394 101
4846436 9, 13	70001704 113	7018033 25	7023395 101
4846437 9, 13	70001705 113	7018034 25	7023490 101
4846440 17	70001706 113	7018035 25	7023491 101
4846441 17	70001707 113	7018036 25	7023492 101
4846445 31	70001708 113	7018037 25	7023493 27, 28
4846446 9, 13	70001798 56	7018038 25	7023498 113
4846447 31	70001799 56, 113	7018039 25	7023499 113
4846481 61	70003676 25	7018040 25	7024300 113
4846514 61	70003805 55	7018041 25	7024302 113
4846521 79, 83	7002821 114, 130	7018042 25	7024361 53, 114, 130
4846522 80, 84	7002828 114, 130	7018043 25	7024405 101
4846536 80, 84	7002841 114, 115, 130	7018045 25	7024406 101
4846722 91	7002842 114, 115, 130	7018046 25	7024407 101
4846782 31	7002847 115, 131	7018047 25	7024422 53
4846783 31	7002848 115, 131	7018048 25	7024423 53
4846803 87	7011621 47, 113	7018049 25	7024424 53
4846804 87	7013701 39	7018050 25	7024425 53
4846864 91	7013708 39	7018514 47, 128	7024426 53
4846869 13	7013713 39	7018537 47	7024427 53, 113
4846870 13	7013715 39	7018564 47, 128	7024428 36
4860232 17, 21	7013716 39	7018570 47	7024429 36
4860235 9, 13	7013717 39	7018577 47	7024430 36
4860239 9, 13	7013720 39	7018586 47	7024431 36
4860240 17, 21	7013722 39	7018589 47	7024432 113
4922559 49, 113	7013723 39, 128	7020093 113	7024460 36
4922560 112	7013727 39	7020648 47, 113	7024480 101
4922562 112	7013728 39	7020651 47	7024575 53
4922563 49, 113	7013743 39	7020663 47	7024591 36
4922670 95, 114	7013766 39	7020673 47	7024592 36
4922671 112	7013770 39	7020674 47	7024818 101
4923106 55	7013779 39	7022210 39	7024819 101
4923107 55	7013792 39	7022211 39	7024820 101
4923108 55	7013793 39	7022212 39	7024833 101
4923315 55	7016618 114, 130	7022918 47, 113	7026165 41
4923316 50, 113	7016710 39	7022919 47	7026195 10, 14
70000012 55	7016712 39	7022920 47	7026196 10, 14
70000082 55	7016713 39	7022921 47	7026335 41
70000087 36	7016714 39, 128	7022922 47	7026622 101
70000682 55	7016717 39	7022923 47	7026623 101
70000683 55	7016718 39	7022926 47	7026624 101
70000684 55	7016719 39	7022942 47	7026625 101
70000685 55	7016721 39	7022943 47	7027302 53
70000686 55	7016722 39	7023351 17, 21	7027365 55
70000928 53	7016724 39	7023352 17, 21	7027366 55
70000933 25	7016735 39	7023353 17, 22	7027367 55
70001019 41	7018000 25	7023354 17, 22	7027739 113
70001020 41	7018001 25	7023355 17, 22	7027764 55
70001021 41	7018009 25	7023356 18, 22	7027765 55
70001022 41	7018010 25	7023357 18, 22	7027766 55
70001023 41	7018011 25	7023358 18, 22	7028062 25



3121137



An Oshkosh Corporation Company

Corporate Office
JLG Industries, Inc.
1 JLG Drive
McConnellsburg, PA 17233-9533
USA

+1-717-485-5161 (Corporate)
+1-877-554-5438 (Customer Support Toll Free)
+1-717-485-6417

JLG Worldwide Locations

JLG Industries
358 Park Road
Regents Park
NSW 2143
Sydney 2143
Australia
+6 (12) 87186300
+6 (12) 65813058
Email: techservicesaus@jlg.com

JLG Ground Support Oude
Bunders 1034
Breitwaterstraat 12A
3630 Maasmechelen
Belgium
+32 (0)89 84 82 26
Email: emeaservice@jlg.com

JLG Latino Americana LTDA
Rua Antonia Martins Luiz, 580
Distrito Industrial Joao Narezzi
Indaiatuba-SP 13347-404
Brasil
+55 (19) 3936 7664 (Parts)
+55 (19) 3936 9049 (Service)
Email: comercialpecas@jlg.com
Email: servicos@jlg.com

Oshkosh-JLG (Tianjin)
Equipment Technology LTD
Shanghai Branch
No 465 Xiao Nan Road
Feng Xian District
Shanghai 201204
China
+86 (21) 800 819 0050

JLG Industries Dubai
Jafza View
PO Box 262728, LB 19
20th Floor, Office 05
Jebel Ali, Dubai
+971 (0) 4 884 1131
+971 (0) 4 884 7683
Email: emeaservice@jlg.com

JLG France SAS
Z.I. Guillaume Mon Amy
30204 Fauillet
47400 Tonniens
France
+33 (0) 553 84 85 86
+33 (0) 553 84 85 74
Email: pieces@jlg.com

JLG Deutschland GmbH
Max Planck Str. 21
27721 Ritterhude-Ihlpohl
Germany
+49 (0) 421 69350-0
+49 (0) 421 69350-45
Email: german-parts@jlg.com

JLG Equipment Services Ltd.
Rm 1107 Landmark North
39 Lung Sum Avenue
Sheung Shui N. T.
Hong Kong
+(852) 2639 5783
+(852) 2639 5797

JLG Industries (Italia) S. R. L.
Via Po, 22
IT-20010 Pregnana Milanese (MI)
Italy
+39 (0) 2 9359 5210
+39 (0) 2 9359 5211
Email: ricambi@jlg.com

JLG EMEA B.V.
Polaris Avenue 63
2132 JH Hoofddorp
The Netherlands
+31 (0) 23 565 5665
Email: emeaservice@jlg.com

JLG NZ Access Equipment & Services
2B Fisher Crescent
Mt Wellington 1060
Auckland, New Zealand
+6 (12) 87186300
+6 (12) 65813058
Email: techservicesaus@jlg.com

JLG Industries
Vahutinskoe shosse 24b
Khimki,
Moscow Region 141400
Russia Federation
+7 (499) 922 06 99
+7 (499) 922 06 99

Oshkosh-JLG Singapore
Technology Equipment P te Ltd.
35 Tuas Avenue 2
Jurong Industrial Estate
Singapore 639454
+65 6591 9030
+65 6591 9045
Email: SEA@jlg.com

JLG Iberica S. L.
Trapadella, 2
Pol. Ind. Castellbisbal Sur
08755 Castellbisbal
Barcelona
Spain
+34 (0) 93 772 47 00
+34 (0) 93 77 117 62
Email: parts_iberica@jlg.com

JLG Sverige AB
Enkopingsvagen 150
17627 Jarfalla
Sweden
+46 (0) 8 506 595 00
+46 (0) 8 506 595 27
Email: nordicsupport@jlg.com

JLG Industries (UK) Ltd.
Bentley House
Bentley Avenue
Middleton, Greater Manchester
M24 2GP
United Kingdom
+44 (0) 161 654 1000
+44 (0) 161 654 1003
Email: ukparts@jlg.com

www.jlg.com