



Illustrated Parts Manual

**Model
740AJ**

**With ADE or UGM
CONTROL MODULE
PRIOR TO
SN 0300185827**

P/N
3121161

July 31, 2018 - Rev Z

ANSI

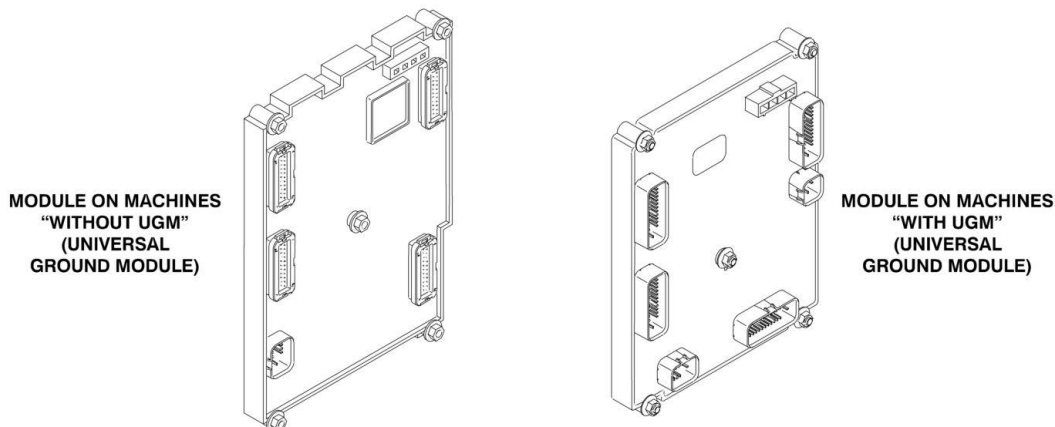
CE



An Oshkosh Corporation Company

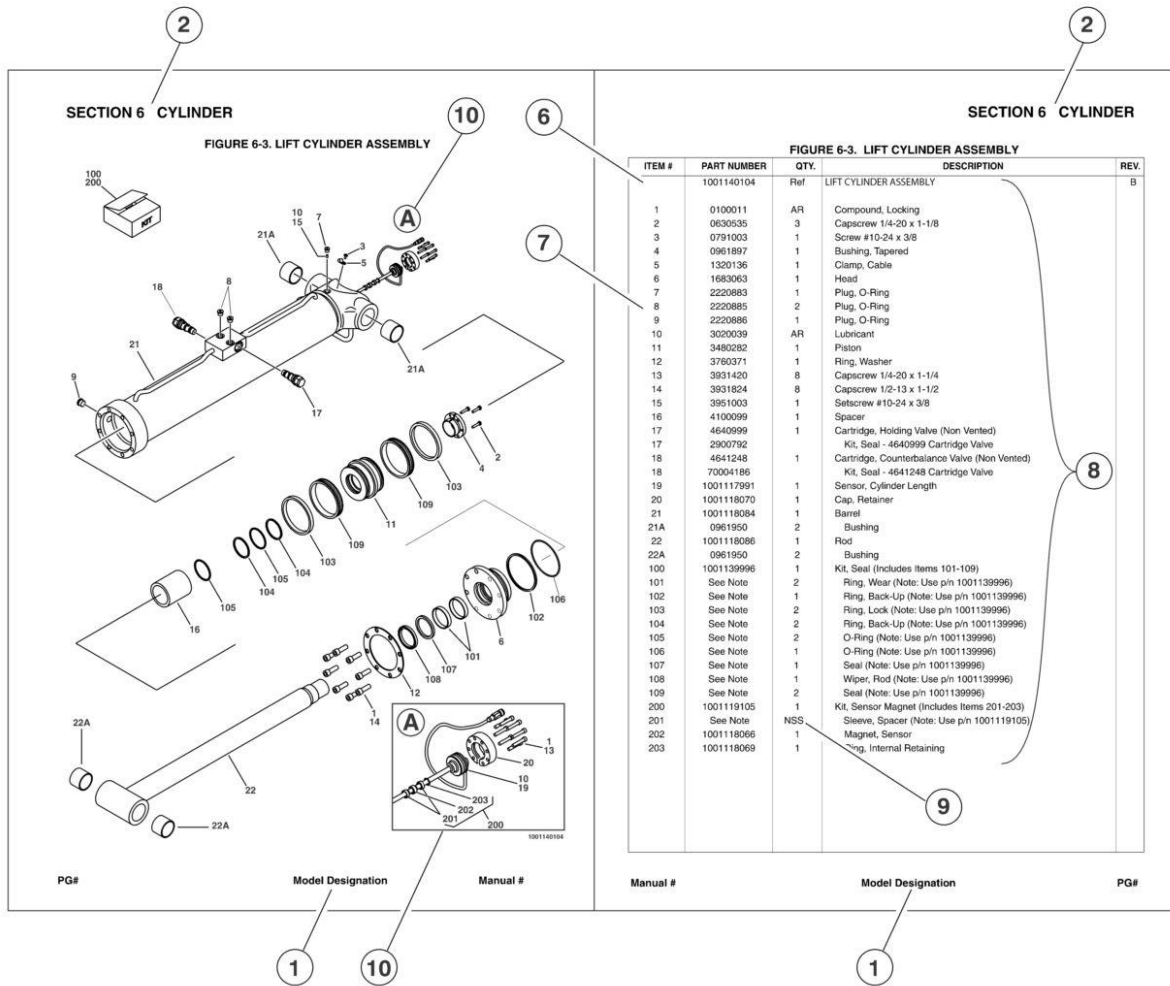
REVISION LOG

GROUND MODULE MODULE IDENTIFICATION



February 10, 2006 - A - Original Issue Of Manual (Manual edited to 0010594 Revision 19)
May 31, 2006 - B - Revised Manual (Manual edited to 0010594 Revision 21)
September 25, 2006 - C - Revised Manual (Manual edited to 0010594 Revision 22)
April 17, 2007 - D - Revised Manual (Manual edited to 0010594 Revision 24)
July 30, 2007 - E - Revised Manual (Manual edited to 0010594 Revision 24)
December 7, 2007 - F - Revised Manual (Manual edited to 0010594 Revision 25)
March 15, 2008 - G - Revised Manual (Manual edited to 0010594 Revision 25)
November 28, 2008 - H - Revised Manual (Manual edited to 0010594 Revision 29)
May 15, 2009 - I - Revised Manual (Manual edited to 0010594 Revision 37)
October 15, 2009 - J - Revised Manual (Manual edited to 0010594 Revision 38)
April 15, 2010 - K - Revised Manual (Manual edited to 0010594 Revision 42)
December 30, 2010 - L - Revised Manual (Manual edited to 0010594 Revision 45)
April 27, 2011 - M - Revised Manual (Manual edited to 0010594 Revision 45)
July 29, 2011 - N - Revised Manual (Manual edited to 0010594 Revision 48)
October 21, 2011 - O - Revised Manual (Manual edited to 0010594 Revision 49)
January 10, 2012 - P - Revised Manual (Manual edited to 0010594 Revision B)
May 31, 2012 - Q - Revised Manual (Manual edited to 0010594 Revision C)
July 31, 2012 - R - Revised Manual (Manual edited to 0010594 Revision C)
December 14, 2012 - S - Revised Manual (Manual edited to 0010594 Revision C)
March 26, 2013 - T - Revised Manual (Manual edited to 0010594 Revision D)
June 20, 2013 - U - Revised Manual (Manual edited to 0010594 Revision I)
September 16, 2013 - V - Revised Manual (Manual edited to 0010594 Revision J)
December 30, 2013 - W - Revised Manual (Manual edited to 0010594 Revision J)
April 30, 2014 - X - Revised Manual (Manual edited to 0010594 Revision O)
July 31, 2015 - Y - Revised Manual (Manual edited to 0010594 Revision O)
July 31, 2018 - Z - Revised Manual (Manual Edited to 0010594 Revision O)

GENERAL INFORMATION



1) MACHINE IDENTIFICATION

Machines are identified by model and in some cases a combination of models, serial number (SN) or regional standard (i.e. ANSI, CE, CSA). Components may also be identified by SN or manufacturer. Common components that may be identified by these characteristics are engines and hydraulic components.

2) PARTS MANUAL ORGANIZATION

Product information in this manual is organized under section titles. Frame, Cylinder, Hydraulic and Electrical are a few examples. Each section is organized by figure and page number. The information within the Figure is then organized by item number, part number, description and corresponding illustration (s).

3) TABLE OF CONTENTS

A table of contents is found toward the beginning of the manual. Figure number, description and page number are provided for quick reference to the page containing the related information.

4) RECOMMENDED SPARE PARTS

The Recommended Spare Parts, located near the end of the manual, reference most frequently used maintenance parts.

5) PART NUMBER INDEX

A numerical index listing all part numbers and the corresponding page number(s) appears at the back of the manual.

GENERAL INFORMATION

6) NON-SERVICED PARTS

In some instances, it is necessary to display non-serviced parts, assemblies or installations. In the case of assemblies and installations there will be a Ref in the Qty column. In case of parts that are not available for service within assemblies or components, there will be a NSS (Not Sold Separately) or NLA (No Longer Available) listed in the Qty. column of the manual.

7) PARTS LIST ITEM NUMBERS

Numbers shown in the item# column correspond to numbers used in the associated illustration (s). Item numbers which are missing from the sequence in the parts list are not used on that page

8) INDENTED PARTS DESCRIPTION

An indented part description is included in the item under which it is indented.

9) ABBREVIATION AND SYMBOLS

AC.....	.. Alternating Current	LCD.....	.. Liquid Crystal Display
ADE.....	.. Advanced Design Electronics	LED.....	.. Light Emitting Diodes
ANSI.....	.. American National Standards Institute	LH.....	.. Left Hand
AR.....	.. As Required	LSS.....	.. Load Sensing System
ASSY.....	.. Assembly	M(m).....	.. Metric/Meter
AUX.....	.. Auxiliary	MM (mm).....	.. Milimeter
AWG.....	.. American Wire Gauge	mA.....	.. Milliamps
B/M.....	.. Bill of Material	NLA.....	.. No Longer Available
CE.....	.. European Conformity	NPT.....	.. National Pipe Threads
CCW.....	.. Counter Clockwise	NSS.....	.. Not Sold Separately
cm.....	.. Centimeter	OD.....	.. Outside Diameter
CW.....	.. Clockwise	ORB.....	.. O-Ring Boss
CSA.....	.. Canadian Standards Association	ORFS.....	.. O-Ring Face Seal
CYL.....	.. Cylinder	OZ (oz).....	.. Ounces
DIA.....	.. Diameter	PG.....	.. Page
DC.....	.. Direct Current	P/N.....	.. Part Number
EMS.....	.. Emergency Stop	qt.....	.. Quarts
ENG.....	.. Engine	QTY.....	.. Quantity
FT (ft).....	.. Feet	REF.....	.. Reference
GA (Ga).....	.. Gauge	REV.....	.. Revision Level
HYD.....	.. Hydraulic	RH.....	.. Right Hand
Hz.....	.. Hertz	SAE.....	.. Society of Automotive Engineers
ID.....	.. Inside Diameter	SN.....	.. Serial Number
in.....	.. inches	SPEC(S).....	.. Specifications
ISO.....	.. International Organization for Standards	T/T.....	.. Turntable
JIC.....	.. Joint Industry Council	UGM.....	.. Universal Ground Module
KG.....	.. Kilogram	V.....	.. Volts
L.....	.. Liter	W.....	.. Watts
LB.....	.. Pounds	#.....	.. Number

10) ILLUSTRATION REFERENCE LETTERS

When necessary, illustrations may contain reference letters that are intended to track information (i. e. hoses, harnesses) from one point to another or to track visual enlargement of components to show details that may be located in another area on the illustration.

Note: Due to continuous product improvements, JLG Industries, Inc. reserves the right to make specification changes without prior notification. Contact JLG Industries, Inc. for updated information.

TABLE OF CONTENTS

SECTION 1 - FRAME.....	9
FIGURE 1-1. AXLE AND STEERING INSTALLATION.....	10
FIGURE 1-2. TIRE AND WHEEL INSTALLATIONS.....	14
FIGURE 1-3. DRIVE HUB ASSEMBLY (Prior to SN 0300138447).....	16
FIGURE 1-4. DRIVE HUB ASSEMBLY (SN 0300138447 through 0300185827).....	20
FIGURE 1-5. DRIVE MOTOR ASSEMBLY (Prior to SN 0300138447).....	24
FIGURE 1-6. DRIVE MOTOR ASSEMBLY (SN 0300138447 through 0300185827).....	26
FIGURE 1-7. DRIVE VALVES AND SHIELDS INSTALLATIONS.....	28
FIGURE 1-8. TOW PACKAGE INSTALLATION.....	30
SECTION 2 - TURNTABLE.....	33
FIGURE 2-1. CONTROL VALVES AND HORN INSTALLATIONS.....	34
FIGURE 2-2. MAIN CONTROL VALVE ASSEMBLY.....	38
FIGURE 2-3. ACCESSORY VALVE ASSEMBLY.....	42
FIGURE 2-4. AUXILIARY PUMP ASSEMBLY (SN 0300109067 through 0300185827).....	44
FIGURE 2-5. TURNTABLE BEARING AND SWING DRIVE INSTALLATION.....	48
FIGURE 2-6. SWING MOTOR/HUB ASSEMBLY (Prior to SN 0300134353).....	50
FIGURE 2-7. SWING MOTOR/HUB ASSEMBLY (SN 0300134353 through 0300185827).....	56
FIGURE 2-8. DEUTZ ENGINE INSTALLATION (Prior to SN 0300077500).....	60
FIGURE 2-9. DEUTZ ENGINE INSTALLATION (SN 0300077500 through 0300185827).....	66
FIGURE 2-10. FORD ENGINE INSTALLATION (Prior to SN 0300077500).....	78
FIGURE 2-11. FORD ENGINE INSTALLATION (SN 0300077500 through 0300185827).....	84
FIGURE 2-12. DUAL FUEL INSTALLATION (GAS MACHINES OPTIONS).....	90
FIGURE 2-13. GM ENGINE INSTALLATION (Prior to SN 0300140592).....	94
FIGURE 2-14. GM ENGINE INSTALLATION (SN 0300140592 through 0300185827).....	100
FIGURE 2-15. PISTON PUMP ASSEMBLY (SAUER DANFOSS).....	106
FIGURE 2-16. PISTON PUMP ASSEMBLY (EATON).....	110
FIGURE 2-17. TANK INSTALLATIONS.....	114
FIGURE 2-18. ROTARY COUPLING INSTALLATION (Prior to SN 0300138447).....	118
FIGURE 2-19. ROTARY COUPLING INSTALLATION (SN 0300138447 through 0300185827).....	120
FIGURE 2-20. GROUND CONTROL BOX ASSEMBLY (Prior to SN 0300139070).....	122
FIGURE 2-21. GROUND CONTROL BOX ASSEMBLY (SN 0300139070 through 0300185827).....	126
FIGURE 2-22. ELECTRICAL OPTIONS INSTALLATION (TURNTABLE MOUNTED).....	130
FIGURE 2-23. HOODS INSTALLATION (Prior to SN 0300089982).....	134
FIGURE 2-24. HOODS INSTALLATION (ABS) (SN 0300089982 through 0300185827).....	138
FIGURE 2-25. HOODS INSTALLATION (STEEL).....	144
FIGURE 2-26. ENGINE TRAY JACK INSTALLATION (OPTIONAL).....	150
FIGURE 2-27. 2500W GENERATOR INSTALLATION - DEUTZ MACHINES (ANSI AND CSA SPEC ONLY) (OPTIONAL).....	152
FIGURE 2-28. 2500W GENERATOR INSTALLATION - FORD MACHINES (ANSI AND CSA SPEC ONLY) (OPTIONAL) (Prior to SN 0300077500).....	156
FIGURE 2-29. 2500W GENERATOR INSTALLATION - FORD MACHINES (ANSI AND CSA SPEC ONLY) (OPTIONAL) (SN 0300077500 through 0300185827).....	160
FIGURE 2-30. 2500W GENERATOR INSTALLATION - GM MACHINES (OPTIONAL).....	164
SECTION 3 - BOOM.....	167
FIGURE 3-1. BOOM AND CYLINDERS INSTALLATION.....	168
FIGURE 3-2. MAIN BOOM ASSEMBLIES.....	172
FIGURE 3-3. ROTATOR ASSEMBLY (Prior to SN 0300130881).....	176
FIGURE 3-4. ROTATOR ASSEMBLY (SN 0300130881 through 0300185827).....	180
FIGURE 3-5. VALVE AND LIMIT SWITCH INSTALLATIONS (BOOM MOUNTED).....	182
SECTION 4 - PLATFORM.....	185
FIGURE 4-1. PLATFORM COMPONENTS INSTALLATION (Prior to SN 0300130881).....	186
FIGURE 4-2. PLATFORM COMPONENTS INSTALLATION (SN 0300130881 through 0300185827).....	190
FIGURE 4-3. PLATFORM CONSOLE ASSEMBLY (Prior to SN 0300138447).....	194
FIGURE 4-4. PLATFORM CONSOLE ASSEMBLY (SN 0300138447 through 0300185827).....	198
FIGURE 4-5. CONTROLLER ASSEMBLY (SWING AND LIFT).....	202
FIGURE 4-6. CONTROLLER ASSEMBLY (DRIVE AND STEER).....	206
FIGURE 4-7. SOFT TOUCH SYSTEM INSTALLATION (OPTIONAL) (Prior to SN 0300137666).....	210
FIGURE 4-8. SOFT TOUCH SYSTEM INSTALLATION (OPTIONAL) (SN 0300137666 through 0300185827).....	212
SECTION 5 - CYLINDER.....	215

TABLE OF CONTENTS

FIGURE 5-1. UPRIGHT LEVEL CYLINDER ASSEMBLY	216
FIGURE 5-2. UPRIGHT LEVEL CYLINDER ASSEMBLY (SERVICE REPLACEMENT)	218
FIGURE 5-3. LIFT CYLINDER ASSEMBLY - JIB (ORIGINAL EQUIPMENT)	220
FIGURE 5-4. LIFT CYLINDER ASSEMBLY - JIB (SERVICE REPLACEMENT)	222
FIGURE 5-5. LIFT CYLINDER ASSEMBLY - MAIN BOOM (ORIGINAL EQUIPEMNT)	224
FIGURE 5-6. LIFT CYLINDER ASSEMBLY - MAIN BOOM (SERVICE REPLACEMENT)	226
FIGURE 5-7. LIFT CYLINDER ASSEMBLY - TOWER BOOM (ORIGINAL EQUIPMENT)	228
FIGURE 5-8. LIFT CYLINDER ASSEMBLY - TOWER BOOM (SERVICE REPLACEMENT)	230
FIGURE 5-9. MASTER CYLINDER ASSEMBLY (ORIGINAL EQUIPMENT)	232
FIGURE 5-10. MASTER CYLINDER ASSEMBLY (SERVICE REPLACEMENT)	234
FIGURE 5-11. SLAVE CYLINDER ASSEMBLY (ORIGINAL EQUIPMENT)	236
FIGURE 5-12. SLAVE CYLINDER ASSEMBLY (SERVICE REPLACEMENT)	238
FIGURE 5-13. STEER CYLINDER ASSEMBLY (Prior to SN 0300142664)	240
FIGURE 5-14. STEER CYLINDER ASSEMBLY (SN 0300142664 through 0300185827)	242
FIGURE 5-15. TELESCOPE CYLINDER ASSEMBLY - MAIN	244
FIGURE 5-16. TELESCOPE CYLINDER ASSEMBLY - MAIN (SERVICE REPLACEMENT)	246
SECTION 6 - HYDRAULIC	249
FIGURE 6-1. DRIVE HYDRAULIC DIAGRAM (Prior to SN 0300137975)	250
FIGURE 6-2. DRIVE HYDRAULIC DIAGRAM (SN 0300137975 through 0300185827)	254
FIGURE 6-3. STANDARD HYDRAULIC DIAGRAM (WITH FENNER AND HALDEX BRAND AUXILIARY PUMP)	258
FIGURE 6-4. STANDARD HYDRAULIC DIAGRAM (WITH BUCHER BRAND AUXILIARY PUMP)	262
FIGURE 6-5. HYDRAULIC DIAGRAM LIST	266
SECTION 7 - ELECTRICAL	267
FIGURE 7-1. ELECTRICAL DIAGRAM LIST	268
FIGURE 7-2. HARNESS COMPONENTS INSTALLATION WITHOUT UGM	270
FIGURE 7-3. HARNESS COMPONENTS INSTALLATION WITH UGM	284
SECTION 8 - DECALS	295
FIGURE 8-1. DECAL INSTALLATION (ANSI AND CSA SPEC) (Prior to SN 0300089982)	296
FIGURE 8-2. DECAL INSTALLATION (ANSI AND CSA SPEC) (SN 0300089982 through 0300185827)	300
FIGURE 8-3. DECAL INSTALLATION (COUNTRY SPEC) (Prior to SN 0300089982)	304
FIGURE 8-4. DECAL INSTALLATION (COUNTRY SPEC) (SN 0300089982 through 0300185827)	308
SECTION 9 - RECOMMENDED SERVICE PARTS STOCK	311
FIGURE 9-1. MODEL 740AJ STANDARD PARTS	312
FIGURE 9-2. MODEL 740AJ VARIABLE PARTS	314
SECTION 10 - SPECIAL OPTIONS	315
FIGURE 10-1. SPECIAL OPTIONS	316
PART NUMBER INDEX	321

SECTION 1 - FRAME

SECTION 1 - FRAME

FIGURE 1-1. AXLE AND STEERING INSTALLATION

ITEM	PART NUMBER	QTY	DESCRIPTION	REV
	0258286	Ref	FIXED AXLE INSTALLATION WITHOUT TOW PACKAGE	C
1	0100011	AR	Compound, Locking	
2	0681608	4	Bolt 3/8in-16NC x 1in (Grade 8)	
4	0641820	2	Bolt 1/2in-13NC x 2-1/2in	
5	0642212	1	Bolt 3/4in-10NC x 1-1/2in	
6	0962102	2	Bushing	
7	3422703	1	Pin, Axle Pivot	
8	3538047	2	Shim, Wear	
9	3539877	2	Plate, Stop	
10	3539878	2	Plate, Stop	
11	3841287	1	Keeper, Pin	
12	4070878	AR	Shim 1/16in	
13	4070879	AR	Shim 1/8in	
14	4070944	AR	Shim 1/16in	
15	4070945	AR	Shim 1/4in	
16	4711600	4	Flatwasher 3/8in Narrow	
17	4740472	1	Washer, Special	
19	4845658	1	Axle Weldment	
	0271654	Ref	FIXED AXLE INSTALLATION WITH TOW PACKAGE	B
101	0100011	AR	Compound, Locking	
102	0100019	AR	Compound, Locking	
104	0642212	1	Bolt 3/4in-10NC x 1-1/2in	
105	0681608	4	Bolt 3/8in-16NC x1in (Grade 8)	
106	0962102	2	Bushing	
107	0641820	2	Bolt 1/2in-13NC x 2-1/2in	
110	3422703	1	Pin, Main Pivot	
111	3539877	2	Plate, Stop	
112	3538047	2	Shim, Axle Wear	
114	3841287	1	Shaft, Keeper 3/8in Dia x 6in	
115	4070878	2	Shim, Axle Wear	
116	4070879	2	Shim, Axle Wear	
117	4711600	4	Flatwasher 3/8in Narrow	
118	4740472	1	Washer, Special	
119	3539878	2	Plate, Stop	
120	4070944	AR	Shim 1/16in	
121	4070945	AR	Shim 1/4in	
122	4846413	1	Axle Weldment	
		Ref	STEERING INSTALLATION WITHOUT TOW	
	0258909	Ref	Steering Installation without Tow (Prior to SN 0300138447)	C
	1001100156	Ref	Steering Installation without Tow (SN 0300138447 through 0300185827)	D
	1001137261	Ref	King Pin Kit	A
		Ref	Note: Before ordering king pin kit, verify that machines is equipped with the original components (king pin with 4 bolt holes) or service kit components (king pin with 8 bolt holes).If the king pin hole in the axle measurement exceeds 2.252in OD or is elongated, use King Pin Kit p/n 1001137261.	
		Ref	Note: Front Axle Shown. Rear Steer Typical. Double Qty Listed for Complete Machine.	
201	0100011	AR	Compound, Locking	
202	0362726	1	Tie-Rod	

SECTION 1 - FRAME

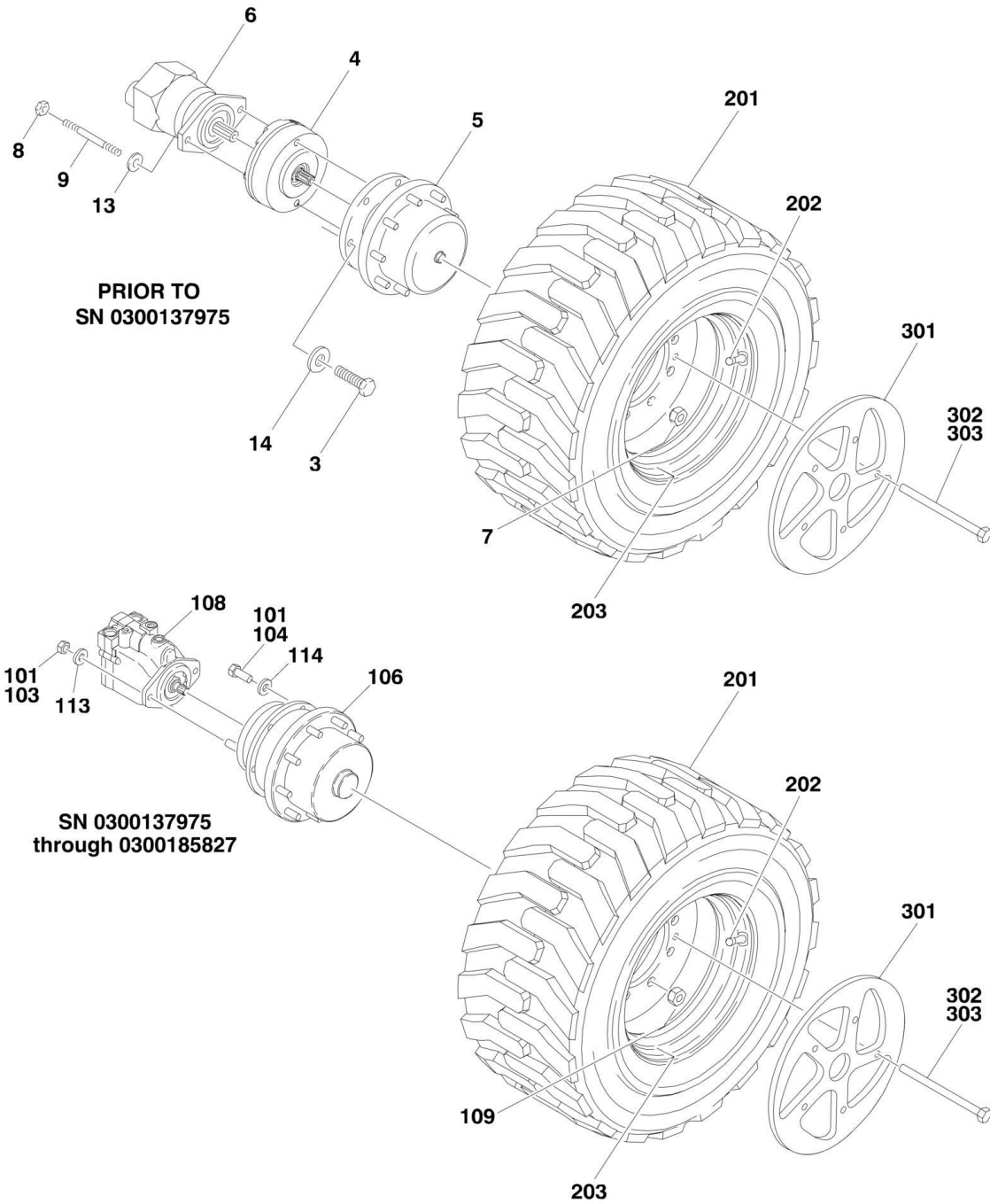
ITEM	PART NUMBER	QTY	DESCRIPTION	REV
203	0641608	6	Bolt 3/8in-16NC x 1in	
204		Ref	Bolt Options:	
204	0641608	8	Bolt (3/8in-16NC x 1in) (Prior to SN 0300138447)	
204	0641810	16	Bolt (1/2in-13NC x 1-1/4in) (SN 0300138447 through 0300185827)	
205		Ref	Bearing Options:	
205	0962224	4	Bearing (Prior to SN 0300138447)	
205	0962448	4	Bearing (SN 0300138447 through 0300149293)	
205	1001112651	4	Bearing, Aluminum Bronze (SN 0300149294 through 0300185827)	
206	0962152	2	Bearing	
208		Ref	Steer Cylinder Assembly Options (See CYLINDER SECTION for Breakdown):	
208	1683740	2	Steer Cylinder Assembly (Prior to SN 0300142664)	
208	1001097243	2	Steer Cylinder Assembly (SN 0300142664 through 0300185827)	
211	3422701	2	Pin, Steer, Spindle Attach	
212	3422702	2	Pin, Tie-Rod	
214	3841143	6	Shaft, Keeper 3/8inx 3in	
215		Ref	Spindle Weldment (Right Side) Options:	
215	4130357	1	Spindle Weldment (Right Side) (Prior to SN 0300138447)	
215	4130389	1	Spindle Weldment (Right Side) (SN 0300138447 through 0300185827)	
216		Ref	Spindle Weldment (Left Side) Options:	
216	4130358	1	Spindle Weldment (Left Side) (Prior to SN 0300138447)	
216	4130390	1	Spindle Weldment (Left Side) (SN 0300138447 through 0300185827)	
217	4740111	4	Washer, Special	
219	4740463	2	Washer, Thrust	
220	4740473	2	Washer, Special	
221	1001103810	AR	Washer, Thrust (.187in)	
222	4740256	AR	Washer, Thrust	
223		Ref	Kingpin Options:	
223	3422753	4	Kingpin (Prior to SN 0300138447)	
223	3422972	4	Kingpin (SN 0300138447 through 0300185827)	
224	3422754	2	Pin, Attach	
	0272319	Ref	STEERING INSTALLATION WITH TOW	E
	1001137261	Ref	KING PIN KIT	A
		Ref	Note: Before ordering king pin kit, verify that machines is equipped with the original components (king pin with 4 bolt holes) or service kit components (king pin with 8 bolt holes).If the king pin hole in the axle measurement exceeds 2.252in OD or is elongated, use King Pin Kit p/n 1001137261.	
		Ref	Note: Front Axle Shown. Rear Steer Typical. Double Qty Listed for Complete Machine.	
301	0100011	AR	Compound, Locking	
302	0362726	1	Tie-Rod	
303	0641508	1	Bolt 5/16in-18NC x 1in	
304	0641608	7	Bolt 3/8in-16NC x 1in	
305	0641810	16	Bolt 1/2in-13NC x 1-1/4in	
306	0962152	2	Bushing	
307		Ref	Bushing Options:	
307	0962448	4	Bushing (Prior to SN 0300149294)	
307	1001112651	4	Bushing (SN 0300149294 through 0300185827)	

SECTION 1 - FRAME

ITEM	PART NUMBER	QTY	DESCRIPTION	REV
308		Ref	Steer Cylinder Assembly Options (See CYLINDER SECTION for Breakdown):	
308	1683740	2	Steer Cylinder Assembly (Prior to SN 0300142664)	
308	1001097243	2	Steer Cylinder Assembly (SN 0300142664 through 0300185827)	
309	3422587	1	Pin	
310	3422701	1	Pin	
311	3422702	2	Pin	
312	3422754	2	Pin	
313	3422813	1	Pin	
314	3422848	1	Pin	
315	3422972	4	Kingpin	
316	3573001	1	Link	
317	3841143	8	Keeper, Pin	
318	4130388	1	Spindle (Front Right)	
319	4130389	1	Spindle (Left Rear) (Not Shown)	
320	4130390	1	Spindle (Left Front and Right Rear)	
321	4740111	6	Thrustwasher	
322	4740155	AR	Thrustwasher	
323	4740256	4	Thrustwasher	
324	4740463	2	Thrustwasher	
325	4740473	2	Flatwasher	
326		Ref	Bar, Pivot Options:	
326	4846414	1	Bar, Pivot (Prior to SN 0300136124)	
326	4846935	1	Bar, Pivot (SN 0300136124 through 0300185827)	
327	3340966	2	Pad, Stop	
328	4071059	AR	Shim	
329	0741609	4	Screw, Countersunk 3/8in-16NC x 1-1/8in	
330	0962292	2	Bushing	
331	0962348	1	Bushing	
332	3020029	AR	Lube, Bearing	
401		Ref	FRAME WELDMENT	
401	2360570	Ref	Frame Weldment (Prior to SN 0300138447)	
401	2360686	Ref	Frame Weldment (SN 0300138447 through 0300185827)	

SECTION 1 - FRAME

FIGURE 1-2. TIRE AND WHEEL INSTALLATIONS



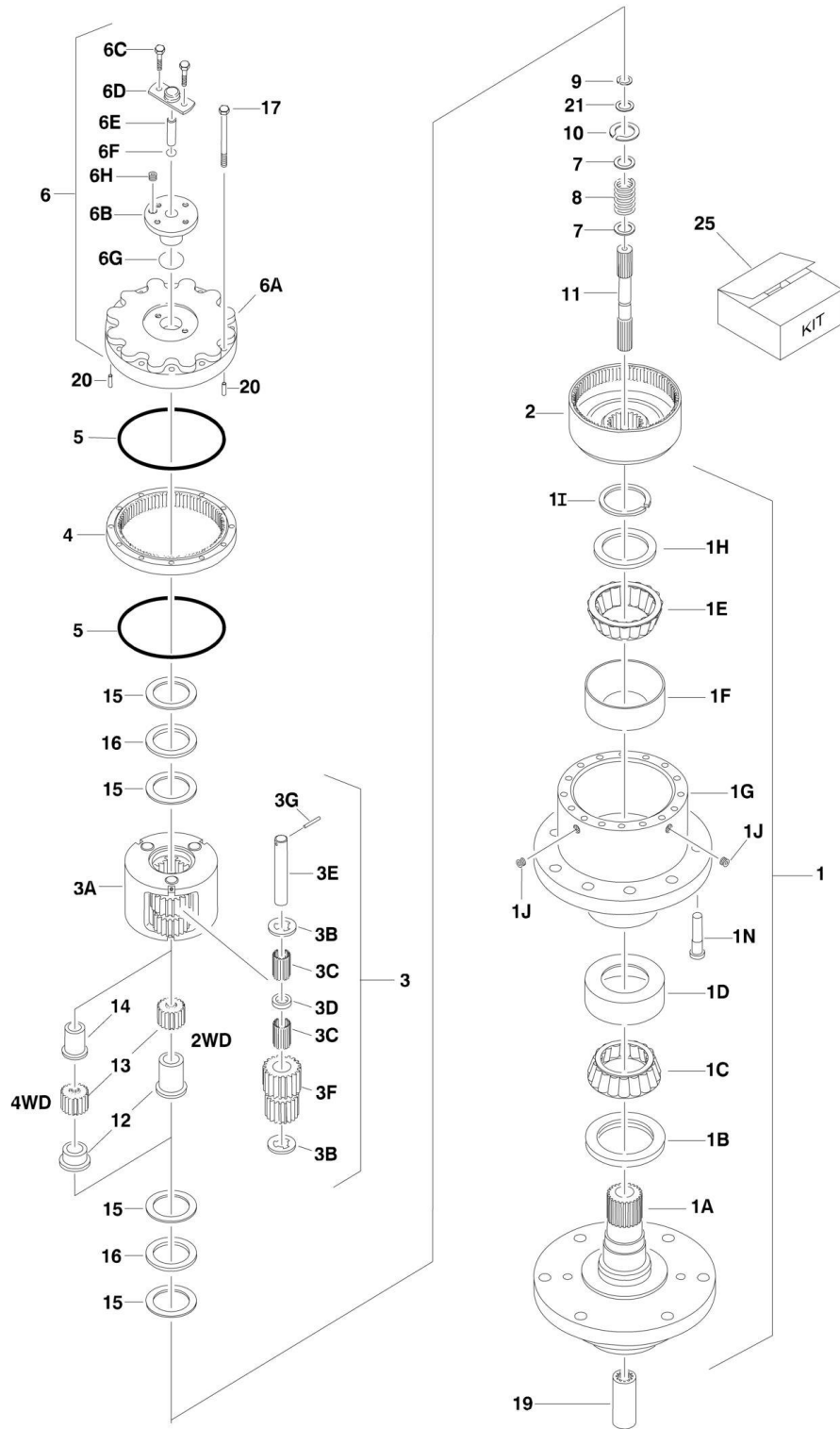
SECTION 1 - FRAME

FIGURE 1-2. TIRE AND WHEEL INSTALLATIONS

ITEM	PART NUMBER	QTY	DESCRIPTION	REV
	0270211	Ref	WHEEL DRIVE INSTALLATION (Prior to SN 0300138447)	D
3	0682016	32	Bolt 5/8in-11NC x 2in (Grade 8)	
4		Ref	Drive Brake Assembly Options:	
4	0920117	NLA	Drive Brake Assembly (Use p/n 0920119) (Prior to SN 0300133482)	
4	0920119	4	Drive Brake Assembly (SN 0300133482 through 0300185827)	
4	7018612	1	Repair Kit (Includes Case Seal, Piston Inner and Outer O-Rings and Back-up Rings, Stator Disc, Rotor Disc, Return Plate, Springs, Oil Seal, Bearing, 2 Retaining Rings and 2 Mounting Face Gaskets) (1 Per Assembly)	
4	7000731	2	Gasket, Mounting Face (2 Per Assembly)	
4	7007990	1	O-Ring, Mounting (1 Per Assembly) (0920119 Brake)	
		Ref	Note: No Other Parts Available.	
5	2780228	4	Drive Hub Assembly (See DRIVE HUB ASSEMBLY for Breakdown)	
6	3160204	4	Drive Motor Assembly (See DRIVE MOTOR ASSEMBLY for Breakdown)	
7	3300007	40	Nut, Wheel	
8	3311801	8	Nut 1/2in-13 NC	
9	4300097	8	Stud	
13	4891800	8	Flatwasher, 1/2in	
14	4892000	32	Flatwasher, 5/8in	
	0274232	Ref	WHEEL DRIVE INSTALLATION (SN 0300138447 through 0300185827)	D
101	0100011	AR	Compound, Locking	
103	3311801	8	Nut 1/2in-13 NC	
104	0682016	32	Bolt 5/8in-11NC x 2in (Grade 8)	
106	2780272	2	Drive Hub Assembly (See DRIVE HUB ASSEMBLY for Breakdown)	
108	3160348	4	Drive Motor Assembly (See DRIVE MOTOR ASSEMBLY for Breakdown)	
109	3300007	40	Nut, Wheel	
113	4891800	8	Flatwasher, 1/2in Hardened	
114	4892000	32	Flatwasher, 5/8in Hardened	
	0270888	Ref	TIRE AND WHEEL INSTALLATION	C
	0271090	2	18-625 Foam-Filled Left Side	
	0271091	2	18-625 Foam-Filled Right Side	
		Ref	Note: Assemblies may require ballast/foam filling to manufacturer's specifications prior to installing on a machine. Refer to Operation and Safety or Service and Maintenance Manuals. Purchase individual tire and/or rim only if able to foam fill tire and wheel assembly, otherwise, purchase complete assembly.	
201	4520253	1	Tire, Replacement	
202	Not Required	0	Valve, Air	
203	4860225	1	Rim, Wheel	
	0256196	Ref	WHEEL COVER INSTALLATION (OPTIONAL)	2-A
301	1670776	4	Cover, Wheel	
302	0641550	20	Bolt 5/16in - 18NC x 6-1/4in	
303	0100011	AR	Compound, Locking	

SECTION 1 - FRAME

FIGURE 1-3. DRIVE HUB ASSEMBLY (Prior to SN 0300138447)



SECTION 1 - FRAME

FIGURE 1-3. DRIVE HUB ASSEMBLY (Prior to SN 0300138447)

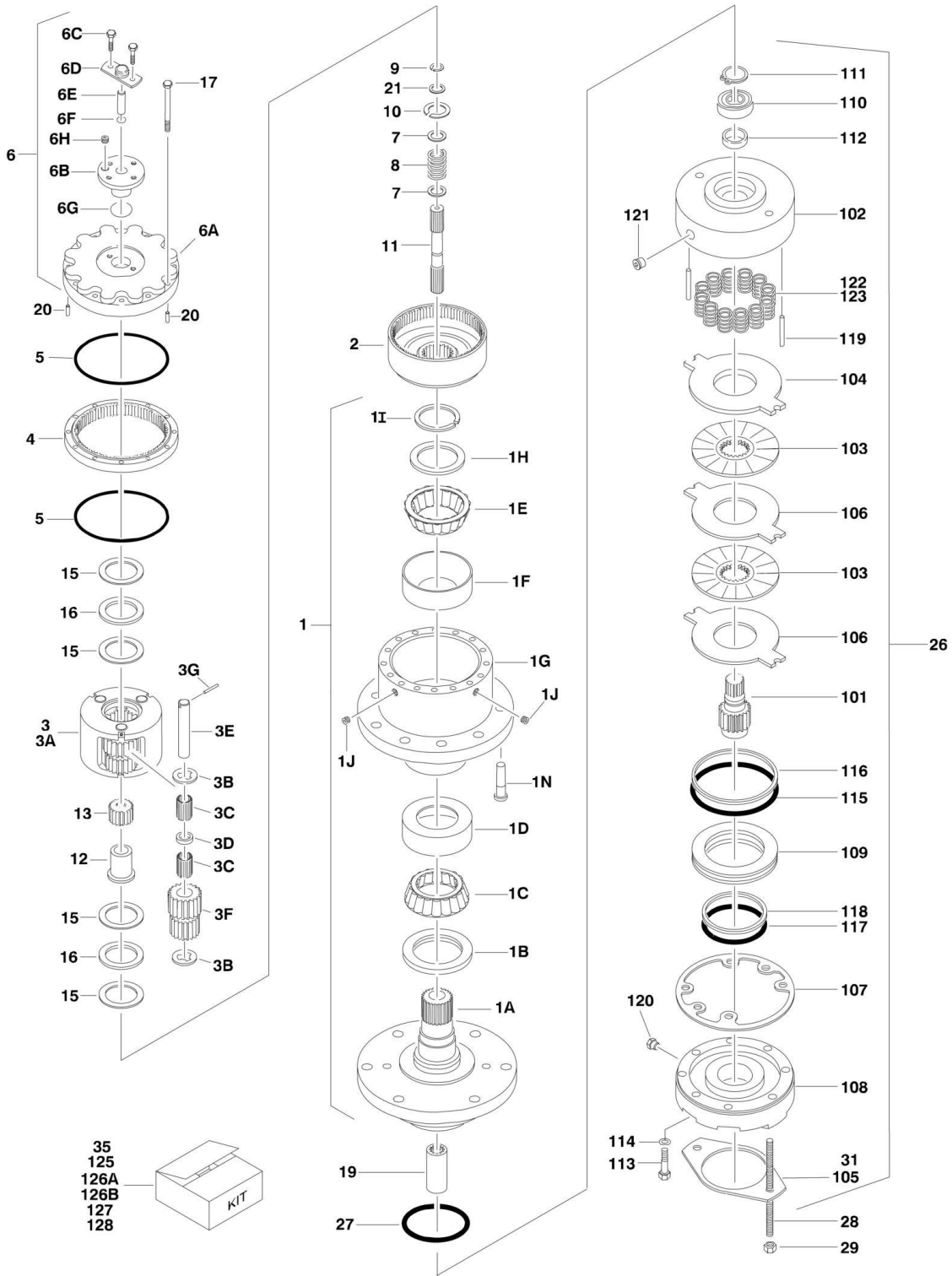
ITEM	PART NUMBER	QTY	DESCRIPTION	REV
	2780228	Ref	DRIVE HUB ASSEMBLY (4WD)	E
1	See Note	1	Spindle/Housing Assembly (Note: Not Available - Purchase Individual Components)	
1A	7010464	1	Spindle	
1B	7000236	1	Seal	
1C	7000273	1	Cone, Bearing	
1D	7000272	1	Cup, Bearing	
1E	7000275	1	Cone, Bearing	
1F	7000274	1	Cup, Bearing	
1G	7017033	1	Housing	
1H	7000239	1	Washer, Thrust	
1I	7000240	1	Ring, Retaining	
1J	7001928	1	Plug, Pipe	
1N	7000265	10	Stud, Wheel	
2	7017034	1	Gear, Ring	
3	See Note	1	Carrier Assembly (Note: Not Available - Purchase Individual Components)	
3A	7017036	1	Carrier	
3B	7001901	6	Thrustwasher, Tanged	
3C	7001902	96	Bearing, Needle	
3D	7001903	3	Spacer, Thrust	
3E	7017040	3	Shaft, Planet	
3F	7017037	3	Gear, Cluster	
3G	7001906	3	Roll Pin	
4	7017035	1	Gear, Internal	
5	7000224	1	O-Ring	
6	See Note	1	Cover Assembly (Note: Not Available - Purchase Individual Components)	
6A	7024155	1	Cover	
6B	7017042	1	Cap	
6C	7000220	4	Bolt 1/4in-20NC x 3/4in	
6D	7000231	1	Cap, Disengage	
6E	7000235	1	Rod, Disengage	
6F	7000213	1	O-Ring	
6G	7000238	1	O-Ring	
6H	7017048	1	Plug, Pipe	
7	7000282	2	Thrustwasher	
8	7000283	1	O-Ring	
9	7000284	1	Ring, Retaining	
10	7017027	1	Ring, Retaining	
11	7017044	1	Shaft, Input	
12	7017045	1	Spacer, Input	
13	7017043	1	Gear, Sun	
14	7017046	1	Spacer, Input	
15	7000287	4	Thrustwasher	
16	7000288	2	Thrustwasher	
17	7000289	12	Bolt 3/8in-16NC x 2-1/2in (Grade 8)	
19	7000290	1	Coupling	
20	7017047	2	Pin, Dowel	
21	Not Required	0	Thrustwasher	

SECTION 1 - FRAME

ITEM	PART NUMBER	QTY	DESCRIPTION	REV
25	7017068	1	Seal Kit (Includes Items 1B, 1I, 5, 6F, 6G, 15 & 16)	

SECTION 1 - FRAME

FIGURE 1-4. DRIVE HUB ASSEMBLY (SN 0300138447 through 0300185827)



SECTION 1 - FRAME

FIGURE 1-4. DRIVE HUB ASSEMBLY (SN 0300138447 through 0300185827)

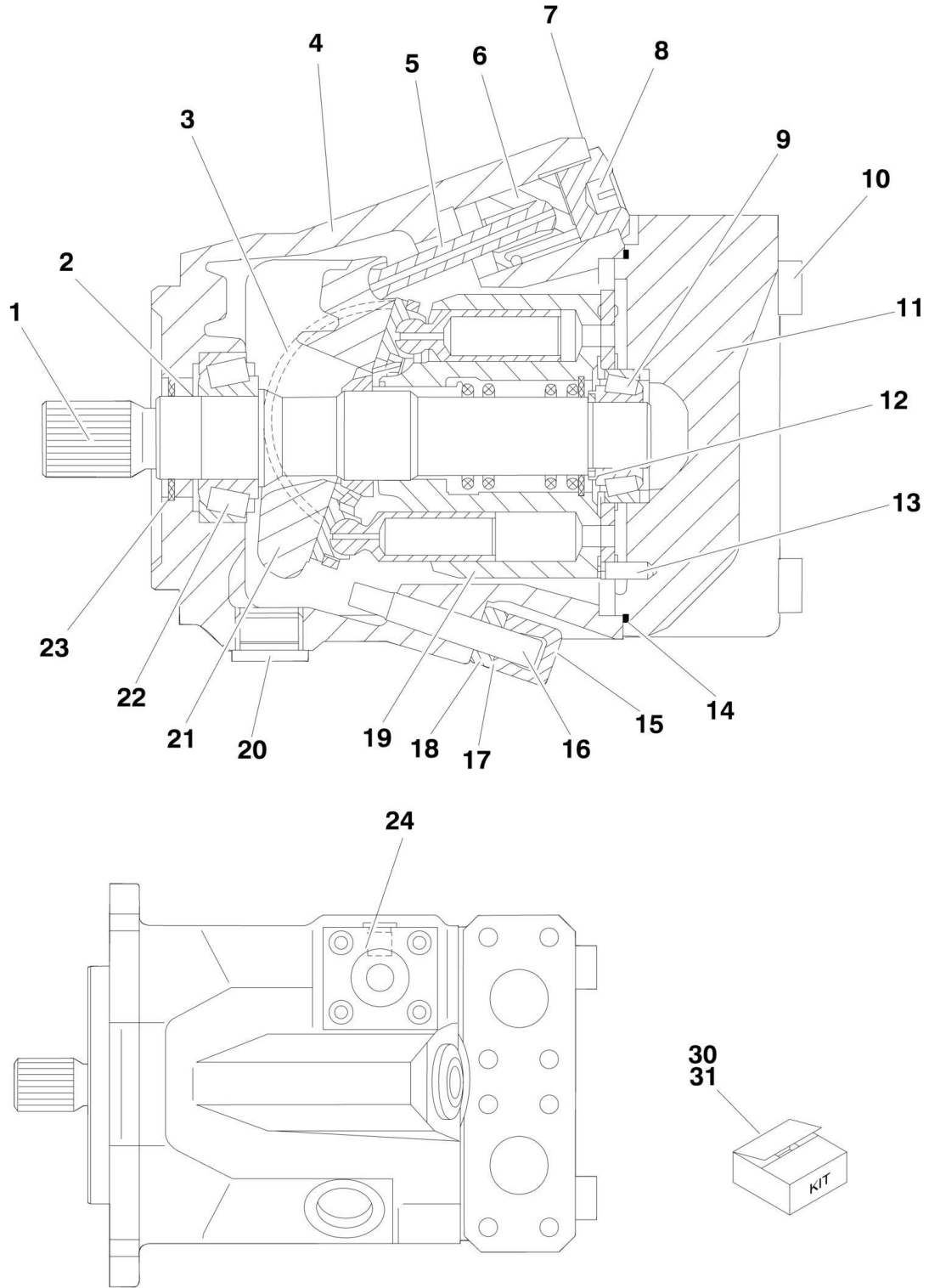
ITEM	PART NUMBER	QTY	DESCRIPTION	REV
	2780272	Ref	DRIVE HUB/BRAKE ASSEMBLY	B
	2780227	Ref	Hub Assembly	A
1	See Note	1	Spindle/Housing Assembly (Note: Not Available - Purchase Individual Components)	
1A	7010464	1	Spindle	
1B	7000236	1	Seal	
1C	7000273	1	Cone, Bearing	
1D	7000272	1	Cup, Bearing	
1E	7000275	1	Cone, Bearing	
1F	7000274	1	Cup, Bearing	
1G	7017033	1	Housing	
1H	7000239	1	Washer, Thrust	
1I	7000240	1	Ring, Retaining	
1J	7001928	1	Plug, Pipe	
1N	7000265	10	Stud, Wheel	
2	7024782	1	Gear, Ring	
3	See Note	1	Carrier Assembly (Note: Not Available - Purchase Individual Components)	
3A	7024147	1	Carrier	
3B	7001901	6	Thrustwasher, Tanged	
3C	7001902	96	Bearing, Needle	
3D	7001903	3	Spacer, Thrust	
3E	7024146	3	Shaft, Planet	
3F	7024148	3	Gear, Cluster	
3G	7001906	3	Roll Pin	
4	7024151	1	Gear, Internal	
5	7000224	1	O-Ring	
6	See Note	1	Cover Assembly (Note: Not Available - Purchase Individual Components)	
6A	7024155	1	Cover	
6B	7024783	1	Cap	
6C	7000220	4	Bolt 1/4in-20NC x 3/4in	
6D	7000231	1	Cap, Disengage	
6E	7000235	1	Rod, Disengage	
6F	7000213	1	O-Ring	
6G	7000238	1	O-Ring	
6H	7017048	1	Plug, Pipe	
7	7000282	2	Thrustwasher	
8	7000283	1	O-Ring	
9	7000284	1	Ring, Retaining	
10	7000285	1	Ring, Retaining	
11	7024781	1	Shaft, Input	
12	7024154	1	Spacer, Input	
13	7024149	1	Gear, Sun	
15	7000287	4	Thrustwasher	
16	7000288	2	Thrustwasher	
17	7000289	12	Bolt 3/8in-16NC x 2-1/2in (Grade 8)	
19	7000290	1	Coupling	
20	7017047	2	Pin, Dowel	
21	7017050	1	Thrustwasher	

SECTION 1 - FRAME

ITEM	PART NUMBER	QTY	DESCRIPTION	REV
26	7024182	1	Brake Assembly (Includes Items 101-123)	
27	7024763	2	O-Ring	
28	7024717	2	Stud 1/2in-13NC x 4-5/8in	
29	7024718	2	Nut 1/2in-13NC	
31	7000731	1	Gasket	
35	7017068	1	Seal Kit - Hub (Includes Items 1B, 1I, 5, 6F, 6G, 15 & 16)	
	7024182	Ref	BRAKE ASSEMBLY	
101	7024189	1	Shaft	
102	7024182	1	Housing (Note: Not Available - Purchase Complete Assembly)	
103	See Note	NSS	Plate, Friction (Note: Use Item 127)	
104	See Note	NSS	Plate, Pressure (Note: Use Item 127)	
105	7000731	1	Gasket	
106	See Note	NSS	Plate, Outer (Note: Use Item 127)	
107	See Note	1	Gasket (Note: Use Item 125, 127 or 128)	
108	7024191	1	Cylinder	
109	7024192	1	Piston	
110	See Note	NSS	Bearing, Ball (Note: Use Item 128)	
111	See Note	NSS	Ring, Retaining (Note: Use Item 128)	
112	See Note	NSS	Seal, Shaft (Note: Use Item 128)	
113	See Note	6	Capscrew (Note: Not Available for Purchase)	
114	See Note	6	Lockwasher (Note: Not Available for Purchase)	
115	See Note	NSS	O-Ring (Note: Use Item 125)	
116	See Note	NSS	Ring, Back-up (Note: Use Item 125)	
117	See Note	NSS	O-Ring (Note: Use Item 125)	
118	See Note	NSS	Ring, Back-up (Note: Use Item 125)	
119	7024190	2	Pin, Dowel	
120	See Note	1	Plug (Note: Not Available - Purchase Locally)	
121	See Note	2	Plug (Note: Not Available - Purchase Locally)	
122	See Note	NSS	Spring Kit (Natural) (Note: Use Item 126B)	
123	See Note	NSS	Spring Kit (Blue) (Note: Use Item 126B)	
125	7024194	1	Seal Kit - Brake (Includes Items 105, 107 & 115-118)	
126		Ref	Spring Kit - Brake Options:	
126A	7024195	NLA	Includes 12 Natural Colored Springs Item 122 (Use p/n 7024196)	
126B	7024196	1	Includes 12 Natural and 2 Blue Colored Springs Items 122 & 123	
127	7024193	1	Friction Disc Kit - Brake (Includes Items 103, 104, 106 & 107)	
128	7024197	1	Bearing Kit - Brake (Includes Items 107 & 110-112)	

SECTION 1 - FRAME

FIGURE 1-5. DRIVE MOTOR ASSEMBLY (Prior to SN 0300138447)



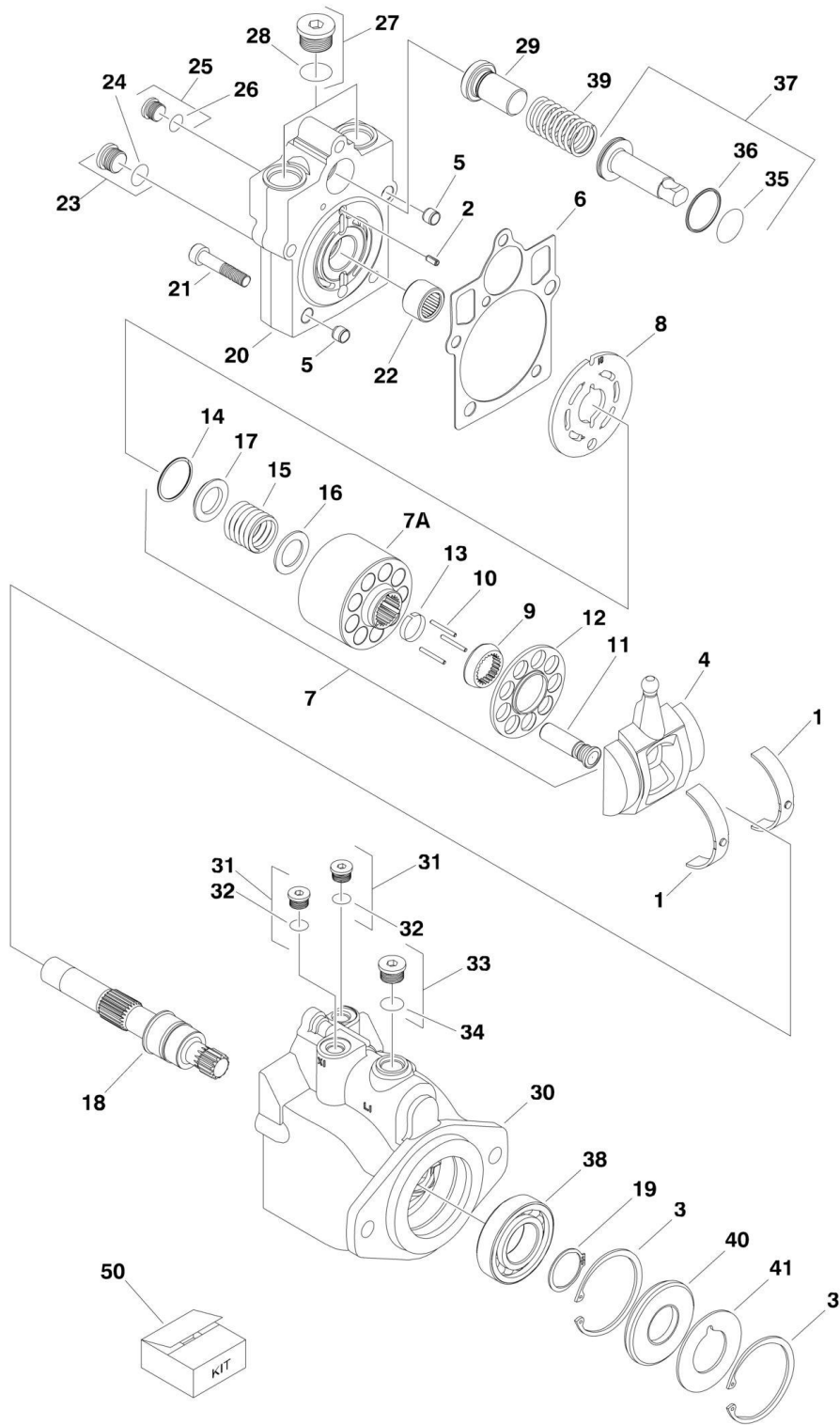
SECTION 1 - FRAME

FIGURE 1-5. DRIVE MOTOR ASSEMBLY (Prior to SN 0300138447)

ITEM	PART NUMBER	QTY	DESCRIPTION	REV
	3160204	Ref	DRIVE MOTOR ASSEMBLY	A
1	7012701	1	Shaft - 13 Teeth	
2	See Note	NSS	Seal, Shaft (Note: Use Item 30)	
3	7012702	2	Bearing, Cradle	
4	See Note	1	Housing (Note: Not Available - Purchase Complete Assembly)	
5	7012703	1	Rod, Piston	
6	7012704	1	Piston, Stroking	
7	See Note	NSS	O-Ring (Note: Use Item 30)	
8	7012705	1	Nut, Adapter	
9	7012706	1	Bearing, Roller	
10	7012707	4	Bolt, Socket Head M12 x 65	
11	7012708	1	Block, Port	
12	7012709	1	Shim	
13	7012710	1	Pin, Dowel M6 x 18	
14	See Note	NSS	O-Ring (Note: Use Item 30)	
15	7012711	1	Nut, Cap M10 x 1	
16	7012712	1	Screw, Adjusting	
17	See Note	NSS	O-Ring (Note: Use Item 30)	
18	7012713	1	Nut, Jam M10 x 1	
19	See Note	NSS	Rotary Group Assembly (Note: Use Item 31)	
20	See Note	1	Plug (Note: Not Available - Purchase Locally)	
21	See Note	NSS	Plate, Swash (Note: Use Item 31)	
22	7012714	1	Bearing, Roller	
23	7012715	1	V-Ring	
24	7012700	1	Control Plate Assembly	
30	2900788	1	Seal Kit (Includes Items 2, 7, 14, 17 and O-Rings under Item 24)	
31	7012716	1	Rotary Group Kit (Includes Items 19 & 21)	

SECTION 1 - FRAME

FIGURE 1-6. DRIVE MOTOR ASSEMBLY (SN 0300138447 through 0300185827)



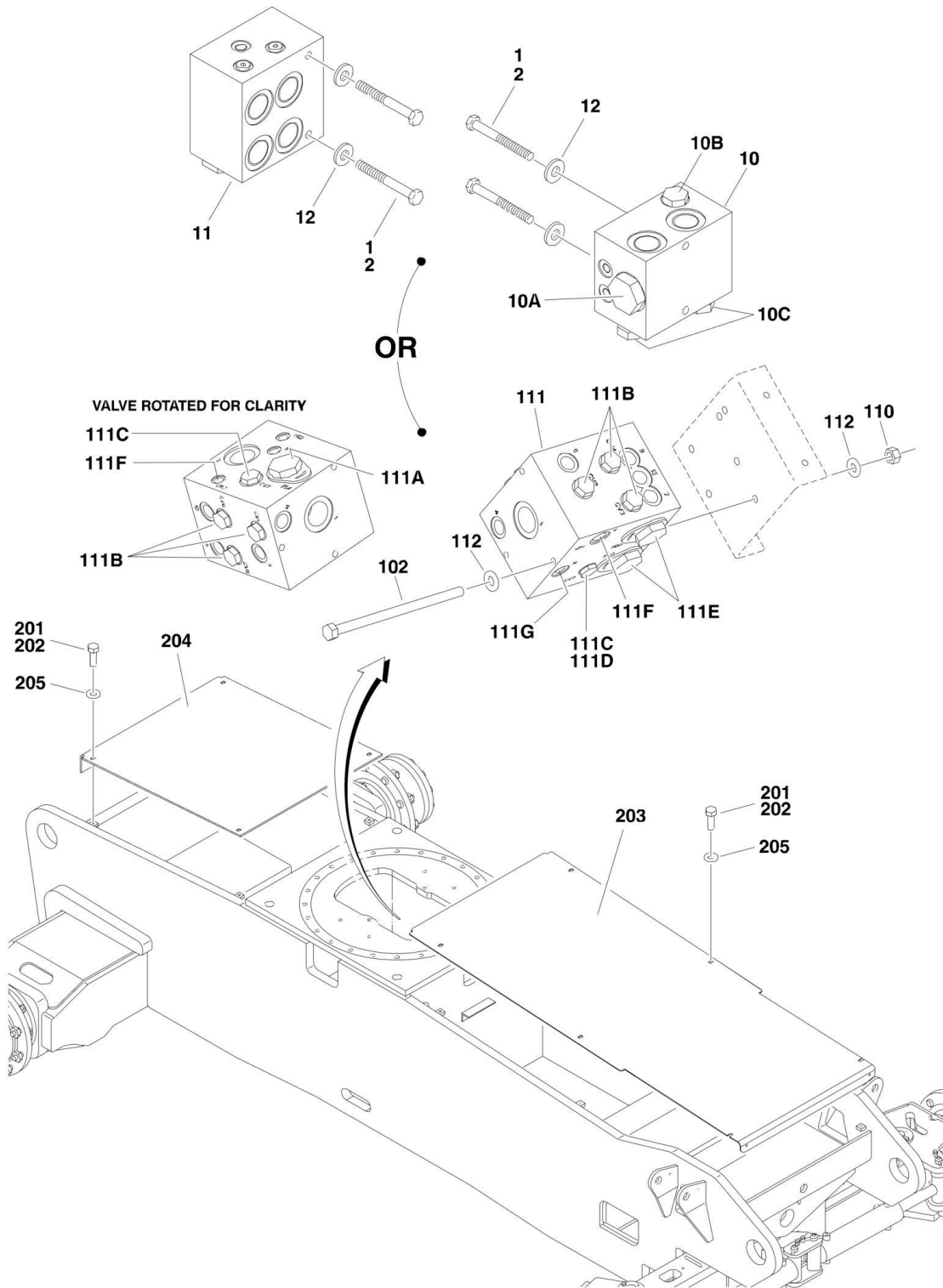
SECTION 1 - FRAME

FIGURE 1-6. DRIVE MOTOR ASSEMBLY (SN 0300138447 through 0300185827)

ITEM	PART NUMBER	QTY	DESCRIPTION	REV
	3160348	Ref	DRIVE MOTOR ASSEMBLY	B
1	7022302	2	Bearing, Journal	
2	7007446	1	Pin	
3	7007438	2	Ring, Retaining	
4	7022305	1	Swash Plate	
5	See Note	2	Pin (Note: Not Available for Purchase)	
6	See Note	NSS	Gasket (Note: Use Item 50)	
7	7023907	1	Cylinder Block Kit (Includes Items 7A & 9-17)	
7A	7023907	1	Block, Cylinder (Note: Not Available - Purchase Complete Cylinder Block Kit)	
8	7023908	1	Plate, Valve	
9	7021277	1	Guide, Slipper Retainer	
10	7021275	3	Pin, Slipper Hold Down	
11	See Note	9	Piston Assembly (Note: Not Available - Purchase Complete Assembly)	
12	7022310	1	Retainer, Slipper	
13	7021276	1	Retainer, Hold Down Pin	
14	7022311	1	Ring, Retaining	
15	7022312	1	Spring	
16	7024868	1	Washer	
17	7022314	1	Retainer, Spring	
18	7023910	1	Shaft	
19	7007439	1	Ring, Retaining	
20	70000797	1	Cap, End - Axial	
21	7022368	5	Screw	
22	7021249	1	Bearing, Needle	
23	2220886	1	Plug (Includes Item 24)	
24	See Note	NSS	O-Ring (Note: Use Item 23 or 50)	
25	2220883	1	Plug (Includes Item 26)	
26	See Note	NSS	O-Ring (Note: Use Item 25 or 50)	
27	2220888	2	Plug (Includes Item 28)	
28	See Note	NSS	O-Ring (Note: Use Item 27 or 50)	
29	7022372	1	Seat, Spring	
30	See Note	1	Housing (Note: Not Available - Purchase Complete Assembly)	
31	2220883	2	Plug (Includes Item 32)	
32	See Note	NSS	O-Ring (Note: Use Item 31 or 50)	
33	2220886	1	Plug (Includes Item 34)	
34	See Note	NSS	O-Ring (Note: Use Item 33 or 50)	
35	See Note	NSS	O-Ring (Note: Use Item 50)	
36	See Note	NSS	Ring, Seal (Note: Use Item 50)	
37	7024854	1	Piston, Servo (Includes Items 35 & 36)	
38	7007437	1	Bearing	
39	7022326	1	Spring	
40	See Note	NSS	Seal, Lip (Note: Use Item 50)	
41	7022371	1	Washer, Support	
50	7022328	1	Seal Kit (Includes Items 6, 24, 26, 28, 32, 34, 35, 36 & 40)	

SECTION 1 - FRAME

FIGURE 1-7. DRIVE VALVES AND SHIELDS INSTALLATIONS



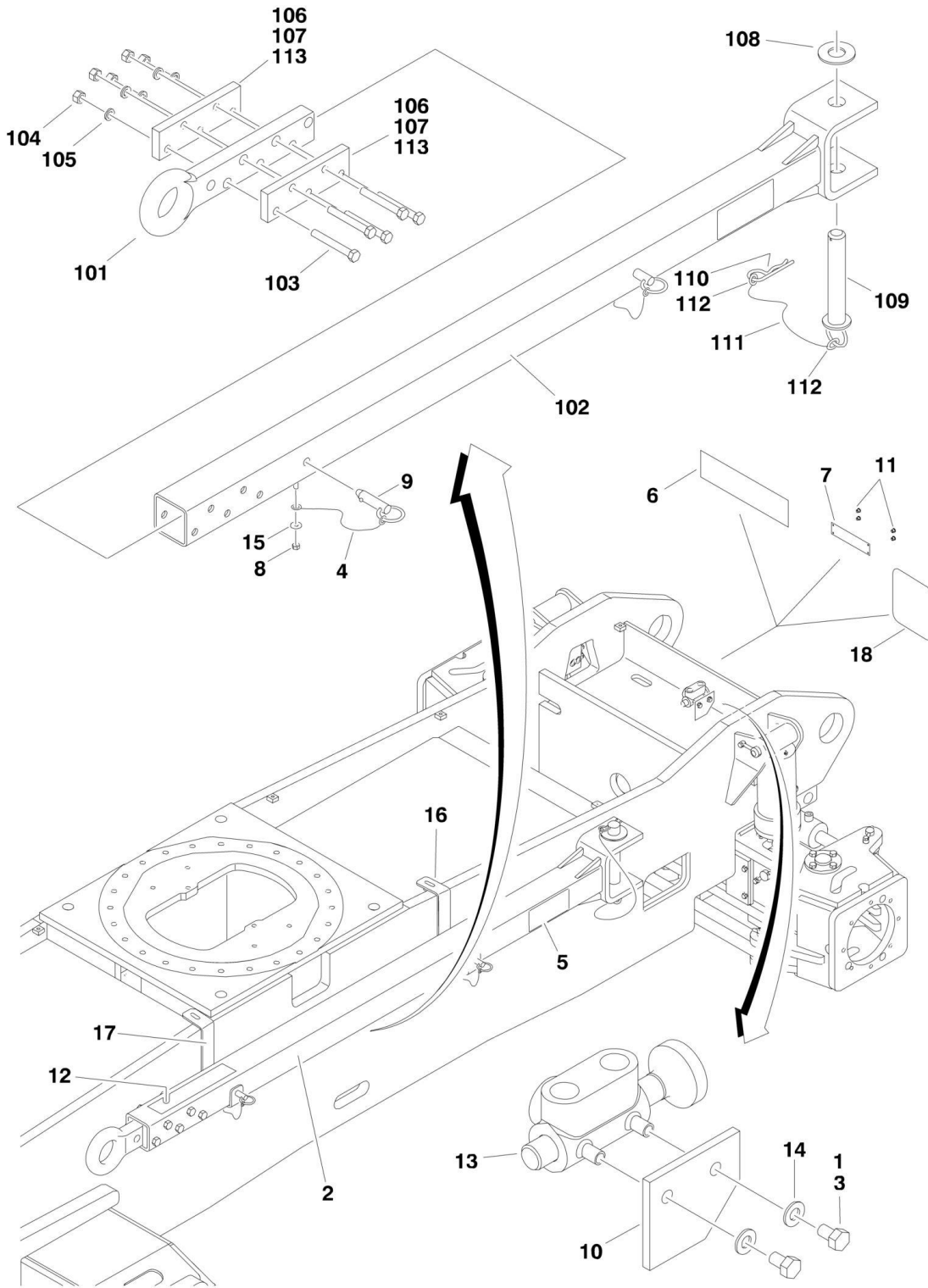
SECTION 1 - FRAME

FIGURE 1-7. DRIVE VALVES AND SHIELDS INSTALLATIONS

ITEM	PART NUMBER	QTY	DESCRIPTION	REV
	0270211	Ref	DRIVE VALVES INSTALLATION (Prior to SN 0300138447)	D
1	0100011	AR	Compound, Locking	
2	0641628	4	Bolt 5/8in-11NC x 3-1/2in	
10	4641041	1	Flow Divider Valve Assembly	
10A	7022396	1	Cartridge, Flow Divider	
10A	7021625	1	Seal Kit - 7022396 Cartridge	
10B	7022398	1	Cartridge, Load Shuttle	
10B	7023900	1	Seal Kit - 7022398 Cartridge	
10C	7022397	2	Cartridge, Check Valve	
10C	7022399	2	Seal Kit - 7022397 Cartridge	
11	4641042	1	Flow Divider Valve Assembly	
11	7021656	2	Cartridge, Flow Divider	
11	7021625	2	Seal Kit - 7021656 Cartridge	
12	4751600	4	Flatwasher 3/8in	
	0274232	Ref	DRIVE VALVES INSTALLATION (SN 0300138447 through 0300185827)	D
102	0641560	3	Bolt 5/16in-18NC x 7-1/2in	
110	3311505	3	Locknut 5/16in-18NC	
111	4641303	1	Flow Divider Valve Assembly	B
111A	7023933	1	Cartridge, Flow Divider	
111A	7021625	1	Seal Kit - 7023933 Cartridge	
111B	7022397	6	Cartridge, Check	
111B	7022399	6	Seal Kit - 7022397 Cartridge	
111C	7021639	2	Cartridge, Check Valves	
111C	2900756	2	Seal Kit - 7022398 Cartridge	
111D	7024881	1	Piston, Pilot	
111E	7023917	2	Cartridge, Flow Divider	
111E	7021625	2	Seal Kit - 7023917 Cartridge	
111F	70003935	2	Orifice	
111G	70003936	1	Orifice	
112	4711500	6	Flatwasher 5/16in Narrow	
		Ref	FRAME COVERS INSTALLATION	
	0258343	Ref	Frame Covers Installation (Prior to SN 0300138447)	D
	0274266	Ref	Frame Covers Installation (SN 0300138447 through 0300185827)	A
201	0100011	AR	Compound, Locking	
202	0641608	10	Bolt, 3/8in - 16NC x 1in	
203		Ref	Plate, Cover Front Options:	
203	3570686	1	Plate, Cover Front (Prior to SN 0300138447)	
203	3575718	1	Plate, Cover Front (SN 0300138447 through 0300185827)	
204	3570690	1	Plate, Cover Rear	
205	4751600	10	Flatwasher, 3/8in	

SECTION 1 - FRAME

FIGURE 1-8. TOW PACKAGE INSTALLATION



SECTION 1 - FRAME

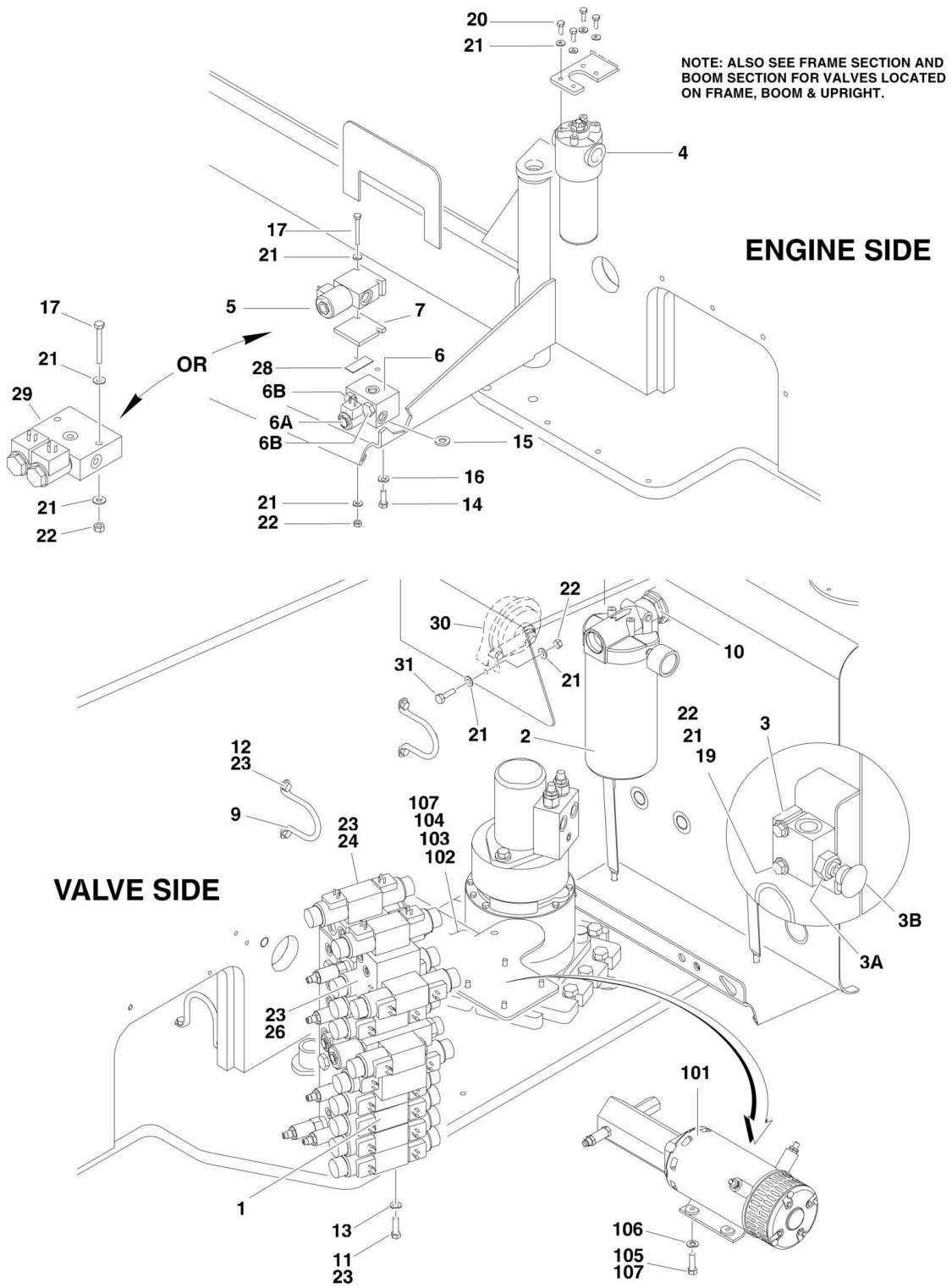
FIGURE 1-8. TOW PACKAGE INSTALLATION

ITEM	PART NUMBER	QTY	DESCRIPTION	REV
		Ref	TOW BAR INSTALLATIONS	
	0272373	Ref	ANSI, CSA and Australian	B
	1001166807	Ref	CE	A
1	0100011	AR	Compound, Locking	
2	0232121	1	Tow Bar Assembly (See Items 101-113 for Breakdown)	
3	0641504	2	Bolt 5/16in-18NC x 1/2in	
4	1260017	2	Chain	
5		Ref	Decal - Crushing Options:	
5	1704578	2	ANSI, CSA and Australian Specs	
5	1706960	2	CE Spec	
6	1705090	1	Decal - Towing Instructions (ANSI, CSA and Australian Specs Only)	
7	3250872	1	Nameplate - Steer/Tow Select Valve (ANSI, CSA and Australian Specs Only)	
8	3311401	2	Nut 1/4in-20NC	
9	3420292	2	Pin	
10	3539662	1	Plate, Valve Mounting	
11	3820001	4	Rivet (ANSI, CSA and Australian Specs Only)	
12	4420051	AR	Tape, Safety	
13	4640261	1	Valve, Select	
14	4711500	2	Flatwasher 5/16in Narrow	
15	4751400	2	Flatwasher 1/4in Wide	
16	4846507	1	Bracket (Right Front)	
17	4846508	1	Bracket (Right Rear)	
18	1706957		Decal - Tow Bar and Steer Select (CE Spec Only)	
	0232121	Ref	TOW BAR ASSEMBLY	7-G
101	0362910	1	Pintle, Draw Eye	
102	4843777	NLA	Tow Bar (Use p/n 0232121)	
103	0642038	5	Bolt 5/8in-11NC x 4-3/4in	
104	3312001	5	Nut 5/8in-11NC	
105	4762000	5	Lockwasher 5/8in	
106	4070450	AR	Shim	
107	4070561	AR	Shim	
108	4740036	1	Flatwasher, Special	
109	3420447	1	Pin, Towing	
110	3420372	1	Pin, Cotter	
111	1260135	1	Chain	
112	3760170	2	Ring, Split	
113	4070560	2	Shim	

SECTION 2 - TURNTABLE

SECTION 2 - TURNTABLE

FIGURE 2-1. CONTROL VALVES AND HORN INSTALLATIONS



SECTION 2 - TURNTABLE

FIGURE 2-1. CONTROL VALVES AND HORN INSTALLATIONS

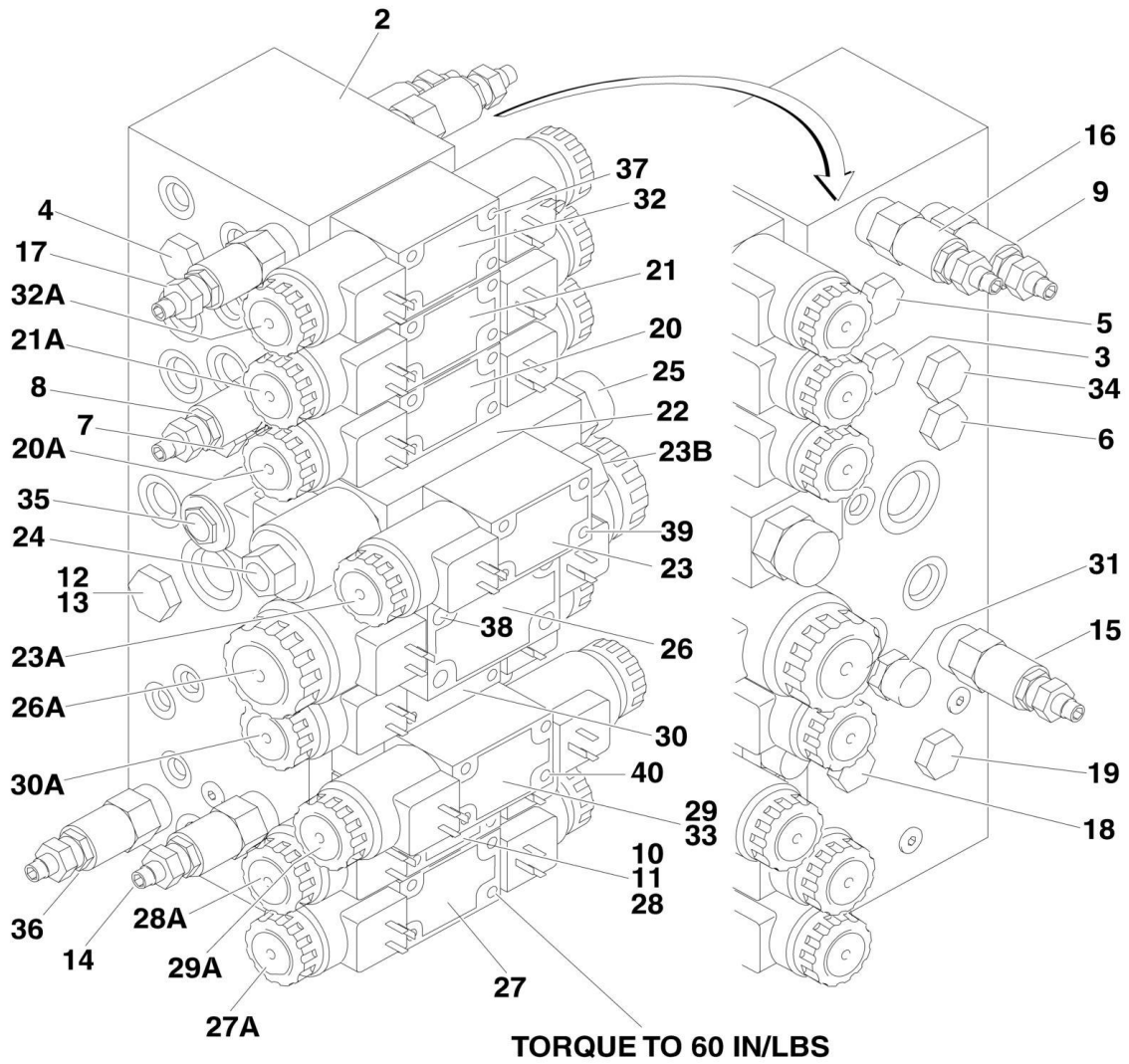
ITEM	PART NUMBER	QTY	DESCRIPTION	REV
		Ref	VALVES INSTALLATION	
	0258457	Ref	Valves Installation (Prior to SN 0300089982)	C
	0274643	Ref	Valves Installation (SN 0300089982 through 0300095109)	C
	0258457	Ref	Valves Installation (SN 0300095110 through 0300138446)	D
	0274643	Ref	Valves Installation (SN 0300138447 through 0300185827)	E
1		Ref	Main Control Valve Assembly Options (See MAIN CONTROL VALVE ASSEMBLY for Breakdown):	
1	4641099	NLA	Main Control Valve Assembly (Use p/n 4641453) (Prior to SN 0300092873)	
1	4641453	1	Main Control Valve Assembly (SN 0300092873 through 0300185827)	
2	2120167	1	Return Filter Assembly	
2	2120168	1	Element, Filter	
2	7020021	1	Indicator, Clogged	
3	4640866	1	Valve Assembly (Level)	
3A	7017466	1	Cartridge	
3A	2900708	1	Seal Kit - Cartridge	
3B	7012959	1	Knob	
4		Ref	Pressure Filter Assembly Options:	
4	2120163	1	Pressure Filter Assembly (Prior to SN 0300087266)	
4	2120150	1	Element, Filter	
4	7023206	1	O-Ring, Filter Bowl	
4	7023207	1	Ring, Filter Bowl Backup	
4	7020020	1	Indicator, Clog	
4	2120209	1	Pressure Filter Assembly (SN 0300087266 through 0300185827)	
4	2120210	1	Element, Filter	
4	70000934	1	O-Ring, Filter Bowl	
4	7020020	1	Indicator, Clog	
5	4641061	1	Solenoid Valve Assembly (Brake) (Prior to SN 0300089982, SN 0300095110 through 0300138447)	
5	7012943	1	Coil	
5	7017479	1	Cartridge without Coil	
5	7012518	1	Seal Kit - 7017479 Cartridge	
6	4640906	1	Solenoid Valve Assembly (2 Speed) (Prior to SN 0300089982, SN 0300095110 through 0300138447)	
6A	7012944	1	Coil	
6A	7023981	1	Cartridge without Coil	
6A	7012905	1	Seal Kit - 7023981 Cartridge	
6B	7017481	2	Cartridge, Check	
6B	7012972	2	Seal Kit - 7017481 Cartridge	
7	3570979	1	Plate, Spacer (Prior to SN 0300083332)	
9	3841340	4	Loop, Hose	
10	2220893	1	Fitting, Adapter	
11	0641614	3	Bolt 3/8in-16NC x 1-3/4in	
12	0641606	8	Bolt 3/8in-16NC x 3/4in	
13	4711600	AR	Flatwasher 3/8in Narrow	
14		Ref	Bolt Options:	
14	0641508	2	Bolt 5/16in-18NC x 1in	
14	0641418	2	Bolt 1/4in-20NC x 2-1/4in	
15	4891500	2	Flatwasher 5/16in Hardened (Prior to SN 0300083332)	

SECTION 2 - TURNTABLE

ITEM	PART NUMBER	QTY	DESCRIPTION	REV
16	4711500	2	Flatwasher 5/16in Narrow (Prior to SN 0300083332)	
17	0641418	2	Bolt 1/4in-20NC x 2-1/4in	
19		Ref	Bolt Options:	
19	0641414	2	Bolt 1/4in-20NC x 1-3/4in	
19	0641416	2	Bolt 1/4in-20NC x 2in	
20	0651406	AR	Bolt 1/4in-28NF x 3/4in	
21	4711400	AR	Flatwasher 1/4in Narrow	
22	3311405	AR	Locknut 1/4in-20NC	
23	0100011	AR	Compound, Locking	
24	4640921	1	Valve Assembly (Jib Control) (See ACCESSORY VALVE ASSEMBLY for Breakdown)	
25	4921927	1	Harness Assembly (Jib Control) (Not Shown - See ELECTRICAL SECTION for Breakdown)	
26	4640922	AR	Valve Assembly (4WS Control)	
27	4921928		Harness Assembly (4WS Control) (Not Shown - See ELECTRICAL SECTION for Breakdown)	
28	4420060	2 in/5cm	Tape, Double Sided (Prior to SN 0300083332)	
29	4641317	1	Combination Valve Assembly (Brake and 2 Speed) (SN 0300089982 through 0300095110, SN 0300137447 through 0300185827)	
29	7012944	2	Coil	
29	7012941	2	Cartridge without Coil	
29	7010543	2	Seal Kit - 7012941 Cartridge (1 Per Cartridge)	
30	0140001	1	Horn (SN 0300137684 through 0300185827)	
31	0641408	1	Bolt 1/4in-20 x 1in	
		Ref	AUXILIARY PUMP INSTALLATION	
	0258670	Ref	Original Equipment	D
	1001143190	Ref	Service Replacement	A
		Ref	Note: Original Equipment pump may have been replaced with Service Replacement pump. Identify component before ordering parts.	
101		Ref	Auxiliary Pump Assembly Options (See AUXILIARY PUMP ASSEMBLY for Breakdown):	
101	3600287	NLA	Fenner Brand (Original Equipment) (Use p/n 1001143191) (SN 0300069000 through 0300109066)	
101	1001091424	NLA	Fenner Brand (Original Equipment) (Use p/n 1001143191) (SN 0300069000 through 0300109066)	
101	3600458	NLA	Haldex Brand (Service Replacement) (Use p/n 1001137460) (SN 0300109067 through 0300140000)	
101	1001137460	1	Bucher Brand (Service Replacement)	
102	0902415	1	Bracket, Pump Mounting	
103	0641610	3	Bolt 3/8in-16NC x 1-1/4in	
104	4751600	3	Flatwasher 3/8in	
105	0641506	4	Bolt 5/16in-18NC x 3/4in	
106	4711500	4	Flatwasher 5/16in Narrow	
107	0100011	AR	Compound, Locking	
	2901207	1	Band Kit, Auxiliary Power Motor (UL Machines Only)	

SECTION 2 - TURNTABLE

FIGURE 2-2. MAIN CONTROL VALVE ASSEMBLY



SECTION 2 - TURNTABLE

FIGURE 2-2. MAIN CONTROL VALVE ASSEMBLY

ITEM	PART NUMBER	QTY	DESCRIPTION	REV
		Ref	MAIN CONTROL VALVE ASSEMBLY	
	4641099	Ref	Original Equipment	B
	4641453	Ref	Service Replacement	B
		Ref	Note: Original Equipment Valve may have been replaced with Service Replacement Valve. Identify p/n stamped on valve before ordering parts.	
2	See Note	1	Block (Note: Not Available - Purchase Complete Assembly)	
3	7010542	1	Cartridge, Load Sensing (Main Lift)	
3	7010543	1	Seal Kit - 7010542 Cartridge	
4	7010542	1	Cartridge, Load Sensing	
4	7010543	1	Seal Kit - 7010542 Cartridge	
5	7010542	1	Cartridge, Load Sensing (Swing)	
5	7010543	1	Seal Kit - 7010542 Cartridge	
6	7010542	1	Cartridge, Load Sensing	
6	7010543	1	Seal Kit - 7010542 Cartridge	
7	7010542	1	Cartridge, Load Sensing (Main)	
7	7010543	1	Seal Kit - 7010542 Cartridge	
8	7017420	1	Cartridge, Relief Valve (Main Lift)	
8	7012998	1	Seal Kit - 7017420 Cartridge	
9	7017423	1	Cartridge, Relief Valve (Swing)	
9	7012998	1	Seal Kit - 7017420 Cartridge	
10	7018941	1	Orifice	
11	7018941	1	Orifice	
12	7017474	1	Cartridge, Check Valve (Tower Lift)	
12	2900708	1	Seal Kit - 7017448 Cartridge	
13	7021602	1	Piston, Pilot	
14	7017428	1	Cartridge, Relief Valve (Platform Level Down)	
14	7012998	1	Seal Kit - 7017428 Cartridge	
15	7017427	1	Cartridge, Relief Valve (Platform Level Up)	
15	7012998	1	Seal Kit - 7017427 Cartridge	
16	7017428	1	Cartridge, Relief Valve (Front Steer)	
16	7012998	1	Seal Kit - 7017428 Cartridge	
17	7017428	1	Cartridge, Relief Valve (Front Steer)	
17	7012998	1	Seal Kit - 7017428 Cartridge	
18	7012914	1	Cartridge, Pilot Check (Platform Level)	
18	7012918	1	Seal Kit - 7012914 Cartridge	
19	7012914	1	Cartridge, Pilot Check (Platform Level)	
19	7012918	1	Seal Kit - 7012914 Cartridge	
20	7018992	1	Control Valve Assembly (Main Lift)	
20	7012773	1	Seal Kit - 7018992 Valve	
20A	7018991	2	Coil	
20A	7018912	2	Nut	
21	7012775	1	Control Valve Assembly (Swing)	
21	7012773	1	Seal Kit - 7012775 Valve	
21A	7012772	2	Coil	
21A	7018912	2	Nut	
22	70002946	1	Flow Control Manifold Assembly (Main) (Includes Items 24 & 25)	
23	7018994	1	Control Valve Assembly (Main)	
23	7012773	1	Seal Kit - 7018994 Valve	

SECTION 2 - TURNTABLE

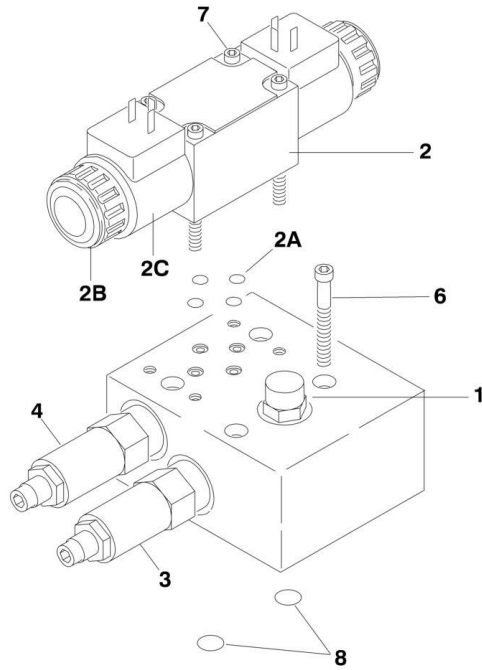
ITEM	PART NUMBER	QTY	DESCRIPTION	REV
23A	7012772	1	Coil	
23A	7018912	1	Nut	
23B	7018993	1	Plug	
24	7017414	1	Cartridge without Coil	
24	2900708	1	Seal Kit - 7017414 Cartridge	
24	7000645	1	Coil	
25	7021601	1	Cartridge, Flow Regulator (Main)	
25	7017477	1	Seal Kit - 7021601 Cartridge	
26		Ref	Control Valve Assembly Options (Main Tele):	
26	70000579	1	Original Equipment (was p/n 7012766)	
26	70000579	1	Service Replacement	
26		Ref	Note: Refer to Vendor P/N on Valve Nameplate before ordering Parts. P/N 7012766 is RR00567495 or R900567495. P/N 70000579 is R900930080.	
26		Ref	Seal Kit Options:	
26	7012769	1	7012766 Valve	
26	70000583	1	70000579 Valve	
26A		Ref	Coil Options:	
26A	7012772	1	7012766 Valve (was p/n 7012768)	
26A	70000582	1	70000579 Valve	
26A		Ref	Nut, Coil Options:	
26A	7018912	1	7012766 Valve	
26A	70000580	1	70000579 Valve	
27	70001976	1	Control Valve Assembly (Tower Tele) (was p/n 7012770)	
27	7012773	1	Seal Kit - 7012770 Valve	
27A	7012772	2	Coil	
27A	7018912	2	Nut	
28	70001976	1	Control Valve Assembly (Platform Level) (was p/n 7012770)	
28	7012773	1	Seal Kit - 7012770 Valve	
28A	7012772	2	Coil	
28A	7018912	2	Nut	
29	70001976	1	Control Valve Assembly (Platform Rotate) (was p/n 7012770)	
29	7012773	1	Seal Kit - 7012770 Valve	
29A	7012772	2	Coil	
29A	7018912	2	Nut	
30	70001976	1	Control Valve Assembly (Tower Lift) (was p/n 7012770)	
30	7012773	1	Seal Kit - 7012770 Valve	
30A	7012772	2	Coil	
30A	7018912	2	Nut	
31	7012989	1	Cartridge, Flow Regulator (Platform Rotate)	
31	7012953	1	Seal Kit - 7012989 Cartridge	
32	7012774	1	Control Valve Assembly (Front Steer)	
32	7012773	1	Seal Kit - 7012774 Valve	
32A	7012772	2	Coil	
32A	7018912	2	Nut	
33	7021310	AR	Valve, Sandwich (Platform Rotate)	
33	7018945	2	O-Rings, Replacement - 7021310 Valve	
34	7017478	1	Cartridge, Check Valve (Main Pressure)	
34	7017477	1	Seal Kit - 7017478 Cartridge	
35	7012941	1	Cartridge without Coil (Main Dump)	
35	7010543	1	Seal Kit - 7017452 Cartridge	
35	7012944	1	Coil	

SECTION 2 - TURNTABLE

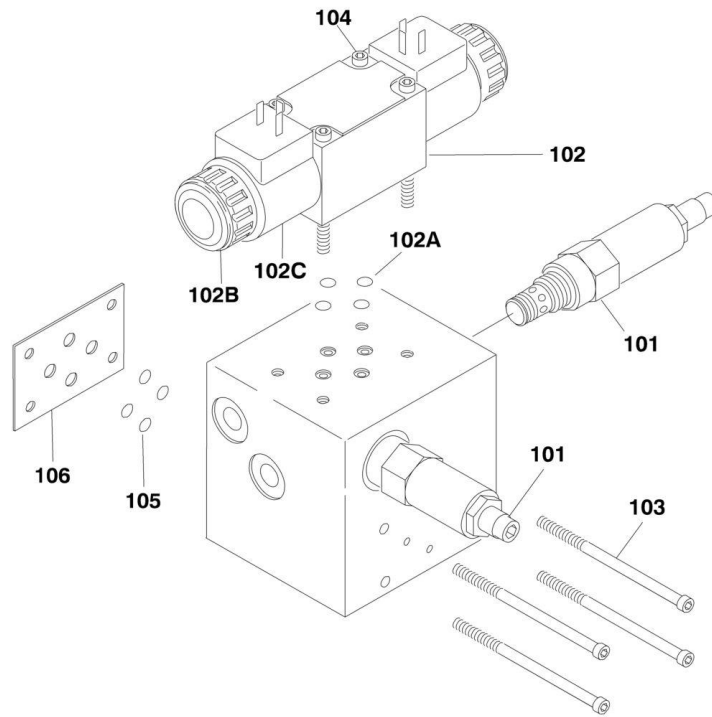
ITEM	PART NUMBER	QTY	DESCRIPTION	REV
36	7017428	1	Cartridge, Relief Valve (Tower Tele)	
36	7012998	1	Seal Kit - 7017428 Cartridge	
37	7018942	28	Capscrew #10-24NC x 2in	
38	7018951	4	Capscrew 1/4in-20NC x 1-1/2in	
39	7021311	4	Capscrew #10-24NC x 4-1/2in	
40	3931048	4	Capscrew #10-24NC x 3in	

SECTION 2 - TURNTABLE

FIGURE 2-3. ACCESSORY VALVE ASSEMBLY



**NOTE: TORQUE ITEMS 6, 7, 103 & 104
TO 60 IN/LBS.**



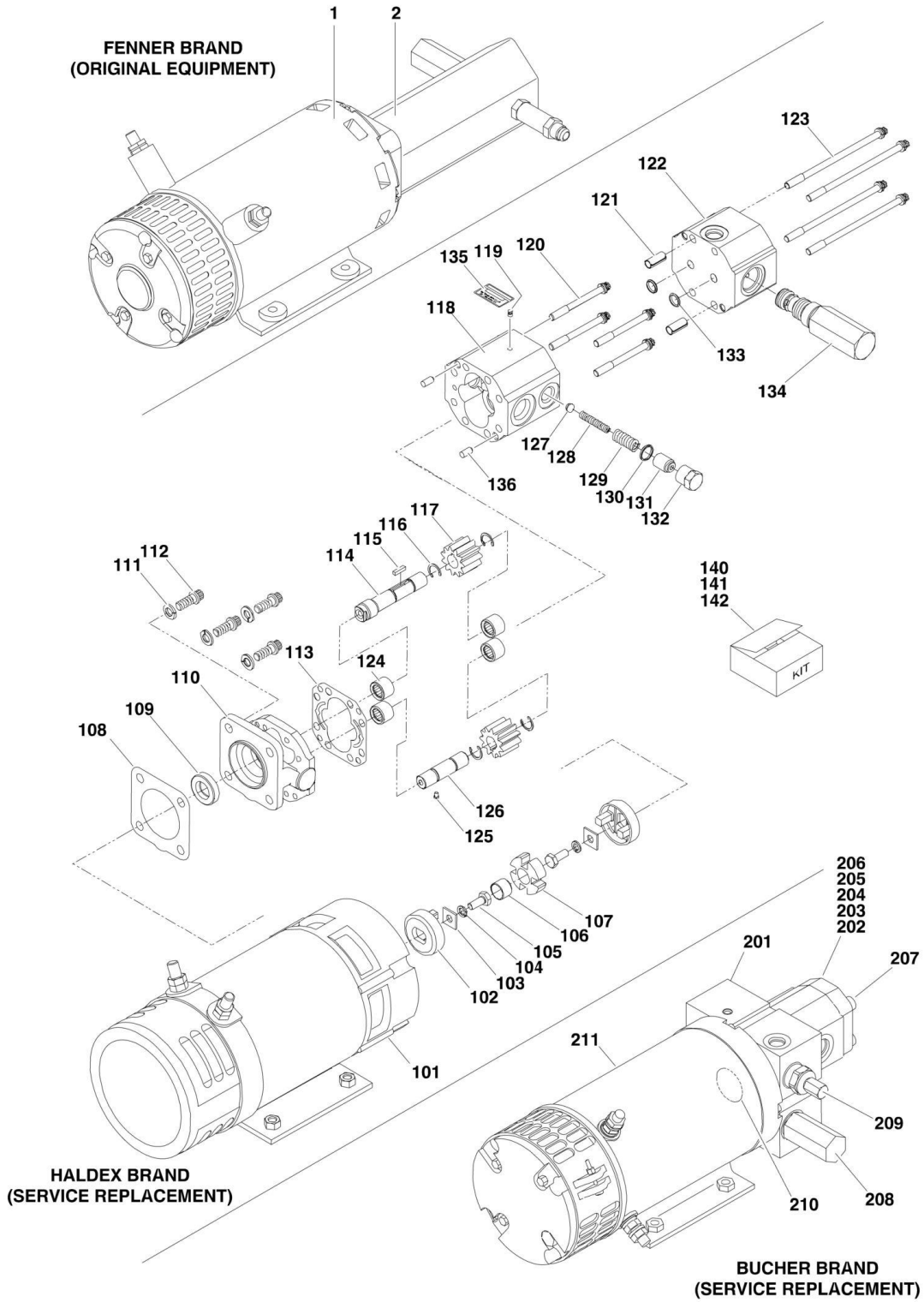
SECTION 2 - TURNTABLE

FIGURE 2-3. ACCESSORY VALVE ASSEMBLY

ITEM	PART NUMBER	QTY	DESCRIPTION	REV
		Ref	ACCESSORY VALVE ASSEMBLIES	
	4640921	Ref	ARTICULATING JIB VALVE ASSEMBLY	D
1	7012965	1	Cartridge, Flow Control	
1	7012953	1	Seal Kit - 7012965 Cartridge	
2	70001976	1	Directional Control Valve Assembly (was p/n 7012770)	
2	7012773	1	Seal Kit	
2A	7018945	4	O-Ring	
2B	7018912	2	Nut	
2C	7012772	2	Coil	
3	7017421	1	Cartridge, Relief	
3	7012998	1	Seal Kit - 7017421 Cartridge	
4	7017422	1	Cartridge, Relief	
4	7012998	1	Seal Kit - 7017422 Cartridge	
5	4460499	2	Connector, DIN with Diode (Not Shown - Part of Valve Harness)	
6	7012777	4	Capscrew, Socket Head 5/16in-18NC x 2-1/4in (Used to Mount Valve Assembly)	
7	7018942	4	Capscrew, Socket Head #10-24NC x 2in	
8	7012776	2	O-Ring (Used to Mount Main Valve)	
	4640922	Ref	4WS VALVE ASSEMBLY	B
101	7017420	1	Cartridge, Relief	
101	7012998	1	Seal Kit - 7017420 Cartridge	
102	7012774	1	Directional Control Valve Assembly	
102	7012773	1	Seal Kit	
102A	7018945	4	R-Ring	
102B	7018912	2	Nut	
102C	7012772	2	Coil	
103	7018946	4	Capscrew, Socket Head #10-24NC x 5in (Used to Mount Main Valve)	
104	7018942	4	Capscrew, Socket Head #10-24NC x 2in	
105	7018948	4	O-Ring (Used to Mount Main Valve)	
106	7018947	1	Plate, O-Ring	

SECTION 2 - TURNTABLE

FIGURE 2-4. AUXILIARY PUMP ASSEMBLY (SN 0300109067 through 0300185827)



SECTION 2 - TURNTABLE

FIGURE 2-4. AUXILIARY PUMP ASSEMBLY (SN 0300109067 through 0300185827)

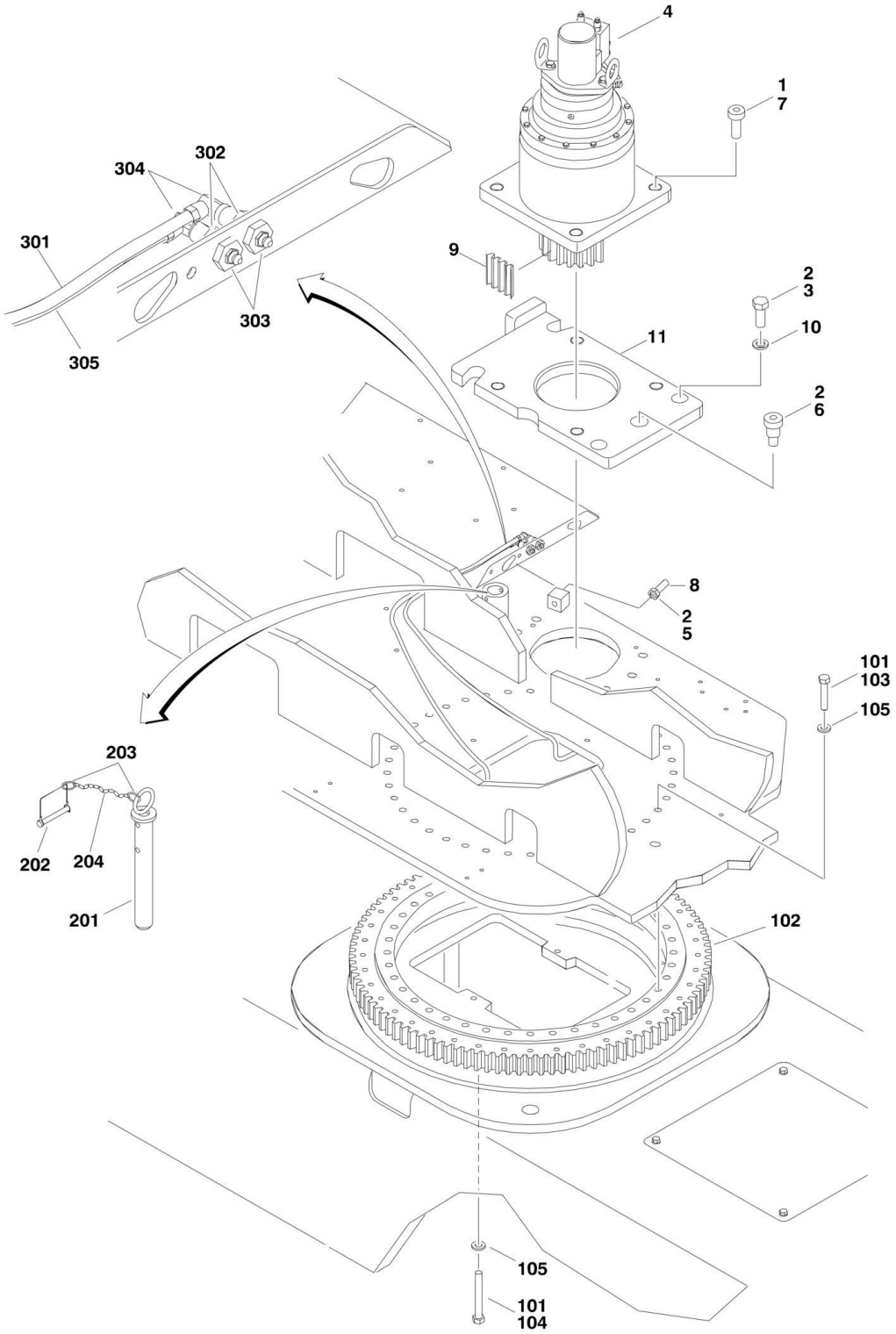
ITEM	PART NUMBER	QTY	DESCRIPTION	REV
	3600287	Ref	AUXILIARY PUMP ASSEMBLY (FENNER BRAND) (ORIGINAL EQUIPMENT)	E
1	7016779	1	Motor Assembly	
1	7016781	1	Brush Kit - 7016779 Motor	
2	7016780	1	Pump Assembly	
2	7016785	1	Seal Kit - 7016780 Pump	
2	7016782	1	Coupling, Pump/Motor	
2	7016783	1	Pump Mounting Kit	
2	7016784	1	Relief Valve Assembly	
	3600458	Ref	AUXILIARY PUMP ASSEMBLY (HALDEX BRAND) (SERVICE REPLACEMENT)	C
101	70001059	1	Motor, DC	
102	See Note	NSS	Coupling, Half (Note: Use Items 141 & 142)	
103	See Note	NSS	Washer (Note: Use Items 141 & 142)	
104	See Note	NSS	Lockwasher (Note: Use Items 141 & 142)	
105	See Note	NSS	Screw (Note: Use Items 141 & 142)	
106	See Note	NSS	Bushing (Note: Use Items 141 & 142)	
107	See Note	NSS	Spider (Note: Use Items 141 & 142)	
108	7011044	1	Gasket, Mounting	
109	7010903	1	Seal, Shaft	
110	See Note	1	Stator (Note: Not Available - Purchase Complete Assembly)	
111	7011048	4	Washer	
112	70001060	4	Screw	
113	70001061	1	Kit Gasket	
114	70001062	1	Shaft, Drive	
115	70001063	1	Key	
116	70000970	4	Ring, Retaining	
117	70001064	2	Gear	
118	See Note	1	Housing, Gear (Note: Not Available - Purchase Complete Assembly)	
119	See Note	1	Plug (Note: Not Available - Purchase Locally)	
120	See Note	4	Screw (Note: Not Available for Purchase)	
121	See Note	2	Bushing, Dowel (Note: Not Available for Purchase)	
122	See Note	1	Block, Valve (Note: Not Available - Purchase Complete Assembly)	
123	7011043	4	Screw	
124	70000976	4	Bearing, Needle	
125	70001065	1	Pin	
126	70001066	1	Shaft, Idler	
127	See Note	1	Ball (Note: Not Available for Purchase)	
128	See Note	1	Spring (Note: Not Available for Purchase)	
129	7011008	1	Spring	
130	See Note	NSS	Gasket (Note: Use Item 140)	
131	See Note	1	Screw Adjustment (Note: Not Available for Purchase)	
132	See Note	1	Bolt (Note: Not Available for Purchase)	
133	7011022	2	O-Ring	
134	70001067	1	Valve, Logic	
135	See Note	1	Label (Note: Not Available for Purchase)	
136	See Note	2	Pin, Shear (Note: Not Available for Purchase)	
140	70001069	1	Seal Kit, Pump (Includes Items 108, 109, 130 & 133)	
141	70001068	1	Motor and Coupling Kit, Replacement (Includes Items 101-108,	

SECTION 2 - TURNTABLE

ITEM	PART NUMBER	QTY	DESCRIPTION	REV
142	7010944	1	111 & 112) Coupling Kit (Includes Items 102-107)	
	1001137460	Ref	AUXILIARY PUMP ASSEMBLY (BUCHER BRAND) (SERVICE REPLACEMENT)	A
201	70004125	1	Base Assembly	
201	70003993	1	Seal, Shaft	
202	70004125	4	Pin, Dowel	
203	70004125	1	O-Ring	
204	70004125	1	Pump	
205	70004125	1	O-Ring	
206	70004125	1	Cover, Rear	
207	70004125	4	Screw	
208	70003989	1	Valve, Logic	
209	70004125	1	Valve, Relief	
210	70004125	1	Shaft, Intermediate	
211	70003992	1	Motor	

SECTION 2 - TURNTABLE

FIGURE 2-5. TURNTABLE BEARING AND SWING DRIVE INSTALLATION



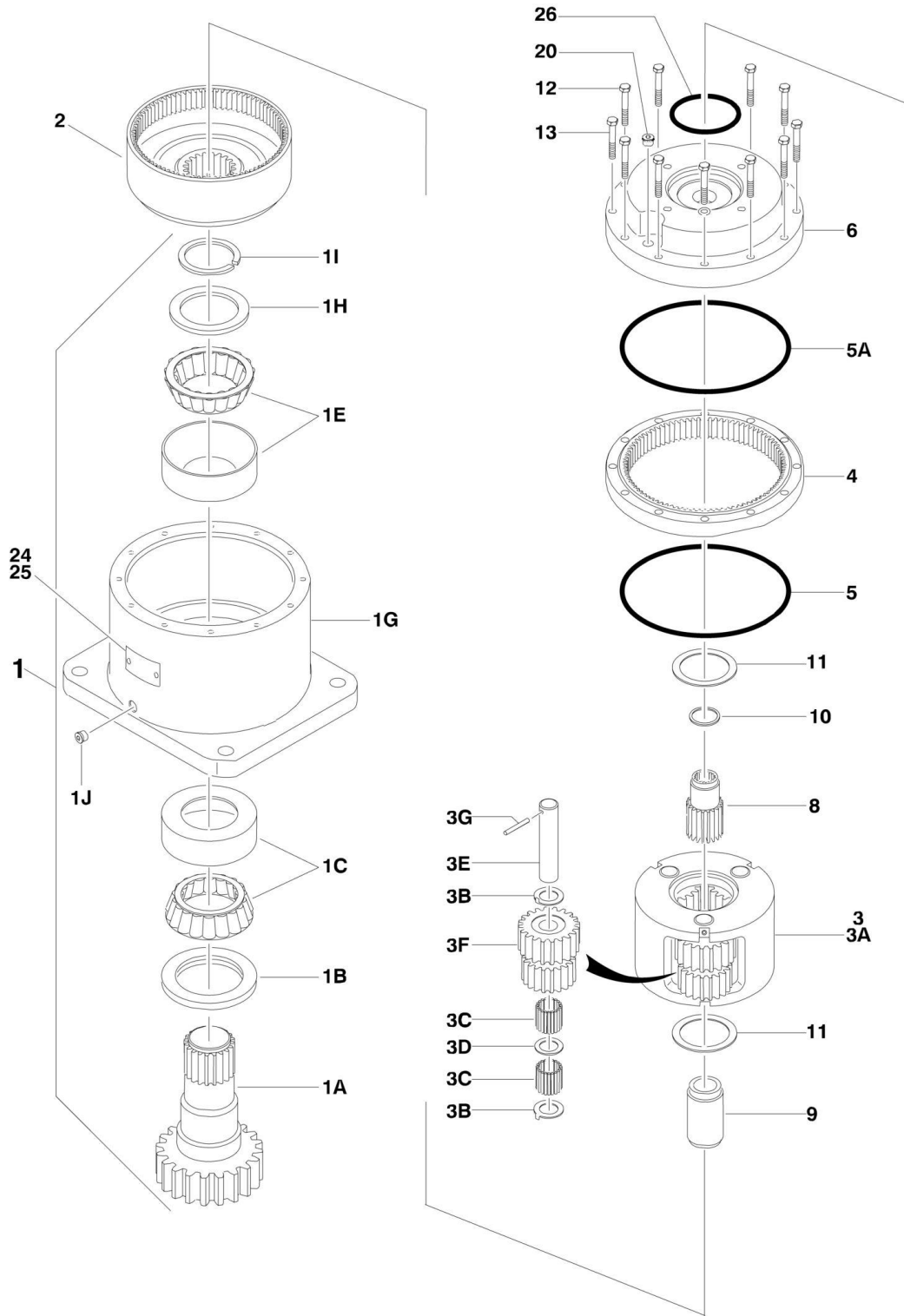
SECTION 2 - TURNTABLE

FIGURE 2-5. TURNTABLE BEARING AND SWING DRIVE INSTALLATION

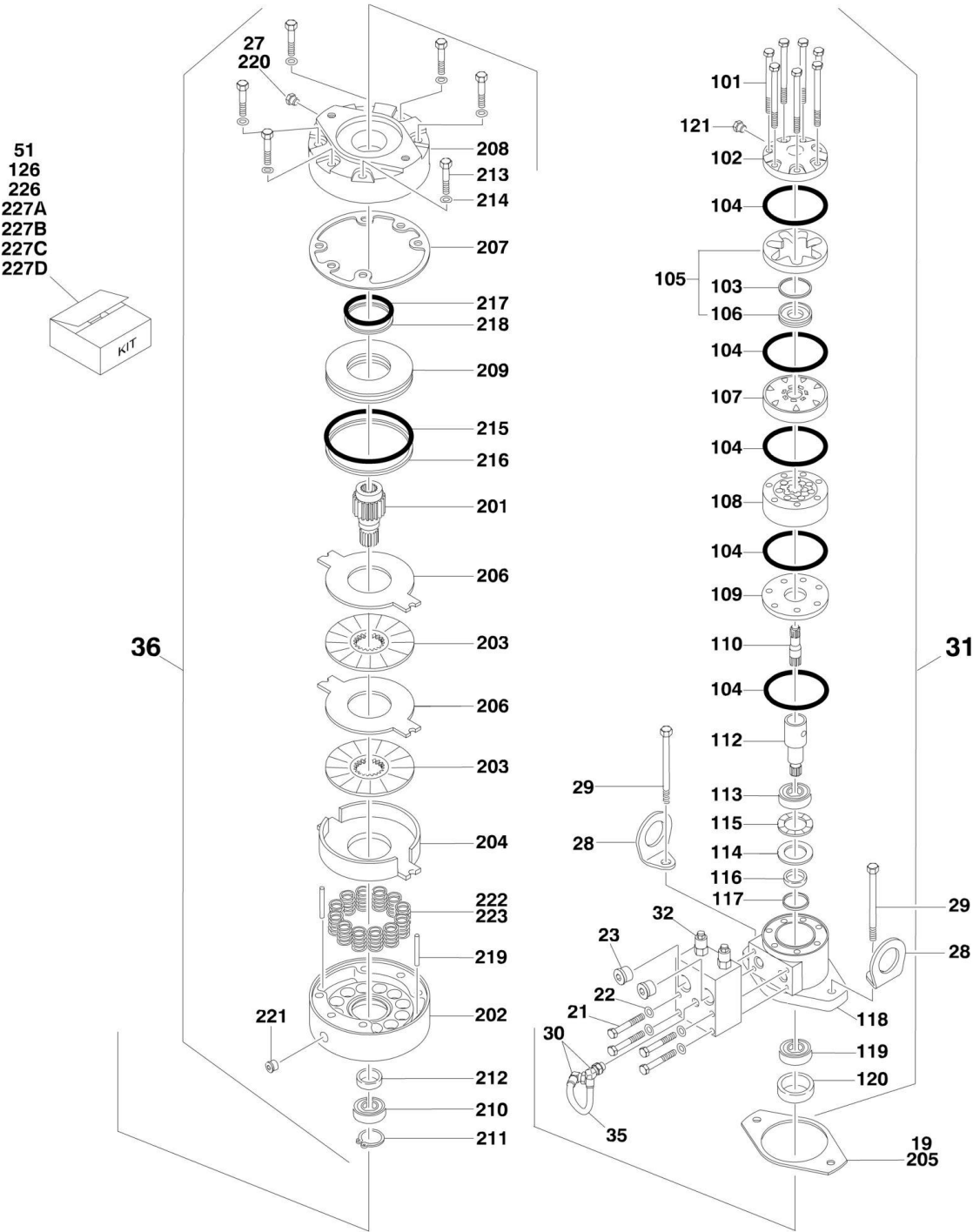
ITEM	PART NUMBER	QTY	DESCRIPTION	REV
		Ref	TURNTABLE WELDMENT	
	4620119	Ref	Standard Machines (Prior to SN 0300071019)	
	4620135	Ref	Standard Machines (SN 0300071019 through 0300185827)	
		Ref	SWING DRIVE INSTALLATION	
	0272189	Ref	Swing Drive Installation (Prior to SN 0300134353)	D
	1001094889	Ref	Swing Drive Installation (SN 0300134353 through 0300185827)	B
1	0100011	AR	Compound, Locking (Prior to SN 0300074383)	
2	0100019	AR	Compound, Locking	
3	0682216	4	Bolt 3/4in - 10NC x 2in (Grade 8)	
4		Ref	Motor, Swing Assembly Options:	
4	3160286	1	Motor, Swing Assembly (See SWING MOTOR/HUB ASSEMBLY for Breakdown) (Prior to SN 0300074383)	
4	3160294	NLA	Motor, Swing Assembly (Use p/n 1001101060) (See SWING MOTOR/HUB ASSEMBLY for Breakdown) (SN 0300074383 through 0300134352)	
4	1001101060	1	Motor, Swing Assembly (See SWING MOTOR/HUB ASSEMBLY for Breakdown) (SN 0300134353 through 0300185827)	
5	3312002	1	Nut Jam 5/8in -11NC	
6	3900293	1	Screw, Shoulder	
7	3932224	4	Screw 3/4in-10NC x 1-1/2in (Prior to SN 0300074383)	
8	3952020	1	Setscrew 5/8in x 2in	
9	4071009	1	Shim	
10	4740057	4	Hardened, Washer	
11	4846430	1	Plate, Swing Drive (Prior to SN 0300074383)	
	0271002	Ref	SWING BEARING INSTALLATION	E
101	0100019	AR	Compound, Locking	
102	0440244	1	Bearing, Turntable	
103	0682023	24	Bolt 5/8in-11NC X 2-7/8in (Grade 8)	
104	0682032	24	Bolt 5/8in-11NC x 4in (Grade 8)	
105	4892000	48	Flatwasher, Hardened	
106	2915094	1	Swing Bearing Kit (Not Shown - Includes Items 102-105)	
	0259147	Ref	TURNTABLE LOCK INSTALLATION	B
201	4844958	1	Weldment, Pin	
202	3421565	1	Pin, Snap	
203	3760170	2	Ring, Quick Release	
204	1260017	9 in/23cm	Chain	
	0255316	Ref	REMOTE BEARING LUBE INSTALLATION	3
301	2751095	1	Hose, Grease (Prior to SN 0300070975)	
302	2180344	2	Fitting, Bulkhead	
303	2160003	2	Fitting, Grease Elbow	
304	2220063	2	Fitting, Elbow	
305	2751032	1	Hose, Grease	

SECTION 2 - TURNTABLE

FIGURE 2-6. SWING MOTOR/HUB ASSEMBLY (Prior to SN 0300134353)



SECTION 2 - TURNTABLE



SECTION 2 - TURNTABLE

FIGURE 2-6. SWING MOTOR/HUB ASSEMBLY (Prior to SN 0300134353)

ITEM	PART NUMBER	QTY	DESCRIPTION	REV
		Ref	SWING MOTOR/HUB ASSEMBLIES	
	3160286	Ref	Swing Motor/Hub Assemblies (SN 0300069000 through 0300074382)	B
	3160294	Ref	Swing Motor/Hub Assemblies (SN 0300074383 through 0300134353)	C
		Ref	Note: Original Equipment Motor p/n 3600294 may have been replaced with p/n 1001101060 as a Service Replacement. Identify component before ordering parts. If equipped with p/n 1001101060 refer to next illustration.	
1	See Note	1	Housing/Shaft Assembly (Note: Not Available - Purchase Individual Components)	
1A	7010492	1	Shaft, Output	
1B	7000228	1	Seal, Lip	
1C	7000255	1	Bearing Kit (Includes Cup and Cone)	
1E	7000257	1	Bearing Kit (Includes Cup and Cone)	
1G		Ref	Housing Options:	
1G	7017089	1	Housing (SN 0300069000 through 0300074382)	
1G	7024762	1	Housing (SN 0300074383 through 0300134353)	
1H	7007633	1	Washer, Thrust	
1I	7000229	1	Ring, Retaining	
1J	7001928	1	Plug, Pipe	
2	7000246	1	Gear, Internal	
3	See Note	1	Carrier Assembly (Note: Not Available - Purchase Individual Components)	
3A	7001931	1	Carrier	
3B	7001985	6	Washer, Tanged	
3C	7001909	96	Bearing, Needle	
3D	7000263	3	Washer, Thrust	
3E	7001911	3	Shaft, Planet	
3F	7001912	3	Gear, Cluster	
3G	7010474	3	Roll Pin	
4	7000248	1	Gear, Ring	
5	7000230	1	O-Ring	
5A	7017070	1	O-Ring	
6	7000209	1	Cover, Input	
8	7010461	1	Gear, Sun	
9	7000269	1	Spacer, Input	
10	7000270	1	Washer, Thrust	
11	7000253	2	Washer, Thrust	
12	7000217	8	Bolt 5/16in-18NC x 2-1/4in (Grade 8)	
13	7000214	4	Bolt, Shoulder 5/16in-18NC x 1-7/8in (Grade 8)	
19	7024703	1	Gasket	
20	2200222	1	Plug, Pipe	
21	7024704	4	Bolt 5/16in-18NC x 2in (Grade 8)	
22	See Note	4	Lockwasher (Note: Not Available for Purchase)	
23	7017023	2	Plug, Pipe	
24	See Note	1	Plate, ID (Note: Not Available for Purchase)	
25	7000281	2	Screw, Drive	
26	7024705	1	O-Ring	
27	7017082	1	Plug, Pipe	
28	See Note	2	Lug, Lifting (Note: Not Available for Purchase)	

SECTION 2 - TURNTABLE

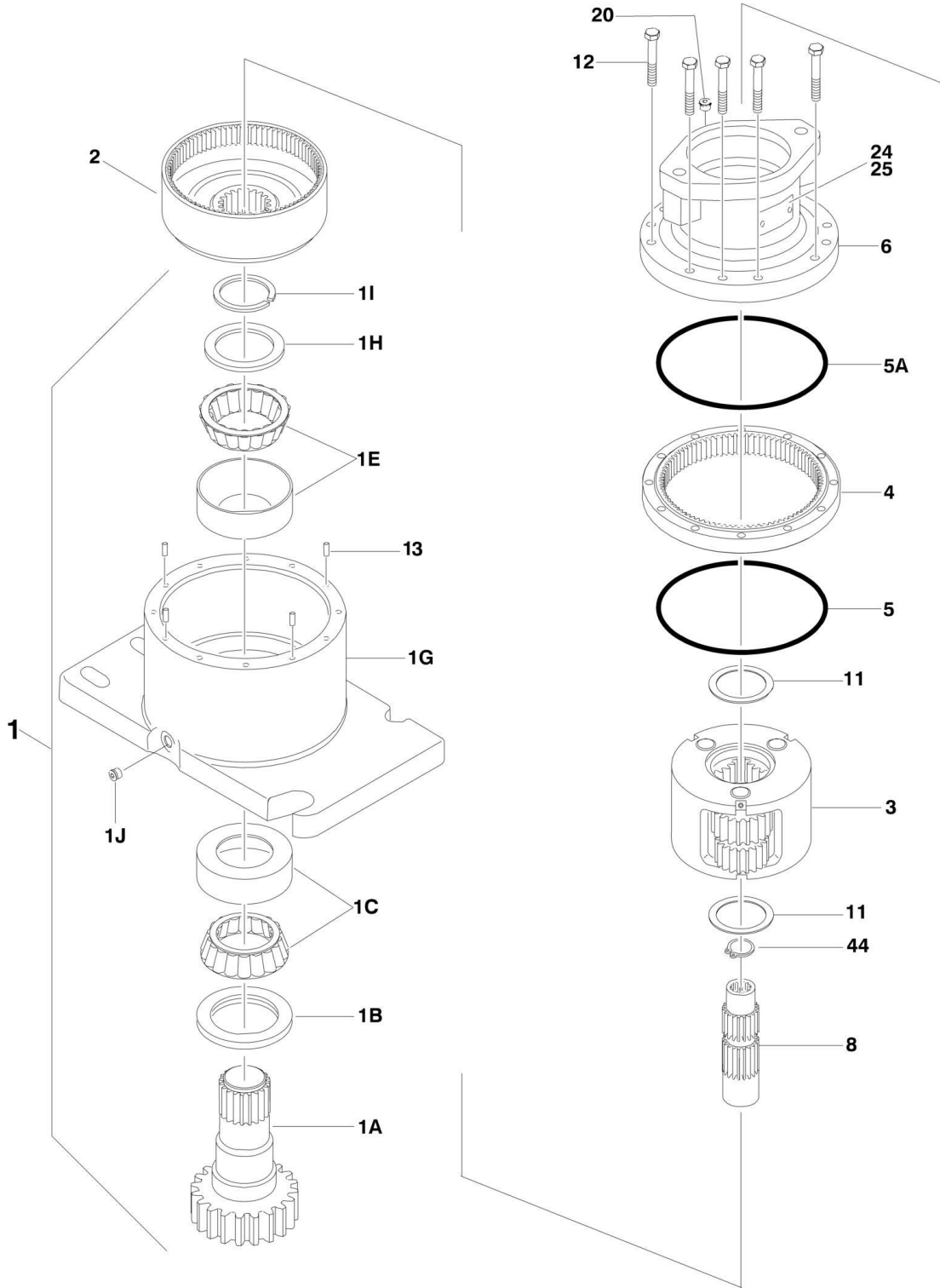
ITEM	PART NUMBER	QTY	DESCRIPTION	REV
29	7024185	2	Bolt 1/2in-13NC x 5in (Grade 8)	
30	7017085	2	Elbow	
31	7024707	1	Motor Assembly (See Items 101-121 for Breakdown)	
32	7024784	1	Valve (No Serviceable Parts)	
35	7024706	1	Tube	
36	7024702	1	Brake Assembly (See Items 201-223 for Breakdown)	
51	7024100	1	Seal Kit - Swing Hub (Includes Items 1B, 1I, 5, 5A & 11)	
	7024707	Ref	MOTOR ASSEMBLY	
101	7024454	6	Bolt	
102	7024459	1	Cover, End	
103	See Note	NSS	Seal, Commutator (Note: Use Item 126)	
104	See Note	NSS	Seal, Ring (Note: Use Item 126)	
105	7024453	1	Commutator and Ring Assembly	
106	7024453	1	Ring	
107	7024379	1	Manifold	
108	7024455	1	Rotor Set	
109	7024380	1	Plate, Wear	
110	7024456	1	Link, Drive	
112	7024458	1	Shaft, Coupling	
113	7004042	1	Bushing, Bronze	
114	7004043	1	Washer, Thrust	
115	7004044	1	Bearing, Thrust	
116	See Note	NSS	Seal, Inner (Note: Use Item 126)	
117	See Note	NSS	Washer, Back-up (Note: Use Item 126)	
118	7024457	1	Housing	
119	7004046	1	Bearing	
120	See Note	NSS	Seal (Note: Use Item 126)	
121	7010795	1	Plug, O-Ring	
126	7024396	1	Seal Kit, Motor (Includes Items 103, 104, 116, 117 & 120)	
	7024702	Ref	BRAKE ASSEMBLY	
201	7024189	1	Shaft	
202	7024702	1	Housing (Note: Not Available for Purchase)	
203	See Note	NSS	Plate, Friction (Note: Use Item 227C)	
204	See Note	NSS	Plate, Pressure (Note: Use Item 227C)	
205	7000731	1	Gasket	
206	See Note	NSS	Plate, Outer (Note: Use Item 227C)	
207	See Note	NSS	Gasket (Note: Use Item 226, 227C or 227D)	
208	7024191	1	Cylinder	
209	7024192	1	Piston	
210	See Note	NSS	Bearing, Ball (Note: Use Item 227D)	
211	See Note	NSS	Ring, Retaining (Note: Use Item 227D)	
212	See Note	NSS	Seal, Shaft (Note: Use Item 227D)	
213	See Note	6	Capscrew (Note: Not Available for Purchase)	
214	See Note	6	Lockwasher (Note: Not Available for Purchase)	
215	See Note	NSS	O-Ring (Note: Use Item 226)	
216	See Note	NSS	Ring, Back-up (Note: Use Item 226)	
217	See Note	NSS	O-Ring (Note: Use Item 226)	
218	See Note	NSS	Ring, Back-up (Note: Use Item 226)	
219	7024190	2	Pin, Dowel	
220	See Note	1	Plug (Note: Not Available - Purchase Locally)	
221	See Note	1	Plug (Note: Not Available - Purchase Locally)	

SECTION 2 - TURNTABLE

ITEM	PART NUMBER	QTY	DESCRIPTION	REV
222	See Note	NSS	Spring (Natural) (Note: Use Item 227B)	
223	See Note	NSS	Spring (Blue) (Note: Use Item 227B)	
226	7024194	1	Seal Kit, Brake (Includes Items 205, 207 & 215-218)	
227		Ref	Repair Kit, Brake Options:	
227A	7024195	NLA	Spring Kit (Includes 12 Natural Colored Springs) (Use Item 227B)	
227B	7024196	1	Spring Kit (Includes 12 Blue and 12 Natural Colored Springs)	
227C	7024193	1	Friction Disc Kit (Includes Items 203, 204, 206 & 207)	
227D	7024197	1	Bearing Kit (Includes Items 207 & 210-212)	

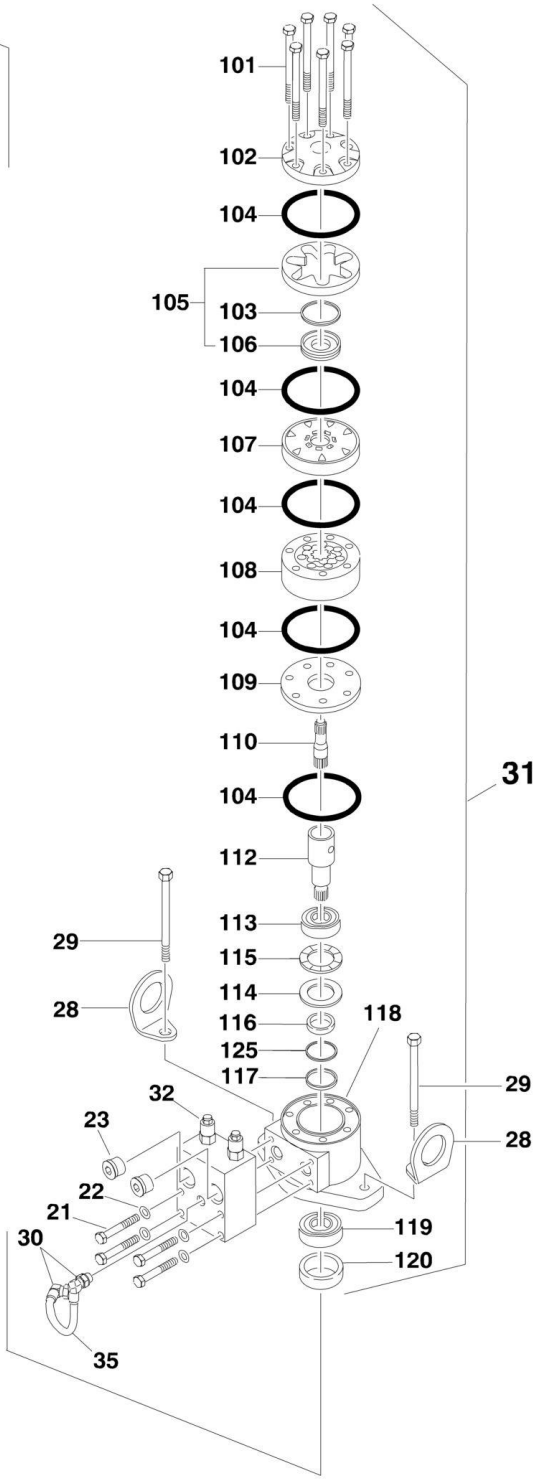
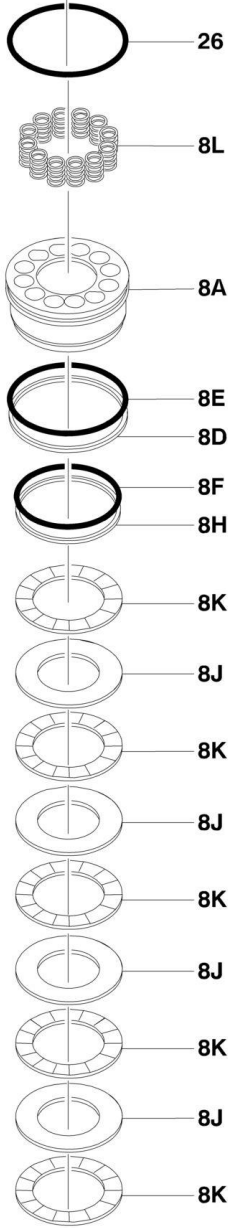
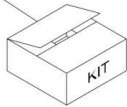
SECTION 2 - TURNTABLE

FIGURE 2-7. SWING MOTOR/HUB ASSEMBLY (SN 0300134353 through 0300185827)



SECTION 2 - TURNTABLE

200A
200B
200C
201



SECTION 2 - TURNTABLE

FIGURE 2-7. SWING MOTOR/HUB ASSEMBLY (SN 0300134353 through 0300185827)

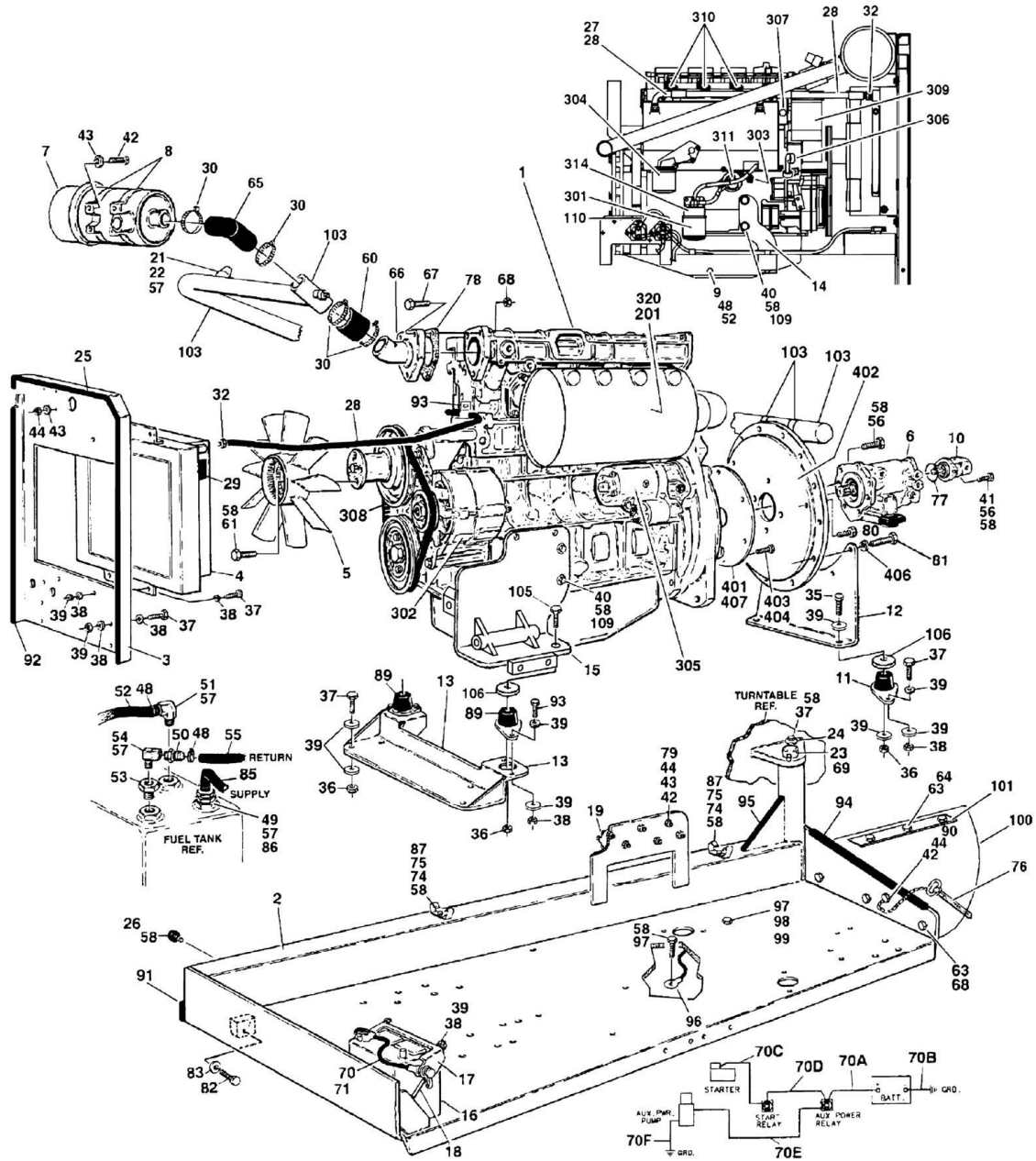
ITEM	PART NUMBER	QTY	DESCRIPTION	REV
	1001101060	Ref	SWING MOTOR/HUB ASSEMBLY (SERVICE REPLACEMENT FOR SWING MOTOR P/N 3160294)	A
1	See Note	1	Housing/Shaft Assembly (Note: Not Available - Purchase Individual Components)	
1A	7010492	1	Shaft, Output	
1B	7000228	1	Seal, Lip	
1C	7000255	1	Bearing Kit (Includes Cup and Cone)	
1E	7000257	1	Bearing Kit (Includes Cup and Cone)	
1G	7024762	1	Housing	
1H	7007633	1	Washer, Thrust	
1I	7000229	1	Ring, Retaining	
1J	7017072	1	Plug, Pipe	
2	7000246	1	Gear, Internal	
3	80424002	1	Carrier Assembly	
4	7000248	1	Gear, Ring	
5	7000230	1	O-Ring	
5A	7017070	1	O-Ring	
6	1001101060	1	Housing, Brake (Note: Not Available - Purchase Complete Assembly)	
8	70002065	1	Gear, Sun	
8A	70000782	1	Piston	
8D	70002070	1	O-Ring	
8E	70002071	1	Ring, Back-up	
8F	70002073	1	O-Ring	
8H	70002072	1	Ring, Back-up	
8J	70002067	4	Disc, Rotor	
8K	70002068	5	Disc, Stator	
8L	70002066	14	Spring	
11	7000253	2	Washer, Thrust	
12	7000217	12	Bolt 3/8in-16NC x 2-1/4in (Grade 8)	
13	7017080	4	Pin, Dowel	
20	7017072	1	Plug, Pipe	
21	7024704	4	Bolt 5/16in-18NC x 2in (Grade 8)	
22	See Note	4	Lockwasher (Note: Not Available for Purchase)	
23	7017023	2	Plug, Pipe	
24	See Note	1	Plate, ID (Note: Not Available for Purchase)	
25	7000281	2	Screw, Drive	
26	7024763	1	O-Ring	
28	See Note	2	Lug, Lifting (Note: Not Available for Purchase)	
29	70002069	2	Bolt 1/2in-13NC x 2in (Grade 8)	
30	7017085	2	Elbow	
31	70002075	1	Motor Assembly (See Items 101-125 for Breakdown)	
32	7024784	1	Valve Assembly - Complete (No Serviceable Parts)	
35	70002074	1	Tube	
44	7017028	1	Ring, Internal Retaining	
	70002075	Ref	MOTOR ASSEMBLY	
101	7024454	5	Bolt	
102	7004035	1	Cover, End	
103	7023318	1	Seal, Commutator	
104	7004036	5	Seal, Ring	

SECTION 2 - TURNTABLE

ITEM	PART NUMBER	QTY	DESCRIPTION	REV
105	7024453	1	Commutator and Ring Assembly	
106	7024453	1	Ring	
107	7024379	1	Manifold	
108	7024455	1	Rotor Set	
109	7024380	1	Plate, Wear	
110	7024456	1	Link, Drive	
112	7024458	1	Shaft, Coupling	
113	7024381	1	Bearing, Inner	
114	7004043	1	Washer, Thrust	
115	7004044	1	Bearing, Thrust	
116	7004049	1	Seal, Inner	
117	7004045	1	Washer, Back-up	
118	7024457	1	Housing	
119	7024390	1	Bearing, Outer	
120	7004047	1	Seal	
125	80424043	1	Washer, Back-up	
		Ref	KIT OPTIONS:	
200		Ref	Seal Kit Options:	
200A	7024100	1	Swing Hub (Includes Items 1B, 1I, 5, 5A & 11)	
200B	70002086	1	Swing Brake (Includes Items 8D, 8E, 8F, 8H & 26)	
200C	7024396	1	Swing Motor (Includes Items 103, 104, 116, 117, 120 & 125)	
201	70002085	1	Disc Kit - Swing Brake (Includes Items 8J & 8K)	

SECTION 2 - TURNTABLE

FIGURE 2-8. DEUTZ ENGINE INSTALLATION (Prior to SN 0300077500)



SECTION 2 - TURNTABLE

FIGURE 2-8. DEUTZ ENGINE INSTALLATION (Prior to SN 0300077500)

ITEM	PART NUMBER	QTY	DESCRIPTION	REV
	0271371	Ref	DEUTZ ENGINE INSTALLATION	9-F
1	2000189	1	Engine - Deutz F4M1011F Diesel	
2	4845404	1	Tray Engine	
3	3539872	1	Plate, Radiator Mounting	
4	3620033	1	Cooler, Oil	
5	2060025	1	Fan	
6	3600295	1	Piston Pump Assembly (See PISTON PUMP ASSEMBLY for Breakdown)	
7	1340060	1	Air Cleaner Assembly	
7A	7012664	1	Element, Air Cleaner (Not Shown)	
8	0340041	2	Band, Mounting	
9	4640751	1	Valve, Oil Drain	
10	3600278	1	Piston Pump Assembly	
10	7018995	1	Seal Kit - 3600278 Pump	
10	7024918	1	Seal, Shaft	
10	7024930	1	Valve Assembly - 3600278 Motor	
11	3200406	2	Mount, Rubber Engine (Rear)	
12	3537420	1	Bracket, Engine Mounting - Rear	
13	3539971	1	Bracket, Engine Mounting - Front	
14	3537416	1	Support, Engine - Right	
15	4846566	1	Support, Engine - Left	
16	0400075	1	Battery	
17	0181727	1	Hold-Down, Battery	
18	0630498	2	Rod, Hold-Down	
19	3740067	2	Relay	
21	4360392	1	Switch, Restriction Indicator	
22	2180798	1	Fitting	
23	3422446	1	Pin, Pivot	
24	3841143	1	Keeper, Pin	
25	3960389	5 ft/1.5m	Seal	
26	0940070	1	Bumper, Rubber	
27	3841340	AR	Loop, Hose	
28	2720398	2	Hose, Oil Cooler	
29	1703162	2	Nameplate - Fan Caution	
30	1320016	4	Clamp, Hose	
32	2220451	2	Fitting, Straight	
35	0641818	AR	Bolt 1/2in-13NC x 2-1/4in	
36	3311805	4	Locknut 1/2in-13NC	
37	0641610	AR	Bolt 3/8in-16NC x 1-1/4in	
38	3311605	22	Locknut 3/8in-16NC x 1-1/4in	
39	4751600	44	Flatwasher 3/8in	
40	0701414	6	Bolt 1/4in-20NC x 3/4in	
41	4891800	2	Washer, Hardened 1/2in	
42	0641407	AR	Bolt 1/4in-20NC x 7/8in	
43	4751400	AR	Flatwasher 1/4in	
44	3311405	AR	Locknut 1/4in-20NC	
48	1320022	6	Clamp, Hose	
49	2220273	2	Fitting, Reducer	
50	2180536	1	Fitting, Straight	
51	2220313	1	Fitting, Elbow	

SECTION 2 - TURNTABLE

ITEM	PART NUMBER	QTY	DESCRIPTION	REV
52	2750532	6 ft/1.83m	Hose 3/8in	
53	2220250	1	Fitting, Reducer	
54	2220459	1	Fitting, Elbow	
55	2720271	15 ft/4.6m	Hose 3/16in	
56	0641812	4	Bolt 1/2in-13NC x 1-1/2in	
57	0100020	AR	Sealant, Thread	
58	0100011	AR	Compound, Locking	
60	2720449	1	Coupling, Rubber Intake	
61	0700808	4	Bolt M8 x 16mm	
63	0641508	3	Bolt 5/16in-18NC x 1-1/4in	
64	3900272	3	Capscrew, Button Head 5/16in-18NC x 1-3/4in	
65	2720434	1	Elbow, Rubber	
66	4845395	1	Air Intake Adapter Weldment	
67	0641510	3	Bolt 5/16in-18NC x 1-1/4in	
68	3311505	AR	Locknut 5/16in-18NC	
69	0961986	2	Bushing, Flanged	
70	2901609	1	Battery Cable Kit	
70A	7016800	1	Cable, Battery (Red)	
70B	7016809	1	Cable, Battery (Black)	
70C	7016802	1	Cable (Red)	
70D	7016803	1	Cable (Red)	
70E	7016824	1	Cable (Red)	
70F	7016825	1	Cable (Black)	
71	4460611	1	Terminal, Battery Jumper Post	
73	1320222	1	J-Clip 3/8in (Not Shown)	
74	1320223	3	J-Clip 1/2in	
75	0641606	3	Bolt 3/8in-16NC x 3/4in	
76	3422532	1	Pin, Hitch	
77	3790044	1	O-Ring	
78	3960407	1	Gasket	
79	4791400	4	Starwasher 1/4in	
80	0701012	4	Bolt M10 x 25mm	
81	0701015	4	Bolt M10 x 35mm	
82	0642010	1	Bolt 5/8in-11NC x 1-1/4in	
83	4752000	1	Flatwasher 5/8in	
84	1701505	1	Decal - Diesel (Not Shown - Located on Hood)	
85	2720058	16 ft/4.9m	Hose	
86	2220794	1	Fitting, Barbed	
87	4711600	3	Flatwasher 3/8in Narrow	
89	3200362	2	Mount, Rubber Engine (Front)	
90	4711400	1	Flatwasher 1/4in Narrow	
91	3960468	1	Seal, Foam Gasket	
92	3960469	1	Seal, Foam Gasket	
93	0641608	14	Bolt 3/8in-16NC x 1in	
94	4060805	7 in/18cm	Flex-Trim 1/4in	
95	4060804	16 in /40cm	Flex-Trim 3/16in	
96	1060637	1	Lanyard	
97	0641808	2	Bolt 1/2in-13NC x 1in	
98	3311801	1	Nut 1/2in-13NC	
99	4751800	1	Flatwasher 1/2in	
100	3380429	1	Panel, Rubber	

SECTION 2 - TURNTABLE

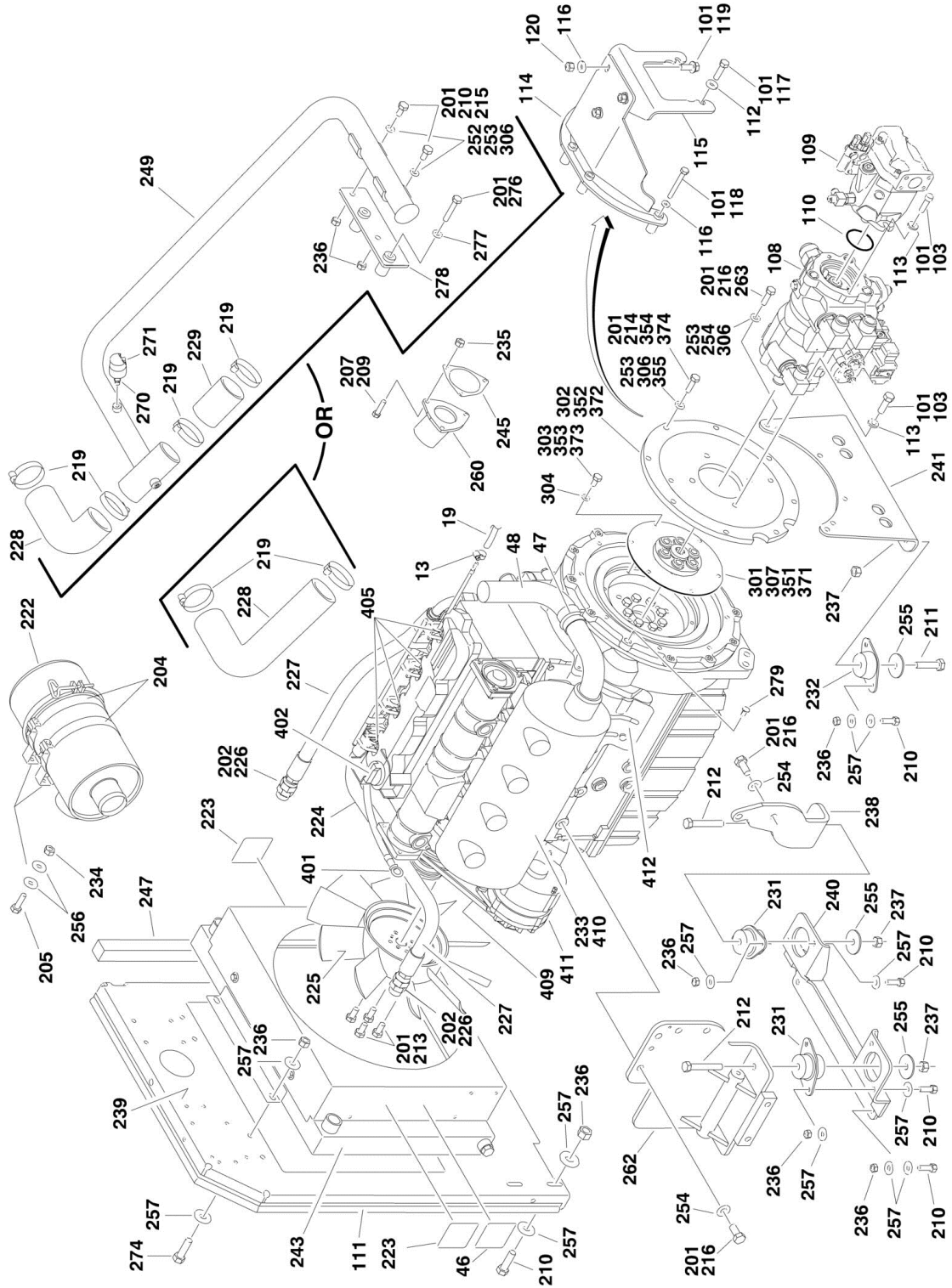
ITEM	PART NUMBER	QTY	DESCRIPTION	REV
101	3539957	2	Plate, Hold Down	
103	4567815	1	Tuning Tube Weldment	
105	0641826	2	Bolt 1/2in-13NC x 3-1/4in	
106	4740274	4	Washer, Snubbing	
109	4711900	6	Flatwasher 9/16in	
110	4922737	1	Harness, Engine Grounding	
		Ref	MUFFLER INSTALLATIONS	
	0256689	Ref	Standard Equipment (Spark Arresting)	-
	0256690	Ref	Optional Equipment (Catalytic)	-
201		Ref	Muffler Options:	
201	3220103	1	Spark Arresting	
201	3220104	1	Catalytic	
201		Ref	Muffler Components:	
201		Ref	Clamp Options:	
201	1320176	1	Saddle Clamp Used on Spark Arresting	
201	70001017	1	Band Clamp Used on Catalytic	
201	7024398	1	Tube, Exhaust	
201	7024560	1	Plug, Brass	
	2000189	Ref	ENGINE COMPONENTS	B
301	7016328	1	Filter, Fuel	
302	7000663	1	Alternator (was p/n 7020410)	
302	7020464	1	Regulator	
302	70002234	1	Bracket, Adjustable	
302	70003556	1	Pulley	
303	7020461	1	Switch, Oil Pressure (Not Shown)	
304	7016331	1	Filter, Oil	
305	7020479	1	Starter	
305	See Note	1	Relay (Note: Not Available for Purchase)	
305	7026608	2	Bolt, Starter Mounting	
305	70001498	1	Shield, Starter Heat (Not Shown)	
306	7026631	1	Dipstick, Oil Level	
306	70001002	1	Tube, Dipstick	
307	7020168	1	Switch, Engine Temperature	
307	7020480	1	Seal, Temperature Switch	
308	7020408	1	V-Belt	
309	7020458	1	Actuator	
309	7026607	1	Spring, Actuator (was p/n 7027276)	
310	7020462	4	Pump, Fuel Injection (was p/n 7024318)	
310	7026522	4	Injector, Fuel (Includes Nozzle Element) (Not Shown)	
311	7024413	1	Pump, Fuel Supply	
311	7020411	1	Seal, Pump (Not Shown)	
312	See Note	1	Flywheel (Not Shown) (Note: Not Available for Purchase)	
312	7024579	1	Ring Gear	
313	7024565	1	Sensor, Tach (Not Shown - Located on Flywheel Housing) (was p/n 7020481)	
314	70001423	1	Fuel Filter Head	
315	7020431	1	Gasket, Valve Cover (Not Shown)	
315		Ref	Gasket, Cylinder Head Options: (Not Shown)	
315	70001681	1	1 Notch	
315	70002411	1	2 Notches	
315	70002530	1	3 Notches	
316	7020459	1	Thermostat (Includes Spring) (Not Shown)	

SECTION 2 - TURNTABLE

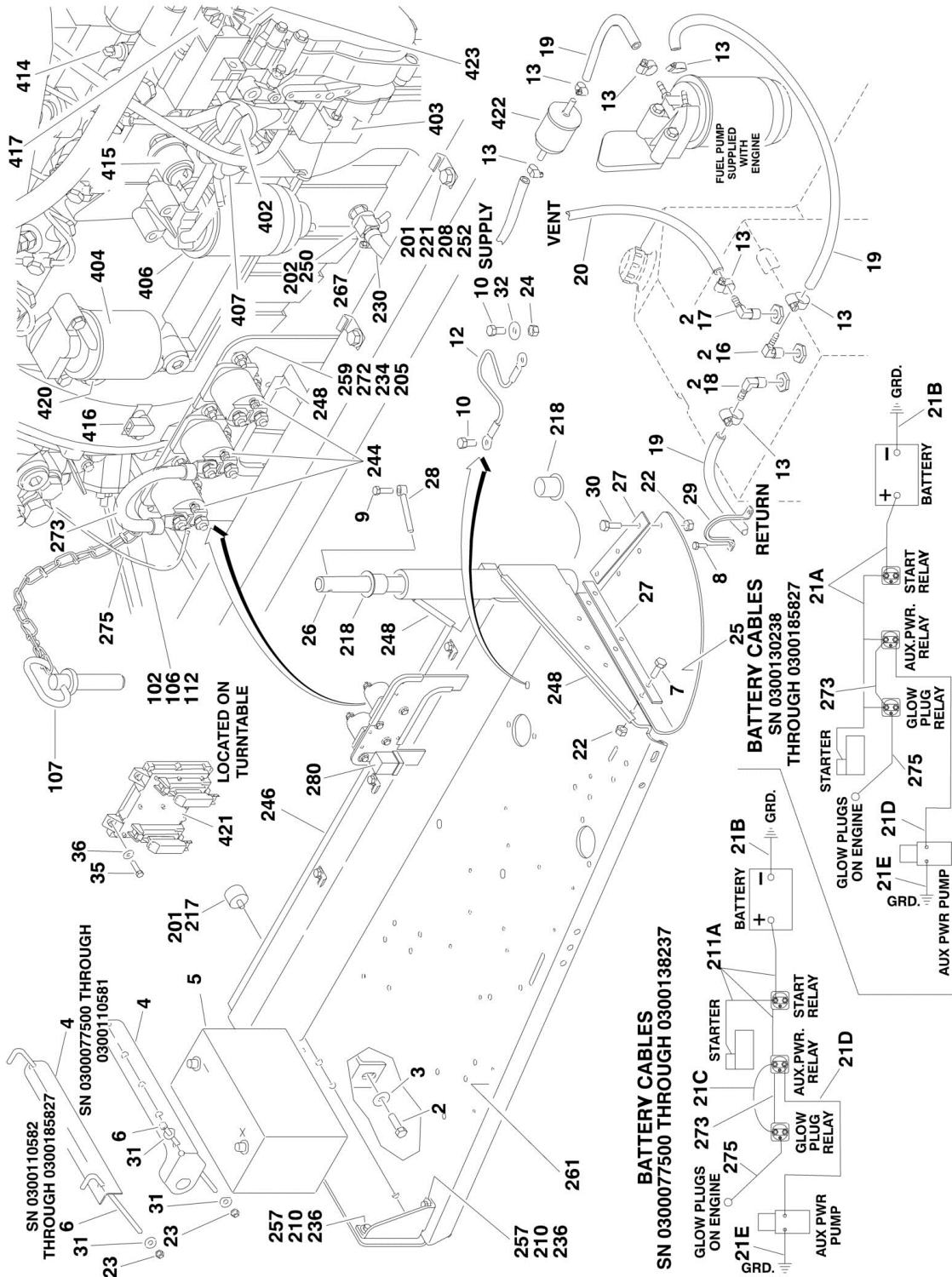
ITEM	PART NUMBER	QTY	DESCRIPTION	REV
316	7020460	1	Spring, Thermostat (Not Shown)	
317	7020465	1	Cap, Oil Fill (Not Shown)	
318	7020474	1	Pump Oil Lubrication (Not Shown)	
318	7020468	1	Ring, Pump Sealing (Not Shown)	
319	7020449	4	Gasket , Intake Manifold to Head (Not Shown)	
320	7020471	4	Gasket , Exhaust Manifold to Head	
320	70002200	8	Stud, Muffler Attaching	
320	70003476	8	Nut, Muffler Attaching	
	0256847	Ref	PUMP COUPLING INSTALLATION	-
401	1660234	1	Coupling, Hayes	
402	0080163	1	Plate, Pump Adapter	
403	0700810	63	Bolt M8 x 20mm	
404	4831900	6	Lockwasher M8	
406	4832000	8	Lockwasher M10	
407	3020021	AR	Grease, Coupling	

SECTION 2 - TURNTABLE

FIGURE 2-9. DEUTZ ENGINE INSTALLATION (SN 0300077500 through 0300185827)



SECTION 2 - TURNTABLE



SECTION 2 - TURNTABLE

FIGURE 2-9. DEUTZ ENGINE INSTALLATION (SN 0300077500 through 0300185827)

ITEM	PART NUMBER	QTY	DESCRIPTION	REV
		Ref	DEUTZ ENGINE INSTALLATIONS	
		Ref	ANSI, CSA and Australian Specs	
	0273709	Ref	Deutz Engine Installations (SN 0300077500 through 0300085330)	4-B
	0274301	Ref	Deutz Engine Installations (SN 0300085331 through 0300121642)	F
	1001095348	Ref	Deutz Engine Installations (SN 0300121643 through 0300129455)	C
	1001098506	Ref	Deutz Engine Installations (SN 0300129456 through 0300170337)	C
	1001098506	Ref	Deutz Engine Installations (SN 0300170338 through 0300185827)	E
	1001137745	Ref	Deutz Engine Installations (SN 0300170338 through 0300185827)	D
1	0100011	AR	Compound, Locking	
2	0100020	AR	Sealant, Pipe	
4		Ref	Hold-Down, Battery Options:	
4	0181727	1	Hold-down, Battery (SN 0300077500 through 0300110581)	
4	91401281	1	Hold-down, Battery (SN 0300110582 through 0300185827)	
5	0400075	1	Battery	
6		Ref	Bolt, Battery Hold-down Options:	
6	0630498	2	Bolt, Battery Hold-down (SN 0300077500 through 0300110581)	
6	1001093382	2	Bolt, Battery Hold-down (SN 0300110582 through 0300185827)	
7	0641508	3	Bolt 5/16in-18NC x 1in	
8	0641608	6	Bolt 3/8in-16NC x 1in	
9	0641610	1	Bolt 3/8in-16NC x 1-1/4in	
10	0641808	2	Bolt 1/2in-13NC x 1in	
11	0642010	1	Bolt 5/8in-11NC x 1-1/4in	
12	1060637	1	Cable, Lanyard	
13	1320022	5	Clamp, Hose	
14	1701505	1	Decal - Diesel (Not Shown - Located on Hood)	
16	2180348	1	Fitting, Straight Barbed	
17	2220313	1	Fitting, Elbow	
18	2221176	1	Fitting, Elbow Barbed	
19	2720058	30 ft/9.2m	Hose	
20	2750532	6 ft/1.8m	Hose	
21		Ref	Battery Cable Kit Options:	
21	2902401	1	Battery Cable Kit (Note: 2902401 Rev A version is no longer available. Verify whether machine is equipped with 2 or 3 relays on the engine tray. If there are 3 relays, purchase latest revision of 2902401 kit. If there are 2 relays, purchase individual items as replacement) (SN 0300077500 through 0300138237)	A
21	2902401	1	Battery Cable Kit (SN 0300138238 through 0300185827)	C
21A	7016813	1	Cable, Battery (Red) (SN 0300077500 through 0300138237)	
21A	1001116288	1	Cable, Battery (Red) (Machines with 2 Relays on Engine Tray) (was p/n 7027027) (SN 0300138238 through 0300185827)	
21A	1001116287	1	Cable, Battery (Red) (Machines with 3 Relays on Engine Tray) (was p/n 7027027) (SN 0300138238 through 0300185827)	
21B	7027012	1	Cable, Battery (Black) (SN 0300077500 through 0300138237)	
21B	7027004	1	Cable, Battery (Black) (SN 0300138238 through	

SECTION 2 - TURNTABLE

ITEM	PART NUMBER	QTY	DESCRIPTION	REV
21C	7016803	1	0300185827 Cable, Battery (Red) (SN 0300077500 through 0300138237)	
21C	Not Required	0	Cable, Battery (Red - Part of 21A) (SN 0300138238 through 0300185827)	
21D	7016824	1	Cable (Red)	
21E	7016825	1	Cable (Black)	
22	3311505	6	Locknut 5/16in-18NC	
23		Ref	Locknut Options:	
23	3311605	2	Locknut 3/8in-16NC (SN 0300077500 through 0300110581)	
23	3311505	2	Locknut 5/16in-18NC (SN 0300110582 through 0300121642)	
23	88521205	2	Locknut 5/16in-18NC (SN 0300121643 through 0300185827)	
24	3311801	1	Nut 1/2in-13NC	
25	3380429	1	Panel, Rubber	
26	3422446	1	Pin, Pivot	
27	3539957	2	Plate, Hold-Down	
28	3841143	1	Pin, Keeper	
29	3841340	3	Loop, Hose	
30	3900272	3	Bolt 5/16in-18NC x 1-3/4in	
31		Ref	Flatwasher Options:	
31	4751600	4	Flatwasher 3/8in Wide (SN 0300077500 through 0300110581)	
31	4751500	2	Flatwasher 5/16in Wide (SN 0300110582 through 0300185827)	
32	4751800	1	Flatwasher 1/2in Wide	
33	4752000	1	Flatwasher 5/8in Wide	
34	4922737	1	Harness, Engine Grounding (Not Shown)	
35	0641410	4	Bolt 1/4in-20NC x 1-1/8in	
36	4711400	3	Flatwasher 1/4in Narrow	
45	4922978	1	Harness, Start Assist Solenoid (SN 0300077500 through 0300085331)	
46	1706098	1	Decal - Warning Explosion/Fire (SN 0300077500 through 0300129456)	
47	1320176	1	Clamp, Exhaust	
48		Ref	Tube, Exhaust Options:	
48	See Note	1	Tube, Exhaust (Note: Not Available Separately. Purchase Muffler Assembly) (SN 0300077500 through 0300129455)	
48	1001101600	1	Tube, Exhaust (SN 0300129456 through 0300185827)	
		Ref	ENGINE AND PUMP ASSEMBLIES	
		Ref	ANSI, CSA and Australian Specs	
	2000225	Ref	Engine and Pump Assemblies (SN 0300077500 through 0300085330)	B
	2000284	Ref	Engine and Pump Assemblies (SN 0300085331 through 0300121642)	C
	1001095347	Ref	Engine and Pump Assemblies (SN 0300121643 through 0300129455)	B
	1001098507	Ref	Engine and Pump Assemblies (SN 0300129456 through 0300170337)	D
	1001098507	Ref	Engine and Pump Assemblies (SN 0300170338 through 0300185827)	F
	1001137744	Ref	Engine and Pump Assemblies (SN 0300170338 through 0300185827)	D
	1001162546	Ref	PUMP COUPLING REPLACEMENT KIT	C
		Ref	Note: See SPECIAL OPTIONS SECTION for machines not equipped with Pump Mounting Bracket Kit, Deutz Engine with Sauer Danfoss drive and load sensing pump combination.	

SECTION 2 - TURNTABLE

ITEM	PART NUMBER	QTY	DESCRIPTION	REV
101	0100011	AR	Compound, Locking	
102	0641407	1	Bolt 1/4in-20NC x 7/8in	
103	0641812	4	Bolt 1/2in-13NC x 1-1/2in	
103	0711025	2	Bolt M10 x 85 Grade 10.9	
106	3311405	1	Locknut 1/4in-20NC	
107	3422532	1	Pin, Hitch	
108		Ref	Piston Pump Assembly with Fittings Options:	
108	3600400	1	Piston Pump Assembly with Fittings (See PISTON PUMP ASSEMBLY (SAUER DANFOSS) for Breakdown) (SN 0300140000 through 0300180776)	
108	1001153622	1	Piston Pump Assembly with Fittings (See PISTON PUMP ASSEMBLY (EATON) for Breakdown) (SN 0300180777 through 0300185827)	
109		Ref	Pump Assembly with Fittings Options:	
109	3600401	1	Gear Pump (Rexroth) (Prior to SN 0300121643)	C
109	2220415	1	Fitting	
109	2220374	1	Fitting	
109	3600278	1	Pump, Displacement	
109	7018995	1	Seal Kit - 3600278 Pump	
109	7024918	1	Seal, Shaft	
109	7024930	1	Valve Assembly Kit - 3600278 Pump	
109	1001095354	1	Pump (Sauer Danfoss) (SN 0300121643 through 0300185827)	A
109	2220415	1	Fitting	
109	1001094595	1	Pump, Displacement	
109	7023967	1	Seal Kit - 1001094595 Pump	
109	7023956	1	Valve Assembly Kit - 1001094595 Pump	
110	3790044	1	O-Ring	
111	3960389	5 ft/1.5m	Seal	
112	4751400	1	Flatwasher 1/4in Wide	
113	4891800	AR	Flatwasher, 1/2 Hardened	
113	4891600	AR	Flatwasher, 3/8 Hardened	
114	1001137898	1	Bracket, Support (SN 0300161435 through 0300174937)	
115	1001137899	1	Plate, Mounting (SN 0300161435 through 0300174937)	
116	4891600	7	Flatwasher 3/8in Hardened (SN 0300161435 through 0300174937)	
117	0641814	2	Bolt 1/2in-13NC x 1-3/4in (SN 0300161435 through 0300174937)	
118	0711025	4	Bolt M10 x 85mm (SN 0300161435 through 0300174937)	
119	0791608	3	Bolt 3/8in-16NC x 1in (SN 0300161435 through 0300174937)	
120	3311605	3	Locknut 3/8in-16NC (SN 0300161435 through 0300174937)	
		Ref	ENGINE ASSEMBLIES	
		Ref	ANSI, CSA and Australian Specs	
	2000219	Ref	Engine Assemblies (SN 0300077500 through 0300085330)	D
	2000279	Ref	Engine Assemblies (SN 0300085331 through 0300092717)	E
	2000342	Ref	Engine Assemblies (SN 0300092718 through 0300129455)	B
	1001098508	Ref	Engine Assemblies (SN 0300129456 through 0300170337)	H
	1001098508	Ref	Engine Assemblies (SN 0300170338 through 0300185827)	I
	1001137738	Ref	Engine Assemblies (SN 0300170338 through 0300185827)	C
	0256689	Ref	MUFFLER INSTALLATION - SPARK ARRESTING (STANDARD)	-
	0256690	Ref	MUFFLER INSTALLATION - CATALYTIC - OPTIONAL (SN 0300077500 through 0300129456)	-
201	0100011	AR	Compound, Locking	

SECTION 2 - TURNTABLE

ITEM	PART NUMBER	QTY	DESCRIPTION	REV
202	0100020	AR	Sealant, Pipe	
204	0340041	2	Band, Air Cleaner	
205	0641407	AR	Bolt 1/4in-20NC x 7/8in	
207	0641510	AR	Bolt 5/16in-18NC x 1-1/4in	
208	0641606	3	Bolt 3/8in-16NC x 3/4in	
209	0641512	1	Bolt 5/16in-18 x 1-1/2in	
210	0641610	AR	Bolt 3/8in-16NC x 1-1/4in	
211	0641818	2	Bolt 1/2in-13NC x 2-1/4in	
212	0641826	2	Bolt 1/2in-13NC x 3-1/4in	
213	0700808	4	Bolt M8 x 16mm	
214	0701012	2	Bolt M10 x 25mm	
215	0701015	AR	Bolt M10 x 35mm	
216	0771414	AR	Bolt M14 x 30mm	
217	0940070	1	Bumper	
218	0961986	2	Bushing, Flanged	
219	1320016	AR	Clamp	
221	1320223	4	J-Clip	
222	1340060	1	Air Cleaner Assembly Filter Element	
222	7012664	1	Element, Filter (Not Shown)	
223	1703162	2	Decal - Caution Fan Blade	
224		Ref	Engine, Deutz Options:	
224		Ref	ANSI, CSA and Australian Specs	
224	2000216	Ref	Engine, Deutz (SN 0300077500 through 0300085330)	
224	2000274	Ref	Engine, Deutz (SN 0300085331 through 0300092717)	
224	2000339	Ref	Engine, Deutz (SN 0300092718 through 0300129455)	
224	1001094101	Ref	Engine, Deutz (SN 0300129456 through 0300170337)	
224	1001094101	Ref	Engine, Deutz (SN 0300170338 through 0300185827)	
224	1001137737	Ref	Engine, Deutz (SN 0300170338 through 0300185827)	
225	2060025	1	Fan	
226	2220451	2	Fitting, Straight	
227	2720398	2	Hose, Oil Cooler	
228		Ref	Elbow, Rubber Options:	
228	2720434	1	Elbow, Rubber (SN 0300077500 through 0300136496)	
228	1001091179	1	Elbow, Rubber (SN 0300136497 through 0300185827)	
229	2720449	1	Hose, Air Cleaner (SN 0300077500 through 0300136497)	
230	1001091892	NLA	Hose, Oil Drain (Use p/n 2750532)	
231	3200362	2	Mount, Motor	
232	3200406	2	Mount, Motor	
233		Ref	Muffler Options:	
233		Ref	Spark Arresting (Standard)	
233	3220103	1	Spark Arresting (SN 0300077500 through 0300129455)	
233	1001099051	1	Spark Arresting (SN 0300129456 through 0300185827)	
233		Ref	Catalytic (Optional)	
233	3220104	1	Catalytic (SN 0300077500 through 0300129455)	
233	1001101241	1	Catalytic (SN 0300129456 through 0300185827)	
233		Ref	Muffler Components:	
233		Ref	Clamp Options (SN 0300077500 through 0300129456)	
233	1320176	1	Saddle Clamp Used on Spark Arresting	
233	70001017	1	Band Clamp Used on Catalytic	
233	7024398	1	Tube, Exhaust (SN 0300077500 through 0300129456)	
233	7024560	1	Plug, Brass	

SECTION 2 - TURNTABLE

ITEM	PART NUMBER	QTY	DESCRIPTION	REV
234	3311405	AR	Locknut 1/4in-20NC	
235	3311505	3	Locknut 5/16in-18NC	
236	3311605	AR	Locknut 3/8in-16NC	
237	3311805	4	Locknut 1/2in-13NC	
238	3537416	1	Plate, Engine Mounting (Front Right Side)	
239	3539872	1	Plate, Radiator Mounting	
240	3539971	1	Plate, Engine Mounting (Front Bottom)	
241		Ref	Plate, Engine Mounting (Rear) Options:	
241	3574978	1	Plate, Engine Mounting (SN 0300077500 through 0300129455)	
241	1001093943	1	Plate, Engine Mounting (SN 0300129456 through 0300185827)	
243	3620033	NLA	Cooler, Oil (Use p/n 1001150998)	
244	3740067	AR	Relay	
245	3960407	1	Gasket, Air Intake	
246	3960468	1	Seal	
247	3960469	1	Seal	
248	4060805	37 in/1m	Flex-Trim	
249		Ref	Tube, Tuning Options:	
249	4567815	1	Tube, Tuning (SN 0300077500 through 0300085330)	
249	4569171	1	Tube, Tuning (SN 0300085331 through 0300129455)	
249	1001099686	1	Tube, Tuning (SN 0300129456 through 0300136496)	
249	Not Required	0	Tube, Tuning (SN 0300136497 through 0300185827)	
250	1001104308	NLA	Valve, Oil Drain (Use p/n 4640751)	
252	4711600	AR	Flatwasher 3/8in Narrow	
253	4711700	6	Flatwasher 7/16in Narrow	
254		Ref	Flatwasher Options:	
254	4711900	6	Flatwasher 9/16in Narrow (SN 0300077500 through 0300092717)	
254	4812200	AR	Flatwasher M14 (SN 0300092718 through 0300185827)	
255	4740274	4	Washer, Snubbing	
256	4751400	AR	Flatwasher 1/4in Wide	
257	4751600	AR	Flatwasher 3/8in Wide	
258	4751700	2	Flatwasher 7/16in Wide	
259	4791400	AR	Starwasher 1/4in	
260	4845395	1	Adapter, Air Intake	
261		Ref	Tray, Engine Options:	
261	4845404	1	Tray, Engine (SN 0300077500 through 0300129455)	
261	1001094321	1	Tray, Engine (SN 0300129456 through 0300185827)	
262	4846566	1	Plate, Engine Mounting (Front Left Side)	
263	0701014	4	Bolt M10 x 30mm	
267	1320022	1	Clamp, Hose	
270	2180798	1	Fitting (SN 0300077500 through 0300085331)	
271	4360392	1	Indicator, Restriction (SN 0300077500 through 0300085331)	
272		Ref	Flatwasher Options:	
272	4751400	6	Flatwasher 1/4in Wide (SN 0300077500 through 0300092717)	
272	4711400	6	Flatwasher 1/4in Thin (SN 0300092718 through 0300185827)	
273	1060904	1	Cable, Jumper (SN 0300092718 through 0300140564)	
274		Ref	Bolt Options:	
274	0641610	6	Bolt 3/8in-16NC x 1-1/4in (SN 0300077500 through 0300092717)	
274	0641609	6	Bolt 3/8in-16NC x 1-1/8 (SN 0300092718 through	

SECTION 2 - TURNTABLE

ITEM	PART NUMBER	QTY	DESCRIPTION	REV
			0300185827)	
275	4923379	1	Harness, Glow Plugs (SN 0300092718 through 0300185827)	
276	0711025	2	Bolt M10 x 85mm (SN 0300129456 through 0300136497)	
277	4891600	2	Flatwasher, Hardened 3/8in (SN 0300129456 through 0300136497)	
278	1001098916	1	Support, Tuning Tube (SN 0300129456 through 0300136497)	
279	3520054	1	Plug, Hole (SN 0300129456 through 0300185827)	
280	3740080	1	Relay, EGR (SN 0300129456 through 0300185827)	
	0256847	Ref	PUMP COUPLING INSTALLATION (SN 0300077500 through 0300129456)	B
301	1660234	1	Coupling, Hayes	
302	0080163	1	Plate, Pump Adapter	
303	0700810	6	Bolt M8 x 20mm	
304	4831900	6	Lockwasher M8	
306	4832000	8	Lockwasher M10 (SN 0300077500 through 0300085331)	
307	3020021	AR	Grease, Coupling	
	2902065	Ref	KIT PUMP COUPLING AND MOUNTING PLATE (NOTE: PURCHASE P/N 1001162546 KIT) (SN 0300129456 through 0300174936)	H
351	70000793	1	Coupling, Hayes	
352	See Note	NSS	Plate, Pump Adapter (Note: Purchase p/n 1001162546)	
353	See Note	18	Capscrew M10 (Note: Not Available - Purchase Locally)	
354	See Note	12	Bolt M10 x 25mm Grade 10.9 (Note: Not Available - Purchase Locally)	
355	See Note	12	Flatwasher M10 (Note: Not Available - Purchase Locally)	
	1001153282	NLA	KIT PUMP COUPLING AND MOUNTING PLATE (NOTE: PURCHASE P/N 1001162546 KIT) (NOT SHOWN) (SN 0300174937 through 0300185827)	D
371	70004183	1	Coupling, Guardian	
372	See Note	NSS	Plate, Pump Adapter (Note: Purchase p/n 1001162546)	
373	See Note	8	Bolt M10 x 20mm Grade 10.9 (Note: Not Available - Purchase Locally)	
374	See Note	12	Bolt M10 x 25mm Grade 10.9 (Note: Not Available - Purchase Locally)	
		Ref	ENGINE COMPONENTS	
		Ref	ANSI, CSA and Australian Specs	
	2000216	Ref	Engine Components (SN 0300077500 through 0300085330)	C
	2000274	Ref	Engine Components (SN 0300085331 through 0300092717)	B
	2000339	Ref	Engine Components (SN 0300092718 through 0300129455)	B
	1001094101	Ref	Engine Components (SN 0300129456 through 0300170337)	B
	1001094101	Ref	Engine Components (SN 0300170338 through 0300185827)	C
	1001137737	Ref	Engine Components (SN 0300170338 through 0300185827)	B
401	7026631	1	Dipstick	
401	7020487	1	O-Ring, Dipstick	
401	70001002	1	Dipstick	
402	7020465	1	Cap, Filler	
403	70001850	1	Pump, Oil Lube (was p/ns 7020484 & 70000045)	
403	7020468	1	Seal Between Oil Pump and Engine Block (Not Shown)	
404	7016331	1	Filter, Oil (was p/n 7016641)	
404	70001423	1	Bracket, Oil Filter	
404	70001848	1	Sensor at Oil Filter (1001094101 & 1001137737 Engines Only)	
404	70001132	1	Seal, Sensor at Oil Filter (1001094101 & 1001137737 Engines Only)	
405		Ref	Pump, Injector Options:	

SECTION 2 - TURNTABLE

ITEM	PART NUMBER	QTY	DESCRIPTION	REV
405		Ref	Pump, Injector (SN 0300077500 through 0300129455)	
405	7027246	4	Series A Injector (was p/n 7027242)	
405	7027608	4	Series B Injector (was p/n 7027611)	
405	7027609	4	Series C Injector (was p/n 7027612)	
405	7027610	4	Series D Injector (was p/n 7027613)	
405		Ref	Pump, Injector (SN 0300129456 through 0300185827)	
405	70000912	4	Series A Injector	
405	70000913	4	Series B Injector	
405	70000914	4	Series C Injector	
405	70000915	4	Series D Injector	
405		Ref	Gasket Options (1 Per Injector):	
405	7020447	4	Gasket Options (SN 0300077500 through 0300129455)	
405	See Note	1	Gasket Options (Note: Not Available for Purchase) (SN 0300129456 through 0300185827)	
406	8320270	1	Filter, Fuel (was p/n 7016328)	
407	70000916	1	Pump, Fuel Supply (was p/n 7027238)	
407	70001435	1	Repair Kit for 70000916 Pump	
407	70000919	1	Hand Pump for 70000916 Pump	
407	70000918	1	Seal, Hand Pump for 70000916 Pump	
407		Ref	O-Seal Between Fuel Pump and Engine Block Options (Not Shown):	
407	7020411	1	7027238 Pump (SN 0300077500 through 0300129455)	
407	70000917	1	70000916 Pump (SN 0300129456 through 0300185827)	
408	7020449	4	Gasket, Intake Manifold (Not Shown)	
409	7020408	1	V-Belt	
410	7020471	4	Gasket, Exhaust (Manifold to Engine Block) (Not Shown) (SN 0300077500 through 0300129455)	
410	70002200	8	Stud, Muffler Attaching (Not Shown) (SN 0300077500 through 0300129455)	
410	70003476	8	Nut, Muffler Attaching (Not Shown) (SN 0300077500 through 0300129455)	
410	70001836	1	Gasket, Exhaust (Engine Head to Header) (Not Shown) (SN 0300129456 through 0300185827)	
410	70001835	1	Gasket, Exhaust (Header to EGR Valve Block) (Not Shown) (SN 0300129456 through 0300185827)	
410	70001841	1	Valve, EGR (Not Shown) (SN 0300129456 through 0300185827)	
410	70001838	2	Gasket, Exhaust (EGR Valve Block to Exhaust Tube) (Not Shown) (SN 0300129456 through 0300185827)	
410	70001874	1	Plate Choke (Between 70001838 Gaskets) (Not Shown) (SN 0300129456 through 0300185827)	
410	70001837	1	Gasket, Exhaust (Exhaust Tube to Muffler) (Not Shown) (SN 0300129456 through 0300185827)	
410	70001839	1	Flange, Sealing (Near Front of Header) (includes Seal and Pin) (Not Shown) (SN 0300129456 through 0300185827)	
411	7000663	1	Alternator (was p/n 7020410 & 7016329)	
411		Ref	Regulator, Voltage Options (Not Shown):	
411	7020464	1	Regulator, Voltage (SN 0300077500 through 0300129455)	
411	70001868	1	Regulator, Voltage (SN 0300129456 through 0300185827)	
411	70001866	1	Gasket, Regulator (Not Shown) (SN 0300129456 through 0300185827)	
411	70002234	1	Bracket, Adjusting (Not Shown)	
412	7020479	1	Starter	
412	7026608	1	Solenoid	

SECTION 2 - TURNTABLE

ITEM	PART NUMBER	QTY	DESCRIPTION	REV
412	70001498	1	Shield, Starter Heat	
413	70000345	4	Plug, Glow (SN 0300092718 through 0300185827)	
414		Ref	Sender, Temperature Options:	
414	7027241	1	Sender, Temperature (SN 0300077500 through 0300085330)	
414	7027791	1	Sender, Temperature (SN 0300085331 through 0300185827)	
414	See Note	1	Ring, Sealing (Note: Not Available for Purchase)	
415		Ref	Sensor, Oil Pressure Options:	
415	7020461	1	Sensor, Oil Pressure (SN 0300077500 through 0300085330)	
415	7027790	1	Sensor, Oil Pressure (SN 0300085331 through 0300185827)	
416	7024565	1	Sensor, Speed	
417		Ref	Actuator, Throttle	
417	7020458	1	Actuator, Throttle (SN 0300077500 through 0300085330)	
417	7027792	1	Actuator, Throttle (SN 0300085331 through 0300185827)	
417	7026607	1	Spring, Actuator (was p/n 7027276)	
418	7020459	2	Thermostat (Located at rear of engine block - Not Shown)	
418	7020460	1	Spring, Compression	
419		Ref	Flywheel Options (Not Shown):	
419	70000264	1	Flywheel (SN 0300077500 through 0300129455)	
419	70001870	1	Flywheel (SN 0300129456 through 0300185827)	
419	7024579	1	Ring Gear (Located on Flywheel - Not Shown)	
420		Ref	Sender, Temperature Options:	
420	7027236	1	Sender, Temperature (SN 0300077500 through 0300129455)	
420	See Note	1	Sender, Temperature (Note: Not Available for Purchase) (SN 0300129456 through 0300185827)	
421	7027795	1	Module, EMR2 Controller (SN 0300085331 through 0300185827)	
421	7027796	1	Harness, EMR2 Module (SN 0300085331 through 0300185827)	
422	7027245	1	Filter, Fuel In-line (2000216 Engine Only)	
423		Ref	Solenoid, Throttle Options:	
423	7027239	1	Solenoid, Throttle (SN 0300077500 through 0300129455)	
423	See Note	1	Solenoid, Throttle (Note: Not Available for Purchase) (SN 0300129456 through 0300185827)	
424	See Note	1	Gasket, Valve Cover (Not Shown) (Note: Not Available for Purchase)	
425		Ref	Gasket, Cylinder Head Options (Not Shown)	
425	See Note	1	Gasket (Note: Not Available for Purchase) (SN 0300077500 through 0300085330)	
425		Ref	Gasket (SN 0300085331 through 0300129455)	
425	70003001	1	1 Notch	
425	70003002	1	2 Notches	
425	70003003	1	3 Notches	
425		Ref	Gasket (SN 0300129456 through 0300185827)	
425	70002415	1	1 Notch	
425	70002416	1	2 Notches	
426	70002417	1	3 Notches	
426		Ref	Timing Belt/Idler Kit Options (Not Shown):	
426	70000800	1	Timing Belt/Idler Kit (SN 0300077500 through 0300085330)	
426	See Note	1	Timing Belt/Idler Kit (Note: Not Available for Purchase) (SN 0300085331 through 0300185827)	
427		Ref	Harness, Engine Options (Not Shown):	
427	See Note	1	Harness, Engine (Note: Not Available for Purchase) (SN 0300077500 through 0300085330)	
427	7027794	1	Harness, Engine (SN 0300085331 through 0300129455)	

SECTION 2 - TURNTABLE

ITEM	PART NUMBER	QTY	DESCRIPTION	REV
427	7001872	1	Harness, Engine (SN 0300129456 through 0300185827)	
427	7027793	1	Plug, Connector	
428	70001847	1	Breather, Valve (Not Shown - Located On Front Cover) (SN 0300129456 through 0300185827)	
428	700001126	1	Seal, Breather (SN 0300129456 through 0300185827)	

SECTION 2 - TURNTABLE

FIGURE 2-10. FORD ENGINE INSTALLATION (Prior to SN 0300077500)

ITEM	PART NUMBER	QTY	DESCRIPTION	REV
		Ref	ENGINE ASSEMBLIES	
	0271364	Ref	Dual Fuel (Prior to SN 0300073348)	2-A
	0272745	Ref	Dual Fuel (SN 0300073348 through 0300077500)	2-B
1		Ref	Engine - Ford LRG-425 EFI Options:	
1	2000174	1	Dual Fuel (Prior to SN 0300073348)	
1	2000193	1	Dual Fuel (SN 0300073348 through 0300077500)	
2	3600295	1	Piston Pump Assembly (See PISTON PUMP ASSEMBLY for Breakdown)	
3	3600278	1	Gear Pump Assembly	
3	7018995	1	Seal Kit - 3600278 Motor	
3	7024918	1	Seal, Shaft	
3	7024930	1	Valve Assembly - 3600278 Motor	
4		Ref	Plate, Engine Mounting - Front Options:	
4	3539972	1	Plate, Engine Mounting (Prior to SN 0300073348)	
4	4846806	1	Plate, Engine Mounting (SN 0300073348 through 0300077500)	
5	4566605	1	Tube, Spacer	
6	4640989	1	Valve, Oil Drain	
7	2750532	6 in/21cm	Hose	
8	1320022	1	Clamp	
9	3571498	1	Plate, Module Mounting	
10	3790044	1	O-Ring	
11	0902539	1	Bracket	
12	1320019	1	Clamp	
13	0701022	2	Bolt M10 x 70mm	
14	0701014	2	Bolt M10 x 30mm	
15	0700810	3	Bolt M8 x 20mm	
16	0641812	4	Bolt 1/2in-13NC x 1-1/2in	
17	0721014	2	Screw #10-24NC x 1-3/4in	
18	0721006	3	Screw #10-24NC x 3/4in (Prior to SN 0300073348)	
19	4891800	2	Washer, Hardened 1/2in	
20	4751500	2	Flatwasher 5/16in	
21	4751000	AR	Flatwasher #10	
22	4761500	2	Lockwasher 5/16in	
23	3311005	AR	Locknut #10-24NC	
24	0100011	AR	Compound, Locking	
25	0100020	AR	Sealant, Pipe	
		Ref	ENGINE INSTALLATIONS	
	0271366	Ref	Dual Fuel (Prior to SN 0300073348)	2-B
	0272831	Ref	Dual Fuel (SN 0300073348 through 0300077500)	4-C
102	3539872	1	Mount, Radiator	
103	0400075	1	Battery	
104	0181727	1	Tie-Down	
105	0630498	2	Bolt, Tie-Down	
106	3620040	1	Radiator	
106	8180311	1	Cap, Radiator (was p/n 7019656)	
107	1600314	1	Module, Controller (ECM) (Prior to SN 0300073348)	
108		Ref	Weldment, Air Intake Tube Options:	
108	4846011	1	Weldment, Air Intake Tube (Prior to SN 0300073348)	
108	4846046	1	Weldment, Air Intake Tube (SN 0300073348 through	

SECTION 2 - TURNTABLE

ITEM	PART NUMBER	QTY	DESCRIPTION	REV
			0300077500)	
109	3740067	1	Relay, Auxiliary Power Relay	
111	0080214	1	Adapter, Fan Spacer	
112	2060025	1	Fan, Suction	
113	1580011	1	Container, Coolant Overflow Container	
114	3570133	1	Plate, Engine Mount-Ford (Rear)	
116	3200362	4	Mount, Rubber	
118	2720435	1	Hose, Lower Radiator (Lower)	
119	4360392	1	Switch, Restriction Indicator Switch	
120	3841340	2	Hose Loop (Not Shown Located inside turntable)	
121	1703162	2	Decal - Fan Blade	
122		Ref	Plate, Engine Mount (Front) Options:	
122	3570103	1	Plate, Engine Mount (Prior to SN 0300073348)	
122	3574122	1	Plate, Engine Mount (SN 0300073348 through 0300077500)	
123	4845404	1	Tray, Engine	
124	3422446	1	Pin, Pivot	
125	3841143	1	Pin, Keeper	
126	2750532	5 ft/1.5m	Hose	
127	2720472	1	Hose	
128	1320060	1	Clamp, Hose - 0.625 (Prior to SN 0300073348)	
129	1320012	4	Clamp, Hose	
130	1320022	9	Clamp, Hose	
131	0641828	4	Bolt 1/2in-13NC x 3-1/2in	
132	4751800	1	Flatwasher 1/2in	
133	3311805	4	Hex Nut 1/2in - 13UNC	
134	0641610	8	Bolt 3/8in-16NC x 1-1/4in	
135	0641608	22	Bolt 3/8in-16NC x 1in	
136	4751600	55	Flatwasher 3/8in	
137	3311605	31	Locknut 3/8in-16UNC	
138	2220805	1	Fitting	
139	0641408	3	Bolt 1/4in-20NC x 1in	
140	0641406	AR	Bolt 1/4in-20NC x 3/4in	
141	4751400	AR	Flatwasher 1/4in	
142	3311405	AR	Locknut 1/4in x 20UNC	
143	4740274	4	Washer, Snubbing	
144	3960389	7 ft/2.1m	Seal	
145	3539957	2	Plate, Hold Down	
146	0100011	AR	Compound, Locking	
147	3311505	6	Hex Nut 5/16in-18NC	
148	3900272	3	Bolt 5/16in-18NC x 1-3/4in	
149	0100020	AR	Sealant, Pipe	
150	2180467	1	Fitting, Elbow Barbed	
151	0641508	3	Bolt 5/16in-18NC x 1in	
152	0940070	1	Bumper, Rubber	
153	4567879	1	Tube, Exhaust	
154	0701012	4	Bolt M10 x 25 mm	
155	4832000	4	Lockwasher	
156	1340060	1	Air Cleaner Assembly	
156	7012664	1	Filter, Air Cleaner	
157	0340041	2	Band, Muffler/Air Cleaner	
158	0080201	1	Fitting, Elbow Reducing	

SECTION 2 - TURNTABLE

ITEM	PART NUMBER	QTY	DESCRIPTION	REV
159	1320016	2	Clamp, Worm Gear	
160	3311801	1	Hex Nut 1/2in-13 UNC	
161	2720436	1	Hose, Radiator (Upper)	
162	1641808	2	Bolt 1/2in-13NC x 1in	
163	2220430	1	Fitting, Reducer	
164	2180798	1	Fitting, Restriction Indicator	
165	2901608	1	Battery Cable Kit	
165A	7016800	1	Cable, Battery (Red)	
165B	7016807	1	Cable, Battery (Black)	
165C	7016808	1	Cable (Red)	
165D	7016824	1	Cable (Red)	
165E	7016825	1	Cable (Black)	
166	4460611	1	Terminal, Battery Jumper Post	
167	2220250	1	Fitting, Reducer	
168		Ref	Plate, Pump Mounting Options:	
168	3572414	1	Plate, Pump Mounting (Prior to SN 0300073348)	
168	3574222	1	Plate, Pump Mounting (SN 0300073348 through 0300075194)	
168	3572414	1	Plate, Pump Mounting (SN 0300075195 through 0300077500)	
169	2720058	12 ft/3.7m	Hose 5/16in	
172	3380429	1	Panel, Rubber	
173	1320223	AR	Clamp, "J" Clip 1/2in	
174	3422532	1	Pin, Hitch	
175	0641606	3	Bolt 3/8in-16NC x 3/4in	
176	0642010	1	Bolt 5/8in-11NC x 1-1/4in	
177	4752000	1	Flatwasher 5/8in	
178	0700819	4	Bolt M8 x 55mm	
179	4831900	4	Lockwasher M8	
180	0961986	2	Bearing, Flange	
181	1060637	1	Cable, Lanyard	
182	1701542	1	Decal - Gasoline (Not Shown - Located Near Tank)	
183	4060804	2.9 ft /0.88m	Flex-Trim	
185	1320032	2	Clamp, Hose	
186	4711400	AR	Flatwasher, 1/4in	
187	3960468	1	Seal, Foam	
188	3960469	1	Seal, Foam	
189	0641410	3	Bolt 1/4in-20NC x 1-1/4in	
190	4568158	4	Standoff 1/4in x 2in	
191	0641424	4	Bolt 1/4in-20NC x 3in	
195	3574162	1	Plate, ECM/Relay Mounting (SN 0300073348 through 0300077500)	
196	0641414	4	Bolt 1/4in-20NC x 1-3/4in (SN 0300073348 through 0300077500)	
197	0641808	1	Bolt 1/2in-13NC x 1in (SN 0300073348 through 0300077500)	
198	4771800	2	Washer, Star 1/2in (SN 0300073348 through 0300077500)	
199	0100048	AR	Grease, Dielectric	
		Ref	ENGINE COMPONENTS	
	2000174	Ref	Dual Fuel (Prior to SN 0300073348)	
	2000193	Ref	Dual Fuel (SN 0300073348 through 0300077500)	
301	3600377	1	Fuel Pump and Isolator Assembly (was p/n 7022133)	
301	7022134	1	Harness, Fuel Pump Wiring	
302	91083218	1	Filter, Fuel (was p/n 7022135)	

SECTION 2 - TURNTABLE

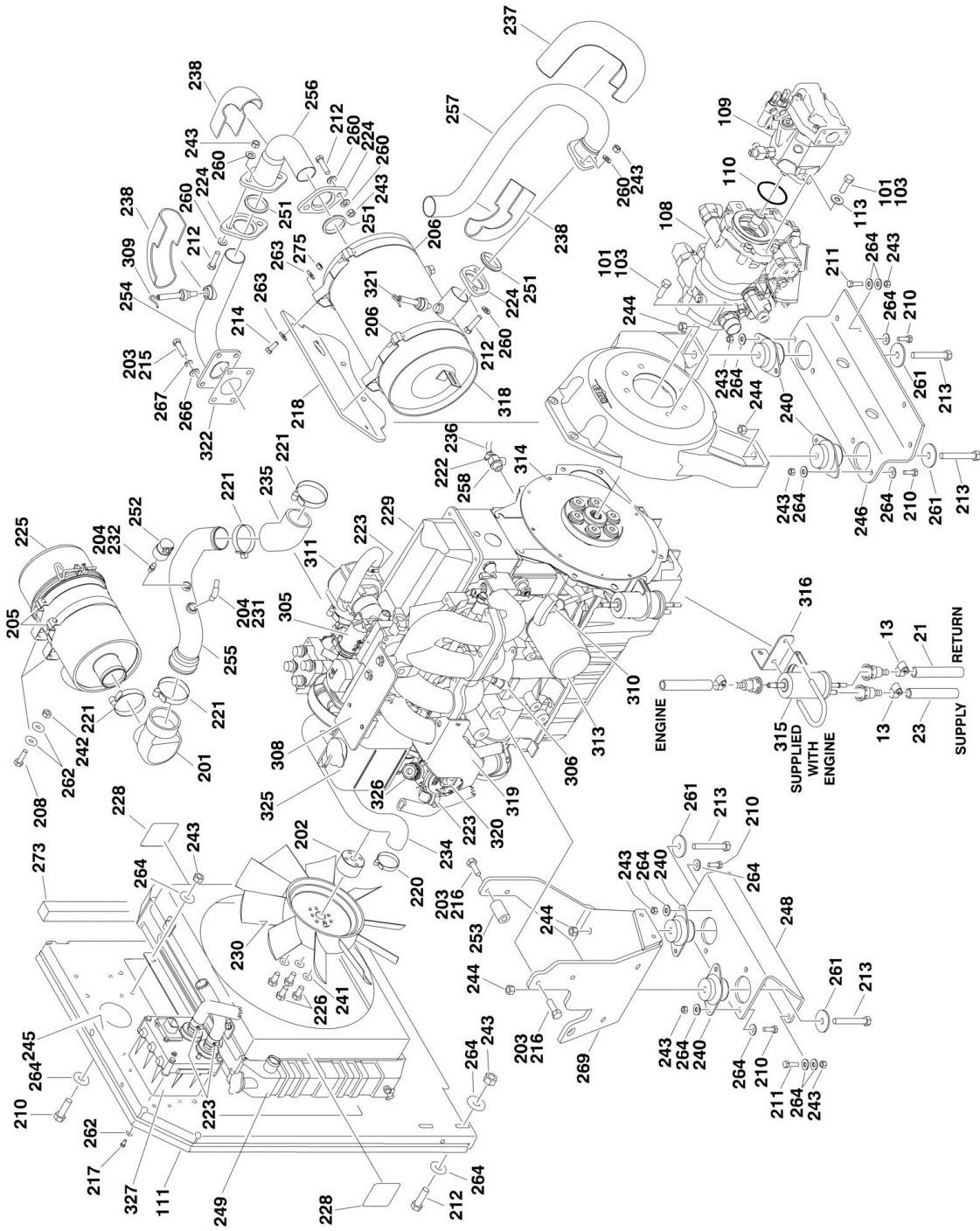
ITEM	PART NUMBER	QTY	DESCRIPTION	REV
303	7019986	1	Starter (Not Shown)	
304	7019977	1	Alternator with Pulley and Regulator	
304	7000897	1	Alternator without Pulley and Regulator	
305		Ref	Actuator, Throttle Options:	
305	7023655	1	Actuator, Throttle (Prior to SN 0300073348)	
305	7023683	1	Actuator, Throttle (SN 0300073348 through 0300077500)	
305	7023652	1	Plate, Actuator Adapter	
305	7023654	1	Gasket, Actuator to Adapter Plate	
305	7023653	2	Bolt (Adapter Plate to Intake Manifold)	
305	7023656	4	Bolt (Actuator to Adapter Plate)	
306	7019996	1	Sensor, Air Temperature (was p/n 7023661)	
306	7023662	1	Bracket, Air Temperature Sensor	
307	7023663	1	Harness, ECM (Prior to SN 0300073348)	
307	7023681	1	Harness, Engine (SN 0300073348 through 0300077500)	
308	7022139	1	Sensor, MAP	
309		Ref	Sensor, EGR Options:	
309	7019994	1	Sensor, EGR (Prior to SN 0300073348)	
309	7023682	1	Sensor, EGR (SN 0300073348 through 0300077500)	
310	2420187	1	Dipstick	
310	4564281	1	Tube, Dipstick	
311	7023658	1	Horn, Rubber Air	
312	7023637	1	Switch, Oil Pressure	
313	7021868	1	Filter, Oil (was p/ns 7022147, 7021869 & 7014501)	
314	1660250	1	Coupling, Pump (was p/n 7016662)	
314	7019976	1	Flywheel	
314	7022180	1	Ring Gear	
315	7019993	1	Pressure Regulator and Filter Assembly	
316	70002307	1	Gasket, Exhaust (Manifold to Pipe)	
316	7022143	1	Gasket, Exhaust (Manifold to Cylinder Head) (Not Shown)	
317	7022158	3	Connector	
318	7022159	2	Connector	
319	7022160	1	Connector	
320	7022161	2	Tube, Supply	
321	7022162	2	Clamp	
322	7022178	1	Sensor, Crank	
323	7022149	1	Gasket Kit, Lower Manifold (Not Shown)	
323	7025124	1	Gasket Kit, Upper Manifold (was p/n 7022148) (Not Shown)	
323	7022144	1	Gasket, Upper Manifold Throttle (Not Shown)	
324	7023657	1	Harness, TPS Harness (Not Shown)	
325		Ref	Relay Options:	
325	7023613	3	Relay (2000174 Engines) (Prior to SN 0300073348)	
325	7023695	3	Relay (2000193 Engines) (SN 0300073348 through 0300077500)	
326	7022153	1	Pump, Water	
326	7022154	1	Gasket, Water Pump	
326	7022155	1	Sensor, Water Temperature (Not Shown)	
326	7027411	1	Sender, Water (Not Shown)	
326	7022156	1	Thermostat (Not Shown)	
326	7023644	1	Hose, Water Pump (By-Pass) (Not Shown)	
327	2720341	1	Horn, Rubber Air	
328	1600363	1	Module, EPM (was p/n 7023684) (SN 0300073348 through 0300077500)	

SECTION 2 - TURNTABLE

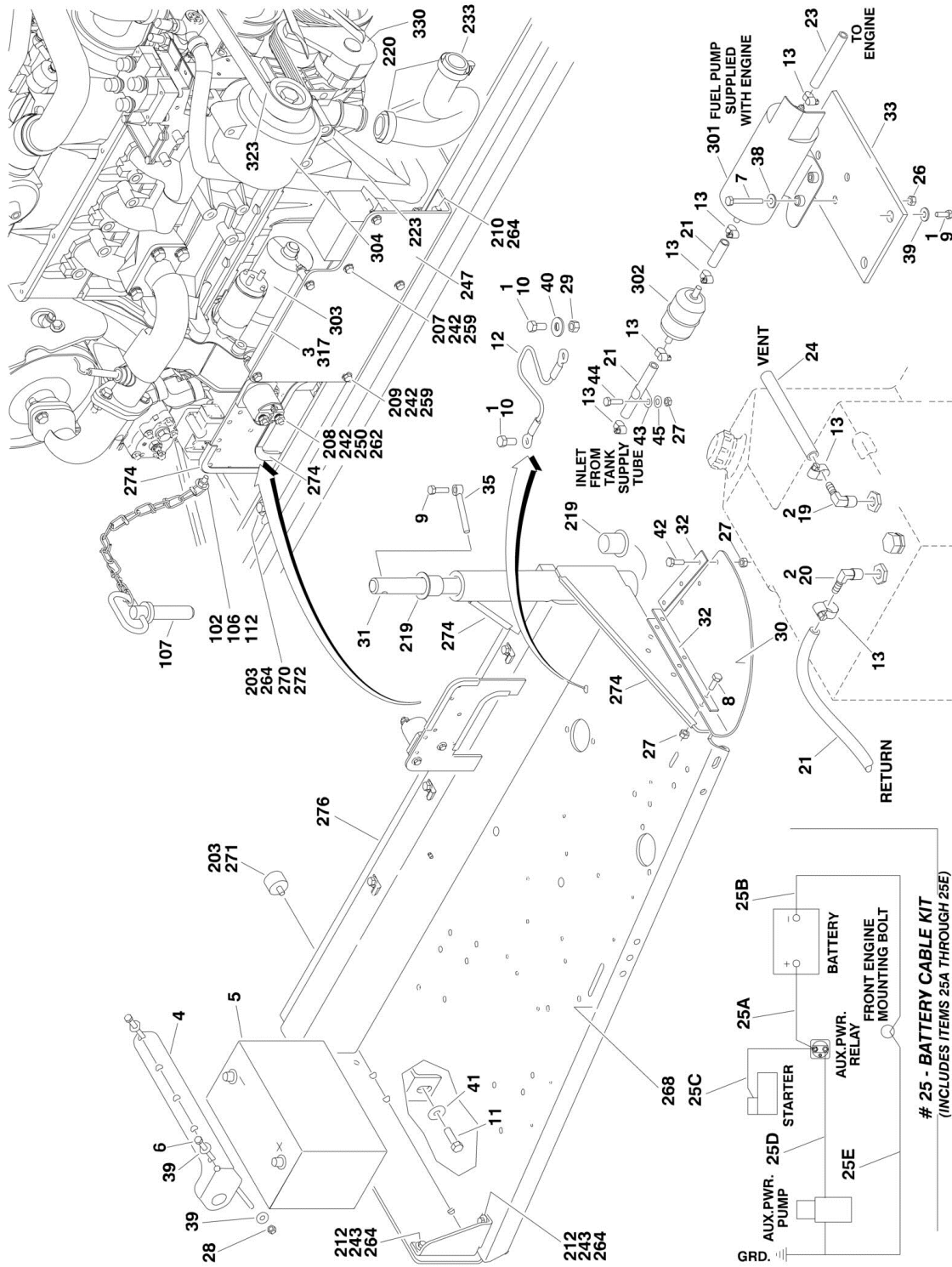
ITEM	PART NUMBER	QTY	DESCRIPTION	REV
328		Ref	EPM Update Kit Options:	
		Ref	Note: Contact JLG Service Dept to determine which kit is required.	
328	2915195	1	EPM Update Kit (was p/n 7023685)	
328	2915196	1	EPM Update Kit (was p/n 7023686)	
329	70002567	1	Tensioner, Belt	
330	7019925	1	PCV Valve (Not Shown)	
331	7019930	1	Coil, Ignition (Not Shown)	
331	7022157	1	Wire Set, Spark Plug (Not Shown)	
331	7019932	4	Spark Plug (Not Shown)	
332	7022151	1	Cap, Oil Fill	
333	7022150	1	Belt, Timing	
334	7027402	1	Belt, Drive (was p/n 7019979)	
	3124114	1	Service Manual, Ford EFI System Diagnostic	
		Ref	MUFFLER INSTALLATIONS	
	0258390	Ref	Standard Spark Arresting	1
	0258391	Ref	Optional Catalytic	1
401		Ref	Muffler Options:	
401	3220113	1	Standard Spark Arresting	
401	3220114	1	Optional Catalytic	
401	70001017	1	Clamp	
402	0340046	2	Band	
403	0902309	1	Bracket, Muffler	
404	0641507	4	Bolt 5/16in-18NC x 7/8in	
405	4711500	8	Flatwasher 5/16in Narrow	
406	3311505	4	Locknut 5/16in-18NC	
407	4567073	1	Tube, Exhaust	
407	70001017	1	Clamp	

SECTION 2 - TURNTABLE

FIGURE 2-11. FORD ENGINE INSTALLATION (SN 0300077500 through 0300185827)



SECTION 2 - TURNTABLE



SECTION 2 - TURNTABLE

FIGURE 2-11. FORD ENGINE INSTALLATION (SN 0300077500 through 0300185827)

ITEM	PART NUMBER	QTY	DESCRIPTION	REV
		Ref	ENGINE INSTALLATION	
	0274024	Ref	Engine Installation (SN 0300077500 through 0300087265)	D
	0274624	Ref	Engine Installation (SN 0300087266 through 0300185827)	D
1	0100011	AR	Compound, Locking	
2	0100020	AR	Sealant	
3	0100048	AR	Grease, Dielectric	
4	0181727	1	Angle, Battery Hold-Down	
5	0400075	1	Battery	
6	0630498	2	Bolt, Battery Hold-Down	
7	0641408	2	Bolt 1/4in-20NC x 1in	
8	0641508	3	Bolt 5/16in-18NC x 1in	
9	0641608	9	Bolt 3/8in-16NC x 1in	
10	0641808	2	Bolt 1/2in-13NC x 1in	
11	0642010	1	Bolt 5/8in-11NC x 1-1/4in	
12	1060637	1	Cable, Lanyard	
13	1320022	7	Clamp	
14	1701542	1	Decal - Gas (Not Shown - Located on Hood)	
19	2220313	1	Fitting, Elbow	
20	2221176	1	Fitting, Elbow	
21	2720058	12 ft/3.7m	Hose, Fuel Line	
23	2720472	1	Hose, Fuel Line	
24	2720532	5 ft/1.5m	Hose, Fuel Line	
25		Ref	Battery Cable Kit Options:	
25	2901608	1	Battery Cable Kit (SN 0300077500 through 0300087265)	C
25	2902445	1	Battery Cable Kit (SN 0300087266 through 0300185827)	A
25A		Ref	Cable, Battery (Red) Options:	
25A	7016800	1	Cable, Battery (Red) (SN 0300077500 through 0300087265)	
25A	7016821	1	Cable, Battery (Red) (SN 0300087266 through 0300185827)	
25B		Ref	Cable, Battery (Black) Options:	
25B	7016807	1	Cable, Battery (Black) (SN 0300077500 through 0300087265)	
25B	7016822	1	Cable, Battery (Black) (SN 0300087266 through 0300185827)	
25C	7016808	1	Cable (Red)	
25D	7016824	1	Cable (Red)	
25E	7016825	1	Cable (Black)	
26	3311405	2	Locknut 1/4in-20NC	
27	3311505	7	Locknut 5/16in-18NC	
28	3311605	2	Locknut 3/8in-16NC	
29	3311801	1	Nut 1/2in-13NC	
30	3380429	1	Panel, Rubber	
31	3422446	1	Pin	
32	3539957	2	Plate	
33	3572414	1	Plate, Fuel Pump Mount	
35	3841143	1	Pin, Keeper	
36	3841340	3	Rod, Hose Loop (Not Shown - Located on Turntable)	
38	4751400	2	Flatwasher 1/4in Wide	
39	4751600	6	Flatwasher 3/8in Wide	

SECTION 2 - TURNTABLE

ITEM	PART NUMBER	QTY	DESCRIPTION	REV
40	4751800	1	Flatwasher 1/2in Wide	
41	4752000	1	Flatwasher 5/8in Wide	
42	3900272	3	Screw 5/16in-18NC x 1-3/4in	
43	1320222	1	J-Clip (SN 0300087266 through 0300185827)	
44	0641506	1	Bolt 5/16in-18NC x 3/4in (SN 0300087266 through 0300185827)	
45	4711500	1	Flatwasher 5/16in Narrow (SN 0300087266 through 0300185827)	
		Ref	ENGINE AND PUMP ASSEMBLY	
	2000261	Ref	Engine and Pump Assembly (SN 0300077500 through 0300087265)	B
	2000322	Ref	Engine and Pump Assembly (SN 0300087266 through 0300185827)	B
101	0100011	AR	Compound, Locking	
102	0641407	1	Bolt 1/4in-20NC x 7/8in	
103	0641812	4	Bolt 1/2in-13NC x 1-1/2in	
105	2300004	2.63 gl /11.96L	Fluid, Anti-Freeze (Not Shown)	
106	3311405	1	Locknut 1/4in-20NC	
107	3422532	1	Pin, Hitch	
108	3600400	1	Piston Pump Assembly with Fittings (See PISTON PUMP ASSEMBLY for Breakdown)	
109	3600401	1	Load Sensing Pump Assembly with Fittings	B
109	2220415	1	Fitting	
109	2220374	1	Fitting	
109	3600278	1	Pump Assembly	
109	7018995	1	Seal Kit - 3600278 Pump	
109	7024918	1	Seal, Shaft	
109	7024930	1	Valve Assembly Kit - 3600278 Pump	
110	3790044	1	O-Ring	
111	3960389	5 ft/1.5m	Seal	
112	4751400	1	Flatwasher 1/4in (Wide)	
113	4891600	2	Flatwasher, Hardened	
		Ref	ENGINE ASSEMBLY	
	2000211	Ref	Engine Assembly (SN 0300077500 through 0300087265)	D
	2000296	Ref	Engine Assembly (SN 0300087266 through 0300185827)	B
201	0080201	1	Adapter, Elbow	
202	0080214	1	Adapter, Fan Spacer	
203	0100011	AR	Compound, Locking	
204	0100020	AR	Sealant, Pipe	
205	0340041	2	Band, Air Cleaner	
206	0340046	2	Band, Muffler	
207	0641406	2	Bolt 1/4in-20NC x 3/4in	
208	0641408	6	Bolt 1/4in-20NC x 1in	
209	0641414	4	Bolt 1/4in-20NC x 1-3/4in	
210	0641608	14	Bolt 3/8in-16NC x 1in	
211	0641610	10	Bolt 3/8in-16NC x 1-1/4in	
212	0641612	8	Bolt 3/8in-16NC x 1-1/2in	
213	0641828	4	Bolt 1/2in-13NC x 3-1/2in	
214	0641507	4	Bolt 5/16in-18NC x 7/8in	
215	0701012	4	Bolt M10 x 25mm	
216	0701014	4	Bolt M10 x 30mm	
217	0760606	4	Bolt M6 x 12mm	

SECTION 2 - TURNTABLE

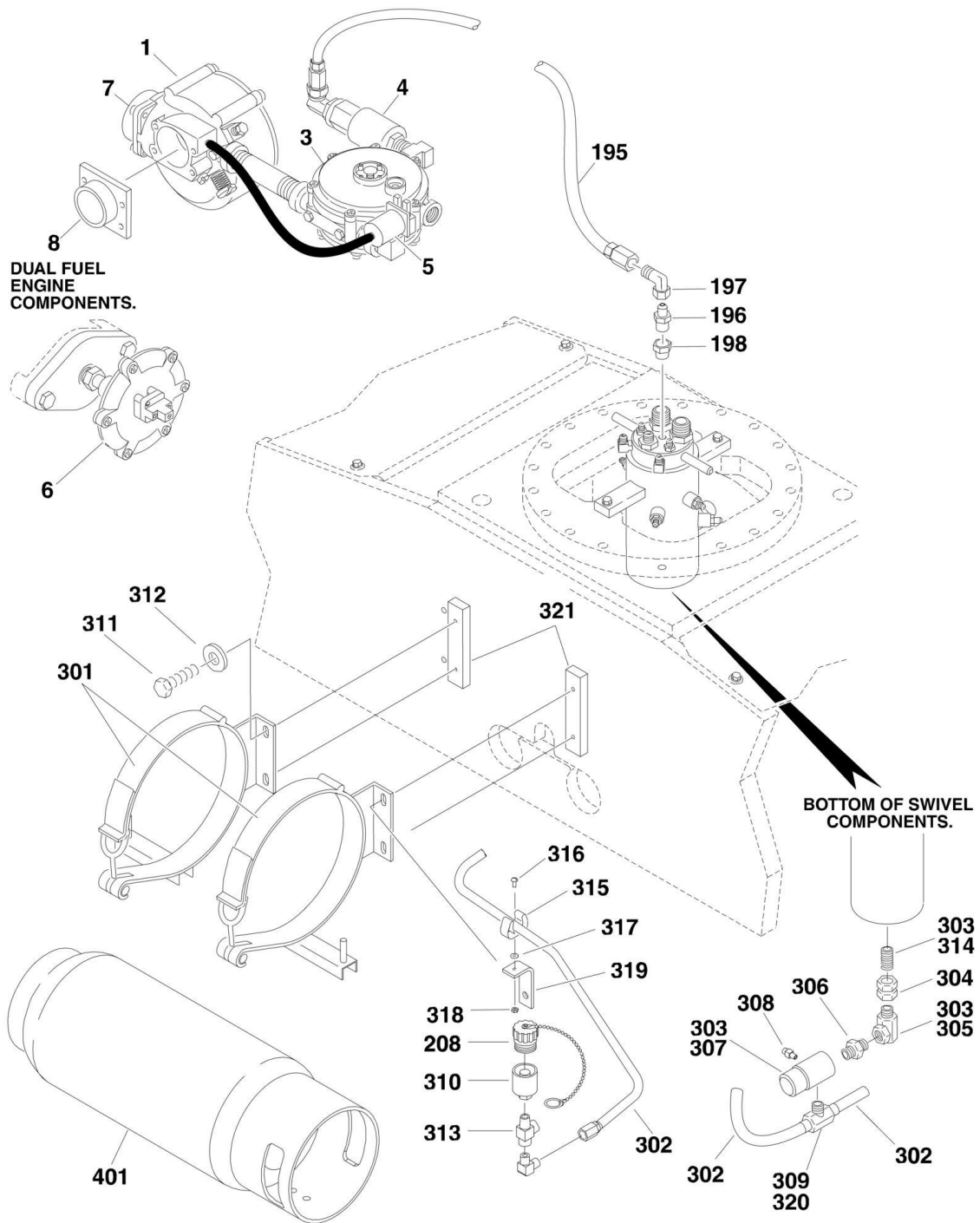
ITEM	PART NUMBER	QTY	DESCRIPTION	REV
218	0903079	1	Bracket, Muffler	
219	0961986	2	Bushing, Flanged	
220	1320012	4	Clamp	
221	1320016	3	Clamp	
222	1320022	1	Clamp, Hose	
223	1320033	8	Clamp, Hose	
224	1321138	3	Plate, Exhaust Flange	
225	1340060	1	Air Cleaner Assembly Filter Element	
225	7012664	1	Element, Filter (Not Shown)	
226	0700819	4	Bolt 8mm x 55mm	
227	4920385	7 ft/2.1m	Wire, Safety (Not Shown)	
228	1703162	2	Decal - Caution Fan Blade	
229	2000272	1	Engine (See Items 301-326 for Engine Components)	
230	2060025	1	Fan	
231	2180467	1	Fitting	
232	2180798	1	Fitting, Restriction Indicator (Prior to SN 0300087266)	
233	2720435	1	Hose, Radiator (Bottom)	
234	2720436	1	Hose, Radiator (Upper)	
235	2720514	1	Hose, Elbow	
236	2750532	6 in/15cm	Hose, Oil Drain	
237	2820172	1	Insulation, Exhaust (Shield)	
238	2820173	3	Insulation, Exhaust (Elbow)	
240	3200362	4	Mount, Motor	
241	4831900	4	Lockwasher M8	
242	3311405	12	Locknut 1/4in-20NC	
243	3311605	30	Locknut 3/8in-16NC	
244	3311805	4	Locknut 1/2in-13NC	
245	3539872	1	Plate, Radiator Mounting	
246	3572280	1	Plate, Engine Mount	
247	3574162	1	Plate, ECM/Relay Mount	
248	3574504	1	Plate, Engine Mount	
249	3620040	1	Radiator	
249	8180311	1	Cap, Radiator (was p/n 7019656)	
250	3740067	1	Relay	
251	3960591	3	Gasket, Exhaust	
252	4360392	1	Indicator, Restriction (Prior to SN 0300087266)	
253	4566605	1	Tube, Spacer	
254	4567879	1	Tube, Exhaust	
255		Ref	Tube, Intake Options:	
255	4568951	1	Tube, Intake (SN 0300077500 through 0300087265)	
255	4569173	1	Tube, Intake (SN 0300087266 through 0300185827)	
256	4569083	1	Tube, Exhaust	
257	3460398	1	Pipe, Exhaust	
258	4640989	1	Valve, Oil Drain	
259	4711400	12	Flatwasher 1/4in (Narrow)	
260	4711600	12	Flatwasher 3/8in (Narrow)	
261	4740274	4	Washer, Snubbing	
262	4751400	14	Flatwasher 1/4in (Wide)	
263	4751500	8	Flatwasher 5/16in (Wide)	
264	4751600	51	Flatwasher 3/8in (Wide)	
266	4812000	4	Flatwasher M10	

SECTION 2 - TURNTABLE

ITEM	PART NUMBER	QTY	DESCRIPTION	REV
267	4832000	4	Lockwasher M10	
268	4845404	1	Tray, Engine	
269	4846806	1	Plate, Engine Mounting	
270	0641606	1	Bolt 3/8in-16NC x 3/4in	
271	0940070	1	Bumper	
272	1320223	3	J-Clip	
273	3960469	1	Seal	
274	4060805	37 in/1m	Flex-Trim	
275	3311505	4	Locknut 5/16in-18NC	
276	3960468	1	Seal	
	2000272	Ref	ENGINE COMPONENTS	B
301	3600377	1	Fuel Pump and Isolator Assembly (was p/ns 7022133 & 7027407)	
301	7022134	1	Harness, Fuel Pump (Not Shown)	
302	91083218	1	Filter, Fuel (was p/n 7022135)	
303	7012679	1	Starter (was p/n 7027408)	
304	7019977	1	Alternator with Regulator and Pulley	
304	7000897	1	Alternator without Regulator and Pulley	
305	7023683	1	Actuator, Throttle	
305	7027404	1	Gasket, Actuator (Not Shown)	
306	7019996	1	Sensor, Air Temperature (was p/n 7023661)	
307	7023681	1	Harness, Engine Control (was p/n 7027403) (Not Shown)	
308	7022139	1	Sensor, MAP	
309	7023682	1	Sensor, EGR	
310	2420187	1	Dipstick (was p/n 7022140)	
310	4564281	1	Tube, Dipstick	
311	7027400	1	Mixer Assembly	
313	7021868	1	Filter, Oil (was p/n7022147, 7021869 & 7014501)	
314	1660250	1	Coupling, Pump	
314	7019976	1	Flywheel (Not Shown)	
314	7022180	1	Ring Gear (Not Shown)	
315	7019993	1	Pressure Regulator and Filter Assembly	
316	0902539	1	Bracket	
317	1600374	1	Module, EPM	
317	7027413	1	Harness, EPM Jumper	
318	3220134	1	Muffler	
319	0903010	1	Bracket, LP Regulator	
320	7023698	1	Regulator, LP	
321	7019994	1	Sensor, EGR (was p/n 7027406)	
322	70002307	1	Gasket, Exhaust (Manifold to Pipe)	
322	7022143	1	Gasket, Exhaust (Manifold to Cylinder Head) (was p/n 7027401) Not Shown)	
323	7027402	1	Belt, Drive (was p/n 7019979)	
324	7027405	4	Spark Plug (Not Shown)	
325	1580011	1	Bottle, Overflow	
326	7027409	1	LP Filter Shutoff with Leads	
327	7023699	1	Megajector	
327	7027410	1	Harness, Megajector	
327	70001690	1	Hose Kit - Megajector	
328	7019925	1	PCV Valve (Not Shown)	
329	7022155	1	Sensor, Water Temperature (Not Shown)	
330	70002567	1	Tensioner, Belt	
331	7022150	1	Belt, Timing (Not Shown)	

SECTION 2 - TURNTABLE

FIGURE 2-12. DUAL FUEL INSTALLATION (GAS MACHINES OPTIONS)



SECTION 2 - TURNTABLE

FIGURE 2-12. DUAL FUEL INSTALLATION (GAS MACHINES OPTIONS)

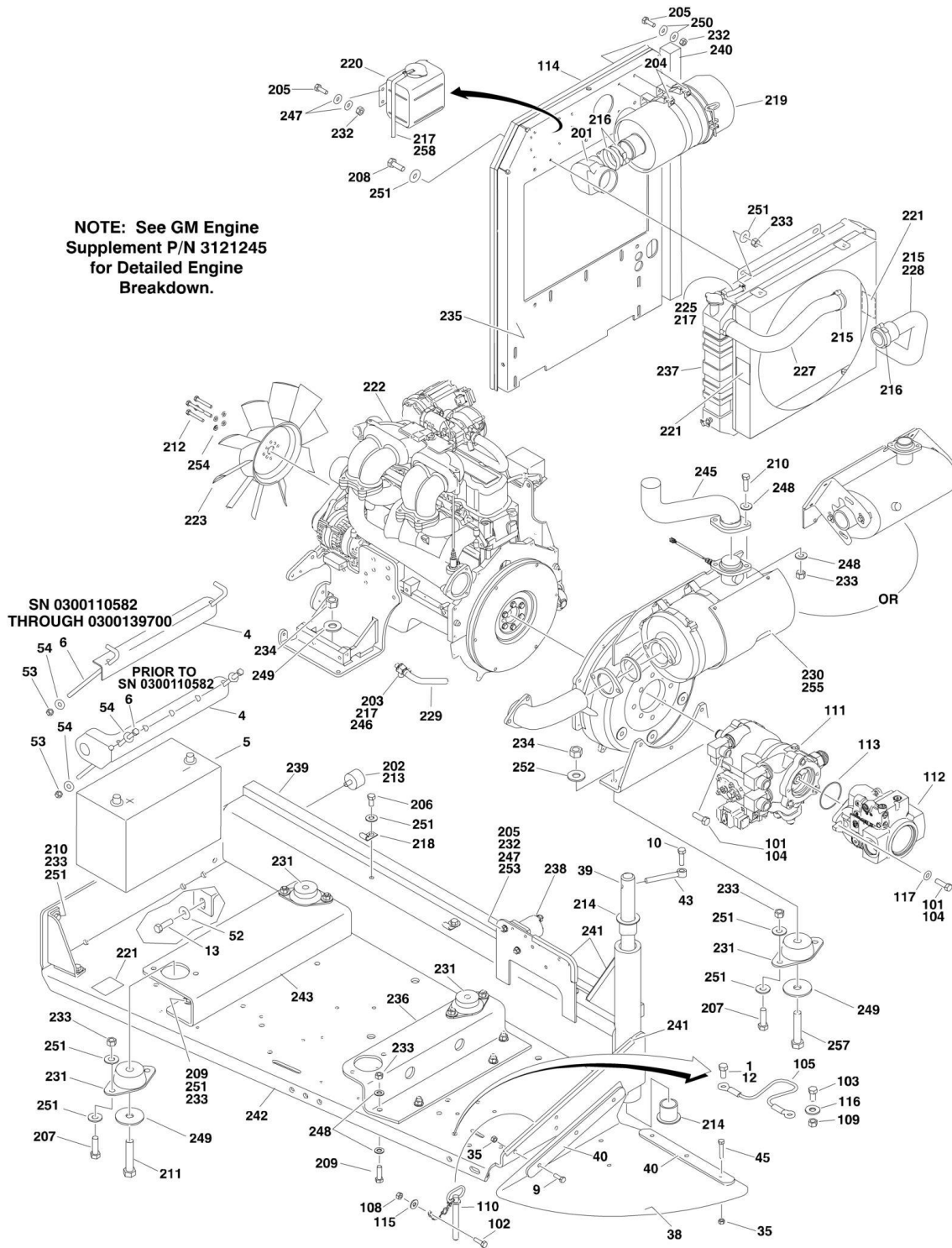
ITEM	PART NUMBER	QTY	DESCRIPTION	REV
		Ref	DUAL FUEL ENGINE COMPONENTS (FORD ENGINE MACHINES)	
		Ref	Note: For GM Engine Machines Refer to GM Engine Installation.	
	2000174	Ref	Dual Fuel Engine Components (Prior to SN 0300073348)	B
	2000193	Ref	Dual Fuel Engine Components (SN 0300073348 through 0300077499)	B
	See Note	Ref	Dual Fuel Engine Components (Note: See Ford Engine Installation (SN 0300077500 through 030185827) for Components)	
	7023665	1	Dual Fuel Conversion Kit (Note: Includes hose, fittings, clamps and items indented below. For replacement hose, fittings and clamps supply locally)	
1	7022165	1	Mixer	
1	7022171	1	Repair Kit - 7022165 Mixer	
1	7023645	1	Gasket, Mixer	
3	7022167	1	Convertor	
3	7022170	1	Repair Kit - 7022167 Convertor	
4	7023680	1	Filter, LP Shut-Off with Harness (was p/n 7022169)	
4	7023680	NLA	Electrical Connector Kit (No Longer Available - was p/n 7023679)	
5	7022168	1	Valve, Solenoid	
6	4360188	1	Switch, Vacuum	
7	7023603	1	Adapter	
7	7023659	1	Gasket	
7	7023660	4	Screw M6 x 14mm	
8	7022166	1	Adapter	
		Ref	DUAL FUEL COMPONENTS (FORD ENGINE MACHINES)	
		Ref	Note: For GM Engine Machines Refer to GM Engine Installation.	
	0271366	Ref	Dual Fuel (Prior to SN 0300073348)	2-B
	0272831	Ref	Dual Fuel (SN 0300073348 through 0300077499)	4-C
	0274024	Ref	Dual Fuel (SN 0300077500 through 0300087265)	D
	0274624	Ref	Dual Fuel (SN 0300087266 through 0300185827)	C
190	4360336	1	Toggle, SPDT (Not Shown - Located on Console Box)	
191	3790012	1	O-Ring (Not Shown - Located on Console Box)	
192	1701543	2	Decal-LPG (Not Shown - See Decal Installation)	
193	1700818	2	Decal- Liquid Withdrawal System (Not Shown - See Decal Installation)	
194	1701543	1	Decal - LP (Not Shown - Located on Frame)	
195	2720392	1	Hose	
196	2180418	1	Fitting, Straight	
197	2220064	1	Fitting, Elbow (Prior to SN 0300069325)	
198	2220005	1	Fitting, Reducer	
	0255524	Ref	LP TANK AND BRACKETS INSTALLATION	9-F
301	1320220	2	Clamp Kit - LP	
301	1320127	2	Clamp, Toggle (1 Per Clamp)	
302	2720144	2	Hose	
303	0100020	AR	Sealant, Pipe	
304	2221197	1	Fitting, Reducer	
305	2180125	1	Fitting - Elbow	
306	2220261	2	Fitting, Nipple	

SECTION 2 - TURNTABLE

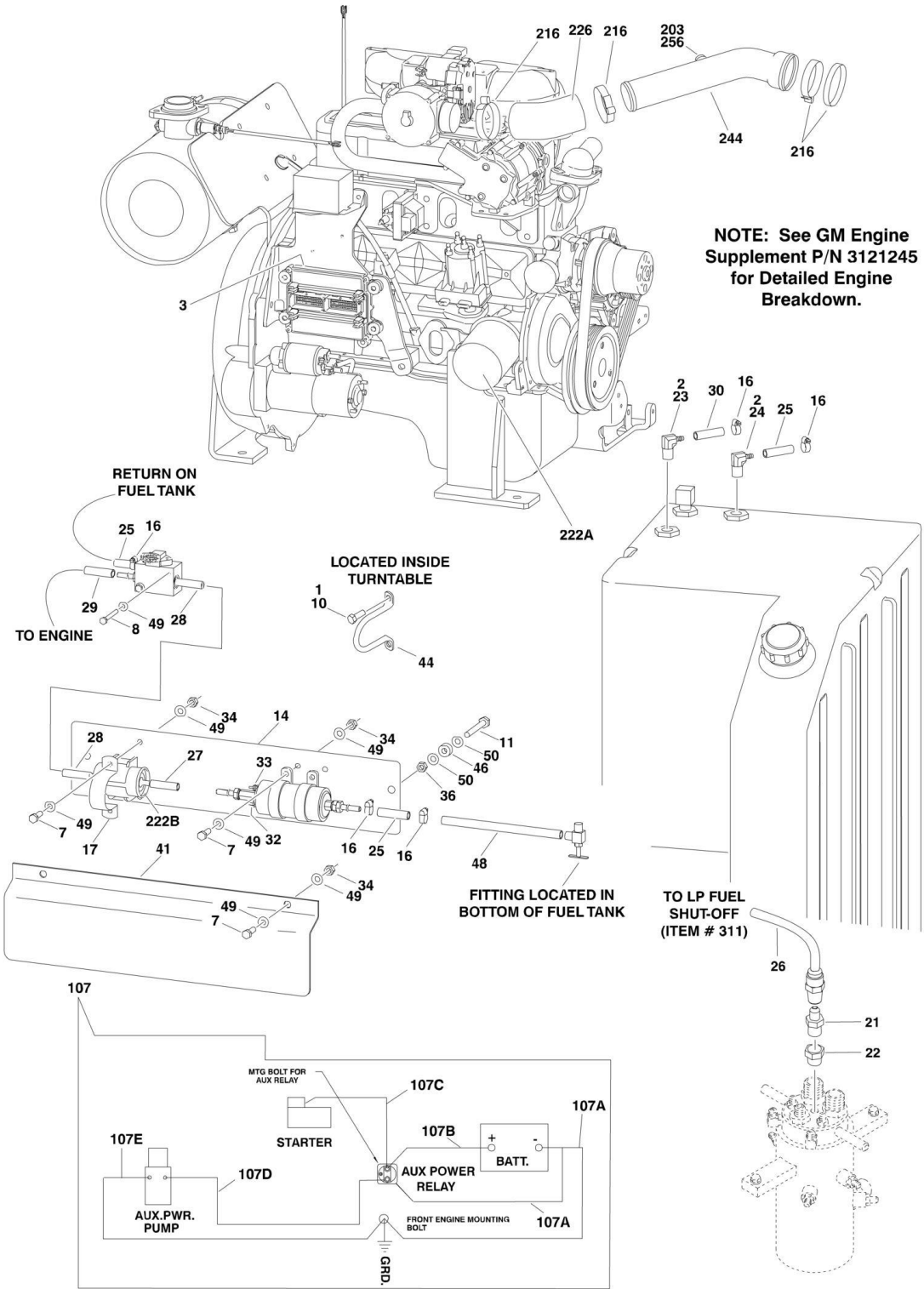
ITEM	PART NUMBER	QTY	DESCRIPTION	REV
307	2180388	1	Filter, Bulkhead	
308	2180389	1	Valve, Relief	
309	2180418	1	Fitting, Tee	
310	2180387	2	Fitting, LP Tank	
311	0641606	8	Bolt 3/8in-16NC x 3/4in	
312	4751600	8	Flatwasher 3/8in	
313	2180418	2	Fitting, Straight	
315	1320218	2	Clamp, Spring	
316	3910808	2	Screw, Machine #8-32NC x 1/2in	
317	4750800	4	Flatwasher #8	
318	3310805	2	Locknut #8-32NC	
319	0181949	2	Support, Angle	
320	2221024	2	Fitting, Ball Check	
321	0362519	4	Bar, Clamp	
401		Ref	TANK, LP OPTIONS:	
401	4400275	1	Aluminum	
401	4400420	1	Steel	

SECTION 2 - TURNTABLE

FIGURE 2-13. GM ENGINE INSTALLATION (Prior to SN 0300140592)



SECTION 2 - TURNTABLE



SECTION 2 - TURNTABLE

FIGURE 2-13. GM ENGINE INSTALLATION (Prior to SN 0300140592)

ITEM	PART NUMBER	QTY	DESCRIPTION	REV
		Ref	GM ENGINE INSTALLATIONS:	
	0275386	Ref	Engine, GM 3.0L (Prior to SN 0300109494)	D
	1001091638	Ref	Engine, GM 3.0L Tier2 (SN 0300109494 through 0300121642)	D
	1001095363	Ref	Engine, GM 3.0L Tier2 (SN 0300121643 through 0300140592)	E
1	0100011	AR	Compound, Locking	
2	0100020	AR	Sealant, Pipe	
3	0100048	AR	Grease, Dielectric	
4		Ref	Hold-Down, Battery Options:	
4	0181727	1	Hold-down, Battery (Prior to SN 0300110582)	
4	91401281	1	Hold-down, Battery (SN 0300110582 through 0300140592)	
5	0400075	1	Battery (Wet)	
6		Ref	Bolt, Battery Hold-down Options:	
6	0630498	2	Bolt, Battery Hold-down (Prior to SN 0300110582)	
6	1001093382	2	Bolt, Battery Hold-down (SN 0300110582 through 0300140592)	
7	0641406	AR	Bolt 1/4in-20NC x 3/4in	
8	0641416	2	Bolt 1/4in-20NC x 2in	
9	0641508	3	Bolt 5/16in-18NC x 1in (Prior to SN 0300098458)	
10	0641608	7	Bolt 3/8in-16NC x 1in	
11	0641612	2	Bolt 3/8in-16NC x 1-1/2in	
12	0641808	1	Bolt 1/2in-13NC x 1in	
13	0642010	1	Bolt 5/8in-11NC x 1-1/4in	
14	0903510	1	Bracket, Fuel Pump Filter	
16	1320022	AR	Clamp, Fuel Line	
17	1320323	1	Clamp	
18	1701542	1	Decal, Gas (Not Shown)	
19	1701543	2	Decal, LPG (Not Shown)	
21	2180418	1	Fitting, Straight	
22	2220005	1	Fitting, Straight	
23	2220313	1	Fitting, Elbow Barbed (Prior to SN 0300109494)	
24	2221176	1	Fitting, Elbow	
25		Ref	Hose, Fuel Line Options:	
25	2720058	5.25 ft /1.6m	Hose, Fuel Line (Prior to SN 0300109494)	
25	1001091587	NLA	Hose, Fuel Line (Use p/n 1001156819) (SN 0300109494 through 0300140592)	
26	2720392	1	Hose, LP	
27	2720566	1	Hose, High Pressure Fuel Line (6in/15cm Length)	
28	2720567	1	Hose, High Pressure Fuel Line (4ft/1.2m Length)	
29	2720580	2	Hose	
30	2750532	5 ft/1.5m	Hose (Prior to SN 0300109494)	
32	3290405	1	Locknut M4 x 0.7	
33	3290505	1	Locknut M5 x 0.8	
34	3311405	AR	Locknut 1/4in x 20NC	
35	3311505	6	Locknut 5/16in-18NC (Prior to SN 0300098458)	
36	3311605	AR	Locknut 3/8in-16NC	
38	3380429	1	Panel, Rubber (Prior to SN 0300098458)	
39	3422446	1	Pin	
40	3539957	2	Plate, Hold Down (Prior to SN 0300098458)	
41	3576755	1	Cover, Fuel Pump (Prior to SN 0300097306)	

SECTION 2 - TURNTABLE

ITEM	PART NUMBER	QTY	DESCRIPTION	REV
42	3790012	1	O-Ring (Not Shown - Located in Console Box)	
43	3841143	1	Keeper	
44	3841340	3	Rod, Hose Loop	
45	3900272	3	Screw 5/16in-18NC x 1-3/4in (Prior to SN 0300098458)	
46	4071122	2	Shim	
47	4360336	1	Switch, Toggle (Not Shown - Located in Console Box)	
48	4569385	1	Tube, Fuel Line	
49	4711400	AR	Flatwasher 1/4in Narrow	
50	4751600	AR	Flatwasher 3/8in Wide	
51	4751800	1	Flatwasher 1/2in Wide	
52	4752000	1	Flatwasher 5/8in Wide	
53		Ref	Locknut Options:	
53	3311605	2	Locknut 3/8in-16NC (Prior to SN 0300110582)	
53	3311505	2	Locknut 5/16in-18NC (SN 0300110582 through 0300121642)	
53	88521205	2	Locknut 5/16in-18NC (SN 0300121643 through 0300140592)	
54		Ref	Flatwasher Options:	
54	4751600	4	Flatwasher 3/8in Wide (Prior to SN 0300110582)	
54	4751500	2	Flatwasher 5/16in Wide (SN 0300110582 through 0300140592)	
56	2300004	2.63 gl	Anti-Freeze (Not Shown)	
		Ref	GM ENGINE AND PUMP SUB-ASSEMBLIES:	
	2000378	Ref	Engine, GM 3.0L (Prior to SN 0300109494)	B
	1001091637	Ref	Engine, GM 3.0L Tier2 (SN 0300109494 through 0300121642)	B
	1001095364	Ref	Engine, GM 3.0L Tier2 (SN 0300121643 through 0300140592)	E
101	0100011	AR	Compound, Locking	
102	0641407	1	Bolt 1/4in-20NC x 7/8in	
103	0641808	1	Bolt 1/2in-13NC x 1in	
104	0641812	4	Bolt 1/2in-13NC x 1-1/2in	
105	1060637	1	Cable, Lanyard	
107	2902533	1	Battery Cable Kit	B
107A	7027018	1	Cable (Battery - to Ground)	
107B	7027015	1	Cable (Battery + to Auxiliary Relay)	
107C	7016825	1	Cable (Auxiliary Relay to Starter)	
107D	7016824	1	Cable (Auxiliary Relay to Auxiliary Pump)	
107E	7027017	1	Cable (Ground to Auxiliary Pump)	
108	3311405	1	Locknut 1/4in-20NC	
109	3311805	1	Locknut 1/2in-13NC	
110	3422532	1	Pin, Hitch	
111	3600400	1	Piston Pump Assembly with Fittings (See PISTON PUMP ASSEMBLY for Breakdown)	
112		Ref	Gear Pump Assembly with Fittings Options:	
112	3600401	1	Gear Pump (Rexroth) (Prior to SN 0300121643)	C
112	2220415	1	Fitting	
112	2220374	1	Fitting	
112	3600278	1	Pump, Displacement	
112	7018995	1	Seal Kit - 3600278 Pump	
112	7024918	1	Seal, Shaft	
112	7024930	1	Valve Assembly Kit - 3600278 Pump	
112	1001095354	1	Gear Pump (Sauer Danfoss) (SN 0300121643 through 0300140592)	A
112	2220415	1	Fitting	
112	1001094595	1	Pump, Displacement	

SECTION 2 - TURNTABLE

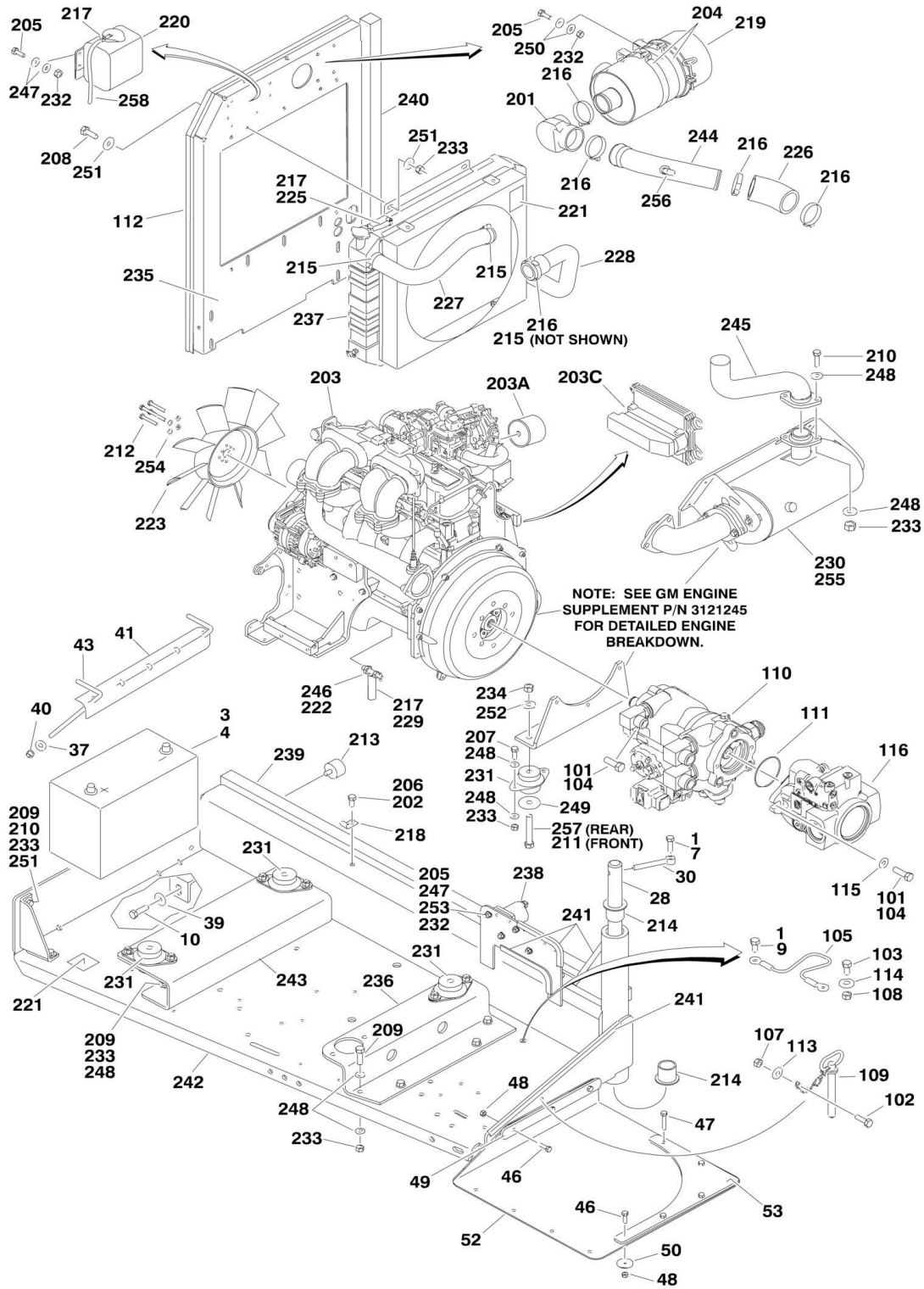
ITEM	PART NUMBER	QTY	DESCRIPTION	REV
112	7023967	1	Seal Kit - 1001094595 Pump	
112	7023956	1	Valve Assembly Kit - 1001094595 Pump	
113	3790044	1	O-Ring	
114	3960389	1	Seal	
115	4751400	1	Flatwasher 1/4in (Wide)	
116	4751800	1	Flatwasher 1/2in Wide	
117	4891800	2	Flatwasher, Hardened	
		Ref	GM ENGINE ASSEMBLIES:	
	2000375	Ref	Engine, GM 3.0L (Prior to SN 0300109494)	E
	1001091632	Ref	Engine, GM 3.0L Tier2 (SN 0300109494 through 0300140592)	E
201	0080201	1	Fitting, Elbow	
202	0100011	AR	Compound, Locking	
203	0100020	AR	Sealant	
204	0340041	2	Band, Mounting	
205	0641406	10	Bolt 1/4in-20NC x 3/4in	
206	0641606	3	Bolt 3/8in-16NC x 3/4in	
207	0641608	8	Bolt 3/8in-16NC x 1in	
208	0641609	4	Bolt 3/8in-16NC x 1-1/8in	
209	0641610	10	Bolt 3/8in-16NC x 1-1/4in	
210	0641612	4	Bolt 3/8in-16NC x 1-1/2in	
211	0641828	2	Bolt 1/2in-13NC x 3-1/2in	
212	0700810	4	Bolt M8 x 20mm	
213	0940070	1	Bumper	
214	0961986	2	Bearing, Flanged	
215	1320012	3	Clamp	
216	1320016	5	Clamp	
217	1320022	AR	Clamp	
218	1320223	3	Clamp	
219	1340060	1	Air Cleaner Assembly	
219	7012664	1	Element, Air Cleaner	
220	1580011	1	Container, Coolant Overflow	
221	1703162	2	Decal - Caution Fan	
222		Ref	Engine, GM 3.0L Options (See GM Engine Supplement P/N 3121245 for Detailed Engine Breakdown):	
222	2000354	1	Engine, GM 3.0L (SN 0300069000 through 0300109493)	
222	1001091583	1	Engine, GM 3.0L (SN 0300109494 through 0300140592)	
222	70000164	4	Plug, Spark (Not Shown)	
222A	7027965	1	Filter, Oil	
222B	7027972	1	Filter, Fuel	
223	2060025	1	Fan	
225	2720058	4 in/10cm	Hose	
226	2720514	1	Hose	
227	2720563	1	Hose, Radiator (Top)	
228	2720564	1	Hose, Radiator (Bottom)	
229		Ref	Hose Options:	
229	2750532	6 in /15.2cm	Hose (Prior to SN 0300136497)	
229	1001091892	NLA	Hose (Use p/n 2750532) (SN 0300136497 through 0300140592)	
230		Ref	Muffler, Insulation Options:	
230	2820180	1	Engine, GM 3.0L (Prior to SN 0300109494)	
230	1001091794	1	Engine, GM 3.0L Tier2 (SN 0300109494 through 0300140592)	

SECTION 2 - TURNTABLE

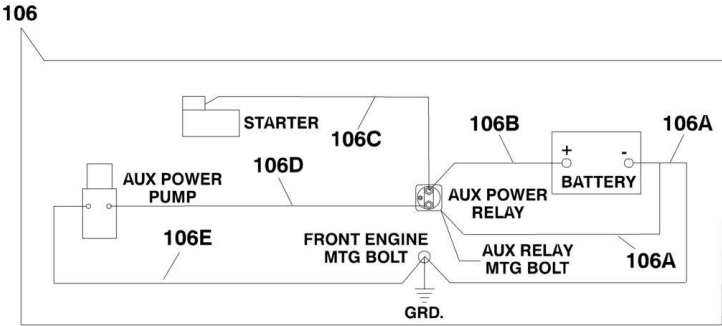
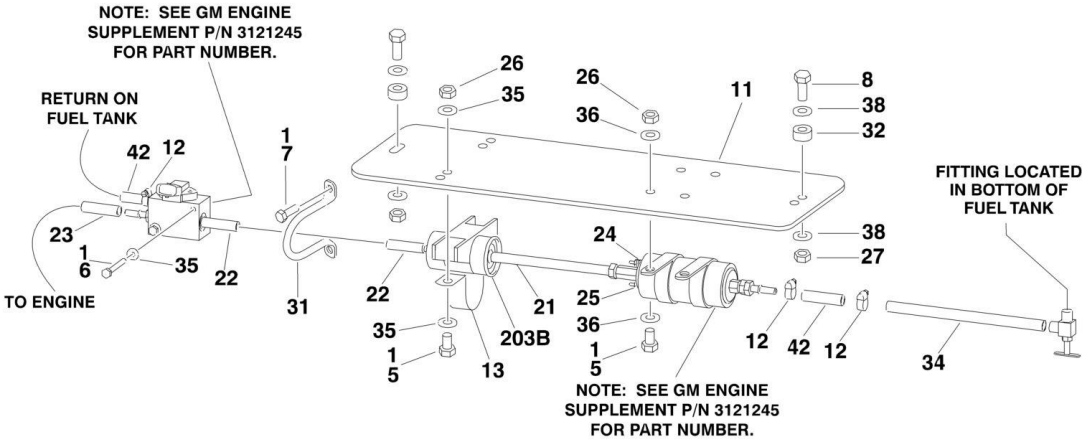
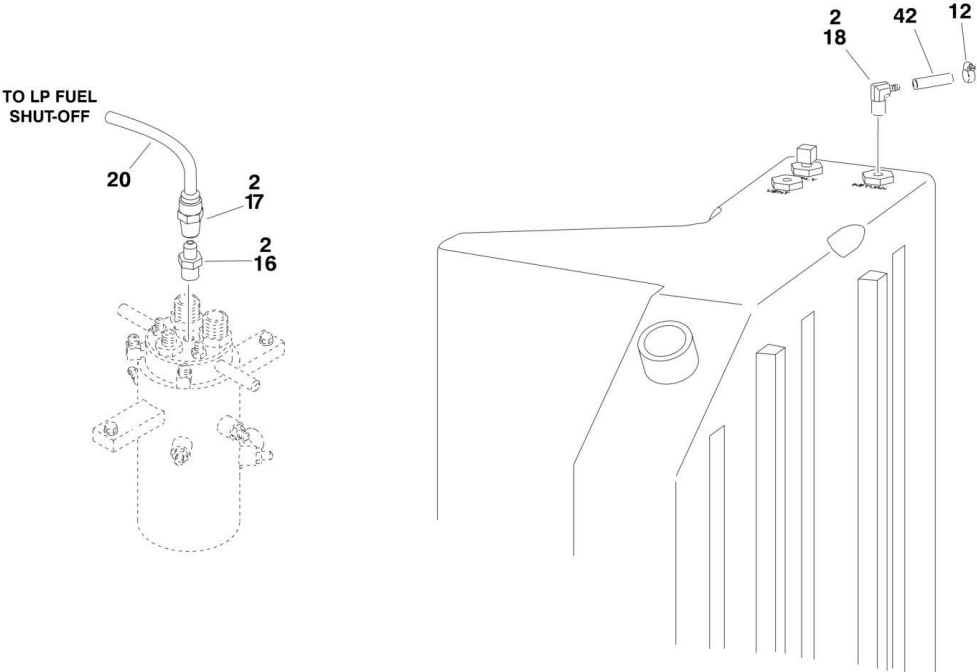
ITEM	PART NUMBER	QTY	DESCRIPTION	REV
231	3200362	4	Mount, Engine	
232	3311405	10	Locknut 1/4in-20NC	
233	3311605	26	Locknut 3/8in-16NC	
234	3311805	4	Locknut 1/2in-13NC	
235	3539872	1	Plate, Radiator Mounting	
236	3572280	1	Plate, Engine Mount	
237	3620040	1	Radiator	
237	8180311	1	Cap, Radiator (was p/n 7019656)	
238	3740067	2	Relay	
239	3960468	1	Seal	
240	3960469	1	Seal	
241	4060805	3 ft/0.9m	Seal	
242	4341239	1	Tray, Engine	
243	4341241	1	Mount, Engine (Front)	
244	4569342	1	Tube, Intake	
245	4569384	1	Tube, Intake	
246		Ref	Valve, Oil Drain Options:	
246	4640952	1	Valve, Oil Drain (Prior to SN 0300136497)	
246	1001105872	NLA	Valve, Oil Drain (Use p/n 4640952) (SN 0300136497 through 0300140592)	
247	4711400	12	Flatwasher 1/4in Narrow	
248	4711600	12	Flatwasher 3/8in Narrow	
249	4740274	4	Flatwasher, Snubbing	
250	4751400	8	Flatwasher 1/4in Wide	
251	4751600	43	Flatwasher 3/8in Wide	
252	4751800	2	Flatwasher 1/2in Wide	
253	4791400	2	Starwasher 1/4in	
254	4831900	4	Lockwasher M8	
255	4920385	10 ft/3m	Wire, Safety	
256	2180877	1	Fitting	
257	0641826	2	Bolt 1/2in-13NC x 3-1/4in	
258	2720271	1.5 ft /0.5m	Hose	

SECTION 2 - TURNTABLE

FIGURE 2-14. GM ENGINE INSTALLATION (SN 0300140592 through 0300185827)



SECTION 2 - TURNTABLE



SECTION 2 - TURNTABLE

FIGURE 2-14. GM ENGINE INSTALLATION (SN 0300140592 through 0300185827)

ITEM	PART NUMBER	QTY	DESCRIPTION	REV
		Ref	GM ENGINE INSTALLATION	
	1001114636	Ref	Engine 3.0L Tier III/IV	E
1	0100011	AR	Compound, Locking	
2	0100020	AR	Sealant, Pipe	
3	0100048	AR	Grease, Dielectric	
4	0400075	1	Battery (Wet)	
5	0641406	4	Bolt 1/4in-20NC x 3/4in	
6	0641416	2	Bolt 1/4in-20NC x 2in	
7	0641608	7	Bolt 3/8in-16NC x 1in	
8	0641612	7	Bolt 3/8in-16NC x 1-1/2in	
9	0641808	1	Bolt 1/2in-13NC x 1in	
10	0642010	1	Bolt 5/8in-11NC x 1-1/4in	
11	0903510	1	Bracket, Fuel Filter	
12	1320022	4	Clamp, Fuel Line	
13	1320323	1	Clamp	
14	1701542	1	Decal, Gas (Not Shown)	
15	1701543	1	Decal, LPG (Not Shown)	
16	2180418	1	Fitting, Straight	
17	2220005	1	Fitting, Straight	
18	2221176	1	Fitting, Elbow	
20	2720392	1	Hose, LP	
21		Ref	Hose (6in/15cm Length) Options:	
21	2720566	NLA	Hose (6in/15cm Length) (Use p/n 1001156823) (SN 0300140000 through 0300181849)	
21	1001156823	1	Hose (6in/15cm Length) (SN 0300181850 through 0300185827)	
22		Ref	Hose Options:	
22	2720567	NLA	Hose (48in/122cm Length) (Use p/n 1001156824) (SN 0300140000 through 0300181849)	
22	1001156824	1	Hose (50in/127cm Length) (SN 0300181850 through 0300185827)	
23		Ref	Hose, High Pressure Fuel Line Options:	
23	2720580	NLA	Hose, High Pressure Fuel Line (Use p/n 1001156825) (SN 0300140000 through 0300181849)	
23	1001156825	1	Hose, High Pressure Fuel Line (SN 0300181850 through 0300185827)	
24	3290405	1	Locknut M4 x 0.7	
25	3290505	1	Locknut M5 x 0.8	
26	3311405	4	Locknut 1/4in-20NC	
27	3311605	2	Locknut 3/8in-16NC	
28	3422446	1	Pin	
29	3790012	1	O-Ring (Not Shown - Located in Console Box)	
30	3841143	1	Keeper	
31	3841340	3	Clamp, Loop	
32	4071122	2	Shim, Spacer	
33	4360336	1	Switch, Toggle (Not Shown - Located in Console Box)	
34	4569385	1	Tube, Fuel Line	
35	4711400	6	Flatwasher 1/4in Narrow	
36	4711500	4	Flatwasher 5/16in Narrow	
37	4751500	2	Flatwasher 5/16in Wide	
38	4751600	4	Flatwasher 3/8in Wide	

SECTION 2 - TURNTABLE

ITEM	PART NUMBER	QTY	DESCRIPTION	REV
39	4752000	1	Flatwasher 5/8in Wide	
40	88521205	2	Locknut 5/16in-18NC	
41	91401281	1	Angle, Battery Hold Down	
42		Ref	Hose, Fuel Line Options:	
42	1001091587	NLA	Hose, Fuel Line (Use p/n 1001156819) (SN 0300140000 through 0300181849)	
42	10011156819	68 in /1.73m	Hose, Fuel Line (SN 0300181850 through 0300185827)	
43	1001093382	2	Bolt, Battery Hold Down	
46	0641508	6	Bolt 5/16in-18NC x 1in (SN 0300143289 through 0300185827)	
47	0641514	NLA	Bolt 5/16in-18NC x 1-3/4in (Use p/n 3900272) (SN 0300143289 through 0300185827)	
48	3311505	8	Locknut 5/16in-18NC (SN 0300143289 through 0300185827)	
49	3539957	1	Plate, Hold Down (SN 0300143289 through 0300185827)	
50	4740508	3	Washer (SN 0300143289 through 0300185827)	
52	1001121891	1	Panel, Rubber (SN 0300143289 through 0300185827)	
53	1001123000	1	Bracket, Support (SN 0300143289 through 0300185827)	
	1001114635	Ref	GM ENGINE AND PUMP SUB-ASSEMBLY	D
101	0100011	AR	Compound, Locking	
102	0641407	1	Bolt 1/4in-20NC x 7/8in	
103	0641808	1	Bolt 1/2in-13NC x 1in	
104	0641812	4	Bolt 1/2in-13NC x 1-1/2in	
105	1060637	1	Cable, Lanyard	
106	2902533	1	Battery Cable Kit	B
106A	7027018	1	Cable (Battery - to Ground)	
106B	7027015	1	Cable (Battery + to Relay)	
106C	7016825	1	Cable (Relay to Starter)	
106D	7016824	1	Cable (Relay to Auxiliary Pump)	
106E	7027017	1	Cable (Ground to Auxiliary Pump)	
107	3311405	1	Locknut 1/4in-20NC	
108	3311805	1	Locknut 1/2in-13NC	
109	3422532	1	Pin, Hitch	
110		Ref	Piston Pump Assembly with Fittings Options:	
110	3600400	1	Piston Pump Assembly with Fittings (See PISTON PUMP ASSEMBLY (SAUER DANFOSS) for Breakdown) (SN 0300140000 through 0300180776)	
110	1001153622	1	Piston Pump Assembly with Fittings (See PISTON PUMP ASSEMBLY (EATON) for Breakdown) (SN 0300180777 through 0300185827)	
111	3790044	1	O-Ring	
112	3960389	5 ft/1.5m	Seal	
113	4751400	1	Flatwasher 1/4in (Wide)	
114	4751800	1	Flatwasher 1/2in Wide	
115	4891800	AR	Flatwasher, Hardened	
116	1001095354	1	Gear Pump Assembly with Fittings	
116	2220415	1	Fitting	
116	1001094595	1	Gear Pump Less Fittings	
116	7023967	1	Seal Kit - 1001094595 Pump	
116	7023956	1	Valve Assembly Kit - 1001094595 Pump	
	1001114632	Ref	GM ENGINE ASSEMBLY	C
201	0080201	1	Fitting, Elbow	
202	0100011	AR	Compound, Locking	
203	1001114595	1	Engine, GM 3.0L Options (See GM Engine Supplement p/n	

SECTION 2 - TURNTABLE

ITEM	PART NUMBER	QTY	DESCRIPTION	REV
			3121245 for Breakdown of Additional Components):	
203A	7027965	1	Filter, Oil	
203B	7027972	1	Filter, Fuel	
203C	70002895	1	Module, Control (ECU)	
203D	70000164	4	Sparkplug (Not Shown)	
204	0340041	2	Band, Mounting	
205	0641406	10	Bolt 1/4in-20NC x 3/4in	
206	0641606	3	Bolt 3/8in-16NC x 3/4in	
207	0641608	8	Bolt 3/8in-16NC x 1in	
208	0641609	4	Bolt 3/8in-16NC x 1-1/8in	
209	0641610	10	Bolt 3/8in-16NC x 1-1/4in	
210	0641612	4	Bolt 3/8in-16NC x 1-1/2in	
205	0641406	10	Bolt 1/4in-20NC x 3/4in	
206	0641606	3	Bolt 3/8in-16NC x 3/4in	
207	0641608	8	Bolt 3/8in-16NC x 1in	
208	0641609	4	Bolt 3/8in-16NC x 1-1/8in	
209	0641610	10	Bolt 3/8in-16NC x 1-1/4in	
210	0641612	4	Bolt 3/8in-16NC x 1-1/2in	
211	0641828	2	Bolt 1/2in-13NC x 3-1/2in	
212	0700810	4	Bolt M8 x 20mm	
213	0940070	1	Bumper	
214	0961986	2	Bearing, Flanged	
215	1320012	3	Clamp	
216	1320016	5	Clamp	
217	1320022	4	Clamp	
218	1320223	3	Clamp	
219	1340060	1	Air Cleaner Assembly	
219	7012664	1	Element, Air Cleaner	
220	1580011	1	Container, Coolant Overflow	
221	1703162	2	Decal - Caution Fan	
222	0100020	AR	Sealant, Pipe	
223	2060025	1	Fan	
225	2720058	5.5 in /14cm	Hose	
226	1001116544	1	Duct	
227	2720563	1	Hose, Radiator (Top)	
228	2720564	1	Hose, Radiator (Bottom)	
229	1001091892	NLA	Hose (Use p/n 2750532)	
230	1001091794	1	Insulation, Muffler	
231	3200362	4	Mount, Engine	
232	3311405	12	Locknut 1/4in-20NC	
233	3311605	26	Locknut 3/8in-16NC	
234	3311805	4	Locknut 1/2in-13NC	
235	3539872	1	Plate, Radiator Mounting	
236	3572280	1	Plate, Engine Mount	
237	3620040	1	Radiator	
237	8180311	1	Cap, Radiator (was p/n 7019656)	
238	3740067	1	Relay	
239	3960468	1	Seal	
240	3960469	1	Seal	
241	4060805	3 ft/0.9m	Seal	
242	4341239	1	Tray, Engine	

SECTION 2 - TURNTABLE

ITEM	PART NUMBER	QTY	DESCRIPTION	REV
243	4341241	1	Mount, Engine (Front)	
244	1001116545	1	Tube, Intake	
245	1001093248	1	Pipe, Exhaust	
246	1001105872	NLA	Valve, Oil Drain (Use p/n 4640952)	
247	4711400	12	Flatwasher 1/4in Narrow	
248	4711600	36	Flatwasher 3/8in Narrow	
249	4740274	4	Flatwasher, Snubbing	
250	4751400	8	Flatwasher 1/4in Wide	
251	4751600	16	Flatwasher 3/8in Wide	
252	4751800	4	Flatwasher 1/2in Wide	
253	4791400	2	Starwasher 1/4in	
254	4831900	4	Lockwasher 8mm	
255	4920385	10 ft/3m	Wire, Safety	
256	2180877	1	Fitting Elbow	
257	0641826	2	Bolt 1/2in-13NC x 3-1/4in	
258	2720271	18 in /46cm	Hose	

SECTION 2 - TURNTABLE

FIGURE 2-15. PISTON PUMP ASSEMBLY (SAUER DANFOSS)

ITEM	PART NUMBER	QTY	DESCRIPTION	REV
	3600295	Ref	PISTON PUMP ASSEMBLIES	B
101	7007413	1	Shim Kit	
102	7007414	1	Plug	
103	See Note	1	O-Ring (Note: Use Item 1525A)	
104	7021200	1	Spring, Relief Valve	
105	7007417	1	Valve, Relief	
106	See Note	2	O-Ring (Note: Use Item 1525A)	
107	7007419	2	Plug	
108	7021201	1	Bracket, Lifting	
110	7007470	2	Plug	
111	7007470	2	Plug	
114	See Note	2	Gasket, Servo Cover (Note: Use Item 1525A)	
115	7007423	1	Nut, Special	
118	7007425	1	Bearing, Needle	
119	See Note	NSS	Ring, Retaining (Note: Use Item 1526)	
120	See Note	NSS	Washer (Note: Use Item 1526)	
121	See Note	NSS	Spring (Note: Use Item 1526)	
123	See Note	NSS	Washer (Note: Use Item 1526)	
124	See Note	NSS	Retainer (Note: Use Item 1526)	
125	See Note	NSS	Pin, Slipper Holddown (Note: Use Item 1526)	
126	See Note	NSS	Piston Assembly (Note: Use Item 1526)	
127	See Note	NSS	Retainer, Slipper (Note: Use Item 1526)	
128	See Note	NSS	Guide, Retainer (Note: Use Item 1526)	
129	7007435	1	Pin, Spring	
130	7021202	1	Screw, 12 Point Head	
131	7007437	1	Bearing, Ball	
132	7007438	2	Ring, Retainer	
133	7007439	2	Ring	
134	7021203	2	Pin, Spring	
135	7007441	1	Handle, Pin	
136	7007442	1	Sleeve, Bearing	
137	See Note	1	Gasket, Front Cover (Note: Use Item 1525A)	
138	7021205	1	Pin	
140	7007446	1	Pin	
141	See Note	1	O-Ring (Note: Use Item 1525A)	
142	See Note	1	Ring, Load Temper (Note: Use Item 1525A)	
150	7023977	1	Housing, Pump	
155	7007452	1	Cover, Gerotor	
158	7007208	1	Plug	
159	7007454	1	Cover, Front	
163	7021207	6	Screw	
165	7021208	2	Spring	
166	7021209	2	Plug, SCR	
167	7007494	1	Piston, Servo	
168	See Note	2	Bearing (Note: Use Item 1525A)	
201	7007457	1	Swash Plate Assembly (Includes Items 135 & 138)	
202	7021212	2	Journal, Bearing	
301	See Note	1	Seal, Lip (Note: Use Item 1525A)	
304	See Note	1	O-Ring (Note: Use Item 1525A)	
401	7021213	1	Shaft, Main Pump	

SECTION 2 - TURNTABLE

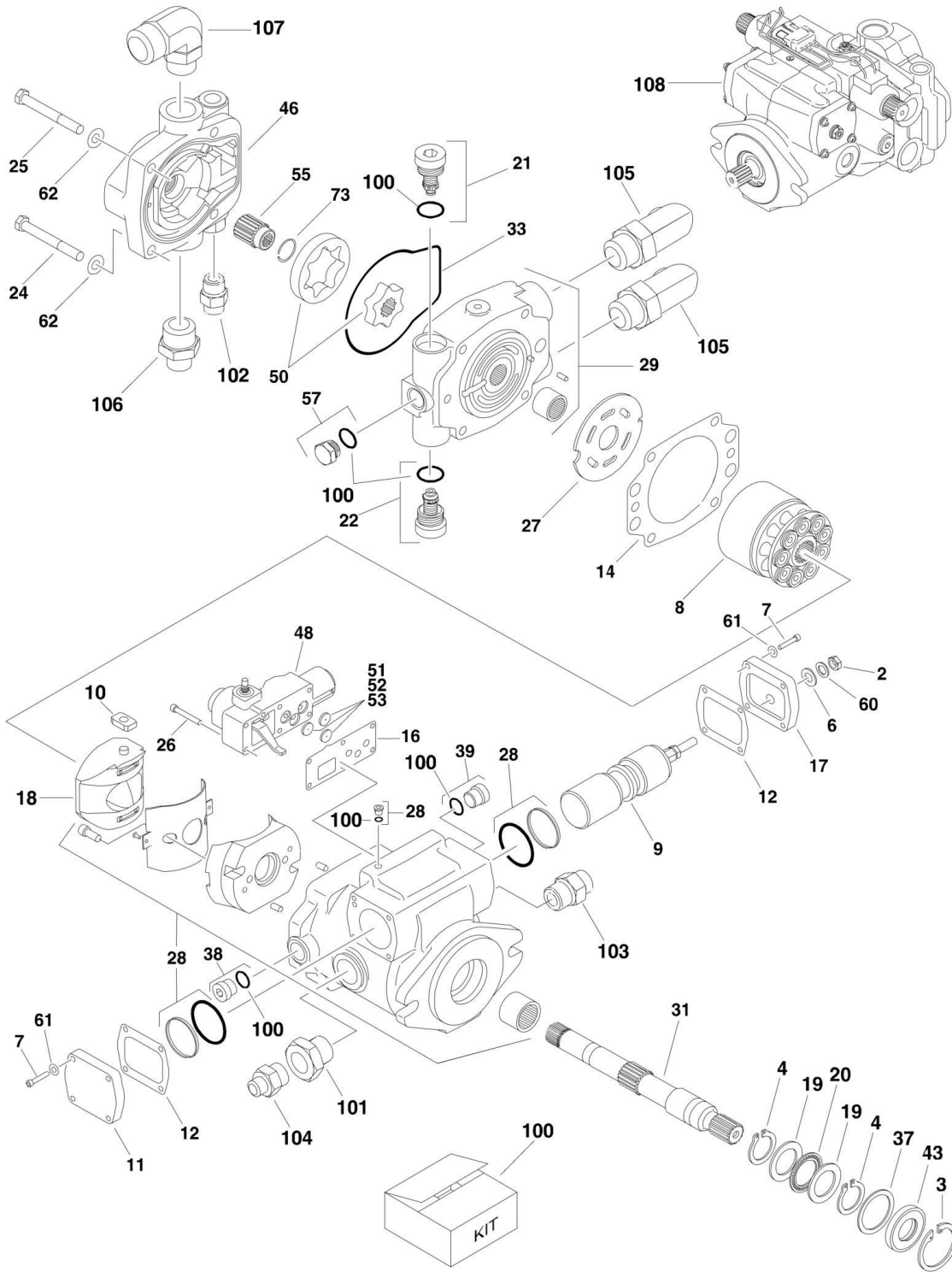
ITEM	PART NUMBER	QTY	DESCRIPTION	REV
501	7021214	1	Plate, Valve	
603	7007463	1	Gerotor Assembly	
604	7007464	1	Pin	
605	7007465	1	Key, Woodruff	
802	7007466	1	Adaptor, Remote Filtration	
805	See Note	1	Seal, Filter Adapter (Note: Use Item 1525A)	
806	7021218	3	Screw	
901	7021219	1	Cover, Servo	
902	7021220	1	Cover, Servo	
905	7007483	1	Guide, Spring	
906	7007484	1	Stop, Servo	
907	7007485	1	Spring	
908	7021221	1	Screw	
909	7007487	1	Guide, Spring	
910	7007488	1	Ring, Retaining	
911	7021222	1	Nut	
916	See Note	2	Ring, Piston (Note: Use Item 1525A or 1525B)	
918	See Note	2	O-Ring (Note: Use Item 1525A or 1525B)	
919	7021206	1	Nut	
920	7021223	10	Screw	
1001	7007472	1	Valve, Bypass	
1002	See Note	1	Ring, Back-up (Note: Use Item 1525A)	
1003	See Note	1	O-Ring (Note: Use Item 1525A)	
1103	7010122	1	SCR Kit (Includes Items 166, 106 & 165)	
1104	7010122	1	SCR Kit (Includes Items 166, 106 & 165)	
1201	7007474	1	Control, Dual Oil-Filled	
1201	7007496	1	Coil Assembly (Pilot)	
1201	7007497	1	Plug (Pump)	
1201	7007498	1	Plug (Valve Harness)	
1201A	7024828	1	Gasket, Cover	
1203	7007478	2	Screw	
1204	7001498	2	Screw	
1220	See Note	2	O-Ring (Note: Use Item 1525A)	
1401	7007475	1	Plug, Orifice/Screen (.156)	
1403	7021226	1	Plug, Orifice	
1404	7021226	1	Plug, Orifice	
1502	7007453	3	Screw	
1503	7021227	1	Adapter, Flange	
1508	7021228	1	O-Ring	
1509	7021229	1	Plate, Cover	
1510	7021230	2	Screw	
1511	7021231	1	O-Ring	
1525		Ref	Seal Kit Options:	
1525A	7021232	1	Seal Kit, Complete (Includes Items 103, 106, 114, 137, 141, 142, 168, 301, 304, 805, 916, 918, 1002, 1003 & 1220)	
1525B	7007412	1	Seal Kit, Servo Piston (Includes Items 916 & 918)	
1526	7010116	1	Cylinder Block Kit (Includes Items 119-128)	
	3600400	Ref	PISTON PUMP AND FITTING ASSEMBLY	C
2001	2220374	2	Fitting, Straight	
2002	2220451	1	Fitting, Straight	
2003	2220479	1	Fitting, Straight	
2004	2220582	1	Fitting, Straight (SN 0300069000 through 0300084618)	

SECTION 2 - TURNTABLE

ITEM	PART NUMBER	QTY	DESCRIPTION	REV
2005	2220646	1	Fitting, Elbow	
2006		Ref	Fitting, Reducer Options:	
2006	2220811	1	Fitting, Reducer (Uses 1 Fitting) (SN 0300069000 through 0300138513)	
2006	2220221	1	Fitting, Reducer (Requires Both Fittings) (SN 0300138514 through 0300185827)	
2006	2220582	1	Fitting, Reducer (Requires Both Fittings) (SN 0300138514 through 0300185827)	
2007	3600295	1	Pump Assembly (Includes Items 1-1511)	

SECTION 2 - TURNTABLE

FIGURE 2-16. PISTON PUMP ASSEMBLY (EATON)



SECTION 2 - TURNTABLE

FIGURE 2-16. PISTON PUMP ASSEMBLY (EATON)

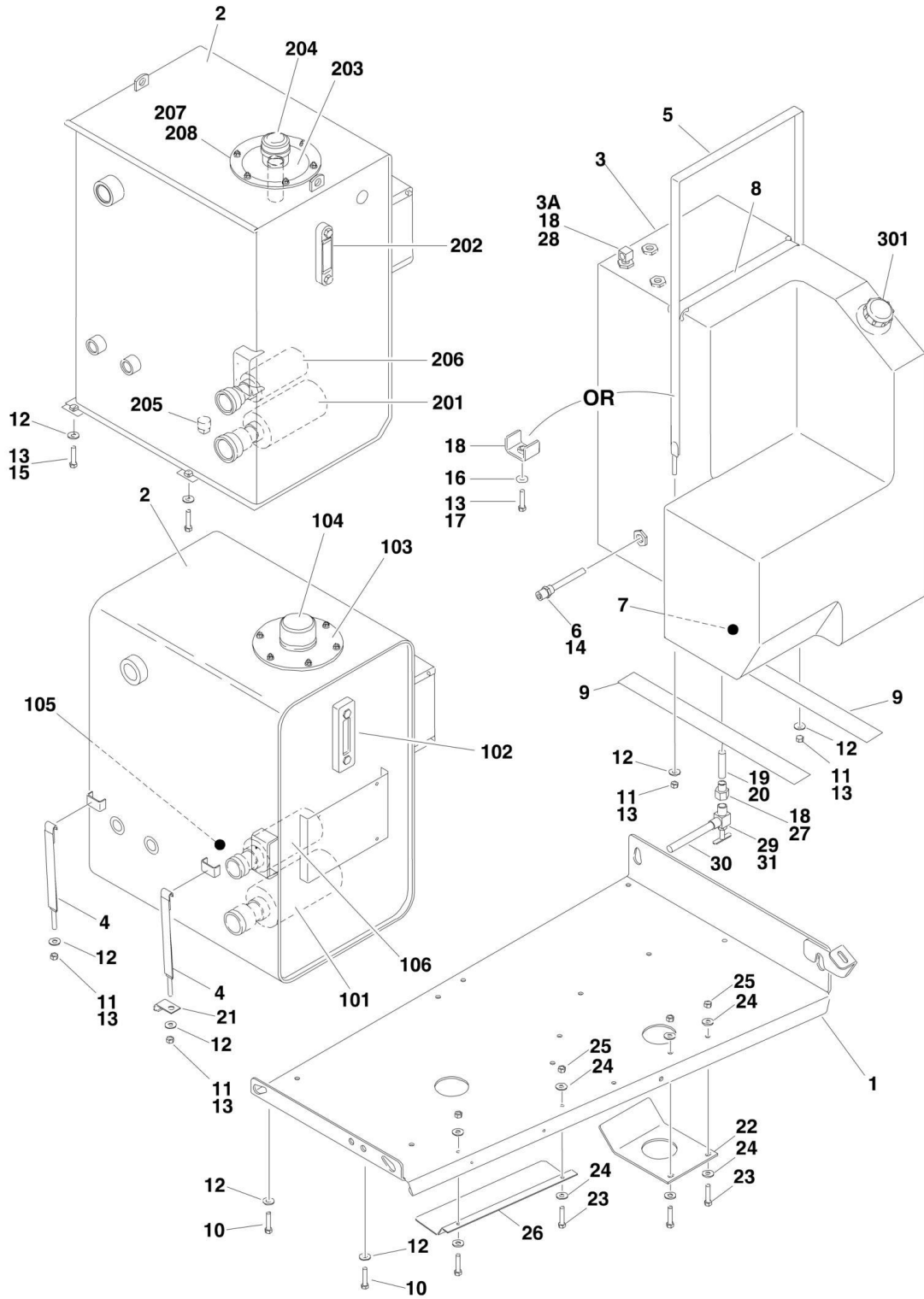
ITEM	PART NUMBER	QTY	DESCRIPTION	REV
	1001142522	Ref	PUMP ASSEMBLY	B
2	See Note	NSS	Nut (Note: Use Item 100)	
3	See Note	NSS	Ring, Retaining (Note: Use Item 100)	
4	See Note	NSS	Ring, Retaining (Note: Use Item 100)	
6	See Note	NSS	Washer, Seal (Note: Use Item 100)	
7	70004330	8	Capscrew	
8	70004331	1	Cylinder Block Assembly	
9	70004332	1	Servo Piston Assembly	
10	70004333	1	Follower, Servo Piston	
11	70004334	1	Cover	
12	See Note	NSS	Gasket, Cover (Note: Use Item 100)	
14	See Note	NSS	Gasket, Housing (Note: Use Item 100)	
16	See Note	NSS	Gasket, Control Housing (Note: Use Item 100)	
17	70004335	1	Cover	
18	70004336	1	Camplate Assembly	
19	7004907	2	Race, Thrust	
20	7004908	1	Bearing, Thrust	
21	70004337	1	Relief Valve Assembly	
22	70004337	1	Relief Valve Assembly	
24	70004338	2	Capscrew	
25	70004338	2	Capscrew	
26	70004339	6	Capscrew	
27	70004340	1	Plate, Valve	
28	See Note	1	Housing (Note: Not Available for Purchase)	
29	70004341	1	End Cover Assembly	
31	70004342	1	Shaft, Drive	
33	See Note	NSS	O-Ring (Note: Use Item 100)	
37	7004906	1	Washer	
38	See Note	1	Plug (Note: Not Available for Purchase)	
39	See Note	1	Plug (Note: Not Available for Purchase)	
43	See Note	NSS	Seal, Shaft (Note: Use Item 100)	
46	70004343	1	Adapter, Charge Pump	
48	70004344	1	Servo Control Assembly	
50	70004345	1	Gerotor	
51	70004346	1	Orifice	
52	70004346	1	Orifice	
53	70004346	1	Orifice	
55	70004347	1	Coupler	
57	See Note	2	Plug (Note: Not Available for Purchase)	
60	70004348	1	Washer	
61	70004349	8	Washer	
62	70004350	4	Washer	
73	70004351	1	Ring, Retaining	
100	70004352	1	Seal Kit - Pump (Includes Items 2, 3, 4, 6, 12, 14, 16, 33 & 43 and Valve and Plug O-Rings and Seals)	
	1001153622	Ref	PUMP AND FITTING ASSEMBLY	B
101	2220221	1	Fitting, Straight	
102	2220374	1	Fitting, Straight	
103	2220451	1	Fitting, Straight	
104	2220582	1	Fitting, Straight	

SECTION 2 - TURNTABLE

ITEM	PART NUMBER	QTY	DESCRIPTION	REV
105	2220646	2	Fitting, Elbow	
106	2220800	1	Fitting, Straight	
107	8770050	1	Fitting, Elbow	
108	1001142522	1	Pump Assembly (Includes Items 1-73)	

SECTION 2 - TURNTABLE

FIGURE 2-17. TANK INSTALLATIONS



SECTION 2 - TURNTABLE

FIGURE 2-17. TANK INSTALLATIONS

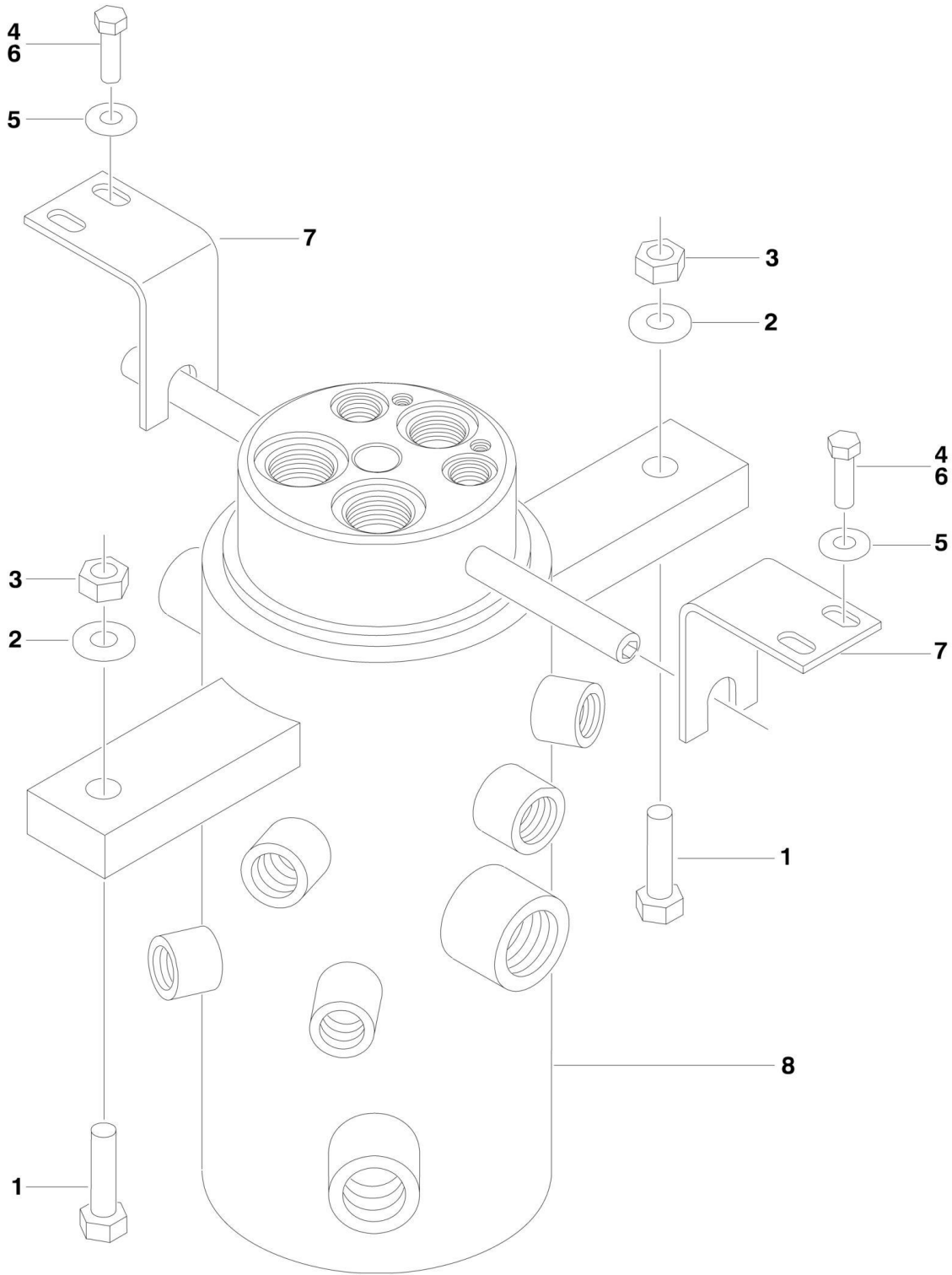
ITEM	PART NUMBER	QTY	DESCRIPTION	REV
		Ref	TANKS INSTALLATION OPTIONS:	
	0258382	Ref	Diesel Machines	H
	0270396	Ref	Gas Machines (Prior to SN 0300141585)	I
	1001116342	Ref	Gas Machines (SN 0300141585 through 0300185827)	B
1		Ref	Tray Weldment Options:	
1	4845928	1	Tray Weldment (Prior to SN 0300118453)	
1	1001091928	1	Tray Weldment (SN 0300118453 through 0300185827)	
2		Ref	Hydraulic Tank Assembly Options:	
2	4400410	1	Hydraulic Tank Assembly (See Items 101-106 for Breakdown) (Prior to SN 0300071311)	
2	4400452	NLA	Hydraulic Tank Assembly (See Items 201-208 for Breakdown) (Use p/n 1001161901) (SN 0300071311 through 0300180193)	
2	1001161901	1	Hydraulic Tank Assembly (See Items 201-208 for Breakdown) (SN 0300180194 through 0300185827)	
3	Use	1	Tank, Fuel (Includes Non-Locking Cap)	
3	4400400	1	Diesel	
3	4400400	1	Gas (Prior to SN 0300109494)	
3	1001091562	NLA	Gas (Use p/n 1001117052) (SN 0300109494 through 0300185827)	
3A		Ref	Fitting and Pick-up Tube Options:	
3A	7019658	1	4400400 Tank	
3A	70004184	1	1001091562 Tank	
3A	70004149	1	1001111514 Tank	
4	4240112	4	Strap, Tank (Prior to SN 0300071311)	
5	4240113	AR	Strap, Tank	
6	4360436	1	Switch, Fuel Level	
7	2200222	1	Fitting	
8	4280295	25 in /44cm	Strip, Protective	
9	4420038	70 in /1.78m	Tape, Rubber	
10	0641614	6	Bolt 3/8in-16NC x 1-3/4in	
11	3311601	AR	Nut 3/8in-16NC	
12	4751600	AR	Flatwasher 3/8in	
13	0100011	AR	Compound, Locking	
14	0100079	AR	Sealant	
15	0641607	4	Bolt 3/8in-16NC x 7/8in (SN 0300071311 through 0300185827)	
16	4751800	AR	Flatwasher 1/2in	
17	0641818	AR	Bolt 1/2in-13NC x 2-1/4in	
18	1001118133	AR	Bracket, Tank Clamping (SN 0300141585 through 0300185827)	
		Ref	Note: Items 19-31 Used on Gas Machines Only	
19	0100062	AR	Retaining Compound #680 (Prior to SN 0300073747)	
20	4568119	1	Tube, Fuel	
21	1320223	1	Clamp	
22	3572423	1	Plate, Valve, Needle	
23	0641508	AR	Bolt 5/16in-18NC x 1in	
24	4711500	AR	Flatwasher 5/16in	
25	3311505	AR	Locknut 5/16in-18NC	
26	3576755	1	Cover, Fuel Pump	
27	2221270	1	Fitting, Brass	
28	2200233	1	Plug	

SECTION 2 - TURNTABLE

ITEM	PART NUMBER	QTY	DESCRIPTION	REV
29	4641022	1	Valve, Needle	
30	4568119	1	Tube, Fuel	
31	0100020	AR	Sealant, Pipe	
	4400410	Ref	HYDRAULIC TANK ASSEMBLY	G
101	7014818	1	Strainer 1-1/2inNPT	
102	7014802	1	Gauge, Sight	
103	7014810	1	Neck, Fill	
103	7014816	1	Screen	
104	7014817	1	Breather/Fill Cap	
105	7014813	1	Plug, Magnetic	
106	7014801	1	Strainer 1-1/4inNPT	
		Ref	HYDRAULIC TANK ASSEMBLIES	
	4400452	Ref	Hydraulic Tank Assemblies (See Items 201-208 for Breakdown) (SN 030071311 through 0300180193)	E
	1001161901	Ref	Hydraulic Tank Assemblies (See Items 201-208 for Breakdown) (SN 0300180194 through 0300185827)	B
201	7024481	1	Strainer, 1-1/2NPT for 4400452 Tank	
201	Not Required	0	Strainer for 1001161901 Tank	
202	7024441	1	Gauge, Sight	
203	7024443	1	Neck, Fill	
203	7024445	1	Screen	
204	7024444	1	Breather/Fill Cap	
205	7024446	1	Plug, Magnetic	
206	7024442	1	Strainer 1-1/4NPT for 4400452 Tank	
206	Not Required	0	Strainer for 1001161901 Tank	
207	7024439	1	Cover for 4400452 Tank	
207	Not Available	1	Cover for 1001161901 Tank	
208	7024440	1	Gasket for 4400452 Tank	
208	Not Available	1	Gasket for 1001161901 Tank	
		Ref	FUEL TANK CAP INSTALLATION	
301		Ref	Cap Options:	
301		Ref	Standard Non-Locking Options (Part of Item 3):	
301	7016314	1	Diesel Machines	
301	7016314	1	Gas Machines (SN 0300069000 through 0300109493)	
301	70001103	1	Gas Machines with OEM Tank (Mounts with Item 5 Strap) (SN 0300109494 through 0300141585)	
301	70002716	1	Gas Machines with Service Replacement Tank (Mounts with Item 18 Bracket) (SN 0300109494 through 0300141584)	
301	70002716	1	Gas Machines (SN 0300141585 through 0300185827)	
301	1120484	1	Optional Lockable (Gas Machines)	
301	1120487	1	Optional Lockable (Diesel Machines)	

SECTION 2 - TURNTABLE

FIGURE 2-18. ROTARY COUPLING INSTALLATION (Prior to SN 0300138447)



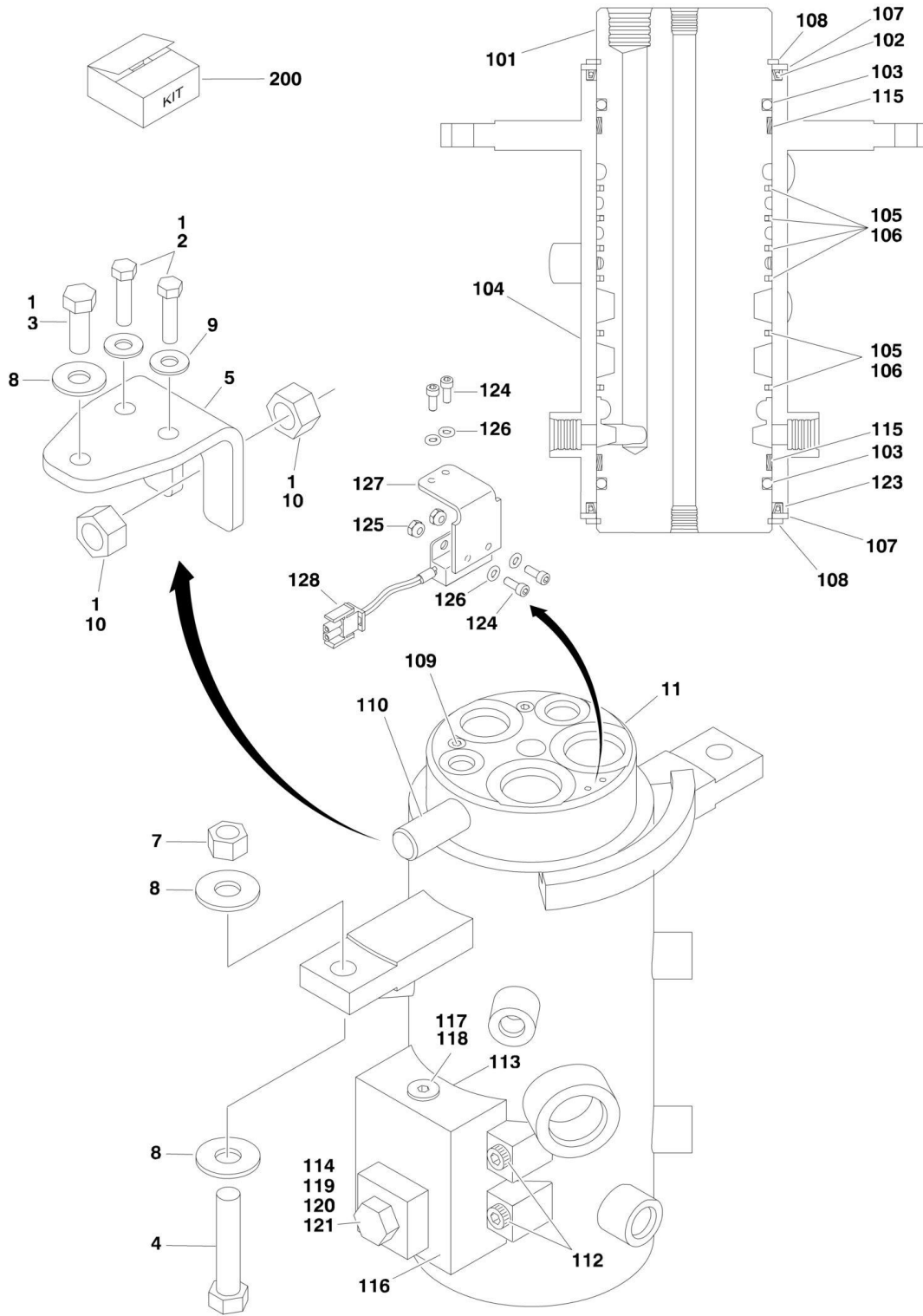
SECTION 2 - TURNTABLE

FIGURE 2-18. ROTARY COUPLING INSTALLATION (Prior to SN 0300138447)

ITEM	PART NUMBER	QTY	DESCRIPTION	REV
	0272355	Ref	ROTARY COUPLING INSTALLATION	B
1	0641820	2	Bolt 1/2in-13NC x 2-1/2in	
2	4751800	4	Flatwasher 1/2in	
3	3311805	2	Locknut 1/2in-13NC	
4	0641611	4	Bolt 3/8in-16NC x 1-3/8in	
5	4751600	4	Flatwasher 3/8in	
6	0100011	AR	Compound, Locking	
7	0902846	2	Bracket	
8		Ref	Coupling, Rotary Options:	
8	1660223	1	New OEM Replacement	
8	7016342	1	Seal Kit - 1660223 Coupling	
8	1660223RR	1	Rebuilt Replacement (Note: Contact JLG Parts Dept for information)	

SECTION 2 - TURNTABLE

FIGURE 2-19. ROTARY COUPLING INSTALLATION (SN 0300138447 through 0300185827)



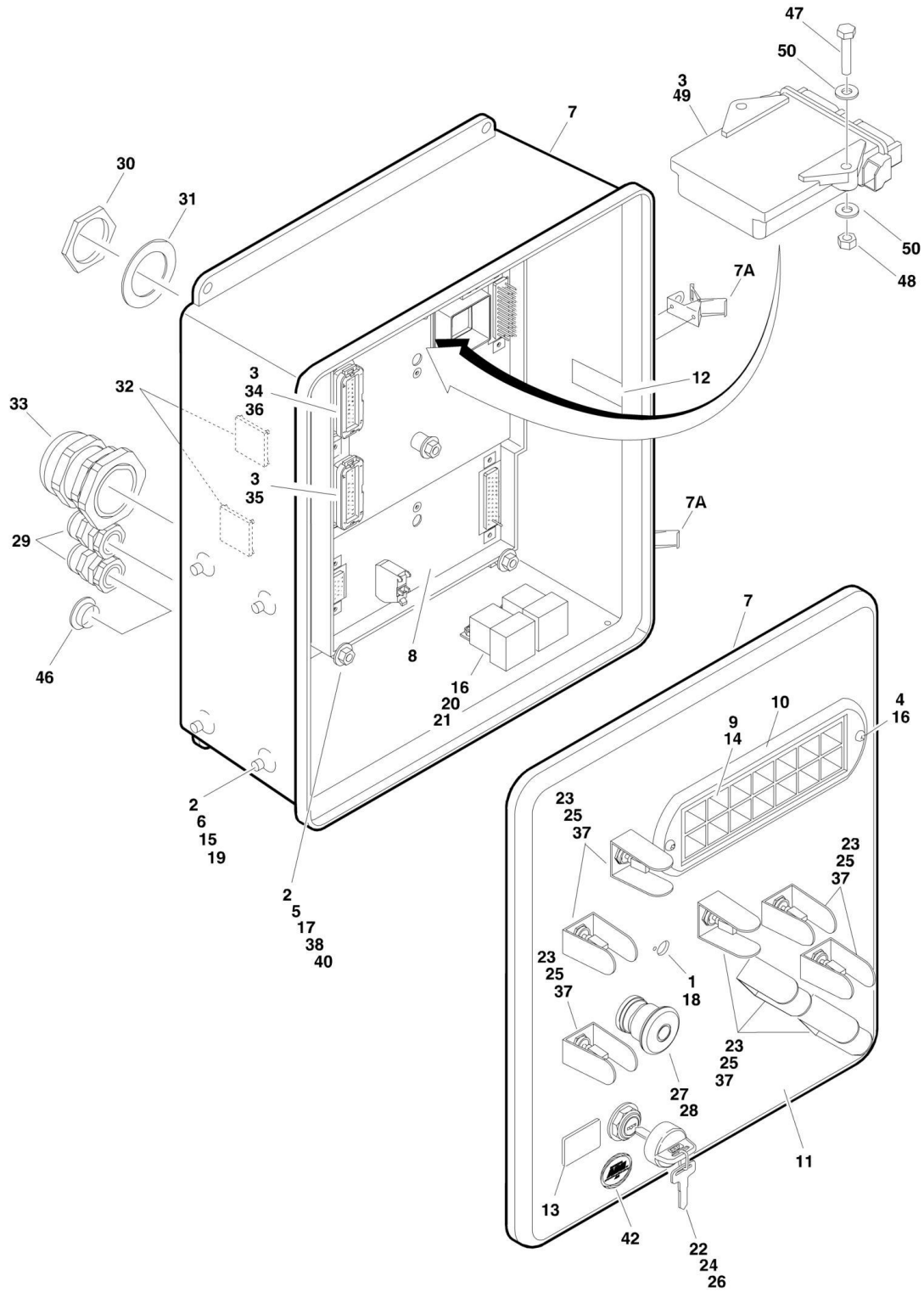
SECTION 2 - TURNTABLE

FIGURE 2-19. ROTARY COUPLING INSTALLATION (SN 0300138447 through 0300185827)

ITEM	PART NUMBER	QTY	DESCRIPTION	REV
	1001107530	Ref	ROTARY COUPLING INSTALLATION	A
1	0100011	AR	Compound, Locking	
2	0641611	2	Bolt 3/8in-16NC x 1-3/8in	
3	0641812	1	Bolt 1/2in-13NC x 1-1/2in	
4	0641820	2	Bolt 1/2in-13NC x 2-1/2in	
5	0903056	1	Bracket	
7	3271805	2	Locknut 1/2in-13NC	
8	4751800	5	Flatwasher 1/2in	
9	4891600	2	Flatwasher 3/8in, Hardened	
10	3322201	2	Nut 3/4in-16NC	
11	1001106975	1	Coupling, Rotary (See Items 101-200 for Breakdown)	
	1001106975	Ref	ROTARY COUPLING ASSEMBLY	A
101	See Note	1	Body (Note: Not Available - Purchase Complete Assembly)	
102	See Note	NSS	Seal (Note: Use Item 200)	
103	See Note	NSS	O-Ring (Note: Use Item 200)	
104	See Note	1	Housing (Note: Not Available - Purchase Complete Assembly)	
105	See Note	NSS	Seal, Cap (Note: Use Item 200)	
106	See Note	NSS	O-Ring (Note: Use Item 200)	
107	7026511	2	Ring	
108	7013189	1	Ring, Retaining	
109	80934561	4	Plug	
110	See Note	1	Lug, Torque (Note: Not Available for Purchase)	
112	7026197	4	Bolt 5/16in-18NC x 1-1/4in	
113	See Note	NSS	O-Ring (Note: Use Item 200)	
114	See Note	NSS	O-Ring (Note: Use Item 200)	
115	See Note	NSS	Bearing (Note: Use Item 200)	
116	7024404	1	Block Valve Assembly	
117	7026505	1	Plug	
118	7026506	1	Valve, Check	
119	7026507	1	Plug	
120	See Note	NSS	Plunger, Valve (Note: Use Item 116)	
121	7026509	1	Spring, Compression	
122	See Note	AR	Protective Netting (Not Shown) (Note: Not Available for Purchase)	
123	See Note	NSS	Seal (Note: Use Item 200)	
124	See Note	4	Screw, Socket Head #10-24NC x 1/2in (Note: Not Available for Purchase)	
125	See Note	2	Locknut #10-24NC (Note: Not Available for Purchase)	
126	See Note	4	Flatwasher #10 (Note: Not Available for Purchase)	
127	See Note	1	Bracket, Switch Mounting (Note: Not Available for Purchase)	
128	4360517	1	Switch, Proximity	
200	70002212	1	Seal Kit (Includes Items 102, 103, 105, 106, 113, 114, 115 & 123)	

SECTION 2 - TURNTABLE

FIGURE 2-20. GROUND CONTROL BOX ASSEMBLY (Prior to SN 0300139070)



SECTION 2 - TURNTABLE

FIGURE 2-20. GROUND CONTROL BOX ASSEMBLY (Prior to SN 0300139070)

ITEM	PART NUMBER	QTY	DESCRIPTION	REV
		Ref	GROUND CONTROL BOX ASSEMBLIES	
		Ref	Ground Control Box Assemblies: (Prior to SN 0300099884)	
	0861590	Ref	Deutz Engines - ANSI and CSA Spec (Prior to SN 0300085331)	C
	0861717	Ref	Deutz Engines - ANSI and CSA Spec (SN 0300085331 through 0300099883)	B
	0861587	Ref	Deutz Engines - Australian Spec (Prior to SN 0300085331)	C
	0861716	Ref	Deutz Engines - Australian Spec (SN 0300085331 through 0300099883)	B
	0861550	Ref	Ford Engine - ANSI and CSA Spec (Prior to SN 0300087266)	C
	0861763	Ref	Ford Engine - ANSI and CSA Spec (SN 0300087266 through 0300099883)	B
	0861799	Ref	GM Engine - ANSI and CSA Spec (Prior to SN 0300099884)	B
		Ref	Ground Control Box Assemblies: (SN 0300099884 through 0300129455)	
	1810087	Ref	Deutz Engines - ANSI and CSA Spec	C
	1810086	Ref	Deutz Engines - Australian Spec	C
	1810126	Ref	GM Engine - ANSI and CSA Spec	B
		Ref	Ground Control Box Assemblies: (SN 0300129456 through 0300139070)	
	1001102241	Ref	Deutz Engines - ANSI and CSA Spec	C
	1001102240	Ref	Deutz Engines - Australian Spec	C
	1810126	Ref	GM Engine - ANSI and CSA Spec	C
1	0100009	AR	Sealant	
2	0100011	AR	Compound, Locking	
3	0100048	AR	Grease, Dielectric	
4	0630518	2	Capscrew, Button Head	
5	0630548	5	Bolt 1/4in-20NC x 2-1/2in	
6	0641506	4	Bolt 5/16in-18NC x 3/4in	
7		Ref	Box, Fiberglass Options:	
7	0861407	1	Box, Fiberglass (Prior to SN 0300112885)	
7	1001097164	1	Box, Fiberglass (SN 0300112885 through 0300139070)	
7A	7020246	2	Latch	
8		Ref	Module, Ground Control Options:	
8		Ref	Note: Re-calibration Required when Replaced.	
8	1600327	NLA	Module, Ground Control (Use p/n 2915014) (Prior to SN 0300077500)	
8	1600364	1	Module, Ground Control (SN 0300077500 through 0300085330)	
8	1600364	1	Module, Ground Control (Ford Engines) (SN 0300085331 through 0300139070)	
8	1600411	1	Module, Ground Control (Deutz and GM Engines) (SN 0300085331 through 0300139070)	
9		Ref	Decal - Ground Control Display Options:	
9	1704833	1	Ford Engine Machines (Prior to SN 0300087266)	
9	1705753	1	Ford Engine Machines (SN 0300087266 through 0300139070)	
9	1704833	1	Deutz Engine Machines (Prior to SN 0300085331)	
9	1705753	1	Deutz and GM Engine Machines (SN 0300085331 through 0300099883)	
9	1706712	1	Deutz and GM Engine Machines (SN 0300099884 through 0300139070)	

SECTION 2 - TURNTABLE

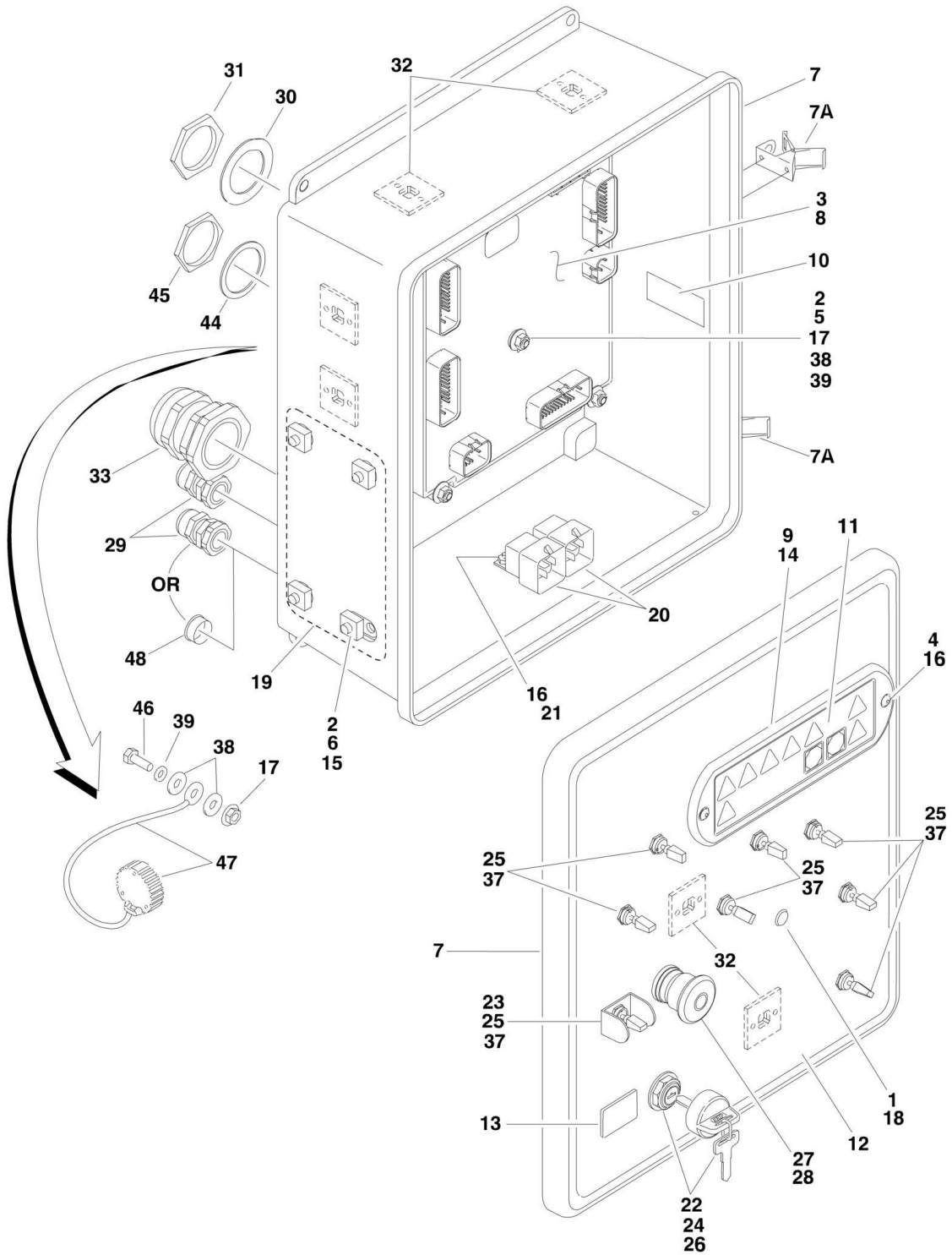
ITEM	PART NUMBER	QTY	DESCRIPTION	REV
10	1670829	1	Bezel	
11		Ref	Decal - Faceplate Options:	
11	1703468	1	Decal - Faceplate (Prior to SN 0300099884)	
11	1706913	1	Decal - Faceplate (SN 0300099884 through 0300135086)	
11	1001102600	1	Decal - Faceplate (SN 0300135087 through 0300139070)	
12	1705566	1	Decal - Ground Control (Deutz and GM Engine Machines Only)	
13	2420172	1	Gauge, Hourmeter	
14	2760105	1	Housing, Display Light	
15	3300205	4	Nut, Retainer	
16	3300408	4	Locknut, Plastic Insert	
17	3311401	10	Nut 1/4in-20NC	
18	3520028	1	Plug, Hole	
19	3539219	1	Plate, Reinforcement	
20	3740049	2	Relay	
21	3900268	2	Screw, Flange #10 x 1/2in	
22	3910804	6	Screw #8-32NC x 1/4in	
23	4060906	Ref	Shield, Toggle Switch	
23	4060906	8	Shield, Toggle Switch (Prior to SN 0300135087)	
23	4060906	1	Shield, Toggle Switch (SN 0300135087 through 0300139070)	
24	4070987	1	Shim (.015in)	
25	4360328	8	Switch, Toggle	
26		Ref	Switch, Key Options:	
26	4360469	1	Switch, Key (ANSI Spec)	
26	4360470	1	Switch, Key (CE Spec)	
26	2860030	1	Key Replacement	
27	4360475	1	Switch, Emergency Stop	
27	7020175	1	Cap, Mushroom	
27	7020176	1	Block, Contact	
28	4360476	1	Switch, Contact Block	
29	4460426	AR	Connector, Strain Relief	
30	4460470	1	Nut, Terminal	
31	4460471	1	Lockwasher, Terminal	
32	4460488	AR	Mounting Base, Terminal	
33	4460526	1	Connector, Strain Relief	
34	4460874	1	Connector, Natural	
35	4460875	1	Connector, Gray	
36	4460905	AR	Connector, Amp Seal	
37	4740444	8	Washer, Special	
38	4751400	20	Flatwasher 1/4in	
39		Ref	Harness, Ground Control Box Options (Not Shown - See ELECTRICAL SECTION for Breakdown):	
39	4922675	1	Deutz Engine Machines (Prior to SN 0300085331)	
39	4923223	1	Deutz and GM Engine Machines (SN 0300085331 through 0300099883)	
39	4923575	1	Deutz and GM Engine Machines (SN 0300099884 through 0300112884)	
39	1001096458	1	Deutz and GM Engine Machines (SN 0300112885 through 0300139070)	
39	4922675	1	Ford Engine Machines (Prior to SN 0300087266)	
39	4923282	1	Ford Engine Machines (SN 0300087266 through 0300139070)	
40	4761400	AR	Lockwasher 1/4in	

SECTION 2 - TURNTABLE

ITEM	PART NUMBER	QTY	DESCRIPTION	REV
41		Ref	Harness, Engine Options (Not Shown - See ELECTRICAL SECTION for Breakdown):	
41	4922549	1	Deutz Engine Machines (Prior to SN 0300085331)	
41	4923238	1	Deutz Engine Machines (SN 0300085331 through 0300129455)	
41	1001102150	1	Deutz Engine Machines (SN 0300129456 through 0300139070)	
41	4922550	1	Ford Engine Machines (Prior to SN 0300087266)	
41	4923281	1	Ford Engine Machines (SN 0300087266 through 0300139070)	
41	4923499	1	GM Engine Machines	
42	1705132	1	Decal - Control ADE (Prior to SN 0300099884)	
43	4922557	1	Harness, Valve (Not Shown - See ELECTRICAL SECTION for Breakdown)	
44	4922666	1	Harness, Analyzer Cable (Not Shown - See ELECTRICAL SECTION for Breakdown) (Prior to SN 0300085331)	
45		Ref	Ground Control Box Wiring Diagram (Not Shown - See ELECTRICAL SECTION for Breakdown)	
45	4922852	1	Deutz Engine (Prior to SN 0300085331)	
45	4933322	1	Deutz Engine (SN 0300085331 through 0300099883)	
45	4933370	1	Deutz Engine (SN 0300099884 through 0300139070)	
45	4933233	1	Ford Engine (Prior to SN 0300087266)	
45	4933339	1	Ford Engine (SN 0300087266 through 0300139070)	
45	4933359	1	GM Engine Machines (Prior to SN 0300099884)	
45	4933385	1	GM Engine Machines (SN 0300099884 through 0300139070)	
46	3520035	1	Plug, Cap (Ford and GM Engine Machines Only)	
47	0641410	2	Bolt 1/4in-20NC x 1-1/4in	
48	3311405	2	Locknut 1/4in-20NC	
49	1001094484	1	Controller, UMS Module	
50	4711400	4	Flatwasher 1/4in	

SECTION 2 - TURNTABLE

FIGURE 2-21. GROUND CONTROL BOX ASSEMBLY (SN 0300139070 through 0300185827)



SECTION 2 - TURNTABLE

FIGURE 2-21. GROUND CONTROL BOX ASSEMBLY (SN 0300139070 through 0300185827)

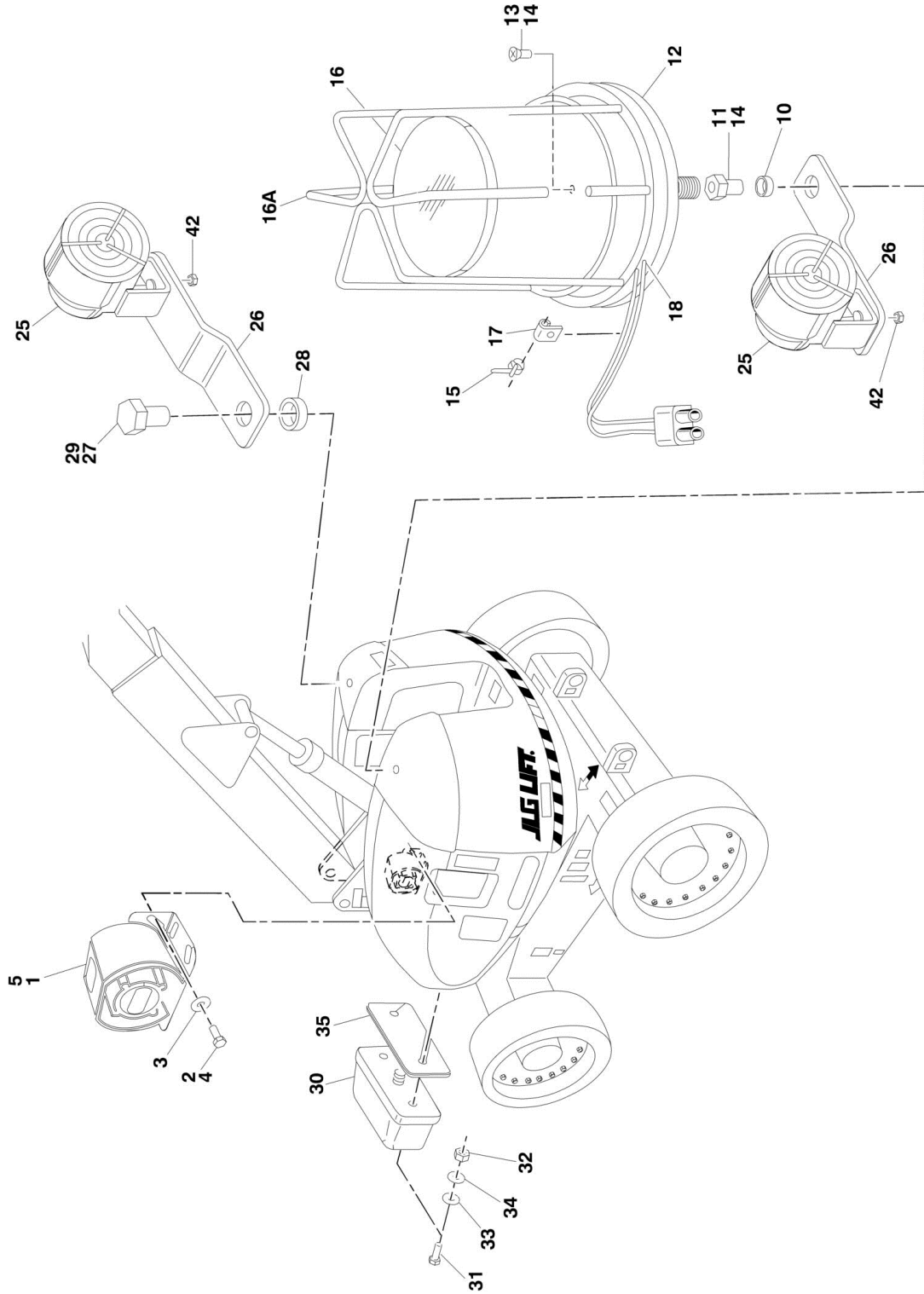
ITEM	PART NUMBER	QTY	DESCRIPTION	REV
		Ref	GROUND CONTROL BOX ASSEMBLIES	
	1001110220	Ref	Deutz Engine Machines (ANSI and CSA Specs)	B
		Ref	Deutz Engine Machines Options (Australian Specs):	
	1001110219	Ref	Deutz Engine Machines (SN 0300139070 through 0300149102)	B
	1001110220	Ref	Deutz Engine Machines (SN 0300149103 through 0300185827)	B
	1001149918	Ref	Deutz Engine Machines (CE Spec)	A
	1001110218	Ref	GM Engine Machines	A
1	0100009	AR	Sealant	
2	0100011	AR	Compound, Locking	
3	0100048	AR	Grease, Dielectric	
4	0630518	2	Capscrew, Button Head	
5	0630548	5	Bolt 1/4in-20NC x 2-1/2in	
6	0641506	4	Bolt 5/16in-18NC x 3/4in	
7	1001110199	1	Box, Fiberglass	
7A	7020246	2	Latch	
8	1001103667	1	Module, Ground Control	
9	1670829	1	Bezel	
10	1705566	1	Decal - Machine Set-up	
11	1706712	1	Decal - Ground Control Display	
12	1001102600	1	Decal - Faceplate	
13	2420172	1	Gauge, Hourmeter	
14	2760105	1	Housing, Display Light	
15	3300205	4	Nut, Retainer	
16	3300408	4	Locknut, Plastic Insert	
17	77143013	11	Nut 1/4in-20NC	
18	3520028	1	Plug, Hole	
19	3539219	1	Plate, Reinforcement	
20	3740049	2	Relay	
21	3900268	2	Screw, Flange #10 x 1/2in	
22	3910804	6	Screw #8-32NC x 1/4in	
23	4060906	1	Shield, Toggle Switch	
24	4070987	1	Shim (.015in)	
25	4360328	8	Switch, Toggle	
26		Ref	Switch, Key Options:	
26	4360469	1	ANSI and CSA Specs	
26	4360470	1	Australian Specs (SN 0300139070 through 0300149102)	
26	4360469	1	Australian Specs (SN 0300149103 through 0300185827)	
26	4360470	1	CE Spec	
26	2860030	1	Key Replacement	
27	4360475	1	Switch, Emergency Stop	
27	7020175	1	Cap, Mushroom	
27	7020176	1	Block, Contact	
28	4360476	1	Switch, Contact Block	
29	4460426	2	Connector, Strain Relief	
30	4460470	1	Nut, Terminal	
31	4460471	1	Lockwasher, Terminal	
32	4460488	6	Mounting Base, Terminal	
33	4460526	1	Connector, Strain Relief	

SECTION 2 - TURNTABLE

ITEM	PART NUMBER	QTY	DESCRIPTION	REV
37	4740444	8	Washer, Special	
38	4751400	12	Flatwasher 1/4in	
39	4761400	6	Lockwasher 1/4in	
40	4922557	1	Harness, Valve (Not Shown - See ELECTRICAL SECTION for Breakdown)	
41		Ref	Harness, Engine Options (Not Shown - See ELECTRICAL SECTION for Breakdown)	
41	1001110222	1	Deutz Engine Machines	
41	1001110221	1	GM Engine Machines	
42	1001110225	1	Harness, Ground Control Box Options (Not Shown - See ELECTRICAL SECTION for Breakdown)	
43		Ref	Ground Control Box Wiring Diagram (Not Shown - See ELECTRICAL SECTION for Breakdown)	
43	1001110223	1	Deutz Engine Machines	
43	1001110224	1	GM Engine Machines	
44	4460496	1	Lockwasher, Terminal	
45	4460497	1	Nut, Terminal	
46	0641407	1	Bolt 1/4in-20NC x 7/8in	
47	1001106736	1	Cap, Dust	
48	3520035	1	Plug, Cap	

SECTION 2 - TURNTABLE

FIGURE 2-22. ELECTRICAL OPTIONS INSTALLATION (TURNTABLE MOUNTED)



SECTION 2 - TURNTABLE

FIGURE 2-22. ELECTRICAL OPTIONS INSTALLATION (TURNTABLE MOUNTED)

ITEM	PART NUMBER	QTY	DESCRIPTION	REV
		Ref	ELECTRICAL OPTIONS INSTALLATIONS (TURNTABLE MOUNTED)	
	0258674	Ref	ALARMS INSTALLATIONS	C
1	0257887	1	Alarm/Harness Assembly	
1	0140032	1	Alarm	
1	2820035	6 in/15cm	Loom	
1	4460424	1	Plug	
1	4460268	2	Socket	
2	0641508	2	Bolt 5/16in-18NC x 1in	
3	4711500	2	Flatwasher 5/16in Narrow	
4	0100011	AR	Compound, Locking	
5	0100048	AR	Sealant, Silicone	
	0271422	Ref	STROBE LIGHT INSTALLATIONS (AMBER) (OPTIONAL)	C
		Ref	Note: If machine is equipped with BLUE Strobe Light, See SPECIAL OPTION SECTION SkyGuard Kit.	
10	4220162	1	Spacer, Stop (Used with ECCO Model 6640 Only)	
11		Ref	Adapter Options:	
11	0630491	1	Adapter - Used with ECCO Model 6640	
11	0080241	1	Adapter - Used with ECCO Model 6650	
12	3539281	1	Plate, Mounting (Used with ECCO Model 6640 Only)	
13	0741606	1	Screw, Flathead Countersunk 3/8in-16NC x 3/4in (Used with ECCO Model 6640 Only)	
14	0100011	AR	Compound, Locking	
15	4240032	1	Wire-Tie	
16	0255917	NLA	Strobe Light/Guard/Harness Assembly (Use p/n 0272507)	
16		Ref	Bulb, Replacement Options:	
16	7016380	1	Bulb for ECCO Model 6640	
16	70001941	1	Bulb for with ECCO Model 6650	
16A		Ref	Guard Options:	
16A	4060907	1	Guard - Used with ECCO Model 6640	
16A	2920215	1	Guard - Used with ECCO Model 6650	
17	4460234	1	Clamp	
18	0100048	AR	Sealant, Silicone	
		Ref	LIGHTS INSTALLATIONS (OPTIONAL)	
	0257884	Ref	Lights Installations (Prior to SN 0300137666)	2
	0271768	Ref	Lights Installations (SN 0300137666 through 0300185827)	D
25	2920110	2	Headlight	
26	0902206	2	Bracket, Mounting	
27	0642612	1	Bolt 1in-8NC x 1-1/2in	
28	4220162	2	Spacer (USA Built Machines) (SN 030014000 through 0300184391)	
28	4892600	2	Washer 1in Hardened (USA Built Machines) (SN 0300184392 through 0300185027)	
29	0100011	AR	Compound, Locking	
30	2920113	2	Taillight	
31	3911040	4	Screw, Machine #10-24NC x 2-1/2in	
32	3311005	4	Nut #10-24NC	
33	4751000	4	Flatwasher #10	
34	4740362	4	Washer, Fender	
35	3960461	2	Gasket	
37	4240032	12	Tie-Strap (Not Shown)	

SECTION 2 - TURNTABLE

ITEM	PART NUMBER	QTY	DESCRIPTION	REV
38	4460234	12	Mount, Tie-Strap (Not Shown)	
39		Ref	Switch Options (Not Shown - Located on Console):	
39	4360336	1	Switch (Prior to SN 0300136488)	
39	4360522	1	Switch (SN 0300136488 through 0300185827)	
40	3790012	1	O-Ring (Not Shown - Located on Console) (Prior to SN 0300136488)	
41	1705170	1	Decal, Lights (Not Shown) (SN 0300136488 through 0300185827)	
42	3311605	2	Locknut 3/8-16	

SECTION 2 - TURNTABLE

FIGURE 2-23. HOODS INSTALLATION (Prior to SN 0300089982)



SECTION 2 - TURNTABLE

FIGURE 2-23. HOODS INSTALLATION (Prior to SN 0300089982)

ITEM	PART NUMBER	QTY	DESCRIPTION	REV
		Ref	HOODS INSTALLATION	
	0258609	Ref	Standard Hood without Compressor	6-F
	0272737	Ref	Optional Hood with Compressor	3-A
1	2680451	1	Hood Assembly - Engine Side (See Items 101-110 for Breakdown)	
		Ref	Note: Replacement Decals Must be Ordered Separately - See DECAL SECTION.	
2	2680448	1	Hood Assembly - Tank Side (See Items 201-211 for Breakdown)	
		Ref	Note: Replacement Decals Must be Ordered Separately - See DECAL SECTION.	
3		Ref	Hood Assembly - Engine Spacer Options:	
3	2680450	1	Standard Hood without Compressor Option	
3	See Note	1	Optional Hood with Compressor Option (See Items 401-442 for Breakdown)	
3A	3960453	68 in /1.73m	Seal	
3B	7023366	1	Bracket - Use with p/n 2680450	
4	3380444	1	Panel, Adapter	
5	1670842	1	Cover, Turntable End	
6	3380442	1	Cover, Top (Tank Side)	
7	3380443	1	Cover, Bracket (Tank Side) (Note: Item 7 covered hole in Item 9 hood bracket prior to the revision that eliminated the hole) (Prior to SN 0300087266)	
8		Ref	Plate, Baffle Options:	
8	3539979	1	Standard Hood without Compressor Option (Prior to SN 0300076283)	
8	Not Required	0	Standard Hood without Compressor Option (SN 0300076283 through 0300089982)	
8	See Note	1	Optional Hood with Compressor Option (See Items 401-442 for Breakdown)	
9	0902412	1	Bracket, Hood Mounting (Tank Side) (See Note under Item 7)	
10	0902351	1	Bracket, Hood Mounting (Engine Side)	
11		Ref	Bracket, Hood Spacer Mounting (Engine Side) Options:	
11	0902161	1	Standard Hood without Compressor Option	
11	Not Required	0	Optional Hood with Compressor Option	
12	0902426	1	Bracket, Bumper - Counterweight Mounted	
13	0902219	2	Bracket, Bumper	
14	0362770	1	Bar, Panel Mounting	
15	2600244	1	Adapter, Panel Hinge	
16		Ref	Exhaust Tube Weldment Options:	
16	4845411	1	Deutz Engine Machines	
16		Ref	Ford Engine Machines	
16	4845411	1	Ford Engine Machines (Prior to SN 0300077500)	
16	3460399	1	Ford Engine Machines (SN 0300077500 through 0300089982)	
17	3539934	1	Plate, Seal	
18	0902491	1	Bracket, Latch (Engine Side)	
19	0902223	1	Bracket, Latch (Tank Side)	
20	0902143	1	Bracket, Latch (Tank Side)	
21	0940071	AR	Bumper	
22	4160139	2	Spring, Gas (Tank Side)	
23	4160143	AR	Spring, Gas (Engine Side)	

SECTION 2 - TURNTABLE

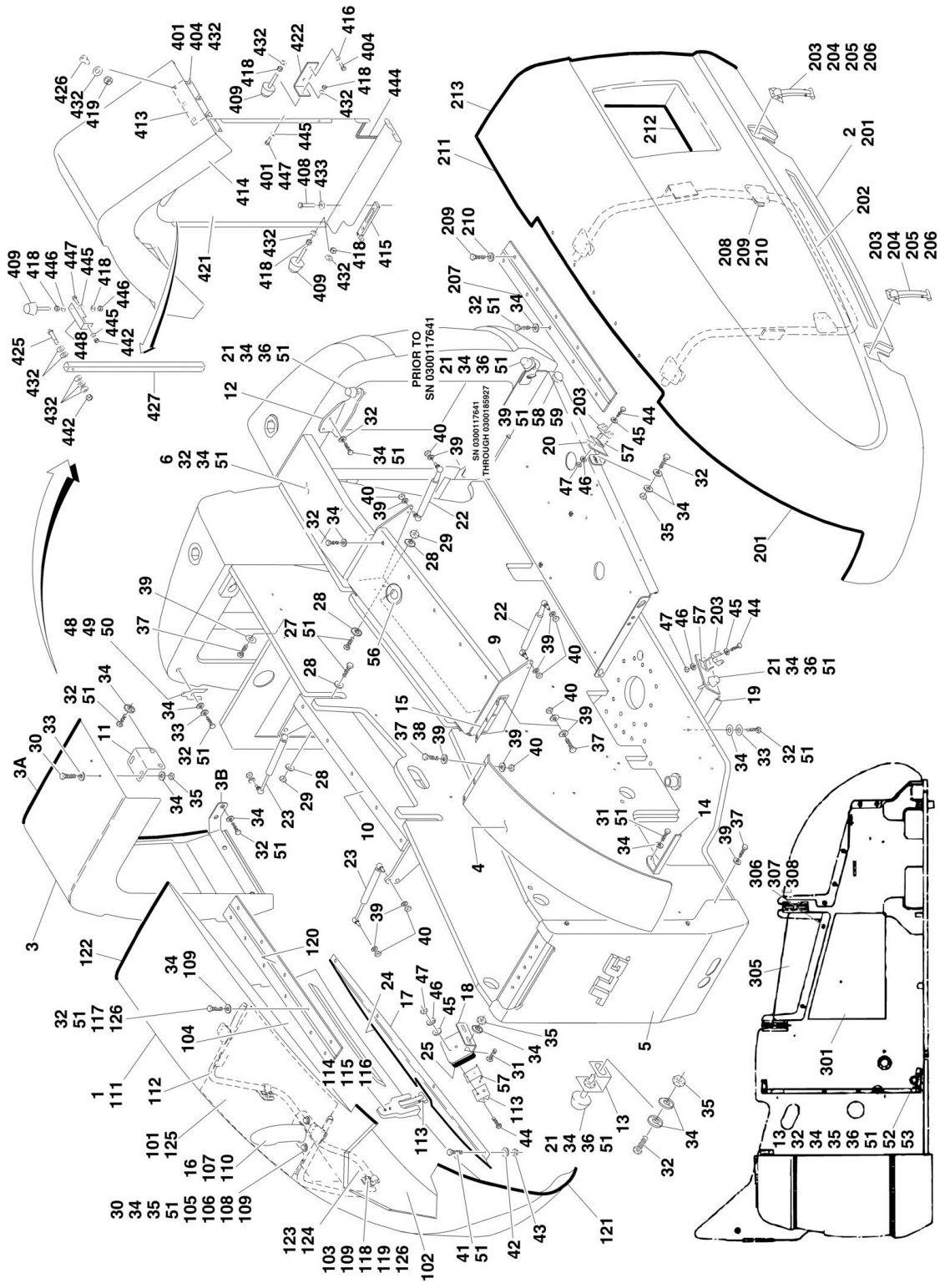
ITEM	PART NUMBER	QTY	DESCRIPTION	REV
24	3960389	3.5 ft/1m	Seal	
25	3960470	1	Seal, Latch	
26	3520033	2	Plug, Hole	
27	0630507	AR	Bolt, Carriage 1/2in-13NC x 1-1/4in	
28	4740171	AR	Washer, Hardened	
29	3311805	AR	Locknut 1/2in-13NC	
30		Ref	Screw, Button Head 3/8in-16NC x 1-1/4in Options:	
30	3900232	AR	Standard Hood without Compressor Option	
30	Not Required	0	Optional Hood with Compressor Option	
31	0641609	5	Bolt 3/8in-16NC x 1-1/8in	
32	0641608	AR	Bolt 3/8in-16NC x 1in	
33		Ref	Washer, Fender Options:	
33	4740076	5	Standard Hood without Compressor Option	
33	Not Required	0	Optional Hood with Compressor Option	
34	4751600	AR	Flatwasher 3/8in	
35	3311605	AR	Locknut 3/8in-16NC	
36	3311601	AR	Nut 3/8in-16NC	
37	0641508	AR	Bolt 5/16in-18NC x 1in	
38	3900210	3	Screw, Button Head 5/16in-18NC x 3/4in	
39	4751500	AR	Flatwasher 5/16in	
40	3311505	AR	Locknut 5/16in-18NC	
41	0641406	12	Bolt 1/4in-20NC x 3/4in	
42	4751400	AR	Flatwasher 1/4in	
43	3311405	AR	Locknut 1/4in-20NC	
44	0721006	6	Screw #10-24NC x 3/4in	
45	4751000	6	Flatwasher #10	
46	4761000	6	Lockwasher #10	
47	3311001	6	Nut #10-24NC	
48	4070410	AR	Shim 1/16in (Standard Hood without Compressor Option Only)	
49	4070411	AR	Shim 1/8in (Standard Hood without Compressor Option Only)	
50	4070412	AR	Shim 3/16in (Standard Hood without Compressor Option Only)	
51	0100011	AR	Compound, Locking	
	2680451	Ref	HOOD ASSEMBLY (ENGINE SIDE)	B
101	2680436	1	Hood	
102	2600209	1	Hinge	
103	3311600	4	Nut 3/8in-16NC	
104	4711600	4	Flatwasher 3/8in	
105	2940088	1	Latch	
106	0721008	2	Screw, Machine #10-24NC x 1in	
107	4751000	2	Flatwasher #10	
108	3311005	2	Locknut #10-24NC	
109	3960464	65 in /1.67m	Seal	
110	3960462	61 in /1.55m	Seal	
	2680448	Ref	HOOD ASSEMBLY (TANK SIDE)	B
201	2680437	1	Hood	
202	2600233	1	Hinge	
203	3311605	5	Locknut 3/8in-16NC	
204	4711600	5	Flatwasher 3/8in Narrow	
205	2940088	2	Latch	
206	0721008	4	Screw, Machine #10-24NC x 1in	

SECTION 2 - TURNTABLE

ITEM	PART NUMBER	QTY	DESCRIPTION	REV
207	4751000	4	Flatwasher #10	
208	3311005	4	Locknut #10-24NC	
209	3960462	53 in /1.35m	Seal	
210	3960464	83 in /2.11m	Seal	
211	3960438	55 in/1.4m	Seal	
	0256823	Ref	NOISE REDUCTION INSTALLATION (DEUTZ ENGINE MACHINES)	3-C
301	2820078	1	Foam, Acoustical (Turntable Side)	
302	2820079	1	Foam, Acoustical (Hood Side)	
303	2820080	1	Foam, Acoustical (Hood Top)	
304	2820081	1	Foam, Acoustical (Located on #8) (Prior to SN 0300076785)	
305	3539955	1	Plate, Baffle	
306	0641506	2	Bolt 5/16in-18NC x 3/4in	
307	4751500	2	Flatwasher 5/16in	
308	0100011	AR	Compound, Locking	
	0272741	Ref	HOOD WITH COMPRESSOR INSTALLATION (OPTIONAL)	G
401	0100011	AR	Compound, Locking	
404	0641608	3	Bolt 3/8in-16NC x 1in	
408	0721005	3	Screw, Machine #10-24NC x 5/8in	
409	0940071	2	Bumper	
413	2600244	1	Hinge	
414	2680515	1	Hood	
415	2940080	1	Latch	
418	3311601	4	Nut 3/8in-16NC	
419	3311605	5	Locknut 3/8in-16NC	
421	3574156	1	Plate, Baffle	
422	3574157	1	Bracket	
425	3900032	1	Screw, Shoulder	
426	3900316	3	Screw, Button Head 3/8in-16NC x 1in	
427	4567627	1	Prop	
432	4711600	18	Flatwasher 3/8in Narrow	
433	4751000	3	Flatwasher #10 Wide	
442	3311505	1	Locknut 5/16in-18NC	

SECTION 2 - TURNTABLE

FIGURE 2-24. HOODS INSTALLATION (ABS) (SN 0300089982 through 0300185827)



SECTION 2 - TURNTABLE

FIGURE 2-24. HOODS INSTALLATION (ABS) (SN 0300089982 through 0300185827)

ITEM	PART NUMBER	QTY	DESCRIPTION	REV
		Ref	HOODS INSTALLATION	
		Ref	Deutz Engine Machines:	
	0274759	Ref	Standard Hood without Compressor (SN 0300089982 through 0300129455)	G
	1001099137	Ref	Standard Hood without Compressor (SN 0300129456 through 0300185827)	C
	0275026	Ref	Optional Hood with Compressor (SN 0300089982 through 0300129455)	C
	1001101905	Ref	Optional Hood with Compressor (SN 0300129456 through 0300185827)	A
		Ref	GM Engine Machines:	
	0275546	Ref	Standard Hood without Compressor	G
	0275600	Ref	Optional Hood with Compressor	B
1		Ref	Hood Assembly - Engine Side Options (See Items 101-126 for Breakdown):	
		Ref	Note: Replacement Decals Must be Ordered Separately - See DECAL SECTION.	
1		Ref	Deutz Engine Machines	
1	1671249	1	Deutz Engine Machines (SN 0300089982 through 0300129455)	
1	1001099138	1	Deutz Engine Machines (SN 0300129456 through 0300185827)	
1		Ref	GM Engine Machines	
1	1671332	1	GM Engine Machines (SN 0300089982 through 0300140591)	
1	1001117045	1	GM Engine Machines (SN 0300140592 through 0300185827)	
2	1671228	1	Hood Assembly - Tank Side (See Items 201-213 for Breakdown)	
		Ref	Note: Replacement Decals Must be Ordered Separately - See DECAL SECTION.	
3		Ref	Hood Assembly - Engine Spacer Options:	
3	1671233	1	Standard Hood without Compressor Option	
3	See Note	1	Optional Hood with Compressor Option (See Items 401-448 for Breakdown)	
3A	3960453	68 in/1.73m	Seal	
3B	0903308	1	Bracket - Used with p/n 1671233 Hood	
4	3380444	1	Panel, Adapter	
5	1670842	1	Cover, Turntable End	
6	3380442	1	Cover, Top (Tank Side)	
9	0902412	1	Bracket, Hood Mounting (Tank Side)	
10	0902351	1	Bracket, Hood Mounting (Engine Side)	
11		Ref	Bracket, Hood Spacer Mounting (Engine Side) Options:	
11	0902161	1	Standard Hood without Compressor Option	
11	Not Required	0	Optional Hood with Compressor Option	
12	0902426	1	Bracket, Bumper - Counterweight Mounted	
13	0902219	2	Bracket, Bumper	
14	0362770	1	Bar, Panel Mounting	
15	2600244	1	Adapter, Panel Hinge	
17	3571712	1	Plate, Seal	
18	0902491	1	Bracket, Latch (Engine Side)	
19	0902223	1	Bracket, Latch (Tank Side)	

SECTION 2 - TURNTABLE

ITEM	PART NUMBER	QTY	DESCRIPTION	REV
20	0902143	1	Bracket, Latch (Tank Side)	
21	0940071	AR	Bumper	
22	4160139	2	Spring, Gas (Tank Side)	
23	4160143	AR	Spring, Gas (Engine Side)	
24	3960389	3.5 ft/1m	Seal	
25	3960470	1	Seal, Latch	
27	0630507	AR	Bolt, Carriage 1/2in-13NC x 1-1/4in	
28	4740171	AR	Washer, Hardened	
29	3311805	AR	Locknut 1/2in-13NC	
30		Ref	Screw, Button Head 3/8in-16NC x 1-1/4in Options:	
30	3900232	AR	Standard Hood without Compressor Option	
30	Not Required	0	Optional Hood with Compressor Option	
31	0641609	5	Bolt 3/8in-16NC x 1-1/8in	
32	0641608	AR	Bolt 3/8in-16NC x 1in	
33		Ref	Washer, Fender Options:	
33	4740076	5	Standard Hood without Compressor Option	
33	Not Required	0	Optional Hood with Compressor Option	
34	4751600	AR	Flatwasher 3/8in	
35	3311605	AR	Locknut 3/8in-16NC	
36	3311601	AR	Nut 3/8in-16NC	
37	0641506	AR	Bolt 5/16in-18NC x 3/4in	
37	0641508	AR	Bolt 5/16in-18NC x 1in	
38	3900210	3	Screw, Button Head 5/16in-18NC x 3/4in - Standard Hood without Compressor Option Only (SN 0300089982 through 0300118453)	
39	4751500	AR	Flatwasher 5/16in	
40	3311505	AR	Locknut 5/16in-18NC	
41	0641406	4	Bolt 1/4in-20NC x 3/4in	
42	4751400	AR	Flatwasher 1/4in	
43	3311405	AR	Locknut 1/4in-20NC	
44	0721006	6	Screw #10-24NC x 3/4in	
45	4751000	6	Flatwasher #10	
46	4761000	6	Lockwasher #10	
47	3311001	6	Nut #10-24NC	
48	4070410	AR	Shim 1/16in (Standard Hood without Compressor Option Only)	
49	4070411	AR	Shim 1/8in (Standard Hood without Compressor Option Only)	
50	4070412	AR	Shim 3/16in (Standard Hood without Compressor Option Only)	
51	0100011	AR	Compound, Locking	
52		Ref	Bumper Options:	
52	0940088	1	Bumper (Deutz Engine Machines Only) (SN 0300089982 through 0300118452)	
52	0940071	1	Bumper (SN 0300118453 through 0300185827)	
53	3321501	2	Nut 5/16in-24NF	
56	1120601	1	Cap, Plug (SN 0300098644 through 0300185827)	
57	2940188	3	Latch, Spring Clip (SN 0300098644 through 0300185827)	
58		Ref	Hardware Options:	
58	0940071	1	Bumper (SN 0300089982 through 0300118452)	
58	0940049	1	Stopper, Hood (SN 0300118453 through 0300185827)	
59	3311501	2	Nut 5/16in-18NC (SN 0300118453 through 0300185827)	
		Ref	HOOD ASSEMBLIES (ENGINE SIDE)	
	1671249	Ref	Deutz Engine (SN 0300089982 through 0300129455)	D
	1001099138	Ref	Deutz Engine (SN 0300129456 through 0300185827)	B

SECTION 2 - TURNTABLE

ITEM	PART NUMBER	QTY	DESCRIPTION	REV
	1671332	Ref	GM Engine (SN 0300089982 through 0300140591)	E
	1001117045	Ref	GM Engine (SN 0300140592 through 0300185827)	A
101		Ref	Insulation/Foam Options:	
101	2820080	1	Deutz Engine (SN 0300089982 through 0300124624)	
101	1001101391	1	Deutz Engine (SN 0300124625 through 0300129455)	
101	1001101673	1	Deutz Engine (SN 0300129456 through 0300185827)	
101	See Note	1	GM Engine (Note: Refer to note at Items 123 & 124) (SN 0300089982 through 0300140591)	
101	1001117139	1	GM Engine (SN 0300140592 through 0300185827)	
102	2820233	1	Insulation, Rear Sound (Deutz Engine Only)	
103	2820234	1	Insulation, Center Sound (Deutz Engine Only)	
104	2820235	1	Insulation, Rear Sound (Deutz Engine Only)	
105	3311605	AR	Locknut 3/8inx16NC	
106	3900232	AR	Screw, Button Head 3/8in-16NC x 1-1/4in	
107		Ref	Shield, Heat Gasket Options:	
107	4061010	1	Deutz Engine Machines (SN 0300089982 through 0300124624)	
107	1001101392	1	Deutz Engine Machines (SN 0300124625 through 0300129455)	
107	1001101623	1	Deutz Engine Machines (SN 0300129456 through 0300185827)	
107	4061010	1	GM Engine Machines (SN 0300089982 through 0300124624)	
107	Not Required	0	GM Engine Machines (SN 0300124625 through 0300185827)	
108	4740500	AR	Washer (Special)	
109	4751600	AR	Flatwasher 3/8in	
110		Ref	Exhaust Tube Weldment Options:	
110	4845411	1	Deutz Engine (SN 0300089982 through 0300129455)	
110	1001099121	1	Deutz Engine (SN 0300129456 through 0300185827)	
110	3460552	1	GM Engine (SN 0300089982 through 0300140591)	
110	1001117040	1	GM Engine (SN 0300140592 through 0300185827)	
111		Ref	Hood Kit (Engine Side) Options:	
		Ref	Note: Replacement Decals Must be Ordered Separately - See DECAL SECTION.	
111		Ref	Deutz Engine Machines	
111	1001097965	1	Deutz Engine Machines (Includes Items 151, 152, 153, 154, 157 & 158) (SN 0300089982 through 0300129455)	
111	1001099139	1	Deutz Engine Machines (Must also purchase Items 101, 102, 103, 104, 107 & 108) (SN 0300129456 through 0300185827)	
111	1001097964	1	GM Engine Machines (Includes Items 101, 108, & 125)	
112	1671230	1	Frame, Tubular	
113	2940088	1	Latch	
114	0721008	2	Screw, Machine #10-24NC x 1in	
115	4751000	2	Flatwasher #10	
116	3311005	2	Locknut #10-24NC	
117	0641608	AR	Bolt 3/8in-16NC x 1in	
117	0641606	AR	Bolt 3/8in-16NC x 3/4in	
118	1321384	4	Hold Down	
119	0641606	4	Bolt 3/8in-16NC x 3/4in	
120	2600209	1	Hinge	
121	3960464	65 in /1.67m	Seal	
122	3960462	61 in /1.55m	Seal	

SECTION 2 - TURNTABLE

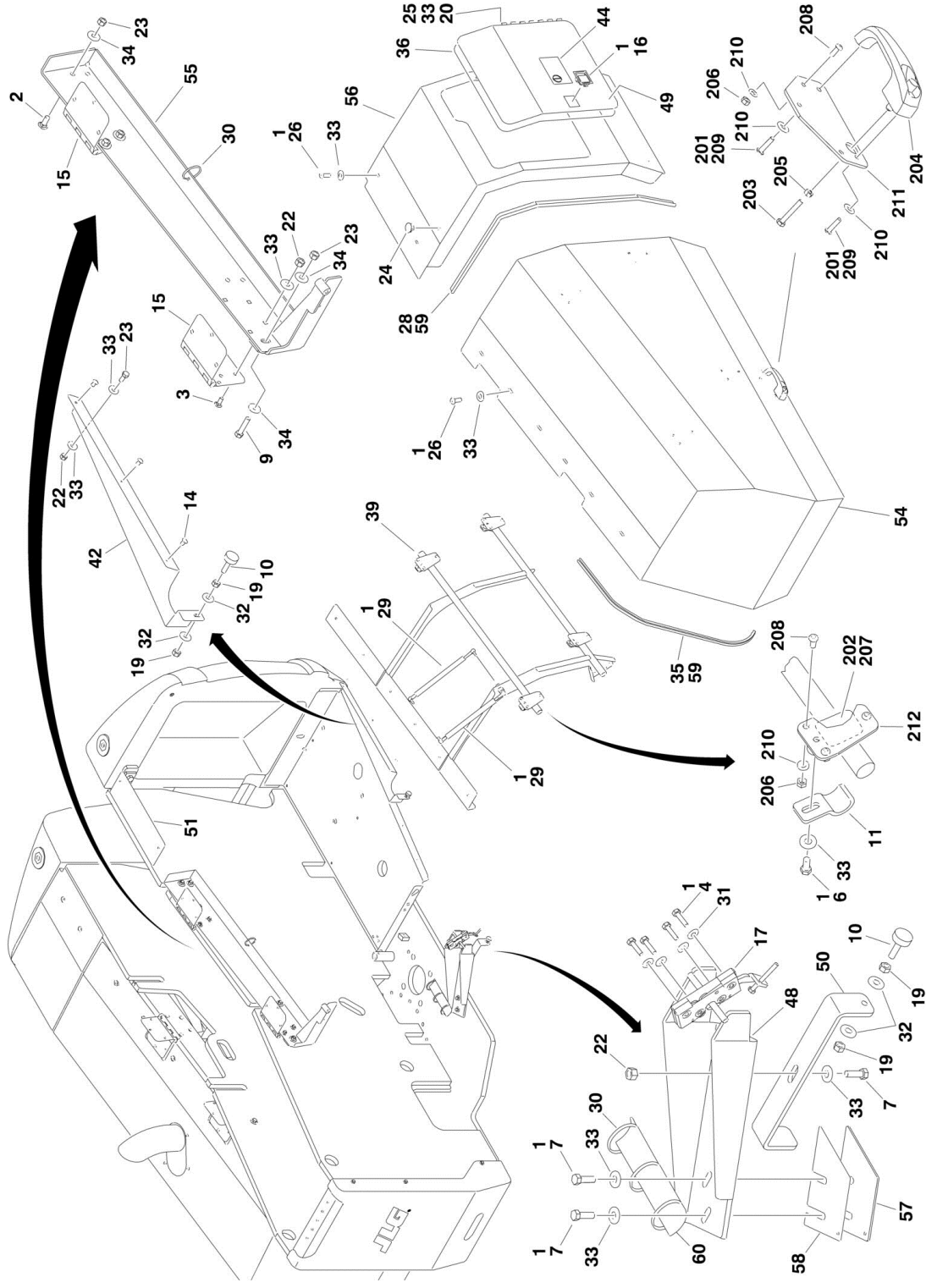
ITEM	PART NUMBER	QTY	DESCRIPTION	REV
123	2820176	NLA	Insulation, Heat (GM Engine Only) (Note: Use Item 101) (Note: Cover complete inside of hood with insulation. Fasten with Item 125 Tape)	
123	1001101323	NLA	Insulation, Heat (GM Engine Only) (Note: Use Item 101) (Note: Cover complete inside of hood with insulation. Fasten with Item 125 Tape)	
124	2820153	NLA	Insulation, Heat (GM Engine Only) (Note: Use Item 101) (Note: Cover complete inside of hood with insulation. Fasten with Item 125 Tape)	
124	1001101324	NLA	Insulation, Heat (GM Engine Only) (Note: Use Item 101) (Note: Cover complete inside of hood with insulation. Fasten with Item 125 Tape)	
125	1001117140	AR	Tape (GM Engine Only)	
126	0100011	AR	Compound, Locking	
	1671228	Ref	HOOD ASSEMBLY (TANK SIDE)	A
201	1671231	1	Hood	
202	1671232	1	Frame, Tubular	
203	2940088	2	Latch	
204	0721008	4	Screw, Machine #10-24NC x 1in	
205	4751000	4	Flatwasher #10	
206	3311005	4	Locknut #10-24NC	
207	2600233	1	Hinge	
208	1321384	4	Hold Down	
209	0641606	9	Bolt 3/8in-16NC x 3/4in	
210	4711600	9	Flatwasher 3/8in Narrow	
211	3960464	83 in /2.11m	Seal	
212	3960438	55 in/1.4m	Seal	
213	3960462	53 in /1.35m	Seal	
	0256823	Ref	NOISE REDUCTION INSTALLATION (DEUTZ ENGINE MACHINES)	3-C
301	2820078	1	Foam, Acoustical (Turntable Side)	
305	3539955	1	Plate, Baffle	
306	0641506	2	Bolt 5/16in-18NC x 3/4in	
307	4751500	2	Flatwasher 5/16in	
308	0100011	AR	Compound, Locking	
	0272741	Ref	HOOD WITH COMPRESSOR INSTALLATION (OPTIONAL)	I
401	0100011	AR	Compound, Locking	
404	0641608	5	Bolt 3/8in-16NC x 1in	
408	0721005	3	Screw, Machine #10-24NC x 5/8in	
409	0940071	3	Bumper	
413	2600244	1	Hinge	
414	2680515	1	Hood	
415	2940080	1	Latch	
418	3311601	6	Nut 3/8in-16NC	
419	3311605	5	Locknut 3/8in-16NC	
421	3574156	1	Plate, Baffle	
422	3574157	1	Bracket	
425	3900032	1	Screw, Shoulder	
426	3900316	3	Screw, Button Head 3/8in-16NC x 1in	
427	4567627	1	Prop	
432	4711600	18	Flatwasher 3/8in Narrow	
433	4751000	3	Flatwasher #10 Wide	

SECTION 2 - TURNTABLE

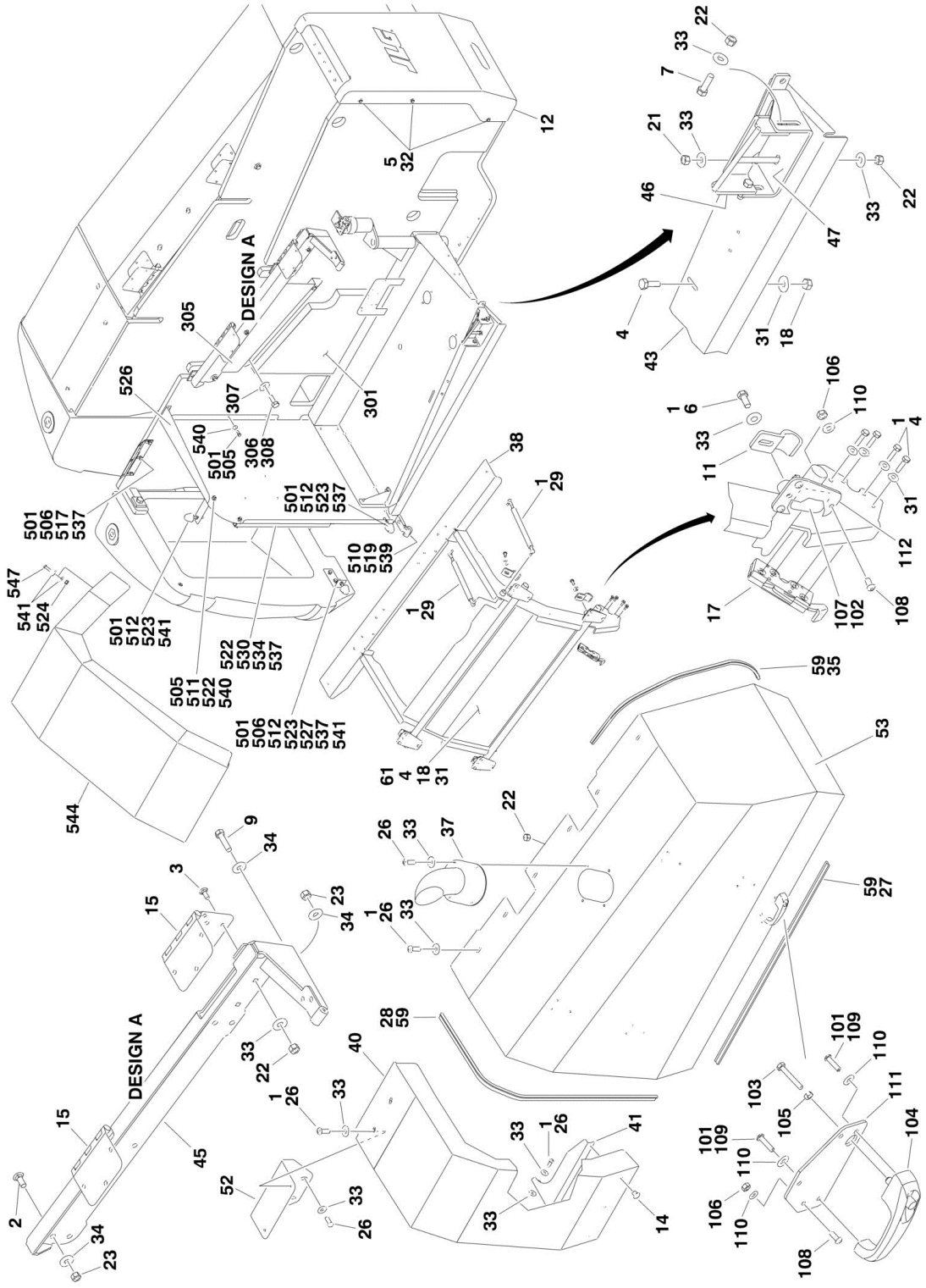
ITEM	PART NUMBER	QTY	DESCRIPTION	REV
442	3311505	2	Locknut 5/16in-18NC	
444	4060803	8 in/21cm	Flex-Trim, 1/8in	
445	4751500	8	Flatwasher 5/16in Wide	
446	4751600	4	Flatwasher 3/8in Wide	
447	0641506	7	Bolt 5/16in-18NC x 3/4in	
448	0901921	1	Bracket (SN 0300138190 through 0300185827)	

SECTION 2 - TURNTABLE

FIGURE 2-25. HOODS INSTALLATION (STEEL)



SECTION 2 - TURNTABLE



SECTION 2 - TURNTABLE

FIGURE 2-25. HOODS INSTALLATION (STEEL)

ITEM	PART NUMBER	QTY	DESCRIPTION	REV
		Ref	HOODS INSTALLATION	
		Ref	Deutz Engine Machines:	
	1001117209	Ref	Standard Hood without Compressor	D
	1001118055	Ref	Optional Hood with Compressor	C
		Ref	GM Engine Machines:	
	1001117503	Ref	Standard Hood without Compressor	C
	1001118056	Ref	Optional Hood with Compressor	C
1	0100011	AR	Compound, Locking	
2	0630507	8	Bolt, Carriage 1/2in-13NC x 1-1/4in	
3	0630485	16	Bolt, Carriage 3/8in-16NC x 1in	
4	0641408	AR	Bolt 1/4in-20NC x 1in	
5	0641506	AR	Bolt 5/16in-18NC x 3/4in	
5	0641508	AR	Bolt 5/16in-18NC x 1in	
6	0641607	10	Bolt 3/8in-16NC x 7/8in	
7	0641609	7	Bolt 3/8in-16NC x 1-1/8in	
9	0641818	2	Bolt 1/2in-13NC x 2-1/4in	
10	0940049	2	Stopper, Hood	
11	1321384	8	Hold Down	
12	1670842	1	Cover, Turntable End	
14	2080040	AR	Fastener	
15	2600280	4	Hinge	
16	2940045	1	Latch, Paddle	
17	2940173	2	Latch, Rotary	
18	3311405	AR	Locknut 1/4in-20NC	
19	3311501	4	Nut 5/16in-18NC	
20	3300364	3	Nut 5/16in-18NC (Tinnerman)	
21	3311601	1	Nut 3/8in-16NC	
22	3311605	40	Locknut 3/8in-16NC	
23	3311805	10	Locknut 1/2in-13NC	
24	3520030	1	Plug, Hole	
25	3900210	3	Screw 5/16in-18NC x 3/4in	
26	3900316	AR	Screw 3/8in-16NC x 1in	
27	3960389	4.5 ft /1.4m	Seal	
28	3960462	9 ft/2.7m	Seal	
29	4160194	4	Spring, Compression	
30	4240018	4	Strap, Cable Tie	
31	4751400	AR	Flatwasher 1/4in	
32	4751500	15	Flatwasher 5/16in	
33	4751600	AR	Flatwasher 3/8in	
34	4751800	12	Flatwasher 1/2in	
35	1001110166	7 ft/2.1m	Seal	
36	1001113047	6.5 ft/2m	Seal (Adhesive Back)	
37		Ref	Pipe, Exhaust Options:	
37	1001116457	1	Caterpillar and GM Engines	
37	1001116456	1	Deutz Engines	
38	1001116562	1	Support, Substructure	
39	1001116618	1	Support, Substructure	
40		Ref	Hood, Engine Side (Fixed) Options:	
40	1001117219	1	Standard Hood without Compressor	

SECTION 2 - TURNTABLE

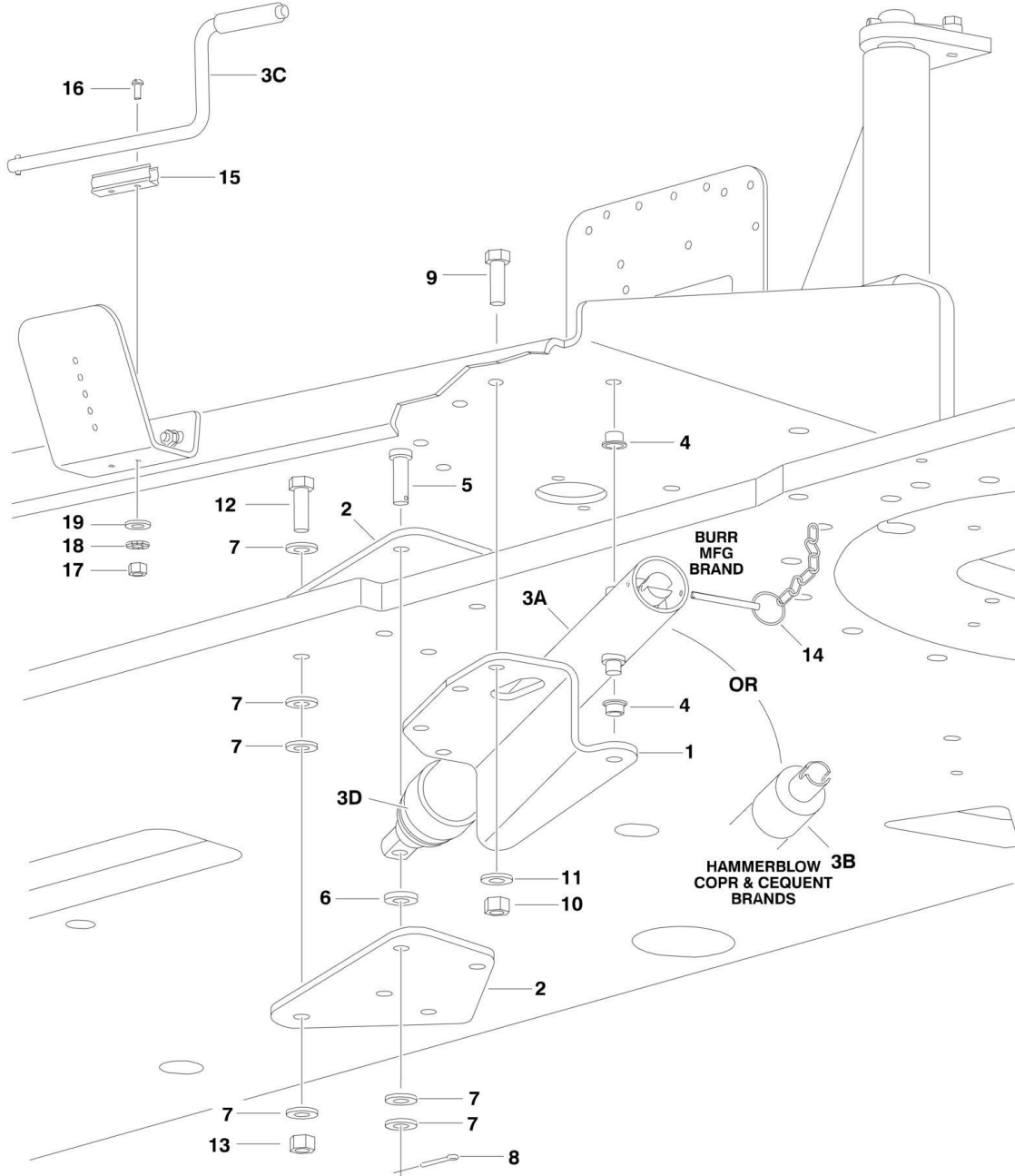
ITEM	PART NUMBER	QTY	DESCRIPTION	REV
40	Not Required	0	Optional Hood with Compressor	
41		Ref	Bracket, Hood Support Options:	
41	1001117234	1	Standard Hood without Compressor	
41	Not Required	0	Optional Hood with Compressor	
42	1001117236	1	Bracket, Hood Support	
43	1001117249	1	Plate, Seal	
44	1001117307	1	Decal - Emergency Stop	
45	1001117441	1	Bracket, Hood Support	
46	1001117523	1	Bracket, Striker	
47	1001117525	1	Bracket, Striker Mounting	
48	1001117568	1	Bracket, Striker	
49	1001117598	1	Door	
50	1001118236	1	Bracket, Stop Mounting	
51	1001118263	1	Bracket, Hood Mounting	
52		Ref	Bracket, Hood Mounting Options:	
52	1001118264	1	Standard Hood without Compressor	
52	Not Required	0	Optional Hood with Compressor	
53		Ref	Hood, Engine Side Assembly (See Breakdown 101-112)	
53	1001118344	1	Caterpillar and Deutz	
53	1001118716	1	GM	
		Ref	Note: Replacement Decals Must be Purchased Separately - See DECAL SECTION.	
54	1001118345	1	Hood, Tank Side Assembly (See Breakdown 201-212)	
		Ref	Note: Replacement Decals Must be Purchased Separately - See DECAL SECTION.	
55	1001119935	1	Bracket, Hinge Support	
56	1001120508	1	Shield, Heat (Deutz Engine Only)	
57	1001120962	1	Hood, Tank Side (Fixed)	
58	1001121122	1	Shim 3mm	
59	1001121123	1	Shim 1.5mm	
60	0100081	AR	Adhesive (SN 0300144797 through 0300185827)	
61	4061032	1	Shield, Hose (SN 0300144797 through 0300185827)	
		Ref	HOOD ASSEMBLIES (ENGINE SIDE)	
101	0100011	AR	Compound, Locking	
102	0100081	AR	Adhesive	
103	0700616	1	Bolt M6 x 40mm	
104	2560187	1	Handle, Push Button	
105	3290601	1	Nut M6	
106	3311505	15	Locknut 5/16in-18NC	
107	3340877	4	Pad	
108	3900210	15	Screw, Button Head 5/16in-18NC x 3/4in	
109	3900363	2	Screw, Button Head M6 x 25mm	
110	4711500	17	Flatwasher 5/16in Thin	
111	1001116290	1	Plate, Latch Mounting	
112	1001116292	4	Mount, Clamp	
		Ref	HOOD ASSEMBLIES (TANK SIDE)	
201	0100011	AR	Compound, Locking	
202	0100081	AR	Adhesive	
203	0700616	1	Bolt M6 x 40mm	
204	2560187	1	Handle, Push Button	
205	3290601	1	Nut M6	
206	3311505	15	Locknut 5/16in-18NC	

SECTION 2 - TURNTABLE

ITEM	PART NUMBER	QTY	DESCRIPTION	REV
207	3340877	4	Pad	
208	3900210	15	Screw, Button Head 5/16in-18NC x 3/4in	
209	3900363	2	Screw, Button Head M6 x 25mm	
210	4711500	17	Flatwasher 5/16in Thin	
211	1001116290	1	Plate, Latch Mounting	
212	1001116292	4	Mount, Clamp	
	0256823	Ref	NOISE REDUCTION INSTALLATION (DEUTZ ENGINE MACHINES)	3-C
301	2820078	1	Foam, Acoustical (Turntable Side)	
305	3539955	1	Plate, Baffle	
306	0641506	2	Bolt 5/16in-18NC x 3/4in	
307	4751500	2	Flatwasher 5/16in	
308	0100011	AR	Compound, Locking	
	1001114636	Ref	HEAT SHIELD INSTALLATION (GM ENGINE MACHINES)	E
401	3311405	3	Locknut 1/4in-20NC	
402	4751400	3	Flatwasher 1/4in	
403	0641408	3	Bolt 1/4in-20NC x 1in	
404	1001120508	1	Shield, Heat	
	1001118053	Ref	HOOD WITH COMPRESSOR INSTALLATION (OPTIONAL)	A
501	0100011	AR	Compound, Locking	
505	0641506	7	Bolt 5/16in-18NC x 3/4in	
506	0641608	5	Bolt 3/8in-16NC x 1in	
510	0721005	3	Screw, Machine #10-24NC x 5/8in	
511	0901921	1	Bracket	
512	0940071	3	Bumper	
517	2600244	1	Hinge	
519	2940080	1	Latch	
522	3311505	2	Locknut 5/16in-18NC	
523	3311601	6	Nut 3/8in-16NC	
524	3311605	3	Locknut 3/8in-16NC	
526	3574156	1	Plate, Baffle	
527	3574157	1	Bracket	
530	3900032	1	Screw, Shoulder	
534	4567627	1	Prop	
537	4711600	12	Flatwasher 3/8in Narrow	
539	4751000	3	Flatwasher #10 Wide	
540	4751500	8	Flatwasher 5/16in Wide	
541	4751600	10	Flatwasher 3/8in Wide	
544	1001121314	1	Hood	
547	3900316	3	Screw, Button Head 3/8in-16NC x 1in	

SECTION 2 - TURNTABLE

FIGURE 2-26. ENGINE TRAY JACK INSTALLATION (OPTIONAL)



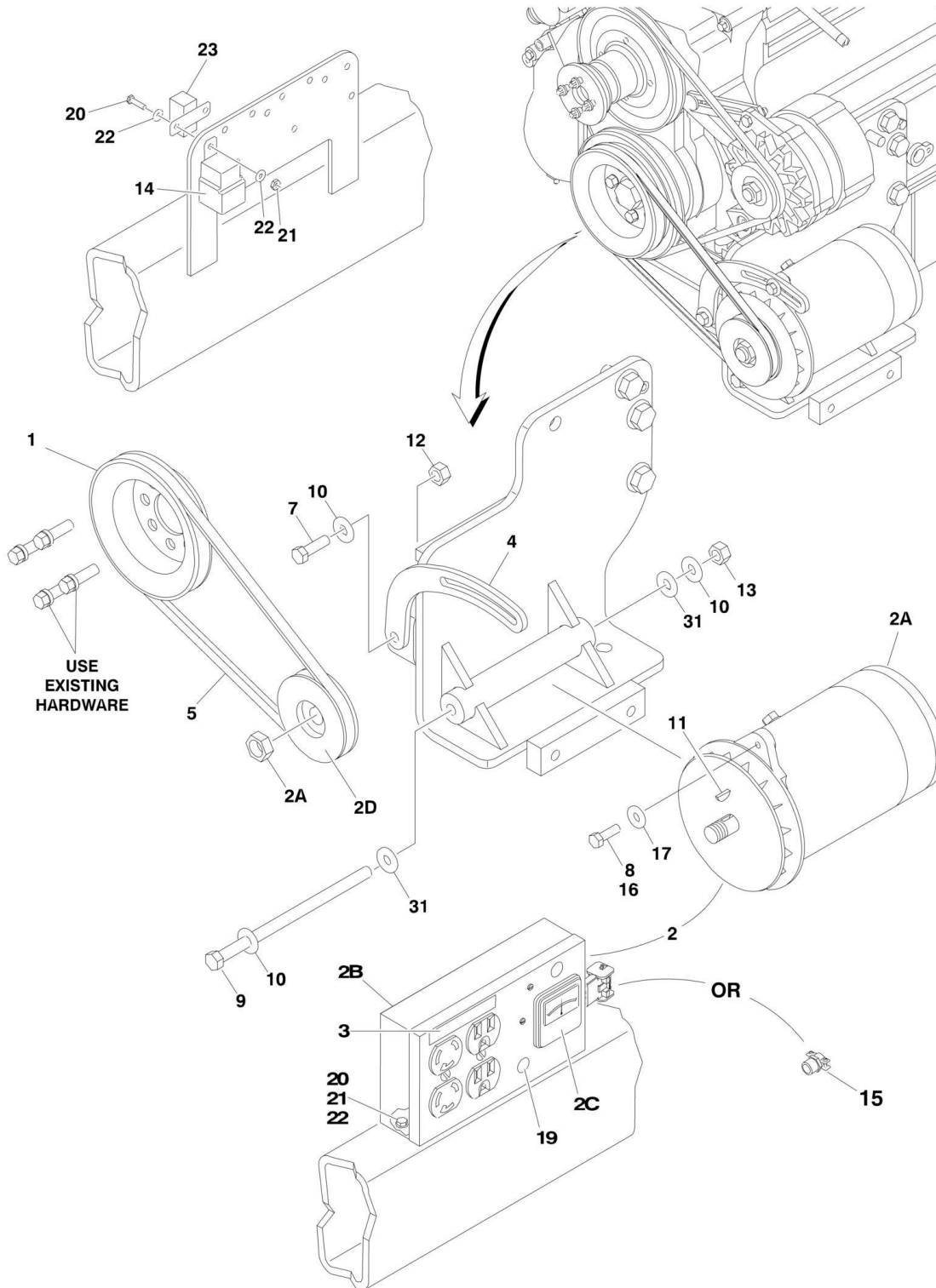
SECTION 2 - TURNTABLE

FIGURE 2-26. ENGINE TRAY JACK INSTALLATION (OPTIONAL)

ITEM	PART NUMBER	QTY	DESCRIPTION	REV
	0258728	Ref	ENGINE TRAY JACK INSTALLATION	2-C
1	3537445	1	Bracket	
2	3537446	2	Bracket	
3	2840016	Ref	Jack and Handle Assembly Options:	F
3A	2840016	1	Burr Manufacturing Brand	
3B	2840016	1	Hammerblow/Cequent Corp Brand	
3C		Ref	Handle Options:	
3C	7016374	1	Burr Manufacturing Brand	
3C	7024598	1	Hammerblow/Cequent Corp Brand	
3D	7016322	1	Wiper (Burr Manufacturing Brand Only)	
4	0962051	2	Bearing, Flange	
5	3430816	1	Pin, Clevis	
6	4891800	1	Washer, Hardened	
7	4711800	6	Flatwasher 1/2in Narrow	
8	3450404	1	Pin, Cotter 1/8in x 1in	
9	0641609	4	Bolt 3/8in-16NC x 1-1/8in	
10	3311605	4	Locknut 3/8in-16NC	
11	4891600	4	Washer, Hardened	
12	0641818	4	Bolt 1/2in-13NC x 2-1/4in	
13	3311805	4	Locknut 1/2in-13NC	
14	3422530	1	Pin, Hitch (Prior to SN 0300070638)	
15	1380147	1	Clip, Spring	
16	3910608	2	Screw, Round Head #6-32NC x 1in	
17	3310601	2	Nut #6-32NC	
18	4770600	2	Starwasher #6	
19	4740119	2	Washer, Aluminum	

SECTION 2 - TURNTABLE

FIGURE 2-27. 2500W GENERATOR INSTALLATION - DEUTZ MACHINES (ANSI AND CSA SPEC ONLY) (OPTIONAL)



SECTION 2 - TURNTABLE

FIGURE 2-27. 2500W GENERATOR INSTALLATION - DEUTZ MACHINES (ANSI AND CSA SPEC ONLY) (OPTIONAL)

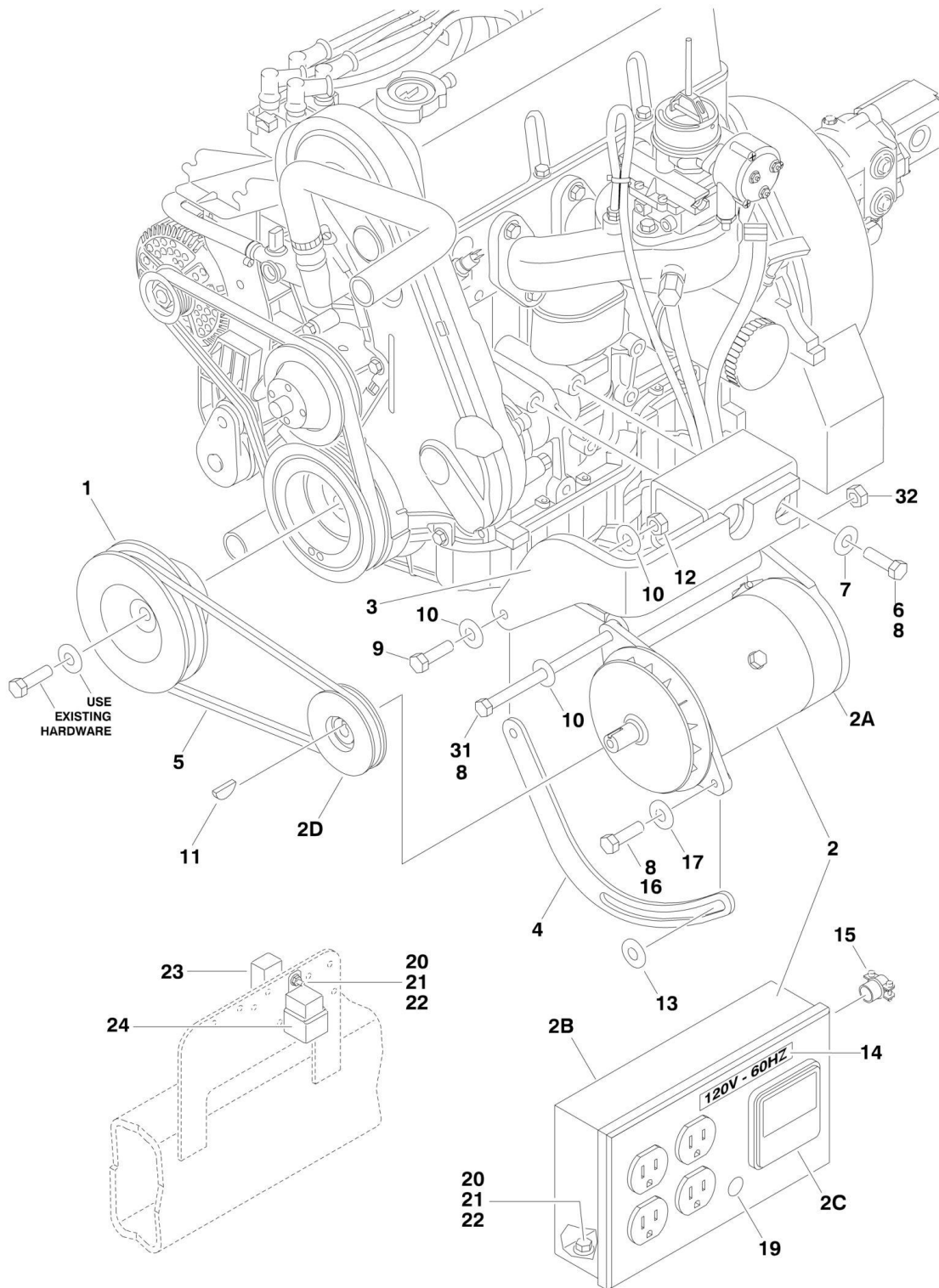
ITEM	PART NUMBER	QTY	DESCRIPTION	REV
		Ref	GENERATOR INSTALLATIONS	
	0272480	Ref	110V/60Hz Generator (Prior to SN 0300082504)	3-B
	0274082	Ref	110V/60Hz Generator (SN 0300082504 through 0300139399)	3-C
	1001115405	Ref	110V/60Hz Generator (SN 0300139400 through 0300185827)	A
	See Note	Ref	220V Generator (Note: Not Available for Purchase)	
1	3580158	1	Pulley	
2		Ref	Generator and Control Box Assembly Options:	
2	2460032	1	110V, 60Hz Assembly (Prior to SN 0300082504)	C
2	2460055	1	110V, 60Hz Assembly (SN 0300082504 through 0300185827)	A
2A	7012558	1	Generator - 110V	
		Ref	Note: Replacement Generator p/n 7012558 comes standard with p/n 3580134 pulley. This pulley may not be correct for all applications. Refer to pulley options below.	
2A	7026199	1	110V/60Hz Armature with Slip Rings	
2A	7012513	4	Cap, Brush Holder	
2A	7020108	4	Brush	
2A	7020109	4	Holder, Brush	
2A	7012514	1	Fan	
2A	7020190	2	Bearing	
2A	7020110	1	End Bell, Front	
2A	7020111	1	End Bell, Rear	
2B	7003657	1	Box, Control (Prior to SN 0300082504)	
2B	7019680	1	Box, Control (SN 0300082504 through 0300185827)	
2B	4360542	1	Breaker, Circuit	
2B	4460190	AR	Receptacle, Double	
2B	4460027	AR	Receptacle, Double Twist Lock	
2B	2920162	1	Lamp Assembly (Prior to SN 0300082504)	
2B	7020191	1	Switch, Toggle (Prior to SN 0300082504)	
2C	2420203	1	Voltmeter	
2D	3580276	1	Pulley	
2D	7027887	1	Key, Woodruff	
3	3251243	1	Decal - 120V-60HZ	
4	0200742	1	Arm, Adjusting	
5	0480121	1	V-Belt	
7	0641610	1	Bolt 3/8in-16NC x 1-1/4in	
8	0100011	AR	Compound, Locking	
9	0641772	1	Bolt 7/16in-14NC x 9in	
10	4751600	6	Flatwasher 3/8in	
11	2860012	1	Key, Woodruff	
12	3311605	1	Locknut 3/8in-16NC	
13	3311705	1	Locknut 7/16in-14NC	
14	3740080	1	Relay	
15	4460023	1	Connector, Strain Relief (Prior to SN 0300082504)	
16	0641508	1	Bolt 5/16in-18NC x 1in	
17	4751500	2	Flatwasher 5/16in	
19	3520028	1	Plug, Hole	
20	0721006	1	Bolt #10-24NC x 3/4in	
21	3311005	3	Locknut #10-24NC	

SECTION 2 - TURNTABLE

ITEM	PART NUMBER	QTY	DESCRIPTION	REV
22	4751000	6	Flatwasher #10	
23	4360294	1	Breaker, Circuit - 30 Amp (Prior to SN 0300082504)	
25	4360336	1	Switch, Toggle (Not Shown - Located at Platform)	
26	4740397	1	Bushing (Not Shown - Located at Platform)	
27	4060802	1	Guard, Switch (Not Shown - Located at Platform)	
29	2820031	4 in/10cm	Heat Shrink (Not Shown - Located at Platform)	
30	3251102	1	Decal (Not Shown - Located at Platform)	
31	4070585	AR	Shim	

SECTION 2 - TURNTABLE

FIGURE 2-28. 2500W GENERATOR INSTALLATION - FORD MACHINES (ANSI AND CSA SPEC ONLY)
(OPTIONAL) (Prior to SN 0300077500)



SECTION 2 - TURNTABLE

**FIGURE 2-28. 2500W GENERATOR INSTALLATION - FORD MACHINES (ANSI AND CSA SPEC ONLY)
(OPTIONAL) (Prior to SN 0300077500)**

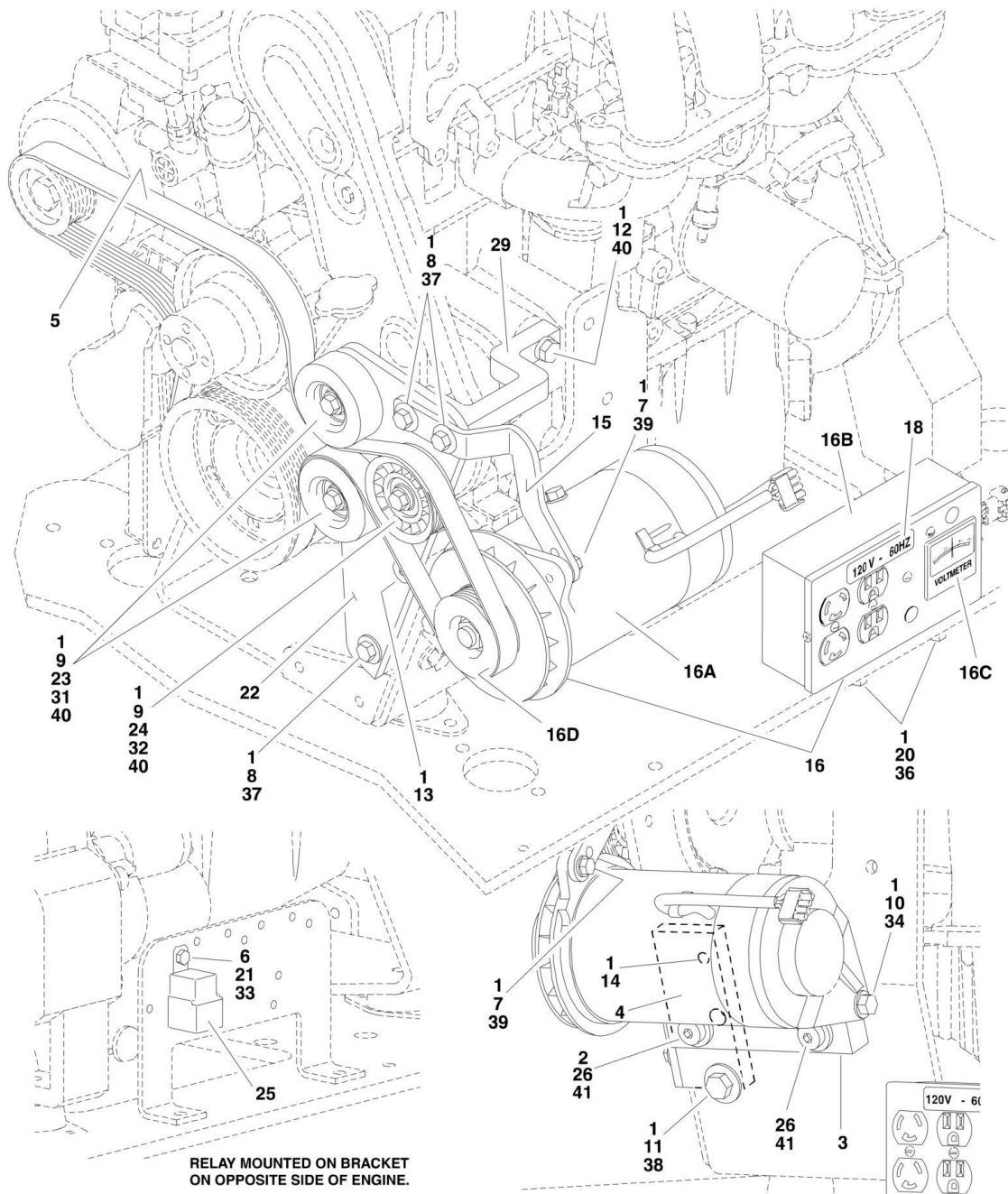
ITEM	PART NUMBER	QTY	DESCRIPTION	REV
	0271545	Ref	110VOLT GENERATOR INSTALLATION OPTIONS:	5
1	3580250	1	Pulley	
2		Ref	Generator and Control Box Assemblies:	
2	2460032	1	Generator and Control Box Assemblies (Prior to SN 0300069570)	C
2	2460044	1	Generator and Control Box Assemblies (SN 0300069570 through 0300077500)	A
2A	7012558	1	Generator - 110V	
		Ref	Note: Replacement Generator p/n 7012558 comes standard with p/n 3580134 pulley. This pulley may not be correct for all applications. Refer to pulley options below.	
2A	7026199	1	Armature with Slip Rings	
2A	7012513	4	Cap, Brush Holder	
2A	7020108	4	Brush	
2A	7020109	4	Holder, Brush	
2A	7012514	1	Fan	
2A	7020190	2	Bearing	
2A	7020110	1	End Bell, Front	
2A	7020111	1	End Bell, Rear	
2B	7003657	1	Box, Control	
2B	4360542	1	Breaker, Circuit	
2B	4460190	2	Receptacle, Double	
2B	2920162	1	Lamp Assembly	
2B	7020191	1	Switch, Toggle	
2C	2420203	1	Voltmeter	
2D		Ref	Pulley Options:	
2D	3580276	1	Pulley - Generator p/n 2460032	
2D	3580307	1	Pulley - Generator p/n 2460044	
3	0902756	1	Bracket, Generator Mounting	
4	0200547	1	Arm, Adjusting	
5		Ref	V-Belt Options:	
5	0480111	1	V-Belt Used with p/n 2460032/2460044 Generator (Prior to SN 0300073381)	
5	0480134	1	V-Belt Used with p/n 2460044 Generator (SN 0300073381 through 0300077500)	
6	0701015	2	Bolt M10 x 35mm	
7	4812000	2	Flatwasher M10	
8	0100011	AR	Compound, Locking	
9	0681612	1	Bolt 3/8in-16NC x 1-1/2in	
10	4751600	6	Flatwasher 3/8in	
11	2860012	1	Key, Woodruff	
12	3311605	1	Locknut 3/8in-16NC	
13	4564417	1	Spacer, Tube	
14	3251243	1	Nameplate, 120V - 60Hz (SN 0300069570 through 0300077500)	
15	4460023	1	Connector, Strain Relief	
16	0641508	1	Bolt 5/16in-18NC x 1in	
17	4751500	2	Flatwasher 5/16in	
19	3520028	1	Plug, Hole	
20	0721006	4	Bolt #10-24NC x 3/4in	
21	3311005	4	Locknut #10-24NC	

SECTION 2 - TURNTABLE

ITEM	PART NUMBER	QTY	DESCRIPTION	REV
22	4751000	9	Flatwasher #10	
23	4360294	1	Breaker, Circuit - 30 Amp	
24	3740080	1	Relay, Bosch	
25	4360336	1	Switch, Toggle (Not Shown - Located at Platform)	
26	4740397	1	Bushing (Not Shown - Located at Platform)	
27	4060802	1	Guard, Switch (Not Shown - Located at Platform)	
29	2820031	4 in/10cm	Heat Shrink (Not Shown - Located at Platform)	
30	3251102	1	Decal (Not Shown - Located at Platform)	
31	0641772	1	Bolt 7/16in-14NC x 9in	
32	3311705	1	Locknut 7/16in-14NC	

SECTION 2 - TURNTABLE

FIGURE 2-29. 2500W GENERATOR INSTALLATION - FORD MACHINES (ANSI AND CSA SPEC ONLY)
(OPTIONAL) (SN 0300077500 through 0300185827)



SECTION 2 - TURNTABLE

**FIGURE 2-29. 2500W GENERATOR INSTALLATION - FORD MACHINES (ANSI AND CSA SPEC ONLY)
(OPTIONAL) (SN 0300077500 through 0300185827)**

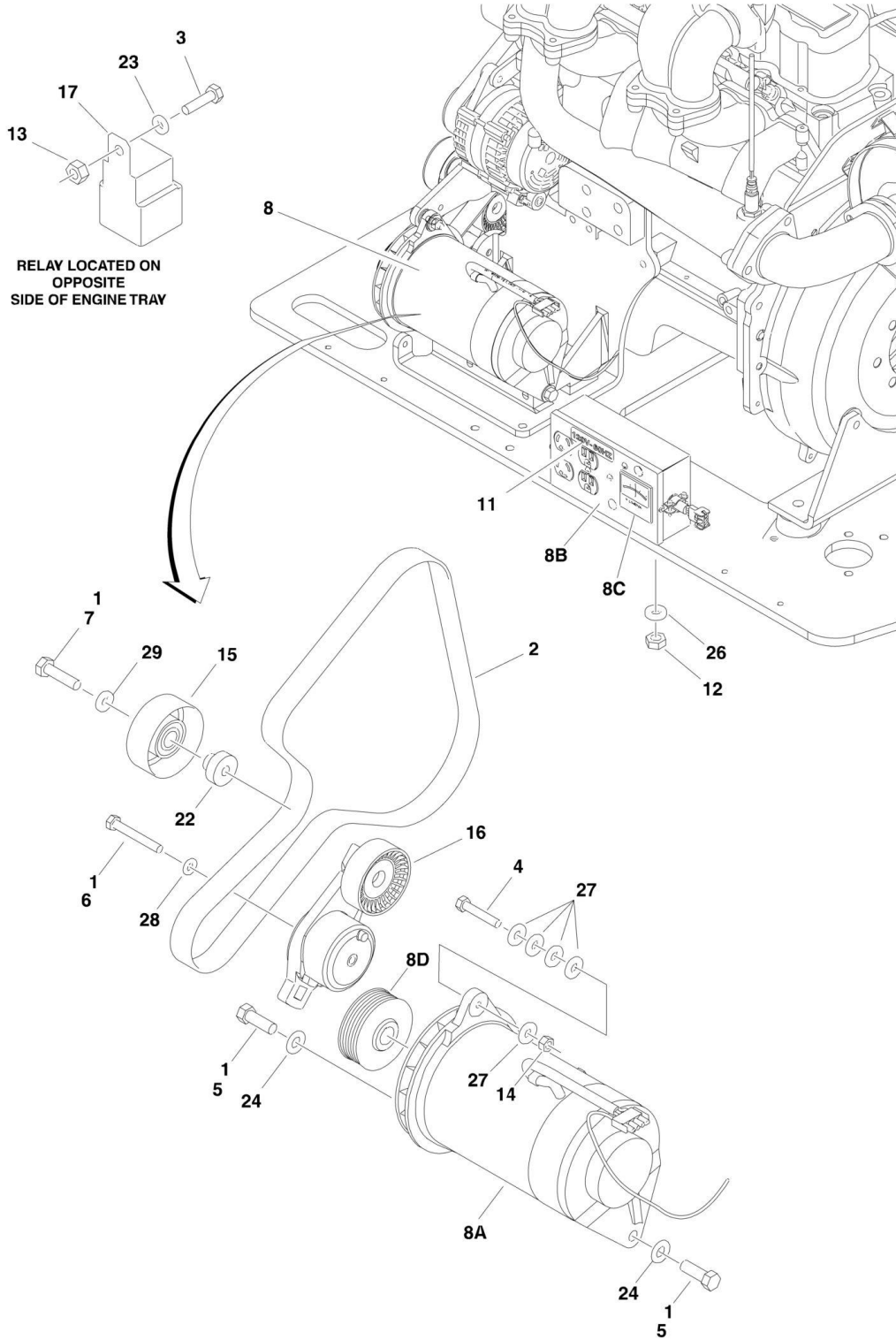
ITEM	PART NUMBER	QTY	DESCRIPTION	REV
		Ref	GENERATOR INSTALLATION OPTIONS:	
	0273507	Ref	110V Generator with ADE System	C
1	0100011	AR	Compound, Locking	
2	0100019	AR	Compound, Locking	
3	0363082	1	Bar, Generator Adjuster	
4	0363097	1	Bar, Pulley Mounting	
5	0480135	1	V-Belt	
6	0641405	1	Bolt 1/4in-20NC x 5/8in	
7	0641508	1	Bolt 5/16in-18NC x 1in	
8	0641611	3	Bolt 3/8in-16NC x 1-3/8in	
9	0641612	3	Bolt 3/8in-16NC x 1-1/2in	
10	0641718	2	Bolt 7/16in-14NC x 2-1/4in	
11	0641810	1	Bolt 1/2in-13NC x 1-1/4in	
12	0701015	1	Bolt 10mm x 35mm	
13	0741606	1	Screw, Countersunk 3/8in-16NC x 3/4in	
14	0741808	1	Screw, Countersunk 1/2in-13NC x 1in	
15	0902952	1	Bracket, Generator Mounting	
16	2460051	1	Generator and Control Box Assembly	
16A	7012558	1	Generator - 110V	
		Ref	Note: Replacement Generator p/n 7012558 come standard with p/n 3580134 pulley. This pulley may not be correct for all applications. Refer to pulley options below.	
16A	7026199	1	Armature with Slip Rings	
16A	7012513	4	Cap, Brush Holder	
16A	7020108	4	Brush	
16A	7020109	4	Holder, Brush	
16A	7012514	1	Fan	
16A	7020190	2	Bearing	
16A	7020110	1	End Bell, Front	
16A	7020111	1	End Bell, Rear	
16B	7019680	1	Box, Control	
16B	4360542	1	Breaker, Circuit	
16B	4460190	1	Receptacle, Double	
16B	4460027	1	Receptacle, Double Twist Lock	
16C	2420203	1	Voltmeter	
16D	3580324	1	Pulley	
16D	7027887	1	Key, Woodruff	
17	2820031	AR	Heat Shrink (Not Shown - Located at Platform)	
18	3251243	1	Decal - 120V-60HZ	
19	3252764	NLA	Nameplate (Not Shown - Located at Platform) (Use p/n 3251102)	
20	3311005	2	Locknut #10-24NC	
21	3311405	1	Locknut 1/4in-20NC	
22	3574225	1	Plate, Pulley Mounting	
23	3580312	2	Pulley, Idler	
24	3580313	1	Pulley, Grooved Idler	
25	3740080	1	Relay, Bosch	
26	3900322	2	Screw, Shoulder	
27	4060802	1	Guard, Switch (Not Shown - Located at Platform)	
28	4240018	AR	Tie-Strap	

SECTION 2 - TURNTABLE

ITEM	PART NUMBER	QTY	DESCRIPTION	REV
29	4340738	1	Support, Idler Pulley	
30	4360336	1	Switch, Toggle (Not Shown - Located at Platform)	
31	4568734	2	Spacer, Tube (Idler Pulley Non-Grooved)	
32	4568735	1	Spacer, Tube (Idler Pulley Grooved)	
33	4711400	1	Flatwasher 1/4in Narrow	
34	4711700	2	Flatwasher 7/16in Narrow	
35	4740397	1	Spacer	
36	4751000	2	Flatwasher #10 Wide	
37	4751600	3	Flatwasher 3/8in Wide	
38	4751800	1	Flatwasher 1/2in Wide	
39	4891500	1	Flatwasher 5/16in Hardened	
40	4891600	4	Flatwasher 3/8in Hardened	
41	4892000	2	Flatwasher 5/8in Hardened	

SECTION 2 - TURNTABLE

FIGURE 2-30. 2500W GENERATOR INSTALLATION - GM MACHINES (OPTIONAL)



SECTION 2 - TURNTABLE

FIGURE 2-30. 2500W GENERATOR INSTALLATION - GM MACHINES (OPTIONAL)

ITEM	PART NUMBER	QTY	DESCRIPTION	REV
		Ref	GENERATOR INSTALLATION OPTIONS:	
	0275039	Ref	110V Generator	E
	See Note	Ref	220V Generator (Note: Not Available for Purchase)	
1	0100011	AR	Compound, Locking	
2	0480142	1	V-Belt	
3	0641405	1	Bolt 1/4in-20NC x 5/8in	
4		Ref	Bolt Options:	
4	0641514	1	Bolt 5/16in-18NC x 1-3/4in (Prior to SN 0300094699)	
4	0641510	1	Bolt 5/16in-18NC x 1-1/4in (SN 0300094699 through 0300185827)	
5	0641710	2	Bolt 7/16in-14NC x 1-1/4in	
6	0700820	1	Bolt M8 x 60mm	
7	0701016	1	Bolt M10 x 340mm	
8	2460051	1	Generator and Control Box Assembly	
8A	7012558	1	Generator	
		Ref	Note: Replacement Generator p/n 7012558 come standard with p/n 3580134 pulley. This pulley may not be correct for all applications. Refer to pulley options below.	
8A	7026199	1	Armature with Slip Rings	
8A	7012513	4	Cap, Brush Holder	
8A	7020108	4	Brush	
8A	7020109	4	Holder, Brush	
8A	7012514	1	Fan	
8A	7020190	2	Bearing	
8A	7020110	1	End Bell, Front	
8A	7020111	1	End Bell, Rear	
8B	7019680	1	Box Control	
8B	4360542	1	Breaker, Circuit	
8B	4460190	1	Receptacle, Double	
8B	4460027	1	Receptacle, Double Twist Lock	
8C	2420203	1	Voltmeter	
8D	3580324	1	Pulley	
8D	7027887	1	Key, Woodruff	
9	2820031	AR	Heat Shrink (Not Shown - Located at Platform)	
10	3251102	1	Nameplate - Generator (Not Shown - Located at Platform)	
11	3251243	1	Decal	
12	3311005	2	Locknut # 10-24NC	
13	3311405	1	Locknut 1/4in-20NC	
14	3311505	1	Locknut 5/16in-18NC (Prior to SN 0300094699)	
15	3580312	1	Pulley, Idler	
16	3580348	1	Tensioner, Belt	
17	3740080	1	Relay, Bosch	
18	4060802	1	Guard, Switch (Not Shown - Located at Platform)	
19	4240018	AR	Tie-Strap (Not Shown)	
20	4360336	1	Switch, Toggle (Not Shown - Located at Platform)	
21	4460906	3	Terminal (Not Shown)	
22	4568735	1	Spacer, Tube (Idler Pulley Grooved)	
23	4711400	1	Flatwasher 1/4in Narrow	
24	4711700	2	Flatwasher 7/16in Narrow	
25	4740397	1	Spacer (Not Shown - Located at Platform)	

SECTION 2 - TURNTABLE

ITEM	PART NUMBER	QTY	DESCRIPTION	REV
26	4751000	2	Flatwasher #10 Wide	
27	4751500	AR	Flatwasher 5/16in Wide	
28	4811900	1	Flatwasher M8	
29	4891600	1	Flatwasher 3/8in Hardened	

SECTION 3 - BOOM

SECTION 3 - BOOM

FIGURE 3-1. BOOM AND CYLINDERS INSTALLATION

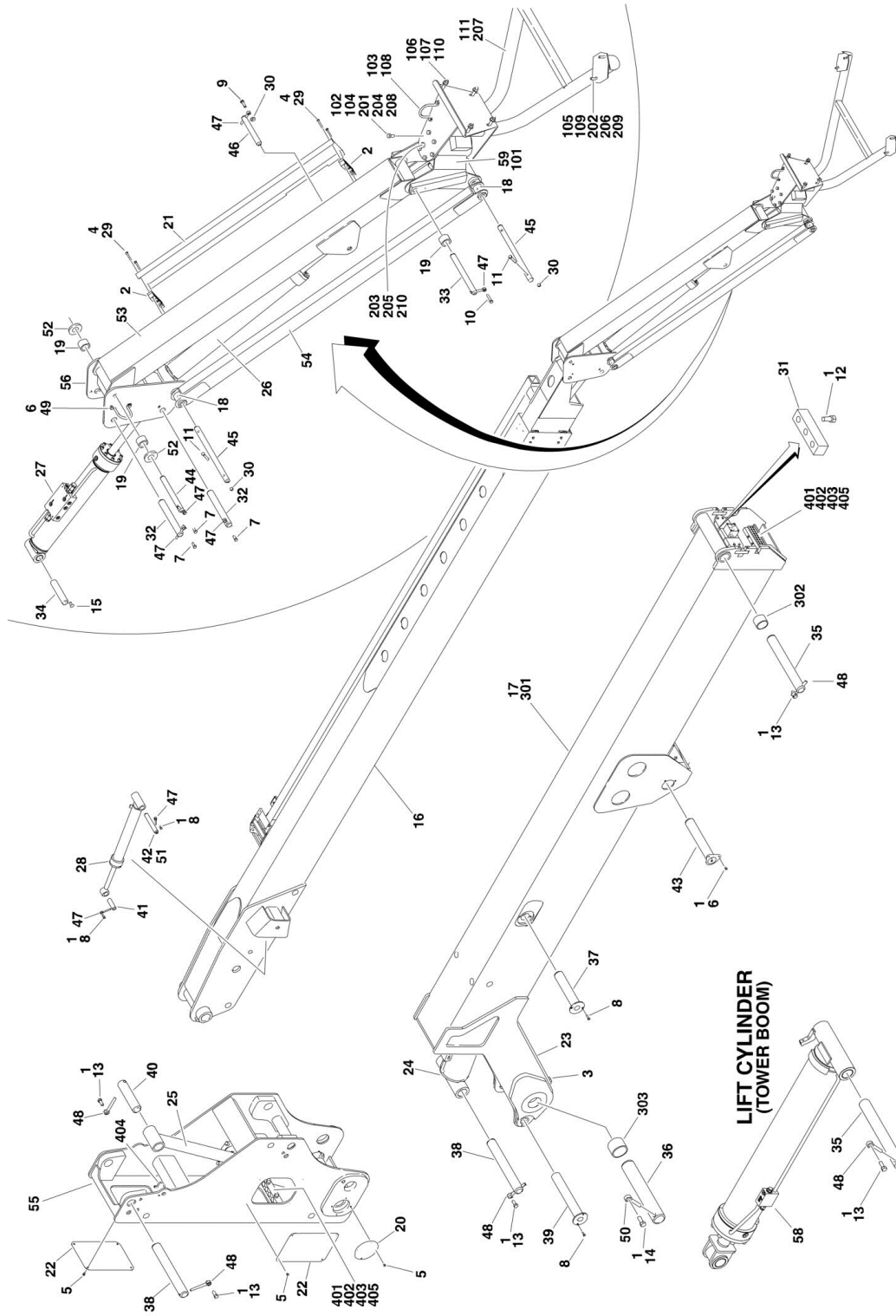


FIGURE 3-1. BOOM AND CYLINDERS INSTALLATION

ITEM	PART NUMBER	QTY	DESCRIPTION	REV
		Ref	BOOMS AND CYLINDERS INSTALLATION	
	0271505	Ref	Without Aircraft De-icing Package	I
	1001107299	Ref	With Aircraft De-icing Package	D
1	0100011	AR	Compound, Locking	
2		Ref	Block, Clamp Options:	
2	0561237	2	Without Aircraft De-icing Package	
2	1001107300	2	With Aircraft De-icing Package	
3	0641404	4	Bolt 1/4in-20NC x 1/2in	
4		Ref	Bolt 1/4in-20NC Options:	
4	0641416	4	Without Aircraft De-icing Package (2in Length)	
4	0641420	4	With Aircraft De-icing Package (2-1/2in Length)	
5	0641604	24	Bolt 3/8in-16NC x 1/2in	
6	0641606	4	Bolt 3/8in-16NC x 3/4in	
7	0641607	3	Bolt 3/8in-16NC x 7/8in	
8	0641608	6	Bolt 3/8in-16NC x 1in	
9	0641611	1	Bolt 3/8in-16NC x 1-3/8in	
10		Ref	Bolt 3/8in-16NC Options:	
10	0641614	1	1-3/4in Length	
10	0641608	1	1in Length	
11	0641618	4	Bolt 3/8in-16NC x 2-1/4in	
12	0641820	3	Bolt 1/2in-13NC x 2-1/2in	
13	0642214	5	Bolt 3/4inx 10NC x 1-3/4in	
14	0642620	1	Bolt 1in-8NC x 2-1/2in	
15	0741607	1	Screw 3/8in-16NC x 7/8in	
16	0801136	1	Boom Assembly (Upper - See MAIN BOOM ASSEMBLY for Breakdown)	
17	0801314	1	Boom Assembly (Tower - See Items 301-303 for Breakdown)	
18	0961947	6	Bearing	
19	0962335	4	Bushing (Prior to SN 0300096488)	
20	1120510	2	Cover, Upright	
21		Ref	Cover, Cable Options:	
21	1670769	1	Without Aircraft De-icing Package	
21	1001107419	1	With Aircraft De-icing Package	
22	1670844	4	Cover, Upright	
23	1670850	1	Cover, Tower Fly	
24		Ref	Cylinder, Upright Level Options (See CYLINDER SECTION for Breakdown):	
24	1683546	NLA	Cylinder, Upright Level (Original Equipment) (Use p/n 1001228041)	
24	1684497	NLA	Cylinder, Upright Level (Service Replacement) (Usage May Vary) (Use p/n 1001228041)	
24	1001228041	1	Cylinder, Upright Level (Service Replacement)	
25	1683547	NLA	Cylinder, Upper Lift (Use p/n 1001248010) (See CYLINDER SECTION for Breakdown) (Original Equipment)	
25	1001228010	1	Cylinder, Upper Lift (See CYLINDER SECTION for Breakdown) (Service Replacement)	
26	1683609	NLA	Cylinder, Extended Reach (Use p/n 1001248012) (See CYLINDER SECTION for Breakdown) (Original Equipment)	
26	1001248012	1	Cylinder, Extended Reach (See CYLINDER SECTION for Breakdown) (Service Replacement)	
27	1684228	NLA	Cylinder, Slave (Use p/n 1001228030) (See CYLINDER SECTION for Breakdown) (Original Equipment)	

SECTION 3 - BOOM

ITEM	PART NUMBER	QTY	DESCRIPTION	REV
27	1001228030	1	Cylinder, Slave (See CYLINDER SECTION for Breakdown) (Service Replacement)	
28	1683682	NLA	Cylinder, Master (Use p/n 1001228050) (See CYLINDER SECTION for Breakdown) (Original Equipment)	
28	1001228050	1	Cylinder, Master (See CYLINDER SECTION for Breakdown) (Service Replacement)	
29	2080044	4	Fastener	
30	3311605	5	Locknut, 3/8in-16NC	
31	3340835	1	Pad, Boom Rest	
32	3422561	2	Pin	
33		Ref	Pin Options:	
33		Ref	Pin (Prior to SN 0300130881)	
33	3422563	1	Production (10-3/4in Length)	
33	3422860	1	For Service Replacement Rotator (9-7/16in Length)	
33	3422860	1	Pin (SN 0300130881 through 0300185827)	
34	3422583	1	Pin	
35	3422681	2	Pin	
36	3422683	1	Pin	
37	3422684	1	Pin	
38	3422685	2	Pin	
39	3422686	1	Pin	
40	3422687	1	Pin	
41	3422688	1	Pin	
42	3422689	1	Pin	
43	3422729	1	Pin	
44	3422860	1	Pin	
45	3422861	2	Pin	
46	3422867	1	Pin	
47	3841143	7	Keeper, 3/8in	
48	3841287	5	Shaft, Keeper	
49	3841340	1	Rod, Hose Loop	
50	3841356	1	Shaft, Keeper	
51	3900239	1	Screw, Nylon	
52	4740439	2	Washer, Thrust	
53	4844816	1	Weldment, Top Tube	
53	0962335	4	Bushing	
54	4844817	2	Weldment, Bottom Tube	
55	4845593	1	Weldment, Upright	
56	4845716	1	Weldment, Pivot	
58	1683537	NLA	Cylinder, Tower Lift (Use p/n 1001228009) (See CYLINDER SECTION for Breakdown) (Original Equipment)	
58	1001228009	1	Cylinder, Tower Lift (See CYLINDER SECTION for Breakdown) (Service Replacement)	
59	0060066	1	Rotator Actuator Assembly (See ROTATOR ASSEMBLY for Breakdown) (SN 0300130881 through 0300185827)	
	0258766	Ref	ROTATOR AND SUPPORT INSTALLATION (Prior to SN 0300130881)	E
101	0060031	NLA	Rotator Actuator Assembly (Use p/n 1001103095) (See ROTATOR ASSEMBLY for Breakdown)	
102	0100011	AR	Compound, Locking	
103	0641606	2	Bolt 3/8in-16NC x 3/4in	
104	0641810	6	Bolt 1/2in-13NC x 1-1/4in	
105	0681610	4	Bolt 3/8in-16NC x 1-1/4in (Grade 8)	

SECTION 3 - BOOM

ITEM	PART NUMBER	QTY	DESCRIPTION	REV
106	0681820	4	Bolt 1/2in-13NC x 2-1/2in (Grade 8)	
107	3311805	4	Locknut 1/2in-13NC	
108	3841340	1	Rod, Hose Loop	
109	4711600	4	Flatwasher 3/8in Narrow	
110	4711800	8	Flatwasher 1/2in Narrow	
111	4844790	1	Support Weldment	
	0272070	Ref	ROTATOR AND SUPPORT INSTALLATION (SN 0300130881 through 0300185827)	E
	See Note	Ref	Machines with Load Sensing (Note: For replacement parts, contact JLG Customer Service and request manual p/n 3124287.)	
201	0100011	AR	Compound, Locking	
202	0641812	8	Bolt 1/2in-13NC x 1-1/2in	
203	0642684	1	Bolt 1in-8NC x 10-1/2in	
204	0681608	8	Bolt 3/8in-16NC x 1in (Grade 8)	
205	3300243	1	Locknut 1in-8NC	
206	3311805	8	Locknut 1/2in-13NC	
207	4846573	1	Support Weldment	
208	4891600	8	Flatwasher 3/8in Hardened	
209	4891800	8	Flatwasher 1/2in Hardened	
210	4892600	1	Flatwasher 1in Hardened	
	0801314	Ref	TOWER BOOM ASSEMBLY AND COMPONENTS	A
301	0801311	1	Weldment, Tower Boom	
302	0962102	2	Bushing (2-3/4in)	
303	0962122	2	Bushing (4in)	
		Ref	TOWER BOOM HOSE, CABLES	
	0271519	Ref	Without Aircraft De-icing / Communication System Package	C
	1001106329	Ref	With Aircraft De-icing / Communication System Package	A
401	1320250	3	Clamp, Bar	
402		Ref	Clamp, Block Options:	
402	1320251	3	Without Aircraft De-icing / Communication System Package	
402	1001106328	3	With Aircraft De-icing / Communication System Package	
403	3311605	6	Locknut 3/8in-16NC	
404	3841340	2	Rod, Hose Loop	
405	3900262	6	Bolt 3/8in-16NC x 4-3/4in	

SECTION 3 - BOOM

FIGURE 3-2. MAIN BOOM ASSEMBLIES

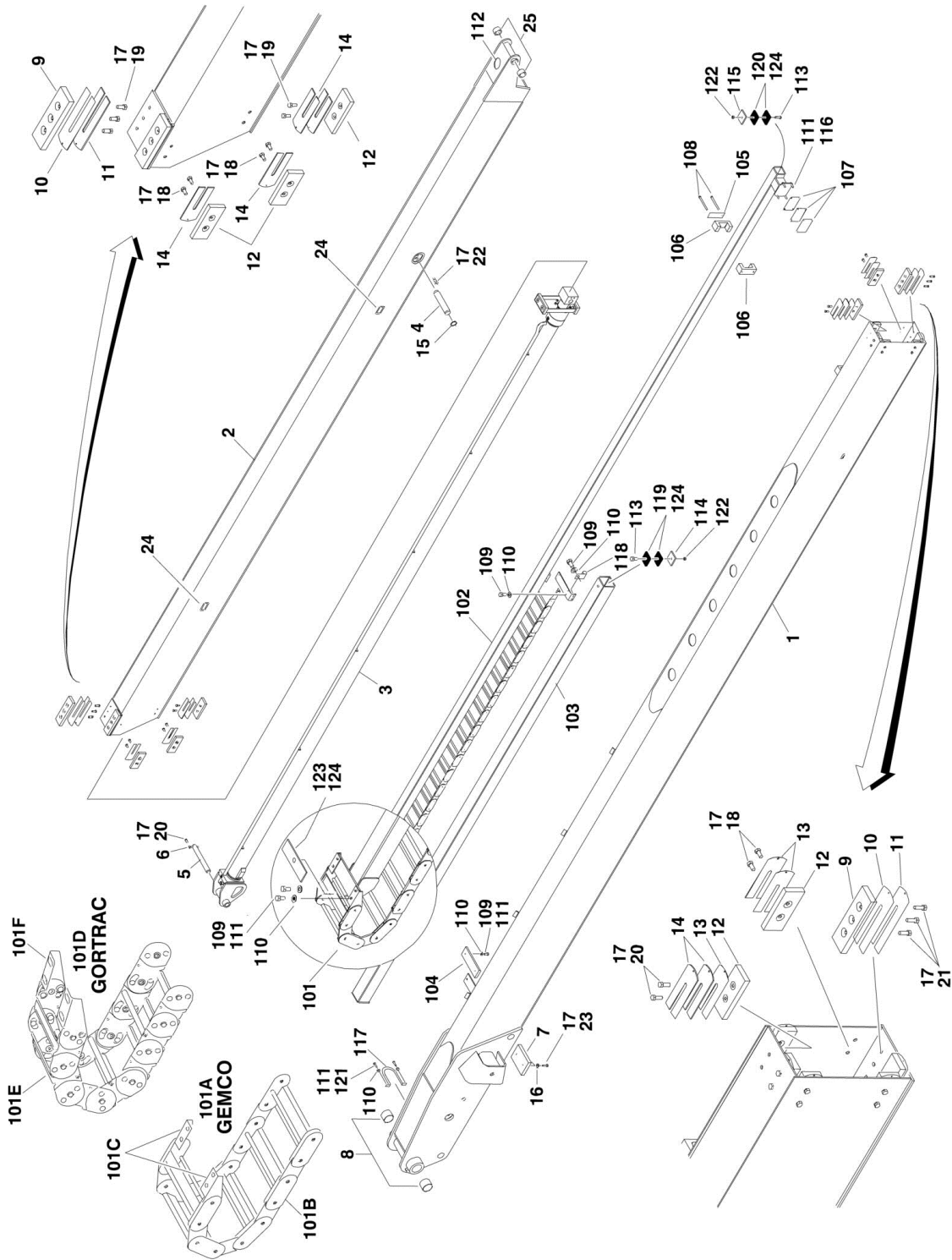


FIGURE 3-2. MAIN BOOM ASSEMBLIES

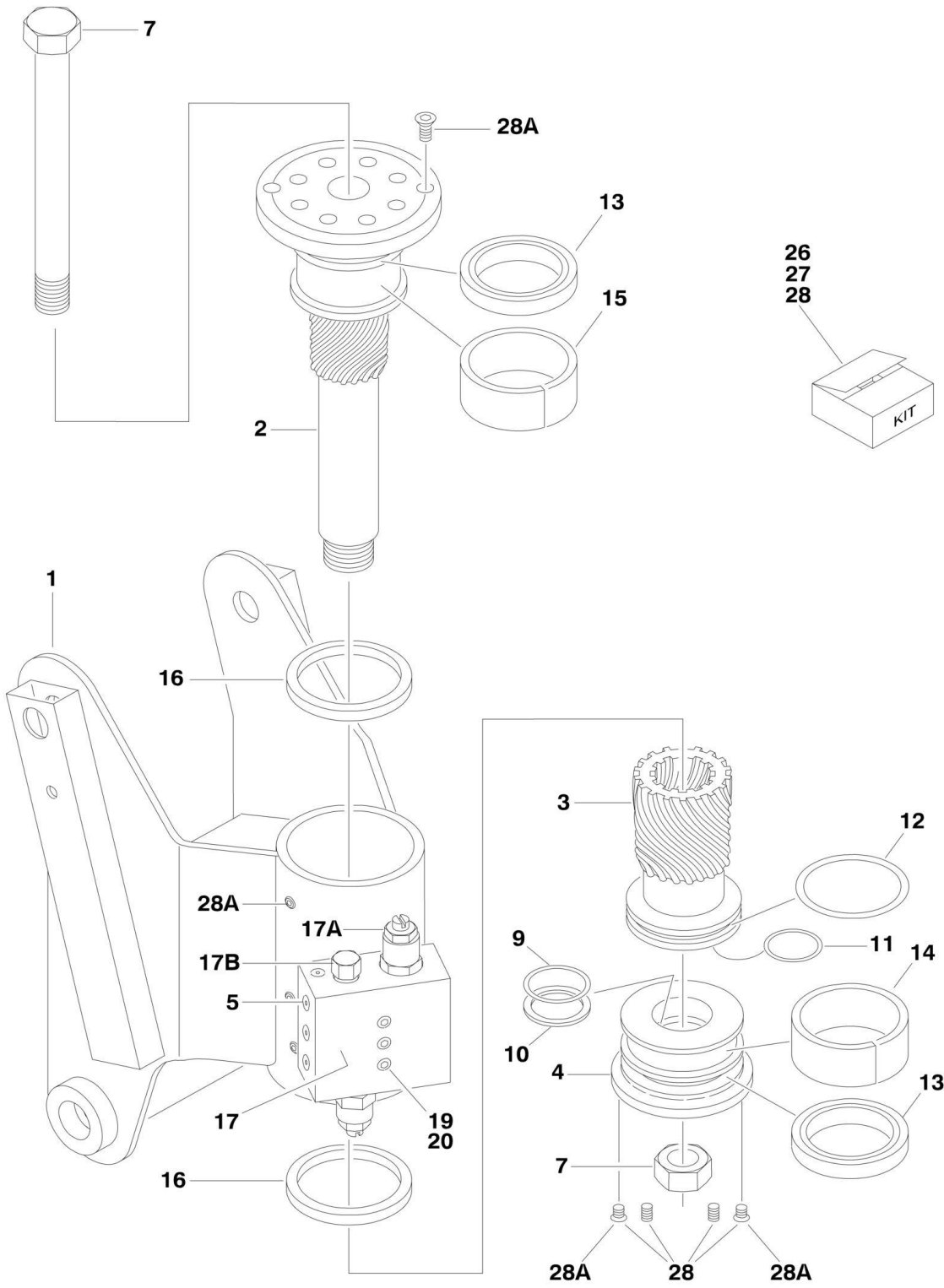
ITEM	PART NUMBER	QTY	DESCRIPTION	REV
	0801136	Ref	MAIN BOOM ASSEMBLY	M
1		Ref	Base Weldment Options:	
1	0801191	NLA	Base Weldment (Use p/n 0801591) (Prior to SN 0300103805)	
1	0801591	1	Base Weldment (SN 0300103805 through 0300185827)	
2		Ref	Fly Weldment	
2	0801140	NLA	Fly Weldment (Use p/n 0801573) (Prior to SN 0300098644)	
2	0801573	1	Fly Weldment (SN 0300098644 through 0300185827)	
3	1683672	NLA	Telescope Cylinder Assembly (Use p/n 1001228087) (See CYLINDER SECTION for Breakdown) (Original Equipment)	
3	1001188841	NLA	Telescope Cylinder Assembly (Use p/n 1001228087) (Usage May Vary) (See CYLINDER SECTION for Breakdown) (Service Replacement)	
3	1001228087	1	Telescope Cylinder Assembly (See CYLINDER SECTION for Breakdown) (Service Replacement)	
4	3422457	1	Pin	
5	3422690	1	Pin	
6	3841143	1	Keeper, Pin	
7	0561295	1	Block, Boom Rest	
8	0962102	2	Bushing	
9	3340871	4	Pad, Wear	
10	4070863	4	Shim 1/8in	
11	4070864	4	Shim.05	
12		Ref	Pad, Wear Options:	
12	3340881	12	Pad, Wear (Prior to SN 0300169344)	
12	1001148652	12	Pad, Wear (SN 0300169344 through 0300185827)	
13	4070897	10	Shim .05	
14	4070898	12	Shim 1/8in	
15	3760133	2	Ring, Retaining	
16	4711600	2	Flatwasher 3/8in Narrow	
17	0100011	AR	Compound, Locking	
18	0641606	16	Bolt 3/8in-16NC x 3/4in	
19	0641607	10	Bolt 3/8in-16NC x 7/8in	
20	0641608	5	Bolt 3/8in-16NC x 1in	
21	0641609	6	Bolt 3/8in-16NC x 1-1/8in	
22	3900259	4	Bolt, Shoulder	
23	0641612	2	Bolt 3/8in-16NC x 1-1/2in	
24	1670836	6	Cover, Boom (Prior to SN 0300120845)	
25	0961951	2	Bushing	
	0258077	Ref	POWER TRACK INSTALLATION	H
101		Ref	Carrier Options:	
101A	1180349	NLA	Gemco Brand Power Track (Original Equipment) (Use p/n 1001099837)	
101B	7016522	AR	Carrier Repair Section (Includes 1 Pin for each end)	
101B	7016523	AR	Rod Assembly (Includes 1 rod and hardware)	
101B	7016529	AR	Roller, Plastic Rod	
101B	7006137	AR	Link Pin Assembly	
101C	7016524	2	Foot, Mounting (1 Pair)	
101D	1001099837	1	Gortrac Brand Power Track (Service Replacement)	
101E	70002013	AR	Carrier Repair Section (Includes 1 Pin Assembly for each end)	
101F	70002014	1	Mounting Foot Kit (Includes Both Pair of Feet)	
102	4845729	1	Push Tube Weldment	

SECTION 3 - BOOM

ITEM	PART NUMBER	QTY	DESCRIPTION	REV
103	4845730	1	Support	
104	3340840	1	Pad	
105	3538758	1	Plate, Backing	
106	3340764	2	Pad	
107	4070969	3	Shim	
108	0641640	2	Bolt 3/8in-16NC x 5in	
109	0641606	18	Bolt 3/8in-16NC x 3/4in	
110	4711600	22	Flatwasher 3/8in Narrow	
111	0100011	AR	Compound, Locking	
112	4060805	8 in/20cm	Flex-Trim	
113	0641624	2	Bolt 3/8in-16NC x 3in	
114	1320289	1	Clamp, Hose	
115	1320288	1	Clamp, Hose	
116	0641607	4	Bolt 3/8in-16NC x 7/8in	
117	3841406	1	Loop, Hose	
118	1320263	1	Clamp, Loop	
119	3340943	2	Pad, Rubber	
120	3340941	2	Pad, Rubber	
121	3900283	2	Screw, Button Head 3/8in-16NC x 3/4in	
122	3311605	2	Locknut 3/8in-18NC	
123	0100081	AR	Adhesive	
124	4071052	2	Shim	

SECTION 3 - BOOM

FIGURE 3-3. ROTATOR ASSEMBLY (Prior to SN 0300130881)



SECTION 3 - BOOM

FIGURE 3-3. ROTATOR ASSEMBLY (Prior to SN 0300130881)

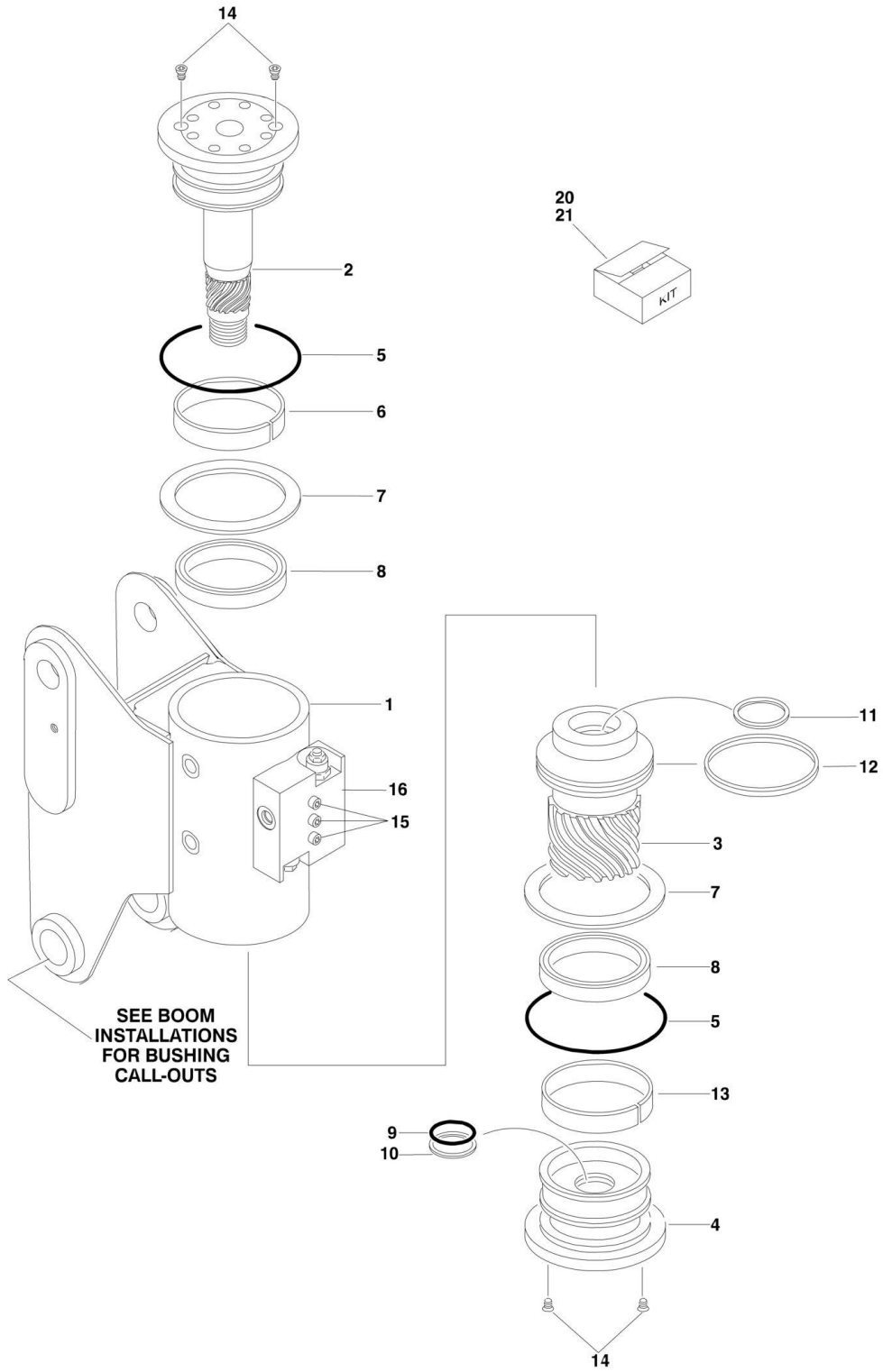
ITEM	PART NUMBER	QTY	DESCRIPTION	REV
		Ref	ROTATOR ASSEMBLIES (Prior to SN 0300130881)	
	0060031	Ref	Original Equipment	1
	1001103095	Ref	Service Replacement Kit (contains 0060074 rotator, upper pin, keeper shaft, keeper shaft bolt and instruction sheet)	1
		Ref	Note: Before ordering parts, identify whether original equipment rotator has been replaced with service replacement. Service replacement rotator uses spacer plate bolted on the top with 8 capscrews (Not shown - located at item 2). Original equipment rotator does not use spacer plate.	
1	See Note	1	Housing/Ring Gear Assembly (Note: Not Available - Purchase Complete Assembly)	
2		Ref	Shaft Weldment Options:	
2	7017177	1	0060031 Rotator	
2	7017162	1	0060074 Rotator	
2	See Note	1	Plate, Spacer (Not Shown) (0060074 Rotators Only) (Note: Not Available for Purchase)	
3		Ref	Piston/Sleeve Options:	
3	7017115	1	0060031 Rotator	
3	7017163	1	0060074 Rotator	
4		Ref	Cap, End Options:	
4	7017174	1	0060031 Rotator	
4	7017164	1	0060074 Rotator	
5	See Note	NSS	Plug, Port (Note: Not Available for Purchase)	
6	7017142	2	Plug	
7	7017119	1	Bolt 1in-8NC x 11in	
7	3272605	AR	Locknut 1in-8NC	
9	See Note	NSS	Seal, Cap (Note: Use Item 26)	
10	See Note	NSS	Ring, Back-up (Cap) (Note: Use Item 26)	
11	See Note	NSS	Seal, Rod (Note: Use Item 26)	
12	See Note	NSS	Seal, Piston (Note: Use Item 26)	
13	See Note	NSS	Packing, Bearing (Note: Use Item 26)	
14	See Note	NSS	Bearing, Cap (Note: Use Item 27)	
15	See Note	NSS	Bearing, Shaft (Note: Use Item 27)	
16	See Note	NSS	Thrustwasher (Note: Use Item 27)	
17		Ref	Valve Assembly Options:	
17	7017183	1	0060031 Rotator	
17	7017183	1	0060074 Rotator	
17A		Ref	Cartridge, Valve Options:	
17A	7011331	2	Cartridge for Helac p/n 24736	
17A	7017193	2	Cartridge for Helac p/n 27600	
17A	2900770	2	Seal Kit - 7011331 Valve	
17A	See Note	2	Seal Kit - 7017193 Valve (Note: Not Available for Purchase)	
17B		Ref	Cartridge, Valve Options:	
17B	7011332	AR	Cartridge for Helac p/n 24736	
17B	See Note	1	Cartridge for Helac p/n 27600 (Not Shown - Located on Side of Valve Block) (Note: Not Available for Purchase)	
17B	7011346	2	Seal Kit - 7011332 Valve	
17B	See Note	1	Seal Kit - Valve Located on Side of Block (Note: Not Available for Purchase)	
18	7017118	2	Setscrew (0060031 Rotators Only)	
19	See Note	3	Bolt 1/4in-20NC (Grade 8) (Note: Not Available for Purchase)	

SECTION 3 - BOOM

ITEM	PART NUMBER	QTY	DESCRIPTION	REV
20	3790110	3	O-Ring (Not Shown - Located between Valve and Actuator Housing)	
26		Ref	Seal Kit Options (Includes Items 9-13):	
26	7017157	1	0060031 Rotator	
26		Ref	0060074 Rotator Options:	
26	7017158	1	Standard	
26	70000342	1	Low Temperature	
27		Ref	Bearing Kit Options (Includes Items 14-16):	
27	7017156	1	0060031 Rotator	
27	7017159	1	0060074 Rotator	
28	7017142	1	Hardware Kit for 0060031 Rotators (Includes End Cap Dowel Pins and Items 6 & 28A)	
28A	70001697	6	Screw, Countersunk 1/4in-20NC x 3/8in Grade 8	

SECTION 3 - BOOM

FIGURE 3-4. ROTATOR ASSEMBLY (SN 0300130881 through 0300185827)



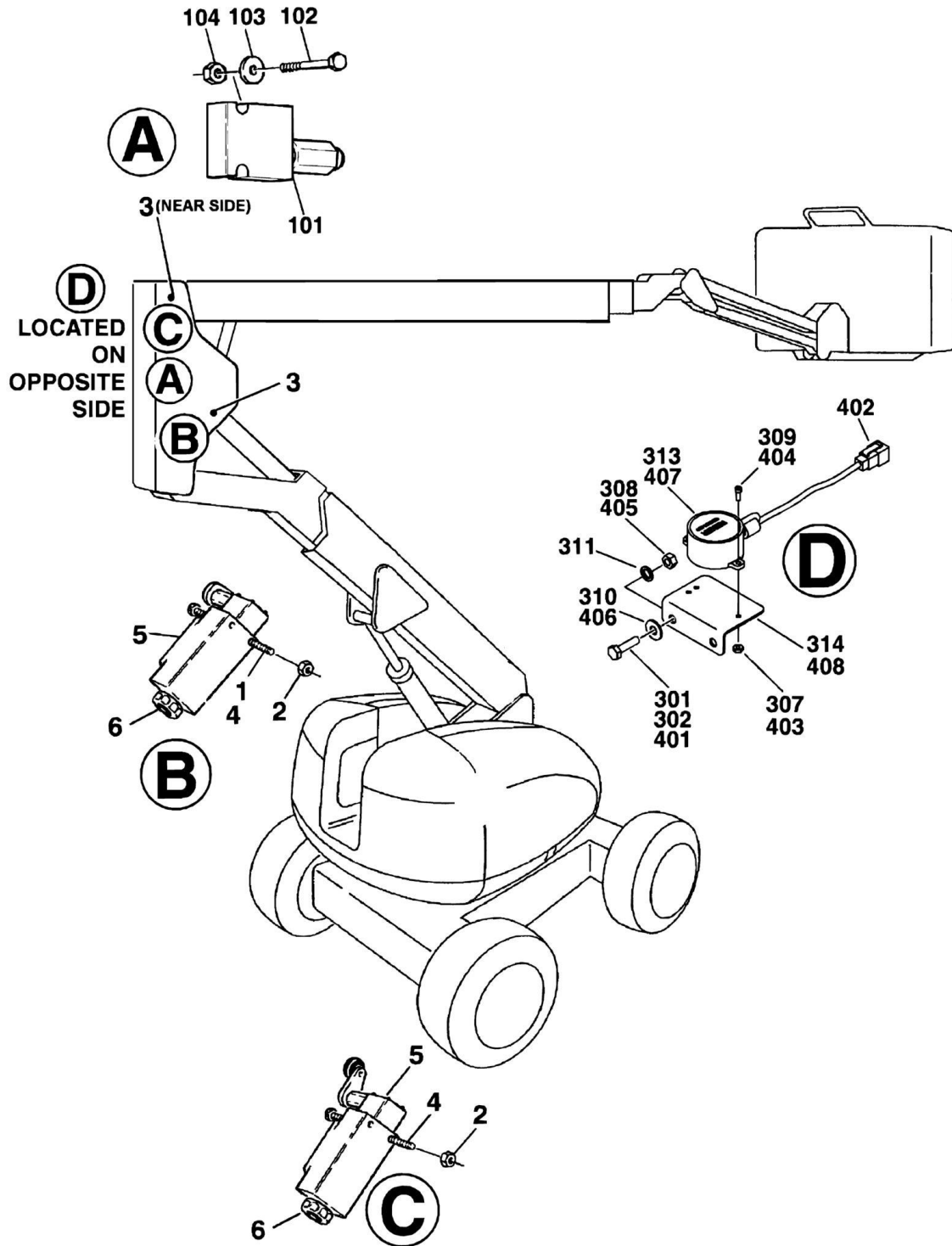
SECTION 3 - BOOM

FIGURE 3-4. ROTATOR ASSEMBLY (SN 0300130881 through 0300185827)

ITEM	PART NUMBER	QTY	DESCRIPTION	REV
	0060066	Ref	ROTATOR ASSEMBLY	C
1	See Note	1	Housing/Ring Gear Assembly (Note: Not Available - Purchase Complete Assembly)	
2	7017162	1	Weldment, Shaft	
3	7017163	1	Piston/Sleeve Assembly	
4	7017164	1	Cap, End	
5	See Note	NSS	O-Ring (Note: Use Item 20)	
6	See Note	NSS	Bearing, Shaft (Note: Use Item 21)	
7	See Note	NSS	Washer, Thrust (Note: Use Item 21)	
8	See Note	NSS	Packing, Bearing (Note: Use Item 20)	
9	See Note	NSS	Seal, Cap (Note: Use Item 20)	
10	See Note	NSS	Ring, Back-up Cap (Note: Use Item 20)	
11	See Note	NSS	Seal, Rod (Note: Use Item 20)	
12	See Note	NSS	Seal, Piston (Note: Use Item 20)	
13	See Note	NSS	Bearing, Cap (Note: Use Item 21)	
14	70001697	6	Capscrew 1/4in-20NC x 3/8in (Grade 8)	
15	See Note	3	Bolt 1/4in-20NC (Grade 8) (Note: Not Available for Purchase)	
16	7017183	1	Valve Assembly	
16	7017193	2	Cartridge, Valve	
16	See Note	2	Seal Kit - 7017193 Valve (Note: Not Available - Purchase Complete Assembly)	
16	See Note	1	Cartridge, Valve (Not Shown - Located on Side of Block) (Note: Not Available - Purchase Complete Assembly)	
16	See Note	1	Seal Kit - Valve Located on Side of Block (Note: Not Available - Purchase Complete Assembly)	
20		Ref	Seal Kit Options (Includes Items 5, 8-12):	
20	7017158	1	Standard	
20	70000342	1	Low Temperature	
21	7017159	1	Bearing Kit (Includes Items 6, 7 & 13)	

SECTION 3 - BOOM

FIGURE 3-5. VALVE AND LIMIT SWITCH INSTALLATIONS (BOOM MOUNTED)



SECTION 3 - BOOM

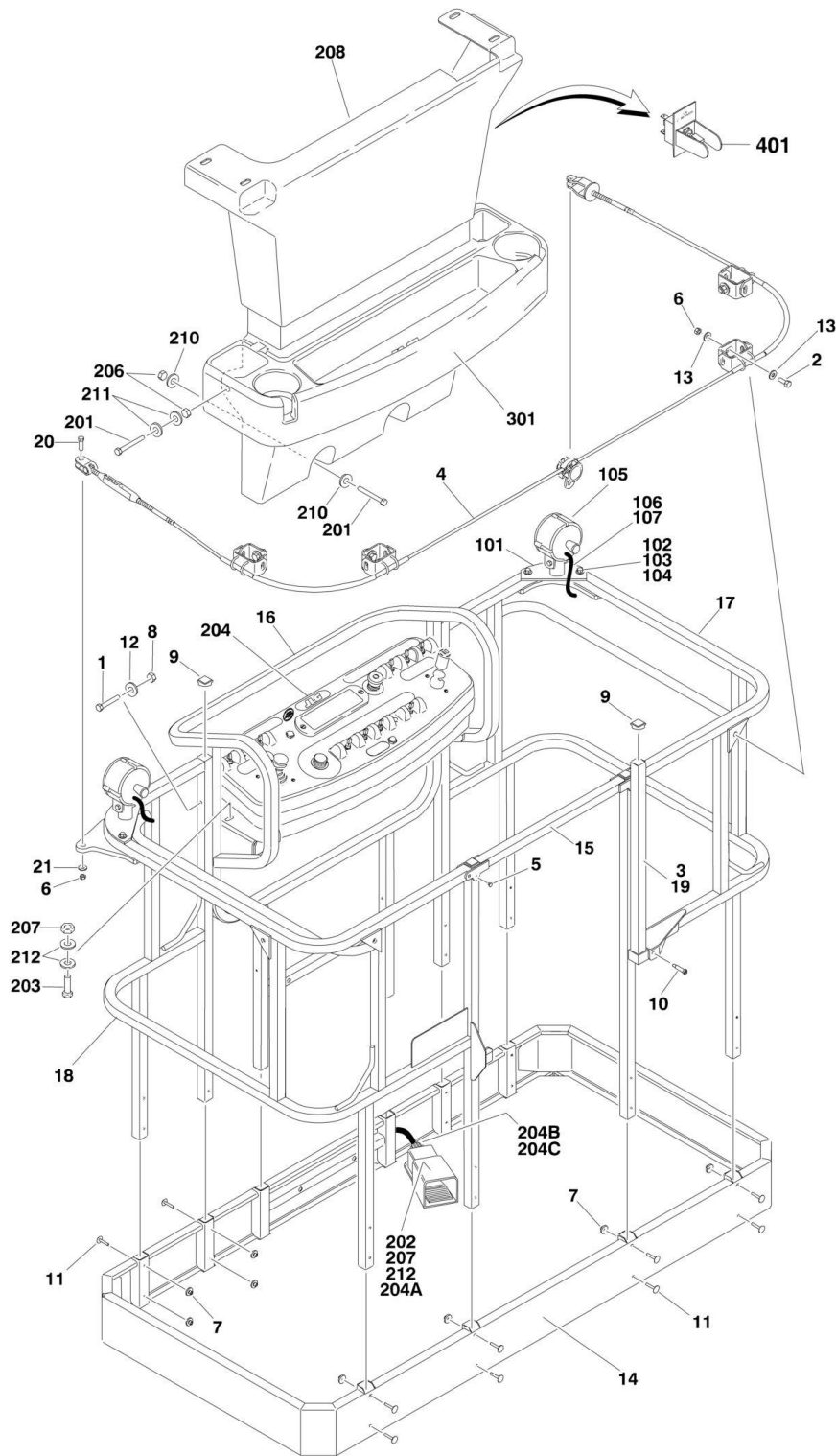
FIGURE 3-5. VALVE AND LIMIT SWITCH INSTALLATIONS (BOOM MOUNTED)

ITEM	PART NUMBER	QTY	DESCRIPTION	REV
	0271989	Ref	BOOM VALVES AND LIMIT SWITCHES INSTALLATION	C
1	0100035	AR	Compound, Locking	
2	3310805	4	Locknut #8-32NC	
3	3520035	2	Plug, Cap	
4	3930824	4	Capscrew, Socket Head #8-32NC x 1-1/2in	
5		Ref	Switch, Limit Options: (Note: P/N 4360549 & P/N 4360578 does not include #6 Connector - Purchase Separately)	
5	4360322	NLA	Switch, Limit (Use p/n 4360578) (Prior to SN 0300074427)	
5	4360549	NLA	Switch, Limit (Use p/n 4360578) (SN 0300074427 through 0300080871)	
5	4360578	2	Switch, Limit (SN 0300080872 through 0300185827)	
6		Ref	Connector, Strain Relief Options:	
6	4460428	2	Use with p/n 4360322 Switch	
6	4460968	2	Use with p/n 4360549 & 4360578 Switches	
		Ref	VALVES INSTALLATION	
	0258457	Ref	Valves Installation (Prior to SN 0300089982)	C
	0274643	Ref	Valves Installation (SN 0300089982 through 0300095109)	C
	0258457	Ref	Valves Installation (SN 0300095110 through 0300137683)	D
	0274643	Ref	Valves Installation (SN 0300137684 through 0300185827)	E
101	4640929	1	Valve Assembly (Relief)	
101	7012970	1	Cartridge	
101	7012953	1	Seal Kit - 7012970 Cartridge	
102	0641416	2	Bolt 1/4in-20NC x 2in	
103	4711400	4	Flatwasher 1/4in Narrow	
104	3311405	2	Locknut 1/4in-20NC	
	1001093187	Ref	TILT SENSOR INSTALLATION (Prior to SN 0300112885)	C
301	0100011	AR	Compound, Locking	
302	0641610	2	Bolt 3/8in-16NC x 1-1/4in	
307	3310605	3	Locknut #6-32 NC	
308	3311601	2	Locknut 3/8in-16NC	
309	3930606	3	Screw #6-32 NC	
310	4751600	2	Flatwasher 3/8in	
311	4761600	2	Lockwasher 3/8in	
313	1001094400	1	Sensor, Dual Axis	
314	1001094401	1	Bracket, Tilt Sensor	
	0275733	Ref	TILT SENSOR INSTALLATION (SN 0300112885 through 0300185827)	A
401	0641408	2	Bolt 1/4in-20NC x 1in	
402	0100048	AR	Grease, Dielectric	
403	3310605	3	Locknut #6-32 NC	
404	3930606	3	Screw #6-32 NC	
405	3311405	2	Locknut 1/4in-20NC	
406	4751400	2	Flatwasher 1/4in	
407	1001094400	1	Sensor, Dual Axis	
408	1001096736	1	Bracket, Tilt Sensor	

SECTION 4 - PLATFORM

SECTION 4 - PLATFORM

FIGURE 4-1. PLATFORM COMPONENTS INSTALLATION (Prior to SN 0300130881)



SECTION 4 - PLATFORM

FIGURE 4-1. PLATFORM COMPONENTS INSTALLATION (Prior to SN 0300130881)

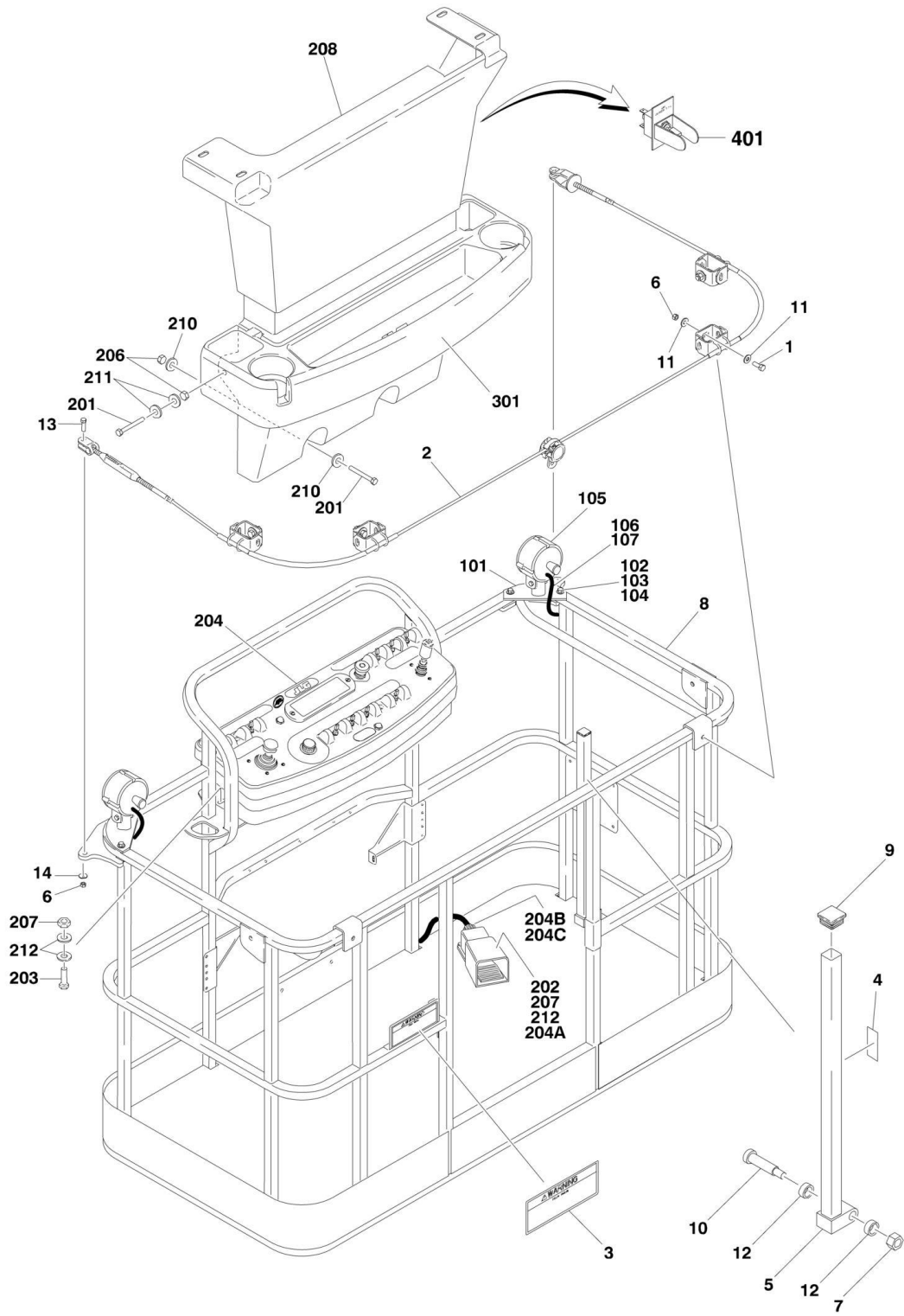
ITEM	PART NUMBER	QTY	DESCRIPTION	REV
	3510784	Ref	PLATFORM INSTALLATION (FALL ARREST)	D
		Ref	Note: Replacement Decals Must be purchased separately - See DECALS SECTION.	
1	0641524	4	Bolt 5/16in-18NC x 3in	
2	0681810	4	Bolt 1/2in-13NC x 1-1/4in (Grade 8)	
3	0962270	2	Bearing, Oilite	
4	1060919	1	Cable, Fall Arrest	
5	2080040	8	Fastener, Huck	
6	3271805	6	Locknut 1/2in-13NC	
7	3300393	16	Collar	
8	3311505	4	Locknut 5/16in-18NC	
9	3520072	5	Cap, Plug	
10	3900054	1	Bolt, Shoulder 1/2inx 1-3/4in	
11	3900207	16	Fastener	
12	4751500	4	Flatwasher 5/16in (Wide)	
13	4751800	8	Flatwasher 1/2in (Wide)	
14	4844954	1	Weldment, Floor	
15	4845287	1	Weldment, Door Rail	
16	4845328	1	Weldment, Control Box Rail	
17	4846442	1	Weldment, Rail (Right Side)	
18	4846443	1	Weldment, Rail (Left Side)	
19	4846450	1	Weldment, Gate	
20	0681814	2	Bolt 1/2in-13NC x 1-3/4in (Grade 8)	
21	4711800	2	Flatwasher 1/2in Narrow	
	0270814	Ref	WORKLIGHTS INSTALLATIONS (OPTIONAL)	3-E
101	3536089	2	Plate, Mounting	
102	0641414	4	Bolt 1/4in-20NC x 1-3/4in	
103	3311405	4	Locknut 1/4in-20NC	
104	4711400	8	Flatwasher 1/4in Narrow	
105	2920140	2	Worklight	
105	7016399	2	Bulb, Replacement (1 Per Worklight)	
106	4240099	10	Tie-Strap (Not Shown)	
107	2820035	9	Loom, Vinyl (Not Shown)	
109	4460598	1	Connector, Strain Relief (Not Shown - Located at Console Box)	
	0272762	Ref	CONSOLE BOX INSTALLATIONS	B
201	0641406	4	Bolt 1/4in-20NC x 3/4in	
202	0641408	3	Bolt 1/4in-20NC x 1in	
203	0641610	4	Bolt 3/8in-16NC x 1-1/4in	
204	0861549	1	Platform Console Box Assembly (See PLATFORM CONSOLE ASSEMBLY for Breakdown)	
204A	4360031	NLA	Footswitch Assembly (Includes Footswitch and Items 204B & 204C) (Use p/n 0272970)	
		Ref	Note: Assembly p/n 0272970 may use either p/n 4360031 or p/n 1001117320. If Original Equipment was replaced as an "assembly," p/n 1001117320 may have been used as part of the Service Replacement. Identify component before ordering parts.	
204A		Ref	Footswitch Less Cable Options:	
204A	4360031	1	Original Equipment	
204A	1001117320	1	Service Replacement	
204A		Ref	Block, Contact Options (See Note Above):	

SECTION 4 - PLATFORM

ITEM	PART NUMBER	QTY	DESCRIPTION	REV
204A	7000625	2	Contact Block for 4360031 Footswitch	
204A	70003483	1	Contact Block for 1001117320 Footswitch	
204B	1060918	7 ft/2.14m	Cable, Electrical - 18/3	
204C	4460071	1	Connector, Strain Relief	
206	3311405	7	Locknut 1/4in-20NC	
207	3311605	4	Locknut 3/8in-16NC	
208	3380434	1	Panel, Decal Mount	
210	4740362	7	Washer, Fender 1/4in	
211	4751400	4	Flatwasher 1/4in Wide	
212	4751600	8	Flatwasher 3/8in Wide	
		Ref	TRAY INSTALLATIONS (OPTIONAL)	
301	1580012	1	Tray, Storage (Center)	
		Ref	GENERATOR INSTALLATION - ANSI AND CSA SPEC (OPTIONAL)	
	0272480	Ref	110V, 60Hz Generator with Deutz Engine (Prior to SN 0300082504)	3-B
	0274082	Ref	110V, 60Hz Generator with Deutz Engine (SN 0300082504 through 0300130881)	3-C
	0273507	Ref	110V, 60Hz Generator with ADE System with Ford Engine	C
	0275039	Ref	110V, 60Hz Generator with GM Engine	D
401	4360336	1	Switch, Toggle	
401	4740397	1	Bushing	
401	4060802	1	Guard, Switch	
401	3251102	1	Decal - Generator ON/OFF	

SECTION 4 - PLATFORM

FIGURE 4-2. PLATFORM COMPONENTS INSTALLATION (SN 0300130881 through 0300185827)



SECTION 4 - PLATFORM

FIGURE 4-2. PLATFORM COMPONENTS INSTALLATION (SN 0300130881 through 0300185827)

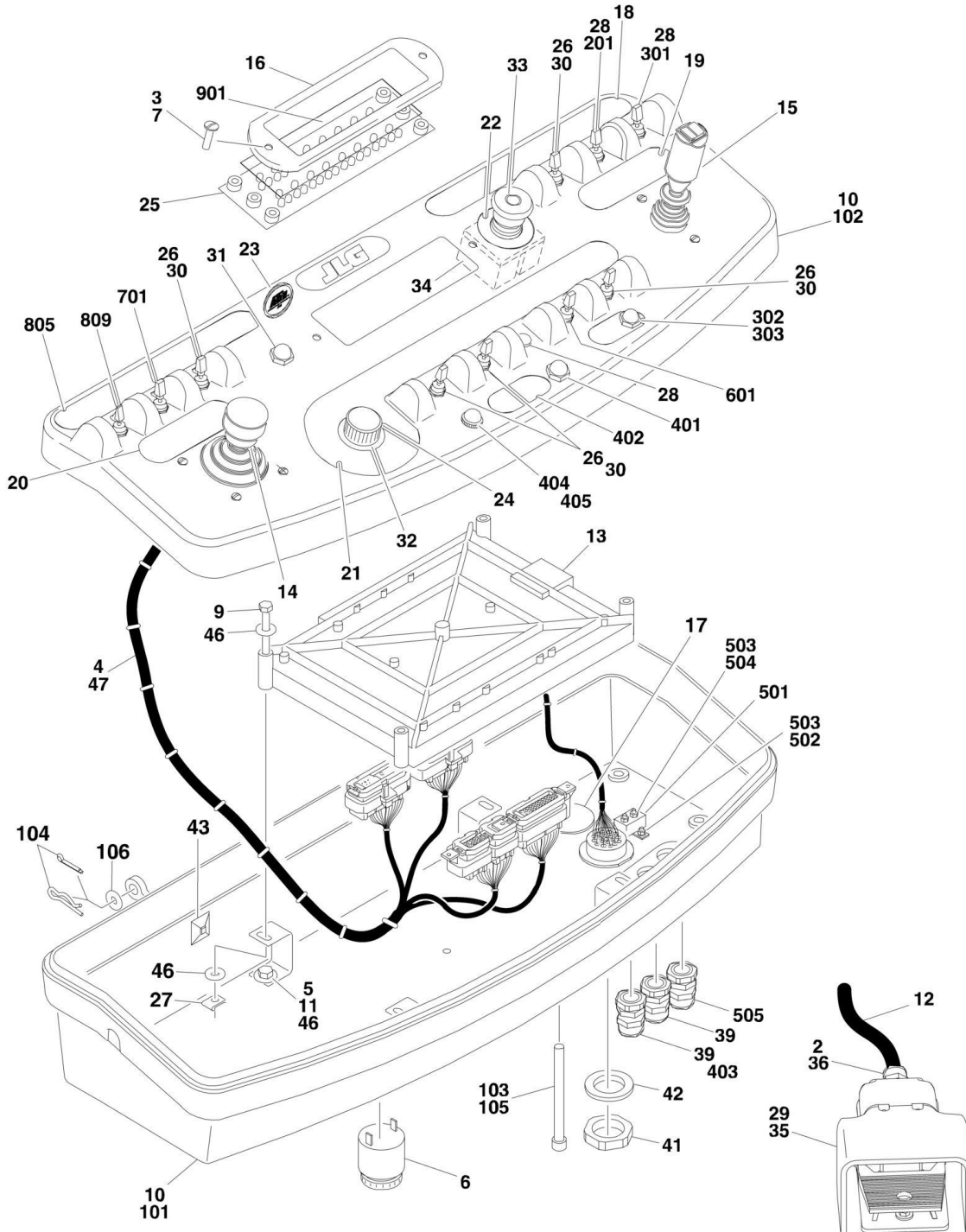
ITEM	PART NUMBER	QTY	DESCRIPTION	REV
	3510884	Ref	PLATFORM ASSEMBLY (FALL ARREST)	E
		Ref	Note: Replacement Decals Must be purchased separately See DECALS SECTION.	
1	0681822	4	Bolt 1/2in-13NC x 2-3/4in (Grade 8)	
2	1060919	1	Cable, Fall Arrest	
3	1705014	1	Decal, Safety	
4	1706385	1	Decal, Drop Bar	
5	2410014	1	Drop Bar	
6	3271805	6	Locknut 1/2in-13NC (Grade 8)	
7	3311605	1	Locknut 3/8in-16NC	
8	See Note	1	Weldment, Platform (Note: Purchase Complete Platform Assembly)	
9	3520072	1	Cap, Plug	
10	3900054	1	Bolt, Shoulder 1/2in x 1-3/4in	
11	4751800	8	Flatwasher 1/2in (Wide)	
12	0962270	2	Bearing, Oilite	
13	0681814	2	Bolt 1/2in-13NC x 1-3/4in (Grade 8)	
14	4711800	2	Flatwasher 1/2in Narrow	
		Ref	WORKLIGHTS INSTALLATIONS (OPTIONAL)	
	0270814	Ref	Worklights Installations (SN 0300130881 through 0300137665)	3-E
	0273485	Ref	Worklights Installations (SN 0300137666 through 0300185827)	D
101	3536089	2	Plate, Mounting	
102		Ref	Fastener Options:	
102	0641414	4	Bolt 1/4in-20NC x 1-3/4in (SN 0300130881 through 0300137665)	
102	0641414	4	Fastener, Huck (SN 0300137666 through 0300185827)	
103	3311405	4	Locknut 1/4in-20NC (SN 0300130881 through 0300137666)	
104	4711400	8	Flatwasher 1/4in Narrow (SN 0300130881 through 0300137666)	
105	2920140	2	Worklight	
105	7016399	2	Bulb, Replacement (1 Per Worklight)	
106	4240099	10	Tie-Strap (Not Shown)	
107	2820035	9	Loom, Vinyl (Not Shown)	
109	4460598	1	Connector, Strain Relief (Not Shown - Located at Console Box)	
		Ref	CONSOLE BOX INSTALLATION	
	0272762	Ref	Console Box Installation (Prior to SN 0300138447)	B
	1001108852	Ref	Console Box Installation (SN 0300138447 through 0300144198)	B
	1001115320	NLA	Console Box Installation (Use p/n 1001145904) (SN 0300144199 through 0300185827)	A-C
201	0641406	4	Bolt 1/4in-20NC x 3/4in	
202	0641408	3	Bolt 1/4in-20NC x 1in	
203	0641610	4	Bolt 3/8in-16NC x 1-1/4in	
204		Ref	Platform Console Box Assembly Options:	
204	0861549	1	Platform Console Box Assembly (See PLATFORM CONSOLE ASSEMBLY for Breakdown) (Prior to SN 0300138447)	
204	1001108851	1	Platform Console Box Assembly (See PLATFORM CONSOLE ASSEMBLY for Breakdown) (SN 0300138447 through 0300144198)	
204	1001115321	NLA	Platform Console Box Assembly (See PLATFORM CONSOLE ASSEMBLY for Breakdown) (Use p/n 1001145905) (SN 0300144199 through 0300185827)	
204A		Ref	Footswitch Assembly Options (Includes Footswitch and Items	

SECTION 4 - PLATFORM

ITEM	PART NUMBER	QTY	DESCRIPTION	REV
204A	0272970	1	204B & 204C): Footswitch Assembly (Prior to SN 0300169344)	
204A	1001117174		Footswitch Assembly (SN 0300169344 through 0300185827)	
		Ref	Note: Assembly p/n 0272970 may use either p/n 4360031 or p/n 1001117320. If Original Equipment was replaced as an "assembly," p/n 1001117320 may have been used as part of the Service Replacement. Identify component before ordering parts.	
204A		Ref	Footswitch Less Cable Options:	
204A	4360031	1	Original Equipment	
204A	7000625	2	Block for 4360031 Footswitch	
204A	1001117320	1	Service Replacement for Footswitch p/n 4360031 (Prior to SN 0300169344)	
204A	70003483	1	Block for 1001117320 Footswitch	
204A	1001117172	1	Footswitch Less Cable (SN 0300169344 through 0300185827)	
204A	70002902	1	Block, Contact for 1001117172 Footswitch	
204A	70002903	1	Gasket for 1001117172 Footswitch	
204A	70002905	1	Cover for 1001117172 Footswitch	
204A	70002904	1	Bolt Replacement Kit for 1001117172 Footswitch	
204B	1060918	7 ft/2.14m	Cable, Electrical - 18/3	
204C	4460071	1	Connector, Strain Relief	
206	3311405	7	Locknut 1/4in-20NC	
207	3311605	4	Locknut 3/8in-16NC	
208	3380434	1	Panel, Decal Mount	
210	4740362	7	Washer, Fender 1/4in	
211	4751400	4	Flatwasher 1/4in Wide	
212	4751600	8	Flatwasher 3/8in Wide	
		Ref	TRAY INSTALLATIONS (OPTIONAL)	
301	1580012	1	Tray, Storage (Center)	
		Ref	GENERATOR INSTALLATION - ANSI AND CSA SPEC (OPTIONAL)	
	0274082	Ref	110V, 60Hz Generator with Deutz Engine	3-C
	0275039	Ref	110V, 60Hz Generator with GM Engine	D
401	4360336	1	Switch, Toggle	
401	4740397	1	Bushing	
401	4060802	1	Guard, Switch	
401	3251102	1	Decal - Generator ON/OFF	

SECTION 4 - PLATFORM

FIGURE 4-3. PLATFORM CONSOLE ASSEMBLY (Prior to SN 0300138447)



SECTION 4 - PLATFORM

FIGURE 4-3. PLATFORM CONSOLE ASSEMBLY (Prior to SN 0300138447)

ITEM	PART NUMBER	QTY	DESCRIPTION	REV
	0861549	Ref	CONSOLE BOX AND FOOTSWITCH ASSEMBLY	F
1	0100009	AR	Sealant	
2	0100020	AR	Sealant	
3	0100035	AR	Compound, Locking	
4	0100048	AR	Grease, Dielectric	
5	0100081	AR	Adhesive	
6	0140011	1	Alarm	
7	0630464	2	Screw, Button Head #10-24NC x 1/2in	
8	0641404	4	Bolt 1/4in-20NC x 1/2in	
9	0641414	4	Bolt 1/4in-20NC x 1-3/4in	
10	0861537	1	Box, Console (See Items 101-106 for Breakdown)	
11	0902751	4	Bracket, Card Support	
12	1060918	7 ft/2.1m	Cable, 18/3	
13		Ref	Controller, Module Options (Re-calibration Required when Replaced):	
13	1600313	1	Controller, Module (Prior to SN 0300077500)	
13	1600375	1	Controller, Module (SN 0300077500 through 0300138447)	
14	1600317	NLA	Controller Assembly (Swing and Lift) (See CONTROLLER ASSEMBLY (SWING AND LIFT) for Breakdown) (Use p/n 1001129555)	
15	1600318	NLA	Controller Assembly (Drive and Steer) (See CONTROLLER ASSEMBLY (DRIVE AND STEER) for Breakdown) (Use p/n 1001212415)	
16	1670829	1	Bezel	
17	1671037	1	Cover	
18		Ref	Decal (Stop) Options:	
18	1702564	1	Decal (Prior to SN 0300073037)	
18	1704997	1	Decal (SN 0300073037 through 0300135981)	
18	1001107527	1	Decal (SN 0300135982 through 0300138447)	
19	1702565	1	Decal (Drive and Steer)	
20	1702566	1	Decal (Lift and Swing)	
21	1702567	1	Decal (Function Speed)	
22	1704260	1	Decal - EMS	
23	1705132	1	Decal - ADE	
24	2560136	1	Handle, Knob	
25	2760105	1	Housing, Display Light	
26	3790012	5	O-Ring	
27	3300353	4	Nut, Tinnerman	
28		Ref	Plug, Hole Options:	
28	3520028	5	Plug, Hole (Prior to SN 0300077500)	
28	3520054	5	Plug, Hole (SN 0300077500 through 0300138447)	
29	See Note	1	Footswitch (Note: See PLATFORM COMPONENTS INSTALLATION for Service Parts)	
30	4360328	5	Switch, Toggle	
31	4360387	1	Switch, Pushbutton	
32	4360407	1	Controller, Speed	
32	See Note	1	Gasket "Top Hat" (Included with Switch) (Note: Not Available for Purchase)	
32	70003784	1	Seal	
33	4360475	1	Switch, Emergency Stop	
33	7020175	1	Cap, Red	

SECTION 4 - PLATFORM

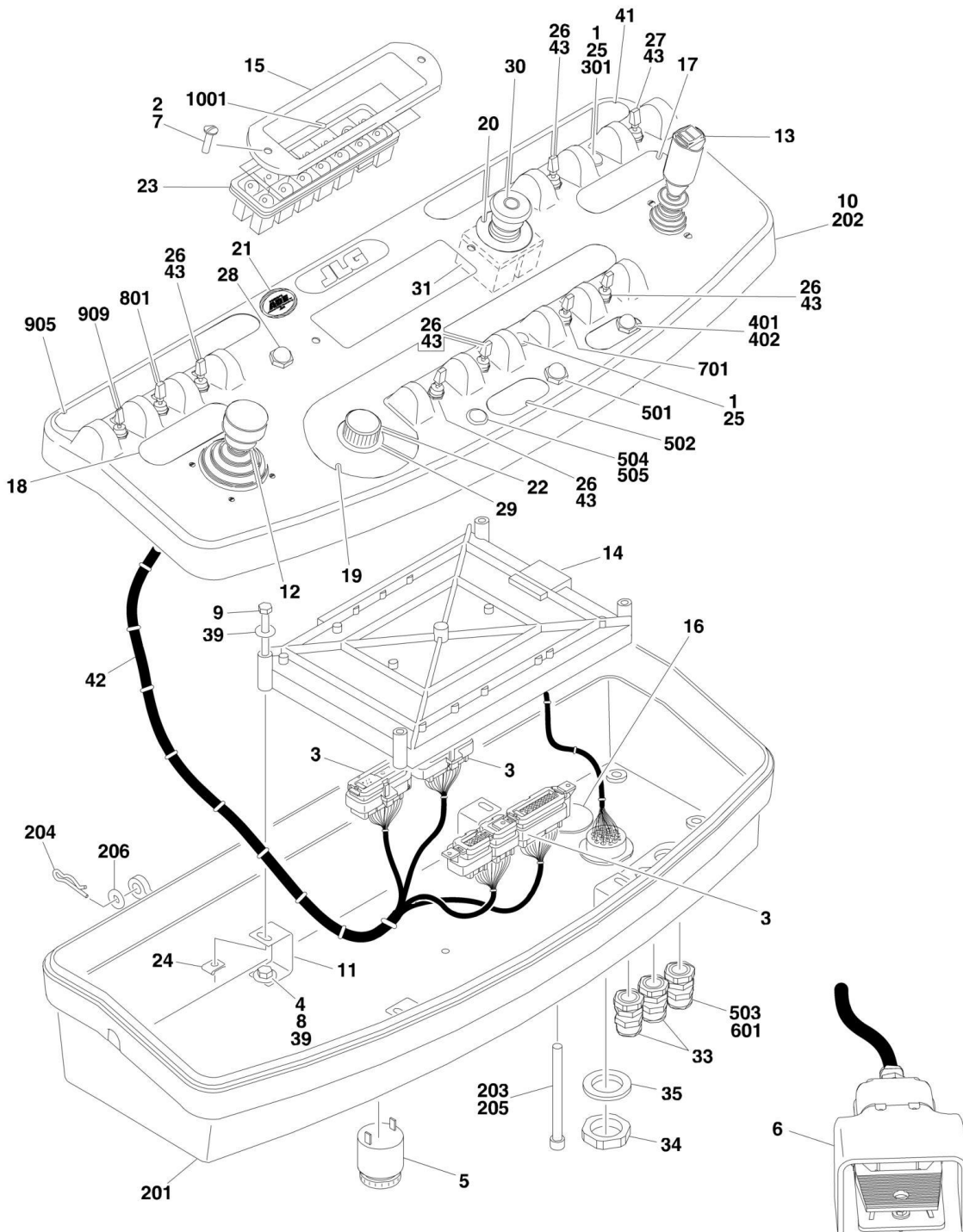
ITEM	PART NUMBER	QTY	DESCRIPTION	REV
33	7020176	1	Contact Block	
34	4360476	1	Block, Contact	
35	4460042	3	Ring, Terminal	
36	4460071	1	Connector, Strain Relief	
37	4460226	2	Contact, Socket (See ELECTRICAL SECTION for Location)	
38	4460234	3	Tie-Strap (Not Shown)	
39	4460428	2	Connector, Strain Relief	
40	4460464	1	Terminal, Deutsch (See ELECTRICAL SECTION for Location)	
41	4460470	1	Nut, Terminal	
42	4460471	1	Lockwasher, Terminal	
43	4460488	1	Base, Mounting	
44	4460708	2	Terminal, 15 Pin (See ELECTRICAL SECTION for Location)	
45	4460905	5	Plug, Seal (See ELECTRICAL SECTION for Location)	
46	4751400	8	Flatwasher 1/4in	
47		Ref	Harness, Platform Box Options:	
47	4922639	1	Harness, Platform Box (Prior to SN 0300135982)	
47	1001107753	1	Harness, Platform Box (SN 0300135982 through 0300138447)	
48	4922666	1	Harness, Analyzer Cable (See ELECTRICAL SECTION for Location)	
	0272970	1	Preassembled Footswitch Kit (Includes Items 2, 12, 29, 35, 36, 37 & 40)	
	0861537	Ref	CONSOLE BOX ASSEMBLY	E
101	0861537	1	Console Bottom (Note: Not Available for Purchase)	
102	0861537	1	Console Top (Note: Not Available for Purchase)	
103	3311601	1	Nut 3/8in-16NC	
104		Ref	Pin Options:	
104	3420156	2	Pin, Cotter (Prior to SN 030088136)	
104	3470003	2	Pin, Hair (SN 030088136 through 0300138447)	
105	0630568	1	Screw 3/8in-16NC x 4-1/2in	
106	4711500	2	Flatwasher 5/16	
		Ref	DUAL FUEL SWITCH INSTALLATIONS	
201	4360336	1	Switch, Toggle	
201	3790012	1	O-Ring	
		Ref	HEAD AND TAIL LIGHTS INSTALLATION (OPTIONAL)	
	0257884	Ref	Head and Tail Lights Installation (Prior to SN 0300135982)	2
301	4360336	1	Switch, Toggle	
301	3790012	1	O-Ring	
	0271768	Ref	Head and Tail Lights Installation (SN 0300135982 through 0300138447)	C
302	4360522	1	Switch, Pushbutton	
303	1705170	1	Decal - Lights	
	0271622	Ref	SOFT TOUCH SYSTEM INSTALLATION (OPTIONAL)	E
401	4360387	1	Switch, Pushbutton	
402	1702938	1	Decal - Soft Touch Override	
403	4460425	1	Connector, Strain Relief	
404	2920028	1	Lamp, Indicator	
405	2920029	1	Bulb	
		Ref	PLATFORM WORKLIGHT INSTALLATION (OPTIONAL)	
	0270814	Ref	Platform Worklight Installation (Prior to SN 0300137666)	3
	0273485	Ref	Platform Worklight Installation (SN 0300137666 through 0300138447)	D
501	4360232	1	Breaker, Circuit - 15Amp (Prior to SN 0300137666)	

SECTION 4 - PLATFORM

ITEM	PART NUMBER	QTY	DESCRIPTION	REV
502	0721003	2	Bolt #10-24NC x 3/8in (Prior to SN 0300137666)	
503	4761000	4	Lockwasher #10 (Prior to SN 0300137666)	
504	3311001	2	Nut #10-24NC (Prior to SN 0300137666)	
505		Ref	Connector, Strain Relief Options:	
505	4460598	1	Connector, Strain Relief (Prior to SN 0300137666)	
505	4460426	1	Connector, Strain Relief (SN 0300137666 through 0300138447)	
	0271340	Ref	JIB SWITCH INSTALLATION	1
601	4360328	1	Switch, Toggle	
601	3790012	1	O-Ring	
	0258945	Ref	STEER SWITCH (4WS) INSTALLATION	1
701	4360331	1	Switch, Toggle	
701	3790012	1	O-Ring	
	0272762	Ref	4WD SWITCH INSTALLTION	B
805	1702676	1	Decal - Horn	
809	4360331	1	Switch, Toggle (4WD)	
809	3790012	1	O-Ring	
	0275804	Ref	LIGHT PANEL DECAL INSTALLATION	B
901	1707111	1	Decal - Light Panel Display	
		Ref	Note: Machines should have been updated to this light panel installation.	

SECTION 4 - PLATFORM

FIGURE 4-4. PLATFORM CONSOLE ASSEMBLY (SN 0300138447 through 0300185827)



SECTION 4 - PLATFORM

FIGURE 4-4. PLATFORM CONSOLE ASSEMBLY (SN 0300138447 through 0300185827)

ITEM	PART NUMBER	QTY	DESCRIPTION	REV
		Ref	CONSOLE BOX AND FOOTSWITCH ASSEMBLY	
	1001108851	Ref	Console (SN 0300138447 through 0300144198)	C
	1001115321	NLA	Console (Use p/n 1001145905) (SN 0300144199 through 0300185827)	A-E
1	0100009	AR	Sealant	
2	0100035	AR	Compound, Locking	
3	0100048	AR	Grease, Dielectric	
4	0100081	AR	Adhesive	
5	0140011	1	Alarm	
6	See Note	1	Footswitch Assembly (Note: See PLATFORM COMPONENTS INSTALLATION for Service Parts)	
7	0630464	2	Screw, Button Head #10-24NC x 1/2in	
8	0641404	4	Bolt 1/4in-20NC x 1/2in	
9	0641414	4	Bolt 1/4in-20NC x 1-3/4in	
10	0861537	1	Box, Console (See Items 201-206 for Breakdown)	
11	0902751	4	Bracket, Card Support	
12	1600317	NLA	Controller Assembly (Swing and Lift) (See CONTROLLER ASSEMBLY (SWING AND LIFT) for Breakdown) (Use p/n 1001129555) (SN 0300138447 through 0300146306)	
12	1001118417	NLA	Controller Assembly (Swing and Lift) (See CONTROLLER ASSEMBLY (SWING AND LIFT) for Breakdown) (Use p/n 1001129555) (SN 0300146307 through 0300185827)	
13		Ref	Controller Assembly (Drive and Steer) Options (See CONTROLLER ASSEMBLY (DRIVE AND STEER)) for Breakdown):	
13	1600318	NLA	Controller Assembly (Use p/n 1001212415) (SN 0300138447 through 0300146306)	
13	1001118416	NLA	Controller Assembly (Use p/n 1001212415) (SN 0300146307 through 0300185827)	
14		Ref	Controller, Module Options (Re-calibration Required when Replaced):	
14	1600375	1	Controller, Module (SN 0300138447 through 0300144198)	
14	1001106355	1	Controller, Module (SN 0300144199 through 0300185827)	
15	1670829	1	Bezel	
16	1671037	NLA	Plug (Use p/n 1001110434)	
17	1702565	1	Decal (Drive and Steer)	
18	1702566	1	Decal (Lift and Swing)	
19	1702567	1	Decal (Function Speed)	
20	1704260	1	Decal - EMS	
21	1705132	1	Decal - ADE	
22	2560136	1	Handle, Knob	
23	2760105	1	Housing, Display Light	
24	3300353	4	Nut, Tinnerman	
25	3520054	AR	Plug, Hole	
26	4360328	5	Switch, Toggle	
27	4360330	1	Switch, Toggle	
28	4360387	1	Switch, Pushbutton	
29	4360407	1	Controller, Speed	
29	See Note	1	Gasket "Top Hat" (Included with Switch) (Note: Not Available for Purchase)	
29	70003784	1	Seal	
30	4360475	1	Switch, Emergency Stop	

SECTION 4 - PLATFORM

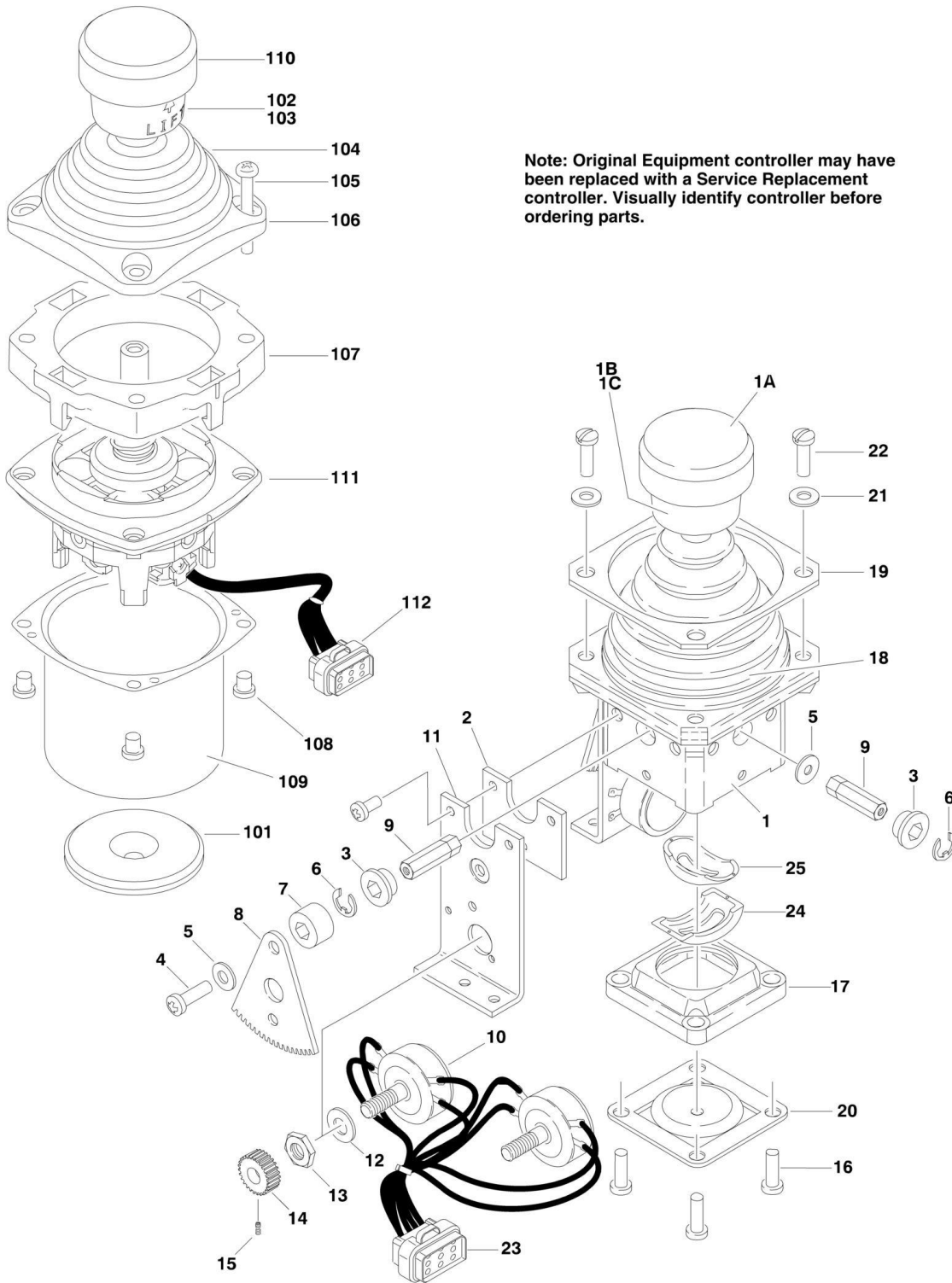
ITEM	PART NUMBER	QTY	DESCRIPTION	REV
30	7020175	1	Cap, Red	
30	7020176	1	Contact Block	
31	4360476	1	Block, Contact	
32	4460234	3	Tie-Strap (Not Shown)	
33	4460428	2	Connector, Strain Relief	
34	4460470	1	Nut, Terminal	
35	4460471	1	Lockwasher, Terminal	
36	4460488	1	Base, Mounting (Not Shown)	
37	4460708	2	Terminal, 15 Pin (See ELECTRICAL SECTION for Location)	
38	4460905	5	Plug, Seal (See ELECTRICAL SECTION for Location)	
39	4751400	8	Flatwasher 1/4in	
40	4922666	1	Harness, Analyzer Cable (See ELECTRICAL SECTION for Location)	
41		Ref	Decal (Stop) Options:	
41	1001107677	NLA	Decal (Use p/n 1001131168) (SN 0300138447 through 0300150265)	
41	1001131168	1	Decal (SN 0300150266 through 0300185827)	
42	1001107753	1	Harness, Platform Box	
43	3790012	6	O-Ring	
	0861537	Ref	CONSOLE BOX ASSEMBLY	G
201	0861537	1	Console Bottom (Note: Not Available for Purchase)	
202	0861537	1	Console Top (Note: Not Available for Purchase)	
203	3311601	1	Nut 3/8in-16NC	
204	3470003	2	Pin, Hair	
205	0630568	1	Screw 3/8in-16NC x 4-1/2in	
206	4711500	2	Flatwasher 5/16in	
		Ref	DUAL FUEL SWITCH INSTALLATIONS	
301	4360336	1	Switch, Toggle	
301	3790012	1	O-Ring	
	0271768	Ref	HEAD AND TAIL LIGHTS INSTALLATION (OPTIONAL)	C
401	4360522	1	Switch, Pushbutton	
402	1705170	1	Decal - Lights	
	0271622	Ref	SOFT TOUCH SYSTEM INSTALLATION (OPTIONAL)	E
501	4360387	1	Switch, Pushbutton	
502	1702938	1	Decal - Soft Touch Override	
503	4460425	1	Connector, Strain Relief	
504	2920028	1	Lamp, Indicator	
505	2920029	1	Bulb	
	0273485	Ref	PLATFORM WORKLIGHT INSTALLATION (OPTIONAL)	D
601	4460426	1	Connector, Strain Relief	
	0271340	Ref	JIB SWITCH INSTALLATION	1
701	4360328	1	Switch, Toggle	
701	3790012	1	O-Ring	
	0258945	Ref	STEER SWITCH (4WS) INSTALLATION	1
801	4360331	1	Switch, Toggle	
	3790012	1	O-Ring	
	1001108852	Ref	4WD SWITCH INSTALLATION	A
905	1702676	1	Decal - Horn	
909	4360331	1	Switch, Toggle (4WD)	
909	3790012	1	O-Ring	
		Ref	LIGHT PANEL DECAL INSTALLATIONS	
	1001108763	Ref	ANSI Spec	A

SECTION 4 - PLATFORM

ITEM	PART NUMBER	QTY	DESCRIPTION	REV
	1001108764	Ref	CE Spec	A
1001		Ref	Decal - Light Panel Display Options:	
1001	1001107927	1	ANSI Spec	
1001	1001107926	1	CE Spec	

SECTION 4 - PLATFORM

FIGURE 4-5. CONTROLLER ASSEMBLY (SWING AND LIFT)



Note: Original Equipment controller may have been replaced with a Service Replacement controller. Visually identify controller before ordering parts.

SECTION 4 - PLATFORM

FIGURE 4-5. CONTROLLER ASSEMBLY (SWING AND LIFT)

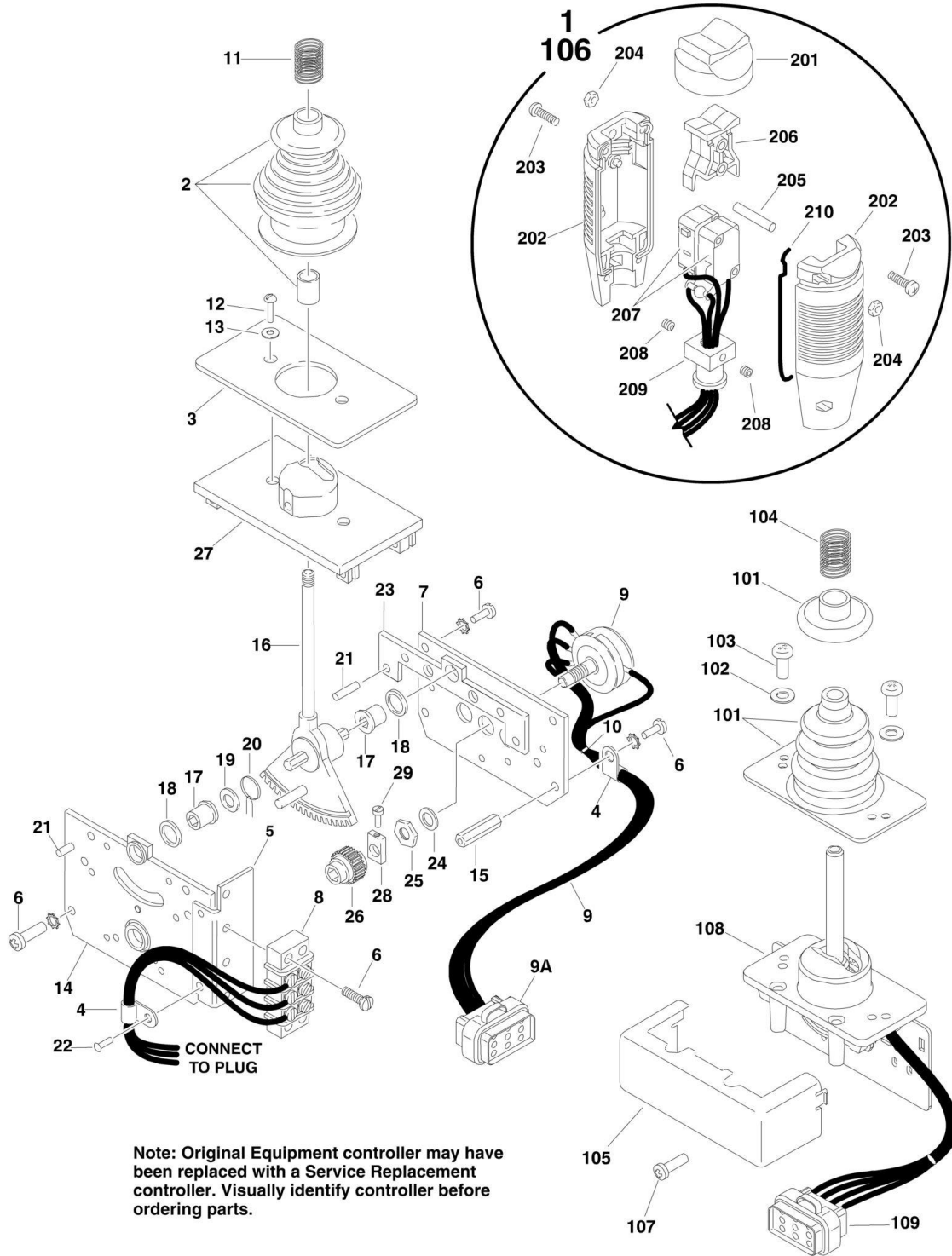
ITEM	PART NUMBER	QTY	DESCRIPTION	REV
		Ref	Note: Original Equipment controller may have been replaced with Service Replacement controller. Visually identify controller before ordering parts.	
	1600317	Ref	CONTROLLER ASSEMBLY	
		Ref	Controller Assembly (Original Equipment)	B
		Ref	Note: Use p/n 1001129555 Kit as replacement.	
1	7019141	1	Mechanical Assembly (Includes Base, Handle Stem and Items 1A, 1B, 1C & 18)	
1A	7019197	1	Handle Cap and Rod	
1B	7003928	1	Spring	
1C	7022808	1	Cap, Lift	
2	7019171	2	Plate	
3	7019111	4	Bearing, Gear	
4	7019143	2	Screw	
5	7019144	2	Spacer, Cam	
6	7019145	4	E-Clip	
7	7019174	2	Spacer	
8	7003977	2	Gear, Drive	
9		Ref	Shaft Options:	
9	7019147	2	Shaft, Short	
9	7019177	2	Shaft, Long	
10	7022818	2	Potentiometer	
11	7019142	2	Plate	
12	7003992	2	Washer	
13	7003993	2	Nut	
14	7003976	2	Gear, Slave	
15	7019149	2	Setscrew	
16	7022816	4	Screw	
17	7019150	1	Gate	
18	7022814	1	Boot	
19	7022815	1	Bezel	
20	See Note	1	Center, Detent (Note: Not Available for Purchase)	
21	7003953	4	Washer	
22	7022817	4	Screw	
23	7022819	1	Plug, Male 8 Position (Natural)	
23	4460871	8	Socket, Female	
24	7019122	1	Gimble, Outer	
25	7019123	1	Gimble, Inner	
	1001118417	NLA	Controller Assembly:	
		Ref	Service Replacement (Prior to SN 0300146307)	
		Ref	Original Equipment (SN 0300146307 through 0300185827)	
		Ref	Note: Use p/n 1001129555 Kit as replacement.	C
101	70002730	1	Gasket	
102	7003928	1	Spring	
103	7022808	1	Cap, Lift	
104	70002731	1	Boot	
105	70002732	4	Screw	
106	7022815	1	Bezel	
107	70002733	1	Adapter	
108	70002734	4	Screw	

SECTION 4 - PLATFORM

ITEM	PART NUMBER	QTY	DESCRIPTION	REV
109	70002735	1	Can, Enclosure	
110	70002906	1	Cap	
111	1001129555	1	Mechanical Assembly (Note: Not Available for Purchase)	
112	7022819	1	Plug, Male 8 Position (Natural) (Not Shown)	
112	4460871	6	Socket, Female	

SECTION 4 - PLATFORM

FIGURE 4-6. CONTROLLER ASSEMBLY (DRIVE AND STEER)



SECTION 4 - PLATFORM

FIGURE 4-6. CONTROLLER ASSEMBLY (DRIVE AND STEER)

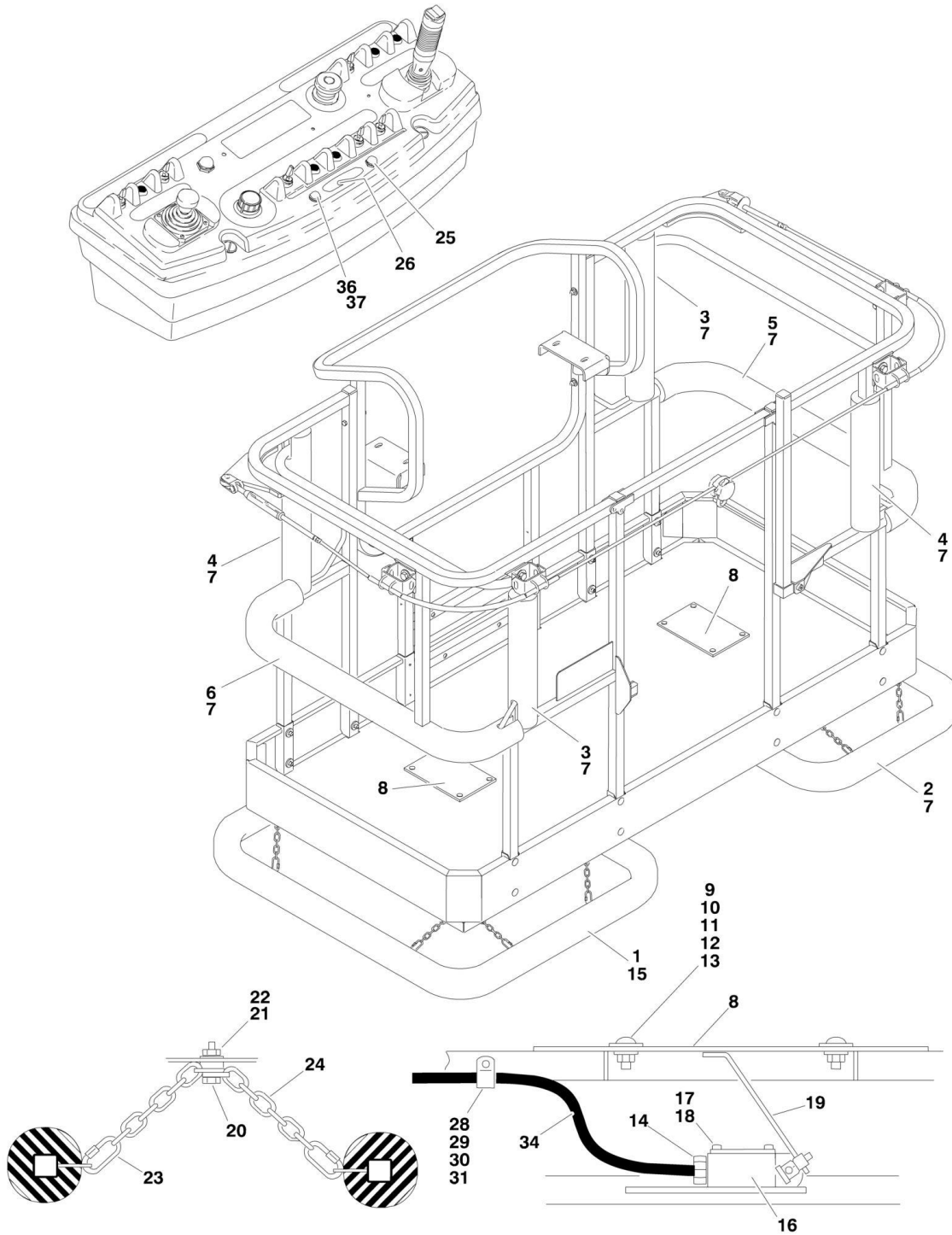
ITEM	PART NUMBER	QTY	DESCRIPTION	REV
		Ref	Note: Original Equipment controller may have been replaced with Service Replacement controller. Visually identify controller before ordering parts.	
	1600318	Ref	CONTROLLER ASSEMBLY	
		Ref	Controller Assembly (Original Equipment)	D
		Ref	Note: Use p/n 1001212415 as Replacement.	
1	7022812	1	Handle Assembly (See Items 201-210 for Breakdown)	
2	7019161	1	Boot and Sleeve	
3	7003933	1	Gasket	
4	7019154	2	Clamp, Wire	
5	7022823	1	Bracket, Mounting	
6	7003994	1	Screw	
7	7022822	1	Plate, Pot Mounting	
8	7003986	1	Strip, Terminal - 3 Position	
9	7022824	1	Electric Assembly	
9A	1001113961	1	Plug, Male - 8 Position (Black) (was p/n 7022825)	
9A	4460871	7	Socket, Female	
10	7019151	AR	Tie-Strap	
11	7019162	1	Spring	
12	7003969	2	Screw	
13	7003941	2	Washer	
14	See Note	1	Plate, Mounting (Left Side) (Note: Not Available for Purchase)	
15	7019115	2	Stand-Off	
16	7019155	1	Shaft 8mm	
17	7019111	2	Bearing	
18	7019110	2	Spacer, Head Gear	
19	7019112	1	Washer	
20	7003946	1	Spring, Return	
21	7019103	4	Pin	
22	See Note	1	Rivet (Note: Not Available - Purchase Locally)	
23	7019168	1	Plate, Mounting (Right Side)	
24	7003992	1	Washer	
25	7003993	1	Nut	
26	7003935	1	Gear, Slave	
27	7019160	1	Plate, Base	
28	7019114	1	Coupling, Potentiometer	
29	See Note	1	Capscrew (Note: Not Available for Purchase)	
	1001118416	Ref	Controller Assembly:	
		Ref	Controller Assembly (Service Replacement) (Prior to SN 0300146307)	B
		Ref	Controller Assembly (Original Equipment) (SN 0300146307 through 0300185827)	
		Ref	Note: Use p/n 1001212415 as Replacement.	
101	70002724	1	Boot and Control Lock Assembly	
102	7003941	2	Washer	
103	70002725	2	Screw	
104	7019162	1	Spring	
105	70002726	1	Enclosure	
106	70002727	1	Handle Assembly (See Items 201-210 for Breakdown)	
107	70002728	1	Screw	

SECTION 4 - PLATFORM

ITEM	PART NUMBER	QTY	DESCRIPTION	REV
108	1001118416	1	Mechanical Assembly (Note: Not Available for Purchase)	
109	1001113961	1	Plug, Male - 8 Position (Black) (was p/n 7022825)	
109	4460871	7	Socket, Female	
		Ref	HANDLE ASSEMBLIES	
	7022812	Ref	Controller Assembly p/n 1600318	
	70002727	Ref	Controller Assembly p/n 1001118416	
201	7003972	1	Boot, Switch	
202	7003973	2	Half, Handle	
203	7003980	4	Screw	
204	7019167	4	Nut	
205	7019164	1	Axle	
206	7019165	1	Rocker	
207		Ref	Wiring Assembly Options:	
207	7019196	1	Controller Assembly p/n 1600318	
207	7019166	2	Switch, Micro	
207	70002729	1	Controller Assembly p/n 1001118416	
207	7003982	2	Switch, Micro	
208	7003983	2	Setscrew	
209	7019194	1	Coupling	
210	7003989	2	Gasket	

SECTION 4 - PLATFORM

FIGURE 4-7. SOFT TOUCH SYSTEM INSTALLATION (OPTIONAL) (Prior to SN 0300137666)



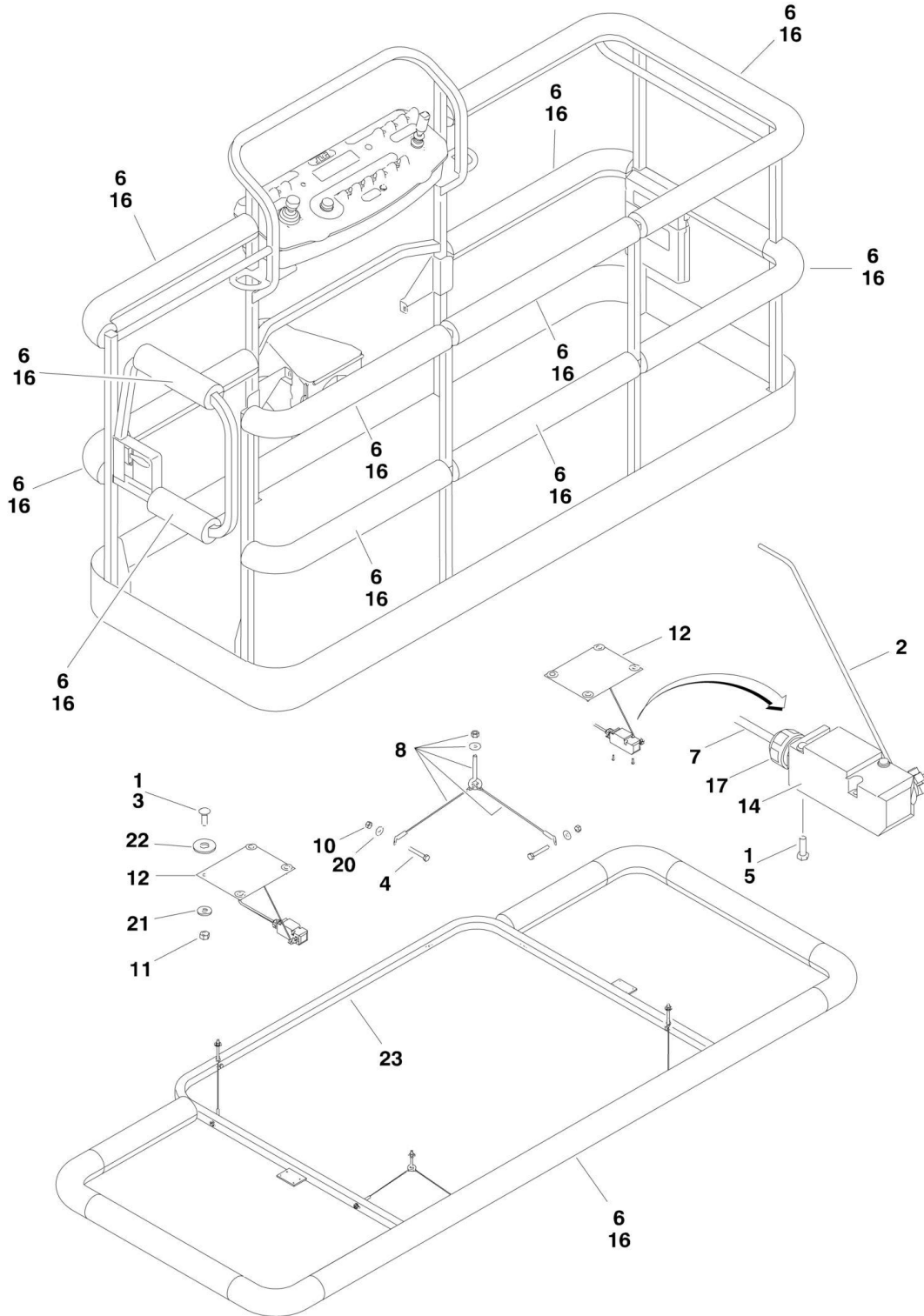
SECTION 4 - PLATFORM

FIGURE 4-7. SOFT TOUCH SYSTEM INSTALLATION (OPTIONAL) (Prior to SN 0300137666)

ITEM	PART NUMBER	QTY	DESCRIPTION	REV
	0271622	Ref	SOFT TOUCH SYSTEM INSTALLTION (FALL ARREST)	E
1	4845308	2	Weldment, Soft Touch Rail	
2	1670804	2	Cover, Rail	
3	1670785	2	Cover, Post (Right/Front)	
4	1670786	2	Cover, Post (Left/Front)	
5	1671041	1	Cover, Mid Rail (Right Side/End)	
6	1671042	1	Cover, Mid Rail (Left Side/End)	
7	0940038	AR	Padding, Bumper	
8	3539719	2	Plate, Switch Strike	
9	0630462	8	Bolt, Carriage	
10	4761500	8	Lockwasher 5/16in	
11	4751800	8	Flatwasher 1/2in	
12	3311501	8	Nut 5/16in-18NC	
13	4751500	8	Flatwasher 5/16in	
14	4460049	2	Connector, Strain Relief	
15	3530072	4	Plug, Cap	
16	4360057	2	Switch, Limit	
17	0731005	4	Bolt #10-32NC x 5/8in	
18	4751000	4	Lockwasher #10	
19	0200550	2	Arm, Switch	
20	0641612	8	Bolt 3/8in-16NC x 1-1/2in	
21	4751600	40	Flatwasher 3/8in	
22	3311605	8	Locknut 3/8in-16NC	
23	3010088	16	Link, Quick	
24	1260136	10 ft/3m	Chain	
25	4360387	1	Switch, Push Button	
26	1702938	1	Decal - Soft Touch Override	
28	1320043	4	Clamp	
29	0641406	4	Bolt 1/4in-20NC x 3/4in	
30	4711400	8	Flatwasher 1/4in	
31	3311405	4	Locknut 1/4in-20NC	
33	4460425	1	Connector, Strain Relief (Not Shown - Located in Console Box)	
34	1060341	16 ft/4.9m	Cable, Electrical - 16/2	
36	2920028	1	Lamp, Indicator	
37	2920029	1	Bulb	
	0272444	Ref	SOFT TOUCH COUNTERWEIGHT INSTALLATION (NOT SHOWN)	C
	4821397	1	Counterweight (Located in Frame)	

SECTION 4 - PLATFORM

FIGURE 4-8. SOFT TOUCH SYSTEM INSTALLATION (OPTIONAL) (SN 0300137666 through 0300185827)



SECTION 4 - PLATFORM

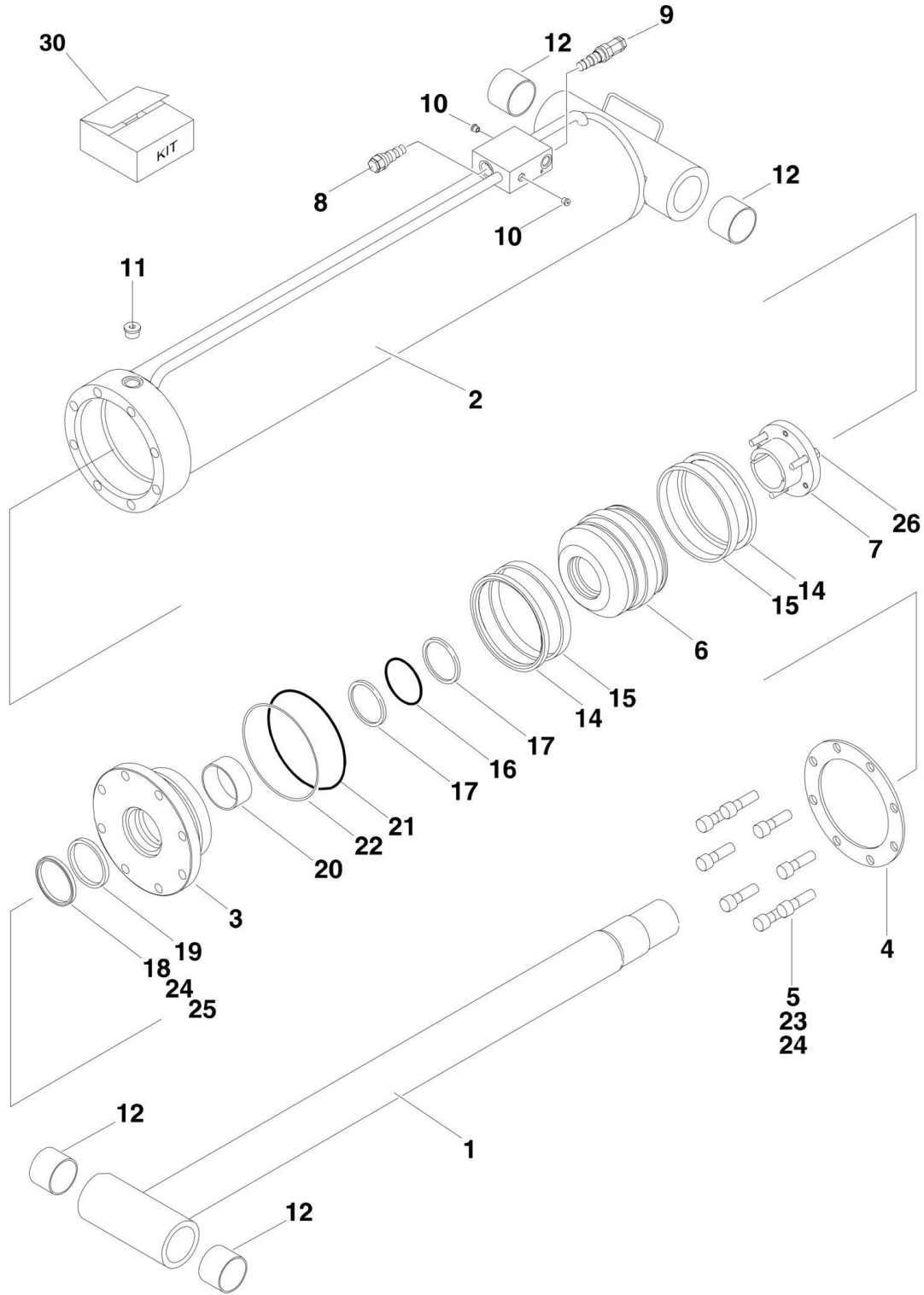
FIGURE 4-8. SOFT TOUCH SYSTEM INSTALLATION (OPTIONAL) (SN 0300137666 through 0300185827)

ITEM	PART NUMBER	QTY	DESCRIPTION	REV
	1001108256	Ref	SOFT TOUCH SYSTEM INSTALLATION (FALL ARREST)	A
1	0100011	AR	Compound, Locking	
2	0200048	2	Arm, Switch Activator	
3	0630462	8	Bolt, Carriage	
4	0641414	8	Bolt 1/4in-20NC x 1-3/4in	
5	0731005	4	Screw, Machine #10-32 x 5/8in	
6	0940177	1	Bumper Kit	
7	1060341	23 ft/7.0m	Cable, Electrical - 16/2	
8	1060903	4	Wire Rope and Eyebolt Assembly	
9	1702938	1	Decal, Soft Touch Override (Not Shown - Located on Platform Box)	
10	3311401	8	Nut 1/4in-20NC	
11	3311501	8	Nut 5/16in-18NC	
12	3575359	2	Plate, Striker	
13	4240099	7	Tie-Strap (Not Shown)	
14	4360057	2	Switch, Limit	
15	4360387	1	Switch, Push Button (Not Shown - Located on Platform Box)	
16	4420068	1	Tape, Yellow Adhesive	
17	4460049	2	Connector, Strain Relief	
18	4460234	AR	Base, Tie-Strap Mounting (Not Shown)	
19	4460425	1	Connector, Strain Relief (Not Shown - Located in Platform Box)	
20	4751400	8	Flatwasher 1/4in Wide	
21	4751500	9	Flatwasher 5/16in Wide	
22	4751800	8	Flatwasher 1/2in Wide	
23	3641569	1	Rail, Soft-Touch	
25	2920028	1	Lamp, Indicator (Not Shown - Located on Platform Box)	
26	2920029	1	Bulb (Not Shown - Located on Platform Box)	
	0272444	Ref	SOFT TOUCH COUNTERWEIGHT INSTALLATION (NOT SHOWN)	C
	4821397	1	Counterweight (Located in Frame)	

SECTION 5 - CYLINDER

SECTION 5 - CYLINDER

FIGURE 5-1. UPRIGHT LEVEL CYLINDER ASSEMBLY



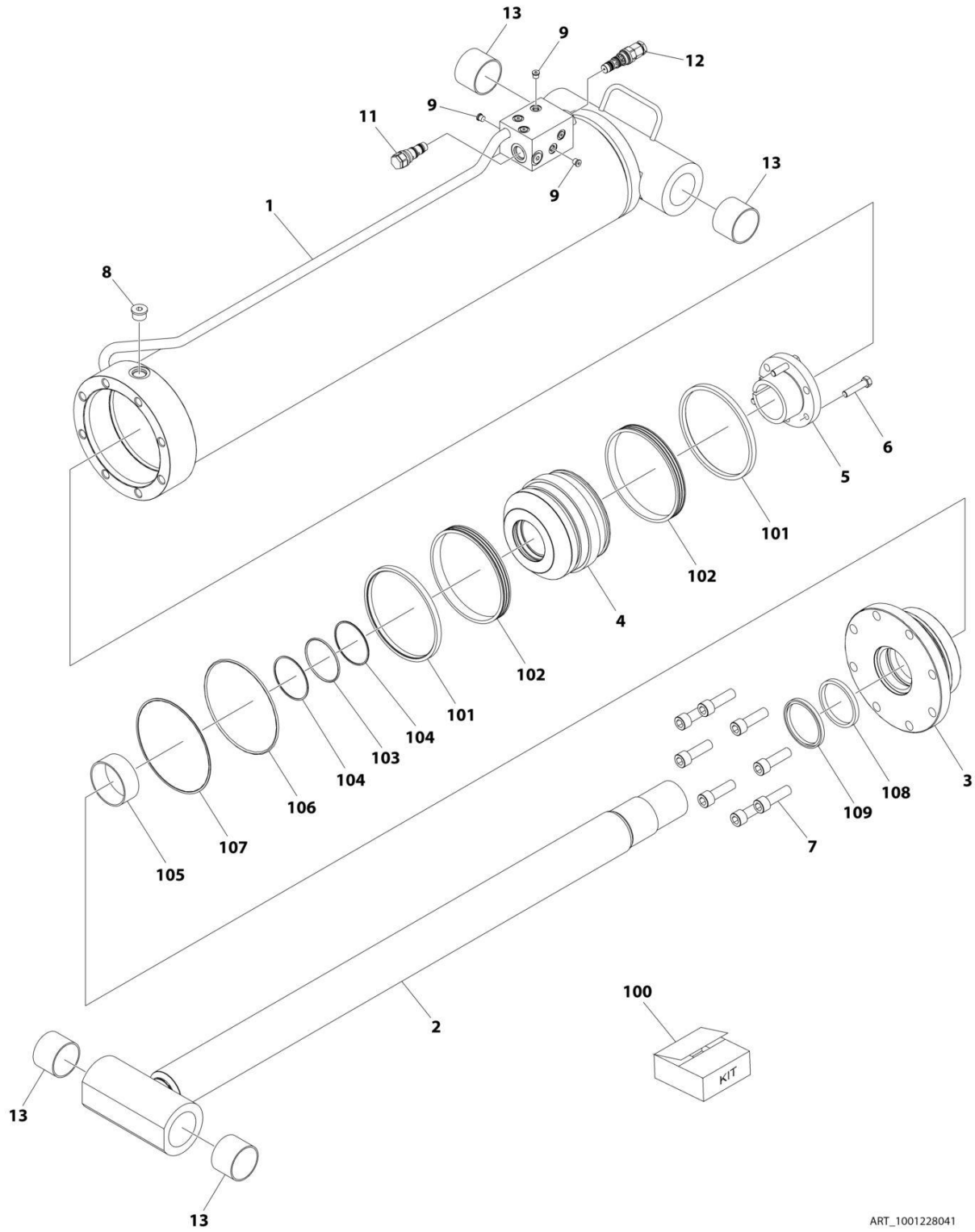
SECTION 5 - CYLINDER

FIGURE 5-1. UPRIGHT LEVEL CYLINDER ASSEMBLY

ITEM	PART NUMBER	QTY	DESCRIPTION	REV
		Ref	Note: Original Equipment Cylinder may have been replaced with Service Replacement Cylinder. Identify p/n stamped on cylinder before ordering parts.	
		Ref	UPRIGHT LEVEL CYLINDER ASSEMBLIES:	
	1683546	Ref	Original Equipment	H
	1684497	Ref	Service Replacement (Usage May Vary)	D
1	1683544	1	Rod Weldment	
2	1683819	NLA	Barrel Weldment (Use p/n 0370034)	
3	1683071	1	Head	
4	3760374	1	Ring, Washer	
5	3932240	8	Bolt, Socket Head 3/4in x 2-1/2in	
6	3480237	1	Piston	
7	0961901	1	Bushing, Tapered	
8	4640509	1	Cartridge, Valve	
8	2900792	1	Seal Kit - 4640509 Valve	
9	4640605	1	Cartridge, Valve	
9	2900792	1	Seal Kit - 4640605 Valve	
10	2220883	2	Plug, O-Ring	
11	2220888	1	Plug, O-Ring	
12	0962102	4	Bushing	
14	See Note	NSS	Ring, Lock (Note: Use Item 30)	
15	See Note	NSS	Seal (Note: Use Item 30)	
16	See Note	NSS	Ring, Washer (Note: Use Item 30)	
17	See Note	NSS	Ring, Back-up (Note: Use Item 30)	
18	See Note	NSS	Wiper (Note: Use Item 30)	
19	See Note	NSS	Seal, Rod (Note: Use Item 30)	
20	See Note	NSS	Ring, Wear (Note: Use Item 30)	
21	See Note	NSS	O-Ring (Note: Use Item 30)	
22	See Note	NSS	Ring, Back-up (Note: Use Item 30)	
23	0100011	AR	Compound, Locking	
24	0100038	AR	Primer, Locking	
25	0100063	AR	Loctite #RC609 (Prior to SN 0300133544)	
26	0630537	3	Bolt	
30	2901526	1	Seal Kit (Includes Items 14-22)	

SECTION 5 - CYLINDER

FIGURE 5-2. UPRIGHT LEVEL CYLINDER ASSEMBLY (SERVICE REPLACEMENT)



ART_1001228041

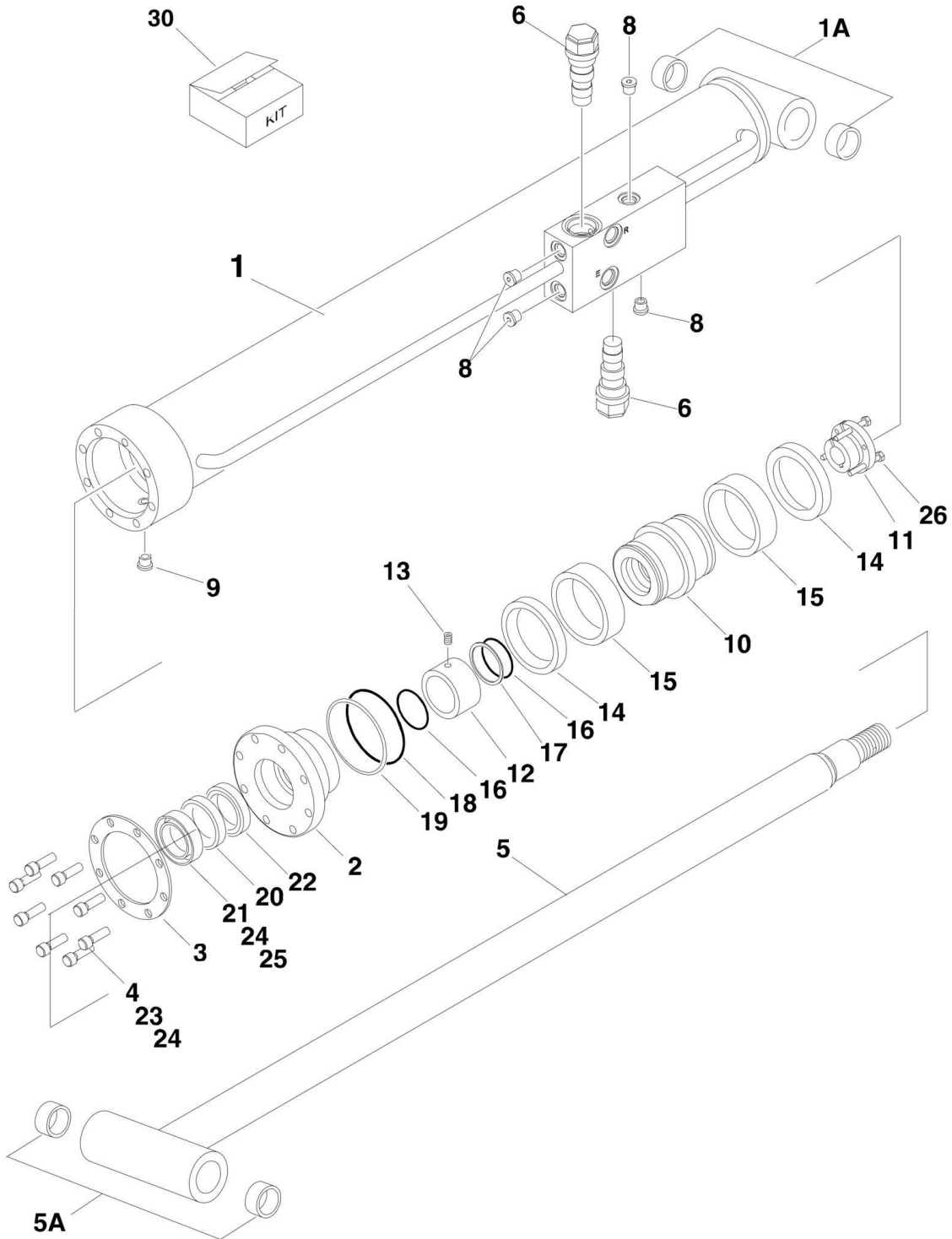
SECTION 5 - CYLINDER

FIGURE 5-2. UPRIGHT LEVEL CYLINDER ASSEMBLY (SERVICE REPLACEMENT)

ITEM	PART NUMBER	QTY	DESCRIPTION	REV
	1001228041	Ref	LEVEL CYLINDER ASSEMBLY	B
		Ref	Note: Original Cylinder may have been replaced with Service Replacement. Identify PN Stamped on Cylinder Before Ordering Parts.	
1	See Note	NSS	Barrel (Note: Not Available for Purchase)	
2	70006391	1	Rod	
3	70006390	1	Head	
4	70006389	1	Piston	
5	70006385	1	Bushing, Tapered	
6	0630537	3	Bolt	
7	3932240	8	Capscrew 3/4 x 2-1/2	
8	2220888	1	Plug, O-Ring	
9	2220883	6	Plug, O-Ring	
11	4640509	1	Cartridge, Valve	
11	2900792	1	Seal Kit - 4640509 Valve	
12	4640605	1	Cartridge, Valve	
12	2900792	1	Seal Kit - 4640605 Valve	
13	0962102	4	Bushing	
100	2901526	1	Seal Kit (Includes Items 101-109)	
101	See Note	NSS	Ring, Lock (Note: Use Item 100)	
102	See Note	NSS	Seal (Note: Use Item 100)	
103	See Note	NSS	Ring, Washer (Note: Use Item 100)	
104	See Note	NSS	Ring, Back-up (Note: Use Item 100)	
105	See Note	NSS	Ring, Wear (Note: Use Item 100)	
106	See Note	NSS	O-Ring (Note: Use Item 100)	
107	See Note	NSS	Ring, Back-up (Note: Use Item 100)	
108	See Note	NSS	Seal, Rod (Note: Use Item 100)	
109	See Note	NSS	Wiper (Note: Use Item 100)	

SECTION 5 - CYLINDER

FIGURE 5-3. LIFT CYLINDER ASSEMBLY - JIB (ORIGINAL EQUIPMENT)



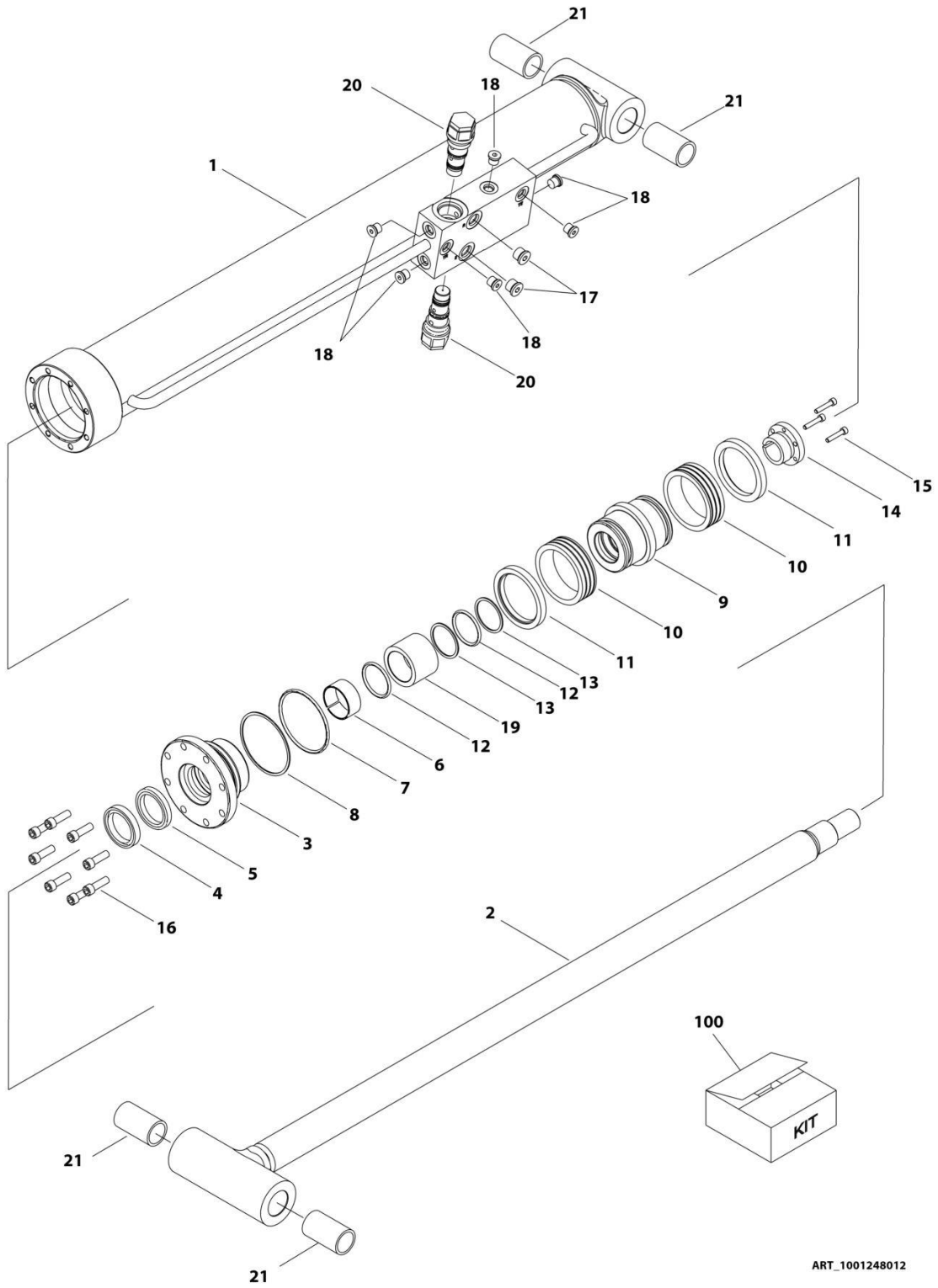
SECTION 5 - CYLINDER

FIGURE 5-3. LIFT CYLINDER ASSEMBLY - JIB (ORIGINAL EQUIPMENT)

ITEM	PART NUMBER	QTY	DESCRIPTION	REV
	1683609	Ref	JIB LIFT CYLINDER ASSEMBLY	L
		Ref	Note: Original Cylinder may have been replaced with Service Replacement. Identify PN Stamped on Cylinder Before Ordering Parts.	
1	1684089	1	Barrel Weldment (Note: Includes Item 1A)	
1A	0962336	2	Bushing	
2	1683053	1	Head	
3	3760368	1	Washer, Ring	
4	3931516	8	Bolt, Socket Head 5/16in-18NC x 2in	
5	1684090	1	Rod Weldment (Note: Includes Item 5A)	
5A	0962336	2	Bushing	
6	4640509	2	Cartridge, Valve (Counterbalance Non-Vented)	
6	2900792	2	Seal Kit - 4640509 Valve	
8	2220883	4	Plug, O-Ring	
9	2220885	1	Plug, O-Ring	
10	3480210	1	Piston	
11	0961893	1	Bushing, Tapered	
12		Ref	Spacer, Tube Options:	
12	4566471	1	Spacer, Tube (SN 0300069000 through 0300079612)	
12	4100100	1	Spacer, Tube (SN 0300079613 through 0300185827)	
13	3900141	1	Setscrew 1/4in-20NC x 1/4in (SN 0300069000 through 0300079613)	
14	See Note	NSS	Ring, Lock (Note: Use Item 30)	
15	See Note	NSS	Seal, Piston (Note: Use Item 30)	
16	See Note	NSS	O-Ring (Note: Use Item 30)	
17	See Note	NSS	Ring, Back-up (Note: Use Item 30)	
18	See Note	NSS	O-Ring (Note: Use Item 30)	
19	See Note	NSS	Ring, Back-up (Note: Use Item 30)	
20	See Note	NSS	Seal (Note: Use Item 30)	
21	See Note	NSS	Wiper (Note: Use Item 30)	
22	See Note	NSS	Ring, Wear (Note: Use Item 30)	
23	0100011	AR	Compound, Locking	
24	0100038	AR	Primer, Locking	
25	0100063	AR	Loctite #RC609	
26	0630534	3	Capscrew, Socket Head #10-24NC x 1in	
30	2901303	1	Seal Kit (Includes Items 14-22)	

SECTION 5 - CYLINDER

FIGURE 5-4. LIFT CYLINDER ASSEMBLY - JIB (SERVICE REPLACEMENT)



ART_1001248012

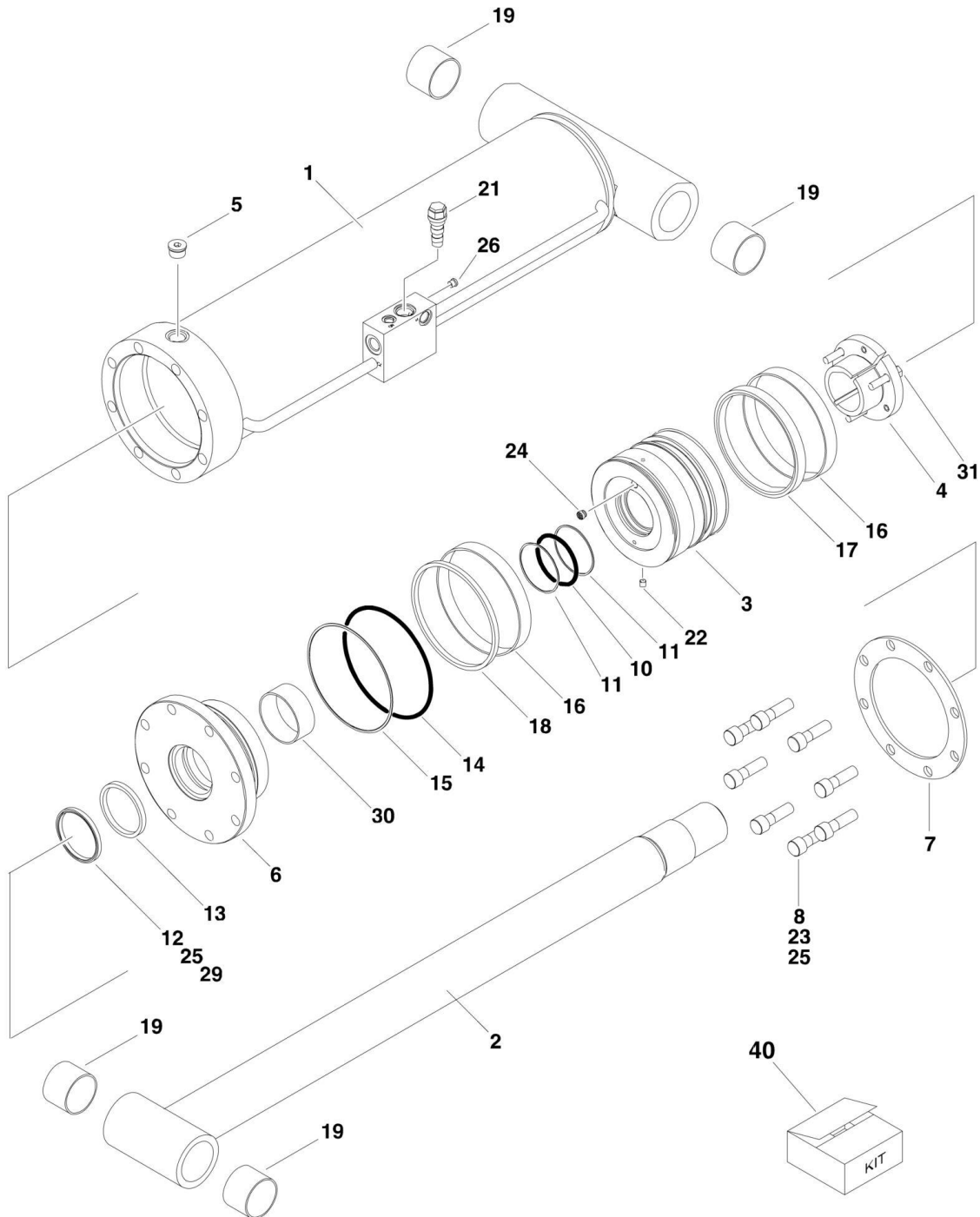
SECTION 5 - CYLINDER

FIGURE 5-4. LIFT CYLINDER ASSEMBLY - JIB (SERVICE REPLACEMENT)

ITEM	PART NUMBER	QTY	DESCRIPTION	REV
	1001248012	Ref	LIFT CYLINDER ASSEMBLY - JIB	A
		Ref	Note: Original Cylinder May Have Been Replaced with Service Replacement. Identify PN Stamped on Cylinder Before Ordering Parts.	
1	See Note	NSS	Barrel (Note: Not Available for Purchase)	
2	70006734	1	Rod	
3	70006649	1	Head	
4	See Note	NSS	Wiper (Note: Use Item 100)	
5	See Note	NSS	Seal, Rod (Note: Use Item 100)	
6	See Note	NSS	Ring, Wear (Note: Use Item 100)	
7	See Note	NSS	O-Ring (Note: Use Item 100)	
8	See Note	NSS	Ring, Back-up (Note: Use Item 100)	
9	70006650	1	Piston	
10	See Note	NSS	Seal (Note: Use Item 100)	
11	See Note	NSS	Ring, Lock (Note: Use Item 100)	
12	See Note	NSS	O-Ring (Note: Use Item 100)	
13	See Note	NSS	Ring, Back-up (Note: Use Item 100)	
14	0961893	1	Bushing, Tapered	
15	0630534	3	Capscrew, Socket Head #10 x 1	
16	70006735	8	Capscrew 5/16	
17	2220885	2	Plug, O-Ring	
18	2220883	6	Plug, O-Ring	
19	70006736	1	Spacer	
20	4640509	2	Cartridge, Valve	
20	2900792	2	Seal Kit - 4640509 Valve	
21	0962336	4	Bushing	
100	1001138795	1	Seal Kit (Includes Items 4-8 & 10-13)	

SECTION 5 - CYLINDER

FIGURE 5-5. LIFT CYLINDER ASSEMBLY - MAIN BOOM (ORIGINAL EQUIPEMNT)



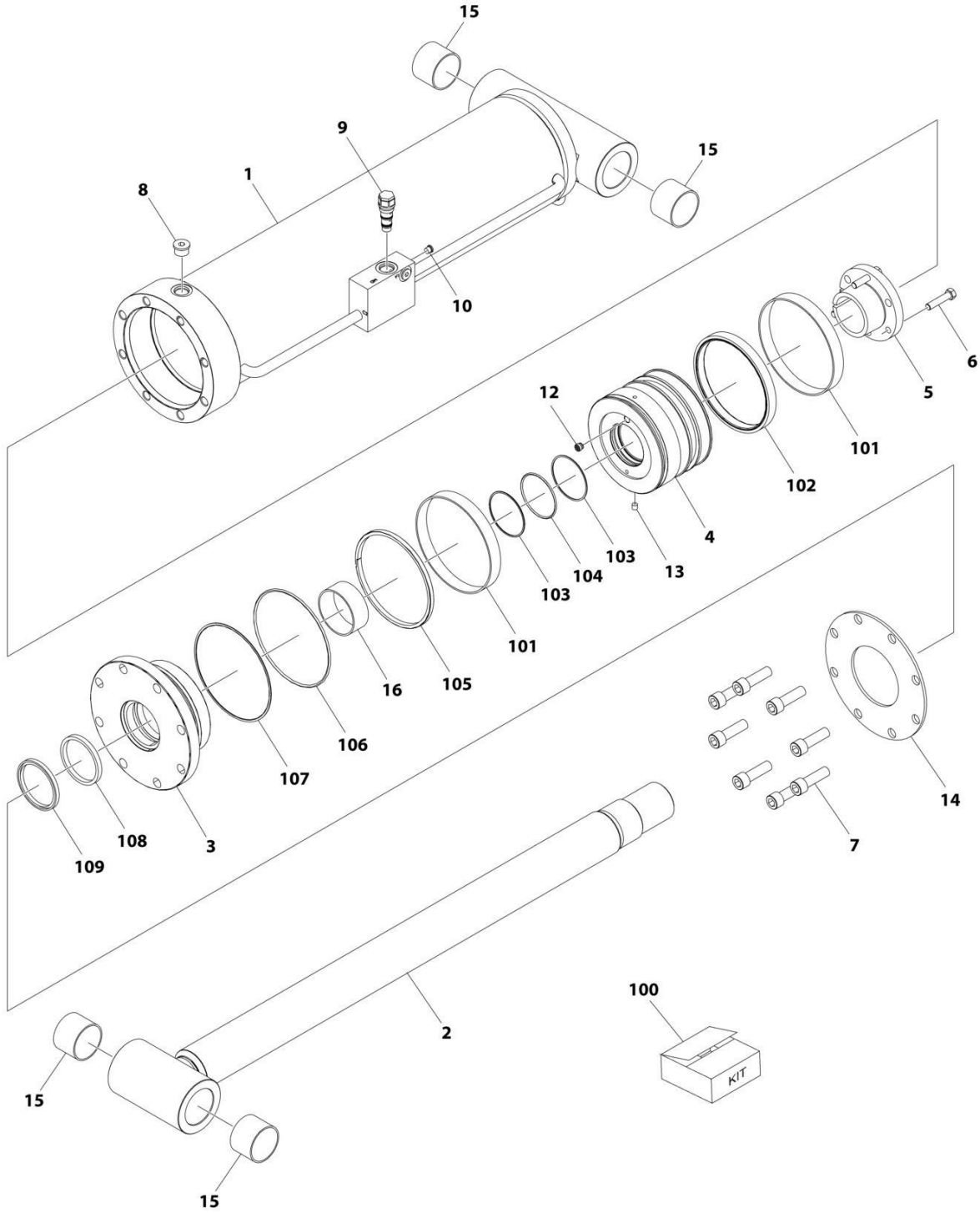
SECTION 5 - CYLINDER

FIGURE 5-5. LIFT CYLINDER ASSEMBLY - MAIN BOOM (ORIGINAL EQUIPEMNT)

ITEM	PART NUMBER	QTY	DESCRIPTION	REV
	1683547	Ref	MAIN BOOM LIFT CYLINDER ASSEMBLY Note: Original Cylinder may have been replaced with Service Replacement. Identify PN Stamped on Cylinder Before Ordering Parts.	M
		Ref		
1	1683821	1	Barrel Weldment	
2	1683549	1	Rod Weldment	
3	3480238	1	Piston	
4	0961901	1	Bushing, Tapered	
5	2220888	1	Plug, O-Ring	
6	1683071	1	Head	
7	3760374	1	Washer, Ring	
8	3932240	8	Bolt, Socket Head 3/4in x 2-1/2in	
10	See Note	NSS	O-Ring (Note: Use Item 40)	
11	See Note	NSS	Ring, Back-up (Note: Use Item 40)	
12	See Note	NSS	Wiper (Note: Use Item 40)	
13	See Note	NSS	Seal, Rod (Note: Use Item 40)	
14	See Note	NSS	O-Ring (Note: Use Item 40)	
15	See Note	NSS	Ring, Back-up (Note: Use Item 40)	
16	See Note	NSS	Ring, Wear (Note: Use Item 40)	
17	See Note	NSS	T-Seal (Note: Use Item 40)	
18	See Note	NSS	Seal (Note: Use Item 40)	
19	0962102	4	Bushing	
21	4640509	1	Cartridge, Valve	
21	2900792	1	Seal Kit - 4640509 Valve	
22	2180615	1	Orifice	
23	0100011	AR	Compound, Locking	
24	4641027	1	Plug, Check Valve	
25	0100038	AR	Primer, Locking	
26	2220883	1	Plug	
29	0100063	AR	Loctite RC609 (Prior to SN 0300134353)	
30	See Note	NSS	Ring, Wear (Note: Use Item 40)	
31	0630537	3	Bolt	
40	2901514	1	Seal Kit (Includes Items 10-18 & 30)	

SECTION 5 - CYLINDER

FIGURE 5-6. LIFT CYLINDER ASSEMBLY - MAIN BOOM (SERVICE REPLACEMENT)



ART_1001228010

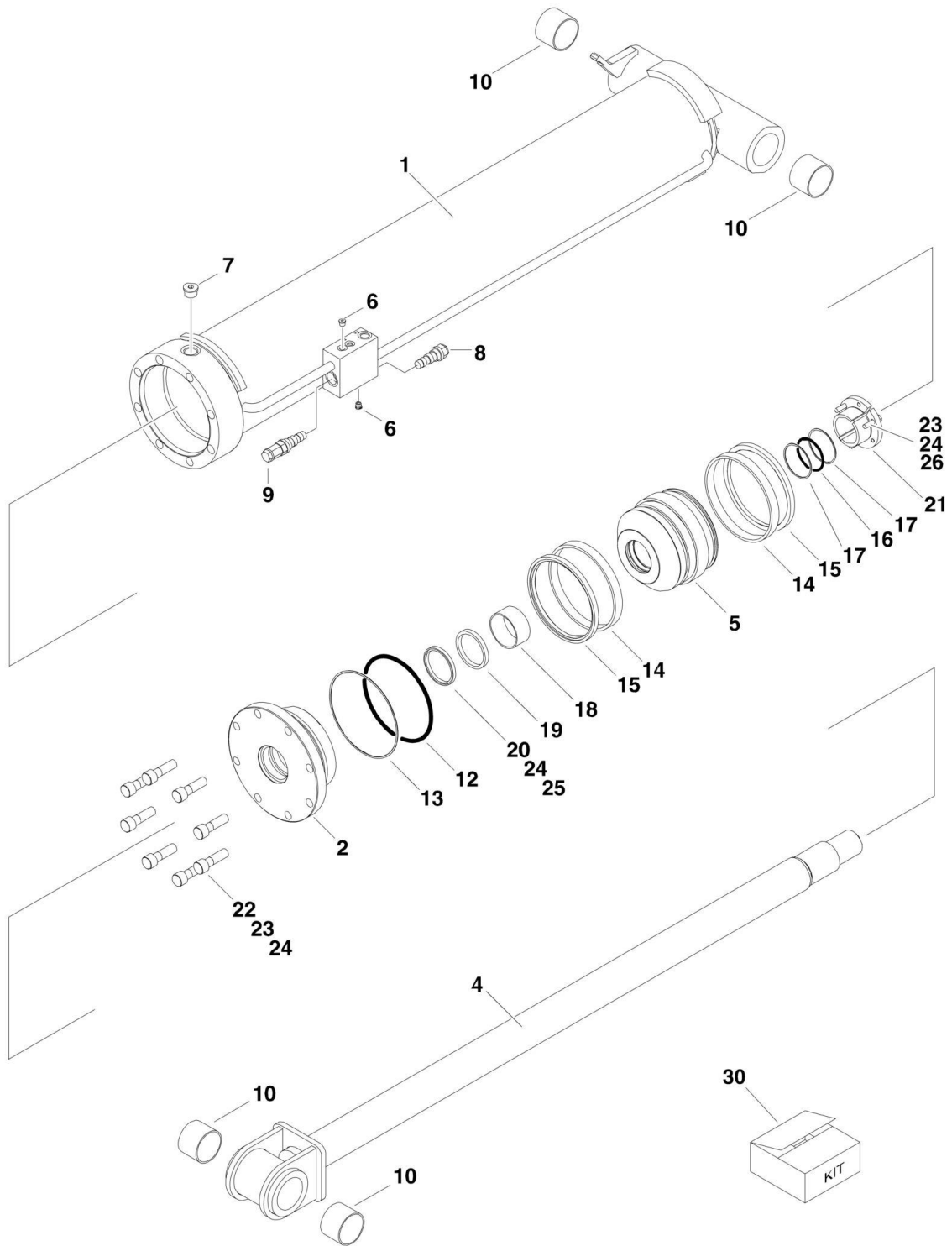
SECTION 5 - CYLINDER

FIGURE 5-6. LIFT CYLINDER ASSEMBLY - MAIN BOOM (SERVICE REPLACEMENT)

ITEM	PART NUMBER	QTY	DESCRIPTION	REV
	1001228010	Ref	LIFT CYLINDER ASSEMBLY	B
		Ref	Note: Original Cylinder may have been replaced with Service Replacement. Identify PN Stamped on Cylinder Before Ordering Parts.	
1	See Note	NSS	Barrel (Note: Not Available for Purchase)	
2	70006388	1	Rod	
3	70006387	1	Head	
4	70006386	1	Piston	
5	70006385	1	Bushing, Tapered	
6	0630537	3	Bolt	
7	3932240	8	Capscrew 3/4 x 2-1/2	
7	See Note	AR	Compound, Locking (Note: Use Loctite 263)	
8	2220888	1	Plug	
9	4640509	1	Cartridge, Valve	
9	2900792	1	Seal Kit - 4640509 Valve	
10	2220883	1	Plug	
12	4641027	1	Plug, Check Valve	
13	2180615	1	Orifice	
14	70006384	1	Washer, Ring	
15	0962102	4	Bushing	
16	See Note	NSS	Ring, Wear (Note: Use Item 100)	
100	2901514	1	Seal Kit (Includes Items 16 and 101-109)	
101	See Note	NSS	Ring, Wear (Note: Use Item 100)	
102	See Note	NSS	T-Seal (Note: Use Item 100)	
103	See Note	NSS	Ring, Back-up (Note: Use Item 100)	
104	See Note	NSS	O-Ring (Note: Use Item 100)	
105	See Note	NSS	Seal (Note: Use Item 100)	
106	See Note	NSS	O-Ring (Note: Use Item 100)	
107	See Note	NSS	Ring Back-up (Note: Use Item 100)	
108	See Note	NSS	Seal, Rod (Note: Use Item 100)	
109	See Note	NSS	Wiper (Note: Use Item 100)	

SECTION 5 - CYLINDER

FIGURE 5-7. LIFT CYLINDER ASSEMBLY - TOWER BOOM (ORIGINAL EQUIPMENT)



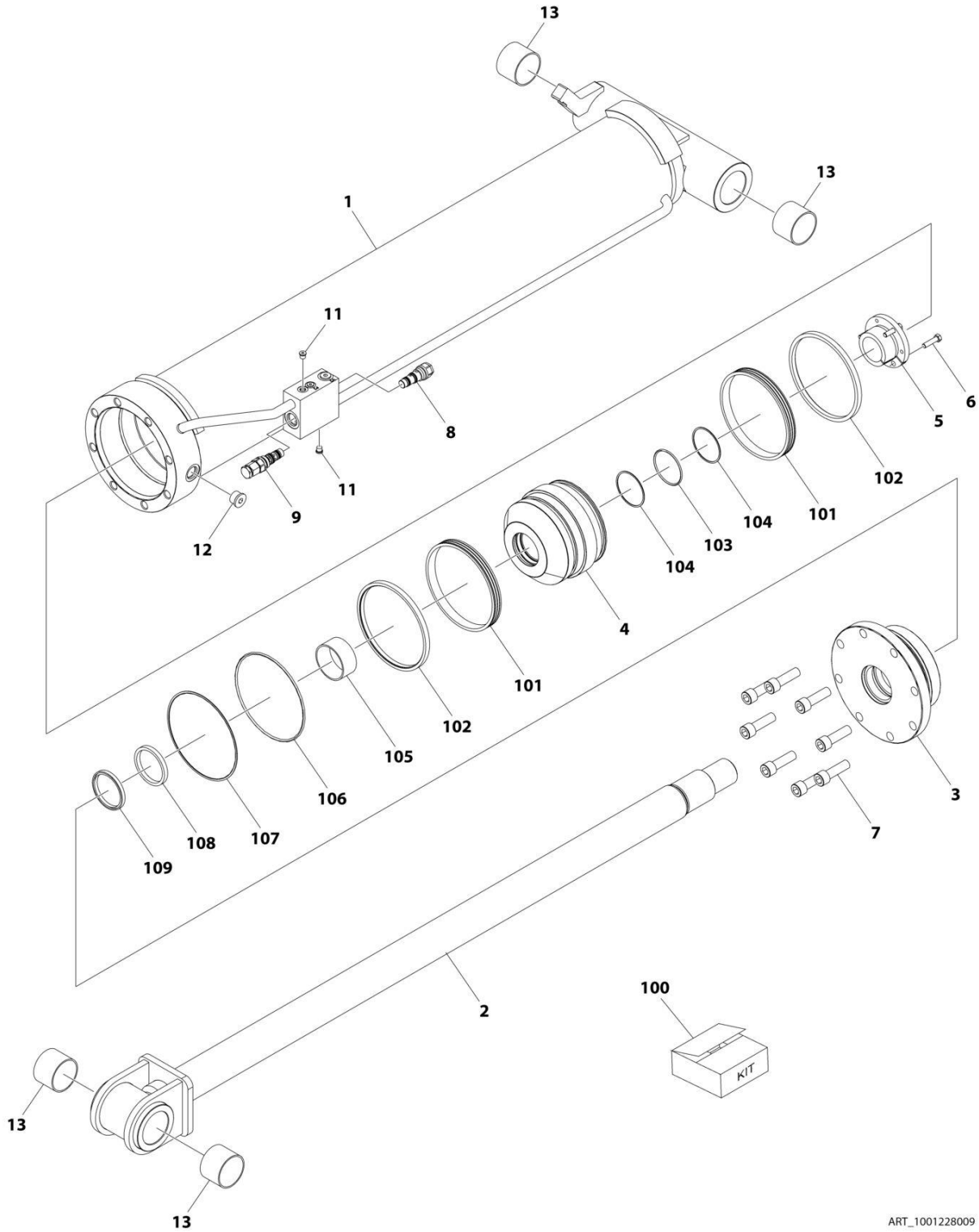
SECTION 5 - CYLINDER

FIGURE 5-7. LIFT CYLINDER ASSEMBLY - TOWER BOOM (ORIGINAL EQUIPMENT)

ITEM	PART NUMBER	QTY	DESCRIPTION	REV
	1683537	Ref	TOWER LIFT CYLINDER ASSEMBLY Note: Original Cylinder may have been replaced with Service Replacement. Identify PN Stamped on Cylinder Before Ordering Parts.	J
		Ref		
1	1683823	1	Barrel Weldment	
2	1683818	1	Head	
4	1683539	1	Rod Weldment	
5	3480236	1	Piston	
6	2220883	2	Plug, O-Ring	
7	2220888	1	Plug, O-Ring	
8	4640509	1	Cartridge, Valve	
8	2900792	1	Seal Kit - 4640999 Valve	
9	4640605	1	Cartridge, Valve	
9	2900792	1	Seal Kit - 4640605 Valve	
10	0962102	4	Bushing	
12	See Note	NSS	O-Ring (Note: Use Item 30)	
13	See Note	NSS	Ring, Lock (Note: Use Item 30)	
14	See Note	NSS	Seal (Note: Use Item 30)	
15	See Note	NSS	Ring, Lock (Note: Use Item 30)	
16	See Note	NSS	O-Ring (Note: Use Item 30)	
17	See Note	NSS	Ring, Back-up (Note: Use Item 30)	
18	See Note	NSS	Ring, Wear (Note: Use Item 30)	
19	See Note	NSS	Seal (Note: Use Item 30)	
20	See Note	NSS	Wiper (Note: Use Item 30)	
21	0961903	1	Bushing, Tapered	
22	3932240	8	Capscrew, Socket Head 3/4in x 2-1/2in	
23	0100011	AR	Compound, Locking	
24	0100038	AR	Primer, Locking	
25	0100063	AR	Loctite #RC609 (Prior to SN 0300133544)	
26	0630536	3	Bolt	
30	2901537	1	Seal Kit (Includes Items 12-20)	

SECTION 5 - CYLINDER

FIGURE 5-8. LIFT CYLINDER ASSEMBLY - TOWER BOOM (SERVICE REPLACEMENT)



ART_1001228009

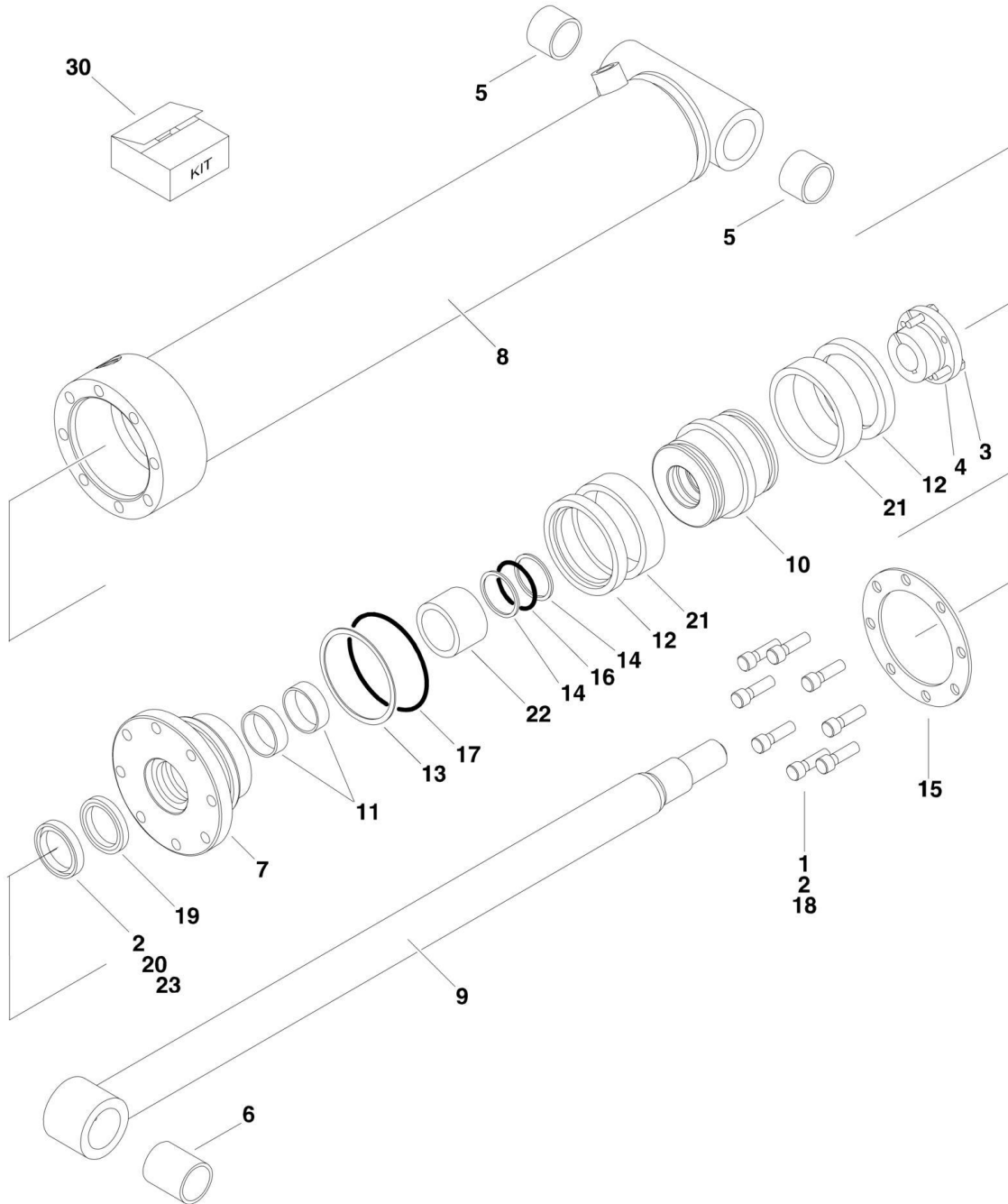
SECTION 5 - CYLINDER

FIGURE 5-8. LIFT CYLINDER ASSEMBLY - TOWER BOOM (SERVICE REPLACEMENT)

ITEM	PART NUMBER	QTY	DESCRIPTION	REV
	1001228009	Ref	LIFT CYLINDER ASSEMBLY	B
		Ref	Note: Original Cylinder may have been replaced with Service Replacement. Identify PN Stamped on Cylinder Before Ordering Parts.	
1	See Note	NSS	Barrel (Note: Not Available for Purchase)	
2	70006378	1	Rod	
3	70006377	1	Head	
4	70006376	1	Piston	
5	70006375	1	Bushing, Tapered	
6	0630536	3	Bolt	
7	3932240	8	Capscrew 3/4 x 2-1/2	
8	4640509	1	Cartridge, Valve	
8	2900792	1	Seal Kit - 4640999 Valve	
9	4640605	1	Cartridge, Valve	
9	2900792	1	Seal Kit - 4640605 Valve	
11	2220883	4	Plug, O-Ring	
12	2220888	1	Plug, O-Ring	
13	0962102	4	Bushing	
100	2901537	1	Seal Kit (Includes Items 101-109)	
101	See Note	NSS	Seal (Note: Use Item 100)	
102	See Note	NSS	Ring, Lock (Note: Use Item 100)	
103	See Note	NSS	O-Ring (Note: Use Item 100)	
104	See Note	NSS	Ring, Back-up (Note: Use Item 100)	
105	See Note	NSS	Ring, Wear (Note: Use Item 100)	
106	See Note	NSS	O-Ring (Note: Use Item 100)	
107	See Note	NSS	Ring, Back-up (Note: Use Item 100)	
108	See Note	NSS	Seal (Note: Use Item 100)	
109	See Note	NSS	Wiper (Note: Use Item 100)	

SECTION 5 - CYLINDER

FIGURE 5-9. MASTER CYLINDER ASSEMBLY (ORIGINAL EQUIPMENT)



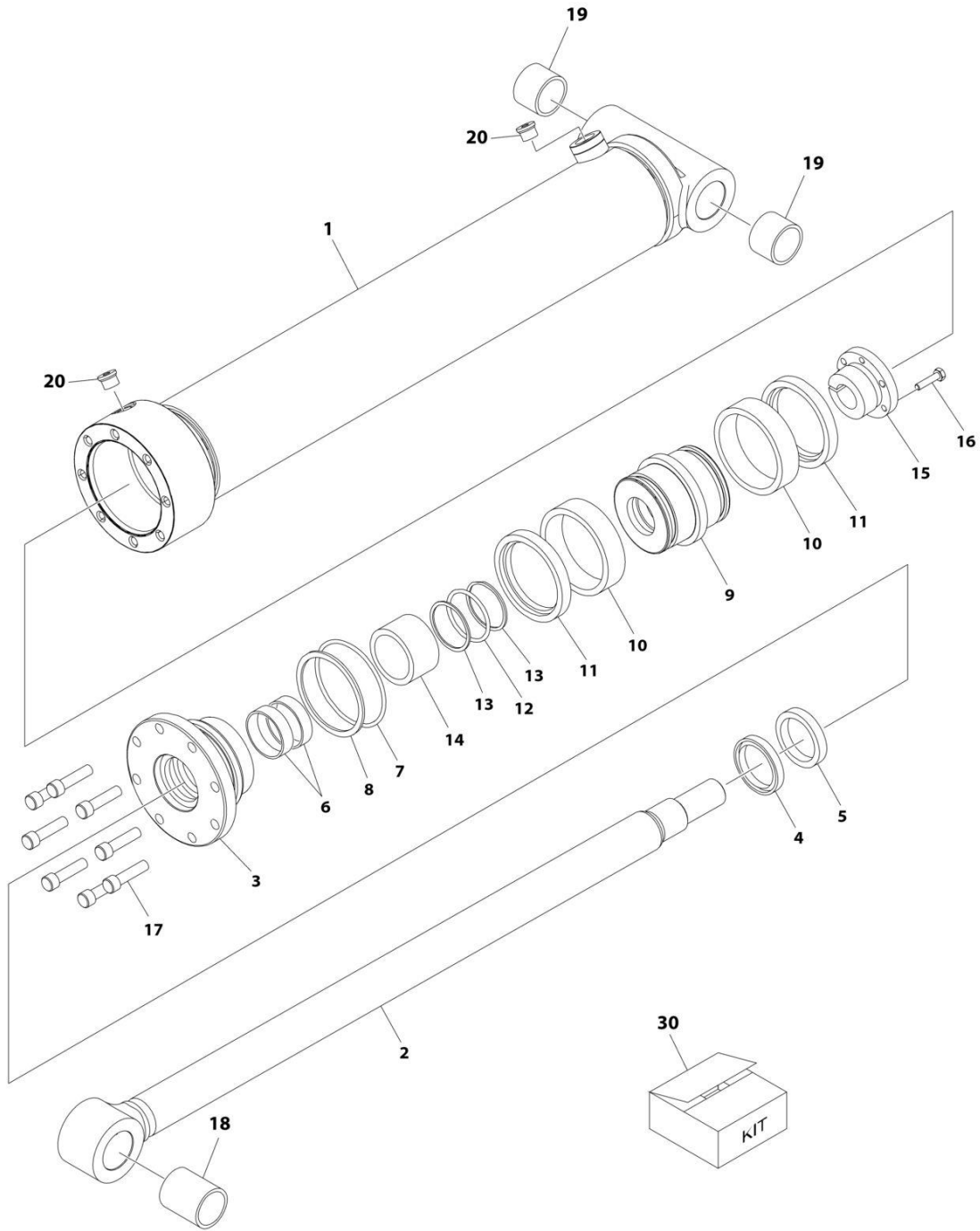
SECTION 5 - CYLINDER

FIGURE 5-9. MASTER CYLINDER ASSEMBLY (ORIGINAL EQUIPMENT)

ITEM	PART NUMBER	QTY	DESCRIPTION	REV
	1683682	Ref	MASTER CYLINDER ASSEMBLY	H
		Ref	Note: Original Cylinder may have been replaced with Service Replacement. Identify PN Stamped on Cylinder Before Ordering Parts.	
1	0100011	AR	Compound, Locking	
2	0100038	AR	Primer, Locking	
3	0630535	3	Capscrew, Socket Head 1/4in-20NC x 1in	
4	0961894	1	Bushing, Tapered	
5	0961951	2	Bushing	
6	0962155	1	Bushing	
7	1683055	1	Head	
8	1684125	1	Barrel	
9	1684126	1	Rod	
10	3480188	1	Piston	
11	See Note	NSS	Ring, Wear (Note: Use Item 30)	
12	See Note	NSS	Ring, Lock (Note: Use Item 30)	
13	See Note	NSS	Ring, Back-up (Note: Use Item 30)	
14	See Note	NSS	Ring, Back-up (Note: Use Item 30)	
15	3760369	1	Ring, Washer	
16	See Note	NSS	O-Ring (Note: Use Item 30)	
17	See Note	NSS	O-Ring (Note: Use Item 30)	
18	3931620	8	Capscrew 3/8in-16NC x 1-1/4in	
19	See Note	NSS	Seal, Rod (Note: Use Item 30)	
20	See Note	NSS	Wiper (Note: Use Item 30)	
21	See Note	NSS	Seal (Note: Use Item 30)	
22	4566468	1	Spacer, Tube	
23	0100063	AR	Loctite #RC 609 (Prior to SN 0300133482)	
30	2901301	1	Seal Kit - 1683682 Cylinder (Includes Items 11-14, 16, 17 & 19-21)	

SECTION 5 - CYLINDER

FIGURE 5-10. MASTER CYLINDER ASSEMBLY (SERVICE REPLACEMENT)



ART_1001228050

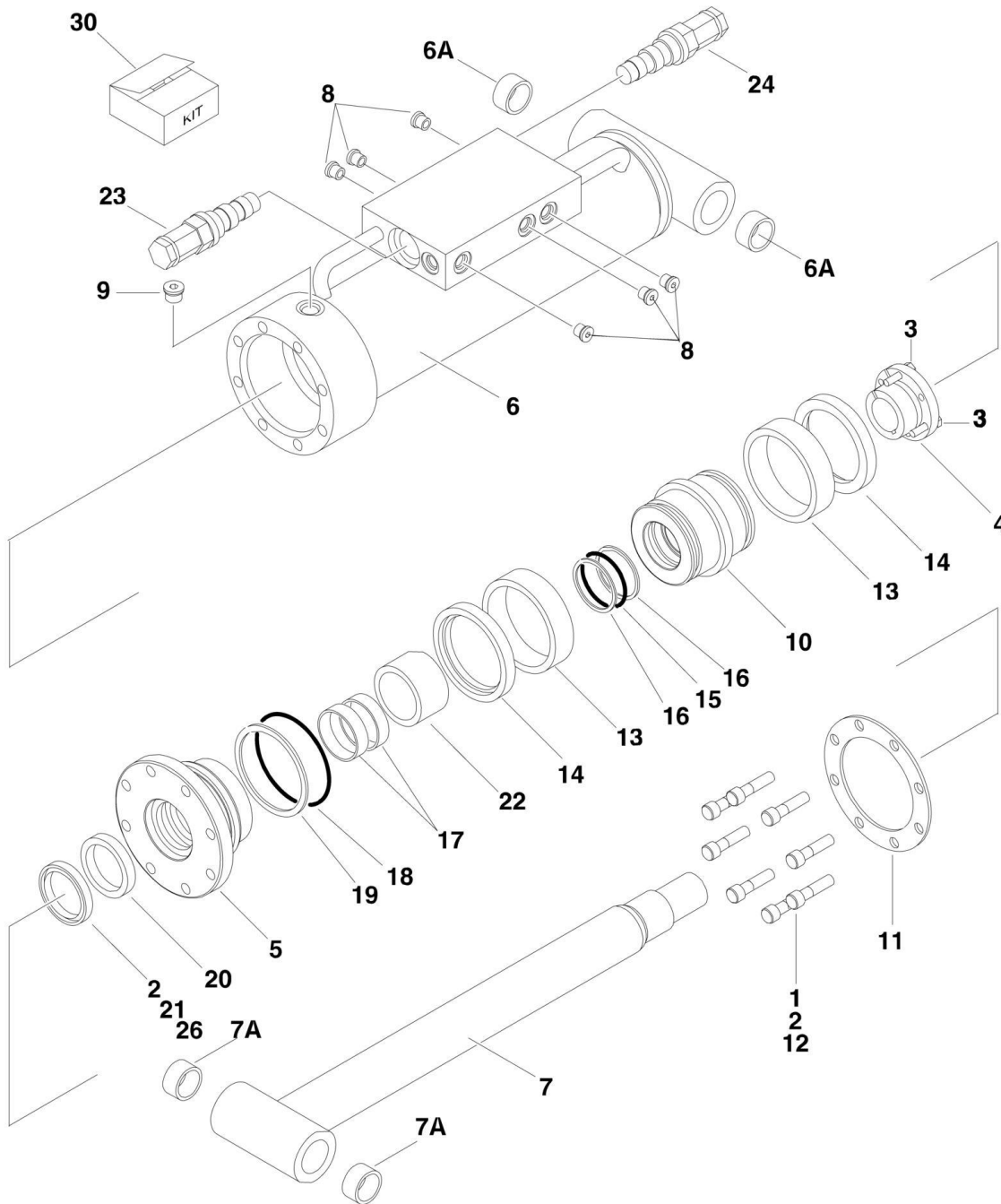
SECTION 5 - CYLINDER

FIGURE 5-10. MASTER CYLINDER ASSEMBLY (SERVICE REPLACEMENT)

ITEM	PART NUMBER	QTY	DESCRIPTION	REV
	1001228050	Ref	MASTER CYLINDER ASSEMBLY	A
		Ref	Note: Original Cylinder may have been replaced with Service Replacement. Identify PN Stamped on Cylinder Before Ordering Parts.	
1	See Note	NSS	Barrel (Note: Not Available for Purchase)	
2	70006668	1	Rod	
3	70006643	1	Head	
4	See Note	NSS	Wiper (Note: Use Item 30)	
5	See Note	NSS	Seal, Rod (Note: Use Item 30)	
6	See Note	NSS	Ring, Wear (Note: Use Item 30)	
7	See Note	NSS	O-Ring (Note: Use Item 30)	
8	See Note	NSS	Ring, Back-up (Note: Use Item 30)	
9	70006644	1	Piston	
10	See Note	NSS	Ring, Wear (Note: Use Item 30)	
11	See Note	NSS	Ring, Lock (Note: Use Item 30)	
12	See Note	NSS	O-Ring (Note: Use Item 30)	
13	See Note	NSS	Ring, Back-up (Note: Use Item 30)	
14	70006651	1	Spacer, Tube	
15	0961894	1	Bushing, Tapered	
16	0630535	3	Capscrew 1/4 x 1-1/8	
17	3931620	8	Capscrew 3/8 x 1-1/4	
18	0962155	1	Bushing	
19	0961951	2	Bushing	
20	2220885	2	Plug, O-Ring	
30	1001138796	1	Seal Kit (Machines with Arctic Package) (Includes Items 4-8 & 10-13)	

SECTION 5 - CYLINDER

FIGURE 5-11. SLAVE CYLINDER ASSEMBLY (ORIGINAL EQUIPMENT)



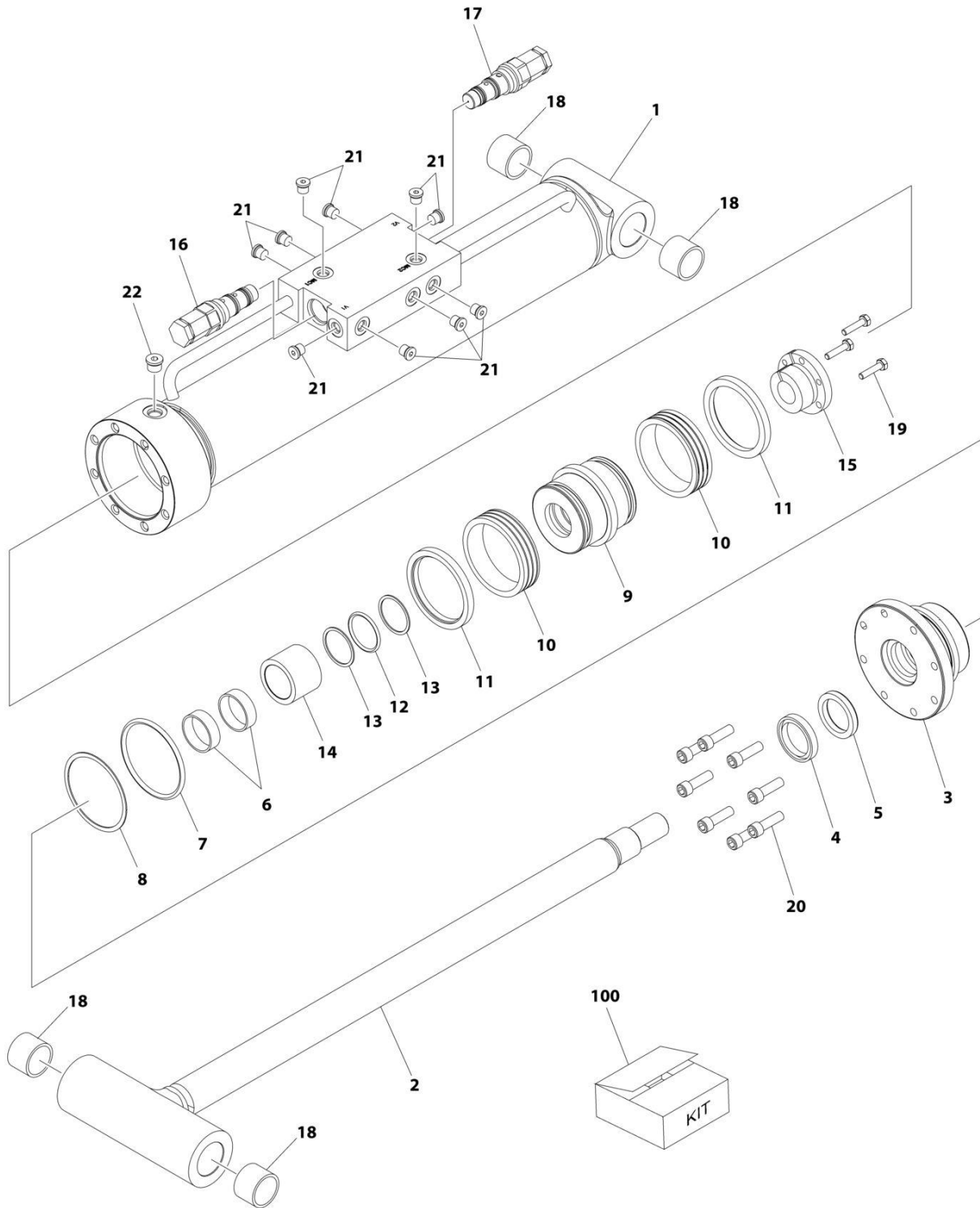
SECTION 5 - CYLINDER

FIGURE 5-11. SLAVE CYLINDER ASSEMBLY (ORIGINAL EQUIPMENT)

ITEM	PART NUMBER	QTY	DESCRIPTION	REV
	1684228	Ref	SLAVE CYLINDER ASSEMBLY Note: Original Cylinder may have been replaced with Service Replacement. Identify PN Stamped on Cylinder Before Ordering Parts.	F
		Ref		
1	0100011	AR	Compound, Locking	
2	0100038	AR	Primer, Locking	
3	0630535	3	Capscrew, Socket Head 1/4in-20NC x 1in	
4	0961894	1	Bushing, Tapered	
5	1683055	1	Head	
6	1684230	1	Barrel (Note: Includes Item 6A)	
6A	0961951	2	Bushing	
7	1684232	1	Rod (Note: Includes Item 7A)	
7A	0961951	2	Bushing	
8	2220883	6	Plug	
9	2220885	1	Plug	
10	3480188	1	Piston	
11	3760369	1	Ring, Washer	
12	3931620	8	Capscrew 3/8in-16NC x 1-1/4in	
13	See Note	NSS	Seal (Note: Use Item 30)	
14	See Note	NSS	Ring, Lock (Note: Use Item 30)	
15	See Note	NSS	O-Ring (Note: Use Item 30)	
16	See Note	NSS	Ring, Back-up (Note: Use Item 30)	
17	See Note	NSS	Ring, Wear (Note: Use Item 30)	
18	See Note	NSS	O-Ring (Note: Use Item 30)	
19	See Note	NSS	Ring, Back-up (Note: Use Item 30)	
20	See Note	NSS	Seal (Note: Use Item 30)	
21	See Note	NSS	Wiper (Note: Use Item 30)	
22	4566468	1	Spacer, Tube	
23	4640605	1	Valve, Cartridge	
23	2900792	1	Seal Kit - 4640605 Valve	
24	4640932	1	Valve, Cartridge	
24	7011112	1	Seal Kit - 4640932 Valve	
26	0100063	AR	Loctite #RC 609	
30	2901301	1	Seal Kit (Includes Items 13-21)	

SECTION 5 - CYLINDER

FIGURE 5-12. SLAVE CYLINDER ASSEMBLY (SERVICE REPLACEMENT)



ART_1001228030

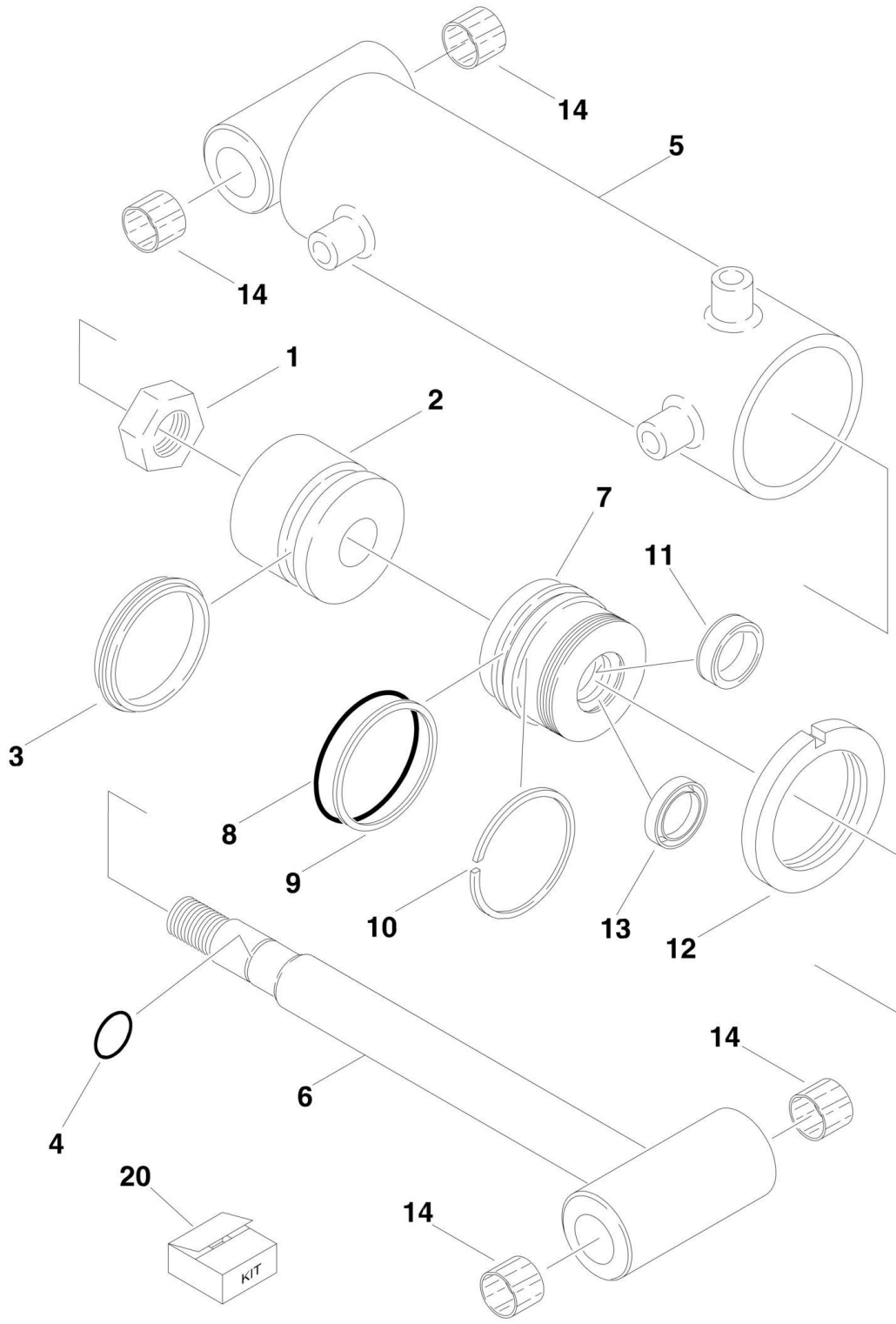
SECTION 5 - CYLINDER

FIGURE 5-12. SLAVE CYLINDER ASSEMBLY (SERVICE REPLACEMENT)

ITEM	PART NUMBER	QTY	DESCRIPTION	REV
	1001228030	Ref	LEVEL (SLAVE) CYLINDER ASSEMBLY	B
		Ref	Note: Original Cylinder may have been replaced with Service Replacement. Identify PN Stamped on Cylinder Before Ordering Parts.	
1	See Note	NSS	Barrel (Note: Not Available for Purchase)	
2	70006642	1	Rod	
3	70006643	1	Head	
4	See Note	NSS	Wiper (Note: Use Item 100)	
5	See Note	NSS	Seal (Note: Use Item 100)	
6	See Note	NSS	Ring, Wear (Note: Use Item 100)	
7	See Note	NSS	O-Ring (Note: Use Item 100)	
8	See Note	NSS	Ring, Back-up (Note: Use Item 100)	
9	70006644	1	Piston	
10	See Note	NSS	Seal (Note: Use Item 100)	
11	See Note	NSS	Ring, Lock (Note: Use Item 100)	
12	See Note	NSS	O-Ring (Note: Use Item 100)	
13	See Note	NSS	Ring, Back-up (Note: Use Item 100)	
14	70006645	1	Spacer, Tube	
15	0961894	1	Bushing, Tapered	
16	4640932	1	Valve, Cartridge	
16	7011112	1	Seal Kit - 4640932 Valve	
17	4640605	1	Valve, Cartridge	
17	2900792	1	Seal Kit - 4640605 Valve	
18	0961951	4	Bushing	
19	0630535	3	Bolt	
20	3931620	8	Capscrew 3/8-16 x 1-1/4	
21	2220883	10	Plug, O-Ring	
22	2220885	1	Plug, O-Ring	
100	1001138796	1	Seal Kit (Includes Items 4-8 & 10-13)	

SECTION 5 - CYLINDER

FIGURE 5-13. STEER CYLINDER ASSEMBLY (Prior to SN 0300142664)



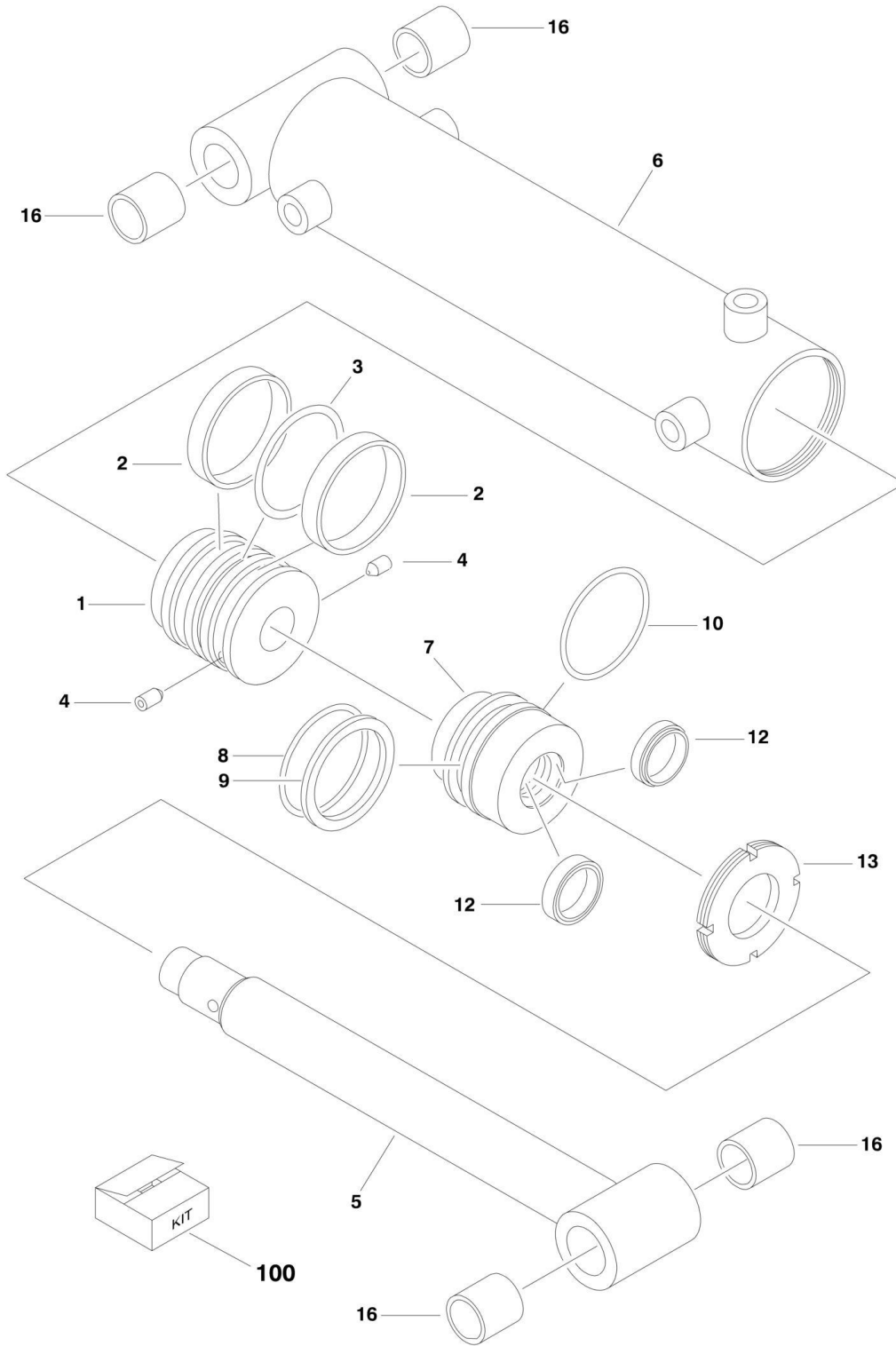
SECTION 5 - CYLINDER

FIGURE 5-13. STEER CYLINDER ASSEMBLY (Prior to SN 0300142664)

ITEM	PART NUMBER	QTY	DESCRIPTION	REV
	1683740	Ref	STEER CYLINDER ASSEMBLY	C
1	7017210	1	Locknut	
2	7017211	1	Piston	
3	See Note	NSS	Seal (Note: Use Item 20)	
4	See Note	NSS	O-Ring (Note: Use Item 20)	
5	7023023	1	Barrel Weldment	
6	7017236	1	Rod Weldment	
7	7017213	1	Head	
8	See Note	NSS	O-Ring (Note: Use Item 20)	
9	See Note	NSS	Ring, Back-up (Note: Use Item 20)	
10	See Note	NSS	Ring, Retainer (Note: Use Item 20)	
11	See Note	NSS	Seal (Note: Use Item 20)	
12	7017214	1	Nut, Spanner	
13	See Note	NSS	Wiper (Note: Use Item 20)	
14	0961977	4	Bushings	
20	7017215	1	Seal Kit (Includes Items 3, 4, 8-11 & 13)	

SECTION 5 - CYLINDER

FIGURE 5-14. STEER CYLINDER ASSEMBLY (SN 0300142664 through 0300185827)



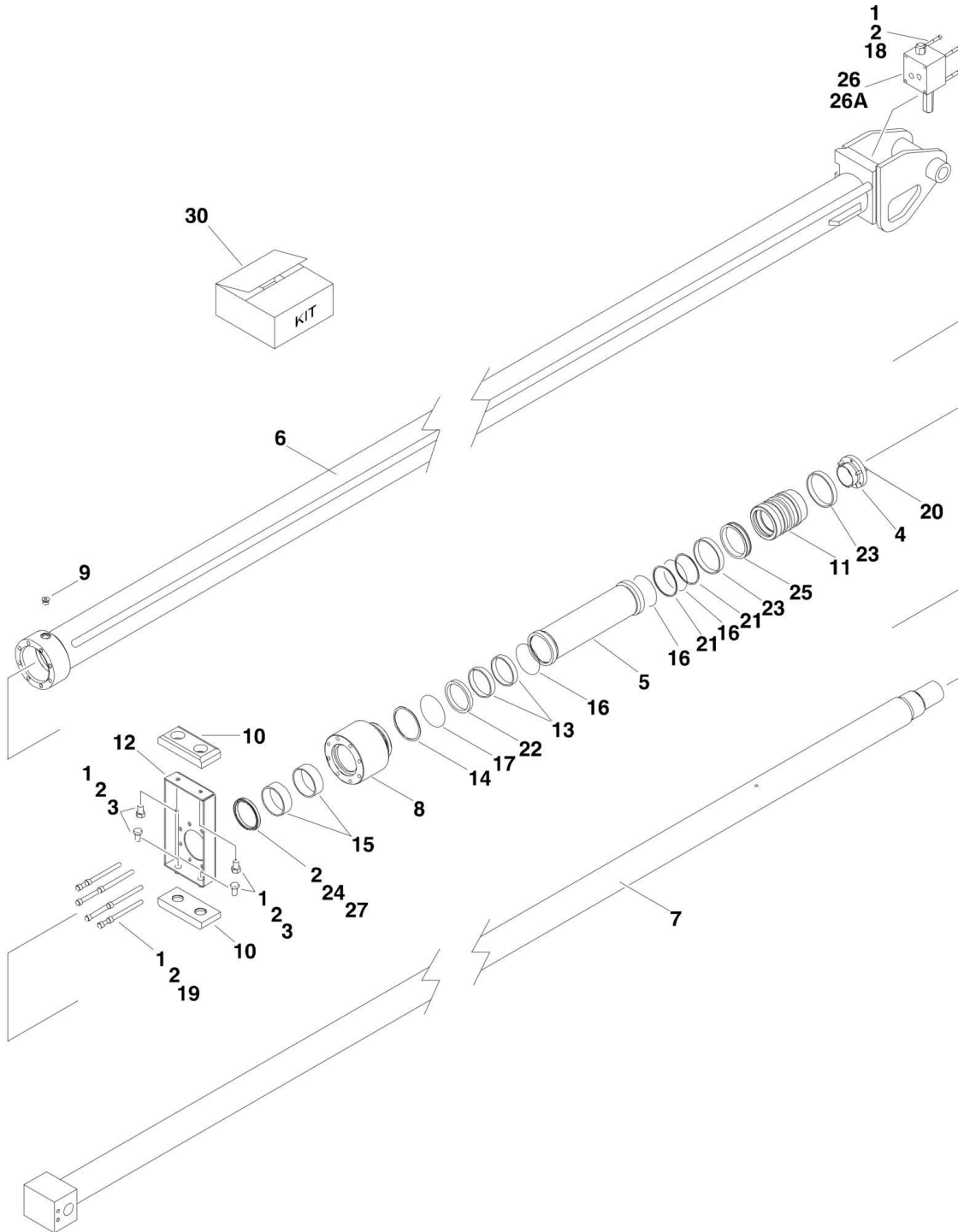
SECTION 5 - CYLINDER

FIGURE 5-14. STEER CYLINDER ASSEMBLY (SN 0300142664 through 0300185827)

ITEM	PART NUMBER	QTY	DESCRIPTION	REV
	1001097243	Ref	STEER CYLINDER ASSEMBLY	B
1	70002744	1	Piston	
2	See Note	NSS	Seal (Note: Use Item 100)	
3	See Note	NSS	Seal (Note: Use Item 100)	
4	70002745	2	Setscrew	
5	70002746	1	Rod Weldment	
6	70002747	1	Barrel Weldment	
7	70002748	1	Head	
8	See Note	NSS	O-Ring (Note: Use Item 100)	
9	See Note	NSS	Ring, Back-up (Note: Use Item 100)	
10	See Note	NSS	Ring, Retainer (Note: Use Item 100)	
11	70002749	1	Nut, Spanner	
12	See Note	NSS	Seal (Note: Use Item 100)	
13	See Note	NSS	Wiper (Note: Use Item 100)	
14	See Note	NSS	O-Ring (Note: Use Item 100)	
15	70002750	5	Plug, Port	
16	0962356	4	Bushings	
100	70002751	1	Seal Kit (Includes Items 2, 3, 8-10 & 12-14)	

SECTION 5 - CYLINDER

FIGURE 5-15. TELESCOPE CYLINDER ASSEMBLY - MAIN



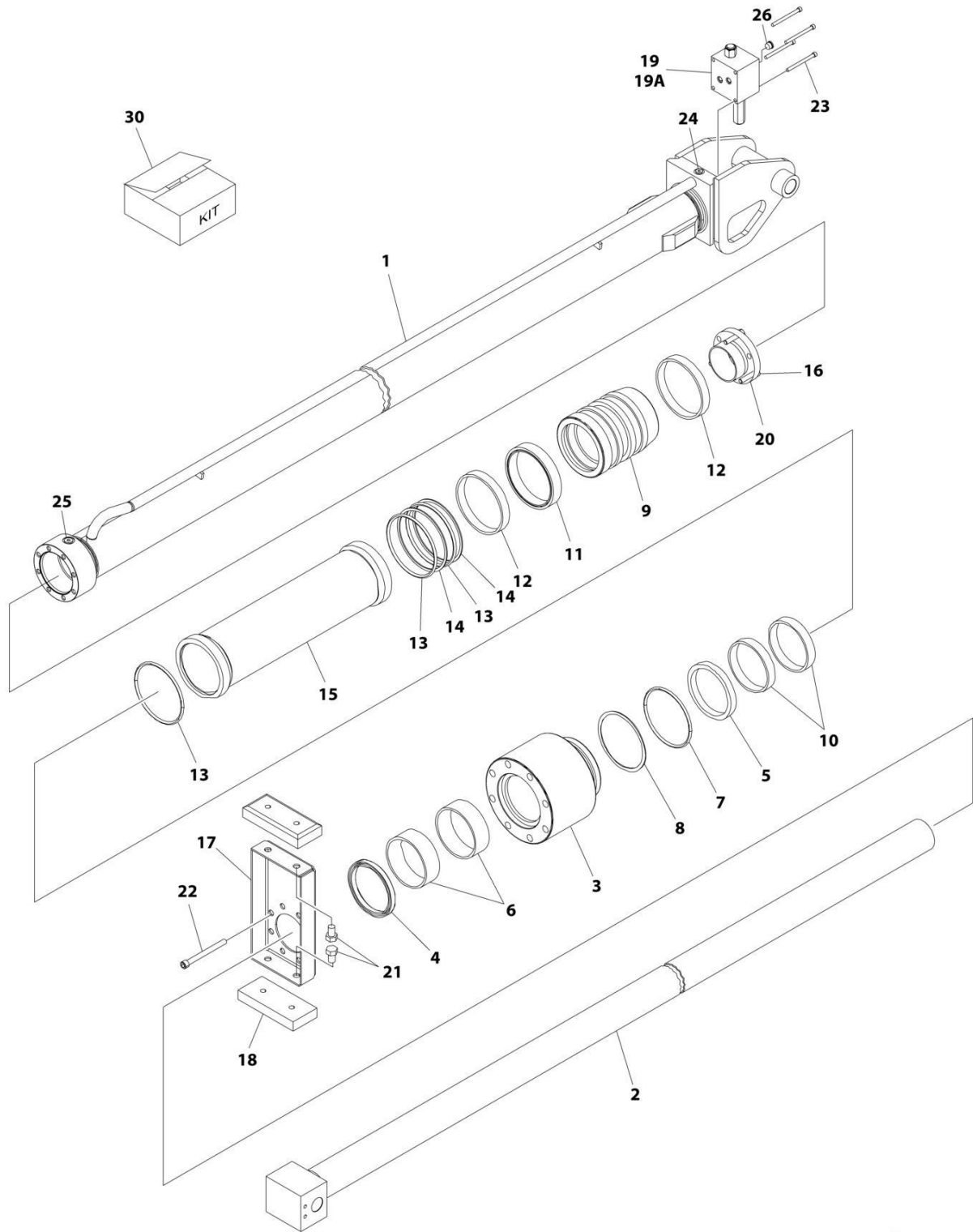
SECTION 5 - CYLINDER

FIGURE 5-15. TELESCOPE CYLINDER ASSEMBLY - MAIN

ITEM	PART NUMBER	QTY	DESCRIPTION	REV
		Ref	TELESCOPE CYLINDER ASSEMBLY - MAIN	
	1683672	Ref	Telescope Cylinder Assembly (Original Equipment)	H
	1001188841	Ref	Telescope Cylinder Assembly (Usage May Vary) (Service Replacement)	B
		Ref	Note: Original Cylinder may have been replaced with Service Replacement. Identify PN Stamped on Cylinder Before Ordering Parts.	
1	0100011	AR	Compound, Locking	
2	0100038	AR	Primer, Locking	
3	0641806	4	Bolt 1/2in-13NC x 3/4in	
4	0961897	1	Bushing, Tapered	
5		Ref	Spacer, Tube Options:	
5	0962219	1	Spacer, Tube (Prior to SN 0300071952)	
5	0962524	1	Spacer, Tube (SN 0300071952 through 0300185827)	
6	1683673	1	Barrel	
7	1683675	1	Rod	
8	1683663	1	Head	
9	2220885	1	Plug, O-Ring	
10	3340838	2	Pad, Wear	
11	3480234	1	Piston	
12	3570775	1	Plate	
13	See Note	NSS	Ring, Wear (Note: Use Item 30)	
14	See Note	NSS	Ring, Back-up (Note: Use Item 30)	
15	See Note	NSS	Ring, Wear (Note: Use Item 30)	
16	See Note	NSS	O-Ring (Note: Use Item 30)	
17	See Note	NSS	O-Ring (Note: Use Item 30)	
18	3931448	4	Capscrew 1/4in-20NC x 3in	
19	3931664	8	Capscrew 3/8in-16NC x 4in	
20	0630535	3	Bolt 1/4in-20NC x 1-1/8in	
21	See Note	NSS	Ring, Back-up (Note: Use Item 30)	
22	See Note	NSS	Seal, Rod (Note: Use Item 30)	
23	See Note	NSS	Ring, Wear (Note: Use Item 30)	
24	See Note	NSS	Wiper (Note: Use Item 30)	
25	See Note	NSS	T-Seal (Note: Use Item 30)	
26	4641033	1	Valve Assembly (No serviceable parts - sold as assembly only)	
26A	7024508	2	O-Ring	
27	0100063	AR	Loctite #RC 609	
30	2901712	1	Seal Kit (Includes Items 13-17 & 21-25)	

SECTION 5 - CYLINDER

FIGURE 5-16. TELESCOPE CYLINDER ASSEMBLY - MAIN (SERVICE REPLACEMENT)



ART_1001228087

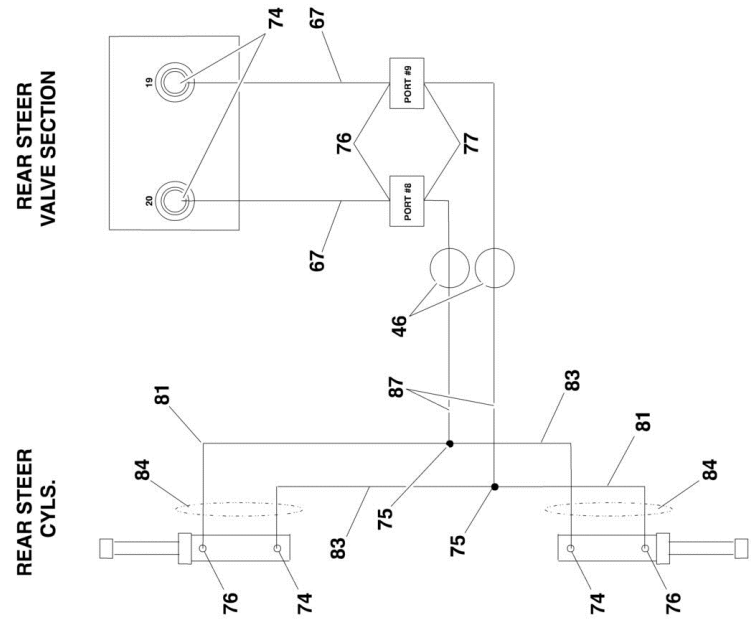
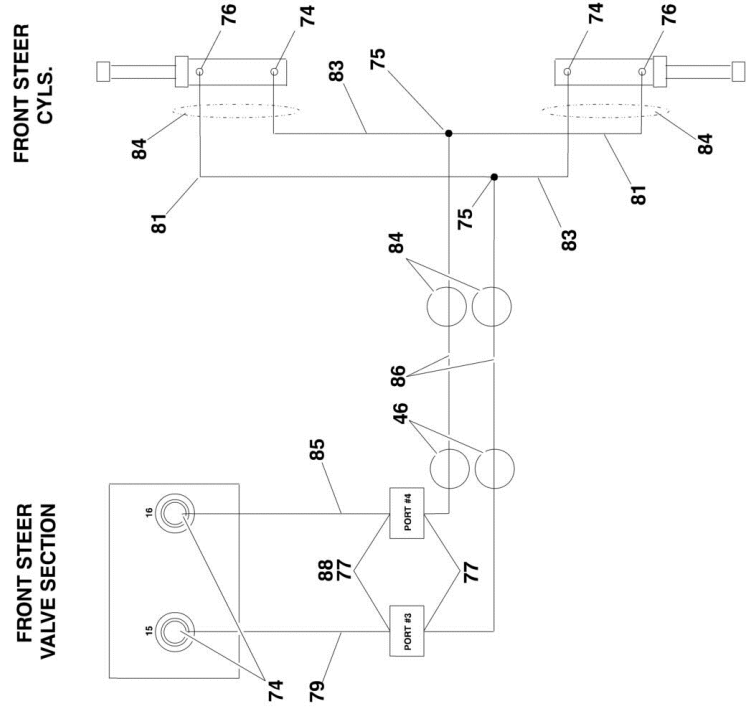
SECTION 5 - CYLINDER

FIGURE 5-16. TELESCOPE CYLINDER ASSEMBLY - MAIN (SERVICE REPLACEMENT)

ITEM	PART NUMBER	QTY	DESCRIPTION	REV
	1001228087	Ref	TELESCOPE CYLINDER ASSEMBLY	A
		Ref	Note: Original Cylinder may have been replaced with Service Replacement. Identify PN Stamped on Cylinder Before Ordering Parts.	
1	See Note	NSS	Barrel (Note: Not Available for Purchase)	
2	70006669	1	Rod	
3	70006670	1	Head	
4	See Note	NSS	Wiper (Note: Use Item 30)	
5	See Note	NSS	Seal, Rod (Note: Use Item 30)	
6	See Note	NSS	Ring, Wear (Note: Use Item 30)	
7	See Note	NSS	O-Ring (Note: Use Item 30)	
8	See Note	NSS	Ring, Back-up (Note: Use Item 30)	
9	70006671	1	Piston	
10	See Note	NSS	Ring, Wear (Note: Use Item 30)	
11	See Note	NSS	Seal, Piston (Note: Use Item 30)	
12	See Note	NSS	Ring, Wear (Note: Use Item 30)	
13	See Note	NSS	O-Ring (Note: Use Item 30)	
14	See Note	NSS	Ring, Back-up (Note: Use Item 30)	
15	70006672	1	Spacer	
16	0961897	1	Bushing, Tapered	
17	3570775	1	Plate	
18	3340838	2	Pad, Wear	
19	4641033	1	Valve Assembly (No serviceable parts - sold as assembly only)	
19A	7024508	2	O-Ring (Between Valve and Cylinder Barrel)	
20	0630535	3	Bolt 1/4 x 1-1/8	
21	0641806	4	Bolt 1/2 x 3/4	
22	3931664	8	Capscrew 3/8 x 4	
23	3931448	4	Capscrew 1/4 x 3	
24	2220883	1	Plug, O-Ring	
25	2220885	1	Plug, O-Ring	
26	2220886	1	Plug, O-Ring	
30	1001149391	1	Seal Kit (Includes Items 4-8 & 10-14)	

SECTION 6 - HYDRAULIC

SECTION 6 - HYDRAULIC



SECTION 6 - HYDRAULIC

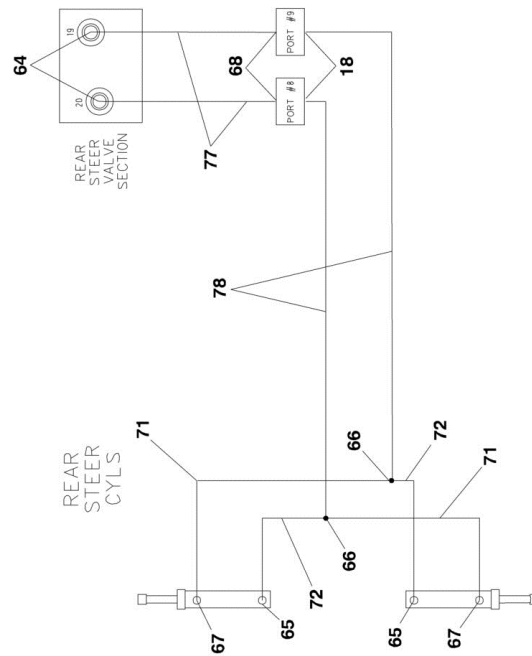
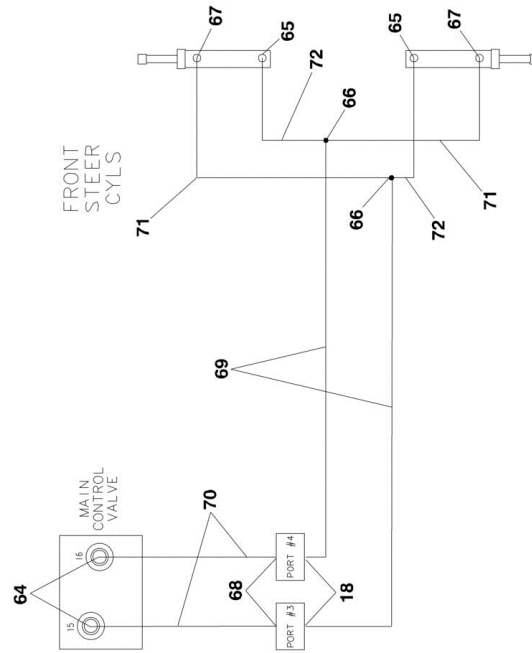
FIGURE 6-1. DRIVE HYDRAULIC DIAGRAM (Prior to SN 0300137975)

ITEM	PART NUMBER	QTY	DESCRIPTION	REV
	2792364	Ref	DRIVE HYDRAULIC DIAGRAM	14-H
1	2220811	Ref	Fitting, Reducer	
1	2220811	9	Fitting, Reducer (Prior to SN 0300087266)	
1	2220811	8	Fitting, Reducer (SN 0300087266 through 030137975)	
2	2220500	13	Fitting, Elbow	
3	2220415	6	Fitting, Straight	
4	2220365	4	Fitting, Elbow	
5	2220711	1	Fitting, Tee	
6	2220800	4	Fitting, Straight	
7	2220374	5	Fitting, Straight	
8	2220373	1	Fitting, Straight	
9	2220502	4	Fitting, Elbow	
10	2220499	1	Fitting, Elbow	
11	2220466	4	Fitting, Elbow	
12	2220504	4	Fitting, Tee	
13	2220362	2	Fitting, Tee	
14	2220582	5	Fitting, Straight	
15	2220646	2	Fitting, Elbow	
16	2220999	1	Fitting, Tee	
17	2220618	1	Fitting, Reducer	
18	2220479	1	Fitting, Straight	
19	2220602	3	Fitting, Tee	
20	2220380	1	Fitting, Straight	
21	2220609	1	Fitting, Reducer	
22	2220596	1	Fitting, Elbow	
23	2220628	1	Fitting, Elbow	
24	4640778	1	Valve, Restrictor	
25	2220235	2	Fitting, Plug	
26	2221029	1	Fitting, Orifice	
27	2220605	1	Fitting, Tee	
28	2220375	2	Fitting, Straight	
29	2220451	2	Fitting, Straight	
30	2220600	2	Fitting	
31	2220517	1	Fitting, Cap	
32	2220377	2	Fitting, Straight	
33		Ref	Fitting, Elbow Options:	
33	2220366	1	Fitting, Elbow (Prior to SN 0300087266)	
33	2220596	1	Fitting, Elbow (SN 0300087266 through 0300137975)	
34	2220810	1	Fitting, Reducer	
35	2220237	2	Fitting, Plug	
36	2220242	1	Fitting, Plug	
37	2752495	2	Hose	
38	2752580	2	Hose	
39	2751014	2	Hose	
40	2751021	1	Hose	
41	2752459	1	Hose	
42	2221030	1	Fitting, O-Ring Nipple	
43	2753160	1	Hose	
44	2753090	2	Hose	
45	2753156	1	Hose	

SECTION 6 - HYDRAULIC

ITEM	PART NUMBER	QTY	DESCRIPTION	REV
46	4100059	4	Sleeve, Nylon (Prior to SN 0300099884)	
47	2751017	1	Hose	
48	2752363	2	Hose	
49	2752498	1	Hose	
50	2752592	2	Hose	
51	2753035	2	Hose	
52	2752516	2	Hose	
53	2752514	1	Hose	
54	2752591	1	Hose	
55	2752949	1	Hose	
56	2751906	1	Hose	
57	2753157	1	Hose	
58	2753158	2	Hose	
59	2753159	1	Hose	
60	2751500	1	Hose	
61	2752365	1	Hose	
62	2752366	1	Hose	
63	2751399	1	Hose	
64	2753417	1	Hose	
65	2751397	2	Hose	
66	2752942	1	Hose	
67	2752466	2	Hose	
68	2752494	2	Hose	
69	2752433	1	Hose	
70	2752514	1	Hose	
71	2752573	1	Hose	
72	2752754	1	Hose	
73	2752670	1	Hose	
74	2220501	8	Fitting, Elbow	
75	2220490	4	Fitting, Tee	
76	2220473	6	Fitting, Elbow	
77	2220371	6	Fitting, Straight	
78	2220833	4	Fitting, Reducer	
79	2752462	1	Hose	
81	2753087	4	Hose	
83	2752648	4	Hose	
84	4100058	4	Sleeve, Nylon (Prior to SN 0300099884)	
85	2752489	1	Hose	
86	2753117	2	Hose	
87	2752480	2	Hose	
88	2220507	1	Fitting, Elbow	

SECTION 6 - HYDRAULIC



SECTION 6 - HYDRAULIC

FIGURE 6-2. DRIVE HYDRAULIC DIAGRAM (SN 0300137975 through 0300185827)

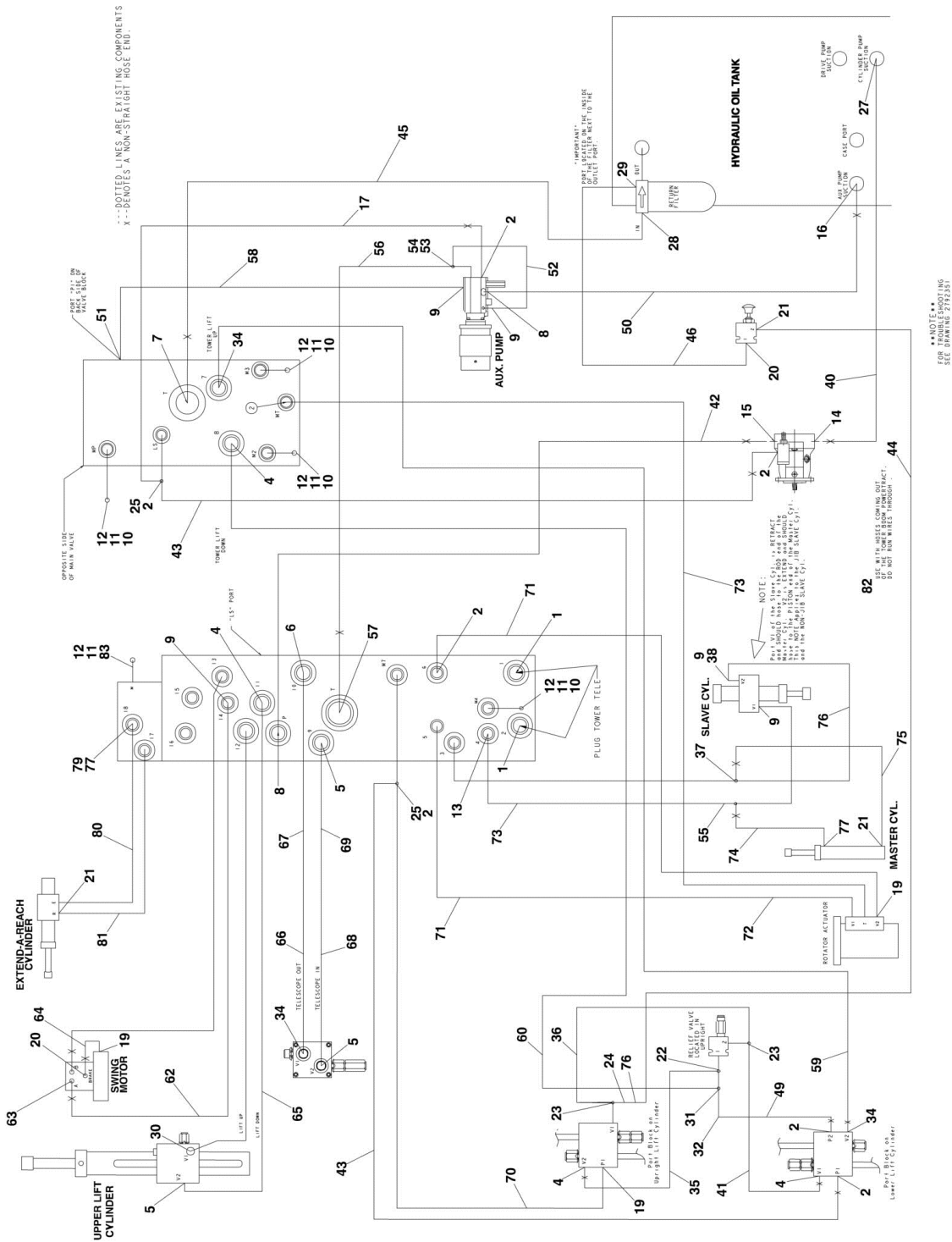
ITEM	PART NUMBER	QTY	DESCRIPTION	REV
	2792710	Ref	DRIVE HYDRAULIC DIAGRAM	8-G
3	2220582	AR	Fitting, Straight	
6	2220618	1	Fitting, Reducer	
8	2220602	1	Fitting, Tee	
9	2220380	1	Fitting, Straight	
10	2220375	1	Fitting, Straight	
12	2220468	1	Fitting, Straight	
13	2220377	2	Fitting, Straight	
14	2220596	1	Fitting, Elbow	
16	2170350	1	Fitting, Tee	
17	2151616	1	Fitting, Elbow	
18	2110606	5	Fitting, Straight	
19	2110808	5	Fitting, Straight	
21	2111616	3	Fitting, Straight	
22	2130414	6	Fitting, Elbow	
23	2130808	5	Fitting, Elbow	
24	2131616	1	Fitting, Elbow	
25	2130604	1	Fitting, Elbow	
26	2130406	4	Fitting, Elbow	
27	2150406	2	Fitting, Elbow	
28		Ref	Fitting, Elbow Options:	
28	2150812	4	Fitting, Elbow (SN 0300137975 through 0300138513)	
28	2150808	4	Fitting, Elbow (SN 0300138514 through 030183033)	
29	2170408	2	Fitting, Tee	
30	2170504	2	Fitting, Tee	
31	2220237	1	Fitting, Plug	
32	2752434	1	Hose	
33	2752997	1	Hose	
34	2751399	1	Hose	
35	2752754	1	Hose	
36	2752673	1	Hose	
37	2751500	1	Hose	
39	2752494	2	Hose	
40	1001110032	1	Hose	
41	1001110033	1	Hose	
42	2752453	1	Hose	
43	2753549	2	Hose	
44	2753540	1	Hose	
45	2754511	2	Hose	
47	2754512	2	Hose	
49	2753622	3	Hose	
50	2753626	1	Hose	
51	2754510	2	Hose	
52	2753628	2	Hose	
53	2753970	3	Hose	
54	2754509	4	Hose	
55	2753634	2	Hose	
56	2754040	1	Hose	
57	2220386	1	Fitting, Elbow	
58	2220738	1	Fitting, Tee	

SECTION 6 - HYDRAULIC

ITEM	PART NUMBER	QTY	DESCRIPTION	REV
60	2220622	1	Fitting, Reducer	
61	2220466	2	Fitting, Elbow	
62	2170804	1	Fitting, Tee	
63	2170704	1	Fitting, Tee	
64	2220501	4	Fitting, Elbow	
65	2150606	4	Fitting, Elbow	
66	2150506	4	Fitting, Tee	
67	2130606	6	Fitting, Elbow	
68	2220473	4	Fitting, Elbow	
69	2753627	2	Hose	
70	2752489	2	Hose	
71	2753626	4	Hose	
72	2753625	4	Hose	
75	2220940	1	Fitting, Elbow	
76	2220591	1	Fitting, Reducer	
77	2752466	2	Hose	
78	2754243	2	Hose	
79	2220385	1	Fitting, Tee	
80	2752934	1	Hose	
81	2220221	1	Fitting, Reducer (SN 0300137975 through 0300138513)	
82	2220811	1	Fitting, Reducer (SN 0300138514 through 030183033)	

SECTION 6 - HYDRAULIC

FIGURE 6-3. STANDARD HYDRAULIC DIAGRAM (WITH FENNER AND HALDEX BRAND AUXILIARY PUMP)



NOTE FOR TROUBLESHOOTING SEE DRAWING 2743251

SECTION 6 - HYDRAULIC

FIGURE 6-3. STANDARD HYDRAULIC DIAGRAM (WITH FENNER AND HALDEX BRAND AUXILIARY PUMP)

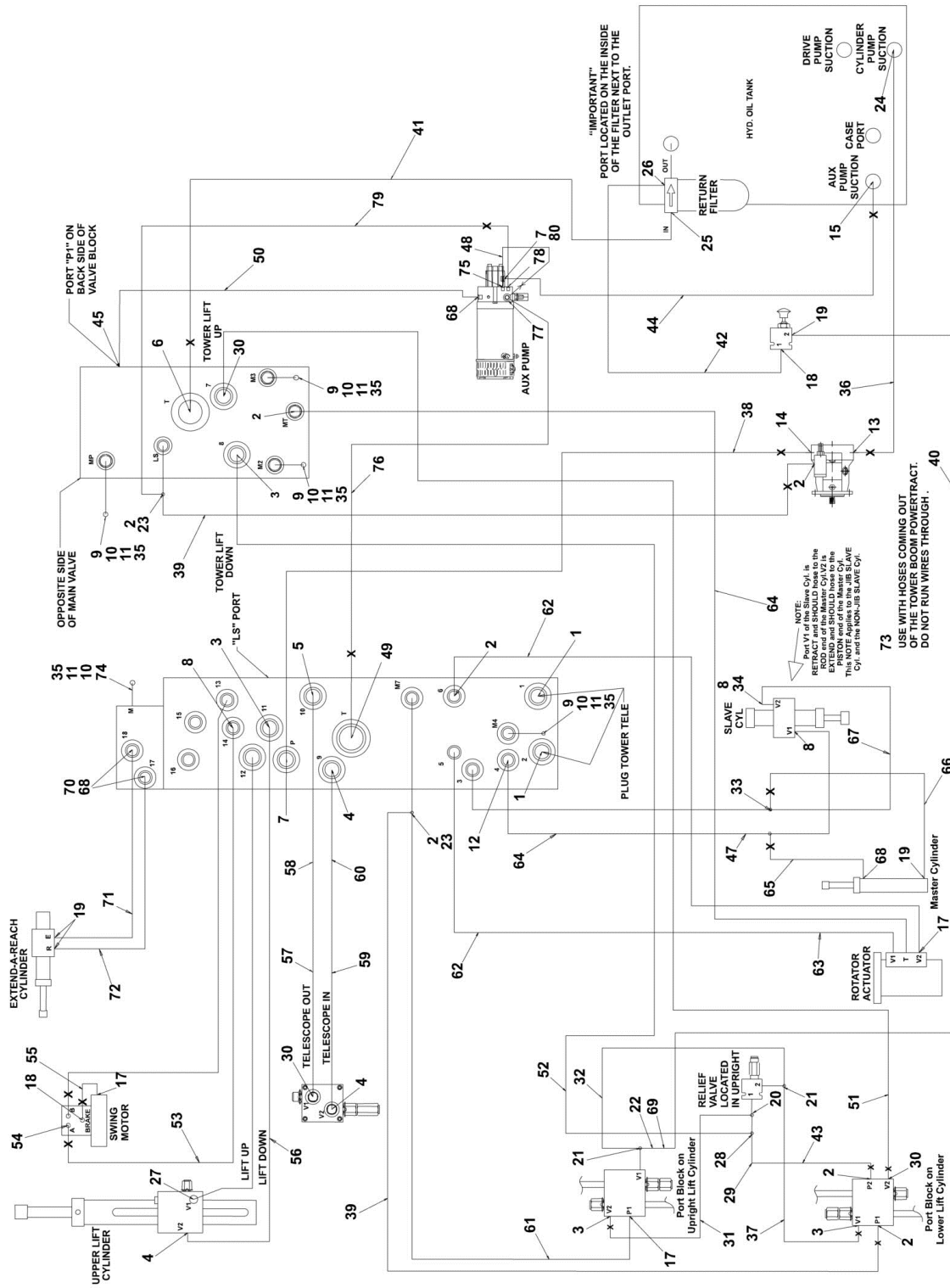
ITEM	PART NUMBER	QTY	DESCRIPTION	REV
	2792528	Ref	STANDARD HYDRAULIC DIAGRAM	C-C
1	2220238	2	Fitting, O-Ring Plug	
2	2220415	10	Fitting, Straight	
4	2220373	5	Fitting, Straight	
5	2220500	3	Fitting, Elbow	
6	2220947	1	Fitting, Straight	
7	2220376	1	Fitting, Straight	
8	2220593	2	Fitting, Straight	
9	2220371	6	Fitting, Straight	
10	2220873	4	Fitting, Straight	
11	2220428	5	Fitting, Pressure Check	
12	2220429	5	Cap, Dust	
13	2220502	1	Fitting, Elbow	
14	2220737	1	Kit, Split Flange	
15	2220478	1	Kit, Split Flange	
16	2220451	1	Fitting, Straight	
17	2752453	1	Hose	
19	2220466	5	Fitting, Elbow	
20	2220582	2	Fitting, Straight	
21	2220473	4	Fitting, Elbow	
22	2220602	1	Fitting, Tee	
23	2220999	2	Fitting, Tee	
24	2220619	1	Fitting, Reducer (Female)	
25	2220605	2	Fitting, Tee	
27	2220765	1	Fitting, Straight	
28	2220379	1	Fitting, Straight	
29	2220574	1	Fitting, Straight	
30	2220596	1	Fitting, Elbow	
31	2220385	1	Fitting, Tee	
32	2220618	1	Fitting, Reducer (Female)	
34	2220852	3	Fitting, Straight	
35	2753197	1	Hose	
36	2753196	1	Hose	
37	2220490	2	Fitting, Tee	
38	4567139	1	Tube	
39	0100020	AR	Sealant, Pipe	
40	2753216	1	Hose	
41	2753641	1	Hose	
42	2753231	1	Hose	
43	2753010	2	Hose	
44	2753639	1	Hose	
45	2752721	1	Hose	
46	2752438	1	Hose	
49	2753644	1	Hose	
50	2752674	1	Hose	
51	4640780	1	Fitting, Check Valve	
52	2753118	1	Hose	
53	2220775	1	Fitting, Elbow	
54	2220635	1	Fitting, Tee	

SECTION 6 - HYDRAULIC

ITEM	PART NUMBER	QTY	DESCRIPTION	REV
55	2220609	2	Fitting, Reducer	
56	2752463	1	Hose	
57	2220577	1	Fitting, Straight	
58	2753122	1	Hose	
59	2752768	1	Hose	
60	2752930	1	Hose	
62	2752462	2	Hose	
63	2220497	2	Fitting, Straight	
64	2752573	1	Hose	
65	2753637	2	Hose	
66	2752767	1	Hose	
67	2753642	1	Hose	
68	2753190	1	Hose	
69	2753640	1	Hose	
70	2753643	1	Hose	
71	2753638	2	Hose	
72	2753006	3	Hose	
73	2753636	3	Hose	
74	2753124	1	Hose	
75	2753125	1	Hose	
76	2753126	2	Hose	
77	2220501	3	Fitting, Elbow	
78	4567757	1	Tube	
79	2220591	2	Fitting, Reducer	
80	2753645	2	Hose	
81	2753128	2	Hose	
82	4100062	2	Sleeve, Nylon	
83	2220873	1	Fitting, Nipple	

SECTION 6 - HYDRAULIC

FIGURE 6-4. STANDARD HYDRAULIC DIAGRAM (WITH BUCHER BRAND AUXILIARY PUMP)



SECTION 6 - HYDRAULIC

FIGURE 6-4. STANDARD HYDRAULIC DIAGRAM (WITH BUCHER BRAND AUXILIARY PUMP)

ITEM	PART NUMBER	QTY	DESCRIPTION	REV
	1001143189	Ref	STANDARD HYDRAULIC DIAGRAM	A-A
1	2220238	2	Fitting, O-Ring Plug	
2	2220415	9	Fitting, Straight	
3	2220373	5	Fitting, Straight	
4	2220500	3	Fitting, Elbow	
5	2220947	1	Fitting, Straight	
6	2220376	1	Fitting, Straight	
7	2220593	2	Fitting, Straight	
8	2220371	5	Fitting, Straight	
9	2220873	4	Fitting, Straight	
10	2220428	5	Fitting, Pressure Check	
11	2220429	5	Cap, Dust	
12	2220502	1	Fitting, Elbow	
13	2220737	1	Kit, Split Flange	
14	2220478	1	Kit, Split Flange	
15	2220451	1	Fitting, Straight	
17	2220466	5	Fitting, Elbow	
18	2220582	2	Fitting, Straight	
19	2220473	4	Fitting, Elbow	
20	2220602	1	Fitting, Tee	
21	2220999	2	Fitting, Tee	
22	2220619	1	Fitting, Reducer (Female)	
23	2220605	2	Fitting, Tee	
24	2220765	1	Fitting, Straight	
25	2220379	1	Fitting, Straight	
26	2220574	1	Fitting, Straight	
27	2220596	1	Fitting, Elbow	
28	2220385	1	Fitting, Tee	
29	2220618	1	Fitting, Reducer (Female)	
30	2220852	3	Fitting, Straight	
31	2753197	1	Hose	
32	2753196	1	Hose	
33	2220490	2	Fitting, Tee	
34	4567139	1	Tube	
35	0100020	AR	Sealant, Pipe	
36	2753216	1	Hose	
37	2753641	1	Hose	
38	2753231	1	Hose	
39	2753010	2	Hose	
40	2753639	1	Hose	
41	2752721	1	Hose	
42	2752438	1	Hose	
43	2753644	1	Hose	
44	2752674	1	Hose	
45	4640780	1	Fitting, Check Valve	
47	2220609	2	Fitting, Reducer	
48	2752463	1	Hose	
49	2220577	1	Fitting, Straight	
50	2753118	1	Hose	
51	2752768	1	Hose	

SECTION 6 - HYDRAULIC

ITEM	PART NUMBER	QTY	DESCRIPTION	REV
52	2752930	1	Hose	
53	2752462	2	Hose	
54	2220497	2	Fitting, Straight	
55	2752573	1	Hose	
56	2753637	2	Hose	
57	2752767	1	Hose	
58	2753642	1	Hose	
59	2753190	1	Hose	
60	2753640	1	Hose	
61	2753643	1	Hose	
62	2753638	2	Hose	
63	2753006	3	Hose	
64	2753636	3	Hose	
65	2753124	1	Hose	
66	2753125	1	Hose	
67	2753126	2	Hose	
68	2220501	4	Fitting, Elbow	
69	4567757	1	Tube	
70	2220591	2	Fitting, Reducer	
71	2753645	2	Hose	
72	2753128	2	Hose	
73	4100062	2	Sleeve, Nylon	
74	2220873	1	Fitting, Nipple	
75	2220603	1	Fitting, Straight	
76	1001109690	1	Hose	
77	2220606	1	Fitting, Tee	
78	2220923	1	Fitting, Straight	
79	1001143192	1	Hose	
80	2220655	1	Fitting, Elbow	

SECTION 6 - HYDRAULIC

FIGURE 6-5. HYDRAULIC DIAGRAM LIST

ITEM	PART NUMBER	QTY	DESCRIPTION	REV
		Ref	Note: Diagrams not shown is available from JLG Service/Parts Departments.	
	2792589	Ref	Air Compressor Hydraulic Diagram	
		Ref	Tow Package Hydraulic Diagram Options:	
	2792571	Ref	Tow Package Hydraulic Diagram (Prior to SN 0300136124)	
	1001107290	Ref	Tow Package Hydraulic Diagram (SN 0300136124 through 0300183033)	
		Ref	Drive Hydraulic Diagram	
	2792364	Ref	Drive Hydraulic Diagram (Prior to SN 0300137975)	
	2792710	Ref	Drive Hydraulic Diagram (SN 030037975 through 0300185827)	
		Ref	Oil Cooler Hydraulic Schematic	
		Ref	Deutz Engine	
	1282665	Ref	Deutz Engine (Prior to SN 0300137666)	
	Not Required	0	Deutz Engine (SN 0300137666 through 0300185827)	
	1283309	Ref	Ford and GM Engine	
		Ref	Standard Hydraulic Diagram	
	2792528	Ref	Fenner and Haldex Brand Auxiliary Pump	
	1001143189	Ref	Bucher Brand Auxiliary Pump	
		Ref	Standard Hydraulic Schematic	
	2792535	Ref	Standard Hydraulic Schematic (Prior to SN 0300137975)	
	1001108855	Ref	Standard Hydraulic Schematic (SN 0300137975 through 0300185827)	
		Ref	Tilt Sensor Installation Options:	
	1001093187	Ref	Tilt Sensor Installation (Prior to SN 0300112885)	
	1001094557	Ref	Adapter, Pressure Tap	

SECTION 7 - ELECTRICAL

SECTION 7 - ELECTRICAL

FIGURE 7-1. ELECTRICAL DIAGRAM LIST

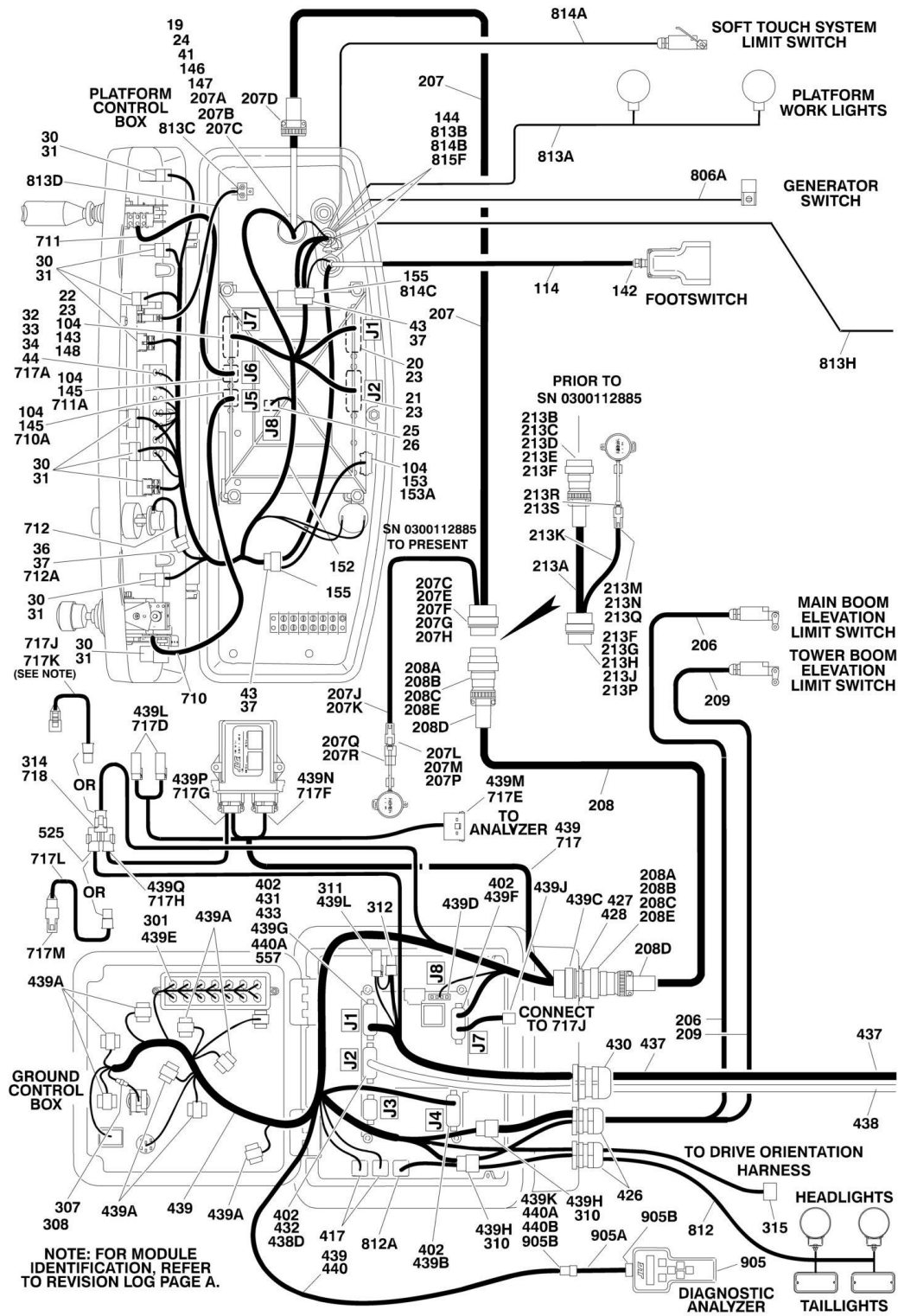
ITEM	PART NUMBER	QTY	DESCRIPTION	REV
	0257157	Ref	ETHER START ELECTRICAL DIAGRAM	
	1282571	Ref	ETHER START ELECTRICAL DIAGRAM	
	4932986	Ref	ENGINE SHUTDOWN ELECTRICAL DIAGRAM (DEUTZ ENGINE MACHINES OPTION)	
		Ref	GENERATOR ELECTRICAL DIAGRAMS	
		Ref	Deutz and Ford Engines	
	4933215	Ref	110Volt (SN 0300069000 through 0300077499)	
	4933216	Ref	220 Volt (SN 0300069000 through 0300077499)	
	4933300	Ref	110/220 Volt (SN 0300077500 through 0300139399)	
	1001112588	Ref	110/220 Volt - 60Hz (SN 0300139400 through 0300185827)	
	1001112743	Ref	110/220 Volt - 50Hz (SN 0300139400 through 0300185827)	
	Not Required	0	Ford Engines 110/220 Volt (SN 0300139400 through 0300185827)	
	4933350	Ref	GM Engines - ANSI and ANSI Export Specs	
		Ref	GLOW PLUG DIAGRAM OPTIONS:	
	4933189	Ref	GLOW PLUG DIAGRAM (Prior to SN 0300073049)	
	4922565	1	Harness	
	4933217	Ref	GLOW PLUG DIAGRAM (SN 0300073049 through 0300185827)	
	1282571	Ref	COLD WEATHER START ELECTRICAL DIAGRAM	
	4933231	Ref	LIGHTS ELECTRICAL DIAGRAMS (NON-UL SPEC MACHINES)	
	4922643	1	Harness (Located in Ground Console Box)	
	3740049	1	Relay	
	4933218	Ref	PLATFORM SOFT TOUCH SYSTEM ELECTRICAL DIAGRAM	
		Ref	PLATFORM WORKLIGHTS ELECTRICAL DIAGRAM	
	0270814	Ref	Platform Worklights Electrical Diagram (Prior to SN 0300137666)	
	0273485	Ref	Platform Worklights Electrical Diagram (SN 0300137666 through 0300185827)	
		Ref	STANDARD ELECTRICAL DIAGRAMS:	
	4922852	Ref	Deutz Engine without UGM (Prior to SN 0300085331)	
	4933322	Ref	Deutz Engine without UGM (SN 0300085331 through 0300099883)	
	4933370	Ref	Deutz Engine without UGM (SN 0300099884 through 0300185827)	
	1001110223	Ref	Deutz Engine with UGM	
	4933233	Ref	Ford EFI Engine (Prior to SN 0300087266)	
	4933339	Ref	Ford EFI Engine (SN 0300087266 through 0300185827)	
	4933359	Ref	GM Engine without UGM (Prior to SN 0300099884)	
	4933385	Ref	GM Engine without UGM (SN 0300099884 through 0300185827)	
	1001110224	Ref	GM Engine with UGM	
		Ref	NOTE: FOR MODULE IDENTIFICATION, REFER TO REVISION LOG PAGE A.	
		Ref	STANDARD ELECTRICAL SCHEMATICS	
	1870163	Ref	Deutz and Ford Engines without UGM	
	1870199	Ref	Deutz EMR2 and GM Engines without UGM (Prior to SN 0300099884)	
	1870220	Ref	Deutz EMR2 and GM Engines without UGM (SN 0300099884 through 0300185827)	
	1001115344	Ref	Deutz and GM Engines with UGM	
	1001131992	Ref	GM Engine Schematic (Engine Schematic Only. P/N	

SECTION 7 - ELECTRICAL

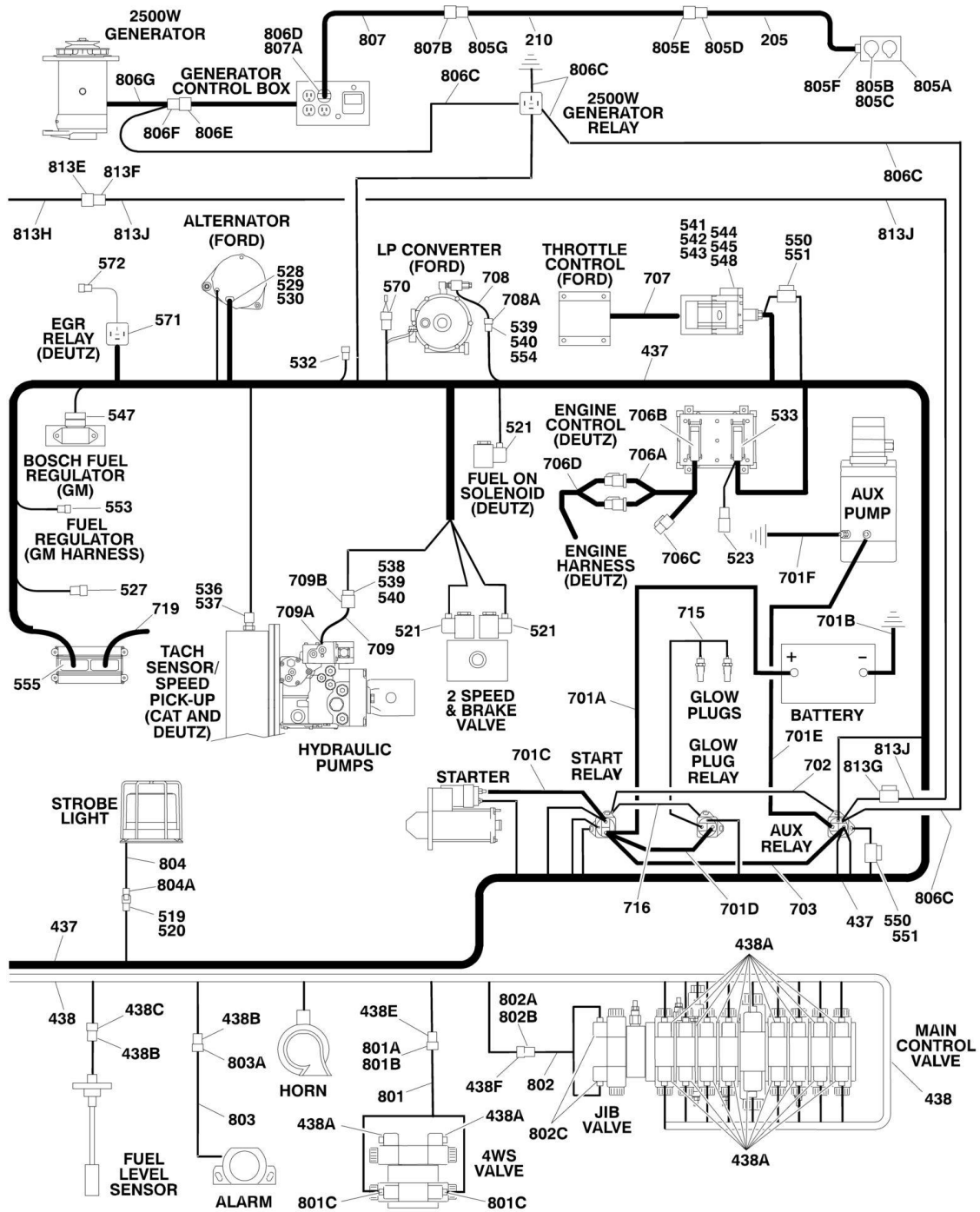
ITEM	PART NUMBER	QTY	DESCRIPTION	REV
		Ref	1001115344 is schematic for complete machine) NOTE: FOR MODULE IDENTIFICATION, REFER TO REVISION LOG PAGE A.	

SECTION 7 - ELECTRICAL

FIGURE 7-2. HARNESS COMPONENTS INSTALLATION WITHOUT UGM



SECTION 7 - ELECTRICAL



SECTION 7 - ELECTRICAL

FIGURE 7-2. HARNESS COMPONENTS INSTALLATION WITHOUT UGM

ITEM	PART NUMBER	QTY	DESCRIPTION	REV
		Ref	PLATFORM BOX HARNESS ASSEMBLY	
	4922639	Ref	Platform Box Harness Assembly (Prior to SN 0300135982)	8-I
	1001107753	Ref	Platform Box Harness Assembly (SN 0300135982 through 0300185827)	B
19	4460866	1	Connector - 19 Position	
20	4460874	1	Plug, Male 35 Position (Natural)	
21	4460875	1	Plug, Male 35 Position (Gray)	
22	4460873	1	Plug, Male 35 Position (Black)	
23	4460871	AR	Socket, Female	
24	4460464	7	Pin, Male (16 Gauge)	
25	4460879	1	Plug, Male 2 Position	
26	4460887	2	Terminal (12 Gauge)	
30	4460418	9	Connector - 6 Position	
31	4460419	27	Terminal, Female	
32	4120035	AR	Base, Light	
33	4460634	AR	Terminal, (16 Gauge)	
34	4460635	AR	Terminal, (12 Gauge)	
36	4460225	1	Plug, Male 6 Position	
37	4460227	AR	Pin	
41	4460508	3	Pin, Male (12 Gauge)	
43	4460434	2	Plug, Male 15 Position	
44	2920129	AR	Lamp, Indicator	
		Ref	PLATFORM BOX ASSEMBLY COMPONENTS	
104	0100048	AR	Grease, Dielectric	
114	1060918	8 ft/2.4m	Cable, Electrical - 18/3	
142	4460071	1	Connector, Strain Relief	
143	4460226	2	Socket, Female	
144	4460428	2	Connector, Strain Relief	
145	4460464	1	Pin, Male (16 Gauge)	
146	4460470	1	Nut, Terminal	
147	4460471	1	Lockwasher, Terminal	
148	4460905	5	Seal, Plug	
152		Ref	Harness, Console Box Options (See Items 1-44 for Breakdown):	
152	4922639	1	Harness, Console Box (Prior to SN 0300135982)	
152	1001107753	1	Harness, Console Box (SN 0300135982 through 0300185827)	
153	4922666	1	Harness, Analyzer Cable	2-B
153	4460226	4	Socket, Female (Not Shown - Located at J2)	
153A	4460761	1	Connector, Female - 4 Position	
153A	4460227	4	Pin, Male	
155	4460708	2	Connector, Female 15 Position	
		Ref	BOOM CABLES INSTALLATION	
	0272028	Ref	ANSI Spec without Aircraft De-icing Package	C
	1001107763	Ref	ANSI Spec with Communication System / Aircraft De-icing Package	A
	0272787	Ref	CE Spec	A
203		Ref	Clamp, Block Options (Not Shown-Located on back of T/T):	
203	1320256	1	ANSI Spec without Aircraft De-icing Package and CE Spec	
203	1001112652	1	ANSI Spec with Aircraft De-icing Package	
205		Ref	Harness Assembly - Upper Boom (10/3) Options:	
205	4922216	1	ANSI Spec	

SECTION 7 - ELECTRICAL

ITEM	PART NUMBER	QTY	DESCRIPTION	REV
205	4922219	1	CE Spec	
206	4922578	1	Harness Assembly - Main Boom (18/2)	
207	4922582	1	Harness Assembly - Main Boom (12/4 -18/8)	F
207	1060896	AR	Cable, Electrical - 4 #12 AWG, 8 #18 AWG and 1 STP #18 AWG	
207	0100009	AR	Sealant	
207A	4460465	11	Socket, Female	
207B	4460865	1	Connector - 19 Position	
207C	4460509	4	Socket, Female	
207D	4460473	1	Clamp, Cable	
207E	4460466	8	Seal, Plug	
207F	4460464	11	Pin, Male (16 Gauge)	
207G	4460866	1	Connector - 19 Position	
207H	4460508	4	Pin, Male (12 Gauge)	
207J	4923613	1	Harness, Tilt Switch	
207K	1060978	2 ft/0.6m	Cable, Electrical - 18/3	
207L	1001097051	1	Connector - 4 Position	
207M	1001097082	3	Pin, Male (Gold)	
207N	4460464	3	Pin, Male (16 Gauge)	
207P	4460466	1	Seal, Plug	
207Q	1001094400	1	Tilt Sensor Harness (Boom) (Includes Sensor)	C
207R	4461077	1	Terminal, Plug - 4 Position	
207R	4460918	3	Socket, Female	
208	4922853	1	Harness Assembly - Lower Boom (12/4 - 18/8)	
208	1060896	37 ft/11.3m	Cable, Electrical - 4 #12 AWG, 8 #18 AWG and 1 STP #18 AWG	
208A	4460465	22	Socket, Female	
208B	4460865	2	Connector - 19 Position	
208C	4460509	8	Socket, Female	
208D	4460473	2	Clamp, Cable	
208E	4460466	8	Seal, Plug	
209	4922854	1	Harness Assembly - Tower Boom (18/2)	
210		Ref	Harness Assembly - Tower Boom (10/3) Options:	
210	4922681	1	ANSI Spec	
210	4922860	1	CE Spec	
213	1001094470	1	Harness, Boom Cable Jumper (Prior to SN 0300112885)	C
213A	1060896	1 ft/0.3m	Cable, Electrical - 4 #12 AWG, 8 #18 AWG and 1 STP #18 AWG	
213B	4460465	11	Socket, Female	
213C	4460865	1	Connector - 19 Position	
213D	4460509	4	Socket, Female	
213E	4460473	1	Clamp, Cable	
213F	4460466	8	Seal, Plug	
213G	4460464	8	Pin, Male (16 Gauge)	
213H	4460866	1	Connector - 19 Position	
213J	4460508	4	Pin, Male (12 Gauge)	
213K	4923613	1	Harness, Tilt Switch	
213L	1060978	2 ft/0.6m	Cable, Electrical - 18/3	
213M	1001097051	1	Connector - 4 Position	
213N	1001097082	3	Pin, Male (Gold)	
213P	4460464	3	Pin, Male (16 Gauge)	
213Q	4460466	1	Seal, Plug	

SECTION 7 - ELECTRICAL

ITEM	PART NUMBER	QTY	DESCRIPTION	REV
213R	4461077	1	Terminal, Plug - 4 Position	
213S	See Note	3	Socket, Female (Note: Not Available for Purchase)	
214	1001107754	1	Harness Assembly - Tower Boom Communication (18/4 Shielded) (Not Shown - Machines with Aircraft De-icing Package Only)	
214	1001111128	1	Cable, Electrical - 18/4 Individually Shielded	
214	4460464	5	Pin, Male (16 Gauge)	
214	4460466	1	Seal, Plug	
214	4460899	1	Terminal, Receptacle - 6 Position	
214	1001111136	1	Plug, 4 Position Cannon	
215	1001107755	1	Harness Assembly - Main Boom Communication (18/4 Shielded) (Not Shown - Machines with Aircraft De-icing Package Only)	
215	1001111128	1	Cable, Electrical - 18/4 Individually Shielded	
215	4460464	5	Pin, Male (16 Gauge)	
215	4460466	1	Seal, Plug	
215	4460894	1	Terminal, Plug - 6 Position	
215	1001111136	1	Plug, 4 Position Cannon	
		Ref	GROUND CONTROL BOX WIRING DIAGRAMS	
	4922852	Ref	Deutz Engine (Prior to SN 0300085331)	2-B
	4933322	Ref	Deutz Engine (SN 0300085331 through 0300099883)	F
	4933370	Ref	Deutz Engine (SN 0300099884 through 0300185827)	F
	4933233	Ref	Ford Engine (Prior to SN 0300087266)	4-F
	4933339	Ref	Ford Engine (SN 0300087266 through 0300185827)	2-B
	4933359	Ref	GM Engine (Prior to SN 0300099884)	B
	4933385	Ref	GM Engine (SN 0300099884 through 0300185827)	F
301	2920129	AR	Bulb, Light	
307	2400065	1	Fuse, 30Amp	
308	2400066	1	Fuse, Holder	
310	4460708	2	Receptacle, Female - 15 Position	
310	4460226	AR	Socket, Female	
310	4922637	1	Harness, Jumper (Not Shown)	
311	4460894	1	Plug, Male - 6 Position (Deutz and GM Engines) (SN 0300085331 through 0300112885)	
311	4460892	1	Receptacle, Female - 6 Position (Deutz and GM Engines) (SN 0300085331 through 0300112885)	
312	2902443	1	Receptacle Kit (Deutz) (SN 0300085331 through 0300185827)	
312	4461071	8	Socket, Female	
312	4461072	1	Receptacle	
312	4461073	1	Cap, Dust	
312	4461074	1	Shell, Black	
314	4460945	1	Connector (3 Way Tee)	
315	4460424	1	Receptacle, Female - 2 Position	
315	4460226	2	Socket, Female	
		Ref	GROUND CONTROL BOX COMPONENTS	
402	0100048	AR	Grease, Dielectric	
417	3740049	2	Relay	
426	4460426	2	Connector, Strain Relief	
427	4460470	1	Nut, Terminal	
428	4460471	1	Lockwasher, Terminal	
430	4460526	1	Connector, Strain Relief	
431	4460874	1	Connector - 35 Position (Natural)	
432	4460875	1	Connector - 35 Position (Gray)	

SECTION 7 - ELECTRICAL

ITEM	PART NUMBER	QTY	DESCRIPTION	REV
433	4460905	4	Connector, Amp Seal Plug	
437		Ref	Engine Harness Assembly (See 501-572 for Breakdown)	
437	4922549	1	Deutz Engine Machines (Prior to SN 0300085331)	
437	4923238	1	Deutz Engine Machines (SN 0300085331 through 0300185827)	
437	4922550	1	Ford Engine Machines (Prior to SN 0300087266)	
437	4923281	1	Ford Engine All Machines (SN 0300087266 through 0300185827)	
437	4923499	1	GM Engine All Machines	
438	4922557	1	Valve Harness Assembly	1-A
438A	4460880	19	Connector, DIN	
438B	4460320	2	Connector, Female- 2 Position	
438B	4460267	7	Pin, Male	
438C	4460424	1	Connector, Male- 2 Position	
438C	4460268	5	Pin, Female	
438D	4460871	AR	Socket, Female	
438E	4460326	1	Connector, Male - 3 Position	
438E	4460267	7	Pin, Male	
438F	4460445	1	Connector, Female - 3 Position	
438F	4460268	5	Pin, Female	
439		Ref	Ground Control Box Harness Assemblies	4-E
439	4922675	1	Ford Engine Machines (Prior to SN 0300087266)	5-F
439	4923282	1	Ford Engine Machines (SN 0300087266 through 0300185827)	1-A
439	4922675	1	Deutz Engine Machines (Prior to SN 0300085331)	5-F
439	4923223	1	Deutz and GM Engine Machines (SN 0300085331 through 0300099883)	G
439	4923575	1	Deutz and GM Engine Machines (SN 0300099884 through 0300112884)	C
439	1001096458	1	Deutz and GM Engine Machines (SN 0300112885 through 0300185827)	E
439A	4460418	9	Connector, Female- 6 Position	
439A	4460419	27	Socket, Female	
439B	4460876	1	Connector, 35- Position	
439B	4460871	AR	Socket, Female	
439B	4460905	1	Seal, Plug	
439C	4460866	1	Connector - 19 Position	
439C	4460464	10	Pin, Male Deutsch (16 Gauge)	
439C	4460508	3	Pin, Male Deutsch (12 Gauge)	
439D	4460878	1	Housing, Terminal- 4 Position	
439D	4460887	3	Terminal (12 Gauge)	
439E	4120035	AR	Base, Light	
439E	4460634	AR	Terminal (16 Gauge)	
439F	4460873	1	Connector, 35- Position (Black)	
439F	4460871	AR	Socket, Female	
439F	4460905	1	Seal, Plug	
439G	4460871	AR	Socket, Female	
439H	4460434	2	Plug, Male 15- Position	
439H	4460227	AR	Pin	
439I	3990010	2	Diode - 6 Amp (Not Shown)	
439J		Ref	Receptacle, Female Options:	
439J	4460536	1	Receptacle, Female - 3 Position (Deutz and GM Engine) (SN 0300085331 through 0300112884)	
439J	4460943	3	Pin	

SECTION 7 - ELECTRICAL

ITEM	PART NUMBER	QTY	DESCRIPTION	REV
439J	4460965	1	Receptacle, Female - 3 Position (SN 0300112885 through 0300185827)	
439J	4460944	3	Pin	
439K	4460761	1	Connector, Female 4- Position	
439K	4460227	4	Pin, Male	
		Ref	Note: Items 439L-439Q From. (SN 0300112885 through 0300185827)	
439L	4460894	3	Plug, Male - Position	
439L	4460465	AR	Socket, Female	
439L	4460892	3	Terminal, Buss Connector - 6 Position	
439M	4460761	1	Connector, Female 4- Position	
439M	4460227	4	Pin, Male	
439N	4460909	1	Connector - 12 Position (Black)	
439N	4460915	1	Wedge Lock - 12 Position	
439N	4460928	6	Socket, Female	
439P	4460908	1	Connector - 12 Position (Gray)	
439P	4460915	1	Wedge Lock - 12 Position	
439P	4460928	5	Socket, Female	
439Q	4460965	1	Connector, Male - 3 Position	
439Q	4460944	3	Socket, Female (Gold)	
440	4922666	1	Cable, Analyzer (Previously came out of J1. On Caterpillar and Ford Machines SN 0300087266 through 0300185827 and on Deutz and GM Machines SN 0300085331 through 0300185827 part of Item 439)	2-B
440A	4460226	4	Socket, Female	
440B	4460761	1	Connector, Female 4- Position	
440B	4460227	4	Pin, Male	
441		Ref	Ground Control Box Wiring Diagram (Not Shown - See Items 301-315 for Breakdown)	
441	4922852	1	Deutz Engine (Prior to SN 0300085331)	
441	4933322	1	Deutz Engine (SN 0300085331 through 0300099883)	
441	4933370	1	Deutz Engine (SN 0300099884 through 0300185827)	
441	4933233	1	Ford Engine (Prior to SN 0300087266)	
441	4933339	1	Ford Engine (SN 0300087266 through 0300185827)	
441	4933359	1	GM Engine (Prior to SN 0300099884)	
441	4933385	1	GM Engine (SN 0300099884 through 0300185827)	
		Ref	ENGINE HARNESS ASSEMBLY	
	4922549	Ref	Deutz Engine Machines (Prior to SN 0300085331)	5-F
	4923238	Ref	Deutz Engine Machines (SN 0300085331 through 0300129455)	E
	1001102150	Ref	Deutz Engine Machines (SN 0300129456 through 0300185827)	B
	4922550	Ref	Ford Engine Machines (Prior to SN 0300087266)	3-D
	4923281	Ref	Ford Engine Machines (SN 0300087266 through 0300185827)	3-C
	4923499	Ref	GM Engine Machines	D
519	4460424	1	Receptacle, Female - 2 Position	
520	4460268	AR	Socket, Female (Deutz and GM Engines)	
520	4460226	AR	Socket, Female (Ford Engine Machines)	
521	4460880	AR	DIN Connector without Diode	
523	4461070	1	Receptacle, Female with Resistor (3 Position) (Deutz Engine) (SN 0300085331 through 0300185827)	
523	4461095	1	Plug, Male - 3 Position (Deutz Engine) (SN 0300085331 through 0300185827)	
523	4460944	3	Socket, Female (Deutz Engine) (SN 0300085331 through 0300185827)	

SECTION 7 - ELECTRICAL

ITEM	PART NUMBER	QTY	DESCRIPTION	REV
525	4460539	1	Connector, Male - 3 Position (Deutz and GM Engine) (SN 0300085331 through 0300185827)	
525	4460944	3	Socket, Female (Deutz and GM Engine) (SN 0300085331 through 0300185827)	
527	4461070	3	Receptacle with Resistor (GM Engine Only)	
527	4460944	1	Terminal, Gold (GM Engine Only)	
527	4461095	1	Plug, Male - 3 Position (GM Engine Only)	
528	4460582	3	Terminal (Ford Engine - ANSI Spec Machines Only)	
529	4460580	1	Lock, Terminal (Ford Engine - ANSI Spec Machines Only)	
530	4460579	1	Housing - 3 Position (Ford Engine - ANSI Spec Machines Only)	
532	4461157	1	Receptacle, Female - 2 Position (GM Engine Only)	
532	4460979	2	Pin, Male (GM Engine Only)	
532	4460458	2	Seal, Terminal (GM Engine Only)	
533	4461052	1	Connector, Receptacle - 25 Position (Deutz Engine) (SN 0300085331 through 0300185827)	
533	4461005	5	Terminal (Gold) (Deutz Engine) (SN 0300085331 through 0300185827)	
533	4461006	5	Seal, Terminal (Deutz Engine) (SN 0300085331 through 0300185827)	
533	4461060	2	Terminal (Tin) (Deutz Engine) (SN 0300085331 through 0300185827)	
533	4461054	2	Seal, Terminal (Deutz Engine) (SN 0300085331 through 0300185827)	
533	4461053	1	Cover, Plug (Deutz Engine) (SN 0300085331 through 0300185827)	
533	4461008	18	Plug, Hole (Deutz Engine) (SN 0300085331 through 0300185827)	
536		Ref	Housing - 2 Position Options:	
536	4460890	1	Deutz Engine (Prior to SN 0300085331)	
536	Not Required	0	Deutz Engine (SN 0300085331 through 0300185827)	
536	Not Required	0	Ford Engine	
536	Not Required	0	GM Engine	
537		Ref	Terminal Options:	
537	4460889	2	Deutz Engine (Prior to SN 0300085331)	
537	Not Required	0	Deutz Engine (SN 0300085331 through 0300185827)	
537	Not Required	0	Ford Engine	
537	Not Required	0	GM Engine	
538	4460460	1	Connector, Male - 4 Position	
539	4460457	AR	Terminal, Female	
540	4460458	AR	Seal, Terminal	
541	4460713	1	Connector, Housing 42 Position (Ford Engine Only)	
542	4460725	1	Connector Wedge Lock, Center (Ford Engine Only)	
543	4460726	2	Connector Wedge Lock, Side (Ford Engine Only)	
544	4460800	32	Connector, Plug (Ford Engine Only)	
545	4460799	7	Pin, Male (Ford Engine Only)	
547	4461121	1	Plug, Male - 4 Position (GM Engine Only)	
547	4461122	4	Socket, Female (GM Engine Only)	
547	4461123	4	Seal, Terminal (GM Engine Only)	
548	4460728	3	Pin, Male (Ford Engine Only)	
550	2400061	AR	Fuse (Ford Engine Only)	
551	2400060	AR	Holder, Fuse (Ford Engine Only)	
553	4461124	1	Receptacle, Female - 4 Position (GM Engine Only)	
553	4460693	4	Pin, Male (GM Engine Only)	

SECTION 7 - ELECTRICAL

ITEM	PART NUMBER	QTY	DESCRIPTION	REV
553	4460608	4	Seal, Terminal (GM Engine Only)	
553	4461161	1	Lock, Terminal (GM Engine Only)	
554	4460742	AR	Connector, Male - 2 Position (Ford Engine Only)	
555	4461109	1	Plug, Male - 16 Position (GM Engine Only)	
555	4461111	7	Pin, Male (GM Engine Only)	
555	4461113	16	Seal, Terminal (GM Engine Only)	
555	4461222	9	Plug, Terminal (GM Engine Only)	
557	4460871	AR	Socket, Female	
570	3730120	1	Resistor Assembly (Ford Engine) (SN 0300073347 through 0300185827)	
570	4460978	1	Receptacle, Male - 2 Position	
570	4460979	2	Pin, Male	
570	4460458	2	Seal, Terminal	
570	3730121	1	Resistor	
571	4460374	1	Connector, Relay (Deutz Engine) (SN 0300129456 through 0300185827)	
571	4460375	4	Terminal, Female (Deutz Engine) (SN 0300129456 through 0300185827)	
572	1001102290	1	Receptacle, Female - 2 Position (Deutz Engine) (SN 0300129456 through 0300185827)	
572	1001102291	2	Pin, Female (Deutz Engine) (SN 0300129456 through 0300185827)	
572	1001102304	2	Seal, Terminal (Deutz Engine) (SN 0300129456 through 0300185827)	
		Ref	STANDARD HARNESS COMPONENTS	
701		Ref	Battery Cable Kit Options:	
701	2901609	1	Deutz Engines (Prior to SN 0300078364)	
701	2902401	1	Deutz Engines (SN 0300078364 through 0300185827)	
701	2901608	1	Ford Engines (Prior to SN 0300087266)	
701	2902445	1	Ford Engines (SN 0300087266 through 0300185827)	
701	2902533	1	GM Engines	
701A	7016800	1	Cable, Battery (Red) (Kit p/n 2901609)	
701A	7016813	1	Cable, Battery (Red) (Kit p/n 2902401)	
701A	7016800	1	Cable, Battery (Red) (Kit p/n 2901608)	
701A	7016821	1	Cable, Battery (Red) (Kit p/n 2902445)	
701A	7027015	1	Cable, Battery (Red) (Kit p/n 2902533)	
701B	7016809	1	Cable, Battery (Black) (Kit p/n 2901609)	
701B	7027012	1	Cable, Battery (Black) (Kit p/n 2902401)	
701B	7016807	1	Cable, Battery (Black) (Kit p/n 2901608)	
701B	7016822	1	Cable, Battery (Black) (Kit p/n 2902445)	
701B	7027018	1	Cable, Battery (Black) (Kit p/n 2902533)	
701C	7016802	1	Cable To Starter (Red) (Kit p/n 2901609)	
701C	Not Required	0	Cable To Starter (Part of 701A) (Red) (Kit p/n 2902401)	
701C	7016808	1	Cable (Red) (Kit p/n 2901608)	
701C	7016808	1	Cable (Red) (Kit p/n 2902445)	
701C	7016825	1	Cable To Starter (Red) (Kit p/n 2902533)	
701D	7016803	1	Cable To Glow Plug Relay (Red) (Kit p/n 2901609)	
701D	7016803	1	Cable To Glow Plug Relay (Red) (Kit p/n 2902401)	
701D	Not Required	0	Cable (Red) (Kit p/n 2901608)	
701D	Not Required	0	Cable (Red) (Kit p/n 2902445)	
701D	Not Required	0	Cable (Red) (Kit p/n 2902533)	
701E	7016824	1	Cable (Red)	
701F	7016825	1	Cable (Black)	

SECTION 7 - ELECTRICAL

ITEM	PART NUMBER	QTY	DESCRIPTION	REV
702	1060904	1	Cable, Battery (Deutz Engines Only)	
703	4922737	1	Harness, Relay Ground (Deutz Engines Only)	
706	See Note	AR	Deutz Engine Harness Components (Deutz Engine Machines Only) (Note: Not Available for Purchase)	
706A		Ref	Deutz Engine Harness Options:	
706A	See Note	1	Deutz Engine Harness (Note: Not Available for Purchase) (Prior to SN 0300085331)	
706A	7027796	1	Deutz Engine Harness (SN 0300085331 through 0300185827)	
706B	See Note	1	Receptacle, Female - 25 Position (Note: Not Available for Purchase) (SN 0300085331 through 0300185827)	
706C	7027793	1	Plug-In, Connector (SN 0300085331 through 0300185827)	
706D	7027794	1	Deutz Engine Harness (For other replacement parts refer to Deutz Engine dealer) (SN 0300085331 through 0300185827)	
707		Ref	Ford Engine Harness Options (For other replacement parts refer to Ford Engine dealer):	
707	7023663	1	Ford Engine Harness (ECM) (SN 0300069000 through 0300073348)	
707	7023681	1	Ford Engine Harness (EPM) (SN 0300073348 through 0300185827)	
707	7023657	1	Ford Engine TPS Harness (Not Shown)	
707	7022134	1	Ford Engine Fuel Pump Harness (Not Shown)	
708	See Note	1	Dual Fuel Shut-Off Filter Harness (Note: Not Available for Purchase)	
708A	7023679	1	Electrical Connector Kit (Includes [1] 2 Position Connector, 2 Pins and 2 Seals)	
709	See Note	1	Pump Harness (Note: Not Available for Purchase)	
709A	7007497	1	Plug (Pump End)	
709B	7007498	1	Plug (Engine Harness End)	
710	See Note	1	Controller Harness Assembly (Lift and Swing) (Note: Not Available for Purchase)	
710A	7022819	1	Plug, Male - 8 Position (Natural)	
710A	4460871	8	Socket, Female	
711	See Note	1	Controller Harness/Circuit Board Assembly (Drive and Steer) (Note: Not Available for Purchase)	
711A	7022825	1	Plug, Male - 8 Position (Black)	
711A	4460871	7	Socket, Female	
712	See Note	1	Controller Harness (Speed Control) (Note: Not Available for Purchase)	
712A	4460224	1	Receptacle, Female - 6 Position	
712A	4460226	6	Socket, Female	
715	4923379	1	Harness, Glow Plugs (Deutz Engine Machines) (SN 0300092718 through 0300185827)	
716	1060904	1	Cable, Jumper (Deutz Engine Machines) (SN 0300092718 through 0300185827)	
717	1001093256	Ref	Harness, Tilt	F
717A	2920129	1	Bulb	
717A	4120035	1	Socket, Light	
717B	4460464	4	Pin, Male Deutsch (16 Gauge)	
717C	4460871	4	Socket, Female	
717D	4460894	2	Plug, Male - 6 Position	
717D	4460465	8	Socket, Female	
717D	4460892	2	Terminal, Buss Connector - 6 Position	
717E	4460761	1	Connector, Female - 4 Position	
717E	4460227	4	Pin, Male	

SECTION 7 - ELECTRICAL

ITEM	PART NUMBER	QTY	DESCRIPTION	REV
717F	4460909	1	Connector - 12 Position (Black)	
717F	4460915	1	Wedge Lock - 12 Position	
717F	4460928	6	Socket, Female	
717G	4460908	1	Connector - 12 Position (Gray)	
717G	4460915	1	Wedge Lock - 12 Position	
717G	4460928	5	Socket, Female	
717H	4460965	1	Connector, Male - 3 Position	
717H	4460944	3	Socket, Female (Gold)	
717J	4922099	AR	Cable, Can-Buss (Machines with Can Buss Engine	
717J		Ref	Controllers and Caterpillar Engine without Can Buss Engine Controllers	
717J	4460965	1	Connector, Male - 3 Position	
717J	4460944	6	Socket, Female (Gold)	
717J	4460539	1	Terminal, Plug - 3 Position	
		Ref	Note: Machines with Can Buss Item #717J Connect to MTB Harness Can Buss.	
717K	4922099	AR	Cable, Can-Buss (Machines without Can Buss Engine Controllers)	
717K	4460965	1	Connector, Male - 3 Position	
717K	4460944	6	Socket, Female (Gold)	
717K	4460464	3	Pin, Male Deutsch (16 Gauge)	
		Ref	Note: Machines without Can Buss Item #717K Connect to Deutsch Boom Cable Connector.	
717L	4922099	AR	Cable, Can-Buss (Machines without Can Buss Engine Controllers)	
717L	4460539	2	Terminal, Plug - 3 Position	
717L	4460944	6	Socket, Female (Gold)	
717M	4460536	1	Terminal, Receptacle - 3 Position (Machines without Can Buss Engine Controllers)	
718	1001093187	Ref	Tilt Sensor Installation	C
718	4460945	1	Receptacle - 3 Position (3 way Tee)	
719		Ref	GM Engine Harness Options:	
719	7027991	1	Tier 1 Engines	
719	70000718	1	Tier 2 Engines	
719	70002898	1	Tier 3 & 4 interim	
719	7027989	1	Connector, Male - 10 Position (Not Shown)	
719	See Note	1	Box, Fuse (Note: Parts of Harness - Not Available for Purchase)	
719	70002627	1	Cover, Fuse Box	
719	70001950	2	Relay (Power and Fuel Pump)	
719	70001951	1	Relay (Starter)	
719	70001931	1	Fuse - 60 Amp (Alternator)	
719	See Note	1	Fuse - 20 Amp (Note: Not Available - Purchase Locally)	
719	See Note	3	Fuse - 15 Amp (Note: Not Available - Purchase Locally)	
719	See Note	1	Fuse - 10 Amp (Note: Not Available - Purchase Locally)	
719	See Note	1	Fuse - 5 Amp (Note: Not Available - Purchase Locally)	
		Ref	OPTIONAL HARNESS COMPONENTS	
801	4921928	1	4WS Valve Harness	E
801A	4460268	3	Socket, Female	
801B	4460445	1	Connector, Female - 3 Position	
801C	4460499	2	Connector, DIN with Diode	
802	4921927	1	Jib Valve Harness	F
802A	4460326	1	Plug, Male - 3 Position	
802B	4460267	3	Pin, Male	

SECTION 7 - ELECTRICAL

ITEM	PART NUMBER	QTY	DESCRIPTION	REV
802C	4460499	2	Connector, DIN with Diode	
803	0257887	1	Alarm Harness (Includes Alarm)	
803A	4460424	1	Plug, Male - 2 Position	
803A	4460268	2	Socket, Female	
804		Ref	Strobe Light Harness (Includes Strobe Light) Options:	
804	0255917	1	Strobe Light Harness (Includes Strobe Light) (Prior to SN 0300069325)	
804	0272507	1	Strobe Light Harness (Includes Strobe Light) (SN 0300069325 through 0300185827)	
804A	4460320	1	Connector, Female - 2 Position	
804A	4460267	2	Pin, Male	
805		Ref	2500W AC to Platform Receptacle Components Options:	
805	0272259	Ref	ANSI Spec - 110V GFI Receptacle (JLG Supplied Box and Receptacle)	B
805	0272260	Ref	ANSI Spec - 220V GFI Receptacle (JLG Supplied Box and Receptacle)	B
805	0256202	Ref	CE Spec - 110/220V Receptacle (Locally Supplied Box and Receptacle)	B
805A	0860038	1	Box, Switch	
805B		Ref	Receptacle Options:	
805B	4460346	1	110V GFI Receptacle (JLG Supplied Box and Receptacle)	
805B	4460125	1	220V GFI Receptacle (JLG Supplied Box and Receptacle)	
805B	See Note	1	110/220V Receptacle (Locally Supplied Box and Receptacle) (Note: Not Available - Purchase Locally)	
805C		Ref	Shield, Cover Options:	
805C	4060700	1	110V GFI Receptacle (Side Hinged) (JLG Supplied Box and Receptacle)	
805C	1001110873	1	110V GFI Receptacle (Top Hinged) (JLG Supplied Box and Receptacle)	
805C	4060092	1	220V GFI Receptacle (JLG Supplied Box and Receptacle)	
805C	See Note	1	110/220V Receptacle (Locally Supplied Box and Receptacle) (Note: Not Available - Purchase Locally)	
805D		Ref	Plug, Male Options:	
805D	4460205	1	110V GFI Receptacle (JLG Supplied Box and Receptacle)	
805D	4460233	1	220V GFI Receptacle (JLG Supplied Box and Receptacle)	
805D	4460709	1	110/220V Receptacle (Locally Supplied Box and Receptacle) (Purchase Locally)	
805E		Ref	Connector, Female Options:	
805E	4460134	1	110V GFI Receptacle (JLG Supplied Box and Receptacle)	
805E	4460701	1	220V GFI Receptacle (JLG Supplied Box and Receptacle)	
805E	4460710	1	110/220V Receptacle (Locally Supplied Box and Receptacle) (Purchase Locally)	
805F	4460051	1	Connector, Strain Relief	
805G		Ref	Plug, Male Options:	
805G	4460205	1	110V GFI Receptacle (JLG Supplied Box and Receptacle)	
805G	4460233	1	220V GFI Receptacle (JLG Supplied Box and Receptacle)	
805G	See Note	1	110/220V Receptacle (Locally Supplied Box and Receptacle) (Note: Not Available - Purchase Locally)	
806		Ref	Generator Electrical Components	
806	4933215	AR	110V (Prior to SN 0300082504)	2-C
806	4933216	AR	220V (Prior to SN 0300082504)	2-C
806	4933300	AR	110V/220V (SN 0300082504 through 0300185827)	2-A
806	4933350	AR	110V (GM Engine Only)	A
806	3990010	1	Diode - 6 Amp (Not Shown)	

SECTION 7 - ELECTRICAL

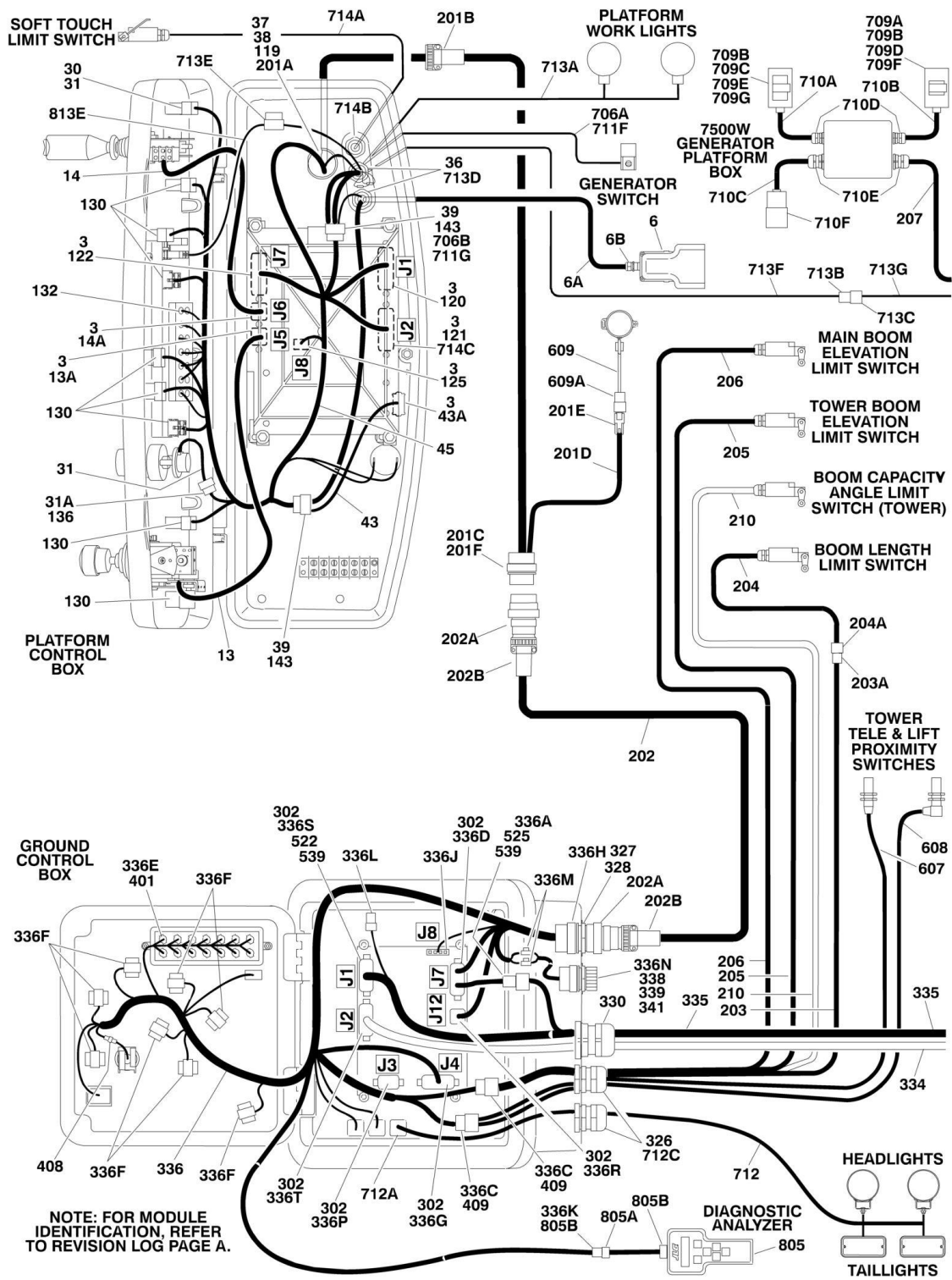
ITEM	PART NUMBER	QTY	DESCRIPTION	REV
806A	4922641	1	Harness - On/Off Switch	
806B	4460226	2	Socket, Female	
806C		Ref	Powermite Control Box to Relay Options:	
806C	4922482	1	Powermite Control Box to Relay (Prior to SN 0300077500)	
806C	4922970	1	Powermite Control Box to Relay (SN 0300077500 through 0300185827)	
806D	4460027	1	Receptacle, Twist Lock (110V Only)	
806E	4460961	1	Connector, Female - 4 Position (SN 0300082504 through 0300185827)	
806E	4460705	4	Pin, Male	
806F	4460321	1	Connector, Male - 4 Position (SN 0300082504 through 0300185827)	
806F	4460906	4	Socket, Female	
806G	7020193	1	Harness, Generator Power	
807	4921829	1	Generator to Rear of Boom Harness (110V)	
807	4921955	1	Generator to Rear of Boom Harness (220V)	
		Ref	Note: Harness used to connect AC at platform harness to generator receptacle to power platform receptacle.	
807	1060494	6 ft/1.8m	Cable, Electrical - 12/3	
807A	4460205	1	Plug, Male (110V)	
807A	4460233	1	Plug, Male (220V)	
807B	4460134	1	Receptacle, Female (110V)	
807B	4460701	1	Receptacle, Female (220V)	
812	See Note	1	Lights Harness (Note: Not Available for Purchase)	
812	1060341	48 ft /14.6m	Cable, Electrical - 16/2	
812A	3740049	1	Relay	
812B	4922643	1	Harness, Bagged Options (Located at Ground Control Box) (Not Shown)	
813		Ref	Platform Worklights Components	
813A	2920140	2	Platform Worklights Harness (External) Options (Includes Light and Wire Only)	
813B		Ref	Connector, Strain Relief Options:	
813B	4460598	1	Connector, Strain Relief (Prior to SN 0300137666)	
813B	4460426	1	Connector, Strain Relief (SN 0300137666 through 0300185827)	
813C	4360232	1	Circuit Breaker, 15Amp (Prior to SN 0300137666)	
813D	4922498	1	Platform Worklights Harness (Internal) (Prior to SN 0300137666)	
813D	4460871	3	Socket, Female	
813E	1001098234	1	Receptacle, Female - 3 Position (SN 0300137666 through 0300185827)	
813F	1001098349	1	Plug, Male - 3 Position (SN 0300137666 through 0300185827)	
813G	2400066	1	Fuseholder with Cover (SN 0300137666 through 0300185827)	
813G	2400070	1	Fuse - 20Amp (SN 0300137666 through 0300185827)	
813H	4922216	1	Worklight Harness (Main Boom) (SN 0300137666 through 0300185827)	
813J	4922217	1	Worklight Harness (Tower Boom) (SN 0300137666 through 0300185827)	
814	See Note	1	Soft Touch System Harness (Note: Not Available for Purchase)	
814A	1060341	16 ft/4.9m	Cable, Electrical - 16/2	
814B	4460425	1	Connector, Strain Relief	
814C	4460226	2	Socket, Female	
		Ref	TOOLS	
901	7002821	1	Crimper (For Wire to Pin/Socket Connections) (Not Shown)	

SECTION 7 - ELECTRICAL

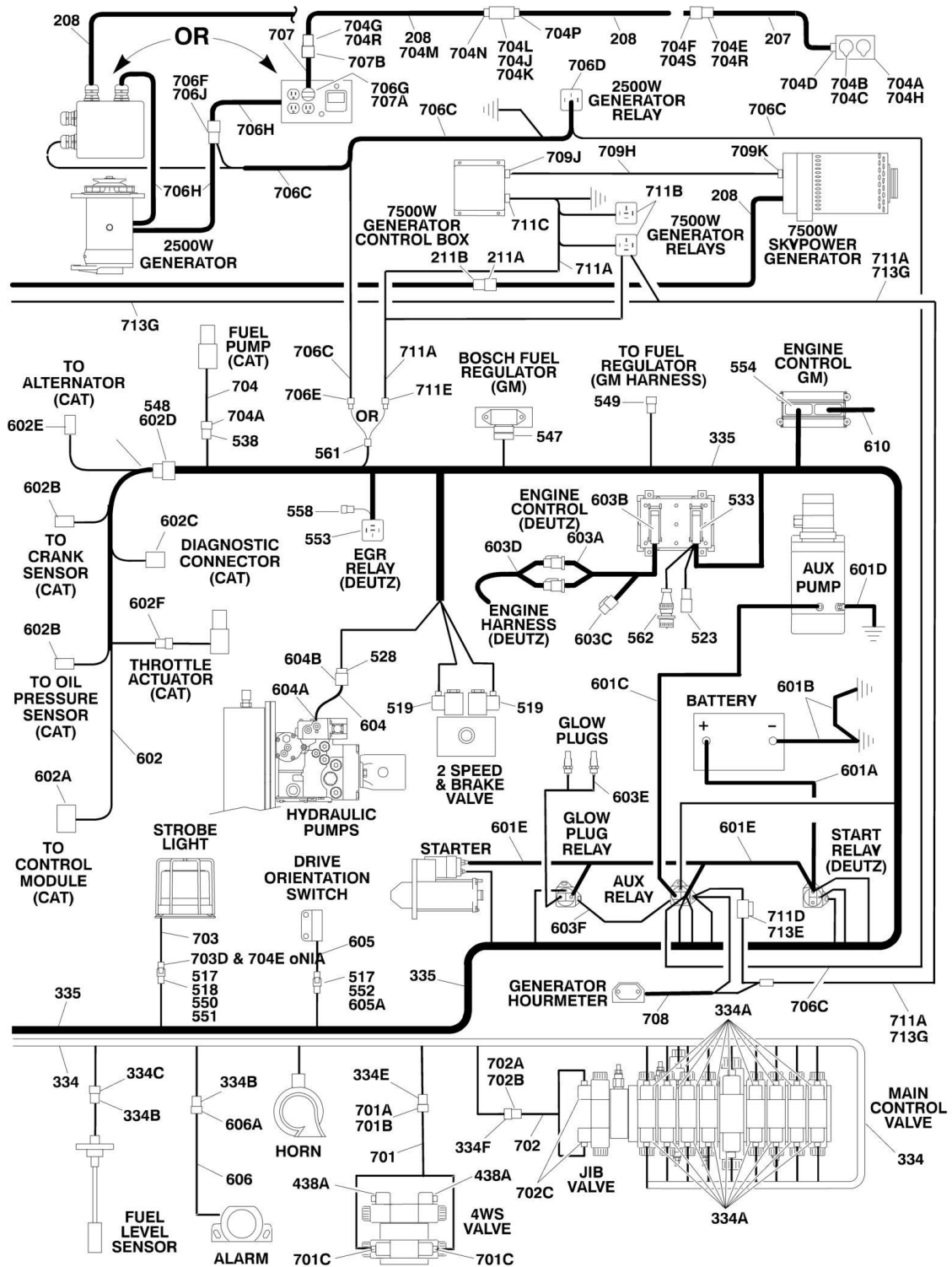
ITEM	PART NUMBER	QTY	DESCRIPTION	REV
902	7002823	1	Extractor (For Removal of Pin/Socket from Connectors) (Not Shown)	
903	4460467	1	Extractor, Pin (Blue 16-18 Gauge) (For Removal of Pin/Socket from Connectors) (Not Shown)	
903	4460510	1	Extractor, Pin (Yellow 12-14 Gauge) (For Removal of Pin/Socket from Connectors) (Not Shown)	
904	7002828	1	Stripper, Wire (Not Shown)	
905	1600244	1	Analyzer	
905A	1060633	1	Cable, Analyzer	1-A
905B	4460321	2	Plug, Male	
905B	4460226	8	Socket, Female	

SECTION 7 - ELECTRICAL

FIGURE 7-3. HARNESS COMPONENTS INSTALLATION WITH UGM



SECTION 7 - ELECTRICAL



SECTION 7 - ELECTRICAL

FIGURE 7-3. HARNESS COMPONENTS INSTALLATION WITH UGM

ITEM	PART NUMBER	QTY	DESCRIPTION	REV
	1001115321	Ref	PLATFORM BOX ASSEMBLY COMPONENTS	B
3	0100048	AR	Grease, Dielectric	
6		Ref	Footswitch Components:	
6A	1060918	7 ft/2.13m	Cable, Electrical - 18/3	
6A	4460042	3	Terminal, Ring	
6B	4460226	2	Socket, Female	
6B	4460464	1	Pin, Male (16 Gauge)	
6C	4460071	2	Connector, Strain Relief	
13	See Note	1	Controller Harness Assembly (Lift and Swing) (Note: Not Available for Purchase)	
13A	7022819	1	Plug, Male - 8 Position (Natural)	
13A	4460871	8	Socket, Female	
14	See Note	1	Controller Harness/Circuit Board Assembly (Drive and Steer) (Note: Not Available for Purchase)	
14A	7022825	1	Plug, Male - 8 Position (Black)	
14A	4460871	7	Socket, Female	
31	See Note	1	Controller Harness (Speed Control) (Note: Not Available for Purchase)	
31A	4460224	1	Receptacle, Female - 6 Position	
31A	4460226	6	Socket, Female	
36	4460428	2	Connector, Strain Relief	
37	4460470	1	Nut, Terminal	
38	4460471	1	Lockwasher, Terminal	
39	4460708	2	Connector, Female 15 Position	
40	4460905	5	Seal, Plug	
43	4922666	1	Harness, Analyzer Cable	2-B
43	4460226	4	Socket, Female (Not Shown - Located at J2)	
43A	4460761	1	Connector, Female - 4 Position	
43A	4460227	4	Pin, Male	
45	1001107753	1	Harness, Console Box (See Items 101-143 for Breakdown)	
	1001107753	Ref	PLATFORM BOX HARNESS ASSEMBLY	E
119	4460866	1	Connector 19 Position	
119	4460464	7	Pin, Male (16 Gauge)	
119	4460508	3	Pin, Male (12 Gauge)	
120	4460874	1	Plug, Male 35 Position (Natural)	
120	4460871	29	Socket, Female	
121	4460875	1	Plug, Male 35 Position (Gray)	
121	4460871	24	Socket, Female	
122	4460873	1	Plug, Male 35 Position (Black)	
122	4460871	26	Socket, Female	
125	4460879	1	Plug, Male 2 Position	
125	4460887	2	Terminal (12 Gauge)	
130	4460418	9	Connector 6 Position	
130	4460419	27	Terminal, Female	
132	4120035	13	Base, Light	
132	4460634	13	Terminal, (16 Gauge)	
132	4460635	13	Terminal, (12 Gauge)	
132	2920129	13	Lamp, Indicator	
136	4460225	1	Plug, Male 6 Position	
136	4460227	5	Pin, Male	

SECTION 7 - ELECTRICAL

ITEM	PART NUMBER	QTY	DESCRIPTION	REV
143	4460434	2	Plug, Male 15 Position	
143	4460227	25	Pin, Male	
		Ref	BOOM CABLES INSTALLATION	
	0272028	Ref	ANSI Spec without Aircraft De-icing Package	C
	1001107763	Ref	ANSI Spec with Communication System / Aircraft De-icing Package	A
	0272787	Ref	Australian Spec	A
201	4922582	1	Harness Assembly - Main Boom (12/4 -18/8)	F
201	1060896	AR	Cable, Electrical - 4 #12 AWG, 8 #18 AWG and 1 STP #18 AWG	
201	0100009	AR	Sealant	
201A	4460865	1	Connector - 19 Position	
201A	4460465	11	Socket, Female	
201A	4460509	4	Socket, Female	
201A	4460466	4	Seal, Plug	
201B	4460473	1	Clamp, Cable	
201C	4460866	1	Connector - 19 Position	
201C	4460464	11	Pin, Male (16 Gauge)	
201C	4460508	4	Pin, Male (12 Gauge)	
201C	4460466	4	Seal, Plug	
201D	4923613	1	Harness, Tilt Switch	C
201D	1060978	2 ft/0.6m	Cable, Electrical - 18/3	
201E	1001097051	1	Connector - 4 Position	
201E	1001097082	3	Pin, Male (Gold)	
201E	4460466	1	Seal, Plug	
201F	4460464	3	Pin, Male (16 Gauge)	
202	4922853	1	Harness Assembly - Tower Boom (12/4 - 18/8)	1-A
202	1060896	37 ft /11.3m	Cable, Electrical - 4 #12 AWG, 8 #18 AWG and 1 STP #18 AWG	
202A	4460865	2	Connector - 19 Position	
202A	4460465	22	Socket, Female	
202A	4460509	8	Socket, Female	
202A	4460466	8	Seal, Plug	
202B	4460473	2	Clamp, Cable	
203 to 204	Not Required	0	Not Required	
205	4922854	1	Harness Assembly - Tower Boom (18/2)	
206	4922578	1	Harness Assembly - Main Boom (18/2)	
207		Ref	Harness Assembly - Main Boom (10/3) Options:	
207	4922216	1	ANSI Spec	
207	4922219	1	Australian Spec	
208		Ref	Harness Assembly - Tower Boom (10/3) Options:	
208	4922681	1	ANSI Spec	
208	4922860	1	Australian Spec	
209		Ref	Clamp, Block Options (Not Shown-Located on back of T/T):	
209	1320256	1	ANSI Spec without Aircraft De-icing Package	
209	1001112652	1	ANSI Spec with Aircraft De-icing Package	
209	1320256	1	Australian Spec	
210 to 211	Not Required	0	Not Required	
212	1001107754	1	Harness Assembly - Tower Boom Communication (18/4 Shielded) (Not Shown - Machines With Aircraft De-icing Package Only)	
212	1001111128	1	Cable, Electrical - 18/4 Individually Shielded	

SECTION 7 - ELECTRICAL

ITEM	PART NUMBER	QTY	DESCRIPTION	REV
212	4460464	5	Pin, Male (16 Gauge)	
212	4460466	1	Seal, Plug	
212	4460899	1	Terminal, Receptacle - 6 Position	
212	1001111136	1	Plug, 4 Position Cannon	
213	1001107755	1	Harness Assembly - Main Boom Communication (18/4 Shielded) (Not Shown - Machines with Aircraft De-icing Package Only)	
213	1001111128	1	Cable, Electrical - 18/4 Individually Shielded	
213	4460464	5	Pin, Male (16 Gauge)	
213	4460466	1	Seal, Plug	
213	4460894	1	Terminal, Plug - 6 Position	
213	1001111136	1	Plug, 4 Position Cannon	
		Ref	GROUND CONTROL BOX COMPONENTS	
302	0100048	AR	Grease, Dielectric	
326	4460426	AR	Connector, Strain Relief	
327	4460470	1	Nut, Terminal	
328	4460471	1	Lockwasher, Terminal	
330	4460526	1	Connector, Strain Relief	
334	4922557	1	Valve Harness Assembly	1-A
334A	4460880	19	Connector, DIN	
334B	4460320	2	Connector, Female- 2 Position	
334B	4460267	7	Pin, Male	
334C	4460424	1	Connector, Male- 2 Position	
334C	4460268	5	Pin, Female	
334D	4460871	11	Socket, Female	
334E	4460326	1	Connector, Male - 3 Position	
334E	4460267	7	Pin, Male	
334F	4460445	1	Connector, Female - 3 Position	
334F	4460268	5	Pin, Female	
335		Ref	Engine Harness Assembly (See 501-562 for Breakdown)	
335	1001110222	1	Deutz Engine Machines	
335	1001110221	1	GM Engine Machines	
336	1001110225	1	Ground Control Box Harness Assembly	C
336A	4460536	1	Connector, Female 3 Position	
336A	4460943	3	Pin, Male	
336B	3990010	2	Diode - 6 Amp (Not Shown)	
336C	4460434	2	Plug, Male 15- Position	
336C	4460227	22	Pin	
336D	4460873	1	Connector, 35 Position (Black)	
336D	4460871	21	Socket, Female	
336D	4460905	AR	Seal, Plug	
336E	4120035	7	Base, Light	
336E	4460634	7	Terminal (16 Gauge)	
336E	4460635	6	Terminal (12 Gauge)	
336F	4460418	9	Connector, Female- 6 Position	
336F	4460419	27	Socket, Female	
336G	4460876	1	Connector, 35 Position (Blue)	
336G	4460871	29	Socket, Female	
336G	4460905	AR	Seal, Plug	
336H	4460866	1	Connector, Female - 19 Pin	
336H	4460464	7	Pin, Male (16 Gauge)	
336H	4460508	3	Pin, Male (12 Gauge)	
336J	4460878	1	Housing, Terminal - 4 Position	

SECTION 7 - ELECTRICAL

ITEM	PART NUMBER	QTY	DESCRIPTION	REV
336J	4460887	3	Terminal (12 Gauge)	
336K	4460761	1	Connector, Female 4- Position	
336K	4460227	4	Pin, Male	
336L	4460894	3	Plug, Male - 6 Position	
336L	4460465	AR	Socket, Female	
336L	4460892	3	Terminal, Buss Connector - 6 Position	
336M	8229242	2	Fuse 5A	
336M	2400060	2	Holder, Fuse	
336N	1001112612	1	Connector - 9 Position	
336N	4460943	4	Pin, Male	
336P	1001106339	1	Connector, Male - 14 Position	
336P	4460871	2	Socket, Female	
336P	4460905	AR	Plug, Seal	
336R	1001106340	1	Connector, Male - 14 Position	
336R	4460871	5	Socket, Female	
336S	4460874	1	Connector, Natural	
336S	4460871	10	Socket, Female	
336S	4460905	AR	Plug, Seal	
336T	4460875	1	Connector, Gray	
336T	4460871	2	Socket, Female	
336T	4460905	AR	Plug, Seal	
337		Ref	Ground Control Box Wiring Diagram (Not Shown - See Items 401-409 for Breakdown)	
337	1001110322	Ref	Deutz Engine	
337	1001110321	Ref	GM Engine	
338	4460471	1	Lockwasher, Terminal	
339	4460470	1	Nut, Terminal	
341	1001106736	1	Cap, Dust	
		Ref	GROUND CONTROL BOX WIRING DIAGRAMS	
	1001110322	Ref	Deutz Engine	C
	1001110321	Ref	GM Engine	A
401	2920129	AR	Bulb, Light	
408	2400065	1	Fuse, 30Amp	
408	2400066	1	Fuse, Holder	
409	4460708	2	Receptacle, Female - 15 Position	
409	4460226	AR	Socket, Female	
409	4460905	AR	Plug, Seal	
409	4922637	1	Harness, Jumper (Not Shown)	
		Ref	ENGINE HARNESS ASSEMBLY	
	1001110222	Ref	Deutz Engine Machines	B
	1001110221	Ref	GM Engine All Machines	A
517	4460424	1	Receptacle, Female - 2 Position	
518	4460268	AR	Socket, Female	
519	4460880	AR	DIN Connector without Diode	
522	Not Required	0	Not Required	
523	4461070	1	Receptacle, Female with Resistor (3 Position) (Deutz Engine Only)	
523	4461095	1	Plug, Male - 3 Position (Deutz Engine Only)	
523	4460944	3	Socket, Female (Deutz Engine Only)	
525	4460539	1	Connector, Male - 3 Position	
525	4460944	3	Socket, Female	
528	4460460	1	Plug, Male - 4 Position	

SECTION 7 - ELECTRICAL

ITEM	PART NUMBER	QTY	DESCRIPTION	REV
528	4460457	4	Terminal, Female	
528	4460458	4	Seal, Terminal	
533	4461052	1	Connector, Receptacle - 25 Position (Deutz Engine Only)	
533	4461005	5	Terminal (Gold) (Deutz Engine Only)	
533	4461006	5	Seal, Terminal (Deutz Engine Only)	
533	4461060	2	Terminal (Tin) (Deutz Engine Only)	
533	4461054	2	Seal, Terminal (Deutz Engine Only)	
533	4461053	1	Cover, Plug (Deutz Engine Only)	
533	4461008	18	Plug, Hole (Deutz Engine Only)	
538	Not Required	0	Not Required	
539	4460871	AR	Socket, Female	
539	4460226	AR	Socket, Female	
547	4461121	1	Plug, Male - 4 Position (GM Engine Only)	
547	4461122	4	Socket, Female (GM Engine Only)	
547	4461123	4	Seal, Terminal (GM Engine Only)	
548	Not Required	0	Not Required	
549	4461124	1	Receptacle, Female - 4 Position (GM Engine Only)	
549	4460693	4	Pin, Male (GM Engine Only)	
549	4460608	4	Seal, Terminal (GM Engine Only)	
549	4461161	1	Lock, Terminal (GM Engine Only)	
552	4460268	2	Socket, Female	
553	4460374	1	Connector, Relay (Deutz Engine Only)	
553	4460375	4	Terminal, Female (Deutz Engine Only)	
554	4461109	1	Plug, Male - 16 Position (GM Engine Only)	
554	4461111	7	Pin, Male (GM Engine Only)	
554	4461113	7	Seal, Terminal (GM Engine Only)	
554	4461222	9	Plug, Terminal (GM Engine Only)	
558	1001102290	1	Receptacle, Female - 2 Position (Deutz Engine Only)	
558	1001102291	2	Pin, Female (Deutz Engine Only)	
558	1001102304	2	Seal, Terminal (Deutz Engine Only)	
561	4461157	1	Receptacle, Female - 2 Position	
561	4460979	2	Pin, Male	
561	4460458	2	Seal, Terminal	
562	2902443	1	Receptacle Kit (Deutz Engine Only)	
562	4461071	8	Socket, Female (Gold)	
562	4461072	1	Receptacle 8 Position with Mounting Flange	
562	4461073	1	Cap, Dust	
562	4461074	1	Shell	
		Ref	STANDARD HARNESS COMPONENTS	
601		Ref	Battery Cable Kit Options:	
601	2902401	1	Deutz Engines	
601	2902533	1	GM Engines	
601A		Ref	Cable, Battery (Red) Options:	
601A	1001116288	1	Deutz Engines (2 Relays) (Kit p/n 2902401) (was p/n 7027027) (Includes Item 601E)	
601A	1001116287	1	Deutz Engines (3 Relays)	
601A	7027015	1	GM Engines (Kit p/n 2902533)	
601B		Ref	Cable, Battery (Black) Options:	
601B	7027004	1	Deutz Engines (Kit p/n 2902401)	
601B	7027018	1	GM Engines (Kit p/n 2902533)	
601C		Ref	Cable, Battery (Red) Options:	
601C	7016824	1	Deutz Engines (Kit p/n 2902401)	

SECTION 7 - ELECTRICAL

ITEM	PART NUMBER	QTY	DESCRIPTION	REV
601C	7016824	1	GM Engines (Kit p/n 2902533)	
601D		Ref	Cable, Battery (Black) Options:	
601D	7016825	1	Deutz Engines (Kit p/n 2902401)	
601D	7016825	1	GM Engines (Kit p/n 2902533)	
601E		Ref	Cable, Battery (Red) Options:	
601E	See Note	1	Deutz Engines (Kit p/n 2902401) (Note: Use Item 601A)	
601E	7027017	1	GM Engines (Kit p/n 2902533)	
602 to 602	Not Required	0	Not Required	
603	See Note	AR	Deutz Engine Harness Components (Deutz Engine Machines Only) (Note: Not Available for Purchase)	
603A	7027796	1	Deutz Engine Harness	
603B	See Note	1	Receptacle, Female - 25 Position (Note: Not Available for Purchase)	
603C	7027793	1	Plug-In, Connector	
603D	70001872	1	Deutz Engine Harness (For other replacement parts refer to Deutz engine dealer)	
603E	4923379	1	Deutz Glow Plugs Harness	
603F	1060904	1	Deutz Jumper Harness	
604	See Note	1	Pump Harness (Note: Not Available for Purchase)	
604A	7007497	1	Plug (Pump End)	
604B	7007498	1	Plug (Engine Harness End)	
605	4360517	1	Proximity Switch Harness (Includes Switch)	
605A	4460320	1	Plug, Male 2 Position	
605A	4460227	2	Pin, Male	
606	0257887	1	Alarm Harness (Includes Alarm)	
606A	4460424	1	Plug, Male - 2 Position	
606A	4460268	2	Socket, Female	
607	4360498	2	Proximity Switch Harness (Includes Switch)	
608	4360499	2	Proximity Switch Harness (Includes Switch)	
609	1001094400	Ref	Tilt Sensor Harness (Includes Sensor)	C
609A	4461077	1	Plug, Male 4 Position	
609A	4460918	6	Socket, Female (Gold)	
610		Ref	GM Engine Harness Options:	
610	7027991	1	Tier 1 Engines	
610	70000718	1	Tier 2 Engines	
610	70002898	1	Tier 3 & 4 interim	
610	7027989	1	Connector, Male - 10 Position (Not Shown)	
610	See Note	1	Box, Fuse (Note: Parts of Harness - Not Available for Purchase)	
610	70002627	1	Cover, Fuse Box	
610	70001950	2	Relay (Power and Fuel Pump)	
610	70001951	1	Relay (Starter)	
610	70001931	1	Fuse - 60 Amp (Alternator)	
610	See Note	1	Fuse - 20 Amp (Note: Not Available - Purchase Locally)	
610	See Note	3	Fuse - 15 Amp (Note: Not Available - Purchase Locally)	
610	See Note	1	Fuse - 10 Amp (Note: Not Available - Purchase Locally)	
610	See Note	1	Fuse - 5 Amp (Note: Not Available - Purchase Locally)	
		Ref	OPTIONAL HARNESS COMPONENTS	
701	4921928	1	4WS Valve Harness	E
701A	4460268	3	Socket, Female	
701B	4460445	1	Connector, Female - 3 Position	
701C	4460499	2	Connector, DIN with Diode	
702	4921927	1	Jib Valve Harness (800AJ Only)	F

SECTION 7 - ELECTRICAL

ITEM	PART NUMBER	QTY	DESCRIPTION	REV
702A	4460326	1	Plug, Male - 3 Position	
702B	4460267	3	Pin, Male	
702C	4460499	2	Connector, DIN with Diode	
703	0272507	1	Strobe Light Harness (Includes Strobe Light)	
703A	4460320	1	Connector, Female - 2 Position	
703A	4460267	2	Pin, Male	
704		Ref	2500W AC to Platform Receptacle Components Options:	
		Ref	Note: See SPECIAL OPTIONS SPECIAL for Machines with 4000W Generator.	
704	0272259	Ref	110V GFI Receptacle (JLG Supplied Box and Receptacle)	3
704	0272260	Ref	220V GFI Receptacle (JLG Supplied Box and Receptacle)	2
704	0256202	Ref	110/220V Receptacle (Locally Supplied Box and Receptacle)	C
704A	0860038	1	Box, Switch	
704B		Ref	Receptacle Options:	
704B	4460346	1	110V GFI Receptacle (JLG Supplied Box and Receptacle)	
704B	4460125	1	220V GFI Receptacle (JLG Supplied Box and Receptacle)	
704B	See Note	1	110/220V Receptacle (Locally Supplied Box and Receptacle) (Note: Not Available - Purchase Locally)	
704C		Ref	Shield, Cover Options:	
704C	4060700	1	110V GFI Receptacle (Side Hinged) (JLG Supplied Box and Receptacle)	
704C	1001110873	1	110V GFI Receptacle (Top Hinged) (JLG Supplied Box and Receptacle)	
704C	4060092	1	220V GFI Receptacle (JLG Supplied Box and Receptacle)	
704C	See Note	1	110/220V Receptacle (Locally Supplied Box and Receptacle) (Note: Not Available - Purchase Locally)	
704D	4460051	1	Connector, Strain Relief	
704E		Ref	Plug, Male Options:	
704E	4460205	1	110V GFI Receptacle (JLG Supplied Box and Receptacle)	
704E	4460233	1	220V GFI Receptacle (JLG Supplied Box and Receptacle)	
704E	4460709	1	110/220V Receptacle (Locally Supplied Box and Receptacle) (Purchase Locally)	
704F		Ref	Connector, Female Options:	
704F	4460134	1	110V GFI Receptacle (JLG Supplied Box and Receptacle)	
704F	4460701	1	220V GFI Receptacle (JLG Supplied Box and Receptacle)	
704F	4460710	1	110/220V Receptacle (Locally Supplied Box and Receptacle) (Purchase Locally)	
704G		Ref	Plug, Male Options:	
704G	4460205	1	110V GFI Receptacle (JLG Supplied Box and Receptacle)	
704G	4460233	1	220V GFI Receptacle (JLG Supplied Box and Receptacle)	
704G	See Note	1	110/220V Receptacle (Locally Supplied Box and Receptacle) (Note: Not Available - Purchase Locally)	
704 Hto 704	Not Required	0	Not Required	
704R		Ref	Cover, Connector 0256202 Installation Options:	
704R	1671092	2	0300185827 0300167883 to 0300185827 0300175278	
704R	1001156351	2	0300185827 0300175278 to 0300185827 0300185827	
704S		Ref	Cover, Plug 0256202 Installation Options:	
704S	1671093	1	0300185827 0300167883 to 0300185827 0300175278	
704S	1001156352	1	0300185827 0300175278 to 0300185827 0300185827	
706		Ref	2500W Generator Electrical Components	
		Ref	Note: See SPECIAL OPTIONS SPECIAL for Machines with 4000W Generator.	
706	1001112743	Ref	50Hz (Deutz Engines)	B

SECTION 7 - ELECTRICAL

ITEM	PART NUMBER	QTY	DESCRIPTION	REV
706	1001112588	Ref	60Hz (Deutz Engines)	A
706	4933350	Ref	60Hz (GM Engine)	B
706A	4922641	1	Harness - On/Off Switch	A
706B	4460226	2	Socket, Female	
706C		Ref	Harness, Powermite Control Box to Relay Options:	
706C	1001112589	1	Caterpillar and Deutz Engines	A
706C	4923445	1	GM Engine	A
706D	4460374	1	Connector, Seal Relay	
706D	4460705	4	Terminal	
706E	4460742	1	Connector, Male - 2 Position	
706E	4460743	2	Socket, Female	
706E	4460458	2	Seal	
706F	4460321	1	Connector, Male - 4 Position (60Hz Only)	
706F	4460906	4	Socket, Female (60Hz Only)	
706G	4460027	1	Receptacle, Twist Lock (110V Only)	
706H	7020193	1	Harness, Generator Power	
706J	4460961	1	Connector, Female - 4 Position	
706J	4460705	4	Pin, Male	
707	4921829	1	Generator to Rear of Boom Harness (110V)	
707	4921955	1	Generator to Rear of Boom Harness (220V)	
		Ref	Note: Harness used to connect AC at platform harness to generator receptacle to power platform receptacle.	
707	1060494	6 ft/1.8m	Cable, Electrical - 12/3	
707A	4460205	1	Plug, Male (110V)	
707A	4460233	1	Plug, Male (220V)	
707B	4460134	1	Receptacle, Female (110V)	
707B	4460701	1	Receptacle, Female (220V)	
708	1001094509	1	Generator Hourmeter Harness	A
709 to 711	Not Required	0	Not Required	
712	See Note	1	Lights Harness (Note: Not Available for Purchase)	
712	1060341	48 ft /14.6m	Cable, Electrical - 16/2	
712A	3740049	1	Relay	
712B	4922643	1	Harness, Bagged (Located at Ground Control Box) (Not Shown)	
713		Ref	Platform Worklights Components	
713A	2920140	2	Platform Worklights Harness (External) (Includes Light and Wire Only)	
713B	1001098234	AR	Connector, Female - 3 Position	
713C	1001098349	1	Connector, Male - 3 Position	
713D	4460426	1	Connector, Strain Relief	
713E	2400068	AR	Fuseholder (Non-UL Spec Machines Located at Aux Power Relay and UL Spec Machines Located at Platform Console)	
713E	2400070	AR	Fuse - 10 Amp (Non-UL Spec Machines Located at Aux Power Relay and UL Spec Machines Located at Platform Console)	
713F	4922216	1	Platform Worklights Main Boom Harness	
713F	1060708	64 ft /19.5m	Cable, Electrical - 10/3	
713G	4922217	1	Platform Worklights Tower Boom Harness	
713G	1060708	39 ft /11.9m	Cable, Electrical - 10/3	
714	See Note	1	Soft Touch System Harness (Note: Not Available for Purchase)	
714A	1060341	23 ft/7.1m	Cable, Electrical - 16/2	
714B		Ref	Connector, Strain Relief Options:	

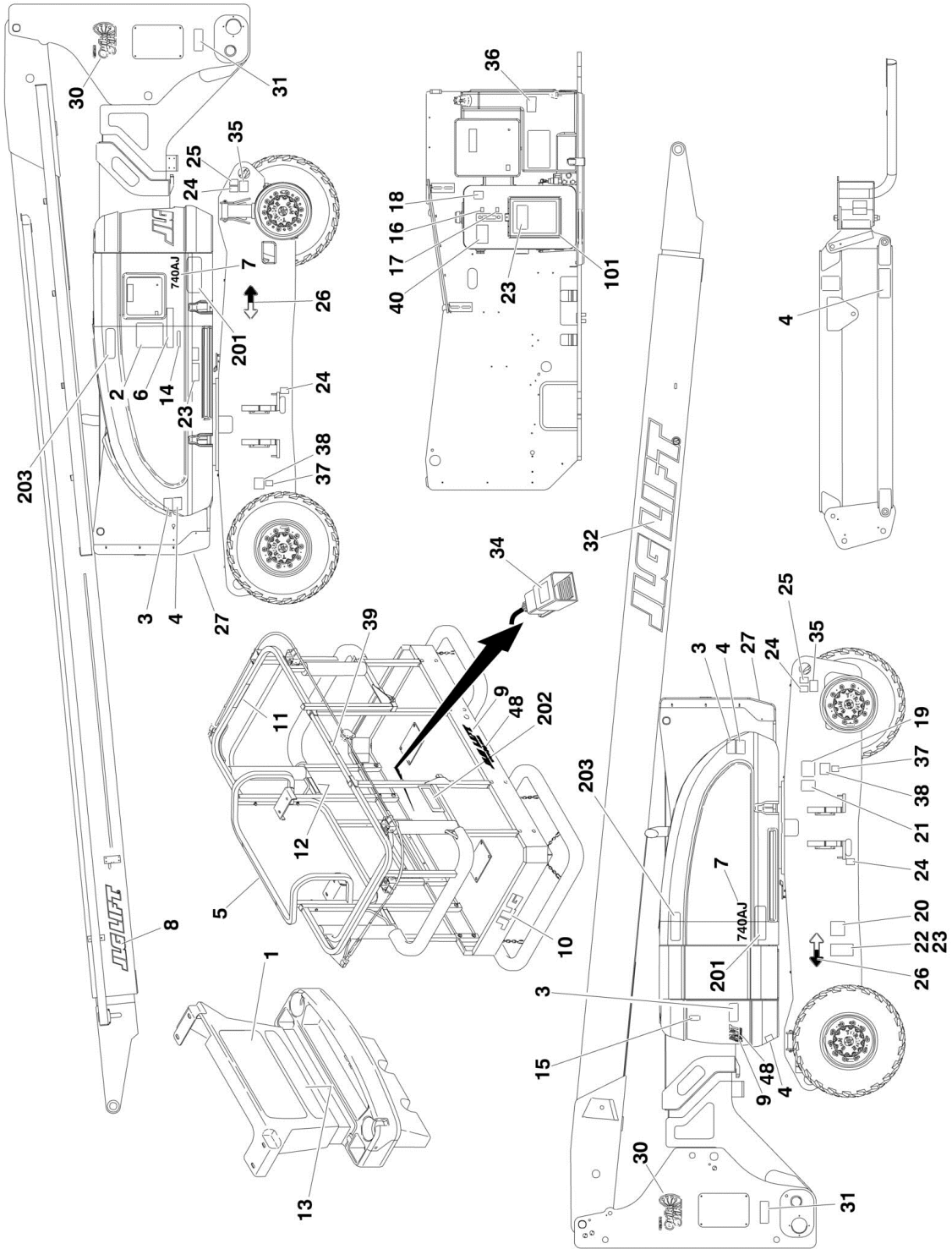
SECTION 7 - ELECTRICAL

ITEM	PART NUMBER	QTY	DESCRIPTION	REV
714B	4460425	1	6ft Platforms	
714B	4460049	1	8ft Platforms	
714C	4460226	2	Socket, Female	
		Ref	TOOLS	
801	7002821	1	Crimper (For Wire to Pin/Socket Connections) (Not Shown)	
802	7002823	1	Extractor (For Removal of Pin/Socket from Connectors) (Not Shown)	
803	4460467	1	Extractor, Pin (Blue 16-18 Gauge) (For Removal of Pin/Socket from Connectors) (Not Shown)	
803	4460510	1	Extractor, Pin (Yellow 12-14 Gauge) (For Removal of Pin/Socket from Connectors) (Not Shown)	
804	7002828	1	Stripper, Wire (Not Shown)	
805	1600244	1	Analyzer	
805A	1060633	1	Cable, Analyzer	1-A
805B	4460321	2	Plug, Male	
805B	4460226	8	Socket, Female	

SECTION 8 - DECALS

SECTION 8 - DECALS

FIGURE 8-1. DECAL INSTALLATION (ANSI AND CSA SPEC) (Prior to SN 0300089982)



SECTION 8 - DECALS

FIGURE 8-1. DECAL INSTALLATION (ANSI AND CSA SPEC) (Prior to SN 0300089982)

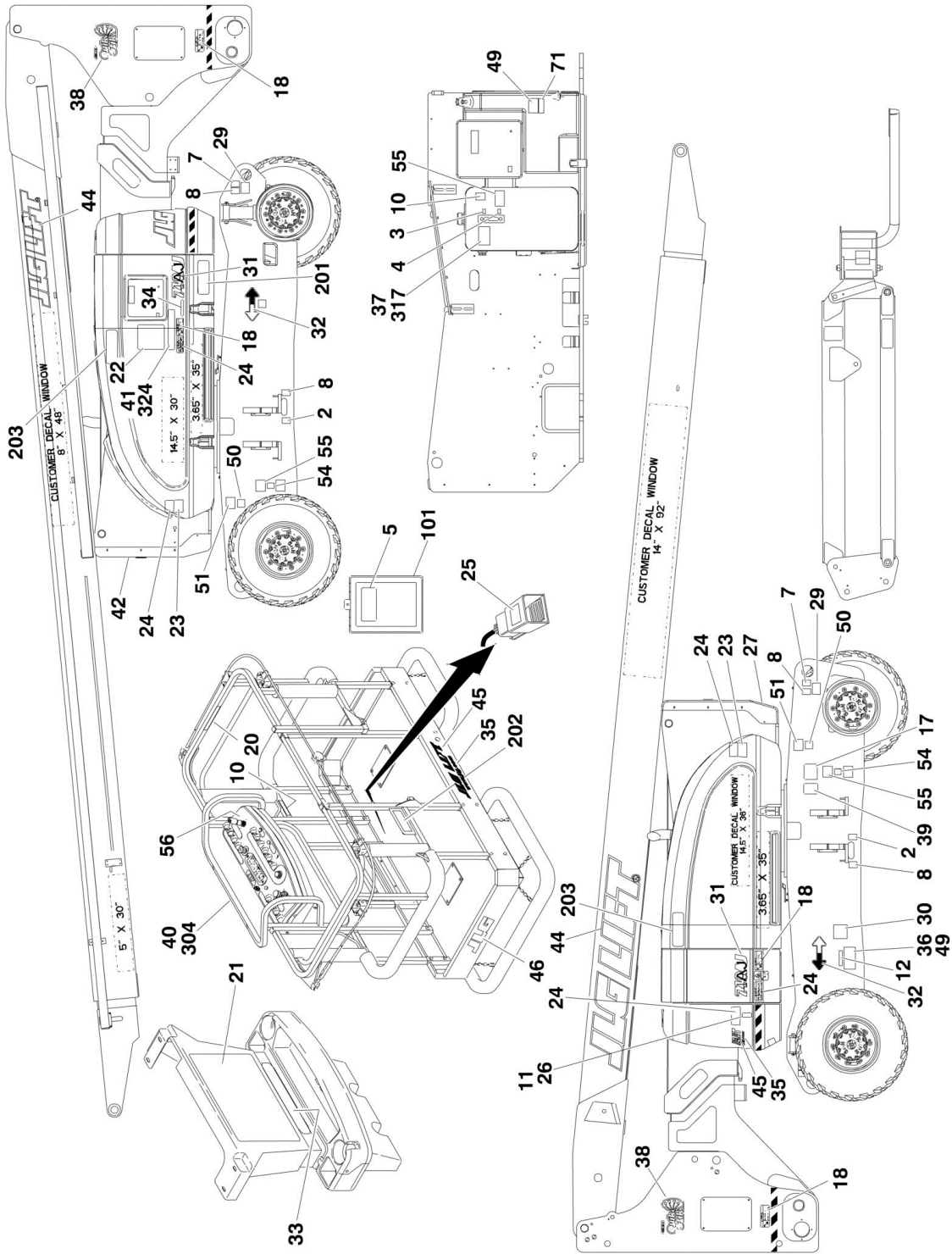
ITEM	PART NUMBER	QTY	DESCRIPTION	REV
		Ref	STANDARD DECAL INSTALLATIONS	
	0271038	Ref	JLG Logo	1
	0271588	Ref	Standard Decal Installations 740AJ Decals - ANSI Spec	4
	0273535	Ref	Standard Decal Installations 740AJ Decals - CSA Spec	3
1		Ref	Decal - Danger/Caution (PLF) Options:	
1	1703797	1	ANSI Spec	
1	1703924	1	CSA Spec	
2		Ref	Decal - Danger/Caution (MTB) Options:	
2	1703798	1	ANSI Spec	
2	1703930	1	CSA Spec	
3		Ref	Decal - Danger/Electrocution Options:	
3	1703805	3	ANSI Spec	
3	1703936	3	CSA Spec	
4		Ref	Decal - Warning/Crushing Options:	
4	1703804	4	ANSI Spec	
4	1703948	4	CSA Spec	
5	1702784	NLA	Decal - Legend (Use p/n 1707110)	
6	1703808	NLA	Decal - Legend (Use p/n 1001095809)	
7	1703808	2	Decal - 740AJ	
8	1702860	2	Decal - JLG Lift (5in)	
9	1702774	2	Decal - JLG Lift (3-1/2in)	
10	1702773	2	Decal - JLG (5in)	
11		Ref	Decal - No Hands Options:	
11	1702868	2	ANSI Spec	
11	1704000	2	CSA Spec	
12	1704277	4	Decal - Attach Lanyard Here	
13		Ref	Decal - 500LBS Max Capacity Options:	
13	1701645	1	ANSI Spec	
13	1703996	1	CSA Spec	
14		Ref	Decal - 500LBS Max Capacity Options:	
14	1702688	1	ANSI Spec	
14	1704112	1	CSA Spec	
15	3251813	1	Decal - USA	
16	1701502	1	Decal - High Oil Level	
17	1701503	1	Decal - Low Oil Level	
18	1701504	1	Decal - Hydraulic Oil	
19		Ref	Decal - Inspection Options:	
19	1702153	1	ANSI Spec	
19	1704006	1	CSA Spec	
20	See Note	1	Decal - Bar Code (Note: Not Available for Purchase)	
21	1700584	1	Decal - Patent	
22	See Note	1	Nameplate - Serial Number (Note: Not Available for Purchase)	
23	1701509	1	Decal - Manual	
24	1702300	6	Decal - Tie Down/Lift	
25	1701500	4	Decal - Tie Down/Lift	
26	1701501	4	Decal - Arrow	
27	3251243	1	Nameplate - Generator	
30	1703959	2	Decal - Quick Stick	
31		Ref	Decal - Warning/Crushing Options:	
31	1703953	3	ANSI Spec	

SECTION 8 - DECALS

ITEM	PART NUMBER	QTY	DESCRIPTION	REV
31	1703942	3	CSA Spec	
33	3820001	AR	Rivet	
34		Ref	Decal - Footswitch Options:	
34	3252347	1	ANSI Spec (Part of 4360031 Footswitch)	
34	1703984	1	CSA Spec	
35	1703477	4	Decal - Max Tire Load	
36		Ref	Decal - Fuel Options:	
36	1701542	1	Ford Engine Machines	
36	1701505	1	Diesel Engine Machines	
37	1701543	1	Decal - LPG Gas (Ford Engine Machines)	
38	1700818	1	Decal - LP Gas Liquid Withdrawal System (Ford Engine Machines)	
39	1705514	1	Decal - CSA	
40		Ref	Decal - Upright Level Override Options:	
40	1702265	NLA	ANSI Spec (Use p/n 1001096141)	
40	1703990	NLA	CSA Spec (Use p/n 1705977)	
48		Ref	Decal - Website Options:	
48	1704885	2	ANSI Spec	
48	Not Required	0	CSA Spec	
	0258671	Ref	MANUAL STORAGE BOX INSTALLATION	B
101	0860520	1	Box, Manual Storage	
101	1060279	1	Cable, Lanyard	
101	0641408	1	Bolt 1/4in-20NC x 1in	
101	0641406	4	Bolt 1/4in-20NC x 3/4in	
101	4751400	6	Flatwasher 1/4in	
101	3311405	5	Locknut 1/4in-20NC	
101	0100011	AR	Compound, Locking	
	0010551	Ref	DECAL INSTALLATIONS (OPTIONS)	
	0271585	Ref	Decal Installation	A
201	1705012	2	Decal - Fall Arrest	
	0271674	Ref	Decal Installation	A
202	1705014	2	Decal - Safety	
	0271584	Ref	Decal Installation	A
203	1705006	2	Decal - Jet Blast	
	1001093187	Ref	TILT SENSOR INSTALLATION	C
304	1707110	1	Decal - Legend (Platform)	
305	1707111	1	Decal - Platform Display (Not Shown - Located on Platform Console)	
317	1001096141	1	Decal - Upright Level Over Ride	
324	1001095809	1	Decal - Legend (MTB Control)	

SECTION 8 - DECALS

FIGURE 8-2. DECAL INSTALLATION (ANSI AND CSA SPEC) (SN 0300089982 through 0300185827)



SECTION 8 - DECALS

FIGURE 8-2. DECAL INSTALLATION (ANSI AND CSA SPEC) (SN 0300089982 through 0300185827)

ITEM	PART NUMBER	QTY	DESCRIPTION	REV
		Ref	DECALS INSTALLATIONS	
	0274519	Ref	JLG Logo	B
	0274483	Ref	Decals Installations 740AJ Decals - ANSI Spec	B
	0274488	Ref	Decals Installations 740AJ Decals - CSA Spec	B
		Ref	Note: All Machines should have been updated to new Tilt Sensor Upright Installation p/n 0275733.	
2	1701499	2	Decal - No Tie Down/Lift	
3	1701502	1	Decal - High Oil Level (SN 0300089982 through 0300134564)	
4	1701503	1	Decal - Low Oil Level (SN 0300089982 through 0300134564)	
5	1701509	1	Decal - Manual	
7	1703811	4	Decal - Tie Down/Lift	
8	1703814	6	Decal - Tie Down	
9	1704277	3	Decal - Attach Lanyard Here	
10	1704412	1	Decal - Hydraulic Oil Chart	
12	1705514	1	Decal - CSA (CSA Machines Only)	
13	3251243	1	Nameplate - 120V-60Hz	
17		Ref	Decal - Inspection Options:	
17		Ref	ANSI Spec	
17	1702153	1	Decal - Inspection (SN 0300089982 through 0300134563)	
17	Not Required	0	Decal - Inspection (SN 0300134564 through 0300185827)	
17	1704006	1	CSA Spec (SN 0300089982 through 0300151569)	
18		Ref	Decal - Warning/Crushing Options:	
18	1703953	4	ANSI Spec	
18	1703942	4	CSA Spec	
20		Ref	Decal - No Hands Options:	
20	1702868	2	ANSI Spec	
20	1704000	2	CSA Spec	
21		Ref	Decal Options:	
21	1703797	1	Decal - Warning/Danger (ANSI Spec)	
21	1703924	1	Decal - Danger/Warning (CSA Spec)	
22		Ref	Decal - Warning Inspection (MTB) Options:	
22	1705336	1	ANSI Spec	
22	1705347	1	CSA Spec	
23		Ref	Decal - Crushing Options:	
23	1703804	6	ANSI Spec	
23	1703948	6	CSA Spec	
24		Ref	Decal - Danger/Electrocution Options:	
24	1703805	4	ANSI Spec	
24	1703936	4	CSA Spec	
25		Ref	Decal - Footswitch Options:	
25	3252347	1	ANSI Spec	
25	1703984	1	CSA Spec	
26	3251813	1	Decal - USA	
29	2902358	1	Kit, Decal Max Tire Load (Includes Qty 4 of p/n 1703477)	1
29	1703477	4	Decal - Max Tire Load	
30	See Note	1	Decal - Bar Code (Note: Not Available for Purchase)	
31	1703808	2	Decal - 740AJ	
32	1701501	4	Decal - Arrow	
33		Ref	Decal - Capacity Options:	
33	1701645	2	ANSI Spec (500LBS Maximum Capacity) (Prior to SN	

SECTION 8 - DECALS

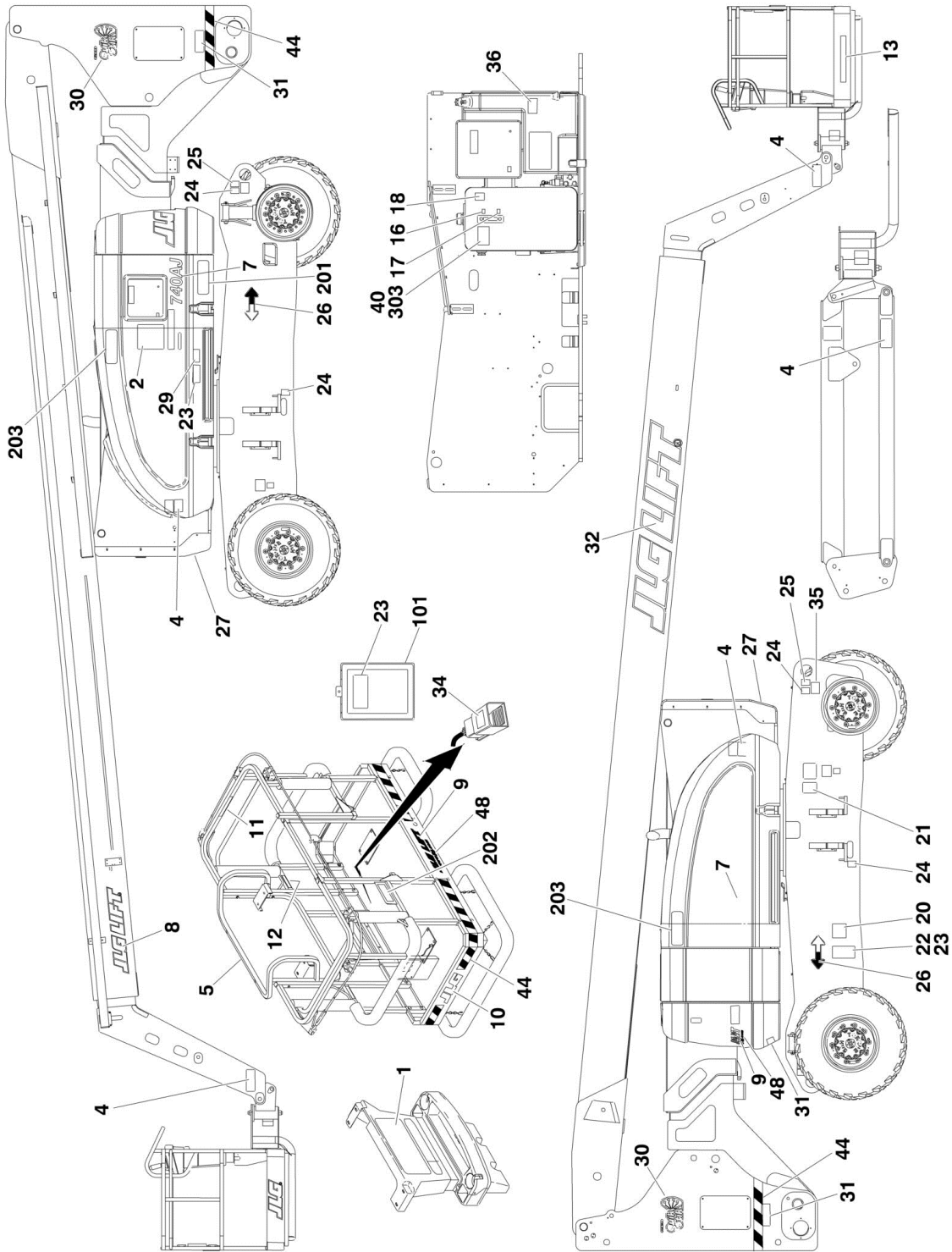
ITEM	PART NUMBER	QTY	DESCRIPTION	REV
			0300142933)	
33	1001121801	2	ANSI Spec (500LBS Maximum Capacity) (SN 0300142933 through 0300185827)	
33	1703996	2	CSA Spec (230kg/500LBS Max Capacity) (Prior to SN 0300100380)	
33	1707055	2	CSA Spec (230kg/500LBS Max Capacity) (SN 0300100380 through 0300142932)	
33	1001121803	2	CSA Spec (230kg/500LBS Max Capacity) (SN 0300142933 through 0300185827)	
34		Ref	Decal - Capacity Options:	
34	1702688	1	ANSI Spec (500LBS Maximum Capacity) (Prior to SN 0300100380)	
34	1707013	1	ANSI Spec (500LBS Maximum Capacity) (SN 0300100380 through 0300142932)	
34	1001121814	1	ANSI Spec (500LBS Maximum Capacity) (SN 0300142933 through 0300185827)	
34	1704112	1	CSA Spec (230kg/500LBS Max Capacity) (Prior to SN 0300100380)	
34	1707047	1	CSA Spec (230kg/500LBS Max Capacity) (SN 0300100380 through 0300142932)	
34	1001121816	1	CSA Spec (230kg/500LBS Max Capacity) (SN 0300142933 through 0300185827)	
35	1704885	AR	Decal - Website	
36	See Note	1	Nameplate, Manufactures (Note: Not Available for Purchase)	
37		Ref	Decal - Upright Level Override Options:	
37	1001096141	1	ANSI Spec	
37	1705977	1	CSA Spec	
38	1703959	2	Decal - Quick Stick	
39		Ref	Decal - Patent Options:	
39	1700584	1	Decal - Patent (SN 0300089982 through 0300151568)	
39	1001131269	1	Decal - Patent (SN 0300151569 through 0300185827)	
40		Ref	Decal - Legend Options:	
40	1707110	1	Decal - Legend (SN 0300089982 through 0300137974)	
40	1001108495	1	Decal - Legend (SN 0300137975 through 0300185827)	
41	1001095809	1	Decal - Legend (MTB)	
43	3820001	4	Rivet	
44	1702861	2	Decal - JLG Lift (8in Height)	
45	1702774	1	Decal - JLG Lift (3-1/2in Height)	
46	1702773	1	Decal - JLG (5in Height)	
47	3250872	1	Nameplate - Steer/Tow Selector	
48	1705090	1	Decal - Towing Instructions	
49		Ref	Decal - Fuel	
49	1701505	1	Diesel	
49	1701542	1	Gas	
50	1701543	2	Decal - LP Gas (GM Engine Machines Only)	
51		Ref	Decal - LP Gas (Liquid) Options (GM Engine Machines Only):	
51	1700818	2	ANSI Spec	
51	1704271	2	CSA Spec	
53	1703175	1	Decal - Lanyard Attach (GM Spec Only)	
54		Ref	Decal - Warning (Proposition 65) (California Spec Only)	
54	1702962	1	Diesel	
54	1702961	1	Gas	
55	1702788	1	Decal - Bio Hydraulic Fluid	
56		Ref	Decal - Drive/Steer Instruction Options: (SN 0300138447	

SECTION 8 - DECALS

ITEM	PART NUMBER	QTY	DESCRIPTION	REV
56	1705351	1	through 0300185827) ANSI Spec	
56	1705429	1	CSA Spec	
71	1001108923	1	Decal - Low Sulfur Fuel (Caterpillar and Deutz Engine Machines)	
	0258671	Ref	MANUAL STORAGE BOX INSTALLATION	C
101	0860520	1	Box, Manual Storage	
101	1060279	1	Cable, Lanyard (SN 0300089982 through 0300179246)	
101	0641408	1	Bolt 1/4in-20NC x 1in (SN 0300089982 through 0300179246)	
101	0641406	4	Bolt 1/4in-20NC x 3/4in	
101	4751400	AR	Flatwasher 1/4in	
101	3311405	AR	Locknut 1/4in-20NC	
	0010551	Ref	DECAL INSTALLATIONS (OPTIONS)	
	0271585	Ref	Decal Installation	A
201	1705012	2	Decal - Fall Arrest	
	0271674	Ref	Decal Installation	A
202	1705014	2	Decal - Safety	
	0271584	Ref	Decal Installation	A
203	1705006	2	Decal - Jet Blast	
	1001093187	Ref	TILT SENSOR INSTALLATION (SN 0300089982 through 0300112885)	C
304	1707110	1	Decal - Legend (Platform)	
305	1707111	1	Decal - Platform Display (Not Shown - Located on Platform Console)	
317	1001096141	1	Decal - Upright Level Over Ride	
324	1001095809	1	Decal - Legend (MTB Control)	

SECTION 8 - DECALS

FIGURE 8-3. DECAL INSTALLATION (COUNTRY SPEC) (Prior to SN 0300089982)



SECTION 8 - DECALS

FIGURE 8-3. DECAL INSTALLATION (COUNTRY SPEC) (Prior to SN 0300089982)

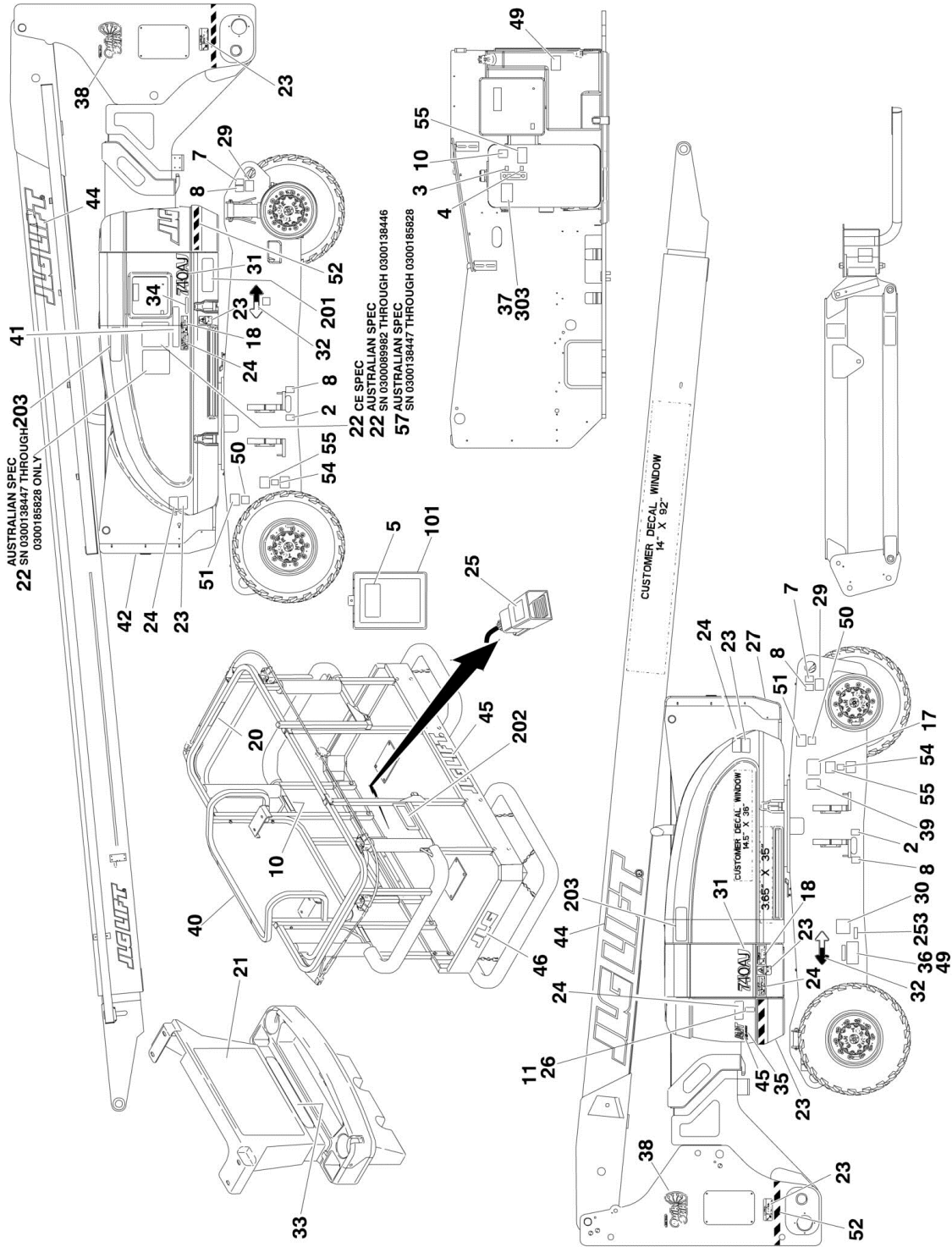
ITEM	PART NUMBER	QTY	DESCRIPTION	REV
		Ref	STANDARD DECAL INSTALLATIONS	
	0272789	Ref	Australian Spec	2
	See Note	Ref	Dutch Spec (Note: Not Available for Purchase)	
	See Note	Ref	French Spec (Note: Not Available for Purchase)	
	See Note	Ref	German Spec (Note: Not Available for Purchase)	
	See Note	Ref	Italian Spec (Note: Not Available for Purchase)	
	See Note	Ref	Spanish Spec (Note: Not Available for Purchase)	
	See Note	Ref	UK Spec (Note: Not Available for Purchase)	
1		Ref	Decal - Danger/Warning Options:	
1	1703992	1	Australian Spec	
1	1703913	1	Dutch Spec	
1	1703917	1	French Spec	
1	1703799	1	German Spec	
1	1703915	1	Italian Spec	
1	1703919	1	Spanish Spec	
1	1703806	1	UK Spec	
2		Ref	Decal - Danger/Warning Options:	
2	1703807	1	Australian Spec	
2	1703914	1	Dutch Spec	
2	1703918	1	French Spec	
2	1703800	1	German Spec	
2	1703916	1	Italian Spec	
2	1703920	1	Spanish Spec	
2	1703807	1	UK Spec	
4	1701518	4	Decal - Warning/Crushing	
7	1705007	2	Decal - Model 740AJ	
8	1702860	1	Decal - JLG Lift (5in)	
9	1702774	2	Decal - JLG Lift (3 1/2in)	
10	1702773	2	Decal - JLG (5in)	
12	1704277	4	Decal - Attach Lanyard Here	
16	1701502	1	Decal - High Oil Level	
17	1701503	1	Decal - Low Oil Level	
18	1701504	1	Decal - Hydraulic Oil	
20	See Note	1	Decal - Bar Code (Note: Not Available for Purchase)	
21	1700584	1	Decal - Patent	
22	See Note	1	Nameplate - Serial Number (Note: Not Available for Purchase)	
23	1701509	1	Decal - Manual	
24	1702300	4	Decal - Tie Down /Lift	
25	1701500	4	Decal - Tie Down /Lift	
26	1701501	4	Decal- Arrow	
27		Ref	Nameplate - Voltage Options:	
27	1705325	1	110V	
27	3252507	1	220V	
30	1703959	2	Decal - Quick Stick	
31	1701518	3	Decal - Warning/Crushing	
32	1702862	1	Decal - JLG Lift	
33	3820001	4	Rivet	
34		Ref	Decal - Footswitch	
34	3252347	1	Australian/UK Spec (Part of 4360031 Footswitch)	
34	1703518	1	Dutch Spec	

SECTION 8 - DECALS

ITEM	PART NUMBER	QTY	DESCRIPTION	REV
34	1693292	1	French Spec	
34	1693294	1	Dutch Spec	
34	1701600	1	Italian Spec	
34	1701791	1	Spanish Spec	
35	1703960	4	Decal - Max Tire Load	
36	1701505	1	Decal - Fuel	
40		Ref	Decal - Upright Level Override	
40	1702265	NLA	Australian/UK Spec (Use p/n 1705977)	
40	1702268	NLA	Dutch Spec (Use p/n 1705977)	
40	1702270	NLA	French Spec (Use p/n 1705977)	
40	1702267	NLA	Dutch Spec (Use p/n 1705977)	
40	1702269	NLA	Italian Spec (Use p/n 1705977)	
40	1702266	NLA	Spanish Spec (Use p/n 1705977)	
44	4420051	23.1 ft/7m	Decal - Warning Stripes	
48	1704885	2	Decal - Website	
	0258671	Ref	MANUAL STORAGE BOX INSTALLATION	B
101	0860520	1	Box, Manual Storage	
101	1060279	1	Cable, Lanyard	
101	0641408	1	Bolt 1/4in-20NC x 1in	
101	0641406	4	Bolt 1/4in-20NC x 3/4in	
101	4751400	6	Flatwasher 1/4in	
101	3311405	5	Locknut 1/4in-20NC	
101	0100011	AR	Compound, Locking	
	0010551	Ref	DECAL INSTALLATIONS (OPTIONS)	
	0271585	Ref	Decal Installation	A
201	1705012	2	Decal - Fall Arrest	
	0271674	Ref	Decal Installation	A
202	1705014	2	Decal - Safety	
	0271584	Ref	Decal Installation	A
203	1705006	2	Decal - Jet Blast	
	1001093187	Ref	TILT SENSOR INSTALLATION	C
303	1705977	1	Decal - Upright Level Over Ride	
305	1707111	1	Decal - Platform Display (Australian Spec Only) (Not Shown - Located on Platform Console)	
306	1707113	1	Decal - Platform Display (CE Spec Only) (Not Shown - Located on Platform Console)	

SECTION 8 - DECALS

FIGURE 8-4. DECAL INSTALLATION (COUNTRY SPEC) (SN 0300089982 through 0300185827)



SECTION 8 - DECALS

FIGURE 8-4. DECAL INSTALLATION (COUNTRY SPEC) (SN 0300089982 through 0300185827)

ITEM	PART NUMBER	QTY	DESCRIPTION	REV
		Ref	DECAL INSTALLATIONS	
	0274519	Ref	JLG Logo	B
	0274484	Ref	Australian Spec (SN 0300089982 through 0300138446)	4
	1001114464	Ref	Australian Spec (SN 0300138447 through 0300185827)	B
	0274484	Ref	CE Spec	B
2	1701499	2	Decal - No Tie Down/Lift	
3	1701502	1	Decal - High Oil Level (SN 0300089982 through 0300134564)	
4	1701503	1	Decal - Low Oil Level (SN 0300089982 through 0300134564)	
5	1701509	1	Decal - Manual	
7	1703811	4	Decal - Tie Down/Lift	
8	1703814	6	Decal - Tie Down	
9	1704277	3	Decal - Attach Lanyard Here	
10	1704412	1	Decal - Hydraulic Oil Chart	
11		Ref	Decal - Sound Power Level Options:	
11	1705084	1	Decal - Sound Power Level (SN 0300089982 through 0300179245)	
11	1705980	1	Decal - Sound Power Level (SN 0300179246 through 0300185827)	
21	1705921	1	Decal - Tipping/Electrical	
22	1705822	1	Decal - Electrical/Safety Manual	
23	1701518	10	Decal - Crushing	
24	1705961	5	Decal - Danger/Electrocution	
25	1705828	1	Decal - Footswitch	
29	2902353	1	Kit, Decal Max Tire Load (Includes Qty 4 of p/n 1703960)	1
29	1703960	4	Decal - Max Tire Load	
30	See Note	1	Decal - Bar Code (Note: Not Available for Purchase)	
31	1705007	2	Decal - 740AJ	
32	1701501	4	Decal- Arrow	
33	1705978	2	Decal Capacity (230kg Capacity)	
34	1705978	1	Decal Capacity (230kg Capacity)	
35	1704885	AR	Decal - Website	
36	See Note	1	Nameplate, Manufactures (Note: Not Available for Purchase)	
37	1705977	1	Decal - Upright Level Override	
38	1703959	2	Decal - Quick Stick	
39	1700584	1	Decal - Patent	
43	3820001	2	Rivet	
44	1702861	2	Decal - JLG Lift (8in Height)	
45	1702774	1	Decal - JLG Lift (3-1/2in Height)	
46	1702773	1	Decal - JLG (5in Height)	
47	3250872	1	Nameplate - Steer/Tow Selector	
48	1705090	1	Decal - Towing Instructions	
49		Ref	Decal - Fuel	
49	1701505	1	Diesel	
49	1701542	1	Gas	
50	1701543	2	Decal - LP Gas (GM Engine Machines Only)	
51	1700818	2	Decal - LP Gas (Liquid) (GM Engine Machines Only)	
52	4420051	23.1 ft/7m	Decal - Warning Stripes	
55	1702788	1	Decal - Bio Hydraulic Fluid	
57		Ref	Decal - Emergency Controls Options:	
57	Not Required	0	Australian Spec (SN 0300089982 through 0300138446)	

SECTION 8 - DECALS

ITEM	PART NUMBER	QTY	DESCRIPTION	REV
57	1001112551	AR	Australian Spec (SN 0300138447 through 0300185827)	
57	Not Required	0	CE Spec	
	0258671	Ref	MANUAL STORAGE BOX INSTALLATION	C
101	0860520	1	Box, Manual Storage	
101	1060279	1	Cable, Lanyard (SN 0300089982 through 0300179246)	
101	0641408	1	Bolt 1/4in-20NC x 1in (SN 0300089982 through 0300179246)	
101	0641406	4	Bolt 1/4in-20NC x 3/4in	
101	4751400	AR	Flatwasher 1/4in	
101	3311405	AR	Locknut 1/4in-20NC	
	0010551	Ref	DECAL INSTALLATIONS (OPTIONS)	
	0271585	Ref	Decal Installation	A
201	1705012	2	Decal - Fall Arrest	
	0271674	Ref	Decal Installation	A
202	1705014	2	Decal - Safety	
	0271584	Ref	Decal Installation	A
203	1705006	2	Decal - Jet Blast	
	0010580	Ref	ADDITIONAL DECAL COMPONENTS	M
253	1001143852	1	Decal - Emission Compliance (SN 0300181347 through 0300185827)	
	1001093187	Ref	TILT SENSOR INSTALLATION (Prior to SN 0300112885)	C
303	1705977	1	Decal - Upright Level Over Ride	
305	1707111	1	Decal - Platform Display (Australian Spec Only) (Not Shown - Located on Platform Console)	
306	1707113	1	Decal - Platform Display (CE Spec Only) (Not Shown - Located on Platform Console)	

SECTION 9 - RECOMMENDED SERVICE PARTS STOCK

SECTION 9 - RECOMMENDED SERVICE PARTS STOCK

SECTION 9 - RECOMMENDED SERVICE PARTS STOCK

FIGURE 9-1. MODEL 740AJ STANDARD PARTS

ITEM	PART NUMBER	QTY	DESCRIPTION	REV
	Note	Ref	Note: The following list will service one machine (built to current production per date on the front cover) with emergency repair parts which can be installed in the field. Parts from the list should be replaced when inventory is depleted to keep service parts stock supplied. For further information, contact your JLG dealer or the JLG Industries Parts Department.	
		Ref	STANDARD PARTS	
	2120168	4	Element, Filter	
	2120210	4	Element, Filter	
	7012944	1	Coil	
	7018991	1	Coil	
	7012772	1	Coil	
	7000645	1	Coil	
	70000582	1	Coil	
	7012664	1/doz	Element, Air Cleaner	
	3740067	1	Relay	
	7024444	1	Breather, Hydraulic Tank	
	4360475	1	Switch, Mushroom	
	4360469	1	Switch, Key (ANSI Spec)	
	4360470	1	Switch, Key (CE Spec)	
	2860030	1	Key, Replacement	
	4360476	1	Contact, Switch Block	
	4360328	1	Switch, Toggle	
	3740049	1	Relay	
	4360387	1	Switch, Push Button	
	1001129555	1	Controller (Lift and Swing)	
	1001212415	1	Controller (Drive and Steer)	
	4360330	1	Switch, Toggle	
	4360407	1	Controller, Speed	
	2400065	2	Fuse - 30 Amp	
	3990010	2	Diode	

SECTION 9 - RECOMMENDED SERVICE PARTS STOCK

FIGURE 9-2. MODEL 740AJ VARIABLE PARTS

ITEM	PART NUMBER	QTY	DESCRIPTION	REV
	Note	Ref	Note: The following list will service one machine (built to current production per date on the front cover) with emergency repair parts which can be installed in the field. Parts from the list should be replaced when inventory is depleted to keep service parts stock supplied. For further information, contact your JLG dealer or the JLG Industries Parts Department.	
		Ref	VARIABLE PARTS	
	7016331	1/doz	Filter, Oil (Deutz Engine Machines)	
	7016328	1/doz	Filter, Fuel (Deutz Engine Machines)	
	7027795	1	Module, Engine Control (Deutz Engine Machines)	
	7021868	1/doz	Filter, Oil (Ford Engine Machines)	
	91083218	1/doz	Filter, Fuel (Ford Engine Machines)	
	1600374	1	Module, EPM (Ford Engine Machines)	
	4360336	1	Switch, Toggle (Machines with Dual Fuel Option)	
	7027965	1/doz	Filter, Oil (GM Engine Machines)	
	7027972	1/doz	Filter, Fuel (GM Engine Machines)	
	70002895	1	Module, Engine Control (GM Engine Machines)	
	4360517	1	Switch, Proximity	
	1001103667	1	Module, Ground Control	
	4360522	1	Switch, Toggle (Machines with Lights Option)	
	3740080	1	Relay (Machines with Generator Option)	
	4360336	1	Switch, Toggle (Machines with Generator Option)	
	70002013	1	Powertrack Repair Section (Gortrac Brand)	
	7016522	2	Powertrack Repair Section (Gemco Brand)	
	7006137	24	Powertrack Pin Kit (Gemco Brand)	
	4360578	1	Switch, Limit	
	1001094400	1	Sensor, Dual Axle	
	1001106355	1	Controller, Module Platform	
	4360331	1	Switch, Toggle (Machines with 4WD or 4WS Options)	
	4360498	1	Switch, Proximity	
	4360499	1	Switch, Proximity	
	2400070	2	Fuse (Machines with Platform Worklights)	

SECTION 10 - SPECIAL OPTIONS

SECTION 10 - SPECIAL OPTIONS

FIGURE 10-1. SPECIAL OPTIONS

ITEM	PART NUMBER	QTY	DESCRIPTION	REV
	Note	Ref	Note: This list is to accommodate machines ordered with special equipment. Options may not be applicable to all models. For more specific parts information contact JLG Parts Department.	
		Ref	MISCELLANEOUS SPECIAL OPTIONS	
	1340061	Ref	Air Cleaner Pre-Cleaner	
	0271511	Ref	Airline to Platform Installation	
		Ref	Bellows Installation Options:	
	0258737	Ref	Boom	
	0258759	Ref	Chassis (Fixed Axle 4WS)	
		Ref	Cold Weather Package Installation Options:	
	0256060	Ref	Deutz without Glow Plugs (Deutz Engine Machines) (Prior to SN 0300085331 Only)	
	0258927	Ref	Deutz with Glow Plugs (Prior to SN 0300073049)	
	0271912	Ref	Deutz with Glow Plugs (SN 0300073049 through 0300185827)	
	0255386	Ref	Ford	
	0275262	Ref	GM	
	1001109263	Ref	Communication System (David Clark) Installation	
		Ref	Compressor Installation	
	0272741	Ref	With ABS Hood	
	1001118053	Ref	With Steel Hood	
		Ref	Decal Installations Options:	
	1702788	Ref	Decal - Biodegradable Hydraulic Fluid (All except German Spec)	
	1703479	Ref	Decal - Biodegradable Hydraulic Fluid (German Spec Only)	
	1001116565	Ref	Decal - ClearSky (ANSI Spec) (ABS Hoods)	
	1001116566	Ref	Decal - ClearSky (CSA Spec) (ABS Hoods)	
	1001127094	Ref	Decal - ClearSky (ANSI, ANSI Export, Australian and CSA Spec) (Steel Hoods)	
	0253550	Ref	Decal - CSA (CSA Spec)	
	1703175	Ref	Decal - Lanyard Attach (GM K-1 Spec)	
	1702962	Ref	Decal - Prop 65 Warning (Diesel Machines) (California Spec)	
	1702961	Ref	Decal - Prop 65 Warning (Gasoline Machines) (California Spec)	
	0257195	Ref	Decals - Government Warranty	
	0271895	Ref	Decals - United Rentals	
	0271112	Ref	Decals - Sunbelt Rentals	
		Ref	Decal Kits	
	2902307	Ref	Decal Kit - Country Spec (ANSI Spec)	
	2902329	Ref	Decal Kit - Country Spec (Australian and CE Specs)	
	1001241334	Ref	Decal Kit - Platform	
	2902303	Ref	Decal Kit - Master (Common Decals)	
	2902358	Ref	Decal Kit - Tire Load	
	1001106503	Ref	De-icing Nozzle Installation	
		Ref	Electrical Connector Kits	
	1001148902	Ref	Amp/Tyco Electrical Connector Kit	
	1001148903	Ref	Deutsch DT Electrical Connector Kit	
	1001148904	Ref	Deutsch HD Electrical Connector Kit	
	1001148905	Ref	Packard Electrical Connector Kit	
	1001148906	Ref	Various Electrical Connectors Kit	
		Ref	Engine Block Heater Installations:	

SECTION 10 - SPECIAL OPTIONS

ITEM	PART NUMBER	QTY	DESCRIPTION	REV
	0258696	Ref	Ford and GM Engine Machines	
	0257157	Ref	Ether Start Installation (Deutz Engine Machines) (Prior to SN 0300085331 Only)	
		Ref	Filter Kits:	
		Ref	Combined Filter Kit Options (Hydraulic/Air and Fuel/Engine Oil):	
		Ref	Deutz Engine Machines	
	2910467	1	Deutz Engine Machines (Prior to SN 0300077500)	
	1001110996	1	Deutz Engine Machines (SN 0300077500 through 0300087265)	
	1001114033	NLA	Deutz Engine Machines (Use p/n 1001111014) (SN 0300087266 through 0300185827)	
		Ref	Ford LRG-425 Non-UL Engine Machines	
	2910466	NLA	Ford LRG-425 Non-UL Engine Machines (Use p/n 1001114116) (Prior to SN 0300087266)	
	1001114115	1	Ford LRG-425 Non-UL Engine Machines (SN 0300087266 through 0300185827)	
	1001114056	1	GM Engine Machines	
		Ref	Hydraulic/Air Filter Options:	
		Ref	Deutz Engine Machines	
	2910925	NLA	Deutz Engine Machines (Use p/n 1001109693) (Prior to SN 0300087266)	
	2910948	NLA	Deutz Engine Machines (Use p/n 1001109717) (SN 0300087266 through 0300185827)	
		Ref	Ford Engine Machines	
	2910925	NLA	Ford Engine Machines (Use p/n 1001109693) (Prior to SN 0300087266)	
	2910948	NLA	Ford Engine Machines (Use p/n 1001109717) (SN 0300087266 through 0300185827)	
		Ref	Engine - Fuel/Engine Oil Filter Options:	
	1001110133	1	Deutz Engine Machines	
		Ref	Footswitch Shield Options (Note: Move Decal to Shield):	
	4060959	Ref	Footswitch Shield (Prior to SN 0300169344)	
	1001117294	Ref	Footswitch Shield (SN 0300169344 through 0300185827)	
	1001128057	Ref	Footswitch Installation	
	1001139952	Ref	Generator - 4000W Generator Installation	
	1001160273	Ref	Generator - 4000W Boom Cables	
	1001160272	Ref	Generator - 4000W AC Cable Connector	
		Ref	Glow Plugs Installations (Deutz Engine Machines):	
	0271326	Ref	Glow Plugs Installations (Deutz Engine Machines) (Prior to SN 0300073049)	
	0271548	Ref	Glow Plugs Installations (Deutz Engine Machines) (SN 0300073049 through 0300092718)	
		Ref	Hood Kit Installations (Steel)	
	1001125415	Ref	Deutz Engine Machines	
	1001125417	Ref	GM Engine Machines	
	1001239618	Ref	Hose Kit – Upper Powertrack	
	1001241409	Ref	Hostile Environment Kit	
		Ref	Hydraulic Fluids	
	2300014	Ref	Mobil 424	
	2300027	Ref	Mobil 224H Bio	
	2300016	Ref	Mobil DTE 10 EXCEL 32	
	2300021	Ref	Union Carbide Ucon HP5046 Fire Resistant	
	1001148971	Ref	Lanyard (Bolt-on) Kit Installation	
		Ref	Oil Cooler Installations	

SECTION 10 - SPECIAL OPTIONS

ITEM	PART NUMBER	QTY	DESCRIPTION	REV
	0256762	Ref	Deutz Engine Machines	
	0272040	Ref	Ford and GM Engine Machines	
	0255398	NLA	Platform Console Cover Installation (Use p/n 0258703)	
	1001142504	Ref	Platform Entry Kit - Drop Bar (Replaces Swing Gate with Drop Bar)	
	1001142505	Ref	Platform Entry Kit - Swing Gate (Replaces Drop Bar with Swing Gate)	
	1001139944	NLA	Pump Mounting Bracket Kit (Use p/n 1001162546) (Sauer Danfoss)	
	1001162546	Ref	Pump Mounting Bracket Kit (Sauer Danfoss)	
		Ref	SkyGuard Component Options:	
	1001149560	Ref	SkyGuard Complete Add-on Kit (Non-UGM Machines)	
	1001143669	Ref	SkyGuard Complete Add-on Kit (UGM Machines)	
	1001210026	Ref	SkyGuard Complete Add-on Kit (Red Beacon)	
	1001137672	Ref	SkyGuard Platform Sensor Kit (UGM Machines)	
	1001143256	Ref	SkyGuard Blue Beacon Kit	
	1001210025	Ref	SkyGuard Strobe Light Kit (Red Beacon)	
		Ref	Telematic (ClearSky) Installation (Factory Installed)	
		Ref	Note: Refer to Manual Supplement p/n 3128499 for available replacement parts.	
		Ref	ADE Machines	
	1001102841	Ref	ANSI Spec	
	1001102842	Ref	ANSI Export and Australian Specs	
	1001104985	Ref	CSA Spec	
		Ref	ADE/UGM MACHINES (ABS HOODS)	
	1001112990	Ref	ANSI Spec	
	1001112991	Ref	ANSI Export and Australian Specs	
	1001112992	Ref	CSA Spec	
		Ref	UGM Machines (Steel Hoods)	
	1001118963	Ref	ANSI SPEC	
	1001134103	Ref	Australian Spec	
	1001127087	Ref	Brazil and New Zealand Specs	
	1001118964	Ref	CSA SPEC	
		Ref	Telematic (ClearSky) Kit (Dealer Installed)	
		Ref	ADE/Non UGM Machines	
	1001117251	Ref	ANSI Spec	
	1001117258	Ref	CSA Spec	
		Ref	ADE/UGM MACHINES	
	1001119939	Ref	ANSI Spec	
	1001139151	Ref	Australian Spec	
	1001119947	Ref	CSA Spec	
		Ref	Tools for Service	
	1600244	1	Analyzer, Machine System	
	7002840	1	Antirotation Pin Removal Tool	
	8896941	1	Wire Stripper	
	7002821	1	Wire Crimper (To install wire ends to wires)	
	7002823	1	Pin/Socket Extractor - Universal (To Remove Pins/Sockets from Connectors)	
	4460467	1	Extractor - 16-18 Gauge (For Removal of Pin/Sockets from Deutsch Connectors)	
	4460510	1	Extractor - 12-14 Gauge (For Removal of Pin/Sockets from Deutsch Connectors)	
	7002822	1	Screwdriver, Potentiometer (To Adjust Drive Controllers)	

SECTION 10 - SPECIAL OPTIONS

ITEM	PART NUMBER	QTY	DESCRIPTION	REV
	7016654	1	Screwdriver, Magnetic	
	7004275	1	Seal Installation Tool - 1in	
	7004276	1	Seal Installation Tool - 1-1/2in	
	7002826	1	Seal Installation Tool - 2in	
	7016655	1	Wire Rope Sheave Gauge	
	7016652	1	Huck Bolt Fastener (For Small Huck Bolts Only)	
	2900838	1	U.S. Standards Fastener (Hardware) Kit	
	7014676	1	U.S. Standards Tool Kit	
	70000017	1	ADE Software CD	
	1001137005	1	Software Cable Kit	
	2890203	Ref	Upright Monitoring System Installation (Pre-Ade) Kit	
	1001241271	Ref	Wear Pad Kit (Prior to SN 0300169344)	
	1001241272	Ref	Wear Pad Kit (SN 0300169344 through 0300185827)	
	0258826	Ref	Weld Leads to Platform Installation	

PART NUMBER INDEX

PART NUMBER INDEX

0010551.....298, 303, 306, 310	0257157..... 268, 317	0272319..... 12	0630534.....221, 223
0010580.....310	0257195..... 316	0272355..... 119	0630535....233, 235, 237, 239, 245, 247
0060031.....170, 177	0257884..... 131, 196	0272373..... 31	0630536.....229, 231
0060066.....170, 181	0257887 ... 131, 281, 291	0272444..... 211, 213	0630537....217, 219, 225, 227
0080163.....64, 73	0258077..... 173	0272480..... 153, 188	0630548.....123, 127
0080201...80, 87, 98, 103	0258286..... 11	0272507..... 281, 292	0630568.....196, 200
0080214.....80, 87	0258343..... 29	0272737..... 135	0641404....169, 195, 199
0080241.....131	0258382..... 115	0272741 ... 137, 142, 316	0641405.....161, 165
0100009....123, 127, 195, 199, 273, 287	0258390..... 83	0272745..... 79	0641406....80, 87, 96, 98, 102, 104, 136, 140, 187, 191, 211, 298, 303, 306, 310
0100011....11, 12, 15, 29, 31, 36, 49, 62, 68, 70, 79, 80, 86, 87, 96, 97, 98, 102, 103, 115, 119, 121, 123, 127, 131, 136, 137, 140, 142, 146, 147, 148, 153, 157, 161, 165, 169, 170, 171, 173, 174, 183, 213, 217, 221, 225, 229, 233, 237, 245, 298, 306	0258391..... 83	0272762 ... 187, 191, 197	0641407....61, 70, 71, 87, 97, 103, 128
0100019..... 11, 49, 161	0258457..... 35, 183	0272787..... 272, 287	0641408....36, 80, 86, 87, 146, 148, 183, 187, 191, 298, 303, 306, 310
0100020....62, 68, 71, 79, 80, 86, 87, 91, 96, 98, 102, 104, 116, 195, 259, 263	0258609..... 135	0272789..... 305	0641410.....69, 81, 125
0100035.....183, 195, 199	0258670..... 36	0272831..... 79, 91	0641414..36, 81, 87, 187, 191, 195, 199, 213
0100038....217, 221, 225, 229, 233, 237, 245	0258671 ... 298, 303, 306, 310	0272970..... 192, 196	064141636, 96, 102, 169, 183
0100048..81, 86, 96, 102, 123, 127, 131, 183, 195, 199, 272, 274, 286, 288	0258674..... 131	0273485 ... 191, 196, 200, 268	0641418.....35, 36
0100062.....115	0258696..... 317	0273507..... 161, 188	0641420.....169
0100063....217, 221, 225, 229, 233, 237, 245	0258728..... 151	0273535..... 297	0641424.....81
0100079.....115	0258737..... 316	0273709..... 68	0641504.....31
0100081....147, 174, 195, 199	0258759..... 316	0274024..... 86, 91	064150636, 87, 123, 127, 137, 140, 142, 143, 146, 148
0140001.....36	0258766..... 170	0274082 ... 153, 188, 192	0641507.....83, 87
0140011.....195, 199	0258826..... 319	0274232..... 15, 29	0641508....12, 35, 62, 68, 80, 86, 96, 103, 115, 131, 136, 140, 146, 153, 157, 161
0140032.....131	0258909..... 11	0274266..... 29	0641510.....62, 71, 165
0181727....61, 68, 79, 86, 96	0258927..... 316	0274301..... 68	0641512.....71
0181949.....92	0258945..... 197, 200	0274301..... 68	0641514.....103, 165
0200048.....213	0258945..... 197, 200	0274483..... 301	0641524.....187
0200547.....157	0259147..... 49	0274483..... 301	0641550.....15
0200550.....211	0270211..... 15, 29	0274488..... 301	0641560.....29
0200742.....153	0270396..... 115	0274519..... 301, 309	0641604.....169
0232121.....31	0270814 ... 187, 191, 196, 268	0274624..... 86, 91	0641606....35, 62, 71, 81, 89, 92, 98, 104, 141, 142, 169, 170, 173, 174
0253550.....316	0270888..... 15	0274643..... 35, 183	0641607....115, 146, 169, 173, 174
0255316.....49	0271002..... 49	0274759..... 139	0641608....12, 29, 62, 68, 80, 86, 87, 96, 98, 102, 104, 136, 137, 140, 141, 142, 148, 169, 173
0255386.....316	0271002..... 49	0275026..... 139	0641610....36, 61, 68, 71, 72, 80, 87, 98, 104, 153, 183, 187, 191
0255398.....318	0271038..... 297	0275039 ... 165, 188, 192	0641611....119, 121, 161, 169
0255524.....91	0271090..... 15	0275262..... 316	0641612..87, 96, 98, 102, 104, 161, 173, 211
0255917.....131, 281	0271091..... 15	0275386..... 96	0641614.....35, 115, 169
0256060.....316	0271112..... 316	0275546..... 139	0641618.....169
0256196.....15	0271326..... 317	0275600..... 139	0641624.....174
0256202.....281, 292	0271340..... 197, 200	0275733..... 183	0641628.....29
0256689.....63, 70	0271364..... 79	0275804..... 197	0641640.....174
0256690.....63, 70	0271366..... 79, 91	0340041 ... 61, 71, 80, 87, 98, 104	
0256762.....318	0271366..... 79, 91	0340046..... 83, 87	
0256823....137, 142, 148	0271371..... 61	0362519..... 92	
0256847.....64, 73	0271422..... 131	0362726..... 11, 12	
	0271505..... 169	0362770..... 135, 139	
	0271511..... 316	0362910..... 31	
	0271519..... 171	0363082..... 161	
	0271545..... 157	0363097..... 161	
	0271548..... 317	0400075 ... 61, 68, 79, 86, 96, 102	
	0271584 ... 298, 303, 306, 310	0440244..... 49	
	0271585 ... 298, 303, 306, 310	0480111..... 157	
	0271588..... 297	0480121..... 153	
	0271622 ... 196, 200, 211	0480134..... 157	
	0271654..... 11	0480135..... 161	
	0271674 ... 298, 303, 306, 310	0480142..... 165	
	0271768 ... 131, 196, 200	0561237..... 169	
	0271895..... 316	0561295..... 173	
	0271912..... 316	0630462..... 211, 213	
	0271989..... 183	0630464..... 195, 199	
	0272028..... 272, 287	0630485..... 146	
	0272040..... 318	0630491..... 131	
	0272070..... 171	0630498 ... 61, 68, 79, 86, 96	
	0272189..... 49	0630507 ... 136, 140, 146	
	0272259..... 281, 292	0630518..... 123, 127	
	0272260..... 281, 292		

PART NUMBER INDEX

0641710	165	0801314	169, 171	0962155.....	233, 235	1001099686	72
0641718	161	0801573	173	0962219.....	245	1001099837	173
0641772	153, 158	0801591	173	0962224.....	12	1001100156	11
0641806	245, 247	0860038	281, 292	0962270.....	187, 191	1001101060	49, 58
0641808 ...	62, 68, 81, 86, 96, 97, 102, 103	0860520 ...	298, 303, 306, 310	0962292.....	13	1001101241	71
0641810	12, 161, 170	0861407	123	0962335.....	169, 170	1001101323	142
0641812 ...	62, 70, 79, 87, 97, 103, 121, 171	0861537 ...	195, 196, 199, 200	0962336.....	221, 223	1001101324	142
0641814	70	0861549 ...	187, 191, 195	0962348.....	13	1001101391	141
064181861, 71, 115, 146, 151		0861550	123	0962356.....	243	1001101392	141
0641820	11, 119, 121, 169	0861587	123	0962448.....	12	1001101600	69
0641826 ..	63, 71, 99, 105	0861590	123	0962524.....	245	1001101623	141
0641828 ..	80, 87, 98, 104	0861716	123	1001091179.....	71	1001101673	141
0642010 ...	62, 68, 81, 86, 96, 102	0861717	123	1001091424.....	36	1001101905	139
0642038	31	0861763	123	1001091562.....	115	1001102150	125, 276
0642212	11	0861799	123	1001091583.....	98	1001102240	123
0642214	169	0901921	143, 148	1001091587.....	96, 103	1001102241	123
0642612	131	0902143	135, 140	1001091632.....	98	1001102290	278, 290
0642620	169	0902161	135, 139	1001091637.....	97	1001102291	278, 290
0642684	171	0902206	131	1001091638.....	96	1001102304	278, 290
0651406	36	0902219	135, 139	1001091794.....	98, 104	1001102600	124, 127
0681608	11, 171	0902223	135, 139	1001091892...71, 98, 104		1001102841	318
0681610	170	0902223	135, 139	1001091928.....	115	1001102842	318
0681612	157	0902309	83	1001093187.....	183, 266, 280, 298, 303, 306, 310	1001103095	177
0681810	187	0902351	135, 139	1001093248.....	105	1001103667	127, 314
0681814	187, 191	0902412	135, 139	1001093256.....	279	1001103810	12
0681820	171	0902415	36	1001093382...68, 96, 103		1001104308	72
0681822	191	0902426	135, 139	1001093943.....	72	1001104985	318
0682016	15	0902491	135, 139	1001093943.....	72	1001105872	99, 105
0682023	49	0902539	79, 89	1001094101.....	71, 73	1001106328	171
0682032	49	0902751	195, 199	1001094321.....	72	1001106329	171
0682216	49	0902756	157	1001094400.....	183, 273, 291, 314	1001106339	289
0700616	147	0902846	119	1001094401.....	183	1001106340	289
0700808	62, 71	0902952	161	1001094470.....	273	1001106355	199, 314
0700810 ...	64, 73, 79, 98, 104	0903010	89	1001094484.....	125	1001106503	316
0700819	81, 88	0903056	121	1001094509.....	293	1001106736	128, 289
0700820	165	0903079	88	1001094557.....	266	1001106975	121
0701012 ...	62, 71, 80, 87	0903308	139	1001094595...70, 97, 103		1001107290	266
0701014	72, 79, 87	0903510	96, 102	1001094889.....	49	1001107299	169
0701015 62, 71, 157, 161		0920117	15	1001094889.....	49	1001107300	169
0701016	165	0920119	15	1001095347.....	69	1001107419	169
0701022	79	0940038	211	1001095348.....	68	1001107527	195
0701414	61	0940049	140, 146	1001095354...70, 97, 103		1001107530	121
0711025	70, 73	0940070 ...	61, 71, 80, 89, 98, 104	1001095363.....	96	1001107677	200
0721003	197	0940071 ...	135, 137, 140, 142, 148	1001095364.....	97	1001107753	196, 200, 272, 286
0721005 ...	137, 142, 148	0940088	140	1001095809.....	298, 302, 303	1001107754	274, 287
0721006 ...	79, 136, 140, 153, 157	0940177	213	1001096141.....	298, 302, 303	1001107755	274, 288
0721008 ...	136, 141, 142	0961893	221, 223	1001096458.....	124, 275	1001107763	272, 287
0721014	79	0961894 ...	233, 235, 237, 239	1001096736.....	183	1001107926	201
0731005	211, 213	0961897	245, 247	1001097051.....	273, 287	1001107927	201
0741606	131, 161	0961901	217, 225	1001097082.....	273, 287	1001108256	213
0741607	169	0961903	229	1001097164.....	123	1001108495	302
0741609	13	0961947	169	1001097243...12, 13, 243		1001108763	200
0741808	161	0961951 ...	173, 233, 235, 237, 239	1001097964.....	141	1001108764	201
0760606	87	0961977	241	1001097965.....	141	1001108851	191, 199
0771414	71	0961986 ...	62, 71, 81, 88, 98, 104	1001098234.....	282, 293	1001108852	191, 200
0791608	70	0962051	151	1001098234.....	282, 293	1001108855	266
0801136	169, 173	0962102 ...	11, 171, 173, 217, 219, 225, 227, 229, 231	1001098349.....	282, 293	1001108923	303
0801140	173	0961977	241	1001098506.....	68	1001109263	316
0801191	173	0961986 ...	62, 71, 81, 88, 98, 104	1001098507.....	69	1001109690	264
0801311	171	0962051	151	1001098508.....	70	1001110032	256
		0962102 ...	11, 171, 173, 217, 219, 225, 227, 229, 231	1001098916.....	73	1001110033	256
		0962122	171	1001099051.....	71	1001110133	317
		0962152	12	1001099121.....	141	1001110166	146
				1001099137.....	139	1001110199	127
				1001099138.....	139, 140	1001110218	127
				1001099139.....	141	1001110219	127

PART NUMBER INDEX

1001110220.....127	1001117294.....317	1001143190.....36	1282571.....268
1001110221.....128, 288, 289	1001117307.....147	1001143192.....264	1282665.....266
1001110222.....128, 288, 289	1001117320.....187, 192	1001143256.....318	1283309.....266
1001110223.....128, 268	1001117441.....147	1001143669.....318	1320012...80, 88, 98, 104
1001110224.....128, 268	1001117503.....146	1001143852.....310	1320016....61, 71, 81, 88, 98, 104
1001110225.....128, 288	1001117523.....147	1001148652.....173	1320019.....79
1001110321.....289	1001117525.....147	1001148902.....316	1320022....61, 68, 72, 79, 80, 86, 88, 96, 98, 102, 104
1001110322.....289	1001117568.....147	1001148903.....316	1320032.....81
1001110873.....281, 292	1001117598.....147	1001148904.....316	1320033.....88
1001110996.....317	1001118053.....148, 316	1001148905.....316	1320043.....211
1001111128.....274, 287, 288	1001118055.....146	1001148906.....316	1320060.....80
1001111136.....274, 288	1001118056.....146	1001148971.....317	1320127.....63, 69, 71
1001112551.....310	1001118133.....115	1001149391.....247	1320218.....92
1001112588.....268, 293	1001118236.....147	1001149560.....318	1320220.....91
1001112589.....293	1001118263.....147	1001149918.....127	1320222.....62, 87
1001112612.....289	1001118264.....147	1001153282.....73	1320223....62, 71, 81, 89, 98, 104, 115
1001112651.....12	1001118344.....147	1001153622 70, 103, 111	1320250.....171
1001112652.....272, 287	1001118345.....147	1001156351.....292	1320251.....171
1001112743.....268, 292	1001118416199, 207, 208	1001156352.....292	1320256.....272, 287
1001112990.....318	1001118417199, 203	1001156823.....102	1320263.....174
1001112991.....318	1001118716.....147	1001156824.....102	1320288.....174
1001112992.....318	1001118963.....318	1001156825.....102	1320289.....174
1001113047.....146	1001118964.....318	1001160272.....317	1320323.....96, 102
1001113961.....207, 208	1001118935.....147	1001160273.....317	1321138.....88
1001114033.....317	1001119935.....147	1001161901115, 116	1321384....141, 142, 146
1001114056.....317	1001119939.....318	100116254669, 318	1340060....61, 71, 80, 88, 98, 104
1001114115.....317	1001119947.....318	1001166807.....31	1340061.....316
1001114464.....309	1001120508147, 148	1001188841173, 245	1380147.....151
1001114595.....103	1001120962.....147	1001210025.....318	1580011...80, 89, 98, 104
1001114632.....103	1001121122.....147	1001210026.....318	1580012.....188, 192
1001114635.....103	1001121123.....147	1001212415.....312	1600244....283, 294, 318
1001114636.....102, 148	1001121314.....148	1001228009170, 231	1600313.....195
1001115320.....191	1001121801.....302	1001228010169, 227	1600314.....79
1001115321191, 199, 286	1001121803.....302	1001228030170, 239	1600317....195, 199, 203
1001115344.....268	1001121814.....302	1001228041169, 219	1600318....195, 199, 207
1001115405.....153	1001121816.....302	1001228050170, 235	1600327.....123
10011156819.....103	1001121891.....103	1001228087173, 247	1600363.....82
1001116287.....68, 290	1001123000.....103	1001239618.....317	1600364.....123
1001116288.....68, 290	1001125415.....317	1001241271.....319	1600374.....89, 314
1001116290.....147, 148	1001125417.....317	1001241272.....319	1600375.....195, 199
1001116292.....147, 148	1001127087.....318	1001241334.....316	1600411.....123
1001116342.....115	1001127094.....316	1001241409.....317	1641808.....81
1001116456.....146	1001128057.....317	1001248012169, 223	1660223.....119
1001116457.....146	1001129555204, 312	1060279 ...298, 303, 306, 310	1660223RR119
1001116544.....104	1001131168.....200	1060341 ...211, 213, 282, 293	1660234.....64, 73
1001116545.....105	1001131269.....302	1060494282, 293	1660250.....82, 89
1001116562.....316	1001131992.....268	1060633283, 294	1670769.....169
1001116566.....316	1001134103.....318	1060637 ...62, 68, 81, 86, 97, 103	1670776.....15
1001116618.....146	1001137005.....319	1060708293	1670785.....211
1001117040.....141	100113726111, 12	1060896273, 287	1670786.....211
1001117045.....139, 141	100113746036, 46	1060903213	1670804.....211
1001117139.....141	1001137672.....318	106090472, 279, 291	1670829....124, 127, 195, 199
1001117140.....142	100113773771, 73	1060918 ...188, 192, 195, 272, 286	1670836.....173
1001117172.....192	1001137738.....70	1060919187, 191	1670842....135, 139, 146
1001117174.....192	1001137744.....69	1060978273, 287	1670844.....169
1001117209.....146	1001137745.....68	1120484116	1670850.....169
1001117219.....146	1001137898.....70	1120487116	1671037.....195, 199
1001117234.....147	1001137899.....70	1120510169	1671041.....211
1001117236.....147	1001138795.....223	1120601140	1671042.....211
1001117249.....147	1001138796235, 239	1180349173	1671092.....292
1001117251.....318	1001139151.....318	126001731, 49	
1001117258.....318	1001139944.....318	126013531	
	1001139952.....317	1260136211	
	1001142504.....318		
	1001142505.....318		
	1001142522111, 112		
	1001143189263, 266		

PART NUMBER INDEX

1671093	292	1702268	306	1704271	302	2000296	87
1671228	139, 142	1702269	306	1704277	297, 301, 305, 309	2000322	87
1671230	141	1702270	306	1704412	301, 309	2000339	71, 73
1671231	142	1702300	297, 305	1704578	31	2000342	70
1671232	142	1702564	195	1704578	31	2000354	98
1671233	139	1702565	195, 199	1704833	123	2000375	98
1671249	139, 140	1702566	195, 199	1704885	298, 302, 306, 309	2000378	97
1671332	139, 141	1702567	195, 199	1704997	195	2060025 ...	61, 71, 80, 88, 98, 104
1683053	221	1702676	197, 200	1705006	298, 303, 306, 310	2080040	146, 187
1683055	233, 237	1702688	297, 302	1705007	305, 309	2080044	170
1683071	217, 225	1702773 ...	297, 302, 305, 309	1705012	298, 303, 306, 310	2110606	256
1683537	170, 229	1702774 ...	297, 302, 305, 309	1705014	191, 298, 303, 306, 310	2110808	256
1683539	229	1702784	297	1705084	309	2111616	256
1683544	217	1702788 ...	302, 309, 316	1705090	31, 302, 309	2120150	35
1683546	169, 217	1702860	297, 305	1705132	125, 195, 199	2120163	35
1683547	169, 225	1702861	302, 309	1705170	132, 196, 200	2120167	35
1683549	225	1702862	305	1705325	305	2120168	35, 312
1683609	169, 221	1702866	297, 301	1705336	301	2120209	35
1683663	245	1702938 ...	196, 200, 211, 213	1705347	301	2120210	35, 312
1683672	173, 245	1702961	302, 316	1705351	303	2130406	256
1683673	245	1702962	302, 316	1705429	303	2130414	256
1683675	245	1703162 ...	61, 71, 80, 88, 98, 104	1705514	298, 301	2130604	256
1683682	170, 233	1703175	302, 316	1705566	124, 127	2130606	257
1683740	12, 13, 241	1703468	124	1705753	123	2130808	256
1683818	229	1703477	298, 301	1705822	309	2131616	256
1683819	217	1703479	316	1705828	309	2150406	256
1683821	225	1703518	305	1705921	309	2150506	257
1683823	229	1703797	297, 301	1705961	309	2150606	257
1684089	221	1703798	297	1705977	302, 306, 309, 310	2150808	256
1684090	221	1703799	305	1705978	309	2151616	256
1684125	233	1703800	305	1705980	309	2160003	49
1684126	233	1703804	297, 301	1705980	309	2170350	256
1684228	169, 237	1703805	297, 301	1706098	69	2170408	256
1684230	237	1703806	305	1706385	191	2170504	256
1684232	237	1703807	305	1706712	123, 127	2170704	257
1684497	169, 217	1703808	297, 301	1706913	124	2170804	257
1693292	306	1703811	301, 309	1706957	31	2180125	91
1693294	306	1703814	301, 309	1706960	31	2180344	49
1700584 ...	297, 302, 305, 309	1703913	305	1707013	302	2180348	68
1700818	91, 298, 302, 309	1703914	305	1707047	302	2180387	92
1701499	301, 309	1703915	305	1707055	302	2180388	92
1701500	297, 305	1703916	305	1707110	298, 302, 303	2180389	92
1701501 ...	297, 301, 305, 309	1703917	305	1707111 ...	197, 298, 303, 306, 310	2180418 ...	91, 92, 96, 102
1701502 ...	297, 301, 305, 309	1703918	305	1707113	306, 310	2180467	80, 88
1701503 ...	297, 301, 305, 309	1703919	305	1810086	123	2180536	61
1701504	297, 305	1703920	305	1810087	123	2180615	225, 227
1701505 62, 68, 298, 302, 306, 309		1703924	297, 301	1810087	123	2180798 ...	61, 72, 81, 88
1701509 ...	297, 301, 305, 309	1703930	297	1810126	123	2180877	99, 105
1701518	305, 309	1703936	297, 301	1870163	268	2200222	52, 115
1701542	81, 86, 96, 102, 298, 302, 309	1703942	298, 301	1870199	268	2200233	115
1701543 91, 96, 102, 298, 302, 309		1703948	297, 301	1870220	268	2220005	91, 96, 102
1701600	306	1703953	297, 301	2000174	79, 81, 91	2220063	49
1701645	297, 301	1703959 ...	297, 302, 305, 309	2000189	61, 63	2220064	91
1701791	306	1703960	306, 309	2000193	79, 81, 91	2220221 ...	109, 111, 257
1702153	297, 301	1703984	298, 301	2000211	87	2220235	252
1702265	298, 306	1703984	298, 301	2000216	71, 73	2220237	252, 256
1702266	306	1703990	298	2000219	70	2220238	259, 263
1702267	306	1703992	305	2000225	69	2220242	252
		1703996	297, 302	2000226	69	2220250	62, 81
		1704000	297, 301	2000261	87	2220261	91
		1704006	297, 301	2000272	88, 89	2220273	61
		1704112	297, 302	2000274	71, 73	2220313 ...	61, 68, 86, 96
		1704260	195, 199	2000279	70	2220362	252
				2000284	69	2220365	252
						2220366	252

PART NUMBER INDEX

2220371.....253, 259, 263	2220810.....252	2720434.....62, 71	2753125.....260, 264
2220373.....252, 259, 263	2220811 109, 252, 257	2720435.....80, 88	2753126.....260, 264
2220374...70, 87, 97, 108, 111, 252	2220833.....253	2720436.....81, 88	2753128.....260, 264
2220375.....252, 256	2220852.....259, 263	2720449.....62, 71	2753156.....252
2220376.....259, 263	2220873 ... 259, 260, 263, 264	2720472.....80, 86	2753157.....253
2220377.....252, 256	2220883.....27, 217, 219, 221, 223, 225, 227, 229, 231, 237, 239, 247	2720514.....88, 98	2753158.....253
2220379.....259, 263	2220885 ... 221, 223, 235, 237, 239, 245, 247	2720532.....86	2753159.....253
2220380.....252, 256	2220886.....27, 247	2720563.....98, 104	2753160.....252
2220385.....257, 259, 263	2220888.....27, 217, 219, 225, 227, 229, 231	2720564.....98, 104	2753190.....260, 264
2220386.....256	2220893.....35	2720566.....96, 102	2753196.....259, 263
2220415...70, 87, 97, 103, 252, 259, 263	2220923.....264	2720567.....96, 102	2753197.....259, 263
2220428.....259, 263	2220940.....257	2720580.....96, 102	2753216.....259, 263
2220429.....259, 263	2220947.....259, 263	2750532 ... 62, 68, 79, 80, 88, 96, 98	2753231.....259, 263
2220430.....81	2220999 ... 252, 259, 263	2751014.....252	2753417.....253
2220451 61, 71, 108, 111, 252, 259, 263	2221024.....92	2751017.....253	2753540.....256
2220459.....62	2221029.....252	2751021.....252	2753622.....256
2220466...252, 257, 259, 263	2221030.....252	2751032.....49	2753625.....257
2220468.....256	2221030.....252	2751095.....49	2753626.....256, 257
2220473...253, 257, 259, 263	2221176 ...68, 86, 96, 102	2751397.....253	2753627.....257
2220478.....259, 263	2221197.....91	2751399.....253, 256	2753628.....256
2220479.....108, 252	2221270.....115	2751500.....253, 256	2753634.....256
2220490.....253, 259, 263	2300004.....87, 97	2751906.....253	2753636.....260, 264
2220497.....260, 264	2300014.....317	2752363.....253	2753637.....260, 264
2220499.....252	2300016.....317	2752365.....253	2753638.....260, 264
2220500.....252, 259, 263	2300021.....317	2752366.....253	2753639.....259, 263
2220501...253, 257, 260, 264	2300027.....317	2752433.....253	2753640.....260, 264
2220502...252, 259, 263	2360570.....13	2752434.....256	2753641.....259, 263
2220504.....252	2360686.....13	2752438.....259, 263	2753642.....260, 264
2220507.....253	2400060.....277, 289	2752453.....256, 259	2753643.....260, 264
2220517.....252	2400061.....277	2752459.....252	2753644.....259, 263
2220574.....259, 263	2400065 ... 274, 289, 312	2752462 ... 253, 260, 264	2753645.....260, 264
2220577.....260, 263	2400066 ... 274, 282, 289	2752463.....260, 263	2753970.....256
2220582...108, 109, 111, 252, 256, 259, 263	2400068.....293	2752466.....253, 257	2754040.....256
2220591...257, 260, 264	2400070 ... 282, 293, 314	2752480.....253	2754243.....257
2220593.....259, 263	2410014.....191	2752489.....253, 257	2754509.....256
2220596...252, 256, 259, 263	2420172.....124, 127	2752494.....253, 256	2754510.....256
2220600.....252	2420187.....82, 89	2752495.....252	2754511.....256
2220602...252, 256, 259, 263	2420203 ... 153, 157, 161, 165	2752498.....253	2754512.....256
2220603.....264	2460032.....153, 157	2752514.....253	2760105...124, 127, 195, 199
2220605...252, 259, 263	2460044.....157	2752516.....253	2780227.....21
2220606.....264	2460051.....161, 165	2752573 ... 253, 260, 264	2780228.....15, 17
2220609...252, 260, 263	2460055.....153	2752580.....252	2780272.....15, 21
2220618...252, 256, 259, 263	2560136.....195, 199	2752591.....253	2792364.....252, 266
2220619.....259, 263	2560187.....147	2752592.....253	2792528.....259, 266
2220622.....257	2600209.....136, 141	2752648.....253	2792535.....266
2220628.....252	2600233.....136, 142	2752670.....253	2792571.....266
2220635.....259	2600244 ... 135, 137, 139, 142, 148	2752673.....256	2792589.....266
2220646...109, 112, 252	2600280.....146	2752674.....259, 263	2792710.....256, 266
2220655.....264	2680436.....136	2752721.....259, 263	2820031...154, 158, 161, 165
2220711.....252	2680437.....136	2752754.....253, 256	2820035...131, 187, 191
2220737.....259, 263	2680448.....135, 136	2752767.....260, 264	2820078...137, 142, 148
2220738.....256	2680450.....135	2752768.....260, 263	2820079.....137
2220765.....259, 263	2680451.....135, 136	2752930.....260, 264	2820080.....137, 141
2220775.....259	2680515.....137, 142	2752934.....257	2820081.....137
2220794.....62	2720058 ... 62, 68, 81, 86, 96, 98, 104	2752942.....253	2820153.....142
2220800.....112, 252	2720144.....91	2752949.....253	2820172.....88
2220805.....80	2720271.....62, 99, 105	2752997.....256	2820173.....88
	2720341.....82	2753006.....260, 264	2820176.....142
	2720392.....91, 96, 102	2753010.....259, 263	2820180.....98
	2720398.....61, 71	2753035.....253	2820233.....141
		2753087.....253	2820234.....141
		2753090.....252	2820235.....141
		2753117.....253	2840016.....151
		2753118.....259, 263	2860012.....153, 157
		2753122.....260	
		2753124.....260, 264	

PART NUMBER INDEX

2860030 124, 127, 312	3220113 83	3340764 174	3520028 ... 124, 127, 153, 157, 195
2890203 319	3220114 83	3340835 170	3520030 146
2900708 35, 39, 40	3220134 89	3340838 245, 247	3520033 136
2900756 29	3250872 31, 302, 309	3340840 174	3520035 125, 128, 183
2900770 177	3251102 ... 154, 158, 165, 188, 192	3340871 173	3520054 73, 195, 199
2900788 25	3251243 ... 153, 157, 161, 165, 297, 301	3340877 147, 148	3520072 187, 191
2900792 ... 217, 219, 221, 223, 225, 227, 229, 231, 237, 239	3251813 297, 301	3340881 173	3530072 211
2900838 319	3252347 ... 298, 301, 305	3340943 174	3536089 187, 191
2901207 36	3252507 305	3340966 13	3537416 61, 72
2901301 233, 237	3252764 161	3380429 ... 62, 69, 81, 86, 96	3537420 61
2901303 221	3271805 121, 187, 191	3380434 188, 192	3537445 151
2901514 225, 227	3272605 177	3380442 135, 139	3537446 151
2901526 217, 219	3290405 96, 102	3380443 135	3538047 11
2901537 229, 231	3290505 96, 102	3380444 135, 139	3538758 174
2901608 81, 86, 278	3290601 147	3420156 196	3539219 124, 127
2901609 62, 278	3300007 15	3420292 31	3539281 131
2901712 245	3300205 124, 127	3420372 31	3539662 31
2902065 73	3300243 171	3420447 31	3539719 211
2902303 316	3300353 195, 199	3420447 31	3539872 ... 61, 72, 79, 88, 99, 104
2902307 316	3300364 146	3421565 49	3539877 11
2902329 316	3300393 187	3422446 ... 61, 69, 80, 86, 96, 102	3539878 11
2902353 309	3300408 124, 127	3422457 173	3539934 135
2902358 301, 316	3310601 151	3422530 151	3539955 ... 137, 142, 148
2902401 68, 278, 290	3310605 183	3422532 ... 62, 70, 81, 87, 97, 103	3539957 ... 63, 69, 80, 86, 96, 103
2902443 274, 290	3310805 92, 183	3422561 170	3539971 61, 72
2902445 86, 278	3311001 ... 136, 140, 197	3422563 170	3539972 79
2902533 97, 103, 278, 290	3311005 ... 79, 131, 136, 137, 141, 142, 153, 157, 161, 165	3422583 170	3539979 135
2910466 317	3311401 31, 124, 213	3422587 13	3570103 80
2910467 317	3311405 ... 36, 61, 70, 72, 80, 86, 87, 88, 96, 97, 99, 102, 103, 104, 125, 136, 140, 146, 148, 161, 165, 183, 187, 188, 191, 192, 211, 298, 303, 306, 310	3422681 170	3570133 80
2910925 317	3311501 ... 140, 146, 211, 213	3422683 170	3570686 29
2910948 317	3311505 ... 29, 62, 69, 72, 80, 83, 86, 89, 96, 97, 103, 115, 136, 137, 140, 143, 147, 148, 165, 187	3422684 170	3570690 29
2915094 49	3311600 136	3422685 170	3570775 245, 247
2915195 83	3311601 ... 115, 136, 137, 140, 142, 146, 148, 183, 196, 200	3422686 170	3570979 35
2915196 83	3311605 ... 61, 69, 70, 72, 80, 86, 88, 96, 97, 99, 102, 104, 132, 136, 137, 140, 141, 142, 146, 148, 151, 153, 157, 170, 171, 174, 188, 191, 192, 211	3422687 170	3571498 79
2920028 ... 196, 200, 211, 213	3311705 153, 158	3422688 170	3571712 139
2920029 ... 196, 200, 211, 213	3311801 ... 15, 62, 69, 81, 86	3422689 170	3572280 88, 99, 104
2920110 131	3311805 ... 61, 72, 80, 88, 97, 99, 103, 104, 119, 136, 140, 146, 151, 171	3422690 173	3572414 81, 86
2920113 131	3312001 31	3422701 12, 13	3572423 115
2920129 ... 272, 274, 279, 286, 289	3312002 49	3422702 12, 13	3573001 13
2920140 ... 187, 191, 282, 293	3321501 140	3422703 11	3574122 80
2920162 153, 157	3322201 121	3422729 170	3574156 ... 137, 142, 148
2920215 131		3422753 12	3574157 ... 137, 142, 148
2940045 146		3422754 12, 13	3574162 81, 88
2940080 ... 137, 142, 148		3422813 13	3574222 81
2940088 ... 136, 141, 142		3422848 13	3574225 161
2940173 146		3422860 170	3574504 88
2940188 140		3422861 170	3574978 72
3010088 211		3422867 170	3575359 213
3020021 64, 73		3422972 12, 13	3575718 29
3020029 13		3430816 151	3576755 96, 115
3124114 83		3450404 151	3580158 153
3160204 15, 25		3460398 88	3580250 157
3160286 49, 52		3460399 135	3580276 153, 157
3160294 49, 52		3460552 141	3580307 157
3160348 15, 27		3470003 196, 200	3580312 161, 165
3200362 ... 62, 71, 80, 88, 99, 104		3480188 233, 237	3580313 161
3200406 61, 71		3480210 221	3580324 161, 165
3220103 63, 71		3480234 245	3580348 165
3220104 63, 71		3480236 229	3600278 ... 61, 70, 79, 87, 97
		3480237 217	3600287 36, 45
		3480238 225	3600295 ... 61, 79, 107, 109
		3510784 187	3600377 81, 89
		3510884 191	

PART NUMBER INDEX

3600400..70, 87, 97, 103, 108	3932240 ... 217, 219, 225, 227, 229, 231	4160143 135, 140	4460190.... 153, 157, 161, 165
3600401.....70, 87, 97	3952020 49	4160194 146	4460205....281, 282, 292, 293
3600458.....36, 45	3960389 ... 61, 70, 80, 87, 98, 103, 136, 140, 146	4220162 131	4460224.....279, 286
3620033.....61, 72	3960407 62, 72	4240018 146, 161, 165	4460225.....272, 286
3620040...79, 88, 99, 104	3960438 137, 142	4240032 131	4460226.... 196, 272, 274, 276, 279, 282, 283, 286, 289, 290, 293, 294
3641569.....213	3960453 135, 139	4240099 ... 187, 191, 213	4460227.... 272, 275, 276, 279, 286, 287, 288, 289, 291
3730120.....278	3960461 131	4240112 115	4460233.... 281, 282, 292, 293
3730121.....278	3960462 ... 136, 137, 141, 142, 146	4240113 115	4460234.... 131, 132, 196, 200, 213
3740049.... 124, 127, 268, 274, 282, 293, 312	3960464 ... 136, 137, 141, 142	4280295 115	4460267.... 275, 280, 281, 288, 292
3740067....61, 72, 80, 88, 99, 104, 312	3960468 ... 62, 72, 81, 89, 99, 104	4300097 15	4460268.... 131, 275, 276, 280, 281, 288, 289, 290, 291
3740080.....73, 153, 158, 161, 165, 314	3960469 ... 62, 72, 81, 89, 99, 104	4340738 162	4460320.... 275, 281, 288, 291, 292
3760133.....173	3960470 136, 140	4341239 99, 104	4460321.... 282, 283, 293, 294
3760170.....31, 49	3960591 88	4341241 99, 105	4460326.... 275, 280, 288, 292
3760368.....221	3990010 ... 275, 281, 288, 312	4360031 187, 192	4460346..... 281, 292
3760369.....233, 237	4060092 281, 292	4360057 211, 213	4460374..... 278, 290, 293
3760374.....217, 225	4060700 281, 292	4360188 91	4460375..... 278, 290
379001291, 97, 102, 132, 195, 196, 197, 200	4060802 ... 154, 158, 161, 165, 188, 192	4360232 196, 282	4460418.... 272, 275, 286, 288
3790044....62, 70, 79, 87, 98, 103	4060803 143	4360294 154, 158	4460419.... 272, 275, 286, 288
3790110.....178	4060804 62, 81	4360322 183	4460424.... 131, 274, 275, 276, 281, 288, 289, 291
3820001.....31, 298, 302, 305, 309	4060805 ... 62, 72, 89, 99, 104, 174	4360328 ... 124, 127, 195, 197, 199, 200, 312	4460425.... 196, 200, 211, 213, 282, 294
3841143.... 12, 13, 61, 69, 80, 86, 97, 102, 170, 173	4060906 124, 127	4360330 199, 312	4460426.... 124, 127, 197, 200, 274, 282, 288, 293
3841287.....11, 170	4060907 131	4360331 197, 200, 314	4460428.... 183, 196, 200, 272, 286
3841340....35, 61, 69, 80, 86, 97, 102, 170, 171	4060959 317	436033691, 97, 102, 132, 154, 158, 162, 165, 188, 192, 196, 200, 314	4460434.... 272, 275, 287, 288
3841356.....170	4061010 141	4360387 ... 195, 196, 199, 200, 211, 213, 312	4460445.... 275, 280, 288, 291
3841406.....174	4060906 124, 127	4360392 61, 72, 80, 88	4460457..... 277, 290
3900032.... 137, 142, 148	4060907 131	4360407 195, 199, 312	4460458.... 277, 278, 290, 293
3900054..... 187, 191	4060959 317	4360436 115	4460460..... 277, 289
3900141.....221	4061010 141	4360469 124, 127, 312	4460464.... 196, 272, 273, 274, 275, 279, 280, 286, 287, 288
3900207.....187	4061032 147	4360470 124, 127, 312	4460465.... 273, 276, 279, 287, 289
3900210.... 136, 140, 146, 147, 148	4070410 136, 140	4360475 ... 124, 127, 195, 199, 312	4460466.... 273, 274, 287, 288
3900232.... 136, 140, 141	4070411 136, 140	4360476 ... 124, 127, 196, 200, 312	4460467.... 283, 294, 318
3900239.....170	4070412 136, 140	4360498 291, 314	4460470.... 124, 127, 196, 200, 272, 274, 286, 288, 289
3900259.....173	4070450 31	4360499 291, 314	4460471.... 124, 127, 196, 200, 272, 274, 286, 288, 289
3900262.....171	4070560 31	4360517 121, 291, 314	4460473..... 273, 287
3900268.....124, 127	4070561 31	4360522 ... 132, 196, 200, 314	4460488.... 124, 127, 196, 200
3900272....62, 69, 80, 87, 97	4070585 154	4360542 ... 153, 157, 161, 165	
3900283.....174	4070863 173	4360549 183	
3900293.....49	4070864 173	4360578 183, 314	
3900316.... 137, 142, 146, 148	4070878 11	4400275 92	
3900322.....161	4070879 11	4400400 115	
3900363..... 147, 148	4070897 173	4400410 115, 116	
3910608.....151	4070898 173	4400420 92	
3910804..... 124, 127	4070944 11	4400452 115, 116	
3910808.....92	4070945 11	4420038 115	
3911040.....131	4070969 174	4420051 31, 306, 309	
3930606.....183	4070987 124, 127	4420060 36	
3930824.....183	4071009 49	4420068 213	
3931048.....41	4071052 174	4460023 153, 157	
3931448.....245, 247	4071059 13	4460027 ... 153, 161, 165, 282, 293	
3931516.....221	4071122 97, 102	4460042 196, 286	
3931620....233, 235, 237, 239	4100058 253	4460049 211, 213, 294	
3931664.....245, 247	4100059 253	4460051 281, 292	
3932224.....49	4100062 260, 264	4460071 ... 188, 192, 196, 272, 286	
	4100100 221	4460125 281, 292	
	4120035 ... 272, 275, 279, 286, 288	4460134 ... 281, 282, 292, 293	
	4130357 12		
	4130358 12		
	4130388 13		
	4130389 12, 13		
	4130390 12, 13		
	4160139 135, 140		

PART NUMBER INDEX

4460496 128	4460905 ... 124, 196, 200, 272, 275, 286, 288, 289	4640509....217, 219, 221, 223, 225, 227, 229, 231	136, 140, 146, 148, 183, 188, 192, 196, 200, 213, 298, 303, 306, 310
4460497 128	4460906 165, 282, 293	4640605....217, 219, 229, 231, 237, 239	4751500 ... 69, 79, 88, 97, 102, 136, 137, 140, 142, 143, 146, 148, 153, 157, 166, 187, 211, 213
4460499 43, 280, 281, 291, 292	4460908 276, 280	4640751.....61	4751600 ... 29, 36, 61, 69, 72, 80, 86, 88, 92, 97, 99, 102, 105, 115, 119, 136, 140, 141, 143, 146, 148, 153, 157, 162, 183, 188, 192, 211
4460508 ... 272, 273, 275, 286, 287, 288	4460909 276, 280	4640778.....252	4751700 72
4460509 273, 287	4460915 276, 280	4640780.....259, 263	4751800 ... 62, 69, 80, 87, 97, 98, 99, 103, 105, 115, 119, 121, 146, 162, 187, 191, 211, 213
4460510 283, 294, 318	4460918 273, 291	4640866.....35	4752000 ... 62, 69, 81, 87, 97, 103
4460526 ... 124, 127, 274, 288	4460928 276, 280	4640906.....35	4761000 136, 140, 197
4460536 275, 280, 288	4460944 ... 276, 277, 280, 289	4640921.....36, 43	4761400 124, 128
4460539 277, 280, 289	4460945 274, 280	4640922.....36, 43	4761500 79, 211
4460579 277	4460961 282, 293	4640929.....183	4761600 183
4460580 277	4460965 276, 280	4640932.....237, 239	4762000 31
4460582 277	4460968 183	4640952.....99	4770600 151
4460598 ... 187, 191, 197, 282	4460978 278	4640989.....79, 88	4771800 81
4460608 278, 290	4460979 ... 277, 278, 290	4641022.....116	4791400 ... 62, 72, 99, 105
4460611 62, 81	4461005 277, 290	4641027.....225, 227	4811900 166
4460634 ... 272, 275, 286, 288	4461006 277, 290	4641033.....245, 247	4812000 88, 157
4460635 272, 286, 288	4461008 277, 290	4641041.....29	4812200 72
4460693 277, 290	4461052 277, 290	4641042.....29	4821397 211, 213
4460701 ... 281, 282, 292, 293	4461053 277, 290	4641061.....35	4831900 ... 64, 73, 81, 88, 99, 105
4460705 282, 293	4461054 277, 290	4641099.....35, 39	4832000 64, 73, 80, 89
4460708 ... 196, 200, 272, 274, 286, 289	4461060 277, 290	4641303.....29	4843777 31
4460709 281, 292	4461070 276, 277, 289	4641317.....36	4844790 171
4460710 281, 292	4461071 274, 290	4641453.....35, 39	4844816 170
4460713 277	4461072 274, 290	4711400....36, 62, 69, 72, 81, 88, 97, 99, 102, 105, 125, 162, 165, 183, 187, 191, 211	4844817 170
4460725 277	4461073 274, 290	4711500....29, 31, 36, 83, 87, 102, 115, 131, 147, 148, 196, 200	4844954 187
4460726 277	4461074 274, 290	4711600....11, 35, 62, 72, 88, 99, 105, 136, 137, 142, 148, 171, 173, 174	4844958 49
4460728 277	4461095 ... 276, 277, 289	4711700.....72, 162, 165	4845287 187
4460742 278, 293	4461109 278, 290	4711800....151, 171, 187, 191	4845308 211
4460743 293	4461111 278, 290	4711900.....63, 72	4845328 187
4460761 ... 272, 276, 279, 286, 289	4461113 278, 290	4740036.....31	4845395 62, 72
4460799 277	4461121 277, 290	4740057.....49	4845404 61, 72, 80, 89
4460800 277	4461122 277, 290	4740076.....136, 140	4845411 135, 141
4460865 273, 287	4461123 277, 290	4740111.....12, 13	4845593 170
4460866 ... 272, 273, 275, 286, 287, 288	4461124 277, 290	4740119.....151	4845658 11
4460871 ... 203, 204, 207, 208, 272, 275, 278, 279, 282, 286, 288, 289, 290	4461157 277, 290	4740155.....13	4845716 170
4460873 ... 272, 275, 286, 288	4461161 278, 290	4740171.....136, 140	4845729 173
4460874 ... 124, 272, 274, 286, 289	4461222 278, 290	4740256.....12, 13	4845730 174
4460875 ... 124, 272, 274, 286, 289	4520253 15	4740274....63, 72, 80, 88, 99, 105	4845928 115
4460876 275, 288	4564281 82, 89	4740362....131, 188, 192	4846011 79
4460878 275, 288	4564417 157	4740397....154, 158, 162, 165, 188, 192	4846046 79
4460879 272, 286	4566468 233, 237	4740439.....170	4846413 11
4460880 ... 275, 276, 288, 289	4566471 221	4740444.....124, 128	4846414 13
4460887 ... 272, 275, 286, 289	4566605 79, 88	4740463.....12, 13	4846430 49
4460889 277	4567073 83	4740472.....11	4846442 187
4460890 277	4567139 259, 263	4740473.....12, 13	4846443 187
4460892 ... 274, 276, 279, 289	4567627 ... 137, 142, 148	4740500.....141	4846450 187
4460894 ... 274, 276, 279, 288, 289	4567757 260, 264	4740508.....103	4846507 31
4460899 274, 288	4567815 63, 72	4750800.....92	4846508 31
	4567879 80, 88	4751000....79, 131, 136, 137, 140, 141, 142, 148, 154, 158, 162, 166, 211	4846566 61, 72
	4568119 115, 116	4751400....31, 61, 70, 72, 80, 86, 87, 88, 98, 99, 103, 105, 124, 128,	4846573 171
	4568158 81		
	4568734 162		
	4568735 162, 165		
	4568951 88		
	4569083 88		
	4569171 72		
	4569173 88		
	4569342 99		
	4569384 99		
	4569385 97, 102		
	4620119 49		
	4620135 49		
	4640261 31		

PART NUMBER INDEX

4846806.....79, 89	4933339 ... 125, 268, 274, 276	70001870 75	70002730.....203
4846935.....13	4933350 ... 268, 281, 293	70001872 291	70002731.....203
4860225.....15	4933359 ... 125, 268, 274, 276	70001874 74	70002732.....203
4891500.....35, 162	4933370 ... 125, 268, 274, 276	70001931 280, 291	70002733.....203
4891600..70, 73, 87, 121, 151, 162, 166, 171	4933385 ... 125, 268, 274, 276	70001941 131	70002734.....203
4891800....15, 61, 70, 79, 98, 103, 151, 171	70000017 319	70001950 280, 291	70002735.....204
4892000.....15, 49, 162	700001126 76	70001951 280, 291	7000274.....17, 21
4892600.....131, 171	70000164 98, 104	70001976 40, 43	70002744.....243
4920385.....88, 99, 105	70000264 75	70002013 173, 314	70002745.....243
4921829.....282, 293	70000342 178, 181	70002014 173	70002746.....243
4921927.....36, 280, 291	70000345 75	70002065 58	70002747.....243
4921928.....36, 280, 291	70000579 40	70002066 58	70002748.....243
4921955.....282, 293	70000580 40	70002067 58	70002749.....243
4922099.....280	70000582 40, 312	70002068 58	7000275.....17, 21
4922216....272, 282, 287, 293	70000583 40	70002069 58	70002750.....243
4922217.....282, 293	70000718 280, 291	70002070 58	70002751.....243
4922219.....273, 287	70000782 58	70002071 58	7000281.....52, 58
4922482.....282	70000793 73	70002072 58	7000282.....17, 21
4922498.....282	70000797 27	70002073 58	7000283.....17, 21
4922549.....125, 275, 276	70000800 75	70002074 58	7000284.....17, 21
4922550.....125, 275, 276	70000912 74	70002075 58	7000285.....21
4922557....125, 128, 275, 288	70000913 74	70002085 59	7000287.....17, 21
4922565.....268	70000914 74	70002086 59	7000288.....17, 21
4922578.....273, 287	70000915 74	7000209 52	7000289.....17, 21
4922582.....273, 287	70000916 74	7000213 17, 21	70002895.....104, 314
4922637.....274, 289	70000917 74	7000214 52	70002898.....280, 291
4922639.....196, 272	70000918 74	7000217 52, 58	7000290.....17, 21
4922641.....282, 293	70000919 74	7000220 17, 21	70002902.....192
4922643....268, 282, 293	70000934 35	70002200 64, 74	70002903.....192
4922666....125, 196, 200, 272, 276, 286	70000970 45	70002212 121	70002904.....192
4922675.....124, 275	70000976 45	70002234 63, 74	70002905.....192
4922681.....273, 287	70001002 63, 73	7000224 17, 21	70002906.....204
4922737.....63, 69, 279	70001017 63, 71, 83	7000228 52, 58	70002946.....39
4922852....125, 268, 274, 276	70001059 45	7000229 52, 58	70003001.....75
4922853.....273, 287	70001060 45	7000230 52, 58	70003002.....75
4922854.....273, 287	70001061 45	70002307 82, 89	70003003.....75
4922860.....273, 287	70001062 45	7000231 17, 21	70003476.....64, 74
4922970.....282	70001063 45	7000235 17, 21	70003483.....188, 192
4922978.....69	70001064 45	7000236 17, 21	70003556.....63
4923223.....124, 275	70001065 45	7000238 17, 21	70003784.....195, 199
4923238....125, 275, 276	70001066 45	7000239 17, 21	70003935.....29
4923281....125, 275, 276	70001067 45	7000240 17, 21	70003936.....29
4923282.....124, 275	70001068 45	70002411 63	70003989.....46
4923379.....73, 279, 291	70001069 45	70002415 75	70003992.....46
4923445.....293	70001103 116	70002416 75	70003993.....46
4923499....125, 275, 276	70001132 73	70002417 75	70004125.....46
4923575.....124, 275	70001423 63, 73	7000246 52, 58	70004149.....115
4923613.....273, 287	70001435 74	7000248 52, 58	70004183.....73
4932986.....268	70001498 63, 75	7000253 52, 58	70004184.....115
4933189.....268	70001681 63	70002530 63	70004330.....111
4933215.....268, 281	70001690 89	7000255 52, 58	70004331.....111
4933216.....268, 281	70001697 178, 181	70002567 83, 89	70004332.....111
4933217.....268	70001835 74	7000257 52, 58	70004333.....111
4933218.....268	70001836 74	70002627 280, 291	70004334.....111
4933231.....268	70001837 74	7000263 52	70004335.....111
4933233....125, 268, 274, 276	70001838 74	7000265 17, 21	70004336.....111
4933300.....268, 281	70001839 74	7000269 52	70004337.....111
4933322....125, 268, 274, 276	70001841 74	7000270 52	70004338.....111
	70001847 76	70002716 116	70004339.....111
	70001848 73	7000272 17, 21	70004340.....111
	70001850 73	70002724 207	70004341.....111
	70001866 74	70002725 207	70004342.....111
	70001868 74	70002726 207	70004343.....111
		70002727 207, 208	70004344.....111
		70002728 207	70004345.....111
		70002729 208	70004346.....111
		7000273 17, 21	70004347.....111

PART NUMBER INDEX

70004348	111	7003980	208	7010492	52, 58	7014813	116
70004349	111	7003982	208	7010542	39	7014816	116
70004350	111	7003983	208	7010543	36, 39, 40	7014817	116
70004351	111	7003986	207	7010795	53	7014818	116
70004352	111	7003989	208	7010903	45	7016314	116
7000625	188, 192	7003992	203, 207	7010944	46	7016322	151
70006375	231	7003993	203, 207	7011008	45	7016328	63, 314
70006376	231	7003994	207	7011022	45	7016331	63, 73, 314
70006377	231	7004035	58	7011043	45	7016342	119
70006378	231	7004036	58	7011044	45	7016374	151
70006384	227	7004042	53	7011048	45	7016380	131
70006385	219, 227	7004043	53, 59	7011112	237, 239	7016399	187, 191
70006386	227	7004044	53, 59	7011331	177	7016522	173, 314
70006387	227	7004045	59	7011332	177	7016523	173
70006388	227	7004046	53	7011346	177	7016524	173
70006389	219	7004047	59	7012513	153, 157, 161, 165	7016529	173
70006390	219	7004049	59	7012514	153, 157, 161, 165	7016652	319
70006391	219	7004275	319	7012518	35	7016654	319
7000645	40, 312	7004276	319	7012558	153, 157, 161, 165	7016655	319
7000663	63, 74	7004906	111	7012664	61, 71, 80, 88, 98, 104, 312	7016779	45
70006642	239	7004907	111	7012679	89	7016780	45
70006643	235, 239	7004908	111	7012700	25	7016781	45
70006644	235, 239	7006137	173, 314	7012701	25	7016782	45
70006645	239	7007208	107	7012702	25	7016783	45
70006649	223	7007412	108	7012703	25	7016784	45
70006650	223	7007413	107	7012704	25	7016785	45
70006651	235	7007414	107	7012705	25	7016800	62, 81, 86, 278
70006668	235	7007417	107	7012706	25	7016802	62, 278
70006669	247	7007419	107	7012707	25	7016803	62, 69, 278
70006670	247	7007423	107	7012708	25	7016807	81, 86, 278
70006671	247	7007425	107	7012709	25	7016808	81, 86, 278
70006672	247	7007435	107	7012710	25	7016809	62, 278
70006734	223	7007437	27, 107	7012711	25	7016813	68, 278
70006735	223	7007438	27, 107	7012712	25	7016821	86, 278
70006736	223	7007439	27, 107	7012713	25	7016822	86, 278
7000731	15, 22, 53	7007441	107	7012714	25	7016824	62, 69, 81, 86, 97, 103, 278, 290, 291
7000897	82, 89	7007442	107	7012715	25	7016825	62, 69, 81, 86, 97, 103, 278, 291
7001498	108	7007446	27, 107	7012716	25	7017023	52, 58
7001872	76	7007452	107	7012769	40	7017027	17
7001901	17, 21	7007453	108	7012772	39, 40, 43, 312	7017028	58
7001902	17, 21	7007454	107	7012773	39, 40, 43	7017033	17, 21
7001903	17, 21	7007457	107	7012774	40, 43	7017034	17
7001906	17, 21	7007463	108	7012775	39	7017035	17
7001909	52	7007464	108	7012776	43	7017036	17
7001911	52	7007465	108	7012777	43	7017037	17
7001912	52	7007466	108	7012905	35	7017040	17
7001928	17, 21, 52	7007470	107	7012914	39	7017042	17
7001931	52	7007472	108	7012918	39	7017043	17
7001985	52	7007474	108	7012919	39	7017044	17
7002821	282, 294, 318	7007475	108	7012941	36, 40	7017045	17
7002822	318	7007478	108	7012943	35	7017046	17
7002823	283, 294, 318	7007483	108	7012944	35, 36, 40, 312	7017047	17, 21
7002826	319	7007484	108	7012953	40, 43, 183	7017048	17, 21
7002828	283, 294	7007485	108	7012959	35	7017050	21
7002840	318	7007487	108	7012965	43	7017068	18, 22
7003657	153, 157	7007488	108	7012970	183	7017070	52, 58
7003928	203	7007494	107	7012972	35	7017072	58
7003933	207	7007496	108	7012989	40	7017080	58
7003935	207	7007497	108, 279, 291	7012998	39, 41, 43	7017082	52
7003941	207	7007498	108, 279, 291	7013189	121	7017085	53, 58
7003946	207	7007633	52, 58	7014676	319	7017089	52
7003953	203	7007990	15	7014801	116	7017115	177
7003969	207	7010116	108	7014802	116	7017118	177
7003972	208	7010122	108	7014810	116	7017119	177
7003973	208	7010461	52			7017142	177, 178
7003976	203	7010464	17, 21				
7003977	203	7010474	52				

PART NUMBER INDEX

7017156.....	178	7019164.....	208	7021208.....	107	7022397.....	29
7017157.....	178	7019165.....	208	7021209.....	107	7022398.....	29
7017158.....	178, 181	7019166.....	208	7021212.....	107	7022399.....	29
7017159.....	178, 181	7019167.....	208	7021213.....	107	7022808.....	203
7017162.....	177, 181	7019168.....	207	7021214.....	108	7022812.....	207, 208
7017163.....	177, 181	7019171.....	203	7021218.....	108	7022814.....	203
7017164.....	177, 181	7019174.....	203	7021219.....	108	7022815.....	203
7017174.....	177	7019177.....	203	7021220.....	108	7022816.....	203
7017177.....	177	7019194.....	208	7021221.....	108	7022817.....	203
7017183.....	177, 181	7019196.....	208	7021222.....	108	7022818.....	203
7017193.....	177, 181	7019197.....	203	7021223.....	108	7022819.....	203, 204, 279, 286
7017210.....	241	7019658.....	115	7021226.....	108	7022822.....	207
7017211.....	241	7019680... 153, 161, 165		7021227.....	108	7022823.....	207
7017213.....	241	7019925.....	83, 89	7021228.....	108	7022824.....	207
7017214.....	241	7019930.....	83	7021229.....	108	7022825.....	279, 286
7017215.....	241	7019932.....	83	7021230.....	108	7023023.....	241
7017236.....	241	7019976.....	82, 89	7021231.....	108	7023206.....	35
7017414.....	40	7019977.....	82, 89	7021232.....	108	7023207.....	35
7017420.....	39, 43	7019986.....	82	7021249.....	27	7023318.....	58
7017421.....	43	7019993.....	82, 89	7021275.....	27	7023366.....	135
7017422.....	43	7019994.....	82, 89	7021276.....	27	7023603.....	91
7017423.....	39	7019996.....	82, 89	7021277.....	27	7023613.....	82
7017427.....	39	7020020.....	35	7021310.....	40	7023637.....	82
7017428.....	39, 41	7020021.....	35	7021311.....	41	7023644.....	82
7017466.....	35	7020108... 153, 157, 161, 165		7021601.....	40	7023645.....	91
7017474.....	39	7020109... 153, 157, 161, 165		7021602.....	39	7023652.....	82
7017477.....	40	7020110... 153, 157, 161, 165		7021625.....	29	7023653.....	82
7017478.....	40	7020111... 153, 157, 161, 165		7021639.....	29	7023654.....	82
7017479.....	35	7020168.....	63	7021656.....	29	7023655.....	82
7017481.....	35	7020175... 124, 127, 195, 200		7021868.....	82, 89, 314	7023656.....	82
7018612.....	15	7020176... 124, 127, 196, 200		7022134.....	81, 89, 279	7023657.....	82, 279
7018912.....	39, 40, 43	7020190... 153, 157, 161, 165		7022139.....	82, 89	7023658.....	82
7018941.....	39	7020191.....	153, 157	7022143.....	82, 89	7023659.....	91
7018942.....	41, 43	7020193.....	282, 293	7022144.....	82	7023660.....	91
7018945.....	40, 43	7020246.....	123, 127	7022149.....	82	7023662.....	82
7018946.....	43	7020408.....	63, 74	7022150.....	83, 89	7023663.....	82, 279
7018947.....	43	7020411.....	63, 74	7022151.....	83	7023665.....	91
7018948.....	43	7020431.....	63	7022153.....	82	7023679.....	279
7018951.....	41	7020447.....	74	7022154.....	82	7023680.....	91
7018991.....	39, 312	7020449.....	64, 74	7022155.....	82, 89	7023681.....	82, 89, 279
7018992.....	39	7020458.....	63, 75	7022156.....	82	7023682.....	82, 89
7018993.....	40	7020459.....	63, 75	7022157.....	83	7023683.....	82, 89
7018994.....	39	7020460.....	64, 75	7022158.....	82	7023695.....	82
7018995... 61, 70, 79, 87, 97		7020461.....	63, 75	7022159.....	82	7023698.....	89
7019103.....	207	7020462.....	63	7022160.....	82	7023699.....	89
7019110.....	207	7020464.....	63, 74	7022161.....	82	7023900.....	29
7019111.....	203, 207	7020465.....	64, 73	7022162.....	82	7023907.....	27
7019112.....	207	7020468.....	64, 73	7022165.....	91	7023908.....	27
7019114.....	207	7020468.....	64, 73	7022166.....	91	7023910.....	27
7019115.....	207	7020471.....	64, 74	7022167.....	91	7023917.....	29
7019122.....	203	7020474.....	64	7022168.....	91	7023933.....	29
7019123.....	203	7020479.....	63, 74	7022170.....	91	7023956.....	70, 98, 103
7019141.....	203	7020480.....	63	7022171.....	91	7023967.....	70, 98, 103
7019142.....	203	7020487.....	73	7022178.....	82	7023977.....	107
7019143.....	203	7021200.....	107	7022180.....	82, 89	7023981.....	35
7019144.....	203	7021201.....	107	7022302.....	27	7024100.....	53, 59
7019145.....	203	7021202.....	107	7022305.....	27	7024146.....	21
7019147.....	203	7021203.....	107	7022310.....	27	7024147.....	21
7019149.....	203	7021205.....	107	7022311.....	27	7024148.....	21
7019150.....	203	7021206.....	108	7022312.....	27	7024149.....	21
7019151.....	207	7021207.....	107	7022314.....	27	7024151.....	21
7019154.....	207			7022326.....	27	7024154.....	21
7019155.....	207			7022328.....	27	7024155.....	17, 21
7019160.....	207			7022368.....	27	7024182.....	22
7019161.....	207			7022371.....	27	7024185.....	53
7019162.....	207			7022372.....	27	7024189.....	22, 53
				7022396.....	29		

PART NUMBER INDEX

7024190	22, 53	7024459	53	7026197.....	121	7027411	82
7024191	22, 53	7024481	116	7026199.....	153, 157, 161, 165	7027413	89
7024192	22, 53	7024508	245, 247	7026505.....	121	7027608	74
7024193	22, 54	7024560	63, 71	7026506.....	121	7027609	74
7024194	22, 54	7024565	63, 75	7026507.....	121	7027610	74
7024195	22, 54	7024579	63, 75	7026509.....	121	7027790	75
7024196	22, 54	7024598	151	7026511.....	121	7027791	75
7024197	22, 54	7024702	53	7026522.....	63	7027792	75
7024379	53, 59	7024703	52	7026607.....	63, 75	7027793.....	76, 279, 291
7024380	53, 59	7024704	52, 58	7026608.....	63, 74	7027794.....	75, 279
7024381	59	7024705	52	7026631.....	63, 73	7027795.....	75, 314
7024390	59	7024706	53	7027004.....	68, 290	7027796.....	75, 279, 291
7024396	53, 59	7024707	53	7027012.....	68, 278	7027887.....	153, 161, 165
7024398	63, 71	7024717	22	7027015.....	97, 103, 278, 290	7027965.....	98, 104, 314
7024404	121	7024718	22	7027017.....	97, 103, 291	7027972.....	98, 104, 314
7024413	63	7024762	52, 58	7027018.....	97, 103, 278, 290	7027989.....	280, 291
7024439	116	7024763	22, 58	7027236.....	75	7027991.....	280, 291
7024440	116	7024781	21	7027239.....	75	77143013.....	127
7024441	116	7024782	21	7027241.....	75	80424002.....	58
7024442	116	7024783	21	7027245.....	75	80424043.....	59
7024443	116	7024784	53, 58	7027246.....	74	80934561.....	121
7024444	116, 312	7024828	108	7027400.....	89	8180311.....	79, 88, 99, 104
7024445	116	7024854	27	7027402.....	83, 89	8229242.....	289
7024446	116	7024868	27	7027404.....	89	8320270.....	74
7024453	53, 59	7024881	29	7027405.....	89	8770050.....	112
7024454	53, 58	7024918 ...	61, 70, 79, 87, 97	7027409.....	89	88521205.....	69, 97, 103
7024455	53, 59	7024930 ...	61, 70, 79, 87, 97	7027410.....	89	8896941.....	318
7024456	53, 59	7025124	82			91083218.....	81, 89, 314
7024457	53, 59					91401281.....	68, 96, 103
7024458	53, 59						



3121161



An Oshkosh Corporation Company

Corporate Office
JLG Industries, Inc.
1 JLG Drive
McConnellsburg, PA 17233-9533 USA
☎ (717) 485-5161 (Corporate)
☎ (877) 554-5438 (Customer Support)
📠 (717) 485-6417

Visit our website for JLG Worldwide Locations.
www.jlg.com