



Illustrated Parts Manual

Models ***9MP***

P/N
3121164

March 1, 2011

ANSI

CE



An Oshkosh Corporation Company

REVISION LOG

October 1, 2002 - Original Issue Of Manual (Manual edited to B/M 0010589 Revision 3)
June 15, 2003 - Revised Manual (Manual Edited to B/M 0010589 Revision 11)
January 6, 2004 - Revised Manual (Manual Edited to B/M 0010589 Revision 12)
January 11, 2005 - Revised Manual (Manual Edited to B/M 0010589 Revision 12)
November 15, 2006 - Revised Manual (Manual Edited to B/M 0010589 Revision 16)
March 1, 2011 - Revised Manual (Revision 1)

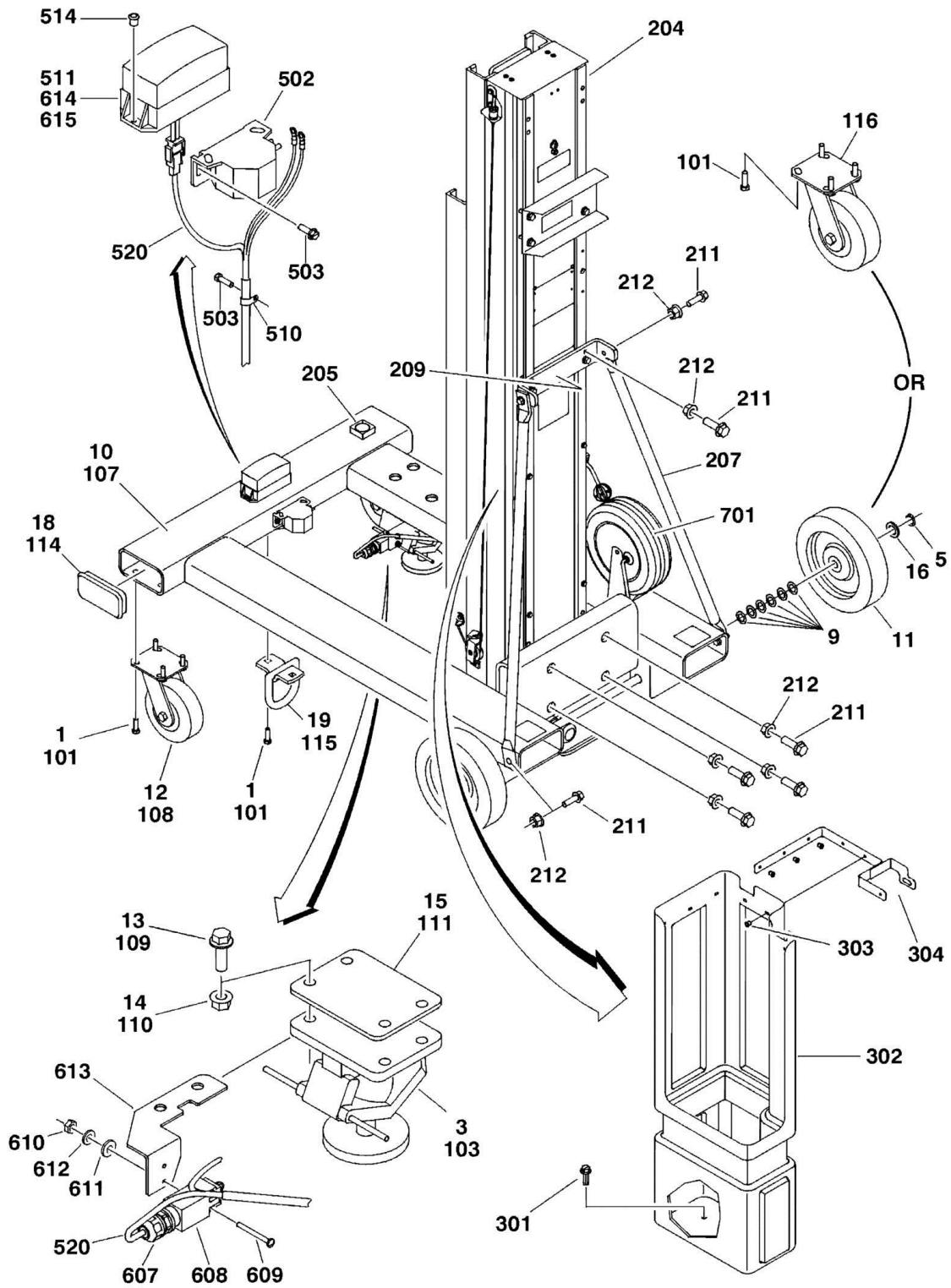
TABLE OF CONTENTS

SECTION 1 - BASE.....	7
FIGURE 1-1. BASE MOUNTED COMPONENTS INSTALLATION	8
SECTION 2 - CONTROLS	11
FIGURE 2-1. PUMP/MOTOR/GROUND CONTROL INSTALLATIONS	12
FIGURE 2-2. PUMP/MOTOR ASSEMBLY	16
FIGURE 2-3. BATTERIES/CHARGER INSTALLATION	18
FIGURE 2-4. BATTERY CHARGER ASSEMBLY	20
FIGURE 2-5. PLATFORM CABLE AND CONTROLS INSTALLATION	22
SECTION 3 - MAST	25
FIGURE 3-1. MAST ASSEMBLY	26
SECTION 4 - PLATFORM.....	29
FIGURE 4-1. PLATFORM INSTALLATION	30
SECTION 5 - CYLINDER	33
FIGURE 5-1. LIFT CYLINDER ASSEMBLY	34
SECTION 6 - HYDRAULIC	37
FIGURE 6-1. HYDRAULIC DIAGRAM.....	38
SECTION 7 - ELECTRICAL	41
FIGURE 7-1. ELECTRICAL DIAGRAM	42
SECTION 8 - DECALS.....	45
FIGURE 8-1. DECAL INSTALLATION (ANSI SPEC)	46
FIGURE 8-2. DECAL INSTALLATION (ANSI EXPORT SPEC)	48
FIGURE 8-3. DECAL INSTALLATION (CE SPEC).....	52
SECTION 9 - RECOMMENDED SERVICE PARTS STOCK	55
FIGURE 9-1. 9MP STANDARD PARTS	56
FIGURE 9-2. 9MP VARIABLE PARTS	58
SECTION 10 - SPECIAL OPTIONS	59
FIGURE 10-1. SPECIAL OPTIONS.....	60
PART NUMBER INDEX	61

SECTION 1 - BASE

SECTION 1 - BASE

FIGURE 1-1. BASE MOUNTED COMPONENTS INSTALLATION



SECTION 1 - BASE

FIGURE 1-1. BASE MOUNTED COMPONENTS INSTALLATION

ITEM	PART NUMBER	QTY	DESCRIPTION	REV
	0272509	Ref	BASE ASSEMBLY (STANDARD)	E
1	0630549	12	Screw 3/8in-16NC x 1 1/4in	
3	0920114	1	Stop, Floor	
5	3760348	2	Ring, Retaining	
6	4711600	8	Flatwasher 3/8in Narrow	
7	4711800	8	Flatwasher 1/2in Narrow	
8	4712200	2	Flatwasher 3/4in Narrow	
9	4740456	AR	Washer, Shim	
10	4846715	1	Base	
11		Ref	Wheel Assembly (Front) Options:	
11	4860208	2	Wheel Assembly (Front) (Prior to SN 20797)	
11	4860244	2	Wheel Assembly (Front) (SN 20797 to Present)	
12		Ref	Caster Wheel Assembly (Rear) Options:	
12	4860209	2	Caster Wheel Assembly (Rear) (Prior to SN 20797)	
12	4860245	2	Caster Wheel Assembly (Rear) (SN 20797 to Present)	
13	0791812	4	Screw 1/2in-13NC x 1 1/2in	
14	3311808	4	Nut, Flanged 1/2in-13NC	
15	3539920	1	Plate, Spacer	
16	4740415	2	Washer	
17	0100011	AR	Loctite #242 (Not Shown)	
18	3520195	2	Plug (SN 19973 to Present)	
19	3760365	1	Ring, Tie-Down (SN 19981 to Present)	
	0272601	Ref	BASE ASSEMBLY (OPTIONAL ALL CASTER WHEELS)	E
101	0630549	20	Screw 3/8in-16NC x 1 1/4in	
103	0920114	1	Stop, Floor	
107	4846718	1	Base	
108		Ref	Caster Wheel Assembly Options:	
108	4860209	3	Caster Wheel Assembly (Prior to SN 20797)	
108	4860245	3	Caster Wheel Assembly (SN 20797 to Present)	
109	0791812	4	Screw 1/2in-13NC x 1 1/2in	
110	3311808	4	Nut, Flanged 1/2in-13NC	
111	3539920	1	Plate, Spacer	
113	0100011	AR	Loctite #242 (Not Shown)	
114	3520195	2	Plug (SN 19973 to Present)	
115	3760365	1	Ring, Tie-Down (SN 19981 to Present)	
116		Ref	Caster Wheel Assembly with Lock (Not Shown - Located on Left Front Only) Options:	
116	4860242	1	Caster Wheel Assembly (Prior to SN 20797)	
116	0272943	1	Caster Wheel Assembly (SN 20797 to Present)	
		Ref	MAST SUPPORT INSTALLATIONS	
	0272641	Ref	Standard Front Wheel	C
	0272632	Ref	Caster Front Wheel	C
204	0801358	1	Mast Assembly (See MAST SECTION for Breakdown)	
205	2420140	1	Gage, Level	
207	4568651	2	Brace	
209	4846729	1	Mount, Mast	
210	0100011	AR	Loctite #242 (Not Shown)	
211	0791610	12	Screw, Flanged 3/8in-16NC x 1 1/4in (Standard Front Wheel)	
211	0791610	10	Screw, Flanged 3/8in-16NC x 1 1/4in (4 Caster Wheels)	
211	0630549	2	Capscrew, Socket 3/8in-16NC x 1 1/4in (4 Caster Wheels)	

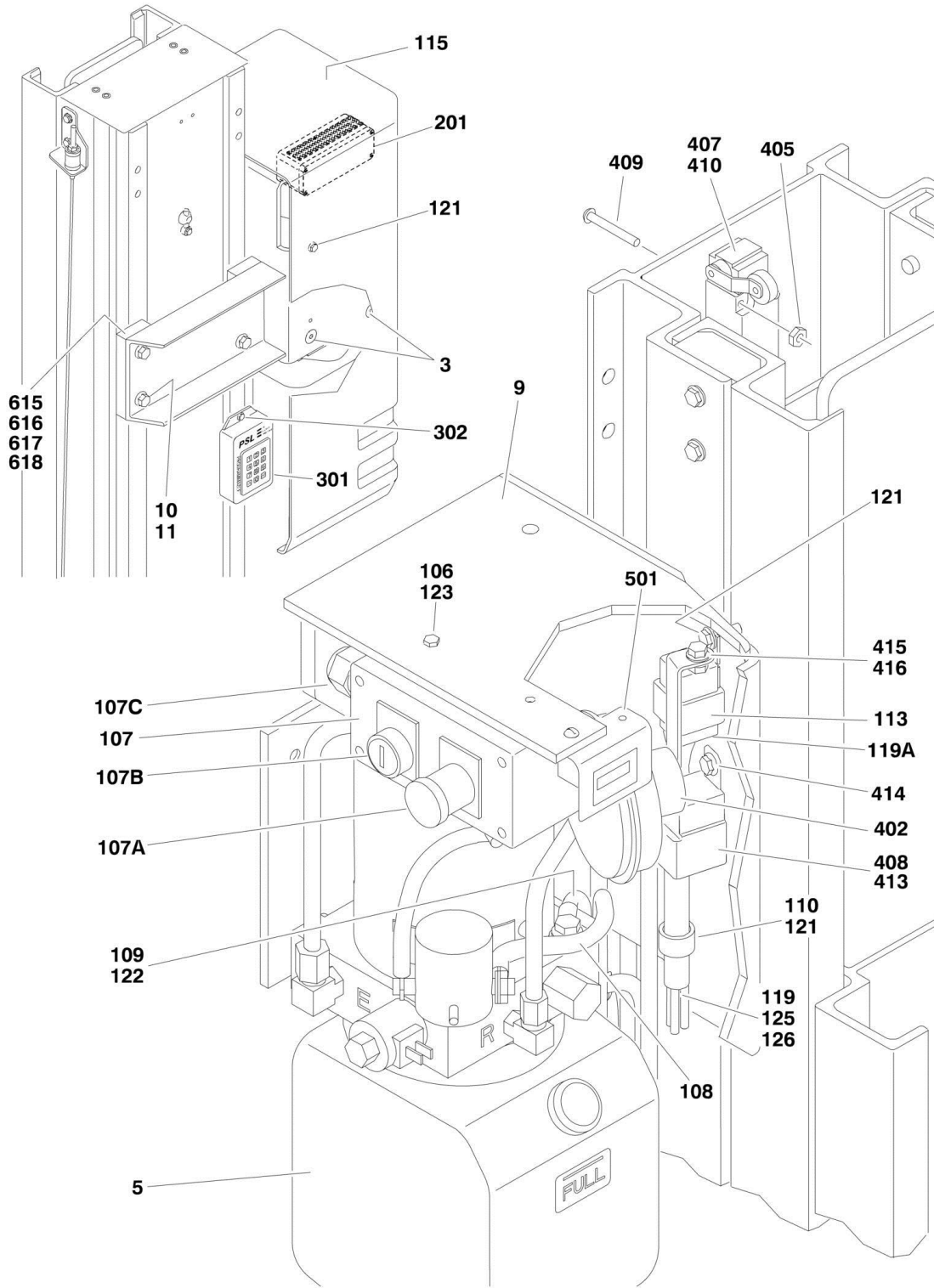
SECTION 1 - BASE

ITEM	PART NUMBER	QTY	DESCRIPTION	REV
212	3311608	12	Nut, Flanged 3/8in-16NC	
	0272650	Ref	STORAGE COMPARTMENT INSTALLATION (OPTIONAL)	A
301	0630550	2	Screw 1/4in-20NC x 3/4in	
302	1580017	1	Container, Storage	
303	3820032	6	Rivet	
304	4846749	1	Support	
		Ref	STATIC STRAP INSTALLATION (ANSI OPTION ONLY) (NOT SHOWN)	
401	0220007	1	Lanyard, Static	
		Ref	ALARM AND STROBE INSTALLATIONS	
	0272513	Ref	Standard System	C
	0272685	Ref	Keyless System (Optional)	B
502	0140033	1	Alarm	
503	0630550	4	Screw 1/4in-20NC x 3/4in	
510	1320224	2	Clamp, Cable	
511	2920155	1	Light, Strobe	
511	7026196	1	Bulb, Flash Tube	
511	7026195	1	Lens	
511	4460320	1	Plug, Male 2 Position	
511	4460226	2	Socket, Female	
514	3820032	2	Rivet	
520	4922828	1	Harness, Frame (See Items 601 to 615 for Breakdown)	
525	4240033	AR	Tie-Strap (Not Shown)	
526	4460234	AR	Base, Tie-Strap (Not Shown)	
	4922828	Ref	FRAME HARNESS ASSEMBLY	2-A
607	4460662	1	Connector, Strain Relief	
608	4360456	1	Limit Switch	
609	3911024	2	Screw #10-24NC x 1 1/2in	
610	3311001	2	Nut #10-24NC	
611	4751000	2	Flatwasher #10	
612	4761000	2	Lockwasher #10	
613	0902523	1	Bracket, Limit Switch	
614	4460424	1	Receptacle - 2 Position	
615	4460227	2	Pin, Male	
	0272671	Ref	CORD REEL INSTALLATION (ANSI OPTION ONLY)	B
701	3680054	1	Cord Reel Assembly	
701	3311508	1	Nut, Flanged 5/16in-18NC	
701	0100011	AR	Loctite #242 (Not Shown)	

SECTION 2 - CONTROLS

SECTION 2 - CONTROLS

FIGURE 2-1. PUMP/MOTOR/GROUND CONTROL INSTALLATIONS



SECTION 2 - CONTROLS

FIGURE 2-1. PUMP/MOTOR/GROUND CONTROL INSTALLATIONS

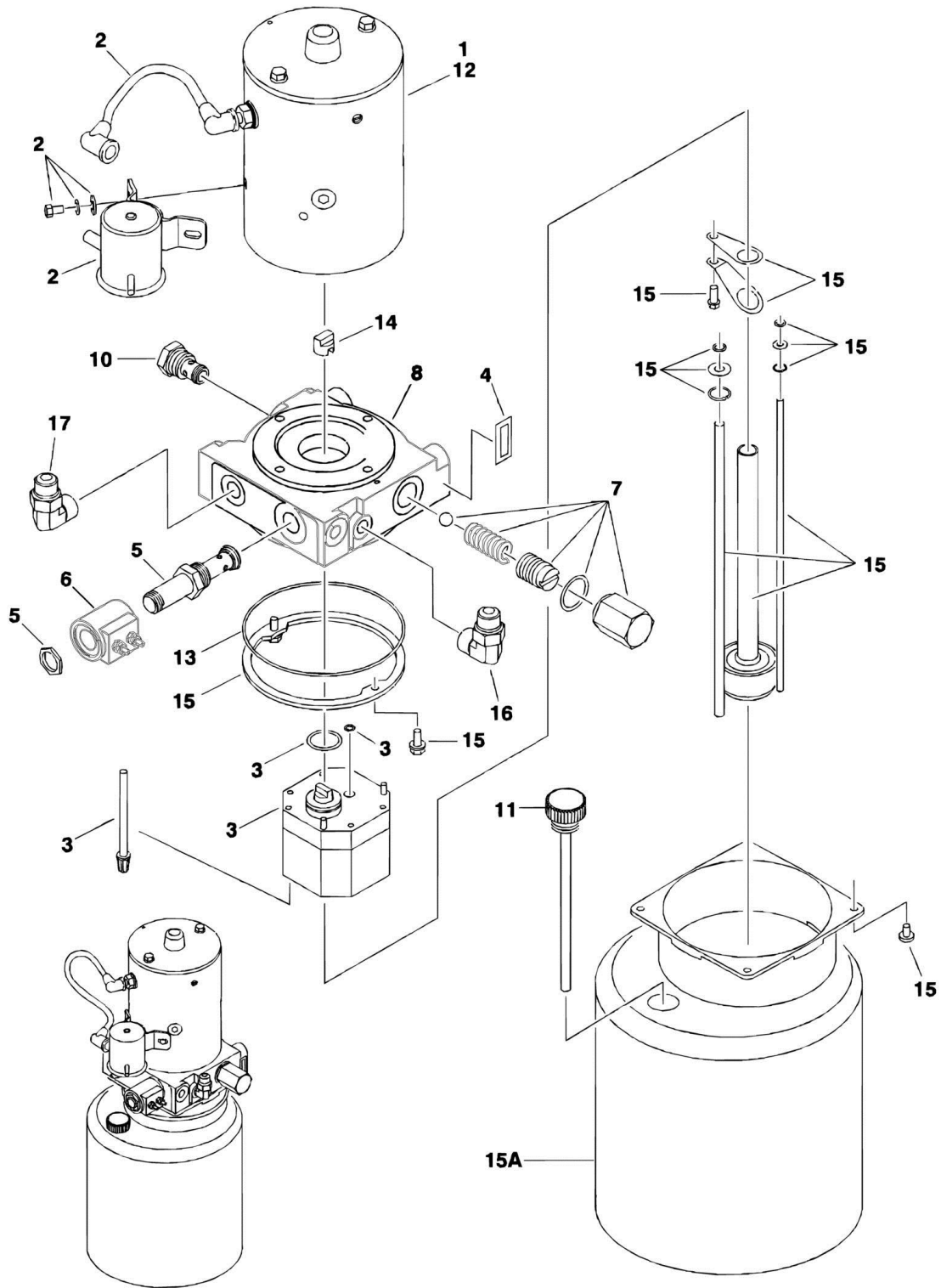
ITEM	PART NUMBER	QTY	DESCRIPTION	REV
		Ref	PUMP/MOTOR/TANK INSTALLATION	
	0272512	Ref	Pump/Motor/Tank with Poly Tank	B
	0272958	Ref	Pump/Motor/Tank with Steel Tank	A
1	0100011	AR	Loctite #242 (Not Shown)	
3	0741605	2	Screw, Flathead 3/8in-16NC x 5/8in	
4	3311605	4	Locknut 3/8in-16NC	
5		Ref	Pump/Motor/Tank Assembly (See PUMP/MOTOR ASSEMBLY for Breakdown)	
5	3600364	1	Pump/Motor/Tank with Poly Tank	
5	3600378	1	Pump/Motor/Tank with Steel Tank	
9	4845714	1	Mount, Pump	
10	0791610	4	Screw 3/8in-16NC x 1 1/4in	
11	3311608	4	Nut, Flanged 3/8in-16NC	
		Ref	GROUND CONTROLS INSTALLATION	
	0272513	Ref	Standard	C
	0272685	Ref	Keyless	B
101	0100051	AR	Grease (Not Shown)	
106	0721006	1	Screw #10-24NC x 3/4in	
107		Ref	Ground Control Box Assembly	
107	0861305	1	Standard	D
107	0861536	1	Keyless	A
107	3910804	4	Screw #8-32NC x 1/4in	
107A	7020078	1	Switch, Push-Pull (Stop)	
107A	7020096	1	Legend Plate, "Stop"	
107B		Ref	Switch, Key	
107B	7024411	1	Keyless	
107B	4360467	1	Keyed Switch	
107B	2860030	1	Key, Replacement	
107B	7020097	1	Legend Plate, "Power/Off/On"	
107C	7027299	1	Connector, Strain Relief (was p/n 4460633) (Prior to SN 23600)	
108	1060994	1	Cable, Electrical (Pump + to Starter Relay)	
109	1060995	1	Cable, Electrical (Pump - to Starter Housing)	
110	1320224	1	Clamp	
113	3740049	1	Relay	
115	4061024	1	Cover	
119	4922740	1	Harness, Pump	
119	2400006	1	Fuse	
119	4460044	1	Fuseholder	
119	4460424	1	Receptacle - 2 Position	
119	4460268	2	Socket, Female (Used with p/n 4460424)	
119A	4460741	1	Plug - 4 Position (To Relay)	
119A	4460420	4	Terminal (Used with p/n 4460741)	
121	0791404	6	Screw 1/4in-20NC x 1/2in	
122	0791504	1	Screw 5/16in-18NC x 1/2in	
123	3311001	2	Nut #10-24NC	
124	0100011	AR	Loctite #242 (Not Shown)	
125	4240033	AR	Tie-Strap	
126	4460234	AR	Base, Tie-Strap Mounting	
	0259450	Ref	AUXILIARY LOWERING INSTALLATION (OPTIONAL)	A

SECTION 2 - CONTROLS

ITEM	PART NUMBER	QTY	DESCRIPTION	REV
201	0861213	1	Box, Power Down	
201	4420064	4 in/10cm	Velcro, Loop	
201	4420065	4 in/10cm	Velcro, Hook	
	0272686	Ref	PROGRAMMABLE SECURITY LOCK INSTALLATION (OPTIONAL)	C
301	2940132	1	Lock, Electronic	
302	0791003	2	Screw #10-24NC x 3/8in	
	0272670	Ref	FLOOR BRAKE ALARM INSTALLATION	B
401	0100011	AR	Loctite #242 (Not Shown)	
402	0140022	1	Horn	
405	3311001	2	Nut #10-24	
407	3520166	1	Plug	
408	3740080	1	Relay	
409	3911024	2	Screw #10-24NC x 3in	
410	4360437	1	Switch, Limit	
413	4922583	1	Harness, Brake Alarm	
414	0791406	1	Screw 1/4in-20NC x 3/8in	
415	0791507	1	Screw 5/16in-18NC x 7/8in	
416	3311508	1	Nut, Flanged 5/16in-18NC	
	0273365	Ref	HOURMETER INSTALLATION (OPTIONAL)	C
501	2420172	1	Hourmeter	
501	3311001	2	Nut #10-24NC	
501	3572158	1	Plate, Mounting	
501	3911010	2	Screw #10-24NC x 5/8in	
501	4761000	2	Lockwasher #10	
501	4922935	1	Harness, Hourmeter	
		Ref	ACCESSORY OUTLET INSTALLATION (OPTIONAL)	
	0273943	Ref	110V/120V (ANSI Spec)	B
	0272516	Ref	220V/240V (ANSI Spec)	B
	0272518	Ref	220V/240V (ANSI Export Spec)	B
615	0641614	4	Bolt 3/8in-16NC x 1 3/4in	
616	3311605	4	Locknut 3/8in-16NC	
617	4070984	2	Shim, Pump Spacer	
618	4711600	8	Flatwasher 3/8in Narrow	

SECTION 2 - CONTROLS

FIGURE 2-2. PUMP/MOTOR ASSEMBLY



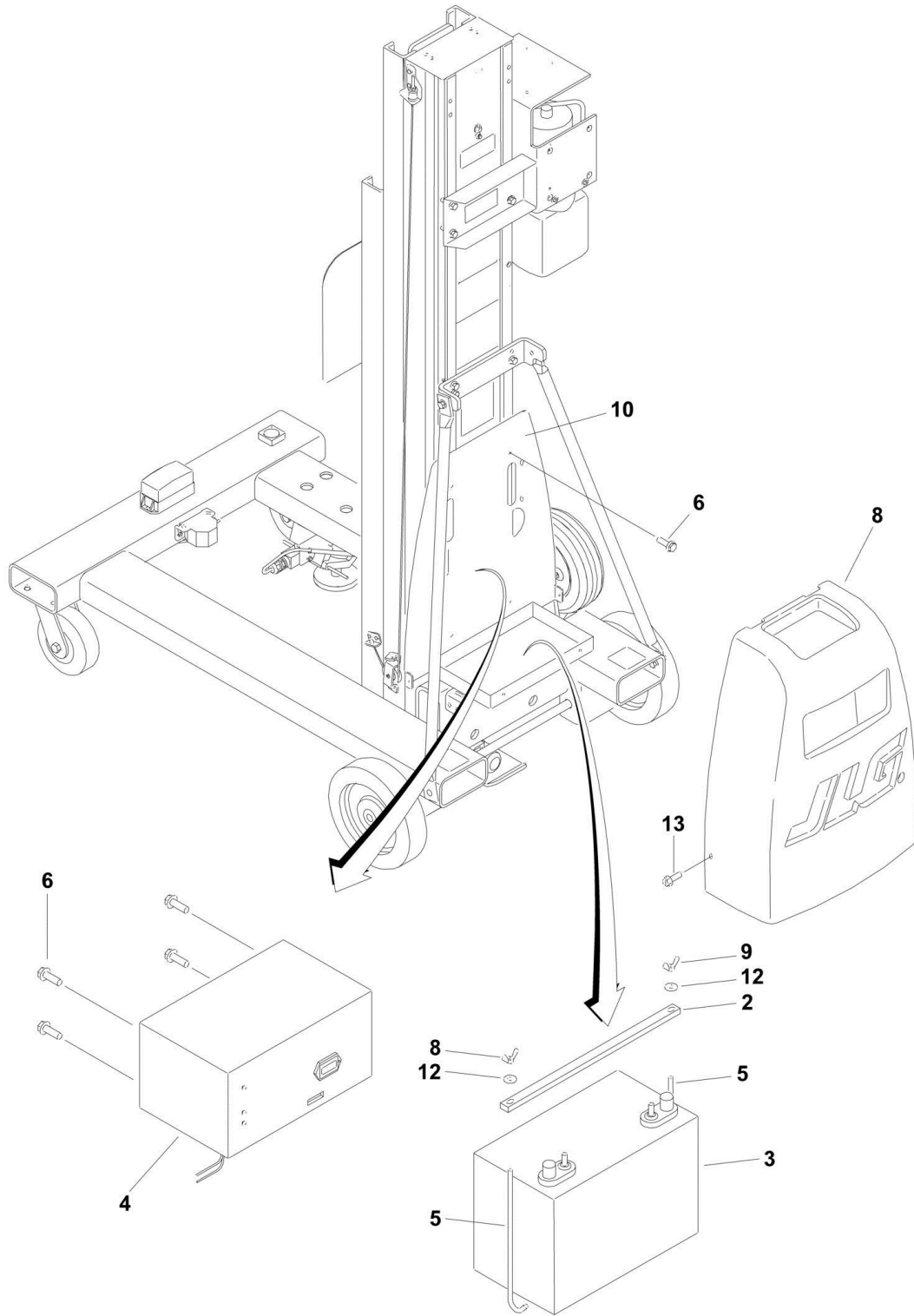
SECTION 2 - CONTROLS

FIGURE 2-2. PUMP/MOTOR ASSEMBLY

ITEM	PART NUMBER	QTY	DESCRIPTION	REV
		Ref	PUMP/MOTOR/TANK ASSEMBLY	
	3600364	Ref	Pump/Motor/Tank with Poly Tank	B
	3600378	Ref	Pump/Motor/Tank with Steel Tank	B
1	7011003	1	Motor - 12VDC (Includes Item 12)	
2	7011051	1	Start Relay Kit (Includes Hardware and Lead Wire and Boots)	
3	7011052	1	Pump Kit (Includes Mounting Hardware and 2 O-Rings)	
4	Not Available	1	Nameplate	
5	7011054	1	Valve, Release Less Coil	
6	7011000	1	Coil, Solenoid	
7	7011055	1	Valve, Relief	
8	7011056	1	Adapter	
9	7011053	1	Decal - Full (Not Shown - Poly Tank Only)	
10	7010950	1	Valve, Check	
11		Ref	Cap Options:	
11	7011057	1	Filler Cap/Breather (Poly Tank)	
11	N.S.S.	1	Filler Cap/Dipstick (Steel Tank)	
12	7011058	1	Brush Kit (Part of Item 1)	
13	7011025	1	O-Ring (Part of Item 15)	
14	7011016	1	Coupling	
15	7011059	1	Tank Kit Options (Includes Hardware, Tubes, O-Rings and Retainers, Strainer and Steel Tank):	
15	7011068	1	Poly Tank (Note: Use Steel Tank as Replacement)	
15A	7011068	1	Steel Tank Kit	
16	7011060	1	Fitting, 90	
17	7011061	1	Fitting, 90	

SECTION 2 - CONTROLS

FIGURE 2-3. BATTERIES/CHARGER INSTALLATION



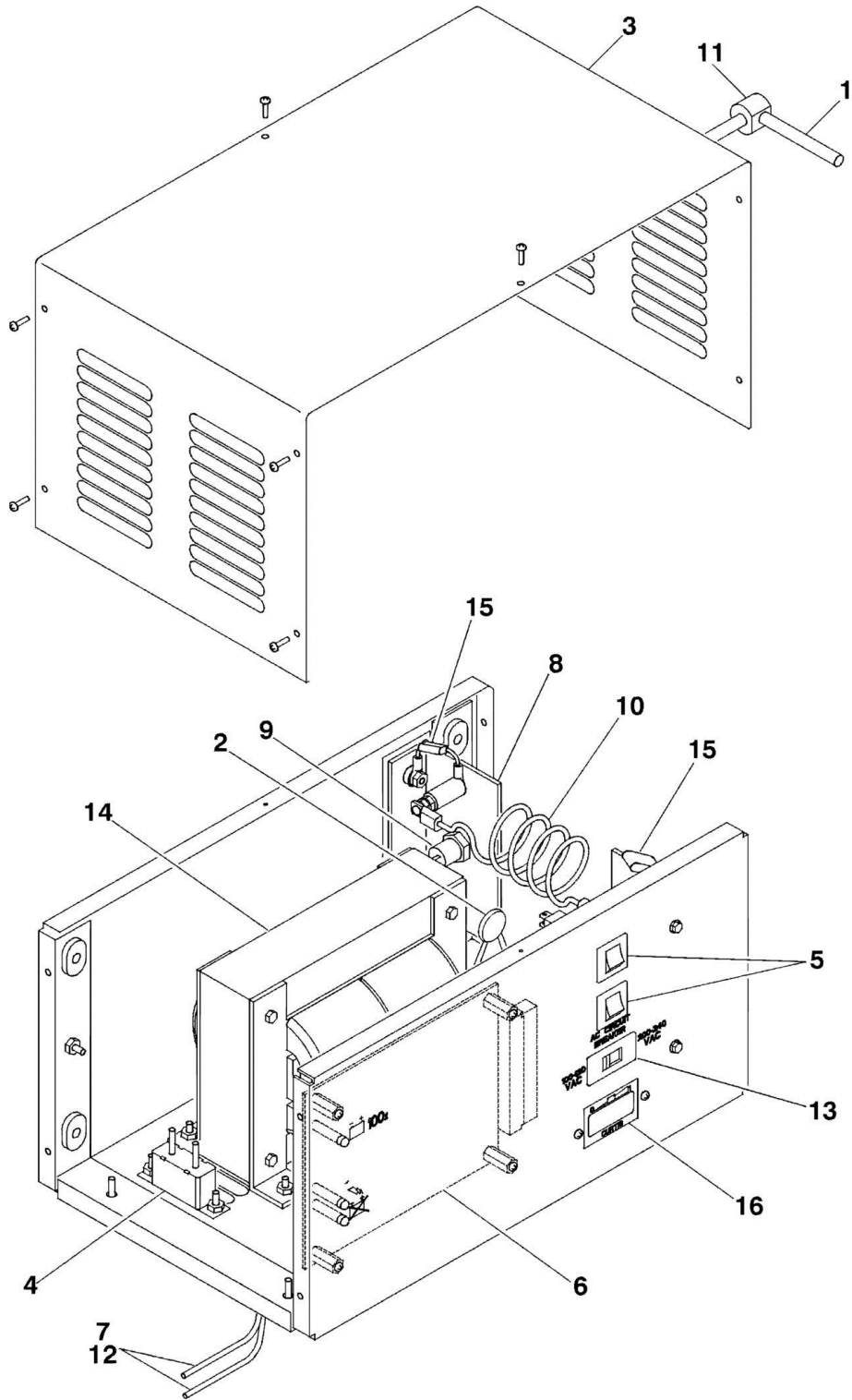
SECTION 2 - CONTROLS

FIGURE 2-3. BATTERIES/CHARGER INSTALLATION

ITEM	PART NUMBER	QTY	DESCRIPTION	REV
	0272514	Ref	BATTERY AND CHARGER INSTALLATION	B
1	0100011	AR	Loctite #242 (Not Shown)	
2	0362658	1	Bar, Tie-Down	
3	0400209	1	Battery	
4	0400214	1	Battery Charger Assembly (See BATTERY CHARGER ASSEMBLY for Breakdown)	
5	0630552	2	Bolt, Hold-Down	
6	0791406	8	Screw 1/4in-20NC x 3/4in	
7	0641406	2	Bolt 1/4in-20NC x 3/4in	
8	1671089	1	Cover	
9	3300202	2	Wingnut	
10	3574136	1	Plate, Charger Mounting	
11	4711400	8	Flatwasher 1/4in Narrow	
12	4751400	2	Flatwasher 1/4in	
13	0630550	2	Capscrew 1/4in-20NC x 3/4in	

SECTION 2 - CONTROLS

FIGURE 2-4. BATTERY CHARGER ASSEMBLY



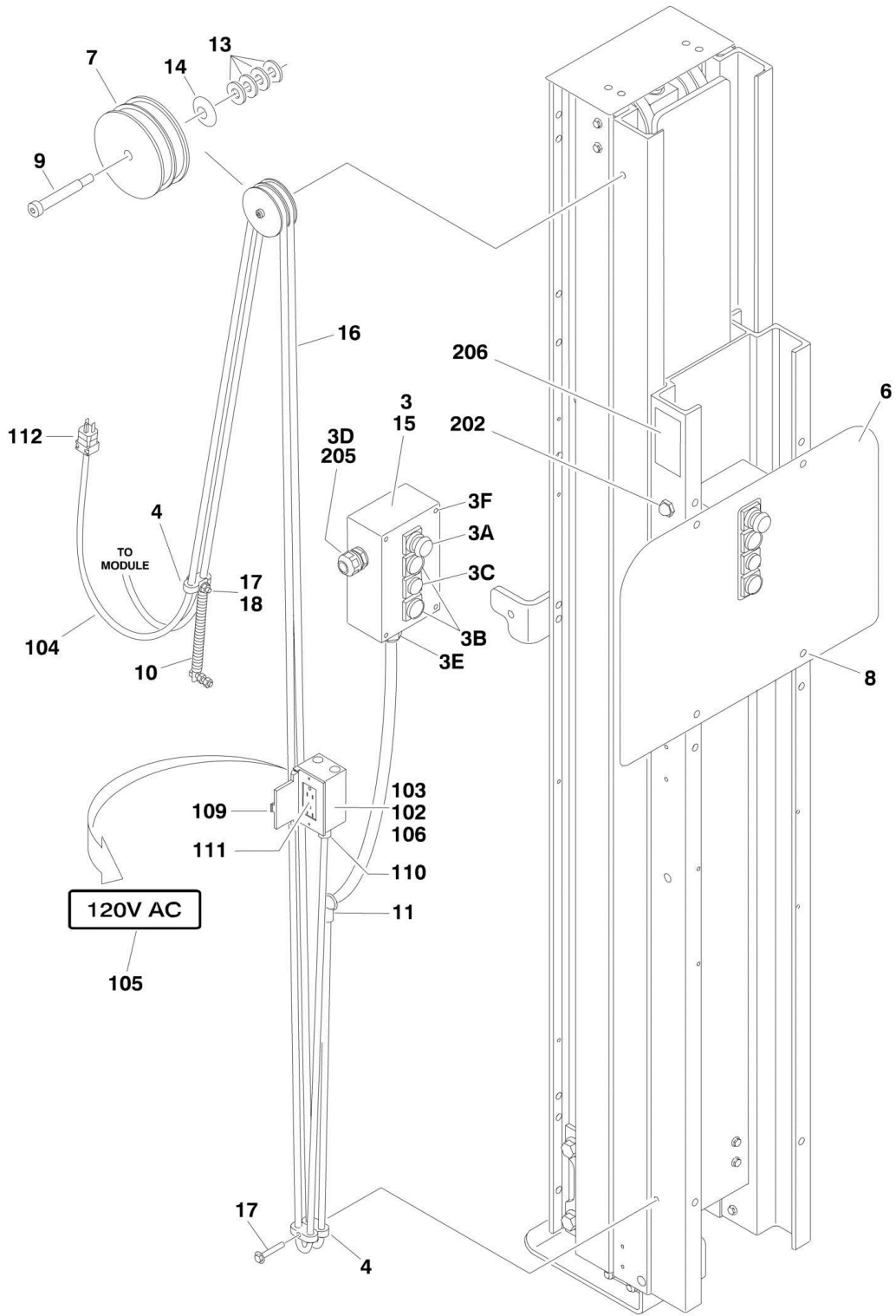
SECTION 2 - CONTROLS

FIGURE 2-4. BATTERY CHARGER ASSEMBLY

ITEM	PART NUMBER	QTY	DESCRIPTION	REV
	0400214	Ref	BATTERY CHARGER ASSEMBLY	B
1	7022927	1	Cord, AC	
2	7020633	1	Varistor Assembly	
3	7022928	1	Cover, Case	
4	7011509	1	Breaker, Circuit - 50 Amp DC	
5	7018558	2	Breaker, Circuit - 8 Amp AC	
6	7022930	1	Circuit, Control	
7	7020629	1	DC Harness Assembly	
8	7022932	2	Rectifier Assembly	
9	7020673	1	Rectifier, SCR	
10	7020674	1	Shunt Assembly	
11	7022935	1	Connector, Strain Relief (AC Cord)	
12	7011528	1	Connector, Strain Relief (DC Harness)	
13	7018586	1	Switch, 12 Amp Slide	
14	7022933	1	Transformer	
15	7018577	2	Capacitor (Not Shown)	
16	2420195	1	Gauge, BDI	

SECTION 2 - CONTROLS

FIGURE 2-5. PLATFORM CABLE AND CONTROLS INSTALLATION



SECTION 2 - CONTROLS

FIGURE 2-5. PLATFORM CABLE AND CONTROLS INSTALLATION

ITEM	PART NUMBER	QTY	DESCRIPTION	REV
	0272603	Ref	PLATFORM CONTROLS AND CABLES INSTALLATIONS	B
1	0100011	AR	Loctite #242 (Not Shown)	
3	0861207	1	Control Box Assembly	E
3A	7020078	1	Switch, Push-Pull (Red)	
3B	7020088	2	Switch, Push Button (White)	
3C	7020089	1	Switch, Push Button (Green)	
3D	7020091	1	Plug	
3E	7027299	1	Connector, Strain Relief (was p/n 7020092) (Prior to SN 22598)	
3F	7020093	4	Screw M3 x 25 Freedrive	
4	1320149	2	Clamp	
6	3574039	1	Plate, Decal	
7	3580231	1	Pulley, Sheave	
8	3820032	4	Rivet	
9	3900200	1	Screw, Shoulder	
10	4160130	1	Spring, Extension	
11	4460566	1	Connector, 90 Strain Relief	
13	4751000	4	Flatwasher #10	
14	4751500	1	Flatwasher 5/16in	
15	4922420	1	Harness, Platform Control	
15	3990010	1	Diode 6 Amp	
16	4922799	1	Harness, Mast Cable	
17	0791410	2	Screw 1/4in-20NC x 1 1/4in	
18	3311408	1	Nut, Flanged 1/4in-20NC	
		Ref	ACCESSORY OUTLET INSTALLATION (OPTIONAL)	
	0273943	Ref	110V/120V (ANSI Spec)	B
	0272516	Ref	220V/240V (ANSI Spec)	B
	0272518	Ref	220V/240V (ANSI Export Spec)	B
101	0100011	AR	Loctite #242 (Not Shown)	
102	0721006	2	Screw, Countersunk Hex #10-24NC x 3/4in	
103		Ref	Box, Receptacle Options:	
103	0860946	1	ANSI Spec	
103	Not Available		ANSI Export Spec (Supply Locally)	
104	4923110	1	Cable, Electrical - 12/3	
105		Ref	Decal Options:	
105	3252761	2	120V AC	
105	3252760	2	220V - 240V AC	
106	3311001	2	Nut #10-24	
109		Ref	Cover, Receptacle Options:	
109	4060092	1	120V ANSI Spec	
109	4060092	1	240V ANSI Spec	
109	Not Available		ANSI Export Spec (Supply Locally)	
110	4460023	1	Connector, Strain Relief	
111		Ref	Receptacle, Female Options:	
111	4460190	1	120V ANSI Spec	
111	4460125	1	240V ANSI Spec	
111	Not Available		ANSI Export Spec (Supply Locally)	
112		Ref	Plug, Male Options:	
112	4460549	1	120V ANSI Spec	
112	4460205	1	240V ANSI Spec	
112	Not Available		ANSI Export Spec (Supply Locally)	

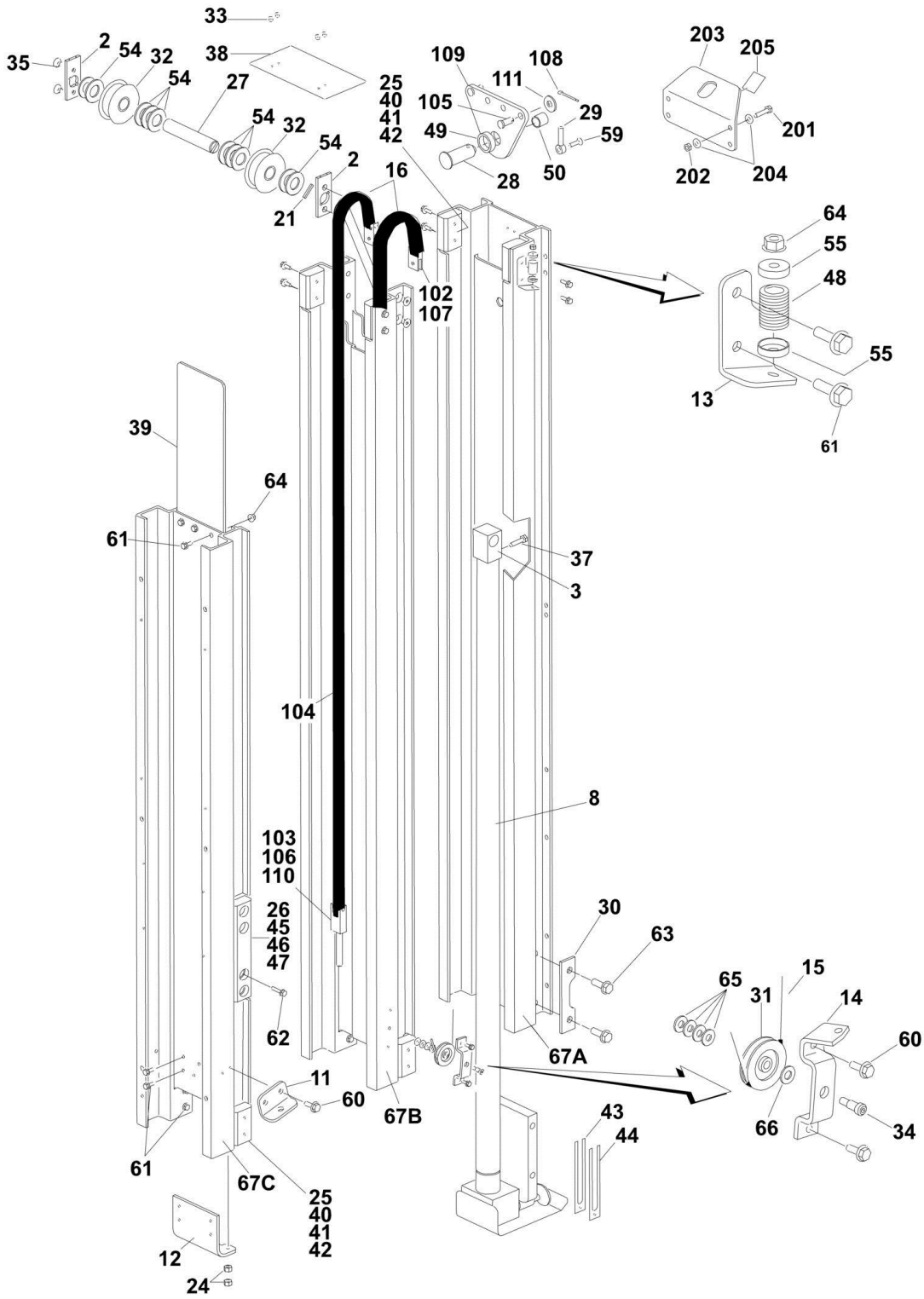
SECTION 2 - CONTROLS

ITEM	PART NUMBER	QTY	DESCRIPTION	REV
	0259450	Ref	AUXILIARY LOWERING INSTALLATION (OPTIONAL)	A
202	4360274	1	Switch, Push Button	
205	4460662	1	Connector, Strain Relief	
206	1704236	1	Decal - Auxiliary Lowering	

SECTION 3 - MAST

SECTION 3 - MAST

FIGURE 3-1. MAST ASSEMBLY



SECTION 3 - MAST

FIGURE 3-1. MAST ASSEMBLY

ITEM	PART NUMBER	QTY	DESCRIPTION	REV
	0801358	Ref	MAST ASSEMBLY	D
1	0100011	AR	Loctite #242 (Not Shown)	
2	0362735	2	Bar, Sheave Pin Support	
3	0561519	1	Block, Chain Anchor	
8	1684256	1	Lift Cylinder Assembly (See CYLINDER SECTION for Breakdown)	
11	0902047	1	Bracket, Sequence Cable	
12	0902424	1	Bracket, Bottom Chain Attach	
13	0902431	1	Bracket, Sequence Cable	
14	0902445	1	Bracket, Sequence Cable	
15	1060683	1	Cable, Sequence	
16	1260357	1	Chain Assy - #444 (See Items 101-111 for Breakdown)	
21	2880310	1	Key	
22	3020041	AR	Lubricant (Not Shown)	
24	3311601	4	Nut 3/8in-16 NC	
25	3340845	6	Pad, Slide Guide	
26	3340858	2	Pad, Slide Guide	
27	3422717	1	Pin, Sheave	
28	3422750	1	Pin, Chain Equalizer	
29	3422757	1	Pin, Keeper	
30	3570893	2	Plate, Cylinder Mounting	
31	3580269	1	Sheave, Sequence Cable	
32	3580293	2	Sheave Assembly	
32	0440249	2	Bearing (1 Per Assembly)	
33	3820034	4	Rivet	
34	3900187	1	Screw, Shoulder	
35	3900192	4	Screw 3/8in-16NC x 1/2in	
37	3900206	1	Bolt 3/4in-16NF x 3in	
38	4060961	1	Shield, Mast Cover	
39	4060987	1	Shield, Chain/Cable	
40	4070860	6	Shim, Slide Pad	
41	4070861	6	Shim, Slide Pad	
42	4070862	14	Shim, Slide Pad	
43	4070970	2	Shim, Cylinder Mount	
44	4070971	2	Shim, Cylinder Mount	
45	4070988	4	Shim, Slide Pad	
46	4070989	2	Shim, Slide Pad	
47	4070990	2	Shim, Slide Pad	
48	4160124	1	Spring	
49	4567750	1	Tube, Spacer	
50	4567751	1	Tube, Spacer	
54	4740007	6	Washer, Thrust	
55	4740414	2	Washer, Cup	
58	4761400	1	Lockwasher 1/4in	
59	0721006	1	Screw #10-24NC x 3/4in	
60	0791003	4	Screw #10-24NC x 3/8in	
61	0791408	19	Screw 1/4in-20NC x 1in	
62	0791410	8	Screw 1/4in-20NC x 1 1/4in	
63	0791812	4	Bolt 1/2in-13NC x 1 1/2in	
64	3311408	4	Nut 1/4in-20NC	
65	4751000	4	Flatwasher #10 Wide	

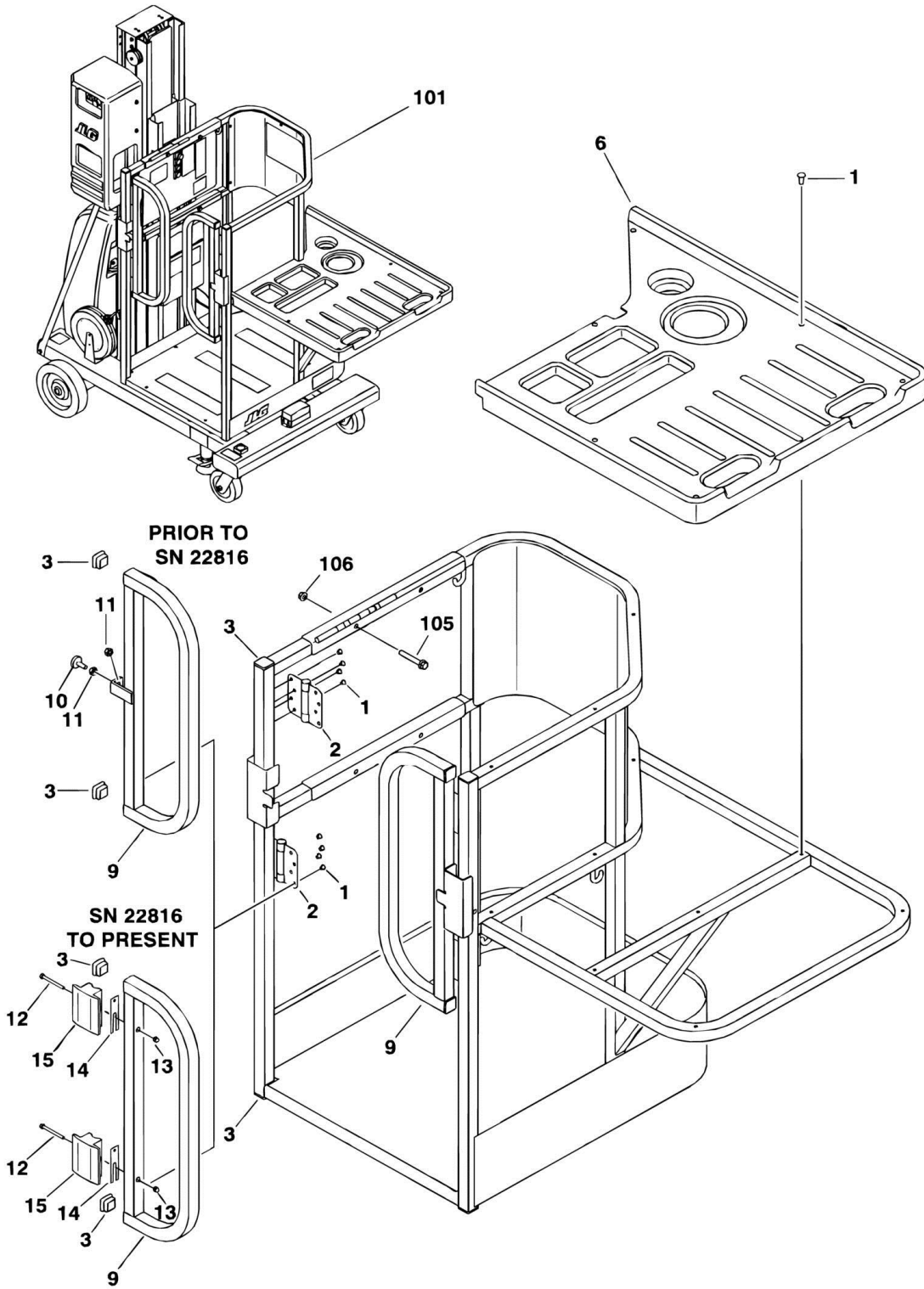
SECTION 3 - MAST

ITEM	PART NUMBER	QTY	DESCRIPTION	REV
66	4751500	1	Flatwasher 5/16in Wide	
67	0272723	1	Mast Assembly	A
67A	1271447	1	Channel, Mast #1	
67B	1271527	1	Channel, Mast Header	
67C	1271528	1	Channel, Mast #2	
	1260357	Rev.	CHAIN ASSEMBLY - #444 CHAIN	C
101	0100062	AR	Loctite #RC/640 (Not Shown)	
102	0561149	2	Block, Chain Anchor	
103	0561408	2	Block, Chain Anchor	
104	Purchased Assy	AR	Chain	
105	3422338	2	Pin, Equalizer	
106	3422346	2	Pin, Grooved	
107	3422355	2	Pin	
108	3450304	2	Pin, Cotter	
109	3571101	1	Plate, Chain Adjustment	
110	4300111	2	Stud	
111	4751500	2	Flatwasher 5/16in	
	0258448	Ref	CRANE HOOK INSTALLATION (OPTIONAL)	C
201	0641612	4	Bolt 3/8in-16NC x 1 1/2in	
202	3311605	4	Locknut 3/8in-16NC	
203	3570976	1	Plate, Crane Hook	
204	4711600	8	Flatwasher 3/8inNarrow	
205	1703455	1	Decal - Crane Hook	

SECTION 4 - PLATFORM

SECTION 4 - PLATFORM

FIGURE 4-1. PLATFORM INSTALLATION



SECTION 4 - PLATFORM

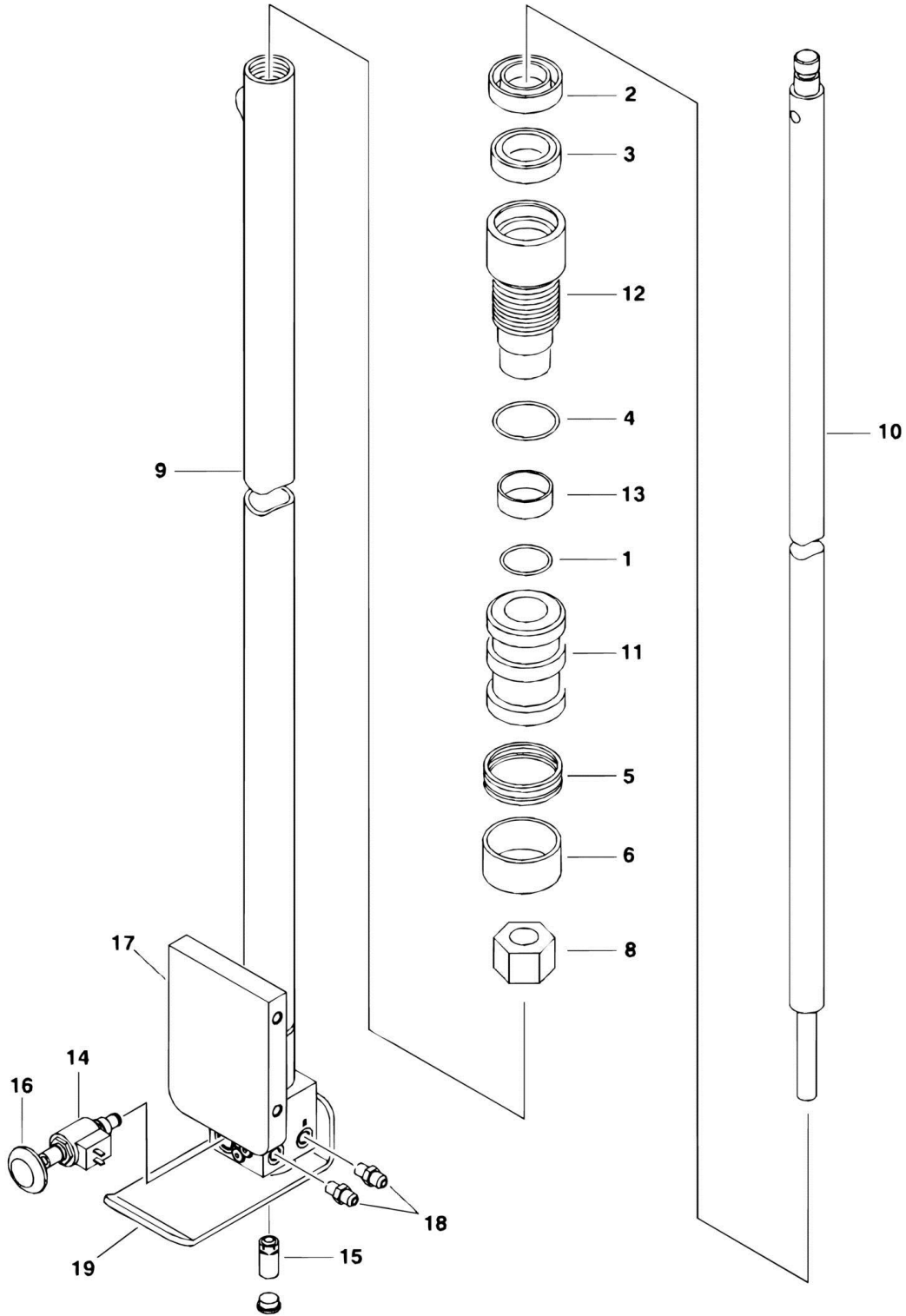
FIGURE 4-1. PLATFORM INSTALLATION

ITEM	PART NUMBER	QTY	DESCRIPTION	REV
	0272636	Ref	PLATFORM ASSEMBLY	D
		Ref	NOTE: Replacement decals must be ordered separately – See DECALS SECTION for Breakdown.	
1	2080040	40	Fastener, Huck	
2	2600281	4	Hinge	
3	3520072	10	Plug	
6	1580018	1	Tray, Container	
8	Not Available	1	Platform (Purchase p/n 0272636 for Replacement)	
9	4846722	2	Gate	
10	0940104	2	Bumper (Prior to SN 22816)	
11	3311505	4	Locknut 5/16in-18NC (Prior to SN 22816)	
12	0641422	4	Bolt 1/4in-20NC x 2 3/4 (SN 22816 to Present)	
13	3300151	4	Nut Acorn 1/4in-20NC (SN 22816 to Present)	
14	4071092	AR	Shim (SN 22816 to Present)	
15	4220225	4	Stop (SN 22816 to Present)	
16	0100011	AR	Loctite #242 (Not Shown) (SN 22816 to Present)	
	0272511	Ref	PLATFORM INSTALLATION	B
		Ref	NOTE: Replacement decals must be ordered separately – See DECALS SECTION for Breakdown.	
101	0272636	1	Platform Assembly (See Items 1-9 for Breakdown)	
105	0791620	6	Screw 3/8in-16NC x 2 1/2in	
106	3311608	6	Nut, Flanged 3/8in-16NC	

SECTION 5 - CYLINDER

SECTION 5 - CYLINDER

FIGURE 5-1. LIFT CYLINDER ASSEMBLY



SECTION 5 - CYLINDER

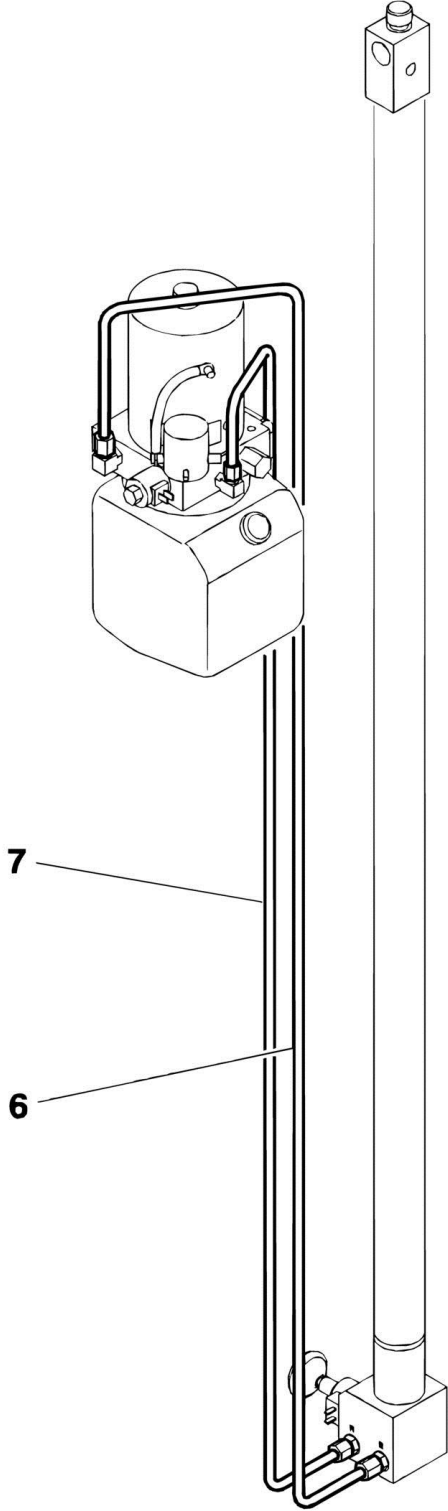
FIGURE 5-1. LIFT CYLINDER ASSEMBLY

ITEM	PART NUMBER	QTY	DESCRIPTION	REV
	1684256	Ref	LIFT CYLINDER ASSEMBLY	D
1	Kit	1	O-Ring	
2	Kit	1	Wiper	
3	Kit	1	Seal, Rod	
4	Kit	1	O-Ring	
5	Kit	1	Seal, Piston	
6	Kit	1	Ring, Wear	
8	7023391	1	Locknut	
9	7024566	1	Barrel Assembly	
10	7024567	1	Rod	
11	7023392	1	Piston	
12	7023394	1	Head	
13	7024568	1	Spacer	
14	7023396	1	Valve, Poppet	
14	7023993	1	Coil	
14	7012998	1	Seal Kit	
15	7024569	1	Valve, Flow Control	
16	7023399	1	Knob, Red	
17	3573988	1	Plate, Cylinder Mounting	
18	2220603	2	Fitting, Straight	
19	3574065	1	Shield, Valve	
	7023395	1	Seal Kit (Includes Items 1-6)	

SECTION 6 - HYDRAULIC

SECTION 6 - HYDRAULIC

FIGURE 6-1. HYDRAULIC DIAGRAM



SECTION 6 - HYDRAULIC

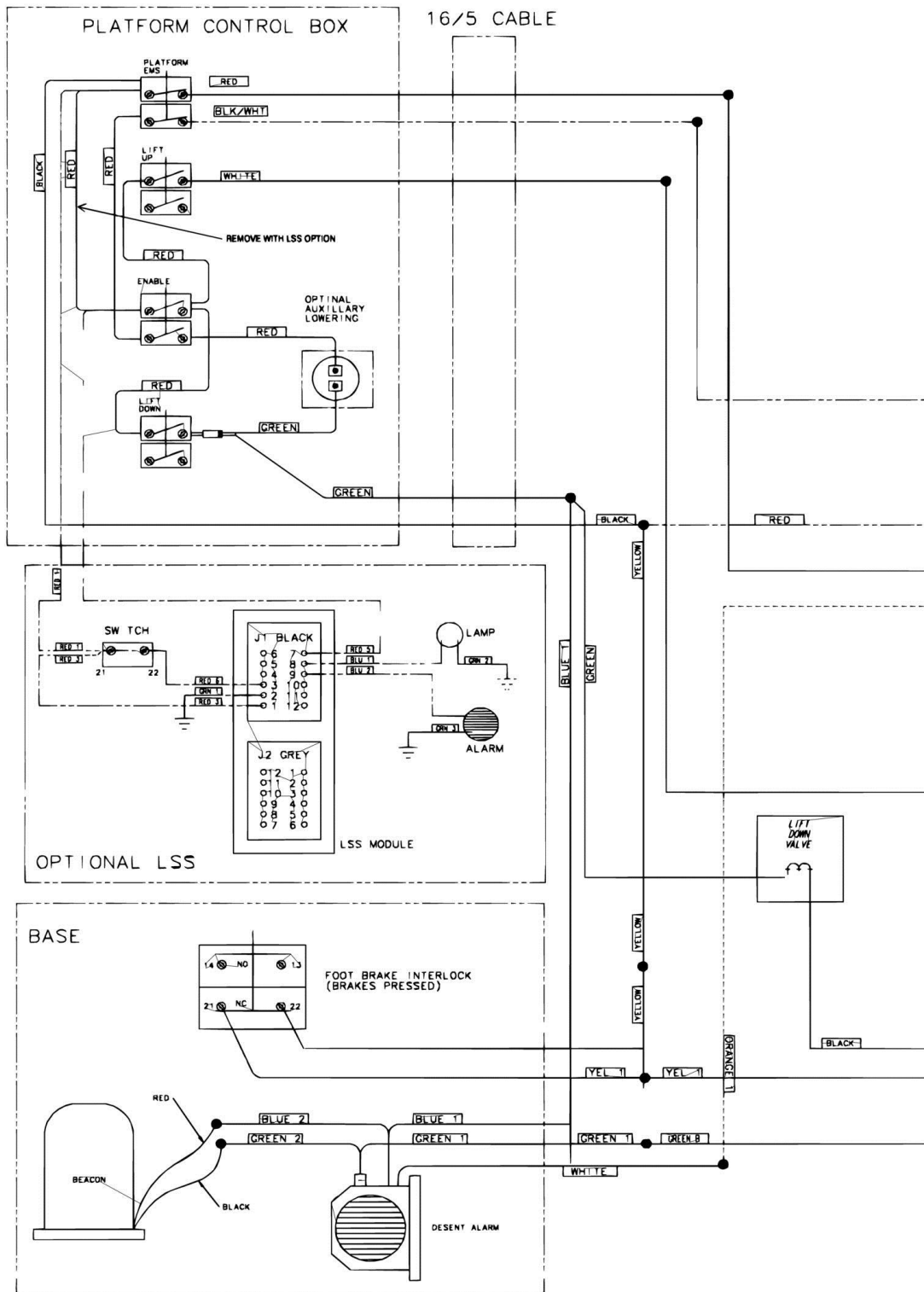
FIGURE 6-1. HYDRAULIC DIAGRAM

ITEM	PART NUMBER	QTY	DESCRIPTION	REV
		Ref	HYDRAULIC COMPONENTS	
	0272512	Ref	Pump/Motor/Tank with Poly Tank	B
	0272958	Ref	Pump/Motor/Tank with Steel Tank	A
6	4568647	1	Tube	
7	4568648	1	Tube	

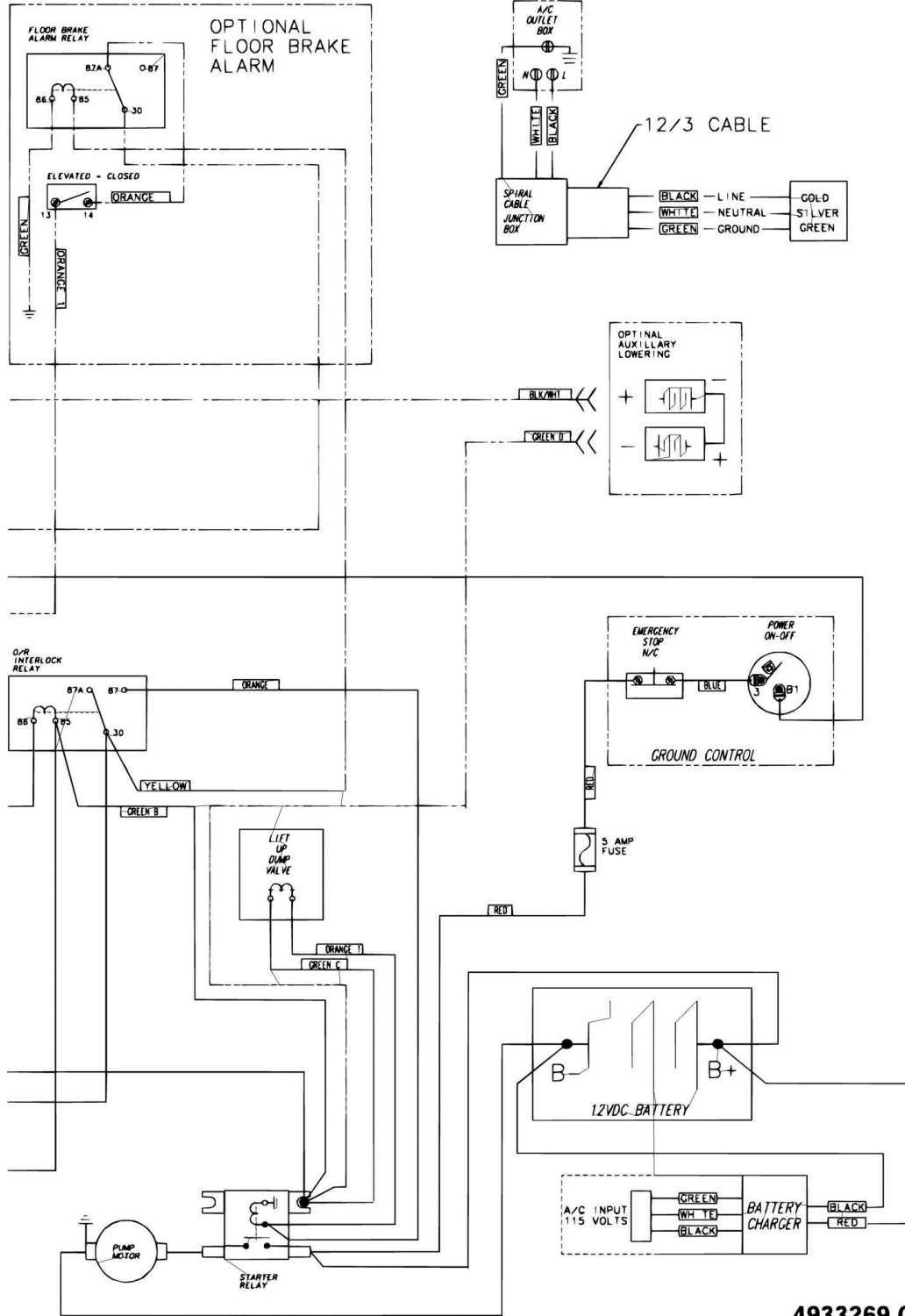
SECTION 7 - ELECTRICAL

SECTION 7 - ELECTRICAL

FIGURE 7-1. ELECTRICAL DIAGRAM



SECTION 7 - ELECTRICAL

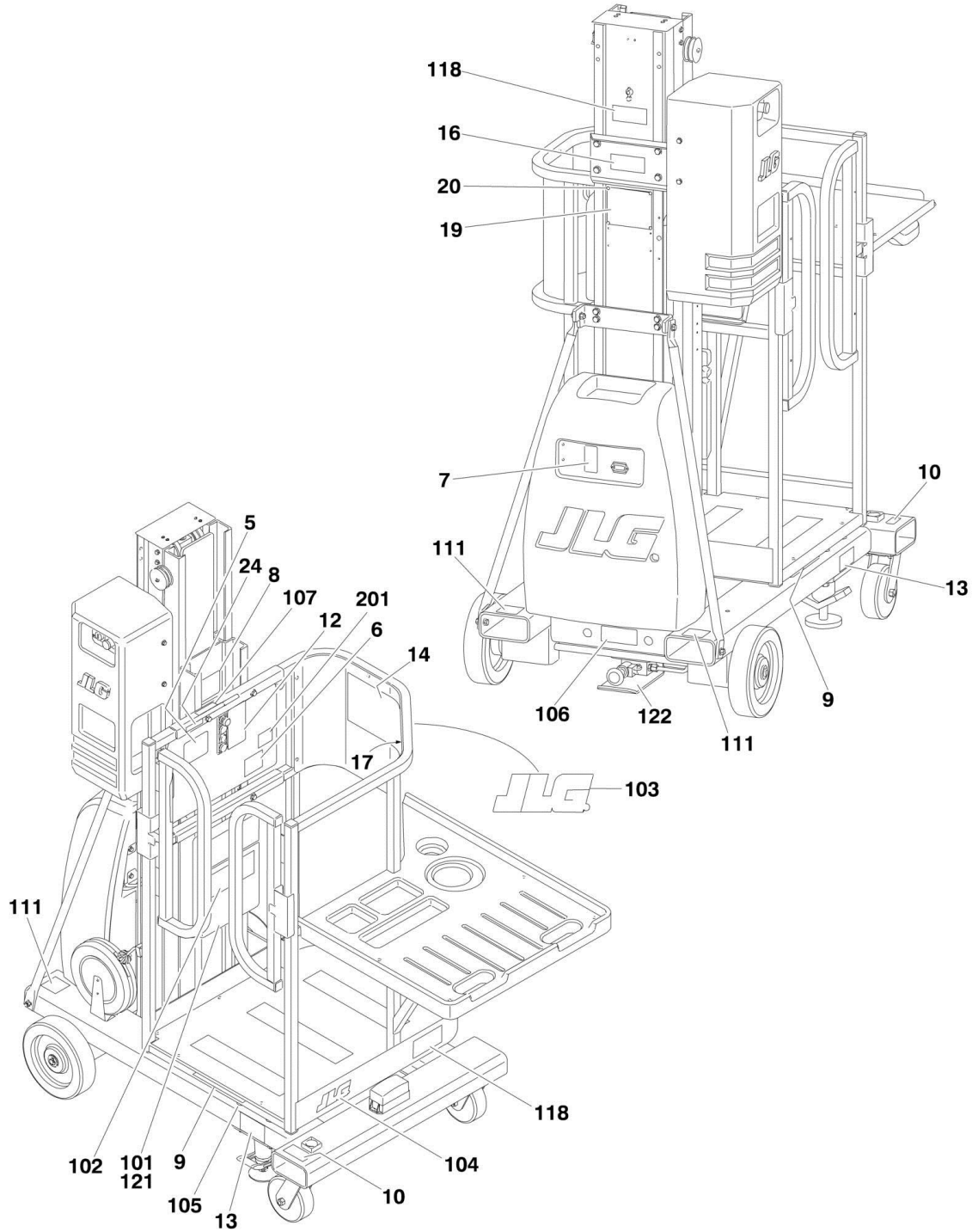


4933269 C

SECTION 8 - DECALS

SECTION 8 - DECALS

FIGURE 8-1. DECAL INSTALLATION (ANSI SPEC)



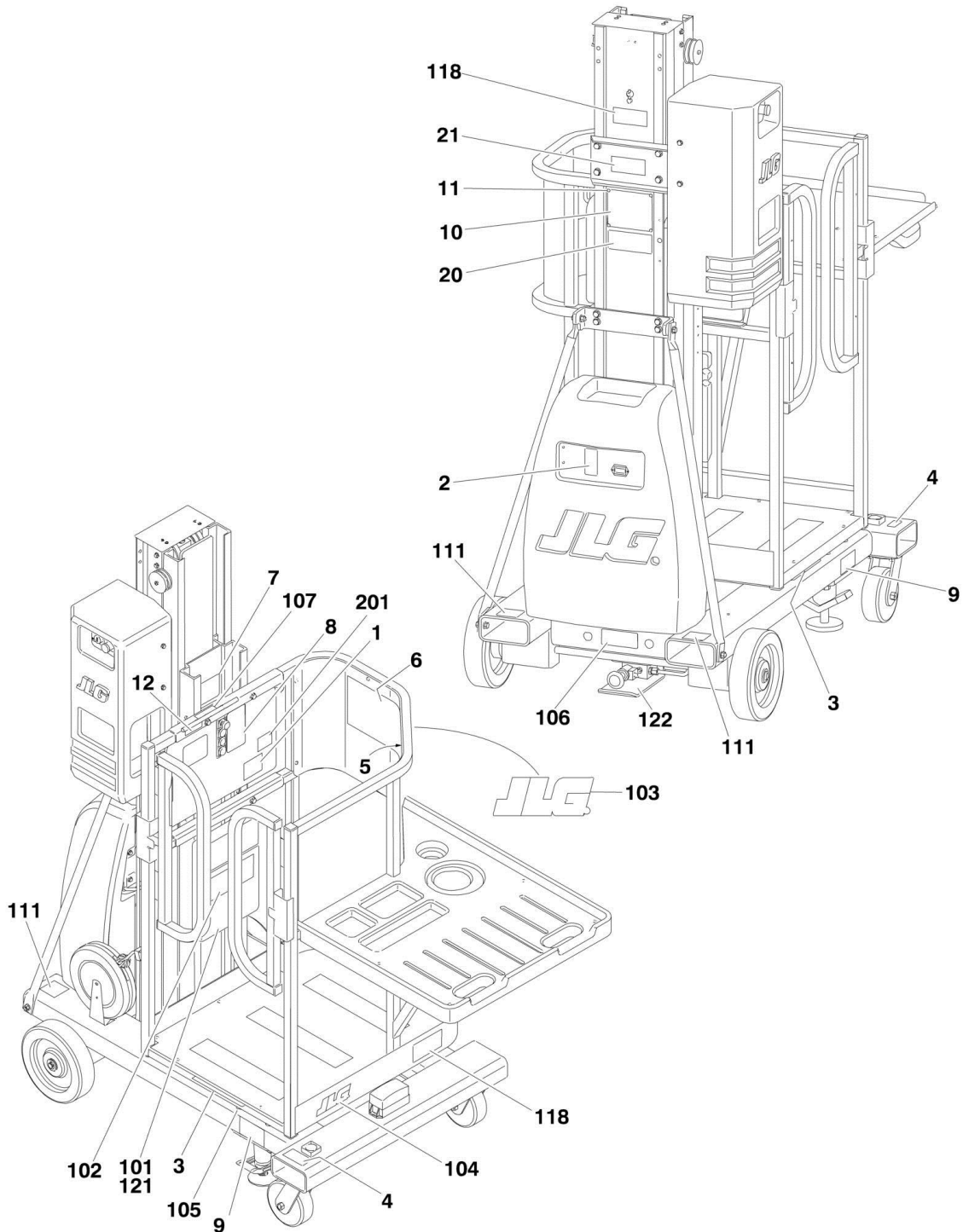
SECTION 8 - DECALS

FIGURE 8-1. DECAL INSTALLATION (ANSI SPEC)

ITEM	PART NUMBER	QTY	DESCRIPTION	REV
	0272519	Ref	DECAL INSTALLATION (ANSI SPEC)	F
5	1703779	1	Decal - USA	
6	1703781	1	Decal - Electrical Hazard	
7	1703785	1	Decal - Fire Hazard	
8	1705538	1	Decal - Warning	
9	1703786	2	Decal - Crushing Hazard	
10	1703789	1	Decal - Level Indicator	
12	1704212	1	Decal - Function Controls	
13	1704244	1	Decal - Floor Stop	
14	1705537	1	Decal - Warning	
16	1704458	1	Decal - JLG Industries	
17		Ref	Decal - Maximum Capacity Options:	
17	1705516	1	Decal - Maximum Capacity (Prior to SN 25084)	
17	1706342	1	Decal - Maximum Capacity (SN 25084 to Present)	
19	Not Available	1	Nameplate - Serial Number	
20	3820006	4	Rivet	
24	1706115	1	Decal - Fall Restraint (SN 25084 to Present)	
	0272797	Ref	COMMON DECALS INSTALLATION	A
101	0860520	1	Box, Manual Storage	
102	1701509	1	Decal - Manual	
103	1703625	1	Decal - JLG	
104	1703681	1	Decal - JLG	
105	1670836	4	Cover, Boom	
106	Not Available	1	Decal - Bar Code	
107	1705624	1	Decal - Lanyard Attach	
111	1703817	2	Decal - Forklift	
118	1705517	2	Decal - 9MP	
121	3820032	4	Rivet	
122	1705575	1	Decal - Manual Descent	
	0274698	Ref	DECAL MAX TIRE LOAD INSTALLATION (SN 25084 to Present)	A
201	1706570	1	Decal - Max Tire Load	

SECTION 8 - DECALS

FIGURE 8-2. DECAL INSTALLATION (ANSI EXPORT SPEC)



SECTION 8 - DECALS

FIGURE 8-2. DECAL INSTALLATION (ANSI EXPORT SPEC)

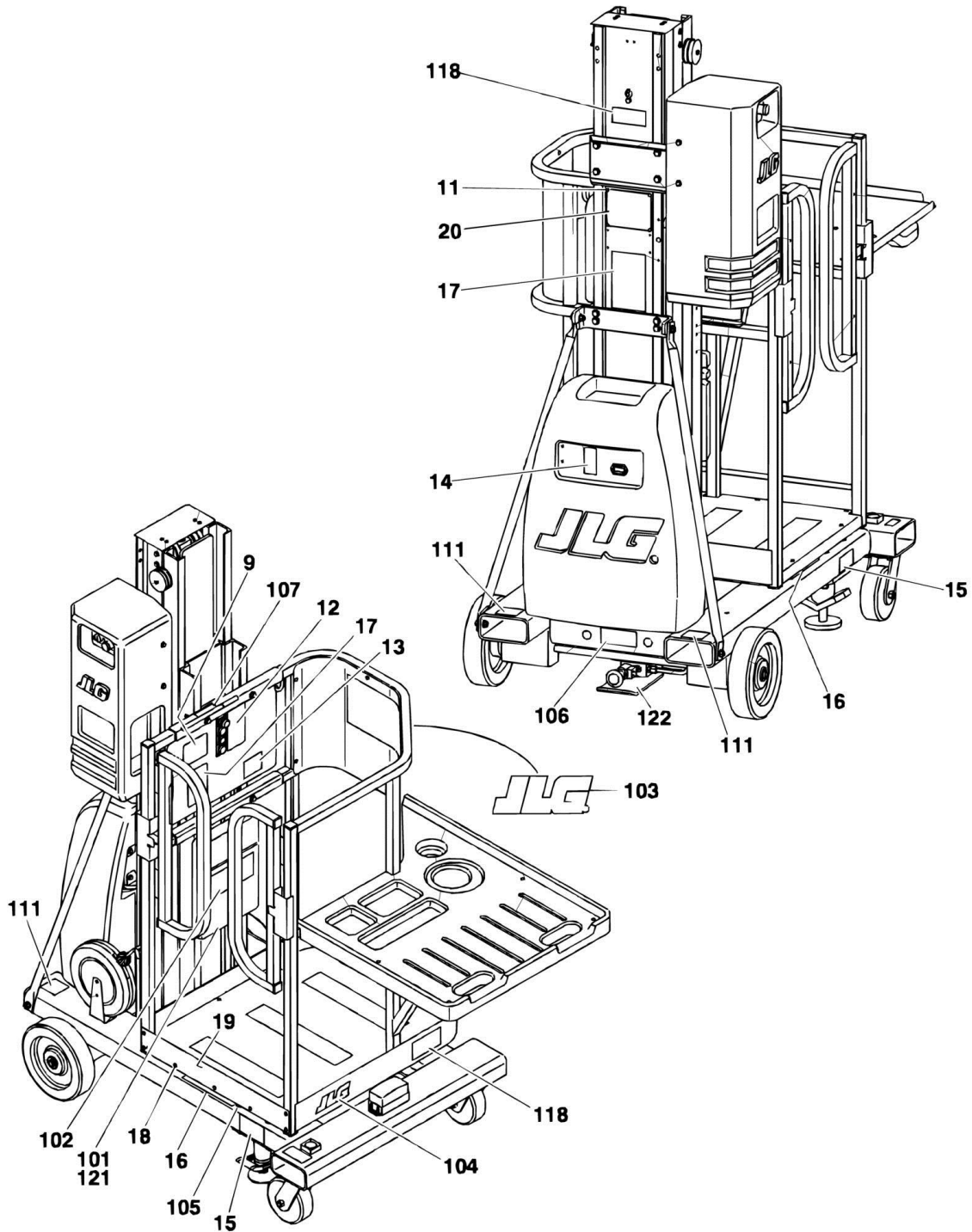
ITEM	PART NUMBER	QTY	DESCRIPTION	REV
		Ref	DECAL INSTALLATION (ANSI EXPORT SPEC)	
	0272800	Ref	Brazilian Spec	B
	0273399	Ref	CSA Spec English Language (Prior to SN 25084)	B
	0274393	Ref	CSA Spec English Language (SN 25084 to Present)	A
	0272799	Ref	CSA Spec French Language (Prior to SN 25084)	B
	0274394	Ref	CSA Spec French Language (SN 25084 to Present)	A
	0272798	Ref	Latin American Spec	B
1		Ref	Decal - Electrical Hazard Options:	
1	1704021	1	Brazilian Spec	
1	1703781	1	CSA Spec English Language	
1	1704795	1	CSA Spec French Language	
1	1704029	1	Latin American Spec	
2		Ref	Decal - Fire Hazard Options:	
2	1704023	1	Brazilian Spec	
2	1703785	1	CSA Spec English Language	
2	1704797	1	CSA Spec French Language	
2	1704031	1	Latin American Spec	
3		Ref	Decal - Crushing Hazard Options:	
3	1704024	2	Brazilian Spec	
3	1703786	2	CSA Spec English Language	
3	1704798	2	CSA Spec French Language	
3	1704032	2	Latin American Spec	
4		Ref	Decal - Level Indicator Options:	
4	1704026	1	Brazilian Spec	
4	1703789	1	CSA Spec English Language	
4	1704799	1	CSA Spec French Language	
4	1704034	1	Latin American Spec	
5		Ref	Decal - Maximum Capacity Options:	
5	1705516	1	Decal - Maximum Capacity (Prior to SN 25084)	
5	1706342	1	Decal - Maximum Capacity (SN 25084 to Present)	
6		Ref	Decal - Warning Options:	
6	1705589	1	Brazilian Spec	
6	1705537	1	CSA Spec English Language	
6	1705570	1	CSA Spec French Language	
6	1705588	1	Latin American Spec	
7		Ref	Decal - Warning Options:	
7	1705572	1	Brazilian Spec	
7	1705538	1	CSA Spec English Language	
7	1705573	1	CSA Spec French Language	
7	1705571	1	Latin American Spec	
8		Ref	Decal - Function Controls Options:	
8	1705621	1	Brazilian Spec	
8	1704212	1	CSA Spec English Language	
8	1704800	1	CSA Spec French Language	
8	1704213	1	Latin American Spec	
9		Ref	Decal - Floor Stop Options:	
9	1705622	1	Brazilian Spec	
9	1704244	1	CSA Spec English Language	
9	1704773	1	CSA Spec French Language	
9	1704345	1	Latin American Spec	

SECTION 8 - DECALS

ITEM	PART NUMBER	QTY	DESCRIPTION	REV
10	Not Available	1	Nameplate - Serial Number	
11	3820006	4	Rivet	
12		Ref	Decal - Fall Restraint Options: (SN 25084 to Present)	
12	1706118	1	Brazilian Spec	
12	1706115	1	CSA Spec English Language	
12	1706119	1	CSA Spec French Language	
12	1706116	1	Latin American Spec	
20		Ref	Decal - CSA Options:	
20	Not Required	0	Brazilian/Latin American Specs	
20	3252191	1	CSA Specs (Prior to SN 25084)	
20	1706351	1	CSA Specs (SN 25084 to Present)	
21		Ref	Decal - JLG Manufacturing Options:	
21	Not Required	0	Brazilian Spec/CSA Specs	
21	1704596	1	Latin American Spec	
	0272797	Ref	COMMON DECALS INSTALLATION	A
101	0860520	1	Box, Manual Storage	
102	1701509	1	Decal - Manual	
103	1703625	1	Decal - JLG	
104	1703681	1	Decal - JLG	
105	1670836	4	Cover, Boom	
106	Not Available	1	Decal - Bar Code	
107	1705624	1	Decal - Lanyard Attach	
111	1703817	2	Decal - Forklift	
118	1705517	2	Decal - 9MP	
121	3820032	4	Rivet	
122	1705575	1	Decal - Manual Descent	
	0274698	Ref	DECAL MAX TIRE LOAD INSTALLATION (SN 25084 to Present)	A
201	1706570	1	Decal - Max Tire Load	

SECTION 8 - DECALS

FIGURE 8-3. DECAL INSTALLATION (CE SPEC)



SECTION 8 - DECALS

FIGURE 8-3. DECAL INSTALLATION (CE SPEC)

ITEM	PART NUMBER	QTY	DESCRIPTION	REV
	0273173	Ref	DECAL INSTALLATION (CE SPEC)	E
9	1705759	1	Decal - Maximum Capacity	
11	3820006	4	Rivet	
12	1705801	1	Decal - Function Controls	
13	1705802	1	Decal - Electrical Hazard	
14	1705803	1	Decal - Fire Hazard	
15	1705804	1	Decal - Floor Stop	
16	1705805	2	Decal - Warning/Crushing Hazard	
17	1705806	2	Decal - Crushing/Tipping Hazard	
18	2080040	7	Fastener, Huck	
19	3574608	1	Plate, Kick Rail	
20	Not Available	1	Nameplate - Serial Number	
	0272797	Ref	COMMON DECALS INSTALLATION	A
101	0860520	1	Box, Manual Storage	
102	1701509	1	Decal - Manual	
103	1703625	1	Decal - JLG	
104	1703681	1	Decal - JLG	
105	1670836	4	Cover, Boom	
106	Not Available	1	Decal - Bar Code	
107	1705624	1	Decal - Lanyard Attach	
111	1703817	2	Decal - Forklift	
118	1705517	2	Decal - 9MP	
121	3820032	4	Rivet	
122	1705575	1	Decal - Manual Descent	

SECTION 9 - RECOMMENDED SERVICE PARTS STOCK

SECTION 9 - RECOMMENDED SERVICE PARTS STOCK

SECTION 9 - RECOMMENDED SERVICE PARTS STOCK

FIGURE 9-1. 9MP STANDARD PARTS

ITEM	PART NUMBER	QTY	DESCRIPTION	REV
	Note	Ref	Note: The following list will service one machine (built to current production per date on the front cover) with emergency repair parts which can be installed in the field. Parts from the list should be replaced when inventory is depleted to keep service parts stock supplied. For further information, contact your JLG dealer or the JLG Industries Parts Department.	
		Ref	STANDARD PARTS	
	7020078	1	Switch, Push-Pull	
	3740049	1	Relay	
	2400006	2	Fuse	
	3740080	1	Relay	
	7011057	1	Breather/Filler	
	7011000	1	Coil	
	7018570	2	Fuse	
	7020088	1	Switch, Push Button	
	7020089	1	Switch, Push Button	
	3990010	2	Diode 6 Amp	
	Not Available	1	Coil	

SECTION 9 - RECOMMENDED SERVICE PARTS STOCK

FIGURE 9-2. 9MP VARIABLE PARTS

ITEM	PART NUMBER	QTY	DESCRIPTION	REV
	Note	Ref	Note: The following list will service one machine (built to current production per date on the front cover) with emergency repair parts which can be installed in the field. Parts from the list should be replaced when inventory is depleted to keep service parts stock supplied. For further information, contact your JLG dealer or the JLG Industries Parts Department.	
		Ref	VARIABLE PARTS	
	4360487	1	Switch, Key (Machines with Key Control)	
	7024411	1	Switch (Machines with Keyless Controls)	
	2860030	1	Key, Replacement (Machines with Key Control)	
	4360274	1	Switch, Push Button (Aux Lowering)	
	4360456	1	Switch, Limit	
	4360437	1	Switch, Limit	

SECTION 10 - SPECIAL OPTIONS

SECTION 10 - SPECIAL OPTIONS

FIGURE 10-1. SPECIAL OPTIONS

ITEM	PART NUMBER	QTY	DESCRIPTION	REV
	Note	Ref	Note: This list is to accomodate machines ordered with special equipment. Options may not be applicable to all models. For more specific parts information contact JLG Parts Department.	
		Ref	SPECIAL OPTION INSTALLATIONS	
	1580039	1	Container, Shipping Skid	
		Ref	Decal Options:	
	0272672	Ref	Home Depot Specs (English Language)	
	0272673	Ref	Home Depot Specs (French Language)	
	0272674	Ref	Home Depot Specs (Spanish Language)	
	0272724	Ref	Lowe's Specs	
	0272806	Ref	Wal-Mart Specs	
	3124179	Ref	Inspection Packet (ANSI and CSA Specs)	
	0272934	Ref	JLG Service Decal (ANSI and CSA Specs)	
	See Note	Ref	Load Sensing Installation (CE Spec) (Note: Refer to JLG Supplement p/n 3124289 for Components.)	
	3125041	Ref	Operator and Safety Video (ANSI and CSA Specs)	
		Ref	Tools	
	0100048	AR	Compound, Silicone (Use on connectors/receptacles)	
	7002821	1	Crimper (For Wire to Pin/Socket Connections)	
	7002823	1	Extractor (For Removal of Pin/Socket from Connectors)	
	4460467	1	Extractor, Pin (Blue 16-18 Gauge) (For Removal of Pin/Socket from Connectors)	
	4460510	1	Extractor, Pin (Yellow 12-14 Gauge) (For Removal of Pin/Socket from Connectors)	
	7002828	1	Stripper, Wire	
	7002842	1	Brake Crimp Removal Tool	
	7002841	1	Motor Crimp Removal Tool	

PART NUMBER INDEX

PART NUMBER INDEX

01000119, 10, 13, 14, 19, 23, 27, 31	0791404 13	1704798 49	3450304 28
0100048 60	0791406 14, 19	1704799 49	3520072 31
0100051 13	0791408 27	1704800 49	3520166 14
0100062 28	0791410 23, 27	1705516 47, 49	3520195 9
0140022 14	0791504 13	1705517 47, 50, 53	3539920 9
0140033 10	0791507 14	1705537 47, 49	3570893 27
0220007 10	0791610 9, 13	1705538 47, 49	3570976 28
0258448 28	0791620 31	1705570 49	3571101 28
0259450 13, 24	0791812 9, 27	1705571 49	3572158 14
0272509 9	0801358 9, 27	1705572 49	3573988 35
0272511 31	0860520 47, 50, 53	1705573 49	3574039 23
0272512 13, 39	0860946 23	1705575 47, 50, 53	3574065 35
0272513 10, 13	0861207 23	1705588 49	3574136 19
0272514 19	0861213 14	1705589 49	3574608 53
0272516 14, 23	0861305 13	1705621 49	3580231 23
0272518 14, 23	0861536 13	1705622 49	3580269 27
0272519 47	0902047 27	1705624 47, 50, 53	3580293 27
0272601 9	0902424 27	1705759 53	3600364 13, 17
0272603 23	0902431 27	1705801 53	3600378 13, 17
0272632 9	0902445 27	1705802 53	3680054 10
0272636 31	0902523 10	1705803 53	3740049 13, 56
0272641 9	0920114 9	1705804 53	3740080 14, 56
0272650 10	0940104 31	1705805 53	3760348 9
0272670 14	1060683 27	1705806 53	3760365 9
0272671 10	1060994 13	1706115 47, 50	3820006 47, 50, 53
0272672 60	1060995 13	1706116 50	3820032 10, 23, 47, 50, 53
0272673 60	1260357 27, 28	1706118 50	3820034 27
0272674 60	1271447 28	1706119 50	3900187 27
0272685 10, 13	1271527 28	1706342 47, 49	3900192 27
0272686 14	1271528 28	1706351 50	3900200 23
0272723 28	1320149 23	1706570 47, 50	3900206 27
0272724 60	1320224 10, 13	2080040 31, 53	3900206 27
0272797 47, 50, 53	1580017 10	2220603 35	3910804 13
0272798 49	1580018 31	2400006 13, 56	3911010 14
0272799 49	1580039 60	2420140 9	3911024 10, 14
0272800 49	1670836 47, 50, 53	2420172 14	3990010 23, 56
0272806 60	1671089 19	2420195 21	4060092 23
0272934 60	1684256 27, 35	2600281 31	4060961 27
0272943 9	1701509 47, 50, 53	2860030 13, 58	4060987 27
0272958 13, 39	1703455 28	2880310 27	4061024 13
0273173 53	1703625 47, 50, 53	2920155 10	4070860 27
0273365 14	1703681 47, 50, 53	2940132 14	4070861 27
0273399 49	1703779 47	3020041 27	4070862 27
0273943 14, 23	1703781 47, 49	3124179 60	4070970 27
0274393 49	1703785 47, 49	3125041 60	4070971 27
0274394 49	1703786 47, 49	3252191 50	4070984 14
0274698 47, 50	1703789 47, 49	3252760 23	4070988 27
0362658 19	1703817 47, 50, 53	3252761 23	4070989 27
0362735 27	1704021 49	3300151 31	4070990 27
0400209 19	1704023 49	3300202 19	4071092 31
0400214 19, 21	1704024 49	3311001 10, 13, 14, 23	4160124 27
0440249 27	1704026 49	3311408 23, 27	4160130 23
0561149 28	1704029 49	3311505 31	4220225 31
0561408 28	1704031 49	3311508 10, 14	4240033 10, 13
0561519 27	1704032 49	3311601 27	4300111 28
0630549 9	1704034 49	3311605 13, 14, 28	4360274 24, 58
0630550 10, 19	1704212 47, 49	3311608 10, 13, 31	4360437 14, 58
0630552 19	1704213 49	3311808 9	4360456 10, 58
0641406 19	1704236 24	3340845 27	4360467 13
0641422 31	1704244 47, 49	3340858 27	4360487 58
0641612 28	1704345 49	3422338 28	4420064 14
0641614 14	1704458 47	3422346 28	4420065 14
0721006 13, 23, 27	1704596 50	3422355 28	4460023 23
0741605 13	1704773 49	3422717 27	4460044 13
0791003 14, 27	1704795 49	3422750 27	4460125 23
	1704797 49	3422757 27	4460190 23

PART NUMBER INDEX

4460205	23	4751400	19	7011000.....	17, 56	7020096	13
4460226	10	4751500	23, 28	7011003.....	17	7020097	13
4460227	10	4761000	10, 14	7011016.....	17	7020629	21
4460234	10, 13	4761400	27	7011025.....	17	7020633	21
4460268	13	4845714	13	7011051.....	17	7020673	21
4460320	10	4846715	9	7011052.....	17	7020674	21
4460420	13	4846718	9	7011053.....	17	7022927	21
4460424	10, 13	4846722	31	7011054.....	17	7022928	21
4460467	60	4846729	9	7011055.....	17	7022930	21
4460510	60	4846749	10	7011056.....	17	7022932	21
4460549	23	4860208	9	7011057.....	17, 56	7022933	21
4460566	23	4860209	9	7011058.....	17	7022935	21
4460662	10, 24	4860242	9	7011059.....	17	7023391	35
4460741	13	4860244	9	7011060.....	17	7023392	35
4567750	27	4860245	9	7011061.....	17	7023394	35
4567751	27	4922420	23	7011068.....	17	7023395	35
4568647	39	4922583	14	7011509.....	21	7023396	35
4568648	39	4922740	13	7011528.....	21	7023399	35
4568651	9	4922799	23	7012998.....	35	7023993	35
4711400	19	4922828	10	7018558.....	21	7024411	13, 58
4711600	9, 14, 28	4922935	14	7018570.....	56	7024566	35
4711800	9	4923110	23	7018577.....	21	7024567	35
4712200	9	7002821	60	7018586.....	21	7024568	35
4740007	27	7002823	60	7020078.....	13, 23, 56	7024569	35
4740414	27	7002828	60	7020088.....	23, 56	7026195	10
4740415	9	7002841	60	7020089.....	23, 56	7026196	10
4740456	9	7002842	60	7020091.....	23	7027299	13, 23
4751000	10, 23, 27	7010950	17	7020093.....	23		