



Illustrated Parts Manual

Models **600A** **600AJ**

SN 0300069000 to
SN 0300087000

P/N
3121177

December 14, 2015

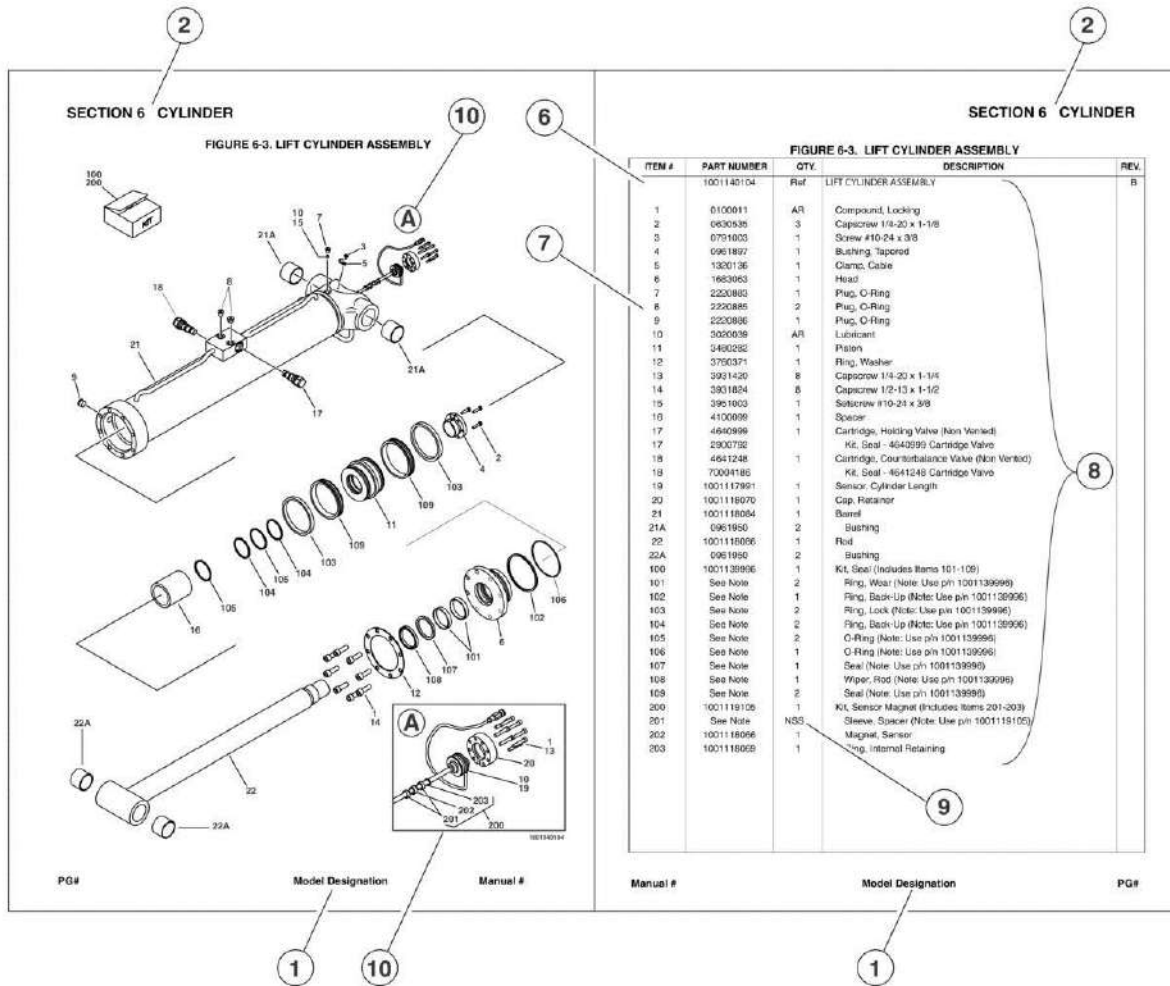
ANSI



REVISION LOG

March 6, 2003 - Original Issue Of Manual (Manual edited to 0010577 Revision 27)
June 16, 2003 - Revised Manual (Edited to 0010577 Revision 31)
September 12, 2003 - Revised Manual (Edited to 0010577 Revision 37)
January 12, 2004 - Revised Manual (Edited to 0010577 Revision 39)
May 5, 2004 - Revised Manual (Edited to 0010577 Revision 42)
September 9, 2004 - Revised Manual (Edited to 0010577 Revision 44)
December 6, 2004 - Revised Manual (Edited to 0010577 Revision 50 & 0010629 Rev 3)
April 12, 2005 - Revised Manual (Edited to 0010577 Revision 51 & 0010629 Rev 11)
June 1, 2005 - Revised Manual (Edited to 0010577 Revision 51 & 0010629 Rev 14)
August 26, 2005 - Revised Manual (Edited to 0010577 Revision 51 & 0010629 Rev 17)
November 15, 2005 - Revised Manual
April 18, 2006 - Revised Manual
July 19, 2006 - Revised Manual
December 12, 2006 - Revised Manual
May 1, 2007 - Revised Manual
August 16, 2007 - Revised Manual
December 4, 2007 - Revised Manual
March 31, 2008 - Revised Manual
September 15, 2008 - Revised Manual
February 15, 2009 - Revised Manual
August 1, 2009 - Revised Manual
March 25, 2010 - Revised Manual
August 15, 2010 - Revised Manual
February 24, 2011 - Revised Manual
May 27, 2011 - Revised Manual
August 29, 2011 - Revised Manual
December 23, 2011 - Revised Manual
April 27, 2012 - Revised Manual
July 24, 2012 - Revised Manual
November 2, 2012 - Revised Manual
March 7, 2013 - Revised Manual
June 6, 2013 - Revised Manual
September 1, 2013 - Revised Manual
June 1, 2015 - Revised Manual
December 14, 2015 - Revised Manual (Revision 4)

GENERAL INFORMATION



1) MACHINE IDENTIFICATION

Machines are identified by model and in some cases a combination of models, serial number (SN) or regional standard (i.e. ANSI, CE, CSA). Components may also be identified by SN or manufacturer. Common components that may be identified by these characteristics are engines and hydraulic components.

2) PARTS MANUAL ORGANIZATION

Product information in this manual is organized under section titles. Frame, Cylinder, Hydraulic and Electrical are a few examples. Each section is organized by figure and page number. The information within the Figure is then organized by item number, part number, description and corresponding illustration (s).

3) TABLE OF CONTENTS

A table of contents is found toward the beginning of the manual. Figure number, description and page number are provided for quick reference to the page containing the related information.

4) RECOMMENDED SPARE PARTS

The Recommended Spare Parts, located near the end of the manual, reference most frequently used maintenance parts.

5) PART NUMBER INDEX

A numerical index listing all part numbers and the corresponding page number(s) appears at the back of the manual.

GENERAL INFORMATION

6) NON-SERVICED PARTS

In some instances, it is necessary to display non-serviced parts, assemblies or installations. In the case of assemblies and installations there will be a Ref in the Qty column. In case of parts that are not available for service within assemblies or components, there will be a NSS (Not Sold Separately) or NLA (No Longer Available) listed in the Qty. column of the manual.

7) PARTS LIST ITEM NUMBERS

Numbers shown in the item# column correspond to numbers used in the associated illustration (s). Item numbers which are missing from the sequence in the parts list are not used on that page

8) INDENTED PARTS DESCRIPTION

An indented part description is included in the item under which it is indented.

9) ABB REVIATION AND SYMBOLS

AC.....	.. Alternating Current	LCD Liquid Crystal Display
ADE.....	.. Advanced Design Electronics	LED Light Emitting Diodes
ANSI American National Standards Institute	LH.....	.. Left Hand
AR.....	.. As Required	LSS Load Sensing System
ASSY Assembly	M(m).....	.. Metric/Meter
AUX.....	.. A uxiliary	MM (mm) Milimeter
AWG.....	.. American WireG auge	mA.....	.. Miliamps
B/M.....	.. Bill of Material	NLA.....	.. No Longer A vailable
CE.....	.. European Conformity	NPT.....	.. National Pipe Threads
CCW Counter Clockwise	NSS Not So ld Separately
cm.....	.. Centimet er	OD.....	.. Outside Diameter
CW.....	.. Clockwise	ORB.....	.. O-Ring Boss
CSA.....	.. Canadian Standards Association	ORFS O-Ring Face Seal
CYL.....	.. Cylinder	OZ (oz).....	.. Ounces
DIA.....	.. Diameter	PG.....	.. Page
DC.....	.. Direct Current	P/N.....	.. Part Number
EMS Emergency Stop	qt.....	.. Quarts
ENG Engine	QTY.....	.. Quantity
FT (ft).....	.. Feet	REF Reference
GA (Ga).....	.. G auge	REV Revision Level
HYD.....	.. Hydraulic	RH.....	.. Right Hand
Hz.....	.. Hertz	SAE.....	.. Society of A utomotive E ngineers
ID.....	.. Inside Diameter	SN.....	.. Serial Number
in.....	.. inches	SPEC(S).....	.. Specifications
ISO.....	.. I nternational Organization for Standards	T/T.....	.. T urntable
JIC.....	.. J oint Industry Council	UGM Univ ersal G round Module
KG.....	.. Kilogram	V.....	.. Volts
L.....	.. Liter	W.....	.. Watts
LB.....	.. P ounds	#.....	.. Number

10) ILLUSTRATION REFERENCE LETTERS

When necessary, illustrations may contain reference letters that are intended to track information (i. e. hoses, harnesses) from one point to another or to track visual enlargement of components to show details that may be located in another area on the illustration.

Note: Due to continuous product improvements, JLG Industries, Inc. reserves the right to make specification changes without prior notification. Contact JLG Industries, Inc. for updated information.

TABLE OF CONTENTS

SECTION 1 - FRAME.....	9
FIGURE 1-1. 2WD FRONT AXLE AND STEERING INSTALLATIONS (SN 0300069000 through 0300081835).....	10
FIGURE 1-2. 2WD FRONT AXLE AND STEERING INSTALLATIONS (SN 0300081836 through 0300087000).....	14
FIGURE 1-3. 4WD FRONT AXLE AND STEERING INSTALLATIONS (SN 0300069000 through 0300081835).....	18
FIGURE 1-4. 4WD FRONT AXLE AND STEERING INSTALLATIONS (SN 0300081836 through 0300087000).....	22
FIGURE 1-5. 4WS REAR STEERING INSTALLATIONS (SN 0300069000 through 0300081835).....	26
FIGURE 1-6. 4WS REAR STEERING INSTALLATIONS (SN 0300081836 through 0300087000).....	28
FIGURE 1-7. TIRE AND WHEEL DRIVE INSTALLATIONS.....	30
FIGURE 1-8. DRIVE HUB ASSEMBLY (SN 0300069000 through 0300081835).....	34
FIGURE 1-9. DRIVE HUB/BRAKE ASSEMBLY (SN 0300081836 through 0300087000).....	36
FIGURE 1-10. DRIVE MOTOR ASSEMBLY (2WD MACHINES) (SN 0300069000 through 0300071019).....	40
FIGURE 1-11. DRIVE MOTOR ASSEMBLY (2WD MACHINES) (SN 0300071020 through 0300081835).....	42
FIGURE 1-12. DRIVE MOTOR ASSEMBLY (4WD MACHINES) (SN 0300069000 through 0300081835).....	44
FIGURE 1-13. DRIVE MOTOR ASSEMBLY (2WD & 4WD MACHINES) (ORIGINAL EQUIPMENT) (SN 0300081836 through 0300087000).....	46
FIGURE 1-14. DRIVE MOTOR ASSEMBLY (2WD & 4WD MACHINES) (SERVICE REPLACEMENT).....	50
FIGURE 1-15. DRIVE VALVES AND SHIELDS INSTALLATION (FRAME MOUNTED) (SN 0300069000 through 0300081835).....	52
FIGURE 1-16. DRIVE VALVES AND SHIELDS INSTALLATION (FRAME MOUNTED) (SN 0300081836 through 0300087000).....	54
FIGURE 1-17. TOW PACKAGE INSTALLATION (OPTIONAL) (SN 0300069000 through 0300081835).....	58
FIGURE 1-18. TOW PACKAGE INSTALLATION (OPTIONAL) (SN 0300081836 through 0300087000).....	62
SECTION 2 - TURNTABLE.....	65
FIGURE 2-1. CONTROL VALVES INSTALLATIONS.....	66
FIGURE 2-2. MAIN VALVE BLOCK ASSEMBLY.....	72
FIGURE 2-3. ACCESSORY VALVE ASSEMBLIES.....	76
FIGURE 2-4. SWING DRIVE, TURNTABLE BEARING AND LOCK INSTALLATIONS.....	78
FIGURE 2-5. SWING HUB ASSEMBLY.....	80
FIGURE 2-6. SWING MOTOR ASSEMBLY.....	82
FIGURE 2-7. CATERPILLAR ENGINE INSTALLATION.....	84
FIGURE 2-8. DEUTZ ENGINE INSTALLATION (SN 0300069000 through 0300077489).....	92
FIGURE 2-9. DEUTZ ENGINE INSTALLATION (SN 0300077490 through 0300087000).....	100
FIGURE 2-10. FORD ENGINE INSTALLATION - LRG-425 (SN 0300069000 through 0300079887).....	108
FIGURE 2-11. DUAL FUEL INSTALLATION (OPTIONAL - FORD ENGINE MACHINES).....	116
FIGURE 2-12. FORD ENGINE INSTALLATION - LRG-425 (SN 0300079888 through 0300087000).....	118
FIGURE 2-13. PISTON PUMP ASSEMBLY (SN 0300069000 through 0300079887).....	124
FIGURE 2-14. PISTON PUMP ASSEMBLY (SN 0300079888 through 0300087000).....	130
FIGURE 2-15. GEAR PUMP ASSEMBLY.....	134
FIGURE 2-16. TANK INSTALLATIONS.....	136
FIGURE 2-17. ROTARY COUPLING INSTALLATIONS (SN 0300069000 through 0300081835).....	140
FIGURE 2-18. ROTARY COUPLING INSTALLATIONS (SN 0300081836 through 0300087000).....	142
FIGURE 2-19. GROUND CONTROL BOX ASSEMBLIES.....	146
FIGURE 2-20. ELECTRICAL OPTIONS INSTALLATIONS (TURNTABLE MOUNTED).....	150
FIGURE 2-21. ENGINE TRAY JACK INSTALLATIONS (OPTIONAL).....	154
FIGURE 2-22. HOODS INSTALLATIONS.....	156
FIGURE 2-23. 2500W GENERATOR INSTALLATION - CATERPILLAR MACHINES (OPTIONAL).....	160
FIGURE 2-24. 2500W GENERATOR INSTALLATION - DEUTZ MACHINES (OPTIONAL).....	164
FIGURE 2-25. 2500W GENERATOR INSTALLATION - FORD MACHINES (OPTIONAL) (SN 0300069000 through 0300079887).....	168
FIGURE 2-26. 2500W GENERATOR INSTALLATION - FORD MACHINES (OPTIONAL) (SN 0300079888 through 0300087000).....	172
FIGURE 2-27. 7500W SKYPOWER GENERATOR INSTALLATION - CATERPILLAR AND DEUTZ ENGINES.....	176
FIGURE 2-28. 7500W SKYPOWER GENERATOR INSTALLATION - FORD ENGINES.....	182
SECTION 3 - BOOM.....	187
FIGURE 3-1. BOOMS AND CYLINDERS INSTALLATION - 600A.....	188
FIGURE 3-2. BOOMS AND CYLINDERS INSTALLATION - 600AJ.....	192
FIGURE 3-3. TOWER BOOM ASSEMBLIES.....	198
FIGURE 3-4. MAIN BOOM ASSEMBLIES.....	202
FIGURE 3-5. ROTATOR ASSEMBLIES (FRONT ENTRY PLATFORM).....	206
FIGURE 3-6. ROTATOR ASSEMBLIES (SIDE ENTRY PLATFORM).....	210
FIGURE 3-7. VALVES AND SWITCHES INSTALLATION (BOOM MOUNTED).....	212
SECTION 4 - PLATFORM.....	215

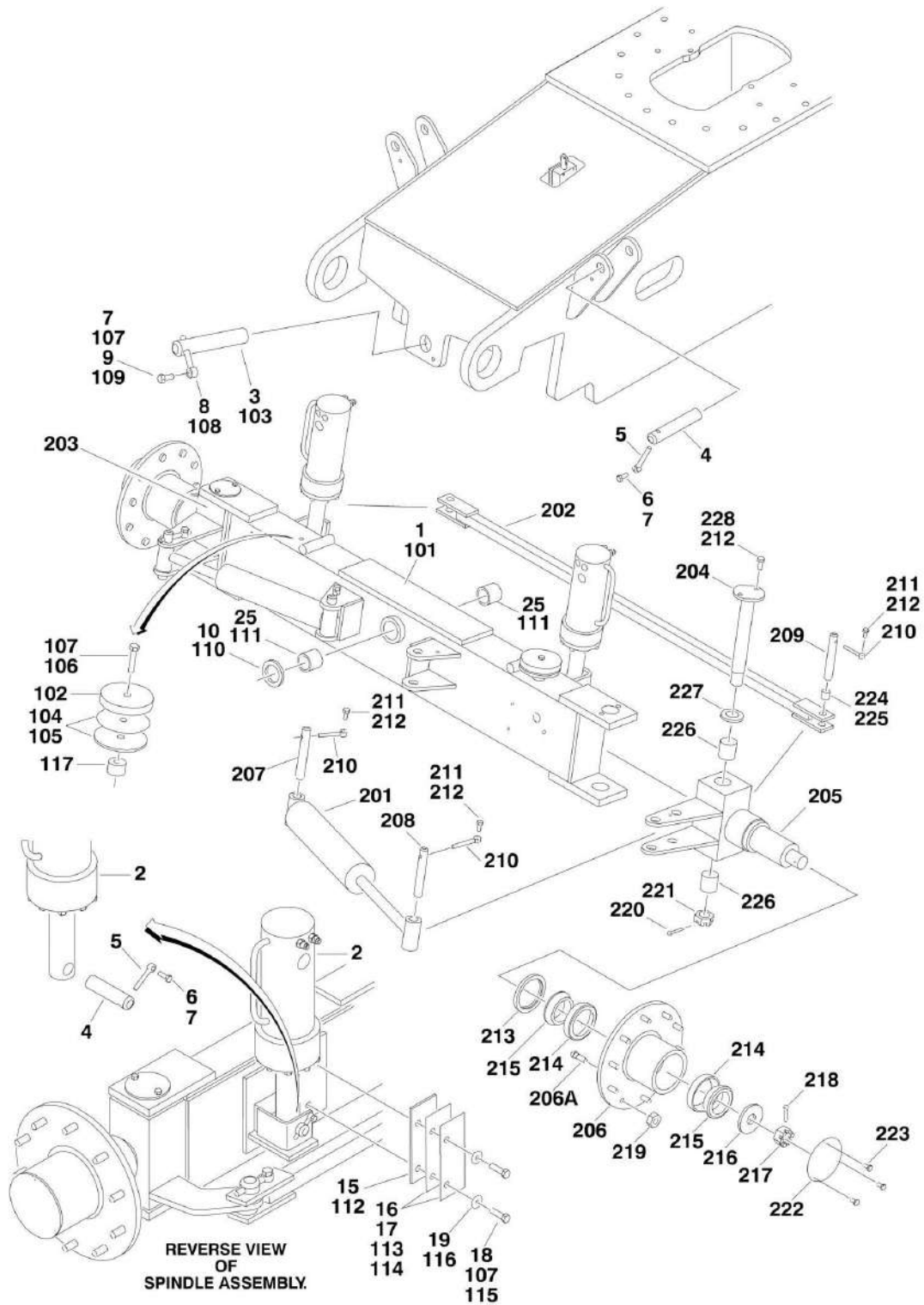
TABLE OF CONTENTS

FIGURE 4-1. PLATFORM ASSEMBLIES (FRONT ENTRY PLATFORM)	216
FIGURE 4-2. PLATFORM ASSEMBLIES - SIDE ENTRY	220
FIGURE 4-3. PLATFORM COMPONENTS INSTALLATION (FALL ARREST PLATFORM)	224
FIGURE 4-4. PLATFORM CONSOLE ASSEMBLY	226
FIGURE 4-5. CONTROLLER ASSEMBLY (LIFT AND SWING)	230
FIGURE 4-6. CONTROLLER ASSEMBLY (LIFT AND SWING)	232
FIGURE 4-7. CONTROLLER ASSEMBLY (LIFT AND SWING)	234
FIGURE 4-8. CONTROLLER ASSEMBLY (DRIVE AND STEER)	238
FIGURE 4-9. CONTROLLER ASSEMBLY (DRIVE AND STEER)	240
FIGURE 4-10. CONTROLLER ASSEMBLY (DRIVE AND STEER)	242
FIGURE 4-11. SOFT TOUCH SYSTEM INSTALLATION (OPTIONAL)	244
FIGURE 4-12. PLATFORM PADDING INSTALLATION (SIDE ENTRY PLATFORM) (OPTIONAL)	246
SECTION 5 - CYLINDER	249
FIGURE 5-1. AXLE LOCKOUT CYLINDER ASSEMBLY (SN 0300069000 through 0300081835)	250
FIGURE 5-2. AXLE LOCKOUT CYLINDER ASSEMBLY (SN 0300081836 through 0300087000)	252
FIGURE 5-3. PLATFORM LEVEL CYLINDER ASSEMBLY	254
FIGURE 5-4. LEVEL CYLINDER ASSEMBLY - UPRIGHT	258
FIGURE 5-5. LIFT CYLINDER ASSEMBLY - ARTICULATING JIB - 600AJ	260
FIGURE 5-6. LIFT CYLINDER ASSEMBLY - MAIN BOOM	262
FIGURE 5-7. LIFT CYLINDER ASSEMBLY - TOWER BOOM	264
FIGURE 5-8. MASTER CYLINDER ASSEMBLY	266
FIGURE 5-9. STEER CYLINDER ASSEMBLY	268
FIGURE 5-10. TELESCOPE CYLINDER ASSEMBLY - MAIN BOOM	270
FIGURE 5-11. TELESCOPE CYLINDER ASSEMBLY - TOWER BOOM	272
FIGURE 5-12. CYLINDER BELLOWS INSTALLATION (OPTIONAL)	274
SECTION 6 - HYDRAULIC	277
FIGURE 6-1. DRIVE HYDRAULIC DIAGRAM - 2WD/2WS (SN 0300069000 through 0300081835)	278
FIGURE 6-2. DRIVE HYDRAULIC DIAGRAM - 2WD/2WS (SN 0300081836 through 0300087000)	280
FIGURE 6-3. DRIVE HYDRAULIC DIAGRAM - 4WD/2WS (SN 0300069000 through 0300081835)	282
FIGURE 6-4. DRIVE HYDRAULIC DIAGRAM - 4WD/2WS (SN 0300081836 through 0300087000)	286
FIGURE 6-5. HYDRAULIC DIAGRAM - OSCILLATING AXLE (SN 0300069000 through 0300081835)	288
FIGURE 6-6. HYDRAULIC DIAGRAM - OSCILLATING AXLE (SN 0300081836 through 0300087000)	290
FIGURE 6-7. HYDRAULIC DIAGRAM - STANDARD (SN 0300069000 through 0300081835)	292
FIGURE 6-8. HYDRAULIC DIAGRAM - STANDARD (SN 0300081836 through 0300087000)	296
FIGURE 6-9. HYDRAULIC DIAGRAM LIST	300
SECTION 7 - ELECTRICAL	301
FIGURE 7-1. ELECTRICAL DIAGRAM LIST	302
FIGURE 7-2. ELECTRICAL SCHEMATIC - DEUTZ AND ALL CATERPILLAR AND FORD (SN 0300069000 through 0300084828)	304
FIGURE 7-3. ELECTRICAL SCHEMATIC - DEUTZ ENGINE (SN 0300084827 through 0300087000)	310
FIGURE 7-4. HARNESS COMPONENTS INSTALLATION	314
SECTION 8 - DECALS	325
FIGURE 8-1. DECAL INSTALLATION - ANSI SPEC (SN 0300069000 through 0300086149)	326
FIGURE 8-2. DECAL INSTALLATION - ANSI SPEC (SN 0300086150 through 0300087000)	330
FIGURE 8-3. DECAL INSTALLATION (COUNTRY SPECS) (SN 0300069000 through 0300086149)	334
FIGURE 8-4. DECAL INSTALLATION (COUNTRY SPECS) (SN 0300086150 through 0300087000)	340
SECTION 9 - RECOMMENDED SERVICE PARTS STOCK	345
FIGURE 9-1. MODEL 600A/600AJ STANDARD PARTS	346
FIGURE 9-2. MODEL 600A/600AJ VARIABLE PARTS	348
SECTION 10 - SPECIAL OPTIONS	349
FIGURE 10-1. SPECIAL OPTIONS	350
PART NUMBER INDEX	355

SECTION 1 - FRAME

SECTION 1 - FRAME

FIGURE 1-1. 2WD FRONT AXLE AND STEERING INSTALLATIONS (SN 0300069000 through 0300081835)



SECTION 1 - FRAME

FIGURE 1-1. 2WD FRONT AXLE AND STEERING INSTALLATIONS (SN 0300069000 through 0300081835)

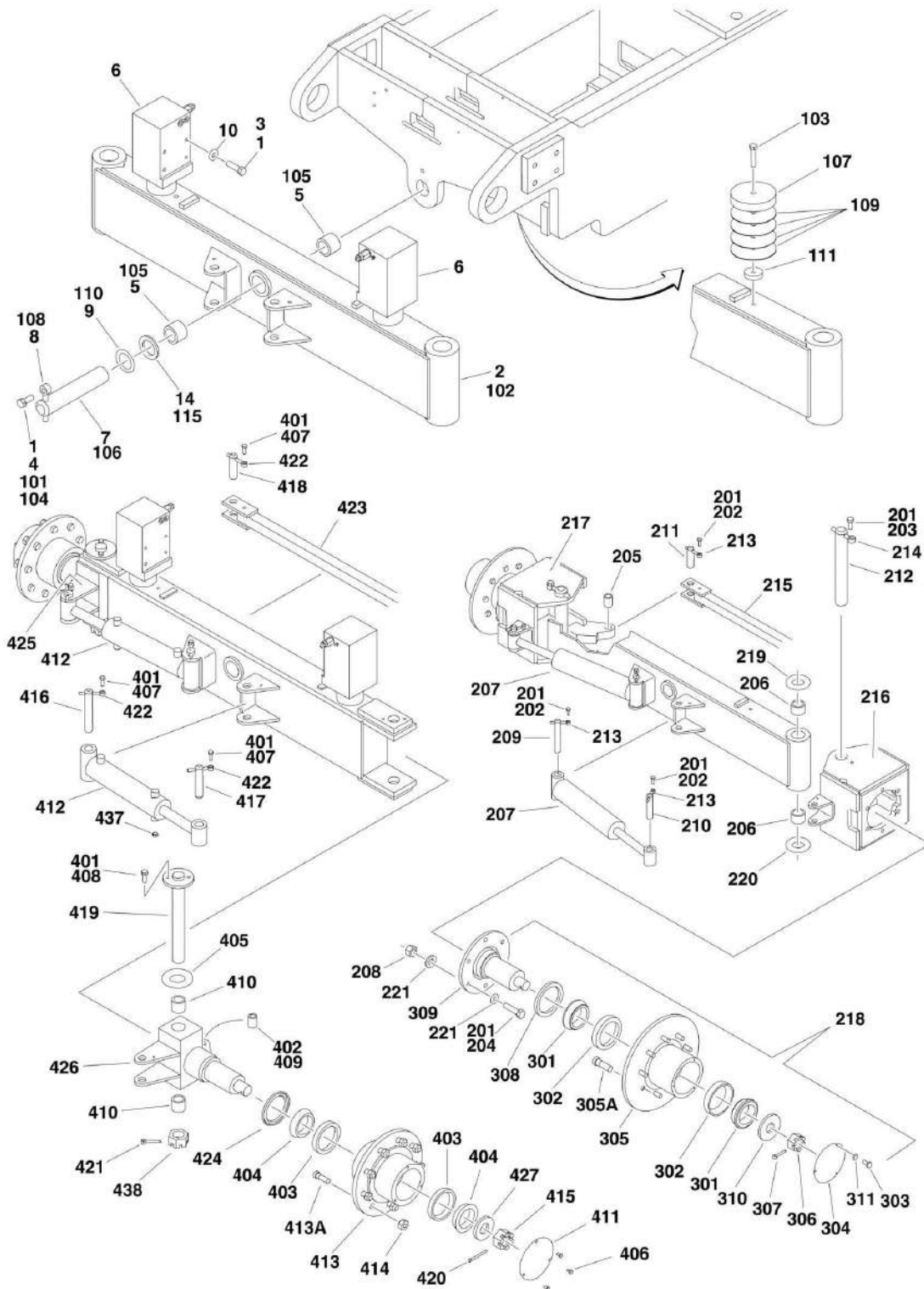
ITEM	PART NUMBER	QTY	DESCRIPTION	REV
		Ref	AXLE INSTALLATIONS - OSCILLATING	
	0256398	Ref	8ft/2.4m Wide Machines	3
	0256397	Ref	7ft/2.1m Wide Machines	4
1		Ref	Axle Weldment Options:	
1	4844929	1	8ft/2.4m Wide Machine	
1	4844960	1	7ft/2.1m Wide Machine	
2	1683280	2	Lockout Cylinder Assembly (See CYLINDER SECTION for Breakdown)	
3	3422592	1	Pin, Pivot	
4	3422426	4	Pin, Cylinder	
5	3841143	4	Keeper, Pin	
6	0641608	4	Bolt 3/8in-16NC x 1in	
7	0100011	AR	Compound, Locking	
8	3841258	1	Keeper, Pin	
9	0642012	1	Bolt 5/8in-11NC x 1-1/2in	
10	4740158	1	Thrustwasher	
15	3538047	2	Plate, Wear	
16	4070878	4	Shim, (.06)	
17	4070879	4	Shim, (.12)	
18	0641612	4	Bolt 3/8in-16NC x 1-1/2in	
19	4711600	4	Flatwasher 3/8in Thin	
25	0961950	2	Bushing	
		Ref	AXLE INSTALLATIONS - FIXED	
	0256623	Ref	8ft/2.4m Wide Machines	3
	0256624	Ref	7ft/2.1m Wide Machines	2
101		Ref	Axle Weldment Options:	
101	4844929	1	8ft/2.4m Wide Machines	
101	4844960	1	7ft/2.1m Wide Machines	
102	3539877	2	Plate, Stop	
103	3422592	1	Pin, Pivot	
104	4070944	AR	Shim (.06)	
105	4070945	AR	Shim (.25)	
106	0641826	4	Bolt 1/2in-13NC x 3-1/4in	
107	0100019	AR	Compound, Locking	
108	3841258	1	Keeper, Pin	
109	0642012	1	Bolt 5/8in-11NC x 1-1/2in	
110	4740158	1	Thrustwasher	
111	0961950	2	Bushing	
112	3538047	2	Plate, Wear	
113	4070878	AR	Shim (.06)	
114	4070879	AR	Shim (.12)	
115	0641612	4	Bolt 3/8in-16NC x 1-1/2in	
116	4711600	4	Flatwasher 3/8in Thin	
117	3539879	2	Plate, Stop	
		Ref	STEERING INSTALLATIONS	
	0256388	Ref	8ft/2.4m Wide Machines	4
	0256391	Ref	7ft/2.1m Wide Machines	4
201		Ref	Steer Cylinder Assembly Options: (See CYLINDER SECTION for Breakdown)	

SECTION 1 - FRAME

ITEM	PART NUMBER	QTY	DESCRIPTION	REV
201	1683208	2	8ft/2.4m Wide Machines	
201	1683304	2	7ft/2.1m Wide Machines	
202		Ref	Tie-Rod Options:	
202	3841262	1	8ft/2.4m Wide Machines	
202	3841263	1	7ft/2.1m Wide Machines	
203	4130341	1	Spindle (Right Side)	
204	3422427	2	Kingpin	
205	4130340	1	Spindle (Left Side)	
206	2780212	2	Hub	
206A	0630490	16	Stud, Wheel (8 Per Hub)	
207	3422426	2	Pin	
208	3422429	2	Pin	
209	3422430	2	Pin	
210	3841143	6	Keeper	
211	0641608	6	Bolt 3/8in-16NC x 1in	
212	0100011	AR	Compound, Locking	
213	3960098	2	Seal	
214	0440019	4	Cone, Bearing	
215	0440018	4	Cup, Bearing	
216	4740016	2	Flatwasher, Hardened	
217	3323403	2	Nut, Slotted 1-1/2in-12NF	
218	3450810	2	Pin, Cotter 1/4in x 2-1/2in	
219	3300106	16	Lugnut 5/8in	
220	3451012	2	Pin, Cotter 1/4in x 3in	
221	3313403	2	Nut, Slotted 1-1/2in-6NC	
222	1120460	2	Cap, Hub	
223	0641404	6	Bolt 1/4in-20NC x 1/2in	
224	0962005	2	Bushing	
225	0100063	AR	Loctite, #RC609	
226	0962272	4	Bushing	
227	0440161	2	Thrustwasher	
228	0681608	4	Bolt 3/8in-16NC x 1in (Grade 8)	
	2890245	1	Wheel Bearing Retention Washer Replacement Kit (Includes Items 216 & 218)	

SECTION 1 - FRAME

FIGURE 1-2. 2WD FRONT AXLE AND STEERING INSTALLATIONS (SN 0300081836 through 0300087000)



SECTION 1 - FRAME

FIGURE 1-2. 2WD FRONT AXLE AND STEERING INSTALLATIONS (SN 0300081836 through 0300087000)

ITEM	PART NUMBER	QTY	DESCRIPTION	REV
		Ref	AXLE INSTALLATIONS - OSCILLATING	
	0273954	Ref	8ft/2.4m Wide Machines without Tow Package	D
	0274234	Ref	8ft/2.4m Wide Machines with Tow Package	A
	0274047	Ref	7ft/2.1m Wide Machines without Tow Package	A
	0274256	Ref	7ft/2.1m Wide Machines with Tow Package	A
1	0100011	AR	Compound, Locking	
2		Ref	Axle Weldment Options:	
2	0280167	1	8ft/2.4m Wide Machine without Tow Package	
2	0280183	1	8ft/2.4m Wide Machine with Tow Package	
2	0280171	1	7ft/2.1m Wide Machine without Tow Package	
2	0280185	1	7ft/2.1m Wide Machine with Tow Package	
3	0641814	8	Bolt 1/2in-13NC x 1-3/4in	
4	0642012	1	Bolt 5/8in-11NC x 1-1/2in	
5	0961950	2	Bushing	
6	1684280	2	Lockout Cylinder Assembly (See CYLINDER SECTION for Breakdown)	
7	3422592	1	Pin, Pivot	
8	3841258	1	Keeper, Pin	
9	4740158	1	Thrustwasher	
10	4891800	8	Flatwasher 1/2in Hardened	
14	4071101	AR	Shim	
		Ref	AXLE INSTALLATIONS - FIXED	
	0273959	Ref	8ft/2.4m Wide Machines	D
	0274054	Ref	7ft/2.1m Wide Machines	B
101	0100011	AR	Compound, Locking	
102		Ref	Axle Weldment Options:	
102	0280167	1	8ft/2.4m Wide Machines	
102	0280171	1	7ft/2.1m Wide Machines	
103		Ref	Bolt 1/2in-13NC Options:	
103	0641818	2	8ft/2.4m Wide Machines (2-1/4in Length)	
103	0641816	2	7ft/2.1m Wide Machines (2in Length)	
104	0642012	1	Bolt 5/8in-11NC x 1-1/2in	
105	0961950	2	Bushing	
106	3422592	1	Pin, Pivot	
107	3539877	2	Plate, Stop	
108	3841258	1	Keeper, Pin	
109		Ref	Shim Options:	
109	4070944	12	Shim (.06) for 8ft/2.4m Wide Machines	
109	4070945	2	Shim (.25) for 7ft/2.1m Wide Machines	
110	4740158	1	Thrustwasher	
111		Ref	Spacer Options:	
111	4740542	2	8ft/2.4m Wide Machines (SN 0300069000 through 0300084828)	
111	4071101	2	8ft/2.4m Wide Machines (SN 0300084829 through 0300087000)	
111	4740543	2	7ft/2.1m Wide Machines	
115	4071101	AR	Shim	
	0274132	Ref	STEERING INSTALLATION (8FT/2.4M WIDTH MACHINES)	B
201	0100011	AR	Compound, Locking	

SECTION 1 - FRAME

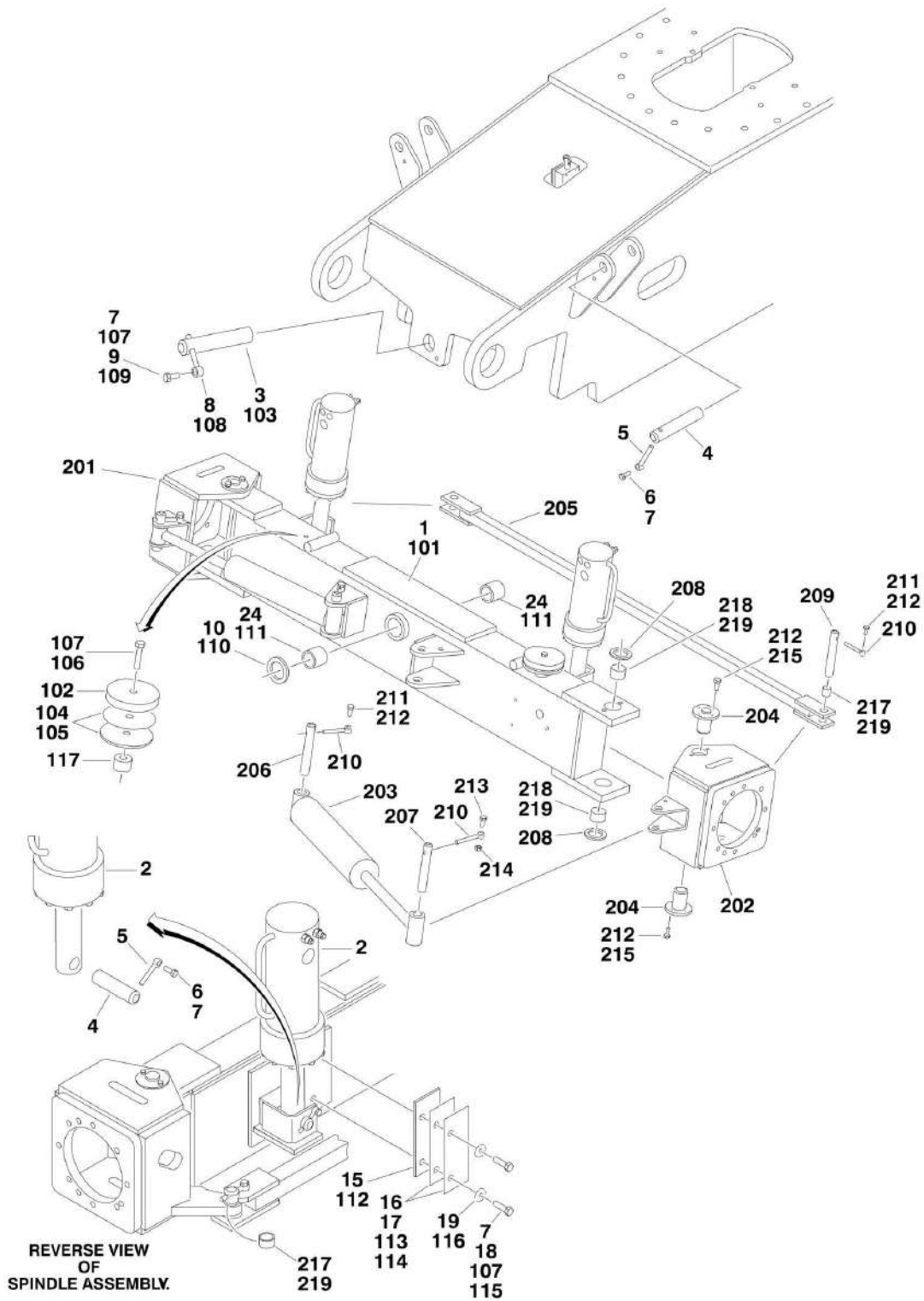
ITEM	PART NUMBER	QTY	DESCRIPTION	REV
202	0641608	6	Bolt 3/8in-16NC x 1in	
203	0642012	2	Bolt 5/8in-11NC x 1-1/2in	
204	0682020	12	Bolt 5/8in-11NC x 2-1/2in (Grade 8)	
205	0962005	2	Bushing	
206	0962131	4	Bushing	
207	1683208	2	Steer Cylinder Assembly (See CYLINDER SECTION for Breakdown)	
208	3272001	12	Nut 5/8in-11NC (Grade 8)	
209	3422426	2	Pin	
210	3422429	2	Pin	
211	3422430	2	Pin	
212	3422900	2	Kingpin	
213	3841143	6	Keeper	
214	3841258	2	Keeper	
215	3841285	1	Tie-Rod	
216	4130401	1	Spindle (Left Side)	
217	4130402	1	Spindle (Right Side)	
218	4130410	2	Hub Assembly (See Items 301-311 for Breakdown)	
219	4740256	2	Thrustwasher	
220	4740463	2	Thrustwasher	
221	4892000	2	Flatwasher 5/8in Hardened	
	4130410	Ref	HUB ASSEMBLY (8FT/2.4M WIDTH MACHINES)	A
		Ref	Note: Qty is Per Assembly	
301	0440170	2	Cone, Bearing	
302	0440171	2	Cup, Bearing	
303	0721003	3	Screw #10-24NC x 3/8in	
304	1120304	2	Cap, Hub	
305	2780271	1	Hub	
305A	0630490	9	Stud, Wheel	
306	3323403	1	Nut, Slotted 1-1/2in-12NF	
307	3451010	1	Pin, Cotter 5/16in x 2-1/2in	
308	3960343	1	Seal	
309	4130409	1	Adapter, Spindle	
310	4740283	1	Flatwasher, Hardened	
311	4761000	3	Lockwasher #10	
		Ref	STEERING INSTALLATION (7FT/2.1M WIDTH MACHINES)	
	0274257	Ref	2WS with 7ft/2.1m Wide Frame with Tow Package	B
	0274062	Ref	4WS with 7ft/2.1m Width Frame without Tow Package	G
401	0100011	AR	Compound, Locking	
402	0100063	AR	Loctite # RC609	
403	0440018	4	Cup, Bearing	
404	0440019	4	Cone, Bearing	
405	0440161	2	Thrustwasher	
406	0641404	6	Bolt 1/4in-20NC x 1/2in	
407	0641608	4	Bolt 3/8in-16NC x 1in	
408	0681608	4	Bolt 3/8in-16NC x 1in (Grade 8)	
409	0962005	4	Bushing	
410	0962272	4	Bushing	
411	1120460	2	Cap, Hub	
412	1684418	2	Steer Cylinder Assembly (See CYLINDER SECTION for Breakdown)	
413		Ref	Hub Options:	

SECTION 1 - FRAME

ITEM	PART NUMBER	QTY	DESCRIPTION	REV
413	2780276	2	Without Tow Package	
413	4130413	1	With Tow Package (Left Side)	
413	4130415	1	With Tow Package (Right Side)	
413A	0630490	18	Stud, Wheel (9 Per Hub)	
414	3300106	18	Nut, Wheel	
415	3323403	2	Nut, Slotted 1-1/2in-12NF	
416	3422426	2	Pin	
417		Ref	Pin Options:	
417	3422429	2	Without Tow Package	
417	3422429	1	With Tow Package	
417	3422427	1	With Tow Package	
418	3422430	2	Pin	
419	3423175	2	Kingpin	
420	3450810	2	Pin, Cotter 1/4in x 2-1/2in	
421	3451010	2	Pin, Cotter 5/16in x 2-1/2in	
422	3841143	6	Keeper	
423	3841263	1	Tie-Rod	
424	3960098	2	Seal	
425	4130413	1	Spindle (Right Side)	
426	4130414	1	Spindle (Left Side)	
427	4740016	2	Flatwasher, Hardened	
428	0642012	2	Bolt 5/8in-11NC x 1-1/2in	
437	2220237	2	Plug	
438	3313403	2	Nut, Slotted 1-1/2in-6NC	
	2890245	1	Wheel Bearing Retention Washer Replacement Kit (Includes Items 420 & 427)	

SECTION 1 - FRAME

FIGURE 1-3. 4WD FRONT AXLE AND STEERING INSTALLATIONS (SN 0300069000 through 0300081835)



SECTION 1 - FRAME

FIGURE 1-3. 4WD FRONT AXLE AND STEERING INSTALLATIONS (SN 0300069000 through 0300081835)

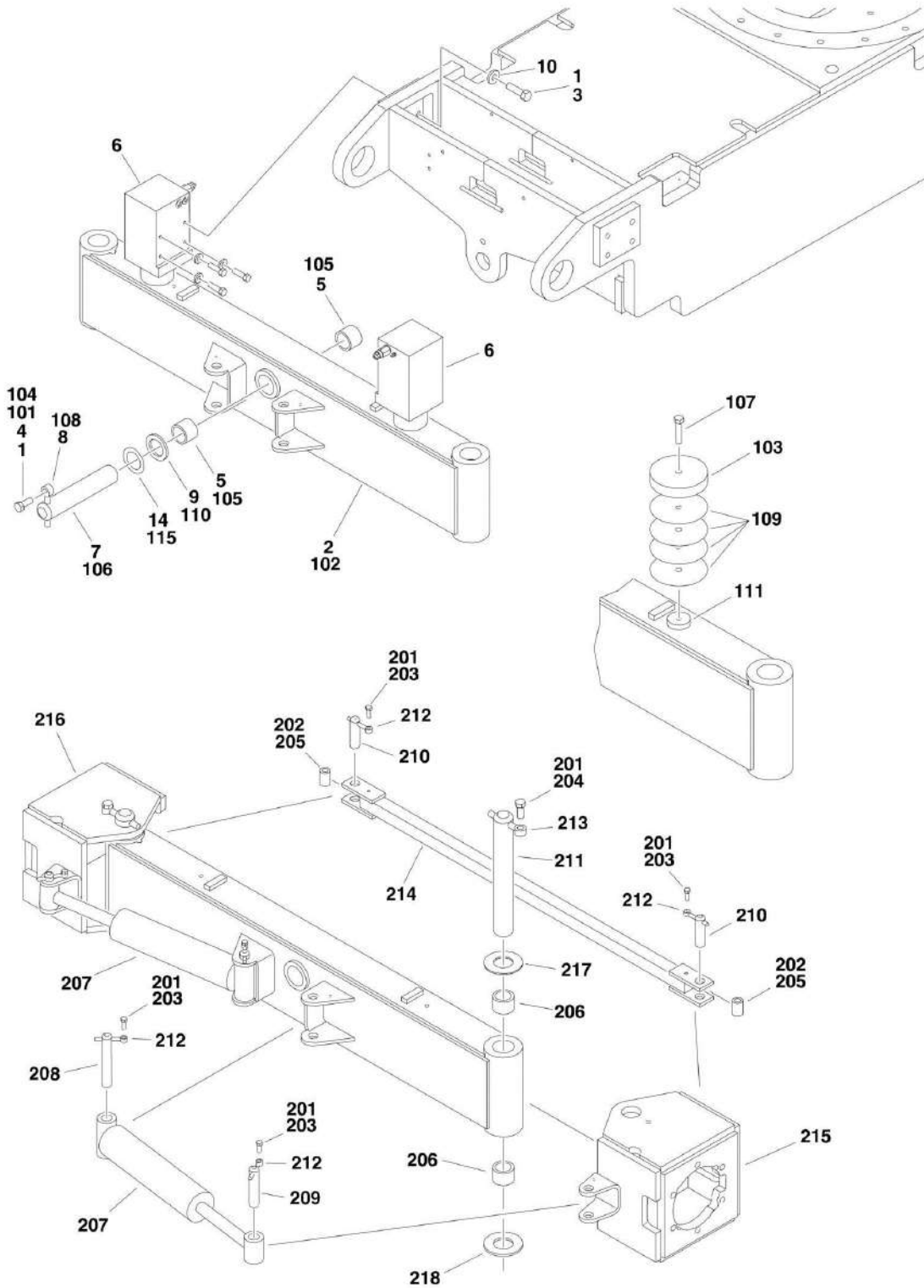
ITEM	PART NUMBER	QTY	DESCRIPTION	REV
	0256392	Ref	AXLE INSTALLATIONS - OSCILLATING	3
1	4845041	1	Axle Weldment	
2	1683280	2	Lockout Cylinder Assembly (See CYLINDER SECTION for Breakdown)	
3	3422592	1	Pin, Pivot	
4	3422426	4	Pin, Cylinder	
5	3841143	4	Keeper, Pin	
6	0641608	4	Bolt 3/8in-16NC x 1in	
7	0100011	AR	Compound, Locking	
8	3841258	1	Keeper	
9	0642012	1	Bolt 5/8in-11NC x 1-1/2in	
10	4740158	1	Thrustwasher	
15	3538047	2	Plate, Axle Wear	
16	4070878	AR	Shim (.06)	
17	4070879	AR	Shim (.12)	
18	0641608	4	Bolt 3/8in-16NC x 1in	
19	4711600	4	Flatwasher 3/8in Thin	
24	0961950	2	Bushing, Bronze	
	0256625	Ref	AXLE INSTALLATIONS - FIXED	3
101	4845041	1	Axle Weldment	
102	3539877	2	Plate, Stop	
103	3422592	1	Pin, Pivot	
104	4070944	AR	Shim (.06)	
105	4070945	AR	Shim (.25)	
106	0641820	2	Bolt 1/2in-13NC x 2-1/2in	
107	0100019	AR	Compound, Locking	
108	3841258	1	Keeper, Pin	
109	0642012	1	Bolt 5/8in-11NC x 1-1/2in	
110	4740158	1	Thrustwasher	
111	0961950	2	Bushing	
112	3538047	2	Plate, Wear	
113	4070878	AR	Shim (.06)	
114	4070879	AR	Shim (.12)	
115	0641612	4	Bolt 3/8in-16NC x 1-1/2in	
116	4711600	4	Flatwasher 3/8in Thin	
117	3539879	2	Plate, Stop	
	0256399	Ref	STEERING INSTALLATIONS	4
201	4130330	1	Spindle - Right Side	
202	4130331	1	Spindle - Left Side	
203	1683208	2	Steer Cylinder Assembly (See CYLINDER SECTION for Breakdown)	
204	3422802	1	Pin, Pivot	
205	3841285	1	Tie-Rod	
206	3422426	2	Pin, Steer Cylinder	
207	3422429	2	Pin, Steer Cylinder	
208	0440161	4	Thrustwasher	
209	3422430	2	Pin, Tie-Rod	
210	3841143	6	Keeper, Pin	
211	0641608	4	Bolt 3/8in-16NC x 1in	

SECTION 1 - FRAME

ITEM	PART NUMBER	QTY	DESCRIPTION	REV
212	0100011	AR	Compound, Locking	
213	0641610	2	Bolt 3/8in-16NC x 1-1/4in	
214	3311605	2	Locknut 3/8in-16NC	
215	0681608	8	Bolt 3/8in-16NC x 1in (Grade 8)	
217	0962005	2	Bushing, Bronze	
218	0962272	4	Bushing	
219	0100063	AR	Loctite, #RC609	

SECTION 1 - FRAME

FIGURE 1-4. 4WD FRONT AXLE AND STEERING INSTALLATIONS (SN 0300081836 through 0300087000)



SECTION 1 - FRAME

FIGURE 1-4. 4WD FRONT AXLE AND STEERING INSTALLATIONS (SN 0300081836 through 0300087000)

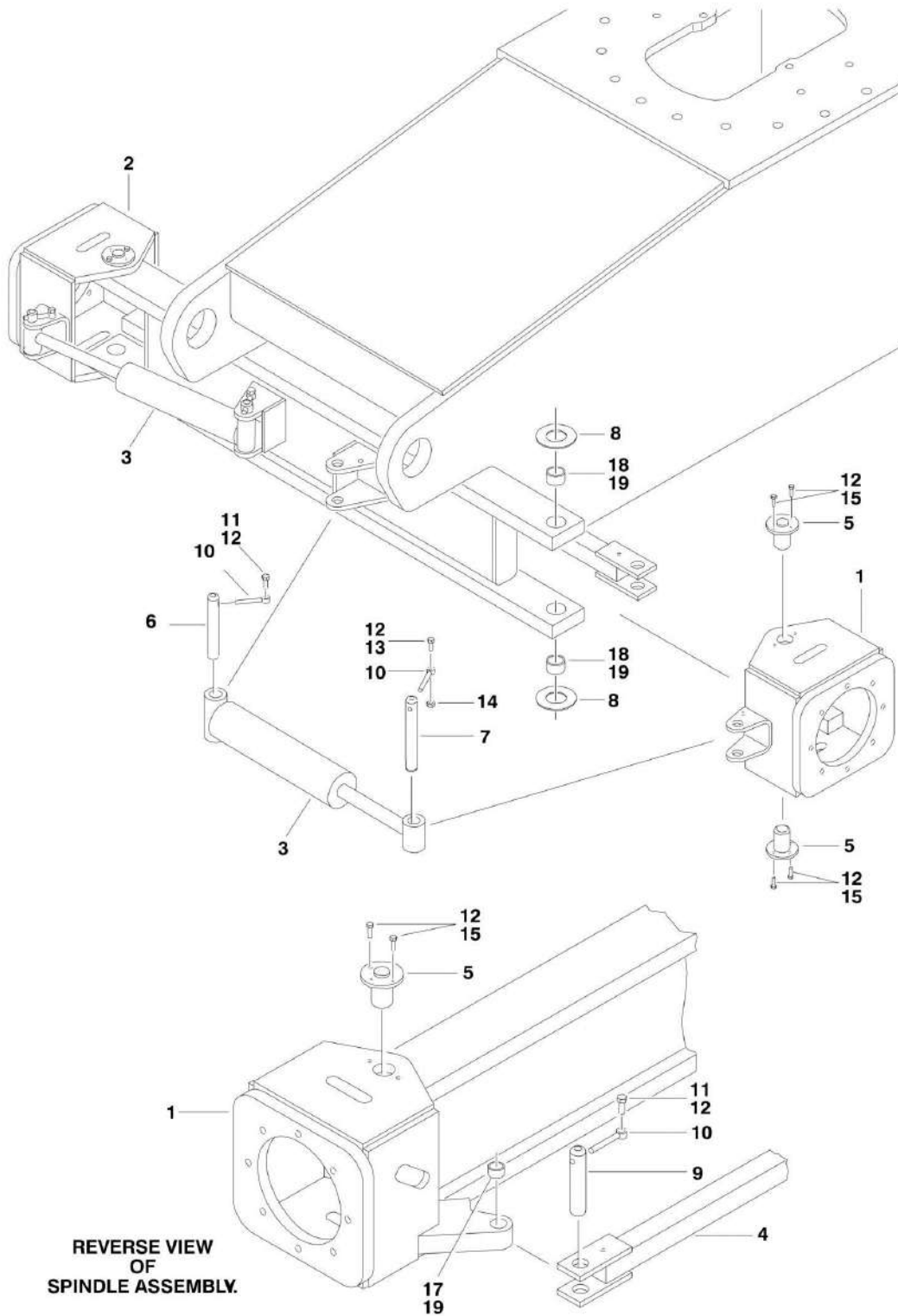
ITEM	PART NUMBER	QTY	DESCRIPTION	REV
		Ref	AXLE INSTALLATIONS - OSCILLATING	
	0273954	Ref	8ft/2.4m Wide Machines without Tow Package	D
	0274234	Ref	8ft/2.4m Wide Machines with Tow Package	A
1	0100011	AR	Compound, Locking	
2		Ref	Axle Weldment Options:	
2	0280167	1	8ft/2.4m Wide Machine without Tow Package	
2	0280183	1	8ft/2.4m Wide Machine with Tow Package	
3	0641814	8	Bolt 1/2in-13NC x 1-3/4in	
4	0642012	1	Bolt 5/8in-11NC x 1-1/2in	
5	0961950	2	Bushing	
6	1684280	2	Lockout Cylinder Assembly (See CYLINDER SECTION for Breakdown)	
7	3422592	1	Pin, Pivot	
8	3841258	1	Keeper, Pin	
9	4740158	1	Thrustwasher	
10	4891800	8	Flatwasher 1/2in Hardened	
14	4071101	AR	Shim	
	0273959	Ref	AXLE INSTALLATIONS - FIXED	C
101	0100011	AR	Compound, Locking	
102	0280167	1	Axle Weldment	
103	0641818	2	Bolt 1/2in-13NC x 2-1/4in	
104	0642012	1	Bolt 5/8in-11NC x 1-1/2in	
105	0961950	2	Bushing	
106	3422592	1	Pin, Pivot	
107	3539877	2	Plate, Stop	
108	3841258	1	Keeper, Pin	
109	4070944	8	Shim (.06)	
110	4740158	1	Thrustwasher	
111	4740542	2	Spacer	
115	4071101	AR	Shim	
		Ref	STEERING INSTALLATION	
	0273940	Ref	2WS without Tow Package	B
	0274220	Ref	2WS with Tow Package	B
	0274121	Ref	4WS without Tow Package	B
	0274220	Ref	4WS with Tow Package	B
201	0100011	AR	Compound, Locking	
202	0100063	AR	Loctite # RC609	
203	0641608	6	Bolt 3/8in-16NC x 1in	
204	0642012	2	Bolt 5/8in-11NC x 1-1/2in	
205	0962005	2	Bushing	
206	0962131	4	Bushing	
207	1683208	2	Steer Cylinder Assembly (See CYLINDER SECTION for Breakdown)	
208	3422426	2	Pin	
209		Ref	Pin Options:	
209	3422429	2	Without Tow Package	
209	3422429	1	With Tow Package	
209	3422427	1	With Tow Package	
210	3422430	2	Pin	

SECTION 1 - FRAME

ITEM	PART NUMBER	QTY	DESCRIPTION	REV
211	3422900	2	Kingpin	
212	3841143	6	Keeper	
213	3841258	2	Keeper	
214	3841285	1	Tie-Rod	
215	4130401	1	Spindle (Left Side)	
216		Ref	Spindle (Right Side) Options:	
216	4130402	1	Without Tow Package	
216	4130412	1	With Tow Package	
217	4740256	2	Thrustwasher	
218	4740463	2	Thrustwasher	

SECTION 1 - FRAME

FIGURE 1-5. 4WS REAR STEERING INSTALLATIONS (SN 0300069000 through 0300081835)



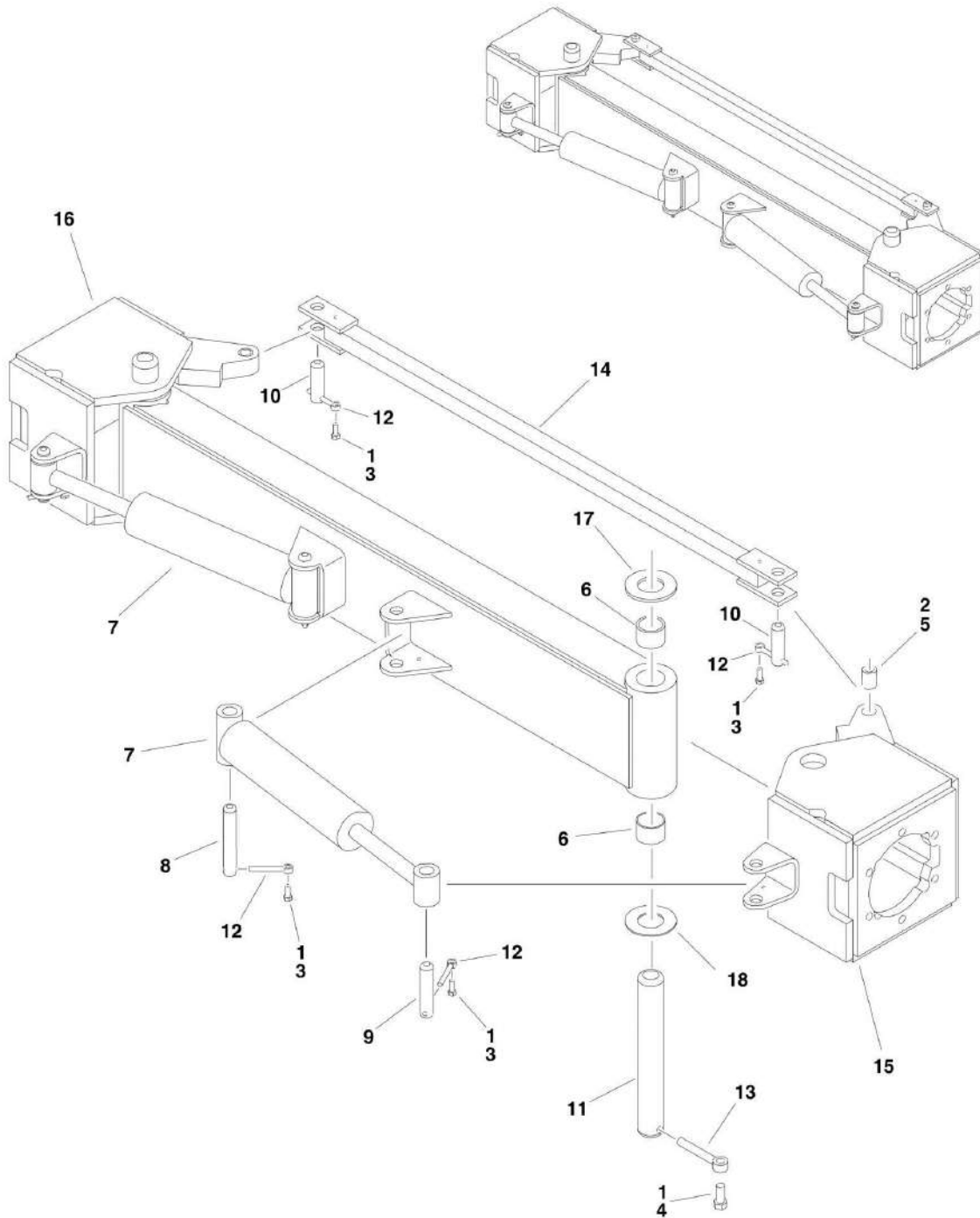
SECTION 1 - FRAME

FIGURE 1-5. 4WS REAR STEERING INSTALLATIONS (SN 0300069000 through 0300081835)

ITEM	PART NUMBER	QTY	DESCRIPTION	REV
		Ref	4WS REAR STEERING INSTALLATIONS OPTIONS:	
	0256717	Ref	2WD/4WS 8ft/2.4m Wide Machines	2
	0256523	Ref	2WD/4WS 7ft/2.1m Wide Machines	2
	0256715	Ref	4WD/4WS Machines	2
		Ref	REAR STEERING INSTALLATION	
	0256399	Ref	8ft/2.4m Width Frame	4
	0256400	Ref	7ft/2.1m Width Frame	4
1	4130331	1	Spindle - Right Side	
2	4130330	1	Spindle - Left Side	
3		Ref	Steer Cylinder Assembly (See CYLINDER SECTION for Breakdown)	
3	1683208	2	8ft/2.4m Wide Machine	
3	1683304	2	7ft/2.1m Wide Machine	
4		Ref	Tie-Rod Options:	
4	3841285	1	8ft/2.4m Wide Machine	
4	3841291	1	7ft/2.1m Wide Machine	
5	3422802	4	Kingpin	
6	3422426	2	Pin, Steer Cylinder	
7	3422429	2	Pin, Steer Cylinder	
8	0440161	4	Thrustwasher	
9	3422430	2	Pin, Tie-Rod	
10	3841143	6	Keeper, Pin	
11	0641608	4	Bolt 3/8in-16NC x 1in	
12	0100011	AR	Compound, Locking	
13	0641610	2	Bolt 3/8in-16NC x 1-1/4in	
14	3311605	2	Locknut 3/8in-16NC	
15	0681608	8	Bolt 3/8in-16NC x 1in (Grade 8)	
17	0962005	2	Bushing, Bronze	
18	0962272	4	Bushing	
19	0100063	AR	Loctite, #RC609	

SECTION 1 - FRAME

FIGURE 1-6. 4WS REAR STEERING INSTALLATIONS (SN 0300081836 through 0300087000)



SECTION 1 - FRAME

FIGURE 1-6. 4WS REAR STEERING INSTALLATIONS (SN 0300081836 through 0300087000)

ITEM	PART NUMBER	QTY	DESCRIPTION	REV
		Ref	4WS REAR STEERING INSTALLATIONS OPTIONS:	
	See Note	NLA	2WD/4WS 8ft/2.4m Wide Machines (Note: No Longer Available)	
	0274062	Ref	2WD/4WS 7ft/2.1m Wide Machines	G
	0274121	Ref	4WD/4WS Machines	2
1	0100011	AR	Compound, Locking	
2	0100063	AR	Loctite # RC609	
3	0641608	6	Bolt 3/8in-16NC x 1in	
4	0642012	2	Bolt 5/8in-11NC x 1-1/2in	
5	0962005	2	Bushing	
6	0962131	4	Bushing	
7		Ref	Steer Cylinder Assembly Option (See CYLINDER SECTION for Breakdown):	
7	1684418	2	7ft/2.1m Wide Machines	
7	1683208	2	8ft/2.4m Wide Machines	
8	3422426	2	Pin	
9	3422429	2	Pin	
10	3422430	2	Pin	
11	3422900	2	Kingpin	
12	3841143	6	Keeper	
13	3841258	2	Keeper	
14		Ref	Tie-Rod Options:	
14	3841677	1	7ft/2.1m Wide Machines	
14	3841285	1	8ft/2.4m Wide Machines	
15	4130401	1	Spindle (Left Side)	
16	4130402	1	Spindle (Right Side)	
17	4740256	2	Thrustwasher	
18	4740463	2	Thrustwasher	

SECTION 1 - FRAME

FIGURE 1-7. TIRE AND WHEEL DRIVE INSTALLATIONS

ITEM	PART NUMBER	QTY	DESCRIPTION	REV
		Ref	WHEEL DRIVE INSTALLATIONS (SN 0300069000 through 0300081835)	
	0270123	Ref	Wheel Drive Installation 2WD	3-B
	0270124	Ref	wheel drive installations 4WD	3-E
1	2780213	AR	Drive Hub Assembly (1 Per Drive Wheel) (See DRIVE HUB ASSEMBLY for Breakdown)	
2	0920117	NLA	Drive Brake Assembly (1 Per Drive Wheel) (Use p/n 0920119)	
2	7018612	AR	Repair Kit - 0920117 & 0920119 Brakes (Includes Case Seal, Piston Inner and Outer O-Rings and Back-up Rings, Stator Disc, Rotor Disc, Return Plate, Springs, Oil Seal, Bearing, 2 Retaining Rings and 2 Mounting Face Gaskets) (1 Per Assy)	
2	7000731	AR	Gasket, Mounting Face	
		Ref	Note: No Other Parts Available.	
3		Ref	Drive Motor Assembly (1 Per Wheel Drive) Options:	
3	3160205	2	Drive Motor Assembly (1 Per Wheel Drive) 2WD (See DRIVE MOTOR ASSEMBLY for Breakdown) (SN 0300069000 through 0300071019)	
3	3160297	2	Drive Motor Assembly (1 Per Wheel Drive) 2WD (See DRIVE MOTOR ASSEMBLY for Breakdown) (SN 0300071020 through 0300081835)	
3	3160204	4	Drive Motor Assembly (1 Per Wheel Drive) 4WD (See DRIVE MOTOR ASSEMBLY for Breakdown)	
4	3300106	AR	Lugnut (8 Per Wheel)	
5	0682016	AR	Bolt 5/8in-11NC x 2in (8 Per Drive Wheel) (Grade 8)	
6	4895000	AR	Flatwasher 5/8in Hardened (8 Per Drive Wheel)	
8	4300097	AR	Stud 1/2in-13NC x 5-1/8in (2 Per Drive Wheel)	
9	4891800	AR	Flatwasher 1/2in Hardened (2 Per Drive Wheel)	
10	3311801	AR	Nut 1/2in-13NC (2 Per Wheel Drive)	
		Ref	WHEEL DRIVE INSTALLATIONS (SN 0300081836 through 0300087000)	
	0273049	Ref	Wheel Drive Installations 2WD/2WS	D
	0274441	Ref	Wheel Drive Installations 2WD/4WS	B
	0273048	Ref	Wheel Drive Installations 4WD/2WS	F
	0273366	Ref	Wheel Drive Installations 4WD/4WS	E
		Ref	Note: 2WD Qty Shown. For 4WD, Double Qty Shown.	
101	0100011	AR	Compound, Locking	
103	0681810	4	Bolt 1/2in-13NC x 1-1/4in (Grade 8)	
104	0682016	12	Bolt 5/8in-11NC x 2in (Grade 8)	
105	2780269	2	Drive Hub Assembly (See DRIVE HUB ASSEMBLY for Breakdown)	
106		Ref	Drive Motor Assembly Options (See DRIVE MOTOR ASSEMBLY for Breakdown):	
106	3160299	NLA	Drive Motor Assembly 2WD (Use p/n 3160249)	
106	3160300	NLA	Drive Motor Assembly 4WD (Use p/n 3160350)	
107	3300106	18	Nut, Wheel	
109	3790045	1	O-Ring	
112	4891800	4	Flatwasher 1/2in Hardened	
113	4740393	12	Flatwasher 5/8in Hardened	
		Ref	PNEUMATIC AND FOAM-FILLED TIRE AND WHEEL INSTALLATIONS (8 FT/2.4M WIDTH MACHINES)	
		Ref	Pneumatic and Foam-Filled Tire and Wheel Installations (SN 0300069000 through 0300081835)	
	0255420	Ref	Tire and Wheel Installation - Pneumatic	-

SECTION 1 - FRAME

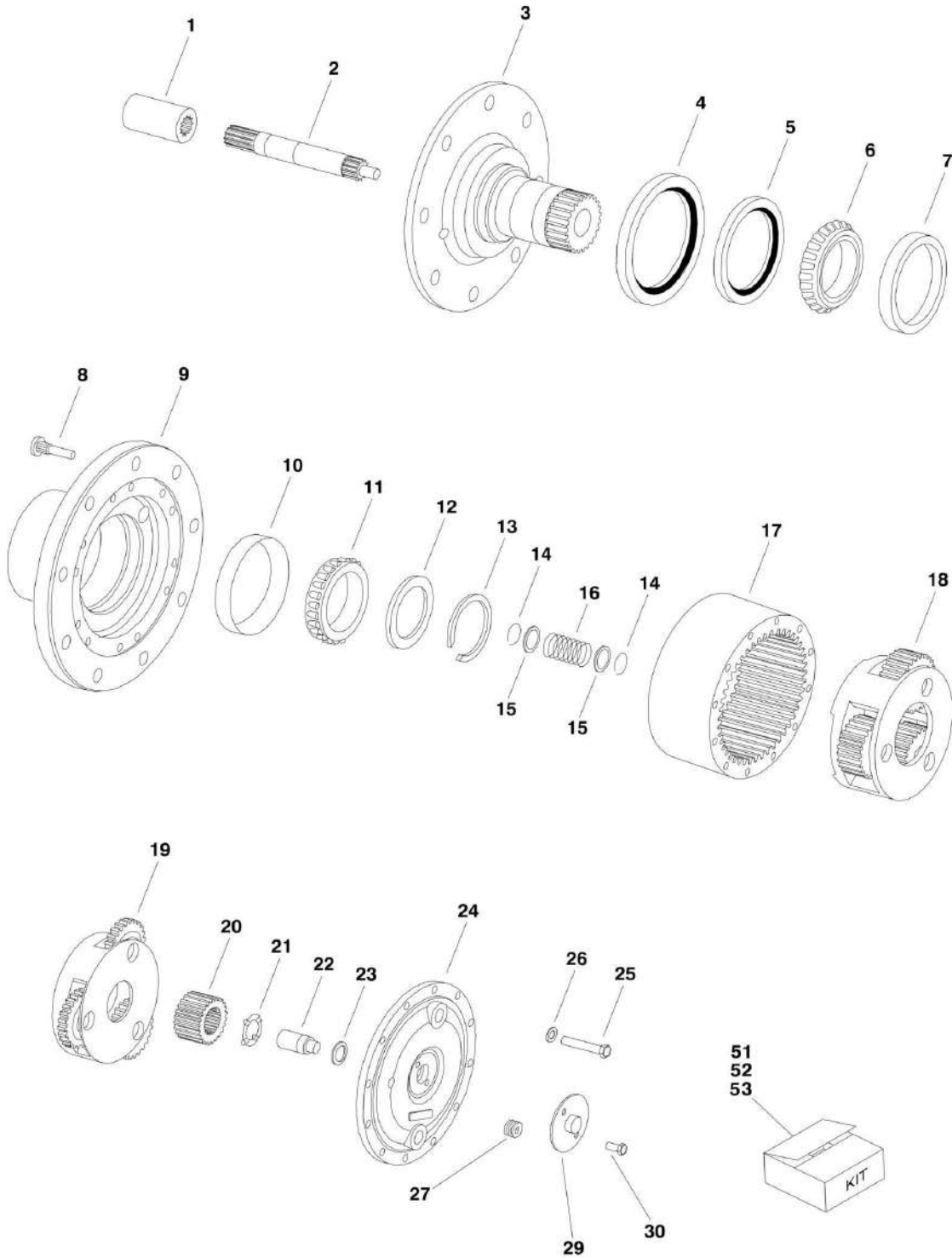
ITEM	PART NUMBER	QTY	DESCRIPTION	REV
	0271612	Ref	Tire and Wheel Installation - Pneumatic	1
	0272296	Ref	Tire and Wheel Installation - Pneumatic (With Tire Sealant)	1
	0255421	Ref	Tire and Wheel Installation - Foam Filled	-
	0271613	Ref	Tire and Wheel Installation - Foam Filled	1
		Ref	Note: Assemblies may require ballast/foam filling to manufacturer's specifications prior to installing on a machine. Refer to Operation and Safety or Service and Maintenance Manuals.	
		Ref	Purchase individual tire and/or rim only if able to foam fill tire and wheel assembly, otherwise, purchase complete assembly.	
	0255513	2	Tire and Wheel Assembly - Galaxy Pneumatic (Right Side)	1-B
	0271609	2	Tire and Wheel Assembly - OTR Pneumatic (Right Side)	A
	0272331	2	Tire and Wheel Assembly - OTR Pneumatic Tire Sealant (Right Side)	A
	0255605	2	Tire and Wheel Assembly - Galaxy Foam-Filled (Right Side)	B
	0271611	2	Tire and Wheel Assembly - OTR Foam-Filled (Right Side)	A
	0255514	2	Tire and Wheel Assembly - Galaxy Pneumatic (Left Side)	B
	0271608	2	Tire and Wheel Assembly - OTR Pneumatic (Left Side)	1-A
	0272332	2	Tire and Wheel Assembly - OTR Pneumatic Tire Sealant (Left Side)	A
	0255606	2	Tire and Wheel Assembly - Galaxy Foam-Filled (Left Side)	B
	0271610	2	Tire and Wheel Assembly - OTR Foam-Filled (Left Side)	A
201		Ref	Tire 14 x 17.5 Options:	
201	4520171	AR	Galaxy (1 Per Assembly)	
201	4520259	AR	OTR (1 Per Assembly)	
202	4860158	AR	Rim, Wheel (1 Per Assembly)	
203	4640113	AR	Valve, Air (1 Per Assembly)	
204	1702740	AR	Decal - Tire Pressure (1 Per Assembly)	
205	1705364	AR	Decal - Tire Sealant (OTR Pneumatic TS Only)	
206	1120552	AR	Chemical, Tire Sealant (Green) (OTR Pneumatic TS Only)	
207	1300019	AR	Cap, Valve Stem (Green) (OTR Pneumatic TS Only)	
		Ref	PNEUMATIC AND FOAM-FILLED TIRE AND WHEEL INSTALLATIONS (8 FT/2.4M WIDTH MACHINES)	
		Ref	Pneumatic and Foam-Filled Tire and Wheel Installations (SN 0300081836 through 0300087000)	
	4520328	Ref	Tire and Wheel Installation - Pneumatic	1
	4520346	Ref	Tire and Wheel Installation - Foam Filled	1
	0274533	Ref	Tire and Wheel Installation - Pneumatic with Sealant (SN 0300083338 through 0300087000)	1
		Ref	Note: Assemblies may require ballast/foam filling to manufacturer's specifications prior to installing on a machine. Refer to Operation and Safety or Service and Maintenance Manuals.	
		Ref	Purchase individual tire and/or rim only if able to foam fill tire and wheel assembly, otherwise, purchase complete assembly.	
	4520289	2	Tire and Wheel Assembly - Pneumatic (Left Side)	C
	4520344	2	Tire and Wheel Assembly - Foam-Filled (Left Side)	A
	4520427	2	Tire and Wheel Assembly - Pneumatic W/Sealant (Left Side)	A
	4520290	2	Tire and Wheel Assembly - Pneumatic (Right Side)	C
	4520345	2	Tire and Wheel Assembly - Foam-Filled (Right Side)	A
	4520428	2	Tire and Wheel Assembly - Pneumatic W/Sealant (Right Side)	A
301	4520288	AR	Tire - IN355/55D625 (1 Per Assembly)	
302	4520287	AR	Rim, Wheel (1 Per Assembly)	

SECTION 1 - FRAME

ITEM	PART NUMBER	QTY	DESCRIPTION	REV
303	4640113	AR	Valve, Air (1 Per Assembly)	
304	1702740	AR	Decal - Tire Pressure (1 Per Assembly)	
		Ref	Note: Items 305-307 used with tires with sealant only.	
305	1120552	AR	Cap, Valve Stem (1 Per Assembly)	
306	1300019	120 oz	Sealant, Tire (1 Per Assembly)	
307	1705364	AR	Decal - Tire Sealant (1 Per Assembly)	
401		Ref	SOLID AIRBOSS TIRE AND WHEEL INSTALLATIONS (8FT/2.4M AND 7FT/2.1M WIDTH MACHINES)	
401		Ref	Solid Airboss Tire and Wheel Installations (SN 0300069000 through 0300081835)	
401	0255422	Ref	Tire and Wheel Installation - Air-Boss	-
401	0258764	Ref	Tire and Wheel Installation - Air-Boss (Non-Marking)	2
401		Ref	Tire and Wheel Assembly - Right Side Options:	
401	4520172	2	Air-Boss	
401	4520210	2	Air-Boss (Non-Marking)	
401		Ref	Tire and Wheel Assembly - Left Side Options:	
401	4520173	2	Air-Boss	
401	4520211	2	Air-Boss (Non-Marking)	
401		Ref	Tire Repair Section (20 Per Assembly) Options:	
401	7016206	80	Air-Boss	
401	7020135	80	Air-Boss (Non-Marking)	
501		Ref	AIRBOSS TIRE AND WHEEL INSTALLATIONS (8FT/2.4M AND 7FT/2.1M WIDTH MACHINES)	
501		Ref	Airboss Tire and Wheel Installations (SN 0300081836 through 0300087000)	
501	4520341	Ref	Tire and Wheel Installation - Air-Boss	A
501	4520284	2	Tire and Wheel Assembly - Right Side	
501	4520283	2	Tire and Wheel Assembly - Left Side	
501	7016206	80	Tire Repair Section (20 Per Assembly)	
	0255397	Ref	WHEEL COVER INSTALLATION (OPTIONAL) (NOT SHOWN)	2-A
		Ref	Note: Used on Machines SN 0300069000 through SN 0300081836 with Pneumatic or Foam-Filled Tires and Wheels only. Not Available for Machines SN 0300081836 through SN 0300087000.	
601	1670777	4	Cover, Wheel	
602	0641542	16	Bolt 5/16in-18NC x 5-1/4in	
603	0100011	AR	Compound, Locking (Not Shown)	

SECTION 1 - FRAME

FIGURE 1-8. DRIVE HUB ASSEMBLY (SN 0300069000 through 0300081835)



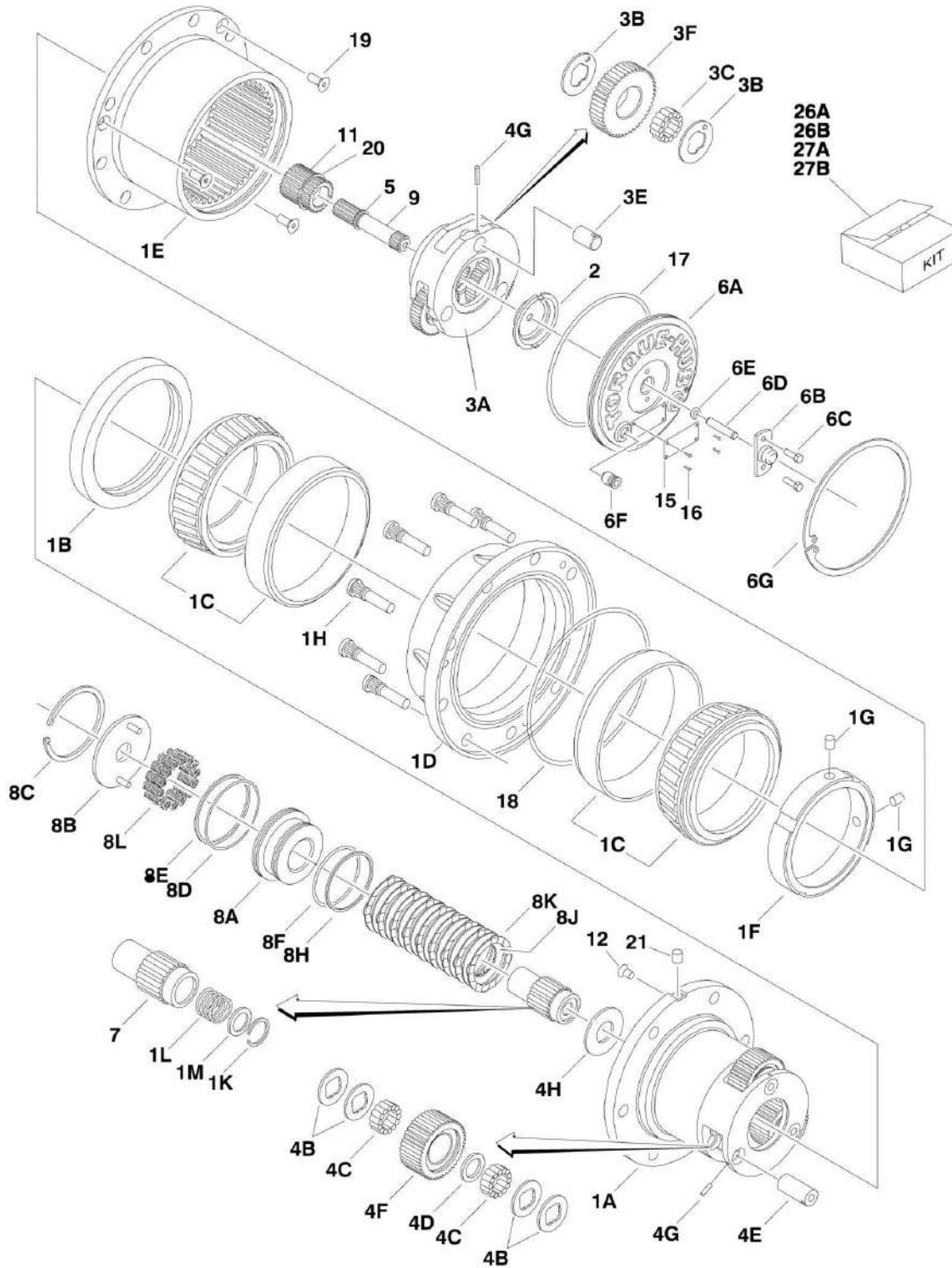
SECTION 1 - FRAME

FIGURE 1-8. DRIVE HUB ASSEMBLY (SN 0300069000 through 0300081835)

ITEM	PART NUMBER	QTY	DESCRIPTION	REV
	2780213	Ref	DRIVE HUB ASSEMBLY	B
1	7014700	1	Coupling - 13 Teeth	
2	7014701	1	Shaft, Input - 13 Teeth	
3		Ref	Spindle Options:	
3	7014702	1	With Threaded Holes	
3	7014731	1	Without Threaded Holes	
4	7014728	1	Seal, Boot	
5	See Note	NSS	Seal, Oil (Note: Use Item 51 or 52)	
6	See Note	NSS	Cone, Bearing (Note: Use Item 52)	
7	See Note	NSS	Cup, Bearing (Note: Use Item 52)	
8	7014727	8	Bolt, Wheel 5/8in	
9	7014706	1	Hub	
10	See Note	NSS	Cup, Bearing (Note: Use Item 52)	
11	See Note	NSS	Cone, Bearing (Note: Use Item 52)	
12	7001711	1	Thrustwasher	
13	See Note	NSS	Retaining Ring Kit (Note: Use Item 51 or 52)	
14	7014711	2	Ring, Retaining	
15	7014712	2	Thrustwasher	
16	7014710	1	Spring	
17	7014713	1	Gear, Ring	
18	7014714	1	Secondary Carrier Assembly	
19	7014715	1	Primary Carrier Assembly	
20	7014716	1	Gear, Sun - 15 Teeth	
21	7014722	1	Thrustwasher	
22	7014717	1	Plunger, Disengage	
23	7014718	1	O-Ring	
24	7014719	1	Cover, Hub	
25	7014721	12	Bolt	
26	7014720	12	Flatwasher	
27	7014725	1	Plug, Magnetic	
28	7014726	1	Plug, Pipe	
29	7014723	1	Cover, Disengage	
30	7014724	2	Bolt	
51	7014730	1	Seal Kit (Includes Items 5 & 13)	
52	7014729	1	Bearing and Seal Kit (Includes Items 5, 6, 7, 10, 11 & 13)	
53	7014709	1	Retaining Ring Kit (Includes Qty 6 Retaining Rings)	

SECTION 1 - FRAME

FIGURE 1-9. DRIVE HUB/BRAKE ASSEMBLY (SN 0300081836 through 0300087000)



SECTION 1 - FRAME

FIGURE 1-9. DRIVE HUB/BRAKE ASSEMBLY (SN 0300081836 through 0300087000)

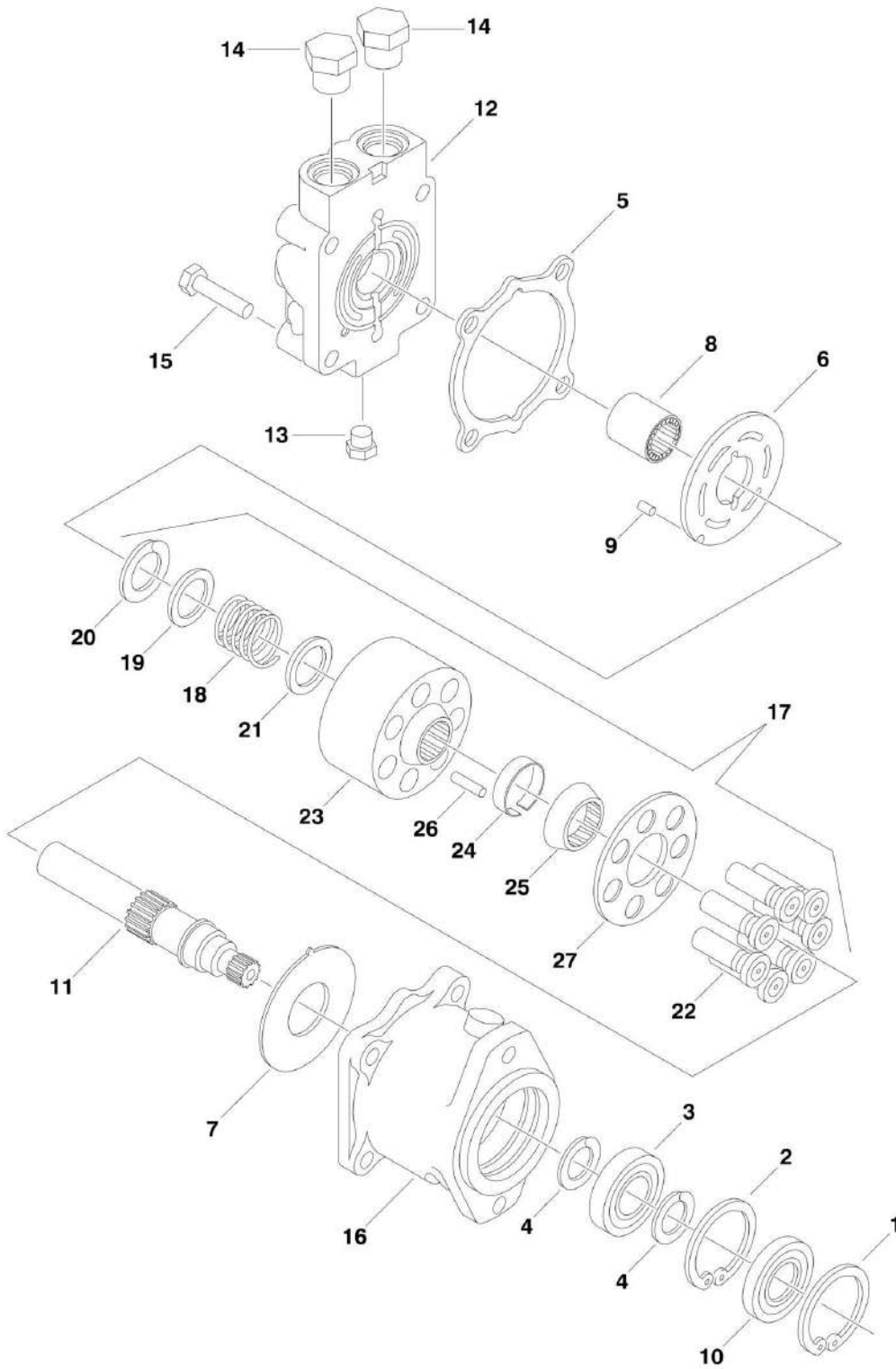
ITEM	PART NUMBER	QTY	DESCRIPTION	REV
	2780269	Ref	DRIVE HUB/BRAKE ASSEMBLY	B
1	See Note	1	Spindle/Housing Assembly (Note: Not Available - Purchase Individual Components)	
1A	7024729	1	Spindle	
1B	70001119	1	Seal, Lip	
1C	7024735	2	Bearing (Includes Cup and Cone)	
1D	2780269	1	Housing (Note: Not Available for Purchase)	
1E	7024730	1	Ring, Gear	
1F	See Note	NSS	Nut, Bearing (Note: Use Item 26A)	
1G	See Note	2	Setscrew 1/4in-28NF x 1/2in (Note: Use Item 26A, 26B, 27A or 27B)	
1H	7024732	9	Stud, Wheel	
1K	7024125	1	Ring, Retaining	
1L	7024124	1	Spring	
1M	7024129	1	Thrustwasher	
2	7024741	1	Thrustwasher	
3	See Note	1	Carrier Assembly (Note: Not Available - Purchase Individual Components)	
3A	7024725	1	Carrier	
3B	7024127	6	Thrustwasher	
3C	7024733	42	Bearing, Needle	
3E	7024724	3	Shaft, Planet	
3F	7024727	3	Gear, Planet	
4	See Note	1	Planet Gear Sub-Assembly (Note: Not Available - Purchase Individual Components)	
4B	7024740	12	Thrustwasher	
4C	7024734	84	Bearing, Needle	
4D	7024736	3	Spacer, Thrust	
4E	7024726	3	Shaft, Planet	
4F	7024728	3	Gear, Planet	
4G	7001913	6	Roll Pin	
4H	7024742	1	Thrustwasher	
5	7017027	1	Ring, Retaining	
6	See Note	1	Cover Assembly (Note: Not Available - Purchase Individual Components)	
6A	7024731	1	Plate, Cover	
6B	7017093	1	Cap, Disengage	
6C	7000216	2	Bolt 1/2in-20NC x 1/2in	
6D	7024739	1	Pin, Dowel	
6E	7017095	1	O-Ring	
6F	7017072	2	Plug, Pipe with O-Ring	
6G	7024738	1	Ring, Retaining	
7	7024722	1	Coupling	
8	See Note	1	Brake, Input (Note: Not Available - Purchase Individual Components)	
8A	70000782	1	Piston, Brake	
8B	7024743	1	Plate, Pressure	
8C	See Note	1	Ring, Retaining (Note: Use Item 26B, 27A or 27B)	
8D	See Note	1	O-Ring (Note: Use Item 26B or 27A)	
8E	See Note	1	Ring, Back-up (Note: Use Item 26B or 27A)	
8F	See Note	1	O-Ring (Note: Use Item 26B or 27A)	

SECTION 1 - FRAME

ITEM	PART NUMBER	QTY	DESCRIPTION	REV
8H	See Note	1	Ring, Back-up (Note: Use Item 26B or 27A)	
8J	See Note	8	Rotor, Brake (Note: Use Item 27A)	
8K	See Note	9	Stator, Brake (Note: Use Item 27A)	
8L	See Note	AR	Spring, Brake (Note: Use Item 27B)	
9	7024721	1	Shaft, Input	
11	7024723	1	Gear, Sun	
12	See Note	1	Plug (Note: Not Available for Purchase)	
15	See Note	1	Plate, ID (Not Shown) (Note: Not Available for Purchase)	
16	7000281	4	Screw, Drive	
17	7024134	1	O-Ring	
18	7024744	1	O-Ring	
19	7017022	3	Screw, Countersunk 3/8in-16NC	
20	7024737	1	Ring, Retaining	
21	See Note	1	Plug (Note: Not Available for Purchase)	
26		Ref	Seal Kit Options:	
26A	7024744	1	Hub Seal Kit (Includes Items 1B, 1F, 1G, 17, 18 & 19)	
26B	7024765	1	Brake Seal Kit (Includes Items 1G, 8C, 8D, 8E, 8F & 8H)	
27		Ref	Repair Kit Options:	
27A	7024764	1	Brake Lining Kit (Includes Items 1G, 8C, 8D, 8E, 8F, 8H, 8J & 8K)	
27B	7024766	1	Brake Spring Kit (Includes Items 1G, 8C & 8L)	

SECTION 1 - FRAME

FIGURE 1-10. DRIVE MOTOR ASSEMBLY (2WD MACHINES) (SN 0300069000 through 0300071019)



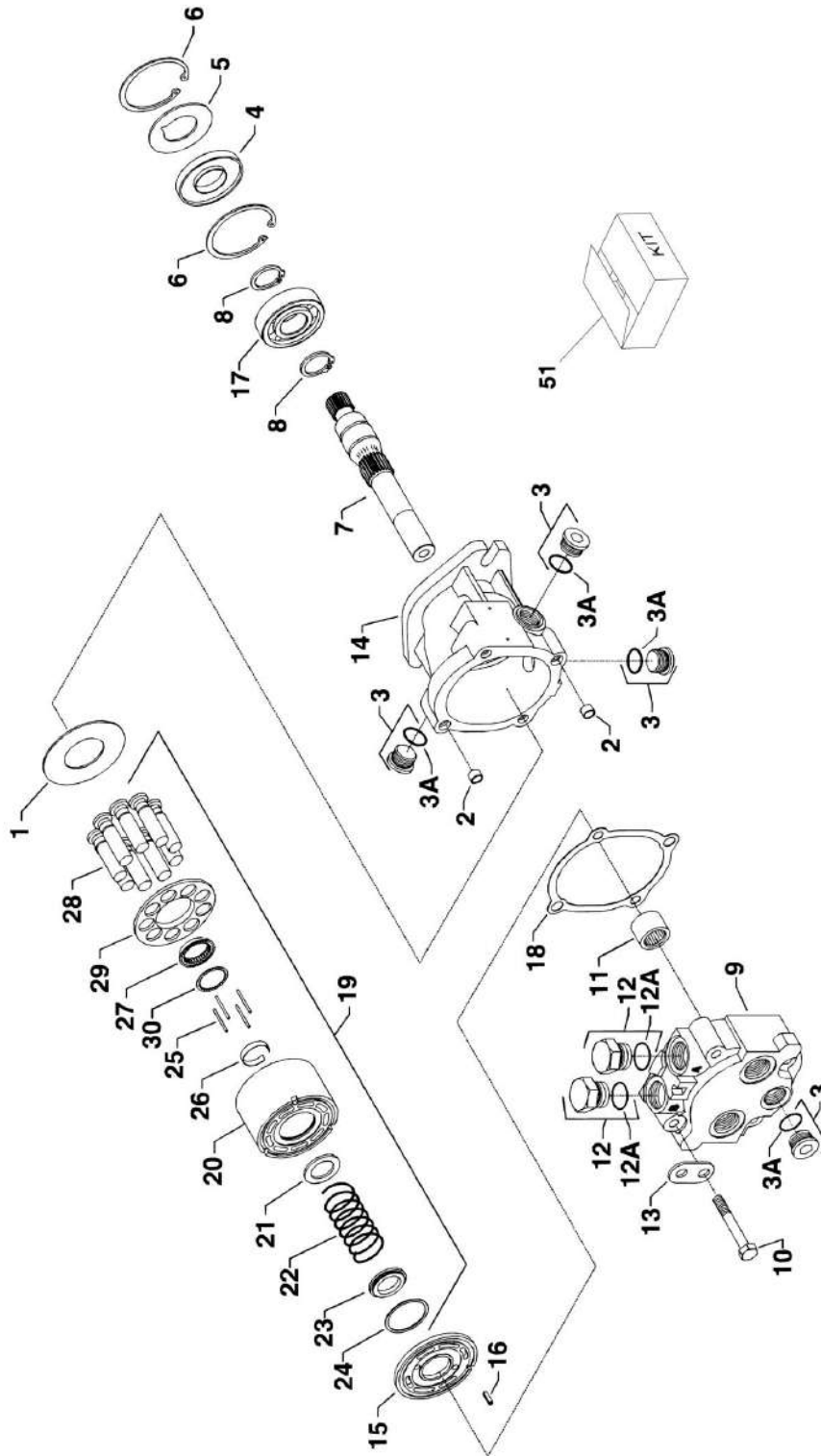
SECTION 1 - FRAME

FIGURE 1-10. DRIVE MOTOR ASSEMBLY (2WD MACHINES) (SN 0300069000 through 0300071019)

ITEM	PART NUMBER	QTY	DESCRIPTION	REV
	3160205	Ref	DRIVE MOTOR ASSEMBLY - SUNSTRAND (2WD)	B
1	7007438	1	Ring, Retaining	
2	7007438	1	Ring, Retaining	
3	7007437	1	Bearing, Ball	
4	7007439	2	Ring, Retaining	
5	7010108	1	Gasket, End Cap	
6	7010109	1	Plate, Motor Valve	
7	7010110	1	Plate, Thrust	
8	7007425	1	Bearing, Needle	
9	7007446	1	Pin	
10	7007459	1	Seal, Lip	
11	7010111	1	Shaft	
12	7010112	1	Cap, End	
13	7010113	1	Plug	
14	7010114	2	Plug	
15	7010115	4	Screw	
16	3160205	1	Housing (Note: Not Available for Purchase)	
17	7010116	1	Cylinder Block Assembly (Includes Items 18-27)	
18	7007428	1	Spring	
19	7007427	1	Washer	
20	7007426	1	Ring, Retaining	
21	7007429	1	Washer	
22	7010117	7	Piston Assembly	
23	7010118	1	Block, Cylinder	
24	7007430	1	Retainer, Pin	
25	7007434	1	Guide, Slip Retainer	
26	7007431	3	Pin, Slip Retainer	
27	7010119	1	Retainer, Slip	

SECTION 1 - FRAME

FIGURE 1-11. DRIVE MOTOR ASSEMBLY (2WD MACHINES) (SN 0300071020 through 0300081835)



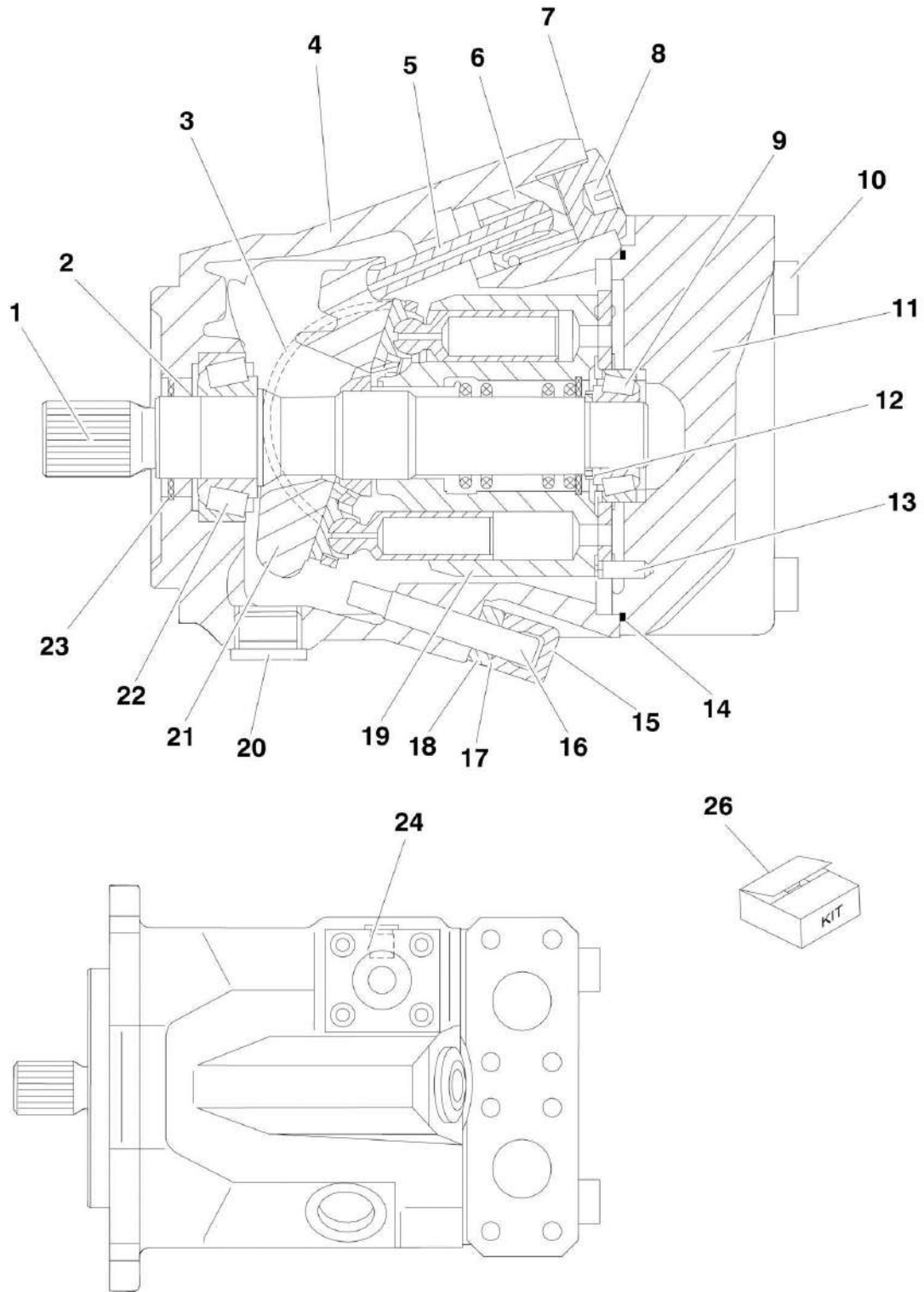
SECTION 1 - FRAME

FIGURE 1-11. DRIVE MOTOR ASSEMBLY (2WD MACHINES) (SN 0300071020 through 0300081835)

ITEM	PART NUMBER	QTY	DESCRIPTION	REV
	3160297	Ref	DRIVE MOTOR ASSEMBLY - SUNSTRAND (2WD)	A
1	7024834	1	Plate, Thrust	
2	7007435	2	Pin, Spring	
3	7023964	4	Plug	
3A	7007415	4	O-Ring	
4	7007459	1	Seal, Lip	
5	7022371	1	Washer, Support	
6	7007438	2	Ring, Retaining	
7	7024835	1	Shaft	
8	7007439	2	Ring, Retaining	
9	7024836	1	Cap, End	
10	7024837	4	Screw	
11	7024838	1	Bearing, Needle	
12	7007419	2	Plug	
12A	7007418	2	O-Ring	
13	7024839	1	Bracket, Lifting	
14	3160297	1	Housing (Note: Not Available for Purchase)	
15	7024841	1	Plate, Motor Valve	
16	7024842	1	Pin, Slotted	
17	7007437	1	Bearing, Ball	
18	See Note	NSS	Gasket, End Cap (Note: Use Item 51)	
19	7024840	1	Cylinder Block Assembly (Includes Items 20-30)	
20	See Note	NSS	Block, Cylinder (Note: Use Item 19)	
21	See Note	NSS	Washer (Note: Use Item 19)	
22	See Note	NSS	Spring (Note: Use Item 19)	
23	7007427	1	Washer	
24	7007426	1	Ring, Retaining	
25	See Note	NSS	Pin, Slip Retainer (Note: Use Item 19)	
26	See Note	NSS	Retainer, Pin (Note: Use Item 19)	
27	See Note	NSS	Guide, Slip Retainer (Note: Use Item 19)	
28	See Note	NSS	Piston Assembly (Note: Use Item 19)	
29	See Note	NSS	Retainer, Slip (Note: Use Item 19)	
30	See Note	NSS	Thrustwasher (Note: Use Item 19)	
51	7024843	1	Seal Kit (Includes Items 3A, 4, 12A & 18)	

SECTION 1 - FRAME

FIGURE 1-12. DRIVE MOTOR ASSEMBLY (4WD MACHINES) (SN 0300069000 through 0300081835)



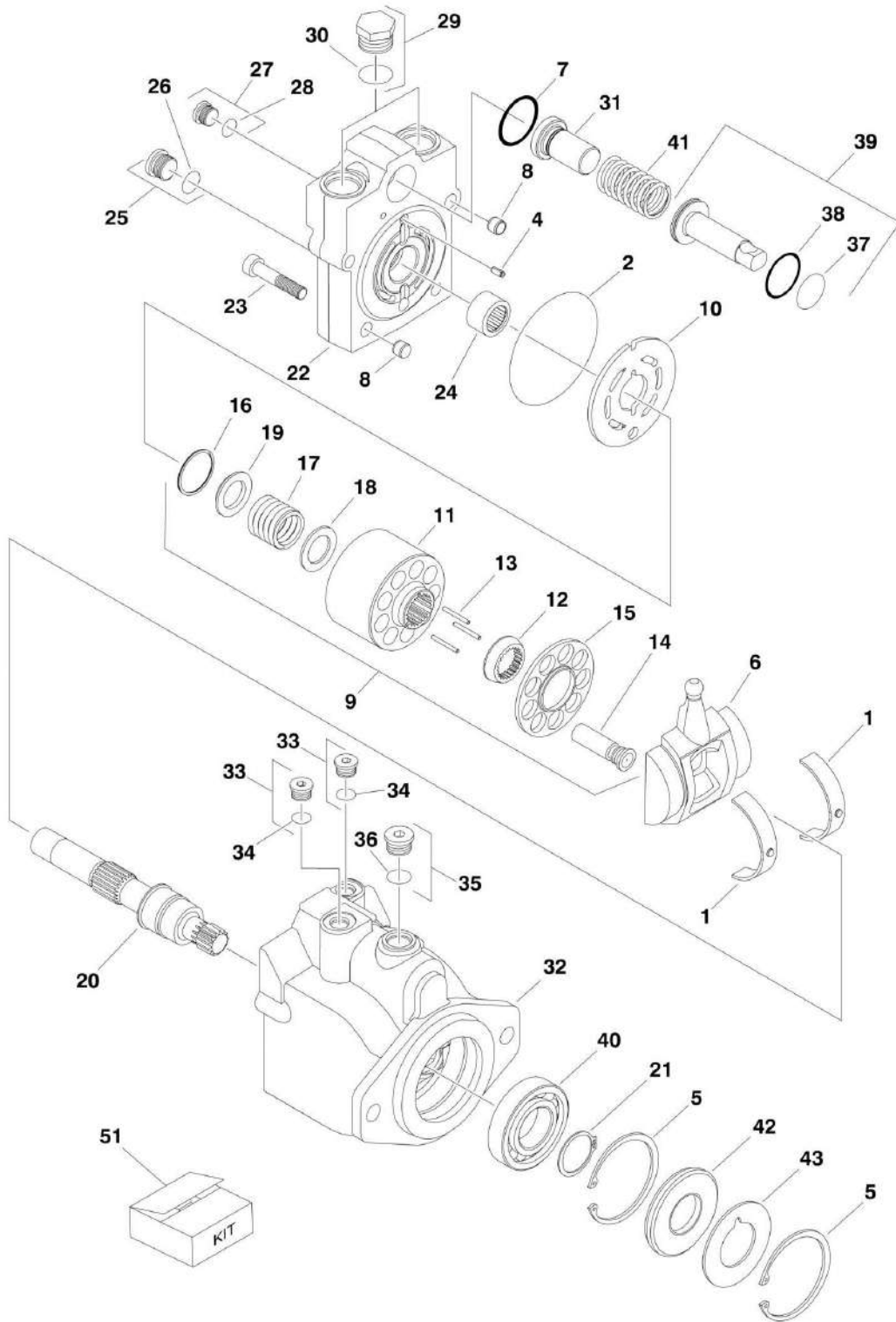
SECTION 1 - FRAME

FIGURE 1-12. DRIVE MOTOR ASSEMBLY (4WD MACHINES) (SN 0300069000 through 0300081835)

ITEM	PART NUMBER	QTY	DESCRIPTION	REV
	3160204	Ref	DRIVE MOTOR ASSEMBLY - REXROTH (4WD)	A
1	7012701	1	Shaft - 13 Teeth	
2	See Note	NSS	Seal, Shaft (Note: Use Item 26)	
3	7012702	2	Bearing, Cradle	
4	3160204	1	Housing (Note: Not Available for Purchase)	
5	7012703	1	Rod, Piston	
6	7012704	1	Piston, Stroking	
7	See Note	NSS	O-Ring (Note: Use Item 26)	
8	7012705	1	Nut, Adaptor	
9	7012706	1	Bearing, Roller	
10	7012707	4	Bolt, Socket Head M12 x 65	
11	7012708	1	Block, Port	
12	7012709	1	Shim	
13	7012710	1	Pin, Dowel M6 x 18	
14	See Note	NSS	O-Ring (Note: Use Item 26)	
15	7012711	1	Nut, Cap M10 x 1	
16	7012712	1	Screw, Adjusting	
17	See Note	NSS	O-Ring (Note: Use Item 26)	
18	7012713	1	Nut, Jam M10 x 1	
19	7012716	1	Rotary Group Assembly	
20	See Note	1	Plug (Note: Not Available for Purchase)	
21	7024036	1	Plate, Swash	
22	7012714	1	Bearing, Roller	
23	7012715	1	V-Ring	
24	7012700	1	Control Plate Assembly (SN 0300069000 through 0300029852)	
26	2900788	1	Seal Kit (Includes Items 2, 7, 14, 17 and O-Rings under Item 24)	

SECTION 1 - FRAME

FIGURE 1-13. DRIVE MOTOR ASSEMBLY (2WD & 4WD MACHINES) (ORIGINAL EQUIPMENT) (SN 0300081836 through 0300087000)



SECTION 1 - FRAME

FIGURE 1-13. DRIVE MOTOR ASSEMBLY (2WD & 4WD MACHINES) (ORIGINAL EQUIPMENT) (SN 0300081836 through 0300087000)

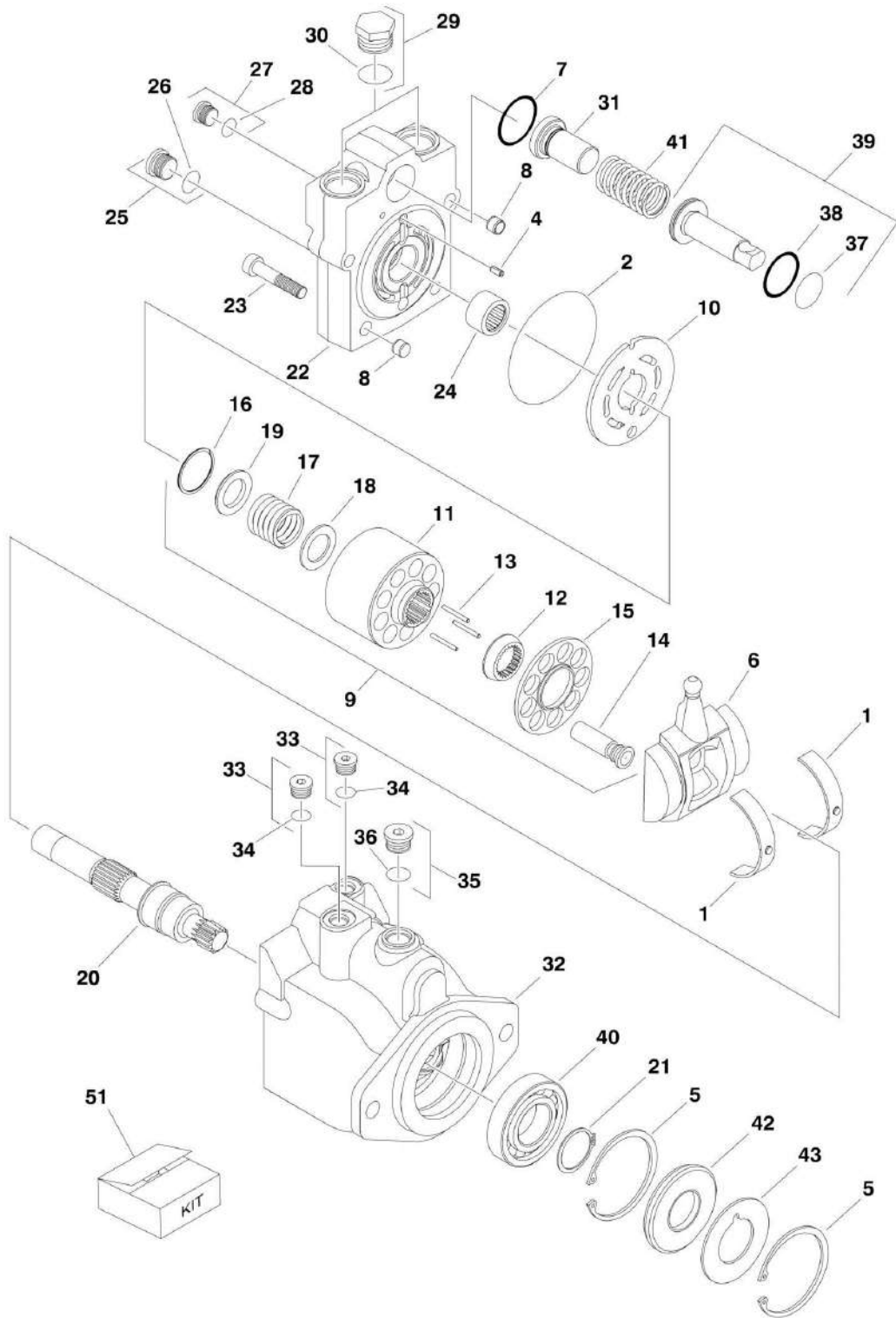
ITEM	PART NUMBER	QTY	DESCRIPTION	REV
		Ref	DRIVE MOTOR ASSEMBLY (ORIGINAL EQUIPMENT)	
	3160299	Ref	Drive Motor Assembly (Original Equipment) 2WD	C
	3160300	Ref	Drive Motor Assembly (Original Equipment) 4WD	C
		Ref	Note: Original Equipment Motor p/n 3160299 & p/n 3160300 uses 4 bolts to assemble the motor. Service Replacement Motor p/n 3160349 & p/n 3160350 motors use 5 bolts to assemble the motor.	
		Ref	Visually identify component before ordering parts. If equipped with 3160349 or 3160350 refer to next illustration.	
1	7022302	2	Bearing, Journal	
2	See Note	NSS	O-Ring (Note: Use Item 51)	
3	See Note	NSS	O-Ring (Note: Use Item 51)	
4	7007446	1	Pin	
5	7007438	2	Ring, Retaining	
6	7024861	1	Swash Plate	
7	See Note	NSS	O-Ring (Note: Use Item 51)	
8	7007435	2	Pin	
9	7022320	1	Cylinder Block Kit (Includes Items 11-19)	
10	7024862	1	Plate, Valve	
11	7024863	1	Block, Cylinder	
12	7024864	1	Guide, Slipper Retainer	
13	7021275	3	Pin, Slipper Hold Down	
14	7024865	9	Piston Assembly	
15	7024866	1	Retainer, Slipper	
16	7022311	1	Ring, Retaining	
17	7024867	1	Spring	
18	7024868	1	Washer	
19	7022314	1	Retainer, Spring	
20	7023910	1	Shaft	
21	7007439	1	Ring, Retaining	
22	7024869	1	Cap, End - Axial	
23	7022368	4	Screw	
24	7021249	1	Bearing, Needle	
25	7022321	1	Plug (Includes Item 26)	
26	See Note	NSS	O-Ring (Note: Use Item 25 or 51)	
27	7022318	1	Plug (Includes Item 28)	
28	See Note	NSS	O-Ring (Note: Use Item 27 or 51)	
29	7027419	2	Plug (Includes Item 30)	
30	See Note	NSS	O-Ring (Note: Use Item 29 or 51)	
31		Ref	Seat, Spring Options:	
31	7024853	1	Seat, Spring 2WD/2WS	
31	7022372	1	Seat, Spring 2WD/4WS, 4WD/2WS & 4WD/4WS	
32	7022370	1	Housing	
33	7022318	2	Plug (Items Item 34)	
34	See Note	NSS	O-Ring (Note: Use Item 33 or 51)	
35	7022321	1	Plug (Items Item 36)	
36	See Note	NSS	O-Ring (Note: Use Item 35 or 51)	
37	See Note	NSS	O-Ring (Note: Use Item 51)	
38	See Note	NSS	Ring, Seal (Note: Use Item 51)	
39	7024871	1	Piston, Servo	

SECTION 1 - FRAME

ITEM	PART NUMBER	QTY	DESCRIPTION	REV
40	7007437	1	Bearing	
41	7022326	1	Spring	
42	See Note	NSS	Seal, Lip (Note: Use Item 51)	
43	7022371	1	Washer, Support	
51	7022328	1	Seal Kit (Includes Items 2, 3, 7, 26, 28, 30, 34, 36, 37, 38 & 42)	

SECTION 1 - FRAME

FIGURE 1-14. DRIVE MOTOR ASSEMBLY (2WD & 4WD MACHINES) (SERVICE REPLACEMENT)



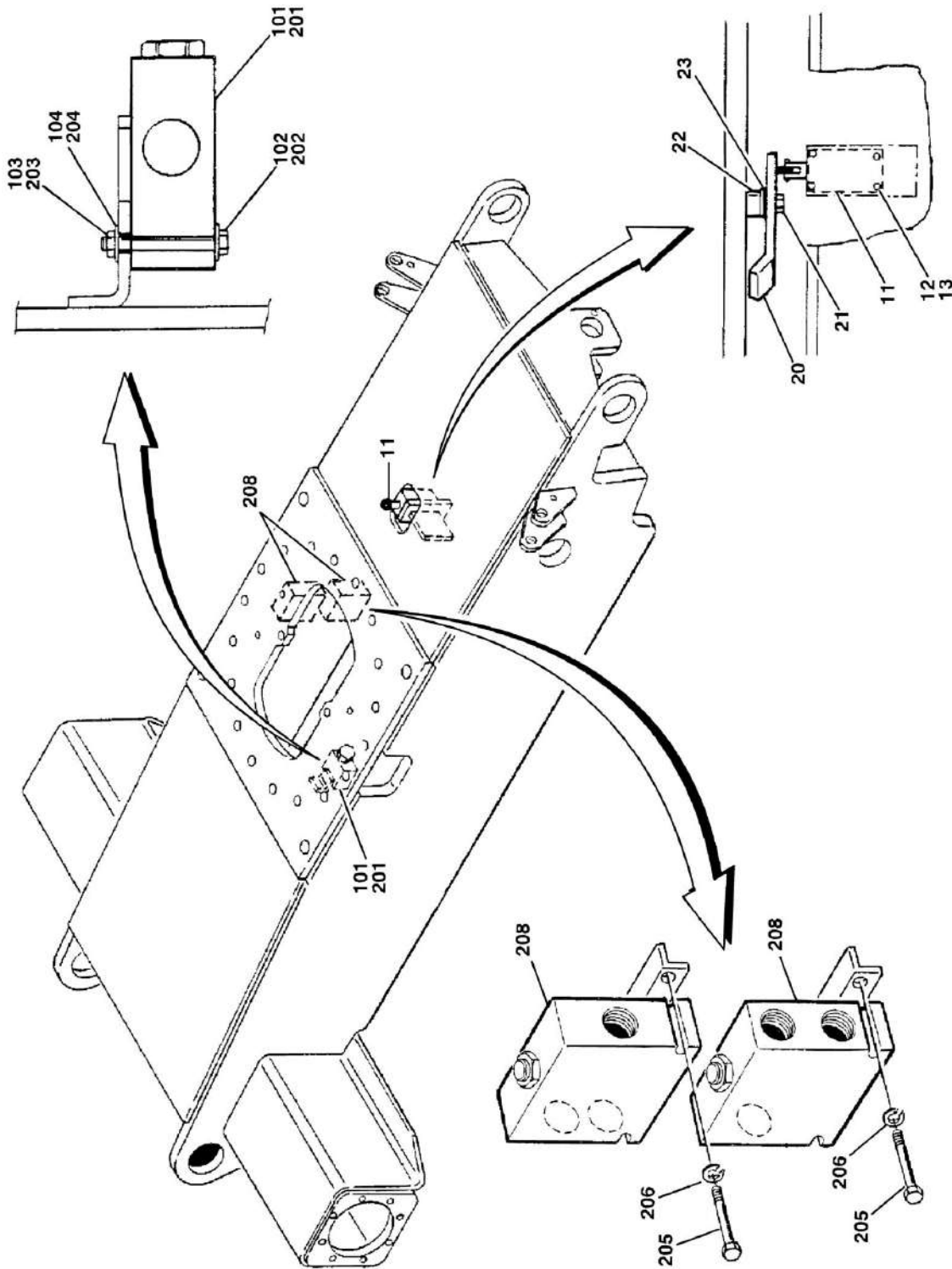
SECTION 1 - FRAME

FIGURE 1-14. DRIVE MOTOR ASSEMBLY (2WD & 4WD MACHINES) (SERVICE REPLACEMENT)

ITEM	PART NUMBER	QTY	DESCRIPTION	REV
		Ref	DRIVE MOTOR ASSEMBLY (SERVICE REPLACEMENT)	
	3160349	Ref	2WD (Service Replacement Motor for p/n 3160299)	B
	3160350	Ref	4WD (Service Replacement Motor for p/n 3160300)	B
1	7022302	2	Bearing, Journal	
2	7007446	1	Pin	
3	7007438	2	Ring, Retaining	
4	70000794	1	Swash Plate	
5	See Note	2	Pin (Note: Not Available for Purchase)	
6	See Note	NSS	Gasket (Note: Use Item 51)	
7	7027740	1	Cylinder Block Kit (Includes Items 9-17)	
8	7024862	1	Plate, Valve	
9	7027740	1	Block, Cylinder	
10	7027740	1	Guide, Slipper Retainer	
11	7021275	3	Pin, Slipper Hold Down	
12	7024865	9	Piston Assembly	
13	7027740	1	Retainer, Slipper	
14	7022311	1	Ring, Retaining	
15	7024867	1	Spring	
16	7022313	1	Washer	
17	7022314	1	Retainer, Spring	
18	7023910	1	Shaft	
19	7007439	1	Ring, Retaining	
20	70000795	1	Cap, End - Axial	
21	7022368	5	Screw	
22	7021249	1	Bearing, Needle	
23	2220886	1	Plug (Includes Item 24)	
24	See Note	NSS	O-Ring (Note: Use Item 23 or 51)	
25	2220883	1	Plug (Includes Item 26)	
26	See Note	NSS	O-Ring (Note: Use Item 25 or 51)	
27	7027419	2	Plug (Includes Item 28)	
28	See Note	NSS	O-Ring (Note: Use Item 27 or 51)	
29		Ref	Seat, Spring Options:	
29	7024853	1	Seat, Spring 2WD/2WS	
29	7022372	1	Seat, Spring 2WD/4WS, 4WD/2WS & 4WD/4WS	
30	See Note	1	Housing (Note: Not Available - Purchase Complete Assy)	
31	2220883	2	Plug (Includes Item 32)	
32	See Note	NSS	O-Ring (Note: Use Item 31 or 51)	
33	2220886	1	Plug (Includes Item 34)	
34	See Note	NSS	O-Ring (Note: Use Item 33 or 51)	
35	See Note	NSS	O-Ring (Note: Use Item 51)	
36	See Note	NSS	Ring, Seal (Note: Use Item 51)	
37	7024871	1	Piston, Servo	
38	7007437	1	Bearing	
39	7022326	1	Spring	
40	See Note	NSS	Seal, Lip (Note: Use Item 51)	
41	7022371	1	Washer, Support	
51	7022328	1	Seal Kit (Includes Items 6, 24, 26, 28, 32, 34, 35, 36 & 40)	

SECTION 1 - FRAME

FIGURE 1-15. DRIVE VALVES AND SHIELDS INSTALLATION (FRAME MOUNTED) (SN 0300069000 through 0300081835)



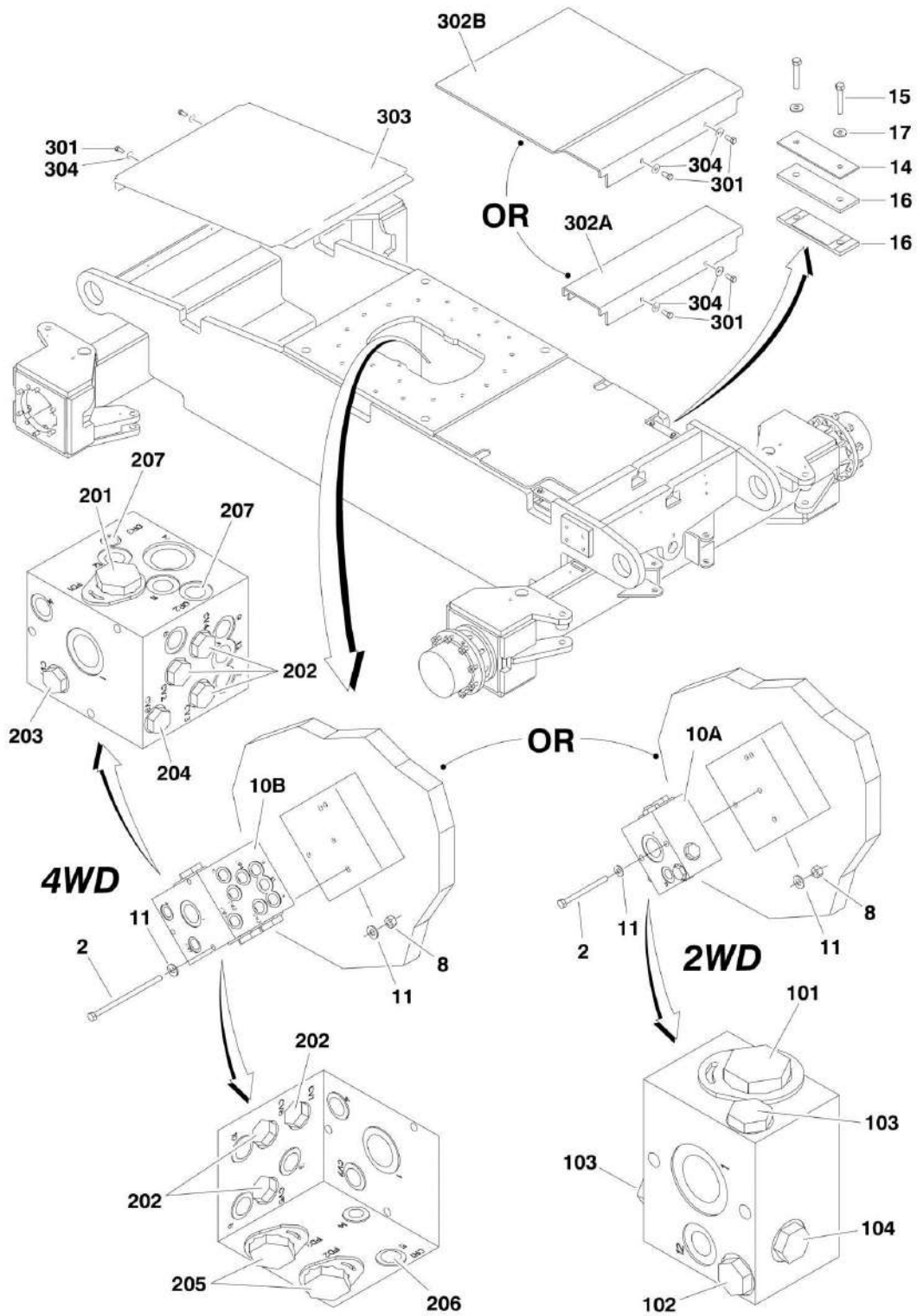
SECTION 1 - FRAME

FIGURE 1-15. DRIVE VALVES AND SHIELDS INSTALLATION (FRAME MOUNTED) (SN 0300069000 through 0300081835)

ITEM	PART NUMBER	QTY	DESCRIPTION	REV
		Ref	OSCILLATING AXLE LOCKOUT VALVE INSTALLATIONS	
	0256398	Ref	2WD with 8ft/2.4m Wide Frame	3
	0256397	Ref	2WD with 7ft/2.1m Wide Frame	4
	0256392	Ref	4WD	3
11	4640871	1	Valve, Cam	
11	7012693	1	Seal Kit - 4640871 Valve	
11	7002840	1	Tool, Pin Removal	
12	0641414	4	Bolt 1/4in-20NC x 1-7/8in	
13	4711400	8	Flatwasher 1/4in Thin	
20	1100098	1	Cam, Lockout	
21	0641816	3	Bolt 1/2in-13NC x 2in	
22	4751800	9	Flatwasher 1/2in Regular	
23	4566832	3	Tube, Spacer	
	0270123	Ref	FRAME VALVE INSTALLATIONS (2WD)	3-B
101	4640923	1	Valve, Flow Divider	
101	7012442	1	Cartridge	
101	7012980	1	Seal Kit - 7012442 Cartridge	
101	7012993	1	Orifice	
102	0641522	2	Bolt 5/16in-18NC x 2-3/4in	
103	3311505	2	Locknut 5/16in-18NC	
104	4751500	4	Flatwasher 5/16in Regular	
105	4060808	3.5 ft/1.1m	Shield, Flex Trim (Not Shown)	
	0270124	Ref	FRAME VALVE INSTALLATIONS (4WD)	3-E
201	4640923	1	Valve, Flow Divider	
201	7012992	1	Cartridge	
201	7012980	1	Seal Kit - 7012992 Cartridge	
201	7012993	1	Orifice	
202	0641522	2	Bolt 5/16in-18NC x 2-3/4in	
203	3311505	2	Locknut 5/16in-18NC	
204	4751500	4	Flatwasher 5/16in Regular	
205	0641520	4	Bolt 5/16in-18NC x 2-1/2in	
206	4751500	4	Flatwasher 5/16in Regular	
208	4640937	2	Valve, Flow Divider	
208	7012978	1	Cartridge	
208	7012980	1	Seal Kit - 7012978 Cartridge	
208	7012994	1	Orifice	
209	4060808	3/5ft/1.1m	Shield, Flex Trim (Not Shown)	

SECTION 1 - FRAME

FIGURE 1-16. DRIVE VALVES AND SHIELDS INSTALLATION (FRAME MOUNTED) (SN 0300081836 through 0300087000)



SECTION 1 - FRAME

FIGURE 1-16. DRIVE VALVES AND SHIELDS INSTALLATION (FRAME MOUNTED) (SN 0300081836 through 0300087000)

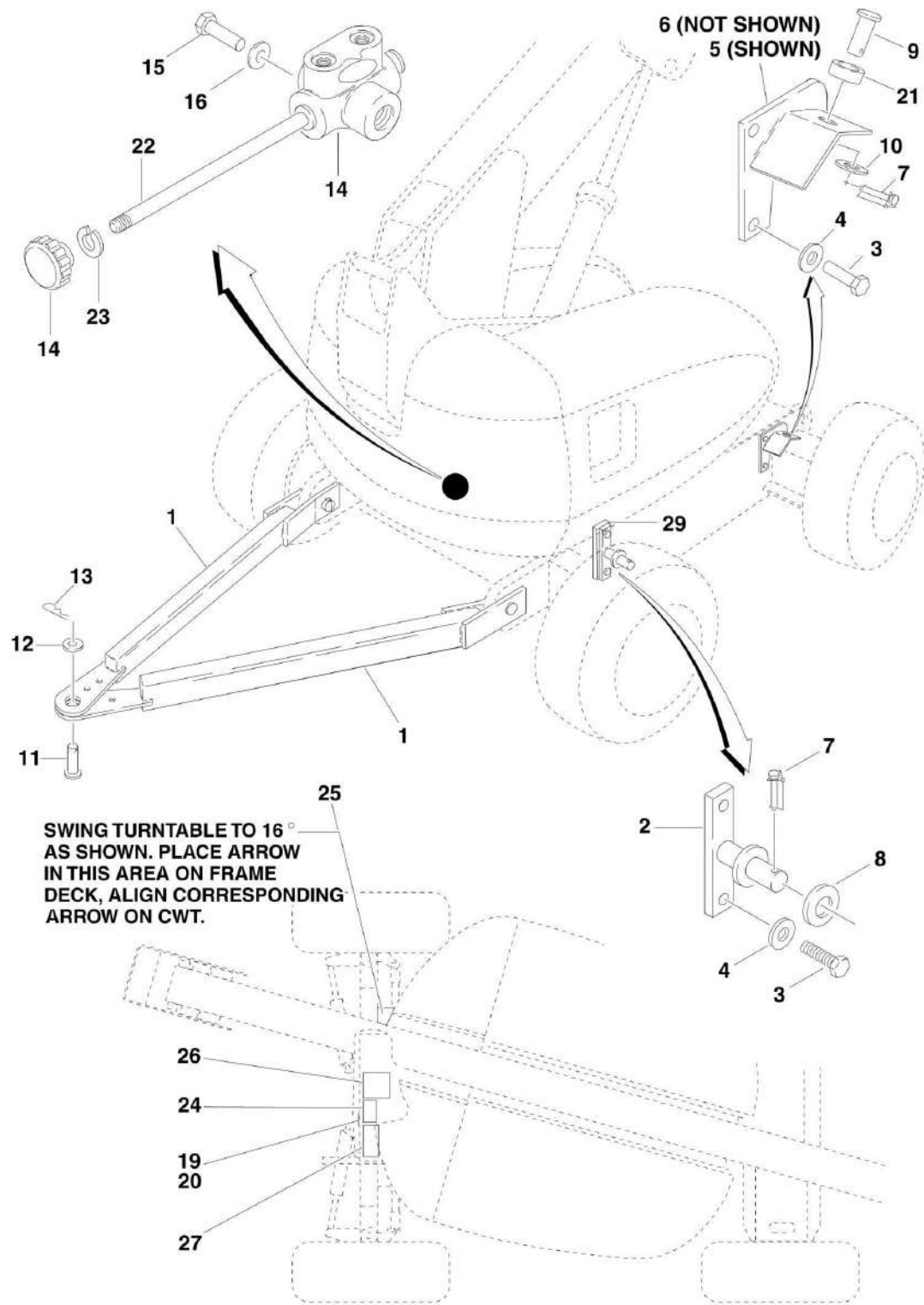
ITEM	PART NUMBER	QTY	DESCRIPTION	REV
		Ref	DRIVE VALVES INSTALLATION OPTIONS:	
	0273049	Ref	Drive Valves Installation 2WD/2WS	D
	0274441	Ref	Drive Valves Installation 2WD/4WS	B
	0273048	Ref	Drive Valves Installation 4WD/2WS	F
	0273366	Ref	Drive Valves Installation 4WD/4WS	E
2		Ref	Bolt 5/16in-18NC Options:	
2	0641532	2	4in Length (2WD)	
2	0641552	3	6-1/2in Length (4WD)	
8	3311505	AR	Locknut 5/16in-18NC	
10		Ref	Flow Divider Valve Assembly Options:	
10A		Ref	Flow Divider Valve Assembly 2WD Options (See Items 101-104 for Breakdown):	
10A	4641287	NLA	Flow Divider Valve Assembly (Use p/n 1001100120) (Original Equipment)	
10A	4641409	NLA	Flow Divider Valve Assembly (Use p/n 1001100120) (Original Equipment)	
10A	4641409	NLA	Flow Divider Valve Assembly (Use p/n 1001100120) (Original Equipment)	
10A	1001100120	1	Service Replacement	
		Ref	Note: Original Equipment Valve may have been replaced with Service Replacement Valve. Identify p/n stamped on valve before ordering parts.	
10B		Ref	Flow Divider Valve Assembly 4WD Options (See Items 201-205 for Breakdown):	
10B	4641280	NLA	Flow Divider Valve Assembly (Use p/n 1001198503) (Original Equipment)	
10B	4641410	NLA	Flow Divider Valve Assembly (Use p/n 1001198503) (Original Equipment)	
10B	4641410	NLA	Flow Divider Valve Assembly (Use p/n 1001198503) (Original Equipment)	
10B	1001098503	1	Service Replacement	
		Ref	Note: Original Equipment Valve may have been replaced with Service Replacement Valve. Identify p/n stamped on valve before ordering parts.	
11	4711500	AR	Flatwasher 5/16in Thin	
14		Ref	Bar, Clamping	
14	Not Required	0	Bar, Clamping 2WD/2WS	
14	0363012	2	Bar, Clamping 2WD/2WS, 4WD/2WS & 4WD/4WS	
15	0641618	4	Bolt 3/8in-16NC x 2-1/4in	
16	3340911	4	Rubber, Clamp	
17	4751600	4	Flatwasher 3/8in Regular	
		Ref	FLOW DIVIDER ASSEMBLY (2WD)	
	4641287	Ref	Flow Divider Assembly (2WD) (Original Equipment) (SN 0300081836 through 0300086893)	C
	4641409	Ref	Flow Divider Assembly (2WD) (Original Equipment) (SN 0300086894 through 0300087000)	B
	1001100120	Ref	Service Replacement	A
101	7023933	1	Valve, Cartridge (Flow Divider)	
101	7021625	1	Seal Kit - Flow Divider Cartridge	
101	70000781	1	Locking Kit	
102		Ref	Valve, Cartridge (Check) Options:	
102	7024850	1	Valve, Cartridge (Check) (Used with p/n 4641287) (SN	

SECTION 1 - FRAME

ITEM	PART NUMBER	QTY	DESCRIPTION	REV
102	7024892	1	0300081836 through 0300086893 Valve, Cartridge (Check) (Used with p/n 4641409 & p/n 1001100120) (SN 0300086894 through 0300087000)	
102	7023936	1	Seal Kit - Check Cartridge	
103	7022397	2	Valve, Cartridge (Check)	
103	7022399	2	Seal Kit - Check Cartridge	
104	7023935	1	Valve, Cartridge (Check)	
104	7023936	1	Seal Kit - Check Cartridge	
		Ref	FLOW DIVIDER ASSEMBLY (4WD)	
	4641280	Ref	Flow Divider Assembly (4WD) (Original Equipment) (SN 0300081836 through 0300086893)	C
	4641410	Ref	Flow Divider Assembly (4WD) (Original Equipment) (SN 0300086894 through 0300087000)	B
	1001098503	Ref	Service Replacement	A
201	7023933	1	Valve, Cartridge (Flow Divider)	
201	7021625	1	Seal Kit - Flow Divider Cartridge	
202		Ref	Valve, Cartridge (Check) Options:	
202	7022397	6	Valve, Cartridge (p/n 4641280 & p/n 4641410)	
202	7022399	6	Seal Kit - Check Cartridge	
202	70003408	6	Valve, Cartridge (p/n 1001098503)	
202	7022399	6	Seal Kit - Check Cartridge	
203	7023935	1	Valve, Cartridge (Check)	
203	7023936	1	Seal Kit - Check Cartridge	
204		Ref	Valve, Cartridge (Check) Options:	
204	7024850	1	Valve, Cartridge (Check) (Used with p/n 4641280) (SN 0300081836 through 0300086893)	
204	7024892	1	Valve, Cartridge (Check) (Used with p/n 4641410 & p/n 1001098503) (SN 0300086894 through 0300087000)	
204	7023936	1	Seal Kit - Check Cartridge	
205	7023917	2	Valve, Cartridge (Flow Divider)	
205	7021625	2	Seal Kit - Flow Divider Cartridge	
206	70002063	1	Plug, Orifice	
207	70002064	2	Plug, Orifice	
		Ref	FRAME SHIELDS INSTALLATION	
	0274349	Ref	Frame Shields Installation 2WD/2WS	C
	0274229	Ref	Frame Shields Installation 2WD/4WS (n600A/AJ Only)	A
	0274349	Ref	Frame Shields Installation 4WD/2WS	E
	0274348	Ref	Frame Shields Installation 4WD/4WS	D
301	0641608	AR	Bolt, 3/8in-16NC x 7/8in	
302		Ref	Shield, Frame - Front Options:	
302A	3380557	1	Machines with 8ft/2.4m Wide Frames	
302B	3380560	1	Machines with 7ft/2.1m Wide Frames	
303		Ref	Shield, Frame - Rear Options:	
303	Not Required	0	2WS Machines with 8ft/2.4m Wide Frames	
303	3380573	1	4WS Machines with 8ft/2.4m Wide Frames	
303	3380558	1	Machines with 7ft/2.1m Wide Frames	
304	4751600	AR	Flatwasher, 3/8in Regular	

SECTION 1 - FRAME

FIGURE 1-17. TOW PACKAGE INSTALLATION (OPTIONAL) (SN 0300069000 through 0300081835)



SECTION 1 - FRAME

FIGURE 1-17. TOW PACKAGE INSTALLATION (OPTIONAL) (SN 0300069000 through 0300081835)

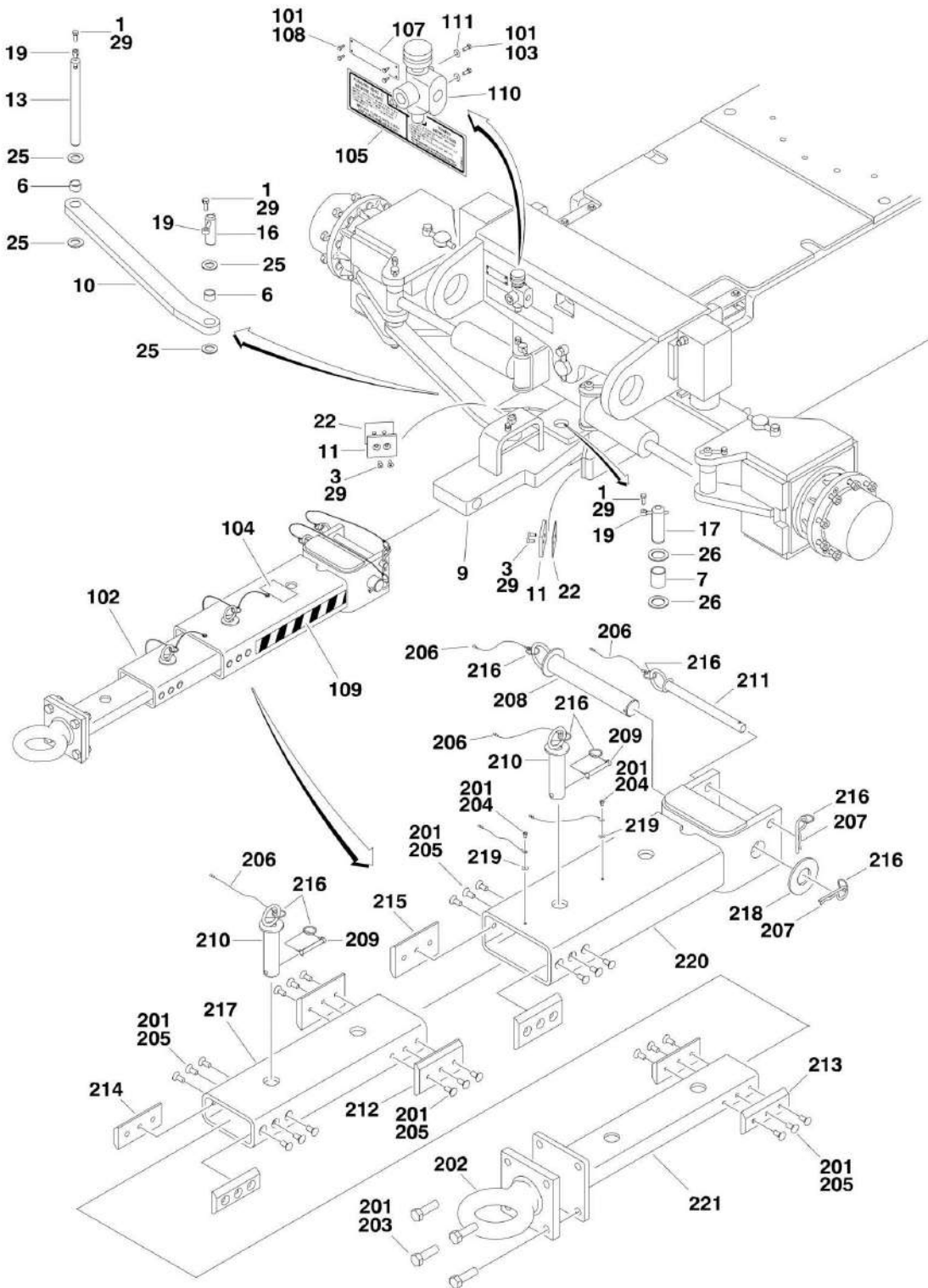
ITEM	PART NUMBER	QTY	DESCRIPTION	REV
		Ref	TOW INSTALLATION OPTIONS:	
	0257436	Ref	7ft/2.1m Width Machines - ANSI Spec	3
	0259427	Ref	7ft/2.1m Width Machines - CSA Spec	1
	0257101	Ref	8ft/2.4m Width Machines - ANSI Spec	2
	0259426	Ref	8ft/2.4m Width Machines - CSA Spec	1
1	4845281	1	Tow Bar Weldment	
2		Ref	Bracket, Tow Bar Options:	
2	Not Required	0	7ft/2.1m Width Machines	
2	4845283	2	8ft/2.4m width machines	
3		Ref	Bolt 3/8in-16NC x 1in Options:	
3	Not Required	0	7ft/2.1m Width Machines	
3	0641608	8	8ft/2.4m width machines	
4		Ref	Flatwasher 3/8in Thin Options:	
4	Not Required	0	7ft/2.1m Width Machines	
4	4711600	8	8ft/2.4m width machines	
5		Ref	Bracket, Tow Bar Options:	
5	Not Required	0	7ft/2.1m Width Machines	
5	4845450	1	8ft/2.4m width machines	
6		Ref	Bracket, Tow Bar Options:	
6	Not Required	0	7ft/2.1m Width Machines	
6	4845451	1	8ft/2.4m width machines	
7	3421453	4	Pin, Snap	
8	4712600	AR	Flatwasher 1in Thin	
9	3422553	2	Pin, Tow Bar	
10	4713400	2	Flatwasher 1-1/2in Thin	
11	3422553	1	Pin, Tow Bar	
12	4713000	2	Flatwasher 1-1/4in Thin	
13	3420592	1	Hairpin	
14	4640261	1	Diversion Valve Assembly	
15	0641505	2	Bolt 5/16in-18NC x 5/8in	
16	4711500	2	Flatwasher 5/16in Thin	
19		Ref	Nameplate Options:	
19	3250872	1	ANSI Spec	
19	1704272	1	CSA Spec	
20		Ref	Rivet Options:	
20	3820001	4	ANSI Spec	
20	Not Required	0	CSA Spec	
21	4567172	2	Tube, Spacer	
22	3841329	1	Rod Extension	
23	4761600	1	Lockwasher 3/8in	
24		Ref	Decal - Instruction Options:	
24	1703403	1	ANSI Spec	
24	1704275	1	CSA Spec	
25	1703404	2	Decal - Match Arrow	
26	1703444	1	Decal	
27		Ref	Decal Options:	
27	1703450	1	ANSI Spec	
27	1704274	1	CSA Spec	
28	3539662	1	Plate, Valve Mounting (Not Shown)	
29		Ref	Bar, Tow Clamp Options:	

SECTION 1 - FRAME

ITEM	PART NUMBER	QTY	DESCRIPTION	REV
29	Not Required	0	7ft/2.1m Width Machines	
29	0362519	4	8ft/2.4m width machines	

SECTION 1 - FRAME

FIGURE 1-18. TOW PACKAGE INSTALLATION (OPTIONAL) (SN 0300081836 through 0300087000)



SECTION 1 - FRAME

FIGURE 1-18. TOW PACKAGE INSTALLATION (OPTIONAL) (SN 0300081836 through 0300087000)

ITEM	PART NUMBER	QTY	DESCRIPTION	REV
		Ref	TOW INSTALLATIONS	
	0274257	Ref	7ft/2.1m Width Machines	A
	0274220	Ref	8ft/2.4m Width Machines	B
1	0641608	3	Bolt 3/8in-16NC x 1in	
3	0741607	8	Bolt 3/8in-16NC x 1in Options	
6	0962292	2	Bushing	
7	0962348	1	Bushing	
9	2980125	1	Pivot	
10		Ref	Link, Tow Options:	
10	2575716	1	7ft/2.1m Width Machines	
10	3010141	1	8ft/2.4m Width Machines	
11	3340966	2	Pad, Stop	
13	3422327	1	Pin	
16	3422813	1	Pin	
17	3422848	1	Pin	
19	3841143	3	Keeper, Pin	
22	4071059	2	Shim	
25		Ref	Thrustwasher Options:	
25	4740184	1	7ft/2.1m Width Machines	
25	4740111	2	8ft/2.4m Width Machines	
26	4740155	2	Thrustwasher	
29	0100011	AR	Compound, Locking	
	0274235	Ref	TOW BAR INSTALLATION	B
101	0100011	AR	Compound, Locking	
102	0270528	1	Bar Assembly (See Items 201-221 for Breakdown)	
103	0641516	2	Bolt 5/16in-18NC x 2	
104	1704578	2	Decal - Crushing	
105	1705090	1	Decal - Towing Instructions	
107	3250872	1	Nameplate, Steer/Tow Select Valve	
108	3940604	4	Screw, Self-Tapping #6-32NF x 1/2in	
109	4420051	AR	Tape, Safety	
110	4640261	1	Valve, Float Position	
111	4751500	2	Flatwasher 5/16in Regular	
	0270528	Ref	TOW BAR ASSEMBLY	A
201	0100011	AR	Compound, Locking	
202	0362910	1	Pintle, Draw Eye	
203	0642010	4	Bolt 5/8in-11NC x 1-1/4in	
204	0721004	2	Screw, Hex Machine	
205	0741607	24	Screw, Countersunk 3/8in-16NC x 7/8in	
206	1060584	6	Cable, Lanyard	
207	3420372	2	Pin, Cotter	
208	3420447	1	Pin, Towing	
209	3421565	2	Pin, Snap	
210	3422841	2	Pin	
211	3422847	1	Pin	
212	3572009	2	Plate, Slide Stop	
213	3572010	2	Plate, Slide Stop	
214	3572011	2	Plate, Slide Stop	
215	3572012	2	Plate, Slide Stop	
216	3760170	8	Ring, Split	

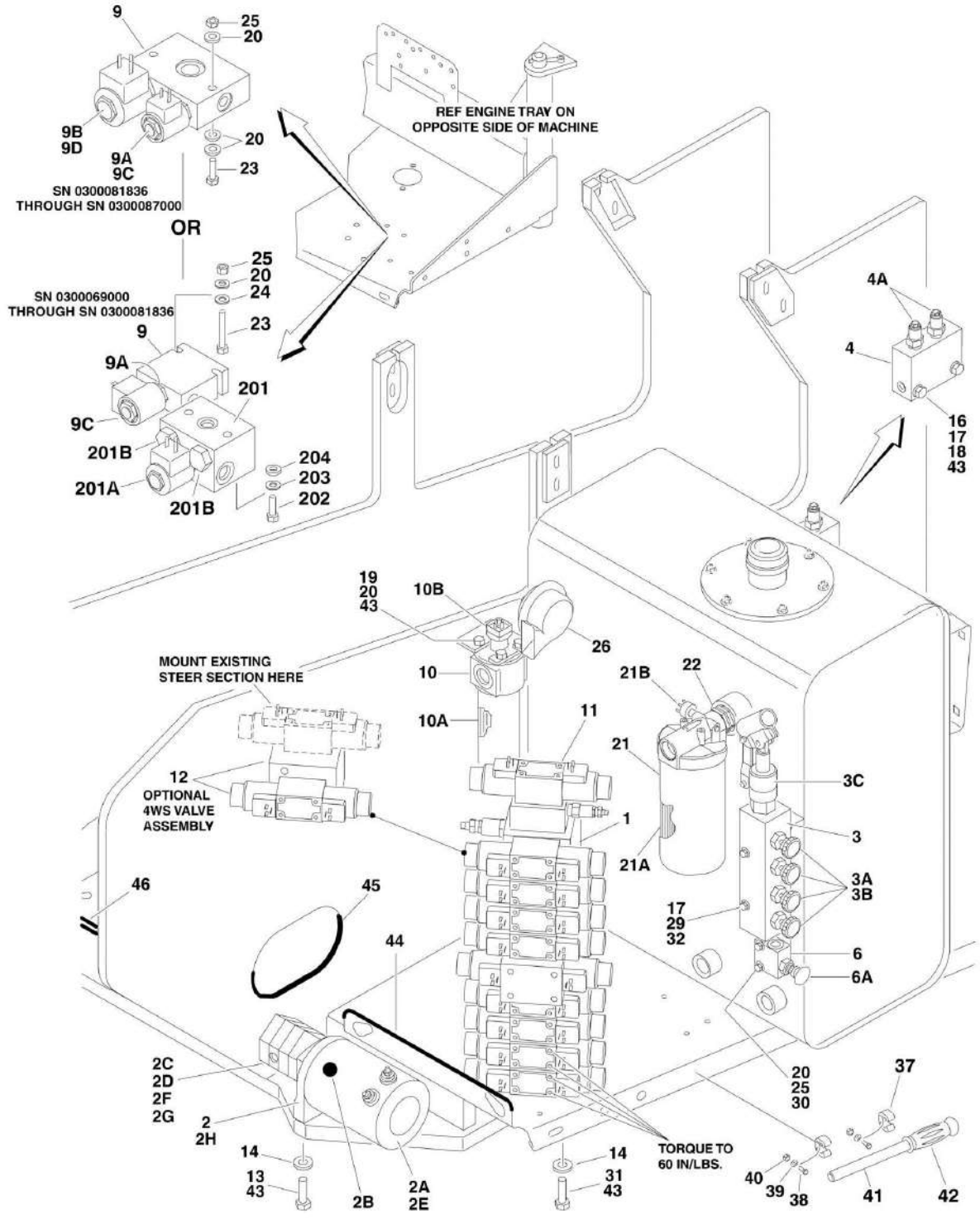
SECTION 1 - FRAME

ITEM	PART NUMBER	QTY	DESCRIPTION	REV
217	4568133	1	Tube, Tow Bar	
218	4740036	1	Flatwasher, Special	
219	4751000	2	Flatwasher #10 Regular	
220	4846295	1	Tow Bar Attach Weldment	
221	4846296	1	Pintle Attach Weldment	

SECTION 2 - TURNTABLE

SECTION 2 - TURNTABLE

FIGURE 2-1. CONTROL VALVES INSTALLATIONS



SECTION 2 - TURNTABLE

FIGURE 2-1. CONTROL VALVES INSTALLATIONS

ITEM	PART NUMBER	QTY	DESCRIPTION	REV
		Ref	CONTROL VALVES INSTALLATIONS	
	0255440	Ref	Control Valves Installations 600A 2WS (SN 0300069000 through 0300081835)	13
	0274276	Ref	Control Valves Installations 600A 2WS (SN 0300081836 through 0300084828)	1
	0274309	Ref	Control Valves Installations 600A 2WS (SN 0300084829 through 0300087000)	1
	0255442	Ref	Control Valves Installations 600A 4WS (SN 0300069000 through 0300081835)	12
	0274278	Ref	Control Valves Installations 600A 4WS (SN 0300081836 through 0300084828)	1
	0274311	Ref	Control Valves Installations 600A 4WS (SN 0300084829 through 0300087000)	1
	0255441	Ref	Control Valves Installations 600AJ 2WS (SN 0300069000 through 0300081835)	15
	0274277	Ref	Control Valves Installations 600AJ 2WS (SN 0300081836 through 0300084828)	1
	0274310	Ref	Control Valves Installations 600AJ 2WS (SN 0300084829 through 0300087000)	1
	0255443	Ref	Control Valves Installations 600AJ 4WS (SN 0300069000 through 0300081835)	12
	0274279	Ref	Control Valves Installations 600AJ 4WS (SN 0300081836 through 0300084828)	1
	0274312	Ref	Control Valves Installations 600AJ 4WS (SN 0300084829 through 0300087000)	1
1	4641097	1	Main Valve Block Assembly (See MAIN VALVE BLOCK ASSEMBLY for Breakdown)	
2		Ref	Auxiliary Pump Assembly Options:	
2	3600243	1	Auxiliary Pump Assembly (SN 0300069000 through 0300070783)	B
2	3600365	1	Auxiliary Pump Assembly (SN 0300070784 through 0300087000)	B
2A		Ref	Replacement Motor Options:	
2A	7013755	1	Replacement Motor for Pump p/n 3600243	
2A	7013799	1	Brush Kit - 7013755 Motor	
2A	7004290	1	Replacement Motor with Endhead Item 2H for Pump p/n 3600365 (was p/n 7011067)	
2A	7004248	1	Replacement Motor without Endhead Item 2H for Pump p/n 3600365	
2A	7011065	1	Brush Kit - 7011067 Motor	
2B		Ref	Coupling Options:	
2B	7013711	1	Coupling for Pump p/n 3600243	
2B	7011063	1	Coupling for Pump p/n 3600365	
2C		Ref	Replacement Pump Options:	
2C	7013796	1	Replacement Pump for Pump p/n 3600243	
2C	See Note	1	Seal Kit (Note: Not Available Purchase Individual Components)	
2C	7016700	1	Seal, Oil	
2C	7016701	1	O-Ring	
2C	7016702	1	O-Ring	
2C	7011064	1	Replacement Pump for Pump p/n 3600365	
2C	7011066	1	Seal Kit	
2C	See Note	1	Relief Valve (Note: Not Available - Replace Complete Pump)	

SECTION 2 - TURNTABLE

ITEM	PART NUMBER	QTY	DESCRIPTION	REV
2D		Ref	Bolt (Pump to Bracket) Options:	
2D	7022203	4	Bolt for Pump p/n 3600243	
2D	7011043	4	Bolt for Pump p/n 3600365	
2E		Ref	Bolt (Motor to Bracket) Options:	
2E	7016744	2	Bolt for Pump p/n 3600243	
2E	See Note	2	Bolt for Pump p/n 3600365 (Note: Not Available for Purchase)	
2F		Ref	Gasket Options:	
2F	7016746	1	Gasket for Pump p/n 3600243	
2F	7011044	1	Gasket for Pump p/n 3600365	
2G		Ref	Lockwasher Options:	
2G	Not Required	0	Lockwasher for Pump p/n 3600243	
2G	7011048	4	Lockwasher for Pump p/n 3600365	
2H		Ref	Endhead, Motor Options:	
2H	7016747	4	Endhead for Pump p/n 3600243	
2H	7011062	4	Endhead for Pump p/n 3600365	
3	4640930	1	Manual Descent Valve Assembly (SN 0300069000 through 0300070977)	
3A	7012954	4	Cartridge, Needle	
3A	7012953	4	Seal, Kit - 7012954 Cartridge	
3B	7012961	4	Knob	
3C	7012694	1	Cartridge, Pump	
3C	7012699	1	Seal Kit - 7012694 Cartridge	
4	4640908	1	Counterbalance Valve Assembly	
4A	7011328	2	Cartridge, Counterbalance	
4A	2900770	2	Seal Kit - 7011328 Cartridge	
6	4640866	1	Manual Pull Valve Assembly	
6	2900708	1	Seal Kit - 4640866 Valve	
6A	7012959	1	Knob	
9		Ref	Brake Valve Assembly Options:	
9	4640907	1	Brake Valve Assembly (SN 0300069000 through 0300081835)	
9	4641108	NLA	Brake Valve Assembly (Use p/n 1001199391) (SN 0300081836 through 0300086999)	
9		Ref	Brake Valve Assembly (SN 0300087000 through 03000137663)	
9A	7012941	1	Cartridge without Coil Options:	
9A	7012907	1	Seal Kit - 7012941 Cartridge (Brake Valve p/n 4640907)	
9A	7010543	1	Seal Kit - 7012941 Cartridge (Brake Valve p/n 4641108 & 1001099391)	
9B		Ref	Cartridge without Coil Options:	
9B	Not Required	0	Brake Valve p/n 4640907	
9B	7012995	1	Brake Valve p/n 4641108 & 1001099391	
9B	7012518	1	Seal Kit - 7012995 Cartridge (Brake Valve p/n 4641108)	
9C	7012944	1	Coil	
9D		Ref	Coil Options:	
9D	Not Required	0	Brake Valve p/n 4640907	
9D	7012943	1	Brake Valve p/n 4641108 & 1001099391	
10		Ref	Hydraulic Pressure Filter Assembly Options:	
10	2120146	1	Hydraulic Pressure Filter Assembly (SN 0300069000 through 0300084828)	
10	2120209	1	Hydraulic Pressure Filter Assembly (SN 0300084829 through 0300087000)	
10A	2120150	1	Element, Filter - p/n 2120146	

SECTION 2 - TURNTABLE

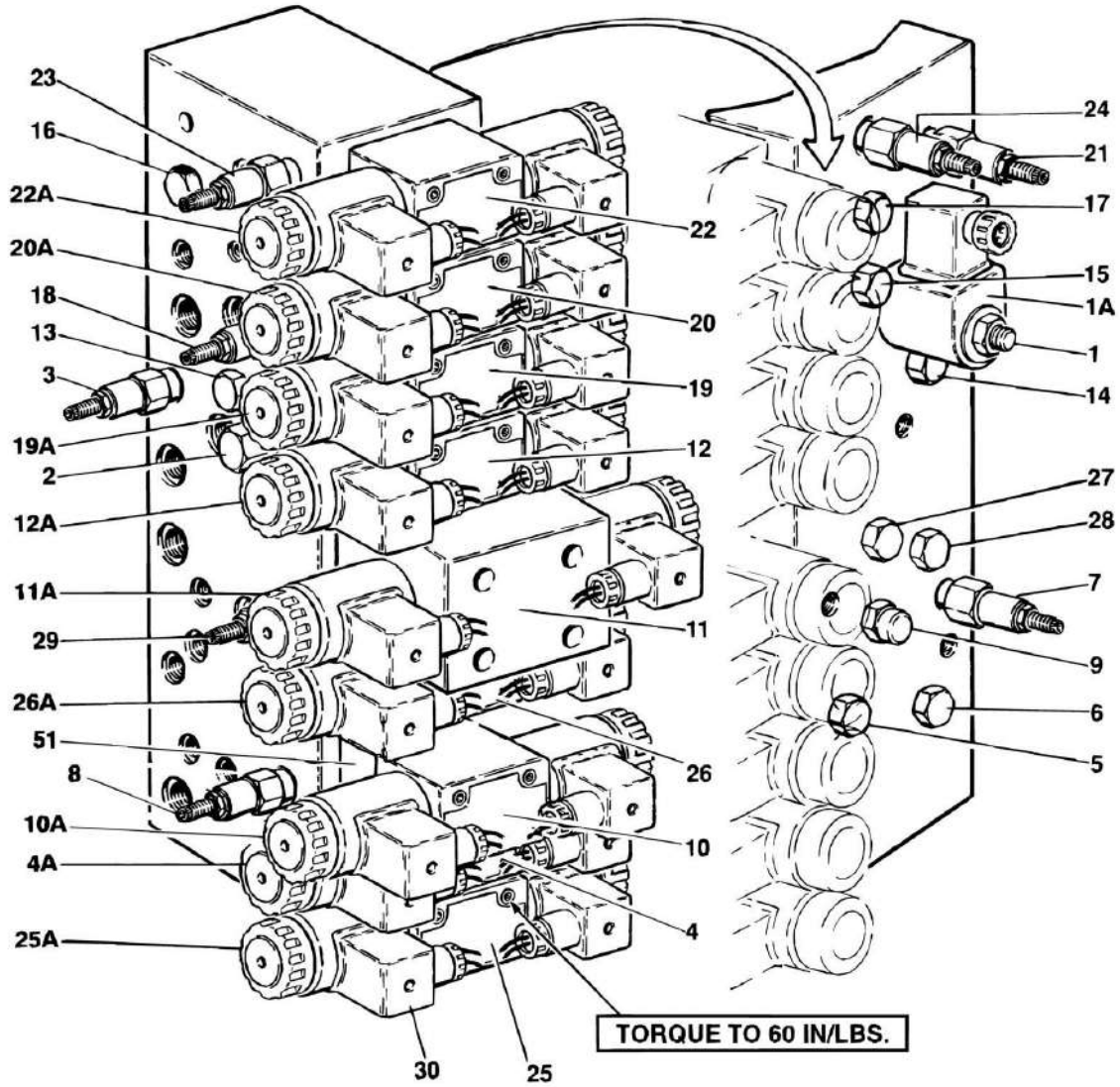
ITEM	PART NUMBER	QTY	DESCRIPTION	REV
10A	2120210	1	Element, Filter - p/n 2120209	
10B	7016312	1	Switch, Clog Indicator - p/n 2120146	
10B	7020020	1	Manual Indicator - p/n 2120209	
10C	7023206	1	O-Ring, Filter Bowl - p/n 2120146 (Not Shown)	
10C	70000934	1	O-Ring, Filter Bowl - p/n 2120209 (Not Shown)	
11		Ref	Articulating Jib Valve Kit (See ACCESSORY VALVE ASSEMBLIES for Breakdown) Options:	
11	Not Required	0	Articulating Jib Valve Kit 600A - 2WS/600A - 4WS	
11	4640921	1	Articulating Jib Valve Kit 600AJ - 2WS/600AJ - 4WS	
11	4921927	1	Harness, Articulating Jib (Not Shown - See ELECTRICAL SECTION for Breakdown)	
12		Ref	4WS Valve Assembly (See ACCESSORY VALVE ASSEMBLIES for Breakdown) Options:	
12	Not Required	0	4WS Valve Assembly 600A - 2WS/600AJ - 2WS	
12	4640922	1	4WS Valve Assembly 600A - 4WS/600AJ - 4WS	
12	4921928	1	Harness, 4WS (Not Shown - See ELECTRICAL SECTION for Breakdown)	
13	0641613	2	Bolt 3/8in-16NC x 1-5/8in	
14	4711600	AR	Flatwasher 3/8in Thin	
16	4891800	2	Flatwasher 1/2in Hardened (SN 0300069000 through 0300074392)	
17	4711500	AR	Flatwasher 5/16in Thin	
18		Ref	Hardware Options:	
18	3311501	2	Nut 5/16in-18NC (SN 0300069000 through 0300074391)	
18	0641514	2	Bolt 5/16in-18NC x 1-3/4in (SN 0300074392 through 0300087000)	
19	0651406	AR	Bolt 1/4in-28NF x 3/4in	
20	4711400	AR	Flatwasher 1/4in Thin	
21		Ref	Return Filter Assembly Options:	
21	2120145	1	Return Filter Assembly (SN 0300069000 through 0300084828)	B
21	2120164	1	Return Filter Assembly (SN 0300084829 through 0300087000)	B
21A	2120149	1	Element, Filter	
21B	7016313	1	Switch, Clog Indicator - p/n 2120145	
21B	7020021	1	Manual Indicator - p/n 2120164	
22	2220893	1	Fitting, Adaptor	
23	0641416	2	Bolt 1/4in-20NC x 2in	
24	4891400	4	Flatwasher 1/4in Hardened	
25	3311405	AR	Locknut 1/4in-20NC	
26	0140001	1	Horn	
29	0641522	2	Bolt 5/16in-18NC x 2-3/4in (SN 0300069000 through 0300070977)	
30	0641414	2	Bolt 1/4in-20NC x 1-3/4in	
31	0641608	3	Bolt 3/8in-16NC x 1in	
32	3311505	2	Locknut 5/16in-18NC (SN 0300069000 through 0300070977)	
37	1380136	2	Clip, Gripper (SN 0300069000 through 0300070977)	
38	3910806	2	Screw #8 x 3/4in (SN 0300069000 through 0300070977)	
39	4750800	4	Flatwasher #8 Regular (SN 0300069000 through 0300070977)	
40	3310805	2	Locknut #8 (SN 0300069000 through 0300070977)	
41	2560122	1	Handle (SN 0300069000 through 0300070977)	
42	2560123	1	Grip, Handle (SN 0300069000 through 0300070977)	
43	0100011	AR	Compound, Locking	
44	4060804	16	Trim-Loc 3/16in	

SECTION 2 - TURNTABLE

ITEM	PART NUMBER	QTY	DESCRIPTION	REV
45	4060918	79 in/1.9m	Trim-Loc 5/8in	8
46	4060807	18 in/46cm	Trim-Loc 3/8in	
	2792195	Ref	4WD DRIVE HYDRAULIC DIAGRAM (SN 0300069000 through 0300081835)	
201	4640906	1	Valve, 2-Speed Motor Control	
201A	7012974	1	Cartridge without Coil	
201A	7012905	1	Seal Kit	
201A	7012944	1	Coil	
201B	4640906	2	Cartridge, Check Valve (Note: Not Available for Purchase)	
201B	7012972	2	Seal Kit	
202	0641508	2	Bolt 5/16in-18NC x 1in	
203	4891500	2	Flatwasher 5/16in Hardened	
204	4711500	2	Flatwasher 5/16in Thin	

SECTION 2 - TURNTABLE

FIGURE 2-2. MAIN VALVE BLOCK ASSEMBLY



SECTION 2 - TURNTABLE

FIGURE 2-2. MAIN VALVE BLOCK ASSEMBLY

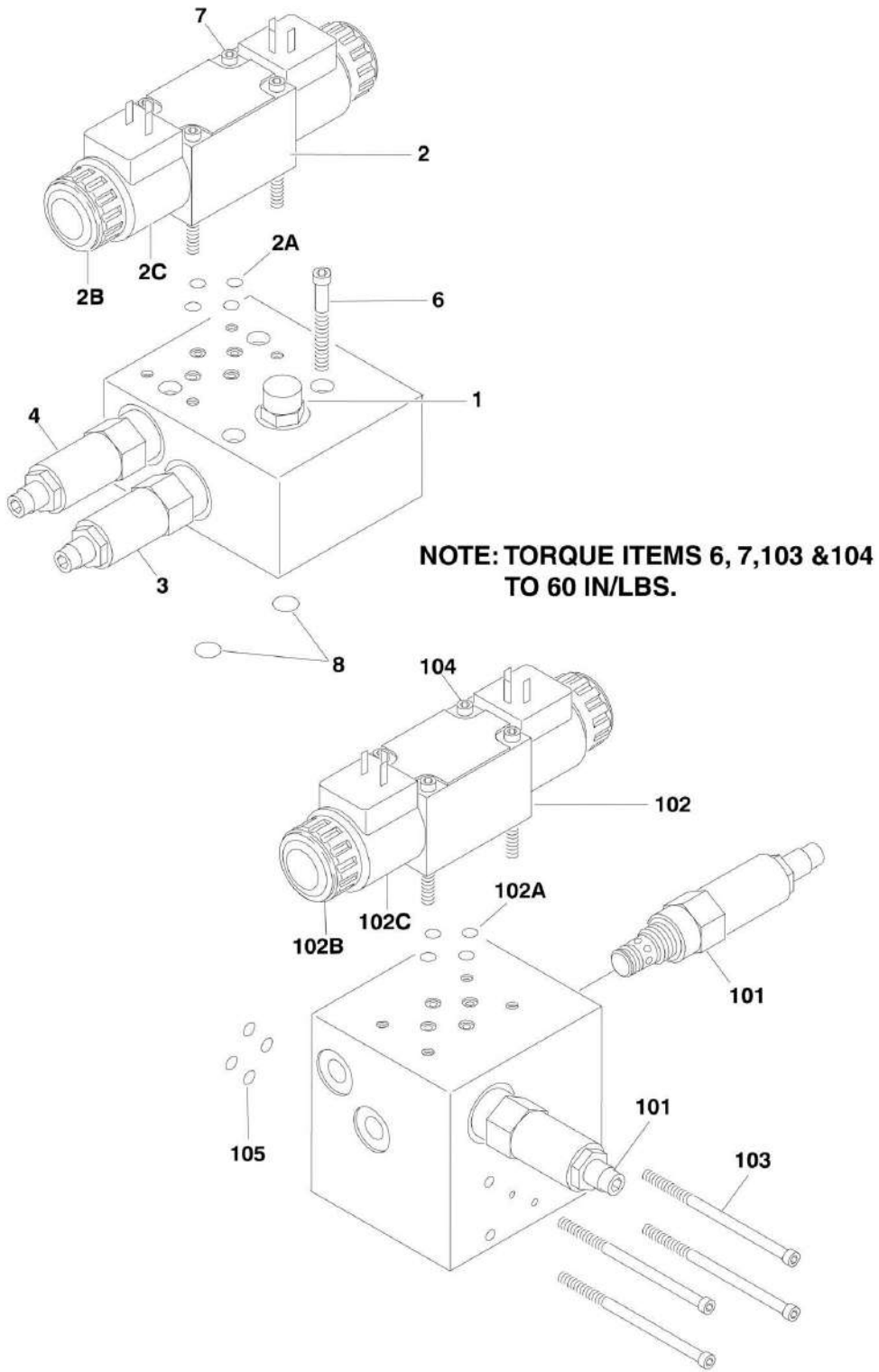
ITEM	PART NUMBER	QTY	DESCRIPTION	REV
	4641097	Ref	MAIN VALVE BLOCK ASSEMBLY	B
1	7017410	1	Cartridge, without Coil	
1	7012967	1	Seal Kit - 7017410 Cartridge	
1A	7012944	1	Coil	
2	7017411	1	Cartridge, Pressure Sensing	
2	7012518	1	Seal Kit	
3	7017418	1	Cartridge (Main Relief)	
3	7012998	1	Seal Kit	
4	70001976	1	Control Valve Assembly (Platform Level) (was p/n 7012770)	
4	7012773	1	Seal Kit	
4A	7012772	2	Coil	
4A	7018912	2	Nut	
5	7012914	1	Cartridge, Check Valve	
5	7012918	1	Seal Kit - 7012914 Cartridge	
6	7012914	1	Cartridge, Check Valve	
6	7012918	1	Seal Kit - 7012914 Cartridge	
7	7017428	1	Cartridge, Relief Valve (Platform Level Backward Relief)	
7	7012998	1	Seal Kit - 7017428 Cartridge	
8	7017427	1	Cartridge, Relief Valve (Platform Level Forward Relief)	
8	7012998	1	Seal Kit - 7012912 Cartridge	
9	7012989	1	Cartridge, Flow Control	
9	7012953	1	Seal Kit - 7012989 Cartridge	
10	70001976	1	Control Valve Assembly (Platform Rotate) (was p/n 7012770)	
10	7012773	1	Seal Kit	
10A	7012772	2	Coil	
10A	7018912	2	Nut	
11		Ref	Control Valve Assembly Options (Upper Tele):	
11	70000579	1	Control Valve Assembly (was p/n 7012766) (SN 0300069000 through 0300092880)	
11	70000579	1	Control Valve Assembly (SN 0300092881 through 0300087000)	
		Ref	Note: Refer to Vendor P/N on Valve Nameplate before ordering Parts. 7012766 is RR00567495 or R900567495. 70000579 is R900930080.	
11		Ref	Seal Kit Options:	
11	7012769	1	7012766 Valve	
11	70000583	1	70000579 Valve	
11A		Ref	Coil Options:	
11A	7012772	1	7012766 Valve (was p/n 7012768)	
11A	70000582	1	70000579 Valve	
11A		Ref	Nut, Coil Options:	
11A	7018912	1	7012766 Valve	
11A	70000580	1	70000579 Valve	
12	7012775	1	Control Valve Assembly (Flow Control)	
12	7012773	1	Seal Kit	
12A	7012772	2	Coil	
12A	7018912	2	Nut	
13	7010542	1	Cartridge, Shuttle	
13	7010543	1	Seal Kit - 7010542 Cartridge	
14	7010542	1	Cartridge, Shuttle	
14	7010543	1	Seal Kit - 7010542 Cartridge	

SECTION 2 - TURNTABLE

ITEM	PART NUMBER	QTY	DESCRIPTION	REV
15	7010542	1	Cartridge, Shuttle	
15	7010543	1	Seal Kit - 7010542 Cartridge	
16	7010542	1	Cartridge, Shuttle	
16	7010543	1	Seal Kit - 7010542 Cartridge	
17	7010542	1	Cartridge, Shuttle	
17	7010543	1	Seal Kit - 7010542 Cartridge	
18	7017420	1	Cartridge, Relief Valve	
18	7012998	1	Seal Kit - 7017420 Cartridge	
19	7012775	1	Control Valve Assembly (Upper Lift)	
19	7012773	1	Seal Kit	
19	7012799	1	Lanyard Assembly (Not Shown)	
19A	7012772	2	Coil	
19A	7018912	2	Nut	
20	7012775	1	Control Valve Assembly (Swing)	
20	7012773	1	Seal Kit	
20A	7012772	2	Coil	
20A	7018912	2	Nut	
21	7017423	1	Cartridge, Relief Valve (Swing Right/Left Relief)	
21	7012998	1	Seal Kit - 7017423 Cartridge	
22	7012774	1	Control Valve Assembly (Steer)	
22	7012773	1	Seal Kit	
22A	7012772	2	Coil	
22A	7018912	2	Nut	
23	7017428	1	Cartridge, Relief Valve (Steer Left Relief)	
23	7012998	1	Seal Kit - 7017428 Cartridge	
24	7017428	1	Cartridge, Relief Valve (Steer Right Relief)	
24	7012998	1	Seal Kit - 7017428 Cartridge	
25	70001976	1	Control Valve Assembly (Lower Tele) (was p/n 7012770)	
25	7012773	1	Seal Kit	
25A	7012772	2	Coil	
25A	7018912	2	Nut	
26	7018952	1	Control Valve Assembly (Lower Lift)	
26	7012769	1	Seal Kit	
26A	7012772	2	Coil	
26A	7018912	2	Nut	
26A	7012799	1	Lanyard Cable Assembly	
27	7012969	1	Cartridge, Check	
27	7012967	1	Seal Kit - 7012969 Cartridge	
28	7012914	1	Cartridge, Check	
28	7012918	1	Seal Kit - 7012914 Cartridge	
30	4460499	19	Connector, Din with Diode (Part of Valve Harness)	
	2901763	1	ROTATE SANDWICH VALVE KIT	A
51	7021310	1	Block, Valve	

SECTION 2 - TURNTABLE

FIGURE 2-3. ACCESSORY VALVE ASSEMBLIES



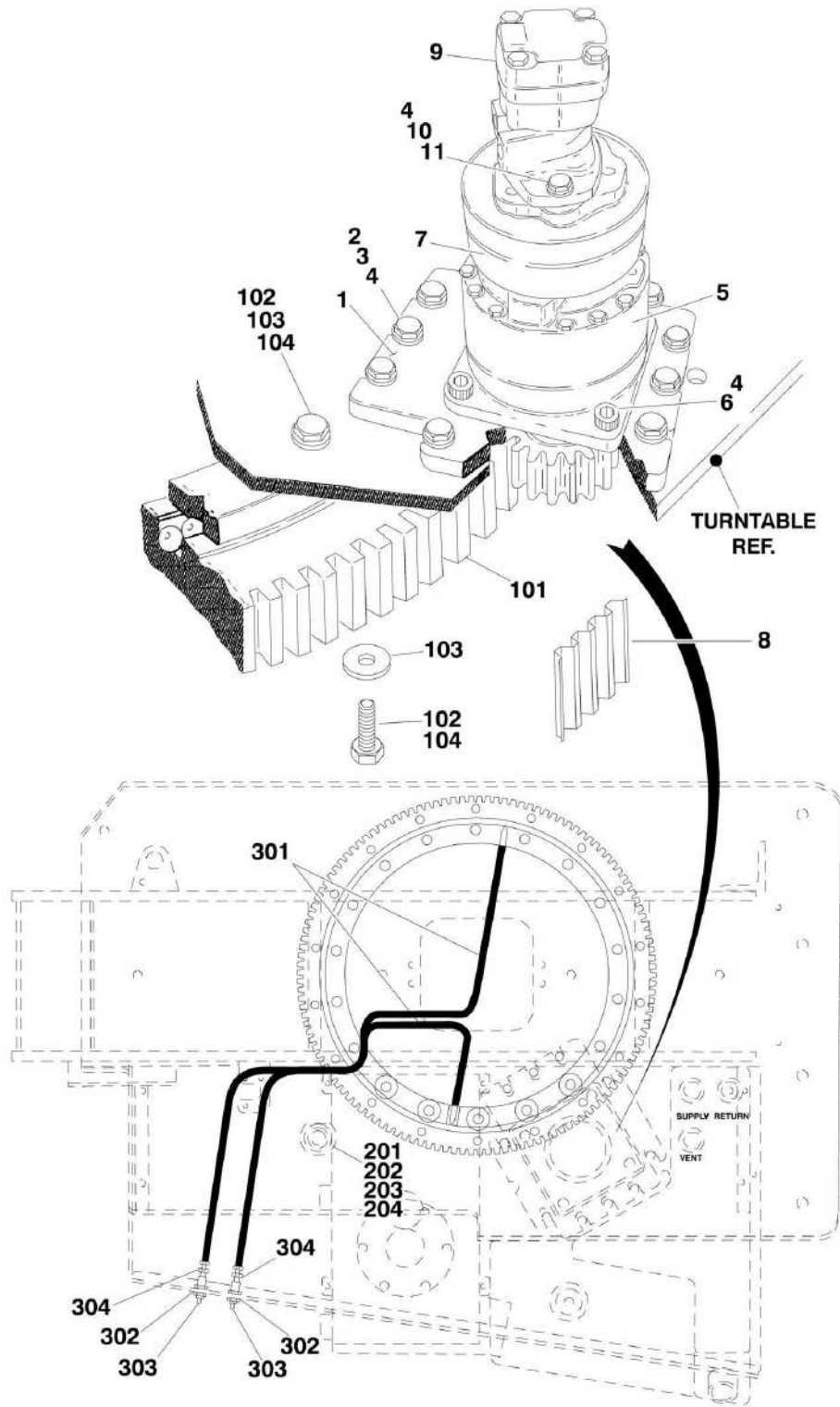
SECTION 2 - TURNTABLE

FIGURE 2-3. ACCESSORY VALVE ASSEMBLIES

ITEM	PART NUMBER	QTY	DESCRIPTION	REV
	4640921	Ref	ARTICULATING JIB VALVE ASSEMBLY	D
1	7012965	1	Cartridge, Flow Control	
1	7012953	1	Seal Kit - 7012965 Cartridge	
2	70001976	1	Directional Control Valve Assembly (was p/n 7012770)	
2	7012773	1	Seal Kit	
2A	7018945	4	O-Ring	
2B	7018912	2	Nut	
2C	7012772	2	Coil	
3	7017421	1	Cartridge, Relief	
3	7012998	1	Seal Kit - 7017421 Cartridge	
4	7017422	1	Cartridge, Relief	
4	7012998	1	Seal Kit - 7017422 Cartridge	
5	4460499	2	Connector, Din with Diode (Part of Valve Harness)	
6	7018946	4	Capscrew, Socket Head #10-24NC x 5in (Not Shown - Used to Mount Valve Assembly)	
7	7018942	4	Capscrew, Socket Head #10-24NC x 2in	
8	7012776	4	O-Ring (Not Shown - Used to Mount to Main Valve)	
	4640922	Ref	4WS VALVE ASSEMBLY	B
101	7017420	2	Cartridge, Flow Control	
101	7012998	2	Seal Kit - 7017420 Cartridge	
102	7012774	1	Directional Control Valve Assembly	
102	7012773	1	Seal Kit	
102A	7018945	4	O-Ring	
102B	7018912	2	Nut	
102C	7012772	2	Coil	
103	7018946	4	Capscrew, Socket Head #10-24NC x 5in (Used to Mount Valve Assembly)	
104	7018942	4	Capscrew, Socket Head #10-24NC x 2in	
105	7018948	4	O-Ring (Used to Mount to Main Valve)	

SECTION 2 - TURNTABLE

FIGURE 2-4. SWING DRIVE, TURNTABLE BEARING AND LOCK INSTALLATIONS



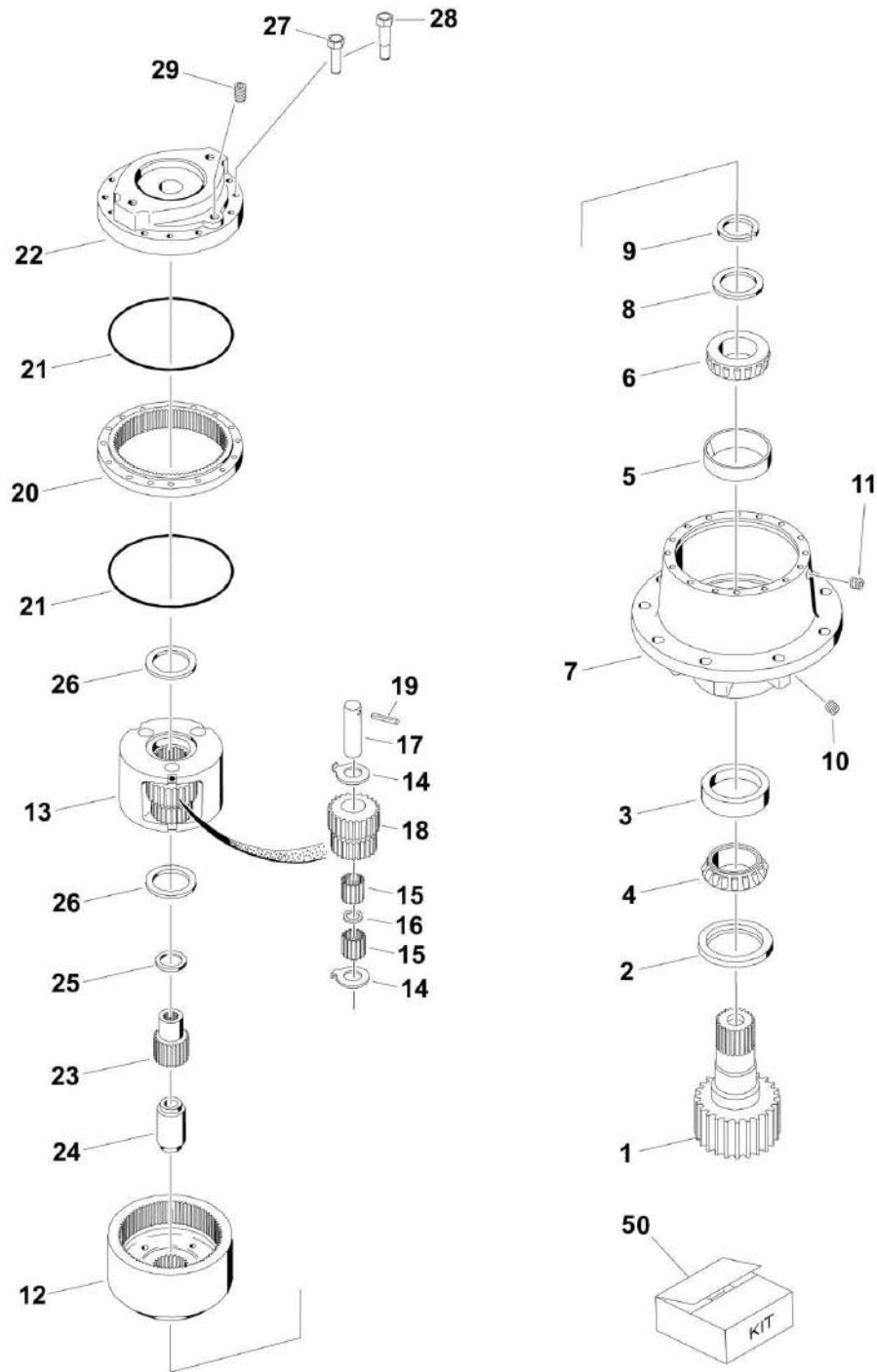
SECTION 2 - TURNTABLE

FIGURE 2-4. SWING DRIVE, TURNTABLE BEARING AND LOCK INSTALLATIONS

ITEM	PART NUMBER	QTY	DESCRIPTION	REV
	0270329	Ref	SWING DRIVE INSTALLATIONS	A
1	3537318	1	Plate, Swing Drive Mounting	
2	0642018	10	Bolt 5/8in - 11NC x 2-1/4in	
3	4892000	10	Flatwasher 5/8in Hardened	
4	0100011	AR	Compound, Locking	
5	2780205	1	Swing Hub Assembly (See SWING HUB ASSEMBLY for Breakdown)	
6	3932224	4	Bolt 1/2in - 13NC x 1-1/2in	
7	0920119	1	Swing Brake Assembly	
7	7018612	1	Repair Kit - 0920119 Brake (Note: Kit is only repair part available)	
9	3160273	1	Swing Motor Assembly (See SWING MOTOR ASSEMBLY for Breakdown)	
10	0681836	2	Bolt 1/2in - 13NC x 4-1/2in	
11	4891800	2	Flatwasher 1/2in Hardened	
	0254798	Ref	TURNTABLE BEARING INSTALLATION	1-A
101	0440207	NLA	Bearing Kit (Use p/n 2915087) (Kit Includes Bearing and Mounting Hardware)	
102	0682016	36	Bolt 5/8in - 11NC X 2in (Grade 8)	
103	4892000	36	Flatwasher 5/8in Hardened	
104	0100019	AR	Compound, Locking	
	0255410	Ref	TURNTABLE LOCK INSTALLATION	-
201	4844958	1	Pin	
202	3421565	1	Pin, Snap	
203	3760170	2	Ring, Quick Release	
204	1260017	9 in/23cm	Chain	
	0255444	Ref	REMOTE BEARING LUBE INSTALLATION	1-D
301	2751032	2	Hose, Grease	
302	2180344	2	Fitting, Bulkhead	
303	2160002	2	Fitting, Grease	
304	2220001	2	Fitting, Straight	

SECTION 2 - TURNTABLE

FIGURE 2-5. SWING HUB ASSEMBLY



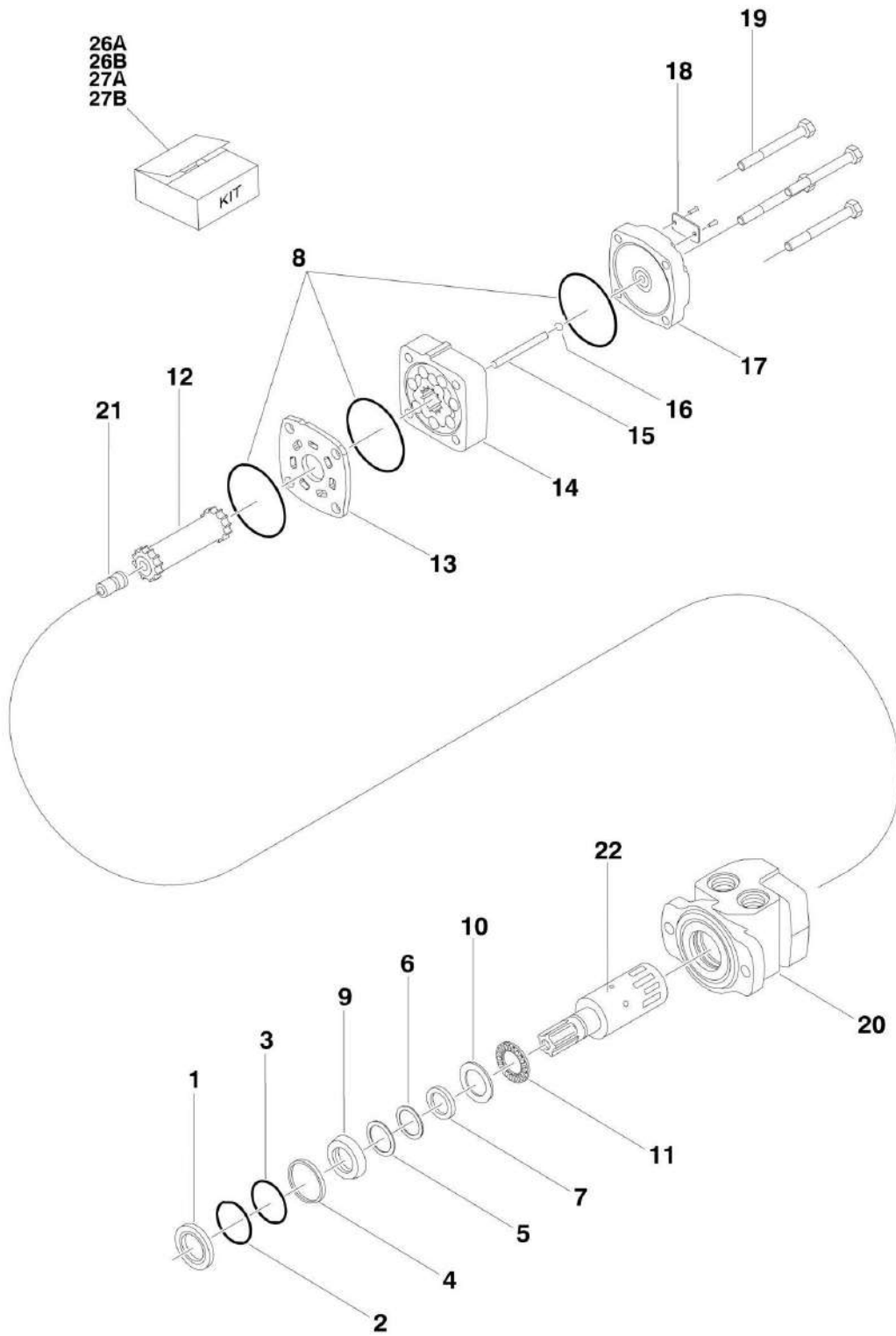
SECTION 2 - TURNTABLE

FIGURE 2-5. SWING HUB ASSEMBLY

ITEM	PART NUMBER	QTY	DESCRIPTION	REV
	2780205	Ref	SWING HUB ASSEMBLY	-
		Ref	HOUSING ASSEMBLY	
1	7010492	1	Shaft, Output	
2	7000228	1	Seal, Lip	
3	7000255	1	Cup, Bearing	
4	7000256	1	Cone, Bearing	
5	7000257	1	Cup, Bearing	
6	7000258	1	Cone, Bearing	
7	7017089	1	Housing	
8	7007633	1	Thrustwasher	
9	7000229	1	Ring, Retaining	
10	7010494	2	Pipe, Plug	
11	7001928	2	Pipe, Plug	
12	7000246	2	Gear, Internal	
13		Ref	CARRIER ASSEMBLY	
13	7001931	1	Carrier	
14	7001985	6	Thrustwasher, Tanged	
15	7001909	96	Bearing, Needle	
16	7000263	3	Spacer, Thrust	
17	7001911	3	Shaft, Planet	
18	7001987	3	Gear, Cluster	
19	7010474	3	Roll Pin	
20	7001988	1	Ring Gear	
21	7000230	2	O-Ring	
22	7000209	1	Cover, Input	
23	7010488	1	Gear, Sun	
24	7000269	1	Spacer, Input	
25	7000270	1	Thrustwasher	
26	7000253	2	Thrustwasher	
27	7000217	8	Bolt	
28	7000214	4	Bolt, Shoulder	
29	7000242	1	Pipe, Plug	
50	7024100	1	Seal Kit (Includes Items 2, 9, 21 & 26)	

SECTION 2 - TURNTABLE

FIGURE 2-6. SWING MOTOR ASSEMBLY



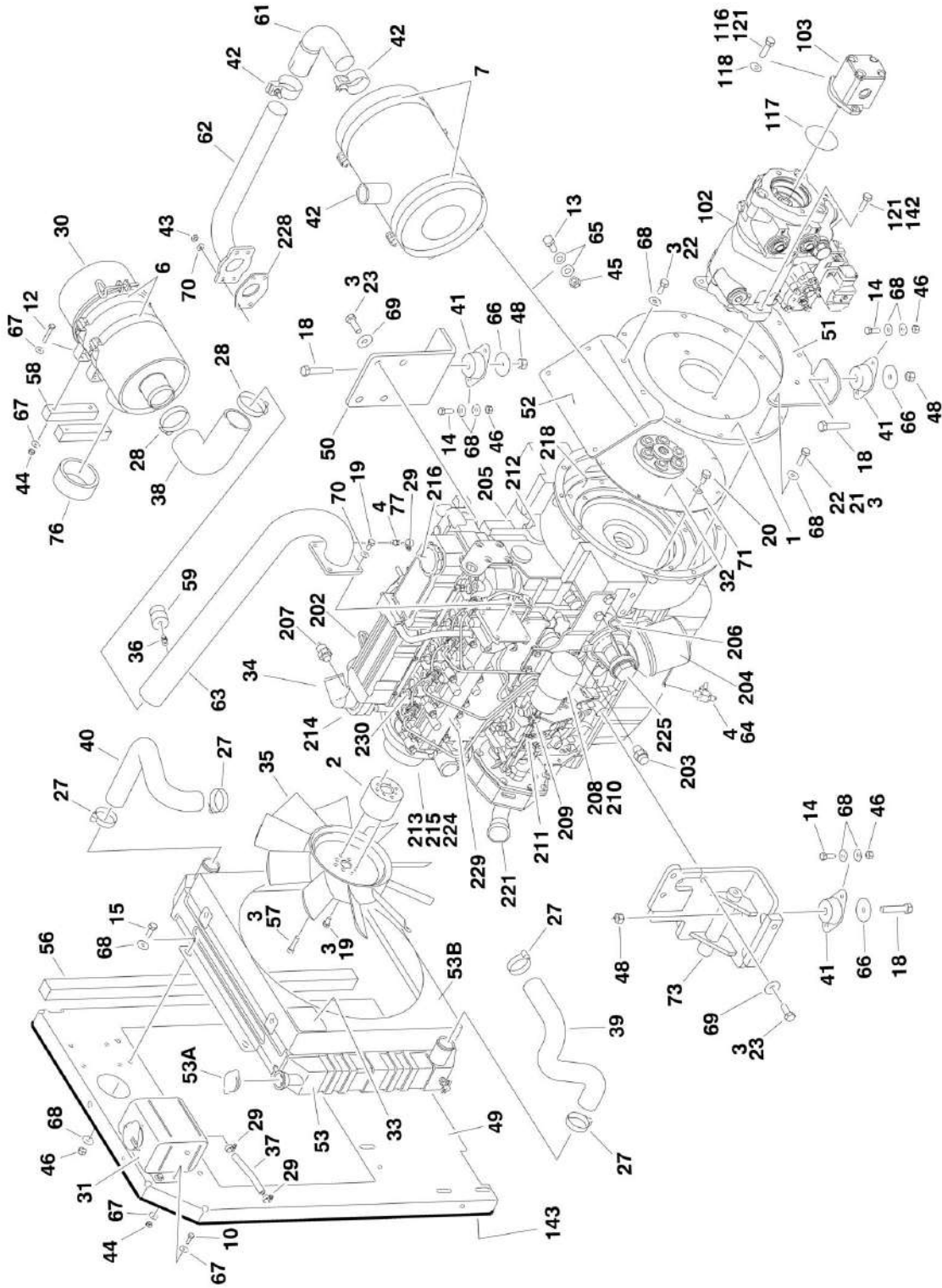
SECTION 2 - TURNTABLE

FIGURE 2-6. SWING MOTOR ASSEMBLY

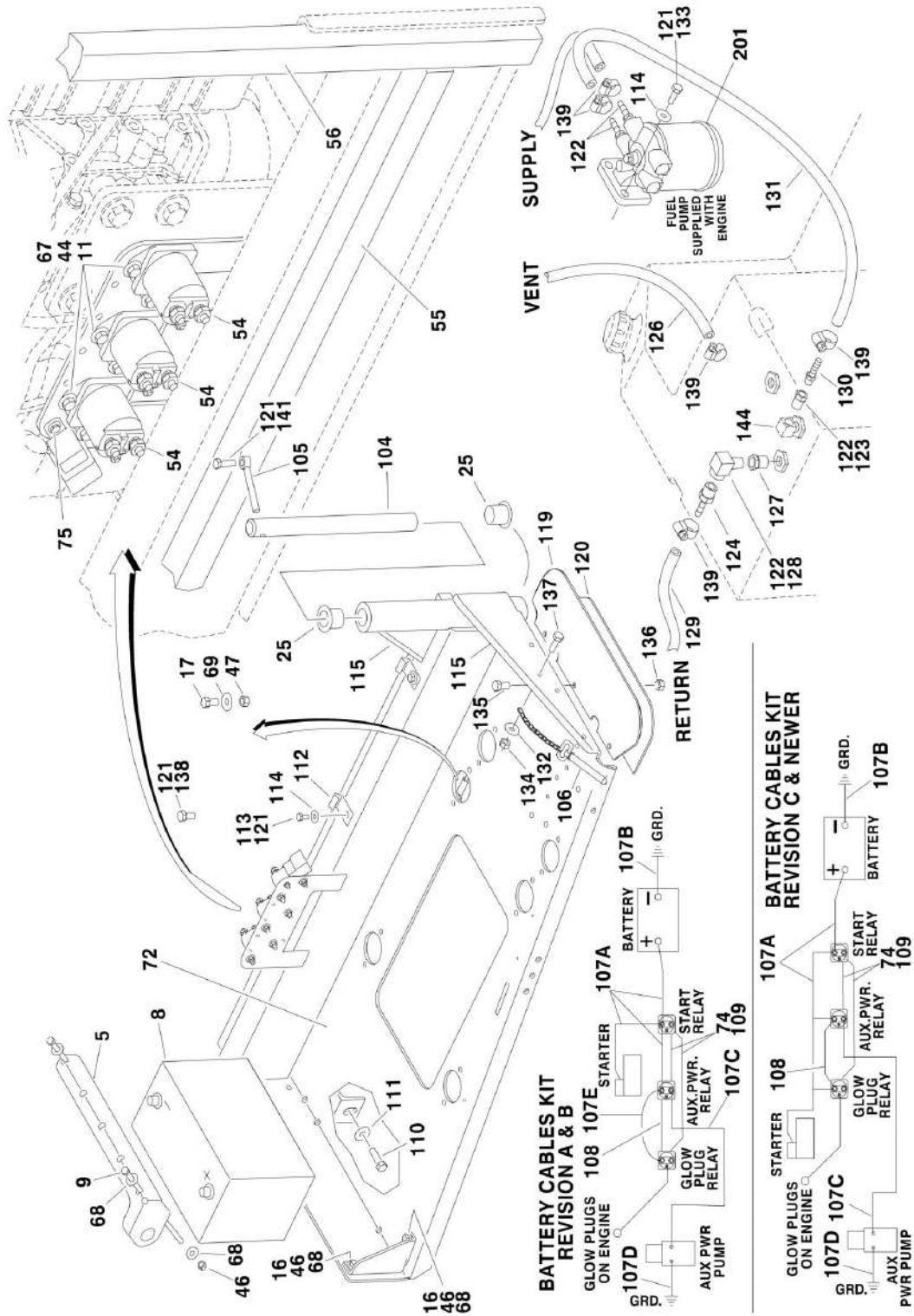
ITEM	PART NUMBER	QTY	DESCRIPTION	REV
	3160273	Ref	SWING MOTOR ASSEMBLY	B
1	See Note	NSS	Seal, Dust (Note: Use Item 26A)	
2	See Note	NSS	Ring, Split Wire (Note: Use Item 26A)	
3	See Note	NSS	Shim, Metal Back-up (Note: Use Item 26A)	
4	See Note	NSS	Seal, High Pressure (Note: Use Item 26A)	
5	See Note	NSS	Shim, Metal Back-up (Note: Use Item 26A)	
6	See Note	NSS	Seal, Teflon Back-up (Note: Use Item 26A)	
7	See Note	NSS	Seal, Shaft (Note: Use Item 26A)	
8	See Note	NSS	Seal, Body (Note: Use Item 26A)	
9	See Note	NSS	Carrier, Seal (Note: Use Item 26B)	
10	See Note	NSS	Thrustwasher (Note: Use Item 26B)	
11	7016422	1	Bearing, Thrust	
12	7005889	1	Link, Drive	
13	7016423	1	Plate, Wear	
14	7005890	1	Rotor Assembly	
15	7005891	1	Pin, Drive Link	
16	See Note	NSS	Ball (Note: Use Item 27A)	
17	See Note	NSS	Cover, End (Note: Use Item 27A)	
18	See Note	1	Tag, I.D. (Note: Not Available for Purchase)	
19	7005892	4	Bolt	
20	7016425	1	Housing	
21	7005893	1	Plug, Cooling	
22	7016426	1	Shaft	
26		Ref	Seal Kit Options:	
26A	7005881	1	Seal Kit (Includes Items 1-8)	
26B	7005882	1	Seal Carrier Kit (Includes Items 9 & 10)	
27		Ref	Repair Kit Options:	
27A	7016424	1	End Cover Kit (Includes Items 16 & 17)	
27B	7016427	1	Housing/Shaft Kit (Includes Items 20-22)	

SECTION 2 - TURNTABLE

FIGURE 2-7. CATERPILLAR ENGINE INSTALLATION



SECTION 2 - TURNTABLE



SECTION 2 - TURNTABLE

FIGURE 2-7. CATERPILLAR ENGINE INSTALLATION

ITEM	PART NUMBER	QTY	DESCRIPTION	REV
		Ref	CATERPILLAR ENGINE ASSEMBLY	
	0272796	Ref	Caterpillar Engine Assembly (SN 0300069000 through 0300084828)	F
	0274491	Ref	Caterpillar Engine Assembly (SN 0300084829 through 0300087000)	B
1	0080181	1	Adaptor, Pump Mounting Plate	
2	0080243	1	Adaptor, Fan Spacer	
3	0100011	AR	Compound, Locking	
4	0100020	AR	Sealant, Thread	
5	0181727	1	Hold-Down, Battery	
6	0340041	2	Band, Mounting	
7	0340046	2	Band, Muffler	
8	0400075	1	Battery	
9	0630498	2	Rod, Hold-Down	
10	0641406	4	Bolt 1/4in-20NC x 3/4in	
11	0641407	6	Bolt 1/4in-20NC x 7/8in	
12	0701414	4	Bolt 1/4in-20NC x 3/4in	
13	0641507	4	Bolt 5/16in-18NC x 7/8in	
14	0641608	8	Bolt 3/8-16NC x 1in	
15	0641609	4	Bolt 3/8-16NC x 1-1/8in	
16	0641610	4	Bolt 3/8-16NC x 1-1/4in	
17	0641808	1	Bolt 1/2in-13NC x 1in	
18	0641828	4	Bolt 1/2in-13NC x 2-1/2in	
19	0700808	8	Bolt, M8 x 16mm	
20	0701010	8	Bolt, M10 x 20mm	
21	0701012	4	Bolt, M10 x 25mm	
22	0701015	8	Bolt, M10 x 35mm	
23	0701214	8	Bolt, M12 x 30mm	
24	0940070	1	Bumper, Rubber	
25	0961986	2	Bearing, Flange	
26	1060637	1	Lanyard	
27		Ref	Clamp, Hose Options:	
27	1320012	4	Clamp, Hose (SN 0300069000 through 0300084828)	
27	8405104	4	Clamp, Hose (SN 0300084829 through 0300087000)	
28	1320016	2	Clamp, Hose	
29		Ref	Clamp, Hose Options:	
29	1320022	3	Clamp, Hose (SN 0300069000 through 0300084828)	
29	8405009	2	Clamp, Hose (SN 0300084829 through 0300087000)	
30	1340060	1	Air Cleaner Assembly	
30	7012664	1	Element, Air Cleaner	
31	1580011	1	Container, Coolant Overflow	
32	1660239	1	Coupling, Pump	
33	1703162	2	Decal - Fan Blade	
34	2000194	1	Caterpillar Engine Assembly	
35	2060025	1	Fan	
36	2180798	1	Fitting (SN 0300069000 through 0300084828)	
37	2720058	0.33 ft	Hose	
38	2720434	1	Elbow, Rubber	
39	2720509	1	Hose, Radiator (Bottom)	
40	2720510	1	Hose, Radiator (Top)	

SECTION 2 - TURNTABLE

ITEM	PART NUMBER	QTY	DESCRIPTION	REV
41	3200406	4	Mount, Engine	
42	3220113	1	Muffler, Spark Arresting	
42	70001017	1	Clamp	
43	3290801	4	Nut M8 x 1.25	
44	3311405	14	Locknut 1/4in-20NC	
45	3311505	4	Locknut 5/16in-18NC	
46	3311605	18	Locknut 3/8in-16NC	
47	3311801	1	Nut 1/2in-13NC	
48	3311805	4	Locknut 1/2in-13NC	
49	3539872	1	Plate, Radiator Mounting	
50	3574206	1	Plate, Motor Mount	
51	3574207	1	Plate, Engine Mount (Rear)	
52	3574208	1	Bracket, Muffler	
53	3620047	1	Radiator	
53A	7027412	1	Cap	
53B	70004182	1	Shroud, Fan	
54	3740067	3	Relay, Solenoid Assembly	
55	3960468	1	Seal, Foam Gasket	
56	3960469	1	Seal, Foam Gasket	
57	4031911	4	Bolt Metric m8 x 35mm	
58	4220191	2	Block, Spacer	
59	4360392	1	Switch, Restrictor Indicator (SN 0300069000 through 0300084828)	
61	4567073	1	Tube, Exhaust	
62	4568721	1	Exhaust Tube Weldment	
63		Ref	Tube, Air Intake Weldment Options:	
63	4568788	1	Tube, Air Intake Weldment (SN 0300069000 through 0300084828)	
63	4569177	1	Tube, Air Intake Weldment (SN 0300084829 through 0300087000)	
64	4640750	1	Valve, Oil Drain	
65	4711500	8	Flatwasher 5/16in Thin	
66	4740274	4	Washer, Snubbing	
67	4751400	28	Flatwasher 1/4in Regular	
68	4751600	48	Flatwasher 3/8in Regular	
69	4751800	8	Flatwasher 1/2in Regular	
70	4811900	8	Flatwasher M8	
71	4832000	8	Lockwasher M10	
72	4846790	1	Tray Engine	
73	4846805	1	Mount, Engine/Generator - Left	
74	4922737	1	Harness, Relay Ground	
75	0721006	1	Bolt #10-24NC x 3/4in	
76	2720515	1	Seal, Air Cleaner	
77	2220767	1	Fitting (SN 0300075603 through 0300087000)	
		Ref	CATERPILLAR ENGINE INSTALLATIONS	
	0273520	Ref	Caterpillar Engine Installations (SN 0300069000 through 0300081835)	3
	0273972	Ref	Caterpillar Engine Installations (SN 0300081836 through 0300084828)	1
	0274525	Ref	Caterpillar Engine Installations (SN 0300084829 through 0300087000)	1/A
102		Ref	Piston Pump Assembly Options:	
102	3600260	1	Piston Pump Assembly (See PISTON PUMP ASSEMBLY for	

SECTION 2 - TURNTABLE

ITEM	PART NUMBER	QTY	DESCRIPTION	REV
102	3600381	1	Breakdown) (SN 0300069000 through 0300081835) Piston Pump Assembly (See PISTON PUMP ASSEMBLY for Breakdown) (SN 0300081836 through 0300087000)	
103	3600242	1	Gear Pump Assembly (See GEAR PUMP ASSEMBLY for Breakdown)	
104	3422448	1	Pin, Pivot	
105	3841143	1	Keeper, Pin	
106	3422553	1	Pin, Hitch	
107	2902296	1	Battery Cable Kit	
		Ref	Note: 2902296 Rev A version is no longer available. Verify whether machine is equipped with 2 or 3 relays on the engine tray. If there are 3 relays, purchase latest revision of 2902296 kit. If there are 2 relays, purchase individual items as replacement.	
107A		Ref	Cable, Battery (Red)	
107A	1001116241	1	Machines with 2 Relays on Engine Tray (was p/n 7027000)	
107A	1001116240	1	Machines with 3 Relays on Engine Tray (was p/n 7027000)	
107B	7027004	1	Cable, Battery (Black)	
107C	7027002	1	Cable (Red)	
107D	7027003	1	Cable (Black)	
107E	7027001	1	Cable (Red) (No Longer Part of 2902296 Kit.)	
108	1060904	1	Cable, Battery	
109	4922737	1	Harness, Relay Ground	
110	0642010	1	Bolt 5/8in-11NC x 1-1/4in	
111	4752000	1	Flatwasher 5/8in Regular	
112	1320223	2	J-Clip 1/2in	
113	0641606	2	Bolt 3/8in-16NC x 3/4in	
114	4711600	4	Flatwasher 3/8in Thin	
115	4060805	2	Flex-Trim 1/4in	
		ft/0.7mm		
116	3931620	2	Bolt 3/8in-16NC x 1-1/4	
117	3790152	1	O-Ring	
118	4891600	2	Flatwasher 3/8in Hardened	
119	3380428	1	Panel, Rubber	
120	3539956	1	Plate, Support	
121	0100011	AR	Compound, Locking	
122	0100020	AR	Sealant, Thread	
123	2220273	1	Fitting, Reducer	
124		Ref	Fitting, Straight Options:	
124	2180536	1	Fitting, Straight (SN 0300069000 through 0300075350)	
124	2220794	1	Fitting, Straight (SN 0300075351 through 0300087000)	
125	2220313	1	Fitting, 90	
126	2750532	6 ft/1.8m	Hose 3/8in	
127	2220250	1	Fitting, Reducer	
128	2220459	1	Fitting, 90	
129		Ref	Hose Options:	
129	2720271	15 ft/4.6m	Hose (SN 0300069000 through 0300075350)	
129	2720058	15 ft/4.6m	Hose (SN 0300075351 through 0300087000)	
130	2220794	1	Fitting, Barbed	
131	2720058	30 ft/9.1m	Hose	
132	4751400	4	Flatwasher 1/4in Regular	
133	0641608	2	Bolt 3/8in-16NC x 1in	
134	3311405	2	Locknut 1/4in-20NC	

SECTION 2 - TURNTABLE

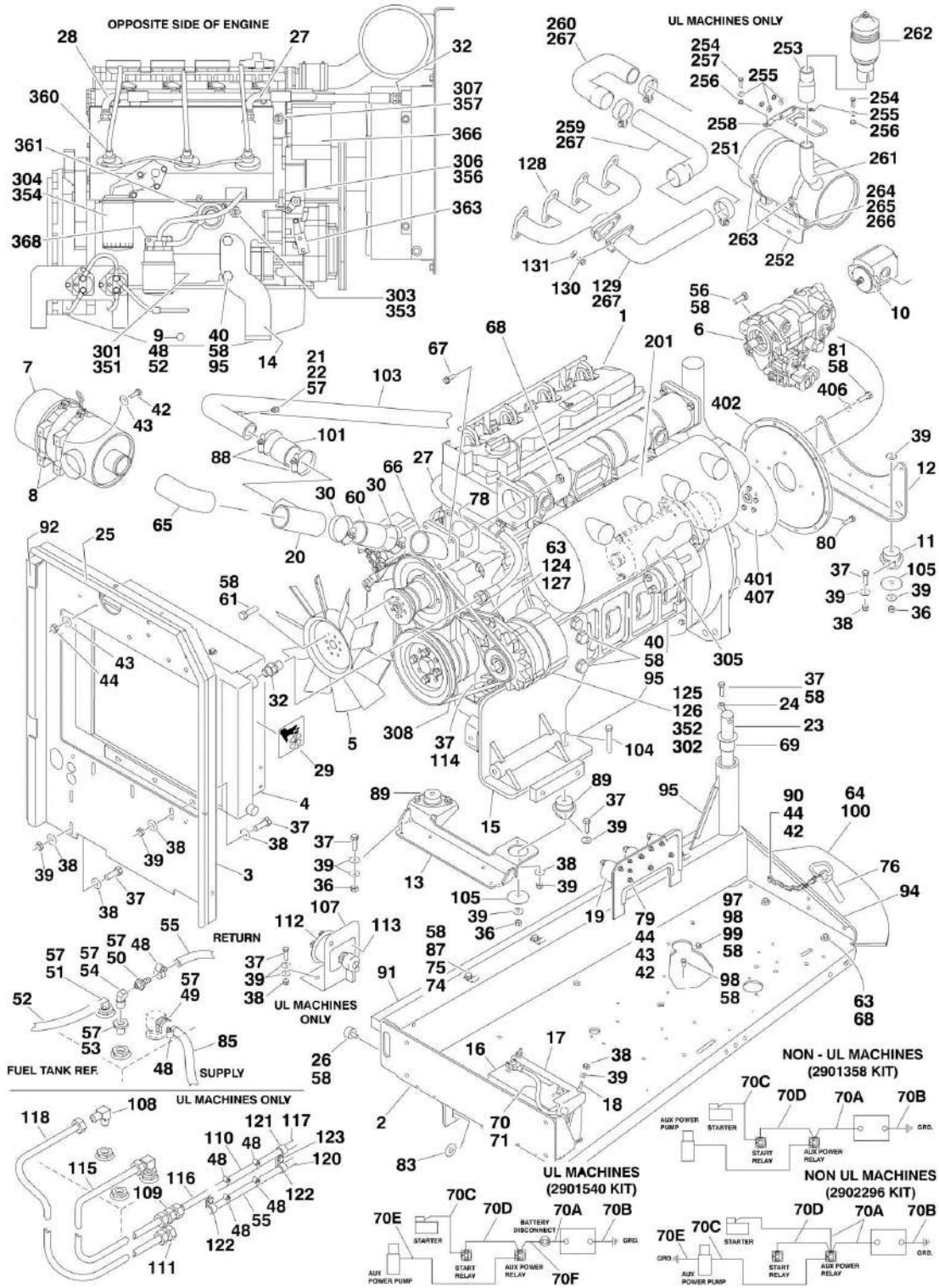
ITEM	PART NUMBER	QTY	DESCRIPTION	REV
135	0641507	3	Bolt 5/16in-18NC x 1-1/4in	
136	3311505	3	Locknut 5/16in-18NC	
137	0641407	1	Bolt 1/4in-20NC x 7/8in	
138	0641808	1	Bolt 1/2in-13NC x 1in	
139	1320022	7	Clamp, Hose	
140	1701505	1	Decal - Diesel (Not Shown - Located on Hood)	
141	0641610	1	Bolt 3/8in-16NC x 1-1/4in	
142	0641812	2	Bolt 1/2in-18NC x 1-3/4in	
143	3960389	5 ft/1.5m	Seal, Hood	
144	7019658	1	90 Fitting W/Pick-Up Tube	
	2000194	Ref	ENGINE COMPONENTS	C
201	7026830	1	Filter, Fuel	
202	7026831	1	Alternator	
203	7026814	1	Relief Valve, Oil Pressure	
203	7026815		Gasket, Relief Valve	
203	1001097554		Sensor, Oil Pressure (Not Shown)	
204	7026811	1	Filter, Oil	
205	7026833	1	Starter	
206	7026834	1	Dipstick Oil Level	
207	7026840	1	Sensor, Water Temperature	
207	7026882	1	Seal, Sensor	
208	1600361	1	Actuator, Throttle (was p/n 7026842)	
208	7026835	1	Connector, Actuator	
209	7026843	1	Actuator, Linkage Kit	
210	0902910	NLA	Mounting Bracket, Actuator (Use p/n 7026887)	
211	7026839	1	Pump, Fuel Supply	
212	7026841	1	Sensor, Tach	
212	7026836	1	Connector, Speed Sensor	
213		Ref	Pump, Water Options:	
213	7026823	1	Caterpillar Engine SNs (Not Machine SN) Prior to SN 3440833	
213	70001120	1	Caterpillar Engine SNs (Not Machine SN) SN 344083 to Present	
213	7026824	1	Gasket, Water Pump Cover	
213	7026825	1	Gasket, Water Pump	
214	7026822	1	Thermostat	
214	7026820	1	Gasket, Thermostat Housing	
214	7026821	1	Gasket, Coolant	
215	70001742	1	Pulley, Water Pump	
216	7026800	1	Cap, Filler	
217	7026801	1	Gasket, Valve Cover (Not Shown)	
218	7026802	1	Flywheel Assy (W/Gear)	
218	7026803	1	Gear, Flywheel	
219	7026804	1	Gasket (Not Shown - Located Between Engine Block and Bellhousing)	
220	7026805	1	Seal, Rear Main (Not Shown - Located on Rear of Engine Block)	
221	7026806	1	Cap, Filler	
222	7026807	1	Seal, Front Main (Not Shown - Located on Front of Engine Block)	
223	7026809	1	Gasket, Oil Pan (Not Shown)	
224	7026810	1	Belt	
225	7026813	1	Seal, Oil Filter Head (Between Oil Filter Head and Engine Block)	
225	7026812	1	Seal, Oil Filter Head Bolt	
226	7026819	1	Cooler, Oil (Not Shown)	
226	7026816	2	O-Ring (Not Shown - Located Between Oil Cooler and Cover)	

SECTION 2 - TURNTABLE

ITEM	PART NUMBER	QTY	DESCRIPTION	REV
226	7026817	4	O-Ring (Not Shown - Located Between Oil Cooler and Cover)	
226	7026818	1	Gasket (Not Shown - Located Between Oil Cooler Cover and Engine Block)	
227	7026826	1	Gasket, Exhaust Manifold to Engine Block (Not Shown)	
228	7026827	1	Gasket, Exhaust Manifold to Exhaust Pipe	
229	7026829	1	Gasket, Intake Manifold to Engine Block	
229	7026828	1	Gasket, Intake Manifold to Air Intake Tube	
230	7026832	4	Plug, Glow	
231	7026845	1	Block Heater Kit (Not Shown)	
231	7026838	1	Gasket, Block Heater (Not Shown)	

SECTION 2 - TURNTABLE

FIGURE 2-8. DEUTZ ENGINE INSTALLATION (SN 0300069000 through 0300077489)



SECTION 2 - TURNTABLE

FIGURE 2-8. DEUTZ ENGINE INSTALLATION (SN 0300069000 through 0300077489)

ITEM	PART NUMBER	QTY	DESCRIPTION	REV
		Ref	ENGINE ASSEMBLY AND INSTALLATIONS	
	0270850	Ref	Engine Assembly and Installation (Non UL)	11/J
	0273851	Ref	Engine Assembly and Installation (UL)	1/A
1		Ref	Engine - Deutz F4M1011F Diesel	
1	2000189	1	Non UL Machines	
1	2000146	1	UL Machines	
2	4845404	1	Tray Engine	
3		Ref	Plate, Radiator Mounting Options:	
3	3539872	1	Non UL Machines	
3	3571421	1	UL Machines	
4	3620033	1	Cooler, Oil	
5	2060025	1	Fan	
6	3600260	1	Piston Pump Assembly (See PISTON PUMP ASSEMBLY for Breakdown)	
7		Ref	Air Cleaner Assembly Options:	
7	1340060	1	Non UL Machines	
7A	7012664	1	Element	
7A	1340050	1	UL Machines	
7A	7010638	1	Element	
8	0340041	2	Band, Mounting	
9	4640751	1	Valve, Oil Drain	
10	3600242	1	Gear Pump Assembly (See GEAR PUMP ASSEMBLY for Breakdown)	
11	3200378	2	Mount, Rubber Engine (Rear)	
12	3537420	1	Bracket, Engine Mounting - Rear	
13	3539971	1	Bracket, Engine Mounting - Front	
14	3537416	1	Support, Engine - Right	
15		Ref	Support, Engine - Left Options:	
15	4846566	1	Non UL Machines	
15	3537417	1	UL Machines	
16	0400075	1	Battery	
17	0181727	1	Hold-Down, Battery	
18	0630498	2	Rod, Hold-Down	
19	3740067	2	Relay	
21	4360392	1	Switch, Restrictor Indicator	
22	2180798	1	Fitting	
23	3422448	1	Pin, Pivot	
24	3841143	1	Keeper, Pin	
25	3960389	5 ft/1.5m	Seal	
26	0940070	1	Bumper, Rubber	
27	2720398	1	Hose, Oil Cooler - Left	
28	2720398	1	Hose, Oil Cooler - Right	
29	1703162	2	Nameplate - Fan Caution	
30	1320016	4	Clamp, Hose	
32	2220451	2	Fitting, Straight	
33	3931620	2	Capscrew, Socket Head 3/8in-16NC x 1-1/4in	
35	0641818	2	Bolt 1/2in-13NC x 2-1/4in	
36	3311805	4	Locknut 1/2in-13NC	
37	0641610	AR	Bolt 3/8in-16NC x 1-1/4in	
38	3311605	AR	Locknut 3/8in-16NC	

SECTION 2 - TURNTABLE

ITEM	PART NUMBER	QTY	DESCRIPTION	REV
39	4751600	AR	Flatwasher 3/8in Regular	
40	0701414	AR	Bolt 1/4in-20NC x 3/4in	
41	4891600	2	Flatwasher 3/8in Hardened	
42	0641407	AR	Bolt 1/4in-20NC x 7/8in	
43	4751400	AR	Flatwasher 1/4in Regular	
44	3311405	AR	Locknut 1/4in-20NC	
48	1320022	6	Clamp, Hose	
49	2220273	2	Fitting, Reducer	
50	2180536	1	Fitting, Straight	
51	2220313	1	Fitting, 90	
52	2750532	6 ft/1.83m	Hose 3/8in	
53	2220250	1	Fitting, Reducer	
54	2220459	1	Fitting, 90	
55	2720271	15 ft/4.6m	Hose 3/16in	
56	0641812	4	Bolt 1/2in-13NC x 1-1/2in	
57	0100020	AR	Sealant, Thread	
58	0100011	AR	Compound, Locking	
60	2720449	AR	Coupling, Rubber Intake	
61	0700808	4	Bolt M8 x 16mm	
63		Ref	Bolt Options:	
63	0641507	3	Bolt 5/16in-18NC x 7/8in (Non UL Machines)	
63	0641508	4	Bolt 5/16in-18NC x 1in (UL Machines)	
64	3380428	1	Panel, Rubber	
65	2720434	1	Elbow, Rubber	
66	4845395	1	Air Intake Adapter Weldment	
67	0641510	3	Bolt 5/16in-18NC x 1-1/4in	
68	3311505	7	Locknut 5/16in-18NC	
69	0961986	2	Bushing, Flanged	
70	2901358	1	Battery Cable Kit (Non UL Machines) (SN 0300069000 through 0300074732)	
70	2902296	1	Battery Cable Kit (Non UL Machines) (SN 0300074733 through 0300077489)	
		Ref	Note: 2902296 Rev A version is no longer available. Verify whether machine is equipped with 2 or 3 relays on the engine tray. If there are 3 relays, purchase latest revision of 2902296 kit. If there are 2 relays, purchase individual items as replacement.	
70	2901540	1	Battery Cable Kit (UL Machines)	
70A	7016800	1	Cable, Battery (Red) (p/n kit 2901358)	
70A	1001116241	1	Cable, Battery (Red) (Machines with 2 Relays on Engine Tray) (was p/n 7027000) (p/n kit 2902296)	
70A	1001116240	1	Cable, Battery (Red) (Machines with 3 Relays on Engine Tray) (was p/n 7027000) (p/n kit 2902296)	
70A	7016826	1	Cable, Battery (Red) (p/n kit 2901540)	
70B	7016812	1	Cable, Battery (Black) (p/n kit 2901358)	
70B	7027004	1	Cable, Battery (Black) (p/n kit 2902296)	
70B	7016812	1	Cable, Battery (Black) (p/n kit 2901540)	
70C	7016802	1	Cable (Red) (p/n kit 2901358)	
70C	7027002	1	Cable (Red) (p/n kit 2902296)	
70C	7016845	1	Cable (Red) (p/n kit 2901540)	
70D	7016803	1	Cable (Red) (p/n kit 2901358)	
70D	7027001	1	Cable (Red) (No Longer Part of 2902296 Kit.)	
70D	7016815	1	Cable (Red) (p/n kit 2901540)	

SECTION 2 - TURNTABLE

ITEM	PART NUMBER	QTY	DESCRIPTION	REV
70E	7016824	1	Cable (Red) (p/n kit 2901358)	
70E	7027003	1	Cable (Black) (p/n kit 2902296)	
70E	7016816	1	Cable (Red) (p/n kit 2901540)	
70F	Not Required	0	(p/n kit 2901358/p/n kit 2902296)	
70F	7016827	1	Cable (Red) (p/n kit 2901540)	
71	4460611	1	Terminal, Battery Jumper Post (SN 0300069000 through 0300074733)	
72	4360294	1	Breaker, Circuit 30A Self Resetting	
73	1320222	1	J-Clip 3/8in	
74	1320223	4	J-Clip 1/2in	
75	0641606	3	Bolt 3/8in-16NC x 3/4in	
76		Ref	Pin, Hitch Options:	
76	3422532	1	Standard Machines	
76	3422533	1	UL Machines	
77	3790152	1	O-Ring	
78	3960407	1	Gasket	
79	4791400	4	Starwasher 1/4in	
80	0701012	4	Bolt M10 x 25mm	
81	0701015	4	Bolt M10 x 35mm	
82	0642010	1	Bolt 5/8in-11NC x 1-1/4in	
83	4752000	1	Flatwasher 5/8in Regular	
84	1701505	1	Decal - Diesel (Not Shown - Located on Hood)	
85	2720058	16 ft/4.9m	Hose	
86	2220794	1	Fitting, Barbed	
87	4711600	3	Flatwasher 3/8in Thin	
89	3200362	2	Mount, Rubber Engine (Front)	
90	4711400	1	Flatwasher 1/4in Thin	
91	3960468	1	Seal, Foam Gasket	
92	3960469	1	Seal, Foam Gasket	
94	4060805	2.9 ft/0.88m	Flex-Trim 1/4in	
96	4751800	2	Flatwasher 1/2in Regular	
97	1060637	1	Lanyard	
98	0641808	2	Bolt 1/2in-13NC x 1in	
99	3311801	1	Nut 1/2in-13NC	
100	3539956	1	Plate, Support	
103		Ref	Tuning Tube Weldment Options:	
103	4567815	1	Non UL Machines	
103	4845080	1	UL Machines	
104	0641826	2	Bolt 1/2in-13NC x 3-1/4in	
105	4740274	4	Washer, Snubbing	
107	3570238	1	Plate, Switch Mounting (UL Machines Only)	
108	2180703	1	Fitting, 90 (UL Machines Only)	
109	2221023	1	Fitting, Union (UL Machines Only)	
110	2720058	1.66 ft/0.6m	Hose (UL Machines Only)	
111	2221028	1	Fitting, Union (UL Machines Only)	
112	4360256	1	Switch, Battery Disconnect (UL Machines Only)	
113	1703476	1	Decal, Battery Disconnect (UL Machines Only)	
114	4567576	1	Spacer, Tube (UL Machines Only)	
115	4567213	1	Tubing, Fuel (UL Machines Only)	
116	4567214	1	Tubing, Fuel (UL Machines Only)	

SECTION 2 - TURNTABLE

ITEM	PART NUMBER	QTY	DESCRIPTION	REV
117	4567574	1	Tubing, Fuel (UL Machines Only)	
118	4567571	1	Tubing, Fuel (UL Machines Only)	
119	4567572	1	Tubing, Fuel (UL Machines Only)	
120	4567573	1	Tubing, Fuel (UL Machines Only)	
121	1320245	5	Clamp (UL Machines Only)	
122	1320244	5	Clamp (UL Machines Only)	
123	3931408	5	Bolt 1/4in-20NC x 1/2in (UL Machines Only)	
124	0902417	1	Bracket, Alternator (UL Machines Only)	
125	0160020	1	Alternator (UL) 72 Amp (UL Machines Only)	
126	3580259	1	Pulley, Alternator (UL Machines Only)	
127	4751500	1	Flatwasher 5/16in Regular (UL Machines Only)	
128	3100076	1	Manifold, Exhaust (UL Machines Only)	
129	4567428	1	Weldment, Exhaust Tube (UL Machines Only)	
130	0700812	3	Bolt 8mm x 25mm (UL Machines Only)	
131	4831900	3	Lockwasher M8 (UL Machines Only)	
132	7019658	1	90 Fitting W/Pick-Up Tube	
		Ref	MUFFLER INSTALLATIONS (NON UL MACHINES)	
	0256689	Ref	Standard Equipment (Spark Arresting)	-
	0256690	Ref	Optional Equipment (Catalytic)	-
201		Ref	Muffler Options:	
201	3220103	1	Spark Arresting	
201	3220104	1	Catalytic	
201		Ref	Clamp Options:	
201	1320176	1	Muffler p/n 3220103	
201	70001017	1	Muffler p/n 3220104	
201	7024398	1	Tube, Exhaust	
201	7024560	1	Plug, Brass	
	0258569	Ref	MUFFLER INSTALLATION (UL MACHINES)	1
251	3220113	1	Muffler, Spark Arrestor	
251	70001017	1	Clamp	
252	3570754	1	Plate, Muffler Mount	
253	4845668	1	Weldment, Exhaust Tube	
254	3900232	5	Bolt, Button Head 3/8in-16NC x 1-1/4in	
255	4751600	5	Flatwasher 3/8in Regular	
256	3311601	5	Nut 3/8in-16NC	
257	0100011	AR	Compound, Locking	
258	0902473	1	Bracket	
259	4567429	1	Tube, Exhaust	
260	4567430	1	Tube, Exhaust	
261	4567431	1	Tube, Exhaust	
262	3220111	1	Spark Arrestor	
263	0340046	2	Band, Muffler	
264	0641507	4	Bolt 5/16in-18NC x 7/8in	
265	4711500	8	Flatwasher 5/16in Thin	
266	3311505	4	Locknut 5/16in-18NC	
267	4100025	3.5	Sleeve	
		ft/1.06m		
	2000146	Ref	ENGINE COMPONENTS (UL MACHINES)	
301	7016328	1	Filter, Fuel (was p/n 7016639)	
302	7000663	1	Alternator (was p/ns 7016329, 7020436 & 7020410)	
303	7016330	1	Switch, Oil Pressure	
304	7016331	1	Filter, Oil (was p/n 7016641)	

SECTION 2 - TURNTABLE

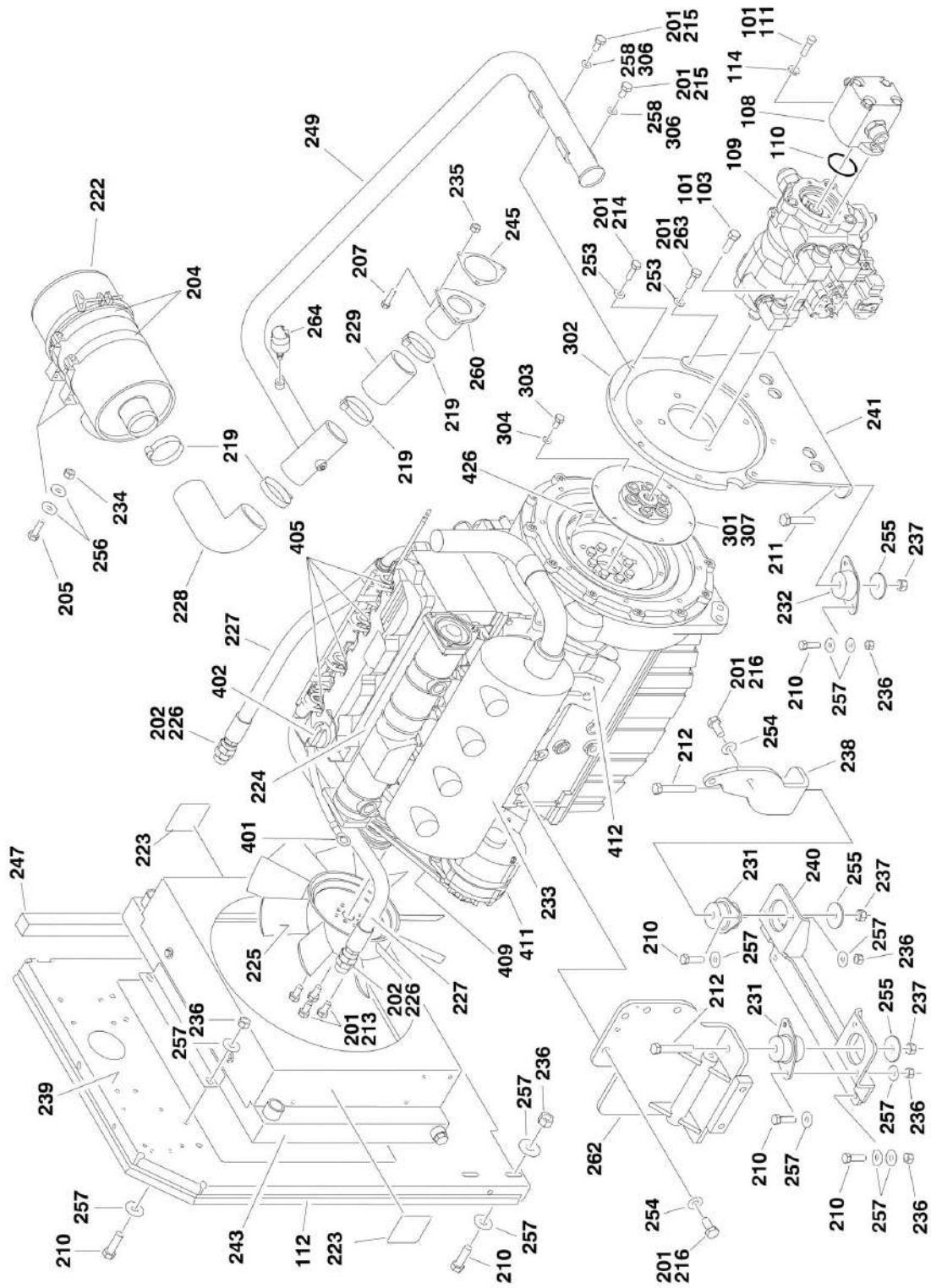
ITEM	PART NUMBER	QTY	DESCRIPTION	REV
305	7016332	1	Starter	
306	7026631	1	Dipstick, Engine Oil (was p/ns 7019664 & 7016640)	
306	70001002	1	Tube, Oil Dipstick (was p/n 7019664)	
307	7020025	1	Switch, Engine Temperature	
308	7020414	1	V-Belt	
309		Ref	Gasket, Cylinder Head Options (Not Shown):	
309	70001681	1	1 Notch	
309	70002411	1	2 Notches	
309	70002530	1	3 Notches	
309	7020431	1	Gasket, Valve Cover (Not Shown)	
310	7000699	1	Seal (Doughnut)	
310	See Note	8	Nut, Muffler Attaching (Note: Not Available for Purchase)	
311	7019607	1	Shutdown, Throttle (was p/n 7016359) (Not Shown)	
312	7012599	4	Pump, Fuel Injection (Not Shown)	
312	7020427	4	Injector, Fuel (Not Shown)	
312	7020425	4	Nozzle (Not Shown)	
313	7020463	1	Pump, Fuel Supply	
313	7020419	1	Hose, Fuel Return	
314	7020027	1	Flywheel/Ring Gear Assembly (Not Shown)	
314	7020477	1	Ring Gear Only (Not Shown)	
315	7020404	1	Washer, Oil Drain Plug (Not Shown)	
316	7027250	1	Spring, Actuator (Not Shown)	
	2000189	Ref	ENGINE COMPONENTS (NON UL MACHINES)	
351	7016328	1	Filter, Fuel	
352	7000663	1	Alternator (was p/n 7020410)	
352	7020464	1	Regulator	
352	70003556	1	Pulley, Alternator	
352	70002234	1	Bracket, Adjustable	
353	7020461	1	Switch, Oil Pressure	
354	7016331	1	Filter, Oil	
355	7020479	1	Starter	
355	See Note	1	Relay (Note: Not Available for Purchase)	
355	7026608	2	Bolt, Starter Mounting	
355	70001498	1	Shield, Starter Heat (Not Shown)	
356	7026631	1	Dipstick Oil Level	
356	7020487	1	Seal, Dipstick (Not Shown)	
356	70001002		Tube, Dipstick	
357	7020168	1	Switch, Engine Temperature	
357	7020480	1	Seal, Temp Switch	
358	7020408	1	V-Belt	
360	7020462	4	Fuel Injection Pump	
360	7026522	4	Injector, Fuel (Includes Nozzle Element) (Not Shown)	
361	7020463	1	Fuel Pump Supply (was p/n 7024413)	
361	7020411	1	Seal, Pump to Block (Not Shown)	
362	7020465	2	Cap, Oil Fill (Not Shown - Located on Top and Left Sides)	
363	7020474	1	Pump, Oil Lube	
363	7020468	1	Ring, Pump Sealing	
364	7020449	4	Gasket, Intake Manifold to Engine Block (Not Shown)	
365	7024565	1	Sensor, Tach (Not Shown - Located on Flywheel Housing) (was p/n 7020481)	
366	7020458	1	Actuator	
366	7026607	1	Spring, Actuator (was p/n 7027276)	

SECTION 2 - TURNTABLE

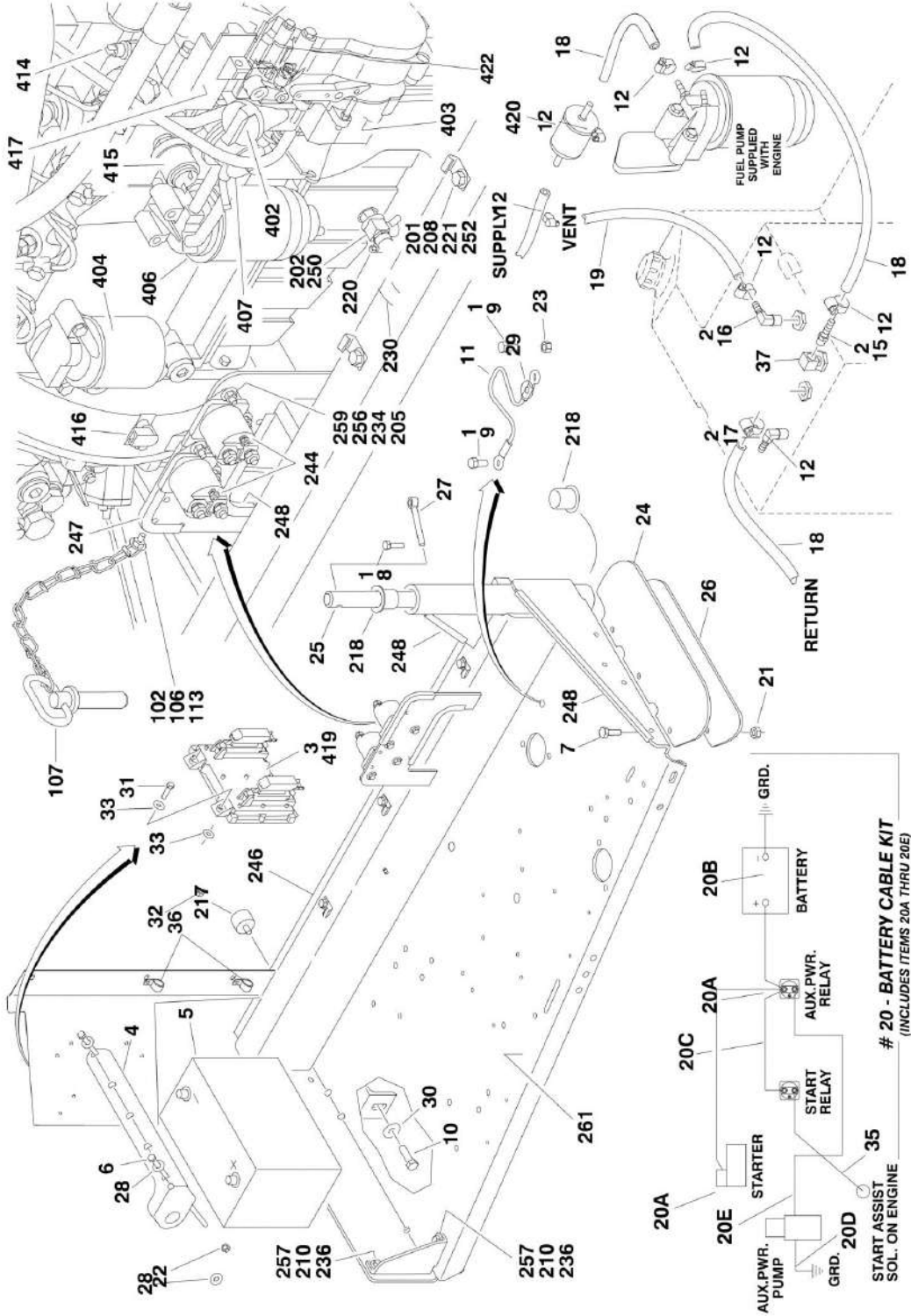
ITEM	PART NUMBER	QTY	DESCRIPTION	REV
367	7020471	4	Gasket, Exhaust Manifold to Engine Block	
368	70001423	1	Head, Fuel Filter	
369		Ref	Gasket, Head Options (Not Shown):	
369	70001681	1	1 Notch Gasket	
369	70002411	1	2 Notch Gasket	
369	70002530	1	3 Notches	
370	See Note	1	Flywheel (Not Shown) (Note: Not Available for Purchase)	
370	7024579		Ring Gear (Not Shown)	
	0256847	Ref	PUMP COUPLING INSTALLATION	-
401	1660234	1	Coupling, Hayes	
402	0080163	1	Plate, Pump Adapter	
403	0700810	6	Bolt Metric M8 x 20mm	
404	4831900	6	Lockwasher M8	
406	4832000	8	Lockwasher M10	

SECTION 2 - TURNTABLE

FIGURE 2-9. DEUTZ ENGINE INSTALLATION (SN 0300077490 through 0300087000)



SECTION 2 - TURNTABLE



SECTION 2 - TURNTABLE

FIGURE 2-9. DEUTZ ENGINE INSTALLATION (SN 0300077490 through 0300087000)

ITEM	PART NUMBER	QTY	DESCRIPTION	REV
		Ref	DEUTZ ENGINE INSTALLATIONS	
	0273685	Ref	Deutz Engine Installations (SN 0300077490 through 0300081835)	3/A
	0273970	Ref	Deutz Engine Installations (SN 0300081836 through 0300087000)	3/B
	0274299	Ref	Deutz Engine Installations (SN 0300081836 through 0300087000)	C
1	0100011	AR	Compound, Locking	
2	0100020	AR	Sealant, Pipe	
3	0100048	AR	Grease, Dielectric	
4	0181727	1	Hold-Down, Battery	
5	0400075	1	Battery	
6	0630498	2	Bolt, Battery Hold-Down	
7	0641507	3	Bolt 5/16in-18NC x 7/8in	
8	0641610	1	Bolt 3/8in-16NC x 1-1/4in	
9	0641808	2	Bolt 1/2in-13NC x 1in	
10	0642010	1	Bolt 5/8in-11NC x 1-1/4in	
11	1060637	1	Cable, Lanyard	
12	1320022	AR	Clamp, Hose	
13	1701505	1	Decal - Diesel (Not Shown - Located on Hood)	
15	2180348	1	Fitting, Straight Barbed	
16	2220313	1	Fitting, 90	
17	2221176	1	Fitting, Straight Barbed	
18	2720058	30 ft/9.2m	Hose	
19	2750532	6 ft/1.8m	Hose	
20	2902296	1	Battery Cable Kit	B
		Ref	Note: 2902296 Rev A version is no longer available. Verify weather machine is equipped with 2 or 3 relays on the engine tray.	
		Ref	If there are 3 relays, purchase latest revision of 2902296 kit. If there are 2 relays, purchase individual items as replacement.	
20A	1001116241	1	Cable, Battery (Red) (Machines with 2 Relays on Engine Tray) (was p/n 7027000)	
20A	1001116240	1	Cable, Battery (Red) (Machines with 3 Relays on Engine Tray) (was p/n 7027000)	
20B	7027004	1	Cable, Battery (Black)	
20C	7027001	1	Cable (Red) (No Longer Part of 2902296 Kit.)	
20D	7027003	1	Cable (Black)	
20E	7027002	1	Cable (Red)	
21	3311505	10	Locknut 5/16in-18NC	
22	3311605	2	Locknut 3/8in-16NC	
23	3311801	1	Nut 1/2in-13NC	
24	3380428	1	Panel, Rubber	
25	3422448	1	Pin, Pivot	
26	3539956	1	Plate, Support	
27	3841143	1	Pin, Keeper	
28	4751600	4	Flatwasher 3/8in Regular	
29	4751800	1	Flatwasher 1/2in Regular	
30	4752000	1	Flatwasher 5/8in Regular	
32	0641409	4	Bolt 1/4in-20NC x 1-1/8in (SN 0300084829 through 0300087000)	

SECTION 2 - TURNTABLE

ITEM	PART NUMBER	QTY	DESCRIPTION	REV
33	3311405	4	Locknut 1/4in-20NC (SN 0300084829 through 0300087000)	
34	4711400	8	Flatwasher 1/4in Thin (SN 0300084829 through 0300087000)	
35	4922978	1	Harness, Start Assist Solenoid (See ELECTRICAL SECTION for Breakdown) (SN 0300077490 through 0300084828)	
36	85941017	2	Clamp (Not Shown - Located on Turntable) (SN 0300084829 through 0300087000)	
37	7019658	1	90 Fitting W/Pick-Up Tube	
		Ref	ENGINE AND PUMP ASSEMBLIES:	
	2000224	Ref	Engine and Pump Assemblies (SN 0300077490 through 0300081835)	C
	2000221	Ref	Engine and Pump Assemblies (SN 0300081836 through 0300084828)	D
	2000280	Ref	Engine and Pump Assemblies (SN 0300084829 through 0300087000)	B
101	0100011	AR	Compound, Locking	
102	0641407	1	Bolt 1/4in-20NC x 7/8in	
103	0641812	2	Bolt 1/2in-13NC x 1-1/2in	
105	3020016	3.75 gal	Oil, Motor (Not Shown)	
106	3311405	1	Locknut 1/4in-20NC	
107	3422532	1	Pin, Hitch	
108	3600395	1	Gear Pump Assembly with Fittings (See GEAR PUMP ASSEMBLY for Breakdown)	
109		Ref	Piston Pump Assembly with Fittings Options:	
109	3600397	1	Piston Pump Assembly with Fittings (See PISTON PUMP ASSEMBLY for Breakdown) (SN 0300077490 through 0300081835)	
109	3600396	1	Piston Pump Assembly with Fittings (See PISTON PUMP ASSEMBLY for Breakdown) (SN 0300081836 through 0300087000)	
110	3790152	1	O-Ring	
111	3931620	2	Capscrew 3/8in-16NC x 1-1/4in	
112	3960389	5 ft/1.5m	Seal	
113	4751400	1	Flatwasher 1/4in Regular	
114	4891600	2	Flatwasher 3/8in Hardened	
		Ref	ENGINE AND PUMP ASSEMBLIES OPTIONS:	
	2000219	Ref	Engine and Pump Assemblies (SN 0300077490 through 0300084828)	F
	2000279	Ref	Engine and Pump Assemblies (SN 0300084829 through 0300087000)	C
	0256689	Ref	MUFFLER INSTALLATION - SPARK ARRESTING (STANDARD)	-
	0256690	Ref	MUFFLER INSTALLATION - CATALYTIC (OPTIONAL)	-
201	0100011	AR	Compound, Locking	
202	0100020	AR	Sealant, Pipe	
204	0340041	2	Band, Air Cleaner	
205	0641407	8	Bolt 1/4in-20NC x 7/8in	
207	0641510	3	Bolt 5/16in-18NC x 1-1/4in	
208	0641606	3	Bolt 3/8in-16NC x 3/4in	
210	0641610	20	Bolt 3/8in-16NC x 1-1/4in	
211	0641818	2	Bolt 1/2in-13NC x 2-1/4in	
212	0641826	2	Bolt 1/2in-13NC x 3-1/4in	
213	0700808	4	Bolt M8 x 16mm	
214	0701012	2	Bolt M10 x 25mm	
215	0701015	2	Bolt M10 x 35mm	
216	0701414	6	Bolt M14 x 130mm	

SECTION 2 - TURNTABLE

ITEM	PART NUMBER	QTY	DESCRIPTION	REV
217	0940070	1	Bumper	
218	0961986	2	Bushing, Flanged	
219	1320016	4	Clamp	
220	1320022	1	Clamp, Hose	
221	1320223	3	J-Clip	
222	1340060	1	Air Cleaner Assembly Filter Element	
222	7012664	1	Element, Filter (Not Shown)	
223	1703162	2	Decal - Caution Fan Blade	
224		Ref	Engine, Deutz - F4M2011 Tier II Options:	
224	2000216	1	Engine, Deutz - F4M2011 Tier II (SN 0300077490 through 0300084828)	
224	2000274	1	Engine, Deutz - F4M2011 Tier II (SN 0300084829 through 0300087000)	
225	2060025	1	Fan	
226	2220451	2	Fitting, Straight	
227	2720398	2	Hose, Oil Cooler	
228	2720434	1	Elbow, Rubber	
229	2720449	1	Hose, Air Cleaner	
230	2750532	1 ft/30cm	Hose, Oil Drain	
231	3200362	2	Mount, Motor	
232	3200406	2	Mount, Motor	
233		Ref	Muffler Options:	
233	3220103	1	Spark Arresting (Standard)	
233	3220104	1	Catalytic (Optional)	
233		Ref	Clamp Options:	
233	1320176	1	Muffler p/n 3220103	
233	70001017	1	Muffler p/n 3220104	
233	7024398	1	Tube, Exhaust	
233	7024560	1	Plug, Brass	
234	3311405	8	Locknut 1/4in-20NC	
235	3311505	3	Locknut 5/16in-18NC	
236	3311605	AR	Locknut 3/8in-16NC	
237	3311805	4	Locknut 1/2in-13NC	
238	3537416	1	Plate, Engine Mounting (Front Right Side)	
239	3539872	1	Plate, Radiator Mounting	
240	3539971	1	Plate, Engine Mounting (Front Bottom)	
241	3534978	1	Plate, Engine Mounting (Rear)	
243	3620033	1	Radiator	
244	3740067	2	Relay	
245	3960407	1	Gasket, Air Intake	
246	3960468	1	Seal	
247	3960369	1	Seal	
248	4060805	37 in/1m	Flex-Trim	
249		Ref	Tube, Tuning Options:	
249	4567815	1	Tube, Tuning (SN 0300077490 through 0300084828)	
249	4569171	1	Tube, Tuning (SN 0300084829 through 0300087000)	
250	4640751	1	Valve, Oil Drain	
252	4711600	3	Flatwasher 3/8in Thin	
253	4711700	6	Flatwasher 7/16in Thin (SN 0300084829 through 0300087000)	
254	4711900	6	Flatwasher 9/16in Thin	
255	4740274	4	Washer, Snubbing	
256	4751400	AR	Flatwasher 1/4in Regular	

SECTION 2 - TURNTABLE

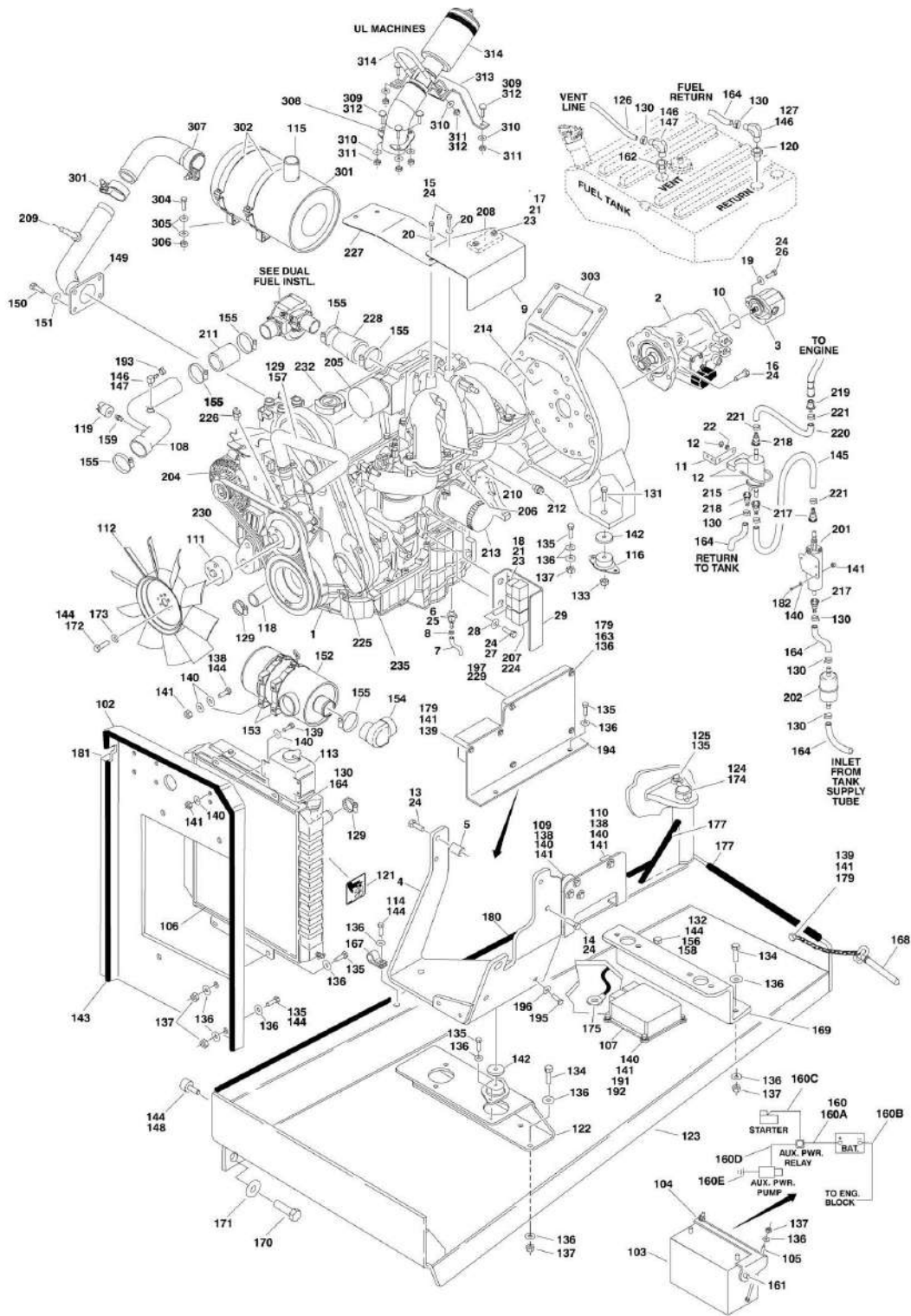
ITEM	PART NUMBER	QTY	DESCRIPTION	REV
257	4751600	40	Flatwasher 3/8in Regular	
258	4751700	2	Flatwasher 7/16in Regular (SN 0300084829 through 0300087000)	
259	4791400	4	Starwasher 1/4in	
260	4845395	1	Adapter, Air Intake	
261	4845404	1	Tray, Engine	
262	4846566	1	Plate, Engine Mounting (Front Left Side)	
263	0701014	4	Bolt M10 x 30mm (SN 0300084829 through 0300087000)	
264	4360392	1	Indicator, Restriction (SN 0300077490 through 0300084828)	
264	2180798	1	Fitting	
	0256847	Ref	PUMP COUPLING INSTALLATION	2
301	1660234	1	Coupling, Hayes	
302	0080163	1	Plate, Pump Adapter	
303	0700810	63	Bolt Metric M8 x 20mm	
304	4831900	6	Lockwasher M8	
306	4832000	8	Lockwasher M10 (SN 0300077490 through 0300084828)	
307	3020021	AR	Grease, Coupling	
		Ref	ENGINE COMPONENTS	
	2000216	Ref	Engine Components (SN 0300077490 through 0300084828)	C
	2000274	Ref	Engine Components (SN 0300084829 through 0300087000)	A
401	7026631	1	Dipstick	
401	7020487	1	O-Ring, Dipstick	
402	7020465	1	Cap, Filler	
403	70001850	1	Pump, Oil Lube (was p/ns 7020484 & 70000045)	
403	7020468	1	Seal Between Oil Pump and Engine Block (Not Shown)	
404	7016331	1	Filter, Oil (was p/n 7016641)	
405		Ref	Pump, Injector Options:	
405	7027246	4	Series A Injector	
405	7027608	4	Series B Injector	
405	7027609	4	Series C Injector	
405	7027610	4	Series D Injector	
405	7020447	4	Gasket (1 per Injector)	
406	7016328	1	Filter, Fuel	
407	70000916	1	Pump, Fuel Supply (was p/n 7027238)	
407	7020411	1	O-Seal Between Fuel Pump and Engine Block (Not Shown)	
408	7020449	4	Gasket, Intake Manifold (Not Shown)	
409	7020408	1	V-Belt	
410	7020471	4	Gasket, Exhaust Manifold to Engine Block (Not Shown)	
410	See Note	1	Gasket, Exhaust Manifold to Exhaust Pipe (Not Shown) (Note: Not Available for Purchase)	
410	70002200	8	Stud, Muffler Attaching	
411	7000663	1	Alternator (was p/n 7020410)	
411	7020464	1	Regulator, Voltage (Not Shown)	
411	70002234	1	Bracket, Adjusting (Not Shown)	
412	7020479	1	Starter	
412	7026608	1	Solenoid	
412	70001498	1	Shield, Starter Heat	
413	See Note	2	Plug- In Connector (Not Shown) (Note: Not Available for Purchase)	
414	7027241	1	Transmitter, Temperature (Used on p/n 2000216)	
414	7027791	1	Transmitter, Temperature (Used on p/n 2000274)	
414	See Note	1	Ring, Sealing (Note: Not Available for Purchase)	

SECTION 2 - TURNTABLE

ITEM	PART NUMBER	QTY	DESCRIPTION	REV
415	7020461	1	Sensor, Oil Pressure (Used on p/n 2000216)	
415	7027790	1	Sensor, Oil Pressure (Used on p/n 2000274)	
416	7024565	1	Sensor, Speed	
417	7020458	1	Actuator, Throttle (Used on p/n 2000216)	
417	7027792	1	Actuator, Throttle (Used on p/n 2000274)	
417	7026607	2	Spring, Actuator (was p/n 7027276)	
418	7027236	1	Sensor, Temperature (Not Shown)	
419	7027795	1	Deutz EMR2 Controller, Module (SN 0300084829 through 0300087000)	
419	7027796	1	Harness. EMR2 Module (SN 0300084829 through 0300087000)	
420	7027245	1	Filter, Fuel In-line (2000216 Engine Only)	
421	7000800	1	Timing Belt/Idler Kit Options (Used on p/n 2000216) (Not Shown):	
422	7027239	1	Solenoid, Throttle	
423	See Note	1	Gasket, Valve Cover (Not Shown) (Note: Not Available for Purchase)	
424		Ref	Gasket, Cylinder Head Options (Not Shown):	
424	See Note	1	2000216 Engines (Note: Not Available for Purchase)	
424		Ref	2000274 Engines:	
424	70003001	1	1 Notch	
424	70003002	1	2 Notches	
424	70003003	1	3 Notches	
425		Ref	Harness, Engine Options (Not Shown):	
425	See Note	1	Harness. Engine (Note: Not Available for Purchase) (SN 0300077490 through 0300084828)	
425	7027794	1	Harness, Engine (SN 0300084829 through 0300087000)	
425	7027793	1	Plug, Connector	
426	70000264	1	Flywheel	
426	7024579	1	Ring Gear	
427	7020459	1	Thermostat (Located at rear of engine block - Not Shown)	
427	7020460	1	Spring, Compression (Not Shown)	

SECTION 2 - TURNTABLE

FIGURE 2-10. FORD ENGINE INSTALLATION - LRG-425 (SN 0300069000 through 0300079887)



SECTION 2 - TURNTABLE

FIGURE 2-10. FORD ENGINE INSTALLATION - LRG-425 (SN 0300069000 through 0300079887)

ITEM	PART NUMBER	QTY	DESCRIPTION	REV
		Ref	ENGINE ASSEMBLIES	
	0270849	Ref	Standard Gas Machines (SN 0300069000 through 0300073339)	3-B
	0270847	Ref	Dual Fuel Machines (SN 0300069000 through 0300073338)	5-D
	0272899	Ref	Dual Fuel Machines (SN 0300073339 through 0300079888)	2-B
1		Ref	Engine - Ford LRG-425 Options:	
1	2000172	1	Standard Gas Machines	
1	2000182	1	Dual Fuel Machines (SN 0300069000 through 0300073338)	
1	2000196	1	Dual Fuel Machines (SN 0300073339 through 0300087000)	
2	3600260	1	Piston Pump Assembly (See PISTON PUMP ASSEMBLY for Breakdown)	
3	3600242	1	Gear Pump Assembly (See GEAR PUMP ASSEMBLY for Breakdown)	
4		Ref	Plate, Engine Mounting - Front Options:	
4	3539972	1	Plate, Engine Mounting - Front (SN 0300069000 through 0300073338)	
4	4846806	1	Plate, Engine Mounting - Front (SN 0300073339 through 0300079888)	
5	4566605	1	Tube, Spacer	
6	4640989	1	Valve, Oil Drain	
7	2750532	1	Hose	
		ft/30.5cm		
8	1320022	1	Clamp	
9	3572307	1	Plate, Module Mounting (SN 0300069000 through 0300073339)	
10	3790152	1	O-Ring	
11	0902539	1	Bracket, Fuel Filter/Pressure Regulator	
12	1320019	1	Clamp, Exhaust	
13	0701022	2	Bolt M10 x 70mm	
14	0701014	2	Bolt M10 x 30mm	
15	0700810	2	Bolt M8 x 20mm (SN 0300069000 through 0300073339)	
16	0641812	2	Bolt 1/2in-13NC x 1-1/2in	
17	0721010	2	Bolt #10-24NC x 1-1/4in (SN 0300069000 through 0300073339)	
18	0721006	3	Bolt #10-24NC x 3/4in (SN 0300069000 through 0300073339)	
19	4891600	2	Flatwasher 3/8in Hardened	
20	4751500	2	Flatwasher 5/16in Regular (SN 0300069000 through 0300073338)	
21	4751000	AR	Flatwasher #10 Regular (SN 0300069000 through 0300073339)	
22	4761500	2	Lockwasher 5/16in	
23	3311005	AR	Locknut #10-24NC (SN 0300069000 through 0300073339)	
24	0100011	AR	Compound, Locking	
25	0100020	AR	Sealant	
26	3931620	2	Screw 3/8in-16NC x 1-1/4in	
27	0701010	2	Bolt M10 x 20mm	
28	4832000	2	Flatwasher M10	
29	3572308	1	Plate, Relay Mount	
		Ref	ENGINE INSTALLATIONS	
	0270848	Ref	Standard Gas Machines (SN 0300069000 through 0300073339)	6-E
	0270846	Ref	Dual Fuel Machines (SN 0300069000 through 0300073338)	5-E
	0272898	Ref	Dual Fuel Machines (SN 0300073339 through 0300079888)	4-D
102	3539872	1	Mount, Radiator	
103		Ref	Battery Options:	
103	0400075	1	Battery (Wet)	

SECTION 2 - TURNTABLE

ITEM	PART NUMBER	QTY	DESCRIPTION	REV
103	7016180	1	Battery (Dry)	
104	0181727	1	Battery Hold-Down	
105	0630498	2	Bolt, Tie-Down	
106	3620040	1	Radiator	
107	1600314	1	Controller, ECM (SN 0300069000 through 0300073339)	
108		Ref	Tube, Air Intake Options:	
108	4846248	1	Standard Gas Machines	
108	4846236	1	Dual Fuel Machines	
109	3740067	1	Relay (Auxiliary Power)	
110	3740080	1	Relay, Bosch	
111	0080214	1	Spacer, Fan	
112	2060025	1	Fan	
113	1580011	1	Tank, Coolant Recovery	
114	0641606	8	Bolt 3/8in-16NC x 3/4in	
115	3539988	1	Plate, Baffle (Not Shown)	
116	3200362	4	Mount, Rubber	
117	4100025	1.5 ft/0.5m	Sleeve	
118	2720435	1	Hose, Radiator - Bottom	
119	4360392	1	Indicator, Clogged Filter	
120	2220430	1	Fitting, Reducer	
121	1703162	2	Decal - Fan Blade	
122		Ref	Plate, Engine Mount (Front) Options:	
122	3572279	1	Plate, Engine Mount (Front) (SN 0300069000 through 0300073338)	
122	3574504	1	Plate, Engine Mount (Front) (SN 0300073339 through 0300079888)	
123	4845404	1	Tray Weldment	
124	3422448	1	Pin, Pivot	
125	3841143	1	Pin, Keeper	
126	2750532	5 ft/1.52m	Hose	
127	2220805	1	Fitting, Barbed 90	
128	1320060	1	Clamp (SN 0300069000 through 0300073339)	
129	1320012	4	Clamp, Hose	
130	1320022	8	Clamp	
131	0641828	4	Bolt 1/2in-13NC x 3-1/2in	
132	4751800	1	Flatwasher 1/2in Regular	
133	3311805	4	Locknut 1/2in-13NC	
134	0641610	8	Bolt 3/8in-16NC x 1-1/4in	
135	0641608	16	Bolt 3/8in-16NC x 1in	
136	4751600	53	Flatwasher 3/8in Regular	
137	3311605	AR	Locknut 3/8in-16NC	
138	0641408	7	Bolt 1/4in-20NC x 1in	
139	0641406	AR	Bolt 1/4in-20NC x 3/4in	
140	4751400	AR	Flatwasher 1/4in Regular	
141	3311405	AR	Locknut 1/4in-20NC	
142	4740274	4	Washer, Snubbing	
143	3960389	5 ft/1.52m	Seal	
144	0100011	AR	Compound, Locking	
145	2720472	1	Hose	
146	0100020	AR	Sealant	
147	2220767	1	Fitting, Barbed	

SECTION 2 - TURNTABLE

ITEM	PART NUMBER	QTY	DESCRIPTION	REV
148	0940070	1	Bumper, Rubber	
149	4567879	1	Tube, Exhaust	
150	0701012	4	Bolt M10 x 25mm	
151	4832000	4	Lockwasher M10	
152	1340060	1	Air Cleaner Assembly	
152	7012664	1	Element, Air Cleaner	
153	0340041	2	Band, Air Cleaner	
154	0080201	1	Elbow, Rubber	
155	1320016	AR	Clamp	
156	3311801	1	Nut 1/2in-13NC	
157	2720436	1	Hose, Radiator - Top	
158	0641808	2	Bolt 1/2in-13NC x 1in	
159	2180798	1	Fitting, Restrictor Indicator	
160	2901362	1	Battery Cable Kit (SN 0300069000 through 0300074732)	C
160	2902297	1	Battery Cable Kit (SN 0300074733 through 0300079888)	A
160A	7016800	1	Cable, Battery (Red) (Kit p/n 2901362)	
160A	7027006	1	Cable, Battery (Red) (Kit p/n 2902297)	
160B	7016807	1	Cable, Battery (Black) (Kit p/n 2901362)	
160B	7027005	1	Cable, Battery (Black) (Kit p/n 2902297)	
160C	7016808	1	Cable (Red) (Kit p/n 2901362)	
160C	7027007	1	Cable (Red) (Kit p/n 2902297)	
160D	7016804	1	Cable (Red) (Kit p/n 2901362)	
160D	7027002	1	Cable (Red) (Kit p/n 2902297)	
160E	Not Required	0	Cable (Kit p/n 2901362)	
160E	7027003	1	Cable (Black) (Kit p/n 2902297)	
161	4460611	1	Terminal, Battery Jumper Post (SN 0300069000 through 0300074733)	
162	2220250	2	Fitting, Reducer	
163	0641414	4	Bolt 1/4in-20NC x 1-3/4in (SN 0300073339 through 0300079888)	
164	2720058	12 ft/3.7m	Hose, Fuel Line	
167	1320223	3	Clamp	
168	3422533	1	Pin, Hitch	
169	3572280	1	Plate, Engine Mount (Rear)	
170	0642010	1	Bolt 5/8in-11NC x 1-1/4in	
171	4752000	1	Flatwasher 5/8in Regular	
172	0700819	4	Bolt M8 x 55mm	
173	4831900	4	Lockwasher M8	
174	0961986	2	Flange, Bearing	
175	1060637	1	Lanyard	
177		Ref	Flexible Trim Options:	
177	4060804	2.9 ft/0.88m	Flexible Trim 3/16in (SN 0300069000 through 0300073338)	
177	4060805	2.9 ft/0.88m	Flexible Trim 1/4in (SN 0300073339 through 0300079888)	
179	4711400	AR	Flatwasher 1/4in Thin	
180	3960468	1	Seal, Foam 1-1/4in x 1-1/4in x 47-1/4in	
181	3960469	1	Seal, Foam 1-1/4in x 1-1/4in x 32in	
182	0641410	3	Bolt 1/4in-20NC x 1-1/4in	
183	4360336	1	Switch (Dual Fuel Machines) (Not Shown - Located on Console Box)	
184	3790012	1	O-Ring (Not Shown - Located on Console Box)	

SECTION 2 - TURNTABLE

ITEM	PART NUMBER	QTY	DESCRIPTION	REV
191	4568158	4	Standoff (SN 0300069000 through 0300073339)	
192	0641424	4	Bolt 1/4in-20NC x 3in (SN 0300069000 through 0300073339)	
193	1320032	1	Clamp	
194		Ref	Plate ECM/Relay Mount Options:	
194	3574162	1	Plate ECM/Relay Mount (SN 0300073339 through 0300073350)	
194	0902951	1	Plate ECM/Relay Mount (SN 0300073351 through 0300087000)	
195	0641808	1	Bolt 1/2in-13NC x 1in (SN 0300073339 through 0300079888)	
196	4771800	1	Starwasher 1/2in (SN 0300073339 through 0300079888)	
197	0100048	AR	Grease, Dielectric (SN 0300073339 through 0300079888)	
		Ref	ENGINE COMPONENTS	
	2000172	Ref	Standard (SN 0300069000 through 0300073339)	
	2000182	Ref	Dual Fuel (SN 0300069000 through 0300073338)	
	2000196	Ref	Dual Fuel (SN 0300073339 through 0300079888)	
201	3600377	1	Fuel Pump and Isolator Assembly (was p/n 7022133)	
201	7022134	1	Harness, Fuel Pump Wiring	
202	91083218	1	Filter, Fuel (was p/n 7022135)	
203	7019986	1	Starter (Not Shown)	
204	7019977	1	Alternator with Pulley and Regulator	
204	7000897	1	Alternator without Pulley and Regulator	
205		Ref	Actuator, Throttle Options:	
205	7023655	1	Actuator, Throttle (2000172 & 2000182 Engines) (SN 0300069000 through 0300073338)	
205	7023683	1	Actuator, Throttle (2000196 Engines) (SN 0300073339 through 0300079888)	
205	7023652	1	Plate, Actuator Adapter	
205	7023654	1	Gasket, Actuator to Adapter Plate	
205	7023653	2	Bolt (Adapter Plate to Intake Manifold)	
205	7023656	4	Bolt (Actuator to Adapter Plate)	
206	7019996	1	Sensor, Air Temperature (was p/n 7023661)	
206	7023662	1	Bracket, Air Temperature Sensor	
207		Ref	Harness, Engine Control Processor Options:	
207	7023663	1	Harness, Engine Control Processor (SN 0300069000 through 0300073338)	
207	7023681	1	Harness, Engine Control Processor (SN 0300073339 through 0300079888)	
208	7022139	1	Sensor, MAP	
209		Ref	Sensor, EGR Options:	
209	7019994	1	Sensor, EGR (2000172 & 2000182 Engines) (SN 0300069000 through 0300073338)	
209	7023682	1	Sensor, EGR (2000196 Engines) (SN 0300073339 through 0300079888)	
210	2420187	1	Dipstick (was p/n 7022140)	
210	4564281	1	Tube, Dipstick (was p/n 7022146)	
211	7023658	1	Horn, Rubber Air	
212	7023637		Switch, Oil Pressure	
213	7021868	1	Filter, Oil (was p/n 7022147 & 7022173)	
214	1660250	1	Coupling, Pump (was p/n 7016662)	
214	7019976	1	Flywheel	
214	7022180	1	Ring Gear	
215	7019993	1	Pressure Regulator and Filter Assembly	
216	70002307	1	Gasket, Exhaust (Manifold to Pipe)	

SECTION 2 - TURNTABLE

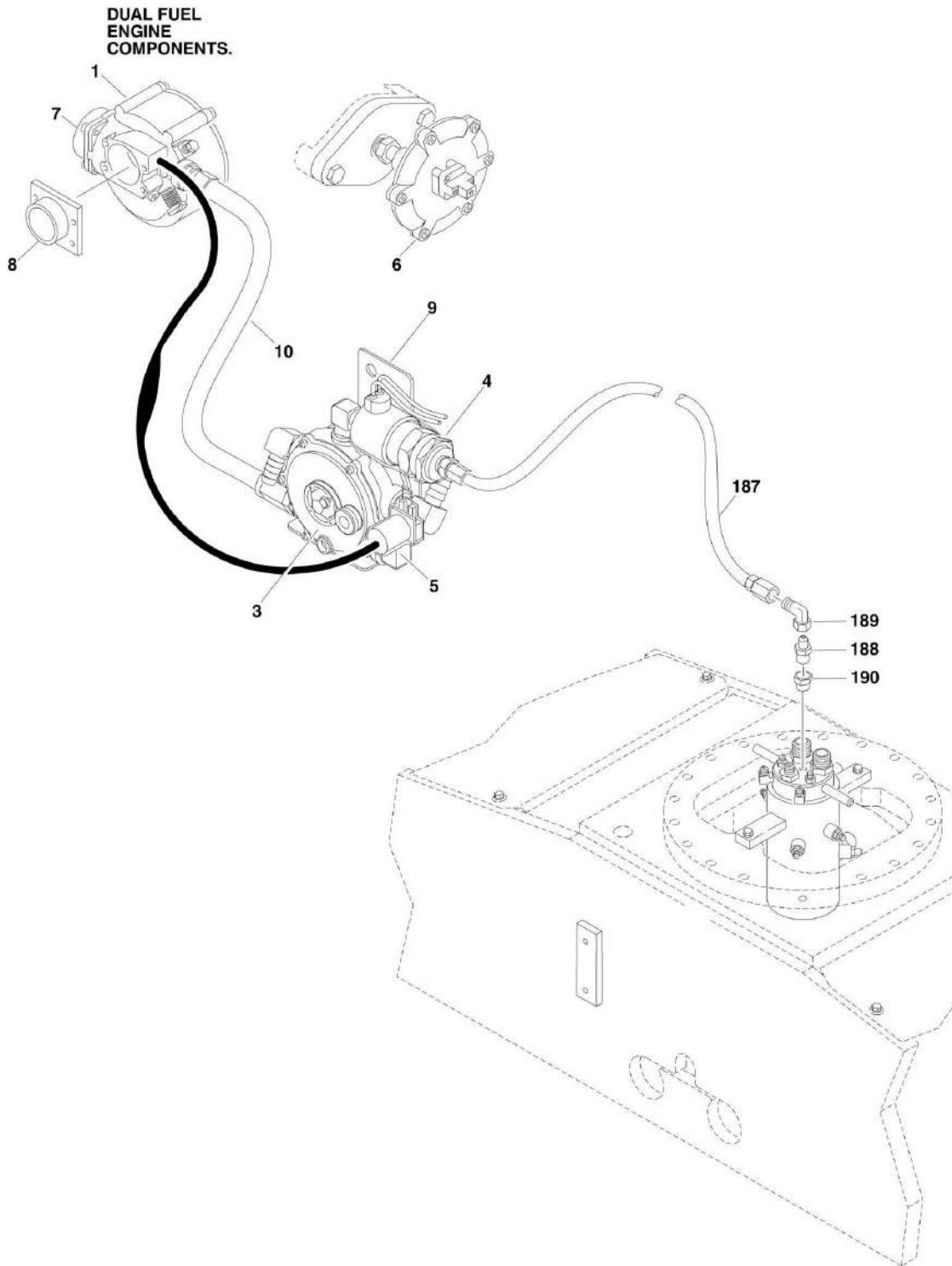
ITEM	PART NUMBER	QTY	DESCRIPTION	REV
216	7022143	1	Gasket, Exhaust (Manifold to Cylinder Head) (Not Shown)	
217	7022158	3	Connector	
218	7022159	2	Connector	
219	7022160	1	Connector	
220	7022161	2	Tube, Supply	
221	7022162	2	Clamp	
222	7019925	1	PCV Valve (Not Shown)	
223	7019930	1	Coil, Ignition (Not Shown)	
223	7022157	1	Wire Set, Spark Plug (Not Shown)	
223	7019932	4	Spark Plug (Not Shown)	
224		Ref	Relay Options:	
224	7023613	3	Relay (2000172 & 2000182 Engines) (SN 0300069000 through 0300073338)	
224	7023695	3	Relay (2000196 Engines) (SN 0300073339 through 0300079888)	
225	7022153	1	Pump, Water	
225	7022154	1	Gasket, Water Pump	
225	7022155	1	Sensor, Water Temperature (Not Shown)	
225	7022156	1	Thermostat (Not Shown)	
225	7023644	1	Hose, Water Pump (By-Pass) (Not Shown)	
226	7022178	1	Sensor, Crank Shaft	
227	3573241	1	Plate, LP Mixer Mounting (Engine p/n 2000182 Only)	
228	2720341	1	Hose, Rubber (was p/n 7022141)	
229	1600363	1	Module, EPM	
229	2915195		EPM Update Kit (was p/n 7023685)	
230	7027402	1	Belt, Drive (was p/n 7019979)	
230	70002567	1	Tensioner, Belt	
231	7022149	1	Gasket Kit, Lower Manifold (Not Shown)	
231	7025124	1	Gasket Kit, Upper Manifold (was p/n 7022148) (Not Shown)	
231	7022144	1	Gasket, Upper Manifold Throttle (Not Shown)	
232	7022151	1	Cap, Oil Fill	
233	7022179	1	Sensor, Camshaft (Not Shown)	
234	7023657	1	Harness, TPS Harness (Not Shown)	
235	7022150	1	Belt, Timing	
	3124114	1	Service Manual, Ford EFI System Diagnostic	
		Ref	MUFFLER INSTALLATIONS	
	0258390	Ref	Standard Spark Arresting	1
	0258391	Ref	Optional Catalytic	1
	0258571	Ref	Standard Spark Arresting - UL Machines	3
301		Ref	Muffler Options:	
301	3220113	1	Standard/UL Spark Arresting	
301	3220114	1	Optional Catalytic	
301	70001017	1	Clamp	
302	0340046	2	Band	
303	0902309	1	Bracket, Muffler	
304	0641507	4	Bolt 5/16in-18NC x 7/8in	
305	4711500	8	Flatwasher 5/16in Thin	
306	3311505	4	Locknut 5/16in-18NC	
307	4567073	1	Tube, Exhaust	
307	70001017	1	Clamp	
		Ref	Note: Items 308 to 314 UL Machines Only.	
308	4845668	1	Tube, Exhaust	

SECTION 2 - TURNTABLE

ITEM	PART NUMBER	QTY	DESCRIPTION	REV
309	3900232	5	Bolt, Button Head 3/8in-16NC x 1-1/4in	
310	4751600	5	Flatwasher 3/8in Regular	
311	3311601	7	Nut 3/8in-16NC	
312	0100011	AR	Compound, Locking	
313	0902473	1	Bracket, Exhaust Support	
314	3220111	1	Spark Arrestor	

SECTION 2 - TURNTABLE

FIGURE 2-11. DUAL FUEL INSTALLATION (OPTIONAL - FORD ENGINE MACHINES)



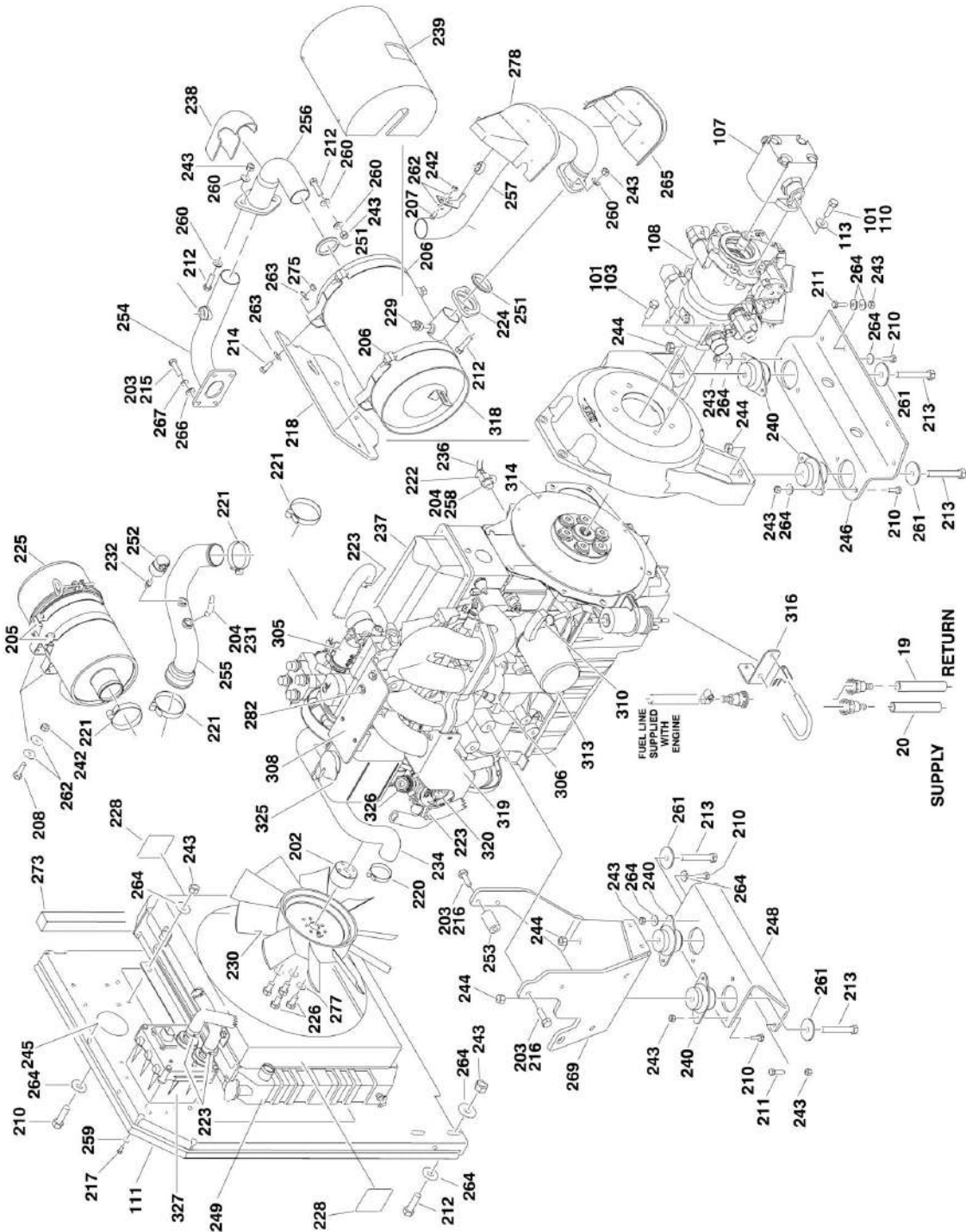
SECTION 2 - TURNTABLE

FIGURE 2-11. DUAL FUEL INSTALLATION (OPTIONAL - FORD ENGINE MACHINES)

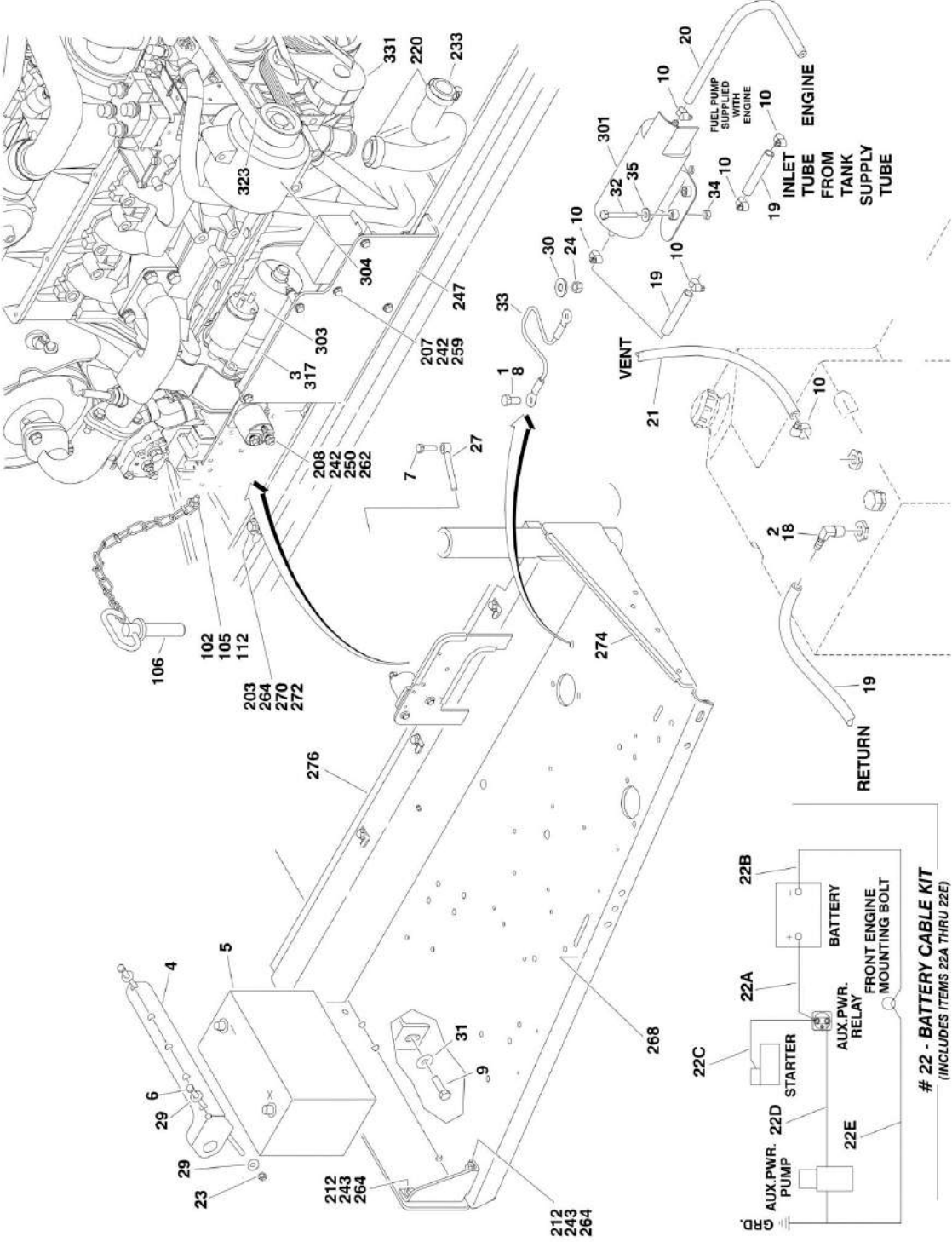
ITEM	PART NUMBER	QTY	DESCRIPTION	REV
	2000182	Ref	DUAL FUEL ENGINE COMPONENTS (SN 0300069000 through 0300073338)	
	2000196	Ref	DUAL FUEL ENGINE COMPONENTS (SN 0300073339 through 0300079888)	
		Ref	Note: See Engine Installation (FORD ENGINE INSTALLATION - LRG-425) for (SN 0300079888 through 0300087000)	
	7023665	1	Dual Fuel Conversion Kit (Note: Includes hose, fittings, clamps and items indented below. For replacement hose, fittings and clamps supply locally.)	
1	7022165	1	Mixer	
1	7022171	1	Repair Kit - 7022165 Mixer	
1	7023645	1	Gasket, Mixer	
3	7022167	1	Convertor	
3	7022170	1	Repair Kit - 7022167 Convertor	
4	7023680	1	Filter, LP Shut-Off (was p/n 7022169)	
4	7023680	NLA	Electrical Connector Kit (No Longer Available - was p/n 7023679)	
5	7022168	1	Valve, Solenoid	
6	4360188	1	Switch, Vacuum	
7	7023603	1	Adapter	
7	7023659	1	Gasket	
7	7023660	4	Screw M6 x 14mm	
8	7022166	1	Adaptor	
9	3572722	1	Bracket	
10	70000121	1	Hose, LP	
		Ref	DUAL FUEL MACHINE COMPONENTS	
	0270846	Ref	Dual Fuel Machine Components (SN 0300069000 through 0300073338)	5/E
	0272898	Ref	Dual Fuel Machine Components (SN 0300073339 through 0300079887)	1/B
	0274017	Ref	Dual Fuel Machine Components (SN 0300079888 through 0300087000)	B
187	2720392	1	Hose	
188	2180418	1	Fitting, Straight	
189	2220064	1	Fitting, 90	
190	2220005	1	Fitting, Reducer	

SECTION 2 - TURNTABLE

FIGURE 2-12. FORD ENGINE INSTALLATION - LRG-425 (SN 0300079888 through 0300087000)



SECTION 2 - TURNTABLE



SECTION 2 - TURNTABLE

FIGURE 2-12. FORD ENGINE INSTALLATION - LRG-425 (SN 0300079888 through 0300087000)

ITEM	PART NUMBER	QTY	DESCRIPTION	REV
		Ref	ENGINE INSTALLATIONS	
	0274017	Ref	Engine Installations (SN 0300069000 through 0300084828)	C
	0274521	Ref	Engine Installations (SN 0300084829 through 0300087000)	A
1	0100011	AR	Compound, Locking	
2	0100020	AR	Sealant	
3	0100048	AR	Grease, Dielectric	
4	0181727	1	Angle, Battery Hold-Down	
5	0400075	1	Battery	
6	0630498	2	Bolt, Battery Hold-Down	
7	0641608	1	Bolt 3/8in-16NC x 1in	
8	0641808	2	Bolt 1/2in-13NC x 1in	
9	0642010	1	Bolt 5/8in-11NC x 1-1/4in	
10	1320022	7	Clamp (Not Shown - Located on Turntable to clamp fuel line)	
11	1701542	1	Decal - Gas (Not Shown - Located on Hood)	
12	1701543	1	Decal - LP (Not Shown - Located on Frame)	
17	2220313	1	Fitting, 90	
18	2221176	1	Fitting, 90	
19	2720058	12 ft/3.7m	Hose, Fuel Line	
20	2720472	1	Hose, Fuel Line	
21	2720532	5 ft/1.5m	Hose, Fuel Line	
22	2902297	1	Battery Cable Kit	A
22A	7027006	1	Cable, Battery (Red)	
22B	7027005	1	Cable, Battery (Black)	
22C	7027007	1	Cable (Red)	
22D	7027002	1	Cable (Red)	
22E	7027003	1	Cable (Black)	
23	3311605	2	Locknut 3/8in-16NC	
24	3311801	1	Nut 1/2in-13NC	
25	3422448	1	Pin	
26	3790012	1	O-Ring (Not Shown - Located at Platform Console Box)	
27	3841143	1	Pin, Keeper	
28	4360336	1	Switch, Toggle (Not Shown - Located at Platform Console Box)	
29	4751600	4	Flatwasher 3/8in Regular	
30	4751800	1	Flatwasher 1/2in Regular	
31	4752000	1	Flatwasher 5/8in Regular	
32	0641410	3	Bolt 1/4in-20NC x 1-1/4in	
33	1060637	1	Cable, Lanyard	
34	3311405	3	Locknut 1/4in-20NC	
35	4711400	3	Flatwasher 1/4in Thin	
		Ref	ENGINE AND PUMP ASSEMBLIES	
	2000256	Ref	Engine and Pump Assemblies (SN 0300069000 through 0300084828)	C
	2000300	Ref	Engine and Pump Assemblies (SN 0300084829 through 0300087000)	A
101	0100011	AR	Compound, Locking	
102	0641407	1	Bolt 1/4in-20NC x 7/8in	
103	0641812	2	Bolt 1/2in-13NC x 1-1/2in	
105	3311405	1	Locknut 1/4in-20NC	
106	3422532	1	Pin, Hitch	
107	3600395	1	Load Sensing Pump Assembly with Fittings Options (See GEAR	

SECTION 2 - TURNTABLE

ITEM	PART NUMBER	QTY	DESCRIPTION	REV
108	3600396	1	PUMP ASSEMBLY for Breakdown) Piston Pump Assembly with Fittings Options (See PISTON PUMP ASSEMBLY for Breakdown)	
109		Ref	O-Ring Options:	
109	3790152	1	O-Ring (SN 0300069000 through 0300084828)	
109	3790012	1	O-Ring (SN 0300084829 through 0300087000)	
110	3931620	2	Bolt 3/8in-16NC x 1-1/4in	
111	3960389	5 ft/1.5m	Seal	
112	4751400	1	Flatwasher 1/4in Regular	
113	4891600	2	Flatwasher 3/8in Hardened	
		Ref	ENGINE ASSEMBLY	
	2000209	Ref	Engine Assembly (SN 0300069000 through 0300084828)	D
	2000299	Ref	Engine Assembly (SN 0300084829 through 0300087000)	B
201	0080201	1	Adapter 90 Elbow	
202	0080214	1	Adapter, Fan Spacer	
203	0100011	AR	Compound, Locking	
204	0100020	AR	Sealant, Pipe	
205	0340041	2	Band, Air Cleaner	
206	0340046	2	Band, Muffler	
207	0641406	3	Bolt 1/4in-20NC x 3/4in	
208	0641408	6	Bolt 1/4in-20NC x 1in	
209	0641414	4	Bolt 1/4in-20NC x 1-3/4in	
210	0641608	14	Bolt 3/8in-16NC x 1in	
211	0641610	10	Bolt 3/8in-16NC x 1-1/4in	
212	0641612	8	Bolt 3/8in-16NC x 1-1/2in	
213	0641828	4	Bolt 1/2in-13NC x 3-1/2in	
214	0641507	4	Bolt 5/16in-18NC x 7/8in	
215	0701012	4	Bolt 10mm x 25mm	
216	0701014	4	Bolt 10mm x 30mm	
217	0760606	4	Bolt 6mm x 12mm	
218	0903079	1	Bracket, Muffler	
219	0961986	2	Bushing, Flanged	
220	1320012	4	Clamp	
221	1320016	3	Clamp	
222	1320022	1	Clamp, Hose	
223	1320033	8	Clamp, Hose	
224	1321138	3	Plate, Exhaust Flange	
225	1340060	1	Air Cleaner Assembly Filter Element	
225	7012664	1	Element, Filter (Not Shown)	
226	0700819	4	Bolt 8mm x 55mm	
228	1703162	2	Decal - Caution Fan Blade	
229	1120588	1	Plug	
230	2060025	1	Fan	
231	2180467	1	Fitting	
232	2180798	1	Fitting, Restriction Indicator (SN 0300069000 through 0300084828)	
233	2720435	1	Hose, Radiator (Bottom)	
234	2720436	1	Hose, Radiator (Upper)	
235	2720514	1	Hose, 45 Elbow	
236	2750532	6 in/15cm	Hose, Oil Drain	
237	2000272	1	Engine (See Items 301-326 for Engine Components)	
238	2820173	2	Insulation, Exhaust (Elbow)	

SECTION 2 - TURNTABLE

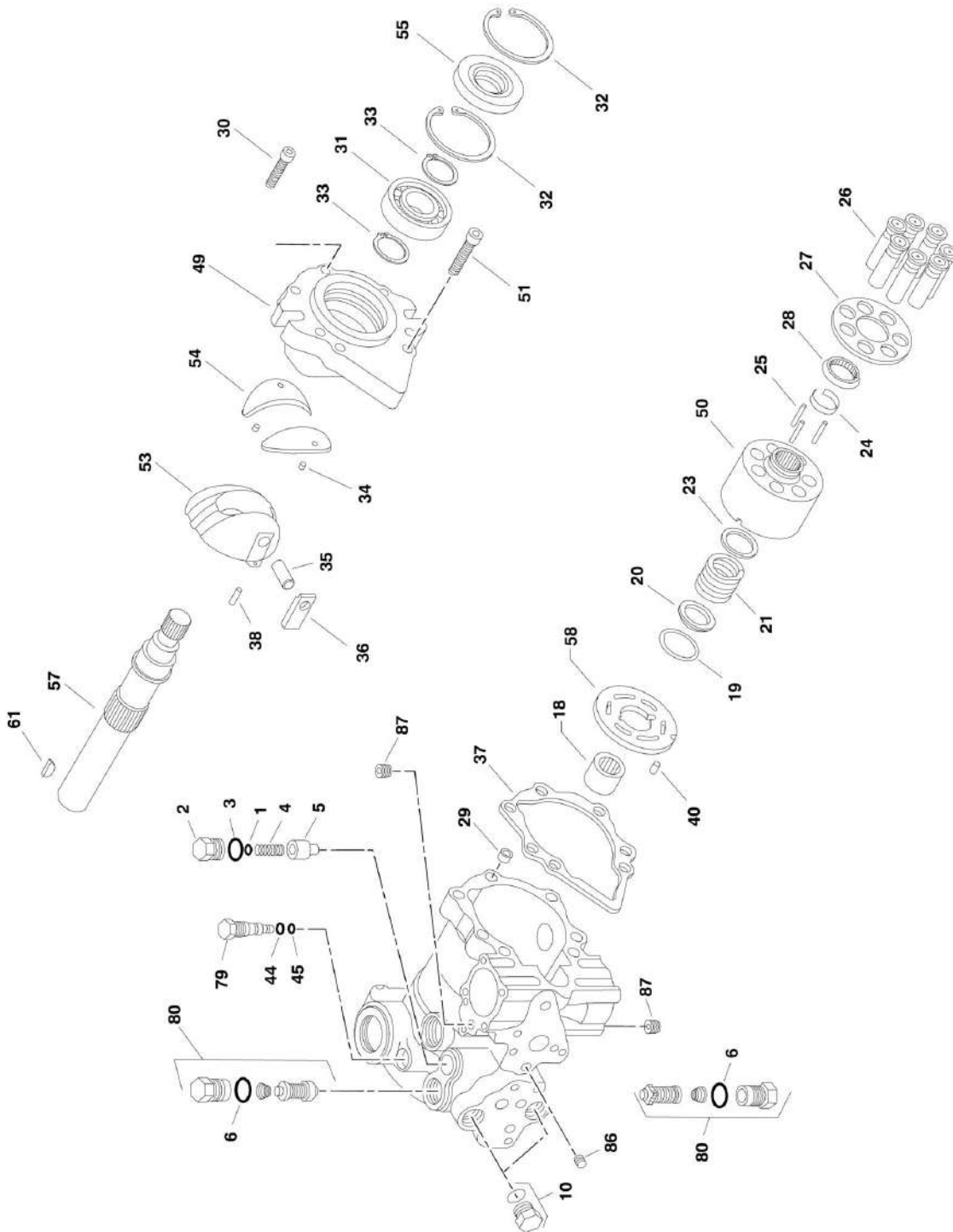
ITEM	PART NUMBER	QTY	DESCRIPTION	REV
239	2820180	1	Insulation, Catalytic Muffler	
240	3200362	4	Mount, Motor	
242	3311405	13	Locknut 1/4in-20NC	
243	3311605	30	Locknut 3/8in-16NC	
244	3311805	4	Locknut 1/2in-13NC	
245	3539872	1	Plate, Radiator Mounting	
246	3572280	1	Plate, Engine Mount	
247	3574162	1	Plate, ECM/Relay Mount	
248	3574504	1	Plate, Engine Mount	
249	3620040	1	Radiator	
250	3740067	1	Relay	
251	3960591	3	Gasket, Exhaust	
252	4360392	1	Indicator, Restriction (SN 0300069000 through 0300084828)	
253	4566605	1	Tube, Spacer	
254		Ref	Tube, Exhaust Options:	
254	4567879	1	Tube, Exhaust (SN 0300069000 through 0300082976)	
254	4569203	1	Tube, Exhaust (SN 0300082977 through 0300087000)	
255		Ref	Tube, Intake Options:	
255	4568951	1	Tube, Intake (SN 0300069000 through 0300084828)	
255	4569173	1	Tube, Intake (SN 0300084829 through 0300087000)	
256	4569083	1	Tube, Exhaust	
257	4569092	1	Tube, Exhaust	
258	4640989	1	Valve, Oil Drain	
259	4711400	16	Flatwasher 1/4in Thin	
260	4711600	12	Flatwasher 3/8in Thin	
261	4740274	4	Washer, Snubbing	
262	4751400	12	Flatwasher 1/4in Regular	
263	4751500	8	Flatwasher 5/16in Regular	
264	4751600	51	Flatwasher 3/8in Regular	
265	2820186	1	Insulation, Exhaust (Shield)	
266	4812000	4	Flatwasher 10M	
267	4832000	4	Lockwasher 10m	
268	4845404	1	Tray, Engine	
269	4846806	1	Plate, Engine Mounting	
270	0641606	1	Bolt 3/8in-16NC x 3/4in	
271	0940070	1	Bumper	
272	1320223	3	J-Clip	
273	3960469	1	Seal	
274	4060805	37 in/1m	Flex-Trim	
275	3311505	4	Locknut 5/16in-18NC	
276	3960468	1	Seal	
277	4831900	4	Lockwasher M8	
278	2820187	1	Insulation, Exhaust	
279	2820188	1	Insulation, Shell	
280	4920385	10 ft/3m	Wire, Safety (Not Shown)	
281	2300004	AR	Fluid, Anti-Freeze (Not Shown)	
282	4711500	2	Flatwasher 5/16 Thin (SN 0300084829 through 0300087000)	
	2000272	Ref	ENGINE COMPONENTS	B
301	3600377	1	Fuel Pump and Isolator Assembly (was p/ns 7022133 & 7027407)	
301	7022134	1	Harness, Fuel Pump (Not Shown)	
302	91083218	1	Filter, Fuel (was p/n 7022135)	

SECTION 2 - TURNTABLE

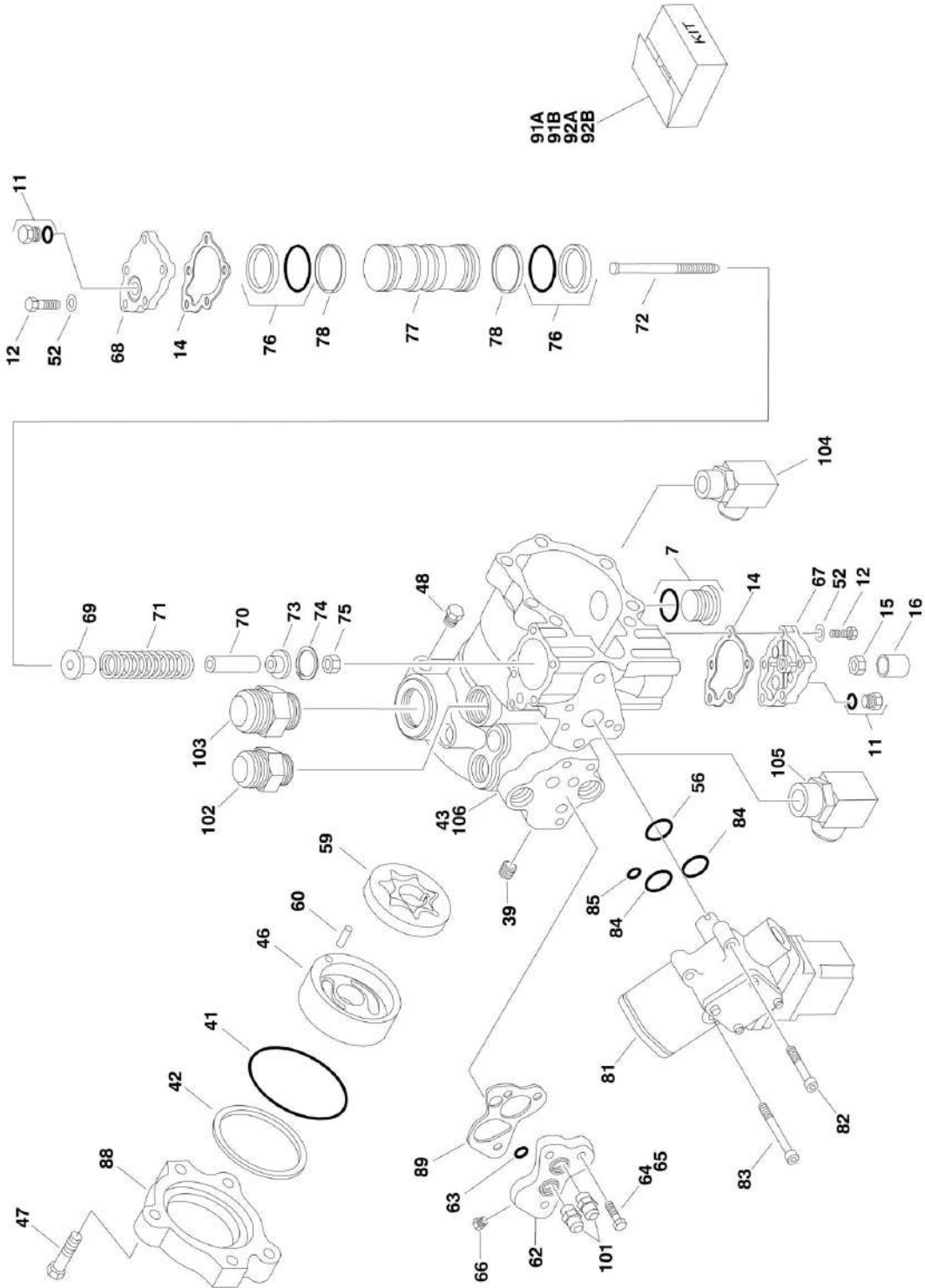
ITEM	PART NUMBER	QTY	DESCRIPTION	REV
303	7012679	1	Starter (was p/n 7027408)	
304	7019977	1	Alternator with Regulator and Pulley	
304	7000897	1	Alternator without Regulator and Pulley	
305	7023683	1	Actuator, Throttle	
305	7027404	1	Gasket, Actuator (Not Shown)	
306	7019996	1	Sensor, Air Temperature (was p/n 7023661)	
307	7023681	1	Harness, Engine Control (was p/n 7027403) (Not Shown)	
308	7022139	1	Sensor, MAP	
309	7023682	1	Sensor, EGR	
310	2420187	1	Dipstick (was p/n 7022140)	
310	4564281	1	Tube, Dipstick	
311	7027400	1	Mixer Assembly	
313	7021868	1	Filter, Oil (was p/n 7022147 & 7022173)	
314	1660250	1	Coupling, Pump	
314	7019976	1	Flywheel (Not Shown)	
314	7022180	1	Ring Gear (Not Shown)	
315	7019993	1	Pressure Regulator and Filter Assembly	
316	0902539	1	Bracket	
317	1600374	1	Module, EPM	
317	7027413	1	Harness, EPM Jumper	
318	3220134	1	Muffler	
319	0903010	1	Bracket, LP Regulator	
320	7023698	1	Regulator, LP	
321	7019994	1	Sensor, EGR (was p/n 7027406)	
322	70002307	1	Gasket, Exhaust (Manifold to Pipe)	
322	7022143	1	Gasket, Exhaust (Manifold to Cylinder Head) (was p/n 7027401) (Not Shown)	
323	7027402	1	Belt, Drive	
324	7027405	4	Spark Plug (Not Shown)	
325	1580011	1	Bottle, Overflow	
326	7027409	1	LP Filter Shutoff W/Leads	
327	7023699	1	Megajector	
327	7027410	1	Harness, Megajector	
327	70001690	1	Hose Kit - Megajector	
328	7019925	1	PCV Valve (Not Shown)	
329	7022155	1	Sensor, Water Temperature (Not Shown)	
330	7022150	1	Belt, Timing (Not Shown)	
331	70002567	1	Tensioner, Belt	

SECTION 2 - TURNTABLE

FIGURE 2-13. PISTON PUMP ASSEMBLY (SN 0300069000 through 0300079887)



SECTION 2 - TURNTABLE



SECTION 2 - TURNTABLE

FIGURE 2-13. PISTON PUMP ASSEMBLY (SN 0300069000 through 0300079887)

ITEM	PART NUMBER	QTY	DESCRIPTION	REV
	3600260	Ref	PISTON PUMP ASSEMBLY	B
1	7007413	1	Shim Kit	
2	7007414	1	Plug	
3	See Note	NSS	O-Ring (Note: Use Item 91A)	
4	7007416	1	Spring, Relief Valve	
5	7007417	1	Valve, Relief	
6	See Note	NSS	O-Ring (Note: Use Item 91A)	
7	7007419	2	Plug	
10	7007420	2	Plug	
11	7007208	2	Plug	
12	7007421	10	Screw	
14	See Note	NSS	Gasket, Servo Cover (Note: Use Item 91A)	
15	7007423	1	Nut, Special	
16	7007424	1	Cover, Adjustment	
18	7007425	1	Bearing, Needle	
19	See Note	NSS	Ring, Retaining (Note: Use Item 92B)	
20	See Note	NSS	Washer (Note: Use Item 92B)	
21	See Note	NSS	Spring (Note: Use Item 92B)	
23	See Note	NSS	Washer (Note: Use Item 92B)	
24	See Note	NSS	Retainer (Note: Use Item 92B)	
25	See Note	NSS	Pin, Slipper Holddown (Note: Use Item 92B)	
26	See Note	NSS	Piston Assembly (Note: Use Item 92B)	
27	See Note	NSS	Retainer, Slipper (Note: Use Item 92B)	
28	See Note	NSS	Guide, Retainer (Note: Use Item 92B)	
29	7007435	1	Pin, Spring	
30	7007436	1	Screw, 12 Point Head	
31	7007437	1	Bearing, Ball	
32	7007438	2	Ring, Retainer	
33	7007439	2	Ring	
34	7007440	2	Pin, Spring	
35	7007441	1	Handle, Pin	
36	7007442	1	Sleeve, Bearing	
37	See Note	NSS	Gasket, Front Cover (Note: Use Item 91A)	
38	7007444	1	Pin	
39	7007445	1	Plug, Expansion	
40	See Note	NSS	Pin (Note: Use Item 92B)	
41	See Note	NSS	O-Ring (Note: Use Item 91A or 92A)	
42	See Note	NSS	Ring, Load Temper (Note: Use Item 91A or 92A)	
43	7007449	1	Housing, Pump	
44	See Note	NSS	Ring, Back-up (Note: Use Item 91A)	
45	See Note	NSS	O-Ring (Note: Use Item 91A)	
46	See Note	NSS	Cover, Gerotor (Note: Use Item 92A)	
47	7007453	3	Bolt, Hex	
48	7007208	1	Plug	
49	7007454	1	Cover, Front	
50	See Note	NSS	Block, Cylinder (Note: Use Item 92B)	
51	7007456	6	Screw	
52	7001438	10	Washer	
53	See Note	NSS	Swash Plate (Note: Use Item 92B)	
54	7007458	1	Journal, Bearing	

SECTION 2 - TURNTABLE

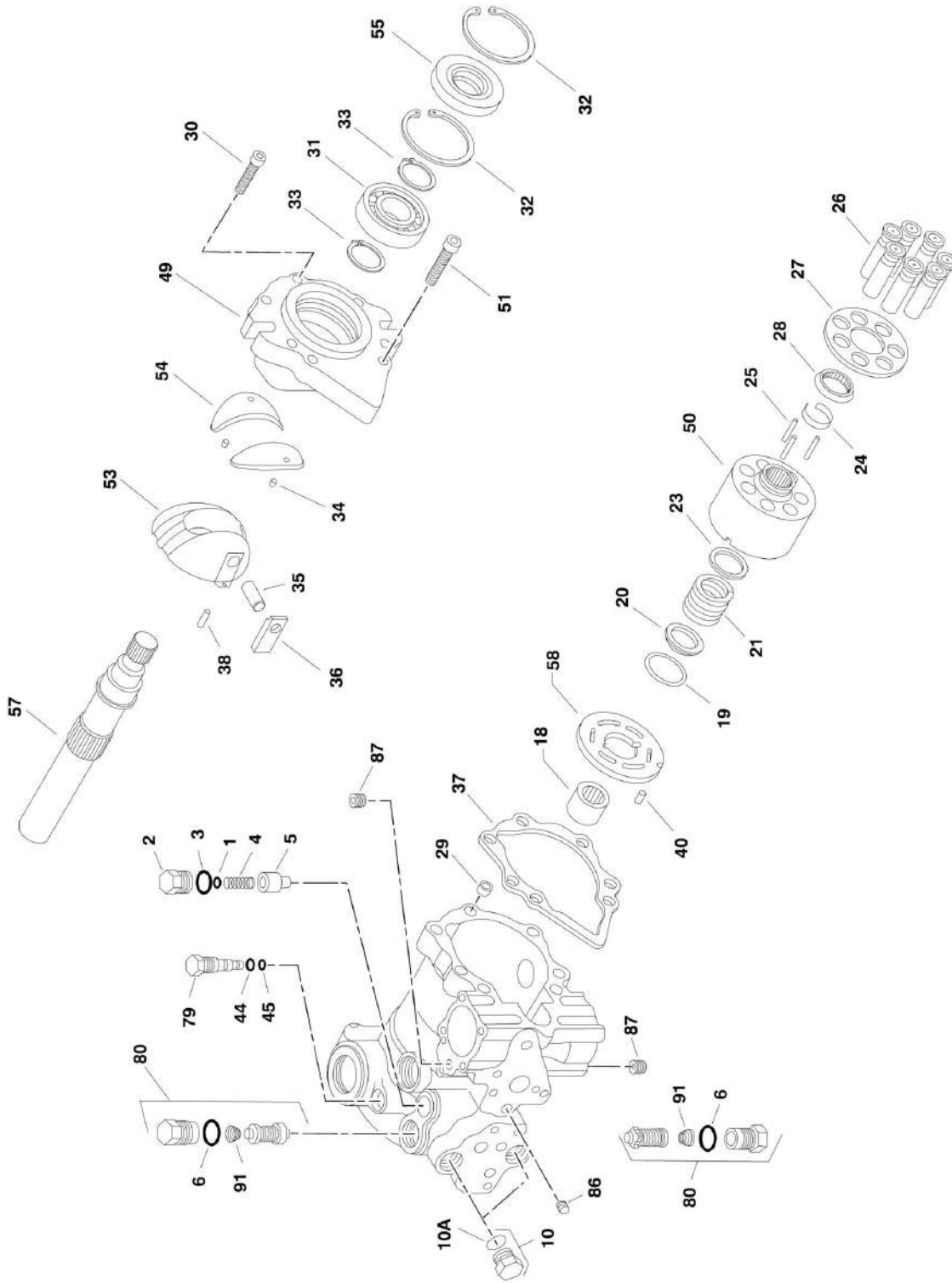
ITEM	PART NUMBER	QTY	DESCRIPTION	REV
55	7007459	1	Seal, Lip	
56	See Note	NSS	O-Ring (Note: Use Item 91A)	
57	7010121	1	Shaft, Main Pump	
58	7021214	1	Plate, Valve	
59	7007463	1	Gerotor Assembly	
60	See Note	NSS	Pin (Note: Use Item 92A)	
61	See Note	NSS	Key, Woodruff (Note: Use Item 92A)	
62	7007466	1	Adaptor, Remote Filtration (Without By-Pass)	
63	See Note	NSS	O-Ring (Note: Use Item 91A)	
64	7007468	2	Screw	
65	7007469	2	Screw	
66	7007470	1	Plug	
67	7007471	1	Cover, Servo (With Adjuster)	
67	7007490	2	Stop, Servo (Not Shown)	
67	7007491	2	Nut, Special (Not Shown)	
67	7007492	2	Ring, External (Not Shown)	
68	7007482	1	Cover, Servo (Without Adjuster)	
69	7007483	1	Guide, Spring	
70	7007484	1	Stop, Servo	
71	7007485	1	Spring	
72	7007486	1	Screw	
73	7007487	1	Guide, Spring	
74	7007488	1	Ring, Retaining	
75	7007499	1	Locknut	
76	See Note	NSS	Ring, Piston (Note: Use Item 91A or 91B)	
77	7007494	1	Piston, Servo	
78	See Note	NSS	O-Ring (Note: Use Item 91A or 91B)	
79	7007472	1	Valve, Bypass	
80	7010122	2	Valve, Pressure Relief (Includes Item 6) (was p/n 7007473)	
81	7007474	1	Control, Dual Oil-Filled	
81	7007496	1	Coil Assembly (Pilot)	
81	7007497	1	Plug (Pump)	
81	7007498	1	Plug (Valve Harness)	
82	7007478	2	Screw	
83	7001498	2	Screw	
84	See Note	NSS	O-Ring (Note: Use Item 91A)	
85	See Note	NSS	O-Ring (Note: Use Item 91A)	
86	7007475	1	Plug, Orifice/Screen (.156)	
87	7007477	2	Plug, Orifice (.37)	
88	7007476	1	Adapter, Auxiliary Pump	
89	7010120	1	Spacer/Gasket	
91		Ref	Seal Kit Options:	
91A	2900752	1	Seal Kit - Complete (Includes Items 3, 6, 14, 37, 41, 42, 44, 45, 55, 56, 63, 76, 78, 84 & 85)	
91B	7007412	1	Seal Kit - Servo Piston (Includes Items 76 & 78)	
92		Ref	Repair Kit Options:	
92A	2900826	1	Charge Pump Kit (Includes Items 41, 42, 46, 59, 60 & 61)	
92B	2900827	1	Cylinder Block Kit (Includes Items 19-28, 40, 50, 53 & 58)	
	3600397	Ref	PISTON PUMP AND FITTING ASSEMBLY	A
101	2220374	2	Fitting, Straight	
102	2220375	1	Fitting, Straight	
103	2220377	1	Fitting, Straight	

SECTION 2 - TURNTABLE

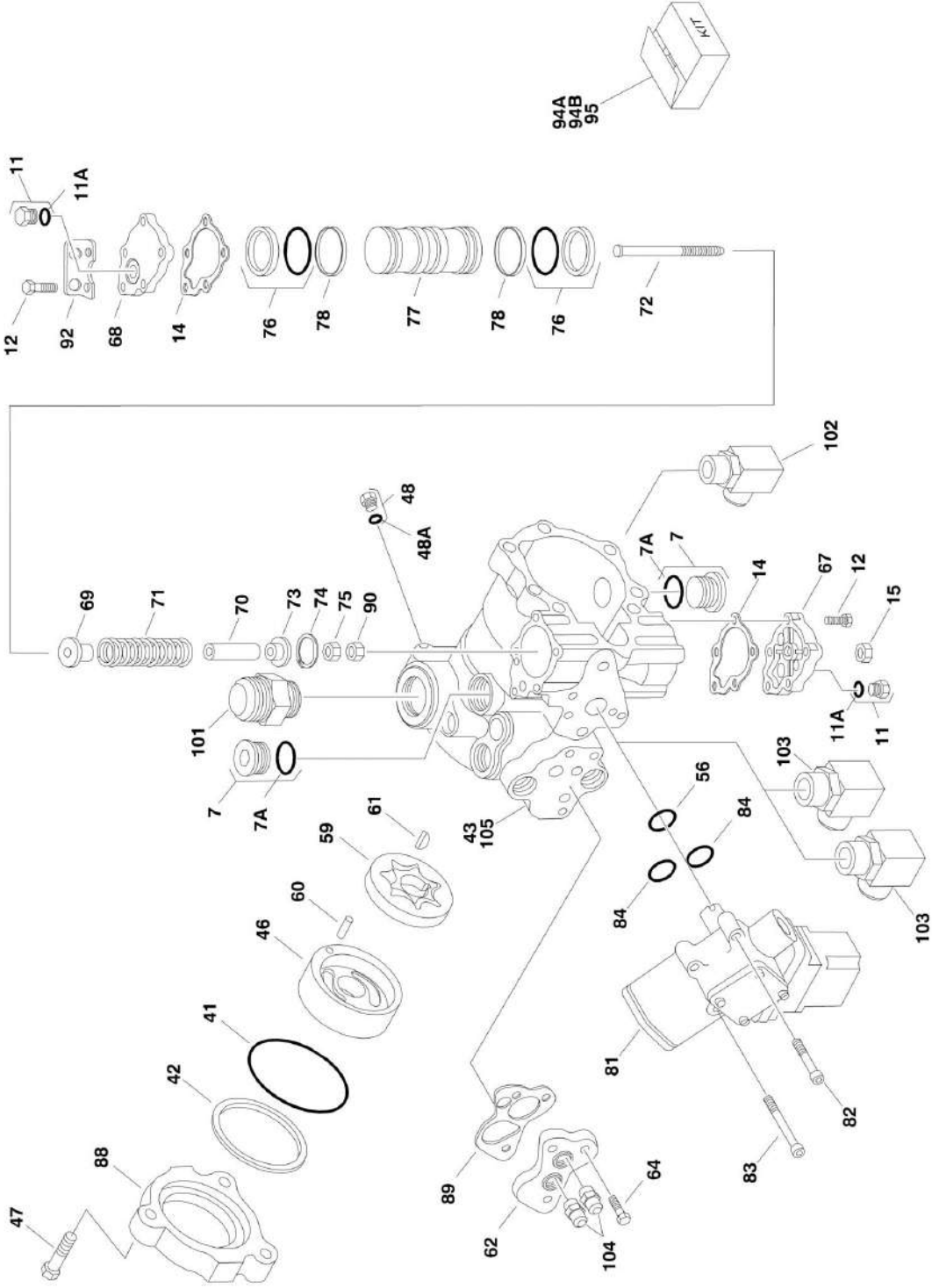
ITEM	PART NUMBER	QTY	DESCRIPTION	REV
104	2220578	1	Fitting, 90	
105	2220646	2	Fitting, 90	
106	3600260	1	Pump, Piston (Includes Items 1-89)	

SECTION 2 - TURNTABLE

FIGURE 2-14. PISTON PUMP ASSEMBLY (SN 0300079888 through 0300087000)



SECTION 2 - TURNTABLE



SECTION 2 - TURNTABLE

FIGURE 2-14. PISTON PUMP ASSEMBLY (SN 0300079888 through 0300087000)

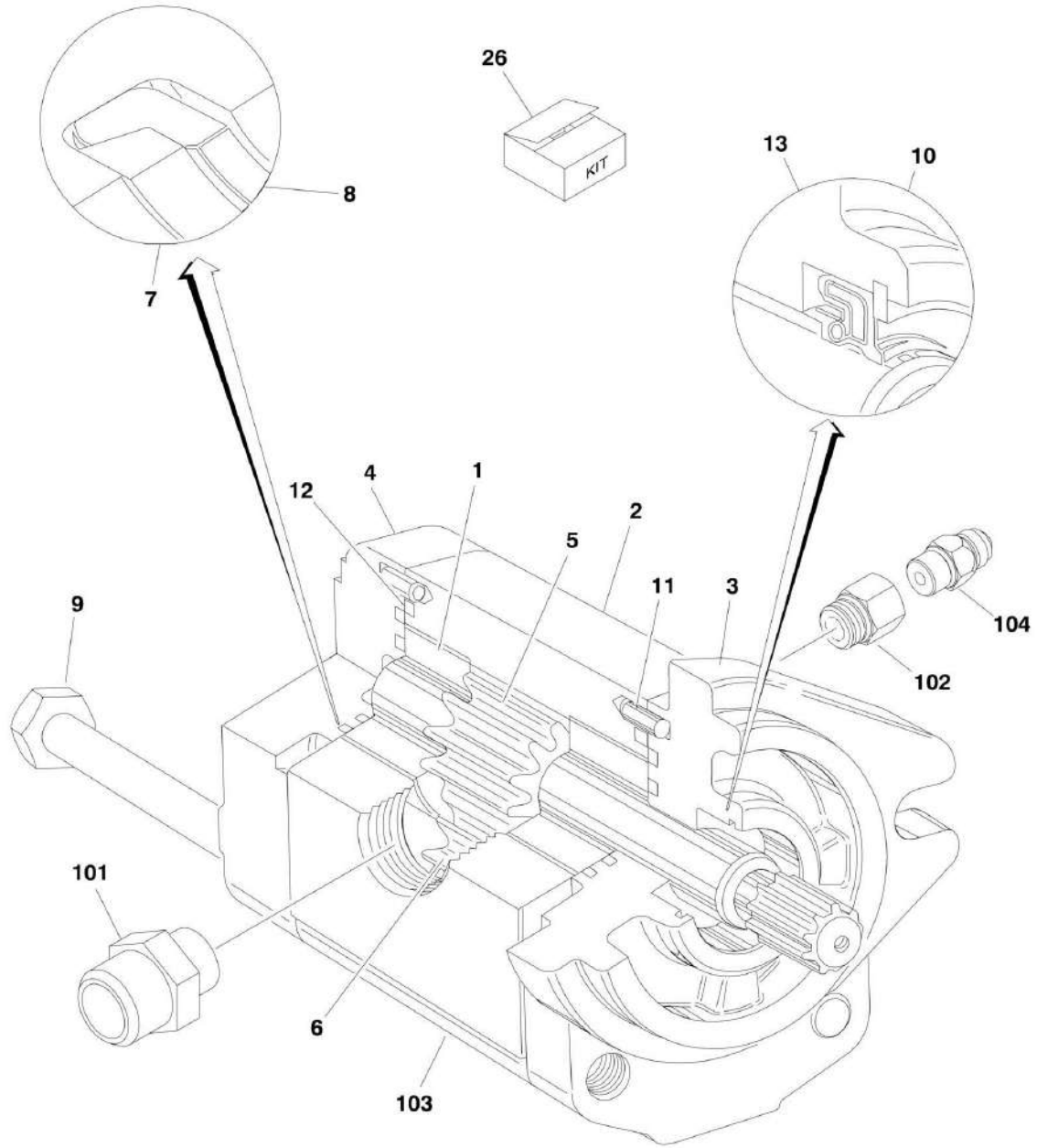
ITEM	PART NUMBER	QTY	DESCRIPTION	REV
	3600381	Ref	PISTON PUMP ASSEMBLY	A
1	7007413	1	Shim Kit	
2	7007414	1	Plug	
3	See Note	NSS	O-Ring (Note: Use Item 94A)	
4	7021200	1	Spring, Relief Valve	
5	7007417	1	Valve, Relief	
6	See Note	NSS	O-Ring (Note: Use Item 94A)	
7	7007419	2	Plug	
7A	7007418	2	O-Ring	
10	7007470	2	Plug	
10A	7021256	2	O-Ring	
11	7007470	2	Plug	
11A	7021256	2	O-Ring	
12	7021223	10	Screw	
14	See Note	NSS	Gasket, Servo Cover (Note: Use Item 94A)	
15	7007423	1	Nut, Special	
18	7007425	1	Bearing, Needle	
19	See Note	NSS	Ring, Retaining (Note: Use Item 95)	
20	See Note	NSS	Washer (Note: Use Item 95)	
21	See Note	NSS	Spring (Note: Use Item 95)	
23	See Note	NSS	Washer (Note: Use Item 95)	
24	See Note	NSS	Retainer (Note: Use Item 95)	
25	See Note	NSS	Pin, Slipper Holddown (Note: Use Item 95)	
26	See Note	NSS	Piston Assembly (Note: Use Item 95)	
27	See Note	NSS	Retainer, Slipper (Note: Use Item 95)	
28	See Note	NSS	Guide, Retainer (Note: Use Item 95)	
29	7007435	1	Pin, Spring	
30	7021202	1	Screw	
31	7007437	1	Bearing, Ball	
32	7007438	2	Ring, Retainer	
33	7007439	2	Ring	
34	7021203	2	Pin, Spring	
35	7007441	1	Handle, Pin	
36	7007442	1	Sleeve, Bearing	
37	See Note	NSS	Gasket, Front Cover (Note: Use Item 94A)	
38	7007444	1	Pin	
40	7007446	1	Pin	
41	See Note	NSS	O-Ring (Note: Use Item 94A)	
42	See Note	NSS	Ring, Load Temper (Note: Use Item 94A)	
43	7023977	1	Housing, Pump	
44	See Note	NSS	Ring, Back-up (Note: Use Item 94A)	
45	See Note	NSS	O-Ring (Note: Use Item 94A)	
46	7007452	1	Cover, Gerotor	
47	7007453	3	Bolt, Hex	
48	7007208	1	Plug	
48A	7007207	1	O-Ring	
49	7007454	1	Cover, Front	
50	See Note	NSS	Block, Cylinder (Note: Use Item 95)	
51	7021207	6	Screw	
53	7007457	1	Swash Plate	

SECTION 2 - TURNTABLE

ITEM	PART NUMBER	QTY	DESCRIPTION	REV
54	7021212	1	Journal, Bearing	
55	7007459	1	Seal, Lip	
56	See Note	NSS	O-Ring (Note: Use Item 94A)	
57	7010121	1	Shaft, Main Pump	
58	7021214	1	Plate, Valve	
59	7007463	1	Gerotor Assembly	
60	7007464	1	Pin	
61	7007465	1	Key, Woodruff	
62	7007466	1	Adaptor, Remote Filtration (Without By-Pass)	
64	7021218	3	Screw	
67	7021220	1	Cover, Servo (Without Adjuster)	
68	7021219	1	Cover, Servo (Without Adjuster)	
69	7023979	1	Guide, Spring	
70	7007484	1	Stop, Servo	
71	7007485	1	Spring	
72	7021221	1	Screw	
73	7007487	1	Guide, Spring	
74	7007488	1	Ring, Retaining	
75	7021222	1	Locknut	
76	See Note	NSS	Ring, Piston (Note: Use Item 94A or 94B)	
77	7007494	1	Piston, Servo	
78	See Note	NSS	O-Ring (Note: Use Item 94A or 94B)	
79	7007472	1	Valve, Bypass	
80	7024851	2	Valve, Pressure Relief (Includes Item 6)	
81	7007474	1	Control, Dual Oil-Filled	
81	7007496	1	Coil Assembly (Pilot)	
81	7007497	1	Plug (Pump)	
81	7007498	1	Plug (Valve Harness)	
82	7001498	2	Screw	
83	7007478	2	Screw	
84	7001433	2	O-Ring	
86	7007475	1	Plug, Orifice/Screen (.156)	
87	7007477	2	Plug, Orifice (.37)	
88	7007476	1	Adapter, Auxiliary Pump	
89	7021217	1	Spacer/Gasket	
90	7021206	1	Nut	
91	7024800	2	Spring	
92	7021201	1	Bracket, Lifting	
94		Ref	Seal Kit Options:	
94A	7021232	1	Seal Kit - Complete (Includes Items 3, 6, 14, 37, 41, 42, 44, 45, 55, 56, 76, 78 & 89)	
94B	7007412	1	Seal Kit - Servo Piston (Includes Items 76 & 78)	
95	7010116	1	Cylinder Block Kit (Includes Items 19-28 & 50)	
	3600396	Ref	PISTON PUMP AND FITTING ASSEMBLY	A
101	2220479	1	Fitting, Straight	
102	2220578	1	Fitting, 90	
103	2220646	2	Fitting, 90	
104	2220947	2	Fitting, Straight	
105	3600381	1	Pump Options (Includes Items 1-92)	

SECTION 2 - TURNTABLE

FIGURE 2-15. GEAR PUMP ASSEMBLY



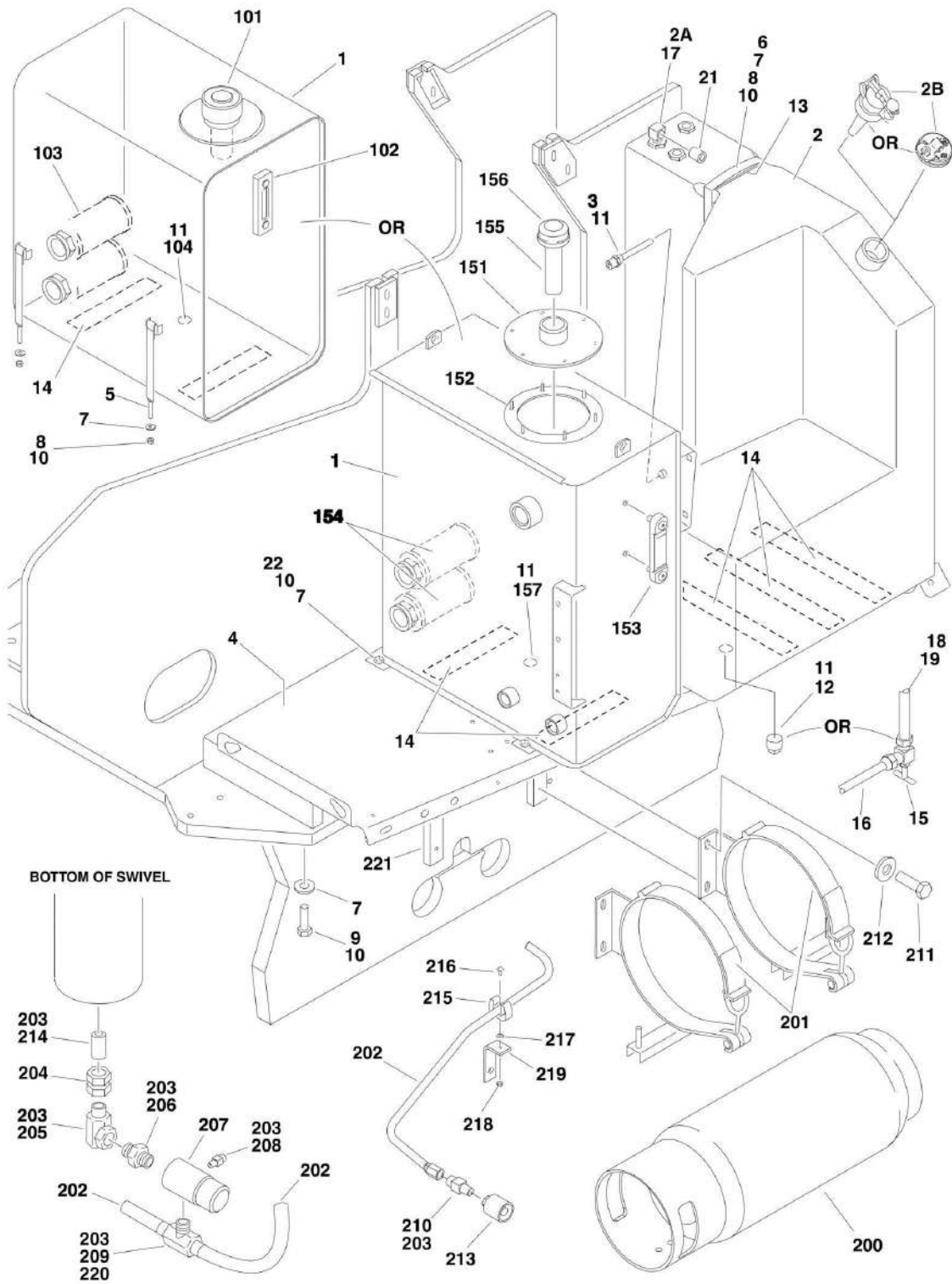
SECTION 2 - TURNTABLE

FIGURE 2-15. GEAR PUMP ASSEMBLY

ITEM	PART NUMBER	QTY	DESCRIPTION	REV
	3600242	Ref	GEAR PUMP ASSEMBLY	
1	7010105	2	Bearing/Bushing	
2	See Note	NSS	Housing (Note: Use p/n 3600242)	
3	See Note	NSS	Flange (Note: Use p/n 3600242)	
4	7010103	1	Cover	
5	7012987	1	Gear, Drive	
6	7012988	1	Gear, Idler	
7	See Note	NSS	Ring, Anti-Extrusion (Note: Use Item 26)	
8	See Note	NSS	Seal (Note: Use Item 26)	
9	See Note	4	Bolt (Note: Not Available for Purchase)	
10	7010104	1	Ring, Retaining	
11	See Note	4	Pin, Dowel (Note: Not Available for Purchase)	
12	See Note	NSS	Seal, O-Ring (Note: Use Item 26)	
13	See Note	NSS	Seal, Shaft (Note: Use Item 26)	
26	7007489	1	Seal Kit (Includes Items 7, 8, 12 & 13)	
	3600395	Ref	GEAR PUMP AND FITTING ASSEMBLY	A
101	2220376	1	Fitting, Straight	
102	2220810	1	Fitting, Reducer	
103	3600242	1	Pump (Includes Items 1-13)	
104	4640744	1	Fitting, Check Valve	

SECTION 2 - TURNTABLE

FIGURE 2-16. TANK INSTALLATIONS



SECTION 2 - TURNTABLE

FIGURE 2-16. TANK INSTALLATIONS

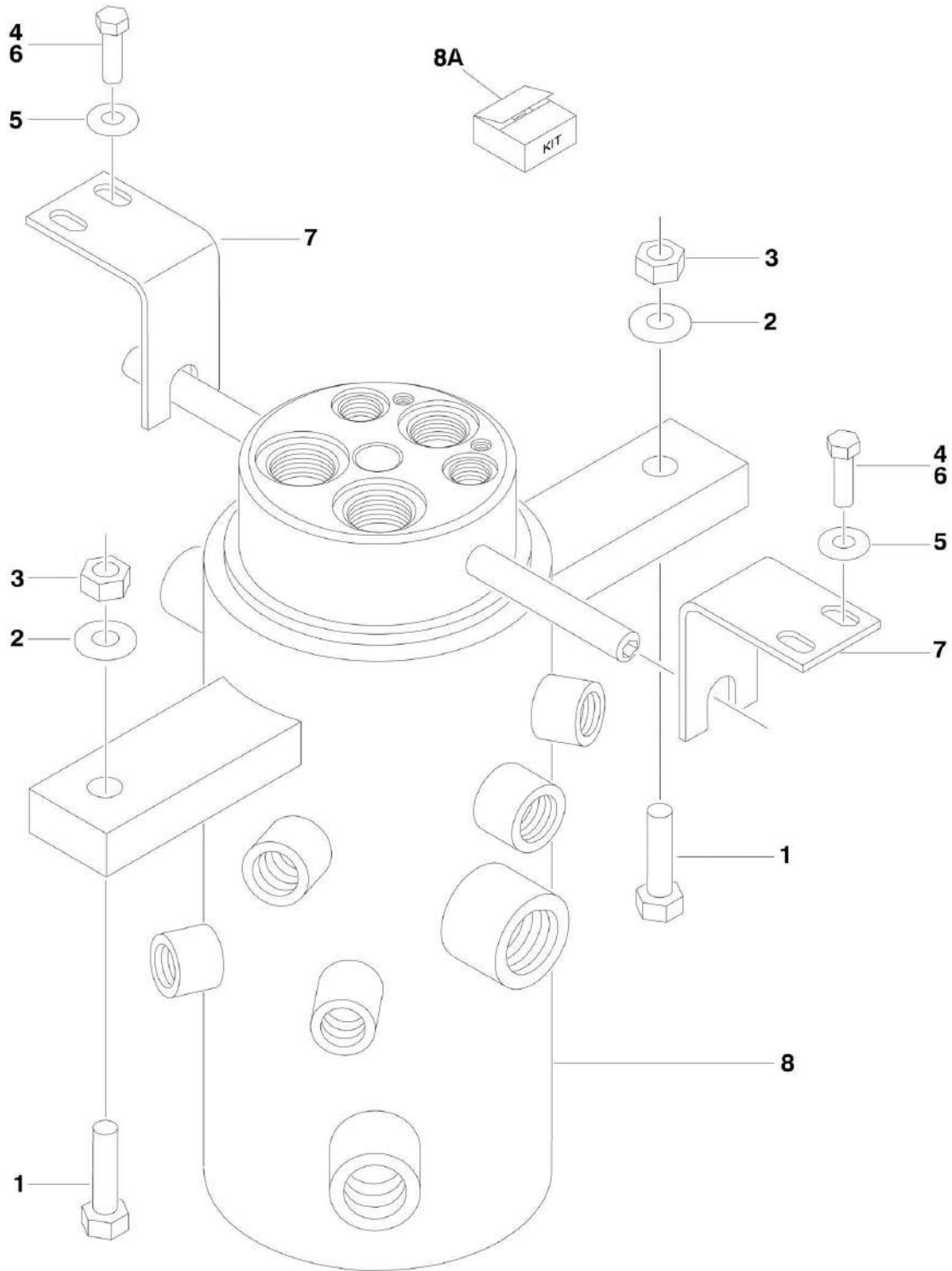
ITEM	PART NUMBER	QTY	DESCRIPTION	REV
		Ref	TANK INSTALLATIONS	
	0255409	Ref	All Machines without Locking Fuel Cap	7
	0270395	Ref	Gas Machines with Locking Fuel Cap	2
	0257482	Ref	Diesel Machines with Locking Fuel Cap	1
	0257671	Ref	UL Machines	4
	0258606	Ref	UL LP Gas Machines Only	2
1		Ref	Hydraulic Tank Assembly Options:	
1	4400372	1	Hydraulic Tank Assembly (See Items 101-104 for Breakdown) (SN 0300069000 through 0300072294)	
1	4400454	1	Hydraulic Tank Assembly (See Items 151-157 for Breakdown) (SN 0300072295 through 0300087000)	
2		Ref	Tank, Fuel Options:	
2	4400399	1	Standard	
2	4400407	1	UL Machines Only	
2	Not Required	0	UL Machines LP Gas Only	
2A	7019658	1	Fitting, 90 W/Pick-Up Tub	
2B		Ref	Cap Options:	
2B	7016314	1	Standard - Non-Locking (Part of Item 2)	
2B	1120484	1	Red Lockable Cap - Gas/Dual Fuel Machines (Not Included with Tank - Purchase Separately) (Lock Not Included)	
2B	1120487	1	Blue Lockable Cap - Diesel Machines (Not Included with Tank - Purchase Separately) (Lock Not Included)	
2B	1120367	1	UL Machines (Not Included with Tank - Purchase Separately)	
2B	Not Required	0	UL Machines LP Gas Only	
3	4360436	1	Switch, Fuel Level	
4	4844964	1	Hydraulic Tray Weldment	
5	4240112	4	Strap, Tank (SN 0300069000 through 0300072295)	
6	4240102	1	Strap, Tank (Not Required on UL Machines)	
7	4751600	12	Flatwasher 3/8in Regular	
8	3311601	6	Nut 3/8in-16NC	
9	0641614	6	Bolt 3/8in-16NC x 1-3/4in	
10	0100011	AR	Compound, Locking	
11		Ref	Sealant, Pipe Options:	
11	0100079	AR	(Standard Machines)	
11	0100020	AR	(UL Machines)	
12	2200233	1	Fitting	
13	4280295	25	Strip, Protective	
14	4420038	AR	Tape, Rubber	
15		Ref	Valve, Needle	
15	4641022	1	Standard Gas Machines, Valve, Needle - Located on Bottom of Fuel Tank	
15	4641022	1	UL Gas Machines, Valve, Needle - Located on Top of Fuel Tank	
15	Not Required	0	Diesel Machines	
16	4568116	1	Tube, Fuel	
18	0100062	AR	Retaining Compound #680	
19	4568119	1	Tube, Fuel	
20	2180703	1	Fitting, 90 (Not Shown Located on Top of Fuel Tank)(UL Machines Only)	
21	2220273	1	Fitting, Reducer (UL Machines Only)	

SECTION 2 - TURNTABLE

ITEM	PART NUMBER	QTY	DESCRIPTION	REV
22	0641606	4	Bolt 3/8-16NC x 3/4 (SN 0300072295 through 0300087000)	
	4400372	Ref	HYDRAULIC OIL TANK ASSEMBLY (SN 0300069000 through 0300072295)	J
101	7014810	1	Filler/Breather Assembly	
101	7014811	1	Cap, Breather	
102	7014802	1	Gage, Sight	
103	7014801	2	Strainer	
104	7014800	1	Plug, Magnetic	
	4400454	Ref	HYDRAULIC OIL TANK ASSEMBLY (SN 0300072295 through 0300087000)	C
151	7024439	1	Cover	
152	7024440	1	Gasket	
153	7024441	1	Gauge, Sight	
154	7024442	1	Strainer 1-1/4inNPT	
155	7024443	1	Neck, Fill (Helgesen Brand)	
155	See Note	NSS	Neck, Fill (Hydac Brand) (Note: Use p/n 7004862)	
155	7024445	1	Screen (Helgesen Brand)	
155	See Note	NSS	Screen (Hydac Brand) (Note: Use p/n 7004862)	
156	7024444	1	Breather/Fill Cap (Helgesen Brand)	
156	70004862	1	Breather/Fill Cap/Strainer Kit (Hydac Brand)	
157	7024446	1	Plug, Magnetic	
	0255524	Ref	LP TANK BRACKETS INSTALLATION	7
200		Ref	Tank, LP Options:	
200	4400275	1	Aluminum	
200	4400420	1	Steel	
201	1320220	2	Clamp	
201	1320127	2	Clamp, Toggle (1 Per Clamp)	
202	2720144	2	Hose	
203	0100020	AR	Sealant, Pipe	
204	2221019	1	Fitting, Reducer	
205	2180125	1	Fitting, 90 Swivel	
206	2220261	1	Fitting, Nipple	
207	2180388	1	Fitting, Bulkhead	
208	2180389	1	Valve, Relief	
209	2220418	1	Fitting, Tee	
210	2180387	2	Fitting, Straight	
211	0641606	8	Bolt 3/8in-16NC x 3/4in	
212	4751600	8	Flatwasher 3/8in Regular	
213	2180418	2	Fitting, Connector	
214	2221018	1	Fitting, Nipple	
215	1320218	2	Clamp, Spring	
216	3910808	2	Screw #8-32NC x 1/2in	
217	4750800	4	Flatwasher #8 Regular	
218	3310805	2	Locknut #8-32NC	
219	0181949	2	Angle, Support	
220	2221024	2	Fitting, Union Ball Check	
221	0362519	4	Bar	

SECTION 2 - TURNTABLE

FIGURE 2-17. ROTARY COUPLING INSTALLATIONS (SN 0300069000 through 0300081835)



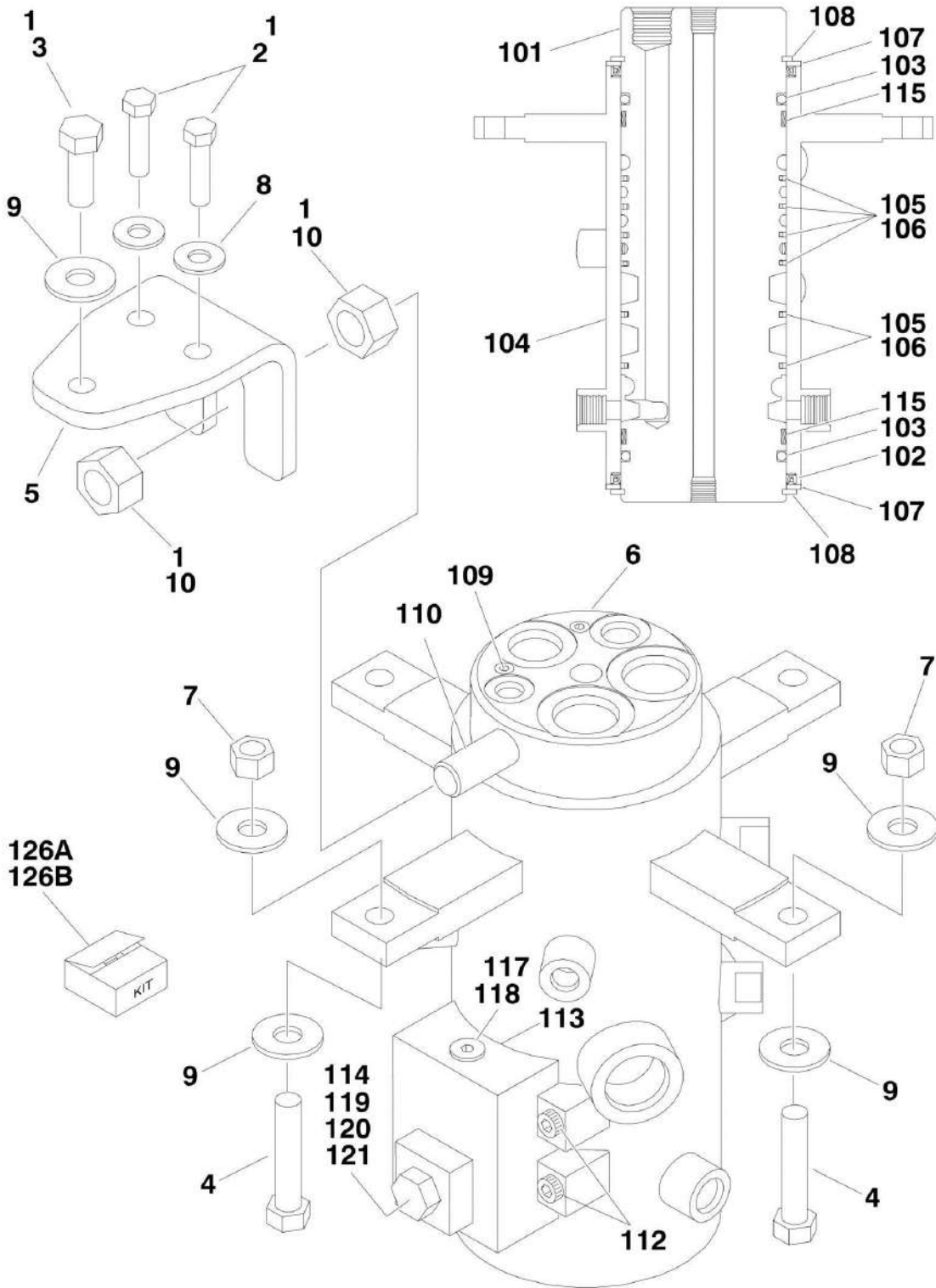
SECTION 2 - TURNTABLE

FIGURE 2-17. ROTARY COUPLING INSTALLATIONS (SN 0300069000 through 0300081835)

ITEM	PART NUMBER	QTY	DESCRIPTION	REV
		Ref	ROTARY COUPLING INSTALLATIONS	
	0255262	Ref	2WS	5
	0255294	Ref	4WS	2
1	0641820	2	Bolt 1/2in-13NC x 2-1/2in	
2	4751800	4	Flatwasher 1/2in Regular	
3	3311805	2	Locknut 1/2in-13NC	
4	0641611	4	Bolt 3/8in-16NC x 1-3/8in	
5	4751600	4	Flatwasher 3/8in Regular	
6	0100011	AR	Compound, Locking	
7	0902520	2	Bracket	
8		Ref	Coupling, Rotary Options:	
8	1660219	1	2WS	
8	1660223	1	4WS	
8A		Ref	Seal Kit Options:	
8A	7013187	1	2WS	
8A	7016342	1	4WS	
8A		Ref	Rebuilt Coupling Options:	
8A	1660219RR	1	2WS	
8A	1660223RR	1	4WS	

SECTION 2 - TURNTABLE

FIGURE 2-18. ROTARY COUPLING INSTALLATIONS (SN 0300081836 through 0300087000)



SECTION 2 - TURNTABLE

FIGURE 2-18. ROTARY COUPLING INSTALLATIONS (SN 0300081836 through 0300087000)

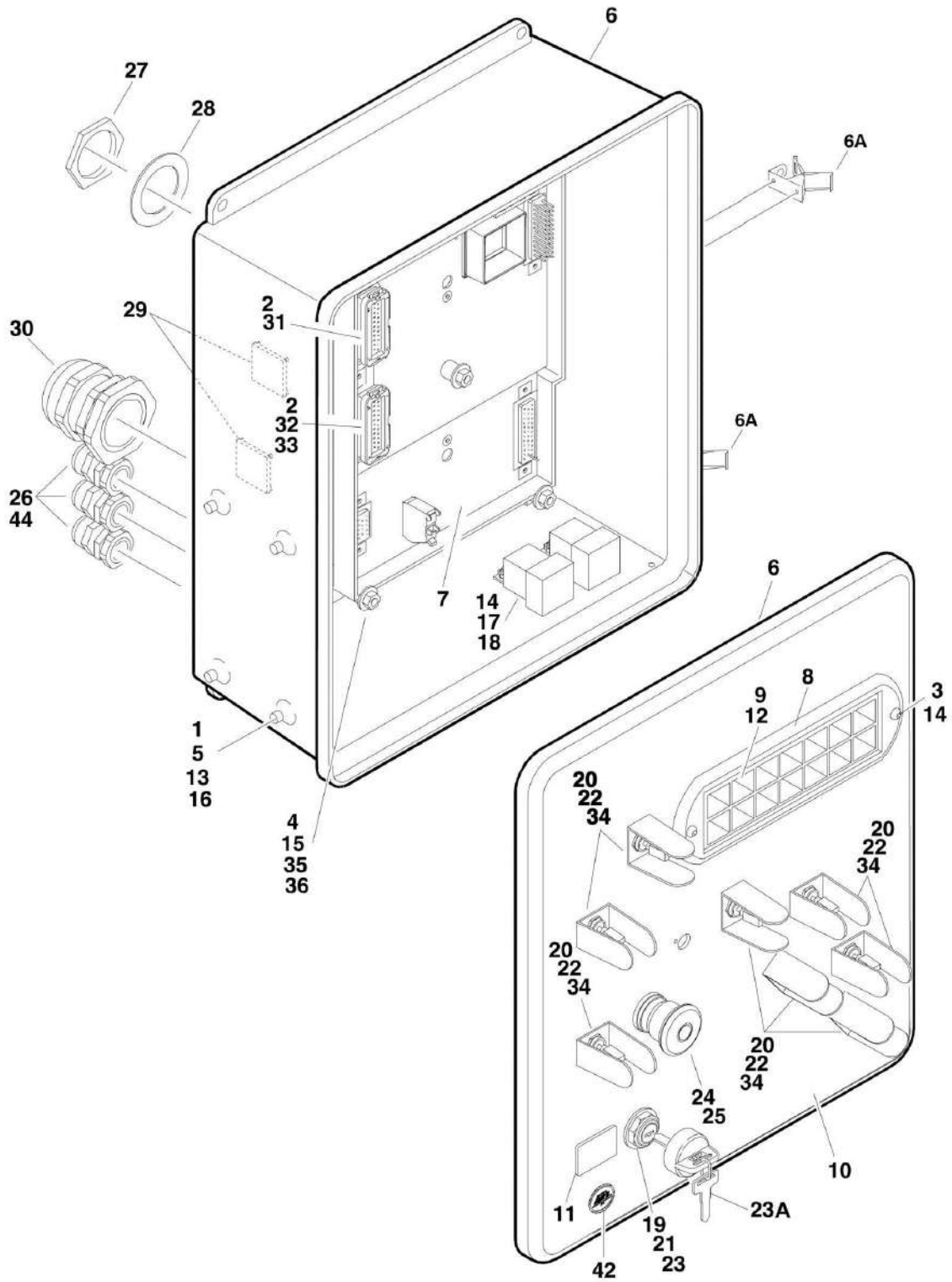
ITEM	PART NUMBER	QTY	DESCRIPTION	REV
		Ref	ROTARY COUPLING INSTALLATIONS	
	0273052	Ref	2WS	D
	0273161	Ref	4WS	D
1	0100011	AR	Compound, Locking	
2	0641612	2	Bolt 3/8in-16NC x 1-1/2in	
3	0641811	1	Bolt 1/2in-13NC x 1-3/8in	
4	0641820	2	Bolt 1/2in-13NC x 2-1/2in	
5	0903056	1	Bracket	
6		Ref	Coupling, Rotary Options (See Items 101-121 for Breakdown):	
6		Ref	2WS	
6	1660257	NLA	Original Equipment (Use p/n 1660303)	
6	1660303	1	Service Replacement	
		Ref	Note: Original Equipment Rotary may have been replaced with Service Replacement Rotary. Identify p/n stamped on rotary before ordering parts.	
6		Ref	4WS	
6	1660258	NLA	Original Equipment (Use p/n 1660304)	
6	1660304	1	Service Replacement	
		Ref	Note: Original Equipment Rotary may have been replaced with Service Replacement Rotary. Identify p/n stamped on rotary before ordering parts.	
7	3271805	2	Locknut 1/2in-13NC	
8	4751600	2	Flatwasher 3/8in Regular	
9	4751800	5	Flatwasher 1/2in Regular	
10	3322201	2	Nut 3/4in-16NC	
		Ref	ROTARY COUPLING ASSEMBLIES	
		Ref	2WS	
	1660257	Ref	Original Equipment	D
	1660303	Ref	Service Replacement	B
		Ref	4WS	
	1660258	Ref	Original Equipment	D
	1660304	Ref	Service Replacement	A
101	See Note	1	Body (Note: Not Available - Purchase Complete Assy)	
102		Ref	Seal Options:	
102		Ref	2WS	
102	7026189	2	Original Equipment (p/n 1660257)	
102	See Note	2	Service Replacement (p/n 1660303) (Note: Not Available - Purchase Complete Assy)	
102	See Note	2	4WS (Note: Use Item 126B)	
103	See Note	2	O-Ring (Note: Use Items 126A or 126B)	
104	See Note	1	Housing (Note: Not Available - Purchase Complete Assy)	
105	See Note	AR	Seal, Cap (Note: Use Items 126A or 126B)	
105		Ref	2WS	
105		Ref	4WS	
106	See Note	AR	O-Ring (Note: Use Items 126A or 126B)	
106		Ref	2WS	
106		Ref	4WS	
107		Ref	Ring Options:	
107	7026503	2	2WS	
107	7026511	2	4WS	
108		Ref	Ring, Retaining Options:	

SECTION 2 - TURNTABLE

ITEM	PART NUMBER	QTY	DESCRIPTION	REV
108	7026504	2	2WS	
108	7013189	2	4WS	
109		Ref	Plug Options:	
109		Ref	2WS	
109	See Note	2	Original Equipment (Note: Not Available for Purchase)	
109	80934561	2	Service Replacement	
109		Ref	4WS	
109	See Note	4	Original Equipment (Note: Not Available for Purchase)	
109	80934561	4	Service Replacement	
110	See Note	1	Lug, Torque (Note: Not Available for Purchase)	
112	7026197	4	Bolt 5/16in-18NC x 1-1/4in	
113	See Note	3	O-Ring (Note: Use Item 126A or 126B)	
114	See Note	1	O-Ring (Note: Use Item 126A or 126B)	
115	See Note	2	Bearing (Note: Use Item 126A or 126B)	
116	7024404	1	Block Valve Assembly	
117	7026505	1	Plug	
118	7026506	1	Valve, Check	
119	7026507	1	Plug	
120		Ref	Plunger, Valve Options:	
120	7026508	1	Original Equipment	
120	7024404	1	Service Replacement	
121	7026509	1	Spring, Compression	
122	See Note	AR	Protective Netting (Not Shown) (Original Equipment Only) (Note: Not Available for Purchase)	
		Ref	Seal Kit Options:	
126A		Ref	2WS	
126A	7026510	1	Original Equipment (Includes Items 103, 105, 106, 113, 114 & 115)	
126A	70001248	1	Service Replacement (Includes Items 102, 103, 105, 106, 113, 114 & 115)	
126B		Ref	4WS	
126B	7026512	1	Original Equipment (Includes Items 102, 103, 105, 106, 113, 114 & 115)	
126B	70002212	1	Service Replacement (Includes Items 102, 103, 105, 106, 113, 114 & 115) (was p/n 70001249)	

SECTION 2 - TURNTABLE

FIGURE 2-19. GROUND CONTROL BOX ASSEMBLIES



SECTION 2 - TURNTABLE

FIGURE 2-19. GROUND CONTROL BOX ASSEMBLIES

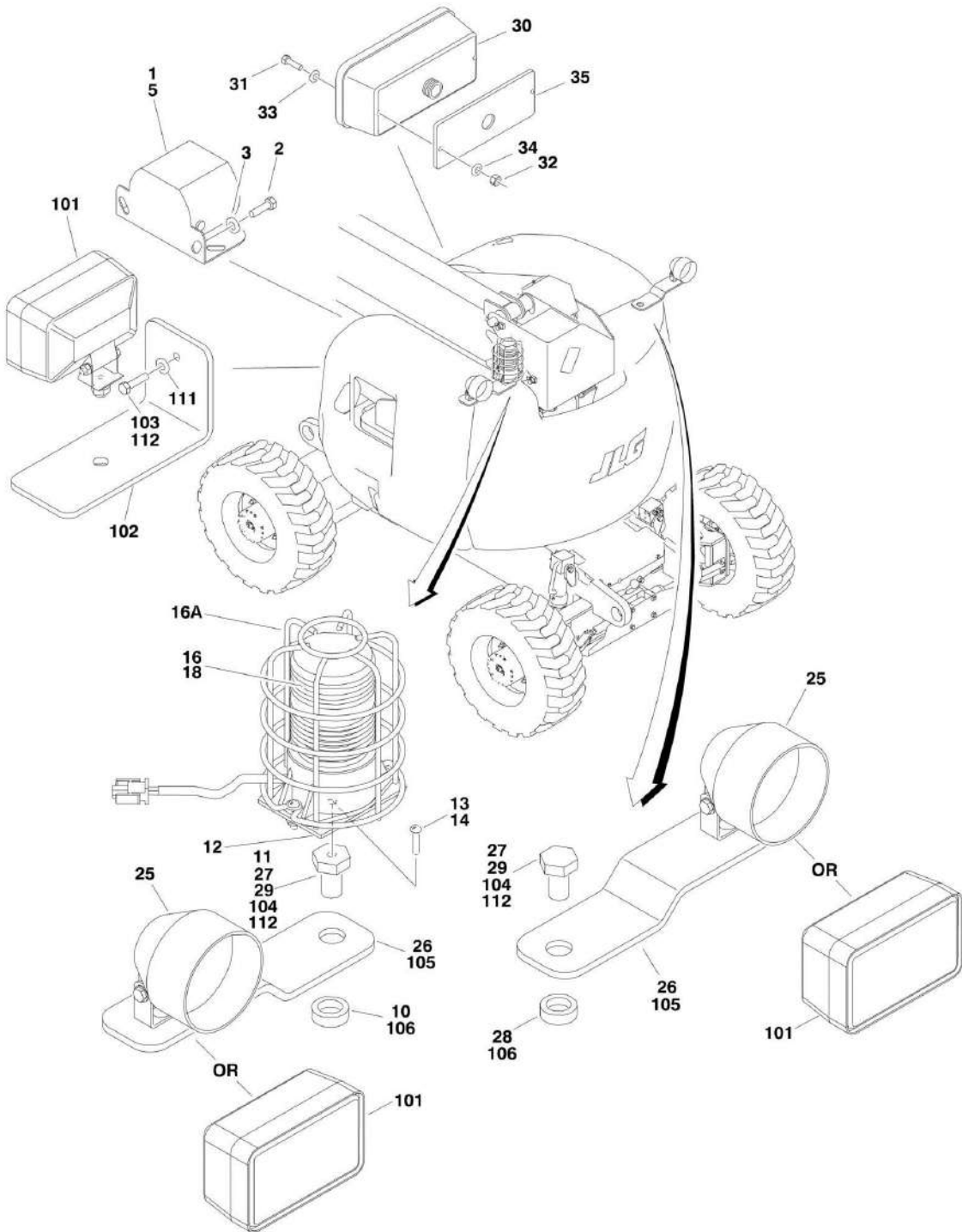
ITEM	PART NUMBER	QTY	DESCRIPTION	REV
		Ref	GROUND CONTROL BOX ASSEMBLIES	
		Ref	Caterpillar Engine Machines	
	0861617	Ref	Caterpillar Engine Machines 600A (SN 0300069000 through 0300084828)	C
	0861700	Ref	Caterpillar Engine Machines 600A (SN 0300084829 through 0300087000)	A
	0861618	Ref	Caterpillar Engine Machines 600AJ (SN 0300069000 through 0300084828)	C
	0861701	Ref	Caterpillar Engine Machines 600AJ (SN 0300084829 through 0300087000)	A
		Ref	Deutz Engine Machines	
	0861470	Ref	Deutz Engine Machines 600A Non UL Spec (SN 0300069000 through 0300084828)	G
	0861689	Ref	Deutz Engine Machines 600A Non UL Spec (SN 0300084829 through 0300087000)	A
	0861664	Ref	Deutz Engine Machines 600A UL Spec	A
	0861471	Ref	Deutz Engine Machines 600AJ Non UL Spec (SN 0300069000 through 0300084828)	G
	0861690	Ref	Deutz Engine Machines 600AJ Non UL Spec (SN 0300084829 through 0300087000)	A
	0861665	Ref	Deutz Engine Machines 600AJ UL Spec	A
		Ref	Ford Engine Machines	
	0861468	Ref	Ford Engine Machines 600A (SN 0300069000 through 0300084828)	G
	0861704	Ref	Ford Engine Machines 600A (SN 0300084829 through 0300087000)	A
	0861469	Ref	Ford Engine Machines 600AJ (SN 0300069000 through 0300084828)	G
	0861705	Ref	Ford Engine Machines 600AJ (SN 0300084829 through 0300087000)	A
1	0100011	AR	Compound, Locking	
2	0100048	AR	Grease, Dielectric	
3	0630518	2	Capscrew, Button Head	
4	0630548	5	Tap, Bolt 2-1/2in	
5	0641506	4	Bolt 5/16in-18NC x 3/4in	
6	0861407	1	Box, Fiberglass	
6A	7020246	2	Latch	
7		Ref	Module, Ground Control (Re-calibration Required when Replaced) Options:	
7	1600327	NLA	Caterpillar/Deutz/Ford Engine - Non UL Specs (Use p/n 2915014)	
7	1600364	1	Caterpillar/Ford Engine - Non UL Specs (SN 0300077490 through 0300087000)	
7	1600364	1	Deutz Engine - Non UL Spec (SN 0300077490 through 0300084828)	
7	1600411	1	Deutz Engine - Non UL Spec (SN 0300084829 through 0300087000)	
7	1600364	1	Deutz Engine - UL Machines	
8	1670829	1	Bezel	
9		Ref	Decal - Ground Control Display Options:	
9	1702610	1	Non UL Machines (SN 0300069000 through 0300084828)	
9	1705753	1	Non UL Machines (SN 0300084829 through 0300087000)	
9	1702610	1	UL Machines	

SECTION 2 - TURNTABLE

ITEM	PART NUMBER	QTY	DESCRIPTION	REV
10		Ref	Decal - Faceplate Options:	
10	1703467	1	Decal - Faceplate 600A	
10	1703468	1	Decal - Faceplate 600AJ	
11	2420172	1	Gauge, Hourmeter	
12	2760105	1	Housing, Display Light	
13	3300205	4	Nut, Retainer	
14	3300408	AR	Locknut, Plastic Insert	
15	3311401	AR	Nut 1/4in-20NC	
16	3539219	1	Plate, Reinforcement	
17	3740049	AR	Relay	
18	3900268	2	Screw, Flange #10 x 1/2in	
19	3910804	6	Screw #8-32NC x 1/4in	
20	4060906	8	Shield, Toggle Switch	
21	4070987	1	Shim (.125in)	
22	4360328	8	Switch, Toggle	
23	4360469	1	Switch, Key	
23A	2860030	1	Key Replacement	
24	4360475	1	Switch, Emergency Stop	
25	4360476	1	Switch, Contact Block	
26	4460426	AR	Terminal, Strain Relief	
27	4460470	1	Nut, Terminal	
28	4460471	1	Lockwasher, Terminal	
29	4460488	AR	Mounting Base, Terminal	
30	4460526	1	Connector, Strain Relief	
31	4460874	1	Connector, Natural	
32	4460875	1	Connector, Gray	
33	4460905	4	Connector, Amp Seal Plug	
34	4740444	AR	Washer, Special	
35	4751400	20	Flatwasher 1/4in Regular	
36	4761400	AR	Lockwasher 1/4in	
40	4922666	1	Harness, Analyzer Cable (Not Shown) (SN 0300069000 through 0300084828)	
42	1705132	1	Decal - Control ADE	
44	3520035	1	Plug, Cap	

SECTION 2 - TURNTABLE

FIGURE 2-20. ELECTRICAL OPTIONS INSTALLATIONS (TURNTABLE MOUNTED)



SECTION 2 - TURNTABLE

FIGURE 2-20. ELECTRICAL OPTIONS INSTALLATIONS (TURNTABLE MOUNTED)

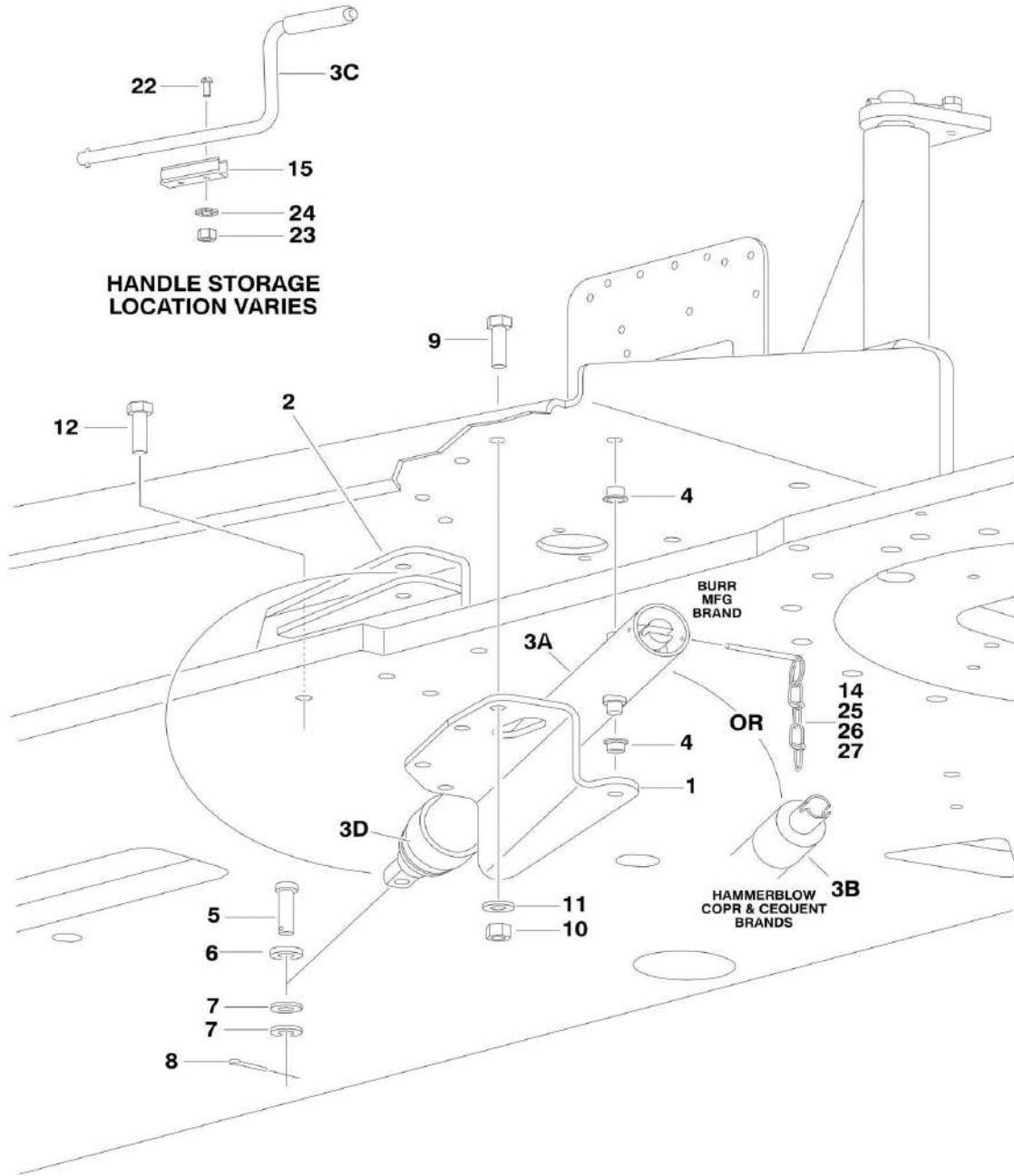
ITEM	PART NUMBER	QTY	DESCRIPTION	REV
	0270833	Ref	ALARMS INSTALLATIONS	1
1	0257887	1	Alarm/Harness Assembly	
1	0140032	1	Alarm	
1	2820035	6 in/15cm	Loom	
1	4460424	1	Plug	
1	4460268	2	Socket	
2	0641406	2	Bolt 1/4in-20NC x 3/4in	
3	4711400	2	Flatwasher 1/4in Thin	
5	0100048	AR	Sealant, Silicone	
	0270805	Ref	STROBE LIGHT INSTALLATIONS (AMBER) (OPTIONAL)	2
10	4220162	1	Spacer, Stop (Used with ECCO Model 6640 Only)	
11		Ref	Adapter Options:	
11	0630491	1	Adapter used with ECCO Model 6640	
11	0080241	1	Adapter used with ECCO Model 6650	
12	3539281	1	Plate, Mounting (Used with ECCO Model 6640 Only)	
13	0741606	1	Screw, Flathead Countersunk 3/8in-16NC x 3/4in (Used with ECCO Model 6640 Only)	
14	0100011	AR	Compound, Locking	
15	4240032	1	Wire-Tie (Not Shown)	
16	0255917	NLA	Strobe Light/Guard/Harness Assembly (Use p/n 0272507) (Includes Item 11 also)	
16	2920130	NLA	Strobe Light/Guard/Harness Assembly (Use p/n 0272507) (Includes Item 11 also)	
16	2920214	NLA	Strobe Light/Guard/Harness Assembly (Use p/n 0272507) (Includes Item 11 also)	
16		Ref	Bulb, Replacement Options:	
16	7016380	1	Bulb, Replacement used with ECCO Model 6640	
16	70001941	1	Bulb, Replacement used with ECCO Model 6650	
16A		Ref	Guard Options:	
16A	4060907	1	Guard used with ECCO Model 6640	
16A	2920215	1	Guard used with ECCO Model 6650	
17	4460234	1	Clamp (Not Shown)	
18	0100048	AR	Sealant, Silicone	
	0271552	Ref	LIGHTS INSTALLATIONS (OPTIONAL)	2
25	2920110	2	Headlight	
26	0902206	2	Bracket, Mounting	
27	0642612	1	Bolt 1in-8NC x 1 1/2in	
		Ref	(Note: Use Item 11 if Strobe Light uses the same mount)	
28	4220162	2	Spacer	
29	0100011	AR	Compound, Locking	
30	2920113	2	Taillight	
31	3911040	4	Screw, Machine #10-24NC x 2 1/2	
32	3311005	4	Nut #10-24NC	
33	4751000	4	Flatwasher #10	
34	4740362	4	Washer, Fender	
35	3960461	2	Gasket	
37	4240032	21	Tie-Strap (Not Shown)	
38	4460234	21	Mount, Tie-Strap (Not Shown)	
39	4360336	1	Switch, Toggle (Not Shown - Located on Console)	
40	3790012	1	O-Ring (Not Shown - Located on Console)	

SECTION 2 - TURNTABLE

ITEM	PART NUMBER	QTY	DESCRIPTION	REV
41	3820001	11	Pop Rivet (Not Shown)	1/A
	0274200	Ref	CHASSIS ILLUMINATION LIGHT INSTALLATION	
101	2920157	4	Lamp, Worklight	
102	0903119	2	Bracket, Light Mounting	
103	0642612	4	Bolt 1/4in-20NC x 7/8in	
104	0642612	2	Bolt 1in-8NC x 1 1/2in	
		Ref	(Note: Use Item 11 if Strobe Light uses the same mount)	
105	0902206	2	Bracket, Light Mounting	
106	4220162	2	Spacer	
108	3790012	1	O-Ring (Not Shown - Located at Platform Console Box)	
109	4360336	1	Switch, Toggle (Not Shown - Located at Platform Console Box)	
110	4460234	10	Mount, Cable (Not Shown)	
111	4751400	2	Flatwasher 1/4in Regular	
112	0100011	AR	Compound, Locking	
113	4240032	21	Strap, Tie (Not Shown)	
114	1705170	1	Decal, Lights (Not Shown - Located at Platform Console Box)	

SECTION 2 - TURNTABLE

FIGURE 2-21. ENGINE TRAY JACK INSTALLATIONS (OPTIONAL)



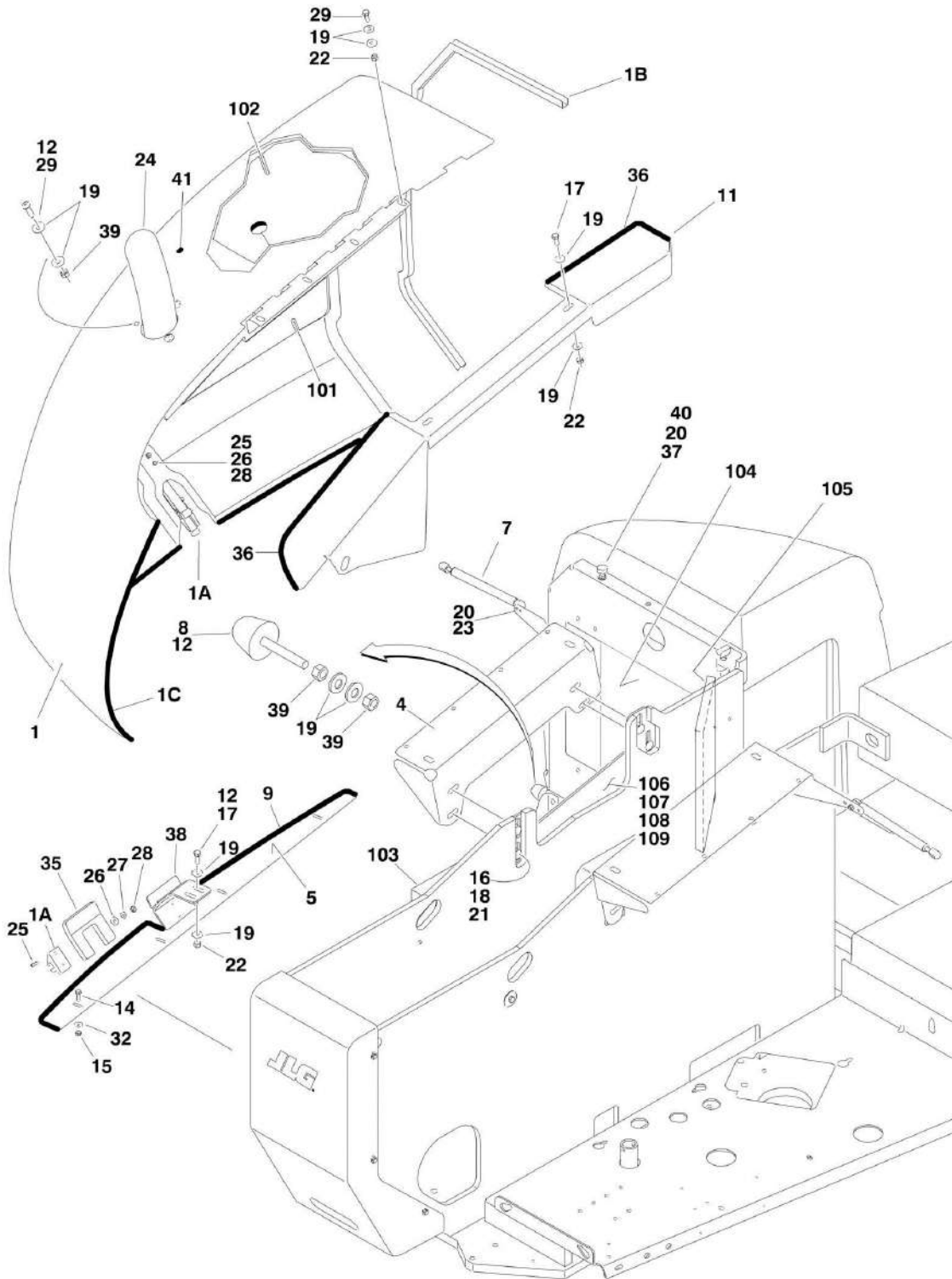
SECTION 2 - TURNTABLE

FIGURE 2-21. ENGINE TRAY JACK INSTALLATIONS (OPTIONAL)

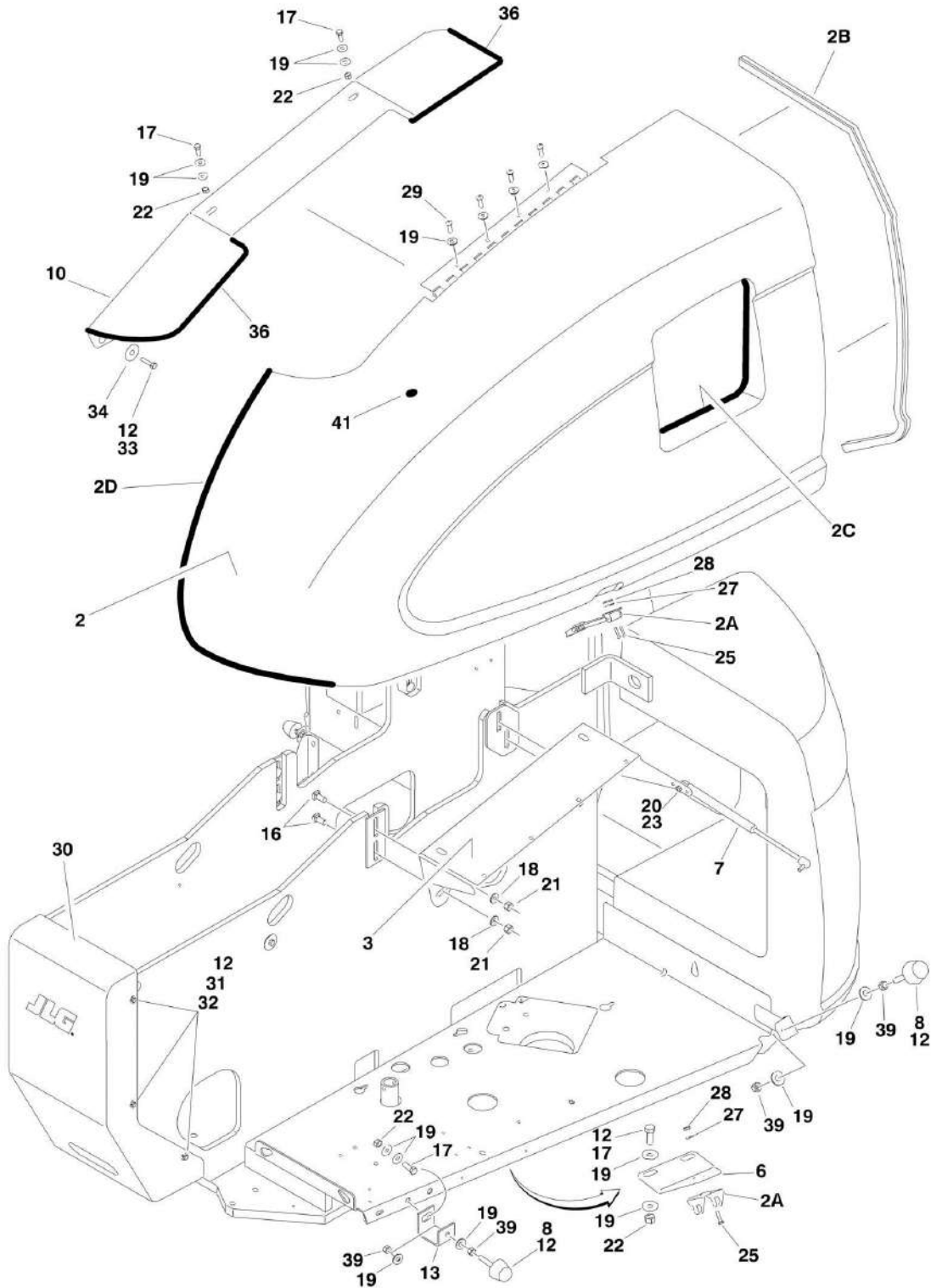
ITEM	PART NUMBER	QTY	DESCRIPTION	REV
	0255880	Ref	ENGINE TRAY JACK INSTALLATION	6/H
1	3537445	1	Bracket	
2	4845163	1	Bracket	
3	2840018	1	Jack and Handle Assembly Options:	
3A		Ref	Burr Manufacturing Brand	
3B		Ref	Hammerblow Corp and Cequent Brands	
3C		Ref	Handle Options:	
3C	7016374	1	Burr Manufacturing Brand	
3C	7024598	1	Hammerblow Corp and Cequent Brands	
3D	7016322	1	Wiper (Burr Manufacturing Brand Only)	
4	0962051	2	Bushing, Flanged	
5	3430816	1	Pin, Clevis	
6	4891800	1	Flatwasher 1/2in Hardened	
7	4711800	AR	Flatwasher 1/2in Thin	
8	3450404	1	Pin, Cotter 1/8in x 1in	
9	0641609	4	Bolt 3/8in-16NC x 1-1/8in	
10	3311605	4	Locknut 3/8in-16NC	
11	4891600	4	Flatwasher 3/8in Hardened	
12	0641810	4	Bolt 1/2in-13NC x 1-1/4in	
14	3422530	1	Pins and Chain (SN 0300069000 through 0300070917)	
15	1380147	1	Clip, Spring	
22	3910608	2	Screw #6-32NC x 1in	
23	3310601	2	Nut #6-32NC	
24	4770600	2	Starwasher #6	
25	0641406	1	Bolt 1/4in-20NC x 3/4in (SN 0300069000 through 0300070917)	
26	4751400	2	Flatwasher 1/4in Regular (SN 0300069000 through 0300070917)	
27	3311405	1	Locknut 1/4in-20NC (SN 0300069000 through 0300070917)	

SECTION 2 - TURNTABLE

FIGURE 2-22. HOODS INSTALLATIONS



SECTION 2 - TURNTABLE



SECTION 2 - TURNTABLE

FIGURE 2-22. HOODS INSTALLATIONS

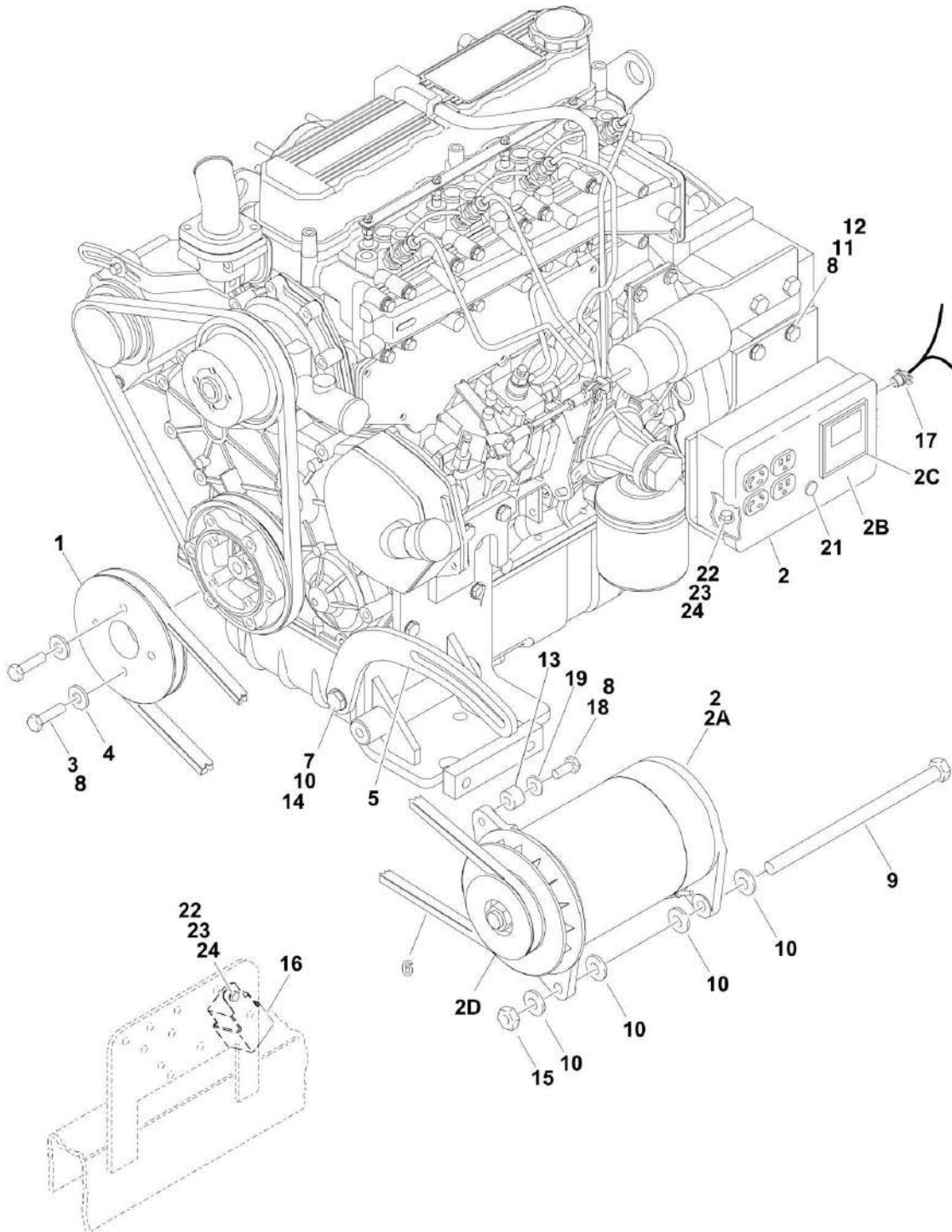
ITEM	PART NUMBER	QTY	DESCRIPTION	REV
		Ref	HOODS INSTALLATIONS	
	0256821	Ref	Caterpillar/Deutz Engine Non UI Machines	4
	0258579	Ref	Deutz Engine UL Machines	1
	0256933	Ref	Ford Engine Non UL Machines (SN 0300069000 through 0300079887)	5
	0274204	Ref	Ford Engine Non UL Machines (SN 0300079888 through 0300087000)	1
	0258580	Ref	Ford Engine UL Machines	1
1		Ref	Hood - Engine Side Options:	
1	2680440	1	Caterpillar/Deutz Engine Machines	
1	2680442	1	Ford Engine Non UL Machines (SN 0300069000 through 0300079887)	
1	1671179	1	Ford Engine Non UL Machines (SN 0300079888 through 0300087000)	
1	2680447	1	Ford Engine UL Machines	
1A	2940088	1	Latch, Hood	
1B	3960462	AR	Trim	
1C	3960389	AR	Seal	
2	2680441	NLA	Hood - Tank Side (Use p/n 1671216)	
2A	2940088	1	Latch, Hood	
2B	3960462	AR	Trim	
2C	3960438	AR	Trim	
2D	3960389	AR	Seal	
3	4845203	1	Mount - Tank Side	
4	4845414	1	Mount - Engine Side	
5	3539923	1	Plate, Seal	
6	0902242	1	Bracket, Latch - Tank Side	
7	4160143	2	Spring, Gas	
8	0940071	4	Bumper	
10	2680434	1	Spacer, Hood (Tank Side)	
11	2680433	1	Spacer, Hood (Engine Side)	
12	0100011	AR	Compound, Locking	
13	0902219	1	Bracket, Bumper	
14	0641407	4	Bolt 1/4in-20NC x 7/8in	
15	3311405	4	Locknut 1/4in-20NC	
16	0630507	8	Bolt, Carriage 1/2in-13NC x 1-1/4in	
17	0641608	11	Bolt 3/8in-16NC x 1in	
18	4740171	8	Flatwasher 1/2in Hardened	
19	4751600	40	Flatwasher 3/8in Regular	
20	4751500	AR	Flatwasher 5/16in Regular	
21	3311805	8	Locknut 1/2in-13NC	
22	3311605	AR	Locknut 3/8in-16NC	
23	3311505	2	Locknut 5/16in-18NC	
24		Ref	Outlet, Exhaust Options:	
24	4845194	1	Caterpillar/Deutz Engine Machines	
24	4845194	1	Ford Engine Machines (SN 0300069000 through 0300079887)	
24	3460420	1	Ford Engine Machines (SN 0300079888 through 0300087000)	
25	0721006	4	Bolt #10-24NC x 3/4in	
26	4751000	4	Flatwasher #10 Regular	
27	4761000	4	Lockwasher #10	

SECTION 2 - TURNTABLE

ITEM	PART NUMBER	QTY	DESCRIPTION	REV
28	3311001	4	Bolt #10-24NC	
28	3311005	4	Locknut #10-24NC	
29	3900232	11	Bolt, Button Head 3/8in-16NC x 1in	
30	1670767	1	Cover, Turntable	
31		Ref	Bolt Options:	
31	0641404	6	Bolt 1/4in-20NC x 1/2in - Caterpillar/Deutz Engine Machines	
31	0641404	6	Bolt 1/4in-20NC x 1/2in - Ford Engine Machines (SN 0300069000 through 0300079887)	
31	0641405	6	Bolt 1/4in-20NC x 3/4in - Ford Engine Machines (SN 0300079888 through 0300087000)	
32	4751400	AR	Flatwasher 1/4in Regular	
34	4740076	2	Washer, Fender	
35	3960467	1	Seal, Foam	
36	3960418	7 ft/2.1m	Seal	
37	0940049	1	Bumper	
38	0902335	1	Bracket, Latch - Engine Side	
39	3311601	11	Nut 3/8in-16NC	
40	3311501	2	Nut 5/16in-18NC	
41	3520033	2	Plug	
	0256822	Ref	NOISE REDUCTION INSTALLATION	-
101	2820076	1	Foam, Acoustical	
102	2820077	1	Foam, Acoustical	
103	2820078	1	Foam, Acoustical	
104	2820082	1	Foam, Acoustical	
105	2820083	1	Foam, Acoustical	
106	3539988	1	Plate, Baffle	
107	0641606	5	Bolt 3/8in-16NC x 3/4in	
108	4751600	5	Flatwasher 3/8in Regular	
109	0100011	AR	Compound, Locking	

SECTION 2 - TURNTABLE

FIGURE 2-23. 2500W GENERATOR INSTALLATION - CATERPILLAR MACHINES (OPTIONAL)



SECTION 2 - TURNTABLE

FIGURE 2-23. 2500W GENERATOR INSTALLATION - CATERPILLAR MACHINES (OPTIONAL)

ITEM	PART NUMBER	QTY	DESCRIPTION	REV
		Ref	GENERATOR INSTALLATION OPTIONS:	
	0273518	Ref	110V/60Hz (SN 0300069000 through 0300081835)	2/B
	0274081	Ref	110V/60Hz (SN 0300081836 through 0300087000)	1/A
	0273538	Ref	110V/50Hz (SN 0300069000 through 0300081835)	2/B
	0274091	Ref	110V/50Hz (SN 0300081836 through 0300087000)	1/A
	0273539	Ref	220V/50Hz (SN 0300069000 through 0300081835)	2/B
	0274087	Ref	220V/50Hz (SN 0300081836 through 0300087000)	1/A
1	3580322	1	Pulley	
2		Ref	Generator and Control Box Assembly Options:	
2	2460032	1	110V/60Hz (SN 0300069000 through 0300081835)	
2	2460055	1	110V/60Hz (SN 0300081836 through 0300087000)	
2	2460039	1	110V/50Hz (SN 0300069000 through 0300081835)	
2	2460057	1	110V/50Hz (SN 0300081836 through 0300087000)	
2	2460013	1	220V/50Hz (SN 0300069000 through 0300081835)	
2	2460056	1	220V/50Hz (SN 0300081836 through 0300087000)	
2A	7012558	1	Generator Only - 110V/60Hz	
2A	2460049	1	Generator Only - 110V/50Hz	
2A	1001100321	1	Generator Only - 220V/50Hz	
		Ref	Note: Replacement Generators come standard with p/n 3580134 pulley. This pulley may not be correct for all applications. Refer to pulley options below.	
2A		Ref	Armature with Slip Rings Options:	
2A	7026199	1	Armature with Slip Rings - 110V/60Hz	
2A	70000122	1	Armature with Slip Rings - 110V/50Hz	
2A	70000123	1	Armature with Slip Rings - 220V/50Hz	
2A	7012513	4	Cap, Brush Holder	
2A	7020108	4	Brush	
2A	7020109	4	Holder, Brush	
2A	7012514	1	Fan	
2A	7020110	1	Bell, Front	
2A	7020111	1	Bell, Rear	
2A	7020190	2	Bearing	
2B	7003657	1	Box, Control - 110V/60Hz (SN 0300069000 through 0300081835)	
2B	7019680	1	Box, Control - 110V/60Hz (SN 0300081836 through 0300087000)	
2B	70002239	1	Box, Control - 110V/50Hz (SN 0300069000 through 0300081835)	
2B	7019680	1	Box, Control - 110V/50Hz (SN 0300081836 through 0300087000)	
2B	70002235	1	Box, Control - 220V/50Hz (SN 0300069000 through 0300081835)	
2B	70000127	1	Box, Control - 220V/50Hz (SN 0300081836 through 0300087000)	
2B		Ref	Receptacle Options:	
2B	4460190	1	Receptacle, Standard (110V Only)	
2B	4460027	1	Receptacle, Twistlock (110V Only)	
2B	70000124	1	Receptacle, Double (220V/50Hz Only)	
2B	70000125	1	Receptacle, Single (220V/50Hz Only)	
2B		Ref	Breaker, Circuit Options:	
2B	4360542	1	Breaker 110V/60Hz	

SECTION 2 - TURNTABLE

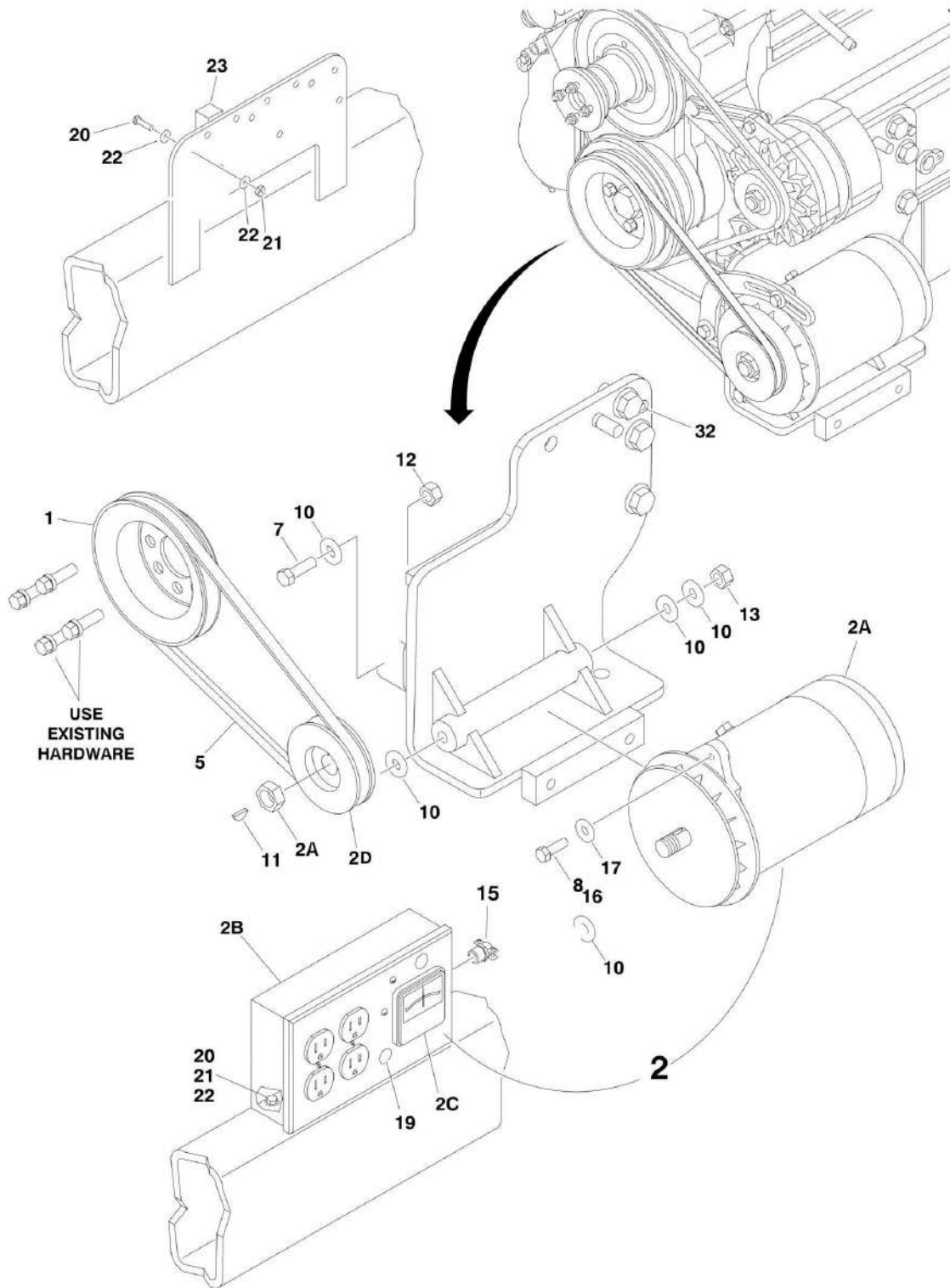
ITEM	PART NUMBER	QTY	DESCRIPTION	REV
2B	70002240	1	Breaker 110V/50Hz (SN 0300069000 through 0300081835)	
2B	4360542	1	Breaker 110V/50Hz (SN 0300081836 through 0300087000)	
2B	70000126	1	Breaker 220V/50Hz	
2B	2920162	1	Lamp Only (SN 0300069000 through 0300081835)	
2B	7020191	1	Switch, Toggle Only (SN 0300069000 through 0300081835)	
2B	3520028	1	Plug, Hole	
2C		Ref	Voltmeter Options:	
2C	2420203	1	Voltmeter - 110V	
2C	7020192	1	Voltmeter - 220V	
2D		Ref	Pulley Options:	
2D	3580276	1	Pulley - 60Hz	
2D	3580134	1	Pulley - 50Hz	
2D	7027887	1	Key, Woodruff	
2D	0480120	1	110V/50Hz	
2D	0480120	1	220V/50Hz	
3	0700816	4	Bolt M8 x 40mm	
4	4811900	4	Flatwasher M8	
5		Ref	Arm, Adjusting Options:	
5	0200742	1	Arm, Adjusting (SN 0300069000 through 0300074394)	
5	0200819	1	Arm, Adjusting (SN 0300074395 through 0300087000)	
6		Ref	V-Belt Options:	
6	0480121	1	110V/60Hz	
6	0480120	1	110V/50Hz	
6	0480120	1	220V/50Hz	
7	0641610	1	Bolt 3/8in-16NC x 1-1/4in	
8	0100011	AR	Compound, Locking	
9	0641772	1	Bolt 7/16in-14NC x 9in	
10	4751600	6	Flatwasher 3/8in Regular	
11	3574684	1	Plate, Box Mounting	
12	0761210	2	Bolt M12 x 20mm	
13		Ref	Bushing, Spacer Options:	
13	0962653	1	Bushing, Spacer (SN 0300069000 through 0300074394)	
13	0962563	1	Bushing, Spacer (SN 0300074395 through 0300087000)	
14	3311605	1	Locknut 3/8in-16NC	
15	3311705	1	Locknut 7/16in-14NC	
16	3740080	1	Relay	
17	4460023	1	Connector, Strain Relief (SN 0300069000 through 0300081835)	
18	0641508	1	Bolt 5/16in-18NC x 1in	
19	4751500	1	Flatwasher 5/16in Regular	
21	3520028	1	Plug, Hole	
22	0721006	AR	Bolt #10-24NC x 3/4in	
23	3311005	AR	Locknut #10-24NC	
24	4751000	AR	Flatwasher #10 Regular	
25	4360336	1	Switch, Toggle (Not Shown - Located at Platform)	
26	4740397	1	Bushing (Not Shown - Located at Platform)	
27	4060802	1	Guard, Switch (Not Shown - Located at Platform)	
28		Ref	Decal - Voltage Options (Not Shown - Located at Platform):	
28	Not Required	0	110V/60Hz (ANSI and ANSI Export Specs)	
28	1705325	1	110V/50Hz (CE Spec)	
28	3252507	1	220V/50Hz (ANSI Export, Australian and CE Specs)	

SECTION 2 - TURNTABLE

ITEM	PART NUMBER	QTY	DESCRIPTION	REV
29	2820031	AR	Heat Shrink (Not Shown - Located at Platform)	
30	3251102	1	Decal (Not Shown - Located at Platform)	

SECTION 2 - TURNTABLE

FIGURE 2-24. 2500W GENERATOR INSTALLATION - DEUTZ MACHINES (OPTIONAL)



SECTION 2 - TURNTABLE

FIGURE 2-24. 2500W GENERATOR INSTALLATION - DEUTZ MACHINES (OPTIONAL)

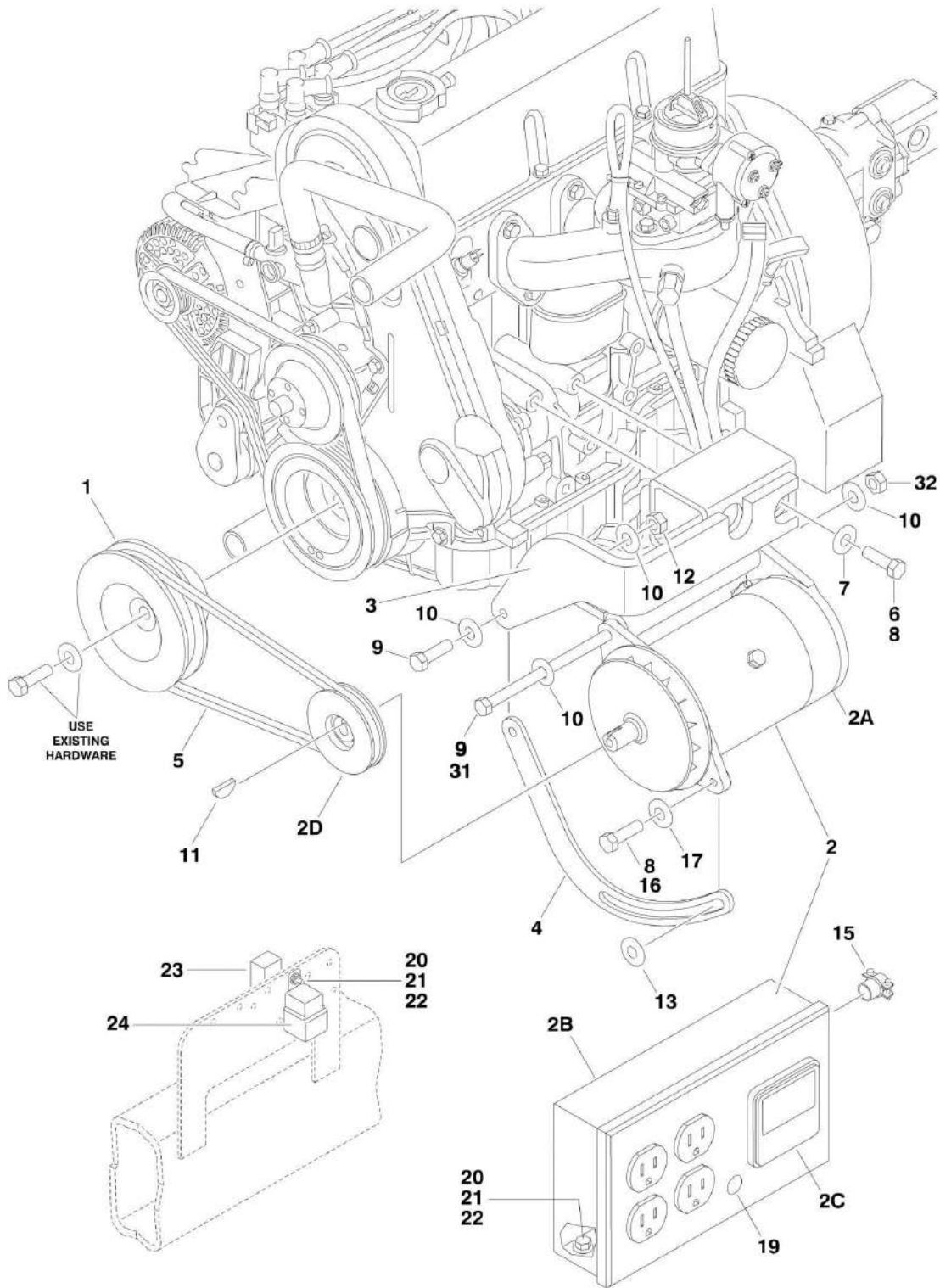
ITEM	PART NUMBER	QTY	DESCRIPTION	REV
		Ref	GENERATOR INSTALLATIONS	
	0272480	Ref	110V Generator (SN 0300069000 through 0300081835)	2
	0274082	Ref	110V Generator (SN 0300081836 through 0300087000)	1
	0272481	Ref	220V Generator (SN 0300069000 through 0300081835)	2
	0274086	Ref	220V Generator (SN 0300081836 through 0300087000)	1
1	3580158	1	Pulley	
2		Ref	Generator and Control Box Assembly Options:	
2	2460032	1	110V/60Hz (SN 0300069000 through 0300081835)	
2	2460055	1	110V/60Hz (SN 0300081836 through 0300087000)	
2	2460013	1	220V/50Hz (SN 0300069000 through 0300081835)	
2	2460056	1	220V/50Hz (SN 0300081836 through 0300087000)	
2A	7012558	1	Generator Only - 110V/60Hz	
2A	1001100321	1	Generator Only - 220V/50Hz	
		Ref	Note: Replacement Generators come standard with p/n 3580134 pulley. This pulley may not be correct for all applications. Refer to pulley options below.	
2A		Ref	Armature with Slip Rings Options:	
2A	7026199	1	Armature with Slip Rings - 110V/60Hz	
2A	70000123	1	Armature with Slip Rings - 220V/50Hz	
2A	7012513	4	Cap, Brush Holder	
2A	7020108	4	Brush	
2A	7020109	4	Holder, Brush	
2A	7012514	1	Fan	
2A	7020110	1	Bell, Front	
2A	7020111	1	Bell, Rear	
2A	7020190	2	Bearing	
2B	7003657	1	Box, Control - 110V/60Hz (SN 0300069000 through 0300081835)	
2B	7019680	1	Box, Control - 110V/60Hz (SN 0300081836 through 0300087000)	
2B	70002235	1	Box, Control - 220V/50Hz (SN 0300069000 through 0300081835)	
2B	70000127	1	Box, Control - 220V/50Hz (SN 0300081836 through 0300087000)	
2B		Ref	Receptacle Options:	
2B	4460190	1	Receptacle, Standard (110V Only)	
2B	4460027	1	Receptacle, Twistlock (110V Only)	
2B	70000124	1	Receptacle, Double (220V/50Hz Only)	
2B	70000125	1	Receptacle, Single (220V/50Hz Only)	
2B		Ref	Breaker, Circuit Options:	
2B	4360542	1	Breaker 110V/60Hz	
2B	70000126	1	Breaker 220V/50Hz	
2B	2920162	1	Lamp Only (SN 0300069000 through 0300081835)	
2B	7020191	1	Switch, Toggle Only (SN 0300069000 through 0300081835)	
2B	3520028	1	Plug, Hole	
2C		Ref	Voltmeter Options:	
2C	2420203	1	Voltmeter - 110V	
2C	7020192	1	Voltmeter - 220V	
2D		Ref	Pulley Options:	
2D	3580276	1	Pulley - 60Hz	
2D	3580134	1	Pulley - 50Hz	

SECTION 2 - TURNTABLE

ITEM	PART NUMBER	QTY	DESCRIPTION	REV
2D	7027887	1	Key, Woodruff	
4	0200742	1	Arm, Adjusting	
5	0480121	1	V-Belt	
7	0641610	1	Bolt 3/8in-16NC x 1-1/4in	
8	0100011	AR	Compound, Locking	
9	0641772	1	Bolt 7/16in-14NC x 9in	
10	4751600	6	Flatwasher 3/8in Regular	
11	2860012	1	Key, Woodruff	
12	3311605	1	Locknut 3/8in-16NC	
13	3311705	1	Locknut 7/16in-14NC	
14	3740080	1	Relay	
15	4460023	1	Connector, Strain Relief	
16	0641508	1	Bolt 5/16in-18NC x 1in	
17	4751500	AR	Flatwasher 5/16in Regular	
19	3520028	1	Plug, Hole (SN 0300069000 through 0300081835)	
20	0721006	4	Bolt #10-24NC x 3/4in	
21	3311005	4	Locknut #10-24NC	
22	4751000	9	Flatwasher #10 Regular	
23	4360294	1	Breaker, Circuit - 30 Amp (SN 0300069000 through 0300081835)	
25	4360336	1	Switch, Toggle (Not Shown - Located at Platform)	
26	4740397	1	Bushing (Not Shown - Located at Platform)	
27	4060802	1	Guard, Switch (Not Shown - Located at Platform)	
28	3252507	1	Decal - 220V - 50/60Hz (Not Shown - Located on Turntable)	
29	2820031	4 in/10cm	Heat Shrink (Not Shown - Located at Platform)	
30	3251102	1	Decal (Not Shown - Located at Platform)	

SECTION 2 - TURNTABLE

FIGURE 2-25. 2500W GENERATOR INSTALLATION - FORD MACHINES (OPTIONAL) (SN 0300069000 through 0300079887)



SECTION 2 - TURNTABLE

FIGURE 2-25. 2500W GENERATOR INSTALLATION - FORD MACHINES (OPTIONAL) (SN 0300069000 through 0300079887)

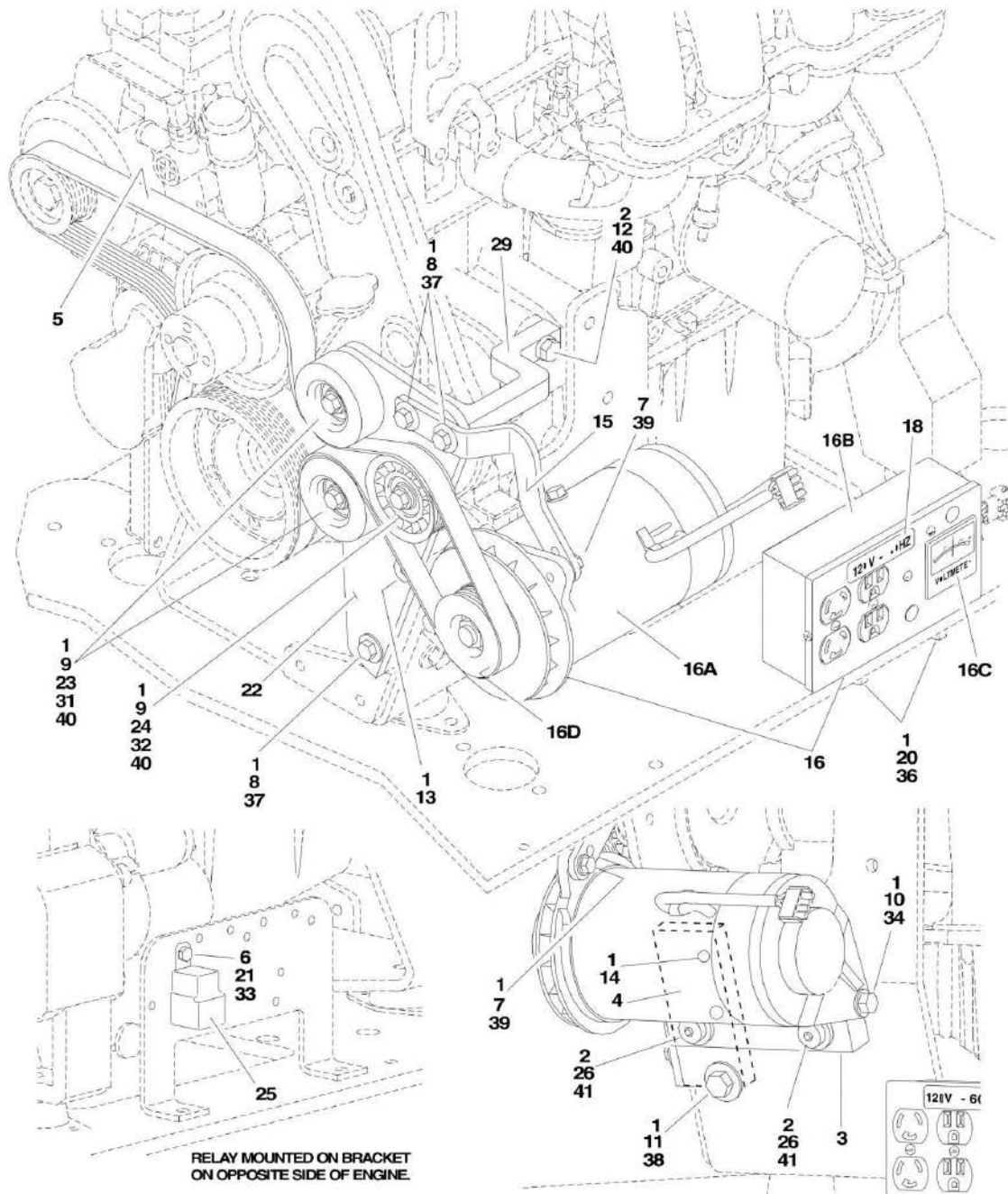
ITEM	PART NUMBER	QTY	DESCRIPTION	REV
		Ref	GENERATOR INSTALLATION OPTIONS:	
	0271545	Ref	110V Generator	5
	0271546	Ref	220V Generator	4
1	3580250	1	Pulley	
2		Ref	Generator and Control Box Assembly Options:	
2	2460032	1	110Volt Assembly (SN 0300069000 through 0300069574)	C
2	2460044	1	110Volt Assembly (SN 0300069575 through 0300079888)	A
2	2460013	1	220Volt Assembly	B
2A	7012558	1	Generator Only - 110V/60Hz	
2A	1001100321	1	Generator Only - 220V/50Hz	
		Ref	Note: Replacement Generators come standard with p/n 3580134 pulley. This pulley may not be correct for all applications. Refer to pulley options below.	
2A		Ref	Armature with Slip Rings Options:	
2A	7026199	1	Armature with Slip Rings - 110V/60Hz	
2A	70000123	1	Armature with Slip Rings - 220V/50Hz	
2A	7012513	4	Cap, Brush Holder	
2A	7020108	4	Brush	
2A	7020109	4	Holder, Brush	
2A	7012514	1	Fan	
2A	7020110	1	Bell, Front	
2A	7020111	1	Bell, Rear	
2A	7020190	2	Bearing	
2B	7003657	1	Box, Control - 110V/60Hz	
2B	70002235	1	Box, Control - 220V/50Hz	
2B		Ref	Receptacle Options:	
2B	4460190	1	Receptacle, Standard (110V Only)	
2B	4460027	1	Receptacle, Twistlock (110V Only)	
2B	70000124	1	Receptacle, Double (220V/50Hz Only)	
2B	70000125	1	Receptacle, Single (220V/50Hz Only)	
2B		Ref	Breaker, Circuit Options:	
2B	4360542	1	Breaker 110V/60Hz	
2B	70000126	1	Breaker 220V/50Hz	
2B	2920162	1	Lamp	
2B	7020191	1	Switch, Toggle	
2B	3520028	1	Plug, Hole	
2C		Ref	Voltmeter Options:	
2C	2420203	1	Voltmeter - 110V	
2C	7020192	1	Voltmeter - 220V	
2D		Ref	Pulley Options:	
2D	3580276	1	Pulley - 60Hz (SN 0300069000 through 0300069574)	
2D	3580307	1	Pulley - 60Hz (SN 0300069575 through 0300079888)	
2D	3580134	1	Pulley - 50Hz	
2D	7027887	1	Key, Woodruff	
3	0902756	1	Bracket, Generator Mounting	
4	0200547	1	Arm, Adjusting	
5		Ref	V-Belt Options:	
5	0480111	1	110Volt Generator (SN 0300069000 through 0300073382)	
5	0480134	1	110Volt Generator (SN 0300073383 through 0300079888)	

SECTION 2 - TURNTABLE

ITEM	PART NUMBER	QTY	DESCRIPTION	REV
5	0480050	1	220Volt Generator	
6	0701015	2	Bolt M10 x 35mm	
7	4812000	2	Flatwasher 10mm	
8	0100011	AR	Compound, Locking	
9	0681612	1	Bolt 3/8in-16NC x 1-1/2in (Grade 8)	
10	4751600	6	Flatwasher 3/8in Regular	
11	2860012	1	Key, Woodruff	
12	3311605	1	Locknut 3/8in-16NC	
13	4564417	1	Spacer, Tube	
15	4460023	1	Connector, Strain Relief	
16	0641508	1	Bolt 5/16in-18NC x 1in	
17	4751500	2	Flatwasher 5/16in Regular	
19	3520028	1	Plug, Hole	
20	0721006	4	Bolt #10-24NC x 3/4in	
21	3311005	4	Locknut #10-24NC	
22	4751000	9	Flatwasher #10 Regular	
23	4360294	1	Breaker, Circuit - 30 Amp	
24	3740080	1	Relay, Bosch	
25	4360336	1	Switch, Toggle (Not Shown - Located at Platform)	
26	4740397	1	Bushing (Not Shown - Located at Platform)	
27	4060802	1	Guard, Switch (Not Shown - Located at Platform)	
29	2820031	4 in/10cm	Heat Shrink (Not Shown - Located at Platform)	
30	3251102	1	Decal (Not Shown - Located at Platform)	
31	0641772	1	Bolt 7/16in-14NC x 9in	
32	3311705	1	Locknut 7/16in-14NC	

SECTION 2 - TURNTABLE

FIGURE 2-26. 2500W GENERATOR INSTALLATION - FORD MACHINES (OPTIONAL) (SN 0300079888 through 0300087000)



SECTION 2 - TURNTABLE

FIGURE 2-26. 2500W GENERATOR INSTALLATION - FORD MACHINES (OPTIONAL) (SN 0300079888 through 0300087000)

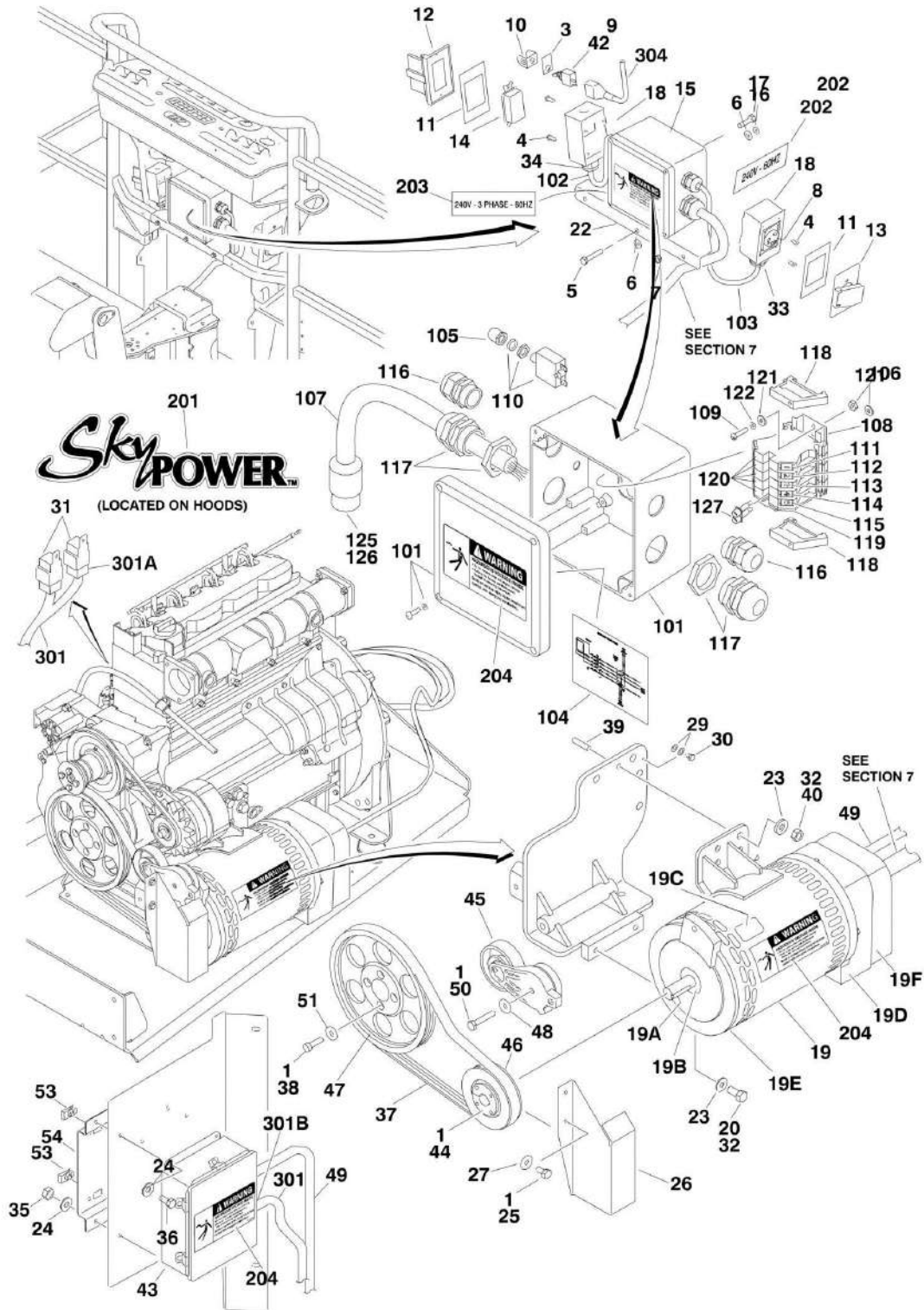
ITEM	PART NUMBER	QTY	DESCRIPTION	REV
		Ref	GENERATOR INSTALLATION OPTIONS:	
	0273507	Ref	110V Generator with ADE System (SN 0300079888 through 0300087000)	C
	0273511	Ref	220V Generator with ADE System (SN 0300079888 through 0300087000)	C
1	0100011	AR	Compound, Locking	
2	0100019	AR	Compound, Locking	
3	0363082	1	Bar, Generator Adjuster	
4	0363097	1	Bar, Pulley Mounting	
5	0480135	1	V-Belt	
6	0641405	1	Bolt 1/4in-20NC x 5/8in	
7	0641508	1	Bolt 5/16in-18NC x 1in	
8	0641611	3	Bolt 3/8in-16NC x 1-3/8in	
9	0641612	3	Bolt 3/8in-16NC x 1-1/2in	
10	0641718	2	Bolt 7/16in-14NC x 2-1/4in	
11	0641810	1	Bolt 1/2in-13NC x 1-1/4in	
12	0701015	1	Bolt 10mm x 35mm	
13	0741606	1	Screw, Countersunk 3/8in-16NC x 3/4in	
14	0741808	1	Screw, Countersunk 1/2in-13NC x 1in	
15	0902952	1	Bracket, Generator Mounting	
16		Ref	Generator and Control Box Assembly Options:	
16	2460051	1	110Volt Assembly	
16	2460052	1	220Volt Assembly	
16A	7012558	1	Generator Only - 110V/60Hz	
16A	1001100321	1	Generator Only - 220V/50Hz	
		Ref	Note: Replacement Generators come standard with p/n 3580134 pulley. This pulley may not be correct for all applications. Refer to pulley options below.	
16A		Ref	Armature with Slip Rings Options:	
16A	7026199	1	Armature with Slip Rings - 110V/60Hz	
16A	70000123	1	Armature with Slip Rings - 220V/50Hz	
16A	7012513	4	Cap, Brush Holder	
16A	7020108	4	Brush	
16A	7020109	4	Holder, Brush	
16A	7012514	1	Fan	
16A	7020110	1	Bell, Front	
16A	7020111	1	Bell, Rear	
16A	7020190	2	Bearing	
16B	7019680	1	Box, Control - 110V/60Hz	
16B	70000127	1	Box, Control - 220V/50Hz	
16B		Ref	Receptacle Options:	
16B	4460190	1	Receptacle, Standard (110V Only)	
16B	4460027	1	Receptacle, Twistlock (110V Only)	
16B	70000124	1	Receptacle, Double (220V/50Hz Only)	
16B	70000125	1	Receptacle, Single (220V/50Hz Only)	
16B		Ref	Breaker, Circuit Options:	
16B	4360542	1	Breaker 110V/60Hz	
16B	70000126	1	Breaker 220V/50Hz	
16B	3520028	1	Plug, Hole	
16C		Ref	Voltmeter Options:	

SECTION 2 - TURNTABLE

ITEM	PART NUMBER	QTY	DESCRIPTION	REV
16C	2420203	1	Voltmeter - 110V	
16C	7020192	1	Voltmeter - 220V	
16D		Ref	Pulley Options:	
16D	3580324	1	Pulley - 60Hz	
16D	3580325	1	Pulley - 50Hz	
16D	7027887	1	Key, Woodruff	
17	2820031	AR	Heat Shrink (Not Shown - Located at Platform)	
18		Ref	Decal	
18	1702590	1	110V Generator	
18	3251243	1	220V Generator	
19		Ref	Nameplate Options (Not Shown - Located at Platform):	
19	3252764	1	Nameplate (SN 0300079888 through 0300085045)	
19	3251102	1	Nameplate (SN 0300085046 through 0300087000)	
20	3311005	2	Locknut #10-24NC	
21	3311405	1	Locknut 1/4in-20NC	
22	3574225	1	Plate, Pulley Mounting	
23	3580312	1	Pulley, Idler	
24	3580313	1	Pulley, Grooved Idler	
25	3740080	1	Relay, Bosch	
26	3900322	2	Screw, Shoulder	
27	4060802	1	Guard, Switch (Not Shown - Located at Platform)	
28	4240018	AR	Tie-Strap	
29	4340738	1	Support, Idler Pulley	
30	4360336	1	Switch, Toggle (Not Shown - Located at Platform)	
31	4568734	1	Spacer, Tube (Idler Pulley Non-Grooved)	
32	4568735	1	Spacer, Tube (Idler Pulley Grooved)	
33	4711400	1	Flatwasher 1/4in Thin	
34	4711700	2	Flatwasher 7/16in Thin	
35	4740397	1	Spacer	
36	4751000	2	Flatwasher #10 Regular	
37	4751600	3	Flatwasher 3/8in Regular	
38	4751800	1	Flatwasher 1/2in Regular	
39	4891500	1	Flatwasher 5/16in Hardened	
40	4891600	4	Flatwasher 3/8in Hardened	
41	4892000	2	Flatwasher 5/8in Hardened	

SECTION 2 - TURNTABLE

FIGURE 2-27. 7500W SKYPOWER GENERATOR INSTALLATION - CATERPILLAR AND DEUTZ ENGINES



SECTION 2 - TURNTABLE

FIGURE 2-27. 7500W SKYPOWER GENERATOR INSTALLATION - CATERPILLAR AND DEUTZ ENGINES

ITEM	PART NUMBER	QTY	DESCRIPTION	REV
		Ref	7500W SKYPOWER GENERATOR INSTALLATION	
	0273576	Ref	60Hz and Caterpillar Engine	H
	0272618	Ref	60Hz and Deutz Engine	G
		Ref	Note: See ELECTRICAL SECTION for Boom Cable Components.	
1	0100011	AR	Compound, Locking	
3	3252764	1	Nameplate	
4	3910606	8	Screw #6-32NC x 3/8in	
5	0641516	3	Bolt 5/16in-18NC x 2in	
6	4711500	10	Flatwasher 5/16in Thin	
7	3311505	3	Locknut 5/16in-18NC	
8	4460958	1	Receptacle, Female Twist-Lock	
9	4360336	1	Switch, Toggle	
10	4060802	1	Guard, Switch	
11	3960422	2	Gasket	
12	4060700	1	Cover, Receptacle	
13	4061043	1	Cover, Receptacle	
14	4460346	1	Receptacle	
15	0861542	1	Junction Box Assembly (See Items 101-127 for Breakdown)	
16	4761500	4	Flatwasher 5/16in Regular	
17	0641505	4	Bolt 5/16in-18NC x 5/8in	
18	0860038	2	Box, Switch	
19		Ref	Generator Assembly Options:	
19	2460050	1	Caterpillar Engine	
19	2460048	1	Deutz Engine	
19	70003631	1	Brushholder Assembly (Not Shown) (was p/n 7024484)	
19	7024485	1	Breaker, Circuit 30Amp (Not Shown)	
19	70001696	1	Boot, Breaker (was p/n 7024486 - Not Shown)	
19	7027799	1	Block, Connection - 6 Position (Not Shown)	
19	70002460	6	Nut, Brass (Attaches p/n 7027799 to Cover) (Not Shown)	
19	7026597	1	Connector, W/Lead (Not Shown)	
19	7026188	1	Connector, Clamp (Not Shown)	
19		Ref	Plate, End Panel Options:	
19	70004170	1	Caterpillar Engine	
19	70004169	1	Deutz Engine (was p/n 70002255)	
19		Ref	Stator Options (Not Shown):	
19	70001969	1	2460050 Generator	
19	70002088	1	2460048 Generator	
19	70001974	1	Decal - Terminal Connections (Not Shown)	
19	70000863	1	Fan (Not Shown)	
19	70002297	4	Stud (Not Shown)	
19A	70004171	1	Key (was p/n 7024561)	
19A	70001100	1	Armature, Generator (Includes p/n 70001384 & 70000863)	
19A	70001384	1	Bearing, Ball Radial	
19B	70001966	1	Bearing, Ball Radial (Located in Belt Tensioner Endbell)	
19B	70003708	1	Ring, Internal Retaining (Located in Belt Tensioner Endbell)	
19B	70003709	1	Ring, External Retaining (Located in Belt Tensioner Endbell)	
19C	70001973	1	Decal - Warning Moving Parts	
19D		Ref	Endbell, Brush Block Options (was p/n 70001385):	

SECTION 2 - TURNTABLE

ITEM	PART NUMBER	QTY	DESCRIPTION	REV
19D	70004170	1	Caterpillar Engine Machines	
19D	70004169	1	Deutz Engine Machines	
19E	70001953	1	Endbell, Belt Tensioner	
19F		Ref	Endbell, Shroud Options:	
19F	70004170	1	Caterpillar Engine (was p/ns 70001970 & 70001971)	
19F	70004169	1	Deutz Engine (was p/n 70002290)	
20	0641808	AR	Bolt 1/2in-13NC x 1in	
22	0902888	1	Bracket, Box Mounting	
23	4711800	AR	Flatwasher 1/2in Thin	
24	4711400	AR	Flatwasher 1/4in Thin	
25	0641404	AR	Bolt 1/4in-20NC x 1/2in	
26		Ref	Shield Options:	
26	Not Required	0	Caterpillar Engine	
26	4061049	1	Deutz Engine	
27	4751400	2	Flatwasher 1/4in Regular	
28	4240018	AR	Tie-Strap (Not Shown)	
29	4791400	2	Starwasher 1/4in	
30	0641403	1	Bolt 1/4in-20NC x 3/8in	
31	3740080	2	Relay	
32	0100019	AR	Compound, Locking	
33	4460051	1	Connector, Strain Relief	
34	4460071	1	Connector, Strain Relief	
35	3311405	4	Locknut 1/4in-20NC	
36		Ref	Bolt Options:	
36	0641405	4	Bolt 1/4in-20NC x 5/8in (SN 0300069000 through 0300084828)	
36	0641406	4	Bolt 1/4in-20NC x 3/4in (SN 0300084829 through 0300087000)	
37	0480129	1	Belt, Drive	
38		Ref	Bolt, Metric Options:	
38	0700815	4	Caterpillar Engine (Bolt M8 x 35mm)	
38	4032015	4	Deutz Engine (Capscrew M10 x 55mm)	
39	4300157	1	Stud	
40	3311801	1	Nut 1/2in-13NC	
41	0100062	1	Loctite (Not Shown)	
42	2820031	1	Insulator	
43	0861538	1	Control Box Assembly (was p/n 7024487):	
43	7024488	1	Card, Circuit - Generator Power	
43	See Note	1	Fuse (Note: Not Available - Purchase Locally)	
43	7024489	1	Card, Circuit - Control	
43	70000619	1	Harness, Circuit Card	
44	0962520	1	Bushing, Split Taper	
45	3580317	1	Tensioner, Belt	
46	3580318	1	Pulley	
47		Ref	Pulley Options:	
47	3580321	1	Caterpillar Engine	
47	3580320	1	Deutz Engine	
48	4711600	1	Flatwasher 3/8in Thin	
49	4922925	1	Harness, Generator	
50		Ref	Bolt 3/8in-16NC x 2-1/4in Options:	
50	3931632	1	Caterpillar Engine (Socket Head Capscrew) (SN 0300069000 through 0300093325)	

SECTION 2 - TURNTABLE

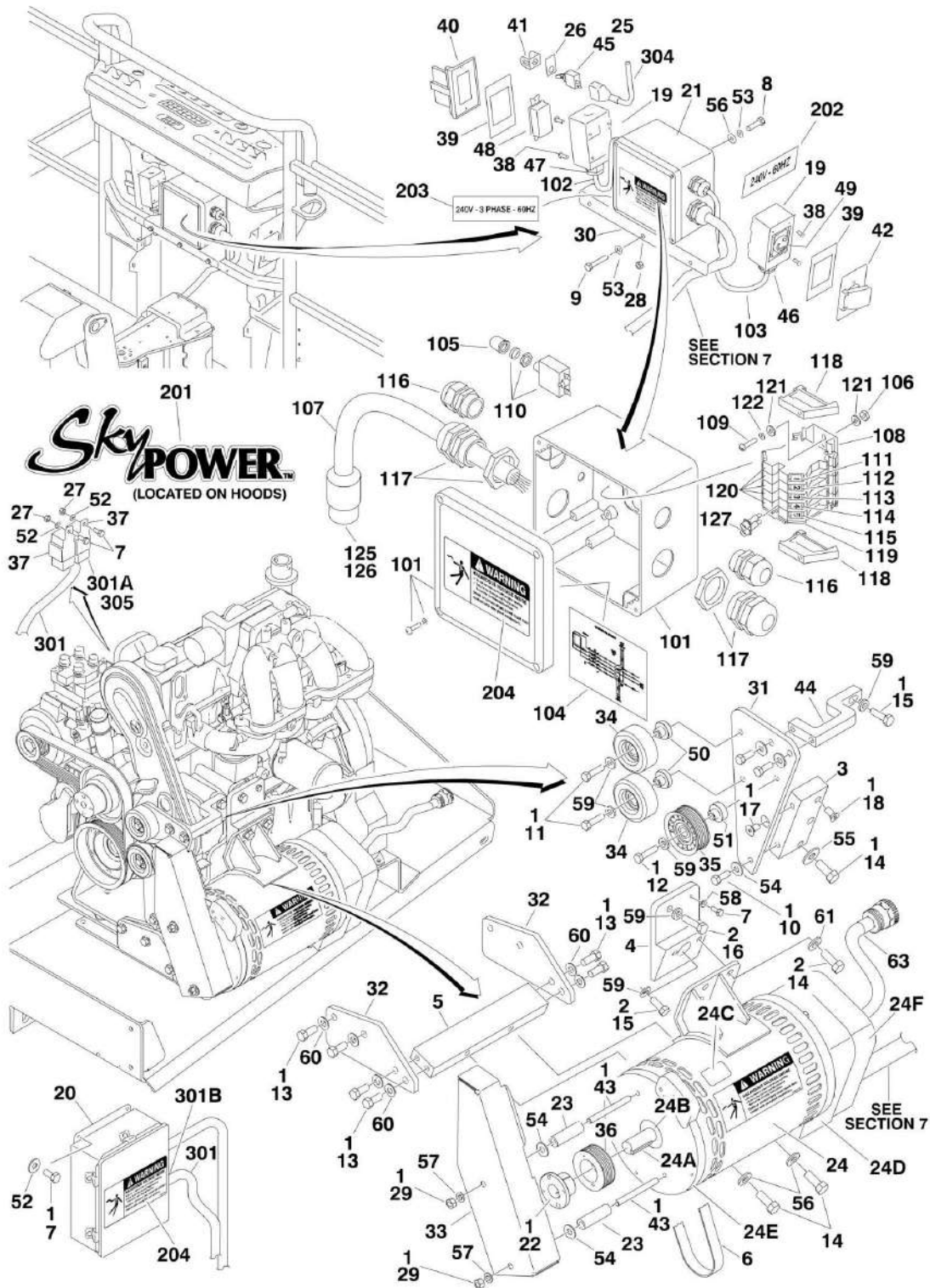
ITEM	PART NUMBER	QTY	DESCRIPTION	REV
50	0641618	1	Caterpillar Engine (Hex Head Bolt) (SN 0300093326 through 0300087000)	
50	0641618	1	Deutz Engine (Hex Head Bolt)	
51	4811900	4	Flatwasher M8 (Caterpillar Engine Only)	
52	2902300	1	Remote Oil Filter Kit (Not Shown - Caterpillar Engine Only) (SN 0300069000 through 0300078185)	
53	3300454	4	Nut Special 1/4in-20NC (Deutz Engine Only) (SN 0300084829 through 0300087000)	
54	3575863	1	Plate, EMR2 Mount (Deutz Engine Only) (SN 0300084829 through 0300087000)	
	0861542	Ref	JUNCTION BOX ASSEMBLY	C
101	0861541	1	Box, Junction	
102	1060494	2 ft/.6m	Cable, Electrical 12/3	
103	1060708	2.5 ft/.76m	Cable, Electrical 10/3	
104	1705376	1	Decal - Wiring Schematic	
105	3300396	1	Cover, Fuse	
106	3310601	2	Nut #6-32NC	
107	1060343	1.5 ft/.46m	Cable, Electrical 10/4	
108		Ref	Rail, Relay Options:	
108	3640986	1	Rail, Relay (SN 0300069000 through 0300072913)	
108	3641533	1	Rail, Relay (SN 0300072914 through 0300087000)	
109	3910610	2	Bolt #6-32NC x 5/8	
110	4360070	1	Circuit Breaker - 15 Amp	
111	4460411	2	Marker Strip #1	
112	4460412	4	Marker Strip #2	
113	4460413	2	Marker Strip #3	
114	4460414	2	Marker Strip #4	
115	4460415	4	Marker Strip #5	
116	4460425	2	Strain Relief, Terminal	
117	4460426	2	Connector, Strain Relief	
118	4460607	2	Terminal, End Stop	
119	4460956	1	Terminal, Block End	
120	4460957	7	Terminal, Block	
121	4750600	4	Flatwasher, #6 Regular	
122	4760600	2	Lockwasher #6 Regular	
125	1671092	1	Cover	
126	4460963	1	Connector	
127	4461001	2	Terminal, Cross Connector (SN 0300072914 through 0300087000)	
	0272435	Ref	DECAL INSTALLATION	A
201	1705460	2	Decal - SkyPower	
202	1705374	1	Decal - 240V - 60Hz	
203	1705375	1	Decal - 240V - 3 Phase	
204	1705387	3	Decal, Hazardous Voltage	
	4933264	Ref	ELECTRICAL DIAGRAM COMPONENTS	C
301	4922757	1	Generator Harness	3-C
301A	4460374	2	Plug, Sealed Relay	
301A	4460375	7	Terminal	
301B	4460967	1	Plug, Male - 3 Position	
301B	4460465	3	Socket, Female	
301C	2400060	1	Fuse Holder (Not Shown)	

SECTION 2 - TURNTABLE

ITEM	PART NUMBER	QTY	DESCRIPTION	REV
301C	2400064	1	Fuse - 5 Amp (Not Shown)	
304	4922641	1	Switch Harness	

SECTION 2 - TURNTABLE

FIGURE 2-28. 7500W SKYPOWER GENERATOR INSTALLATION - FORD ENGINES



SECTION 2 - TURNTABLE

FIGURE 2-28. 7500W SKYPOWER GENERATOR INSTALLATION - FORD ENGINES

ITEM	PART NUMBER	QTY	DESCRIPTION	REV
	0273109	Ref	7500W SKYPOWER GENERATOR INSTALLATION	E
		Ref	Note: See ELECTRICAL SECTION for Boom Cable Components.	
1	0100011	AR	Compound, Locking	
2	0100019	AR	Compound, Locking	
3	0363097	1	Bar, Pulley Mount	
4	0363201	1	Bar, Generator Mount (Top)	
5	0363202	1	Bar, Generator Mount (Bottom)	
6	0480130	1	Belt, Generator	
7	0641405	7	Bolt 1/4in-20NC x 5/8in	
8	0641505	4	Bolt 5/16in-18NC x 5/8in	
9	0641516	3	Bolt 5/16in-18NC x 2in	
10	0641608	3	Bolt 3/8in-16NC x 1in	
11	0641611	2	Bolt 3/8in-16NC x 1-3/8in	
12	0641612	1	Bolt 3/8in-16NC x 1-1/2in	
13	0641708	8	Bolt 7/16in-14NC x 1in	
14	0641810	5	Bolt 1/2in-13NC x 1-1/4in	
15	0701015	2	Bolt M10 x 35mm	
16	0701016	1	Bolt M10 x 40mm	
17	0741606	1	Screw, Flathead Countersunk 3/8in-16NC x 3/4in	
18	0741808	1	Screw, Flathead Countersunk 1/2in-13NC x 1in	
19	0860038	2	Box, Switch	
20	0861538	1	Control Box Assembly (was p/n 7024487):	
20	7024488	1	Card, Circuit - Generator Power	
20	See Note	1	Fuse (Note: Not Available - Purchase Locally)	
20	7024489	1	Card, Circuit - Control	
20	70000619	1	Harness, Circuit Card	
21	0861542	1	Junction Box Assembly (See Items 101-127 for Breakdown)	
22	0962520	1	Bushing, Split Taper	
23	0962521	2	Spacer, Tube	
24	2460048	1	Generator Assembly	
24	70003631	1	Brushholder Assembly (Not Shown) (was p/n 7024484)	
24	7024485	1	Breaker, Circuit 30Amp (Not Shown)	
24	70001696	1	Boot, Breaker (was p/n 7024486 - Not Shown)	
24	70001966	1	Bearing, Ball Radial (Located In Belt Tensioner Endbell - Not Shown)	
24	7027799	1	Block, Connector 6 Position (Not Shown)	
24	70002460	6	Nut, Brass (Attaches p/n 7027799 to Cover) (Not Shown)	
24	7026188	1	Clamp, Cable (Not Shown)	
24	7026597	1	Connector, W/Leads (Not Shown)	
24	70002088	1	Stator (Not Shown)	
24	70004169	1	Panel, End (Not Shown) (was p/n 70002255)	
24	70001974	1	Decal - Terminal Connections (Not Shown)	
24	70000863	1	Fan (Not Shown)	
24	70002297	4	Stud (Not Shown)	
24A	70004171	1	Key (was p/n 7024561)	
24A	70001100	1	Armature, Generator (Includes Radial Ball Bearing on End with Brushes and Fan)	
24A	70001384	1	Bearing, Ball Radial	
24B	70001966	1	Bearing, Radial Ball (Located in Belt Tensioner Endbell)	

SECTION 2 - TURNTABLE

ITEM	PART NUMBER	QTY	DESCRIPTION	REV
24B	70003708	1	Ring, Internal Retaining (Located in Belt Tensioner Endbell)	
24B	70003709	1	Ring, External Retaining (Located in Belt Tensioner Endbell)	
24C	70001973	1	Decal - Warning Moving Parts	
24D	70004169	1	Endbell, Brush Block (was p/n 70001385)	
24E	70001953	1	Endbell, Belt Tensioner	
24F	70004169	1	Endbell, Shroud Assembly (was p/n 70002290)	
25	2820031	1	Insulator	
26	3252764	1	Nameplate	
27	3311405	6	Locknut 1/4in-20NC	
28	3311505	3	Locknut 5/16in-18NC	
29	3311601	2	Nut 3/8in-16NC	
30	0902888	1	Bracket, Box Mounting	
31	3574225	1	Plate, Pulley Mounting	
32	3574229	2	Plate, Gusset Generator Mounting	
33	3574262	1	Plate, Shield	
34	3580312	2	Pulley, Idler	
35	3580313	1	Pulley, Idler Grooved	
36	3580314	1	Pulley, Drive Grooved	
37	3740080	2	Relay	
38	3910606	8	Screw #6-32NC x 3/8in	
39	3960422	2	Gasket	
40	4060700	1	Cover, Receptacle	
41	4060802	1	Guard, Switch	
42	4061043	1	Cover, Receptacle	
43	4300111	2	Stud, Chain Assembly	
44	4340738	1	Support, Idler Pulley Mount	
45	4360336	1	Switch, Toggle	
46	4460051	1	Connector, Strain Relief	
47	4460071	1	Connector, Strain Relief	
48	4460346	1	Receptacle	
49	4460958	1	Receptacle, Female Twist-Lock	
50	4568734	2	Tube, Spacer Pulley	
51	4568735	1	Tube, Spacer Pulley Grooved	
52	4711400	10	Flatwasher 1/4in Thin	
53	4711500	10	Flatwasher 5/16in Thin	
54	4711600	5	Flatwasher 3/8in Thin	
55	4711800	1	Flatwasher 1/2in Thin	
56	4761500	4	Lockwasher 5/16in	
57	4761600	2	Lockwasher 3/8in	
58	4791400	1	Starwasher 1/4in	
59	4891600	6	Flatwasher 3/8in Hardened	
60	4891700	8	Flatwasher 7/16in Hardened	
61	4891800	4	Flatwasher 1/2in Hardened	
63	4922905	1	Harness, Generator	
	0861542	Ref	JUNCTION BOX ASSEMBLY	C
101	0861541	1	Box, Junction	
102	1060494	2 ft/.6m	Cable, Electrical 12/3	
103	1060708	2.5 ft/.76m	Cable, Electrical 10/3	
104	1705376	1	Decal - Wiring Schematic	
105	3300396	1	Cover, Fuse	
106	3310601	2	Nut #6-32NC	

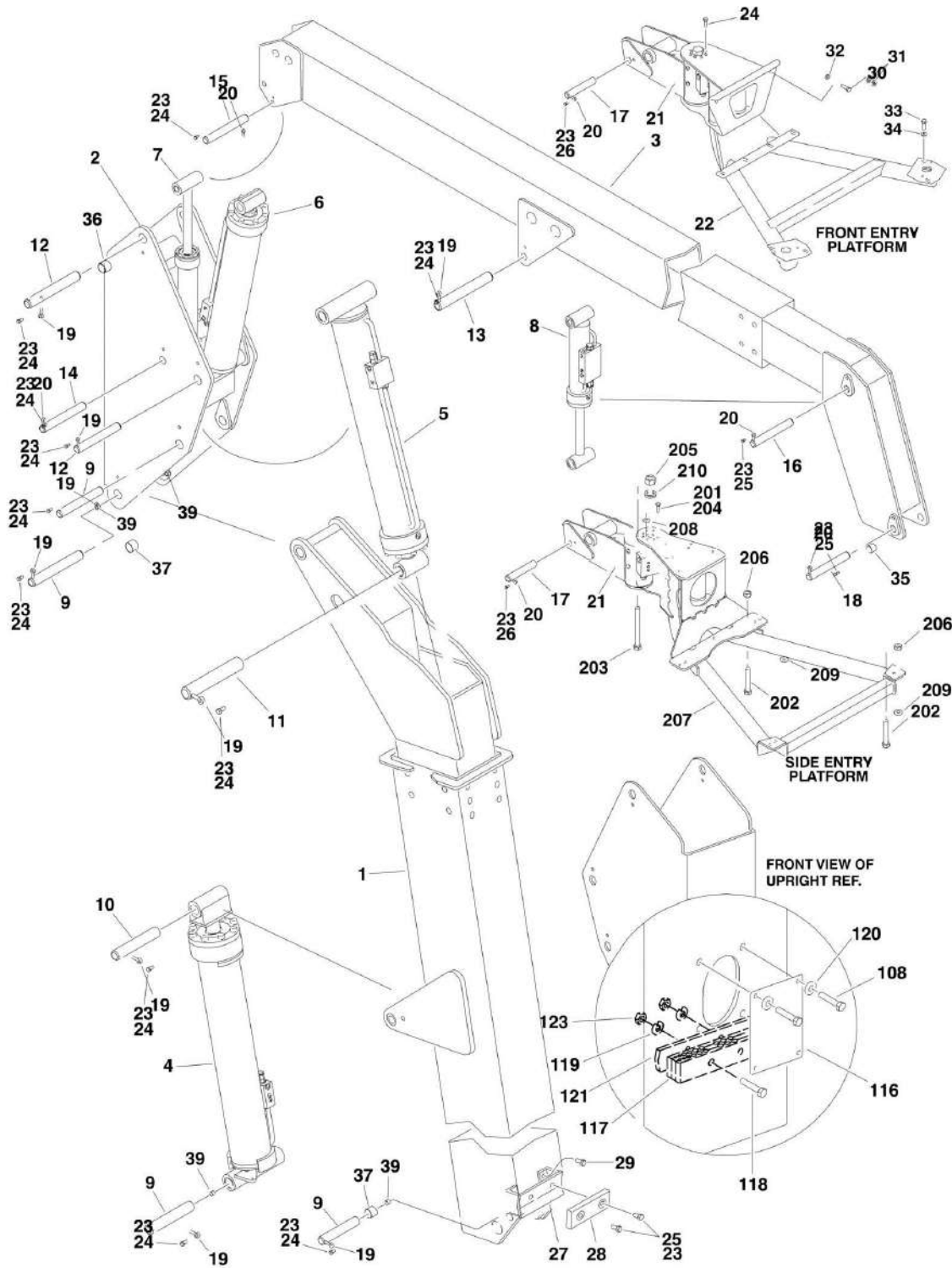
SECTION 2 - TURNTABLE

ITEM	PART NUMBER	QTY	DESCRIPTION	REV
107	1060343	1.5 ft/.46m	Cable, Electrical 10/4	
108		Ref	Rail, Relay Options:	
108	3640986	1	Rail, Relay (SN 0300069000 through 0300072913)	
108	3641533	1	Rail, Relay (SN 0300072914 through 0300087000)	
109	3910610	2	Bolt #6-32NC x 5/8	
110	4360070	1	Circuit Breaker - 15 Amp	
111	4460411	2	Marker Strip #1	
112	4460412	4	Marker Strip #2	
113	4460413	2	Marker Strip #3	
114	4460414	2	Marker Strip #4	
115	4460415	4	Marker Strip #5	
116	4460425	2	Strain Relief, Terminal	
117	4460426	2	Connector, Strain Relief	
118	4460607	2	Terminal, End Stop	
119	4460956	1	Terminal, Block End	
120	4460957	7	Terminal, Block	
121	4750600	4	Flatwasher, #6 Regular	
122	4760600	2	Lockwasher #6	
125	1671092	1	Cover	
126	4460963	1	Connector	
127	4461001	2	Terminal, Cross Connector (SN 0300072914 through 0300087000)	
	0272435	Ref	DECAL INSTALLATION	A
201	1705460	2	Decal - SkyPower	
202	1705374	1	Decal - 240V - 60Hz	
203	1705375	1	Decal - 240V - 3 Phase	
204	1705387	3	Decal, Hazardous Voltage	
	4933283	Ref	ELECTRICAL DIAGRAM COMPONENTS	2-B
301	4922905	1	Generator Harness	2-B
301A	4460374	2	Plug, Sealed Relay	
301A	4460375	7	Terminal	
301B	4460967	1	Plug, Male - 3 Position	
301B	4460465	3	Socket, Female	
301C	2400060	2	Fuseholder (Not Shown)	
301C	2400064	2	Fuse - 5 Amp (Not Shown)	
304	4922641	1	Switch Harness	
305	4460375	1	Terminal	

SECTION 3 - BOOM

SECTION 3 - BOOM

FIGURE 3-1. BOOMS AND CYLINDERS INSTALLATION - 600A



SECTION 3 - BOOM

FIGURE 3-1. BOOMS AND CYLINDERS INSTALLATION - 600A

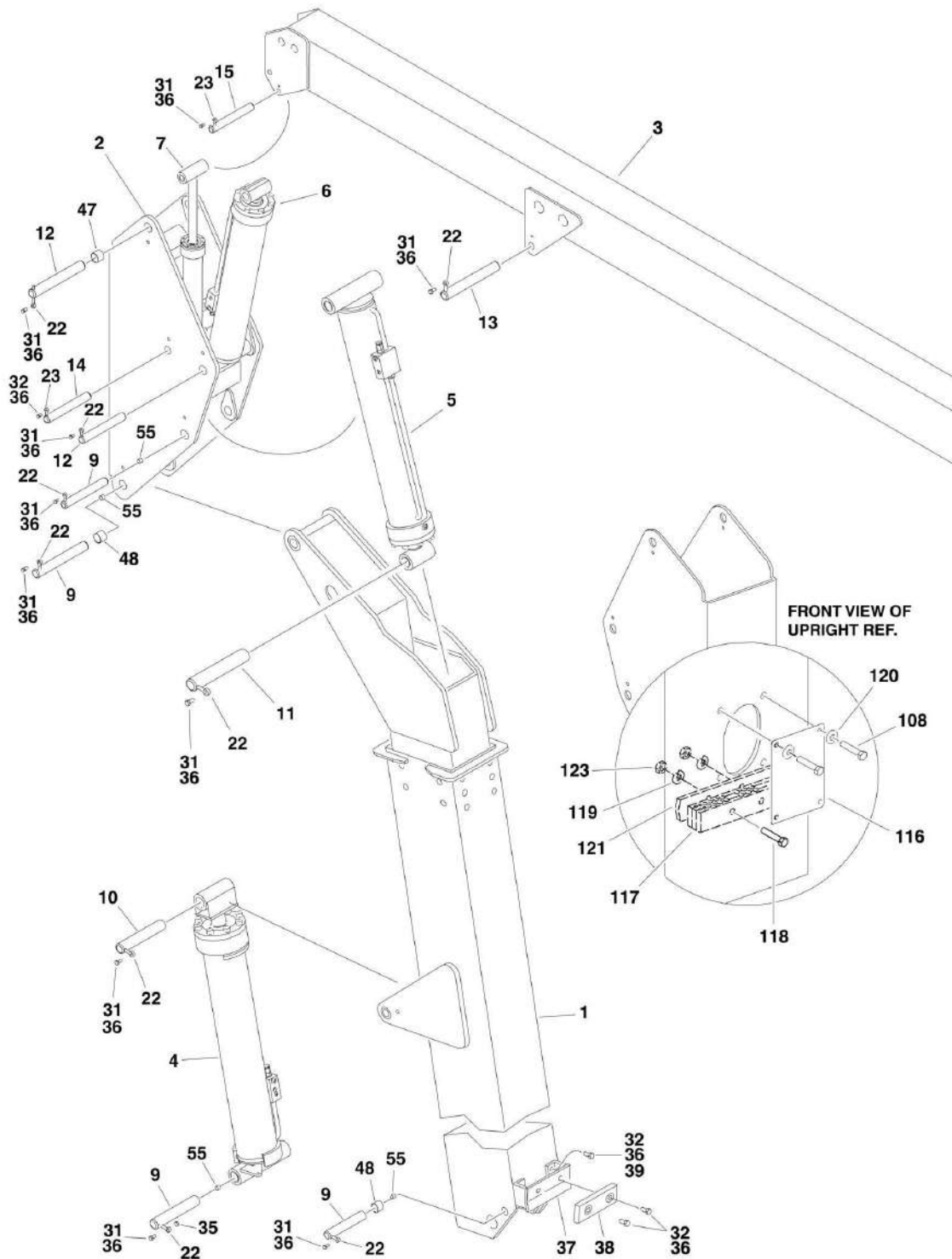
ITEM	PART NUMBER	QTY	DESCRIPTION	REV
		Ref	BOOMS AND CYLINDERS INSTALLATION - 600A	
	0256321	Ref	Machines with Front Entry Platform	5
	0272326	Ref	Machines with Side Entry Platform	1
1	0801019	1	Tower Boom Assembly - Tower (See TOWER BOOM ASSEMBLIES for Breakdown)	
2	4846005	1	Upright Weldment	
3	0801022	1	Main Boom Assembly (See MAIN BOOM ASSEMBLIES for Breakdown)	
4	1683288	1	Tower Lift Cylinder Assembly (See CYLINDER SECTION for Breakdown)	
5	1683299	NLA	Upright Level Cylinder Assembly (See CYLINDER SECTION for Breakdown) (Use p/n 1684498)	
6	1683294	1	Main Lift Cylinder Assembly (See CYLINDER SECTION for Breakdown)	
7	1683266	1	Master Cylinder Assembly (See CYLINDER SECTION for Breakdown)	
8	1683415	1	Platform Level Cylinder Assembly (See CYLINDER SECTION for Breakdown)	
9	3422571	4	Pin	
10	3422573	1	Pin	
11	3422575	1	Pin	
12	3422572	2	Pin	
13	3422576	1	Pin	
14	3422565	1	Pin	
15	3422577	1	Pin	
16	3422578	1	Pin	
17	3422580	1	Pin	
18	3422582	1	Pin	
19	3841203	9	Keeper, Pin - 1/2in	
20	3841143	5	Keeper, Pin - 3/8in	
21		Ref	Rotator Assembly Options:	
21	0060076	1	Front Entry Platform (p/n was 0060035) (See ROTATOR ASSEMBLIES (FRONT ENTRY PLATFORM) for Breakdown)	
21	0060068	1	Side Entry Platform (See ROTATOR ASSEMBLIES (SIDE ENTRY PLATFORM) for Breakdown)	
22		Ref	Platform Support Weldment Options:	
22	4844790	1	Front Entry Platform Machines	
22	See Note	1	Side Entry Platform Machines (Note: See Items 201 to 210)	
23	0100011	AR	Compound, Locking	
24	0641810	AR	Bolt 1/2in-13NC x 1-1/4in	
25	0741607	AR	Screw, Countersunk 3/8in-16NC x 7/8in	
26	3900166	1	Screw, Socket Head Countersunk - 3/8in-16NC x 7/8in	
27	4845127	1	Boom Rest Weldment (Front Entry Platform Machines)	
28	0561076	1	Block, Boom Rest	
29	0641605	4	Bolt 3/8in-16NC x 5/8in	
30	0641820	4	Bolt 1/2in-13NC x 2-1/2in (Front Entry Platform Machines)	
31	4711800	8	Flatwasher 1/2in Thin (Front Entry Platform Machines)	
32	3311805	4	Locknut 1/2in-13NC (Front Entry Platform Machines)	
33	0681610	4	Bolt 3/8in-16NC x 1-1/4in (Grade 8) (Front Entry Platform Mach)	
34	4711600	4	Flatwasher 3/8in Thin (Front Entry Platform Machines)	
35	0961951	2	Bushing	
36	0961948	2	Bushing	

SECTION 3 - BOOM

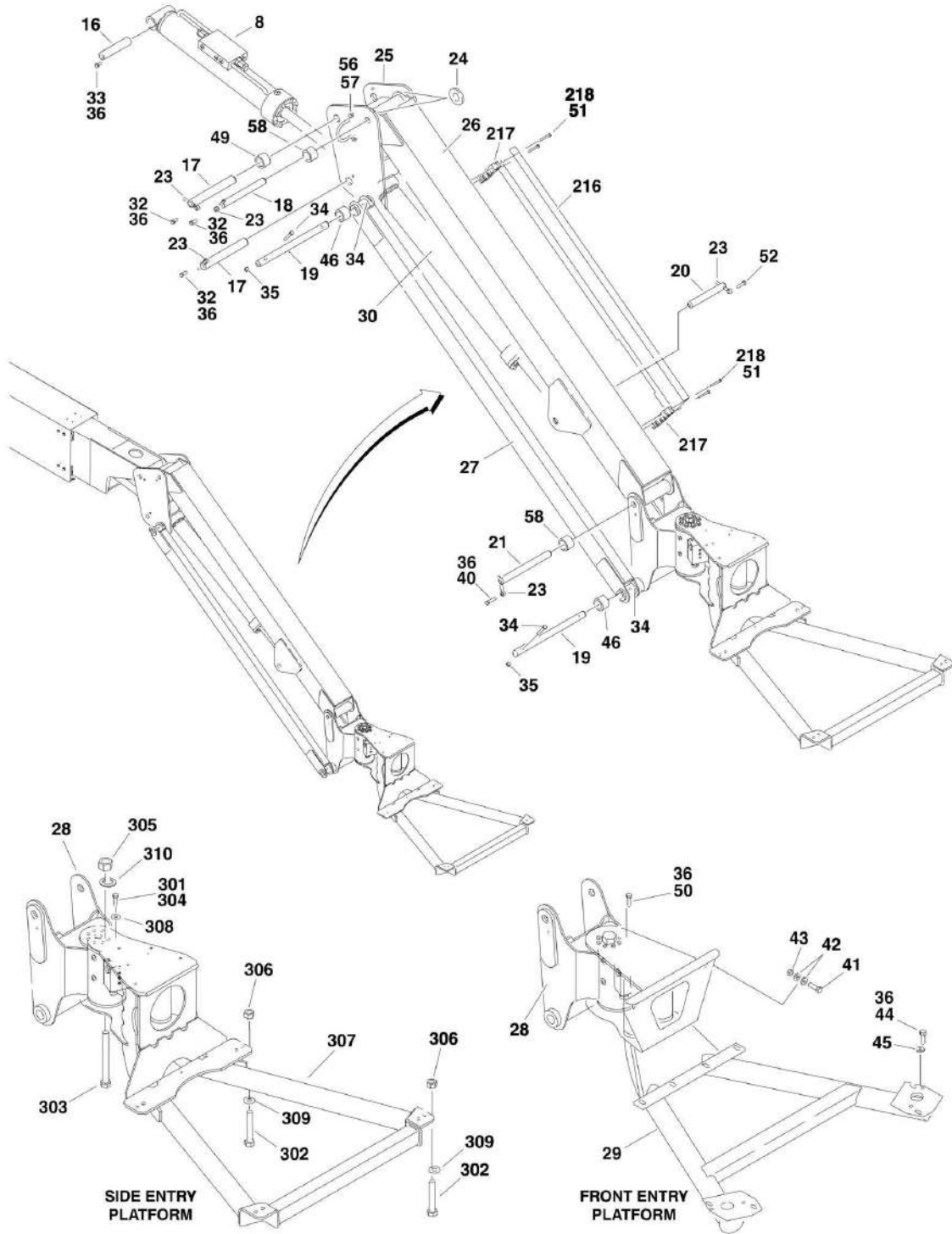
ITEM	PART NUMBER	QTY	DESCRIPTION	REV
37	0961949	4	Bushing	
39	3900239	4	Setscrew	
	0255423	Ref	POWER TRACK INSTALLATION	12/K
108	0641403	4	Bolt 1/4in-20NC x 3/8in	
116	3539779	1	Plate, Cover	
117	1320243	1	Clamp, Block	
118	0641532	2	Bolt 5/16in-18NC x 4in	
119	4751600	2	Flatwasher 3/8in Regular (SN 0300069000 through 0300084624)	
120	4751400	4	Flatwasher 1/4in Regular	
121	3570374	1	Plate	
123	3311505	2	Nut 5/16in-18NC	
125	4751500	2	Flatwasher 5/16in Regular (SN 0300084624 through 0300087000)	
	0272070	Ref	PLATFORM SUPPORT INSTALLATIONS (SIDE ENTRY PLATFORM MACHINES)	C
201	0100011	AR	Compound, Locking	
202	0641812	8	Bolt 1/2in-13NC x 1-1/2in	
203	0642684	1	Bolt 1in-8NC x 10-1/2in	
204	0681608	8	Bolt 3/8in-16NC x 1in	
205	3272605	1	Locknut 1in-8NC	
206	3311805	8	Locknut 1/2in-13NC	
207	4846573	1	Support Weldment	
208	4891600	8	Flatwasher 3/8in Hardened	
209	4891800	8	Flatwasher 1/2in Hardened	
210	4892600	1	Flatwasher 1in Hardened	

SECTION 3 - BOOM

FIGURE 3-2. BOOMS AND CYLINDERS INSTALLATION - 600AJ



SECTION 3 - BOOM



SECTION 3 - BOOM

FIGURE 3-2. BOOMS AND CYLINDERS INSTALLATION - 600AJ

ITEM	PART NUMBER	QTY	DESCRIPTION	REV
		Ref	BOOMS AND CYLINDERS INSTALLATION - 600AJ	
	0271338	Ref	Front Entry Platform Machines	6
	0272135	Ref	Side Entry Platform Machines	3
1	0801019	1	Tower Boom Assembly - Tower (See TOWER BOOM ASSEMBLIES for Breakdown)	
2	4846006	1	Upright Weldment	
3	0801025	1	Main Boom Assembly (See MAIN BOOM ASSEMBLIES for Breakdown)	
4	1683288	1	Tower Lift Cylinder Assembly (See CYLINDER SECTION for Breakdown)	
5	1683299	NLA	Upright Level Cylinder Assembly (See CYLINDER SECTION for Breakdown) (Use p/n 1684498)	
6	1683294	1	Main Lift Cylinder Assembly (See CYLINDER SECTION for Breakdown)	
7	1683263	1	Master Cylinder Assembly (See CYLINDER SECTION for Breakdown)	
8	1683418	1	Platform Level Cylinder Assembly (See CYLINDER SECTION for Breakdown)	
9	3422571	4	Pin	
10	3422573	1	Pin	
11	3422575	1	Pin	
12	3422572	2	Pin	
13	3422576	1	Pin	
14	3422566	1	Pin	
15	3422579	1	Pin	
16	3422583	1	Pin	
17	3422561	2	Pin	
18	3422860	1	Pin	
19	3422861	2	Pin	
20	3422867	1	Pin	
21	3422563	1	Pin (Front Entry Platform)	
21	3422860	1	Pin (Side Entry Platform)	
22	3841203	9	Keeper, Pin - 1/2in	
23	3841143	7	Keeper, Pin - 3/8in	
24	4740439	2	Thrustwasher	
25	4844815	1	Pivot Weldment	
26	4844816	1	Tube Weldment - Top	
27	4844817	2	Tube Weldment - Bottom	
28		Ref	Rotator Assembly Options:	
28	0060074	1	Front Entry Platform (p/n was 0060031) (See ROTATOR ASSEMBLIES (FRONT ENTRY PLATFORM) for Breakdown)	
28	0060066	1	Side Entry Platform (See ROTATOR ASSEMBLIES (SIDE ENTRY PLATFORM) for Breakdown)	
29		Ref	Support Weldment Options:	
29	4844790	1	Front Entry Platform	
29	See Note	1	Side Entry Platform (Note: See Items 301 to 310)	
30		Ref	Extend-A-Reach Lift Cylinder Assembly Options (See CYLINDER SECTION for Breakdown):	
30	1683258	1	Extend-A-Reach Lift Cylinder Assembly (SN 0300069000 through 0300070976)	
30	1683609	1	Extend-A-Reach Lift Cylinder Assembly (SN 0300070977 through 0300087000)	

SECTION 3 - BOOM

ITEM	PART NUMBER	QTY	DESCRIPTION	REV
31	0641810	9	Bolt 1/2in-13NC x 1-1/4in	
32	0641607	AR	Bolt 3/8in-16NC x 7/8in	
33	0741607	1	Screw, Countersunk 3/8in-16NC x 7/8in	
34	0641618	4	Bolt 3/8in-16NC x 2-1/4in	
35	3311605	5	Locknut 3/8in-16NC	
36	0100011	AR	Compound, Locking	
37	4845127	1	Boom Rest Weldment (Front Entry Platform) (SN 0300069000 through 0300070977)	
38	0561076	1	Block, Boom Rest	
39	0641605	4	Bolt 3/8in-16NC x 5/8in	
40	0461614	1	Bolt 3/8in-16NC x 1-3/4in	
41	0641820	4	Bolt 1/2in-13NC x 2-1/2in (Front Entry Platform)	
42	4711800	8	Flatwasher 1/2in Thin (Front Entry Platform)	
43	3311805	4	Locknut 1/2in-13NC (Front Entry Platform)	
44	0681610	4	Bolt 3/8in-16NC x 1-1/4in (Grade 8) (Front Entry Platform)	
45	4711600	4	Flatwasher 3/8in Thin (Front Entry Platform)	
46	0961947	6	Bushing	
47	0961948	2	Bushing	
48	0961949	4	Bushing	
49	0961951	2	Bushing	
50	0641810	6	Bolt 1/2in-13NC x 1in (Front Entry Platform)	
51	2080044	4	Rivnut	
52	0641611	1	Bolt 3/8in-16NC x 1-3/8in	
55	3900239	4	Setscrew	
56	3841340	1	Loop, Hose	
57	0641606	2	Bolt 3/8in-16NC x 3/4in	
58	0962335	4	Bushing	
	0255423	Ref	POWER TRACK INSTALLATION	12-K
108	0641403	4	Bolt 1/4in-20NC x 3/8in	
116	3539779	1	Plate, Cover	
117	1320243	1	Clamp, Block	
118	0641532	2	Bolt 5/16in-18NC x 4in	
119	4751600	2	Flatwasher 3/8in Regular (SN 0300069000 through 0300084623)	
120	4751400	4	Flatwasher 1/4in Regular	
121	3570374	1	Plate	
123	3311505	2	Nut 5/16in-18NC	
125	4751500	2	Flatwasher 5/16 Regular (SN 0300084624 through 0300087000)	
	0270821	Ref	CABLE INSTALLATION	7-F
216	1670769	1	Cover	
217	0561237	2	Clamp, Block	
218	0641416	4	Bolt 1/4in-20NC x 2in	
	0272070	Ref	PLATFORM SUPPORT INSTALLATIONS (SIDE ENTRY PLATFORM)	C
301	0100011	AR	Compound, Locking	
302	0641812	8	Bolt 1/2in-13NC x 1-1/2in	
303	0642684	1	Bolt 1in-8NC x 10-1/2in	
304	0681608	8	Bolt 3/8in-16NC x 1in	
305	3272605	1	Locknut 1in-8NC	
306	3311805	8	Locknut 1/2in-13NC	
307	4846573	1	Support Weldment	
308	4891600	8	Flatwasher 3/8in Hardened	
309	4891800	8	Flatwasher 1/2in Hardened	

SECTION 3 - BOOM

ITEM	PART NUMBER	QTY	DESCRIPTION	REV
310	4892600	1	Flatwasher 1in Hardened	

SECTION 3 - BOOM

FIGURE 3-3. TOWER BOOM ASSEMBLIES

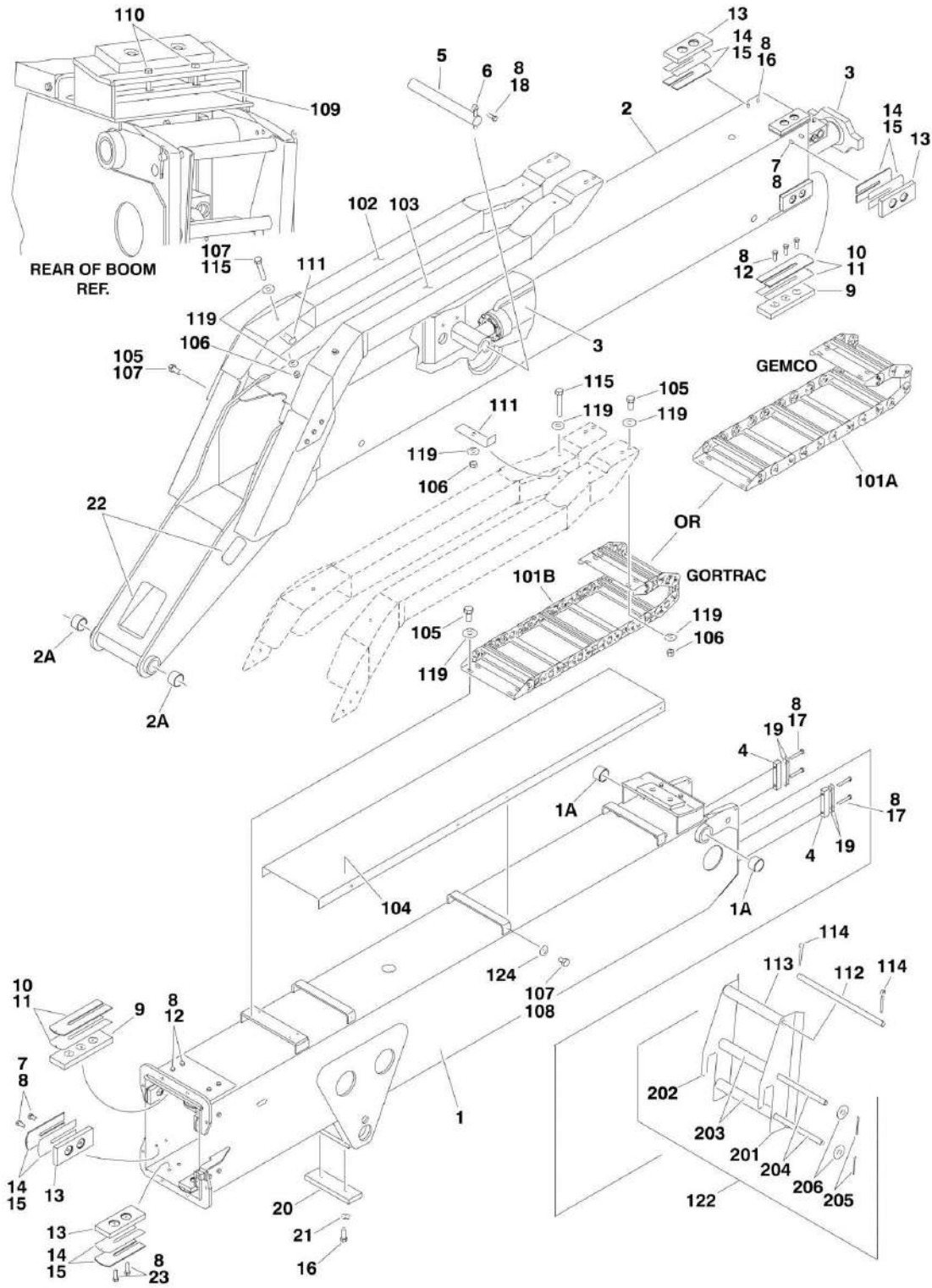


FIGURE 3-3. TOWER BOOM ASSEMBLIES

ITEM	PART NUMBER	QTY	DESCRIPTION	REV
	0801019	Ref	TOWER BOOM ASSEMBLY	8-I
1	0801085	1	Base Weldment	
1A	0961949	2	Bushing	
2	0801021	1	Fly Weldment	
2A	0961949	2	Bushing	
3	1683312	1	Cylinder Assembly - Tower Telescope (See CYLINDER SECTION for Breakdown)	
4	0561185	2	Block, Attach	
5	3422575	1	Pin	
6	3841203	1	Keeper, Pin	
7	0641606	26	Bolt 3/8in-16NC x 3/4in	
8	0100011	AR	Compound, Locking	
9	3340871	4	Pad, Wear	
10	4070863	AR	Shim .12	
11	4070864	AR	Shim .05	
12	0641612	12	Bolt 3/8in-16NC x 1-1/2in	
13	3340881	12	Pad, Wear	
14	4070897	AR	Shim .05	
15	4070898	AR	Shim .12	
16	0641608	6	Bolt 3/8in-16NC x 1in	
17	0641618	4	Bolt 3/8in-16NC x 2-1/4in	
18	0641809	1	Bolt 3/8in-16NC x 1-1/8in	
19	4070929	AR	Shim	
20	0561248	1	Block, Boom Rest	
21	4711600	2	Flatwasher 3/8in Thin	
22	4060808	54	Flex-Trim	
		in/137cm		
23	0641610	4	Bolt 3/8in-16NC x 1-1/4in	
	0255423	Ref	POWER TRACK INSTALLATION	12-K
101		Ref	Power Track Assembly Options:	
		Ref	Note: Various Power Tracks use on this model. Identify brand before ordering parts.	
101A	1180339	NLA	Gemco Brand Power Track (Use p/n 1001199835)	
101A		Ref	Replacement Parts:	
101A	7016502	AR	Repair Section (Includes 10 Link Pin, 4 Radius Links, 4 Carrier Links, 1 Carrier Weldment, 10 Slugs and 20 Bearing Plates)	
101A	7016510	2 Pair	Feet, Mounting	
101A	7006152	AR	Pin Kit (Includes 1 pin, 1 Retaining Ring and 4 Washers)	
101B	1001099835	1	Gortrac Brand Power Track	
101B		Ref	Replacement Parts:	
101B	70002001	AR	Repair Section	
101B	70002002	1	Mounting Bracket Kit	
102	4844984	NLA	Tube Weldment (Right Side) (Use p/n 1001151542)	
103	4844983	NLA	Tube Weldment (Left Side) (Use p/n 1001151586)	
104	3539228	1	Plate, Cover	
105	0641606	14	Bolt 3/8in-16NC x 3/4in	
106	3311605	6	Locknut 3/8in-16NC	
107	0100011	AR	Compound, Locking	
108	0641403	10	Bolt 1/4in-20NC x 3/8in	
109	3539236	1	Plate, Hose Clamp	

SECTION 3 - BOOM

ITEM	PART NUMBER	QTY	DESCRIPTION	REV
110	0641516	2	Bolt 5/16in-18NC x 2in	1-A
111	3570375	2	Plate	
112	3841295	1	Rod	
113	4567241	1	Tube	
114	3450606	2	Pin, Cotter	
115	0641628	2	Bolt 3/8in-16NC x 3-1/2in	
119	4751600	14	Flatwasher 3/8in Regular (SN 0300084624 through 0300087000)	
122	0257573	1	Roller Hanger Assembly (Includes Items 201-205)	
124	4711400	6	Flatwasher 1/4in Regular (SN 0300082634 through 0300087000)	
	0257573	Ref	ROLLER HANGER ASSEMBLY	
201	3570277	1	Plate (Left Side)	
202	3570270	1	Plate (Right Side)	
203	4567241	2	Roller, Tube	
204	3841347	2	Rod	
205	3450306	4	Pin, Cotter	
206	4751800	4	Flatwasher 1/2in Regular	

SECTION 3 - BOOM

FIGURE 3-4. MAIN BOOM ASSEMBLIES

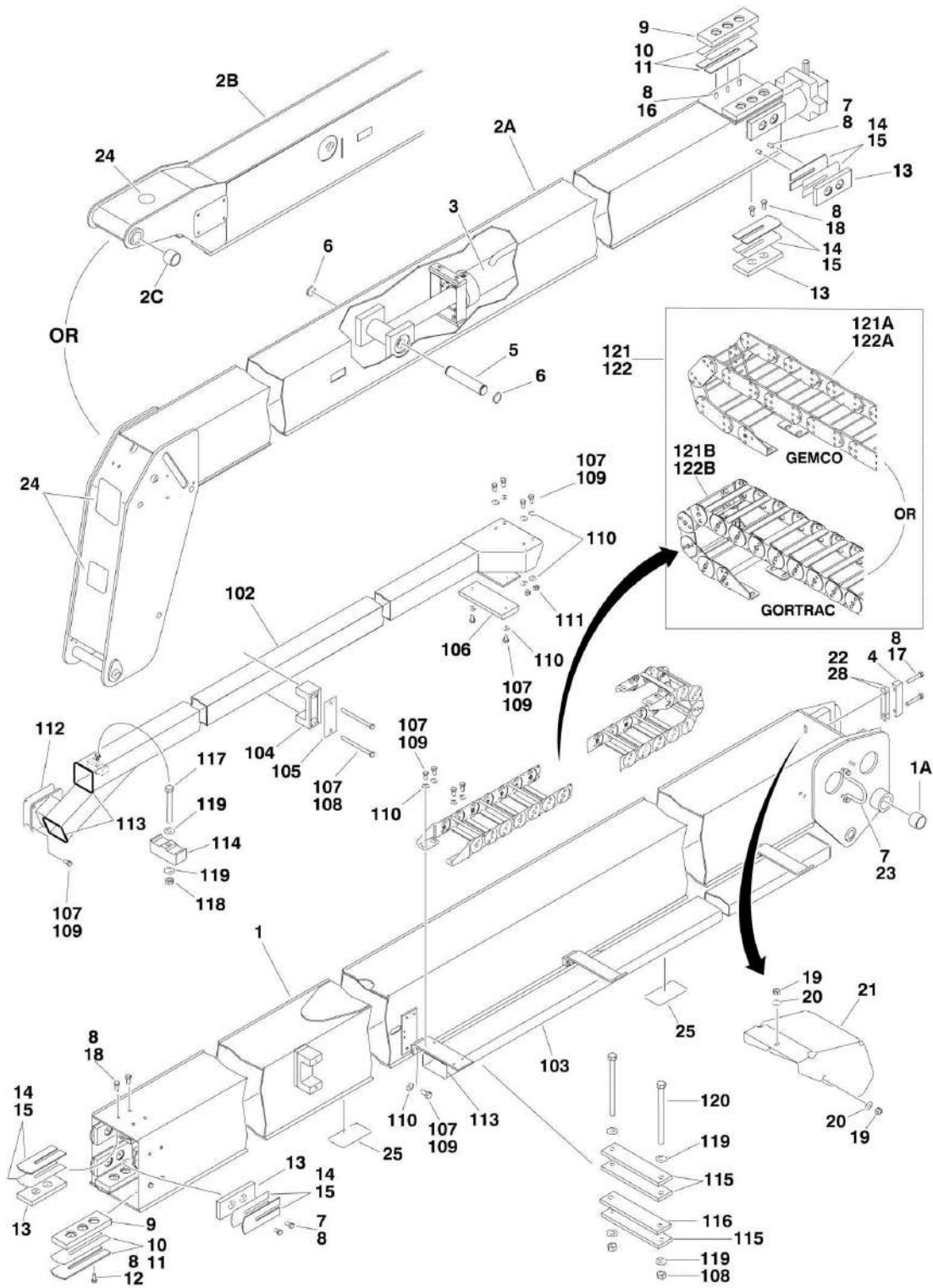


FIGURE 3-4. MAIN BOOM ASSEMBLIES

ITEM	PART NUMBER	QTY	DESCRIPTION	REV
	0801022	Ref	BOOM ASSEMBLY - 600A	13-G
	0801025	Ref	BOOM ASSEMBLY - 600AJ	8-E
1		Ref	Base Weldment Options:	
1	0801023	1	Base Weldment 600A	
1	0801026	1	Base Weldment 600AJ	
1A	0961948	2	Bushing (Note: Must be Purchased Separately)	
2		Ref	Fly Weldment Options:	
2A	0801228	1	Fly Weldment 600A	
2B	0801027	1	Fly Weldment 600AJ	
2C		Ref	Bushing Options (Note: Must be Purchased Separately):	
2C	Not Required	0	Bushing 600A	
2C	0961951	2	Bushing 600AJ	
3		Ref	Telescope Cylinder Assembly Options: (See CYLINDER SECTION for Breakdown)	
3	1683307	1	Telescope Cylinder Assembly 600A	
3	1683317	1	Telescope Cylinder Assembly 600AJ	
4	0561185	2	Block	
5	3422457	1	Pin	
6	3760133	2	Ring, Retaining	
7	0641606	18	Bolt 3/8in-16NC 3/4in	
8	0100011	AR	Compound, Locking	
9	3340871	4	Pad, Wear	
10	4070863	AR	Shim .12	
11	4070864	AR	Shim .05	
12	0641610	6	Bolt 3/8in-16NC x 1-1/4in	
13	3340881	12	Pad, Wear	
14	4070897	AR	Shim .05	
15	4070898	AR	Shim .12	
16	0641608	6	Bolt 3/8in-16NC x 1in	
17	0641618	4	Bolt 3/8in-16NC x 2-1/4in	
18	0641607	8	Bolt 3/8in-16NC x 7/8in	
19	3311401	3	Nut 1/4in-20NC	
20	4751400	3	Flatwasher 1/4in Regular	
21	1670768	1	Cover, Boom	
22	4070929	AR	Shim	
23	3841340	1	Clamp, Hose	
24	4060805	AR	Flex-Trim	
25	1670836	6	Cover, Boom	
26		Ref	Tape, Two Sided Foam Options:	
26	4420060	10 ft/3m	Tape, Two Sided Foam 600A	
26	Not Required	0	Tape, Two Sided Foam 600AJ	
27		Ref	Bar, Fiberglass Options:	
27	0362529	1	Bar, Fiberglass 600A	
27	Not Required	0	Bar, Fiberglass 600AJ	
28	4071007	AR	Shim	
	0255281	Ref	POWER TRACK INSTALLATION - 600A	7-F
	0255288	Ref	POWER TRACK INSTALLATION - 600AJ	6-E
102		Ref	Tube Weldment Options:	
102	4844969	1	Tube Weldment 600A	
102	4844978	1	Tube Weldment 600AJ	

SECTION 3 - BOOM

ITEM	PART NUMBER	QTY	DESCRIPTION	REV
103		Ref	Support, Power Track Options:	
103	4844972	1	Support, Power Track 600A	
103	4844979	1	Support, Power Track 600AJ	
104	3340764	2	Pad, Wear	
105	3538758	1	Plate, Cover Support	
106	Not Required	0	Pad Options:	
106	3340787	1	Pad 600A	
106	3340765	1	Pad 600AJ	
107	0100011	AR	Compound, Locking	
108	0641640	2	Bolt 3/8in-16NC x 5in	
109	0641606	22	Bolt 3/8in-16NC x 3/4in	
110	4711600	18	Flatwasher 3/8in Thin	
111	3311605	4	Locknut 3/8in-16NC	
112	4070932	AR	Shim	
113	4060804	AR	Flex-Trim	
114	1320314	1	Clamp, Hose/Cable (SN 0300070977 through 0300087000)	
115		Ref	Plate Options: (SN 0300070977 through 0300087000)	
115	3574171	3	600A	
115	3574185	3	600AJ	
116		Ref	Shim Options: (SN 0300070977 through 0300087000)	
116	4071061	3	600A	
116	4071062	3	600AJ	
117	0641522	1	Bolt 5/16in-18NC x 2-3/4in (SN 0300070977 through 0300087000)	
118	3311505	3	Locknut 5/16in-18NC (SN 0300070977 through 0300087000)	
119	4711500	6	Flatwasher 5/16in Thin	
120	0641536	2	Bolt 5/16in-18NC x 4-1/2in (SN 0300070977 through 0300087000)	
121		Ref	600A Power Track Assembly Options:	
		Ref	Note: Various Power Tracks use on this model. Identify brand before ordering parts.	
121A	1180336	NLA	Gemco Brand Power Track (Use p/n 1001107153) (600A)	
121A	7006140	AR	Repair Section (Includes 10 Link Pin, 4 Radius Links, 8 Carrier Links, 4 Rod Carrier, 8 Screws, 10 Slugs and 20 Bearing Plates) (600A)	
121A	7006151	2 Pair	Feet, Mounting (600A)	
121A	7006161	AR	Rod (600A)	
121A	7006152	AR	Pin Kit (Includes 1 pin, 1 Retaining Ring and 4 Washers) (600A)	
121B	1001107153	1	Gortrac Brand Power Track (600A)	
121B	70002011	AR	Repair Section (600A)	
121B	70002012	1	Mounting Bracket Kit (600A)	
122		Ref	600AJ Power Track Assembly Options:	
		Ref	Note: Various Power Tracks use on this model. Identify brand before ordering parts.	
122	1180338	NLA	Gemco Brand Power Track (Use p/n 1001199836) (600AJ)	
122A	7016519	AR	Repair Section (Includes 10 Link Pin, 4 Radius Links, 8 Carrier Links, 4 Rod Carrier, 8 Screws, 10 Slugs and 20 Bearing Plates) (600AJ)	
122A	7006151	2 Pair	Feet, Mounting (600AJ)	
122A	7016521	AR	Rod (600AJ)	
122A	7006158	AR	Screw (600AJ)	
122A	7006152	AR	Pin Kit (Includes 1 pin, 1 Retaining Ring and 4 Washers) (600AJ)	

SECTION 3 - BOOM

ITEM	PART NUMBER	QTY	DESCRIPTION	REV
122B	1001099836		Gortrac Brand Power Track (600AJ)	
122B	70001999	AR	Repair Section (600AJ)	
122B	70002000	1	Mounting Bracket Kit (600AJ)	

SECTION 3 - BOOM

FIGURE 3-5. ROTATOR ASSEMBLIES (FRONT ENTRY PLATFORM)

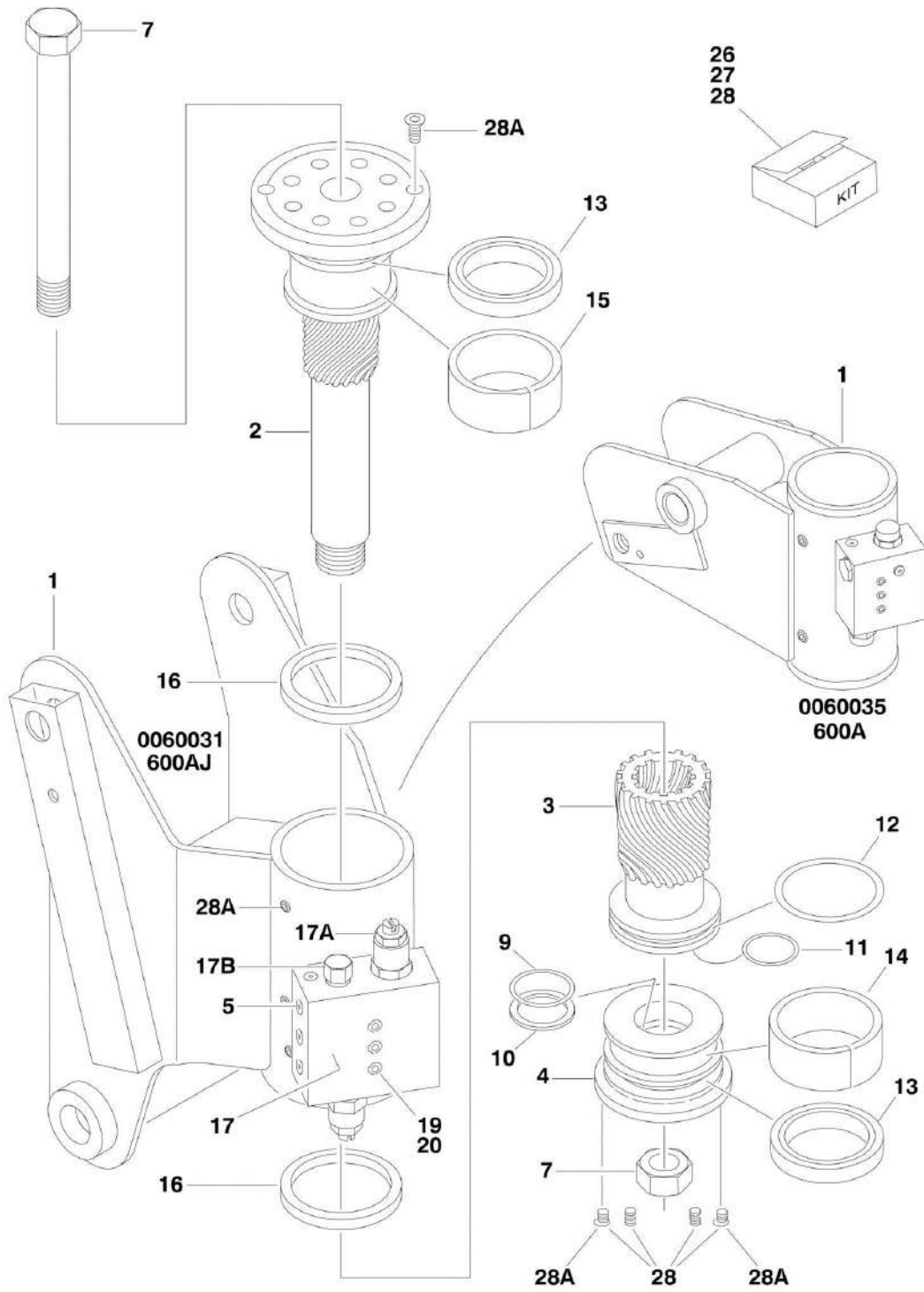


FIGURE 3-5. ROTATOR ASSEMBLIES (FRONT ENTRY PLATFORM)

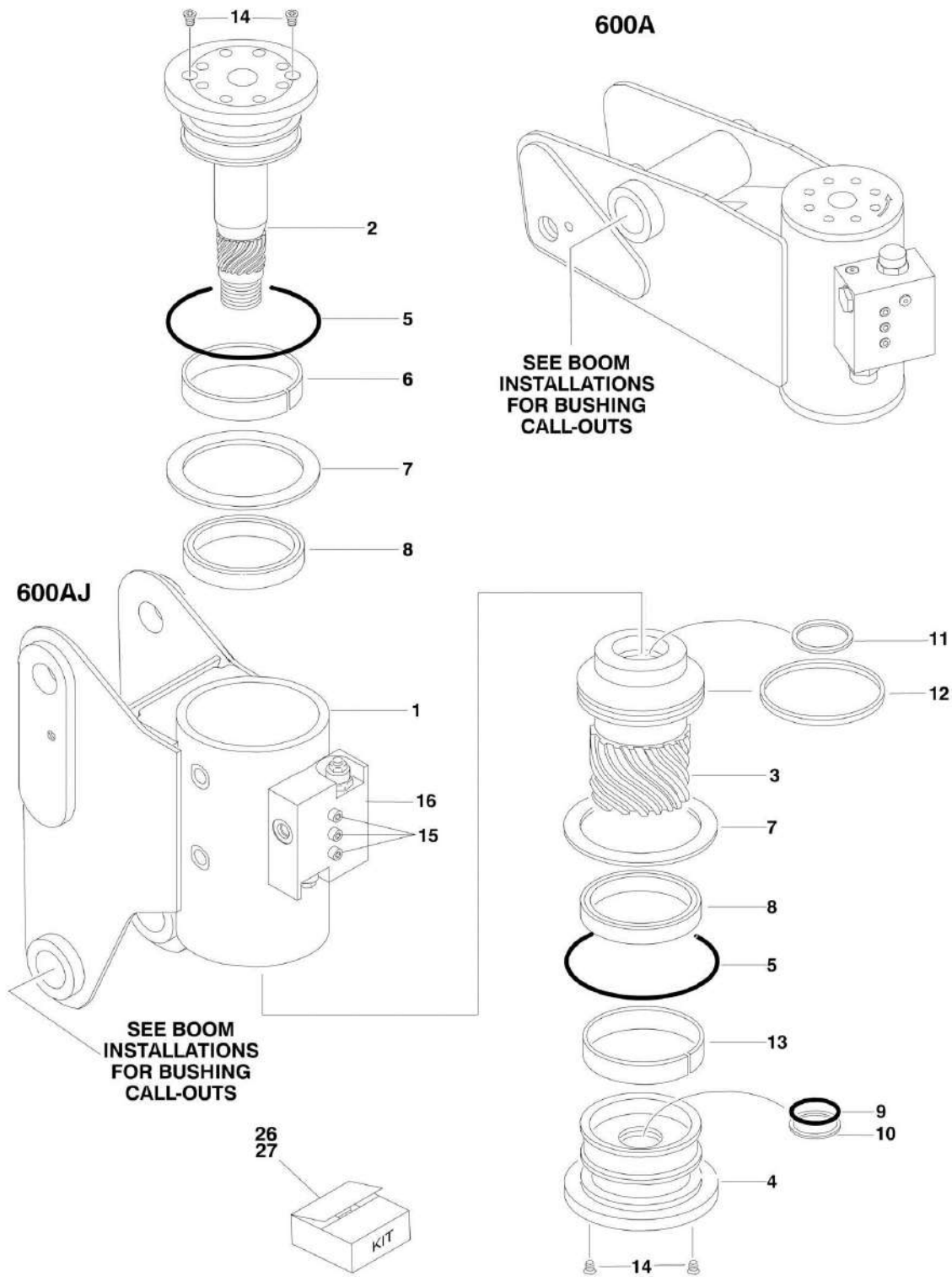
ITEM	PART NUMBER	QTY	DESCRIPTION	REV
		Ref	ROTATOR ASSEMBLIES	
	0060035	Ref	Rotator Assemblies 600A (Original Equipment)	G
	0060076	Ref	Rotator Assemblies 600A (Service Replacement)	B
	0060031	Ref	Rotator Assemblies 600AJ (Original Equipment)	H
	0060074	Ref	Rotator Assemblies 600AJ (Service Replacement)	B
		Ref	Note: Before ordering parts, identify whether original equipment rotator has been replaced with service replacement. Service replacement rotator uses spacer plate bolted on the top with 8 capscrews (Not shown - located at item 2). Original equipment rotator does not use spacer plate.	
1	See Note	1	Housing/Ring Gear Assembly (Note: Not Available - Purchase Complete Assembly)	
2		Ref	Shaft Options:	
2	7017177	1	0060035 Rotators	
2	7017117	1	0060031 Rotators	
2	7017162	1	0060076 & 0060074 Rotators	
2	See Note	1	Plate, Spacer (Not Shown) (0060076 & 0060074 Rotators Only) (Note: Not Available for Purchase)	
3		Ref	Piston/Sleeve Options:	
3	7017115	1	0060035 & 0060031 Rotators	
3	7017163	1	0060076 & 0060074 Rotators	
4		Ref	Cap, End Options:	
4	7017174	1	0060035 Rotators	
4	7017116	1	0060031 Rotators	
4	7017164	1	0060076 & 0060074 Rotators	
5	See Note	6	Plug, Port (Note: Not Available for Purchase)	
6	7017142	2	Plug	
7	7017119	1	Bolt 1in-8NC x 11in	
7	3272605	AR	Locknut 1in-8NC	
9	See Note	1	Seal, Cap (Note: Use Item 26)	
10	See Note	1	Ring, Back-up (Cap) (Note: Use Item 26)	
11	See Note	1	Seal, Rod (Note: Use Item 26)	
12	See Note	1	Seal, Piston (Note: Use Item 26)	
13	See Note	2	Packing, Bearing (Note: Use Item 26)	
14	See Note	1	Bearing, Cap (Note: Use Item 27)	
15	See Note	1	Bearing, Shaft (Note: Use Item 27)	
16	See Note	2	Thrustwasher (Note: Use Item 27)	
17		Ref	Valve Assembly Options:	
17	7017101	Ref	0060035 & 0060031 Rotators	
17	7017183	1	0060076 & 0060074 Rotators	
17A		Ref	Cartridge, Valve Options:	
17A	7011331	2	Cartridge for Helac p/n 24736	
17A	7017193	2	Cartridge for Helac p/n 27600	
17A	2900770	2	Seal Kit - 7011331 Valve	
17A	See Note	2	Seal Kit - 7017193 Valve (Note: Not Available for Purchase)	
17B		Ref	Cartridge, Valve Options:	
17B	7011332	AR	Cartridge for Helac p/n 24736	
17B	See Note	1	Cartridge for Helac p/n 27600 (Not Shown - Located on Side of Valve Block) (Note: Not Available for Purchase)	
17B	7011346	2	Seal Kit - 7011332 Valve	

SECTION 3 - BOOM

ITEM	PART NUMBER	QTY	DESCRIPTION	REV
17B	See Note	1	Seal Kit - Valve Located on Side of Block (Note: Not Available for Purchase)	
18	7017118	2	Setscrew (0060035 & 0060031 Rotators Only)	
19	See Note	3	Bolt 1/4 x 1-1/2 (Grade 8) (Note: Not Available for Purchase)	
20	3790110	3	O-Ring (Not Shown - Located between Valve and Actuator Housing)	
26		Ref	Seal Kit Options (Includes Items 9-13):	
26	7017157	1	0060035 & 0060031 Rotators	
26	7017158	1	0060076 & 0060074 Rotators (Includes Hardware Kit)	
27		Ref	Bearing Kit Options (Includes Items 14-16):	
27	7017106	1	0060035 Rotators (600A Actual Production)	
27	7017156	1	0060031 Rotators (600AJ Actual Production)	
27	7017159	1	0060076 & 0060074 Rotators (Recommended Replacement)	
28	7017142	1	Hardware Kit for 0060035 & 0060031 Rotators (Includes End Cap Dowel Pins and Items 6 & 28A)	
28	See Note	1	Hardware Kit for 0060075 & 0060076 Rotators (Note: Use p/n 7017158)	
28A	70001697	6	Screw, Countersunk 1/4in-20NC x 3/8in Grade 8	

SECTION 3 - BOOM

FIGURE 3-6. ROTATOR ASSEMBLIES (SIDE ENTRY PLATFORM)



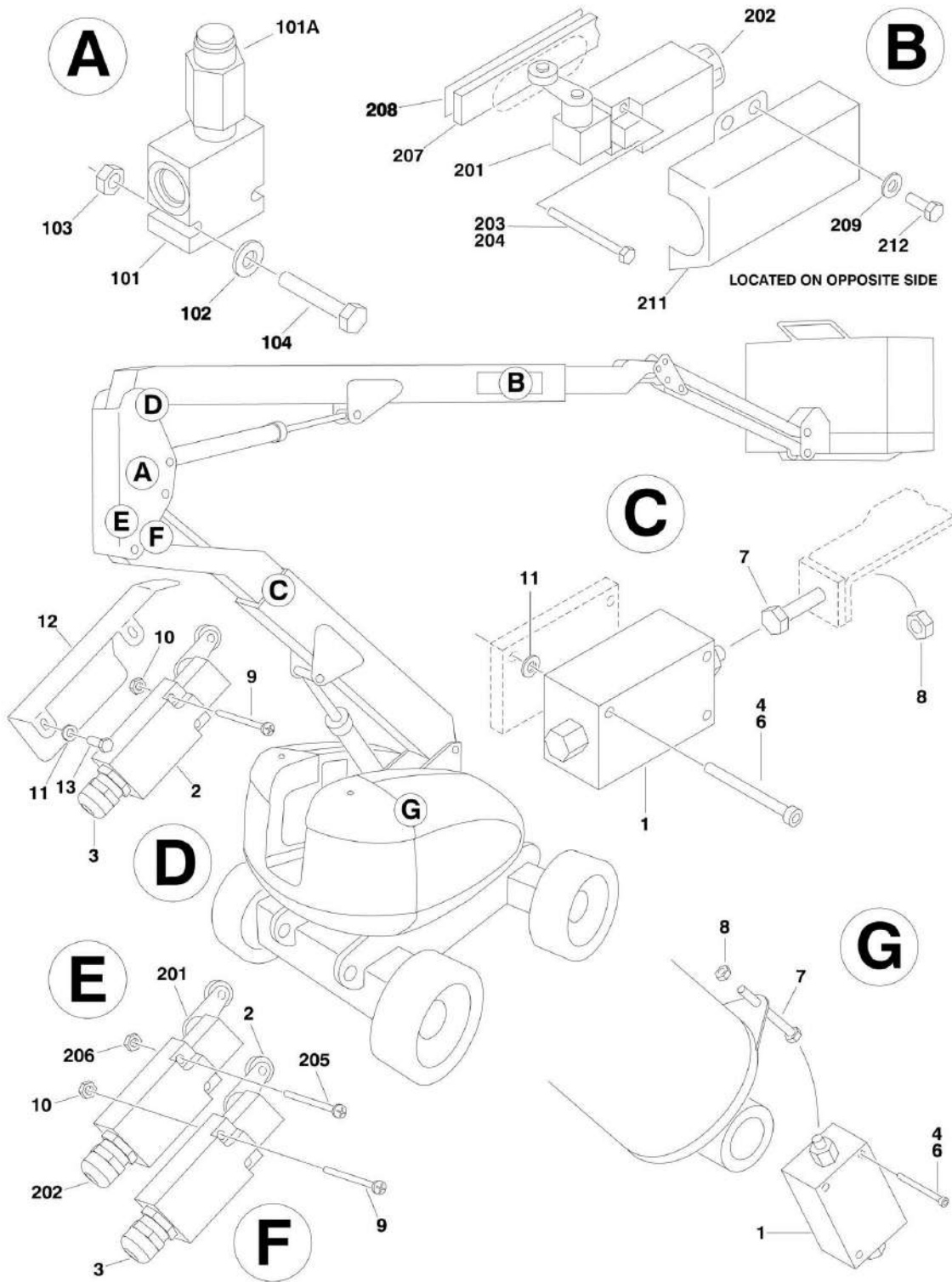
SECTION 3 - BOOM

FIGURE 3-6. ROTATOR ASSEMBLIES (SIDE ENTRY PLATFORM)

ITEM	PART NUMBER	QTY	DESCRIPTION	REV
		Ref	ROTATOR ASSEMBLIES	
	0060068	Ref	Rotator Assemblies 600A	A
	0060066	Ref	Rotator Assemblies 600AJ	C
1	See Note	1	Housing/Ring Gear Assembly (Note: Not Available - Purchase Complete Assembly)	
2	7017162	1	Shaft	
3	7017163	1	Piston/Sleeve Assembly	
4	7017164	1	Cap, End	
5	See Note	NSS	O-Ring (Note: Use Item 26)	
6	See Note	NSS	Bearing, Shaft (Note: Use Item 27)	
7	See Note	NSS	Thrustwasher (Note: Use Item 27)	
8	See Note	NSS	Packing, Bearing (Note: Use Item 26)	
9	See Note	NSS	Seal, Cap (Note: Use Item 26)	
10	See Note	NSS	Ring, Back-up Cap (Note: Use Item 26)	
11	See Note	NSS	Seal, Rod (Note: Use Item 26)	
12	See Note	NSS	Seal, Piston (Note: Use Item 26)	
13	See Note	NSS	Bearing, Cap (Note: Use Item 27)	
14	70001697	6	Capscrew 1/4in-20NC x 3/8in (Grade 8)	
15	See Note	3	Bolt 1/4 x 1-1/2 (Grade 8) (Note: Not Available for Purchase)	
16	7017183	1	Valve Assembly	
16	7017193	2	Cartridge, Valve	
16	See Note	2	Seal Kit - 7017193 Valve (Note: Not Available - Purchase Complete Assembly)	
16	See Note	1	Cartridge, Valve (Not Shown - Located on Side of Block) (Note: Not Available - Purchase Complete Assembly)	
16	See Note	1	Seal Kit - Valve Located on Side of Block (Note: Not Available - Purchase Complete Assembly)	
26	7017158	1	Seal Kit (Includes Items 5, 8-12 & Hardware Kit)	
27	7017159	1	Bearing Kit (Includes Items 6, 7 & 13)	

SECTION 3 - BOOM

FIGURE 3-7. VALVES AND SWITCHES INSTALLATION (BOOM MOUNTED)



SECTION 3 - BOOM

FIGURE 3-7. VALVES AND SWITCHES INSTALLATION (BOOM MOUNTED)

ITEM	PART NUMBER	QTY	DESCRIPTION	REV
	0255438	Ref	BOOM VALVES AND LIMIT SWITCHES INSTALLATION(STANDARD)	9/I
1	4641139	2	Valve, Manual 2-Way	
2		Ref	Switch, Limit Options: (Note: p/n 4360578 does not include #3 Connector - Purchase Separately)	
2	4360322	NLA	Switch, Limit (was p/n 4360578)	
2	4360549	NLA	Switch, Limit (was p/n 4360578)	
2	4360578	2	Switch, Limit (SN 0300080875 through 0300087000)	
3		Ref	Connector, Strain Relief Options:	
3	4460428	2	Use with p/n 4360322 Switch	
3	4460968	2	Use with p/n 4360549 & 4360578 Switches	
4	3931430	6	Bolt, Socket Head 1/4in-20NC x 1-7/8in	
6	0100011	AR	Compound, Locking	
7	0630427	2	Bolt, Special	
8	3311801	3	Nut 1/2in-13NC	
9	3930824	4	Bolt, Socket Head #8-32NC x 1-1/2in	
10	3310801	4	Nut #8-32NC	
11	4751400	8	Flatwasher 1/4in Regular	
12	1670819	1	Cover, Switch	
13	3931408	2	Bolt, Socket 1/4in-20NC x 1/2in	
		Ref	VALVES INSTALLATION	
	0255440	Ref	Valves Installation 600A 2WS (SN 0300069000 through 0300081835)	13
	0274276	Ref	Valves Installation 600A 2WS (SN 0300081836 through 0300084828)	1
	0274309	Ref	Valves Installation 600A 2WS (SN 0300084829 through 0300087000)	1
	0255442	Ref	Valves Installation 600A 4WS (SN 0300069000 through 0300081835)	12
	0274278	Ref	Valves Installation 600A 4WS (SN 0300081836 through 0300084828)	1
	0274311	Ref	Valves Installation 600A 4WS (SN 0300084829 through 0300087000)	1
	0255441	Ref	Valves Installation 600AJ 2WS (SN 0300069000 through 0300081835)	15
	0274277	Ref	Valves Installation 600AJ 2WS (SN 0300081836 through 0300084828)	1
	0274310	Ref	Valves Installation 600AJ 2WS (SN 0300084829 through 0300087000)	1
	0255443	Ref	Valves Installation 600AJ 4WS (SN 0300069000 through 0300081835)	12
	0274279	Ref	Valves Installation 600AJ 4WS (SN 0300081836 through 0300084828)	1
	0274312	Ref	Valves Installation 600AJ 4WS (SN 0300084829 through 0300087000)	1
101	4640929	1	Valve Assembly (Relief)	
101A	7012970	1	Cartridge	
101A	7012953	1	Seal Kit - 7012970 Cartridge	
102	4711400	2	Flatwasher 1/4in Thin	
103	3311405	2	Locknut 1/4in-20NC	
104	0641424	2	Bolt 1/4in-20NC x 3in	
	0255699	Ref	LIMIT SWITCHES INSTALLATION - 600A DUAL CAPACITY	5/C
201		Ref	Switch, Limit Options: (Note: p/n 4360578 does not include #3	

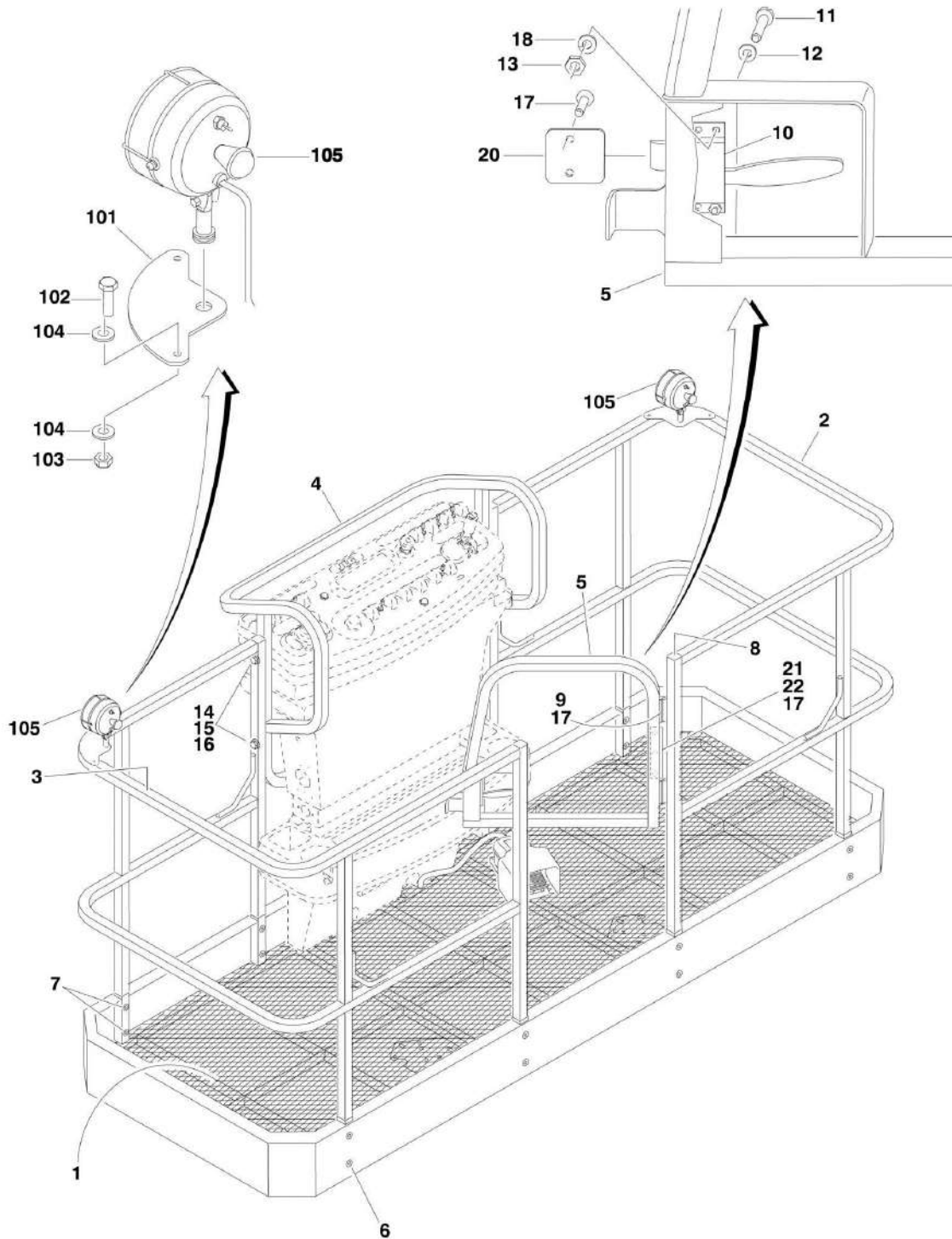
SECTION 3 - BOOM

ITEM	PART NUMBER	QTY	DESCRIPTION	REV
201	4360322	NLA	Connector - Purchase Separately)	
201	4360549	NLA	Switch, Limit (Use p/n 4360578)	
201	4360578	2	Switch, Limit (SN 0300080875 through 0300087000)	
202		Ref	Connector, Strain Relief Options:	
202	4460428	2	Use with p/n 4360322 Switch	
202	4460968	2	Use with p/n 4360549 & 4360578 Switches	
203	0100035	AR	Compound, Locking	
204	3930816	2	Bolt, Socket Head #8-32NC x 1in	
205	3930824	2	Bolt, Socket Head #8-32NC x 1-1/2in	
206	3310805	2	Locknut #8-32NC	
207	0362529	1	Bar, Fiberglass	
208	4420060	9.8 ft/3m	Tape, Foam	
209	4751400	4	Flatwasher 1/4in Regular	
211	1670824	1	Cover, Switch	
212	0641403	4	Bolt 1/4in-20NC x 3/8in	

SECTION 4 - PLATFORM

SECTION 4 - PLATFORM

FIGURE 4-1. PLATFORM ASSEMBLIES (FRONT ENTRY PLATFORM)



SECTION 4 - PLATFORM

FIGURE 4-1. PLATFORM ASSEMBLIES (FRONT ENTRY PLATFORM)

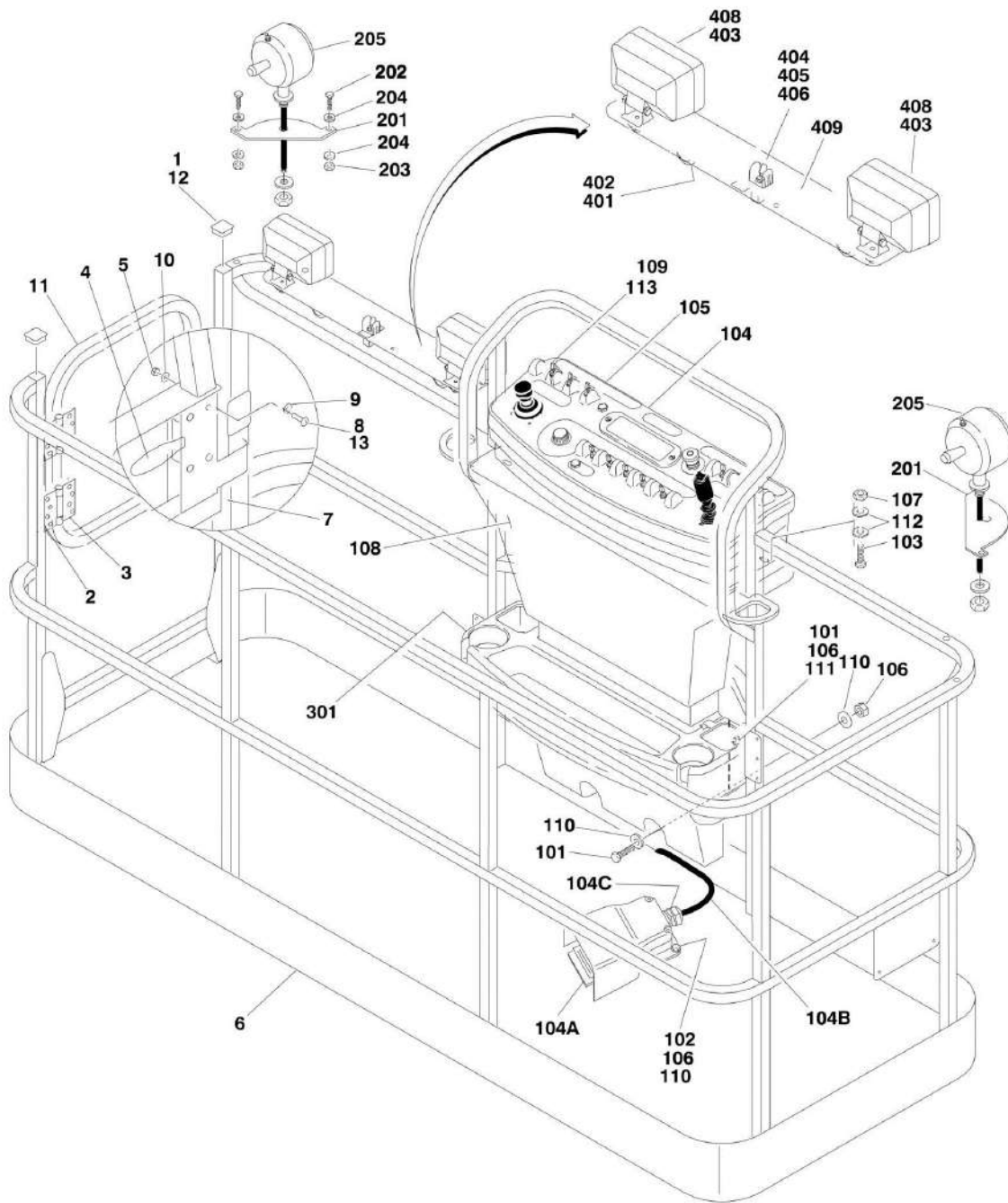
ITEM	PART NUMBER	QTY	DESCRIPTION	REV
		Ref	PLATFORM OPTIONS:	
	3510760	Ref	4ft (1.22m) with Self-Closing Gate	3
	3510728	Ref	5ft (1.52m) with Self-Closing Gate	3
	3510497	Ref	6ft (1.83m) Standard	8
	3510542	Ref	6ft (1.83m) with Self-Closing Gate	3
	3510545	Ref	6ft (1.83m) with Mesh to Top Rail	-
	3510565	Ref	6ft (1.83m) with Mesh to Top Rail and Self-Closing Gate	3
	3510488	Ref	8ft (2.44m) Standard	8
	3510543	Ref	8ft (2.44m) Self-Closing Gate	3
	3510546	Ref	8ft (2.44m) with Mesh to Top Rail	-
	3510566	Ref	8ft (2.44m) with Mesh to Top Rail and Self-Closing Gate	4
1		Ref	Floor Weldment Options:	
1	4846253	1	4ft (1.22m) Platforms	
1	4846101	1	5ft (1.52m) Platforms	
1	4844954	1	6ft (1.83m) Platforms	
1	4844928	1	8ft (2.44m) Platforms	
2		Ref	Rail Weldment - Right Side Options:	
2	4846254	1	4ft (1.22m) Standard Platforms	
2	4846102	1	5ft (1.52m) Standard Platforms	
2	4844955	1	6ft (1.83m) Standard Platforms	
2	4845408	1	6ft (1.83m) Mesh to Top Rail Platforms	
2	4844924	1	8ft (2.44m) Standard Platforms	
2	4845412	1	8ft (2.44m) Mesh to Top Rail Platforms	
3		Ref	Rail Weldment - Left Side Options:	
3	4846255	1	4ft (1.22m) Standard Platforms	
3	4846103	1	5ft (1.52m) Standard Platforms	
3	4844956	1	6ft (1.83m) Standard Platforms	
3	4845409	1	6ft (1.83m) Mesh to Top Rail Platforms	
3	4844925	1	8ft (2.44m) Standard Platforms	
3	4845413	1	8ft (2.44m) Mesh to Top Rail Platforms	
4	4845328	1	Rail Weldment - Back	
5		Ref	Gate Weldment Options:	
5		Ref	With Self-Closing Gate	
5	4845426	1	4ft (1.22m) & 5ft (1.52m) Platforms	
5	4844926	1	6ft (1.83m) & 8ft (2.44m) Platforms	
5		Ref	Standard Gate	
5	4845327	1	6ft (1.83m) & 8ft (2.44m) Platforms	
5		Ref	With Self-Closing Gate and Mesh to Top Rail	
5	4845469	1	6ft (1.83m) & 8ft (2.44m) Platforms	
5		Ref	Mesh to Top Rail	
5	4845410	1	6ft (1.83m) & 8ft (2.44m) Platforms	
6	3900207	AR	Fastener	
		Ref	Note: p/n 3900207 Fastener may be replaced with p/n 0641416 bolt, p/n 4751400 flatwasher, p/n 3311405 locknut and p/n 3300151 acorn type nut. Acorn type nut required to meet industry safety requirements.	
7	3300393	AR	Collar	
8	3520072	4	Plug, Cap	
9	2600287	2	Hinge	
10	2940074	1	Latch	

SECTION 4 - PLATFORM

ITEM	PART NUMBER	QTY	DESCRIPTION	REV
11	3911008	4	Screw #10-24NC x 1/2in	
12	4751000	4	Flatwasher #10 Regular	
13	3311005	4	Nut #10-24NC	
14	0641524	4	Bolt 5/16in-18NC x 3in	
15	3311505	4	Locknut 5/16in-18NC	
16	4751500	4	Flatwasher 5/16in Regular	
17	2080040	13	Fastener	
17	7016652	1	Fastener Tool (Small Fasteners Only)	
18	Not Required	0	Lockwasher 3/8in	
20	3539685	1	Plate, Latch	
21		Ref	Stop, Gate Options:	
21	4220165	1	Standard Gate	
21	4220165	1	Self-Closing Gate	
22	4060803	0.6 ft/0.2m	Trim	
		Ref	WORKLIGHTS INSTALLATIONS (OPTIONAL)	
	0270814	Ref	Worklights Installations (SN 0300069000 through 0300074444)	3-E
	0273492	Ref	Worklights Installations (SN 0300074445 through 0300087000)	C
101	3536089	2	Plate, Mounting	
102	0641414	4	Bolt 1/4in-20NC x 1-3/4in	
103	3311405	4	Locknut 1/4in-20NC	
104	4711400	8	Flatwasher 1/4in Thin	
105	2920140	2	Worklight	
105	7016399	2	Bulb, Replacement (1 Per Worklight)	
106	4240099	10	Tie-Strap	
107	2820035	9 ft/2.8m	Loom, Vinyl (Not Shown)	
108	4460042	2	End, Terminal (Not Shown)	
109		Ref	Connector, Strain Relief Options (Not Shown):	
109	4460598	1	Connector, Strain Relief (SN 0300069000 through 0300074444)	
109	4460426	1	Connector, Strain Relief (SN 0300074445 through 0300087000)	

SECTION 4 - PLATFORM

FIGURE 4-2. PLATFORM ASSEMBLIES - SIDE ENTRY



SECTION 4 - PLATFORM

FIGURE 4-2. PLATFORM ASSEMBLIES - SIDE ENTRY

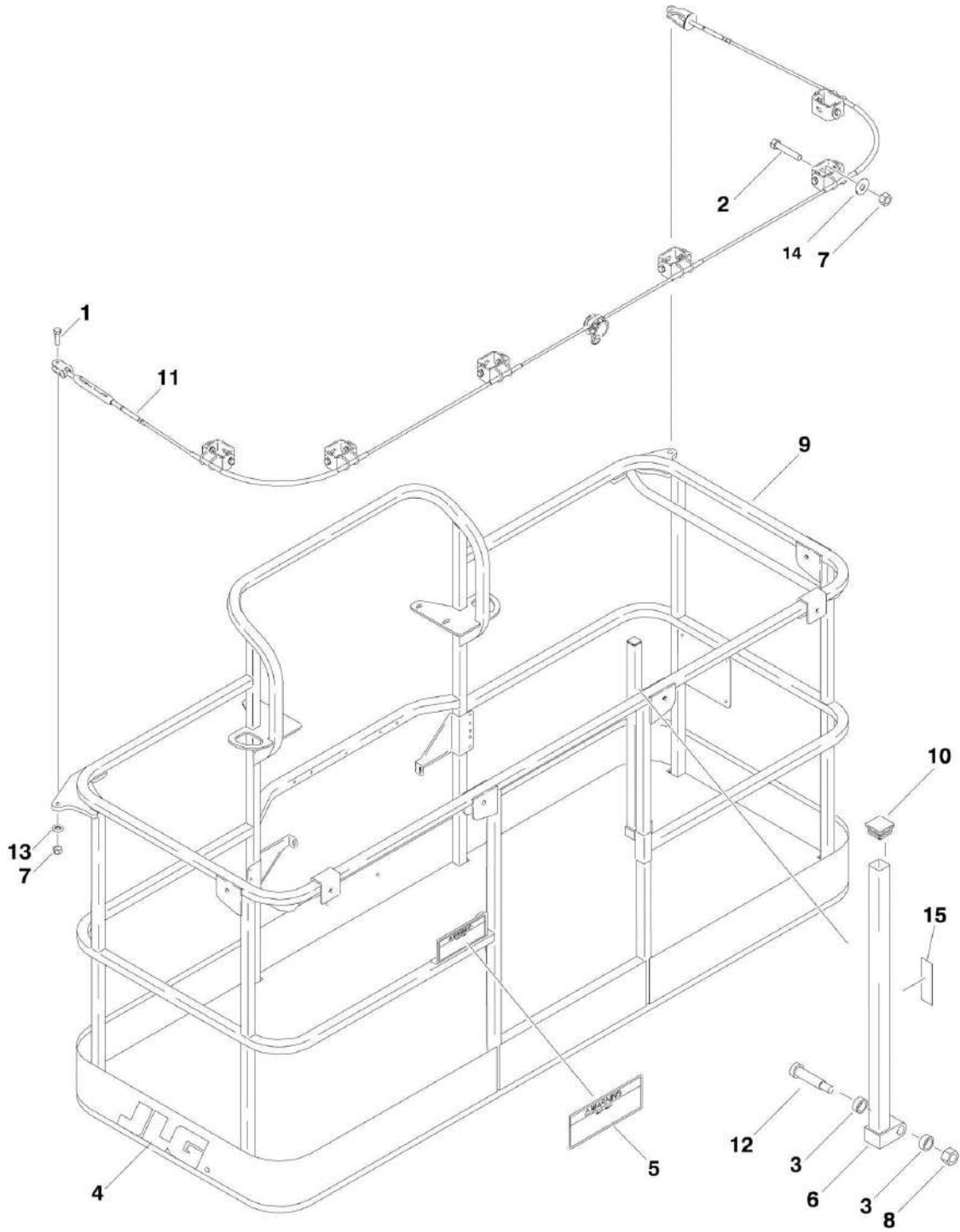
ITEM	PART NUMBER	QTY	DESCRIPTION	REV
		Ref	PLATFORM ASSEMBLIES:	
	3510830	NLA	2.6ft x 4ft (0.70m x 1.22m) with No Mesh (Use p/n 1001144027)	B-E
	3510831	NLA	2.6ft x 5ft (0.70m x 1.52m) with No Mesh (Use p/n 1001144026)	B-E
	3510832	Ref	2.6ft x 6ft (0.70m x 1.83m) with No Mesh) (SN 0300069000 through 0300077489)	E
	3510833	NLA	3ft x 6ft (0.9m x 1.83m) with No Mesh (Use p/n 1001144024)	B-E
	3510822	NLA	3ft x 8ft (0.9m x 2.44m) with No Mesh (was p/n 1001144023)	B-E
		Ref	Note: Original Equipment platform may have been replaced with Service Replacement platform. Identify platform before ordering parts.	
		Ref	Note: Platform and Mesh must be ordered separately for Platforms with Mesh. See SPECIAL OPTIONS SECTION for Mesh Installations.	
		Ref	Note: When replacing 8ft/2.44m platform with Soft Touch option, new Soft Touch Rail p/n 4846673 must be purchased to accommodate limit switch locations.	
		Ref	Note: When replacing platform on machines with SkyCutter option, new bracket p/n 1001145405 must be purchased to accommodate SkyCutter components.	
1	0100040	AR	Sealant, Adhesive (SN 0300069000 through 0300073445)	
2	2080040	16	Fastener, Huck	
3	2600281	2	Hinge, Self-Closing	
4	2940074	1	Latch	
5	3311001	4	Nut #10-24NC (SN 0300069000 through 0300077335)	
6	See Note	1	Platform Weldment (Note: Purchase Platform Assembly)	
7	3520072	AR	Cap-Plug	
8		Ref	Hardware Options:	
8	3911008	4	Screw #10-24NC x 1in (SN 0300069000 through 0300077334)	
8	3820020	4	Pop Rivet (SN 0300077335 through 0300087000)	
9	4751000	4	Flatwasher #10 Regular	
10	4761000	4	Lockwasher #10 (SN 0300069000 through 0300077335)	
11		Ref	Gate Weldment Options:	
11	4846452	1	Gate for Original Equipment Platform p/n 3510822, 3510830, 3510831, 3510833	
11	1001144629	1	Gate for Service Replacement Platform p/ns 1001144023, 1001144024, 1001144026, 1001144027	
12	3520198	2	Square-Plug (SN 0300073445 through 0300087000)	
13	0100011	AR	Compound, Locking (SN 0300069000 through 0300077335)	
		Ref	CONSOLE BOX INSTALLATIONS	
	0271945	Ref	Console Box Installations 2WD	A
	0271941	Ref	Console Box Installations 4WD	A
101	0641406	4	Bolt 1/4in-20NC x 3/4in	
102	0641408	3	Bolt 1/4in-20NC x 1in	
103	0641610	4	Bolt 3/8in-16NC x 1-1/4in	
104	0861517	1	Platform Console Box Assembly (See PLATFORM CONSOLE ASSEMBLY for Breakdown)	
104A	0272970	1	Footswitch Assembly (Includes Footswitch and Items 104B & 104C)	B
		Ref	Note: Assembly p/n 0272970 may use either p/n 4360031 or p/n 1001117320. If Original Equipment was replaced as an "assembly," p/n 1001117320 may have been used as part of the Service Replacement. Identify component before ordering parts.	

SECTION 4 - PLATFORM

ITEM	PART NUMBER	QTY	DESCRIPTION	REV
104A		Ref	Footswitch Less Cable Options:	
104A	4360031	1	Original Equipment	
104A	1001117320	1	Service Replacement	
104A		Ref	Block, Contact Options (See Note Above):	
104A	7000625	2	Contact Block for 4360031 Footswitch	
104A	70003483	1	Contact Block for 1001117320 Footswitch	
104B	1060918	7 ft/2.14m	Cable, Electrical - 18/3	
104C	4460071	1	Connector, Strain Relief	
105		Ref	Decal - Horn Options:	
105	1702563	1	Decal - Horn 2WD	
105	1702676	1	Decal - Horn 4WD	
106	3311405	7	Locknut 1/4in-20NC	
107	3311605	4	Locknut 3/8in-16NC	
108	3380434	1	Panel, Decal Mount	
109	4360331	1	Switch (4WD)	
110	4740362	7	Flatwasher 1/4in Fender	
111	4751400	4	Flatwasher 1/4in Regular	
112	4751600	8	Flatwasher 3/8in Regular	
113	3790012	1	O-Ring	
		Ref	WORKLIGHTS INSTALLATIONS (optional)	
	0270814	Ref	Worklights Installations (SN 0300069000 through 0300074444)	3-E
	0273492	Ref	Worklights Installations (SN 0300074445 through 0300087000)	B
201	3536089	2	Plate, Mounting	
202	0641414	4	Bolt 1/4in-20NC x 1-3/4in	
203	3311405	4	Locknut 1/4in-20NC	
204	4711400	8	Flatwasher 1/4in Thin	
205	2920140	2	Worklight	
205	7016399	2	Bulb, Replacement (1 Per Worklight)	
206	4240099	10	Tie-Strap (Not Shown)	
207	2820035	9	Loom, Vinyl (Not Shown)	
209		Ref	Connector, Strain Relief Options (Not Shown - Located at Console Box):	
209	4460598	1	Connector, Strain Relief (SN 0300069000 through 0300074444)	
209	4460426	1	Connector, Strain Relief (SN 0300074445 through 0300087000)	
		Ref	TRAY INSTALLATIONS (OPTIONAL)	
301	1580012	1	Tray, Storage (Center)	
302	1580013	1	Tray, Storage (Rail Mounted - Not Shown)	
	0274180	Ref	FLOODLIGHT INSTALLATION	A
401	0641518	2	Bolt 5/16in-18NC x 2-1/4in	
402	2560173	2	Handle	
403	2920157	2	Lamp, Work Light	
404	3250585	1	Nameplate - Light On	
405	4060802	1	Guard, Switch	
406	4360336	1	Switch, Toggle	
407	4420037	1	Tape, Insulation (Not Shown)	
408	4751800	2	Flatwasher 1/2in Regular	
409	4846561	1	Mount, Light	
410	4922892	1	Harness 12/3 (Lower Boom) (Not Shown)	
411	4922894	1	Harness 12/3 (Upper Boom) (Not Shown)	

SECTION 4 - PLATFORM

FIGURE 4-3. PLATFORM COMPONENTS INSTALLATION (FALL ARREST PLATFORM)



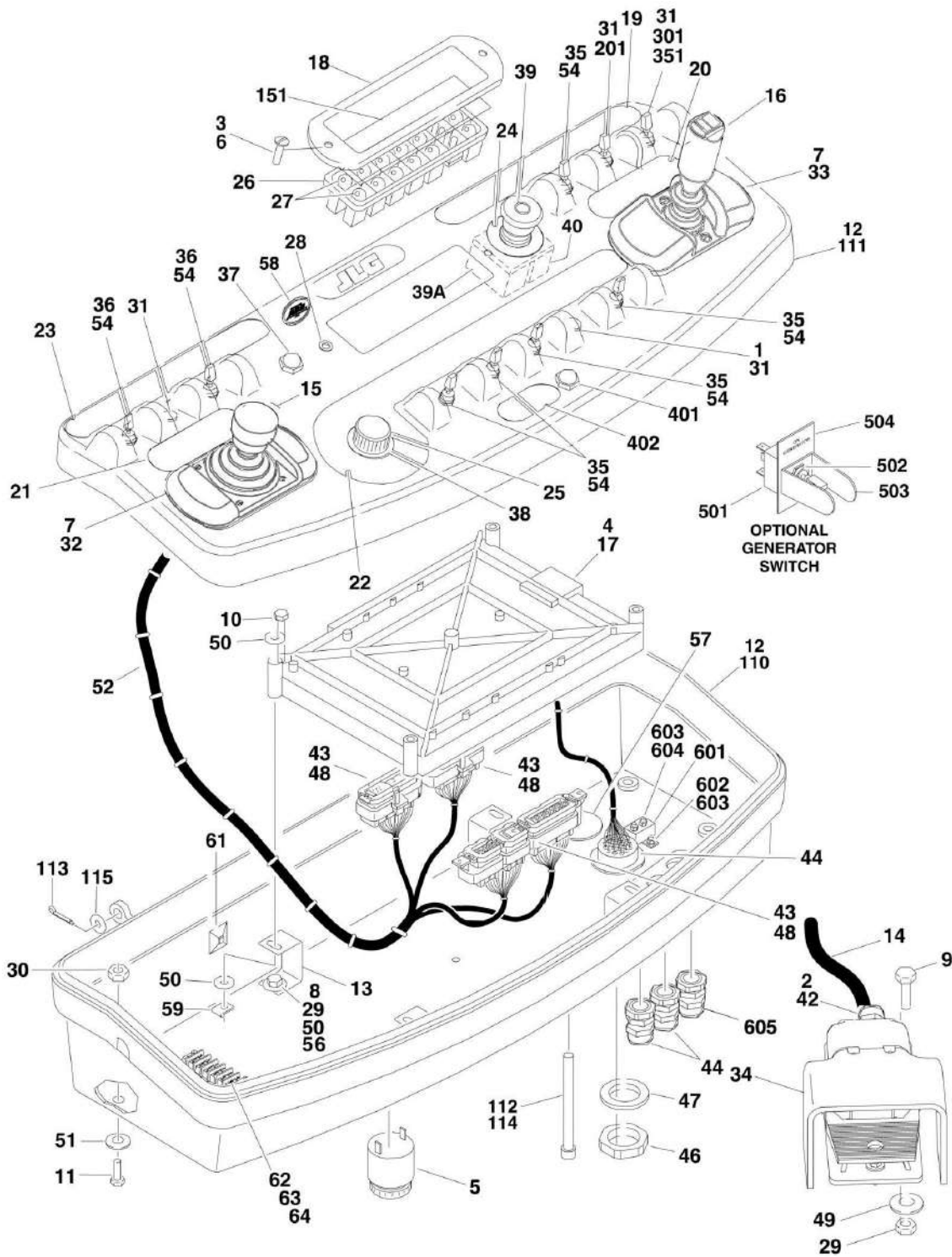
SECTION 4 - PLATFORM

FIGURE 4-3. PLATFORM COMPONENTS INSTALLATION (FALL ARREST PLATFORM)

ITEM	PART NUMBER	QTY	DESCRIPTION	REV
	3510868	Ref	PLATFORM ASSEMBLY (FALL ARREST)	B
1	0681814	2	Bolt 1/2in-13NC x 1-3/4in (Grade 8)	
2	0681822	6	Bolt 1/2in-13NC x 2-3/4in (Grade 8)	
3	0962270	2	Bearing, Oilite	
4	1702773	1	Decal - JLG	
5	1705014	1	Decal - Safety	
6	2410014	1	Gate Weldment	
7	3271805	8	Locknut 1/2in-13NC (Grade 8)	
8	3311605	1	Locknut 3/8in-16NC	
9	See Note	1	Platform Weldment (Note: Purchase Platform Assembly)	
10	3520072	1	Cap-Plug	
11	3890040	1	Cable, Fall Arrest	
12	3900054	1	Bolt 1/2in-13NC x 1-3/4in	
13	4711800	2	Flatwasher 1/2in Thin	
14	4751800	6	Flatwasher 1/2in Regular	
15	1706385	1	Decal - Drop Bar (SN 0300085921 through 0300087000)	

SECTION 4 - PLATFORM

FIGURE 4-4. PLATFORM CONSOLE ASSEMBLY



SECTION 4 - PLATFORM

FIGURE 4-4. PLATFORM CONSOLE ASSEMBLY

ITEM	PART NUMBER	QTY	DESCRIPTION	REV
	0861517	Ref	CONSOLE BOX AND FOOTSWITCH ASSEMBLIES	G
1	0100009	AR	Sealant	
2	0100020	AR	Sealant	
3	0100035	AR	Compound, Locking	
4	0100048	AR	Grease, Dielectric	
5	0140011	1	Alarm	
6	0630464	2	Screw, Button Head #10-24NC x 1/2in	
7	0641404	8	Bolt 1/4in-20NC x 1/2in	
8	0641406	4	Bolt 1/4in-20NC x 3/4in	
9	0641408	3	Bolt 1/4in-20NC x 1in	
10	0641414	4	Bolt 1/4in-20NC x 1-3/4in	
11	0641610	4	Bolt 3/8in-16NC x 1-1/4in	
12	0861537	1	Box, Console (See Items 101-115 for Breakdown)	
13	0902751	4	Bracket, Card Support	
14	1060918	8 ft/2.4m	Cable	
15	1600317	NLA	Controller Assembly (Lift and Swing) (See CONTROLLER ASSEMBLY (LIFT AND SWING) for Breakdown) (Use p/n 1001129555)	
15	100118417	NLA	Controller Assembly (Lift and Swing) (See CONTROLLER ASSEMBLY (LIFT AND SWING) for Breakdown) (Use p/n 1001129555)	
16	1600318	NLA	Controller Assembly (Drive and Steer) (See CONTROLLER ASSEMBLY (DRIVE AND STEER) for Breakdown) (Use p/n 1001212415)	
17		Ref	Controller, Module (Re-calibration Required when Replaced) Options:	
17	1600313	NLA	Controller, Module (Use p/n 1600375)	
17	1600375	1	Controller, Module (SN 0300077490 through 0300087000)	
18	1670829	1	Bezel	
19		Ref	Decal (Stop) Options:	
19	1702564	1	Decal (Stop) (SN 0300069000 through 0300073027)	
19	1704997	1	Decal (Stop) (SN 0300073028 through 0300087000)	
20	1702565	1	Decal (Drive and Steer)	
21	1702566	1	Decal (Lift and Swing)	
22	1702567	1	Decal (Function Speed)	
23	1702676	1	Decal (Horn)	
24	1704260	1	Decal - EMS	
25	2560136	1	Handle, Knob	
26	2760105	1	Housing, Display Light	
27	2920129	12	Bulb, Light	
28	3300408	2	Locknut, Nylon Insert	
29	3311405	11	Locknut 1/4in-20NC	
30	3311605	4	Locknut 3/8in-16NC	
31	3520054	4	Plug, Hole	
32	4340678	1	Support, Hand	
33	4340684	1	Support, Hand	
34	4360031	1	Footswitch	
34	7000625	2	Block, Contact	
35	4360328	6	Switch, Toggle	
36	4360331	1	Switch, Toggle	
37	4360387	1	Switch, Pushbutton	

SECTION 4 - PLATFORM

ITEM	PART NUMBER	QTY	DESCRIPTION	REV
38	4360407	1	Controller, Speed	
38	See Note	1	Gasket "Top Hat" (Included with Switch) (Note: Not Available - Purchase Complete Controller.)	
38	70003784	1	Seal	
39	4360475	1	Switch, Emergency Stop	
39	7020175	1	Cap, Red	
39A	7020176	1	Contact Block	
40	4360476	1	Block, Contact	
41	4460042	3	Terminal, Ring (Not Shown)	
42	4460071	1	Connector, Strain Relief	
43	4460226	2	Socket, Contact	
44	4460428	2	Connector, Strain Relief	
45	4460464	1	Terminal, Deutsch	
46	4460470	1	Nut, Terminal	
47	4460471	1	Lockwasher, Terminal	
48	4460905	5	Connector, Amp Seal Plug	
49	4740362	3	Flatwasher 1/4in Fender	
50	4751400	16	Flatwasher 1/4in Regular	
51	4751600	4	Flatwasher 3/8in Regular	
52	4922639	1	Harness, Platform Box	
53	4922666	1	Harness, Analyzer Cable (Not Shown)	
53	4460871	4	Terminal, Socket	
53	4460761	1	Housing - 4 Position	
53	4460227	4	Pin	
54	3790012	7	O-Ring	
55	4460708	2	Connector, Female - 15 Position (Not Shown - See ELECTRICAL SECTION for Location)	
56	0100081	AR	Adhesive	
57	1671037	1	Cover	
58	1705132	1	Decal - ADE	
59	3300353	4	Nut, Tinnerman	
60	4460226	3	Wire, Tie (Not Shown)	
61	4460488	1	Base, Mounting	
62	0721008	1	Bolt #10-24NC x 1 (SN 0300071584 through 0300087000)	
63	3311001	1	Nut #10-24NC (SN 0300071584 through 0300087000)	
64	4460007	1	Bar, Buss (SN 0300071584 through 0300087000)	
	0272970	1	Preassembled Footswitch Kit (Includes Items 2, 14, 34, 41, 42, 43 & 45)	
	0861537	Ref	CONSOLE BOX ASSEMBLY	C
110	0861537	1	Console Bottom (Note: Not Available for Purchase)	
111	0861537	1	Console Top (Note: Not Available for Purchase)	
112	3311601	1	Nut 3/8in-16NC	
113		Ref	Pin Options:	
113	3450304	2	Pin, Cotter (SN 0300069000 through 0300073731)	
113	3420156	2	Hair Pin, Cotter (SN 0300073731 through 0300087000)	
114	0630568	1	Screw 3/8in-16NC x 4-1/2in	
115	4711500	2	Flatwasher 5/16in Thin	
	0256631	Ref	LIGHT PANEL DECAL INSTALLATION	-
151	1702387	1	Decal - Display	
	0270764	Ref	DUAL FUEL SWITCH INSTALLATION	5
201	4360336	1	Switch, Toggle	
201	3790012	1	O-Ring	

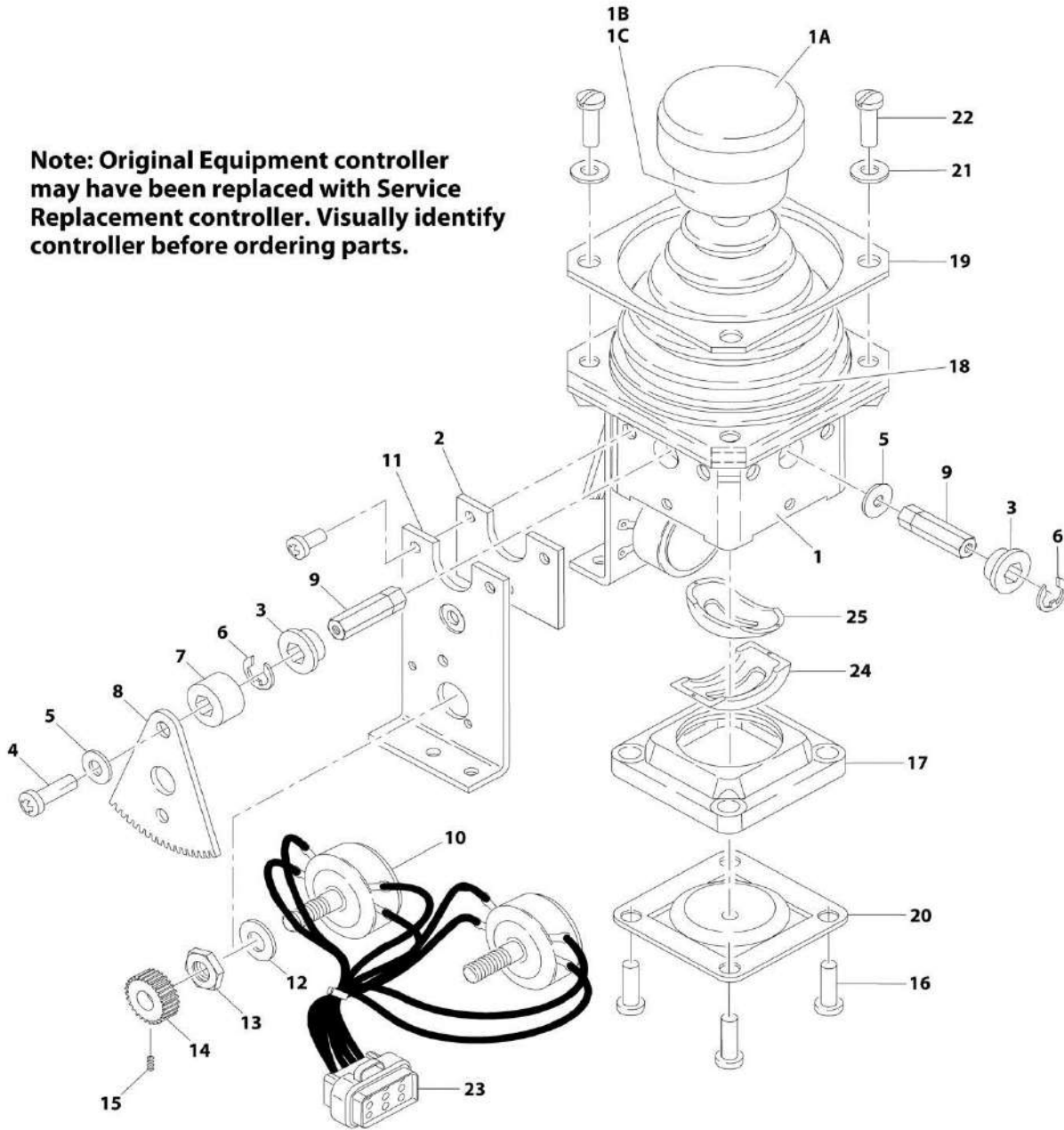
SECTION 4 - PLATFORM

ITEM	PART NUMBER	QTY	DESCRIPTION	REV
	0271552	Ref	HEAD AND TAIL LIGHTS INSTALLATION (OPTIONAL)	2
301	4360336	1	Switch, Toggle	
301	3790012	1	O-Ring	
	0274200	Ref	CHASSIS ILLUMINATION LIGHT INSTALLATION	1-A
351	4360336	1	Switch, Toggle	
351	3790012	1	O-Ring	
		Ref	SOFT TOUCH SYSTEM INSTALLATION (OPTIONAL)	
	0273824	Ref	Soft Touch - 36 x 72	A
	0272427	Ref	Soft Touch - 36 x 96	C
401	4360387	1	Switch, Pushbutton	
402	1702938	1	Decal - Soft Touch Override	
		Ref	GENERATOR INSTALLATION (OPTIONAL)	
	0273518	Ref	110V/60Hz - Caterpillar	1-A
	0273538	Ref	110V/50Hz - Caterpillar	1-A
	0273539	Ref	220V/50Hz - Caterpillar	1-A
	0272480	Ref	110v/60Hz - Deutz	2
	0272481	Ref	220V/50Hz - DEUTZ	2
	0271545	Ref	110v/60Hz - Ford	5
	0271546	Ref	220v/50Hz - Ford	4
501	4360336	1	Switch, Toggle	
502	4740397	1	Bushing	
503	4060802	1	Guard, Switch	
504	3251102	1	Decal - Generator ON/OFF	
		Ref	PLATFORM WORKLIGHT INSTALLATION (OPTIONAL)	
	0270814	Ref	Platform Worklight Installation (SN 0300069000 through 0300074444)	3-E
	0273492	Ref	Platform Worklight Installation (SN 0300074445 through 0300087000)	B
601	4360232	1	Breaker, Circuit - 15Amp (SN 0300069000 through 0300074445)	
602	0721003	2	Bolt #10-24NC x 3/8in (SN 0300069000 through 0300074445)	
603	4761000	4	Lockwasher #10 (SN 0300069000 through 0300074445)	
604	3311001	2	Nut #10-24NC (SN 0300069000 through 0300074445)	
605		Ref	Connector, Strain Relief Options:	
605	4460598	1	Connector, Strain Relief (SN 0300069000 through 0300074424)	
605	4460426	1	Connector, Strain Relief (SN 0300074425 through 0300087000)	

SECTION 4 - PLATFORM

FIGURE 4-5. CONTROLLER ASSEMBLY (LIFT AND SWING)

Note: Original Equipment controller may have been replaced with Service Replacement controller. Visually identify controller before ordering parts.



ART_1600317

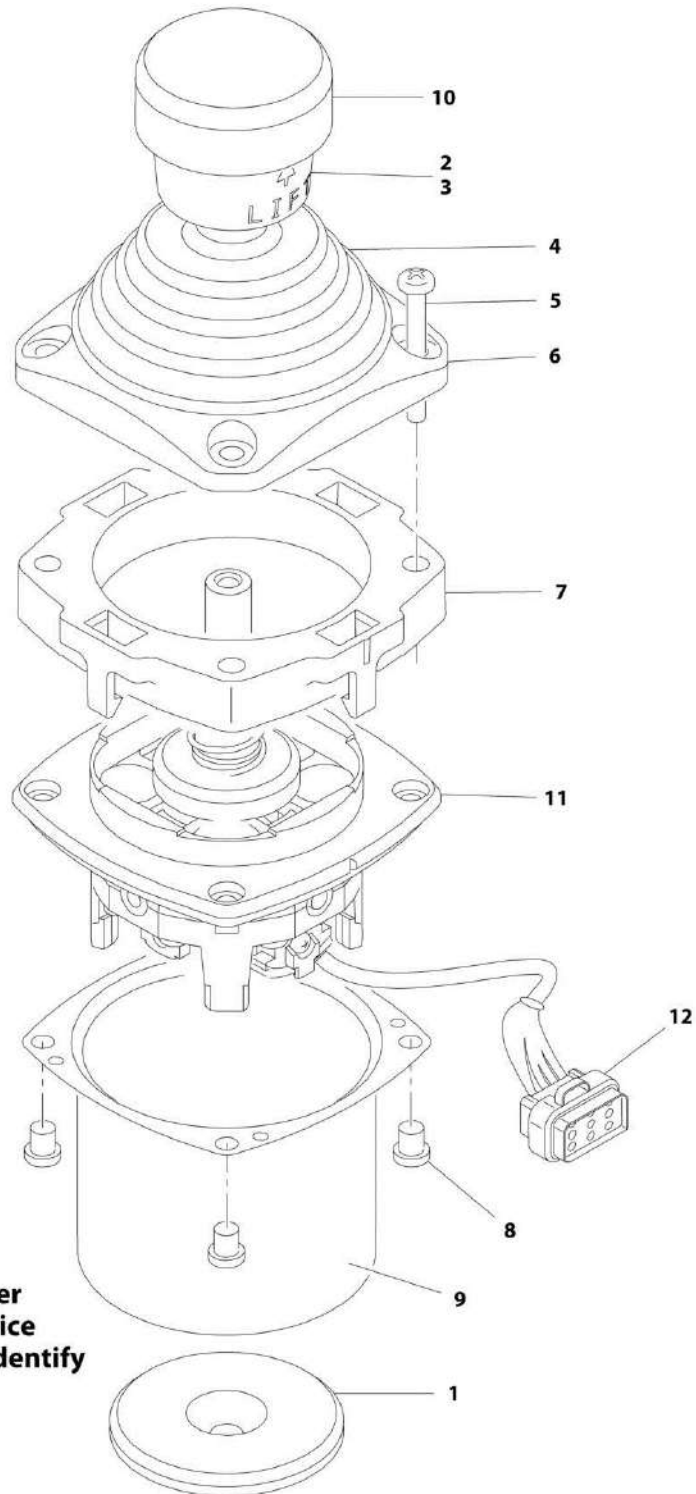
SECTION 4 - PLATFORM

FIGURE 4-5. CONTROLLER ASSEMBLY (LIFT AND SWING)

ITEM	PART NUMBER	QTY	DESCRIPTION	REV
		Ref	Note: Original Equipment controller may have been replaced with Service Replacement controller. Visually identify controller before ordering parts.	
	1600317	Ref	CONTROLLER ASSEMBLY	C
		Ref	Note: Use p/n 1001129555 Kit as Replacement.	
1	7019141	1	Mechanical Assembly (Includes Base, Handle Stem and Items 1A, 1B, 1C & 18)	
1A	7019197	1	Handle Cap and Rod	
1B	7003928	1	Spring	
1C	7022808	1	Cap, Lift	
2	7019171	2	Plate	
3	7019111	4	Bearing, Gear	
4	7019143	2	Screw	
5	7019144	2	Spacer, Cam	
6	7019145	4	E-Clip	
7	7019174	2	Spacer	
8	7003977	2	Gear, Drive	
9		Ref	Shaft Options:	
9	7019147	2	Shaft, Short	
9	7019177	2	Shaft, Long	
10	7022818	2	Potentiometer	
11	7019142	2	Plate	
12	7003992	2	Washer	
13	7003993	2	Nut	
14	7003976	2	Gear, Slave	
15	7019149	2	Setscrew	
16	7022816	4	Screw	
17	7019150	1	Gate	
18	7022814	1	Boot	
19	7022815	1	Bezel	
20	See Note	NSS	Center, Detent (Note: Use p/n 1001129555)	
21	7003953	4	Washer	
22	7022817	4	Screw	
23	7022819	1	Plug, Male - 8 Position (Natural)	
23	4460871	8	Socket, Female	
24	7019122	1	Gimble, Outer	
25	7019123	1	Gimble, Inner	

SECTION 4 - PLATFORM

FIGURE 4-6. CONTROLLER ASSEMBLY (LIFT AND SWING)



Note: Original Equipment controller may have been replaced with Service Replacement controller. Visually identify controller before ordering parts.

ART_100118417

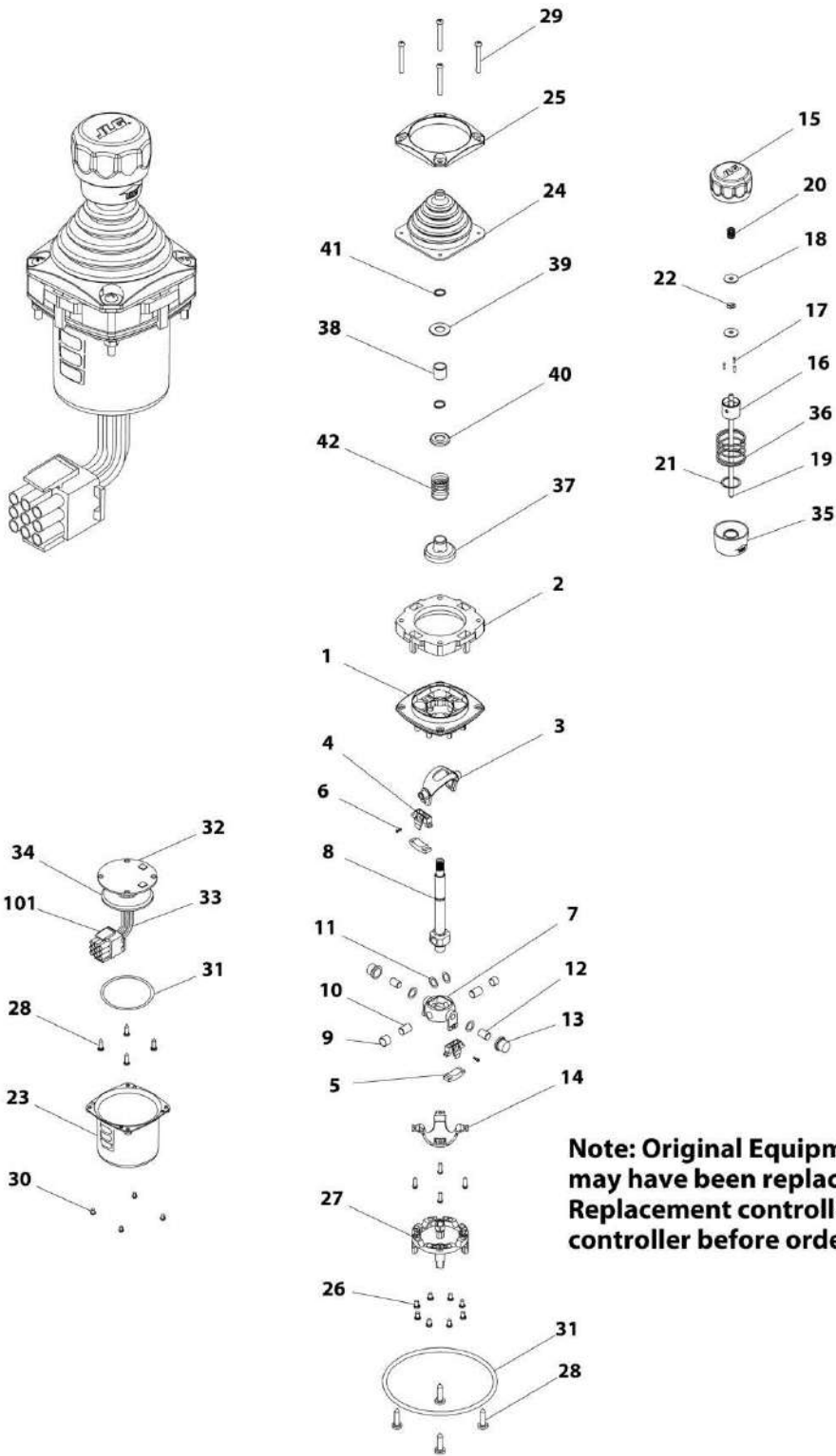
SECTION 4 - PLATFORM

FIGURE 4-6. CONTROLLER ASSEMBLY (LIFT AND SWING)

ITEM	PART NUMBER	QTY	DESCRIPTION	REV
		Ref	Note: Original Equipment controller may have been replaced with Service Replacement controller. Visually identify controller before ordering parts.	
	1001118417	Ref	CONTROLLER ASSEMBLY	E
		Ref	Note: Use p/n 1001129555 as Replacement.	
1	70002730	1	Gasket	
2	7003928	1	Spring	
3	7022808	1	Cap, Lift	
4	70002731	1	Boot	
5	70002732	4	Screw	
6	7022815	1	Bezel	
7	70002733	1	Adapter	
8	70002734	4	Screw	
9	70002735	1	Can, Enclosure	
10	70002906	1	Cap	
11	See Note	NSS	Mechanical Assembly (Note: Use p/n 1001129555)	
12	7022819	1	Connector - 8 Position	
12	4460871	6	Socket, Female	

SECTION 4 - PLATFORM

FIGURE 4-7. CONTROLLER ASSEMBLY (LIFT AND SWING)



Note: Original Equipment controller may have been replaced with Service Replacement controller. Visually identify controller before ordering parts.

ART_1001166539

SECTION 4 - PLATFORM

FIGURE 4-7. CONTROLLER ASSEMBLY (LIFT AND SWING)

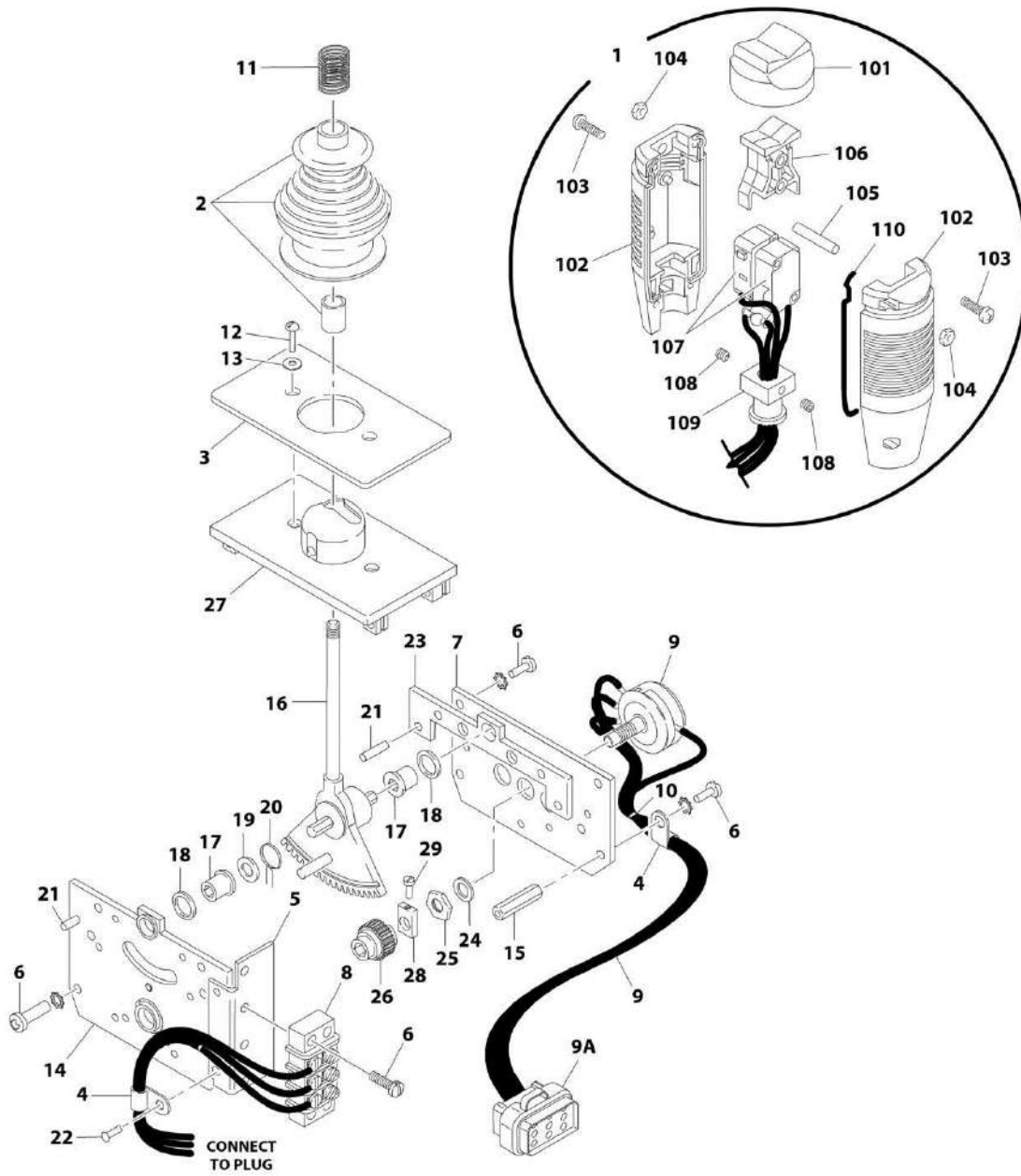
ITEM	PART NUMBER	QTY	DESCRIPTION	REV
		Ref	Note: Original Equipment controller may have been replaced with Service Replacement controller. Visually identify controller before ordering parts.	
	1001166539	Ref	CONTROLLER ASSEMBLY	D
		Ref	Note: Use p/n 1001129555 as Replacement.	
1	See Note	NSS	Main Cast Body (Note: Not Available - Purchase Complete Assembly)	
2	70004752	1	Adapter	
3	See Note	NSS	Pivot Arm, Plastic (Note: Not Available - Purchase Complete Assembly)	
4	See Note	NSS	Holder, Magnet (Note: Not Available - Purchase Complete Assembly)	
5	See Note	NSS	Arc, Magnet (Note: Not Available - Purchase Complete Assembly)	
6	See Note	NSS	Screw (Note: Not Available for Purchase)	
7	See Note	NSS	Pivot Arm, Cast (Note: Not Available - Purchase Complete Assembly)	
8	See Note	NSS	Shaft, Main (Note: Not Available - Purchase Complete Assembly)	
9	See Note	NSS	Bearing (Note: Not Available - Purchase Complete Assembly)	
10	See Note	NSS	Pin (Note: Not Available - Purchase Complete Assembly)	
11	See Note	NSS	Shim (Note: Not Available - Purchase Complete Assembly)	
12	See Note	NSS	Pin (Note: Not Available - Purchase Complete Assembly)	
13	See Note	NSS	Bearing (Note: Not Available - Purchase Complete Assembly)	
14	See Note	NSS	Dome, Centering (Note: Not Available - Purchase Complete Assembly)	
15	70004753	1	Cap	
16	70004754	1	Insert, Cap	
17	70004755	3	Pin	
18	70004756	2	Washer	
19	70004757	1	Pin, Centering	
20	70004758	1	Spring	
21	70004759	1	Ring, Retaining	
22	70004760	1	E-Ring	
23	70004761	1	Can, Enclosure	
24	70004762	1	Boot	
25	70004763	1	Bezel	
26	See Note	NSS	Screw (Note: Not Available for Purchase)	
27	See Note	NSS	Base, Mounting (Note: Not Available - Purchase Complete Assembly)	
28	See Note	NSS	Screw (Note: Not Available for Purchase)	
29	70004764	4	Screw	
30	70004765	4	Screw	
31	70004766	1	O-Ring	
32	See Note	NSS	Plate (Note: Not Available - Purchase Complete Assembly)	
33	See Note	NSS	Harness (Note: Not Available - Purchase Complete Assembly)	
34	70004767	1	Grommet, Rubber	
35	70004768	1	Housing	
36	70004769	1	Spring	
37	70004770	1	Stopper	
38	70004771	1	Spacer	
39	70004772	1	Washer	
40	70004773	1	Disc	

SECTION 4 - PLATFORM

ITEM	PART NUMBER	QTY	DESCRIPTION	REV
41	70004774	2	Ring, Retaining	
42	70004775	1	Spring	
101	4460265	1	Connector - 9 Position	
101	4460226	6	Socket, Female	

SECTION 4 - PLATFORM

FIGURE 4-8. CONTROLLER ASSEMBLY (DRIVE AND STEER)



Note: Original Equipment controller may have been replaced with Service Replacement controller. Visually identify controller before ordering parts.

ART_1600318

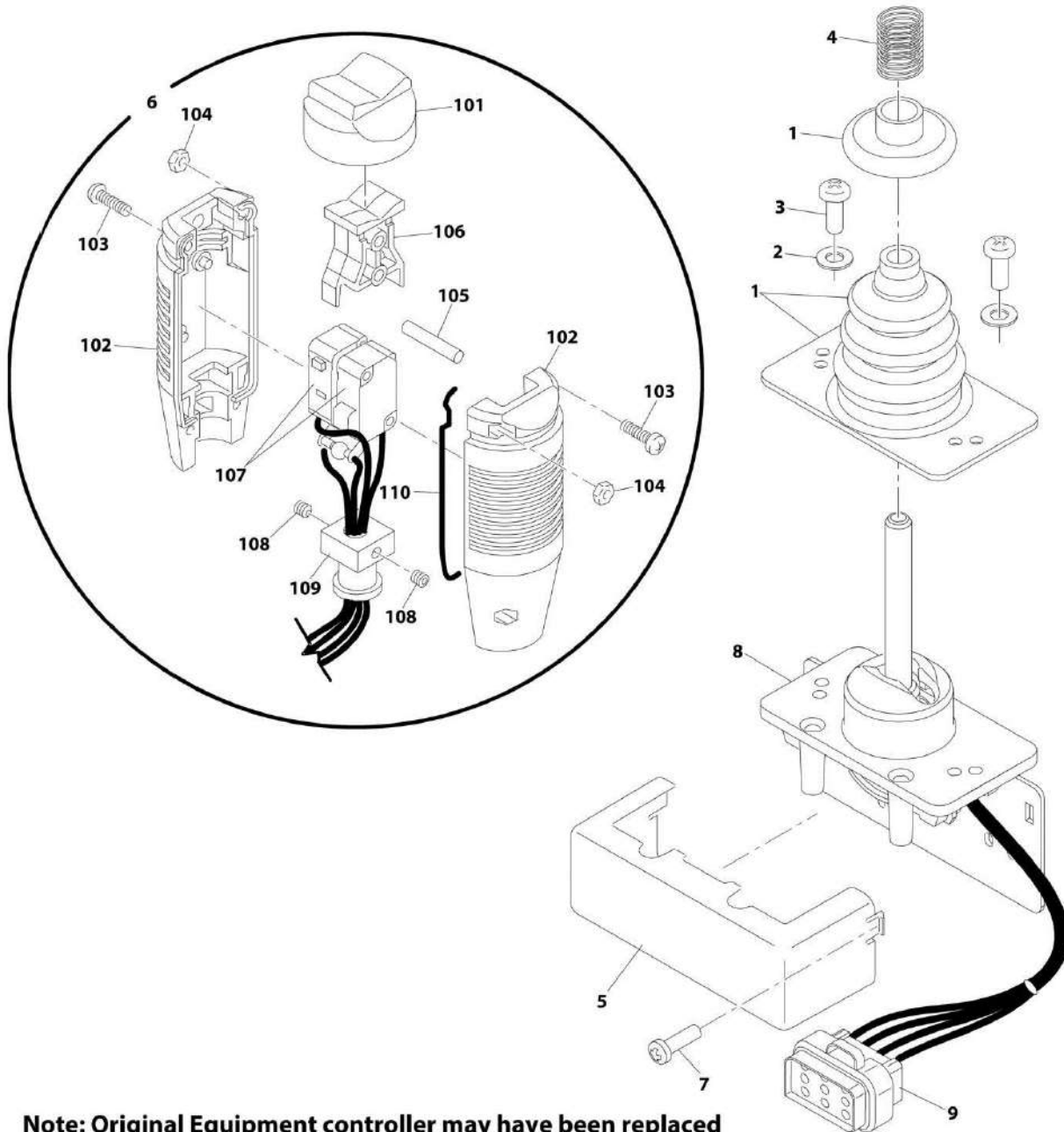
SECTION 4 - PLATFORM

FIGURE 4-8. CONTROLLER ASSEMBLY (DRIVE AND STEER)

ITEM	PART NUMBER	QTY	DESCRIPTION	REV
		Ref	Note: Original Equipment controller may have been replaced with Service Replacement controller. Visually identify controller before ordering parts.	
	1600318	Ref	CONTROLLER ASSEMBLY	C
		Ref	Note: Use p/n 1001212415 as Replacement.	
1	7022812	1	Handle Assembly (See Items 101-110 for Breakdown)	
2	7019161	1	Boot and Sleeve	
3	7003933	1	Gasket	
4	7019154	2	Clamp, Wire	
5	7022823	1	Bracket, Mounting	
6	7003994	1	Screw	
7	7022822	1	Plate, Pot Mounting	
8	7003986	1	Strip, Terminal - 3 Position	
9	7022824	1	Electric Assembly	
9A	1001113961	1	Plug, Male - 8 Position (Black) (was p/n 7022825)	
9A	4460871	7	Socket, Female	
10	7019151	AR	Tie-Strap	
11	7019162	1	Spring	
12	7003969	2	Screw	
13	7003941	2	Washer	
14	See Note	NSS	Plate, Mounting (Left Side) (Note: Not Available for Purchase)	
15	7019115	2	Stand-Off	
16	7019155	1	Shaft 8mm	
17	7019111	2	Bearing	
18	7019110	2	Spacer, Head Gear	
19	7019112	1	Washer	
20	7003946	1	Spring, Return	
21	7019103	4	Pin	
22	See Note	NSS	Rivet (Note: Not Available - Purchase Locally)	
23	7019168	1	Plate, Mounting (Right Side)	
24	7003992	1	Washer	
25	7003993	1	Nut	
26	7003935	1	Gear, Slave	
27	7019160	1	Plate, Base	
28	7019114	1	Coupling, Potentiometer	
29	See Note	NSS	Cup Point Screw (Note: Not Available for Purchase)	
	7022812	Ref	HANDLE ASSEMBLY	
101	7003972	1	Boot, Switch	
102	7003973	2	Half, Handle	
103	7003980	4	Screw	
104	7019167	4	Nut	
105	7019164	1	Axle	
106	7019165	1	Rocker	
107	See Note	NSS	Wiring for Controller Assembly p/n 1600318 (Note: Use p/n 1001166538)	
107	7019166	2	Switch, Micro	
108	7003983	2	Setscrew	
109	7019194	1	Coupling	
110	7003989	2	Gasket	

SECTION 4 - PLATFORM

FIGURE 4-9. CONTROLLER ASSEMBLY (DRIVE AND STEER)



Note: Original Equipment controller may have been replaced with Service Replacement controller. Visually identify controller before ordering parts.

ART_1001118416

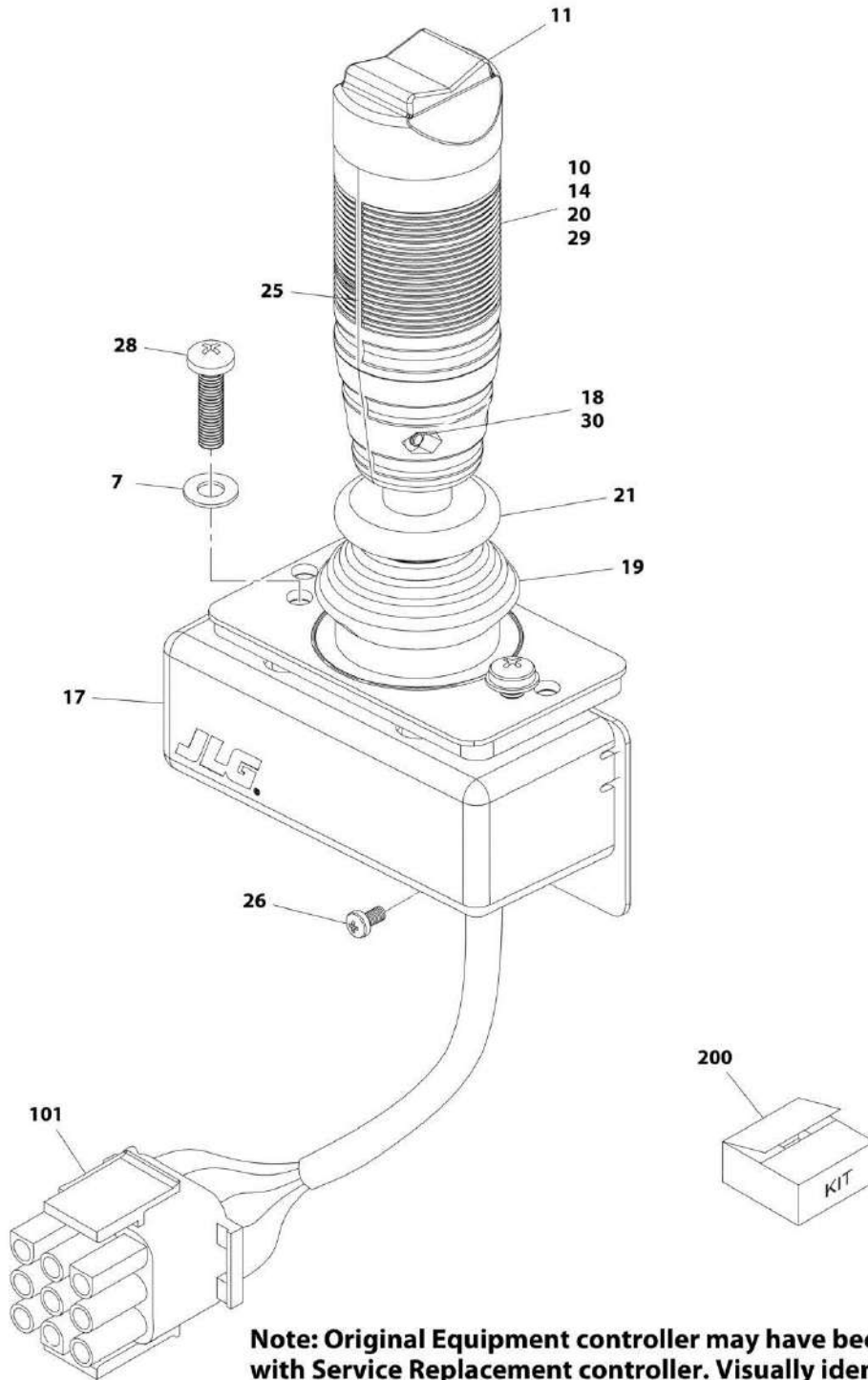
SECTION 4 - PLATFORM

FIGURE 4-9. CONTROLLER ASSEMBLY (DRIVE AND STEER)

ITEM	PART NUMBER	QTY	DESCRIPTION	REV
		Ref	Note: Original Equipment controller may have been replaced with Service Replacement controller. Visually identify controller before ordering parts.	
	1001118416	Ref	CONTROLLER ASSEMBLY	D
		Ref	Note: Use p/n 1001212415 as Replacement.	
1	70002724	1	Boot and Control Lock Assembly	
2	7003941	2	Washer	
3	70002725	2	Screw	
4	7019162	1	Spring	
5	70002726	1	Enclosure	
6	70002727	1	Handle Assembly (See Items 101-110 for Breakdown)	
7	70002728	1	Screw	
8	See Note	NSS	Mechanical Assembly (Note: Use p/n 1001166538)	
9	1001113961	1	Plug, Male - 8 Position (Black) (was p/n 7022825)	
9	4460871	7	Socket, Female	
	70002727	Ref	HANDLE ASSEMBLY	
101	7003972	1	Boot, Switch	
102	7003973	2	Half, Handle	
103	7003980	4	Screw	
104	7019167	4	Nut	
105	7019164	1	Axle	
106	7019165	1	Rocker	
107	70002729	1	Wiring Assembly	
107	7003982	2	Switch, Micro	
108	7003983	2	Set Screw	
109	7019194	1	Coupling	
110	7003989	2	Gasket	

SECTION 4 - PLATFORM

FIGURE 4-10. CONTROLLER ASSEMBLY (DRIVE AND STEER)



Note: Original Equipment controller may have been replaced with Service Replacement controller. Visually identify controller before ordering parts.

ART_1001166538

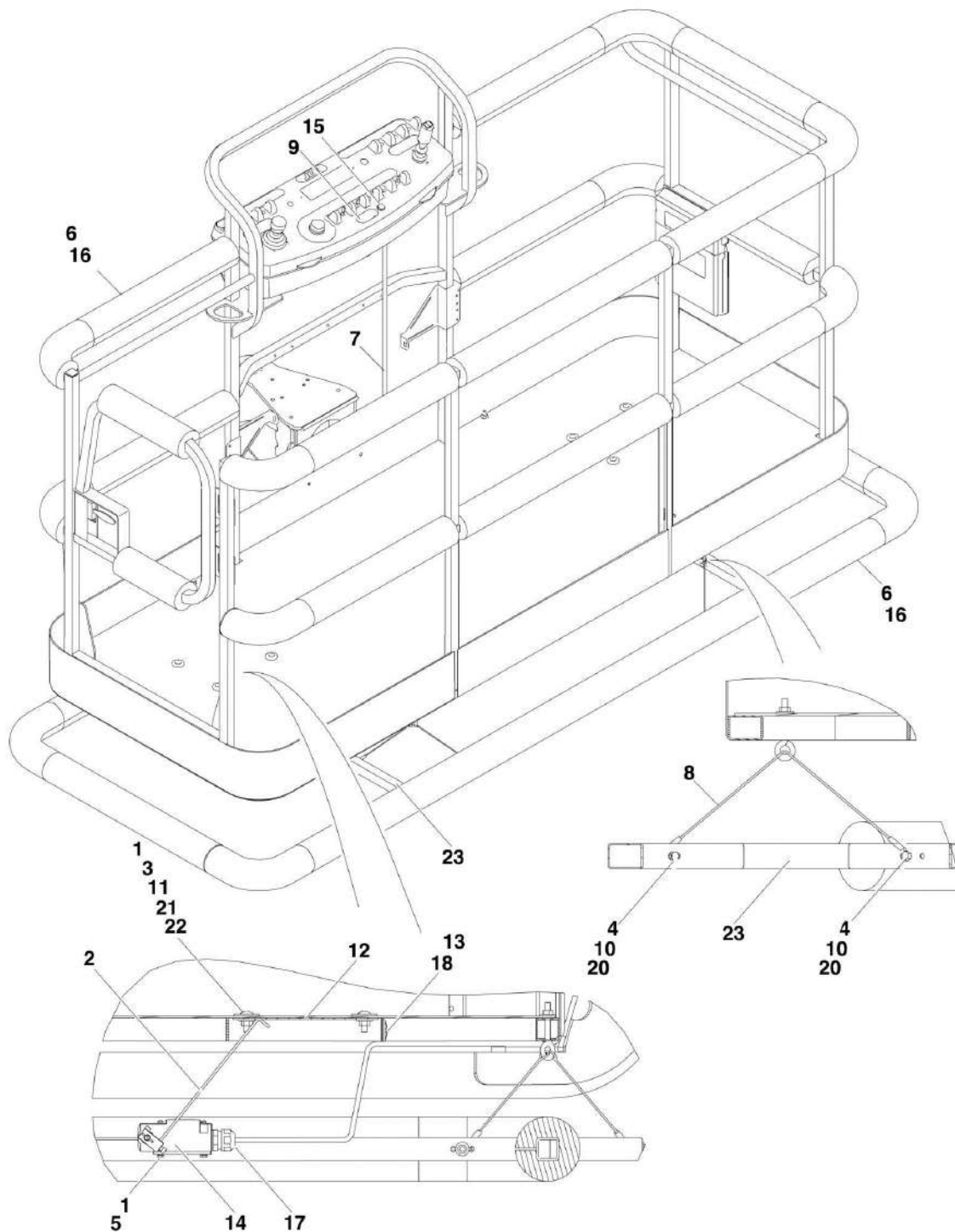
SECTION 4 - PLATFORM

FIGURE 4-10. CONTROLLER ASSEMBLY (DRIVE AND STEER)

ITEM	PART NUMBER	QTY	DESCRIPTION	REV
		Ref	Note: Original Equipment controller may have been replaced with Service Replacement controller. Visually identify controller before ordering parts.	
	1001166538	Ref	CONTROLLER ASSEMBLY	E
		Ref	Note: Use p/n 1001212415 as Replacement.	
7	70004738	2	Washer	
10	70004739	1	Roller	
11	70004740	1	Boot, Switch	
14	70004741	2	Half, Handle	
17	70004742	1	Enclosure	
18	70004743	4	Nut	
19	70004744	NLA	Boot, Controller (Note: Use Item 200)	
20	70004745	NLA	Tube, Locking (Note: Use Item 200)	
21	70004746	NLA	Disc, Locking (Note: Use Item 200)	
25	70004747	2	Seal, Rope	
26	70004748	1	Screw, M3 x 6	
28	70004749	2	Screw, M5 x 20	
29	70004750	1	Pin, Dowel	
30	70004751	4	Screw, M3 x 16	
101	4460265	1	Connector - 9 Position	
101	4460226	7	Socket, Female	
200	70005230	1	Boot Kit (Includes Items 19-21)	

SECTION 4 - PLATFORM

FIGURE 4-11. SOFT TOUCH SYSTEM INSTALLATION (OPTIONAL)



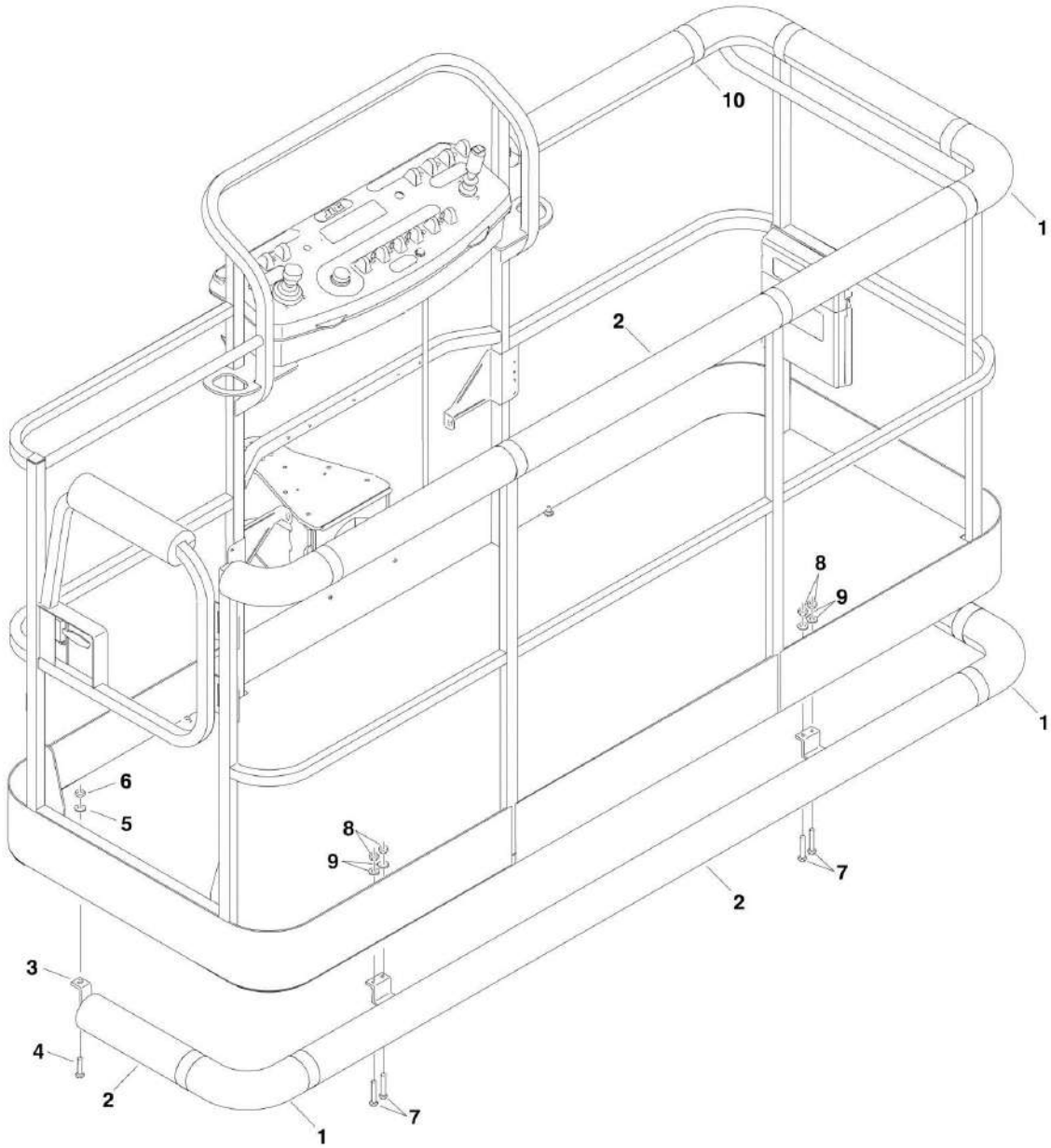
SECTION 4 - PLATFORM

FIGURE 4-11. SOFT TOUCH SYSTEM INSTALLATION (OPTIONAL)

ITEM	PART NUMBER	QTY	DESCRIPTION	REV
		Ref	SOFT TOUCH SYSTEM INSTALLATIONS	
	0273824	Ref	6ft Platforms (Side Entry Platform)	A
	0272427	Ref	8ft Platforms (Side Entry Platform)	C
	0273706	Ref	8Ft/2.4m Platforms w/Fall Arrest	A
1	0100011	AR	Compound, Locking	
2	0200048	2	Arm, Switch	
3	0630462	8	Bolt, Carriage	
4	0641414	8	Bolt 1/4in-20NC x 1 3/4in	
5	0721005	4	Bolt #10-24NC x 5/8in	
6		Ref	Bumper Kits (Includes Corners and Enough Straight Material for One Platform)	
6	0940134	1	6ft Platform	
6	0940103	1	8ft Platform	
6	0940133	1	8ft/2.4m Platforms w/Fall Arrest	
6	0940092	1	Bumper (Corner) Options:	
6		Ref	6ft/8ft Platform	
6		Ref	8ft/2.4m Platforms w/Fall Arrest	
6	0940094	AR	Bumper (12ft Length)	
7	1060341		Cable, Electrical - 16/2 Options:	
7	1060341	22 ft/6.7m	6ft Platform	
7	1060341	23 ft/7m	8ft Platform	
8	1060903	4	Wire Rope and Eyebolt Assembly	
9	1702938	1	Decal - Soft Touch Override	
10	3311401	8	Nut 1/4in-20NC	
11	3311501	8	Nut 5/16in-18NC	
12		Ref	Plate, Switch Strike Options:	
12	3575359	2	6ft Platform	
12	3574091	2	8ft Platform	
13	4240099	7	Tie-Strap	
14	4360057	2	Switch, Limit	
15	4360387	1	Switch, Push Button	
16	4420068	1	Tape, Adhesive	
17	4460049	2	Connector, Strain Relief	
18	4460234	7	Tie-Strap	
19	4460425	1	Connector, Strain Relief	
20	4751400	8	Flatwasher 1/4in	
21	4751500	12	Flatwasher 5/16in	
22	4751800	8	Flatwasher 1/2in	
23		Ref	Rail, Soft Touch Options:	
23	3641569	1	6ft Platform	
23	4846673	1	8ft Platform	
24		Ref	Soft-Touch Installation Kit Options (Not Shown) (Includes Items 2-23):	
		Ref	Note: May not be available for all machines depending on existing options. Contact JLG Parts Dept before ordering.	
24	1001121592	1	Kit - 6ft Platform without Fall Arrest	
24	1001121593	1	Kit - 8ft Platform without Fall Arrest	

SECTION 4 - PLATFORM

FIGURE 4-12. PLATFORM PADDING INSTALLATION (SIDE ENTRY PLATFORM) (OPTIONAL)



SECTION 4 - PLATFORM

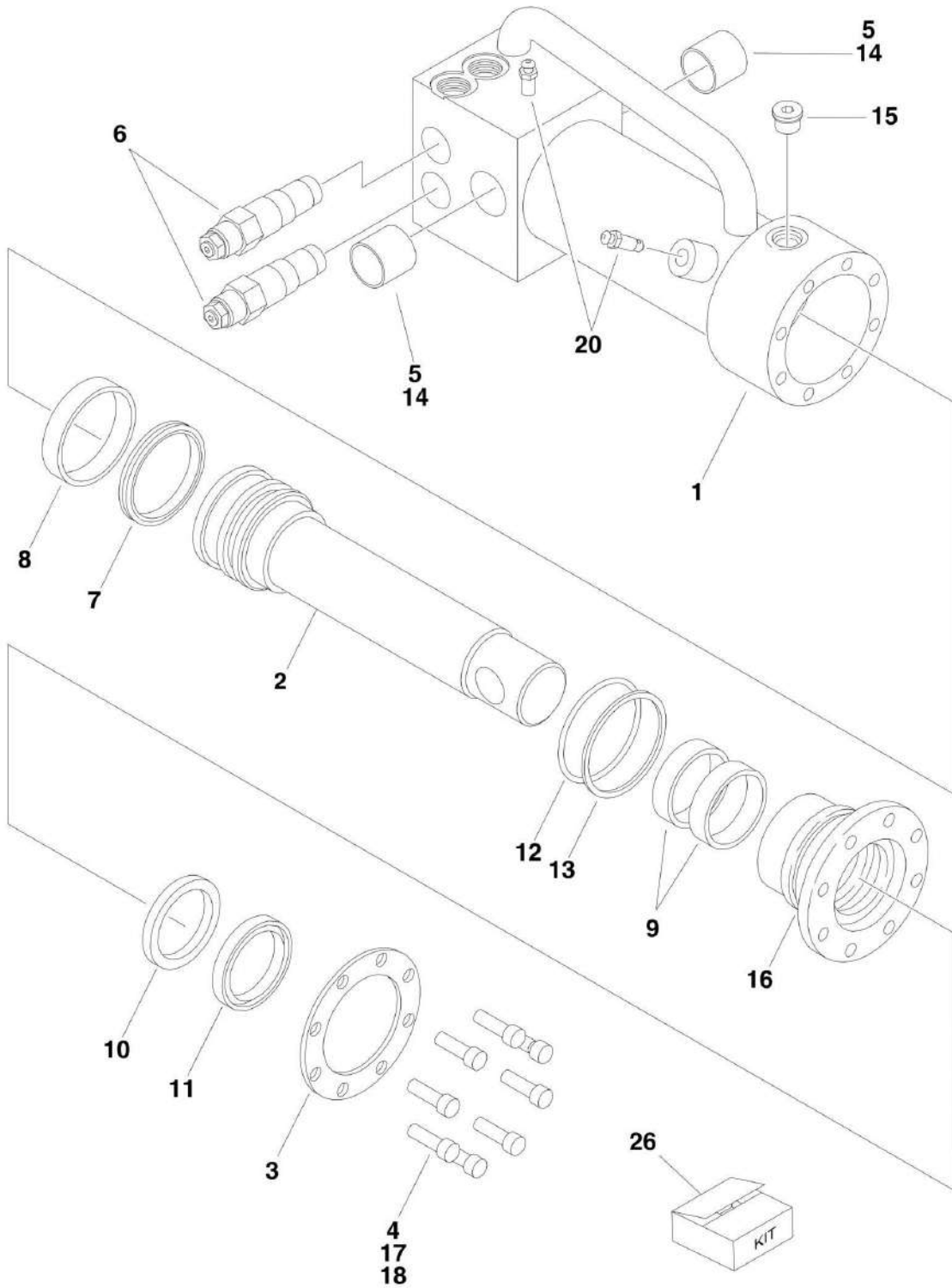
FIGURE 4-12. PLATFORM PADDING INSTALLATION (SIDE ENTRY PLATFORM) (OPTIONAL)

ITEM	PART NUMBER	QTY	DESCRIPTION	REV
	0273542	Ref	PADDING INSTALLATION (30 X 48 SIDE ENTRY PLATFORM)	A
1	0940092	4	Bumper, Pad (Corner)	
2	0940094	9 ft/2.7m	Bumper, Pad (Square Tubing)	
3	0940131	1	Bumper, Rail	
4	0641516	2	Bolt 5/16in-18NC x 2in	
5	4751500	2	Flatwasher 5/16in	
6	3311505	2	Locknut 5/16in-18NC	
7	0641813	4	Bolt 1/2in-13NC x 1 5/8in	
8	3311805	4	Locknut 1/2in-13NC	
9	4891800	4	Flatwasher 1/2in Hardened	
10	4420068	30 ft/9.1m	Tape	

SECTION 5 - CYLINDER

SECTION 5 - CYLINDER

FIGURE 5-1. AXLE LOCKOUT CYLINDER ASSEMBLY (SN 0300069000 through 0300081835)



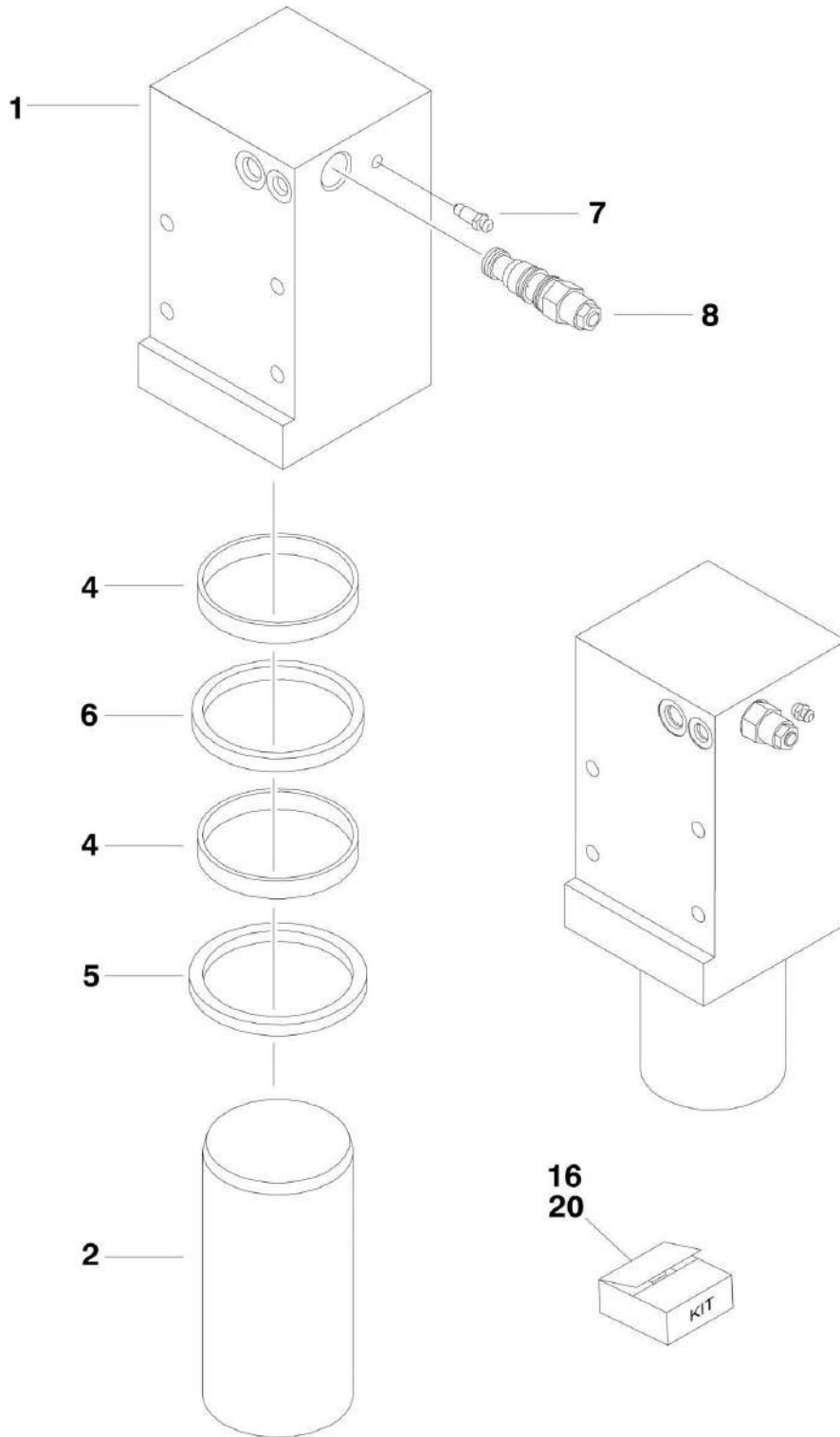
SECTION 5 - CYLINDER

FIGURE 5-1. AXLE LOCKOUT CYLINDER ASSEMBLY (SN 0300069000 through 0300081835)

ITEM	PART NUMBER	QTY	DESCRIPTION	REV
	1683280	Ref	AXLE LOCKOUT CYLINDER ASSEMBLY	6-D
1	1683281	1	Barrel Weldment	
2	1683283	1	Rod Weldment	
3	3760369	1	Ring, Washer	
4	0681610	8	Bolt 3/8in-16NC x 1-1/4in (Grade 8)	
5	0962474	4	Bushing	
6	4641162	2	Valve, Cartridge	
6	2900770	1	Seal Kit - 4640525 Valve	
7	See Note	NSS	Seal (Note: Use Item 26)	
8	See Note	NSS	Ring, Wear (Note: Use Item 26)	
9	See Note	NSS	Ring, Wear (Note: Use Item 26)	
10	See Note	NSS	Seal, Rod (Note: Use Item 26)	
11	See Note	NSS	Wiper, Rod (Note: Use Item 26)	
12	See Note	NSS	O-Ring (Note: Use Item 26)	
13	See Note	NSS	Ring, Back-up (Note: Use Item 26)	
14	0100063	AR	Adhesive	
15	2220885	1	Plug, O-Ring	
16	1683057	1	Head	
17	0100011	AR	Compound, Locking	
18	0100038	AR	Primer, Locking	
20	4640858	2	Valve, Bleeder	
26	2901321	1	Seal Kit (Includes Items 7-13)	

SECTION 5 - CYLINDER

FIGURE 5-2. AXLE LOCKOUT CYLINDER ASSEMBLY (SN 0300081836 through 0300087000)



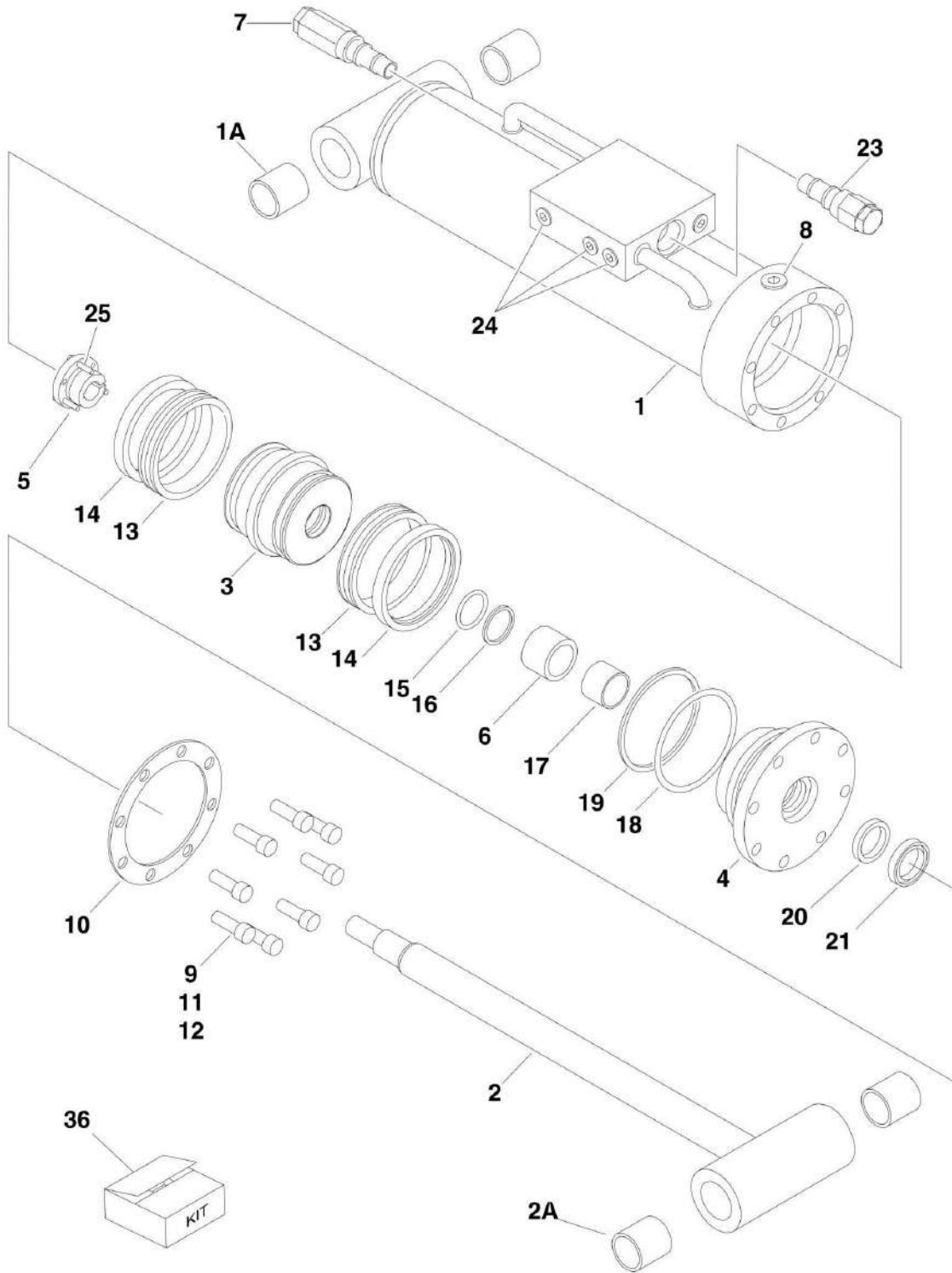
SECTION 5 - CYLINDER

FIGURE 5-2. AXLE LOCKOUT CYLINDER ASSEMBLY (SN 0300081836 through 0300087000)

ITEM	PART NUMBER	QTY	DESCRIPTION	REV
	1684280	Ref	AXLE LOCKOUT CYLINDER ASSEMBLY	E
1	1684289	1	Barrel	
2	1684290	1	Rod	
4	See Note	NSS	Ring, Wear (Note: Use Item 16)	
5	See Note	NSS	Wiper (Note: Use Item 16)	
6	See Note	NSS	Seal, Rod (Note: Use Item 16)	
7	4640858	1	Bleeder	
8	4641319	1	Cartridge, Valve	
8	7024879	1	Seal Kit	
16	2902266	1	Seal Kit (Includes Items 4-6)	
20	1001167359	1	Cylinder Replacement Kit (Kit Replaces p/n 1684280 with Current Design)	

SECTION 5 - CYLINDER

FIGURE 5-3. PLATFORM LEVEL CYLINDER ASSEMBLY



SECTION 5 - CYLINDER

FIGURE 5-3. PLATFORM LEVEL CYLINDER ASSEMBLY

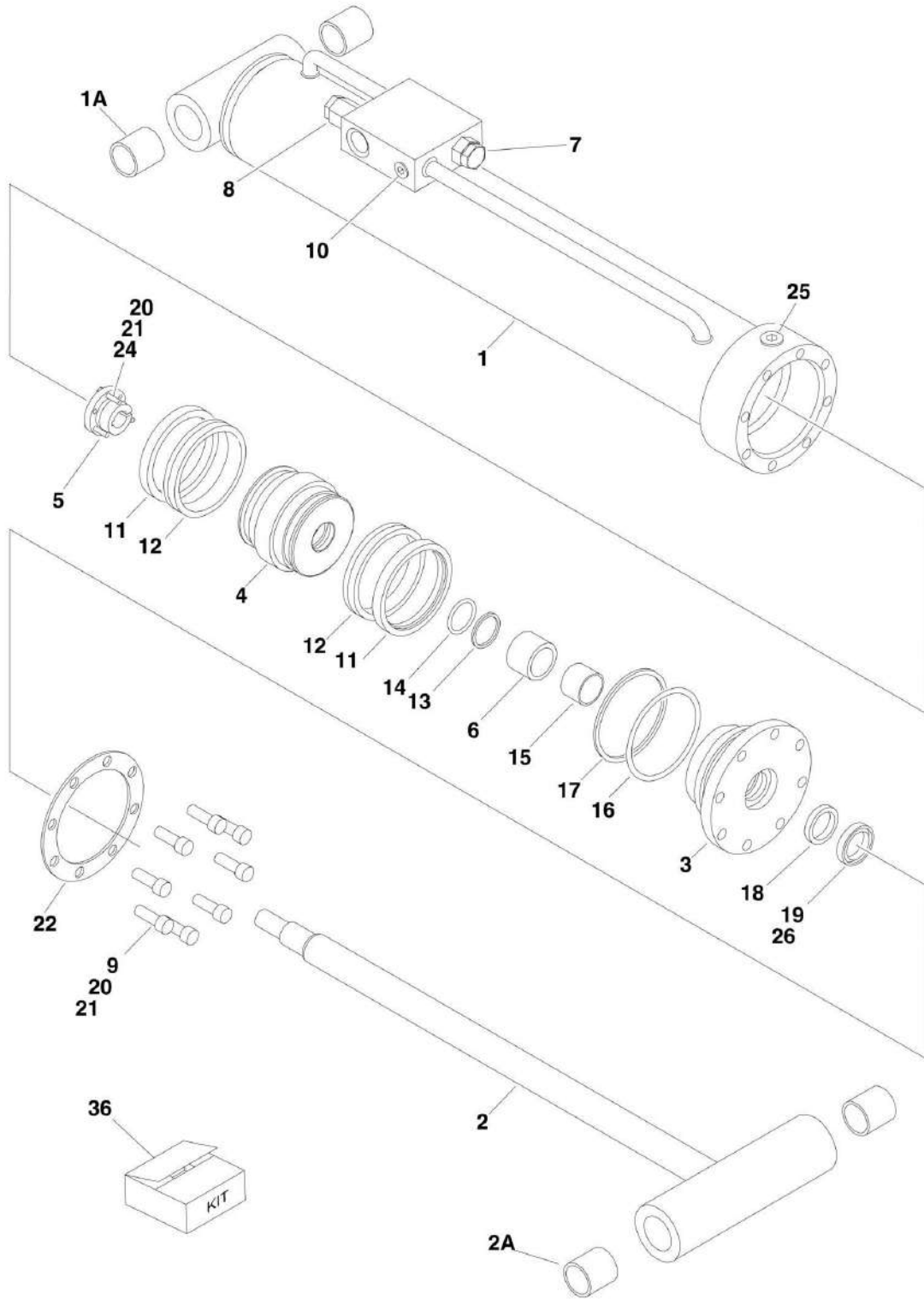
ITEM	PART NUMBER	QTY	DESCRIPTION	REV
	1683415	Ref	PLATFORM LEVEL CYLINDER ASSEMBLY - 600A	C
	1683418	Ref	PLATFORM LEVEL CYLINDER ASSEMBLY - 600AJ	D
1		Ref	Barrel Weldment Options:	
1	1683977	1	Barrel Weldment 600A (Note: Includes Item 1A)	
1	1683952	1	Barrel Weldment 600AJ (Note: Item 1A not included. Purchase Separately)	
1A		Ref	Bushing Options:	
1A	0961947	2	600A	
1A	0961951	2	600AJ	
2		Ref	Rod Weldment Options:	
2	1683976	1	Rod Weldment 600A (Note: Includes Item 2A)	
2	1683963	1	Rod Weldment 600AJ (Note: Item 2A not included. Purchase Separately)	
2A		Ref	Bushing Options:	
2A	0961947	2	600A	
2A	0961951	2	600AJ	
3		Ref	Piston Options:	
3	3480210	1	Piston 600A	
3	3480188	1	Piston 600AJ	
4		Ref	Head Options:	
4	1683053	1	Head 600A	
4	1683055	1	Head 600AJ	
5		Ref	Bushing, Tapered (Includes Item 25) Options:	
5	0961893	1	Bushing, Tapered 600A	
5	0961894	1	Bushing, Tapered 600AJ	
6	4566468	1	Spacer	
7	4640509	1	Cartridge, Valve	
7	2900792	1	Seal Kit - 4640509 Valve	
8	2220885	1	Plug, O-Ring	
9		Ref	Capscrew, Socket Head Options:	
9	3931516	8	600A - Capscrew 5/16in-18NC x 1in	
9	3931620	8	600AJ - Capscrew 3/8in-16NC x 1-1/4in	
10		Ref	Ring, Washer Options:	
10	3760368	1	Ring, Washer 600A	
10	3760369	1	Ring, Washer 600AJ	
11	0100011	AR	Compound, Locking	
12	0100038	AR	Primer, Locking	
13	See Note	2	Seal (Note: Use Item 36)	
14	See Note	2	Ring, Lock (Note: Use Item 36)	
15	See Note	1	O-Ring (Note: Use Item 36)	
16	See Note	1	Ring, Back-up (Note: Use Item 36)	
17	See Note	1	Ring, Wear (Note: Use Item 36)	
18	See Note	1	O-Ring (Note: Use Item 36)	
19	See Note	1	Ring, Back-up (Note: Use Item 36)	
20	See Note	1	Seal, Rod (Note: Use Item 36)	
21	See Note	1	Wiper (Note: Use Item 36)	
23	4640932	1	Cartridge, Valve	
23	7011112	1	Seal Kit - 4640932 Valve	
24	2220883	8	Plug, O-Ring	
25		Ref	Bolt Options:	

SECTION 5 - CYLINDER

ITEM	PART NUMBER	QTY	DESCRIPTION	REV
25	0630534	3	600A - Bolt #10 - 24NC x 1in	
25	0630535	3	600AJ - Bolt 1/4in - 20NC x 1-1/8in	
36		Ref	Seal Kit Options (Includes Items 13-21):	
36	2901303	1	Seal Kit 600A	
36	2901301	1	Seal Kit 600AJ	

SECTION 5 - CYLINDER

FIGURE 5-4. LEVEL CYLINDER ASSEMBLY - UPRIGHT



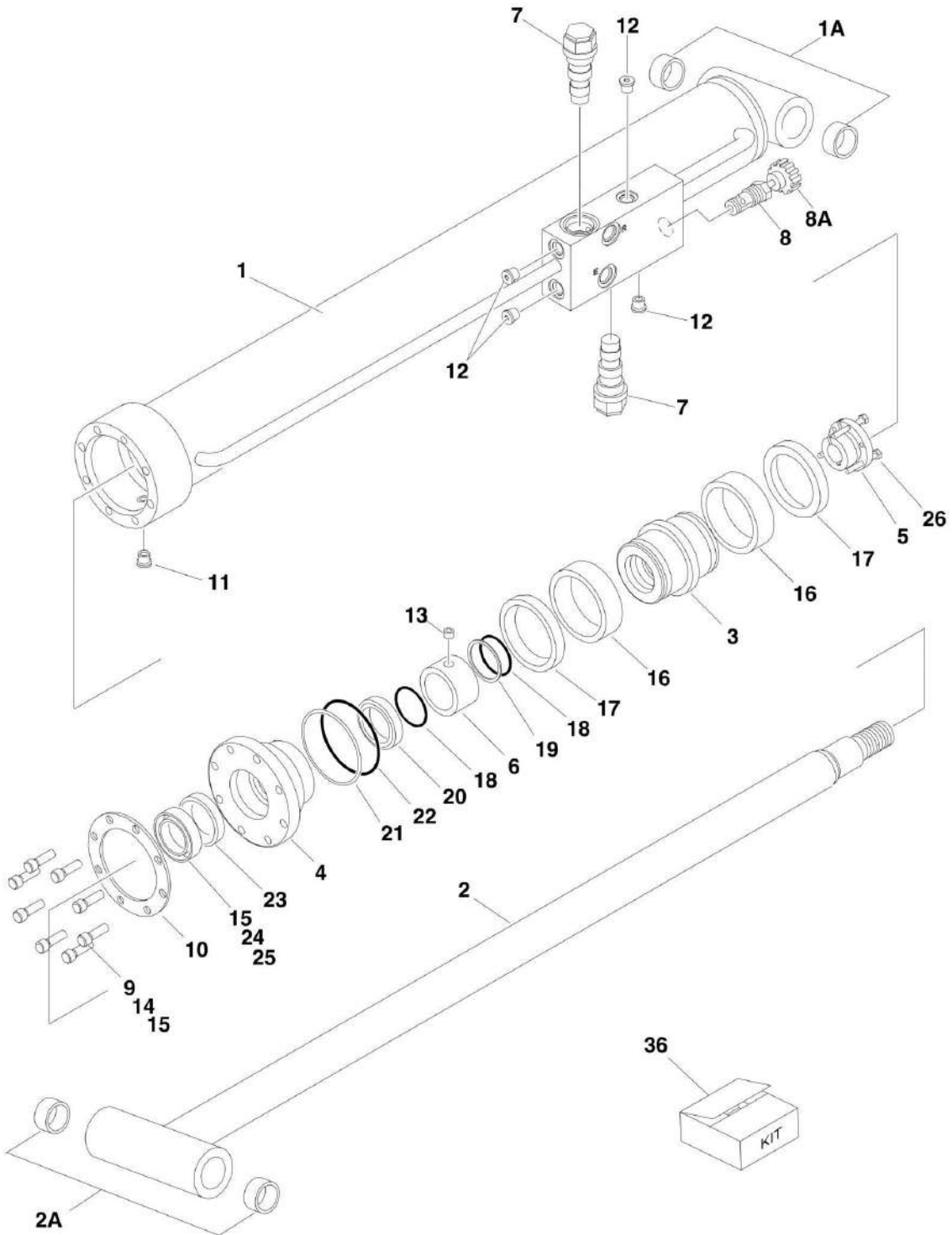
SECTION 5 - CYLINDER

FIGURE 5-4. LEVEL CYLINDER ASSEMBLY - UPRIGHT

ITEM	PART NUMBER	QTY	DESCRIPTION	REV
		Ref	LEVEL CYLINDER ASSEMBLY - UPRIGHT OPTIONS:	
	1683299	Ref	Original Equipment	F
	1684498	Ref	Service Replacement	C
		Ref	Note: Original Equipment components may have been replaced with Service Replacement components part. Identify p/n stamped on cylinder before ordering parts.	
1		Ref	Barrel Weldment	
1	1684014	NLA	Original Equipment (Use p/n 0370035)	
1	0370035	1	Service Replacement	
1A	0961949	2	Bushing	
2	1684015	1	Rod Weldment	
2A	0961949	2	Bushing	
3	1683067	1	Head	
4	3480206	1	Piston	
5	0961898	1	Bushing, Tapered (Use item #24 in place of supplied bolts)	
6	4566501	1	Spacer, Tube	
7	4640509	1	Cartridge, Valve	
7	2900792	1	Seal Kit - 4640509 Valve	
8	4640605	1	Cartridge, Valve	
8	2900792	1	Seal Kit - 4640605 Valve	
9	3932032	8	Bolt, Socket Head 5/16in-11NC x 2in	
10	2220883	2	Plug, O-Ring	
11	See Note	NSS	Ring, Lock (Note: Use Item 36)	
12	See Note	NSS	Seal, Hydrolock (Note: Use Item 36)	
13	See Note	NSS	O-Ring (Note: Use Item 36)	
14	See Note	NSS	Ring, Back-up (Note: Use Item 36)	
15	See Note	NSS	Ring, Wear (Note: Use Item 36)	
16	See Note	NSS	O-Ring (Note: Use Item 36)	
17	See Note	NSS	Ring, Back-up (Note: Use Item 36)	
18	See Note	NSS	Seal, Rod (Note: Use Item 36)	
19	See Note	NSS	Wiper (Note: Use Item 36)	
20	0100011	AR	Compound, Locking	
21	0100038	AR	Primer, Locking	
22	3760372	1	Washer, Ring	
24	0630536	3	Bolt 3/8in-16NC x 1-1/2in	
25	2220886	1	Plug, O-Ring	
26	0100063	AR	Adhesive	
36	2901285	1	Seal Kit (Includes Items 11-19)	

SECTION 5 - CYLINDER

FIGURE 5-5. LIFT CYLINDER ASSEMBLY - ARTICULATING JIB - 600AJ



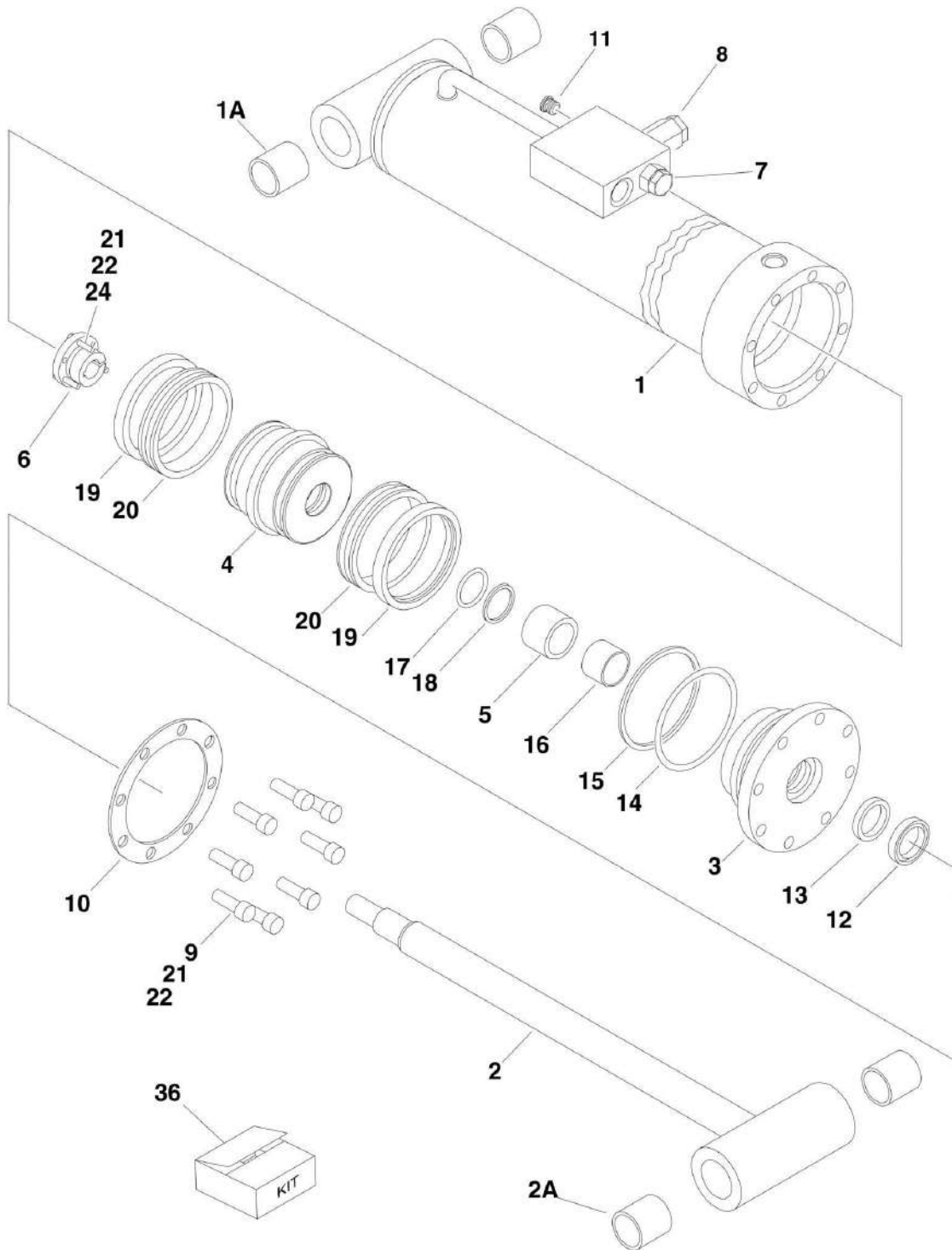
SECTION 5 - CYLINDER

FIGURE 5-5. LIFT CYLINDER ASSEMBLY - ARTICULATING JIB - 600AJ

ITEM	PART NUMBER	QTY	DESCRIPTION	REV
		Ref	LIFT CYLINDER ASSEMBLY - 600AJ OPTIONS:	
	1683258	Ref	Lift Cylinder Assembly (SN 0300069000 through 0300070976)	E
	1683609	Ref	Lift Cylinder Assembly (SN 0300070977 through 0300087000)	H
1		Ref	Barrel Options:	
1	1684092	1	Barrel (SN 0300069000 through 0300070976)	
1	1684089	1	Barrel (SN 0300070977 through 0300087000)	
1A	0962336	2	Bushing	
2	1684090	1	Rod	
2A	0962336	2	Bushing	
3	3480210	1	Piston	
4	1683053	1	Head	
5	0961893	1	Bushing, Tapered	
6		Ref	Spacer, Tube Options:	
6	4566471	NLA	Spacer, Tube (Use p/n 4100100)	
6	4100100	1	Spacer, Tube (SN 0300079599 through 0300087000)	
7	4640509	2	Cartridge, Valve	
7	2900792	2	Seal Kit - 4640509 Valve	
8	4640902	1	Cartridge, Valve Only (SN 0300069000 through 0300070977)	
8	7012953	1	Seal Kit - 4640902 Valve	
8A	7012961	1	Knob	
9	3931516	8	Capscrew, Socket Head 5/16in-18NC x 1in	
10	3760368	1	Ring, Washer	
11	2220885	1	Plug, O-Ring #6	
12	2220883	4	Plug, O-Ring #4	
13	3900141	1	Setscrew 1/4in-20NC x 3/8in (SN 0300069000 through 0300079601)	
14	0100011	AR	Compound, Locking	
15	0100038	AR	Primer, Locking	
16	See Note	NSS	Seal (Note: Use Item 36)	
17	See Note	NSS	Ring, Lock (Note: Use Item 36)	
18	See Note	NSS	O-Ring (Note: Use Item 36)	
19	See Note	NSS	Ring, Back-up (Note: Use Item 36)	
20	See Note	NSS	Ring, Wear (Note: Use Item 36)	
21	See Note	NSS	O-Ring (Note: Use Item 36)	
22	See Note	NSS	Ring, Back-up (Note: Use Item 36)	
23	See Note	NSS	Seal, Rod (Note: Use Item 36)	
24	See Note	NSS	Wiper (Note: Use Item 36)	
25	0100063	AR	Adhesive	
26	0630534	3	Bolt #10 - 24NC x 1in	
36	2901303	1	Seal Kit (Includes Items 16-24)	

SECTION 5 - CYLINDER

FIGURE 5-6. LIFT CYLINDER ASSEMBLY - MAIN BOOM



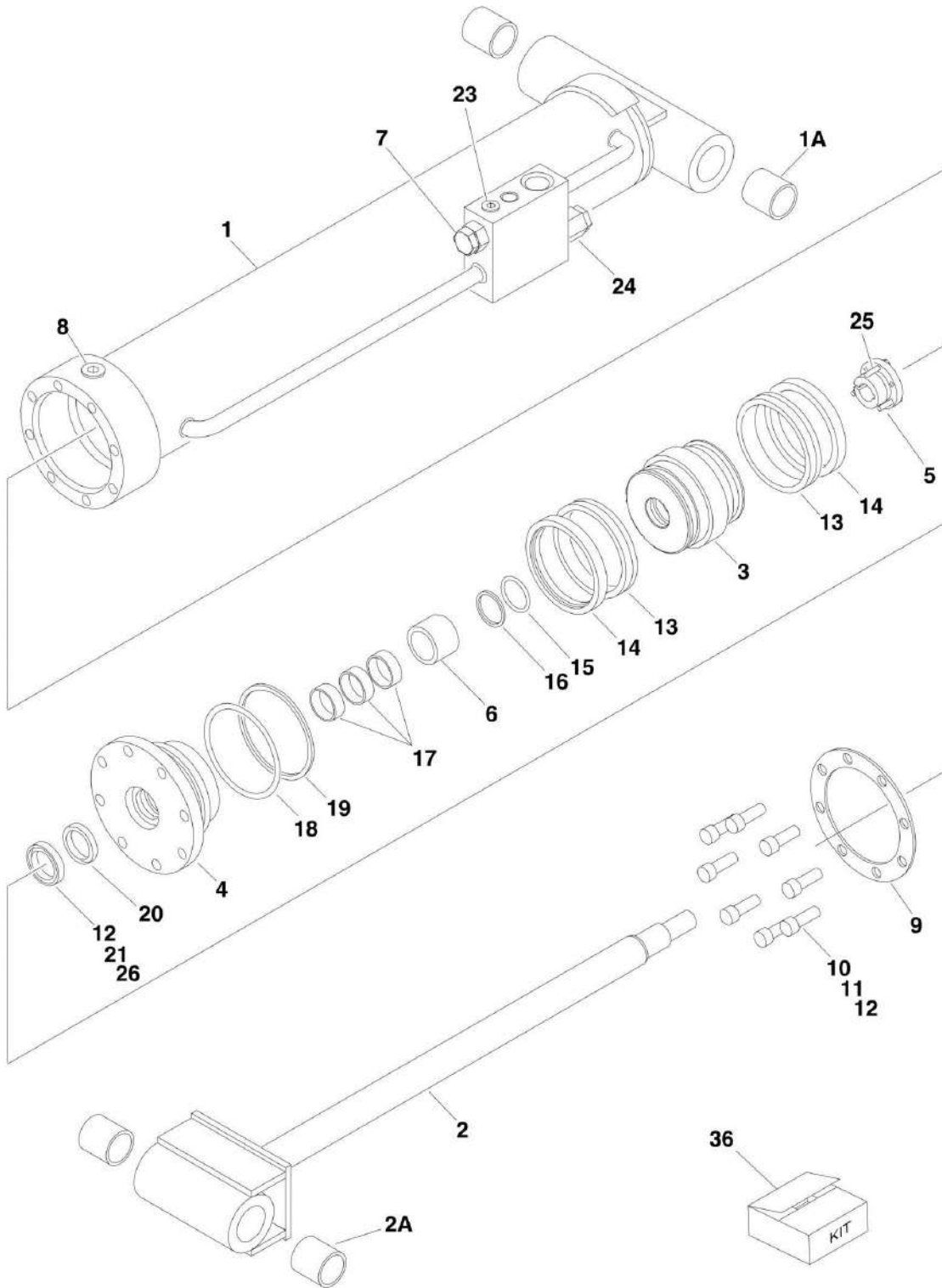
SECTION 5 - CYLINDER

FIGURE 5-6. LIFT CYLINDER ASSEMBLY - MAIN BOOM

ITEM	PART NUMBER	QTY	DESCRIPTION	REV
	1683294	Ref	LIFT CYLINDER ASSEMBLY - MAIN BOOM	G
1	1684001	1	Barrel	
1A	0961948	2	Bushing	
2	1684005	1	Rod	
2A	0961948	2	Bushing	
3	1683061	1	Head	
4	3480211	1	Piston	
5	4566408	1	Spacer	
6	0961897	1	Bushing, Tapered	
7	4640438	1	Cartridge, Valve	
7	2900770	1	Seal Kit - 4640438 Valve	
8	4640509	1	Cartridge, Valve	
8	2900792	1	Seal Kit - 4640509 Valve	
9	3931720	8	Capscrew, Socket Head 7/16in-14NC x 1-1/4in	
10	3760370	1	Ring, Washer	
11	2220883	1	Plug, O-Ring #6	
12	See Note	NSS	Wiper (Note: Use Item 36)	
13	See Note	NSS	Seal, Rod (Note: Use Item 36)	
14	See Note	NSS	O-Ring (Note: Use Item 36)	
15	See Note	NSS	Ring, Back-up (Note: Use Item 36)	
16	See Note	NSS	Ring, Wear (Note: Use Item 36)	
17	See Note	NSS	O-Ring (Note: Use Item 36)	
18	See Note	NSS	Ring, Back-up (Note: Use Item 36)	
19	See Note	NSS	Ring, Lock (Note: Use Item 36)	
20	See Note	NSS	Seal (Note: Use Item 36)	
21	0100011	AR	Compound, Locking	
22	0100038	AR	Primer, Locking	
24	0630535	3	Bolt 1/4in-20NC x 1-1/8in	
36	2901273	1	Seal Kit (Includes Items 12-20)	

SECTION 5 - CYLINDER

FIGURE 5-7. LIFT CYLINDER ASSEMBLY - TOWER BOOM



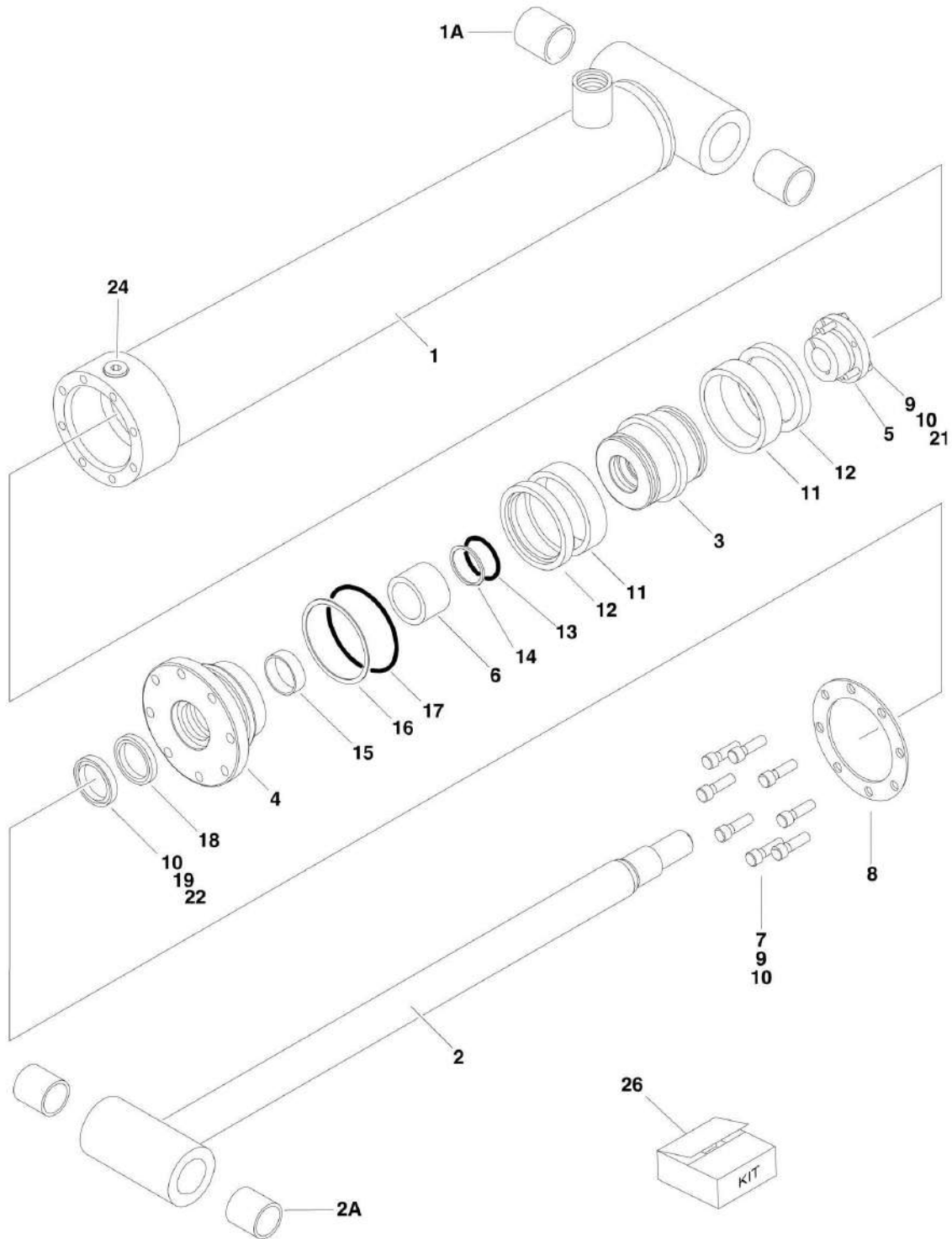
SECTION 5 - CYLINDER

FIGURE 5-7. LIFT CYLINDER ASSEMBLY - TOWER BOOM

ITEM	PART NUMBER	QTY	DESCRIPTION	REV
	1683288	Ref	LIFT CYLINDER ASSEMBLY - TOWER BOOM	L
1	1684017	1	Barrel	
1A	0961949	2	Bushing	
2	1684019	1	Rod	
2A	0961949	2	Bushing	
3	3480216	1	Piston	
4	1683069	1	Head	
5	0961899	1	Bushing, Tapered	
6	4566667	1	Spacer	
7	4640605	1	Cartridge, Valve	
7	2900792	1	Seal Kit - 4640605	
8	2220888	1	Plug, O-Ring #12	
9	3760384	1	Ring, Washer	
10	3932240	8	Capscrew, Socket Head 3/4in-10NC x 2-1/2in	
11	0100011	AR	Compound, Locking	
12	0100038	AR	Primer, Locking	
13	See Note	NSS	Seal (Note: Use Item 36)	
14	See Note	NSS	Ring, Lock (Note: Use Item 36)	
15	See Note	NSS	O-Ring (Note: Use Item 36)	
16	See Note	NSS	Ring, Back-up (Note: Use Item 36)	
17	See Note	NSS	Ring, Wear (Note: Use Item 36)	
18	See Note	NSS	O-Ring (Note: Use Item 36)	
19	See Note	NSS	Ring, Back-up (Note: Use Item 36)	
20	See Note	NSS	Seal, Rod (Note: Use Item 36)	
21	See Note	NSS	Wiper (Note: Use Item 36)	
23	2220883	2	Plug, O-Ring #4	
24	4640509	1	Counterbalance	
24	2900792	1	Seal Kit - 4640509	
25	0630536	3	Bolt 3/8in-16NC x 1-1/2in	
26	0100063	AR	Adhesive	
36	2901322	1	Seal Kit (Includes Items 13-21)	

SECTION 5 - CYLINDER

FIGURE 5-8. MASTER CYLINDER ASSEMBLY



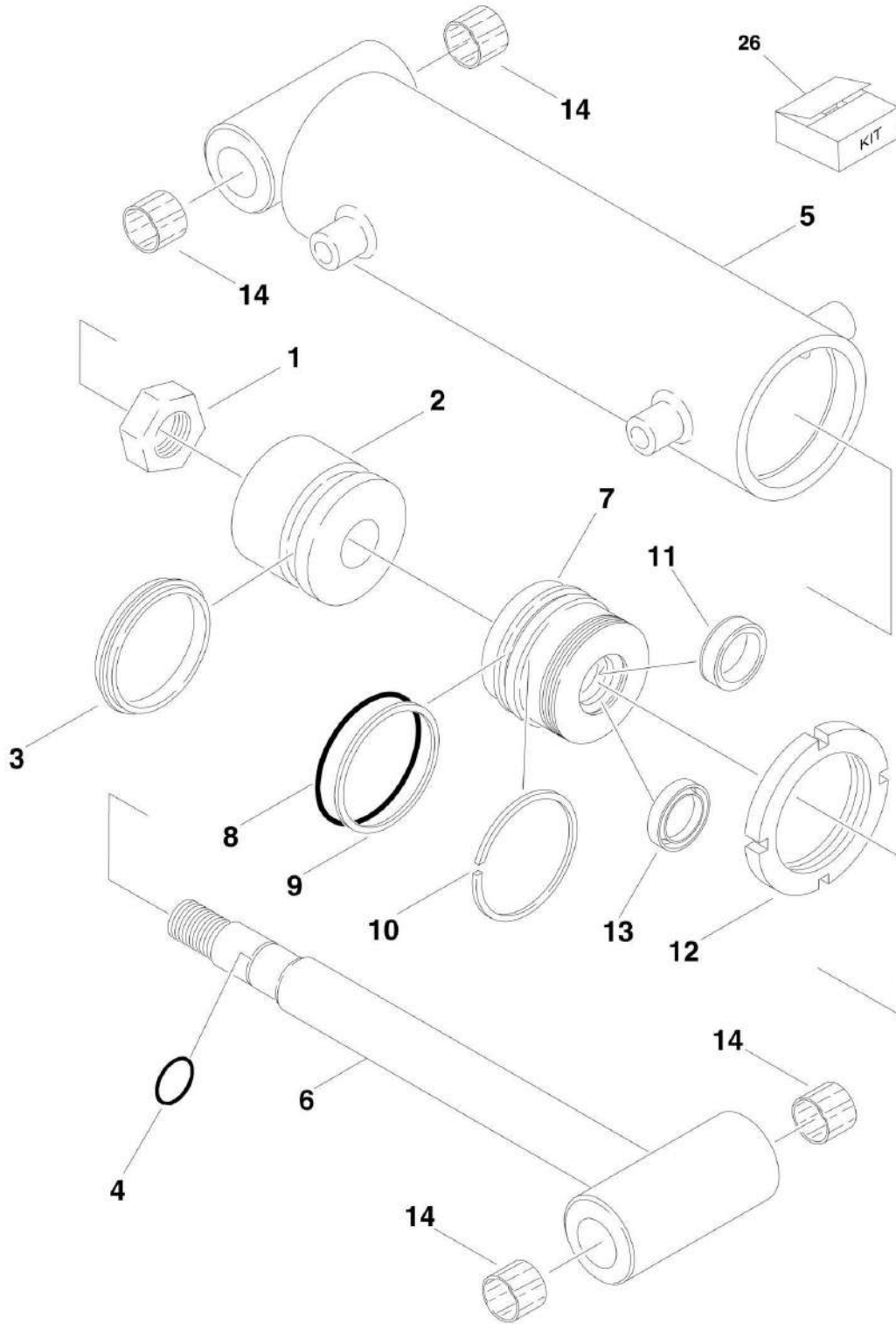
SECTION 5 - CYLINDER

FIGURE 5-8. MASTER CYLINDER ASSEMBLY

ITEM	PART NUMBER	QTY	DESCRIPTION	REV
	1683266	Ref	MASTER CYLINDER ASSEMBLY - 600A	C
	1683263	Ref	MASTER CYLINDER ASSEMBLY - 600AJ	E
1		Ref	Barrel Options:	
1	1683972	1	Barrel 600A (Note: Includes Item 1A)	
1	1683949	1	Barrel 600AJ (Note: Item 1A not included. Purchase Separately)	
1A		Ref	Bushing Options:	
1A	0961947	2	600A - Bushing	
1A	0961951	2	600AJ - Bushing	
2		Ref	Rod Options:	
2	1683973	1	Rod 600A (Note: Includes Item 2A)	
2	1683962	1	Rod 600AJ (Note: Item 2A not included. Purchase Separately)	
2A		Ref	Bushing Options:	
2A	0961947	2	600A - Bushing	
2A	0961951	2	600AJ - Bushing	
3		Ref	Piston Options:	
3	3480210	1	Piston 600A	
3	3480188	1	Piston 600AJ	
4		Ref	Head Options:	
4	1683053	1	Head 600A	
4	1683055	1	Head 600AJ	
5		Ref	Bushing, Tapered Options (Use item 21 in place of supplied bolts):	
5	0961893	1	Bushing, Tapered 600A	
5	0961894	1	Bushing, Tapered 600AJ	
6	4566468	1	Spacer	
7		Ref	Capscrew, Socket Head Options:	
7	3931516	8	600A - Capscrew, Socket Head 5/16in-18NC x 1in	
7	3931620	8	600AJ - Capscrew, Socket Head 3/8in-16NC x 1-1/4in	
8		Ref	Ring, Washer Options:	
8	3760368	1	Ring, Washer 600A	
8	3760369	1	Ring, Washer 600AJ	
9	0100011	AR	Compound, Locking	
10	0100038	AR	Primer, Locking	
11	See Note	2	Seal (Note: Use Item 26)	
12	See Note	2	Ring, Lock (Note: Use Item 26)	
13	See Note	1	O-Ring (Note: Use Item 26)	
14	See Note	1	Ring, Back-up (Note: Use Item 26)	
15	See Note	1	Ring, Wear (Note: Use Item 26)	
16	See Note	1	O-Ring (Note: Use Item 26)	
17	See Note	1	Ring, Back-up (Note: Use Item 26)	
18	See Note	1	Seal, Rod (Note: Use Item 26)	
19	See Note	1	Wiper (Note: Use Item 26)	
21		Ref	Bolt Options:	
21	0630534	3	600A - Bolt #10 - 24NC x 1in	
21	0630535	3	600AJ - Bolt 1/4in-20NC x 1-1/8in	
22	0100063	AR	Adhesive	
24	2220885	1	Plug, O-Ring #6 (600AJ Only)	
26		Ref	Seal Kit Options (Includes Items 11-19):	
26	2901303	1	Seal Kit 600A	
26	2901301	1	Seal Kit 600AJ	

SECTION 5 - CYLINDER

FIGURE 5-9. STEER CYLINDER ASSEMBLY



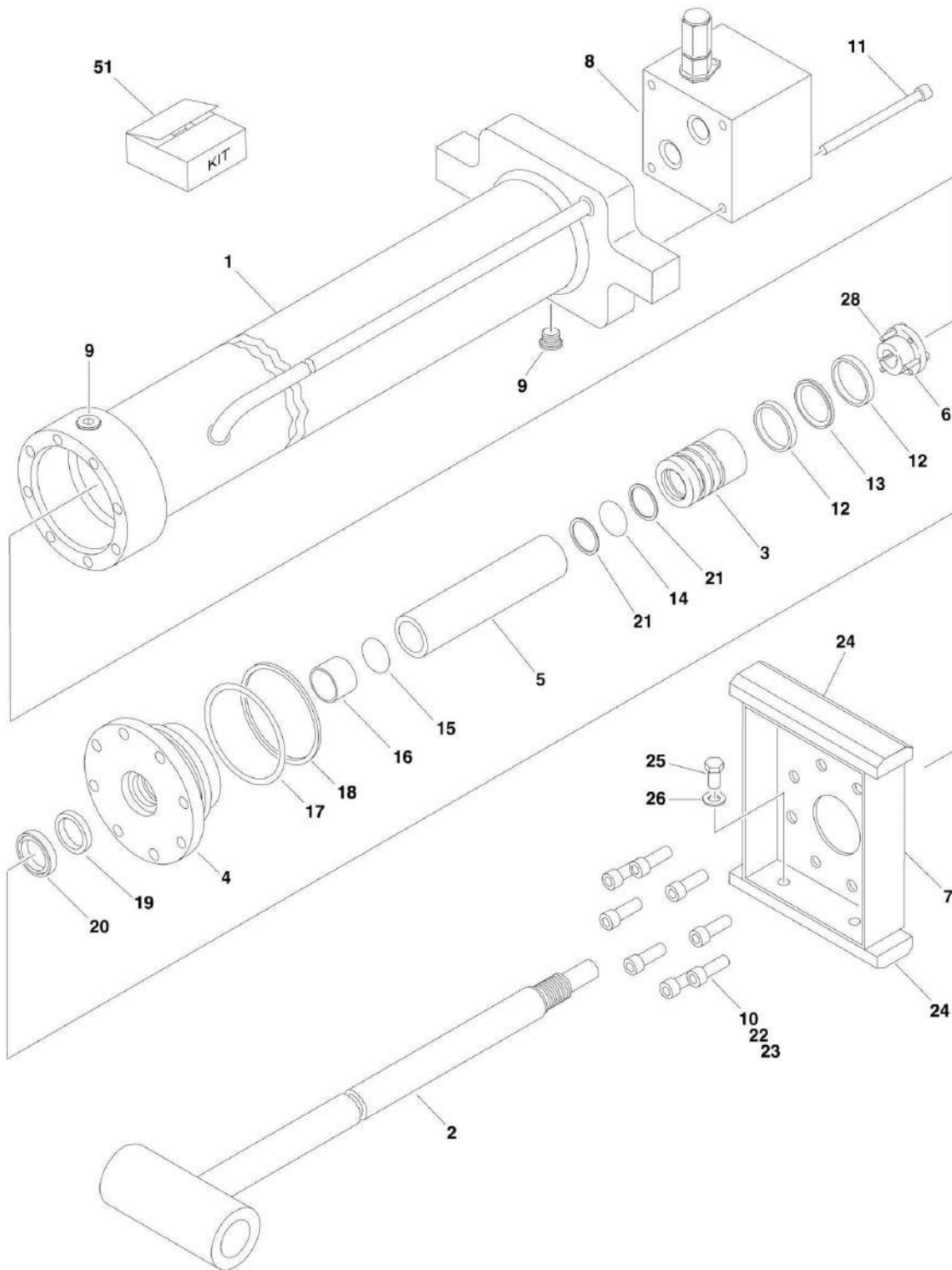
SECTION 5 - CYLINDER

FIGURE 5-9. STEER CYLINDER ASSEMBLY

ITEM	PART NUMBER	QTY	DESCRIPTION	REV
		Ref	STEER CYLINDER ASSEMBLIES	
	1683208	Ref	8ft/2.4m Width Machines	C
	1683304	Ref	7ft/2.1m Width Machines (SN 0300069000 through 0300081835)	A
	1684418	Ref	7ft/2.1m Width Machines (SN 0300081836 through 0300087000)	A
1	7001626	1	Locknut	
2	7001627	1	Piston	
3	See Note	1	Seal (Note: Use Item 26)	
4	See Note	1	O-Ring (Note: Use Item 26)	
5	See Note	1	Barrel (Note: Not Available for Purchase)	
6		Ref	Rod Options:	
6	7001633	1	8ft/2.4m Width Machines	
6	7001628	1	7ft/2.1m Width Machines (SN 0300069000 through 0300081835)	
6	7023038	1	7ft/2.1m Width Machines (SN 0300081836 through 0300087000)	
7	7001629	1	Guide	
8	See Note	NSS	O-Ring (Note: Use Item 26)	
9	See Note	NSS	Ring, Back-up (Note: Use Item 26)	
10	See Note	NSS	Ring, Retaining (Note: Use Item 26)	
11	See Note	NSS	Seal, Lip (Note: Use Item 26)	
12	7001630	1	Nut, Spanner	
13	See Note	NSS	Ring, Wiper (Note: Use Item 26)	
14		Ref	Bushing Options:	
14	0961977	4	8ft/2.4m Width Machines	
14	0961890	4	7ft/2.1m Width Machines	
26	7001625	1	Seal Kit (Includes Items 3, 4, 8-11 & 13)	

SECTION 5 - CYLINDER

FIGURE 5-10. TELESCOPE CYLINDER ASSEMBLY - MAIN BOOM



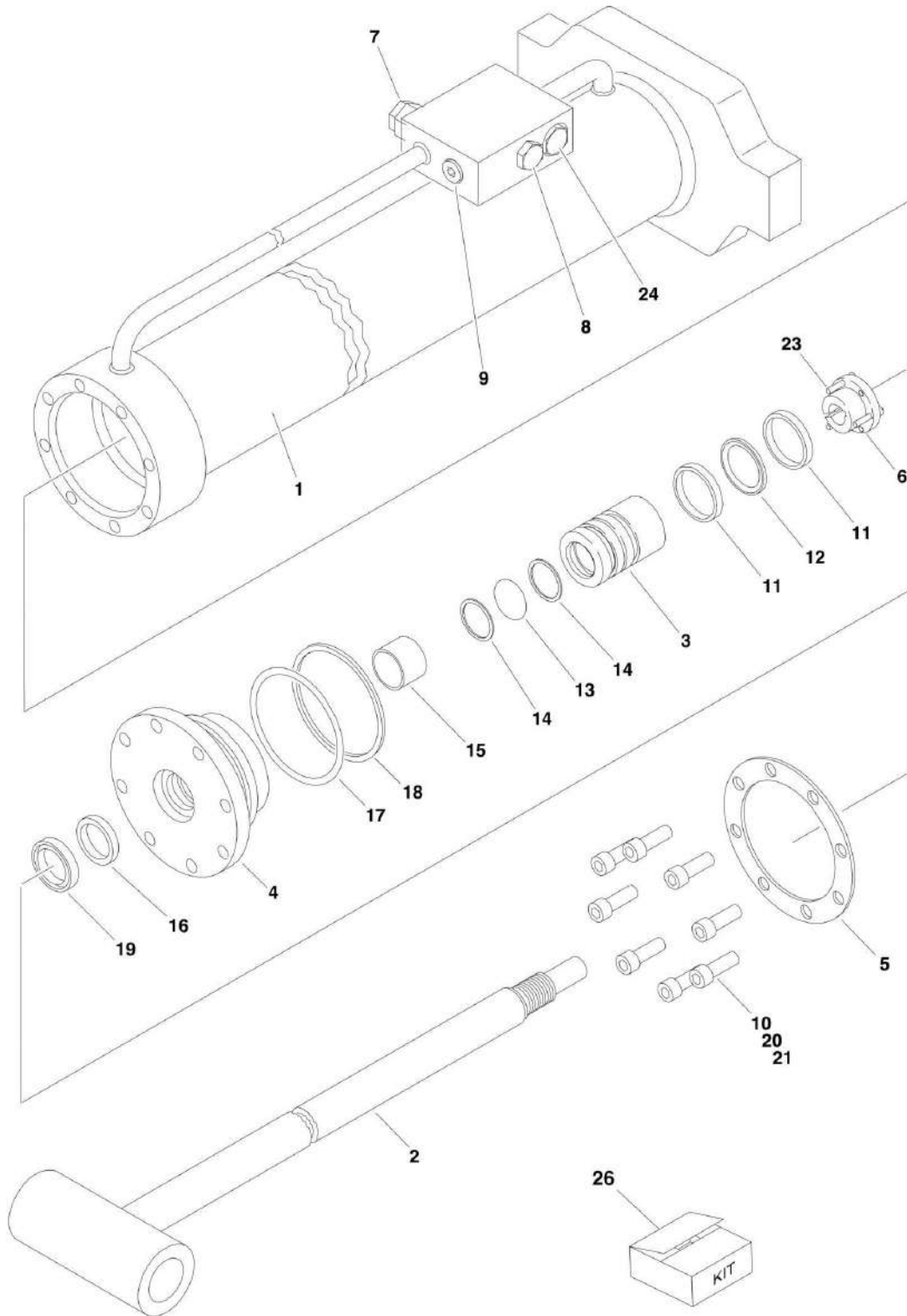
SECTION 5 - CYLINDER

FIGURE 5-10. TELESCOPE CYLINDER ASSEMBLY - MAIN BOOM

ITEM	PART NUMBER	QTY	DESCRIPTION	REV
	1683307	Ref	TELESCOPE CYLINDER ASSEMBLY - 600A	6-F
	1683317	Ref	TELESCOPE CYLINDER ASSEMBLY - 600AJ	6-F
1		Ref	Barrel Options:	
1	1683308	1	Barrel 600A	
1	1683318	1	Barrel 600AJ	
2		Ref	Rod Options:	
2	1683310	NLA	Rod 600A (Use p/n 1683308)	
2	1684308	1	Rod 600A (SN 0300073902 through 0300087000)	
2	1683320	NLA	Rod 600AJ (Use p/n 1683310)	
2	1684310	1	Rod 600AJ (SN 0300073902 through 0300087000)	
3	3480212	1	Piston	
4	1683054	1	Head	
5	4566425	1	Spacer	
6	0961896	1	Bushing, Tapered	
7		Ref	Plate, Wear Pad Mounting Options:	
7	3538771	1	Plate, Wear Pad Mounting 600A	
7	3538247	1	Plate, Wear Pad Mounting 600AJ	
8	4640862	1	Valve Block Assembly (No Service Parts Available - Replace Complete Assembly)	
9	2220885	2	Plug, O-Ring	
10	3931516	8	Capscrew, Socket Head 5/16in-18NC x 1in	
11	3931448	4	Capscrew, Socket Head 1/4in-20NC x 3in	
12		Ref	Ring, Wear (Note: Use Item 51)	
13	See Note	1	Seal (Note: Use Item 51)	
14	See Note	1	O-Ring (Note: Use Item 51)	
15	See Note	1	O-Ring (Note: Use Item 51)	
16	See Note	1	Ring, Wear (Note: Use Item 51)	
17	See Note	1	O-Ring (Note: Use Item 51)	
18	See Note	1	Ring, Back-up (Note: Use Item 51)	
19	See Note	1	Seal, Rod (Note: Use Item 51)	
20	See Note	1	Wiper (Note: Use Item 51)	
21	See Note	2	Ring, Back-up (Note: Use Item 51)	
22	0100038	AR	Primer, Locking	
23	0100011	AR	Compound, Locking	
24	3340608	2	Pad, Wear	
25	0641604	4	Bolt 3/8in-16NC x 1/2in	
26	4751600	4	Flatwasher 3/8in Regular	
28	0630535	3	Bolt 1/4in-20NC x 1-1/8in	
51		Ref	Seal Kit Options (Includes Items 12-21):	
51	2901278	1	Seal Kit (SN 0300069000 through 0300070401)	
51	2901861	1	Seal Kit (SN 0300070402 through 0300087000)	

SECTION 5 - CYLINDER

FIGURE 5-11. TELESCOPE CYLINDER ASSEMBLY - TOWER BOOM



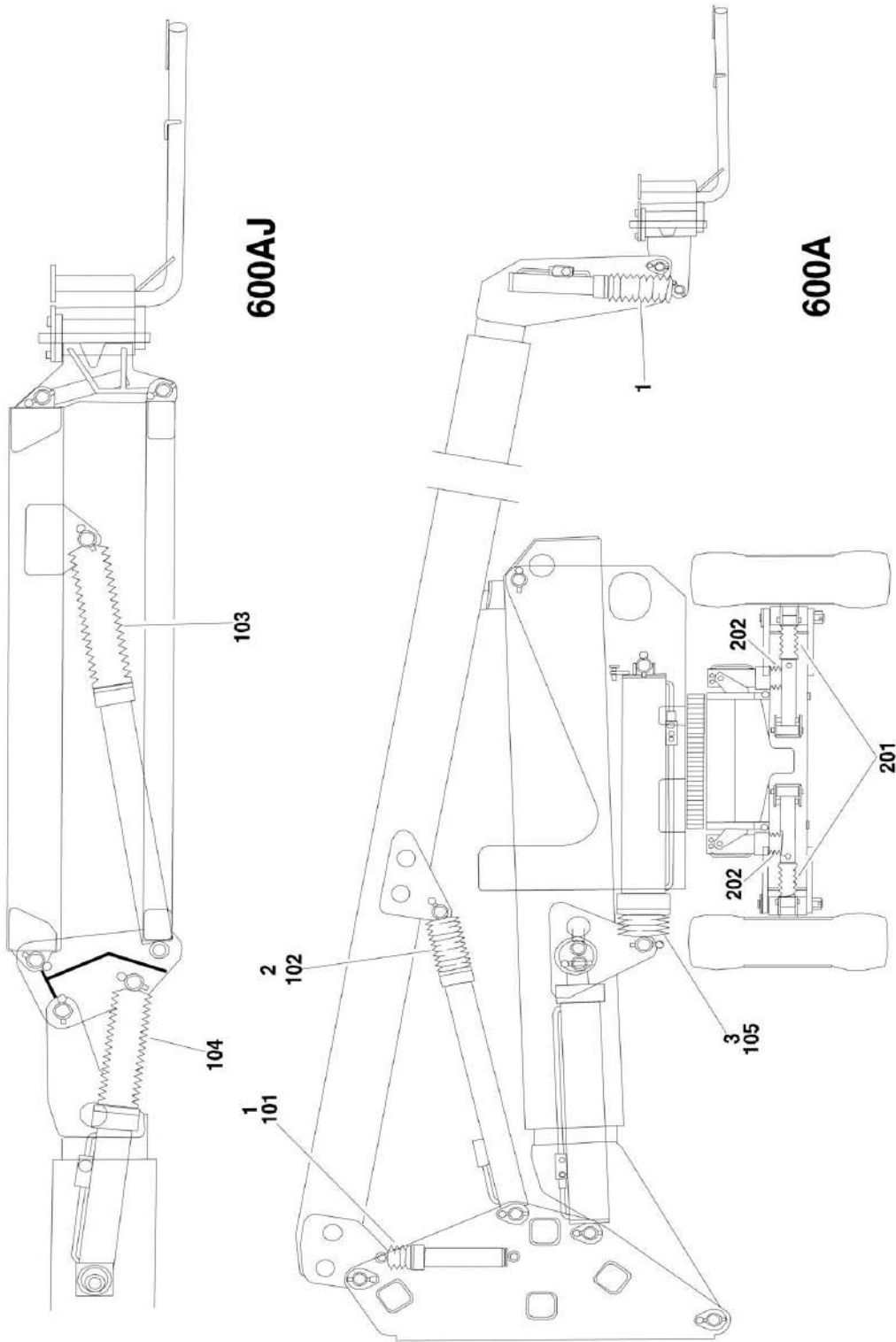
SECTION 5 - CYLINDER

FIGURE 5-11. TELESCOPE CYLINDER ASSEMBLY - TOWER BOOM

ITEM	PART NUMBER	QTY	DESCRIPTION	REV
	1683312	Ref	TELESCOPE (TOWER BOOM) CYLINDER ASSEMBLY	5-E
1	1683313	1	Barrel	
2	1683314	1	Rod	
3	3480212	1	Piston	
4	1683054	1	Head	
5	3760368	1	Ring, Washer	
6	0961896	1	Bushing, Tapered	
7	4640509	2	Cartridge, Valve	
7	2900792	2	Seal Kit - 4640509 Valve	
8	4640647	1	Cartridge, Valve	
8	2900770	1	Seal Kit - 4640647 Valve	
9	2220883	1	Plug, O-Ring	
10	3931516	8	Capscrew, Socket Head 5/16in-18NC x 1in	
11	See Note	2	Ring, Wear (Note: Use Item 26)	
12	See Note	1	T-Seal (Note: Use Item 26)	
13	See Note	1	O-Ring (Note: Use Item 26)	
14	See Note	2	Ring, Back-up (Note: Use Item 26)	
15	See Note	1	Ring, Wear (Note: Use Item 26)	
16	See Note	1	Seal, Rod (Note: Use Item 26)	
17	See Note	1	O-Ring (Note: Use Item 26)	
18	See Note	1	Ring, Back-up (Note: Use Item 26)	
19	See Note	1	Wiper (Note: Use Item 26)	
20	0100038	AR	Primer, Locking	
21	0100011	AR	Compound, Locking	
23	0630535	3	Bolt 1/4in-20NC x 1-1/8in	
24	4640999	1	Cartridge, Valve	
24	7011185	1	Seal Kit - 4640999 Valve	
26		Ref	Seal Kit Options (Includes Items 11-19):	
26	2901278	1	Seal Kit (SN 0300069000 through 0300070401)	
26	2901861	1	Seal Kit (SN 0300070402 through 0300087000)	

SECTION 5 - CYLINDER

FIGURE 5-12. CYLINDER BELLOWS INSTALLATION (OPTIONAL)



SECTION 5 - CYLINDER

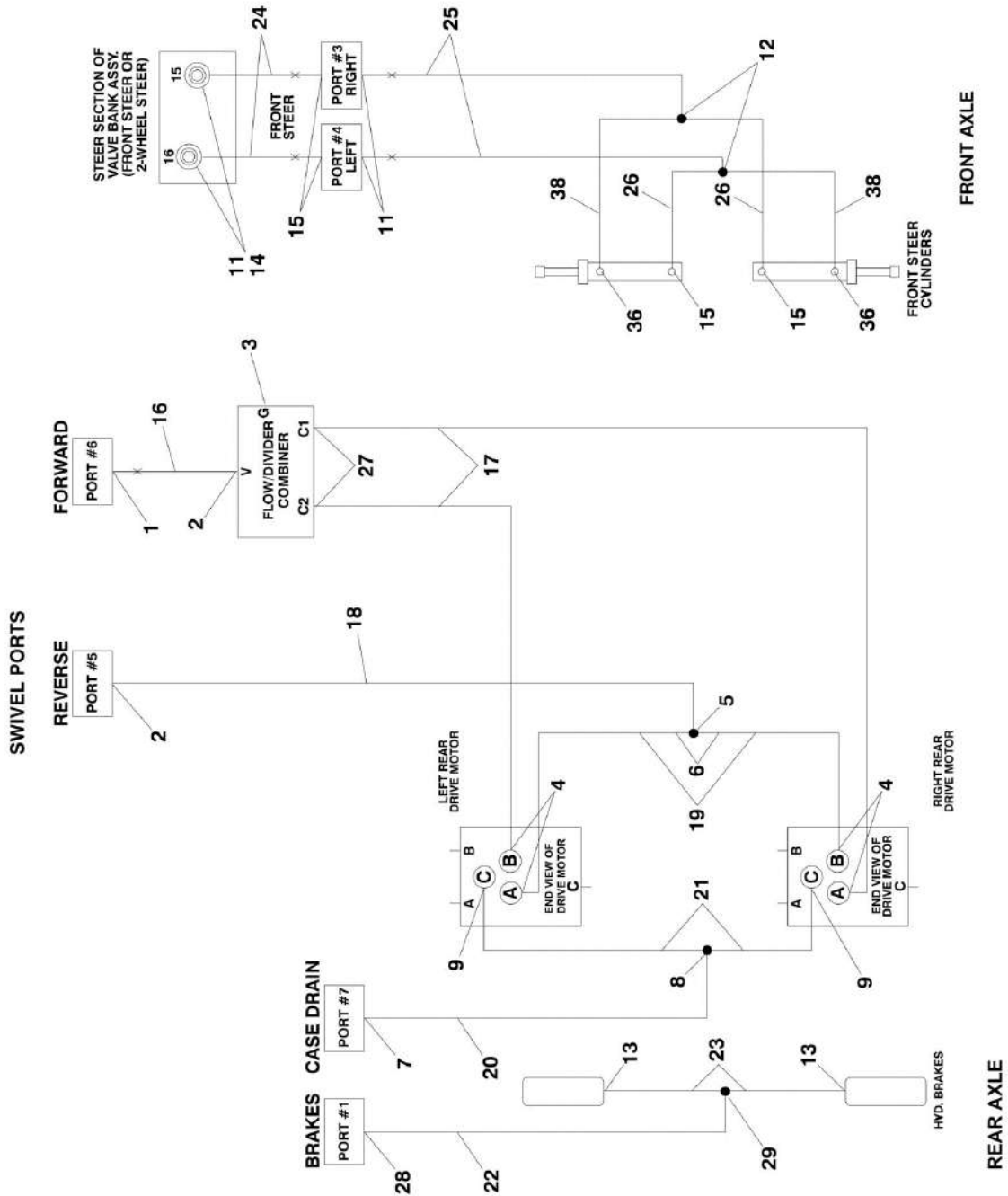
FIGURE 5-12. CYLINDER BELLOWS INSTALLATION (OPTIONAL)

ITEM	PART NUMBER	QTY	DESCRIPTION	REV
	0255927	Ref	CYLINDER BELLOWS INSTALLATION (600A)	1
1	0460152	2	Bellows, Cylinder (Master and Platform Level Cylinders)	
2	0460155	1	Bellows, Cylinder (Main Lift Cylinder)	
3	0460154	1	Bellows, Cylinder (Tower Lift Cylinder)	
	0255928	Ref	CYLINDER BELLOWS INSTALLATION (600AJ)	2
101	0460151	1	Bellows, Cylinder (Master and Platform Level Cylinders)	
102	0460155	1	Bellows, Cylinder (Main Lift Cylinder)	
103	0460161	1	Bellows, Cylinder (Articulating Jib Lift Cylinder)	
104	0460160	1	Bellows, Cylinder (Articulating Jib Level Cylinder)	
105	0460154	1	Bellows, Cylinder (Tower Lift Cylinder)	
		Ref	CYLINDER BELLOWS INSTALLATION (FRAME)	
	0255482	Ref	2WD/2WS & 4WD/2WS 8ft/2.4m Width Machines with Oscillating Axle	-
	0255483	Ref	2WD/2WS & 4WD/2WS 8ft/2.4m Width Machines with Fixed Axle	-
	0255486	Ref	2WD/4WS & 4WD/2WS 8ft/2.4m Width Machines with Oscillating Axle	-
	0255487	Ref	2WD/4WS & 4WD/4WS 8ft/2.4m Width Machines with Fixed Axle	-
	0255484	Ref	2WD/2WS 7ft/2.1m Width Machines with Oscillating Axle	-
	0255485	Ref	2WD/2WS 7ft/2.1m Width Machines with Fixed Axle	-
	0255488	Ref	2WD/4WS 7ft/2.1m Width Machines with Oscillating Axle	-
	0255489	Ref	2WD/4WS 7ft/2.1m Width Machines with Fixed Axle	-
201		Ref	Bellows, Cylinder (Steer Cylinder)	
201	0460150	AR	8ft/2.4m Width Machines	
201	0460157	AR	7ft/2.1m Width Machines	
202		Ref	Bellows, Cylinder (Oscillating Axle Cylinders)	
202	0460159	AR	With Oscillating Axle	
202	Not Required	0	Without Oscillating Axle	

SECTION 6 - HYDRAULIC

SECTION 6 - HYDRAULIC

FIGURE 6-1. DRIVE HYDRAULIC DIAGRAM - 2WD/2WS (SN 0300069000 through 0300081835)



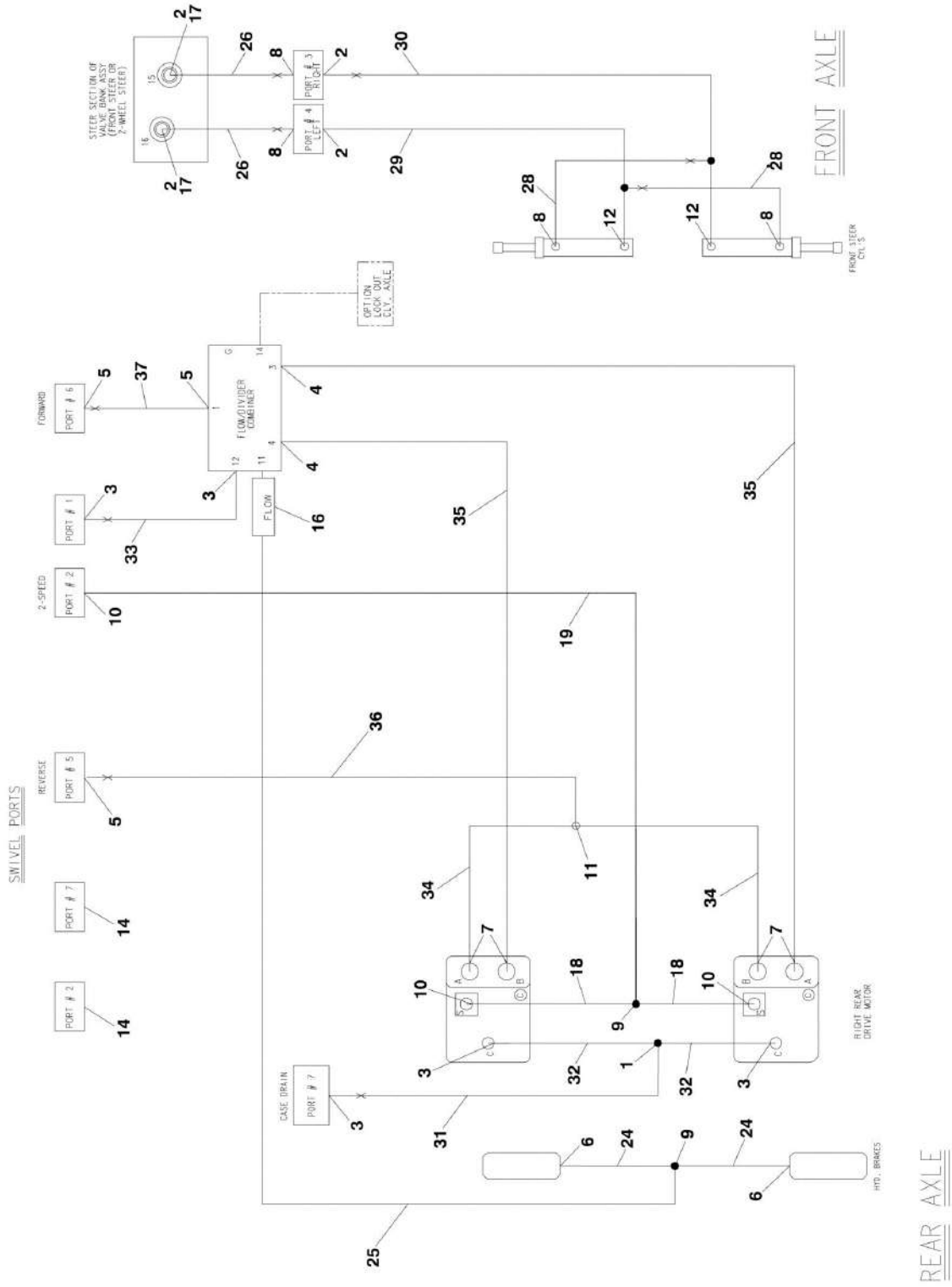
SECTION 6 - HYDRAULIC

FIGURE 6-1. DRIVE HYDRAULIC DIAGRAM - 2WD/2WS (SN 0300069000 through 0300081835)

ITEM	PART NUMBER	QTY	DESCRIPTION	REV
	2792193	Ref	DRIVE HYDRAULIC DIAGRAM - 2WD/2WS	5
1	2220377	1	Fitting, Straight	
2	2220365	2	Fitting, 45	
3	2220235	1	Fitting, Plug	
4	2220451	4	Fitting, Straight	
5	2220363	1	Fitting, Tee	
6	2220710	2	Fitting, Reducer	
7	2220375	1	Fitting, Straight	
8	2220362	1	Fitting, Tee	
9	2220373	2	Fitting, Straight	
11	2220371	4	Fitting, Straight	
12	2220490	2	Fitting, Tee	
13	2220466	2	Fitting, 90	
14	2220507	2	Fitting, 90	
15	2220473	4	Fitting, 90	
16	2752354	1	Hose	
17	2752258	2	Hose	
18	2752324	1	Hose	
19	2752245	2	Hose	
20	2752813	1	Hose	
21	2752814	2	Hose	
22	2752602	1	Hose	
23	2752459	2	Hose	
24	2752620	2	Hose	
25	2752473	2	Hose	
26	2752966	2	Hose	
27	2220435	2	Fitting, Straight	
28	2220582	1	Fitting, Straight	
29	2220504	1	Fitting, Straight	
36	2220501	2	Fitting, 45	
38	2752970	2	Hose	

SECTION 6 - HYDRAULIC

FIGURE 6-2. DRIVE HYDRAULIC DIAGRAM - 2WD/2WS (SN 0300081836 through 0300087000)



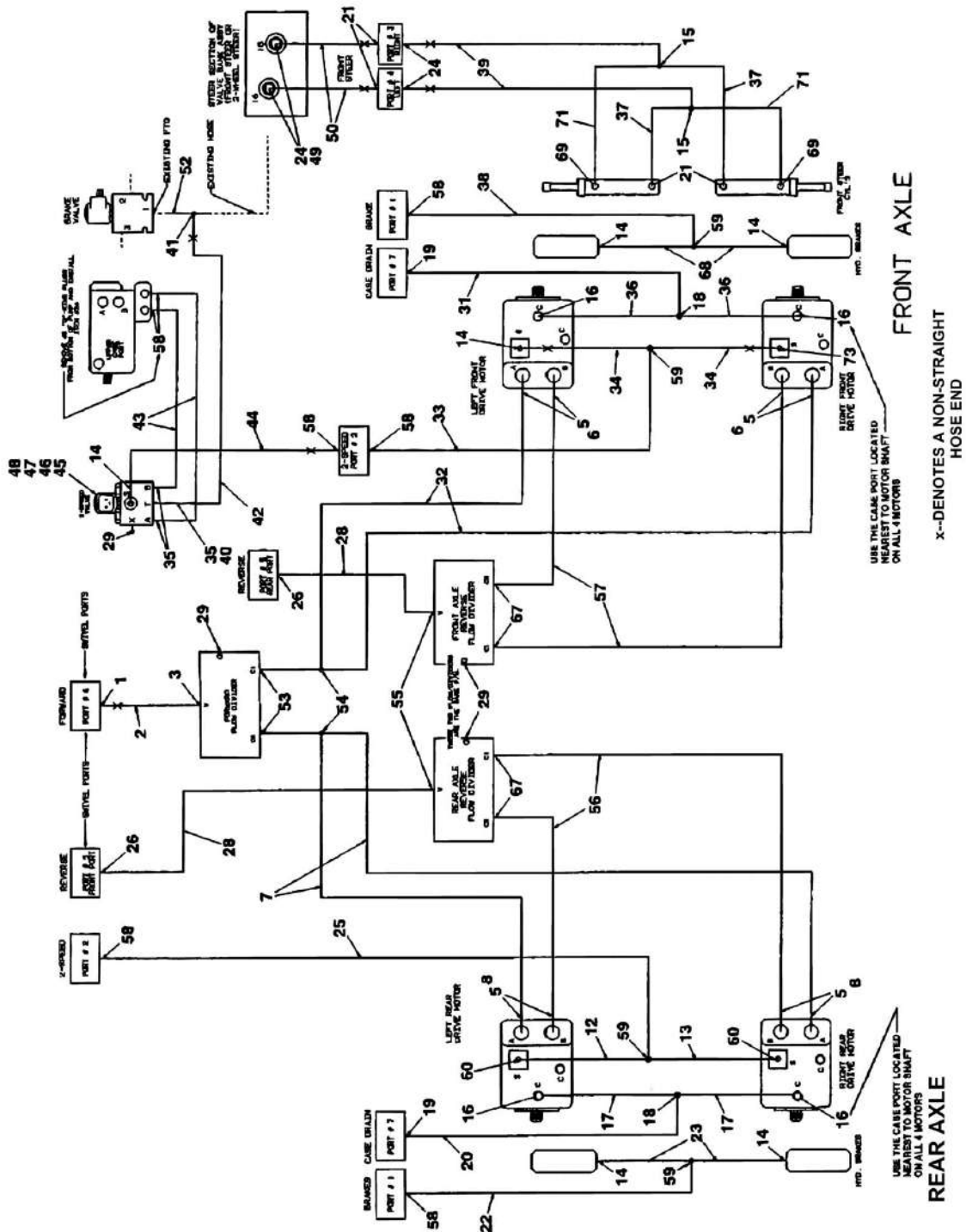
SECTION 6 - HYDRAULIC

FIGURE 6-2. DRIVE HYDRAULIC DIAGRAM - 2WD/2WS (SN 0300081836 through 0300087000)

ITEM	PART NUMBER	QTY	DESCRIPTION	REV
	2792692	Ref	DRIVE HYDRAULIC DIAGRAM - 2WD/2WS	2
1	2220362	1	Fitting, Tee	
2	2220371	4	Fitting, Straight	
3	2220373	5	Fitting, Straight	
4	2220498	2	Fitting, 45 (SN 0300081851 through 0300087000)	
5	2220377	3	Fitting, Straight	
6	2220415	2	Fitting, Straight	
7	2220451	4	Fitting, Straight	
8	2220473	4	Fitting, 90	
9	2220504	2	Fitting, Tee	
10	2220582	3	Fitting, Straight	
11	2221170	1	Fitting, Tee	
12	2220606	2	Fitting, Tee	
14	2220237	2	Fitting, Plug	
16	4641307	1	Valve, Check	
17	2220507	2	Fitting, 90	
18	2753925	2	Hose	
19	2753924	1	Hose	
24	2752592	2	Hose	
25	2752910	1	Hose	
26	2752620	2	Hose	
28		Ref	Hose Options:	
28	2753397	2	Hose (SN 0300081836 through 0300081850)	
28	2754235	2	Hose (SN 0300081851 through 0300087000)	
29	2752475	1	Hose	
30	2752611	1	Hose	
31	2752928	1	Hose	
32	2753929	2	Hose	
33	2752929	1	Hose	
34	2753969	2	Hose	
35	2753967	2	Hose	
36	2752341	1	Hose	
37	2753435	1	Hose	

SECTION 6 - HYDRAULIC

FIGURE 6-3. DRIVE HYDRAULIC DIAGRAM - 4WD/2WS (SN 0300069000 through 0300081835)



SECTION 6 - HYDRAULIC

FIGURE 6-3. DRIVE HYDRAULIC DIAGRAM - 4WD/2WS (SN 0300069000 through 0300081835)

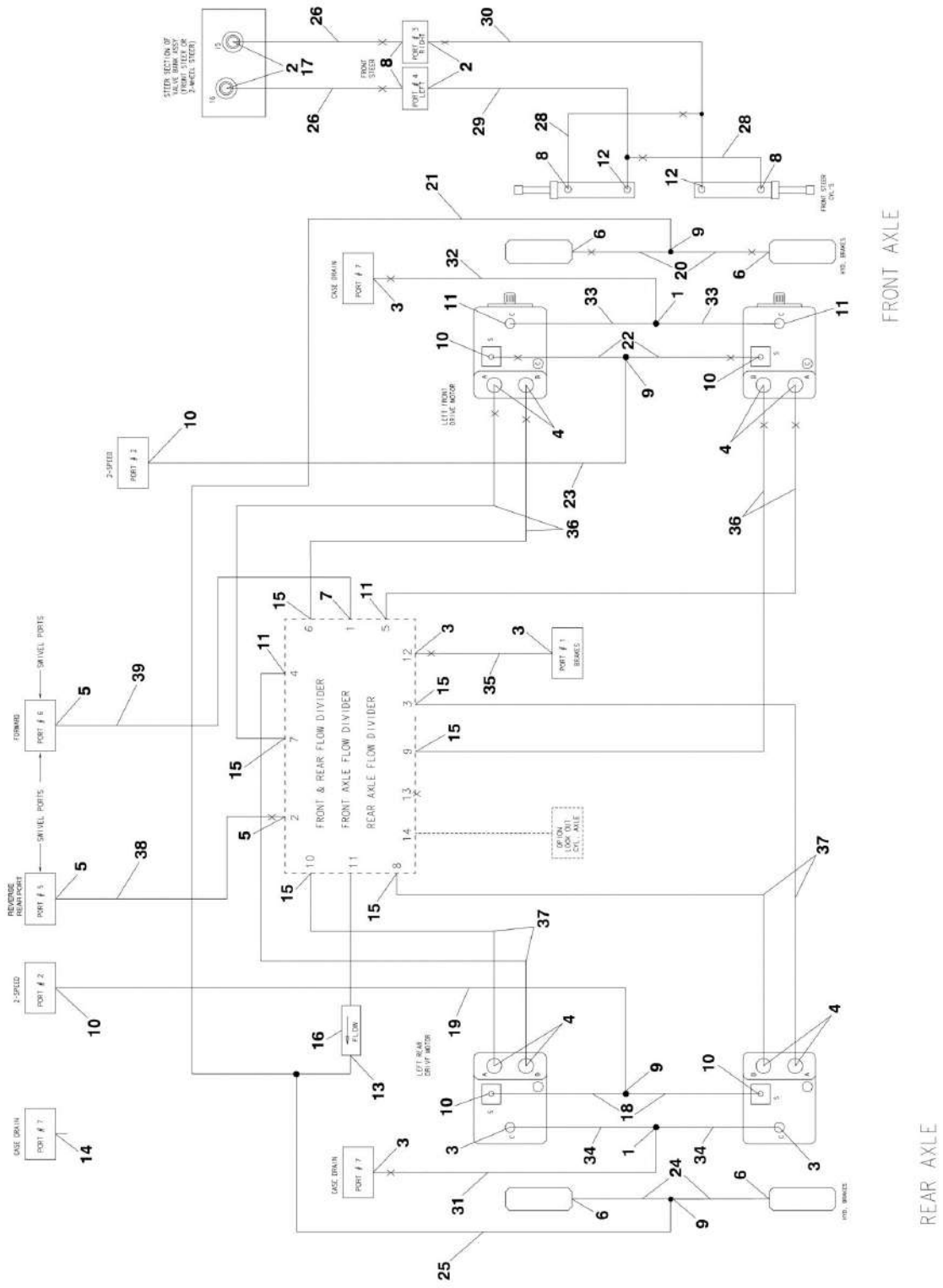
ITEM	PART NUMBER	QTY	DESCRIPTION	REV
	2792195	Ref	DRIVE HYDRAULIC DIAGRAM - 4WD/2WS	8
1	2220377	1	Fitting, Straight	
2	2752349	1	Hose	
3	2220365	1	Fitting, 45	
5	2220833	8	Fitting, Reducer	
6	2220500	4	Fitting, 45	
7	2752398	2	Hose	
8	2220596	4	Fitting, 90	
12	2751013	1	Hose	
13	2751013	1	Hose	
14	2220466	6	Fitting, 90	
15	2220490	2	Fitting, Tee	
16	2220671	4	Fitting, 90	
17	2752807	2	Hose	
18	2220362	2	Fitting, Tee	
19	2220375	2	Fitting, Straight	
20	2752813	1	Hose	
21	2220473	6	Fitting, 90	
22	2752602	1	Hose	
23	2752592	2	Hose	
24	2220371	4	Fitting, Straight	
25	2750756	1	Hose	
26	2220568	2	Fitting, 45	
28	2752249	2	Hose	
29	2220235	4	Fitting, Plug	
31	2752807	1	Hose	
32	2752890	2	Hose	
33	2750790	1	Hose	
34	2752919	2	Hose	
35	2220415	3	Fitting, Straight	
36	2752899	2	Hose	
37	2752966	2	Hose	
38	2752593	1	Hose	
39	2752473	2	Hose	
40	2220909	1	Fitting, Office (.015)	
41	2220605	1	Fitting, Tee	
42	2752573	1	Hose	
43	2751427	2	Hose	
44	2751396	1	Hose	
45	4640906	1	Valve, 2-Speed Motor Control	
45	7012974	1	Cartridge without Coil	
45	7012905	1	Seal Kit	
45	7012944	1	Coil	
45	4640906	2	Cartridge, Check Valve (Note Not Available for Purchase)	
45	7012972	2	Seal Kit	
46	0641508	2	Bolt 5/16in-18NC x 1in	
47	4891500	2	Flatwasher 5/16in Hardened	
48	4711500	2	Flatwasher 5/16in Thin	
49	2220507	2	Fitting, 90	
50	2752620	2	Hose	

SECTION 6 - HYDRAULIC

ITEM	PART NUMBER	QTY	DESCRIPTION	REV
52	2220914	1	Orifice (.043)	
53	2220833	2	Fitting, Reducer	
54	2220602	2	Fitting, Tee	
55	2220435	2	Fitting, Straight	
56	2752398	2	Hose	
57	2752889	2	Hose	
58	2220582	5	Fitting, Straight	
59	2220504	4	Fitting, Tee	
60	2220466	2	Fitting, Straight	
67	2220800	4	Fitting, Straight	
68	2752912	2	Hose	
69	2220501	2	Fitting, 45	
71	2752970	2	Hose	
73	2220502	1	Fitting, 45	

SECTION 6 - HYDRAULIC

FIGURE 6-4. DRIVE HYDRAULIC DIAGRAM - 4WD/2WS (SN 0300081836 through 0300087000)



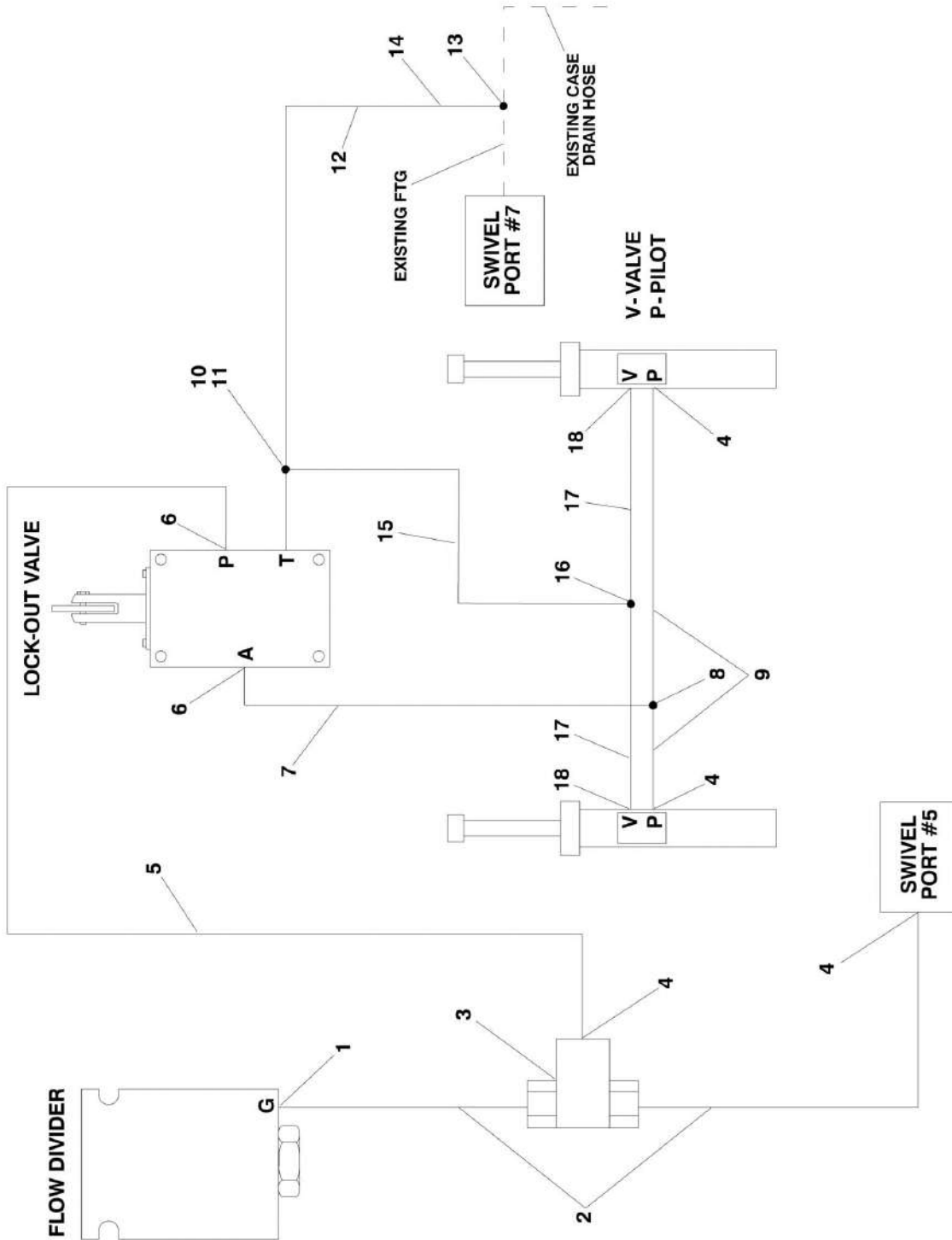
SECTION 6 - HYDRAULIC

FIGURE 6-4. DRIVE HYDRAULIC DIAGRAM - 4WD/2WS (SN 0300081836 through 0300087000)

ITEM	PART NUMBER	QTY	DESCRIPTION	REV
	2792687	Ref	DRIVE HYDRAULIC DIAGRAM - 4WD/2WS	1
1	2220362	2	Fitting, Tee	
2	2220371	4	Fitting, Straight	
3	2220373	6	Fitting, Straight	
4	2220375	8	Fitting, Straight	
5	2220377	3	Fitting, Straight	
6	2220415	4	Fitting, Straight	
7	2220646	1	Fitting, 90	
8	2220473	4	Fitting, 90	
9	2220504	4	Fitting, Tee	
10	2220582	6	Fitting, Straight	
11	2220596	4	Fitting, 90	
12	2220606	2	Fitting, Tee	
13	2220861	1	Fitting, Tee	
14	2220237	1	Fitting, Plug	
15	2220500	6	Fitting, 45	
16	4641284	1	Valve, Check	
17	2220507	2	Fitting, 90	
18	2753925	2	Hose	
19	2753924	1	Hose	
20	2753926	2	Hose	
21	2754229	1	Hose	
22	2752574	2	Hose	
23	2754230	1	Hose	
24	2752592	2	Hose	
25	2752910	1	Hose	
26	2752620	2	Hose	
28	2754235	2	Hose	
29	2754234	1	Hose	
30	2754233	1	Hose	
31	2752928	1	Hose	
32	2754231	1	Hose	
33	2753928	2	Hose	
34	2753929	2	Hose	
35	2752929	1	Hose	
36	2754232	4	Hose	
37	2753930	4	Hose	
38	2754227	1	Hose	
39	2754228	1	Hose	

SECTION 6 - HYDRAULIC

FIGURE 6-5. HYDRAULIC DIAGRAM - OSCILLATING AXLE (SN 0300069000 through 0300081835)



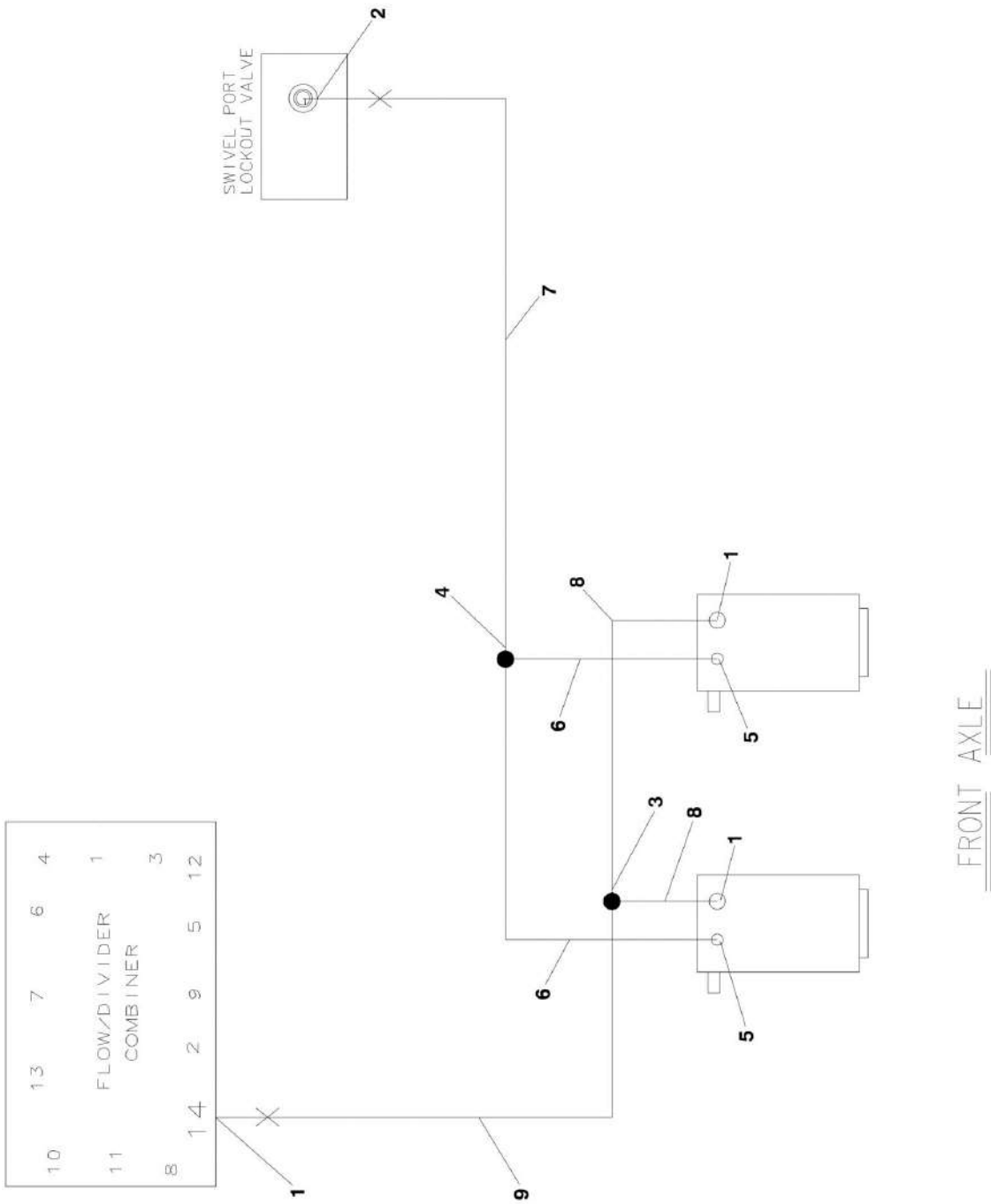
SECTION 6 - HYDRAULIC

FIGURE 6-5. HYDRAULIC DIAGRAM - OSCILLATING AXLE (SN 0300069000 through 0300081835)

ITEM	PART NUMBER	QTY	DESCRIPTION	REV
	2792230	Ref	HYDRAULIC DIAGRAM - OSCILLATING AXLE	
1	2220466	1	Fitting, 90	
2	2751020	2	Hose	
3	4640939	1	Valve, Shuttle	
4	2220582	6	Fitting, Straight	
5	2751013	1	Hose	
6	2220415	2	Fitting, Straight	
7	2750900	1	Hose	
8	2220504	1	Fitting, Tee	
9	2752920	2	Hose	
10	2220603	1	Fitting, Straight	
11	2220635	1	Fitting, Tee	
12	2752824	1	Hose	
13	2220385	1	Fitting, Tee	
14	2220619	1	Fitting, Reducer	
15	2752823	1	Hose	
16	2220490	1	Fitting, Tee	
17	2752962	2	Hose	
18	2220371	2	Fitting, Straight	

SECTION 6 - HYDRAULIC

FIGURE 6-6. HYDRAULIC DIAGRAM - OSCILLATING AXLE (SN 0300081836 through 0300087000)



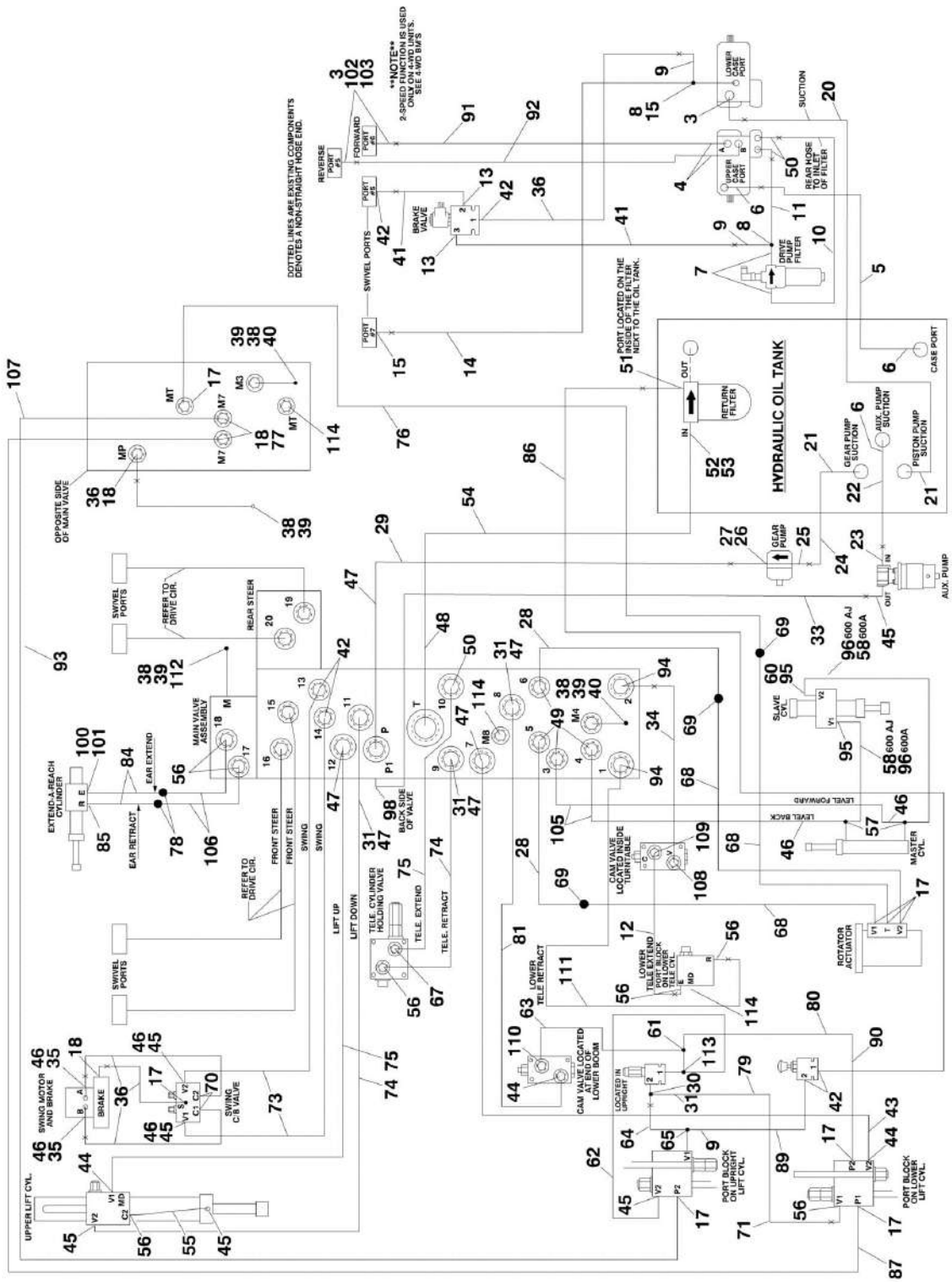
SECTION 6 - HYDRAULIC

FIGURE 6-6. HYDRAULIC DIAGRAM - OSCILLATING AXLE (SN 0300081836 through 0300087000)

ITEM	PART NUMBER	QTY	DESCRIPTION	REV
	2792690	Ref	HYDRAULIC DIAGRAM - OSCILLATING AXLE	1
1	2220371	3	Fitting, Straight	
2	2220468	1	Fitting, Straight	
3	2220490	1	Fitting, Tee	
4	2220504	1	Fitting, Tee	
5	2220415	2	Fitting, Straight	
6	2751434	2	Hose	
7	2751410	1	Hose	
8	2753933	2	Hose	
9	2752462	1	Hose	

SECTION 6 - HYDRAULIC

FIGURE 6-7. HYDRAULIC DIAGRAM - STANDARD (SN 030069000 through 0300081835)



SECTION 6 - HYDRAULIC

FIGURE 6-7. HYDRAULIC DIAGRAM - STANDARD (SN 0300069000 through 0300081835)

ITEM	PART NUMBER	QTY	DESCRIPTION	REV
	2792188	Ref	HYDRAULIC DIAGRAM - STANDARD (600A)	21
	2792189	Ref	HYDRAULIC DIAGRAM - STANDARD (600AJ)	22
3	2220377	3	Fitting, Straight	
4	2220646	2	Fitting, 90	
5	2752655	1	Hose	
6	2220578	3	Fitting, 90	
7	2220366	2	Fitting, 90	
8	2220385	2	Fitting, Tee	
9	2220618	3	Fitting, Reducer	
10	2752500	1	Hose	
11	2752519	1	Hose	
12	2753132	1	Hose	
13	2220472	2	Fitting, 90	
14	2752928	1	Hose	
15	2220375	2	Fitting, Straight	
16	2752591	1	Hose (SN 0300069000 through 0300070977)	
17	2220466	8	Fitting, 90	
18	2220415	5	Fitting, Straight	
20	2752723	1	Hose	
21	2220379	2	Fitting, Straight	
22	2752656	1	Hose	
23	2220567	1	Fitting, 90	
24	2752724	1	Hose	
25	2220376	1	Fitting, Straight	
26	2220810	1	Fitting, Reducer	
27	4640744	1	Valve, Check	
28	2752604	2	Hose (Note: Also Requires #69 & #68 for Complete Run Up Boom)	
29	2752929	1	Hose	
30	2220602	2	Fitting, Tee	
31	2220619	6	Fitting, Reducer	
32	2220416	1	Fitting, 90 (SN 0300069000 through 0300070977)	
33	2752635	1	Hose	
34	2753133	1	Hose	
35	2220497	2	Fitting, Straight	
36	2752573	5	Hose	
38	2220428	AR	Fitting, Quick Coupling (600A - Qty.3 /600AJ - Qty.4)	
39	2220429	AR	Cap, Dust (600A - Qty.3 /600AJ - Qty.4)	
40	2220873	2	Fitting	
41	2752600	2	Hose	
42	2220582	6	Fitting, Straight	
43	2752506	1	Hose (600A)	
43	2752516	1	Hose (600AJ)	
44	2220596	3	Fitting, 90	
45	2220628	6	Fitting, 90	
46	2220609	AR	Fitting, Reducer	
47	2220381	AR	Fitting, Long Straight (600A - Qty.5 /600AJ - Qty.6)	
48	2220974	1	Fitting, Long Straight	
49	2220923	4	Fitting, Long Straight	
50	2220374	3	Fitting	
51	2220574	1	Fitting, Straight	

SECTION 6 - HYDRAULIC

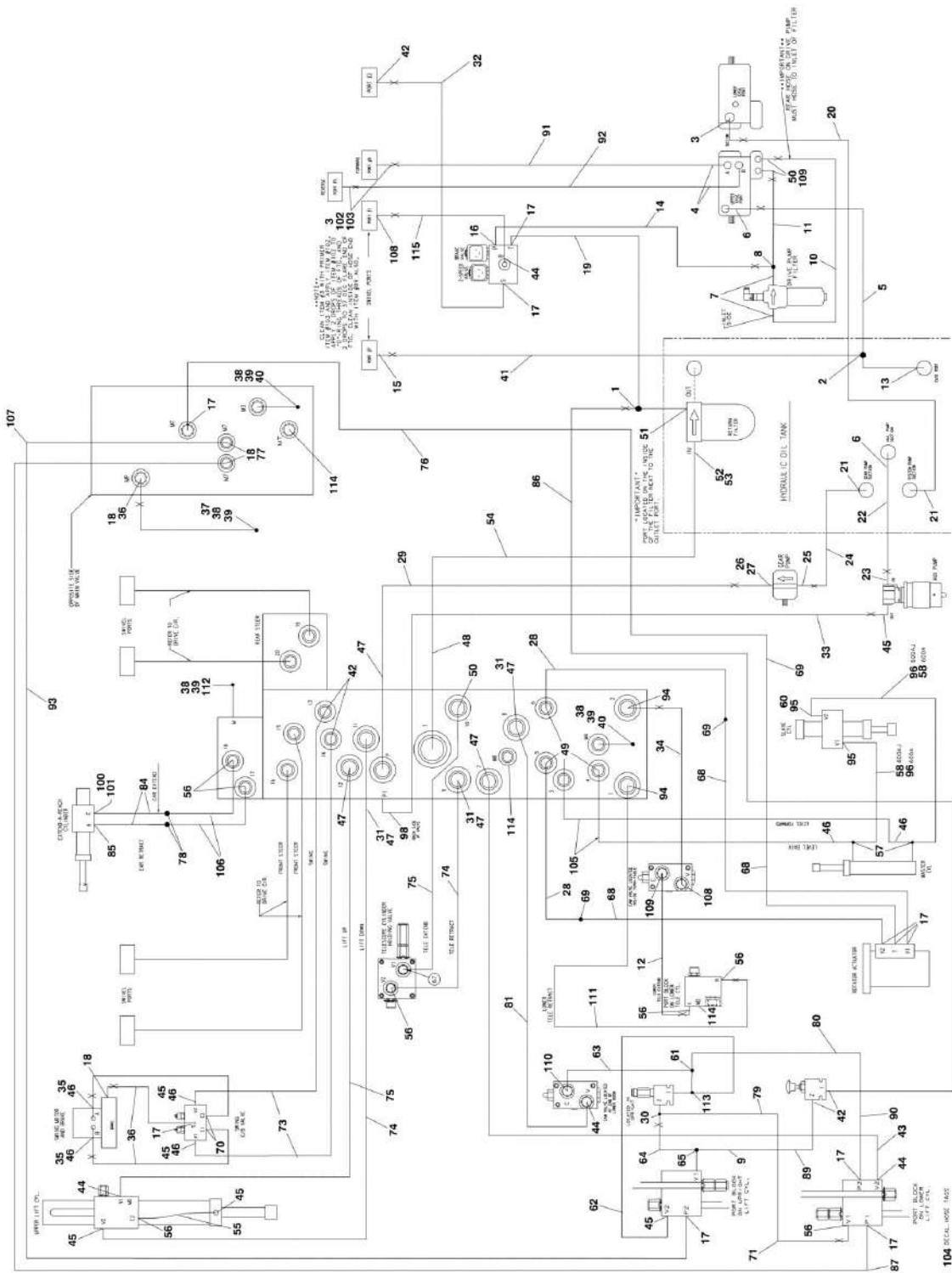
ITEM	PART NUMBER	QTY	DESCRIPTION	REV
52	2220921	1	Fitting, Reducer	
53	2220498	1	Fitting, 45	
54	2752783	1	Hose	
55	2752469	1	Hose	
56	2220372	AR	Fitting, Straight (600A - Qty.5 /600AJ - Qty.7)	
57	2220899	2	Fitting, Tee	
58	2752636	1	Hose (600A)	
58	2752468	1	Hose (600AJ)	
60	2220657	1	Fitting, 45 (600A Only)	
61	2221065	1	Fitting, Tee	
62	2752462	1	Hose	
63	2753134	1	Hose	
63	2753134	1	Hose	
64	2752497	1	Hose	
65	2220999	1	Fitting, Tee	
67	2220500	1	Fitting, 45	
68	2752601	3	Hose (Note: Also Requires #69 & #28 or #76 for Complete Run Up Boom)	
69	2220510	3	Fitting, Coupling	
70	2220468	2	Fitting, Straight	
71	2753052	1	Hose	
72	2220502	4	Fitting, 45 (SN 0300069000 through 0300070977)	
73	2752603	2	Hose	
74	2753055	1	Hose	
75	2752939	2	Hose	
76	2752579	1	Hose (Note: Also Requires #69 & #68 for Complete Run Up Boom)	
77	2220654	2	Fitting, 90	
78	2220511	1	Fitting, Coupling (600AJ Only)	
79	2753056	1	Hose	
80	2752991	1	Hose	
81	2753135	1	Hose	
82	2752434	1	Hose (SN 0300069000 through 0300070977)	
84	2753047	2	Hose (600AJ Only) (Note: Also Requires #78 & #106 for Complete Run Up Boom)	
85	2220473	1	Fitting, 90 (600AJ Only)	
86	2752453	1	Hose	
87	2752593	1	Hose	
88	2752988	1	Hose (SN 0300069000 through 0300070977)	
89	2752990	1	Hose	
90	2752985	1	Hose	
91	2752343	1	Hose	
92	2752341	1	Hose	
93	2752592	1	Hose (SN 0300069000 through 0300070977)	
94	2220998	2	Fitting, Straight	
95	2220603	2	Fitting, Straight	
96	2753046	1	Hose (600A)	
96	2752650	1	Hose (600AJ)	
98	2220473	1	Fitting, 90	
100	2180724	1	Fitting, Modified 90 (600AJ Only)	
101	2180380	1	Plug, Orifice.06 (600AJ Only)	
102	0100011	AR	Compound, Locking	
103	0100038	AR	Primer, Locking	

SECTION 6 - HYDRAULIC

ITEM	PART NUMBER	QTY	DESCRIPTION	REV
104	1703534	2	Decal, Hose Tags (Not Shown)	
105	2752989	2	Hose	
106	2752618	2	Hose (600AJ Only) (Note: Also Requires #78 & #84 for Complete Run Up Boom)	
107	2752987	1	Hose	
108	2220373	1	Fitting, Straight	
109	2220947	1	Fitting, Straight	
110	2221036	1	Fitting, O-Ring	
111	2752484	1	Hose	
112	2220873	1	Fitting, Nipple	
113	2221053	1	Fitting, Tee	
114	2220235	3	Plug (SN 0300070977 through 0300081835)	

SECTION 6 - HYDRAULIC

FIGURE 6-8. HYDRAULIC DIAGRAM - STANDARD (SN 0300081836 through 0300087000)



SECTION 6 - HYDRAULIC

FIGURE 6-8. HYDRAULIC DIAGRAM - STANDARD (SN 0300081836 through 0300087000)

ITEM	PART NUMBER	QTY	DESCRIPTION	REV
	2792688	Ref	HYDRAULIC DIAGRAM - STANDARD (600A)	5
	2792689	Ref	HYDRAULIC DIAGRAM - STANDARD (600AJ)	3
1	2220605	1	Fitting, Tee	
2	2220409	1	Fitting, 45	
3	2220377	3	Fitting, Straight	
4	2220646	2	Fitting, 90	
5	2752655	1	Hose	
6	2220578	2	Fitting, 90	
7		Ref	Fitting, 90 Options:	
7	2220366	2	Fitting, 90 (SN 0300081836 through 0300084828)	
7	2221042	2	Fitting, 90 (SN 0300084829 through 0300087000)	
8		Ref	Fitting, Tee Options:	
8	2220385	1	Fitting, Tee (SN 0300081836 through 0300084828)	
8	2220948	1	Fitting, Tee (SN 0300084829 through 0300087000)	
9	2220618	1	Fitting, Reducer	
10		Ref	Hose Options:	
10	2752500	1	Hose (SN 0300081836 through 0300084828)	
10	2754329	1	Hose (SN 0300084829 through 0300087000)	
11		Ref	Hose	
11	2752519	1	Hose (SN 0300081836 through 0300084828)	
11	2754330	1	Hose (SN 0300084829 through 0300087000)	
12	2753132	1	Hose	
13	2220738	1	Fitting, Tee	
14		Ref	Hose Options:	
14	2752928	1	Hose (SN 0300081836 through 0300084828)	
14	2754328	1	Hose (SN 0300084829 through 0300087000)	
15	2220375	AR	Fitting, Straight (600A - Qty.1 /600AJ - Qty.2)	
16	2220474	1	Fitting, 90	
17	2220466	10	Fitting, 90	
18	2220415	4	Fitting, Straight	
19	2753325	1	Hose	
20	2752723	1	Hose	
21	2220379	2	Fitting, Straight	
22	2752656	1	Hose	
23	2220567	1	Fitting, 90	
24	2752724	1	Hose	
25	2220376	1	Fitting, Straight	
26	2220810	1	Fitting, Reducer	
27	4640744	1	Valve, Check	
28	2752604	2	Hose (Note: Also Requires #69 & #68 for Complete Run Up Boom)	
29	2752929	1	Hose	
30	2220602	1	Fitting, Tee	
31	2220619	3	Fitting, Reducer	
32	2751396	1	Hose	
33	2752635	1	Hose	
34	2753133	1	Hose	
35	2220497	2	Fitting, Straight	
36	2752573	AR	Hose (600A - Qty.4 /600AJ - Qty.3)	
37	2220414	1	Fitting, Straight	
38	2220428	AR	Fitting, Quick Coupling (600A - Qty.3 /600AJ - Qty.4)	

SECTION 6 - HYDRAULIC

ITEM	PART NUMBER	QTY	DESCRIPTION	REV
39	2220429	AR	Cap, Dust (600A - Qty.3 /600AJ - Qty.4)	
40	2220873	2	Fitting	
41	2752600	1	Hose 600A (SN 0300081836 through 0300084828)	
41	2753968	1	Hose 600A (SN 0300084829 through 0300087000)	
41	2753968	1	Hose (600AJ)	
42	2220582	6	Fitting, Straight	
43	2752506	1	Hose (600A)	
43	2752516	1	Hose (600AJ)	
44	2220596	4	Fitting, 90	
45	2220628	6	Fitting, 90	
46	2220609	6	Fitting, Reducer	
47	2220381	6	Fitting, Long Straight	
48	2220974	1	Fitting, Long Straight	
49	2220923	4	Fitting, Long Straight	
50	2220374	AR	Fitting Options:	
50		Ref	Fitting (SN 0300081836 through 0300084828)	
50		Ref	Fitting (SN 0300084829 through 0300087000)	
51	2220574	1	Fitting, Straight	
52	2220921	1	Fitting, Reducer	
53	2220498	1	Fitting, 45	
54	2752783	1	Hose	
55	2752469	1	Hose	
56	2220372	AR	Fitting, Straight (600A - Qty.5 /600AJ - Qty.7)	
57	2220899	2	Fitting, Tee	
58	2752636	1	Hose (600A)	
58	2752468	1	Hose (600AJ)	
60	2220657	1	Fitting, 45 (600A Only)	
61	2221065	1	Fitting, Tee	
62	2752462	1	Hose	
63	2753134	1	Hose	
64	2752497	1	Hose	
65	2220999	1	Fitting, Tee	
67	2220500	1	Fitting, 45	
68	2752601	3	Hose (Note: Also Requires #69 & #28 or #76 for Complete Run Up Boom)	
69	2220510	3	Fitting, Coupling	
70	2220468	2	Fitting, Straight	
71	2753052	1	Hose	
73	2752603	2	Hose	
74	2753055	2	Hose	
75	2752939	2	Hose	
76	2752579	1	Hose (Note: Also Requires #69 & #68 for Complete Run Up Boom)	
77	2220654	2	Fitting, 90	
78	2220511	1	Fitting, Coupling (600AJ Only)	
79	2753056	1	Hose	
80	2752991	1	Hose	
81	2753135	1	Hose	
84	2753047	2	Hose (600AJ Only) (Note: Also Requires #78 & #106 for Complete Run Up Boom)	
85	2220473	1	Fitting, 90 (600AJ Only)	
86	2752453	1	Hose	
87	2752593	1	Hose	

SECTION 6 - HYDRAULIC

ITEM	PART NUMBER	QTY	DESCRIPTION	REV
89	2752990	1	Hose	
90	2752985	1	Hose	
91		Ref	Hose Options:	
91	2752343	1	72in/1.83m Length	
91	2752341	1	66in/1.68m Length	
92		Ref	Hose Options:	
92	2752343	1	72in/1.83m Length	
92	2752341	1	66in/1.68m Length	
94	2220998	2	Fitting, Straight	
95	2220603	2	Fitting, Straight	
96	2753046	1	Hose (600A)	
96	2752650	1	Hose (600AJ)	
98	2220473	1	Fitting, 90	
100	2180724	1	Fitting, Modified 90 (600AJ Only)	
101	2180380	1	Plug, Orifice.06 (600AJ Only)	
102	0100011	AR	Compound, Locking	
103	0100038	AR	Primer, Locking	
104	1703534	2	Decal, Hose Tags (Not Shown)	
105	2752989	2	Hose	
106	2752618	2	Hose (600AJ Only) (Note: Also Requires #78 & #84 for Complete Run Up Boom)	
107	2752987	1	Hose	
108	2220373	AR	Fitting, Straight (600A - Qty.1 /600AJ - Qty.2)	
109	2220947		Fitting, Straight Options:	
109		Ref	Fitting, Straight (SN 0300081836 through 0300084828)	
109		Ref	Fitting, Straight (SN 0300084829 through 0300087000)	
110	2221036	1	Fitting, O-Ring	
111	2752484	1	Hose	
112	2220873	1	Fitting, Nipple	
113	2221053	1	Fitting, Tee	
114	2220235	3	Plug	
115	2752519	1	Hose	

SECTION 6 - HYDRAULIC

FIGURE 6-9. HYDRAULIC DIAGRAM LIST

ITEM	PART NUMBER	QTY	DESCRIPTION	REV
		Ref	Note: Information on diagrams not shown is available from JLG Service/Parts Departments.	
	1282396	Ref	Drive Hydraulic Diagrams	
		Ref	600A & 600AJ with 8ft/2.4m Width Frame:	
	2792193	Ref	Drive Hydraulic 2WD/2WS (SN 0300069000 through 0300081835)	
	2792692	Ref	Drive Hydraulic 2WD/2WS (SN 0300081836 through 0300087000)	
	2792194	Ref	Drive Hydraulic 2WD/4WS (SN 0300069000 through 0300081835)	
	2792702	Ref	Drive Hydraulic 2WD/4WS (SN 0300081836 through 0300087000)	
	2792195	Ref	Drive Hydraulic 4WD/2WS (SN 0300069000 through 0300081835)	
	2792687	Ref	Drive Hydraulic 4WD/2WS (SN 0300081836 through 0300087000)	
	2792196	Ref	Drive Hydraulic 4WD/4WS (SN 0300069000 through 0300081835)	
	2792697	Ref	Drive Hydraulic 4WD/4WS (SN 0300081836 through 0300087000)	
		Ref	600A & 600AJ with 7ft/2.1m Width Frame:	
	2792191	Ref	Drive Hydraulic 2WD/2WS	
	2792192	Ref	Drive Hydraulic 2WD/2WS	
		Ref	OSCILLATING AXLE HYDRAULIC DIAGRAMS	
	2792230	Ref	Oscillating Axle Hydraulic Diagrams (SN 0300069000 through 0300081835)	
	2792690	Ref	Oscillating Axle Hydraulic Diagrams (SN 0300081836 through 0300087000)	
		Ref	STANDARD HYDRAULIC DIAGRAM - 600A	
	2792188	Ref	Standard Hydraulic Diagram (SN 0300069000 through 0300081835)	
	1282396	Ref	Standard Hydraulic Diagram (SN 0300069000 through 0300081835)	
	2792688	Ref	Standard Hydraulic Diagram (SN 0300081836 through 0300087000)	
	1283429	Ref	Standard Hydraulic Diagram (SN 0300081836 through 0300087000)	
		Ref	STANDARD HYDRAULIC DIAGRAM - 600AJ	
	2792189	Ref	Standard Hydraulic Diagram (SN 0300069000 through 0300081835)	
	1282396	Ref	Standard Hydraulic Diagram (SN 0300069000 through 0300081835)	
	2792689	Ref	Standard Hydraulic Diagram (SN 0300081836 through 0300087000)	
	1283429	Ref	Standard Hydraulic Diagram (SN 0300081836 through 0300087000)	
		Ref	Standard Hydraulic Schematic	
	2792177	Ref	Standard Hydraulic Schematic (SN 0300069000 through 0300081835)	
	2792691	Ref	Standard Hydraulic Schematic (SN 0300081836 through 0300087000)	
	2792405	Ref	Tool Circuit Hydraulic Diagram	
	2792315	Ref	Tow Hydraulic Diagram	

SECTION 7 - ELECTRICAL

SECTION 7 - ELECTRICAL

FIGURE 7-1. ELECTRICAL DIAGRAM LIST

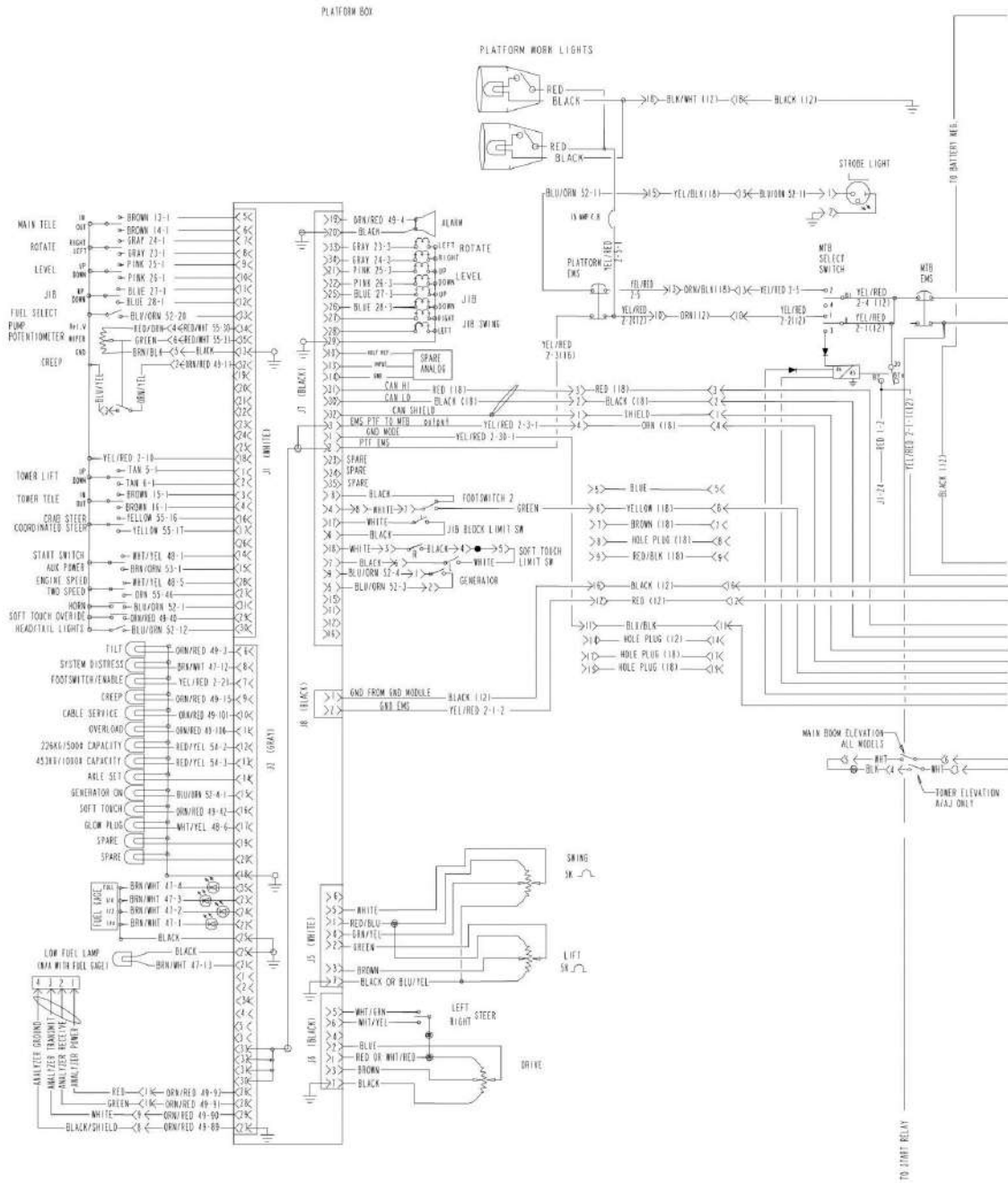
ITEM	PART NUMBER	QTY	DESCRIPTION	REV
		Ref	Note: Diagrams not shown are available from the JLG Service Department.	
		Ref	ALARM ELECTRICAL DIAGRAMS	
	4933025	Ref	Motion	1
	1282937	Ref	Motion	A
	4933026	Ref	Travel	1
	1282937	Ref	Travel	A
	1282571	Ref	COLD WEATHER START ELECTRICAL DIAGRAM (DEUTZ)	J
		Ref	DRIVE CUT-OUT ELECTRICAL DIAGRAM	
	4932993	Ref	Above Elevation Tilt	2-B
	1282828	Ref	Above Elevation Tilt	
	3640493	1	Rail, Mounting	
	4460607	2	Stop, Terminal	
	4120013	1	Socket, Relay	
	3740058	1	Relay 4PDT	
	2740063	1	Spring, Relay	
	4933307	Ref	DRIVE/STEER CUT-OUT ELECTRICAL DIAGRAMS	A
	4932986	Ref	ENGINE LOW OIL SHUTDOWN ELECTRICAL DIAGRAM	2-B
	4933308	Ref	FLOOD LIGHTS ELECTRICAL DIAGRAM	1-A
		Ref	GENERATOR ELECTRICAL DIAGRAMS	
	4933215	Ref	110V (SN 0300069000 through 0300081835)	1-B
	4933216	Ref	220V (SN 0300069000 through 0300081835)	1-B
	4933300	Ref	110V/220V (SN 0300081836 through 0300087000)	1-A
	4933264	Ref	Caterpillar/Deutz Engines - 7500W Generator	1-C
	4933283	Ref	Ford Engines - 7500W Generator	1-A
	4933219	Ref	HEADLIGHTS/TAILLIGHTS ELECTRICAL DIAGRAM	1-B
	4933312	Ref	CHASSIS ILLUMINATION ELECTRICAL DIAGRAM	1-A
	4922484	1	Harness (Located in Ground Console Box)	
	3740049	1	Relay	
		Ref	OIL COOLER ELECTRICAL DIAGRAMS	
	0256765	Ref	Deutz Machines	5
	1282665	Ref	Deutz Machines	E
	0256778	Ref	Ford Machines	3
	1283309	Ref	Ford Machines	C
	0270723	Ref	PLATFORM BEACON ELECTRICAL DIAGRAM	1-A
	4922639	Ref	PLATFORM ELECTRICAL DIAGRAMS	F
	4933218	Ref	PLATFORM SOFT TOUCH SYSTEM ELECTRICAL DIAGRAM	1-B
	3740057	1	Relay (Located in Platform Console Box)	
	4120012	1	Socket, Relay (Located in Platform Console Box)	
	3740066	1	Spring, Relay (Located in Platform Console Box)	
	3740049	1	Relay (Located in Platform Console Box)	
	4460600	1	Block, Terminal (Located in Platform Console Box)	
		Ref	PLATFORM WORKLIGHTS ELECTRICAL DIAGRAM	
	0270814	Ref	Platform Worklights Electrical Diagram (SN 0300069000 through 0300074444)	3-E
	0273492	Ref	Platform Worklights Electrical Diagram (SN 0300074445 through 0300087000)	B
	4933263	Ref	POWER TOOL ELECTRICAL DIAGRAM	1-B
		Ref	STANDARD ELECTRICAL DIAGRAMS	

SECTION 7 - ELECTRICAL

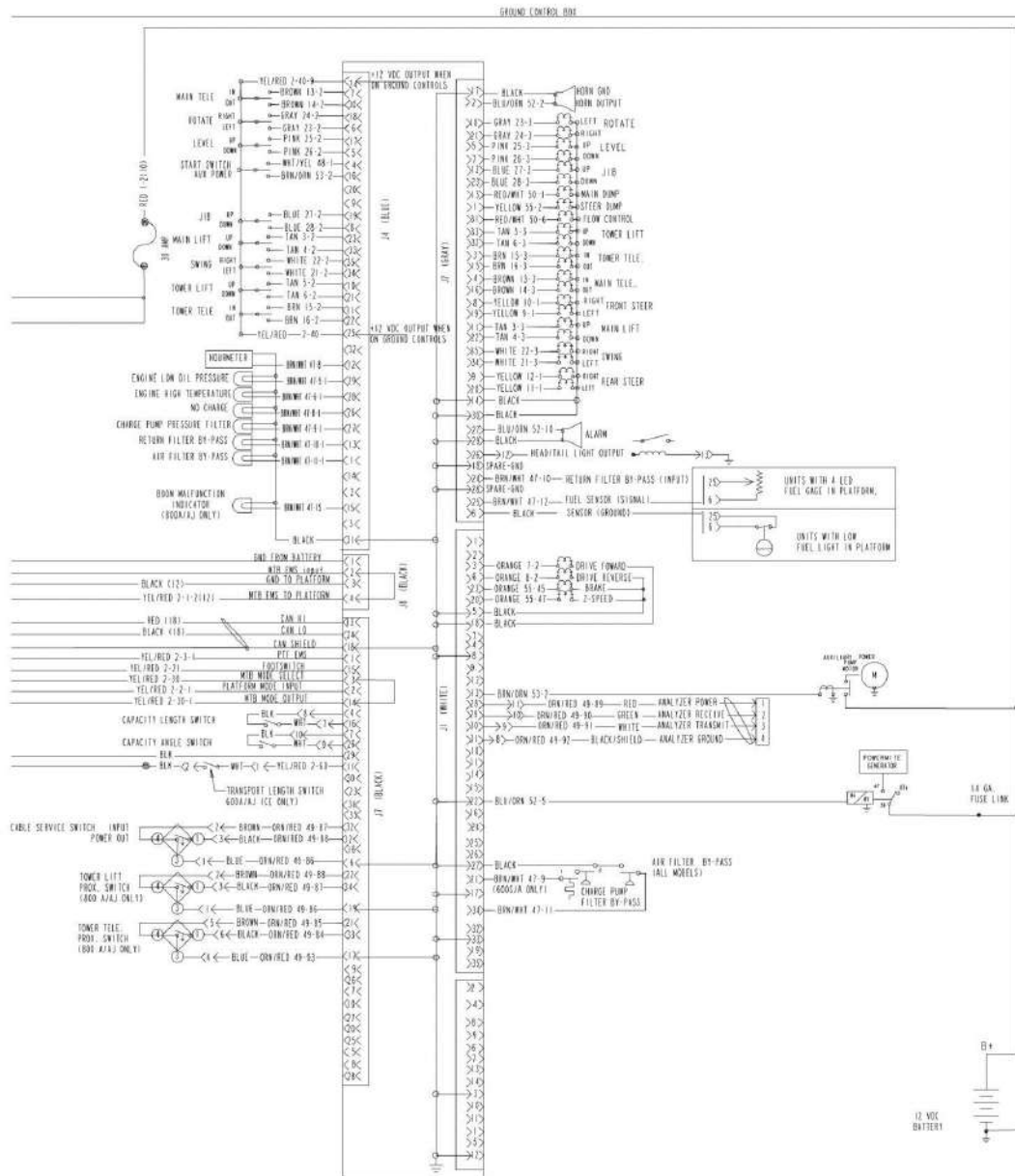
ITEM	PART NUMBER	QTY	DESCRIPTION	REV
	4933295	Ref	Caterpillar Engine (SN 0300069000 through 0300084828)	2-C
	4933329	Ref	Caterpillar Engine (SN 0300084829 through 0300087000)	1-A
	4933213	Ref	Deutz Engine (SN 0300069000 through 0300084828)	2-B
	4933319	Ref	Deutz Engine (SN 0300084829 through 0300087000)	D
	4933063	Ref	Deutz Engine - UL Machines	2-D
	4933212	Ref	Ford EFI Engine (SN 0300069000 through 0300084828)	3-C
	4933331	Ref	Ford EFI Engine (SN 0300084829 through 0300087000)	1-A
	4933055	Ref	Ford Engine - UL Machines	2-F
		Ref	STANDARD ELECTRICAL SCHEMATIC	
	1870132	Ref	Caterpillar and Ford Engine Machines	H
	1870132	Ref	Deutz Engine Machines (SN 0300069000 through 0300084828)	H
	1870191	Ref	Deutz Engine Machines (SN 0300084829 through 0300087000)	A

SECTION 7 - ELECTRICAL

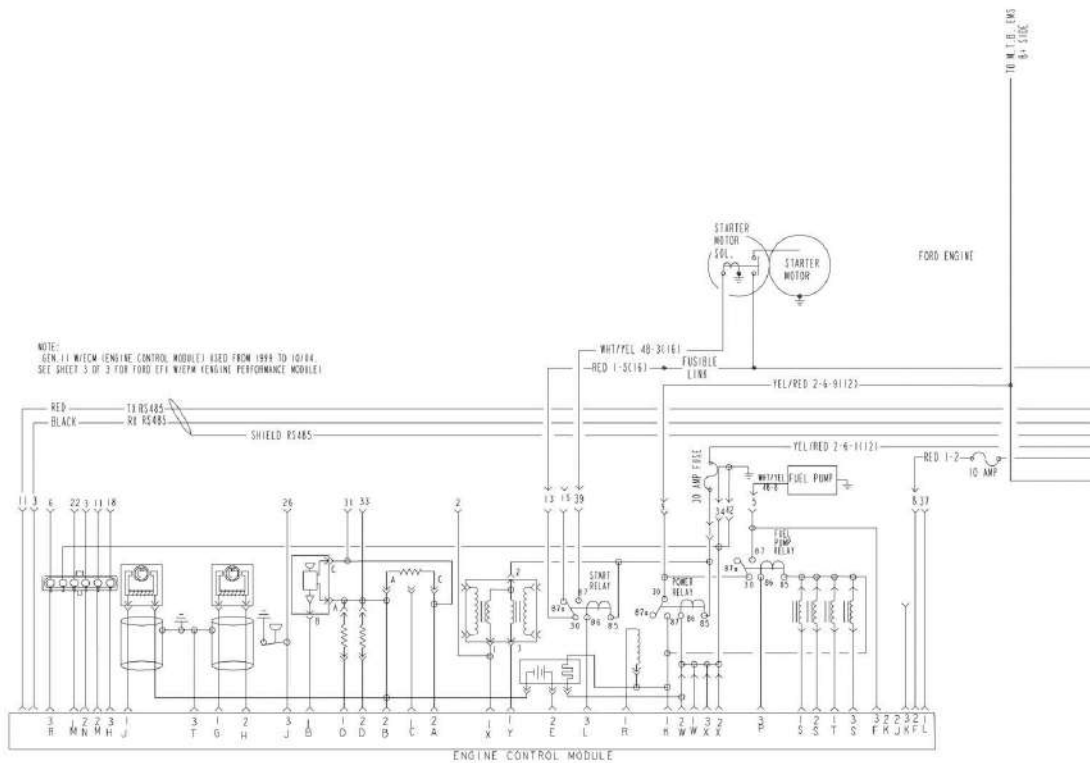
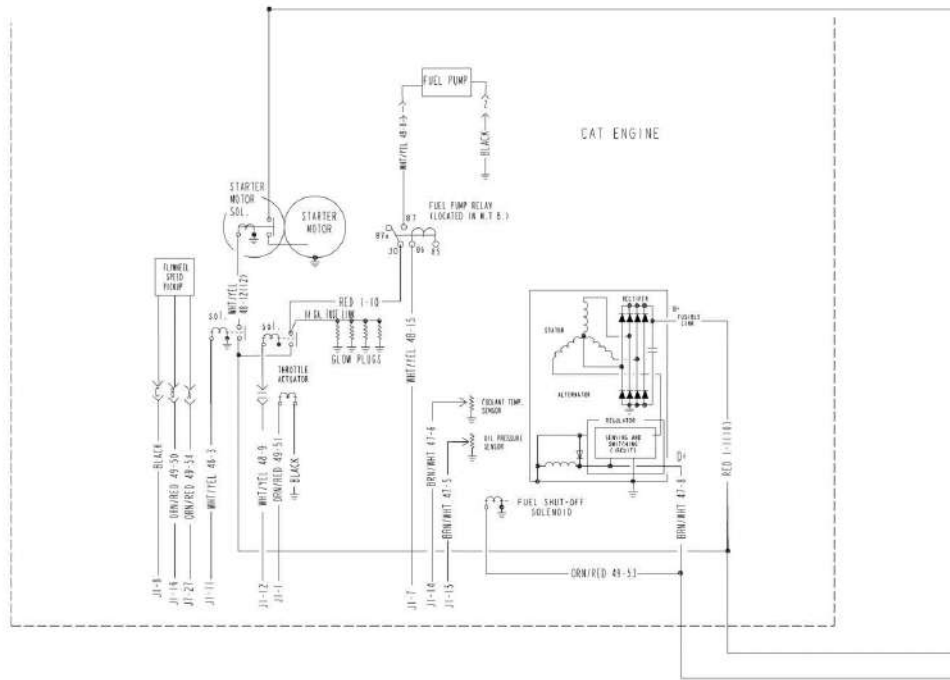
FIGURE 7-2. ELECTRICAL SCHEMATIC - DEUTZ AND ALL CATERPILLAR AND FORD (SN 0300069000 through 0300084828)



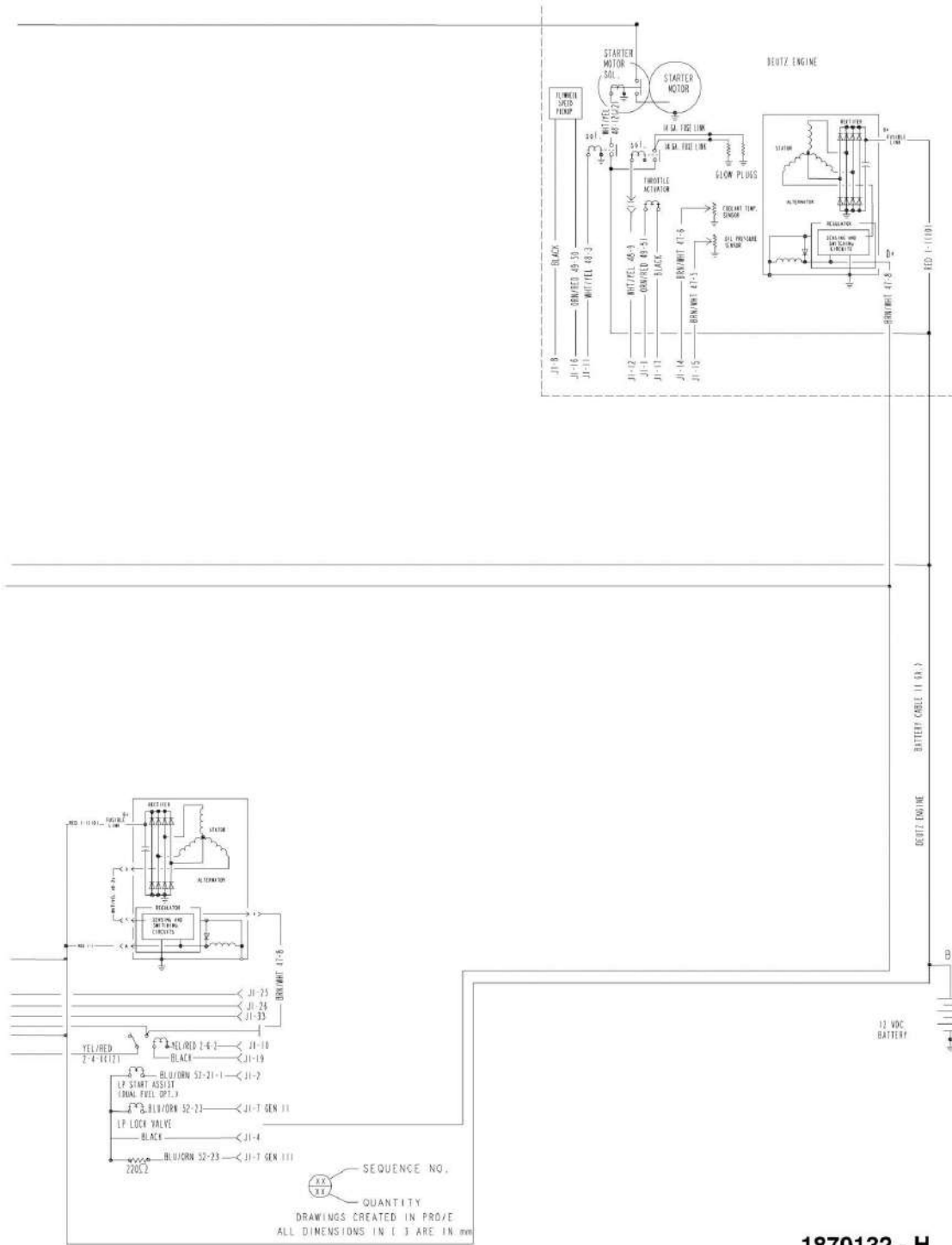
SECTION 7 - ELECTRICAL



SECTION 7 - ELECTRICAL

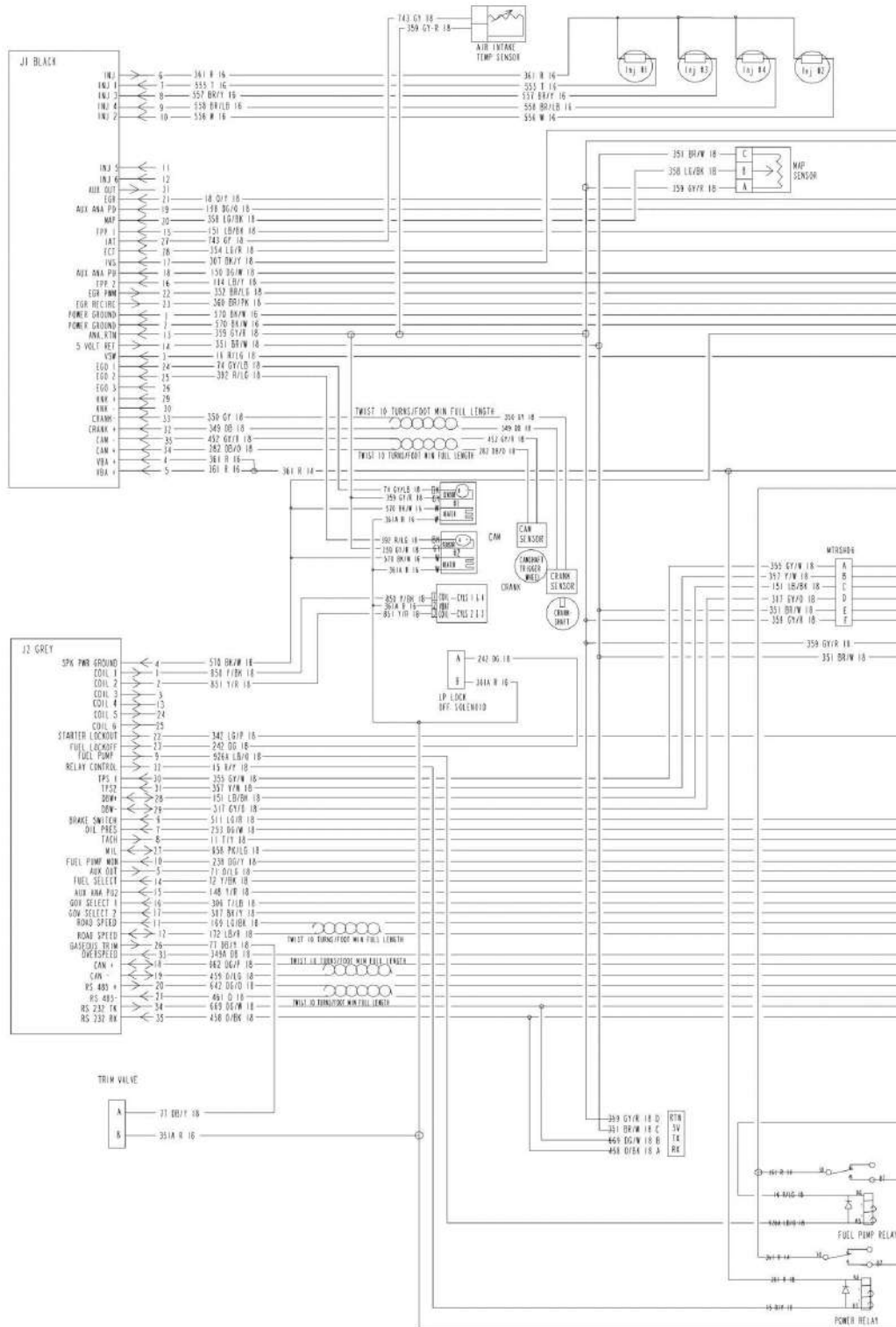


SECTION 7 - ELECTRICAL

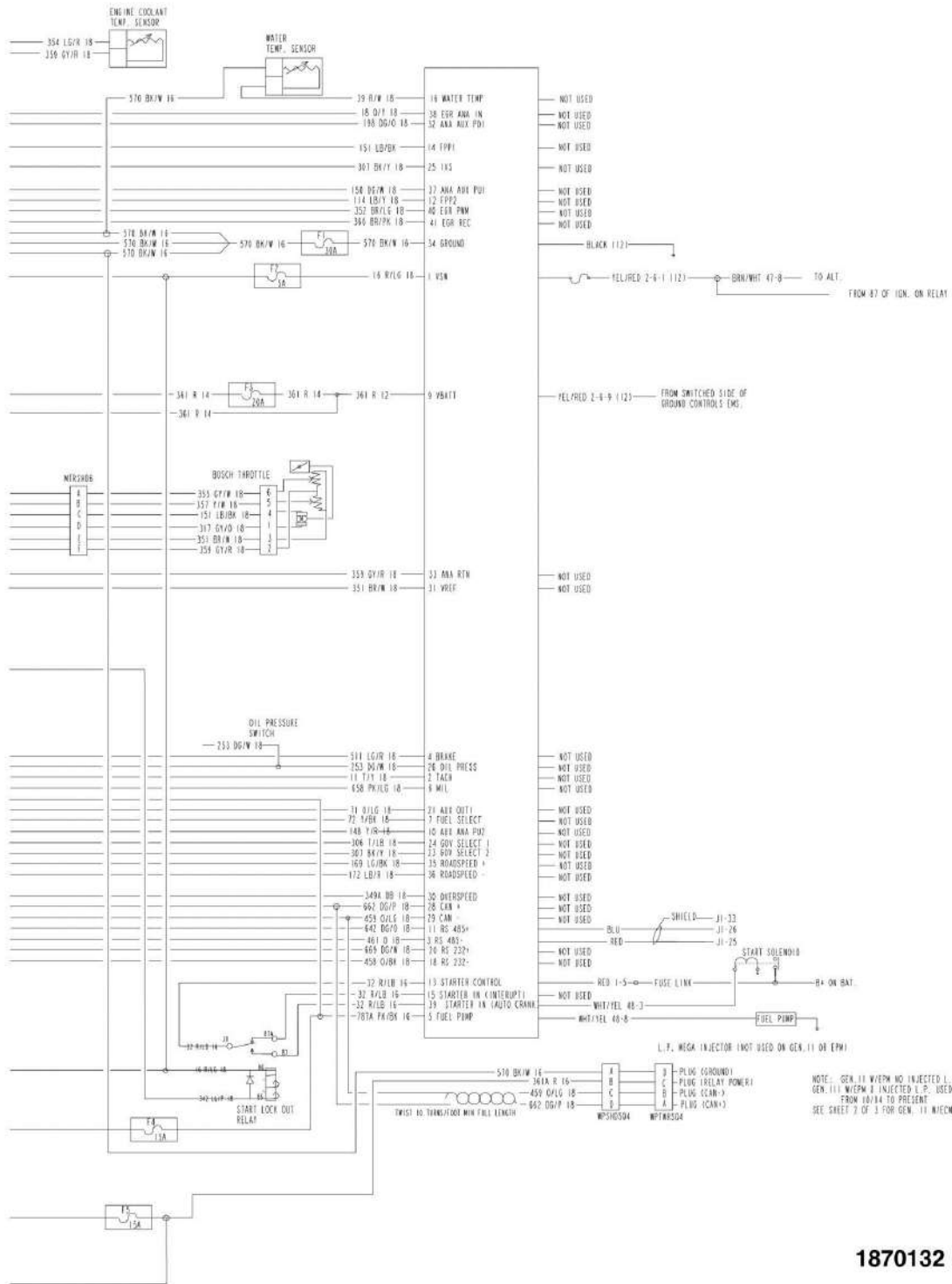


1870132 - H

SECTION 7 - ELECTRICAL



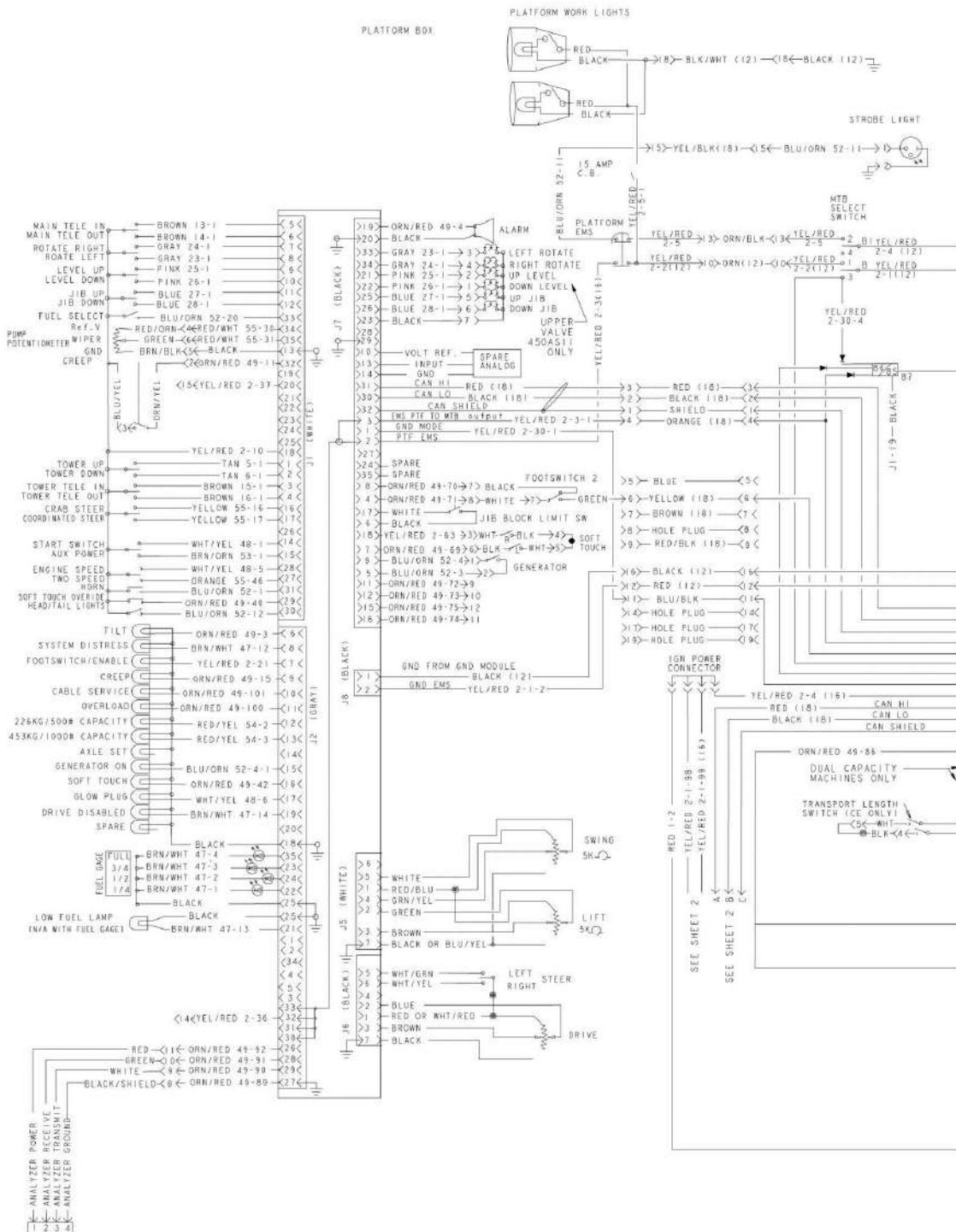
SECTION 7 - ELECTRICAL



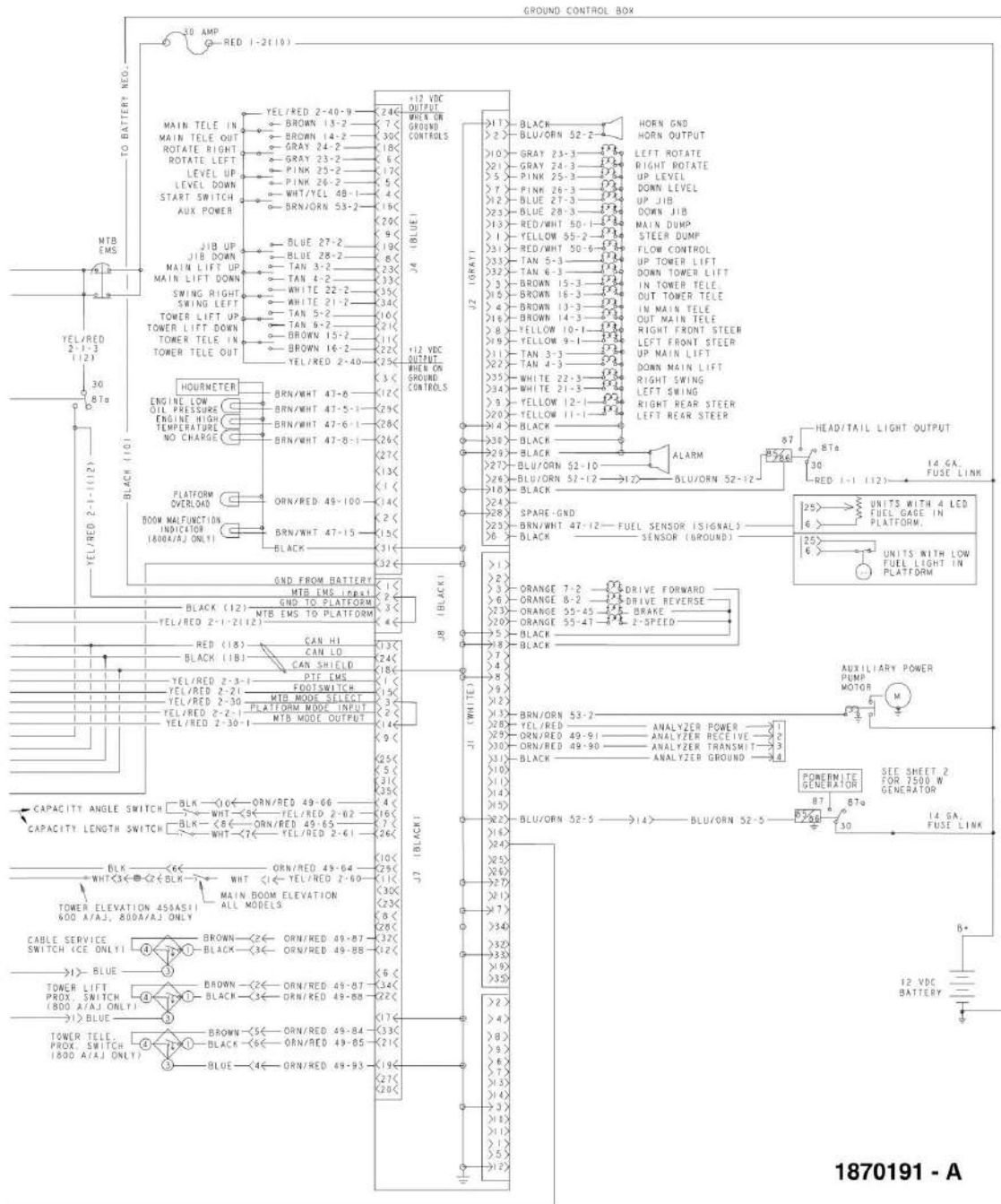
1870132 - H

SECTION 7 - ELECTRICAL

FIGURE 7-3. ELECTRICAL SCHEMATIC - DEUTZ ENGINE (SN 0300084827 through 0300087000)

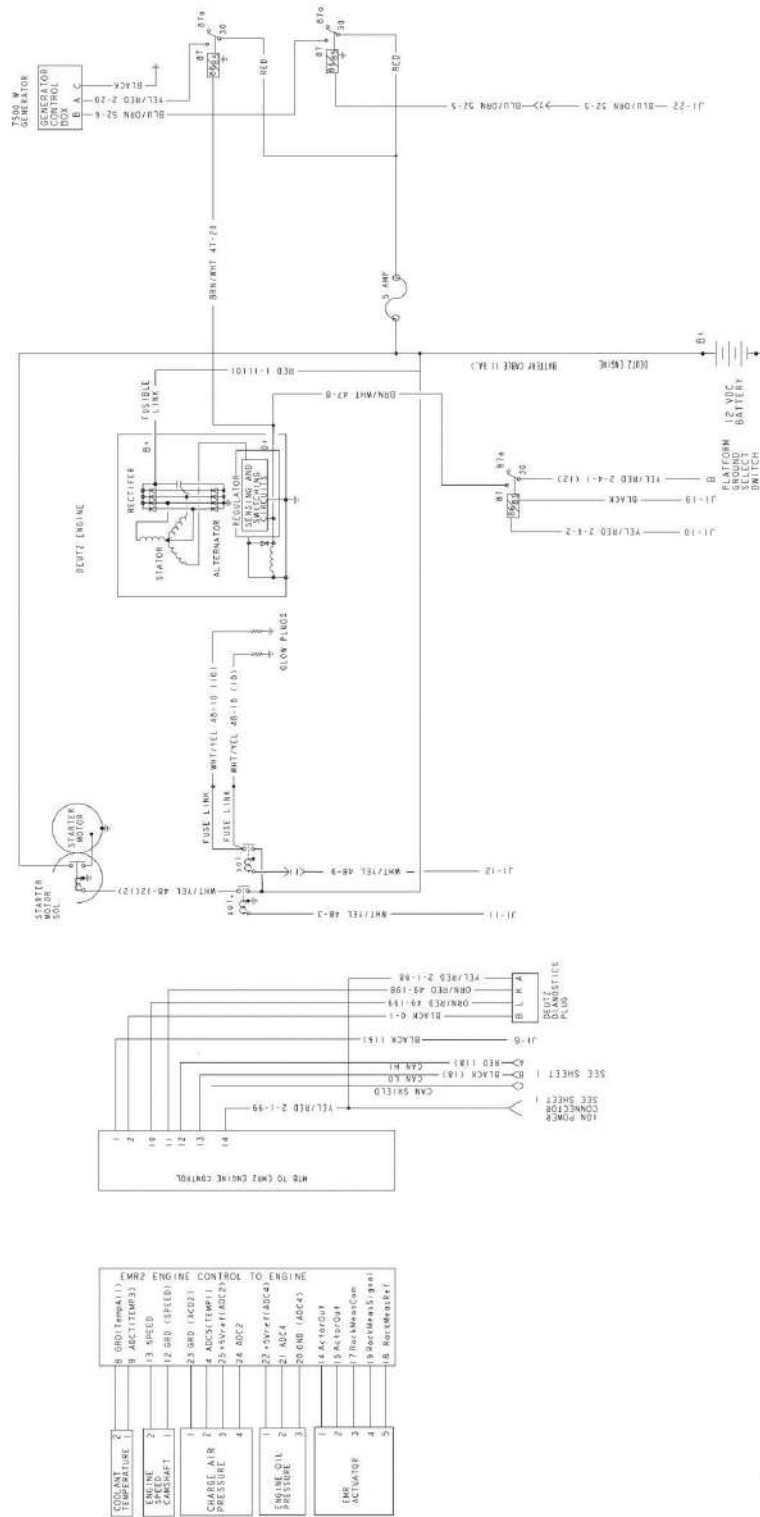


SECTION 7 - ELECTRICAL



1870191 - A

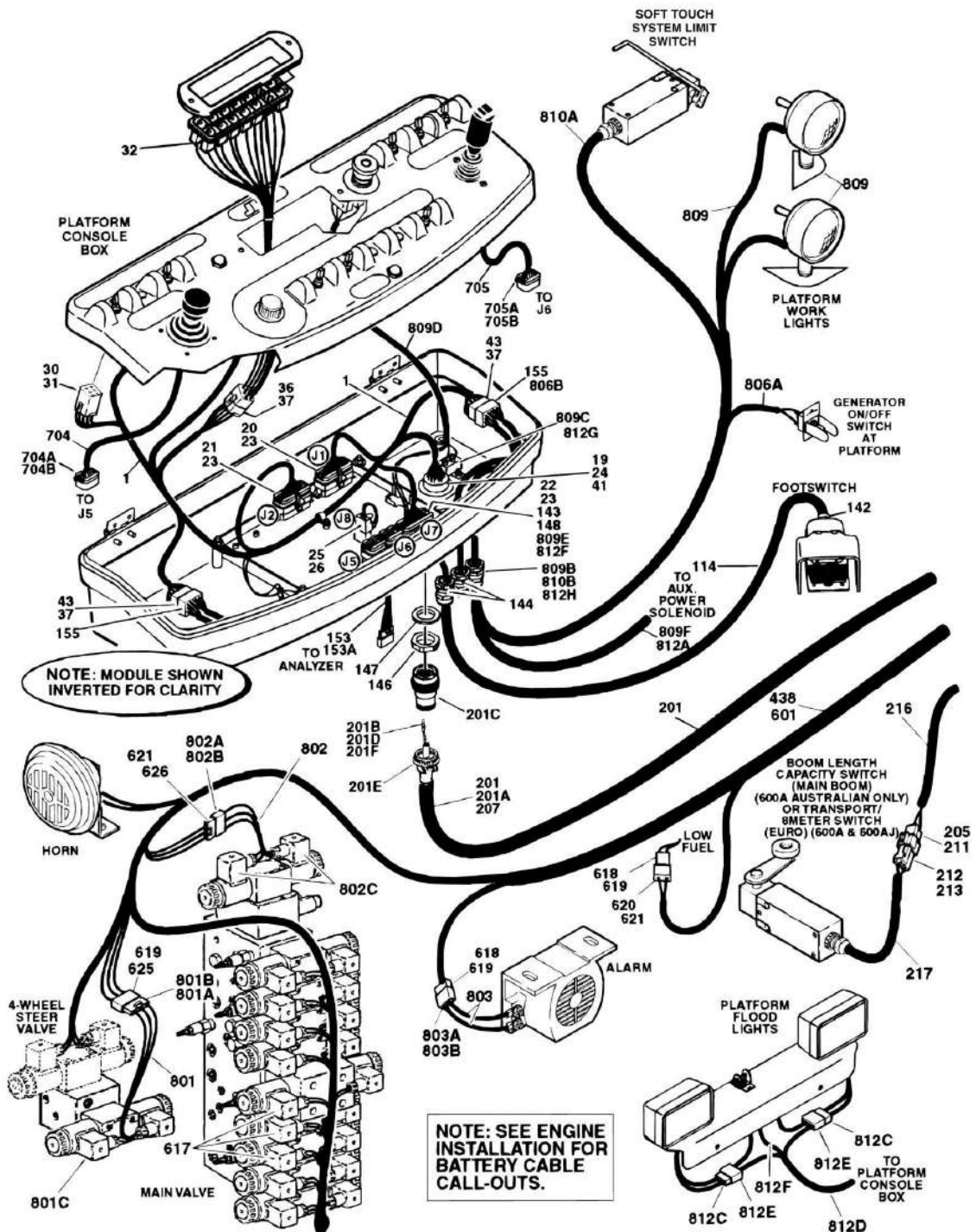
SECTION 7 - ELECTRICAL



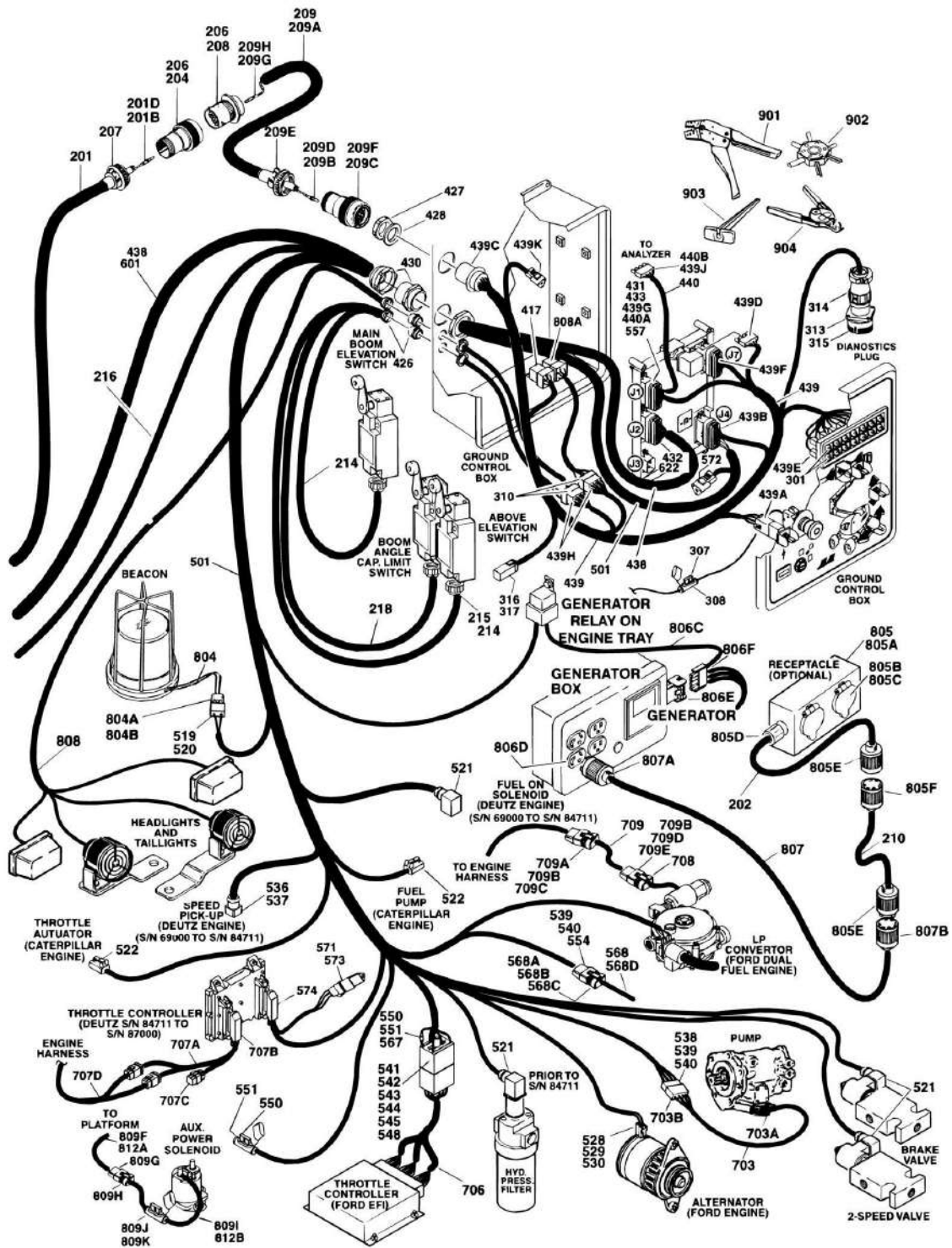
1870191 - A

SECTION 7 - ELECTRICAL

FIGURE 7-4. HARNESS COMPONENTS INSTALLATION



SECTION 7 - ELECTRICAL



SECTION 7 - ELECTRICAL

FIGURE 7-4. HARNESS COMPONENTS INSTALLATION

ITEM	PART NUMBER	QTY	DESCRIPTION	REV
	4922639	Ref	PLATFORM BOX HARNESS ASSEMBLY	5
1	4922639	1	Harness, Console Box	
19	4460866	1	Connector - 19 Position	
20	4460874	1	Connector - 35 Position (Natural)	
21	4460875	1	Connector - 35 Position (Gray)	
22	4460873	1	Connector - 35 Position (Black)	
23	4460871	70	Socket, Female	
24	4460464	7	Pin, Male (16 Gauge)	
25	4460879	1	Terminal, Housing 2 Position	
26	4460887	2	Terminal, (12 Gauge)	
30	4460418	8	Connector - 6 Position	
31	4460419	24	Terminal, Female	
32	4120035	12	Base, Light	
36	4460225	1	Connector - 6 Position	
37	4460227	28	Pin, Male	
41	4460508	3	Pin, Male (12 Gauge)	
43	4460434	2	Connector - 15 Position	
44	2920129	12	Lamp, Indicator	
		Ref	PLATFORM BOX ASSEMBLY COMPONENTS	
104	0100048	AR	Grease, Dielectric (Used at Module Connections)	
114	1060918	8 ft/2.4m	Cable, Electrical - 18/3	
142	4460071	1	Connector, Strain Relief	
143	4460226	2	Socket, Female	
144	4460428	2	Connector, Strain Relief	
146	4460470	1	Nut, Terminal	
147	4460471	1	Lockwasher, Terminal	
148	4460905	5	Seal, Plug	
153	4922666	1	Harness, Analyzer Cable	2-B
153	4460226	4	Socket, Female (Not Shown - Located at J2)	
153A	4460761	1	Connector, Female - 4 Position	
153A	4460227	4	Pin, Male	
155	4460708	2	Terminal, 15 Pin Mate-N-Loc	
		Ref	BOOM CABLES INSTALLATION	
	0270818	Ref	Boom Cables Installation 600A	6
	0270820	Ref	Boom Cables Installation 600AJ	6
	0272624	Ref	Boom Cables Installation 600A (With 7500W Generator) (SkyPower)	2
	0272625	Ref	Boom Cables Installation 600AJ (With 7500W Generator) (SkyPower)	2
	0274618	Ref	Boom Cables Installation 600AJ (Dual AC)	1-A
201	4922493	1	Harness, Main Boom	
201A	1060896	45.5 ft/13.9m	Cable	
201B	4460465	22	Socket, Female - #16	
201C	4460865	1	Connector - 19 Position	
201D	4460509	8	Socket, Female - #12	
201E	4460473	1	Clamp, Cable	
201F	4460466	4	Seal, Plug	
202		Ref	Cable, Electrical - 12/3 Options (Does not include plug ends) (Qty 2 Required for Dual AC):	

SECTION 7 - ELECTRICAL

ITEM	PART NUMBER	QTY	DESCRIPTION	REV
202	1060494	46 ft/14m	Cable, Electrical - 12/3 (SN 0300069000 through 0300071457)	
202	4922894	1	Cable, Electrical - 12/3 (SN 0300071458 through 0300087000)	
202A	4460205	1	Plug, Male (110V)	
202B	4460134	1	Connector, Female (110V)	
202B	4922810	1	Harness, Electrical - 8/5 (Does not include plug ends) (With 7500W Generator)	
202B	1060945	47 ft/14.3m	Cable, Electrical - 8/5 (With 7500W Generator)	
204	4460865	1	Connector - 19 Position	
205	4460465	2	Socket, Female - #18 (SN 0300069000 through 0300071458)	
206	4460466	8	Seal, Plug	
207	4460473	1	Clamp, Cable	
208	4460866	1	Connector - 19 Position	
209	4922494	1	Harness, Lower Boom Cable	
209A	1060896	35.5 ft/10.8m	Cable	
209B	4460465	22	Socket, Female - #16	
209C	4460865	1	Connector - 19 Position	
209D	4460509	8	Socket, Female - #12	
209E	4460473	1	Clamp, Cable	
209F	4460466	4	Seal, Plug	
209G	4460464	11	Pin, Male (16 Gauge)	
209H	4460508	4	Pin, Male (12 Gauge)	
210		Ref	Cable, Electrical - 12/3 Options (Does not include plug ends) (Qty 2 Required for Dual AC):	
210	1060494	33 ft/10m	Cable, Electrical - 12/3 (SN 0300069000 through 0300071457)	
210	4922892	1	Cable, Electrical - 12/3 (SN 0300071458 through 0300087000)	
210	4922811	1	Harness, Electrical - 8/5 (Does not include plug ends) (With 7500W Generator)	
210	1060945	36 ft/10.9m	Cable, Electrical - 8/5 (With 7500W Generator)	
211	4460891	1	Connector, Terminal (600A Only) (SN 0300069000 through 0300071458)	
212	4460897	1	Plug, Terminal (600A Only) (SN 0300069000 through 0300071458)	
213	4460464	AR	Pin, Male (16 Gauge) (SN 0300069000 through 0300071458)	
214		Ref	Cable, Electrical - 18/2 Main Boom Limit Switch	
214	1060902	37 ft/11.3m	Cable, Electrical - 18/2 Main Boom Limit Switch (SN 0300069000 through 0300071457)	
214	1061033	AR	Cable, Electrical - 18/2 Main Boom Limit Switch (600A - Qty.3 /600AJ - Qty.2) (SN 0300071458 through 0300087000)	
215	1060902	AR	Cable, Electrical - 18/2 Tower Boom Limit Switch	
215	1060902	37 ft/11.3m	Cable, Electrical - 18/2 Main Boom Limit Switch 600A (SN 0300069000 through 0300071458)	
215	1060902	18 ft/5.5m	Cable, Electrical - 18/2 Main Boom Limit Switch 600AJ (SN 0300069000 through 0300071458)	
216		Ref	Cable, Electrical - 18/2 Main Boom Length Options (600A Only):	
216	1060902	37 ft/11.3m	Cable, Electrical - 18/2 Main Boom Length (SN 0300069000 through 0300071457)	
216	4922891	1	Cable, Electrical - 18/2 Main Boom Length (SN 0300071458 through 0300087000)	
217		Ref	Cable, Electrical - 18/2 Main Boom Length Options (600A Only):	
217	1060902	19 ft/5.8m	Cable, Electrical - 18/2 Main Boom Length (SN 0300069000 through 0300071457)	
217	4922890	1	Cable, Electrical - 18/2 Main Boom Length (SN 0300071458)	

SECTION 7 - ELECTRICAL

ITEM	PART NUMBER	QTY	DESCRIPTION	REV
218	1060902	37 ft/11.3m	through 0300087000) Cable, Electrical - 18/2 Main Boom Cap. Angle (600A Only) (SN 0300069000 through 0300071458)	
		Ref	GROUND CONTROL BOX DIAGRAMS	
	4933295	Ref	Caterpillar Engine (SN 0300069000 through 0300084828)	2-C
	4933329	Ref	Caterpillar Engine (SN 0300084829 through 0300087000)	1-A
	4933213	Ref	Deutz Engine (SN 0300069000 through 0300084828)	2-B
	4933319	Ref	Deutz Engine (SN 0300084829 through 0300087000)	D
	4933212	Ref	Ford EFI Engine (SN 0300069000 through 0300084828)	3-C
	4933331	Ref	Ford EFI Engine (SN 0300084829 through 0300087000)	1-A
301	2920129	AR	Bulb, Light	
307	2400065	1	Fuse, 30Amp	
308	2400066	1	Fuse, Holder W/Cover	
310	4460708	AR	Receptacle, Female - 15 Position	
310	4460226	AR	Socket, Female	
310	4922637	1	Harness, Jumper (Not Shown)	
		Ref	Note: Items 313-318 is used on Deutz Engine Only. (SN 0300084829 through 0300087000)	
313	4461072	1	Connector, Flange Mount Receptacle (Part of 2902443 Kit)	
314	4461074	1	Connector, Backshell (Part of 2902443 Kit)	
314	4461071	4	Socket, Female (Part of 2902443 Kit)	
315	4461073	1	Cap, Dust (Part of 2902443 Kit)	
316	4460894	1	Plug, Connector (6 Pin)	
317	4460892	1	Junction, Connector (6 Pin)	
	2902443	1	Connector Kit (Includes Items 313-315)	
		Ref	GROUND CONTROL HARNESS ASSEMBLY	
417	3740049	AR	Relay	
426	4460426	AR	Connector, Strain Relief	
427	4460470	1	Nut, Terminal	
428	4460471	1	Lockwasher, Terminal	
430	4460526	1	Connector, Strain Relief	
431	4460874	1	Connector (Natural)	
432	4460875	1	Connector (Gray)	
433	4460905	4	Connector, Amp Seal Plug	
437		Ref	Engine Harness Assembly (Not Shown - See 501 to 566 for Breakdown)	
437	4922921	1	Caterpillar Engine Machines (SN 0300069000 through 0300084828)	
437	4923227	1	Caterpillar Engine Machines (SN 0300084829 through 0300087000)	
437	4922515	1	Deutz Engine Machines (Non UL Machines) (SN 0300069000 through 0300084828)	
437	4923212	1	Deutz Engine Machines (Non UL Machines) (SN 0300084829 through 0300087000)	
437	4923063	1	Deutz Engine Machines (UL Machines)	
437	4922514	1	Ford Engine Machines with EFI (SN 0300069000 through 0300084828)	
437	4923226	1	Ford Engine Machines with EFI (SN 0300084829 through 0300087000)	
438		Ref	Valve Harness Assembly Options (See 601 to 628 for Breakdown):	
438	4922508	1	Valve Harness Assembly (SN 0300069000 through 0300084828)	
438	4923224	1	Valve Harness Assembly (SN 0300084829 through 0300087000)	

SECTION 7 - ELECTRICAL

ITEM	PART NUMBER	QTY	DESCRIPTION	REV
439		Ref	Ground Control Box Harness Assembly Options	
439	4922638	1	Caterpillar/Deutz Engine (SN 0300069000 through 0300084828)	5-F
439	4923231	1	Caterpillar Engine (SN 0300084829 through 0300087000)	2-B
439	4923223	1	Deutz Engine (SN 0300084829 through 0300087000)	D
439A	4460418	AR	Connector, Female - 6 Position	
439A	4460419	AR	Socket, Female	
439B	4460876	1	Connector, 35 - Position	
439B	4460871	AR	Socket, Female	
439B	4460905	2	Seal, Plug	
439C	4460866	1	Connector - 19 Position	
439C	4460464	AR	Pin, Male Deutsch (16 Gauge)	
439D	4460878	1	Housing, Terminal - 4 Position	
439D	4460887	3	Terminal (12 Gauge)	
439E	4120035	AR	Base, Light	
439E	4460634	AR	Terminal (16 Gauge)	
439F	4460873	1	Connector, 35 - Position (Black)	
439F	4460871	AR	Socket, Female	
439F	4460635	5	Terminal (12 Gauge)	
439G	4460871	AR	Socket, Female	
439H	4460434	2	Plug, Male 15 - Position	
439H	4460227	AR	Pin	
439I	3990010	2	Diode - 6 Amp (Not Shown)	
439J	4460761	1	Connector, Female 4 - Position (SN 0300084829 through 0300087000)	
439J	4460227	4	Pin, Male (SN 0300084829 through 0300087000)	
439K	4460536	1	Connector, Female 3 - Position (Deutz Engine Only) (SN 0300084829 through 0300087000)	
439K	4460943	3	Pin, Male (Deutz Engine Only) (SN 0300084829 through 0300087000)	
440	4922666	1	Cable, Analyzer	2-B
440A	4460226	4	Socket, Female	
440B	4460761	1	Connector, Female 4 - Position	
440B	4460227	4	Pin, Male	
441		Ref	Ground Control Box Wiring Diagram (Not Shown - See Items 301 to 310 for Breakdown)	
441	4933295	1	Caterpillar Engine (SN 0300069000 through 0300084828)	
441	4933329	1	Caterpillar Engine (SN 0300084829 through 0300087000)	
441	4933213	1	Deutz Engine (SN 0300069000 through 0300084828)	
441	4933319	1	Deutz Engine (SN 0300084829 through 0300087000)	
441	4933212	1	Ford Engine (SN 0300069000 through 0300084828)	
441	4933331	1	Ford Engine (SN 0300084829 through 0300087000)	
		Ref	ENGINE HARNESS ASSEMBLIES	
	4922921	Ref	Caterpillar Engine (SN 0300069000 through 0300084828)	3-C
	4923227	Ref	Caterpillar Engine (SN 0300084829 through 0300087000)	1-A
	4922515	Ref	Deutz Enigne (Non UL Machines) (SN 0300069000 through 0300084828)	5-E
	4923212	Ref	Deutz Enigne (Non UL Machines) (SN 0300084829 through 0300087000)	C
	4923063	Ref	Deutz Enigne (UL Machines)	1-A
	4922514	Ref	Ford Engine (SN 0300069000 through 0300084828)	9-I
	4923226	Ref	Ford Engine (SN 0300084829 through 0300087000)	2-B
501		Ref	Harness, Assembly Options:	
501	4922921	1	Caterpillar Engine (SN 0300069000 through 0300084828)	

SECTION 7 - ELECTRICAL

ITEM	PART NUMBER	QTY	DESCRIPTION	REV
501	4923227	1	Caterpillar Engine (SN 0300084829 through 0300087000)	
501	4922515	1	Deutz Engine (Non UL Machines) (SN 0300069000 through 0300084828)	
501	4923212	1	Deutz Engine (Non UL Machines) (SN 0300084829 through 0300087000)	
501	4923063	1	Deutz Engine (UL Machines)	
501	4922514	1	Ford Engine (SN 0300069000 through 0300084828)	
501	4923226	1	Ford Engine (SN 0300084829 through 0300087000)	
519	4460424	1	Receptacle, Female - 2 Position	
520	4460268	AR	Socket, Female	
521	4460880	AR	DIN Connector without Diode	
522	4460891	2	Connector, Male - 2 Position (Caterpillar Engine Only)	
522	4460465	7	Socket, Female	
528	4460582	3	Terminal (Ford Engine Only)	
529	4460580	1	Lock, Terminal (Ford Engine Only)	
530	4460579	1	Housing - 3 Position (Ford Engine Only)	
536	4460890	1	Housing - 2 Position (Deutz Engine Only)	
537	4460889	2	Terminal (Deutz Engine Only)	
538	4460460	1	Connector, Male - 4 Position	
539	4460457	AR	Terminal, Female	
540	4460458	AR	Seal, Terminal	
541	4460713	1	Connector, Housing 42 Position (Ford Engine Only)	
542	4460725	1	Connector Wedge Lock, Center (Ford Engine Only)	
543	4460726	2	Connector Wedge Lock, Side (Ford Engine Only)	
544	4460800	29	Connector, Plug (Ford Engine Only)	
545	4460799	7	Pin, Male (Ford Engine Only)	
548	4460728	3	Pin, Male (Ford Engine Only)	
550	2400061	AR	Fuse (Ford Engine Only)	
551	2400060	2	Holder, Fuse (Ford Engine Only)	
554	4460742	1	Connector, Male - 2 Position (Ford Engine Only)	
557	4460871	AR	Socket, Female	
567	2400065	1	Fuse, 30Amp (SN 0300073731 through 0300087000)	
568	3730120	1	Resistor Assembly (SN 0300073731 through 0300087000)	
568A	4460978	1	Receptacle, Male - 2 Position	
568B	4460979	2	Pin, Male	
568C	4460458	2	Seal, Terminal	
568D	3730121	1	Resistor	
569	2400061	1	Fuse (Deutz Engine - UL Machines Only)	
570	2400060	1	Holder, Fuse (Deutz Engine - UL Machines Only)	
		Ref	Note: Items 571-575 is used on Deutz Engine (SN 0300084829 to SN 0300087000).	
571	4461070	1	Connector, Receptacle W/Resistor (3 Position)	
572	4460539	1	Connector, Male - 3 Position	
572	4460944	3	Socket, Female	
573	4461095	1	Connector, Male - 3 Position	
573	4460944	3	Socket, Female	
574	4461052	1	Connector, Receptacle - 25 Position	
574	4461005	5	Terminal (Gold)	
574	4461006	5	Seal, Terminal	
574	4461060	2	Terminal (Tin)	
574	4461054	2	Seal, Terminal	
575	4461053	1	Cover, Plug	

SECTION 7 - ELECTRICAL

ITEM	PART NUMBER	QTY	DESCRIPTION	REV
		Ref	VALVE HARNESS ASSEMBLIES	
	4922508	Ref	Valve Harness Assemblies (SN 0300069000 through 0300084828)	5-E
	4923224	Ref	Valve Harness Assemblies (SN 0300084829 through 0300087000)	4-D
601	4922508	1	Harness, Assembly (SN 0300069000 through 0300084828)	
601	4923224	1	Harness, Assembly (SN 0300084829 through 0300087000)	
617	4460880	AR	DIN Connector	
618	4460320	AR	Connector, Female - 2 Position	
619	4460267	AR	Pin, Male	
620	4460424	1	Connector, Male - 2 Position	
621	4460268	5	Socket, Female	
622	4460871	AR	Socket, Female	
625	4460326	1	Connector, Male - 3 Position	
626	4460445	1	Connector, Female - 3 Position	
		Ref	STANDARD HARNESS COMPONENTS	
703	See Note	1	Pump Harness (Note: Not Available for Purchase)	
703A	7007497	1	Plug (Pump End)	
703B	7007498	1	Plug (Engine Harness End)	
704	See Note	1	Controller Harness Assembly (Lift and Swing) (Note: Not Available for Purchase)	
704A	7022819	1	Plug, Male - 8 Position (Natural)	
704B	4460871	8	Socket, Female	
705	See Note	1	Controller Harness/Circuit Board Assembly (Drive and Steer) (Note: Not Available for Purchase)	
705A	7022825	1	Plug, Male - 8 Position (Black)	
705B	4460871	7	Socket, Female	
706		Ref	FORD ENGINE HARNESS OPTIONS (FOR REPLACEMENT PARTS REFER TO FORD ENGINE DEALER (FORD EFI ENGINE MACHINES):	
706	7023663	1	Ford Engine Harness (SN 0300069000 through 0300073338)	
706	7023681	1	Ford Engine Harness (SN 0300073339 through 0300087000)	
707		Ref	Deutz Engine Harness Components (For replacement parts refer to Deutz engine dealer) (SN 0300084829 through 0300087000)	
707A	7027796	1	Deutz Engine Harness (Not Shown) (For replacement parts refer to Deutz engine dealer) (SN 0300084829 through 0300087000)	
707B	4461052	1	Connector, Receptacle - 25 Position (SN 0300084829 through 0300087000)	
707B	4461053	1	Cover, Plug (SN 0300084829 through 0300087000)	
707B	4461005	5	Terminal (Gold) (SN 0300084829 through 0300087000)	
707B	4461006	5	Seal, Terminal (SN 0300084829 through 0300087000)	
707B	4461060	2	Terminal (Tin) (SN 0300084829 through 0300087000)	
707B	4461054	2	Seal, Terminal (SN 0300084829 through 0300087000)	
707B	4461008	18	Plug, Hole (SN 0300084829 through 0300087000)	
707C	7027793	1	Connector (SN 0300084829 through 0300087000)	
707D	7027794		Deutz Engine Harness (SN 0300084829 through 0300087000)	
708	See Note	1	Dual Fuel Shut-Off Filter Harness (Note: Not Available for Purchase)	
708	7023679	1	Electrical Connector Kit (Includes [1] 2 Position Connector, 2 Pins and 2 Seals)	
709	4922968	1	Dual Fuel Shut-Off Filter Extension Harness (Not Shown)	
709A	4460742	1	Connector, Male - 2 Position	
709B	4460458	4	Seal, Terminal	
709C	4460743	2	Socket, Female	

SECTION 7 - ELECTRICAL

ITEM	PART NUMBER	QTY	DESCRIPTION	REV
709D	4460978	1	Receptacle, Male - 2 Position	
709E	4460979	2	Pin, Male	
		Ref	OPTIONAL HARNESS COMPONENTS	
801	4921928	1	4WS Valve Harness	
801A	4460268	3	Socket, Female	
801B	4460445	1	Connector, Female - 3 Position	
801C	4460499	2	Connector, DIN with Diode	
802	4921927	1	Jib Valve Harness (600AJ Only)	
802A	4460326	1	Plug, Male - 3 Position	
802B	4460267	3	Pin, Male	
802C	4460499	2	Connector, DIN with Diode	
803	0257887	1	Alarm Harness (Includes Alarm)	
803	0140032	1	Alarm	
803	2820035	6 in/15cm	Loom	
803	4460424	1	Plug	
803	4460268	2	Socket	
803A	4460424	1	Plug, Male - 2 Position	
803B	4460268	2	Socket, Female	
804		Ref	Strobe Light Harness Options (Includes Strobe Light):	
804	0255917	1	Strobe Light Harness (SN 0300069000 through 0300069717)	
804	0272507	1	Strobe Light Harness (SN 0300069718 through 0300087000)	
804A	4460320	1	Connector, Female - 2 Position	
804B	4460267	2	Pin, Male	
805		Ref	AC to Platform Receptacle Components Options:	
805	0255382	Ref	110V GFI Receptacle	4
805	0257176	Ref	220V Receptacle	4
805	0272433	Ref	7500W Generator (SkyPower) Connectors	1
805	0274618	Ref	Dual AC	1
805A	0860038	1	Box, Switch	
805B		Ref	Receptacle Options:	
805B	4460346	1	110V GFI	
805B	4460125	1	220V	
805C		Ref	Shield, Cover Options:	
805C	4060700	1	110V GFI	
805C	4060092	1	220V	
805D	4460071	1	Connector, Strain Relief	
805E		Ref	Plug, Male Options:	
805E	4460205	2	110V GFI (Qty 4 Required for Dual AC)	
805E	4460233	2	220V	
805E	4460959	2	7500W Generator (SkyPower)	
805E	1671092	2	Cover (Optional on SkyPower)	
805F		Ref	Connector, Female Options:	
805F	4460134	1	110V GFI (Qty 2 Required for Dual AC)	
805F	4460701	1	220V	
805F	4460960	1	7500W Generator (SkyPower)	
805F	1671093	1	Cover (Optional on SkyPower)	
806		Ref	Generator Electrical Components	
806	4933215	AR	110V (SN 0300069000 through 0300077489)	1-B
806	4933216	AR	220V (SN 0300069000 through 0300077489)	1-B
806	4933300	AR	110V/220V (SN 0300077490 through 0300087000)	1-A
806	3990010	1	Diode - 6 Amp (Not Shown)	

SECTION 7 - ELECTRICAL

ITEM	PART NUMBER	QTY	DESCRIPTION	REV
806A	4922641	1	Harness - On/Off Switch	
806B	4460226	2	Socket, Female	
806C		Ref	Powermite Control Box to Relay Options:	
806C	4922482	1	Powermite Control Box to Relay (SN 0300069000 through 0300079611)	
806C	4922970	1	Powermite Control Box to Relay (SN 0300079612 through 0300087000)	
806D	4460027	1	Receptacle, Twist Lock (110V Only)	
806E	4460961	1	Connector, Female - 4 Position (SN 0300077490 through 0300087000)	
806E	4460705	4	Pin, Male	
806F	4460321	1	Connector, Male - 4 Position (SN 0300077490 through 0300087000)	
806F	4460906	4	Socket, Female	
807	4921829	1	Generator to Rear of Boom Harness (110V)	
807	4921954	1	Generator to Rear of Boom Harness (220V)	
		Ref	Note: Harness used to connect AC at platform harness to generator receptacle to power platform receptacle.	
807	1060494	6 ft/1.8m	Cable, Electrical - 12/3 (110V)	
807	1060494	26 ft/8m	Cable, Electrical - 12/3 (220V)	
807A	4460205	1	Plug, Male (110V)	
807A	4460233	1	Plug, Male (220V)	
807B	4460134	1	Receptacle, Female (110V)	
807B	4460701	1	Receptacle, Female (220V)	
807B	4460960	1	With 7500W Generator (SkyPower)	
808	See Note	1	Lights Harness Options (Note: Not Available for Purchase)	
808		Ref	Headlights Harness	
808	1060341	37 ft/11.3m	Cable, Electrical - 16/3	
808		Ref	Chassis Illumination Lights Harness	
808	1060341	40 ft/12.2m	Cable, Electrical - 16/3	
808A	3740049	1	Relay	
808B	4922643	1	Harness, Bag (Located at Ground Control Box) (Not Shown)	
809		Ref	Platform Worklights Components	
809A	2920140	2	Platform Worklights External Harness (Includes Light and Wire Only)	
809B	4460598	1	Connector, Strain Relief	
809C	4360232	1	Circuit Breaker, 15Amp (SN 0300069000 through 0300074445)	
809D	4922498	1	Platform Worklights Internal Harness (SN 0300069000 through 0300074445)	
809E	4460871	3	Socket, Female (SN 0300069000 through 0300074445)	
		Ref	Note: Items 807F - 807K. (SN 0300074445 through 0300087000)	
809F	4922894	1	Platform Worklights Harness	
809F	1060494	47 ft/14.3mm	Cable, Electrical - 12/3	
809G	4460459	1	Connector, Female - 3 Position	
809G	4460789	3	Terminal, Seal	
809G	4460790	3	Socket, Female	
809H	4460476	1	Connector, Male - 3 Position	
809H	4460789	3	Terminal, Seal	
809H	4460850	3	Pin, Male	
809I	4922892	1	Worklights Harness to Aux. Power Solenoid	

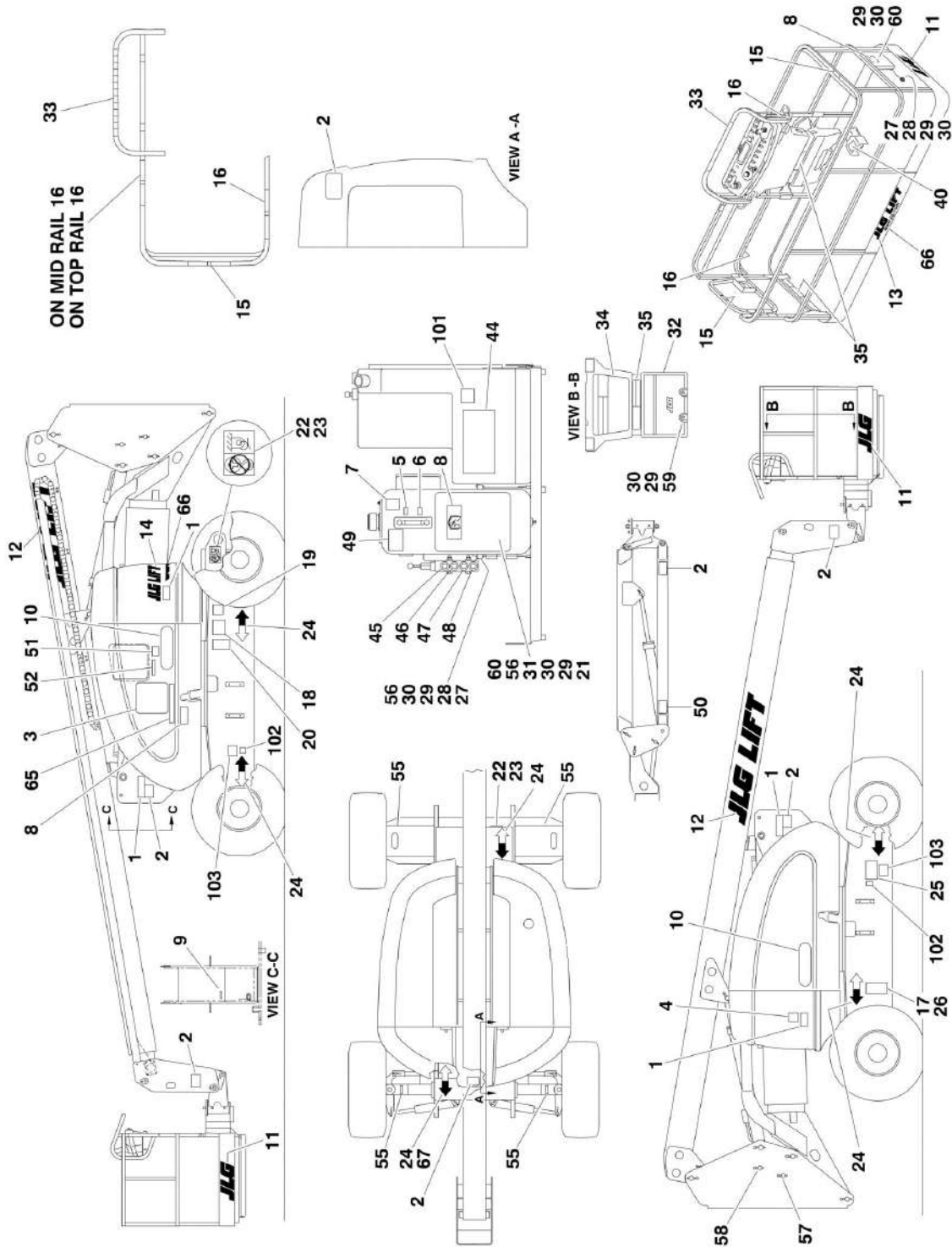
SECTION 7 - ELECTRICAL

ITEM	PART NUMBER	QTY	DESCRIPTION	REV
809I	1060494	33 ft/10.1mm	Cable, Electrical - 12/3	
809J	2400070	1	Fuse	
809K	2400066	1	Holder, Fuse	
810	See Note	1	Soft-Touch System Harness (Note: Not Available for Purchase)	
810A	1060341	23 ft/7m	Cable, Electrical - 16/3	
810B	4460425	1	Connector, Strain Relief	
812	4933308	1	Floodlights Harness Components	
812A	1060494	33 ft/10.1m	Electrical Cable 12/3 (Lower to Aux Relay)	
812B	1060494	47 ft/14.3m	Electrical Cable 12/3 (Upper to Console Box)	
812C	4460320	2	Plug, Male - 2 Position	
812C	4460227	4	Pin, Male	
812D	4922764	1	Floodlight Harness (Lights to Switch)	
812E	4460424	2	Connector, Female - 2 Position	
812E	4460226	4	Socket, Female	
812F	1060977	1	Cord, 2 Wire Coiled (Console Box Circuit Breaker to Switch)	
812G	4360232	1	Circuit Breaker - 15 Amp	
812H	4460425	1	Strain, Relief	
		Ref	TOOLS	
901	7002821	1	Crimper (For Wire to Pin/Socket Connections)	
902	7002823	1	Extractor (For Removal of Pin/Socket from Connectors)	
903	4460467	1	Extractor, Pin (Blue 16-18 Gauge) (For Removal of Pin/Socket from Connectors)	
903	4460510	1	Extractor, Pin (Yellow 12-14 Gauge) (For Removal of Pin/Socket from Connectors)	
904	7002828	1	Stripper, Wire	
905	2901443	1	Analyzer Kit (Not Shown)	
906	1001137005	1	Software Cable Kit (Not Shown)	

SECTION 8 - DECALS

SECTION 8 - DECALS

FIGURE 8-1. DECAL INSTALLATION - ANSI SPEC (SN 0300069000 through 0300086149)



SECTION 8 - DECALS

FIGURE 8-1. DECAL INSTALLATION - ANSI SPEC (SN 0300069000 through 0300086149)

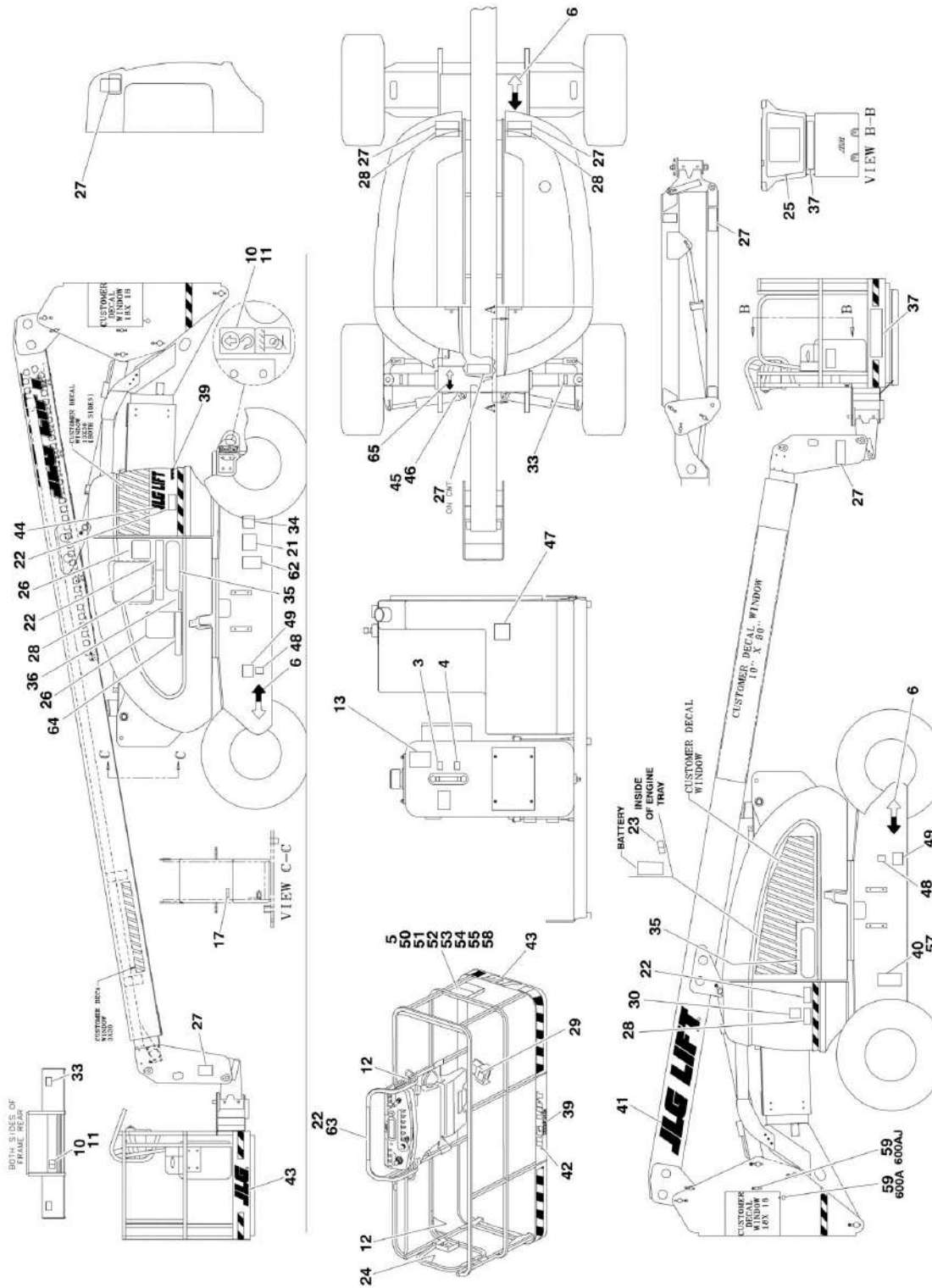
ITEM	PART NUMBER	QTY	DESCRIPTION	REV
	0271010	Ref	DECALS INSTALLATION - JLG Logo	3
	0255452	Ref	DECALS INSTALLATION - 600A	18
	0255456	Ref	DECAL INSTALLATION - 600AJ	17
1	1703805	4	Decal - Electrocutation	
2	1703804	6	Decal - Crushing	
3	1703798	1	Decal - Ground Control Warning	
4	3251813	1	Decal - USA	
5	1701502	1	Decal - High Oil Level	
6	1701503	1	Decal - Low Oil Level	
7	1701504	1	Decal - Hydraulic Oil	
8	1701509	AR	Decal - Manual	
9	3251243	1	Nameplate - 120V-60HZ	
10		Ref	Decal Options:	
10	1702818	2	Decal - 600A	
10	1702819	2	Decal - 600AJ	
11	1702773	AR	Decal - JLG (5in Height)	
12	1702861	AR	Decal - JLG Lift (8in Height) Options:	
12		Ref	Decal - JLG Lift (8in Height) (SN 0300069000 through 0300070122)	
12		Ref	Decal - JLG Lift (8in Height) (SN 0300070123 through 0300086149)	
13	1702774	1	Decal - JLG Lift (3-1/2in Height)	
14	1702860	AR	Decal - JLG Lift (5in Height) Options:	
14		Ref	Decal - JLG Lift (5in Height) (SN 0300069000 through 0300070122)	
14		Ref	Decal - JLG Lift (5in Height) (SN 0300070123 through 0300086149)	
15	1702868	2	Decal - No Hands	
16	1704277	4	Decal - Attach Lanyard Here	
17	See Note	1	Nameplate, Serial Number (Note: Not Available for Purchase)	
18	1702153	1	Decal - Inspection	
19	See Note	1	Decal - Bar Code (Note: Not Available for Purchase)	
20	1700584	1	Decal - Patent	
21	4567080	4	Tube, Spacer	
22	1702300	4	Decal - Tie Down/Lift	
23	1701500	4	Decal - Tie Down/Lift	
24	1701529	AR	Decal - Arrow	
26	3820001	4	Rivet	
27	0641408	1	Bolt 1/4in-20NC x 1in	
28	1060279	1	Cable, Lanyard	
29	3311401	AR	Nut 1/4in	
30	4751400	AR	Flatwasher 1/4in Regular	
31	0860520	1	Box, Manual Storage	
32	3380434	1	Panel, Pedestal (SN 0300069000 through 0300076286)	
33	1702784	1	Decal - Legend	
34	1703797	1	Decal - Warning/Danger	
35		Ref	Decal Options:	
35	1704096	2	600A - Decal - Warning	
35	1701645	2	600AJ - Decal - Maximum Capacity	
44	1702926	1	Decal - Instructions (SN 0300069000 through 0300070977)	

SECTION 8 - DECALS

ITEM	PART NUMBER	QTY	DESCRIPTION	REV
45	1702903	1	Decal - #1 (SN 0300069000 through 0300070977)	
46	1702927	1	Decal - #2 (SN 0300069000 through 0300070977)	
47	1702924	1	Decal - #3 (SN 0300069000 through 0300070977)	
48	1702925	1	Decal - #4 (SN 0300069000 through 0300070977)	
49		Ref	Decal Options:	
49	1702265	1	Decal 600A (SN 0300069000 through 0300070977)	
49	1702265	1	Decal 600AJ	
50		Ref	Decal Options:	
50	Not Required	0	Decal 600A	
50	1702908	2	Decal 600AJ (SN 0300069000 through 0300070977)	
51	1702901	1	Decal (SN 0300069000 through 0300070977)	
52		Ref	Decal Capacity Options:	
52	1704104	1	600A - Decal - 500lbs Unrestricted Capacity	
52	1702688	1	600AJ - Decal - 500lbs Maximum Capacity	
55	1703469	4	Decal - Tire Load (SN 0300069776 through 0300086149)	
56	0100011	AR	Compound, Locking	
57	Not Required	0	Not Required	
58		Ref	Plug Options:	
58	Not Required	0	600A	
58	3250033	2	600AJ - Plug, Hole 1in	
59	0641414	2	Bolt 1/4in-20NC x 1-3/4in (SN 0300069000 through 0300076286)	
60	0641406	4	Bolt 1/4in-20NC x 3/4in	
65	1703808	1	Decal - Legend MTB	
66	1704885	2	Decal - Website	
67	1703687	1	Decal - Arrow (SN 0300081836 through 0300086149)	
		Ref	DECAL INSTALLATION (OPTIONAL PARTS)	
101		Ref	Decal - Fuel	
101	1701505	1	Diesel	
101	1701542	1	Gas	
102	1701543	1	Decal - LP Gas	
103		Ref	Decal - Warning Prop 65	
103	1702962	1	Diesel	
103	1702961	1	Gas	

SECTION 8 - DECALS

FIGURE 8-2. DECAL INSTALLATION - ANSI SPEC (SN 0300086150 through 0300087000)



SECTION 8 - DECALS

FIGURE 8-2. DECAL INSTALLATION - ANSI SPEC (SN 0300086150 through 0300087000)

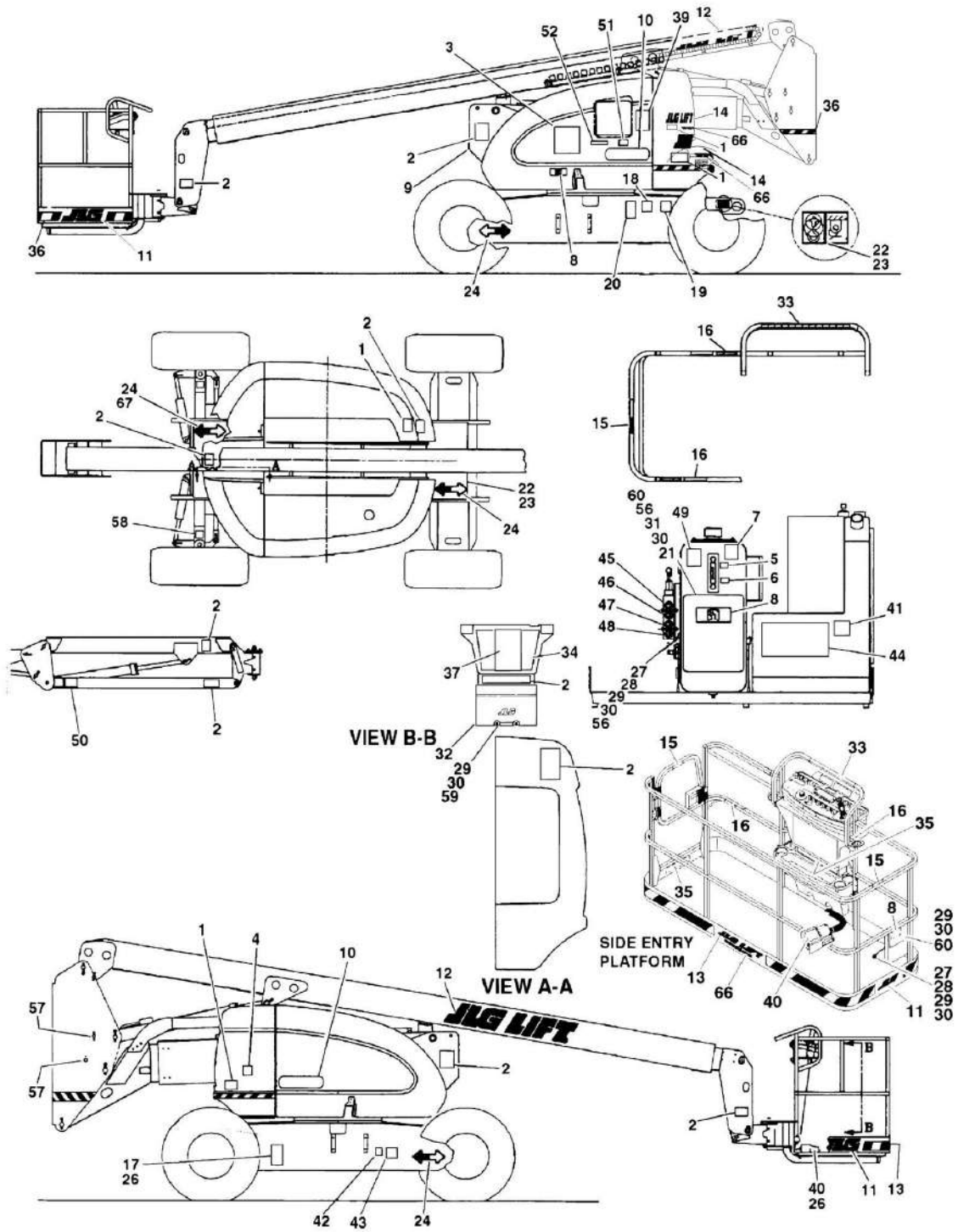
ITEM	PART NUMBER	QTY	DESCRIPTION	REV
		Ref	DECALS INSTALLATION	
	0274094	Ref	Decal Installation - JLG Logo	1
	0273891	Ref	Decal Installation - 600A	1
	0273892	Ref	Decal Installation - 600AJ	1
3	1701502	1	Decal - High Oil Level	
4	1701503	1	Decal - Low Oil Level	
5	1701509	1	Decal - Manual	
6	1701529	6	Decal - Arrow	
10	1703811	4	Decal - Tie Down/Lift	
11	1703814	6	Decal - Tie Down	
12	1704277	4	Decal - Attach Lanyard Here	
13	1704412	1	Decal - Hydraulic Oil Chart	
17	3251243	1	Nameplate - 120V-60Hz	
21	1702153	1	Decal - Inspection	
22	1703953	7	Decal - Warning Crushing	
23	1704972	1	Decal - Warning Explosion/Fire	
24	1702868	2	Decal - No Hands	
25	1703797	1	Decal - Warning/Danger	
26	1705336	1	Decal - Warning Inspection (MTB)	
27	1703804	6	Decal - Warning Crushing	
28	1703805	5	Decal - Danger Electrocution	
29	3252347	1	Nameplate - Footswitch	
30	3251813	1	Decal - USA	
33	1703469	4	Decal - Max Tire Load	
34	See Note	1	Decal - Bar Code (Note: Not Available for Purchase)	
35		Ref	Decal Options:	
35	1702818	2	Decal - 600A	
35	1702819	2	Decal - 600AJ	
36		Ref	Decal Capacity Options:	
36	1704104	1	600A - Decal - 500lbs Unrestricted Capacity	
36	1702688	1	600AJ - Decal - 500lbs Maximum Capacity	
37		Ref	Decal Capacity Options:	
37	1704096	2	600A - Decal - 500lbs Unrestricted Capacity	
37	1701645	2	600AJ - Decal - 500lbs Maximum Capacity	
39	1704885	2	Decal - Website	
40	See Note	1	Nameplate, Manufacturers (Note: Not Available for Purchase)	
41	1702861	2	Decal - JLG Lift (8in Height)	
42	1702774	1	Decal - JLG Lift (3-1/2in Height)	
43	1702773	2	Decal - JLG (5in Height)	
44	1702860	1	Decal - JLG Lift (5in Height)	
45	3250872	1	Nameplate - Steer/Tow Selector	
46	1705090	1	Decal - Towing Instructions	
47		Ref	Decal - Fuel	
47	1701505	1	Diesel	
47	1701542	1	Gas	
48	1701543	1	Decal - LP Gas (Ford Engine Machines Only)	
49	1700818	2	Decal - LP Gas (Liquid) (Ford Engine Machines Only)	
50	0100011	AR	Compound, Locking	
51	0641406	4	Bolt 1/4in-20NC x 3/4in	
52	0641408	1	Bolt 1/4in-20NC x 1in	

SECTION 8 - DECALS

ITEM	PART NUMBER	QTY	DESCRIPTION	REV
53	0860520	1	Box, Manual Storage	
54	1060279	1	Cable, Lanyard	
55	3311405	5	Locknut 1/4in	
57	3820001	4	Rivet	
58	4751400	10	Flatwasher 1/4in Regular	
59	3250033	2	Plug	
62	1700584	1	Decal - Patent	
63	1702784	1	Decal - Legend	
64	1703808	1	Decal - Legend (MTB)	
65	1703687	1	Decal - Direction Arrow (6-3/4in)	

SECTION 8 - DECALS

FIGURE 8-3. DECAL INSTALLATION (COUNTRY SPECS) (SN 0300069000 through 0300086149)



SECTION 8 - DECALS

FIGURE 8-3. DECAL INSTALLATION (COUNTRY SPECS) (SN 0300069000 through 0300086149)

ITEM	PART NUMBER	QTY	DESCRIPTION	REV
		Ref	DECAL INSTALLATIONS	
	0271010	Ref	Decal Installation - JLG Logo	2
	0257495	Ref	600A BRAZIL SPEC (SPANISH/PORTUGUESE LANGUAGES)	5
	0259331	Ref	600A Canadian Spec (English/French Languages)	13
	0256284	Ref	600A Japanese Spec	4
	0256670	Ref	600A Latin American Spec (English/Spanish Languages)	12
	0255453	Ref	600A Common Decals (Use with Brazil and Japanese Specs)	14
	0257496	Ref	600AJ Brazilian Spec (Spanish/Portuguese Languages)	5
	0259332	Ref	600AJ Canadian Spec (English/French Languages)	12
	0256291	Ref	600AJ Japanese Spec	4
	0256671	Ref	600AJ Latin American Spec (English/Spanish Languages)	12
	0255457	Ref	600AJ Common Decals (Use with Brazil and Japanese Specs)	14
1		Ref	Decal - Danger Electrocutation Options:	
1	Not Required	0	Brazil and Japanese Specs	
1	1703936	4	Canadian Spec	
1	1702585	4	Latin American Spec	
2		Ref	Decal - Crushing Options:	
2	1701518	6	Brazil and Japanese Specs	
2	1703948	6	Canadian Spec	
2	1702583	6	Latin American Spec	
3		Ref	Decal - Danger/Warning Options:	
3	Not Required	0	Brazil and Japanese Specs	
3	1703930	1	Canadian Spec	
3	1702971	1	Latin American Spec	
4		Ref	Decal - USA Options:	
4	Not Required	0	Brazil and Japanese Specs	
4	3251813	1	Canadian Spec	
4	3251813	AR	Latin American Spec	
5	1701502	1	Decal - High Oil Level	
6	1701503	1	Decal - Low Oil Level	
7	1701504	1	Decal - Hydraulic Oil	
8	1701509	AR	Decal - Manual	
9		Ref	Nameplate - Voltage Options:	
9	Not Required	0	Brazil and Japanese Specs	
9	3251243	1	Canadian Spec (120V-60HZ)	
9	1703453	1	Latin American Spec	
10		Ref	Decal - Model Designation Options:	
10	1702818	2	Decal - Model Designation 600A	
10	1702819	2	Decal - Model Designation 600AJ	
11	1702773	2	Decal - JLG (5in Height)	
12	1702861	AR	Decal - JLG Lift (8in Height) Options:	
12		Ref	Decal - JLG Lift (8in Height) (SN 0300069000 through 0300070122)	
12		Ref	Decal - JLG Lift (8in Height) (SN 0300070123 through 0300086150)	
13	1702774	1	Decal - JLG (3-1/2in Height)	
14	1702860	AR	Decal - JLG Lift (5in Height) Options:	
14		Ref	Decal - JLG Lift (5in Height) (SN 0300069000 through 0300070122)	
14		Ref	Decal - JLG Lift (5in Height) (SN 0300070123 through 86150)	

SECTION 8 - DECALS

ITEM	PART NUMBER	QTY	DESCRIPTION	REV
15		Ref	Decal - No Hands Options:	
15	1703899	2	Brazil Spec	
15	1704000	2	Canadian Spec	
15	Not Required	0	Japanese Spec	
15	1702975	2	Latin American Spec	
16		Ref	Decal - Attach Lanyard Here Options:	
16	1704277	AR	Brazil Spec	
16	1704277	AR	Canadian Spec	
16	Not Required	0	Japanese Spec	
16	1704277	AR	Latin American Spec	
17	See Note	1	Nameplate - Serial Number (Note: Not Available for Purchase)	
18		Ref	Decal - Inspection Options:	
18	Not Required	0	Brazil Spec	
18	1704006	1	Canadian Spec	
18	Not Required	0	Japanese Spec	
18	1702552	1	Latin American Spec	
19	See Note	1	Decal - Bar Code (Note: Not Available for Purchase)	
20		Ref	Decal - Patent Options:	
20	1700584	1	Brazil and Japanese Specs	
20	1700584	1	Canadian Spec	
20	1702573	1	Latin American Spec	
21	4567080	4	Tube, Spacer	
22	1702300	4	Decal - Tie Down/Lift	
23	1701500	4	Decal - Tie Down/Lift	
24	1701529	AR	Decal - Arrow	
26	3820001	4	Rivet	
27	0641408	1	Bolt 1/4in-20NC x 1in	
28	1060279	1	Cable, Lanyard	
29	3311405	AR	Locknut 1/4in-20NC	
30	4751400	AR	Flatwasher 1/4in Regular	
31	0860520	1	Box, Manual Storage	
32	3380434	1	Panel, Pedestal (SN 0300069000 through 0300076286)	
33		Ref	Decal - Legend Options:	
33	Not Required	0	Brazil and Japanese Specs	
33	1702784	1	Canadian Spec	
33	1702972	1	Latin American Spec	
34		Ref	Decal - Warning/Danger Options:	
34	Not Required	0	Brazil and Japanese Specs	
34	1703924	1	Canadian Spec	
34	1702973	1	Latin American Spec	
35		Ref	Decal - Warning Options:	
35	Not Required	0	600A Brazil Spec	
35	Not Required	0	600AJ Brazil Spec	
35	1704099	2	600A Canadian Spec	
35	1703996	2	600AJ Canadian Spec	
35	Not Required	0	600A Japanese Spec	
35	Not Required	0	600AJ Japanese Spec	
35	1704100	2	600A Latin American Spec	
35	1702974	2	600AJ Latin American Spec	
36	4420051	21 ft/6.4m	Decal - Corner Warning Stripe	
37		Ref	Decal - Capacity Options:	

SECTION 8 - DECALS

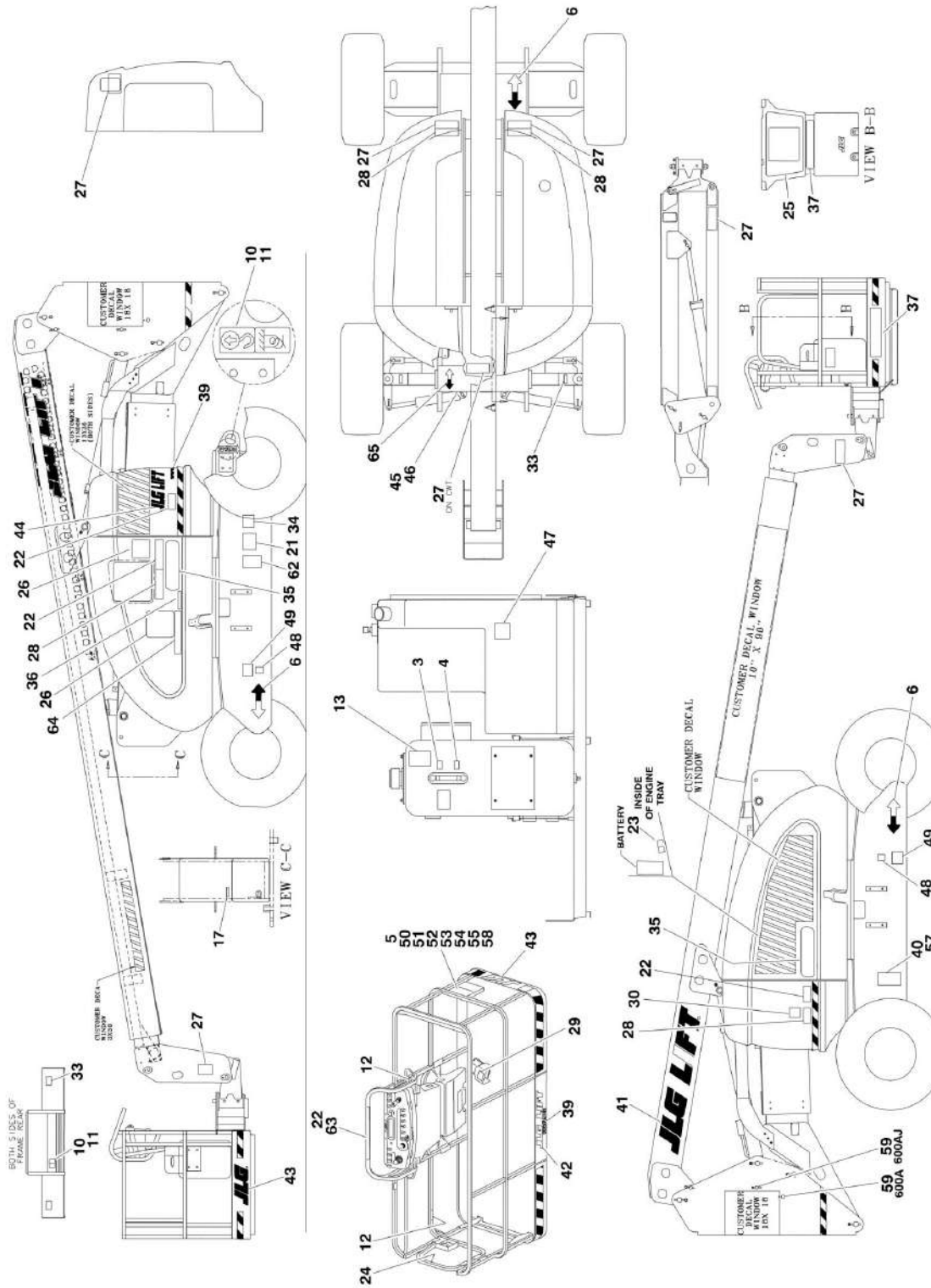
ITEM	PART NUMBER	QTY	DESCRIPTION	REV
37	1703536	1	Brazil Spec	
37	Not Required	0	Canadian Spec	
37	1701924	1	Japanese Spec	
37	Not Required	0	Latin American Spec	
38		Ref	Decal - Caution Options:	
38	1703538	1	Brazil Spec	
38	Not Required	0	Canadian Spec	
38	1703188	1	Japanese Spec	
38	Not Required	0	Latin American Spec	
39		Ref	Decal - Caution Options:	
39	1703548	1	Brazil Spec	
39	Not Required	0	Canadian Spec	
39	1701923	1	Japanese Spec	
39	Not Required	0	Latin American Spec	
40		Ref	Decal - Footswitch Options:	
40	3252540	1	Brazil Spec	
40	1703984	1	Canadian Spec	
40	3252220	1	Japanese Spec	
40	3252489	1	Latin American Spec	
41		Ref	Decal - Fuel Options:	
41	1701505	1	Diesel Machines	
41	1701542	1	Gas Machines	
42		Ref	Decal - LPG Gas	
42	Not Required	0	Non-Dual Fuel Machines	
42	1701543	1	Dual Fuel Machines	
43		Ref	Decal - LP Gas Liquid Withdrawal System	
43	Not Required	0	Non-Dual Fuel Machines	
43	1700818	1	Dual Fuel Machines (English Language)	
43	1704271	1	Dual Fuel Machines (Canadian Spec)	
43	1702720	1	Dual Fuel Machines (Spanish Language)	
44		Ref	Decal - Instructions Options:	
44	1703549	1	Brazil Spec (SN 0300069000 through 0300070977)	
44	1704268	1	Canadian Spec (SN 0300069000 through 0300070977)	
44	1703007	1	Japanese Spec (SN 0300069000 through 0300070977)	
44	1702979	1	Latin American Spec (SN 0300069000 through 0300070977)	
45	1702903	1	Decal - #1 (SN 0300069000 through 0300070977)	
46	1702927	1	Decal - #2 (SN 0300069000 through 0300070977)	
47	1702924	1	Decal - #3 (SN 0300069000 through 0300070977)	
48	1702925	1	Decal - #4 (SN 0300069000 through 0300070977)	
49		Ref	Decal Options:	
49	1703544	1	Brazil Spec	
49	1703990	1	Canadian Spec	
49	1702271	1	Japanese Spec	
49	1702617	1	Latin American Spec	
50		Ref	Decal Options:	
50	Not Required	0	Decal 600A	
50	1703541	2	Decal 600AJ (SN 0300069000 through 0300070977)	
51		Ref	Decal Options:	
51	1703543	1	Brazil Spec (SN 0300069000 through 0300070977)	
51	1704116	1	Canadian Spec (SN 0300069000 through 0300070977)	
51	1703004	1	Japanese Spec (SN 0300069000 through 0300070977)	

SECTION 8 - DECALS

ITEM	PART NUMBER	QTY	DESCRIPTION	REV
51	1702976	1	Latin American Spec (SN 0300069000 through 0300070977)	
52		Ref	Decal - Capacity Options:	
52	Not Required	0	600A Brazil Spec	
52	Not Required	0	600AJ Brazil Spec	
52	1704107	1	600A Canadian Spec	
52	1704112	1	600AJ Canadian Spec	
52	Not Required	0	600A Japanese Spec	
52	Not Required	0	600AJ Japanese Spec	
52	1704108	1	600A Latin American Spec	
52	1702689	1	600AJ Latin American Spec	
56	0100011	AR	Compound, Locking	
57		Ref	Plug Options:	
57	Not Required	0	600A	
57	3520033	2	Plug 600AJ	
58		Ref	Decal - Wheel Load Options:	
58	1703469	4	Canadian (SN 0300069776 through 0300086150)	
58	Not Required	0	Latin American Specs	
58	1703469	4	Brazil and Japanese Specs	
59	0641414	2	Bolt 1/4in-20NC x 1-3/4in (SN 0300069000 through 0300076286)	
60	0641406	4	Bolt 1/4in-20NC x 3/4in	
65		Ref	Decal - Legend Options:	
65	Not Required	0	Brazil Spec	
65	1703808	1	Canadian Spec	
65	Not Required	0	Japanese Spec	
65	Not Required	0	Latin American Spec	
66	1704885	2	Decal - Website	
67	1703687	1	Decal - Arrow (SN 0300081836 through 0300086150)	

SECTION 8 - DECALS

FIGURE 8-4. DECAL INSTALLATION (COUNTRY SPECS) (SN 0300086150 through 0300087000)



SECTION 8 - DECALS

FIGURE 8-4. DECAL INSTALLATION (COUNTRY SPECS) (SN 0300086150 through 0300087000)

ITEM	PART NUMBER	QTY	DESCRIPTION	REV
		Ref	DECAL INSTALLATIONS	
	0274094	Ref	Decals Installation - JLG Logo	1
	0273901	Ref	600A Brazil Spec (Portuguese Languages)	1
	0273893	Ref	600A Canadian Spec (English/French Languages)	1
	0273903	Ref	600A Japanese Spec	1
	0273899	Ref	600A Latin American Spec (English/Spanish Languages)	1
	0273891	Ref	600A Common Decals (ANSI Export)	1
	0273902	Ref	600aj Brazilian Spec (Portuguese Languages)	1
	0273894	Ref	600AJ Canadian Spec (English/French Languages)	1
	0273904	Ref	600AJ Japanese Spec	1
	0273900	Ref	600AJ Latin American Spec (English/Spanish Languages)	1
	0273892	Ref	600AJ Common Decals (ANSI Export)	1
3	1701502	1	Decal - High Oil Level	
4	1701503	1	Decal - Low Oil Level	
5	1701509	1	Decal - Manual	
6	1701529	6	Decal - Arrow	
10	1703811	4	Decal - Tie Down/Lift	
11	1703814	6	Decal - Tie Down	
12	1704277	4	Decal - Attach Lanyard Here	
13	1704412	1	Decal - Hydraulic Oil Chart	
17		Ref	Nameplate - Voltage Options:	
17	Not Required	0	Brazil Specs	
17	3251813	1	Canadian Spec	
17	3251243	1	Japanese Specs	
17	3251243	AR	Latin American Spec	
21		Ref	Decal - Inspection Options:	
21	1705901	1	Brazil Specs	
21	1704006	1	Canadian Spec	
21	Not Required	0	Japanese Spec	
21	1704007	1	Latin American Spec	
22		Ref	Decal - Warning Crushing Options:	
22	1705903	7	Brazil Specs	
22	1703942	7	Canadian Spec	
22	1703944	3	Japanese Spec	
22	1703941	7	Latin American Spec	
23		Ref	Decal - Warning Explosion/Fire Options:	
23	1706059	1	Brazil Specs	
23	1706064	1	Canadian Spec	
23	1706062	1	Japanese Spec	
23	1706063	1	Latin American Spec	
24		Ref	Decal - No Hands Options:	
24	1705967	2	Brazil Specs	
24	1704000	2	Canadian Spec	
24	Not Required	0	Japanese Spec	
24	1704001	2	Latin American Spec	
25		Ref	Decal - Warning/Danger Options:	
25	1705895	1	Brazil Specs	
25	1703924	1	Canadian Spec	
25	1703926	1	Japanese Spec	
25	1703923	1	Latin American Spec	

SECTION 8 - DECALS

ITEM	PART NUMBER	QTY	DESCRIPTION	REV
26		Ref	Decal - Warning Inspection (MTB)	
26	1705896	1	Brazil Specs	
26	1705347	1	Canadian Spec	
26	1705344	1	Japanese Spec	
26	1705917	1	Latin American Spec	
27		Ref	Decal - Warning Crushing Options:	
27	1705898	5	Brazil Specs	
27	1703948	6	Canadian Spec	
27	1703950	3	Japanese Spec	
27	1703947	3	Latin American Spec	
28		Ref	Decal - Danger Electrocution Options:	
28	1705897	5	Brazil Specs	
28	1703936	5	Canadian Spec	
28	1703938	4	Japanese Spec	
28	1703935	3	Latin American Spec	
29		Ref	Decal - Foot Switch Options:	
29	1705902	1	Brazil Specs	
29	1703984	1	Canadian Spec	
29	1703980	1	Japanese Spec	
29	1703983	1	Latin American Spec	
30	3251813	1	Decal - USA	
33	1703469	4	Decal - Max Tire Load	
34	See Note	1	Decal - Bar Code (Note: Not Available for Purchase)	
35		Ref	Decal Options:	
35	1702818	2	Decal - 600A	
35	1702819	2	Decal - 600AJ	
36		Ref	Decal Capacity Options:	
36		Ref	600A - Decal - 500lbs Unrestricted Capacity	
36	1706381	1	Brazil Specs	
36	1704107	1	Canadian Spec	
36	1704110	1	Japanese Spec	
36	1704106	1	Latin American Spec	
36	1704112	1	600AJ - Decal - 500lbs Maximum Capacity	
37		Ref	Decal Capacity Options:	
37		Ref	600A - Decal - 500lbs Unrestricted Capacity	
37	1706380	2	Brazil Specs	
37	1704099	2	Canadian Spec	
37	1704102	1	Japanese Spec	
37	1704098	1	Latin American Spec	
37	1703996	2	600AJ - Decal - 500lbs Maximum Capacity	
39	1704885	2	Decal - Website	
40	See Note	1	Nameplate, Manufacturers (Note: Not Available for Purchase)	
41	1702861	2	Decal - JLG Lift (8in Height)	
42	1702774	1	Decal - JLG Lift (3 1/2in Height)	
43	1702773	2	Decal - JLG (5in Height)	
44	1702860	1	Decal - JLG Lift (5in Height)	
45	3250872	1	Nameplate - Steer/Tow Selector	
46	1705090	1	Decal - Towing Instructions	
47		Ref	Decal - Fuel	
47	1701505	1	Diesel	
47	1701542	1	Gas	

SECTION 8 - DECALS

ITEM	PART NUMBER	QTY	DESCRIPTION	REV
48	1701543	1	Decal - LP Gas	
49		Ref	Decal - LP Gas (Liquid) Options:	
49	Not Required	0	Brazil Specs	
49	1704271	2	Canadian Spec	
49	Not Required	0	Japanese Specs	
49	1702720	1	Latin American Spec	
50	0100011	AR	Compound, Locking	
51	0641406	4	Bolt 1/4in-20NC x 3/4in	
52	0641408	1	Bolt 1/4in-20NC x 1in	
53	0860520	1	Box, Manual Storage	
54	1060279	1	Cable, Lanyard	
55	3311405	5	Locknut 1/4in-20NC	
57	3820001	4	Rivet	
58	4751400	10	Flatwasher 1/4in Regular	
59	3250033	2	Plug	
62		Ref	Decal - Patent	
62	1700584	1	Brazil Specs	
62	1700584	1	Canadian Spec	
62	1700584	1	Japanese Specs	
62	1702573	1	Latin American Spec	
63		Ref	Decal - Legend Options:	
63	Not Required	0	Brazil Specs	
63	1702784	1	Canadian Spec	
63	Not Required	0	Japanese Specs	
63	1702972	1	Latin American Spec	
64	1703808	1	Decal - Legend (MTB)	
65	1703687	1	Decal - Direction Arrow (6-3/4in)	

SECTION 9 - RECOMMENDED SERVICE PARTS STOCK

SECTION 9 - RECOMMENDED SERVICE PARTS STOCK

SECTION 9 - RECOMMENDED SERVICE PARTS STOCK

FIGURE 9-1. MODEL 600A/600AJ STANDARD PARTS

ITEM	PART NUMBER	QTY	DESCRIPTION	REV
	Note	Ref	Note: The following list will service one machine (built to current production per date on the front cover) with emergency repair parts which can be installed in the field. Parts from the list should be replaced when inventory is depleted to keep service parts stock supplied. For further information, contact your JLG dealer or the JLG Industries Parts Department.	
		Ref	STANDARD PARTS	
	7012944	1	Coil	
	7012943	1	Coil	
	2120150	12	Element Filter	
	7016312	1	Switch, Indicator	
	2120149	12	Element, Filter	
	7016313	1	Switch, Indicator	
	7012772	1	Coil	
	7012768	1	Coil	
	7012664	12	Element, Air Cleaner	
	3740067	1	Relay	
	4360392	1	Switch, Indicator	
	7014810	1	Breather	
	4360475	1	Switch, Mushroom	
	4360469	1	Switch, Key	
	2860030	1	Key, Replacement	
	4360328	1	Switch, Toggle	
	4360476	1	Contact, Switch Block	
	3740049	1	Relay	
	4360294	1	Breaker, Circuit	
	7016502	2	Power Track Repair Section	
	7006140	2	Power Track Repair Section	
	7006152	24	Power Track Pin Kit	
	2940074	1	Latch	
	4360331	1	Switch, Toggle	
	7022818	1	Potentiometer	
	7022824	1	Electric Assembly	
	7019166	1	Switch, Micro	
	2400061	2	Fuse, 10Amp	
	2400065	2	Fuse, 30Amp	
	3990010	2	Diode	

SECTION 9 - RECOMMENDED SERVICE PARTS STOCK

FIGURE 9-2. MODEL 600A/600AJ VARIABLE PARTS

ITEM	PART NUMBER	QTY	DESCRIPTION	REV
	Note	Ref	Note: The following list will service one machine (built to current production per date on the front cover) with emergency repair parts which can be installed in the field. Parts from the list should be replaced when inventory is depleted to keep service parts stock supplied. For further information, contact your JLG dealer or the JLG Industries Parts Department.	
		Ref	VARIABLE PARTS	
	7026830	12	Filter, Fuel (Machines with Caterpillar Engine)	
	7026811	12	Filter, Oil (Machines with Caterpillar Engine)	
	7016328	12	Filter, Fuel (Machines with Deutz Engine)	
	7016331	12	Filter, Oil (Machines with Deutz Engine)	
	7027795	1	Deutz EMR2 Controller, Module	
	7021868	12	Filter, Oil (Machines with Ford Engine)	
	91083218	12	Filter, Fuel (Machines with Ford Engine)	
	1600364	1	Module, Ground Control	
	3740080	1	Relay, Bosch (Machine with Generator)	
	4360387	1	Switch, Push Button (Machines with Soft-Touch Platform)	
	4360578	1	Switch, Limit	
	1600375	1	Controller, Module	
	4360057	1	Switch, Limit	

SECTION 10 - SPECIAL OPTIONS

SECTION 10 - SPECIAL OPTIONS

FIGURE 10-1. SPECIAL OPTIONS

ITEM	PART NUMBER	QTY	DESCRIPTION	REV
		Ref	Note: This list is to accommodate machines ordered with special equipment. Options may not be applicable to all models. For more specific parts information contact JLG Parts Department.	
		Ref	MISCELLANEOUS SPECIAL OPTIONS	
		Ref	Airline to Platform Installation Options:	
	0256342	Ref	1/2in - 600A	
	0271475	Ref	1/2in Airline and (1) Welding Cable - 600A	
	0258966	Ref	1/2in - 600AJ	
	0255368	Ref	Alarm Installation (Tilt)	
	0255400	Ref	Alternator Installation - Enclosed	
	0256276	Ref	Boom Wiper Installation - 600A	
	0256366	Ref	Boom Wiper Installation - 600AJ	
	0256789	Ref	Camera Mount Assembly	
		Ref	ClearSky (Telematics) Kits	
	1001104982	Ref	ANSI Spec	
	1001104983	Ref	ANSI Export/Japanese Spec	
	1001104984	Ref	CSA Spec	
		Ref	Note: Refer to ClearSky (Telematics) Manual p/n 3128499 for Serviceable Parts.	
	0273575	Ref	Cold Weather Package - Caterpillar Engine	
	0256060	Ref	Cold Weather Package - Deutz	
	0258927	Ref	Cold Weather Package with Glow Plugs - Deutz	
	0271912	Ref	Cold Weather Package with Glow Plugs - Deutz	
	0257157	Ref	Cold Weather Package with Ether Start - Deutz	
	0255386	Ref	Cold Weather Package - Ford	
		Ref	Container - Tray Storage Options:	
	1580012	1	Center	
	1580013	1	Rail	
		Ref	Decal Installations Options:	
	1702788	1	Decal - Biodegradable Hydraulic Fluid	
	1704174	1	Decal - Syn Biodegradable Hydraulic Fluid	
	1702868	Ref	Decal - No Hands (Platform With Mesh to Top Rail)	
	1704000	Ref	Decal - No Hands - CSA (Platform With Mesh to Top Rail)	
	0253550	Ref	Decal Installation - CSA	
	3252221	1	Nameplate - CSA	
	0256957	Ref	Decal Installation - Lanyard Attach (GM K-1 Spec)	
	0256487	Ref	Decal Installation - Prop 65 Warning (Diesel Machines) (California Spec)	
	0256488	Ref	Decal Installation - Prop 65 Warning (Gasoline Machines) (California Spec)	
	0257195	Ref	Government Warranty Decal Installation	
	0273253	Ref	Hertz Decals Installation	
	0274182	Ref	Nations Rent Decals Installation	
	0274246	Ref	National Equipment Services (NES) Decals Installation	
	0271123	Ref	Sunbelt Decals Installation	
	0271895	Ref	United Decals Installation	
	0272312	Ref	Decal Installation - Tire Sealant	
	0273770	Ref	Decal Installation - Fall Arrest	
	2902203	1	Kit - Tire Sealant	

SECTION 10 - SPECIAL OPTIONS

ITEM	PART NUMBER	QTY	DESCRIPTION	REV
		Ref	Decal Kits	
	2910023	Ref	Decal Kit - ANSI Spec (600A) (SN 0300069000 through 0300086149)	
	2900968	Ref	Decal Kit - ANSI Spec (600AJ) (SN 0300069000 through 0300086149)	
	2902307	Ref	Decal Kit - ANSI Spec (600A/600AJ) (SN 0300086150 through 0300087000)	
	2900936	Ref	Decal Kit - Brazil Spec (600A) (SN 0300069000 through 0300086149)	
	2910046	Ref	Decal Kit - Brazil Spec (600AJ) (SN 0300069000 through 0300086149)	
	2902312	Ref	Decal Kit - Brazil Spec (600A/600AJ) (SN 0300086150 through 0300087000)	
	2900975	Ref	Decal Kit - Master (SN 0300069000 through 0300086149)	
	2902303	Ref	Decal Kit - Master (SN 0300086150 through 0300087000)	
	1001119561	Ref	Decal Kit - Platform	
	2902350	Ref	Decal Kit - Tire Load (SN 0300086150 through 0300087000)	
	2902395	Ref	Drive/Steer Cutout Kit	
		Ref	Filter Kits:	
		Ref	Combined Filter Kit (Hydraulic/Air and Fuel/Engine Oil)	
		Ref	Caterpillar Engine	
	2915137	NLA	Caterpillar Engine (Use p/n 1001110994)	
	1001114031	NLA	Caterpillar Engine (Use p/n 1001110994)	
	1001114123	NLA	Caterpillar Engine (Use p/n 1001110991)	
	1001114124	NLA	Caterpillar Engine (Use p/n 1001110991)	
		Ref	Deutz Engine	
	2910463	NLA	Deutz Engine (Use p/n 1001110993)	
	1001110990	1	Deutz Engine (SN 0300084829 through 0300087000)	
		Ref	Ford Engine	
	2910462	1	Ford LRG-425 W/Carb Engine	
	1001114042	1	Ford LRG-425 W/EFI Engine (SN 0300084829 through 0300087000)	
	2910460	NLA	Ford LRG-425 W/EFI Engine (Use p/n 1001114039)	
		Ref	Hydraulic/Air Filter	
	2910924	NLA	Caterpillar Engines (Use p/n 1001109692) (SN 0300069000 through 030086999)	
	1001109684	1	Caterpillar Engines (SN 0300087000 through 0300089000)	
	2910924	NLA	Deutz Engines (Use p/n 1001109692) (SN 0300069000 through 0300084828)	
	1001109684	1	Deutz Engines (SN 0300084829 through 0300089000)	
	2910924	NLA	Ford Engines (Use p/n 1001109692)	
		Ref	Fuel/Engine Oil Filter	
	1001110137	1	Caterpillar Engine	
	1001110133	1	Deutz Engine	
	4060959	Ref	Footswitch Shield	
	0271548	Ref	Glow Plug Installation (Deutz Engine Machines)	
		Ref	Engine Block Heater Installations:	
	2580055	Ref	Caterpillar Engine Machines	
	0258696	Ref	Ford Engine Machines	
	2910100	Ref	Hose/Cable Chafe Kit	
	1001204923	Ref	Hostile Environment Package (600A) (SN 0300087000 through 0300089000)	
	1001204924	Ref	Hostile Environment Package (600AJ) (SN 0300087000 through 0300089000)	

SECTION 10 - SPECIAL OPTIONS

ITEM	PART NUMBER	QTY	DESCRIPTION	REV
		Ref	Hydraulic Fluids	
	2300014	Ref	Mobil 424	
	2300027	Ref	Mobil 224H Bio	
	2300029	Ref	Mobil EAL ISO 46 Bio	
	2300016	Ref	Mobil Delvac 15W-40	
	2300019	Ref	Quaker State Quintolubric 888-46 Fire Resistant	
	1702720	Ref	LP Gas Decal (Latin America)	
	0256765	Ref	Oil Cooler Installation - Deutz	
	1282665	Ref	Oil Cooler Installation - Deutz	
	0256778	Ref	Oil Cooler Installation - Ford	
	1283309	Ref	Oil Cooler Installation - Ford	
	0256343	Ref	Oxy-Acetylene Lines to Platform Installation	
	0270723	Ref	Platform Beacon Installation	
	0258703	Ref	Platform Console Cover Installation	
	1001205175	Ref	Platform Console Cover Add-on Kit	
		Ref	Platform Entry Kit	
	1001142504	Ref	Kit, Replace Swing Gate with Drop Bar	
	1001142505	Ref	Kit, Replace Drop Bar with Swing Gate	
	3510868	Ref	Platform (36 X 96) W/Fall Arrest (Front Entry Platform)	
		Ref	Platform Mesh Installations	
	0273145	Ref	36in X 8ft (91.5cm x 2.44m)	
	0273148	Ref	30in X 6ft (76cm x 1.83m)	
	0273149	Ref	36in X 6ft (91.5cm x 1.83m)	
	0273146	Ref	30in X 5ft (76cm x 1.52m)	
	0273147	Ref	30in X 4ft (76cm x 1.22m)	
		Ref	Platform Mesh Decal - No Hands	
	1702868	Ref	ANSI	
	1704000	Ref	CSA	
	0256829	Ref	Platform Self-Closing Gate Installation (GM Spec)	
		Ref	Platform, Top Rail Extension (W/Front Entry)	
	0270511	Ref	3ftx6ft Platforms	
	0271771	Ref	3ftx8ft Platforms	
		Ref	Platform, Top Rail Extension (W/Side Entry)	
	0272733	Ref	3ftx6ft Platforms	
	0272725	Ref	3ftx8ft Platforms	
		Ref	Platform Huck Fasteners Replacement Hardware	
	0641614	AR	Bolt 1/4in-20NC x 2in	
	3311405	AR	Locknut 1/4in-20NC	
	4711400	AR	Flatwasher 1/4in	
	3300151	AR	Acorn Nut 1/4in-20NC	
	0274597	Ref	Rain Cap Installation	
		Ref	Sky Accessory:	
		Ref	Note: For Breakdown of Sky Accessories Refer to Accessory Manual p/n 3124242	
	0272590	Ref	Plasma Cutter (SkyCutter)	
	0272599	Ref	Decal - SkyCutter	
	0272254	Ref	Welder - Stick, 250A	
	0272448	Ref	Decal - SkyWelder	
	0272395	Ref	SkyGlazier (Model 600A Only) (Domestic)	
	0272387	Ref	SkyGlazier (Model 600A Only) (Spanish)	
	0272955	Ref	SkyGlazier (Model 600A Only) (Portuguese)	
	0272418	Ref	Decal - SkyGlazier (Model 600A Only)	

SECTION 10 - SPECIAL OPTIONS

ITEM	PART NUMBER	QTY	DESCRIPTION	REV
	0273353	Ref	SkyCutter/SkyWelder Combo	
		Ref	SkyGuard Component Options:	
	1001149560	Ref	SkyGuard Complete Add-On Kit (Non - UGM Machines)	
	1001137672	Ref	SkyGuard Platform Sensor Kit	
	1001143256	Ref	SkyGuard Blue Beacon Kit	
	0273706	Ref	Soft Touch System W/Fall Arrest Platform (Front Entry Platform)	
	0272301	Ref	Tire Sealant Installation	
		Ref	Tools for Service	
	2901443	1	Analyzer Kit	
	7002840	1	Antirotaion Pin Removal Tool	
	8896941	1	Wire Stripper	
	7002821	1	Wire Crimper (To install wire ends to wires)	
	7002823	1	Pin/Socket Extractor - Universal (To Remove Pins/Sockets from Connectors)	
	4460467	1	Extractor - 16-18 Gauge (For Removal of Pin/Sockets from Deutsch Connectors)	
	4460510	1	Extractor - 12-14 Gauge (For Removal of Pin/Sockets from Deutsch Connectors)	
	7002822	1	Screwdriver, Potentiometer (To Adjust Drive Controllers)	
	7016654	1	Screwdriver, Magnetic	
	7004275	1	Seal Installation Tool - 1in	
	7004276	1	Seal Installation Tool - 1 1/2in	
	7002826	1	Seal Installation Tool - 2in	
	7016655	1	Wire Rope Sheave Gauge	
	7016652	1	Huck Bolt FASTER (For Small Huck Bolts Only)	
	4921850	1	Throttle Service Harness	
	1001137005	1	Software Cable Kit	
	7002840	1	Pin Removal Tool (Oscillating Axle Cam Valve)	
	0272350	Ref	Tool (Hydraulic) Circuit Installation	
	0257728	Ref	Tube Rack Installation	
	0258918	Ref	Utility Rack Installation	
	0256344	Ref	Weld Leads Installation - 600A	
	0272772	Ref	Weld Leads Installation - 600AJ (1 Cable)	

PART NUMBER INDEX

PART NUMBER INDEX

0060031.....207	0255397.....33	0256778.....302, 352	0271609.....32
0060035.....207	0255400.....350	0256789.....350	0271610.....32
0060066.....194, 211	0255409.....137	0256821.....158	0271611.....32
0060068.....189, 211	0255410.....79	0256822.....159	0271612.....32
0060074.....194, 207	0255420.....31	0256829.....352	0271613.....32
0060076.....189, 207	0255421.....32	0256847.....98, 105	0271771.....352
0080163.....98, 105	0255422.....33	0256933.....158	0271895.....350
0080181.....86	0255423...190, 195, 199	0256957.....350	0271912.....350
0080201.....111, 121	0255438.....213	0257101.....59	0271941.....221
0080214.....110, 121	0255440.....67, 213	0257157.....350	0271945.....221
0080241.....151	0255441.....67, 213	0257176.....322	0272070.....190, 195
0080243.....86	0255442.....67, 213	0257195.....350	0272135.....194
0100009.....227	0255443.....67, 213	0257436.....59	0272254.....352
0100011...11, 12, 15, 16, 19, 20, 23, 27, 29, 31, 33, 63, 69, 79, 86, 88, 94, 96, 102, 103, 109, 110, 114, 120, 121, 137, 141, 143, 147, 151, 152, 158, 159, 162, 166, 170, 173, 177, 183, 189, 190, 195, 199, 203, 204, 213, 221, 245, 251, 255, 259, 261, 263, 265, 267, 271, 273, 294, 299, 328, 331, 338, 343	0255444.....79	0257482.....137	0272296.....32
0100019..11, 19, 79, 173, 178, 183	0255452.....327	0257495.....335	0272301.....353
0100020..86, 88, 94, 102, 103, 109, 110, 120, 121, 137, 138, 227	0255453.....335	0257496.....335	0272312.....350
0100035.....214, 227	0255456.....327	0257573.....200	0272326.....189
0100038...251, 255, 259, 261, 263, 265, 267, 271, 273, 294, 299	0255457.....335	0257671.....137	0272331.....32
0100040.....221	0255482.....275	0257728.....353	0272332.....32
0100048...102, 112, 120, 147, 151, 227, 316	0255483.....275	0257887.....151, 322	0272350.....353
0100062.....137, 178	0255484.....275	0258390.....113	0272387.....352
0100063...12, 16, 20, 23, 27, 29, 251, 259, 261, 265, 267	0255485.....275	0258391.....113	0272395.....352
0100079.....137	0255486.....275	0258569.....96	0272418.....352
0100081.....228	0255487.....275	0258571.....113	0272427.....229, 245
0140001.....69	0255488.....275	0258579.....158	0272433.....322
0140011.....227	0255489.....275	0258580.....158	0272435.....179, 185
0140032.....151, 322	0255513.....32	0258606.....137	0272448.....352
0160020.....96	0255514.....32	0258696.....351	0272480.....165, 229
0181727 86, 93, 102, 110, 120	0255524.....138	0258703.....352	0272481.....165, 229
0181949.....138	0255605.....32	0258764.....33	0272507.....322
0200048.....245	0255606.....32	0258918.....353	0272590.....352
0200547.....169	0255699.....213	0258927.....350	0272599.....352
0200742.....162, 166	0255880.....155	0258966.....350	0272618.....177
0200819.....162	0255917.....151, 322	0259331.....335	0272624.....316
0253550.....350	0255927.....275	0259332.....335	0272625.....316
0254798.....79	0255928.....275	0259426.....59	0272725.....352
0255262.....141	0256060.....350	0259427.....59	0272733.....352
0255281.....203	0256276.....350	0270123.....31, 53	0272772.....353
0255288.....203	0256284.....335	0270124.....31, 53	0272796.....86
0255294.....141	0256291.....335	0270329.....79	0272898.....109, 117
0255368.....350	0256321.....189	0270395.....137	0272899.....109
0255382.....322	0256342.....350	0270511.....352	0272955.....352
0255386.....350	0256343.....352	0270528.....63	0272970.....221, 228
	0256344.....353	0270723.....302, 352	0273048.....31, 55
	0256366.....350	0270764.....228	0273049.....31, 55
	0256388.....11	0270805.....151	0273052.....143
	0256391.....11	0270814...218, 222, 229, 302	0273109.....183
	0256392.....19, 53	0270818.....316	0273145.....352
	0256397.....11, 53	0270820.....316	0273146.....352
	0256398.....11, 53	0270821.....195	0273147.....352
	0256399.....19, 27	0270833.....151	0273148.....352
	0256400.....27	0270846.....109, 117	0273149.....352
	0256487.....350	0270847.....109	0273161.....143
	0256488.....350	0270848.....109	0273253.....350
	0256523.....27	0270849.....109	0273353.....353
	0256623.....11	0270850.....93	0273366.....31, 55
	0256624.....11	0271010.....327, 335	0273492...218, 222, 229, 302
	0256625.....19	0271123.....350	0273507.....173
	0256631.....228	0271338.....194	0273511.....173
	0256670.....335	0271475.....350	0273518.....161, 229
	0256671.....335	0271545.....169, 229	0273520.....87
	0256689.....96, 103	0271546.....169, 229	0273538.....161, 229
	0256690.....96, 103	0271548.....351	0273539.....161, 229
	0256715.....27	0271552.....151, 229	0273542.....247
	0256717.....27	0271608.....32	0273575.....350
	0256765.....302, 352		

PART NUMBER INDEX

0273576.....	177	0340041 86, 93, 103, 111,	0641407..86, 89, 94, 103,	0641816.....	15, 53
0273685.....	102	121	120, 158	0641818...15, 23, 93, 103	
0273706.....	245, 353	0340046 86, 96, 113, 121	0641408.... 110, 121, 221,	0641820.....	19, 141, 143,
0273770.....	350	0362519 60, 138	227, 327, 331, 336, 343	189, 195	
0273824.....	229, 245	0362529 203, 214	0641409.....102	0641826.....	11, 95, 103
0273851.....	93	0362910 63	0641410.....111, 120	0641828.....	86, 110, 121
0273891.....	331, 341	0363012 55	064141453, 69, 111, 121,	0642010. 63, 88, 95, 102,	
0273892.....	331, 341	0363082 173	218, 222, 227, 245,	111, 120	
0273893.....	341	0363097 173, 183	328, 338	0642012... 11, 15, 16, 17,	
0273894.....	341	0363201 183	0641416.....69, 195	19, 23, 29	
0273899.....	341	0363202 183	0641424.....112, 213	0642018.....	79
0273900.....	341	0370035 259	0641505.....59, 177, 183	0642612.....	151, 152
0273901.....	341	0400075 86, 93, 102, 109,	0641506.....147	0642684.....	190, 195
0273902.....	341	120	0641507....86, 89, 94, 96,	0651406.....	69
0273903.....	341	0440018 12, 16	102, 113, 121	0681608... 12, 16, 20, 27,	
0273904.....	341	0440019 12, 16	064150870, 94, 162, 166,	190, 195	
0273940.....	23	0440161 12, 16, 19, 27	170, 173, 283	0681610.... 189, 195, 251	
0273954.....	15, 23	0440170 16	0641510.....94, 103	0681612.....	170
0273959.....	15, 23	0440171 16	0641514.....69	0681810.....	31
0273970.....	102	0440207 79	0641516.....63, 177, 183,	0681814.....	225
0273972.....	87	0460150 275	200, 247	0681822.....	225
0274017.....	117, 120	0460151 275	0641518.....222	0681836.....	79
0274047.....	15	0460152 275	0641520.....53	0682016.....	31, 79
0274054.....	15	0460154 275	0641522.....53, 69, 204	0682020.....	16
0274062.....	16, 29	0460155 275	0641524.....218	0700808.....	86, 94, 103
0274081.....	161	0460157 275	0641532.....55, 190, 195	0700810.....	98, 105, 109
0274082.....	165	0460159 275	0641536.....204	0700812.....	96
0274086.....	165	0460160 275	0641542.....33	0700815.....	178
0274087.....	161	0460161 275	0641552.....55	0700816.....	162
0274091.....	161	0461614 195	0641604.....271	0700819.....	111, 121
0274094.....	331, 341	0480050 170	0641605.....189, 195	0701010.....	86, 109
0274121.....	23, 29	0480111 169	064160688, 95, 103, 110,	070101286, 95, 103, 111,	
0274132.....	15	0480120 162	122, 138, 159, 195,	121	
0274180.....	222	0480121 162, 166	199, 203, 204	0701014.... 105, 109, 121	
0274182.....	350	0480129 178	0641607.....195, 203	070101586, 95, 103, 170,	
0274200.....	152, 229	0480130 183	0641608....11, 12, 16, 19,	173, 183	
0274204.....	158	0480134 169	23, 27, 29, 56, 59, 63,	0701016.....	183
0274220.....	23, 63	0480135 173	69, 86, 88, 110, 120,	0701022.....	109
0274229.....	56	0561076 189, 195	121, 158, 183, 199, 203	0701214.....	86
0274234.....	15, 23	0561185 199, 203	0641609.....86, 155	0701414.....	86, 94, 103
0274235.....	63	0561237 195	0641610....20, 27, 86, 89,	0721003.....	16, 229
0274246.....	350	0561248 199	93, 102, 103, 110, 121,	0721004.....	63
0274256.....	15	0630427 213	162, 166, 199, 203,	0721005.....	245
0274257.....	16, 63	0630462 245	221, 227	0721006.... 87, 109, 158,	
0274276.....	67, 213	0630464 227	0641611....141, 173, 183,	162, 166, 170	
0274277.....	67, 213	0630490 12, 16, 17	195	0721008.....	228
0274278.....	67, 213	0630491 151	064161211, 19, 121, 143,	0721010.....	109
0274279.....	67, 213	0630498 86, 93, 102, 110,	173, 183, 199	0741606.... 151, 173, 183	
0274299.....	102	120	0641613.....69	0741607.... 63, 189, 195	
0274309.....	67, 213	0630507 158	0641614.....137, 352	0741808.....	173, 183
0274310.....	67, 213	0630518 147	0641618....55, 179, 195,	0760606.....	121
0274311.....	67, 213	0630534 256, 261, 267	199, 203	0761210.....	162
0274312.....	67, 213	0630535 ... 256, 263, 267,	0641628.....200	0801019... 189, 194, 199	
0274348.....	56	271, 273	0641640.....204	0801021.....	199
0274349.....	56	0630536 259, 265	0641708.....183	0801022.....	189, 203
0274441.....	31, 55	0630548 147	0641718.....173	0801023.....	203
0274491.....	86	0630568 228	0641772....162, 166, 170	0801025.....	194, 203
0274521.....	120	0641403 ... 178, 190, 195,	0641808..86, 89, 95, 102,	0801026.....	203
0274525.....	87	199, 214	111, 112, 120, 178	0801027.....	203
0274533.....	32	064140412, 16, 159, 178,	0641809.....199	0801085.....	199
0274597.....	352	227	0641810....155, 173, 183,	0801228.....	203
0274618.....	316, 322	0641405 ... 159, 173, 178,	189, 195	0860038.... 177, 183, 322	
0280167.....	15, 23	183	0641811.....143	0860520... 327, 332, 336,	
0280171.....	15	0641406 86, 110, 121,	064181289, 94, 103, 109,	343	
0280183.....	15, 23	151, 155, 178, 221,	120, 190, 195	0861407.....	147
0280185.....	15	227, 328, 331, 338, 343	0641813.....247	0861468.....	147
			0641814.....15, 23	0861469.....	147

PART NUMBER INDEX

0861470.....	147	0962005 ...	12, 16, 20, 23, 27, 29	1060902	317, 318	1660219.....	141
0861471.....	147	0962051	155	1060903	245	1660219RR	141
0861517.....	221, 227	0962131	16, 23, 29	1060904	88	1660223.....	141
0861537.....	227, 228	0962270	225	1060918	222, 227, 316	1660223RR	141
0861538.....	178, 183	0962272	12, 16, 20, 27	1060945	317	1660234.....	98, 105
0861541.....	179, 184	0962292	63	1060977	324	1660239.....	86
0861542....	177, 179, 183, 184	0962335	195	1061033	317	1660250.....	112, 123
0861617.....	147	0962336	261	1100098	53	1660257.....	143
0861618.....	147	0962348	63	1120304	16	1660258.....	143
0861664.....	147	0962474	251	1120367	137	1660303.....	143
0861665.....	147	0962520	178, 183	1120460	12, 16	1660304.....	143
0861689.....	147	0962521	183	1120484	137	1670767.....	159
0861690.....	147	0962563	162	1120487	137	1670768.....	203
0861700.....	147	0962653	162	1120552	32, 33	1670769.....	195
0861701.....	147	1001097554	89	1120588	121	1670777.....	33
0861704.....	147	1001098503	55, 56	1180336	204	1670819.....	213
0861705.....	147	1001099835	199	1180338	204	1670824.....	214
0902206.....	151, 152	1001099836	205	1180339	199	1670829.....	147, 227
0902219.....	158	1001100120	55	1260017	79	1670836.....	203
0902242.....	158	1001100321	161, 165, 169, 173	1282396	300	1671037.....	228
0902309.....	113	1001104982	350	1282571	302	1671092....	179, 185, 322
0902335.....	159	1001104983	350	1282665	302, 352	1671093.....	322
0902417	96	1001104984	350	1282828	302	1671179.....	158
0902473.....	96, 114	1001107153	204	1282937	302	1683053....	255, 261, 267
0902520.....	141	1001109684	351	1283309	302, 352	1683054.....	271, 273
0902539.....	109, 123	1001110133	351	1283429	300	1683055.....	255, 267
0902751.....	227	1001110137	351	1300019	32, 33	1683057.....	251
0902756.....	169	1001110990	351	1320012	86, 110, 121	1683061.....	263
0902888.....	178, 184	1001113961	239, 241	1320016 86, 93, 104, 111, 121		1683067.....	259
0902910.....	89	1001114031	351	1320019	109	1683069.....	265
0902951.....	112	1001114042	351	1320022 . 86, 89, 94, 102, 104, 109, 110, 120, 121		1683208....	12, 16, 19, 23, 27, 29, 269
0902952.....	173	1001114123	351	1320032	112	1683258.....	194, 261
0903010.....	123	1001114124	351	1320033	121	1683263.....	194, 267
0903056.....	143	1001116240 ..	88, 94, 102	1320060	110	1683266.....	189, 267
0903079.....	121	1001116241 ..	88, 94, 102	1320127	138	1683280.....	11, 19, 251
0903119.....	152	1001117320	222	1320176	96, 104	1683281.....	251
0920117.....	31	1001118416	241	1320218	138	1683283.....	251
0920119.....	79	1001118417	227, 233	1320220	138	1683288....	189, 194, 265
0940049.....	159	1001119561	351	1320222	95	1683294....	189, 194, 263
0940070 86, 93, 104, 111, 122		1001121592	245	1320223 88, 95, 104, 111, 122		1683299....	189, 194, 259
0940071.....	158	1001121593	245	1320243	190, 195	1683304.....	12, 27, 269
0940092.....	245, 247	1001137005	324, 353	1320244	96	1683307.....	203, 271
0940094.....	245, 247	1001137672	353	1320245	96	1683308.....	271
0940103.....	245	1001142504	352	1320314	204	1683310.....	271
0940131.....	247	1001142505	352	1321138	121	1683312.....	199, 273
0940133.....	245	1001143256	353	1340050	93	1683313.....	273
0940134.....	245	1001144629	221	1340060 86, 93, 104, 111, 121		1683314.....	273
0961890.....	269	1001149560	353	1380136	69	1683317.....	203, 271
0961893....	255, 261, 267	1001166538	243	1380147	155	1683318.....	271
0961894.....	255, 267	1001167359	253	1580011	86, 110, 123	1683320.....	271
0961896.....	271, 273	1001204923	351	1580012	222, 350	1683326.....	189, 267
0961897.....	263	1001204924	351	1580013	222, 350	1683280.....	11, 19, 251
0961898.....	259	1001205175	352	1600313	227	1683281.....	251
0961899.....	265	1060279 ...	327, 332, 336, 343	1600314	110	1683283.....	251
0961947	195, 255, 267	1060341 ...	245, 323, 324	1600317	227, 231	1683288....	189, 194, 265
0961948....	189, 195, 203, 263	1060343	179, 185	1600318	227, 239	1683294....	189, 194, 263
0961949....	190, 195, 199, 259, 265	1060494 ...	179, 184, 317, 323, 324	1600327	147	1683299....	189, 194, 259
0961950....	11, 15, 19, 23	1060584	63	1600361	89	1683304.....	12, 27, 269
0961951	189, 195, 203, 255, 267	1060637 86, 95, 102, 111, 120		1600363	113	1683307.....	203, 271
0961977.....	269	1060708	179, 184	1600364	147, 348	1683310.....	271
0961986 86, 94, 104, 111, 121		1060896	316, 317	1600374	123	1683312.....	199, 273
				1600375	227, 348	1683313.....	273
				1600411	147	1683314.....	273

PART NUMBER INDEX

1684019	265	1702860 ...	327, 331, 335, 342	1703947	342	1706063	341
1684089	261	1702861 ...	327, 331, 335, 342	1703948	335, 342	1706064	341
1684090	261	1702868 ...	327, 331, 350, 352	1703950	342	1706380	342
1684092	261	1702901	328	1703953	331	1706381	342
1684280	15, 23, 253	1702903	328, 337	1703980	342	1706385	225
1684289	253	1702908	328	1703983	342	1870132	303
1684290	253	1702924	328, 337	1703984	337, 342	1870191	303
1684308	271	1702925	328, 337	1703990	337	2000146	93, 96
1684310	271	1702926	327	1703996	336, 342	2000172	109, 112
1684418	16, 29, 269	1702927	328, 337	1704000	336, 341, 350, 352	2000182 ...	109, 112, 117
1684498	259	1702938	229, 245	1704001	341	2000189	93, 97
1700584 ...	327, 332, 336, 343	1702961	328	1704006	336, 341	2000194	86, 89
1700818	331, 337	1702962	328	1704007	341	2000196 ...	109, 112, 117
1701500	327, 336	1702971	335	1704009	341	2000209	121
1701502 ...	327, 331, 335, 341	1702972	336, 343	1704096	327, 331	2000216	104, 105
1701503 ...	327, 331, 335, 341	1702973	336	1704098	342	2000219	103
1701504	327, 335	1702974	336	1704099	336, 342	2000221	103
1701505 89, 95, 102, 328, 331, 337, 342		1702975	336	1704100	336	2000224	103
1701509 ...	327, 331, 335, 341	1702976	338	1704102	342	2000256	120
1701518	335	1702979	337	1704104	328, 331	2000272	121, 122
1701529 ...	327, 331, 336, 341	1703004	337	1704106	342	2000274	104, 105
1701542 ...	120, 328, 331, 337, 342	1703007	337	1704107	338, 342	2000279	103
1701543 ...	120, 328, 331, 337, 343	1703162 86, 93, 104, 110, 121		1704108	338	2000280	103
1701645	327, 331	1703188	337	1704110	342	2000299	121
1701923	337	1703403	59	1704112	338, 342	2000300	120
1701924	337	1703404	59	1704116	337	2060025 86, 93, 104, 110, 121	
1702153	327, 331	1703444	59	1704174	350	2080040	218, 221
1702265	328	1703450	59	1704260	227	2080044	195
1702271	337	1703453	335	1704268	337	2120145	69
1702300	327, 336	1703467	148	1704272	337, 343	2120146	68
1702387	228	1703468	148	1704274	59	2120149	69, 346
1702552	336	1703469 ...	328, 331, 338, 342	1704275	59	2120150	68, 346
1702563	222	1703476	95	1704277 ...	327, 331, 336, 341	2120164	69
1702564	227	1703534	295, 299	1704412	331, 341	2120209	68
1702565	227	1703536	337	1704578	63	2120210	69
1702566	227	1703538	337	1704885 ...	328, 331, 338, 342	2160002	79
1702567	227	1703541	337	1704972	331	2180125	138
1702573	336, 343	1703543	337	1704997	227	2180344	79
1702583	335	1703544	337	1705014	225	2180348	102
1702585	335	1703548	337	1705090	63, 331, 342	2180380	294, 299
1702590	174	1703549	337	1705132	148, 228	2180387	138
1702610	147	1703687 ...	328, 332, 338, 343	1705170	152	2180388	138
1702617	337	1703797	327, 331	1705325	162	2180389	138
1702676	222, 227	1703798	327	1705336	331	2180418	117, 138
1702688	328, 331	1703798	327	1705344	342	2180467	121
1702689	338	1703804	327, 331	1705347	342	2180536	88, 94
1702720 ...	337, 343, 352	1703805	327, 331	1705364	32, 33	2180703	95, 137
1702740	32, 33	1703808 ...	328, 332, 338, 343	1705374	179, 185	2180724	294, 299
1702773 ...	225, 327, 331, 335, 342	1703811	331, 341	1705375	179, 185	2180798 86, 93, 105, 111, 121	
1702774 ...	327, 331, 335, 342	1703814	331, 341	1705376	179, 184	2200233	137
1702784 ...	327, 332, 336, 343	1703899	336	1705387	179, 185	2220001	79
1702788	350	1703923	341	1705460	179, 185	2220005	117
1702818 ...	327, 331, 335, 342	1703924	336, 341	1705573	147	2220064	117
1702819 ...	327, 331, 335, 342	1703926	341	1705895	341	2220235 ...	279, 283, 295, 299
		1703930	335	1705896	342	2220237	17, 281, 287
		1703935	342	1705897	342	2220250	88, 94, 111
		1703936	335, 342	1705898	342	2220261	138
		1703938	342	1705901	341	2220273	88, 94, 137
		1703941	341	1705902	342	2220313 88, 94, 102, 120	
		1703942	341	1705903	341	2220362 ...	279, 281, 283, 287
		1703944	341	1705917	342	2220363	279
				1705967	341	2220365	279, 283
				1706059	341	2220366	293, 297
				1706062	341		

PART NUMBER INDEX

2220371....279, 281, 283, 287, 289, 291	2220646... 128, 133, 287, 293, 297	2460050 177	2752484.....295, 299
2220372.....294, 298	2220654 294, 298	2460051 173	2752497.....294, 298
2220373....279, 281, 287, 295, 299	2220657 294, 298	2460052 173	2752500.....293, 297
2220374.....127, 293, 298	2220671 283	2460055 161, 165	2752506.....293, 298
2220375....127, 279, 283, 287, 293, 297	2220710 279	2460056 161, 165	2752516.....293, 298
2220376.....135, 293, 297	2220738 297	2460057 161	2752519....293, 297, 299
2220377....127, 279, 281, 283, 287, 293, 297	2220767 87, 110	2560122 69	2752573....283, 293, 297
2220379.....293, 297	2220794 88, 95	2560123 69	2752574.....287
2220381293, 298	2220800 284	2560136 227	2752579.....294, 298
2220385....289, 293, 297	2220805 110	2560173 222	2752591.....293
2220409.....297	2220810 135, 293, 297	2575716 63	2752592....281, 283, 287, 294
2220414.....297	2220833 283, 284	2580055 351	2752593....283, 294, 298
2220415....281, 283, 287, 289, 291, 293, 297	2220861 287	2600281 221	2752600.....293, 298
2220416.....293	2220873 ... 293, 295, 298, 299	2600287 217	2752601.....294, 298
2220418.....138	2220883 51, 255, 259, 261, 263, 265, 273	2680433 158	2752602.....279, 283
2220428.....293, 297	2220885 ... 251, 255, 261, 267, 271	2680434 158	2752603.....294, 298
2220429.....293, 298	2220886 51, 259	2680441 158	2752604.....293, 297
2220430.....110	2220888 265	2680442 158	2752611.....281
2220435.....279, 284	2220893 69	2680447 158	2752618.....295, 299
2220451.....93, 104, 279, 281	2220899 294, 298	2720058 .86, 88, 95, 102, 111, 120	2752620....279, 281, 283, 287
2220459.....88, 94	2220909 283	2720144 138	2752635.....293, 297
2220466....279, 283, 284, 289, 293, 297	2220914 284	2720271 88, 94	2752636.....294, 298
2220468....291, 294, 298	2220921 294, 298	2720341 113	2752650.....294, 299
2220472.....293	2220923 293, 298	2720392 117	2752655.....293, 297
2220473....279, 281, 283, 287, 294, 298, 299	2220947 ... 133, 295, 299	2720398 93, 104	2752656.....293, 297
2220474.....297	2220948 297	2720434 86, 94, 104	2752723.....293, 297
2220479.....133	2220974 293, 298	2720435 110, 121	2752724.....293, 297
2220490....279, 283, 289, 291	2220998 294, 299	2720436 111, 121	2752783.....294, 298
2220497.....293, 297	2220999 294, 298	2720449 94, 104	2752807.....283
2220498....281, 294, 298	2221018 138	2720472 110, 120	2752813.....279, 283
2220500....283, 287, 294, 298	2221019 138	2720509 86	2752814.....279
2220501279, 284	2221023 95	2720510 86	2752823.....289
2220502.....284, 294	2221024 138	2720514 121	2752824.....289
2220504....279, 281, 284, 287, 289, 291	2221028 95	2720515 87	2752889.....284
2220507....279, 281, 283, 287	2221036 295, 299	2720532 120	2752890.....283
2220510.....294, 298	2221042 297	2740063 302	2752899.....283
2220511294, 298	2221053 295, 299	2750532 88, 94, 102, 104, 109, 110, 121	2752910.....281, 287
2220567293, 297	2221065 294, 298	2750756 283	2752912.....284
2220568.....283	2221170 281	2750790 283	2752919.....283
2220574.....293, 298	2221176 102, 120	2750900 289	2752920.....289
2220578....128, 133, 293, 297	2300004 122	2751013 283, 289	2752928....281, 287, 293, 297
2220582....279, 281, 284, 287, 289, 293, 298	2300014 352	2751020 289	2752929....281, 287, 293, 297
2220596....283, 287, 293, 298	2300016 352	2751032 79	2752939.....294, 298
2220602....284, 293, 297	2300019 352	2751396 283, 297	2752962.....289
2220603....289, 294, 299	2300027 352	2751410 291	2752966.....279, 283
2220605.....283, 297	2300029 352	2751427 283	2752970.....279, 284
2220606.....281, 287	2400060 ... 179, 185, 320	2751434 291	2752985.....294, 299
2220609.....293, 298	2400061 320, 346	2752245 279	2752987.....295, 299
2220618293, 297	2400064 180, 185	2752249 283	2752988.....294
2220619....289, 293, 297	2400065 ... 318, 320, 346	2752258 279	2752989.....295, 299
2220628.....293, 298	2400066 318, 324	2752324 279	2752990.....294, 299
2220635.....289	2400070 324	2752341 281, 294, 299	2752991.....294, 298
	2410014 225	2752343 294, 299	2753046.....294, 299
	2420172 148	2752349 283	2753047.....294, 298
	2420187 112, 123	2752354 279	2753052.....294, 298
	2420203 ... 162, 165, 169, 174	2752398 283, 284	2753055.....294, 298
	2460013 ... 161, 165, 169	2752434 294	2753056.....294, 298
	2460032 ... 161, 165, 169	2752453 294, 298	2753132.....293, 297
	2460039 161	2752459 279	2753133.....293, 297
	2460044 169	2752462 ... 291, 294, 298	2753134.....294, 298
	2460048 177, 183	2752468 294, 298	2753135.....294, 298
	2460049 161	2752469 294, 298	2753325.....297
		2752473 279, 283	2753397.....281
		2752475 281	

PART NUMBER INDEX

2753435	281	2890245	12, 17	3160299.....	31, 47	122, 155, 158, 162,	
2753924	281, 287	2900708	68	3160300.....	31, 47	166, 170, 195, 199,	
2753925	281, 287	2900752	127	3160349.....	51	204, 222, 225, 227	
2753926	287	2900770	68, 207, 251,	3160350.....	51	3311705 162, 166, 170	
2753928	287	263, 273		3200362.....	95, 104, 110,	3311801. 31, 87, 95, 102,	
2753929	281, 287	2900788	45	122		111, 120, 178, 213	
2753930	287	2900792 ...	255, 259, 261,	3200378.....	93	331180587, 93, 104, 110,	
2753933	291	263, 265, 273		3200406.....	87, 104	122, 141, 158, 189,	
2753967	281	2900826	127	3220103.....	96, 104	190, 195, 247	
2753968	298	2900827	127	3220104.....	96, 104	3313403	12, 17
2753969	281	2900936	351	3220111.....	96, 114	3322201	143
2754227	287	2900968	351	3220113.....	87, 96, 113	3323403	12, 16, 17
2754228	287	2900975	351	3220114.....	113	3340608	271
2754229	287	2901273	263	3220134.....	123	3340764	204
2754230	287	2901278	271, 273	3250033.....	328, 332, 343	3340765	204
2754231	287	2901285	259	3250585.....	222	3340787	204
2754232	287	2901301	256, 267	3250872.59, 63, 331, 342		3340871	199, 203
2754233	287	2901303	256, 261, 267	3251102....	163, 166, 170,	3340881	199, 203
2754234	287	2901321	251	174, 229		3340911	55
2754235	281, 287	2901322	265	3251243....	174, 327, 331,	3340966	63
2754328	297	2901358	94	335, 341		3380428	88, 94, 102
2754329	297	2901362	111	3251813....	327, 331, 335,	3380434	222, 327, 336
2754330	297	2901443	324, 353	341, 342		3380557	56
2760105	148, 227	2901540	94	3252220.....	337	3380558	56
2780205	79, 81	2901763	74	3252221.....	350	3380560	56
2780212	12	2901861	271, 273	3252347.....	331	3380573	56
2780213	31, 35	2902203	350	3252489.....	337	3420156	228
2780269	31, 37	2902266	253	3252507.....	162, 166	3420372	63
2780271	16	2902296	88, 94, 102	3252540.....	337	3420447	63
2780276	17	2902297	111, 120	3252764....	174, 177, 184	3420592	59
2792177	300	2902300	179	3271805.....	143, 225	3421453	59
2792188	293, 300	2902303	351	3272001.....	16	3421565	63, 79
2792189	293, 300	2902307	351	3272605....	190, 195, 207	3422327	63
2792191	300	2902312	351	3290801.....	87	3422426 ...	11, 12, 16, 17,
2792192	300	2902350	351	3300106.....	12, 17, 31	19, 23, 27, 29	
2792193	279, 300	2902395	351	3300151.....	352	3422427	12, 17, 23
2792194	300	2902443	318	3300205.....	148	3422429 ...	12, 16, 17, 19,
2792195	70, 283, 300	2910023	351	3300353.....	228	23, 27, 29	
2792196	300	2910046	351	3300393.....	217	3422430 ...	12, 16, 17, 19,
2792230	289, 300	2910100	351	3300396.....	179, 184	23, 27, 29	
2792315	300	2910460	351	3300408.....	148, 227	342244888, 93, 102, 110,	
2792405	300	2910462	351	3300454.....	179	120	
2792687	287, 300	2910463	351	3310601	155, 179, 184	3422457	203
2792688	297, 300	2910924	351	3310801.....	213	3422530	155
2792689	297, 300	2915137	351	3310805.....	69, 138, 214	3422532	95, 103, 120
2792690	291, 300	2915195	113	3311001	159, 221, 228,	3422533	95, 111
2792691	300	2920110	151	229		3422553	59, 88
2792692	281, 300	2920113	151	3311005....	109, 151, 159,	3422561	194
2792697	300	2920129 ...	227, 316, 318	162, 166, 170, 174, 218		3422563	194
2792702	300	2920130	151	3311401	148, 203, 245,	3422565	189
2820031 ...	163, 166, 170,	2920140	218, 222, 323	327		3422566	194
174, 178, 184		2920157	152, 222	3311405....	69, 87, 88, 94,	3422571	189, 194
2820035 ...	151, 218, 222,	2920162	162, 165, 169	103, 104, 110, 120,		3422572	189, 194
322		2920214	151	122, 155, 158, 174,		3422573	189, 194
2820076	159	2920215	151	178, 184, 213, 218,		3422575	189, 194, 199
2820077	159	2940074	217, 221, 346	222, 227, 332, 336,		3422576	189, 194
2820078	159	2940088	158	343, 352		3422577	189
2820082	159	2980125	63	3311501.....	69, 159, 245	3422578	189
2820083	159	3010141	63	3311505....	53, 55, 69, 87,	3422579	194
2820173	121	3020016	103	89, 94, 96, 102, 104,		3422580	189
2820180	122	3020021	105	113, 122, 158, 177,		3422582	189
2820186	122	3100076	96	184, 190, 195, 204,		3422583	194
2820187	122	3124114	113	218, 247		3422592	11, 15, 19, 23
2820188	122	3160204	31, 45	3311601.....	96, 114, 137,	3422802	19, 27
2840018	155	3160205	31, 41	159, 184, 228		3422813	63
2860012	166, 170	3160273	79, 83	3311605....	20, 27, 87, 93,	3422841	63
2860030	148, 346	3160297	31, 43	102, 104, 110, 120,		3422847	63

PART NUMBER INDEX

3422848.....63	3539956..... 88, 95, 102	3641569..... 245	3931448.....271
3422860.....194	3539971..... 93, 104	3730120..... 320	3931516....255, 261, 267, 271, 273
3422861.....194	3539972..... 109	3730121..... 320	3931620 88, 93, 103, 109, 121, 255, 267
3422867.....194	3539988..... 110, 159	3740049 ... 148, 302, 318, 323, 346	3931632.....178
3422900.....16, 24, 29	3570238..... 95	3740057..... 302	3931720.....263
3423175.....17	3570270..... 200	3740058..... 302	3932032.....259
3430816.....155	3570277..... 200	3740066..... 302	3932224.....79
3450304.....228	3570374..... 190, 195	3740067 87, 93, 104, 110, 122, 346	3932240.....265
3450306.....200	3570375..... 200	3740080 ... 110, 162, 166, 170, 174, 178, 184, 348	3940604.....63
3450404.....155	3570754..... 96	3760133..... 203	3960098..... 12, 17
3450606.....200	3571421..... 93	3760170..... 63, 79	3960343.....16
3450810.....12, 17	3572009..... 63	3760368 ... 255, 261, 267, 273	3960369..... 104
3451010.....16, 17	3572010..... 63	3760369 251, 255, 267	3960389 89, 93, 103, 110, 121, 158
3451012.....12	3572011..... 63	3760370..... 263	3960407.....95, 104
3460420.....158	3572012..... 63	3760372..... 259	3960418.....159
3480188.....255, 267	3572279..... 110	3760384..... 265	3960422..... 177, 184
3480206.....259	3572280..... 111, 122	3790012 ... 111, 120, 121, 151, 152, 222, 228, 229	3960438.....158
3480210....255, 261, 267	3572307..... 109	3790045..... 31	3960461.....151
3480211.....263	3572308..... 109	3790110..... 208	3960462.....158
3480212.....271, 273	3572722..... 117	3790152 88, 95, 103, 109, 121	3960467.....159
3480216.....265	3573241..... 113	3820001 59, 152, 327, 332, 336, 343	3960468 87, 95, 104, 111, 122
3510488.....217	3574091..... 245	3820020..... 221	3960469. 87, 95, 111, 122
3510497.....217	3574162..... 112, 122	3841143 ... 11, 12, 16, 17, 19, 24, 27, 29, 63, 88, 93, 102, 110, 120, 189, 194	3960591.....122
3510542.....217	3574171..... 204	3841203 189, 194, 199	3990010....319, 322, 346
3510543.....217	3574185..... 204	3841258 ... 11, 15, 16, 19, 23, 24, 29	4031911.....87
3510545.....217	3574206..... 87	3841262..... 12	4032015.....178
3510546.....217	3574207..... 87	3841263..... 12, 17	4060092.....322
3510565.....217	3574208..... 87	3841285 ... 16, 19, 24, 27, 29	4060700....177, 184, 322
3510566.....217	3574225..... 174, 184	3841291..... 27	4060802....162, 166, 170, 174, 177, 184, 222, 229
3510728.....217	3574229..... 184	3841295..... 200	4060803.....218
3510760.....217	3574262..... 184	3841329..... 59	4060804.....69, 111, 204
3510822.....221	3574504..... 110, 122	3841340..... 195, 203	4060805 88, 95, 104, 111, 122, 203
3510830.....221	3574684..... 162	3841347..... 200	4060807.....70
3510831.....221	3575359..... 245	3841677..... 29	4060808.....53, 199
3510832.....221	3575863..... 179	3890040..... 225	4060906.....148
3510833.....221	3580134 162, 165, 169	3900054..... 225	4060907.....151
3510868.....225, 352	3580158..... 165	3900141..... 261	4060918.....70
3520028....162, 165, 166, 169, 170, 173	3580250..... 169	3900166..... 189	4060959.....351
3520033.....159, 338	3580259..... 96	3900207..... 217	4061043.....177, 184
3520035.....148	3580276 162, 165, 169	3900232 96, 114, 159	4061049.....178
3520054.....227	3580307..... 169	3900239..... 190, 195	4070863.....199, 203
3520072....217, 221, 225	3580312..... 174, 184	3900268..... 148	4070864.....199, 203
3520198.....221	3580313..... 174, 184	3900322..... 174	4070878..... 11, 19
3534978.....104	3580314..... 184	3910606..... 177, 184	4070879..... 11, 19
3536089.....218, 222	3580317..... 178	3910608..... 155	4070897.....199, 203
3537318.....79	3580318..... 178	3910610..... 179, 185	4070898.....199, 203
3537416.....93, 104	3580320..... 178	3910804..... 148	4070929.....199, 203
3537417.....93	3580321..... 178	3910806..... 69	4070932.....204
3537420.....93	3580322..... 161	3910808..... 138	4070944.... 11, 15, 19, 23
3537445.....155	3580324..... 174	3911008..... 218, 221	4070945..... 11, 15, 19
3538047.....11, 19	3580325..... 174	3911008..... 218, 221	4070987.....148
3538247.....271	3600242.88, 93, 109, 135	3911040..... 151	4071007.....203
3538758.....204	3600243..... 67	3930816..... 214	4071059.....63
3538771.....271	3600260 87, 93, 109, 126, 128	3930824..... 213, 214	4071061.....204
3539219.....148	3600365..... 67	3931408..... 96, 213	4071062.....204
3539228.....199	3600377..... 112, 122	3931430..... 213	4071101.....15, 23
3539236.....199	3600381 88, 132, 133		4100025.....96, 110
3539281.....151	3600395 ... 103, 120, 135		4100100.....261
3539662.....59	3600396 ... 103, 121, 133		4120012.....302
3539685.....218	3600397..... 103, 127		4120013.....302
3539779.....190, 195	3620033..... 93, 104		4120035.....316, 319
3539872 87, 93, 104, 109, 122	3620040..... 110, 122		
3539877.... 11, 15, 19, 23	3620047..... 87		
3539879.....11, 19	3640493..... 302		
3539923.....158	3640986..... 179, 185		
	3641533..... 179, 185		

PART NUMBER INDEX

4130330 19, 27	4460007 228	4460509 316, 317	4461006 320, 321
4130331 19, 27	4460023 162, 166, 170	4460510 324, 353	4461008 321
4130340 12	4460027 ... 161, 165, 169, 173, 323	4460526 148, 318	4461052 320, 321
4130341 12	4460042 218, 228	4460536 319	4461053 320, 321
4130401 16, 24, 29	4460049 245	4460539 320	4461054 320, 321
4130402 16, 24, 29	4460051 178, 184	4460579 320	4461060 320, 321
4130409 16	4460071 ... 178, 184, 222, 228, 316, 322	4460580 320	4461070 320
4130410 16	4460125 322	4460582 320	4461071 318
4130412 24	4460134 317, 322, 323	4460598 ... 218, 222, 229, 323	4461072 318
4130413 17	4460190 ... 161, 165, 169, 173	4460600 302	4461073 318
4130414 17	4460205 317, 322, 323	4460607 179, 185, 302	4461074 318
4130415 17	4460225 316	4460611 95, 111	4461095 320
4160143 158	4460226 ... 228, 236, 243, 316, 318, 319, 323, 324	4460634 319	4520171 32
4220162 151, 152	4460227 ... 228, 316, 319, 324	4460635 319	4520172 33
4220165 218	4460233 322, 323	4460701 322, 323	4520173 33
4220191 87	4460234 151, 152, 245	4460705 323	4520210 33
4240018 174, 178	4460265 236, 243	4460708 228, 316, 318	4520211 33
4240032 151, 152	4460267 321, 322	4460713 320	4520259 32
4240099 218, 222, 245	4460268 ... 151, 320, 321, 322	4460725 320	4520283 33
4240102 137	4460320 321, 322, 324	4460726 320	4520284 33
4240112 137	4460321 323	4460728 320	4520287 32
4280295 137	4460326 321, 322	4460742 320, 321	4520288 32
4300097 31	4460346 177, 184, 322	4460743 321	4520289 32
4300111 184	4460374 179, 185	4460761 228, 316, 319	4520290 32
4300157 178	4460375 179, 185	4460789 323	4520328 32
4340678 227	4460411 179, 185	4460790 323	4520341 33
4340684 227	4460412 179, 185	4460799 320	4520344 32
4340738 174, 184	4460413 179, 185	4460800 320	4520345 32
4360031 222, 227	4460414 179, 185	4460850 323	4520346 32
4360057 245, 348	4460415 179, 185	4460865 316, 317	4520427 32
4360070 179, 185	4460418 316, 319	4460866 316, 317, 319	4520428 32
4360188 117	4460419 316, 319	4460871 228, 231, 233, 239, 241, 316, 319, 320, 321, 323	4564281 112, 123
4360232 229, 323, 324	4460424 ... 151, 320, 321, 322, 324	4460873 316, 319	4564417 170
4360256 95	4460425 ... 179, 185, 245, 324	4460874 148, 316, 318	4566408 263
4360294 95, 166, 170, 346	4460426 ... 148, 179, 185, 218, 222, 229, 318	4460875 148, 316, 318	4566425 271
4360322 213, 214	4460428 ... 213, 214, 228, 316	4460876 319	4566468 255, 267
4360328 148, 227, 346	4460434 316, 319	4460878 319	4566471 261
4360331 222, 227, 346	4460445 321, 322	4460879 316	4566501 259
4360336 ... 111, 120, 151, 152, 162, 166, 170, 174, 177, 184, 222, 228, 229	4460457 320	4460880 320, 321	4566605 109, 122
4360387 ... 227, 229, 245, 348	4460458 320, 321	4460887 316, 319	4566667 265
4360392 87, 93, 105, 110, 122, 346	4460459 323	4460889 320	4566832 53
4360407 228	4460460 320	4460890 320	4567073 87, 113
4360436 137	4460464 ... 228, 316, 317, 319	4460891 317, 320	4567080 327, 336
4360469 148, 346	4460465 ... 179, 185, 316, 317, 320	4460892 318	4567172 59
4360475 148, 228, 346	4460466 316, 317	4460894 318	4567213 95
4360476 148, 228, 346	4460467 324, 353	4460897 317	4567214 95
4360542 ... 161, 162, 165, 169, 173	4460470 ... 148, 228, 316, 318	4460905 148, 228, 316, 318, 319	4567241 200
4360549 213, 214	4460471 ... 148, 228, 316, 318	4460906 323	4567428 96
4360578 213, 214, 348	4460473 316, 317	4460943 319	4567429 96
4400275 138	4460476 323	4460944 320	4567430 96
4400372 137, 138	4460488 148, 228	4460956 179, 185	4567431 96
4400399 137	4460499 74, 77, 322	4460957 179, 185	4567571 96
4400407 137	4460508 316, 317	4460958 177, 184	4567572 96
4400420 138		4460959 322	4567573 96
4400454 137, 138		4460960 322, 323	4567574 96
4420037 222		4460961 323	4567576 95
4420038 137		4460963 179, 185	4567815 95, 104
4420051 63, 336		4460967 179, 185	4567879 111, 122
4420060 203, 214		4460968 213, 214	4568116 137
4420068 245, 247		4460978 320, 322	4568119 137
		4460979 320, 322	4568133 64
		4461001 179, 185	4568158 112
		4461005 320, 321	4568721 87
			4568734 174, 184
			4568735 174, 184
			4568788 87
			4568951 122

PART NUMBER INDEX

4569083.....122	4740155.....63	4844926.....217	4891800....15, 23, 31, 69,
4569092.....122	4740158....11, 15, 19, 23	4844928.....217	79, 155, 184, 190, 195,
4569171.....104	4740171.....158	4844929.....11	247
4569173.....122	4740184.....63	4844954.....217	4892000.....16, 79, 174
4569177.....87	4740256.....16, 24, 29	4844955.....217	4892600.....190, 196
4569203.....122	4740274 87, 95, 104, 110,	4844956.....217	4895000.....31
4640113.....32, 33	122	4844958.....79	4920385.....122
4640261.....59, 63	4740283.....16	4844960.....11	4921829.....323
4640438.....263	4740362....151, 222, 228	4844964.....137	4921850.....353
4640509....255, 259, 261,	4740393.....31	4844969.....203	4921927.....69, 322
263, 265, 273	4740397...162, 166, 170,	4844972.....204	4921928.....69, 322
4640605.....259, 265	174, 229	4844978.....203	4921954.....323
4640647.....273	4740439.....194	4844979.....204	4922482.....323
4640744....135, 293, 297	4740444.....148	4844983.....199	4922484.....302
4640750.....87	4740463.....16, 24, 29	4844984.....199	4922493.....316
4640751.....93, 104	4740542.....15, 23	4845041.....19	4922494.....317
4640858.....251, 253	4740543.....15	4845080.....95	4922498.....323
4640862.....271	4750600.....179, 185	4845127.....189, 195	4922508.....318, 321
4640866.....68	4750800.....69, 138	4845163.....155	4922514....318, 319, 320
4640871.....53	4751000....64, 109, 151,	4845194.....158	4922515....318, 319, 320
4640902.....261	158, 162, 166, 170,	4845203.....158	4922637.....318
4640906.....70, 283	174, 218, 221	4845281.....59	4922638.....319
4640907.....68	4751400.87, 88, 94, 103,	4845283.....59	4922639....228, 302, 316
4640908.....68	104, 110, 121, 122,	4845327.....217	4922641....180, 185, 323
4640921.....69, 77	148, 152, 155, 159,	4845328.....217	4922643.....323
4640922.....69, 77	178, 190, 195, 203,	4845395.....94, 105	4922666....148, 228, 316,
4640923.....53	213, 214, 222, 228,	4845404....93, 105, 110,	319
4640929.....213	245, 327, 332, 336, 343	4845408.....217	4922737.....87, 88
4640930.....68	4751500.53, 63, 96, 109,	4845409.....217	4922757.....179
4640932.....255	122, 158, 162, 166,	4845410.....217	4922764.....324
4640937.....53	170, 190, 195, 218,	4845412.....217	4922810.....317
4640939.....289	245, 247	4845413.....217	4922811.....317
4640989.....109, 122	4751600...55, 56, 87, 94,	4845414.....158	4922890.....317
4640999.....273	96, 102, 105, 110, 114,	4845426.....217	4922891.....317
4641022.....137	120, 122, 137, 138,	4845450.....59	4922892....222, 317, 323
4641097.....67, 73	141, 143, 158, 159,	4845451.....59	4922894....222, 317, 323
4641108.....68	162, 166, 170, 174,	4845469.....217	4922905.....184, 185
4641139.....213	190, 195, 200, 222,	4845668.....96, 113	4922921.....318, 319
4641162.....251	228, 271	4846005.....189	4922925.....178
4641280.....55, 56	4751700.....105	4846006.....194	4922968.....321
4641284.....287	4751800.53, 87, 95, 102,	4846101.....217	4922970.....323
4641287.....55	110, 120, 141, 143,	4846102.....217	4922978.....103
4641307.....281	174, 200, 222, 225, 245	4846103.....217	4923063....318, 319, 320
4641319.....253	4752000 88, 95, 102, 111,	4846236.....110	4923212....318, 319, 320
4641409.....55	120	4846248.....110	4923223.....319
4641410.....55, 56	4760600.....179, 185	4846253.....217	4923224.....318, 321
4711400..53, 69, 95, 103,	4761000....16, 158, 221,	4846254.....217	4923226....318, 319, 320
111, 120, 122, 151,	229	4846255.....217	4923227....318, 319, 320
174, 178, 184, 200,	4761400.....148	4846295.....64	4923231.....319
213, 218, 222, 352	4761500....109, 177, 184	4846296.....64	4932986.....302
4711500....55, 59, 69, 70,	4761600.....59, 184	4846452.....221	4932993.....302
87, 96, 113, 122, 177,	4770600.....155	4846561.....222	4933025.....302
184, 204, 228, 283	4771800.....112	4846566.....93, 105	4933026.....302
4711600....11, 19, 59, 69,	4791400....95, 105, 178,	4846573.....190, 195	4933055.....303
88, 95, 104, 122, 178,	184	4846673.....245	4933063.....303
184, 189, 195, 199, 204	4811900....87, 162, 179	4846790.....87	4933212....303, 318, 319
4711700.....104, 174	4812000.....122, 170	4846805.....87	4933213....303, 318, 319
4711800....155, 178, 184,	4831900 96, 98, 105, 111,	4846806.....109, 122	4933215.....302, 322
189, 195, 225	122	4860158.....32	4933216.....302
4711900.....104	4832000 87, 98, 105, 109,	4891400.....69	4933219.....302
4712600.....59	111, 122	4891500....70, 174, 283	4933263.....302
4713000.....59	4844790.....189, 194	4891600 88, 94, 103, 109,	4933264.....179, 302
4713400.....59	4844815.....194	121, 155, 174, 184,	4933283.....185, 302
4740016.....12, 17	4844816.....194	190, 195	4933295....303, 318, 319
4740036.....64	4844817.....194	4891700.....184	4933300.....302, 322
4740076.....159	4844924.....217		4933307.....302
4740111.....63	4844925.....217		

PART NUMBER INDEX

4933308	302, 324	70002212	144	70004752.....	235	7003977	231
4933312	302	70002234	97, 105	70004753.....	235	7003980	239, 241
4933319	303, 318, 319	70002235 ..	161, 165, 169	70004754.....	235	7003982	241
4933329	303, 318, 319	70002239	161	70004755.....	235	7003983	239, 241
4933331	303, 318, 319	70002240	162	70004756.....	235	7003986	239
70000121	117	7000228	81	70004757.....	235	7003989	239, 241
70000122	161	7000229	81	70004758.....	235	7003992	231, 239
70000123 .	161, 165, 169, 173	70002297	177, 183	70004759.....	235	7003993	231, 239
70000124 .	161, 165, 169, 173	7000230	81	70004760.....	235	7003994	239
70000125 .	161, 165, 169, 173	70002307	112, 123	70004761.....	235	7004248	67
70000126 .	162, 165, 169, 173	70002411	97, 98	70004762.....	235	7004275	353
70000127 ..	161, 165, 173	7000242	81	70004763.....	235	7004276	353
70000264	106	7000246	81	70004764.....	235	7004290	67
70000579	73	70002460	177, 183	70004765.....	235	7005881	83
70000580	73	7000253	81	70004766.....	235	7005882	83
70000582	73	70002530	97, 98	70004767.....	235	7005889	83
70000583	73	7000255	81	70004768.....	235	7005890	83
70000619	178, 183	7000256	81	70004769.....	235	7005891	83
70000781	55	70002567	113, 123	70004770.....	235	7005892	83
70000782	37	7000257	81	70004771.....	235	7005893	83
70000794	51	7000258	81	70004772.....	235	7006140	204, 346
70000795	51	7000263	81	70004773.....	235	7006151	204
70000800	106	7000269	81	70004774.....	236	7006152	199, 204, 346
70000863	177, 183	7000270	81	70004775.....	236	7006158	204
70000916	105	70002724	241	70004862.....	138	7006161	204
70000934	69	70002725	241	70005230.....	243	7007207	132
70001002	97	70002726	241	7000625.....	222, 227	7007208	126, 132
70001017	87, 96, 104, 113	70002727	241	7000663.....	96, 97, 105	7007412	127, 133
70001100	177, 183	70002728	241	7000699.....	97	7007413	126, 132
70001119	37	70002729	241	7000731.....	31	7007414	126, 132
70001120	89	70002730	233	7000897.....	112, 123	7007415	43
70001248	144	70002731	233	7001433.....	133	7007416	126
70001384	177, 183	70002732	233	7001438.....	126	7007417	126, 132
70001423	98	70002733	233	7001498.....	127, 133	7007418	43, 132
70001498	97, 105	70002734	233	7001625.....	269	7007419	43, 126, 132
70001681	97, 98	70002735	233	7001626.....	269	7007420	126
70001690	123	7000281	38	7001627.....	269	7007421	126
70001696	177, 183	70002906	233	7001628.....	269	7007423	126, 132
70001697	208, 211	70003001	106	7001629.....	269	7007424	126
70001742	89	70003002	106	7001630.....	269	7007425	41, 126, 132
70001850	105	70003003	106	7001633.....	269	7007426	41, 43
70001941	151	70003408	56	7001711.....	35	7007427	41, 43
70001953	178, 184	70003483	222	7001909.....	81	7007428	41
70001966	177, 183	70003556	97	7001911.....	81	7007429	41
70001969	177	70003631	177, 183	7001913.....	37	7007430	41
70001973	177, 184	70003708	177, 184	7001928.....	81	7007431	41
70001974	177, 183	70003709	177, 184	7001931.....	81	7007434	41
70001976	73, 74, 77	70003784	228	7001985.....	81	7007435 .43, 47, 126, 132	
70001999	205	70004169 .	177, 178, 183, 184	7001987.....	81	7007436	126
70002000	205	70004170	177, 178	7001988.....	81	7007437 ...	41, 43, 48, 51, 126, 132
70002001	199	70004171	177, 183	7002821.....	324, 353	7007438 ...	41, 43, 47, 51, 126, 132
70002002	199	70004182	87	7002822.....	353	7007439 ...	41, 43, 47, 51, 126, 132
70002011	204	70004738	243	7002823.....	324, 353	7007440	126
70002012	204	70004739	243	7002826.....	353	7007441	126, 132
70002063	56	70004740	243	7002828.....	324	7007442	126, 132
70002064	56	70004741	243	7002840.....	53, 353	7007444	126, 132
70002088	177, 183	70004742	243	7003657	161, 165, 169	7007445	126
7000209	81	70004743	243	7003928.....	231, 233	7007446 ...	41, 47, 51, 132
7000214	81	70004744	243	7003933.....	239	7007449	126
7000216	37	70004745	243	7003935.....	239	7007452	132
7000217	81	70004746	243	7003941.....	239, 241	7007453	126, 132
70002200	105	70004747	243	7003946.....	239	7007454	126, 132
		70004748	243	7003953.....	231	7007456	126
		70004749	243	7003969.....	239	7007457	132
		70004750	243	7003972.....	239, 241		
		70004751	243	7003973.....	239, 241		
				7003976.....	231		

PART NUMBER INDEX

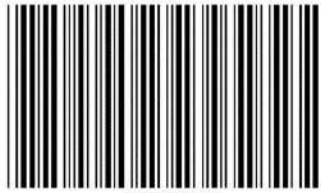
7007458.....	126	7011185.....	273	7012988.....	135	7016519.....	204
7007459.41, 43, 127, 133		7011328.....	68	7012989.....	73	7016521.....	204
7007463.....	127, 133	7011331.....	207	7012992.....	53	7016652.....	218, 353
7007464.....	133	7011332.....	207	7012993.....	53	7016654.....	353
7007465.....	133	7011346.....	207	7012994.....	53	7016655.....	353
7007466.....	127, 133	7012442.....	53	7012995.....	68	7016700.....	67
7007468.....	127	7012513... 161, 165, 169,		7012998.....	73, 74, 77	7016701.....	67
7007469.....	127	173		7013187.....	141	7016702.....	67
7007470.....	127, 132	7012514... 161, 165, 169,		7013189.....	144	7016744.....	68
7007471.....	127	173		7013711.....	67	7016746.....	68
7007472.....	127, 133	7012518.....	68, 73	7013755.....	67	7016747.....	68
7007474.....	127, 133	7012558... 161, 165, 169,		7013796.....	67	7016800.....	94, 111
7007475.....	127, 133	173		7013799.....	67	7016802.....	94
7007476.....	127, 133	7012599.....	97	7014700.....	35	7016803.....	94
7007477.....	127, 133	701266486, 93, 104, 111,		7014701.....	35	7016804.....	111
7007478.....	127, 133	121, 346		7014702.....	35	7016807.....	111
7007482.....	127	7012679.....	123	7014706.....	35	7016808.....	111
7007483.....	127	7012693.....	53	7014709.....	35	7016812.....	94
7007484.....	127, 133	7012694.....	68	7014710.....	35	7016815.....	94
7007485.....	127, 133	7012699.....	68	7014711.....	35	7016816.....	95
7007486.....	127	7012700.....	45	7014712.....	35	7016824.....	95
7007487.....	127, 133	7012701.....	45	7014713.....	35	7016826.....	94
7007488.....	127, 133	7012702.....	45	7014714.....	35	7016827.....	95
7007489.....	135	7012703.....	45	7014715.....	35	7016845.....	94
7007490.....	127	7012704.....	45	7014716.....	35	7017022.....	38
7007491.....	127	7012705.....	45	7014717.....	35	7017027.....	37
7007492.....	127	7012706.....	45	7014718.....	35	7017072.....	37
7007494.....	127, 133	7012707.....	45	7014719.....	35	7017089.....	81
7007496.....	127, 133	7012708.....	45	7014720.....	35	7017093.....	37
7007497.....	127, 133, 321	7012709.....	45	7014721.....	35	7017095.....	37
7007498.....	127, 133, 321	7012710.....	45	7014722.....	35	7017101.....	207
7007499.....	127	7012711.....	45	7014723.....	35	7017106.....	208
7007633.....	81	7012712.....	45	7014724.....	35	7017115.....	207
7010103.....	135	7012713.....	45	7014725.....	35	7017116.....	207
7010104.....	135	7012714.....	45	7014726.....	35	7017117.....	207
7010105.....	135	7012715.....	45	7014727.....	35	7017118.....	208
7010108.....	41	7012716.....	45	7014728.....	35	7017119.....	207
7010109.....	41	7012768.....	346	7014729.....	35	7017142.....	207, 208
7010110.....	41	7012769.....	73, 74	7014730.....	35	7017156.....	208
7010111.....	41	7012772...73, 74, 77, 346		7014731.....	35	7017157.....	208
7010112.....	41	7012773.....	73, 74, 77	7014800.....	138	7017158.....	208, 211
7010113.....	41	7012774.....	74, 77	7014801.....	138	7017159.....	208, 211
7010114.....	41	7012775.....	73, 74	7014802.....	138	7017162.....	207, 211
7010115.....	41	7012776.....	77	7014810.....	138, 346	7017163.....	207, 211
7010116.....	41, 133	7012799.....	74	7014811.....	138	7017164.....	207, 211
7010117.....	41	7012905.....	70, 283	7016180.....	110	7017174.....	207
7010118.....	41	7012907.....	68	7016206.....	33	7017177.....	207
7010119.....	41	7012914.....	73, 74	7016312.....	69, 346	7017183.....	207, 211
7010120.....	127	7012918.....	73, 74	7016313.....	69, 346	7017193.....	207, 211
7010121.....	127, 133	7012941.....	68	7016314.....	137	7017410.....	73
7010122.....	127	7012943.....	68, 346	7016322.....	155	7017411.....	73
7010474.....	81	7012944. 68, 70, 73, 283,		7016328 96, 97, 105, 348		7017418.....	73
7010488.....	81	346		7016330.....	96	7017420.....	74, 77
7010492.....	81	7012953. 68, 73, 77, 213,		7016331 96, 97, 105, 348		7017421.....	77
7010494.....	81	261		7016332.....	97	7017422.....	77
7010542.....	73, 74	7012954.....	68	7016342.....	141	7017423.....	74
7010543.....	68, 73, 74	7012959.....	68	7016374.....	155	7017427.....	73
7010638.....	93	7012961.....	68, 261	7016380.....	151	7017428.....	73, 74
7011043.....	68	7012965.....	77	7016399.....	218, 222	7018612.....	31, 79
7011044.....	68	7012967.....	73, 74	7016422.....	83	7018912.....	73, 74, 77
7011048.....	68	7012969.....	74	7016423.....	83	7018942.....	77
7011062.....	68	7012970.....	213	7016424.....	83	7018945.....	77
7011063.....	67	7012972.....	70, 283	7016425.....	83	7018946.....	77
7011064.....	67	7012974.....	70, 283	7016426.....	83	7018948.....	77
7011065.....	67	7012978.....	53	7016427.....	83	7018952.....	74
7011066.....	67	7012980.....	53	7016502.....	199, 346	7019103.....	239
7011112.....	255	7012987.....	135	7016510.....	199	7019110.....	239

PART NUMBER INDEX

7019111 231, 239	7020414 97	7022178.....113	7024100..... 81
7019112 239	7020419 97	7022179.....113	7024124..... 37
7019114 239	7020425 97	7022180.....112, 123	7024125..... 37
7019115 239	7020427 97	7022203.....68	7024127..... 37
7019122 231	7020431 97	7022302.....47, 51	7024129..... 37
7019123 231	7020447 105	7022311.....47, 51	7024134..... 38
7019141 231	7020449 97, 105	7022313.....51	7024398..... 96, 104
7019142 231	7020458 97, 106	7022314.....47, 51	7024404..... 144
7019143 231	7020459 106	7022318.....47	7024439..... 138
7019144 231	7020460 106	7022320.....47	7024440..... 138
7019145 231	7020461 97, 106	7022321.....47	7024441..... 138
7019147 231	7020462 97	7022326.....48, 51	7024442..... 138
7019149 231	7020463 97	7022328.....48, 51	7024443..... 138
7019150 231	7020464 97, 105	7022368.....47, 51	7024444..... 138
7019151 239	7020465 97, 105	7022370.....47	7024445..... 138
7019154 239	7020468 97, 105	7022371.....43, 48, 51	7024446..... 138
7019155 239	7020471 98, 105	7022372.....47, 51	7024485..... 177, 183
7019160 239	7020474 97	7022397.....56	7024488..... 178, 183
7019161 239	7020477 97	7022399.....56	7024489..... 178, 183
7019162 239, 241	7020479 97, 105	7022808.....231, 233	7024560..... 96, 104
7019164 239, 241	7020480 97	7022812.....239	7024565..... 97, 106
7019165 239, 241	7020487 97, 105	7022814.....231	7024579..... 98, 106
7019166 239, 346	7021200 132	7022815.....231, 233	7024598..... 155
7019167 239, 241	7021201 133	7022816.....231	7024721..... 38
7019168 239	7021202 132	7022817.....231	7024722..... 37
7019171 231	7021203 132	7022818.....231, 346	7024723..... 38
7019174 231	7021206 133	7022819.....231, 233, 321	7024724..... 37
7019177 231	7021207 132	7022822.....239	7024725..... 37
7019194 239, 241	7021212 133	7022823.....239	7024726..... 37
7019197 231	7021214 127, 133	7022824.....239, 346	7024727..... 37
7019607 97	7021217 133	7022825.....321	7024728..... 37
7019658 89, 96, 103, 137	7021218 133	7023038.....269	7024729..... 37
7019680 ... 161, 165, 173	7021219 133	7023206.....69	7024730..... 37
7019925 113, 123	7021220 133	7023603.....117	7024731..... 37
7019930 113	7021221 133	7023613.....113	7024732..... 37
7019932 113	7021222 133	7023637.....112	7024733..... 37
7019976 112, 123	7021223 132	7023644.....113	7024734..... 37
7019977 112, 123	7021232 133	7023645.....117	7024735..... 37
7019986 112	7021249 47, 51	7023652.....112	7024736..... 37
7019993 112, 123	7021256 132	7023653.....112	7024737..... 38
7019994 112, 123	7021275 47, 51	7023654.....112	7024738..... 37
7019996 112, 123	7021310 74	7023655.....112	7024739..... 37
7020020 69	7021625 55, 56	7023656.....112	7024740..... 37
7020021 69	7021868 ... 112, 123, 348	7023657.....113	7024741..... 37
7020025 97	7022134 112, 122	7023658.....112	7024742..... 37
7020027 97	7022139 112, 123	7023659.....117	7024743..... 37
7020108 ... 161, 165, 169, 173	7022143 113, 123	7023660.....117	7024744..... 38
7020109 ... 161, 165, 169, 173	7022144 113	7023662.....112	7024764..... 38
7020110 ... 161, 165, 169, 173	7022149 113	7023663.....112, 321	7024765..... 38
7020111 ... 161, 165, 169, 173	7022150 113, 123	7023665.....117	7024766..... 38
7020135 33	7022151 113	7023679.....321	7024800..... 133
7020168 97	7022153 113	7023680.....117	7024834..... 43
7020175 228	7022154 113	7023681.....112, 123, 321	7024835..... 43
7020176 228	7022155 113, 123	7023682.....112, 123	7024836..... 43
7020190 ... 161, 165, 169, 173	7022156 113	7023683.....112, 123	7024837..... 43
7020191 ... 162, 165, 169	7022157 113	7023695.....113	7024838..... 43
7020192 ... 162, 165, 169, 174	7022158 113	7023698.....123	7024839..... 43
7020246 147	7022159 113	7023699.....123	7024840..... 43
7020404 97	7022160 113	7023910.....47, 51	7024841..... 43
7020408 97, 105	7022161 113	7023917.....56	7024842..... 43
7020411 97, 105	7022162 113	7023933.....55, 56	7024843..... 43
	7022165 117	7023935.....56	7024850..... 55, 56
	7022166 117	7023936.....56	7024851..... 133
	7022167 117	7023964.....43	7024853..... 47, 51
	7022168 117	7023977.....132	7024861..... 47
	7022170 117	7023979.....133	7024862..... 47, 51
	7022171 117	7024036.....45	7024863..... 47

PART NUMBER INDEX

7024864.....47	7026800..... 89	7026831..... 89	7027404.....123
7024865.....47, 51	7026801..... 89	7026832..... 90	7027405.....123
7024866.....47	7026802..... 89	7026833..... 89	7027409.....123
7024867.....47, 51	7026803..... 89	7026834..... 89	7027410.....123
7024868.....47	7026804..... 89	7026835..... 89	7027412..... 87
7024869.....47	7026805..... 89	7026836..... 89	7027413.....123
7024871.....47, 51	7026806..... 89	7026838..... 90	7027419.....47, 51
7024879.....253	7026807..... 89	7026839..... 89	7027608.....105
7024892.....56	7026809..... 89	7026840..... 89	7027609.....105
7025124.....113	7026810..... 89	7026841..... 89	7027610.....105
7026188.....177, 183	7026811..... 89, 348	7026843..... 89	7027740.....51
7026189.....143	7026812..... 89	7026845..... 90	7027790.....106
7026197.....144	7026813..... 89	7026882..... 89	7027791.....105
7026199....161, 165, 169, 173	7026814..... 89	7027001..... 88, 94, 102	7027792.....106
7026503.....143	7026815..... 89	7027002 88, 94, 102, 111, 120	7027793.....106, 321
7026504.....144	7026816..... 89	7027003 88, 95, 102, 111, 120	7027794.....106, 321
7026505.....144	7026817..... 90	7027004..... 88, 94, 102	7027795.....106, 348
7026506.....144	7026818..... 90	7027005..... 111, 120	7027796.....106, 321
7026507.....144	7026819..... 89	7027006..... 111, 120	7027799.....177, 183
7026508.....144	7026820..... 89	7027007..... 111, 120	7027887....162, 166, 169, 174
7026509.....144	7026821..... 89	7027236.....106	80934561.....144
7026510.....144	7026822..... 89	7027239.....106	8405009.....86
7026511.....143	7026823..... 89	7027241.....105	8405104.....86
7026512.....144	7026824..... 89	7027245.....106	85941017.....103
7026522.....97	7026825..... 89	7027246.....105	8896941.....353
7026597.....177, 183	7026826..... 90	7027250.....97	91083218...112, 122, 348
7026607.....97, 106	7026827..... 90	7027400.....123	
7026608.....97, 105	7026828..... 90	7027402.....113, 123	
7026631.....97, 105	7026829..... 90		
	7026830..... 89, 348		



3121177



An Oshkosh Corporation Company

JLG Industries, Inc.
1 JLG Drive
McConnellsburg PA. 17233-9533
USA
Phone: +1-717-485-5161
Customer Support Toll Free: 1-877-554-5438
Fax: +1-717-485-6417

JLG Worldwide Locations

JLG Industries (Australia)
P.O. Box 5119
11 Bolwarra Road
Port Macquarie
N.S.W. 2444
Australia
Phone: +61 2 65811111
Fax: +61 2 65813058

JLG Latino Americana Ltd.
Rua Antonia Marlins Luiz, 580
Distrito Industrial João Narezzi
13347-404 Indaiatuba - SP
Brazil
Phone: +55 19 3936 8870
Fax: +55 19 3935 2312

JLG Industries (UK) Ltd
Bentley House
Bentley Avenue
Middleton
Greater Manchester
M24 2GP
England
Phone: +44 (0)161 654 1000
Fax: +44 (0)161 654 1001

JLG France SAS
Z.I. de Baulieu
47400 Fauillet
France
Phone: +33 (0)5 53 88 31 70
Fax: +33 (0)5 53 88 31 79

JLG Deutschland GmbH
Max-Planck-Str. 21
D - 27721 Ritterhude-Ihlpohl
Germany
Phone: +49 (0)421 69 350 20
Fax: +49 (0)421 69 350 45

JLG Equipment Services Ltd.
Rm 1107 Landmark North
39 Lung Sum Avenue
Sheung Shui N.T.
Hong Kong
Phone: +852 2639 5783
Fax: +852 2639 5797

JLG Industries (Italia) s.r.l.
Via Po, 22
20010 Pregnana Milanese - MI
Italy
Phone: +39 029 359 5210
Fax: +39 029 359 5845

JLG Europe B.V.
Polaris Avenue 63
2132 JH Hoofddorp
The Netherlands
Phone: +31 (0)23 565 5665
Fax: +31 (0)23 557 2493

JLG Polska
Ul. Krolewska
00-060 Warszawa
Poland
Phone: +48 (0)914 320 245
Fax: +48 (0)914 358 200

Plataformas Elevadoras
JLG Iberica, S.L.
Trapadella, 2
P.I. Castellbisbal Sur
08755Castellbisbal, Barcelona
Spain
Phone: +34 93 772 4 700
Fax: +34 93 771 1762

JLG Sverige AB
Enkopingsvagen 150
Box 704
SE - 176 27 Jarfalla
Sweden
Phone: +46 (0)850 659 500
Fax: +46 (0)850 659 534

www.jlg.com