



---

# Illustrated Parts Manual

***Model***  
**510AJ**

SN 1300000001  
TO PRESENT  
&  
PRIOR TO  
SN E300001114

3121182

July 17, 2018 - Rev AC

***ANSI***

**CE**



---

An Oshkosh Corporation Company



## REVISION LOG

**NOTE:** The 510AJ may be manufactured by JLG Industries in the countries of Belgium or Romania. Refer to the Serial Number Tag to determine the country of manufacture. The country of manufacture may be determined by the Serial Number. Boom Lifts manufactured in Belgium will have a prefix of 13 (i.e. 13XXXXXXXX) and Boom Lifts manufactured in Romania will have a prefix of E3 (i.e. E3XXXXXXXX).

**NOTE:** Is the Parts Manual you are viewing correct for the machine that you are ordering parts for? See Below:

Belgium Built Machines - All Machines - Use Parts Manual p/n 3121182

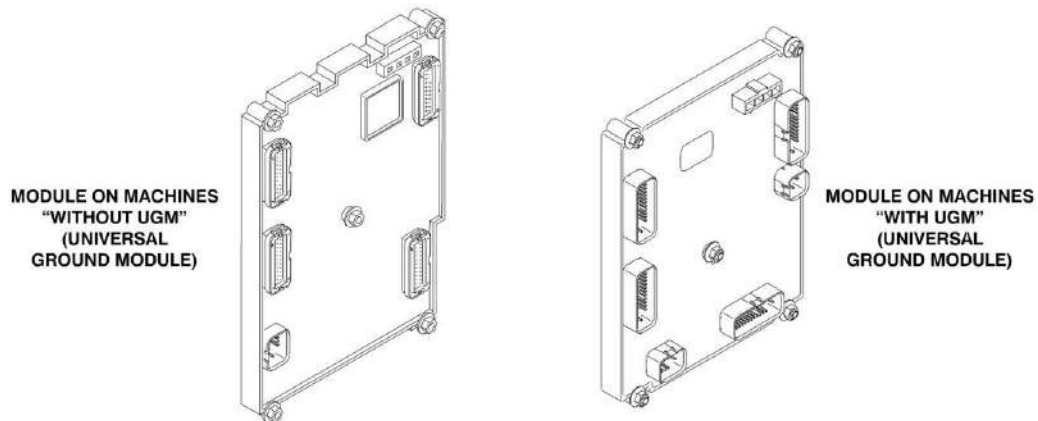
Romanian Built Machines Prior to SN E300001114 - Use Parts Manual P/N 3121182

Romanian Built Machines SN E300001114 to Present - Use Parts Manual P/N 3121294

**NOTE:** Machines with SN E300001068 are also built to the same specs as Romanian Built Machines SN E300001114 to Present - Use Parts Manual p/n 3121294.

**NOTE:**

### GROUND MODULE MODULE IDENTIFICATION



### **REVISION LOG:**

August 29, 2003 - A - Revised Manual (Edited to B/M 0010578 Revision 39)

November 20, 2003 - B - Revised Manual (Edited to B/M 0010578 Revision 45)

March 17, 2004 - C - Revised Manual (Edited to B/M 0010578 Revision 46)

September 30, 2004 - D - Revised Manual (Edited to B/M 0010578 Revision 58)

December 15, 2004 - E - Revised Manual (Edited to B/M 0010578 Revision 60)

October 15, 2005 - F - Revised Manual (Edited to B/M 0010578 Revision 75)

April 7, 2006 - G - Revised Manual (Edited to B/M 0010578 Revision 84)

August 15, 2006 - H - Revised Manual (Edited to B/M 0010578 Revision 93)

March 1, 2007 - I - Revised Manual (Edited to B/M 0010578 Revision 109)

July 31, 2007 - J - Revised Manual (Edited to B/M 0010578 Revision 119)

November 30, 2007 - K - Revised Manual (Edited to B/M 0010578 Revision 121)

April 15, 2008 - L - Revised Manual (Edited to B/M 0010578 Revision 121 & B/M 0010717 Revision 1))

March 30, 2009 - M - Revised Manual (Edited to B/M 0010717 Revision 5)

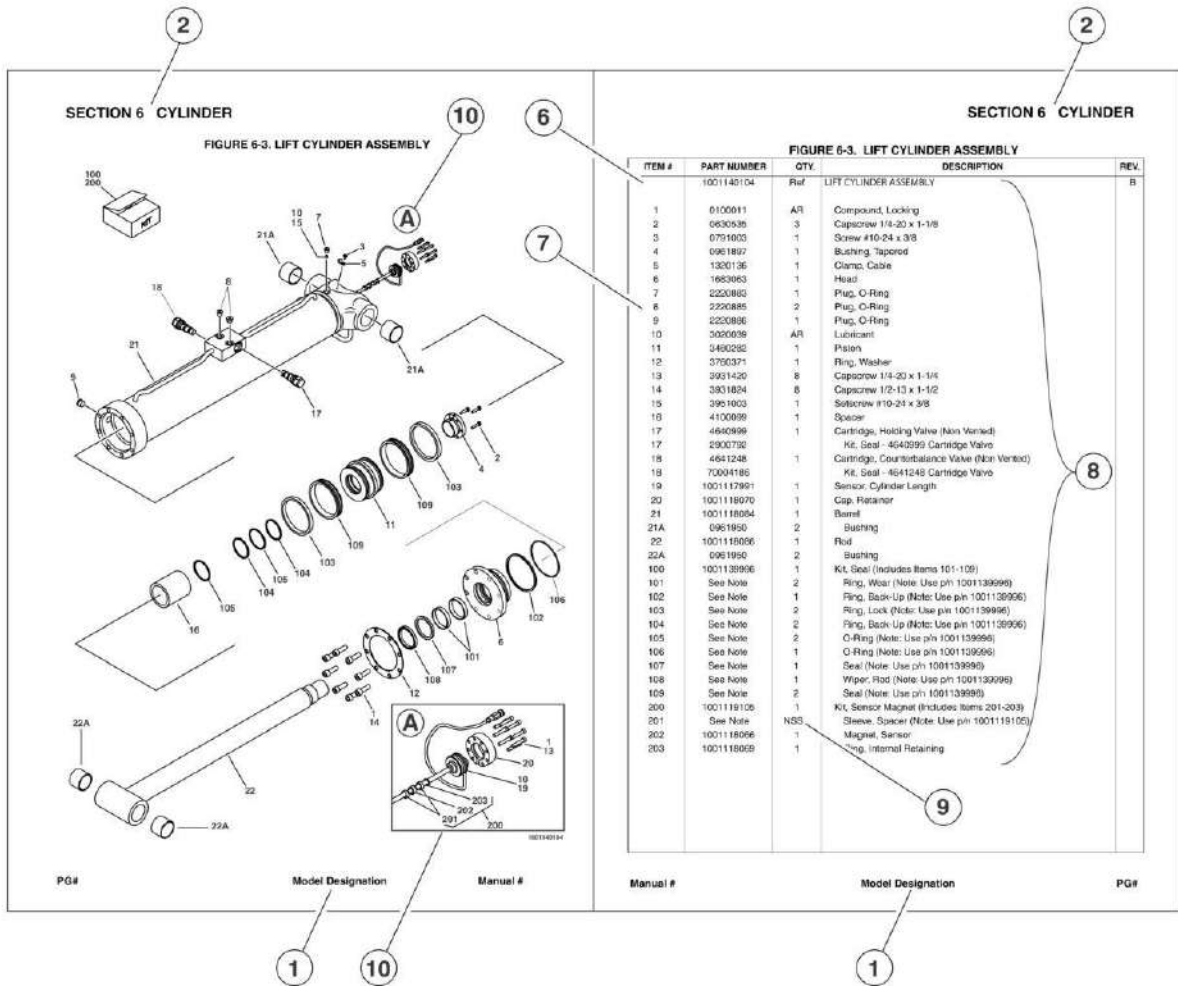
October 30, 2009 - N - Revised Manual (Edited to B/M 0010717 Revision 5)

## REVISION LOG

September 1, 2010 - O - Revised Manual (Edited to B/M 0010717 Revision 19)  
April 4, 2011 - P - Revised Manual (Edited to B/M 0010717 Revision 22)  
July 8, 2011 - Q - Revised Manual (Edited to B/M 0010717 Revision 23)  
October 18, 2011 - R - Revised Manual (Edited to B/M 0010717 Revision 25)  
December 12, 2011 - S - Revised Manual (Edited to B/M 0010717 Revision 27)  
March 30, 2012 - T - Revised Manual (Edited to B/M 0010717 Revision B)  
July 23, 2012 - U - Revised Manual (Edited to B/M 0010717 Revision C)  
November 6, 2012 - V - Revised Manual (Edited to B/M 0010717 Revision C)  
March 25, 2013 - W - Revised Manual (Edited to B/M 0010717 Revision C)  
May 17, 2013 - X - Revised Manual (Edited to B/M 0010717 Revision C)  
August 30, 2013 - Y - Revised Manual (Edited to B/M 0010717 Revision C)  
November 25, 2013 - Z - Revised Manual (Edited to B/M 0010717 Revision C)  
November 1, 2014 - AA - Revised Manual (Edited to 0010717 Revision E) (Revision 1)  
November 30, 2017 - AB - Revised Manual  
July 17, 2018 - AC - Revised Manual



# GENERAL INFORMATION



## 1) MACHINE IDENTIFICATION

Machines are identified by model and in some cases a combination of models, serial number (SN) or regional standard (i.e. ANSI, CE, CSA). Components may also be identified by SN or manufacturer. Common components that may be identified by these characteristics are engines and hydraulic components.

## 2) PARTS MANUAL ORGANIZATION

Product information in this manual is organized under section titles. Frame, Cylinder, Hydraulic and Electrical are a few examples. Each section is organized by figure and page number. The information within the Figure is then organized by item number, part number, description and corresponding illustration (s).

## 3) TABLE OF CONTENTS

A table of contents is found toward the beginning of the manual. Figure number, description and page number are provided for quick reference to the page containing the related information.

## 4) RECOMMENDED SPARE PARTS

The Recommended Spare Parts, located near the end of the manual, reference most frequently used maintenance parts.

## 5) PART NUMBER INDEX

A numerical index listing all part numbers and the corresponding page number(s) appears at the back of the manual.

## GENERAL INFORMATION

### 6) NON-SERVICED PARTS

In some instances, it is necessary to display non-serviced parts, assemblies or installations. In the case of assemblies and installations there will be a Ref in the Qty column. In case of parts that are not available for service within assemblies or components, there will be a NSS (Not Sold Separately) or NLA (No Longer Available) listed in the Qty. column of the manual.

### 7) PARTS LIST ITEM NUMBERS

Numbers shown in the item# column correspond to numbers used in the associated illustration (s). Item numbers which are missing from the sequence in the parts list are not used on that page

### 8) INDENTED PARTS DESCRIPTION

An indented part description is included in the item under which it is indented.

### 9) ABBREVIATION AND SYMBOLS

AC.....	.. Alternating Current	LCD.....	.. Liquid Crystal Display
ADE.....	.. Advanced Design Electronics	LED.....	.. Light Emitting Diodes
ANSI.....	.. American National Standards Institute	LH.....	.. Left Hand
AR.....	.. As Required	LSS.....	.. Load Sensing System
ASSY.....	.. Assembly	M(m).....	.. Metric/Meter
AUX.....	.. Auxiliary	MM (mm).....	.. Milimeter
AWG.....	.. American Wire Gauge	mA.....	.. Milliamps
B/M.....	.. Bill of Material	NLA.....	.. No Longer Available
CE.....	.. European Conformity	NPT.....	.. National Pipe Threads
CCW.....	.. Counter Clockwise	NSS.....	.. Not Sold Separately
cm.....	.. Centimeter	OD.....	.. Outside Diameter
CW.....	.. Clockwise	ORB.....	.. O-Ring Boss
CSA.....	.. Canadian Standards Association	ORFS.....	.. O-Ring Face Seal
CYL.....	.. Cylinder	OZ (oz).....	.. Ounces
DIA.....	.. Diameter	PG.....	.. Page
DC.....	.. Direct Current	P/N.....	.. Part Number
EMS.....	.. Emergency Stop	qt.....	.. Quarts
ENG.....	.. Engine	QTY.....	.. Quantity
FT (ft).....	.. Feet	REF.....	.. Reference
GA (Ga).....	.. Gauge	REV.....	.. Revision Level
HYD.....	.. Hydraulic	RH.....	.. Right Hand
HZ.....	.. Hertz	SAE.....	.. Society of Automotive Engineers
ID.....	.. Inside Diameter	SN.....	.. Serial Number
in.....	.. inches	SPEC(S).....	.. Specifications
ISO.....	.. International Organization for Standards	T/T.....	.. Turntable
JIC.....	.. Joint Industry Council	UGM.....	.. Universal Ground Module
KG.....	.. Kilogram	V.....	.. Volts
L.....	.. Liter	W.....	.. Watts
LB.....	.. Pounds	#.....	.. Number

### 10) ILLUSTRATION REFERENCE LETTERS

When necessary, illustrations may contain reference letters that are intended to track information (i. e. hoses, harnesses) from one point to another or to track visual enlargement of components to show details that may be located in another area on the illustration.

*Note: Due to continuous product improvements, JLG Industries, Inc. reserves the right to make specification changes without prior notification. Contact JLG Industries, Inc. for updated information.*

# TABLE OF CONTENTS

SECTION 1 - FRAME.....	9
FIGURE 1-1. AXLE AND STEERING INSTALLATION.....	10
FIGURE 1-2. TIRE AND WHEEL DRIVE INSTALLATIONS.....	14
FIGURE 1-3. DRIVE HUB/BRAKE ASSEMBLY (REAR).....	18
FIGURE 1-4. DRIVE HUB/BRAKE ASSEMBLY (REAR).....	22
FIGURE 1-5. DRIVE HUB ASSEMBLY (FRONT).....	26
FIGURE 1-6. DRIVE HUB ASSEMBLY (FRONT).....	30
FIGURE 1-7. DRIVE MOTOR ASSEMBLY (BELGIUM BUILT MACHINES) (Prior to SN 1300002249).....	34
FIGURE 1-8. DRIVE MOTOR ASSEMBLY (BELGIUM BUILT MACHINES AND ROMANIAN BUILT MACHINES) (SN 1300002249 to Present, SN E300000100 through E300001114).....	36
FIGURE 1-9. DRIVE VALVES INSTALLATIONS.....	38
SECTION 2 - TURNTABLE.....	41
FIGURE 2-1. CONTROL VALVE INSTALLATION.....	42
FIGURE 2-2. MAIN CONTROL VALVE ASSEMBLY.....	44
FIGURE 2-3. TURNTABLE AND SWING DRIVE INSTALLATIONS.....	46
FIGURE 2-4. SWING MOTOR ASSEMBLY (ORIGINAL EQUIPMENT FOR BELGIUM BUILT MACHINES) (Prior to SN 1300006701).....	50
FIGURE 2-5. SWING MOTOR ASSEMBLY (SERVICE REPLACEMENT FOR BELGIUM BUILT MACHINES AND ORIGINAL EQUIPMENT FOR BELGIUM BUILT MACHINES AND ROMANIAN BUILT MACHINES) (Prior to SN 1300006701, SN 1300006701 to Present, SN E300000100 through E300001114).....	52
FIGURE 2-6. SWING BEARING AND ROTATION BOX ASSEMBLY (ORIGINAL EQUIPMENT).....	54
FIGURE 2-7. SWING BEARING AND ROTATION BOX ASSEMBLY (SERVICE REPLACEMENT).....	58
FIGURE 2-8. SWING BEARING AND ROTATION BOX ASSEMBLY (SERVICE REPLACEMENT).....	60
FIGURE 2-9. CATERPILLAR ENGINE INSTALLATION (WITH UGM).....	62
FIGURE 2-10. DEUTZ ENGINE INSTALLATION (BELGIUM BUILT MACHINES) (Prior to SN 1300000981).....	70
FIGURE 2-11. DEUTZ ENGINE INSTALLATION (BELGIUM BUILT MACHINES AND ROMANIAN BUILT MACHINES) (SN 1300000981 to Present, SN E300000100 through E300001114).....	76
FIGURE 2-12. PERKINS ENGINE INSTALLATION (WITH ELECTRICAL DRIVEN COOLING FAN) (WITHOUT UGM).....	84
FIGURE 2-13. PERKINS ENGINE INSTALLATION (WITH ENGINE DRIVEN COOLING FAN) (WITHOUT UGM).....	92
FIGURE 2-14. PERKINS ENGINE INSTALLATION (WITH UGM).....	100
FIGURE 2-15. PISTON PUMP ASSEMBLY.....	108
FIGURE 2-16. AUXILIARY PUMP ASSEMBLY.....	112
FIGURE 2-17. TANK INSTALLATIONS.....	116
FIGURE 2-18. GROUND CONTROL BOX ASSEMBLY (WITHOUT UGM).....	120
FIGURE 2-19. GROUND CONTROL BOX ASSEMBLY (WITH UGM).....	124
FIGURE 2-20. ELECTRICAL OPTIONS INSTALLATION (TURNTABLE MOUNTED).....	128
FIGURE 2-21. HOODS INSTALLATION (BELGIUM BUILT MACHINES) (Prior to SN 1300006659).....	132
FIGURE 2-22. HOODS INSTALLATION (BELGIUM BUILT MACHINES AND ROMANIAN BUILT MACHINES) (SN 1300006659 to Present, SN E300000100 through E300001114).....	136
FIGURE 2-23. 2500W GENERATOR INSTALLATION - CATERPILLAR MACHINES (WITH UGM) (OPTIONAL).....	140
FIGURE 2-24. 2500W GENERATOR INSTALLATION - DEUTZ MACHINES (OPTIONAL).....	144
FIGURE 2-25. 2500W GENERATOR INSTALLATION - PERKINS MACHINES (OPTIONAL).....	148
FIGURE 2-26. 7500W GENERATOR INSTALLATION - 50HZ (DEUTZ ENGINE MACHINES WITHOUT UGM).....	152
FIGURE 2-27. 7500W GENERATOR INSTALLATION - 50HZ (PERKINS ENGINE MACHINES WITHOUT UGM).....	156
FIGURE 2-28. 7500W GENERATOR INSTALLATION - 50HZ (PERKINS ENGINE MACHINES WITH UGM).....	160
SECTION 3 - BOOM.....	165
FIGURE 3-1. TOWER/MID BOOMS AND CYLINDERS INSTALLATION.....	166
FIGURE 3-2. MAIN BOOM INSTALLATION.....	170
FIGURE 3-3. MAIN BOOM ASSEMBLY.....	174
FIGURE 3-4. ROTATOR ASSEMBLY.....	178
FIGURE 3-5. PLATFORM SUPPORT AND CONTROL VALVES INSTALLATIONS.....	180
SECTION 4 - PLATFORM.....	183
FIGURE 4-1. PLATFORM INSTALLATION.....	184
FIGURE 4-2. PLATFORM CONSOLE ASSEMBLY.....	188
FIGURE 4-3. CONTROLLER ASSEMBLY (LIFT AND SWING).....	194
FIGURE 4-4. CONTROLLER ASSEMBLY (DRIVE AND STEER).....	198
FIGURE 4-5. SOFT TOUCH SYSTEM INSTALLATION (OPTIONAL).....	202
FIGURE 4-6. SKYGLAZIER INSTALLATION - WITHOUT LSS.....	204
FIGURE 4-7. SKYGLAZIER INSTALLATION - WITH LSS.....	206

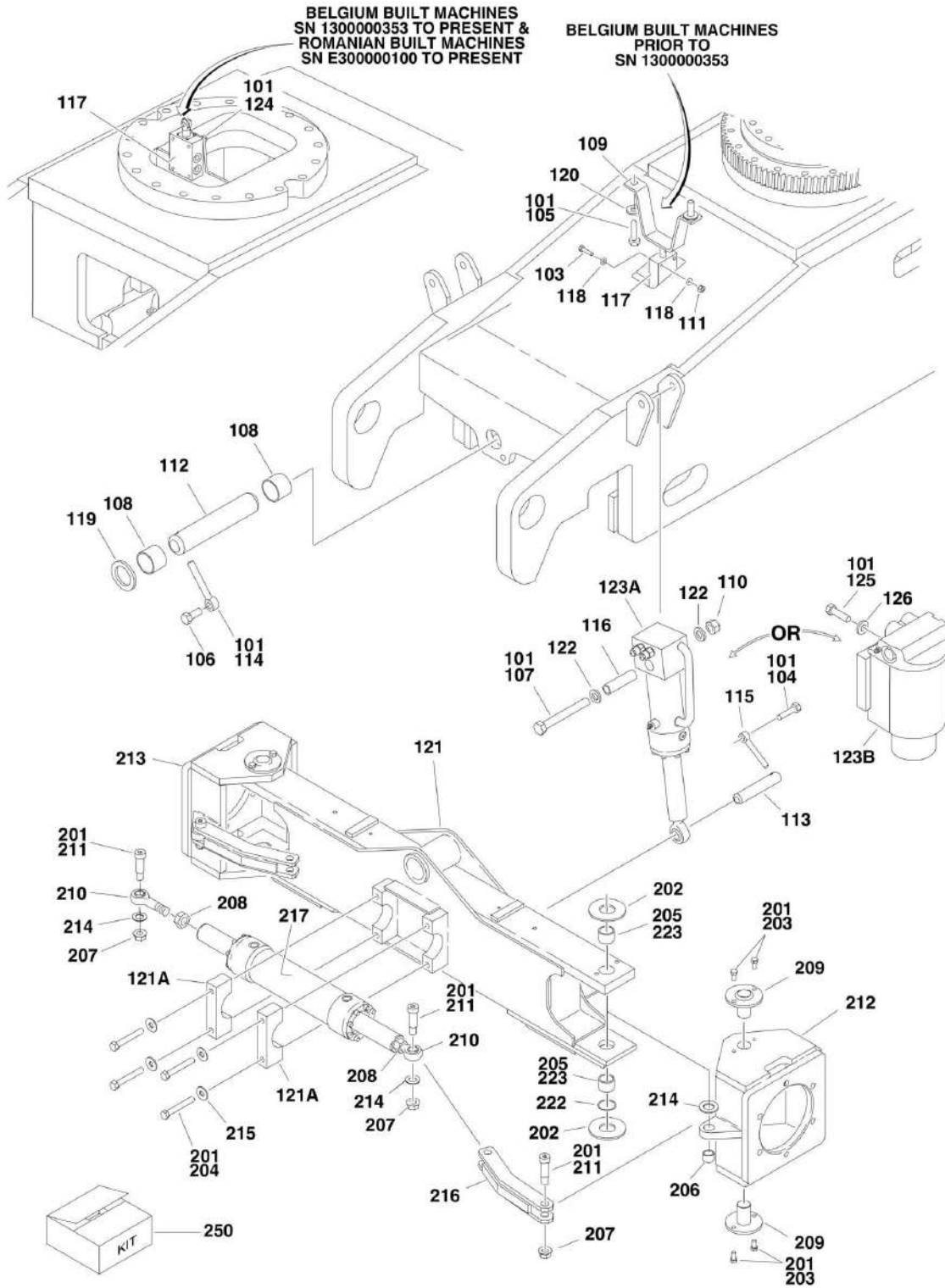
# TABLE OF CONTENTS

FIGURE 4-8. SKYWELDER INSTALLATION - 50HZ (Prior to SN 1300001851) .....	208
FIGURE 4-9. WELDER ASSEMBLY .....	210
SECTION 5 - CYLINDER.....	213
FIGURE 5-1. AXLE LOCKOUT CYLINDER ASSEMBLY (BELGIUM BUILT MACHINES) (Prior to SN 1300003223).....	214
FIGURE 5-2. AXLE LOCKOUT CYLINDER ASSEMBLY (BELGIUM BUILT MACHINES AND ROMANIAN BUILT MACHINES) (SN 1300003223 to Present, SN E300000100 through E300001114) .....	218
FIGURE 5-3. LEVEL (PLATFORM) CYLINDER ASSEMBLY .....	218
FIGURE 5-4. LIFT (JIB) CYLINDER ASSEMBLY .....	220
FIGURE 5-5. LIFT (MAIN BOOM) CYLINDER ASSEMBLY .....	222
FIGURE 5-6. LIFT (TOWER BOOM) CYLINDER ASSEMBLY .....	224
FIGURE 5-7. MASTER CYLINDER ASSEMBLY .....	226
FIGURE 5-8. STEER CYLINDER ASSEMBLY .....	228
FIGURE 5-9. TELESCOPE CYLINDER ASSEMBLY .....	230
SECTION 6 - HYDRAULIC .....	233
FIGURE 6-1. AXLE LOCKOUT HYDRAULIC DIAGRAM (BELGIUM BUILT MACHINES) (Prior to SN 1300000353).....	234
FIGURE 6-2. AXLE LOCKOUT HYDRAULIC DIAGRAM (BELGIUM BUILT MACHINES) (SN 1300000353 through 1300003222) .....	236
FIGURE 6-3. AXLE LOCKOUT HYDRAULIC DIAGRAM (BELGIUM BUILT MACHINES AND ROMANIAN BUILT MACHINES) (SN 1300003223 to Present, SN E300000100 through E300001114) .....	238
FIGURE 6-4. DRIVE HYDRAULIC DIAGRAM (BELGIUM BUILT MACHINES) (Prior to SN 1300003476) .....	240
FIGURE 6-5. DRIVE HYDRAULIC DIAGRAM (BELGIUM BUILT MACHINES AND ROMANIAN BUILT MACHINES) (SN 1300003476 to Present, SN E300000100 through E300001114) .....	244
FIGURE 6-6. STANDARD HYDRAULIC DIAGRAM.....	246
FIGURE 6-7. HYDRAULIC DIAGRAM LIST.....	250
SECTION 7 - ELECTRICAL.....	251
FIGURE 7-1. ELECTRICAL DIAGRAM LIST .....	252
FIGURE 7-2. HARNESS COMPONENTS INSTALLATION (WITHOUT UGM) .....	254
FIGURE 7-3. HARNESS COMPONENTS INSTALLATION (WITH UGM) .....	268
SECTION 8 - DECALS .....	281
FIGURE 8-1. DECALS INSTALLATION - ANSI SPEC.....	282
FIGURE 8-2. DECALS INSTALLATION - ANSI EXPORT SPECS.....	286
FIGURE 8-3. DECALS INSTALLATION - CE AND AUSTRALIAN SPECS.....	292
SECTION 9 - RECOMMENDED SERVICE PARTS STOCK.....	297
FIGURE 9-1. MODEL 510AJ STANDARD PARTS .....	298
FIGURE 9-2. MODEL 510AJ VARIABLE PARTS .....	300
SECTION 10 - SPECIAL OPTIONS .....	301
FIGURE 10-1. SPECIAL OPTIONS .....	302
PART NUMBER INDEX.....	307

**SECTION 1 - FRAME**

# SECTION 1 - FRAME

## FIGURE 1-1. AXLE AND STEERING INSTALLATION



# SECTION 1 - FRAME

## FIGURE 1-1. AXLE AND STEERING INSTALLATION

ITEM	PART NUMBER	QTY	DESCRIPTION	REV
		Ref	<b>OSCILLATING AXLE INSTALLATIONS</b>	
	0272424	Ref	<b>Belgium Built Machines (Prior to SN 130000353)</b>	E
	0273497	Ref	<b>Belgium Built Machines (SN 130000353 through 1300003222)</b>	C
	0274753	Ref	<b>Belgium Built Machines (SN 1300003223 to Present)</b>	A
	0274753	Ref	<b>Romanian Built Machines (SN E300000100 through E300001114)</b>	A
101	0100011	AR	Compound, Locking	
101	0100019	AR	Compound, Locking	
102	0100038	AR	Primer, Locking #7471	
103	0641416	4	Bolt 1/4in-20NC x 2in (Belgium Built Machines) <b>(Prior to SN 130000353)</b>	
104	0641607	2	Bolt 3/8in-16NC x 3/4in (Belgium Built Machines) <b>(Prior to SN 1300003223)</b>	
105	0641810	2	Bolt 1/2in-13NC x 1-1/4in (Belgium Built Machines) <b>(Prior to SN 130000353)</b>	
106	0642012	1	Bolt 5/8in-11NC x 1-1/2in	
107	0682248	2	Bolt 3/4in-10NC x 6in (Belgium Built Machines) <b>(Prior to SN 1300003223)</b>	
108	0961950	2	Bushing	
109	1100134	1	Cam, Lockout (Belgium Built Machines) <b>(Prior to SN 130000353)</b>	
110	3272201	2	Nut 3/4in-10NC (Belgium Built Machines) <b>(Prior to SN 1300003223)</b>	
111	3311405	4	Locknut 1/4in-20NC (Belgium Built Machines) <b>(Prior to SN 130000353)</b>	
112	3422592	1	Pin, Axle Pivot	
113	3422520	2	Pin (Belgium Built Machines) <b>(Prior to SN 1300003223)</b>	
114	3841258	1	Keeper, Pin	
115	3841520	2	Keeper, Pin (Belgium Built Machines) <b>(Prior to SN 1300003223)</b>	
116	4567462	2	Tube, Mounting (Belgium Built Machines) <b>(Prior to SN 1300003223)</b>	
117		Ref	Lockout Valve Assembly Options:	
117	4640871	1	Valve used on Belgium Built Machines <b>(Prior to SN 130000353)</b>	
117	7012693	1	Seal Kit - 4640871 Valve	
117	7002840	1	Anti-Rotation Pin Removal Tool	
117	4641265	1	Valve used on Belgium Built Machines <b>(SN 130000353 to Present)</b>	
117	4641265	1	Valve used on Romanian Built Machines <b>(SN E300000100 through E300001114)</b>	
118	4711400	4	Flatwasher 1/4in Thin (Belgium Built Machines) <b>(Prior to SN 130000353)</b>	
119	4740158	1	Thrustwasher	
120	4752000	4	Flatwasher 5/8in Regular (Belgium Built Machines) <b>(Prior to SN 130000353)</b>	
121		Ref	Axle Weldment Options:	
		Ref	<b>Note: If kingpin holes in the axle measure 1.503in diameter or larger in any direction, axle weldment must be replaced.</b>	
		Ref	<b>Note: See Kit Item 250 and additional notes at end of parts list before ordering parts.</b>	
121	4846660	1	Belgium Built Machines <b>(Prior to SN 1300003223)</b>	
121	0280203	1	Belgium Built Machines <b>(SN 1300003223 to Present)</b>	
121	0280203	1	Romanian Built Machines <b>(SN E300000100 through</b>	

## SECTION 1 - FRAME

ITEM	PART NUMBER	QTY	DESCRIPTION	REV
			<b>E300001114)</b>	
121A	0561511	2	Steer Cylinder Mounting Block Assembly	
122	4892200	4	Flatwasher 3/4in Hardened (Belgium Built Machines) <b>(Prior to SN 1300003223)</b>	
123		Ref	Lockout Cylinder Assembly Options (See CYLINDER SECTION for Breakdown):	
123A	1684243	2	Belgium Built Machines <b>(Prior to SN 1300003223)</b>	
123B	1684465	2	Belgium Built Machines <b>(SN 1300003223 to Present)</b>	
123B	1684465	2	Romanian Built Machines <b>(SN E300000100 through E300001114)</b>	
124	0791506	4	Screw 5/16in-18NC x 3/4in (Belgium Built Machines) <b>(SN 1300000353 to Present)</b>	
125	0641814	8	Bolt 1/2in-13NC x 1-3/4in (Belgium Built Machines) <b>(SN 1300003223 to Present)</b>	
126	4891800	8	Flatwasher 1/2in Hardened (Belgium Built Machines) <b>(SN 1300003223 to Present)</b>	
126	4891800	8	Flatwasher 1/2in Hardened (Romanian Built Machines) <b>(SN E300000100 through E300001114)</b>	
	0272428	Ref	<b>STEERING INSTALLATION</b>	F
201	0100011	AR	Compound, Locking	
202		Ref	Thrustwasher Options:	
202	0440161	AR	Belgium Built Machines (Top and Bottom Kingpin Location) (Note: See Kit Item 250 and additional notes at end of parts list before ordering parts) <b>(Prior to SN 1300000441)</b>	
202	4740537	AR	Belgium Built Machines (.0625) (Top Kingpin Location) <b>(SN 1300000441 to Present)</b>	
202	4740537	AR	Romanian Built Machines (.0625) (Top Kingpin Location) <b>(SN E300000100 through E300001114)</b>	
202	4740538	AR	Belgium Built Machines (.125) (Top Kingpin Location) <b>(SN 1300000441 to Present)</b>	
202	4740538	AR	Romanian Built Machines (.125) (Top Kingpin Location) <b>(SN E300000100 through E300001114)</b>	
202	4740539	AR	Belgium Built Machines (.188) (Top Kingpin Location) <b>(SN 1300000441 to Present)</b>	
202	4740539	AR	Romanian Built Machines(.188) (Top Kingpin Location) <b>(SN E300000100 through E300001114)</b>	
202	4740540	AR	Belgium Built Machines (.250) (Top Kingpin Location) <b>(SN 1300000441 to Present)</b>	
202	4740540	AR	Romanian Built Machines (.250) (Top Kingpin Location) <b>(SN E300000100 through E300001114)</b>	
202	0440271	AR	Belgium Built Machines (Bottom Kingpin Location) <b>(SN 1300000441 to Present)</b>	
202	0440271	AR	Romanian Built Machines (Bottom Kingpin Location) <b>(SN E300000100 through E300001114)</b>	
203	0641606	16	Bolt 3/8in-16NC x 3/4in	
204	0641824	4	Bolt 1/2in-13NC x 3in	
205		Ref	Bushing / Bearing Options:	
205	0961951	2	Belgium Built Machines (Top and Bottom Kingpin Location) (Note: See Kit Item 250 and additional notes at end of parts list before ordering parts) <b>(Prior to SN 1300000441)</b>	
205	0961951	2	Belgium Built Machines <b>(SN 1300000441 to Present)</b>	
205	0961951	2	Romanian Built Machines Options: <b>(SN E300000100 through E300001114)</b>	
205	0440291	2	Bushing / Bearing (Top Kingpin Location)	
205	0440274	2	Bushing / Bearing (Bottom Kingpin Location)	
206	0962140	2	Bearing, Garmax	

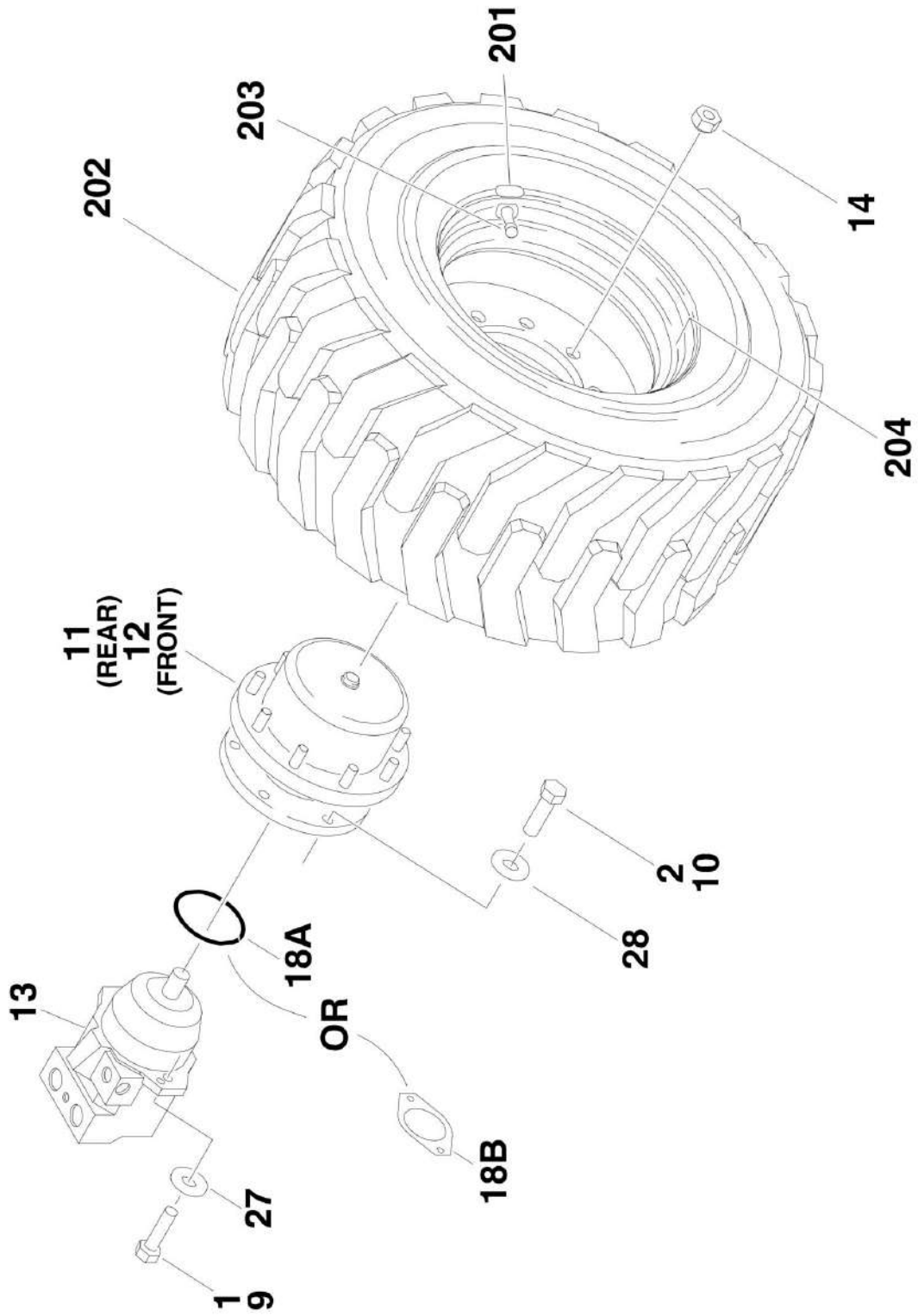


## SECTION 1 - FRAME

ITEM	PART NUMBER	QTY	DESCRIPTION	REV
207	3312008	4	Nut 5/8in-11NC	
208	3322201	2	Nut 3/4in-16NC	
209		Ref	Kingpin Options:	
209	3422716	4	Belgium Built Machines (2 Bolt Mounting) (Note: See Kit Item 250 and additional notes at end of parts <b>(Prior to SN 1300000441)</b> )	
209	3423081	4	Belgium Built Machines (4 Bolt Mounting) <b>(SN 1300000441 to Present)</b>	
209	3423081	4	Romanian Built Machines <b>(SN E300000100 through E300001114)</b>	
210		Ref	Rod-End with Grease Fitting	
210	3841367	2	Belgium Built Machines <b>(Prior to SN 130005313)</b>	
210	3841517	2	Belgium Built Machines <b>(SN 130005313 to Present)</b>	
210	3841517	2	Romanian Built Machines <b>(SN E300000100 through E300001114)</b>	
211	3900109	4	Screw, Shoulder	
212		Ref	Spindle (Left Side) Options:	
212	4130391	1	Belgium Built Machines <b>(Prior to SN 1300000441)</b>	
212	4130408	1	Belgium Built Machines <b>(SN 1300000441 to Present)</b>	
212	4130408	1	Romanian Built Machines <b>(SN E300000100 through E300001114)</b>	
213		Ref	Spindle (Right Side) Options:	
213	4130392	1	Belgium Built Machines <b>(Prior to SN 1300000441)</b>	
213	4130407	1	Belgium Built Machines <b>(SN 1300000441 to Present)</b>	
213	4130407	1	Romanian Built Machines <b>(SN E300000100 through E300001114)</b>	
214	4740086	4	Thrustwasher	
215	4751800	4	Flatwasher 1/2in Regular	
216	4846666	2	Tie-Rod	
217	1684246	1	Steer Cylinder Assembly (See CYLINDER SECTION for Breakdown)	
222	3780182	2	O-Ring (Belgium Built Machines) <b>(SN 1300003223 to Present)</b>	
222	3780182	2	O-Ring (Romanian Built Machines) <b>(SN E300000100 through E300001114)</b>	
223	3020029	AR	Grease, Bearing	
250	2902400	1	Kingpin & Bushings Update Kit for Belgium Built Machines Built Prior to SN 1300000441 (Includes Newer "Belgium Built Machines SN 1300000441 to Present" Design Items 202, 205, 210 & 222). Refer to Field Service Bulletin AWP-04-11.	
		Ref	<b>Note: Newer bushings will fit in "Belgium Built Machines Prior to SN 1300000441" axles however if kingpin holes measure 1.503in diameter or larger in any direction, axle weldment must be replaced before installation of kit.</b>	
		Ref	<b>Note: Spindles require drilling and tapping for 8 additional kingpin mtg bolts. Newer design kingpins require 4 mtg bolts each.</b>	
		Ref	<b>Note: All Romanian Built Machines have the newer design axle.</b>	

# SECTION 1 - FRAME

## FIGURE 1-2. TIRE AND WHEEL DRIVE INSTALLATIONS



# SECTION 1 - FRAME

## FIGURE 1-2. TIRE AND WHEEL DRIVE INSTALLATIONS

ITEM	PART NUMBER	QTY	DESCRIPTION	REV
		Ref	<b>WHEEL DRIVE INSTALLATIONS</b>	
	0272320	Ref	<b>Wheel Drive Installations (Prior to SN 130000159)</b>	C
	0272895	Ref	<b>Wheel Drive Installations (SN 130000159 through 1300003222)</b>	G
	0275854	Ref	<b>Wheel Drive Installations (SN 1300003223 through E300001114)</b>	C
1	0100011	AR	Compound, Locking	
2	0100019	AR	Compound, Locking	
9		Ref	Hardware Options:	
9	0681810	8	Bolt 1/2in-13NC x 1-1/4in (Grade 8) (Both Front and Rear Axle) (Belgium Built Machines) <b>(Prior to SN 130000162)</b>	
9	0681810	4	Bolt 1/2in-13NC x 1-1/4in (Grade 8) (Front Axle) (Belgium Built Machines) <b>(SN 130000162 to Present)</b>	
9	0681810	4	Bolt 1/2in-13NC x 1-1/4in (Grade 8) (Front Axle) (Romanian Built Machines) <b>(SN E30000100 through E300001114)</b>	
9	3311801	4	Nut 1/2in-13NC (Not Shown) (Rear Axle) (Belgium Built Machines) <b>(SN 130000162 to Present)</b>	
9	3311801	4	Nut 1/2in-13NC (Not Shown) (Rear Axle) (Romanian Built Machines) <b>(SN E30000100 through E300001114)</b>	
10	0682014	24	Bolt 5/8in-11NC x 1-3/4in (Grade 8)	
11		Ref	Drive Hub/Brake Assembly (Rear) Options:	
11	2780256	2	Belgium Built Machines (See DRIVE HUB/BRAKE ASSEMBLY (REAR) for Breakdown) <b>(Prior to SN 130000159)</b>	
11	2780267	2	Belgium Built Machines (See DRIVE HUB/BRAKE ASSEMBLY (REAR) for Breakdown) <b>(SN 130000159 to Present)</b>	
11	2780267	2	Romanian Built Machines (See DRIVE HUB/BRAKE ASSEMBLY (REAR) for Breakdown) <b>(SN E30000100 through E300001114)</b>	
12		Ref	Drive Hub Assembly (Front) Options:	
12	2780257	2	Belgium Built Machines (See DRIVE HUB ASSEMBLY (FRONT) for Breakdown) <b>(Prior to SN 130000159)</b>	
12	2780268	2	Belgium Built Machines (See DRIVE HUB ASSEMBLY (FRONT) for Breakdown) <b>(SN 130000159 to Present)</b>	
12	2780268	2	Romanian Built Machines (See DRIVE HUB ASSEMBLY (FRONT) for Breakdown) <b>(SN E30000100 through E300001114)</b>	
13		Ref	Drive Motor Assembly Options:	
13	3160266	4	Belgium Built Machines (Use p/n 3160348 - See DRIVE MOTOR ASSEMBLY for Breakdown) (For 3160348 Motor - See DRIVE MOTOR ASSEMBLY for Breakdown) <b>(Prior to SN 1300002249)</b>	
13	3160348	4	Belgium Built Machines (See DRIVE MOTOR ASSEMBLY for Breakdown) <b>(SN 1300002249 to Present)</b>	
13	3160348	4	Romanian Built Machines (See DRIVE MOTOR ASSEMBLY for Breakdown) <b>(SN E30000100 through E300001114)</b>	
14	3300106	36	Lugnut	
18		Ref	Seal Options:	
18A	3790045	2	O-Ring Belgium Built Machines <b>(Prior to SN 1300002638)</b>	
18B	3960526	4	Gasket Belgium Built Machines <b>(SN 1300002638 to Present)</b>	
18B	3960526	4	Gasket Romanian Built Machines <b>(SN E30000100 through E300001114)</b>	
27	4891800	8	Flatwasher 1/2in Hardened	
28	4892000	24	Flatwasher 5/8in Hardened	
31	2300016	AR	Fluid, Hydraulic (Not Shown)	

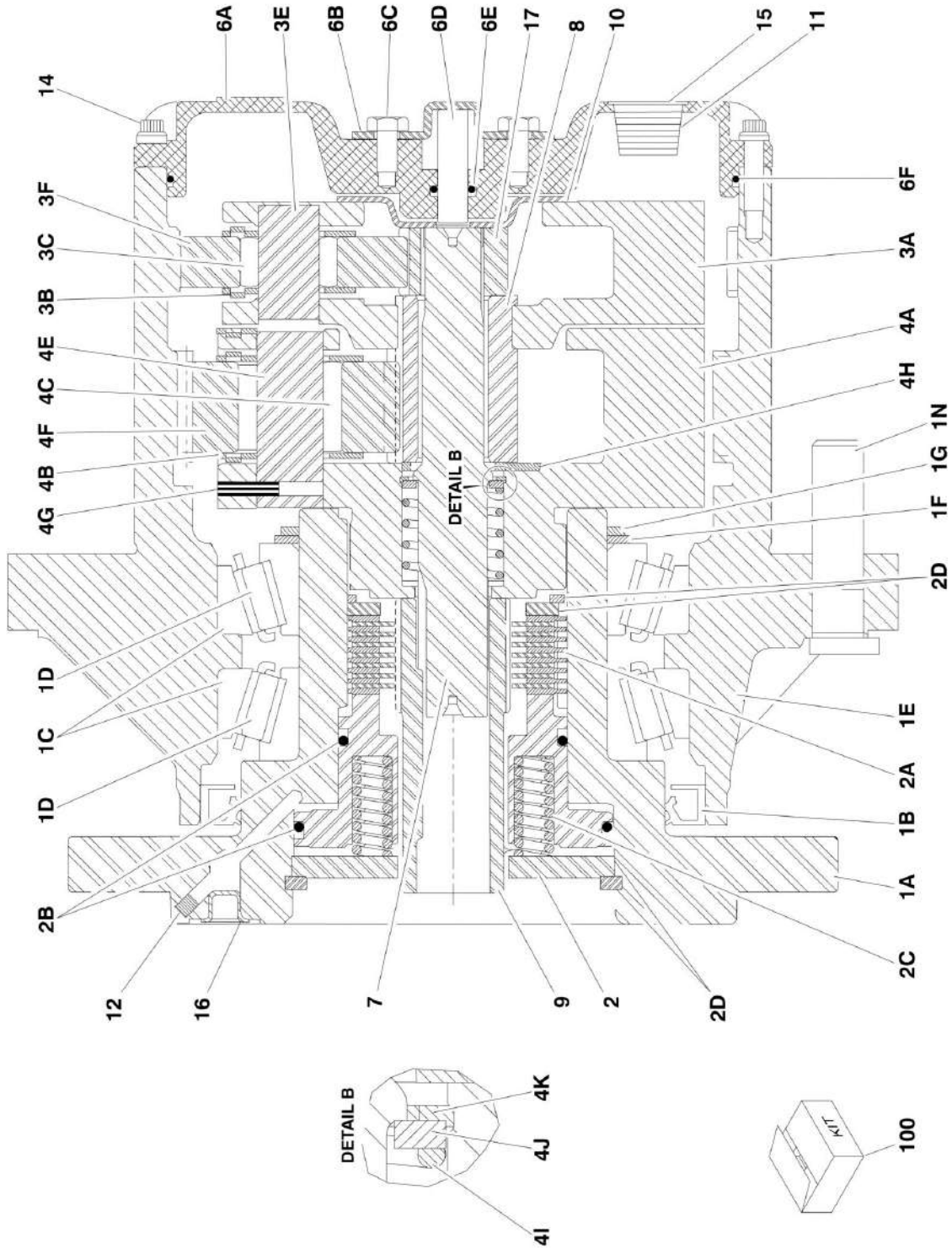
## SECTION 1 - FRAME

ITEM	PART NUMBER	QTY	DESCRIPTION	REV
32	3020008	AR	Lubricant, Mobilube HD 80W - 90 (Not Shown)	
		Ref	<b>TIRE AND WHEEL INSTALLATION OPTIONS</b>	
	0258028	Ref	<b>12 x 16.5 Pneumatic (ANSI/ANSI Export/CSA/Japanese Specs Only. Not Available on CE/Australian Specs)</b>	A
	0258030	Ref	<b>12 x 16.5 Foam-Filled (Available on all Specs)</b>	A
	0270674	Ref	<b>12 x 16.5 Foam-Filled, Non-Marking (Available on all Specs)</b>	B
	0258031	Ref	<b>33/1550 x 16.5 Foam-Filled</b>	B
	0258831	Ref	<b>33/16LL x 16.1 Pneumatic (ANSI/ANSI Export/CSA/Japanese Specs Only. Not Available on CE/Australian Specs) (Requires special counterweighting)</b>	A
	0257740	2	12 x 16.5 Pneumatic Right Side (Not Available on CE/Australian Specs)	C
	0257746	2	12 x 16.5 Pneumatic Left Side (Not Available on CE/Australian Specs)	C
	0258009	2	12 x 16.5 Foam-Filled Right Side	C
	0258010	2	12 x 16.5 Foam-Filled Left Side	C
	0270675	2	12 x 16.5 Foam-Filled Non-Marking Right Side	A
	0270676	2	12 x 16.5 Foam-Filled Non-Marking Left Side	A
	0258011	2	33/1550 x 16.5 Foam-Filled Right Side	D
	0258012	2	33/1550 x 16.5 Foam-Filled Left Side	D
	0258830	4	33/16LL x 16.1 Pneumatic (Not Available on CE/Australian Specs) (Requires special counterweighting)	
		Ref	<b>Note: Assemblies may require ballast/foam filling to manufacture's specifications prior to installing on a machine. Refer to Operation and Safety or Service and Maintenance Manuals. Purchase individual tire and/or rim only if able to foam fill tire and wheel assembly, otherwise, purchase complete assembly.</b>	
201		Ref	Decal Options (Pneumatic Only):	
201	1702740	1	Decal - 90PSI	
201	1703067	1	Decal - 40PSI	
202		Ref	Tire Options:	
202	4520216	1	12 x 16.5 NHS (OTR Brand)	
202	4520240	1	12 x 16.5 Non-Marking (OTR Brand)	
202	4520217	1	33/1550 x 16.5 NHS (OTR Brand)	
202	4520212	1	33/16LL x 16.1 (Galaxy Brand)	
203		Ref	Valve Stem Options:, Air (Pneumatic Only)	
203	4640113	1	All except 33/1550 x 16.5 Foam-Filled Tire and Wheel Assy	
203	8786514	1	33/1550 x 16.5 Foam-Filled Tire and Wheel Assy Only	
204		Ref	Rim, Wheel Options:	
204	4860178	1	16.5 x 12 (Use with 12 x 16.5 Tires)	
204	4860179	1	16.5 x 12 (Use with 33/1550 x 16.5 Tires)	
204	4860193	1	16.1 x 14 (Use with 33/16LL x 16.1 Tires)	



# SECTION 1 - FRAME

## FIGURE 1-3. DRIVE HUB/BRAKE ASSEMBLY (REAR)



## SECTION 1 - FRAME

### FIGURE 1-3. DRIVE HUB/BRAKE ASSEMBLY (REAR)

ITEM	PART NUMBER	QTY	DESCRIPTION	REV
		Ref	<b>USAGE: USED BELGIUM BUILT MACHINES (Prior to SN 1300000159)</b>	
		Ref	<b>NOTE: Hub may have been replaced with Service Kit p/n 1001178138. Kit uses hub p/n 2780267. See next figure for service parts.</b>	
	2780256	Ref	<b>DRIVE HUB/BRAKE ASSEMBLY</b>	G
1	See Note	1	Spindle/Housing Assembly (Note: Not Available - Purchase Individual Components)	
1A	7024105	1	Spindle	
1B	7024113	1	Seal	
1C	7007006	2	Cone, Bearing	
1D	7024112	2	Cup, Bearing	
1E	7024110	1	Housing/Ring Gear	
1F	7024109	1	Thrustwasher	
1G	7024107	1	Ring, Retaining	
1N	7024111	9	Stud, Wheel	
2	7024106	1	Brake, Input	
2A	7024710	1	Kit, Brake Lining (Includes Qty 8 Outer Plates and Qty 7 Inner Plates)	
2B	7024709	1	Kit, Brake O-Ring (Includes Qty 2 O-Rings and Back-up Rings)	
2C	7024711	1	Kit, Brake Spring (Includes Qty 12 Springs)	
2D	7024719	1	Kit, Brake Hardware (Includes End Plate, Spacer and Qty 2 E-Clips)	
3	See Note	1	Carrier Assembly (Note: Not Available - Purchase Individual Components)	
3A	7024116	1	Carrier	
3B	7024127	6	Thrustwasher	
3C	7024123	42	Bearing, Needle	
3E	7024120	3	Shaft, Planet	
3F	7024118	3	Gear, Planet	
4	See Note	1	Carrier Assembly (Note: Not Available - Purchase Individual Components)	
4A	7024117	1	Carrier	
4B	7024126	6	Thrustwasher	
4C	7024122	45	Bearing, Needle	
4E	7024121	3	Shaft, Planet	
4F	7024119	3	Gear, Planet	
4G	7001913	3	Rollpin	
4H	7024128	1	Thrustwasher	
4I	7024124	1	Spring	
4J	7024129	1	Thrustwasher	
4K	7024125	1	Thrustwasher	
6	See Note	1	Cover Assembly (Note: Not Available - Purchase Individual Components)	
6A	7024132	1	Plate, Cover	
6B	7017093	1	Cap, Disengage	
6C	0641404	2	Bolt 1/2in-20NC x 1/2in	
6D	7017092	1	Pin, Dowel	
6E	7017095	1	O-Ring	
6F	7024134	1	O-Ring	
7	7024130	1	Shaft, Input	
8	7024115	1	Gear, Sun	

## SECTION 1 - FRAME

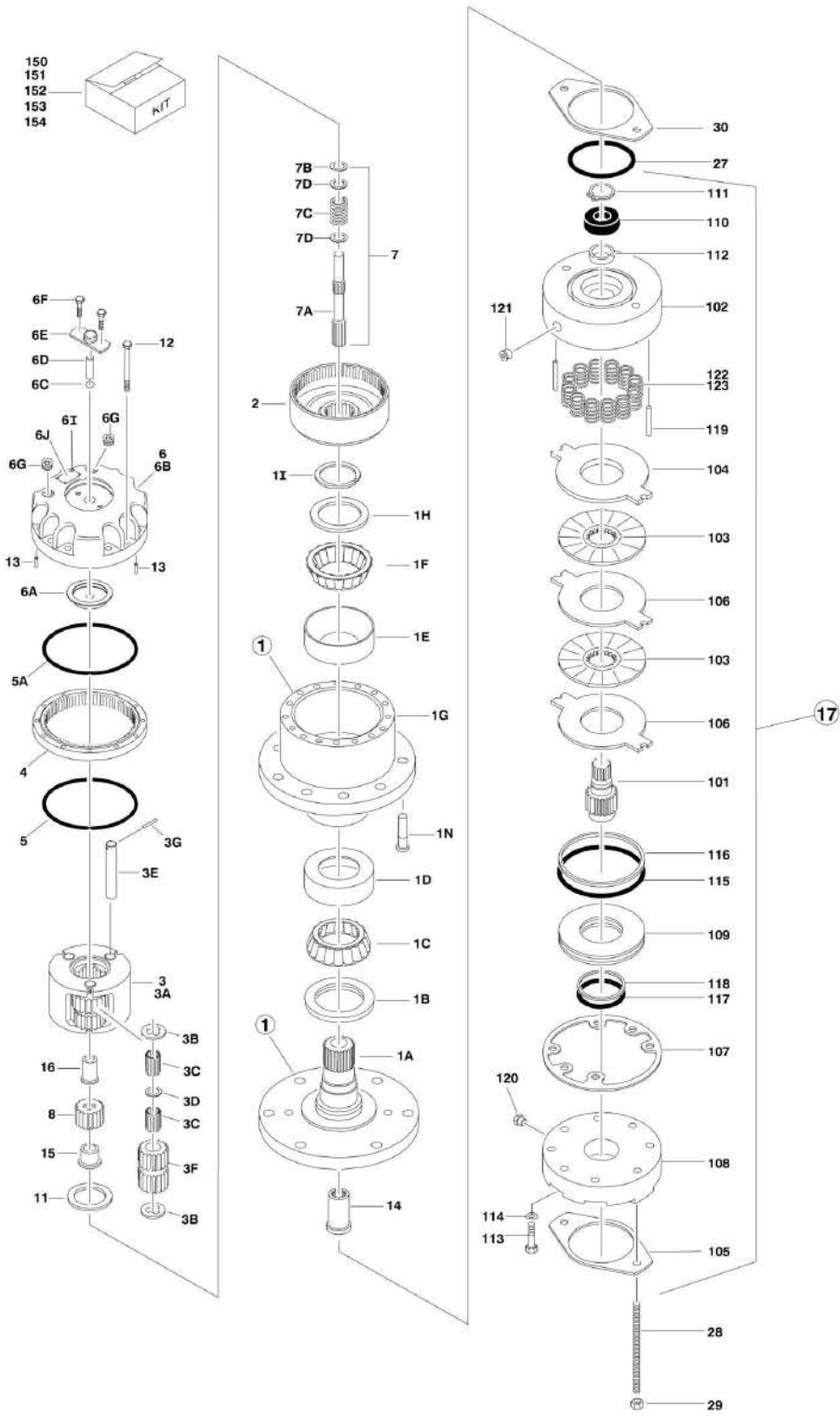
ITEM	PART NUMBER	QTY	DESCRIPTION	REV
9	7024131	1	Coupling	
10	7017097	1	Spacer, Thrust	
11	7017094	2	Plug, Pipe	
12	7024108	1	Plug, Pressure	
14	7024133	12	Bolt 1/4in-20NC x 7/8in (Grade 8)	
15	See Note	1	Plate, ID (Not Shown) (Note: Not Available for Purchase)	
16	7017082	1	Plug, O-Ring	
17	7024114	1	Gear, Sun	
100	7024198	1	Seal Kit (Includes Items 1B, 1G & 6F)	





# SECTION 1 - FRAME

## FIGURE 1-4. DRIVE HUB/BRAKE ASSEMBLY (REAR)



## SECTION 1 - FRAME

### FIGURE 1-4. DRIVE HUB/BRAKE ASSEMBLY (REAR)

ITEM	PART NUMBER	QTY	DESCRIPTION	REV
		Ref	<b>USAGE: USED BELGIUM BUILT MACHINES (SN 1300000159 to Present)</b>	
		Ref	<b>USAGE: USED ROMANIAN BUILT MACHINES (SN E300000100 through E300001114)</b>	
	2780267	Ref	<b>DRIVE HUB/BRAKE ASSEMBLY</b>	D
1	See Note	1	Spindle/Housing Assembly (Note: Not Available - Purchase Individual Components)	
1A	7017059	1	Spindle	
1B	7001998	1	Seal	
1C	7010429	1	Cone, Bearing (Includes Item 1D)	
1D	7010429	1	Cup, Bearing (Includes Item 1C)	
1E	7000257	1	Cup, Bearing	
1F	7000258	1	Cone, Bearing	
1G	7007601	1	Housing/Ring Gear	
1H	7000232	1	Thrustwasher	
1I	7000229	1	Ring, Retaining	
1N	7007640	9	Stud, Wheel	
2	7000246	1	Gear, Internal	
3	7024712	1	Carrier Assembly	
3A	7024712	1	Carrier	
3B	7024712	6	Ring, Retaining	
3C	7024712	AR	Bearing, Needle	
3D	7024712	3	Thrustwasher	
3E	7024712	3	Shaft, Planet	
3F	7024712	3	Gear, Planet	
3G	7024712	3	Rollpin	
4	7000248	1	Ring Gear	
5	7000230	1	O-Ring	
5A	7017070	1	O-Ring	
6	70001349	1	Cover Assembly (was p/n 7017090)	
6A	70001349	1	Spacer, Thrust (was p/n 7017097)	
6B	70001349	1	Plate, Cover (was p/n 7017091)	
6C	70001349	1	O-Ring (was p/n 7017095)	
6D	70001349	1	Rod, Disconnect (was p/n 7017092)	
6E	70001349	1	Cap, Disengage (was p/n 7017093)	
6F	70001349	2	Bolt (was p/n 0641404)	
6G	7017094	1	Plug, Pipe	
6I	See Note	4	Rivet (Note: Not Available - Purchase Locally)	
6J	See Note	1	Plate, ID (Note: Not Available for Purchase)	
7		Ref	Input Shaft Assembly	
7A	7024714	1	Shaft	
7B	7000261	1	Ring, Retaining	
7C	7000262	1	Spring	
7D	7000263	2	Spacer, Thrust	
8	7024713	1	Gear, Sun	
11	7000253	1	Thrustwasher	
12	7017067	12	Bolt	
13	7017080	4	Pin, Dowell	
14	7000206	1	Coupling	
15	7024715	1	Spacer, Input	

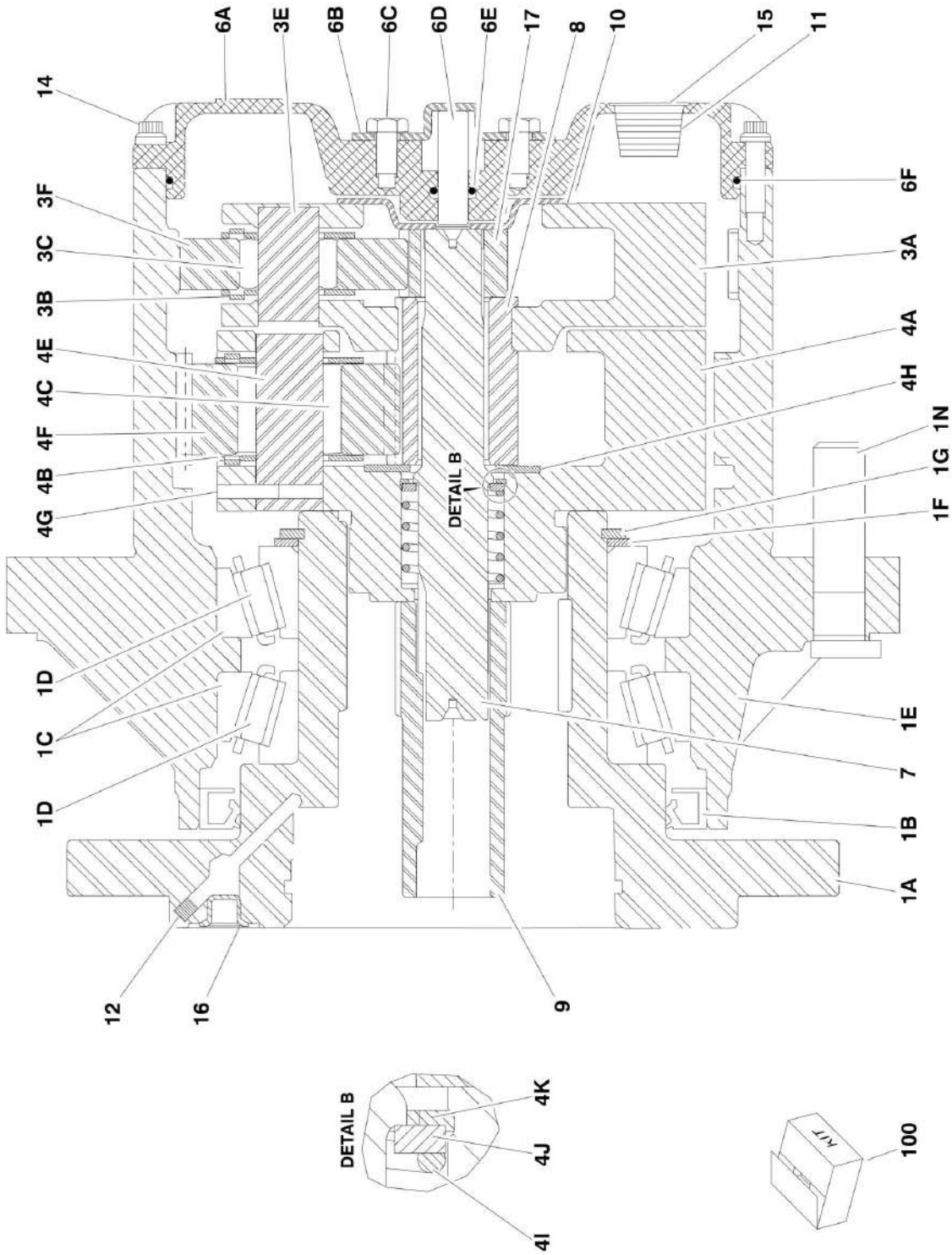
## SECTION 1 - FRAME

ITEM	PART NUMBER	QTY	DESCRIPTION	REV
16	7024716	1	Spacer, Input	
17	7024182	1	Brake Assembly (See Items 101-123 for Breakdown)	
27	7024705	1	O-Ring	
28	7024717	2	Rod, Threaded	
29	7024718	2	Nut 1/2in-13NC	
30	70005483	1	Gasket	
	7024182	Ref	<b>BRAKE ASSEMBLY</b>	
101	7024189	1	Shaft	
102	7024182	1	Housing	
103	I7024193	2	Plate, Friction	
104	7024193	1	Plate, Pressure	
105	7000731	1	Gasket	
106	7024193	2	Plate, Outer	
107	See Note	1	Gasket (Note: Use Item 150, 153 or 154.)	
108	7024191	1	Cylinder	
109	7024192	1	Piston	
110	7024197	1	Bearing, Ball	
111	7024197	1	Ring, Retaining	
112	7024197	1	Seal, Shaft	
113	See Note	6	Capscrew (Note: Not Available - Purchase Locally)	
114	See Note	6	Lockwasher (Note: Not Available - Purchase Locally)	
115	7024194	1	O-Ring	
116	7024194	1	Ring, Back-up	
117	7024194	1	O-Ring	
118	7024194	1	Ring, Back-up	
119	7024190	2	Pin, Dowel	
120	See Note	1	Plug (Note: Not Available - Purchase Locally)	
121	See Note	2	Plug (Note: Not Available - Purchase Locally)	
122	7024196	10	Spring Kit (Natural)	
123	7024196	2	Spring Kit (Blue)	
150	70006429	1	Seal Kit, Hub (Includes Items 11, 5, 5A & 12)	
150	70006428	1	Seal & Bearing Kit, Hub (Includes Items 1C-1F, 11, 5, 5A & 12)	
150	7024194	1	Seal Kit, Brake (Includes Items 105, 107 & 115-118)	
151	7024196	1	Spring Kit, Brake (Includes 12 Natural Colored Springs Item 122) (was p/n 7024195)	
152	7024196	1	Spring Kit, Brake (Includes 12 Natural Colored Springs Item 122 & 2 Blue Springs Colored Springs Item 123)	
153	7024193	1	Friction Disc Kit, Brake (Includes Items 103, 104, 106 & 107)	
154	7024197	1	Bearing Kit, Brake (Includes Items 107 & 110-112)	



# SECTION 1 - FRAME

## FIGURE 1-5. DRIVE HUB ASSEMBLY (FRONT)



# SECTION 1 - FRAME

## FIGURE 1-5. DRIVE HUB ASSEMBLY (FRONT)

ITEM	PART NUMBER	QTY	DESCRIPTION	REV
		Ref	<b>USAGE: BELGIUM BUILT MACHINES USED (Prior to SN 130000064)</b>	
		Ref	<b>NOTE: Hub may have been replaced with Service Kit p/n 1001178136. Kit uses hub p/n 2780268. See next figure for service parts.</b>	
	2780257	Ref	<b>DRIVE HUB ASSEMBLY</b>	F
1	See Note	1	Spindle/Housing Assembly (Note: Not Available - Purchase Individual Components)	
1A	7024105	1	Spindle	
1B	7024113	1	Seal	
1C	7007006	2	Cone, Bearing	
1D	7024112	2	Cup, Bearing	
1E	7024110	1	Housing/Ring Gear	
1F	7024109	1	Thrustwasher	
1G	7024107	1	Ring, Retaining	
1N	7024111	9	Stud, Wheel	
3	See Note	1	Carrier Assembly (Note: Not Available - Purchase Individual Components)	
3A	7024116	1	Carrier	
3B	7024127	6	Thrustwasher	
3C	7024123	42	Bearing, Needle	
3E	7024120	3	Shaft, Planet	
3F	7024118	3	Gear, Planet	
4	See Note	1	Carrier Assembly (Note: Not Available - Purchase Individual Components)	
4A	7024117	1	Carrier	
4B	7024126	6	Thrustwasher	
4C	7024122	45	Bearing, Needle	
4E	7024121	3	Shaft, Planet	
4F	7024119	3	Gear, Planet	
4G	7001913	3	Rollpin	
4H	7024128	1	Thrustwasher	
4I	7024124	1	Spring	
4J	7024129	1	Thrustwasher	
4K	7024125	1	Thrustwasher	
6	See Note	1	Cover Assembly (Note: Not Available - Purchase Individual Components)	
6A	7024132	1	Plate, Cover	
6B	7017093	1	Cap, Disengage	
6C	0641404	2	Bolt 1/2in-20NC x 1/2in	
6D	7017092	1	Pin, Dowel	
6E	7017095	1	O-Ring	
6F	7024134	1	O-Ring	
7	7024130	1	Shaft, Input	
8	7024115	1	Gear, Sun	
9	7024131	1	Coupling	
10	7017097	1	Spacer, Thrust	
11	7017094	2	Plug, Pipe	
12	7024108	1	Plug, Pressure	
14	7024133	12	Bolt 1/4in-20NC x 7/8in (Grade 8)	
15	See Note	1	Plate, ID (Not Shown) (Note: Not Available For Purchase)	

## SECTION 1 - FRAME

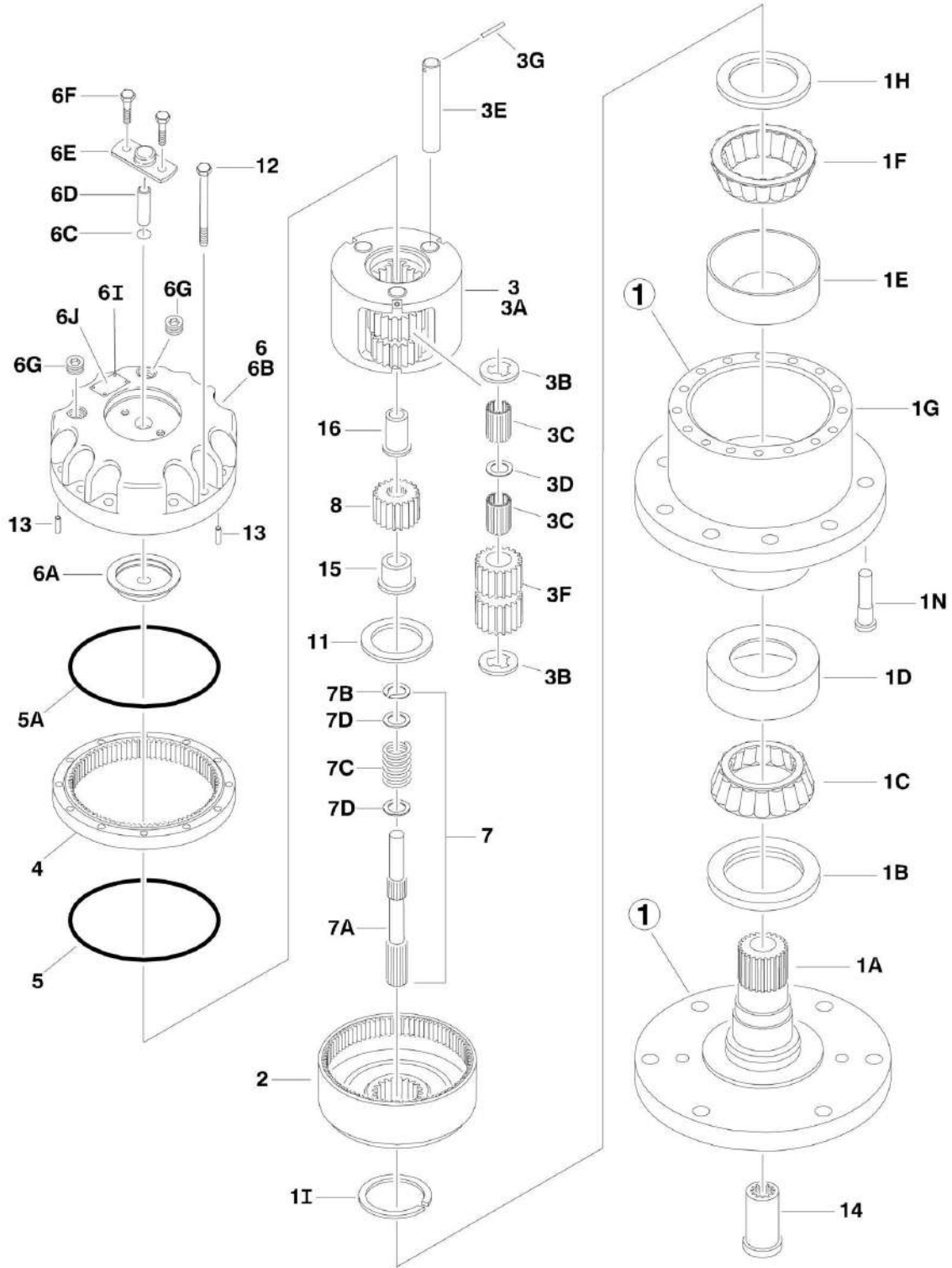
ITEM	PART NUMBER	QTY	DESCRIPTION	REV
16	7017082	1	Plug, O-Ring	
17	7024114	1	Gear, Sun	
100	7024198	1	Seal Kit (Includes Items 1B, 1G & 6F)	





# SECTION 1 - FRAME

## FIGURE 1-6. DRIVE HUB ASSEMBLY (FRONT)



# SECTION 1 - FRAME

## FIGURE 1-6. DRIVE HUB ASSEMBLY (FRONT)

ITEM	PART NUMBER	QTY	DESCRIPTION	REV
		Ref	<b>USAGE: USED ON BELGIUM BUILT MACHINES (SN 130000064 to Present)</b>	
		Ref	<b>USAGE: USED ON ROMANIAN BUILT MACHINES (SN E30000100 through E300001114)</b>	
	2780268	Ref	<b>DRIVE HUB ASSEMBLY</b>	C
1	See Note	1	Spindle/Housing Assembly (Note: Not Available - Purchase Individual Components)	
1A	7017059	1	Spindle	
1B	7001998	1	Seal	
1C	7010429	1	Cone, Bearing (Includes Item 1D)	
1D	7010429	1	Cup, Bearing (Includes Item 1C)	
1E	7000257	1	Cup, Bearing	
1F	7000258	1	Cone, Bearing	
1G	7007601	1	Housing/Ring Gear	
1H	7000232	1	Thrustwasher	
1I	7000229	1	Ring, Retaining	
1N	7007640	9	Stud, Wheel	
2	7000246	1	Gear, Internal	
3	7024712	1	Carrier Assembly	
3A	7024712	1	Carrier	
3B	7024712	6	Ring, Retaining	
3C	7024712	AR	Bearing, Needle	
3D	7024712	3	Thrustwasher	
3E	7024712	3	Shaft, Planet	
3F	7024712	3	Gear, Planet	
3G	7024712	3	Rollpin	
4	7000248	1	Ring Gear	
5	7000230	1	O-Ring	
5A	7017070	1	O-Ring	
6	70001349	1	Cover Assembly (was p/n 7017090)	
6A	70001349	1	Spacer, Thrust (was p/n 7017097)	
6B	70001349	1	Plate, Cover (was p/n 7017091)	
6C	70001349	1	O-Ring (was p/n 7017095)	
6D	70001349	1	Rod, Disconnect (was p/n 7017092)	
6E	70001349	1	Cap, Disengage (was p/n 7017093)	
6F	70001349	2	Bolt (was p/n 0641404)	
6G	7017094	1	Plug, Pipe	
6I	See Note	4	Rivet (Note: Not Available - Purchase Locally)	
6J	See Note	1	Plate, ID (Note: Not Available for Purchase)	
7		Ref	Input Shaft Assembly	
7A	7024714	1	Shaft	
7B	7000261	1	Ring, Retaining	
7C	7000262	1	Spring	
7D	7000263	2	Spacer, Thrust	
8	7024713	1	Gear, Sun	
11	7000253	1	Thrustwasher	
12	7017067	12	Bolt	
13	7017080	4	Pin, Dowel	
14	7000206	1	Coupling	
15	7024715	1	Spacer, Input	

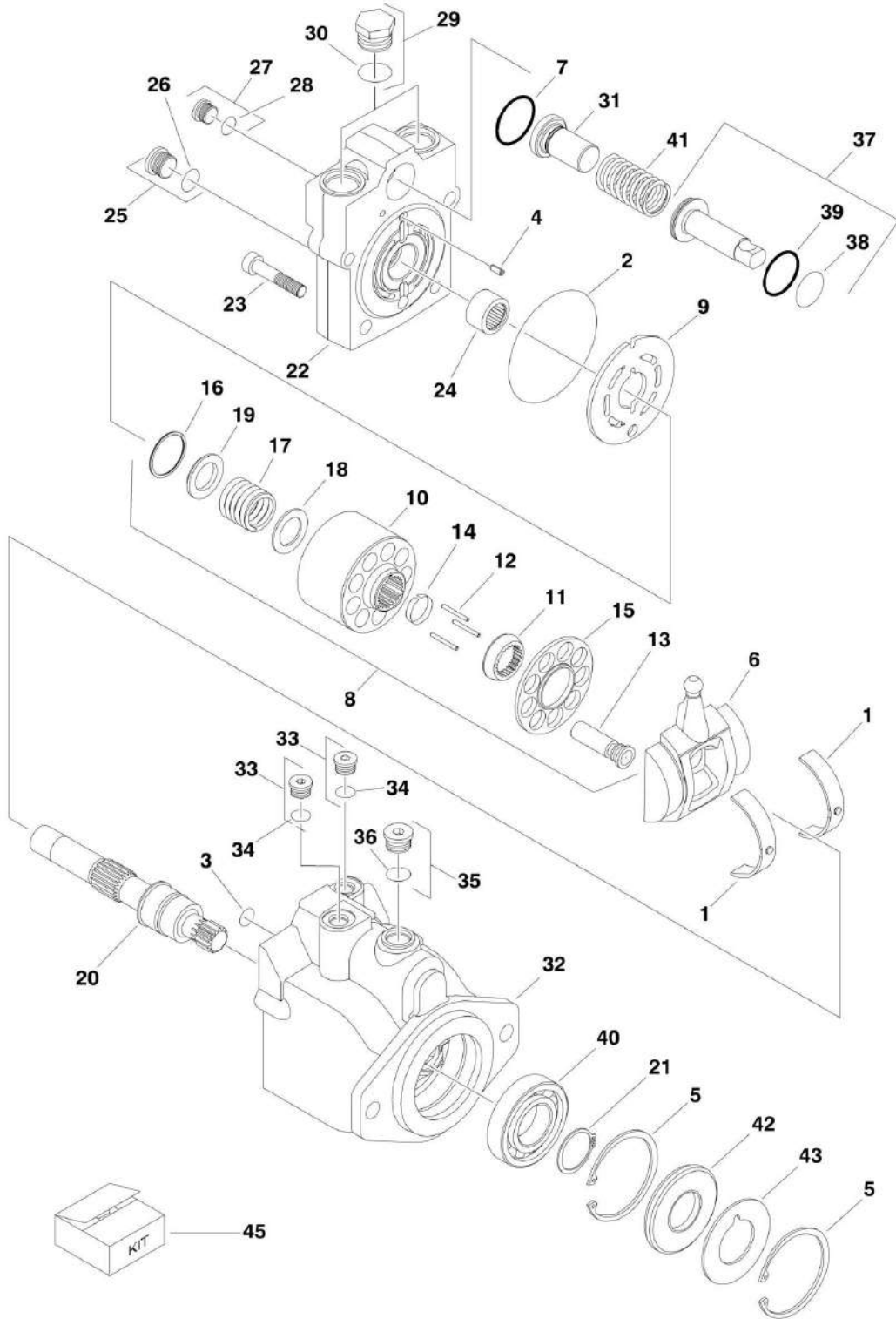
## SECTION 1 - FRAME

ITEM	PART NUMBER	QTY	DESCRIPTION	REV
16	7024716	1	Spacer, Input	
150	70006429	1	Seal Kit, Hub (Includes Items 1I, 5, 5A & 12) (Not Shown)	
150	70006428	1	Seal & Bearing Kit, Hub (Includes Items 1C-1F, 1I, 5, 5A & 12) (Not Shown)	



# SECTION 1 - FRAME

FIGURE 1-7. DRIVE MOTOR ASSEMBLY (BELGIUM BUILT MACHINES) (Prior to SN 1300002249)



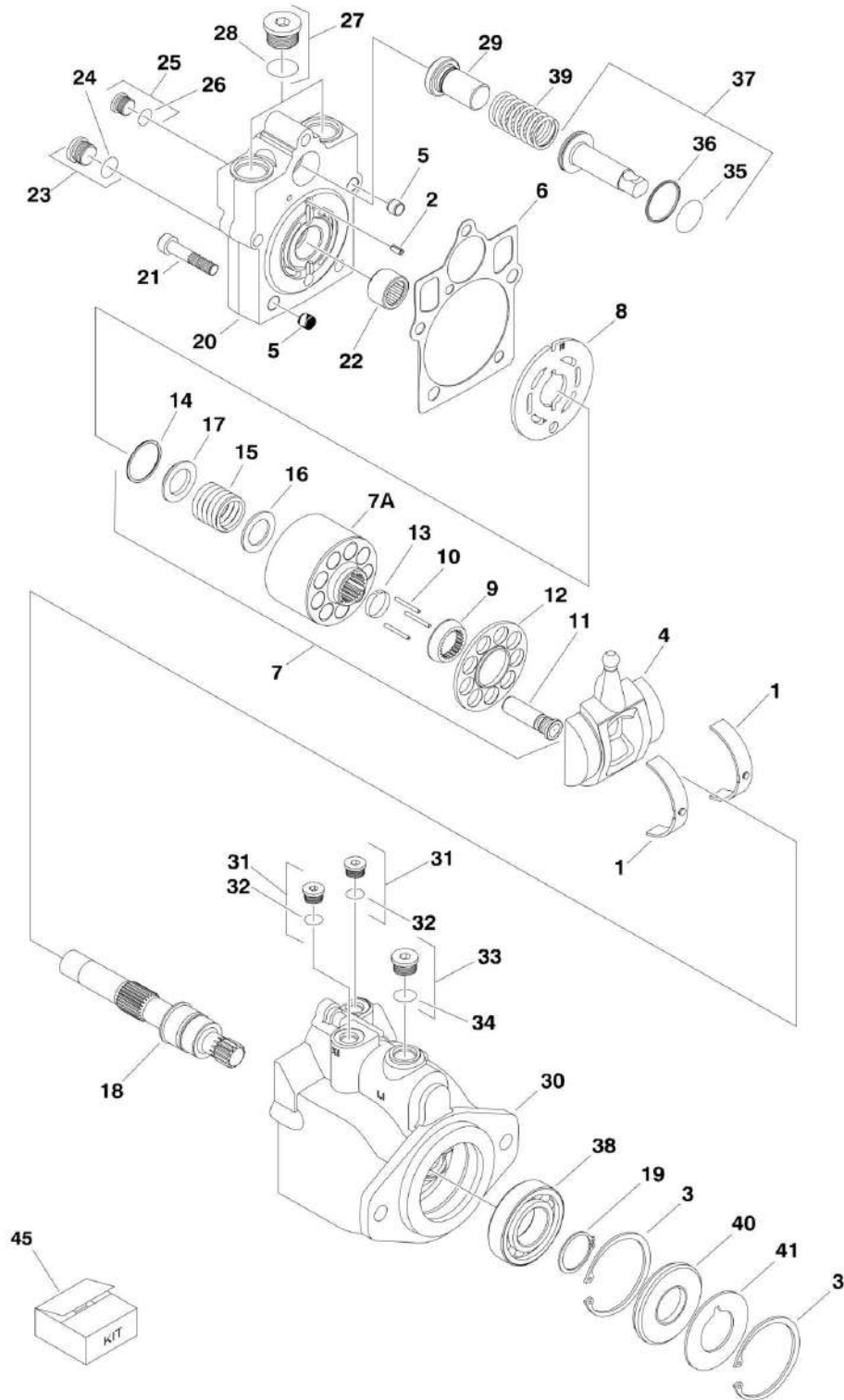
## SECTION 1 - FRAME

**FIGURE 1-7. DRIVE MOTOR ASSEMBLY (BELGIUM BUILT MACHINES) (Prior to SN 130002249)**

ITEM	PART NUMBER	QTY	DESCRIPTION	REV
	3160266	Ref Ref	<b>DRIVE MOTOR ASSEMBLY</b> <b>Note: Original Equipment Motor p/n 3160266 uses 4 bolts to assemble the motor. Service Replacement Motor p/n 3160348 motors use 5 bolts to assemble the motor. Visually identify component before ordering parts. If equipped with 3160348 refer to next illustration.</b>	D
1	7022302	2	Bearing, Journal	
2	7022328	1	O-Ring	
3	7022328	1	O-Ring	
4	7007446	1	Pin	
5	7007438	2	Ring, Retaining	
6	7022305	1	Swashplate	
7	7022328	1	O-Ring	
8	7023907	1	Cylinder Block Kit (Includes Items 10-19)	
9	7023908	1	Plate, Valve	
10	7023907	1	Block, Cylinder	
11	7021277	1	Guide, Slipper Retainer	
12	7021275	3	Pin, Slipper Hold Down	
13	7023907	9	Piston Assembly	
14	7021276	1	Retainer, Hold Down Pin	
15	7022310	1	Retainer, Slipper	
16	7022311	1	Ring, Retaining	
17	7022312	1	Spring	
18	7022313	1	Washer	
19	7022314	1	Retainer, Spring	
20	7023910	1	Shaft	
21	7007439	1	Ring, Retaining	
22	7022367	1	Cap, End - Axial	
23	7022368	4	Screw	
24	7021249	1	Bearing, Needle	
25	7022321	1	Plug (Includes Item 26)	
26	7022328	1	O-Ring	
27	7022318	1	Plug (Includes Item 28)	
28	7022328	1	O-Ring	
29	7007419	2	Plug (Includes Item 30)	
30	7022328	2	O-Ring	
31	7022372	1	Seat, Spring	
32	7022370	1	Housing	
33	7022318	2	Plug (Items Item 34)	
34	7022328	2	O-Ring	
35	7022321	1	Plug (Items Item 36)	
36	7022328	1	O-Ring	
37	7022323	1	Piston, Servo (Includes Items 38 & 39)	
38	7022328	1	O-Ring	
39	7022328	1	Ring, Seal	
40	7007437	1	Bearing	
41	7022326	1	Spring	
42	7022328	1	Seal, Lip	
43	7022371	1	Washer, Support	
45	7022328	1	Seal Kit (Includes Items 2, 3, 7, 26, 28, 30, 34, 36, 38, 39 & 42)	

# SECTION 1 - FRAME

FIGURE 1-8. DRIVE MOTOR ASSEMBLY (BELGIUM BUILT MACHINES AND ROMANIAN BUILT MACHINES) (SN 130002249 to Present, SN E30000100 through E300001114)





## SECTION 1 - FRAME

**FIGURE 1-8. DRIVE MOTOR ASSEMBLY (BELGIUM BUILT MACHINES AND ROMANIAN BUILT MACHINES) (SN 130002249 to Present, SN E30000100 through E300001114)**

ITEM	PART NUMBER	QTY	DESCRIPTION	REV
		Ref	<b>DRIVE MOTOR ASSEMBLY</b>	
	3160348	Ref	<b>Original Equipment Motor for Belgium Built Machines (SN 130002249 to Present)</b>	B
	3160348	Ref	<b>Original Equipment Motor for Romanian Built Machines (SN E300000100 through E300001114)</b>	B
	3160348	Ref	<b>Service Replacement Motor for p/n 3160266</b>	B
1	7022302	2	Bearing, Journal	
2	7007446	1	Pin	
3	7007438	2	Ring, Retaining	
4	7022305	1	Swashplate	
5	See Note	2	Pin (Note: Not Available for Purchase)	
6	7022328	1	Gasket	
7	7023907	1	Cylinder Block Kit (Includes Items 7A & 9-17)	
7A	7023907	1	Block, Cylinder	
8	7023908	1	Plate, Valve	
9	7021277	1	Guide, Slipper Retainer	
10	7021275	3	Pin, Slipper Hold Down	
11	7023907	9	Piston Assembly	
12	7021276	1	Retainer, Hold Down Pin	
13	7022310	1	Retainer, Slipper	
14	7022311	1	Ring, Retaining	
15	7022312	1	Spring	
16	7024868	1	Washer	
17	7022314	1	Retainer, Spring	
18	7023910	1	Shaft	
19	7007439	1	Ring, Retaining	
20	70000797	1	Cap, End - Axial	
21	7022368	5	Screw	
22	7021249	1	Bearing, Needle	
23	2220886	1	Plug (Includes Item 24)	
24	7022328	1	O-Ring	
25	2220883	1	Plug (Includes Item 26)	
26	7022328	1	O-Ring	
27	2220888	2	Plug (Includes Item 28)	
28	7022328	2	O-Ring	
29	7022372	1	Seat, Spring	
30	3160348	1	Housing	
31	2220883	2	Plug (Items Item 32)	
32	7022328	2	O-Ring	
33	2220886	1	Plug (Items Item 34)	
34	7022328	1	O-Ring	
35	7022328	1	O-Ring	
36	7022328	1	Ring, Seal	
37	7024854	1	Piston, Servo (Includes Items 35 & 36)	
38	7007437	1	Bearing	
39	7022326	1	Spring	
40	7022328	1	Seal, Lip	
41	7022371	1	Washer, Support	
45	7022328	1	Seal Kit (Includes Items 6, 24, 26, 28, 32, 34, 35, 36 & 40)	

# SECTION 1 - FRAME

## FIGURE 1-9. DRIVE VALVES INSTALLATIONS

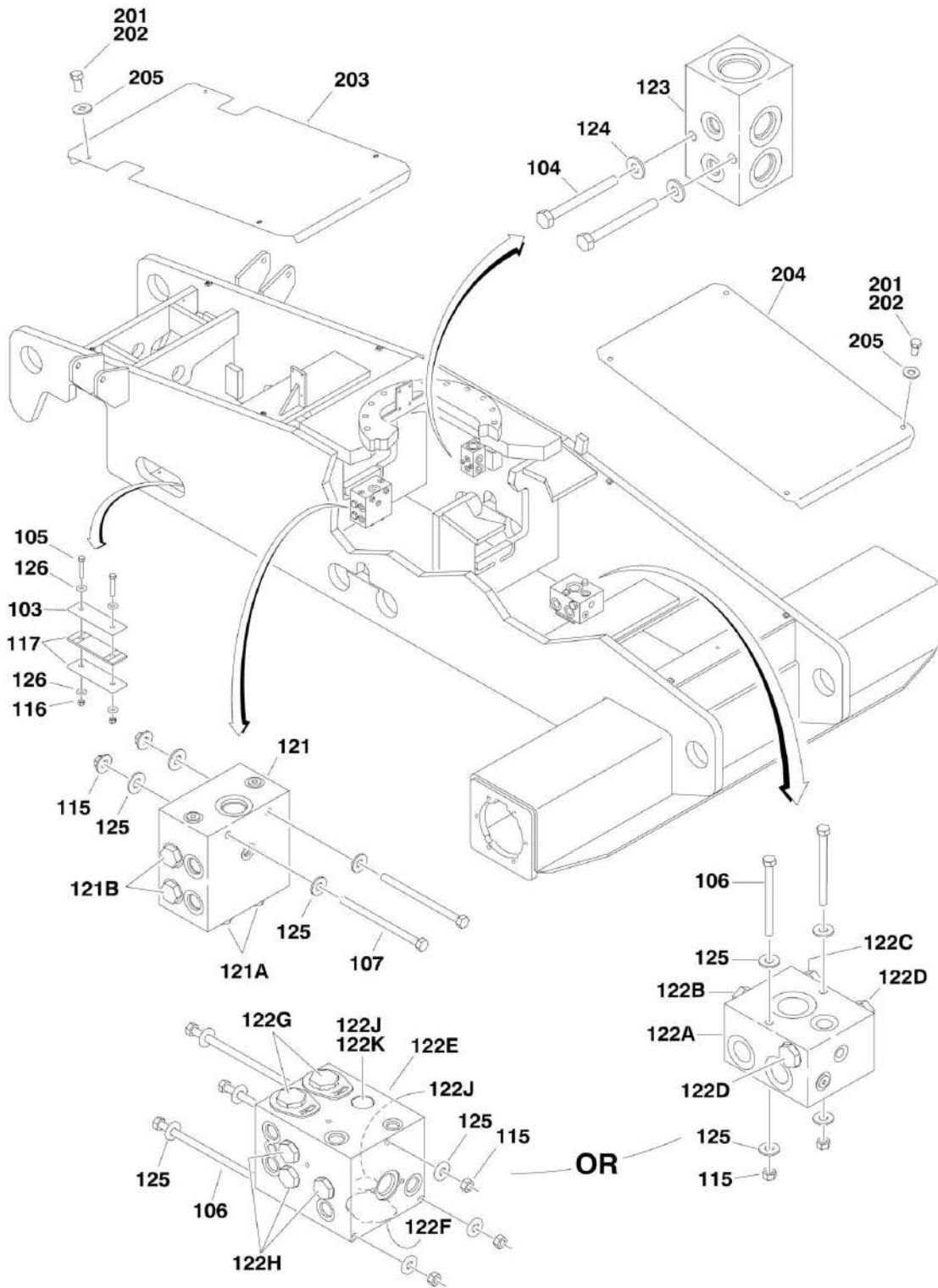


FIGURE 1-9. DRIVE VALVES INSTALLATIONS

ITEM	PART NUMBER	QTY	DESCRIPTION	REV
		Ref	<b>DRIVE VALVES INSTALLATION</b>	
	0272320	Ref	<b>Belgium Built Machines (Prior to SN 130000064)</b>	C
	0272895	Ref	<b>Belgium Built Machines (SN 130000064 through 1300003222)</b>	G
	0275854	Ref	<b>Belgium Built Machines (SN 1300003223 to Present)</b>	C
	0275854	Ref	<b>Romanian Built Machines (SN 1300003223 through E300001114)</b>	C
103	0363012	2	Bar, Clamping	
104	0641420	2	Bolt 1/4in-20NC x 2-1/2in	
105	0641618	4	Bolt 3/8in-16NC x 2-1/4in	
106	0641530	2	Bolt 5/16in-18NC x 3-3/4in (Belgium Built Machines) <b>(Prior to SN 1300003223)</b>	
106	0641560	3	Bolt 5/16in-18NC x 7-1/2in (Belgium Built Machines) <b>(SN 1300003223 to Present)</b>	
106	0641560	3	Bolt 5/16in-18NC x 7-1/2in (Romanian Built Machines) <b>(SN E300000100 through E300001114)</b>	
107	0641538	2	Bolt 5/16in-18NC x 4-3/4in (Belgium Built Machines Only) <b>(Prior to SN 1300003223)</b>	
115	3311505	AR	Locknut 5/16in-18NC	
117	3340911	4	Rubber, Clamp	
121	4641208	1	Flow Divider Valve Assembly (Belgium Built Machines Only) <b>(Prior to SN 1300003223)</b>	A
121A	7023934	2	Valve, Cartridge (Flow Divider) (4641208 Valve)	
121A	7021655	2	Seal Kit - 7023934 Flow Divider Cartridge	
121B	7023935	4	Valve, Cartridge (Check) (4641208 Valve)	
121B	7023936	4	Seal Kit - 7023935 Check Cartridge	
122		Ref	Flow Divider Valve Assembly Options:	
122A	4641207	1	Flow Divider Valve Assembly (Belgium Built Machines) <b>(Prior to SN 1300003223)</b>	A
122B	7023917	1	Valve, Cartridge (Flow Divider) (Used on 4641207 Valve)	
122B	7021625	1	Seal Kit - 7021625 Flow Divider Cartridge	
122C	7022397	1	Valve, Cartridge (Check) (4641207 Valve)	
122C	7022399	1	Seal Kit - 7022397 Check Cartridge	
122D	7010542	2	Valve, Cartridge (Load Shuttle) (4641207 Valve)	
122D	7010543	2	Seal Kit - 7010542 Load Shuttle Cartridge	
122E	4641510	1	Flow Divider Valve Assembly (Belgium Built Machines) <b>(SN 1300003223 to Present)</b>	D
122E	4641510	1	Flow Divider Valve Assembly (Romanian Built Machines) <b>(SN E300000100 through E300001114)</b>	D
122F	7023917	1	Valve, Cartridge (Flow Divider) (4641510 Valve)	
122F	7021625	1	Seal Kit - 7023917 Flow Divider Cartridge	
122F	70000781	1	Lock Kit	
122G	7023934	2	Valve, Cartridge (Flow Divider) (4641510 Valve)	
122G	7021655	2	Seal Kit - 7023934 Flow Divider Cartridge	
122G	70002962	2	Lock Kit	
122H	7022397	5	Valve, Cartridge (Check) (4641510 Valve)	
122H	7022399	5	Seal Kit - 7022397 Check Cartridge	
122J	7021639	2	Valve, Cartridge (Check) (4641510 Valve)	
122J	7017496	2	Seal Kit - 7021639 Check Cartridge (was p/n 2900756)	
122K	7024881	1	Piston, Pilot (4641510 Valve)	
123	4641155	1	Valve, Junction Manifold	B
124	4711400	2	Flatwasher 1/4in Thin	
125	4751500	8	Flatwasher 5/16in Regular	

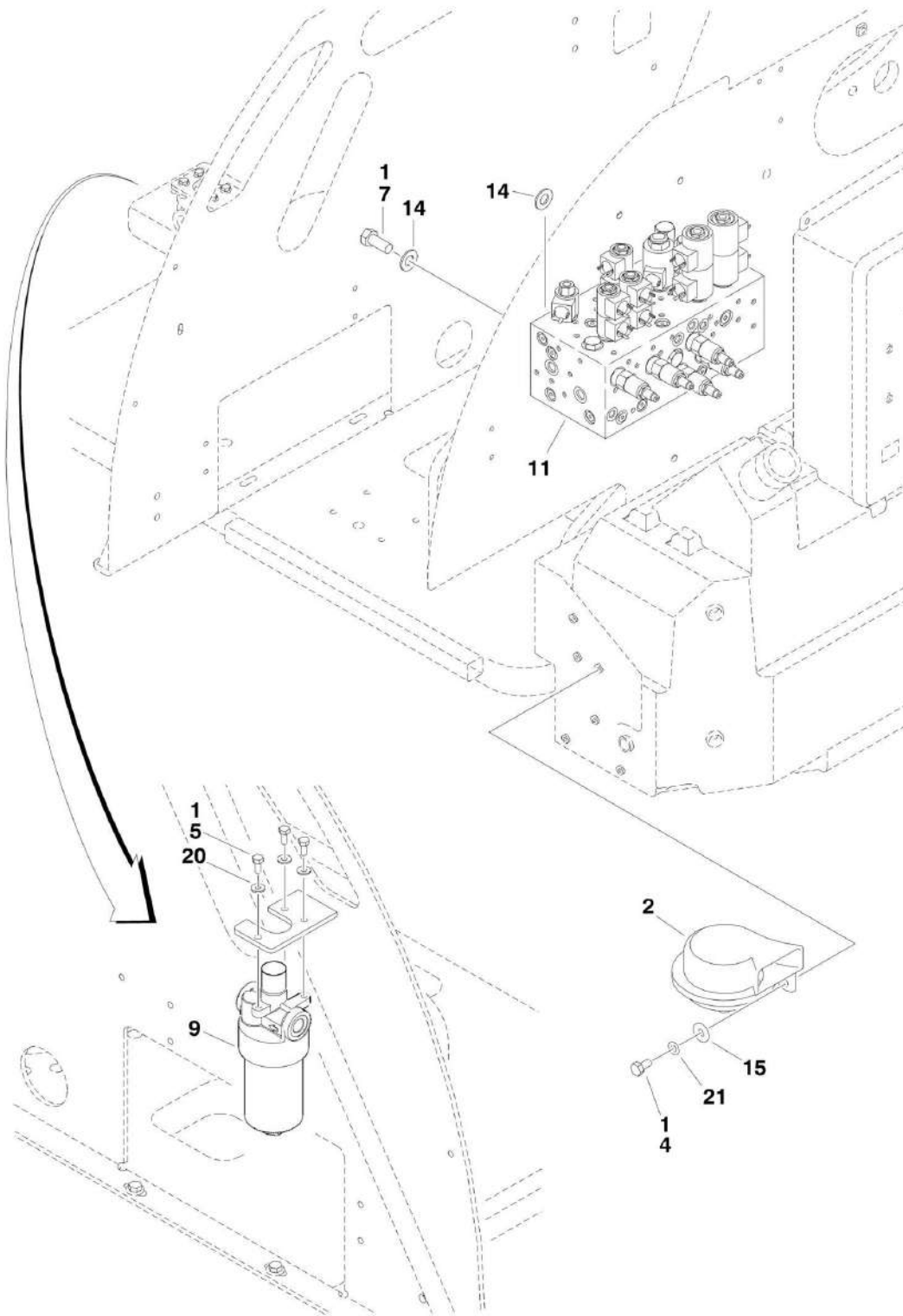
## SECTION 1 - FRAME

ITEM	PART NUMBER	QTY	DESCRIPTION	REV
126	4751600	AR	Flatwasher 3/8in Regular	
		Ref	<b>FRAME SHIELDS INSTALLATION OPTIONS:</b>	
	0272600	Ref	<b>Belgium Built Machines (Prior to SN 130000353)</b>	B
	0273499	Ref	<b>Belgium Built Machines (SN 130000353 through 1300003222)</b>	C
	0275858	Ref	<b>Belgium Built Machines (SN 1300003223 to Present)</b>	A
	0275858	Ref	<b>Romanian Built Machines (SN E30000100 through E300001114)</b>	A
201	0100011	AR	Compound, Locking	
202	0641606	10	Bolt 3/8in-16NC x 3/4in	
203		Ref	Cover (Front) Options:	
203	4061046	1	Belgium Built Machines <b>(Prior to SN 130000353)</b>	
203	3380504	1	Belgium Built Machines <b>(SN 130000353 through 1300003222)</b>	
203	3380764	1	Belgium Built Machines <b>(SN 1300003223 to Present)</b>	
203	3380764	1	Romanian Built Machines <b>(SN E30000100 through E300001114)</b>	
204	4061047	1	Shield (Rear)	
205	4751600	10	Flatwasher 3/8in Regular	

**SECTION 2 - TURNTABLE**

# SECTION 2 - TURNTABLE

## FIGURE 2-1. CONTROL VALVE INSTALLATION



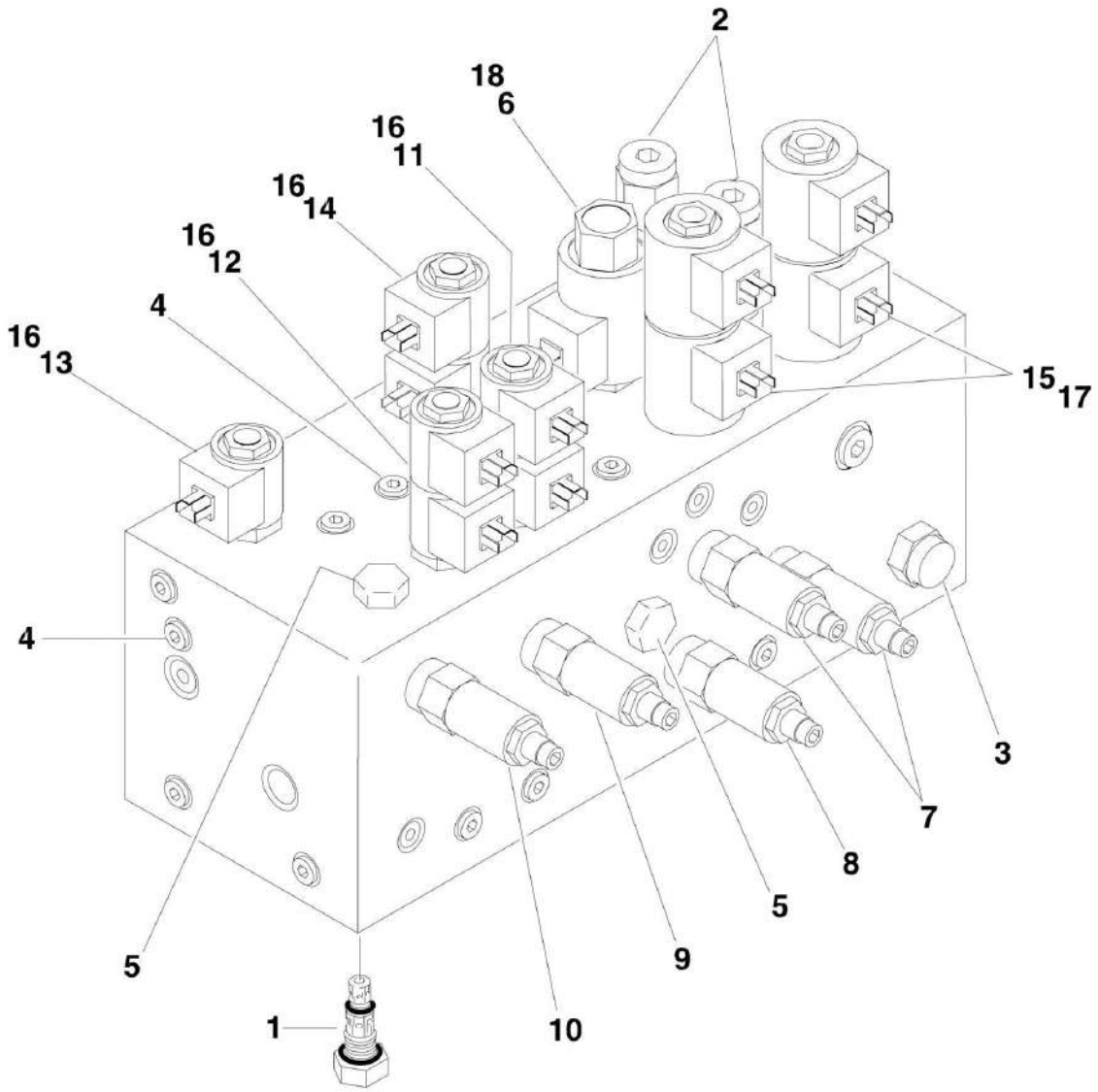
**SECTION 2 - TURNTABLE**

**FIGURE 2-1. CONTROL VALVE INSTALLATION**

ITEM	PART NUMBER	QTY	DESCRIPTION	REV
		Ref	<b>VALVES INSTALLATIONS</b>	
	0271197	Ref	<b>Belgium Built Machines (Prior to SN 1300001243)</b>	F
	0274616	Ref	<b>Belgium Built Machines (SN 1300001243 to Present)</b>	A
	0274616	Ref	<b>Romanian Built Machines (SN E300000100 through E300001114)</b>	A
1	0100011	AR	Compound, Locking	
2	0140001	1	Horn	
4	0641404	1	Bolt 1/4in-20NC x 1/2in	
5	0651405	4	Bolt 1/4in-24NF x 5/8in	
7	0641607	4	Bolt 3/8in-16NC x 7/8in	
9		Ref	Pressure Filter Assembly Options:	
9	2120163	1	<b>Belgium Built Machines (Prior to SN 1300001243)</b>	
9	2120150	1	Element, Filter	
9	7020020	1	Indicator	
9	7023206	1	O-Ring, Filter	
9	7023207	1	Ring, Back-up	
9	2120209	1	<b>Belgium Built Machines (SN 1300001243 to Present)</b>	
9	2120209	1	<b>Romanian Built Machines (SN E300000100 through E300001114)</b>	
9	2120210	1	Element, Filter	
9	7020020	1	Indicator	
9	70000934	1	O-Ring, Filter Bowl	
11	4641176	1	Main Control Valve Assembly (See MAIN CONTROL VALVE ASSEMBLY for Breakdown)	
14	4711600	10	Flatwasher 3/8in Thin	
15	4751400	1	Flatwasher 1/4in Regular	
20	4711400	4	Flatwasher 1/4in Thin	
21	4791400	1	Starwasher 1/4in	

# SECTION 2 - TURNTABLE

## FIGURE 2-2. MAIN CONTROL VALVE ASSEMBLY





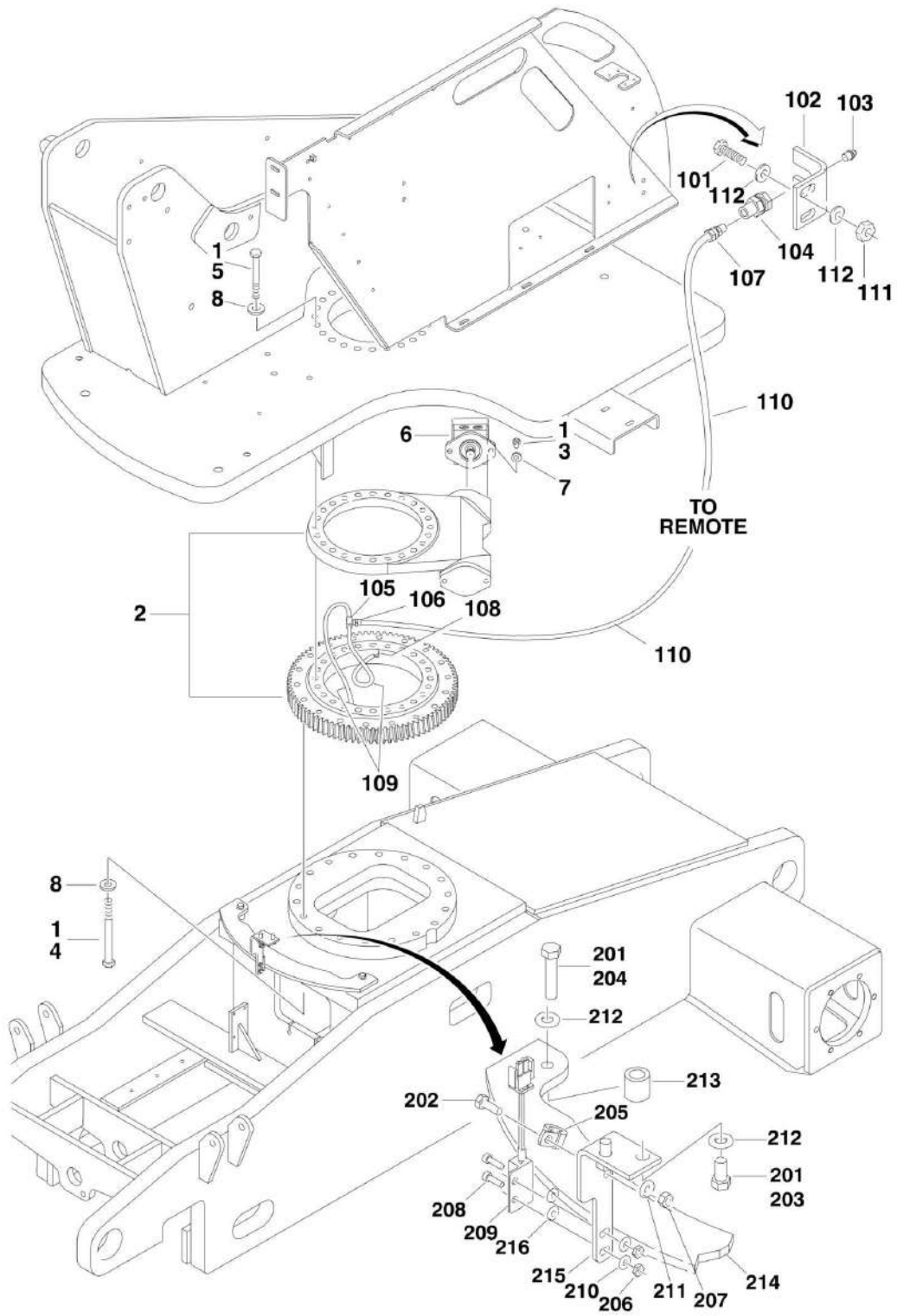
**SECTION 2 - TURNTABLE**

**FIGURE 2-2. MAIN CONTROL VALVE ASSEMBLY**

ITEM	PART NUMBER	QTY	DESCRIPTION	REV
	4641176	Ref	<b>PROPORTIONAL VALVE ASSEMBLY</b>	E
1	7012975	1	Cartridge, Check	
1	7012540	1	Seal Kit - 7012975 Cartridge	
2	7017482	2	Cartridge	
2	7012518	2	Seal Kit - 7017482 Cartridge	
3	7023970	1	Cartridge, Flow Regulator	
3	7012953	1	Seal Kit - 7023970 Cartridge	
4	7017440	3	Cartridge, Load Shuttle	
4	7017441	3	Seal Kit - 7017440 Cartridge	
5	7010542	2	Cartridge, Load Shuttle	
5	7010543	2	Seal Kit - 7010542 Cartridge	
6	7021611	1	Cartridge (Proportional Dump)	
6	7012518	1	Seal Kit - 7021611 Cartridge	
7	7023913	2	Cartridge, Relief (Telescope and Lower Lift)	
7	7012998	2	Seal Kit - 7023913 Cartridge	
8	7017422	1	Cartridge, Relief (Steer)	
8	7012998	1	Seal Kit - 7017422 Cartridge	
9	7017421	1	Cartridge, Relief (Upper Lift)	
9	7012998	1	Seal Kit - 7017421 Cartridge	
10	7017428	1	Cartridge, Relief (Swing)	
10	7012998	1	Seal Kit - 7017428 Cartridge	
11	7023922	1	Cartridge without Coil (Upper Lift)	
11	7017402	1	Seal Kit - 7023922 Cartridge	
12	7023914	1	Cartridge without Coil (Swing)	
12	7017402	1	Seal Kit - 7023914 Cartridge	
13	7017410	1	Cartridge without Coil (Main Dump)	
13	7012967	1	Seal Kit - 7017410 Cartridge	
14	7017433	1	Cartridge without Coil (Steer)	
14	7017402	1	Seal Kit - 7017433 Cartridge	
15	7017454	2	Cartridge without Coil (Lower Lift and Telescope)	
15	7012903	2	Seal Kit - 7017454 Cartridge	
16	7012944	7	Coil	
17	7012943	4	Coil	
18	7017451	1	Coil	

# SECTION 2 - TURNTABLE

## FIGURE 2-3. TURNTABLE AND SWING DRIVE INSTALLATIONS



## SECTION 2 - TURNTABLE

### FIGURE 2-3. TURNTABLE AND SWING DRIVE INSTALLATIONS

ITEM	PART NUMBER	QTY	DESCRIPTION	REV
		Ref	<b>SWING DRIVE INSTALLATION OPTIONS:</b>	
	0272167	Ref	<b>Belgium Built Machines (Prior to SN 130000353)</b>	D
	0273358	Ref	<b>Belgium Built Machines (SN 130000353 to Present)</b>	
	0273358	Ref	<b>Romanian Built Machines (SN E30000100 through E300001114)</b>	D
1	0100019	AR	Compound, Locking	
2		Ref	Swing Bearing and Rotation Box Assembly Options (See SWING BEARING AND ROTATION BOX ASSEMBLY for Breakdown):	
2	0440255	NLA	Swing Bearing and Rotation Box Assembly (Belgium Built Machines) (Use p/n 1001231278) <b>(Prior to SN 130000353)</b>	
2	0440272	NLA	Swing Bearing and Rotation Box Assembly (Belgium Built Machines) (Use p/n 1001231278) <b>(SN 130000353 to Present)</b>	
2	0440272	NLA	Swing Bearing and Rotation Box Assembly (Romanian Built Machines) (Use p/n 1001231278) <b>(SN E30000100 through E300001114)</b>	
3		Ref	Bolt 1/2in-13NC Options:	
3	0641818	2	2-1/4in Length (Belgium Built Machines) <b>(Prior to SN 1300006701)</b>	
3	3931832	2	2in Length (Belgium Built Machines) <b>(SN 1300006701 to Present)</b>	
3	3931832	2	2in Length (Romanian Built Machines) <b>(SN E30000100 through E300001114)</b>	
4	0682040	18	Bolt 5/8in-11NC x 5in (Grade 8)	
5	0682048	24	Bolt 5/8in-11NC x 6in	
6		Ref	Swing Motor Assembly Options:	
6	3160287	1	Motor for Belgium Built Machines (See SWING MOTOR ASSEMBLY for Breakdown - Use p/n 1001105455) <b>(Prior to SN 1300006701)</b>	
6	1001104850	1	Motor for Belgium Built Machines (See SWING MOTOR ASSEMBLY for Breakdown) <b>(SN 1300006701 to Present)</b>	
6	1001104850	1	Motor for Romanian Built Machines (See SWING MOTOR ASSEMBLY for Breakdown) <b>(SN E30000100 through E300001114)</b>	
7		Ref	Flatwasher 1/2in Hardened Options:	
7	4891800	2	Belgium Built Machines <b>(Prior to SN 1300006701)</b>	
7	4740171	2	Belgium Built Machines <b>(SN 1300006701 to Present)</b>	
7	4740171	2	Romanian Built Machines <b>(SN E30000100 through E300001114)</b>	
8	4892000	42	Flatwasher 5/8in Hardened	
9		Ref	Grease, Bearing (Not Shown) Options:	
9	Not Required	0	Belgium Built Machines <b>(Prior to SN 130000353)</b>	
9	2160001	AR	Belgium Built Machines <b>(SN 130000353 to Present)</b>	
9	2160001	AR	Romanian Built Machines <b>(SN E30000100 through E300001114)</b>	
	0258400	Ref	<b>REMOTE BEARING LUBE INSTALLATION</b>	B
101	0641609	2	Bolt 3/8in-16NC x 1-1/8in	
102	0902520	1	Bracket	
103	2160002	1	Fitting, Grease	
104	2180344	1	Fitting, Bulkhead	
105	2180822	1	Fitting, Tee	
106	2200261	1	Fitting, Coupling	
107	2220001	1	Fitting, Straight	
108	2220124	2	Fitting, Elbow	

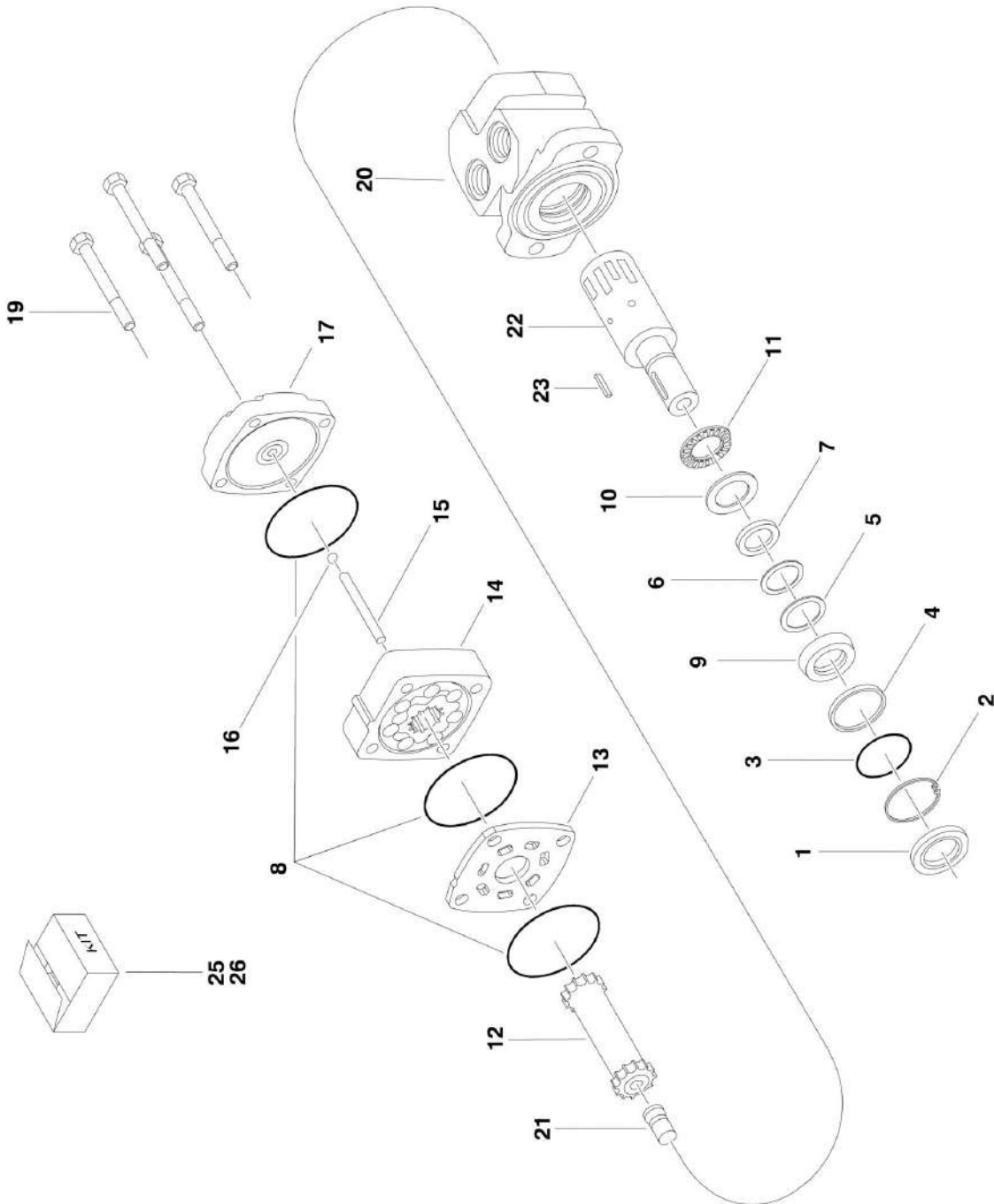
## SECTION 2 - TURNTABLE

ITEM	PART NUMBER	QTY	DESCRIPTION	REV
109	2750529	2	Hose	
110	2750807	1	Hose	
111	3311605	2	Locknut 3/8in-16NC	
112	4751600	4	Flatwasher 3/8in Regular	
	1001102695	Ref	<b>DRIVE ORIENTATION INSTALLATION (BELGIUM BUILT MACHINES) (SN 1300006701 to Present)</b>	D
	1001102695	Ref	<b>DRIVE ORIENTATION INSTALLATION (ROMANIAN BUILT MACHINES) (SN E300000100 through E300001114)</b>	D
201	0100011	AR	Compound, Locking	
202	0641406	1	Bolt 1/4in-20NC x 3/4in	
203	0641606	2	Bolt 3/8in-16NC x 3/4in	
204	0641614	2	Bolt 3/8in-16NC x 1-3/4in	
205	1320041	1	Clamp	
206	3311005	2	Locknut #10	
207	3311405	1	Locknut 1/4in	
208	3931010	2	Screw #10-24 x 5/8in	
209	4360517	1	Switch, Proximity	
209	4460320	1	Connector, Male	
209	4460227	2	Pin, Male	
210	4711000	2	Flatwasher #10 Thin	
211	4711400	1	Flatwasher 1/4in Thin	
212	4711600	4	Flatwasher 3/8in Thin	
213	1001145163	2	Spacer (was p/n 7116691 & 1001114757)	
214	1001102526	1	Cam	
215	1001102527	1	Bracket, Switch	
216	4740120	2	Flatwasher, Special	



## SECTION 2 - TURNTABLE

FIGURE 2-4. SWING MOTOR ASSEMBLY (ORIGINAL EQUIPMENT FOR BELGIUM BUILT MACHINES)  
(Prior to SN 130006701)



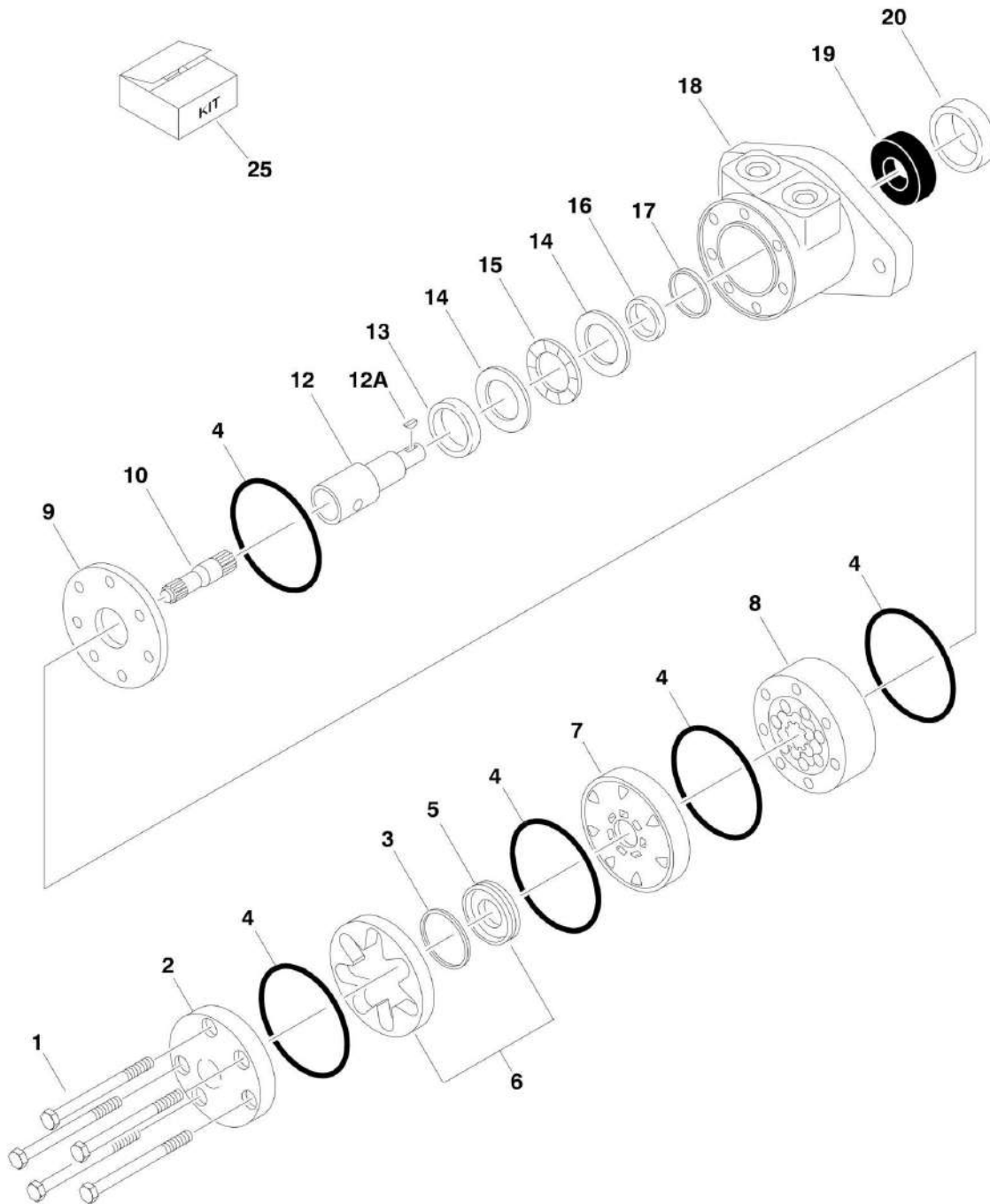
## SECTION 2 - TURNTABLE

**FIGURE 2-4. SWING MOTOR ASSEMBLY (ORIGINAL EQUIPMENT FOR BELGIUM BUILT MACHINES)  
(Prior to SN 130006701)**

ITEM	PART NUMBER	QTY	DESCRIPTION	REV
	3160287	Ref	<b>SWING MOTOR ASSEMBLY</b> <b>Note: Original Equipment motor p/n 3120287 may have been replaced with Service Replacement motor p/n 1001105455. Visually identify component before ordering parts. Service Replacement motor shown on next illustration</b>	B
		Ref		
1	2900477	1	Seal, Dust	
2	2900477	1	Ring, Retaining	
3	2900477	1	Shim, Metal Back-Up	
4	2900477	1	Seal, High Pressure	
5	2900477	1	Shim, Metal Back-Up	
6	2900477	1	Shim, Teflon Back-Up	
7	2900477	1	Seal, Shaft	
8	2900477	3	Seal, Body	
9	2900477	1	Washer, Carrier	
10	2900477	1	Thrustwasher	
11	See Note	1	Bearing, Thrust (Note: Not Available - Replace Complete Motor)	
12	7005889	1	Link, Drive	
13	See Note	1	Plate, Wear (Note: Not Available - Replace Complete Motor)	
14	7016432	1	Rotor Set Assembly	
15	7016433	1	Pin, Drive Link	
16	See Note	1	Ball (Note: Not Available - Replace Complete Motor)	
17	See Note	1	Cover, End (Note: Not Available - Replace Complete Motor)	
18	See Note	1	Nameplate (Note: Not Available for Purchase)	
19	7016434	1	Bolt Set (Includes 4 Bolts)	
20	7016435	1	Housing	
21	7016435	1	Plug, Cooling	
22	7005843	1	Shaft	
23	7005887	1	Key	
25	2900477	1	Seal Kit (Includes Items 1-10)	
26	7016435	1	Housing/Shaft Kit (Includes Items 20-23)	

## SECTION 2 - TURNTABLE

**FIGURE 2-5. SWING MOTOR ASSEMBLY (SERVICE REPLACEMENT FOR BELGIUM BUILT MACHINES AND ORIGINAL EQUIPMENT FOR BELGIUM BUILT MACHINES AND ROMANIAN BUILT MACHINES) (Prior to SN 1300006701, SN 1300006701 to Present, SN E300000100 through E300001114)**





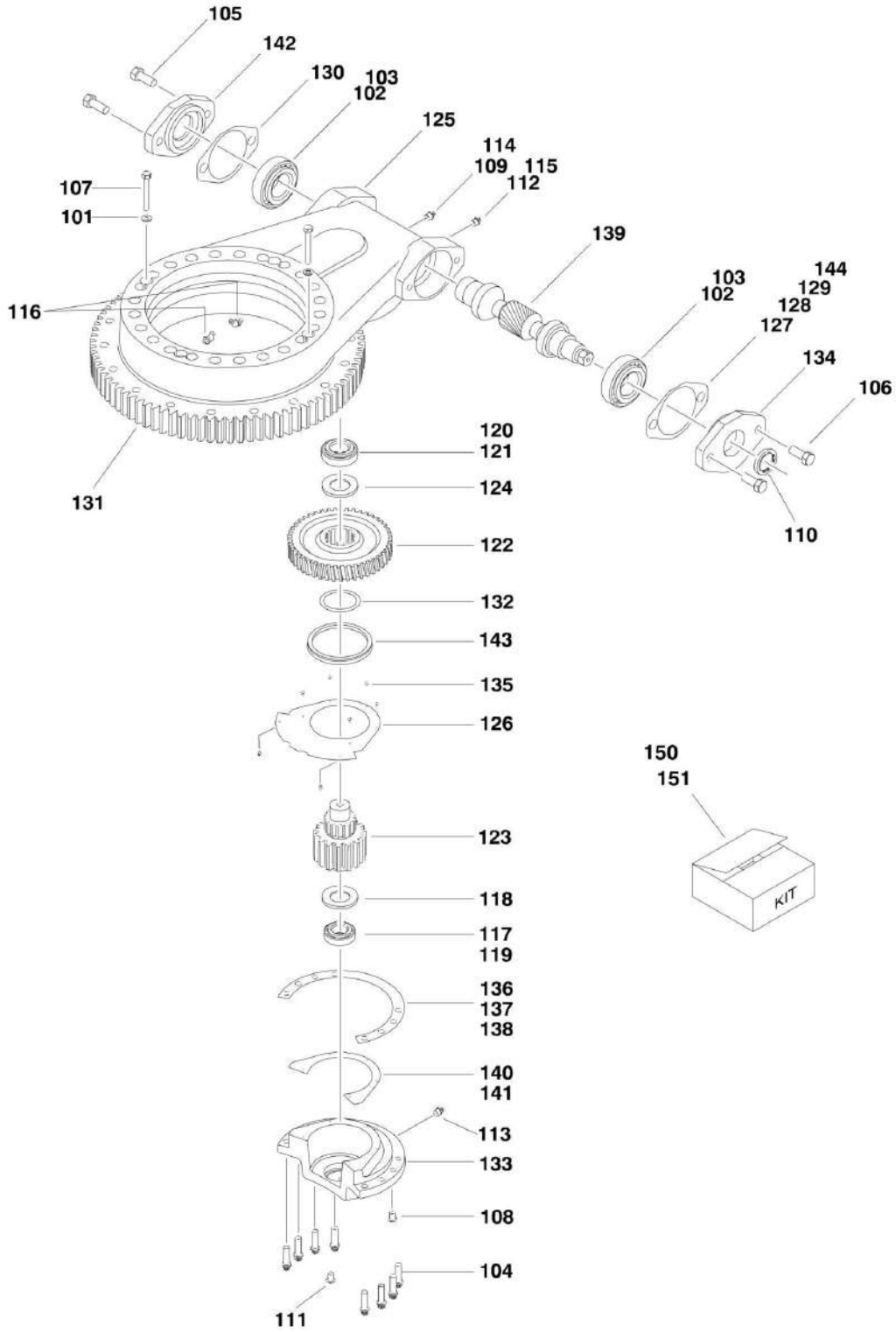
## SECTION 2 - TURNTABLE

**FIGURE 2-5. SWING MOTOR ASSEMBLY (SERVICE REPLACEMENT FOR BELGIUM BUILT MACHINES AND ORIGINAL EQUIPMENT FOR BELGIUM BUILT MACHINES AND ROMANIAN BUILT MACHINES) (Prior to SN 1300006701, SN 1300006701 to Present, SN E300000100 through E300001114)**

ITEM	PART NUMBER	QTY	DESCRIPTION	REV
		Ref	<b>SWING MOTOR ASSEMBLY</b>	
	1001105455	Ref	<b>Service Replacement for Belgium Built Machines (Prior to SN 1300006701)</b>	A
	1001104850	Ref	<b>Original Equipment for Belgium Built Machines (SN 1300006701 to Present)</b>	A
	1001104850	Ref	<b>Original Equipment for Romanian Built Machines (SN E300000100 through E300001114)</b>	A
1	See Note	5	Bolt (Note: Not Available - Replace Complete Motor)	
2	7004035	1	Cover, End	
3	7023318	1	Seal, Commutator	
4	7004036	5	O-Ring	
5	7024453	1	Commutator	
6	7024453	1	Commutator and Ring Assembly (Includes Items 5)	
7	7024379	1	Manifold	
8	70002206	1	Rotor Set	
9	7024380	1	Plate, Wear	
10	70002207	1	Link, Drive	
12	70000088	1	Shaft, Coupling	
12A	70000089	1	Key	
13	7024381	1	Bushing, Inner	
14	7004043	1	Thrustwasher	
15	7004044	1	Bearing, Thrust	
16	7004049	1	Seal, Inner Shaft	
17	7004045	1	Ring, Backup	
18	See Note	1	Housing (Note: Not Available - Replace Complete Motor)	
19	7024390	1	Bearing	
20	7004047	1	Seal, Outer Shaft	
25	7024389	1	Seal Kit (Includes Items 3, 4, 16, 17 & 20)	

# SECTION 2 - TURNTABLE

## FIGURE 2-6. SWING BEARING AND ROTATION BOX ASSEMBLY (ORIGINAL EQUIPMENT)



**SECTION 2 - TURNTABLE**

**FIGURE 2-6. SWING BEARING AND ROTATION BOX ASSEMBLY (ORIGINAL EQUIPMENT)**

ITEM	PART NUMBER	QTY	DESCRIPTION	REV
		Ref	<b>SWING BEARING AND ROTATION BOX ASSEMBLY</b>	
	0440255	Ref	<b>Belgium Built Machines (SN 1300000001 through 1300000352)</b>	B
	0440272	Ref	<b>Belgium Built Machines (SN 1300000353 to Present)</b>	C
	0440272	Ref	<b>Romanian Built Machines (SN E300000100 through E300001114)</b>	C
101	4891500	2	Flatwasher 5/16in Hardened	
102	7026042	2	Cup, Bearing	
103	7026043	2	Cone, Bearing	
104	0681610	8	Bolt 3/8in-16NC x 1-1/4in (Grade 8)	
105	0641808	2	Bolt 1/2in-13NC x 1in	
106	0641810	2	Bolt 1/2in-13NC x 1-1/4in	
107	0641520	2	Bolt 5/16in-18NC x 2-1/2in	
108	See Note	1	Plug 1/8in (Note: Not Available - Purchase Locally)	
109	See Note	1	Plug (Note: Not Available - Purchase Locally)	
110	7026060	1	Seal, Oil	
111	See Note	1	Plug 1/4in (0440255 Bearing Only) (Note: Not Available - Purchase Locally)	
112	See Note	2	Cap (Note: Not Available - Purchase Complete Assembly)	
113	See Note	1	Fitting, Grease (Note: Not Available - Purchase Locally)	
114	7026044	1	Bushing, Reducer	
115	7027358	1	Fitting, Grease	
116	See Note	2	Fitting, Grease Elbow (0440255 Bearing Only) (Note: Not Available - Purchase Locally)	
117	7026045	1	Cup, Bearing	
118	7026046	1	Ring, Grease	
119	7026047	1	Cone, Bearing	
120	7026048	1	Cup, Bearing	
121	7026049	1	Cone, Bearing	
122	7026050	1	Worm-Gear	
123	7026051	1	Pinion, Output	
124	7026052	1	Spacer, Washer	
125	See Note	1	Housing (Note: Not Available - Purchase Complete Assy)	
126	7026053	1	Cover, Gear Options:	
127	7026059	AR	Shim, Brown (.010)	
127		Ref	0440255 Bearing	
127		Ref	0440272 Bearing	
128	7026059	AR	Shim, Clear (.0075) Options:	
128		Ref	0440255 Bearing	
128		Ref	0440272 Bearing	
129	7026059	AR	Shim, Blue (.005) Options:	
129		Ref	0440255 Bearing	
129		Ref	0440272 Bearing	
130	7026059	AR	Shim, Yellow (.020) Options:	
130		Ref	0440255 Bearing	
130		Ref	0440272 Bearing	
131		Ref	Bearing, Turntable Options:	
131	7026054	1	0440255 Bearing	
131	1001104627	1	0440272 Bearing (Bearing Kit, Turntable p/n 1001104627 includes bearing and hardware to mount bearing/rotation box assembly to machine) (was p/n 70000042)	
132	7026060	1	O-Ring	

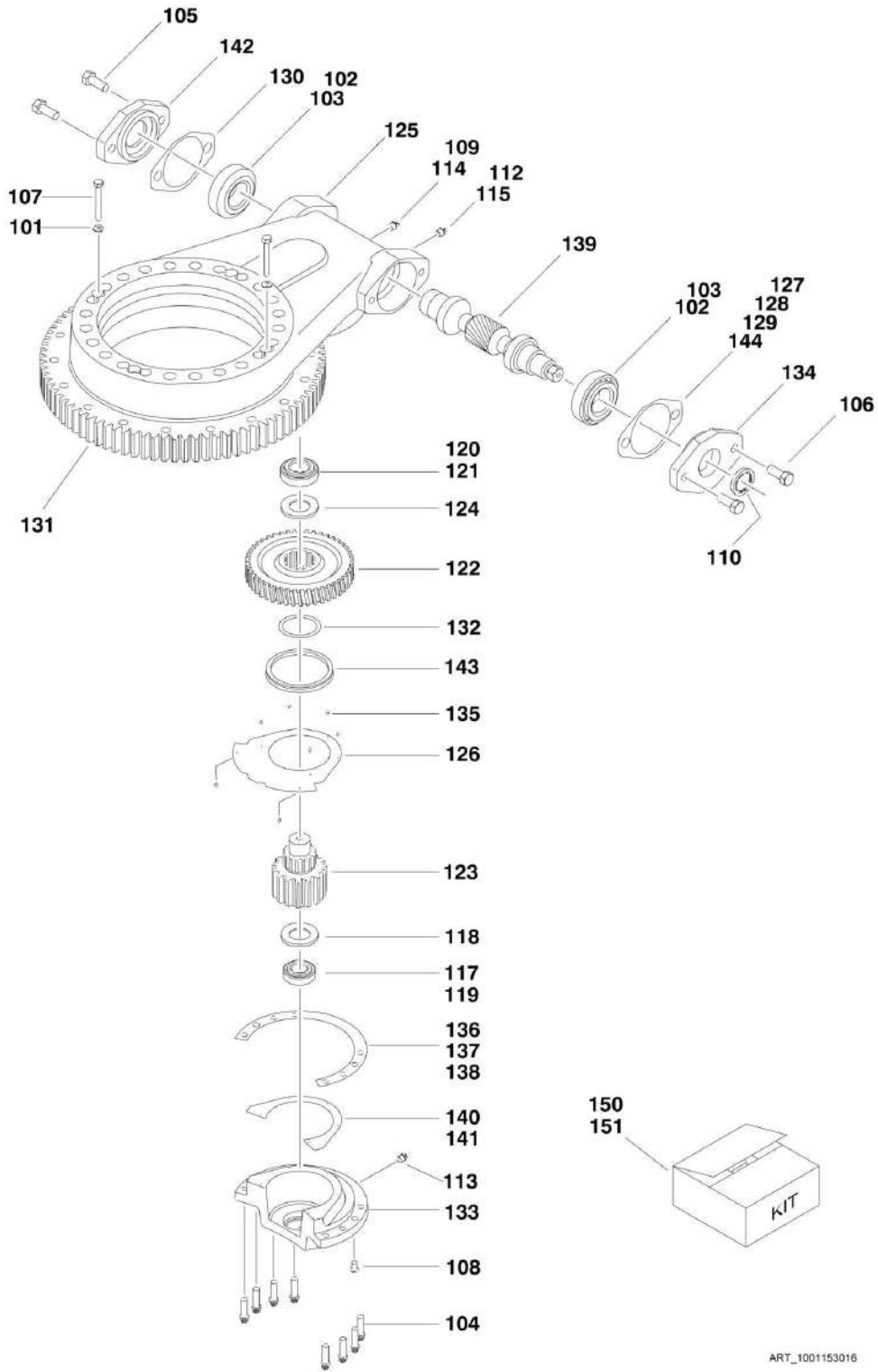
## SECTION 2 - TURNTABLE

ITEM	PART NUMBER	QTY	DESCRIPTION	REV
133	7026055	1	Cap, Gear	
134		Ref	Cap, Worm Options:	
134	7026056	1	0440255 Bearing	
134	7027354	1	0440272 Bearing	
135	70000681	8	Screw #6-32NC x 3/8in	
136	7026059	AR	Shim, Natural (.0075in) Options:	
136		Ref	0440255 Bearing	
136		Ref	0440272 Bearing	
137	7026059	AR	Shim, Blue (.005in) Options:	
137		Ref	0440255 Bearing	
137		Ref	0440272 Bearing	
138	7026059	AR	Shim, Green (.003in) Options:	
138		Ref	0440255 Bearing	
138		Ref	0440272 Bearing	
139	7026057	1	Worm, Ground	
140	7026059	AR	Shim, Blue (.005in) Options:	
140		Ref	0440255 Bearing	
140		Ref	0440272 Bearing	
141	7026059	AR	Shim, Yellow (.020in) Options:	
141		Ref	0440255 Bearing	
141		Ref	0440272 Bearing	
142		Ref	Adapter, Motor Options:	
142	7026058	2	0440255 Bearing	
142	7027356	AR	0440272 Bearing	
143	7026060	1	Seal, Face	
144	7026059	AR	Shim, Green (.003in) Options:	
144		Ref	0440255 Bearing	
144		Ref	0440272 Bearing	
150	7026060	1	Seal Kit (Includes Items 110, 132 & 143)	
151	7026059	1	Shim Kit (Includes Items 127-130, 136-138, 140-141 & 144)	



# SECTION 2 - TURNTABLE

## FIGURE 2-7. SWING BEARING AND ROTATION BOX ASSEMBLY (SERVICE REPLACEMENT)



ART\_1001153016

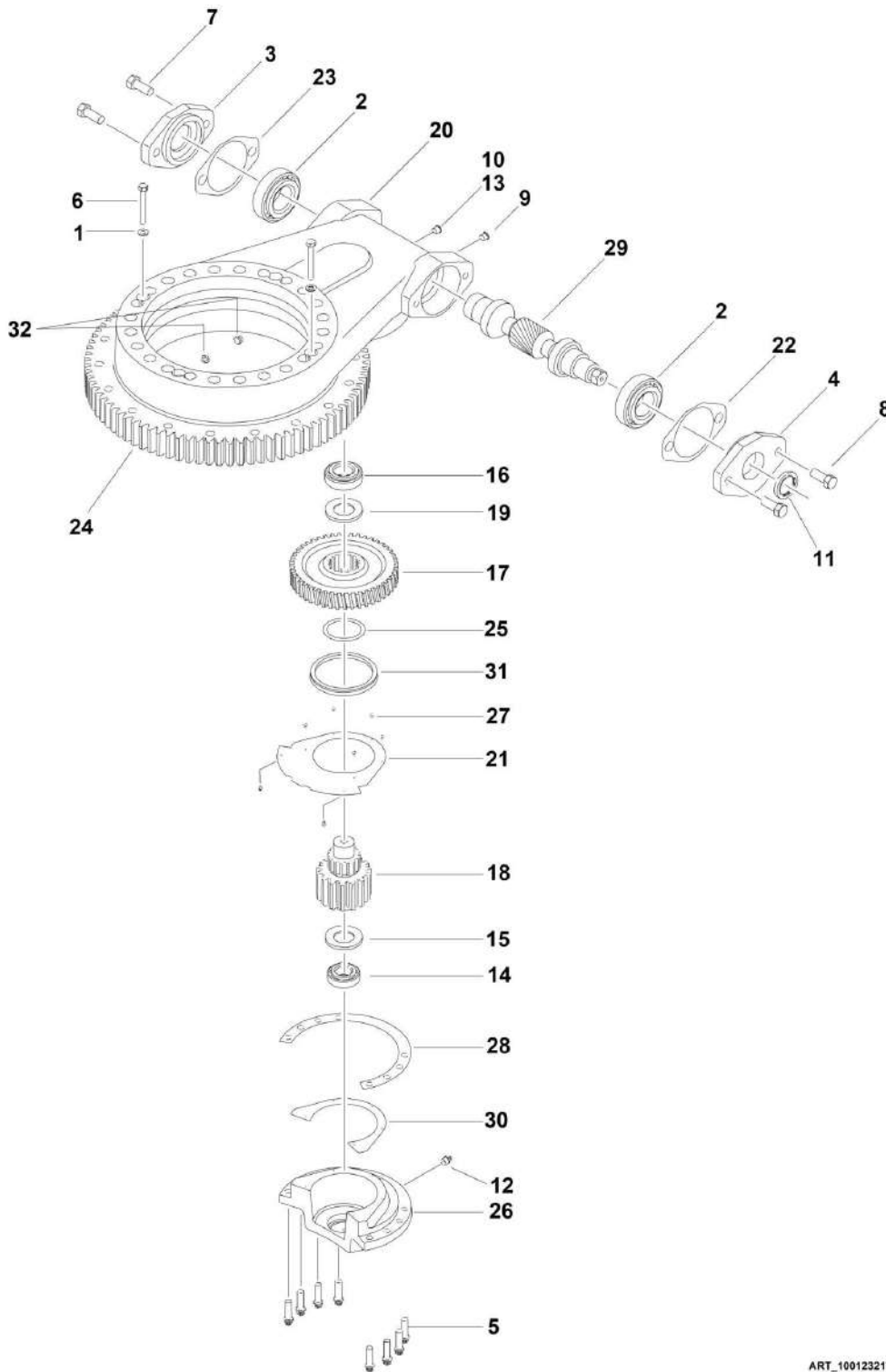
## SECTION 2 - TURNTABLE

**FIGURE 2-7. SWING BEARING AND ROTATION BOX ASSEMBLY (SERVICE REPLACEMENT)**

ITEM	PART NUMBER	QTY	DESCRIPTION	REV
	1001153016	Ref	<b>SWING BEARING AND ROTATION BOX ASSEMBLY (JING WEI)</b>	C
101	4891500	2	Flatwasher 5/16in Hardened	
102	7026042	2	Cup, Bearing	
103	7026043	2	Cone, Bearing	
104	0681610	8	Bolt 3/8 x 1-1/4 Grade 8	
105	0641808	2	Bolt 1/2 x 1	
106	0641810	2	Bolt 1/2 x 1-1/4	
107	0641520	2	Bolt 5/16in-18NC x 2-1/2in	
108	See Note	1	Plug 1/8in (Note: Not Available - Purchase Locally)	
109	See Note	1	Plug (Note: Not Available - Purchase Locally)	
110	7026060	1	Seal, Oil	
112	See Note	2	Cap (Note: Not Available - Purchase Complete Assembly)	
113	See Note	1	Fitting, Grease (Note: Not Available - Purchase Locally)	
114	7026044	1	Bushing, Reducer	
115	7027358	1	Fitting, Grease	
117	7026045	1	Cup, Bearing	
118	7026046	1	Ring, Grease	
119	7026047	1	Cone, Bearing	
120	7026048	1	Cup, Bearing	
121	7026049	1	Cone, Bearing	
122	7026050	1	Worm-Gear	
123	7026051	1	Pinion, Output	
124	7026052	1	Spacer, Washer	
125	See Note	1	Housing (Note: Not Available - Purchase Complete Assembly)	
126	7026053	1	Cover, Gear	
127	7026059	AR	Shim, Brown (.010in)	
128	7026059	AR	Shim, Clear (.0075in)	
129	7026059	AR	Shim, Blue (.005in)	
130	7026059	AR	Shim, Yellow (.020in)	
131	70004158	1	Bearing, Turntable	
132	7026060	1	O-Ring	
133	7026055	1	Cap, Gear	
134	7027354	1	Cap, Worm	
135	70000681	8	Screw #6-32 x 3/8in	
136	7026059	AR	Shim, Natural (.0075)	
137	7026059	AR	Shim, Blue (.005)	
138	7026059	AR	Shim, Green (.003)	
139	7026057	1	Gear, Worm	
140	7026059	AR	Shim, Blue (.005)	
141	7026059	AR	Shim, Yellow (.020)	
142	7027356	1	Adapter, Motor	
143	7026060	1	Seal, Face	
144	7026059	AR	Shim, Green (.003)	
150	7026060	1	Seal Kit (Includes Items 110, 132 & 143)	
151	7026059	1	Shim Kit (Includes Items 127-130, 136-138, 140-141 & 144)	

# SECTION 2 - TURNTABLE

## FIGURE 2-8. SWING BEARING AND ROTATION BOX ASSEMBLY (SERVICE REPLACEMENT)



ART\_1001232177



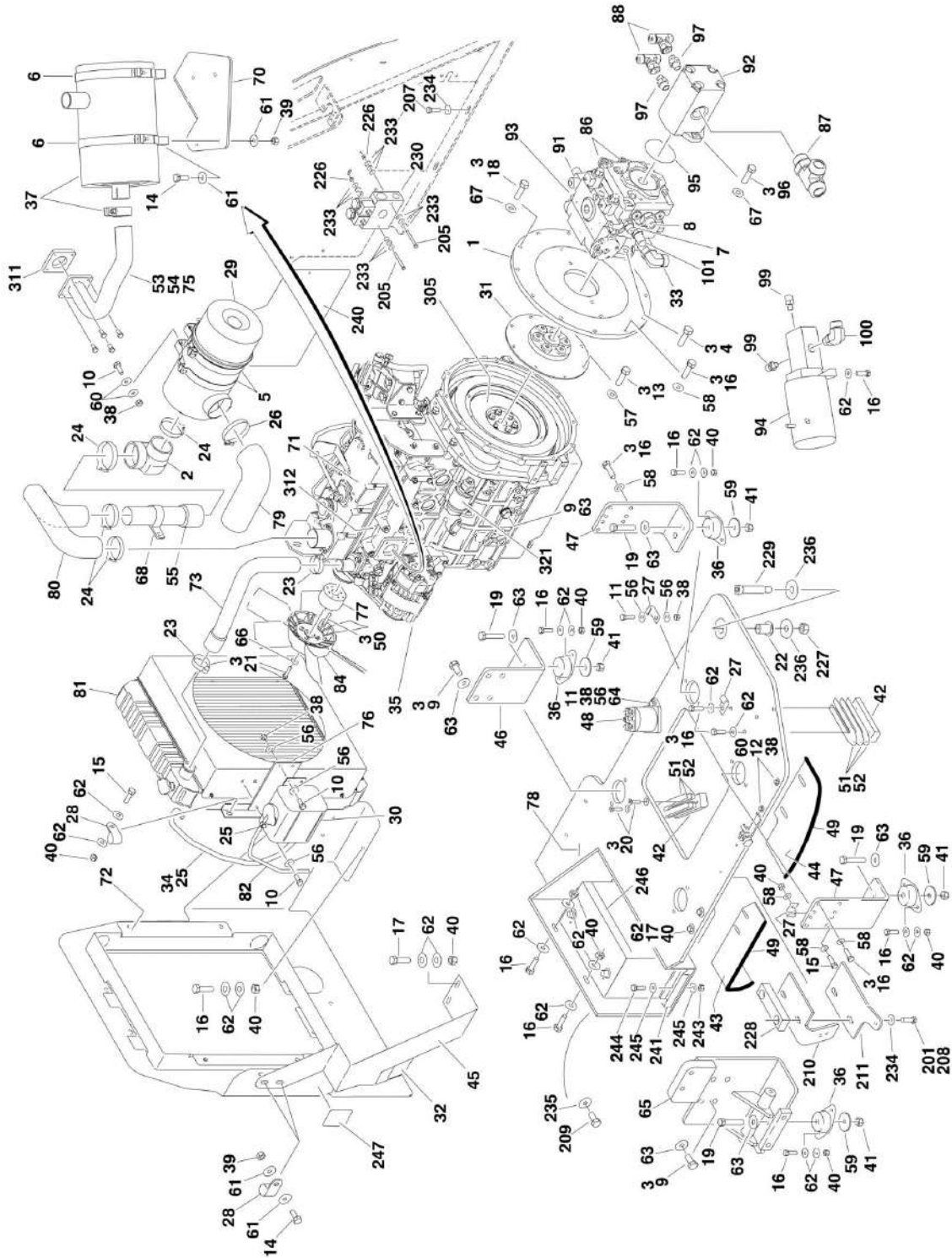
## SECTION 2 - TURNTABLE

**FIGURE 2-8. SWING BEARING AND ROTATION BOX ASSEMBLY (SERVICE REPLACEMENT)**

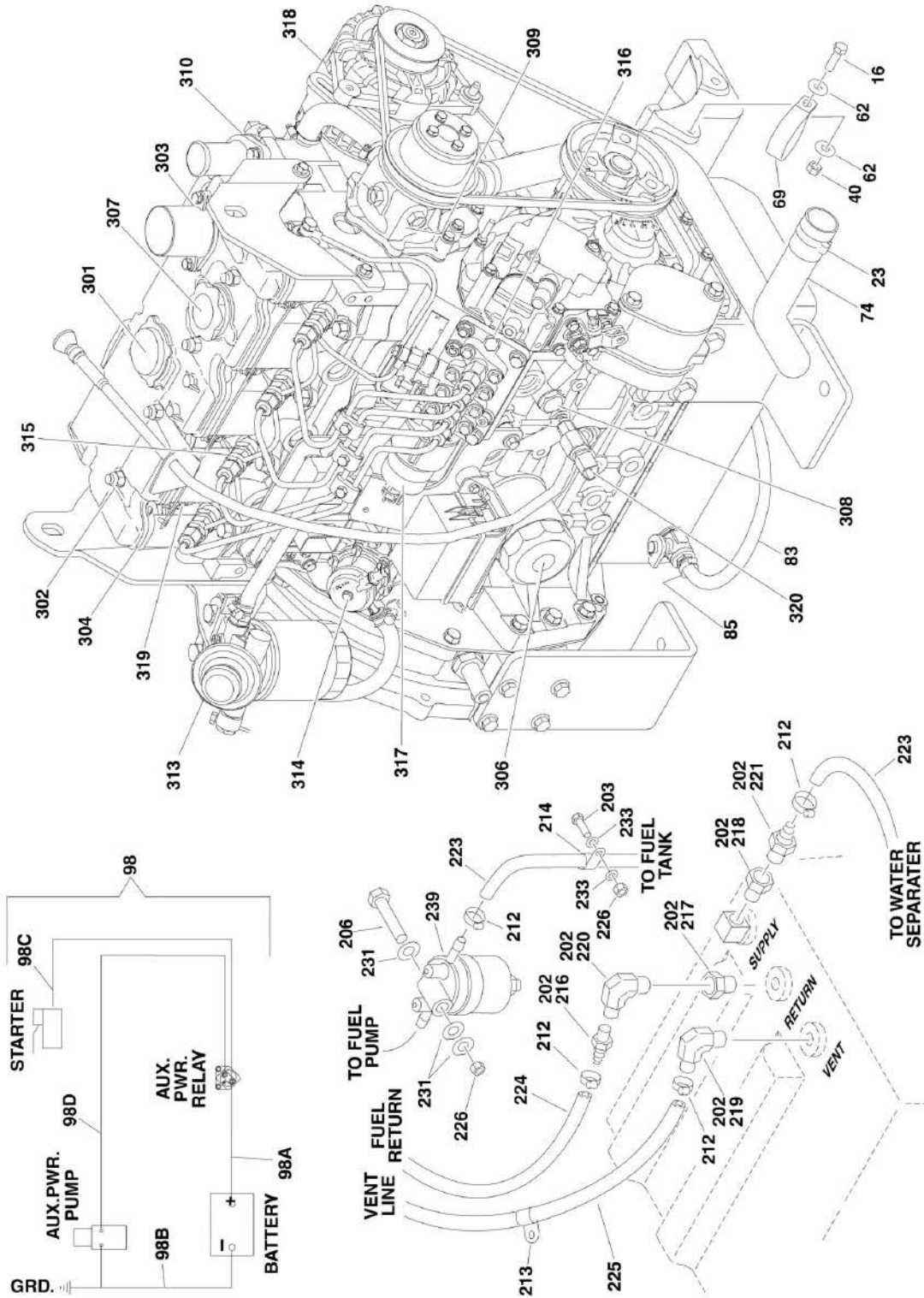
ITEM	PART NUMBER	QTY	DESCRIPTION	REV
	1001231277	Ref	SWING BEARING AND ROTATION BOX ASSEMBLY	B
1	7026041	2	Flatwasher 5/16	
2	7026042	2	Cup, Bearing	
2	7026043	2	Cone, Bearing	
3	7027356	1	Adapter, Motor	
4	7027354	1	Cap, Worm	
5	70006739	8	Bolt 3/8 x 1-1/4	
6	70003138	2	Bolt 5/16 x 2-1/2	
7	70002647	2	Bolt 1/2 x 1	
8	70002648	1	Bolt 1/2 x 1-1/4	
9	70000865	2	Plug	
10	70002649	1	Vent, Pressure	
11	7027360	1	Seal, Oil	
12	70002651	1	Fitting, Grease	
13	7026044	1	Bushing, Reducer	
14	7026045	1	Cup, Bearing	
14	7026047	1	Cone, Bearing	
15	7026046	1	Ring, Grease	
16	7026048	1	Cup, Bearing	
16	7026049	1	Cone, Bearing	
17	7026050	1	Worm-Gear	
18	7026051	1	Pinion, Output	
19	7026052	1	Spacer, Washer	
20	See Note	1	Housing (Note: Not Available - Purchase Complete Assy)	
21	7026053	1	Cover, Gear	
22	7027352	AR	Shim, Brown (.010)	
22	7027351	AR	Shim, Clear (.0075)	
22	7027350	AR	Shim, Blue (.005)	
23	70006740	1	Shim, Yellow(.020)	
24	70006741	1	Shim, Blue (.005)	
25	70004254	1	O-Ring	
26	7026055	1	Cap, Gear	
27	70000681	8	Screw #6 x 3/8	
28	70004259	AR	Shim, Natural (.0075)	
28	70004258	AR	Shim, Blue (.005)	
28	70004257	AR	Shim, Green (.003)	
29	7026057	1	Worm, Ground	
30	70004260	1	Shim, Blue (.005)	
30	70004261	1	Shim, Yellow (.020)	
31	70004262	1	Seal, Oil	
32	70006742	1	Plug	

# SECTION 2 - TURNTABLE

## FIGURE 2-9. CATERPILLAR ENGINE INSTALLATION (WITH UGM)



# SECTION 2 - TURNTABLE



## SECTION 2 - TURNTABLE

FIGURE 2-9. CATERPILLAR ENGINE INSTALLATION (WITH UGM)

ITEM	PART NUMBER	QTY	DESCRIPTION	REV
		Ref	<b>Belgium Built Machines use SNs 13xxxxxxx. Romanian Built Machines use SNs E3xxxxxxx.</b>	
		Ref	<b>Note: For Module (with/without UGM) Identification, refer to Revision Log page A.</b>	
	1001108389	Ref	<b>CATERPILLAR ENGINE ASSEMBLY</b>	D
1	0080181	1	Adapter, Pump Mounting Plate	
2	0080201	1	Adapter, Elbow Air Intake	
3	0100011	AR	Compound, Locking	
4	0641812	2	Bolt 1/2in-13NC x 1-1/2in	
5	0340041	2	Band, Air Cleaner Mounting	
6	0340046	2	Band, Muffler Mounting	
7	2111010	1	Fitting, Straight	
8	2111612	1	Fitting, Straight	
9	0630569	9	Bolt M14 x 30mm	
10	0641406	8	Bolt 1/4in-20NC x 3/4in	
11	0641408	3	Bolt 1/4in-20NC x 1in	
12	0641410	2	Bolt 1/4in-20NC x 1-1/4in	
13	0641506	8	Bolt 5/16in-18NC x 3/4in	
14	0641507	6	Bolt 5/16in-18NC x 7/8in	
15	0641609	5	Bolt 3/8in-16NC x 1-1/8in	
16	0641610	39	Bolt 3/8in-16NC x 1-1/4in	
17	0641611	2	Bolt 3/8in-16NC x 1-3/8in	
18	0641614	2	Bolt 3/8in-16NC x 1-3/4in	
19	0641820	4	Bolt 1/2in-13NC x 2-1/2in	
20	0741610	2	Screw, Flat Head 3/8in-16NC x 1-1/4in	
21	0760815	4	Bolt M8 x 35mm	
22	0962172	1	Bushing, Flanged	
23	1320012	4	Clamp	
24	1320016	4	Clamp	
25	1320022	3	Clamp	
26	1320058	1	Clamp	
27	1320223	6	Clamp	
28	1320318	2	P-Clamp	
29	1340060	1	Air Cleaner Assembly	
29	7012664	1	Element, Air Cleaner	
30	1580011	1	Container, Coolant Overflow	
31	1660255	1	Coupling, Pump	
32	1703162	2	Decal - Caution Fan	
33	2131212	1	Fitting, Elbow	
34	2720058	2.5 ft/0.8m	Hose	
35	1001106426	1	Caterpillar Engine Assembly (See Items 301-321 for Breakdown)	
36	3200378	4	Mount, Motor	
37		Ref	Muffler Options:	
37	3220113	1	Spark Arresting Muffler	
37	70001017	1	Clamp	
37	1001107116	1	Catalytic Muffler	
37	70002705	1	Clamp	
37	70002706	1	Plug, Brass	
38	3311405	11	Locknut 1/4in-20NC	

## SECTION 2 - TURNTABLE

ITEM	PART NUMBER	QTY	DESCRIPTION	REV
39	3311505	6	Locknut 5/16in-18NC	
40	3311605	22	Locknut 3/8in-16NC	
41	3311805	4	Locknut 1/2in-13NC	
42	3340399	2	Pad, Wear	
43	3577133	1	Plate, Air	
44	3577132	1	Plate, Baffle	
45	3573937	1	Plate, Radiator Support	
46	3577130	1	Plate, Engine Mounting (Front)	
47	3577135	2	Plate, Engine Mounting (Rear)	
48	3740067	1	Relay	
49	3960438	28	Seal, Self Gripping	
		in/71cm		
50	4031711	4	Bolt M6 x 35mm	
51	4070497	4	Shim	
52	4070498	2	Shim	
53	4100025	1.6	Sleeve, Fiberglass	
		ft/0.49mm		
54	4568743	1	Pipe, Exhaust	
55	4569176	1	Tube, Air Intake	
56	4711400	12	Flatwasher, 1/4in Thin	
57	4711500	8	Flatwasher 5/16in Thin	
58	4711600	26	Flatwasher 3/8in Thin	
59	4740274	4	Washer, Snubbing	
60	4751400	12	Flatwasher 1/4in Regular	
61	4751500	12	Flatwasher 5/16in Regular	
62	4751600	42	Flatwasher 3/8in Regular	
63	4751800	13	Flatwasher 1/2in Regular	
64	4791400	2	Starwasher 1/4in	
65	4846821	1	Mount, Motor/Generator	
66	4891500	4	Flatwasher 5/16in Hardened	
67	4891600	4	Flatwasher 3/8in Hardened	
68	85941018	1	P-Clamp	
69	1001097588	1	Clip, Tube	
70	1001098525	1	Plate, Muffler Support	
72	1001106793	1	Plate, Radiator Mount	
73	1001100577	1	Hose, Radiator (Top)	
74	1001100818	1	Hose, Radiator (Bottom)	
75	1001100825	2	Strap, Ties	
76	1001100837	1	Bracket, Bottle	
77	1001101201	1	Spacer, Fan	
78	1001106790	1	Weldment, Engine Tray	
79	1001101681	1	Elbow, Rubber	
80	1001101950	1	Tube, Air Intake	
81	1001102706	1	Radiator	
81	7027412	1	Cap, Radiator	
81	70023056	1	Petcock	
82	2720271	1.25	Hose	
		ft/0.38m		
83	2720615	1.5	Hose	
		ft/0.46m		
84	1001101408	1	Fan	
85	8405006	1	Clamp, Gear	

## SECTION 2 - TURNTABLE

ITEM	PART NUMBER	QTY	DESCRIPTION	REV
86	2151212	2	Fitting, Elbow	
87	2170316	1	Fitting, Tee	
88	2170808	2	Fitting, Tee	
91	2221084	1	Fitting, Tee	
92	3600318	1	Gear Pump Assembly	
92	7023929	1	Seal Kit - 3600318 Pump	
93	3600385	1	Piston Pump Assembly (See PISTON PUMP ASSEMBLY for Breakdown)	
94	3600423	1	Auxiliary Pump Assembly (See AUXILIARY PUMP ASSEMBLY for Breakdown)	
95	3790152	1	O-Ring	
96	3931620	2	Capscrew, Socket Head 3/8in-16NC x 1-1/4in	
97	4641199	2	Valve, Check	
98	1001102860	1	Battery Cable Kit	A
98A	7027025	1	Cable - Battery To Auxiliary Relay	
98B	7027026	1	Cable - Battery and Auxiliary Pump to Ground	
98C	7027023	1	Cable - Auxiliary Relay To Starter	
98D	7027024	1	Cable - Auxiliary Relay To Auxiliary Pump	
99	2110604	2	Fitting, Straight	
100	2131210	1	Fitting, Elbow	
101	2170110	1	Fitting, Straight	
	1001108388	Ref	<b>CATERPILLAR ENGINE INSTALLATION</b>	A
201	0100011	AR	Compound, Locking	
202	0100020	AR	Sealant, Pipe	
203	0641406	3	Bolt 1/4in-20NC x 3/4in	
204	0641408	7	Bolt 1/4in-20NC x 1in	
205	0641418	2	Bolt 1/4in-20NC x 2-1/4in	
206	0641420	1	Bolt 1/4in-20NC x 2-1/2in	
207	0641608	3	Bolt 3/8in-16NC x 1in	
208	0641610	2	Bolt 3/8in-16NC x 1-1/4in	
209	0642010	1	Bolt 5/8in-11NC x 1-1/4in	
210	0902443	1	Bracket, Hood Latch Mount	
211	0902444	1	Bracket, Hood Support	
212	1320022	7	Clamp, Fuel Line	
213	1320223	1	Clamp, J Clip	
214	1320318	2	Clamp	
215	1701505	1	Decal, Diesel (Not Shown)	
216	2180536	1	Fitting, Barbed	
217	2220250	1	Fitting, Reducer	
218	2220273	1	Fitting, Reducer	
219	2220313	1	Fitting, Elbow Barbed	
220	2220459	1	Fitting, Elbow	
221	2220794	1	Fitting, Straight Barbed	
222	2300004	2.7 Gal	Coolant, Anti-Freeze (Not Shown)	
223	2720058	10 ft/3.05m	Hose	
224	2720271	8 ft/2.4m	Hose	
225	2750532	7 ft/2.1m	Hose	
226	3311405	13	Locknut 1/4in-20NC	
227	3312005	1	Locknut 5/8in-11NC	
228	3340399	1	Pad, Wear	
229	3900254	1	Screw, Shoulder	

## SECTION 2 - TURNTABLE

ITEM	PART NUMBER	QTY	DESCRIPTION	REV
230	4641317	1	Valve Assembly	
230	7012941	2	Cartridge without Coil	
230	7010543	2	Seal Kit - 7012941 Cartridge	
230	7012944	2	Coil	
231	4711400	3	Flatwasher 1/4in Thin	
232	4740362	7	Washer, Fender	
233	4751400	25	Flatwasher 1/4in Regular	
234	4751600	5	Flatwasher 3/8in Regular	
235	4752000	1	Flatwasher 5/8in Regular	
236	4752200	2	Flatwasher 3/4in Regular	
239	1001100857	1	Separator, Fuel-Water	
239	70002377	1	Filter	
239	70002378	1	Seal, O-Ring	
240	1001103791	1	Panel, Rubber	
241	1787217	1	Clamp, Battery Holddown	
242	3020016	2.5 gal	Motor Oil Mobil Delvac MX 15W-40	
243	3311505	2	Locknut 5/16in-18NC	
244	0641512	1	Bolt 5/16in-18NC x 1-1/2in	
245	4751500	4	Flatwasher 5/16in Regular	
246	8008750	1	Battery	
247	1706098	1	Decal - Warning Explosion/Fire	
	1001106426	Ref	<b>CATERPILLAR ENGINE COMPONENTS</b>	C
301	7026848	1	Valve, Breather	
301	7026846	1	Gauze, Breather Valve	
302	7026847	4	Seal, Valve Cover Nut	
303	7026849	1	Gasket, Air Intake	
304	7026850	1	Seal, Valve Cover	
305	7026852	1	Flywheel with Starter Gear Set	
305	7026853	1	Gear, Rim	
305	7026851	1	Seal, Rear Main (Not Shown)	
306	70001403	1	Filter, Oil (was p/n 7026855)	
307	7026860	1	Cap, Oil Fill	
307	7026856	1	Seal, Oil Fill Cap	
308	7026858	1	Valve, Relief	
308	7026857	1	Seal	
309	7026864	1	Pump, Water	
309	7026863	1	Gasket, Water Pump (Fits Between Pump and Pump Rear Plate)	
309	7026865	1	Gasket, Water Pump (Fits Between Pump Rear Plate and Engine Block)	
310	7026867	1	Thermostat	
310	7026866	1	Gasket (Fits Between Regulator and Engine Block)	
310	7026868	1	Gasket (Fits Between Regulator and Hose Adapter)	
311	7026869	1	Gasket, Exhaust	
312	7026870	1	Gasket, Exhaust Manifold	
313	70003758	1	Filter Assembly	
313	70003791	2	Element, Fuel Filter (was p/n 7026871)	
313	7026872	2	Gasket, Fuel Filter Element	
314	7026873	1	Pump, Fuel Transfer	
314	7026874	1	Seal	
315	7026875	4	Injector, Fuel	
317	70003541	1	Actuator	
318	70003768	1	Alternator	

## SECTION 2 - TURNTABLE

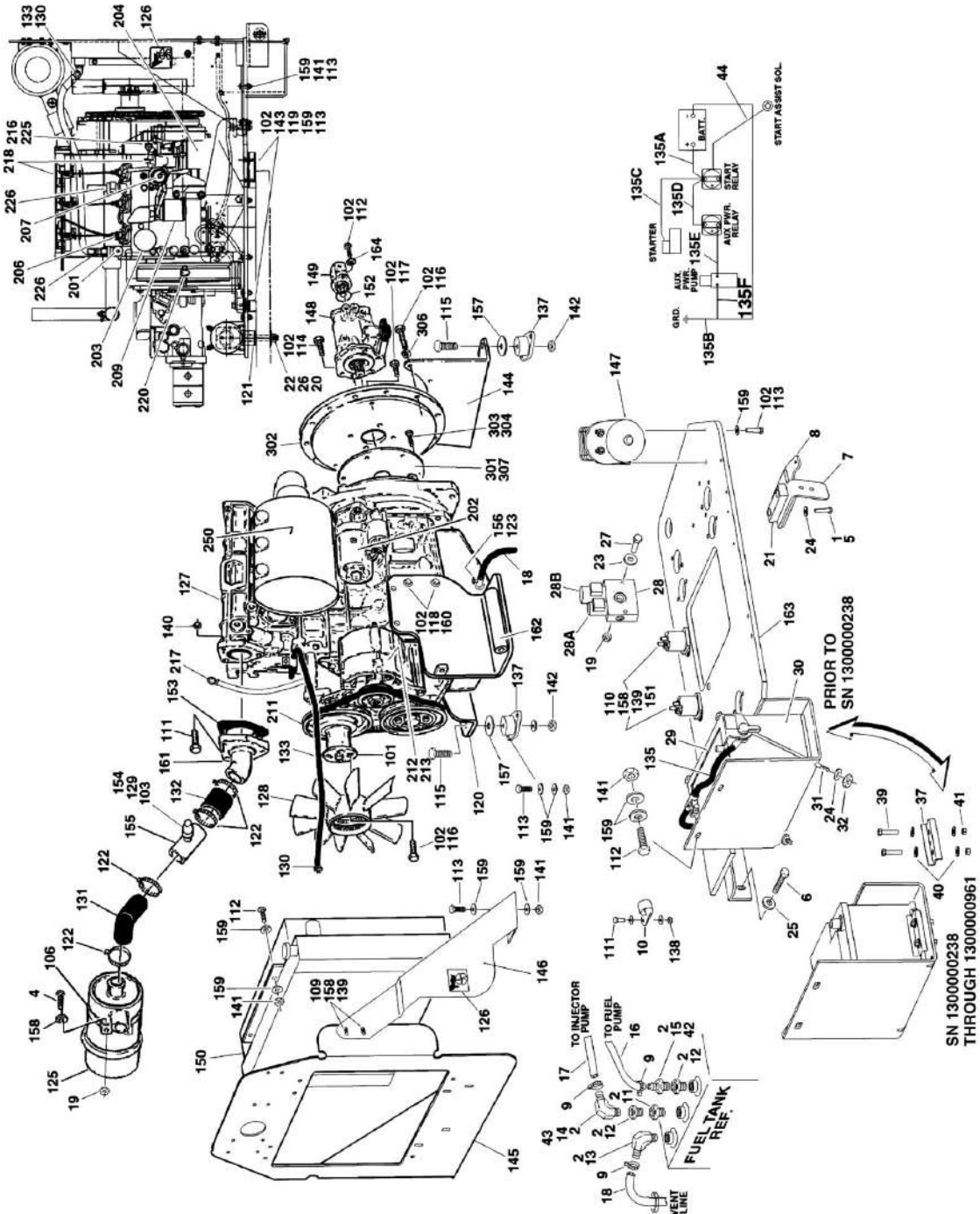
ITEM	PART NUMBER	QTY	DESCRIPTION	REV
319	7026878	4	Glowplug	
320	70003759	1	Switch, Oil Pressure	
320	70003760	1	Adapter, Oil Pressure Switch	
321	70003769	1	Starter	
322	7026854	1	Seal, Front Main (Not Shown)	
323	7026859	1	Gasket, Oil Pan (Not Shown)	
324	7026862	1	Gasket, Valve Bracket (Not Shown - Located Between Valve Bracket and Cylinder Head)	
325	70003761	1	Belt	
326	70003762	1	Sensor, Speed	
326	70003766	1	Sensor, Speed	
327	70003765	1	Sensor, Temperature (Not Shown)	
328	70003763	1	Dipstick	
328	70003764	1	Tube, Dipstick	
329	4641272	1	Valve, Oil Drain	
329	7026861	1	Seal, Oil Drain Valve	
330	70003767	1	Harness, Engine (Not Shown)	
331	70003770	1	ECM	





# SECTION 2 - TURNTABLE

FIGURE 2-10. DEUTZ ENGINE INSTALLATION (BELGIUM BUILT MACHINES) (Prior to SN 1300000981)



**SECTION 2 - TURNTABLE**

**FIGURE 2-10. DEUTZ ENGINE INSTALLATION (BELGIUM BUILT MACHINES) (Prior to SN 130000981)**

ITEM	PART NUMBER	QTY	DESCRIPTION	REV
		Ref	<b>Belgium Built Machines use SNs 13xxxxxxx.</b>	
		Ref	<b>Romanian Built Machines use SNs E3xxxxxxx.</b>	
		Ref	<b>DEUTZ ENGINE INSTALLATION</b>	
		Ref	<b>4WD Machines Options:Manufactured in Belgium (SN 1st digit is 1)</b>	
	0272490	Ref	<b>Belgium Built Machines (Prior to SN 130000353)</b>	H
	0273754	Ref	<b>Belgium Built Machines (SN 130000353 through 130000981)</b>	E
1	0100011	AR	Compound, Locking	
2	0100020	AR	Sealant	
4	0641406	1	Bolt 1/4in-20NC x 3/4in <b>(Prior to SN 1300000178)</b>	
5	0641610	2	Bolt 3/8in-16NC x 1-1/4in	
6	0642010	1	Bolt 5/8in-11NC x 1-1/4in	
7	0902443	1	Bracket, Hood Latch Mount	
8	0902444	1	Bracket, Hood Support	
9	1320022	5	Clamp, Fuel Line	
10	1320223	1	Clamp, J-Clip 1/2in <b>(Prior to SN 1300000178)</b>	
11	2180536	1	Fitting, Straight <b>(Prior to SN 1300000353)</b>	
12	2220250	1	Fitting, Reducer <b>(Prior to SN 1300000353)</b>	
13	2220313	1	Fitting, Elbow	
14	2220459	1	Fitting, Elbow <b>(Prior to SN 1300000353)</b>	
15	2220794	1	Fitting, Straight <b>(Prior to SN 1300000353)</b>	
16	2720058	15.1 ft/4.6m	Hose	
17	2720271	12 ft/3.66m	Hose	
18	2750532	7 ft/2.14m	Hose	
19	3311405	2	Locknut 1/4in-20NC	
20	3312005	1	Locknut 5/8in-11NC	
21	3340958	1	Pad, Wear	
22	3900254	1	Bolt, Shoulder	
23	4751400	12	Flatwasher 1/4in Regular	
24	4751600	6	Flatwasher 3/8in Regular	
25	4752000	1	Flatwasher 5/8in Regular	
26	4752200	2	Flatwasher 3/4in Regular	
27	0641418	2	Bolt 1/4in-20NC x 2-1/4in	
28	4641108	1	Valve, Dual Select (Use p/n 1001099391)	
		Ref	<b>Note: Original Equipment Valve may have been replaced with Service Replacement Valve. Identify p/n stamped on valve before ordering parts.</b>	
28A	7012974	1	Cartridge without Coil (4641108 Valve)	
28A	7010543	1	Seal Kit - 7012974 Cartridge	
28A	7012941	1	Cartridge without Coil (1001099391 Valve)	
28A	7010543	1	Seal Kit - 7012974 Cartridge	
28A	7012944	1	Coil	
28B	7012995	1	Cartridge without Coil	
28B	7012518	1	Seal Kit - 7012995 Cartridge	
28B	7012943	1	Coil	
29	0181727	1	Angle, Battery Tie-Down <b>(Prior to SN 1300000238)</b>	
30		Ref	Battery (Wet)	

## SECTION 2 - TURNTABLE

ITEM	PART NUMBER	QTY	DESCRIPTION	REV
30	0400075	1	Battery (Wet) (Use p/n 8008750) (Prior to SN 130000238)	
30	8008750	1	Battery (Wet) (SN 1300000238 through 1300000981)	
31	0630498	2	Bolt, Battery Tie-Down (Prior to SN 1300000238)	
32	3311605	2	Locknut 3/8in-16NC (Prior to SN 1300000238)	
33	2200222	1	Fitting, Pipe Plug (Not Shown)	
34	2220273	1	Fitting, Reducer (Not Shown) (Prior to SN 1300000353)	
35	4240099	1	Tie, Wire (Not Shown)	
36	1701505	1	Decal, Diesel Fuel (Not Shown)	
37	1787217	1	Clamp, Battery Hold	
39	0641512	2	Bolt, 5/16in-20NC x 1-1/2in	
40	4751500	4	Flatwasher 5/16in Regular	
41	3311505	2	Locknut, 5/16in-18NC	
42	2180348	1	Fitting, Barb (SN 1300000353 through 1300000981)	
43	2221176	1	Fitting, Elbow (SN 1300000353 through 1300000981)	
44	4922978	1	Harness, Start Assist Solenoid (SN 1300000353 through 1300000981)	
		Ref	<b>DEUTZ ENGINE ASSEMBLY OPTIONS:</b>	
	0272489	Ref	<b>Belgium Built Machines (Prior to SN 1300000353)</b>	F
	2000228	Ref	<b>Belgium Built Machines (SN 1300000353 through 1300000981)</b>	D
101	0080231	1	Adapter, Fan Spacer	
102	0100011	AR	Compound, Locking	
103	0100020	AR	Sealant	
106	0340041	2	Band, Muffler Bracket	
109	0641406	6	Bolt 1/4in-20NC x 3/4in	
110	0641410	4	Bolt 1/4in-20NC x 1-1/4in	
111	0641510	3	Bolt 5/16in-18NC x 1-1/4in	
112	0641608	9	Bolt 3/8in-16NC x 1in	
113	0641610	16	Bolt 3/8in-16NC x 1-1/4in	
114	0641812	2	Bolt 1/2in-13NC x 1-1/2in	
115	0641820	4	Bolt 1/2in-13NC x 2-1/2in	
116	0700816	4	Bolt M8 x 40mm	
117	0701012	8	Bolt M10 x 25mm	
118	0711414	6	Bolt M14 x 30mm	
119	0741610	2	Screw, Flathead 3/8in-16NC x 1-1/4in	
120	0902740	1	Bracket, Front Engine Mounting (Right Side)	
121	0962172	1	Bushing, Flanged	
122	1320016	4	Clamp, Hose	
123	1320022	1	Clamp, Hose	
124	1320223	3	Clamp, J-Clip 1/2in	
125	1340060	1	Air Cleaner Assembly	
125	7012664	1	Element, Air Cleaner	
126	1703162	2	Decal, Fan Blade	
127		Ref	Engine, Deutz Options:	
127	2000190	1	Engine, Deutz (Prior to SN 1300000353)	
127	2000217	1	Engine, Deutz (SN 1300000353 through 1300000981)	
128	2060025	1	Fan, Suction	
129	2180798	1	Fitting, Restriction Indicator	
130	2220451	2	Fitting, Straight	
131	2720434	1	Hose, Elbow	
132	2720449	1	Hose	
133	2720467	2	Hose	
134	2750532	380 mm	Hose	

## SECTION 2 - TURNTABLE

ITEM	PART NUMBER	QTY	DESCRIPTION	REV
135	2902060	1	Cable Kit - Battery	B
135A	7016817	1	Cable - Battery to Starter Relay	
135B	7027041	1	Cable - Battery and Auxiliary Pump to Ground (was p/n 7016837)	
135C	7016834	1	Cable - Starter Relay to Starter	
135D	7016838	1	Cable - Starter Relay to Auxiliary Relay	
135E	7016820	1	Cable - Auxiliary Relay to Auxiliary Pump	
137		Ref	Mount, Engine Options:	
137	3200378	4	Mount, Engine ( <b>Prior to SN 1300000353</b> )	
137	3200406	4	Mount, Engine ( <b>SN 1300000353 through 1300000981</b> )	
138	3311401	1	Nut 1/4in-20NC	
139	3311405	10	Locknut 1/4in-20NC	
140	3311505	3	Locknut 5/16in-20NC	
141	3311605	19	Locknut 3/8in-16NC	
142	3311805	4	Locknut 1/2in-13NC	
143	3340958	2	Pad, Wear	
144	3570801	1	Plate, Engine Mounting	
145	3573895	1	Plate, Radiator Mount	
146	3573937	1	Plate, Radiator Support	
147	3600279	1	Auxiliary Pump Assembly (See AUXILIARY PUMP ASSEMBLY for Breakdown)	
148		Ref	Piston Pump Assembly Options (See PISTON PUMP ASSEMBLY for Breakdown)	
148	3600296		Piston Pump Assembly (Use p/n 3600385) ( <b>Prior to SN 1300000129</b> )	
148	3600385		Piston Pump Assembly ( <b>SN 1300000129 through 1300000981</b> )	
149	3600318	1	Gear Pump Assembly	
149	7023929	1	Seal Kit - 3600318 Pump	
150	3620033	1	Radiator (Use p/n 1001150998)	
151	3740140	2	Relay, Power	
152	3790152	1	O-Ring	
153	3960407	1	Gasket, Air Intake Adapter	
154	4360392	1	Switch, Restriction Indicator	
155	4567495	1	Tube, Tee	
156	4640751	1	Valve, Oil Drain	
157	4740274	4	Washer, Snubbing	
158	4751400	17	Flatwasher 1/4in Regular	
159	4751600	40	Flatwasher 3/8in Regular	
160	4751900	6	Flatwasher 9/16in Regular	
161	4845395	1	Air Intake Adapter Weldment	
162	4846567	1	Motor Mount Weldment	
163	4846683	1	Engine Tray Weldment	
164	4891600	2	Flatwasher 3/8in Hardened	
		Ref	<b>ENGINE COMPONENTS OPTIONS:</b>	
	2000190	Ref	<b>Belgium Built Machines (Prior to SN 1300000353)</b>	
	2000217	Ref	<b>Belgium Built Machines (SN 1300000353 through 1300000981)</b>	
201	7020461	1	Switch, Oil Pressure	
202	7020479	1	Starter	
202	7026608	1	Relay, Starter	
203	7016331	1	Filter, Oil - Spin-on	
203	7027236	1	Sensor, Oil Temperature (Not Shown - Located in Rear Of Filter Mount)	

## SECTION 2 - TURNTABLE

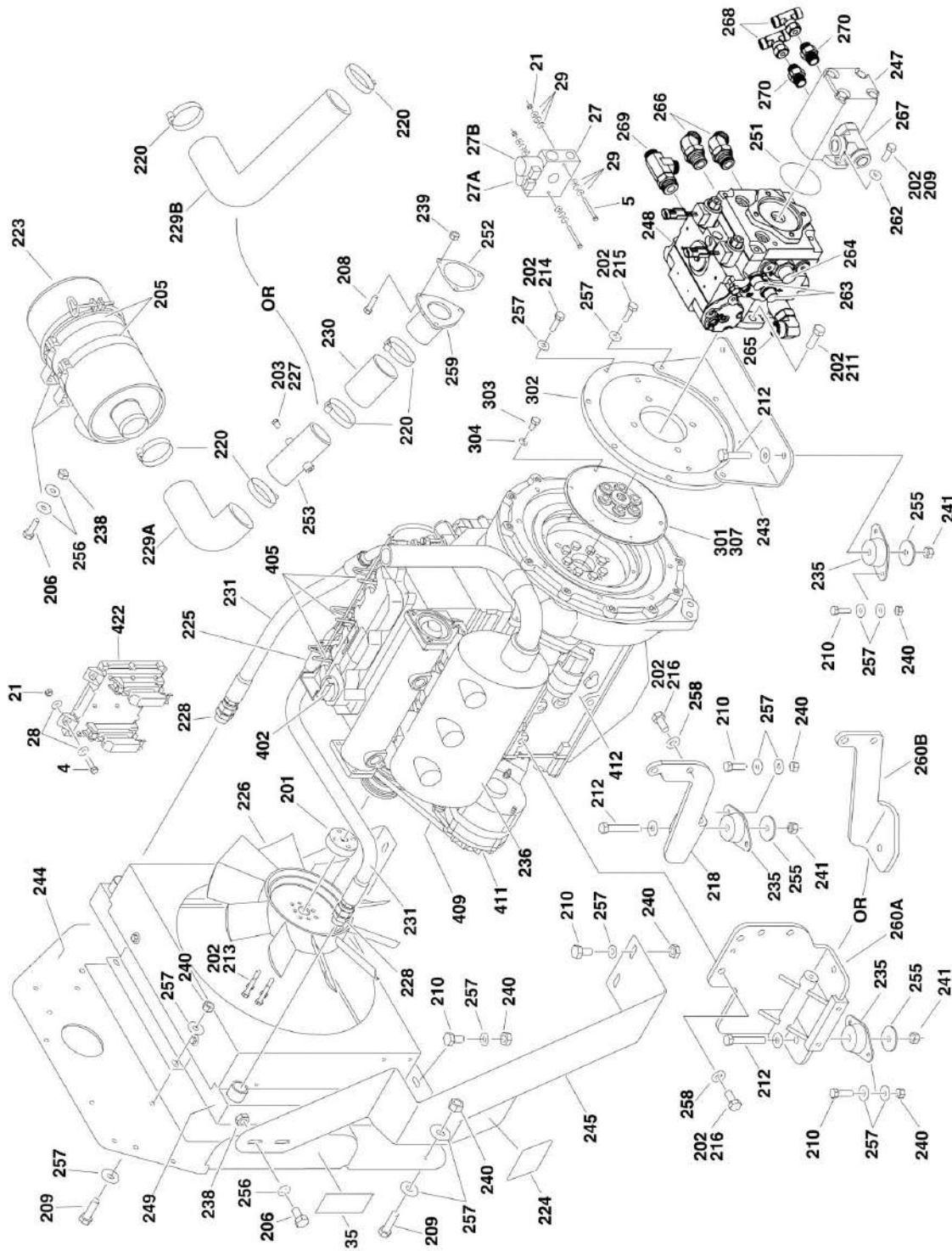
ITEM	PART NUMBER	QTY	DESCRIPTION	REV
204		Ref	Pump, Oil Options:	
204	7020467	1	Pump, Oil ( <b>Prior to SN 130000353</b> )	
204	7020495	1	Pump, Oil ( <b>SN 130000353 through 130000981</b> )	
205	7020468	1	Ring, Sealing ( <b>Prior to SN 130000353</b> )	
206		Ref	Pump, Fuel Injection Options:	
206	7024318	1	Pump, Fuel Injection ( <b>Prior to SN 130000353</b> )	
206	7027242	3	Pump, Fuel Injection (Not Shown) ( <b>SN 130000353 through 130000981</b> )	
206	7027246	3	Series A Injector	
206	7027608	3	Series B Injector	
206	7027609	3	Series C Injector	
206	7027610	3	Series D Injector	
206	7020447	3	Gasket, Injection Pump	
207		Ref	Pump, Fuel Supply Options:	
207	7024413	1	Pump, Fuel Supply ( <b>Prior to SN 130000353</b> )	
207	70000916	1	Pump, Fuel Supply (was p/n 7027238) (Not Shown) ( <b>SN 130000353 through 130000981</b> )	
208	7020411	1	O-Seal	
209	7020023	1	Filter, Fuel	
209	70001423	1	Bracket, Fuel Filter ( <b>SN 130000353 through 130000981</b> )	
210	7020471	3	Gasket, Exhaust (Not Shown)	
210	7020449	3	Gasket, Intake (Not Shown)	
211	7020408	1	V-Belt	
212	7000663	1	Alternator (was p/n 7020410)	
212	70002234	1	Bracket, Adjusting	
213	7020464	1	Voltage Regulator	
214		Ref	Transmitter, Temperature Options (Not Shown - Located on Front Left of Engine):	
214	7020168	1	Transmitter, Temperature ( <b>Prior to SN 130000353</b> )	
214	7027241	1	Transmitter, Temperature ( <b>SN 130000353 through 130000981</b> )	
214	7020168	1	Transmitter, Temperature (Not Shown)	
215	7020480	1	Ring, Sealing (Not Shown)	
216	7020458	1	Actuator, Throttle	
216	7027276	2	Spring, Actuator	
217	7020026	1	Dipstick	
217	7020403	1	Seal, Ring	
217		Ref	Tube, Dipstick Options:	
217	70001002	1	Tube for p/n 2000217	
217	See Note	1	Tube for p/n 2000190 (Note: For correct component, must supply engine serial number to JLG Parts Department)	
218	7020465	1	Cap, Filler	
219	7020488	2	Connector, Electrical (Not Shown - Located at Sensors)	
220	7024565	1	Sensor, Tach (was p/n 7020481)	
220	70003932	1	Sleeve, Spacer	
221	7020482	1	Gasket Kit (Not Shown)	
222	7027241	1	Sender, Oil Temperature (Not Shown - Located on Front of Engine beside Fuel Injector) ( <b>SN 130000353 through 130000981</b> )	
223	7020459	1	Thermostat (Not Shown) ( <b>SN 130000353 through 130000981</b> )	
223	7020460		Spring, Compression	
224	70000264	1	Flywheel/Gear Assembly (Not Shown) (2000190 Engine Only)	
224	7024579	1	Rim, Gear (Not Shown)	

**SECTION 2 - TURNTABLE**

ITEM	PART NUMBER	QTY	DESCRIPTION	REV
224	See Note	1	Flywheel (Not Shown) (Note: Not Available for Purchase) (SN 1300000353 through 1300000981)	
225	7027239		Solenoid, Start (SN 1300000353 through 1300000981)	
226	7027769	2	Connector, Radiator (SN 1300000353 through 1300000979)	
227	7027245	1	Fuel Filter In-Line (Not Shown)	
		Ref	<b>MUFFLER INSTALLATION OPTIONS:</b>	
250		Ref	Muffler Options:	
250	3220110	1	Standard	
250	3220112	1	Catalytic	
250A	1320176	1	Clamp, Muffler	
	0256847	Ref	<b>PUMP COUPLING INSTALLATION</b>	2
301	1660234	1	Coupling, Hayes	
302	0080163	1	Plate, Pump Adapter	
303	0700810	6	Bolt M8 x 20mm	
304	4831900	6	Lockwasher M8	
306	4832000	8	Lockwasher M10 (Prior to SN 1300000981)	
307	3020021	AR	Grease, Coupling	

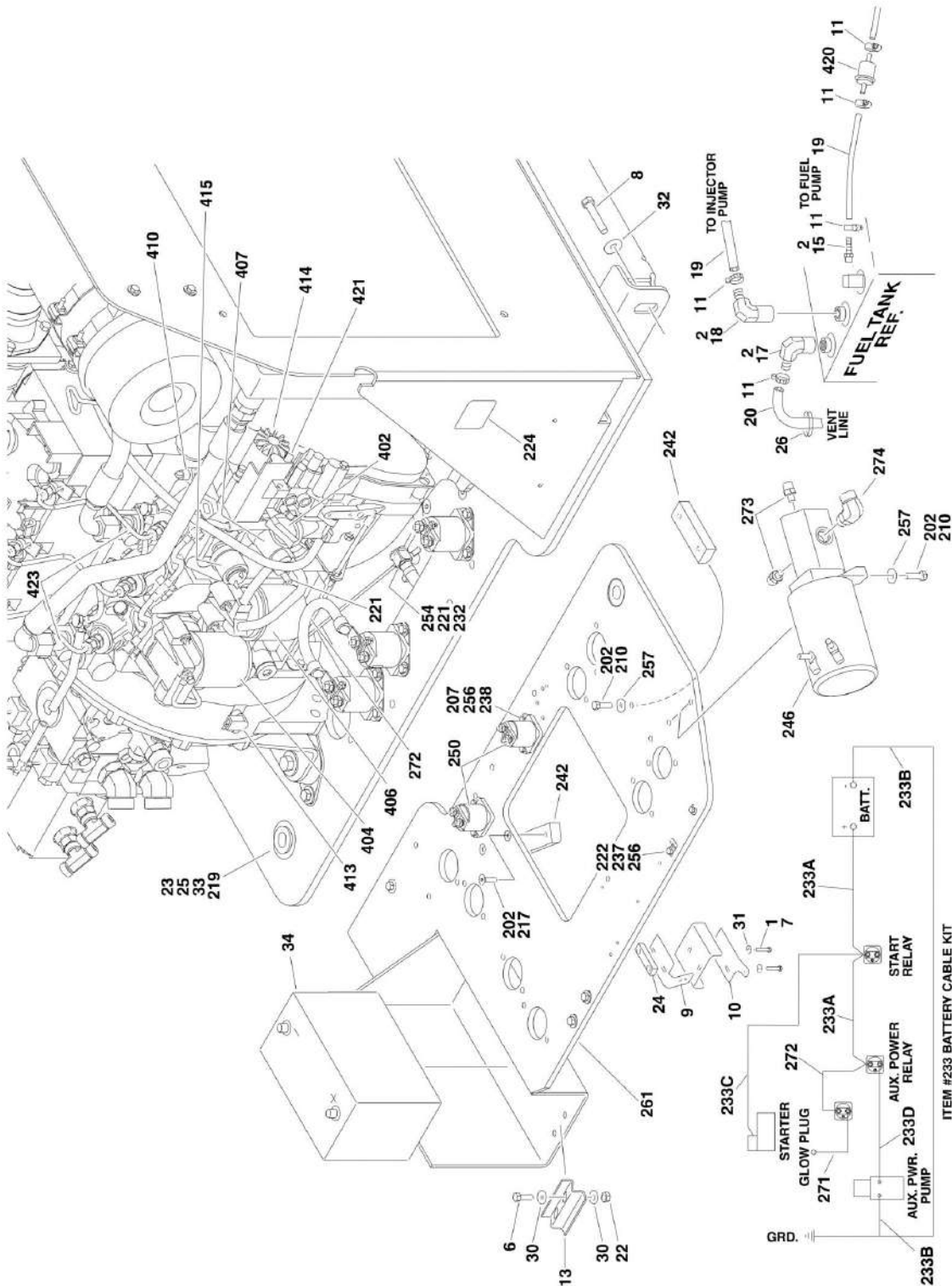
# SECTION 2 - TURNTABLE

FIGURE 2-11. DEUTZ ENGINE INSTALLATION (BELGIUM BUILT MACHINES AND ROMANIAN BUILT MACHINES) (SN 130000981 to Present, SN E30000100 through E300001114)





SECTION 2 - TURNTABLE



## SECTION 2 - TURNTABLE

**FIGURE 2-11. DEUTZ ENGINE INSTALLATION (BELGIUM BUILT MACHINES AND ROMANIAN BUILT MACHINES) (SN 1300000981 to Present, SN E300000100 through E300001114)**

ITEM	PART NUMBER	QTY	DESCRIPTION	REV
		Ref	<b>Belgium Built Machines use SNs 13xxxxxxx.</b>	
		Ref	<b>Romanian Built Machines use SNs E3xxxxxxx.</b>	
		Ref	<b>DEUTZ ENGINE INSTALLATIONS</b>	
	0274335	Ref	<b>Belgium Built Machines (SN 1300000981 through 1300003222)</b>	D
	0275871	Ref	<b>Belgium Built Machines (SN 1300003223 to Present)</b>	C
	0275871	Ref	<b>Romanian Built Machines (SN E300000100 through E300001114)</b>	C
1	0100011	AR	Compound, Locking	
2	0100020	AR	Sealant, Pipe	
4	0641410	4	Bolt 1/4in-20NC x 1-1/4in	
5	0641418	2	Bolt 1/4in-20NC x 2-1/4in	
6	0641512	2	Bolt 5/16in-18NC x 1-1/2in	
7	0641610	2	Bolt 3/8in-16NC x 1-1/4in	
8	0642010	1	Bolt 5/8in-11NC x 1-1/4in	
9	0902443	1	Bracket, Hood Latch Mount	
10	0902444	1	Bracket, Hood Support	
11	1320022	5	Clamp, Fuel Line	
12	1701505	1	Decal, Diesel Fuel (Not Shown)	
13	1787217	1	Clamp, Battery Hold-Down	
15	2180348	1	Fitting, Barbed	
16	2200222	1	Plug, Pipe (Not Shown - Located on Bottom of Fuel Tank)	
17	2220313	1	Fitting, Elbow Barbed	
18	2221176	1	Fitting, Elbow	
19	2720058	15.1 ft/4.6m	Hose	
20	2750532	6 ft/1.83m	Hose	
21	3311405	6	Locknut 1/4in-20NC	
22	3311505	2	Locknut 5/16in-18NC	
23	3312005	1	Locknut 5/8in-11NC	
24		Ref	Pad, Wear Options:	
24	3340399	1	Belgium Built Machines (SN 1300000981 through 1300003222)	
24	3340958	1	Belgium Built Machines (SN 1300003223 to Present)	
24	3340958	1	Romanian Built Machines (SN E300000100 through E300001114)	
25	3900254	1	Screw, Shoulder	
26	4240099	AR	Wire, Tie	
27		Ref	Valve Options:	
27	4641108	1	Belgium Built Machines (Use p/n 1001099391) (SN 1300000981 through 1300003222)	
27	4641317	1	Belgium Built Machines (SN 1300003223 to Present)	
27	4641317	1	Romanian Built Machines (SN E300000100 through E300001114)	
27A		Ref	Cartridge and Coil Options:	
		Ref	<b>Note: Original Equipment Valve may have been replaced with Service Replacement Valve. Identify p/n stamped on valve before ordering parts.</b>	
27A	7012974	1	Cartridge without Coil (4641108 Valve)	
27A	7010543	1	Seal Kit - 7012974 Cartridge	
27A	7012941	1	Cartridge without Coil (1001099391 & 4641317 Valve)	

**SECTION 2 - TURNTABLE**

ITEM	PART NUMBER	QTY	DESCRIPTION	REV
27A	7010543	1	Seal Kit - 7012941 Cartridge	
27A	7012944	1	Coil	
27B		Ref	Cartridge and Coil Options:	
		Ref	<b>Note: Original Equipment Valve may have been replaced with Service Replacement Valve. Identify p/n stamped on valve before ordering parts.</b>	
27B	7012995	1	Cartridge without Coil (4641108 & 1001099391 Valves)	
27B	7012518	1	Seal Kit - 7012995 Cartridge	
27B	7012941	1	Cartridge without Coil (4641317 Valve)	
27B	7010543	1	Seal Kit - 7012941 Cartridge	
27B	7012943	1	Coil (1001099391 & 4641108 Valve)	
27B	7012944	1	Coil (4641317 Valve)	
28	4711400	8	Flatwasher 1/4in Thin	
29	4751400	12	Flatwasher 1/4in Regular	
30	4751500	4	Flatwasher 5/16in Regular	
31	4751600	6	Flatwasher 3/8in Regular	
32	4752000	1	Flatwasher 5/8in Regular	
33	4752200	2	Flatwasher 3/4in Regular	
34	8008750	1	Battery (Wet)	
35		Ref	Decal - Warning Explosion/Fire Options:	
35	1704972	1	ANSI Spec	
35	1706098	1	Australian and CE Spec	
35	1706059	1	Brazilian Spec	
35	1706060	1	Chinese Spec	
35	1706064	1	CSA Spec	
35	1706062	1	Japanese Spec	
35	1706061	1	Korean Spec	
35	1706063	1	Spanish Language	
	2000291	Ref	<b>ENGINE ASSEMBLY</b>	O
201	0080231	1	Adapter, Fan Spacer	
202	0100011	AR	Compound, Locking	
203	0100020	AR	Sealant, Pipe	
205	0340041	2	Band, Muffler Bracket	
206	0641406	6	Bolt 1/4in-20NC x 3/4in	
207	0641410	6	Bolt, 1/4in-20NC x 1-1/4in	
208	0641510	3	Bolt, 5/16in-10NC x 1-1/4in	
209	0641608	AR	Bolt 3/8in-16NC x 1in	
210	0641610	16	Bolt 3/8in-16NC x 1-1/4in	
211	0641812	2	Bolt 1/2in-13NC x 1-1/2in	
212	0641820	4	Bolt 1/2in-13NC x 2-1/2in	
213	0700816	4	Bolt M8 x 40mm	
214		Ref	Bolt M10 x 25mm Options:	
214	0701012	4	Belgium Built Machines (SN 1300000981 through 1300001787)	
214	0771012	4	Belgium Built Machines (SN 1300001788 to Present)	
214	0771012	4	Romanian Built Machines (SN E300000100 through E300001114)	
215		Ref	Bolt M10 x 30mm Options:	
215	0701014	4	Belgium Built Machines (SN 1300000981 through 1300001787)	
215	0711014	4	Belgium Built Machines (SN 1300001788 to Present)	
215	0711014	4	Romanian Built Machines (SN E300000100 through E300001114)	

## SECTION 2 - TURNTABLE

ITEM	PART NUMBER	QTY	DESCRIPTION	REV
216	0711414	AR	Bolt M14 x 30mm	
217	0741610	2	Screw, Countersunk 3/8in-16NC x 1-1/4in	
218	0902740	1	Bracket, Engine Mounting	
219	0962172	1	Bushing, Flanged	
220	1320016	AR	Clamp	
221	1320022	1	Clamp, Hose	
222	1320222	3	Clamp, J Clip	
223	1340060	1	Air Cleaner Assembly	
223	7012664	1	Element, Air Cleaner	
224	1703162	2	Decal, Fan Blade	
225		Ref	Engine, Deutz Options:	
225	2000273	1	Belgium Built Machines (F3M2011 Tier II) <b>(SN 1300000981 through 1300001787)</b>	
225	2000338	1	Belgium Built Machines (F3M2011 Tier II) <b>(SN 1300001788 through 1300003196)</b>	
225	1001092723	1	Belgium Built Machines (D2011L03 Tier III) <b>(SN 1300003197 to Present)</b>	
225	1001092723	1	Romanian Built Machines (D2011L03 Tier III) <b>(SN E300000100 through E300001114)</b>	
226	2060025	1	Fan	
227	2200221	1	Plug (Belgium Built Machines Only) <b>(Prior to SN 1300003197)</b>	
228	2220451	1	Fitting	
229		Ref	Hose, Elbow Options:	
229A	2720434	1	Belgium Built Machines <b>(SN 1300000981 through 1300003195)</b>	
229B	1001091179	1	Belgium Built Machines <b>(SN 1300003196 to Present)</b>	
229B	1001091179	1	Romanian Built Machines <b>(SN E300000100 through E300001114)</b>	
230	2720449	1	Hose, Air Cleaner Intake (Belgium Built Machines Only) <b>(Prior to SN 1300003197)</b>	
231	2720467	2	Hose, Oil Cooler	
232	2750532	380 mm	Hose	
233	2902060	1	Battery Cable Kit	C
233A		Ref	Cable (Battery + to Relays) Options:	
233A	7027050	1	Cable (Battery + to 2 Relays) (Romanian Built Machines) <b>(SN E300001037 through E300001114)</b>	
233A	7016817	1	Cable (Battery + to 1 Relay) (All Belgium Built Machines)	
233A	7016817	1	Cable (Battery + to 1 Relay) (All Romanian Built Machines) <b>(SN E300000100 through E300001037)</b>	
233A	7016820	1	Cable, Jumper (Relay to Relay) (All Belgium Built Machines)	
233A	7016820	1	Cable, Jumper (Relay to Relay) (All Romanian Built Machines) <b>(SN E300000100 through E300001037)</b>	
233B	7027041	1	Cable (Battery - to Ground) (was p/n 7016837)	
233C	7016820	1	Cable (Auxilliary Relay to Starter)	
233D	7016834	1	Cable (Auxilliary Relay to Auxilliary Pump)	
234	3020016	2.5 gal/9.46l	Motor Oil Mobil Delvac MX 15W-40 (Not Shown)	
235	3200406	4	Mount, Rubber	
236		Ref	Muffler Options:	
236	3220110	1	Standard	
236	3220112	1	Catalytic	
236A	1320176	1	Clamp, Muffler	
237	3311401	1	Nut 1/4in-20NC	
238	3311405	12	Locknut 1/4in-20NC	

## SECTION 2 - TURNTABLE

ITEM	PART NUMBER	QTY	DESCRIPTION	REV
239	3311505	3	Locknut 5/16in-18NC	
240	3311605	AR	Locknut 3/8in-16NC	
241	3311805	4	Locknut 1/2in-13NC	
242	3340399	2	Pad, Wear	
243	3570801	1	Plate, Engine Mounting (Use p/n 0903063)	
244	3573895	1	Plate, Radiator Mounting	
245	3573937	1	Support, Radiator	
246	3600279	1	Auxiliary Pump Assembly	
246		Ref	Auxiliary Pump Assembly Options (See AUXILIARY PUMP ASSEMBLY for Breakdown):	
246	3600279	1	Belgium Built Machines (Use p/n 3600423) <b>(SN 1300000981 through 1300002753)</b>	
246	3600423	1	Belgium Built Machines <b>(SN 1300002754 to Present)</b>	
246	3600423	1	Romanian Built Machines <b>(SN E300000100 through E300001114)</b>	
247	3600318	1	Gear Pump Assembly	
247	7023929	1	Seal Kit - 3600318 Pump	
248	3600385	1	Piston Pump Assembly with Fittings (See PISTON PUMP ASSEMBLY for Breakdown)	
249	3620033	1	Radiator (Use p/n 1001150998)	
250		Ref	Relay Options:	
250	3740140	2	Belgium Built Machines <b>(SN 1300000981 through 1300001980)</b>	
250	3740067	3	Belgium Built Machines <b>(SN 1300001981 to Present)</b>	
250	3740067	3	Romanian Built Machines <b>(SN E300000100 through E300001114)</b>	
251	3790152	1	O-Ring	
252	3960407	1	Gasket, Air Intake	
253	4567495	1	Tube, Tee (Belgium Built Machines Only) <b>(SN 1300000981 through 1300003197)</b>	
254	4640751	1	Valve, Oil Drain	
255	4740274	4	Washer, Snubbing	
256	4751400	21	Flatwasher 1/4in Regular	
257	4751600	AR	Flatwasher 3/8in Regular	
258		Ref	Flatwasher Options:	
258	4751900	AR	Flatwasher 9/16in Regular	
258	4812200	AR	Flatwasher M14	
259	4845395	1	Adapter	
260		Ref	Bracket, Motor Mount Options:	
260A	4846567	1	All Machines with Generator Option	
260A	4846567	1	All Belgium Built Machines	
260A	4846567	1	Romanian Built Machines without Generator Option <b>(SN E300000100 through E300000980)</b>	
260B	1001138135	1	Romanian Built Machines without Generator Option <b>(SN E300000981 through E300001114)</b>	
261	4846683	1	Tray, Engine Mounting	
262	4891600	2	Flatwasher 3/8in Hardened	
263	2111010	2	Fitting, Straight (Belgium Built Machines) <b>(SN 1300001259 to Present)</b>	
263	2111010	2	Fitting, Straight (Romanian Built Machines) <b>(SN E300000100 through E300001114)</b>	
264	2111612	1	Fitting, Straight (Belgium Built Machines) <b>(SN 1300001259 to Present)</b>	
264	2111612	1	Fitting, Straight (Romanian Built Machines) <b>(SN E300000100</b>	

## SECTION 2 - TURNTABLE

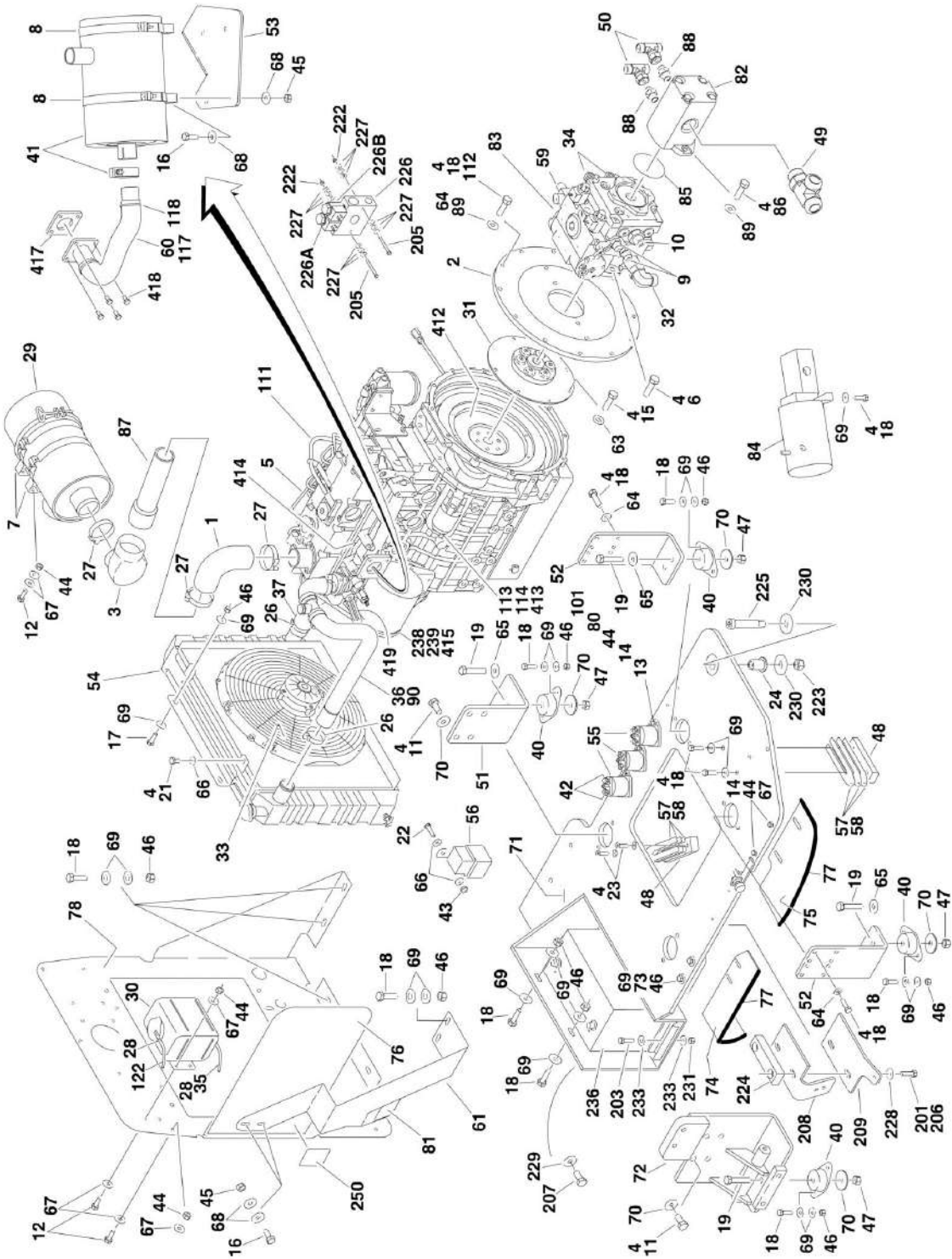
ITEM	PART NUMBER	QTY	DESCRIPTION	REV
265	2131212	1	<b>through E300001114)</b> Fitting, Elbow (Belgium Built Machines) (SN 1300001259 to Present)	
265	2131212	1	Fitting, Elbow (Romanian Built Machines) (SN E300000100 through E300001114)	
266	2151212	2	Fitting, Elbow (Belgium Built Machines) (SN 1300001259 to Present)	
266	2151212	2	Fitting, Elbow (Romanian Built Machines) (SN E300000100 through E300001114)	
267	2170316	1	Fitting, Tee (Belgium Built Machines) (SN 1300001259 to Present)	
267	2170316	1	Fitting, Tee (Romanian Built Machines) (SN E300000100 through E300001114)	
268	2170808	2	Fitting, Tee (Belgium Built Machines) (SN 1300001259 to Present)	
268	2170808	2	Fitting, Tee (Romanian Built Machines) (SN E300000100 through E300001114)	
269	2221084	1	Fitting, Tee (Belgium Built Machines) (SN 1300001259 to Present)	
269	2221084	1	Fitting, Tee (Romanian Built Machines) (SN E300000100 through E300001114)	
270	4641199	2	Valve, Check (Belgium Built Machines) (SN 1300001259 to Present)	
270	4641199	2	Valve, Check (Romanian Built Machines) (SN E300000100 through E300001114)	
271	4923451	1	Harness, Glow Plug (Not Shown) (Belgium Built Machines) (SN 1300001788 to Present)	
271	4923451	1	Harness, Glow Plug (Not Shown) (Romanian Built Machines) (SN E300000100 through E300001114)	
272	1060904	1	Cable, Jumper	
273	2110604	2	Fitting Straight	
274	2131210	1	Fitting, Elbow	
	0256847	Ref	<b>PUMP COUPLING INSTALLATION</b>	2
301	1660234	1	Coupling, Hayes	
302	0080163	1	Plate, Pump Adapter	
303	0700810	63	Bolt M8 x 20mm	
304	4831900	6	Lockwasher M8	
307	3020021	AR	Grease, Coupling	
		Ref	<b>ENGINE COMPONENTS</b>	
	2000273	Ref	<b>Belgium Built Machines (F3M2011 Tier II) (SN 1300000981 through 1300001787)</b>	
	2000338	Ref	<b>Belgium Built Machines (F3M2011 Tier II) (SN 1300001788 through 1300003196)</b>	
	1001092723	Ref	<b>Belgium Built Machines (D2011L03 Tier III) (SN 1300003197 to Present)</b>	
	1001092723	Ref	<b>Romanian Built Machines (D2011L03 Tier III) (SN E300000100 through E300001114)</b>	
401	7020026	1	Dipstick (Was p/n 7027244)	
402	7020465	2	Cap, Filler	
403	7020495	1	Pump, Oil Lube (Not Shown)	
403	7020468	1	Seal Between Oil Pump and Engine Block (Not Shown)	
404	7016331	1	Filter, Oil	
404	7027236	1	Sensor, Oil Temperature (Not Shown - Located in Rear Of Filter Mount)	
405		Ref	Pump, Injector Options:	

## SECTION 2 - TURNTABLE

ITEM	PART NUMBER	QTY	DESCRIPTION	REV
405	7027246	3	Series A Injector	
405	7027608	3	Series B Injector	
405	7027609	3	Series C Injector	
405	7027610	3	Series D Injector	
405	7020447	3	Gasket, Injector Pump	
406	7020023	1	Filter, Fuel	
406	70001423	1	Bracket, Fuel Filter	
407	70000916	1	Pump Fuel Supply (was p/n 7027238)	
407	7020411	1	O-Seal Between Fuel Pump and Engine Block (Not Shown)	
407	70001435	1	Replacement Filter	
408	7020449	3	Gasket, Intake Manifold (Not Shown)	
408	7020471	3	Gasket, Exhaust (Not Shown)	
408	70002200	6	Stud, Exhaust (Not Shown)	
409	7020408	1	V-Belt	
410	7027791	1	Sensor, Temperature	
411	7000663	1	Alternator (was p/n 7020410)	
411	7020464		Regulator, Voltage (Not Shown)	
412	7020479	1	Starter	
412	7026608	1	Relay, Starter	
413	7024565	1	Tacho-Generator	
413	70003932	1	Sleeve, Spacer	
414	7027792	1	Actuator, Throttle	
414	7027276	2	Spring, Actuator	
415	7027790	1	Sensor, Oil Pressure	
418	7020459	1	Thermostat	
418	7020460	1	Spring, Compression	
419	See Note	1	Flywheel (Not Shown) (Note: Not Available for Purchase)	
419	7024579	1	Rim, Gear (Not Shown)	
420	7027245	1	Filter, Fuel	
421	7027239	1	Solenoid, Start	
422	7027795	1	Module, EMR2	
423	7027769	2	Connector, Radiator	
424	70001181	1	Valve (Not Shown - Located Behind Oil Filter) (2000338 Engine)	
425		Ref	Gasket, Head Options (Not Shown):	
425	70003479	1	Gasket - 1 Notch	
425	70003480	1	Gasket - 2 Notch	
425	70003481	1	Gasket - 3 Notch	

# SECTION 2 - TURNTABLE

## FIGURE 2-12. PERKINS ENGINE INSTALLATION (WITH ELECTRICAL DRIVEN COOLING FAN) (WITHOUT UGM)







## SECTION 2 - TURNTABLE

**FIGURE 2-12. PERKINS ENGINE INSTALLATION (WITH ELECTRICAL DRIVEN COOLING FAN)  
(WITHOUT UGM)**

ITEM	PART NUMBER	QTY	DESCRIPTION	REV
		Ref	<b>Note: For Module (with/without UGM) Identification, refer to Revision Log page A.</b>	
		Ref	<b>Note: All Romanian Built Machines are equipped with UGM.</b>	
		Ref	<b>Note: No Romanian Built Machines were built with Perkins Engines</b>	
	2000396	Ref	<b>PERKINS ENGINE ASSEMBLY</b>	J
1	2180482	1	Elbow, Rubber	
2	0080181	1	Adapter, Pump Mounting Plate	
3	0080201	1	Adapter, Elbow Air Intake	
4	0100011	AR	Compound, Locking	
5		Ref	Engine, Perkins 404C-22 Options:	
5	1001095205	1	Engine, Perkins 404C-22 <b>(Prior to SN 1300005957)</b>	
5	1001102270	1	Engine, Perkins 404C-22 <b>(SN 1300005957 to Present)</b>	
6	0641812	2	Bolt 1/2in-13NC x 1-1/2in	
7	0340041	2	Band, Air Cleaner Mounting	
8	0340046	2	Band, Muffler Mounting	
9	2111010	2	Fitting, Straight	
10	2111612	1	Fitting, Straight	
11	0630569	8	Bolt, Metric M14 x 30mm	
12	0641406	8	Bolt 1/4in-20NC x 3/4in	
13	0641408	5	Bolt 1/4in-20NC x 1in	
14	0641610	3	Bolt 3/8in-16NC x 1-1/4in	
15	0641506	8	Bolt 5/16in-18NC x 3/4in	
16	0641507	6	Bolt 5/16in-18NC x 7/8in	
17	0641609	4	Bolt 3/8in-16NC x 1-1/8in	
18	0641610	35	Bolt 3/8in-16NC x 1-1/4in	
19	0641820	4	Bolt 1/2in-13NC x 2-1/2in	
21	0721004	4	Capscrew #10-24NC x 1/2in	
22	0721006	1	Capscrew #10-24NC x 3/4in	
23	0741610	2	Screw, Flat Head 3/8in-16NC x 1-1/4in	
24	0962172	1	Bushing, Flanged	
25	1060904	1	Cable, Jumper	
26	1320012	AR	Clamp	
27	1320016	4	Clamp	
28	1320022	AR	Clamp	
29	1340060	1	Air Cleaner Assembly	
29	7012664	1	Element, Air Cleaner	
30	1580011	1	Container, Coolant Overflow	
31	1660255	1	Coupling, Pump	
32	2131212	1	Fitting, Elbow	
33	2060032	1	Fan, Electric	
34	2151212	2	Fitting, Elbow	
35	2720058	4 in/10cm	Hose	
36		Ref	Hose, Radiator (Top) Options:	
36		Ref	Hose, Radiator (Top) (1 piece): <b>(Prior to SN 1300006427)</b>	
36	2720507	1	Hose, Radiator (Top) (Use p/n 1001102308)	
36		Ref	Hose, Radiator (Top) (3 piece) <b>(SN 1300006427 to Present)</b>	
36	1001101232	1	Hose, Radiator (Top) (Engine block to adapter tube)	
36	1001101233	1	Hose, Radiator (Top) (Adapter tube to Radiator)	

## SECTION 2 - TURNTABLE

ITEM	PART NUMBER	QTY	DESCRIPTION	REV
36	1001101228	1	Tube, Adapter	B
37	2720508	1	Hose, Radiator (Bottom)	
38	2750532	6 in/15cm	Hose	
39	2902060	1	Battery Cable Kit	
39A	7016817	1	Cable - Battery to Starter Relay	
39B	7016837	1	Cable - Battery and Auxiliary Pump to Ground	
39C	7016834	1	Cable - Starter Relay to Starter	
39D	7016838	1	Cable - Starter Relay to Auxiliary Relay	
39E	7016820	1	Cable - Auxiliary Relay to Auxiliary Pump	
40	3200378	4	Mount, Motor	
41		Ref	Muffler Options:	
41	3220113	1	Spark Arresting Muffler	
41	70001017	1	Clamp	
41	3220154	1	Catalytic Muffler (Use p/n 1001107116)	
41	70002705	1	Clamp	
41	70002706	1	Plug, Brass	
42	3300220	6	Nut, Washer ( <b>SN 1300006000 through 1300005957</b> )	
43	3311005	1	Locknut #10-24NC	
44	3311405	16	Locknut 1/4in-20NC	
45	3311505	6	Locknut 5/16in-18NC	
46	3311605	19	Locknut 3/8in-16NC	
47	3311805	4	Locknut 1/2in-13NC	
48	3340399	2	Pad, Wear	
49	2170316	1	Fitting, Tee	
50	2170808	2	Fitting, Tee	
51	3577130	1	Plate, Engine Mounting (Front)	
52	3577135	2	Plate, Engine Mounting (Rear)	
53	3577134	1	Plate, Muffler Support (Use p/n 1001098525)	
54	3620046	1	Radiator	
54	7019656	1	Cap, Radiator	
55	3740067	3	Relay	
56	3740080	1	Relay	
57	4070497	4	Shim	
58	4070498	2	Shim	
59	2221084	1	Fitting, Tee	
60	4568743	1	Pipe, Exhaust	
61	3573937	1	Plate, Radiator Support	
62	4641272	1	Valve, Oil Drain	
63	4711500	8	Flatwasher 5/16in Thin	
64	4711600	18	Flatwasher 3/8in Thin	
65	4740274	4	Washer, Snubbing	
66	4751000	6	Flatwasher #10 Regular	
67	4751400	20	Flatwasher 1/4in Regular	
68	4751500	12	Flatwasher 5/16in Regular	
69	4751600	42	Flatwasher 3/8in Regular	
70	4751800	11	Flatwasher 1/2in Regular	
71	1580049	1	Weldment, Engine Tray	
72	4846821	1	Mount, Motor/Generator	
73	0641611	2	Bolt 3/8in-16NC x 1-3/8in	
74	3577133	1	Plate, Air	
75	3577132	1	Plate, Baffle	

## SECTION 2 - TURNTABLE

ITEM	PART NUMBER	QTY	DESCRIPTION	REV
76	3577131	1	Plate, Air Panel	
77	3960438	28 in/71cm	Seal, Self Gripping	
78	3577139	1	Plate, Radiator Mount	
79	4922737	1	Harness, Engine Grounding	
80	4711400	12	Flatwasher, 1/4in Thin	
81	1703162	2	Decal - Caution Fan	
82	3600318	1	PUMP ASSEMBLY	
82	7023929	1	Seal Kit - 3600318 Pump	
83	3600385	1	Piston Pump Assembly (See PISTON PUMP ASSEMBLY for Breakdown)	
84	3600423	1	Auxiliary Pump Assembly (See AUXILIARY PUMP ASSEMBLY for Breakdown)	
85	3790152	1	O-Ring	
86	3931620	2	Capscrew, Socket Head 3/8in-16NC x 1-1/4in	
87	4569176	1	Tube, Air Intake	
88	4641199	2	Valve, Check	
89	4891600	4	Flatwasher 3/8in Hardened	
90	0100020	AR	Sealant	
91	0760612	4	Capscrew M6 x 25mm	
92	0760810	2	Capscrew M8 x 20mm	
93	1001099927	1	Actuator Kit, Governor Pull (Includes 1600351 Actuator and Items 93A, 94, 98 & 100)	
93A	7026843	1	Linkage	
94	2820018	1 ft/31cm	Heat Shrink	
95	3290605	4	Locknut M6	
97	3574282	1	Plate, Actuator Mounting	
98	4460464	5	Pin, Male	
99	4460536	1	Connector, Female - 3 Position	
100	4460897	1	Connector, Female - 2 Position	
101	4791400	6	Starwasher 1/4in	
102	5240600	8	Flatwasher 6mm Hardened	
103	5240800	2	Flatwasher 8mm Hardened	
104		Ref	Sensor, Coolant Options:	
104	1001097551	1	Sensor, Coolant (Use p/n 1001125978) <b>(Prior to SN 1300006881)</b>	
104	1001125978	1	Sensor, Coolant <b>(SN 1300006881 to Present)</b>	
104	1001097552	1	Adapter, Coolant Sensor (Use p/n 1001125978)	
105	1001097551	1	Sensor, Coolant	
105	1001097552	1	Adapter, Coolant Sensor	
106	1001097553	1	Washer, Coolant Sensor	
107	1001097554	1	Sensor, Oil Pressure	
108	1001097555	1	Adapter, Oil Pressure Sensor	
109	1001099926	1	Sensor Kit, Speed (Includes 1001097556 Speed Sensor and Items 94, 98 & 99)	
110	1001097588	1	Clip, Tube	
111	1001097893	1	Dipstick Assembly	
111	7026885	1	Dipstick	
111	7026886	1	Tube, Dipstick	
111	7026847	2	Washer	
111	7026881	1	O-Ring	
112	0641612	3	Bolt 3/8in-16NC x 1-1/2in	
113	3290801	1	Nut M8	

## SECTION 2 - TURNTABLE

ITEM	PART NUMBER	QTY	DESCRIPTION	REV
114	4831900	1	Lockwasher M8	
117	4100025	1.58 ft/0.49mm	Sleeve, Fiberglass (SN 1300006427 to Present)	
118	1001100825	2	Strap, Tie (SN 1300006427 to Present)	
122	2720271	1.5 ft/0.46m	Hose (SN 1300006713 to Present)	
	0275815	Ref	<b>PERKINS ENGINE INSTALLATION</b>	H
201	0100011	AR	Compound, Locking	
202	0100020	AR	Sealant, Pipe	
203	0641512	2	Bolt 5/16in-18NC x 1-1/2in	
204	0641406	2	Bolt 1/4in-20NC x 3/4in	
205	0641418	2	Bolt 1/4in-20NC x 2-1/4in	
206	0641610	2	Bolt 3/8in-16NC x 1-1/4in	
207	0642010	1	Bolt 5/8in-11NC x 1-1/4in	
208	0902443	1	Bracket, Hood Latch Mount	
209	0902444	1	Bracket, Hood Support	
210	1320022	7	Clamp, Fuel Line	
211	1320223	1	Clamp	
212	1701505	1	Decal, Diesel (Not Shown)	
213	1787217	1	Clamp, Battery Hold-Down	
214	2180536	1	Fitting, Barbed	
215	2220250	1	Fitting, Reducer	
216	2220313	1	Fitting, Elbow Barbed	
217	2220459	1	Fitting, Elbow	
218	2220794	1	Fitting, Straight Barbed	
219	2720058	10 ft/3.05m	Hose	
220	2720271	8 ft/2.4m	Hose	
221	2750532	7 ft/2.1m	Hose	
222	3311405	5	Locknut 1/4in-20NC	
223	3312005	1	Locknut 5/8in-11NC	
224	3340399	1	Pad, Wear	
225	3900254	1	Screw, Shoulder	
226	4641317	1	Valve Assembly	
226A		Ref	Cartridge and Coil Components:	
226A	7012941	1	Cartridge without Coil	
226A	7010543	1	Seal Kit - 7012941 Cartridge	
226A	7012944	1	Coil	
226B		Ref	Cartridge and Coil Components:	
226B	7012941	1	Cartridge without Coil	
226B	7010543	1	Seal Kit - 7012941 Cartridge	
226B	7012944	1	Coil	
227	4751400	16	Flatwasher 1/4in Regular	
228	4751600	2	Flatwasher 3/8in Regular	
229	4752000	1	Flatwasher 5/8in Regular	
230	4752200	2	Flatwasher 3/4in Regular	
231	3311505	3	Locknut 5/16in-18NC	
233	4751500	1	Flatwasher 5/16in Regular	
234	2300004	2.7 Gal	Coolant, Anti-Freeze (Not Shown):	
235	3020016	2.5 Gal	Oil, Motor Mobil Delvac MX 15W-40	
236	8008750	1	Battery	
237	2220273	1	Fitting, Reducer	

## SECTION 2 - TURNTABLE

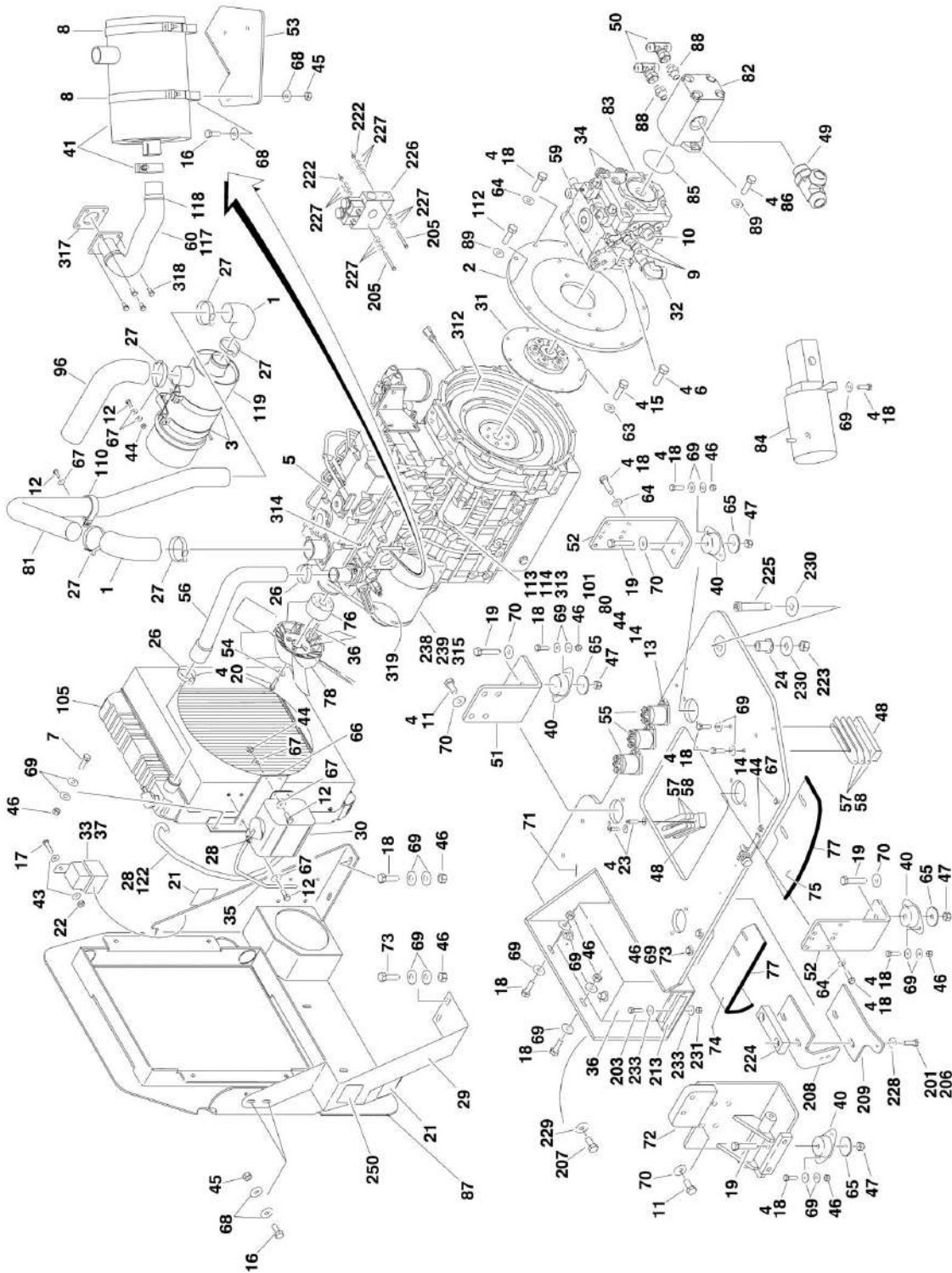
ITEM	PART NUMBER	QTY	DESCRIPTION	REV
238	3290501	1	Nut M5	
239	3290601	1	Nut M6	
240	0641420	1	Bolt 1/4in-20NC x 2-1/2in	
241	1320318	1	P-Clamp <b>(SN 1300006209 to Present)</b>	
242	4711400	3	Flatwasher 1/4in Thin	
243	1001100857	1	Separator, Fuel-Water <b>(SN 1300006209 to Present)</b>	
243	70002377	1	Filter	
243	70002378	1	Seal, O-Ring	
244	2200222	1	Plug, Pipe (Not Shown - Located on Bottom of Fuel Tank)	
245	0100079	AR	Sealant (Not Shown)	
250	1706098	1	Decal - Warning Explosion/Fire	
		Ref	<b>ENGINE COMPONENTS</b>	
	1001095205	Ref	<b>Engine Components (Prior to SN 1300006478)</b>	F
	1001102270	Ref	<b>Engine Components (SN 1300006478 to Present)</b>	B
401	70001386	1	Pump, Fuel Injection	
401	70001388	AR	Shim, 0.20mm	
401	70001389	AR	Shim, 0.25mm	
401	70001390	AR	Shim, 0.30mm	
401	70001391	AR	Shim, 0.35mm	
401	70001392	AR	Shim, 0.40mm	
401	70001393	AR	Shim, 0.50mm	
401	70001394	AR	Shim, 0.50mm Flat	
402	70001387	1	Solenoid, Fuel Injection	
403	70001395	4	Glowplug	
404	70001396	1	Pump, Water (Includes p/n 70001397 Only)	
404	70001397	1	Gasket, Water Pump to Plate	
404	70001398	1	Gasket, Plate to Engine Block	
405	70001400	1	Thermostat	
405	70001399	1	Gasket, Thermostat Neck to Thermostat Housing	
405	70001401	1	Gasket, Thermostat Housing to Engine Block	
406	70001402	1	Belt	
407	70001403	1	Filter, Oil	
408	70001404	1	Cap, Oil Fill	
408	70001405	1	Seal, Oil Fill Cap	
409	70001406	1	Valve, Relief	
409	70001407	1	Seal, O-Ring	
410	70001408	1	Fuel Bowl and Filter Assembly	
410	70001409	1	Fuel Filter Kit (Includes 1 Filter Element and 4 Seals)	
411	70001410	1	Pump, Lift	
411	70001411	1	Seal, O-Ring	
412	70001412	1	Flywheel	
412	70001413	1	Ring, Starter	
413	70001414	1	Starter	
413	70001415	1	Solenoid, Start	
414	70001416	1	Gasket, Exhaust Manifold to Engine Block	
415	70001417	1	Alternator	
416	70001418	1	Valve, Breather	
417	70001419	1	Gasket, Exhaust Manifold to Exhaust Tube	
418	0700808	4	Bolt M8 x 16mm	
419	70001792	1	Lever, Alternator Adjustment Arm	
419	70001793	2	Screw	

## SECTION 2 - TURNTABLE

ITEM	PART NUMBER	QTY	DESCRIPTION	REV
419	70001794	1	Washer (Engine Block Side of Lever)	
419	70001796	1	Washer (Alternator Side of Lever)	
420	70002107	1	Fitting, Oil Sensor Adapter to Engine Block	
421	70002109	1	Pipe, Fuel	
422	70002098	1	Hose, Fuel	
423	70002106	1	Hose	
424	70002105	1	Housing, Thermostat	
425	70002108	1	Washer	
426	70002100	1	Pipe, Fuel Injection #1	
426	70002101	1	Pipe, Fuel Injection #2	
426	70002102	1	Pipe, Fuel Injection #3	
426	70002103	1	Pipe, Fuel Injection #4	
427	70002099	1	Gasket, Cover	
429	70002433	4	Line, Fuel Injection Return	
430	70002104	1	Pipe, Oil (Not Shown)	
431		Ref	Gasket, Cylinder Head Options (Not Shown):	
431		Ref	0.4mm	
431	70003034	1	1001095205 Engines	
431	See Note	1	1001102270 Engines (Note: Not Available for Purchase)	
431		Ref	0.5mm	
431	70003033	1	1001095205 Engines	
431	See Note	1	1001102270 Engines (Note: Not Available for Purchase)	
432	70005771	4	Injector	
432	70005772	4	Seal, Injector	

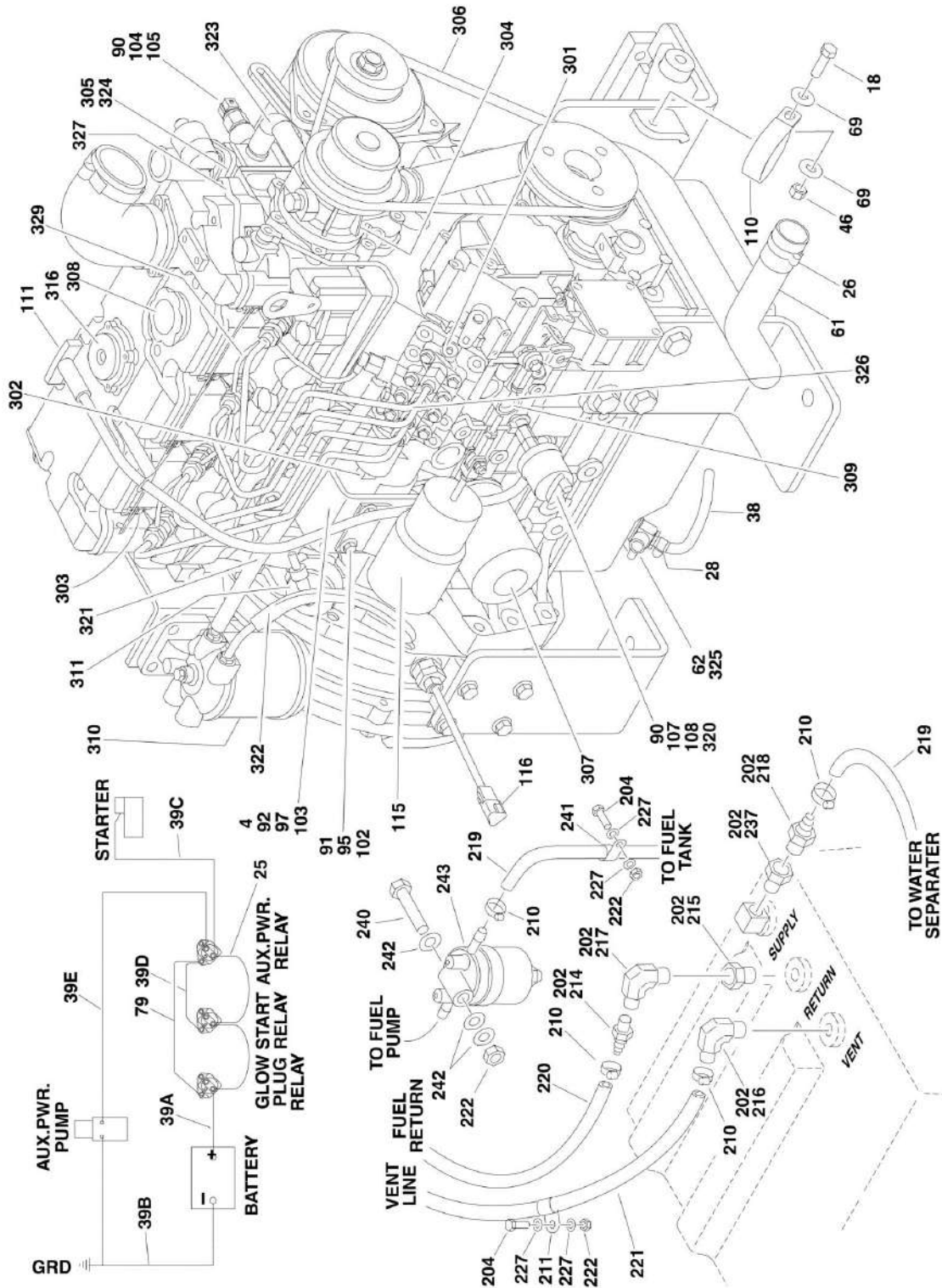
# SECTION 2 - TURNTABLE

## FIGURE 2-13. PERKINS ENGINE INSTALLATION (WITH ENGINE DRIVEN COOLING FAN) (WITHOUT UGM)





# SECTION 2 - TURNTABLE



## SECTION 2 - TURNTABLE

FIGURE 2-13. PERKINS ENGINE INSTALLATION (WITH ENGINE DRIVEN COOLING FAN) (WITHOUT UGM)

ITEM	PART NUMBER	QTY	DESCRIPTION	REV
		Ref	<b>Note: For Module (with/without UGM) Identification, refer to Revision Log page A.</b>	
		Ref	<b>Note: All Romanian Built Machines are equipped with UGM.</b>	
		Ref	<b>Note: No Romanian Built Machines were built with Perkins Engines</b>	
	1001130514	Ref	<b>PERKINS ENGINE ASSEMBLY</b>	A
1	2180482	2	Elbow, Rubber	
2	0080181	1	Adapter, Pump Mounting Plate	
3	0340012	2	Band, Air Cleaner Mounting	
4	0100011	AR	Compound, Locking	
5	1001102270	1	Engine, Perkins 404C-22	
6	0641812	2	Bolt 1/2in-13NC x 1-1/2in	
7	0641609	4	Bolt 3/8in-16NC x 1-1/8in	
8	0340046	2	Band, Muffler Mounting	
9	2111010	2	Fitting, Straight	
10	2111612	1	Fitting, Straight	
11	0630569	8	Bolt M14 x 30mm	
12	0641406	9	Bolt 1/4in-20NC x 3/4in	
13	0641408	5	Bolt 1/4in-20NC x 1in	
14	0641410	3	Bolt 1/4in-20NC x 1-1/4in	
15	0641506	8	Bolt 5/16in-18NC x 3/4in	
16	0641507	6	Bolt 5/16in-18NC x 7/8in	
17	0721004	1	Capscrew #10-24NC x 1/2in	
18	0741610	35	Screw, Flat Head 3/8in-16NC x 1-1/4in	
19	0641820	4	Bolt 1/2in-13NC x 2-1/2in	
20	0760815	4	Capscrew M8 x 35mm	
21	1703162	2	Decal - Caution Fan	
22	3311005	1	Locknut #10-24NC	
23	0741610	2	Screw, Flat Head 3/8in-16NC x 1-1/4in	
24	0962172	1	Bushing, Flanged	
25	1060904	1	Cable, Jumper	
26	1320012	4	Clamp	
27	1320016	5	Clamp	
28	1320022	4	Clamp	
29	3573667	1	Plate, Radiator Support	
30	1580011	1	Container, Coolant Overflow	
31	1660255	1	Coupling, Pump	
32	2131212	1	Fitting, Elbow	
33	3740080	1	Relay	
34	2151212	2	Fitting, Elbow	
35	2720058	2.5 ft/0.7m	Hose	
36	4031711	4	Bolt M6 x 35mm	
37	4460121	2	Terminal, Cap	
38	2750532	6 in/15cm	Hose	
39	2902060	1	Battery Cable Kit	B
39A	7016817	1	Cable - Battery to Starter Relay	
39B	7016837	1	Cable - Battery and Auxiliary Pump to Ground	
39C	7016834	1	Cable - Starter Relay to Starter	

## SECTION 2 - TURNTABLE

ITEM	PART NUMBER	QTY	DESCRIPTION	REV
39D	7016838	1	Cable - Starter Relay to Auxiliary Relay	
39E	7016820	1	Cable - Auxiliary Relay to Auxiliary Pump	
40	3200378	4	Mount, Motor	
41		Ref	Muffler Options:	
41	3220113	1	Standard Muffler	
41	70001017	1	Clamp, Muffler	
41	3220154	1	Catalytic Muffler (Use p/n 1001107116)	
41	70002705	1	Clamp	
41	70002706	1	Plug, Brass	
43	4751000	2	Flatwasher #10 Regular	
44	3311405	16	Locknut 1/4in-20NC	
45	3311505	6	Locknut 5/16in-18NC	
46	3311605	19	Locknut 3/8in-16NC	
47	3311805	4	Locknut 1/2in-13NC	
48	3340399	2	Pad, Wear	
49	2170316	1	Fitting, Tee	
50	2170808	2	Fitting, Tee	
51	3577130	1	Plate, Engine Mounting (Front)	
52	3577135	2	Plate, Engine Mounting (Rear)	
53	1001098525	1	Plate, Muffler Support	
54	4891500	4	Flatwasher 5/16in Hardened	
55	3740067	3	Relay	
56	1001100577	1	Hose, Radiator (Top)	
57	4070497	4	Shim	
58	4070498	2	Shim	
59	2221084	1	Fitting, Tee	
60	4568743	1	Pipe, Exhaust	
61	1001100818	1	Hose, Radiator (Bottom)	
62	4641272	1	Valve, Oil Drain	
63	4711500	8	Flatwasher 5/16in Thin	
64	4711600	18	Flatwasher 3/8in Thin	
65	4740274	4	Washer, Snubbing	
66	1001100837	1	Bracket, Bottle	
67	4751400	20	Flatwasher 1/4in Regular	
68	4751500	12	Flatwasher 5/16in Regular	
69	4751600	44	Flatwasher 3/8in Regular	
70	4751800	11	Flatwasher 1/2in Regular	
71	1580049	1	Weldment, Engine Tray	
72	4846821	1	Mount, Motor/Generator	
73	0641611	2	Bolt 3/8in-16NC x 1-3/8in	
74	3577133	1	Plate, Air	
75	3577132	1	Plate, Baffle	
76	1001101201	1	Adapter, Fan Spacer	
77	3960438	28	Seal, Self Gripping	
		in/71cm		
78	1001101408	1	Fan, Suction	
79	4922737	1	Harness, Engine Grounding	
80	4711400	12	Flatwasher, 1/4in Thin	
81	1001130038	1	Tube, Air Cleaner	
82	3600318	1	Gear Pump	
82	7023929	1	Seal Kit - 3600318 Pump	
83	3600385	1	Piston Pump Assembly (See PISTON PUMP ASSEMBLY for	

## SECTION 2 - TURNTABLE

ITEM	PART NUMBER	QTY	DESCRIPTION	REV
			Breakdown)	
84	3600423	1	Auxiliary Pump Assembly (See AUXILIARY PUMP ASSEMBLY for Breakdown)	
85	3790152	1	O-Ring	
86	3931620	2	Capscrew, Socket Head 3/8in-16NC x 1-1/4in	
87	1001130040	1	Panel, Radiator Mount	
88	4641199	2	Valve, Check	
89	4891600	4	Flatwasher 3/8in Hardened	
90	0100020	AR	Sealant	
91	0760612	4	Capscrew M6 x 25mm	
92	0760810	2	Capscrew M8 x 20mm	
95	3290605	4	Locknut M6	
96	1001130041	1	Elbow, Air Cleaner	
97	3574282	1	Plate, Actuator Mounting	
101	4791400	6	Starwasher 1/4in	
102	5240600	8	Flatwasher 6mm Hardened	
103	5240800	2	Flatwasher 8mm Hardened	
104	1001125978	1	Sensor, Coolant	
105	1001130042	1	Radiator, Assembly	
105	7027412	1	Cap, Radiator	
106	1001097553	1	Washer, Coolant Sensor	
107	1001097554	1	Sensor, Oil Pressure	
108	1001097555	1	Adapter, Oil Pressure Sensor	
110	1001097588	2	Clip, Tube	
111	1001097893	1	Dipstick Assembly	
111	7026885	1	Dipstick	
111	7026886	1	Tube, Dipstick	
111	7026847	2	Washer	
111	7026881	1	O-Ring	
112	0641612	2	Bolt 3/8in-16NC x 1-1/2in	
113	3290801	1	Nut M8	
114	4831900	1	Lockwasher M8	
115	1001099927	1	Actuator Kit, Governor Pull	
115	1600351	1	Controller, Governor Pull	
115	7026843	1	Linkage	
115	2820018	6 in/15cm	Heat Shrink	
115	4460897	1	Connector, Female - 2 Position	
115	4460464	2	Pin, Male	
116	1001099926	1	Sensor Kit, Speed	
116	2820018	6 in/15cm	Heat Shrink	
116	1001097556	1	Speed Sensor	
116	4460464	3	Pin, Male	
116	4460536	1	Connector, Female - 3 Position	
117	4100025	1.58 ft/0.49mm	Sleeve, Firberglass	
118	1001100825	2	Strap, Ties	
119	1001130524	1	Air Cleaner Assembly	
119	70004172	1	Element, Air Cleaner (was p/n 7020820)	
122	2720271	1.5 ft/0.46m	Hose	
	1001130513	Ref	<b>PERKINS ENGINE INSTALLATION</b>	A
201	0100011	AR	Compound, Locking	

## SECTION 2 - TURNTABLE

ITEM	PART NUMBER	QTY	DESCRIPTION	REV
202	0100020	AR	Sealant, Pipe	
203	0641512	2	Bolt 5/16in-18NC x 1-1/2in	
204	0641406	2	Bolt 1/4in-20NC x 3/4in	
205	0641418	2	Bolt 1/4in-20NC x 2-1/4in	
206	0641610	2	Bolt 3/8in-16NC x 1-1/4in	
207	0642010	1	Bolt 5/8in-11NC x 1-1/4in	
208	0902443	1	Bracket, Hood Latch Mount	
209	0902444	1	Bracket, Hood Support	
210	1320022	7	Clamp, Fuel Line	
211	1320223	1	Clamp	
212	1701505	1	Decal, Diesel (Not Shown)	
213	1787217	1	Clamp, Battery Hold-Down	
214	2180536	1	Fitting, Barbed	
215	2220250	1	Fitting, Reducer	
216	2220313	1	Fitting, Elbow Barbed	
217	2220459	1	Fitting, Elbow	
218	2220794	1	Fitting, Straight Barbed	
219	2720058	10 ft/3.05m	Hose	
220	2720271	8 ft/2.4m	Hose	
221	2750532	7 ft/2.1m	Hose	
222	3311405	5	Locknut 1/4in-20NC	
223	3312005	1	Locknut 5/8in-11NC	
224	3340399	1	Pad, Wear	
225	3900254	1	Screw, Shoulder	
226	4641317	1	Valve Assembly	
226	7012941	2	Cartridge without Coil	
226	7010543	2	Seal Kit - 7012941 Cartridge	
226	7012944	2	Coil	
227	4751400	16	Flatwasher 1/4in Regular	
228	4751600	2	Flatwasher 3/8in Regular	
229	4752000	1	Flatwasher 5/8in Regular	
230	4752200	2	Flatwasher 3/4in Regular	
231	3311505	3	Locknut 5/16in-18NC	
233	4751500	1	Flatwasher 5/16in Regular	
234	2300004	2.7 Gal	Coolant, Anti-Freeze (Not Shown)	
235	3020016	2.5 Gal	Oil, Motor Mobil Delvac MX 15W-40 (Not Shown)	
236	8008750	1	Battery	
237	2220273	1	Fitting, Reducer	
238	3290501	1	Nut M5	
239	3290601	1	Nut M6	
240	0641420	1	Bolt 1/4in-20NC x 2-1/2in	
241	1320318	1	P-Clamp (SN 130006208 to Present)	
242	4711400	3	Flatwasher 1/4in Thin	
243	1001100857	1	Separator, Fuel-Water	
243	70002377	1	Filter	
243	70002378	1	Seal, O-Ring	
244	2200222	1	Plug, Pipe (Not Shown - Located on Bottom of Fuel Tank)	
245	0100079	AR	Sealant (Not Shown)	
250	1706098	1	Decal - Warning Explosion/Fire	
	1001102270	Ref	<b>ENGINE COMPONENTS</b>	B
301	70001386	1	Pump, Fuel Injection	

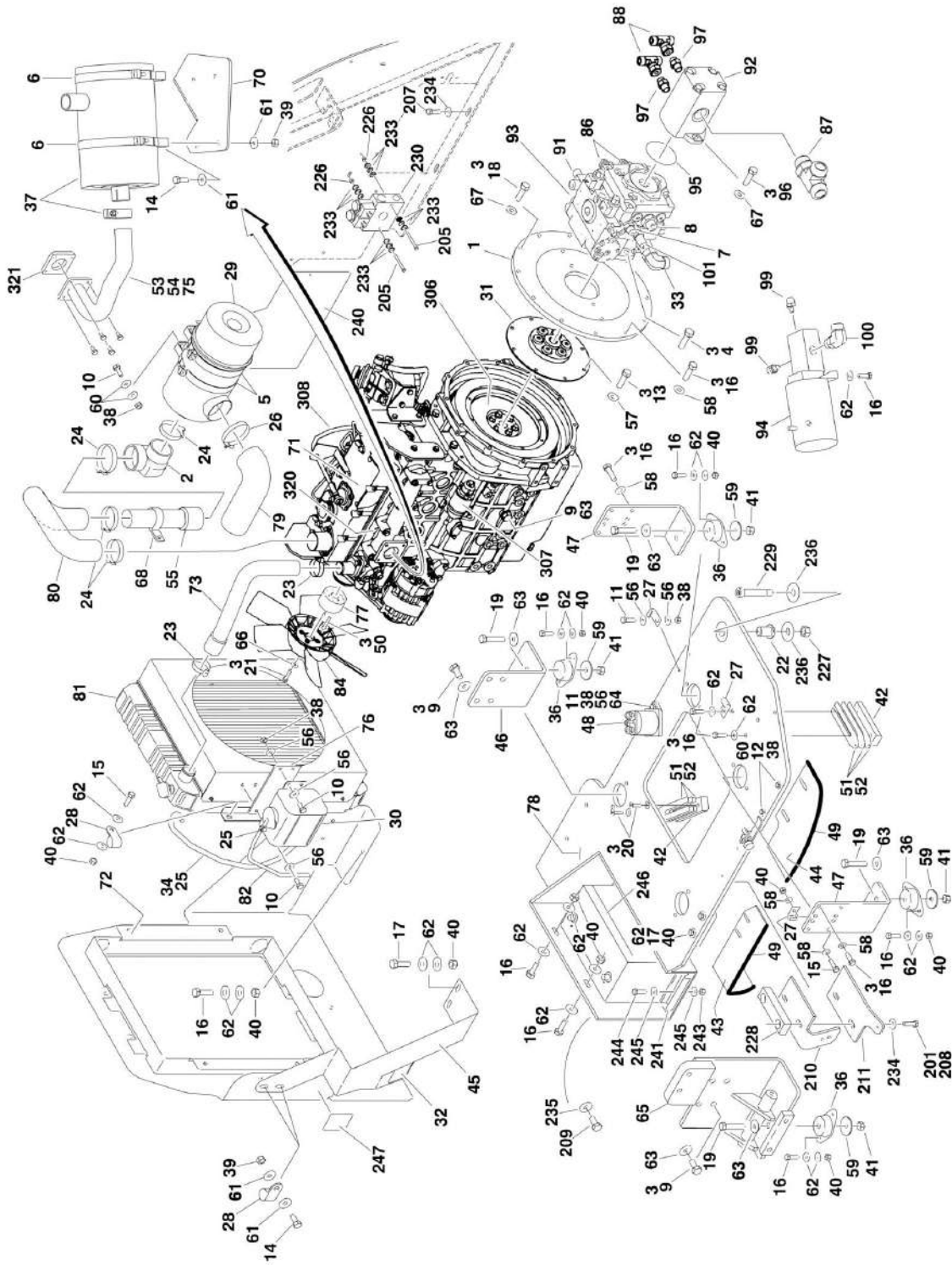
## SECTION 2 - TURNTABLE

ITEM	PART NUMBER	QTY	DESCRIPTION	REV
301	70001388	AR	Shim 0.20mm	
301	70001389	AR	Shim 0.25mm	
301	70001390	AR	Shim 0.30mm	
301	70001391	AR	Shim 0.35mm	
301	70001392	AR	Shim 0.40mm	
301	70001393	AR	Shim 0.50mm	
301	70001394	AR	Shim 0.50mm Flat	
302	70001387	1	Solenoid, Fuel Injection	
303	70001395	4	Glowplug	
304	70001396	1	Pump, Water (Includes p/n 70001397 Only)	
304	70001397	1	Gasket, Water Pump to Plate	
304	70001398	1	Gasket, Plate to Engine Block	
305	70001400	1	Thermostat	
305	70001399	1	Gasket, Thermostat Neck to Thermostat Housing	
305	70001401	1	Gasket, Thermostat Housing to Engine Block	
306	70001402	1	Belt	
307	70001403	1	Filter, Oil	
308	70001404	1	Cap, Oil Fill	
308	70001405	1	Seal, Oil Fill Cap	
309	70001406	1	Valve, Relief	
309	70001407	1	Seal, O-Ring	
310	70001408	1	Fuel Bowl and Filter Assembly	
310	70001409	1	Fuel Filter Kit (Includes 1 Filter Element and 4 Seals)	
311	70001410	1	Pump, Lift	
311	70001411	1	Seal, O-Ring	
312	70001412	1	Flywheel	
312	70001413	1	Ring, Starter	
313	70001414	1	Starter	
313	70001415	1	Solenoid, Start	
314	70001416	1	Gasket, Exhaust Manifold to Engine Block	
315	70001417	1	Alternator	
316	70001418	1	Valve, Breather	
317	70001419	1	Gasket, Exhaust Manifold to Exhaust Tube	
318	0700808	4	Bolt M8 x 16mm	
319	70001792	1	Lever, Alternator Adjustment Arm	
319	70001793	2	Screw	
319	70001794	1	Washer (Engine Block Side of Lever)	
319	70001796	1	Washer (Alternator Side of Lever)	
320	70002107	1	Fitting, Oil Sensor Adapter to Engine Block	
321	70002109	1	Pipe, Fuel	
322	70002098	1	Hose, Fuel	
323	70002106	1	Hose	
324	70002105	1	Housing, Thermostat	
325	70002108	1	Washer	
326	70002100	1	Pipe, Fuel Injection #1	
326	70002101	1	Pipe, Fuel Injection #2	
326	70002102	1	Pipe, Fuel Injection #3	
326	70002103	1	Pipe, Fuel Injection #4	
327	70002099	1	Gasket, Cover	
329	70002104	1	Pipe, Oil	



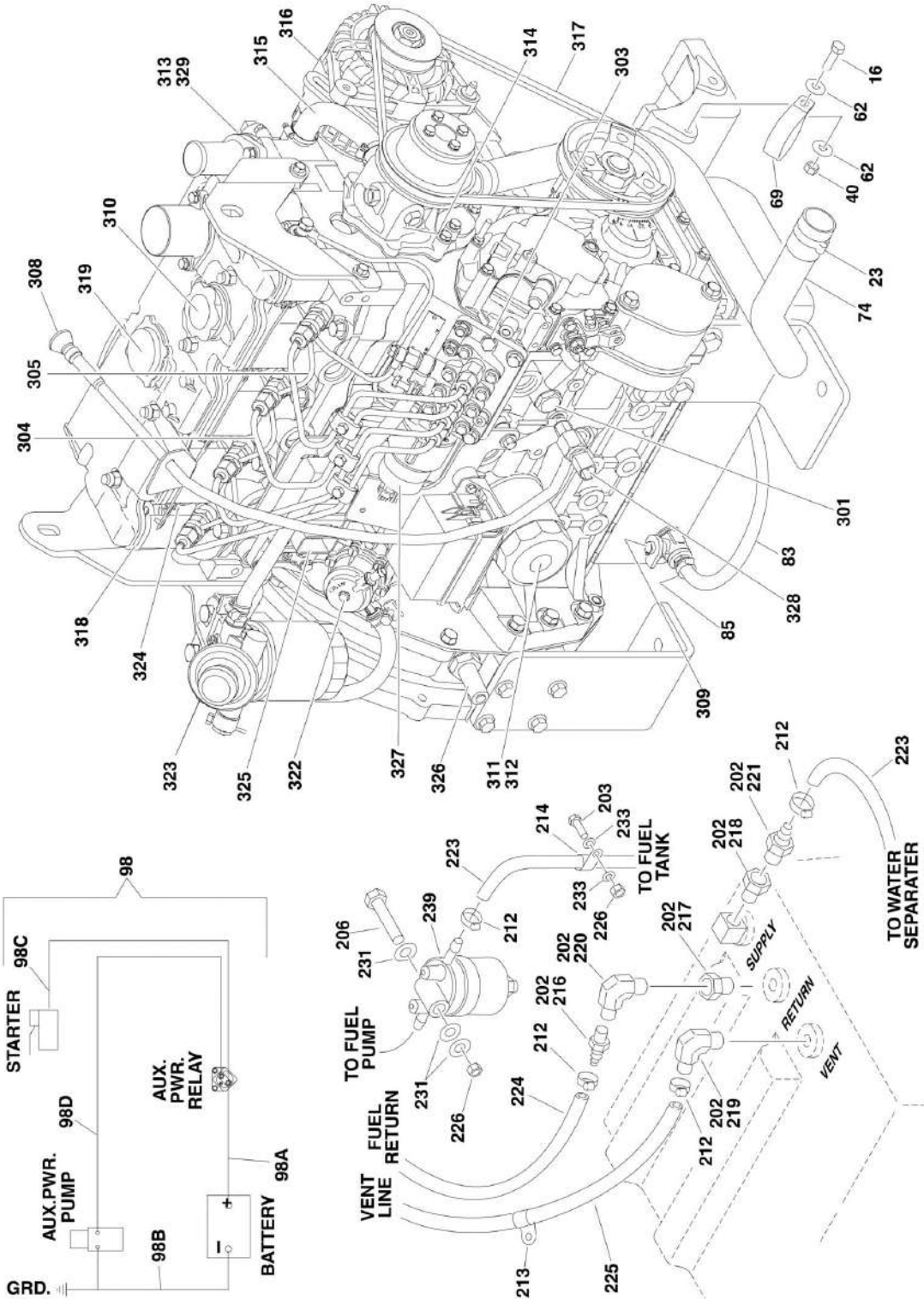
# SECTION 2 - TURNTABLE

## FIGURE 2-14. PERKINS ENGINE INSTALLATION (WITH UGM)





# SECTION 2 - TURNTABLE



## SECTION 2 - TURNTABLE

FIGURE 2-14. PERKINS ENGINE INSTALLATION (WITH UGM)

ITEM	PART NUMBER	QTY	DESCRIPTION	REV
		Ref	<b>Note: For Module (with/without UGM) Identification, refer to Revision Log page A.</b>	
		Ref	<b>Note: All Romanian Built Machines are equipped with UGM.</b>	
	1001106788	Ref	<b>PERKINS ENGINE ASSEMBLY</b>	F
1	0080181	1	Adapter, Pump Mounting Plate	
2	0080201	1	Adapter, Elbow Air Intake	
3	0100011	AR	Compound, Locking	
4	0641812	2	Bolt 1/2in-13NC x 1-1/2in	
5	0340041	2	Band, Air Cleaner Mounting	
6	0340046	2	Band, Muffler Mounting	
7	2111010	1	Fitting, Straight	
8	2111612	1	Fitting, Straight	
9	0630569	9	Bolt M14 x 30mm	
10	0641406	8	Bolt 1/4in-20NC x 3/4in	
11	0641408	3	Bolt 1/4in-20NC x 1in	
12	0641410	2	Bolt 1/4in-20NC x 1-1/4in	
13	0641506	8	Bolt 5/16in-18NC x 3/4in	
14	0641507	6	Bolt 5/16in-18NC x 7/8in	
15	0641609	5	Bolt 3/8in-16NC x 1-1/8in	
16	0641610	37	Bolt 3/8in-16NC x 1-1/4in	
17	0641611	2	Bolt 3/8in-16NC x 1-3/8in	
18	0641614	2	Bolt 3/8in-16NC x 1-3/4in	
19	0641820	4	Bolt 1/2in-13NC x 2-1/2in	
20	0741610	2	Screw, Flat Head 3/8in-16NC x 1-1/4in	
21	0760815	4	Bolt M8 x 35mm	
22	0962172	1	Bushing, Flanged	
23	1320012	4	Clamp	
24	1320016	4	Clamp	
25	1320022	3	Clamp	
26	1320058	1	Clamp	
27	1320223	6	Clamp	
28	1320318	2	P-Clamp	
29	1340060	1	Air Cleaner Assembly	
29	7012664	1	Element, Air Cleaner	
30	1580011	1	Container, Coolant Overflow	
31	1660255	1	Coupling, Pump	
32	1703162	2	Decal - Caution Fan	
33	2131212	1	Fitting, Elbow	
34	2720058	2.5 ft/0.8m	Hose	
36	3200378	4	Mount, Motor	
37		Ref	Muffler Options:	
37	3220113	1	Spark Arresting Muffler	
37	70001017	1	Clamp	
37	1001107116	1	Catalytic Muffler	
37	70002705	1	Clamp	
37	70002706	1	Plug, Brass	
38	3311405	11	Locknut 1/4in-20NC	
39	3311505	6	Locknut 5/16in-18NC	
40	3311605	22	Locknut 3/8in-16NC	

## SECTION 2 - TURNTABLE

ITEM	PART NUMBER	QTY	DESCRIPTION	REV
41	3311805	4	Locknut 1/2in-13NC	
42	3340399	2	Pad, Wear	
43	3577133	1	Plate, Air	
44	3577132	1	Plate, Baffle	
45	3573937	1	Plate, Radiator Support	
46	3577130	1	Plate, Engine Mounting (Front)	
47	3577135	2	Plate, Engine Mounting (Rear)	
48	3740067	1	Relay	
49	3960438	28	Seal, Self Gripping	
		in/71cm		
50	4031711	4	Bolt M6 x 35mm	
51	4070497	4	Shim	
52	4070498	2	Shim	
53	4100025	1.6	Sleeve, Fiberglass	
		ft/0.49mm		
54	4568743	1	Pipe, Exhaust	
55	4569176	1	Tube, Air Intake	
56	4711400	12	Flatwasher, 1/4in Thin	
57	4711500	8	Flatwasher 5/16in Thin	
58	4711600	26	Flatwasher 3/8in Thin	
59	4740274	4	Washer, Snubbing	
60	4751400	12	Flatwasher 1/4in Regular	
61	4751500	12	Flatwasher 5/16in Regular	
62	4751600	40	Flatwasher 3/8in Regular	
63	4751800	13	Flatwasher 1/2in Regular	
64	4791400	2	Starwasher 1/4in	
65	4846821	1	Mount, Motor/Generator	
66	4891500	4	Flatwasher 5/16in Hardened	
67	4891600	4	Flatwasher 3/8in Hardened	
68	85941018	1	P-Clamp	
69	1001097588	1	Clip, Tube	
70	1001098525	1	Plate, Muffler Support	
71	1001099370	1	Engine, Perkins 404C-22	
72	1001106793	1	Plate, Radiator Mount	
73	1001100577	1	Hose, Radiator (Top)	
74	1001100818	1	Hose, Radiator (Bottom)	
75	1001100825	2	Strap, Ties	
76	1001100837	1	Bracket, Bottle	
77	1001101201	1	Spacer, Fan	
78	1001106790	1	Weldment, Engine Tray	
79	1001101681	1	Elbow, Rubber	
80	1001101950	1	Tube, Air Intake	
81	1001102706	1	Radiator	
81	7027412	1	Cap, Radiator	
81	70023056	1	Petcock	
82	2720271	1.25	Hose	
		ft/0.38m		
83	2720615	1.5	Hose	
		ft/0.46m		
84	1001101408	1	Fan	
85	8405006	1	Clamp, Gear	
86	2151212	2	Fitting, Elbow	

## SECTION 2 - TURNTABLE

ITEM	PART NUMBER	QTY	DESCRIPTION	REV
87	2170316	1	Fitting, Tee	
88	2170808	2	Fitting, Tee	
91	2221084	1	Fitting, Tee	
92	3600318	1	Gear Pump	
92	7023929	1	Seal Kit - 3600318 Pump	
93	3600385	1	Piston Pump Assembly (See PISTON PUMP ASSEMBLY for Breakdown)	
94	3600423	1	Auxiliary Pump Assembly (See AUXILIARY PUMP ASSEMBLY for Breakdown)	
95	3790152	1	O-Ring	
96	3931620	2	Capscrew, Socket Head 3/8in-16NC x 1-1/4in	
97	4641199	2	Valve, Check	
98	1001102860	1	Battery Cable Kit	A
98A	7027025	1	Cable - Battery to Auxiliary Relay	
98B	7027026	1	Cable - Battery and Auxiliary Pump to Ground	
98C	7027023	1	Cable - Auxiliary Relay to Starter	
98D	7027024	1	Cable - Auxiliary Relay to Auxiliary Pump	
99	2110604	2	Fitting, Straight	
100	2131210	1	Fitting, Elbow	
101	2170110	1	Fitting, Straight	
	1001106789	Ref	<b>PERKINS ENGINE INSTALLATION</b>	A
201	0100011	AR	Compound, Locking	
202	0100020	AR	Sealant, Pipe	
203	0641406	3	Bolt 1/4in-20NC x 3/4in	
204	0641408	7	Bolt 1/4in-20NC x 1in	
205	0641418	2	Bolt 1/4in-20NC x 2-1/4in	
206	0641420	1	Bolt 1/4in-20NC x 2-1/2in	
207	0641608	3	Bolt 3/8in-16NC x 1in	
208	0641610	2	Bolt 3/8in-16NC x 1-1/4in	
209	0642010	1	Bolt 5/8in-11NC x 1-1/4in	
210	0902443	1	Bracket, Hood Latch Mount	
211	0902444	1	Bracket, Hood Support	
212	1320022	7	Clamp, Fuel Line	
213	1320223	1	Clamp, J Clip	
214	1320318	2	Clamp	
215	1701505	1	Decal, Diesel (Not Shown)	
216	2180536	1	Fitting, Barbed	
217	2220250	1	Fitting, Reducer	
218	2220273	1	Fitting, Reducer	
219	2220313	1	Fitting, Elbow Barbed	
220	2220459	1	Fitting, Elbow	
221	2220794	1	Fitting, Straight Barbed	
222	2300004	2.7 Gal	Coolant, Anti-Freeze (Not Shown)	
223	2720058	10 ft/3.05m	Hose	
224	2720271	8 ft/2.4m	Hose	
225	2750532	7 ft/2.1m	Hose	
226	3311405	13	Locknut 1/4in-20NC	
227	3312005	1	Locknut 5/8in-11NC	
228	3340399	1	Pad, Wear	
229	3900254	1	Screw, Shoulder	
230	4641317	1	Valve Assembly	

## SECTION 2 - TURNTABLE

ITEM	PART NUMBER	QTY	DESCRIPTION	REV
230	7012941	2	Cartridge without Coil	
230	7010543	2	Seal Kit - 7012941 Cartridge	
230	7012944	2	Coil	
231	4711400	3	Flatwasher 1/4in Thin	
232	4740362	7	Washer, Fender	
233	4751400	25	Flatwasher 1/4in Regular	
234	4751600	5	Flatwasher 3/8in Regular	
235	4752000	1	Flatwasher 5/8in Regular	
236	4752200	2	Flatwasher 3/4in Regular	
239	1001100857	1	Separator, Fuel-Water	
239	70002377	1	Filter	
239	70002378	1	Seal, O-Ring	
240	1001103791	1	Panel, Rubber	
241	1787217	1	Clamp, Battery Holddown	
242	3020016	2.5 gal	Motor Oil Mobil Delvac MX 15W-40	
243	3311505	2	Locknut 5/16in-18NC	
244	0641512	1	Bolt 5/16in-18NC x 1-1/2in	
245	4751500	4	Flatwasher 5/16in Regular	
246	8008750	1	Battery	
247	1706098	1	Decal - Warning Explosion/Fire	
	1001099370	Ref	<b>ENGINE COMPONENTS</b>	D
301	70001406	1	Valve, Relief	
301	70001407	1	Seal, O-Ring	
302	70002459	1	Sensor, Speed (Not Shown)	
303	70002436	1	Pump, Fuel Injection	
303	70001388	1	Shim 0.2mm	
303	70001389	1	Shim 0.25mm	
303	70001390	1	Shim 0.3mm	
303	70001391	1	Shim 0.35mm	
303	70001392	1	Shim 0.4mm	
303	70001393	1	Shim 0.5mm	
303	70001394	1	Shim 0.5mm Flat	
304	70002100	1	Pipe, Fuel Injector (#1 Cylinder)	
304	70002101	1	Pipe, Fuel Injector (#2 Cylinder)	
304	70002102	1	Pipe, Fuel Injector (#3 Cylinder)	
304	70002103	1	Pipe, Fuel Injector (#4 Cylinder)	
305	70002437	1	Pipe, Fuel Injector Return	
306	70001412	1	Flywheel	
306	70001413	1	Ring, Starter	
307	70001414	1	Starter	
308	70002438	1	Dipstick	
308	70002439	1	Tube, Dipstick	
308	70002440	3	O-Ring	
309	70002441	1	Valve, Oil Drain	
310	70001404	1	Cap, Oil Fill	
310	70001405	1	Seal, Oil Fill Cap	
311	70001403	1	Filter, Oil	
312	70002442	1	Connector, Oil Filter	
313	70002443	1	Thermostat	
313	70001399	1	Gasket, Thermostat Neck to Thermostat Housing	
313	70001401	1	Gasket, Thermostat Housing to Engine Block	

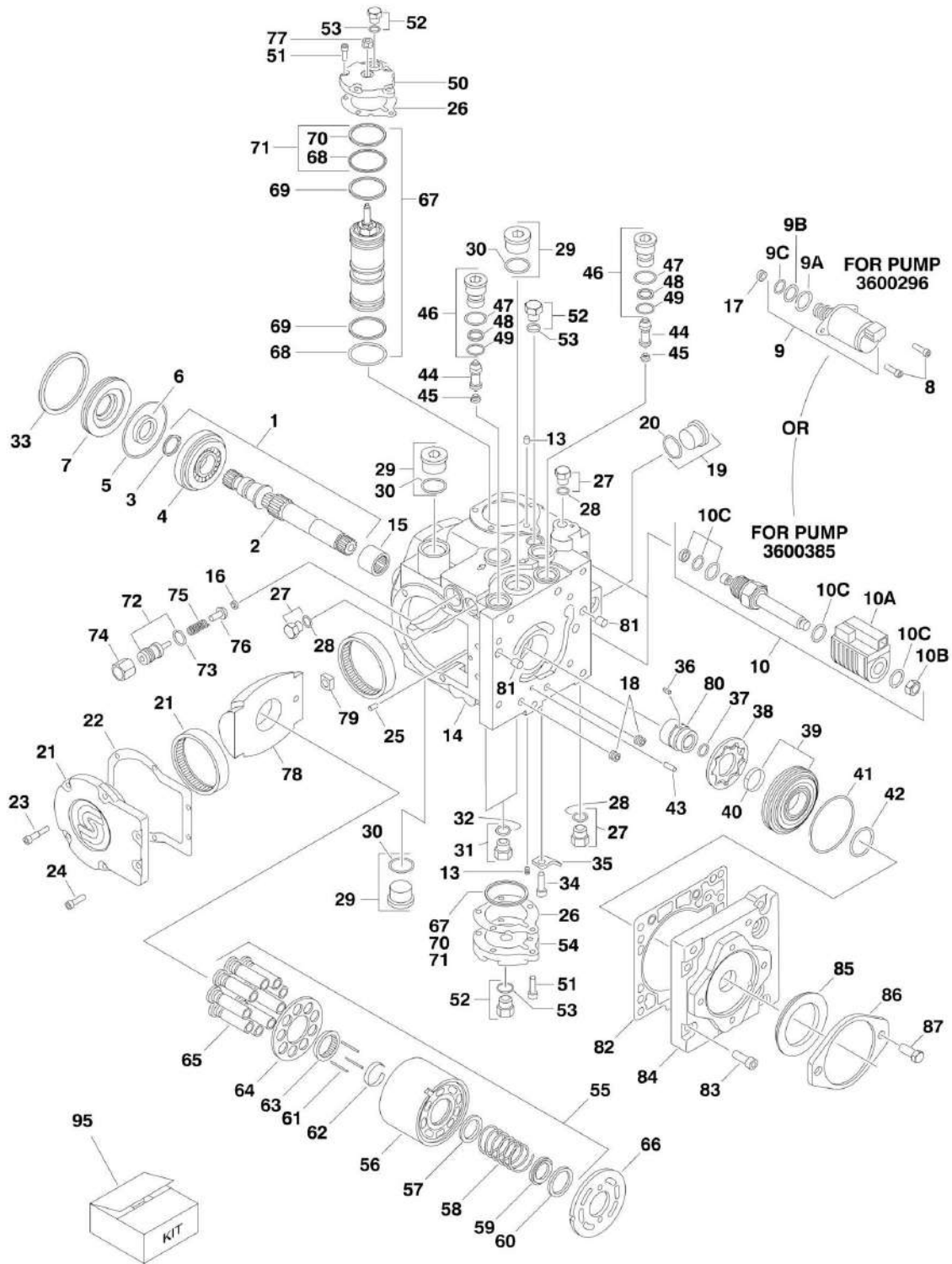
## SECTION 2 - TURNTABLE

ITEM	PART NUMBER	QTY	DESCRIPTION	REV
314	70002444	1	Pump, Water (Includes p/n 70002445 Only)	
314	70002445	1	Gasket, Water Pump to Plate	
315	70002446	1	Hose, Water Pump to Engine Head	
316	70001417	1	Alternator	
317	70002447	1	Belt	
318	70002099	1	Gasket, Head Cover	
319	70001418	1	Valve, Breather	
320	70001416	1	Gasket, Exhaust Manifold to Engine Block	
321	70001419	1	Gasket, Exhaust Manifold to Exhaust Tube	
322	70002448	1	Pump, Lift	
322	70001411	1	Seal, O-Ring	
323	70002449	1	Fuel Filter Head Assembly	
323	70002450	1	Fuel Filter	
324	70001395	4	Glowplug	
325	70002451	1	Module, Engine Control	
325	70002452	1	Harness, Wiring	
325	70002453	1	Bracket	
325	70002454	1	Isolator	
326	70002455	1	Sensor, Speed	
327	70002456	1	Actuator	
327	70002108	1	Washer	
328	70002457	1	Switch, Oil Pressure	
329	70002458	1	Switch, Water Temperature	



# SECTION 2 - TURNTABLE

## FIGURE 2-15. PISTON PUMP ASSEMBLY





## SECTION 2 - TURNTABLE

### FIGURE 2-15. PISTON PUMP ASSEMBLY

ITEM	PART NUMBER	QTY	DESCRIPTION	REV
		Ref	<b>PISTON PUMP ASSEMBLIES</b>	
	3600296	Ref	<b>Belgium Built Machines (Prior to SN 1300000129)</b>	D
	3600385	Ref	<b>Belgium Built Machines (SN 1300000129 to Present)</b>	B
	3600385	Ref	<b>Romanian Built Machines (SN E300000100 through E300001114)</b>	B
		Ref	<b>Note: On Belgium Built Machines, Original Equipment Pump p/n 3600296 may have been replaced with Service Replacement Pump p/n 3600385. Identify component before ordering parts. (Prior to SN 1300000129)</b>	
1	7021240	1	Shaft Assembly (Includes Items 2-4)	
2	7021237	1	Shaft	
3	7021238	1	Ring, Retaining	
4	7021239	1	Bearing, Roller	
5	7021280	1	O-Ring	
6	7021242	1	Seal, Lip	
7	7021243	1	Carrier, Seal Shaft	
8	See Note	4	Screw (3600296 Pump Only) (Note: Not Available for Purchase)	
9	7022373	2	Solenoid Assembly (Includes Items 9A - 9C) (3600296 Pump Only)	
9A	7022374	2	O-Ring (3600296 Pump Only)	
9B	7022375	2	O-Ring (3600296 Pump Only)	
9C	7022376	2	O-Ring (3600296 Pump Only)	
10	7024855	2	Solenoid Assembly (3600385 Pump Only)	
10A	7024856	2	Coil (3600385 Pump Only) (1 Per Assy)	
10B	7024857	2	Nut (3600385 Pump Only) (1 Per Assy)	
10C	7024858	2	Seal Kit - 7024855 Cartridge (3600385 Pump Only) (1 Per Assy)	
13	7022377	2	Orifice	
14	7022378	1	Housing Assembly (Includes Items 15-20)	
15	7021249	1	Bearing, Needle	
16	7021254	1	Screen, Filter (3600296 Pump Only)	
17	7022379	2	Screen, Filter (3600296 Pump Only)	
18	7001485	2	Plug	
19	7022380	1	Plug (Includes Item 20)	
20	7022381	1	O-Ring	
21	7021248	1	Side Cover Assembly (Includes Item 22)	
22	7021280	1	Gasket	
23	7021255	4	Screw	
24	7021251	2	Screw	
25	7021250	1	Pin	
26	7021280	2	Gasket	
27	7021283	2	Plug Assembly (3600296 Pump Only)	
28	7021284	2	O-Ring (3600296 Pump Only)	
29	7007419	2	Plug Assembly	
30	7021280	2	O-Ring	
31	7007470	2	Plug Assembly	
32	7021280	2	O-Ring	
33	7021257	1	Ring, Retaining	
34	7021251	1	Screw	
35	7022342	1	Bracket, Lifting	
36	7022342	1	Key	

## SECTION 2 - TURNTABLE

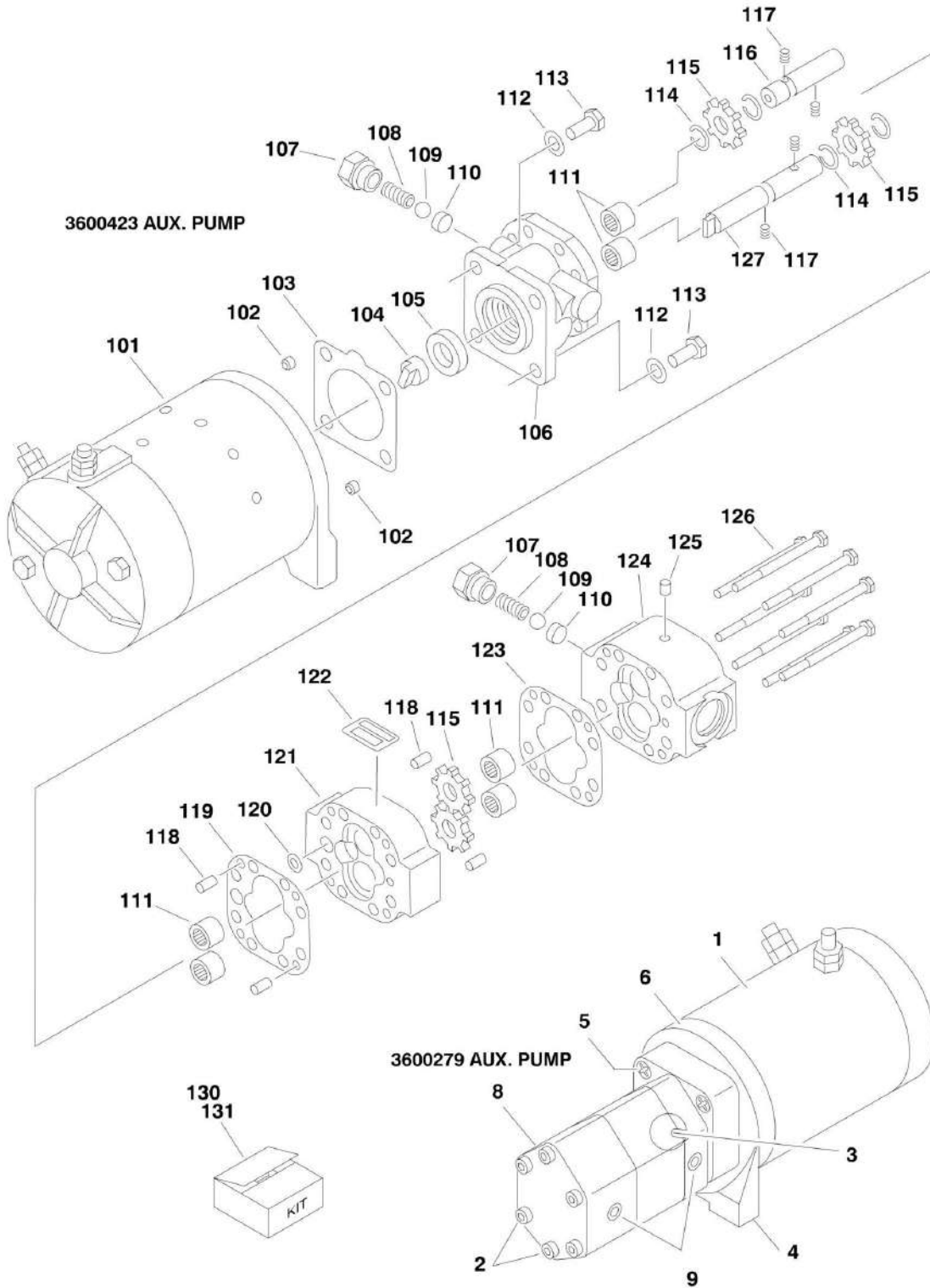
ITEM	PART NUMBER	QTY	DESCRIPTION	REV
37	7022341	1	Ring, Retaining	
38	7021258	1	Gerotor	
39	7021260	1	Gerotor Cover Assembly	
40	7021259	1	Bearing, Journal	
41	Not Required	0	O-Ring (3600296 Pump Only)	
42	7021280	1	O-Ring	
43	See Note	1	Pin (Note: Not Available For Purchase)	
44	7021263	2	SCR Valve (3600296 Pump Only)	
45		Ref	Spring	
45	7021264	1	(3600296 Pump Only)	
45	7024800	1	(3600385 Pump Only)	
46	7021265	2	Bypass Valve Assembly (Includes Items 47-49)	
47	7021280	2	O-Ring	
48	7021280	2	Ring, Back Up	
49	7021280	2	O-Ring	
50	7022382	1	Cover, Servo	
51	7021255	10	Screw	
52	7007470	1	Plug Assembly	
53	7021280	1	O-Ring	
54	7021268	1	Cover, Servo	
55		Ref	Cylinder Block Assembly (Includes Items 56-65)	
55	7022383	1	(3600296 Pump Only)	
55	7021269	1	(3600385 Pump Only)	
56		Ref	Cylinder Block	
56	7022384	1	(3600296 Pump Only)	
56	7021270	1	(3600385 Pump Only)	
57	7021271	1	Washer	
58	7021272	1	Spring	
59	7021273	1	Washer	
60	7021274	1	Ring, Retaining	
61	7021275	3	Pin, Slipper Hold Down	
62	7021276	1	Retainer, Hold Down Pin	
63	7021277	1	Guide, Slipper Retainer	
64	7021278	1	Retainer, Slipper	
65	7021279	9	Piston Assembly	
66	7021281	1	Plate, Valve	
67	7022385	1	Servo Piston Assembly (Includes Items 68-70)	
68	7021280	2	O-Ring	
69	7021280	2	Ring, Bearing	
70	7021280	2	Ring, Piston	
71	7007412	1	Servo Piston Ring Kit (Includes Items 68 & 70 Only)	
72		Ref	Plug Assembly	
72	7021288	1	(3600296 Pump Only)	
72	7022346	1	(3600385 Pump Only)	
73	7021280	1	O-Ring	
74	7021290	1	Nut	
75		Ref	Spring	
75	7021291	1	(3600296 Pump Only)	
75	7022347	1	(3600385 Pump Only)	
76		Ref	Poppet	
76	7021292	1	(3600296 Pump Only)	

**SECTION 2 - TURNTABLE**

ITEM	PART NUMBER	QTY	DESCRIPTION	REV
76	7024804	1	(3600385 Pump Only)	
77	7021280	1	Nut, Seal	
78	7022386	1	Swashplate	
79	7022387	1	Slider, Block	
80	7021294	1	Coupling	
81	7001481	2	Pin	
82	70002257	1	Gasket	
83	7021296	7	Screw	
84	7021297	1	Cover, Charge Pump	
85	7021298	1	Seal	
86	7021299	1	Plate, Cover	
87	7007289	2	Screw	
88	7007470	1	Plug (Not Shown) (3600385 Pump Only)	
89	7021256	1	O-Ring (Not Shown) (3600385 Pump Only)	
95	7021280		Seal Kit (Includes Items 5-6, 22, 26, 30, 32, 42, 47-49, 53, 68-70, 73, 77, 82 & 89)	

# SECTION 2 - TURNTABLE

## FIGURE 2-16. AUXILIARY PUMP ASSEMBLY



**SECTION 2 - TURNTABLE**

**FIGURE 2-16. AUXILIARY PUMP ASSEMBLY**

ITEM	PART NUMBER	QTY	DESCRIPTION	REV
		Ref	<b>AUXILIARY PUMP ASSEMBLIES</b>	
		Ref	<b>Usage:</b>	
	3600279	Ref	<b>Belgium Built Machines (Original Equipment) (Prior to SN 1300003239)</b>	
	3600423	Ref	<b>Belgium Built Machines (Service Replacement) (Prior to SN 1300003239)</b>	
	3600423	Ref	<b>Belgium Built Machines (SN 1300003239 to Present)</b>	
	3600423	Ref	<b>Romanian Built Machines (SN E300000100 through E300001114)</b>	
		Ref	<b>Note: Original Equipment Pump p/n 3600279 may have been replaced with p/n 3600423 as a Service Replacement. Identify component before ordering parts.</b>	
	3600279	Ref	<b>AUXILIARY PUMP ASSEMBLY</b>	B
1	7016768	1	Motor, Replacement	
1	7013757	1	Brush Kit	
2	7016745	4	Capscrew, Socket Head 5/16in-24NF x 4-3/4in	
3	7013711	1	Coupling, Drive	
4	7016769	1	Bracket, Mounting	
5	7016744	2	Screw 5/16in-18NC x 1in	
6	7016746	1	Adapter, Mounting	
7	7013766	2	Pin (Not Shown)	
8	7013771	1	Pump, Replacement	
8	See Note	1	Seal Kit - 7013771 Pump (Note: Not Available - Purchase qty 4 of p/n 7016701 O-Ring & qty 1 of p/n 7000754 Shaft Seal)	
9	See Note	2	Valve, Check (Note: Not Available for Purchase)	
	3600423	Ref	<b>AUXILIARY PUMP ASSEMBLY</b>	A
101	7011067	1	Motor and Adapter	
102	See Note	2	Setscrew (Note: Not Available for Purchase)	
103	7011044	1	Gasket, Mounting	
104	7011016	1	Coupling	
105	70000969	1	Seal, Shaft	
106	70000978	1	Stator	
107	See Note	2	Cap Assembly (Note: Use Item 130 or 131.)	
108	70000978	2	Spring	
109	70000978	2	Ball	
110	70000978	2	Seat	
111	70000976	6	Bearing, Needle	
112	70000978	4	Washer	
113	70000978	4	Screw	
114	70000970	4	Ring, Retaining	
115	70000971	4	Gear	
116	70000972	1	Shaft, Idler	
117	70000978	4	Pin, Drive	
118	70000978	4	Pin, Dowel	
119	70000973	1	Gasket	
120	See Note	1	O-Ring (Note: Use Item 130 or 131.)	
121	70000978	1	Housing, Gear	
122	See Note	1	Label (Note: Not Available for Purchase)	
123	7000974	1	Gasket	
124	70000978	1	Housing, Gear	
125	70000978	1	Plug	

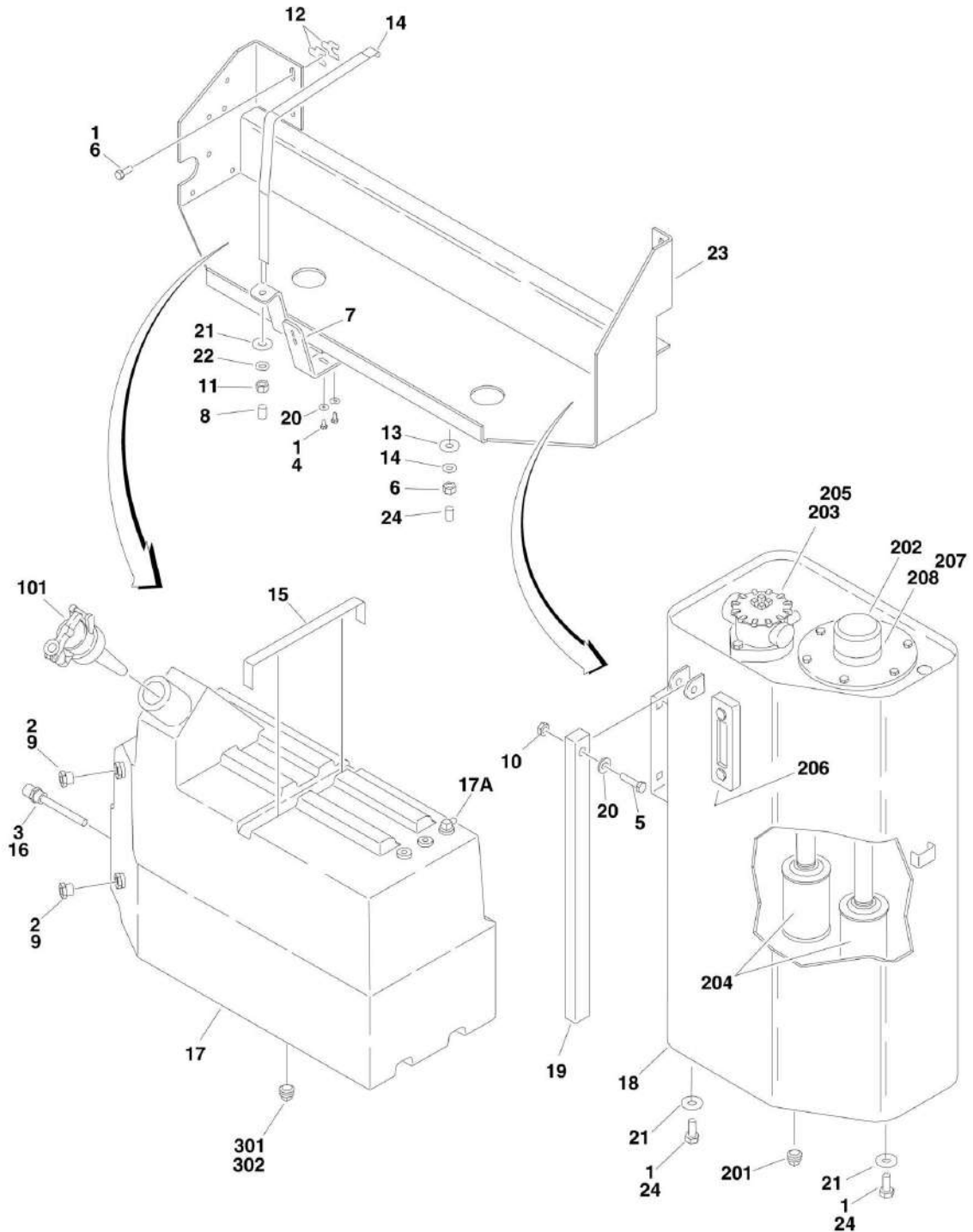
## SECTION 2 - TURNTABLE

ITEM	PART NUMBER	QTY	DESCRIPTION	REV
126	70000978	8	Screw	
127	70000975	1	Shaft, Drive	
130	70000977	1	Seal Kit (Includes Items 103, 105, 120 & Qty 2 O-Rings for Item 107)	
131	70000978	1	Replacement Pump Kit (Includes Items 103-121 & 123-127)	



# SECTION 2 - TURNTABLE

## FIGURE 2-17. TANK INSTALLATIONS





## SECTION 2 - TURNTABLE

### FIGURE 2-17. TANK INSTALLATIONS

ITEM	PART NUMBER	QTY	DESCRIPTION	REV
	0272491	Ref	<b>TANK INSTALLATIONS</b>	F
1	0100011	AR	Compound, Locking	
2	0100020	AR	Sealant, Pipe	
3	0100079	AR	Permatex	
4	0641405	2	Bolt 1/4in-20NC x 5/8in	
5	0641416	1	Bolt 1/4in-20NC x 2in	
6	0641608	4	Bolt 3/8in-16NC x 1in	
7	0902535	1	Bracket, Hood Latch	
8	1120532	2	Cap, Protective	
9	2420115	2	Gauge, Sight (All Belgium Built Machines)	
9	2420115	2	Gauge, Sight (All Romanian Built Machines) <b>(SN E300000100 through E300000323)</b>	
10	3311405	1	Locknut 1/4in-20NC	
11	3311601	1	Nut 3/8in-16NC	
12	4070410	2	Shim	
14	4240145	1	Strap, Tank Mount	
15	4280295	2 ft/.61m	Strip, Bumper	
16	4360436	1	Switch, Fuel Level	
17	4400408	1	Tank, Fuel (Includes p/n 7016314 Standard Cap)	
17A	7020056	1	Fitting and Hose (Supply Line)	
18	4400451	1	Hydraulic Tank Assembly (See Items 201-209 for Breakdown)	
19	4567627	1	Tube, Hood Prop	
20	4751400	4	Flatwasher 1/4in Regular	
21	4751600	8	Flatwasher 3/8in Regular	
22	4761600	1	Lockwasher 3/8in	
23	4846665	1	Tray Weldment	
24	0641606	2	Bolt 3/8in-16NC x 3/4in	
25	2820035	2 ft/.61m	Insulate, Tubing (Not Shown)	
101		Ref	<b>FUEL CAP OPTIONS</b>	
101	7016314	Ref	Standard Non-Locking Cap	
101	1120484	Ref	Locking Cap (Red)	
101	1120487	Ref	Locking Cap (Blue)	
	4400451	Ref	<b>HYDRAULIC TANK ASSEMBLY</b>	H
201	7024446	1	Plug, Magnetic	
202	7024444	1	Cap, Fill	
203	7024445	1	Screen	
204	7024442	2	Strainer	
205		Ref	ASSEMBLY FILTER, RETURN OPTIONS:	
205		Ref	Belgium Built Machines <b>(Prior to SN 1300006742)</b>	
205	7020226	1	Assembly Filter, Return	
205	7023205	1	Filter, Element	
205	7023205	1	Filter, Element Belgium Built Machines <b>(SN 1300006742 to Present)</b>	
205	7023205	1	Filter, Element Romanian Built Machines <b>(SN E300000100 through E300001114)</b>	
205	70001959	1	Assembly Filter, Return	
205	70001960	1	Filter, Element	
205	70002768	1	Spring, Return Filter Assembly	
206	7024441	1	Gauge, Sight	
207	7024439	1	Cover	

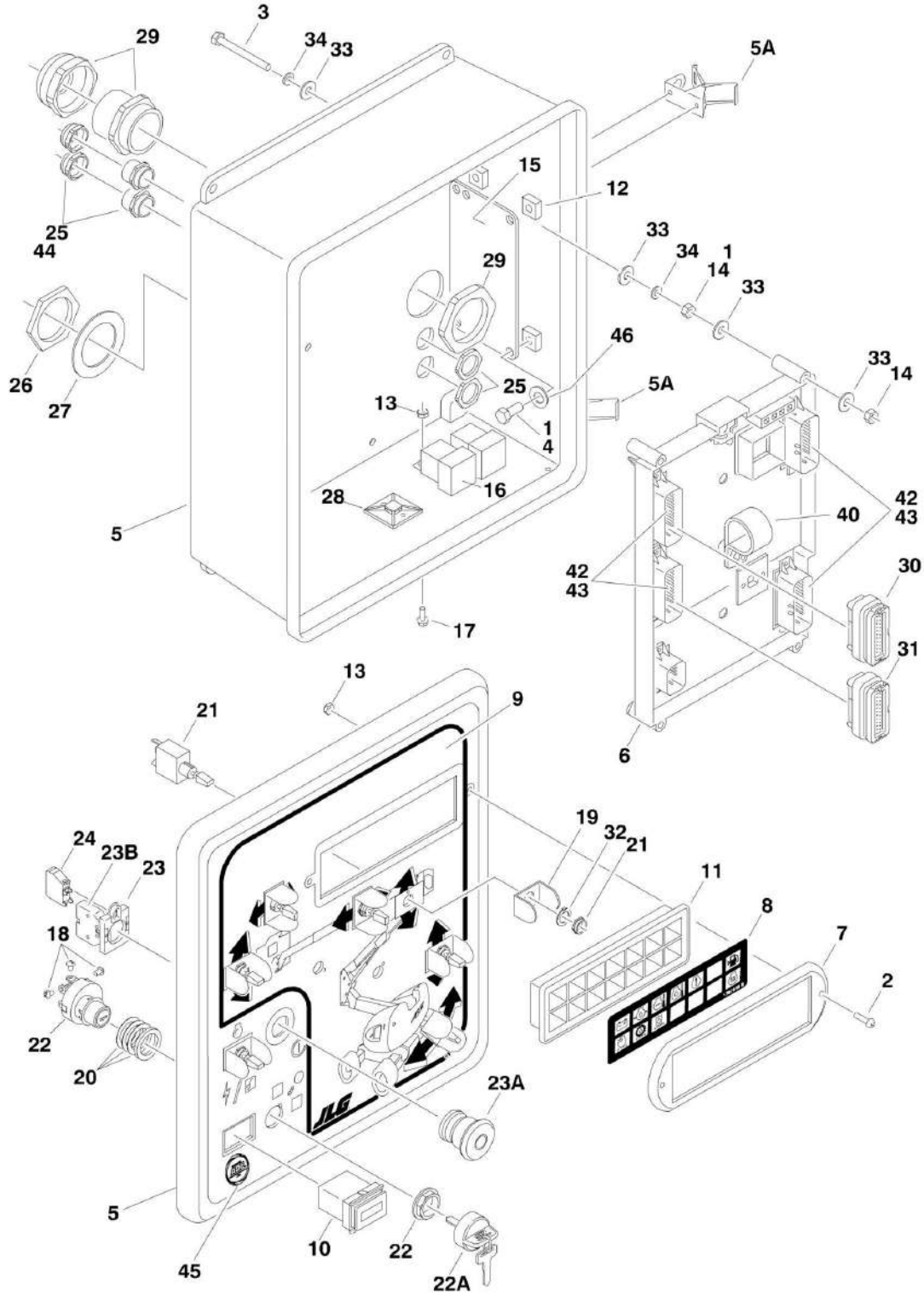
## SECTION 2 - TURNTABLE

ITEM	PART NUMBER	QTY	DESCRIPTION	REV
208	7024443	1	Filler Neck	
209	7024440	1	Gasket (Not Shown)	
		Ref	<b>ENGINE INSTALLATIONS</b>	
301	2200222	1	Plug	
302	0100020	AR	Sealant, Pipe	



# SECTION 2 - TURNTABLE

## FIGURE 2-18. GROUND CONTROL BOX ASSEMBLY (WITHOUT UGM)



## SECTION 2 - TURNTABLE

**FIGURE 2-18. GROUND CONTROL BOX ASSEMBLY (WITHOUT UGM)**

ITEM	PART NUMBER	QTY	DESCRIPTION	REV
		Ref	<b>Belgium Built Machines use SNs 13xxxxxxx.</b>	
		Ref	<b>Romanian Built Machines use SN E3xxxxxxx.</b>	
		Ref	<b>Note: All Romanian Built Machines were built with UGM. This control box used only on Belgium Built Machines.</b>	
		Ref	<b>Note: For Module (with/without UGM) Identification, refer to Revision Log page A.</b>	
		Ref	<b>GROUND CONTROL BOX ASSEMBLIES</b>	
	0861428	Ref	<b>Deutz Engine Machines (Prior to SN 130000981)</b>	N
	0861743	Ref	<b>Deutz Engine Machines (SN 130000981 through 130002604)</b>	C
	1810124	Ref	<b>Deutz Engine Machines (SN 130002605 to Present)</b>	E
	1001096956	Ref	<b>Perkins Engine Machines</b>	E
1	0100011	AR	Compound, Locking	
2	0630518	2	Screw, Button Head	
3	0630548	5	Bolt	
4	0641508	4	Bolt 5/16in-18NC x 1in	
5	0861419	1	Box, Fiberglass	
5A	7020246	2	Latch	
6		Ref	Module, Control Options (Re-calibration Required When Replaced):	
6	1600327	1	Module, Control (Use p/n 2915239) <b>(Prior to SN 130000353)</b>	
6	2915014	1	Module, Control (Use p/n 2915239) <b>(Prior to SN 130000353)</b>	
		Ref	<b>Note: 2915239 is an Update Kit Includes Module p/n 1600364, Cables, Programming Instructions and CD Software.</b>	
6	1600364	1	Module, Control (Use p/n 2915239) <b>(SN 130000353 through 130000980)</b>	
6	1600411	1	Module, Control <b>(SN 130000981 to Present)</b>	
7	1670829	1	Bezel	
8		Ref	Decal - Ground Control Display Options:	
8	1702610	1	Decal - Ground Control Display <b>(Prior to SN 130000011)</b>	
8	1705752	1	Decal - Ground Control Display <b>(SN 130000011 through 130002313)</b>	
8	1705753	1	Decal - Ground Control Display <b>(SN 130002314 through 130002604)</b>	
8	1706712	1	Decal - Ground Control Display <b>(SN 130002605 to Present)</b>	
9		Ref	Decal - Faceplate Options:	
9	1703691	1	Decal - Faceplate <b>(Prior to SN 130002605)</b>	
9	1706921	1	Decal - Faceplate <b>(SN 130002605 through 130006687)</b>	
9	1001102598	1	Decal - Faceplate <b>(SN 130006688 to Present)</b>	
10	2420172	1	Gauge, Hourmeter	
11	2760105	1	Housing, Display Light	
12	3300205	4	Nut, Retainer	
13	3300408	4	Locknut, Plastic Insert	
14	3311401	10	Nut 1/4in-20NC	
15	3539219	1	Plate, Reinforcement	
16	3740049	2	Relay	
17	3900268	2	Screw #10-24NC x 1/2in	
18	3910804	6	Screw #8-32NC x 1/4in	
19	4060906	AR	Shield, Toggle Switch	
20	4070991	1	Shim (.015in) (Use p/n 4070987)	
21	4360328	8	Switch, Toggle	

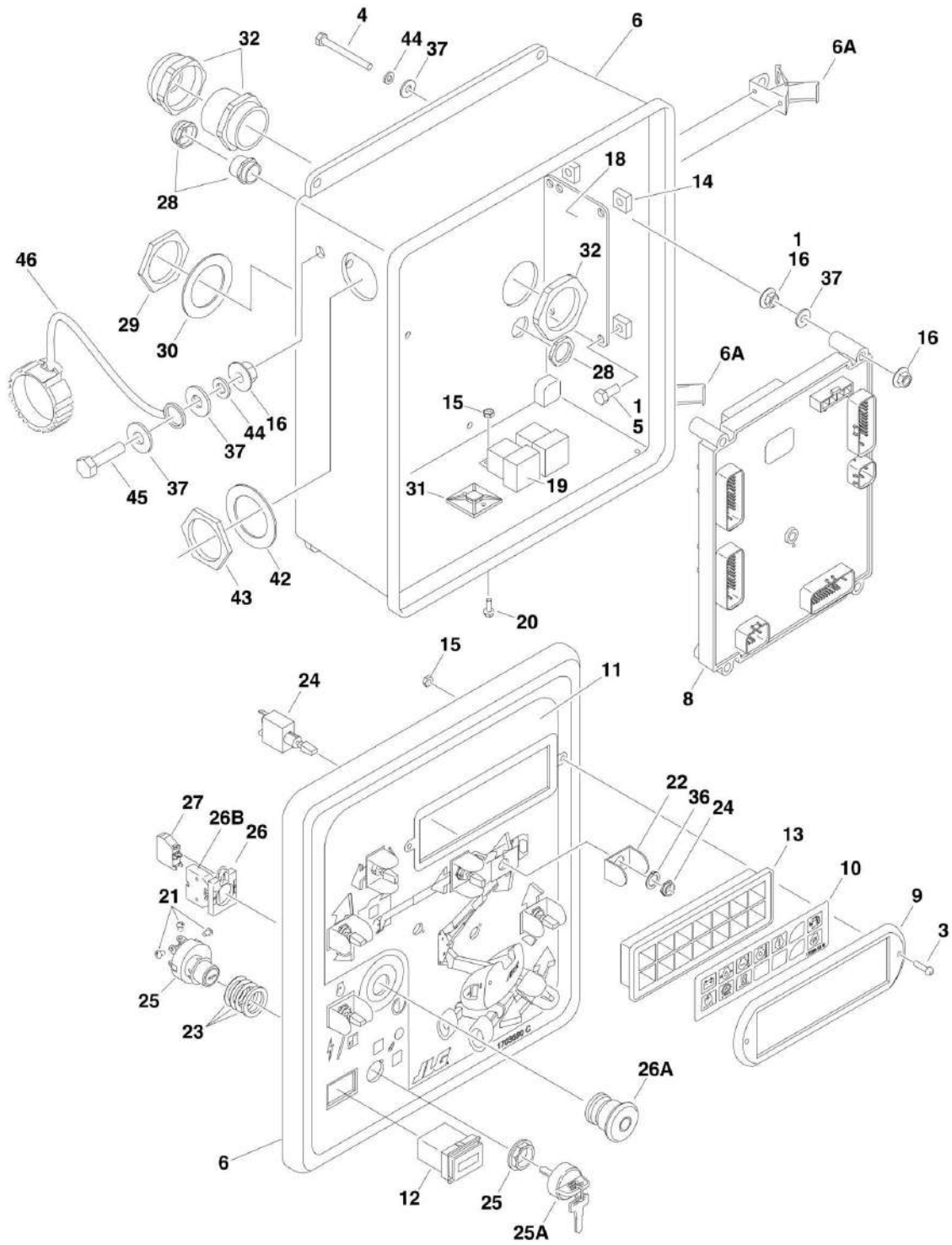
## SECTION 2 - TURNTABLE

ITEM	PART NUMBER	QTY	DESCRIPTION	REV
22	4360470	1	Switch, Key	
22A	2860030	1	Key	
23	4360475	1	Switch, Emergency Stop	
23A	7020175	1	Cap, Mushroom Head	
23B	7020176	1	Block, Contact	
24	4360476	1	Switch, Contact Block	
25	4460426	AR	Connector, Strain Relief	
26	4460470	1	Nut, Terminal	
27	4460471	1	Locknut, Terminal	
28	4460488	11	Base, Terminal Mounting	
29	4460526	1	Connector, Strain Relief	
30	4460874	1	Connector (Natural)	
31	4460875	1	Connector (Gray)	
32	4740444	AR	Washer, Special	
33	4751400	21	Flatwasher 1/4in Regular	
34	4761400	10	Lockwasher 1/4in	
35	4922666	1	Cable, Analyzer (Not Shown - See ELECTRICAL SECTION for Breakdown) <b>(Prior to SN 1300002605)</b>	
36		Ref	Ground Control Box Harness Assembly (Not Shown - See ELECTRICAL SECTION for Breakdown)	
36	4922638	1	Ground Control Box Harness Assembly <b>(Prior to SN 1300000981)</b>	
36	4923223	1	Ground Control Box Harness Assembly <b>(SN 1300000981 through 1300002604)</b>	
36	4923575	1	Ground Control Box Harness Assembly <b>(SN 1300002605 to Present)</b>	
37		Ref	Engine Harness Assembly (Not Shown - See ELECTRICAL SECTION for Breakdown)	
37	4922522	1	Deutz Engine Machines <b>(Prior to SN 1300000981)</b>	
37	4923265	1	Deutz Engine Machines <b>(SN 1300000981 to Present)</b>	
37	4923581	1	Perkins Engine Machines <b>(Prior to SN 1300005190)</b>	
37	1001098840	1	Perkins Engine Machines <b>(SN 1300005190 to Present)</b>	
38	4922523	1	Valve Harness Assembly (Not Shown - See ELECTRICAL SECTION for Breakdown)	
40	1320060	1	Clamp, Hose	
42	0100048	AR	Grease, Dielectric	
43	4460905	4	Seal, Plug	
44	3520035	1	Plug	
45	1705132	1	Decal - ADE Control Only <b>(Prior to SN 1300002605)</b>	
46	4751500	4	Flatwasher 5/16in Regular Only <b>(Prior to SN 1300002605)</b>	



# SECTION 2 - TURNTABLE

## FIGURE 2-19. GROUND CONTROL BOX ASSEMBLY (WITH UGM)





**SECTION 2 - TURNTABLE**

**FIGURE 2-19. GROUND CONTROL BOX ASSEMBLY (WITH UGM)**

ITEM	PART NUMBER	QTY	DESCRIPTION	REV
		Ref	<b>Belgium Built Machines use SNs 13xxxxxxx.</b>	
		Ref	<b>Romanian Built Machines use SN E3xxxxxxx.</b>	
		Ref	<b>Note: For Module (with/without UGM) Identification, refer to Revision Log page A.</b>	
		Ref	<b>Note: All Romanian Built Machines are equipped with UGM.</b>	
		Ref	<b>GROUND CONTROL BOX ASSEMBLIES</b>	
		Ref	<b>All Specs Except Australian Specs</b>	
	1001102894	Ref	<b>Caterpillar/Perkins Engine Machines</b>	D
	1001109827	Ref	<b>Deutz Engine Machines</b>	A
		Ref	<b>Australian Specs Belgium Built Machines (SN 1300006000 to Present)</b>	
		Ref	<b>Australian Specs Romanian Built Machines (SN E300000100 through E300000104)</b>	
	1001102894	Ref	<b>Caterpillar/Perkins Engine Machines</b>	D
	1001109827	Ref	<b>Deutz Engine Machines</b>	A
		Ref	<b>Australian Specs Romanian Built Machines (SN E300000105 through E300001114)</b>	
	1001102893	Ref	<b>Caterpillar/Perkins Engine Machines</b>	D
	1001109826	Ref	<b>Deutz Engine Machines</b>	A
1	0100011	AR	Compound, Locking	
2	0100048	AR	Grease, Dielectric	
3	0630518	2	Screw, Button Head	
4	0630548	5	Bolt	
5	0641506	4	Bolt 5/16in-18NC x 3/4in	
6	1001105784	1	Box, Fiberglass	
6A	7020246	2	Latch	
8	1001103667	1	Module, Control (Re-Calibration Required When Replaced)	
9	1670829	1	Bezel	
10	1706712	1	Decal - Ground Control Display	
11	1001102598	1	Decal - Faceplate	
12	2420172	1	Gauge, Hourmeter	
13	2760105	1	Housing, Display Light	
14	3300205	4	Nut, Retainer	
15	3300408	4	Locknut, Plastic Insert	
16	77143013	11	Locknut 1/4in-20NC	
18	3539219	1	Plate, Reinforcement	
19	3740049	2	Relay - SPDT	
20	3900268	2	Screw #10-24NC x 1/2in	
21	3910804	6	Screw #8-32NC x 1/4in	
22	4060906	1	Shield, Toggle Switch	
23	4070987	1	Shim (.015in)	
24	4360328	7	Switch, Toggle	
25		Ref	Switch, Key Options:	
25	4360470	1	All Specs Except Australian Specs	
25	4360470	1	Australian Specs Belgium Built Machines ( <b>SN 1300006000 to Present</b> )	
25	4360470	1	Australian Specs Romanian Built Machines ( <b>SN E300000100 through E300000104</b> )	
25	4360469	1	Australian Specs Romanian Built Machines ( <b>SN E300000105 through E300001114</b> )	
25A	2860030	1	Key	

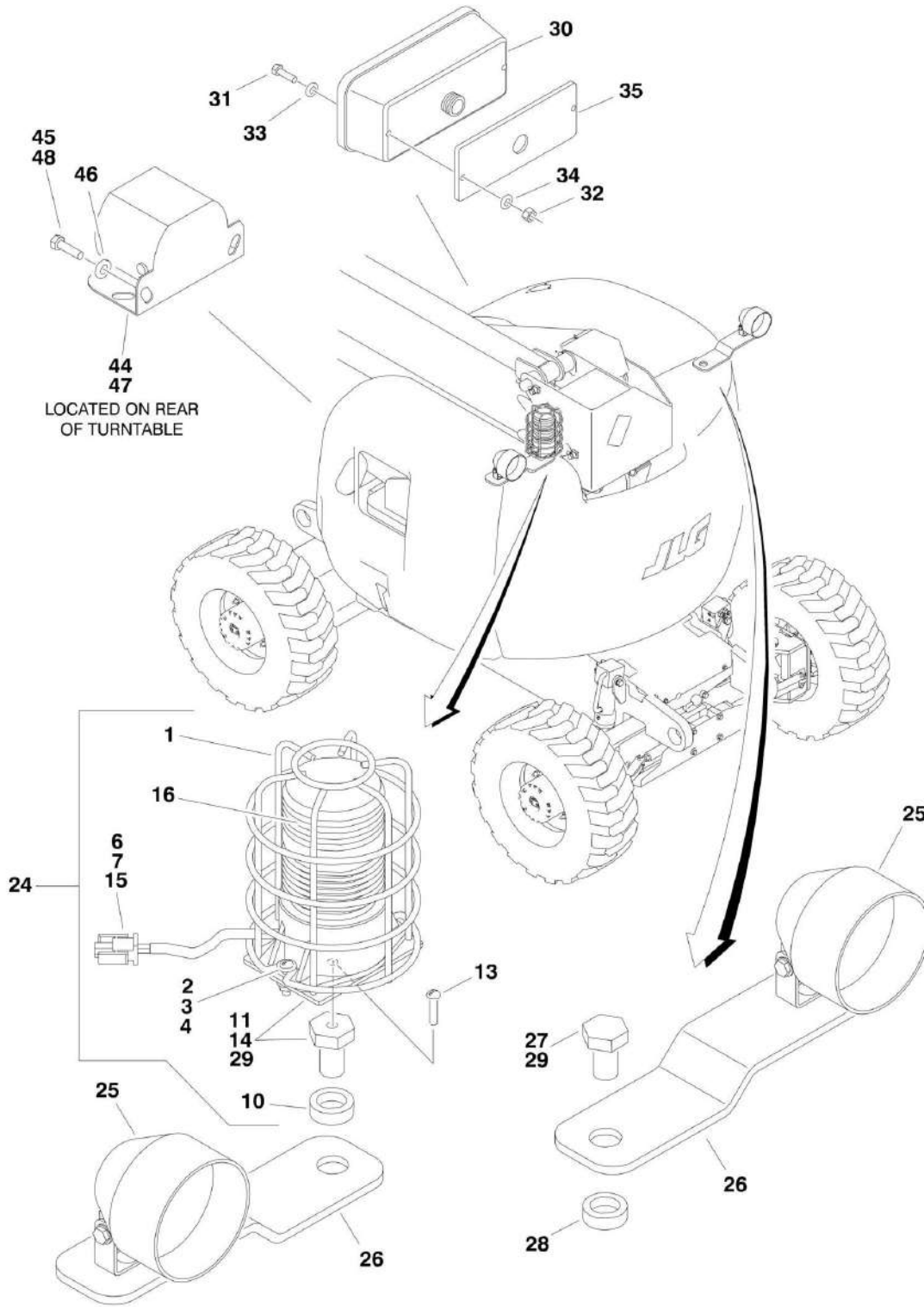
## SECTION 2 - TURNTABLE

ITEM	PART NUMBER	QTY	DESCRIPTION	REV
26	4360475	1	Switch, Emergency Stop	
26A	7020175	1	Cap, Mushroom Head	
26B	7020176	1	Block, Contact	
27	4360476	1	Switch, Contact Block	
28	4460426	1	Connector, Strain Relief	
29	4460470	1	Nut, Terminal	
30	4460471	1	Locknut, Terminal	
31	4460488	10	Base, Terminal Mounting	
32	4460526	1	Connector, Strain Relief	
36	4740444	7	Washer, Special	
37	4751400	12	Flatwasher 1/4in Regular	
39	1001105637	1	Valve Harness Assembly (Not Shown - See ELECTRICAL SECTION for Breakdown)	
40		Ref	Engine Harness Assembly (Not Shown - See ELECTRICAL SECTION for Breakdown)	
40	1001102715	1	Caterpillar/Perkins Engine Machines	
40	1001109728	1	Deutz Engine Machines	
41	1001105636	1	Ground Control Box Harness Assembly (Not Shown - See ELECTRICAL SECTION for Breakdown)	
42	4460496	1	Lockwasher	
43	4460497	1	Nut	
44	4761400	6	Lockwasher 1/4in	
45	0641407	1	Bolt 1/4in-20NC x 7/8in	
46	1001106736	1	Cap, Dust	



# SECTION 2 - TURNTABLE

## FIGURE 2-20. ELECTRICAL OPTIONS INSTALLATION (TURNTABLE MOUNTED)



## SECTION 2 - TURNTABLE

**FIGURE 2-20. ELECTRICAL OPTIONS INSTALLATION (TURNTABLE MOUNTED)**

ITEM	PART NUMBER	QTY	DESCRIPTION	REV
	0271073	Ref	<b>STROBE LIGHT INSTALLATION (AMBER) (OPTIONAL)</b>	D
		Ref		
			<b>Note: If machine is equipped with BLUE Strobe Light, see SPECIAL OPTIONS SECTION SkyGuard Kit.</b>	
1	4060865	1	Guard	
2	3911014	2	Screw, Machine #10-24NC x 7/8in	
3	4751000	4	Flatwasher #10 Regular	
4	3311001	2	Nut #10-24NC	
5	2820035	12 ft/31cm	Loom (Not Shown)	
6	4460320	1	Plug, Terminal	
7	4460267	2	Pin, Male	
8	4240032	1	Tiestrap (Not Shown)	
9	4460234	1	Clamp (Not Shown)	
10	4220162	1	Spacer, Stop	
11	4846698	1	Mounting, Light	
14	0100011	AR	Compound, Locking	
15	0100048	AR	Sealant, Silicone	
16	2920146	1	Strobe Light Assembly (Use p/n 0272529)	
16	7016319	1	Bulb, Replacement	
16	7016372	1	Lens	
24	0272529	1	Strobe Light Kit (Includes Items 1-7, 10, 11 & 16)	
		Ref	<b>LIGHTS INSTALLATIONS (OPTIONAL)</b>	
	0271072	Ref	<b>Headlights and Taillights</b>	C
	0272057	Ref	<b>Chassis Floodlights (Belgium Built Machines - Not Shown) (Prior to SN 130006701)</b>	1/A
	1001108204	Ref	<b>Chassis Floodlights (Belgium Built Machines - Not Shown) (SN 130006701 to Present)</b>	A
	1001108204	Ref	<b>Chassis Floodlights (Romanian Built Machines - Not Shown) (SN E30000100 through E300001114)</b>	A
25		Ref	Light Options:	
25	2920110	2	Headlight (Round Shape)	
25	7016628	2	Bulb, Light (1 Per Light)	
25	2920157	2	Floodlight (Rectangular Shape)	
26	0902206	2	Bracket, Mounting	
27	0642612	1	Bolt 1in-8NC x 1-1/2in	
28	4220162	2	Spacer	
29	0100011	AR	Compound, Locking	
30		Ref	Light Options:	
30	2920113	2	Taillight	
30	2920157	2	Floodlight (Rectangular Shape)	
31	3911040	4	Screw, Machine #10-24NC x 2-1/2in (0271072 Installation)	
32	3311005	4	Nut #10-24NC (0271072 Installation Only)	
33	4751000	4	Flatwasher #10 Regular (0271072 Installation Only)	
34		Ref	Washer Options:	
34	4740362	4	Headlights and Taillights	
34	4751800	4	Chassis Floodlights	
35	3960461	2	Gasket (0271072 Installation Only)	
37	4240032	12	Tie-Strap (Not Shown)	
38	4460234	12	Mount, Tie-Strap (Not Shown)	
39		Ref	Switch Options (Not Shown - Located on Console):	
39	4360336	1	Toggle Switch	

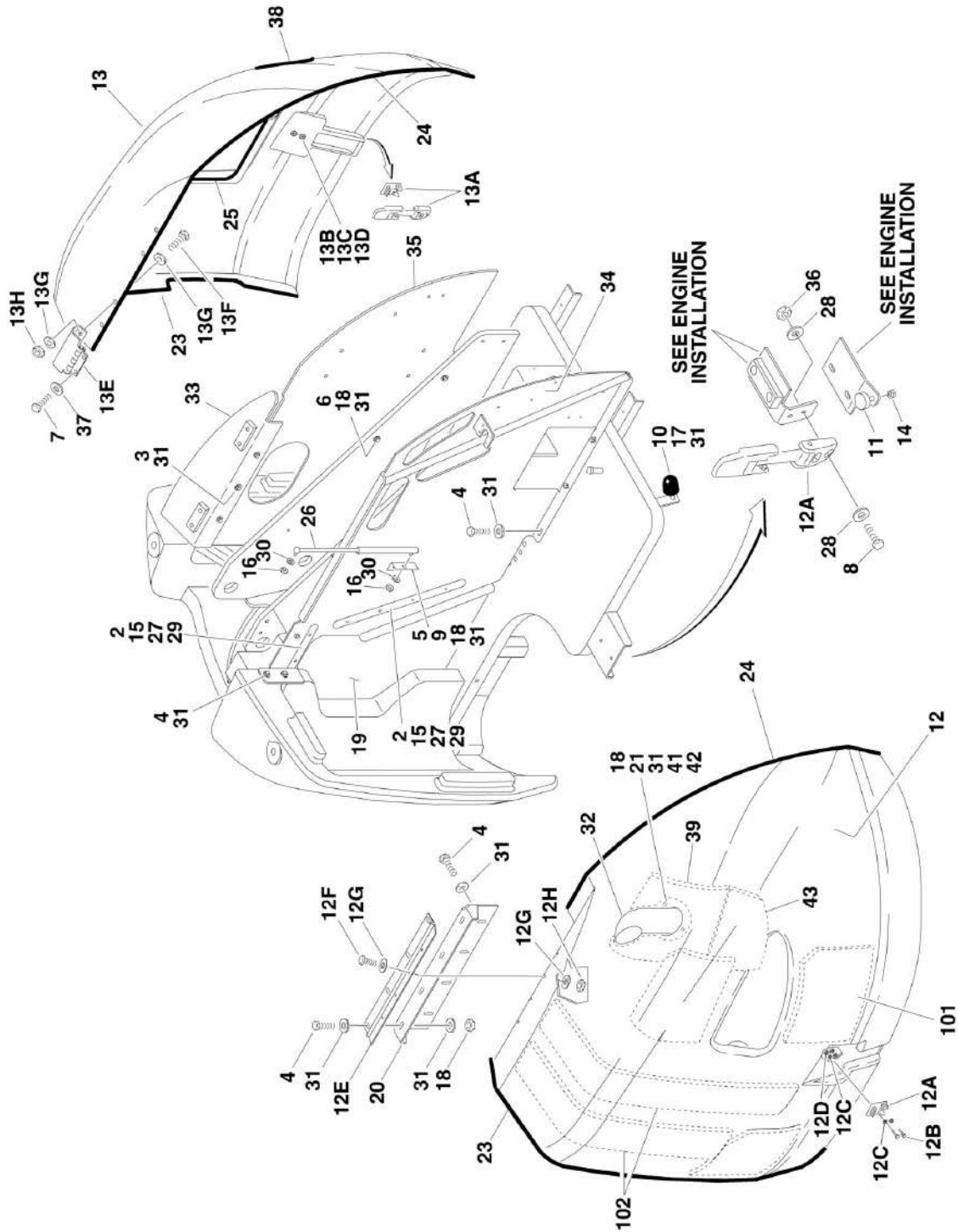
## SECTION 2 - TURNTABLE

ITEM	PART NUMBER	QTY	DESCRIPTION	REV
39	4360522	1	Pushbutton Switch	B
40	3790012	AR	O-Ring (Not Shown - Located on Console)	
41		Ref	Decal, Lights (Belgium Built Machines) (Not Shown - Located on Console) <b>(SN 1300006701 to Present)</b>	
41		Ref	Decal, Lights (Romanian Built Machines) (Not Shown - Located on Console) <b>(SN E300000100 through E300001114)</b>	
	0271217	Ref	<b>ALARM INSTALLATION</b>	
44	0257887	1	Alarm/Harness Assembly	
44	0140032	1	Alarm	
44	2820035	AR	Loom	
44	4460424	1	Plug	
44	4460268	2	Socket	
45	0641407	2	Bolt 1/4in-20NC x 3/4in	
46	4711400	2	Flatwasher 1/4in Thin	
47	0100048	AR	Sealant, Silicone	
48	0100011	AR	Compound, Locking	



# SECTION 2 - TURNTABLE

FIGURE 2-21. HOODS INSTALLATION (BELGIUM BUILT MACHINES) (Prior to SN 1300006659)





## SECTION 2 - TURNTABLE

**FIGURE 2-21. HOODS INSTALLATION (BELGIUM BUILT MACHINES) (Prior to SN 1300006659)**

ITEM	PART NUMBER	QTY	DESCRIPTION	REV
		Ref	<b>HOODS INSTALLATION</b>	
		Ref	<b>Perkins Engine Machines</b>	
	0272449	Ref	<b>Perkins Engine Machines (Prior to SN 1300003222)</b>	D
	0275867	Ref	<b>Perkins Engine Machines (SN 1300003222 through 1300006659)</b>	D
		Ref	<b>Deutz Engine Machines</b>	
	0272449	Ref	<b>Deutz Engine Machines (Prior to SN 1300003222)</b>	D
	0275867	Ref	<b>Deutz Engine Machines (Use P/N 1001100286) (SN 1300003222 through 1300006659)</b>	A
1	0100011	AR	Compound, Locking	
2	0641408	6	Bolt 1/4in-20NC x 1-1/4in	
3	0641606	3	Bolt 3/8in-16NC x 3/4in	
4	0641608	13	Bolt 3/8in-16NC x 1in	
5	0641610	2	Bolt 3/8in-16NC x 1-1/4in	
6	0641614	4	Bolt 3/8in-16NC x 1-3/4in	
7	0721004	4	Bolt #10-24NC x 1/2in	
8	0721006	4	Bolt #10-24NC x 3/4in	
9	0902504	1	Angle, Mounting	
10	0940071	1	Bumper	
11	0940083	2	Bumper	
12		Ref	Hood Kit (Engine Side) Options:	
12	1001101160	1	Perkins Engine Machines (Includes Items 12A-12H, 23, 24, and Current Heat Shields) (Note: Item 32 must be ordered separately)	
12	1001091124	1	Deutz Engine Machines (Includes Items 12A-12H, 23, 24, 32 and Current Heat Shields)	
		Ref	<b>Note: Replacement Decals Must be Ordered Separately - See DECAL SECTION.</b>	
12A	2940109	1	Latch	
12B	0721008	2	Screw, Machine #10-24NC x 1in	
12C	4751100	4	Flatwasher #10 Regular	
12D	3311005	2	Locknut #10-24NC	
12E	2600210	1	Hinge	
12F	3900232	4	Screw, Button Head 3/8in-16NC x 1-1/4in	
12G	4751600	8	Flatwasher 3/8in Regular	
12H	3311605	4	Locknut 3/8in-16NC	
13	1001091125	1	Hood Kit (Tank Side) (Includes Items 13A-13H, 23, 24 & 38)	
13A	2940109	1	Latch	
13B	0721008	2	Screw, Machine #10-24NC x 1in	
13C	4750800	4	Flatwasher #8 Regular	
13D	3311005	2	Locknut #10-24NC	
13E	2600246	2	Hinge	
13F	0721006	4	Screw, Machine #10-24NC x 3/4in	
13G	4750800	8	Flatwasher #8 Regular	
13H	3311005	4	Locknut #10-24NC	
14	3311401	2	Nut 1/4in-20NC	
15	3311405	6	Locknut 1/4in-20NC	
16	3311505	2	Nut 5/16in - 18NC	
17	3311601	5	Nut 3/8in-16NC	
18	3311605	10	Locknut 3/8in-16NC	
19	3380445	1	Panel, Rubber	

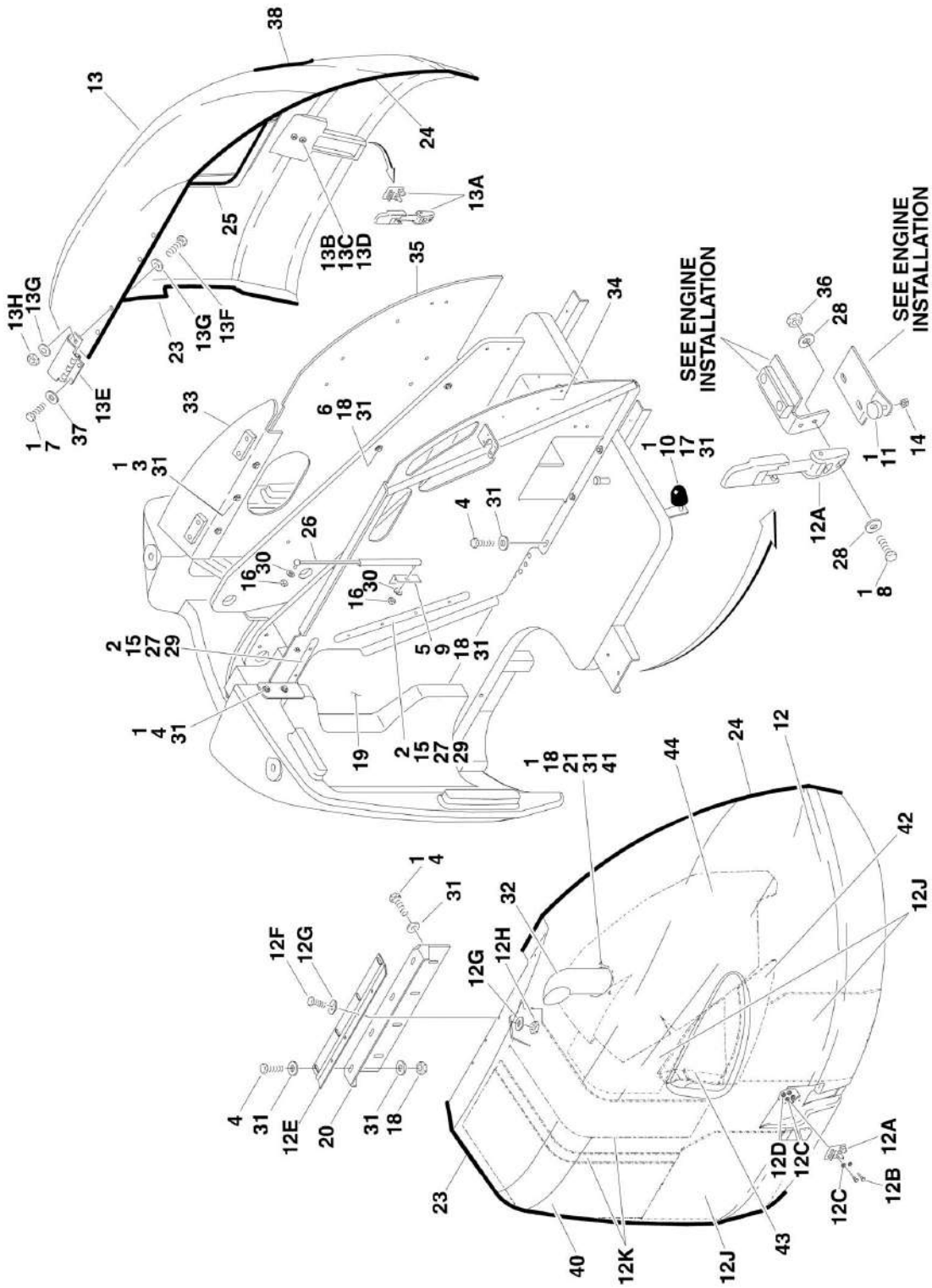
## SECTION 2 - TURNTABLE

ITEM	PART NUMBER	QTY	DESCRIPTION	REV
20	3573024	1	Plate, Hinge Mounting	
21	3900232	3	Capscrew, Button Head 3/8in-16NC 1-1/4in	
23	3960462	9 ft/2.74m	Seal, Hood	
24	3960464	9 ft/2.74m	Seal, Hood	
26	4160170	1	Spring, Gas	
27	4740362	6	Washer, Fender	
28	4750800	12	Flatwasher #8 Regular	
29	4751400	6	Flatwasher 1/4in Regular	
30	4751500	2	Flatwasher 5/16in Regular	
31	4751600	40	Flatwasher 3/8in Regular	
32	4845194	1	Exhaust Tube Weldment	
33	4846037	1	Hood Mounting Weldment	
34		Ref	Hood Mounting Weldment Options:	
34	4846670	1	Hood Mounting Weldment (Use p/n 4341388) <b>(Prior to SN 1300003223)</b>	
34	4341388	1	Hood Mounting Weldment <b>(SN 1300003223 through 1300006659)</b>	
35	4846669	1	Hood Mounting Weldment	
36	3311005	4	Locknut #10-24NC	
37	4751000	8	Flatwasher #10 Regular	
38	4060805	6 ft/1.75m	Flex-Trim	
40		Ref	Insulation, Heat Shield Options:	
40	1001098567	1	Caterpillar/Perkins Engine Machines	
40	Not Required	0	Deutz Engine Machines	
41	4740500	3	Washer, Special (Not Used on Deutz Engine Machines)	
42	4061010	1	Shield, Heat (Not Used on Deutz Engine Machines)	
43		Ref	Insulation, Heat Shield Options:	
43	1001098568	1	Perkins Engine Machines	
43	Not Required	0	Deutz Engine Machines	
	0258430	Ref	<b>NOISE REDUCTION INSTALLATION (DEUTZ ENGINE MACHINES ONLY)</b>	2/B
101	2820099	3	Insulation, Foam	
102	2820100	2	Insulation, Foam	



# SECTION 2 - TURNTABLE

FIGURE 2-22. HOODS INSTALLATION (BELGIUM BUILT MACHINES AND ROMANIAN BUILT MACHINES) (SN 1300006659 to Present, SN E30000100 through E300001114)



## SECTION 2 - TURNTABLE

**FIGURE 2-22. HOODS INSTALLATION (BELGIUM BUILT MACHINES AND ROMANIAN BUILT MACHINES) (SN 130006659 to Present, SN E30000100 through E300001114)**

ITEM	PART NUMBER	QTY	DESCRIPTION	REV
		Ref	<b>HOODS INSTALLATION</b>	
	0275867	Ref	<b>Caterpillar/Perkins Engine Machines Belgium Built Machines (SN 130006659 through 1300007162)</b>	E
	1001107293	Ref	<b>Caterpillar/Perkins Engine Machines Belgium Built Machines (SN 1300007163 to Present)</b>	C
	1001107293	Ref	<b>Caterpillar/Perkins Engine Machines Romanian Built Machines (SN E300000100 through E300001114)</b>	C
	1001100286	Ref	<b>Deutz Engine Machines</b>	A
1	0100011	AR	Compound, Locking	
2	0641408	6	Bolt 1/4in-20NC x 1-1/4in	
3	0641606	3	Bolt 3/8in-16NC x 3/4in	
4	0641608	13	Bolt 3/8in-16NC x 1in	
5	0641610	2	Bolt 3/8in-16NC x 1-1/4in	
6	0641614	4	Bolt 3/8in-16NC x 1-3/4in	
7	0721004	4	Bolt #10-24NC x 1/2in	
8	0721006	4	Bolt #10-24NC x 3/4in	
9	0902504	1	Angle, Mounting	
10	0940071	1	Bumper	
11	0940083	2	Bumper	
12		Ref	Hood Kit (Engine Side) Options (was p/n 2680438):	
12	1001101160	1	Caterpillar/Perkins Engine Machines (Includes Items 12A-12H, 23, 24 and Current Heat Shields) (Note: Item 32 must be ordered separately)	3
12	1001091124	1	Deutz Engine Machines (Includes Items 12A-12K, 17, 21, 23, 24 and Current Heat Shields)	3
		Ref	<b>Note: Replacement Decals Must be Ordered Separately - See DECAL SECTION.</b>	
12A	2940109	1	Latch	
12B	0721008	2	Screw, Machine #10-24NC x 1in	
12C	4751100	4	Flatwasher #10 Regular	
12D	3311005	2	Locknut #10-24NC	
12E	2600210	1	Hinge	
12F	3900232	4	Screw, Button Head 3/8in-16NC x 1-1/4in	
12G	4751600	8	Flatwasher 3/8in Regular	
12H	3311605	4	Locknut 3/8in-16NC	
12J	2820099	3	Foam, Acoustical (Deutz Engine Machines Only)	
12K	2820100	2	Foam, Acoustical (Deutz Engine Machines Only)	
13	2680439	1	Hood Kit (Tank Side) (Includes Items 13A-13H, 23, 24 & 38) (Use p/n 1001091125)	1
13A	2940109	1	Latch	
13B	0721008	2	Screw, Machine #10-24NC x 1in	
13C	4750800	4	Flatwasher #8 Regular	
13D	3311005	2	Locknut #10-24NC	
13E	2600246	2	Hinge	
13F	0721006	4	Screw, Machine #10-24NC x 3/4in	
13G	4750800	8	Flatwasher #8 Regular	
13H	3311005	4	Locknut #10-24NC	
14	3311401	2	Nut 1/4in-20NC	
15	3311405	6	Locknut 1/4in-20NC	
16	3311505	2	Nut 5/16in - 18NC	

## SECTION 2 - TURNTABLE

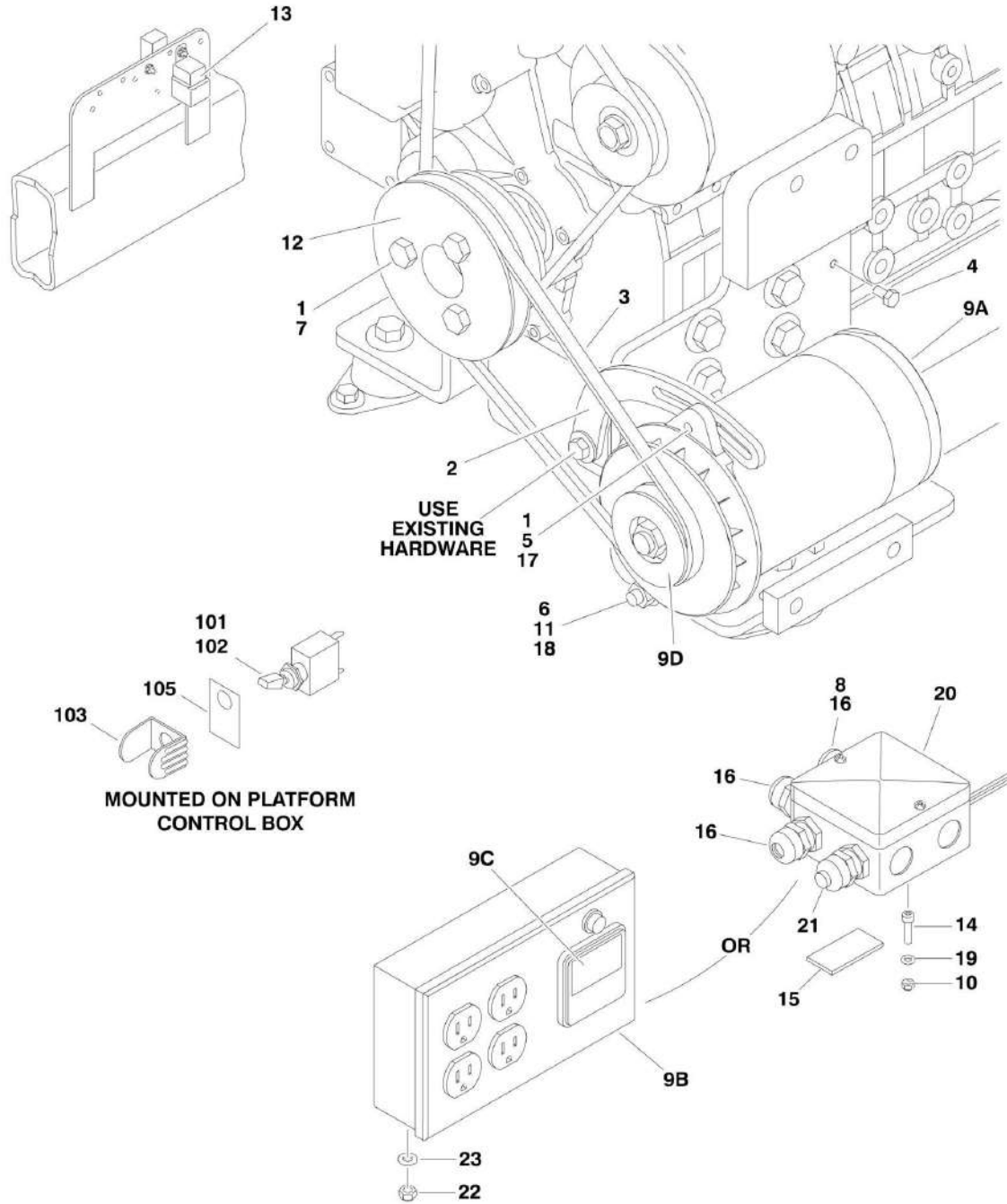
ITEM	PART NUMBER	QTY	DESCRIPTION	REV
17	3311601	5	Nut 3/8in-16NC	
18	3311605	10	Locknut 3/8in-16NC	
19		Ref	Panel, Rubber Options:	
19	3380445	1	Caterpillar/Perkins Engine Machines Belgium Built Machines <b>(SN 130006659 through 1300007162)</b>	
19	Not Required	0	Caterpillar/Perkins Engine Machines Belgium Built Machines <b>(SN 1300007163 to Present)</b>	
19	Not Required	0	Caterpillar/Perkins Engine Machines Romanian Built Machines <b>(SN E300000100 through E300001114)</b>	
19	3380445	1	Deutz Engine Machines	
20	3573024	1	Plate, Hinge Mounting	
21	3900232	3	Capscrew, Button Head 3/8in-16NC 1-1/4in	
23	3960462	9 ft/2.74m	Seal, Hood	
24	3960464	9 ft/2.74m	Seal, Hood	
26	4160170	1	Spring, Gas	
27	4740362	6	Washer, Fender	
28	4750800	12	Flatwasher #8 Regular	
29	4751400	6	Flatwasher 1/4in Regular	
30	4751500	2	Flatwasher 5/16in Regular	
31	4751600	40	Flatwasher 3/8in Regular	
32	4845194	1	Exhaust Tube Weldment	
33	4846037	1	Hood Mounting Weldment	
34		Ref	Hood Mounting Weldment Options:	
34	4341388	1	Caterpillar/Perkins Engine Machines Belgium Built Machines <b>(SN 130006659 through 1300007162)</b>	
34	1001107157	1	Caterpillar/Perkins Engine Machines Belgium Built Machines <b>(SN 1300007163 to Present)</b>	
34	1001107157	1	Caterpillar/Perkins Engine Machines Romanian Built Machines <b>(SN E300000100 through E300001114)</b>	
34	4341388	1	Deutz Engine Machines	
35	4846669	1	Hood Mounting Weldment	
36	3311005	4	Locknut #10-24NC	
37	4751000	8	Flatwasher #10 Regular	
38	4060805	6 ft/1.75m	Flex-Trim	
40		Ref	Insulation, Heat Shield Options:	
40	1001105272	1	Caterpillar/Perkins Engine Machines	
40	Not Required	0	Deutz Engine Machines	
41	4740500	3	Washer, Special (Not Used on Deutz Engine Machines)	
42		Ref	Shield, Heat Options:	
42	1001105273	1	Caterpillar/Perkins Engine Machines	
42	Not Required	0	Deutz Engine Machines	
43		Ref	Insulation, Heat Shield Options:	
43	1001105275	1	Caterpillar/Perkins Engine Machines	
43	Not Required	0	Deutz Engine Machines	
44		Ref	Insulation, Heat Shield Options:	
44	1001105276	1	Caterpillar/Perkins Engine Machines	
44	Not Required	0	Deutz Engine Machines	
45		Ref	Insulation, Heat Shield Options:	
45	Not Required	0	Caterpillar/Perkins Engine Machines Belgium Built Machines <b>(SN 130006659 through 1300007162)</b>	
45	1001109495	AR	Caterpillar/Perkins Engine Machines Belgium Built Machines <b>(SN 1300007163 to Present)</b>	
45	1001109495	AR	Caterpillar/Perkins Engine Machines Romanian Built Machines	

**SECTION 2 - TURNTABLE**

ITEM	PART NUMBER	QTY	DESCRIPTION	REV
45	Not Required	0	(SN E30000100 through E30001114) Deutz Engine Machines	

## SECTION 2 - TURNTABLE

FIGURE 2-23. 2500W GENERATOR INSTALLATION - CATERPILLAR MACHINES (WITH UGM)  
(OPTIONAL)





**SECTION 2 - TURNTABLE**

**FIGURE 2-23. 2500W GENERATOR INSTALLATION - CATERPILLAR MACHINES (WITH UGM) (OPTIONAL)**

ITEM	PART NUMBER	QTY	DESCRIPTION	REV
		Ref	<b>Note: For Module (with/without UGM) Identification, refer to Revision Log page A.</b>	
		Ref	<b>GENERATOR INSTALLATION</b>	
	1001111285	Ref	<b>110V/60HZ GENERATOR</b>	A
	1001100944	Ref	<b>110V/50Hz Generator</b>	B
	1001100943	Ref	<b>220V/50HZ GENERATOR</b>	B
		Ref	<b>Note: Refer to Sky Power Accessories Manual p/n 3124242 for the Miller 7500W Generator.</b>	
1	0100011	AR	Compound, Locking	
2	0200742	1	Arm, Adjusting	
3		Ref	V-Belt Options:	
3	0480121	1	110V/60Hz	
3	0480120	1	110V/50Hz	
3	0480120	1	220V/50Hz	
4	0641404	1	Bolt 1/4in-20NC x 1/2in	
5	0641508	1	Bolt 5/16in-18NC x 1in	
6	0641772	1	Bolt 7/16in-14NC x 9in	
7	0701217	3	Bolt M12 x 45mm	
8	0962449	1	Bushing	
9		Ref	Generator and Control Box Assembly Options:	
9	2460055	1	110V/60Hz	
9	2460049	1	110V/50Hz Generator	
9	1001100321	1	220V/50Hz Generator	
9A	7012558	1	Replacement Generator - 110V/60Hz	
9A	2460049	1	Replacement Generator - 110V/50Hz	
9A	1001100321	1	Replacement Generator - 220V/50Hz	
		Ref	<b>Note: All Replacement Generators come standard with P/N 3580134 Pulley. This Pulley may not be correct for all applications. Refer to Pulley options below.</b>	
9A	7026199	1	110V/60Hz Armature with Slip Rings	
9A	70000122	1	110V/50Hz Armature with Slip Rings	
9A	70000123	1	220V/50Hz Armature with Slip Rings	
9A	7020109	4	Holder, Brush	
9A	7020108	4	Brush	
9A	7012513	4	Cap, Brush Holder	
9A	7012514	1	Fan	
9A	7020190	2	Bearing	
9A	7020110	1	End Bell, Front	
9A	7020111	1	End Bell, Rear	
9A	7020193	1	Cord, Power	
9B		Ref	Replacement Control Box Options:	
9B	7019680	1	110V	
9B	70000127	1	220V	
9B		Ref	Circuit Breaker Options:	
9B	4360542	1	110V	
9B	70000126	1	220V	
9B	4460190	1	Receptacle, Double (110V Box)	
9B	4460027	1	Receptacle, Double Twist Lock (110V Box)	
9B	70000124	1	Receptacle, Double (220V Box)	
9B	70000125	1	Receptacle, Single Twist Lock (220V Box)	

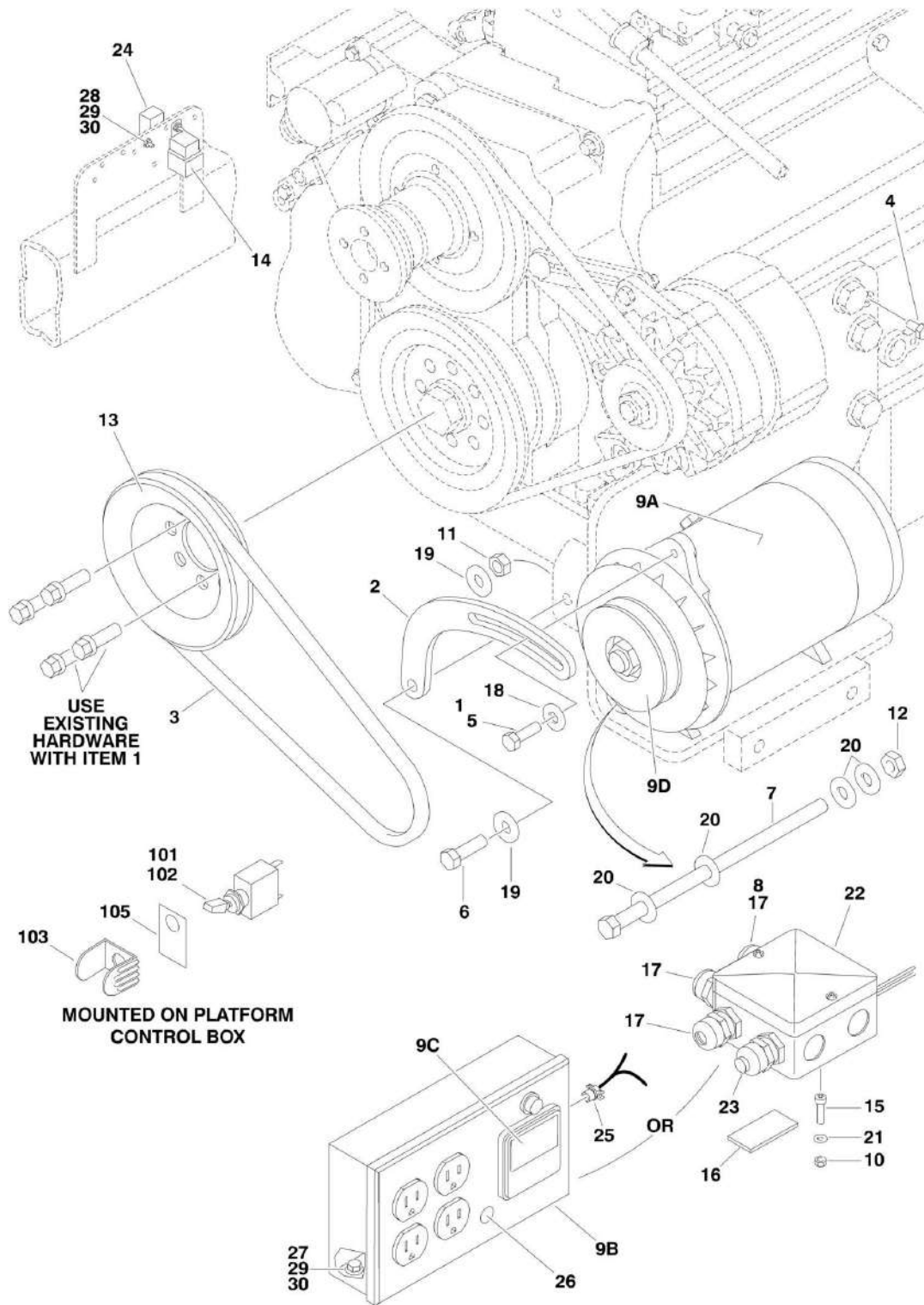
## SECTION 2 - TURNTABLE

ITEM	PART NUMBER	QTY	DESCRIPTION	REV
9B	3520028	1	Plug, Hole	
9C		Ref	Voltmeter Options:	
9C	2420203	1	110V	
9C	7020192	1	220V	
9D		Ref	Pulley Options:	
9D	3580276	1	110V/60Hz	
9D	3580134	1	110V/50Hz	
9D	3580134	1	220V/50Hz	
9D	7027887	1	Key, Woodruff	
10	3290505	1	Locknut M5	
11	3311705	1	Locknut 7/16in-14NC	
12	3580315	1	Pulley	
13	3740080	1	Relay	
14	4031608	1	Bolt M5 x 20mm	
15	4420060	3 in/8cm	Tape, Double Sided Foam Acrylic	
16	4460968	3	Connector, Strain Relief	
17	4751500	1	Flatwasher 5/16in Regular	
18	4751700	AR	Flatwasher 7/16in Regular	
19	4811600	1	Flatwasher M5	
20	1001099869	1	Box, Junction	
21		Ref	Light, Red Options:	
21	1001100233	1	125V	
21	1001100234	1	250V	
22	3311005	2	Locknut #10-24NC	
23	4751000	8	Flatwasher #10 Regular	
		Ref	<b>PLATFORM COMPONENTS</b>	
	1001111285	Ref	<b>110V/60HZ Generator</b>	A
	1001111815	Ref	<b>110V/50HZ Generator</b>	A
	1001111814	Ref	<b>220V/50HZ Generator</b>	A
101	4360336	1	Switch, Toggle	
102	4740397	1	Washer	
103	4060802	1	Guard, Switch	
104	2820031	1	Heatshrink (Not Shown)	
105	3251102	1	Nameplate	



# SECTION 2 - TURNTABLE

## FIGURE 2-24. 2500W GENERATOR INSTALLATION - DEUTZ MACHINES (OPTIONAL)



**SECTION 2 - TURNTABLE**

**FIGURE 2-24. 2500W GENERATOR INSTALLATION - DEUTZ MACHINES (OPTIONAL)**

ITEM	PART NUMBER	QTY	DESCRIPTION	REV
		Ref	<b>Note: For Module (with/without UGM) Identification, refer to Revision Log page A.</b>	
		Ref	<b>Note: All Romanian Built Machines are equipped with UGM.</b>	
		Ref	<b>GENERATOR INSTALLATION OPTIONS:</b>	
		Ref	<b>Without UGM</b>	
		Ref	<b>110V/60Hz Generator</b>	
	0271593	Ref	<b>Belgium Built Machines (Prior to SN 1300000316)</b>	2/B
	0272614	Ref	<b>Belgium Built Machines (Use p/n 0274079) (SN 1300000316 through 1300000730)</b>	4/C
	0274079	Ref	<b>Belgium Built Machines (SN 1300000731 to Present)</b>	2/B
	1001100732	Ref	<b>110V/50Hz Generator</b>	B
		Ref	<b>220V/50HZ Generator</b>	
	0272615	Ref	<b>Belgium Built Machines (Use p/n 0274085) (Prior to SN 1300000731)</b>	2/B
	0274085	Ref	<b>Belgium Built Machines (Use p/n 0274085) (SN 1300000731 through 1300006618)</b>	2/B
	1001100749	Ref	<b>Belgium Built Machines (SN 1300006619 to Present)</b>	B
		Ref	<b>With UGM</b>	
	1001115403	Ref	<b>110V/60HZ Generator</b>	A
	1001100732	Ref	<b>110V/50HZ Generator Options:</b>	B
	1001100749	Ref	<b>220V/50HZ Generator</b>	B
		Ref	<b>Note: Refer to Sky Power Accessories Manual p/n 3124242 for the Miller 7500W Generator.</b>	
1	0100011	AR	Compound, Locking	
2	0200742	1	Arm, Adjusting	
3		Ref	V-Belt Options:	
3	0480120	1	110V/60Hz (Belgium Built Machines) <b>(Prior to SN 1300000316)</b>	
3	0480122	1	110V/60Hz (Belgium Built Machines) <b>(SN 1300000316 to Present)</b>	
3	0480122	1	110V/60Hz (Romanian Built Machines) <b>(SN E300000100 through E300001114)</b>	
3	0480120	1	110V/50Hz	
3	0480120	1	220V/50Hz	
4	0641404	1	Bolt 1/4in-20NC x 1/2in	
5	0641508	1	Bolt 5/16in-18NC x 1in	
6	0641610	1	Bolt 3/8in-16NC x 1-1/4in	
7	0641772	1	Bolt 7/16in-14NC x 9in	
8	0962449	1	Bushing	
9		Ref	Generator and Control Box Assembly Options:	
9	2460032	1	110V/60Hz Assembly (Belgium Built Machines) <b>(Prior to SN 1300000731)</b>	
9	2460055	1	110V/60Hz Assembly (Belgium Built Machines) <b>(SN 1300000731 to Present)</b>	
9	2460055	1	110V/60Hz Assembly (Romanian Built Machines) <b>(SN E300000100 through E300001114)</b>	
9	2460049	1	110V/50Hz Generator Only	
9	2460013	1	220V/50Hz Assembly (Belgium Built Machines) <b>(Prior to SN 1300000731)</b>	
9	2460056	1	220V/50Hz Assembly (Belgium Built Machines) <b>(SN 1300000731 through 1300006618)</b>	
9	1001100321	1	220V/50Hz Generator Only (Belgium Built Machines) <b>(SN 1300006619 to Present)</b>	

## SECTION 2 - TURNTABLE

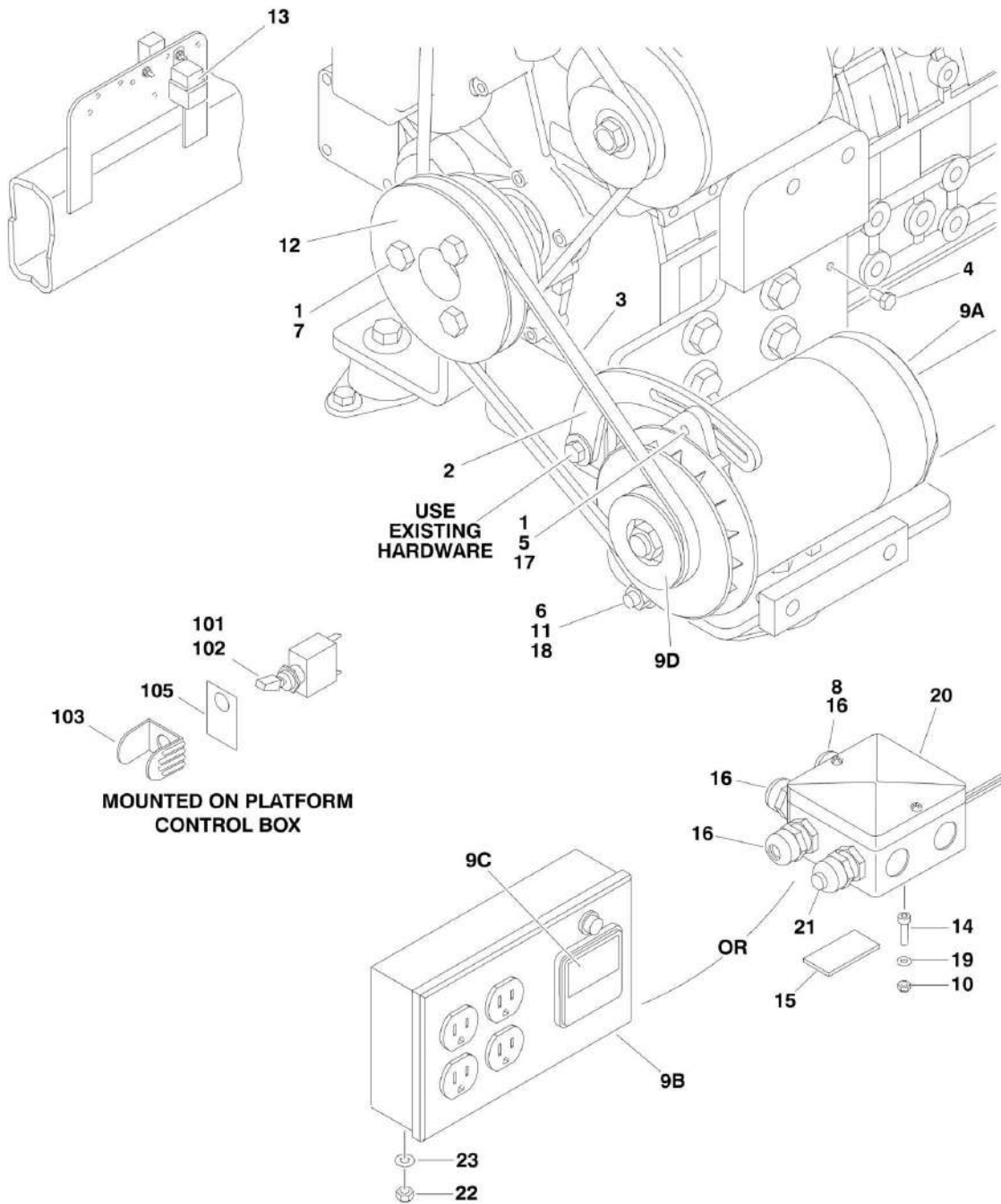
ITEM	PART NUMBER	QTY	DESCRIPTION	REV
9	1001100321	1	220V/50Hz Generator Only (Romanian Built Machines) (SN E300000100 through E300001114)	
9A		Ref	Generator Options:	
9A	7012558	1	Generator - 110V/60Hz	
9A	2460049	1	Generator - 110V/50Hz	
9A	1001100321	1	Generator - 220V/50Hz	
		Ref	<b>Note: Replacement Generators come standard with p/n 3580134 pulley. This pulley may not be correct for all applications. Refer to pulley options below.</b>	
9A	7026199	1	110V/60Hz Armature with Slip Rings	
9A	70000122	1	110V/50Hz Armature with Slip Rings	
9A	70000123	1	220V/50Hz Armature with Slip Rings	
9A	7020109	4	Holder, Brush	
9A	7020108	4	Brush	
9A	7012513	4	Cap, Brush Holder	
9A	7012514	1	Fan	
9A	7020190	2	Bearing	
9A	7020110	1	End Bell, Front	
9A	7020111	1	End Bell, Rear	
9A	7020193	1	Cord, Power	
9B		Ref	Box, Control Options:	
9B	7003657	1	110V/60Hz (Belgium Built Machines) (Prior to SN 1300000731)	
9B	7019680	1	110V/60Hz (Belgium Built Machines) (SN 1300000731 to Present)	
9B	7019680	1	110V/60Hz (Romanian Built Machines) (SN E300000100 through E300001114)	
9B	70002235	1	220V/50Hz (Belgium Built Machines) (Prior to SN 1300000731)	
9B	70000127	1	220V/50Hz (Belgium Built Machines) (SN 1300000731 through 1300006619)	
9B	70000127	1	220V/50Hz (Romanian Built Machines) (SN E300000100 through E300001114)	
9B		Ref	Circuit Breaker Options:	
9B	4360542	1	110V/60Hz	
9B	70000126	1	220V/50Hz	
9B	4460190	AR	Receptacle, Double (110V Box)	
9B	4460027	AR	Receptacle, Double Twist Lock (110V Box)	
9B	70000124	1	Receptacle, Double (220V)	
9B	70000125	1	Receptacle, Single Twist Lock (220V)	
9B	2920162	1	Lamp Assembly (Belgium Built Machines) (Prior to SN 1300000731)	
9B	7020191	1	Switch, Toggle (Belgium Built Machines) (Prior to SN 1300000731)	
9C		Ref	Voltmeter Options:	
9C	2420203	1	110V/60Hz	
9C	7020192	1	220V/50Hz	
9D		Ref	Pulley Options:	
9D	3580276	1	110V/60Hz	
9D	3580134	1	110V/50Hz	
9D	3580134	1	220V/50Hz	
9D	7027887	1	Key, Woodruff	
10	3290505	1	Locknut M5	
11	3311605	1	Locknut 3/8in-16NC	

## SECTION 2 - TURNTABLE

ITEM	PART NUMBER	QTY	DESCRIPTION	REV
12	3311705	1	Locknut 7/16in-14NC	
13	3580158	1	Pulley	
14	3740080	1	Relay	
15	4031608	1	Bolt M5 x 20mm	
16	4420060	3 in/8cm	Tape, Double Sided Foam Acrylic	
17	4460968	3	Connector, Strain Relief	
18	4751500	1	Flatwasher 5/16in Regular	
19	4751600	2	Flatwasher 3/8in Regular	
20	4751700	4	Flatwasher 7/16in Regular	
21	4811600	1	Flatwasher M5	
22	1001099869	1	Box, Junction	
23		Ref	Light, Red Options:	
23	1001100233	1	125V	
23	1001100234	1	250V	
24	4360294	1	Breaker, Circuit - 30 Amp (Belgium Built Machines) <b>(Prior to SN 1300000731)</b>	
25	4460023	1	Connector, Strain Relief (Belgium Built Machines) <b>(Prior to SN 1300000731)</b>	
26	3520028	1	Plug, Hole (Belgium Built Machines) <b>(Prior to SN 1300000731)</b>	
27	0721008	2	Bolt #10-24NC x 1in (Belgium Built Machines) <b>(Prior to SN 1300000731)</b>	
28	0721006	AR	Bolt #10-24NC x 3/4in	
29	3311005	AR	Locknut #10-24NC	
30	4751000	AR	Flatwasher #10 Regular	
		Ref	<b>PLATFORM COMPONENTS</b>	
		Ref	<b>Note: For Module (with/without UGM) Identification, refer to Revision Log page A.</b>	
		Ref	<b>Without UGM</b>	
	0271593	Ref	<b>110V/60Hz Generator (Belgium Built Machines) (Prior to SN 1300000316)</b>	2/B
	0272614	Ref	<b>110V/60Hz Generator (Belgium Built Machines) (Use p/n 0274079) (SN 1300000316 through 1300000730)</b>	4/C
	0274079	Ref	<b>110V/60Hz Generator (Belgium Built Machines) (SN 1300000731 to Present)</b>	2/B
	1001100656	Ref	<b>110V/50Hz Generator</b>	A
	0272615	Ref	<b>220V/50Hz Generator (Belgium Built Machines) (Use p/n 0274085) (Prior to SN 1300000731)</b>	2/B
	0274085	Ref	<b>220V/50Hz Generator (Belgium Built Machines) (SN 1300000731 through 1300006618)</b>	2/B
	1001100657	Ref	<b>220V/50Hz Generator (Belgium Built Machines) (SN 1300006619 to Present)</b>	A
		Ref	<b>With UGM</b>	
	1001115403	Ref	<b>110V/60HZ Generator</b>	A
	1001115411	Ref	<b>110V/50HZ Generator</b>	A
	1001115412	Ref	<b>220V/50HZ Generator</b>	A
101	4360336	1	Switch, Toggle	
102	4740397	1	Washer	
103	4060802	1	Guard, Switch	
104	2820031	AR	Heatshrink (Not Shown)	
105	3251102	1	Nameplate	

# SECTION 2 - TURNTABLE

## FIGURE 2-25. 2500W GENERATOR INSTALLATION - PERKINS MACHINES (OPTIONAL)





**SECTION 2 - TURNTABLE**

**FIGURE 2-25. 2500W GENERATOR INSTALLATION - PERKINS MACHINES (OPTIONAL)**

ITEM	PART NUMBER	QTY	DESCRIPTION	REV
		Ref	<b>Note: For Module (with/without UGM) Identification, refer to Revision Log page A.</b>	
		Ref	<b>Note: All Romanian Built Machines are equipped with UGM.</b>	
		Ref	<b>GENERATOR INSTALLATION</b>	
		Ref	<b>Without UGM</b>	
	1001097325	Ref	<b>110V/60Hz Generator</b>	D
	1001100944	Ref	<b>110V/50Hz Generator</b>	B
	1001097324	Ref	<b>220V/50HZ Generator (Prior to SN 1300006619)</b>	B
	1001100943	Ref	<b>220V/50HZ Generator (SN 1300006619 to Present)</b>	B
		Ref	<b>With UGM</b>	
	1001111285	Ref	<b>110V/60HZ Generator</b>	A
	1001100944	Ref	<b>110V/50Hz Generator</b>	B
	1001100943	Ref	<b>220V/50HZ Generator</b>	B
		Ref	<b>Note: Refer to Sky Power Accessories Manual p/n 3124242 for the Miller 7500W Generator.</b>	
1	0100011	AR	Compound, Locking	
2	0200742	1	Arm, Adjusting	
3		Ref	V-Belt Options:	
3	0480121	1	110V/60Hz	
3	0480121	1	110V/50Hz <b>(Prior to SN 1300006619)</b>	
3	0480120	1	110V/50Hz <b>(SN 1300006619 to Present)</b>	
3	0480120	1	220V/50Hz	
4	0641404	1	Bolt 1/4in-20NC x 1/2in	
5	0641508	1	Bolt 5/16in-18NC x 1in	
6	0641772	1	Bolt 7/16in-14NC x 9in	
7	0701217	3	Bolt M12 x 45mm	
8	0962449	1	Bushing	
9		Ref	Generator and Control Box Assembly Options:	
9	2460055	1	110V/60Hz	
9	2460049	1	110V/50Hz Generator Only	
9	2460056	1	220V/50Hz <b>(Prior to SN 1300006619)</b>	
9	1001100321	1	220V/50Hz Generator Only <b>(SN 1300006619 to Present)</b>	
9A	7012558	1	110V/60Hz Replacement Generator	
9A	2460049	1	110V/50Hz Replacement Generator	
9A	1001100321	1	220V/50Hz Replacement Generator	
		Ref	<b>Note: Replacement Generators come standard with p/n 3580134 pulley. This pulley may not be correct for all applications. Refer to pulley options below.</b>	
9A	7026199	1	110V/60Hz Armature with Slip Rings	
9A	70000122	1	110V/50Hz Armature with Slip Rings	
9A	70000123	1	220V/50Hz Armature with Slip Rings	
9A	7020109	4	Holder, Brush	
9A	7020108	4	Brush	
9A	7012513	4	Cap, Brush Holder	
9A	7012514	1	Fan	
9A	7020190	2	Bearing	
9A	7020110	1	End Bell, Front	
9A	7020111	1	End Bell, Rear	
9A	7020193	1	Cord, Power	
9B	7019680	1	110V/60Hz Control Box	

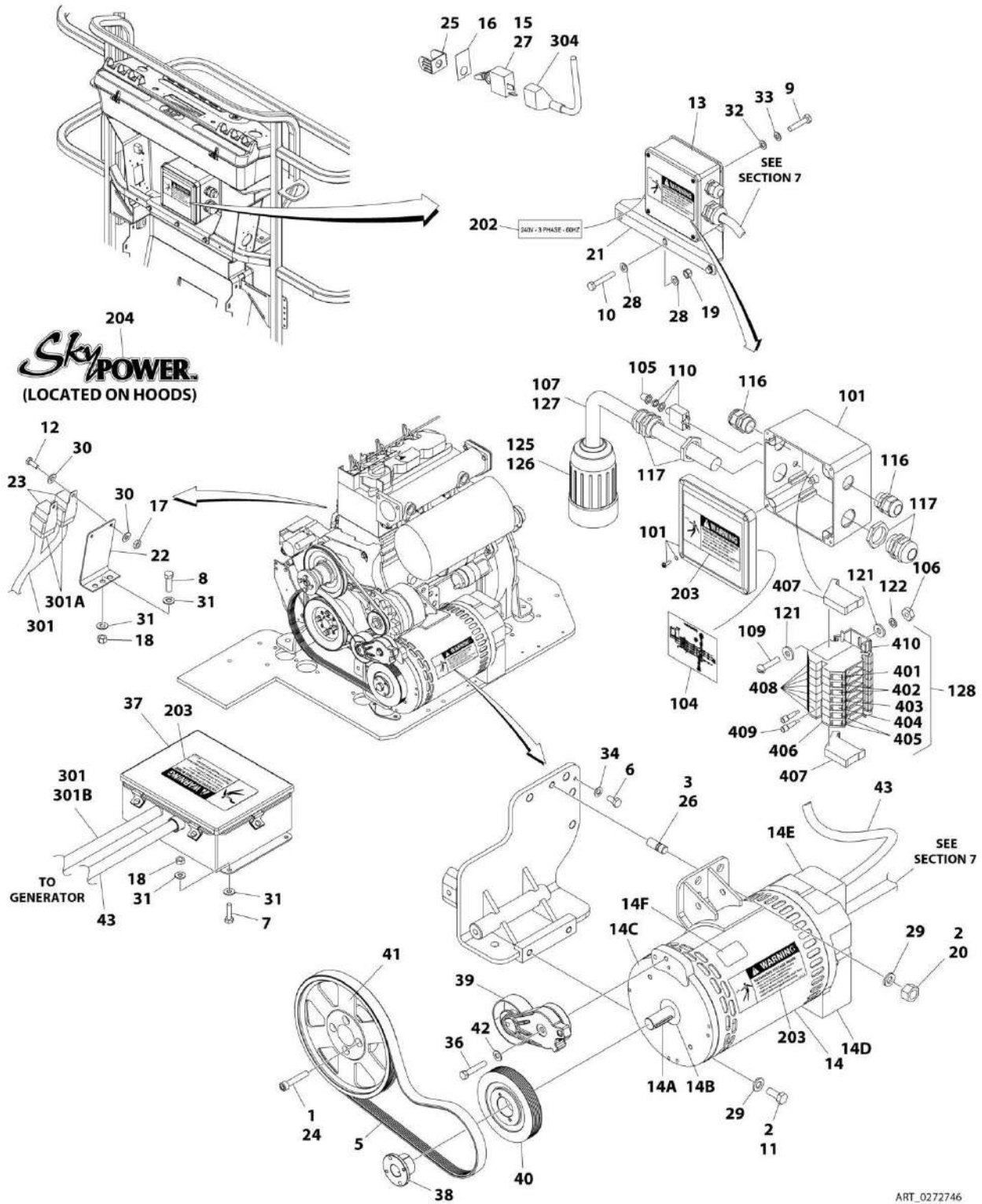
## SECTION 2 - TURNTABLE

ITEM	PART NUMBER	QTY	DESCRIPTION	REV
9B	70000127	1	220V/50Hz Control Box	
9B		Ref	Circuit Breaker Options:	
9B	4360542	1	110V/60Hz	
9B	70000126	1	220V/50Hz	
9B	4460190	1	Receptacle, Double (110V Box)	
9B	4460027	1	Receptacle, Double Twist Lock (110V Box)	
9B	70000124	1	Receptacle, Double (220V Box)	
9B	70000125	1	Receptacle, Single Twist Lock (220V Box)	
9B	3520028	1	Plug, Hole	
9C		Ref	Voltmeter Options:	
9C	2420203	1	110V/60Hz	
9C	7020192	1	220V/50Hz	
9D		Ref	Pulley Options:	
9D	3580276	1	110V/60Hz	
9D	3580134	1	110V/50Hz	
9D	3580134	1	220V/50Hz	
9D	7027887	1	Key, Woodruff	
10	3290505	1	Locknut M5	
11	3311705	1	Locknut 7/16in-14NC	
12	3580315	1	Pulley	
13	3740080	1	Relay	
14	4031608	1	Bolt M5 x 20mm	
15	4420060	3 in/8cm	Tape, Double Sided Foam Acrylic	
16	4460968	3	Connector, Strain Relief	
17	4751500	1	Flatwasher 5/16in	
18	4751700	AR	Flatwasher 7/16in	
19	4811600	1	Flatwasher M5	
20	1001099869	1	Box, Junction	
21		Ref	Light, Red Options:	
21	1001100233	1	125V	
21	1001100234	1	250V	
22	3311005	2	Locknut #10-24NC	
23	4751000	8	Flatwasher #10 Regular	
		Ref	<b>PLATFORM COMPONENTS</b>	
		Ref	<b>Note: For Module (with/without UGM) Identification, refer to Revision Log page A.</b>	
		Ref	<b>Without UGM</b>	
	1001097325	Ref	<b>110V/60Hz Generator</b>	D
	1001100942	Ref	<b>110V/50Hz Generator</b>	B
	1001097324	Ref	<b>220V/50HZ Generator (Prior to SN 1300006619)</b>	B
	1001100941	Ref	<b>220V/50HZ Generator - CE and Australian Only (SN 1300006619 to Present)</b>	B
		Ref	<b>With UGM</b>	
	1001111285	Ref	<b>110V/60HZ Generator</b>	A
	1001111815	Ref	<b>110V/50HZ Generator</b>	A
	1001111814	Ref	<b>220V/50HZ Generator</b>	A
101	4360336	1	Switch, Toggle	
102	4740397	1	Washer	
103	4060802	1	Guard, Switch	
104	2820031	AR	Heatshrink (Not Shown)	
105	3251102	1	Nameplate	



# SECTION 2 - TURNTABLE

FIGURE 2-26. 7500W GENERATOR INSTALLATION - 50HZ (DEUTZ ENGINE MACHINES WITHOUT UGM)



ART\_0272746

## SECTION 2 - TURNTABLE

**FIGURE 2-26. 7500W GENERATOR INSTALLATION - 50HZ (DEUTZ ENGINE MACHINES WITHOUT UGM)**

ITEM	PART NUMBER	QTY	DESCRIPTION	REV
	0272746	Ref	7500W GENERATOR INSTALLATION	E
1	0100011	AR	Compound, Locking	
2	0100019	AR	Compound, Locking	
3	0100062	AR	Loctite, #RC/680	
5	0480129	1	Belt	
6	0641403	1	Bolt 1/4 x 3/8	
7	0641408	4	Bolt 1/4 x 1	
8	0641410	2	Bolt 1/4 x 1-1/4	
9	0641505	4	Bolt 5/16 x 5/8	
10	0641516	AR	Bolt 5/16 x 2	
11	0641808	2	Bolt 1/2 x 1	
12	0721004	2	Bolt #10 x 1/2	
13	0861567	1	Junction Box Assembly (See Items 101-128 for Breakdown)	
14	2460048	1	Generator Assembly	
14	70001100	1	Rotor (Includes p/n 70001384 & 70000863) (Not Shown)	
14	70001384	1	Bearing, Ball Radial (Not Shown)	
14	70000863	1	Fan (Not Shown)	
14	70002088	1	Stator (Not Shown)	
14	70002297	1	Stud	
14	70003631	1	Brushholder Assembly (Not Shown)	
14A	70004171	1	Key	
14B	70001966	1	Bearing, Ball Radial (Located in Belt Tensioner Endbell)	
14B	70003708	1	Ring, Internal Retaining (Located in Belt Tensioner Endbell)	
14B	70003709	1	Ring, External Retaining (Located in Belt Tensioner Endbell)	
14C	70001953	1	Endbell, Belt Tensioner	
14D	70004169	1	Endbell, Brush Block	
14E	70004169	1	Shroud	
14E	See Note	NSS	Insulator, Endbell (Note: Not Available for Purchase)	
14E	7027799	1	Block, Connector - 6 Position (Not Shown)	
14E	70002460	1	Nut, Brass (Attaches p/n 7027799 to Cover) (Not Shown)	
14E	7024485	1	Breaker, Circuit 30Amp (Not Shown)	
14E	70001696	1	Boot, Breaker (Not Shown)	
14E	7026626	1	Connector - 6 Position (Includes Seal) (Not Shown - Plugs into Item 26)	
14E	7026597	1	Connector, with Leads (Not Shown)	
14E	7026188	1	Clamp, Cable Options (Not Shown)	
14E	70004169	1	Plate, End Panel	
14E	70001974	1	Decal - Terminal Connections	
14F	70001973	1	Decal - Warning Moving Parts	
15	2820031	1	Heat Shrink	
16	3252764	1	Nameplate	
17	3311005	2	Nut #10	
18	3311405	6	Nut 1/4	
19	3311505	AR	Nut 5/16	
20	3311801	1	Nut 1/2	
21	3573668	NLA	Bracket (Use p/n 0902888)	
22	3574163	1	Bracket	
23	3740080	2	Relay	
24	4032015	4	Bolt M10 x 55	

## SECTION 2 - TURNTABLE

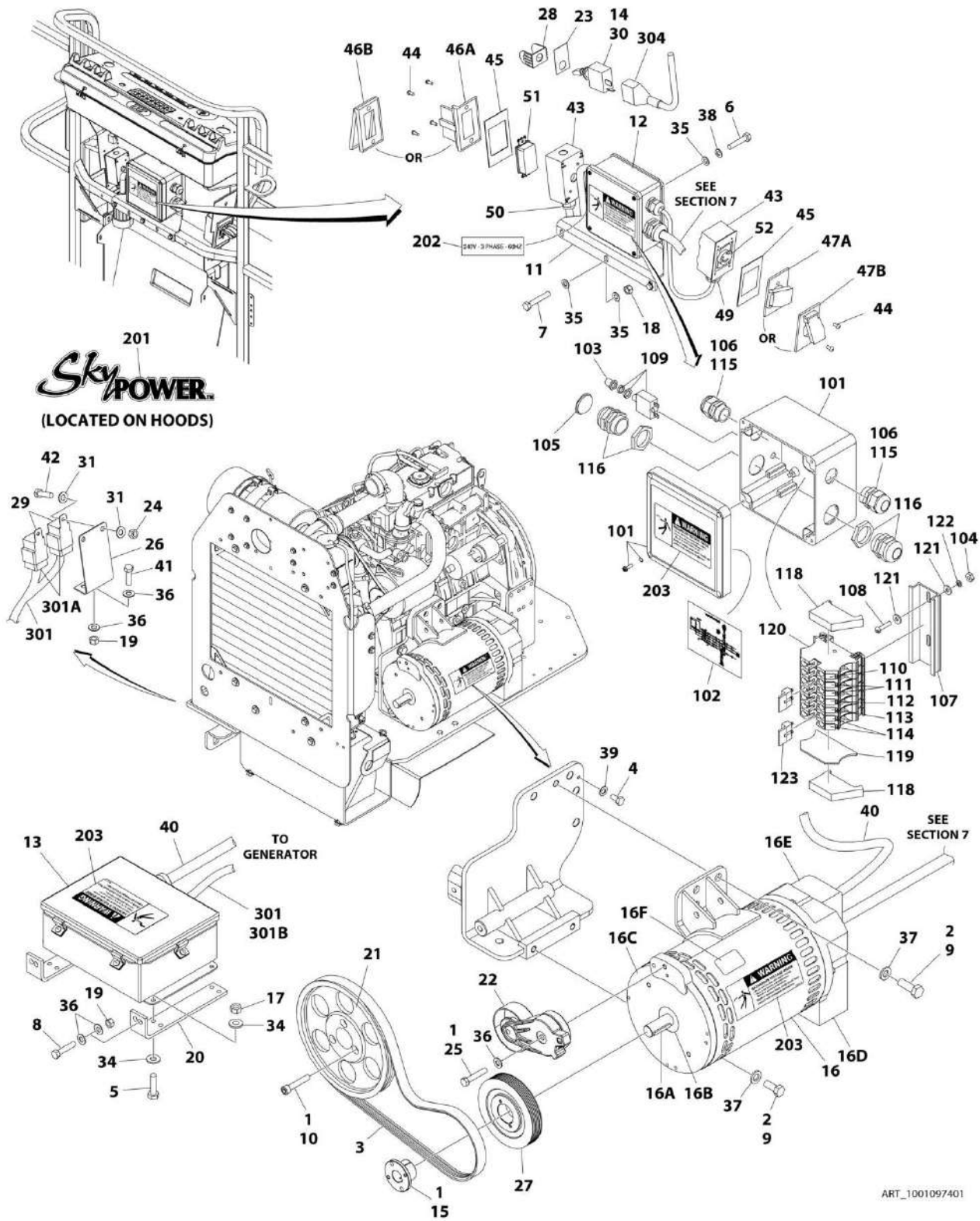
ITEM	PART NUMBER	QTY	DESCRIPTION	REV
25	4060802	1	Guard, Switch	
26	4300157	1	Stud	
27	4360336	1	Switch, Toggle	
28	4711500	AR	Washer 5/16	
29	4711800	3	Washer 1/2	
30	4751000	4	Washer #10	
31	4751400	12	Washer 1/4	
32	4751500	4	Washer 5/16	
33	4761500	4	Washer 5/16	
34	4791400	1	Washer 1/4	
36	0641618	1	Bolt 3/8 x 2-1/4	
37	0861572	1	Control Box Assembly	
37	7024488	1	Card, Circuit - Generator Power	
37	See Note	NSS	Fuse (Note: Not Available - Purchase Locally)	
37	7024489	1	Card, Circuit - Control	
	See Note	NSS	Note: Same Circuit Card (P/N 7024489) is used for both 60Hz and 50Hz. When replacing card, rocker switch on card must be set for required application.	
37	70000619	1	Harness, Circuit Card	
38	0962520	1	Bushing	
39	3580317	1	Pulley	
40	3580319	1	Pulley	
41	3580320	1	Pulley	
42	4711600	1	Washer 3/8	
43	4922925	1	Harness, Generator	
43	4460225	1	Plug, Male - 6 Position (Plugs into Generator)	
43	See Note	NSS	Socket, Female (Use with 4460225)	
43	See Note	NSS	Seal, Plug (Use with 4460225)	
43	See Note	NSS	Seal, Interface (Use with 4460225)	
	0861567	Ref	JUNCTION BOX ASSEMBLY	B
101	0861541	1	Box, Junction	
104	1705376	1	Decal - Wiring Schematic	
105	3300396	1	Cover, Fuse	
106	3310601	2	Nut 6	
109	3910610	2	Bolt 6 x 5/8	
110	4360070	1	Circuit Breaker - 15Amp	
116	4460425	2	Strain Relief, Terminal	
116	3520192	2	Plug	
117	4460426	2	Connector, Strain Relief	
121	4750600	4	Washer #6	
122	4760600	2	Washer #6	
126	4460963	1	Connector	
127	3520189	1	Plug	
128	1001121340	1	Terminal Block Assembly (See Items 401-410 for Breakdown)	
	0272589	Ref	DECAL INSTALLATION	A
202	1705461	1	Decal - 240V - 3 Phase	
203	1705489	3	Decal - Hazardous Voltage	
204	1705460	2	Decal - SkyPower	
	4933264	Ref	ELECTRICAL DIAGRAM COMPONENTS	C
301	4922757	Ref	Generator Harness	3-C
301A	4460374	2	Plug, Sealed Relay	
301A	4460375	7	Terminal	

**SECTION 2 - TURNTABLE**

ITEM	PART NUMBER	QTY	DESCRIPTION	REV
301B	4460967	1	Plug, Male - 3 Position	
301B	4460465	1	Socket, Female	
301C	2400060	1	Fuseholder (Not Shown)	
301C	2400064	1	Fuse - 5Amp (Not Shown)	
304	4922641	1	Switch Harness	
		Ref	TERMINAL BLOCK ASSEMBLY	
	NPN	Ref	Gray Terminal Block Assembly (Complete Assembly Not Available - Purchase Individual Components)	
	1001121340	Ref	Tan Terminal Block Assembly	A
401		Ref	Marker Strip #1 Options:	
401	4460411	2	Gray Terminal Block Assembly	
401	70002818	2	Tan Terminal Block Assembly	
402		Ref	Marker Strip #2 Options:	
402	4460412	AR	Gray Terminal Block Assembly	
402	70002819	4	Tan Terminal Block Assembly	
403		Ref	Marker Strip #3 Options:	
403	4460413	2	Gray Terminal Block Assembly	
403	70002820	2	Tan Terminal Block Assembly	
404		Ref	Marker Strip #4 Options:	
404	4460414	2	Gray Terminal Block Assembly	
404	70002821	2	Tan Terminal Block Assembly	
405		Ref	Marker Strip #5 Options:	
405	4460415	AR	Gray Terminal Block Assembly	
405	70002822	4	Tan Terminal Block Assembly	
406		Ref	Terminal, End Barrier Options:	
406	4460956	1	Gray Terminal Block Assembly	
406	70002823	1	Tan Terminal Block Assembly	
407		Ref	Terminal, End Block Options:	
407	4460607	AR	Gray Terminal Block Assembly	
407	70002824	2	Tan Terminal Block Assembly	
408		Ref	Terminal, Block Options:	
408	4460957	7	Gray Terminal Block Assembly	
408	70002825	7	Tan Terminal Block Assembly	
409		Ref	Terminal, Cross Connector Jumper Options:	
409	4461001	2	Gray Terminal Block Assembly	
409	70002826	2	Tan Terminal Block Assembly	
410	3641533	1	Rail, Relay	

# SECTION 2 - TURNTABLE

FIGURE 2-27. 7500W GENERATOR INSTALLATION - 50HZ (PERKINS ENGINE MACHINES WITHOUT UGM)





**SECTION 2 - TURNTABLE**

**FIGURE 2-27. 7500W GENERATOR INSTALLATION - 50HZ (PERKINS ENGINE MACHINES WITHOUT UGM)**

ITEM	PART NUMBER	QTY	DESCRIPTION	REV
		Ref	<b>7500W GENERATOR INSTALLATION - PERKINS ENGINE MACHINES WITHOUT UGM</b>	
		Ref	<b>PERKINS Engine Machines without UGM:</b>	
	1001097401	Ref	<b>50Hz Spec (ANSI Export and Japanese Specs Only)</b>	D
	1001097512	Ref	<b>50Hz Spec (ANSI Export and Japanese Specs Only)</b>	C
	1001097583	Ref	<b>50Hz Spec (CE and Australian Specs Only)</b>	C
1	0100011	AR	Compound, Locking	
2	0100019	AR	Compound, Locking	
3	0480126	1	Belt	
4	0641403	1	Bolt 1/4 x 3/8	
5	0641408	4	Bolt 1/4 x 1	
6	0641508	4	Bolt 5/16 x 1	
7	0641516	3	Bolt 5/16 x 2	
8	0641614	2	Bolt 3/8 x 1-3/4	
9	0641808	4	Bolt 1/2 x 1	
10	0701217	3	Bolt M12 x 45	
11	0902888	1	Bracket	
12	0861567	1	Junction Box Assembly (See Items 101-123 for Breakdown)	
13	0861572	1	Control Box Assembly	
13	7024488	1	Card, Circuit - Generator Power	
13	See Note	1	Fuse (Note: Not Available - Purchase Locally)	
13	7024489	1	Card, Circuit - Control	
13	70000619	1	Harness, Circuit Card	
14	2820031	AR	Heat Shrink	
15	0962520	1	Bushing	
16	2460048	1	Generator Assembly	
16	70001100	1	Rotor (Includes p/n 70001384 & 70000863) (Not Shown)	
16	70001384	1	Bearing, Ball Radial (Not Shown)	
16	70000863	1	Fan (Not Shown)	
16	70002088	1	Stator (Not Shown)	
16	70002297	1	Stud	
16	70003631	1	Brushholder Assembly (Not Shown)	
16A	70004171	1	Key	
16B	70001966	1	Bearing, Ball Radial (Located in Belt Tensioner Endbell)	
16B	70003708	1	Ring, Internal Retaining (Located in Belt Tensioner Endbell)	
16B	70003709	1	Ring, External Retaining (Located in Belt Tensioner Endbell)	
16C	70001953	1	Endbell, Belt Tensioner	
16D	70004169	1	Endbell, Brush Block	
16E	70004169	1	Shroud	
16E	See Note	NSS	Insulator, Endbell (Note: Not Available for Purchase)	
16E	7027799	1	Block, Connector 6 Position (Not Shown)	
16E	70002460	1	Nut, Brass (Attaches p/n 7027799 to Cover) (Not Shown)	
16E	7024485	1	Breaker, Circuit 30Amp (Not Shown)	
16E	70001696	1	Boot, Breaker (Not Shown)	
16E	7026626	1	Connector, 6 Position (Includes Seal) (Not Shown - Plugs into Item 39)	
16E	7026597	1	Connector, with Leads (Not Shown)	
16E	7026188	1	Clamp, Cable Options (Not Shown)	
16E	70004169	1	Plate, End Panel	

## SECTION 2 - TURNTABLE

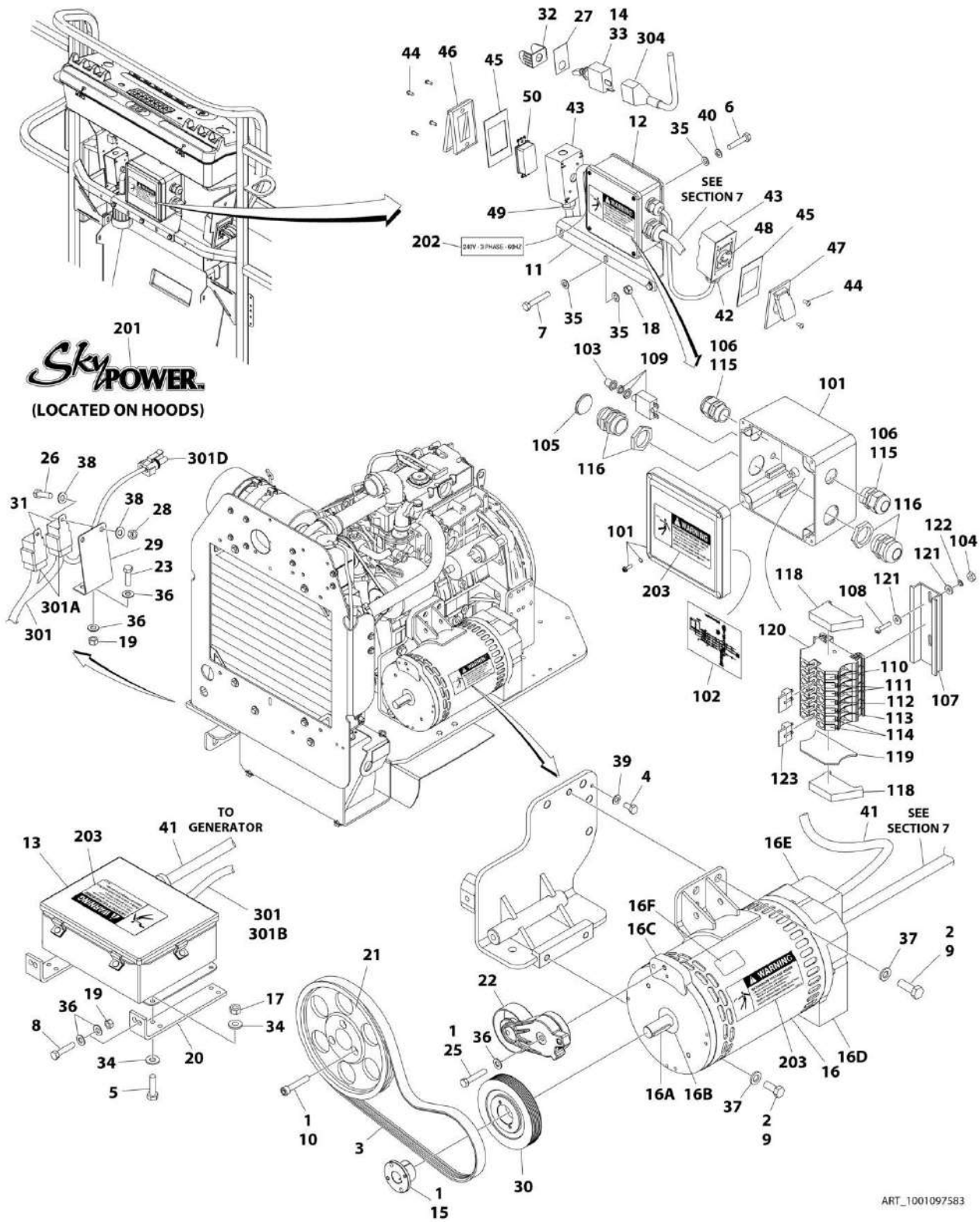
ITEM	PART NUMBER	QTY	DESCRIPTION	REV
16E	70001974	1	Decal - Terminal Connections	
16F	70001973	1	Decal - Warning Moving Parts	
17	3311405	4	Nut 1/4	
18	3311505	3	Nut 5/16	
19	3311605	3	Nut 3/8	
20	3574523	2	Plate	
21	3580316	1	Pulley	
22	3580317	1	Pulley	
23	3252764	1	Nameplate	
24	3311005	2	Nut #10	
25	0641618	1	Bolt 3/8 x 2-1/4	
26	3574163	1	Bracket	
27	3580319	1	Pulley	
28	4060802	1	Guard, Switch	
29	3740080	2	Relay	
30	4360336	1	Switch, Toggle	
31	4751000	4	Washer #10	
34	4711400	8	Washer 1/4	
35	4711500	10	Washer 5/16	
36	4711600	7	Washer 3/8	
37	4711800	4	Washer 1/2	
38	4761500	4	Washer 5/16	
39	4791400	1	Washer 1/4	
40	4922925	1	Harness, Generator	
40	4460225	1	Plug, Male 6 Position (Plugs into Generator)	
40	See Note	NSS	Socket, Female (Use with 4460225)	
40	See Note	NSS	Seal, Plug (Use with 4460225)	
40	See Note	NSS	Seal, Interface (Use with 4460225)	
41	0641610	1	Bolt 3/8 x 1-1/4	
42	0721004	2	Bolt #10 x 1/2	
		Ref	<b>Note: Items #43-52 used with installation 1001097401.</b>	
43	0860038	2	Box, Switch	
44	3910606	8	Screw #6 x 3/8	
45	3960422	2	Gasket	
46		Ref	Cover, Receptacle Options:	
46A	4060700	1	Cover (Side Hinge)	
46B	1001110873	1	Cover (Top Hinge)	
47		Ref	Cover, Receptacle Options:	
47A	4061043	1	Cover (Side Hinge)	
47B	1001110872	1	Cover (Top Hinge)	
49	4460051	1	Connector, Strain Relief	
50	4460071	1	Connector, Strain Relief	
51	4460346	1	Receptacle	
52	4460958	1	<b>Receptacle, Female Twist-Lock</b>	
	0861567	Ref	<b>JUNCTION BOX ASSEMBLY</b>	B
101	0861541	1	Box, Junction	
102	1705376	1	Decal - Wiring Schematic	
103	3300396	1	Cover, Fuse	
104	3310601	2	Nut 6	
105	3520189	1	Plug	
106	3520192	2	Plug	

**SECTION 2 - TURNTABLE**

ITEM	PART NUMBER	QTY	DESCRIPTION	REV
107	3640986	1	Rail, Relay (Prior to SN 0300072911)	
107	3641533	1	Rail, Relay (SN 0300072911 to Present)	
108	3910610	2	Bolt 6-32 x 5/8	
109	4360070	1	Circuit Breaker - 15Amp	
110	4460411	2	Marker Strip #1	
111	4460412	4	Marker Strip #2	
112	4460413	2	Marker Strip #3	
113	4460414	2	Marker Strip #4	
114	4460415	4	Marker Strip #5	
115	4460425	2	Strain Relief, Terminal	
116	4460426	2	Connector, Strain Relief	
118	4460607	2	Terminal, End Block	
119	4460956	1	Terminal, End Barrier	
120	4460957	7	Terminal, Block	
121	4750600	4	Washer, #6	
122	4760600	2	Washer #6	
123	4461001	2	Terminal, Cross Connector Jumper	
	0272589	Ref	<b>DECAL INSTALLATION</b>	A
201	1705460	2	Decal - SkyPower	
202	1705461	1	Decal - 240V - 3 Phase	
203	1705489	3	Decal - Hazardous Voltage	
	4933264	Ref	<b>ELECTRICAL DIAGRAM COMPONENTS</b>	C
301	4922757	Ref	Generator Harness Options (See ELECTRICAL SECTION for Breakdown):	3-C
301A	4460374	2	Plug, Sealed Relay	
301A	4460375	7	Terminal	
301B	4460967	1	Plug, Male - 3 Position	
301B	4460465	3	Socket, Female	
301C	2400060	1	Fuseholder (Not Shown)	
301C	2400064	1	Fuse - 5Amp (Not Shown)	
304	4922641	1	Switch Harness	

# SECTION 2 - TURNTABLE

FIGURE 2-28. 7500W GENERATOR INSTALLATION - 50HZ (PERKINS ENGINE MACHINES WITH UGM)



ART\_1001097583

## SECTION 2 - TURNTABLE

**FIGURE 2-28. 7500W GENERATOR INSTALLATION - 50HZ (PERKINS ENGINE MACHINES WITH UGM)**

ITEM	PART NUMBER	QTY	DESCRIPTION	REV
		Ref	<b>7500W GENERATOR INSTALLATION - 50HZ (PERKINS ENGINE MACHINES WITH UGM)</b>	
	1001111910	Ref	<b>Perkins Engine Machines - With UGM (50Hz Spec) (ANSI Export, Australian, CE and Japanese Specs)</b>	B
	1001111818	Ref	<b>Perkins Engine Machines - With UGM (50Hz Spec) (ANSI Export, Australian, CE and Japanese Specs)</b>	C
	1001112044	Ref	<b>Perkins Engine Machines - With UGM (50Hz Spec) (Australian and CE Specs)</b>	B
1	0100011	AR	Compound, Locking	
2	0100019	AR	Compound, Locking	
3	0480126	1	Belt	
4	0641403	1	Bolt 1/4 x 3/8	
5	0641408	4	Bolt 1/4 x 1	
6	0641508	4	Bolt 5/16 x 1	
7	0641516	3	Bolt 5/16 x 2	
8	0641614	2	Bolt 3/8 x 1-3/4	
9	0641808	4	Bolt 1/2 x 1	
10	0701217	3	Bolt M12 x 45	
11	0902888	1	Bracket	
12	0861567	1	Junction Box Assembly (See Items 101-123 for Breakdown)	
13	0861572	1	Control Box Assembly	
13	7024488	1	Card, Circuit - Generator Power	
13	See Note	1	Fuse (Note: Not Available - Purchase Locally)	
13	7024489	1	Card, Circuit - Control	
13	70000619	1	Harness, Circuit Card	
14	2820031	AR	Heat Shrink	
15	0962520	1	Bushing	
16	2460048	1	Generator Assembly	
16	70001100	1	Rotor (Includes p/n 70001384 & 70000863) (Not Shown)	
16	70001384	1	Bearing, Ball Radial (Not Shown)	
16	70000863	1	Fan (Not Shown)	
16	70002088	1	Stator (Not Shown)	
16	70002297	1	Stud	
16	70003631	1	Brushholder Assembly (Not Shown)	
16A	70004171	1	Key	
16B	70001966	1	Bearing, Ball Radial (Located in Belt Tensioner Endbell)	
16B	70003708	1	Ring, Internal Retaining (Located in Belt Tensioner Endbell)	
16B	70003709	1	Ring, External Retaining (Located in Belt Tensioner Endbell)	
16C	70001953	1	Endbell, Belt Tensioner	
16D	70004169	1	Endbell, Brush Block	
16E	70004169	1	Shroud	
16E	See Note	NSS	Insulator, Endbell (Note: Not Available for Purchase)	
16E	7027799	1	Block, Connector 6 Position (Not Shown)	
16E	70002460	1	Nut, Brass (Attaches p/n 7027799 to Cover) (Not Shown)	
16E	7024485	1	Breaker, Circuit 30Amp (Not Shown)	
16E	70001696	1	Boot, Breaker (Not Shown)	
16E	7026626	1	Connector, 6 Position (Includes Seal) (Not Shown - Plugs into Item 39)	
16E	7026597	1	Connector, with Leads (Not Shown)	
16E	7026188	1	Clamp, Cable Options (Not Shown)	

## SECTION 2 - TURNTABLE

ITEM	PART NUMBER	QTY	DESCRIPTION	REV
16E	70004169	1	Plate, End Panel	
16E	70001974	1	Decal - Terminal Connections	
16F	70001973	1	Decal - Warning Moving Parts	
17	3311405	4	Nut 1/4	
18	3311505	3	Nut 5/16	
19	3311605	2	Nut 3/8	
20	3574523	2	Plate	
21	3580316	1	Pulley	
22	3580317	1	Pulley	
23	0641408	1	Bolt 1/4 x 1	
23	0641610	1	Bolt 3/8 x 1-1/4	
25	0641618	1	Bolt 3/8 x 2-1/4	
26	0721004	2	Bolt #10 x 1/2	
27	3252764	1	Nameplate	
28	3311005	2	Nut #10	
29	3574163	1	Bracket	
30	3580319	1	Pulley	
31	3740080	2	Relay	
32	4060802	1	Guard, Switch	
33	4360336	1	Switch, Toggle	
34	4711400	8	Washer 1/4	
35	4711500	10	Washer 5/16	
36	4711600	7	Washer 3/8	
37	4711800	4	Washer 1/2	
38	4751000	4	Washer #10	
39	4791400	1	Washer 1/4	
40	4761500	4	Washer 5/16	
41	4922925	1	Harness, Generator	
41	4460225	1	Plug, Male 6 Position (Plugs into Generator)	
41	See Note	NSS	Socket, Female (Use with 4460225)	
41	See Note	NSS	Seal, Plug (Use with 4460225)	
41	See Note	NSS	Seal, Interface (Use with 4460225)	
42	4460051	1	Connector, Strain Relief (Used With 1001111818 Only)	
43	0860038	2	Box, Switch (Used With 1001111818 Only)	
44	3910606	8	Screw #6 x 3/8 (Used With 1001111818 Only)	
45	3960422	2	Gasket (Used With 1001111818 Only)	
46	1001110873	1	Cover, Receptacle (Used With 1001111818 Only)	
47	1001110872	1	Cover, Receptacle (Used With 1001111818 Only)	
48	4460958	1	Receptacle, Female Twist-Lock (Used With 1001111818 Only)	
49	4460071	1	Connector, Strain Relief (Used With 1001111818 Only)	
50	4460346	1	Receptacle (Used With 1001111818 Only)	
	0861567	Ref	<b>JUNCTION BOX ASSEMBLY</b>	B
101	0861541	1	Box, Junction	
102	1705376	1	Decal - Wiring Schematic	
103	3300396	1	Cover, Fuse	
104	3310601	2	Nut 6	
105	3520189	1	Plug	
106	3520192	2	Plug	
107	3640986	1	Rail, Relay (Prior to SN 0300072911)	
107	3641533	1	Rail, Relay (SN 0300072911 to Present)	
108	3910610	2	Bolt 6 x 5/8	

**SECTION 2 - TURNTABLE**

ITEM	PART NUMBER	QTY	DESCRIPTION	REV
109	4360070	1	Circuit Breaker - 15Amp	
110	4460411	2	Marker Strip #1	
111	4460412	4	Marker Strip #2	
112	4460413	2	Marker Strip #3	
113	4460414	2	Marker Strip #4	
114	4460415	4	Marker Strip #5	
115	4460425	2	Strain Relief, Terminal	
116	4460426	2	Connector, Strain Relief	
118	4460607	2	Terminal, End Block	
119	4460956	1	Terminal, End Barrier	
120	4460957	7	Terminal, Block	
121	4750600	4	Washer #6	
122	4760600	2	Washer #6	
123	4461001	2	Terminal, Cross Connector Jumper	
	0272589	Ref	<b>DECAL INSTALLATION</b>	A
201	1705460	2	Decal - SkyPower	
202	1705461	1	Decal - 240V - 3 Phase	
203	1705489	3	Decal - Hazardous Voltage	
	1001112586	Ref	<b>ELECTRICAL DIAGRAM COMPONENTS</b>	A
301	1001112587	1	Generator Harness	
301A	4460374	2	Plug, Sealed Relay	
301A	4460375	7	Terminal	
301B	4460967	1	Plug, Male - 3 Position	
301B	4460465	3	Socket, Female	
301C	2400060	1	Fuseholder (Not Shown)	
301C	2400064	1	Fuse - 5Amp (Not Shown)	
301D	4460742	1	Connector - 2 Position	
301D	4460743	2	Socket, Female	
301D	4460458	2	Seal (With UGM Only)	
304	4922641	1	Switch Harness	





**SECTION 3 - BOOM**



## SECTION 3 - BOOM

### FIGURE 3-1. TOWER/MID BOOMS AND CYLINDERS INSTALLATION

ITEM	PART NUMBER	QTY	DESCRIPTION	REV
		Ref	<b>Belgium Built Machines use SNs 13xxxxxxx.</b>	
		Ref	<b>Romanian Built Machines use SNs E3xxxxxxx.</b>	
		Ref	<b>TOWER BOOMS AND CYLINDERS INSTALLATION</b>	
	0272496	Ref	<b>Booms and Cylinders Installation</b>	F
	1001098639	Ref	<b>Boom Assemblies</b>	E
1	0100011	AR	Compound, Locking	
3	0641505	4	Bolt 5/16in-18NC x 5/8in	
4	0641507	2	Bolt 5/16in-18NC x 7/8in	
7	0641806	2	Bolt 1/2in-13NC x 3/4in	
8	0641810	3	Bolt 1/2in-13NC x 1-1/4in	
10	0642012	2	Bolt 5/8in-11NC x 1-1/2in	
11	0642016	2	Bolt 5/8in-11NC x 2in	
13	0940048	1	Bumper	
14	1671013	1	Cover	
15	1684239	1	Tower Lift Cylinder Assembly (See CYLINDER SECTION for Breakdown)	
20	3312005	1	Locknut 5/8in-11NC	
21	3340914	1	Pad	
25	3422664	1	Pin	
27	3422912	1	Pin	
28	3422913	1	Pin	
29	3423015	3	Pin	
30	3572691	1	Plate, Boom Rest	
31	3574066	1	Cover (Belgium Built Machines) <b>(Prior to SN 1300001680)</b>	
34	3841258	4	Keeper, Pin	
35	4711500	2	Flatwasher 5/16in Thin	
36	4751500	4	Flatwasher 5/16in Regular	
37	4751800	3	Flatwasher 1/2in Regular	
	0272340	Ref	<b>TOWER BOOM ASSEMBLY</b>	G
101	0100011	AR	Compound, Locking	
103	0561076	1	Block, Boom Rest	
104	0641610	6	Bolt 3/8in-16NC x 1-1/4in	
105	0642012	4	Bolt 5/8in-11NC x 1-1/2in	
106	0642014	2	Bolt 5/8in-11NC x 1-3/4in	
107	0642016	2	Bolt 5/8in-11NC x 2in	
108	0801356	1	Boom, Mid	
109	0801357	1	Boom, Tower	
110	0961950	20	Bearing, Garmax	
112	3311605	6	Locknut 3/8in-16NC	
113	3312005	2	Locknut 5/8in-11NC	
114	3422568	6	Pin	
115	3422912	2	Pin	
116	3841258	8	Keeper, Pin	
117	4751600	12	Flatwasher 3/8in Regular	
118		Ref	Rest, Boom Options:	
118	4846428	1	Belgium Built Machines (Use p/n 4846905) <b>(Prior to SN 130000414)</b>	
118	4846905	1	Belgium Built Machines <b>(SN 130000414 to Present)</b>	
118	4846905	1	Romanian Built Machines <b>(SN E300000100 through E300001114)</b>	

## SECTION 3 - BOOM

ITEM	PART NUMBER	QTY	DESCRIPTION	REV
119	4846697	1	Upright (Upper)	
120		Ref	Link Options:	
120	4846700	2	Belgium Built Machines (Use p/n 3010140) ( <b>Prior to SN 1300000907</b> )	
120	3010140	2	Belgium Built Machines ( <b>SN 1300000907 to Present</b> )	
120	3010140	2	Romanian Built Machines ( <b>SN E300000100 through E300001114</b> )	
121	4846701	1	Link, Timing	
122	4846703	1	Upright (Lower)	
123	3340608	1	Assembly, Wear Pad	
124	0641605	2	Bolt, 3/8in-16NC x 3/8in	
125	3574066	1	Cover (Belgium Built Machine) ( <b>SN 1300001680 to Present</b> )	
125	3574066	1	Cover (Romanian Built Machines) ( <b>SN E300000100 through E300001114</b> )	
	0272497	Ref	<b>LIMIT SWITCHES INSTALLATION</b>	E
201	0100011	AR	Compound, Locking	
202	0641406	2	Capscrew, 1/4in-20NC x 3/4in	
203		Ref	Cover, Switch Options:	
203	1670998	1	Belgium Built Machines ( <b>Prior to SN 1300004417</b> )	
203	1001096617	1	Belgium Built Machines ( <b>SN 1300004417 to Present</b> )	
203	1001096617	1	Romanian Built Machines ( <b>SN E300000100 through E300001114</b> )	
204	1671086	1	Cover, Switch	
205	3311005	4	Locknut #10-24NC	
206	3931024	2	Capscrew, Socket Head #10-24NC x 1-1/2in	
207	3931030	2	Capscrew, Socket Head #10-24NC x 1-7/8in	
208		Ref	Switch, Limit Options	
208	4360321	1	Belgium Built Machines ( <b>Prior to SN 1300000178</b> )	
208	4360548	1	Belgium Built Machines ( <b>SN 1300000178 to Present</b> )	
208	4360548	1	Romanian Built Machines ( <b>SN E300000100 through E300001114</b> )	
209	4751400	2	Flatwasher, 1/4in Regular	
210	4922714	1	Cable / Limit Switch (Not Shown)	B
210A	1060902	8.5 ft/2.6m	Cable, Electrical 18/2 (Not Shown - See ELECTRICAL SECTION for Breakdown)	
210B		Ref	Switch, Limit Options:	
210B	4360321	1	Belgium Built Machines ( <b>Prior to SN 1300000133</b> )	
210B	4360548	1	Belgium Built Machines ( <b>SN 1300000133 to Present</b> )	
210B	4360548	1	Romanian Built Machines ( <b>SN E300000100 through E300001114</b> )	
210C		Ref	Connector, Strain Relief Options:	
210C	4460428	1	Belgium Built Machines ( <b>Prior to SN 1300000133</b> )	
210C	4460968	1	Belgium Built Machines ( <b>SN 1300000133 to Present</b> )	
210C	4460968	1	Romanian Built Machines ( <b>SN E300000100 through E300001114</b> )	
210D	4460226	2	Socket, Contact (Not Shown)	
211	4060803	8.5 in/217mm	Shield, Flex Trim (Not Shown)	
212		Ref	Connector, Strain Relief Options:	
212	4460428	1	Belgium Built Machines ( <b>Prior to SN 1300000175</b> )	
212	4460968	1	Belgium Built Machines ( <b>SN 13000001753 to Present</b> )	
212	4460968	1	Romanian Built Machines ( <b>SN E300000100 through E300001114</b> )	
	0272594	Ref	<b>BOOM CABLES AND CLAMPS INSTALLATIONS</b>	D

## SECTION 3 - BOOM

ITEM	PART NUMBER	QTY	DESCRIPTION	REV
301	0561460	1	Block, Clamp	
302	0630498	1	Bolt	
303	0641528	3	Bolt 5/16in-18NC x 3-1/2in	
304	1060991	1	Cable, Electrical - 12/3 (AC Power Cable) (Not Shown - See ELECTRICAL SECTION)	
305	1320300	1	Clamp, Hose	
306	3300420	1	Nut, Acorn 1/4in-20NC	
307	3311605	3	Locknut 3/8in-16NC	
308	3860096	1	Roller	
309	4061032	2	Shield, Cable	
310	4240018	3	Tie-Strap (Not Shown)	
311	4460425	2	Connector, Strain Relief	
312	4460866	1	Connector - 19 Pin (Not Shown - See ELECTRICAL SECTION for Breakdown)	
313	4711500	3	Flatwasher 5/16in Thin	
314	4711600	2	Flatwasher 3/8in Thin	
315	4922530	1	Harness, Tower Boom (Not Shown - See ELECTRICAL SECTION for Breakdown)	
316	4922770	1	Cable, Electrical - 18/2 (Not Shown - See ELECTRICAL SECTION for Breakdown)	



FIGURE 3-2. MAIN BOOM INSTALLATION

ITEM	PART NUMBER	QTY	DESCRIPTION	REV
		Ref	<b>Belgium Built Machines use SNs 13xxxxxxx.</b>	
		Ref	<b>Romanian Built Machines use SNs E3xxxxxxx.</b>	
		Ref	<b>MAIN BOOM AND CYLINDERS INSTALLATION</b>	
	0272496	Ref	<b>Booms and Cylinders Installation</b>	F
	1001098639	Ref	<b>Boom Assemblies</b>	E
101	0100011	AR	Compound, Locking	
105	0641608	1	Bolt 3/8in-16NC x 1in	
106	0641610	1	Bolt 3/8in-16NC x 1-1/4in	
108	0641810	2	Bolt 1/2in-13NC x 1-1/4in	
109	0641812	1	Bolt 1/2in-13NC x 1-1/2in	
112	0801337	1	Main Boom Assembly (See MAIN BOOM ASSEMBLY and Items 201-267 for Breakdown)	
116	1684241	1	Master Cylinder Assembly (See CYLINDER SECTION for Breakdown)	
117	1684244	1	Upper Lift Cylinder Assembly (See CYLINDER SECTION for Breakdown)	
118	3311605	1	Locknut 3/8in-16NC	
119	3311805	1	Locknut 1/2in-13NC	
122	3422177	2	Pin	
123	3422178	1	Pin	
124	3422582	1	Pin	
126	3422806	1	Pin	
132	3841143	2	Keeper, Pin	
133	3841203	3	Keeper, Pin	
	0801337	Ref	<b>JIB INSTALLATION</b>	I
201	0060050	1	Rotator Assembly (See ROTATOR ASSEMBLY for Breakdown)	
202	0100011	AR	Compound, Locking	
208	0641406	2	Bolt 1/4in-20NC x 3/4in (Belgium Built Machines) <b>(Prior to SN 130000144)</b>	
209	0641518	2	Bolt 5/16in-18NC x 2-1/4in	
211	0641607	1	Bolt 3/8in-16NC x 7/8in	
212	0641610	1	Bolt 3/8in-16NC x 1-1/4in	
213	0641616	4	Bolt 3/8in-16NC x 2in	
214	0641618	2	Bolt 3/8in-16NC x 2-1/4in	
215	0641810	1	Bolt 1/2in-13NC x 1-1/4in	
221		Ref	Bushing Options:	
221	0961947	4	Belgium Built Machines <b>(Prior to SN 1300006884)</b>	
221	0962292	4	Belgium Built Machines <b>(SN 1300006884 to Present)</b>	
221	0962292	4	Romanian Built Machines <b>(SN E300000100 through E300001114)</b>	
222	0961948	2	Bushing	
223	0961950	2	Bushing	
224	0961951	2	Bushing	
226	1320070	2	Clamp (Belgium Built Machines) <b>(Prior to SN 130000144)</b>	
229	1671083	2	Cover, Jib Hose	
231		Ref	Level (Platform Slave) Cylinder Assembly Options (See CYLINDER SECTION for Breakdown):	
231	1684240	1	Belgium Built Machines (Use p/n 1001094789) <b>(Prior to SN 1300004151)</b>	
231	1001094789	1	Belgium Built Machines <b>(SN 1300004151 to Present)</b>	
231	1001094789	1	Romanian Built Machines <b>(SN E300000100 through</b>	

## SECTION 3 - BOOM

ITEM	PART NUMBER	QTY	DESCRIPTION	REV
			<b>E300001114)</b>	
232	1684242	1	Jib Lift Cylinder Assembly (See CYLINDER SECTION for Breakdown)	
235	3311405	2	Locknut 1/4in-20NC (Belgium Built Machines) <b>(Prior to SN 130000144)</b>	
236	3311505	2	Locknut 5/16in-18NC	
237	3311605	10	Locknut 3/8in-16NC	
238	3311805	1	Locknut 1/2in-13NC	
242	3340943	4	Pad, Rubber	
243	3422669	1	Pin	
244	3422791	2	Pin	
245	3422792	1	Pin	
246	3422793	1	Pin	
247	3422794	2	Pin	
251	3841143	2	Keeper, Pin	
252	3841203	1	Keeper, Pin	
260	4751400	6	Flatwasher 1/4in Regular	
261	4751500	6	Flatwasher 5/16in Regular	
263	4846688	1	Link, Jib (Upper)	
264	4846689	2	Link, Jib (Lower)	
265	4846693	1	Pivot, Jib	
267	0962257	2	Bushing (Belgium Built Machines) <b>(Prior to SN 1300006884)</b>	





# SECTION 3 - BOOM

## FIGURE 3-3. MAIN BOOM ASSEMBLY

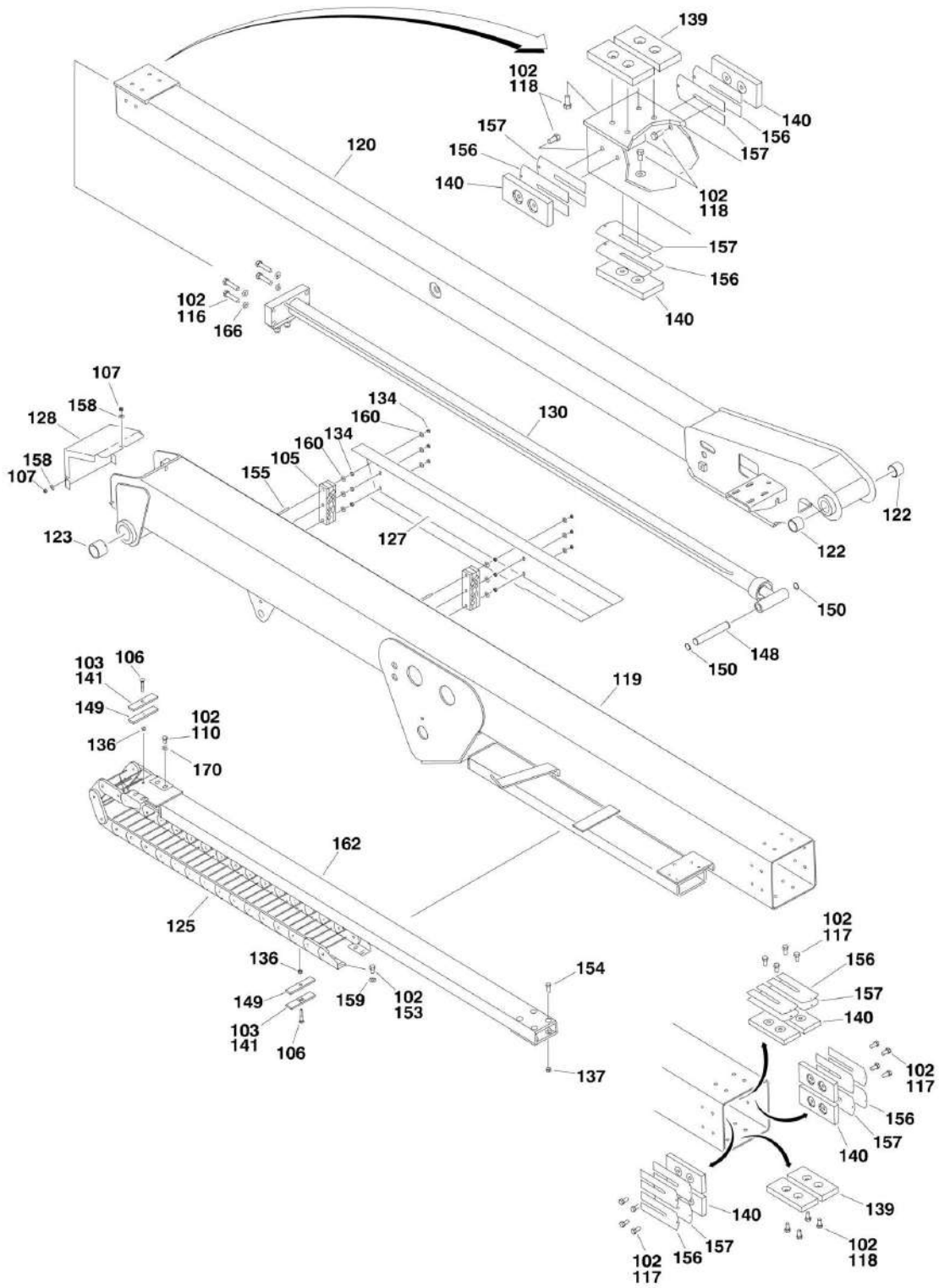


FIGURE 3-3. MAIN BOOM ASSEMBLY

ITEM	PART NUMBER	QTY	DESCRIPTION	REV
		Ref	<b>Belgium Built Machines use SNs 13xxxxxxx.</b>	
		Ref	<b>Romanian Built Machines use SNs E3xxxxxxx.</b>	
	0801337	Ref	<b>MAIN BOOM ASSEMBLY</b>	I
102	0100011	AR	Compound, Locking	
103	0100081	AR	Adhesive #454	
105	0561515	2	Block, Hose Clamp	
106	0630401	2	Bolt, Carriage 5/16in-18NC x 2in	
107	0641404	4	Bolt 1/4in-20NC x 1/2in	
110	0641604	4	Bolt 3/8in-16NC x 1/4in	
116	0641818	4	Bolt 1/2in-13NC x 2-1/4in	
117	0791606	12	Screw 3/8in-16NC x 3/4in	
118	0791607	16	Screw 3/8in-16NC x 7/8in	
119		Ref	Base Weldment Options:	
119	0801338	1	Belgium Built Machines ( <b>Prior to SN 130000090</b> )	
119	0801375	1	Belgium Built Machines ( <b>SN 130000090 to Present</b> )	
119	0801375	1	Romanian Built Machines ( <b>SN E300000100 through E300001114</b> )	
120		Ref	Fly Weldment Options:	
120	0801339	1	Belgium Built Machines ( <b>Prior to SN 130000090</b> )	
120	0801374	1	Belgium Built Machines ( <b>SN 130000090 to Present</b> )	
120	0801374	1	Romanian Built Machines ( <b>SN E300000100 through E300001114</b> )	
122	0961948	2	Bearing	
123	0961950	2	Bearing	
125	1180377	NLA	Powertrack - GX style (Use p/n 1001225899)	
125	1001225899	1	Powertrack - MA style	
125	7026120	AR	Repair Section (1180377 Power Track)	
125	70006267	1	Repair Section (1001225899 Power Track)	
125	7026119	1	Feet, Mounting (Includes 4 Feet & Mounting Hardware) (1180377 Power Track)	
125	70006274	1	Feet, Mounting (Includes 4 Feet & Mounting Hardware) (1001225899 Power Track)	
127	1671078	1	Shield	
128	1671079	1	Cover, Boom End	
130	1684235	1	Telescope Cylinder Assembly (See CYLINDER SECTION for Breakdown)	
134	3311402	12	Nut, Jam 1/4in-20NC	
136	3311505	2	Locknut 5/16in-18NC	
137	3311605	10	Locknut 3/8in-16NC	
139	3340837	4	Pad, Wear	
140	3340881	10	Pad, Wear	
141	3340940	2	Pad, Rubber	
148	3422996	1	Pin	
149	3572448	2	Plate, Clamp	
150	3760115	2	Ring, Retaining	
153	3900283	4	Screw, Button Head 3/8in-16NC x 3/4in	
154	3900316	4	Screw, Button Head 3/8in-16NC x 1in	
155	3951420	6	Setscrew 1/4in-20NC x 2-1/2in	
156	4071056	10	Shim (1mm)	
157	4071057	10	Shim (3mm)	
158	4711400	3	Flatwasher 1/4in Thin	

## SECTION 3 - BOOM

ITEM	PART NUMBER	QTY	DESCRIPTION	REV
159	4711600	4	Flatwasher 3/8in Thin	
160	4751400	14	Flatwasher 1/4in Regular	
162	4846650	1	Tube, Carrier	
166	4891800	4	Flatwasher 1/2in Hardened	
168	3941406	1	Screw, Self Tap 1/4in-20NC x 3/4in (Not Shown)	
169	3311501	4	Nut, 5/16-18NC (Not Shown)	
170	4891600	4	Flatwasher 3/8in Hardened	
	0272620	Ref	<b>BOOM CABLES AND CLAMPS INSTALLATION</b>	C
201	1060992	1	Cable, Electrical - 12/3 (AC Power Cable) (Not Shown - See ELECTRICAL SECTION for Breakdown)	
202	4460865	1	Connector - 19 Pin (Not Shown - See ELECTRICAL SECTION for Location)	
203	4922806	1	Harness, Main Boom (Not Shown - See ELECTRICAL SECTION for Breakdown)	
204	4460473	1	Terminal, Cable Clamp Assembly (Not Shown - See ELECTRICAL SECTION for Breakdown)	



# SECTION 3 - BOOM

## FIGURE 3-4. ROTATOR ASSEMBLY

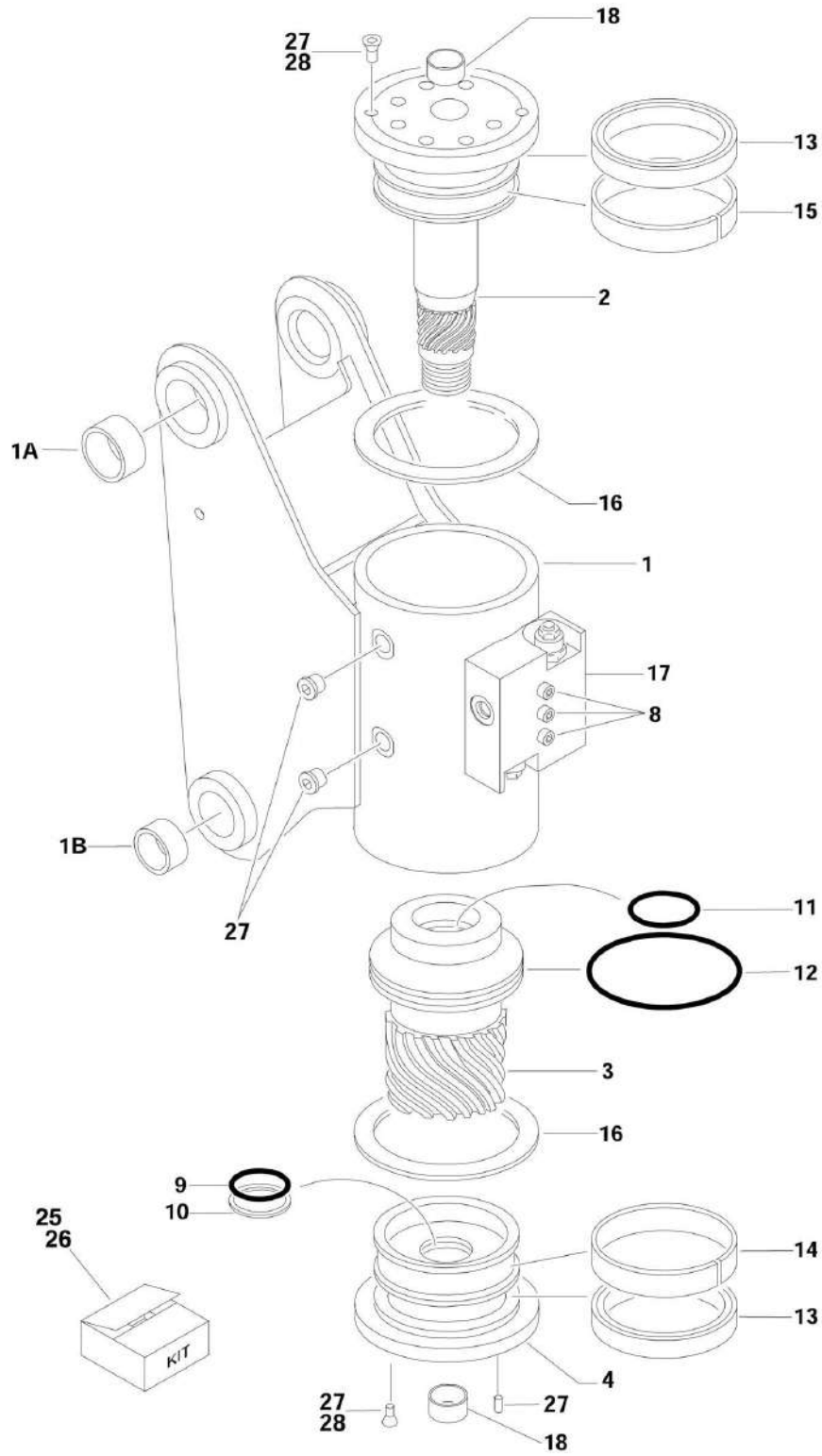


FIGURE 3-4. ROTATOR ASSEMBLY

ITEM	PART NUMBER	QTY	DESCRIPTION	REV
	0060050	Ref	<b>ROTATOR ASSEMBLY</b>	F
1	See Note	1	Case/Bracket Weldment (Note: Not Available - Purchase Complete Assembly)	
1A	0962257	2	Bushing (Top) (Must be ordered separately)	
1B	0961947	2	Bushing (Bottom) (Must be ordered separately)	
2	7017140	1	Shaft	
3	7017139	1	Sleeve, Piston	
4	7017148	1	Cap, End	
8	See Note	3	Bolt 1/4in-20NC (Grade 8) (Note: Not Available for Purchase)	
9	7017137	1	Seal, Cap	
10	7017137	1	Ring, Back-Up Cap	
11	7017137	1	Seal, Rod	
12	7017137	1	Seal, Piston	
13	7017137	2	Packing, Bearing	
14	7017138	1	Bearing, Cap	
15	7017138	1	Bearing, Shaft	
16	7017138	2	Thrustwasher	
17	7017172	1	Counterbalance Valve Assembly	
17	7017192	2	Cartridge (No Seal Kit Available)	
18	7017136	2	Bushing	
19	70001697	6	Capscrew 1/4in-20NC x 3/8in (Grade 8)	
25	7017137	1	Seal Kit (Includes Items 9-13)	
26	7017138	1	Bearing Kit (Includes Items 14-16)	
27	See Note	1	Hardware Kit (Note: Not Available for Purchase)	
28	70001697	4	Screw, Countersunk 1/4in-20NC x 3/8in (Grade 8)	

# SECTION 3 - BOOM

## FIGURE 3-5. PLATFORM SUPPORT AND CONTROL VALVES INSTALLATIONS

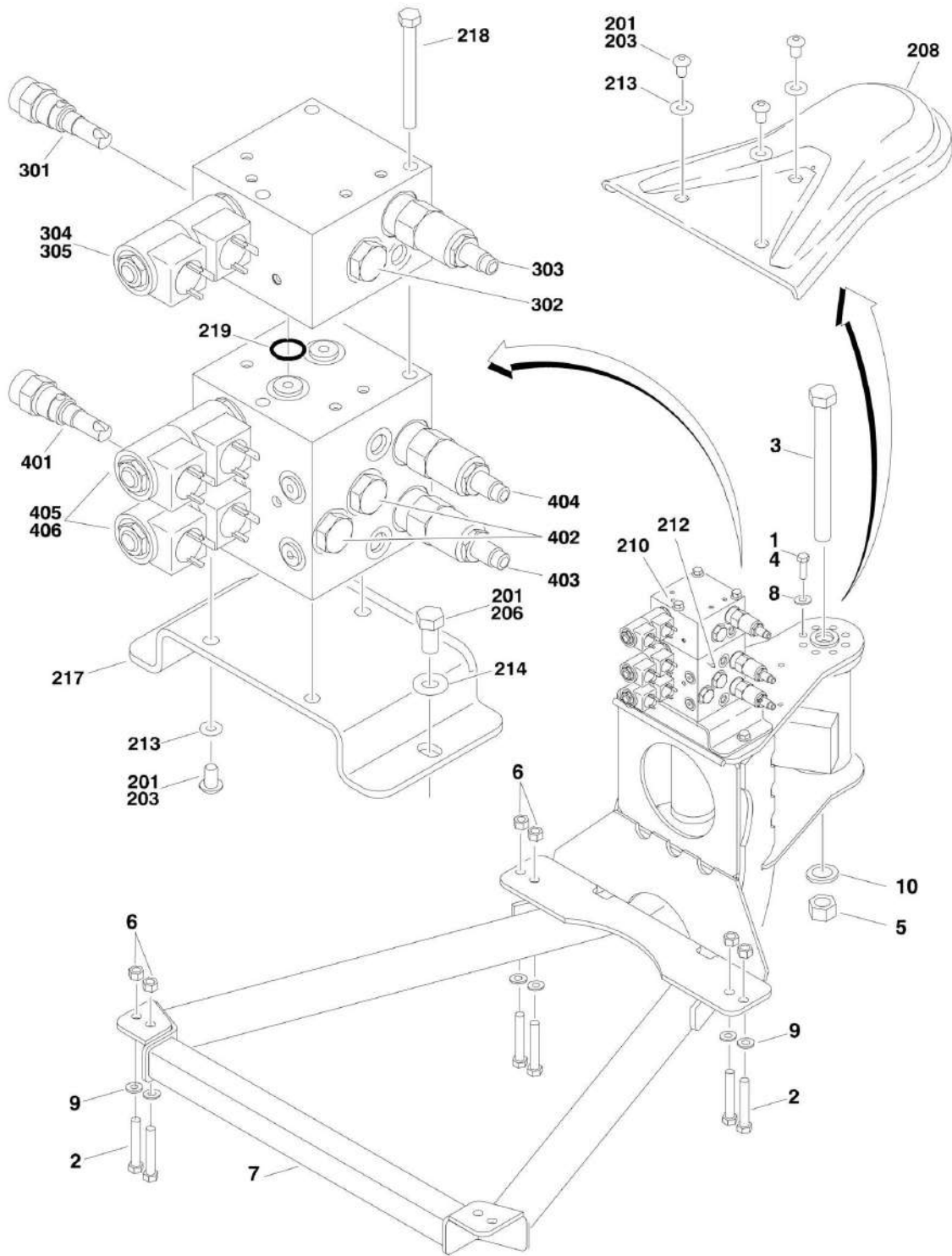




FIGURE 3-5. PLATFORM SUPPORT AND CONTROL VALVES INSTALLATIONS

ITEM	PART NUMBER	QTY	DESCRIPTION	REV
		Ref	<b>Belgium Built Machines use S/Ns 13xxxxxxx.</b>	
		Ref	<b>Romanian Built Machines use S/Ns E3xxxxxxx.</b>	
		Ref	<b>PLATFORM SUPPORT INSTALLATION</b>	
	0272070	Ref	<b>Machines without LSS</b>	E
	See Note	Ref	<b>Machines with LSS (Note: For Replacement Parts, Contact JLG Customer Service and Request Manual p/n 3124287.)</b>	
1	0100011	AR	Compound, Locking	
2	0641812	8	Bolt 1/2in-13NC x 1-1/2in	
3	0642684	1	Bolt 1in-8NC x 10-1/2in	
4	0681608	8	Bolt 3/8in-16NC x 1in	
5	3272605	1	Locknut 1in-8NC (Use p/n 3300243)	
6	3311805	8	Locknut 1/2in-13NC	
7	4846573	1	Support Weldment	
8	4891600	8	Flatwasher 3/8in Hardened	
9	4891800	8	Flatwasher 1/2in Hardened	
10	4892600	1	Flatwasher 1in Hardened	
		Ref	<b>CONTROL VALVE INSTALLATIONS</b>	
	0271197	Ref	<b>Belgium Built Machines (Prior to SN 1300001243)</b>	F
	0274616	Ref	<b>Belgium Built Machines (SN 1300001243 to Present)</b>	A
	0274616	Ref	<b>Romanian Built Machines (SN E300000100 through E300001114)</b>	A
201	0100011	AR	Compound, Locking	
203	0630467	6	Screw, Button Head	
206	0641606	2	Bolt 3/8in-16NC x 3/4in	
208	1670964	1	Cover	
210	4641175	1	Valve, Jib (See Items 301-305 for Breakdown)	
212	4641177	1	Valve, Level/Rotate (See Items 401-406 for Breakdown)	
213	4711500	9	Flatwasher 5/16in Thin	
214	4711600	2	Flatwasher 3/8in Thin	
217	4846218	1	Plate, Valve Mounting	
218	0641526	3	Bolt 5/16in-18NC x 3-1/4in	
219	3780117	2	O-Ring	
	4641175	Ref	<b>JIB VALVE ASSEMBLY</b>	D
301	7023984	1	Valve, Cartridge	
301	7012953	1	Seal Kit - 7023984 Valve	
302	7010542	1	Valve, Load Shuttle	
302	7010543	1	Seal Kit - 7010542 Valve	
303	7023915	1	Valve, Relief	
303	7012967	1	Seal Kit - 7023915 Valve	
304	7017452	1	Valve, Solenoid	
304	7017402	1	Seal Kit - 7017452 Valve	
305	7012944	2	Coil	
	4641177	Ref	<b>LEVEL/ROTATE VALVE ASSEMBLY</b>	C
401	7012989	1	Valve, Cartridge	
401	7012953	1	Seal Kit - 7012965 Valve	
402	7012914	2	Valve, Pressure Control	
402	7012918	2	Seal Kit - 7012914 Valve	
403	7023911	1	Valve, Relief	
403	7012967	1	Seal Kit - 7023911 Valve	
404	7023912	1	Valve, Relief	

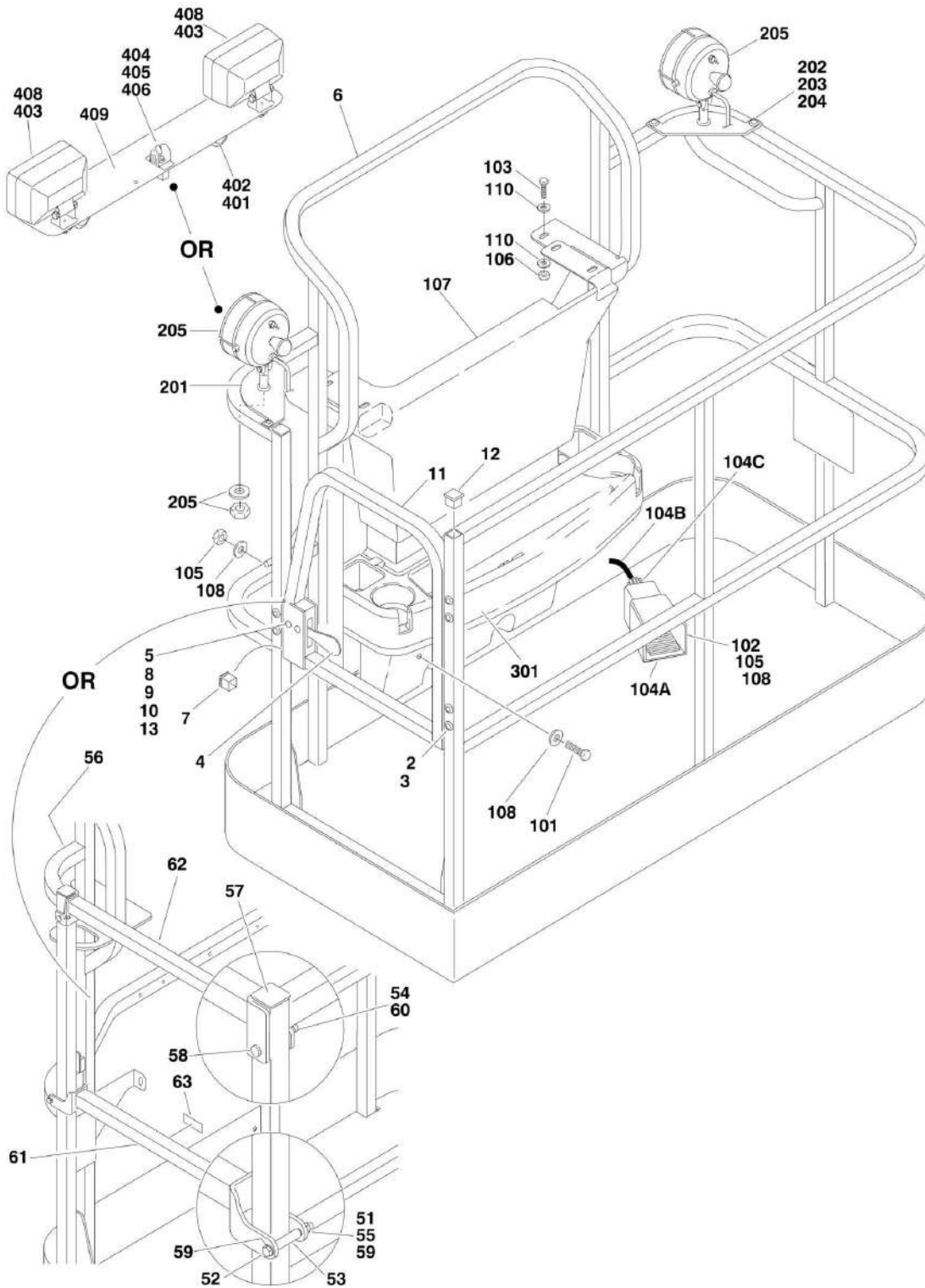
## SECTION 3 - BOOM

ITEM	PART NUMBER	QTY	DESCRIPTION	REV
404	7012967	1	Seal Kit - 7023912 Valve	
405	7017452	2	Valve, Solenoid	
405	7017402	2	Seal Kit - 7017452 Valve	
406	7012944	4	Coil	

**SECTION 4 - PLATFORM**

# SECTION 4 - PLATFORM

## FIGURE 4-1. PLATFORM INSTALLATION



## SECTION 4 - PLATFORM

### FIGURE 4-1. PLATFORM INSTALLATION

ITEM	PART NUMBER	QTY	DESCRIPTION	REV
		Ref	<b>PLATFORM ASSEMBLY WITH GATE</b>	
		Ref	<b>Original Equipment Platforms</b>	
	3510832	Ref	<b>6ft (1.83m) with No Mesh (Use p/n 1001144025)</b>	L
	3510831	Ref	<b>5ft (1.52m) with No Mesh (Use p/n 1001144026)</b>	L
	3510830	Ref	<b>4ft (1.22m) with No Mesh (Use p/n 1001144027)</b>	M
		Ref	<b>Service Replacement Platforms</b>	
	1001144025	Ref	<b>6ft (1.83m) with No Mesh</b>	B
	1001144026	Ref	<b>5ft (1.52m) with No Mesh</b>	B
	1001144027	Ref	<b>4ft (1.22m) with No Mesh</b>	B
		Ref	<b>Note: Original Equipment platform may have been replaced with Service Replacement platform. Identify platform before ordering parts.</b>	
		Ref	<b>Note: Platform and Mesh must be ordered separately for Platforms with Mesh. See SPECIAL OPTIONS SECTION for Mesh Installations.</b>	
		Ref	<b>Note: Replacement Decals Must be Ordered Separately - See DECAL SECTION.</b>	
2	2080040	16	Fastener, Huck	
3	2600281	2	Hinge, Self-Closing	
4	2940074	1	Latch	
5	3311001	4	Nut #10-24NC (Belgium Built Machines) <b>(Prior to SN 1300000311)</b>	
6	See Note	1	Platform Weldment(Note: Not Available - Purchase Complete Assembly)	
7	3520072	1	Cap-Plug	
8		Ref	Hardware Options:	
8	3900205	4	Screw #10-24NC	
8	3820020	4	Rivet, Pop	
9	4751000	8	Flatwasher #10 Regular (Belgium Built Machines) <b>(Prior to SN 1300000311)</b>	
10	4761000	AR	Lockwasher #10 (Belgium Built Machines) <b>(Prior to SN 1300000311)</b>	
11		Ref	Gate Weldment Options:	
11	4846452	1	Gate for Original Equipment Platform p/n 3510830, 3510831, 3510832	
11	1001144629	1	Gate for Service Replacement Platform p/ns 1001144025, 1001144026, 1001144027	
12	3520198	2	Plug, Square Tube	
13	0100011	AR	Compound, Locking (Belgium Built Machines) <b>(Prior to SN 1300000311)</b>	
		Ref	<b>PLATFORM ASSEMBLY WITH DROP-BAR</b>	
		Ref	<b>Original Equipment Platforms</b>	
	1001138433	Ref	<b>6ft (1.83m) with No Mesh (Use p/n 1001144020)</b>	B
	1001138432	Ref	<b>5ft (1.52m) with No Mesh (Use p/n 1001144019)</b>	B
	1001138431	Ref	<b>4ft (1.22m) with No Mesh (Use p/n 1001144018)</b>	B
		Ref	<b>Service Replacement Platforms</b>	
	1001144020	Ref	<b>6ft (1.83m) with No Mesh</b>	B
	1001144019	Ref	<b>5ft (1.52m) with No Mesh</b>	B
	1001144018	Ref	<b>4ft (1.22m) with No Mesh</b>	B
		Ref	<b>Note: Platform and Mesh must be ordered separately for Platforms with Mesh. See SPECIAL OPTIONS SECTION for Mesh Installations.</b>	
		Ref	<b>Note: Replacement Decals Must be Ordered Separately - See</b>	

## SECTION 4 - PLATFORM

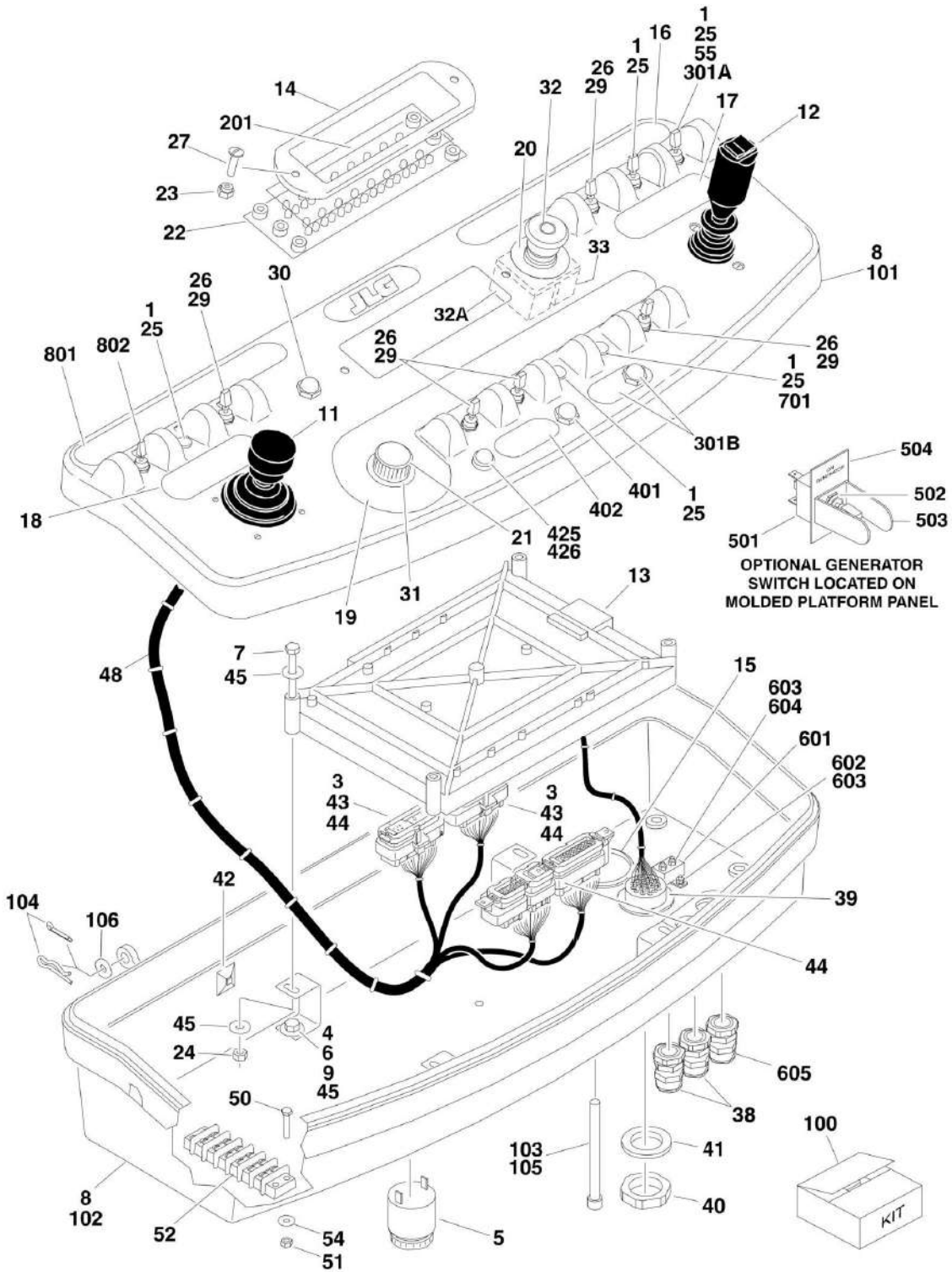
ITEM	PART NUMBER	QTY	DESCRIPTION	REV
			<b>DECAL SECTION.</b>	
51	0100011	AR	Compound, Locking	
52	0641418	2	Bolt 1/4in-20NC x 2-1/4in	
53	0961845	2	Bushing	
54	3290606	2	Nut M6	
55	3300151	2	Nut, Acorn	
56	See Note	1	Platform Weldment (Note: Purchase Platform Assembly)	
57	3520198	2	Cap-Plug	
58	4010618	2	Screw M6 x 50mm	
59	4711400	4	Flatwasher 1/4in Thin	
60	4811700	2	Flatwasher M6	
61	1001138494	1	Bar, Drop	
62	1001138514	1	Rail (Top)	
63	1001140429	1	Decal - Drop-Bar	
		Ref	<b>CONSOLE BOX AND FOOTSWITCH INSTALLATION</b>	
		Ref	<b>Note: For Module (with/without UGM) Identification, refer to Revision Log page A.</b>	
		Ref	<b>Note: All Romanian Built Machines are built with UGM.</b>	
		Ref	<b>Without UGM</b>	
	0271931	Ref	<b>Deutz Engines Belgium Built Machines (Prior to SN 1300006701)</b>	C
	1001108829	Ref	<b>Deutz Engines Belgium Built Machines (SN 1300006701 to Present)</b>	B
	1001106932	Ref	<b>Caterpillar/Perkins Engines</b>	B
		Ref	<b>With UGM</b>	
	1001108902	Ref	<b>Caterpillar/Deutz/Perkins Engines</b>	B
101	0641406	2	Bolt 1/4in-20NC x 3/4in	
102	0641408	3	Bolt 1/4in-20NC x 1in	
103	0641610	4	Bolt 3/8in-16NC x 1-1/4in	
104		Ref	Platform Console Box Assembly Options (Not Shown) (See PLATFORM CONSOLE ASSEMBLY for Breakdown):	
104		Ref	WITHOUT UGM	
104	0861512	1	Deutz Engines Belgium Built Machines ( <b>Prior to SN 1300006701</b> )	
104	1001108828	1	Deutz Engines Belgium Built Machines ( <b>SN 1300006701 to Present</b> )	
104	1001106931	1	Caterpillar/Perkins Engines	
104		Ref	WITH UGM	
104	1001108901	1	Caterpillar/Deutz/Perkins Engines	
104A	0272970	1	Footswitch Assembly (Includes p/n 1001117320 Footswitch and Items 104B-104E)	B
		Ref	<b>Note: Assembly p/n 0272970 may use either p/n 4360031 or p/n 1001117320. If Original Equipment was replaced as an "assembly," p/n 1001117320 may have been used as part of the Service Replacement. Identify component before ordering parts.</b>	
104A		Ref	Footswitch Options:	
104A	4360031	1	Belgium Built Machines ( <b>Prior to SN 1300006895</b> )	
104A	7000625	2	Block, Contact for 4360031 Footswitch	
104A	1001117320	1	Belgium Built Machines ( <b>SN 1300006895 to Present</b> )	
104A	1001117320	1	Romanian Built Machines ( <b>SN E300000100 through E300001114</b> )	
104A	70003483	2	Block, Contact for 1001117320 Footswitch	
104B	1060918	7 ft/2.14m	Cable, Electrical - 18/3	

## SECTION 4 - PLATFORM

ITEM	PART NUMBER	QTY	DESCRIPTION	REV
104C	4460071	1	Connector, Strain Relief	
104D	4460464	1	Pin, Male (Not Shown)	
104E	4460226	2	Socket, Female (Not Shown)	
105	3311405	5	Locknut 1/4in-20NC	
106	3311605	4	Locknut 3/8in-16NC	
107	3380434	1	Panel, Decal Mount	
108	4740362	7	Washer, Fender 1/4in	
109	4751400	4	Flatwasher 1/4in Regular	
110	4751600	8	Flatwasher 3/8in Regular	
		Ref	<b>WORKLIGHTS INSTALLATIONS (optional)</b>	
	0270814	Ref	<b>Belgium Built Machines (Prior to SN 1300000138)</b>	3/E
	0273495	Ref	<b>Belgium Built Machines (SN 1300000138 through 1300001679)</b>	E
	0274862	Ref	<b>Belgium Built Machines (SN 1300001680 to Present)</b>	B
	0274862	Ref	<b>Romanian Built Machines (SN E300000100 through E300001114)</b>	B
201	3536089	2	Plate, Mounting	
202		Ref	Fastener Options:	
202	0641414	4	Bolt 1/4in-20NC x 1-3/4in	
202	2080040	4	Fastener, Huck (Not Shown)	
203	3311405	4	Locknut 1/4in-20NC (Belgium Built Machines Only) <b>(Prior to SN 1300004011)</b>	
204	4711400	8	Flatwasher 1/4in Thin (Belgium Built Machines Only) <b>(Prior to SN 1300004011)</b>	
205	2920140	2	Worklight	
205	7016399	2	Bulb, Replacement (1 Per Worklight)	
206	4240099	10	Tie-Strap (Not Shown)	
207	2820035	9	Loom, Vinyl (Not Shown)	
209		Ref	Connector, Strain Relief Options (Not Shown - Located at Console Box):	
209	4460598	1	Belgium Built Machines <b>(Prior to SN 1300000138)</b>	
209	4460426	1	Belgium Built Machines <b>(SN 1300000138 to Present)</b>	
209	4460426	1	Romanian Built Machines <b>(SN E300000100 through E300001114)</b>	
		Ref	<b>TRAY INSTALLATIONS (OPTIONAL)</b>	
301	1580012	1	Tray, Storage (Center)	
	0272921	Ref	<b>FLOODLIGHTS INSTALLATION (OPTIONAL)</b>	A
401	0641518	2	Bolt 5/16in-18NC x 2-1/4in	
402	2560173	2	Handle, Star Knob	
403	2920157	2	Floodlight	
403	7024452	2	Bulb, Replacement (1 Per Light)	
404	3250585	1	Nameplate - Lights On	
405	4060802	1	Guard, Switch	
406	4360336	1	Switch, Toggle	
407	4420037	AR	Tape, Insulation (Not Shown)	
408	4751800	2	Flatwasher 1/2in Regular	
409	4846561	1	Mount, Light	
411	0641406		Bolt 1/4in-20NC x 3/4in (Used with #413 - Not Shown)	
412	1060663	72 ft/22m	Cable, Electrical 12/3 (Not Shown)	
413	1320222	1	J-Clip (Not Shown)	
414	3311405	1	Locknut 1/4in-20NC (Used with #413 - Not Shown)	
415	4711400	2	Flatwasher 1/4in Thin (Used with #413 - Not Shown)	

# SECTION 4 - PLATFORM

## FIGURE 4-2. PLATFORM CONSOLE ASSEMBLY





## SECTION 4 - PLATFORM

**FIGURE 4-2. PLATFORM CONSOLE ASSEMBLY**

ITEM	PART NUMBER	QTY	DESCRIPTION	REV
		Ref	<b>Note: For Module (with/without UGM) Identification, refer to Revision Log page A.</b>	
		Ref	<b>Note: All Romanian Built Machines are built with UGM.</b>	
		Ref	<b>PLATFORM CONSOLE ASSEMBLY</b>	
		Ref	<b>Without UGM:</b>	
	0861512	Ref	<b>Deutz Engines Belgium Built Machines (Prior to SN 130006701)</b>	L
	1001108828	Ref	<b>Deutz Engines Belgium Built Machines (SN 130006701 to Present)</b>	C
	1001106931	Ref	<b>Caterpillar/Perkins Engines</b>	B
		Ref	<b>With UGM:</b>	
	1001108901	Ref	<b>Caterpillar/ Deutz/ GM/ Perkins Engines</b>	F
1	0100009	AR	Sealant	
3	0100048	AR	Grease, Dielectric	
4	0100081	AR	Adhesive #454	
5	0140011	1	Alarm	
6	0641406	4	Bolt 1/4in-20NC x 3/4in	
7	0641416	4	Bolt 1/4in-20NC x 2in	
8	0861441	1	Box, Console (See Items 101-106 for Breakdown)	
9	0902751	4	Bracket, Support	
11		Ref	Controller Assembly (Lift and Swing) Options: (See CONTROLLER ASSEMBLY (LIFT AND SWING) for Breakdown):	
11	1600317	1	Controller Assembly (Belgium Built Machines) (Use p/n 1001129555) <b>(Prior to SN 1300007077)</b>	
11	1001118417	1	Controller Assembly (Belgium Built Machines) (Use p/n 1001129555) <b>(SN 1300007077 to Present)</b>	
11	1001118417	1	Controller Assembly (Romanian Built Machines) (Use p/n 1001129555) <b>(SN E300000100 through E300001114)</b>	
12		Ref	Controller Assembly (Drive and Steer) (See CONTROLLER ASSEMBLY (DRIVE AND STEER) for Breakdown)	
12	1600318	NLA	Controller Assembly (Belgium Built Machines) (Use p/n 1001212415) <b>(Prior to SN 1300007077)</b>	
12	1001118416	NLA	Controller Assembly (Use p/n 1001212415) (Belgium Built Machines) <b>(SN 1300007077 to Present)</b>	
12	1001118416	NLA	Controller Assembly (Use p/n 1001212415) (Romanian Built Machines) <b>(SN E300000100 through E300001114)</b>	
13		Ref	Controller, Module Options: (Re-calibration Required When Replaced)	
13		Ref	Without UGM	
13	1600320	1	Deutz Engines Belgium Built Machines (Use p/n 1600376) <b>(Prior to SN 1300000353)</b>	
13	1600376	1	Deutz Engines Belgium Built Machines <b>(SN 1300000353 to Present)</b>	C
13	1001106938	1	Caterpillar/Perkins Engines	
13		Ref	With UGM	
13	1001106938	1	Caterpillar/ Deutz/ Perkins Engines	
14	1671176	1	Bezel	
15		Ref	Cover Options:	
15	1671037	1	Deutz Engines - Belgium Built Machines (Use p/n 1001110434) <b>(SN 1300006000 through 1300006701)</b>	
15	1001110434	1	Deutz Engines - Belgium Built Machines <b>(SN 1300006744 to Present)</b>	

## SECTION 4 - PLATFORM

ITEM	PART NUMBER	QTY	DESCRIPTION	REV
15	1001110434	1	Deutz Engines - Romanian Built Machines <b>(SN E300000100 to Present)</b>	
15	1671037	1	Caterpillar/Perkins Engines (Use p/n 1001110434)	
16		Ref	Decal (Stop) Options:	
16		Ref	Without UGM:	
16	1702564	1	Deutz Engines - Belgium Built Machines (Use p/n 1704997) <b>(SN 1300006000 through 1300006701)</b>	
16	1001107677	1	Deutz Engines - Belgium Built Machines (Use p/n 1001131168) <b>(SN 1300006701 to Present)</b>	
16	1001107527	1	Caterpillar/Perkins Engines	
16		Ref	With UGM:	
16	1001107677	1	Caterpillar/Deutz/Perkins Engines (Use p/n 1001131168)	
17	1702565	1	Decal (Drive and Steer)	
18	1702566	1	Decal (Lift and Swing)	
19	1702567	1	Decal (Function Speed)	
20	1704260	1	Decal - EMS	
21	2560136	1	Handle, Knob	
22	2920154	1	Panel, LED Light	
23	3300408	2	Insert, Nylon	
24	3300353	4	Nut, Tinneman	
25	3520028	AR	Plug, Hole 1/2in	
26	3790012	AR	O-Ring	
27	3911018	2	Screw, Round Head #10	
29	4360328	5	Switch, Toggle	
30	4360387	1	Switch, Pushbutton	
31	4360407	1	Controller, Speed	
31	See Note	1	Gasket, "Top Hat" (Included with Switch) (Note: Not Available - Purchase Complete Controller)	
31	70003784	1	Seal	
32	4360475	1	Switch, Emergency Stop	
32	7020175	1	Cap, Red	
32A	7020176	1	Contact Block	
33	4360476	1	Block, Contact	
38	4460428	2	Connector, Strain Relief	
39	4460464	1	Terminal, Deutsch	
40	4460470	1	Nut, Terminal	
41	4460471	1	Lockwasher, Terminal	
42	4460488	1	Base, Mounting	
43	4460708	2	Receptacle - 15 Position	
44	4460905	5	Seal, Plug	
45	4751400	8	Flatwasher 1/4in Regular	
46	4922533	1	Harness, Upper Valve (Not Shown - See ELECTRICAL SECTION for Breakdown)	
47	4922666	1	Harness, Analyzer Cable (Not Shown - See ELECTRICAL SECTION for Breakdown)	
48		Ref	Harness, Platform Box (See ELECTRICAL SECTION for Breakdown)	
48	4922669	1	Belgium Built Machines <b>(Prior to SN 1300006701)</b>	
48	1001107007	1	Belgium Built Machines <b>(SN 1300006701 to Present)</b>	
48	1001107007	1	Romanian Built Machines <b>(SN E300000100 through E300001114)</b>	
49	1705132	1	Decal - ADE Control	
50	0721006	2	Screw, Machine #10-24NC x 3/4in	

## SECTION 4 - PLATFORM

ITEM	PART NUMBER	QTY	DESCRIPTION	REV
51	3311005	2	Locknut #10-24NC	
52	4460007	1	Busbar	
54	4751000	2	Flatwasher #10 Regular	
55	4360330	1	Switch, Toggle (Belgium Built Machines) <b>(SN 1300006701 to Present)</b>	
55	4360330	1	Switch, Toggle (Romanian Built Machines) <b>(SN E300000100 through E300001114)</b>	
56	4460234	3	Base, Mounting (Not Shown - Belgium Built Machines) <b>(SN 1300006701 to Present)</b>	
56	4460234	3	Base, Mounting (Not Shown - Romanian Built Machines) <b>(SN E300000100 through E300001114)</b>	
100		Ref	Decal Kit Options (includes Items 16-20, 49, 201 & 801):	
100	2915133	1	Belgium Built Machines <b>(Prior to SN 1300006701)</b>	
100	1001119559	1	Belgium Built Machines <b>(SN 1300006701 to Present)</b>	
100	1001119559	1	Romanian Built Machines <b>(SN E300000100 through E300001114)</b>	
	0861441	Ref	<b>CONSOLE BOX ASSEMBLY</b>	F
101	0861441	1	Console Top (Note: Not Available for Purchase)	
102	0861441	1	Console Bottom (Note: Not Available for Purchase)	
103	3311601	1	Nut 3/8in-16NC	
104		Ref	Pin Options:	
104	3420156	2	Pin, Cotter (Belgium Built Machines) <b>(Prior to SN 1300001057)</b>	
104	3470003	2	Pin, Hair (Belgium Built Machines) <b>(SN 1300001057 to Present)</b>	
104	3470003	2	Pin, Hair (Romanian Built Machines) <b>(SN E300000100 through E300001114)</b>	
105	0630568	1	Screw 3/8in-16NC x 4-1/2in	
106	4711500	2	Flatwasher 5/16in Thin	
		Ref	<b>LIGHT PANEL DECAL INSTALLATIONS</b>	
	0272110	Ref	<b>Belgium Built Machines (Prior to SN 1300006701)</b>	B
	1001108994	Ref	<b>Belgium Built Machines (SN 1300006701 to Present)</b>	A
	1001108994	Ref	<b>Romanian Built Machines (SN E300000100 to Present)</b>	A
201		Ref	Decal - Display Options:	
201	1705212	1	Belgium Built Machines <b>(Prior to SN 1300006701)</b>	
201	1001107853	1	Belgium Built Machines <b>(SN 1300006701 to Present)</b>	
201	1001107853	1	Romanian Built Machines <b>(SN E300000100 through E300001114)</b>	
		Ref	<b>LIGHT COMPONENTS (OPTIONAL)</b>	
		Ref	<b>Belgium Built Machines (SN 1300006000 through 1300006700)</b>	
301A	4360336	1	Switch, Toggle	
301A	3790012	1	O-Ring	
		Ref	<b>Belgium Built Machines (SN 1300006701 to Present)</b>	
		Ref	<b>Romanian Built Machines (SN E300000100 through E300001114)</b>	
301B	4360522	Ref	Switch, Pushbutton	
301B	1705170	Ref	Decal, Lights	
		Ref	<b>SOFT TOUCH SYSTEM COMPONENTS (OPTIONAL)</b>	
		Ref	<b>Note: This Option is No Longer Available. Parts below are for Service Only</b>	
401	4360387	1	Switch, Pushbutton	
402	1702938	1	Decal - Soft Touch Override	
425	2920028	1	Lamp, Indicator (Belgium Built Machines) <b>(SN 1300006701 to Present)</b>	
426	2920029	1	Bulb, Light (Belgium Built Machines) <b>(SN 1300006701 to Present)</b>	
		Ref	<b>GENERATOR SWITCH COMPONENTS (OPTIONAL)</b>	

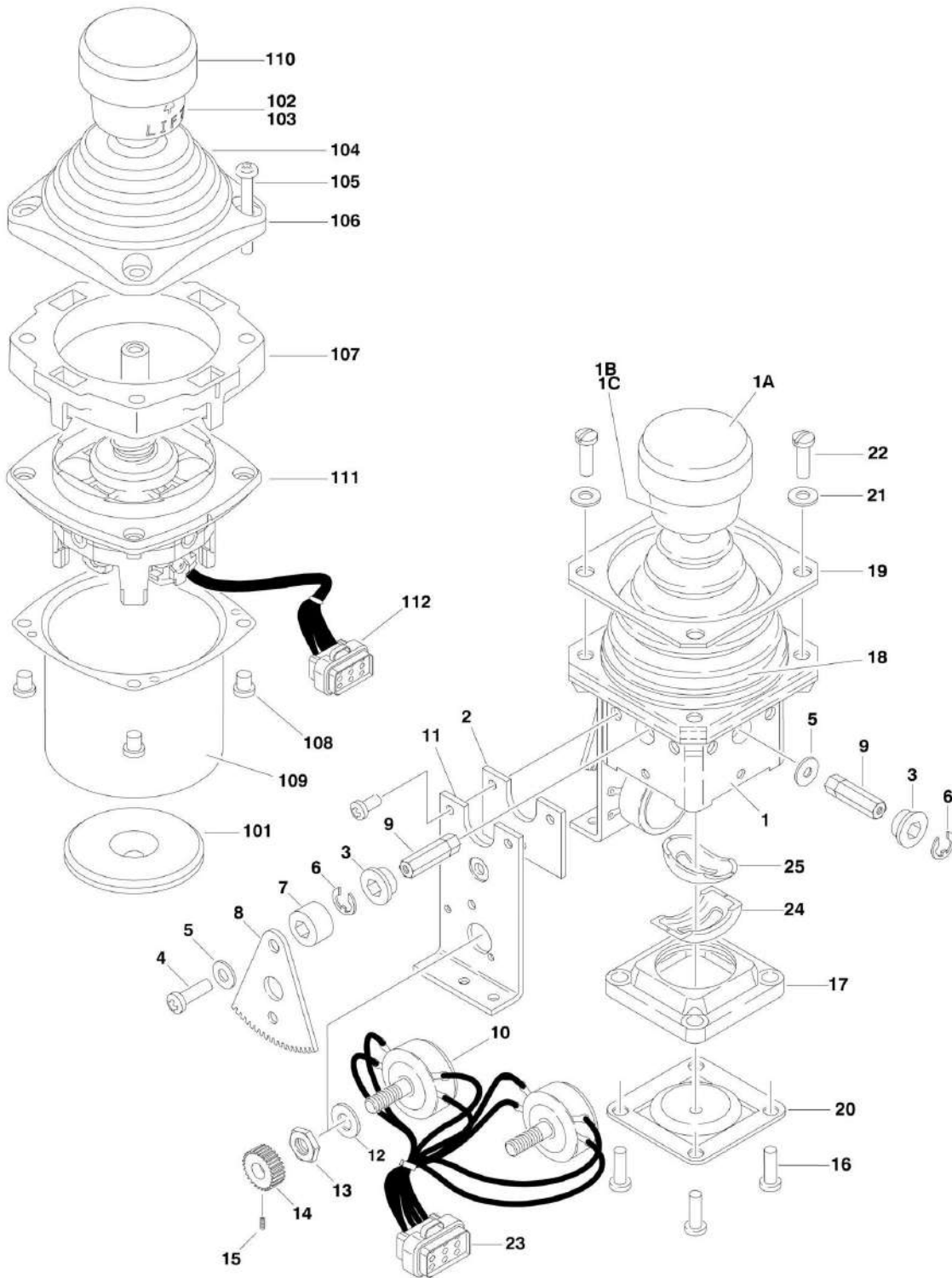
## SECTION 4 - PLATFORM

ITEM	PART NUMBER	QTY	DESCRIPTION	REV
501	4360336	1	Switch, Toggle	
502	4740397	1	Bushing	
503	4060802	1	Guard, Switch	
504	3251102	1	Decal - Generator ON/OFF	
	0270814	Ref	<b>PLATFORM WORKLIGHT INSTALLATION (OPTIONAL) (BELGIUM BUILT MACHINES) (Prior to SN 1300001680)</b>	3
601	4360232	1	Breaker, Circuit - 15Amp	
602	0721003	2	Bolt #10-24NC x 3/8in	
603	4761000	4	Lockwasher #10	
604	3311001	2	Nut #10-24NC	
605	4460598	1	Connector, Strain Relief	
	0271340	Ref	<b>JIB SWITCH INSTALLATION</b>	1/A
701	4360328	1	Switch, Toggle	
701	3790012	1	O-Ring	
	0272320	Ref	<b>DRIVE SWITCH INSTALLATION</b>	A
801	1702676	1	Decal	
802	4360331	1	Switch, Toggle	
802	3790012	1	O-Ring	



# SECTION 4 - PLATFORM

## FIGURE 4-3. CONTROLLER ASSEMBLY (LIFT AND SWING)



## SECTION 4 - PLATFORM

**FIGURE 4-3. CONTROLLER ASSEMBLY (LIFT AND SWING)**

ITEM	PART NUMBER	QTY	DESCRIPTION	REV
		Ref	<b>Note: Original Equipment controller may have been replaced with Service Replacement controller. Visually identify controller before ordering parts.</b>	
	1600317	Ref	<b>CONTROLLER ASSEMBLY</b>	
		Ref	<b>Controller Assembly (Original Equipment) (Belgium Built Machines) (Prior to SN 1300007077)</b>	C
		Ref	<b>Note: Use p/n 1001129555 Kit as replacement.</b>	
1	7019141	1	Mechanical Assembly (Includes Base, Handle Stem and Items 1A, 1B, 1C & 18)	
1A	7019197	1	Handle Cap and Rod	
1B	7003928	1	Spring	
1C	7022808	1	Cap, Lift	
2	7019171	2	Plate	
3	7019111	4	Bearing, Gear	
4	7019143	2	Screw	
5	7019144	2	Spacer, Cam	
6	7019145	4	E-Clip	
7	7019174	2	Spacer	
8	7003977	2	Gear, Drive	
9		Ref	Shaft Options:	
9	7019147	2	Shaft, Short	
9	7019177	2	Shaft, Long	
10	7022818	2	Potentiometer	
11	7019142	2	Plate	
12	7003992	2	Washer	
13	7003993	2	Nut	
14	7003976	2	Gear, Slave	
15	7019149	2	Setscrew	
16	7022816	4	Screw	
17	7019150	1	Gate	
18	7022814	1	Boot	
19	7022815	1	Bezel	
20	1001129555	1	Center, Detent (Note: Not Available for Purchase)	
21	7003953	4	Washer	
22	7022817	4	Screw	
23	7022819	1	Plug, Male 8 Position (Natural)	
23	4460871	8	Socket, Female	
24	7019122	1	Gimble, Outer	
25	7019123	1	Gimble, Inner	
	1001118417	Ref	<b>Controller Assembly (Service Replacement - Belgium Built Machines) (Original Equipment - Belgium Built Machines) (Prior to SN 1300007077, SN 1300007077 to Present)</b>	C
	1001118417	Ref	<b>Controller Assembly Romanian Built Machines (SN E300000100 through E300001114)</b>	C
		Ref	<b>Note: Use p/n 1001129555 Kit as replacement.</b>	
101	70002730	1	Gasket	
102	7003928	1	Spring	
103	7022808	1	Cap, Lift	
104	70002731	1	Boot	
105	70002732	4	Screw	
106	7022815	1	Bezel	

## SECTION 4 - PLATFORM

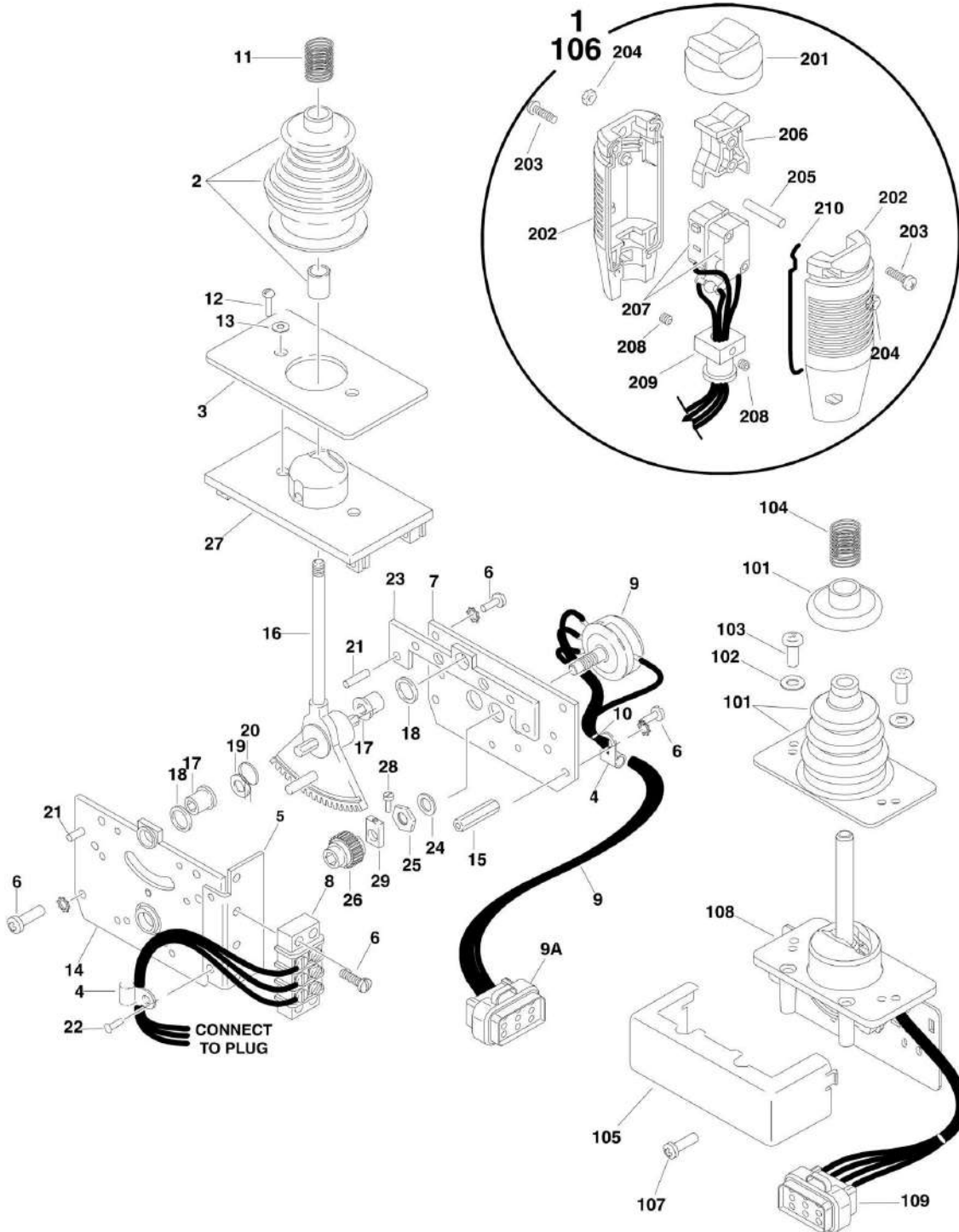
ITEM	PART NUMBER	QTY	DESCRIPTION	REV
107	70002733	1	Adapter	
108	70002734	4	Screw	
109	70002735	1	Can, Enclosure	
110	70002906	1	Cap	
111	1001129555	1	Mechanical Assembly (Note: Not Available for Purchase)	
112	7022819	1	Plug, Male 8 Position (Natural) (Not Shown)	
112	4460871	6	Socket, Female	





# SECTION 4 - PLATFORM

## FIGURE 4-4. CONTROLLER ASSEMBLY (DRIVE AND STEER)



## SECTION 4 - PLATFORM

### FIGURE 4-4. CONTROLLER ASSEMBLY (DRIVE AND STEER)

ITEM	PART NUMBER	QTY	DESCRIPTION	REV
		Ref	<b>Note: Original Equipment controller may have been replaced with Service Replacement controller. Visually identify controller before ordering parts.</b>	
	1600318	Ref	<b>CONTROLLER ASSEMBLY</b>	D
		Ref	<b>Controller Assembly (Original Equipment) (Belgium Built Machines) (Prior to SN 1300007077)</b>	
		Ref	<b>Note: Use p/n 1001212415 for Replacement.</b>	
1	7022812	1	Handle Assembly (See Items 201-210 for Breakdown)	
2	7019161	1	Boot and Sleeve	
3	7003933	1	Gasket	
4	7019154	2	Clamp, Wire	
5	7022823	1	Bracket, Mounting	
6	7003994	1	Screw	
7	7022822	1	Plate, Pot Mounting	
8	7003986	1	Strip, Terminal - 3 Position	
9	7022824	1	Electric Assembly	
9A	1001113961	1	Plug, Male - 8 Position (Black) (was p/n 7022825)	
9A	4460871	7	Socket, Female	
10	7019151	AR	Tie-Strap	
11	7019162	1	Spring	
12	7003969	2	Screw	
13	7003941	2	Washer	
14	See Note	1	Plate, Mounting (Left Side) (Note: Not Available for Purchase)	
15	7019115	2	Stand-Off	
16	7019155	1	Shaft 8mm	
17	7019111	2	Bearing	
18	7019110	2	Spacer, Head Gear	
19	7019112	1	Washer	
20	7003946	1	Spring, Return	
21	7019103	4	Pin	
22	See Note	1	Rivet (Note: Not Available for Purchase)	
23	7019168	1	Plate, Mounting (Right Side)	
24	7003992	1	Washer	
25	7003993	1	Nut	
26	7003935	1	Gear, Slave	
27	7019160	1	Plate, Base	
28	See Note	1	Screw 3x6 DIN 916 (Note: Not Available for Purchase)	
29	7019114	1	Coupling, Potentiometer	
	1001118416	Ref	<b>Controller Assembly (Service Replacement - Belgium Built Machines) (Original Equipment - Belgium Built Machines) (SN 1300007077 to Present, Prior to SN 1300007077)</b>	B
	1001118416	Ref	<b>Controller Assembly Romanian Built Machines (SN E300000100 through E300001114)</b>	B
		Ref	<b>Note: Use p/n 1001212415 for Replacement.</b>	
101	70002724	1	Boot and Control Lock Assembly	
102	7003941	2	Washer	
103	70002725	2	Screw	
104	7019162	1	Spring	
105	70002726	1	Enclosure	
106	70002727	1	Handle Assembly (See Items 201-210 for Breakdown)	
107	70002728	1	Screw	

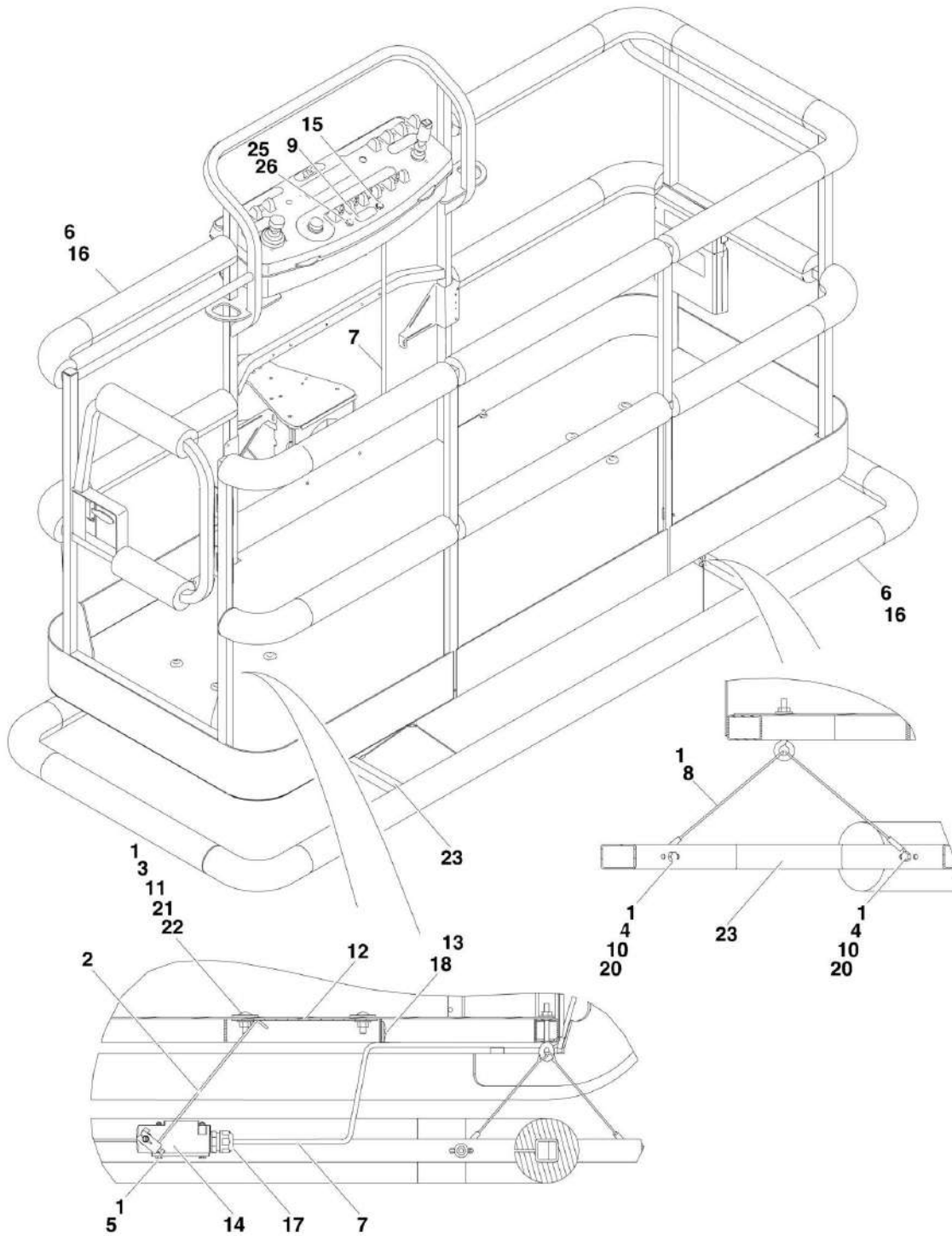
## SECTION 4 - PLATFORM

ITEM	PART NUMBER	QTY	DESCRIPTION	REV
108	1001118416	1	Mechanical Assembly (Note: Not Available for Purchase)	
109	7022825	1	Plug, Male - 8 Position (Black)	
109	4460871	7	Socket, Female	
		Ref	<b>HANDLE ASSEMBLIES</b>	
	7022812	Ref	<b>Controller Assembly p/n 1600318</b>	
	70002727	Ref	<b>Controller Assembly p/n 1001118416</b>	
201	7003972	1	Boot, Switch	
202	7003973	2	Half, Handle	
203	7003980	4	Screw	
204	7019167	4	Nut	
205	7019164	1	Axle	
206	7019165	1	Rocker	
207		Ref	Wiring Assembly Options:	
207	7019196	1	Controller Assembly p/n 1600318	
207	70002729	1	Controller Assembly p/n 1001118416	
207		Ref	Switch, Micro	
207	7019166	2	Controller Assembly p/n 1600318	
207	7003982	2	Controller Assembly p/n 1001118416	
208	7003983	2	Setscrew	
209	7019194	1	Coupling	
210	7003989	2	Gasket	



# SECTION 4 - PLATFORM

## FIGURE 4-5. SOFT TOUCH SYSTEM INSTALLATION (OPTIONAL)



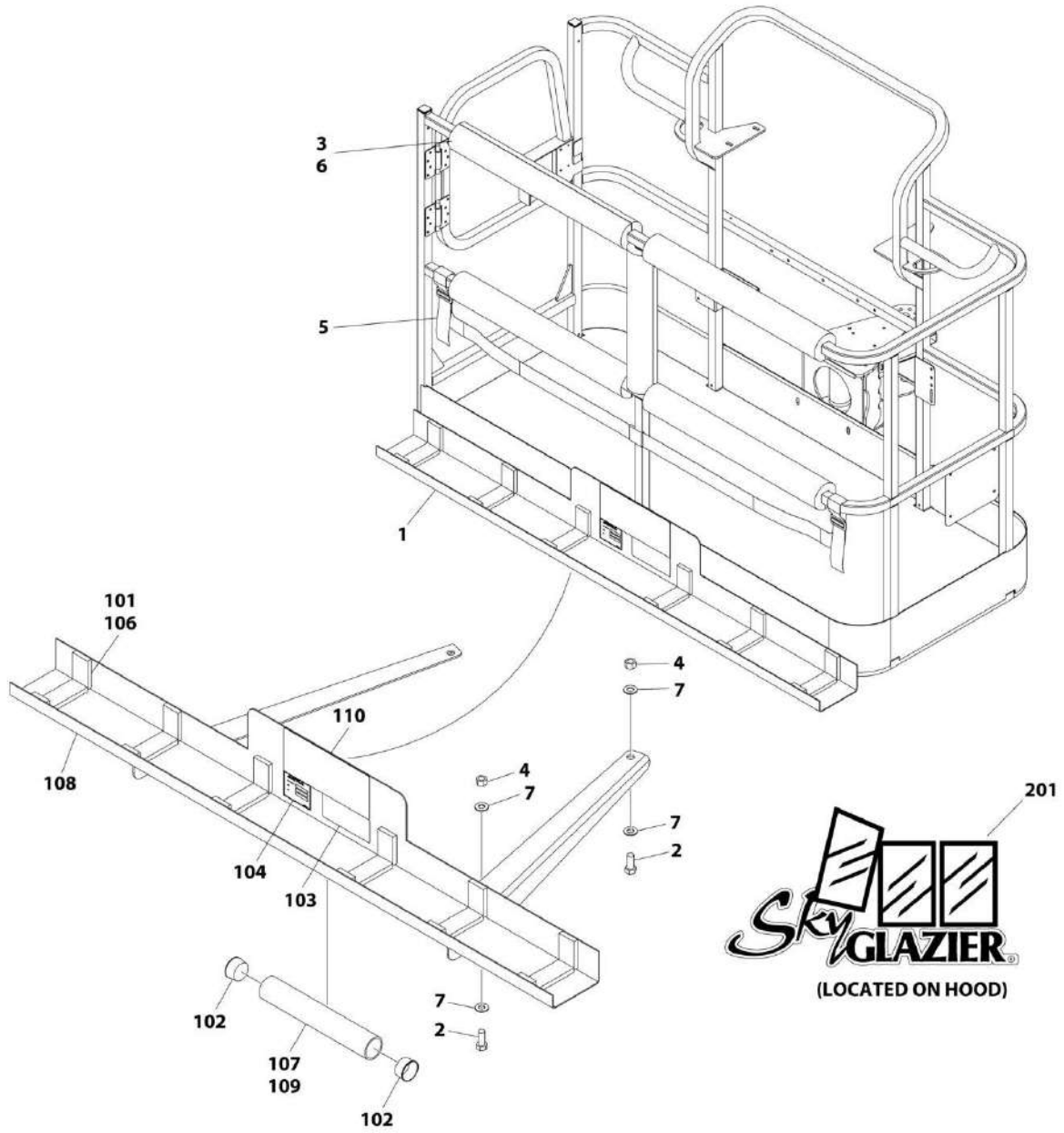
## SECTION 4 - PLATFORM

**FIGURE 4-5. SOFT TOUCH SYSTEM INSTALLATION (OPTIONAL)**

ITEM	PART NUMBER	QTY	DESCRIPTION	REV
		Ref	<b>Note: No Longer Available. Parts below are for Service Only.</b>	
		Ref	<b>SOFT TOUCH SYSTEM INSTALLATION</b>	
	0274240	Ref	<b>6ft/8m Platform</b>	C
1	0100011	AR	Compound, Locking	
2	0200048	2	Arm, Switch Activator	
3	0630462	8	Bolt, Carriage	
4	0641414	8	Bolt 1/4in-20NC x 1-3/4in	
5	0731005	4	Screw #10-32NF x 5/8in	
6	0940167		Kit, Bumper Soft Touch	
7	1060341	15 ft/4.6m	Cable, Control - 16/2	
8	1060903	4	Wire Rope and Eyebolt Assembly	
9	1702938	1	Decal, Soft Touch Override	
10	3311401	8	Nut 1/4in-20NC	
11	3311501	8	Nut 5/16in-18NC	
12	3575705	2	Plate, Switch Strike	
13	4240099	1	Tie, Wire (Not Shown)	
14	4360057	2	Switch, Limit	
15	4360387	1	Switch, Yellow Push Button	
16	4420068	1	Tape, Yellow Adhesive	
17	4460049	2	Connector, Strain Relief	
18	4460234	2	Terminal, Mount Cable Tie (Not Shown)	
19	4460425	1	Terminal, Strain Relief (Not Shown)	
20	4751400	16	Flatwasher 1/4in Regular	
21	4751500	8	Flatwasher 5/16in Regular	
22	4751800	8	Flatwasher 1/2in Regular	
23	4846370	1	Weldment, Soft Touch Rail	
25	2920028	1	Lamp, Indicator <b>(SN 1300006701 to Present)</b>	
26	2920029	1	Bulb, Light <b>(SN 1300006701 to Present)</b>	

# SECTION 4 - PLATFORM

## FIGURE 4-6. SKYGLAZIER INSTALLATION - WITHOUT LSS



ART\_1001173975



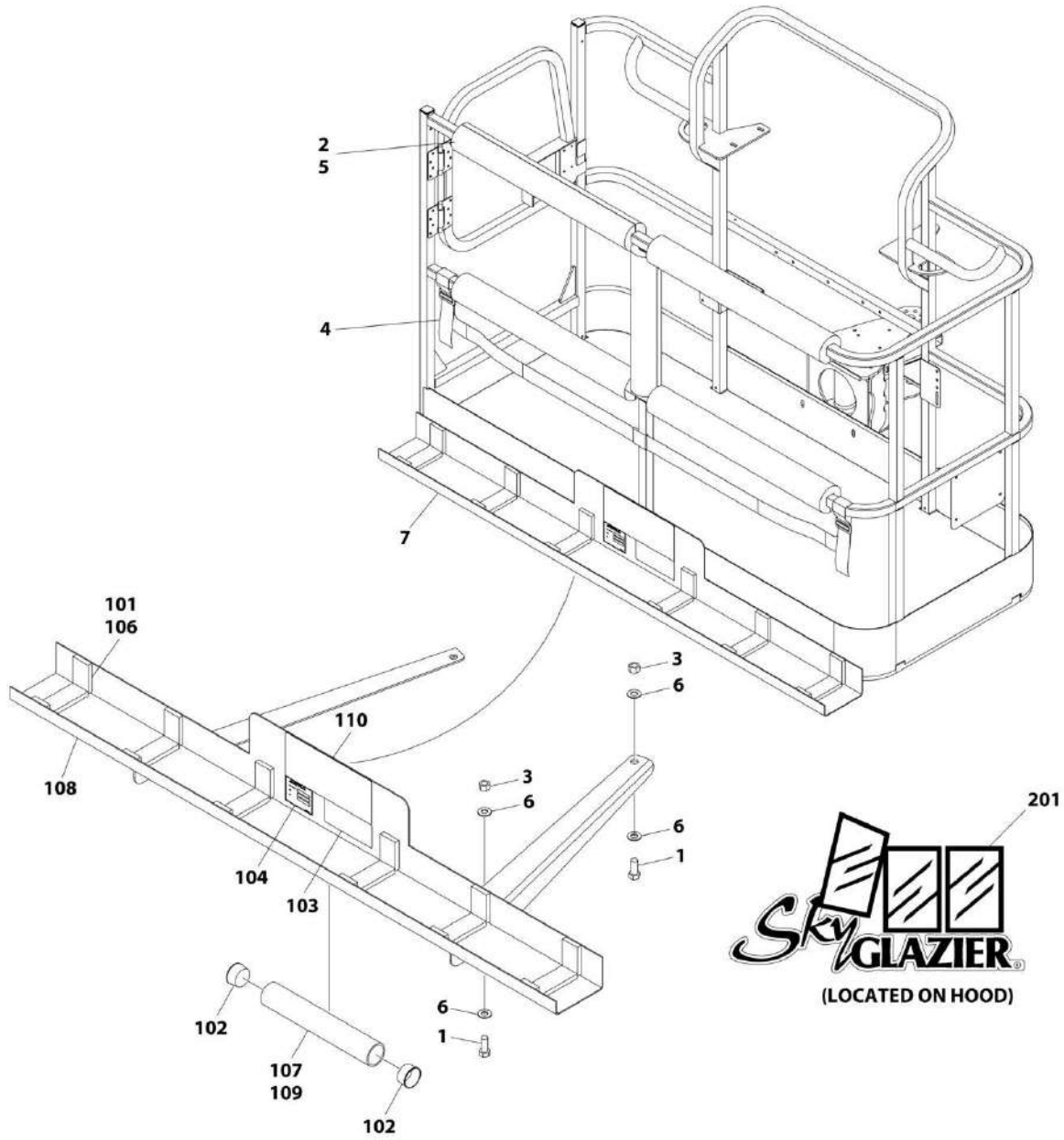
## SECTION 4 - PLATFORM

**FIGURE 4-6. SKYGLAZIER INSTALLATION - WITHOUT LSS**

ITEM	PART NUMBER	QTY	DESCRIPTION	REV
	1001101423	Ref	<b>SKYGLAZIER INSTALLATION</b>	A
1	1001101424	1	Tray Assembly (See Items 101-110 for Breakdown)	
2	0642012	4	Bolt 5/8 x 1-1/2	
3	0940199	1	Bumper Kit	
4	3312005	4	Nut 5/8	
5	4240149	1	Strap Kit	
6	4420014	AR	Tape	
7	4712000	8	Washer 5/8	
	1001101424	Ref	<b>TRAY ASSEMBLY</b>	A
101	0100081	AR	Adhesive	
102	1120555	2	Cap, Tube	
103	1701509	1	Decal - Manual	
104	See Note	NSS	Nameplate - Serial Number (Note: Not Available for Purchase)	
106	3340956	1	Pad Kit	
107	3460334	1	Tube	
108	4341415	1	Support	
109	4420066	AR	Tape, Double Sided	
110	1001102446	1	Decal - Glazier Capacity	
201	1705358	2	Decal - SkyGlazier	

# SECTION 4 - PLATFORM

## FIGURE 4-7. SKYGLAZIER INSTALLATION - WITH LSS



ART\_1001102648

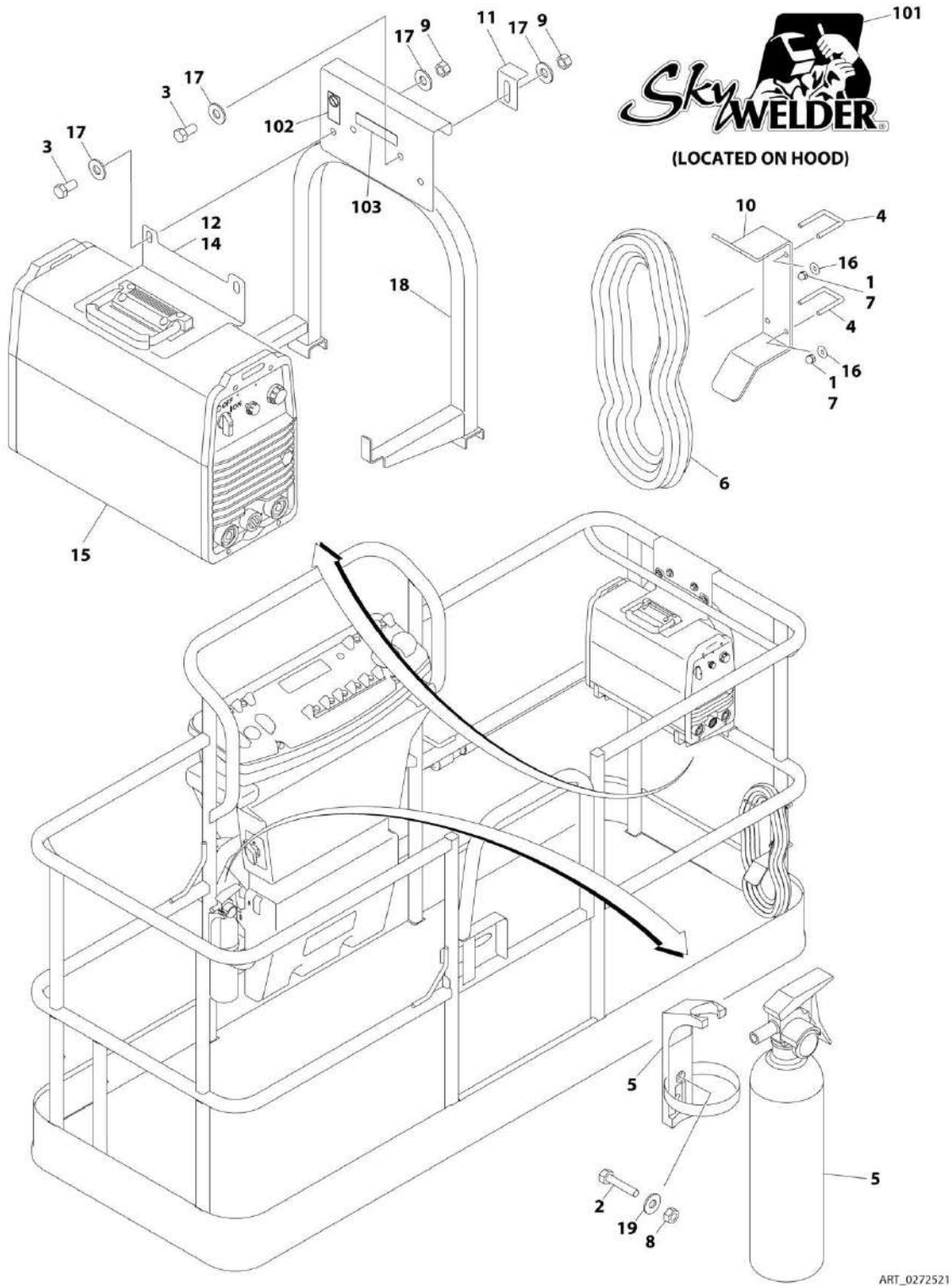
## SECTION 4 - PLATFORM

**FIGURE 4-7. SKYGLAZIER INSTALLATION - WITH LSS**

ITEM	PART NUMBER	QTY	DESCRIPTION	REV
	1001102648	Ref	<b>SKYGLAZIER INSTALLATION</b>	A
1	0642026	4	Bolt 5/8 x 3-1/4	
2	0940199	1	Bumper Kit	
3	3312005	4	Nut 5/8	
4	4240149	1	Strap Kit	
5	4420014	AR	Tape	
6	4712000	8	Washer 5/8	
7	1001101424	1	Tray Assembly (See Items 101-110 for Breakdown)	
	1001101424	Ref	<b>TRAY ASSEMBLY</b>	A
101	0100081	AR	Adhesive	
102	1120555	2	Cap, Tube	
103	1701509	1	Decal - Manual	
104	See Note	NSS	Nameplate - Serial Number (Note: Not Available for Purchase)	
106	3340956	1	Pad Kit	
107	3460334	1	Tube	
108	4341415	1	Support	
109	4420066	AR	Tape, Double Sided	
110	1001102446	2	Decal - Glazier Capacity	
201	1705358	2	Decal - SkyGlazier	

# SECTION 4 - PLATFORM

FIGURE 4-8. SKYWELDER INSTALLATION - 50HZ (Prior to SN 1300001851)



ART\_0272521

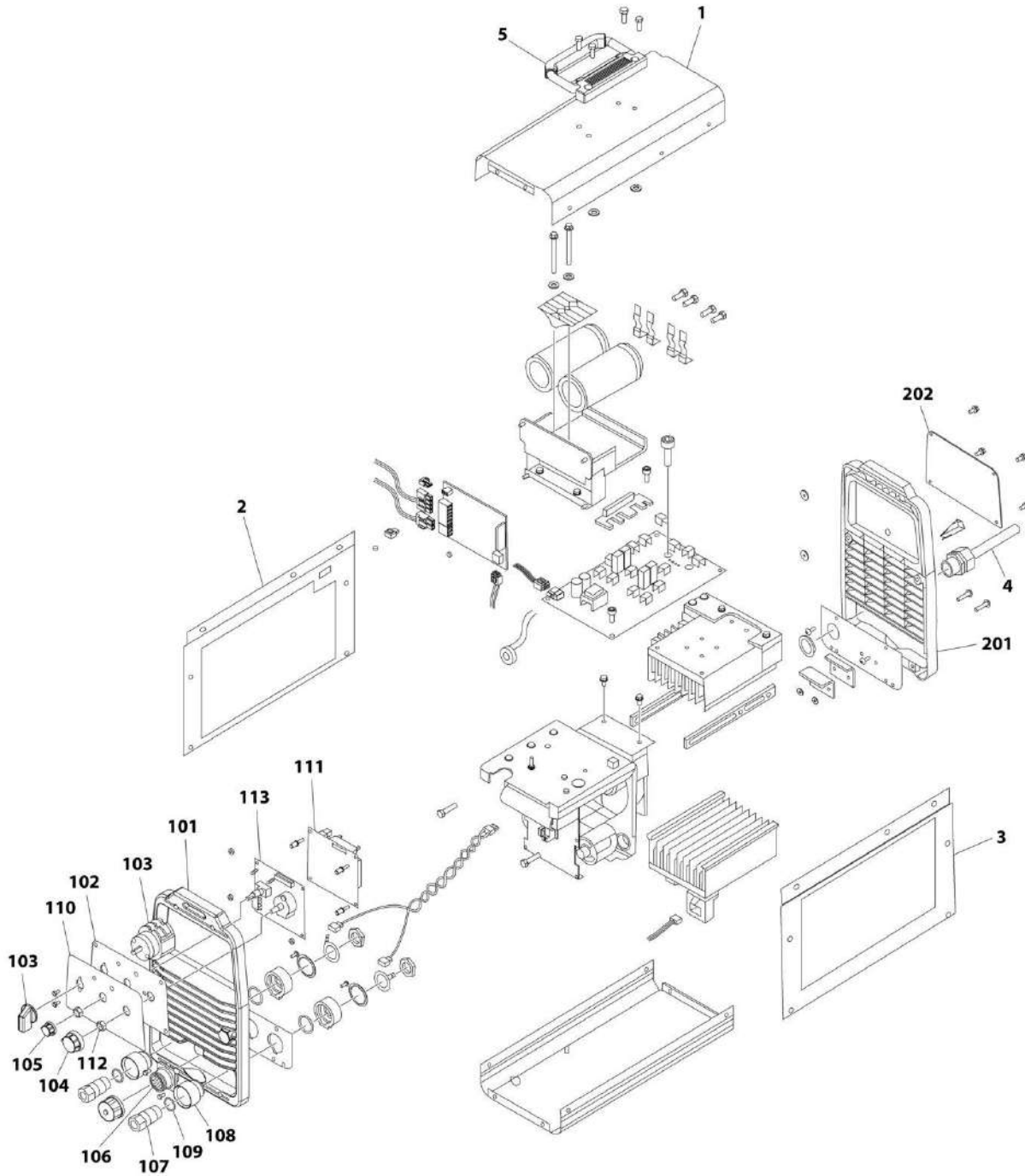
## SECTION 4 - PLATFORM

**FIGURE 4-8. SKYWELDER INSTALLATION - 50HZ (Prior to SN 1300001851)**

ITEM	PART NUMBER	QTY	DESCRIPTION	REV
	0272521	Ref	SKYWELDER INSTALLATION	F
1	0100011	AR	Compound, Locking	
2	0630518	2	Screw #10 x 3/4	
3	0641606	4	Bolt 3/8 x 3/4	
4	1320302	2	U-Clamp	
5	2030010	1	Extinguisher, Fire	
6	2902217	1	Weld Leads Kit	
7	3300151	4	Nut 1/4	
8	3311005	2	Nut #10	
9	3311605	4	Nut 3/8	
10	3573400	1	Bracket	
11	3577121	2	Angle	
12	3573642	1	Plate	
13	4240099	AR	Tie-Strap (Not Shown)	
14	4420037	AR	Tape	
15	4530028	1	Welder Assembly (See WELDER ASSEMBLY for Breakdown)	
16	4751400	4	Washer 1/4	
17	4751600	8	Washer 3/8	
18	4846627	1	Support	
19	4751000	2	Washer #10	
	0272588	Ref	SKYWELDER DECAL INSTALLATION	B
101	1705355	1	Decal - SkyWelder	
102	1705305	1	Decal - Weld Lead	
103	1001228988	1	Decal - Weight	

# SECTION 4 - PLATFORM

## FIGURE 4-9. WELDER ASSEMBLY



ART\_4530028

## SECTION 4 - PLATFORM

### FIGURE 4-9. WELDER ASSEMBLY

ITEM	PART NUMBER	QTY	DESCRIPTION	REV
	4530028	Ref	WELDER ASSEMBLY	B
		Ref	Note: For Other Components, contact your Miller Welder Dealer.	
1	7027773	1	Cover, Top	
1	7027774	1	Decal - Static Precautionary Warning	
2	See Note	NSS	Panel, LH Side (Note: Part of Item 1. Purchase Item 1)	
3	See Note	NSS	Panel, RH Side (Note: Part of Item 1. Purchase Item 1)	
4	7024467	1	Cable, Power	
4	7027775	1	Decal - Electrical Shock Warning (Not Shown)	
5	7027776	1	Handle, Carrying	
101	7024462	1	Panel, Front	
102	7024463	1	Panel, Console	
103	7024469	1	Switch with Lead	
104	7024470	1	Knob	
105	7024471	1	Knob	
106	7024472	1	Receptacle with Leads and Plugs	
107	7024473	2	Receptacle, Twistlock Female	
108	7024474	2	Insulator	
109	7024475	2	O-Ring	
110	7027777	1	Nameplate	
111	7027779	1	Circuit Card Assembly (Process Control)	
112	7024478	2	Nut	
113	7027778	1	Circuit Card Assembly (Operator Interface)	
201	7024462	1	Panel, Rear	
202	7027780	1	Panel, Cover	

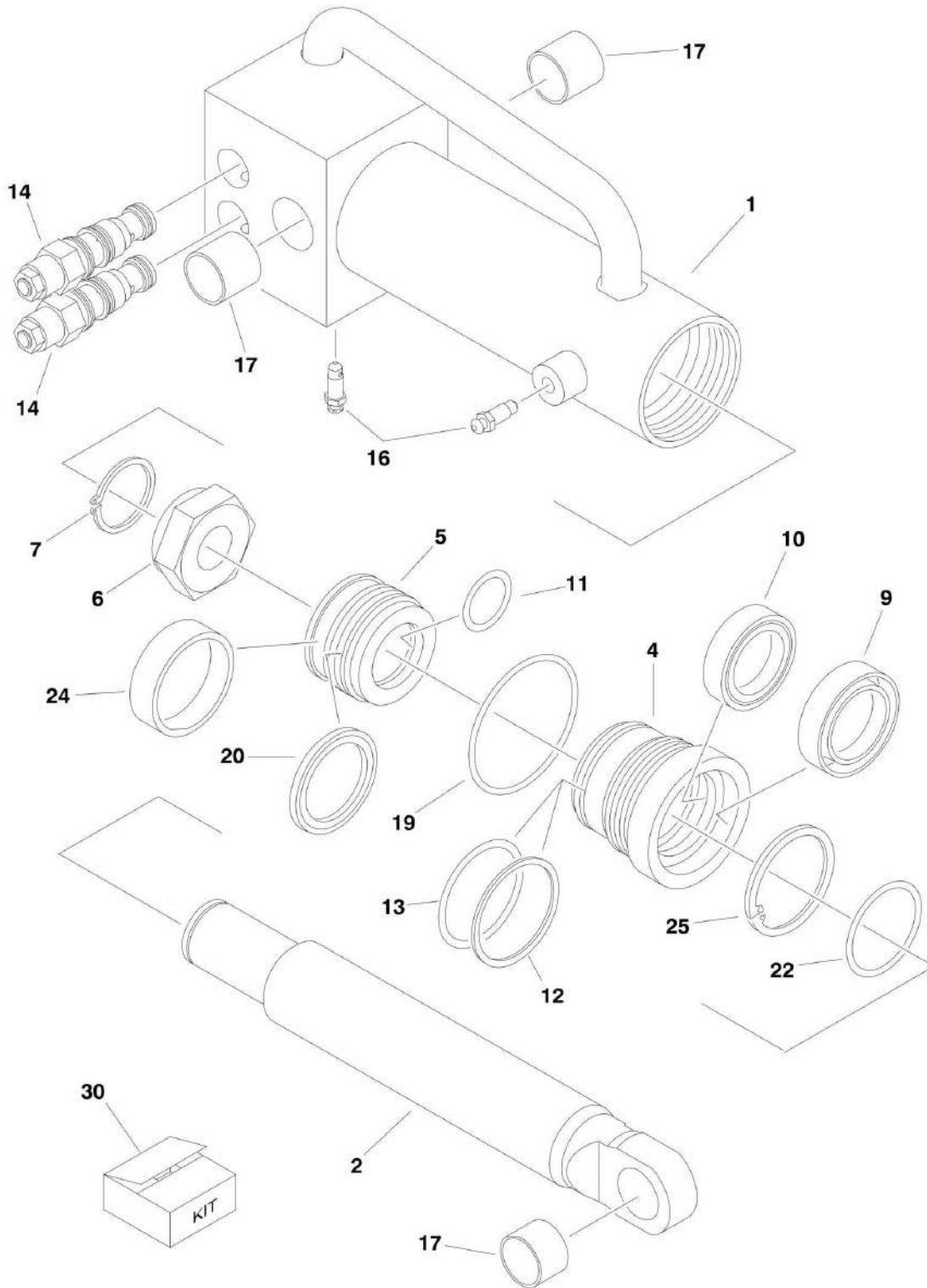




**SECTION 5 - CYLINDER**

# SECTION 5 - CYLINDER

FIGURE 5-1. AXLE LOCKOUT CYLINDER ASSEMBLY (BELGIUM BUILT MACHINES) (Prior to SN 1300003223)



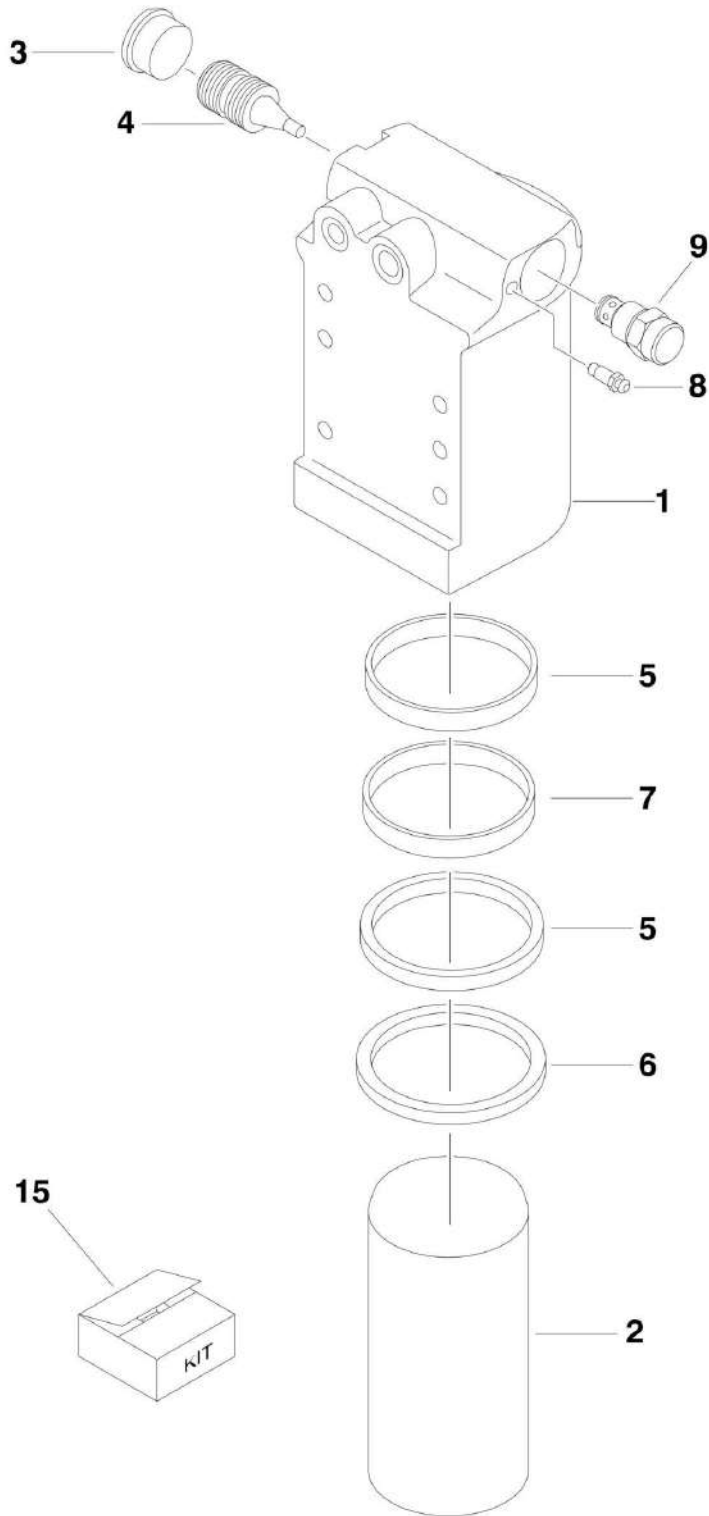
## SECTION 5 - CYLINDER

**FIGURE 5-1. AXLE LOCKOUT CYLINDER ASSEMBLY (BELGIUM BUILT MACHINES) (Prior to SN 1300003223)**

ITEM	PART NUMBER	QTY	DESCRIPTION	REV
		Ref	<b>Belgium Built Machines use SNs 13xxxxxxx.</b>	
		Ref	<b>Romanian Built Machines uses SNs E3xxxxxxx.</b>	
	1684243	Ref	<b>AXLE LOCKOUT CYLINDER ASSEMBLY</b>	E
1	7026114	1	Barrel	
2	7026115	1	Rod	
4	7026104	1	Head	
5	7026110	1	Piston	
6	7026111	1	Locknut	
7	70002216	1	Ring, Retaining	
9	7026116	1	Wiper	
10	7026116	1	Seal	
11	7026116	1	O-Ring	
12	7026116	1	Ring, Back-up	
13	7026116	1	O-Ring	
14	4641162	2	Cartridge, Valve	
14	2900770	2	Seal Kit - 4641162 Valve (1 Per Assembly)	
16	4640858	2	Bleeder	
17	0962466	3	Bearing	
19	7026116	1	O-Ring	
20	7026116	1	Seal	
21	7026116	1	O-Ring (Not Shown)	
22	7026116	1	O-Ring	
24	7026116	1	Ring, Wear	
25	70002219	1	Ring, Retaining	
30	7026116	1	Seal Kit, Cylinder (Includes Items 9-13, 19-22 & 24)	

## SECTION 5 - CYLINDER

FIGURE 5-2. AXLE LOCKOUT CYLINDER ASSEMBLY (BELGIUM BUILT MACHINES AND ROMANIAN BUILT MACHINES) (SN 1300003223 to Present, SN E300000100 through E300001114)



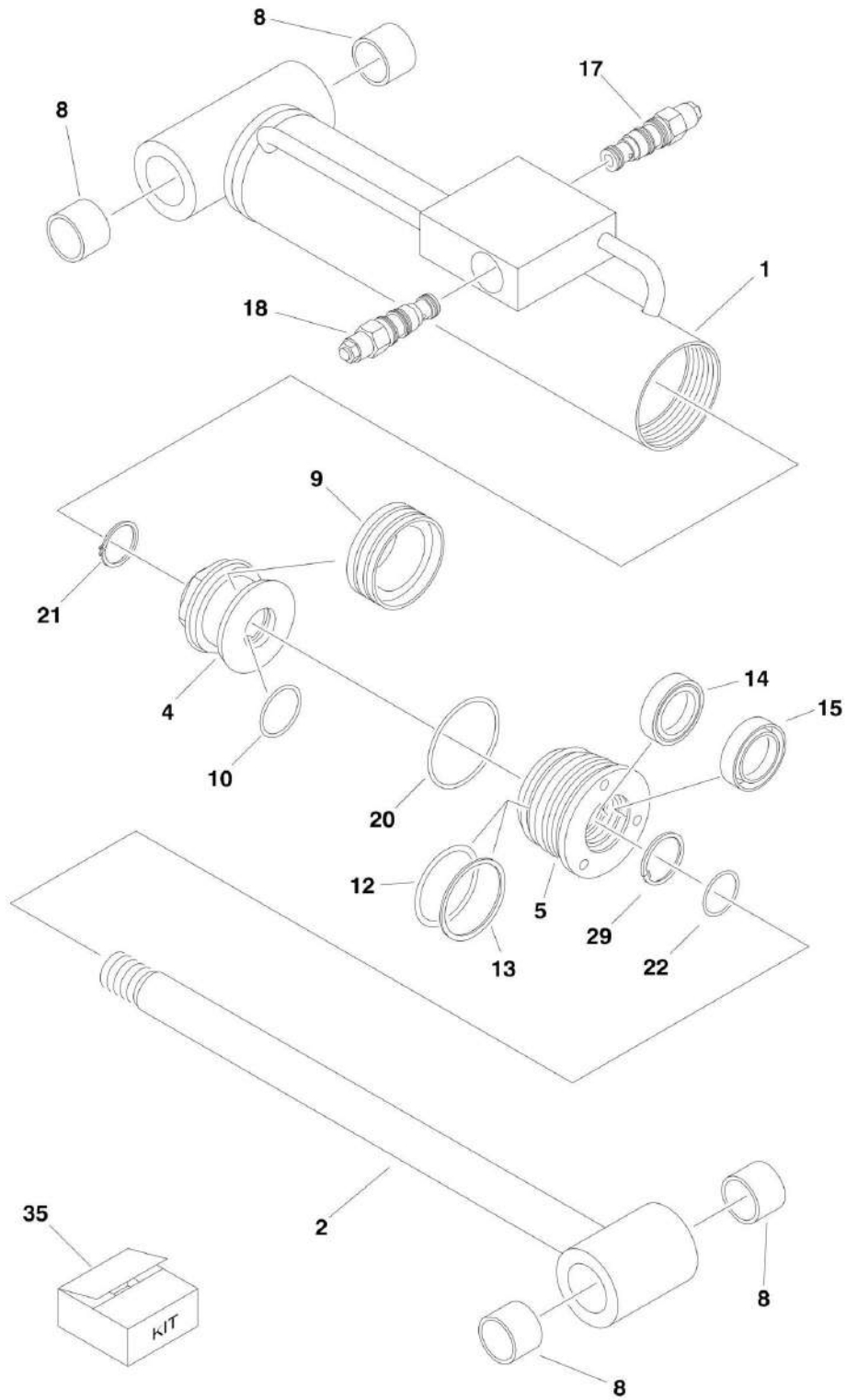
## SECTION 5 - CYLINDER

**FIGURE 5-2. AXLE LOCKOUT CYLINDER ASSEMBLY (BELGIUM BUILT MACHINES AND ROMANIAN BUILT MACHINES) (SN 1300003223 to Present, SN E300000100 through E300001114)**

ITEM	PART NUMBER	QTY	DESCRIPTION	REV
		Ref	<b>Belgium Built Machines use SNs 13xxxxxxx.</b>	
		Ref	<b>Romanian Built Machines uses SNs E3xxxxxxx.</b>	
	1684465	Ref	<b>AXLE LOCKOUT CYLINDER ASSEMBLY</b>	F
1	0370026	1	Barrel	
2	1684290	1	Rod	
3	2220890	1	Plug	
4	3480288	1	Piston, Pilot	
5	2902266	2	Ring, Wear	
6	2902266	1	Wiper	
7	2902266	1	Seal, Rod	
8	4640858	1	Bleeder	
9	4641390	1	Cartridge, Valve	
9	7017496	1	Seal Kit	
15	2902266	1	Seal Kit, Cylinder (Includes Items 4-6)	

# SECTION 5 - CYLINDER

## FIGURE 5-3. LEVEL (PLATFORM) CYLINDER ASSEMBLY



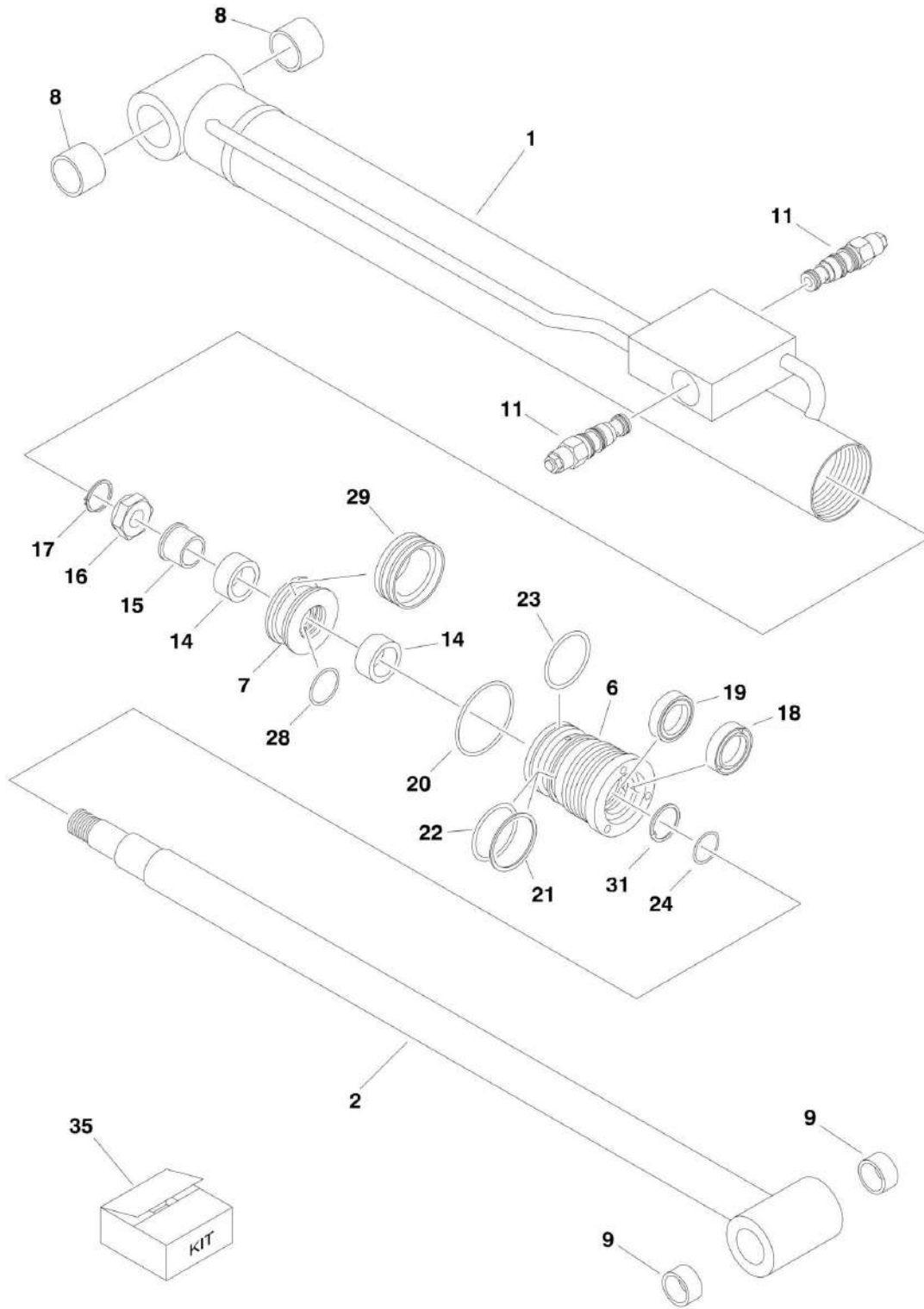
## SECTION 5 - CYLINDER

**FIGURE 5-3. LEVEL (PLATFORM) CYLINDER ASSEMBLY**

ITEM	PART NUMBER	QTY	DESCRIPTION	REV
		Ref	<b>Note: Original Equipment Cylinder may have been replaced with Service Replacement Cylinder. Identify p/n stamped on cylinder before ordering parts.</b>	
	1684240	Ref	<b>LEVEL CYLINDER ASSEMBLY</b>	
	1001094789	Ref	<b>Belgium Built Machines (Prior to SN 1300004150)</b>	D
	1001094789	Ref	<b>Belgium Built Machines (SN 1300004150 to Present)</b>	A
		Ref	<b>Romanian Built Machines (SN E300000100 through E300001114)</b>	A
1	7026117	1	Barrel	
2	7026118	1	Rod	
4	7026081	1	Piston	
4	7026082	NLA	Head (1684240 Cylinder) (Use p/n 70005580)	
5	70005580	1	Head (1001094789 Cylinder)	
8	0961951	4	Bearing	
9	7026087	1	Seal	
10	7026087	1	O-Ring	
12	7026087	1	O-Ring	
13	7026087	1	Ring, Back-up	
14	7026087	1	Seal	
15	7026087	1	Wiper	
17		Ref	Cartridge, Valve Options:	
17	7011378	1	Cartridge (Belgium Built Machines) <b>(Prior to SN 1300004150)</b>	
17	70001086	1	Cartridge (Belgium Built Machines) <b>(SN 1300004150 to Present)</b>	
17	70001086	1	Cartridge (Romanian Built Machines) <b>(SN E300000100 through E300001114)</b>	
17	2900770	1	Seal Kit - 7011378 & 70001086 Valves	
18	7011377	1	Cartridge, Valve	
18	7011358	1	Seal Kit - 7011377 Valve	
20	7026087	1	O-Ring	
21	70002216	1	Ring, Retaining	
22	7026087	1	O-Ring	
29	70002217	1	Ring, Retaining	
35	7026087	1	Seal Kit - Cylinder (Includes Items 9, 10, 12-15, 20, & 22) (Wear Rings (Not Shown) in Head p/n 70005580 are also included kit)	

# SECTION 5 - CYLINDER

## FIGURE 5-4. LIFT (JIB) CYLINDER ASSEMBLY





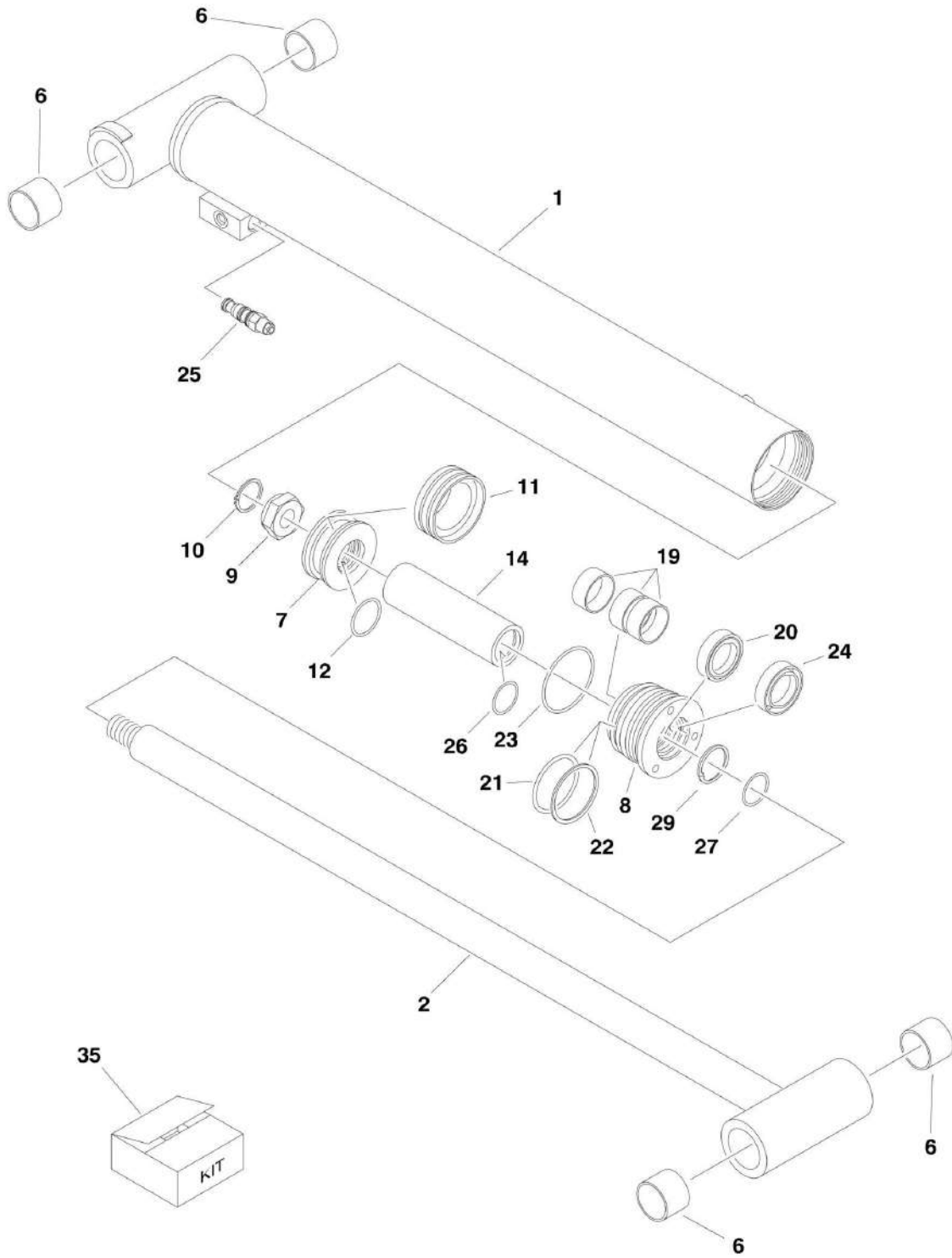
## SECTION 5 - CYLINDER

**FIGURE 5-4. LIFT (JIB) CYLINDER ASSEMBLY**

ITEM	PART NUMBER	QTY	DESCRIPTION	REV
	1684242	Ref	<b>JIB LIFT CYLINDER ASSEMBLY</b>	C
1	7026093	1	Barrel	
2	7026094	1	Rod	
6	7026088	1	Head	
7	7026089	1	Piston	
8	0961951	2	Bearing	
9	0961947	2	Bearing	
11	7026096	2	Cartridge, Valve	
11	2900770	2	Seal Kit - 7026096 Valve (1 Per Cartridge)	
14	7026090	2	Bushing	
15	7026091	1	Sleeve	
16	7026092	1	Nut	
17	70002223	1	Ring, Retaining	
18	7026095	1	Wiper	
19	7026095	1	Seal	
20	7026095	1	O-Ring	
21	7026095	1	Ring, Back-up	
22	7026095	1	O-Ring	
23	7026095	1	O-Ring	
24	7026095	1	O-Ring	
28	7026095	1	O-Ring	
29	7026095	1	Seal	
31	70002220	1	Ring, Retaining	
35	7026095	1	Seal Kit, Cylinder (Includes Items 18-24, 28 & 29)	

# SECTION 5 - CYLINDER

## FIGURE 5-5. LIFT (MAIN BOOM) CYLINDER ASSEMBLY



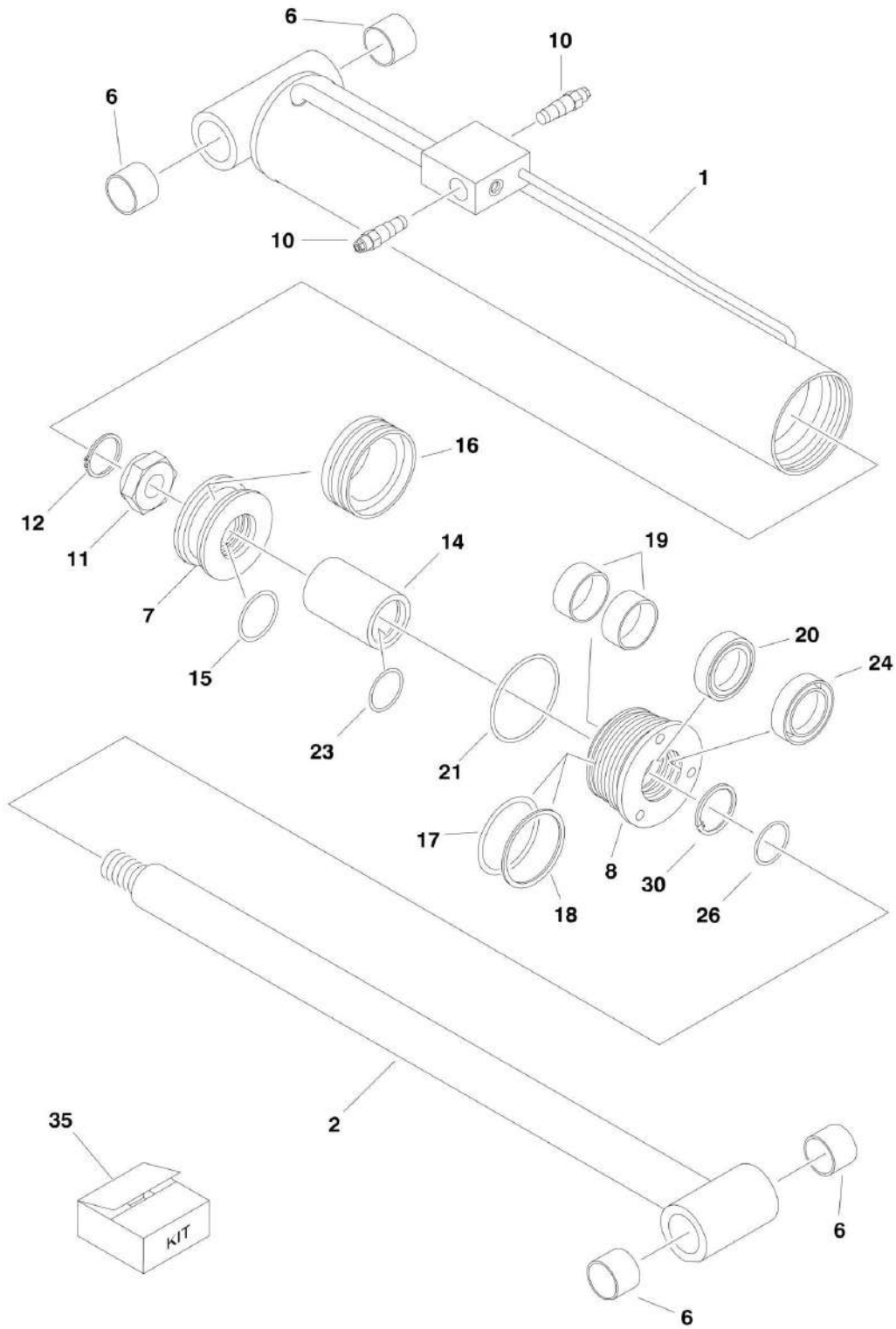
## SECTION 5 - CYLINDER

**FIGURE 5-5. LIFT (MAIN BOOM) CYLINDER ASSEMBLY**

ITEM	PART NUMBER	QTY	DESCRIPTION	REV
	1684244	Ref	<b>MAIN LIFT CYLINDER ASSEMBLY</b>	E
1	7026101	1	Barrel	
2	7026102	1	Rod	
6	0961950	4	Bearing	
7	7026097	1	Piston	
8	7026098	1	Head	
9	7026099	1	Nut	
10	70002224	1	Ring, Retaining	
11	70002225	1	Seal	
12	70002225	1	O-Ring	
14	See Note	1	Spacer (Note: Not Available for Purchase)	
19	70002225	3	Ring, Wear	
20	70002225	1	Seal	
21	70002225	1	O-Ring	
22	70002225	1	Ring, Back-up	
23	70002225	1	O-Ring	
24	70002225	1	Wiper	
25	4640936	1	Cartridge, Valve	
25	2900770	1	Seal Kit - 4640936 Valve	
26	Item 35	1	O-Ring	
27	Item 35	1	O-Ring	
29	70002219	1	Ring, Retaining	
35	70002225	1	Seal Kit, Cylinder (Includes Items 11, 12, 19-24, 26 & 27)	

# SECTION 5 - CYLINDER

## FIGURE 5-6. LIFT (TOWER BOOM) CYLINDER ASSEMBLY



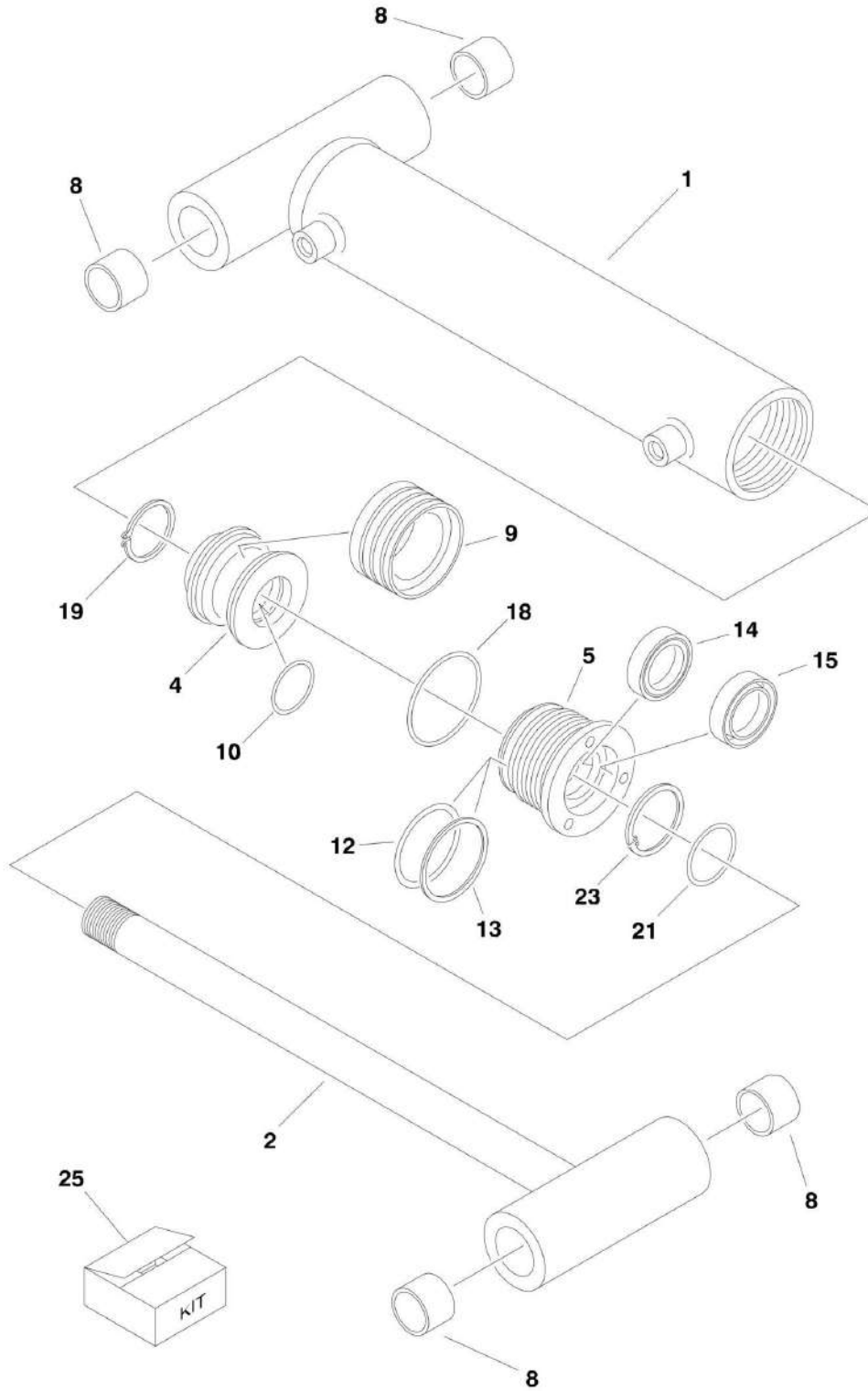
## SECTION 5 - CYLINDER

**FIGURE 5-6. LIFT (TOWER BOOM) CYLINDER ASSEMBLY**

ITEM	PART NUMBER	QTY	DESCRIPTION	REV
	1684239	Ref	<b>TOWER LIFT CYLINDER ASSEMBLY</b>	D
1	7026078	1	Barrel	
2	7026079	1	Rod	
6	0961950	4	Bearing	
7	7026073	1	Piston	
8	7026074	1	Head	
10	4641260	2	Cartridge, Valve	
10	2900770	2	Seal Kit - 4641260 Valve (1 Per Assembly)	
11	7026075	1	Nut	
12	70002221	1	Ring, Retaining	
14	7026076	1	Spacer	
15	7026080	1	O-Ring	
16	7026080	1	Seal	
17	7026080	1	O-Ring	
18	7026080	1	Ring, Back-up	
19	7026080	2	Ring, Wear	
20	7026080	1	Seal	
21	7026080	1	O-Ring	
23	7026080	1	O-Ring	
24	7026080	1	Wiper	
26	7026080	1	O-Ring	
30	70002222	1	Ring, Retaining	
35	7026080	1	Seal Kit, Cylinder (Includes Items 15-21, 23, 24 & 26)	

# SECTION 5 - CYLINDER

## FIGURE 5-7. MASTER CYLINDER ASSEMBLY



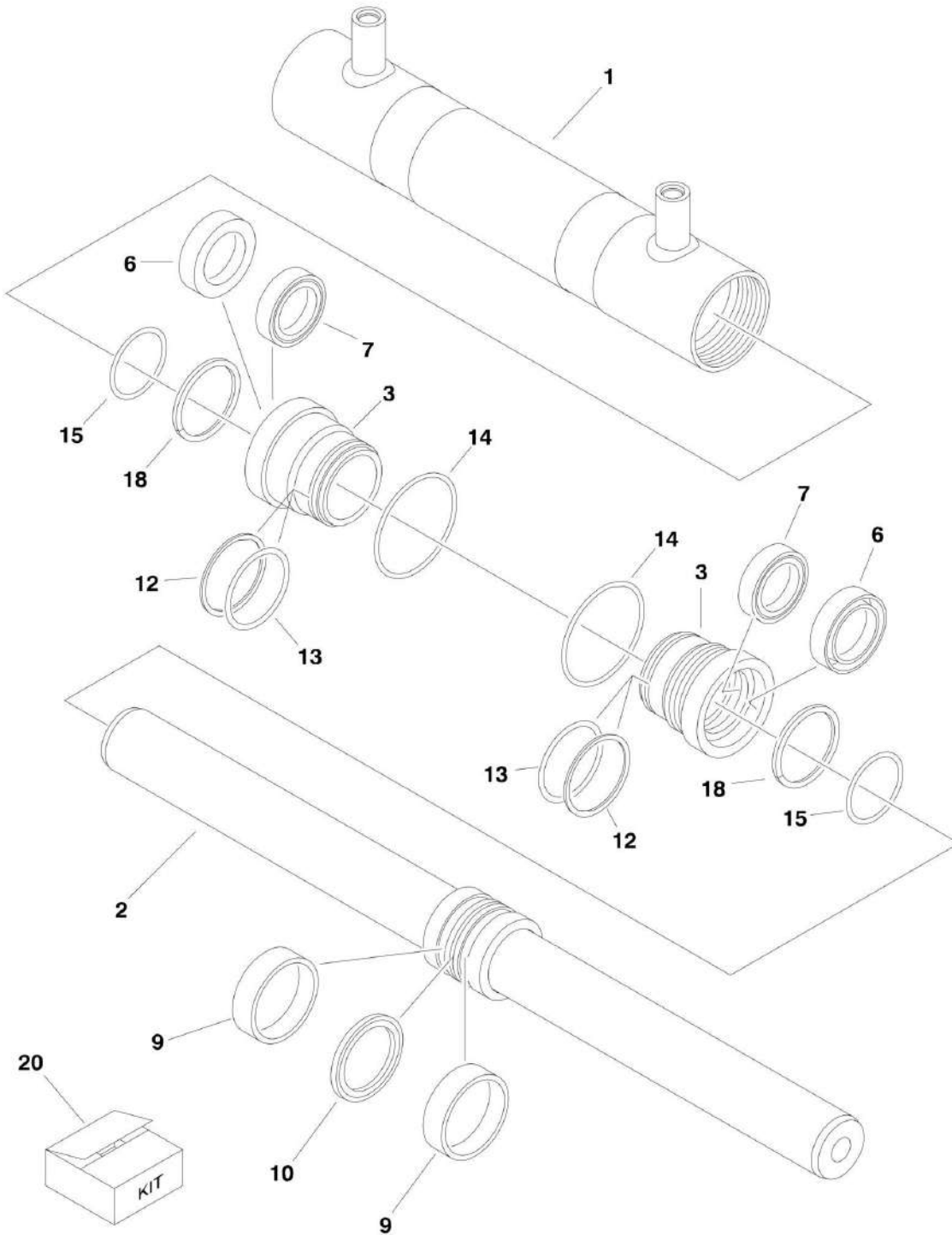
## SECTION 5 - CYLINDER

### FIGURE 5-7. MASTER CYLINDER ASSEMBLY

ITEM	PART NUMBER	QTY	DESCRIPTION	REV
	1684241	Ref	<b>MASTER CYLINDER ASSEMBLY</b>	C
1	7026085	1	Barrel	
2	7026086	1	Rod	
4	7026081	1	Piston	
5	7026082	1	Head	
8	0961951	4	Bearing	
9	7026087	1	Seal	
10	7026087	1	O-Ring	
12	7026087	1	O-Ring	
13	7026087	1	Ring, Back-up	
14	7026087	1	Seal	
15	7026087	1	Wiper	
18	7026087	1	O-Ring	
19	70002216	1	Ring, Retaining	
21	7026087	1	O-Ring	
23	70002217	1	Ring, Retaining	
25	7026087	1	Seal Kit, Cylinder (Includes Items 9, 10, 12-15, 18 & 21)	

# SECTION 5 - CYLINDER

## FIGURE 5-8. STEER CYLINDER ASSEMBLY





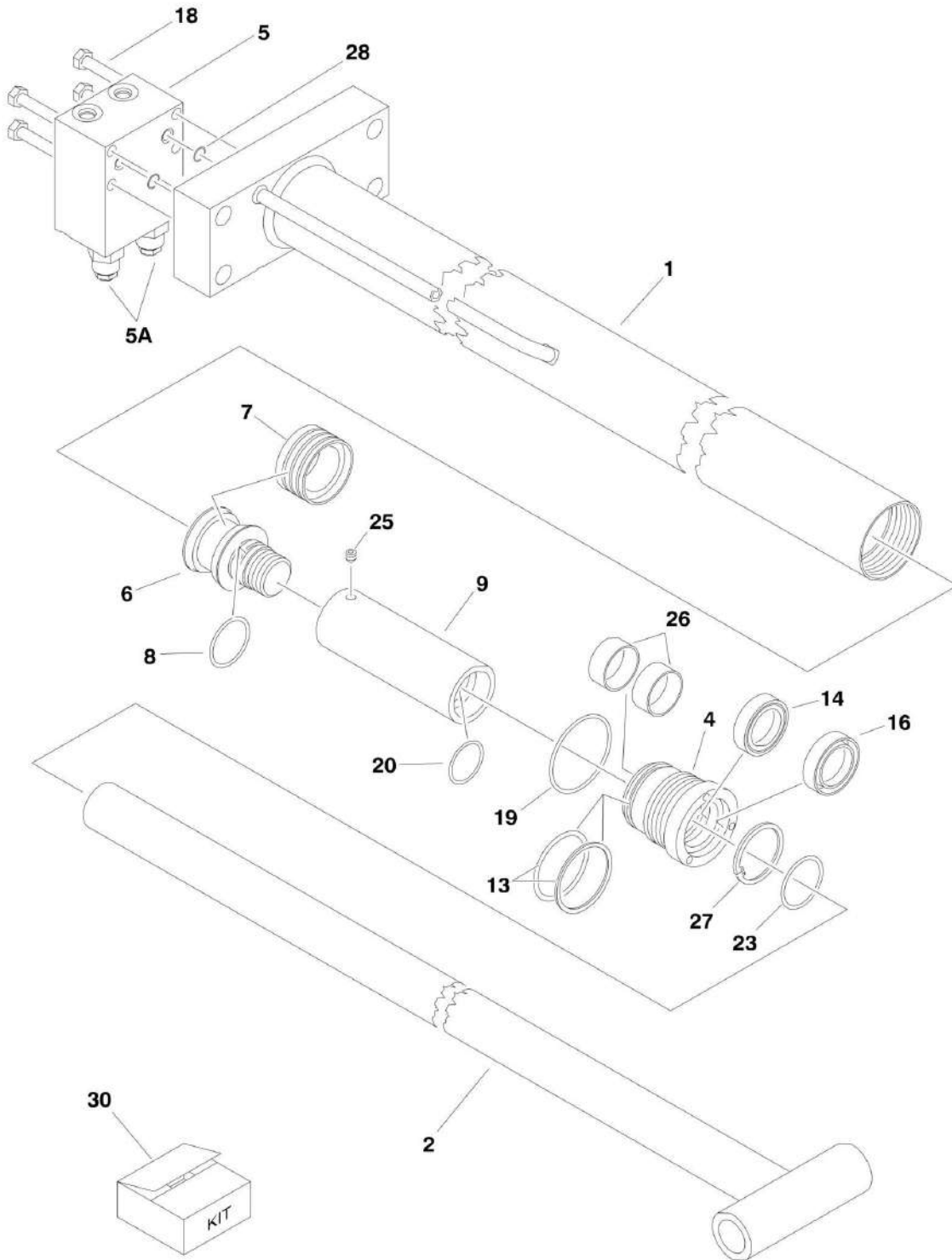
## SECTION 5 - CYLINDER

**FIGURE 5-8. STEER CYLINDER ASSEMBLY**

ITEM	PART NUMBER	QTY	DESCRIPTION	REV
	1684246	Ref	<b>STEER CYLINDER ASSEMBLY</b>	B
1	7026105	1	Barrel	
2	7026106	1	Rod	
3	7026104	2	Head	
6	7026107	2	Wiper	
7	7026107	2	Seal	
9	7026107	2	Ring, Wear	
10	7026107	1	Seal	
12	7026107	2	Ring, Back-up	
13	7026107	2	O-Ring	
14	7026107	2	O-Ring	
15	7026100	2	O-Ring	
18	70002219	2	Ring, Retaining	
20	7026107	1	Seal Kit, Cylinder (Includes Items 6, 7, 9, 10 & 12-14)	

# SECTION 5 - CYLINDER

## FIGURE 5-9. TELESCOPE CYLINDER ASSEMBLY



## SECTION 5 - CYLINDER

**FIGURE 5-9. TELESCOPE CYLINDER ASSEMBLY**

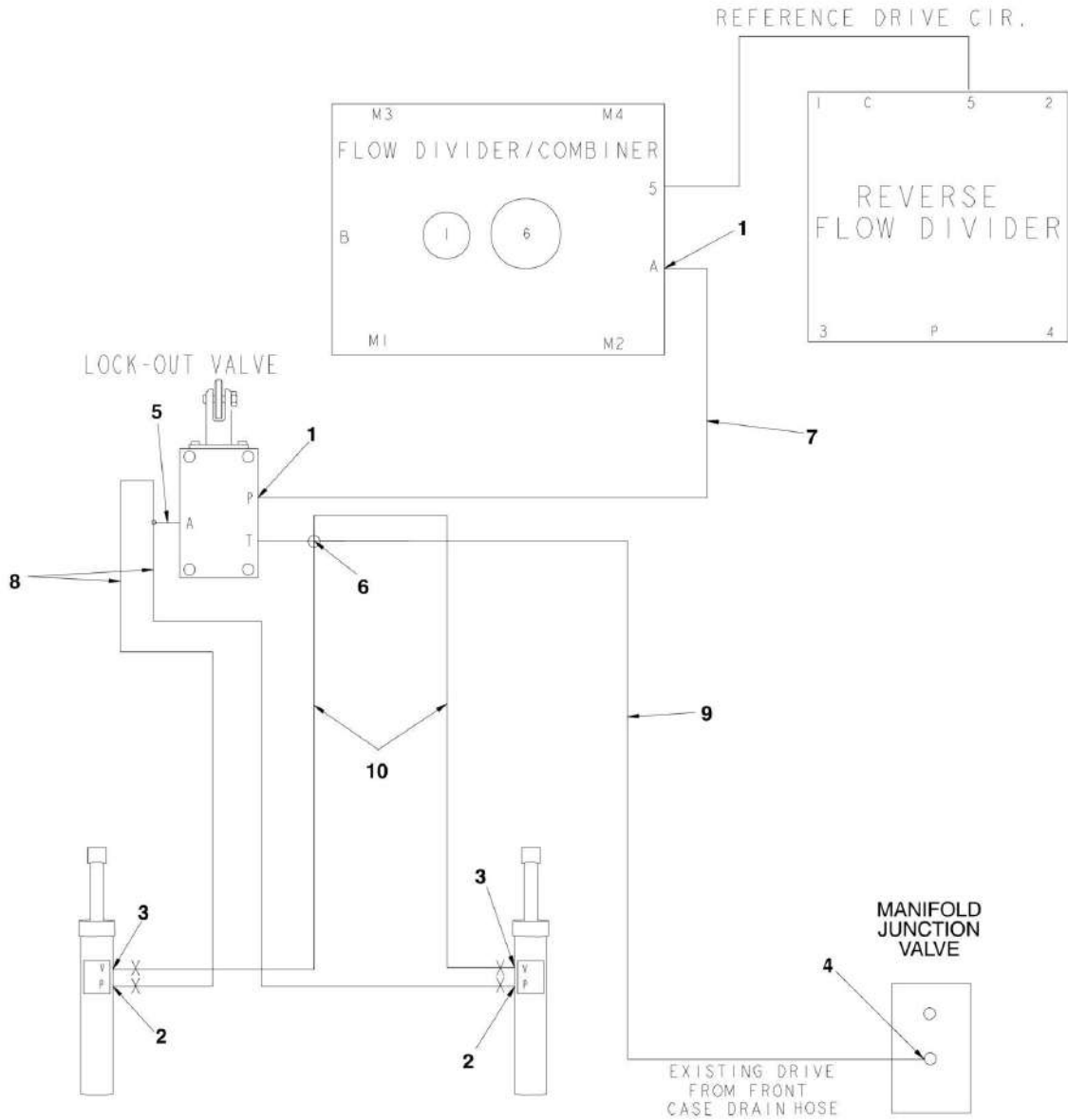
ITEM	PART NUMBER	QTY	DESCRIPTION	REV
	1684235	Ref	<b>TELESCOPE CYLINDER ASSEMBLY</b>	D
1	7026070	1	Barrel	
2	7026071	1	Rod	
4	7026064	1	Head	
5	70001963	1	Valve Block Assembly w/Cartridges	
5A	7011347	2	Cartridge, Valve	
5A	2900770	2	Seal Kit - 7011347 Valve (1 Per Assembly)	
6	7026065	1	Piston	
7	7026072	1	Seal	
8	7026072	1	O-Ring	
9	70206066	1	Spacer	
13	7026072	1	O-Ring	
13	7026072	1	Ring, Back-up	
14	7026072	1	Seal	
16	7026072	1	Wiper	
18	7026067	4	Bolt	
19	7026072	1	O-Ring	
20	7026072	1	O-Ring	
23	7026072	1	O-Ring	
25	7026069	1	Setscrew	
26	7026072	2	Ring, Wear	
27	70002220	1	Ring, Retaining	
28	70000779	2	O-Ring	
30	7026072	1	Seal Kit, Cylinder (Includes Items 7, 8, 13,14, 16, 19, 20, 23 & 26)	



**SECTION 6 - HYDRAULIC**

# SECTION 6 - HYDRAULIC

FIGURE 6-1. AXLE LOCKOUT HYDRAULIC DIAGRAM (BELGIUM BUILT MACHINES) (Prior to SN 130000353)



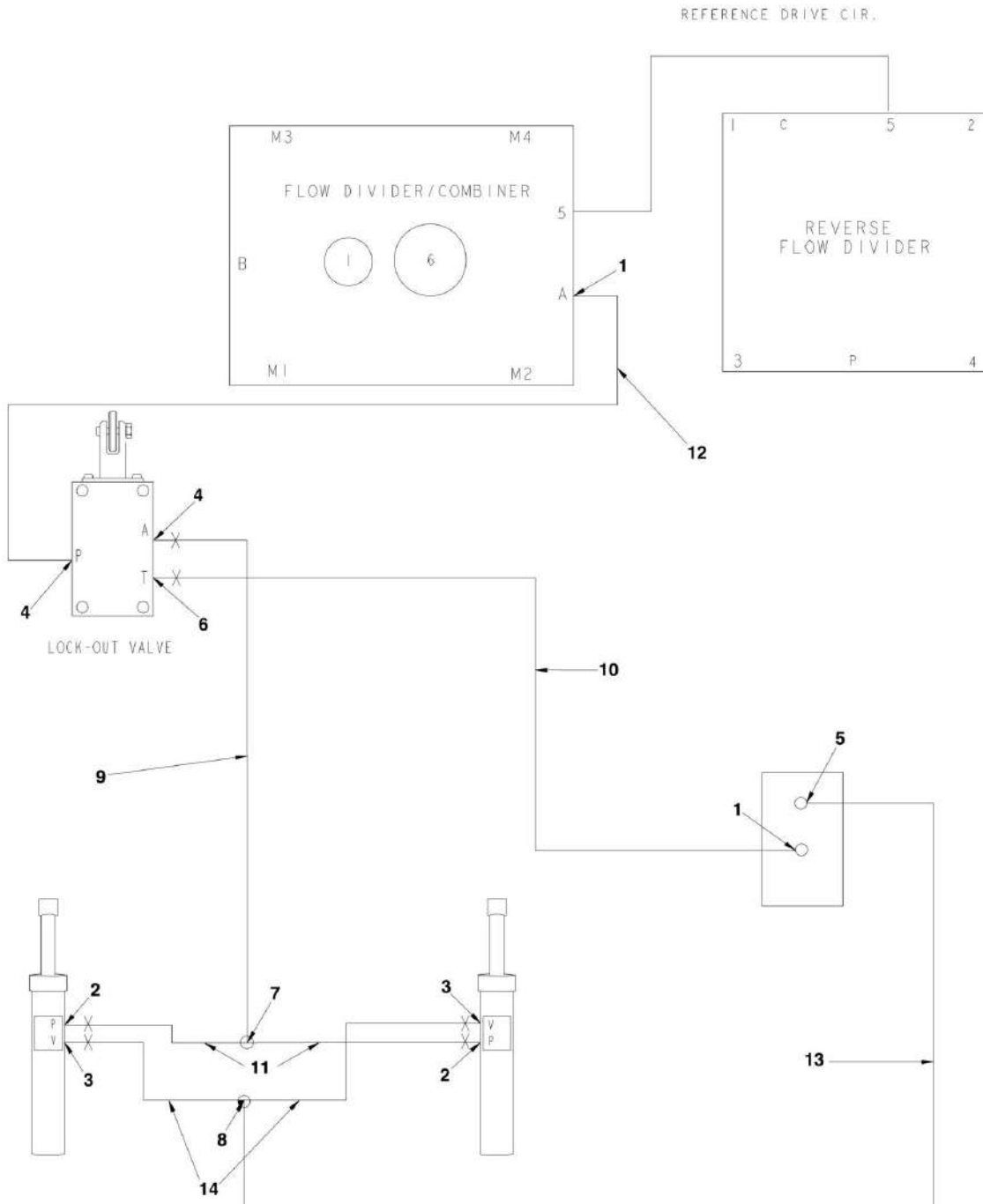
## SECTION 6 - HYDRAULIC

**FIGURE 6-1. AXLE LOCKOUT HYDRAULIC DIAGRAM (BELGIUM BUILT MACHINES) (Prior to SN 130000353)**

ITEM	PART NUMBER	QTY	DESCRIPTION	REV
		Ref	<b>Belgium Built Machines use SNs 13xxxxxxx.</b>	
		Ref	<b>Romanian Built Machines uses SNs E3xxxxxxx.</b>	
		Ref	<b>AXLE LOCKOUT HYDRAULIC DIAGRAM</b>	
	2792579	Ref	<b>4WD</b>	1
1	2110404	2	Fitting, Fitting	
2	2110406	2	Fitting, Straight	
3	2110606	2	Fitting, Straight	
4	2130604	1	Fitting, Elbow	
5	2170404	1	Fitting, Tee	
6	2221083	1	Fitting, Cross	
7	2753540	1	Hose	
8	2753543	2	Hose	
9	2753576	1	Hose	
10	2753855	2	Hose	

# SECTION 6 - HYDRAULIC

FIGURE 6-2. AXLE LOCKOUT HYDRAULIC DIAGRAM (BELGIUM BUILT MACHINES) (SN 130000353 through 1300003222)





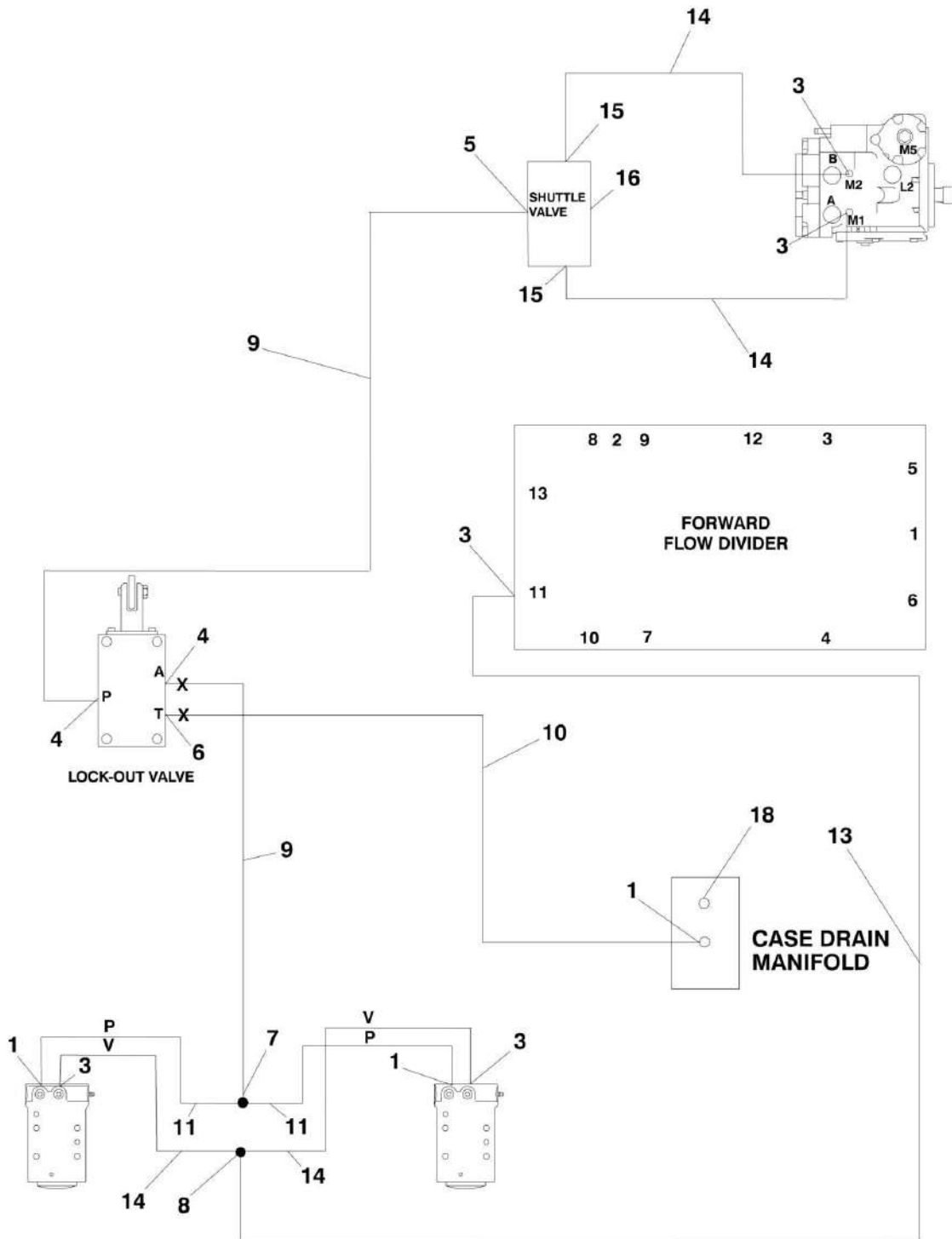
## SECTION 6 - HYDRAULIC

**FIGURE 6-2. AXLE LOCKOUT HYDRAULIC DIAGRAM (BELGIUM BUILT MACHINES) (SN 1300000353 through 1300003222)**

ITEM	PART NUMBER	QTY	DESCRIPTION	REV
		Ref	<b>Belgium Built Machines use SNs 13xxxxxxx.</b>	
		Ref	<b>Romanian Built Machines uses SNs E3xxxxxxx.</b>	
		Ref	<b>AXLE LOCKOUT HYDRAULIC DIAGRAM</b>	
	2792621	Ref	<b>4WD</b>	3
1	2110404	2	Fitting, Fitting	
2	2110406	2	Fitting, Straight	
3	2110606	2	Fitting, Straight	
4	2130404	2	Fitting, Elbow	
5	2130604	1	Fitting, Elbow	
6	2150404	1	Fitting, Elbow	
7	2170504	1	Fitting, Cross	
8	2170506	1	Fitting, Cross	
9	2753935	1	Hose	
10	2753934	1	Hose	
11	2753936	2	Hose	
12	2753937	1	Hose	
13	2753625	1	Hose	
14	2753855	2	Hose	

# SECTION 6 - HYDRAULIC

**FIGURE 6-3. AXLE LOCKOUT HYDRAULIC DIAGRAM (BELGIUM BUILT MACHINES AND ROMANIAN BUILT MACHINES) (SN 1300003223 to Present, SN E300000100 through E300001114)**



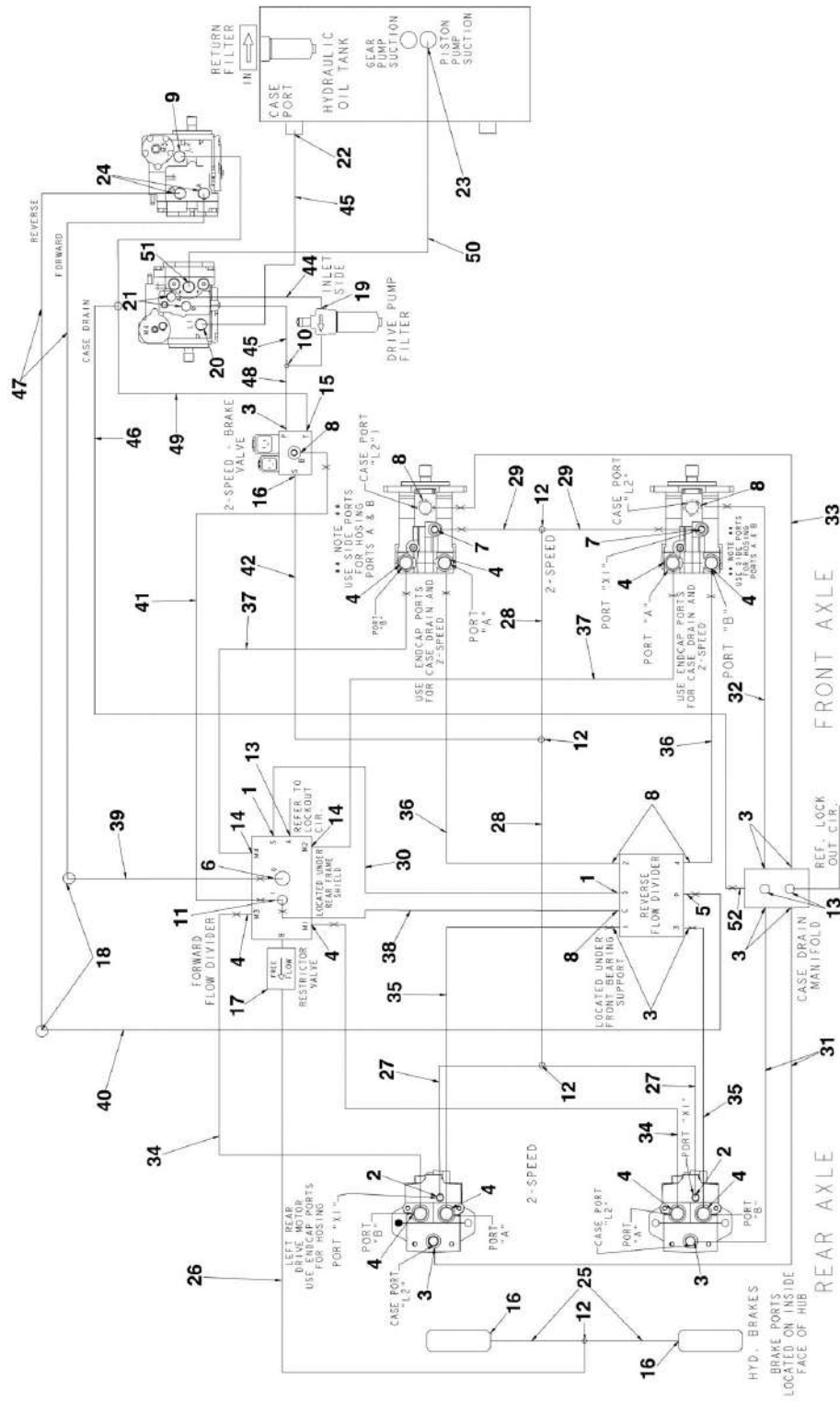
## SECTION 6 - HYDRAULIC

**FIGURE 6-3. AXLE LOCKOUT HYDRAULIC DIAGRAM (BELGIUM BUILT MACHINES AND ROMANIAN BUILT MACHINES) (SN 1300003223 to Present, SN E300000100 through E300001114)**

ITEM	PART NUMBER	QTY	DESCRIPTION	REV
		Ref	<b>Belgium Built Machines use SNs 13xxxxxxx.</b>	
		Ref	<b>Romanian Built Machines uses SNs E3xxxxxxx.</b>	
		Ref	<b>AXLE LOCKOUT HYDRAULIC DIAGRAM</b>	
	2792778	Ref	<b>4WD</b>	6
1	2110404	3	Fitting, Straight	
3	2110606	5	Fitting, Straight	
4	2130404	2	Fitting, Elbow	
5	1001098446	1	Fitting, Straight	
6	2150404	1	Fitting, Elbow	
7	2170504	1	Fitting, Tee	
8	2170506	1	Fitting, Tee	
9	2753782	2	Hose	
10	2753934	1	Hose (Use p/n 1001103977)	
11	2753939	2	Hose	
13	2753851	1	Hose	
14	2753625	4	Hose	
15	2130606	2	Fitting, Elbow	
16	8902175	1	Valve, Shuttle	
18	2220235	1	Plug	

# SECTION 6 - HYDRAULIC

FIGURE 6-4. DRIVE HYDRAULIC DIAGRAM (BELGIUM BUILT MACHINES) (Prior to SN 130003476)



## SECTION 6 - HYDRAULIC

**FIGURE 6-4. DRIVE HYDRAULIC DIAGRAM (BELGIUM BUILT MACHINES) (Prior to SN 1300003476)**

ITEM	PART NUMBER	QTY	DESCRIPTION	REV
		Ref	<b>Belgium Built Machines use SNs 13xxxxxxx.</b>	
		Ref	<b>Romanian Built Machines uses SNs E3xxxxxxx.</b>	
		Ref	<b>DRIVE HYDRAULIC DIAGRAM - 4WD</b>	
	2792578	Ref	<b>Belgium Built Machines (Prior to SN 1300001243)</b>	5
	2792707	Ref	<b>Belgium Built Machines (SN 1300001243 through 1300003476)</b>	4
1	2110404	2	Fitting, Straight	
2	2110406	2	Fitting, Straight	
3	2110808	9	Fitting, Straight	
4	2110812	10	Fitting, Straight	
5	2111212	1	Fitting, Straight	
6	2111216	1	Fitting, Straight	
7	2130406	2	Fitting, Elbow	
8	2130808	6	Fitting, Elbow	
9	2221084	1	Fitting, Tee <b>(Prior to SN 1300001788)</b>	
10	2221088	1	Fitting, Tee	
11	2170308	1	Fitting, Tee	
12	2170504	4	Fitting, Tee	
13	2220235	3	Plug <b>(Prior to SN 1300001243)</b>	
14	2130812	2	Fitting, Elbow	
15	2110604	1	Fitting, Straight	
16	2130404	3	Fitting, Elbow	
17	4641198	1	Valve, Check (Use P/N 4641281)	
18	2221085	2	Fitting, Elbow	
19		Ref	Fitting, Elbow Options:	
19	2131012	1	Belgium Built Machines <b>(Prior to SN 1300001243)</b>	
19	2131008	1	Belgium Built Machines <b>(SN 1300001243 through 1300003476)</b>	
20	2131212	1	Fitting, Elbow (Belgium Built Machines) <b>(Prior to SN 1300001788)</b>	
21	2111010	2	Fitting, Straight (Belgium Built Machines) <b>(Prior to SN 1300001788)</b>	
22	2131216	2	Fitting, Straight	
23	2111620	1	Fitting, Straight	
24	2151212	2	Fitting, Elbow (Belgium Built Machines) <b>(Prior to SN 1300001788)</b>	
25	2753546	2	Hose	
26	2753538	1	Hose	
27	2753537	2	Hose	
28	2753555	2	Hose	
29	2753856	2	Hose	
30	2753542	1	Hose	
31	2753586	2	Hose	
32	2753553	1	Hose	
33	2753553	1	Hose	
34	2753858	2	Hose	
35	2753859	2	Hose	
36	2753600	2	Hose	
37	2753601	2	Hose	
38	2753582	1	Hose	
39	2753602	1	Hose	

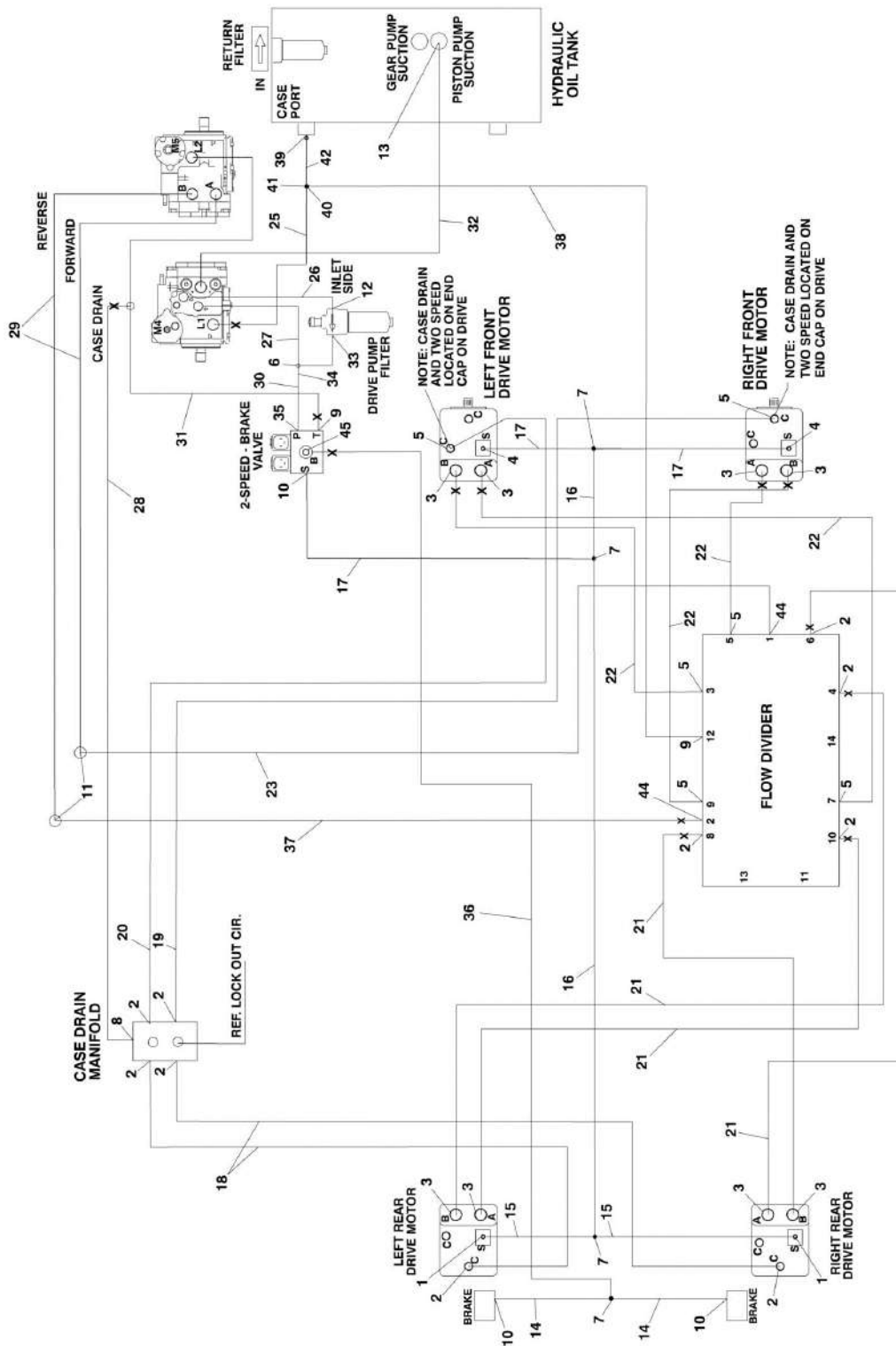
## SECTION 6 - HYDRAULIC

ITEM	PART NUMBER	QTY	DESCRIPTION	REV
40	2753603	1	Hose	
41	2753585	1	Hose	
42	2753555	1	Hose	
43	2753597	1	Hose	
44	2753594	1	Hose	
45	2753595	1	Hose	
46	2753588	1	Hose	
47	2753854	2	Hose	
48	2753584	1	Hose	
49	2753578	1	Hose	
50	2753611	1	Hose	
51	2111612	1	Fitting, Straight (Belgium Built Machines) <b>(Prior to SN 1300001788)</b>	
52		Ref	Fitting Options:	
52	2150812	1	Elbow (Belgium Built Machines) <b>(Prior to SN 1300001243)</b>	
52	2221216	1	Straight (Belgium Built Machines) <b>(SN 1300001243 through 1300003476)</b>	



# SECTION 6 - HYDRAULIC

FIGURE 6-5. DRIVE HYDRAULIC DIAGRAM (BELGIUM BUILT MACHINES AND ROMANIAN BUILT MACHINES) (SN 130003476 to Present, SN E30000100 through E300001114)





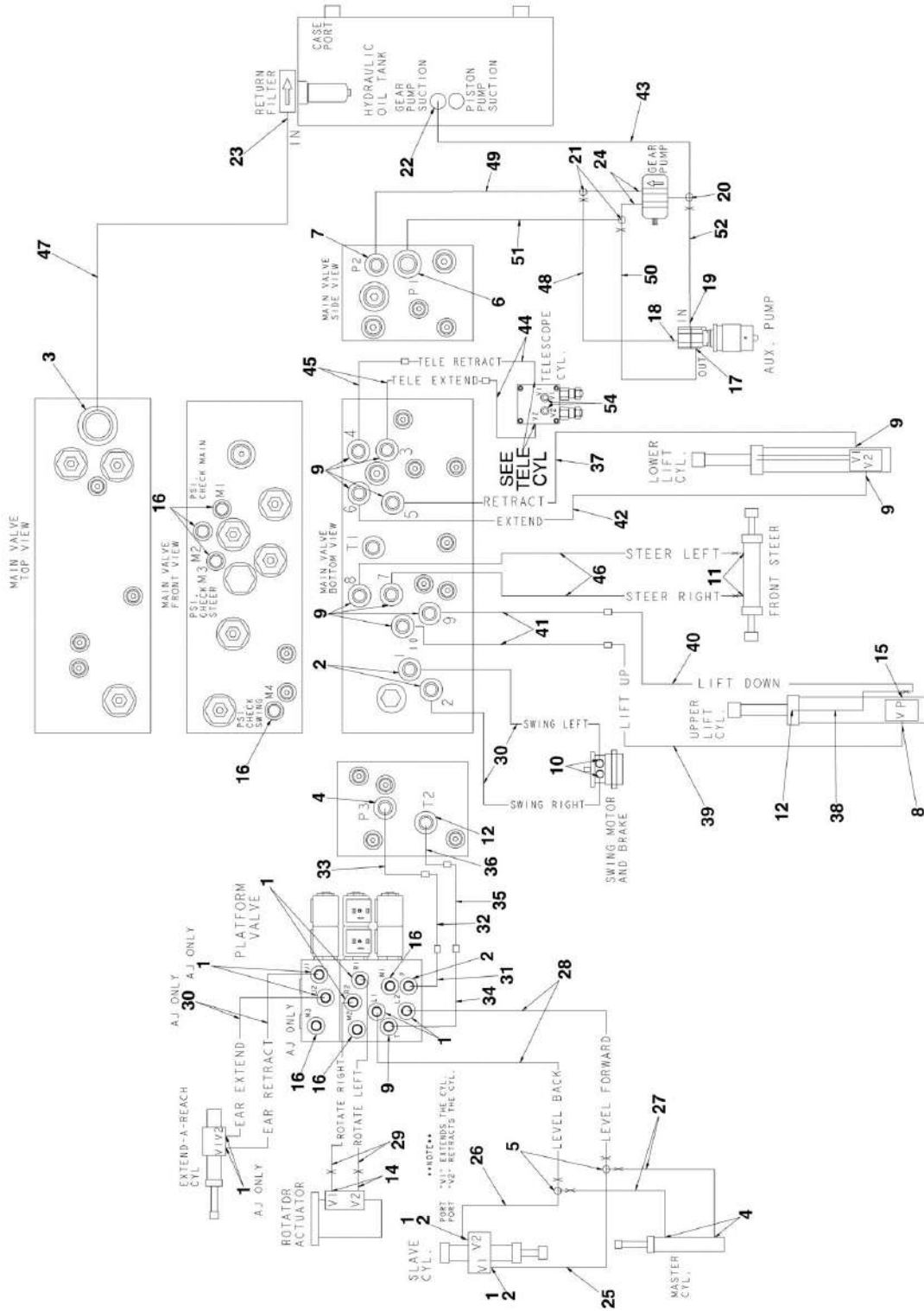
## SECTION 6 - HYDRAULIC

**FIGURE 6-5. DRIVE HYDRAULIC DIAGRAM (BELGIUM BUILT MACHINES AND ROMANIAN BUILT MACHINES) (SN 1300003476 to Present, SN E300000100 through E300001114)**

ITEM	PART NUMBER	QTY	DESCRIPTION	REV
		Ref	<b>Belgium Built Machines use SNs 13xxxxxxx.</b>	
		Ref	<b>Romanian Built Machines uses SNs E3xxxxxxx.</b>	
	1001094635	Ref	<b>DRIVE HYDRAULIC DIAGRAM - 4WD</b>	3
1	2110406	2	Fitting, Straight	
2	2110808	10	Fitting, Straight	
3	2110812	8	Fitting, Straight	
4	2130406	2	Fitting, Elbow	
5	2130808	6	Fitting, Elbow	
6	2221088	1	Fitting, Tee	
7	2170504	4	Fitting, Tee	
8	2130812	1	Fitting, Elbow	
9	2110604	2	Fitting, Straight	
10	2130404	3	Fitting, Elbow	
11	2221085	2	Fitting, Elbow	
12	2131008	1	Fitting, Elbow	
13	2111620	1	Fitting, Straight	
14	2753546	2	Hose	
15	2753537	2	Hose	
16	2753540	2	Hose	
17	2753541	3	Hose	
18	2753586	2	Hose	
19	2753580	1	Hose	
20	2753581	1	Hose	
21	2754244	4	Hose	
22	1001094649	4	Hose	
23	2753605	1	Hose	
25	2753843	1	Hose	
26	2753594	1	Hose	
27	2753595	1	Hose	
28	2753588	1	Hose	
29	2753604	2	Hose	
30	2753538	1	Hose	
31	2753578	1	Hose	
32	2753610	1	Hose	
33	2221216	1	Fitting, Straight	
34	2221183	1	Fitting, Straight	
35	2110404	1	Fitting, Straight	
36	2753787	1	Hose	
37	2753602	1	Hose	
38	2754471	1	Hose	
39	2131216	1	Fitting, Elbow	
40	2221296	1	Fitting, Straight	
41	2170512	1	Fitting, Tee	
42	2753698	1	Hose	
44	2111212	2	Fitting, Straight	
45	4641281	1	Valve, Check	

# SECTION 6 - HYDRAULIC

## FIGURE 6-6. STANDARD HYDRAULIC DIAGRAM



## SECTION 6 - HYDRAULIC

**FIGURE 6-6. STANDARD HYDRAULIC DIAGRAM**

ITEM	PART NUMBER	QTY	DESCRIPTION	REV
		Ref	<b>STANDARD HYDRAULIC DIAGRAM</b>	
	2792580	Ref	<b>Turntable Hydraulic Diagram</b>	6
	2792584	Ref	<b>Main Boom Hydraulic Diagram</b>	2
	2792583	Ref	<b>Tower Boom Hydraulic Diagram</b>	1
1	2110404	10	Fitting, Straight	
2	2110406	3	Fitting, Straight	
3	2111212	1	Fitting, Straight	
4	2130406	3	Fitting, Elbow	
5	2170504	2	Fitting, Tee	
6	2150808	1	Fitting, Elbow	
7	2150606	1	Fitting, Elbow	
8	2170206	1	Fitting, Long Elbow	
9	2110606	11	Fitting, Straight	
10	2110410	2	Fitting, Straight	
11	2110606	2	Fitting, Straight (1.25in Length)	
11	2170106	2	Fitting, Long Straight (2.27in Length)	
12	2130606	2	Fitting, Elbow	
14	2150404	2	Fitting, Elbow	
15	2170406	1	Fitting, Tee	
16	2221086	7	Fitting, Pressure, Check	
17		Ref	Fitting Options:	
17	2130604	1	Fitting, Elbow	
17	2110604	1	Fitting, Straight	
18	2110604	1	Fitting, Straight	
19	2131210	1	Fitting, Elbow	
20	2170316	1	Fitting, Tee	
21	2170808	2	Fitting, Tee	
22	2111620	1	Fitting, Straight	
23	2111216	1	Fitting, Straight	
24	4641199	2	Valve, Check	
25	2753546	1	Hose	
26	2753546	1	Hose	
27	2753845	2	Hose	
28	2753548	2	Hose	
29	2753557	2	Hose	
30		Ref	Hose Options:	
30	2753550	2	Main Boom Hydraulic Diagram (66in Length)	
30	2753675	2	Standard Hydraulic Diagram (84in Length)	
31	2753847	1	Hose	
32	2753552	1	Hose	
33	2753553	1	Hose	
34	2753846	1	Hose	
35	2753561	1	Hose	
36	2753562	1	Hose	
37	2753563	1	Hose	
38	4568280	1	Tube	
39	2753565	1	Hose	
40	2753566	1	Hose	
41	2753567	2	Hose	
42	2753568	1	Hose	

## SECTION 6 - HYDRAULIC

ITEM	PART NUMBER	QTY	DESCRIPTION	REV
43	2753611	1	Hose	
44	2753569	2	Hose	
45	2753570	2	Hose	
46	2753571	2	Hose	
47	2753613	1	Hose	
48	2753572	1	Hose	
49	2753573	1	Hose	
50	2753589	1	Hose	
51	2753590	1	Hose	
52	2753614	1	Hose	
53	1705091	4	Decal, Hose Tags (Not Shown)	
54	2130606	2	Fitting, Elbow	



# SECTION 6 - HYDRAULIC

## FIGURE 6-7. HYDRAULIC DIAGRAM LIST

ITEM	PART NUMBER	QTY	DESCRIPTION	REV
		Ref	<b>Note: Information on diagrams not shown is available from JLG Customer Service Department.</b>	
		Ref	<b>Axle Lockout Hydraulic Diagrams:</b>	
	2792579	Ref	Belgium Built Machines (Prior to SN 130000353)	
	1283245	Ref	Belgium Built Machines (Prior to SN 130000353)	
	2792621	Ref	Belgium Built Machines (SN 130000353 through 1300003222)	
	1283373	Ref	Belgium Built Machines (SN 130000353 through 1300003222)	
	2792778	Ref	Belgium Built Machines (SN 1300003223 to Present)	
	1283460	Ref	Belgium Built Machines (SN 1300003223 to Present)	
	2792778	Ref	Romanian Built Machines (SN E300000100 through E300001114)	
	1283460	Ref	Romanian Built Machines (SN E300000100 through E300001114)	
		Ref	<b>Axle Fixed Hydraulic Diagrams:</b>	
	Not Required	0	Belgium Built Machines (Prior to SN 1300003223)	
	2792784	Ref	Belgium Built Machines (SN 1300003223 to Present)	
	1283460	Ref	Belgium Built Machines (SN 1300003223 to Present)	
	2792784	Ref	Romanian Built Machines (SN E300000100 through E300001114)	
	1283460	Ref	Romanian Built Machines (SN E300000100 through E300001114)	
	2792590	Ref	<b>Boom (Main) Hydraulic Diagram</b>	
	1283373	Ref	<b>Boom (Main) Hydraulic Diagram</b>	
	2792583	Ref	<b>Boom (Tower) Hydraulic Diagram</b>	
	1283373	Ref	<b>Boom (Tower) Hydraulic Diagram</b>	
		Ref	<b>Drive Hydraulic Diagrams:</b>	
	2792578	Ref	Belgium Built Machines (Prior to SN 1300001159)	
	1283245	Ref	Belgium Built Machines (Prior to SN 1300001159)	
	2792707	Ref	Belgium Built Machines (SN 1300001159 through 1300003475)	
	1283373	Ref	Belgium Built Machines (SN 1300001159 through 1300003475)	
	1001094635	Ref	Belgium Built Machines (SN 1300003476 to Present)	
	1283460	Ref	Belgium Built Machines (SN 1300003476 to Present)	
	1001094635	Ref	Romanian Built Machines (SN E300000100 through E300001114)	
	1283460	Ref	Romanian Built Machines (SN E300000100 through E300001114)	
		Ref	<b>Oil Cooler Hydraulic Diagrams:</b>	
	1001107591	Ref	Caterpillar/Perkins Engines	
	1001096182	Ref	Deutz/GM Engines	
	2792580	Ref	<b>Standard Hydraulic Diagram</b>	
	1283373	Ref	<b>Standard Hydraulic Diagram</b>	
		Ref	<b>Standard Hydraulic Schematic</b>	
	2792518	Ref	Belgium Built Machines (Prior to SN 1300003223)	
	2792780	Ref	Belgium Built Machines (SN 1300003223 to Present)	
	2792780	Ref	Romanian Built Machines (SN 1300003223 through E300001114)	

**SECTION 7 - ELECTRICAL**

# SECTION 7 - ELECTRICAL

## FIGURE 7-1. ELECTRICAL DIAGRAM LIST

ITEM	PART NUMBER	QTY	DESCRIPTION	REV
		Ref	<b>Note: All Romanian Built Machines uses UGM.</b>	
		Ref	<b>Note: No Romanian Built Machines built with Perkins Engines.</b>	
	0257887	Ref	<b>ALARM ELECTRICAL DIAGRAM</b>	
	0258921	Ref	<b>ETHER START ELECTRICAL DIAGRAM</b>	
	1283002	Ref	<b>ETHER START ELECTRICAL DIAGRAM</b>	
		Ref	<b>GENERATOR ELECTRICAL DIAGRAM (2500W)</b>	
		Ref	<b>Note: For Diagram for Machines with SkyPower Generator, see JLG Supplement P/N 3124242.</b>	
		Ref	<b>Note: For Module (with/without UGM) Identification, refer to Revision Log page A.</b>	
		Ref	<b>Without UGM</b>	
		Ref	<b>110V/60Hz Generator</b>	
	4933250	Ref	<b>Belgium Built Machines (Prior to SN 1300000316)</b>	
	4933238	Ref	<b>Belgium Built Machines (SN 1300000316 through 1300000730)</b>	
	4933300	Ref	<b>Belgium Built Machines (SN 1300000731 to Present)</b>	
		Ref	<b>110V/50Hz &amp; 220V/50Hz Generator</b>	
	4933216	Ref	<b>Belgium Built Machines (Prior to SN 1300000316)</b>	
	4933239	Ref	<b>Belgium Built Machines (SN 1300000316 through 1300000730)</b>	
	4933300	Ref	<b>Belgium Built Machines (SN 1300000731 through 1300006618)</b>	
	1001100027	Ref	<b>Belgium Built Machines (SN 1300006619 to Present)</b>	
		Ref	<b>With UGM</b>	
		Ref	<b>Caterpillar/Deutz/Perkins</b>	
	1001112588	Ref	<b>110V/60HZ</b>	
	1001112743	Ref	<b>110V/50HZ &amp; 220V/50HZ</b>	
	4933217	Ref	<b>GLOW PLUG ELECTRICAL DIAGRAM (DEUTZ MACHINES)</b>	
		Ref	<b>LIGHTS ELECTRICAL DIAGRAMS</b>	
	4933219	Ref	<b>Headlights and Taillights</b>	
	4933231	Ref	<b>Chassis Lights</b>	
	See Note	Ref	<b>PLATFORM ELECTRICAL DIAGRAM (NOTE: SEE ELECTRICAL SCHEMATIC)</b>	
		Ref	<b>PLATFORM WORKLIGHTS ELECTRICAL DIAGRAMS:</b>	
	0270814	Ref	<b>Belgium Built Machines (Prior to SN 1300000138)</b>	
	0273495	Ref	<b>Belgium Built Machines (SN 1300000138 through 1300001679)</b>	
	0274862	Ref	<b>Belgium Built Machines (SN 1300001680 to Present)</b>	
	4933218	Ref	<b>SOFT TOUCH ELECTRICAL DIAGRAM</b>	
		Ref	<b>STANDARD ELECTRICAL DIAGRAMS</b>	
		Ref	<b>Note: For Module (with/without UGM) Identification, refer to Revision Log page A.</b>	
		Ref	<b>Without UGM</b>	
	4933171	Ref	<b>Belgium Built Machines (Prior to SN 1300000981)</b>	
	4933326	Ref	<b>Belgium Built Machines (SN 1300000981 through 1300002604)</b>	
	4933384	Ref	<b>Belgium Built Machines (SN 1300002605 to Present)</b>	
		Ref	<b>With UGM</b>	
	1001109727	Ref	<b>Deutz Engines</b>	
	1001102900	Ref	<b>Caterpillar/Perkins</b>	

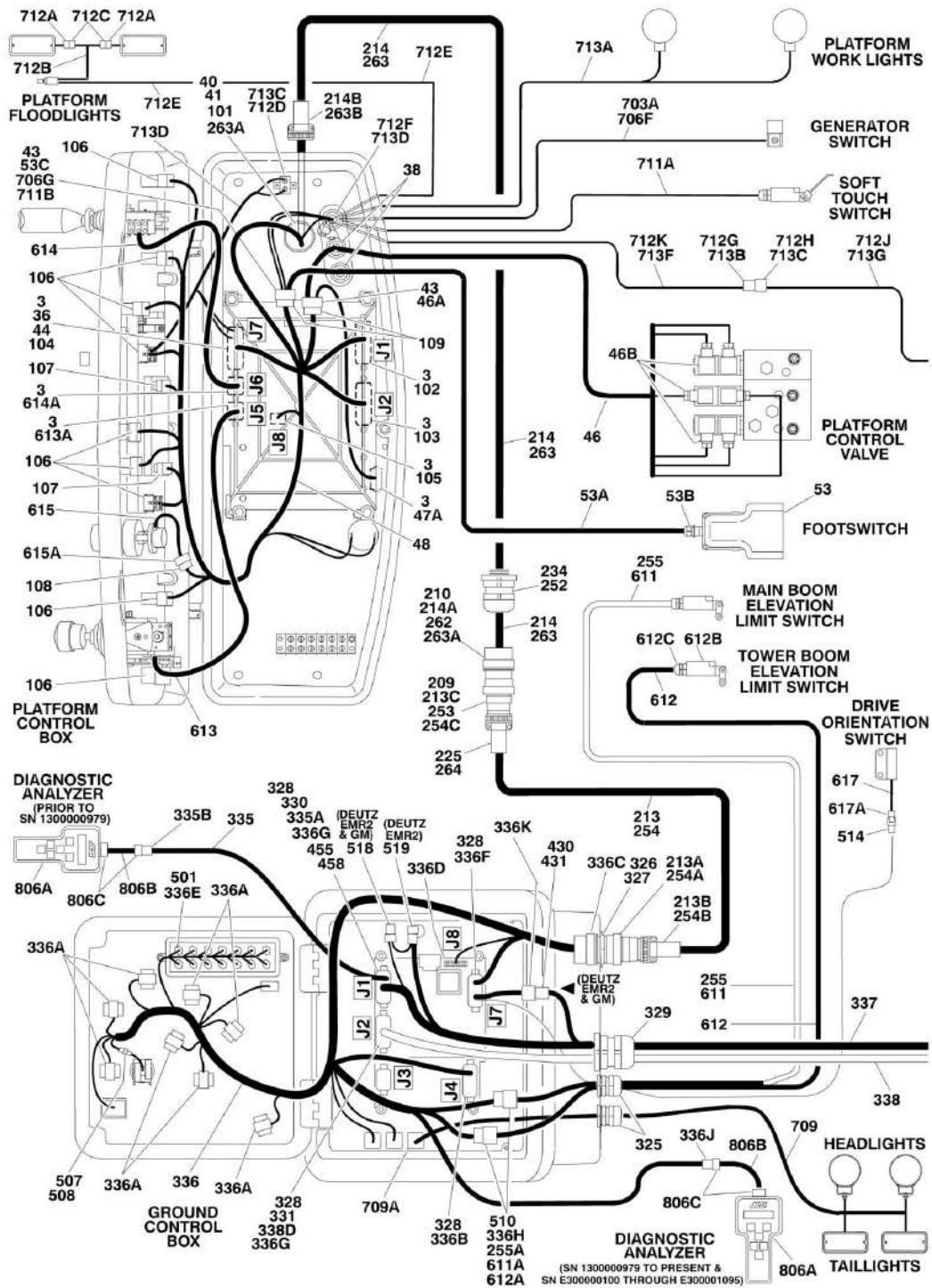


## SECTION 7 - ELECTRICAL

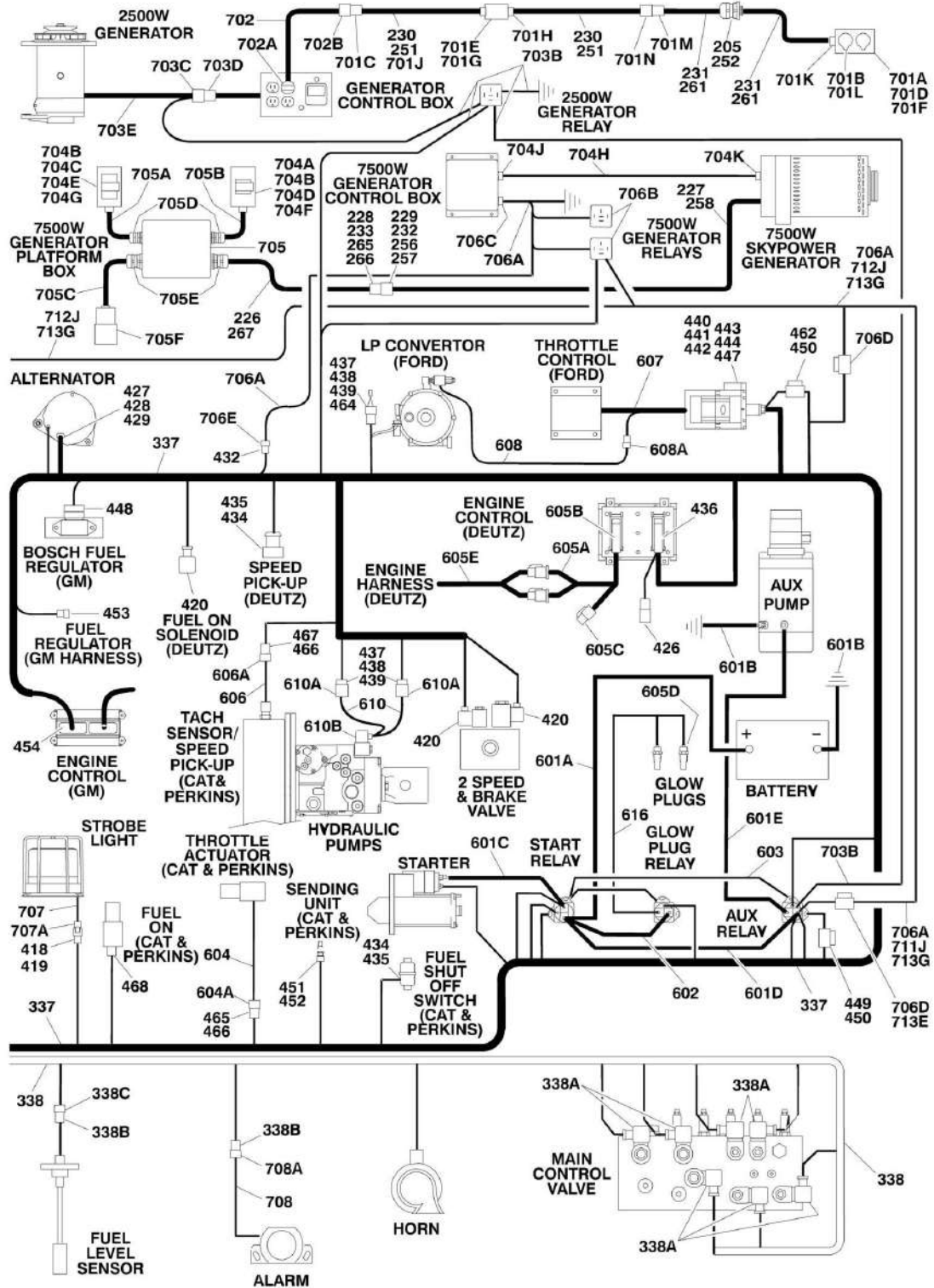
ITEM	PART NUMBER	QTY	DESCRIPTION	REV
		Ref	<b>STANDARD ELECTRICAL SCHEMATIC</b>	
		Ref	<b>Note: For Module (with/without UGM) Identification, refer to Revision Log page A.</b>	
		Ref	<b>Without UGM</b>	
	1870144	Ref	<b>Deutz Engine Machines (Prior to SN 1300000981)</b>	
	1870191	Ref	<b>Deutz Engine Machines (SN 1300000981 through 1300002604)</b>	
	1870215	Ref	<b>Deutz Engine Machines (SN 1300002605 to Present)</b>	
	1870215	Ref	<b>Perkins Engine Machines</b>	
	1001108879	Ref	<b>With UGM</b>	

# SECTION 7 - ELECTRICAL

## FIGURE 7-2. HARNESS COMPONENTS INSTALLATION (WITHOUT UGM)



# SECTION 7 - ELECTRICAL



# SECTION 7 - ELECTRICAL

## FIGURE 7-2. HARNESS COMPONENTS INSTALLATION (WITHOUT UGM)

ITEM	PART NUMBER	QTY	DESCRIPTION	REV
		Ref	<b>Note: For Module (with/without UGM) Identification, refer to Revision Log page A.</b>	
		Ref	<b>Note: All Romanian Built Machines were built with UGM.</b>	
		Ref	<b>USA Built Machines use SNs 03xxxxxxx.</b>	
		Ref	<b>Belgium Built Machines use SNs 13xxxxxxx.</b>	
		Ref	<b>Romanian Built Machines use SNs E3xxxxxxx.</b>	
	0861512	Ref	<b>PLATFORM CONSOLE BOX COMPONENTS</b>	L
3	0100048	AR	Grease, Dielectric	
38	4460428	2	Connector, Strain Relief	
40	4460470	1	Nut, Terminal	
41	4460471	1	Lockwasher, Terminal	
43	4460708	2	Receptacle - 15 Position	
44	4460905	5	Seal, Plug	
46	4922533	1	Harness, Upper Valve	3-C
46A	4460226	7	Socket, Female	
46B	4460880	6	Connector, DIN	
47	4922666	1	Harness, Analyzer Cable	2-B
47	4460226	4	Socket, Female (Not Shown - Located at J2)	
47A	4460761	1	Connector, Female - 4 Position	
47A	4460227	4	Pin, Male	
53	0272970	Ref	Footswitch Components	A
53A	1060918	8 ft/2.4m	Cable, Electrical - 18/3	
53B	4460071	1	Connector, Strain Relief	
53C	4460226	2	Socket, Female	
53C	4460464	1	Pin, Male Deutsch	
54		Ref	Harness, Platform Box (See Items 101-109 for Breakdown)	
54	4922669	1	Belgium Built Machines ( <b>Prior to SN 1300006692</b> )	
54	1001107007	1	Belgium Built Machines ( <b>SN 1300006692 to Present</b> )	
		Ref	<b>PLATFORM BOX HARNESS ASSEMBLY</b>	
	4922669	Ref	<b>Platform Box Harness Assembly (Prior to SN 1300006701)</b>	3-D
	1001107007	Ref	<b>Platform Box Harness Assembly (SN 1300006701 to Present)</b>	C
101	4460866	1	Connector - 19 Position	
101	4460464	7	Pin, Male Deutsch 16 Ga	
101	4460508	3	Pin, Male Deutsch 12 Ga	
102	4460874	1	Connector - 35 Position (Natural)	
102	4460871	AR	Socket, Female	
103	4460875	1	Connector - 35 Position (Gray)	
103	4460871	AR	Socket, Female	
104	4460873	1	Connector - 35 Position (Black)	
104	4460871	AR	Socket, Female	
105	4460879	1	Connector, Male 2 Position	
105	4460887	2	Terminal (12 Gauge)	
106	4460418	8	Connector, Female - 6 Position	
106	4460419	24	Socket, Female	
107	4460225	4	Plug, Male - 6 Position	
107	4460226	18	Socket, Female	
108	4460225	1	Plug, Male - 6 Position	
108	4460227	5	Pin, Male	
109	4460434	2	Plug, Male - 15 Position	
109	4460227	25	Pin, Male	

## SECTION 7 - ELECTRICAL

ITEM	PART NUMBER	QTY	DESCRIPTION	REV
		Ref	<b>BOOM CABLES INSTALLATION</b>	
	0272594	Ref	<b>Tower Boom Components</b>	D
201 to 250	Not Required	0	Not Required	
251	1060991	1	Cable, Electrical 12/3	
252	4460425	2	Connector, Strain Relief	
253	4460866	1	Connector - 19 Position	
253	2820031	1	Heat Shrink	
254	4922530	1	Harness Assembly - Tower Boom (12/4 - 18/8)	3-D
254	1060896	34 ft/10.4m	Cable, Electrical - 12/4 & 18/8	
254	2820118	6 in/15cm	Heat Shrink	
254A	4460865	2	Connector - 19 Position	
254A	4460465	11	Socket, Female 18 Gauge	
254A	4460509	4	Socket, Female 12 Gauge	
254A	4460466	4	Seal, Plug	
254B	4460473	1	Clamp, Cable	
254C	4460464	11	Pin, Male 18 Gauge	
254C	4460508	4	Pin, Male 12 Gauge	
255	4922770	1	Cable, Electrical 18/2	
255A	4460226	2	Socket, Female	
256 to 258	Not Required	0	Not Required	
	0272620	Ref	<b>Main Boom Cable Components</b>	C
261	1060992	1	Cable, Electrical 12/3	
262	4460865	1	Connector - 19 Position	
263	4922806	1	Harness Assembly - Main Boom (12/4 - 18/8)	1-A
263	1060896	37 ft/11.3m	Cable, Electrical - 12/4 & 18/8	
263	2820118	6 in/15cm	Heat Shrink	
263A	4460865	2	Connector - 19 Position	
263A	4460465	22	Socket, Female 18 Gauge	
263A	4460509	8	Socket, Female 12 Gauge	
263A	4460466	4	Seal, Plug	
263B	4460473	1	Clamp, Cable	
264	4460473	1	Clamp, Cable	
265 to 267	Not Required	0	Not Required	
		Ref	<b>GROUND CONTROL BOX COMPONENTS</b>	
325	4460426	AR	Connector, Strain Relief	
325	3520035	AR	Plug	
326	4460470	1	Nut, Terminal	
327	4460471	1	Locknut, Terminal	
328	0100048	AR	Grease, Dielectric	
329	4460526	1	Connector, Strain Relief	
330	4460874	1	Connector (Natural)	
330	4460905	4	Seal, Plug	
331	4460875	1	Connector (Gray)	
331	4460905	4	Seal, Plug	
335	4922666	1	Cable, Analyzer ( <b>Prior to SN 1300000981</b> )	2
335A	4460226	4	Socket, Female (Located at J1)	
335B	4460761	1	Connector, Female - 4 Position	
335B	4460227	4	Pin, Male	
336		Ref	Ground Control Box Harness Assembly	
336	4922638	1	Belgium Built Machines ( <b>Prior to SN 1300000981</b> )	5-F

## SECTION 7 - ELECTRICAL

ITEM	PART NUMBER	QTY	DESCRIPTION	REV
336	4923223	1	Belgium Built Machines (SN 1300000981 through 1300002604)	G
336	4923575	1	Belgium Built Machines (SN 1300002605 to Present)	F
336	3990010	1	Diode 6 Amp (Not Shown)	
336A	4460418	9	Connector, Female - 6 Position	
336A	4460419	27	Socket, Female	
336B	4460876	1	Connector - 35 Position (Blue)	
336B	4460871	28	Socket, Female	
336B	4460905	31	Seal, Plug	
336C	4460866	1	Connector - 19 Pin	
336C	4460464	10	Pin, Male Deutsch 16 Ga	
336D	4460878	1	Housing, Terminal - 4 Position	
336D	4460887	3	Terminal (12 Gauge)	
336E	4120035	7	Base, Light	
336E	4460634	8	Terminal (16 Gauge)	
336E	4460635	6	Terminal (12 Gauge)	
336F	4460873	1	Connector - 35 Position (Black)	
336F	4460871	AR	Socket, Female	
336F	4460905	2	Seal, Plug	
336G	4460871	3	Socket, Female	
336H	4460434	AR	Plug, Male - 15 Position	
336H	4460227	17	Pin	
336J	4460761	1	Connector, Female 4 - Position (SN 1300000981 to Present)	
336J	4460227	4	Pin, Male	
336K	4460536	1	Connector, Female 3 - Position (SN 1300002605 to Present)	
336K	4460943	3	Pin, Male	
337		Ref	Engine Harness Assembly (See Items 401-469 for Breakdown)	
337	4922522	1	Deutz Engines Belgium Built Machines (Prior to SN 1300000981)	
337	4923265	1	Deutz Engines Belgium Built Machines (SN 1300000981 to Present)	
337	4923581	1	Perkins Engines Belgium Built Machines (SN 1300002604 through 1300005189)	
337	1001098840	1	Perkins Engines Belgium Built Machines (SN 1300005190 to Present)	
338	4922523	1	Valve Harness Assembly	2-C
338A	4460880	12	DIN Connector	
338B	4460320	2	Connector, Female - 2 Position	
338B	4460267	4	Pin, Male	
338C	4460424	1	Connector, Male - 2 Position	
338C	4460268	2	Pin, Female	
338D	4460871	20	Socket, Female	
339		Ref	Ground Control Box Wiring Diagram (Not Shown - See Items 501 to 519 for Breakdown)	
339	4933171	Ref	Deutz Engines Belgium Built Machines (Prior to SN 1300000981)	
339	4933326	Ref	Deutz Engines Belgium Built Machines (SN 1300000981 through 1300002603)	
339	4933384	Ref	Deutz Engines Belgium Built Machines (SN 1300002604 to Present)	
339	4933382	Ref	Perkins Engines	
		Ref	<b>ENGINE HARNESS ASSEMBLY</b>	
	4922522	Ref	Deutz Engines Belgium Built Machines (Prior to SN 1300000981)	8-H

## SECTION 7 - ELECTRICAL

ITEM	PART NUMBER	QTY	DESCRIPTION	REV
	4923265	Ref	<b>Deutz Engines Belgium Built Machines (SN 130000981 to Present)</b>	F
	4923581	Ref	<b>Perkins Engines Belgium Built Machines (Prior to SN 1300005190)</b>	B
	1001098840	Ref	<b>Perkins Engines Belgium Built Machines (SN 1300005190 to Present)</b>	B
418	4460424	1	Receptacle, Female - 2 Position	
419	4460268	2	Socket, Female	
420	4460880	AR	DIN Connector without Diode	
426	4461070	6	Receptacle with Resistor (Deutz EMR2 Engine Only)	
426	4460944	1	Terminal, Gold (Deutz EMR2 Engine Only)	
426	4461095	1	Plug, Male - 3 Position (Deutz EMR2 Engine Only)	
427 to 428	Not Required	0	Not Required	
430	4460539	1	Plug, Male - 3 Position (Deutz EMR2 Engines Only)	
431	4460944	1	Terminal, Gold (Deutz EMR2 Engines Only)	
432	Not Required	0	Not Required	
434		Ref	Receptacle, Female - 2 Position Options:	
434	4460890	1	Deutz Engine	
434	4460890	1	Caterpillar/Perkins Engine (Belgium Built Machines) <b>(Prior to SN 1300005190)</b>	
434	1001098923	1	Caterpillar/Perkins Engine (Belgium Built Machines) <b>(SN 1300005190 to Present)</b>	
435		Ref	Terminal Options:	
435	4460889	2	Deutz Engine Only	
435	4460889	2	Perkins Engine (Belgium Built Machines) <b>(Prior to SN 1300005190)</b>	
435	4460465	2	Perkins Engine (Belgium Built Machines) <b>(SN 1300005190 to Present)</b>	
436	4461052	1	Plug - 25 Position (Deutz EMR2 Engine Only)	
436	4461005	5	Terminal 18-20 Gauge (Deutz EMR2 Engine Only)	
436	4461060	2	Terminal 14-16 Gauge (Deutz EMR2 Engine Only)	
436	4461006	5	Seal 18-20 Gauge (Deutz EMR2 Engine Only)	
436	4461054	2	Seal 14-16 Gauge (Deutz EMR2 Engine Only)	
436	4461008		Plug, Hole (Deutz EMR2 Engine Only)	
436	4461053	1	Cover, Plug (Deutz EMR2 Engine Only)	
437	4460742	AR	Plug, Male - 2 Position	
438	4460457	AR	Terminal, Female	
439	4460458	AR	Seal, Terminal	
440 to 444	Not Required	0	Not Required	
445	4460891	1	Connector, 2 Position Deutsch	
446	4460539	1	Connector, 3 Position Deutsch	
447 to 454	Not Required	0	Not Required	
455	4460871	AR	Socket, Female	
455	3990001	1	Diode (Perkins Engines Only)	
457	Not Required	0	Not Required	
459	Not Required	0	Not Required	
462	Not Required	0	Not Required	
464	Not Required	0	Not Required	
465	4460891	1	Plug, Male - 2 Position (Perkins Engine Only)	
466	4460465	5	Socket, Female (Perkins Engine Only)	
467	4460539	1	Plug, Male - 3 Position (Perkins Engine Only)	
468	4460994	1	Housing - 2 Position (Perkins Engine Only)	
468	4460993	1	Terminal (Perkins Engine Only)	

## SECTION 7 - ELECTRICAL

ITEM	PART NUMBER	QTY	DESCRIPTION	REV
469	3730125	1	Resistor, 120 OHM (Not Shown - Perkins Engine Only)	
		Ref	<b>GROUND CONTROL BOX WIRING DIAGRAM</b>	
	4933171	Ref	<b>Deutz Engines Belgium Built Machines (Prior to SN 130000981)</b>	9-I
	4933326	Ref	<b>Deutz Engines Belgium Built Machines (SN 130000981 through 1300002604)</b>	F
	4933384	Ref	<b>Deutz Engines Belgium Built Machines (SN 1300002605 to Present)</b>	D
	4933382	Ref	<b>Perkins Engines</b>	D
501	2920129	AR	Bulb, Light	
507	2400065	1	Fuse, 30Amp	
508	2400066	1	Fuse, Holder	
510	4460708	AR	Receptacle, Female - 15 Position	
510	4460226	AR	Socket, Female	
510	4922637	1	Harness, Jumper (Not Shown)	
514	4460424	1	Connector - 2 Position (Belgium Built Machines) <b>(SN 1300006701 to Present)</b>	
514	4460226	2	Socket, Female	
518	4460894	1	Plug, Male - 6 Position (Deutz EMR2/Perkins Engines)	
518	4460892	1	Receptacle, Female - 6 Position (Deutz EMR2/Perkins Engines)	
519	2902443	1	Receptacle Kit (Deutz EMR2/Perkins Only)	
519	4461071	8	Socket, Female	
519	4461072	1	Receptacle	
519	4461073	1	Cap, Dust	
519	4461074	1	Shell, Black	
		Ref	<b>STANDARD HARNESS COMPONENTS</b>	
601	2902060	1	Battery Cable Kit	B
601A	7016817	1	Cable - Battery - to Starter Relay	
601B	7027041	1	Cable - Battery + and Auxiliary Pump to Ground (was p/n 7016837)	
601C	7016834	1	Cable - Starter Relay to Starter	
601D	7016838	1	Cable - Starter Relay to Auxiliary Relay	
601E	7016820	1	Cable - Auxiliary Relay to Auxiliary Pump	
601E	Not Required	0	Caterpillar/GM/Perkins Engines	
602		Ref	Harness Options:	
602	1060904	1	Cable, Jumper (Perkins Engine Machines)	
602	4922978	1	Harness, Start Assist Solenoid (Belgium Built Machines) <b>(SN 130000353 through 130000979)</b>	
603	4922737	1	Engine Grounding Harness (Perkins Engine Machines)	
604	1001099927	1	Perkins Throttle Actuator Harness (Includes Actuator)	
604A	4460897	1	Receptacle, Female -2 Position (Perkins Engines Only)	
604A	4460464	2	Pin, Male (Perkins Engines Only)	
604A	2820018	AR	Heatshrink	
605		Ref	Deutz EMR2 Engine Harness Components	
605A	7027796	1	Deutz Engine Harness	
605B	See Note	1	Connector (Note: Not Available - Purchase Item 605A)	
605C	7027793	1	Plug-In, Connector	
605D	70000345	4	Glow Plug Harness (Includes Glow Plug) (Used on p/n 2000338 Engine Only) (Belgium Built Machines) <b>(SN 1300001788 to Present)</b>	
605E	7027794	1	Deutz Engine Harness (For other replacement parts refer to Deutz engine dealer)	
606	1001099926	1	Perkins Speed Sensor Harness (Includes Sensor)	



## SECTION 7 - ELECTRICAL

ITEM	PART NUMBER	QTY	DESCRIPTION	REV
606A	4460536	1	Receptacle, Female - 3 Position (Perkins Engines Only)	
606A	4460464	3	Pin, Male (Perkins Engines Only)	
606A	2820018	AR	Heatshrink	
607 to 609	Not Required	0	Not Required	
610		Ref	Pump Harness Options:	
610	7024830	2	Machines with Series 42 Pump	
610	See Note	2	Machines with Series M46 Pump (Note: Not Available for Purchase)	
610A	7007498	1	Connector - Position (2WD)	
610A	4460867	2	Receptacle, Female - 2 Position (4WD)	
610A	4460850	4	Pin, Male (4WD)	
610B	7007497	1	Connector (2WD)	
610B	Not Required	0	Connector (4WD)	
611 to 611	Not Required	0	Not Required	
612	4922714	1	Limit Switch Harness (Includes Limit Switch)	B
612A	4460226	2	Socket, Female	
612B		Ref	Switch, Limit Switch Options:	
612B	4360321	1	Belgium Built Machines ( <b>Prior to SN 1300000133</b> )	
612B	4360548	1	Belgium Built Machines ( <b>SN 1300000133 to Present</b> )	
612C		Ref	Switch, Limit Switch Options:	
612C	4460428	1	Belgium Built Machines ( <b>Prior to SN 1300000133</b> )	
612C	4460968	1	Belgium Built Machines ( <b>SN 1300000133 to Present</b> )	
613	See Note	1	Controller Harness Assembly (Lift and Swing) (Note: Not Available - Purchase Complete Controller)	
613A	7022819	1	Plug, Male - 8 Position (Natural)	
613A	4460871	8	Socket, Female	
614	7022824	1	Controller Harness/Circuit Board Assembly (Drive and Steer)	
614A	7022825	1	Plug, Male - 8 Position (Black)	
614A	4460871	7	Socket, Female	
615	See Note	1	Controller Harness Assembly (Speed Control) (Note: Not Available - Purchase Complete Controller)	
615A	4460224	1	Receptacle, Female - 6 Position	
615A	4460226	8	Socket, Female	
616	4923451	1	Harness, Glow Plugs (Used on p/n 2000338 Engine Only) (Belgium Built Machines) ( <b>SN 1300001788 to Present</b> )	B
617	4360517	1	Switch, Proximity	
617A	4460320	1	Connector - 2 Position	
617A	4460227	2	Pin, Male	
		Ref	<b>OPTIONAL HARNESS COMPONENTS</b>	
701		Ref	AC to Platform Receptacle Components	
701	0258303	Ref	110V/220VANSI Specs (ANSI and CSA Specs)	B
701	0258304	Ref	110V/220V (Plug and Receptacle Supplied Locally) (ANSI Export and Australian)	B
701		Ref	110V/220V (CE Spec Only)	
701		Ref	Without Generator:	
701	0258304	Ref	110V/220V (Plug and Receptacle Supplied Locally)	B
701	0275681	Ref	110V with IEC Yellow Receptacle and Plug and Circuit Breaker	B
701	0275678	Ref	220V with CEE 7 Post Ground Receptacle and Plug and Circuit Breaker (2x4 Box)	B
701	0275679	Ref	220V with CEE 7 Side Ground Receptacle and Plug and Circuit Breaker (2x4 Box)	B
701	0275683	Ref	220V with CEE 7 Post Ground Receptacle and Plug and	B

## SECTION 7 - ELECTRICAL

ITEM	PART NUMBER	QTY	DESCRIPTION	REV
701	0275684	Ref	Circuit Breaker (70mm x 70mm Box) 220V with CEE 7 Side Ground Receptacle and Plug and Circuit Breaker (70mm x 70mm Box)	B
701	0275680	Ref	220V with AFSINT 107 Keyed Ground Receptacle and Plug and Circuit Breaker (2x4 Box)	B
701	0275682	Ref	220V with IEC Blue Receptacle and Plug and Circuit Breaker	B
701		Ref	With Generator:	
701	1001101913	Ref	110V with IEC Yellow Receptacle and Plug and Circuit Breaker	B
701	1001101910	Ref	220V with CEE 7 Post Ground Receptacle and Plug and Circuit Breaker (2x4 Box)	B
701	1001101911	Ref	220V with CEE 7 Side Ground Receptacle and Plug and Circuit Breaker (2x4 Box)	B
701	1001101915	Ref	220V with CEE 7 Post Ground Receptacle and Plug and Circuit Breaker (70mm x 70mm Box)	B
701	1001101916	Ref	220V with CEE 7 Side Ground Receptacle and Plug and Circuit Breaker (70mm x 70mm Box)	B
701	1001101912	Ref	220V with AFSINT 107 Keyed Ground Receptacle and Plug and Circuit Breaker (2x4 Box)	B
701	1001101914	Ref	220V with IEC Blue Receptacle and Plug and Circuit Breaker	B
701A		Ref	Box Options:	
701A	0860038	Ref	0258303 Installation	
701A	See Note	Ref	0258304 Installation (Note: Not Available - Purchase)	
701A	0861781	Ref	0275681/ 0275680/ 1001101913/ 1001101914 Installations	
701A	0861731	Ref	0275678/ 0275679/ 1001101910/ 1001101911/ 1001101912 Installations	
701A	See Note	Ref	0275683/ 0275684/ 1001101915/ 1001101916 Installations (Note: Was p/n 0861782 which is no longer available. Use p/n 100110344 CEE 7 Side Ground Service Kit or p/n 1001100343 CEE 7 Post Ground Service Kit. Kits include Box, and Items 701B, 701C, 701L & 701N.)	
701A	0861781	Ref	0275682 Installation	
701A	1001141967	Ref	1001100343, 1001100344, 1001141970 & 1001141971 Kits	
701B		Ref	Receptacle Options:	
701B	4460346	1	0258303 Installations	
701B	See Note	1	0258304 Installation (Note: Not Available - Purchase Locally)	
701B	4461198	1	0275681/1001101913 Installations	
701B	4461244	1	0275678/1001101910 Installations	
701B	4461245	1	0275679/1001101911 Installations	
701B	4461204	1	0275683/1001101915 Installations (Note: Use p/n 100110343 which is no longer available)	
701B	4461207	1	0275684/1001101916 Installations (Note: Use p/n 100110344 which is no longer available)	
701B	4461246	1	0275680/1001101912 Installations	
701B	4461201	1	0275682/1001101914 Installations	
701B	1001141968	1	0275218, 1001100343 & 1001141971 Kits	
701B	1001141969	1	0275219, 1001100344 & 1001141970 Kits	
701C		Ref	Plug Options:	
701C	4460205	1	0258303 Installations	
701C	See Note	1	0258304 Installation (Note: Not Available - Purchase Locally)	
701C	4461196	1	0275681/1001101913 Installations	
701C	4461202	1	0275678/ 0275683/ 1001101910/ 1001101915 Installations	

## SECTION 7 - ELECTRICAL

ITEM	PART NUMBER	QTY	DESCRIPTION	REV
701C	4461205	1	and 1001100343/ 1001141971 Kits 0275679/ 0275684/ 1001101911/ 1001101916 Installations and 1001100344/ 1001141970 Kits	
701C	4461249	1	0275680/1001101912 Installation	
701C	4461199	1	0275682/1001101914 Installation	
701D	0903484	1	Bracket (All Installations except 0258303/ 0258304 Installations)	
701E	0903612	1	Bracket (All Installations except 0258303/ 0258304 Installations)	
701F		Ref	Decal Options:	
701F	1705325	1	110V	
701F	3252507	1	220V	
701G		Ref	Circuit Breaker Box Kit Options (All Installations except 0258303/ 0258304 Installations):	
701G	2902549	1	Without Generator	D
701G	1001096070	1	With Generator	D
701G		Ref	Breaker, Circuit - 16 Amp Options:	
701G	See Note	1	Belgium Built Machines (was p/n 2400093) (Note: For service replacement purchase (1) p/n 1001109475 & (1) p/n 1001109482.) <b>(Prior to SN 1300006701)</b>	
		Ref	<b>Note: For service replacement purchase (1) p/n 1001109475 &amp; (1) p/n 1001109482.</b>	
701G		Ref	Belgium Built Machines: <b>(SN 1300006701 to Present)</b>	
701G	1001109475	1	Without Latch and Bracket	
701G	1001109482	1	With Latch and Bracket	
701G	0861880	1	Box, Breaker	
701G	4460956	1	Barrier, Terminal Block End	
701G	4460957	1	Block, Terminal	
701H		Ref	Connector, Strain Relief Options:	
701H	4460633	2	M20 Diameter	
701H	1001097150	2	M25 Diameter	
701J	1060908	Ref	Cable, Electrical 12/3 Options (All Installations except 0258303/ 0258304 Installations):	
701J	1060908	6 ft/1.8m	Without Generator	
701J	1060908	12 ft/3.7m	With Generator	
701K		Ref	Connector, Strain Relief	
701K	4460968	1	All Installations except 0258303/0258304	
701K	See Note	1	0258304 Installation (Note: Not Available - Purchase Locally)	
701K	4460071	1	0258303 Installation	
701L		Ref	Shield, Cover	
701L	Part of Item 701A	1	All Installations except 0258303/0258304 Installation	
701L		Ref	0258303 Installation Options	
701L	4060700	1	Side Hinged	
701L	1001110873	1	Top Hinged	
701L	See Note	1	0258304 Installation (Note: Not Available - Purchase Locally)	
701L	3960422	1	Gasket, Cover (0258303 Installation)	
701M		Ref	Plug, Male Options:	
701M	4460709	1	All Installations Except 0258303 Installation	
701M	4460205	1	0258303 Installation	
701N		Ref	Connector, Female Options:	
701N	4460710	1	All Installations Except 0258303 Installation	
701N	4460134	1	0258303 Installation	
701N	4461197	1	1001101913 Installation	

## SECTION 7 - ELECTRICAL

ITEM	PART NUMBER	QTY	DESCRIPTION	REV
701N	4461200	1	1001101914 Installation	
701N	4461203	1	1001101910/ 1001101915 Installations and 1001100343/ 1001141971 Kits	
701N	4461206	1	1001101911/ 1001101916 Installations and 1001100344/ 1001141970 Kits	
701N	4461250	1	1001101912 Installation	
		Ref	<b>Kit, Plug and Socket Options:</b>	
		Ref	<b>Without Generator:</b>	
	See Note	Ref	0258303 Installation (Note: Not Available - Purchase Locally)	
	See Note	Ref	0258304 Installation (Note: Not Available - Purchase Locally)	
	0275216	Ref	110V with IEC Yellow (Includes Items 701A, 701B, 701C & 701L) (0275681 Installation)	A
	0275452	Ref	220V with CEE 7 Post Ground (2 x 4 Box) (Includes Items 701A, 701B, 701C & 701L) (0275678 Installation)	A
	0275453	Ref	220V with CEE 7 Side Ground (2 x 4 Box) (Includes Items 701A, 701B, 701C & 701L) (0275679 Installation)	A
	0275218	Ref	220V with CEE 7 Post Ground (70mm x 70mm Box) (Includes Items 701A, 701B, 701C & 701L) (0275683 Installations) (Use p/n 100110343)	B-2
	0275219	Ref	220V with CEE 7 Side Ground (70mm x 70mm Box) (Includes Items 701A, 701B, 701C & 701L) (0275684 Installation) (Use p/n 100110344)	B-2
	0275454	Ref	220V with AFSINT 107 Keyed Ground (Includes Items 701A, 701B, 701C & 701L) (0275680 Installation)	A
	0275217	Ref	220V with IEC Blue (Includes Items 701A, 701B, 701C & 701L) (0275682 Installation)	A
		Ref	<b>With Generator:</b>	
	1001100341	Ref	110V with IEC Yellow (Includes Items 701A, 701B, 701C, 701L & 701N) (1001101913 Installation)	2-A
	1001100345	Ref	220V with CEE 7 Post Ground (2 x 4 Box) (Includes Items 701A, 701B, 701C, 701L & 701N) (1001101910 Installation)	2-A
	1001100347	Ref	220V with CEE 7 Side Ground (2 x 4 Box) (Includes Items 701A, 701B, 701C, 701L & 701N) (1001101911 Installation)	3-A
	1001100346	Ref	220V with AFSINT 107 Keyed Ground (Includes Items 701A, 701B, 701C, 701L & 701N) (1001101912 Installation)	2-A
	1001100342	Ref	220V with IEC Blue (Includes Items 701A, 701B, 701C, 701L & 701N) (1001101914 Installation)	2-A
	1001091971	Ref	220V with CEE 7 Post Ground (70mm x 70mm Box) (Includes Items 701A, 701B, 701C, 701L & 701N) (1001101915 Installation) (Use p/n 100110343 Kit)	B
	1001091970	Ref	220V with CEE 7 Side Ground (70mm x 70mm Box) (Includes Items 701A, 701B, 701C, 701L & 701N) (1001101916 Installation) (Use p/n 100110344 Kit)	B
702		Ref	Generator to Rear of Boom Harness Options:	
702	4921829	1	110V ANSI and ANSI Export Specs	2
702	4921954	1	220V ANSI and ANSI Export Specs	2
702	4921957	1	All CE and Australian Specs	2
		Ref	<b>Note: Harness used to connect AC at platform harness to generator receptacle to power platform receptacle.</b>	
702		Ref	Cable, Electrical - 12/3	
702	1060494	6 ft/1.83m	110V ANSI and ANSI Export Specs	
702	1060494	26 ft/8m	220V ANSI and ANSI Export Specs	
702	1060461	6 ft/1.83m	All CE and Australian Specs	
702A		Ref	Plug, Male Options:	
702A	4460205	1	110V ANSI and ANSI Export Specs	
702A	4460233	1	220V ANSI and ANSI Export Specs	

## SECTION 7 - ELECTRICAL

ITEM	PART NUMBER	QTY	DESCRIPTION	REV
702A	See Note	1	ANSI Export, CE and Australian Specs (Note: Not Available - Purchase Locally)	
702B		Ref	Receptacle, Female Options:	
702B	4460134	1	110V ANSI and ANSI Export Specs	
702B	4460701	1	220V ANSI and ANSI Export Specs	
702B	See Note	1	ANSI Export, CE and Australian Specs (Note: Not Available - Purchase Locally)	
703		Ref	Generator Electrical Components	
703		Ref	220V (Deutz)	
703	4933216	AR	Belgium Built Machines ( <b>Prior to SN 1300000316</b> )	1-B
703	4933239	AR	Belgium Built Machines ( <b>SN 1300000316 through 1300000730</b> )	1-A
703	4933300	AR	Belgium Built Machines ( <b>SN 1300000731 through 1300006618</b> )	2-A
703	1001100027	Ref	Belgium Built Machines ( <b>SN 1300006619 to Present</b> )	4-E
703		Ref	220V (Perkins)	
703	4933300	AR	Belgium Built Machines ( <b>Prior to SN 1300006619</b> )	2-A
703	1001100027	Ref	Belgium Built Machines ( <b>SN 1300006619 to Present</b> )	4-D
703	3990010	1	Diode - 6 Amp (Not Shown) (Belgium Built Machines SN 1300000731)	
703A	4922641	1	Harness - On/Off Switch	1-A
703A	4460226	2	Socket, Female	
703B		Ref	Powermite Control Box to Relay	
703B	4922482	1	Powermite Control Box to Relay ( <b>Prior to SN 1300000316</b> )	
703B	4922970	1	Powermite Control Box to Relay ( <b>SN 1300000731 to Present</b> )	
703C	4460321	1	Connector, Male - 4 Position (Belgium Built Machines Only) ( <b>SN 1300000731 through 1300006619</b> )	
703C	4460906	4	Socket, Female (Belgium Built Machines Only) ( <b>SN 1300000731 through 1300006619</b> )	
703D	4460961	1	Connector, Female - 4 Position (Belgium Built Machines Only) ( <b>SN 1300000731 through 1300006619</b> )	
703D	4460705	4	Pin, Male (Belgium Built Machines Only) ( <b>SN 1300000731 through 1300006619</b> )	
703E	7020193	1	Harness, Generator Power	
704		Ref	7500W Generator Electrical Components	
704	0272746	AR	Deutz Engines Machines	A
704	1001097512	AR	Perkins Engines Machines	A
704A	See Note	1	Receptacle, Female Twist-Lock (Note: Not Available - Purchase Locally)	
704B	See Note	2	Gasket (Note: Not Available - Purchase Locally)	
704C	See Note	1	Cover, Receptacle (Note: Not Available - Purchase Locally)	
704D	See Note	1	Cover, Receptacle (Note: Not Available - Purchase Locally)	
704E	See Note	1	Receptacle (Note: Not Available - Purchase Locally)	
704F	4460051	1	Connector, Strain Relief	
704G	4460071	1	Connector, Strain Relief	
704H	4922925	1	Harness, Generator	A
704J	See Note	1	Plug, Male - 6 Position (Note: Not Available - Purchase Locally)	
704J	See Note	6	Socket, Female (Note: Not Available - Purchase Locally)	
704K	4460225	1	Plug, Male - 6 Position	
704K	4460226	6	Socket, Female	
704K	7026626	1	Receptacle, Female (Note: Part of Generator Not Harness)	
705		Ref	7500W SkyPower Generator Junction Box Components	

## SECTION 7 - ELECTRICAL

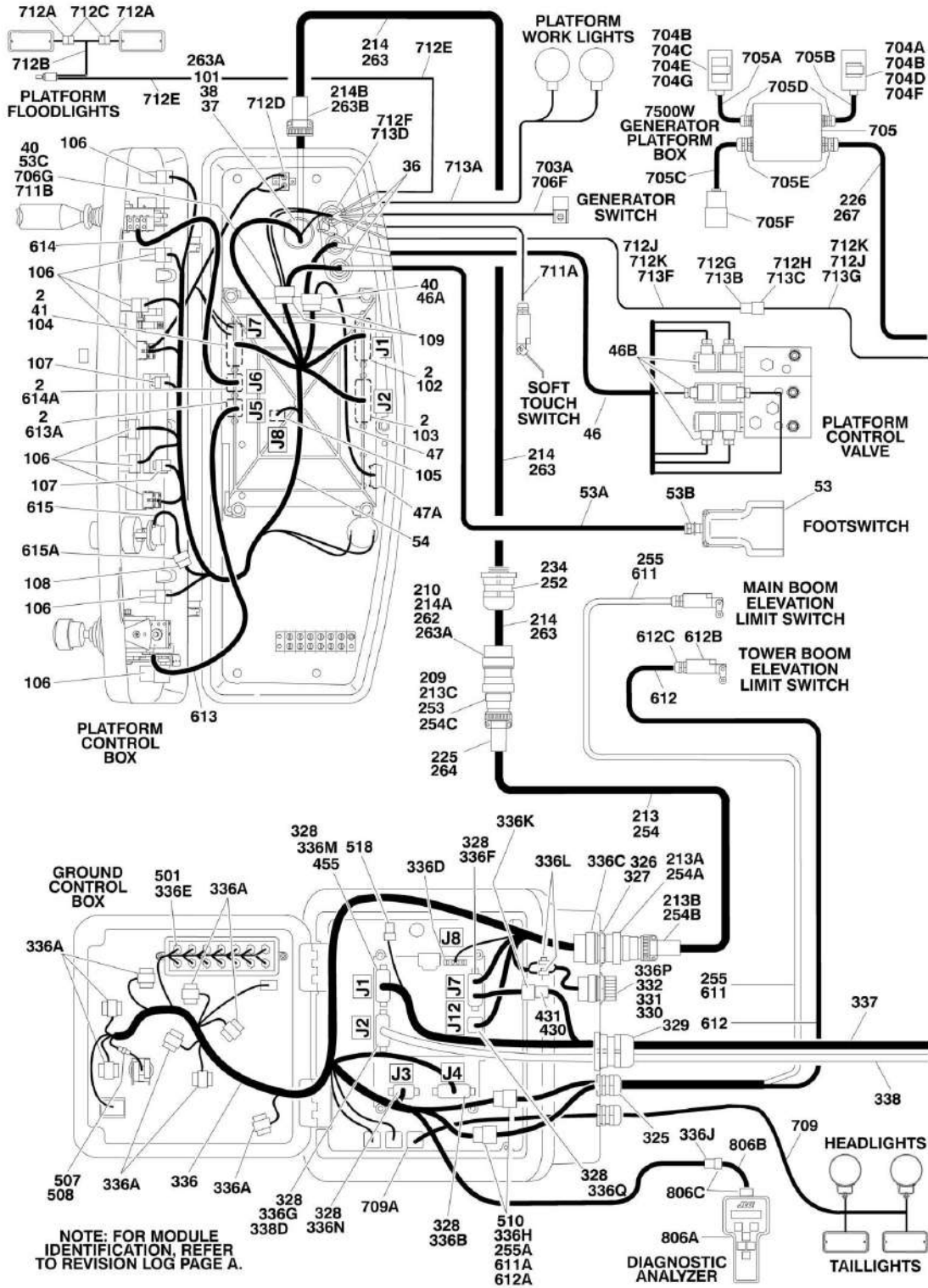
ITEM	PART NUMBER	QTY	DESCRIPTION	REV
705	0861567	Ref	50Hz Specs	B
705A	See Note	2 ft/.6m	Cable, Electrical 12/3 (Note: Not Available - Purchase Locally)	
705B	See Note	2.5 ft/.76m	Cable, Electrical 10/3 (Note: Not Available - Purchase Locally)	
705C	Not Required	0	Not Required	
705D	4460425	2	Connector, Strain Relief	
705E		Ref	Component Options:	
705E	4460426	1	Connector, Strain Relief	
705E	3520189	1	Plug (50Hz Spec Only)	
705F	Not Required	0	Not Required	
706		Ref	7500W Generator Electrical Diagram Components	
706	4933264	Ref	Deutz/Perkins Engine Machines	C
706A		Ref	Generator Harness Options:	
706A	4922757	1	Deutz/Perkins Engine Machines	3-C
706B	4460374	2	Plug, Sealed Relay	
706B	4460375	7	Terminal	
706C	4460967	1	Plug, Male - 3 Position	
706C	4460465	3	Socket, Female	
706D	2400060	1	Fuseholder	
706D	2400064	1	Fuse - 5 Amp	
706E	Not Required	0	Not Required	
706F	4922641	1	Switch Harness	
706G	4460226	2	Socket, Female	
707	0255917	1	Strobe Light Harness (Includes Strobe Light)	
707A	4460320	1	Connector, Female - 2 Position	
707A	4460267	2	Pin, Male	
708	0257887	1	Alarm Harness (Includes Alarm)	
708A	4460424	1	Plug, Male - 2 Position	
708A	4460268	2	Socket, Female	
709	See Note	1	Lights Harness (Note: Not Available for Purchase)	
709	1060341	37 ft/11.3m	Cable, Electrical - 16/2	
709A	3740049	1	Relay	
709A	4922643	1	Harness, Bag (Located at Ground Control Box) (Not Shown)	
711	See Note	1	Soft-Touch System Harness (Note: Not Available For Purchase)	
711A	1060341	Ref	Cable, Electrical - 16/2 Options:	
711A	1060341	15 ft/4.6m	2.5ft/.7m x 6ft/8m Platform	
711A	1060341	22.7 ft/6.9m	3ft/.9m x 6ft/8m Platform	
711B	4460871	2	Socket, Female	
712	4933308	1	Floodlights Harness Components	1-A
712A	4460320	2	Plug, Male - 2 Position	
712A	4460227	4	Pin, Male	
712B	4922764	1	Floodlight Harness (Lights to Switch)	1-A
712C	4460424	2	Connector, Female - 2 Position	
712C	4460226	4	Socket, Female	
712D	4360232	1	Circuit Breaker - 15 Amp	
712E	1060977	1	Cord, 2 Wire Coiled (Console Box Circuit Breaker to Switch)	
712F	4460425	1	Connector, Strain Relief	
712G	4460459	1	Plug, Male - 3 Position	
712G	4460790	3	Socket, Female	
712G	4460789	3	Seal	

## SECTION 7 - ELECTRICAL

ITEM	PART NUMBER	QTY	DESCRIPTION	REV
712H	4460476	1	Receptacle, Female	
712H	4460850	3	Pin, Male	
712H	4460790	3	Socket, Female	
712J	1060494	33 ft/10.1m	Electrical Cable 12/3 (Lower Boom to Aux Relay)	
712K	1060494	47 ft/14.3m	Electrical Cable 12/3 (Upper Boom to Console Box)	
713		Ref	Platform Worklights Components	
713A	2920140	2	Platform Worklights External Harness (Includes Light and Wire Only)	
713B	4460459	1	Plug, Male - 3 Position	
713B	4460790	3	Socket, Female	
713B	4460789	3	Seal	
713C	4460476	1	Receptacle, Female	
713C	4460850	3	Pin, Male	
713C	4460790	3	Socket, Female	
713D	4460426	1	Connector, Strain Relief	
713E	2400070	1	Fuse	
713E	2400066	1	Holder, Fuse	
713F	1060987	1	Worklights Harness (Upper Boom to Worklights) <b>(Prior to SN 1300001680)</b>	
713F	4923481	1	Worklights Harness (Upper Boom to Worklights) <b>(SN 1300001680 to Present)</b>	
713G	1060988	1	Worklights Harness (Lower Boom to Aux. Power Solenoid)	
		Ref	<b>TOOLS</b>	
801	7002821	1	Crimper (For Wire to Pin/Socket Connections) (Not Shown)	
802	7002823	1	Extractor (For Removal of Pin/Socket from Connectors) (Not Shown)	
803	4460467	1	Extractor, Pin (Blue 16-18 Gauge) (For Removal of Pin/Socket from Connectors) (Not Shown)	
804	4460510	1	Extractor, Pin (Yellow 12-14 Gauge) (For Removal of Pin/Socket from Connectors) (Not Shown)	
805	7002828	1	Stripper, Wire (Not Shown)	
806	2901443	1	Analyzer Kit (Not Shown)	
806A	1600244	1	Analyzer	
806B	1060633	1	Cable, Analyzer	1/A
806C	4460321	2	Plug, Male	
806C	4460226	8	Socket, Female	
807	1001137005	1	Cable Kit, Software (Not Shown)	

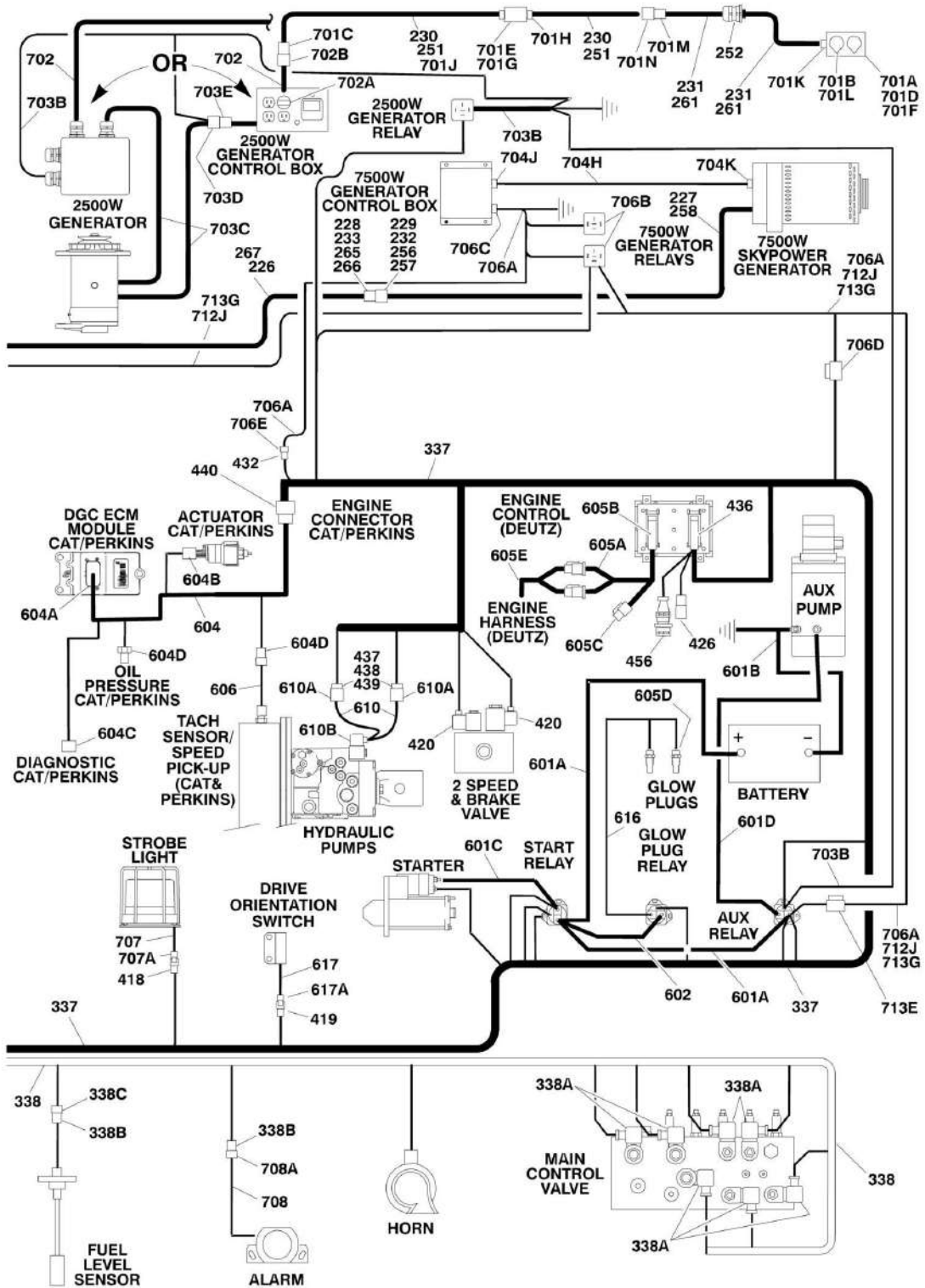
# SECTION 7 - ELECTRICAL

## FIGURE 7-3. HARNESS COMPONENTS INSTALLATION (WITH UGM)





# SECTION 7 - ELECTRICAL



# SECTION 7 - ELECTRICAL

## FIGURE 7-3. HARNESS COMPONENTS INSTALLATION (WITH UGM)

ITEM	PART NUMBER	QTY	DESCRIPTION	REV
		Ref	<b>Note: For Module (with/without UGM) Identification, refer to Revision Log page A.</b>	
		Ref	<b>Note: All Romanian Built Machines were built with UGM.</b>	
		Ref	<b>USA Built Machines use SNs 03xxxxxxxx.</b>	
		Ref	<b>Belgium Built Machines use SNs 13xxxxxxxx.</b>	
		Ref	<b>Romanian Built Machines use SNs E3xxxxxxxx.</b>	
	1001108901	Ref	<b>PLATFORM CONSOLE BOX COMPONENTS</b>	F
2	0100048	AR	Grease, Dielectric	
36	4460428	2	Connector, Strain Relief	
37	4460470	1	Nut, Terminal	
38	4460471	1	Lockwasher, Terminal	
40	4460708	2	Receptacle - 15 Position	
41	4460905	5	Seal, Plug	
46	4922533	1	Harness, Upper Valve	3-C
46A	4460226	7	Socket, Female	
46B	4460880	6	Connector, DIN	
47	4922666	1	Harness, Analyzer Cable	2-B
47	4460226	4	Socket, Female (Not Shown - Located at J2)	
47A	4460761	1	Connector, Female - 4 Position	
47A	4460227	4	Pin, Male	
53	0272970	Ref	Footswitch Components	B
53A	1060918	8 ft/2.4m	Cable, Electrical - 18/3	
53B	4460071	1	Connector, Strain Relief	
53C	4460226	2	Socket, Female	
53C	4460464	1	Pin, Male Deutsch	
54	1001107007	1	Harness, Platform Box (See Items 101-109 for Breakdown)	
	1001107007	Ref	<b>PLATFORM BOX HARNESS ASSEMBLY</b>	C
101	4460866	1	Connector - 19 Position	
101	4460464	7	Pin, Male Deutsch 16 Ga	
101	4460508	3	Pin, Male Deutsch 12 Ga	
102	4460874	1	Connector - 35 Position (Natural)	
102	4460871	AR	Socket, Female	
103	4460875	1	Connector - 35 Position (Gray)	
103	4460871	AR	Socket, Female	
104	4460873	1	Connector - 35 Position (Black)	
104	4460871	AR	Socket, Female	
105	4460879	1	Connector, Male 2 Position	
105	4460887	2	Terminal (12 Gauge)	
106	4460418	8	Connector, Female - 6 Position	
106	4460419	24	Socket, Female	
107	4460225	4	Plug, Male - 6 Position	
107	4460226	18	Socket, Female	
108	4460225	1	Plug, Male - 6 Position	
108	4460227	5	Pin, Male	
109	4460434	2	Plug, Male - 15 Position	
109	4460227	25	Pin, Male	
		Ref	<b>BOOM CABLES INSTALLATION</b>	
	0272594	Ref	<b>Tower Boom Components</b>	D
201 to 250	Not Required	0	Not Required	
251	1060991	1	Cable, Electrical 12/3	

## SECTION 7 - ELECTRICAL

ITEM	PART NUMBER	QTY	DESCRIPTION	REV
252	4460425	2	Connector, Strain Relief	
253	4460866	1	Connector - 19 Position	
253	2820031	1	Heat Shrink	
254	4922530	1	Harness Assembly - Tower Boom (12/4 - 18/8)	3-D
254	1060896	34 ft/10.4m	Cable, Electrical - 12/4 & 18/8	
254	2820118	6 in/15cm	Heat Shrink	
254A	4460865	1	Connector - 19 Position	
254A	4460465	11	Socket, Female 18 Gauge	
254A	4460509	4	Socket, Female 12 Gauge	
254A	4460466	4	Seal, Plug	
254B	4460473	1	Clamp, Cable	
254C	4460464	11	Pin, Male 18 Gauge	
254C	4460508	4	Pin, Male 12 Gauge	
255	4922770	1	Cable, Electrical 18/2	
255A	4460226	2	Socket, Female	
256 to 258	Not Required	0	Not Required	
	0272620	Ref	<b>Main Boom Cable Components</b>	C
261	1060992	1	Cable, Electrical 12/3	
262	4460865	1	Connector - 19 Position	
263	4922806	1	Harness Assembly - Main Boom (12/4 - 18/8)	1-A
263	1060896	37 ft/11.3m	Cable, Electrical - 12/4 & 18/8	
263	2820118	6 in/15cm	Heat Shrink	
263A	4460865	2	Connector - 19 Position	
263A	4460465	22	Socket, Female 18 Gauge	
263A	4460509	8	Socket, Female 12 Gauge	
263A	4460466	4	Seal, Plug	
263B	4460473	1	Clamp, Cable	
264	4460473	1	Clamp, Cable	
265 to 267	Not Required	0	Not Required	
		Ref	<b>GROUND CONTROL BOX COMPONENTS</b>	
325	4460426	1	Connector, Strain Relief	
326	4460470	1	Nut, Terminal	
327	4460471	1	Locknut, Terminal	
328	0100048	AR	Grease, Dielectric	
329	4460526	1	Connector, Strain Relief	
330	4460497	1	Nut, Terminal	
331	4460496	1	Locknut, Terminal	
332	1001106736	1	Cap, Dust	
336	1001105636	1	Ground Control Box Harness Assembly	D
336	3990010	2	Diode 6 Amp (Not Shown)	
336A	4460418	9	Connector, Female - 6 Position	
336A	4460419	27	Socket, Female	
336B	4460876	1	Connector - 35 Position (Blue)	
336B	4460871	28	Socket, Female	
336B	4460905	31	Seal, Plug	
336C	4460866	1	Connector - 19 Pin	
336C	4460464	7	Pin, Male Deutsch 16 Ga	
336C	4460508	3	Pin, Male Deutsch 12 Ga	
336D	4460878	1	Housing, Terminal - 4 Position	
336D	4460887	3	Terminal (12 Gauge)	

## SECTION 7 - ELECTRICAL

ITEM	PART NUMBER	QTY	DESCRIPTION	REV
336E	4120035	6	Base, Light	
336E	4460634	7	Terminal (16 Gauge)	
336E	4460635	5	Terminal (12 Gauge)	
336F	4460873	1	Connector - 35 Position (Black)	
336F	4460871	21	Socket, Female	
336F	4460905	2	Seal, Plug	
336G	4460875	1	Connector - 35 Position (Gray)	
336G	4460871	3	Socket, Female	
336H	4460434	2	Plug, Male - 15 Position	
336H	4460227	22	Pin	
336J	4460761	1	Connector, Female - 4 Position	
336J	4460227	4	Pin, Male	
336K	4460536	1	Connector, Female - 3 Position	
336K	4460943	3	Pin	
336L	8229242	2	Fuse 5A	
336L	2400060	2	Holder, Fuse	
336M	4460874	1	Connector, Natural	
336M	4460871	8	Socket, Female	
336M	4460905	AR	Plug, Seal	
336N	1001106339	1	Connector, Male - 14 Position	
336N	4460871	2	Socket, Female	
336N	4460905	AR	Plug, Seal	
336P	1001112612	1	Connector - 9 Position	
336P	4460943	4	Socket, Female	
336Q	1001106340	1	Connector, Male - 14 Position	
336Q	4460871	5	Socket, Female	
337		Ref	Engine Harness Assembly (See Items 401-456 for Breakdown)	
337	1001102715	1	Caterpillar/Perkins Engine Machines	
337	1001109728	1	Deutz Engine Machines	
338	1001105637	1	Valve Harness Assembly	B
338A	4460880	12	DIN Connector	
338B	4460320	2	Connector, Female - 2 Position	
338B	4460267	4	Pin, Male	
338C	4460424	1	Connector, Male - 2 Position	
338C	4460268	2	Pin, Female	
338D	4460871	20	Socket, Female	
339		Ref	Ground Control Box Wiring Diagram (Not Shown - See Items 501 to 518 for Breakdown)	
339	1001109727	Ref	Deutz Engines	
339	10011029100	Ref	Caterpillar/Perkins Engines	
		Ref	<b>ENGINE HARNESS ASSEMBLY</b>	
	1001102715	Ref	<b>Caterpillar/Perkins Engine Machines</b>	E
	1001109728	Ref	<b>Deutz Engine Machines</b>	A
418	4460424	1	Receptacle, Female - 2 Position	
418	4460268	2	Socket, Female	
419	4460424	1	Receptacle, Female - 2 Position	
419	4460226	2	Socket, Female	
420	4460880	2	DIN Connector without Diode	
426	4461070	1	Receptacle with Resistor (Deutz Engine Only)	
426	4460944	3	Terminal, Gold (Deutz Engine Only)	
426	4461095	1	Plug, Male - 3 Position (Deutz Engine Only)	
430	4460539	1	Plug, Male - 3 Position	

## SECTION 7 - ELECTRICAL

ITEM	PART NUMBER	QTY	DESCRIPTION	REV
431	4460944	3	Terminal, Gold	
432	4461157	1	Receptacle, Female - 2 Position	
432	4460979	2	Pin, Male	
432	4460458	2	Seal, Terminal	
436	4461052	1	Plug - 25 Position (Deutz Engine Only)	
436	4461005	5	Terminal 18-20 Gauge (Deutz Engine Only)	
436	4461060	2	Terminal 14-16 Gauge (Deutz Engine Only)	
436	4461006	5	Seal 18-20 Gauge (Deutz Engine Only)	
436	4461054	2	Seal 14-16 Gauge (Deutz Engine Only)	
436	4461008	18	Plug, Hole (Deutz Engine Only)	
436	4461053	1	Cover, Plug (Deutz Engine Only)	
437	4460742	2	Plug, Male - 2 Position	
438	4460457	4	Terminal, Female	
439	4460458	4	Seal, Terminal	
440	4460899	1	Receptacle, Female - 6 Position (Caterpillar/Perkins Engine Only)	
440	4460464	5	Pin, Male (Caterpillar/Perkins Engine Only)	
440	4460466	1	Seal, Plug (Caterpillar/Perkins Engine Only)	
455	4460871	AR	Socket, Female	
456	2902443	1	Receptacle Kit (Deutz Engine Only)	
456	4461071	8	Socket, Female (Gold)	
456	4461072	1	Receptacle 8 Position with Mounting Flange	
456	4461073	1	Cap, Dust	
456	4461074	1	Shell	
		Ref	<b>GROUND CONTROL BOX WIRING DIAGRAM</b>	
	1001102900	Ref	<b>Caterpillar/Perkins Engine</b>	H
	1001109727	Ref	<b>Deutz Engine</b>	D
501	2920129	AR	Bulb, Light	
507	2400065	1	Fuse, 30Amp	
508	2400066	1	Fuse, Holder	
510	4460708	2	Receptacle, Female - 15 Position	
510	4460226	4	Socket, Female	
510	4922637	1	Harness, Jumper (Not Shown)	
518	4460894	1	Plug, Male - 6 Position	
518	4460892	1	Connector, Bussbar - 6 Position	
		Ref	<b>STANDARD HARNESS COMPONENTS</b>	
601		Ref	Battery Cable Kit Options:	
601	2902060	1	Deutz Engines	C
601	1001102860	1	Caterpillar/Perkins Engines	A
601A		Ref	Cable, Battery (Red) Options (Battery to Relays):	
601A	7027025	1	Caterpillar/Perkins Engines	
601A	7027050	1	Deutz Cable (Battery + to 2 Relays) (Romanian Built Machines) <b>(SN E300001037 through E300001114)</b>	
601A	7016817	1	Deutz Cable (Battery + to 1 Relay) (All Belgium Built Machines)	
601A	7016817	1	Deutz Cable (Battery + to 1 Relay) (All Romanian Built Machines) <b>(SN E300000100 through E300001036)</b>	
601A	7016820	1	Deutz Cable, Jumper (Relay to Relay) (All Belgium Built Machines)	
601A	7016820	1	Deutz Cable, Jumper (Relay to Relay) (All Romanian Built Machines) <b>(SN E300000100 through E300001036)</b>	
601B		Ref	Cable, Battery (Battery – and Auxiliary Pump to Ground) (Black)	

## SECTION 7 - ELECTRICAL

ITEM	PART NUMBER	QTY	DESCRIPTION	REV
601B	7027041	1	Deutz Engines (was p/n 7016837)	
601B	7027026	1	Caterpillar/Perkins Engines	
601C		Ref	Cable, Battery (Red)	
601C	7016820	1	Deutz Engines (Starter Relay to Starter)	
601C	7027023	1	Caterpillar/Perkins Engines (Auxiliary Power Relay to Starter)	
601D		Ref	Cable, Battery (Red) (Auxiliary Relay to Auxiliary Pump)	
601D	7016834	1	Deutz Engines	
601D	7027024	1	Caterpillar/Perkins Engines	
602	1060904	1	Cable, Jumper (Deutz Engine Machines)	
604	70003767	AR	Caterpillar/Perkins Engine Harness Components	
604A	70020808	1	Connector 23 Position	
604A	4460871	16	Socket, Female	
604B	91503103	1	Connector - 6 Position	
604B	77363228	6	Terminal	
604B	91504107	1	Lock, Connector	
604B	4460466	AR	Plug	
604C	See Note	1	Connector - 8 Position (Note: Not Available for Purchase)	
604D	7026408	2	Connector - 2 Position	
604D	77363229	4	Terminal	
604D	80604018	2	Lock, Connector	
605		Ref	Deutz EMR2 Engine Harness Components	
605A	7027796	1	Deutz Engine Harness	
605B	See Note	1	Connector (Note: Not Available - Purchase Item 605A)	
605C	7027793	1	Plug-In, Connector	
605D	70000345	4	Glow Plug Harness (Includes Glow Plug) (Deutz Engine Only)	
605E	7027794	1	Deutz Engine Harness (For other replacement parts refer to Deutz engine dealer)	
606	70002455	1	Glow Plug Harness (Includes Glow Plug) (Deutz Engine Only)	
607 to 609	Not Required	0	Not Required	
610		Ref	Pump Harness Options:	
610	7024830	2	Machines with Series 42 Pump	
610	See Note	2	Machines with Series M46 Pump (Note: Not Available for Purchase)	
610A	7007498	1	Connector - Position (2WD)	
610A	4460867	2	Receptacle, Female - 2 Position (4WD)	
610A	4460850	4	Pin, Male (4WD)	
610B	7007497	1	Connector (2WD)	
610B	Not Required	0	Connector (4WD)	
611	4922770	1	Limit Switch Harness (Does not include Limit Switch)	B
611A	4460226	2	Socket, Female	
612	4922714	1	Limit Switch Harness (Includes Limit Switch)	B
612A	4460226	2	Socket, Female	
612B	4360548	1	Switch, Limit Switch	
612C	4460968	1	Switch, Limit Switch	
613	See Note	1	Controller Harness Assembly (Lift and Swing) (Note: Not Available - Purchase Complete Controller)	
613A	7022819	1	Plug, Male - 8 Position (Natural)	
613A	4460871	8	Socket, Female	
614	7022824	1	Controller Harness/Circuit Board Assembly (Drive and Steer)	
614A	7022825	1	Plug, Male - 8 Position (Black)	
614A	4460871	7	Socket, Female	

## SECTION 7 - ELECTRICAL

ITEM	PART NUMBER	QTY	DESCRIPTION	REV
615	See Note	1	Controller Harness Assembly (Speed Control) (Note: Not Available for Purchase)	
615A	4460224	1	Receptacle, Female - 6 Position	
615A	4460226	8	Socket, Female	
616	4923451	1	Harness, Glow Plugs (Deutz Engine Only)	B
617	4360517	1	Switch, Proximity	
617A	4460320	1	Connector - 2 Position	
617A	4460227	2	Pin, Male	
		Ref	<b>OPTIONAL HARNESS COMPONENTS</b>	
701		Ref	AC to Platform Receptacle Components	
701	0258303	Ref	110V/220VANSI Specs (ANSI and CSA Specs)	B
701	0258304	Ref	110V/220V (Plug and Receptacle Supplied Locally) (ANSI Export and Australian)	B
701		Ref	110V/220V (CE Spec Only)	
701		Ref	Without Generator:	
701	0258304	Ref	110V/220V (Plug and Receptacle Supplied Locally)	B
701	0275681	Ref	110V with IEC Yellow Receptacle and Plug and Circuit Breaker	B
701	0275678	Ref	220V with CEE 7 Post Ground Receptacle and Plug and Circuit Breaker (2x4 Box)	B
701	0275679	Ref	220V with CEE 7 Side Ground Receptacle and Plug and Circuit Breaker (2x4 Box)	B
701	0275683	Ref	220V with CEE 7 Post Ground Receptacle and Plug and Circuit Breaker (70mm x 70mm Box)	B
701	0275684	Ref	220V with CEE 7 Side Ground Receptacle and Plug and Circuit Breaker (70mm x 70mm Box)	B
701	0275680	Ref	220V with AFSINT 107 Keyed Ground Receptacle and Plug and Circuit Breaker (2x4 Box)	B
701	0275682	Ref	220V with IEC Blue Receptacle and Plug and Circuit Breaker	B
701		Ref	With Generator:	
701	1001101913	Ref	110V with IEC Yellow Receptacle and Plug and Circuit Breaker	B
701	1001101910	Ref	220V with CEE 7 Post Ground Receptacle and Plug and Circuit Breaker (2x4 Box)	B
701	1001101911	Ref	220V with CEE 7 Side Ground Receptacle and Plug and Circuit Breaker (2x4 Box)	B
701	1001101915	Ref	220V with CEE 7 Post Ground Receptacle and Plug and Circuit Breaker (70mm x 70mm Box)	B
701	1001101916	Ref	220V with CEE 7 Side Ground Receptacle and Plug and Circuit Breaker (70mm x 70mm Box)	B
701	1001101912	Ref	220V with AFSINT 107 Keyed Ground Receptacle and Plug and Circuit Breaker (2x4 Box)	B
701	1001101914	Ref	220V with IEC Blue Receptacle and Plug and Circuit Breaker	B
701A		Ref	Box Options:	
701A	0860038	1	0258303 Installation	
701A	See Note	1	0258304 Installation (Note: Not Available - Purchase Locally)	
701A	0861781	1	0275681/ 0275680/ 1001101913/ 1001101914 Installations	
701A	0861731	1	0275678/ 0275679/ 1001101910/ 1001101911/ 1001101912 INSTALLATIONS	
701A	See Note	1	0275683/ 0275684/ 1001101915/ 1001101916 Installations (Note: Was p/n 0861782 which is no longer available. Use p/n 1001100344 CEE 7 Side Ground Service Kit or p/n 1001100343 CEE 7 Post Ground Service Kit. Kits include Box and 701B, 701C 701L & 701N.)	
701A	0861781	1	0275682 Installation	

## SECTION 7 - ELECTRICAL

ITEM	PART NUMBER	QTY	DESCRIPTION	REV
701A	1001141967	1	0275218, 0275219, 1001100343, 1001100344, 1001141970 & 1001141971 Kits	
701B		Ref	Receptacle Options:	
701B	4460346	1	0258303 Installations	
701B	See Note	1	0258304 Installation (Note: Not Available - Purchase Locally)	
701B	4461198	1	0275681/1001101913 Installations	
701B	4461244	1	0275678/1001101910 Installations	
701B	4461245	1	0275679/1001101911 Installations	
701B	4461207	1	0275683/1001101915 Installations (Note: Use p/n 1001100343 which is no longer available)	
701B	4461207	1	0275684/1001101916 Installations (Note: Use p/n 1001100344 which is no longer available)	
701B	4461246	1	0275680/1001101912 Installations	
701B	4461201	1	0275682/1001101914 Installations	
701B	1001141968	1	0275218, 1001100343 & 1001141971 Kits	
701B	1001141969	1	0275219, 1001100344 & 1001141970 Kits	
701C		Ref	Plug Options:	
701C	4460205	1	0258303 Installations	
701C	See Note	1	0258304 Installation (Note: Not Available - Purchase Locally)	
701C	4461196	1	0275681/1001101913 Installations	
701C	4461202	1	0275678/ 0275683/ 1001101910/ 1001101915 Installations and 1001100343/ 1001141971 Kits	
701C	4461205	1	0275679/ 0275684/ 1001101911/ 1001101916 Installations and 1001100344/ 1001141970 Kits	
701C	4461249	1	0275680/1001101912 Installation	
701C	4461199	1	0275682/1001101914 Installation	
701D	0903484	1	Bracket (All Installations except 0258303/ 0258304 Installations)	
701E	0903612	1	Bracket (All Installations except 0258303/ 0258304 Installations)	
701F		Ref	Decal Options:	
701F	1705325	1	110V	
701F	3252507	1	220V	
701G		Ref	Circuit Breaker Box Kit Options (All Installations except 0258303/ 0258304 Installations):	
701G	2902549	1	Without Generator	D
701G	1001096070	1	With Generator	D
701G		Ref	Breaker, Circuit - 16 Amp Options:	
701G	See Note	1	Belgium Built Machines (was p/n 2400093) (Note: For Service replacement purchase (1) p/n 1001109475 & (1) p/n 1001109482.) <b>(Prior to SN 1300006701)</b>	
701G		Ref	Belgium Built Machines <b>(SN 1300006701 to Present)</b>	
701G		Ref	Romanian Built Machines <b>(SN E300000100 through E300001114)</b>	
701G	1001109475	1	Without Latch and Bracket	
701G	1001109482	1	With Latch and Bracket	
701G	0861880	1	Box, Breaker	
701G	4460956	1	Barrier, Terminal Block End	
701G	4460957	1	Block, Terminal	
701H		Ref	Connector, Strain Relief Options:	
701H	4460633	2	M20 Diameter	
701H	1001097150	2	M25 Diameter	



## SECTION 7 - ELECTRICAL

ITEM	PART NUMBER	QTY	DESCRIPTION	REV
701J	1060908	Ref	Cable, Electrical 12/3 Options (All Installations except 0258303/ 0258304 Installations):	
701J	1060908	6 ft/1.8m	Without Generator	
701J	1060908	12 ft/3.7m	With Generator	
701K		Ref	Connector, Strain Relief	
701K	4460968	1	All Installations except 0258303/0258304	
701K	See Note	1	0258304 Installation (Note: Not Available - Purchase Locally)	
701K	4460071		0258303 Installation	
701L		Ref	Shield, Cover	
701L	Part of Item 701A	1	All Installations except 0258303/ 0258304 Installation	
701L		Ref	0258303 Installation Options	
701L	4060700	1	Side Hinged	
701L	1001110873	1	Top Hinged	
701L	See Note	1	0258304 Installation (Note: Not Available - Purchase Locally)	
701L	3960422	1	Gasket, Cover (0258303 Installation)	
701M		Ref	Plug, Male Options:	
701M	4460709	1	All Installations Except 0258303 Installation	
701M	4460205	1	0258303 Installation	
701N		Ref	Connector, Female Options:	
701N	4460710	1	All Installations Except 0258303 Installation	
701N	4460134	1	0258303 Installation	
701N	4461197	1	1001101913 Installation	
701N	4461200	1	1001101914 Installation	
701N	4461203	1	1001101910/ 1001101915 Installations and 1001100343/ 1001141971 Kits	
701N	4461206	1	1001101911/ 1001101916 Installations and 1001100344/ 1001141970 Kits	
701N	4461250	1	1001101912 Installation	
		Ref	<b>Kit, Plug and Socket Options:</b>	
		Ref	<b>Without Generator:</b>	
	See Note	Ref	0258303 Installation (Note: Purchase Individual Components)	
	See Note	Ref	0258304 Installation (Note: Not Available - Purchase Locally)	
	0275216	Ref	110V with IEC Yellow (Includes Items 701A, 701B, 701C & 701L) (0275681 Installation)	A
	0275452	Ref	220V with CEE 7 Post Ground (2 x 4 Box) (Includes Items 701A, 701B, 701C & 701L) (0275678 Installation)	A
	0275453	Ref	220V with CEE 7 Side Ground (2 x 4 Box) (Includes Items 701A, 701B, 701C & 701L) (0275679 Installation)	A
	0275218	Ref	220V with CEE 7 Post Ground (70mm x 70mm Box) (Includes Items 701A, 701B, 701C & 701L) (0275683 Installation) (Use p/n 1001100343)	B-E
	0275219	Ref	220V with CEE 7 Side Ground (70mm x 70mm Box) (Includes Items 701A, 701B, 701C & 701L) (0275684 Installation) (Use p/n 1001100344)	B-E
	0275454	Ref	220V with AFSINT 107 Keyed Ground (Includes Items 701A, 701B, 701C & 701L) (0275680 Installation)	A
	0275217	Ref	220V with IEC Blue (Includes Items 701A, 701B, 701C & 701L) (0275682 Installation)	A
		Ref	<b>With Generator:</b>	
	1001100341	Ref	110V with IEC Yellow (Includes Items 701A, 701B, 701C, 701L & 701N) (1001101913 Installation)	2-A
	1001100345	Ref	220V with CEE 7 Post Ground (2 x 4 Box) (Includes Items 701A, 701B, 701C, 701L & 701N) (1001101910 Installation)	2-A
	1001100347	Ref	220V with CEE 7 Side Ground (2 x 4 Box) (Includes Items	3-A

## SECTION 7 - ELECTRICAL

ITEM	PART NUMBER	QTY	DESCRIPTION	REV
	1001100346	Ref	701A, 701B, 701C, 701L & 701N) (1001101911 Installation) 220V with AFSINT 107 Keyed Ground (Includes Items 701A, 701B, 701C, 701L & 701N) (1001101912 Installation)	2-A
	1001100342	Ref	220V with IEC Blue (Includes Items 701A, 701B, 701C, 701L & 701N) (1001101914 Installation)	2-A
	1001091971	Ref	220V with CEE 7 Post Ground (70mm x 70mm Box) (Includes Items 701A, 701B, 701C, 701L & 701N) (1001101915 Installation) (Use p/n 1001100343 Kit)	B-E
	1001091970	Ref	220V with CEE 7 Side Ground (70mm x 70mm Box) (Includes Items 701A, 701B, 701C, 701L & 701N) (1001101916 Installation) (Use p/n 1001100344 Kit)	B-E
702	4921829	1	2500W Generator to Rear of Boom Harness (110V) (ANSI and CSA Specs)	2
		Ref	<b>Note: Harness used to connect AC at platform harness to generator receptacle to power platform receptacle.</b>	
702		Ref	Cable, Electrical - 12/3	
702	1060494	6 ft/1.83m	110V ANSI and ANSI Export Specs	
702A	4460205	1	Plug, Male	
702B		Ref	Receptacle, Female Options:	
702B	4460134	1	110V (ANSI and CSA Specs)	
702B	4460701	1	220V (ANSI and CSA Specs)	
702B	See Note	1	110V/220V (Machines with Locally Supplied Plug and Receptacle) (ANSI Export, Australian and CE Specs) (Note: Not Available - Purchase Locally)	
702B	4461197	1	110V with IEC Yellow Receptacle and Plug and Circuit Breaker (CE Specs Option)	
702B	4461203	1	220V with CEE 7 Post Ground Receptacle and Plug and Circuit Breaker (2x4 Box) (CE Specs Option)	
702B	4461206	1	220V with CEE 7 Side Ground Receptacle and Plug and Circuit Breaker (2x4 Box) (CE Specs Option)	
702B	4461203	1	220V with CEE 7 Post Ground Receptacle and Plug and Circuit Breaker (70mm x 70mm Box) (CE Specs Option)	
702B	4461206	1	220V with CEE 7 Side Ground Receptacle and Plug and Circuit Breaker (70mm x 70mm Box) (CE Specs Option)	
702B	4461250	1	220V with AFSINT 107 Keyed Ground Receptacle and Plug and Circuit Breaker (2x4 Box) (CE Specs Option)	
702B	4461200	1	220V with IEC Blue Receptacle and Plug and Circuit Breaker (CE Specs Option)	
703		Ref	2500W Generator Electrical Components	
703	1001112588	AR	110V/60HZ	A
703	1001112743	AR	110V/50Hz & 220V/50Hz	B
703A	4922641	1	Harness - On/Off Switch	1-A
703A	4460226	2	Socket, Female	
703B	1001112589	1	Harness, Powermite Control Box to Relay	
703C	7020193	1	Harness, Generator Power	
		Ref	<b>Note: Items 703D &amp; 703E used on Following Applications:</b>	
		Ref	<b>Caterpillar Engines - All</b>	
		Ref	<b>Deutz and Perkins Engines - All with 110V/60H</b>	
703D	4460321	1	Connector, Male - 4 Position	
703D	4460906	4	Socket, Female	
703E	4460961	1	Connector, Female - 4 Position	
703E	4460705	4	Pin, Male	
704		Ref	7500W Generator Electrical Components	
704	1001111910	AR	Perkins Engines Machines (ANSI Export, Australian and CE Specs)	A

## SECTION 7 - ELECTRICAL

ITEM	PART NUMBER	QTY	DESCRIPTION	REV
704	1001111818	AR	Perkins Engines Machines (ANSI Export, Australian , CE and Japanese Specs)	A
704	1001112044	AR	Perkins Engines Machines (Australian and CE Specs)	A
704A	See Note	1	Receptacle, Female Twist-Lock (Note: Not Available - Purchase Locally)	
704B	See Note	2	Gasket (Note: Not Available - Purchase Locally)	
704C	See Note	1	Cover, Receptacle (Note: Not Available - Purchase Locally)	
704D	See Note	1	Cover, Receptacle (Note: Not Available - Purchase Locally)	
704E	See Note	1	Receptacle (Note: Not Available - Purchase Locally)	
704F	See Note	1	Connector, Strain Relief (Note: Not Available - Purchase Locally)	
704G	See Note	1	Connector, Strain Relief (Note: Not Available - Purchase Locally)	
704H	4922925	1	Harness, Generator	A
704J	See Note	1	Plug, Male - 6 Position (Note: Not Available - Purchase Locally)	
704J	See Note	6	Socket, Female (Note: Not Available - Purchase Locally)	
704K	4460225	1	Plug, Male - 6 Position	
704K	4460226	6	Socket, Female	
704K	7026626	1	Receptacle, Female (Note: Part of Generator Not Harness)	
705		Ref	7500W SkyPower Generator Junction Box Components	
705	0861567	Ref	50Hz Specs	B
705A	See Note	2 ft/.6m	Cable, Electrical 12/3 (Note: Not Available - Purchase Locally)	
705B	See Note	2.5 ft/.76m	Cable, Electrical 10/3 (Note: Not Available - Purchase Locally)	
705C	Not Required	0	Not Required	
705D	4460425	2	Connector, Strain Relief	
705E		Ref	Component Options:	
705E	4460426	1	Connector, Strain Relief	
705E	3520189	1	Plug (50Hz Spec Only)	
705F	Not Required	0	Not Required	
706		Ref	7500W Generator Electrical Diagram Components	
706	1001112586	Ref	Deutz/Perkins Engine Machines	A
706A		Ref	Generator Harness Options:	
706A	1001112587	1	Deutz/Perkins Engine Machines	A
706B	4460374	2	Plug, Sealed Relay	
706B	4460375	7	Terminal	
706C	4460967	1	Plug, Male - 3 Position	
706C	4460465	3	Socket, Female	
706D	2400060	1	Fuseholder	
706D	2400064	1	Fuse - 5 Amp	
706E	4460742	1	Plug, Male - 2 Position	
706E	4460743	2	Socket, Female	
706F	4922641	1	Switch Harness	
706G	4460226	2	Socket, Female	
707	0255917	1	Strobe Light Harness (Includes Strobe Light)	
707A	4460320	1	Connector, Female - 2 Position	
707A	4460267	2	Pin, Male	
708	0257887	1	Alarm Harness (Includes Alarm)	
708A	4460424	1	Plug, Male - 2 Position	
708A	4460268	2	Socket, Female	
709	See Note	1	Lights Harness (Note: Not Available for Purchase)	
709	1060341	37	Cable, Electrical - 16/2	

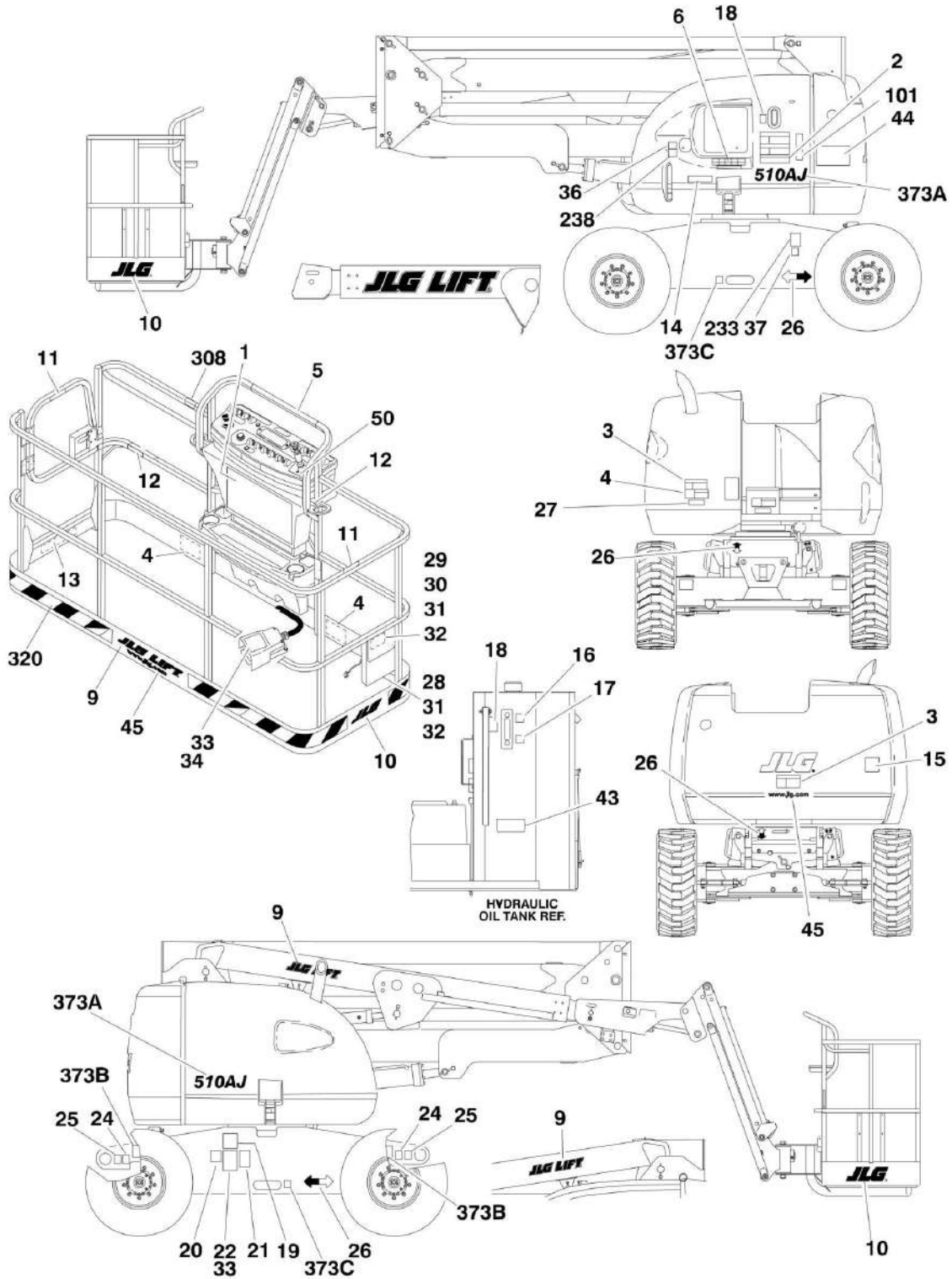
## SECTION 7 - ELECTRICAL

ITEM	PART NUMBER	QTY	DESCRIPTION	REV
		ft/11.3m		
709A	3740049	1	Relay	
709A	4922643	1	Harness, Bag (Located at Ground Control Box) (Not Shown)	
711	See Note	1	Soft-Touch System Harness (Note: Not Available for Purchase)	
711A	1060341	Ref	Cable, Electrical - 16/2 Options:	
711A	1060341	15 ft/4.6m	2.5ft/.7m x 6ft/8m Platform	
711A	1060341	22.7 ft/6.9m	3ft/.9m x 6ft/8m Platform	
711B	4460871	2	Socket, Female	
712	4933249	1	Floodlights Harness Components	1-A
712A	4460320	2	Plug, Male - 2 Position	
712A	4460227	4	Pin, Male	
712B	4922764	1	Floodlight Harness (Lights to Switch)	1-A
712C	4460424	2	Connector, Female - 2 Position	
712C	4460226	4	Socket, Female	
712D	4360232	1	Circuit Breaker - 15 Amp	
712E	1060977	1	Cord, 2 Wire Coiled (Console Box Circuit Breaker to Switch)	
712F	4460425	1	Connector, Strain Relief	
712J	1060663	73 ft/22.2m	Electrical Cable 12/3	
713		Ref	Platform Worklights Components	
713A	2920140	2	Platform Worklights External Harness (Includes Light and Wire Only)	
713B	4460459	1	Plug, Male - 3 Position	
713B	4460790	3	Socket, Female	
713B	4460789	3	Seal	
713C	4460476	1	Receptacle, Female	
713C	4460850	3	Pin, Male	
713C	4460790	3	Socket, Female	
713D	4460426	1	Connector, Strain Relief	
713E	2400070	1	Fuse	
713E	2400066	1	Holder, Fuse	
713F	4923481	1	Worklights Harness (Upper Boom to Worklights)	
713G	1060988	1	Worklights Harness (Lower Boom to Aux. Power Solenoid)	
		Ref	<b>TOOLS</b>	
801	7002821	1	Crimper (For Wire to Pin/Socket Connections) (Not Shown)	
802	7002823	1	Extractor (For Removal of Pin/Socket from Connectors) (Not Shown)	
803	4460467	1	Extractor, Pin (Blue 16-18 Gauge) (For Removal of Pin/Socket from Connectors) (Not Shown)	
804	4460510	1	Extractor, Pin (Yellow 12-14 Gauge) (For Removal of Pin/Socket from Connectors) (Not Shown)	
805	7002828	1	Stripper, Wire (Not Shown)	
806	2901443	1	Analyzer Kit (Not Shown)	
806A	1600244	1	Analyzer	
806B	1060633	1	Cable, Analyzer	1-A
806C	4460321	2	Plug, Male	
806C	4460226	8	Socket, Female	
807	1001137005	1	Cable Kit, Software (Not Shown)	

**SECTION 8 - DECALS**

# SECTION 8 - DECALS

## FIGURE 8-1. DECALS INSTALLATION - ANSI SPEC



## SECTION 8 - DECALS

**FIGURE 8-1. DECALS INSTALLATION - ANSI SPEC**

ITEM	PART NUMBER	QTY	DESCRIPTION	REV
		Ref	<b>Belgium Built Machines use S/Ns 13xxxxxxx.</b>	
		Ref	<b>Romanian Built Machines use S/N E3xxxxxxx.</b>	
		Ref	<b>STANDARD DECAL INSTALLATION</b>	
	0272573	Ref	<b>450A/AJ Series II</b>	12
	0272530	Ref	<b>JLG Logo Decals</b>	1
1	1703797	1	Decal - Danger/Warning	
2	1703798	1	Decal - Danger/Warning	
3	1703805	2	Decal - Danger/Electrocution	
4	1703804	3	Decal - Warning/Crushing	
5		Ref	Decal - Legend Options:	
5	1702784	1	Belgium Built Machines ( <b>Prior to SN 1300002605</b> )	
5	1706931	1	Belgium Built Machines ( <b>SN 1300002605 through 1300006700</b> )	
5	1001108493	1	Belgium Built Machines ( <b>SN 1300006701 to Present</b> )	
5	1001108493	1	Romanian Built Machines ( <b>SN E300000100 through E300001114</b> )	
6		Ref	Decal - Legend Options:	
6	1703808	1	Belgium Built Machines ( <b>Prior to SN 1300002605</b> )	
6	1706941	1	Belgium Built Machines ( <b>SN 1300002605 to Present</b> )	
6	1706941	1	Romanian Built Machines ( <b>SN E300000100 through E300001114</b> )	
9	1702774	3	Decal - JLG Lift (3 1/2in)	
10	1702773	2	Decal - JLG (5in)	
11	1702868	2	Decal - No Hands	
12	1704277	3	Decal - Attach Lanyard Here	
13		Ref	Decal - Max Capacity Options:	
13	1701645	1	Belgium Built Machines ( <b>Prior to SN 1300006859</b> )	
13	1001121801	1	Belgium Built Machines ( <b>SN 1300006859 to Present</b> )	
13	1001121801	1	Romanian Built Machines ( <b>SN E300000100 through E300001114</b> )	
14		Ref	Decal - Max Capacity	
14	1702688	1	Belgium Built Machines ( <b>SN 130000001 through 1300002600</b> )	
14	1707013	1	Belgium Built Machines ( <b>SN 1300002601 through 1300006858</b> )	
14	1001121814	1	Belgium Built Machines ( <b>SN 1300006859 to Present</b> )	
14	1001121814	1	Romanian Built Machines ( <b>SN E300000100 through E300001114</b> )	
15	3251813	1	Decal - USA	
16	See Note	1	Decal - High Oil Level (Note: Was p/n 1701502 - No Longer Required)	
17	See Note	1	Decal - Low Oil Level (Note: Was p/n 1701502 - No Longer Required)	
18	1701504	AR	Decal - Hydraulic Oil	
19	See Note	1	Decal - Inspection (Note: Was p/n 1701502 - No Longer Required)	
20	See Note	1	Decal - Bar Code (Note: Not Available for Purchase)	
21	1700584	1	Decal - Patent	
22	See Note	1	Nameplate - Serial Number (Note: Not Available for Purchase)	
23	1701509	1	Decal - Manual	
24	1702300	4	Decal - Tie Down /Lift	
25	1701500	4	Decal - Tie Down /Lift	
26	1701529	4	Decal- Arrow	

## SECTION 8 - DECALS

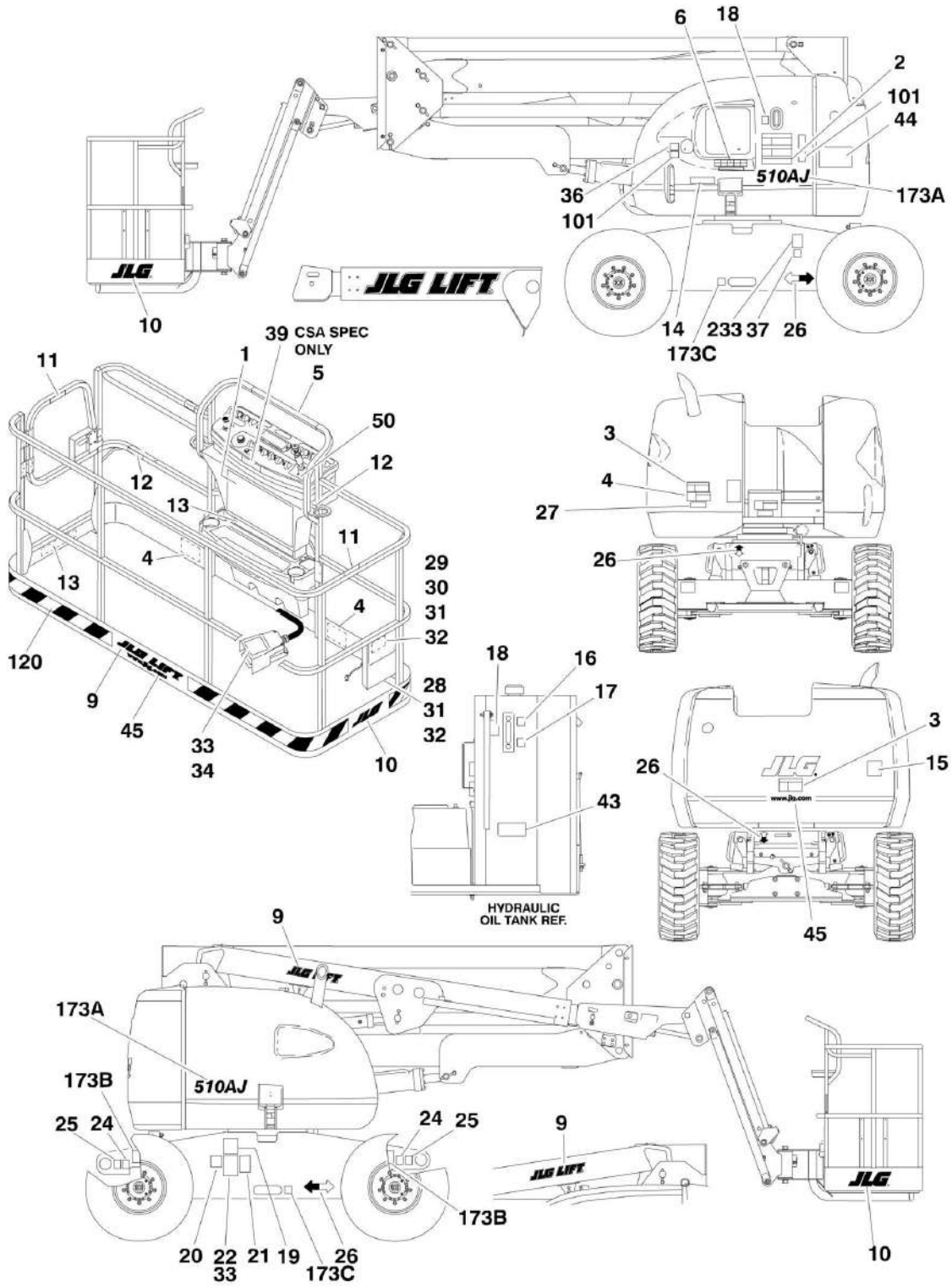
ITEM	PART NUMBER	QTY	DESCRIPTION	REV
27	3251243	1	Nameplate 120V-60Hz	
28	0860520	1	Box, Manual Storage	
29	1060279	1	Cable, Lanyard (Belgium Built Machines) <b>(Prior to SN 1300006895)</b>	
30	0641408	1	Bolt 1/4in-20NC x 1in (Belgium Built Machines) <b>(Prior to SN 1300006895)</b>	
31	4751400	AR	Flatwasher 1/4in Regular	
32	3311405	AR	Locknut 1/4in-20NC	
33	3820001	AR	Rivet	
34	3252347	1	Decal - Footswitch	
36		Ref	Decal - Fuel	
36	1701542	1	Gas Engine Machines	
36	1701505	1	Diesel Engine Machines	
37		Ref	Decal - LPG Gas	
37	Not Required	0	Non-Dual Fuel Machines	
37	1701543	1	Dual Fuel Machines	
43	1704412	1	Decal - Hydraulic Fluid	
44	3252768	1	Decal - Lift Diagram	
45	1704885	2	Decal - Website	
46	0641406	4	Bolt 1/4in-20NC x 3/4in (Not Shown)	
50	1705351	1	Decal, Drive/Steer (Belgium Built Machines) <b>(SN 1300006701 to Present)</b>	
50	1705351	1	Decal, Drive/Steer (Romanian Built Machines) <b>(SN E300000100 through E300001114)</b>	
	0272341	Ref	<b>TIRE SEALANT DECAL INSTALLATIONS</b>	1
101	1705363	1	Decal - Tire Sealant	
	0010717	Ref	<b>DECAL OPTIONS</b>	
233	1700818	1	Decal - LP (Dual Fuel Machines Only)	
238	1001108923	1	Decal - Low Sulfur Fuel (Caterpillar, Deutz and Perkins Engine Machines)	
308		Ref	Decal - Warning Prop Options:	
308	1702962		Diesel Machines	
308	1702961		Gas Machines	
	0272165	Ref	<b>Warning Stripe Decal Installation</b>	
320	4420051	21.7 ft/6.61m	Decal - Warning Stripes	
373	0272582	Ref	<b>Model Designation Decal Installation</b>	2
373A	1705487	2	Decal - 510AJ	
373B	1705669	4	Decal - Max Tire Load	
373C	1702300	2	Decal - Tie-Down	





# SECTION 8 - DECALS

## FIGURE 8-2. DECALS INSTALLATION - ANSI EXPORT SPECS



## SECTION 8 - DECALS

**FIGURE 8-2. DECALS INSTALLATION - ANSI EXPORT SPECS**

ITEM	PART NUMBER	QTY	DESCRIPTION	REV
		Ref	<b>Belgium Built Machines use S/Ns 13xxxxxxx.</b>	
		Ref	<b>Romanian Built Machines use S/N E3xxxxxxx.</b>	
		Ref	<b>DECAL INSTALLATIONS</b>	
	0272579	Ref	<b>Brazil Spec (Spanish/Portuguese)</b>	11
	0272578	Ref	<b>Chinese Spec (English/Chinese)</b>	10
	0272577	Ref	<b>CSA Spec (English/French)</b>	12
	0272575	Ref	<b>Japanese Spec</b>	10
	0272576	Ref	<b>Korean Spec</b>	10
	0271189	Ref	<b>Latin America Spec (English/Spanish)</b>	7
	0272530	Ref	<b>JLG Logo Decals</b>	2
1		Ref	Decal - Danger/Warning Options:	
1	1703928	1	Brazil Spec	
1	1703925	1	Chinese Spec	
1	1703924	1	CSA Spec	
1	1703926	1	Japanese Spec	
1	1703927	1	Korean Spec	
1	1703923	1	Latin American Spec	
2		Ref	Decal - Danger/Warning Options:	
2	1703934	1	Brazil Spec	
2	1703931	1	Chinese Spec	
2	1703930	1	CSA Spec	
2	1703932	1	Japanese Spec	
2	1703933	1	Korean Spec	
2	1703929	1	Latin American Spec	
3		Ref	Decal - Danger Electrocution Options:	
3	1703940	2	Brazil Spec	
3	1703937	2	Chinese Spec	
3	1703936	2	CSA Spec	
3	1703938	2	Japanese Spec	
3	1703939	2	Korean Spec	
3	1703935	2	Latin American Spec	
4		Ref	Decal - Warning/Crushing	
4	1703952	3	Brazil Spec	
4	1703949	3	Chinese Spec	
4	1703948	3	CSA Spec	
4	1703950	3	Japanese Spec	
4	1703951	3	Korean Spec	
4	1703947	3	Latin American Spec	
5		Ref	Decal - Legend Options:	
5	Not Required	0	Brazil/Chinese/Japanese/Korean Spec	
5	1702784	1	<b>CSA/Latin America Spec Belgium Built Machines (Prior to SN 1300002605)</b>	
5	1706931	1	<b>CSA/Latin America Spec Belgium Built Machines (SN 1300002605 through 1300006700)</b>	
5	1001108493	1	<b>CSA/Latin America Spec Belgium Built Machines (SN 1300006701 to Present)</b>	
5	1001108493	1	<b>CSA/Latin America Spec Romanian Built Machines (SN E300000100 through E300001114)</b>	
6		Ref	Decal - Legend Options:	
6	Not Required	0	Brazil/Chinese/Japanese/Korean Spec	

## SECTION 8 - DECALS

ITEM	PART NUMBER	QTY	DESCRIPTION	REV
6	1703808	AR	CSA/Latin American Spec Belgium Built Machines ( <b>Prior to SN 1300002605</b> )	
6	1706941	AR	CSA/Latin America Spec Belgium Built Machines ( <b>SN 1300002605 to Present</b> )	
6	1706941	AR	CSA/Latin America Spec Romanian Built Machines ( <b>SN E300000100 through E300001114</b> )	
9	1702774	3	Decal - Lift (3 1/2in)	
10	1702773	2	Decal - JLG (5 in)	
11		Ref	Decal - No Hands Options:	
11	1704002	2	Brazil Spec	
11	Not Required	0	Chinese/Japanese/Korean Spec	
11	1704000	2	CSA Spec	
11	1704001	2	Latin American Spec	
12	1704277	3	Decal - Attach Lanyard	
13		Ref	Decal - Max Capacity Options:	
13		Ref	Brazil Spec	
13	1703996	AR	Belgium Built Machines ( <b>Prior to SN 1300002601</b> )	
13	1707134	AR	Belgium Built Machines ( <b>SN 1300002601 through 1300006894</b> )	
13	1001121920	AR	Belgium Built Machines ( <b>SN 1300006895 to Present</b> )	
13	1001121920	AR	Romanian Built Machines ( <b>SN E300000100 through E300001114</b> )	
13		Ref	Chinese Spec	
13	1703996	AR	Belgium Built Machines ( <b>Prior to SN 1300002601</b> )	
13	1707060	AR	Belgium Built Machines ( <b>SN 1300002601 through 1300006894</b> )	
13	1001121810	AR	Belgium Built Machines ( <b>SN 1300006895 to Present</b> )	
13	1001121810	AR	Romanian Built Machines ( <b>SN E300000100 through E300001114</b> )	
13		Ref	CSA Spec	
13	1703996	AR	Belgium Built Machines ( <b>Prior to SN 1300002601</b> )	
13	1707055	AR	Belgium Built Machines ( <b>SN 1300002601 through 1300006894</b> )	
13	1001121803	AR	Belgium Built Machines ( <b>SN 1300006895 to Present</b> )	
13	1001121803	AR	Romanian Built Machines ( <b>SN E300000100 through E300001114</b> )	
13		Ref	Japanese Spec	
13	1703996	AR	Belgium Built Machines ( <b>Prior to SN 1300002601</b> )	
13	1707059	AR	Belgium Built Machines ( <b>SN 1300002601 through 1300006894</b> )	
13	1001121808	AR	Belgium Built Machines ( <b>SN 1300006895 to Present</b> )	
13	1001121808	AR	Romanian Built Machines ( <b>SN E300000100 through E300001114</b> )	
13		Ref	Korean Spec	
13	1703996	AR	Belgium Built Machines ( <b>Prior to SN 1300002601</b> )	
13	1707058	AR	Belgium Built Machines ( <b>SN 1300002601 through 1300006894</b> )	
13	1001121918	AR	Belgium Built Machines ( <b>SN 1300006895 to Present</b> )	
13	1001121918	AR	Romanian Built Machines ( <b>SN E300000100 through E300001114</b> )	
13		Ref	Latin American Spec	
13	1703996	AR	Belgium Built Machines ( <b>Prior to SN 1300002775</b> )	
13	1707056	AR	Belgium Built Machines ( <b>SN 1300002775 through 1300006894</b> )	

## SECTION 8 - DECALS

ITEM	PART NUMBER	QTY	DESCRIPTION	REV
13	1001121805	AR	Belgium Built Machines (SN 1300006895 to Present)	
13	1001121805	AR	Romanian Built Machines (SN E300000100 through E300001114)	
14		Ref	Decal - Max Capacity Options:	
14		Ref	Brazil Spec	
14	1704112	1	Belgium Built Machines (Prior to SN 1300002385)	
14	1707133	1	Belgium Built Machines (SN 1300002385 through 1300006894)	
14	1001121923	1	Belgium Built Machines (SN 1300006895 to Present)	
14	1001121923	1	Romanian Built Machines (SN E300000100 through E300001114)	
14		Ref	Chinese Spec	
14	Not Required	0	Belgium Built Machines (Prior to SN 1300002601)	
14	1707044	1	Belgium Built Machines (SN 1300002601 through 1300006894)	
14	1001121823	1	Belgium Built Machines (SN 1300006895 to Present)	
14	1001121823	1	Romanian Built Machines (SN E300000100 through E300001114)	
14		Ref	CSA Spec	
14	1704112	1	Belgium Built Machines (Prior to SN 1300002601)	
14	1707047	1	Belgium Built Machines (SN 1300002601 through 1300006894)	
14	1001121816	1	Belgium Built Machines (SN 1300006895 to Present)	
14	1001121816	1	Romanian Built Machines (SN E300000100 through E300001114)	
14		Ref	Japanese Spec	
14	Not Required	0	Belgium Built Machines (Prior to SN 1300002385)	
14	1707054	1	Belgium Built Machines (SN 1300002385 through 1300006894)	
14	1001121821	1	Belgium Built Machines (SN 1300006895 to Present)	
14	1001121821	1	Romanian Built Machines (SN E300000100 through E300001114)	
14		Ref	Korean Spec	
14	Not Required	0	Belgium Built Machines (Prior to SN 1300002601)	
14	1707042	1	Belgium Built Machines (SN 1300002601 through 1300006894)	
14	1001121921	1	Belgium Built Machines (SN 1300006895 to Present)	
14	1001121921	1	Romanian Built Machines (SN E300000100 through E300001114)	
14		Ref	Latin American Spec	
14	1704112	1	Belgium Built Machines (Prior to SN 1300002775)	
14	1707049	1	Belgium Built Machines (SN 1300002775 through 1300006894)	
14	1001121818	1	Belgium Built Machines (SN 1300006895 to Present)	
14	1001121818	1	Romanian Built Machines (SN E300000100 through E300001114)	
15		Ref	Decal - USA Options:	
15	3251813	1	Brazil/CSA/Latin American Spec	
15	Not Required	0	Chinese/Japanese/Korean Spec	
16	See Note	1	Decal - High Oil Level (Note: Was p/n 1701503 - No Longer Required)	
17	See Note	1	Decal - Low Oil Level (Note: Was p/n 1701503 - No Longer Required)	
18	1701504	AR	Decal - Hydraulic Oil	
19		Ref	Decal - Inspection Options:	

## SECTION 8 - DECALS

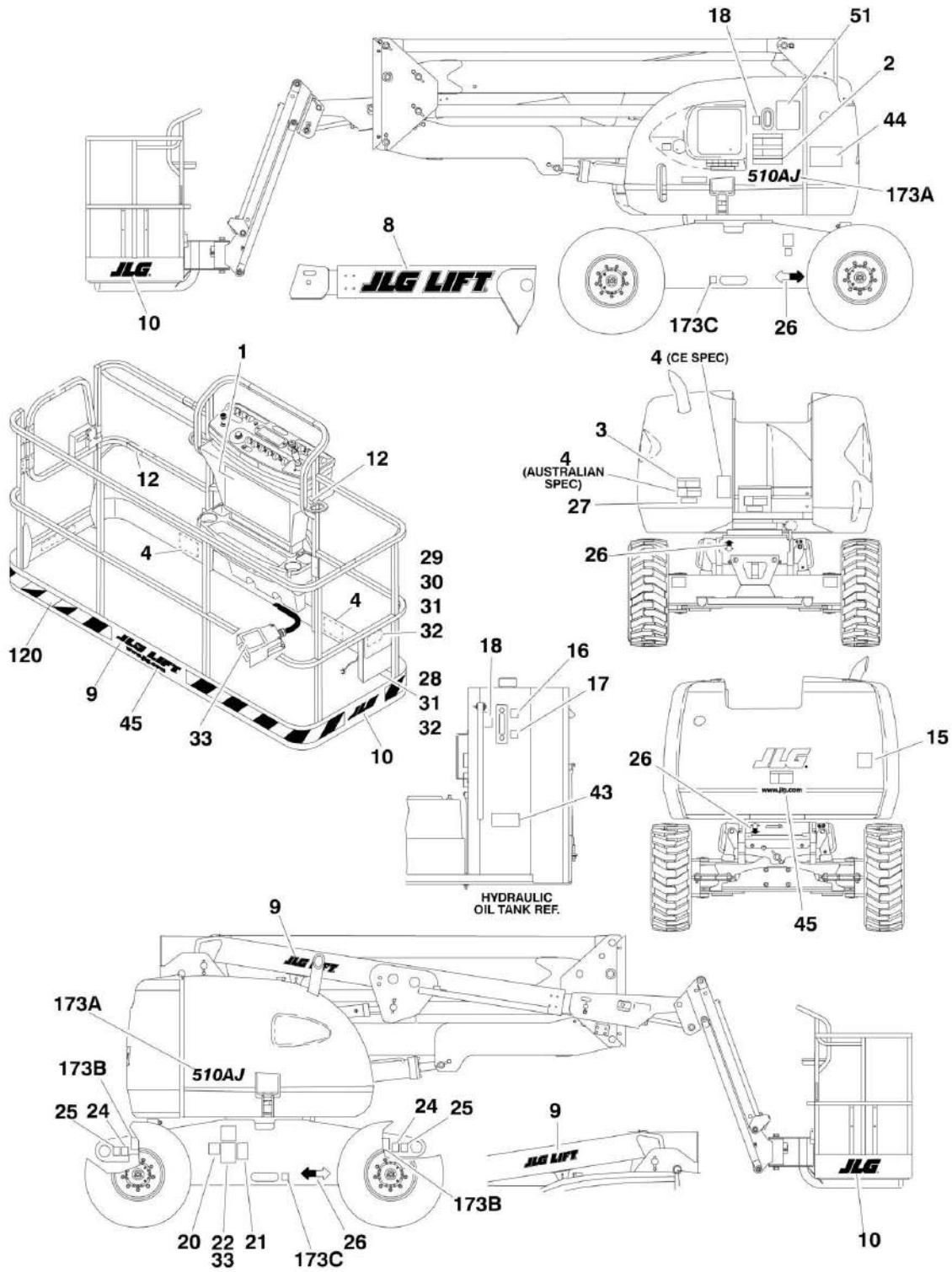
ITEM	PART NUMBER	QTY	DESCRIPTION	REV
19	1704008	1	Brazil Spec	
19	1704006	1	CSA Spec	
19	1704007	1	Latin American Spec	
19	Not Required	0	Chinese/Japanese/Korean Spec	
20	See Note	1	Decal - Bar Code (Note: Not Available for Purchase)	
21	1700584	1	Decal - Patent	
22	See Note	1	Nameplate - Serial Number (Note: Not Available for Purchase)	
23	1701509	1	Decal - Manual	
24	1702300	4	Decal - Tie Down/Lift	
25	1701500	4	Decal - Tie Down/Lift	
26	1701529	4	Decal - Arrow	
27		Ref	Decal Options:	
27	3251243	1	120V-60Hz - Brazil/CSA/Latin American Spec	
27	Not Required	0	Chinese/Japanese/Korean Spec	
28	0860520	1	Box, Manual Storage	
29	1060279	1	Cable, Lanyard	
30	0641408	1	Bolt 1/4in-20NC x 1in	
31	4751400	6	Flatwasher 1/4in Regular	
32	3311405	5	Locknut 1/4in-20NC	
33	3820001	AR	Rivet	
34		Ref	Decal - Footswitch Options:	
34	1703985	1	Brazil Spec	
34	1703982	1	Chinese Spec	
34	1703984	1	CSA Spec	
34	1703980	1	Japanese Spec	
34	1703981	1	Korean Spec	
34	1703983	1	Latin American Spec	
35	Not Required	0	Decal - Maximum Tire Load	
36		Ref	Decal - Fuel Options:	
36	1701542	1	Ford Engine Machines	
36	1701505	1	Deutz Engine Machines	
37		Ref	Decal - LPG Gas	
37	Not Required	0	Non-Dual Fuel Machines	
37	1701543	1	Dual Fuel Machines	
38		Ref	Decal - LP Gas Liquid Withdrawal System	
38	Not Required	0	Non-Dual Fuel Machines	
38	1700818	1	Dual Fuel Machines (English Language)	
38	1704271	1	Dual Fuel Machines (CSA Spec)	
38	1702720	1	Dual Fuel Machines (Spanish Language)	
39		Ref	Decal - CSA Options:	
39	1705514	1	CSA Spec	
39	Not Required	0	Brazil/ Chinese/ Japanese/ Korean/ Latin American Spec	
43	1704412	1	Decal - Hydraulic Fluid	
44	3252768	1	Decal - Lift Diagram	
45	1704885	2	Decal - Website	
46	0641406	4	Bolt, 1/4in-20NC x 3/4in (Not Shown)	
50		Ref	Decal, Drive/Steer Options (Belgium Built Machines): <b>(SN 1300006701 to Present)</b>	
50		Ref	Decal, Drive/Steer Options (Romanian Built Machines): <b>(SN E300000100 through E300001114)</b>	
50	1705905	1	Brazil Spec	
50	1705430	1	Chinese Spec	

## SECTION 8 - DECALS

ITEM	PART NUMBER	QTY	DESCRIPTION	REV
50	1705429	1	CSA Spec	
50	1705426	1	Japanese Spec	
50	1705427	1	Korean Spec	
50	1705910	1	Latin American Spec	
	0010717	Ref	<b>DECAL OPTIONS</b>	
101		Ref	Decal - Low Sulfur Fuel Options (Caterpillar, Deutz and Perkins Engine Machines):	
101	1001108923	1	CSA Spec	
101	Not Required	0	Brazil/ Chinese/ Japanese/ Korean/ Latin American Spec	
120	0272165	Ref	<b>Warning Stripe Decal Installation</b>	
120	4420051	21.7 ft/6.61m	Decal - Warning Stripes	
173	0272582	Ref	<b>Model Designation Decal Installation</b>	2
173A	1705487	2	Decal - 510AJ	
173B	1705669	4	Decal - Max Tire Load	
173C	1702300	2	Decal - Tie-Down	

# SECTION 8 - DECALS

FIGURE 8-3. DECALS INSTALLATION - CE AND AUSTRALIAN SPECS





## SECTION 8 - DECALS

**FIGURE 8-3. DECALS INSTALLATION - CE AND AUSTRALIAN SPECS**

ITEM	PART NUMBER	QTY	DESCRIPTION	REV
		Ref	<b>Belgium Built Machines use S/Ns 13xxxxxxx.</b>	
		Ref	<b>Romanian Built Machines use S/N E3xxxxxxx.</b>	
		Ref	<b>DECAL INSTALLATIONS</b>	
	0272574	Ref	<b>Australian Spec</b>	7
		Ref	<b>Dutch Spec Options:</b>	
	0272500	Ref	<b>Belgium Built Machines (Prior to SN 1300000178)</b>	5
	0273452	Ref	<b>Belgium Built Machines (SN 1300000178 to Present)</b>	4
	0273452	Ref	<b>Romanian Built Machines (SN E300000100 through E300001114)</b>	4
		Ref	<b>French Spec Options:</b>	
	0272502	Ref	<b>Belgium Built Machines (Prior to SN 1300000178)</b>	5
	0273452	Ref	<b>Belgium Built Machines (SN 1300000178 to Present)</b>	4
	0273452	Ref	<b>Romanian Built Machines (SN E300000100 through E300001114)</b>	4
		Ref	<b>German Spec Options:</b>	
	0272499	Ref	<b>Belgium Built Machines (Prior to SN 1300000178)</b>	5
	0273452	Ref	<b>Belgium Built Machines (SN 1300000178 to Present)</b>	4
	0273452	Ref	<b>Romanian Built Machines (SN E300000100 through E300001114)</b>	4
		Ref	<b>Italian Spec Options:</b>	
	0272501	Ref	<b>Belgium Built Machines (Prior to SN 1300000178)</b>	5
	0273452	Ref	<b>Belgium Built Machines (SN 1300000178 to Present)</b>	4
	0273452	Ref	<b>Romanian Built Machines (SN E300000100 through E300001114)</b>	4
	0273184	Ref	<b>Norwegian Spec</b>	3
		Ref	<b>Spanish Spec Options:</b>	
	0272503	Ref	<b>Belgium Built Machines (Prior to SN 1300000178)</b>	5
	0273452	Ref	<b>Belgium Built Machines (SN 1300000178 to Present)</b>	4
	0273452	Ref	<b>Romanian Built Machines (SN E300000100 through E300001114)</b>	4
		Ref	<b>UK Spec Options:</b>	
	0272498	Ref	<b>Belgium Built Machines (Prior to SN 1300000178)</b>	5
	0273452	Ref	<b>Belgium Built Machines (SN 1300000178 to Present)</b>	4
	0273452	Ref	<b>Romanian Built Machines (SN E300000100 through E300001114)</b>	4
	0272530	Ref	<b>JLG Logo Decals</b>	1
1		Ref	Decal - Danger/Warning Options:	
1	1703992	1	Australian Spec	
1	1704809	1	Dutch Spec	
1	1704811	1	French Spec	
1	1704767	1	German Spec	
1	1704810	1	Italian Spec	
1	1705270	1	Norwegian Spec	
1	1704812	1	Spanish Spec	
1	1704808	1	UK Spec	
2		Ref	Decal - Danger/Warning Options:	
2	1705332	1	Australian Spec	
2	1705410	1	Dutch Spec	
2	1705412	1	French Spec	
2	1705409	1	German Spec	
2	1705411	1	Italian Spec	

## SECTION 8 - DECALS

ITEM	PART NUMBER	QTY	DESCRIPTION	REV
2	1705272	1	Norwegian Spec	
2	1705413	1	Spanish Spec	
2	1705408	1	UK Spec	
4	1701518	3	Decal - Warning/Crushing	
9	1702774	3	Decal - Lift (3 1/2in)	
10	1702773	2	Decal - JLG (5 in)	
12	1704277	3	Decal - Attach Lanyard	
15	1705084	1	Decal - Sound Power Level (CE Spec Only)	
16	See Note	1	Decal - High Oil Level (Note: Was p/n 1701503 - No Longer Required)	
17	See Note	1	Decal - Low Oil Level (Note: Was p/n 1701503 - No Longer Required)	
18	1701504	AR	Decal - Hydraulic Oil	
20	See Note	1	Decal - Bar Code (Note: Not Available for Purchase)	
21	1700584	1	Decal - Patent	
22	See Note	1	Nameplate - Serial Number (Note: Not Available for Purchase)	
23	1701509	1	Decal - Manual	
24	1702300	4	Decal - Tie Down /Lift	
25	1701500	4	Decal - Tie Down /Lift	
26	1701529	4	Decal - Arrow	
27		Ref	Decal Options:	
27	3251242	1	240V-50Hz - Australian Spec	
27	Not Required	0	All Other Specs	
28	0860520	1	Box, Manual Storage	
29	1060279	1	Cable, Lanyard	
30	0641408	1	Bolt 1/4in-20NC x 1in	
31	4751400	AR	Flatwasher 1/4in Regular	
32	3311405	AR	Locknut 1/4in-20NC	
33		Ref	Fastener Options:	
33	2080057	2	Amtak	
33	3820001	4	Rivet (Norwegian Spec Only)	
34		Ref	Decal - Footswitch Options:	
34	3252347	1	Australian Spec	
34		Ref	Dutch Spec	
34	1703518	1	Belgium Built Machines <b>(Prior to SN 1300000178)</b>	
34	1705828	1	Belgium Built Machines <b>(SN 1300000178 to Present)</b>	
34	1705828	1	Romanian Built Machines <b>(SN E300000100 through E300001114)</b>	
34		Ref	French Spec	
34	1693292	1	Belgium Built Machines <b>(Prior to SN 1300000178)</b>	
34	1705828	1	Belgium Built Machines <b>(SN 1300000178 to Present)</b>	
34	1705828	1	Romanian Built Machines <b>(SN E300000100 through E300001114)</b>	
34		Ref	German Spec	
34	1693294	1	Belgium Built Machines <b>(Prior to SN 1300000178)</b>	
34	1705828	1	Belgium Built Machines <b>(SN 1300000178 to Present)</b>	
34	1705828	1	Romanian Built Machines <b>(SN E300000100 through E300001114)</b>	
34		Ref	Italian Spec	
34	1701600	1	Belgium Built Machines <b>(Prior to SN 1300000178)</b>	
34	1705828	1	Belgium Built Machines <b>(SN 1300000178 to Present)</b>	
34	1705828	1	Romanian Built Machines <b>(SN E300000100 through E300001114)</b>	

## SECTION 8 - DECALS

ITEM	PART NUMBER	QTY	DESCRIPTION	REV
34	1705275	1	Norwegian Spec	
34		Ref	Spanish Spec	
34	1701791	1	Belgium Built Machines ( <b>Prior to SN 1300000178</b> )	
34	1705828	1	Belgium Built Machines ( <b>SN 1300000178 to Present</b> )	
34	1705828	1	Romanian Built Machines ( <b>SN E300000100 through E300001114</b> )	
34		Ref	UK Spec	
34	Not Required	0	Belgium Built Machines ( <b>Prior to SN 1300000178</b> )	
34	1705828	1	Belgium Built Machines ( <b>SN 1300000178 to Present</b> )	
34	1705828	1	Romanian Built Machines ( <b>SN E300000100 through E300001114</b> )	
35	Not Required	0	Decal - Maximum Tire Load	
36	1701505	1	Decal - Fuel	
43	1704412	1	Decal - Hydraulic Fluid	
44	3252768	1	Decal - Lift Diagram	
45	1704885	2	Decal - Website	
46	0641406	4	Bolt, 1/4in-20NC x 3/4in (Not Shown)	
47	1705821	1	Decal, Tipping/Elect (PLF) (Not Shown)	
48	1705822	1	Decal, Elect/Safety Manual (MTB) (Not Shown)	
51	1001112551	1	Decal - Emergency Controls (Australian Specs) (Belgium Built Machines) ( <b>SN 1300006704 to Present</b> )	
51	1001112551	1	Decal - Emergency Controls (Australian Specs) (Romanian Built Machines) ( <b>SN E300000100 through E300001114</b> )	
	0010578	Ref	<b>DECAL OPTIONS</b>	
120	0272165	Ref	<b>Warning Stripe Decal Installation</b>	
120	4420051	21.7 ft/6.61m	Decal - Warning Stripes	
173	0272582	Ref	<b>Model Designation Decal Installation</b>	2
173A	1705487	2	Decal - 510AJ	
173B	1705669	4	Decal - Max Tire Load	
173C	1702300	2	Decal - Tie-Down	



## **SECTION 9 - RECOMMENDED SERVICE PARTS STOCK**

## **SECTION 9 - RECOMMENDED SERVICE PARTS STOCK**

## SECTION 9 - RECOMMENDED SERVICE PARTS STOCK

FIGURE 9-1. MODEL 510AJ STANDARD PARTS

ITEM	PART NUMBER	QTY	DESCRIPTION	REV
	Note	Ref	<b>Note: The following list will service one machine (built to current production per date on the front cover) with emergency repair parts which can be installed in the field. Parts from the list should be replaced when inventory is depleted to keep service parts stock supplied. For further information, contact your JLG dealer or the JLG Industries Parts Department.</b>	
		Ref	<b>STANDARD PARTS</b>	
	2120210	1	Element, Filter	
	7012944	1	Coil	
	7012943	1	Coil	
	7017451	1	Coil	
	4360517	1	Switch, Proximity	
	7012664	1	Element, Air Cleaner	
	3740067	1	Relay	
	7024444	1	Breather, Hydraulic Tank	
	70001960	4	Element, Return Filter	
	3740049	1	Relay	
	4360328	1	Switch, Toggle	
	2860030	2	Key, Replacement	
	4360475	1	Switch, Mushroom	
	4360476	1	Contact, Switch Block	
	2940074	1	Latch	
	4360387	1	Switch, Push Button	
	4360330	1	Switch, Toggle	
	4360407	1	Control, Speed	
	1001129555	1	Controller (Lift and Swing)	
	1001118416	1	Controller (Drive and Steer)	
	2400065	2	Fuse	



## SECTION 9 - RECOMMENDED SERVICE PARTS STOCK

FIGURE 9-2. MODEL 510AJ VARIABLE PARTS

ITEM	PART NUMBER	QTY	DESCRIPTION	REV
	Note	Ref	<b>Note: The following list will service one machine (built to current production per date on the front cover) with emergency repair parts which can be installed in the field. Parts from the list should be replaced when inventory is depleted to keep service parts stock supplied. For further information, contact your JLG dealer or the JLG Industries Parts Department.</b>	
		Ref	<b>VARIABLE PARTS</b>	
	70001403	1	Filter, Oil Element, (Caterpillar Engine Machines)	
	70003791	1	Filter, Fuel (Caterpillar Engine Machines)	
	7016331	1	Filter, Oil Element, (Deutz Engine Machines)	
	7020023	1	Filter, Fuel (Deutz Engine Machines)	
	7027795	1	Module, Control (Deutz Engine Machines)	
	70001403	1	Filter, Oil Element, (Perkins Engine Machines)	
	70002450	1	Filter, Fuel (Perkins Engine Machines)	
	70002451	1	Module, ECU Engine Control (Perkins Engine Machines)	
	3740080	1	Relay (Machines with Generator Option)	
	4360336	1	Switch, Toggle (Machines with Generator Option)	
	1001103667	1	Module, Ground Control	
	4360469	1	Switch, Key (All Specs except CE Specs)	
	4360470	1	Switch, Key (CE Spec)	
	4360548	1	Switch, Limit	
	1001106938	1	Module, Platform Control	
	4360057	1	Switch, Limit (Soft-Touch Option)	
	3990001	2	Diode (Perkins Engine Machines)	
	4360232	1	Breaker, Circuit (Floodlights Option)	
	2400070	2	Fuse (Platform Worklights Option)	



**SECTION 10 - SPECIAL OPTIONS**

# SECTION 10 - SPECIAL OPTIONS

## FIGURE 10-1. SPECIAL OPTIONS

ITEM	PART NUMBER	QTY	DESCRIPTION	REV
		Ref	<b>MISCELLANEOUS SPECIAL OPTIONS</b>	
	Note	Ref	<b>Note: This list is to accommodate machines ordered with special equipment. Options may not be applicable to all models. For more specific parts information contact JLG Parts Department.</b>	
	1340061	Ref	<b>Air Cleaner with Dust Evacuator Valve</b>	
	0272786	Ref	<b>Air Line at Platform Installation</b>	
		Ref	<b>Bellows Installations</b>	
	0271401	Ref	<b>Belgium Built Machines (Prior to SN 1300003223)</b>	
	0275856	Ref	<b>Belgium Built Machines (SN 1300003223 to Present)</b>	
	0275856	Ref	<b>Romanian Built Machines (SN E300000100 through E300001114)</b>	
	0271315	Ref	<b>Boom Wiper Installation</b>	
	1001116419	Ref	<b>Cable Tray Carrier Installation - 30in (76cm) Platform</b>	
	0256789	Ref	<b>Camera Mount Assembly</b>	
		Ref	<b>Clear Sky (Telematic) Installation</b>	
		Ref	<b>Note: Refer to Manual Supplement p/n 3128499 for available replacement parts.</b>	
		Ref	<b>Note: For Module (with/without UGM) Identification, refer to Revision Log page A.</b>	
		Ref	<b>ADE Machines</b>	
	1001107008	Ref	<b>ANSI Spec</b>	
	1001107009	Ref	<b>ANSI Export and Japanese Specs</b>	
	1001139127	Ref	<b>Australian Specs</b>	
	1001107010	Ref	<b>CSA Spec</b>	
		Ref	<b>ADE/UGM Machines</b>	
	1001112983	Ref	<b>ANSI Spec</b>	
	1001112984	Ref	<b>ANSI Export and Japanese Specs</b>	
	1001132727	Ref	<b>Australian Spec</b>	
	1001112985	Ref	<b>CSA Spec</b>	
	1001127090	Ref	<b>Brazil and New Zealand Spec Only</b>	
		Ref	<b>Clear Sky (Telematic) Kit (Includes Installation, Decals, User Guide and Manual 3128499)</b>	
		Ref	<b>Note: For Module (with/without UGM) Identification, refer to Revision Log page A.</b>	
		Ref	<b>ADE Machines</b>	
	1001117254	Ref	<b>ANSI Spec</b>	
	1001121610	Ref	<b>ANSI Export and Japanese Specs</b>	
	1001139127	Ref	<b>Australian Specs</b>	
	1001117261	Ref	<b>CSA Spec</b>	
		Ref	<b>ADE/UGM Machines</b>	
	1001119945	Ref	<b>ANSI Spec</b>	
	1001121614	Ref	<b>ANSI Export and Japanese Specs</b>	
	1001139146	Ref	<b>Australian Specs</b>	
	1001119950	Ref	<b>CSA Spec</b>	
	See Note	Ref	<b>Brazil and New Zealand Spec Only (Note: Not Available for Purchase)</b>	
		Ref	<b>Cold Weather Start Kits</b>	
	0258921	Ref	<b>Deutz Engine Machines (Ether)</b>	
	0271912	Ref	<b>Deutz Engine Machines (Glow Plugs)</b>	

## SECTION 10 - SPECIAL OPTIONS

ITEM	PART NUMBER	QTY	DESCRIPTION	REV
	0273064	Ref	<b>Caterpillar/Perkins Engine Machines</b>	
	0272031	Ref	<b>Container Transport Wheels</b>	
		Ref	<b>Decals Installations</b>	
	1704150	1	Decal - Glow Plug Warning	
	0272607	Ref	Decal - Glow Plug Warning	
	1705358	Ref	Decal - SkyCutter	
	0272919	Ref	Decal - SkyGlazier (ANSI and Australian Specs)	
	0272589	Ref	Decal - SkyPower	
	0272920	Ref	Decal - SkyPower	
	0272588	Ref	Decal - SkyWelder	
		Ref	Decal - Telematics Options (ClearSky) (Without UGM):	
	1001116373	Ref	ANSI Spec	
	1001116374	Ref	CSA Spec	
	1001127096	Ref	Decal - Telematics (ClearSky) (With UGM)	
	0272165	Ref	Decal - Warning Stripes	
	0258919	Ref	<b>Ether Start Installation (Deutz Engine Machines)</b>	
		Ref	<b>Electrical Connector Kits</b>	
	1001148902	Ref	Amp/Tyco Electrical Connector Kit	
	1001148903	Ref	Deutsch DT Electrical Connector Kit	
	1001148904	Ref	Deutsch HD Electrical Connector Kit	
	1001148905	Ref	Packard Electrical Connector Kit	
	1001148906	Ref	Various Electrical Connectors Kit	
	1001130758	Ref	<b>Engine Fan Kit (Perkins Engine Machines) (Kit converts Electric Cooling Fan to Engine Driven Cooling Fan)</b>	
		Ref	<b>Filter Kits</b>	
		Ref	<b>Boom Hydraulic Air Filter Kit Options:</b>	
	1001114060	Ref	Belgium Built Machines (Use p/n 1001109694) <b>(Prior to SN 1300001243)</b>	
	1001114120	Ref	Belgium Built Machines (Use p/n 1001109694) <b>(Prior to SN 1300001243)</b>	
	1001114061	Ref	Belgium Built Machines (Use p/n 1001109698) <b>(SN 1300001243 to Present)</b>	
	1001114121	Ref	Belgium Built Machines (Use p/n 1001109698) <b>(SN 1300001243 to Present)</b>	
	1001109698	Ref	Romanian Built Machines <b>(SN E300000100 through E300001114)</b>	
		Ref	<b>Combined Filter Kit Options:</b>	
	2910495	Ref	Deutz Engines Belgium Built Machines (Use p/n 1001110997) <b>(Prior to SN 1300001243)</b>	
	1001114129	Ref	Deutz Engines Belgium Built Machines (Use p/n 1001110997) <b>(Prior to SN 1300001243)</b>	
	1001114128	Ref	Deutz Engines Belgium Built Machines (Use p/n 1001110999) <b>(SN 1300001243 to Present)</b>	
	1001110999	Ref	Deutz Engines Romanian Built Machines <b>(SN E300000100 through E300001114)</b>	
	1001114063	Ref	Perkins Engines without UGM (Use p/n 1001111001)	
	1001114122	Ref	Perkins Engines with UGM	
		Ref	<b>Engine Fuel/Oil Filter Kit Options:</b>	
	1001110138	Ref	Deutz Engines	
	1001110143	Ref	Perkins Engines	
		Ref	<b>Fluids</b>	
	2300014	Ref	Brake Fluid (4WD Drive Brake)	
	2300040	Ref	Conditioner, Diesel Fuel	
	2300004	Ref	Coolant, Antifreeze (Caterpillar and Perkins Engines)	

## SECTION 10 - SPECIAL OPTIONS

ITEM	PART NUMBER	QTY	DESCRIPTION	REV
	2300016	Ref	Hydraulic Fluid (Drive Hubs/System)	
	3020021	Ref	Engine Coupling Grease	
		Ref	Hydraulic Fluids:	
	2300014	Ref	Mobil 424	
	2300027	Ref	Mobil 224H Bio	
	2300029	Ref	Mobil EAL ISO 46 Bio	
	2300016	Ref	Mobil DTE 10 EXCEL 32	
	2300019	Ref	Quaker State Quintolubric 888-46 Fire Resistant	
	2300039	Ref	Exxon Univis HVI 26 (Machines with Arctic Package)	
		Ref	<b>Footswitch Shield Installation</b>	
	4060959	Ref	Belgium Built Machines (Prior to SN 1300000603)	
	3380652	Ref	Belgium Built Machines (SN 1300000603 to Present)	
	3380652	Ref	Romanian Built Machines (SN E300000100 through E300001114)	
	0271548	Ref	<b>Glow Plug Installation (Deutz Engine Machines)</b>	
	1001094475	Ref	<b>Hourmeter for Generator Installation</b>	
	1001148971	Ref	<b>Lanyard (Bolt-On) Kit Installation</b>	
		Ref	<b>Oil Cooler Installation</b>	
	0275004	Ref	<b>Deutz Engines Belgium Built Machines (Prior to SN 1300004150)</b>	
	1001096182	Ref	<b>Deutz Engines Belgium Built Machines (SN 1300004150 to Present)</b>	
	1001096182	Ref	<b>Deutz Engines Romanian Built Machines (SN E300000100 through E300001114)</b>	
	1001107591	Ref	<b>Caterpillar and Perkins Engines</b>	
	0254661	Ref	<b>Pipe Jacks Installation</b>	
	0258703	Ref	<b>Platform Console Cover Installation</b>	
	1670870	1	Cover	
		Ref	<b>Platform Entry Kit</b>	
	1001142504	Ref	<b>Kit, Replace Swing Gate with Drop Bar</b>	
	1001142505	Ref	<b>Kit, Replace Drop Bar with Swing Gate</b>	
		Ref	<b>Platform Mesh Installations (Side Entry Platforms)</b>	
	1001140315	Ref	<b>30in X 5ft (76cm x 1.52m) (Mesh to Mid Rail)</b>	
	1001140318	Ref	<b>30in X 4ft (76cm x 1.52m) (Mesh to Mid Rail)</b>	
		Ref	<b>SkyPower Generator Kits Options (With UGM):</b>	
	1001097513	Ref	<b>SkyPower Generator - 7500W 50Hz (Perkins Engines) (ANSI Export, Australian and CE Specs)</b>	
		Ref	<b>SkyGuard Components</b>	
	1001149560	Ref	<b>SkyGuard Complete Installation Kit (ADE/Non-UGM Equipped Machines)</b>	
	1001143669	Ref	<b>SkyGuard Complete Installation Kit (UGM Equipped Machines)</b>	
	1001137672	Ref	<b>SkyGuard Platform Sensor Installation Kit (UGM Equipped Machines)</b>	
	1001143256	Ref	<b>SkyGuard Optional Blue Beacon Installation Kit</b>	
	1001228964	Ref	<b>Telematic Retrofit Harness Kit (Machines with UGM)</b>	
		Ref	<b>Tire Sealant Service (Pneumatic Tires Only)</b>	
	0272307	Ref	<b>12 x 16.5 Tires</b>	
	0272308	Ref	<b>33/1550 x 16.5 Tires</b>	
	1001231278	Ref	<b>Turntable Bearing Kit (replaces 2915082 &amp; 1001160532)</b>	
		Ref	<b>Tools for Service</b>	
	2901443	1	Analyzer Kit	
	8896941	1	Wire Stripper	

## SECTION 10 - SPECIAL OPTIONS

ITEM	PART NUMBER	QTY	DESCRIPTION	REV
	7002821	1	Wire Crimper (To install wire ends to wires)	
	7002823	1	Pin/Socket Extractor - Universal (To Remove Pins/ Sockets from Connectors)	
	4460467	1	Extractor - 16-18 Gauge (For Removal of Pin/Sockets from Deutsch Connectors)	
	4460510	1	Extractor - 12-14 Gauge (For Removal of Pin/Sockets from Deutsch Connectors)	
	7002822	1	Screwdriver, Potentiometer (To Adjust Drive Controllers)	
	7016654	1	Screwdriver, Magnetic	
	7004275	1	Seal Installation Tool - 1in	
	7004276	1	Seal Installation Tool - 1-1/2in	
	7002826	1	Seal Installation Tool - 2in	
	7016655	1	Wire Rope Sheave Gauge	
	1001137005	Ref	Kit, Software Cable	
	0274883	Ref	<b>Transformer (Cold Weather Package) Installation</b>	
	0272031	Ref	<b>Transport Wheels Installation</b>	
	0257728	Ref	<b>Tube Rack Installation</b>	



**PART NUMBER INDEX**

# PART NUMBER INDEX

0010578.....295	0271073.....129	0273358.....47	0641403.....153, 157, 161
0010717.....284, 291	0271189.....287	0273452.....293	0641404..19, 27, 43, 141, 145, 149, 175
0060050.....171, 179	0271197.....43, 181	0273495.....187, 252	0641405.....117
0080163.....75, 82	0271217.....130	0273497.....11	0641406....48, 64, 66, 71, 72, 79, 86, 89, 94, 97, 102, 104, 168, 171, 186, 187, 189, 284, 290, 295
0080181...64, 86, 94, 102	0271315.....302	0273499.....40	0641407.....126, 130
0080201.....64, 86, 102	0271340.....192	0273754.....71	0641408....64, 66, 86, 94, 102, 104, 133, 137, 153, 157, 161, 162, 186, 284, 290, 294
0080231.....72, 79	0271401.....302	0274079.....145, 147	0641410....64, 72, 78, 79, 94, 102, 153
0100009.....189	0271548.....304	0274085.....145, 147	0641414.....187, 203
0100011...11, 12, 15, 40, 43, 48, 64, 66, 71, 72, 78, 79, 86, 89, 94, 96, 102, 104, 117, 121, 125, 129, 130, 133, 137, 141, 145, 149, 153, 157, 161, 167, 168, 171, 175, 181, 185, 186, 203, 209	0271593.....145, 147	0274240.....203	0641416.....11, 117, 189
0100019..11, 15, 47, 153, 157, 161	0271912.....302	0274335.....78	0641418....66, 71, 78, 89, 97, 104, 186
0100020....66, 71, 72, 78, 79, 88, 89, 96, 97, 104, 117, 118	0271931.....186	0274616.....43, 181	0641420....39, 66, 90, 97, 104
0100038.....11	0272031.....303, 305	0274753.....11	0641505.....153, 167
0100048....122, 125, 129, 130, 189, 256, 257, 270, 271	0272057.....129	0274862.....187, 252	0641506..64, 86, 94, 102, 125
0100062.....153	0272070.....181	0274883.....305	0641507..64, 86, 94, 102, 167
0100079.....90, 97, 117	0272070.....181	0275004.....304	0641508....121, 141, 145, 149, 157, 161
0100081....175, 189, 205, 207	0272110.....191	0275216.....264, 277	0641510.....72, 79
0140001.....43	0272165...284, 291, 295, 303	0275217.....264, 277	0641512....67, 72, 78, 89, 97, 105
0140011.....189	0272167.....47	0275218.....264, 277	0641516....153, 157, 161
0140032.....130	0272307.....304	0275219.....264, 277	0641518.....171, 187
0181727.....71	0272308.....304	0275452.....264, 277	0641520.....55, 59
0200048.....203	0272320.....15, 39, 192	0275453.....264, 277	0641526.....181
0200742....141, 145, 149	0272340.....167	0275454.....264, 277	0641528.....169
0254661.....304	0272341.....284	0275678.....261, 275	0641530.....39
0255917.....266, 279	0272424.....11	0275679.....261, 275	0641538.....39
0256789.....302	0272428.....12	0275680.....262, 275	0641560.....39
0256847.....75, 82	0272449.....133	0275681.....261, 275	0641604.....175
0257728.....305	0272489.....72	0275682.....262, 275	0641605.....168
0257740.....16	0272490.....71	0275683.....261, 275	0641606..12, 40, 48, 117, 133, 137, 181, 209
0257746.....16	0272491.....117	0275684.....262, 275	0641607.....11, 43, 171
0257887....130, 252, 266, 279	0272496.....167, 171	0275815.....89	0641608..66, 72, 79, 104, 117, 133, 137, 171
0258009.....16	0272497.....168	0275854.....15, 39	0641609....47, 64, 86, 94, 102
0258010.....16	0272498.....293	0275856.....302	0641610....64, 66, 71, 72, 78, 79, 86, 89, 97, 102, 104, 133, 137, 145, 158, 162, 167, 171, 186
0258011.....16	0272499.....293	0275858.....40	0641611...64, 87, 95, 102
0258012.....16	0272499.....293	0275867.....133, 137	0641612.....88, 96
0258028.....16	0272500.....293	0275871.....78	064161448, 64, 102, 133, 137, 157, 161
0258030.....16	0272501.....293	0280203.....11	0641616.....171
0258031.....16	0272502.....293	0340012.....94	0641618.....39, 154, 158, 162, 171
0258303.....261, 275	0272503.....293	0340041...64, 72, 79, 86, 102	0641772....141, 145, 149
0258304.....261, 275	0272521.....209	0340046..64, 86, 94, 102	0641806.....167
0258400.....47	0272529.....129	0363012.....39	064180855, 59, 153, 157, 161
0258430.....134	0272530...283, 287, 293	0370026.....217	0641810..11, 55, 59, 167, 171
0258703.....304	0272573.....283	0400075.....72	
0258830.....16	0272574.....293	0440161.....12	
0258831.....16	0272575.....287	0440255.....47, 55	
0258919.....303	0272576.....287	0440271.....12	
0258921.....252, 302	0272577.....287	0440272.....47, 55	
0270674.....16	0272578.....287	0440274.....12	
0270675.....16	0272579.....287	0440291.....12	
0270676.....16	0272582...284, 291, 295	0480120...141, 145, 149	
0270814....187, 192, 252	0272588.....209, 303	0480121.....141, 149	
0271072.....129	0272589...154, 159, 163, 303	0480122.....145	
	0272594...168, 257, 270	0480126.....157, 161	
	0272600.....40	0480129.....153	
	0272607.....303	0561076.....167	
	0272614.....145, 147	0561460.....169	
	0272615.....145, 147	0561511.....12	
	0272620...176, 257, 271	0561515.....175	
	0272746.....153, 265	0630401.....175	
	0272786.....302	0630462.....203	
	0272895.....15, 39	0630467.....181	
	0272919.....303	0630498.....72, 169	
	0272920.....303	0630518...121, 125, 209	
	0272921.....187	0630548.....121, 125	
	0272970...186, 256, 270	0630568.....191	
	0273064.....303	0630569..64, 86, 94, 102	
	0273184.....293		



## PART NUMBER INDEX

0641812 ... 64, 72, 79, 86, 94, 102, 171, 181	0861743 ..... 121	1001098446.....239	1001102715 ..... 126, 272
0641814 ..... 12	0861781 ..... 262, 275	1001098525...65, 95, 103	1001102860 66, 104, 273
0641818 ..... 47, 175	0861880 ..... 263, 276	1001098567.....134	1001102893 ..... 125
0641820 ... 64, 72, 79, 86, 94, 102	0902206 ..... 129	1001098568.....134	1001102894 ..... 125
0641824 ..... 12	0902443 ... 66, 71, 78, 89, 97, 104	1001098639.....167, 171	1001102900 ..... 252, 273
0642010 ... 66, 71, 78, 89, 97, 104	0902444 ... 66, 71, 78, 89, 97, 104	1001098840.....122, 258, 259	10011029100 ..... 272
0642012 ..... 11, 167, 205	0902504 ..... 133, 137	1001098923.....259	1001103667 ..... 125, 300
0642014 ..... 167	0902520 ..... 47	1001099370.....103, 105	1001103791 ..... 67, 105
0642016 ..... 167	0902535 ..... 117	1001099869.....142, 147, 150	1001104627 ..... 55
0642026 ..... 207	0902740 ..... 72, 80	1001099926...88, 96, 260	1001104850 ..... 47, 53
0642612 ..... 129	0902751 ..... 189	1001099927...88, 96, 260	1001105272 ..... 138
0642684 ..... 181	0902888 ..... 157, 161	1001100027.....252, 265	1001105273 ..... 138
0651405 ..... 43	0903484 ..... 263, 276	1001100233.....142, 147, 150	1001105275 ..... 138
0681608 ..... 181	0903612 ..... 263, 276	1001100234.....142, 147, 150	1001105276 ..... 138
0681610 ..... 55, 59	0940048 ..... 167	1001100286.....137	1001105455 ..... 53
0681810 ..... 15	0940071 ..... 133, 137	1001100321 ..... 141, 145, 146, 149	1001105636 ..... 126, 271
0682014 ..... 15	0940083 ..... 133, 137	1001100341.....264, 277	1001105637 ..... 126, 272
0682040 ..... 47	0940167 ..... 203	1001100342.....264, 278	1001105784 ..... 125
0682048 ..... 47	0940199 ..... 205, 207	1001100345.....264, 277	1001106339 ..... 272
0682248 ..... 11	0961845 ..... 186	1001100346.....264, 278	1001106340 ..... 272
0700808 ..... 90, 98	0961947 ... 171, 179, 221	1001100347.....264, 277	1001106426 ..... 64, 67
0700810 ..... 75, 82	0961948 ..... 171, 175	1001100577...65, 95, 103	1001106736 ..... 126, 271
0700816 ..... 72, 79	0961950 .... 11, 167, 171, 175, 223, 225	1001100656.....147	1001106788 ..... 102
0701012 ..... 72, 79	0961951 .... 12, 171, 219, 221, 227	1001100657.....147	1001106789 ..... 104
0701014 ..... 79	0962140 ..... 12	1001100732.....145	1001106790 ..... 65, 103
0701217 ... 141, 149, 157, 161	0962172 ... 64, 72, 80, 86, 94, 102	1001100749.....145	1001106793 ..... 65, 103
0711014 ..... 79	0962257 ..... 172, 179	1001100818...65, 95, 103	1001106931 ..... 186, 189
0711414 ..... 72, 80	0962292 ..... 171	1001100825...65, 89, 96, 103	1001106932 ..... 186
0721003 ..... 192	0962449 ... 141, 145, 149	1001100837...65, 95, 103	1001106938 ..... 189, 300
072100486, 94, 133, 137, 153, 158, 162	0962466 ..... 215	1001100857....67, 90, 97, 105	1001107007 .... 190, 256, 270
0721006 ..... 86, 133, 137, 147, 190	0962520 .... 154, 157, 161	1001100941.....150	1001107008 ..... 302
0721008 .... 133, 137, 147	1001091124.....133, 137	1001100942.....150	1001107009 ..... 302
0731005 ..... 203	1001091125.....133	1001100943.....141, 149	1001107010 ..... 302
0741610 ... 64, 72, 80, 86, 94, 102	1001091179.....80	1001100944.....141, 149	1001107116 ..... 64, 102
0760612 ..... 88, 96	1001091970.....264, 278	1001101160.....133, 137	1001107157 ..... 138
0760810 ..... 88, 96	1001091971.....264, 278	1001101201...65, 95, 103	1001107293 ..... 137
0760815 ..... 64, 94, 102	1001092723.....80, 82	1001101228.....87	1001107527 ..... 190
0771012 ..... 79	1001094475.....304	1001101232.....86	1001107591 ..... 250, 304
0791506 ..... 12	1001094635.....245, 250	1001101233.....86	1001107677 ..... 190
0791606 ..... 175	1001094649.....245	1001101408...65, 95, 103	1001107853 ..... 191
0791607 ..... 175	1001094789.....171, 219	1001101423.....205	1001108204 ..... 129
0801337 ..... 171, 175	1001095205.....86, 90	1001101424.....205, 207	1001108388 ..... 66
0801338 ..... 175	1001096070.....263, 276	1001101681.....65, 103	1001108389 ..... 64
0801339 ..... 175	1001096182.....250, 304	1001101910.....262, 275	1001108493 ..... 283, 287
0801356 ..... 167	1001096617.....168	1001101911.....262, 275	1001108828 ..... 186, 189
0801357 ..... 167	1001096956.....121	1001101912.....262, 275	1001108829 ..... 186
0801374 ..... 175	1001097150.....263, 276	1001101913.....262, 275	1001108879 ..... 253
0801375 ..... 175	1001097324.....149, 150	1001101914.....262, 275	1001108901 ..... 186, 189, 270
0860038 ... 158, 162, 262, 275	1001097325.....149, 150	1001101915.....262, 275	1001108902 ..... 186
0860520 .... 284, 290, 294	1001097401.....157	1001101916.....262, 275	1001108923 ..... 284, 291
0861419 ..... 121	1001097512.....157, 265	1001101950.....65, 103	1001108994 ..... 191
0861428 ..... 121	1001097513.....304	1001102270....86, 90, 94, 97	1001109475 ..... 263, 276
0861441 ..... 189, 191	1001097551.....88	1001102446.....205, 207	1001109482 ..... 263, 276
0861512 .... 186, 189, 256	1001097552.....88	1001102526.....48	1001109495 ..... 138
0861541 .... 154, 158, 162	1001097553.....88, 96	1001102527.....48	1001109698 ..... 303
0861567 ... 153, 154, 157, 158, 161, 162, 266, 279	1001097554.....88, 96	1001102598.....121, 125	1001109727 .... 252, 272, 273
0861572 .... 154, 157, 161	1001097555.....88, 96	1001102648.....207	1001109728 ..... 126, 272
0861731 ..... 262, 275	1001097556.....96	1001102695.....48	1001109826 ..... 125
	1001097583.....157	1001102706.....65, 103	1001109827 ..... 125
	1001097588....65, 88, 96, 103		1001110138 ..... 303
	1001097893.....88, 96		1001110143 ..... 303
			1001110434 ..... 189, 190
			1001110872 ..... 158, 162

# PART NUMBER INDEX

1001110873.....158, 162, 263, 277	1001130040 ..... 96	1060991 .... 169, 257, 270	1684465..... 12, 217
1001110999.....303	1001130041 ..... 96	1060992 .... 176, 257, 271	1693292.....294
1001111285.....141, 142, 149, 150	1001130042 ..... 96	1100134 ..... 11	1693294.....294
1001111814.....142, 150	1001130513 ..... 96	1120484 ..... 117	1700584..... 283, 290, 294
1001111815.....142, 150	1001130514 ..... 94	1120487 ..... 117	1700818.....284, 290
1001111818.....161, 279	1001130524 ..... 96	1120532 ..... 117	1701500.....283, 290, 294
1001111910.....161, 278	1001130758 ..... 303	1120555 ..... 205, 207	1701504.....283, 289, 294
1001112044.....161, 279	1001132727 ..... 302	1180377 ..... 175	1701505....66, 72, 78, 89, 97, 104, 284, 290, 295
1001112551 .....295	1001137005 .... 267, 280, 305	1283002 ..... 252	1701509....205, 207, 283, 290, 294
1001112586.....163, 279	1001137672 ..... 304	1283245 ..... 250	1701518.....294
1001112587.....163, 279	1001138135 ..... 81	1283373 ..... 250	1701529.....283, 290, 294
1001112588.....252, 278	1001138431 ..... 185	1283460 ..... 250	1701542.....284, 290
1001112589 .....278	1001138432 ..... 185	1320012 .. 64, 86, 94, 102	1701543.....284, 290
1001112612.....272	1001138433 ..... 185	1320016 ... 64, 72, 80, 86, 94, 102	1701600.....294
1001112743.....252, 278	1001138494 ..... 186	1320022 ... 64, 66, 71, 72, 78, 80, 86, 89, 94, 97, 102, 104	1701645.....283
1001112983.....302	1001138514 ..... 186	1320041 ..... 48	1701791.....295
1001112984.....302	1001139127 ..... 302	1320058 ..... 64, 102	1702300....283, 284, 290, 291, 294, 295
1001112985 .....302	1001139146 ..... 302	1320060 ..... 122	1702564.....190
1001113961 .....199	1001140315 ..... 304	1320070 ..... 171	1702565.....190
1001114060.....303	1001140318 ..... 304	1320176 ..... 75, 80	1702566.....190
1001114061.....303	1001140429 ..... 186	1320222 ..... 80, 187	1702567.....190
1001114063.....303	1001141967 .... 262, 276	1320223 ... 64, 66, 71, 72, 89, 97, 102, 104	1702610.....121
1001114120.....303	1001141968 .... 262, 276	1320300 ..... 169	1702676.....192
1001114121.....303	1001141969 .... 262, 276	1320302 ..... 209	1702688.....283
1001114122.....303	1001142504 ..... 304	1320318 ... 64, 66, 90, 97, 102, 104	1702720.....290
1001114122.....303	1001142505 ..... 304	1340060 ... 64, 72, 80, 86, 102	1702740.....16
1001114128.....303	1001143256 ..... 304	1340061 ..... 302	1702773....283, 288, 294
1001114129.....303	1001143669 ..... 304	1580011 .. 64, 86, 94, 102	1702774....283, 288, 294
1001115403.....145, 147	1001144018 ..... 185	1580012 ..... 187	1702784.....283, 287
1001115411.....147	1001144019 ..... 185	1580049 ..... 87, 95	1702868.....283
1001115412.....147	1001144020 ..... 185	1600244 ..... 267, 280	1702938.....191, 203
1001116373.....303	1001144025 ..... 185	1600317 ..... 189, 195	1702961.....284
1001116374.....303	1001144026 ..... 185	1600318 ..... 189, 199	1702962.....284
1001116419.....302	1001144027 ..... 185	1600320 ..... 189	1703067.....16
1001117254.....302	1001144629 ..... 185	1600327 ..... 121	1703162....64, 72, 80, 88, 94, 102
1001117261.....302	1001145163 ..... 48	1600351 ..... 96	1703518.....294
1001117320.....186	1001148902 ..... 303	1600364 ..... 121	1703691.....121
1001118416.....189, 199, 200, 298	1001148903 ..... 303	1600376 ..... 189	1703797.....283
1001118417.....189, 195	1001148904 ..... 303	1600411 ..... 121	1703798.....283
1001119559.....191	1001148905 ..... 303	1660234 ..... 75, 82	1703804.....283
1001119945.....302	1001148906 ..... 303	1660255 .. 64, 86, 94, 102	1703805.....283
1001119950.....302	1001148971 ..... 304	1670829 ..... 121, 125	1703808.....283, 288
1001121340.....154, 155	1001149560 ..... 304	1670870 ..... 304	1703923.....287
1001121610.....302	1001153016 ..... 59	1670964 ..... 181	1703924.....287
1001121614.....302	1001225899 ..... 175	1670998 ..... 168	1703925.....287
1001121801.....283	1001228964 ..... 304	1671013 ..... 167	1703926.....287
1001121803.....288	1001228988 ..... 209	1671037 ..... 189, 190	1703927.....287
1001121805.....289	1001231277 ..... 61	1671078 ..... 175	1703929.....287
1001121808.....288	1001231278 ..... 304	1671079 ..... 175	1703930.....287
1001121810.....288	1060279 .... 284, 290, 294	1671083 ..... 171	1703931.....287
1001121814.....283	1060341 ... 203, 266, 279, 280	1671086 ..... 168	1703932.....287
1001121816.....289	1060461 ..... 264	1671176 ..... 189	1703933.....287
1001121818.....289	1060494 .... 264, 267, 278	1684235 ..... 175, 231	1703934.....287
1001121821.....289	1060633 ..... 267, 280	1684239 ..... 167, 225	1703935.....287
1001121823.....289	1060663 ..... 187, 280	1684240 ..... 171, 219	1703936.....287
1001121918.....288	1060663 ..... 187, 280	1684241 ..... 171, 227	1703937.....287
1001121920.....288	1060896 ..... 257, 271	1684242 ..... 172, 221	1703938.....287
1001121921.....289	1060902 ..... 168	1684244 ..... 171, 223	1703939.....287
1001121923.....289	1060903 ..... 203	1684246 ..... 13, 229	1703947.....287
1001125978.....88, 96	1060904 . 82, 86, 94, 260, 274	1684290 ..... 217	1703948.....287
1001127090.....302	1060908 ..... 263, 277		1703949.....287
1001127096.....303	1060918 .... 186, 256, 270		
1001129555.....195, 196, 298	1060977 ..... 266, 280		
1001130038.....95	1060987 ..... 267		
	1060988 ..... 267, 280		

## PART NUMBER INDEX

1703950 ..... 287	1705828 ..... 294, 295	2120210.....43, 298	2221084 ... 66, 82, 87, 95, 104, 241
1703951 ..... 287	1705905 ..... 290	2130404.....237, 239, 241, 245	2221085 ..... 241, 245
1703952 ..... 287	1705910 ..... 291	2130406.....241, 245, 247	2221086 ..... 247
1703980 ..... 290	1706059 ..... 79	2130604.....235, 237, 247	2221088 ..... 241, 245
1703981 ..... 290	1706060 ..... 79	2130606.....239, 247, 248	2221176 ..... 72, 78
1703982 ..... 290	1706061 ..... 79	2130808.....241, 245	2221183 ..... 245
1703983 ..... 290	1706062 ..... 79	2130812.....241, 245	2221216 ..... 242, 245
1703984 ..... 290	1706063 ..... 79	2131008.....241, 245	2221296 ..... 245
1703985 ..... 290	1706064 ..... 79	2131012.....241	2300004 . 66, 89, 97, 104, 303
1703992 ..... 293	1706098 ... 67, 79, 90, 97, 105	2131210.66, 82, 104, 247	2300014 ..... 303, 304
1703996 ..... 288	1706712 ..... 121, 125	2131212....64, 82, 86, 94, 102, 241	2300016 ..... 15, 304
1704000 ..... 288	1706921 ..... 121	2131216.....241, 245	2300019 ..... 304
1704001 ..... 288	1706931 ..... 283, 287	2150404.....237, 239, 247	2300027 ..... 304
1704002 ..... 288	1706941 ..... 283, 288	2150606.....247	2300029 ..... 304
1704006 ..... 290	1707013 ..... 283	2150808.....247	2300039 ..... 304
1704007 ..... 290	1707042 ..... 289	2150812.....242	2300040 ..... 303
1704008 ..... 290	1707044 ..... 289	2151212....66, 82, 86, 94, 103, 241	2400060 ... 155, 159, 163, 266, 272, 279
1704112 ..... 289	1707047 ..... 289	2160001 ..... 47	2400064 ... 155, 159, 163, 266, 279
1704150 ..... 303	1707049 ..... 289	2160002 ..... 47	2400065 .... 260, 273, 298
1704260 ..... 190	1707054 ..... 289	2170106.....247	2400066 ... 260, 267, 273, 280
1704271 ..... 290	1707055 ..... 288	2170110.....66, 104	2400070 .... 267, 280, 300
1704277 ... 283, 288, 294	1707056 ..... 288	2170206.....247	2420115 ..... 117
1704412 ... 284, 290, 295	1707058 ..... 288	2170308 ..... 241	2420172 ..... 121, 125
1704767 ..... 293	1707059 ..... 288	2170316....66, 82, 87, 95, 104, 247	2420203 .... 142, 146, 150
1704808 ..... 293	1707060 ..... 288	2170404.....235	2460013 ..... 145
1704809 ..... 293	1707066 ..... 288	2170406.....247	2460032 ..... 145
1704810 ..... 293	1707133 ..... 289	2170504.....237, 239, 241, 245, 247	2460048 .... 153, 157, 161
1704811 ..... 293	1707134 ..... 288	2170506.....237, 239	2460049 ... 141, 145, 146, 149
1704812 ..... 293	1787217 ... 67, 72, 78, 89, 97, 105	2170512.....245	2460055 .... 141, 145, 149
1704885 ... 284, 290, 295	1810124 ..... 121	2170808....66, 82, 87, 95, 104, 247	2460056 ..... 145, 149
1704972 ..... 79	1870144 ..... 253	2180344.....47	2560136 ..... 190
1705084 ..... 294	1870191 ..... 253	2180348.....72, 78	2560173 ..... 187
1705091 ..... 248	1870215 ..... 253	2180482.....86, 94	2600210 ..... 133, 137
1705132 ..... 122, 190	2000190 ..... 72, 73	2180536....66, 71, 89, 97, 104	2600246 ..... 133, 137
1705170 ..... 191	2000217 ..... 72, 73	2180798 ..... 72	2600281 ..... 185
1705212 ..... 191	2000228 ..... 72	2180822 ..... 47	2680439 ..... 137
1705270 ..... 293	2000273 ..... 80, 82	2200221 ..... 80	2720058 ... 64, 66, 71, 78, 86, 89, 94, 97, 102, 104
1705272 ..... 294	2000291 ..... 79	2200222....72, 78, 90, 97, 118	2720271 ... 65, 66, 71, 89, 96, 97, 103, 104
1705275 ..... 295	2000338 ..... 80, 82	2200261 ..... 47	2720434 ..... 72, 80
1705305 ..... 209	2000396 ..... 86	2220001 ..... 47	2720449 ..... 72, 80
1705325 ..... 263, 276	2030010 ..... 209	2220124 ..... 47	2720467 ..... 72, 80
1705332 ..... 293	2060025 ..... 72, 80	2220235 ..... 239, 241	2720507 ..... 86
1705351 ..... 284	2060032 ..... 86	2220250....66, 71, 89, 97, 104	2720508 ..... 87
1705355 ..... 209	2080040 ..... 185, 187	2220273....66, 72, 89, 97, 104	2720615 ..... 65, 103
1705358 ... 205, 207, 303	2080057 ..... 294	2220313....66, 71, 78, 89, 97, 104	2750529 ..... 48
1705363 ..... 284	2110404 ... 235, 237, 239, 241, 245, 247	2220451 ..... 72, 80	2750532 ... 66, 71, 72, 78, 80, 87, 89, 94, 97, 104
1705376 ... 154, 158, 162	2110406 ... 235, 237, 241, 245, 247	2220459....66, 71, 89, 97, 104	2750807 ..... 48
1705408 ..... 294	2110410 ..... 247	2220794....66, 71, 89, 97, 104	2753537 ..... 241, 245
1705409 ..... 293	2110604 66, 82, 104, 241, 245, 247	2220883.....37	2753538 ..... 241, 245
1705410 ..... 293	2110606 ... 235, 237, 239, 247	2220886.....37	2753540 ..... 235, 245
1705411 ..... 293	2110808 ..... 241, 245	2220888.....37	2753541 ..... 245
1705412 ..... 293	2110812 ..... 241, 245	2220890.....217	2753542 ..... 241
1705413 ..... 294	2111010 ... 64, 81, 86, 94, 102, 241	2221083.....235	2753543 ..... 235
1705426 ..... 291	2111212 .... 241, 245, 247		2753546 .... 241, 245, 247
1705427 ..... 291	2111216 ..... 241, 247		2753548 ..... 247
1705429 ..... 291	2111612 ... 64, 81, 86, 94, 102, 242		2753550 ..... 247
1705430 ..... 290	2111620 .... 241, 245, 247		2753552 ..... 247
1705460 ... 154, 159, 163	2120150 ..... 43		2753553 ..... 241, 247
1705461 ... 154, 159, 163	2120163 ..... 43		
1705487 ... 284, 291, 295	2120209 ..... 43		
1705489 ... 154, 159, 163			
1705514 ..... 290			
1705669 .... 284, 291, 295			
1705752 ..... 121			
1705753 ..... 121			
1705821 ..... 295			
1705822 ..... 295			

# PART NUMBER INDEX

2753555.....	241, 242	2792579 .....	235, 250	3252347 .....	284, 294	3380445.....	133, 138
2753557.....	247	2792580 .....	247, 250	3252507 .....	263, 276	3380504.....	40
2753561.....	247	2792583 .....	247, 250	3252764 ....	153, 158, 162	3380652.....	304
2753562.....	247	2792584 .....	247	3252768 ....	284, 290, 295	3380764.....	40
2753563.....	247	2792590 .....	250	3272201 .....	11	3420156.....	191
2753565.....	247	2792621 .....	237, 250	3272605 .....	181	3422177.....	171
2753566.....	247	2792707 .....	241, 250	3290501 .....	90, 97	3422178.....	171
2753567.....	247	2792778 .....	239, 250	3290505 ....	142, 146, 150	3422520.....	11
2753568.....	247	2792780 .....	250	3290601 .....	90, 97	3422568.....	167
2753569.....	248	2792784 .....	250	3290605 .....	88, 96	3422582.....	171
2753570.....	248	2820018 .....	88, 96, 260, 261	3290606 .....	186	3422592.....	11
2753571.....	248	2820031 ...	142, 147, 150,	3290801 .....	88, 96	3422664.....	167
2753572.....	248	153, 157, 161,	257, 271	3300106 .....	15	3422669.....	172
2753573.....	248	2820035 ...	117, 129, 130,	3300151 .....	186, 209	3422716.....	13
2753576.....	235	187		3300205 .....	121, 125	3422791.....	172
2753578.....	242, 245	2820099 .....	134, 137	3300220 .....	87	3422792.....	172
2753580.....	245	2820100 .....	134, 137	3300353 .....	190	3422793.....	172
2753581.....	245	2820118 .....	257, 271	3300396 ....	154, 158, 162	3422794.....	172
2753582.....	241	2860030 ....	122, 125, 298	3300408 ....	121, 125, 190	3422806.....	171
2753584.....	242	2900477 .....	51	3300420 .....	169	3422912.....	167
2753585.....	242	2900770 ...	215, 219, 221,	3310601 ....	154, 158, 162	3422913.....	167
2753586.....	241, 245	223, 225, 231		3311001 ....	129, 185, 192	3422996.....	175
2753588.....	242, 245	2901443 ....	267, 280, 304	3311005 .....	48, 87, 94, 129,	3423015.....	167
2753589.....	248	2902060 ...	73, 80, 87, 94,	133, 134, 137, 138,		3423081.....	13
2753590.....	248	260, 273		142, 147, 150, 153,		3460334.....	205, 207
2753594.....	242, 245	2902217 .....	209	158, 162, 168, 191, 209		3470003.....	191
2753595.....	242, 245	2902266 .....	217	3311401 73, 80, 121, 133,		3480288.....	217
2753597.....	242	2902400 .....	13	137, 203		3510830.....	185
2753600.....	241	2902443 .....	260, 273	3311402 .....	175	3510831.....	185
2753601.....	241	2902549 .....	263, 276	3311405 ...	11, 48, 64, 66,	3510832.....	185
2753602.....	241, 245	2910495 .....	303	71, 73, 78, 80, 87, 89,		3520028....	142, 147, 150,
2753603.....	242	2915014 .....	121	95, 97, 102, 104, 117,		190	
2753604.....	245	2915133 .....	191	133, 137, 153, 158,		3520035.....	122, 257
2753605.....	245	2920028 .....	191, 203	162, 172, 187, 284,		3520072.....	185
2753610.....	245	2920029 .....	191, 203	290, 294		3520189....	154, 158, 162,
2753611.....	242, 248	2920110 .....	129	3311501 .....	176, 203	266, 279	
2753613.....	248	2920113 .....	129	3311505 ...	39, 65, 67, 72,	3520192....	154, 158, 162
2753614.....	248	2920129 .....	260, 273	73, 78, 81, 87, 89, 95,		3520198.....	185, 186
2753625.....	237, 239	2920140 ....	187, 267, 280	97, 102, 105, 133, 137,		3536089.....	187
2753675.....	247	2920146 .....	129	153, 158, 162, 172, 175		3539219.....	121, 125
2753698.....	245	2920154 .....	190	3311601 ...	117, 133, 138,	3570801.....	73, 81
2753782.....	239	2920157 .....	129, 187	191		3572448.....	175
2753787.....	245	2920162 .....	146	3311605 ...	48, 65, 72, 73,	3572691.....	167
2753843.....	245	2940074 .....	185, 298	81, 87, 95, 102, 133,		3573024.....	134, 138
2753845.....	247	2940109 .....	133, 137	137, 138, 146, 158,		3573400.....	209
2753846.....	247	3010140 .....	168	162, 167, 169, 171,		3573642.....	209
2753847.....	247	3020008 .....	16	172, 175, 187, 209		3573667.....	94
2753851.....	239	3020016 ...	67, 80, 89, 97,	3311705 ....	142, 147, 150	3573668.....	153
2753854.....	242	105		3311801 .....	15, 153	3573895.....	73, 81
2753855.....	235, 237	3020021 .....	75, 82, 304	3311805 ...	65, 73, 81, 87,	3573937....	65, 73, 81, 87,
2753856.....	241	3020029 .....	13	95, 103, 171, 172, 181		103	
2753858.....	241	3160266 .....	15, 35	3312005 ...	66, 71, 78, 89,	3574066.....	167, 168
2753859.....	241	3160287 .....	47, 51	97, 104, 167, 205, 207		3574163....	153, 158, 162
2753934.....	237, 239	3160348 .....	15, 37	3312008 .....	13	3574282.....	88, 96
2753935.....	237	3200378 ...	64, 73, 87, 95,	3322201 .....	13	3574523.....	158, 162
2753936.....	237	102		3340399 ...	65, 66, 78, 81,	3575705.....	203
2753937.....	237	3200406 .....	73, 80	87, 89, 95, 97, 103, 104		3577121.....	209
2753939.....	239	3220110 .....	75, 80	3340608 .....	168	3577130...65, 87, 95, 103	
2754244.....	245	3220112 .....	75, 80	3340837 .....	175	3577131.....	88
2754471.....	245	3220113 ...	64, 87, 95, 102	3340881 .....	175	3577132...65, 87, 95, 103	
2760105.....	121, 125	3220154 .....	87, 95	3340911 .....	39	3577133...65, 87, 95, 103	
2780256.....	15, 19	3250585 .....	187	3340914 .....	167	3577134.....	87
2780257.....	15, 27	3251102 ...	142, 147, 150,	3340940 .....	175	3577135...65, 87, 95, 103	
2780267.....	15, 23	192		3340943 .....	172	3577139.....	88
2780268.....	15, 31	3251242 .....	294	3340956 .....	205, 207	3580134....	142, 146, 150
2792518.....	250	3251243 .....	284, 290	3340958 .....	71, 73, 78	3580158.....	147
2792578.....	241, 250	3251813 .....	283, 289	3380434 .....	187	3580276....	142, 146, 150

## PART NUMBER INDEX

3580315 .....	142, 150	3960438 .....	65, 88, 95, 103	4360436.....	117	4460418 ...	256, 258, 270, 271
3580316 .....	158, 162	3960461 .....	129	4360469.....	125, 300	4460419 ...	256, 258, 270, 271
3580317 ....	154, 158, 162	3960462 .....	134, 138	4360470.....	122, 125, 300	4460424 ...	130, 258, 259, 260, 266, 272, 279, 280
3580319 ....	154, 158, 162	3960464 .....	134, 138	4360475.....	122, 126, 190, 298	4460425 ...	154, 159, 163, 169, 203, 257, 266, 271, 279, 280
3580320 .....	154	3960526 .....	15	4360476....	122, 126, 190, 298	4460426 ...	122, 126, 154, 159, 163, 187, 257, 266, 267, 271, 279, 280
3600279 .....	73, 81, 113	3990001 .....	259, 300	4360517.....	48, 261, 275, 298	4460428 ...	168, 190, 256, 261, 270
3600296 .....	73, 109	3990010 ....	258, 265, 271	4400408.....	117	4460434 ...	256, 258, 270, 272
3600318 ...	66, 73, 81, 88, 95, 104	4010618 .....	186	4400451.....	117	4460457 .....	259, 273
3600385 ...	66, 73, 81, 88, 95, 104, 109	4031608 ....	142, 147, 150	4420014.....	205, 207	4460458 ....	163, 259, 273
3600423 ...	66, 81, 88, 96, 104, 113	4031711 .....	65, 94, 103	4420037.....	187, 209	4460459 ....	266, 267, 280
3620033 .....	73, 81	4032015 .....	153	4420051.....	284, 291, 295	4460464 88, 96, 187, 190, 256, 257, 258, 260, 261, 270, 271, 273	
3620046 .....	87	4060700 ....	158, 263, 277	4420060.....	142, 147, 150	4460465 ...	155, 159, 163, 257, 259, 266, 271, 279
3640986 .....	159, 162	4060802 ...	142, 147, 150, 154, 158, 162, 187, 192	4420066.....	205, 207	4460466 ...	257, 271, 273, 274
3641533 ....	155, 159, 162	4060803 .....	168	4420068.....	203	4460467 ....	267, 280, 305
3730125 .....	260	4060805 .....	134, 138	4460007.....	191	4460470 ...	122, 126, 190, 256, 257, 270, 271
3740049 ...	121, 125, 266, 280, 298	4060865 .....	129	4460023.....	147	4460471 ...	122, 126, 190, 256, 257, 270, 271
3740067 ...	65, 81, 87, 95, 103, 298	4060906 .....	121, 125	4460027.....	141, 146, 150	4460473 ....	176, 257, 271
3740080 87, 94, 142, 147, 150, 153, 158, 162, 300		4060959 .....	304	4460049.....	203	4460476 .....	267, 280
3740140 .....	73, 81	4061010 .....	134	4460051.....	158, 162, 265	4460488 ....	122, 126, 190
3760115 .....	175	4061032 .....	169	4460071 ....	158, 162, 187, 256, 263, 265, 270, 277	4460496 .....	126, 271
3780117 .....	181	4061043 .....	158	4460121.....	94	4460497 .....	126, 271
3780182 .....	13	4061046 .....	40	4460134.....	263, 265, 277, 278	4460508 ...	256, 257, 270, 271
3790012 ...	130, 190, 191, 192	4061047 .....	40	4460190.....	141, 146, 150	4460509 .....	257, 271
3790045 .....	15	4070410 .....	117	4460205.....	262, 263, 264, 276, 277, 278	4460510 ....	267, 280, 305
3790152 ...	66, 73, 81, 88, 96, 104	4070497 ..	65, 87, 95, 103	4460224.....	261, 275	4460526 ...	122, 126, 257, 271
3820001 ....	284, 290, 294	4070498 ..	65, 87, 95, 103	4460225.....	154, 158, 162, 256, 265, 270, 279	4460536 88, 96, 258, 261, 272	
3820020 .....	185	4070987 .....	125	4460226.....	168, 187, 256, 257, 260, 261, 265, 266, 267, 270, 271, 272, 273, 274, 275, 278, 279, 280	4460539 .....	259, 272
3841143 .....	171, 172	4070991 .....	121	4460227.....	48, 256, 257, 258, 261, 266, 270, 272, 275, 280	4460598 .....	187, 192
3841203 .....	171, 172	4071056 .....	175	4460233.....	264	4460607 ....	155, 159, 163
3841258 .....	11, 167	4071057 .....	175	4460234.....	129, 191, 203	4460633 .....	263, 276
3841367 .....	13	4100025 ..	65, 89, 96, 103	4460267....	129, 258, 266, 272, 279	4460634 .....	258, 272
3841517 .....	13	4120035 .....	258, 272	4460268....	130, 258, 259, 266, 272, 279	4460635 .....	258, 272
3841520 .....	11	4130391 .....	13	4460320.....	48, 129, 258, 261, 266, 272, 275, 279, 280	4460701 .....	265, 278
3860096 .....	169	4130392 .....	13	4460321....	265, 267, 278, 280	4460705 .....	265, 278
3900109 .....	13	4130407 .....	13	4460346....	158, 162, 262, 276	4460708 ...	190, 256, 260, 270, 273
3900205 .....	185	4130408 .....	13	4460374....	154, 159, 163, 266, 279	4460709 .....	263, 277
3900232 ...	133, 134, 137, 138	4160170 .....	134, 138	4460375....	154, 159, 163, 266, 279	4460710 .....	263, 277
3900254 ...	66, 71, 78, 89, 97, 104	4220162 .....	129	4460411....	155, 159, 163	4460742 ...	163, 259, 273, 279
3900268 .....	121, 125	4240018 .....	169	4460412....	155, 159, 163	4460743 .....	163, 279
3900283 .....	175	4240032 .....	129	4460413....	155, 159, 163	4460761 ...	256, 257, 258, 270, 272
3900316 .....	175	4240099 72, 78, 187, 203, 209		4460414....	155, 159, 163	4460789 ....	266, 267, 280
3910606 .....	158, 162	4240145 .....	117	4460415....	155, 159, 163	4460790 ....	266, 267, 280
3910610 ....	154, 159, 162	4240149 .....	205, 207			4460850 ...	261, 267, 274, 280
3910804 .....	121, 125	4280295 .....	117			4460865 ....	176, 257, 271
3911014 .....	129	4300157 .....	154				
3911018 .....	190	4341388 .....	134, 138				
3911040 .....	129	4341415 .....	205, 207				
3931010 .....	48	4360031 .....	186				
3931024 .....	168	4360057 .....	203, 300				
3931030 .....	168	4360070 ....	154, 159, 163				
3931620 ..	66, 88, 96, 104	4360232 ...	192, 266, 280, 300				
3931832 .....	47	4360294 .....	147				
3941406 .....	176	4360321 .....	168, 261				
3951420 .....	175	4360328 ...	121, 125, 190, 192, 298				
3960407 .....	73, 81	4360330 .....	191, 298				
3960422 ...	158, 162, 263, 277	4360331 .....	192				
		4360336 ...	129, 142, 147, 150, 154, 158, 162, 187, 191, 192, 300				
		4360387 ...	190, 191, 203, 298				
		4360392 .....	73				
		4360407 .....	190, 298				

# PART NUMBER INDEX

4460866.... 169, 256, 257, 258, 270, 271	4461202 ..... 262, 276	4740397 ... 142, 147, 150, 192	4846666..... 13
4460867..... 261, 274	4461203 .... 264, 277, 278	4740444 ..... 122, 126	4846669..... 134, 138
4460871 .... 195, 196, 199, 200, 256, 258, 259, 261, 266, 270, 271, 272, 273, 274, 280	4461204 ..... 262	4740500 ..... 134, 138	4846670..... 134
4460873.... 256, 258, 270, 272	4461205 ..... 263, 276	4740537 ..... 12	4846683..... 73, 81
4460874.... 122, 256, 257, 270, 272	4461206 .... 264, 277, 278	4740538 ..... 12	4846688..... 172
4460875.... 122, 256, 257, 270, 272	4461207 ..... 262, 276	4740539 ..... 12	4846689..... 172
4460876..... 258, 271	4461244 ..... 262, 276	4740540 ..... 12	4846693..... 172
4460878..... 258, 271	4461245 ..... 262, 276	4750600 .... 154, 159, 163	4846697..... 168
4460879..... 256, 270	4461249 ..... 263, 276	4750800 ... 133, 134, 137, 138	4846700..... 168
4460880.... 256, 258, 259, 270, 272	4461250 .... 264, 277, 278	4751000 87, 95, 129, 134, 138, 142, 147, 150, 154, 158, 162, 185, 191, 209	4846701..... 168
4460887 .... 256, 258, 270, 271	4520212 ..... 16	4751100 ..... 133, 137	4846703..... 168
4460889..... 259	4520216 ..... 16	4751400 ... 43, 65, 67, 71, 73, 79, 81, 87, 89, 95, 97, 103, 105, 117, 122, 126, 134, 138, 154, 168, 172, 176, 187, 190, 203, 209, 284, 290, 294	4846821... 65, 87, 95, 103
4460890..... 259	4520217 ..... 16	4751500 ... 39, 65, 67, 72, 79, 87, 89, 95, 97, 103, 105, 122, 134, 138, 142, 147, 150, 154, 167, 172, 203	4846905..... 167
4460891..... 259	4520240 ..... 16	4751600 ... 40, 48, 65, 67, 71, 73, 79, 81, 87, 89, 95, 97, 103, 105, 117, 133, 134, 137, 138, 147, 167, 187, 209	4860178..... 16
4460892..... 260, 273	4530028 ..... 209, 211	4751700 .... 142, 147, 150	4860179..... 16
4460894..... 260, 273	4567462 ..... 11	4751800 ... 13, 65, 87, 95, 103, 129, 167, 187, 203	4860193..... 16
4460897 ..... 88, 96, 260	4567495 ..... 73, 81	4751900 ..... 73, 81	4891500.... 55, 59, 65, 95, 103
4460899..... 273	4567627 ..... 117	4752000 ... 11, 67, 71, 79, 89, 97, 105	4891600.... 65, 73, 81, 88, 96, 103, 176, 181
4460905.... 122, 190, 256, 257, 258, 270, 271, 272	4568280 ..... 247	4752200 ... 67, 71, 79, 89, 97, 105	4891800.. 12, 15, 47, 176, 181
4460906..... 265, 278	4568743 ... 65, 87, 95, 103	4760600 .... 154, 159, 163	4892000..... 15, 47
4460943..... 258, 272	4569176 ..... 65, 88, 103	4761000 ..... 185, 192	4892200..... 12
4460944.... 259, 272, 273	4640113 ..... 16	4761400 ..... 122, 126	4892600..... 181
4460956.... 155, 159, 163, 263, 276	4640751 ..... 73, 81	4761500 .... 154, 158, 162	4921829..... 264, 278
4460957 .... 155, 159, 163, 263, 276	4640858 ..... 215, 217	4761600 ..... 117	4921954..... 264
4460958..... 158, 162	4640871 ..... 11	4761800 ..... 117	4921957..... 264
4460961..... 265, 278	4640936 ..... 223	4761900 ..... 73, 81	4922482..... 265
4460963..... 154	4641108 ..... 71, 78	4762000 ... 11, 67, 71, 79, 89, 97, 105	4922522..... 122, 258
4460967 .... 155, 159, 163, 266, 279	4641155 ..... 39	4762200 ... 67, 71, 79, 89, 97, 105	4922523..... 122, 258
4460968.... 142, 147, 150, 168, 261, 263, 274, 277	4641162 ..... 215	4770600 .... 154, 159, 163	4922530.... 169, 257, 271
4460979..... 273	4641175 ..... 181	47761000 ..... 185, 192	4922533.... 190, 256, 270
4460993..... 259	4641176 ..... 43, 45	47761400 ..... 122, 126	4922637..... 260, 273
4460994..... 259	4641177 ..... 181	47761500 ..... 117	4922638..... 122, 257
4461001 .... 155, 159, 163	4641198 ..... 241	47791400 ... 43, 65, 88, 96, 103, 154, 158, 162	4922641.... 155, 159, 163, 265, 266, 278, 279
4461005..... 259, 273	4641199 ... 66, 82, 88, 96, 104, 247	4811600 .... 142, 147, 150	4922643..... 266, 280
4461006..... 259, 273	4641207 ..... 39	4811700 ..... 186	4922666.... 122, 190, 256, 257, 270
4461008..... 259, 273	4641208 ..... 39	4812200 ..... 81	4922669..... 190, 256
4461052..... 259, 273	4641260 ..... 225	4831900 .... 75, 82, 89, 96	4922714.... 168, 261, 274
4461053..... 259, 273	4641265 ..... 11	4832000 ..... 75	4922737..... 88, 95, 260
4461054..... 259, 273	4641272 ..... 68, 87, 95	4845194 ..... 134, 138	4922757.... 154, 159, 266
4461060..... 259, 273	4641281 ..... 245	4845395 ..... 73, 81	4922764..... 266, 280
4461070..... 259, 272	4641317 ... 67, 78, 89, 97, 104	4846037 ..... 134, 138	4922770.... 169, 257, 271, 274
4461071..... 260, 273	4641390 ..... 217	4846218 ..... 181	4922806.... 176, 257, 271
4461072..... 260, 273	4641510 ..... 39	4846370 ..... 203	4922925.... 154, 158, 162, 265, 279
4461073..... 260, 273	4711000 ..... 48	4846428 ..... 167	4922970..... 265
4461074..... 260, 273	4711400 ... 11, 39, 43, 48, 65, 67, 79, 88, 90, 95, 97, 103, 105, 130, 158, 162, 175, 186, 187	4846452 ..... 185	4922978..... 72, 260
4461095..... 259, 272	4711500 . 65, 87, 95, 103, 154, 158, 162, 167, 169, 181, 191	4846561 ..... 187	4923223..... 122, 258
4461157 ..... 273	4711600 ... 43, 48, 65, 87, 95, 103, 154, 158, 162, 169, 176, 181	4846567 ..... 73, 81	4923265.... 122, 258, 259
4461196..... 262, 276	4711800 .... 154, 158, 162	4846573 ..... 181	4923451..... 82, 261, 275
4461197 .... 263, 277, 278	4712000 ..... 205, 207	4846627 ..... 209	4923481..... 267, 280
4461198..... 262, 276	4740086 ..... 13	4846650 ..... 176	4923575..... 122, 258
4461199..... 263, 276	4740120 ..... 48	4846660 ..... 11	4923581.... 122, 258, 259
4461200.... 264, 277, 278	4740158 ..... 11	4846665 ..... 117	4933171.... 252, 258, 260
4461201..... 262, 276	4740171 ..... 47		4933216..... 252, 265
	4740274 ... 65, 73, 81, 87, 95, 103		4933217..... 252
	4740362 .... 67, 105, 129, 134, 138, 187		4933218..... 252
			4933219..... 252
			4933231..... 252
			4933238..... 252
			4933239..... 252, 265

## PART NUMBER INDEX

4933249 .....	280	70001407 .....	90, 98, 105	70002439 .....	105	70003541 .....	67
4933250 .....	252	70001408 .....	90, 98	70002440 .....	105	70003631 ..	153, 157, 161
4933264 ....	154, 159, 266	70001409 .....	90, 98	70002441 .....	105	70003708 ..	153, 157, 161
4933300 .....	252, 265	70001410 .....	90, 98	70002442 .....	105	70003709 ..	153, 157, 161
4933308 .....	266	70001411 .....	90, 98, 106	70002443 .....	105	70003758 .....	67
4933326 ....	252, 258, 260	70001412 .....	90, 98, 105	70002444 .....	106	70003759 .....	68
4933382 .....	258, 260	70001413 .....	90, 98, 105	70002445 .....	106	70003760 .....	68
4933384 ....	252, 258, 260	70001414 .....	90, 98, 105	70002446 .....	106	70003761 .....	68
5240600 .....	88, 96	70001415 .....	90, 98	70002447 .....	106	70003762 .....	68
5240800 .....	88, 96	70001416 .....	90, 98, 106	70002448 .....	106	70003763 .....	68
70000088 .....	53	70001417 .....	90, 98, 106	70002449 .....	106	70003764 .....	68
70000089 .....	53	70001418 .....	90, 98, 106	70002450 .....	106, 300	70003765 .....	68
70000122 ..	141, 146, 149	70001419 .....	90, 98, 106	70002451 .....	106, 300	70003766 .....	68
70000123 ..	141, 146, 149	70001423 .....	74, 83	70002452 .....	106	70003767 .....	68, 274
70000124 ..	141, 146, 150	70001435 .....	83	70002453 .....	106	70003768 .....	67
70000125 ..	141, 146, 150	70001696 ..	153, 157, 161	70002454 .....	106	70003769 .....	68
70000126 ..	141, 146, 150	70001697 .....	179	70002455 .....	106, 274	70003770 .....	68
70000127 ..	141, 146, 150	70001792 .....	90, 98	70002456 .....	106	70003784 .....	190
70000264 .....	74	70001793 .....	90, 98	70002457 .....	106	70003791 .....	67, 300
70000345 .....	260, 274	70001794 .....	91, 98	70002458 .....	106	70003932 .....	74, 83
70000619 ..	154, 157, 161	70001796 .....	91, 98	70002459 .....	105	70004158 .....	59
70000681 .....	56, 59, 61	70001953 ..	153, 157, 161	7000246 .....	23, 31	70004169 ..	153, 157, 161, 162
70000779 .....	231	70001959 .....	117	70002460 ...	153, 157, 161	70004171 ..	153, 157, 161
70000781 .....	39	70001960 .....	117, 298	7000248 .....	23, 31	70004172 .....	96
70000797 .....	37	70001963 .....	231	7000253 .....	23, 31	70004254 .....	61
70000863 ..	153, 157, 161	70001966 ..	153, 157, 161	7000257 .....	23, 31	70004257 .....	61
70000865 .....	61	70001973 ..	153, 158, 162	7000258 .....	23, 31	70004258 .....	61
70000916 .....	74, 83	70001974 ..	153, 158, 162	7000261 .....	23, 31	70004259 .....	61
70000934 .....	43	7000206 .....	23, 31	7000262 .....	23, 31	70004260 .....	61
70000969 .....	113	70002088 ..	153, 157, 161	7000263 .....	23, 31	70004261 .....	61
70000970 .....	113	70002098 .....	91, 98	70002647 .....	61	70004262 .....	61
70000971 .....	113	70002099 .....	91, 98, 106	70002648 .....	61	70005483 .....	24
70000972 .....	113	70002100 .....	91, 98, 105	70002649 .....	61	70005580 .....	219
70000973 .....	113	70002101 .....	91, 98, 105	70002651 .....	61	70005771 .....	91
70000975 .....	114	70002102 .....	91, 98, 105	70002705 ..	64, 87, 95, 102	70005772 .....	91
70000976 .....	113	70002103 .....	91, 98, 105	70002706 ..	64, 87, 95, 102	7000625 .....	186
70000977 .....	114	70002104 .....	91, 98	70002724 .....	199	70006267 .....	175
70000978 .....	113, 114	70002105 .....	91, 98	70002725 .....	199	70006274 .....	175
70001002 .....	74	70002106 .....	91, 98	70002726 .....	199	70006428 .....	24, 32
70001017 ..	64, 87, 95, 102	70002107 .....	91, 98	70002727 .....	199, 200	70006429 .....	24, 32
70001086 .....	219	70002108 .....	91, 98, 106	70002728 .....	199	7000663 .....	74, 83
70001100 ..	153, 157, 161	70002109 .....	91, 98	70002729 .....	200	70006739 .....	61
70001181 .....	83	70002200 .....	83	70002730 .....	195	70006740 .....	61
70001349 .....	23, 31	70002206 .....	53	70002731 .....	195	70006741 .....	61
70001384 ..	153, 157, 161	70002207 .....	53	70002732 .....	195	70006742 .....	61
70001386 .....	90, 97	70002216 ..	215, 219, 227	70002733 .....	196	7000731 .....	24
70001387 .....	90, 98	70002217 .....	219, 227	70002734 .....	196	7000974 .....	113
70001388 .....	90, 98, 105	70002219 ..	215, 223, 229	70002735 .....	196	7001481 .....	111
70001389 .....	90, 98, 105	70002220 .....	221, 231	70002768 .....	117	7001485 .....	109
70001390 .....	90, 98, 105	70002221 .....	225	70002818 .....	155	7001913 .....	19, 27
70001391 .....	90, 98, 105	70002222 .....	225	70002819 .....	155	7001998 .....	23, 31
70001392 .....	90, 98, 105	70002223 .....	221	70002820 .....	155	70020808 .....	274
70001393 .....	90, 98, 105	70002224 .....	223	70002821 .....	155	70023056 .....	65, 103
70001394 .....	90, 98, 105	70002225 .....	223	70002822 .....	155	7002821 ....	267, 280, 305
70001395 .....	90, 98, 106	70002234 .....	74	70002823 .....	155	7002822 .....	305
70001396 .....	90, 98	70002235 .....	146	70002824 .....	155	7002823 ....	267, 280, 305
70001397 .....	90, 98	70002257 .....	111	70002825 .....	155	7002826 .....	305
70001398 .....	90, 98	7000229 .....	23, 31	70002826 .....	155	7002828 .....	267, 280
70001399 .....	90, 98, 105	70002297 ..	153, 157, 161	70002906 .....	196	7002840 .....	11
70001400 .....	90, 98	7000230 .....	23, 31	70002962 .....	39	7003657 .....	146
70001401 .....	90, 98, 105	7000232 .....	23, 31	70003033 .....	91	7003928 .....	195
70001402 .....	90, 98	70002377 ..	67, 90, 97, 105	70003034 .....	91	7003933 .....	199
70001403 ..	67, 90, 98, 105, 300	70002378 ..	67, 90, 97, 105	70003138 .....	61	7003935 .....	199
70001404 .....	90, 98, 105	70002433 .....	91	70003479 .....	83	7003941 .....	199
70001405 .....	90, 98, 105	70002436 .....	105	70003480 .....	83	7003946 .....	199
70001406 .....	90, 98, 105	70002437 .....	105	70003481 .....	83	7003953 .....	195
		70002438 .....	105	70003483 .....	186		

# PART NUMBER INDEX

7003969.....	199	7012967.....	45, 181, 182	7019110.....	199	7020480.....	74
7003972.....	200	7012974.....	71, 78	7019111.....	195, 199	7020482.....	74
7003973.....	200	7012975.....	45	7019112.....	199	7020488.....	74
7003976.....	195	7012989.....	181	7019114.....	199	7020495.....	74, 82
7003977.....	195	7012995.....	71, 79	7019115.....	199	70206066.....	231
7003980.....	200	7012998.....	45	7019122.....	195	7021237.....	109
7003982.....	200	7013711.....	113	7019123.....	195	7021238.....	109
7003983.....	200	7013757.....	113	7019141.....	195	7021239.....	109
7003986.....	199	7013766.....	113	7019142.....	195	7021240.....	109
7003989.....	200	7013771.....	113	7019143.....	195	7021242.....	109
7003992.....	195, 199	7016314.....	117	7019144.....	195	7021243.....	109
7003993.....	195, 199	7016319.....	129	7019145.....	195	7021248.....	109
7003994.....	199	7016331.....	73, 82, 300	7019147.....	195	7021249.....	35, 37, 109
7004035.....	53	7016372.....	129	7019149.....	195	7021250.....	109
7004036.....	53	7016399.....	187	7019150.....	195	7021251.....	109
7004043.....	53	7016432.....	51	7019151.....	199	7021254.....	109
7004044.....	53	7016433.....	51	7019154.....	199	7021255.....	109, 110
7004045.....	53	7016434.....	51	7019155.....	199	7021256.....	111
7004047.....	53	7016435.....	51	7019160.....	199	7021257.....	109
7004049.....	53	7016628.....	129	7019161.....	199	7021258.....	110
7004275.....	305	7016654.....	305	7019162.....	199	7021259.....	110
7004276.....	305	7016655.....	305	7019164.....	200	7021260.....	110
7005843.....	51	7016744.....	113	7019165.....	200	7021263.....	110
7005887.....	51	7016745.....	113	7019166.....	200	7021264.....	110
7005889.....	51	7016746.....	113	7019167.....	200	7021265.....	110
7007006.....	19, 27	7016768.....	113	7019168.....	199	7021268.....	110
7007289.....	111	7016769.....	113	7019171.....	195	7021269.....	110
7007412.....	110	7016817 ...	73, 80, 87, 94, 260, 273	7019174.....	195	7021270.....	110
7007419.....	35, 109	7016820 ...	73, 80, 87, 95, 260, 273, 274	7019177.....	195	7021271.....	110
7007437.....	35, 37	7016834 ...	73, 80, 87, 94, 260, 274	7019194.....	200	7021272.....	110
7007438.....	35, 37	7016837.....	87, 94	7019196.....	200	7021273.....	110
7007439.....	35, 37	7016838 ...	73, 87, 95, 260	7019197.....	195	7021274.....	110
7007446.....	35, 37	7017059.....	23, 31	7019656.....	87	7021275.....	35, 37, 110
7007470.....	109, 110, 111	7017067.....	23, 31	7019680 ...	141, 146, 149	7021276.....	35, 37, 110
7007497.....	261, 274	7017070.....	23, 31	7020020.....	43	7021277.....	35, 37, 110
7007498.....	261, 274	7017080.....	23, 31	7020023.....	74, 83, 300	7021278.....	110
7007601.....	23, 31	7017082.....	20, 28	7020026.....	74, 82	7021279.....	110
7007640.....	23, 31	7017092.....	19, 27	7020056.....	117	7021280.....	109, 110, 111
7010429.....	23, 31	7017093.....	19, 27	7020108 ...	141, 146, 149	7021281.....	110
7010542.....	39, 45, 181	7017094 ...	20, 23, 27, 31	7020109 ...	141, 146, 149	7021283.....	109
7010543.....	39, 45, 67, 71, 78, 79, 89, 97, 105, 181	7017095.....	19, 27	7020110 ...	141, 146, 149	7021284.....	109
7011016.....	113	7017097.....	20, 27	7020111 ...	141, 146, 149	7021288.....	110
7011044.....	113	7017136.....	179	7020168.....	74	7021290.....	110
7011067.....	113	7017137.....	179	7020175 ...	122, 126, 190	7021291.....	110
7011347.....	231	7017138.....	179	7020176 ...	122, 126, 190	7021292.....	110
7011358.....	219	7017139.....	179	7020190 ...	141, 146, 149	7021294.....	111
7011377.....	219	7017140.....	179	7020191.....	146	7021296.....	111
7011378.....	219	7017148.....	179	7020192 ...	142, 146, 150	7021297.....	111
7012513.....	141, 146, 149	7017172.....	179	7020193 ...	141, 146, 149, 265, 278	7021298.....	111
7012514.....	141, 146, 149	7017192.....	179	7020226.....	117	7021299.....	111
7012518.....	45, 71, 79	7017402.....	45, 181, 182	7020246.....	121, 125	7021611.....	45
7012540.....	45	7017410.....	45	7020403.....	74	7021625.....	39
7012558.....	141, 146, 149	7017421.....	45	7020408.....	74, 83	7021639.....	39
7012664.....	64, 72, 80, 86, 102, 298	7017422.....	45	7020411.....	74, 83	7021655.....	39
7012693.....	11	7017428.....	45	7020447.....	74, 83	7022302.....	35, 37
7012903.....	45	7017433.....	45	7020449.....	74, 83	7022305.....	35, 37
7012914.....	181	7017440.....	45	7020458.....	74	7022310.....	35, 37
7012918.....	181	7017441.....	45	7020459.....	74, 83	7022311.....	35, 37
7012941.....	67, 71, 78, 79, 89, 97, 105	7017451.....	45, 298	7020460.....	74, 83	7022312.....	35, 37
7012943.....	45, 71, 79, 298	7017452.....	181, 182	7020461.....	73	7022313.....	35
7012944.....	45, 67, 71, 79, 89, 97, 105, 181, 182, 298	7017454.....	45	7020464.....	74, 83	7022314.....	35, 37
7012953.....	45, 181	7017482.....	45	7020465.....	74, 82	7022318.....	35
		7017496.....	39, 217	7020467.....	74	7022321.....	35
		7019103.....	199	7020468.....	74, 82	7022323.....	35
				7020471.....	74, 83	7022326.....	35, 37
				7020479.....	73, 83	7022328.....	35, 37
						7022341.....	110



## PART NUMBER INDEX

7022342.....	109	7024113.....	19, 27	7024710.....	19	7026096.....	221
7022346.....	110	7024114.....	20, 28	7024711.....	19	7026097.....	223
7022347.....	110	7024115.....	19, 27	7024712.....	23, 31	7026098.....	223
7022367.....	35	7024116.....	19, 27	7024713.....	23, 31	7026099.....	223
7022368.....	35, 37	7024117.....	19, 27	7024714.....	23, 31	7026100.....	229
7022370.....	35	7024118.....	19, 27	7024715.....	23, 31	7026101.....	223
7022371.....	35, 37	7024119.....	19, 27	7024716.....	24, 32	7026102.....	223
7022372.....	35, 37	7024120.....	19, 27	7024717.....	24	7026104.....	215, 229
7022373.....	109	7024121.....	19, 27	7024718.....	24	7026105.....	229
7022374.....	109	7024122.....	19, 27	7024719.....	19	7026106.....	229
7022375.....	109	7024123.....	19, 27	7024800.....	110	7026107.....	229
7022376.....	109	7024124.....	19, 27	7024804.....	111	7026110.....	215
7022377.....	109	7024125.....	19, 27	7024830.....	261, 274	7026111.....	215
7022378.....	109	7024126.....	19, 27	7024854.....	37	7026114.....	215
7022379.....	109	7024127.....	19, 27	7024855.....	109	7026115.....	215
7022380.....	109	7024128.....	19, 27	7024856.....	109	7026116.....	215
7022381.....	109	7024129.....	19, 27	7024857.....	109	7026117.....	219
7022382.....	110	7024130.....	19, 27	7024858.....	109	7026118.....	219
7022383.....	110	7024131.....	20, 27	7024868.....	37	7026119.....	175
7022384.....	110	7024132.....	19, 27	7024881.....	39	7026120.....	175
7022385.....	110	7024133.....	20, 27	7026041.....	61	7026188....	153, 157, 161
7022386.....	111	7024134.....	19, 27	7026042.....	55, 59, 61	7026199....	141, 146, 149
7022387.....	111	7024182.....	24	7026043.....	55, 59, 61	7026408.....	274
7022397.....	39	7024189.....	24	7026044.....	55, 59, 61	7026597....	153, 157, 161
7022399.....	39	7024190.....	24	7026045.....	55, 59, 61	7026608.....	73, 83
7022808.....	195	7024191.....	24	7026046.....	55, 59, 61	7026626... 153, 157, 161,	
7022812.....	199, 200	7024192.....	24	7026047.....	55, 59, 61	265, 279	
7022814.....	195	7024193.....	24	7026048.....	55, 59, 61	7026843.....	88, 96
7022815.....	195	7024194.....	24	7026049.....	55, 59, 61	7026846.....	67
7022816.....	195	7024196.....	24	7026050.....	55, 59, 61	7026847.....	67, 88, 96
7022817.....	195	7024197.....	24	7026051.....	55, 59, 61	7026848.....	67
7022818.....	195	7024198.....	20, 28	7026052.....	55, 59, 61	7026849.....	67
7022819... 195, 196, 261,		7024318.....	74	7026053.....	55, 59, 61	7026850.....	67
274		7024379.....	53	7026054.....	55	7026851.....	67
7022822.....	199	7024380.....	53	7026055.....	56, 59, 61	7026852.....	67
7022823.....	199	7024381.....	53	7026056.....	56	7026853.....	67
7022824.... 199, 261, 274		7024389.....	53	7026057.....	56, 59, 61	7026854.....	68
7022825.... 200, 261, 274		7024390.....	53	7026058.....	56	7026856.....	67
7023205.....	117	7024413.....	74	7026059.....	55, 56, 59	7026857.....	67
7023206.....	43	7024439.....	117	7026060.....	55, 56, 59	7026858.....	67
7023207.....	43	7024440.....	118	7026064.....	231	7026859.....	68
7023318.....	53	7024441.....	117	7026065.....	231	7026860.....	67
7023907.....	35, 37	7024442.....	117	7026067.....	231	7026861.....	68
7023908.....	35, 37	7024443.....	118	7026069.....	231	7026862.....	68
7023910.....	35, 37	7024444.....	117, 298	7026070.....	231	7026863.....	67
7023911.....	181	7024445.....	117	7026071.....	231	7026864.....	67
7023912.....	181	7024446.....	117	7026072.....	231	7026865.....	67
7023913.....	45	7024452.....	187	7026073.....	225	7026866.....	67
7023914.....	45	7024453.....	53	7026074.....	225	7026867.....	67
7023915.....	181	7024462.....	211	7026075.....	225	7026868.....	67
7023917.....	39	7024463.....	211	7026076.....	225	7026869.....	67
7023922.....	45	7024467.....	211	7026078.....	225	7026870.....	67
7023929... 66, 73, 81, 88,		7024469.....	211	7026079.....	225	7026872.....	67
95, 104		7024470.....	211	7026080.....	225	7026873.....	67
7023934.....	39	7024471.....	211	7026081.....	219, 227	7026874.....	67
7023935.....	39	7024472.....	211	7026082.....	219, 227	7026875.....	67
7023936.....	39	7024473.....	211	7026085.....	227	7026878.....	68
7023970.....	45	7024474.....	211	7026086.....	227	7026881.....	88, 96
7023984.....	181	7024475.....	211	7026087.....	219, 227	7026885.....	88, 96
7024105.....	19, 27	7024478.....	211	7026088.....	221	7026886.....	88, 96
7024106.....	19	7024485.... 153, 157, 161		7026089.....	221	7027023.... 66, 104, 274	
7024107.....	19, 27	7024488.... 154, 157, 161		7026090.....	221	7027024.... 66, 104, 274	
7024108.....	20, 27	7024489.... 154, 157, 161		7026091.....	221	7027025.... 66, 104, 273	
7024109.....	19, 27	7024565.....	74, 83	7026092.....	221	7027026.... 66, 104, 274	
7024110.....	19, 27	7024579.....	74, 83	7026093.....	221	7027041. 73, 80, 260, 274	
7024111.....	19, 27	7024705.....	24	7026094.....	221	7027050.....	80, 273
7024112.....	19, 27	7024709.....	19	7026095.....	221	7027236.....	73, 82

## PART NUMBER INDEX

7027239.....	75, 83	7027412.....	65, 96, 103	7027790.....	83	8008750....	67, 72, 79, 89,
7027241.....	74	7027608.....	74, 83	7027791.....	83		97, 105
7027242.....	74	7027609.....	74, 83	7027792.....	83	80604018.....	274
7027245.....	75, 83	7027610.....	74, 83	7027793.....	260, 274	8229242.....	272
7027246.....	74, 83	7027769.....	75, 83	7027794.....	260, 274	8405006.....	65, 103
7027276.....	74, 83	7027773.....	211	7027795.....	83, 300	85941018.....	65, 103
7027350.....	61	7027774.....	211	7027796.....	260, 274	8786514.....	16
7027351.....	61	7027775.....	211	7027799 ...	153, 157, 161	8896941.....	304
7027352.....	61	7027776.....	211	7027887 ...	142, 146, 150	8902175.....	239
7027354.....	56, 59, 61	7027777.....	211	77143013 .....	125	91503103.....	274
7027356.....	56, 59, 61	7027778.....	211	77363228 .....	274	91504107.....	274
7027358.....	55, 59	7027779.....	211	77363229 .....	274	17024193.....	24
7027360.....	61	7027780.....	211				





An Oshkosh Corporation Company

**Corporate Office**  
**JLG Industries, Inc.**  
**1 JLG Drive**  
**McConnellsburg, PA 17233-9533 USA**  
**☎ (717) 485-5161 (Corporate)**  
**☎ (877) 554-5438 (Customer Support)**  
**☎ (717) 485-6417**

**Visit our website for JLG Worldwide Locations.**  
**[www.jlg.com](http://www.jlg.com)**