



Illustrated Parts Manual

Model SSV-10

P/N
3121188

April 12, 2012

ANSI

CE



An Oshkosh Corporation Company

REVISION LOG

June 1, 2004 - Original Issue Of Manual (Edited to B/M 0010611 Revision 1)
September 20, 2004 - Revised Manual (Edited to B/M 0010611 Revision 4)
January 31, 2005 - Revised Manual (Edited to B/M 0010611 Revision 7)
June 2, 2005 - Revised Manual (Edited to B/M 0010611 Revision 8)
December 15, 2005 - Revised Manual (Edited to B/M 0010611 Revision 9)
November 3, 2006 - Revised Manual (Edited to B/M 0010611 Revision 9)
July 29, 2009 - Revised Manual (Edited to B/M 0010611 Revision 10)
April 4, 2012 - Revised Manual

REVISION LOG

TABLE OF CONTENTS

FIGURE NO.	TITLE	PAGE NO.
SECTION 1 - BASE		1-1
1-1	BASE MOUNTED COMPONENTS INSTALLATION	1-2
1-2	DRIVE MOTOR ASSEMBLY	1-6
1-3	COVERS AND TIE-DOWNS INSTALLATION	1-8
SECTION 2 - CONTROLS		2-1
2-1	PUMP MOTOR ASSEMBLY AND INSTALLATION	2-2
2-2	CHARGER, HORN AND BATTERIES INSTALLATION	2-6
2-3	BATTERY CHARGER ASSEMBLY	2-10
2-4	GROUND COMPONENTS INSTALLATIONS	2-12
2-5	PLATFORM CABLES AND CONTROLS INSTALLATION	2-14
2-6	CONTROL BOX ASSEMBLY	2-16
SECTION 3 - MAST		3-1
3-1	MAST ASSEMBLY AND INSTALLATION	3-2
SECTION 4 - PLATFORM		4-1
4-1	PLATFORM INSTALLATION	4-2
4-2	MATERIAL TRAY INSTALLATION	4-4
4-3	OPTIONAL BICYCLE CARRIERS INSTALLATION	4-6
4-4	OPTIONAL RUG CARRIER INSTALLATION	4-8
4-5	OPTIONAL FLUORESCENT TUBE CADDY ASSEMBLY	4-10
SECTION 5 - CYLINDER		5-1
5-1	LIFT CYLINDER ASSEMBLY	5-2
5-2	LIFT CYLINDER ASSEMBLY	5-4
SECTION 6 - HYDRAULIC		6-1
6-1	HYDRAULIC DIAGRAM	6-2
SECTION 7 - ELECTRICAL		7-1
7-1	ELECTRICAL SCHEMATIC	7-2
7-2	ELECTRICAL COMPONENTS INSTALLATION	7-4
SECTION 8 - DECALS		8-1
8-1	DECAL INSTALLATION	8-2
SECTION 9 - RECOMMENDED SERVICE PARTS STOCK		9-1
SECTION 10 - SPECIAL OPTIONS		10-1
SECTION 11 - PART NUMBER INDEX		11-1

TABLE OF CONTENTS

FIGURE NO.

TITLE

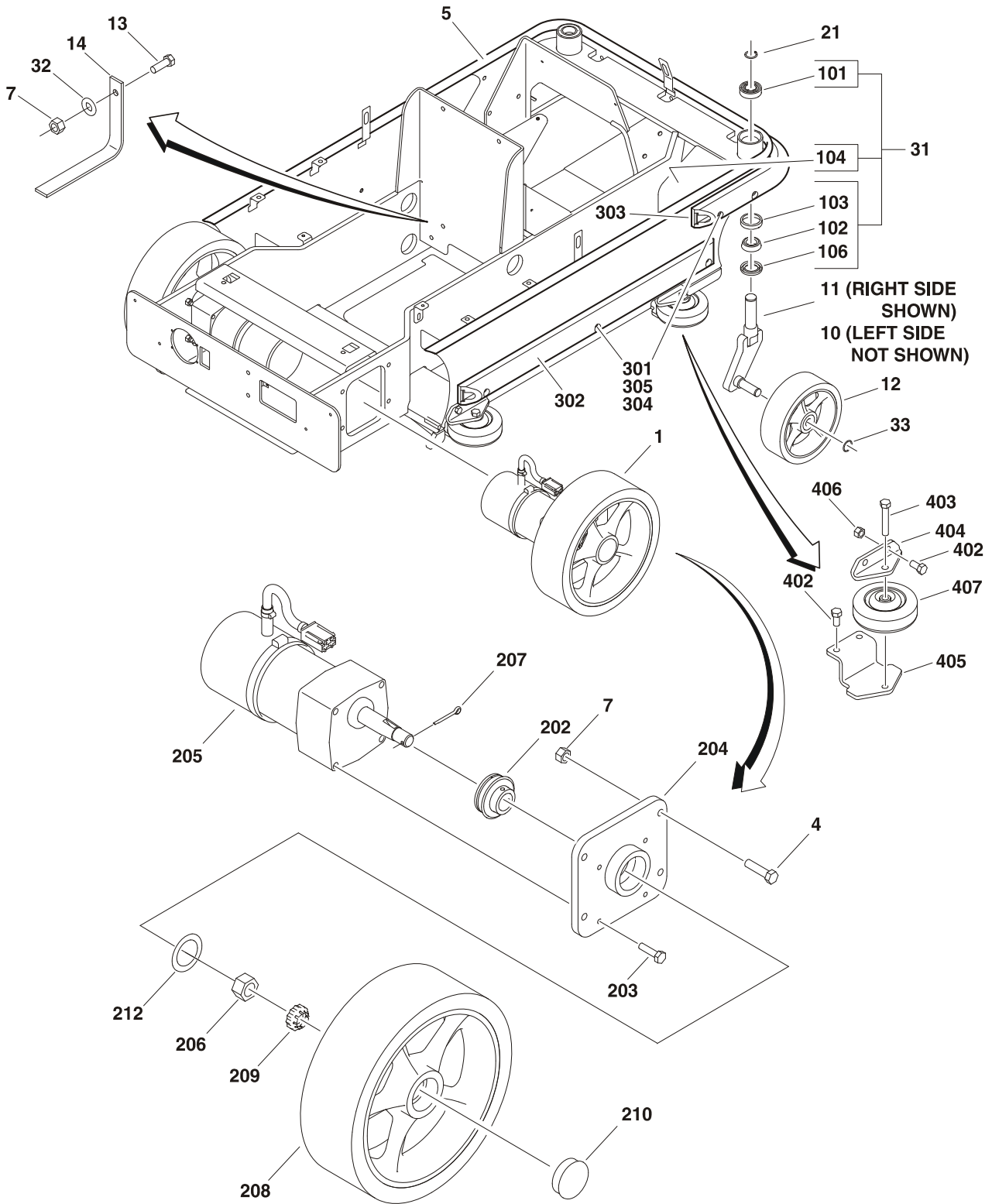
PAGE NO.

SECTION 1

BASE

SECTION 1 BASE

FIGURE 1-1. BASE MOUNTED COMPONENTS INSTALLATION



SECTION 1 BASE

FIGURE 1-1. BASE MOUNTED COMPONENTS INSTALLATION

ITEM #	PART NUMBER	QTY.	DESCRIPTION	REV.
	0273784	Ref.	BASE ASSEMBLY	I
1	0273622	2	Drive Motor and Wheel Assembly (See Items 201-212 for Breakdown)	
2 to 3	Not Used			
4	0641612	8	Bolt 3/8"-16NC x 1 1/2"	
5	0940132	1	Bumper, Chassis	
6	Not Used			
7	3311605	9	Locknut 3/8"-16NC	
8 to 9	Not Used			
10	4520342	1	Spindle (Left Side)	
11	4520343	1	Spindle (Right Side)	
12	4520281	2	Tire & Wheel Assembly	
13	0641609	1	Bolt 3/8"-16NC x 1 1/8"	
14	4240147	1	Strap, Static	
15 to 20	Not Used			
21	3760115	2	Ring, Retaining	
22 to 29	Not Used			
30	0100081	A/R	Loctite #454 (Not Shown)	
31	0274164	1	Frame Assembly (See Items 101-106 for Breakdown)	
32	4711600	1	Flatwasher 3/8" Narrow	
33	3760496	2	Ring, Retaining	
34	3020039	A/R	Lubricant Loctite #51049	
35	8882970	A/R	Coating, Clear	
	0274164	Ref.	FRAME ASSEMBLY	K
101	0440306	2	Bearing, Ball	
102	0440307	2	Bearing, Roller	
103	0440308	2	Bearing, Race	
104	2360697	1	Frame	
105	3020029	A/R	Grease (Not Shown)	
106	3960590	2	Seal	
	0273622	Ref.	DRIVE MOTOR AND WHEEL ASSEMBLY	I
		Ref.	Note: Qty shown is for one side.	
201	0100011	A/R	Locking Compound (Not Shown)	
202	0440258	1	Bearing	
203	0651409	4	Bolt 1/4"-28NF x 1"	
204	2360665	1	Mount, Motor	
205	3160303	1	Motor Assembly (See Figure 1-2 for Breakdown)	
206	3312202	1	Nut 3/4"-10NC	
207	3450505	1	Pin, Cotter 5/32" x 1/2"	
208	4520280	1	Tire & Wheel Assembly	
209	2940164	1	Cover, Locking Nut	
210	1120579		Plug	
211	3020039	A/R	Lubricant Loctite #51049 (S/N 0130006558 to Present)	
212	4712400	1	Flatwasher 7/8" Narrow	

SECTION 1 BASE

FIGURE 1-1. BASE MOUNTED COMPONENTS INSTALLATION (CONTINUED)

ITEM #	PART NUMBER	QTY.	DESCRIPTION	REV.
	0274078	Ref.	BUMPERS INSTALLATION (OPTIONAL)	B
301	0641410	13	Bolt 1/4"-20NC x 1 1/4"	
302	0940152	2	Bumper, Side	
303	0940153	1	Bumper, Front	
304	3311405	13	Locknut 1/4"-20NC	
305	4751400	26	Flatwasher 1/4" Wide	
	0240103	Ref.	GUIDE ROLLER ATTACHMENT (OPTIONAL)	A
401	0100011	A/R	Locking Compound	
402	0641606	16	Bolt 3/8"-16NC x 3/4"	
403	0641617	4	Bolt 3/8"-16NC x 2 1/8"	
404	0903120	4	Bracket, Top Roller	
405	0903121	1	Bracket, Bottom Roller	
406	3311605	8	Locknut 3/8"-16NC	
407	4520352	4	Wheel	

FIGURE 1-1. BASE MOUNTED COMPONENTS INSTALLATION (CONTINUED)

ITEM #	PART NUMBER	QTY.	DESCRIPTION	REV.

SECTION 1 BASE

FIGURE 1-2. DRIVE MOTOR ASSEMBLY

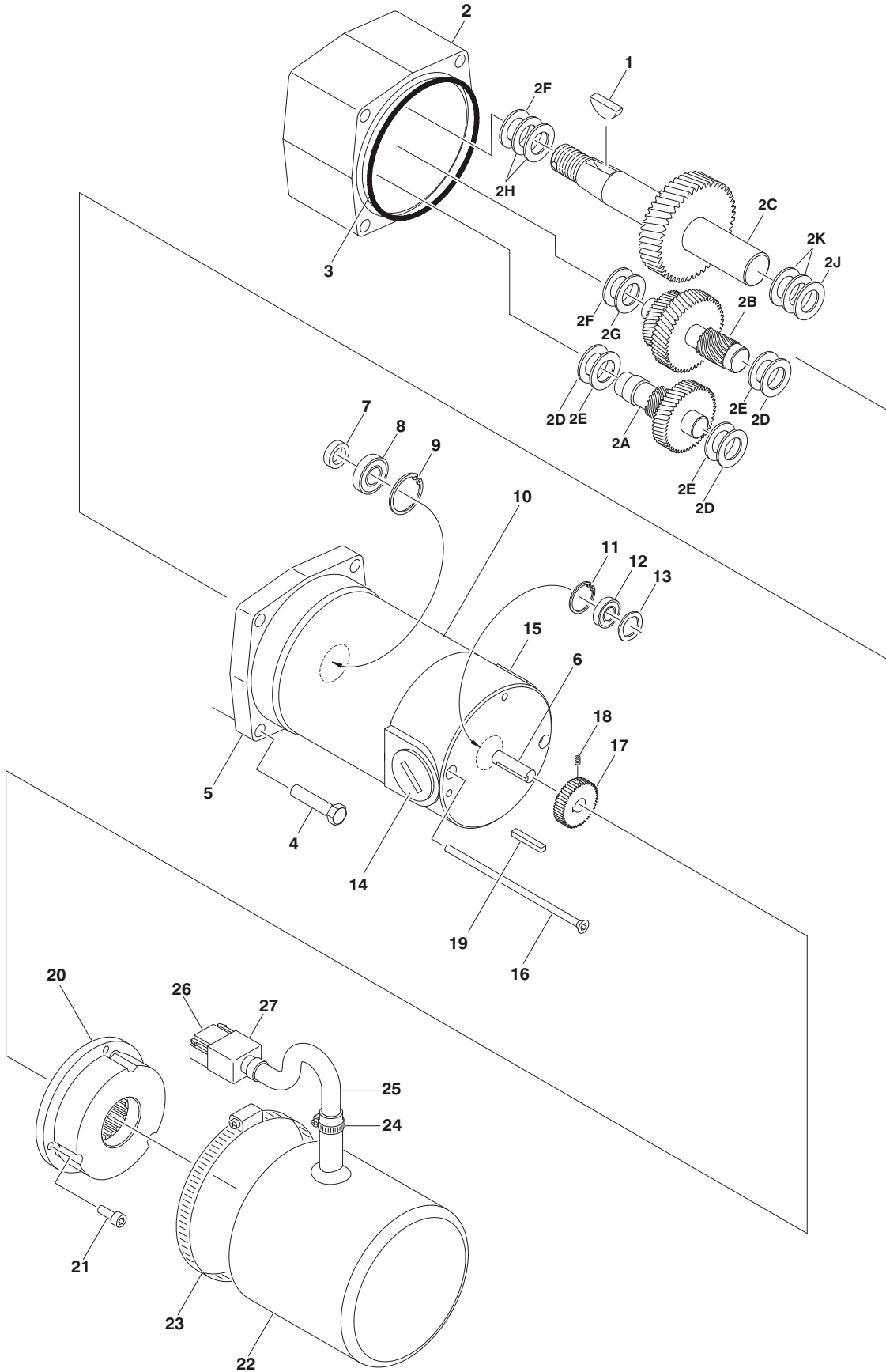


FIGURE 1-2. DRIVE MOTOR ASSEMBLY

ITEM #	PART NUMBER	QTY.	DESCRIPTION	REV.
	<u>3160303</u>	Ref.	DRIVE MOTOR ASSEMBLY	F
1	7018059	1	Key	
2	7018058	1	Housing, Gear	
2A	7000807	1	Primary Gear & Pinion	
2B	7000808	1	Secondary Gear & Pinion	
2C	7000809	1	Output Gear & Shaft	
2D	70001986	A/R	Washer, Nylon	
2E	70001985	A/R	Washer, Steel	
2F	70001984	A/R	Washer, Nylon	
2G	70001989	A/R	Washer, Steel	
2H	70001983	A/R	Washer, Steel	
2J	70001988	A/R	Washer, Nylon	
2K	70001987	A/R	Washer, Steel	
3	7018028	1	O-Ring	
4	Not Available	4	Screw	
5	7018057	1	Adapter	
6	7018060	1	Armature	
7	Not Available	1	Seal	
8	Not Available	1	Bearing	
9	Not Available	1	Ring, Retaining	
10	7018056	1	Ring Assembly	
11	Not Available	1	Ring, Retaining	
12	Not Available	1	Bearing	
13	7018011	1	Washer, Wavy	
14	7018000	1	Brush Kit	
	7018037	2	Cap, Brush	
	7018061	2	Spring	
	7018045	2	Cap, Brush	
15	Not Available	1	Shield	
16	7018055	2	Bolt, Thru	
17	Not Available	1	Gear	
18	Not Available	1	Screw M5 x 5mm (Part of Item 20)	
19	7018059	1	Key	
20	7018052	1	Brake Assembly	
21	Not Available	3	Screw	
22	7018054	1	Boot	
23	7018035	1	Clamp	
24	7018033	1	Clamp	
25	Not Available	1	Harness	
26	7018031	1	Housing, Terminal	
27	7018030	1	Boot, Housing	

SECTION 1 BASE

FIGURE 1-3. COVERS AND TIE-DOWNS INSTALLATION

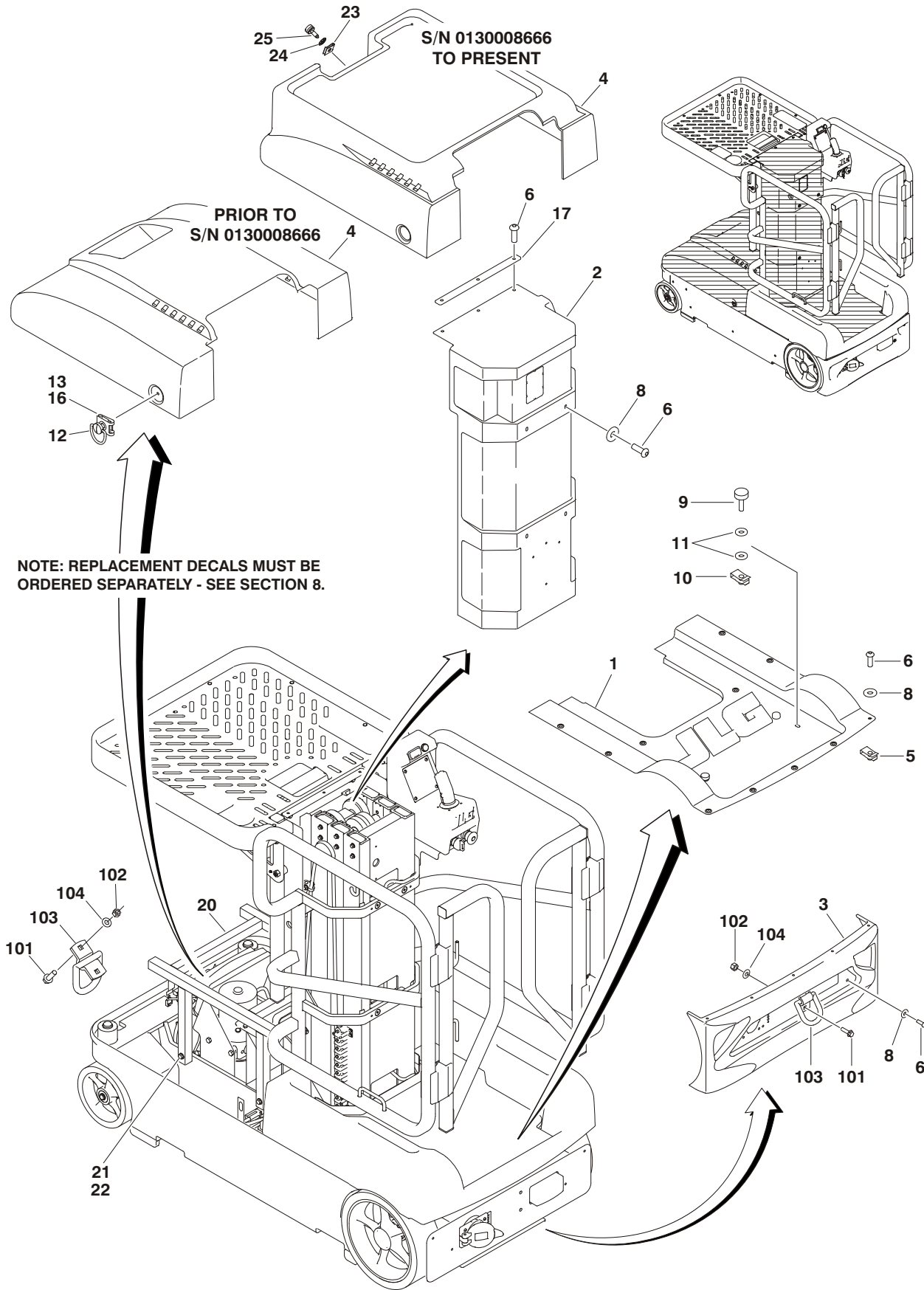


FIGURE 1-3. COVERS AND TIE-DOWNS INSTALLATION

ITEM #	PART NUMBER	QTY.	DESCRIPTION	REV.
	0273549	Ref. Ref.	COVER INSTALLATION Note: Replacement Decals must be ordered separately - See Section 8.	K
1	1671141	1	Cover, Battery and Frame	
2	1671143	1	Cover, Mast	
3	1671146	1	Cover, Rear Bumper	
4		1	Cover, Front Hood Options: Prior to S/N 0130007502 S/N 0130007502 to S/N 0130008666 S/N 0130008666 to Present	
5	3300454	9	Nut 1/4"-20NC	
6	3900258	22	Screw Button Head 1/4"-20NC x 3/4"	
7	Not Used			
8	4751400	19	Flatwasher 1/4" (Wide)	
9	0940049	2	Stopper, Hood	
10	3300364	2	Nut 5/16"-18NC (Tinnerman)	
11	4751500	4	Flatwasher 5/16" (Wide)	
12	Use 2940179	3	(Was P/N 2940166) Latch, Fastener (Prior to S/N 0130007030) (Use with hood p/n 1671149)	
13	Use 2940179	3	(Was P/N 2940167) Latch, Clip (Prior to S/N 0130007030) (Use with hood p/n 1671149)	
14	Not Used			
15	0100011	A/R	Locking Compound (Not Shown)	
16	Use 2940179	3	(Was P/N 2940168) Latch, Retainer (Prior to S/N 0130007030)(Use with hood p/n 1671149)	
17	0903222	1	Brace	
18 to 19	Not Used			
20	4341067	1	Support, Hood (S/N 0130008666 to Present)	
21	0641616	4	Bolt 3/8"-16NC x 2"(S/N 0130008666 to Present)	
22	4711600	4	Flatwasher 3/8" (Narrow) (S/N 0130008666 to Present)	
23	1380169	1	Clip, Receptacle (S/N 0130008666 to Present) (Use with hood p/n 1671298)	
24	3760308	1	Retainer (S/N 0130008666 to Present) (Use with hood p/n 1671298)	
25	3900174	1	Screw, Thumb (S/N 0130008666 to Present) (Use with hood p/n 1671298)	
	0240114	Ref.	TIE-DOWNS INSTALLATION	A
101	0811610	4	Screw 3/8"-16NC x 1 1/4"	
102	3311605	4	Locknut 3/8"-16NC	
103	3760365	2	Tie-Ring	
104	4711600	4	Flatwasher 3/8" Narrow	

SECTION 1 BASE

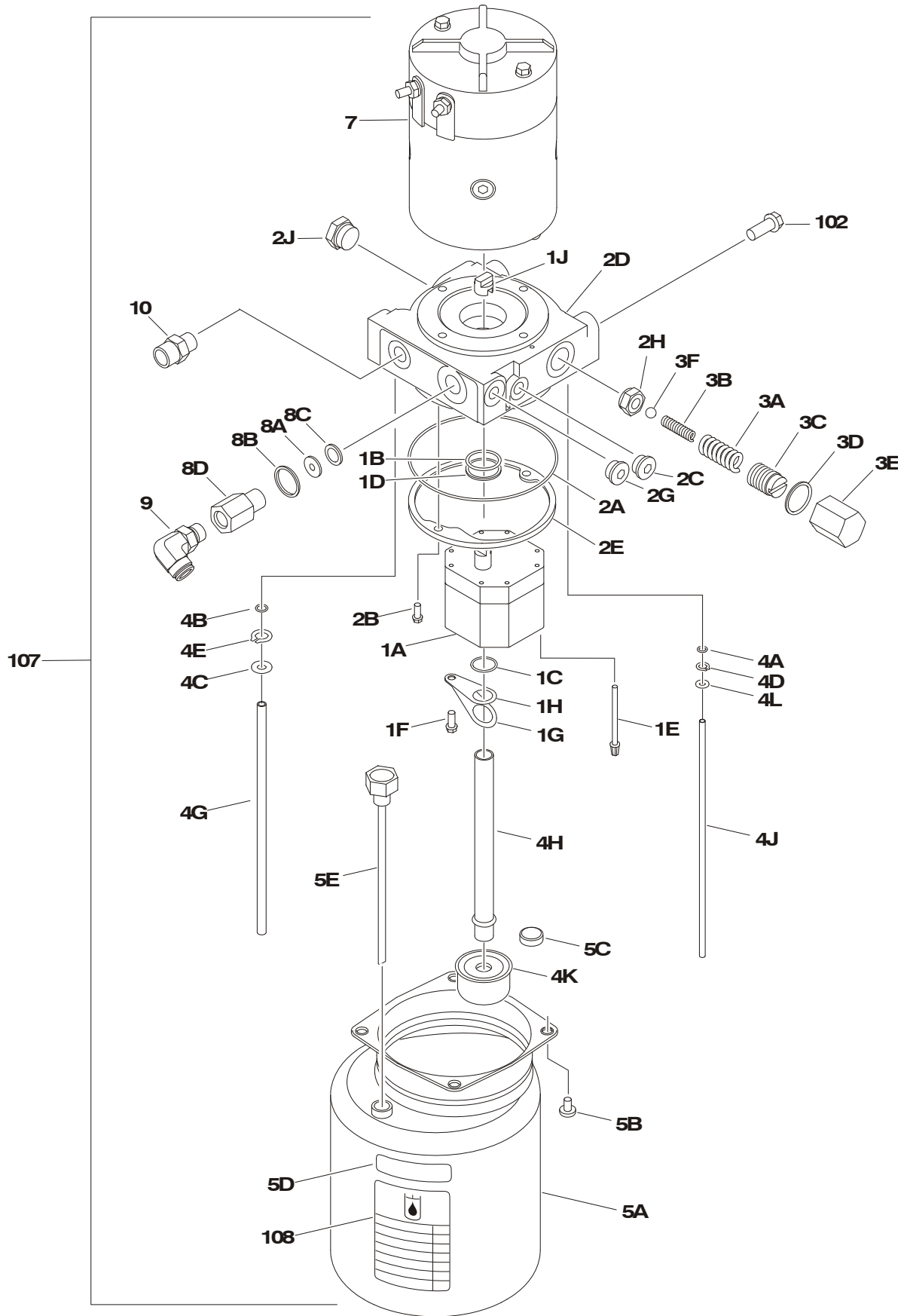
FIGURE 1-3. COVERS AND TIE-DOWNS INSTALLATION (CONTINUED)

ITEM #	PART NUMBER	QTY.	DESCRIPTION	REV.

SECTION 2 CONTROLS

SECTION 2 CONTROLS

FIGURE 2-1. PUMP MOTOR ASSEMBLY AND INSTALLATION



SECTION 2 CONTROLS

FIGURE 2-1. PUMP MOTOR ASSEMBLY AND INSTALLATION

ITEM #	PART NUMBER	QTY.	DESCRIPTION	REV.
	3600392	1	PUMP/MOTOR ASSEMBLY	D
1	7027943	Ref.	Pump Components Kit	
1A	Not Available	1	Pump	
1B	Not Available	1	Seal	
1C	7011021	1	Seal	
1D	Not Available	1	Seal	
1E	7010928	4	Screw	
1F	7011033	1	Screw	
1G	Not Available	1	Lockwasher	
1H	Not Available	1	Retainer	
1J	7011016	1	Coupler	
2	7027944	Ref.	Adaptor Components Kit	
2A	7011025	1	Seal	
2B	7011011	2	Screw	
2C	Not Available	1	Plug	
2D	Not Available	1	Adaptor	
2E	7011013	1	Retainer	
2F	Not Available	1	Plug, Plastic (Not Shown)	
2G	Not Available	1	Plug, Steel	
2H	Not Available	1	Seat Assembly	
2J	Not Available	1	Plug	
3	7027945	Ref.	Relief Valve Components Kit	
3A	7011008	1	Spring	
3B	7011017	1	Spring	
3C	7011009	1	Screw, Adjustment	
3D	Not Available	1	Gasket	
3E	7011004	1	Cap	
3F	Not Available	1	Ball	
4	7027946	Ref.	Tube Components Kit	
4A	7011024	1	Seal	
4B	Not Available	1	Seal	
4C	Not Available	1	Washer	
4D	7011031	1	Ring, Retaining	
4E	7011032	1	Ring, Retaining	
4F	Not Used			
4G	Not Available	1	Tube	
4H	Not Available	1	Tube	
4J	Not Available	1	Tube	
4K	7011029	1	Strainer	
4L	7011034	1	Spacer	
5	7027947	Ref.	Tank Components Kit	
5A	Not Available	1	Tank	
5B	Not Available	4	Screw	
5C	7011027	1	Magnet	
5D	Not Available	1	Label	
5E	7011069	1	Breather/Dipstick	
6	Not Available	1	Label (Not Shown)	

SECTION 2 CONTROLS

FIGURE 2-1. PUMP MOTOR ASSEMBLY AND INSTALLATION (CONTINUED)

ITEM #	PART NUMBER	QTY.	DESCRIPTION	REV.
7	7027948	1	Motor Assembly	
	7000041	1	Brush Kit	
8	7027949	Ref.	Return Port Components Kit	
8A	Not Available	1	Seal	
8B	Not Available	1	Seal	
8C	Not Available	1	Washer	
8D	Not Available	1	Body, Return Port	
9	2221185	1	Fitting, 90°	
10	2110606	1	Fitting, Straight	
			PUMP/MOTOR INSTALLATIONS	
	0273546	Ref.	Standard Hydraulic Oil	E
	0274181	Ref.	Fire Resistant Hydraulic Oil	A
101	0100011	A/R	Locking Compound (Not Shown)	
102	0641606	2	Bolt 3/8"-16NC x 3/4"	
103 to 106	Not Used			
107	3600392	1	Pump/Motor Assembly (See Items 1-9 for Breakdown)	
108	1704412	1	Decal - Hydraulic Oil (Stamp Appropriately)	
109		1.2 gals	Oil, Hydraulic Options (Not Shown):	
	2300021		Standard Hydraulic Oil	
	2300014		Fire Resistant Hydraulic Oil	

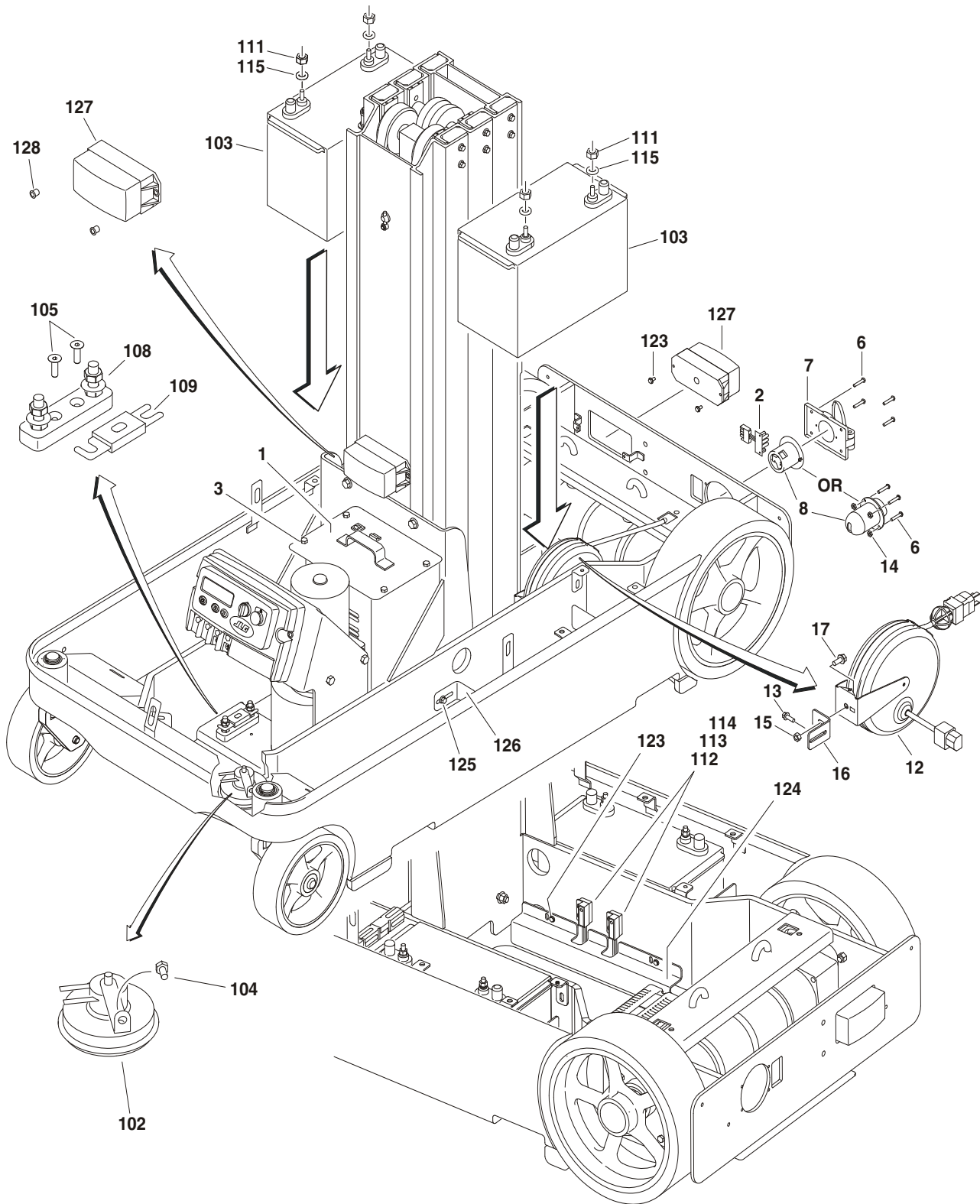
SECTION 2 CONTROLS

FIGURE 2-1. PUMP MOTOR ASSEMBLY AND INSTALLATION (CONTINUED)

ITEM #	PART NUMBER	QTY.	DESCRIPTION	REV.

SECTION 2 CONTROLS

FIGURE 2-2. CHARGER, HORN AND BATTERIES INSTALLATION



SECTION 2 CONTROLS

FIGURE 2-2. CHARGER, HORN AND BATTERIES INSTALLATION

ITEM #	PART NUMBER	QTY.	DESCRIPTION	REV.
		Ref.	BATTERY CHARGER INSTALLATIONS	
	0273559	Ref.	Charger with ANSI Plug	C
	0274169	Ref.	Charger with Australian Plug	A
	0274168	Ref.	Charger without Plug	A
	0274259	Ref.	Charger with Plug/Cord Reel	A
1	0400208	1	Battery Charger Assembly (See Figure 2-3 for Breakdown)	
2	0610131	1	LED Board	
3	0641404	4	Bolt 1/4"-20NC 1/2"	
4 to 5	Not Used			
6	3911016	4	Screw #10-24NC x 1"	
7		A/R	Cover, Terminal Options:	
	4460802	1	Charger with Plug	
	4460802	1	Charger without Plug	
	Not Required	0	Charger with Plug/Cord Reel	
8		A/R	Terminal, Inlet Options:	
	4460803	1	Charger with ANSI Plug	
	4460940	1	Charger with Australian Plug	
	Not Required	0	Charger without Plug	
	4120046	1	Socket, Cord Reel Stop (Charger with Plug/Cord Reel Only)	
9 to 10	Not Used			
11	0100011	A/R	Locking Compound (Not Shown) Note: Items 12 - 16 used with Charger with Plug/Cord Reel only.	
12	3680056	1	Reel, Charger	
13	0791406	1	Screw 1/4"-20NC x 3/4"	
14	3311001	4	Nut #10-24NC	
15	3311501	1	Nut 5/16"-18NC	
16	3575423	1	Plate	
17	0791506	1	Bolt 5/16"-18NC x 3/4"	
	0273548	Ref.	HORN AND BATTERIES INSTALLATION	L
101	0100051	A/R	Grease, Battery Terminal (Not Shown)	
102	0140022	1	Horn	
103	0400209	2	Battery	
104	0641404	1	Bolt 1/4"-20NC x 1/2"	
105	0741005	2	Capscrew, Flat Head #10-24NC x 1/2"	
106 to 107	Not Used			
108	2400044	1	Block, Fuse Mounting	
109	2400069	1	Fuse 175Amp	
110	3020038	A/R	Grease, Electrical Contact (Not Shown)	
111	3311501	4	Nut 5/16"-18NC	
112	3911016	4	Screw #10-24NC x 1"	
113	4071084	2	Shim	
114	4360514	2	Switch, Proximity	
115	4761500	4	Lockwasher 5/16"	
116 to 122	Not Used			
123	0791003	4	Screw #10-24NC x 3/8"	

SECTION 2 CONTROLS

FIGURE 2-2. CHARGER, HORN AND BATTERIES INSTALLATION (CONTINUED)

ITEM #	PART NUMBER	QTY.	DESCRIPTION	REV.
124	3380541	1	Shield, Wire	
125	0791406	2	Screw 1/4"-20NC x 3/4"	
126	3575423	2	Plate, Battery Hold-down	
127	2920178	2	Light, Strobe	B
	7027733	2	Bulb, Replacement (1 Per Assembly)	
128	3820032	2	Rivet	
129	0100011	A/R	Locking Compound (Not Shown)	

SECTION 2 CONTROLS

FIGURE 2-2. CHARGER, HORN AND BATTERIES INSTALLATION (CONTINUED)

ITEM #	PART NUMBER	QTY.	DESCRIPTION	REV.

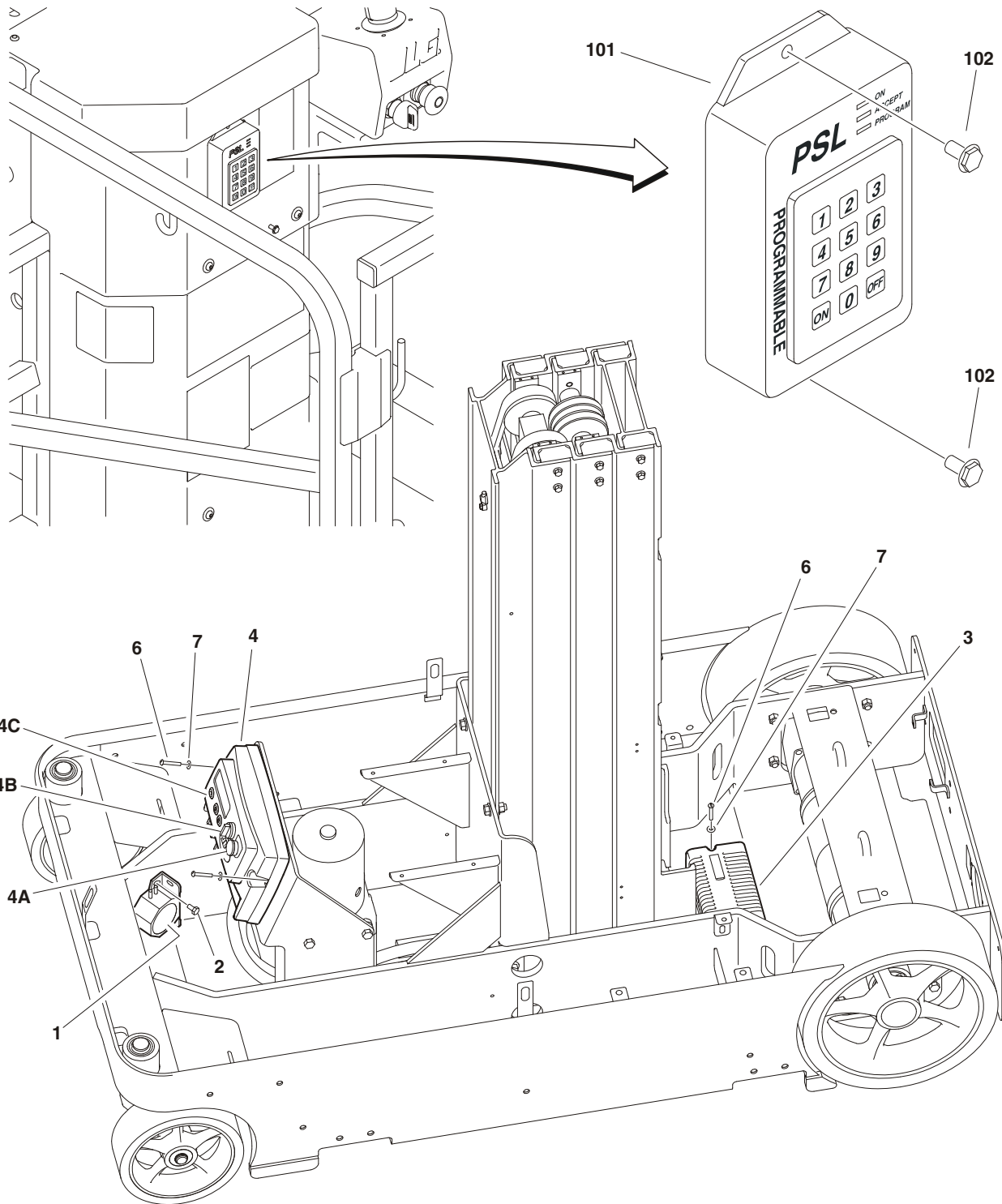
SECTION 2 CONTROLS

FIGURE 2-3. BATTERY CHARGER ASSEMBLY

ITEM #	PART NUMBER	QTY.	DESCRIPTION	REV.
	0400208	Ref.	BATTERY CHARGER ASSEMBLY	C
1	7018577	2	Capacitor	
2	7018514	2	Breaker, Circuit - AC	
3	7011621	1	Connector - 2 Position	
4	7022926	1	Circuit, Control	
	7022918	1	DC Harness Assembly	
5	7022942	1	Fuse Assembly (Not Shown) (S/N 0130004468 to Present)	
6	7018570	1	Fuse 80 Amp	
7	7022919	1	Harness, SCR (Not Shown)	
8	7022920	1	Harness with 4 Position Connector	
9	7022921	1	Cover, Case	
10		1	Plug, AC Options:	
	7020648		Prior to S/N 0130004468	
	7022943		S/N 0130004468 to Present	
11	7020673	1	Rectifier, SCR	
12	7018564	1	Relay (Black)	
13		1	Shunt Assembly Options:	
	7020651		Prior to S/N 0130004468	
	7020674		S/N 0130004468 to Present	
14	7022922	1	Switch, 10 Amp Slide	
15	7018586	1	Switch, 12 Amp Slide	
16	7022923	1	Transformer	
17		1	Varistor Assembly Options:	
	7018537		Prior to S/N 0130004468	
	7018589		S/N 0130004468 to Present	
18	7020663	2	Varistor	

SECTION 2 CONTROLS

FIGURE 2-4. GROUND COMPONENTS INSTALLATIONS



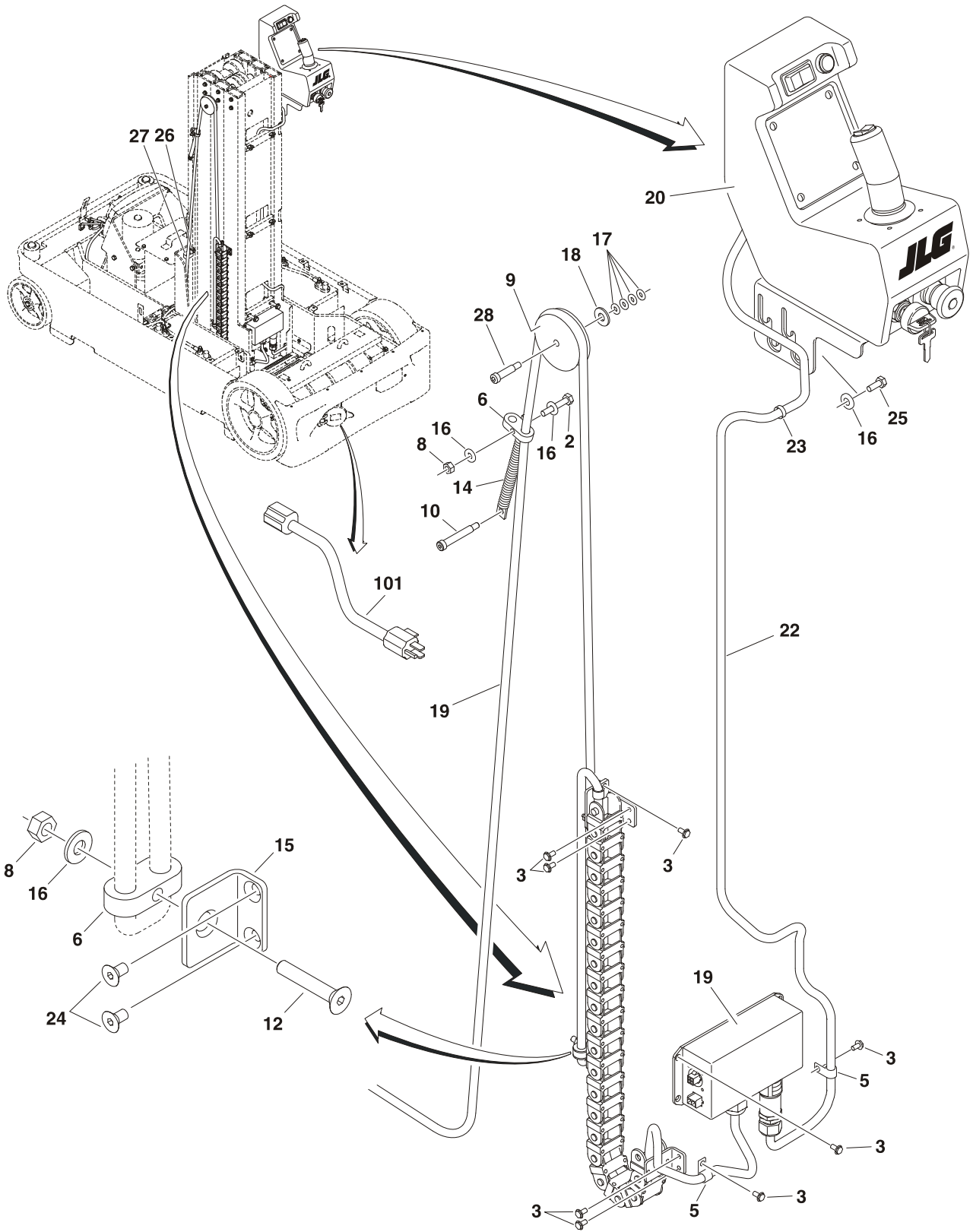
SECTION 2 CONTROLS

FIGURE 2-4. GROUND COMPONENTS INSTALLATIONS

ITEM #	PART NUMBER	QTY.	DESCRIPTION	REV.
		Ref.	GROUND CONTROLS INSTALLATION	
	0273547	Ref.	All Specs except Japanese & Chinese Specs	I
	0274515	Ref.	Japanese & Chinese Specs Only	B
1	0140033	1	Alarm	
2	0641404	2	Bolt 1/4"-20NC x 1/2"	
3	1600397	1	Module, Traction	
4	1600329	1	Module, Ground Control Station Options: All Specs except Japanese & Chinese Specs	
	1600340		Japanese & Chinese Specs Only	
4A	7024428	1	Emergency Stop Switch Assy	
4B	7024430	1	Selector Switch Assy	
4C	7024460	1	Cover Assy	
5	Not Used			
6	3911020	4	Screw #10-24NC x 1 1/4"	
7	4751000	4	Flatwasher #10	
8	0100011	A/R	Locking Compound (Not Shown)	
	0273566	Ref.	PROGRAMMABLE SECURITY LOCK INSTALLATION (OPTIONAL)	A
101	0100011	A/R	Locking Compound (Not Shown)	
102	0721003	2	Screw #10-24NC x 3/8"	
103	2940161	1	Lock, Electronic	

SECTION 2 CONTROLS

FIGURE 2-5. PLATFORM CABLES AND CONTROLS INSTALLATION



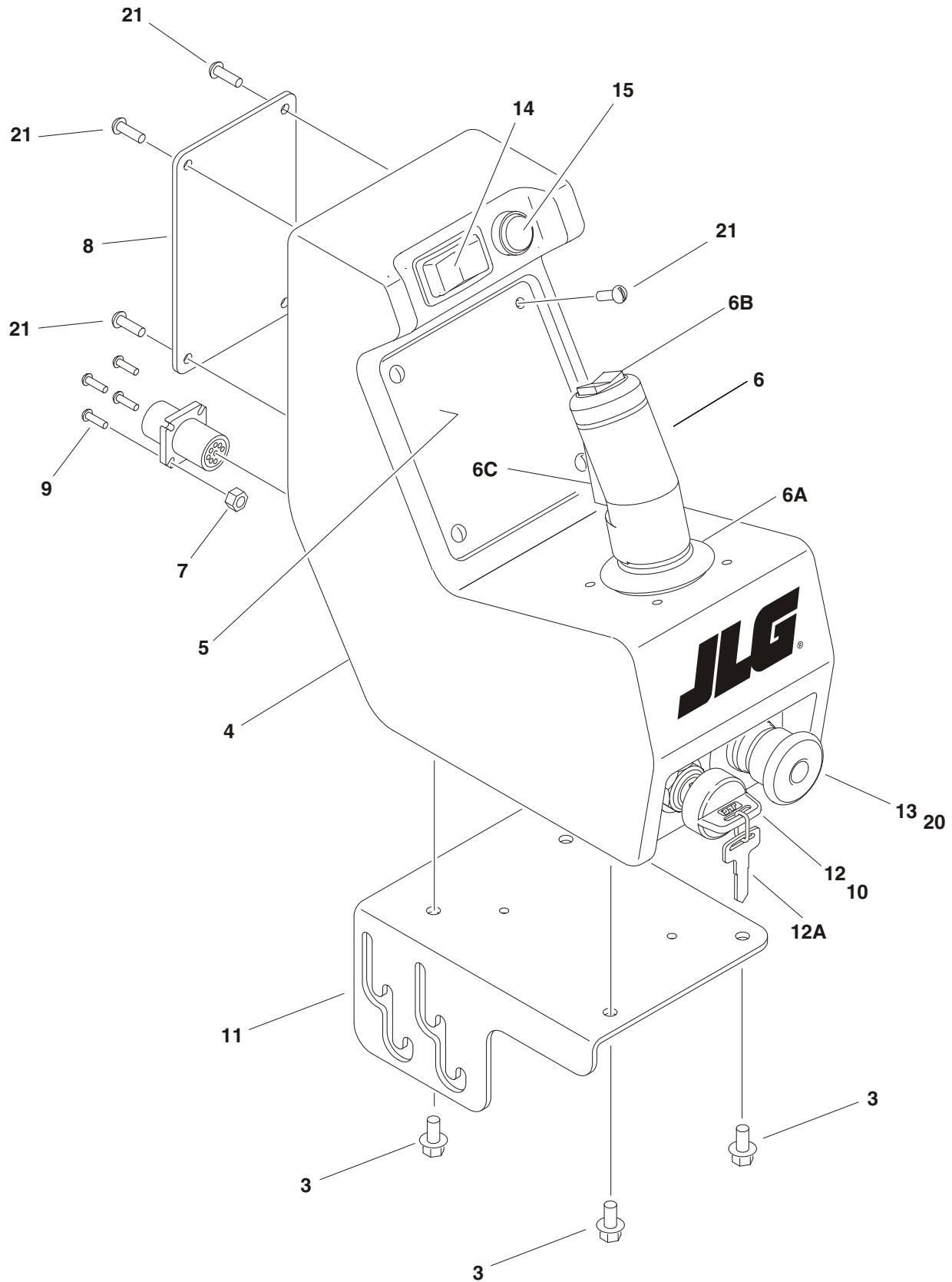
SECTION 2 CONTROLS

FIGURE 2-5. PLATFORM CABLES AND CONTROLS INSTALLATION

ITEM #	PART NUMBER	QTY.	DESCRIPTION	REV.
	0273551	Ref.	PLATFORM CABLES AND CONTROLS INSTALLATION	N
1	0100011	A/R	Locking Compound (Not Shown)	
2	0641412	1	Bolt 1/4"-20NC x 1 1/2"	
3	0791003	11	Screw #10-24NC x 3/8"	
4	Not Used			
5	1320043	3	Clamp, Cable	
6	1320149	2	Clamp, Hose	
7	3020038	A/R	Grease, Contact (Not Shown)	
8	3311405	2	Locknut 1/4"-20NC	
9		1	Pulley, Control Cable Options: Prior to S/N 0130007126 S/N 0130007126 to Present	
10	3900264	1	Screw, Shoulder	
11	Not Used			
12	0741412	1	Screw, Countersunk 1/4"-20NC x 1 1/2"	
13	Not Used			
14	4160130	1	Spring, Extension	
15	4340838	1	Support, Cable Mount	
16	4711400	5	Flatwasher 1/4" Narrow	
17	4751000	4	Flatwasher #10 Wide	
18	4751500	1	Flatwasher 5/16" Wide	
19	4923035	1	Harness, Base to Platform (See Section 7 for Breakdown)	
20		1	Platform Control Box Assembly Options (See Figure 2-6 for Breakdown): Prior to S/N 0130007617 S/N 0130007617 to Present (was p/n 0861768)	
21	0861658 1001098194 Not Used			
22		1	Harness, Platform Controls Options (See Section 7 for Breakdown): Prior to S/N 0130007617 S/N 0130007617 to Present	
23	4923113 4923316 4240018	3	Tie-Strap	
24	0741003	2	Screw, Countersunk #10-24NC x 3/8"	
25	0641406	2	Bolt 1/4"-20NC x 3/4"	
26	3311605		Locknut, 3/8"-16NC	
27	1321283	1	Clamp	
28		1	Screw, Shoulder Options: Prior to S/N 0130007126 S/N 0130007126 to Present	
101	4923174	Ref.	EXTENSION CORD 110VOLT - 6FT (OPTIONAL)	A

SECTION 2 CONTROLS

FIGURE 2-6. CONTROL BOX ASSEMBLY



SECTION 2 CONTROLS

FIGURE 2-6. CONTROL BOX ASSEMBLY

ITEM #	PART NUMBER	QTY.	DESCRIPTION	REV.
		Ref.	CONTROL BOX ASSEMBLY	
	0861658	Ref.	Prior to S/N 0130007617	K
	0861768	Ref.	S/N 0130007617 to Present	B
1	0100011	A/R	Locking Compound (Not Shown)	
2	Not Used			
3	0791404	4	Screw, Countersunk 1/4"-20NC x 1/2"	
4		1	Box, Control Options: Prior to S/N 0130007617 S/N 0130007617 to Present	
5	1600378	1	Module, Platform Controller	
6	Use 1600454	1	Controller Assembly (was p/n 1600379)	
6A	7000012	1	Boot, Rubber (Base of Controller p/n 1600379)	
	70000682	1	Boot, Rubber (Base of Controller p/n 1600454)	
	7027766	1	Ring, Retaining	
6B	7000084	1	Boot, Rubber (Steer Switch) (was p/n 7027764)	
		1	Microswitch with Harness (Not Shown) Controller p/n 1600379 Controller p/n 1600454	
	7027366		Controller p/n 1600379	
	Not Available		Controller p/n 1600454	
	7027365	1	Actuator, Handle	
6C	7027367	1	Switch, Push Button	
	7027765	1	Lever, Enable	
7	3310601	4	Nut #6-32NC	
8	3380540	1	Panel, Control Box	
9	3910608	4	Screw, Machine #6-32NC x 1/2"	
10	3910804	2	Screw, Machine #8-32NC x 1/4"	
11	4340884	1	Mount, Control Box	
12	4360467	1	Keypad Assembly	
12A	2860030	1 Pr	Key, Replacement	
13	4360562	1	Switch, Emergency Stop	
14		1	Switch, Rocker Options: Prior to S/N 0130006264 S/N 0130006264 to Present	
15	4360567	1	Switch, Push Button (Includes Harness)	
16		1	Harness, Power Options (Not Shown - See Section 7 for Breakdown): Prior to S/N 0130007617 S/N 0130007617 to Present	
17	4923106	1	Harness, Drive/Lift Select (Not Shown - See Section 7 for Breakdown)	
18	4923107	1	Harness, Emergency Stop (Not Shown - See Section 7 for Breakdown)	
19	4923108	1	Harness, Keypad (Not Shown - See Section 7 for Breakdown)	
20	1706007	1	Decal - Emergency Stop	
21		8	Screw, Machine Options: Screw, Machine #10-24NC x 5/8" (Prior to S/N 0130006321) Screw, Button #10-24NC x 1/2" (S/N 0130006321 to Present)	
	3911010		Screw, Machine #10-24NC x 5/8" (Prior to S/N 0130006321)	
	0630464		Screw, Button #10-24NC x 1/2" (S/N 0130006321 to Present)	

SECTION 2 CONTROLS

FIGURE 2-6. CONTROL BOX ASSEMBLY (CONTINUED)

ITEM #	PART NUMBER	QTY.	DESCRIPTION	REV.

SECTION 3

MAST

SECTION 3 MAST

FIGURE 3-1. MAST ASSEMBLY AND INSTALLATION

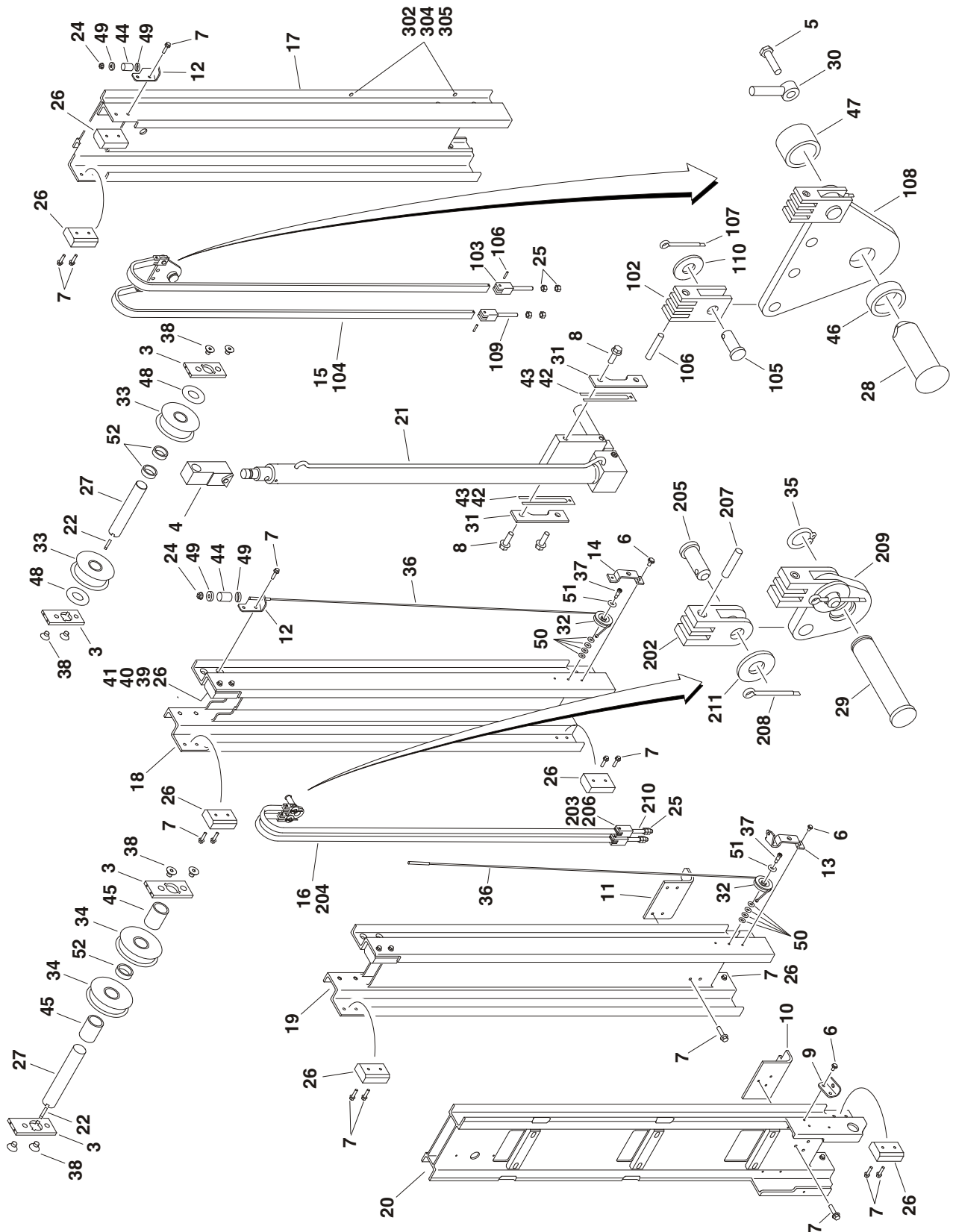


FIGURE 3-1. MAST ASSEMBLY AND INSTALLATION

ITEM #	PART NUMBER	QTY.	DESCRIPTION	REV.
	0801394	Ref.	MAST ASSEMBLY	D
1	0100011	A/R	Locking Compound (Not Shown)	
2	Not Used			
3	0362735	4	Bar, Sheave Pin Support	
4	0561341	1	Block, Chain Anchor	
5	0721006	1	Screw, Machine #10-24NC x 3/4"	
6	0791003	6	Screw #10-24NC x 3/8"	
7	0811408	31	Screw 1/4"-20NC x 1"	
8	0791812	4	Screw 1/2"-13NC x 1 1/2"	
9	0902047	1	Bracket, Sequence Cable	
10	0902423	1	Bracket, Bottom Chain Attach	
11	0902424	1	Bracket, Bottom Chain Attach	
12	0902431	2	Bracket, Sequence Cable	
13	0902445	1	Bracket, Sequence Cable	
14	0902698	1	Bracket, Sequence Cable	
15	1260375	1	Chain Assy - #446 (See Items 101-110 for Breakdown)	
16	1260376	1	Chain Assy - #444 (See Items 201-211 for Breakdown)	
17	1271567	1	Channel, Mast #1	
18	1271568	1	Channel, Mast #2	
19	1271569	1	Channel, Mast #3	
20	1271577	1	Channel, Header	
21		1	Lift Cylinder Assembly Options (See Section 5 for Breakdown):	
	1684348		Original Part (Waltco)	
	1684531		Service Replacement (Olson & Olson)	
22	2880310	2	Key	
23	3020041	A/R	Lubricant (Not Shown)	
24	3311408	2	Nut, Flanged 1/4"-20NC	
25	3311601	8	Nut 3/8"-16 NC	
26	3340845	12	Pad, Slide Guide	
27	3422717	2	Pin, Sheave	
28	3422750	1	Pin, Chain Equalizer	
29	3422752	1	Pin, Chain Equalizer	
30	3422757	1	Pin, Keeper	
31	3570893	2	Plate, Cylinder Mounting	
32	3580269	2	Sheave, Sequence Cable	
33	3580286	2	Sheave Assembly	
	0440246	2	Bearing (1 Per Assembly)	
34	3580293	2	Sheave Assembly	
	0440249	2	Bearing (1 Per Assembly)	
35	3760383	1	Ring, Retaining	
36	3890039	2	Cable, Sequence	
37	3900187	2	Screw, Shoulder	
38	3900192	8	Screw, Countersunk 3/8"-16NC x 1/2"	
39	4070860	A/R	Shim, Slide Pad	
40	4070861	A/R	Shim, Slide Pad	
41	4070862	A/R	Shim, Slide Pad	
42	4070970	A/R	Shim, Cylinder Mount	
43	4070971	A/R	Shim, Cylinder Mount	

SECTION 3 MAST

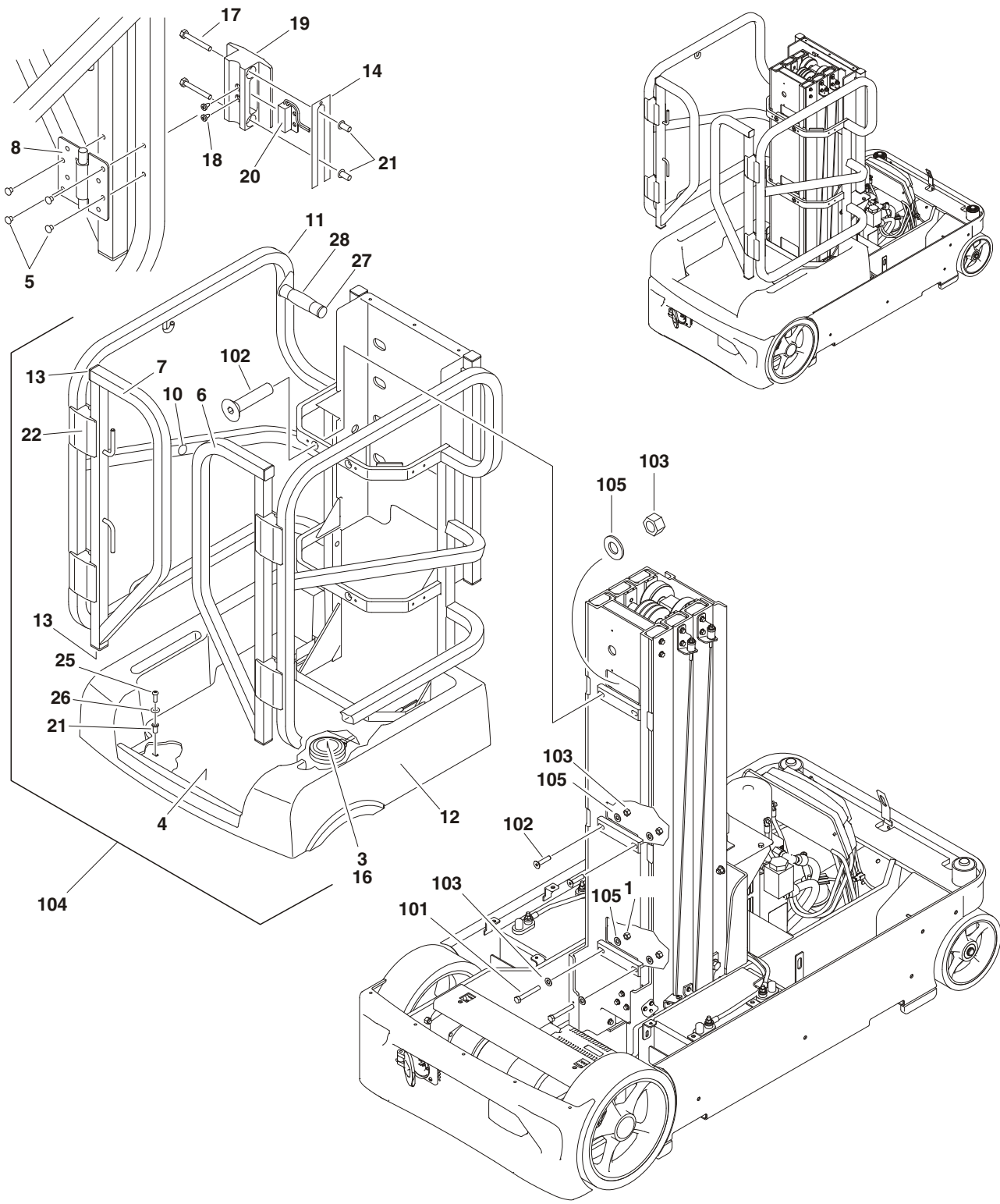
FIGURE 3-1. MAST ASSEMBLY AND INSTALLATION (CONTINUED)

ITEM #	PART NUMBER	QTY.	DESCRIPTION	REV.
44	4160124	2	Spring	
45	4567491	2	Tube, Spacer	
46	4567750	1	Tube, Spacer	
47	4567751	1	Tube, Spacer	
48	4740007	2	Washer, Thrust	
49	4740414	4	Washer, Cup	
50	4751000	8	Flatwasher #10 Wide	
51	4751500	2	Flatwasher 5/16" Wide	
52	4569003	3	Tube, Spacer	
	0273417	1	----- Mast Kit (Includes Items 17-20)	F
	1260375	Ref.	CHAIN ASSEMBLY - #446 CHAIN	B
101	0100062	A/R	Loctite #RC/640 (Not Shown)	
102	0561153	2	Block, Chain Anchor	
103	0561409	2	Block, Chain Anchor	
104	Purchased Assy	A/R	Chain	
105	3422338	2	Pin, Equalizer	
106	3422346	4	Pin, Grooved	
107	3450304	2	Pin, Cotter	
108	3571101	1	Plate, Chain Adjustment	
109	4300111	2	Stud	
110	4751500	2	Flatwasher 5/16"	
	1260376	Ref.	CHAIN ASSEMBLY - #444 CHAIN	B
201	0100062	A/R	Loctite #RC/640 (Not Shown)	
202	0561149	2	Block, Chain Anchor	
203	0561408	2	Block, Chain Anchor	
204	Purchased Assy	A/R	Chain	
205	3422338	2	Pin, Equalizer	
206	3422346	2	Pin, Grooved	
207	3452355	2	Pin, Grooved	
208	3450304	2	Pin, Cotter	
209	3571103	1	Plate, Chain Adjustment	
210	4300111	2	Stud	
211	4751500	2	Flatwasher 5/16"	
	0273545	Ref.	MAST INSTALLATION	B
301	0100019	A/R	Locking Compound (Not Shown)	
302	0641609	3	Bolt 3/8"-16NC x 1 1/8"	
303	Not Used			
304	3311601	4	Nut 3/8"-16NC	
305	4711600	8	Flatwasher 3/8" Narrow	
306	0641612	1	Bolt 3/8"-16NC x 1 1/2" (Not Shown)	

SECTION 4 PLATFORM

SECTION 4 PLATFORM

FIGURE 4-1. PLATFORM INSTALLATION



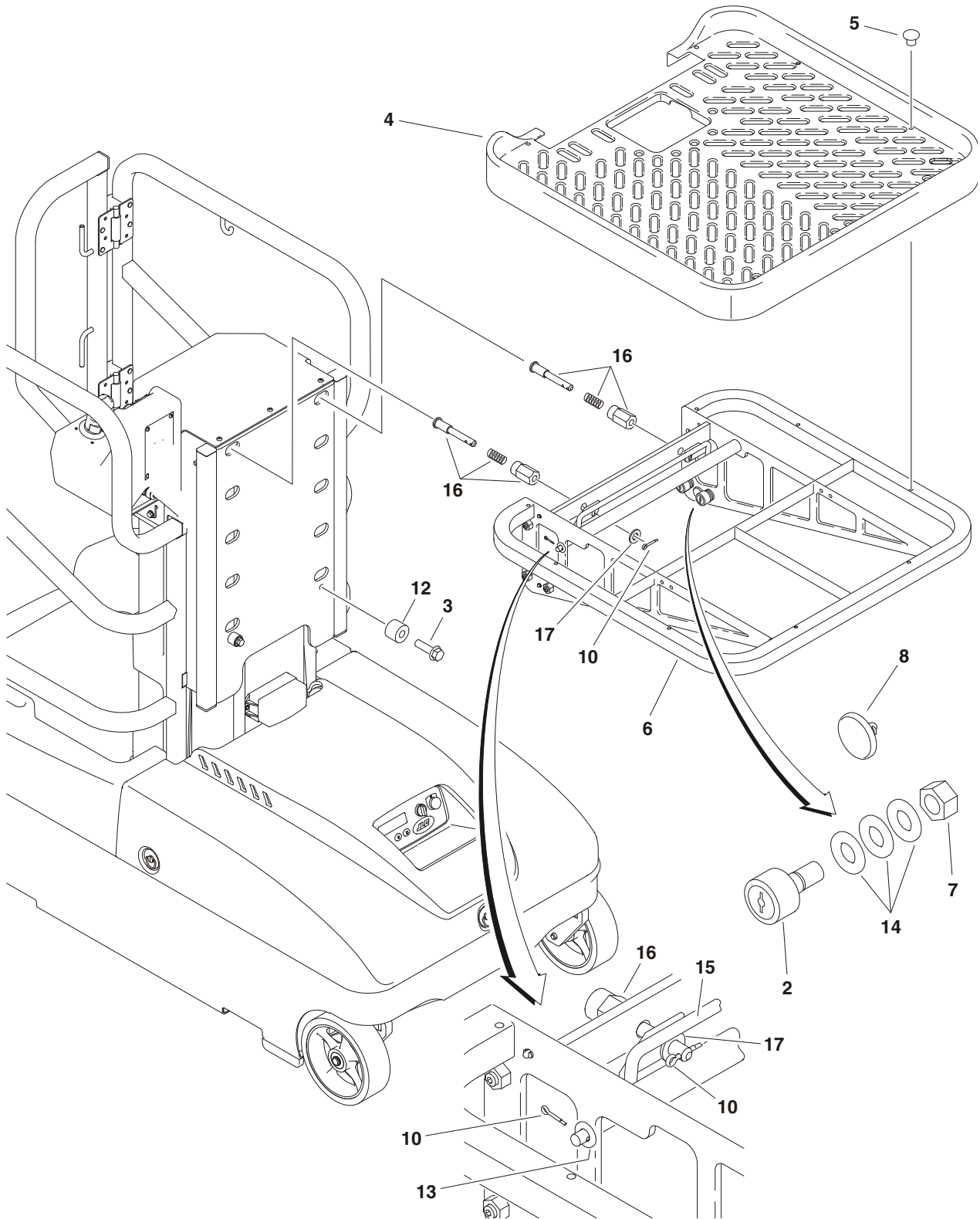
SECTION 4 PLATFORM

FIGURE 4-1. PLATFORM INSTALLATION

ITEM #	PART NUMBER	QTY.	DESCRIPTION	REV.
	3510865	Ref.	PLATFORM ASSEMBLY	G
1	0100011	A/R	Locking Compound (Not Shown)	
2	Not Used			
3	0751006	2	Screw	
4	1671168	1	Floor, Platform	
5	2080040	16	Fastener, Huck	
6	2410012	1	Rail, Door (Right Side)	
7	2410013	1	Rail, Door (Left Side)	
8		4	Hinge Options: Prior to S/N 0130006748 (Was p/n 2600281) S/N 0130006748 to Present	
	Use 2600294			
	2600294			
9	Not Used			
10	3340962	2	Pad	
11	3510860	1	Rail, Platform	
12	3510862	1	Pan, Molded Platform	
13	3520072	8	Cap-Plug	
14	4071095	A/R	Shim	
15	Not Used			
16	4360572	1	Footswitch	
17	0641416	8	Bolt 1/4"-20NC x 2"	
18	0751003	4	Screw	
19	4220309	2	Stop, Gate (was p/n 4220233)	
20	4360573	2	Switch, Proximity	
21	2080043	13	Rivnut	
22	4220309	2	Stop, Gate (was p/n 4220234)	
23	8882320	A/R	Sealant, Seam (Not Shown)	
24	Not Used			
25	3900258	5	Screw, Button Head 1/4"-20NC x 3/4"	
26	4711400	5	Flatwasher 1/4" Narrow	
27	1120582	1	Plug	
28	1120583	1	Grip, Foam	
	0274055	Ref.	PLATFORM INSTALLATION	C
101	0641622	2	Bolt 3/8"-16NC x 2 3/4"	
102	0741614	4	Screw, Flat Head 3/8"-16NC x 1 3/4"	
103	3311605	6	Locknut 3/8"-16NC	
104	3510865	1	Platform Assembly (Includes Items 1-26)	
105	4711600	8	Flatwasher 3/8" Narrow	

SECTION 4 PLATFORM

FIGURE 4-2. MATERIAL TRAY INSTALLATION



SECTION 4 PLATFORM

FIGURE 4-2. MATERIAL TRAY INSTALLATION

ITEM #	PART NUMBER	QTY.	DESCRIPTION	REV.
	0274011	Ref.	MATERIAL TRAY INSTALLATION	F
1	0100011	A/R	Locking Compound (Not Shown)	
2	0440287	6	Bearing	
3	0811610	2	Screw 3/8"-16NC x 1 1/4"	
4	1580027	1	Tray	
5	2080040	8	Fastener, Huck	
6	2360684	1	Frame	
7	3321701	6	Nut 7/16"-20NF	
8	3340962	4	Pad	
9	Not Used			
10	3450302	4	Pin, Cotter	
11	Not Used			
12	4220222	2	Stop	
13	4711600	2	Flatwasher 3/8" Narrow	
14	4711700	18	Flatwasher 7/16" Narrow	
15	2940165	1	Latch, Material Tray	
16	1001097488	2	Pin, Plunger (was p/n 3423171)	
17		2	Flatwasher Options:	
	4711500		Flatwasher 5/16" Narrow (Prior to S/N 0130006355)	
	4740476		Thrust Washer (S/N 0130006355 to Present)	
18	Not Used			
19	0100019	A/R	Locking Compound (Not Shown)	

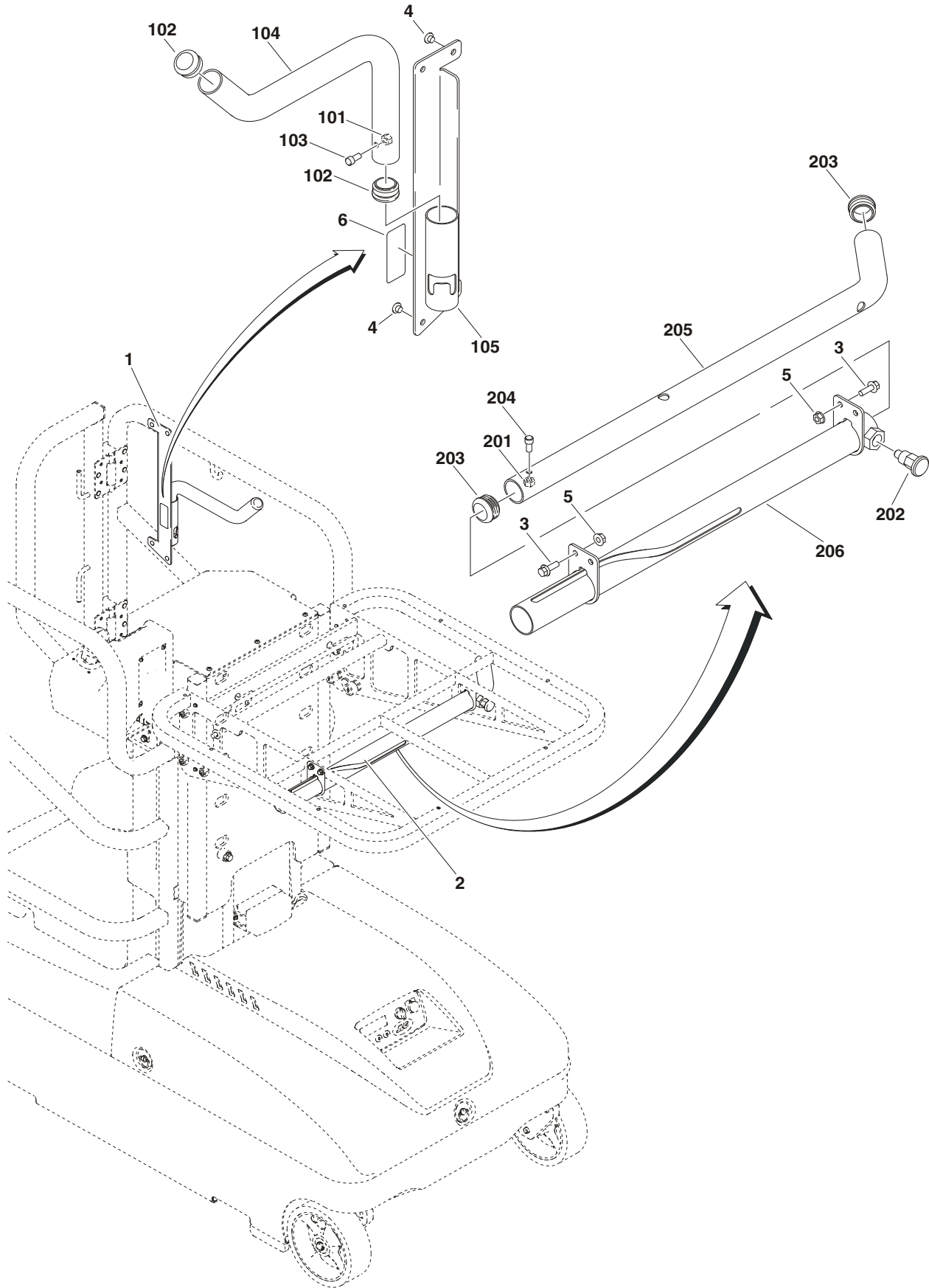
SECTION 4 PLATFORM

FIGURE 4-3. OPTIONAL BICYCLE CARRIERS INSTALLATION

ITEM #	PART NUMBER	QTY.	DESCRIPTION	REV.
		Ref.	BICYCLE CARRIER INSTALLATION	
	0273570	Ref.	Carrier on One Side Only	B
	0273571	Ref.	Carrier on Both Sides	B
		Ref.	Note: Qty Shown is for One Side Only. Double for Both Sides.	
1	0641424	2	Bolt 1/4"-20NC x 3	
2	0641618	1	Bolt 3/8"-16NC x 2 1/4"	
3	0902895	1	Bracket, Hanger	
4	1060799	1	Lanyard	
5	1320316	1	Clamp, Block	
6	1706134	1	Decal - Maximum Capacity	
7	2660121	1	Arm	
8	3311405	2	Locknut 1/4"-20NC	
9	3311605	1	Locknut 3/8"-16NC	
10	3420198	1	Pin, Quick Release	
11	4240163	1	Strap	
12	4711400	4	Flatwasher 1/4" Narrow	
13	4711600	2	Flatwasher 3/8"	

SECTION 4 PLATFORM

FIGURE 4-4. OPTIONAL RUG CARRIER INSTALLATION



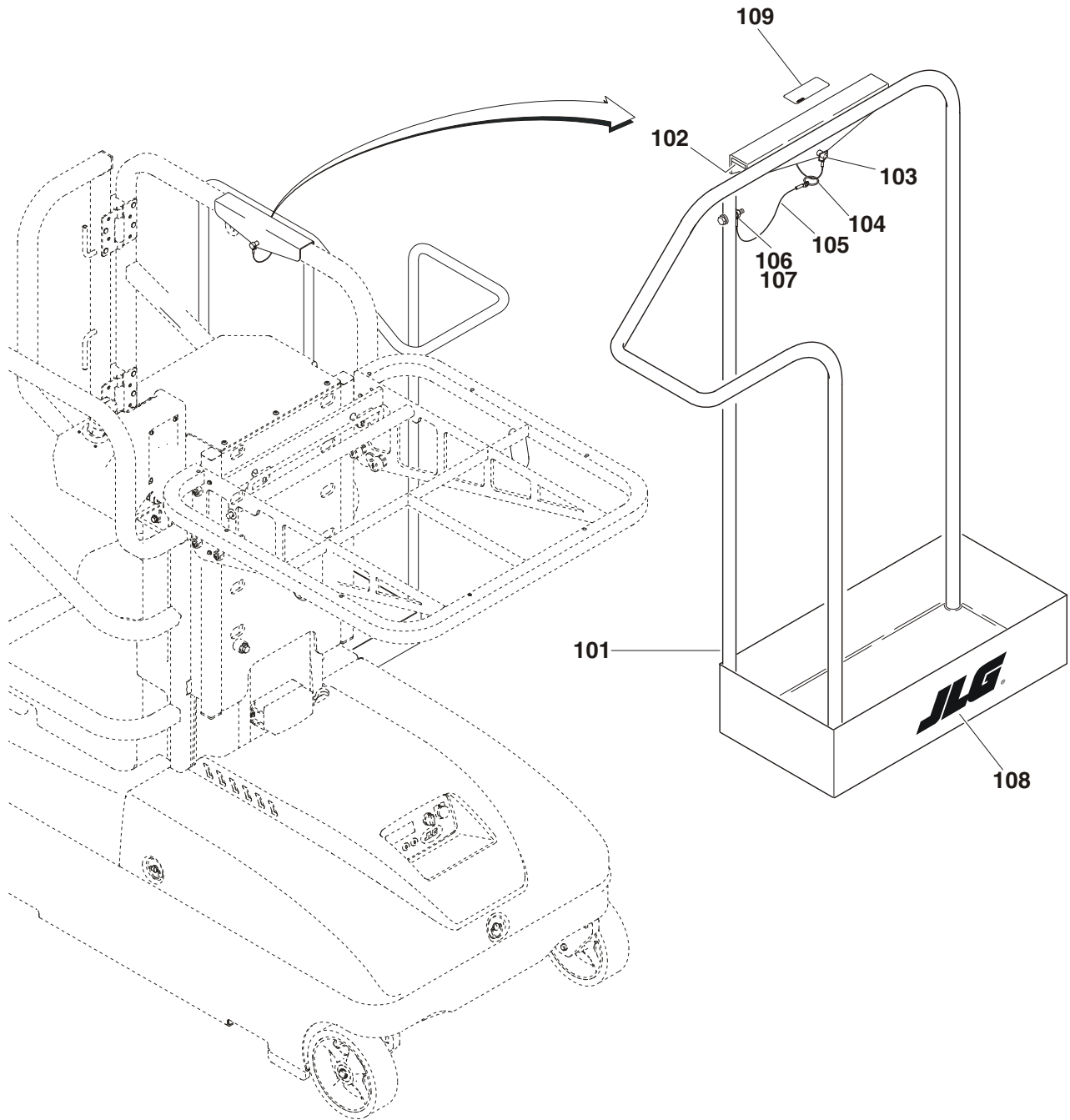
SECTION 4 PLATFORM

FIGURE 4-4. OPTIONAL RUG CARRIER INSTALLATION

ITEM #	PART NUMBER	QTY.	DESCRIPTION	REV.
	0240107	Ref.	RUG CARRIER INSTALLATION	B
1	0240108	1	Accessory, Rug Carrier (Rear) (See Items 101 - 105 for Break-down)	
2	0240109	1	Accessory, Rug Carrier (Front) (See Items 201 - 206 for Break-down)	
3	0791406	4	Bolt 1/4"-20NC x 3/4"	
4	2080040	4	Fastener, Huck	
5	3311408	4	Nut 1/4"-20NC	
6	1706134	1	Decal - Capacity	
	0240108	Ref.	ACCESSORY RUG CARRIER (REAR)	A
101	3311405	1	Locknut 1/4"-20NC	
102	3520176	2	Plug	
103	3931408	1	Screw 1/4"-20NC x 1/2"	
104	4568208	1	Tube	
105	4630009	1	Carrier Pivot	
	0240109	Ref.	ACCESSORY RUG CARRIER (FRONT)	A
201	3311405	1	Locknut 1/4"-20NC	
202	3422744	1	Pin, Plunger	
203	3520176	2	Plug	
204	3931408	1	Screw 1/4"-20NC x 1/2"	
205	4569158	1	Tube	
206	4630010	1	Carrier Pivot	

SECTION 4 PLATFORM

FIGURE 4-5. OPTIONAL FLUORESCENT TUBE CADDY ASSEMBLY



SECTION 4 PLATFORM

FIGURE 4-5. OPTIONAL FLUORESCENT TUBE CADDY ASSEMBLY

ITEM #	PART NUMBER	QTY.	DESCRIPTION	REV.
	0255040	Ref.	FLUORESCENT TUBE CADDY ASSEMBLY	B
1	4844840	1	Weldment, Fluorescent Tube Caddy	
2	4280296	2ft/0.7m	Strip, Wear	
3	3421453	1	Pin, Snapper	
4	3760170	1	Ring, Split	
5	1060380	1	Cable, Lanyard	
6	0641410	1	Bolt 1/4"-20NC x 1 1/4"	
7	3311405	1	Locknut 1/4"-20NC	
8	1702365	1	Decal - JLG	
9	1706326	1	Decal - Max Capacity (15lb./7kg)	

SECTION 4 PLATFORM

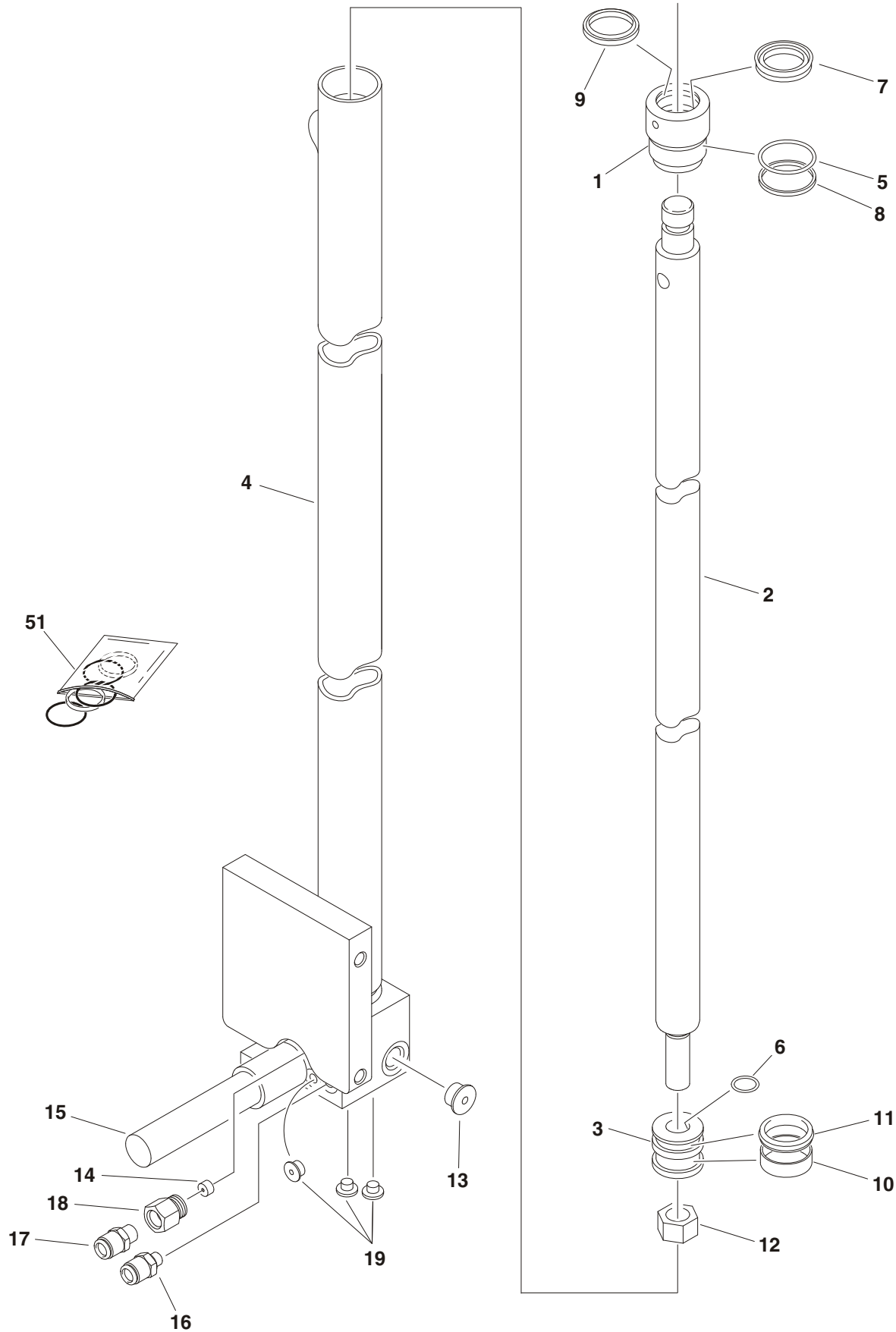
FIGURE 4-5. OPTIONAL FLUORESCENT TUBE CADDY ASSEMBLY (CONTINUED)

ITEM #	PART NUMBER	QTY.	DESCRIPTION	REV.

SECTION 5 CYLINDER

SECTION 5 CYLINDER

FIGURE 5-1. LIFT CYLINDER ASSEMBLY



SECTION 5 CYLINDER

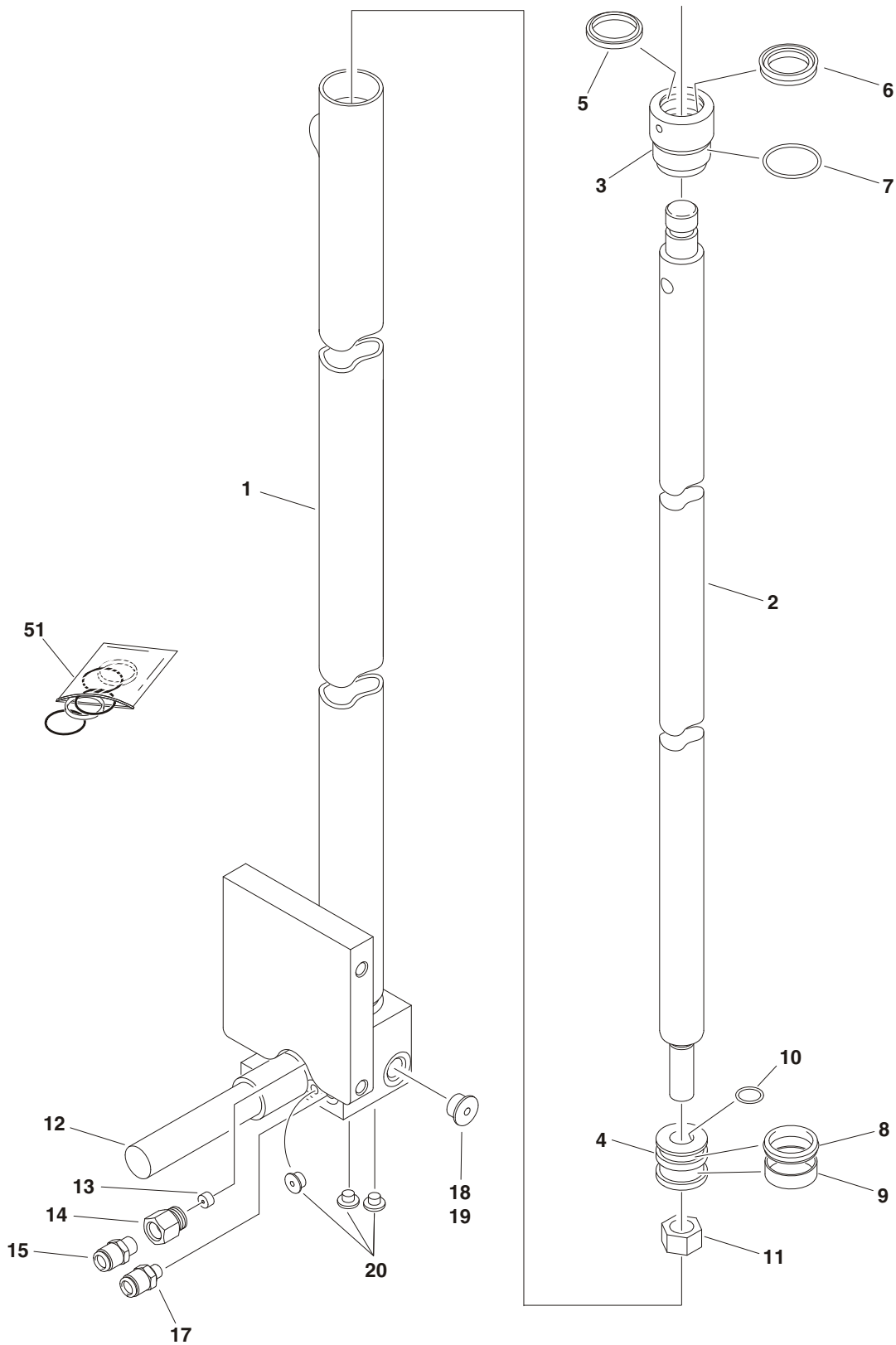
FIGURE 5-1. LIFT CYLINDER ASSEMBLY

ITEM #	PART NUMBER	QTY.	DESCRIPTION	REV.
	1684348	Ref.	LIFT CYLINDER ASSEMBLY - WALTCO (no longer available; order 1684531 for service replacement)	H
1	7027847	1	Head	
2	7027848	1	Rod	
3	7027849	1	Piston	
4	7027850	1	Barrel	
5	Use Item 51	1	O-Ring	
6	Use Item 51	1	O-Ring	
7	Use Item 51	1	Seal, Rod	
8	Use Item 51	1	Ring, Back-up	
9	Use Item 51	1	Wiper, Rod	
10	Use Item 51	1	Ring, Wear	
11	Use Item 51	1	Seal, Piston	
12	7027340	1	Nut	
13	2220886	1	Plug	
	7027851	1	Valve, Flow Control	
14	7027852	1	Valve, Check	
15	7027853	1	Valve, Manual Descent	
	Not Available	1	Coil	
16	2221172	1	Fitting	
17	2221173	1	Fitting	
18	2220591	1	Fitting, Reducer	
19	2220883	3	Plug	

51	7027855	1	Seal Kit (includes items 5-11)	

SECTION 5 CYLINDER

FIGURE 5-2. LIFT CYLINDER ASSEMBLY



SECTION 5 CYLINDER

FIGURE 5-2. LIFT CYLINDER ASSEMBLY

ITEM #	PART NUMBER	QTY.	DESCRIPTION	REV.
	1684531	Ref.	LIFT CYLINDER ASSEMBLY - OLSON & OLSON (Service Replacement)	A
1	70000991	1	Barrel	
2	70000992	1	Rod	
3	70000993	1	Head	
4	7023392	1	Piston	
5	Use Item 51	1	Wiper, Rod	
6	Use Item 51	1	Seal, Rod	
7	Use Item 51	1	O-Ring	
8	Use Item 51	1	Seal, Piston	
9	Use Item 51	1	Ring, Wear	
10	Use Item 51	1	O-Ring	
11	7023391	1	Nut	
12	70000994	1	Valve, Manual Descent	
	70000025	1	Cartridge	
	7026624	1	Override, Manual	
	70001113	1	Coil	
	7026623	1	Kit Seal	
13	70000218	1	Valve, Check	
14	2220591	1	Fitting, Reducer	
15	2221173	1	Fitting	
16	Not Used			
17	2221172	1	Fitting	
18	70000995	1	Valve, Flow Control	
19	Not Available	1	Plug	
20	Not Available	3	Plug	
51	7023395	1	Seal Kit (includes items 5-10)	

SECTION 5 CYLINDER

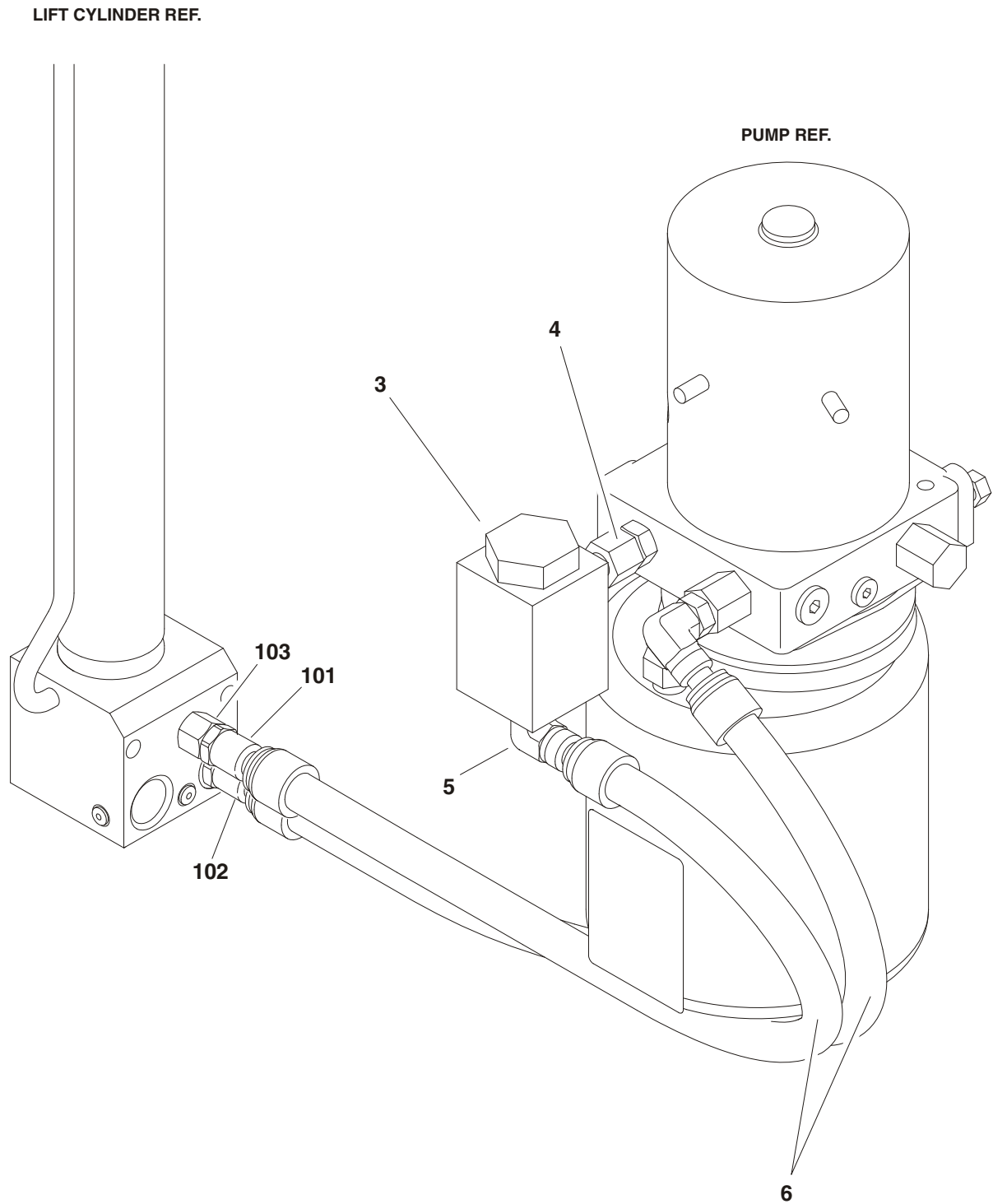
FIGURE 5-2. LIFT CYLINDER ASSEMBLY (CONTINUED)

ITEM #	PART NUMBER	QTY.	DESCRIPTION	REV.

SECTION 6 HYDRAULIC

SECTION 6 HYDRAULIC

FIGURE 6-1. HYDRAULIC DIAGRAM



SECTION 6 HYDRAULIC

FIGURE 6-1. HYDRAULIC DIAGRAM

ITEM #	PART NUMBER	QTY.	DESCRIPTION	REV.
		Ref.	HYDRAULIC SYSTEM INSTALLATION	
	0273546	Ref.	Standard Hydraulic Oil	E
	0274181	Ref.	Fire Resistant Hydraulic Oil	A
1 to 2	Not Used			
3	2120183	1	Filter, In-Line	
4	2221123	1	Fitting, Straight	
5	2221185	1	Fitting, 90°	
6	2754025	2	Hose	
	1684348	Ref.	CYLINDER FITTINGS	E
101	2221173	1	Fitting, Straight	
102	2221172	1	Fitting, Straight	
		Ref.	TOOLS	
	7027247	1	Tool, Perma-Push Insert Disconnect (Not Shown)	

SECTION 6 HYDRAULIC

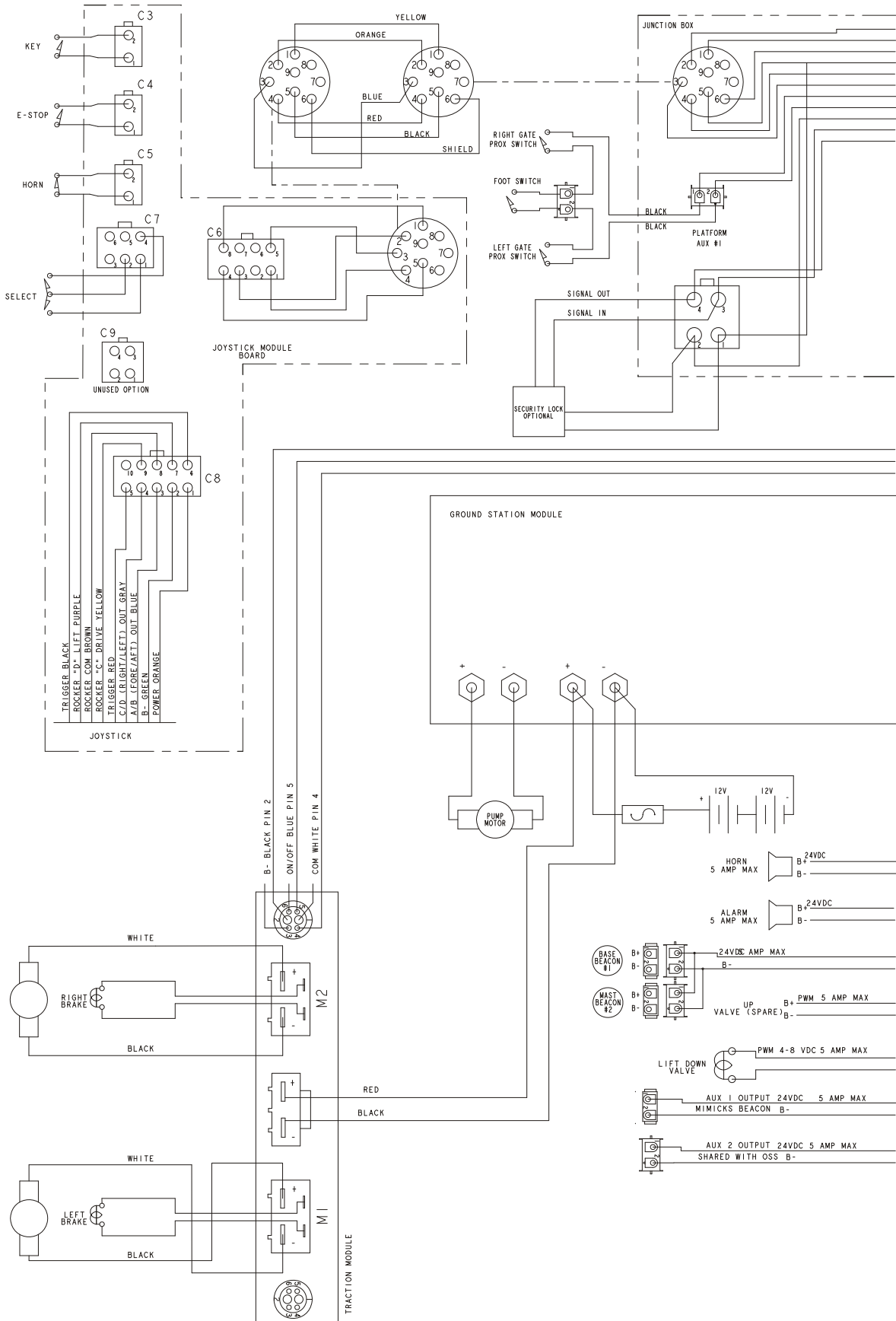
FIGURE 6-1. HYDRAULIC DIAGRAM (CONTINUED)

ITEM #	PART NUMBER	QTY.	DESCRIPTION	REV.

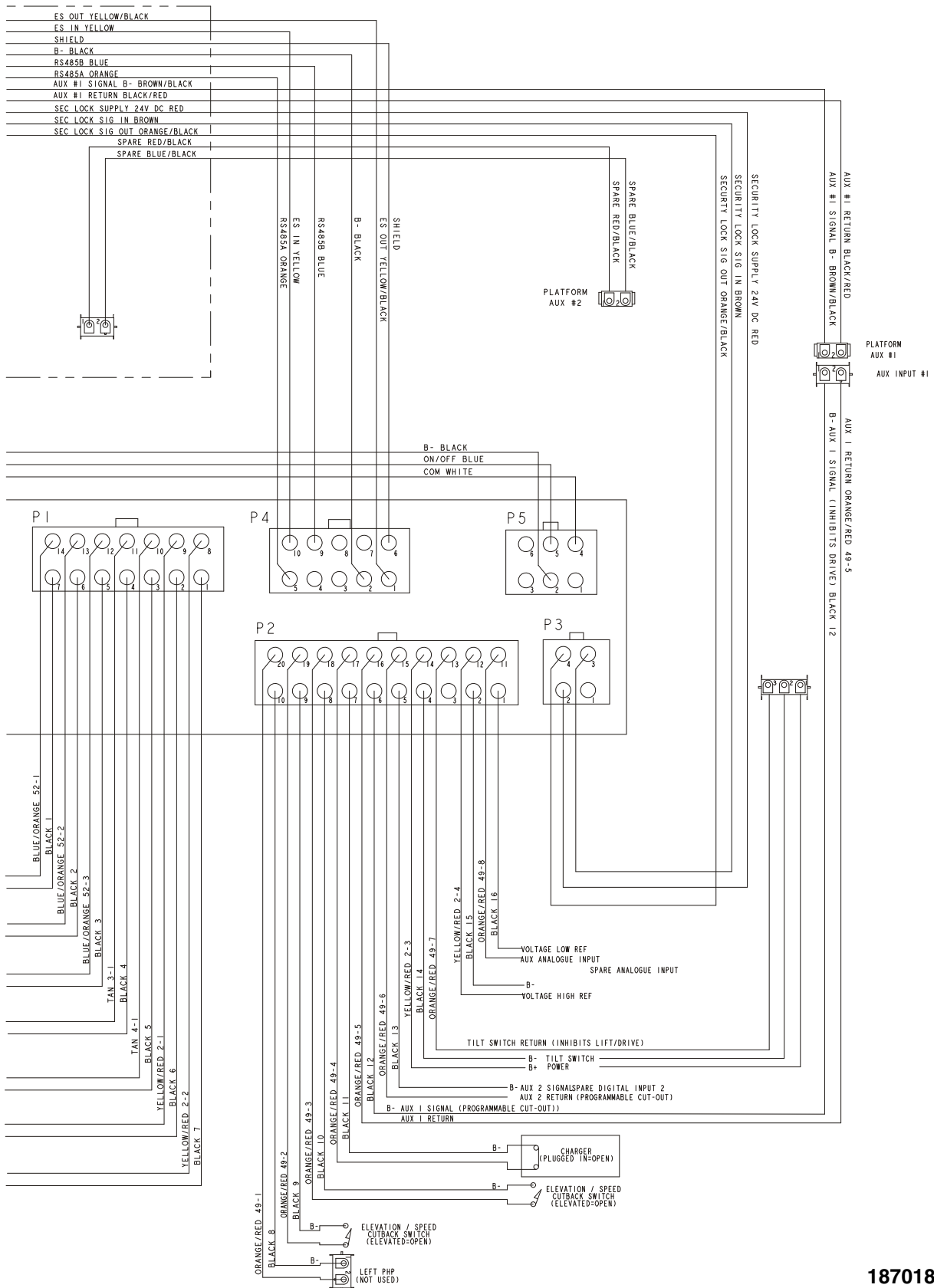
SECTION 7 ELECTRICAL

SECTION 7 ELECTRICAL

FIGURE 7-1. ELECTRICAL SCHEMATIC



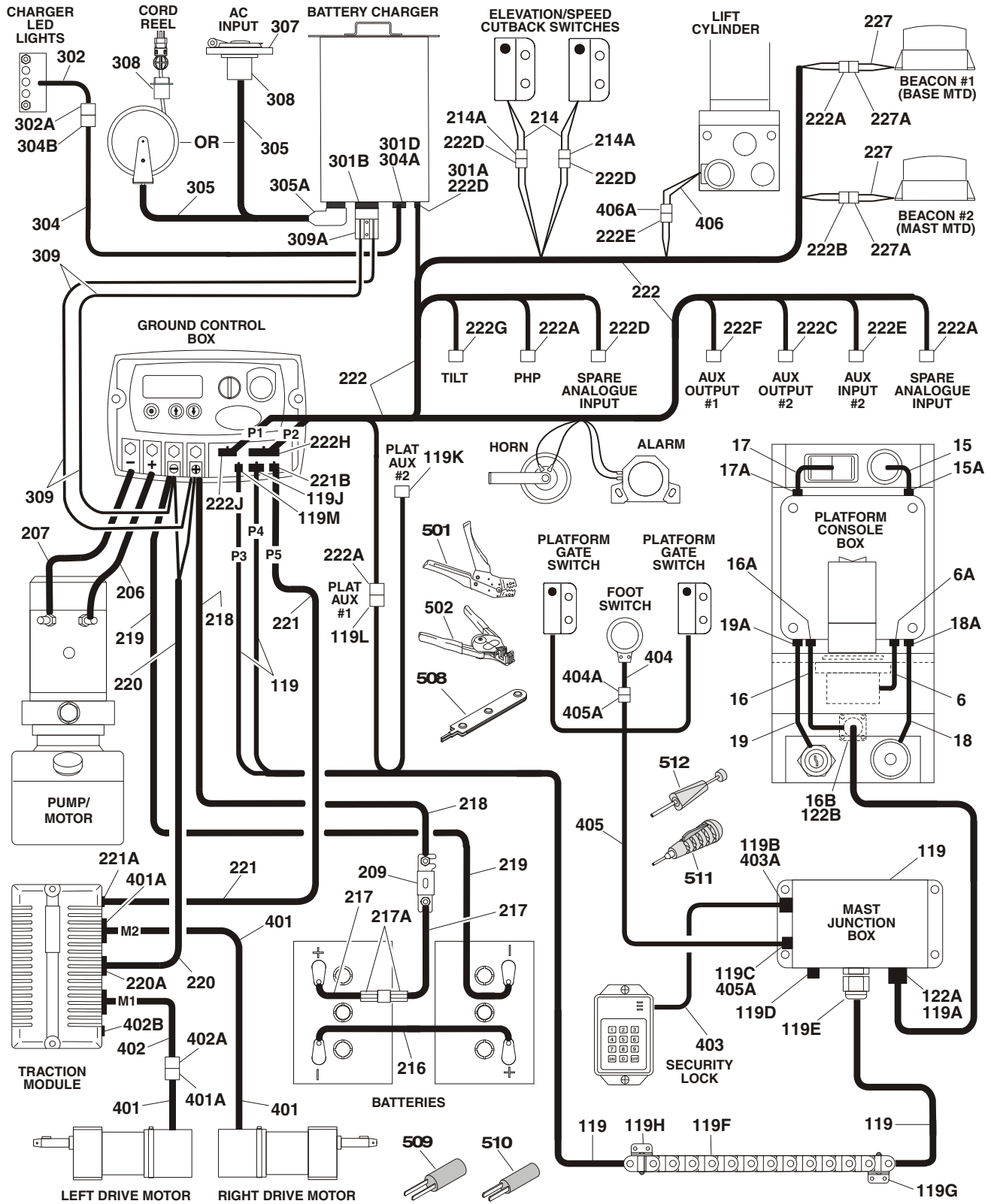
SECTION 7 ELECTRICAL



1870182 - D

SECTION 7 ELECTRICAL

FIGURE 7-2.ELECTRICAL COMPONENTS INSTALLATION



SECTION 7 ELECTRICAL

FIGURE 7-2. ELECTRICAL COMPONENTS INSTALLATION

ITEM	PART NUMBER	QTY	DESCRIPTION	REV
		Ref.	PLATFORM CONTROL BOX COMPONENTS	
	0861658	Ref.	Prior to S/N 0130007617	K
	0861768	Ref.	S/N 0130007617 to Present	B
1 to 5	Not Used			
6	Not Available	1	Controller Harness	B
6A	7024300	1	Plug, Male - 10 Position	
	4461023	9	Socket, Female	
7 to 14	Not Used			
15	4360567	1	Horn Harness	B
15A	Not Available	1	Plug, Male - 2 Position (Molex MiniFit Jr. P/N 39-01-3022)	
	4461023	2	Socket, Female	
16		1	Power Harness Options:	
	4923055		Prior to S/N 0130007617	C
	4923315		S/N 0130007617 to Present	A
16A	4461041	1	Plug, Male - 8 Position	
	4461023	6	Socket, Female	
16B	70001798	1	Connector, Female - 9 Position	
	70001799	6	Pin, Male	
17	4923106	1	Drive/Lift Select Harness	B
17A	250200	1	Plug, Male - 6 Position	
	4461023	3	Socket, Female	
18	4923107	1	Emergency Stop Harness	A
18A	Not Available	1	Plug, Male - 2 Position (Molex MiniFit Jr. P/N 39-01-3022)	
	4461023	2	Socket, Female	
19	4923108	1	Keypress Harness	A
19A	Not Available	1	Plug, Male - 2 Position (Molex MiniFit Jr. P/N 39-01-3022)	
	4461023	2	Socket, Female	
	0273551	Ref.	CABLES AND CONTROLS INSTALLATION	N
101 to 106	Not Used			
107	3020038	A/R	Grease, Contact (Not Shown)	
108 to 118	Not Used			
119	4923035	1	Mast Harness	F
	1060927	15.5ft/ 4.7m	Cable, Electrical - 18/12	
119A	7023498	1	Connector, Female - 9 Position	
	70001705	6	Pin, Male	
119B	70000344	1	Connector, Female - 4 Position	
	4461025	4	Pin, Male	
119C	4460424	1	Connector, Female - 2 Position	
	4460226	2	Socket, Female	
119D	4460424	1	Connector, Female - 2 Position	
	4460267	2	Pin, Male	
119E	4460663	1	Connector, Strain Relief	
119F	1180392	1	Carrier, Power Track	
	7027734	A/R	Link, Repair	
119G	7027736	1	Foot, Mounting (End #1 - Closest to Junction Box)	
119H	7027735	1	Foot, Mounting (End #2 - Furthest From Junction Box)	

SECTION 7 ELECTRICAL

FIGURE 7-2. ELECTRICAL COMPONENTS INSTALLATION

ITEM	PART NUMBER	QTY	DESCRIPTION	REV
119J	7024300	1	Plug, Male - 10 Position	
	4461023	7	Socket, Female	
119K	4460320	1	Plug, Male - 2 Position	
	4460226	2	Socket, Female	
119L	4460320	1	Plug, Male - 2 Position	
	4460267	2	Pin, Male	
119M	250199	1	Plug, Male - 4 Position	
	4461023	2	Socket, Female	
120 to 121	Not Used			
122		1	Platform Control Harness	
	4923113		Prior to S/N 0130007617	
	4923316		S/N 0130007617 to Present	
122A	70001703	1	Plug, Male - 9 Position	
	70001707	1	Backshell	
	70001705	6	Socket, Female	
122B		A/R	Component Options:	
			Prior to S/N 0130007617	
	70001703	1	Plug, Male - 9 Position	
	70001704	1	Backshell	
	70001705	6	Socket, Female	
			S/N 0130007617 to Present	
	70001706	1	Plug, Male - 9 Position	
	70001707	1	Backshell	
	70001708	6	Socket, Female	
	0273548	Ref.	ELECTRICAL SYSTEM INSTALLATION	L
201	0100051	A/R	Grease, Terminal (Not Shown)	
202 to 205	Not Used			
206	1060943	1	Cable, Electrical (Ground Control + to Pump +)	
207	1060944	1	Cable, Electrical (Ground Control - to Pump -)	
208	Not Used			
209	2400069	1	Fuse 175 Amp	
210	3020038	A/R	Grease, Contact (Not Shown)	
211 to 213	Not Used			
214	4360514	2	Proximity Harness (Includes Switch)	A
214A	4460424	1	Receptacle, Female - 2 Position	
	4460227	2	Pin, Male	
215	Not Used			
216	4923021	1	Cable, Battery (B+ to B-)	B
	Not Available	1	Boot, Red	
	Not Available	1	Boot, Red	
217	4923022	1	Cable, Battery (B+ to Fuse)	B
	Not Available	2	Boot, Red	
217A	4460216	2	Connector, Anderson (Blue)	
218	4923023	1	Cable, Battery (Fuse to Ground Control +)	B
	Not Available	2	Boot, Red	
219	4923024	1	Cable, Battery (B- to Ground Control -)	A
	Not Available	2	Boot, Black	

SECTION 7 ELECTRICAL

FIGURE 7-2. ELECTRICAL COMPONENTS INSTALLATION

ITEM	PART NUMBER	QTY	DESCRIPTION	REV
220	4923028	1	Traction Module Power Harness	C
220A	Not Available	1	Plug, Male - 2 Position	
221	4923029	1	Ground Control to Traction Module Harness	A
221A	Not Available	1	Plug, Male - 6 Position	
221B	Not Available	1	Plug, Male - 6 Position	
222	4923030	1	Main Harness	3/C
222A	4460424	4	Receptacle, Female - 2 Position	
	4460227	8	Pin, Male	
222B	4460424	1	Receptacle, Female - 2 Position	
	4460267	2	Pin, Male	
222C	4460424	1	Receptacle, Female - 2 Position	
	4460227	1	Pin, Male	
	4460226	1	Socket, Female	
222D	4460320	4	Plug, Male - 2 Position	
	4460226	8	Socket, Female	
222E	4460320	2	Plug, Male - 2 Position	
	4460227	4	Pin, Male	
222F	4460320	1	Plug, Male - 2 Position	
	4460227	1	Pin, Male	
	4460226	1	Socket, Female	
222G	4460445	1	Receptacle, Female - 3 Position	
	4460227	3	Pin, Male	
222H	4460919	1	Plug, Male - 20 Position	
	4460672	19	Socket, Female	
222J	4460920	1	Plug, Male - 14 Position	
	4460672	14	Socket, Female	
223 to 226	Not Used			
227	Not Available	2	Strobe Light Harness	
227A	4460320	2	Plug, Male - 2 Position	
	4460226	4	Socket, Female	
		Ref.	BATTERY CHARGER INSTALLATIONS	
	0273559	Ref.	Charger with ANSI Plug	B
	0274169	Ref.	Charger with Australian Plug	A
	0274168	Ref.	Charger without Plug	A
	0274259	Ref.	Charger without Plug/Cord Reel	A
301		Ref.	Battery Charger Components	
301A	4460424	1	Receptacle, Female - 2 Position (Was p/n 7011621)	
	4460227	2	Pin, Male	
301B	7022918	1	DC Harness Assembly (Internal Charger Harness)	
	4460444	1	Connector, Anderson	
301C	7022919	1	SCR Harness (Internal Charger Harness) (Not Shown)	
301D	7022920	1	LED Board Connector Harness (Internal Charger Harness)	
	4460961	1	Receptacle, Female - 4 Position	
	4460227	4	Pin, Male	
302	0610131	1	Charger LED Harness (Includes PC Board)	E
302A	4460321	1	Plug, Male - 4 Position	
	4460226	4	Socket, Female	
303	Not Used			

SECTION 7 ELECTRICAL

FIGURE 7-2. ELECTRICAL COMPONENTS INSTALLATION

ITEM	PART NUMBER	QTY	DESCRIPTION	REV
304	1060753	1	Charger LED Extension Harness	B
304A	4460321	1	Plug, Male - 4 Position	
	4460226	4	Socket, Female	
304B	4460961	1	Receptacle, Female - 4 Position	
	4460226	4	Socket, Female	
305		1	AC to Charger Harness Options:	
	1060949	1	Charger with Plug	D
	1060949	1	Charger without Plug	D
	4923175	1	Charger with Plug/Cord Reel	A
305A	Not Available	1	Plug End	
306	Not Used			
307		1	Cover, Terminal	
	4460802	1	Charger with Plug	
	4460802	1	Charger without Plug	
	Not Required	1	Charger with Plug/Cord Reel	
308		A/R	Terminal, AC Inlet Options:	
	4460803	1	Charger with ANSI Plug	
	4460940	1	Charger with Australian Plug	
	Not Required	0	Charger without Plug	
	Not Required	0	Charger without Plug/Cord Reel	
309	4923037	1	Battery Charger Harness	B
309A	4460444	1	Connector, Anderson	
MISCELLANEOUS HARNESS COMPONENTS				
401	Not Available	2	Motor/Brake Harness	
401A	7018031	2	Plug, Male - 4 Position	
	7018030	2	Boot	
402	Not Available	1	Reversing Left Motor Lead Harness (Part of Traction Module)	
402A	Not Available	1	Receptacle, Female - 4 Position	
402B	Not Available	1	Plug, Male - 4 Position	
403	Not Available	1	Security Lock Harness	
403A	250199	1	Plug, Male - 4 Position	
	4461023	4	Socket, Female	
404	Not Available	1	Footswitch Harness	
404A	4460424	1	Receptacle, Female - 2 Position	
	4460226	2	Socket, Female	
405	Not Available	1	Platform Gate Switch & Footswitch Harness	
405A	4460320	2	Plug, Male - 2 Position	
	4460227	4	Pin, Male	
406	Not Available	1	Lift Cylinder Solenoid Harness	
406A	4460424	1	Receptacle, Female - 2 Position	
	4460226	2	Socket, Female	
TOOLS				
501	7002821	Ref.	Crimper (For Wire to Pin/Socket Connections)	
502	7002828	1	Stripper, Wire	
503 to 505	Not Used			
506	7002842	1	Brake Crimp Removal Tool (Not Shown)	

SECTION 7 ELECTRICAL

FIGURE 7-2. ELECTRICAL COMPONENTS INSTALLATION

ITEM	PART NUMBER	QTY	DESCRIPTION	REV
507	7002841	1	Motor Crimp Removal Tool (Not Shown)	
508	7016618	1	Molex Tool (For Ground Control Station Electrical Connectors)	
509	7002841	1	Intech Tool (For Drive Motor Electrical Connectors)	
510	7002842	1	Intech Tool (For Drive Motor Brake Electrical Connectors)	
511	7002847	1	Tyco / AMP Electronics Tool (For other General Electrical Connectors)	
512	7002848	1	Tyco / AMP Electronics Tool (For other General Electrical Connectors)	
513	1001137005	1	Software Cable Kit (Not Shown)	

SECTION 7 ELECTRICAL

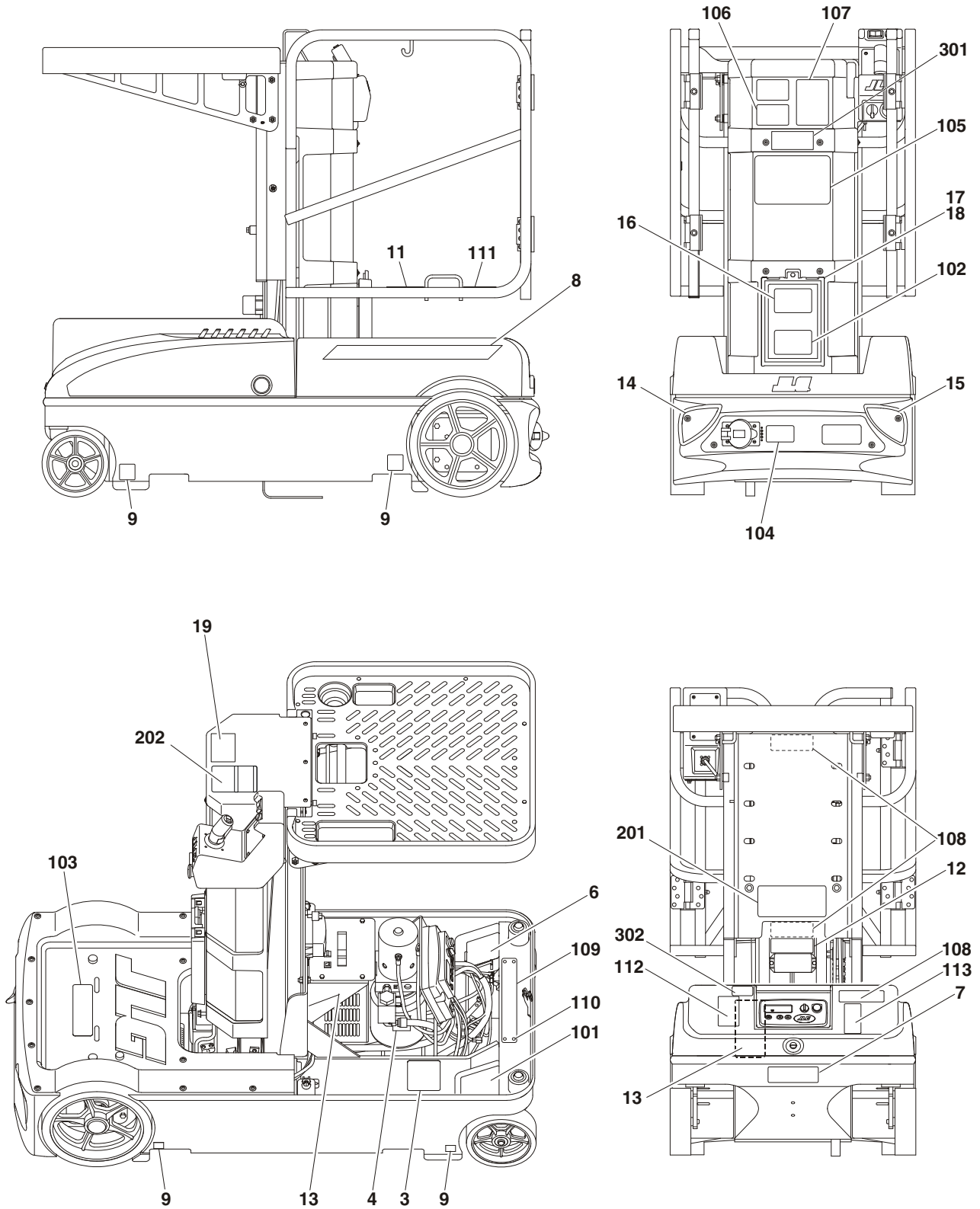
FIGURE 7-2. ELECTRICAL COMPONENTS INSTALLATION

ITEM	PART NUMBER	QTY	DESCRIPTION	REV

SECTION 8 DECALS

SECTION 8 DECALS

FIGURE 8-1. DECAL INSTALLATION



SECTION 8 DECALS

FIGURE 8-1. DECAL INSTALLATION

ITEM #	PART NUMBER	QTY.	DESCRIPTION	REV.
	0273552	Ref.	COMMON DECALS INSTALLATION	H
1 to 2	Not Used			
3	1700584	1	Decal - Patent	
4	1701504	1	Decal - Hydraulic Oil (Prior to S/N 0130006432 Only)	
5	Not Used			
6	Not Available	1	Decal - Barcode	
7	1703681	2	Decal - JLG	
8	1705928	2	Decal - AXCESSOR SSV-10	
9	1705930	4	Decal - Wheel Load	
10	Not Used			
11	1705624	1	Decal - Lanyard Attach	
12	1705992	1	Decal - Manual Descent	
13	1705993	1	Decal - Manual Descent	
14	1705994	1	Decal - Taillight Reflector (Right) (Prior to S/N 0130008853)	
15	1705996	1	Decal - Taillight Reflector (Left) (Prior to S/N 0130008853)	
16	1701640	1	Decal - Manual	
17	3820032	4	Rivet	
18	8990147	1	Holder, Manual	
	70003486	2	Clip, Manual Holder	
19	1706131	1	Decal - Danger	
		Ref.	COUNTRY SPEC DECALS INSTALLATION	
	0273553	Ref.	ANSI Spec (English Language)	H
	0274162	Ref.	ANSI Spec (Chinese Language)	C
	0274161	Ref.	ANSI Spec (Portuguese Language)	C
	0274160	Ref.	ANSI Spec (Spanish Language)	C
	0274158	Ref.	CE Spec (All Languages)	B
	0273553	Ref.	CSA Spec (English Language)	H
	0274163	Ref.	CSA Spec (French Language)	C
101	1702153	1	Decal - Inspection (ANSI & CSA English Language Spec Only)	
102	1703779	1	Decal - USA (ANSI & CSA English Language Spec Only)	
103		1	Decal - Crushing Hazard Options:	
	1703786		ANSI Spec (English Language)	
	1706090		ANSI Spec (Chinese Language)	
	1706086		ANSI Spec (Portuguese Language)	
	1706082		ANSI Spec (Spanish Language)	
	1705099		CE Spec (All Languages)	
	1702153		CSA Spec (English Language)	
	1706094		CSA Spec (French Language)	
104		1	Decal - Battery Charging Instructions Options:	
	1705929		ANSI Spec (English Language)	
	1706093		ANSI Spec (Chinese Language)	
	1706089		ANSI Spec (Portuguese Language)	
	1706085		ANSI Spec (Spanish Language)	
	1706077		CE Spec (All Languages)	
	1705929		CSA Spec (English Language)	
	1706097		CSA Spec (French Language)	

SECTION 8 DECALS

FIGURE 8-1. DECAL INSTALLATION (CONTINUED)

ITEM #	PART NUMBER	QTY.	DESCRIPTION	REV.
105	1705937 1706092 1706088 1706084 Not Required 1705937 1706096	1	Decal - Warning Options: ANSI Spec (English Language) ANSI Spec (Chinese Language) ANSI Spec (Portuguese Language) ANSI Spec (Spanish Language) CE Spec (All Languages) CSA Spec (English Language) CSA Spec (French Language)	
106	1705938 1706091 1706087 1706083 1706078 1705938 1706095	1	Decal - Danger Options: ANSI Spec (English Language) ANSI Spec (Chinese Language) ANSI Spec (Portuguese Language) ANSI Spec (Spanish Language) CE Spec (All Languages) CSA Spec (English Language) CSA Spec (French Language)	
107	1705939 1706079	1	Decal - Capacity Options: ANSI & CSA Specs CE Spec (All Languages)	
108	1705995 1706090 1706086 1706082 1705099 1705995 1706094	3	Decal - Crushing Hazard Options: ANSI Spec (English Language) ANSI Spec (Chinese Language) ANSI Spec (Portuguese Language) ANSI Spec (Spanish Language) CE Spec (All Languages) CSA Spec (English Language) CSA Spec (French Language)	
109	Not Available	1	Nameplate - Serial Number	
110	2080057	4	Fastener	
111	1706115 1706117 1706118 1706116 Not Required 1706115 1706119	1	Decal - Fall Restraint Options: ANSI Spec (English Language) ANSI Spec (Chinese Language) ANSI Spec (Portuguese Language) ANSI Spec (Spanish Language) CE Spec (All Languages) CSA Spec (English Language) CSA Spec (French Language)	
112	1706616	1	Decal - Capacity (S/N 0130007502 to Present)	
113	1706617	1	Decal - No Riders (S/N 0130007502 to Present)	
	0274053	Ref.	TARGET SPEC DECALS INSTALLATION	B
201	1705629	2	Decal - Target Employees Only	
202	1706309	1	Decal - Target Check List (S/N 0130006402 to Present)	
	0274568	Ref.	SERVICE DECAL INSTALLATION	C
301	Use 1001110242	1	Decal - Alternative Service (was p/n 1705304)	
302	1001110242	1	Decal - CSG Service (9-5, M-F) (was p/n 1001091144)	

SECTION 9 RECOMMENDED SERVICE PARTS STOCK

SSV-10

The following list will service one machine (built to current production per date on the front cover) with emergency repair parts which can be installed in the field. Parts from the list should be replaced when inventory is depleted to keep service parts stock supplied. For further information, contact your JLG dealer or the JLG Industries Parts Department.

Part Number	Description	Qty./Machine
STANDARD PARTS		Ref.
7011029	Filter (Figure 2-1)	4
7011069	Breather (Figure 2-1)	1
2400069	Fuse 175 Amp (Figure 2-2 & 7-2)	2
4360514	Proximity Switch (Figure 2-2)	1
7024428	Switch, Emergency (Figure 2-4)	1
7024430	Switch, Selector (Figure 2-4)	1
1600454	Controller Assembly (Figure 2-6)	1
4360467	Keyswitch (Figure 2-6)	1
2860030	Key, Replacement (Figure 2-6)	1
4360562	Switch, Emergency (Figure 2-6)	1
4360566	Switch, Rocker (Figure 2-6)	1
4360567	Switch, Push Button (Figure 2-6)	1
4360572	Footswitch (Figure 4-1)	1
4360573	Proximity Switch (Figure 4-1)	1
2120183	Hydraulic Filter (Figure 6-1)	4
VARIABLE PARTS		
7018514	Breaker, Circuit (Figure 2-3) (Part of Battery Charger)	1
7018564	Relay (Figure 2-3) (Part of Battery Charger)	1
7018570	Fuse 80 Amp (Figure 2-3) (Part of Battery Charger)	2
1600329	Ground Control Module (Figure 2-4)	1
1600397	Traction Module (Figure 2-4)	1
1600378	Platform Control Module (Figure 2-6)	1

SECTION 9 RECOMMENDED SERVICE PARTS STOCK

SSV-10

The following list will service one machine (built to current production per date on the front cover) with emergency repair parts which can be installed in the field. Parts from the list should be replaced when inventory is depleted to keep service parts stock supplied. For further information, contact your JLG dealer or the JLG Industries Parts Department.

Part Number	Description	Qty./Machine

SECTION 10 SPECIAL OPTIONS

Note: This list is to accommodate machines ordered with special equipment. Options may not be applicable to all models. For more specific parts information contact JLG Parts Department.

FIG&ITEM#	PART NUMBER	QTY.	DESCRIPTION	REV.
	0240112	Ref.	SCANNER POCKET	
	1580031	1	Pocket, Scanner	
	4341005	1	Mount, Pocket	
		Ref.	SPECIAL TOOLS:	
	7002821	1	Crimper (For Wire to Pin/Socket Connections)	
	7002823	1	Extractor (For Removal of Pin/Sockets Connectors)	
	4460467	1	Extractor 16-18 Gauge (For Wire to Pin/Socket from Deutsch Connectors)	
	4460510	1	Extractor 12-14 Gauge (For Wire to Pin/Socket from Deutsch Connectors)	
	7016654	1	Screwdriver, Magnetic	
	7004275	1	Seal Tool - 1in	
	7004276	1	Seal Tool - 1-1/2in	
	7002826	1	Seal Tool 2in	
	8896941	1	Stripper, Wire	
	2915027	1	Rear Wheel Puller	
	1001137005	1	Software Cable Kit	
	3125081	Ref.	VIDEO, OPERATORS	

SECTION 10 SPECIAL OPTIONS

Note: This list is to accommodate machines ordered with special equipment. Options may not be applicable to all models. For more specific parts information contact JLG Parts Department.

FIG&ITEM#	PART NUMBER	QTY.	DESCRIPTION	REV.

SECTION 11 PART NUMBER INDEX

Part Number	Page	Part Number	Page	Part Number	Page	Part Number	Page
0100011	1-3, 1-4, 1-9, 2-4, 2-7, 2-8, 2-13, 2-15, 2-17, 3-3, 4-3, 4-5	0561153	3-4	1060380	4-11	1705993	8-3
0100019	3-4, 4-5	0561341	3-3	1060753	7-8	1705994	8-3
0100051	2-7, 7-6	0561408	3-4	1060799	4-7	1705995	8-4
0100062	3-4	0561409	3-4	1060927	7-5	1705996	8-3
0100081	1-3	0610131	2-7, 7-7	1060943	7-6	1706007	2-17
0140022	2-7	0630464	2-17	1060944	7-6	1706077	8-3
0140033	2-13	0641404	2-7, 2-13	1060949	7-8	1706078	8-4
0240103	1-4	0641406	2-15	1120579	1-3	1706079	8-4
0240107	4-9	0641410	1-4, 4-11	1120582	4-3	1706082	8-3, 8-4
0240108	4-9	0641412	2-15	1120583	4-3	1706083	8-4
0240109	4-9	0641416	4-3	1180392	7-5	1706084	8-4
0240112	10-1	0641424	4-7	1260375	3-3, 3-4	1706085	8-3
0240114	1-9	0641606	1-4, 2-4	1260376	3-3, 3-4	1706086	8-3, 8-4
0255040	4-11	0641609	1-3, 3-4	1271567	3-3	1706087	8-4
0273417	3-4	0641612	1-3, 3-4	1271568	3-3	1706088	8-4
0273545	3-4	0641616	1-9	1271569	3-3	1706089	8-3
0273546	2-4, 6-3	0641617	1-4	1271577	3-3	1706090	8-3, 8-4
0273547	2-13	0641618	4-7	1320043	2-15	1706091	8-4
0273548	2-7, 7-6	0641622	4-3	1320149	2-15	1706092	8-4
0273549	1-9	0651409	1-3	1320316	4-7	1706093	8-3
0273551	2-15, 7-5	0721003	2-13	1321283	2-15	1706094	8-3, 8-4
0273552	8-3	0721006	3-3	1380169	1-9	1706095	8-4
0273553	8-3	0741003	2-15	1580027	4-5	1706096	8-4
0273559	2-7, 7-7	0741005	2-7	1580031	10-1	1706097	8-3
0273566	2-13	0741412	2-15	1600329	2-13, 9-1	1706115	8-4
0273570	4-7	0741614	4-3	1600340	2-13	1706116	8-4
0273571	4-7	0751003	4-3	1600378	2-17, 9-1	1706117	8-4
0273622	1-3	0751006	4-3	1600379	2-17	1706118	8-4
0273784	1-3	0791003	2-7, 2-15, 3-3	1600397	2-13, 9-1	1706119	8-4
0274011	4-5	0791404	2-17	1600454	2-17, 9-1	1706131	8-3
0274053	8-4	0791406	2-7, 2-8, 4-9	1671141	1-9	1706134	4-7, 4-9
0274055	4-3	0791506	2-7	1671143	1-9	1706309	8-4
0274078	1-4	0791812	3-3	1671146	1-9	1706326	4-11
0274158	8-3	0801394	3-3	1671149	1-9	2080040	4-3, 4-5, 4-9
0274160	8-3	0811408	3-3	1671168	4-3	2080043	4-3
0274161	8-3	0811610	1-9, 4-5	1671214	1-9	2080057	8-4
0274162	8-3	0861657	2-17	1671298	1-9	2110606	2-4
0274163	8-3	0861658	2-15, 2-17, 7-5	1684348	3-3, 5-3, 6-3	2120183	6-3, 9-1
0274164	1-3	0861767	2-17	1684531	3-3, 5-5	2220591	5-3, 5-5
0274168	2-7, 7-7	0861768	2-15, 2-17, 7-5	1700584	8-3	2220883	5-3
0274169	2-7, 7-7	0902047	3-3	1701504	8-3	2220886	5-3
0274181	2-4, 6-3	0902423	3-3	1701640	8-3	2221123	6-3
0274259	2-7, 7-7	0902424	3-3	1702153	8-3	2221172	5-3, 5-5, 6-3
0274515	2-13	0902431	3-3	1702365	4-11	2221173	5-3, 5-5, 6-3
0274568	8-4	0902445	3-3	1703681	8-3	2221185	2-4, 6-3
0362735	3-3	0902698	3-3	1703779	8-3	2300014	2-4
0400208	2-7, 2-11	0902895	4-7	1703786	8-3	2300021	2-4
0400209	2-7	0903120	1-4	1704412	2-4	2360665	1-3
0440246	3-3	0903121	1-4	1705099	8-3, 8-4	2360684	4-5
0440249	3-3	0903222	1-9	1705304	8-4	2360697	1-3
0440258	1-3	0940049	1-9	1705624	8-3	2400044	2-7
0440287	4-5	0940132	1-3	1705629	8-4	2400069	2-7, 7-6, 9-1
0440306	1-3	0940152	1-4	1705928	8-3	2410012	4-3
0440307	1-3	0940153	1-4	1705929	8-3	2410013	4-3
0440308	1-3	1001091144	8-4	1705930	8-3	250199	7-6, 7-8
0561149	3-4	1001097488	4-5	1705937	8-4	250200	7-5
		1001098194	2-15	1705938	8-4	2600281	4-3
		1001110242	8-4	1705939	8-4	2600294	4-3
		1001137005	7-9, 10-1	1705992	8-3	2660121	4-7

SECTION 11 PART NUMBER INDEX

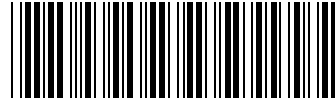
Part Number	Page	Part Number	Page	Part Number	Page	Part Number	Page
2754025	6-3	3580344	2-15	4460267	7-5, 7-6, 7-7	4923113	2-15, 7-6
2860030	2-17, 9-1	3600392	2-3, 2-4	4460320	7-6, 7-7, 7-8	4923174	2-15
2880310	3-3	3680056	2-7	4460321	7-7, 7-8	4923175	7-8
2915027	10-1	3760115	1-3	4460424	7-5, 7-6, 7-7, 7-8	4923315	2-17, 7-5
2920178	2-8	3760170	4-11	4460444	7-7, 7-8	4923316	2-15, 7-6
2940161	2-13	3760308	1-9	4460445	7-7	70000012	2-17
2940164	1-3	3760365	1-9	4460467	10-1	70000025	5-5
2940165	4-5	3760383	3-3	4460510	10-1	70000041	2-4
2940179	1-9	3760496	1-3	4460663	7-5	70000084	2-17
3020029	1-3	3820032	2-8, 8-3	4460672	7-7	70000218	5-5
3020038	2-7, 2-15, 7-5, 7-6	3890039	3-3	4460802	2-7, 7-8	70000344	7-5
3020039	1-3	3900174	1-9	4460803	2-7, 7-8	70000682	2-17
3020041	3-3	3900187	3-3	4460919	7-7	70000807	1-7
3125081	10-1	3900192	3-3	4460920	7-7	70000808	1-7
3160303	1-3, 1-7	3900258	1-9, 4-3	4460940	2-7, 7-8	70000809	1-7
3300364	1-9	3900264	2-15	4460961	7-7, 7-8	70000991	5-5
3300454	1-9	3900315	2-15	4461023	7-5, 7-6, 7-8	70000992	5-5
3310601	2-17	3900373	2-15	4461025	7-5	70000993	5-5
3311001	2-7	3910608	2-17	4461041	7-5	70000994	5-5
3311405	1-4, 2-15, 4-7, 4-9, 4-11	3910804	2-17	4520280	1-3	70000995	5-5
3311408	3-3, 4-9	3911010	2-17	4520281	1-3	70001113	5-5
3311501	2-7	3911016	2-7	4520342	1-3	70001703	7-6
3311601	3-3, 3-4	3911020	2-13	4520343	1-3	70001704	7-6
3311605	1-3, 1-4, 1-9, 2-15, 4-3, 4-7	3931408	4-9	4520352	1-4	70001705	7-5, 7-6
3312202	1-3	3960590	1-3	4567491	3-4	70001706	7-6
3321701	4-5	4070860	3-3	4567750	3-4	70001707	7-6
3340845	3-3	4070861	3-3	4567751	3-4	70001708	7-6
3340962	4-3, 4-5	4070862	3-3	4568208	4-9	70001798	7-5
3380540	2-17	4070970	3-3	4569003	3-4	70001799	7-5
3380541	2-8	4070971	3-3	4569158	4-9	70001983	1-7
3420198	4-7	4071084	2-7	4630009	4-9	70001984	1-7
3421453	4-11	4071095	4-3	4630010	4-9	70001985	1-7
3422338	3-4	4120046	2-7	4711400	2-15, 4-3, 4-7	70001986	1-7
3422346	3-4	4160124	3-4	4711500	4-5	70001987	1-7
3422717	3-3	4160130	2-15	4711600	1-3, 1-9, 3-4, 4-3, 4-5, 5, 4-7	70001988	1-7
3422744	4-9	4220222	4-5	4711700	4-5	70001989	1-7
3422750	3-3	4220233	4-3	4712400	1-3	70003486	8-3
3422752	3-3	4220234	4-3	4740007	3-4	7002821	7-8, 10-1
3422757	3-3	4220309	4-3	4740018	3-4	7002823	10-1
3423171	4-5	4240018	2-15	4740414	3-4	7002826	10-1
3450302	4-5	4240147	1-3	4740476	4-5	7002828	7-8
3450304	3-4	4240163	4-7	4751000	2-13, 2-15, 3-4	7002841	7-9
3450505	1-3	4280296	4-11	4751400	1-4, 1-9	7002842	7-8, 7-9
3452355	3-4	4300111	3-4	4751500	1-9, 2-15, 3-4	7002847	7-9
3510860	4-3	4340838	2-15	4761500	2-7	7002848	7-9
3510862	4-3	4340884	2-17	4844840	4-11	7004275	10-1
3510865	4-3	4341005	10-1	4923021	7-6	7004276	10-1
3520072	4-3	4341067	1-9	4923022	7-6	7010928	2-3
3520176	4-9	4360467	2-17, 9-1	4923023	7-6	7011004	2-3
3570893	3-3	4360514	2-7, 7-6, 9-1	4923024	7-6	7011008	2-3
3571101	3-4	4360561	2-17	4923028	7-7	7011009	2-3
3571103	3-4	4360562	2-17, 9-1	4923029	7-7	7011011	2-3
3575423	2-7, 2-8	4360566	2-17, 9-1	4923030	7-7	7011013	2-3
3580269	3-3	4360567	2-17, 7-5, 9-1	4923035	2-15, 7-5	7011016	2-3
3580286	3-3	4360572	4-3, 9-1	4923037	7-8	7011017	2-3
3580293	3-3	4360573	4-3, 9-1	4923055	2-17, 7-5	7011021	2-3
3580305	2-15	4460216	7-6	4923106	2-17, 7-5	7011024	2-3
		4460226	7-5, 7-6, 7-7, 7-8	4923107	2-17, 7-5	7011025	2-3
		4460227	7-6, 7-7, 7-8	4923108	2-17, 7-5	7011027	2-3

SECTION 11 PART NUMBER INDEX

Part Number	Page	Part Number	Page	Part Number	Page	Part Number	Page
7011029	2-3, 9-1	7027340	5-3				
7011031	2-3	7027365	2-17				
7011032	2-3	7027366	2-17				
7011033	2-3	7027367	2-17				
7011034	2-3	7027733	2-8				
7011069	2-3, 9-1	7027734	7-5				
7011621	2-11	7027735	7-5				
7016618	7-9	7027736	7-5				
7016654	10-1	7027764	2-17				
7018000	1-7	7027765	2-17				
7018011	1-7	7027766	2-17				
7018028	1-7	7027847	5-3				
7018030	1-7, 7-8	7027848	5-3				
7018031	1-7, 7-8	7027849	5-3				
7018033	1-7	7027850	5-3				
7018035	1-7	7027851	5-3				
7018037	1-7	7027852	5-3				
7018045	1-7	7027853	5-3				
7018052	1-7	7027855	5-3				
7018054	1-7	7027943	2-3				
7018055	1-7	7027944	2-3				
7018056	1-7	7027945	2-3				
7018057	1-7	7027946	2-3				
7018058	1-7	7027947	2-3				
7018059	1-7	7027948	2-4				
7018060	1-7	7027949	2-4				
7018061	1-7	8882320	4-3				
7018514	2-11, 9-1	8882970	1-3				
7018537	2-11	8896941	10-1				
7018564	2-11, 9-1	8990147	8-3				
7018570	2-11, 9-1						
7018577	2-11						
7018586	2-11						
7018589	2-11						
7020648	2-11						
7020651	2-11						
7020663	2-11						
7020673	2-11						
7020674	2-11						
7022918	2-11, 7-7						
7022919	2-11, 7-7						
7022920	2-11, 7-7						
7022921	2-11						
7022922	2-11						
7022923	2-11						
7022926	2-11						
7022942	2-11						
7022943	2-11						
7023391	5-5						
7023392	5-5						
7023395	5-5						
7023498	7-5						
7024300	7-5, 7-6						
7024428	2-13, 9-1						
7024430	2-13, 9-1						
7024460	2-13						
7026623	5-5						
7026624	5-5						
7027247	6-3						

SECTION 11 PART NUMBER INDEX

Part Number	Page	Part Number	Page	Part Number	Page	Part Number	Page
-------------	------	-------------	------	-------------	------	-------------	------



3121188



An Oshkosh Corporation Company

Corporate Office
JLG Industries, Inc.
1 JLG Drive
McConnellsburg PA. 17233-9533
USA

☎ (717) 485-5161

📠 (717) 485-6417

JLG Worldwide Locations

JLG Industries (Australia)
P.O. Box 5119
11 Bolwarra Road
Port Macquarie
N.S.W. 2444
Australia
☎ +61 2 65 811111
📠 +61 2 65 813058

JLG Latino Americana Ltda.
Rua Eng. Carlos Stevenson,
80-Suite 71
13092-310 Campinas-SP
Brazil
☎ +55 19 3295 0407
📠 +55 19 3295 1025

JLG Industries (UK) Ltd
Bentley House
Bentley Avenue
Middleton
Greater Manchester
M24 2GP - England
☎ +44 (0)161 654 1000
📠 +44 (0)161 654 1001

JLG France SAS
Z.I. de Baulieu
47400 Fauillet
France
☎ +33 (0)5 53 88 31 70
📠 +33 (0)5 53 88 31 79

JLG Deutschland GmbH
Max-Planck-Str. 21
D - 27721 Ritterhude - Ihlpohl
Germany
☎ +49 (0)421 69 350 20
📠 +49 (0)421 69 350 45

JLG Equipment Services Ltd.
Rm 1107 Landmark North
39 Lung Sum Avenue
Sheung Shui N. T.
Hong Kong
☎ (852) 2639 5783
📠 (852) 2639 5797

JLG Industries (Italia) s.r.l.
Via Po. 22
20010 Pregnana Milanese - MI
Italy
☎ +39 029 359 5210
📠 +39 029 359 5845

Oshkosh-JLG Singapore
Technology Equipment Pte
Ltd
29 Tuas Ave 4,
Jurong Industrial Estate
Singapore, 639379
☎ +65-6591 9030
📠 +65-6591 9031

Plataformas Elevadoras
JLG Iberica, S.L.
Trapadella, 2
P.I. Castellbisbal Sur
08755 Castellbisbal, Barcelona
Spain
☎ +34 93 772 4700
📠 +34 93 771 1762

JLG Sverige AB
Enkopingsvagen 150
Box 704
SE - 176 27 Jarfalla
Sweden
☎ +46 (0)850 659 500
📠 +46 (0)850 659 534