



Illustrated Parts Manual

Model **680S**

Prior to SN 0300182743

3121235

July 24, 2018 - Rev Y

ANSI

CE

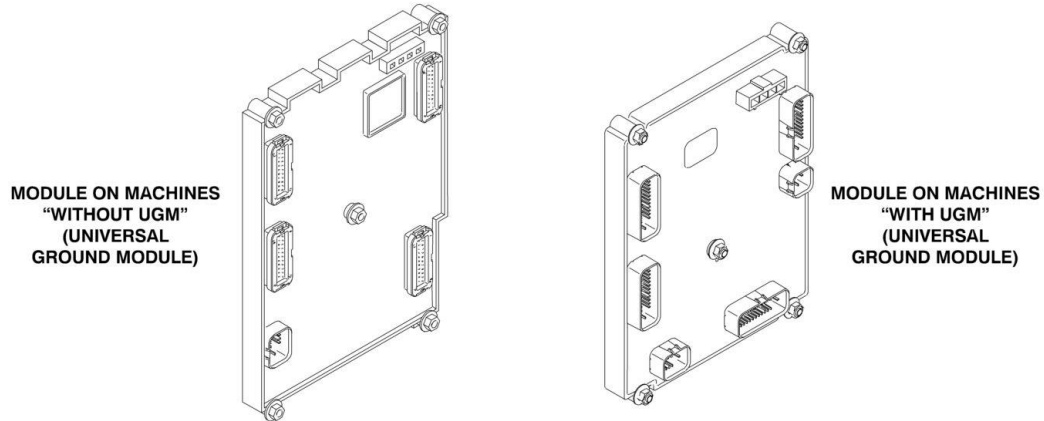


An Oshkosh Corporation Company

REVISION LOG

NOTES:

GROUND MODULE MODULE IDENTIFICATION



REVISION LOG:

- July 15, 2006 - A - Original Issue Of Manual (Edited to B/M 0010575 Revision 70)
- October 5, 2006 - B - Revised Manual (Edited to B/M 0010575 Revision 70)
- March 1, 2007 - C - Revised Manual (Edited to B/M 0010575 Revision 73)
- June 14, 2007 - D - Revised Manual (Edited to B/M 0010575 Revision 79)
- October 5, 2007 - E - Revised Manual (Edited to B/M 0010575 Revision 81)
- March 1, 2008 - F - Revised Manual (Edited to B/M 0010575 Revision 81)
- August 22, 2008 - G - Revised Manual (Edited to B/M 0010575 Revision 96)
- January 1, 2009 - H - Revised Manual (Edited to B/M 0010575 Revision 96)
- June 15, 2009 - I - Revised Manual (Edited to B/M 0010575 Revision 104)
- November 4, 2009 - J - Revised Manual (Edited to B/M 0010575 Revision 104)
- May 3, 2010 - K - Revised Manual (Edited to B/M 0010575 Revision 110)
- November 30, 2010 - L - Revised Manual (Edited to B/M 0010575 Revision 119)
- April 21, 2011 - M - Revised Manual (Edited to B/M 0010575 Revision 124)
- July 22, 2011 - N - Revised Manual (Edited to B/M 0010575 Revision 127)
- October 14, 2011 - O - Revised Manual (Edited to B/M 0010575 Revision D)
- January 10, 2012 - P - Revised Manual (Edited to B/M 0010575 Revision D)
- June 15, 2012 - Q - Revised Manual (Edited to B/M 0010575 Revision E)
- August 2, 2012 - R - Revised Manual (Edited to B/M 0010575 Revision E)
- January 4, 2013 - S - Revised Manual (Edited to B/M 0010575 Revision E)
- April 2, 2013 - T - Revised Manual (Edited to B/M 0010575 Revision E)
- June 28, 2013 - U - Revised Manual (Edited to B/M 0010575 Revision E)
- September 23, 2013 - V - Revised Manual (Edited to B/M 0010575 Revision E)

REVISION LOG

January 17, 2014 - W - Revised Manual (Edited to B/M 0010575 Revision AL)

October 6, 2017 - X - Revised Manual (Edited to B/M 0010575 Revision AL)

July 24, 2018 - Y - Revised Manual (Edited to B/M 0010575 Revision AL) (Revision 1)

TABLE OF CONTENTS

SECTION 1 - FRAME.....	7
FIGURE 1-1. AXLE AND STEERING INSTALLATION WITHOUT TOW PACKAGE	8
FIGURE 1-2. AXLE AND STEERING INSTALLATION WITH TOW PACKAGE	12
FIGURE 1-3. TIRE AND WHEEL DRIVE INSTALLATIONS	16
FIGURE 1-4. DRIVE HUB/BRAKE ASSEMBLY	20
FIGURE 1-5. DRIVE MOTOR ASSEMBLY (4 BOLT ASSEMBLY).....	24
FIGURE 1-6. DRIVE MOTOR ASSEMBLY (5 BOLT ASSEMBLY).....	28
FIGURE 1-7. FRAME VALVES AND SHIELDS INSTALLATIONS	32
FIGURE 1-8. TOW PACKAGE INSTALLATION	34
SECTION 2 - TURNTABLE	37
FIGURE 2-1. CONTROL VALVES INSTALLATIONS	38
FIGURE 2-2. MAIN CONTROL VALVE ASSEMBLY	42
FIGURE 2-3. TURNTABLE AND SWING DRIVE INSTALLATION	44
FIGURE 2-4. SWING MOTOR/BRAKE/HUB ASSEMBLY (Prior to SN 0300134352)	46
FIGURE 2-5. SWING MOTOR/BRAKE/HUB ASSEMBLY (SN 0300134352 through 0300182743)	52
FIGURE 2-6. CATERPILLAR ENGINE INSTALLATION	56
FIGURE 2-7. DEUTZ ENGINE INSTALLATION	64
FIGURE 2-8. GM ENGINE INSTALLATION	74
FIGURE 2-9. PUMP ASSEMBLY (SAUER-DANFOSS)	80
FIGURE 2-10. PUMP ASSEMBLY (EATON).....	84
FIGURE 2-11. LOAD SENSING PUMP ASSEMBLY.....	88
FIGURE 2-12. TANK INSTALLATIONS.....	92
FIGURE 2-13. LP TANK INSTALLATIONS (GM ENGINE MACHINES ONLY)	96
FIGURE 2-14. ROTARY COUPLING INSTALLATION	98
FIGURE 2-15. GROUND CONTROL BOX ASSEMBLY (WITHOUT UGM)	102
FIGURE 2-16. GROUND CONTROL BOX ASSEMBLY (WITH UGM)	106
FIGURE 2-17. LIMIT SWITCHES, LIGHTS AND ALARM INSTALLATIONS	110
FIGURE 2-18. HOODS INSTALLATION (ABS).....	114
FIGURE 2-19. HOODS INSTALLATION (STEEL).....	120
FIGURE 2-20. 2500W GENERATOR INSTALLATION - CATERPILLAR MACHINES (OPTIONAL).....	126
FIGURE 2-21. 2500W GENERATOR INSTALLATION - DEUTZ MACHINES (OPTIONAL)	130
FIGURE 2-22. 2500W GENERATOR INSTALLATION - GM MACHINES (OPTIONAL)	134
FIGURE 2-23. ENGINE TRAY JACK INSTALLATION (OPTIONAL).....	138
SECTION 3 - BOOM	141
FIGURE 3-1. TOWER BOOM, UPRIGHT AND CYLINDERS INSTALLATION	142
FIGURE 3-2. MAIN BOOM INSTALLATION.....	144
FIGURE 3-3. MAIN BOOM ASSEMBLY	148
FIGURE 3-4. ROTATOR ASSEMBLIES.....	152
FIGURE 3-5. PLATFORM SUPPORT AND CONTROL VALVES INSTALLATIONS.....	154
FIGURE 3-6. BOOM CABLE CLAMPS INSTALLATIONS	158
SECTION 4 - PLATFORM.....	161
FIGURE 4-1. PLATFORM ASSEMBLY	162
FIGURE 4-2. PLATFORM CONSOLE ASSEMBLY	166
FIGURE 4-3. CONTROLLER ASSEMBLY (LIFT AND SWING).....	170
FIGURE 4-4. CONTROLLER ASSEMBLY (DRIVE AND STEER).....	174
SECTION 5 - CYLINDER	177
FIGURE 5-1. AXLE LOCKOUT CYLINDER ASSEMBLY	178
FIGURE 5-2. LIFT CYLINDER ASSEMBLY - MAIN BOOM (ORIGINAL EQUIPMENT).....	180
FIGURE 5-3. LIFT CYLINDER ASSEMBLY - MAIN BOOM (SERVICE REPLACEMENT)	182
FIGURE 5-4. PLATFORM LEVEL CYLINDER ASSEMBLY (ORIGINAL EQUIPMENT)	184
FIGURE 5-5. PLATFORM LEVEL CYLINDER ASSEMBLY (SERVICE REPLACEMENT)	186
FIGURE 5-6. STEER CYLINDER ASSEMBLY (Prior to SN 0300142666).....	188
FIGURE 5-7. STEER CYLINDER ASSEMBLY (SN 0300142666 through 0300182743).....	190
FIGURE 5-8. TELESCOPE CYLINDER ASSEMBLY (ORIGINAL EQUIPMENT)	192
FIGURE 5-9. TELESCOPE CYLINDER ASSEMBLY (SERVICE REPLACEMENT)	196
SECTION 6 - HYDRAULIC	199

TABLE OF CONTENTS

FIGURE 6-1. AXLE LOCKOUT HYDRAULIC DIAGRAM.....	200
FIGURE 6-2. DRIVE HYDRAULIC DIAGRAM - 2WD	202
FIGURE 6-3. DRIVE HYDRAULIC DIAGRAM - 4WD	206
FIGURE 6-4. MANUAL DESCENT HYDRAULIC DIAGRAM (OPTIONAL).....	210
FIGURE 6-5. STANDARD HYDRAULIC DIAGRAM.....	212
FIGURE 6-6. HYDRAULIC DIAGRAM LIST.....	216
SECTION 7 - ELECTRICAL.....	217
FIGURE 7-1. ELECTRICAL DIAGRAM LIST	218
FIGURE 7-2. HARNESS COMPONENTS INSTALLATION (WITHOUT UGM).....	220
FIGURE 7-3. HARNESS COMPONENTS INSTALLATION (WITH UGM)	234
SECTION 8 - DECALS	251
FIGURE 8-1. DECAL INSTALLATION (AUSTRALIAN AND CE SPEC)	252
SECTION 9 - RECOMMENDED SERVICE PARTS STOCK.....	255
FIGURE 9-1. MODEL 680S STANDARD PARTS	256
FIGURE 9-2. MODEL 680S VARIABLE PARTS	258
SECTION 10 - SPECIAL OPTIONS	259
FIGURE 10-1. SPECIAL OPTIONS	260
PART NUMBER INDEX.....	263

SECTION 1 - FRAME

SECTION 1 - FRAME

FIGURE 1-1. AXLE AND STEERING INSTALLATION WITHOUT TOW PACKAGE

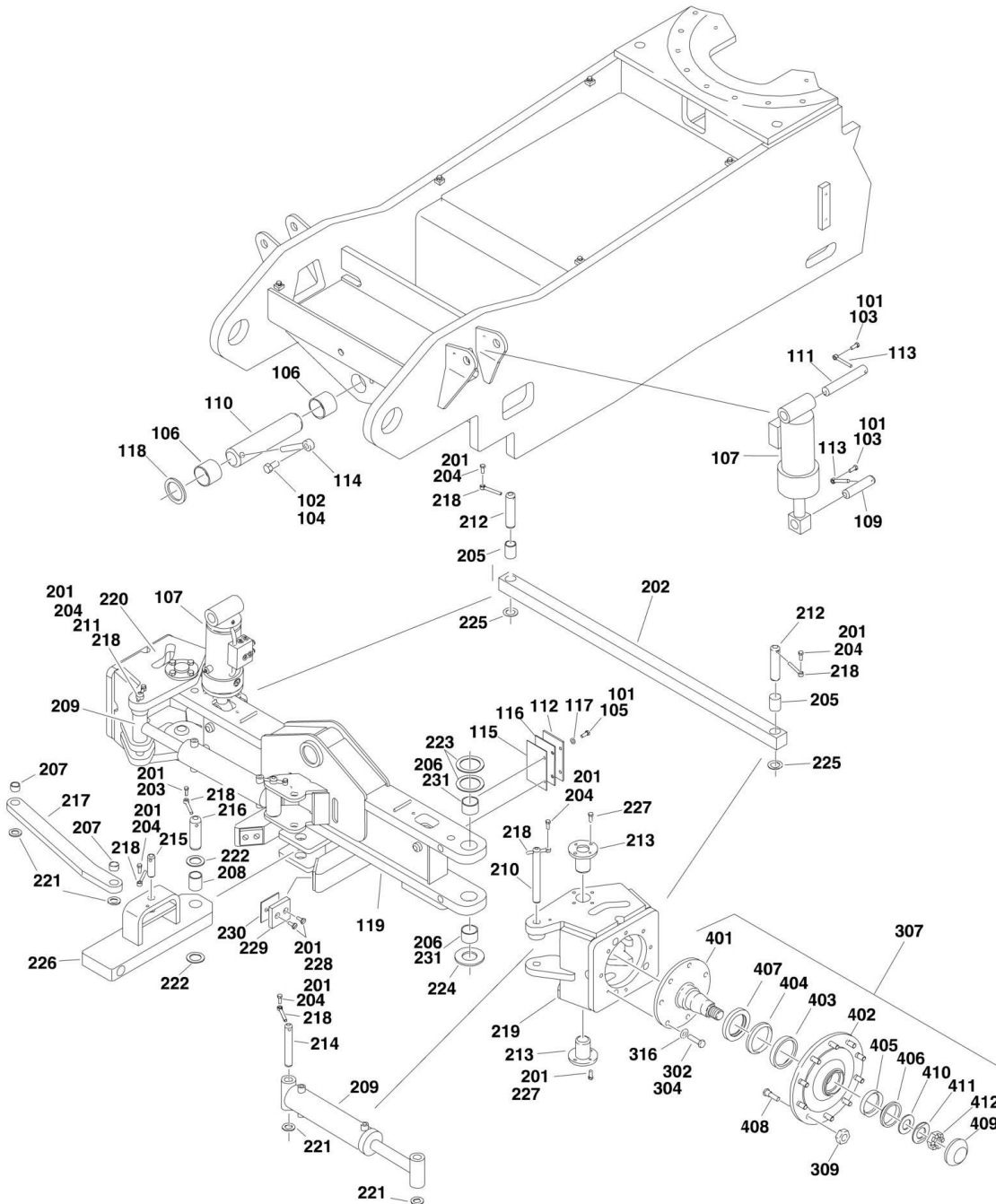
ITEM	PART NUMBER	QTY	DESCRIPTION	REV
	0258286	Ref	FIXED AXLE INSTALLATION	C
1	0100011	AR	Compound, Locking	
2	0681608	4	Bolt 3/8in-16NC x 1in (Grade 8)	
4	0641820	2	Bolt 1/2in-13NC x 2-1/2in	
5	0642212	1	Bolt 3/4in-10NC x 1-1/2in	
6	0962102	2	Bushing, Garmax	
7	3422703	1	Pin, Axle Pivot	
8	3538047	2	Shim, Wear	
9	3539877	2	Plate, Stop	
10	3539878	2	Plate, Stop	
11	3841287	1	Keeper, Pin	
12	4070878	AR	Shim 1/16in	
13	4070879	AR	Shim 1/8in	
14	4070944	AR	Shim 1/16in	
15	4070945	AR	Shim 1/4in	
16	4711600	4	Flatwasher 3/8in Thin	
17	4740472	1	Washer, Special	
19	4845658	1	Axle Weldment	
	0274571	Ref	OSCILLATING AXLE INSTALLATION	C
101	0100011	AR	Compound, Locking	
102	0100019	AR	Compound, Locking	
103	0641608	4	Bolt 3/8in-16NC x1in	
104	0642212	1	Bolt 3/4in-10NC x 1-1/2in	
105	0681608	4	Bolt 3/8in-16NC x1in (Grade 8)	
106	0962102	2	Bushing, Garmax	
107	1683078	2	Lockout Cylinder Assembly (See CYLINDER SECTION for Breakdown)	
109	3422702	2	Pin	
110	3422703	1	Pin, Main Pivot	
111	3422755	2	Pin	
112	3538047	2	Shim, Axle Wear	
113	3841143	4	Shaft, Keeper 3/8in Dia x 3in	
114	3841287	1	Shaft, Keeper 3/8in Dia x 6in	
115	4070878	2	Shim, Axle Wear	
116	4070879	2	Shim, Axle Wear	
117	4711600	4	Flatwasher 3/8in Thin	
118	4740472	1	Washer, Special	
119	4845658	1	Axle Weldment	
	0272003	Ref	STEERING INSTALLATIONS (2WS)	E
		Ref	Note: Before ordering king pin kit, verify that machines is equipped with the original components (king pin with 4 bolt holes) or service kit components (king pin with 8 bolt holes). - If the king pin hole in the axle measurement exceeds 2.252in OD or is elongated, use King Pin Kit p/n 1001137261.	
201	0100011	AR	Compound, Locking	
202	0362726	1	Tie-Rod	
203	0641608	6	Bolt 3/8in-16NC x 1in	
204	0641810	16	Bolt 1/2in-13NC x 1-1/4in	
205	0962152	2	Bearing	
206		Ref	Bearing Options:	
206	0962448	4	Bearing, Garmax - Composite (Prior to SN 0300150055)	

SECTION 1 - FRAME

ITEM	PART NUMBER	QTY	DESCRIPTION	REV
206	1001112651	4	Bearing, Bronze Limited - Aluminum/Bronze (SN 0300150055 through 0300182743)	
207		Ref	Steer Cylinder Assembly Options (See CYLINDER SECTION for Breakdown):	
207	1683740	2	Steer Cylinder Assembly (Prior to SN 0300142666)	
207	1001097243	2	Steer Cylinder Assembly (SN 0300142666 through 0300182743)	
208	3422701	2	Pin, Steer, Spindle Attach	
209	3422702	2	Pin, Tie-Rod	
210	3422754	2	Pin, Attach	
211	3422849	4	Kingpin	
212	3841143	6	Shaft, Keeper 3/8in x 3in	
213	4130389	1	Spindle Weldment (RH)	
214	4130390	1	Spindle Weldment (LH)	
215	4740111	4	Washer, Special	
216	4740256	4	Thrustwasher	
217	4740463	2	Washer, Special	
218	4740473	2	Thrustwasher	
219	1001103810	2	Thrustwasher (SN 0300134352 through 0300182743)	
220	3020029	AR	Grease, Bearing	
	0273378	Ref	HUB INSTALLATION (2WD ONLY)	E
302	0100019	AR	Compound, Locking	
304	0682016	16	Bolt 5/8in-16NC x 2in (Grade 8)	
307	2780229	2	Hub Assembly (See Items 401-412 for Breakdown)	
309	3300007	20	Lugnut	
316	4892000	16	Flatwasher 5/8in Hardened	
	2780229	Ref	HUB ASSEMBLY (2WD ONLY)	A
401	7017052	2	Spindle (1 per Assembly)	
402	7017053	2	Housing (1 per Assembly)	
403	7010404	2	Cup, Bearing - Inner (1 per Assembly)	
404	7010405	2	Cone, Bearing - Inner (1 per Assembly)	
405	7017056	2	Cup, Bearing - Outer (1 per Assembly)	
406	7017055	2	Cone, Bearing - Outer (1 per Assembly)	
407	7010406	2	Seal, Lip (1 per Assembly)	
408	7000265	20	Stud (10 per Assembly)	
409	7017054	2	Dust Cap (1 per Assembly)	
410	7017051	2	Washer, Special (1 per Assembly)	
411	7017057	2	Washer, Tanged (1 per Assembly)	
412	7017058	2	Nut, Bearing (1 per Assembly)	

SECTION 1 - FRAME

FIGURE 1-2. AXLE AND STEERING INSTALLATION WITH TOW PACKAGE



SECTION 1 - FRAME

FIGURE 1-2. AXLE AND STEERING INSTALLATION WITH TOW PACKAGE

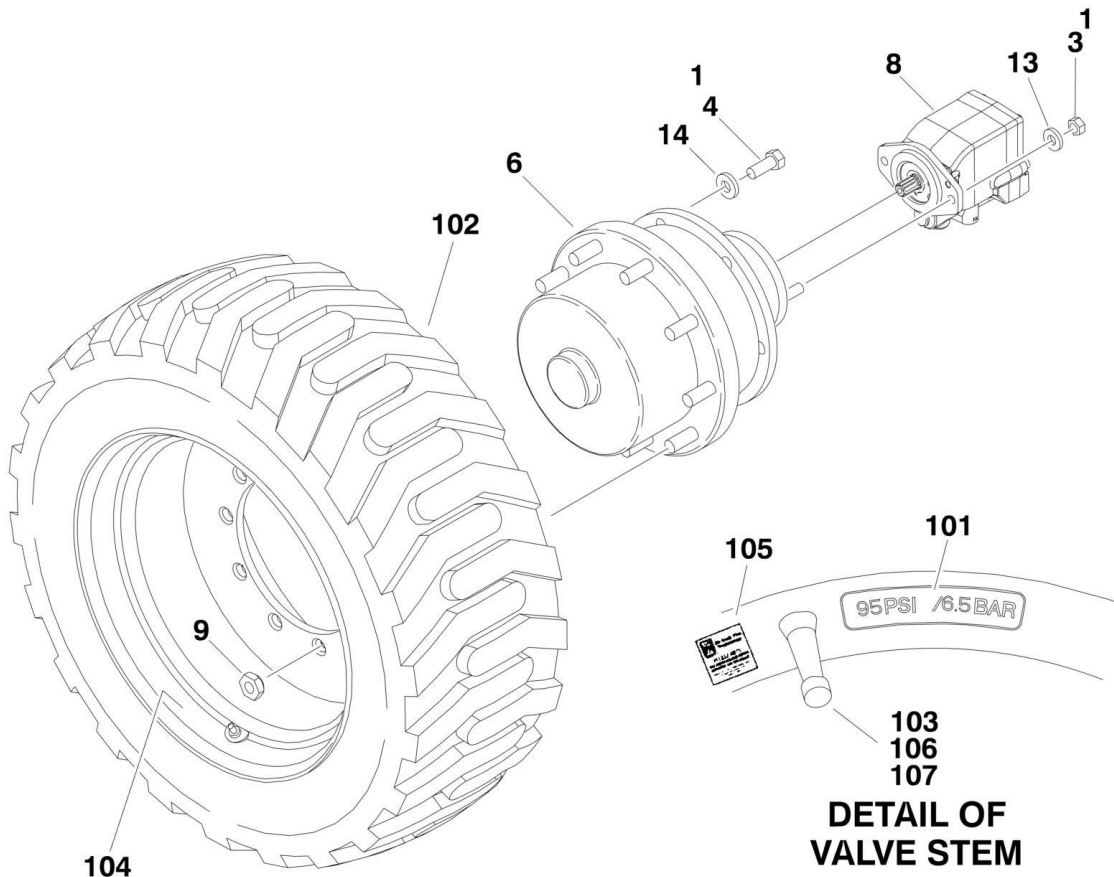
ITEM	PART NUMBER	QTY	DESCRIPTION	REV
	0274572	Ref	OSCILLATING AXLE INSTALLATION	C
101	0100011	AR	Compound, Locking	
102	0100019	AR	Compound, Locking	
103	0641608	4	Bolt 3/8in-16NC x1in	
104	0642212	1	Bolt 3/4in-10NC x 1-1/2in	
105	0681608	4	Bolt 3/8in-16NC x1in (Grade 8)	
106	0962102	2	Bushing, Garmax	
107	1683078	2	Lockout Cylinder Assembly (See CYLINDER SECTION for Breakdown)	
109	3422702	2	Pin	
110	3422703	1	Pin, Main Pivot	
111	3422755	2	Pin	
112	3538047	2	Shim, Axle Wear	
113	3841143	4	Shaft, Keeper 3/8in Dia x 3in	
114	3841287	1	Shaft, Keeper 3/8in Dia x 6in	
115	4070878	2	Shim, Axle Wear	
116	4070879	2	Shim, Axle Wear	
117	4711600	4	Flatwasher 3/8in Thin	
118	4740472	1	Washer, Special	
119	4846413	1	Axle Weldment	
	0271352	Ref	STEERING INSTALLATION	H
		Ref	Note: Before ordering king pin kit, verify that machines is equipped with the original components (king pin with 4 bolt holes) or service kit components (king pin with 8 bolt holes). - If the king pin hole in the axle measurement exceeds 2.252in OD or is elongated, use King Pin Kit p/n 1001137261.	
201	0100011	AR	Compound, Locking	
202	0362726	1	Tie-Rod	
203	0641508	1	Bolt 5/16in- 18NC x 1in	
204	0641608	7	Bolt 3/8in-16NC x 1in	
205	0962152	2	Bearing, Garmax	
206		Ref	Bearing Options:	
206	0962448	4	Bearing, Garmax - Composite (Prior to SN 0300150055)	
206	1001112651	4	Bearing, Bronze Limited - Aluminum/Bronze (SN 0300150055 through 0300182743)	
207	0962292	2	Bearing, Garmax	
208	0962348	1	Bearing, Garmax	
209		Ref	Steer Cylinder Assembly Options (See CYLINDER SECTION for Breakdown):	
209	1683740	2	Steer Cylinder Assembly (Prior to SN 0300142666)	
209	1001097243	2	Steer Cylinder Assembly (SN 0300142666 through 0300182743)	
210	3422567	1	Pin, Steer Spindle Attach (RH)	
211	3422701	1	Pin, Steer Spindle Attach (LH)	
212	3422702	2	Pin, Tie-Rod	
213	3422972	4	Kingpin	
214	3422754	2	Pin, Attach	
215	3422813	1	Pin	
216	3422848	1	Pin, Hitch	
217	2573001	1	Link, Connecting	
218	3841143	8	Shaft, Keeper 3/8in x 3in	

SECTION 1 - FRAME

ITEM	PART NUMBER	QTY	DESCRIPTION	REV
219	4130390	1	Spindle Weldment (LH)	
220	4130388	1	Spindle Weldment (RH)	
221	4740111	6	Washer, Special	
222	4740155	2	Thrustwasher	
223	4740256	4	Thrustwasher	
224	4740463	2	Thrustwasher	
225	4740473	2	Washer, Special	
226	4846935	1	Bar, Pivot	
227	0641810	16	Bolt 1/2in-13NC x 1-1/4in	
228	0741609	4	Screw 3/8in-16NC x 1-1/4in	
229	3340966	2	Pad, Stop	
230	4071059	4	Shim	
231	3020029	AR	Grease, Bearing	
	0273378	Ref	HUB INSTALLATION (2WD ONLY)	E
302	0100019	AR	Compound, Locking	
304	0682016	16	Bolt 5/8in-16NC x 2in (Grade 8)	
307	2780229	2	Hub Assembly (See Items 401-412 for Breakdown)	
309	3300007	20	Lugnut	
316	4892000	16	Flatwasher 5/8in Hardened	
	2780229	Ref	HUB ASSEMBLY (2WD ONLY)	A
401	7017052	2	Spindle (1 per Assembly)	
402	7017053	2	Housing (1 per Assembly)	
403	7010404	2	Cup, Bearing - Inner (1 per Assembly)	
404	7010405	2	Cone, Bearing - Inner (1 per Assembly)	
405	7017056	2	Cup, Bearing - Outer (1 per Assembly)	
406	7017055	2	Cone, Bearing - Outer (1 per Assembly)	
407	7010406	2	Seal, Lip (1 per Assembly)	
408	7000265	20	Stud (10 per Assembly)	
409	7017054	2	Dust Cap (1 per Assembly)	
410	7017051	2	Washer, Special (1 per Assembly)	
411	7017057	2	Washer, Tanged (1 per Assembly)	
412	7017058	2	Nut, Bearing (1 per Assembly)	
501		Ref	FRAME WELDMENT OPTIONS	
501	2360687	Ref	2WD	
501	2360688	Ref	4WD	

SECTION 1 - FRAME

FIGURE 1-3. TIRE AND WHEEL DRIVE INSTALLATIONS



SECTION 1 - FRAME

FIGURE 1-3. TIRE AND WHEEL DRIVE INSTALLATIONS

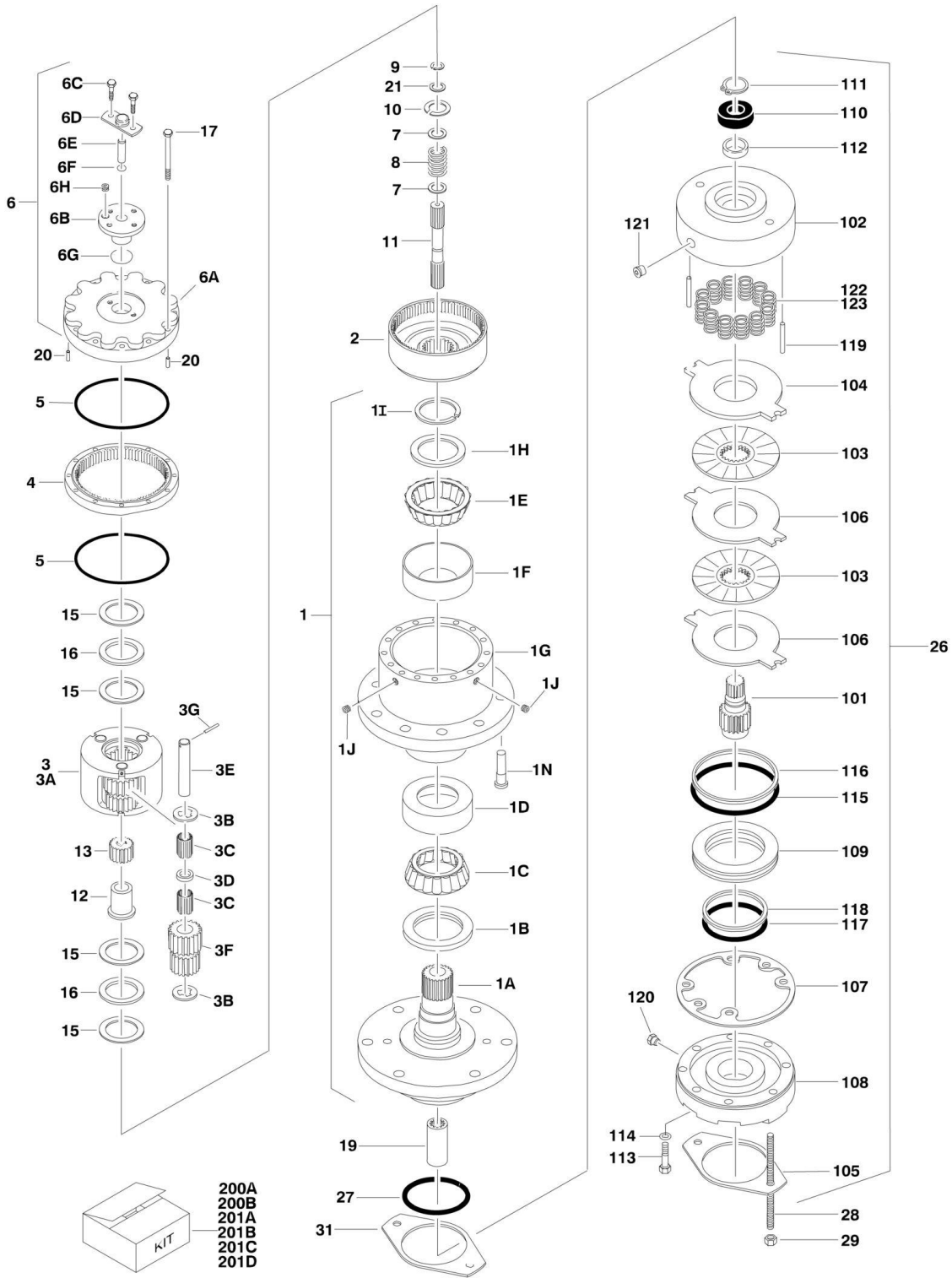
ITEM	PART NUMBER	QTY	DESCRIPTION	REV
		Ref	WHEEL DRIVE INSTALLATION	
	0273378	Ref	2WD	E
	0273704	Ref	4WD	D
		Ref	Note: 2WD Qty Shown. For 4WD, Double Qty Shown.	
1	0100011	AR	Compound, Locking	
3	3311801	4	Nut 1/2in-13 NC	
4	0682016	16	Bolt 5/8in-11NC x 2in (Grade 8)	
5	2300016	AR	Fluid, Hydraulic (Not Shown)	
6	2780272	2	Drive Hub Assembly (See DRIVE HUB ASSEMBLY for Breakdown)	
7	3020008	AR	Lubricant (Not Shown)	
8		Ref	Drive Motor Assembly Options (See DRIVE MOTOR ASSEMBLY for Breakdown):	
8	3160308	2	2WD Rear (Prior to SN 0300098924)	
8	3160347	2	2WD Rear (SN 0300098924 through 0300182743)	
8	3160266	4	4WD Front and Rear (Prior to SN 030009864)	
8	3160348	4	4WD Front and Rear (SN 0300098641 through 0300182743)	
9	3300007	20	Nut, Wheel	
13	4891800	4	Flatwasher, 1/2in Hardened	
14	4892000	16	Flatwasher 5/8in Hardened	
		Ref	TIRE AND WHEEL INSTALLATIONS	
	0270885	Ref	15-625 NHS Pneumatic (Available on All Specs Except Australian and CE Specs)	C
	0272322	Ref	15-625 NHS Pneumatic with Sealant (Available on ANSI Specs Only)	C
	0270886	Ref	15-625 NHS Foam-Filled (Available on All Specs)	C
	0270888	Ref	18-625 NHS Foam-Filled (Available on All Specs)	C
	0271419	Ref	41/18LLx22.5 Sand and Turf Foam-Filled (Available on All Specs)	B
	0271083	2	15-625 NHS Pneumatic Left Side	
	0271084	2	15-625 NHS Pneumatic Right Side	
	0272334	2	15-625 NHS Pneumatic with Sealant Left Side	
	0272333	2	15-625 NHS Pneumatic with Sealant Right Side	
	0271085	2	15-625 NHS Foam-Filled Left Side	
	0271086	2	15-625 NHS Foam-Filled Right Side	
	0271090	2	18-625 NHS Foam-Filled Left Side	
	0271091	2	18-625 NHS Foam-Filled Right Side	
	0271419	4	41/18LLx22.5 Sand and Turf Foam-Filled	
		Ref	Note: Assemblies may require ballast/foam filling to manufacturer's specifications prior to installing on a machine. Refer to Operation and Safety or Service and Maintenance Manuals. Purchase individual tire and/or rim only if able to foam fill tire and wheel assembly, otherwise, purchase complete assembly.	
101	1702701	1	Decal, 95 PSI/6.5 Bar (15-625 Tires - Pneumatic Only)	
102		Ref	Tire Options:	
102	4520252	1	15-625 Tire	
102	4520253	1	18-625 Tire	
102	4520256	1	41/18LLx22.5 Sand and Turf Tire	
103	4640113	1	Valve, Air	
104		Ref	Rim, Wheel Options:	
104	4860224	1	13 x 24.5 Rim (Use with 15-625 Tires)	

SECTION 1 - FRAME

ITEM	PART NUMBER	QTY	DESCRIPTION	REV
104	4860225	1	15 x 24.5 Rim (Use with 18-625 Tires)	
104	4860230	1	22.5 x 14 (41/18LLx22.5 Sand and Turf Tires)	
105	1705364	AR	Decal - Tire Sealant (With Sealant Only)	
106	1300019	AR	Chemical, Tire Sealant (Green) (With Sealant Only)	
107	1120552	AR	Cap, Valve Stem (Green) (With/Sealant Only)	

SECTION 1 - FRAME

FIGURE 1-4. DRIVE HUB/BRAKE ASSEMBLY



SECTION 1 - FRAME

FIGURE 1-4. DRIVE HUB/BRAKE ASSEMBLY

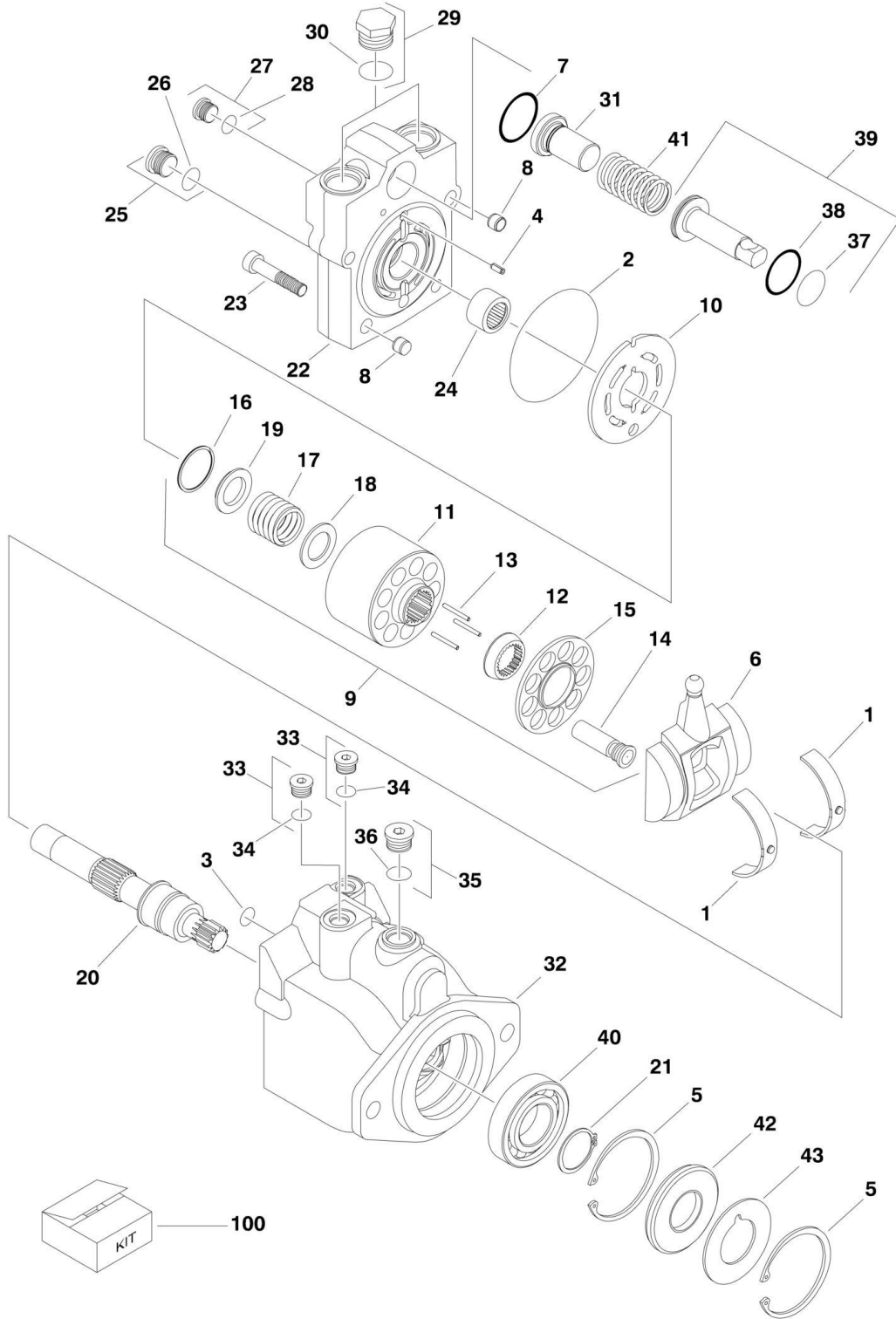
ITEM	PART NUMBER	QTY	DESCRIPTION	REV
	2780272	Ref	DRIVE HUB/BRAKE ASSEMBLY	B
	2780227	Ref	Hub Assembly	B
1	See Note	1	Spindle/Housing Assembly (Note: Not Available - Purchase Individual Components.)	
1A	7010464	1	Spindle	
1B	7000236	1	Seal	
1C	7000273	1	Cone, Bearing	
1D	7000272	1	Cup, Bearing	
1E	7000275	1	Cone, Bearing	
1F	7000274	1	Cup, Bearing	
1G	7017033	1	Housing	
1H	7000239	1	Thrustwasher	
1I	7000240	1	Ring, Retaining	
1J	7001928	1	Plug, Pipe	
1N	7000265	10	Stud, Wheel	
2	7024782	1	Gear, Ring	
3	See Note	1	Carrier Assembly (Note: Not Available - Purchase Individual Components.)	
3A	7024147	1	Carrier	
3B	7001901	6	Thrustwasher, Tanged	
3C	7001902	96	Bearing, Needle	
3D	7001903	3	Spacer, Thrust	
3E	7024146	3	Shaft, Planet	
3F	7024148	3	Gear, Cluster	
3G	7001906	3	Rollpin	
4	7024151	1	Gear, Internal	
5	7000224	1	O-Ring	
6	See Note	1	Cover Assembly (Note: Not Available - Purchase Individual Components.)	
6A	7024155	1	Cover	
6B	7024783	1	Cap	
6C	7000220	4	Bolt 1/4in-20NC x 3/4in	
6D	7000231	1	Cap, Disengage	
6E	7000235	1	Rod, Disengage	
6F	7000213	1	O-Ring	
6G	7000238	1	O-Ring	
6H	7017048	1	Plug, Pipe	
7	7000282	2	Thrustwasher	
8	7000283	1	O-Ring	
9	7000284	1	Ring, Retaining	
10	7000285	1	Ring, Retaining	
11	7024781	1	Shaft, Input	
12	7024154	1	Spacer, Input	
13	7024149	1	Gear, Sun	
15	7000287	4	Thrustwasher	
16	7000288	2	Thrustwasher	
17	7000289	12	Bolt 3/8in-16NC x 2-1/2in (Grade 8)	
19	7000290	1	Coupling	
20	7017047	2	Pin, Dowel	
21	7017050	1	Thrustwasher	

SECTION 1 - FRAME

ITEM	PART NUMBER	QTY	DESCRIPTION	REV
26	7024182	1	Brake Assembly (Includes Items 101-123)	
27	7024763	2	O-Ring	
28	7024717	2	Stud 1/2in-13NC x 4-5/8in	
29	7024718	2	Nut 1/2in-13NC	
31	7000731	1	Gasket	
	7024182	Ref	BRAKE ASSEMBLY	
101	7024189	1	Shaft	
102	See Note	1	Housing (Note: Not Available - Purchase Complete Assy)	
103	7024193	2	Plate, Friction	
104	7024193	1	Plate, Pressure	
105	7000731	1	Gasket	
106	7024193	2	Plate, Outer	
107	See Note	1	Gasket (Note: Use Items 200B, 201C or 201D)	
108	7024191	1	Cylinder	
109	7024192	1	Piston	
110	7024197	1	Bearing, Ball	
111	7024197	1	Ring, Retaining	
112	7024197	1	Seal, Shaft	
113	See Note	6	Capscrew (Note: Not Available for Purchase.)	
114	See Note	6	Lockwasher (Note: Not Available for Purchase.)	
115	7024196	1	O-Ring	
116	7024196	1	Ring, Back-up	
117	7024196	1	O-Ring	
118	7024196	1	Ring, Back-up	
119	7024190	2	Pin, Dowel	
120	See Note	1	Plug (Note: Not Available for Purchase.)	
121	See Note	2	Plug (Note: Not Available for Purchase.)	
122	7024196	10	Spring Kit (Natural)	
123	7024196	2	Spring Kit (Blue)	
		Ref	KIT OPTIONS:	
200		Ref	Seal Kit Options:	
200A	7017068	1	Seal Kit - Hub (Includes Items 1B, 1I, 5, 6F, 6G, 15 & 16)	
200B	7024194	1	Seal Kit - 7024182 Brake (Includes Items 105, 107 & 115-118)	
201		Ref	Repair Kit Options:	
201A	7024196	1	Spring Kit - 7024182 Brake (Includes 12 Natural Colored Springs) (was p/n 7024195)	
		Ref	Note: Spring Kit no Longer Available, Purchase Kit p/n 7024196.	
201B	7024196	1	Spring Kit - 7024182 Brake (Includes 12 Natural & 2 Blue Colored Springs)	
201C	7024193	1	Friction Disc Kit - 7024182 Brake (Includes Items 103, 104, 106 & 107)	
201D	7024197	1	Bearing Kit - 7024182 Brake (Includes Items 107 & 110-112)	

SECTION 1 - FRAME

FIGURE 1-5. DRIVE MOTOR ASSEMBLY (4 BOLT ASSEMBLY)



SECTION 1 - FRAME

FIGURE 1-5. DRIVE MOTOR ASSEMBLY (4 BOLT ASSEMBLY)

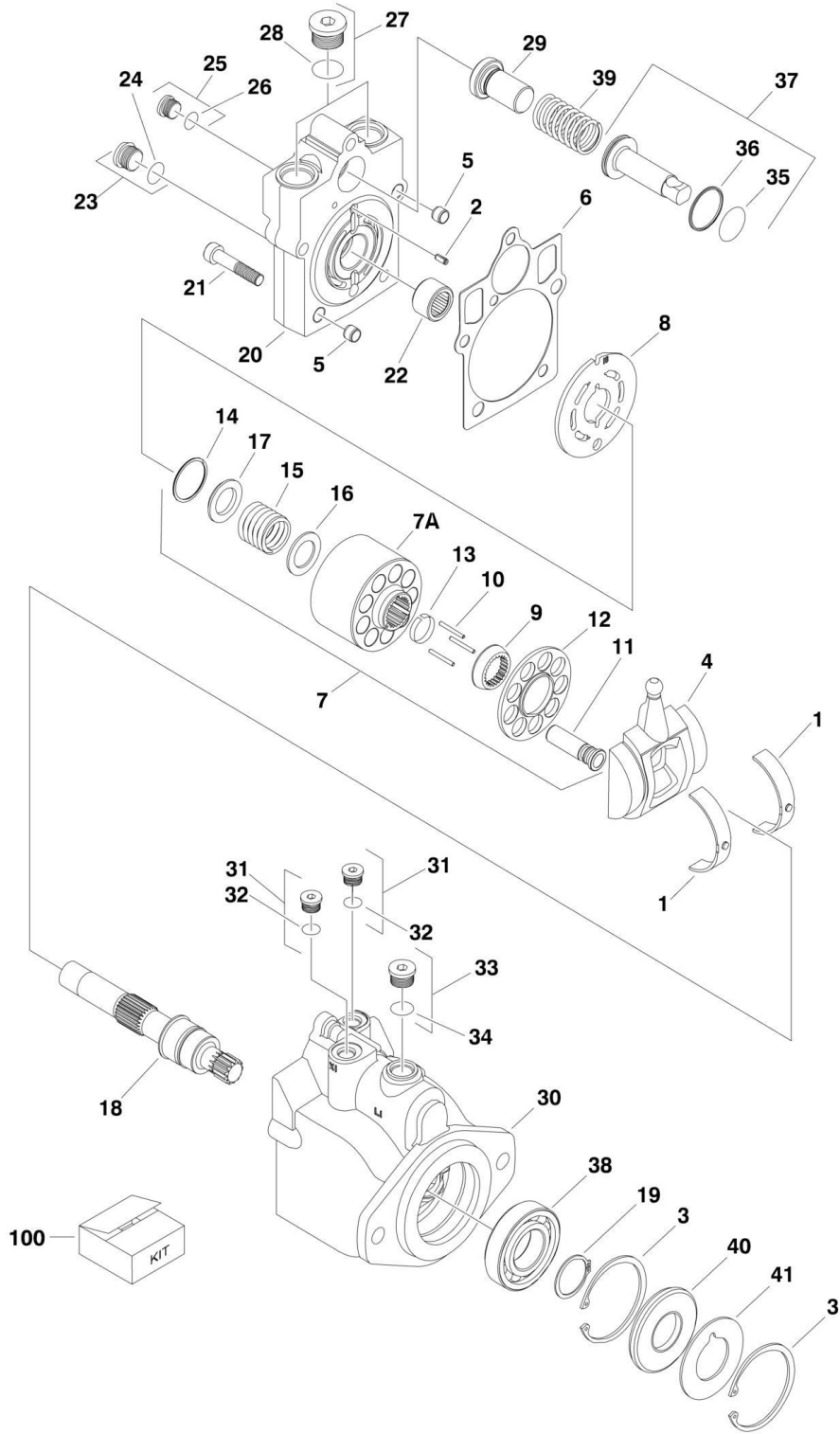
ITEM	PART NUMBER	QTY	DESCRIPTION	REV
		Ref	DRIVE MOTOR ASSEMBLY	
	3160308	Ref	2WD	C
	3160266	Ref	4WD	D
1	7022302	2	Bearing, Journal	
2	7022328	1	O-Ring	
3	7022328	1	O-Ring	
4	7007446	1	Pin	
5	7007438	2	Ring, Retaining	
6		Ref	Swashplate Options:	
6	7024861	1	2WD	
6	7022305	1	4WD	
7	7022328	1	O-Ring	
8		Ref	Pin Options:	
8	7027435	2	2WD	
8	Not Required	0	4WD	
9		Ref	Cylinder Block Kit (Includes Items 11-19) Options:	
9	7027740	1	2WD	
9	7023907	1	4WD	
10		Ref	Plate, Valve Options:	
10	7024862	1	2WD	
10	7023908	1	4WD	
11	See Note	1	Block, Cylinder (Note: Use Item 9)	
12	Kit	1	Guide, Slipper Retainer Options:	
12	See Note	1	2WD (Note: Use Item 9)	
12	7021277	1	4WD	
13	7021275	3	Pin, Slipper Hold Down	
14	Kit	9	Piston Assembly Options:	
14	7024865	9	2WD	
14	See Note	9	4WD (Note: Use Item 9)	
15	Kit	1	Retainer, Slipper Options:	
15	See Note	1	2WD (Note: Use Item 9)	
15	7022310	1	4WD	
16	7022311	1	Ring, Retaining	
17		Ref	Spring Options:	
17	7024867	1	2WD	
17	7022312	1	4WD	
18		Ref	Washer	
18	7022313	1	2WD	
18	See Note	1	4WD (Note: Use Item 9)	
19	7022314	1	Retainer, Spring	
20	7023910	1	Shaft	
21	7007439	1	Ring, Retaining	
22		Ref	Cap, End - Axial Options:	
22	See Note	1	2WD (Note: Not Available - Purchase Complete Assy)	
22	7022367	1	4WD	
23	7022368	4	Screw	
24	7021249	1	Bearing, Needle	
25	7022321	1	Plug (Includes Item 26)	
26	7022328	1	O-Ring	
27	7007420	1	Plug (Includes Item 28)	

SECTION 1 - FRAME

ITEM	PART NUMBER	QTY	DESCRIPTION	REV
28	7022328	1	O-Ring	
29	7007419	2	Plug (Includes Item 30)	
30	7022328	2	O-Ring	
31		Ref	Seat, Spring Options:	
31	7027741	1	2WD	
31	7022372	1	4WD	
32		Ref	Housing Options:	
32	7024870	1	2WD	
32	7022370	1	4WD	
33	7007419	2	Plug (Items Item 34)	
34	7022328	2	O-Ring	
35	7022321	1	Plug (Items Item 36)	
36	7022328	1	O-Ring	
37	7022328	1	O-Ring	
38	7022328	1	Ring, Seal	
39		Ref	Piston, Servo Options:	
39	7024871	1	2WD (Includes Items 37 & 38)	
39	7022323	1	4WD (Piston Only - Does not include items 37 & 38)	
40	7007437	1	Bearing	
41	7022326	1	Spring	
42	7022328	1	Seal, Lip	
43	7022371	1	Washer, Support	
		Ref	KIT OPTIONS:	
100	7022328	1	Seal Kit (Includes Items 2, 3 ,7, 26, 28, 30, 34, 36, 37, 38 & 42)	

SECTION 1 - FRAME

FIGURE 1-6. DRIVE MOTOR ASSEMBLY (5 BOLT ASSEMBLY)



SECTION 1 - FRAME

FIGURE 1-6. DRIVE MOTOR ASSEMBLY (5 BOLT ASSEMBLY)

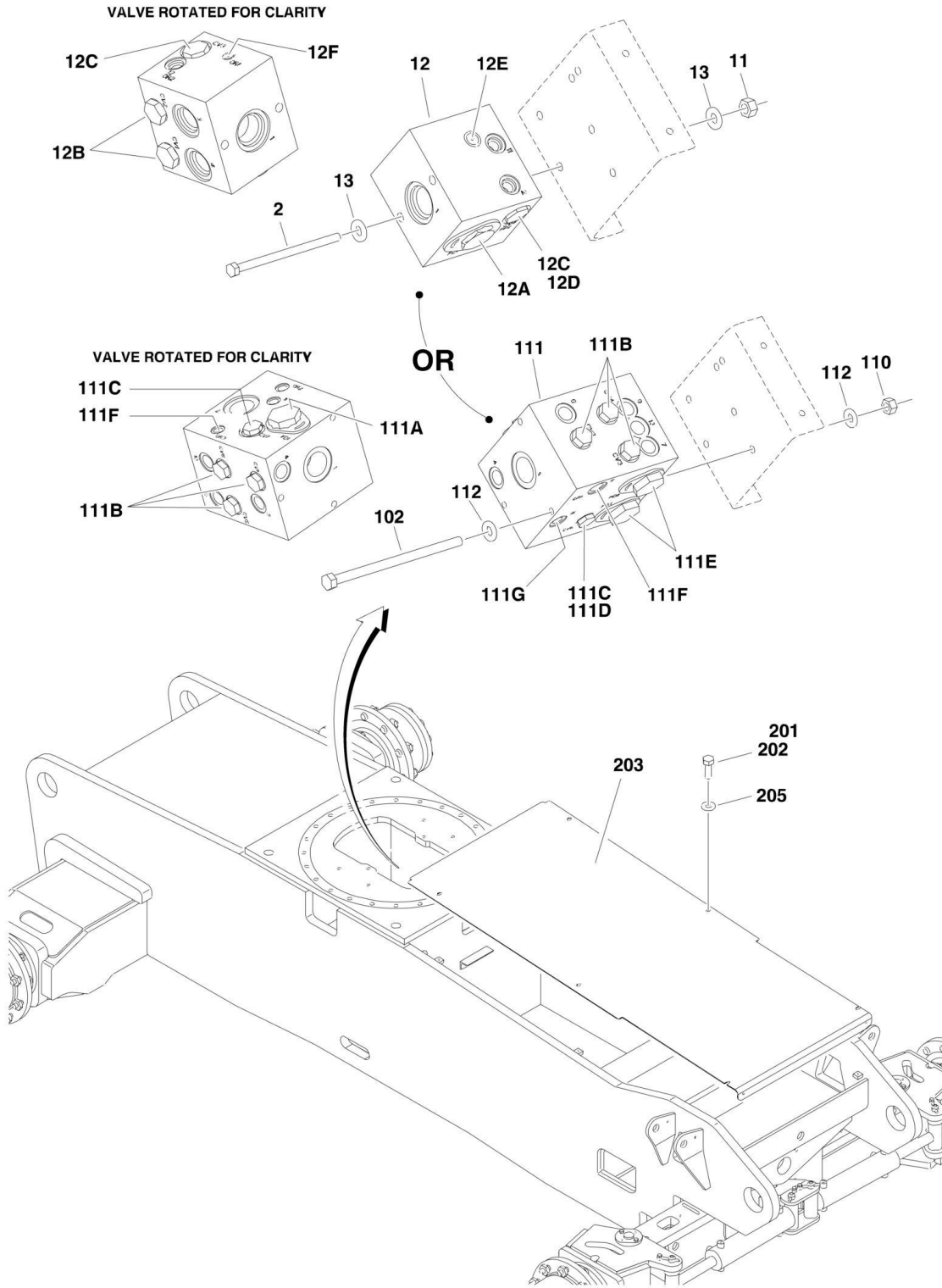
ITEM	PART NUMBER	QTY	DESCRIPTION	REV
		Ref	DRIVE MOTOR ASSEMBLIES:	
	3160347	Ref	2WD	B
	3160348	Ref	4WD	B
1	7022302	2	Bearing, Journal	
2	7007446	1	Pin	
3	7007438	2	Ring, Retaining	
4		Ref	Swashplate Options:	
4	70000794	1	2WD	
4	7022305	1	4WD	
5	See Note	2	Pin (Note: Not Available for Purchase.)	
6	7022328	1	Gasket	
7		Ref	Cylinder Block Kit (Includes Items 7A & 9-17)	
7	7027740	1	2WD	
7	7023907	1	4WD	
7A	See Note	1	Block, Cylinder (Note: Not Available – Purchase Complete Cylinder Block Kit.)	
8		Ref	Plate, Valve Options:	
8	7024862	1	2WD	
8	7023908	1	4WD	
9		Ref	Guide, Slipper Retainer Options:	
9	See Note	1	2WD (Note: Not Available for Purchase.)	
9	7021277	1	4WD	
10	7021275	3	Pin, Slipper Hold Down	
11	See Note	9	Piston Assembly (Note: Not Available - Purchase Complete Assy)	
12		Ref	Retainer, Slipper Options:	
12	See Note	1	2WD (Note: Not Available for Purchase.)	
12	7022310	1	4WD	
13		Ref	Retainer, Hold Down Pin Options:	
13	Not Required	0	2WD	
13	7021276	1	4WD	
14	7022311	1	Ring, Retaining	
15		Ref	Spring Options:	
15	7024867	1	2WD	
15	7022312	1	4WD	
16		Ref	Washer Options:	
16	7022313	1	2WD	
16	7024868	1	4WD	
17	7022314	1	Retainer, Spring	
18	7023910	1	Shaft	
19	7007439	1	Ring, Retaining	
20		Ref	Cap, End - Axial Options:	
20	70000795	1	2WD	
20	70000797	1	4WD	
21	7022368	5	Screw	
22	7021249	1	Bearing, Needle	
23	2220886	1	Plug (Includes Item 24)	
24	7022328	1	O-Ring	
25	2220883	1	Plug (Includes Item 26)	
26	7022328	1	O-Ring	

SECTION 1 - FRAME

ITEM	PART NUMBER	QTY	DESCRIPTION	REV
27	2220888	2	Plug (Includes Item 28)	
28	7022328	2	O-Ring	
29		Ref	Seat, Spring Options:	
29	7027741	1	2WD	
29	7022372	1	4WD	
30	See Note	1	Housing (Note: Not Available - Purchase Complete Assy)	
31	2220883	2	Plug (Items Item 32)	
32	7022328	2	O-Ring	
33	2220886	1	Plug (Items Item 34)	
34	7022328	1	O-Ring	
35	7022328	1	O-Ring	
36	7022328	1	Ring, Seal	
37		Ref	Piston, Servo Options (Includes Items 35 & 36):	
37	7024871	1	2WD	
37	7024854	1	4WD	
38	7007437	1	Bearing	
39	7022326	1	Spring	
40	7022328	1	Seal, Lip	
41	7022371	1	Washer, Support	
		Ref	KIT OPTIONS:	
100	7022328	1	Seal Kit (Includes Items 6, 24, 26, 28, 32, 34, 35, 36 & 40)	

SECTION 1 - FRAME

FIGURE 1-7. FRAME VALVES AND SHIELDS INSTALLATIONS



SECTION 1 - FRAME

FIGURE 1-7. FRAME VALVES AND SHIELDS INSTALLATIONS

ITEM	PART NUMBER	QTY	DESCRIPTION	REV
	0273378	Ref	DRIVE VALVES INSTALLATION - 2WD	E
2	0641542	2	Bolt 5/16in-18NC x 5-1/4in	
11	3311505	2	Locknut 5/16in-18NC	
12		Ref	Flow Divider Valve Assembly Options:	
12	1001099870	1	Valve (was p/n 4641300) (SN 0300083331 through 0300139495)	B
12	1001099870	1	Valve (SN 0300139496 through 0300182743)	A
12A	7023933	1	Cartridge, Flow Divider	
12A	7021625	1	Seal Kit - 7023933 Cartridge	
12A	70000781	1	Lockdown Kit	
12B	7022397	2	Cartridge, Check	
12B	7022399	2	Seal Kit - 7022397 Cartridge	
12C		Ref	Cartridge, Check Options:	
12C	7021639	2	Cartridge in 4641300 Valve	
12C	2900756	2	Seal Kit - 7022398 Cartridge	
12C	70002390	2	Cartridge in 1001099870 Valve	
12C	7022399	2	Seal Kit - 70002390 Cartridge	
12D	7024881	1	Piston, Pilot	
12E	7017406	1	Plug (Used on 1001099870 Valve)	
12F	7024844	1	Plug (Used on 1001099870 Valve)	
12F	7017492	1	Orifice (Used on 1001099870 Valve)	
13	4711500	4	Flatwasher 5/16in Thin	
	0273704	Ref	DRIVE VALVES INSTALLATION - 4WD	D
102	0641560	3	Bolt 5/16in-18NC x 7-1/2in	
110	3311505	3	Locknut 5/16in-18NC	
111	4641303	1	Flow Divider Valve Assembly	
111A	7023933	1	Cartridge, Flow Divider	
111A	7021625	1	Seal Kit - 7023933 Cartridge	
111B	7022397	6	Cartridge, Check	
111B	7022399	6	Seal Kit - 7022397 Cartridge	
111C	7021639	2	Cartridge, Check Valves	
111C	2900756	2	Seal Kit - 7022398 Cartridge	
111D	7024881	1	Piston, Pilot	
111E	7023917	2	Cartridge, Flow Divider	
111E	7021625	2	Seal Kit - 7023917 Cartridge	
111F	70003935	2	Orifice	
111G	70003936	1	Orifice	
112	4711500	6	Flatwasher 5/16in Thin	
	0274267	Ref	FRAME SHIELDS INSTALLATIONS	A
201	0100011	6	Compound, Locking	
202	0641608	6	Bolt, 3/8in - 16NC x 1in	
203	3575718	1	Plate, Cover Front	
205	4751600	6	Flatwasher 3/8in Regular	

SECTION 1 - FRAME

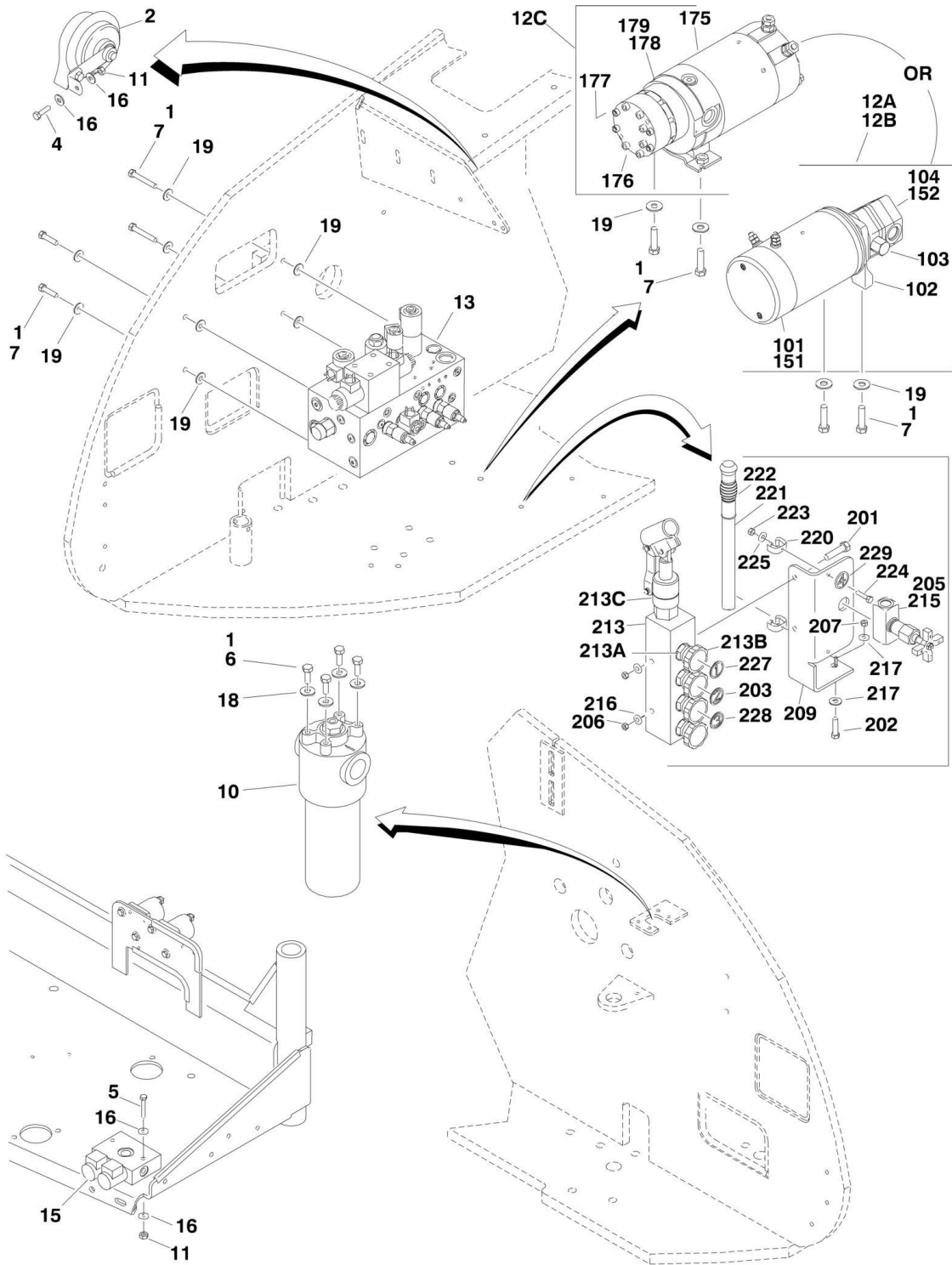
FIGURE 1-8. TOW PACKAGE INSTALLATION

ITEM	PART NUMBER	QTY	DESCRIPTION	REV
		Ref	TOW BAR INSTALLATION	
	0271354	Ref	ANSI, ANSI Export and CSA Specs	E
	1001166809	Ref	CE Specs	A
1	0250528	1	Tow Bar Assembly (See Items 101-121 for Breakdown)	
2	0641504	2	Bolt 5/16in-18NC x 1/2in	
3	3539662	1	Plate, Valve Mounting	
4	4640261	1	Valve, Select	
5	4711500	2	Flatwasher 5/16in Thin	
6	0100011	AR	Compound, Locking	
7		Ref	Decal - Crushing Options:	
7	1704578	2	ANSI, ANSI Export and CSA Specs	
7	1706960	2	CE Specs	
8		Ref	Decal - Towing Instructions Options:	
8	1705090	1	ANSI, ANSI Export and CSA Specs	
8	Not Required	0	CE Specs	
9		Ref	Decal/Nameplate - Steer/Tow Select Valve Options:	
9	3250872	1	ANSI, ANSI Export and CSA Specs	
9	1706957	1	CE Specs	
10	3820001	4	Rivet (ANSI, ANSI Export and CSA Specs Only)	
11	4420051	AR	Tape, Safety	
	0270528	Ref	TOW BAR ASSEMBLY	A
101	0100011	AR	Compound, Locking	
102	0362910	1	Pintle, Draw Eye	
103	0642010	4	Bolt 5/8in-11NC x 1-1/4in	
104	0721004	2	Screw, Hex Machine	
105	0741607	24	Screw, Countersunk 3/8in-16NC x 7/8in	
106	1060584	6	Cable, Lanyard	
107	3420372	2	Pin, Cotter	
108	3420447	1	Pin, Towing	
109	3421565	2	Pin, Snap	
110	3422841	2	Pin	
111	3422847	1	Pin	
112	3572009	2	Plate, Slide Stop	
113	3572010	2	Plate, Slide Stop	
114	3572011	2	Plate, Slide Stop	
115	3572012	2	Plate, Slide Stop	
116	3760170	8	Ring, Split	
117	4568133	1	Tube, Tow Bar	
118	4740036	1	Flatwasher	
119	4751000	2	Flatwasher #10 Regular	
120	4846295	1	Tow Bar Attach Weldment	
121	4846296	1	Pintle Attach Weldment	

SECTION 2 - TURNTABLE

SECTION 2 - TURNTABLE

FIGURE 2-1. CONTROL VALVES INSTALLATIONS



SECTION 2 - TURNTABLE

FIGURE 2-1. CONTROL VALVES INSTALLATIONS

ITEM	PART NUMBER	QTY	DESCRIPTION	REV
	0274644	Ref	VALVES INSTALLATIONS	K
	1001151209	Ref	AUXILIARY PUMP INSTALLATION	A
1	0100011	AR	Compound, Locking	
2	0140001	1	Horn	
4	0641408	1	Bolt 1/4in-20NC x 1in	
5	0641416	2	Bolt1/4in-20NC x 2in	
6		Ref	Bolt Options:	
6	0651406	3	Bolt 1/4in-28NF x 3/4in	
6	0641408	3	Bolt 1/4in-20NC x 1in	
6	0641606	4	Bolt 3/8in-16NC x 3/4in	
7	0641612	6	Bolt 3/8in-16NC x 1-1/2in	
10		Ref	Hydraulic Pressure Filter Assembly Options:	
10		Ref	Hydraulic Pressure Filter Assembly (Prior to SN 0300141319)	
10	2120209	1	Hydraulic Pressure Filter Assembly	
10	2120210	1	Element, Filter	
10	7020020	1	Manual Indicator	
10	70000934	1	O-Ring Filter Bowl	
10		Ref	Hydraulic Pressure Filter Assembly (SN 0300141319 through 0300182743)	
10	1001108617	1	Hydraulic Pressure Filter Assembly	
10	70002231	1	Element, Filter	
11	3311405	3	Locknut 1/4in-20NC	
12		Ref	Auxiliary Pump Assembly Options:	
12A	3600424	1	Fenner Fluid Power Brand (was p/n 3600342 - See Items 101-105 for Breakdown)	
12B	3600424	1	Haldex Brand (See Items 151-152 for Breakdown)	
12C	1001137459	1	Bucher Hydraulics Brand (See Items 175 & 179 for Breakdown)	
13	4641432	1	Main Control Valve Assembly (See MAIN CONTROL VALVE ASSEMBLY for Breakdown)	
15	4641317	1	Dual Select Valve Assembly	C
15	7012944	2	Coil	
15	7012941	2	Cartridge Less Coil	
15	7010543	2	Seal Kit - 7012941 Valve (1 Per Cartridge)	
16	4711400	14	Flatwasher 1/4in Thin	
18		Ref	Flatwasher Options:	
18	4711400	3	Flatwasher 1/4in Thin	
18	4711600	4	Flatwasher 3/8in Thin	
19	4751600	10	Flatwasher 3/8in Regular	
	3600342	Ref	AUXILIARY PUMP ASSEMBLY (FENNER FLUID POWER BRAND)	B
101	7022207	1	Motor	
101	7013753	1	Brush Kit	
102	7016769	1	Bracket, Motor/Pump	
102	7013711	1	Coupling	
103	7013715	1	Ball	
103	7022227	1	Spring	
103	7022228	1	Screw, Valve Adjustment	
103	7022230	1	Cap	
104	7022215	1	Pump	
104	7013716	1	Seal, Shaft	

SECTION 2 - TURNTABLE

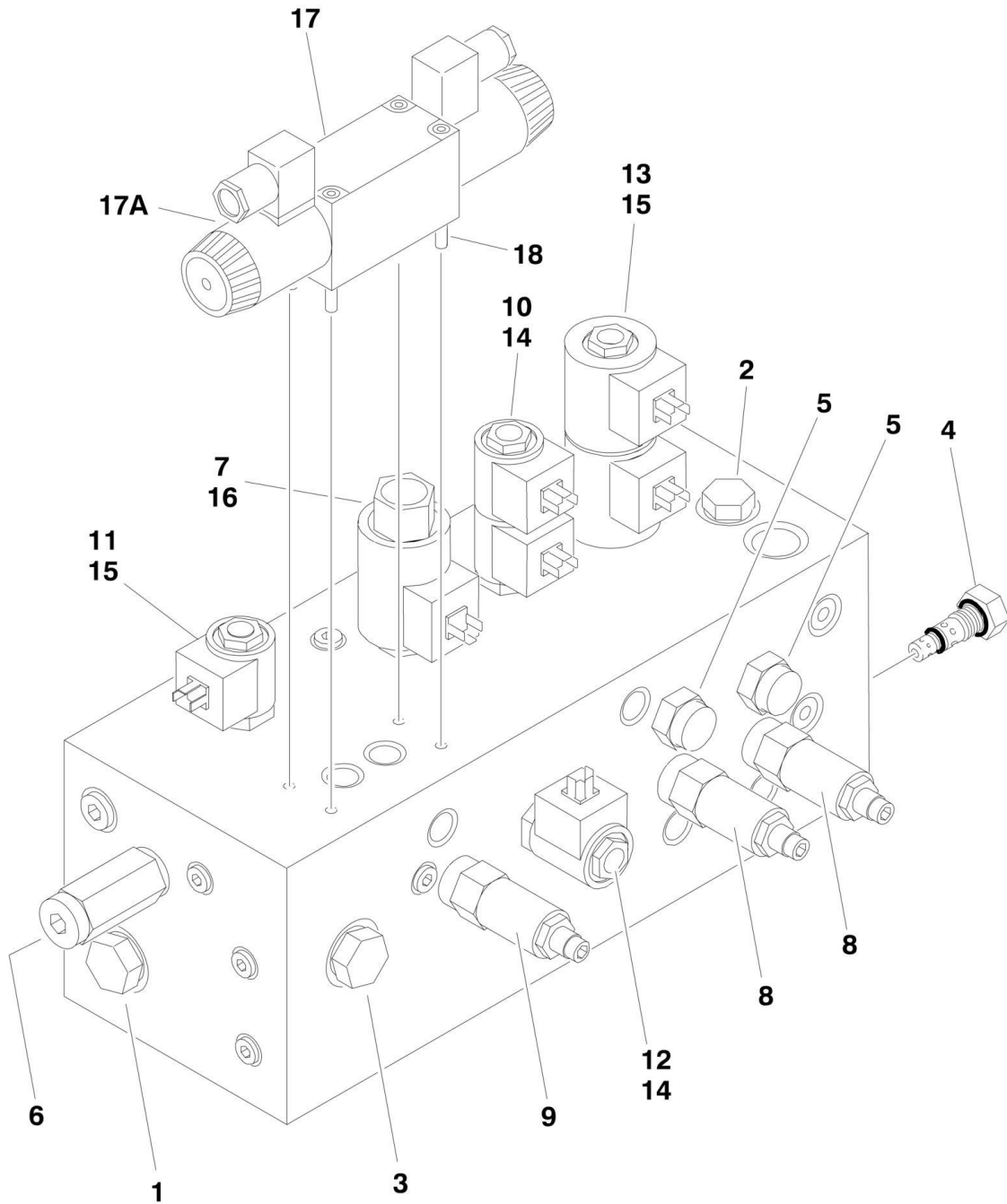
ITEM	PART NUMBER	QTY	DESCRIPTION	REV
105	7022231	1	Ball and Spring Assembly (Not Shown - Located on far side of pump)	
105	7022229	1	Plug	
	3600424	Ref	AUXILIARY PUMP ASSEMBLY (HALDEX BRAND)	B
151	70001056	1	Motor Kit	
151	7011062	1	Bracket, Motor/Pump	
151	7011016	1	Coupling	
151	7029592	2	Setscrew	
152	7029593	1	Pump Kit	
152	7011016	1	Coupling	
152	7011044	1	Gasket	
152	7011048	4	Flatwasher	
152	7011043	4	Screw	
	1001137459	Ref	AUXILIARY PUMP ASSEMBLY (BUCHER HYDRAULICS BRAND)	A
175	70002998	1	Motor	
176	70004266	1	Pump	
177	70001020	4	Screw	
178	70003612	2	O-Ring	
179	70004267	1	O-Ring	
	0272750	Ref	MANUAL DESCENT INSTALLATION (OPTIONAL)	B
201	0641420	2	Bolt 1/4in-20NC x 2-1/2in	
202	0641514	2	Bolt 5/16in-18NC x 1-3/4in	
203	1702927	1	Decal - #2	
204	1705589	1	Decal - Manual Descent (Not Shown - Located on Hydraulic Tank)	
205	2900062	1	Kit, Valve Mounting	
206	3311405	2	Locknut 1/4in-20NC	
207	3311505	2	Locknut 5/16in-18NC	
209	3574179	1	Plate, Valve Mounting	
213	4640930	1	Manifold, Manual Descent Assembly	
213A		Ref	Cartridge, Needle Options:	
213A	4640902	4	Cartridge, Needle (was p/n 7012954) (Original Equipment)	
213A	7012953	4	Seal, Kit - 7012954 Cartridge	
213A	4640902	4	Cartridge, Needle (Service Replacement)	
213A	7012953	4	Seal, Kit - 4640902 Cartridge	
213B	7012961	4	Knob	
213C		Ref	Cartridge, Pump Options:	
213C	70004019	1	Cartridge, Pump (was p/n 7012694) (Original Equipment)	
213C	7012699	1	Seal, Kit - 7012694 Cartridge	
213C	70004019	1	Cartridge, Pump (Service Replacement)	
213C	7017496	1	Seal, Kit - 70004019 Cartridge (was p/n 2900756)	
215	4641263	1	Valve, Metering	
216	4751400	2	Flatwasher 1/4in Regular	
217	4751500	4	Flatwasher 5/16in Regular	
220	1380136	2	Clip, Gripper	
221	2560122	1	Handle	
222	2560123	1	Handle, Grip	
223	3311005	2	Locknut #10-24NC	
224	3911008	2	Screw	
225	4751000	2	Flatwasher #10 Regular	
226	1702901	1	Decal - Manual Descent (Not Shown - Located on hood)	
227	1702903	1	Decal - #1	

SECTION 2 - TURNTABLE

ITEM	PART NUMBER	QTY	DESCRIPTION	REV
228	1702924	1	Decal - #3	
229	1702925	1	Decal - #4	

SECTION 2 - TURNTABLE

FIGURE 2-2. MAIN CONTROL VALVE ASSEMBLY



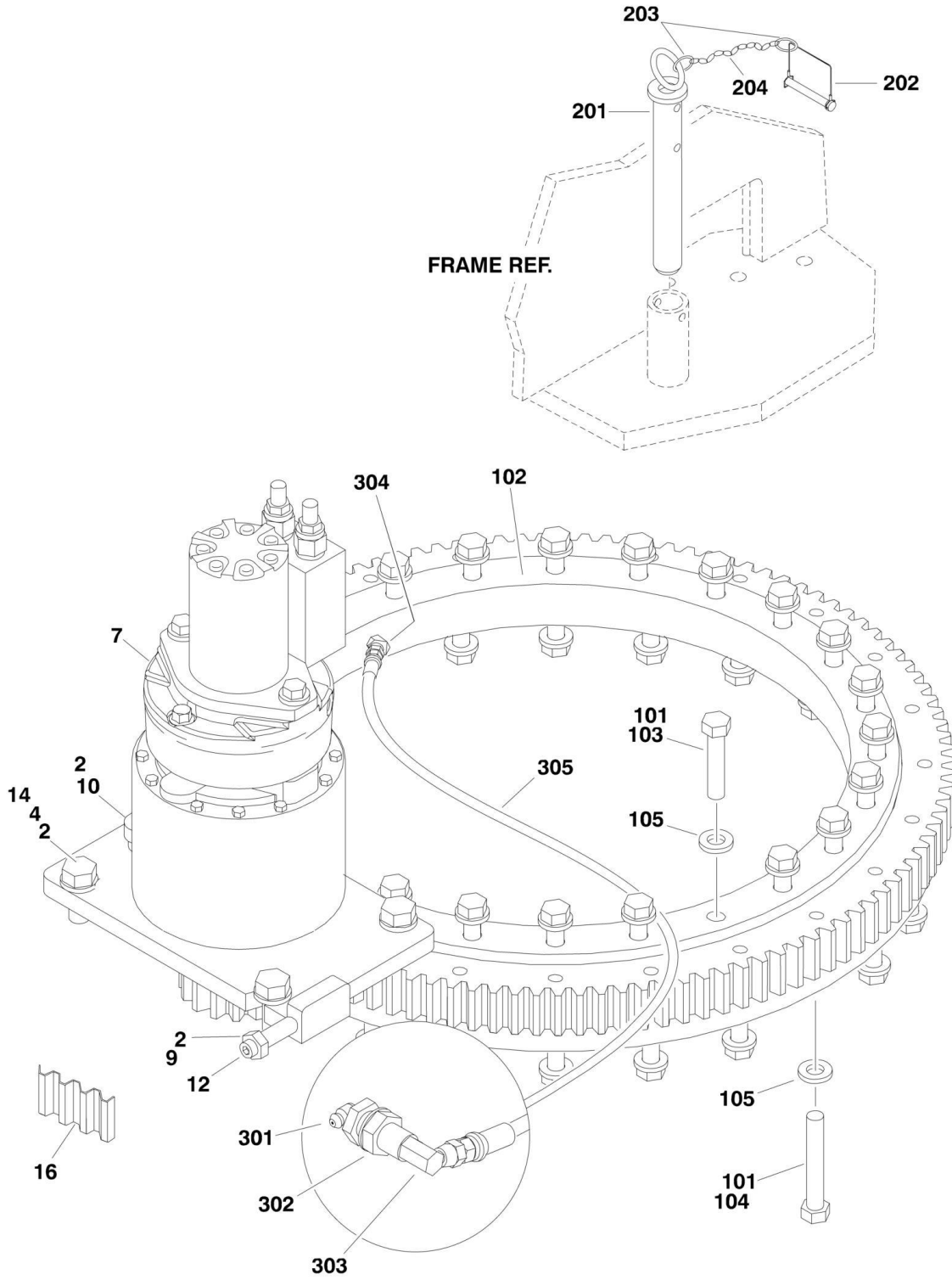
SECTION 2 - TURNTABLE

FIGURE 2-2. MAIN CONTROL VALVE ASSEMBLY

ITEM	PART NUMBER	QTY	DESCRIPTION	REV
	4641432	Ref	MAIN CONTROL VALVE ASSEMBLY	A
1	7023918	1	Cartridge, Check Valve	
1	7023919	1	Seal Kit - 7023918 Cartridge	
2	7012975	1	Cartridge, Check Valve	
2	7012967	1	Seal Kit - 7012975 Cartridge (was p/n 7012540)	
3	7023985	1	Cartridge, Check Valve	
3	7017496	1	Seal Kit - 7023985 Cartridge	
4	7023986	1	Cartridge, Flow Regulator (Steer)	
4	7010545	1	Seal Kit - 7023986 Cartridge	
5	10837580	2	Cartridge, Load Sensing (Steer and Swing) (was p/n 7010542)	
5	7010543	2	Seal Kit - 7010542 Cartridge	
6	7023987	1	Cartridge, Pilot	
6	7012942	1	Seal Kit - 7023987 Cartridge	
7	7023921	1	Cartridge, Proportional Flow (Tele)	
7	7012925	1	Seal Kit - 7023921 Cartridge	
8	7017422	2	Cartridge, Relief Valve (Steer and Swing)	
8	7012998	2	Seal Kit - 7017422 Cartridge	
9	7017489	1	Cartridge, Relief Valve (Tele Out Relief)	
9	7012998	1	Seal Kit - 7017489 Cartridge	
10	7023922	1	Cartridge, Solenoid (Swing)	
10	7017402	1	Seal Kit - 7023922 Cartridge	
11	7023923	1	Cartridge, Solenoid (Main Dump)	
11	7023919	1	Seal Kit - 7023923 Cartridge	
12	7021612	1	Cartridge, Solenoid (Lift Up Dump)	
12	7010543	1	Seal Kit - 7021612 Cartridge (was p/n 7012907)	
13	7023925	1	Cartridge, Solenoid (Steer Direction)	
13	7012903	1	Seal Kit - 7023925 Cartridge	
14	7012944	3	Coil	
15	7012943	3	Coil	
16	7017451	1	Coil	
17	70000579	1	Control Valve Assembly (Tele Direction)	
17	70000583	1	Seal Kit	
17A	70000582	1	Coil	
17A	70000580	1	Nut, Coil	
18	See Note	4	Capscrew (Note: Not Available for Purchase.)	

SECTION 2 - TURNTABLE

FIGURE 2-3. TURNTABLE AND SWING DRIVE INSTALLATION



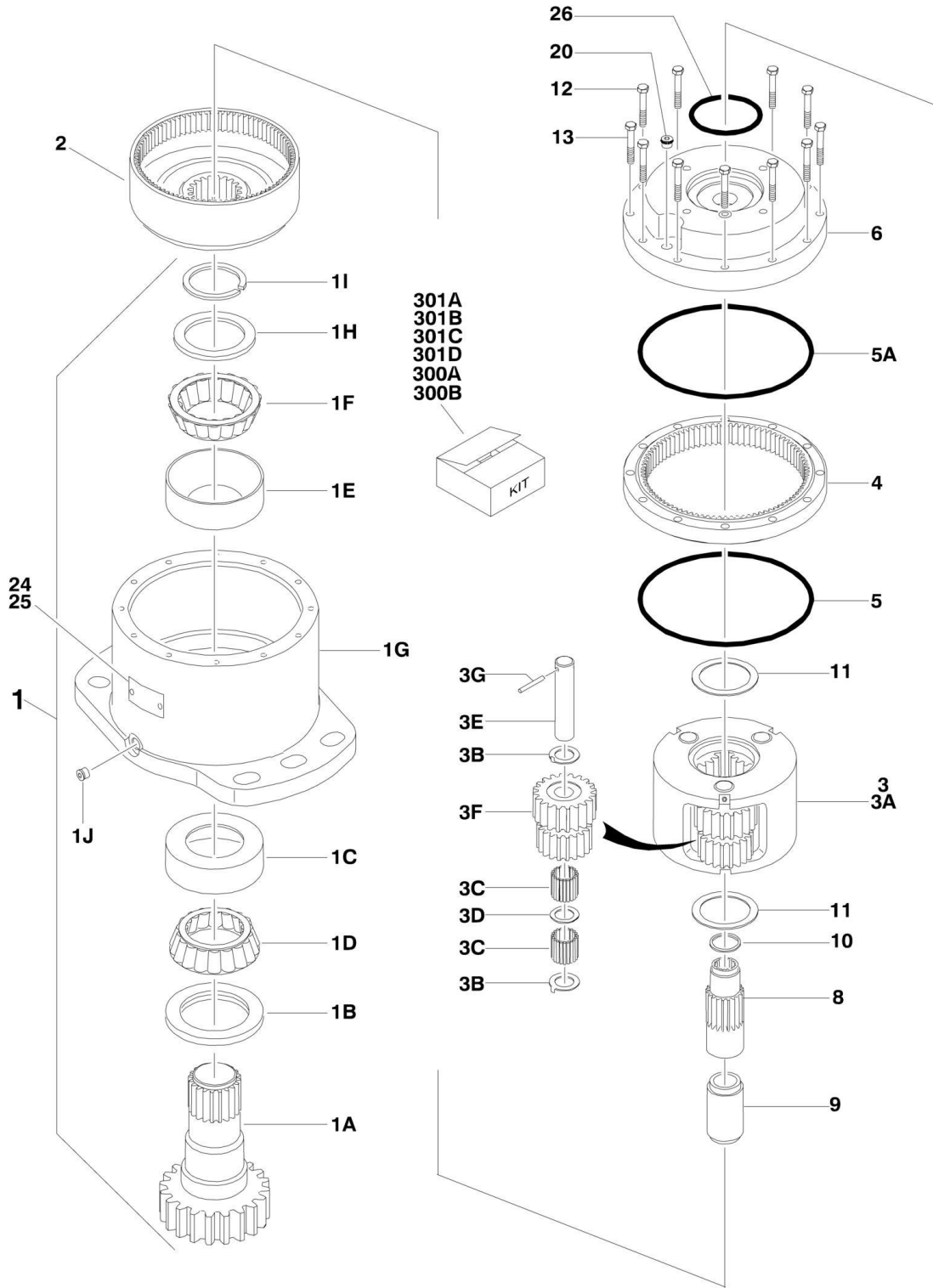
SECTION 2 - TURNTABLE

FIGURE 2-3. TURNTABLE AND SWING DRIVE INSTALLATION

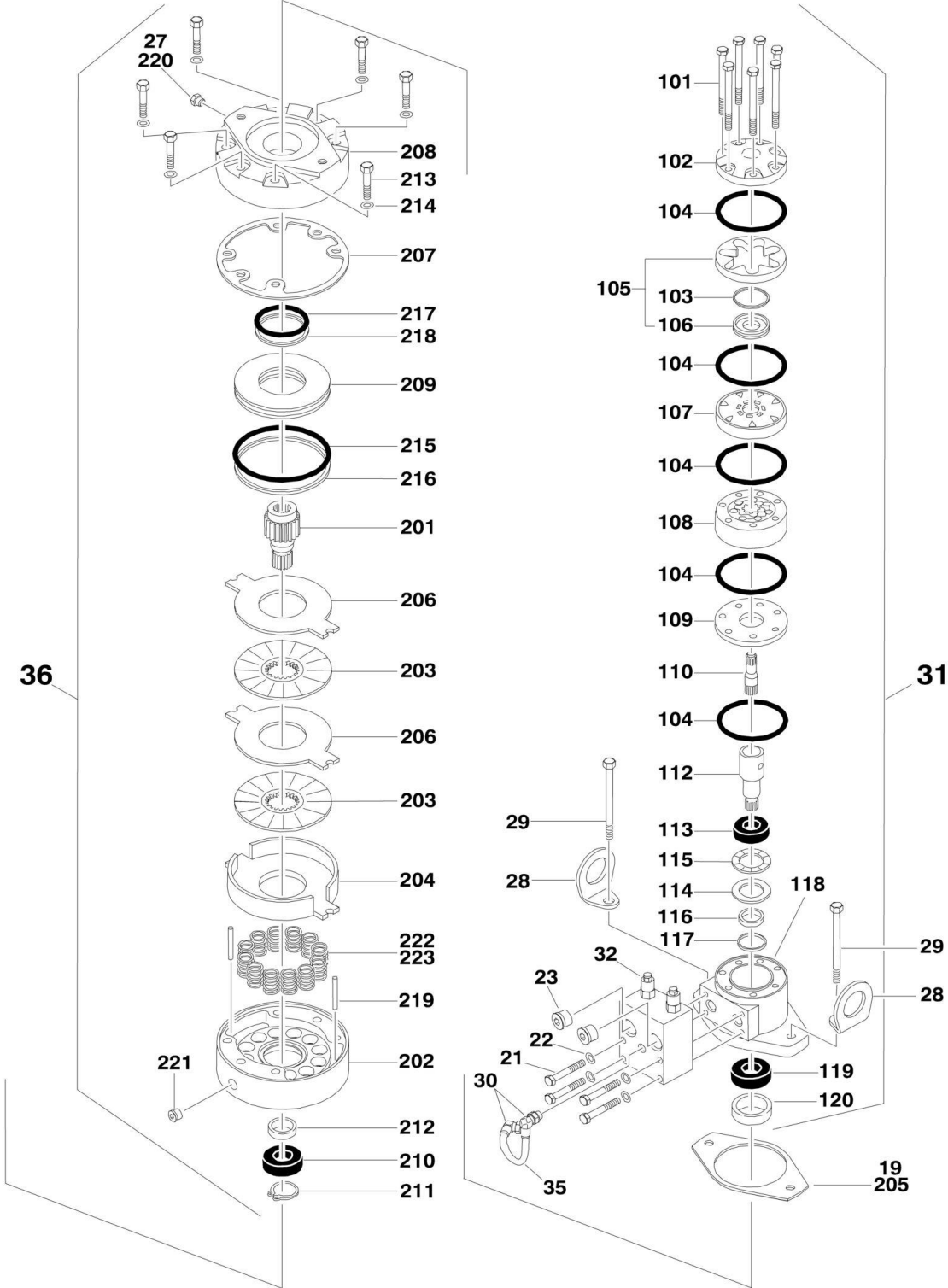
ITEM	PART NUMBER	QTY	DESCRIPTION	REV
	4620158	Ref	TURNTABLE WELDMENT	
	0272188	Ref	SWING DRIVE INSTALLATION (Prior to SN 0300134352)	E
	1001094899	Ref	SWING DRIVE INSTALLATION (SN 0300134352 through 0300182743)	B
2	0100019	AR	Compound, Locking	
4	0682216	4	Bolt 3/4in-10NC x 2in (Grade 8)	
7		Ref	Swing Motor/Brake/Hub Assembly Options (See SWING MOTOR/BRAKE/HUB ASSEMBLY for Breakdown):	
7	3160294	1	Swing Motor/Brake/Hub Assembly (Prior to SN 0300134352)	
7	1001101060	1	Swing Motor/Brake/Hub Assembly (SN 0300134352 through 0300182743)	
9	3312002	1	Nut, Jam 3/4in-10NC	
10	3900293	1	Bolt, Shoulder	
12	3952020	2	Setscrew 5/8in-11NC x 2-1/2in	
14	4740057	4	Flatwasher 3/4in Hardened	
16	4071009	1	Shim	
	0271002	Ref	SWING BEARING INSTALLATION	E
101	0100019	AR	Compound, Locking	
102	0440244	1	Bearing, Turntable	
103	0682023	24	Bolt 5/8in - 11NC X 2-7/8in (Grade 8)	
104	0682032	24	Bolt 5/8in - 11NC x 4in (Grade 8)	
105	4892000	48	Flatwasher 5/8in Hardened	
	0259147	Ref	TURNTABLE LOCK INSTALLATION	B
201	4844958	1	Pin	
202	3421565	1	Pin, Snap	
203	3760170	2	Ring, Quick Release	
204	1260017	9 in/23cm	Chain	
	0271496	Ref	REMOTE BEARING LUBE INSTALLATION	B
301	2160001	1	Fitting, Grease	
302	2180344	1	Fitting, Bulkhead	
303	2220063	1	Fitting, Elbow	
304	2220124	1	Fitting, Elbow (Prior to SN 0300111097)	
305	2751032	1	Hose, Grease	

SECTION 2 - TURNTABLE

FIGURE 2-4. SWING MOTOR/BRAKE/HUB ASSEMBLY (Prior to SN 0300134352)



SECTION 2 - TURNTABLE



SECTION 2 - TURNTABLE

FIGURE 2-4. SWING MOTOR/BRAKE/HUB ASSEMBLY (Prior to SN 0300134352)

ITEM	PART NUMBER	QTY	DESCRIPTION	REV
	3160294	Ref	SWING MOTOR/BRAKE/HUB ASSEMBLY	B
1	See Note	1	Housing/Shaft Assembly (Note: Not Available - Purchase Individual Components.)	
1A	7010492	1	Shaft, Out put	
1B	7000228	1	Seal, Lip	
1C	7000255	1	Cup, Bearing	
1D	7000255	1	Cone, Bearing (was p/n 7000256)	
1E	7000257	1	Cup, Bearing	
1F	7000257	1	Cone, Bearing (was p/n 7000258)	
1G	7024762	1	Housing	
1H	7007633	1	Thrustwasher	
1I	7000229	1	Ring, Retaining	
1J	7001928	1	Plug, Pipe	
2	7000246	1	Gear, Internal	
3	80424002	1	Carrier Assembly	
3A	7001931	1	Carrier	
3B	7001985	6	Washer, Tanged	
3C	7001909	84	Bearing, Needle	
3D	7000263	3	Thrustwasher	
3E	7001911	3	Shaft, Planet	
3F	7001912	3	Gear, Cluster	
3G	7010474	3	Rollpin	
4	7000248	1	Gear, Ring	
5	7000230	1	O-Ring	
5A	7017070	1	O-Ring	
6	7000209	1	Cover, Input	
8	7010461	1	Gear, Sun	
9	7000269	1	Spacer, Input	
10	7000270	1	Thrustwasher	
11	7000253	2	Thrustwasher	
12	7000217	8	Bolt 3/8in-16NC x 2-1/4in (Grade 8)	
13	7000214	4	Bolt, Shoulder 3/8in-16NC x 1-7/8in (Grade 8)	
19	7024703	1	Gasket	
20	2200222	1	Plug, Pipe	
21	7024704	4	Bolt 5/16in-18NC x 2in (Grade 8)	
22	See Note	4	Lockwasher (Note: Not available for purchase.)	
23	7017023	2	Plug, Pipe	
24	See Note	1	Plate, ID (Note: Not available for purchase.)	
25	7000281	2	Screw, Drive	
26	7024705	1	O-Ring	
27	7017082	1	Plug, Pipe	
28	See Note	2	Lug, Lifting (Note: Not available for purchase.)	
29	7024185	2	Bolt 1/2in-13NC x 5in (Grade 8)	
30	7017085	2	Elbow	
31	7024707	1	Motor Assembly (See Items 101-120 for Breakdown)	
32	7024784	1	Valve Assembly - Complete (No Serviceable Parts)	
35	7024706	1	Tube	
36	7024702	1	Brake Assembly (See Items 201-223 for Breakdown)	
	7024707	Ref	MOTOR ASSEMBLY	
101	7024454	5	Bolt	

SECTION 2 - TURNTABLE

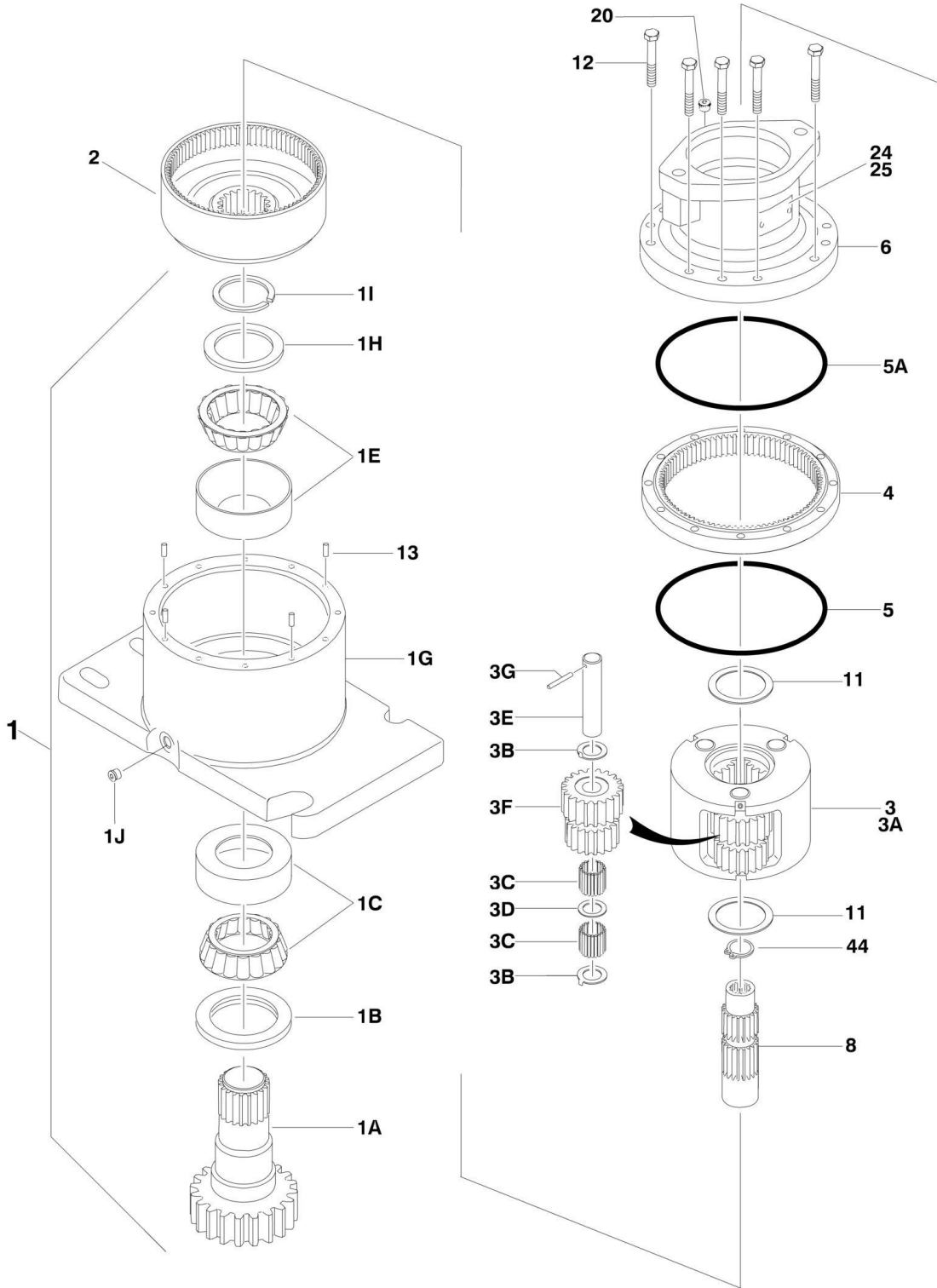
ITEM	PART NUMBER	QTY	DESCRIPTION	REV
102	7024459	1	Cover, End	
103	7024389	1	Seal, Commutator	
104	7024389	5	Seal, Ring	
105	7024453	1	Commutator and Ring Assembly	
106	7024453	1	Ring	
107	7024379	1	Manifold	
108	7024455	1	Rotor Set	
109	7024380	1	Plate, Wear	
110	7024456	1	Link, Drive	
112	7024458	1	Shaft, Coupling	
113	7004042	1	Bearing, Inner	
114	7004043	1	Thrustwasher	
115	7004044	1	Bearing, Thrust	
116	7024389	1	Seal, Inner	
117	7024389	1	Washer, Back-up	
118	7024457	1	Housing	
119	80424042	1	Bearing, Outer (was p/n 7004046)	
120	7024389	1	Seal	
	7024702	Ref	BRAKE ASSEMBLY	
201	7024189	1	Shaft	
202	7024702	1	Housing (Note: Not available for purchase.)	
203	7024193	2	Plate, Friction	
204	7024193	1	Plate, Pressure	
205	7024194	1	Gasket	
206	7024193	2	Plate, Outer	
207	See Note	1	Gasket (Note: Use Items 300B, 301C or 301D)	
208	7024191	1	Cylinder	
209	7024192	1	Piston	
210	7024197	1	Bearing, Ball	
211	7024197	1	Ring, Retaining	
212	7024197	1	Seal, Shaft	
213	See Note	6	Capscrew (Note: Not Available for Purchase.)	
214	See Note	6	Lockwasher (Note: Not Available for Purchase.)	
215	7024194	1	O-Ring	
216	7024194	1	Ring, Back-up	
217	7024194	1	O-Ring	
218	7024194	1	Ring, Back-up	
219	7024190	2	Pin, Dowel	
220	See Note	1	Plug (Note: Not Available - Purchase Locally.)	
221	See Note	1	Plug (Note: Not Available - Purchase Locally.)	
222	7024196	AR	Spring (Natural)	
223	7024196	AR	Spring, (Blue)	
		Ref	KIT OPTIONS:	
300		Ref	Seal Kit Options:	
300A	7024389	1	Seal Kit - 7024707 Motor (Includes Items 103, 104, 116, 117 & 120) (was p/n 7024396)	
300B	7024194	1	Seal Kit - 7024702 Brake (Includes Items 205, 207 & 215-218)	
301		Ref	Repair Kit Options:	
301A	7024196	1	Spring Kit - 7024182 Brake (Includes 12 Natural Colored Springs) (was p/n 7024195)	
		Ref	Note: Spring Kit no Longer Available, Purchase Kit p/n 7024196.	

SECTION 2 - TURNTABLE

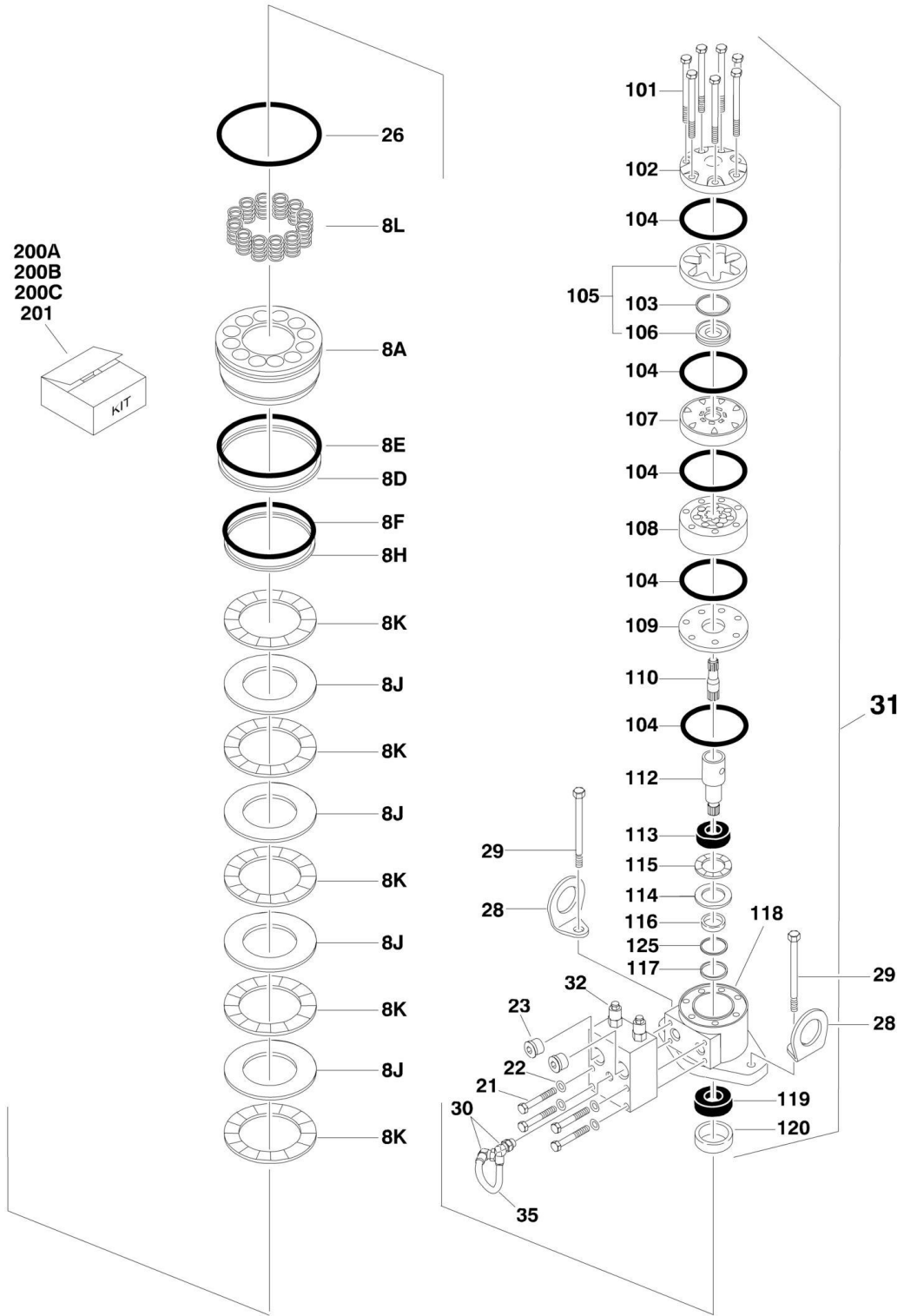
ITEM	PART NUMBER	QTY	DESCRIPTION	REV
301B	7024196	1	Spring Kit - 7024182 Brake (Includes 12 Natural & 2 Blue Colored Springs)	
301C	7024193	1	Friction Disc Kit - 7024702 Brake (Includes Items 203, 204, 206 & 207)	
301D	7024197	1	Bearing Kit - 7024702 Brake (Includes Items 207 & 210-212)	

SECTION 2 - TURNTABLE

FIGURE 2-5. SWING MOTOR/BRAKE/HUB ASSEMBLY (SN 0300134352 through 0300182743)



SECTION 2 - TURNTABLE



SECTION 2 - TURNTABLE

FIGURE 2-5. SWING MOTOR/BRAKE/HUB ASSEMBLY (SN 0300134352 through 0300182743)

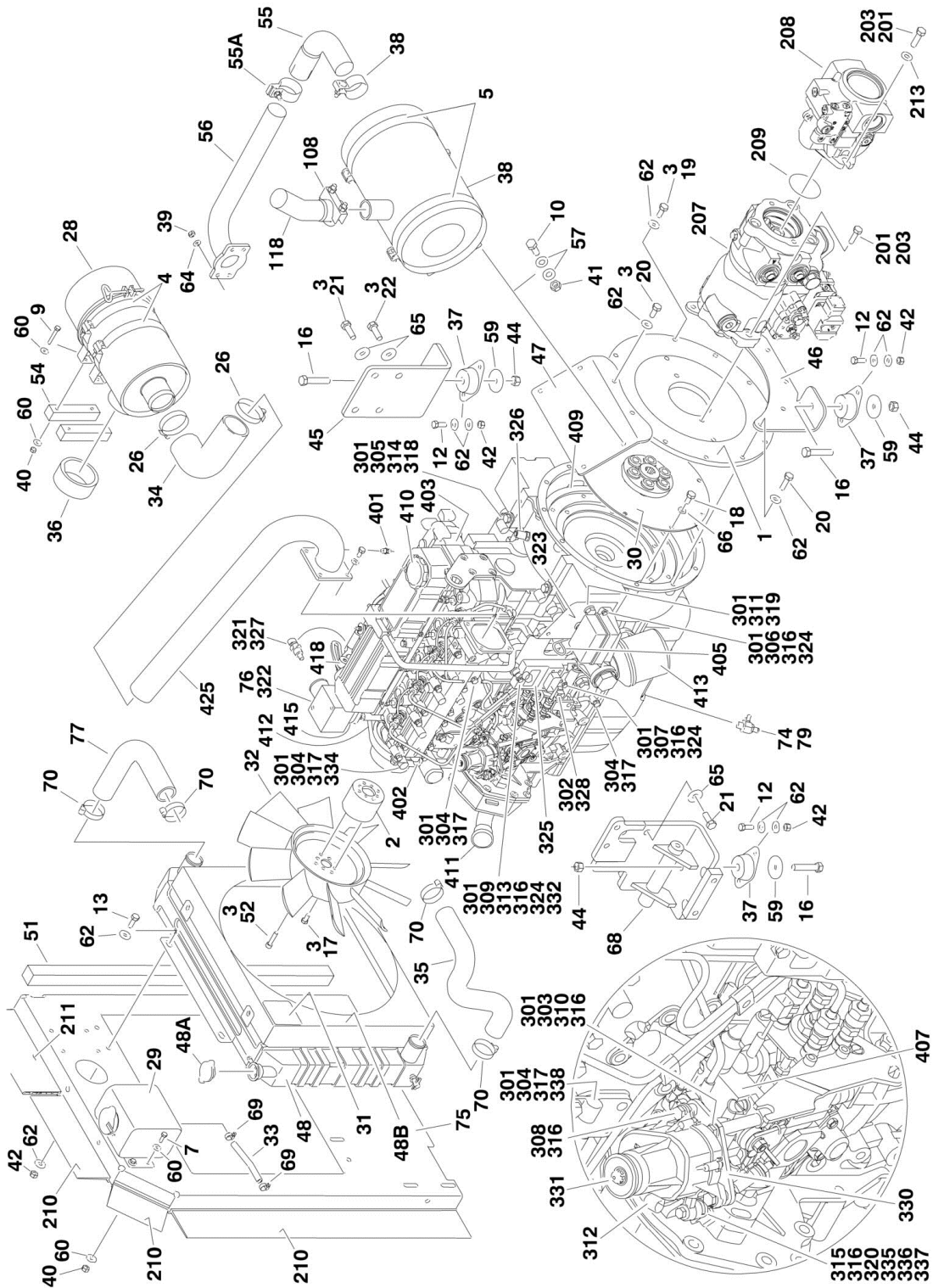
ITEM	PART NUMBER	QTY	DESCRIPTION	REV
	1001101060	Ref	SWING MOTOR/HUB ASSEMBLY	A
1	See Note	1	Housing/Shaft Assembly (Note: Not Available - Purchase Individual Components.)	
1A	7010492	1	Shaft, Output	
1B	7000228	1	Seal, Lip	
1C	7000255	1	Bearing Kit (Includes Cup and Cone)	
1E	7000257	1	Bearing Kit (Includes Cup and Cone)	
1G	7024762	1	Housing	
1H	7007633	1	Thrustwasher	
1I	7000229	1	Ring, Retaining	
1J	7017072	1	Plug, Pipe	
2	7000246	1	Gear, Internal	
3	80424002	1	Carrier Assembly	
3A	7001931	1	Carrier	
3B	7001985	6	Washer, Tanged	
3C	7001909	84	Bearing, Needle	
3D	7000263	3	Thrustwasher	
3E	7001911	3	Shaft, Planet	
3F	7001912	3	Gear, Cluster	
3G	7010474	3	Rollpin	
4	7000248	1	Gear, Ring	
5	7000230	1	O-Ring	
5A	7017070	1	O-Ring	
6	1001101060	1	Housing, Brake (Note: Not Available - Purchase Complete Assy.)	
8	70002065	1	Gear, Sun	
8A	70000782	1	Piston	
8D	70002070	1	O-Ring	
8E	70002071	1	Ring, Back-up	
8F	70002073	1	O-Ring	
8H	70002072	1	Ring, Back-up	
8J	70002067	4	Disc, Rotor	
8K	70002068	5	Disc, Stator	
8L	70002066	14	Spring	
11	7000253	2	Thrustwasher	
12	7000217	12	Bolt 3/8in-16NC x 2-1/4in (Grade 8)	
13	7017080	4	Pin, Dowel	
20	7017072	1	Plug, Pipe	
21	7024704	4	Bolt 5/16in-18NC x 2in (Grade 8)	
22	See Note	4	Lockwasher (Note: Not Available for Purchase.)	
23	7017023	2	Plug, Pipe	
24	See Note	1	Plate, ID (Note: Not Available for Purchase.)	
25	7000281	2	Screw, Drive	
26	7024763	1	O-Ring	
28	See Note	2	Lug, Lifting (Note: Not Available for Purchase.)	
29	70002069	2	Bolt 1/2in-13NC x 2in (Grade 8)	
30	7017085	2	Elbow	
31	70002075	1	Motor Assembly (See Items 101-125 for Breakdown)	
32	7024784	1	Valve Assembly - Complete (No Serviceable Parts)	
35	70002074	1	Tube	
44	7017028	1	Ring, Internal Retaining	

SECTION 2 - TURNTABLE

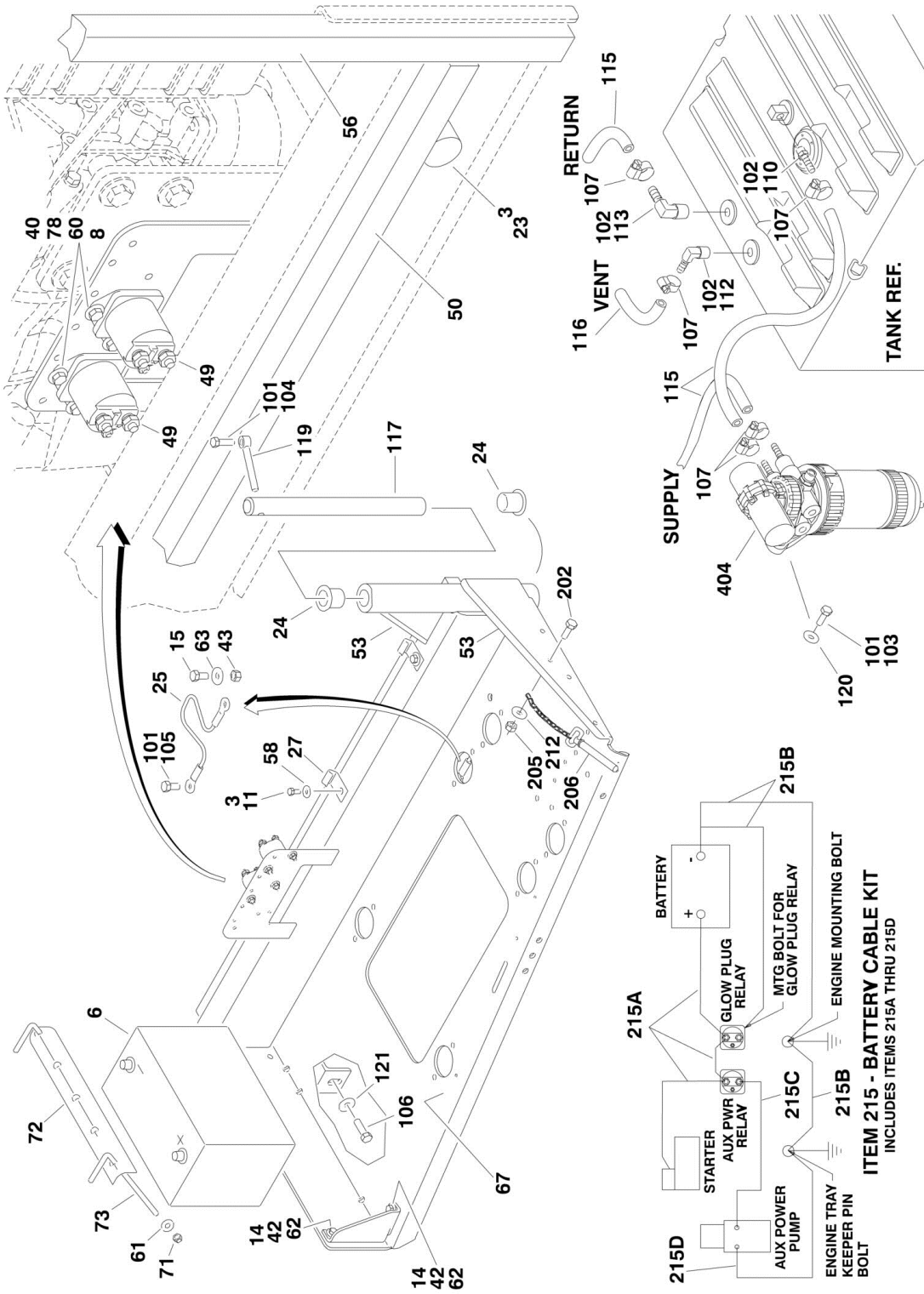
ITEM	PART NUMBER	QTY	DESCRIPTION	REV
	70002075	Ref	MOTOR ASSEMBLY	
101	7024454	5	Bolt	
102	7004035	1	Cover, End	
103	7023318	1	Seal, Commutator	
104	7004036	5	Seal, Ring	
105	7024453	1	Commutator and Ring Assembly	
106	7024453	1	Ring	
107	7024379	1	Manifold	
108	7024455	1	Rotor Set	
109	7024380	1	Plate, Wear	
110	7024456	1	Link, Drive	
112	7024458	1	Shaft, Coupling	
113	7024381	1	Bearing, Inner	
114	7004043	1	Thrustwasher	
115	7004044	1	Bearing, Thrust	
116	7004049	1	Seal, Inner	
117	7004045	1	Washer, Back-up	
118	7024457	1	Housing	
119	7024390	1	Bearing, Outer	
120	7004047	1	Seal	
125	80424043	1	Washer, Back-up	
		Ref	KIT OPTIONS:	
200		Ref	Seal Kit Options:	
200A	7024100	1	Swing Hub (Includes Items 1B, 1I, 5, 5A & 11)	
200B	70002086	1	Swing Brake (Includes Items 8D, 8E, 8F, 8H & 26)	
200C	7024396	1	Swing Motor (Includes Items 103, 104, 116, 117, 120 & 125)	
201	70002085	1	Disc Kit - Swing Brake (Includes Items 8J & 8K)	

SECTION 2 - TURNTABLE

FIGURE 2-6. CATERPILLAR ENGINE INSTALLATION



SECTION 2 - TURNTABLE



SECTION 2 - TURNTABLE

FIGURE 2-6. CATERPILLAR ENGINE INSTALLATION

ITEM	PART NUMBER	QTY	DESCRIPTION	REV
	1001109065	Ref	CATERPILLAR TIER IVi ENGINE ASSEMBLY	D
1	0080181	1	Adaptor, Pump Mounting Plate	
2	0080243	1	Adaptor, Fan Spacer	
3	0100011	AR	Compound, Locking	
4	0340041	2	Band, Mounting	
5	0340046	2	Band, Muffler	
6	0400075	1	Battery	
7	0641406	4	Bolt 1/4in-20NC x 3/4in	
8	0641407	4	Bolt 1/4in-20NC x 7/8in	
9	0701414	4	Bolt 1/4in-20NC x 3/4in	
10	0641507	4	Bolt 5/16in-18NC x 7/8in	
11	0641606	2	Bolt 3/8in-16NC x 3/4in	
12	0641608	8	Bolt 3/8in-16NC x 1in	
13	0641609	4	Bolt 3/8in-16NC x 1-1/8in	
14	0641610	4	Bolt 3/8in-16NC x 1-1/4in	
15	0641808	1	Bolt 1/2in-13NC x 1in	
16	0641820	4	Bolt 1/2in-13NC x 2-1/2in	
17	0700808	4	Bolt M8 x 16mm	
18	0701010	8	Bolt M10 x 20mm	
19	0701012	4	Bolt M10 x 25mm	
20	0701015	8	Bolt M10 x 35mm	
21	0711214	5	Bolt M12 x 30mm	
22	0771212	3	Bolt M12 x 25mm	
23	0940070	1	Bumper, Rubber	
24	0961986	2	Bearing, Flange	
25	1060637	1	Lanyard	
26	1320016	2	Clamp, Hose	
27	1320223	4	J-Clip 1/2in	
28	1340060	1	Air Cleaner Assembly	
28	7012664	1	Element, Air Cleaner	
29	1580011	1	Container, Coolant Overflow	
30	1660239	1	Coupling, Pump	
31	1703162	2	Decal - Fan Blade	
32	2060025	1	Fan	
33	2720058	0.33 ft	Hose	
34	2720434	1	Elbow, Rubber	
35	2720509	1	Hose, Radiator (Bottom)	
36	2720515	1	Seal, Air Cleaner	
37	3200406	4	Mount, Engine	
38		Ref	Muffler Options:	
38	3220113	1	Spark Arresting Muffler	
38	70001017	1	Clamp	
38	1001107116	1	Catalytic Muffler	
38	70002705	1	Clamp	
38	70002706	1	Plug, Brass	
39	3290801	4	Nut m8 x 1.25	
40	3311405	12	Locknut 1/4in-20NC	
41	3311505	4	Locknut 5/16in-18NC	
42	3311605	AR	Locknut 3/8in-16NC	
43	3311801	1	Nut 1/2in-13NC	

SECTION 2 - TURNTABLE

ITEM	PART NUMBER	QTY	DESCRIPTION	REV
44	3311805	4	Locknut 1/2in-13NC	
45	3574206	1	Plate, Motor Mount	
46	3574207	1	Plate, Engine Mount (Rear)	
47	3574208	1	Bracket, Muffler	
48	3620047	1	Radiator	
48A	7027412	1	Cap	
48B	70004182	1	Shroud, Fan	
49	3740067	3	Relay, Solenoid Assembly	
50	3960468	1	Seal, Foam Gasket	
51	3960469	1	Seal, Foam Gasket	
52	4031911	4	Bolt Metric m8 x 35mm	
53	4060805	2	Flex-Trim 1/4in	
		ft/0.7mm		
54	4220191	2	Block, Spacer	
55	4567073	1	Tube, Exhaust	
55A	70001017	1	Clamp	
56	4568721	1	Exhaust Tube Weldment	
57	4711500	8	Flatwasher 5/16in Thin	
58	4711600	2	Flatwasher 3/8in Thin	
59	4740274	4	Washer, Snubbing	
60	4751400	24	Flatwasher 1/4in Regular	
61	4751500	2	Flatwasher 5/16in Regular	
62	4751600	44	Flatwasher 3/8in Regular	
63	4751800	1	Flatwasher	
64	4811900	4	Flatwasher M8	
65	4812100	8	Flatwasher M12	
66	4832000	8	Lockwasher M10	
67	4846790	1	Tray Engine	
68	4846805	1	Mount, Engine/Generator - Left	
69	8405009	2	Clamp, Hose	
70	8405104	4	Clamp, Hose	
71	88521205	2	Locknut, Nylon Insert 5/16in-18NC	
72	91401281	1	Hold-down, Battery	
73	1001093382	2	Bolt, Battery Hold-down	
74		Ref	Valve, Oil Drain Options:	
74	4640750	1	Valve, Oil Drain (was p/n 1001105833) (Prior to SN 0300141103)	
74	4640750	1	Valve, Oil Drain (SN 0300141103 through 0300182743)	
75	1001109595	1	Plate, Radiator Mounting	
76	1001112077	1	Caterpillar Tier IVi Engine Assembly	
77	1001107705	1	Hose, Radiator (Top)	
78	4791400	4	Starwasher 1/4in	
79	0100020	AR	Sealant, Pipe (SN 0300141103 through 0300182743)	
	1001110212	Ref	CATERPILLAR TIER IVi ENGINE INSTALLATION	D
101	0100011	AR	Compound, Locking	
102	0100020	AR	Sealant, Thread	
103	0641608	2	Bolt 3/8in-16NC x 1in	
104	0641610	1	Bolt 3/8in-16NC x 1-1/4in	
105	0641808	1	Bolt 1/2in-13NC x 1in	
106	0642010	1	Bolt 5/8in-11NC x 1-1/4in	
107	1320022	7	Clamp, Hose	
108	1320176	1	Clamp	

SECTION 2 - TURNTABLE

ITEM	PART NUMBER	QTY	DESCRIPTION	REV
109	1701505	1	Decal - Diesel (Not Shown - Located on Hood)	
110	2180348	1	Fitting, Barbed	
111	2200222	1	Plug, Pipe (Not Shown - Located in Bottom of Fuel Tank)	
112	2220313	1	Fitting, Elbow	
113	2221176	1	Fitting, Elbow	
114	2300004	2.63 gal/9.96Li	Anti-Freeze (Not Shown)	
115	2720058	30 ft/9.1m	Hose	
116	2750532	7 ft/2.2m	Hose 3/8in	
117	3422446	1	Pin, Pivot	
118	3460544	1	Pipe, Exhaust	
119	3841143	1	Keeper, Pin	
120	4711600	2	Flatwasher 3/8in Thin	
121	4752000	1	Flatwasher 5/8in Regular	
	1001110206	Ref	CATERPILLAR TIER IVi ENGINE W/PUMPS ASSEMBLY	B
201	0100011	AR	Compound, Locking	
202	0641407	1	Bolt 1/4in-20NC x 7/8in	
203	0641812	4	Bolt 1/2in-13NC x 1-1/2in	
204	3020016	2.5 gal/9.4Li	Motor Oil 15W-40 (Not Shown)	
205	3311405	1	Locknut 1/4in-20NC	
206	3422532	1	Pin, Hitch	
207	3600410	1	Piston Pump Assembly (See PUMP ASSEMBLY (SAUER-DANFOSS) for Breakdown)	
208	3600411	1	Load Sensing Pump Assembly with Fittings (See LOAD SENSING PUMP ASSEMBLY for Breakdown)	
209	3790044	1	O-Ring	
210	3960548	42 in/1m	Seal, Hood	
211	3960549	1 ft/0.3mm	Seal	
212	4751400	1	Flatwasher 1/4in Regular	
213	4891800	2	Flatwasher 1/2in Hardened	
215	1001112762	1	Battery Cable Kit	B
215A	7027028	1	Cable, Battery (Red)	
215B	7027029	1	Cable, Battery (Black)	
215C	7027030	1	Cable (Red)	
215D	7027031	1	Cable (Black)	
	1001112077	Ref	CATERPILLAR TIER IVI ENGINE W/ECM ASSEMBLY	E
301	0100011	AR	Compound, Locking	
302	0100020	AR	Sealant, Thread	
303	0700620	1	Bolt M6 x 60mm	
304	0700808	5	Bolt M8 x 16mm	
305	0701010	2	Bolt M10 x 20mm	
306	0760606	2	Bolt M6 x 12mm	
307	0760610	2	Bolt M6 x 20mm	
308		Ref	Bolt M6 x 25mm Options:	
308	0760612	3	Bolt M6 x 25mm (Prior to SN 0300141319)	
308	4031709	3	Bolt M6 x 25mm (SN 0300141319 through 0300182743)	
309	8303541	1	Screw M6 x 35mm	
310	0700616	2	Bolt M6 x 40mm	
311	0761210	2	Bolt M12 x 20mm	
312	8406009	1	Clamp, Cable	

SECTION 2 - TURNTABLE

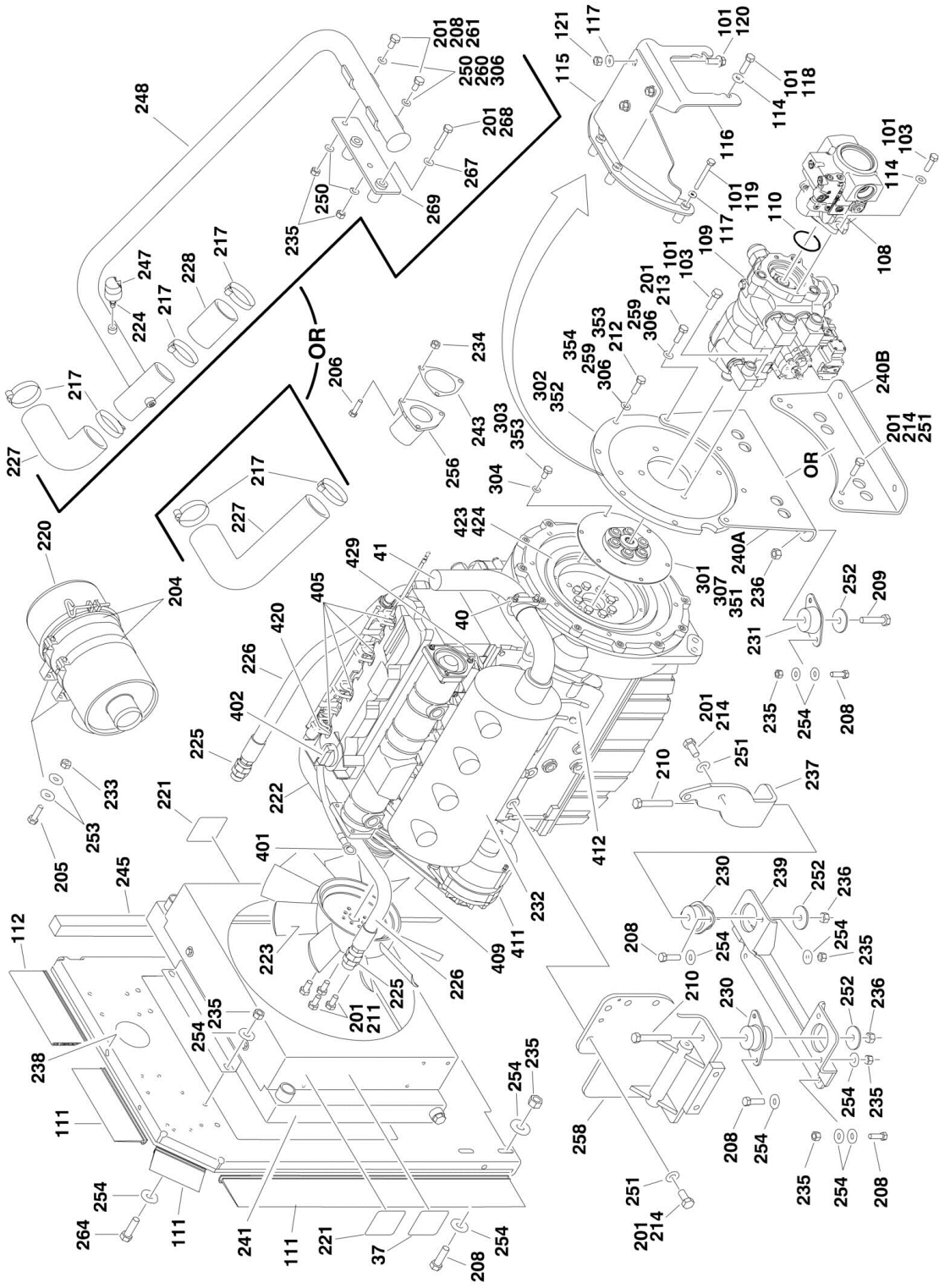
ITEM	PART NUMBER	QTY	DESCRIPTION	REV
313	1320224	1	Clamp, Cable	
314	8406105	2	Clip, Tube	
315	3290507	1	Locknut M5	
316	4811700	12	Flatwasher M6	
317	4811900	5	Flatwasher M8	
318	4812000	2	Flatwasher M10	
319	4812100	2	Flatwasher M12	
320	4811600	1	Flatwasher M5	
321	1001097553	1	Washer, Coolant Sensor	
322	1001109064	1	Caterpillar Tier IVi Engine Assembly	
323	1001112057	1	Bracket	
324	1001112059	5	Bumper	
325	1001112067	1	Module, ECM	
326	1001112068	1	Sensor, Speed	
327	1001112069	1	Sensor, Temperature	
328	1001112070	1	Switch, Oil Pressure	
329	1001112071	1	Harness, Engine (Not Shown - See ELECTRICAL SECTION for Breakdown)	
330	1001112072	1	Bracket	
331	1001112073	1	Actuator	
331	1001112849	1	Linkage Assy	
332	1001112570	1	Spacer	
334	1320263	1	Clamp, Cable	
335	1001112075	1	Bolt	
336	1001112592	1	Bearing	
337	1001116595	1	Spacer	
338	8406109	1	Clip, Tube	
	1001109064	Ref	ENGINE COMPONENTS	B
401	70001051	1	Valve, Crankcase Actuator Shut-Off	
402	70001120	1	Pump, Water	
402	70001742	1	Pulley, Water Pump	
402	70002765	1	Hose, By-Pass (Not Shown)	
403	See Note		Head, Cylinder (Note: Not Available for Purchase.)	
403	7026801	1	Gasket, Valve Cover	
403	70002764	1	Gasket, Rear Head	
403	70002762	15	Seat, Valve	
403	70002761	17	Bolt, Head	
404	7026839	1	Pump, Fuel Supply	
404	7026830	1	Element, Fuel Filter	
404	70002834	1	Bowl, Water Collection	
404	70002835	1	Seal Kit - Water Separator	
404	70002833	1	Ring, Fuel Pump Retaining	
405	70002844	1	Dipstick Oil Level	
405	70002843	1	Seal, Dipstick Tube	
406	70002845	1	Pump, Oil (Not Shown)	
406	70002846	1	O-Ring, Oil Pump (Not Shown)	
407	70002849	1	Pump, Fuel Injection	
407	70002847	1	O-Ring, Fuel Injection Pump Flange	
407	70002848	1	Gasket, Fuel Injection Pump	
407	70002850	1	Solenoid, Fuel Shut-Off	
409	7026802	1	Flywheel	
409	7026803	1	Gear, Flywheel	

SECTION 2 - TURNTABLE

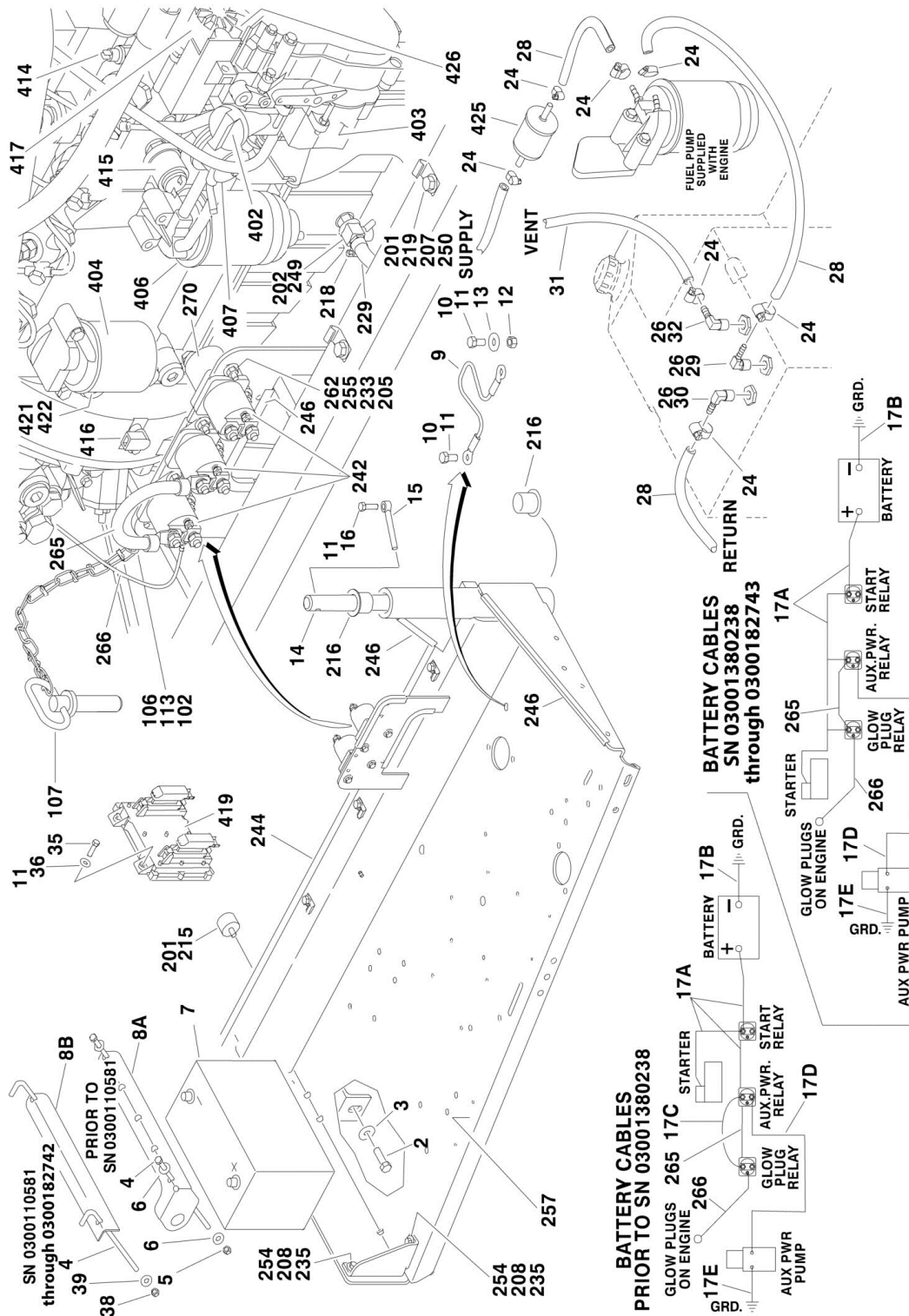
ITEM	PART NUMBER	QTY	DESCRIPTION	REV
409	7026804	1	Gasket (Not Shown - Between Flywheel Housing and Engine Block)	
409	7026805	1	Seal, Rear Main (Not Shown - Rear of Flywheel Housing)	
409	7026807	1	Seal, Front Main (Located in Front Housing)	
410	7026800	1	Cap Oil Filler (Top of Valve Cover)	
411	7026806	1	Cap, Filler (Front Side of Engine)	
412	7026810	1	V-Belt	
413	7026811	1	Filter, Oil	
		Ref	Note: Machines with SkyPower use Remote Mounted Oil Filter - See SPECIAL OPTIONS SECTION. The same oil filter is used for all applications.	
413	7026812	1	O-Ring (Between Bolt and Oil Filter Bracket)	
413	7026813	1	O-Ring (Between Oil Filter Bracket and Engine Block)	
414	7026819	1	Engine Cooler Assembly (Not Shown)	
414	7026816	2	O-Ring (Between Cover and Cooler)	
414	7026817	4	O-Ring (Between Cover and Cooler)	
415	7026822	1	Thermostat	
415	7026821	1	Gasket (Between Regulator and Thermostat Housing)	
415	7026820	1	Gasket (Between Regulator and Engine Head)	
416	7026814	1	Relief Valve, Oil Pressure (Not Shown)	
416	7026815		Gasket, Relief Valve	
417	See Note	4	Injector, Fuel (Not Shown) (Note: Not Available for Purchase.)	
417	70002763	4	Gasket, Fuel Line (Not Shown)	
418	7026831	1	Alternator	
419	7026832	1	Plug, Glow (Not Shown)	
420	7026833	1	Starter (Not Shown - Located on other side of engine)	
421	7026826	1	Gasket, Exhaust Manifold to Cylinder Head (Not Shown)	
421	7026827	1	Gasket, Exhaust Manifold to Exhaust Pipe (Not Shown)	
421	70002852	4	Stud, Exhaust Manifold (Not Shown)	
422	7026829	1	Gasket, Intake Manifold to Cylinder Head (Not Shown)	
422	7026828	1	Gasket, Intake Manifold to Intake Tube (Not Shown)	
423	7026808	1	Plug, Oil Pan (Not Shown)	
423	7026809	1	Gasket, Oil Plug	
424	70002851	1	Gasket Kit (Not Shown)	
425	4569371	1	Tube, Intake	

SECTION 2 - TURNTABLE

FIGURE 2-7. DEUTZ ENGINE INSTALLATION



SECTION 2 - TURNTABLE



SECTION 2 - TURNTABLE

FIGURE 2-7. DEUTZ ENGINE INSTALLATION

ITEM	PART NUMBER	QTY	DESCRIPTION	REV
		Ref	DEUTZ ENGINE INSTALLATIONS	
	0274302	Ref	Tier II Engines (Prior to SN 0300129454)	G
	1001099829	Ref	Tier III/Tier IVi Engines (SN 0300129454 through 0300182743)	D
2	0642010	1	Bolt 5/8in-11NC x 1-1/4in	
3	4752000	1	Flatwasher 5/8in Regular	
4		Ref	Bolt, Battery Hold-down Options:	
4	0630498	2	Bolt, Battery Hold-down (Prior to SN 0300110581)	
4	1001093382	2	Bolt, Battery Hold-down (SN 0300110581 through 0300182743)	
5	3311605	2	Locknut 3/8in-16NC (Prior to SN 0300110581)	
6	4751600	4	Flatwasher 3/8in Regular (Prior to SN 0300110581)	
7	0400075	1	Battery	
8		Ref	Hold-Down, Battery Options:	
8A	0181727	1	Hold-down, Battery (Prior to SN 0300110581)	
8B	91401281	1	Hold-down, Battery (SN 0300110581 through 0300182743)	
9	1060637	1	Cable, Lanyard	
10	0641808	2	Bolt 1/2in-13NC x 1in	
11	0100011	AR	Compound, Locking	
12	3311801	1	Nut 1/2in-13NC	
13	4751800	1	Flatwasher 1/2in Regular	
14	3422448	1	Pin, Pivot	
15	3841143	1	Pin, Keeper	
16	0641610	1	Bolt 3/8in-16NC x 1-1/4in	
17		Ref	Battery Cable Kit Options:	
17	2902401	1	Battery Cable Kit (Prior to SN 0300138238)	A
		Ref	(Note: 2902401 Rev A version is no longer available. Verify whether machine is equipped with 2 or 3 relays on the engine tray. If there are 3 relays, purchase latest revision of 2902401 kit. If there are 2 relays, purchase individual items as replacement.)	
17	2902401	1	Battery Cable Kit (SN 0300138238 through 0300182743)	C
17A	7016813	1	Cable, Battery (Red) (Prior to SN 0300138238)	
17A	1001116288	1	Cable, Battery (Red) (Machines with 2 Relays on Engine Tray) (was p/n 7027027) (SN 0300138238 through 0300182743)	
17A	1001116287	1	Cable, Battery (Red) (Machines with 3 Relays on Engine Tray) (was p/n 7027027) (SN 0300138238 through 0300182743)	
17B	7027012	1	Cable, Battery (Black) (Prior to SN 0300138238)	
17B	7027004	1	Cable, Battery (Black) (SN 0300138238 through 0300182743)	
17C	7016803	1	Cable, Battery (Red) (Prior to SN 0300138238)	
17C	Not Required	0	Cable, Battery (Red - Part of 17A) (SN 0300138238 through 0300182743)	
17D	7016824	1	Cable (Red)	
17E	7016825	1	Cable (Black)	
18	4922737	1	Harness, Engine Grounding (Not Shown)	
24	1320022	5	Clamp, Hose	
25	1320223	1	Clamp (Not Shown - Located on Turntable to clamp fuel line)	
26	0100020	AR	Sealant, Pipe	
27	2200222	1	Fitting, Plug (Not Shown - Located on Fuel Tank for Drain) (Apply Item 26 to Fitting)	
28	2720058	30 ft/9.2m	Hose	
29	2180348	1	Fitting, Straight Barbed	

SECTION 2 - TURNTABLE

ITEM	PART NUMBER	QTY	DESCRIPTION	REV
30	2221176	1	Fitting, Elbow Barbed	
31	2750532	7 ft/2.1m	Hose	
32	2220313	1	Fitting, Elbow	
33	1701505	1	Decal - Diesel (Not Shown - Located on Hood)	
35	0641412	4	Bolt 1/4in-20NC x 1-1/2in	
36	4711400	4	Flatwasher 1/4in Thin	
37		Ref	Decal - Warning Explosion/Fire Options:	
37	1704972	1	ANSI Spec	
37	1706098	1	Australian and CE Spec	
37	1706059	1	Brazilian Spec	
37	1706060	1	Chinese Spec	
37	1706064	1	CSA Spec	
37	1706062	1	Japanese Spec	
37	1706061	1	Korean Spec	
37	1706063	1	Spanish Language	
38	88521205	2	Locknut, Nylon Insert 5/16in-18NC (SN 0300110581 through 0300182743)	
39	4751500	2	Flatwasher 5/16in Regular (SN 0300110581 through 0300182743)	
40	1320176	1	Clamp (SN 0300129454 through 0300182743)	
41	1001101948	1	Tube, Exhaust (SN 0300129454 through 0300182743)	
		Ref	ENGINE AND PUMP ASSEMBLIES	
	2000285	Ref	Tier II Engines (Prior to SN 0300129454)	D
	1001099828	Ref	Tier III/Tier IV Engines (SN 0300129454 through 0300182743)	G
		Ref	Note: See SPECIAL OPTIONS SECTION for machines not equipped with Pump Mounting Bracket Kit, Deutz Engine with Sauer Danfoss drive and load sensing pump combination.	
101	0100011	AR	Compound, Locking	
102	0641407	1	Bolt 1/4in-20NC x 7/8in	
103	0641812	2	Bolt 1/2in-13NC x 1-1/2in	
106	3311405	1	Locknut 1/4in-20NC	
107	3422532	1	Pin, Hitch	
108	3600411	1	Load Sensing Pump Assembly with Fittings (See LOAD SENSING PUMP ASSEMBLY for Breakdown)	
109		Ref	Piston Pump Assembly with Fittings Options:	
109	3600410	1	Piston Pump Assembly with Fittings (See PUMP ASSEMBLY (SAUER-DANFOSS) for Breakdown) (Prior to SN 0300180778)	
109	1001152522	1	Piston Pump Assembly with Fittings (See PUMP ASSEMBLY (EATON) for Breakdown) (SN 0300180778 through 0300182743)	
110		Ref	O-Ring Options:	
110	3790152	1	O-Ring (Prior to SN 0300138160)	
110	3790044	1	O-Ring (SN 0300138160 through 0300182743)	
111	3960548	3.66 ft/1.1m	Seal, Hood	
112	3960549	1 ft/0.3m	Seal, Hood	
113	4751400	2	Flatwasher 1/4in Regular	
114	4891800	4	Flatwasher 1/2in Hardened	
115	1001137898	1	Bracket, Support (SN 0300161434 through 0300174936)	
116	1001137899	1	Plate, Mounting (SN 0300161434 through 0300174936)	
117	4891600	7	Flatwasher 3/8in Hardened (SN 0300161434 through 0300174936)	

SECTION 2 - TURNTABLE

ITEM	PART NUMBER	QTY	DESCRIPTION	REV
118		Ref	Bolt Options:	
118	0641812	2	Bolt 1/2in-13NC x 1-1/2in (SN 0300140000 through 0300161433)	
118	0641814	2	Bolt 1/2in-13NC x 1-3/4in (SN 0300161434 through 0300174936)	
119	0711025	4	Bolt M10 x 85mm (SN 0300161434 through 0300174936)	
120	0791608	3	Bolt 3/8in-16NC x 1in (SN 0300161434 through 0300174936)	
121	3311605	3	Locknut 3/8in-16NC (SN 0300161434 through 0300174936)	
		Ref	ENGINE ASSEMBLY	
	2000342	Ref	Tier II Engines (Prior to SN 0300129454)	B
	1001098508	Ref	Tier III/Tier IVi Engines (SN 0300129454 through 0300182743)	I
	0256690	Ref	MUFFLER INSTALLATION - CATALYTIC (Prior to SN 0300129454)	-
201	0100011	AR	Compound, Locking	
202	0100020	AR	Sealant, Pipe (Prior to SN 0300136498)	
204	0340041	2	Band, Air Cleaner	
205	0641407	AR	Bolt 1/4in-20NC x 7/8in	
206	0641510	3	Bolt 5/16in-18NC x 1-1/4in	
207	0641606	3	Bolt 3/8in-16NC x 3/4in	
208	0641610	AR	Bolt 3/8in-16NC x 1-1/4in	
209	0641818	2	Bolt 1/2in-13NC x 2-1/4in	
210	0641826	2	Bolt 1/2in-13NC x 3-1/4in	
211	0700808	4	Bolt M8 x 16mm	
212	0701012	2	Bolt M10 x 25mm	
213	0701015	4	Bolt M10 x 35mm (Prior to SN 0300129454)	
214	0701414	AR	Bolt M14 x 130mm	
215	0940070	1	Bumper	
216	0961986	2	Bushing, Flanged	
217	1320016	4	Clamp	
218	1320022	1	Clamp, Hose	
219	1320223	AR	J-Clip	
220	1340060	1	Air Cleaner Assembly Filter Element	
220	7012664	1	Element, Filter (Not Shown)	
221	1703162	2	Decal - Caution Fan Blade	
222		Ref	Engine, Deutz - F4M2011 Options:	
222	2000339	1	Tier II Engines (Prior to SN 0300129454)	
222	1001094101	1	Tier III/Tier IVi Engines (SN 0300129454 through 0300182743)	
223	2060025	1	Fan	
225	2220451	2	Fitting, Straight	
226	2720398	2	Hose, Oil Cooler	
227		Ref	Elbow, Rubber Options:	
227	2720434	1	Elbow, Rubber (Prior to SN 0300136498)	
227	1001091179	1	Elbow, Rubber (SN 0300136498 through 0300182743)	
228	2720449	1	Hose, Air Cleaner (Prior to SN 0300136498)	
229		Ref	Hose, Oil Drain Options:	
229	2750532	1 ft/0.3m	Hose, Oil Drain (Prior to SN 0300136498)	
229	1001091892	6 in/15cm	Hose, Oil Drain (SN 0300136498 through 0300141455)	
229	2750532	1 ft/0.3m	Hose, Oil Drain (SN 0300141456 through 0300182743)	
230	3200362	2	Mount, Motor	
231	3200406	2	Mount, Motor	
232		Ref	Muffler Options:	
232		Ref	Spark Arresting (Standard)	

SECTION 2 - TURNTABLE

ITEM	PART NUMBER	QTY	DESCRIPTION	REV
232	3220103	1	Spark Arresting (Tier II) (Prior to SN 0300129454)	
232	1001099051	1	Spark Arresting (Tier III/Tier IVi) (SN 0300129454 through 0300182743)	
232		Ref	Catalytic (Optional)	
232	3220104	1	Catalytic (Tier II) (Prior to SN 0300129454)	
232	1001101241	1	Catalytic (Tier III/Tier IVi) (SN 0300129454 through 0300182743)	
232		Ref	Muffler Components:	
232		Ref	Clamp Options (Tier II) (Prior to SN 0300129454)	
232	1320176	1	Saddle Clamp Used on Spark Arresting	
232	70001017	1	Band Clamp Used on Catalytic	
232	7024398	1	Tube, Exhaust (Tier II) (Prior to SN 0300129454)	
232	7024560	1	Plug, Brass	
233	3311405	AR	Locknut 1/4in-20NC	
234	3311505	3	Locknut 5/16in-18NC	
235	3311605	AR	Locknut 3/8in-16NC	
236	3311805	4	Locknut 1/2in-13NC	
237	3537416	1	Plate, Engine Mounting (Front Right Side)	
238	3539872	1	Plate, Radiator Mounting	
239	3539971	1	Plate, Engine Mounting (Front Bottom)	
240		Ref	Plate, Engine Mounting (Rear) Options:	
240A	3574978	1	Tier II Engines (Prior to SN 0300129454)	
240B	1001093943	1	Tier III/Tier IVi (SN 0300129454 through 0300182743)	
241	1001150998	1	Radiator (was p/n 3620033)	
242	3740067	3	Relay	
243	3960407	1	Gasket, Air Intake	
244	3960468	1	Seal	
245	3960469	1	Seal	
246	4060805	37 in/1m	Flex-Trim	
248		Ref	Tube, Tuning Options:	
248	4569171	1	Tier II Engines (Prior to SN 0300129454)	
248	1001099686	1	Tier III/Tier IVi Engines (SN 0300129454 through 0300136498)	
249		Ref	Valve, Oil Drain Options:	
249	4640751	1	Valve, Oil Drain (Prior to SN 0300136498)	
249	4640751	1	Valve, Oil Drain (was p/n 1001104308) (SN 0300136498 through 0300141455)	
249	4640751	1	Valve, Oil Drain (SN 0300141456 through 0300182743)	
250	4711600	3	Flatwasher 3/8in Thin	
251	4812200	6	Flatwasher M14	
252	4740274	4	Washer, Snubbing	
253	4751400	AR	Flatwasher 1/4in Regular	
254	4751600	AR	Flatwasher 3/8in Regular	
255	4791400	AR	Starwasher 1/4in	
256	4845395	1	Adapter, Air Intake	
257		Ref	Tray, Engine Options:	
257	4845404	1	Tier II Engines (Prior to SN 0300129454)	
257	1001094321	1	Tier III/Tier IVi Engines (SN 0300129454 through 0300182743)	
258	4846566	1	Plate, Engine Mounting (Front Left Side)	
259	4711700	6	Flatwasher 7/16in Thin (Prior to SN 0300129454)	
260	4751700	2	Flatwasher 7/16in Regular (Prior to SN 0300129454)	
261	0701015	2	Bolt 10mm x 35mm (Prior to SN 0300129454)	
262	4711400	AR	Flatwasher 1/4in Thin	

SECTION 2 - TURNTABLE

ITEM	PART NUMBER	QTY	DESCRIPTION	REV
263	3020016	3.75 gl	Oil, Motor (Not Shown)	
264	0641609	6	Bolt 3/8in-16NC x 1-1/8in	
265	1060904	1	Cable, Jumper (Prior to SN 0300140567)	
266	4923379	1	Harness, Glowplug	
267	4891600	2	Flatwasher 3/8in Hardened (SN 0300129454 through 0300136498)	
268	0711025	2	Bolt M10 x 85mm (SN 0300129454 through 0300136498)	
269	1001098916	1	Support, Resonator (SN 0300129454 through 0300136498)	
270	3740080	1	Relay (SN 0300129454 through 0300182743)	
	0256847	Ref	PUMP COUPLING INSTALLATION - TIER II ENGINES (Prior to SN 0300129454)	2
301	1660234	1	Coupling, Hayes	
302	0080163	1	Plate, Pump Adapter	
303	0700810	63	Bolt Metric 8mm x 20mm	
304	4831900	6	Lockwasher M8	
307	3020021	AR	Grease, Coupling	
	2902065	Ref	KIT PUMP COUPLING AND MOUNTING PLATE - TIER III/TIER IVI ENGINES (SN 0300129454 through 0300174936)	G
351	70000793	1	Coupling	
352	See Note	1	Plate, Pump Adapter (Note: Not Available - Purchase p/n 2902065)	
353	See Note	18	Capscrew M10 (Note: Not Available - Purchase p/n 2902065)	
354	See Note	12	Flatwasher M10 (Note: Not Available - Purchase p/n 2902065)	
	1001153282	Ref	KIT PUMP COUPLING AND MOUNTING PLATE - TIER III/TIER IVI ENGINES (SN 0300174936 through 0300182743)	C
375	70004183	1	Coupling, Guardian	
376	1001153282	1	Plate, Pump Adapter (Note: Not Available for Purchase.)	
377	1001153282	20	Capscrew M10 (Note: Not Available for Purchase.)	
		Ref	ENGINE COMPONENTS	
	2000339	Ref	Tier II Engines (Prior to SN 0300129454)	B
	1001094101	Ref	Tier III/Tier IVi Engines (SN 0300129454 through 0300182743)	C
401	7026631	1	Dipstick	
401	7020487	1	Seal, Dipstick	
402	7020465	1	Cap, Filler	
403		Ref	Pump, Oil Lube Options:	
403	70000045	1	Tier II Engines - was p/n 7020484 (Prior to SN 0300129454)	
403	70001850	1	Tier III/Tier IVi (SN 0300129454 through 0300182743)	
403	7020468	1	Seal Between Oil Pump and Engine Block (Not Shown)	
404	7016331	1	Filter, Oil	
405		Ref	Pump, Injector Options:	
405		Ref	Tier II Engines (Prior to SN 0300129454)	
405	7027246	4	Series A Injector	
405	7027608	4	Series B Injector	
405	702769	4	Series C Injector	
405	7027610	4	Series D Injector	
405		Ref	Tier III/Tier IVi Engines (SN 0300129454 through 0300182743)	
405	70000912	4	Series A Injector	
405	70000913	4	Series B Injector	
405	70000914	4	Series C Injector	
405	70000915	4	Series D Injector	
405		Ref	Gasket Options(1 per Injector):	
405	7020447	4	Tier II Engines (Prior to SN 0300129454)	

SECTION 2 - TURNTABLE

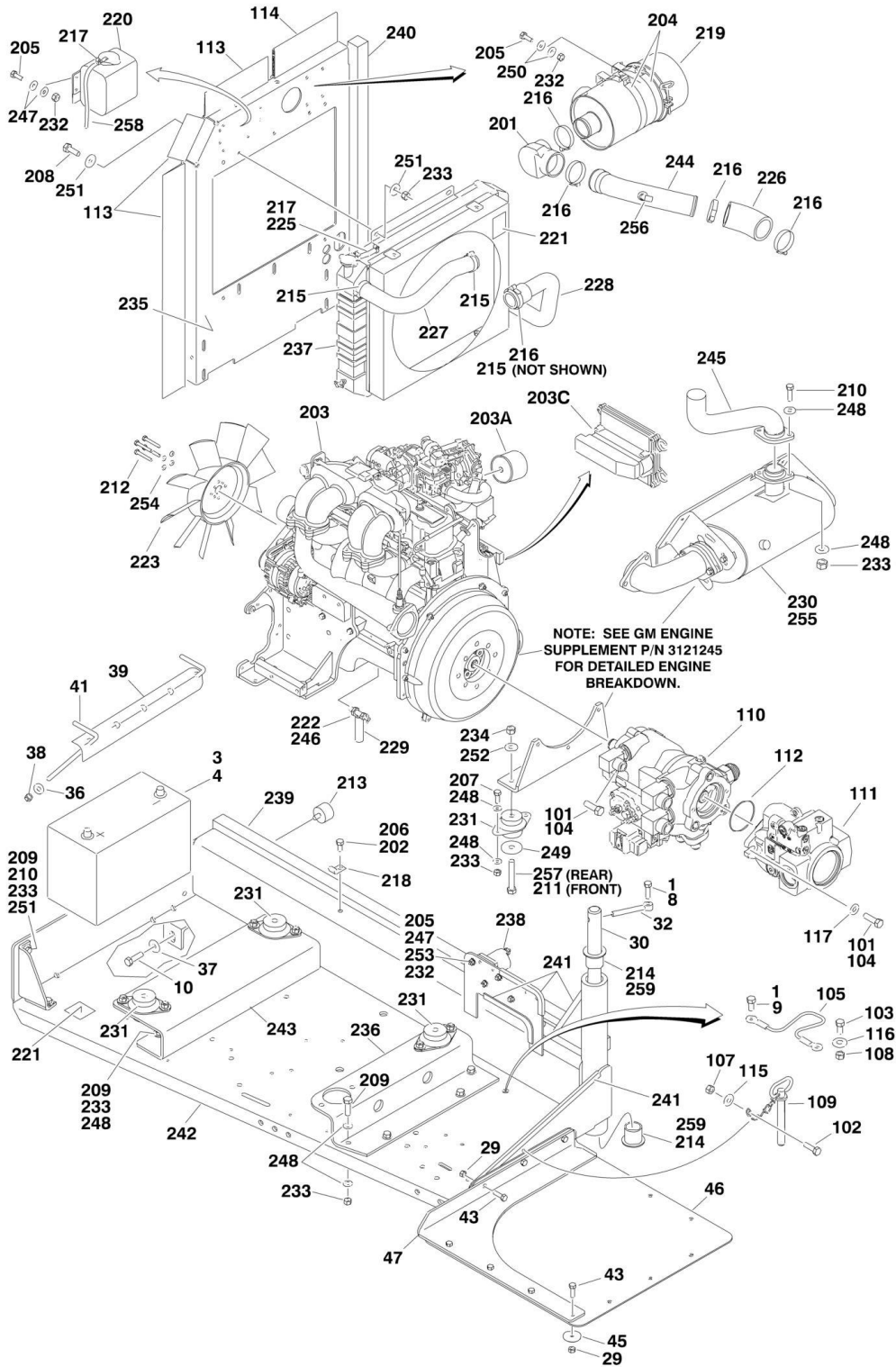
ITEM	PART NUMBER	QTY	DESCRIPTION	REV
405	See Note	4	Tier III/Tier IVi Engines (Note: Not Available for Purchase.) (SN 0300129454 through 0300182743)	
406	7016328	1	Filter, Fuel	
407		Ref	Pump, Fuel Supply Options:	
407	70000916	1	Tier II Engines - was p/n 7027238 (Prior to SN 0300129454)	
407	70000916	1	Tier III/Tier IVi Engines (SN 0300129454 through 0300182743)	
407	70001435	1	Kit, Repair for 70000916 Pump	
407	70000919	1	Hand Pump Used on 70000916 Pump	
407	70000918	1	Seal, Hand Pump Used on 70000916 Pump	
407		Ref	O-Seal Between Fuel Pump and Engine Block Options (Not Shown):	
407	7020411	1	Tier II Engines (Prior to SN 0300129454)	
407	70000917	1	Tier III/Tier IVi Engines (SN 0300129454 through 0300182743)	
408	7020449	4	Gasket, Intake Manifold (Not Shown)	
409	7020408	1	V-Belt	
410	7020471	4	Gasket, Exhaust Manifold to Engine Block (Not Shown)	
410	See Note	1	Gasket, Exhaust Manifold to Exhaust Pipe (Not Shown) (Note: Not Available for Purchase.)	
410	70001836	1	Gasket, Exhaust (Engine Head to Header) (Not Shown) (SN 0300129454 through 0300182743)	
410	70001835	1	Gasket, Exhaust (Header to EGR Valve Block) (Not Shown) (SN 0300129454 through 0300182743)	
410	70001841	1	Valve, EGR (Not Shown) (SN 0300129454 through 0300182743)	
410	70001838	2	Gasket, Exhaust (EGR Valve Block to Exhaust Tube) (Not Shown) (SN 0300129454 through 0300182743)	
410	70001874	1	Plate Choke (Between 70001838 Gaskets) (Not Shown) (SN 0300129454 through 0300182743)	
410	70001837	1	Gasket, Exhaust (Exhaust Tube to Muffler) (Not Shown) (SN 0300129454 through 0300182743)	
410	70001839	1	Flange, Sealing (Near Front of Header) (includes Seal and Pin) (Not Shown) (SN 0300129454 through 0300182743)	
411	7000663	1	Alternator (was p/n 7020410)	
411		Ref	Regulator, Voltage Options (Not Shown):	
411	7020464		Tier II Engines (Prior to SN 0300129454)	
411	70001868		Tier III/Tier IVi Engines (SN 0300129454 through 0300182743)	
411	70001866	1	Seal, Gasket (Alternator 7000663 Only)	
412	7020479	1	Starter	
412	7026608	1	Relay	
413	See Note	2	Plug- In Connector (Not Shown) (Note: Not Available for Purchase.)	
414	7027791	1	Transmitter, Temperature	
414	See Note	1	Ring, Sealing (Note: Not Available for Purchase.)	
415	7027790	1	Sensor, Oil Pressure	
416	7024565	1	Sensor, Speed	
417	7027792	1	Actuator, Throttle	
417	7027276	2	Spring	
418		Ref	Sensor, Temperature Options (Not Shown):	
418	7027236	1	Tier II Engines (Prior to SN 0300129454)	
418	See Note	1	Tier III/Tier IVi Engines (Note: Not Available for Purchase.) (SN 0300129454 through 0300182743)	
419	7027795	1	Deutz EMR2 Controller, Module	
420	70000345	4	Plug, Glow (Prior to SN 0300129454)	
421	7020459	1	Thermostat	

SECTION 2 - TURNTABLE

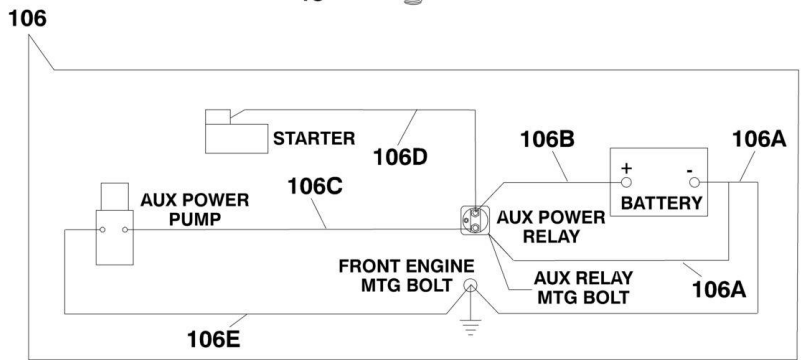
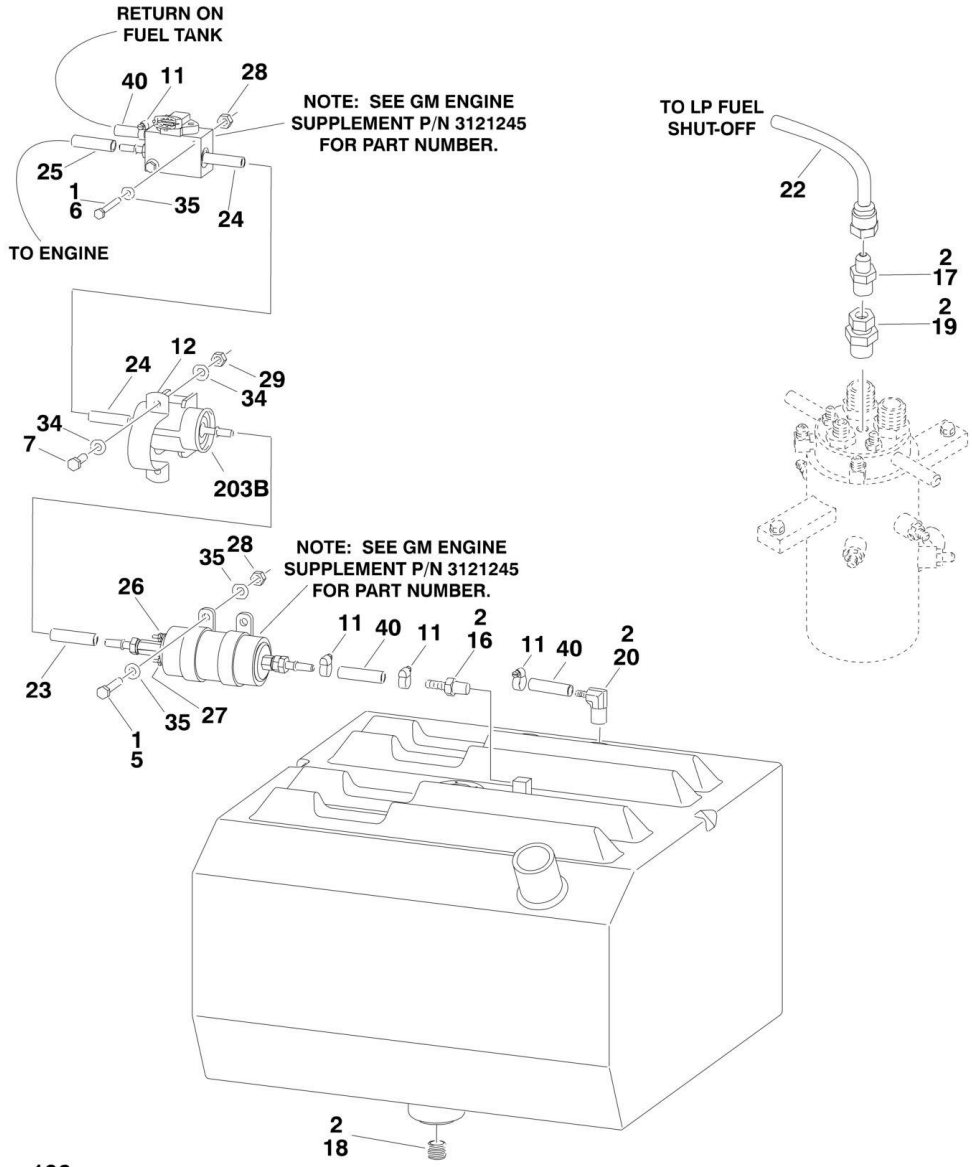
ITEM	PART NUMBER	QTY	DESCRIPTION	REV
422	7020460	1	Spring, Compression	
423		Ref	Flywheel Options:	
423	70000264	1	Tier II Engines (Prior to SN 0300129454)	
423	70001870	1	Tier III/Tier IVi Engines (SN 0300129454 through 0300182743)	
424	7024579	1	Rim, Gear	
425	7027245	1	Filter, Fuel In-line	
426		Ref	Start Solenoid Options:	
426	7027239	1	Tier II Engines (Prior to SN 0300129454)	
426	See Note	1	Tier III/Tier IVi Engines (Note: Not Available for Purchase.) (SN 0300129454 through 0300182743)	
427	70001847	1	Breather Valve (Not Shown)	
427	70001126	1	Seal, Breather Valve (Not Shown)	
428		Ref	Gasket, Cylinder Head Options (Not Shown):	
428		Ref	Gasket: (Prior to SN 0300129454)	
428	70003001	1	1 Notch	
428	70003002	1	2 Notches	
428	70003003	1	3 Notches	
428		Ref	Gasket: (SN 0300129454 through 0300182743)	
428	70002415	1	1 Notch	
428	70002416	1	2 Notches	
428	70002417	1	3 Notches	
429	70002200	8	Stud (Used to attach muffler)	

SECTION 2 - TURNTABLE

FIGURE 2-8. GM ENGINE INSTALLATION



SECTION 2 - TURNTABLE



SECTION 2 - TURNTABLE

FIGURE 2-8. GM ENGINE INSTALLATION

ITEM	PART NUMBER	QTY	DESCRIPTION	REV
	1001114634	Ref	GM ENGINE 3.0L TIER III/IV INSTALLATION	C
1	0100011	AR	Compound, Locking	
2	0100020	AR	Sealant, Pipe	
3	0100048	AR	Grease, Dielectric	
4	0400075	1	Battery (Wet)	
5	0641412	2	Bolt 1/4in-20NC x 1-1/2in	
6	0641422	2	Bolt 1/4in-20NC x 2-3/4in	
7	0641511	2	Bolt 5/16in-18NC x 1-3/8in	
8	0641608	1	Bolt 3/8in-16NC x 1in	
9	0641808	1	Bolt 1/2in-13NC x 1in	
10	0642010	1	Bolt 5/8in-11NC x 1-1/4in	
11	1320022	4	Clamp, Fuel Line	
12	1320323	1	Clamp	
13	1700818	2	Decal - LP Gas (Liquid) (Not Shown)	
14	1701542	1	Decal, Gas (Not Shown)	
15	1701543	2	Decal, LPG (Not Shown)	
16	2180348	1	Fitting, Barbed	
17	2180418	1	Fitting, Straight	
18	2200222	1	Fitting, Plug	
19	2220005	1	Fitting, Straight	
20	2221176	1	Fitting, Elbow	
21	2300004	2.63 gl	Fluid, Anti-Freeze (Not Shown)	
22	2720392	1	Hose, LP	
23		Ref	Hose, Hi Pressure Fuel Line (6in/15cm Length) Options:	
23	2720566	NLA	Hose, Hi Pressure Fuel Line (Use p/n 1001156823) (SN 0300140000 through 0300181849)	
23	1001156823	1	Hose, Hi Pressure Fuel Line (SN 0300181850 through 0300182743)	
24		Ref	Hose, Hi Pressure Fuel Line (4ft/1.2m Length) Options:	
24	2720567	NLA	Hose, Hi Pressure Fuel Line (Use p/n 1001156824) (SN 0300140000 through 0300181849)	
24	1001156824	1	Hose, Hi Pressure Fuel Line (SN 0300181850 through 0300182743)	
25		Ref	Hose Options:	
25	2720580	NLA	Hose (Use p/n 1001156825) (SN 0300140000 through 0300181849)	
25	1001156825	1	Hose (SN 0300181850 through 0300182743)	
26	3290405	1	Locknut M4 x 0.7	
27	3290505	1	Locknut M5 x 0.8	
28	3311405	4	Locknut 1/4in x 20NC	
29	3311505	AR	Locknut 5/16in-18NC	
30	3422446	1	Pin	
31	3790012	1	O-Ring (Not Shown - Located in Console Box)	
32	3841143	1	Keeper	
33	4360336	1	Switch, Toggle (Not Shown - Located in Console Box)	
34	4711500	4	Flatwasher 5/16in Thin	
35	4751400	8	Flatwasher 1/4in Regular	
36	4751500	2	Flatwasher 5/16in Regular	
37	4752000	1	Flatwasher 5/8in Regular	
38	88521205	2	Locknut, Nylon Insert 5/16in-18NC	
39	91401281	1	Angle, Battery Hold Down	

SECTION 2 - TURNTABLE

ITEM	PART NUMBER	QTY	DESCRIPTION	REV
40		Ref	Hose, Fuel Line Options:	
40	1001091587	NLA	Hose, Fuel Line (Use p/n 1001156819) (SN 0300140000 through 0300181849)	
40	1001156819	8.5 ft/2.6m	Hose, Fuel Line (SN 0300181850 through 0300182743)	
41	1001093382	2	Bolt, Battery Hold-down	
43	0641508	7	Bolt 5/16in-18NC x 1in (SN 0300143288 through 0300182743)	
44	4240018	1	Strap, Cable Tie (Not Shown) (SN 0300143288 through 0300182743)	
45	4740508	4	Washer (SN 0300143288 through 0300182743)	
46	1001121891	1	Panel, Rubber (SN 0300143288 through 0300182743)	
47	1001125468	1	Bracket, Air Baffle (SN 0300143288 through 0300182743)	
	1001114633	Ref	GM ENGINE AND PUMP SUB-ASSEMBLIES	D
101	0100011	AR	Compound, Locking	
102	0641406	1	Bolt 1/4in-20NC x 3/4in	
103	0641808	1	Bolt 1/2in-13NC x 1in	
104	0641812	4	Bolt 1/2in-13NC x 1-1/2in	
105	1060637	1	Cable, Lanyard	
106	2902533	1	Battery Cable Kit	B
106A	7027018	1	Cable (Battery - to Ground)	
106B	7027015	1	Cable (Battery + to Auxiliary Relay)	
106C	7027017	1	Cable (Auxiliary Relay to Starter)	
106D	7016824	1	Cable (Auxiliary Relay to Auxiliary Pump)	
106E	7016825	1	Cable (Ground to Auxiliary Pump)	
107	3311405	1	Locknut 1/4in-20NC	
108	3311805	1	Locknut 1/2in-13NC	
109	3422532	1	Pin, Hitch	
110		Ref	Piston Pump Assembly with Fittings Options:	
110	3600410	1	Piston Pump Assembly with Fittings (See PUMP ASSEMBLY (SAUER-DANFOSS) for Breakdown) (Prior to SN 0300180778)	
110	1001152522	1	Piston Pump Assembly with Fittings (See PUMP ASSEMBLY (EATON) for Breakdown) (SN 0300180778 through 0300182743)	
111	3600411	1	Load Sensing Pump Assembly with Fittings (See LOAD SENSING PUMP ASSEMBLY for Breakdown)	
112	3790044	1	O-Ring	
113	3960548	3.66 ft/1.1m	Seal	
114	3960549	1 ft/0.3m	Seal	
115	4711400	1	Flatwasher 1/4in Thin	
116	4751800	1	Flatwasher 1/2in Regular	
117	4891800	4	Flatwasher, 1/2in Hardened	
	1001114632	Ref	GM ENGINE ASSEMBLY	D
201	0080201	1	Fitting, Elbow	
202	0100011	AR	Compound, Locking	
203	1001114595	1	Engine, GM 3.0L Options (See GM Engine Supplement P/N 3121245 for Breakdown of Additional Components):	
203A	7027965	1	Filter, Oil	
203B	7027972	1	Filter, Fuel	
203C	70002895	1	Module, Control (ECU)	
203D	70000164	4	Sparkplug (Not Shown)	
204	0340041	2	Band, Mounting	
205	0641406	10	Bolt 1/4in-20NC x 3/4in	

SECTION 2 - TURNTABLE

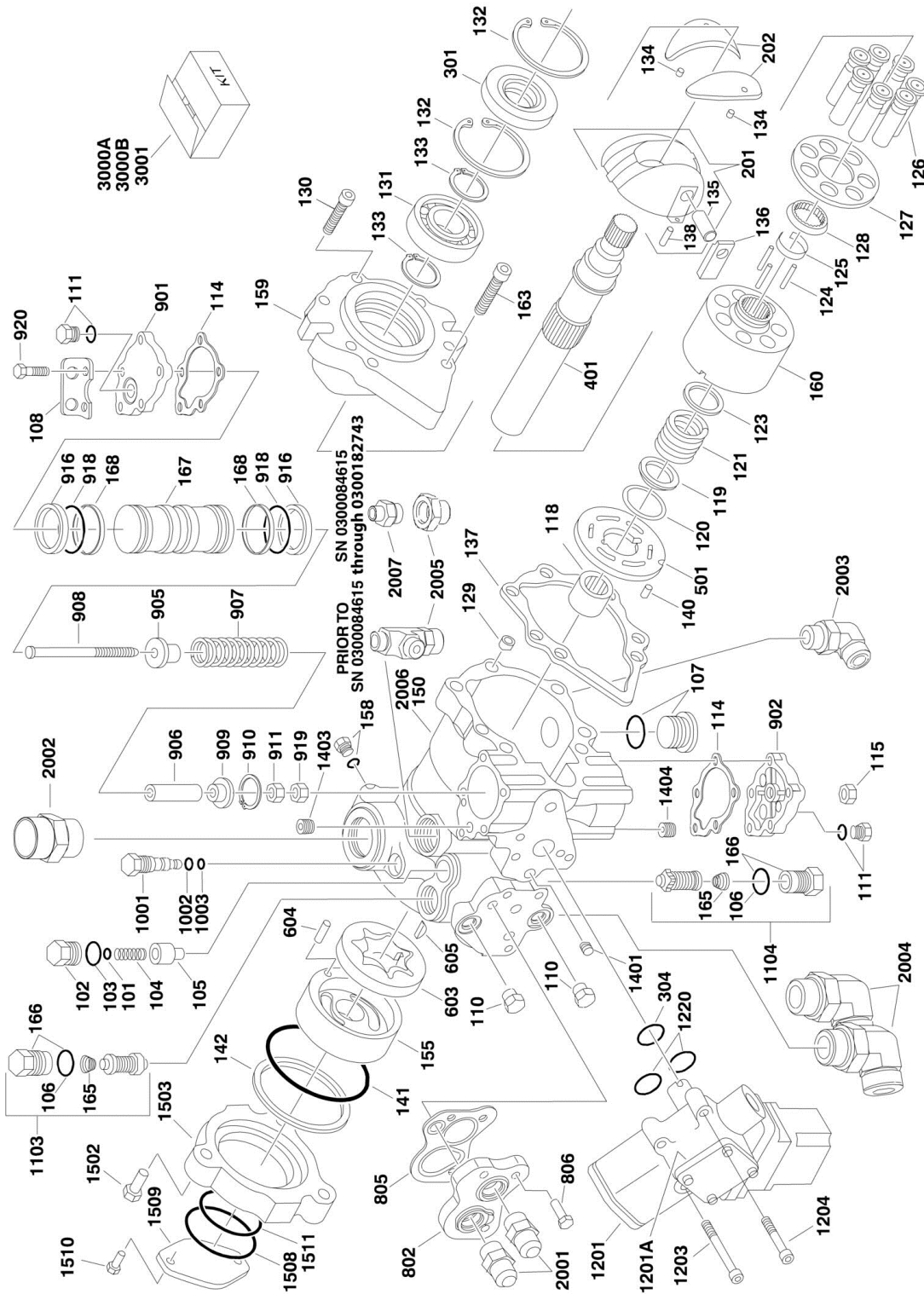
ITEM	PART NUMBER	QTY	DESCRIPTION	REV
206	0641606	3	Bolt 3/8in-16NC x 3/4in	
207	0641608	8	Bolt 3/8in-16NC x 1in	
208	0641609	4	Bolt 3/8in-16NC x 1-1/8in	
209	0641610	10	Bolt 3/8in-16NC x 1-1/4in	
210	0641612	4	Bolt 3/8in-16NC x 1-1/2in	
205	0641406	10	Bolt 1/4in-20NC x 3/4in	
206	0641606	3	Bolt 3/8in-16NC x 3/4in	
207	0641608	8	Bolt 3/8in-16NC x 1in	
208	0641609	4	Bolt 3/8in-16NC x 1-1/8in	
209	0641610	10	Bolt 3/8in-16NC x 1-1/4in	
210	0641612	4	Bolt 3/8in-16NC x 1-1/2in	
211	0641828	2	Bolt 1/2in-13NC x 3-1/2in	
212	0700810	4	Bolt M8 x 20mm	
213	0940070	1	Bumper	
214	0961986	2	Bearing, Flanged	
215	1320012	3	Clamp	
216	1320016	5	Clamp	
217	1320022	AR	Clamp	
218	1320223	3	Clamp	
219	1340060	1	Air Cleaner Assembly	
219	7012664	1	Element, Air Cleaner	
220	1580011	1	Container, Coolant Overflow	
221	1703162	2	Decal - Caution Fan	
222	0100020	AR	Locking Compound	
223	2060025	1	Fan	
225	2720058	5.5 in/14cm	Hose	
226	1001116544	1	Duct	
227	2720563	1	Hose, Radiator (Top)	
228	2720564	1	Hose, Radiator (Bottom)	
229		Ref	Hose Options:	
229	1001091892	6 in/15.2cm	Hose (Prior to SN 0300140809)	
229	2750532	1 ft/0.3m	Hose (SN 0300140809 through 0300182743)	
230	1001091794	1	Insulation, Muffler	
231	3200362	4	Mount, Engine	
232	3311405	12	Locknut 1/4in-20NC	
233	3311605	26	Locknut 3/8in-16NC	
234	3311805	4	Locknut 1/2in-13NC	
235	3539872	1	Plate, Radiator Mounting	
236	3572280	1	Plate, Engine Mount	
237	3620040	1	Radiator	
237	8180311	1	Cap, Radiator (was p/n 7019656)	
238	3740067	1	Relay	
239	3960468	1	Seal	
240	3960469	1	Seal	
241	4060805	3 ft/0.9m	Seal	
242	4341239	1	Tray, Engine	
243	4341241	1	Mount, Engine (Front)	
244	1001116545	1	Tube, Intake	
245	4569394	1	Pipe, Exhaust	
246		Ref	Valve, Oil Drain Options:	

SECTION 2 - TURNTABLE

ITEM	PART NUMBER	QTY	DESCRIPTION	REV
246	4640952	1	Valve, Oil Drain (was p/n 1001105872) (Prior to SN 0300141456)	
246	4640952	1	Valve, Oil Drain (SN 0300141456 through 0300182743)	
247	4711400	12	Flatwasher 1/4in Thin	
248	4711600	36	Flatwasher 3/8in Thin	
249	4740274	4	Flatwasher, Snubbing	
250	4751400	8	Flatwasher 1/4in Regular	
251	4751600	16	Flatwasher 3/8in Regular	
252	4751800	4	Flatwasher 1/2in Regular	
253	4791400	2	Starwasher 1/4in	
254	4831900	4	Lockwasher M8	
255	4920385	10 ft/3m	Wire, Safety	
256	2180877	1	Fitting Elbow	
257	0641826	2	Bolt 1/2in-13NC x 3-1/4in	
258	2720271	18 in/46cm	Hose	
259	0100062	AR	Retaining Compound (SN 0300173554 through 0300182743)	

SECTION 2 - TURNTABLE

FIGURE 2-9. PUMP ASSEMBLY (SAUER-DANFOSS)



SECTION 2 - TURNTABLE

FIGURE 2-9. PUMP ASSEMBLY (SAUER-DANFOSS)

ITEM	PART NUMBER	QTY	DESCRIPTION	REV
	3600295	Ref	PUMP ASSEMBLY	B
101	7007413	1	Shim Kit	
102	7007414	1	Plug	
103	2900752	1	O-Ring	
104	7021200	1	Spring, Relief Valve	
105	7007417	1	Valve, Relief	
106	2900752	2	O-Ring (Part of Items 1103 & 1104)	
107	7007419	2	Plug	
108	7021201	1	Bracket, Lifting	
110	7007470	2	Plug	
111	7007470	2	Plug	
114	2900752	2	Gasket, Servo Cover	
115	7007423	1	Nut, Special	
118	7007425	1	Bearing, Needle	
119	7010116	1	Ring, Retaining	
120	7010116	1	Washer	
121	7010116	1	Spring	
123	7010116	1	Washer	
124	7010116	1	Retainer	
125	7010116	3	Pin, Slipper Holddown	
126	7010116	7	Piston Assembly	
127	7010116	1	Retainer, Slipper	
128	7010116	1	Guide, Retainer	
129	7007435	1	Pin, Spring	
130	7021202	1	Screw, 12 Point Head	
131	7007437	1	Bearing, Ball	
132	7007438	2	Ring, Retainer	
133	7007439	2	Ring	
134	7021203	2	Pin, Spring	
135	7007441	1	Handle, Pin (Part of Item 201)	
136	7007442	1	Sleeve, Bearing	
137	2900752	1	Gasket, Front Cover	
138	7021205	1	Pin (Part of Item 201)	
140	7007446	1	Pin	
141	2900752	1	O-Ring	
142	2900752	1	Ring, Load Temper	
150	7023977	1	Housing, Pump	
155	7007452	1	Cover, Gerotor	
158	7007208	1	Plug	
159	7007454	1	Cover, Front	
163	7021207	6	Screw	
165	7021208	2	Spring (Part of Items 1103 & 1104)	
166	7021209	2	Plug, SCR (Part of Items 1103 & 1104)	
167	7007494	1	Piston, Servo	
168	2900752	2	Bearing	
201	7007457	1	Swashplate Assembly (Includes Items 135 & 138)	
202	7021212	2	Journal, Bearing	
301	2900752	1	Seal, Lip	
304	2900752	1	O-Ring	
401	7021213	1	Shaft, Main Pump	

SECTION 2 - TURNTABLE

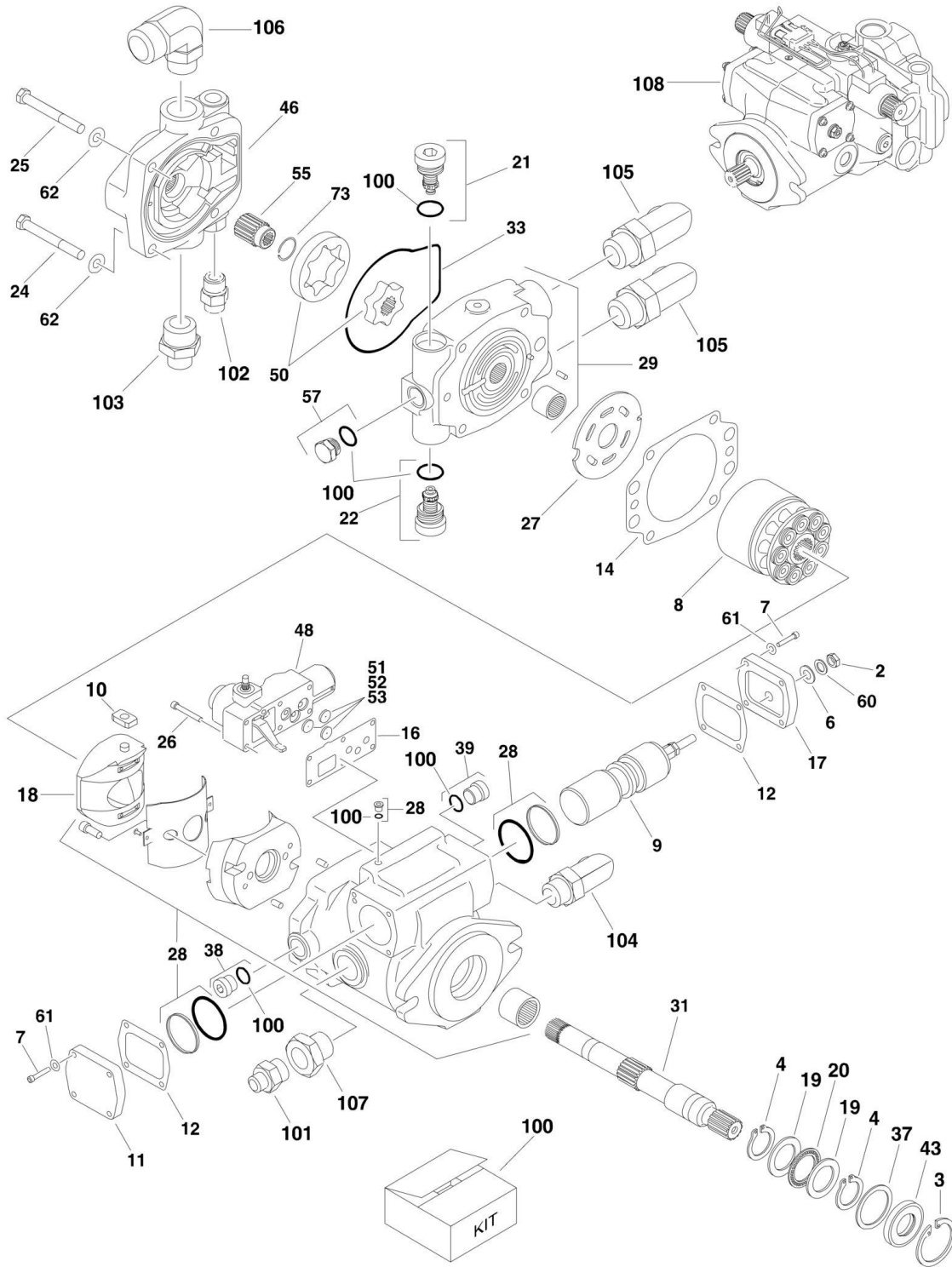
ITEM	PART NUMBER	QTY	DESCRIPTION	REV
501	7021214	1	Plate, Valve	
603	7007463	1	Gerotor Assembly	
604	7007464	1	Pin	
605	7007465	1	Key, Woodruff	
802	7007466	1	Adaptor, Remote Filtration	
805	2900752	1	Seal, Filter Adapter	
806	7021218	3	Screw	
901	7021219	1	Cover, Servo	
902	7021220	1	Cover, Servo	
905	7007483	1	Guide, Spring	
906	7007484	1	Stop, Servo	
907	7007485	1	Spring	
908	7021221	1	Screw	
909	7007487	1	Guide, Spring	
910	7007488	1	Ring, Retaining	
911	7021222	1	Nut	
916	See Note	2	Ring, Piston (Note: Use Items 3000A & 3000B)	
918	See Note	2	O-Ring (Note: Use Items 3000A & 3000B)	
919	7021206	1	Nut	
920	7021223	10	Screw	
1001	7007472	1	Valve, Bypass	
1002	2900752	1	Ring, Back-Up	
1003	2900752	1	O-Ring	
1103	7010122	1	SCR Kit (Includes items 166, 106 & 165)	
1104	7010122	1	SCR Kit (Includes items 166, 106 & 165)	
1201	7007474	1	Control, Dual Oil-Filled	
1201	7007496	1	Coil Assembly (Pilot)	
1201	7007497	1	Plug (Pump)	
1201	7007498	1	Plug (Valve Harness)	
1201A	7024828	1	Gasket	
1203	7007478	2	Screw	
1204	7001498	2	Screw	
1220	2900752	2	O-Ring	
1401	7007475	1	Plug, Orifice/Screen (.156)	
1403	7021226	1	Plug, Orifice	
1404	7021226	1	Plug, Orifice	
1502	7007453	3	Screw	
1503	7021227	1	Adapter, Flange	
1508	7021228	1	O-Ring	
1509	7021229	1	Plate, Cover	
1510	7021230	2	Screw	
1511	7021231	1	O-Ring	
	3600410	Ref	PUMP AND FITTING ASSEMBLY	B
2001	2111010	2	Fitting, Straight	
2002	2111616	1	Fitting, Straight	
2003	2131212	1	Fitting, Elbow	
2004	2131616	1	Fitting, Elbow	
2005	2110408	1	Fitting, Straight	
2006	3600295	1	Pump Options (Includes Items 1 - 1511)	
2007	2220811	1	Fitting, Reducer	
		Ref	KIT OPTIONS:	

SECTION 2 - TURNTABLE

ITEM	PART NUMBER	QTY	DESCRIPTION	REV
3000		Ref	Seal Kit Options:	
3000A	7021232	1	Seal Kit - Complete (Includes Items 103, 106, 114, 137, 141, 142, 168, 301, 304, 805, 916, 918, 1002, 1003 & 1220)	
3000B	7007412	1	Seal Kit - Servo Piston (Includes Items 916 & 918)	
3001	7010116	1	Cylinder Block Kit (Includes Items 119-128)	

SECTION 2 - TURNTABLE

FIGURE 2-10. PUMP ASSEMBLY (EATON)



SECTION 2 - TURNTABLE

FIGURE 2-10. PUMP ASSEMBLY (EATON)

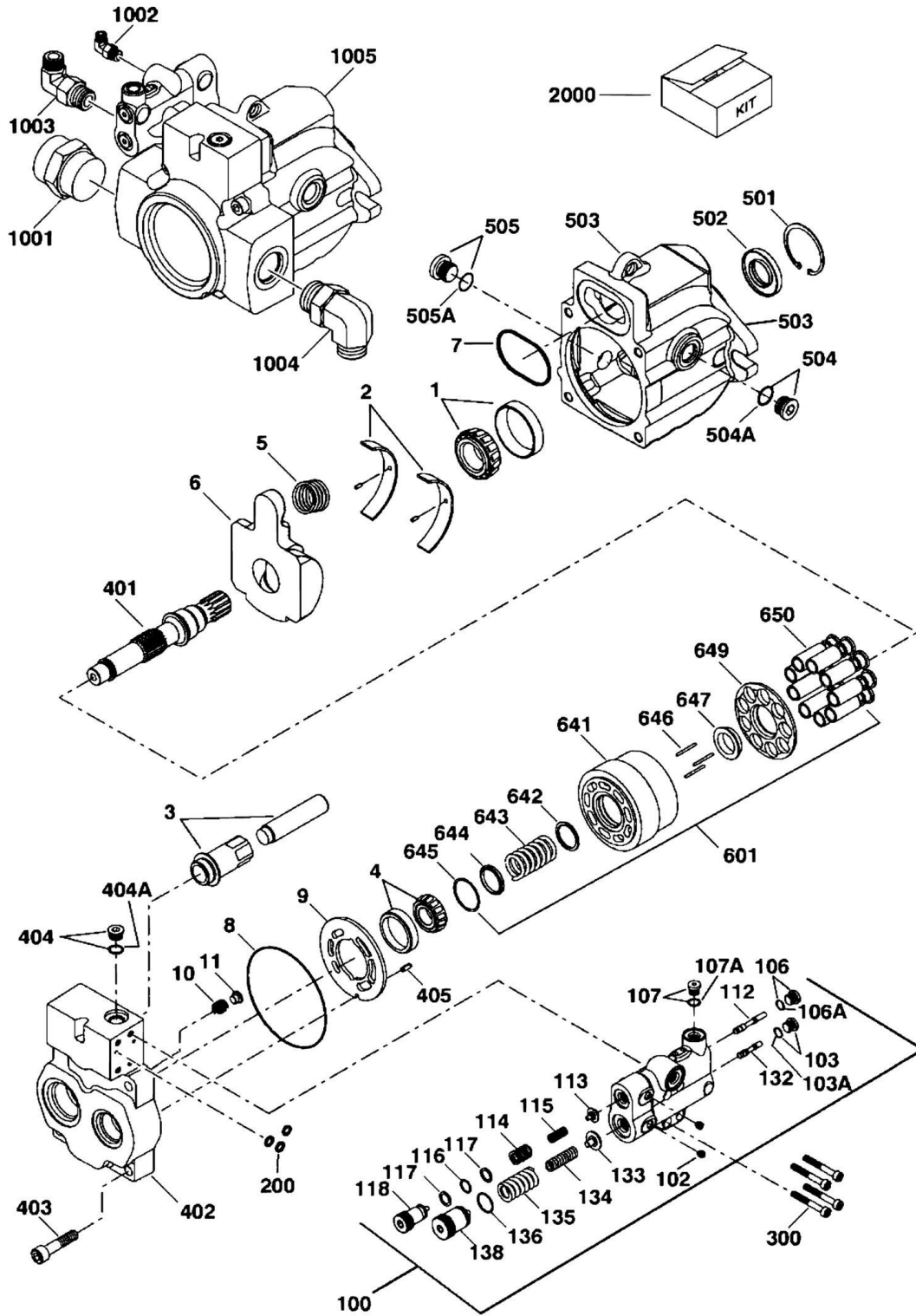
ITEM	PART NUMBER	QTY	DESCRIPTION	REV
	1001142522	Ref	PUMP ASSEMBLY	B
2	70004352	1	Nut	
3	70004352	1	Ring, Retaining	
4	70004352	2	Ring, Retaining	
6	70004352	1	Washer, Seal	
7	70004330	8	Capscrew	
8	70004331	1	Cylinder Block Assembly	
9	70004332	1	Servo Piston Assembly	
10	70004333	1	Follower, Servo Piston	
11	70004334	1	Cover	
12	70004352	2	Gasket, Cover	
14	70004352	1	Gasket, Housing	
16	70004352	1	Gasket, Control Housing	
17	70004335	1	Cover	
18	70004336	1	Camplate Assembly	
19	7004907	2	Race, Thrust	
20	7004908	1	Bearing, Thrust	
21	70004337	1	Relief Valve Assembly	
22	70004337	1	Relief Valve Assembly	
24	70004338	2	Capscrew	
25	70004338	2	Capscrew	
26	70004339	6	Capscrew	
27	70004340	1	Plate, Valve	
28	See Note	1	Housing (Note: Not Available for Purchase)	
29	70004341	1	End Cover Assembly	
31	70004342	1	Shaft, Drive	
33	70004352	1	O-Ring	
37	7004906	1	Washer	
38	See Note	1	Plug (Note: Not Available for Purchase)	
39	See Note	1	Plug (Note: Not Available for Purchase)	
43	70004352	1	Seal, Shaft	
46	70004343	1	Adapter, Charge Pump	
48	70004344	1	Servo Control Assembly	
50	70004345	1	Gerotor	
51	70004346	1	Orifice	
52	70004346	1	Orifice	
53	70004346	1	Orifice	
55	70004347	1	Coupler (Note: Not Available for Purchase)	
60	70004348	1	Washer	
61	70004349	8	Washer	
62	70004350	4	Washer	
73	70004351	1	Ring, Retaining	
100	70004352	1	Seal Kit - Pump (Includes Items 3, 4, 6, 12, 14, 16, 33 & 43 and Valve and Plug O-Rings and Seals)	
	1001152522	Ref	PUMP AND FITTING ASSEMBLY	B
101	2110408	1	Fitting, Straight	
102	2110810	1	Fitting, Straight	
103	2111016	1	Fitting, Straight	
104	2131212	1	Fitting, Elbow	
105	2131616	2	Fitting, Elbow	

SECTION 2 - TURNTABLE

ITEM	PART NUMBER	QTY	DESCRIPTION	REV
106	2132016	1	Fitting, Elbow	
107	2220811	1	Fitting, Reducer	
108	1001142522	1	Pump Assembly (Includes Items 1 - 73)	

SECTION 2 - TURNTABLE

FIGURE 2-11. LOAD SENSING PUMP ASSEMBLY



SECTION 2 - TURNTABLE

FIGURE 2-11. LOAD SENSING PUMP ASSEMBLY

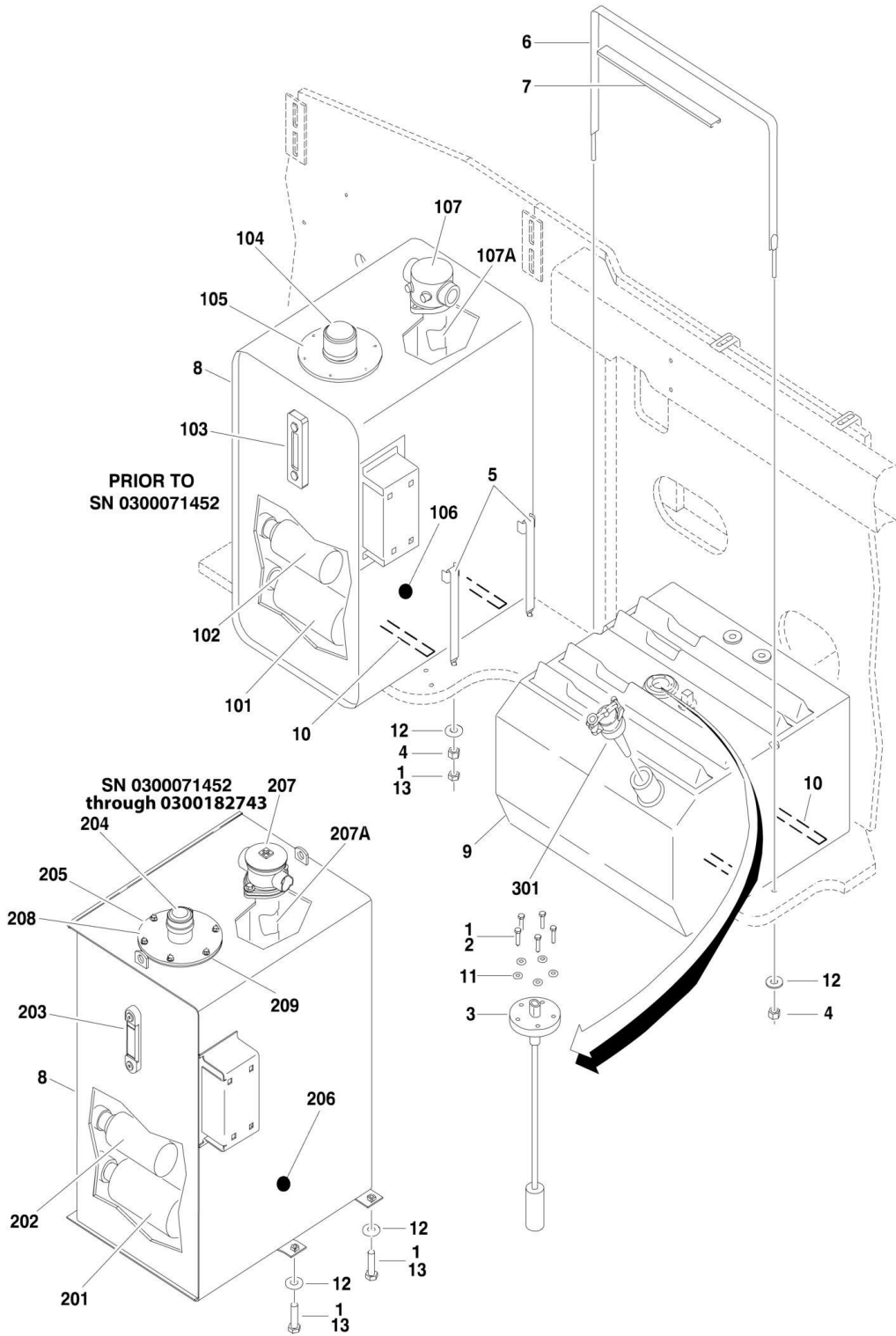
ITEM	PART NUMBER	QTY	DESCRIPTION	REV
	3600324	Ref	LOAD SENSING PUMP ASSEMBLY	D
1	7023947	1	Bearing, Front (Includes Cup and Cone)	
2	7023948	1	Bearings, Swashplate (Includes Both Sides and Pins)	
3	7023949	1	Servo Piston Assembly	
4	7023950	1	Bearing, Rear (Includes Cup and Cone)	
5	7023951	1	Spring, Bias	
6	7023952	1	Swashplate	
7	7023967	1	O-Ring	
8	7023967	1	O-Ring	
9	7023953	1	Plate, Valve	
10	7023954	1	Spring, Check Valve	
11	7023955	1	Poppet, Check Valve	
100	7023956	1	Control Assembly	
102	See Note	2	Setscrew (Note: Not Available for Purchase.)	
103	See Note	1	Plug (Note: Not Available for Purchase.)	
103A	7023967	1	O-Ring	
106	See Note	1	Plug (Note: Not Available for Purchase.)	
106A	7023967	1	O-Ring	
107	See Note	1	Plug (Note: Not Available for Purchase.)	
107A	7023967	1	O-Ring	
112	See Note	1	Spool, Control (Note: Not Available for Purchase.)	
113	See Note	1	Guide, Spring (Note: Not Available for Purchase.)	
114	See Note	1	Spring (Note: Not Available for Purchase.)	
115	See Note	1	Spring (Note: Not Available for Purchase.)	
116	7023967	1	O-Ring	
117	7023967	2	Ring, Back-up	
118	See Note	1	Plug, Adjusting (Note: Not Available for Purchase.)	
132	See Note	1	Spool, Control (Note: Not Available for Purchase.)	
133	See Note	1	Guide, Spring (Note: Not Available for Purchase.)	
134	See Note	1	Spring (Note: Not Available for Purchase.)	
135	See Note	1	Spring (Note: Not Available for Purchase.)	
136	7023967	1	O-Ring	
138	See Note	1	Plug, PC Adjusting (Note: Not Available for Purchase.)	
200	7023967	3	Ring, Seal	
300	7023957	4	Screw	
401	7023958	1	Shaft	
402	7023959	1	Cap, End	
403	7023960	4	Screw	
404	7022318	1	Plug	
404A	7023967	1	O-Ring	
405	7023961	1	Pin	
501	7023962	1	Ring, Retaining	
502	7023967	1	Seal, Lip	
503	7023963	1	Housing	
504	7023964	1	Plug	
504A	7007415	1	O-Ring	
505	7023964	1	Plug	
505A	7007415	1	O-Ring	
601	7023965	1	Cylinder Block Assembly	
641	7023965	1	Block, Cylinder	

SECTION 2 - TURNTABLE

ITEM	PART NUMBER	QTY	DESCRIPTION	REV
		Ref	(Note: Not Available - Purchase Complete Cylinder Block Assy)	
642	See Note	1	Washer (Note: Not Available for Purchase.)	
643	See Note	1	Spring (Note: Not Available for Purchase.)	
644	See Note	1	Retainer, Spring (Note: Not Available for Purchase.)	
645	See Note	1	Ring, Retaining (Note: Not Available for Purchase.)	
646	7021275	3	Pin, Slipper	
647	See Note	1	Guide, Slipper (Note: Not Available for Purchase.)	
649	See Note	1	Retainer, Slipper (Note: Not Available for Purchase.)	
650	7023966	9	Piston Assembly	
	3600411	Ref	LOAD SENSING PUMP AND FITTING ASSEMBLY	B
1001	2112424	1	Fitting, Straight	
1002	2130404	1	Fitting, Elbow	
1003	2130810	1	Fitting, Elbow	
1004	2131216	1	Fitting, Elbow	
1005	3600324	1	Pump (Includes Items 1 - 650)	
		Ref	KIT OPTIONS:	
2000	7023967	1	Seal Kit - Complete (Includes Items 7, 8, 103A, 106A, 107A, 116, 117, 136, 200, 404A & 502)	

SECTION 2 - TURNTABLE

FIGURE 2-12. TANK INSTALLATIONS



SECTION 2 - TURNTABLE

FIGURE 2-12. TANK INSTALLATIONS

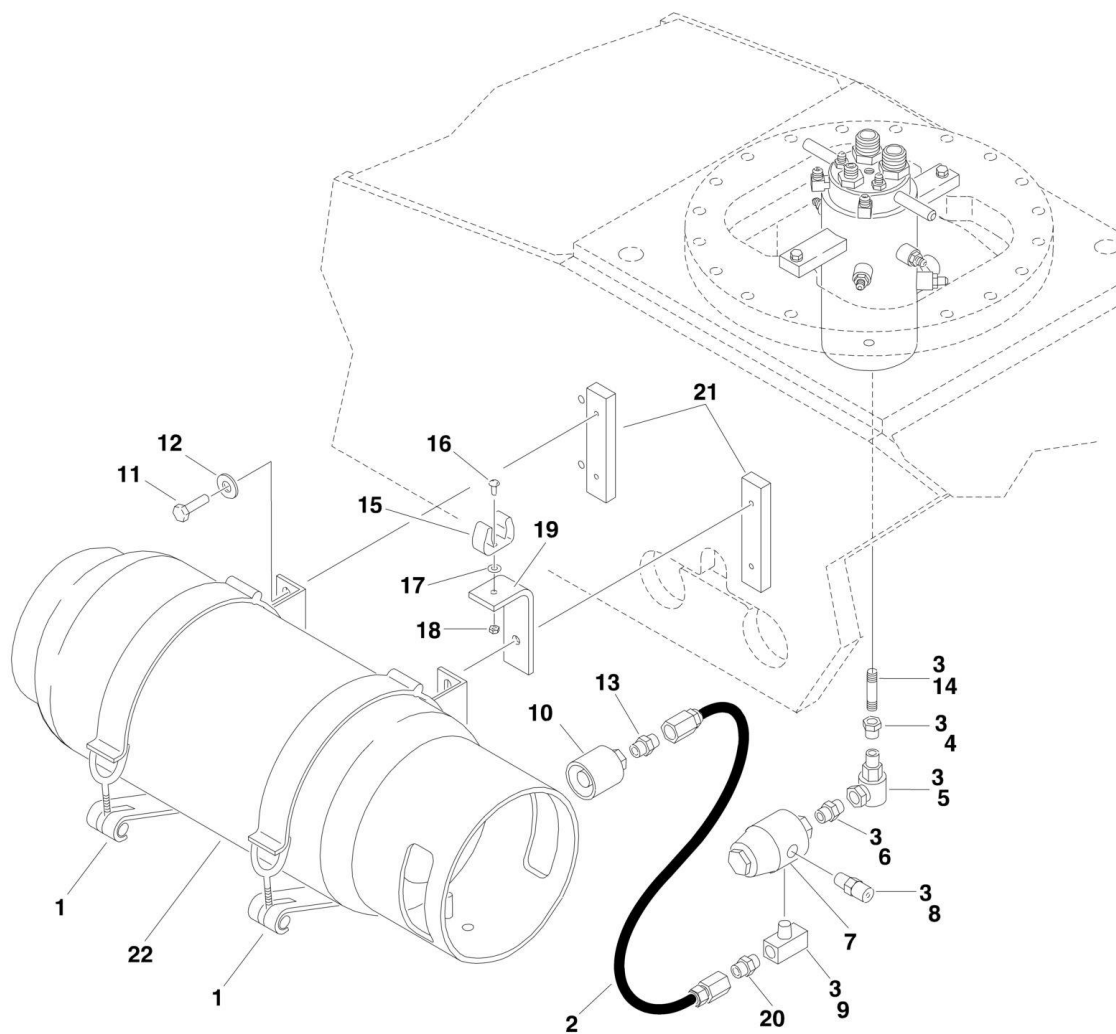
ITEM	PART NUMBER	QTY	DESCRIPTION	REV
		Ref	TANKS INSTALLATION	
	0270881	Ref	Diesel Machines	F
	0270881	Ref	GM Tier I Machines (Prior to SN 0300109493)	F
	1001091568	Ref	GM Tier II Machines (SN 0300109493 through 0300182743)	A
1	0100011	AR	Compound, Locking	
2	0731007	5	Capscrew #10-32NF x 7/8in	
3	2420191	1	Gauge, Fuel Level	
4	3311601	AR	Nut 3/8in-16NC	
5	4240112	4	Strap, Tank Mounting (Prior to SN 0300071452)	
6	4240139	1	Strap, Tank Mounting	
7	4280295	30	Strip, Protector	
		in/76cm		
8	4400437	1	Hydraulic Oil Tank Assembly (See Items 101-107 for Breakdown) (Prior to SN 0300071452)	
8	4400453	1	Hydraulic Oil Tank Assembly (See Items 201-209 for Breakdown) (SN 0300071452 through 0300182743)	
9		Ref	Fuel Tank Assembly Options:	
9	4400439	1	Diesel Machines	
9	4400439	1	GM Tier I Machines (Prior to SN 0300109493)	
9	1001091563	1	GM Tier II Machines (SN 0300109493 through 0300182743)	
10	4420038	6.5 ft/2m	Tape, Rubber	
11	4751000	5	Flatwasher #10 Regular	
12	4751600	6	Flatwasher 3/8in Regular	
13		Ref	Hardware Options:	
13	3311602	4	Nut, Jam 3/8in-16NC (Prior to SN 0300071452)	
13	0641614	4	Bolt 3/8in-16NC x 1-3/4in (SN 0300071452 through 0300182743)	
	4400437	Ref	HYDRAULIC TANK ASSEMBLY (Prior to SN 0300071452)	C
101	7014818	1	Strainer 1-1/2inNPT	
102	7014801	1	Strainer 1-1/4inNPT	
103	7014802	1	Gauge, Sight	
104	7014811	1	Breather/Fill Cap	
105	7020256	1	Neck, Fill	
105	7014816	1	Screen	
106	7014813	1	Plug, Magnetic	
107	7024374	1	Filter Assembly (was p/n 7024409)	
107	7023306	1	Seal	
107	7023347	1	Gasket (Located Between Flange of Filter and Tank)	
107A	7024375	1	Element, Filter (was p/n 7024408)	
	4400453	Ref	HYDRAULIC TANK ASSEMBLY (SN 0300071452 through 0300182743)	E
201	7024481	1	Strainer 1-1/2inNPT	
202	7024442	1	Strainer 1-1/4inNPT	
203	7024441	1	Gauge, Sight	
204	7024444	1	Breather/Fill Cap	
205	7024443	1	Neck, Fill	
205	7024445	1	Screen	
206	7024446	1	Plug, Magnetic	
207	7024374	1	Filter Assembly	
207A	7024375	1	Element, Filter	
208	7024439	1	Cover	

SECTION 2 - TURNTABLE

ITEM	PART NUMBER	QTY	DESCRIPTION	REV
209	7024440	1	Gasket	
		Ref	FUEL TANK CAP INSTALLATION	
301		Ref	Cap Options:	
301	7016314	1	Standard Non-Locking (Part of Item 3) (Used with p/n 4400439)	
301	70001103	1	Standard Non-Locking (Used with p/n 1001091563)	
301	1120484	1	Optional Lockable (Gas Machines)	
301	1120487	1	Optional Lockable (Diesel Machines)	

SECTION 2 - TURNTABLE

FIGURE 2-13. LP TANK INSTALLATIONS (GM ENGINE MACHINES ONLY)



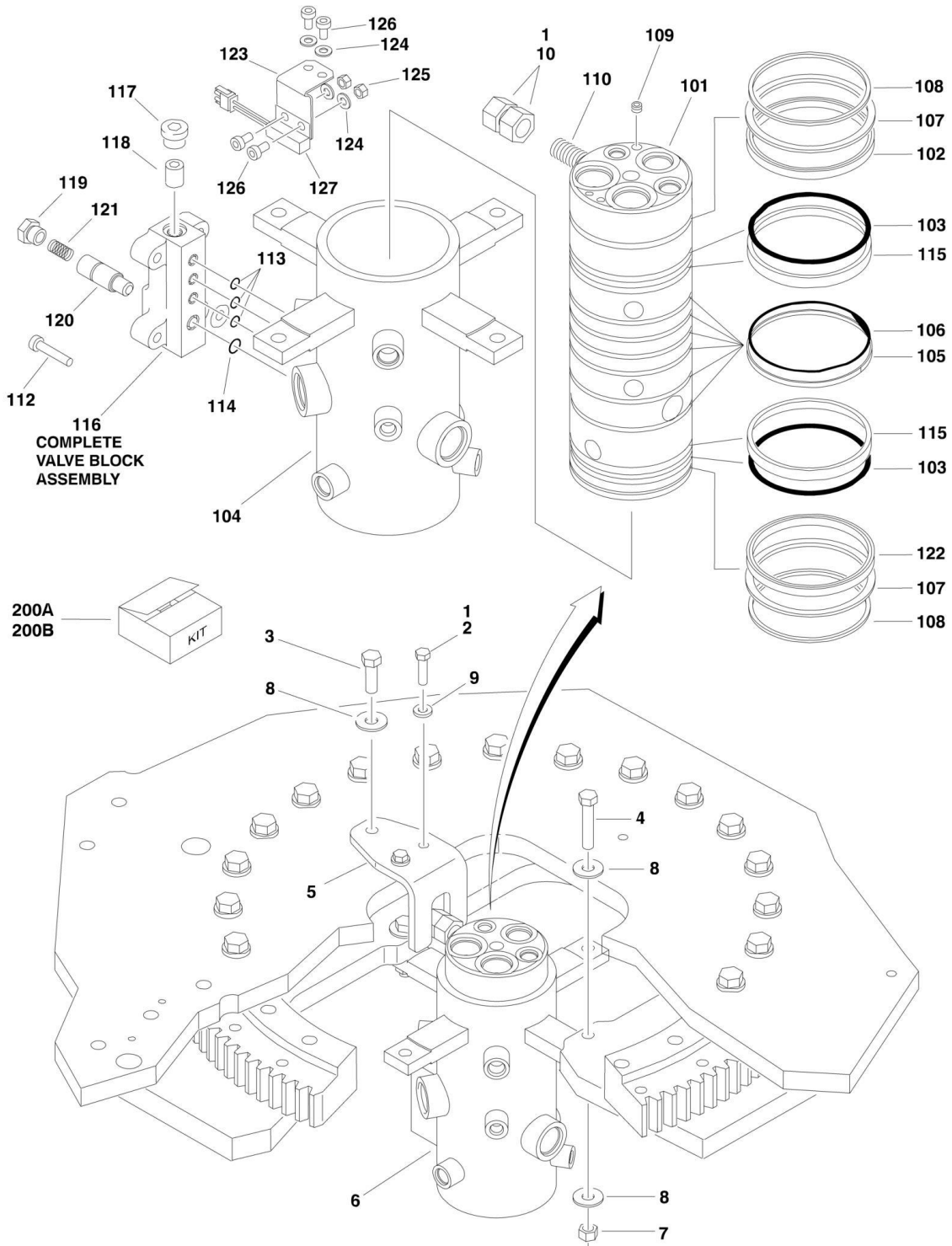
SECTION 2 - TURNTABLE

FIGURE 2-13. LP TANK INSTALLATIONS (GM ENGINE MACHINES ONLY)

ITEM	PART NUMBER	QTY	DESCRIPTION	REV
	0255524	Ref	LP TANK AND BRACKETS INSTALLATION	9-F
1	1320220	2	Clamp Kit - LP	
1	1320127	2	Clamp, Toggle (1 Per Clamp)	
2	2720144	2	Hose	
3	0100020	AR	Sealant, Pipe	
4	2221197	1	Fitting, Reducer	
5	2180125	1	Fitting - Elbow	
6	2220261	1	Fitting, Nipple	
7	2180388	1	Filter, Bulkhead	
8	2180389	1	Valve, Relief	
9	2220418	1	Fitting, Tee	
10	2180387	2	Fitting, LP Tank	
11	0641606	8	Bolt 3/8in-16NC x 3/4in	
12	4751600	8	Flatwasher 3/8in Regular	
13	2180418	2	Fitting, Straight	
14		Ref	Fitting, Nipple Options:	
14	2221018	1	Fitting, Nipple (Prior to SN 0300136508)	
14	2220261	1	Fitting, Nipple (SN 0300136508 through 0300182743)	
15	1320218	2	Clamp, Spring	
16	3910808	2	Screw, Machine #8-32NC x 1/2in	
17	4750800	4	Flatwasher #8 Regular	
18	3310805	2	Locknut #8-32NC	
19	0181949	2	Support, Angle	
20	2221024	2	Fitting, Ball Check	
21	0362519	4	Bar, Clamp	
22		Ref	LP Tank Options:	
22	4400275	1	Aluminum	
22	4400420	1	Steel	

SECTION 2 - TURNTABLE

FIGURE 2-14. ROTARY COUPLING INSTALLATION



SECTION 2 - TURNTABLE

FIGURE 2-14. ROTARY COUPLING INSTALLATION

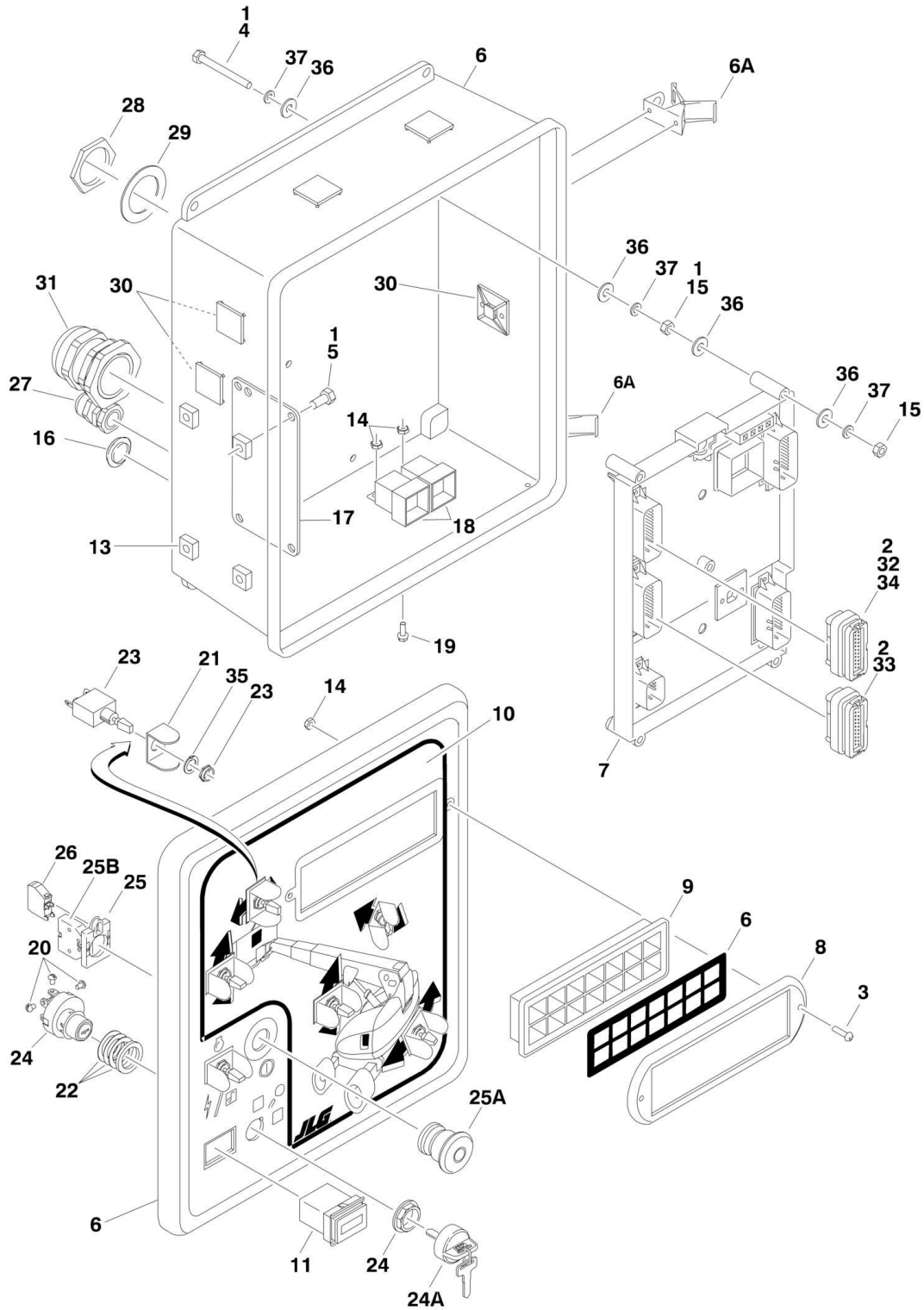
ITEM	PART NUMBER	QTY	DESCRIPTION	REV
		Ref	ROTARY COUPLING INSTALLATION	
	0274583	Ref	Rotary Coupling Installation (Prior to SN 0300137913)	C
	1001107531	Ref	Rotary Coupling Installation (SN 0300137913 through 0300182743)	A
		Ref	Note: P/N 0273393 also designed but superseded by p/n 0274583 before going into effect.	
1	0100011	AR	Compound, Locking	
2	0641611	2	Bolt 3/8in-16NC x 1-3/8in	
3	0641812	1	Bolt 1/2in-13NC x 1-1/2in	
4	0641820	2	Bolt 1/2in-13NC x 2-1/2in	
5	0903242	1	Bracket	
6		Ref	Coupling, Rotary Options (See Items 101-128 for Breakdown):	
6	1660303	1	Coupling, Rotary (was p/n 1660257) (Prior to SN 0300114016)	
6	1660303	1	Coupling, Rotary (SN 0300114016 through 0300137912)	
6	1001106974	1	Coupling, Rotary (SN 0300137913 through 0300182743)	
7	3271805	2	Locknut 1/2in-13NC	
8	4751800	5	Flatwasher 1/2in Regular	
9	4891600	2	Flatwasher 3/8in Hardened	
10	3322201	2	Locknut 3/4in x 16NF	
		Ref	ROTARY COUPLING ASSEMBLIES	
	1660303	Ref	Rotary Coupling Assemblies (was p/n 1660257) (Prior to SN 0300114016)	D
	1660303	Ref	Rotary Coupling Assemblies (SN 0300114016 through 0300137912)	B
	1001106974	Ref	Rotary Coupling Assemblies (SN 0300137913 through 0300182743)	B
		Ref	Note: Original Equipment p/n 1660257 component may have been replaced by Service Replacement p/n 1660303 component. Identify p/n on coupling before ordering parts.	
101	1001106974	1	Body (Note: Not Available - Purchase Complete Assy)	
102		Ref	Seal Options:	
102	7026189	1	Seal, Oil (p/n 1660257)	
102	70001248	1	Seal, Poly (p/n 1660303 & 1001106974)	
103	See Note	2	O-Ring/Seal (Note: Use Items 200A or 200B)	
104	See Note	1	Housing (Note: Not Available - Purchase Complete Assy)	
105	See Note	6	Seal, Cap (Note: Use Items 200A or 200B)	
106	See Note	6	O-Ring (Note: Use Items 200A or 200B)	
107	7026503	2	Ring, Thrust	
108	7026504	2	Ring, Retaining	
109		Ref	Plug Options:	
109	See Note	2	p/n 1660257 (Note: Not Available - Purchase Locally.)	
109	80934561	2	p/n 1660303 & 1001106974	
110	See Note	1	Lug, Torque (Note: Not Available for Purchase.)	
112	7026197	4	Capscrew	
113	See Note	3	O-Ring (Note: Use Items 200A or 200B)	
114	See Note	1	O-Ring (Note: Use Items 200A or 200B)	
115		Ref	Bearing Options:	
115	See Note	2	p/n 1660257 (Note: No Longer Available.)	
115	70001248	2	p/n 1660303 & 1001106974	
116	7024404	1	Block Valve Assembly	
117	7026505	1	Plug	

SECTION 2 - TURNTABLE

ITEM	PART NUMBER	QTY	DESCRIPTION	REV
118	7026506	1	Valve, Check	
119	7026507	1	Plug	
120		Ref	Plunger, Valve Options:	
120	7026508	1	p/n 1660257	
	P/N 7024404	1	p/n 1660303 & 1001106974 (Note: Not Available for Purchase.)	
121	7026509	1	Spring	
122		Ref	Seal, Oil Options:	
122	7026189	1	p/n 1660257	
122	70001248	1	p/n 1660303 & 1001106974	
123	70003454	1	Bracket, Switch Mounting (SN 0300137913 through 0300182743)	
124	4711000	4	Flatwasher #10 Thin (SN 0300137913 through 0300182743)	
125	See Note	2	Locknut 1/4in-24NF (Note: Not Available for Purchase.) (SN 0300137913 through 0300182743)	
126	See Note	4	Capscrew 1/4in-24NF (Note: Not Available for Purchase.) (SN 0300137913 through 0300182743)	
127	4360517	1	Switch, Proximity (SN 0300137913 through 0300182743)	
128	See Note	AR	Protective Netting (Not Shown) (p/n 1660303 & 1001106974) (Note: Not Available for Purchase.)	
		Ref	KIT OPTIONS:	
200		Ref	Seal Kit Options:	
200A	7026510	1	Seal Kit for 1660257 (Includes Items 103, 105, 106, 113 & 114) (Item 102 & 122 must be purchased separately)	
200B	70001248	1	Seal Kit for 1660303 & 1001106974 (Includes Items 102, 103, 105, 106, 113, 114, 115 & 122)	

SECTION 2 - TURNTABLE

FIGURE 2-15. GROUND CONTROL BOX ASSEMBLY (WITHOUT UGM)



SECTION 2 - TURNTABLE

FIGURE 2-15. GROUND CONTROL BOX ASSEMBLY (WITHOUT UGM)

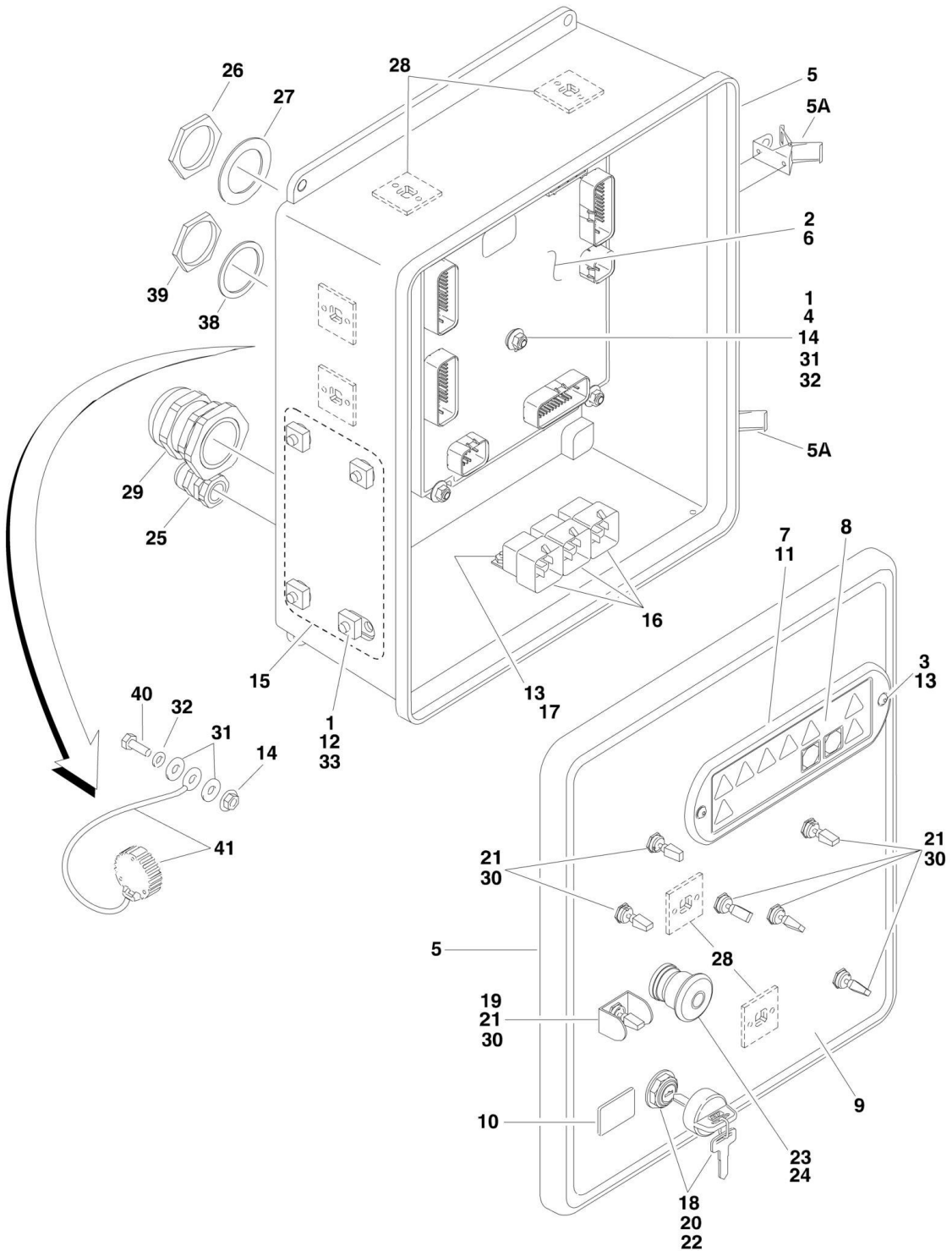
ITEM	PART NUMBER	QTY	DESCRIPTION	REV
		Ref	GROUND CONTROL BOX ASSEMBLIES	
	1810099	Ref	Deutz Engine (All Specs Except Australian and CE Specs) (Prior to SN 0300129454)	B
	1001102248	Ref	Deutz Engine (All Specs Except Australian and CE Specs) (SN 0300129454 through 0300182743)	C
	1810100	Ref	Deutz Engine (Australian and CE Specs Only) (Prior to SN 0300129454)	B
	1001102250	Ref	Deutz Engine (Australian and CE Specs Only) (SN 0300129454 through 0300182743)	C
1	0100011	AR	Compound, Locking	
2	0100048	AR	Grease, Dialectic	
3	0630518	2	Capscrew, Button Head	
4	0630548	5	Tap, Bolt 2-1/2in	
5	0641506	4	Bolt 5/16in-18NC x 3/4in	
6	0861389	1	Box, Fiberglass	
6A	7020246	2	Latch	
7	1600411	1	Module, Ground Control (Re-calibration Required when Replaced)	
8	1670829	1	Bezel	
9	1706712	1	Decal - Ground Control Display	
10		Ref	Decal - Faceplate Options:	
10	1706914	1	Decal - Faceplate (Prior to SN 0300134726)	
10	1001102601	1	Decal - Faceplate (SN 0300134726 through 0300182743)	
11	2420172	1	Gauge, Hourmeter	
12	2760105	1	Housing, Display Light	
13	3300205	4	Nut, Retainer	
14	3300408	4	Locknut, Plastic Insert	
15	3311401	10	Nut 1/4in-20NC	
16	3520035	1	Plug, Cap	
17	3539219	1	Plate, Reinforcement	
18	3740049	2	Relay	
19	3900268	AR	Screw, Flange #10 x 1/2in	
20	3910804	6	Screw #8-32NC x 1/4in	
21	4060906	Ref	Shield, Toggle Switch Options:	
21	4060906	6	Shield, Toggle Switch (Prior to SN 0300135086)	
21	4060906	1	Shield, Toggle Switch (SN 0300135086 through 0300182743)	
22	4070987	1	Shim (.015in)	
23	4360328	6	Switch, Toggle	
24		Ref	Switch, Key Options:	
24	4360469	1	All Specs Except Australian and CE Specs	
24	4360470	1	Australian and CE Specs Only	
24A	2860030	1	Key Replacement	
25	4360475	1	Switch, Emergency Stop	
25A	7020175	1	Cap, Mushroom Head	
25B	7020176	1	Block, Contact	
26	4360476	1	Switch, Contact Block	
27	4460426	1	Connector, Strain Relief	
28	4460470	1	Nut, Terminal	
29	4460471	1	Lockwasher, Terminal	
30	4460488	AR	Mounting Base, Terminal	
31	4460526	1	Connector, Strain Relief	

SECTION 2 - TURNTABLE

ITEM	PART NUMBER	QTY	DESCRIPTION	REV
32	4460874	1	Connector, Natural	
33	4460875	1	Connector, Gray	
34	4460905	2	Plug, Seal	
35	4740444	6	Washer, Special	
36	4751400	20	Flatwasher 1/4in Regular	
37	4761400	15	Lockwasher 1/4in	
38	4922594	1	Harness, Valve (Not Shown - See ELECTRICAL SECTION for Breakdown)	
39		Ref	Harness, Engine Options (Not Shown - See ELECTRICAL SECTION for Breakdown):	
39	4923239	1	Deutz Engine Machines (Prior to SN 0300129454)	
39	1001102160	1	Deutz Engine Machines (SN 0300129454 through 0300182743)	
40	4923577	1	Harness, Ground Control Box (Not Shown - See ELECTRICAL SECTION for Breakdown)	

SECTION 2 - TURNTABLE

FIGURE 2-16. GROUND CONTROL BOX ASSEMBLY (WITH UGM)



SECTION 2 - TURNTABLE

FIGURE 2-16. GROUND CONTROL BOX ASSEMBLY (WITH UGM)

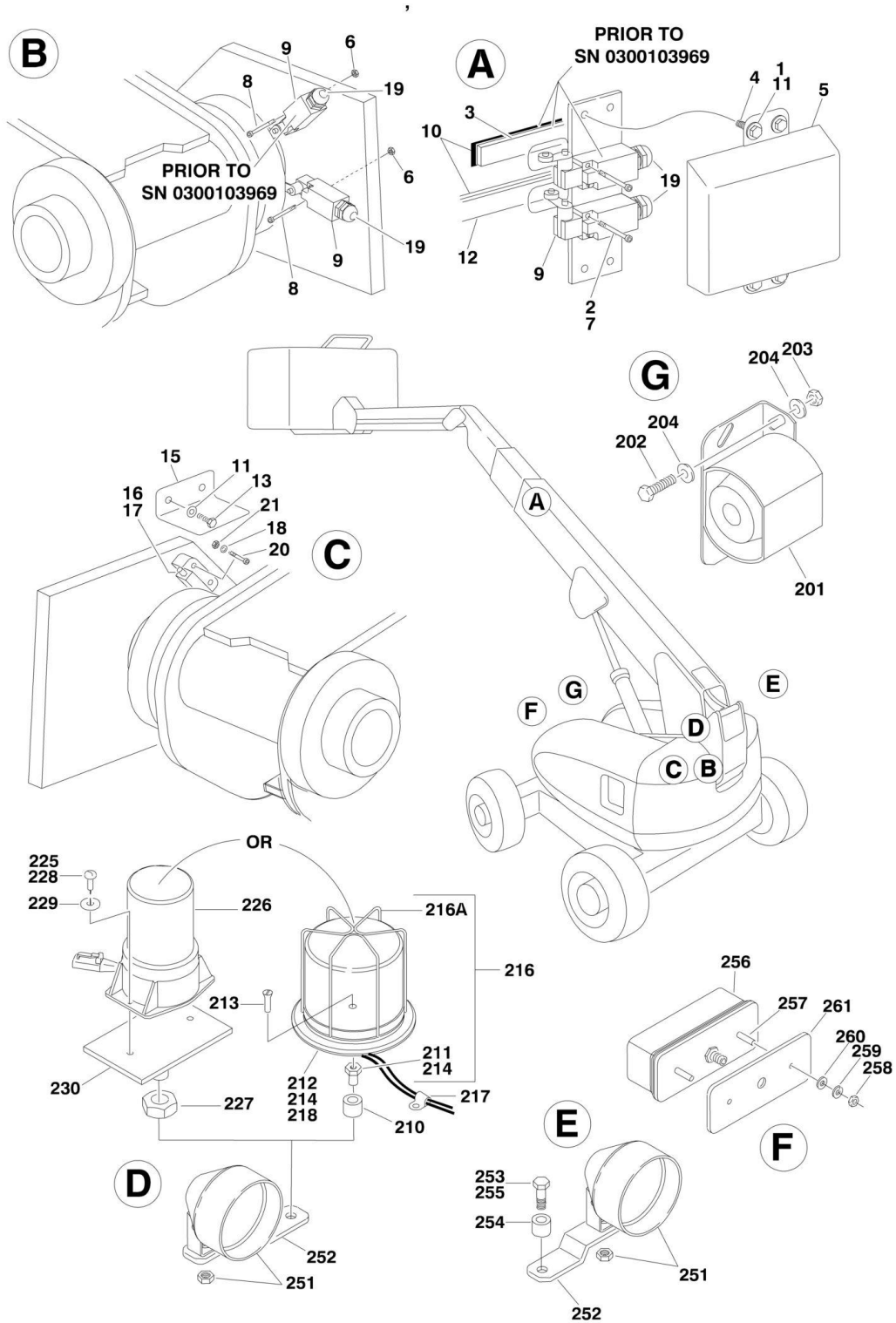
ITEM	PART NUMBER	QTY	DESCRIPTION	REV
		Ref	GROUND CONTROL BOX ASSEMBLIES	
	1001110333	Ref	Caterpillar Engine (All Specs Except Australian and CE Specs)	A
	1001110335	Ref	Caterpillar Engine (Australian and CE Specs Only)	A
	1001110329	Ref	Deutz Engine (All Specs Except Australian and CE Specs)	B
	1001110331	Ref	Deutz Engine (Australian and CE Specs Only)	B
	1001110327	Ref	GM Engine	A
1	0100011	AR	Compound, Locking	
2	0100048	AR	Grease, Dielectric	
3	0630518	2	Capscrew, Button Head	
4	0630548	5	Bolt, 2-1/2in Tap	
5	1001111017	1	Box, Fiberglass	
5A	7020246	2	Latch	
6	1001103667	1	Module, Ground Control	
7	1670829	1	Bezel	
8	1706712	1	Decal - Ground Control Display	
9	1001102601	1	Decal - Faceplate	
10	2420172	1	Gauge, Hourmeter	
11	2760105	1	Housing, Display Light	
12	3300205	4	Nut, Retainer	
13	3300408	AR	Locknut, Plastic Insert	
14	77143013	11	Nut 1/4in-20NC	
15	3539219	1	Plate, Reinforcement	
16	3740049	Ref	Relay Options:	
16	3740049	3	Caterpillar Engine Machines	
16	3740049	2	Deutz and GM Engine Machines	
17	3900268	3	Screw, Flange #10 x 1/2in	
18	3910804	6	Screw #8-32NC x 1/4in	
19	4060906	1	Shield, Toggle Switch	
20	4070987	1	Shim (.015in)	
21	4360328	6	Switch, Toggle	
22		Ref	Switch, Key Options:	
22	4360469	1	All Specs Except Australian and CE Specs	
22	4360470	1	Australian and CE Specs Only	
22	2860030	1	Key Replacement	
23	4360475	1	Switch, Emergency Stop	
23	7020175	1	Cap, Mushroom	
23	7020176	1	Block, Contact	
24	4360476	1	Switch, Contact Block	
25	4460426	1	Connector, Strain Relief	
26	4460470	1	Nut, Terminal	
27	4460471	1	Lockwasher, Terminal	
28	4460488	6	Mounting Base, Terminal	
29	4460526	1	Connector, Strain Relief	
30	4740444	6	Washer, Special	
31	4751400	12	Flatwasher 1/4in Regular	
32	4761400	6	Lockwasher 1/4in	
33	0641506	4	Bolt 5/16in-18NC x 3/4in	
34	4922594	1	Harness, Valve (Not Shown - See ELECTRICAL SECTION for Breakdown)	

SECTION 2 - TURNTABLE

ITEM	PART NUMBER	QTY	DESCRIPTION	REV
35		Ref	Harness, Engine Options (Not Shown - See ELECTRICAL SECTION for Breakdown):	
35	1001110341	1	Caterpillar Engine Machines	
35	1001110340	1	Deutz Engine Machines	
35	1001110338	1	GM Engine Machines	
36	1001110339	1	Harness, Ground Control Box Options (Not Shown - See ELECTRICAL SECTION for Breakdown):	
37		Ref	Ground Control Box Wiring Diagram (Not Shown - See ELECTRICAL SECTION for Breakdown)	
37	1001110344	1	Caterpillar Engine Machines	
37	1001110343	1	Deutz Engine Machines	
37	1001110342	1	GM Engine Machines	
38	4460496	1	Lockwasher, Terminal	
39	4460497	1	Nut, Terminal	
40	0641407	1	Bolt 1/4in-20NC x 7/8in	
41	1001106736	1	Cap, Dust	

SECTION 2 - TURNTABLE

FIGURE 2-17. LIMIT SWITCHES, LIGHTS AND ALARM INSTALLATIONS



SECTION 2 - TURNTABLE

FIGURE 2-17. LIMIT SWITCHES, LIGHTS AND ALARM INSTALLATIONS

ITEM	PART NUMBER	QTY	DESCRIPTION	REV
		Ref	ELECTRICAL OPTIONS INSTALLATIONS (TURNTABLE MOUNTED)	
		Ref	LIMIT SWITCHES INSTALLATION OPTIONS:	
	0271360	Ref	Limit Switches Installation (Prior to SN 0300103969)	H
	1001091187	Ref	Limit Switches Installation (SN 0300103969 through 0300182743)	D
1	0100011	AR	Compound, Locking	
2	0100035	AR	Compound, Locking	
3	1001106480	1	Bar, Fiberglass (Top) (was p/n 0362529) (Prior to SN 0300103969)	
4	0641403	4	Bolt 1/4in-20NC x 3/8in	
5	1671022	1	Cover, Limit Switch	
6	3310805	AR	Locknut #8-32NC	
7	3930816	AR	Capscrew, Socket Head #8-32NC x 1in	
8	3930828	AR	Capscrew, Socket Head #8-32NC x 1-3/4in	
9	4360578	Ref	Switch, Limit Options: (Note: P/N 4360578 does not include #19 Connector - Purchase Separately)	
9	4360578	4	Switch, Limit (Prior to SN 0300103969)	
9	4360578	2	Switch, Limit (SN 0300103969 through 0300182743)	
10	4420060	Ref	Tape, Double Sided Options:	
10	4420060	31.2 ft/9.5m	Tape, Double Sided (Prior to SN 0300103969)	
10	4420060	12.3 ft/3.8m	Tape, Double Sided (SN 0300103969 through 0300182743)	
11	4751400	6	Flatwasher 1/4in Regular	
12	1001106449	1	Bar, Fiberglass (Bottom) (was p/n 0363010)	
13	0641406	2	Bolt 1/4in-20NC x 3/4in	
15	1671059	1	Cover, Proximity Switch	
16	4071043	1	Shim	
17	4360517	1	Switch, Proximity	
18		Ref	Flatwasher #8 Regular Options:	
18	4750800	4	Flatwasher #8 Regular (Prior to SN 0300116348)	
18	1001097942	4	Flatwasher #8 Regular (SN 0300116348 through 0300182743)	
19	4460968	AR	Connector, Strain Relief	
20		Ref	Capscrew, Socket Head #8-32NC x 1-3/4in Options:	
20	3930828	2	Capscrew, Socket Head #8-32NC x 1-3/4in (Prior to SN 0300116348)	
20	1001097939	2	Capscrew, Socket Head #8-32NC x 1-3/4in (SN 0300116348 through 0300182743)	
21		Ref	Locknut #8-32NC Options:	
21	3310805	2	Locknut #8-32NC (Prior to SN 0300116348)	
21	1001097945	2	Locknut #8-32NC (SN 0300116348 through 0300182743)	
	0271999	Ref	ALARM INSTALLATION	1
201	0257887	1	Alarm/Harness Assembly	
201	0140032	1	Alarm	
201	2820035	6 in/15cm	Loom	
201	4460424	1	Plug	
201	4460268	2	Socket	
202	0641410	2	Bolt 1/4in-20NC x 1-1/4in	
203	3311405	2	Locknut 1/4in-20NC	
204	4711400	4	Flatwasher 1/4in Thin	

SECTION 2 - TURNTABLE

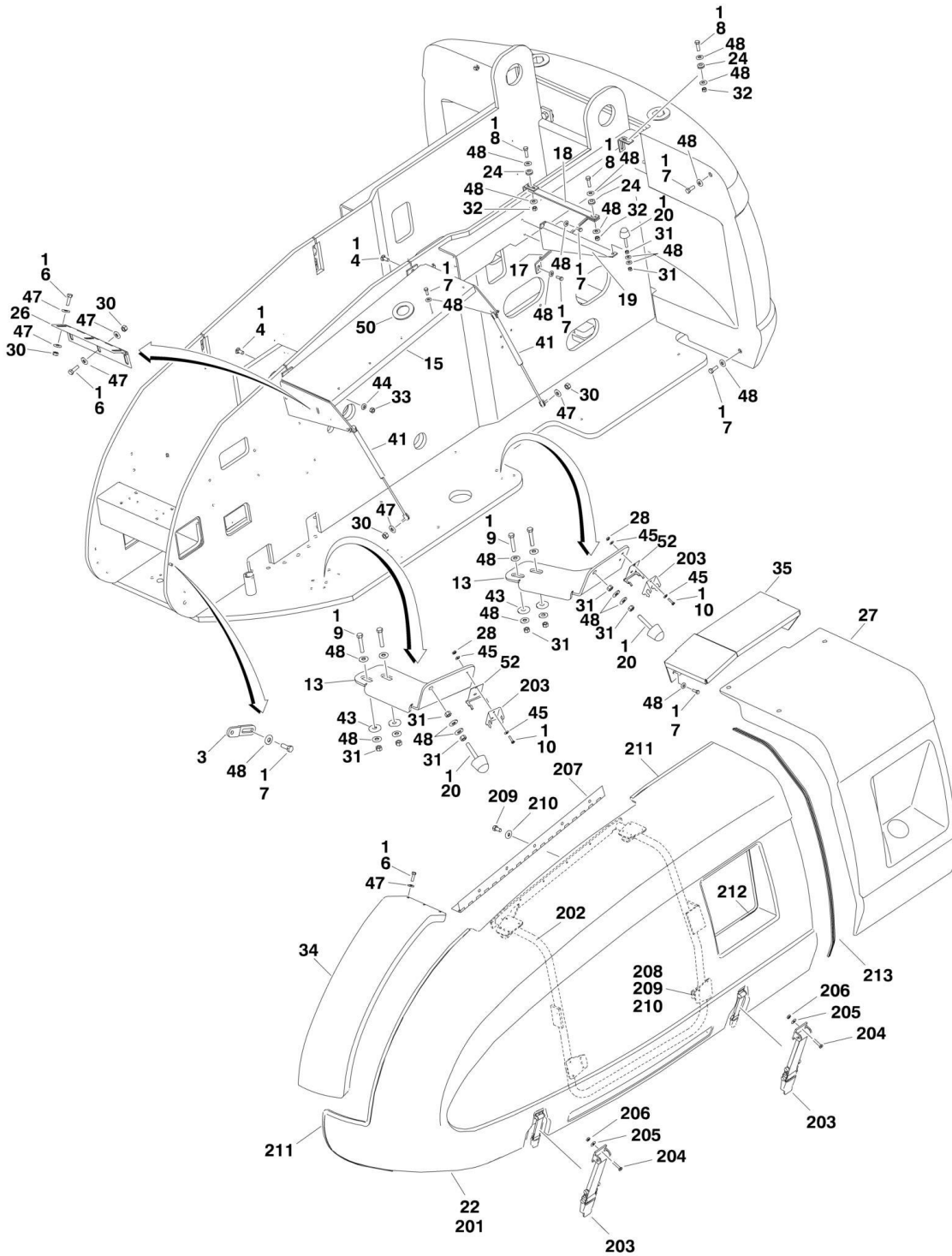
ITEM	PART NUMBER	QTY	DESCRIPTION	REV
	0270805	Ref	STROBE LIGHT INSTALLATION (AMBER) (OPTIONAL) (Prior to SN 0300171628)	C
		Ref	Note: If machine is equipped with BLUE Strobe Light, See SPECIAL OPTIONS SECTION SkyGuard Kit.	
210	4220162	1	Spacer, Stop (Used with ECCO Model 6640 Only)	
211		Ref	Adapter Options:	
211	0630491	1	Adapter used with ECCO Model 6640	
211	0080241	1	Adapter used with ECCO Model 6650	
212	3539281	1	Plate, Mounting (Used with ECCO Model 6640 Only)	
213	0741606	1	Screw, Flathead Countersunk 3/8in-16NC x 3/4in (Used with ECCO Model 6640 Only)	
214	0100011	AR	Compound, Locking	
215	4240032	1	Wire-Tie (Not Shown)	
216	0272507	1	Strobe Light/Guard/Harness Assembly (was p/n 0255917)	
216		Ref	Bulb, Replacement	
216	7016380	1	Bulb for ECCO Model 6640	
216	70001941	1	Bulb for ECCO Model 6650	
216A		Ref	Guard Options:	
216A	4060907	1	Guard used with ECCO Model 6640	
216A	2920215	1	Guard used with ECCO Model 6650	
217	4460234	1	Clamp	
218	0100048	AR	Sealant, Silicone	
	1001150406	Ref	STROBE LIGHT INSTALLATION (AMBER) (OPTIONAL) (SN 0300171628 through 0300182743)	A
		Ref	Note: If machine is equipped with BLUE Strobe Light, See SPECIAL OPTIONS SECTION SkyGuard Kit.	
225	0100035	AR	Compound, Locking	
226	2920161	1	Strobe Light/Harness Assembly	
226	7016319	1	Bulb	
226	7016372	1	Lens	
227	3312602	1	Nut, Jam 1in-8NC	
228	3900085	2	Screw #10-32 x 1/2in	
229	4751000	2	Flatwasher 1/4in Thin	
230	1001149994	1	Mount Strobe	
		Ref	LIGHTS INSTALLATIONS (OPTIONAL)	
	0271552	Ref	Headlights and Taillights	C
	0272057	Ref	Floodlights (Not Shown)	B
251		Ref	Light Options:	
251	2920110	2	Headlight	
251	2920157	2	Floodlight (Not Shown)	
252	0902206	2	Bracket, Mounting	
253	0642612	1	Bolt 1in-8NC x 1-1/2in	
254	4220162	2	Spacer	
255	0100011	AR	Compound, Locking	
256		Ref	Light Options:	
256	2920113	2	Taillight	
256	2920157	2	Floodlight (Not Shown)	
257	3911040	4	Screw, Machine #10-24NC x 2-1/2in (0271552 Installation Only)	
258	3311005	4	Nut #10-24NC (0271552 Installation Only)	
259	4751000	4	Flatwasher #10 Regular (0271552 Installation Only)	
260	4740362	4	Washer, Fender (0271552 Installation Only)	
261	3960461	2	Gasket (0271552 Installation Only)	

SECTION 2 - TURNTABLE

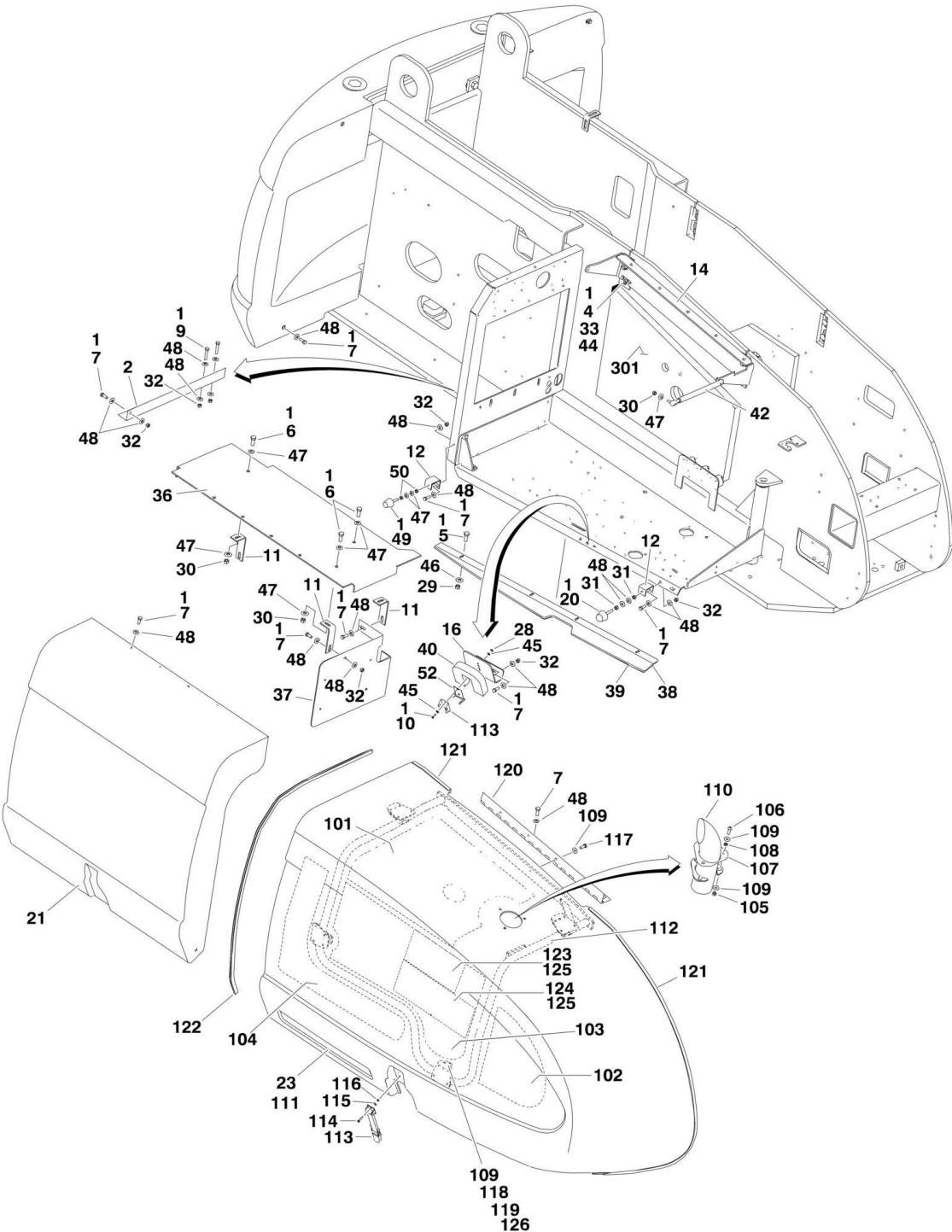
ITEM	PART NUMBER	QTY	DESCRIPTION	REV
263	4240032	AR	Tie-Strap (Not Shown)	
264	4460234	AR	Mount, Tie-Strap (Not Shown)	
265		Ref	Switch, Toggle Options (Not Shown - Located on Console):	
265	4360336	1	Switch, Toggle	
265	4360522	1	Switch, Push Button	
266	3790012	1	O-Ring (Used with Toggle Switch) (Not Shown - Located on Console)	
267	3820001	11	Rivet, Pop (Not Shown)	
268	1705170	1	Decal - Lights (Used with Push Button Switch) (Not Shown - Located on Console)	

SECTION 2 - TURNTABLE

FIGURE 2-18. HOODS INSTALLATION (ABS)



SECTION 2 - TURNTABLE



SECTION 2 - TURNTABLE

FIGURE 2-18. HOODS INSTALLATION (ABS)

ITEM	PART NUMBER	QTY	DESCRIPTION	REV
		Ref	HOODS INSTALLATIONS	
	0274762	Ref	Caterpillar Engine Machines	E
	0274762	Ref	Deutz Engine Machines (Prior to SN 0300129454)	E
	1001100386	Ref	Deutz Engine Machines (SN 0300129454 through 0300182743)	A
	0275547	Ref	GM Engine Machines	E
1	0100011	AR	Compound, Locking	
2	0182077	1	Angle, Hood Support	
3	0362770	1	Bar, Panel Mounting	
4	0630507	8	Bolt, Carriage 1/2in-13NC x 1-1/4in	
5	0641406	4	Bolt 1/4in-20NC x 3/4in	
6	0641508	9	Bolt 5/16in-18NC x 1in	
7	0641608	33	Bolt 3/8in-16NC x 1in	
8	0641610	3	Bolt 3/8in-16NC x 1-1/4in	
9	0641616	6	Bolt 3/8in-16NC x 2in	
10	0721006	6	Screw #10-24NC x 3/4in	
11	0901921	3	Bracket, Hood Mounting	
12	0902219	2	Bracket, Bumper	
13	0902223	2	Bracket, Latch	
14	0902351	1	Bracket, Hood Mounting	
15	0902412	1	Bracket, Hood Mounting	
16	0902491	1	Bracket, Latch	
17	0902673	1	Bracket, Support (Front Cover)	
18	0902674	1	Bracket, Support (Front Cover)	
19	0902769	1	Bracket, Bumper Support	
20	0940071	4	Bumper	
21	1671201	1	Cover	
22	1671228	1	Hood Assembly (See Items 201-213 for Breakdown)	
23		Ref	Hood Assembly (See Items 101-126 for Breakdown)	
23	1671248	1	Caterpillar Engines	
23	1671248	1	Deutz Engines (Prior to SN 0300129454)	
23	1001099138	1	Deutz Engines (SN 0300129454 through 0300182743)	
23	1001117045	1	GM Engines	
24	2540035	3	Grommet	
26	2600244	1	Hinge, Adapter Panel	
27	2680490	1	Hood, Right Cover	
28	3311005	6	Locknut #10-24NC	
29	3311405	4	Locknut 1/4in-20NC	
30	3311505	12	Locknut 5/16in-18NC	
31	3311601	8	Nut 3/8in-16NC	
32	3311605	15	Locknut 3/8in-16NC	
33	3311805	8	Locknut 1/2in-13NC	
34	3380444	1	Panel, Adapter	
35	3380461	1	Cover, Top (Tank Side)	
36	3380575	1	Panel, Cover	
37	3380580	1	Panel, Storage Box (Top)	
38	3571712	1	Plate, Seal	
39	3960389	3.5 ft/1.1m	Seal	
40	3960470	1	Seal, Latch	
41	4160139	2	Spring, Gas (Tank Side)	

SECTION 2 - TURNTABLE

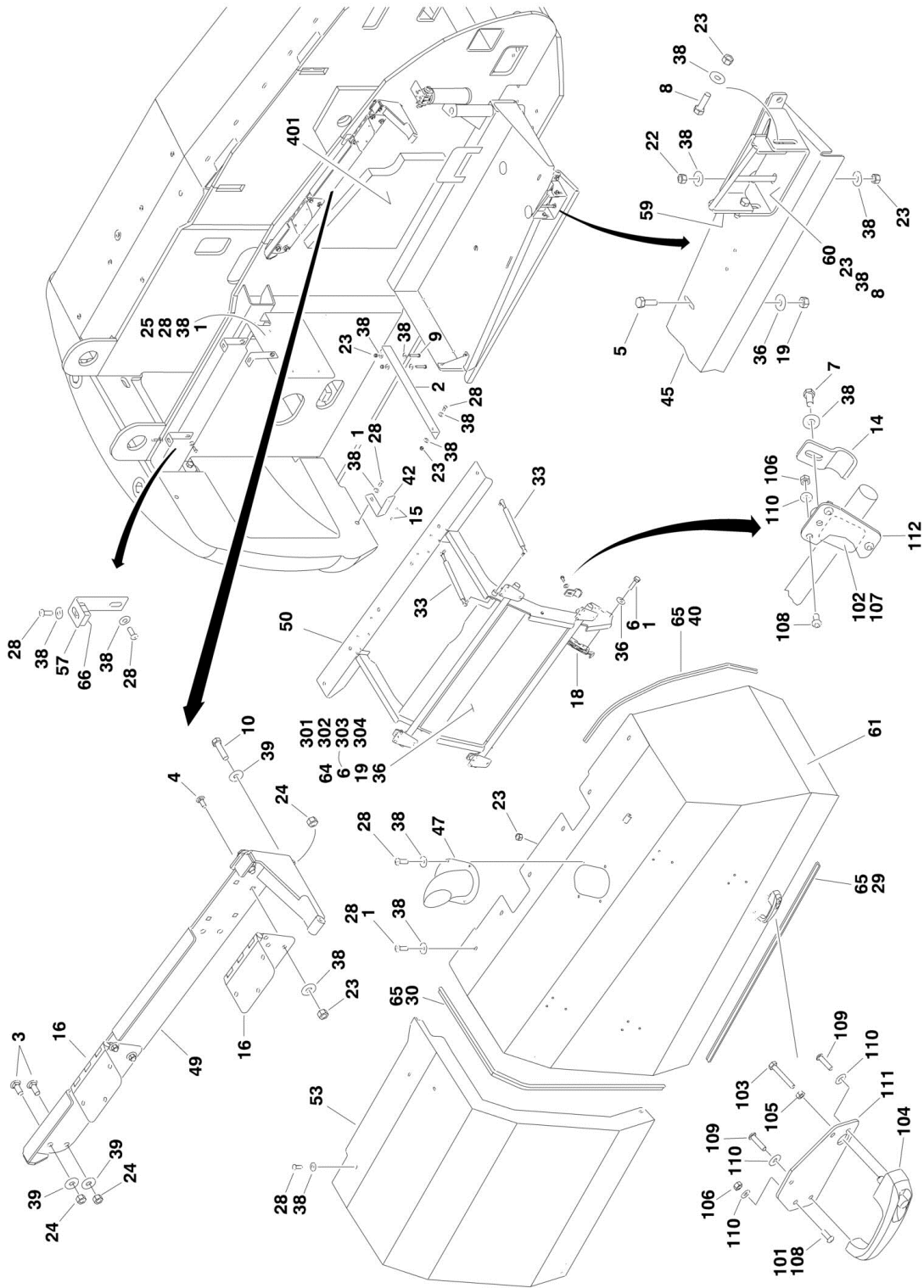
ITEM	PART NUMBER	QTY	DESCRIPTION	REV
42	4160143	1	Spring, Gas (Engine Side)	
43	4740076	4	Washer, Fender	
44	4740171	8	Washer, Hardened	
45	4751000	12	Flatwasher #10 Regular	
46	4751400	4	Flatwasher 1/4in Regular	
47	4751500	23	Flatwasher 5/16in Regular	
48	4751600	67	Flatwasher 3/8in Regular	
49	0940088	1	Bumper	
50	3321501	2	Nut 5/16in-24NF	
51	1120601	1	Plug	
52	2940188	3	Clip, Spring	
		Ref	HOOD ASSEMBLIES (ENGINE SIDE)	
	1671248	Ref	Caterpillar Engines	D
		Ref	Deutz Engines	
	1671248	Ref	Deutz Engines (Prior to SN 0300129454)	D
	1001099138	Ref	Deutz Engines (SN 0300129454 through 0300182743)	B
	1001117045	Ref	GM Engines	A
101		Ref	Foam Options:	
101	1001101391	1	Caterpillar Engine Machines	
101		Ref	Deutz Engine Machines	
101	2820080	1	Deutz Engine Machines (Prior to SN 0300124624)	
101	1001101391	1	Deutz Engine Machines (SN 0300124624 through 0300129453)	
101	1001101673	1	Deutz Engine Machines (SN 0300129454 through 0300182743)	
101	1001117139	1	GM Engine Machines	
102	2820233	1	Insulation, Rear Sound (Caterpillar/Deutz Engine Machines Only)	
103		Ref	Insulation, Center Sound Options:	
103	2820234	1	Caterpillar/Deutz Engine Machines	
103	Not Required	0	GM Engine Machines	
104	2820235	1	Insulation, Rear Sound (Caterpillar/Deutz Engine Machines Only)	
105	3311605	AR	Locknut 3/8inx16NC	
106	3900232	AR	Screw, Button Head 3/8in-16NC x 1-1/4in	
107		Ref	Shield, Heat Gasket Options:	
107	1001101392	1	Caterpillar Engine Machines	
107		Ref	Deutz Engine Machines Options:	
107	4061010	1	Deutz Engine Machines (Prior to SN 0300124624)	
107	1001101392	1	Deutz Engine Machines (SN 0300124624 through 0300129453)	
107	1001101623	1	Deutz Engine Machines (SN 0300129454 through 0300182743)	
107	Not Required	0	GM Engine Machines	
108	4740500	AR	Washer (Special)	
109	4751600	AR	Flatwasher 3/8in Regular	
110		Ref	Exhaust Tube Weldment Options:	
110	4846588	1	Caterpillar Engine Machines	
110		Ref	Deutz Engine Machines	
110	4846588	1	Deutz Engine Machines (Prior to SN 0300129454)	
110	1001099121	1	Deutz Engine Machines (SN 0300129454 through 0300182743)	
110	1001117040	1	GM Engine Machines	
111		Ref	Hood Kit Options:	

SECTION 2 - TURNTABLE

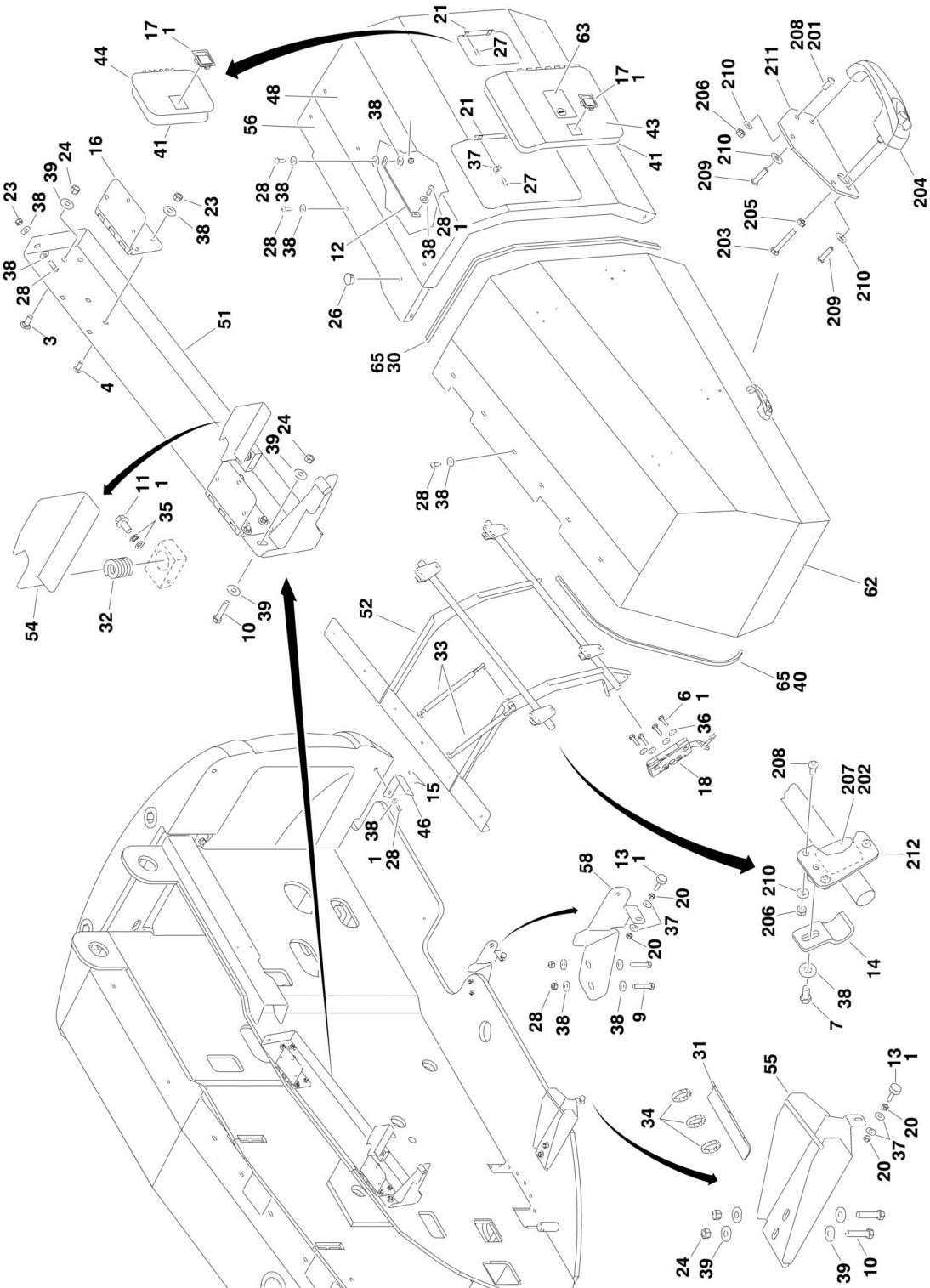
ITEM	PART NUMBER	QTY	DESCRIPTION	REV
111	1001097966	1	Caterpillar Engine Machines (Includes Items 101, 102, 103, 104, 107 & 108)	
111		Ref	Deutz Engine Machines	
111	1001097966	1	Deutz Engine Machines (Includes Items 101, 102, 103, 104, 107 & 108) (Prior to SN 0300129454)	
111	1001099139	1	Deutz Engine Machines (Must also purchase Items 101, 102, 103, 104, 107 & 108) (SN 0300129454 through 0300182743)	
111	1001097964	1	GM Engine Machines (Includes Items 108, 123 & 124)	
		Ref	Note: Replacement Decals Must be Ordered Separately - See DECALS SECTION.	
112	1671230	1	Frame, Tubular	
113	2940088	1	Latch	
114	0721008	2	Screw, Machine #10-24NC x 1in	
115	4751000	2	Flatwasher #10 Regular	
116	3311005	2	Locknut #10-24NC	
117	0641608	6	Bolt 3/8in-16NC x 1in	
118	1321384	4	Hold Down	
119	0641606	4	Bolt 3/8in-16NC x 3/4in	
120	2600209	1	Hinge	
121	3960464	65	Seal	
		in/1.67m		
122	3960462	61	Seal	
		in/1.55m		
123	See Note	1	Insulation, Heat (GM Engine Only) (was p/ns 2820176 & 1001101323) (Note: Use Item 101 - Cover complete inside of hood with insulation. Fasten with Item 125 Tape.)	
124	See Note	1	Insulation, Heat (GM Engine Only) (was p/ns 2820153 & 1001101324) (Note: Use Item 101 - Cover complete inside of hood with insulation. Fasten with Item 125 Tape.)	
125	1001117140	AR	Tape, Aluminized Polyester (GM Engine Machines)	
126	0100011	AR	Compound, Locking (GM Engine Machines)	
	1671228	Ref	HOOD ASSEMBLY (TANK SIDE)	A
		Ref	Note: Replacement Decals Must be Ordered Separately - See DECALS SECTION.	
201	1671231	1	Hood	
202	1671232	1	Frame, Tubular	
203	2940088	2	Latch	
204	0721008	4	Screw, Machine #10-24NC x 1in	
205	4751000	4	Flatwasher #10 Regular	
206	3311005	4	Locknut #10-24NC	
207	2600233	1	Hinge	
208	1321384	4	Hold Down	
209	0641606	9	Bolt 3/8in-16NC x 3/4in	
210	4711600	9	Flatwasher 3/8in Thin	
211	3960464	83	Seal	
		in/2.11m		
212	3960438	55	Seal	
		in/1.4m		
213	3960462	53	Seal	
		in/1.35m		
	0272081	Ref	NOISE REDUCTION INSTALLATION (DEUTZ AND CATERPILLAR ENGINE MACHINES) (STANDARD ON CE SPEC - OPTIONAL ON ALL OTHER SPECS)	4
301	2820078	1	Foam, Acoustical (Turntable Side)	

SECTION 2 - TURNTABLE

FIGURE 2-19. HOODS INSTALLATION (STEEL)



SECTION 2 - TURNTABLE



SECTION 2 - TURNTABLE

FIGURE 2-19. HOODS INSTALLATION (STEEL)

ITEM	PART NUMBER	QTY	DESCRIPTION	REV
		Ref	HOODS INSTALLATIONS	
	1001117138	Ref	CATERPILLAR AND GM ENGINES	D
	1001116787	Ref	DEUTZ ENGINES	E
1	0100011	AR	Compound, Locking	
2	0182077	1	Angle, Hood Support	
3	0630507	8	Bolt, Carriage 1/2in-13NC x 1-1/4in	
4	0630485	16	Bolt, Carriage 3/8in-16NC x 1in	
5	0641406	4	Bolt 1/4in-20NC x 3/4in	
6	0641408	AR	Bolt 1/4in-20NC x 1in	
7	0641607	8	Bolt 3/8in-16NC x 7/8in	
8	0641609	4	Bolt 3/8in-16NC x 1-1/8in	
9	0641616	4	Bolt 3/8in-16NC x 2in	
10	0641818	4	Bolt 1/2in-13NC x 2-1/4in	
11	0811606	1	Screw 3/8in-16NC x 3/4in	
12	0902673	1	Bracket, Support (Front Cover)	
13	0940049	2	Stopper, Hood	
14	1321384	8	Clamp	
15	2080040	4	Fastener, Huck	
16	2600280	4	Hinge, Offset	
17	2940045	2	Latch, Paddle	
18	2940173	2	Latch, Rotary	
19	3311405	AR	Locknut 1/4in-20NC	
20	3311501	4	Nut 5/16in-18NC	
21	3300364	5	Nut 5/16in-18NC (Tinnerman)	
22	3311601	1	Nut 3/8in-16NC	
23	3311605	46	Locknut 3/8in-16NC	
24	3311805	12	Locknut 1/2in-13NC	
25	3380580	1	Panel, Storage Box (Top)	
26	3520030	1	Plug, Hole	
27	3900210	5	Screw 5/16in-18NC x 3/4in	
28	3900316	48	Screw 3/8in-16NC x 1in	
29	3960389	4.5 ft/1.4m	Seal	
30	3960462	9 ft/2.7m	Seal	
31	4061032	1	Shield	
32	4160149	1	Spring, Compression	
33	4160194	4	Spring, Gas	
34	4240018	3	Strap, Cable Tie	
35	4740500	2	Washer, Nylon Shoulder	
36	4751400	AR	Flatwasher 1/4in Regular	
37	4751500	7	Flatwasher 5/16in Regular	
38	4751600	93	Flatwasher 3/8in Regular	
39	4751800	16	Flatwasher 1/2in Regular	
40	1001110166	7 ft/2.1m	Seal	
41	1001113047	7 ft/2.1m	Seal (Adhesive Back)	
42	1001116280	1	Bracket, Hood Support	
43	1001116322	1	Door	
44	1001116344	1	Door, Fuel	
45	1001116356	1	Plate	
46	1001116358	1	Bracket, Hood Support	

SECTION 2 - TURNTABLE

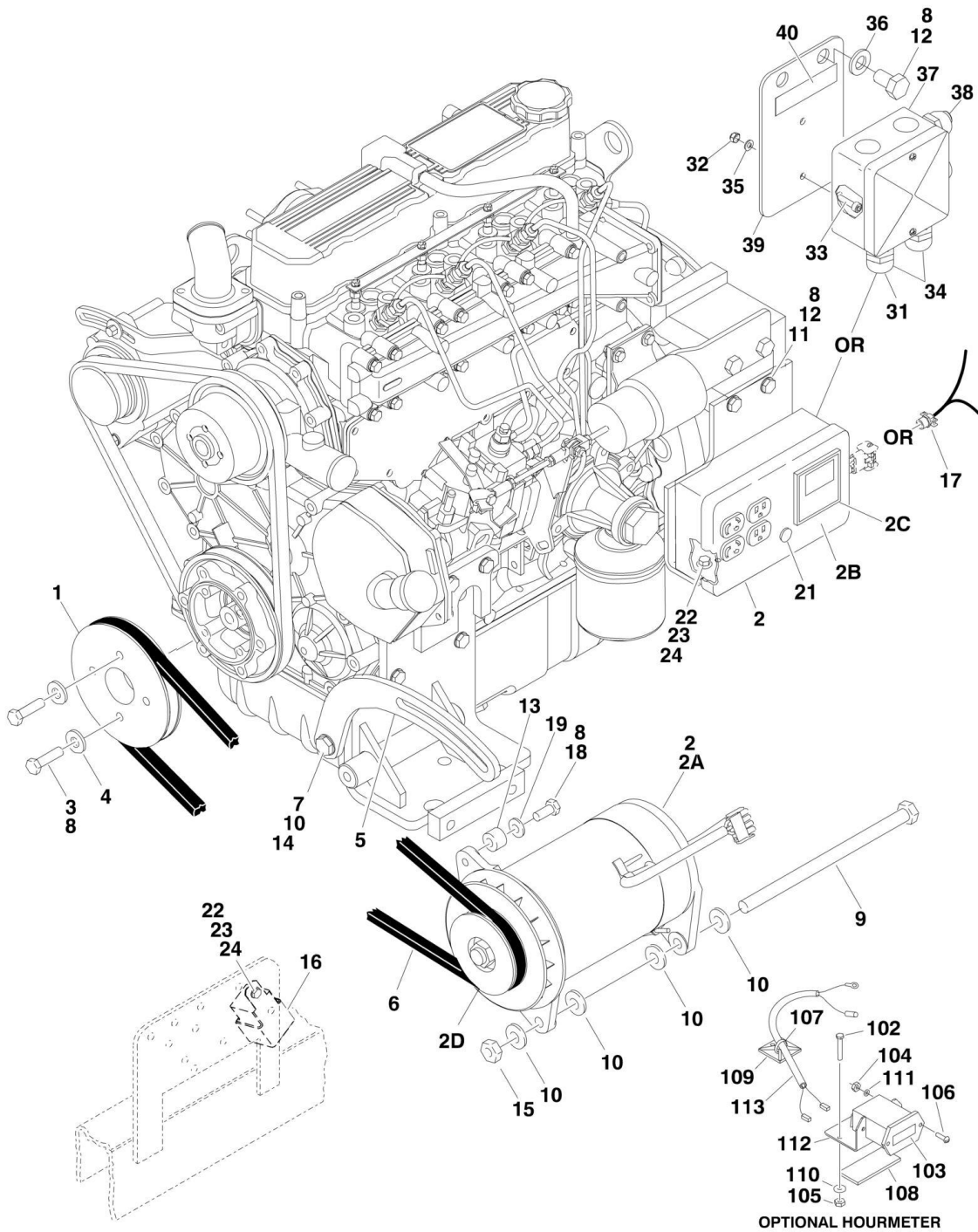
ITEM	PART NUMBER	QTY	DESCRIPTION	REV
47		Ref	Pipe, Exhaust Options:	
47	1001116457	1	Caterpillar and GM Engines	
47	1001116456	1	Deutz Engines	
48	1001116558	1	Hood, Fixed Tank Side	
		Ref	Note: Replacement Decals Must be purchased separately - See DECALS SECTION.	
49	1001116560	1	Bracket, Hinge Support	
50	1001116562	1	Support, Substructure	
51	1001116617	1	Bracket, Hinge Support	
52	1001116618	1	Support, Substructure	
53	1001116620	1	Hood, Fixed Engine Side	
		Ref	Note: Replacement Decals Must be purchased separately - See DECALS SECTION.	
54	1001116668	1	Plate, Hood Stop	
55	1001116704	1	Bracket, Striker	
56	1001117027	1	Bracket, Hood Support	
57	1001117051	3	Bracket, Hood Mounting	
58	1001117054	1	Bracket, Hood Support	
59	1001117523	1	Bracket, Striker	
60	1001117525	1	Bracket, Striker Mounting	
61	1001118344	1	Hood, Engine Side Assembly (See Breakdown 101 - 112)	
		Ref	Note: Replacement Decals Must be purchased separately - See DECALS SECTION.	
62	1001118345	1	Hood, Tank Side Assembly (See Breakdown 201 - 212)	
		Ref	Note: Replacement Decals Must be purchased separately - See DECALS SECTION.	
63	1001117307	1	Decal - Emergency Stop	
64	1001120508	1	Shield, Heat (Deutz Engine Only)	
65	0100081	AR	Adhesive	
66	1001126828	5	Nut 3/8in-16NC (Tinnerman)	
		Ref	HOOD ASSEMBLIES (ENGINE SIDE)	
101	0100011	AR	Compound, Locking	
102	0100081	AR	Adhesive	
103	0700616	1	Bolt M6 x 40mm	
104	2560187	1	Handle, Push Button	
105	3290601	1	Nut M6	
106	3311505	15	Locknut 5/16in-18NC	
107	3340877	4	Pad	
108	3900210	15	Screw, Button Head 5/16in-18NC x 3/4in	
109	3900363	2	Screw, Button Head M6 X 25mm	
110	4711500	17	Flatwasher 5/16in Thin	
111	1001116290	1	Plate, Latch Mounting	
112	1001116292	4	Mount, Clamp	
		Ref	HOOD ASSEMBLIES (TANK SIDE)	
201	0100011	AR	Compound, Locking	
202	0100081	AR	Adhesive	
203	0700616	1	Bolt M6 x 40mm	
204	2560187	1	Handle, Push Button	
205	3290601	1	Nut M6	
206	3311505	15	Locknut 5/16in-18NC	
207	3340877	4	Pad	
208	3900210	15	Screw, Button Head 5/16in-18NC x 3/4in	

SECTION 2 - TURNTABLE

ITEM	PART NUMBER	QTY	DESCRIPTION	REV
209	3900363	2	Screw, Button Head M6 X 25MM	
210	4711500	17	Flatwasher 5/16in Thin	
211	1001116290	1	Plate, Latch Mounting	
212	1001116292	4	Mount, Clamp	
	1001114633	Ref	HEAT SHIELD INSTALLATION (GM ENGINE MACHINES)	D
301	3311405	3	Locknut 1/4in-20NC	
302	4751400	3	Flatwasher 1/4in Regular	
303	0641408	3	Bolt 1/4in-20NC x 1in	
304	1001120508	1	Shield, Heat	
	0272081	Ref	NOISE REDUCTION INSTALLATION (DEUTZ/CATERPILLAR ENGINE MACHINES) (OPTIONAL)	4
401	2820078	1	Foam, Acoustical (Turntable Side)	

SECTION 2 - TURNTABLE

FIGURE 2-20. 2500W GENERATOR INSTALLATION - CATERPILLAR MACHINES (OPTIONAL)



SECTION 2 - TURNTABLE

FIGURE 2-20. 2500W GENERATOR INSTALLATION - CATERPILLAR MACHINES (OPTIONAL)

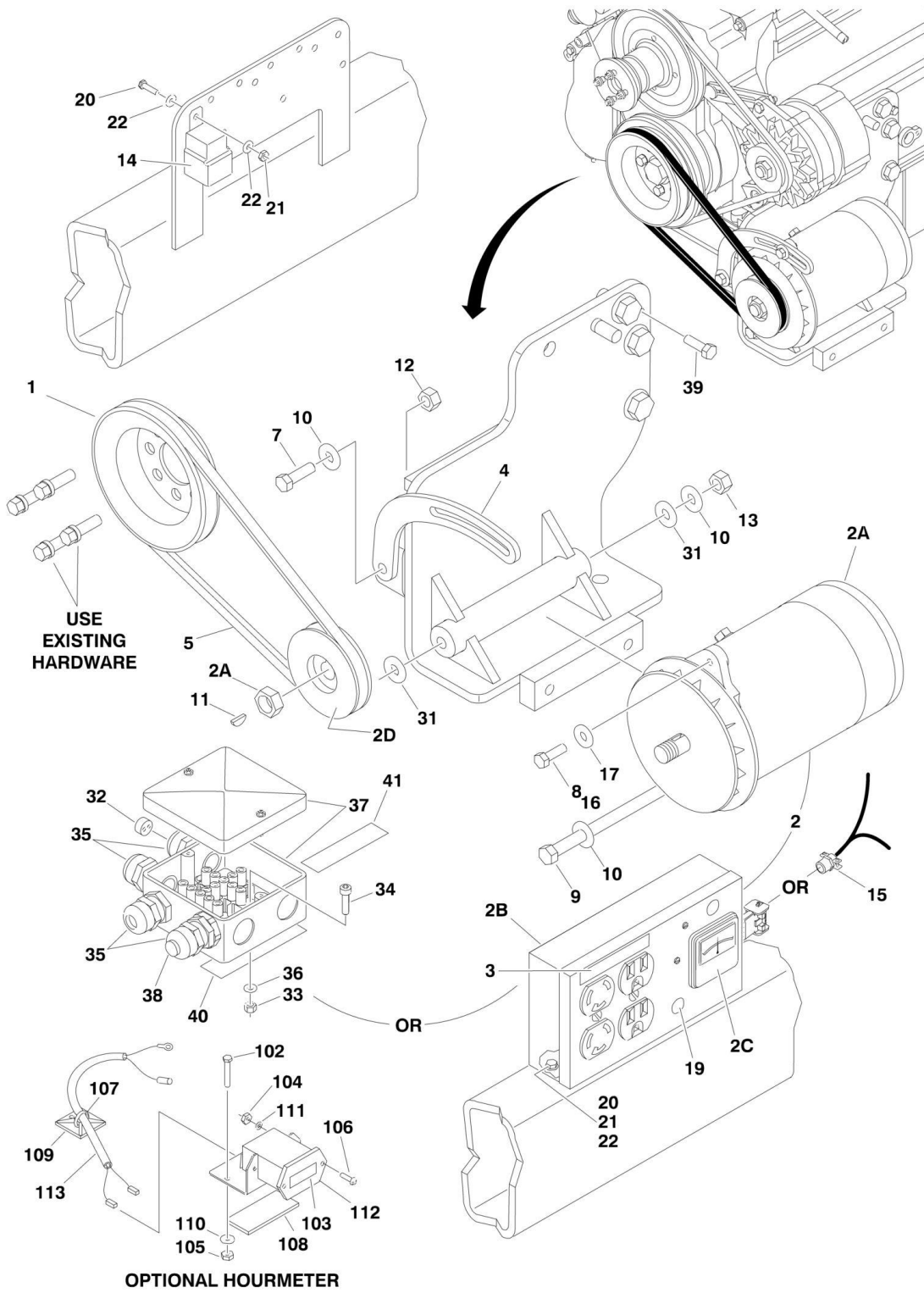
ITEM	PART NUMBER	QTY	DESCRIPTION	REV
		Ref	GENERATOR INSTALLATIONS	
	1001115404	Ref	110V/60Hz	A
	1001115413	Ref	110V/50Hz	A
	1001115414	Ref	220V/50Hz	A
1	3580322	1	Pulley	
2		Ref	Generator and Control Box Assembly Options:	
2	2460055	1	110V/60Hz	
2	2460049	1	110V/50Hz	
2	1001100321	1	220V/50Hz	
2A	7012558	1	Generator - 110V/60Hz	
2A	2460049	1	Generator - 110V/50Hz	
2A	1001100321	1	Generator - 220V/50Hz	
2A	7026199	1	110V/60Hz Armature with Slip Rings	
2A	70000122	1	110V/50Hz Armature with Slip Rings	
2A	70000123	1	220V/50Hz Armature with Slip Rings	
2A	7012513	4	Cap, Brush Holder	
2A	7020108	4	Brush	
2A	7020109	4	Holder, Brush	
2A	7012514	1	Fan	
2A	7020190	2	Bearing	
2A	7020110	1	End Bell, Front	
2A	7020111	1	End Bell, Rear	
2B	7019680	1	Box, Control - 110V/60Hz	
2B	7019680	1	Box, Control - 110V/50Hz	
2B	70000127	1	Box, Control - 220V/50Hz	
2B		Ref	Breaker, Circuit Options:	
2B	4360542	1	110V	
2B	70000126	1	220V	
2B	4460190	1	Receptacle, Double (110V Box)	
2B	4460027	1	Receptacle, Double Twist Lock (110V Box)	
2B	70000124	1	Receptacle, Double (220V Box)	
2B	70000125	1	Receptacle, Single Twist Lock (220V Box)	
2C		Ref	Voltmeter Options:	
2C	2420203	1	110V	
2C	7020192	1	220V	
2D	3580276	1	Pulley - 110V/60Hz	
2D	3580134	1	Pulley - 110V/50Hz	
2D	3580134	1	Pulley - 220V/50Hz	
2D	7027887	1	Key, Woodruff	
3	0700816	4	Bolt M8 x 40mm	
4	4811900	4	Flatwasher M8	
5	0200819	1	Arm, Adjusting	
6		Ref	V-Belt Options:	
6	0480121	1	110V/60Hz	
6	0480120	1	110V/50Hz	
6	0480120	1	220V/50Hz	
7	0641610	1	Bolt 3/8in-16NC x 1-1/4in	
8	0100011	AR	Compound, Locking	
9	0641772	1	Bolt 7/16in-14NC x 9in	
10	4751600	6	Flatwasher 3/8in Regular	

SECTION 2 - TURNTABLE

ITEM	PART NUMBER	QTY	DESCRIPTION	REV
11	3574684	1	Plate, Box Mounting	
12	0701210	2	Bolt M12 x 20mm	
13	0962563	1	Bushing, Spacer	
14	3311605	1	Locknut 3/8in-16NC	
15	3311705	1	Locknut 7/16in-14NC	
16	3740080	1	Relay	
18	0641508	1	Bolt 5/16in-18NC x 1in	
19	4751500	1	Flatwasher 5/16in Regular	
22	0721006	3	Bolt #10-24NC x 3/4in	
23	3311005	3	Locknut #10-24NC	
24	4751000	6	Flatwasher #10 Regular	
25	4360336	1	Switch, Toggle (Not Shown - Located at Platform)	
27	4060802	1	Guard, Switch (Not Shown - Located at Platform)	
28		Ref	Decal - Voltage Options (Not Shown - Located at Platform):	
28	Not Required	0	110V/60Hz	
28	1705325	1	110V/50Hz	
28	3252507	1	220V/50Hz	
29	2820031	4 in/10cm	Heatshrink (Not Shown - Located at Platform)	
30	3251102	1	Decal (Not Shown - Located at Platform)	
		Ref	Note: Items 31 thru 40 Used with 1001115413 & 1001115414 Installations Only.	
31	0962449	1	Bushing, Silicone	
32	3290505	1	Locknut M5	
33	4031608	2	Capscrew M5 x 20mm	
34	4460968	3	Bushing, Strain Relief	
35	4811600	2	Flatwasher M5	
36	4812100	2	Flatwasher M12	
37	1001099869	1	Box, Junction	
38		Ref	Light, Red Options:	
38	1001100233	1	110V/50Hz	
38	1001100234	1	220V/50Hz	
39	1001102644	1	Bracket, AC Junction Box	
40		Ref	Decal - Voltage Options:	
40	1705325	1	110V/50Hz	
40	3252507	1	220V/50Hz	
	1001094475	Ref	HOURLY METER INSTALLATION (OPTIONAL)	B
102	0720808	1	Screw #8-32 x 1in	
103	2420165	1	Hourmeter	
104	3310601	2	Nut #6-32	
105	3310805	1	Locknut #8-32	
106	3910608	2	Screw #6-32 x 1/2in	
107	4240032	4	Strap, Tie	
108	4420060	3 in/7cm	Tape, Double-Sided	
109	4460234	3	Mount, Tie Strap	
110	4750800	1	Flatwasher #8 Regular	
111	4760600	2	Lockwasher #6	
112	1001094375	1	Bracket, Hourmeter	
113	1001094509	1	Harness, Hourmeter	
114	4460018	1	Connector, Butt Splice (Not Shown)	

SECTION 2 - TURNTABLE

FIGURE 2-21. 2500W GENERATOR INSTALLATION - DEUTZ MACHINES (OPTIONAL)



SECTION 2 - TURNTABLE

FIGURE 2-21. 2500W GENERATOR INSTALLATION - DEUTZ MACHINES (OPTIONAL)

ITEM	PART NUMBER	QTY	DESCRIPTION	REV
		Ref	GENERATOR INSTALLATION OPTIONS:	
	0274082	Ref	110V/60Hz (Prior to SN 0300139080)	3-C
	1001115405	Ref	110V/60Hz (SN 0300139080 through 0300182743)	A
	0274090	Ref	110V/50Hz (Prior to SN 0300122230)	1-A
	1001100308	Ref	110V/50Hz (SN 0300122230 through 0300139079)	D
	1001115410	Ref	110V/50Hz (SN 0300139080 through 0300182743)	A
	0274086	Ref	220V/50Hz (Prior to SN 0300122915)	1-A
	1001099868	Ref	220V/50Hz (SN 0300122915 through 0300139079)	D
	1001115409	Ref	220V/50Hz (SN 0300139080 through 0300182743)	A
1	3580158	1	Pulley	
2		Ref	Generator and Control Box Assembly Options:	
2	2460055	1	110V/60Hz	
2	2460057	1	110V/50Hz (Prior to SN 0300122230)	
2	2460049	1	110V/50Hz Generator Only (SN 0300122230 through 0300182743)	
2	2460056	1	220V/50Hz (Prior to SN 0300122915)	
2	1001100321	1	220V/50Hz Generator Only (SN 0300122915 through 0300182743)	
2A	7012558	1	Generator - 110V/60Hz	
2A	2460049	1	Generator - 110V/50Hz	
2A	1001100321	1	Generator - 220V/50Hz	
		Ref	Note: Replacement Generators come standard with p/n 3580134 pulley. This pulley may not be correct for all applications. Refer to pulley options below.	
2A	7026199	1	110V/60Hz Armature with Slip Rings	
2A	70000122	1	110V/50Hz Armature with Slip Rings	
2A	70000123	1	220V/50Hz Armature with Slip Rings	
2A	7012513	4	Cap, Brush Holder	
2A	7020108	4	Brush	
2A	7020109	4	Holder, Brush	
2A	7012514	1	Fan	
2A	7020190	2	Bearing	
2A	7020110	1	End Bell, Front	
2A	7020111	1	End Bell, Rear	
2B	7019680	1	Box, Control - 110V/60Hz	
2B	7019680	1	Box, Control - 110V/50Hz (SN 0300079612 through 0300136859)	
2B	70000127	1	Box, Control - 220V/50Hz (SN 0300079612 through 0300122915)	
2B		Ref	Breaker, Circuit Options:	
2B	4360542	1	110V	
2B	70000126	1	220V	
2B	4460190	1	Receptacle, Double (110V Box)	
2B	4460027	1	Receptacle, Double Twist Lock (110V Box)	
2B	70000124	1	Receptacle, Double (220V Box)	
2B	70000125	1	Receptacle, Single Twist Lock (220V Box)	
2C		Ref	Voltmeter Options:	
2C	2420203	1	110V	
2C	7020192	1	220V	
2D	3580276	1	Pulley - 110V/60Hz	
2D	3580134	1	Pulley - 110V/50Hz	

SECTION 2 - TURNTABLE

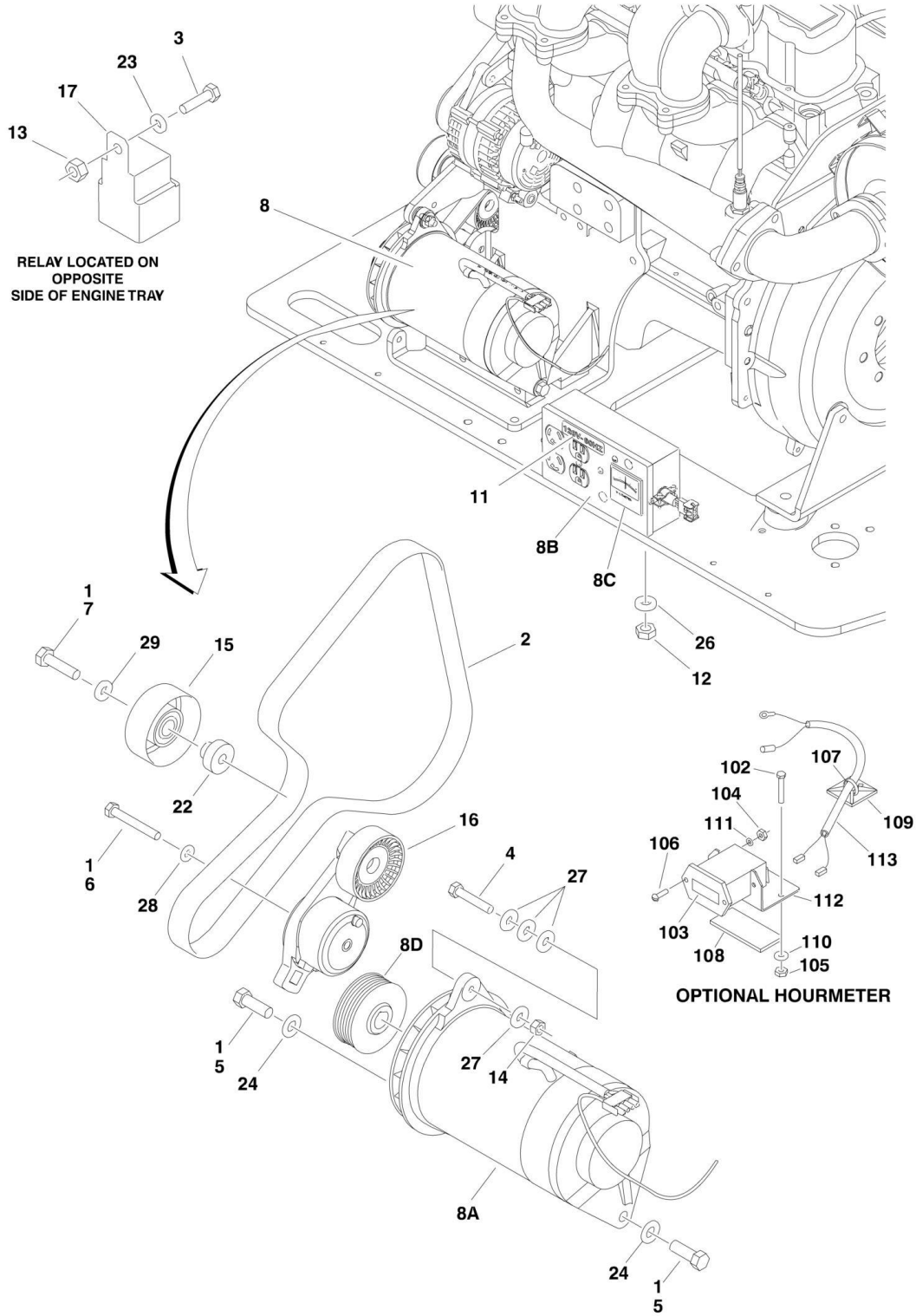
ITEM	PART NUMBER	QTY	DESCRIPTION	REV
2D	3580134	1	Pulley - 220V/50Hz	
2D	7027887	1	Key, Woodruff	
3		Ref	Decal Options:	
3	3251243	1	120V 60Hz	
3	1705325	1	120V 50Hz	
3	Not Required	0	220V/50Hz	
4	0200742	1	Arm, Adjusting	
5	0480121	1	V-Belt	
7	0641610	1	Bolt 3/8in-16NC x 1-1/4in	
8	0100011	AR	Compound, Locking	
9	0641772	1	Bolt 7/16in-14NC x 9in	
10	4751600	6	Flatwasher 3/8in Regular	
11	2860012	1	Key, Woodruff	
12	3311605	1	Locknut 3/8in-16NC	
13	3311705	1	Locknut 7/16in-14NC	
14	3740080	1	Relay	
16	0641508	1	Bolt 5/16in-18NC x 1in	
17	4751500	AR	Flatwasher 5/16in Regular	
20	0721006	4	Bolt #10-24NC x 3/4in	
21	3311005	4	Locknut #10-24NC	
22	4751000	9	Flatwasher #10 Regular	
25	4360336	1	Switch, Toggle (Not Shown - Located at Platform)	
26	4740397	1	Bushing (Not Shown - Located at Platform)	
27	4060802	1	Guard, Switch (Not Shown - Located at Platform)	
28		Ref	Decal - Voltage Options (Not Shown - Located at Platform):	
28	See Note	1	110V/60Hz (Note: Not Available for Purchase.)	
28	1705325	1	110V/50Hz	
28	3252507	1	220V/50Hz	
29	2820031	4 in/10cm	Heatshrink (Not Shown - Located at Platform)	
30	3251102	1	Decal, Gen. ON/OFF (Not Shown - Located at Platform)	
31	4070585	AR	Shim - .010in	
		Ref	Note: Items 32 thru 41 Used with 1001100308, 1001115410, 1001099868 & 1001115409 Installations Only.	
32	0962449	1	Bushing, Silicone	
33	3290505	1	Locknut M5	
34	4031608	1	Capscrew M5 x 20mm	
35	4460968	4	Bushing, Strain Relief	
36	4811600	1	Flatwasher M5	
37	1001099869	1	Box, Junction	
38		Ref	Light, Red Options:	
38	1001100233	1	110V/50Hz	
38	1001100234	1	220V/50Hz	
39	0641404	1	Bolt 1/4in-20NC x 1/2in	
40	4420060	AR	Tape, Double Sided	
41		Ref	Decal Options:	
41	3252507	1	Decal - 220V-50/60Hz	
41	1705325	1	Decal - 120V-50Hz	
	1001094475	Ref	HOURMETER INSTALLATION (OPTIONAL)	B
102	0720808	1	Screw #8-32 x 1in	
103	2420165	1	Hourmeter	
104	3310601	2	Nut #6-32	
105	3310805	1	Locknut #8-32	

SECTION 2 - TURNTABLE

ITEM	PART NUMBER	QTY	DESCRIPTION	REV
106	3910608	2	Screw #6-32 x 1/2in	
107	4240032	4	Strap, Tie	
108	4420060	3 in/7cm	Tape, Double-Sided	
109	4460234	3	Mount, Tie Strap	
110	4750800	1	Flatwasher #8 Regular	
111	4760600	2	Lockwasher #6	
112	1001094375	1	Bracket, Hourmeter	
113	1001094509	1	Harness, Hourmeter	
114	4460018	1	Connector, Butt Splice (Not Shown)	

SECTION 2 - TURNTABLE

FIGURE 2-22. 2500W GENERATOR INSTALLATION - GM MACHINES (OPTIONAL)



SECTION 2 - TURNTABLE

FIGURE 2-22. 2500W GENERATOR INSTALLATION - GM MACHINES (OPTIONAL)

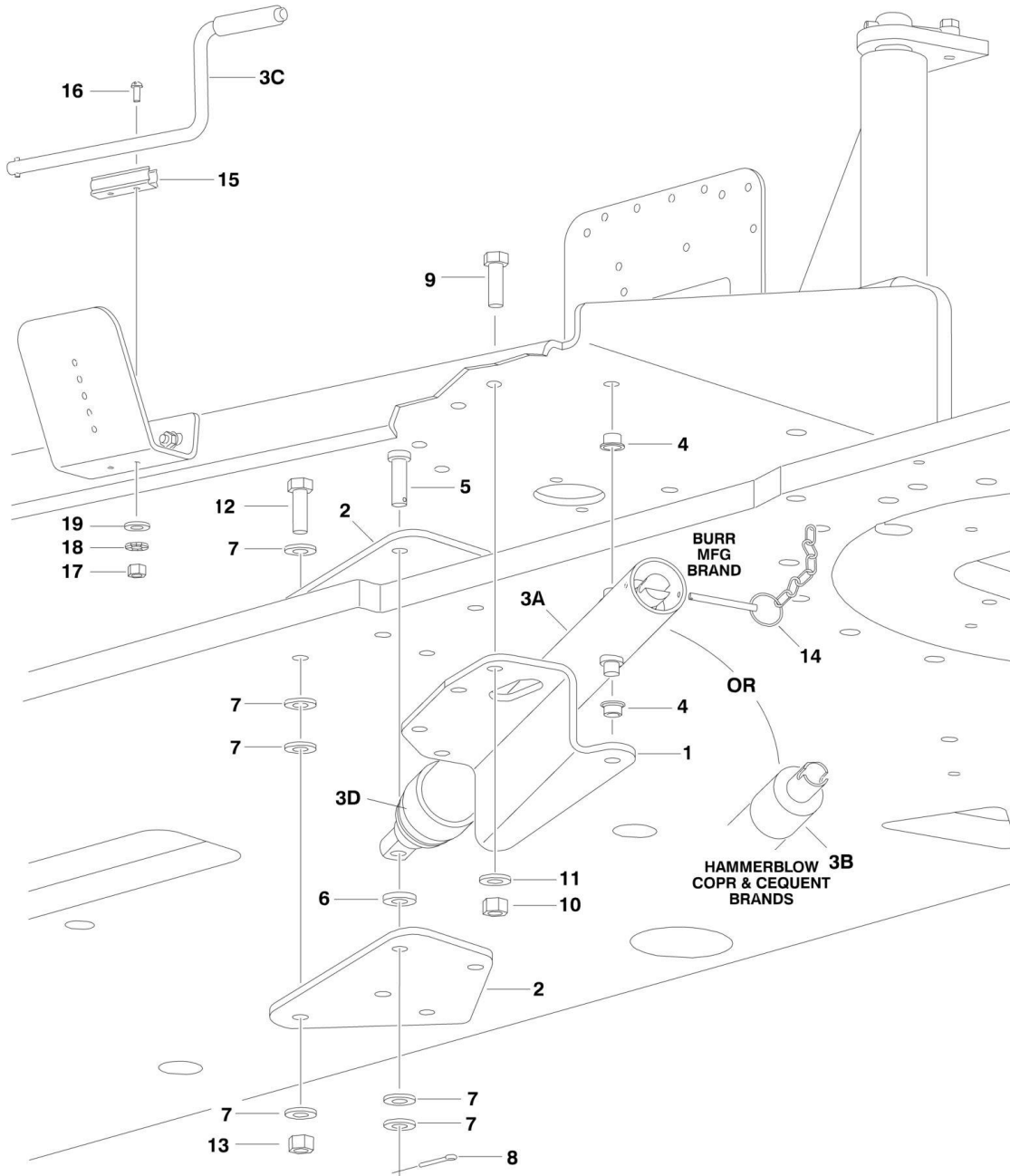
ITEM	PART NUMBER	QTY	DESCRIPTION	REV
		Ref	GENERATOR INSTALLATION OPTIONS:	
	0275039	Ref	110V Generator	E
	See Note	Ref	220V Generator (Note: Not Available)	
1	0100011	AR	Compound, Locking	
2	0480142	1	V-Belt	
3	0641405	1	Bolt 1/4in-20NC x 5/8in	
4	0641510	1	Bolt 5/16in-18NC x 1-1/4in	
5	0641710	2	Bolt 7/16in-14NC x 1-1/4in	
6	0700820	1	Bolt 8mm x 60mm	
7	0701016	1	Bolt 10mm x 340mm	
8	2460051	1	Generator and Control Box Assembly	
8A	7012558	1	Generator	
		Ref	Note: Replacement Generators come standard with p/n 3580134 pulley. This pulley may not be correct for all applications. Refer to pulley options below.	
8A	7026199	1	Armature with Slip Rings	
8A	7020109	4	Holder, Brush	
8A	7020108	4	Brush	
8A	7012513	4	Cap, Brush Holder	
8A	7012514	1	Fan	
8A	7020190	2	Bearing	
8A	7020110	1	End Bell, Front	
8A	7020111	1	End Bell, Rear	
8B	7019680	1	Box Control	
8B	4360542	1	Breaker, Circuit	
8B	4460190	1	Receptacle, Double (110V Box)	
8B	4460027	1	Receptacle, Double Twist Lock (110V Box)	
8C	2420203	1	Voltmeter	
8D	3580324	1	Pulley	
8D	7027887	1	Key, Woodruff	
9	2820031	AR	Heatshrink (Not Shown - Located at Platform)	
10	3251102	1	Nameplate - Generator (Not Shown - Located at Platform)	
11	3251243	1	Decal	
12	3311005	2	Locknut # 10-24NC	
13	3311405	1	Locknut 1/4in-20NC	
14	3311505	1	Locknut 5/16in-18NC	
15	3580312	1	Pulley, Idler	
16	3580348	1	Tensioner, Belt	
17	3740080	1	Relay, Bosch	
18	4060802	1	Guard, Switch (Not Shown - Located at Platform)	
19	4240018	AR	Tie-Strap (Not Shown)	
20	4360336	1	Switch, Toggle (Not Shown - Located at Platform)	
21	4460906	3	Terminal (Not Shown)	
22	4568735	1	Spacer, Tube (Idler Pulley Grooved)	
23	4711400	1	Flatwasher 1/4in Thin	
24	4711700	2	Flatwasher 7/16in Thin	
25	4740397	1	Spacer (Not Shown - Located at Platform)	
26	4751000	2	Flatwasher #10 Regular	
27	4751500	4	Flatwasher 5/16in Regular	
28	4811900	1	Flatwasher M8	

SECTION 2 - TURNTABLE

ITEM	PART NUMBER	QTY	DESCRIPTION	REV
29	4891600	1	Flatwasher 3/8in Hardened	B
	1001094475	Ref	HOURLMETER INSTALLATION (OPTIONAL)	
102	0720808	1	Screw #8-32 x 1in	
103	2420165	1	Hourmeter	
104	3310601	2	Nut #6-32	
105	3310805	1	Locknut #8-32	
106	3910608	2	Screw #6-32 x 1/2in	
107	4240032	4	Strap, Tie	
108	4420060	3 in/7cm	Tape, Double-Sided	
109	4460234	3	Mount, Tie Strap	
110	4750800	1	Flatwasher #8 Regular	
111	4760600	2	Lockwasher #6	
112	1001094375	1	Bracket, Hourmeter	
113	1001094509	1	Harness, Hourmeter	
114	4460018	1	Connector, Butt Splice (Not Shown)	

SECTION 2 - TURNTABLE

FIGURE 2-23. ENGINE TRAY JACK INSTALLATION (OPTIONAL)



SECTION 2 - TURNTABLE

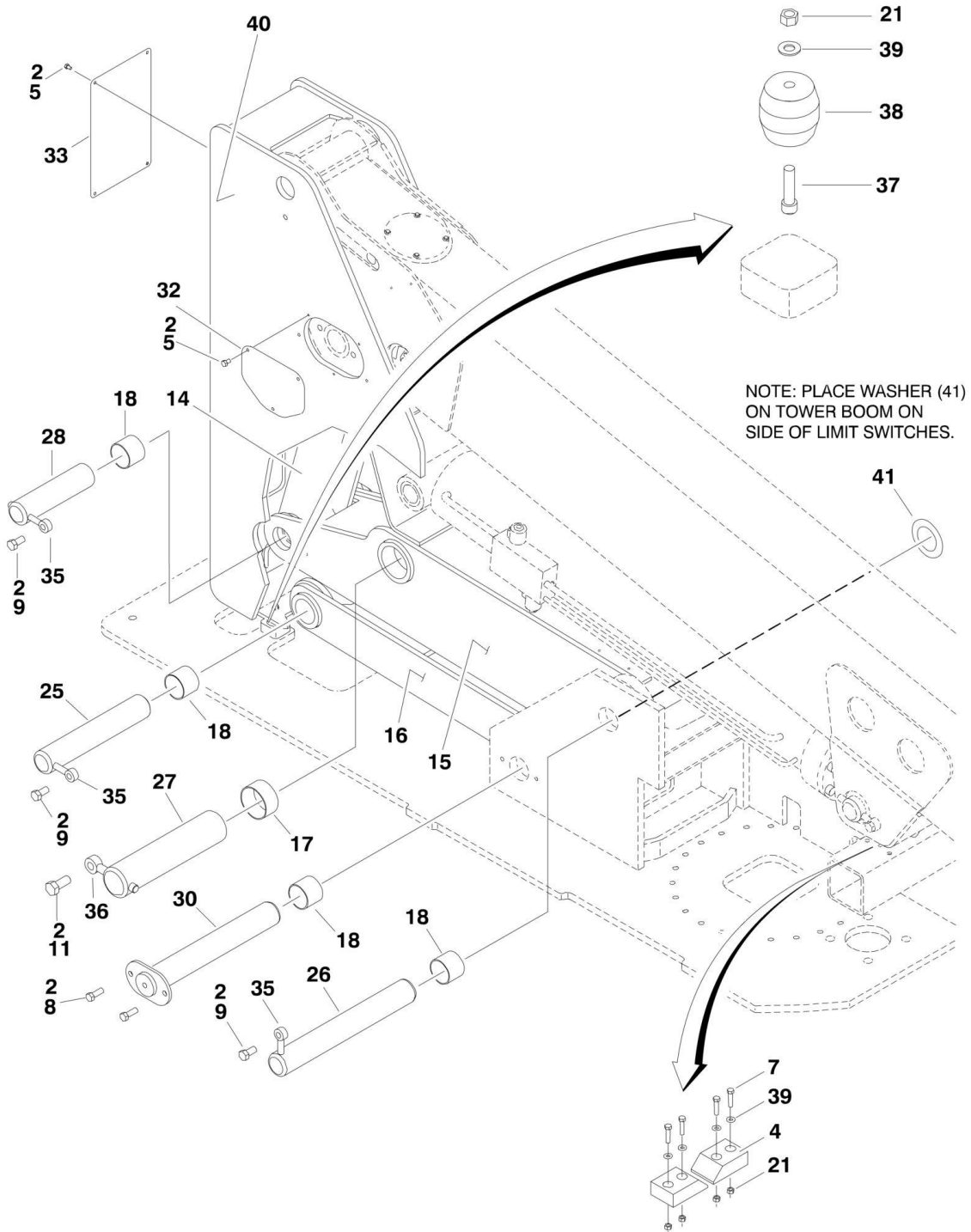
FIGURE 2-23. ENGINE TRAY JACK INSTALLATION (OPTIONAL)

ITEM	PART NUMBER	QTY	DESCRIPTION	REV
	0258728	Ref	ENGINE TRAY JACK INSTALLATION	2-C
1	3537445	1	Bracket	
2	3537446	2	Bracket	
3	2840016	Ref	Jack and Handle Assembly Options:	F
3A	2840016	1	Burr Manufacturing Brand	
	2840016	1	Hammerblow Corp Brand	
3C		Ref	Handle Options:	
3C	7016374	1	Burr Manufacturing Brand	
3C	7024598	1	Hammerblow Corp Brand	
3D	7016322	1	Wiper (Burr Manufacturing Brand Only)	
4	0962051	2	Bearing, Flange	
5	3430816	1	Pin, Clevis	
6	4891800	1	Flatwasher 1/2in Hardened	
7	4711800	6	Flatwasher 1/2in Thin	
8	3450404	1	Pin, Cotter 1/8in x 1in	
9	0641609	4	Bolt 3/8in-16NC x 1-1/8in	
10	3311605	4	Locknut 3/8in-16NC	
11	4891600	4	Flatwasher 3/8in Hardened	
12	0641818	4	Bolt 1/2in-13NC x 2-1/4in	
13	3311805	4	Locknut 1/2in-13NC	
14	3422530	1	Pin, Hitch (Prior to SN 0300070676)	
15	1380147	1	Clip, Spring	
16	3910608	2	Screw, Round Head #6-32NC x 1in	
17	3310601	2	Nut #6-32NC	
18	4770600	2	Starwasher #6	
19	4740119	2	Washer, Aluminum	

SECTION 3 - BOOM

SECTION 3 - BOOM

FIGURE 3-1. TOWER BOOM, UPRIGHT AND CYLINDERS INSTALLATION



SECTION 3 - BOOM

FIGURE 3-1. TOWER BOOM, UPRIGHT AND CYLINDERS INSTALLATION

ITEM	PART NUMBER	QTY	DESCRIPTION	REV
		Ref	TOWER BOOM, UPRIGHT AND CYLINDERS INSTALLATIONS	
	0275554	Ref	Tower Boom, Upright and Cylinders Installations (Prior to SN 0300182109)	I
	1001155753	Ref	Tower Boom, Upright and Cylinders Installations (SN 0300182109 through 0300182743)	B
2	0100011	AR	Compound, Locking	
4	0561380	1	Block, Boom Rest	
5	0641504	AR	Bolt 5/16in-18NC x 5/8in	
7	0641613	4	Bolt 3/8in-16NC x 1-1/2in	
8	0642014	AR	Bolt 5/8in-11NC x 1-3/4in	
9	0642212	AR	Bolt 3/4in-10NC x 1-1/2in	
11	0642618	1	Bolt 1in-8NC x 2-1/4in	
14	1001117804	1	Power Link Weldment (was p/n 0801278 & 1001096719) (Includes Qty 4 of item 18.)	
15	0801279	1	Tower Weldment	
16	0801280	1	Link (Tower) Weldment	
17	0962122	2	Bushing	
18	0962297	10	Bushing	
21	3311605	6	Locknut 3/8in-16NC	
25	3422908	1	Pin	
26	3422909	1	Pin	
27	3422910	1	Pin	
28	3422920	1	Pin	
30	3422930	1	Pin	
32	3573049	2	Cover, Upright Side (Prior to SN 0300175646)	
33	3573050	1	Cover, Upright Rear	
35	3841287	AR	Keeper, Pin	
36	3841356	1	Keeper, Pin	
37	3931624	2	Capscrew, Socket Head 3/8in-16NC x 1-1/2in	
38	4160187	2	Spring, Rubber	
39	4711600	AR	Flatwasher 3/8in Thin	
40		Ref	Upright Options:	
40	4846355	1	Upright (Prior to SN 0300175646)	
40	1001157180	1	Upright (SN 0300175646 through 0300182743)	
41	4740492	1	Thrustwasher	

SECTION 3 - BOOM

FIGURE 3-2. MAIN BOOM INSTALLATION

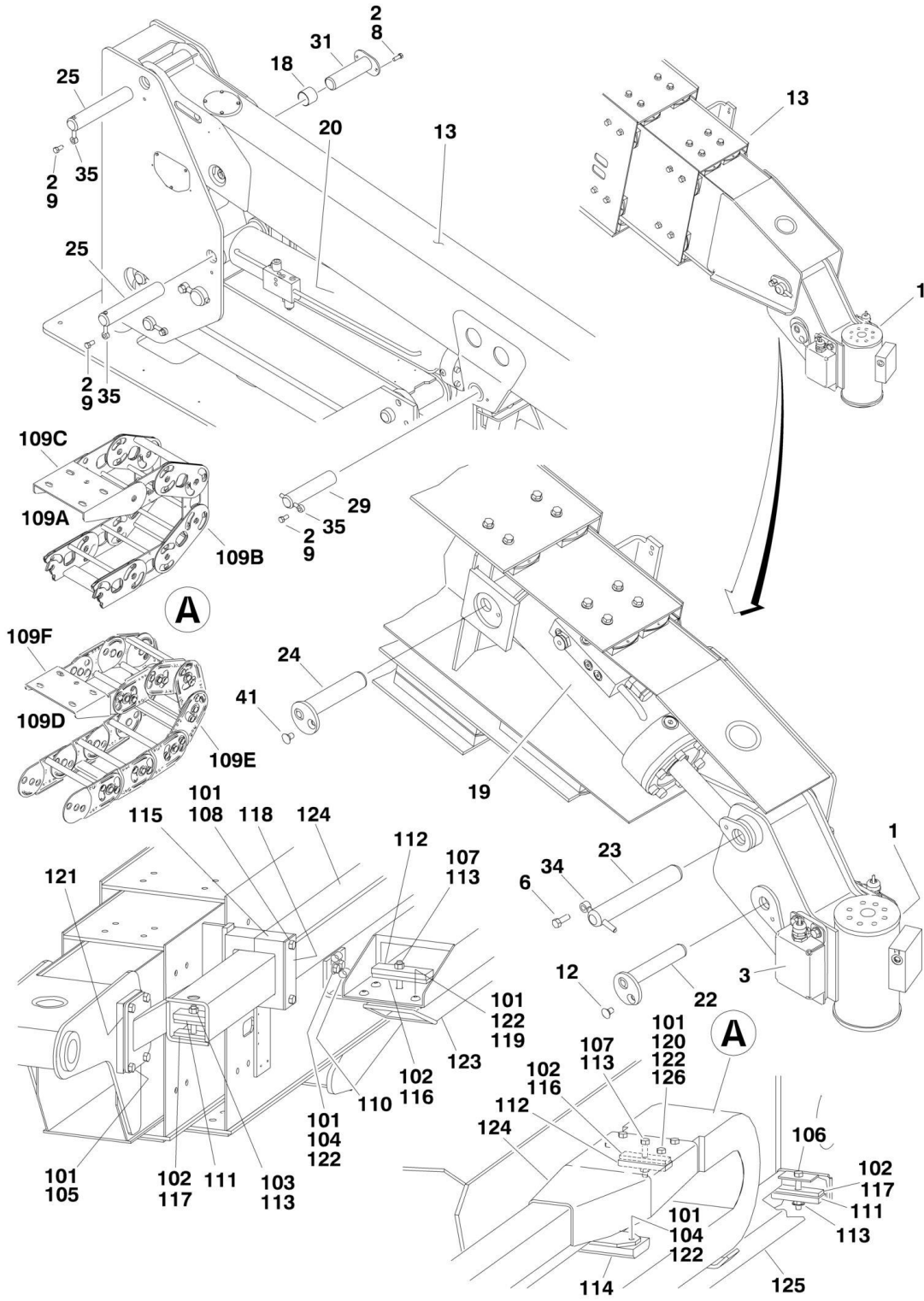


FIGURE 3-2. MAIN BOOM INSTALLATION

ITEM	PART NUMBER	QTY	DESCRIPTION	REV
		Ref	BOOM AND CYLINDERS INSTALLATION	
	0275554	Ref	Boom and Cylinders Installation (Prior to SN 0300182109)	I
	1001155753	Ref	Boom and Cylinders Installation (SN 0300182109 through 0300182743)	B
1		Ref	Rotator Assembly (See ROTATOR ASSEMBLY for Breakdown) Options:	
1	0060061	Ref	Rotator Assembly (Prior to SN 0300111097)	
1	1001091625	Ref	Rotator Assembly (SN 0300111097 through 0300182743)	
2	0100011	AR	Compound, Locking	
3	0273695	1	Platform Level Sensor Switch Assembly Options (See PLATFORM LEVEL SENSOR SWITCH ASSEMBLY for Breakdown)	
6	0641608	1	Bolt 3/8in-16NC x 1in	
8	0642014	2	Bolt 5/8in-11NC x 1-3/4in	
9	0642212	3	Bolt 3/4in-10NC x 1-1/2in	
12	0741605	1	Bolt 3/8in-16NC x 5/8in	
13		Ref	Main Boom Assembly (See MAIN BOOM ASSEMBLY for Breakdown)	
13	0801616	NLA	Main Boom Assembly (Use p/n 1001155763) (Prior to SN 0300182109)	
13	1001155763	1	Main Boom Assembly (SN 0300182109 through 0300182743)	
18	0962297	2	Bushing	
19	1684189	NLA	Platform Level Cylinder Assembly (Use p/n 1001228027) (See CYLINDER SECTION for Breakdown) (Original Equipment)	
19	1001228027	1	Platform Level Cylinder Assembly (See CYLINDER SECTION for Breakdown) (Service Replacement)	
20	1684199	NLA	Main Lift Cylinder Assembly (Use p/n 1001228028) (See CYLINDER SECTION for Breakdown) (Original Equipment)	
20	1001228028	1	Main Lift Cylinder Assembly (See CYLINDER SECTION for Breakdown) (Service Replacement)	
22	3422580	1	Pin	
23	3422562	1	Pin	
24	3422569	1	Pin	
25	3422908	2	Pin	
29		Ref	Pin Options:	
29	3422922	1	Pin (SN 0300140000 through 0300182108)	
29	3422920	1	Pin (SN 0300182109 through 0300182743)	
31	3422931	1	Pin	
34	3841143	1	Keeper, Pin	
35	3841287	3	Keeper, Pin	
41		Ref	Bolt Options:	
41	0741605	1	Bolt 3/8in-16NC x 5/8in (Prior to SN 0300129790)	
41	3900192	1	Screw 3/8in-16NC x 1/2in (SN 0300129790 through 0300182743)	
	0271990	Ref	POWER TRACK INSTALLATION	C
101	0100011	AR	Compound, Locking	
102	0100081	AR	Adhesive	
103	0630539	1	Bolt 3/8in-16NC x 3-1/2in	
104	0641606	12	Bolt 3/8in-16NC x 3/4in	
105	0641608	4	Bolt 3/8in-16NC x 1in	
106	0641620	1	Bolt 3/8in-16NC x 2-1/2in	
107	0641622	2	Bolt 3/8in-16NC x 2-3/4in	

SECTION 3 - BOOM

ITEM	PART NUMBER	QTY	DESCRIPTION	REV
108	0641652	2	Bolt 3/8in-16NC x 6-1/2in	
109		Ref	Power Track Assembly Options:	
		Ref	Note: Original Equipment Power Track may have been replaced with a Service Replacement. Visually identify the power track before ordering parts.	
109A	1001131731	1	Power Track Assembly (was p/n 1180375) (Prior to SN 0300155912)	
109B	7024369	AR	Repair Section for 1180375 (Includes Inner and Outer Links, Joining Bars and Rollers and Assembling Hardware)	
109C	7024370	1	Mounting Feet for 1180375 (Includes Mounting Brackets for Both Ends, 1 Roller Assembly and Assembling Hardware)	
109D	1001131731	1	Power Track Assembly (SN 0300155912 through 0300182743)	
109E	70003921	AR	Repair Section for 1001131731 (Includes 1 Pin Assembly for each end)	
109F	70003922	1	Mounting Feet for 1001131731 (Includes Both Pair of Feet)	
110	1320263	2	Clamp, Cable	
111	1320289	2	Clamp, Hose	
112	1320294	2	Bar, Clamping	
113	3311605	4	Locknut 3/8in-16NC	
114	3340787	1	Pad, Wear	
115	3340936	2	Pad, Push Tube	
116	3340942	2	Pad, Rubber	
117	3340943	4	Pad, Rubber	
118	3573418	1	Plate, Backing	
119	3900283	4	Screw, Button Head 3/8in-16NC x 3/4in	
120	3900316	4	Screw, Button Head 3/8in-16NC x 1in	
121	4070969	2	Shim	
122	4711600	20	Flatwasher 3/8in Thin	
123	4846553	2	Support, Push Tube	
124	4846554	1	Tube, Push	
125	4846558	1	Support, Track	
126	3311608	4	Locknut 3/8in-16NC	

SECTION 3 - BOOM

FIGURE 3-3. MAIN BOOM ASSEMBLY

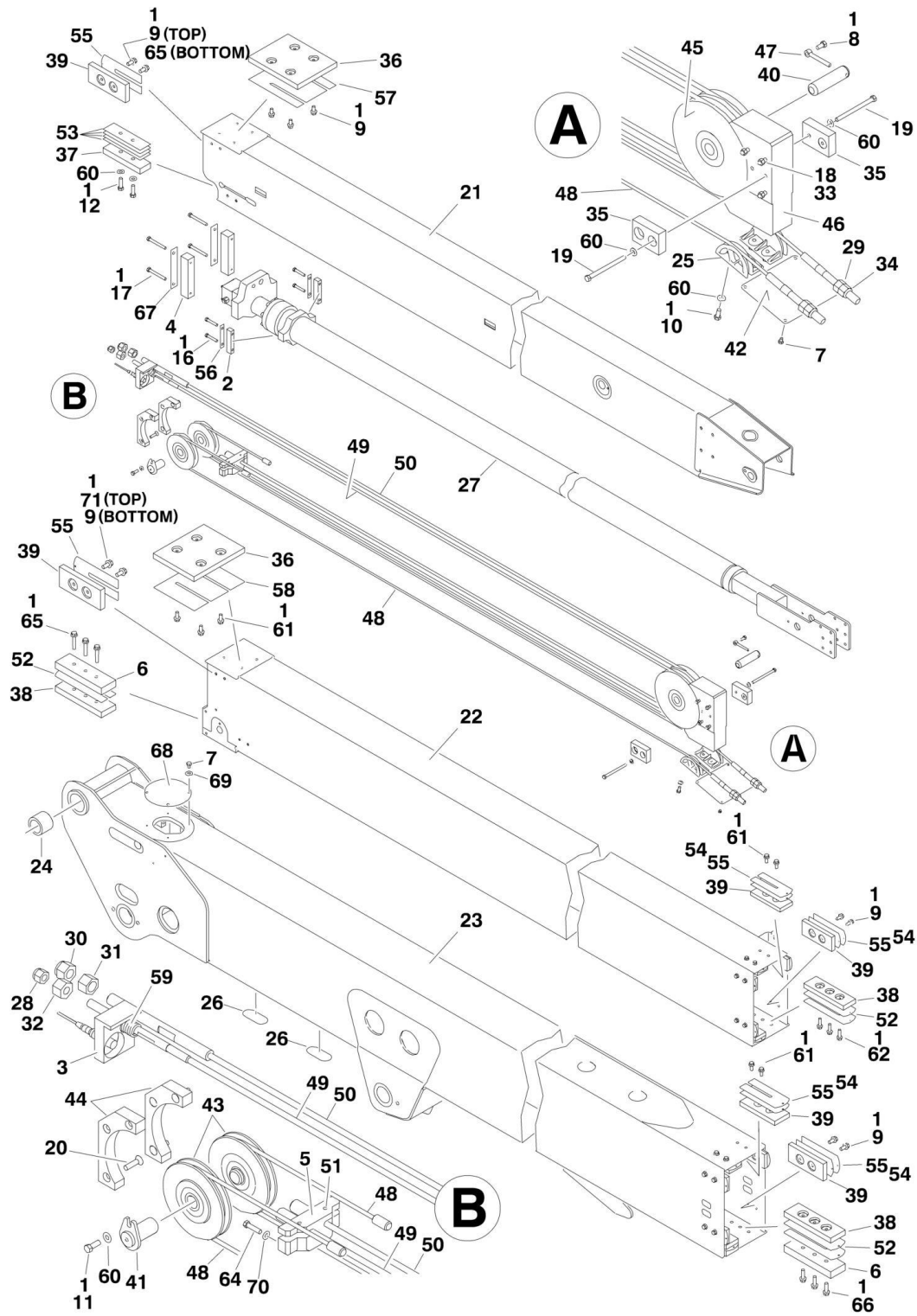


FIGURE 3-3. MAIN BOOM ASSEMBLY

ITEM	PART NUMBER	QTY	DESCRIPTION	REV
		Ref	MAIN BOOM ASSEMBLY	
	0801616	Ref	Main Boom Assembly (Prior to SN 0300182109)	F
	1001155763	Ref	Main Boom Assembly (SN 0300182109 through 0300182743)	B
1	0100011	AR	Compound, Locking	
2	0561185	2	Block, Telescope Attach	
3	0561445	1	Block, Spring Mounting	
4	0561446	2	Block, Tele Mount	
5	0561447	1	Block, Cable Mount	
6	0561449	3	Block, Spacer	
7	0641403	8	Bolt 1/4in-20NC x 3/8in	
8	0641606	1	Bolt 3/8in-16NC x 3/4in	
9	0811606	28	Screw 3/8in-16NC x 3/4in	
10	0641607	4	Bolt 3/8in-16NC x 7/8in	
11	0641608	2	Bolt 3/8in-16NC x 1in	
12	0641610	4	Bolt 3/8in-16NC x 1-1/4in	
16	0641616	4	Bolt 3/8in-16NC x 2in	
17	0641626	4	Bolt 3/8in-16NC x 3-1/4in	
18	0641634	4	Bolt 3/8in-16NC x 4-1/4in	
19	0641640	2	Bolt 3/8in-16NC x 5in	
20	0741612	6	Screw, Flathead 3/8in-16NC x 1-1/2in	
21	0801275	1	Fly Weldment	
22		Ref	Mid Weldment Options:	
22	0801276	1	Mid Weldment (Prior to SN 0300105391)	
22	0801649	1	Mid Weldment (SN 0300105391 through 0300182743)	
23		Ref	Base Weldment Options:	
23	0801325	NLA	Base Weldment (Use p/n 1001155770) (Prior to SN 0300182109)	
23	1001155770	1	Base Weldment (SN 0300182109 through 0300182743)	
24	0962297	2	Bearing	
25	1220078	2	Sheave, Block	
26	1670836	8	Cover, Boom (Prior to SN 0300134352)	
27	1684519	NLA	Telescope Cylinder Assembly (Use 1001181589) (See CYLINDER SECTION for Breakdown) (Original Equipment)	
27	1001181589	NLA	Telescope Cylinder Assembly (Usage May Vary) (Use 1001181589) (See CYLINDER SECTION for Breakdown) (Service Replacement)	
27	1001228085	1	Telescope Cylinder Assembly (Usage May Vary) (See CYLINDER SECTION for Breakdown) (Service Replacement)	
28	3300240	1	Nut	
29	3300241	2	Locknut 3/4in-10NC	
30	3300242	1	Locknut 7/8in-9NC	
31	3272401	1	Nut 7/8in-9NC	
32	3272001	1	Nut 5/8in-11NC	
33	3311605	4	Locknut 3/8in-16NC	
34	3312201	2	Nut 3/4in-10NC	
35	3340755	2	Pad, Wear	
36	3340757	2	Pad, Wear	
37	3340758	2	Pad, Rubber	
38	3340871	2	Pad, Wear	
39	3340881	5	Pad, Rubber	
40	3422417	1	Pin, Extend Sheave	

SECTION 3 - BOOM

ITEM	PART NUMBER	QTY	DESCRIPTION	REV
41	3422424	2	Pin	
42	3539622	1	Plate, Cover	
43	3580243	2	Sheave, Retract	
43	0961951	1	Bushing	
44	3580249	2	Guard, Sheave	
45	3580288	1	Sheave, Extend	
45	0961951	2	Bushing	
46	3580289	1	Guard, Sheave	
47	3841143	1	Keeper, Pin	
48	3890013	2	Cable, Wire Rope	
49	3890014	1	Cable, Wire Rope	
50	3890015	1	Cable, Wire Rope	
51	3951608	2	Setscrew 3/8in-16NC x 1in	
52	4070863	5	Shim (#11 Gauge)	
53	4070895	8	Shim (#16 Gauge)	
54	4070897	10	Shim (#18 Gauge)	
55	4070898	22	Shim (#11 Gauge)	
56	4070929	2	Shim (#16 Gauge)	
57	4070939	1	Shim (#16 Gauge)	
58	4070940	1	Shim (#16 Gauge)	
59	4160149	1	Spring, Torsion	
60	4711600	12	Flatwasher 3/8in Thin	
61	0811607	12	Screw 3/8in-16NC x 7/8in	
62	0811608	6	Screw 3/8in-16NC x 1in	
64		Ref	Screw Options:	
64	0791612	2	Screw 3/8in-16NC x 1-1/2in (Prior to SN 0300130875)	
64	0641613	2	Screw 3/8in-16NC x 1-5/8in (SN 0300130875 through 0300182743)	
65	0811614	6	Screw 3/8in-16NC x 1-3/4in	
66	0811616	6	Screw 3/8in-16NC x 2in	
67	4071020	2	Shim (#16 Gauge)	
68	1120510	1	Cover, Pin	
69	4751400	4	Flatwasher 1/4in Regular	
70	4891600	2	Flatwasher 3/8in Hardened	
71	0641613	4	Screw 3/8in-16NC x 1-5/8in	

SECTION 3 - BOOM

FIGURE 3-4. ROTATOR ASSEMBLIES

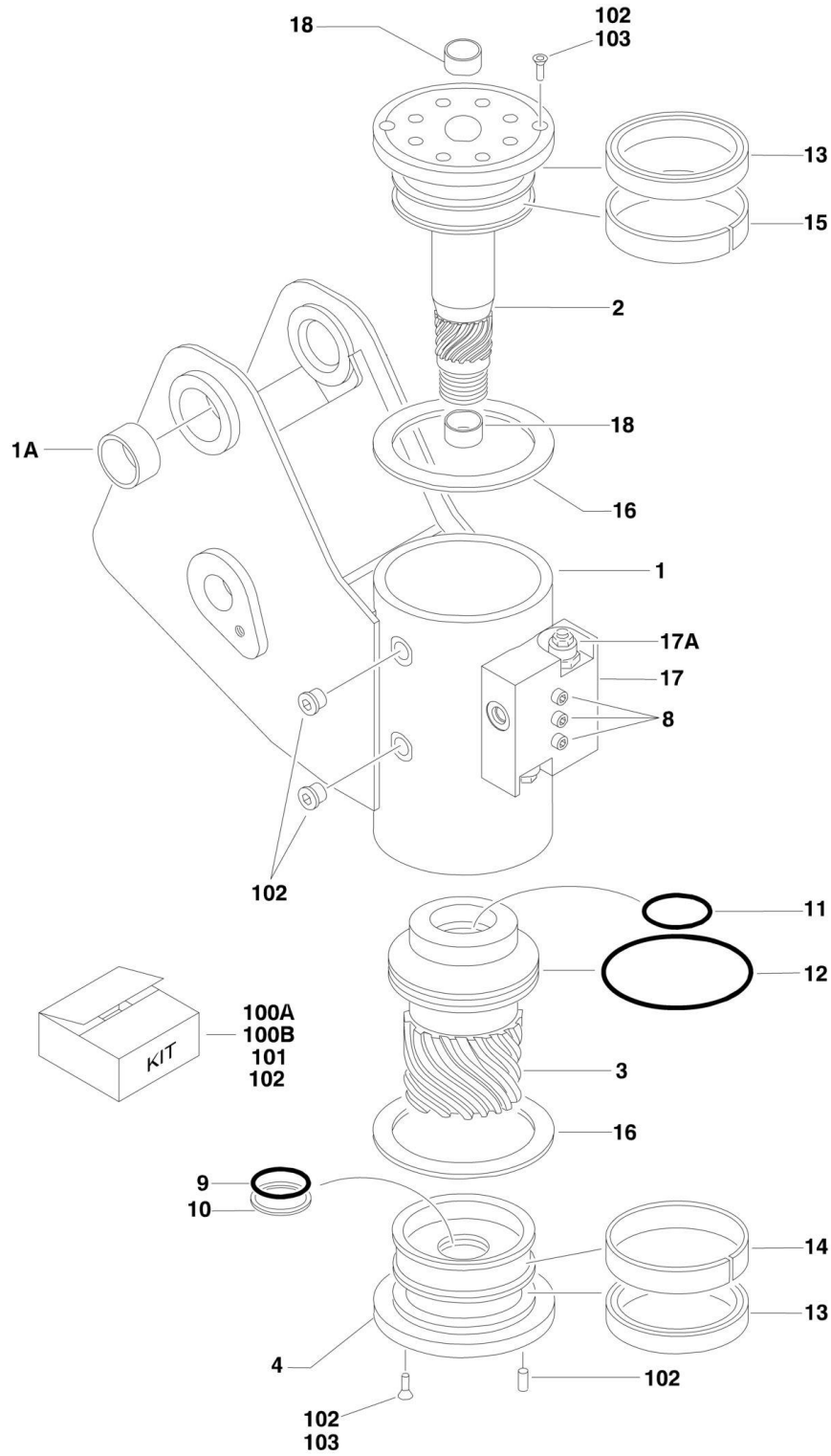
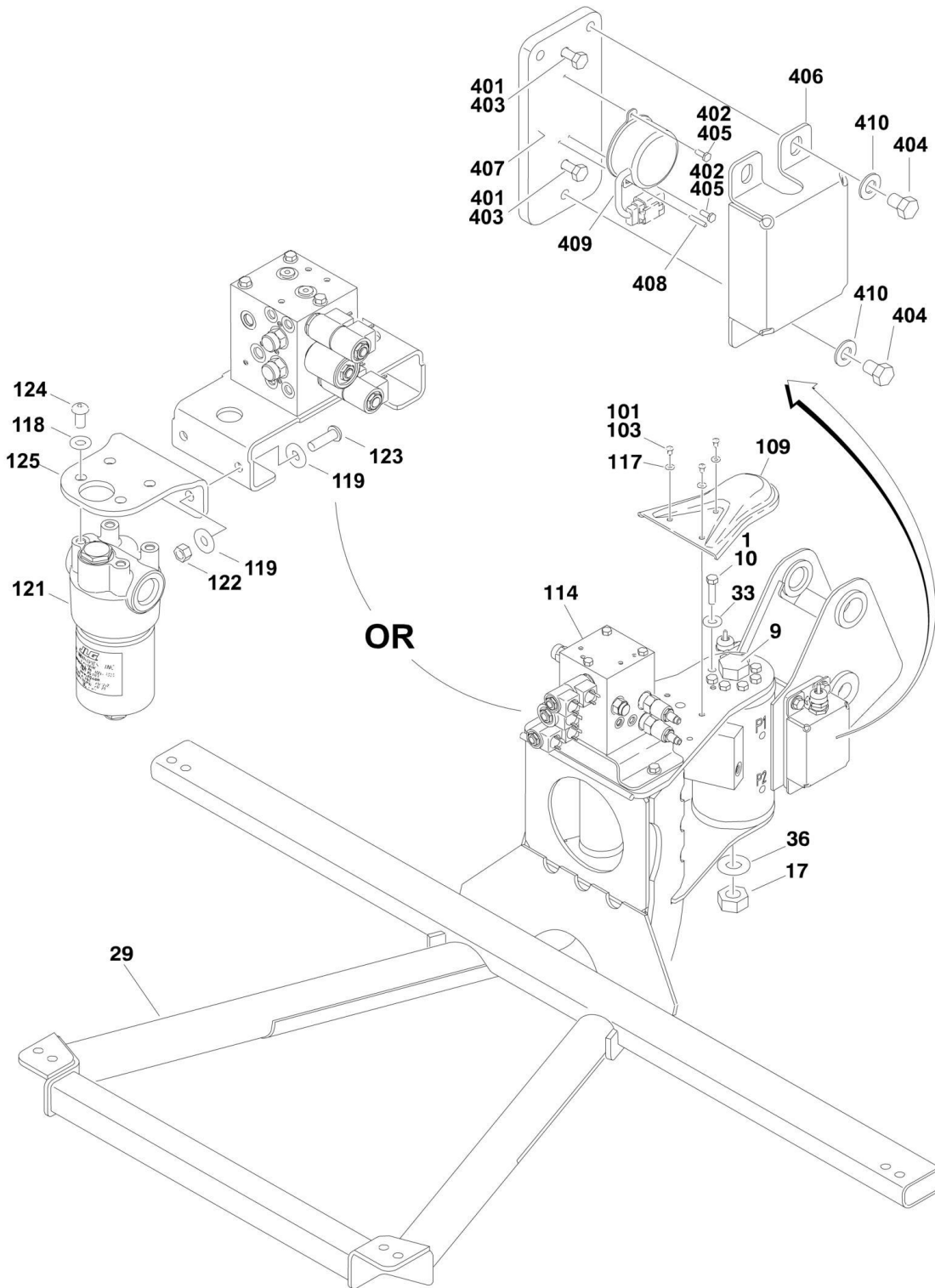


FIGURE 3-4. ROTATOR ASSEMBLIES

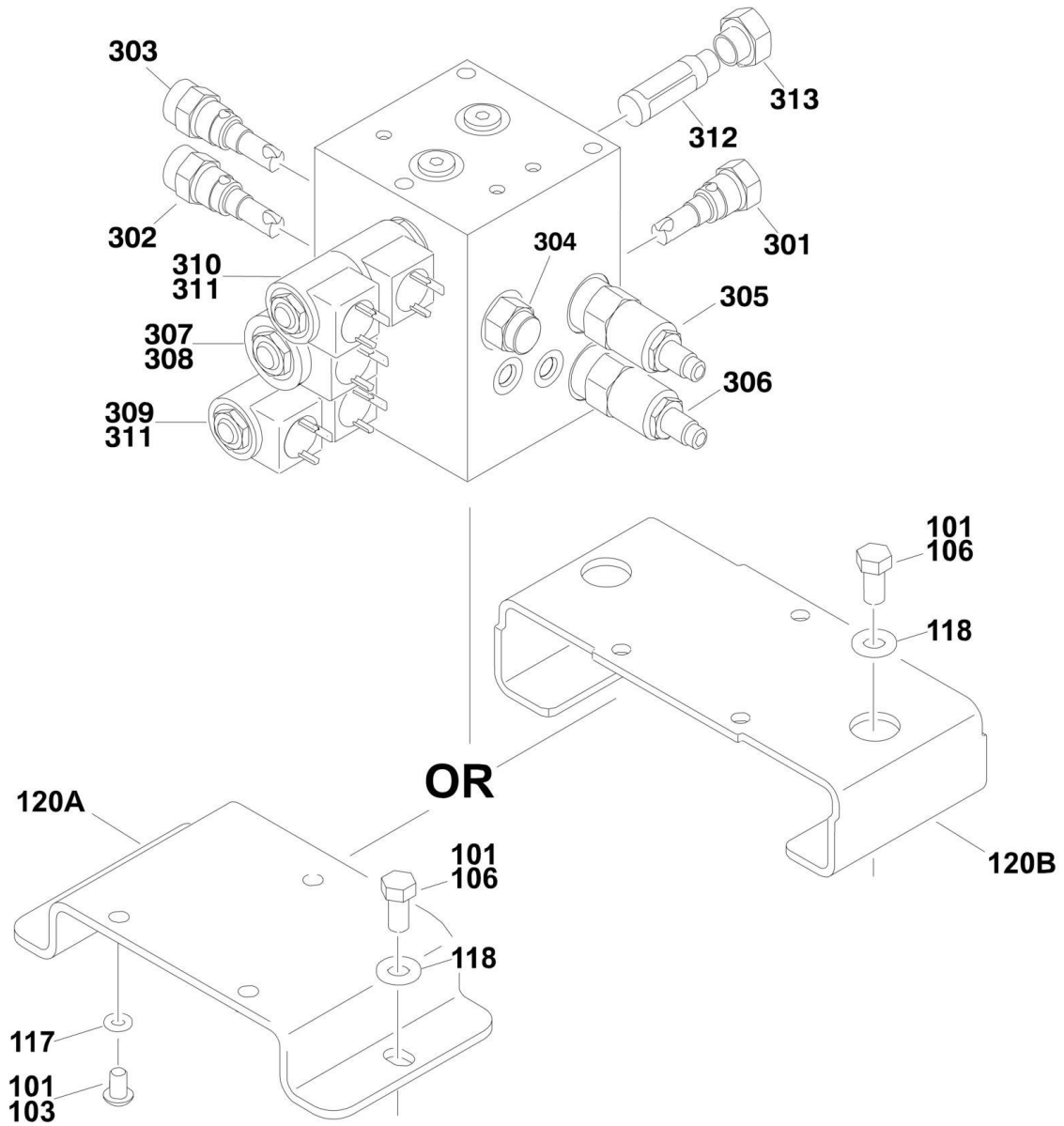
ITEM	PART NUMBER	QTY	DESCRIPTION	REV
		Ref	ROTATOR ASSEMBLIES	
	0060061	Ref	Rotator Assemblies (Prior to SN 0300111097)	I
		Ref	Note: Use p/n 1001091625 as Service Replacement For p/n 0060061.	
	1001091625	Ref	Rotator Assemblies (SN 0300111097 through 0300182743)	B
1		Ref	Case/Bracket Weldment Options:	
1	7017175	1	Used on p/n 0060061	
1	See Note	1	Used on p/n 1001091625 (Note: Not Available - Purchase Complete Rotator Assy)	
1A	0961951	2	Bushing	
2	7017162	1	Shaft	
3	7017163	1	Sleeve, Piston	
4	7017164	1	Cap, End	
8	See Note	3	Bolt 1/4in-20NC (Grade 8) (Note: Not available for purchase.)	
9	See Note	1	Seal, Cap (Use Items 100A or 100B)	
10	See Note	1	Ring, Back-Up Cap (Use Items 100A or 100B)	
11	See Note	1	Seal, Rod (Use Items 100A or 100B)	
12	See Note	1	Seal, Piston (Use Items 100A or 100B)	
13	See Note	2	Packing, Bearing (Use Items 100A or 100B)	
14	7017159	1	Bearing, Cap	
15	7017159	1	Bearing, Shaft	
16	7017159	2	Thrustwasher	
17	7017172	1	Counterbalance Valve Assembly	
17A	7017192	2	Valve, Cartridge	
17A	See Note	2	Seal Kit (1 Per Assembly) (Note: Not Available - Purchase Complete Assembly.)	
18		Ref	Bushing Options:	
18	7017136	2	Used on p/n 0060061	
18	7017195	2	Used on p/n 1001091625	
		Ref	KIT OPTIONS:	
100		Ref	Seal Kit Options: (Includes Items 9-13)	
100A	7017158	1	Standard	
100B	70000342	1	Low Temperature	
101	7017159	1	Bearing Kit (Includes Items 14-16)	
102	7017142	1	Hardware Kit (0060061 Rotators Only) (Includes End Cap Dowel Pins, Plugs and 103)	
103	70001697	4	Screw, Countersunk 1/4in-20NC x 3/8in (Grade 8)	

SECTION 3 - BOOM

FIGURE 3-5. PLATFORM SUPPORT AND CONTROL VALVES INSTALLATIONS



SECTION 3 - BOOM



SECTION 3 - BOOM

FIGURE 3-5. PLATFORM SUPPORT AND CONTROL VALVES INSTALLATIONS

ITEM	PART NUMBER	QTY	DESCRIPTION	REV
	0275574	Ref	PLATFORM SUPPORT INSTALLATION	B
		Ref	Note: Refer to JLG Supplement p/n 3124287 for additional components.	
1	0100011	AR	Compound, Locking	
9	0642684	1	Bolt 1in-8NC x 10-1/2in	
10	0681608	8	Bolt 3/8in-16NC x 1in (Grade 8)	
17	3272605	1	Locknut 1in-8NC (Grade 8)	
29	4341327	1	Support, Platform	
33	4891600	8	Flatwasher 3/8in Hardened	
36	4892600	1	Flatwasher 1in Hardened	
	0274644	Ref	CONTROL VALVE INSTALLATIONS	H
101	0100011	AR	Compound, Locking	
103	0630467	AR	Screw, Button Head	
106	0641606	2	Bolt 3/8in-16NC x 3/4in	
109	1670964	1	Cover	
114		Ref	Valve, Level/Rotate Options (See Items 301-313 for Breakdown):	
114	4641251	1	Valve, Level/Rotate (Prior to SN 0300141319)	
114	1001118473	1	Valve, Level/Rotate (SN 0300141319 through 0300182743)	
117	4711500	AR	Flatwasher 5/16in Thin	
118	4711600	6	Flatwasher 3/8in Thin	
119	4751600	AR	Flatwasher 3/8in Regular	
120		Ref	Plate, Valve Mounting Options:	
120A	4846218	1	Plate, Valve Mounting (Prior to SN 0300141319)	
120B	4341264	1	Plate, Valve Mounting (SN 0300141319 through 0300182743)	
121	2120217	1	Filter, High Pressure (SN 0300141319 through 0300182743)	
121	70002097	1	Element, Filter	
121	70001499	1	Kit, Seal	
121	70004328	1	Plug, Indicator	
122	3311605	2	Locknut 3/8in-16NC (SN 0300141319 through 0300182743)	
123	3900232	2	Screw 3/8in-16NC x 1-1/4in (SN 0300141319 through 0300182743)	
124	3900283	4	Screw 3/8in-16NC x 3/4in (SN 0300141319 through 0300182743)	
125	0903530	1	Bracket, Filter Mounting (SN 0300141319 through 0300182743)	
		Ref	LEVEL/ROTATE VALVE ASSEMBLY	
	4641251	Ref	Level/Rotate Valve Assembly (Prior to SN 0300141319)	B
	1001118473	Ref	Level/Rotate Valve Assembly (SN 0300141319 through 0300182743)	A
301	7012955	1	Valve, Check	
301	7012967	1	Seal Kit - 7012955 Valve	
302	7023984	1	Valve, Flow Regulator	
302	7012953	1	Seal Kit - 023984 Valves	
303	7012989	1	Valve, Flow Regulator	
303	7012953	1	Seal Kit - 7012989 Valve	
304	7012965	1	Valve, Flow Regulator	
304	7012953	1	Seal Kit - 7012965 Valves	
305	7023983	1	Valve, Relief (Level Up)	
305	7012967	1	Seal Kit - 7023983 Valve	
306	7023911	1	Valve, Relief (Level Down)	
306	7012967	1	Seal Kit - 7023911 Valve	
307	7017479	1	Valve, Solenoid (Pressure)	

SECTION 3 - BOOM

ITEM	PART NUMBER	QTY	DESCRIPTION	REV
307	7012518	1	Seal Kit - 7017479 Valve	C
308	7012943	1	Coil	
309	7023922	1	Valve, Solenoid (Platform Level)	
309	7017402	1	Seal Kit - 7023922 Valve	
310	7017452	1	Valve, Solenoid (Rotator)	
310	7017402	2	Seal Kit - 7017452 Valve	
311	7012944	4	Coil	
312	7021616	1	Filter (Used on p/n 4641251 Valve Only)	
313	7024832	1	Plug (Used on p/n 4641251 Valve Only)	
	0273695	Ref	LEVEL SENSOR SWITCH INSTALLATION	
401	0100011	AR	Compound, Locking	
402	0100035	AR	Compound, Locking	
403	0641406	4	Bolt 1/4in-20NC x 3/4in	
404	0641604	6	Bolt 3/8in-16NC x 1/2in	
405	3930606	4	Capscrew #6-32NC x 3/8in	
406	1671044	2	Cover, Sensor	
407	3200449	2	Mount, Sensor	
408	3440410	2	Rollpin	
409		Ref	Switch, Tilt Sensor Options:	
409	1001135114	2	Sensor-Analog (was p/n 4360544) (Prior to SN 0300161730)	
409	1001133329	2	Sensor-Digital (SN 0300161730 through 0300182743)	
410	4711600	6	Flatwasher 3/8in Thin	

SECTION 3 - BOOM

FIGURE 3-6. BOOM CABLE CLAMPS INSTALLATIONS

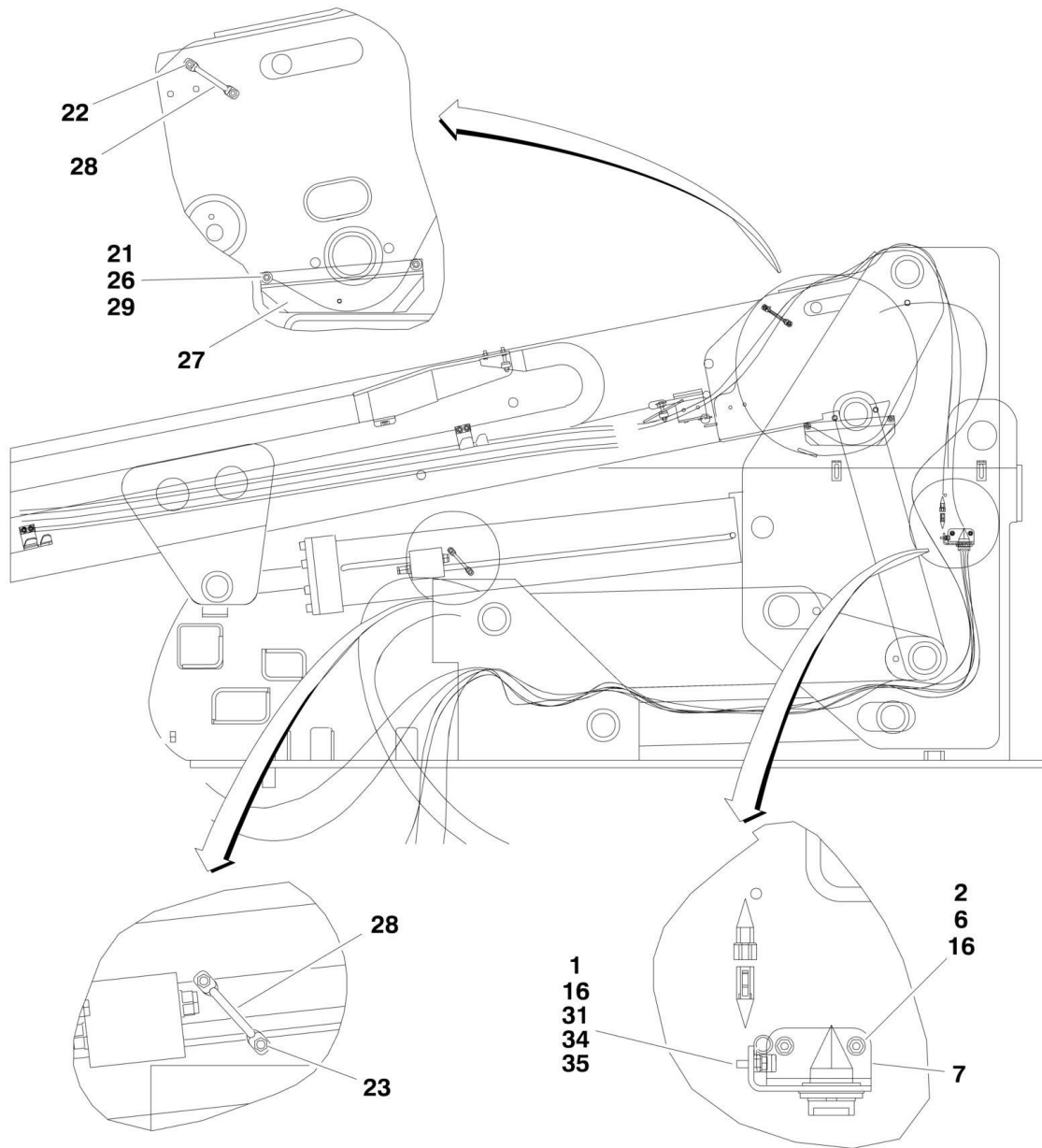


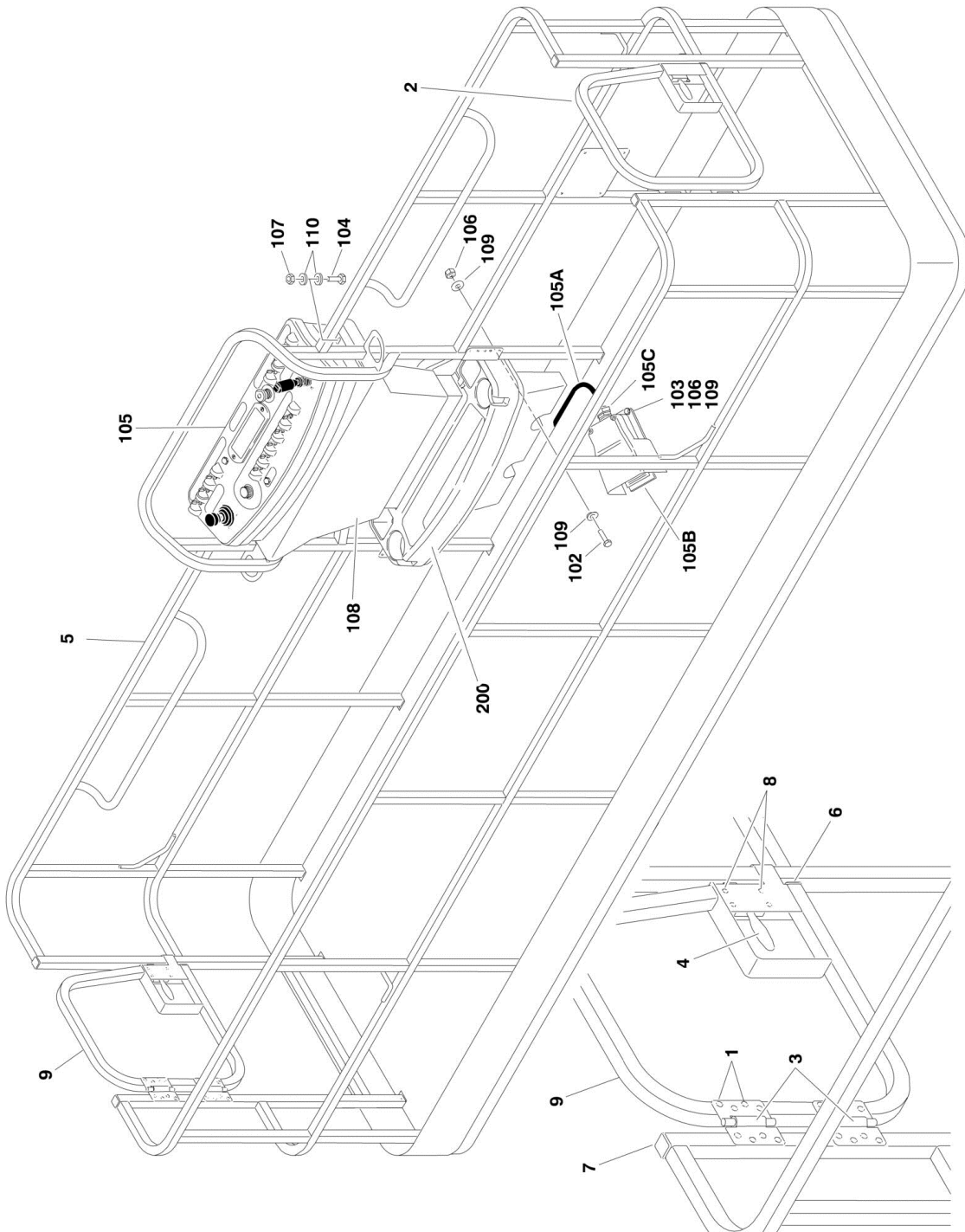
FIGURE 3-6. BOOM CABLE CLAMPS INSTALLATIONS

ITEM	PART NUMBER	QTY	DESCRIPTION	REV
		Ref	BOOM CABLE CLAMPS INSTALLATION	
	0271322	Ref	Boom Cable Clamps Installation 680S (All Specs Except Australian and CE Specs)	I
	0271323	Ref	Boom Cable Clamps Installation 680S (Australian and CE Specs Only)	I
	0272388	Ref	Boom Cable Clamps Installation 680S (With 7500W Generator) (All Specs)	G
	1001117399	Ref	Boom Cable Clamps Installation 680S (With 7500W Generator) (Australian and CE Specs Only)	B
1	0641408	1	Bolt 1/4in-20NC x 1in	
2	0641412	2	Bolt 1/4in-20NC x 1-1/2in	
7	3573047	1	Plate, Terminal Mounting	
16	4711400	5	Flatwasher 1/4in Narrow	
21	0641511	2	Bolt 5/16in-18NC x 1-3/8in	
22	0641604	2	Bolt 3/8in-16NC x 1/2in	
23	0641607	2	Bolt 3/8in-16NC x 7/8in	
26	3311505	2	Locknut 5/16in-18NC	
27	3573296	1	Plate, Hose Cover	
28	3841340	2	Loop, Hose	
29	4751500	4	Flatwasher 5/16in	
31	3311405	AR	Locknut 1/4in-20NC	
34	1320061	1	Clamp	
35	1320041	1	Clamp (Sky Welder Only)	

SECTION 4 - PLATFORM

SECTION 4 - PLATFORM

FIGURE 4-1. PLATFORM ASSEMBLY



SECTION 4 - PLATFORM

FIGURE 4-1. PLATFORM ASSEMBLY

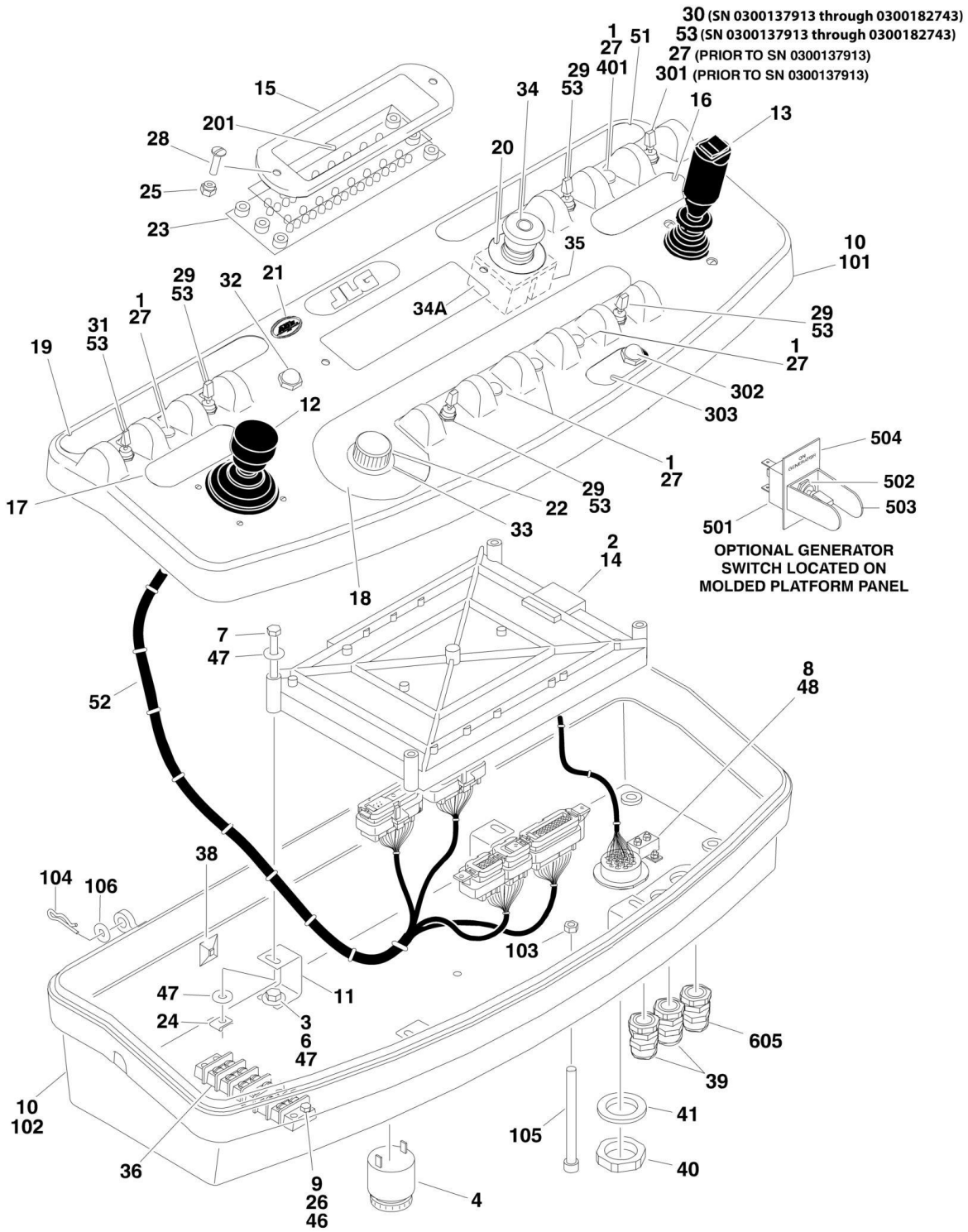
ITEM	PART NUMBER	QTY	DESCRIPTION	REV
	3510903	Ref	PLATFORM ASSEMBLY 4FT X 13.3FT (1.2M X 4M)	D
		Ref	Note: Replacement Decals Must be Ordered Separately - See DECALS SECTION.	
1	2080040	32	Fastener, Huck	
2		Ref	Gate Weldment (Right) Options:	
2	2410026	1	Gate Weldment (Right) (Prior to SN 0300101869)	
2	4846452	1	Gate Weldment (Right) (SN 0300101869 through 0300182743)	
3	2600281	4	Hinge, Self-Closing	
4	2940074	2	Latch	
5	See Note	1	Platform Weldment (Purchase Platform Assembly) (Note: Not Available - Purchase Complete Platform Assembly.)	
6	3520072	2	Cap-Plug	
7	3520198	4	Cap-Plug	
8	3820020	8	Rivet, Pop	
9	4846452	1	Gate Weldment (Left)	
		Ref	FOOTSWITCH AND COVERS INSTALLATION	
	0270889	Ref	Footswitch and Covers Installation (Prior to SN 0300137913)	D
	1001108867	Ref	Footswitch and Covers Installation (SN 0300137913 through 0300139079)	B
	1001114897	Ref	Footswitch and Covers Installation (SN 0300139080 through 0300182743)	C
102	0641406	AR	Bolt 1/4in-20NC x 3/4in	
103	0641408	3	Bolt 1/4in-20NC x 1in	
104	0641610	4	Bolt 3/8in-16NC x 1-1/4in	
105		Ref	Platform Console Assembly Options (See PLATFORM CONSOLE ASSEMBLY for Breakdown):	
105	0861416	1	Console Assembly (Prior to SN 0300137913)	
105	1001108866	1	Console Assembly (SN 0300137913 through 0300139079)	
105	1001114896	1	Console Assembly (SN 0300139080 through 0300161729)	
105	1001141140	1	Console Assembly (SN 0300161730 through 0300182743)	
105		Ref	Footswitch Assembly (Includes Footswitch, Electrical Cable, Strain Relief Connectors and Connecting Terminals) Options (See ELECTRICAL SECTION for Further Breakdown):	
105	0272970	1	Footswitch Assembly (Prior to SN 0300143929)	B
105	1001117174	1	Footswitch Assembly (SN 0300143929 through 0300182743)	B
105A	1060918	7 ft/2.14m	Cable, Electrical - 18/3	
105B	0272970	1	Footswitch Assembly (Includes Footswitch and Items 105A & 105C) (was p/n 4360031)	
		Ref	Note: Assembly p/n 0272970 may use either p/n 4360031 or p/n 1001117320. If Original Equipment was replaced as an "assembly," p/n 1001117320 may have been used as part of the Service Replacement. Identify component before ordering parts.	
105B		Ref	Footswitch Less Cable Options:	
105B	4360031	1	Original Equipment	
105B	1001117320	1	Service Replacement	
105B		Ref	Block, Contact Options (see Note Above):	
105B	7000625	2	Contact Block for 4360031 Footswitch	
105B	70003483	1	Contact Block for 1001117320 Footswitch	
105C	4460071	1	Connector, Strain Relief	
106	3311405	AR	Locknut 1/4in-20NC	
107	3311605	4	Locknut 3/8in-16NC	

SECTION 4 - PLATFORM

ITEM	PART NUMBER	QTY	DESCRIPTION	REV
108	3380434	1	Panel, Molded	
109	4740362	7	Washer, Fender	
110	4751600	8	Flatwasher 3/8in Regular	
		Ref	TRAY INSTALLATION (OPTIONAL)	
200	1580012	1	Tray, Storage (Center)	

SECTION 4 - PLATFORM

FIGURE 4-2. PLATFORM CONSOLE ASSEMBLY



SECTION 4 - PLATFORM

FIGURE 4-2. PLATFORM CONSOLE ASSEMBLY

ITEM	PART NUMBER	QTY	DESCRIPTION	REV
		Ref	NOTE: FOR MODULE IDENTIFICATION, REFER TO REVISION LOG PAGE A.	
		Ref	PLATFORM CONSOLE ASSEMBLY	
	0861416	Ref	Without UGM (Prior to SN 0300137913)	J
	1001108866	Ref	Without UGM (SN 0300137913 through 0300139079)	B
	1001114896	Ref	With UGM (SN 0300139080 through 0300161729)	G
	1001141140	Ref	With UGM (SN 0300161730 through 0300182743)	A
1	0100009	AR	Sealant	
2	0100048	AR	Grease, Dielectric	
3	0100081	AR	Loctite #454	
4	0140011	1	Alarm	
6	0641406	4	Bolt 1/4in-20NC x 3/4in	
7	0641414	4	Bolt 1/4in-20NC x 1-3/4in	
8	0721003	2	Bolt #10-24NC x 3/8in	
9		Ref	Screw Options:	
9	0721008	1	Screw #10-24NC x 1in (Prior to SN 0300113581)	
9	0721006	2	Screw #10-24NC x 3/4in (SN 0300113581 through 0300182743)	
10	0861441	1	Box, Console (See Items 101-106 for Breakdown)	
11	0902751	4	Bracket, Support	
12	1001129555	1	Controller Assembly (Lift and Swing) (See CONTROLLER ASSEMBLY (LIFT AND SWING) for Breakdown) (was p/n 1600317 & 1001118417) (Note: Service Replacement Kit p/n 1001129555 Includes Controller p/n 1001118417 and Instructions)	
13		Ref	Controller Assembly (Drive and Steer) Options (See CONTROLLER ASSEMBLY (DRIVE AND STEER) for Breakdown):	
13	1001118416	1	Controller Assembly (was p/n 1600318) (Prior to SN 0300146306)	
13	1001118416	1	Controller Assembly (SN 0300146306 through 0300182743)	
14		Ref	Controller, Module (Re-calibration Required when Replaced)	
14	1600377	1	Controller, Module (Prior to SN 0300139080)	
14	1001110701	1	Controller, Module (SN 0300139080 through 0300161729)	
14	1001141138	1	Controller, Module (SN 0300161730 through 0300182743)	
15	1671176	1	Bezel	
16	1702565	1	Decal (Drive and Steer)	
17	1702566	1	Decal (Lift and Swing)	
18	1702567	1	Decal (Function Speed)	
19	1702676	1	Decal (Horn)	
20	1704260	1	Decal - EMS	
21	1705132	1	Decal - Control ADE	
22	2560136	1	Handle, Knob	
23	2920154	1	Panel, LED Light	
24	3300353	4	Nut, Tinnermen	
25	3300408	2	Insert, Nylon	
26	3311005	2	Locknut #10-24NC	
27	3520054	AR	Plug, Hole 1/2in (was p/n 3520028)	
28	3911018	2	Screw, Round Head #10	
29	4360328	4	Switch, Toggle	
30	4360330	1	Switch, Toggle (SN 0300137913 through 0300182743)	
31	4360331	1	Switch, Toggle	

SECTION 4 - PLATFORM

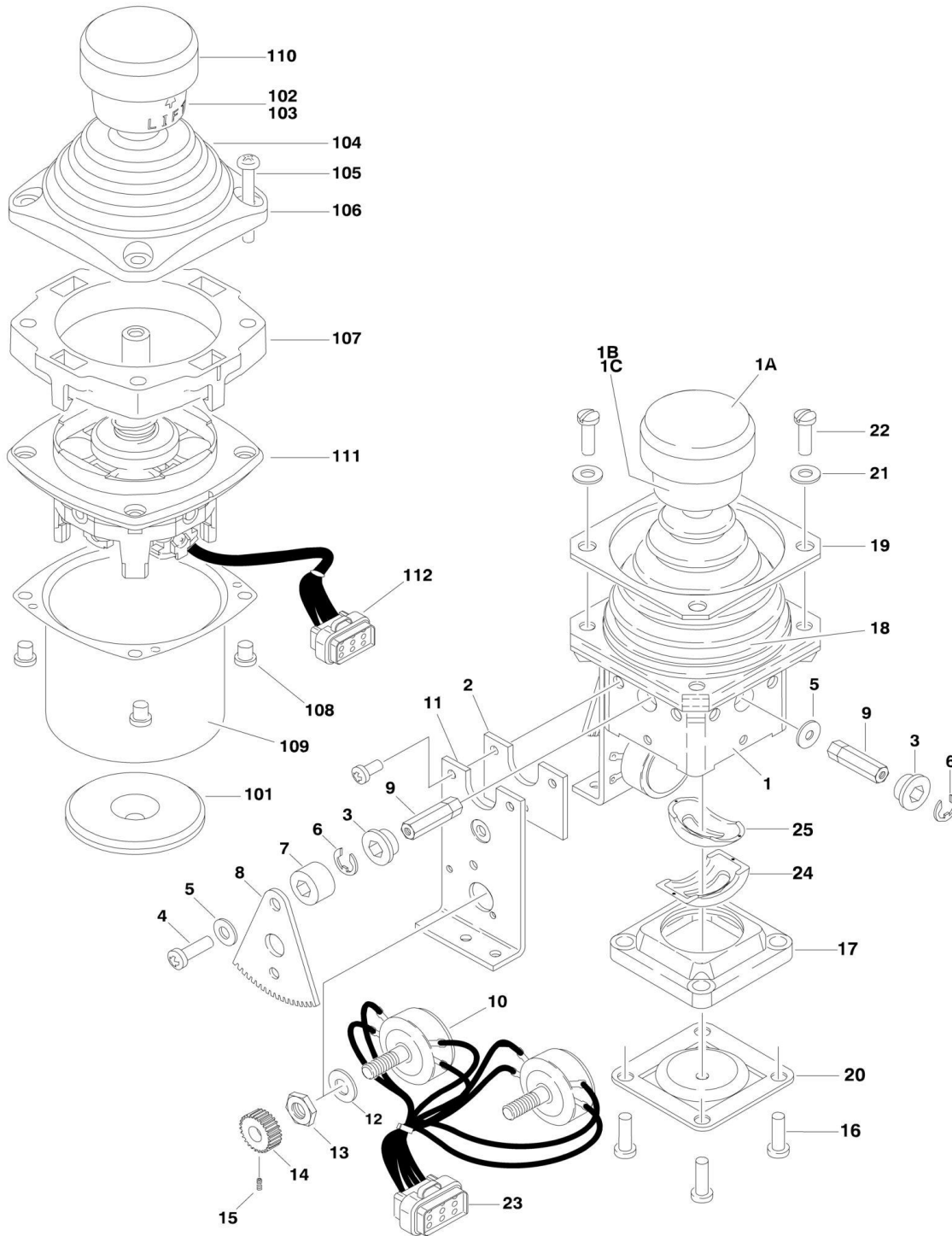
ITEM	PART NUMBER	QTY	DESCRIPTION	REV
32	4360387	1	Switch, Pushbutton	
33	4360407	1	Controller, Speed	
33	See Note	1	Gasket "Top Hat" (Included W/Switch) (Note: Not Available - Purchase Complete Controller.)	
33	70003784	1	Seal	
34	4360475	1	Switch, Emergency Stop	
34	7020175	1	Cap, Red	
34A	7020176	1	Contact Block	
35	4360476	1	Block, Contact	
36	4460007	1	Bar, Buss - Ground	
37	4460225	1	Plug, Male - 6 Position (Not Shown - See ELECTRICAL SECTION for Location) (Prior to SN 0300139080)	
38		Ref	Base, Mounting	
38	4460488	1	Base, Mounting (Prior to SN 0300137913)	
38	4460234	3	Base, Mounting (SN 0300137913 through 0300182743)	
39	4460428	2	Connector, Strain Relief	
40	4460470	1	Nut, Terminal	
41	4460471	1	Lockwasher, Terminal	
42	4460496	1	Nut, Terminal (Not Shown - See ELECTRICAL SECTION for Location)	
43	4460497	1	Lockwasher, Terminal (Not Shown - See ELECTRICAL SECTION for Location)	
44	4460708	2	Connector, Female - 15 Position (Not Shown - See ELECTRICAL SECTION for Location)	
45	4460905	5	Seal, Plug (Not Shown - See ELECTRICAL SECTION for Location)	
46	4751000	2	Flatwasher #10 Regular (SN 0300113581 through 0300182743)	
47	4751400	8	Flatwasher 1/4in Regular	
48	4761000	2	Lockwasher #10	
49	4922666	1	Harness, Analyzer Cable (Not Shown - See ELECTRICAL SECTION for Breakdown)	
50		Ref	Harness, Upper Valve Options (Not Shown - See ELECTRICAL SECTION for Breakdown):	
50	4922749	1	Harness, Upper Valve (Prior to SN 0300161730)	
50	1001141137	1	Harness, Upper Valve (SN 0300161730 through 0300182743)	
51		Ref	Decal (Stop) Options:	
51	1704997	1	Decal (Prior to SN 0300137335)	
51	1704997	1	Decal (was p/n 1001107527) (SN 0300137335 through 0300137912)	
51	1001107677	1	Decal (SN 0300137913 through 0300150266)	
51	1001131168	1	Decal (SN 0300150267 through 0300182743)	
52		Ref	Harness, Platform Box (See ELECTRICAL SECTION for Breakdown)	
52	4922595	1	Harness, Platform Box (Prior to SN 0300137913)	
52	1001107796	1	Harness, Platform Box (SN 0300137913 through 0300161729)	
52	1001141136	1	Harness, Platform Box (SN 0300161730 through 0300182743)	
53	3790012	AR	O-Ring	
		Ref	Kit, Console Decal Options (Includes Items #16 - 20, 51 & 201):	
	2910871	1	Kit, Console Decal (Prior to SN 0300137913)	
	1001119564	1	Kit, Console Decal (SN 0300137913 through 0300182743)	
	0861441	Ref	CONSOLE BOX ASSEMBLY	F
101	See Note	1	Console Top (Note: Not Available for Purchase.)	
102	See Note	1	Console Bottom (Note: Not Available for Purchase.)	
103	3311601	1	Nut 3/8in-16NC	

SECTION 4 - PLATFORM

ITEM	PART NUMBER	QTY	DESCRIPTION	REV
104	3470003	2	Pin, Cotter	
105	0630568	1	Screw 3/8in-16NC x 4-1/2in	
106	4711500	2	Flatwasher 5/16in Thin	
		Ref	LIGHT PANEL DECAL INSTALLATION	
	0271410	Ref	All Specs Except CE Spec (Prior to SN 0300137913)	B
	See Note	Ref	All Specs Except CE Spec (Note: Not Available) (SN 0300137913 through 0300182743)	A
	0271417	Ref	CE Spec (Prior to SN 0300137913)	B
	1001108992	Ref	CE Specs (SN 0300137913 through 0300182743)	A
201		Ref	Decal - Display Options:	
201	1704952	1	All Specs Except CE Spec (Prior to SN 0300137913)	
201	See Note	1	All Specs Except CE Spec (Note: Not Available for Purchase.) (SN 0300137913 through 0300182743)	
201	1704984	1	CE Spec (Prior to SN 0300137913)	
201	1001107952	1	CE Specs (SN 0300137913 through 0300182743)	
		Ref	HEAD AND TAIL LIGHTS INSTALLATION (OPTIONAL)	
301	4360336	1	Switch, Toggle (Prior to SN 0300137913)	
301	3790012	1	O-Ring (Prior to SN 0300137913)	
302	4360522	1	Switch, Push Button (SN 0300137913 through 0300182743)	
303	1705170	1	Decal - Lights (SN 0300137913 through 0300182743)	
		Ref	DUAL FUEL SWITCH INSTALLATION	
401	4360336	1	Switch, Toggle	
401	3790012	1	O-Ring	
		Ref	GENERATOR INSTALLATION (OPTIONAL)	
501	4360336	1	Switch, Toggle	
502	4740397	1	Bushing	
503	4060802	1	Guard, Switch	
504	3251102	1	Decal - Generator ON/OFF	

SECTION 4 - PLATFORM

FIGURE 4-3. CONTROLLER ASSEMBLY (LIFT AND SWING)



SECTION 4 - PLATFORM

FIGURE 4-3. CONTROLLER ASSEMBLY (LIFT AND SWING)

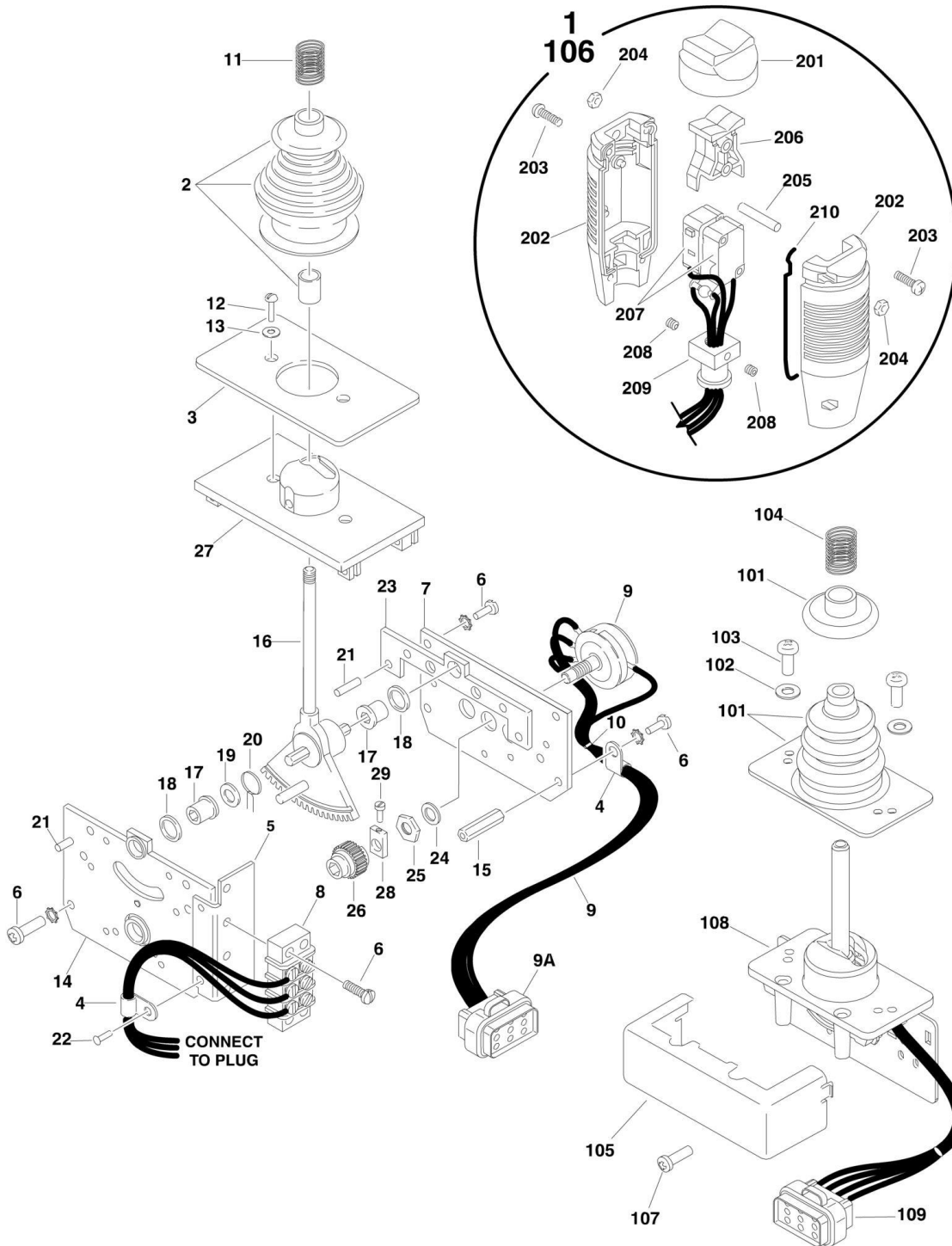
ITEM	PART NUMBER	QTY	DESCRIPTION	REV
		Ref	Note: Original Equipment controller may have been replaced with Service Replacement controller. Visually identify controller before ordering parts.	
	1600317	Ref	CONTROLLER ASSEMBLY	
		Ref	Controller Assembly (OEM) (Original Equipment) (Prior to SN 0300146306)	C
1	7019141	1	Mechanical Assembly (Includes Base, Handle Stem and Items 1A, 1B, 1C & 18)	
1A	7019197	1	Handle Cap and Rod	
1B	7003928	1	Spring	
1C	7022808	1	Cap, Lift	
2	7019171	2	Plate	
3	7019111	4	Bearing, Gear	
4	7019143	2	Screw	
5	7019144	2	Spacer, Cam	
6	7019145	4	E-Clip	
7	7019174	2	Spacer	
8	7003977	2	Gear, Drive	
9		Ref	Shaft Options:	
9	7019147	2	Shaft, Short	
9	7019177	2	Shaft, Long	
10	7022818	2	Potentiometer	
11	7019142	2	Plate	
12	7003992	2	Washer	
13	7003993	2	Nut	
14	7003976	2	Gear, Slave	
15	7019149	2	Setscrew	
16	7022816	4	Screw	
17	7019150	1	Gate	
18	7022814	1	Boot	
19	7022815	1	Bezel	
20	See Note	1	Center, Detent (Note: Not Available for Purchase.)	
21	7003953	4	Washer	
22	7022817	4	Screw	
23	7022819	1	Plug, Male 8 Position (Natural)	
23	4460871	8	Socket, Female	
24	7019122	1	Gimble, Outer	
25	7019123	1	Gimble, Inner	
	1001129555	Ref	Controller Assembly:	
		Ref	Prior to SN 0300146306 (Service Replacement)	
		Ref	SN 0300146306 through 0300182743 (Original Equipment)	
		Ref	Note: Was p/n 1001118417 Assembly - Use p/n 1001129555 Kit as replacement.	C
101	70002730	1	Gasket	
102	7003928	1	Spring	
103	7022808	1	Cap, Lift	
104	70002731	1	Boot	
105	70002732	4	Screw	
106	7022815	1	Bezel	
107	70002733	1	Adapter	
108	70002734	4	Screw	

SECTION 4 - PLATFORM

ITEM	PART NUMBER	QTY	DESCRIPTION	REV
109	70002735	1	Can, Enclosure	
110	70002906	1	Cap	
111	1001129555	1	Mechanical Assembly (Note: Not Available for Purchase)	
112	7022819	1	Plug, Male 8 Position (Natural) (Not Shown)	
112	4460871	6	Socket, Female	

SECTION 4 - PLATFORM

FIGURE 4-4. CONTROLLER ASSEMBLY (DRIVE AND STEER)



SECTION 4 - PLATFORM

FIGURE 4-4. CONTROLLER ASSEMBLY (DRIVE AND STEER)

ITEM	PART NUMBER	QTY	DESCRIPTION	REV
		Ref	Note: Original Equipment controller may have been replaced with Service Replacement controller. Visually identify controller before ordering parts.	
		Ref	CONTROLLER ASSEMBLY	
	1600318	Ref	Controller Assembly (Original Equipment) (Prior to SN 0300146306)	C
1	7022812	1	Handle Assembly (See Items 201-210 for Breakdown)	
2	7019161	1	Boot and Sleeve	
3	7003933	1	Gasket	
4	7019154	2	Clamp, Wire	
5	7022823	1	Bracket, Mounting	
6	7003994	1	Screw	
7	7022822	1	Plate, Pot Mounting	
8	7003986	1	Strip, Terminal - 3 Position	
9	7022824	1	Electric Assembly	
9A	1001113961	1	Plug, Male - 8 Position (Black) (was p/n 7022825)	
9A	4460871	7	Socket, Female	
10	7019151	AR	Tie-Strap	
11	7019162	1	Spring	
12	7003969	2	Screw	
13	7003941	2	Washer	
14	See Note	1	Plate, Mounting (Left Side) (Note: Not Available for Purchase.)	
15	7019115	2	Stand-Off	
16	7019155	1	Shaft 8mm	
17	7019111	2	Bearing	
18	7019110	2	Spacer, Head Gear	
19	7019112	1	Washer	
20	7003946	1	Spring, Return	
21	7019103	4	Pin	
22	See Note	1	Rivet (Note: Not Available - Purchase Locally)	
23	7019168	1	Plate, Mounting (Right Side)	
24	7003992	1	Washer	
25	7003993	1	Nut	
26	7003935	1	Gear, Slave	
27	7019160	1	Plate, Base	
28	7019114	1	Coupling, Potentiometer	
29	See Note	1	Capscrew (Note: Not Available for Purchase.)	
	1001118416	Ref	Controller Assembly:	B
		Ref	Prior to SN 0300146306 (Service Replacement)	
		Ref	SN 0300146306 through 0300182743 (Original Equipment)	
101	70002724	1	Boot and Control Lock Assembly	
102	7003941	2	Washer	
103	70002725	2	Screw	
104	7019162	1	Spring	
105	70002726	1	Enclosure	
106	70002727	1	Handle Assembly (See Items 201-210 for Breakdown)	
107	70002728	1	Screw	
108	1001118416	1	Mechanical Assembly (Note: Not Available for Purchase.)	
109	1001113961	1	Plug, Male - 8 Position (Black) (was p/n 7022825)	
109	4460871	7	Socket, Female	

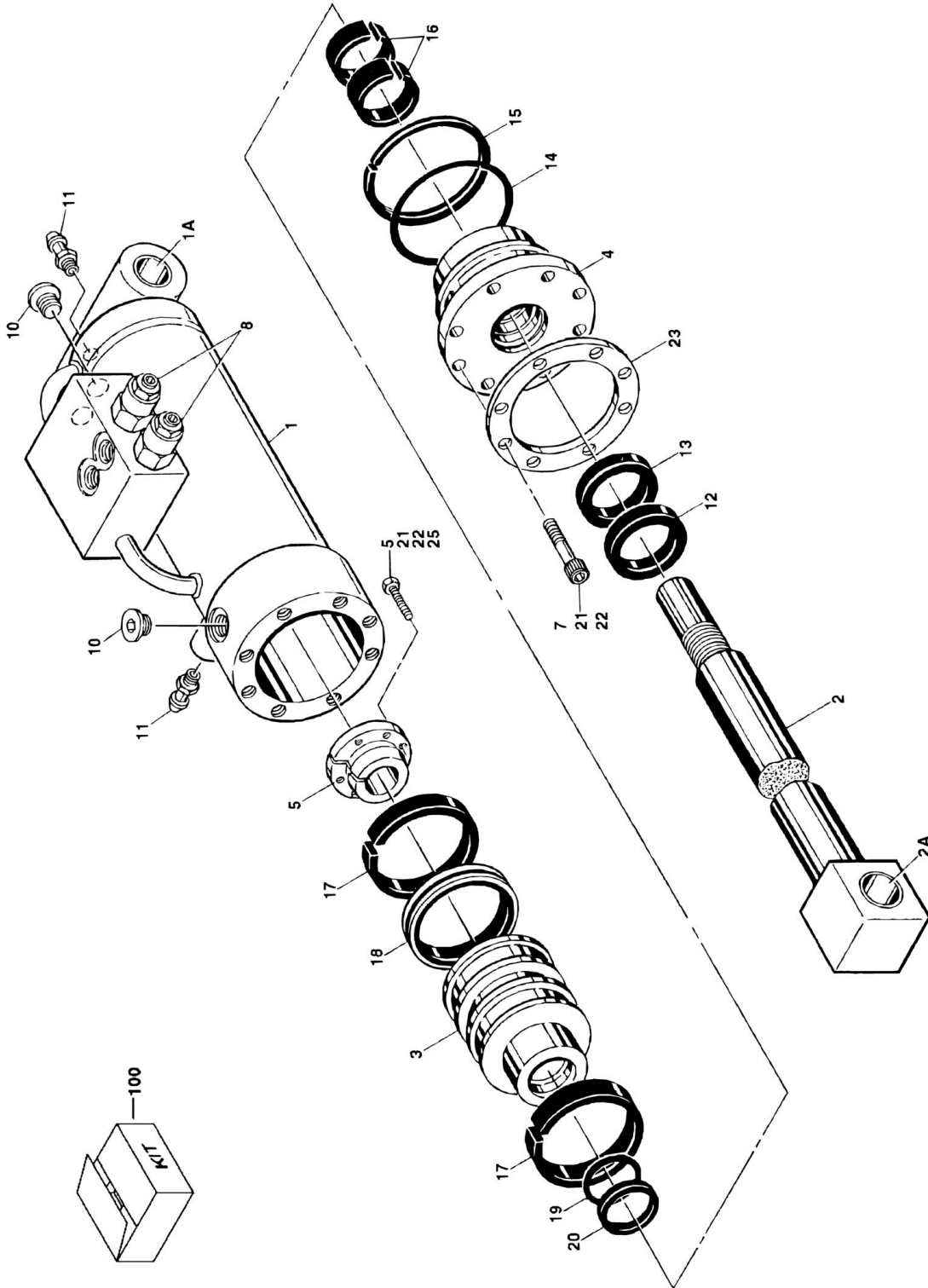
SECTION 4 - PLATFORM

ITEM	PART NUMBER	QTY	DESCRIPTION	REV
		Ref	HANDLE ASSEMBLIES	
	7022812	Ref	Controller Assembly p/n 1600318	
	70002727	Ref	Controller Assembly p/n 1001118416	
201	7003972	1	Boot, Switch	
202	7003973	2	Half, Handle	
203	7003980	4	Screw	
204	7019167	4	Nut	
205	7019164	1	Axle	
206	7019165	1	Rocker	
207		Ref	Wiring Assembly Options:	
207	7019196	1	Controller Assembly p/n 1600318	
207	70002729	1	Controller Assembly p/n 1001118416	
207		Ref	Switch, Micro	
207	7019166	2	Controller Assembly p/n 1600318	
207	7003982	2	Controller Assembly p/n 1001118416	
208	7003983	2	Setscrew	
209	7019194	1	Coupling	
210	7003989	2	Gasket	

SECTION 5 - CYLINDER

SECTION 5 - CYLINDER

FIGURE 5-1. AXLE LOCKOUT CYLINDER ASSEMBLY



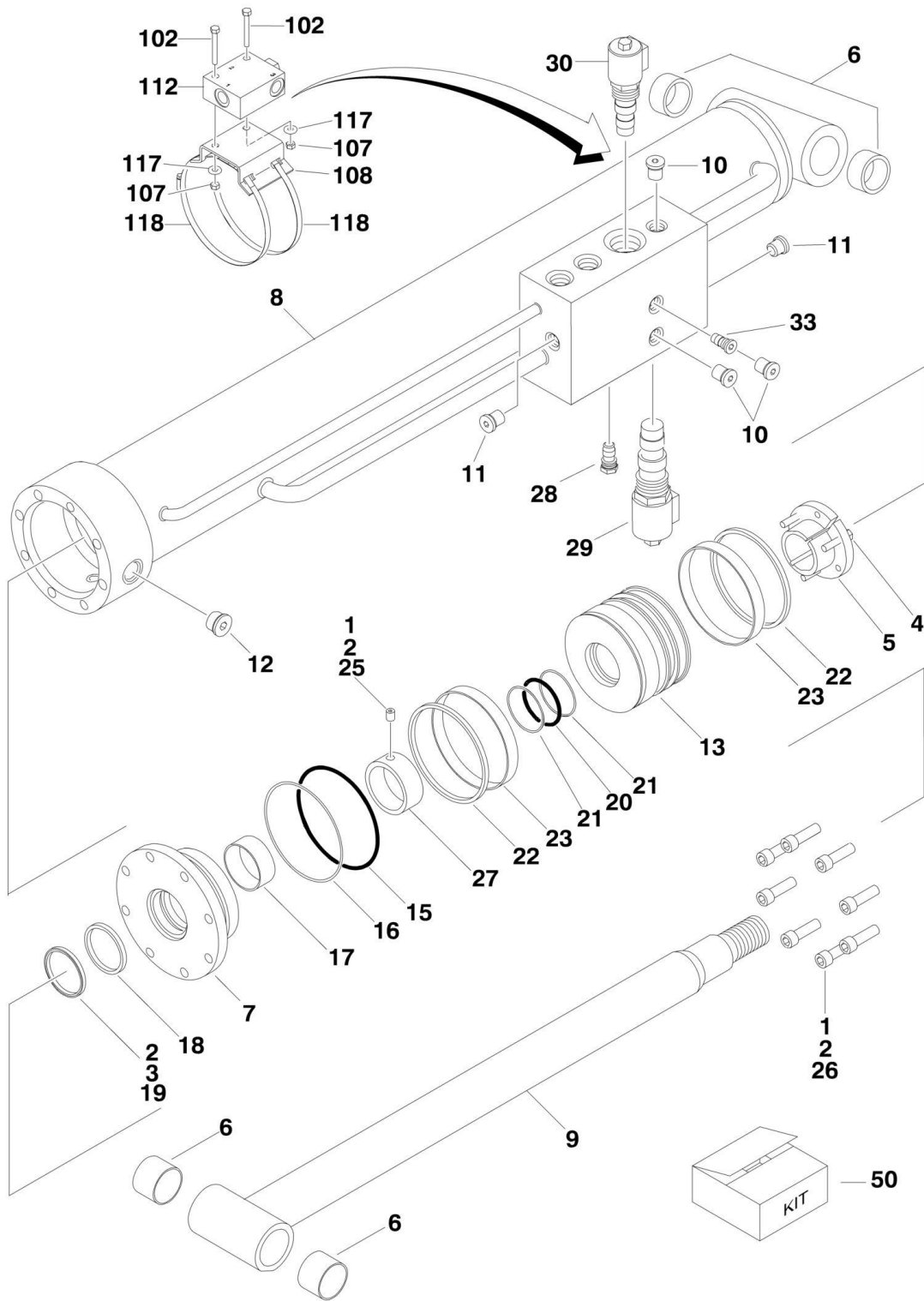
SECTION 5 - CYLINDER

FIGURE 5-1. AXLE LOCKOUT CYLINDER ASSEMBLY

ITEM	PART NUMBER	QTY	DESCRIPTION	REV
	1683078	Ref	AXLE LOCKOUT CYLINDER ASSEMBLY	N
1	1684191	1	Barrel Weldment	
1A	0962496	2	Bushing	
2	1683986	1	Rod Weldment	
2A	0962496	2	Bushing	
3	3480176	1	Piston	
4	1683059	1	Head	
5	0961895	1	Bushing	
7	3931720	8	Bolt, Socket Head 7/16in-14NC x 1-1/4in	
8	4641162	2	Cartridge, Valve (Counterbalance)	
8	2900770	2	Seal Kit - 4641162 Valve (1 Per Assembly)	
9	2220886	1	Plug, O-Ring	
10	2220885	2	Plug, O-Ring	
11	4640858	3	Valve, Bleeder	
12	2901271	1	Wiper	
13	2901271	1	Seal, Rod	
14	2901271	1	O-Ring	
15	2901271	1	Ring, Back-up	
16	2901271	1	Ring, Wear	
17	2901271	2	Ring, Wear	
18	2901271	1	T-Seal	
19	2901271	1	O-Ring	
20	2901271	2	Ring, Back-up	
21	0100011	AR	Compound, Locking	
22	0100038	AR	Primer, Locking	
23	3760370	1	Ring, Washer	
25	0630535	3	Bolt 1/4in-20NC x 1-1/8in	
100	2901271	1	Seal Kit (Includes Items 12-20)	

SECTION 5 - CYLINDER

FIGURE 5-2. LIFT CYLINDER ASSEMBLY - MAIN BOOM (ORIGINAL EQUIPMENT)



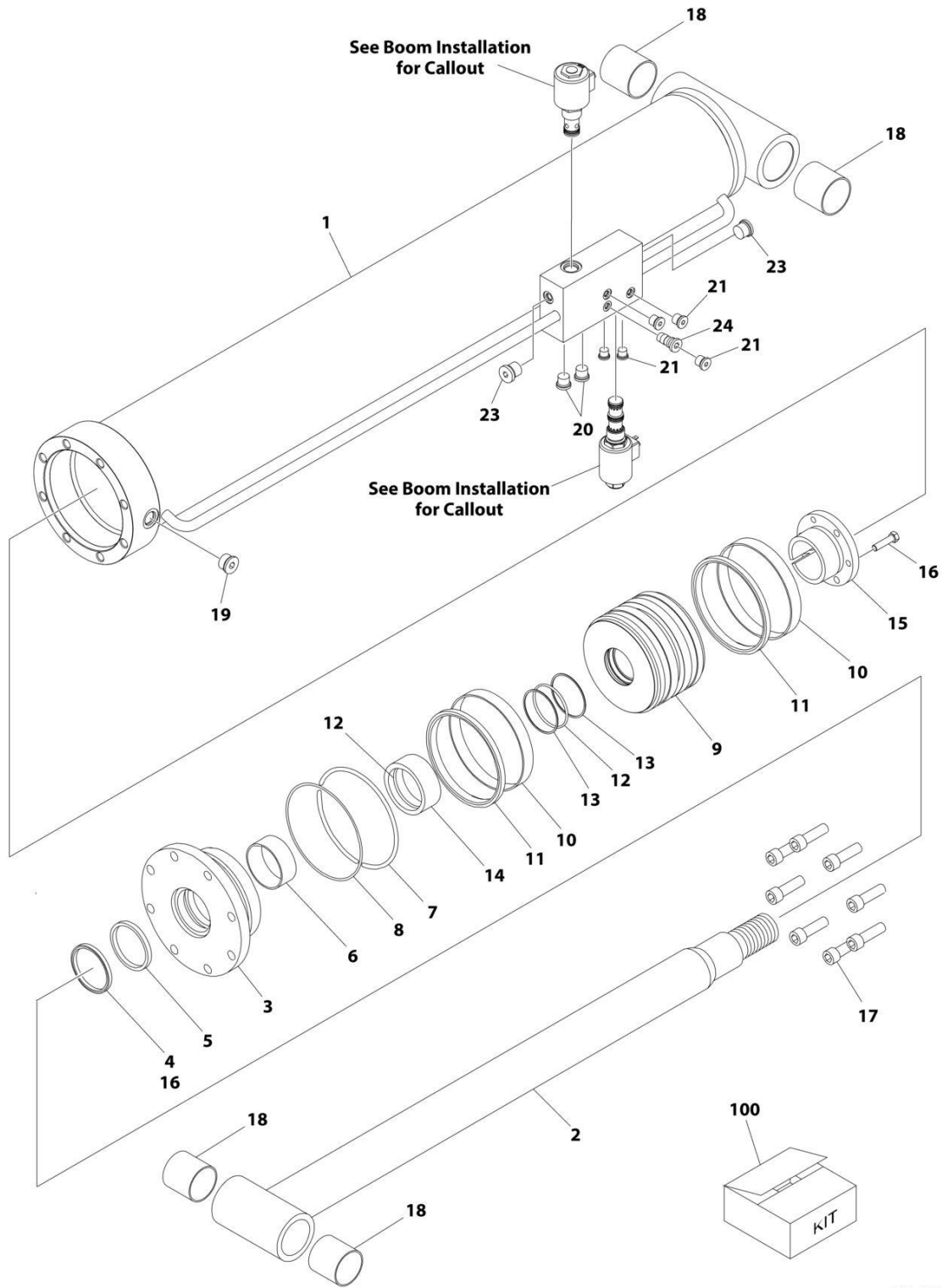
SECTION 5 - CYLINDER

FIGURE 5-2. LIFT CYLINDER ASSEMBLY - MAIN BOOM (ORIGINAL EQUIPMENT)

ITEM	PART NUMBER	QTY	DESCRIPTION	REV
	1684199	Ref	MAIN LIFT CYLINDER ASSEMBLY	E
1	0100011	AR	Compound, Locking	
2	0100038	AR	Primer, Locking	
3	0100063	AR	Loctite #RC 609	
4	0630536	3	Bolt	
5	0961898	1	Bushing, Tapered	
6	0962033	4	Bushing	
7	1683818	1	Head	
8	1684198	1	Barrel Weldment	
9	1684080	1	Rod Weldment	
10	2220883	5	Plug, O-Ring	
11	2220885	2	Plug, O-Ring	
12	2220888	1	Plug, O-Ring	
13	3480275	1	Piston	
15	2901537	1	O-Ring	
16	2901537	1	Ring, Back-up	
17	2901537	1	Ring, Wear	
18	2901537	1	Seal, Rod	
19	2901537	1	Wiper	
20	2901537	1	O-Ring	
21	2901537	2	Ring, Back-up	
22	2901537	2	Ring, Guidelock	
23	2901537	2	Seal	
25	3900310	1	Setscrew	
26	3932240	6	Capscrew 3/4in-10NC x 2-1/2in	
27	4568240	1	Spacer, Tube	
28	4641144	1	Cartridge, Restrictor/Check Valve	
28	7012967	1	Seal Kit - 4641144 Valve	
29	4641234	1	Cartridge, Lift Dump Proportional Solenoid	
29	7023982	1	Cartridge - 4641234 Valve	
29	7012925	1	Seal Kit - 4641234 Valve	
29	7017451	1	Coil - 4641234 Valve	
30	4641188	1	Cartridge, Lift Holding Solenoid	
30	7023923	1	Cartridge - 4641188 Valve	
30	7023919	1	Seal Kit - 4641188 Valve	
30	7012943	1	Coil - 4641188 Valve	
33	4641194	1	Cartridge, Relief Valve	
33	7023927	1	Seal Kit - 4641194 Valve	
50	2901537	1	Seal Kit (Includes Items 15-23)	
	0272750	Ref	MANUAL DESCENT INSTALLATION (OPTIONAL)	B
102	0641514	2	Bolt 5/16in-18NC x 1-3/4in	
107	3311505	2	Locknut 5/16in-18NC	
108	3574172	1	Plate, Valve Mounting	
112	4640673	1	Valve, Check	
112	7011325	1	Cartridge, Valve Check	
117	4751500	2	Flatwasher 5/16in Regular	
118	1320315	2	Clamp	

SECTION 5 - CYLINDER

FIGURE 5-3. LIFT CYLINDER ASSEMBLY - MAIN BOOM (SERVICE REPLACEMENT)



ART_1001228028

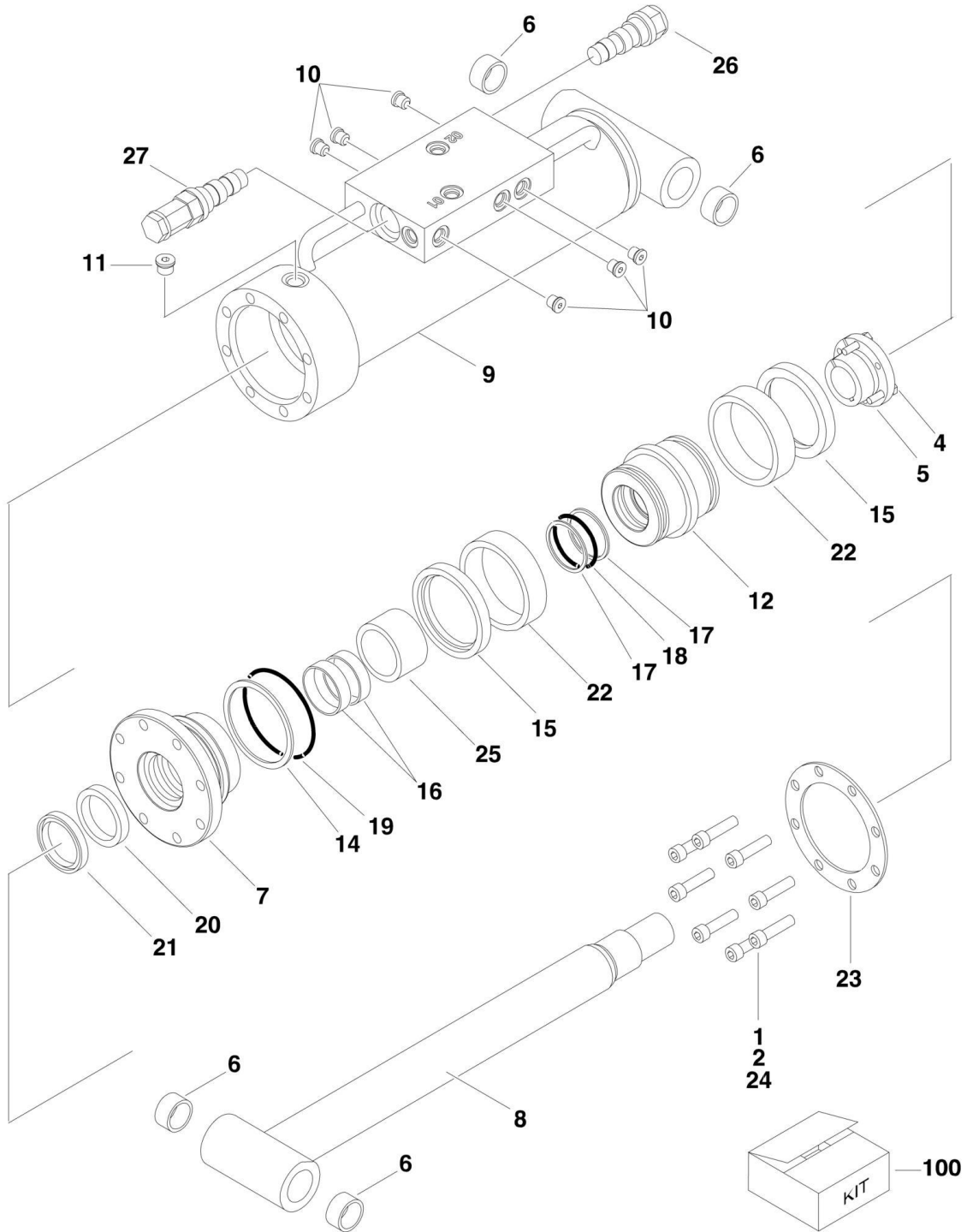
SECTION 5 - CYLINDER

FIGURE 5-3. LIFT CYLINDER ASSEMBLY - MAIN BOOM (SERVICE REPLACEMENT)

ITEM	PART NUMBER	QTY	DESCRIPTION	REV
	1001228028	Ref	LIFT CYLINDER ASSEMBLY - MAIN BOOM	A
		Ref	Note: Original Cylinder may have been replaced with Service Replacement. Identify PN Stamped on Cylinder Before Ordering Parts.	
1	See Note	NSS	Barrel (Note: Not Available for Purchase)	
2	70006506	1	Rod	
3	70006505	1	Head	
4	See Note	NSS	Wiper (Note: Use Item 100)	
5	See Note	NSS	Seal, Rod (Note: Use Item 100)	
6	See Note	NSS	Ring, Wear (Note: Use Item 100)	
7	See Note	NSS	O-Ring (Note: Use Item 100)	
8	See Note	NSS	Ring, Back-up (Note: Use Item 100)	
9	70006504	1	Piston	
10	See Note	NSS	Ring, Guidelock (Note: Use Item 100)	
11	See Note	NSS	Ring, Guidelock (Note: Use Item 100)	
12	See Note	NSS	O-Ring (Note: Use Item 100)	
13	See Note	NSS	Ring, Back-up (Note: Use Item 100)	
14	70006503	1	Spacer, Tube	
15	0961898	1	Bushing, Tapered	
16	0630536	3	Bolt	
16	0100011	AR	Compound, Locking	
16	0100038	AR	Primer, Locking	
17	3932240	8	Capscrew 3/4 x 2-1/2	
17	0100011	AR	Compound, Locking	
17	0100038	AR	Primer, Locking	
18	0962033	4	Bushing	
19	2220888	3	Plug	
20	2220887	2	Plug	
21	2220883	4	Plug	
23	2220885	2	Plug	
24	4641194	1	Cartridge, Relief Valve	
24	7023927	1	Seal Kit - 4641194 Valve	
100	2901537	1	Seal Kit (Includes Items 5-8 & 10-13)	

SECTION 5 - CYLINDER

FIGURE 5-4. PLATFORM LEVEL CYLINDER ASSEMBLY (ORIGINAL EQUIPMENT)



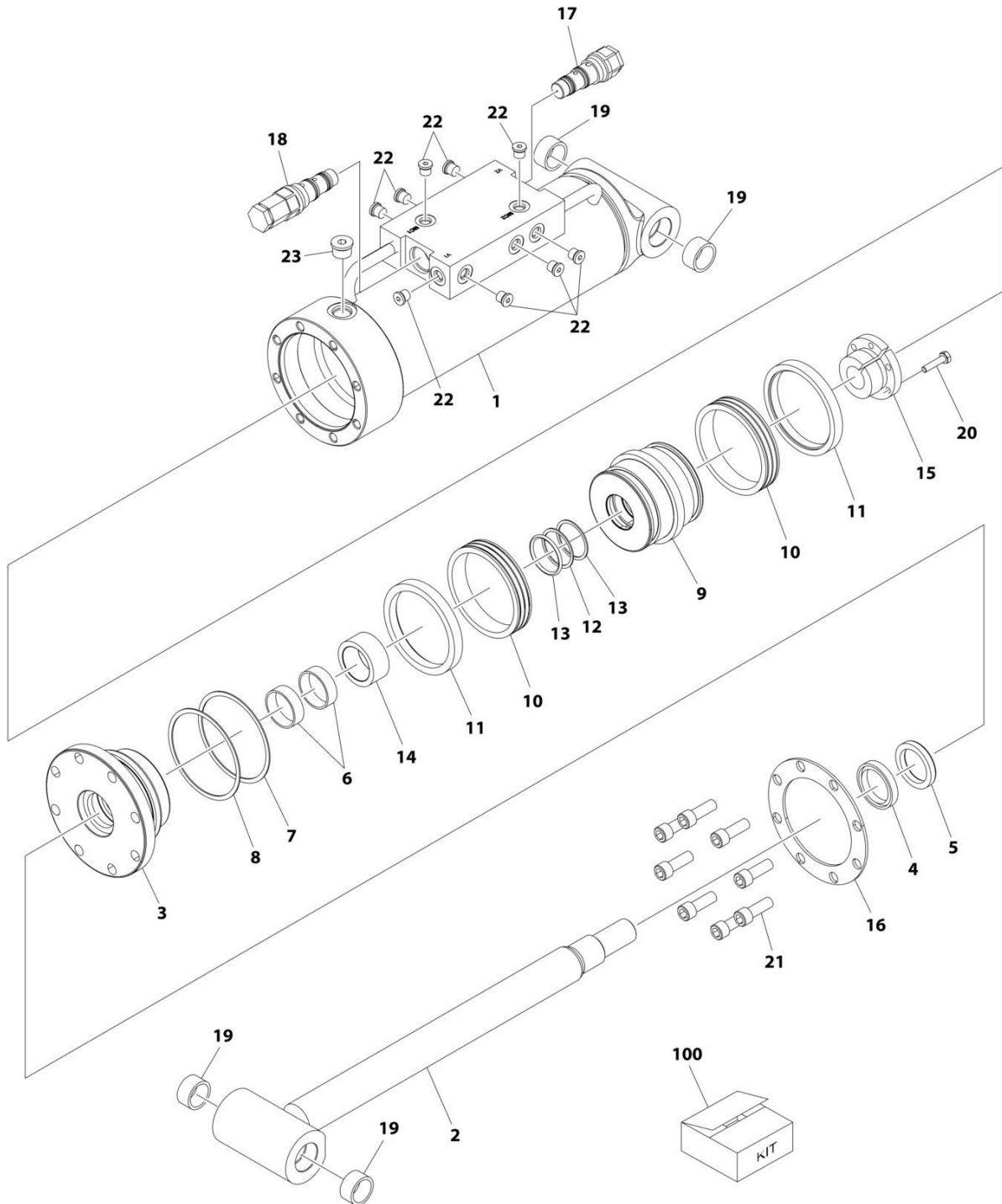
SECTION 5 - CYLINDER

FIGURE 5-4. PLATFORM LEVEL CYLINDER ASSEMBLY (ORIGINAL EQUIPMENT)

ITEM	PART NUMBER	QTY	DESCRIPTION	REV
	1684189	Ref	PLATFORM LEVEL CYLINDER ASSEMBLY	E
1	0100011	AR	Compound, Locking	
2	0100038	AR	Primer, Locking	
3	0100063	AR	Loctite #RC 609	
4	0630535	3	Capscrew, Socket Head 1/4in-20NC x 1in	
5	0961894	1	Bushing, Tapered	
6	0961947	4	Bushing	
7	1683059	1	Head	
8	1683976	1	Rod (Note: Includes Item 6)	
9	1684188	1	Barrel (Note: Includes Item 6)	
10	2220883	10	Plug	
11	2220885	1	Plug	
12	3480267	1	Piston	
14	2902061	1	Ring, Back-up	
15	2902061	2	Ring, Lock	
16	2902061	2	Ring, Wear	
17	2902061	2	Ring, Back-up	
18	2902061	1	O-Ring	
19	2902061	1	O-Ring	
20	2902061	1	Seal	
21	2902061	1	Wiper	
22	2902061	2	Seal	
23	3760370	1	RING,WASHER	
24	3931620	8	Capscrew 3/8in-16NC x 1-1/4in	
25	4568402	1	Spacer, Tube	
26	4641232	1	Valve, Cartridge	
26	7011112	1	Seal Kit - 4641232 Valve	
27	4640932	1	Valve, Cartridge	
27	7011112	1	Seal Kit - 4640932 Valve	
100	2902061	1	Seal Kit Options (Includes Items 14-22)	

SECTION 5 - CYLINDER

FIGURE 5-5. PLATFORM LEVEL CYLINDER ASSEMBLY (SERVICE REPLACEMENT)



ART_1001228027

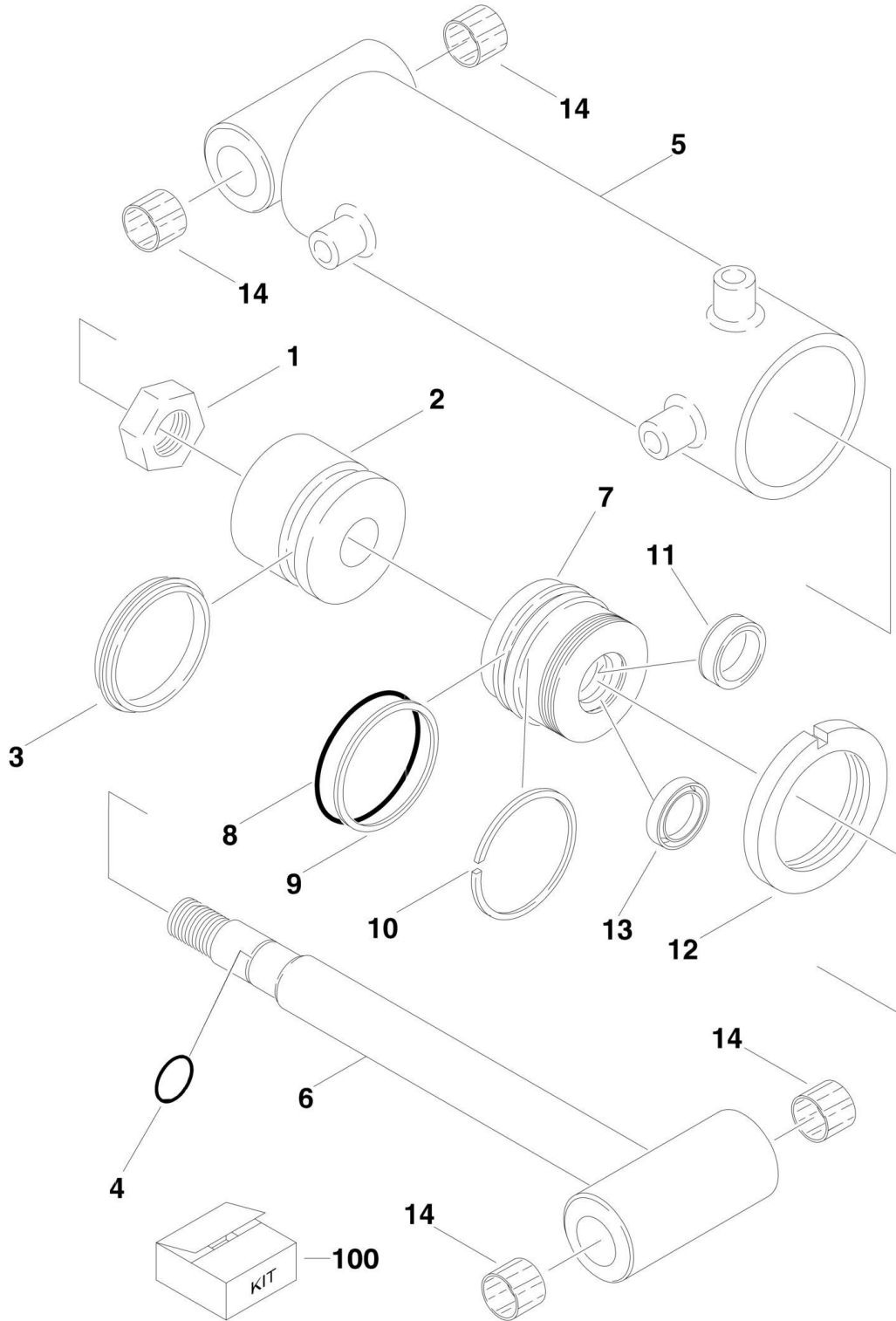
SECTION 5 - CYLINDER

FIGURE 5-5. PLATFORM LEVEL CYLINDER ASSEMBLY (SERVICE REPLACEMENT)

ITEM	PART NUMBER	QTY	DESCRIPTION	REV
	1001228027	Ref	LEVEL CYLINDER ASSEMBLY - PLATFORM SLAVE	B
		Ref	Note: Original Cylinder may have been replaced with Service Replacement. Identify PN Stamped on Cylinder Before Ordering Parts.	
1	See Note	NSS	Barrel (Note: Not Available for Purchase)	
2	70006648	1	Rod	
3	70006699	1	Head	
4	See Note	NSS	Wiper (Note: Use Item 100)	
5	See Note	NSS	Seal, Rod (Note: Use Item 100)	
6	See Note	NSS	Ring, Wear (Note: Use Item 100)	
7	See Note	NSS	O-Ring (Note: Use Item 100)	
8	See Note	NSS	Ring, Back-up (Note: Use Item 100)	
9	70006700	1	Piston	
10	See Note	NSS	T-Seal (Note: Use Item 100)	
11	See Note	NSS	Ring, Wear (Note: Use Item 100)	
12	See Note	NSS	O-Ring (Note: Use Item 100)	
13	See Note	NSS	Ring, Back-up (Note: Use Item 100)	
14	70006701	1	Spacer, Tube	
15	0961894	1	Bushing, Tapered	
16	3760370	1	Washer	
17	4641232	1	Valve, Cartridge	
17	7011112	1	Seal Kit - 4641232 Valve	
18	4640932	1	Valve, Cartridge	
18	7011112	1	Seal Kit - 4640932 Valve	
19	0961947	4	Bushing	
20	0630535	3	Capscrew 1/4 x 1	
21	3931720	8	Capscrew 7/16 x 1-1/4	
22	2220883	10	Plug	
23	2220886	1	Plug	
100	2902061	1	Seal Kit (Includes Items 4-8 & 10-13)	

SECTION 5 - CYLINDER

FIGURE 5-6. STEER CYLINDER ASSEMBLY (Prior to SN 0300142666)



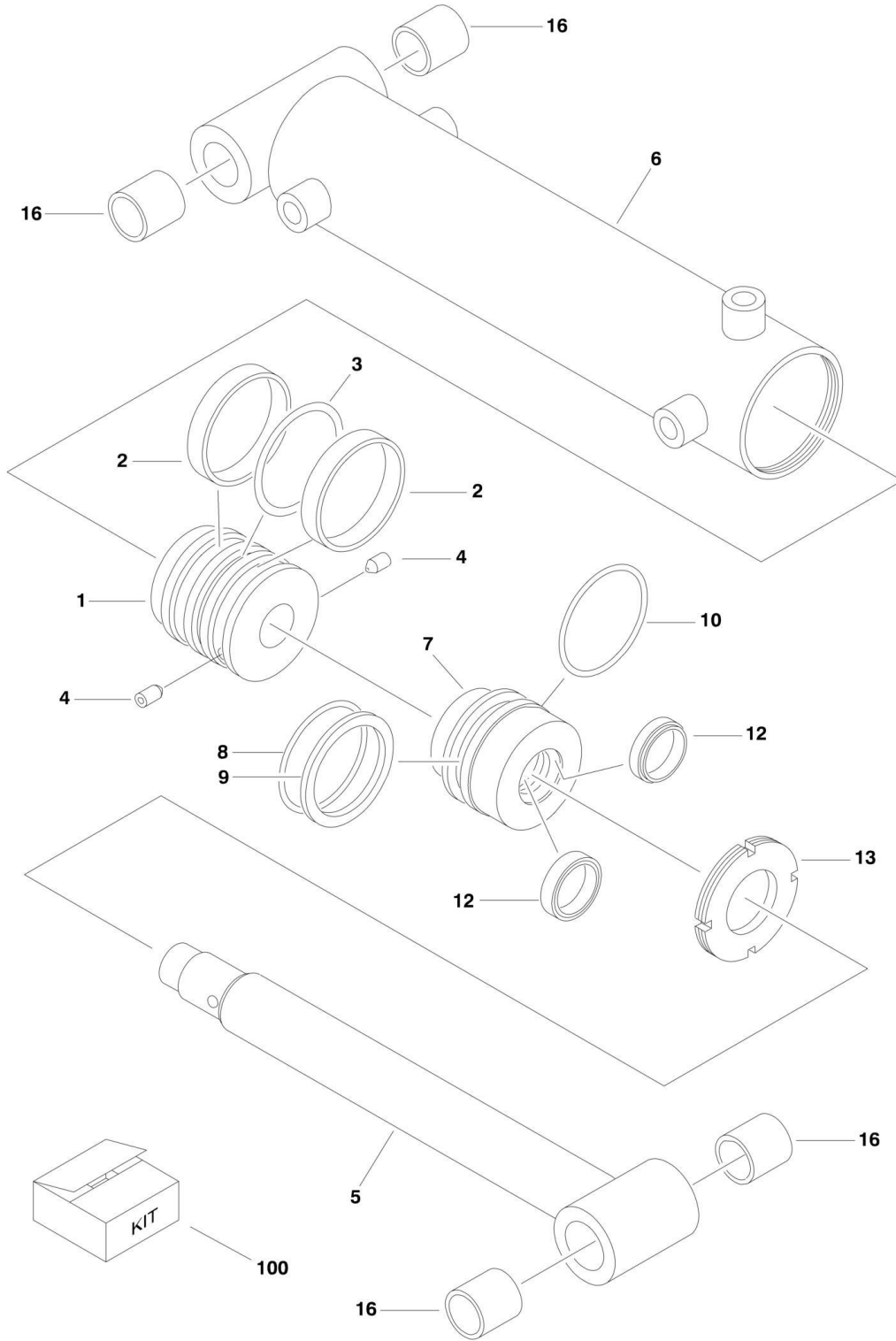
SECTION 5 - CYLINDER

FIGURE 5-6. STEER CYLINDER ASSEMBLY (Prior to SN 0300142666)

ITEM	PART NUMBER	QTY	DESCRIPTION	REV
	1683740	Ref	STEER CYLINDER ASSEMBLY	C
1	7017210	1	Locknut	
2	7017211	1	Piston	
3	7017215	1	Seal	
4	7017215	1	O-Ring	
5	7023023	1	Barrel Weldment	
6	7017236	1	Rod Weldment	
7	7017213	1	Head	
8	7017215	1	O-Ring	
9	7017215	1	Ring, Back-up	
10	7017215	1	Ring, Retainer	
11	7017215	1	Seal	
12	7017214	1	Nut, Spanner	
13	7017215	1	Wiper	
14	0961977	4	Bushings	
100	7017215	1	Seal Kit (Includes Items 3, 4, 8-11 & 13)	

SECTION 5 - CYLINDER

FIGURE 5-7. STEER CYLINDER ASSEMBLY (SN 0300142666 through 0300182743)



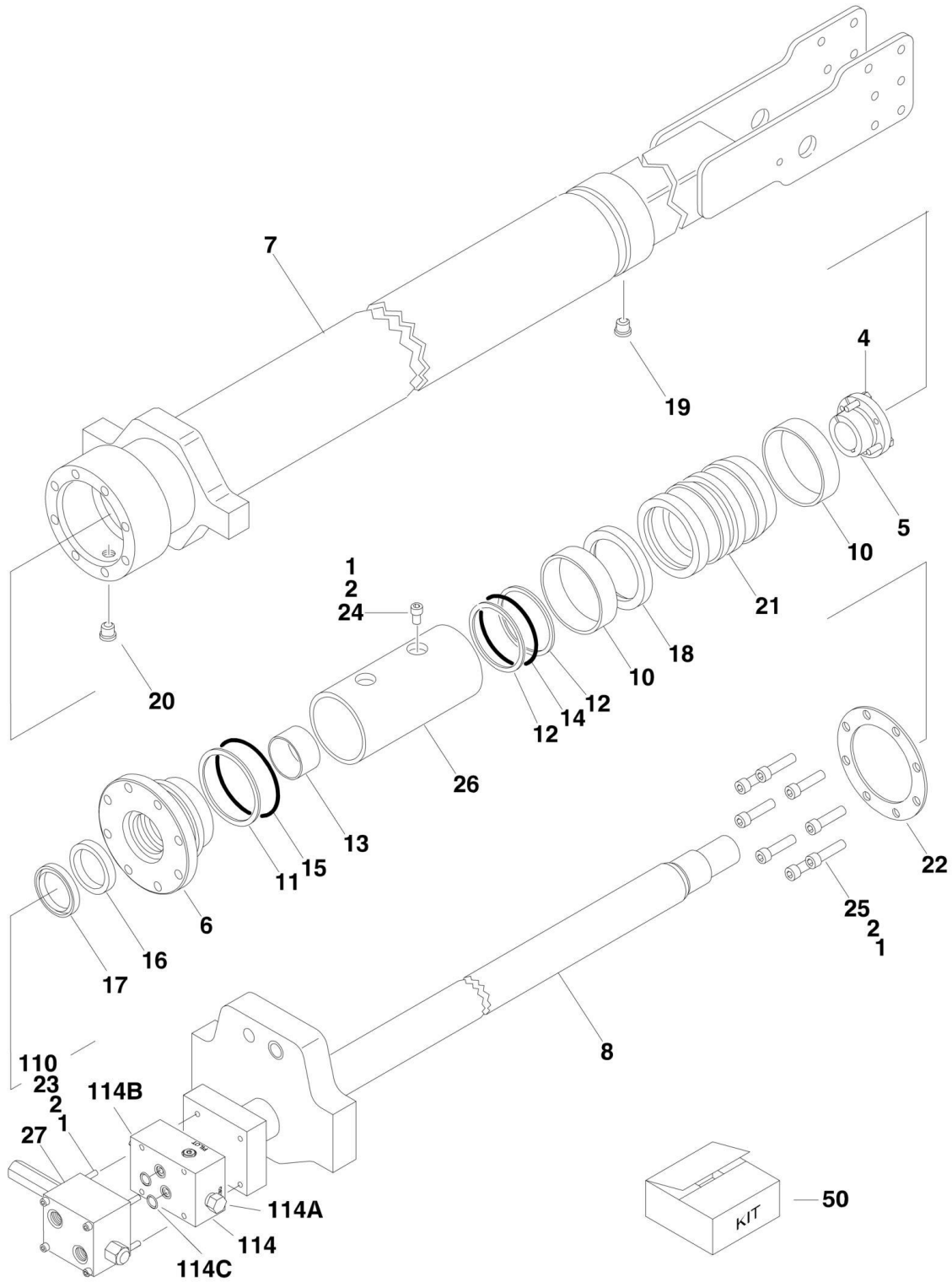
SECTION 5 - CYLINDER

FIGURE 5-7. STEER CYLINDER ASSEMBLY (SN 0300142666 through 0300182743)

ITEM	PART NUMBER	QTY	DESCRIPTION	REV
	1001097243	Ref	STEER CYLINDER ASSEMBLY	B
1	70002744	1	Piston	
2	70002751	1	Seal	
3	70002751	1	Seal	
4	70002745	2	Setscrew	
5	70002746	1	Rod Weldment	
6	70002747	1	Barrel Weldment	
7	70002748	1	Head	
8	70002751	1	O-Ring	
9	70002751	1	Ring, Back-up	
10	70002751	1	Ring, Retainer	
11	70002749	1	Nut, Spanner	
12	70002751	1	Seal	
13	70002751	1	Wiper	
14	70002751	5	O-Ring	
15	70002750	5	Plug, Port	
16	0962356	4	Bushings	
100	70002751	1	Seal Kit (Includes Items 2, 3, 8-10 & 12-14)	

SECTION 5 - CYLINDER

FIGURE 5-8. TELESCOPE CYLINDER ASSEMBLY (ORIGINAL EQUIPMENT)



SECTION 5 - CYLINDER

FIGURE 5-8. TELESCOPE CYLINDER ASSEMBLY (ORIGINAL EQUIPMENT)

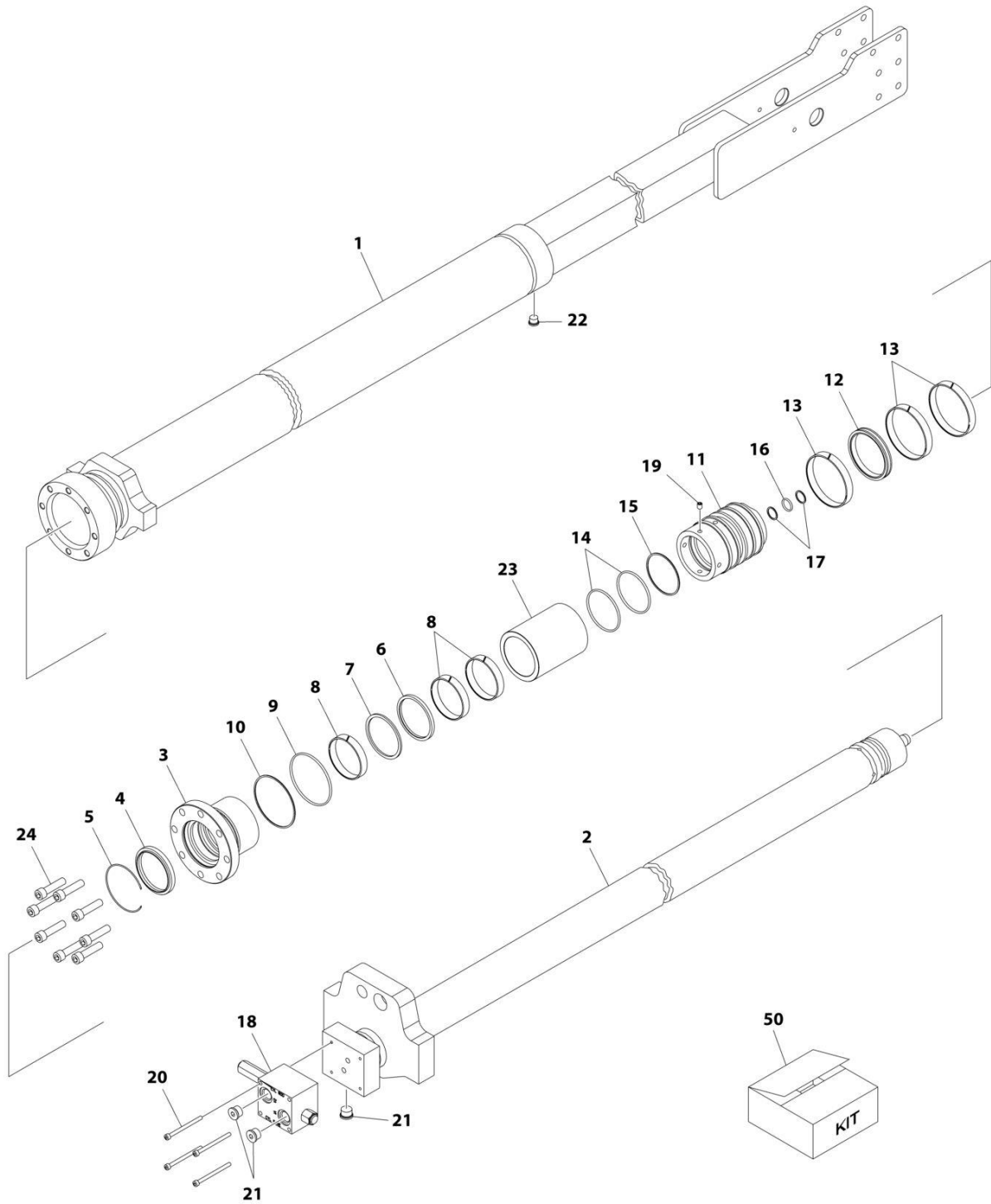
ITEM	PART NUMBER	QTY	DESCRIPTION	REV
	1684519	Ref	TELESCOPE CYLINDER ASSEMBLY (Original Equipment)	C
	1001181589	Ref	TELESCOPE CYLINDER ASSEMBLY (USAGE MAY VARY) (Service Replacement)	B
1	0100011	AR	Compound, Locking	
2	0100038	AR	Primer, Locking	
4	0630535	3	Bolt 1/4in-20NC x 1-1/8in	
5	0961897	1	Bushing, Tapered	
6	1683077	1	Head (1684519 Cylinder)	
6	1001175884	1	Head (1001181589 Cylinder)	
7	0370038	1	Barrel	
8		Ref	Rod Options:	
8	3850028	1	Rod (Prior to SN 0300150027)	
8	1001115693	1	Rod (SN 0300150027 through 0300182743)	
10	See Note	2	Ring, Wear (Note: Use Item 50)	
11	See Note	1	Ring, Back-up (Note: Use Item 50)	
12	See Note	2	Ring, Back-up (Note: Use Item 50)	
13	See Note	1	Ring, Wear (Note: Use Item 50)	
14	See Note	1	O-Ring (Note: Use Item 50)	
15	See Note	1	O-Ring (Note: Use Item 50)	
16	See Note	1	Seal, Rod (Note: Use Item 50)	
17	See Note	1	Wiper (Note: Use Item 50)	
18	See Note	1	T-Seal (Note: Use Item 50)	
19	2220885	1	Plug, O-Ring	
20	2220886	2	Plug, O-Ring	
21		Ref	Piston Options:	
21	3480266	1	Piston (Prior to SN 0300150027)	
21	1001115504	1	Piston (SN 0300150027 through 0300182743)	
22		Ref	Ring, Washer Options:	
22	3760370	1	Ring, Washer (Prior to SN 0300137483)	
22	1001108958	1	Ring, Washer (SN 0300137483 through 0300182743)	
23	3931448	4	Capscrew 1/4in-20NC x 3in	
24	3931508	1	Capscrew 5/16in-18NC x 1/2in	
25	3931724	8	Capscrew 7/16in-14NC x 1-1/2in (1684519 Cylinder)	
25	3931740	8	Capscrew 7/16in-14NC x 2-1/2in (1001181589 Cylinder)	
26		Ref	Spacer, Tube Options:	
26	4568264	1	Spacer, Tube (Prior to SN 0300150027)	
26	1001115633	1	Spacer, Tube (SN 0300150027 through 0300182743)	
27	4641033	1	Valve Assembly Options: (No serviceable parts - sold as assembly only)	
27	7024508	2	O-Ring (Not Shown - Located between valve and cylinder.)	
50		Ref	Seal Kit (Includes Items 10-18) Options:	
50	2901554	1	Seal Kit (1684519 Cylinder) (Prior to SN 0300150027)	
50	1001115617	1	Seal Kit (1684519 Cylinder) (SN 0300150027 through 0300182743)	
50	1001181694	1	Seal Kit (1001181589 Cylinder)	
110	0272750	Ref	MANUAL DESCENT INSTALLATION (OPTIONAL)	B
114	3931480	4	Capscrew 1/4in-20NC x 5in	
114	4641262	1	Valve, Assembly (Manual Descent)	
114A	7026015	1	Cartridge	
114A	7026004	1	Seal Kit - 7026015 Cartridge	

SECTION 5 - CYLINDER

ITEM	PART NUMBER	QTY	DESCRIPTION	REV
114B	7026016	1	Cartridge	
114B	7011346	1	Seal Kit - 7026016 Cartridge	
114C	3790112	2	O-Ring	

SECTION 5 - CYLINDER

FIGURE 5-9. TELESCOPE CYLINDER ASSEMBLY (SERVICE REPLACEMENT)



ART_1001228085

SECTION 5 - CYLINDER

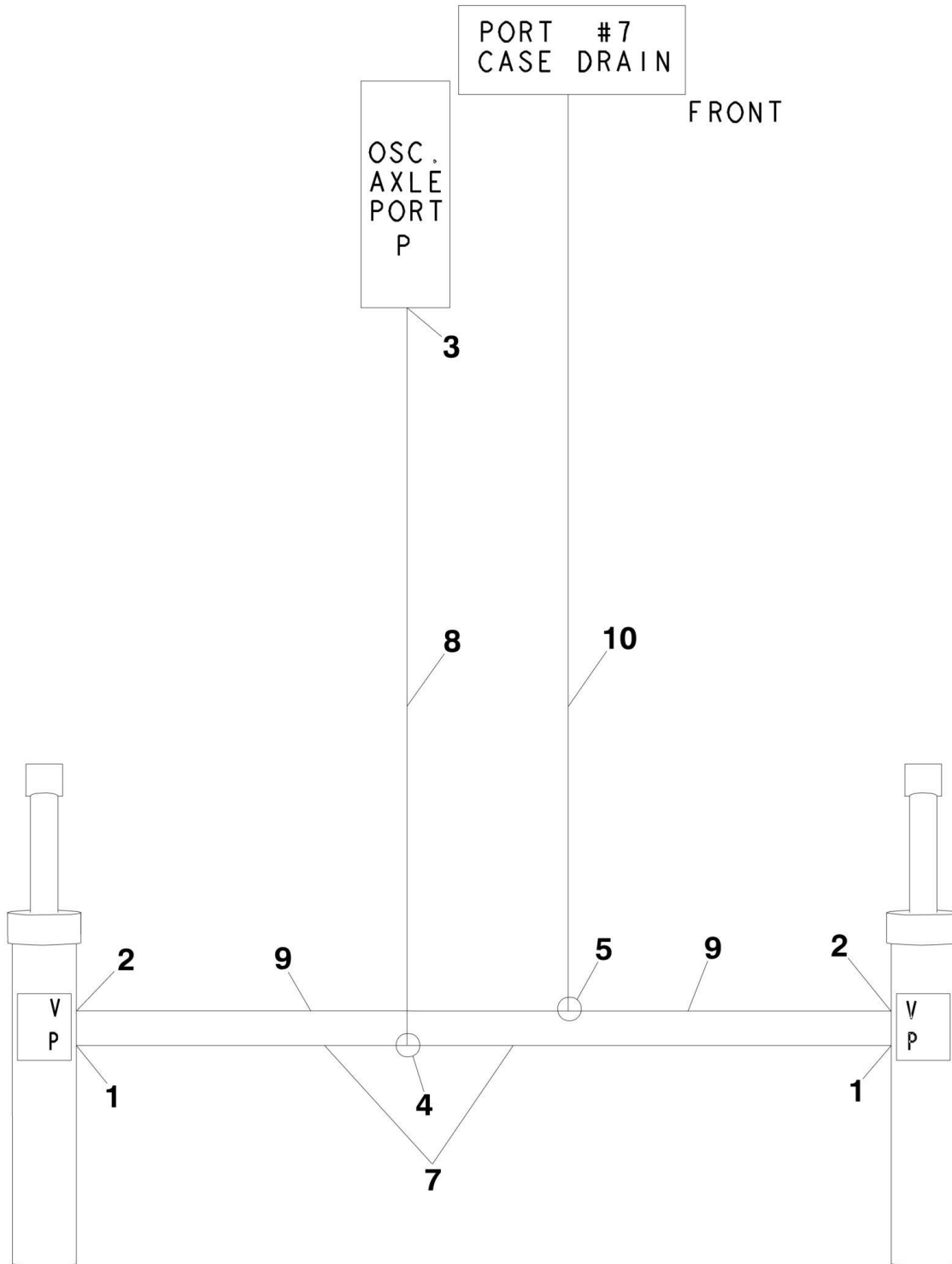
FIGURE 5-9. TELESCOPE CYLINDER ASSEMBLY (SERVICE REPLACEMENT)

ITEM	PART NUMBER	QTY	DESCRIPTION	REV
	1001228085	Ref	TELESCOPE CYLINDER ASSEMBLY (680S) (SN 030024480 to Present)	C
		Ref	Note: Original Cylinder may have been replaced with Service Replacement. Identify PN Stamped on Cylinder Before Ordering Parts.	
1	See Note	NSS	Barrel (Note: Not Available for Purchase)	
2	70006805	1	Rod	
3	70006806	1	Head	
4	See Note	NSS	Wiper (Note: Use Item 50)	
5	70023379	1	Ring, Retainer	
6	See Note	NSS	Seal, Rod (Note: Use Item 50)	
7	See Note	NSS	Ring, Back-up (Note: Use Item 50)	
8	See Note	NSS	Ring, Wear (Note: Use Item 50)	
9	See Note	NSS	O-Ring (Note: Use Item 50)	
10	See Note	NSS	Ring, Back-up (Note: Use Item 50)	
11	70006807	1	Piston	
12	See Note	NSS	Seal, Piston (Note: Use Item 50)	
13	See Note	NSS	Ring, Wear (Note: Use Item 50)	
14	See Note	NSS	O-Ring (Note: Use Item 50)	
15	See Note	NSS	Ring, Back-up (Note: Use Item 50)	
16	See Note	NSS	O-Ring (Note: Use Item 50)	
17	See Note	NSS	Ring, Back-up (Note: Use Item 50)	
18	4641033	1	Valve Assembly (No serviceable parts - sold as assembly only)	
18	7024508	2	O-Ring (Not Shown - Located between valve and cylinder)	
19	70005839	1	Setscrew	
20	70006802	4	Bolt	
21	2220886	3	Plug, O-Ring	
22	2220885	1	Plug, O-Ring	
23	70006808	1	Spacer	
24	70006803	8	Bolt	
50	70006809	1	Seal Kit Options (Includes Items 4, 6-10 & 12-17)	

SECTION 6 - HYDRAULIC

SECTION 6 - HYDRAULIC

FIGURE 6-1. AXLE LOCKOUT HYDRAULIC DIAGRAM



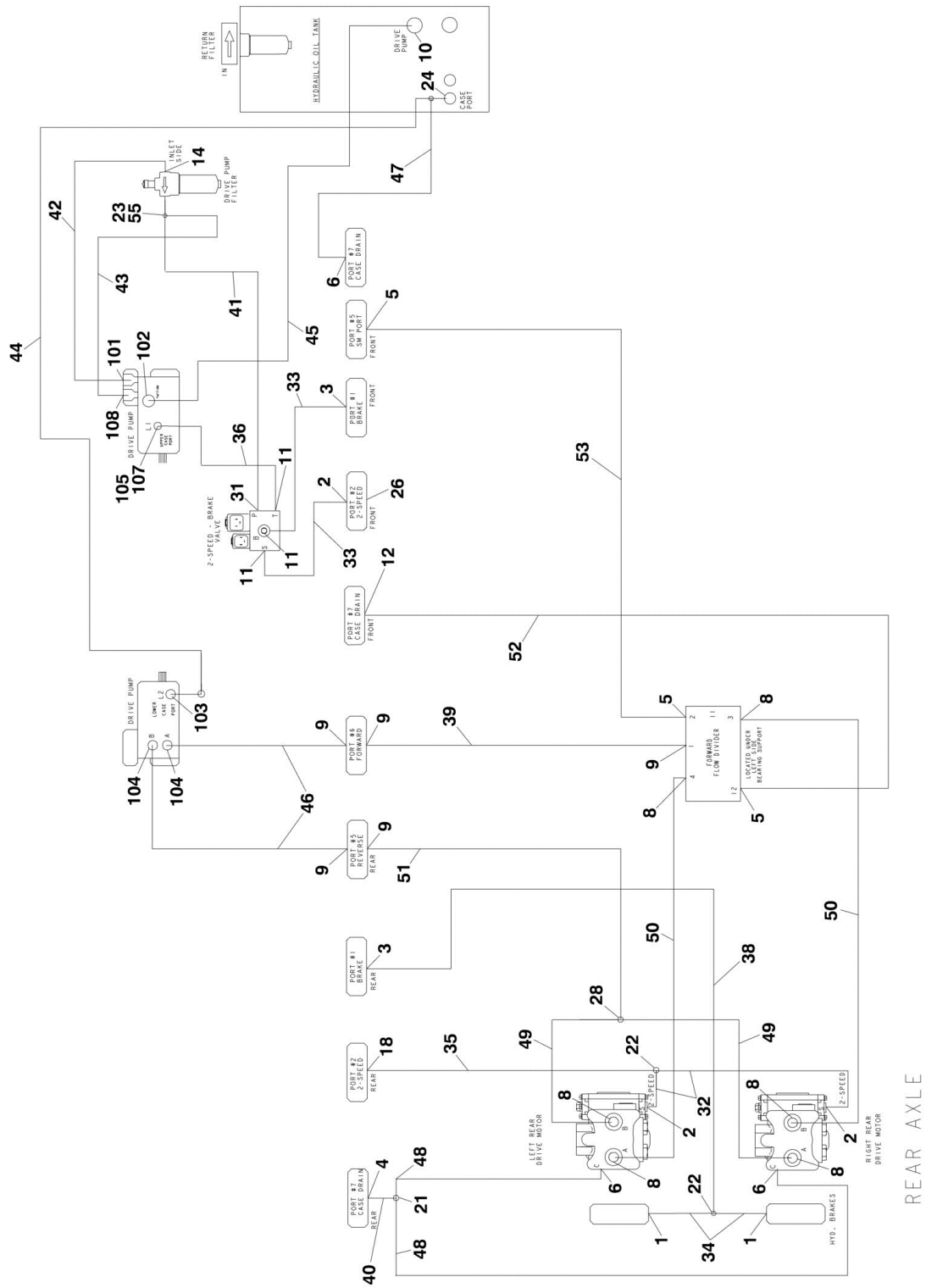
SECTION 6 - HYDRAULIC

FIGURE 6-1. AXLE LOCKOUT HYDRAULIC DIAGRAM

ITEM	PART NUMBER	QTY	DESCRIPTION	REV
	2792648	Ref	AXLE LOCKOUT HYDRAULIC DIAGRAM	3-K
1	2110406	2	Fitting, Straight	
2	2110606	2	Fitting, Straight	
3	2110408	1	Fitting, Straight	
4	2170504	1	Fitting, Tee	
5	2170506	1	Fitting, Tee	
7	2753629	2	Hose	
8	2753630	1	Hose	
9	2753624	2	Hose	
10	2753627	1	Hose	

SECTION 6 - HYDRAULIC

FIGURE 6-2. DRIVE HYDRAULIC DIAGRAM - 2WD



SECTION 6 - HYDRAULIC

FIGURE 6-2. DRIVE HYDRAULIC DIAGRAM - 2WD

ITEM	PART NUMBER	QTY	DESCRIPTION	REV
	2792714	Ref	DRIVE HYDRAULIC DIAGRAM - 2WD	B-L
1	2110404	2	Fitting, Straight	
2	2110406	3	Fitting, Straight	
3	2110408	2	Fitting, Straight	
4	2110808	1	Fitting, Straight	
5	2110606	3	Fitting, Straight	
6	2110812	3	Fitting, Straight	
8	2111212	6	Fitting, Straight	
9	2111616	4	Fitting, Straight	
10	2111620	1	Fitting, Straight	
11	2130404	3	Fitting, 90	
12	2170406	1	Fitting, 90	
13	2151616	1	Fitting, 45	
14	2131012	1	Fitting, 90	
18	2150406	1	Fitting, 45	
21	2170508	1	Fitting, Tee	
22	2170504	2	Fitting, Tee	
23	2221183	1	Fitting, Reducer	
24	2221088	2	Fitting, Tee	
26	2220237	1	Fitting, Plug	
28	2170516	1	Fitting, Tee	
31	2170204	1	Fitting, 90	
32	2754401	2	Hose	
33	2753540	2	Hose	
34	2753725	2	Hose	
35	3753550	1	Hose	
36	2753935	1	Hose	
38	2753622	1	Hose	
39	2753635	1	Hose	
40	2753685	1	Hose	
41		Ref	Hose Options:	
41	2753555	1	Hose (Prior to SN 0300109493)	
41	1001095307	1	Hose (SN 0300109493 through 0300182743)	
42	2753660	1	Hose	
43		Ref	Hose Options:	
43	2753582	1	Hose (Prior to SN 0300109493)	
43	1001095308	1	Hose (SN 0300109493 through 0300182743)	
44	2753664	1	Hose	
45	2753807	1	Hose	
46	2753667	2	Hose	
47	2754242	1	Hose	
48	2754240	2	Hose	
49	2754238	2	Hose	
50	2753688	2	Hose	
51	2754402	1	Hose	
52	2754242	1	Hose	
53	2754243	1	Hose	
55	2221084	1	Fitting, Tee	
	3600410	Ref	PISTON PUMP ASSEMBLY	C
101	2111010	1	Fitting, Straight	

SECTION 6 - HYDRAULIC

ITEM	PART NUMBER	QTY	DESCRIPTION	REV
102	2111616	1	Fitting, Straight	
103	2131212	1	Fitting, 90	
104	2131616	2	Fitting, 90	
105	2110408	1	Fitting, Straight	
107	2220811	1	Fitting, Reducer	
108	2110810	1	Fitting, Straight	

SECTION 6 - HYDRAULIC

FIGURE 6-3. DRIVE HYDRAULIC DIAGRAM - 4WD

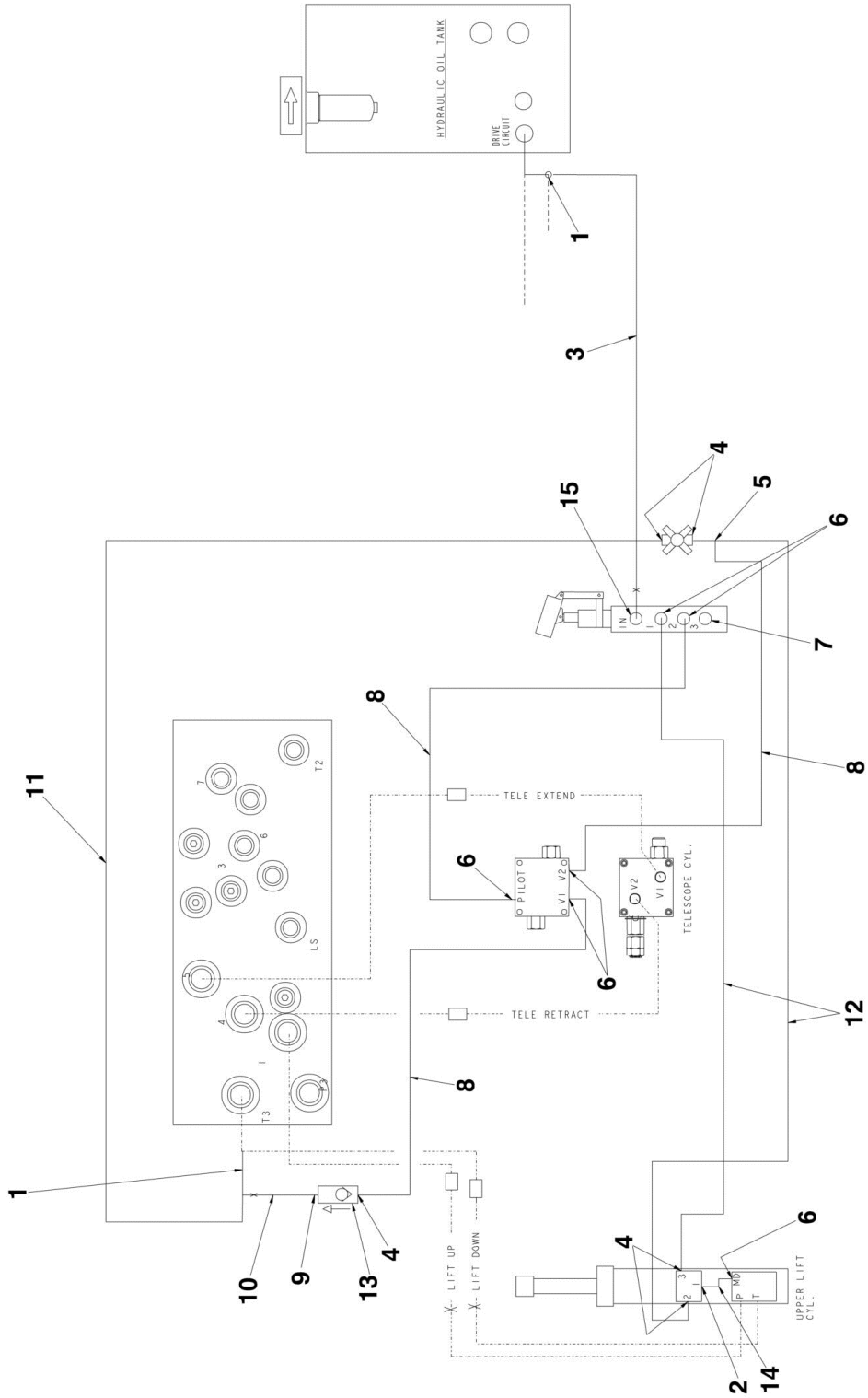
ITEM	PART NUMBER	QTY	DESCRIPTION	REV
	2792713	Ref	DRIVE HYDRAULIC DIAGRAM - 4WD	C-L
1	2110406	3	Fitting, Straight	
2	2110408	2	Fitting, Straight	
3	2110808	6	Fitting, Straight	
4	2110404	2	Fitting, Straight	
5	2110812	5	Fitting, Straight	
7	2111616	4	Fitting, Straight	
8	2111620	1	Fitting, Straight (Sauer-Danfoss Drive Pump)	
8	2112020	1	Fitting, Straight (Eaton Drive Pump)	
9	2130404	5	Fitting, Elbow	
10	2130604	1	Fitting, Elbow	
11	2130406	2	Fitting, Elbow	
12	2151616	1	Fitting, Elbow	
13	2130808	6	Fitting, Elbow	
14	2131012	1	Fitting, Elbow	
15	2131616	1	Fitting, Elbow	
17	2150406	2	Fitting, Elbow	
18		Ref	Fitting, Elbow Options:	
18	2150812	4	Fitting, Elbow (Prior to SN 0300138515)	
18	2150808	4	Fitting, Elbow (SN 0300138515 through 0300182743)	
19	2170408	2	Fitting, Tee	
20	2170504	4	Fitting, Tee	
21	2170350	1	Fitting, Tee	
22	2220237	1	Fitting, Plug	
23	2221183	1	Fitting, Reducer	
24	2221088	1	Fitting, Tee	
25	2220591	1	Fitting, Reducer	
26	2170708	1	Fitting, Tee	
28	2753540	3	Hose	
29	2753549	2	Hose	
30	2130204	1	Fitting, Elbow	
31	2754401	2	Hose	
32	2753550	1	Hose	
33	2754337	2	Hose	
34	2754044	1	Hose	
35	2753622	3	Hose	
36	2753935	1	Hose	
37	2753626	1	Hose	
38		Ref	Hose Options:	
38	2753555	1	Hose (Prior to SN 0300109493)	
38	1001095307	1	Hose (SN 0300109493 through 0300182743)	
39	2753685	1	Hose	
40	2753686	2	Hose	
41	2753628	2	Hose	
42	2753970	3	Hose	
43	2753971	3	Hose	
44	2754040	1	Hose	
45	2753660	1	Hose	
46		Ref	Hose Options:	
46	2753582	1	Hose (Prior to SN 0300109493)	

SECTION 6 - HYDRAULIC

ITEM	PART NUMBER	QTY	DESCRIPTION	REV
46	1001095308	1	Hose (SN 0300109493 through 0300182743)	
47	2753664	1	Hose	
48	2753634	2	Hose	
50	2753667	2	Hose	
51	2753807	1	Hose (Sauer-Danfoss Drive Pump)	
51	1001157866	1	Hose (Eaton Drive Pump)	
52	2754338	1	Hose	
54	2170406	1	Fitting, Tee	
55	2221084	1	Fitting, Tee	
57	2220811	4	Fitting, Reducer (SN 0300138515 through 0300182743)	
	3600410	Ref	SAUER-DANFOSS PUMP ASSEMBLY (Prior to SN 0300180778)	C
101	2111010	1	Fitting, Straight	
102	2111616	1	Fitting, Straight	
103	2131212	1	Fitting, Elbow	
104	2131616	2	Fitting, Elbow	
105	2110408	1	Fitting, Straight	
107	2220811	1	Fitting, Reducer	
108	2110810	1	Fitting, Straight	
	1001152522	Ref	EATON PUMP ASSEMBLY (SN 0300180778 through 0300182743)	B
201	2110408	1	Fitting, Straight	
202	2110810	1	Fitting, Straight	
203	2111016	1	Fitting, Straight	
204	2131212	1	Fitting, Elbow	
205	2131616	2	Fitting, Elbow	
206	2132016	1	Fitting, Elbow	
207	2220811	1	Fitting, Reducer	

SECTION 6 - HYDRAULIC

FIGURE 6-4. MANUAL DESCENT HYDRAULIC DIAGRAM (OPTIONAL)



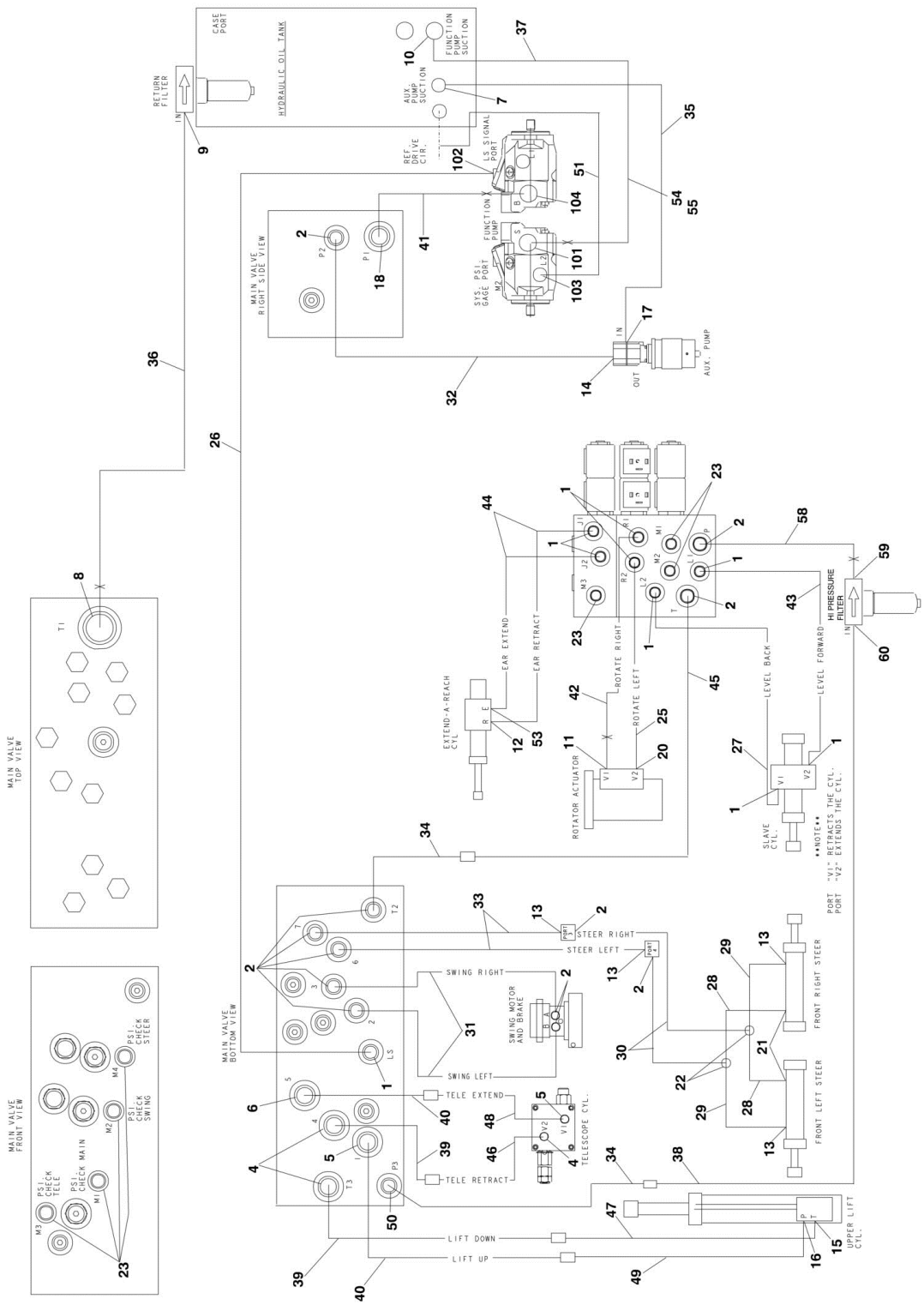
SECTION 6 - HYDRAULIC

FIGURE 6-4. MANUAL DESCENT HYDRAULIC DIAGRAM (OPTIONAL)

ITEM	PART NUMBER	QTY	DESCRIPTION	REV
	2792597	Ref	MANUAL DESCENT HYDRAULIC DIAGRAM	A
1	2170708	2	Fitting, Tee	
2	2110406	1	Fitting	
3	2753578	1	Hose	
4	2130406	5	Fitting, 90	
5	2170804	1	Fitting, Tee	
6	2130404	6	Fitting, 90	
7	2220235	1	Fitting, Plug	
8	2753678	3	Hose	
9	2170306	1	Fitting, Tee	
10	2753895	1	Hose	
11	2753896	1	Hose	
12	2753897	2	Hose	
13	4640774	1	Valve, Check	
14	4568708	1	Tube	
15	2110604	1	Fitting	

SECTION 6 - HYDRAULIC

FIGURE 6-5. STANDARD HYDRAULIC DIAGRAM



SECTION 6 - HYDRAULIC

FIGURE 6-5. STANDARD HYDRAULIC DIAGRAM

ITEM	PART NUMBER	QTY	DESCRIPTION	REV
		Ref	STANDARD HYDRAULIC DIAGRAM	
	2792649	Ref	Standard Hydraulic Diagram (Prior to SN 0300176302)	B-L
	1001151207	Ref	Standard Hydraulic Diagram (SN 0300176302 through 0300182743)	A-M
1	2110404	AR	Fitting, Straight	
2	2110606	12	Fitting, Straight	
3	Not Required	0	Fitting, Straight	
4	2110808	3	Fitting, Straight	
5	2111008	2	Fitting, Straight	
6	2111010	1	Fitting, Straight	
7		Ref	Fitting Options:	
7	2111212	1	Fitting, Straight (Prior to SN 0300143626)	
7	2151212	1	Fitting, 45 (SN 0300143626 through 0300182743)	
8		Ref	Fitting Options:	
8	2111612	1	Fitting, Straight (Prior to SN 0300144798)	
8	2131612	1	Fitting, 90 (SN 0300144798 through 0300182743)	
9	2111616	1	Fitting, Straight	
10	2112424	1	Fitting, Straight	
11	2130404	1	Fitting, 90	
12	Not Required	0	Fitting, 90	
13	2130606	4	Fitting, 90	
14	2130608	1	Fitting, 90	
15	2130810	1	Fitting, 90	
16	2131010	1	Fitting, 90	
17		Ref	Fitting Options:	
17	2131210	1	Fitting, 90 (Prior to SN 0300176302)	
17	2111208	1	Fitting, Straight (SN 0300176302 through 0300182743)	
18	2131212	1	Fitting, 90	
20	2150404	1	Fitting, 45	
21	2150606	2	Fitting, 45	
22	2170506	2	Fitting, Tee	
23	2221086	AR	Fitting, Pressure Check	
24	Not Required	0	Hose	
25	2753545	1	Hose	
26	2753622	1	Hose	
27	2753622	1	Hose	
28	2753625	2	Hose	
29	2753626	2	Hose	
30	2753627	2	Hose	
31	2753653	2	Hose	
32	2753654	1	Hose	
33	2753656	2	Hose	
34	2753657	2	Hose	
35		Ref	Hose Options:	
35	2753662	1	Hose (Prior to SN 0300176302)	
35	1001111968	1	Hose (SN 0300176302 through 0300182743)	
36	2753665	1	Hose	
37	2753808	1	Hose	
38	2753693	1	Hose	
39	2753670	2	Hose	

SECTION 6 - HYDRAULIC

ITEM	PART NUMBER	QTY	DESCRIPTION	REV
40	2753671	2	Hose	
41	2753672	1	Hose	
42	2753674	1	Hose	
43	2753675	1	Hose	
44	Not Required	0	Hose	
45	2753679	1	Hose	
46	2753681	1	Hose	
47	2753682	1	Hose	
48	2753683	1	Hose	
49	2753684	1	Hose	
50	2110608	1	Fitting, Straight	
51	2753590	1	Hose	
52	Not Required	0	Hose	
53	Not Required	0	Fitting, 90	
54	4061032	1	Hose Guard	
55	4240018	3	Tie Strap	
58	2717059	1	Hose Only (SN 0300141319 through 0300182743)	
59	2110612	1	Fitting, Adapter (SN 0300141319 through 0300182743)	
60	2130612	1	Fitting, Adapter (SN 0300141319 through 0300182743)	
	2902460	1	Hose Kit (Includes Items 26, 38, 42, 43 & 45)	
	2902461	1	Hose Kit (Includes Items 34, 39, 40, 47 & 49)	
	3600411	Ref	LOAD SENSING PUMP AND FITTING ASSEMBLY	A
101	2112424	1	Fitting, Straight	
102	2130404	1	Fitting, 90	
103	2130810	1	Fitting, 90	
104	2131216	1	Fitting, 90	

SECTION 6 - HYDRAULIC

FIGURE 6-6. HYDRAULIC DIAGRAM LIST

ITEM	PART NUMBER	QTY	DESCRIPTION	REV
		Ref	Note: Information on Diagrams not shown are available from JLG Service/Parts Departments.	
	2792648	Ref	Axle Lockout Hydraulic Diagram	
	1283387	Ref	Axle Lockout Hydraulic Diagram	
		Ref	Drive Hydraulic Diagrams:	
	2792714	Ref	2WD Machines	
	1283387	Ref	2WD Machines	
	2792713	Ref	4WD Machines	
	1283387	Ref	4WD Machines	
	2792597	Ref	Manual Descent Hydraulic Diagram (Optional)	
		Ref	Oil Cooler Hydraulic Diagrams:	
		Ref	Deutz Engine Machines	
	0271938	Ref	Deutz Engine Machines (Prior to SN 0300137667)	
	1282665	Ref	Deutz Engine Machines (Prior to SN 0300137667)	
	1001108703	Ref	Deutz Engine Machines (SN 0300137667 through 0300163079)	
	1001138328	Ref	Deutz Engine Machines (SN 0300163080 through 0300182743)	
	2792649	Ref	Standard Hydraulic Diagram	
	1283387	Ref	Standard Hydraulic Diagram	
	2792678	Ref	Standard Hydraulic Schematic	
	2792653	Ref	Tow Hydraulic Diagram	
	1283387	Ref	Tow Hydraulic Diagram	

SECTION 7 - ELECTRICAL

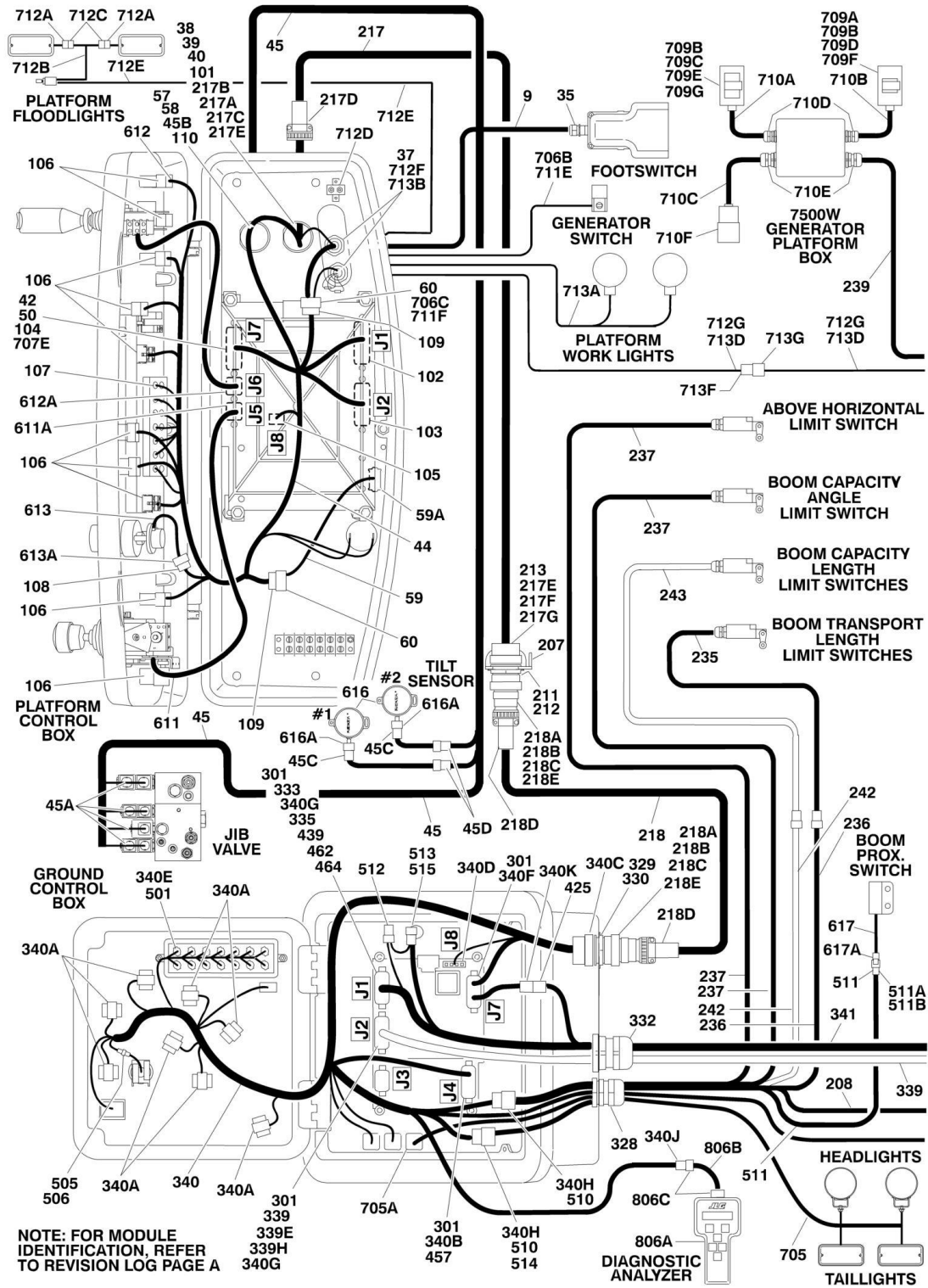
SECTION 7 - ELECTRICAL

FIGURE 7-1. ELECTRICAL DIAGRAM LIST

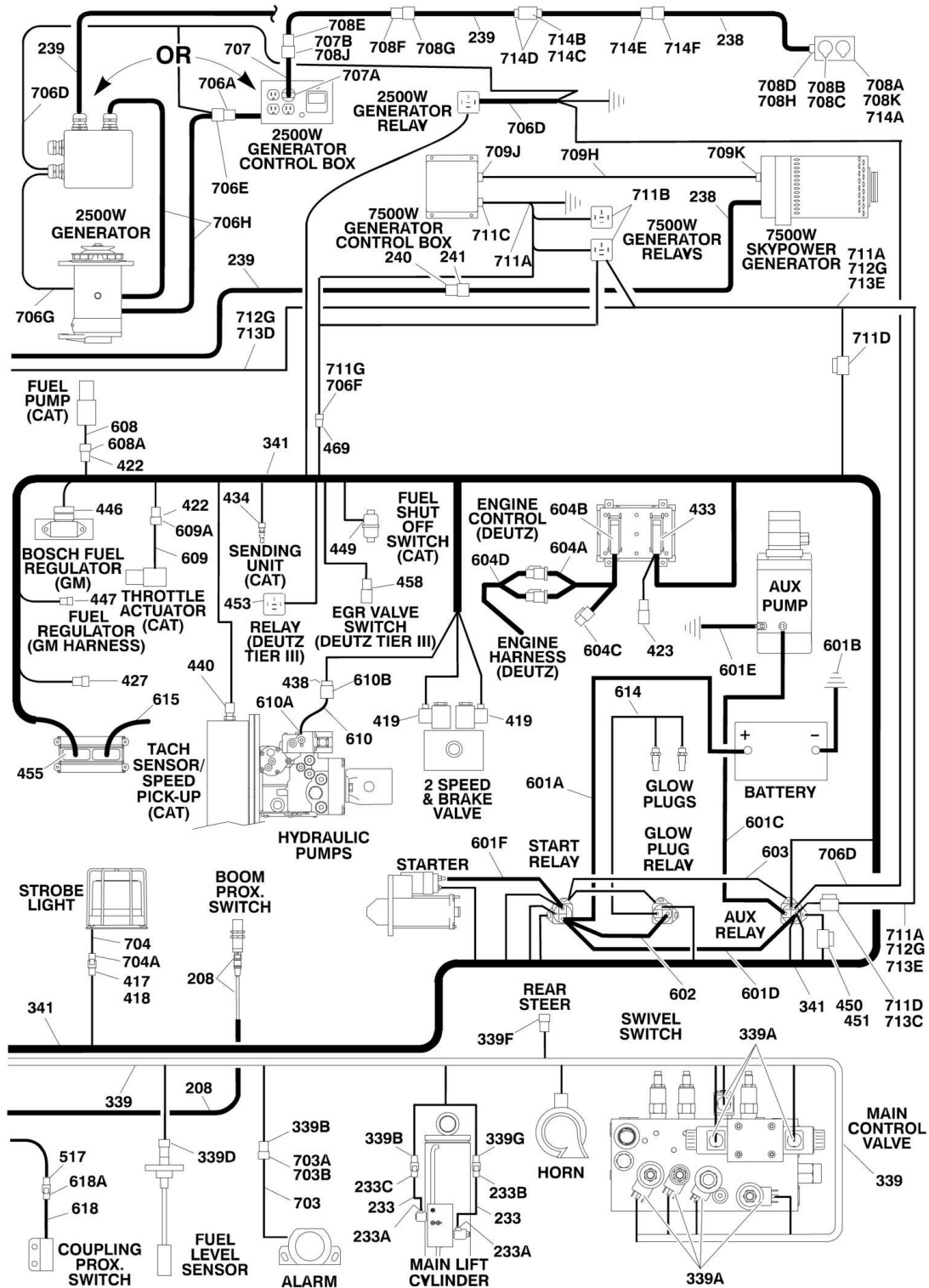
ITEM	PART NUMBER	QTY	DESCRIPTION	REV
	4933243	Ref	ADE SYSTEM POWER-DOWN ELECTRICAL DIAGRAM	
	0257157	Ref	ETHER START ELECTRICAL DIAGRAM	
	1282571	Ref	ETHER START ELECTRICAL DIAGRAM	
		Ref	GENERATOR ELECTRICAL DIAGRAMS	
		Ref	2500W Generators	
	4933300	Ref	ANSI Specs - Deutz Engines Only (Prior to SN 0300129398)	
	1001112588	Ref	ANSI Specs - Caterpillar and Deutz Engines Only (SN 0300129398 through 0300182743)	
	4933300	Ref	ANSI Export, Australian, CE Specs - Deutz (Prior to SN 0300122915)	
	1001100027	Ref	ANSI Export, Australian, CE Specs - Deutz (SN 0300122915 through 0300129397)	
	1001112743	Ref	ANSI Export, Australian, CE Specs - Caterpillar and Deutz (SN 0300129398 through 0300182743)	
	4933350	Ref	ANSI Specs - GM Engines Only	
		Ref	7500W Generators	
	4933264	Ref	Deutz Engine Machines (Prior to SN 0300139080)	
	1001112586	Ref	Caterpillar and Deutz Engine Machines (SN 0300139080 through 0300182743)	
	4933349	Ref	GM Engines Only	
	4933217	Ref	GLOW PLUG ELECTRICAL DIAGRAM (DEUTZ MACHINES)	
		Ref	LIGHTS ELECTRICAL DIAGRAM	
	4933231	Ref	CHASSIS FLOOD LIGHTS	
	4933219	Ref	HEAD AND TAIL LIGHTS	
		Ref	STANDARD ELECTRICAL DIAGRAMS	
	1001110344	Ref	Caterpillar Machines (SN 0300139210 through 0300182743)	
	4933375	Ref	Deutz Machines (Prior to SN 0300139210)	
	1001110343	Ref	Deutz Machines (SN 0300139210 through 0300182743)	
	1001110342	Ref	GM Machines (SN 0300139210 through 0300182743)	
		Ref	STANDARD ELECTRICAL SCHEMATIC OPTIONS:	
	1870221	Ref	Standard Electrical Schematic (Prior to SN 0300139080)	
	1001110325	Ref	Standard Electrical Schematic (SN 0300139080 through 0300161729)	
	1001141141	Ref	Standard Electrical Schematic (SN 0300161730 through 0300182743)	
	1001131992	Ref	GM Engine Schematic (Engine Schematic Only. P/N 1001110325 or P/N 1001141141 is Schematic for complete machine)	

SECTION 7 - ELECTRICAL

FIGURE 7-2. HARNESS COMPONENTS INSTALLATION (WITHOUT UGM)



SECTION 7 - ELECTRICAL



SECTION 7 - ELECTRICAL

FIGURE 7-2. HARNESS COMPONENTS INSTALLATION (WITHOUT UGM)

ITEM	PART NUMBER	QTY	DESCRIPTION	REV
		Ref	NOTE: FOR MODULE IDENTIFICATION, REFER TO REVISION LOG PAGE A.	
		Ref	PLATFORM CONSOLE BOX COMPONENTS	
	0861416	Ref	Platform Console Box Components (Prior to SN 0300137913)	J
	1001108866	Ref	Platform Console Box Components (SN 0300137913 through 0300182743)	B
9	1060918	7 ft/2.14m	Cable, Electrical - 18/3	
35	4460071	1	Connector, Strain Relief	
37	4460428	2	Connector, Strain Relief	
38	4460464	1	Pin, Male Deutsch	
39	4460470	1	Nut, Terminal	
40	4460471	1	Lockwasher, Terminal	
42	4460226	2	Socket, Female	
44		Ref	Harness, Platform Box Options (See Items 101-110 for Breakdown)	
44	4922595	1	Harness, Platform Box (Prior to SN 0300137913)	
44	1001107796	1	Harness, Platform Box (SN 0300137913 through 0300182743)	
45	4922749	1	Harness, Upper Valve	2-A
45A	4460880	7	Connector, DIN	
45B	4460928	8	Socket, Female	
45B	4460918	8	Socket, Female	
45B	4460926	1	Connector, Deutsch - 21 Position	
45C	4460913	2	Lock Wedge - 3 Position	
45C	4460910	2	Connector, Female Deutsch - 3 Position	
45C	4460917	6	Pin, Male	
45D	1560011	2	Connector, Strain Relief	
45D	1560012	2	Nut, Conduit	
50	4460905	5	Seal, Plug	
56	4460225	1	Plug, Male - 6 Position	
57	4460496	1	Lockwasher, Terminal	
58	4460497	1	Nut, Terminal	
59	4922666	1	Harness, Analyzer Cable	2-B
59	4460226	4	Socket, Female (Not Shown - Located at J2)	
59A	4460761	1	Connector, Female - 4 Position	
59A	4460227	4	Pin, Male	
60	4460708	2	Receptacle - 15 Position	
		Ref	PLATFORM BOX HARNESS ASSEMBLY	
	4922595	Ref	Platform Box Harness Assembly (Prior to SN 0300137913)	10-I
	1001107796	Ref	Platform Box Harness Assembly (SN 0300137913 through 0300182743)	C
101	4460866	1	Connector - 19 Pin	
101	4460929	10	Pin, Male Deutsch 16 Ga	
101	4460508	3	Pin, Male Deutsch 12 Ga	
102	4460874	1	Connector - 35 Position (Natural)	
102	4460871	23	Socket, Female	
103	4460876	1	Connector - 35 Position (Blue)	
103	4460871	23	Socket, Female	
104	4460873	1	Connector - 35 Position (Black)	
104	4460871	28	Socket, Female	
105	4460879	1	Connector, Male 2 Position	

SECTION 7 - ELECTRICAL

ITEM	PART NUMBER	QTY	DESCRIPTION	REV
105	4460887	2	Terminal (12 Gauge)	
106	4460418	7	Connector, Female - 6 Position	
106	4460419	21	Socket, Female	
107	4460225	4	Plug, Male - 6 Position	
107	4460226	18	Terminal (16 Gauge)	
108	4460225	1	Plug, Male - 6 Position	
108	4460227	5	Pin, Male	
109	4460434	2	Plug, Male - 15 Position	
109	4460227	AR	Pin, Male	
110	4460925	1	Connector - 21 Pin	
110	4460929	8	Pin, Male Deutsch 16 Ga	
110	4460917	8	Pin, Male Deutsch 12 Ga	
		Ref	BOOM CABLES INSTALLATION	
	0271322	Ref	All Specs Except Australian and CE Specs	I
	0271323	Ref	Australian and CE Specs Only	I
	0272388	Ref	All Specs With 7500W Generator	F
207	3573047	1	Plate, Receptacle Mounting	
208	4360506	1	Proximity Switch and Harness Assembly	
211	4460470	1	Nut, Terminal	
212	4460471	1	Lockwasher, Terminal	
213	4460866	1	Connector - 19 Position	
217	4922566	1	Harness Assembly - Main Boom (12/4 - 18/8)	2-B
217	1060896	85 ft/26m	Cable, Electrical - 12/4 and 18/8	
217	2820031	4 in/9cm	Heat Shrink	
217A	4460465	11	Socket, Female 18 Gauge	
217B	4460865	1	Connector - 19 Position	
217C	4460509	4	Socket, Female 12 Gauge	
217D	4460473	1	Clamp, Cable	
217E	4460466	8	Seal, Plug	
217F	4460464	11	Pin, Male 18 Gauge	
217G	4460508	4	Pin, Male 12 Gauge	
218	4922569	1	Harness Assembly - Tower Boom (12/4 - 18/8)	1-A
218	1060896	20 ft/6.1m	Cable, Electrical - 12/4 and 18/8	
218A	4460465	22	Socket, Female 18 Gauge	
218B	4460865	2	Connector - 19 Position	
218C	4460509	8	Socket, Female 12 Gauge	
218D	4460473	2	Clamp, Cable	
218E	4460466	8	Seal, Plug	
233	4922660	1	Holding Valve/Lift Dump Harness Assembly (Note: This is actually to separate harnesses under the same p/n)	2-D
233A	4460880	2	Connector, DIN	
233B	4460320	1	Plug, Male - 2 Position	
233B	4460226	2	Socket, Female	
233C	4460424	1	Connector, Female - 2 Position	
233C	4460267	2	Pin, Male	
235	4922871	Ref	Harness, Limit Switch Upper	
235	4922871	2	All Specs Except Australian and CE Specs	
235	4922871	2	Australian and CE Specs Only (Prior to SN 0300103969)	
235	4922871	1	Australian and CE Specs Only (SN 0300103969 through 0300182743)	
235	4922871	2	All Specs With 7500W Generator	
235	4922871	1	To Boom Capacity Length Switch	

SECTION 7 - ELECTRICAL

ITEM	PART NUMBER	QTY	DESCRIPTION	REV
235	1060902	34 ft/10.4m	Cable, Electrical - 18/2	
235	4460464	2	Pin, Male	
235	4460897	1	Receptacle, Female - 2 Position	
235		Ref	To Boom Transport Length Limit Switch	
235	1060902	34 ft/10.4m	Cable, Electrical - 18/2	
235	4460464	2	Pin, Male	
235	4460897	1	Receptacle, Female - 2 Position	
236	4922872	Ref	Harness, Limit Switch Lower	
236	4922872	2	All Specs Except Australian and CE Specs	
236	4922872	2	Australian and CE Specs Only (Prior to SN 0300103969)	
236	4922872	1	Australian and CE Specs Only (SN 0300103969 through 0300182743)	
236	4922872	2	All Specs With 7500W Generator	
236	4922872	AR	To Boom Capacity Length Switch	
236	1060902	20 ft/6m	Cable, Electrical - 18/2	
236	4460465	2	Socket, Female	
236	4460891	1	Plug, Male - 2 Position	
236		Ref	To Boom Transport Length Limit Switch	
236	1060902	20 ft/6m	Cable, Electrical - 18/2	
236	4460465	2	Socket, Female	
236	4460891	1	Plug, Male - 2 Position	
237	1061018	Ref	Cable, Electrical - 18/2	
237	1061018	2	All Specs Except Australian and CE Specs	
237	1061018	2	Australian and CE Specs Only (Prior to SN 0300103969)	
237	1061018	1	Australian and CE Specs Only (SN 0300103969 through 0300182743)	
237	1061018	2	All Specs With 7500W Generator	
238		Ref	Harness, 110V A/C (To Bulkhead) Options:	
238	4922873	1	All Specs Except Australian and CE Specs	
238	4922875	1	Australian and CE Specs Only	
238	4922790	1	All Specs With 7500W Generator	
239		Ref	Harness, 110V A/C (To Generator Box) Options:	
239	4922874	1	All Specs Except Australian and CE Specs	
239	4922876	1	Australian and CE Specs Only	
239	4922809	1	All Specs With 7500W Generator	
240	4460959	1	Terminal, Turnlok Plug (With 7500W Generator)	
240	1671092	1	Cover, Female Connector	
241	4460960	1	Terminal, Turnlok Connector (With 7500W Generator)	
241	1671093	1	Cover, Male Connector	
242		Ref	Harness, Limit Switch Lower (To Boom Capacity Length Switch)	
242	4922872	1	All Specs Except Australian and CE Specs	
242	4922872	1	Australian and CE Specs Only (Prior to SN 0300103969)	
242	4922872	1	Australian and CE Specs Only (SN 0300103969 through 0300182743)	
242	4922872	1	All Specs With 7500W Generator (Prior to SN 0300120844)	
242	1001098908	1	All Specs With 7500W Generator (SN 0300120844 through 0300182743)	
242	1060902	20 ft/6m	Cable, Electrical - 18/2	
242		Ref	Terminal Options:	
242	4460465	2	Socket, Female (Prior to SN 0300120844)	

SECTION 7 - ELECTRICAL

ITEM	PART NUMBER	QTY	DESCRIPTION	REV
242	4460464	2	Pin, Male (SN 0300120844 through 0300182743)	
242		Ref	Connector Options:	
242	4460891	1	Receptacle, Female - 2 Position (Prior to SN 0300120844)	
242	4460897	1	Plug, Male - 2 Position (SN 0300120844 through 0300182743)	
243		Ref	Harness, Limit Switch Upper (To Boom Capacity Length Switch)	
243	4922871	1	All Specs Except Australian and CE Specs	
243	4922871	1	Australian and CE Specs Only (Prior to SN 0300103969)	
243	4922871	1	Australian and CE Specs Only (SN 0300103969 through 0300182743)	
243	4922871	1	All Specs With 7500W Generator (Prior to SN 0300120844)	
243	1001098909	1	All Specs With 7500W Generator (SN 0300120844 through 0300182743)	
243	1060902	34 ft/10.4m	Cable, Electrical - 18/2	
243		Ref	Terminal Options:	
243	4460464	2	Pin, Male (Prior to SN 0300120844)	
243	4460465	2	Socket, Female (SN 0300120844 through 0300182743)	
243		Ref	Connector Options:	
243	4460897	1	Receptacle, Female - 2 Position (Prior to SN 0300120844)	
243	4460891	1	Plug, Male - 2 Position (SN 0300120844 through 0300182743)	
		Ref	GROUND CONTROL BOX COMPONENTS	
301	0100048	AR	Grease, Dielectric	
328	4460426	1	Connector, Strain Relief	
329	4460470	1	Nut, Terminal	
330	4460471	1	Locknut, Terminal	
332	4460526	1	Connector, Strain Relief	
333	4460874	1	Connector (Natural)	
334	4460875	1	Connector (Gray)	
335	4460905	2	Plug, Seal	
339	4922594	1	Valve Harness Assembly	7-K
339A	4460880	7	DIN Connector	
339B	4460320	2	Plug, Male - 2 Position	
339B	4460267	4	Pin, Male	
339D	4460834	1	Connector, Female - 2 Position	
339D	4460842	2	Terminal, Female	
339E	4460871	22	Socket, Female	
339F	4460225	1	Plug, Male - 6 Position	
339F	4460267	6	Pin, Male	
339G	4460424	1	Connector, Female - 2 Position	
339G	4460267	2	Pin, Male	
339H	Not Required	0	Not Required	
340	4923577	1	Ground Control Box Harness Assembly	D
340	3990010	2	Diode - 6 Amp (Not Shown - Located at Power Down Relay)	
340A	4460418	7	Connector, Female - 6 Position	
340A	4460419	21	Socket, Female	
340B	4460876	1	Connector - 35 Position (Blue)	
340B	4460871	AR	Socket, Female	
340B	4460905	1	Seal, Plug	
340C	4460866	1	Connector - 19 Pin	
340C	4460464	AR	Pin, Male Deutsch 16 Ga	

SECTION 7 - ELECTRICAL

ITEM	PART NUMBER	QTY	DESCRIPTION	REV
340C	4460508	3	Pin, Male Deutsch 12 Ga	
340D	4460878	1	Housing, Terminal - 4 Position	
340D	4460887	3	Terminal (12 Gauge)	
340E	4120035	5	Base, Light	
340E	4460634	6	Terminal (16 Gauge)	
340E	4460635	4	Terminal (12 Gauge)	
340F	4460873	1	Connector - 35 Position (Black)	
340F	4460871	19	Socket, Female	
340F	4460905	2	Seal, Plug	
340G	4460871	AR	Socket, Female	
340H	4460434	2	Plug, Male - 15 Position	
340H	4460227	AR	Pin, Male	
340J	4460761	1	Connector, Female 4 - Position	
340J	4460227	4	Pin, Male	
340K	4460536	1	Connector, Female 3- Position	
340K	4460943	3	Pin, Male	
341		Ref	Engine Harness Assembly (See Items 401-469 for Breakdown)	
341	4923239	1	Engine Harness Assembly (Prior to SN 0300129454)	
341	1001102160	1	Engine Harness Assembly (SN 0300129454 through 0300182743)	
342	4933375	1	Ground Control Box Wiring Diagram (Not Shown - See Items 501 to 517 for Breakdown)	
		Ref	ENGINE HARNESS ASSEMBLY	
	4923239	Ref	Engine Harness Assembly (Prior to SN 0300129454)	D
	1001102160	Ref	Engine Harness Assembly (SN 0300129454 through 0300182743)	B
417	4460424	1	Receptacle, Female - 2 Position	
418	4460268	2	Socket, Female	
419	4460880	2	DIN Connector without Diode	
422	Not Required	0	Not Required	
423	4461070	1	Receptacle, Female With Resistor (3 Position)	
423	4461095	1	Plug, Male - 3 Position	
423	4460944	3	Socket, Female	
425	4460539	1	Connector, Male - 3 Position	
425	4460944	3	Socket, Female	
427	Not Required	0	Not Required	
433	4461052	1	Connector, Receptacle - 25 Position	
433	4461005	5	Terminal (Gold)	
433	4461006	5	Seal, Terminal	
433	4461060	2	Terminal (Tin)	
433	4461054	2	Seal, Terminal	
433	4461053	1	Cover, Plug	
434	Not Required	0	Not Required	
438	4460460	1	Connector, Male - 4 Position	
438	4460457	AR	Terminal, Female	
438	4460458	AR	Seal, Terminal	
439	4460871	AR	Socket, Female	
440	Not Required	0	Not Required	
446 to 447	Not Required	0	Not Required	
449	Not Required	0	Not Required	
453	4460374	1	Plug, Sealed Relay (SN 0300129454 through 0300182743)	
453	4460375	4	Terminal (SN 0300129454 through 0300182743)	

SECTION 7 - ELECTRICAL

ITEM	PART NUMBER	QTY	DESCRIPTION	REV
455	Not Required	0	Not Required	
458	1001102290	1	Connector, 2 Position (SN 0300129454 through 0300182743)	
458	1001102304	2	Seal (SN 0300129454 through 0300182743)	
458	1001102291	2	Terminal, Receptacle (SN 0300129454 through 0300182743)	
462	4460464	1	Pin, Male	
464	4460887	1	Terminal, Molex	
469	Not Required	0	Not Required	
	4933375	Ref	GROUND CONTROL BOX WIRING DIAGRAM	D
501	2920129	AR	Bulb, Light	
505	2400065	1	Fuse, 30Amp	
506	2400066	1	Fuse, Holder	
510	4460708	2	Receptacle, Female - 15 Position	
510	4460226	AR	Socket, Female	
511	4922771	1	Harness, Angle Sensor (Boom Proximity Sensor)	
511	1060902	9.5 ft/2.9m	Cable - 18/2	
511A	4460226	2	Socket, Female	
511B	4460424	1	Receptacle, Female - 2 Position	
512	4460894	1	Plug, Male - 6 Position	
512	4460892	1	Connector, Bussbar - 6 Position	
513	2902443	1	Receptacle Kit	
513	4461071	8	Socket, Female	
513	4461072	1	Receptacle	
513	4461073	1	Cap, Dust	
513	4461074	1	Shell, Black	
514	4922636	1	Harness, Jumper	
514	4460226	2	Socket, Female	
515 to 516	Not Required	0	Not Required	
517	4460424	1	Receptacle, Female - 2 Position (SN 0300136458 through 0300182743)	
517	4460226	2	Socket, Female (SN 0300136458 through 0300182743)	
		Ref	STANDARD HARNESS COMPONENTS	
601	2902401	1	Battery Cable Kit	B
601A		Ref	Cable, Battery (Red) Options:	
601A	7016813	1	Cable, Battery (Red) (Starter Cable terminates at the Start Relay) (Prior to SN 0300138238)	
601A	7027027	1	Cable, Battery (Red) (Starter Cable terminates at the Glow Plug Relay) (Not Shown) (SN 0300138238 through 0300182743)	
601B		Ref	Cable, Battery (Black) Options:	
601B	7027012	1	Cable, Battery (Black) (Prior to SN 0300138238)	
601B	7027004	1	Cable, Battery (Black) (SN 0300138238 through 0300182743)	
601C	7016824	1	Cable (Red)	
601D		Ref	Cable (Red) Options:	
601D	7016803	1	Cable (Red) (Prior to SN 0300138238)	
601D	Not Required	0	Cable (Red) (Part of Item 601A p/n 7027027) (SN 0300138238 through 0300182743)	
601E	7016825	1	Cable (Black)	
601F	Not Required	0	Cable, Battery (Red)	
602 to 603	Not Required	0	Not Required	
604	See Note	AR	Deutz Engine Harness Components (Note: Not Available at Time of Printing)	
604A	7027796	1	Deutz Engine Harness	
604B	See Note	1	Receptacle, Female - 25 Position (Note: Not Available -	

SECTION 7 - ELECTRICAL

ITEM	PART NUMBER	QTY	DESCRIPTION	REV
604C	7027793	1	Purchase Complete Harness) Plug-In, Connector	
604D		Ref	Deutz Engine Harness Options (For other replacement parts refer to Deutz engine dealer):	
604D	7027794	1	Tier II Engines (SN 0300085332 through 0300129453)	
604D	70001872	1	Tier III Engines (SN 0300129454 through 0300182743)	
608 to 609	Not Required	0	Not Required	
610	See Note	1	Pump Harness (Note: Not Available for Purchase.)	
610A	7007497	1	Plug (Pump End)	
610B	7007498	1	Plug (Engine Harness End)	
611	See Note	1	Controller Harness Assembly (Lift and Swing) (Note: Not Available for Purchase.)	
611A	7022819	1	Plug, Male - 8 Position (Natural)	
611A	4460871	8	Socket, Female	
612	See Note	1	Controller Harness/Circuit Board Assembly (Drive and Steer) (Note: Not Available for Purchase.)	
612A	7022825	1	Plug, Male - 8 Position (Black)	
612A	4460871	7	Socket, Female	
613	See Note	1	Controller Harness (Speed Control) (Note: Not Available for Purchase.)	
613A	4460224	1	Receptacle, Female - 6 Position	
613A	4460226	6	Socket, Female	
614	4923379	1	Harness, Glowplug	
615	See Note		See Note	
616	1001135114	2	Switch, Tilt Sensor (Includes Tilt Sensor) (was p/n 4360544)	
616A	4460911	2	Plug, Male Deutsch - 3 Position	
616A	4460918	6	Socket, Female	
616A	4460912	2	Lock, Wedge	
		Ref	OPTIONAL HARNESS COMPONENTS	
703	0257887	1	Alarm Harness (Includes Alarm)	
703	0140032	1	Alarm	
703	2820035	6 in/15cm	Loom	
703A	4460424	1	Plug, Male - 2 Position	
703B	4460268	2	Socket, Female	
704	0272507	1	Strobe Light Harness Options (Includes Strobe Light):	
704A	4460320	1	Connector, Female - 2 Position	
704A	4460267	2	Pin, Male	
705	See Note	1	Headlight and Taillight/Chassis Illumination Harness (Note: Not Available for Purchase.)	
705	1060341	Ref	Cable, Electrical 16/2 Options:	
705	1060341	37/11.3m	Headlights and Taillights	
705	1060341	40/12.2m	Chassis Illumination Lights	
705A	3740049	1	Relay	
705A	4460259	3	Terminal	
705A	4460260	4	Housing, Terminal	
705A	4460297	1	Terminal	
705A	4922643	1	Lights Harness for Ground Control Box	1-A
705A	4460226	2	Socket, Female	
706		Ref	2500W Generator Electrical Components	
706	4933300	AR	ANSI Specs	2-A
706	4933300	AR	ANSI Export, Australian, CE Specs (Prior to SN 0300122915)	2-A
706	1001100027	AR	ANSI Export, Australian, CE Specs (SN 0300122915 through 0300182743)	3-E

SECTION 7 - ELECTRICAL

ITEM	PART NUMBER	QTY	DESCRIPTION	REV
706A	4460321	1	Connector, Male - 4 Position (ANSI Spec Only)	
706A	4460906	4	Socket, Female	
706B	4922641	1	Harness - On/Off Switch	
706C	4460226	2	Socket, Female	
706D	4922970	1	Powermite Control Box to Relay	
706E	4460961	1	Connector, Female - 4 Position (ANSI Spec Only)	
706E	4460705	4	Pin, Male	
706F	Not Required	0	Not Required	
706G	1001100305	1	Harness, Ground For Generator (ANSI Export, Australian and CE Specs) (SN 0300122915 through 0300136123)	
706H	7020193	1	Harness, Generator Power	
707		Ref	Generator to Rear of Boom Harness Options:	
		Ref	Note: Harness used to connect AC at platform harness to Powermite Generator Control Box receptacle.	
707	4922741	1	110V GFI (ANSI Spec)	A
707	4922742	1	220V GFI (ANSI Spec)	A
707	4922743	1	ANSI Export, Australian and CE Specs	A
707		Ref	Cable, Electrical - 10/3 Options:	
707	1060708	6 ft/1.8m	ANSI Spec	
707	1060545	6 ft/1.8m	ANSI Export, Australian and CE Specs	
707A		Ref	Plug, Male Options:	
707A	4460205	1	110V GFI (ANSI Spec)	
707A	4460233	1	220V GFI (ANSI Spec)	
707A	See Note	1	ANSI Export, Australian and CE Specs (Note: Not Available - Purchase Locally.)	
707B		Ref	Receptacle, Female Options:	
707B	4460134	1	110V GFI (ANSI Spec)	
707B	4460701	1	220V GFI (ANSI Spec)	
707B	See Note	1	ANSI Export and Australian Spec (Note: Not Available - Purchase Locally.)	
707B	See Note	1	CE Spec without Generator Option (Note: Not Available - Purchase Locally.)	
707B	See Note	1	CE Spec with Generator Option (Note: Use Item 708J)	
708		Ref	AC to Platform Receptacle Components Options:	
708	0272259	Ref	110V GFI Receptacle (ANSI Spec)	3
708	0272260	Ref	220V GFI Receptacle (ANSI Spec)	2
708	0256202	Ref	Australian Spec	5
708		Ref	CE Spec Options Without Powermite Generator:	
708	0256202	Ref	110/220V Receptacle (Locally Supplied Box and Receptacle)	5
708	1001091969	Ref	110V with IEC Yellow Receptacle and Plug and Circuit Breaker	B
708	1001091970	Ref	220V with IEC Blue Receptacle and Plug and Circuit Breaker	B
708	1001091971	Ref	220V with CEE 7 Post Ground Receptacle and Plug and Circuit Breaker (70mm x 70mm Box)	B
708	1001091972	Ref	220V with CEE 7 Side Ground Receptacle and Plug and Circuit Breaker (70mm x 70mm Box)	B
708	1001091973	Ref	220V with CEE 7 Post Ground Receptacle and Plug and Circuit Breaker (2x4 Box)	C
708	1001091974	Ref	220V with CEE 7 Side Ground Receptacle and Plug and Circuit Breaker (2x4 Box)	C
708	1001091975	Ref	220V with AFSINT 107 Keyed Ground Receptacle and Plug and Circuit Breaker (2x4 Box)	C
708		Ref	CE Spec Options With Powermite Generator:	
708	1001100326	Ref	110V with IEC Yellow Receptacle and Plug and Circuit Breaker	B
708	1001100327	Ref	220V with IEC Blue Receptacle and Plug and Circuit Breaker	B

SECTION 7 - ELECTRICAL

ITEM	PART NUMBER	QTY	DESCRIPTION	REV
708	1001100328	Ref	220V with CEE 7 Post Ground Receptacle and Plug and Circuit Breaker (70mm x 70mm Box)	B
708	1001100329	Ref	220V with CEE 7 Side Ground Receptacle and Plug and Circuit Breaker (70mm x 70mm Box)	B
708	1001100331	Ref	220V with CEE 7 Post Ground Receptacle and Plug and Circuit Breaker (2x4 Box)	B
708	1001100333	Ref	220V with CEE 7 Side Ground Receptacle and Plug and Circuit Breaker (2x4 Box)	B
708	1001100337	Ref	220V with AFSINT 107 Keyed Ground Receptacle and Plug and Circuit Breaker (2x4 Box)	B
708A		Ref	Box, Switch Options:	
708A	0860038	1	0272259 & 0272260 Installations	
708A	Not Required	0	0256202 Installation	
708A	0861781	1	1001091969, 1001091970, 1001100326, 1001100327 Installations	
708A	See Note	1	1001091971, 1001100328, 1001091972, 1001100329 Installations (Note: Was p/n0861782 which is no longer available. Use p/n 1001141970 CEE 7 Side Ground Service Kit or p/n 1001141971 CEE 7 Post Ground Service Kit. Kits includes Box p/n 1001141967 & items 708B, 708C, 708E & 708J.)	
708A	0861731	1	1001091973, 1001100331, 1001091974, 1001100333, 1001091975 & 1001100337 Installations	
708A	1001141967	1	1001100343, 1001100344, 1001141970 & 1001141971 Kits	
708B		Ref	Receptacle Options:	
708B	4460346	1	0272259 Installation	
708B	4460125	1	0272260 Installation	
708B	Not Required	0	0256202 Installation	
708B	4461198	1	1001091969, 1001100326 Installations	
708B	4461201	1	1001091970, 1001100327 Installations	
708B	100110343	1	1001091971, 1001100328 Installations (was p/n 4461204)	
708B	100110344	1	1001091972, 1001100329 Installations (was p/n 4461207)	
708B	4461204	1	1001091971, 1001100328 Installations	
708B	4461207	1	1001091972, 1001100329 Installations	
708B	4461244	1	1001091973, 1001100331 Installations	
708B	4461245	1	1001091974, 1001100333 Installations	
708B	4461246	1	1001091975, 1001100337 Installations	
708B	1001141968	1	1001100343 & 1001141971 Kits	
708B	1001141969	1	1001100344 & 1001141970 Kits	
708C		Ref	Shield, Cover Options:	
708C	4060700	1	0272259 Installation (Side Hinged Cover) (SN 0300085332 through 0300138286)	
708C	1001110873	1	0272259 Installation (Top Hinged Cover) (SN 0300138287 through 0300182743)	
708C	4060092	1	0272260 Installation	
708C	Not Required	0	0256202 Installation	
708C	Purchase Receptacle	1	1001091973, 1001091974, 1001091975, 1001091969, 1001091970, 1001091971, 1001091972, 1001100331, 1001100333, 1001100337, 1001100326, 1001100327, 1001100328 & 1001100329 Installations	
708C	3960422	1	Gasket, Cover (0272259 & 0272260 Installation Only)	
708D		Ref	Connector, Strain Relief Options:	
708D	4460051	1	0272259 & 0272260 Installations	
708D	Not Required	0	0256202 Installation	
708D	4460968	1	1001091969, 1001100326, 1001091970, 1001100327	

SECTION 7 - ELECTRICAL

ITEM	PART NUMBER	QTY	DESCRIPTION	REV
708D	1001101191	1	1001091971, 1001100328, 1001091972, 1001100329 Installations (Prior to SN 0300127290)	
708D	4460968	1	1001091969, 1001100326, 1001091970, 1001100327 1001091971, 1001100328, 1001091972, 1001100329 Installations (SN 0300127290 through 0300182743)	
708D	4460662	1	1001091973, 1001091974 & 1001091975 Installations (Prior to SN 0300108684)	
708D	1001101191	1	1001091973, 1001100331, 1001091974, 1001100333, 1001091975 & 1001100337 Installations (SN 0300108684 through 0300127289)	
708E		Ref	Plug, Male Options:	
708E	4460205	1	0272259 Installation	
708E	4460233	1	0272260 Installation	
708E	Not Required	0	0256202 Installation	
708E	4461196	1	1001091969 Installation	
708E	4461199	1	1001091970 Installation	
708E	4461202	1	1001091971, 1001091973 Installations & 1001100343 & 1001141971 Kits	
708E	4461205	1	1001091972, 1001091974 Installations & 1001100344 & 1001141970 Kits	
708E	4461249	1	1001091975 Installation	
708E	Not Required	0	1001100326, 1001100327, 1001100328, 1001100329, 1001100331, 1001100333 & 1001100337 Installations	
708F		Ref	Plug, Male Options:	
708F	4460205	1	110V GFI (ANSI Spec)	
708F	4460233	1	220V GFI (ANSI Spec)	
708F	4460709	1	ANSI Export, Australian and CE Specs	
708G		Ref	Connector, Female Options:	
708G	4460134	1	110V GFI (ANSI Spec)	
708G	4460701	1	220V GFI (ANSI Spec)	
708G	4460710	1	ANSI Export, Australian and CE Specs	
708H		Ref	Connector, Adapter Options:	
708H	Not Required	0	0272259 & 0272260 Installations	
708H	Not Required	0	0256202 Installation	
708H	1001101196	1	1001091969, 1001100326, 1001091970, 1001100327, 1001091971, 1001100328, 1001091972, 1001100329 Installations	
708H	1001101197	1	1001091973, 1001100331, 1001091974, 1001091975 & 1001100337 Installations	
708J		Ref	Receptacle, Female Options (CE Specs with With Powermite Generator Control Box Only):	
708J	4461197	1	1001100326 Installation	
708J	4461200	1	1001100327 Installation	
708J	4461203	1	1001100328 & 1001100331 Installations & 1001100343 & 1001141971 Kits	
708J	4461206	1	1001100329 & 1001100333 Installations & 1001100344 & 1001141970 Kits	
708J	4461250	1	1001100337 Installation	
708K		Ref	Receptacle Box Kit Options (CE Specs Only):	1
708K		Ref	Without Powermite Generator (Includes Items 708A, 708B, 708C & 708E):	
708K	0275216	Ref	Kit for 110V IEC Yellow (1001091969 Installation)	1

SECTION 7 - ELECTRICAL

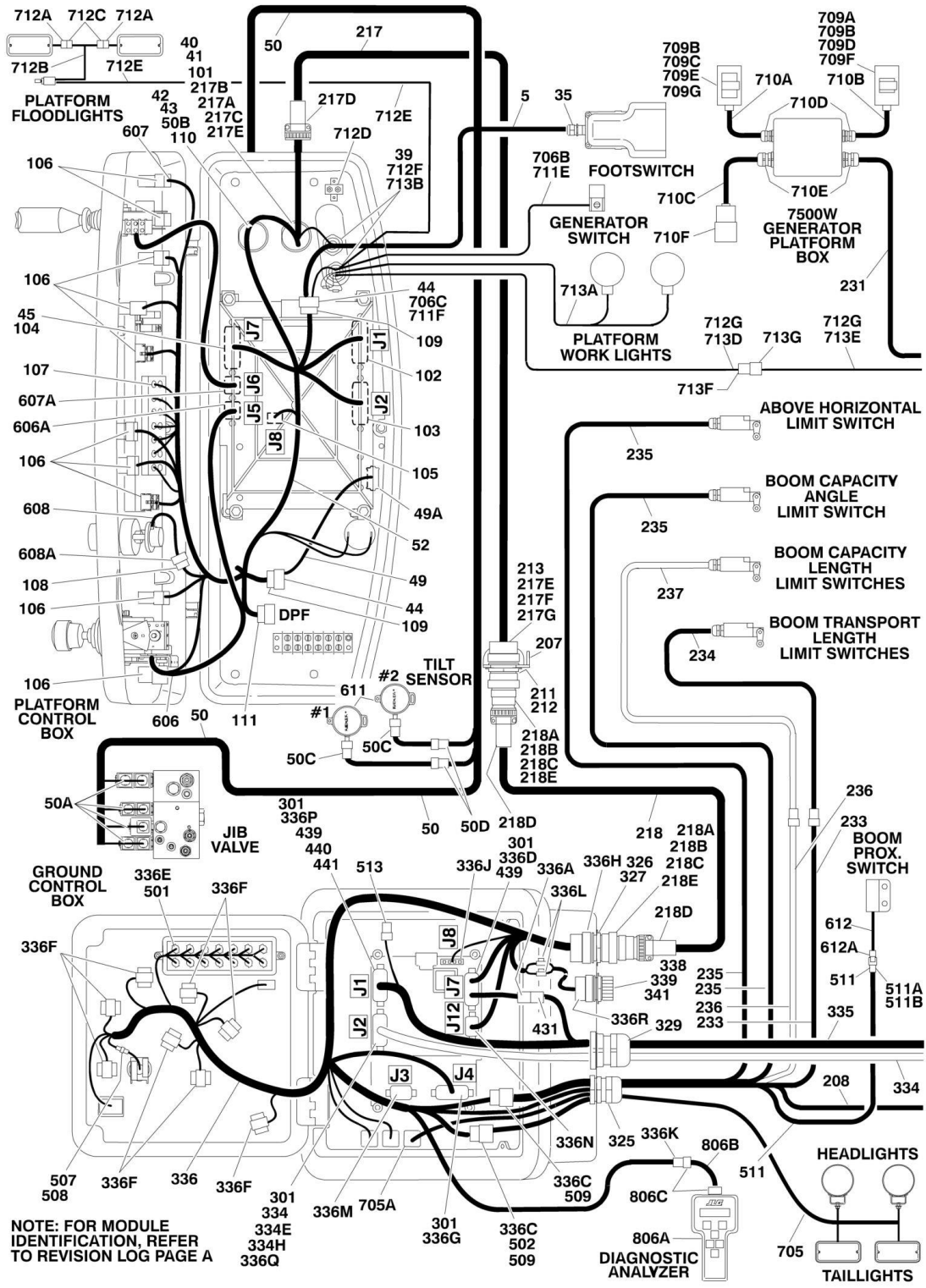
ITEM	PART NUMBER	QTY	DESCRIPTION	REV
708K	0275217	Ref	Kit for 220V IEC Blue (1001091970 Installation)	1
708K	1001100343	Ref	Kit for 220V CEE 7 Post Ground (1001091971 Installation) (was p/n 0275218)	B-B
708K	1001100344	Ref	Kit for 220V CEE 7 Side Ground (1001091972 Installation) (was p/n 0275219)	B-B
708K	0275452	Ref	Kit for 220V CEE 7 Post Ground (1001091973 Installation)	1
708K	0275453	Ref	Kit for 220V CEE 7 Side Ground (1001091974 Installation)	1
708K	0275454	Ref	Kit for 220V AFSINT 107 Keyed Ground (1001091975 Installation)	1
708K		Ref	With Powermite Generator (Includes Items 708A, 708B, 708C, 708E & 708J):	
708K	1001100341	Ref	Kit for 110V IEC Yellow (1001100326 Installation)	2
708K	1001100342	Ref	Kit for 220V IEC Blue (1001100327 Installation)	2
708K	1001100343	Ref	Kit for 220V CEE 7 Post Ground (1001100328 Installation) (was p/n 1001101971 Kit)	B
708K	1001100344	Ref	Kit for 220V CEE 7 Side Ground (1001100329 Installation) (was p/n 1001101970 Kit)	B
708K	1001100345	Ref	Kit for 220V CEE 7 Post Ground (1001100331 Installation)	2
708K	1001100347	Ref	Kit for 220V CEE 7 Side Ground (1001100333 Installation)	2
708K	1001100346	Ref	Kit for 220V AFSINT 107 Keyed Ground (1001100337 Installation)	2
709 to 713	Not Required	0	Not Required	
714		Ref	AC Cable With Breaker (Required Only on CE Spec Installations)	
714	1001091790	Ref	Without Powermite Generator	D
714	1001109559	Ref	With Powermite Generator	A
714A	0903484	1	Bracket, Receptacle Box Mounting	
714A	0641416	2	Bolt 1/4in-20NC x 2in	
714A	3311405	2	Locknut 1/4in-20NC	
714A	4711400	4	Flatwasher 1/4in (Narrow)	
714B	0903697	1	Bracket, Circuit Breaker Mounting	
714B	0641412	2	Bolt 1/4in-20NC x 1-1/2in	
714B	3311405	2	Locknut 1/4in-20NC	
714B	4711400	4	Flatwasher 1/4in (Narrow)	
714C		Ref	Kit, Box and Breaker (Required on CE Spec Installations):	
714C	1001096070	AR	Machines without Powermite Generator Control Box (was p/n 2902549) (Prior to SN 0300127290)	D
714C	1001096070	AR	Machines without Powermite Generator Control Box (SN 0300127290 through 0300137610)	D
714C	1001109654	AR	Machines without Powermite Generator Control Box (SN 0300137611 through 0300182743)	A
714C	1001109648	AR	Machines with Powermite Generator Control Box	A
714C		Ref	Circuit Breaker	
714C	See Note	1	Circuit Breaker (was p/n 2400093) Note: Kit p/n 2902549 Kit used a single large breaker. Replace with 2 breakers. For machines WITH Powermite Generator Control Box use qty 1 each of p/ns 1001109477 & 1001109482. For machines WITHOUT Powermite Generator Control Box use qty 1 each of p/ns 1001109475 & 1001109482. (SN 0300069000 through 0300136457)	
714C		Ref	Circuit Breaker (SN 0300136458 through 0300182743)	
714C	1001109477	1	Breaker 10A	
714C	1001109475	1	Breaker 16A	
714C	1001109482	1	Breaker 30mA	
714C	0861880	1	Breaker Box	
714C	4460956	1	Terminal, Block End Barrier	

SECTION 7 - ELECTRICAL

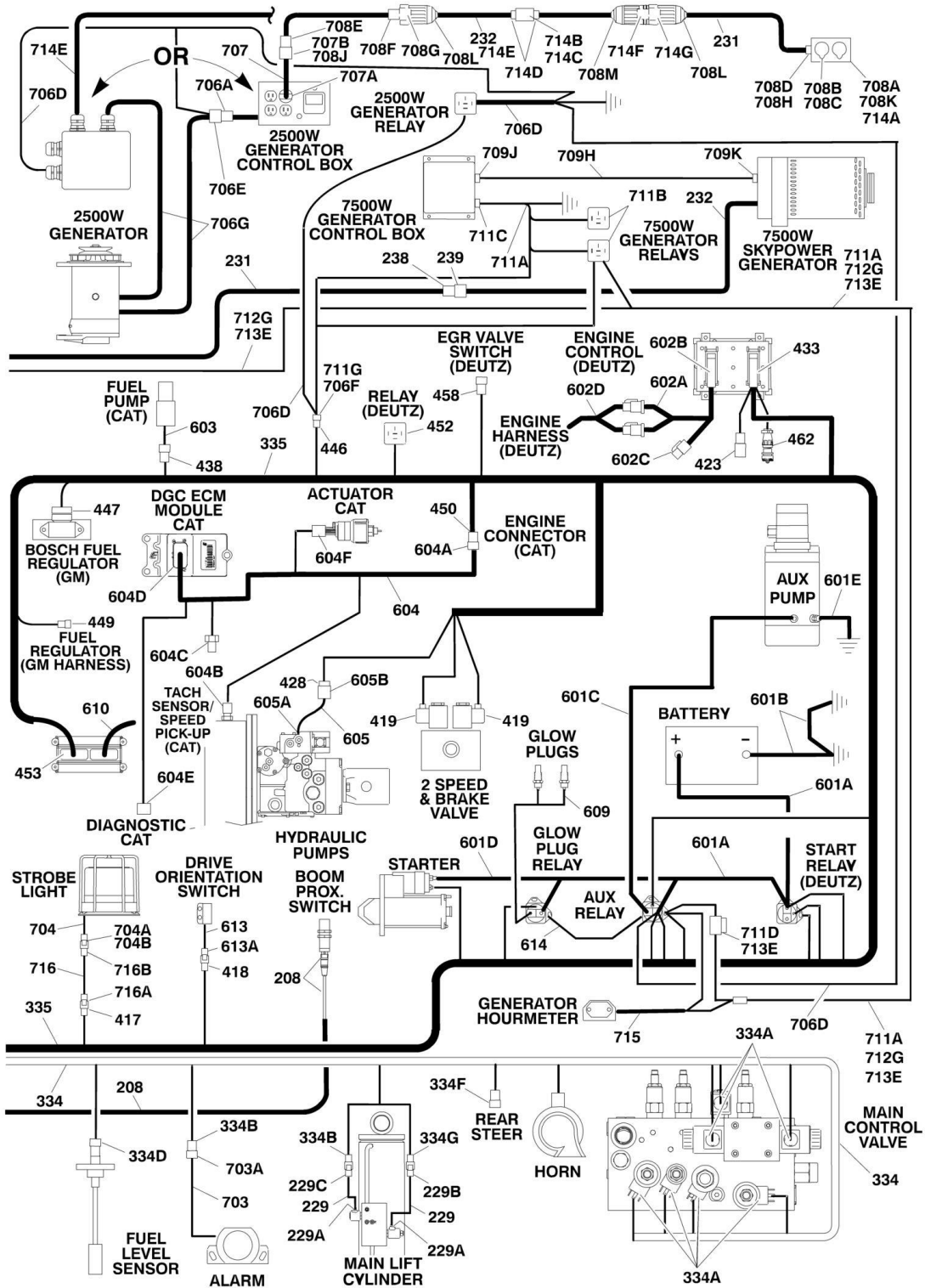
ITEM	PART NUMBER	QTY	DESCRIPTION	REV
714C	1060908	6 ft/1.8m	Cable, Extension	
714C	4460957	1	Terminal Block	
714D		Ref	Connector, Strain Relief Options:	
714D	4460633	2	Connector, Strain Relief (Prior to SN 0300117586)	
714D	1001097150	2	Connector, Strain Relief (SN 0300117586 through 0300127289)	
714D	1001101191	1	Connector, Strain Relief (Top) (SN 0300127290 through 0300182743)	
714D	1001097150	1	Connector, Strain Relief (Bottom) (SN 0300127290 through 0300182743)	
714D	0641406	2	Bolt 1/4in-20NC x 3/4in	
714D	3311405	2	Locknut 1/4in-20NC	
714D	4711400	4	Flatwasher 1/4in (Narrow)	
714E	4460709	1	Plug, Male	
714F	4460710	1	Connector, Female	
		Ref	TOOLS	
801	7002821	1	Crimper (For Wire to Pin/Socket Connections) (Not Shown)	
802	7002823	1	Extractor (For Removal of Pin/Socket from Connectors) (Not Shown)	
803	4460467	1	Extractor, Pin (Blue 16-18 Gauge) (For Removal of Pin/Socket from Connectors) (Not Shown)	
804	4460510	1	Extractor, Pin (Yellow 12-14 Gauge) (For Removal of Pin/Socket from Connectors) (Not Shown)	
805	7002828	1	Stripper, Wire (Not Shown)	
806	2901443	1	Analyzer Kit (Not Shown)	
806A	1600244	1	Analyzer	
806B	1060633	1	Cable, Analyzer	1-A
806C	4460321	2	Plug, Male	
806C	4460226	8	Socket, Female	

SECTION 7 - ELECTRICAL

FIGURE 7-3. HARNESS COMPONENTS INSTALLATION (WITH UGM)



SECTION 7 - ELECTRICAL



SECTION 7 - ELECTRICAL

FIGURE 7-3. HARNESS COMPONENTS INSTALLATION (WITH UGM)

ITEM	PART NUMBER	QTY	DESCRIPTION	REV
		Ref	NOTE: FOR MODULE IDENTIFICATION, REFER TO REVISION LOG PAGE A.	
		Ref	PLATFORM CONSOLE BOX COMPONENTS	
	1001114896	Ref	Platform Console Box Components (Prior to SN 0300161730)	G
	1001141140	Ref	Platform Console Box Components (SN 0300161730 through 0300182743)	A
5	1060918	7 ft/2.14m	Cable, Electrical - 18/3	
35	4460071	1	Connector, Strain Relief	
39	4460428	2	Connector, Strain Relief	
40	4460470	1	Nut, Terminal	
41	4460471	1	Lockwasher, Terminal	
42	4460496	1	Lockwasher, Terminal	
43	4460497	1	Nut, Terminal	
44	4460708	2	Receptacle - 15 Position	
45	4460905	5	Seal, Plug	
49	4922666	1	Harness, Analyzer Cable	2-B
49	4460226	4	Socket, Female (Not Shown - Located at J2)	
49A	4460761	1	Connector, Female - 4 Position	
49A	4460227	4	Pin, Male	
50		Ref	Harness, Upper Valve Options:	
50	4922749	1	Harness, Upper Valve (Prior to SN 0300161730)	3-B
50	1001141137	1	Harness, Upper Valve (SN 0300161730 through 0300182743)	A
50A	4460880	7	Connector, DIN	
50B	4460928	8	Socket, Female	
50B	4460918	8	Socket, Female	
50B	4460926	1	Connector, Deutsch - 21 Position	
50C		Ref	Lock Wedge - 3 Position Options:	
50C	4460913	2	Lock Wedge - 3 Position (Prior to SN 0300161730)	
50C	4460910	2	Connector, Female Deutsch - 3 Position	
50C	4460917	6	Pin, Male	
50C	4460912	2	Lock Wedge - 3 Position (SN 0300161730 through 0300182743)	
50C	4460911	2	Connector, Female Deutsch - 3 Position	
50C	4460918	6	Pin, Male	
50D	1560012	2	Connector, Strain Relief	
52		Ref	Harness, Platform Box Options (See Items 101-110 for Breakdown):	
52	1001107796	1	Harness, Platform Box (Prior to SN 0300161730)	
52	1001141136	1	Harness, Platform Box (SN 0300161730 through 0300182743)	
		Ref	PLATFORM BOX HARNESS ASSEMBLY	
	1001107796	Ref	Platform Box Harness Assembly (Prior to SN 0300161730)	D
	1001141136	Ref	Platform Box Harness Assembly (SN 0300161730 through 0300182743)	A
101	4460866	1	Connector - 19 Pin	
101	4460929	10	Pin, Male Deutsch 16 Ga	
101	4460508	3	Pin, Male Deutsch 12 Ga	
102	4460874	1	Connector - 35 Position (Natural)	
102	4460871	23	Socket, Female	
103	4460876	1	Connector - 35 Position (Blue)	
103	4460871	23	Socket, Female	
104	4460873	1	Connector - 35 Position (Black)	

SECTION 7 - ELECTRICAL

ITEM	PART NUMBER	QTY	DESCRIPTION	REV
104	4460871	28	Socket, Female	
105	4460879	1	Connector, Male 2 Position	
105	4460887	2	Terminal (12 Gauge)	
106	4460418	7	Connector, Female - 6 Position	
106	4460419	21	Socket, Female	
107	4460225	4	Plug, Male - 6 Position	
107	4460226	18	Terminal (16 Gauge)	
108	4460225	1	Plug, Male - 6 Position	
108	4460227	5	Pin, Male	
109	4460434	2	Plug, Male - 15 Position	
109	4460227	AR	Pin, Male	
110	4460925	1	Connector - 21 Pin	
110	4460929	8	Pin, Male Deutsch 16 Ga	
110	4460917	8	Pin, Male Deutsch 12 Ga	
111	4460266	1	Connector - 9 Position (SN 0300161730 through 0300182743)	
111	4460227	7	Pin, Male	
		Ref	BOOM CABLES INSTALLATION	
	0271322	Ref	All Specs Except Australian and CE Specs	I
	0271323	Ref	Australian and CE Specs Only	I
	0272388	Ref	Sky Welder (All Specs Except Australian and CE)	G
	1001117399	Ref	Sky Welder (Australian and CE Specs Only)	B
207	3573047	1	Plate, Receptacle Mounting	
208	4360506	1	Proximity Switch and Harness Assembly	
211	4460470	1	Nut, Terminal	
212	4460471	1	Lockwasher, Terminal	
213	4460866	1	Connector - 19 Position	
217	4922566	1	Harness Assembly - Main Boom (12/4 - 18/8)	2-B
217	1060896	85 ft/26m	Cable, Electrical - 12/4 & 18/8	
217	2820031	4 in/9cm	Heat Shrink	
217A	4460465	11	Socket, Female 18 Gauge	
217B	4460865	1	Connector - 19 Position	
217C	4460509	4	Socket, Female 12 Gauge	
217D	4460473	1	Clamp, Cable	
217E	4460466	8	Seal, Plug	
217F	4460464	11	Pin, Male 18 Gauge	
217G	4460508	4	Pin, Male 12 Gauge	
218	4922569	1	Harness Assembly - Tower Boom (12/4 - 18/8)	1-A
218	1060896	20 ft/6.1m	Cable, Electrical - 12/4 & 18/8	
218A	4460465	22	Socket, Female 18 Gauge	
218B	4460865	2	Connector - 19 Position	
218C	4460509	8	Socket, Female 12 Gauge	
218D	4460473	2	Clamp, Cable	
218E	4460466	8	Seal, Plug	
229	4922660	1	Holding Valve/Lift Dump Harness Assembly (Note: This is actually to separate harnesses under the same p/n)	E
229A	4460880	2	Connector, DIN	
229B	4460320	1	Plug, Male - 2 Position	
229B	4460226	2	Socket, Female	
229C	4460424	1	Connector, Female - 2 Position	
229C	4460267	2	Pin, Male	
231		Ref	Harness, 110V A/C (To Bulkhead) Options:	
231	4922873	1	All Specs Except Australian and CE Specs	

SECTION 7 - ELECTRICAL

ITEM	PART NUMBER	QTY	DESCRIPTION	REV
231	4922875	1	Australian and CE Specs Only	
231	1001121670	1	Sky Welder (All Specs) (was p/n 4922790)	
232		Ref	Harness, 110V A/C (To Generator Box) Options:	
232	4922874	1	All Specs Except Australian and CE Specs	
232	4922876	1	Australian and CE Specs Only	
232	1001121669	1	Sky Welder (All Specs) (was p/n 4922809)	
233	4922872	Ref	Harness, Limit Switch Lower	
233	4922872	2	All Specs Except Australian and CE Specs	
233	4922872	1	Australian and CE Specs Only	
233	4922872	2	Sky Welder (All Specs Except Australian and CE Specs)	
233	4922872	1	Sky Welder (Australian and CE Specs Only)	
233		Ref	To Boom Capacity Length Switch	
233	1060902	20 ft/6m	Cable, Electrical - 18/2	
233	4460465	2	Socket, Female	
233	4460891	1	Plug, Male - 2 Position	
233		Ref	To Boom Transport Length Limit Switch	
233	1060902	20 ft/6m	Cable, Electrical - 18/2	
233	4460465	2	Socket, Female	
233	4460891	1	Plug, Male - 2 Position	
234	4922871	Ref	Harness, Limit Switch Upper	
234	4922871	2	All Specs Except Australian and CE Specs	
234	4922871	1	Australian and CE Specs Only	
234	4922871	2	Sky Welder (All Specs Except Australian and CE Specs)	
234	4922871	1	Sky Welder (Australian and CE Specs Only)	
234	4922871	1	To Boom Capacity Length Switch	
234	1060902	34 ft/10.4m	Cable, Electrical - 18/2	
234	4460464	2	Pin, Male	
234	4460897	1	Receptacle, Female - 2 Position	
234		Ref	To Boom Transport Length Limit Switch	
234	1060902	34 ft/10.4m	Cable, Electrical - 18/2	
234	4460464	2	Pin, Male	
234	4460897	1	Receptacle, Female - 2 Position	
235	1061018	Ref	Cable, Electrical - 18/2	
235	1061018	2	All Specs Except Australian and CE Specs	
235	1061018	1	Australian and CE Specs Only	
235	1061018	2	Sky Welder (All Specs)	
236		Ref	Harness, Limit Switch Lower (To Boom Capacity Length Switch)	
236	4922872	1	All Specs Except Australian and CE Specs	
236	4922872	1	Australian and CE Specs Only	
236	1001098908	1	Sky Welder (All Specs Except Australian and CE Specs)	
236	1001098908	1	Sky Welder (Australian and CE Specs Only)	
236	1060902	20 ft/6m	Cable, Electrical - 18/2	
236	4460464	2	Pin, Male	
236	4460897	1	Plug, Male - 2 Position	
237		Ref	Harness, Limit Switch Upper (To Boom Capacity Length Switch)	
237	4922871	1	All Specs Except Australian and CE Specs	
237	4922871	1	Australian and CE Specs Only	
237	1001098909	1	Sky Welder (All Specs Except Australian and CE Specs)	
237	1001098909	1	Sky Welder (Australian and CE Specs Only)	
237	1060902	34	Cable, Electrical - 18/2	

SECTION 7 - ELECTRICAL

ITEM	PART NUMBER	QTY	DESCRIPTION	REV
		ft/10.4m		
237	4460465	2	Socket, Female	
237	4460891	1	Plug, Male - 2 Position	
238	4460959	1	Terminal, Turnlok Plug (With 7500W Generator)	
238	1671092	1	Cover, Female Connector	
239	4460960	1	Terminal, Turnlok Connector (With 7500W Generator)	
239	1671093	1	Cover, Male Connector	
		Ref	GROUND CONTROL BOX COMPONENTS	
301	0100048	AR	Grease, Dielectric	
325	4460426	1	Connector, Strain Relief	
326	4460470	1	Nut, Terminal	
327	4460471	1	Locknut, Terminal	
329	4460526	1	Connector, Strain Relief	
334	4922594	1	Valve Harness Assembly	7-K
334A	4460880	7	DIN Connector	
334B	4460320	2	Plug, Male - 2 Position	
334B	4460267	4	Pin, Male	
334D	4460834	1	Connector, Female - 2 Position	
334D	4460842	2	Terminal, Female	
334E	4460871	22	Socket, Female	
334F	4460225	1	Plug, Male - 6 Position	
334F	4460267	6	Pin, Male	
334G	4460424	1	Connector, Female - 2 Position	
334G	4460267	2	Pin, Male	
334H	4460226	1	Socket, Female	
335		Ref	Engine Harness Assembly (See Items 401-462 for Breakdown)	
335	1001110341	1	Caterpillar Engine Machines	
335	1001110340	1	Deutz Engine Machines	
335	1001110338	1	GM Engine Machines	
336	1001110339	1	Ground Control Box Harness Assembly	B
336A	4460536	1	Connector, Female 3- Position	
336A	4460943	3	Pin, Male	
336B	3990010	2	Diode - 6 Amp (Not Shown - Located at Power Down Relay)	
336C	4460434	2	Plug, Male - 15 Position	
336C	4460227	21	Pin, Male	
336D	4460873	1	Connector - 35 Position (Black)	
336D	4460871	19	Socket, Female	
336D	4460905	1	Seal, Plug	
336E	4120035	6	Base, Light	
336E	4460634	7	Terminal (16 Gauge)	
336E	4460635	5	Terminal (12 Gauge)	
336F	4460418	7	Connector, Female - 6 Position	
336F	4460419	21	Socket, Female	
336G	4460876	1	Connector - 35 Position (Blue)	
336G	4460871	24	Socket, Female	
336G	4460905	1	Seal, Plug	
336H	4460866	1	Connector - 19 Pin	
336H	4460464	10	Pin, Male Deutsch 16 Ga	
336H	4460508	3	Pin, Male Deutsch 12 Ga	
336J	4460878	1	Housing, Terminal - 4 Position	
336J	4460887	3	Terminal (12 Gauge)	

SECTION 7 - ELECTRICAL

ITEM	PART NUMBER	QTY	DESCRIPTION	REV
336K	4460761	1	Connector, Female 4 - Position	
336K	4460227	4	Pin, Male	
336L	8229242	2	Fuse 5A	
336L	2400060	2	Holder, Fuse	
336M	1001106339	1	Connector, Male - 14 Position	
336M	4460871	2	Socket, Female	
336N	1001106340	1	Connector, Male - 14 Position	
336N	4460871	5	Socket, Female	
336P	4460874	1	Connector, Natural	
336P	4460871	10	Socket, Female	
336Q	4460875	1	Connector, Gray	
336Q	4460871	5	Socket, Female	
336R	1001112612	1	Connector - 9 Position	
336R	4460943	4	Pin, Male	
337		Ref	Ground Control Box Wiring Diagram (Not Shown - See Items 501 to 513 for Breakdown)	
337	1001110344	1	Caterpillar Engine	
337	1001110343	1	Deutz Engine Machines	
337	1001110342	1	GM Engine Machines	
338	4460496	1	Lockwasher, Terminal	
339	4460497	1	Nut, Terminal	
341	1001106736	1	Cap, Dust	
		Ref	ENGINE HARNESS ASSEMBLY	
	1001110341	Ref	Caterpillar Engine	B
	1001110340	Ref	Deutz Engine	A
	1001110338	Ref	GM Engine	A
417	4460424	1	Receptacle, Female - 2 Position	
417	4460268	2	Socket, Female	
418	4460424	1	Receptacle, Female - 2 Position	
	4460226	2	Socket, Female	
419	4460880	2	DIN Connector without Diode	
423	4461070	1	Receptacle, Female With Resistor (3 Position) (Deutz Engine Only)	
423	4461095	1	Plug, Male - 3 Position (Deutz Engine Only)	
423	4460944	3	Socket, Female (Deutz Engine Only)	
428	4460460	1	Connector, Male - 4 Position	
428	4460457	4	Terminal, Female	
428	4460458	4	Seal, Terminal	
431	4460539	1	Plug, Male - 3 Position	
431	4460944	3	Socket, Female	
433	4461052	1	Connector, Receptacle - 25 Position (Deutz Engine Only)	
433	4461005	5	Terminal (Gold) (Deutz Engine Only)	
433	4461006	5	Seal, Terminal (Deutz Engine Only)	
433	4461060	2	Terminal (Tin) (Deutz Engine Only)	
433	4461054	2	Seal, Terminal (Deutz Engine Only)	
433	4461053	1	Cover, Plug (Deutz Engine Only)	
433	4461008	18	Plug, Hole (Deutz Engine Only)	
438	4460891	2	Connector, Male - 2 Position (Caterpillar Engine Only)	
438	4460465	7	Socket, Female	
439	4460871	AR	Socket, Female	
440	4460464	1	Pin, Male	
441	4460887	1	Terminal, Molex	

SECTION 7 - ELECTRICAL

ITEM	PART NUMBER	QTY	DESCRIPTION	REV
446	4461157	1	Receptacle, Female - 2 Position	
446	4460979	2	Pin, Male	
446	4460458	2	Seal, Terminal	
447	4461121	1	Plug, Male - 4 Position (GM Engine Only)	
447	4461122	4	Socket, Female (GM Engine Only)	
447	4461123	4	Seal, Terminal (GM Engine Only)	
449	4461124	1	Receptacle, Female - 4 Position (GM Engine Only)	
449	4460693	4	Pin, Male (GM Engine Only)	
449	4460608	4	Seal, Terminal (GM Engine Only)	
449	4461161	1	Lock, Terminal (GM Engine Only)	
450	4460899	1	Connector - 6 Position (Caterpillar Engines Only)	
450	4460464	5	Pin, Male (Caterpillar Engines Only)	
450	4460466	1	Seal, Plug (Caterpillar Engines Only)	
452	4460374	1	Plug, Sealed Relay (Deutz Engine)	
452	4460375	4	Terminal (Deutz Engine)	
453	4461109	1	Plug, Male - 16 Position (GM Engine Only)	
453	4461111	7	Pin, Male (GM Engine Only)	
453	4461113	7	Seal, Terminal (GM Engine Only)	
453	4461222	9	Plug, Terminal (GM Engine Only)	
458	1001102290	1	Connector, 2 Position (Deutz Engine)	
458	1001102304	2	Seal (Deutz Engine)	
458	1001102291	2	Terminal, Receptacle (Deutz Engine)	
462	2902443	1	Kit, Receptacle (Deutz Engine Only)	
462	4461071	8	Terminal, Female (Gold) (Deutz Engine Only)	
462	4461072	1	Connector, Flange Mount (Deutz Engine Only)	
462	4461073	1	Connector, Dust Cap (Deutz Engine Only)	
462	4461074	1	Connector, Shell (Deutz Engine Only)	
		Ref	GROUND CONTROL BOX WIRING DIAGRAM	
	1001110344	Ref	Caterpillar Engine	C
	1001110343	Ref	Deutz Engine	C
	1001110342	Ref	GM Engine	A
501	2920129	AR	Bulb, Light	
502	4922636	1	Harness, Jumper	
502	4460226	2	Socket, Female	
507	2400065	1	Fuse, 30Amp	
508	2400066	1	Fuse, Holder	
509	4460708	2	Receptacle, Female - 15 Position	
509	4460226	13	Socket, Female	
511	4922771	1	Harness, Angle Sensor (Boom Proximity Sensor)	
511	1060902	9.5 ft/2.9m	Cable - 18/2	
511A	4460226	2	Socket, Female	
511B	4460424	1	Receptacle, Female - 2 Position	
513	4460894	1	Plug, Male - 6 Position	
513	4460892	1	Connector, Bussbar - 6 Position	
		Ref	STANDARD HARNESS COMPONENTS	
601		Ref	Battery Cable Kit Options:	
601	1001112762	1	Caterpillar Engines Machines	B
601	2902401	1	Deutz Engines Machines	C
601	2902533	1	GM Engine Machines	C
601A		Ref	Cable, Battery (Red) Options:	
601A	7027028	1	Caterpillar Engines Machines (Battery to Glow Plug Relay to	

SECTION 7 - ELECTRICAL

ITEM	PART NUMBER	QTY	DESCRIPTION	REV
601A	7027027	1	Aux Relay to Starter) Deutz Engines Machines (Battery to Start Relay to Aux Relay to Glow Plug Relay to Starter)	
601A	7027015	1	GM Engine Machines (Battery to Aux Relay to Starter)	
601B		Ref	Cable, Battery (Black) Options:	
601B	7027029	1	Caterpillar Engines Machines	
601B	7027004	1	Deutz Engines Machines	
601B	7027018	1	GM Engine Machines	
601C		Ref	Cable (Red) Options:	
601C	7027030	1	Caterpillar Engines Machines	
601C	7016824	1	Deutz and GM Engines Machines	
601D		Ref	Cable, Battery (Red) Options:	
601D	Not Required	0	Caterpillar and Deutz Engines Machines	
601D	7027017	1	GM Engine Machines	
601E		Ref	Cable (Black) Options:	
601E	7027031	1	Caterpillar Engines Machines	
601E	7016825	1	Deutz and GM Engine Machines	
602	See Note	AR	Deutz Engine Harness Components (Deutz Engine Machines Only) (Note: Not Available at Time of Printing)	
602A	7027796	1	Deutz Engine Harness	
602B	See Note	1	Receptacle, Female - 25 Position (Note: Not Available - Purchase Complete Harness)	
602C	7027793	1	Plug-In, Connector	
602D	70001872	1	Deutz Tier III Engine Harness (For other replacement parts refer to Deutz engine dealer)	
603	See Note	1	Fuel Pump Harness (Caterpillar Engines Only) (Note: Not available for purchase.)	
603	4460897	1	Receptacle, Female - 2 Position (Caterpillar Engines Only)	
603	4460464	2	Pin, Male (Caterpillar Engines Only)	
604	1001112071	1	Caterpillar Engine Harness Components (Caterpillar Engine Machines Only)	B
604	70004318	1	Fuse 5 Amp (at Fuse Box F1)	
604	70004319	3	Fuse 10Amp (at Fuse Box F2, F3 & F4)	
604	70004316	1	Relay, Starter (at Fuse Box)	
604	70004317	2	Relay, Shut-Off and Glow Plug Control 25Amp (at Fuse Box)	
604A	4460894	1	Plug, Male - 6 Position	
604A	4460465	5	Socket, Female	
604A	4460466	1	Seal, Plug	
604B	4460891	1	Plug, Male - 2 Position	
604B	4460465	2	Socket, Female	
604C	4460891	1	Plug, Male - 2 Position	
604C	4460465	2	Socket, Female	
604D	70020808	1	Plug, Male - 23 Position	
604D	70020809	16	Socket, Female	
604E	See Note	1	Connector - 8 Position (Note: Not available for purchase.)	
604F	See Note	1	Connector - 5 Position (Note: Not available for purchase.)	
605	See Note	1	Pump Harness (Note: Not available for purchase.)	
605A	7007497	1	Plug (Pump End)	
605B	7007498	1	Plug (Engine Harness End)	
606	See Note	1	Controller Harness Assembly (Lift and Swing) (Note: Not available for purchase.)	
606A	7022819	1	Plug, Male - 8 Position (Natural)	
606A	4460871	8	Socket, Female	

SECTION 7 - ELECTRICAL

ITEM	PART NUMBER	QTY	DESCRIPTION	REV
607	See Note	1	Controller Harness/Circuit Board Assembly (Drive and Steer) (Note: Not available for purchase.)	
607A	7022825	1	Plug, Male - 8 Position (Black)	
607A	4460871	7	Socket, Female	
608	See Note	1	Controller Harness (Speed Control) (Note: Not available for purchase.)	
608A	4460224	1	Receptacle, Female - 6 Position	
608A	4460226	6	Socket, Female	
609	4923379	1	Harness, Glowplug	
610	7027991	AR	GM Engine Harness Components (GM Engine Machines Only)	
611		Ref	Switch, Tilt Sensor Options: (Includes Tilt Sensor)	
611	1001135114	2	Switch, Tilt Sensor (was p/n 4360544) (Prior to SN 0300161730)	
611	4460911	2	Plug, Male Deutsch - 3 Position	
611	4460918	6	Socket, Female	
611	4460912	2	Lock, Wedge	
611	1001133329	2	Switch, Tilt Sensor (SN 0300161730 through 0300182743)	
611	4460910	2	Plug, Male Deutsch - 3 Position	
611	4460917	6	Socket, Female	
611	4460913	2	Lock, Wedge	
612	4360517	1	Harness, Boom Proximity Sensor (Includes Sensor)	
612A	4460320	1	Plug, Male - 2 Position	
612A	4460227	2	Pin, Male	
613	4360517	1	Harness, Swivel Coupling Sensor (Includes Sensor)	
613A	4460320	1	Plug, Male - 2 Position	
613A	4460227	2	Pin, Male	
614	1060904	1	Cable, Battery (Deutz Engine Machines Only) (Prior to SN 0300140567)	
		Ref	OPTIONAL HARNESS COMPONENTS	
703	0257887	1	Alarm Harness (Includes Alarm)	
703	0140032	1	Alarm	
703	2820035	6 in/15cm	Loom	
703A	4460424	1	Plug, Male - 2 Position	
703A	4460268	2	Socket, Female	
704		Ref	Strobe Light Harness (Includes Strobe Light) Options:	
704	0272507	1	Strobe Light Harness (Prior to SN 0300171628)	
704	2920161	1	Strobe Light Harness (SN 0300171628 through 0300182743)	
704A	4460320	1	Connector, Female - 2 Position (Strobe Light - 0272507)	
704A	4460267	2	Pin, Male (Strobe Light - 0272507)	
704B	4460891	1	Connector, Male - 2 Position (Strobe Light - 2920161)	
704B	4460465	2	Socket, Female (Strobe Light - 2920161)	
705	See Note	1	Headlight and Taillight/Chassis Illumination Harness (Note: Not available for purchase.)	
705	1060341	Ref	Cable, Electrical 16/2 Options:	
705	1060341	37 ft/11.3m	Headlights and Taillights	
705	1060341	40 ft/12.2m	Chassis Illumination Lights	
705A	3740049	1	Relay	
705A	4460259	3	Terminal	
705A	4460260	4	Housing, Terminal	
705A	4460297	1	Terminal	
705A	4922643	1	Lights Harness for Ground Control Box	
705A	4460226	2	Socket, Female	1-A

SECTION 7 - ELECTRICAL

ITEM	PART NUMBER	QTY	DESCRIPTION	REV
706		Ref	2500W Generator Electrical Components	
706	1001112588	AR	ANSI Specs - Caterpillar/Deutz Engines Only	A
706	1001112743	AR	ANSI Export Specs - Caterpillar/Deutz Engines Only	B
706	4933350	AR	ANSI Specs - GM Engines Only	B
706A	4460321	1	Connector, Male - 4 Position (ANSI Spec Only)	
706A	4460906	4	Socket, Female	
706B	4922641	1	Harness - On/Off Switch	
706C	4460226	2	Socket, Female	
706D		Ref	Powermite Control Box to Relay Options:	
706D	1001112589	1	Caterpillar and Deutz Engines	
706D	4923445	1	GM Engines	
706D	4460374	1	Plug, Sealed Relay	
706D	4460375	3	Terminal	
706D	4460742	1	Plug, Male - 2 Position	
706D	4460743	1	Socket, Female	
706D	4460458	1	Seal, Terminal	
706E	4460961	1	Connector, Female - 4 Position (ANSI Spec Only)	
706E	4460705	4	Pin, Male	
706F	4460742	1	Plug, Male - 2 Position (GM Engine Only)	
706F	4460743	2	Socket, Female (GM Engine Only)	
706F	4460458	2	Seal, Terminal (GM Engine Only)	
706G	7020193	1	Harness, Generator Power	
707		Ref	Generator to Rear of Boom Harness Options:	
		Ref	Note: Harness used to connect AC at platform harness to Powermite Generator Control Box receptacle.	
707	4922741	1	110V GFI (ANSI Spec)	A
707	4922742	1	220V GFI (ANSI Spec)	A
707	4922743	1	ANSI Export, Australian and CE Specs	A
707		Ref	Cable, Electrical - 10/3 Options:	
707	1060708	6 ft/1.8m	ANSI Spec	
707	1060545	6 ft/1.8m	ANSI Export, Australian and CE Specs	
707A		Ref	Plug, Male Options:	
707A	4460205	1	110V GFI (ANSI Spec)	
707A	4460233	1	220V GFI (ANSI Spec)	
707A	See Note	1	ANSI Export, Australian and CE Specs (Note: Not Available - Purchase Locally.)	
707B		Ref	Receptacle, Female Options:	
707B	4460134	1	110V GFI (ANSI Spec)	
707B	4460701	1	220V GFI (ANSI Spec)	
707B	See Note	1	ANSI Export and Australian Spec (Note: Not Available - Purchase Locally.)	
707B	See Note	1	CE Spec without Generator Option (Note: Not Available - Purchase Locally.)	
707B	See Note	1	CE Spec with Generator Option (Note: Use Item 708J)	
708		Ref	AC to Platform Receptacle Components Options:	
708	0272259	Ref	110V GFI Receptacle (ANSI Spec)	B
708	0272260	Ref	220V GFI Receptacle (ANSI Spec)	B
708	0256202	Ref	Australian Spec	C
708		Ref	CE Spec Options Without Powermite Generator:	
708	0256202	Ref	110/220V Receptacle (Locally Supplied Box and Receptacle)	B
708	1001091969	Ref	110V with IEC Yellow Receptacle and Plug and Circuit Breaker	B
708	1001091970	Ref	220V with IEC Blue Receptacle and Plug and Circuit Breaker	B

SECTION 7 - ELECTRICAL

ITEM	PART NUMBER	QTY	DESCRIPTION	REV
708	1001091971	Ref	220V with CEE 7 Post Ground Receptacle and Plug and Circuit Breaker (70mm x 70mm Box)	B
708	1001091972	Ref	220V with CEE 7 Side Ground Receptacle and Plug and Circuit Breaker (70mm x 70mm Box)	B
708	1001091973	Ref	220V with CEE 7 Post Ground Receptacle and Plug and Circuit Breaker (2x4 Box)	C
708	1001091974	Ref	220V with CEE 7 Side Ground Receptacle and Plug and Circuit Breaker (2x4 Box)	C
708	1001091975	Ref	220V with AFSINT 107 Keyed Ground Receptacle and Plug and Circuit Breaker (2x4 Box)	C
708	1001100326	Ref	110V with IEC Yellow Receptacle and Plug and Circuit Breaker	B
708	1001100327	Ref	220V with IEC Blue Receptacle and Plug and Circuit Breaker	B
708	1001100328	Ref	220V with CEE 7 Post Ground Receptacle and Plug and Circuit Breaker (70mm x 70mm Box)	B
708	1001100329	Ref	220V with CEE 7 Side Ground Receptacle and Plug and Circuit Breaker (70mm x 70mm Box)	B
708	1001100331	Ref	220V with CEE 7 Post Ground Receptacle and Plug and Circuit Breaker (2x4 Box)	B
708	1001100333	Ref	220V with CEE 7 Side Ground Receptacle and Plug and Circuit Breaker (2x4 Box)	B
708	1001100337	Ref	220V with AFSINT 107 Keyed Ground Receptacle and Plug and Circuit Breaker (2x4 Box)	B
708A		Ref	Box, Switch Options:	
708A	0860038	1	0272259 & 0272260 Installations	
708A	Not Required	0	0256202 Installation	
708A	0861781	1	1001091969, 1001091970, 1001100326, 1001100327 Installations	
708A	See Note	0	1001091971, 1001100328, 1001091972, 1001100329 Installations (Note: Was p/n0861782 which is no longer available. Use p/n 1001141970 CEE 7 Side Ground Service Kit or p/n 1001141971 CEE 7 Post Ground Service Kit. Kits includes Box p/n 1001141967 & items 708B, 708C, 708E & 708J.)	
708A	0861731	1	1001091973, 1001100331, 1001091974, 1001100333, 1001091975 & 1001100337 Installations	
708A	1001141967	1	1001100343, 1001100344, 1001141970 & 1001141971 Kits	
708B		Ref	Receptacle Options:	
708B	4460346	1	0272259 Installation	
708B	4460125	1	0272260 Installation	
708B	Not Required	0	0256202 Installation (Purchase Locally)	
708B	4461198	1	1001091969, 1001100326 Installations	
708B	4461201	1	1001091970, 1001100327 Installations	
708B	100110343	1	1001091971, 1001100328 Installations (was p/n 4461204)	
708B	100110344	1	1001091972, 1001100329 Installations (was p/n 4461207)	
708B	4461204	1	1001091971, 1001100328 Installations	
708B	4461207	1	1001091972, 1001100329 Installations	
708B	4461244	1	1001091973, 1001100331 Installations	
708B	4461245	1	1001091974, 1001100333 Installations	
708B	4461246	1	1001091975, 1001100337 Installations	
708B	1001141968	1	1001100343 & 1001141971 Kits	
708B	1001141969	1	1001100344 & 1001141970 Kits	
708C		Ref	Shield, Cover Options:	
708C	4060700	1	0272259 Installation (Side Hinged Cover) (SN 0300085332 through 0300138286)	

SECTION 7 - ELECTRICAL

ITEM	PART NUMBER	QTY	DESCRIPTION	REV
708C	1001110873	1	0272259 Installation (Top Hinged Cover) (SN 0300138287 through 0300182743)	
708C	4060092	1	0272260 Installation	
708C	Not Required	0	0256202 Installation	
708C	Purchase Receptacle	1	1001091973, 1001091974, 1001091975, 1001091969, 1001091970, 1001091971, 1001091972, 1001100331, 1001100333, 1001100337, 1001100326, 1001100327, 1001100328 & 1001100329 Installations	
708C	3960422	1	Gasket, Cover (0272259 & 0272260 Installation Only)	
708D		Ref	Connector, Strain Relief Options:	
708D	4460051	1	0272259 & 0272260 Installations	
708D	Not Required	0	0256202 Installation	
708D	4460968	1	1001091969, 1001100326, 1001091970, 1001100327, 1001091971, 1001100328, 1001091972, 1001100329 Installations (Prior to SN 0300127290)	
708D	1001101191	1	1001091969, 1001100326, 1001091970, 1001100327, 1001091971, 1001100328, 1001091972, 1001100329 Installations (SN 0300127290 through 0300182743)	
708D	4460968	1	1001091973, 1001091974 & 1001091975 Installations (Prior to SN 0300108684)	
708D	4460662	1	1001091973, 1001100331, 1001091974, 1001100333, 1001091975 & 1001100337 Installations (SN 0300108684 through 0300127289)	
708D	1001101191	1	1001091973, 1001100331, 1001091974, 1001100333, 1001091975 & 1001100337 Installations (SN 0300127290 through 0300182743)	
708E		Ref	Plug, Male Options:	
708E	4460205	1	0272259 Installation	
708E	4460233	1	0272260 Installation	
708E	Not Required	0	0256202 Installation	
708E	4461196	1	1001091969 Installation	
708E	4461199	1	1001091970 Installation	
708E	4461202	1	1001091971, 1001091973 Installations & 1001100343 & 1001141971 Kits	
708E	4461205	1	1001091972, 1001091974 Installations & 1001100344 & 1001141970 Kits	
708E	4461249	1	1001091975 Installation	
708E	Not Required	0	1001100326, 1001100327, 1001100328, 1001100329, 1001100331, 1001100333 & 1001100337 Installations	
708F		Ref	Plug, Male Options:	
708F	4460205	1	110V GFI (ANSI Spec)	
708F	4460233	1	220V GFI (ANSI Spec)	
708F	4460709	1	ANSI Export, Australian and CE Specs	
708G		Ref	Connector, Female Options:	
708G	4460134	1	110V GFI (ANSI Spec)	
708G	4460701	1	220V GFI (ANSI Spec)	
708G	4460710	1	ANSI Export, Australian and CE Specs	
708H		Ref	Connector, Adapter Options:	
708H	Not Required	0	0272259 & 0272260 Installations	
708H	Not Required	0	0256202 Installation	
708H	1001101196	1	1001091969, 1001100326, 1001091970, 1001100327, 1001091971, 1001100328, 1001091972, 1001100329 Installations	
708H	1001101197	1	1001091973, 1001100331, 1001091974, 1001091975 & 1001100337 Installations	

SECTION 7 - ELECTRICAL

ITEM	PART NUMBER	QTY	DESCRIPTION	REV
708J		Ref	Receptacle, Female Options (CE Specs with With Powermite Generator Control Box Only):	
708J	4461197	1	1001100326 Installation	
708J	4461200	1	1001100327 Installation	
708J	4461203	1	1001100328 & 1001100331 Installations & 1001100343 & 1001141971 Kits	
708J	4461206	1	1001100329 & 1001100333 Installations & 1001100344 & 1001141970 Kits	
708J	4461250	1	1001100337 Installation	
708K		Ref	Receptacle Box Kit Options (CE Specs Only):	1
708K		Ref	Without Powermite Generator (Includes Items 708A, 708B, 708C & 708E):	
708K	0275216		Kit for 110V IEC Yellow (1001091969 Installation)	1
708K	0275217		Kit for 220V IEC Blue (1001091970 Installation)	1
708K	1001100343		Kit for 220V CEE 7 Post Ground (1001091971 Installation) (was p/n 0275218)	B-B
708K	1001100344		Kit for 220V CEE 7 Side Ground (1001091972 Installation) (was p/n 0275219)	B-B
708K	0275452		Kit for 220V CEE 7 Post Ground (1001091973 Installation)	1
708K	0275453		Kit for 220V CEE 7 Side Ground (1001091974 Installation)	1
708K	0275454		Kit for 220V AFSINT 107 Keyed Ground (1001091975 Installation)	1
708K		Ref	With Powermite Generator (Includes Items 708A, 708B, 708C, 708E & 708J):	
708K	1001100341		Kit for 110V IEC Yellow (1001100326 Installation)	2
708K	1001100342		Kit for 220V IEC Blue (1001100327 Installation)	2
708K	1001100343		Kit for 220V CEE 7 Post Ground (1001100328 Installation) (was p/n 1001101971 Kit)	B
708K	1001100344		Kit for 220V CEE 7 Side Ground (1001100329 Installation) (was p/n 1001101970 Kit)	B
708K	1001100345		Kit for 220V CEE 7 Post Ground (1001100331 Installation)	2
708K	1001100347		Kit for 220V CEE 7 Side Ground (1001100333 Installation)	2
708K	1001100346		Kit for 220V AFSINT 107 Keyed Ground (1001100337 Installation)	2
708L		Ref	Cover, Connector Options (ANSI Export, Australian and CE Specs):	
708L	1671092	2	Cover, Connector (SN 0300167882 through 0300175276)	
708L	1001156351	2	Cover, Connector (SN 0300175277 through 0300182743)	
708M		Ref	Cover, Plug Options (ANSI Export, Australian and CE Specs):	
708M	1671093	1	Cover, Plug (SN 0300167882 through 0300175276)	
708M	1001156352	1	Cover, Plug (SN 0300175277 through 0300182743)	
709 to 713	Not Required	0	Not Required	
714		Ref	AC Cable With Breaker (Required Only on CE Spec Installations)	
714	1001091790	Ref	Without Powermite Generator	D
714	1001109559	Ref	With Powermite Generator	A
714A	0903484	1	Bracket, Receptacle Box Mounting	
714A	0641416	2	Bolt 1/4in-20NC x 2in	
714A	3311405	2	Locknut 1/4in-20NC	
714A	4711400	4	Flatwasher 1/4in (Narrow)	
714B	0903697	1	Bracket, Circuit Breaker Mounting	
714B	0641412	2	Bolt 1/4in-20NC x 1-1/2in	
714B	3311405	2	Locknut 1/4in-20NC	
714B	4711400	4	Flatwasher 1/4in (Narrow)	

SECTION 7 - ELECTRICAL

ITEM	PART NUMBER	QTY	DESCRIPTION	REV
714C		Ref	Kit, Box and Breaker (Required on CE Spec Installations):	
714C	1001096070	AR	Machines without Powermite Generator Control Box (was p/n 2902549) (Prior to SN 0300127290)	D
714C	1001096070	AR	Machines without Powermite Generator Control Box (SN 0300127290 through 0300137610)	D
714C	1001109654	AR	Machines without Powermite Generator Control Box (SN 0300137611 through 0300182743)	A
714C	1001109648	AR	Machines with Powermite Generator Control Box	A
714C		Ref	Circuit Breaker	
714C	See Note	1	Circuit Breaker (was p/n 2400093) (SN 0300069000 through 0300136457)	
		Ref	Note: Kit p/n 2902549 Kit used a single large breaker. Replace with 2 breakers. For machines WITH Powermite Generator Control Box use qty 1 each of p/ns 1001109477 & 1001109482. For machines WITHOUT Powermite Generator Control Box use qty 1 each of p/ns 1001109475 & 1001109482.	
714C		Ref	Kit, Box & Breaker (SN 0300136458 through 0300182743)	
714C	1001109477	1	Breaker 10A	
714C	1001109475	1	Breaker 16A	
714C	1001109482	1	Breaker 30mA	
714C	0861880	1	Breaker Box	
714C	4460956	1	Terminal, Block End Barrier	
714C	1060908	6 ft/1.8m	Cable, Extension	
714C	4460957	1	Terminal Block	
714D		Ref	Connector, Strain Relief Options:	
714D	4460633	2	Connector, Strain Relief (Prior to SN 0300117586)	
714D	1001097150	2	Connector, Strain Relief (SN 0300117586 through 0300127289)	
714D	1001101191	1	Connector, Strain Relief (Top) (SN 0300127290 through 0300182743)	
714D	1001097150	1	Connector, Strain Relief (Bottom) (SN 0300127290 through 0300182743)	
714D	0641406	2	Bolt 1/4in-20NC x 3/4in	
714D	3311405	2	Locknut 1/4in-20NC	
714D	4711400	4	Flatwasher 1/4in (Narrow)	
714E	1060908	12 ft/3.6m	Cable, Electrical 12/3	
714F	4460709	1	Plug, Male	
714G	4460710	1	Connector, Female	
715	1001094509	1	Generator Hourmeter Harness	A
716	1001149818	1	Strobe Light Extension Harness (SN 0300171628 through 0300182743)	A
716A	4460320	1	Connector, Female - 2 Position	
716A	4460267	2	Pin, Male	
716B	4460897	1	Connector, Female - 2 Position	
716B	4460464	2	Pin, Male	
		Ref	TOOLS	
801	7002821	1	Crimper (For Wire to Pin/Socket Connections) (Not Shown)	
802	7002823	1	Extractor (For Removal of Pin/Socket from Connectors) (Not Shown)	
803	4460467	1	Extractor, Pin (Blue 16-18 Gauge) (For Removal of Pin/Socket from Connectors) (Not Shown)	
804	4460510	1	Extractor, Pin (Yellow 12-14 Gauge) (For Removal of Pin/Socket from Connectors) (Not Shown)	

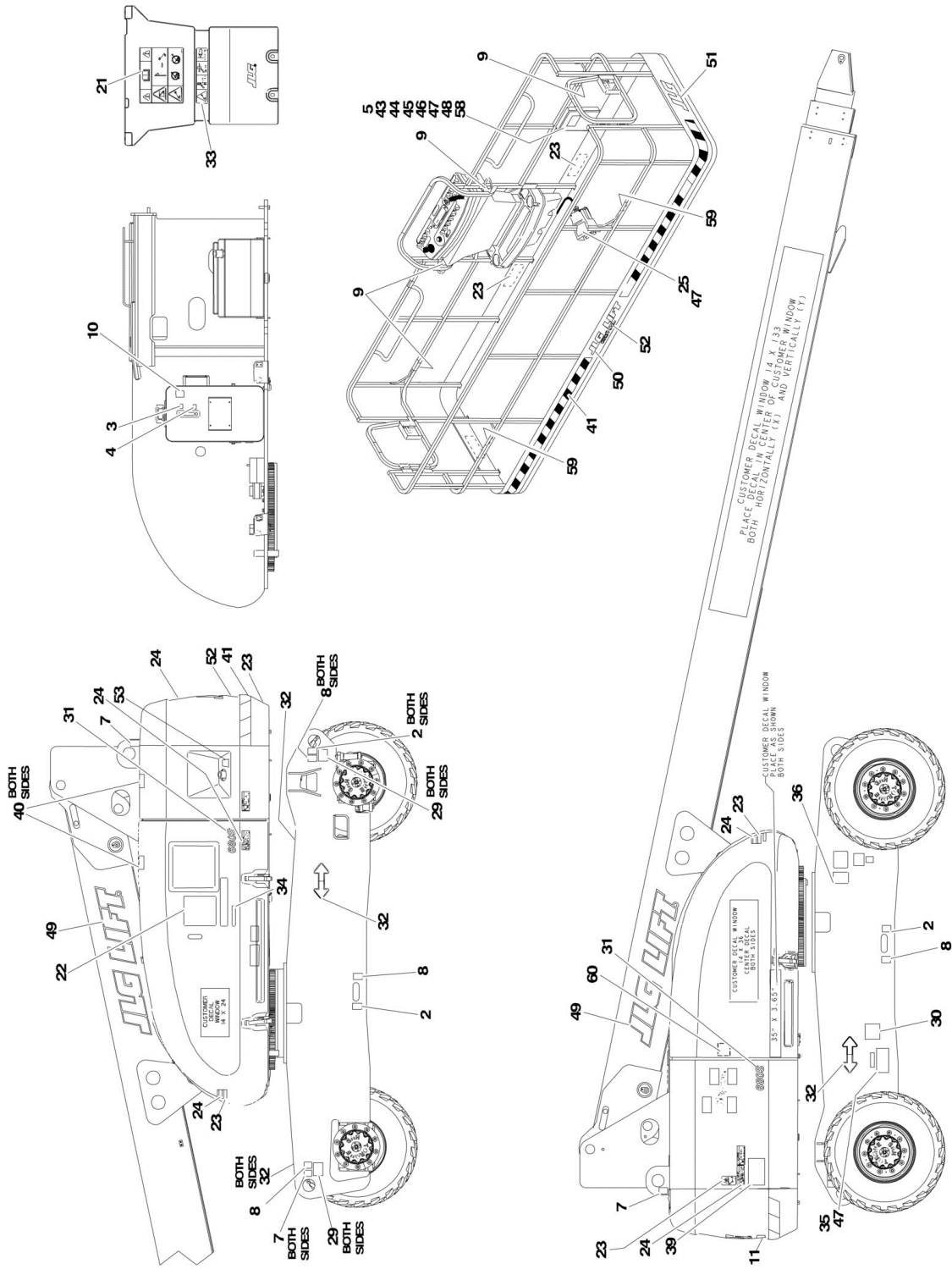
SECTION 7 - ELECTRICAL

ITEM	PART NUMBER	QTY	DESCRIPTION	REV
805	7002828	1	Stripper, Wire (Not Shown)	1-A
806	2901443	1	Analyzer Kit (Not Shown)	
806A	1600244	1	Analyzer	
806B	1060633	1	Cable, Analyzer	
806C	4460321	2	Plug, Male	
	4460226	8	Socket, Female	

SECTION 8 - DECALS

SECTION 8 - DECALS

FIGURE 8-1. DECAL INSTALLATION (AUSTRALIAN AND CE SPEC)



SECTION 8 - DECALS

FIGURE 8-1. DECAL INSTALLATION (AUSTRALIAN AND CE SPEC)

ITEM	PART NUMBER	QTY	DESCRIPTION	REV
		Ref	DECAL INSTALLATIONS	
	0275865	Ref	Decal Installations 680S Australian/CE Spec	D
	0274518	Ref	JLG Logo Decals	B
2	1701499	4	Decal - No Lift	
3	1701502	1	Decal - High Oil Level (Prior to SN 0300134563)	
4	1701503	1	Decal - Low Oil Level (Prior to SN 0300134563)	
5	1701509	1	Decal - Manual	
7	1703811	4	Decal - Tie Down/Lift	
8	1703814	6	Decal - Tie Down	
9	1704277	4	Decal - Attach Lanyard Here	
10	1704412	1	Decal - Hydraulic Oil Chart	
11		Ref	Decal - Sound Power Level Options:	
11	1705084	1	Decal - Sound Power Level (Prior to SN 0300174921)	
11	1705980	1	Decal - Sound Power Level (SN 0300174921 through 0300182743)	
21	1705921	1	Decal - Tipping/e (PLF)	
22	1705822	1	Decal - Electric/Safety Manual	
23	1701518	10	Decal - Warning Crushing	
24	1705961	5	Decal - Danger Electrocution	
25	1705828	1	Decal - Footswitch	
29		Ref	Decal - Max Tire Load Options:	
29	2902354	1	Kit, Decal Max Tire Load (Includes Qty 4 of p/n 1703475) (Prior to SN 0300099882)	1
29	1703475	4	Decal - Max Tire Load (Prior to SN 0300099882)	
29	1703478	4	Decal - Max Tire Load (SN 0300099882 through 0300182743)	
30	See Note	1	Decal - Bar Code (Note: Not Available for Purchase.)	
31	1707124	2	Decal - 680S	
32	1701501	4	Decal - Arrow	
33	1705978	1	Decal - 230kg Capacity	
34	1705978	1	Decal - 230kg Capacity	
35	See Note	1	Nameplate, Manufactures (Note: Not Available for Purchase.)	
36	1700584	1	Decal - Patent (Prior to SN 0300151568)	
37 to 38	Not Required	0	Not Required	
39	3252781	1	Decal - Lift Diagram	
40	1701691	4	Decal - No Step	
41	4420051	32 ft/9.8m	Stripes, Warning	
42	3251242	1	Decal - 240V-50Hz (Not Shown)	
43	0641408	1	Bolt 1/4in-20NC x 1in (Prior to SN 0300179244)	
44	0860520	1	Box, Manual Storage	
45	1060279	1	Cable, Lanyard (Prior to SN 0300179244)	
46	3311405	AR	Locknut 1/4in	
47	3820001	2	Rivet	
48	4751400	AR	Flatwasher 1/4in	
49	1702861	2	Decal - JLG Lift (8in Height)	
50	1702774	1	Decal - JLG Lift (3-1/2in Height)	
51	1702773	1	Decal - JLG (5in Height)	
52	1704885	AR	Decal - Website	
53	1701505	1	Decal - Fuel	
58	0641406	4	Bolt 1/4in-20NC x 3/4in	
59	1704277	2	Decal - Lanyard Attach	

SECTION 8 - DECALS

ITEM	PART NUMBER	QTY	DESCRIPTION	REV
60	1706098	1	Decal - Warning Explosion/Fire	
	2902303	1	Master Decal Kit (Includes Items 2, 5, 7-10 & 13)	5
	2902329	1	Australian/CE Spec Decal Kit (Includes Items 15-25)	5

SECTION 9 - RECOMMENDED SERVICE PARTS STOCK

SECTION 9 - RECOMMENDED SERVICE PARTS STOCK

SECTION 9 - RECOMMENDED SERVICE PARTS STOCK

FIGURE 9-1. MODEL 680S STANDARD PARTS

ITEM	PART NUMBER	QTY	DESCRIPTION	REV
	Note	Ref	Note: The following list will service one machine (built to current production per date on the front cover) with emergency repair parts which can be installed in the field. Parts from the list should be replaced when inventory is depleted to keep service parts stock supplied. For further information, contact your JLG dealer or the JLG Industries Parts Department.	
		Ref	STANDARD PARTS	
	1001108617	12	Element, Filter	
	7012944	1	Coil	
	7012943	1	Coil	
	7017451	1	Coil	
	70000582	1	Coil	
	7012664	1 Dozen	Element, Air Cleaner	
	3740067	1	Relay	
	3740080	1	Relay	
	7024444	3	Breather, Hydraulic Tank	
	4360517	1	Switch, Proximity	
	3740049	1	Relay	
	4360328	1	Switch, Toggle	
	2860030	1	Key, Replacement	
	4360475	1	Switch, Mushroom	
	4360476	1	Contact, Switch Block	
	70003921	1	Powertrack Repair Section	
	70003922	1	Powertrack Mounting Bracket Kit	
	1001133329	1	Switch, Level Sensor	
	2940074	1	Latch	
	1001117172	1	Footswitch	
	4360331	1	Switch, Toggle	
	4360387	1	Switch, Push Button	
	4360330	1	Switch, Toggle	
	1001129555	1	Controller (Lift and Swing)	
	1001118416	1	Controller (Drive and Steer)	
	4360506	1	Switch, Proximity	

SECTION 9 - RECOMMENDED SERVICE PARTS STOCK

FIGURE 9-2. MODEL 680S VARIABLE PARTS

ITEM	PART NUMBER	QTY	DESCRIPTION	REV
	Note	Ref	Note: The following list will service one machine (built to current production per date on the front cover) with emergency repair parts which can be installed in the field. Parts from the list should be replaced when inventory is depleted to keep service parts stock supplied. For further information, contact your JLG dealer or the JLG Industries Parts Department.	
		Ref	VARIABLE PARTS	
	7026811	1 Dozen	Filter, Oil (Caterpillar Engine Machines)	
	7026830	1 Dozen	Filter, Fuel (Caterpillar Engine Machines)	
	1001112067	1	Module, Engine Control (Caterpillar Engine Machines)	
	7016331	1 Dozen	Filter, Oil (Deutz Engine Machines)	
	7016328	1 Dozen	Filter, Fuel (Deutz Engine Machines)	
	7027795	1	Module, Engine Control (Deutz Engine Machines)	
	7027965	1 Dozen	Filter, Oil (GM Engine Machines)	
	7027972	1 Dozen	Filter, Fuel (GM Engine Machines)	
	70002895	1	Module, Engine Control (GM Engine Machines)	
	1001103667	1	Module, Ground Control (Caterpillar/Deutz/GM Engine)	
	4360469	1	Switch, Key (All Specs Except Australian and CE Specs)	
	4360470	1	Switch, Key (Australian and CE Specs Only)	
	4360578	1	Switch, Limit	
	3740080	1	Relay (Machine with Generator Option)	
	4360336	1	Switch, Toggle (Machines with Generator Option)	
	4360522	1	Switch, Push Button (Machines with Headlights Option)	
	4360336	1	Switch, Toggle (Machines with Dual Fuel Option)	
	1001141138	1	Module, Controller	
	3990010	2	Diode (Machines with Generator Option)	
	70004318	2	Fuse 5Amp (Caterpillar Engine Machines)	
	70004319	2	Fuse 10Amp (Caterpillar Engine Machines)	
	70004317	1	Relay 25Amp (Caterpillar Engine Machines)	
	70004316	1	Relay (Caterpillar Engine Machines)	

SECTION 10 - SPECIAL OPTIONS

SECTION 10 - SPECIAL OPTIONS

FIGURE 10-1. SPECIAL OPTIONS

ITEM	PART NUMBER	QTY	DESCRIPTION	REV
	Note	Ref	Note: This list is to accommodate machines ordered with special equipment. Options may not be applicable to all models. For more specific parts information contact JLG Parts Department.	
		Ref	MISCELLANEOUS SPECIAL OPTIONS	
	1340061	Ref	Air Cleaner with Dust Evacuator Valve	
	0271472	Ref	Air Line at Platform Installation	
		Ref	Bellows Installations	
	0271476	Ref	Bellows Installations 680S Boom Bellows	
	0258757	Ref	Fixed Axle with 2WS Frame Bellows	
	0258759	Ref	Fixed Axle with 4WS Frame Bellows	
	0258387	Ref	Oscillating Axle with 2WS Frame Bellows	
	0258758	Ref	Oscillating Axle with 4WS Frame Bellows	
	0271448	Ref	Boom Wiper Installation	
	0256789	Ref	Camera Mount Assembly	
		Ref	ClearSky (Telematics) Installation (Factory Installed)	
		Ref	Note: Refer to Manual Supplement p/n 3128499 for available replacement parts.	
		Ref	ADE Machines	
	1001102841	Ref	ANSI Spec	
	1001102842	Ref	ANSI Export and Japanese Specs	
	1001104985	Ref	CSA Spec	
		Ref	ADE/UGM Machines With (ABS) Hood (Prior to SN 0300144483)	
	1001112990	Ref	ANSI Spec	
	1001112991	Ref	ANSI Export and Japanese Specs	
	1001112992	Ref	CSA Spec	
		Ref	ADE/UGM Machines With (Steel) Hood (SN 0300144483 through 0300182743)	
	1001118963	Ref	ANSI SPEC	
	1001134103	Ref	Australian Specs Only	
	1001118964	Ref	CSA Specs	
	1001127087	Ref	Brazil and New Zealand Specs Only	
		Ref	ClearSky (Telematic) Kit (Dealer Installed)	
		Ref	ANSI Spec	
	1001117251	Ref	Pre-UGM	
	1001119939	Ref	UGM	
		Ref	Australian Spec	
	1001139132	Ref	Pre-UGM	
	1001139151	Ref	UGM	
		Ref	CSA Spec	
	1001117258	Ref	Pre-UGM	
	1001119947	Ref	UGM	
		Ref	Cold Weather Start Kits	
	0273575	Ref	Caterpillar Engine Machines	
	0256060	Ref	Deutz Engine Machines (Ether)	
	0271912	Ref	Deutz Engine Machines (Glow Plugs)	
	0275262	Ref	GM Engine Machines	
		Ref	DECAL INSTALLATIONS	
		Ref	Decal - ClearSky Options:	

SECTION 10 - SPECIAL OPTIONS

ITEM	PART NUMBER	QTY	DESCRIPTION	REV
	1001116597	Ref	ANSI Spec (Prior to SN 0300143785)	
	1001116598	Ref	CSA Spec (Prior to SN 0300143785)	
	1001120993	Ref	ANSI and CSA Spec (SN 0300143785 through 0300182743)	
	0257195	Ref	Decal - Government Warranty Installation	
	0274528	Ref	Decal - Head and Engquist Equipment	
	0273251	Ref	Decal - Hertz	
	1703175	1	Decal - Lanyard Attach (GM K-1 Spec)	
	0273376	Ref	Decal - Nations Rent	
	0274244	Ref	Decal - National Equipment Services	
	1702962	1	Decal - Prop 65 Warning (Diesel Machines) (California Spec)	
	1702961	1	Decal - Prop 65 Warning (Gasoline Machines) (California Spec)	
	1001095392	Ref	Decal - RSC Equipment Rental	
	0271816	Ref	Decal - Sunbelt	
	0271815	Ref	Decal - United Rentals	
	4420051	Ref	Decal - Warning Stripes	
	0272312	Ref	Decal - Tire Sealant	
	2902203	1	Kit - Tire Sealant	
		Ref	Electrical Connector Kits	
	1001148902	Ref	Amp Electrical Connector Kit	
	1001148903	Ref	Deutsch DT Electrical Connector Kit	
	1001148904	Ref	Deutsch HD Electrical Connector Kit	
	1001148905	Ref	Packard Electrical Connector Kit	
	1001148906	Ref	Various Electrical Connectors Kit	
		Ref	Engine Block Heater Installation Options:	
	0275261	Ref	GM Engines	
	0257157	Ref	Ether Start Installation (Deutz Engine Machines)	
	1001093389	Ref	Fan, Cover	
		Ref	Filter Kits:	
		Ref	Combined Filter Kit Options (Hydraulic/Air and Fuel/Engine Oil):	
		Ref	Caterpillar Engine Machines	
	1001114054	1	Caterpillar Engine Machines (Prior to SN 0300141319)	
	1001114055	1	Caterpillar Engine Machines (SN 0300141319 through 0300182743)	
		Ref	Deutz Engine Machines	
	1001111004	1	Deutz Engine Machines (Prior to SN 0300141319)	
	1001114049	1	Deutz Engine Machines (SN 0300141319 through 0300182743)	
		Ref	GM Engine Machines	
	1001113981	1	GM Engine Machines (Prior to SN 0300141319)	
	1001151650	1	GM Engine Machines (SN 0300141319 through 0300182743)	
		Ref	Hydraulic/Air Filter Options:	
	See Note	1	Caterpillar/GM Engine Machines (Note: Not available for purchase)	
		Ref	Deutz Engine Machines	
	1001109707	1	Deutz Engine Machines (was p/n 1001114047) (Prior to SN 0300087262)	
	1001109702	1	Deutz Engine Machines (SN 0300087262 through 0300182743)	
		Ref	Engine - Fuel/Engine Oil Filter	
	See Note	1	Caterpillar/GM Engine Machines (Note: Not available for purchase)	
	1001110133	1	Deutz Engine Machines	
		Ref	Fluids:	

SECTION 10 - SPECIAL OPTIONS

ITEM	PART NUMBER	QTY	DESCRIPTION	REV
	2300040	Ref	Diesel Fuel Conditioner	
	3020016	Ref	Engine Oil, (15W-40)	
		Ref	Hydraulic Fluids Options:	
	2300014	Ref	Mobil 424	
	2300027	Ref	Mobil 224H Bio	
	2300029	Ref	Mobil EAL ISO 46 Bio	
	2300016	Ref	Mobil DTE 10 EXCEL 32	
	2300021	Ref	Union Carbide Ucon HP5046 Fire Resistant	
		Ref	Footswitch Shield Installation	
	4060959	1	Shield, Footswitch	
		Ref	Oil Cooler Installations	
	0271938	1	Deutz Powered Machines (Prior to SN 0300137667)	
	1001108703	1	Deutz Powered Machines (SN 0300137667 through 0300182743)	
	0271939	1	GM Powered Machines	
	0271439	Ref	Pinion Shield Installations	
	0257728	Ref	Pipe Jacks Installations	
		Ref	Platform Cover Installations	
	0255398	1	Platform Cover Installations (Prior to SN 0300128731)	
	0258703	1	Platform Cover Installations (SN 0300128731 through 0300182743)	
		Ref	Platform Entry Kits	
	1001142504	Ref	Drop Bar (Replacing Swing Gate with Drop Bar)	
	1001142505	Ref	Swing Gate (Replacing Drop Bar with Swing Gate)	
	1001139944	Ref	Pump Mounting Bracket Kit (Sauer Danfoss)	
	2902300	Ref	Remote Oil Filter Kit - Required on Caterpillar Engine to Allow Sky Power 7500 Watt Generator to Fit (SN 0300069000 through 0300078177)	
		Ref	SkyGuard Component Options:	
	1001149560	Ref	SkyGuard Complete Add-On Kit (Non-UGM Machines)	
	1001143669	Ref	SkyGuard Complete Add-On Kit (UGM Machines)	
	1001137672	Ref	SkyGuard Platform Sensor Kit (UGM Machines)	
	1001143256	Ref	SkyGuard Blue Beacon Kit	
		Ref	Strobe Light Installations (Amber)	
	1001152965	Ref	Platform Mounted	
	1001154231	Ref	Platform/Ground Mounted	
		Ref	Tools for Service	
	2901443	1	Analyzer Kit (SN 0300062045 through 0300182743)	
	8896941	1	Wire Stripper	
	7002821	1	Wire Crimper (To install wire ends to wires)	
	7002823	1	Pin/Socket Extractor - Universal (To Remove Pins/Sockets from Connectors)	
	4460467	1	Extractor - 16-18 Gauge (For Removal of Pin/Sockets from Deutsch Connectors)	
	4460510	1	Extractor - 12-14 Gauge (For Removal of Pin/Sockets from Deutsch Connectors)	
	7002822	1	Screwdriver, Potentiometer (To Adjust Drive Controllers)	
	7016654	1	Screwdriver, Magnetic	
	7004275	1	Seal Installation Tool - 1in	
	7004276	1	Seal Installation Tool - 1-1/2in	
	7002826	1	Seal Installation Tool - 2in	
	7016655	1	Wire Rope Sheave Gauge	
	1001137005	1	Software Cable Kit	

PART NUMBER INDEX

PART NUMBER INDEX

0060061.....	145, 153	0271090.....	17	0275574.....	156	0641609..	58, 70, 78, 122, 139
0080163.....	70	0271091.....	17	0275865.....	253	0641610....	58, 59, 66, 68, 78, 116, 127, 132, 149, 163
0080181.....	58	0271322....	159, 223, 237	0340041.....	58, 68, 77	0641611.....	99
0080201.....	77	0271323....	159, 223, 237	0340046.....	58	0641612.....	39, 78
0080241.....	112	0271352.....	13	0362519.....	97	0641613.....	143, 150
0080243.....	58	0271354.....	35	0362726.....	9, 13	0641614.....	93
0100009.....	167	0271360.....	111	0362770.....	116	0641616....	116, 122, 149
01000119, 13, 17, 33, 35, 39, 58, 59, 60, 66, 67, 68, 76, 77, 93, 99, 103, 107, 111, 112, 116, 118, 122, 123, 127, 132, 135, 143, 145, 149, 156, 157, 179, 181, 183, 185, 193		0271410.....	169	0400075.....	58, 66, 76	0641620.....	145
0100019.9, 10, 13, 14, 45		0271417.....	169	0440244.....	45	0641622.....	145
0100020....	59, 60, 66, 68, 76, 78, 97	0271419.....	17	0480120.....	127	0641626.....	149
0100035.....	111, 112, 157	0271439.....	262	0480121.....	127, 132	0641634.....	149
0100038....	179, 181, 183, 185, 193	0271448.....	260	0480142.....	135	0641640.....	149
0100048.....	76, 103, 107, 112, 167, 225, 239	0271476.....	260	0561185.....	149	0641652.....	146
0100062.....	79	0271496.....	45	0561380.....	143	0641710.....	135
0100063.....	181, 185	0271552.....	112	0561445.....	149	0641772.....	127, 132
0100081....	123, 145, 167	0271815.....	261	0561446.....	149	0641808....	58, 59, 66, 76, 77
0140001.....	39	0271816.....	261	0561447.....	149	0641810.....	9, 14
0140011.....	167	0271912.....	260	0561449.....	149	0641812....	60, 67, 68, 77, 99
0140032....	111, 228, 243	0271938.....	216, 262	0630467.....	156	0641814.....	68
0181727.....	66	0271939.....	262	0630485.....	122	0641818.....	68, 122, 139
0181949.....	97	0271990.....	145	0630491.....	112	0641820.....	9, 58, 99
0182077.....	116, 122	0271999.....	111	0630498.....	66	0641826.....	68, 79
0200742.....	132	0272003.....	9	0630507.....	116, 122	0641828.....	78
0200819.....	127	0272057.....	112	0630518.....	103, 107	0642010....	35, 59, 66, 76
0250528.....	35	0272081.....	118, 124	0630535 ...	179, 185, 187, 193	0642014.....	143, 145
0255398.....	262	0272188.....	45	0630548.....	103, 107	0642212....	9, 13, 143, 145
0255524.....	97	0272259.....	229, 244	0630568.....	169	0642612.....	112
0256060.....	260	0272260.....	229, 244	0641403.....	111, 149	0642618.....	143
0256202.....	229, 244	0272312.....	261	0641404.....	132	0642684.....	156
0256690.....	68	0272322.....	17	0641405.....	135	0651406.....	39
0256789.....	260	0272333.....	17	0641406 .	58, 77, 78, 111, 116, 122, 157, 163, 167, 233, 248, 253	0681608.....	9, 13, 156
0256847.....	70	0272334.....	17	0641407 ...	58, 60, 67, 68, 108	0682016.....	10, 14, 17
0257157.....	218, 261	0272388	159, 223, 237	0641408	39, 122, 124, 159, 163, 253	0682023.....	45
0257195.....	261	0272507 ...	112, 228, 243	0641410.....	111	0682032.....	45
0257728.....	262	0272750.....	40, 181, 193	064141267, 76, 159, 232, 247		0682216.....	45
0257887....	111, 228, 243	0272750.....	40, 181, 193	0641414.....	167	0700616.....	60, 123
0258286.....	9	0272970.....	163	0641416	39, 232, 247	0700620.....	60
0258387.....	260	0273251.....	261	0641420.....	40	0700808.....	58, 60, 68
0258703.....	262	0273376.....	261	0641422.....	76	0700810.....	70, 78
0258728.....	139	0273378 ...	10, 14, 17, 33	0641504.....	35, 143	0700816.....	127
0258757.....	260	0273575.....	260	0641506.....	103, 107	0700820.....	135
0258758.....	260	0273695.....	145, 157	0641507.....	58	0701010.....	58, 60
0258759.....	260	0273704.....	17, 33	0641508 13, 77, 116, 128, 132		0701012.....	58, 68
0259147.....	45	0274082.....	131	0641510.....	68, 135	0701015.....	58, 68, 69
0270528.....	35	0274086.....	131	0641511.....	76, 159	0701016.....	135
0270805.....	112	0274090.....	131	0641514.....	40, 181	0701210.....	128
0270881.....	93	0274244.....	261	064151507.....	58	0701414.....	58, 68
0270885.....	17	0274267.....	33	0641508 13, 77, 116, 128, 132		0711025.....	68, 70
0270886.....	17	0274302.....	66	0641510.....	68, 135	0711214.....	58
0270888.....	17	0274518.....	253	0641511.....	76, 159	0720808....	128, 132, 136
0270889.....	163	0274528.....	261	0641514.....	40, 181	0721003.....	167
0271002.....	45	0274571.....	9	0641542.....	33	0721004.....	35
0271083.....	17	0274572.....	13	0641560.....	33	0721006....	116, 128, 132, 167
0271084.....	17	0274583.....	99	0641604.....	157, 159	0721008.....	118, 167
0271085.....	17	0274644.....	39, 156	0641606 ...	39, 58, 68, 78, 97, 118, 145, 149, 156	0731007.....	93
0271086.....	17	0274762.....	116	0641607 ...	122, 149, 159	0741605.....	145
		0275039.....	135	06416089, 13, 33, 58, 59, 76, 78, 116, 118, 145, 149		0741606.....	112
		0275216.....	231, 247			0741607.....	35
		0275217.....	232, 247			0741609.....	14
		0275261.....	261			0741612.....	149
		0275262.....	260				
		0275452.....	232, 247				
		0275453.....	232, 247				
		0275454.....	232, 247				
		0275547.....	116				
		0275554.....	143, 145				

PART NUMBER INDEX

0760606..... 60	1001091179..... 68	1001100341..... 232, 247	1001110206..... 60
0760610..... 60	1001091187..... 111	1001100342..... 232, 247	1001110212..... 59
0760612..... 60	1001091563..... 93	1001100343..... 232, 247	1001110325..... 218
0761210..... 60	1001091568..... 93	1001100344..... 232, 247	1001110327..... 107
0771212..... 58	1001091587..... 77	1001100345..... 232, 247	1001110329..... 107
0791608..... 68	1001091625..... 145, 153	1001100346..... 232, 247	1001110331..... 107
0791612..... 150	1001091790..... 232, 247	1001100347..... 232, 247	1001110333..... 107
0801275..... 149	1001091794..... 78	1001100386..... 116	1001110335..... 107
0801276..... 149	1001091892..... 68, 78	1001101060..... 45, 54	1001110338..... 108, 239, 240
0801279..... 143	1001091969..... 229, 244	1001101191..... 231, 233, 246, 248	1001110339..... 108, 239
0801280..... 143	1001091970..... 229, 244	1001101196..... 231, 246	1001110340..... 108, 239, 240
0801325..... 149	1001091971..... 229, 245	1001101197..... 231, 246	1001110341..... 108, 239, 240
0801616..... 145, 149	1001091972..... 229, 245	1001101241..... 69	1001110342..... 108, 218, 240, 241
0801649..... 149	1001091973..... 229, 245	1001101391..... 117	1001110343..... 108, 218, 240, 241
0811606..... 122, 149	1001091974..... 229, 245	1001101392..... 117	1001110344..... 108, 218, 240, 241
0811607..... 150	1001091975..... 229, 245	1001101623..... 117	1001110701..... 167
0811608..... 150	1001093382..... 59, 66, 77	1001101673..... 117	1001110873..... 230, 246
0811614..... 150	1001093389..... 261	1001101948..... 67	1001111004..... 261
0811616..... 150	1001093943..... 69	1001102160..... 104, 226	1001111017..... 107
0860038..... 230, 245	1001094101..... 68, 70	1001102248..... 103	1001111968..... 213
0860520..... 253	1001094321..... 69	1001102250..... 103	1001112057..... 61
0861389..... 103	1001094375..... 128, 133, 136	1001102290..... 227, 241	1001112059..... 61
0861416..... 163, 167, 222	1001094475..... 128, 132, 136	1001102291..... 227, 241	1001112067..... 61, 258
0861441..... 167, 168	1001094509..... 128, 133, 136, 248	1001102304..... 227, 241	1001112068..... 61
0861731..... 230, 245	1001094899..... 45	1001102601..... 103, 107	1001112069..... 61
0861781..... 230, 245	1001095307..... 203, 207	1001102644..... 128	1001112070..... 61
0861880..... 232, 248	1001095308..... 203, 208	1001102841..... 260	1001112071..... 61, 242
0901921..... 116	1001095392..... 261	1001102842..... 260	1001112072..... 61
0902206..... 112	1001096070..... 232, 248	100110343..... 230, 245	1001112073..... 61
0902219..... 116	1001097150..... 233, 248	100110344..... 230, 245	1001112075..... 61
0902223..... 116	1001097243..... 10, 13, 191	1001103667..... 107, 258	1001112077..... 59, 60
0902351..... 116	1001097553..... 61	1001103810..... 10	1001112570..... 61
0902412..... 116	1001097939..... 111	1001104985..... 260	1001112586..... 218
0902491..... 116	1001097942..... 111	1001106339..... 240	1001112588..... 218, 244
0902673..... 116, 122	1001097945..... 111	1001106340..... 240	1001112589..... 244
0902674..... 116	1001097964..... 118	1001106449..... 111	1001112592..... 61
0902751..... 167	1001097966..... 118	1001106480..... 111	1001112612..... 240
0902769..... 116	1001098508..... 68	1001106736..... 108, 240	1001112651..... 10, 13
0903242..... 99	1001098908..... 224, 238	1001106974..... 99	1001112743..... 218, 244
0903484..... 232, 247	1001098909..... 225, 238	1001107116..... 58	1001112762..... 60, 241
0903530..... 156	1001098916..... 70	1001107531..... 99	1001112849..... 61
0903697..... 232, 247	1001099051..... 69	1001107677..... 168	1001112990..... 260
0940049..... 122	1001099121..... 117	1001107705..... 59	1001112991..... 260
0940070..... 58, 68, 78	1001099138..... 116, 117	1001107796..... 168, 222, 236	1001112992..... 260
0940071..... 116	1001099139..... 118	1001107952..... 169	1001113047..... 122
0940088..... 117	1001099686..... 69	1001108617..... 39, 256	1001113961..... 175
0961894..... 185, 187	1001099828..... 67	1001108703..... 216, 262	1001113981..... 261
0961895..... 179	1001099829..... 66	1001108866..... 163, 167, 222	1001114049..... 261
0961897..... 193	1001099868..... 131	1001108867..... 163	1001114054..... 261
0961898..... 181, 183	1001099869..... 128, 132	1001108958..... 193	1001114055..... 261
0961947..... 185, 187	1001099870..... 33	1001108992..... 169	1001114595..... 77
0961951..... 150, 153	1001100027..... 218, 228	1001109064..... 61	1001114632..... 77
0961977..... 189	1001100233..... 128, 132	1001109065..... 58	1001114633..... 77, 124
0961986..... 58, 68, 78	1001100234..... 128, 132	1001109475..... 232, 248	1001114634..... 76
0962033..... 181, 183	1001100305..... 229	1001109477..... 232, 248	1001114896..... 163, 167, 236
0962051..... 139	1001100308..... 131	1001109482..... 232, 248	1001114897..... 163
0962102..... 9, 13	1001100321..... 127, 131	1001109559..... 232, 247	1001115404..... 127
0962122..... 143	1001100326..... 229, 245	1001109595..... 59	1001115405..... 131
0962152..... 9, 13	1001100327..... 229, 245	1001109648..... 232, 248	1001115409..... 131
0962292..... 13	1001100328..... 230, 245	1001109654..... 232, 248	1001115410..... 131
0962297..... 143, 145, 149	1001100329..... 230, 245	1001109702..... 261	
0962348..... 13	1001100331..... 230, 245	1001109707..... 261	
0962356..... 191	1001100333..... 230, 245	1001110133..... 261	
0962448..... 9, 13	1001100337..... 230, 245	1001110166..... 122	
0962449..... 128, 132			
0962496..... 179			
0962563..... 128			

PART NUMBER INDEX

1001115413.....127	1001129555..... 167, 171, 172, 256	1001228028 145, 183	1671059.....111
1001115414.....127	1001131168..... 168	1001228085 149, 197	1671092.....224, 239, 247
1001115504.....193	1001131731..... 146	1060279 253	1671093.....224, 239, 247
1001115617.....193	1001131992..... 218	1060341..... 228, 243	1671176.....167
1001115633.....193	1001133329..... 157, 243, 256	1060545..... 229, 244	1671201.....116
1001115693.....193	1001134103..... 260	1060584 35	1671228..... 116, 118
1001116280.....122	1001135114..... 157, 228, 243	1060633 233, 249	1671230.....118
1001116287.....66	1001137005..... 262	1060637 58, 66, 77	1671231.....118
1001116288.....66	1001137459..... 39, 40	1060708 229, 244	1671232.....118
1001116290.....123, 124	1001137672..... 262	1060896 223, 237	1671248..... 116, 117
1001116292.....123, 124	1001137898..... 67	1060902 ... 224, 225, 227, 238, 241	1683059..... 179, 185
1001116322.....122	1001137899..... 67	1060904 70, 243	1683077.....193
1001116344.....122	1001138328..... 216	1060908 233, 248	1683078.....9, 13, 179
1001116356.....122	1001139132..... 260	1060918 163, 222, 236	1683740..... 10, 13, 189
1001116358.....122	1001139151..... 260	1061018 224, 238	1683818.....181
1001116456.....123	1001139944..... 262	10837580 43	1683976.....185
1001116457.....123	1001141136..... 168, 236	1120484 94	1683986.....179
1001116544.....78	1001141137..... 168, 236	1120487 94	1684080.....181
1001116545.....78	1001141138..... 167, 258	1120510 150	1684188.....185
1001116558.....123	1001141140..... 163, 167, 236	1120552 18	1684189..... 145, 185
1001116560.....123	1001141141..... 218	1120601 117	1684191.....179
1001116562.....123	1001141967..... 230, 245	1220078 149	1684198.....181
1001116595.....61	1001141968..... 230, 245	1260017 45	1684199..... 145, 181
1001116597.....261	1001141969..... 230, 245	1282571 218	1684519..... 149, 193
1001116598.....261	1001142504..... 262	1282665 216	1700584.....253
1001116617.....123	1001142505..... 262	1283387 216	1700818.....76
1001116618.....123	1001142522..... 85, 86	1300019 18	1701499.....253
1001116620.....123	1001143256..... 262	1320012 78	1701501.....253
1001116668.....123	1001143669..... 262	1320016 58, 68, 78	1701502.....253
1001116704.....123	1001148902..... 261	1320022 ... 59, 66, 68, 76, 78	1701505..... 60, 67, 253
1001116787.....122	1001148903..... 261	1320041 159	1701509.....253
1001117027.....123	1001148904..... 261	1320061 159	1701518.....253
1001117040.....117	1001148905..... 261	1320127 97	1701542.....76
1001117045.....116, 117	1001148906..... 261	1320176 59, 67, 69	1701543.....76
1001117051.....123	1001149560..... 262	1320218 97	1701691.....253
1001117054.....123	1001149818..... 248	1320220 97	1702565.....167
1001117138.....122	1001149994..... 112	1320223 58, 66, 68, 78	1702566.....167
1001117139.....117	1001150406..... 112	1320224 61	1702567.....167
1001117140.....118	1001150998..... 69	1320263 61, 146	1702676.....167
1001117172.....256	1001151207..... 213	1320289 146	1702701.....17
1001117174.....163	1001151209..... 39	1320294 146	1702773.....253
1001117251.....260	1001151650..... 261	1320315 181	1702774.....253
1001117258.....260	1001152522 ... 67, 77, 85, 208	1320323 76	1702861.....253
1001117307.....123	1001152965..... 262	1321384 118, 122	1702901.....40
1001117320.....163	1001153282..... 70	1340060 58, 68, 78	1702903.....40
1001117399..... 159, 237	1001154231..... 262	1340061 260	1702924.....41
1001117523.....123	1001155753..... 143, 145	1380136 40	1702925.....41
1001117525.....123	1001155763..... 145, 149	1380147 139	1702927.....40
1001117804.....143	1001155770..... 149	1560011 222	1702961.....261
1001118344.....123	1001156351..... 247	1560012 222, 236	1702962.....261
1001118345.....123	1001156352..... 247	1580011 58, 78	1703162..... 58, 68, 78
1001118416.....167, 175, 256	1001156819..... 77	1580012 164	1703175.....261
1001118473.....156	1001156823..... 76	1600244 233, 249	1703475.....253
1001118963.....260	1001156824..... 76	1600317 171	1703478.....253
1001118964.....260	1001156825..... 76	1600318 175	1703811.....253
1001119564.....168	1001157180..... 143	1600377 167	1703814.....253
1001119939.....260	1001157866..... 208	1600411 103	1704260.....167
1001119947.....260	1001166809..... 35	1660234 70	1704277.....253
1001120508.....123, 124	1001175884..... 193	1660239 58	1704412.....253
1001120993.....261	1001181589..... 149, 193	1660303 99	1704578..... 35
1001121669.....238	1001181694..... 193	1670829 103, 107	1704885.....253
1001121670.....238	1001228027..... 145, 187	1670836 149	1704952.....169
1001121891.....77		1670964 156	1704972.....67
1001125468.....77		1671022 111	1704984.....169
1001126828.....123		1671044 157	1704997.....168
1001127087.....260			1705084.....253

PART NUMBER INDEX

1705090..... 35	2130808..... 207	2300004..... 60, 76	2753634..... 208
1705132..... 167	2130810..... 90, 213, 214	2300014..... 262	2753635..... 203
1705170..... 113, 169	2131010..... 213	2300016..... 17, 262	2753653..... 213
1705325..... 128, 132	2131012..... 203, 207	2300021..... 262	2753654..... 213
1705364..... 18	2131210..... 213	2300027..... 262	2753656..... 213
1705589..... 40	2131212 82, 85, 204, 208, 213	2300029..... 262	2753657..... 213
1705822..... 253	2131216..... 90, 214	2300040..... 262	2753660..... 203, 207
1705828..... 253	2131612..... 213	2360687..... 14	2753662..... 213
1705921..... 253	2131616 82, 85, 204, 207, 208	2360688..... 14	2753664..... 203, 208
1705961..... 253	2132016..... 86, 208	2400060..... 240	2753665..... 213
1705978..... 253	2150404..... 213	2400065..... 227, 241	2753667..... 203, 208
1705980..... 253	2150406..... 203, 207	2400066..... 227, 241	2753670..... 213
1706059..... 67	2150606..... 213	2410026..... 163	2753671..... 214
1706060..... 67	2150808..... 207	2420165..... 128, 132, 136	2753672..... 214
1706061..... 67	2150812..... 207	2420172..... 103, 107	2753674..... 214
1706062..... 67	2151212..... 213	2420191..... 93	2753675..... 214
1706063..... 67	2151616..... 203, 207	2420203..... 127, 131, 135	2753678..... 211
1706064..... 67	2160001..... 45	2460049..... 127, 131	2753679..... 214
1706098..... 67, 254	2170204..... 203	2460051..... 135	2753681..... 214
1706712..... 103, 107	2170306..... 211	2460055..... 127, 131	2753682..... 214
1706914..... 103	2170350..... 207	2460056..... 131	2753683..... 214
1706957..... 35	2170406..... 203, 208	2460057..... 131	2753684..... 214
1706960..... 35	2170408..... 207	2540035..... 116	2753685..... 203, 207
1707124..... 253	2170504..... 201, 203, 207	2560122..... 40	2753686..... 207
1810099..... 103	2170506..... 201, 213	2560123..... 40	2753688..... 203
1810100..... 103	2170508..... 203	2560136..... 167	2753693..... 213
1870221..... 218	2170516..... 203	2560187..... 123	2753725..... 203
2000285..... 67	2170708..... 207, 211	2573001..... 13	2753807..... 203, 208
2000339..... 68, 70	2170804..... 211	2600209..... 118	2753808..... 213
2000342..... 68	2180125..... 97	2600233..... 118	2753895..... 211
2060025..... 58, 68, 78	2180344..... 45	2600244..... 116	2753896..... 211
2080040..... 122, 163	2180348..... 60, 66, 76	2600280..... 122	2753897..... 211
2110404..... 203, 207, 213	2180387..... 97	2600281..... 163	2753935..... 203, 207
2110406..... 201, 203, 207, 211	2180388..... 97	2680490..... 116	2753970..... 207
2110408 82, 85, 201, 203, 204, 207, 208	2180389..... 97	2717059..... 214	2753971..... 207
2110604..... 211	2180418..... 76, 97	2720058..... 58, 60, 66, 78	2754040..... 207
2110606..... 201, 203, 213	2180877..... 79	2720144..... 97	2754044..... 207
2110608..... 214	2200222..... 48, 60, 66, 76	2720271..... 79	2754238..... 203
2110612..... 214	2220005..... 76	2720392..... 76	2754240..... 203
2110808..... 203, 207, 213	2220063..... 45	2720398..... 68	2754242..... 203
2110810..... 85, 204, 208	2220124..... 45	2720434..... 58, 68	2754243..... 203
2110812..... 203, 207	2220235..... 211	2720449..... 68	2754337..... 207
2111008..... 213	2220237..... 203, 207	2720509..... 58	2754338..... 208
2111010..... 82, 203, 208, 213	2220261..... 97	2720515..... 58	2754401..... 203, 207
2111016..... 85, 208	2220261..... 97	2720563..... 78	2754402..... 203
2111208..... 213	2220313..... 60, 67	2720564..... 78	2760105..... 103, 107
2111212..... 203, 213	2220418..... 97	2720566..... 76	2780227..... 21
2111612..... 213	2220451..... 68	2720567..... 76	2780229..... 10, 14
2111616..... 82, 203, 204, 207, 208, 213	2220591..... 207	2720580..... 76	2780272..... 17, 21
2111620..... 203, 207	2220811 82, 86, 204, 208	2750532..... 60, 67, 68, 78	2792597..... 211, 216
2112020..... 207	2220883 29, 30, 181, 183, 185, 187	2751032..... 45	2792648..... 201, 216
2112424..... 90, 213, 214	2220885 ... 179, 181, 183, 185, 193, 197	2753540..... 203, 207	2792649..... 213, 216
2120209..... 39	2220886 29, 30, 179, 187, 193, 197	2753545..... 213	2792653..... 216
2120210..... 39	2220887..... 183	2753549..... 207	2792678..... 216
2120217..... 156	2220888..... 30, 181, 183	2753550..... 207	2792713..... 207, 216
2130204..... 207	2221018..... 97	2753555..... 203, 207	2792714..... 203, 216
2130404..... 90, 203, 207, 211, 213, 214	2221024..... 97	2753578..... 211	2820031 ... 128, 132, 135, 223, 237
2130406..... 207, 211	2221084..... 203, 208	2753582..... 203, 207	2820035..... 111, 228, 243
2130604..... 207	2221086..... 213	2753590..... 214	2820078..... 118, 124
2130606..... 213	2221088..... 203, 207	2753622..... 203, 207, 213	2820080..... 117
2130608..... 213	2221176..... 60, 67, 76	2753624..... 201	2820233..... 117
2130612..... 214	2221183..... 203, 207	2753625..... 213	2820234..... 117
	2221197..... 97	2753626..... 207, 213	2820235..... 117
		2753627..... 201, 213	2840016..... 139
		2753628..... 207	2860012..... 132
		2753629..... 201	2860030 ... 103, 107, 256
		2753630..... 201	

PART NUMBER INDEX

2900062.....	40	3300241	149	3422701	10, 13	3580249.....	150
2900752.....	81, 82	3300242	149	3422702	9, 10, 13	3580276.....	127, 131
2900756.....	33	3300353	167	3422703	9, 13	3580288.....	150
2900770.....	179	3300364	122	3422754	10, 13	3580289.....	150
2901271.....	179	3300408	103, 107, 167	3422755	9, 13	3580312.....	135
2901443.....	233, 249, 262	3310601 ...	128, 132, 136, 139	3422813	13	3580322.....	127
2901537.....	181, 183	3310805	97, 111, 128, 132, 136	3422841	35	3580324.....	135
2901554.....	193	3311005	40, 112, 116, 118, 128, 132, 135, 167	3422847	35	3580348.....	135
2902061.....	185, 187	3311401	103	3422848	13	3600295.....	81, 82
2902065.....	70	3311405 ...	39, 40, 58, 60, 67, 69, 76, 77, 78, 111, 116, 122, 124, 135, 159, 163, 232, 233, 247, 248, 253	3422849	10	3600324.....	89, 90
2902203.....	261	3311501	122	3422908	143, 145	3600342.....	39
2902300.....	262	3311505 ...	33, 40, 58, 69, 76, 116, 123, 135, 159, 181	3422909	143	3600410.....	60, 67, 77, 82, 203, 208
2902303.....	254	3311601	93, 116, 122, 168	3422910	143	3600411.....	60, 67, 77, 90, 214
2902329.....	254	3311602	93	3422920	143, 145	3600424.....	39, 40
2902354.....	253	3311605 ...	58, 66, 68, 69, 78, 116, 117, 122, 128, 132, 139, 143, 146, 149, 156, 163	3422922	145	3620040.....	78
2902401.....	66, 227, 241	3311608	146	3422930	143	3620047.....	59
2902443.....	227, 241	3311705	128, 132	3422931	145	3740049.....	103, 107, 228, 243, 256
2902460.....	214	3311801	17, 58, 66	3422972	13	3740067...59, 69, 78, 256	
2902461.....	214	3311805 ...	59, 69, 77, 78, 116, 122, 139	3430816	139	3740080.....	70, 128, 132, 135, 256, 258
2902533.....	77, 241	3312002	45	3440410	157	3753550.....	203
2910871.....	168	3312201	149	3450404	139	3760170.....	35, 45
2920110.....	112	3312602	112	3460544	60	3760370.....	179, 185, 187, 193
2920113.....	112	3321501	117	3470003	169	3790012.....	76, 113, 168, 169
2920129.....	227, 241	3322201	99	3480176	179	3790044.....	60, 67, 77
2920154.....	167	3340755	149	3480266	193	3790112.....	194
2920157.....	112	3340757	149	3480267	185	3790152.....	67
2920161.....	112, 243	3340758	149	3480275	181	3820001.....	35, 113, 253
2920215.....	112	3340787	146	3510903	163	3820020.....	163
2940045.....	122	3340871	149	3520030	122	38411439, 10, 13, 60, 66, 76, 145, 150	
2940074.....	163, 256	3340877	123	3520035	103	3841287...9, 13, 143, 145	
2940088.....	118	3340881	149	3520054	167	3841340.....	159
2940173.....	122	3340936	146	3520072	163	3841356.....	143
2940188.....	117	3340942	146	3520198	163	3850028.....	193
3020008.....	17	3340943	146	3537416	69	3890013.....	150
3020016.....	60, 70, 262	3340943	146	3537445	139	3890014.....	150
3020021.....	70	3340966	14	3537446	139	3890015.....	150
3020029.....	10, 14	3380434	164	3538047	9, 13	3900085.....	112
3160266.....	17, 25	3380444	116	3539219	103, 107	3900192.....	145
3160294.....	45, 48	3380461	116	3539281	112	3900210.....	122, 123
3160308.....	17, 25	3380575	116	3539622	150	3900232.....	117, 156
3160347.....	17, 29	3420372	35	3539662	35	3900268.....	103, 107
3160348.....	17, 29	3420447	35	3539872	69, 78	3900283.....	146, 156
3200362.....	68, 78	3421565	35, 45	3539877	9	3900293.....	45
3200406.....	58, 68	3422417	149	3539878	9	3900310.....	181
3200449.....	157	3422424	150	3539971	69	3900316.....	122, 146
3220103.....	69	3422446	60, 76	3571712	116	3900363.....	123, 124
3220104.....	69	3422448	66	3572009	35	3910608....	128, 133, 136, 139
3220113.....	58	3422530	139	3572010	35	3910804.....	103, 107
3250872.....	35	3422532	60, 67, 77	3572011	35	3910808.....	97
3251102....	128, 132, 135, 169	3422562	145	3572012	35	3911008.....	40
3251242.....	253	3422567	13	3572280	78	3911018.....	167
3251243.....	132, 135	3422569	145	3573047 ...	159, 223, 237	3911040.....	112
3252507.....	128, 132	3422580	145	3573049	143	3930606.....	157
3252781.....	253			3573050	143	3930816.....	111
3271805.....	99			3573296	159	3930828.....	111
3272001.....	149			3573418	146	3931448.....	193
3272401.....	149			3574172	181	3931480.....	193
3272605.....	156			3574179	40	3931508.....	193
3290405.....	76			3574206	59	3931620.....	185
3290505.....	76, 128, 132			3574207	59		
3290507.....	61			3574208	59		
3290601.....	123			3574684	128		
3290801.....	58			3574978	69		
3300007.....	10, 14, 17			3575718	33		
3300205.....	103, 107			3580134 ...	127, 131, 132		
3300240.....	149			3580158	131		
				3580243	150		

PART NUMBER INDEX

3931624	143	4240139	93	4460297	228, 243	4460710 ...	231, 233, 246, 248
3931720	179, 187	4280295	93	4460320	223, 225, 228, 237, 239, 243, 248	4460742	244
3931724	193	4341239	78	4460321	229, 233, 244, 249	4460743	244
3931740	193	4341241	78	4460346	230, 245	4460761 ...	222, 226, 236, 240
3932240	181, 183	4341264	156	4460374	226, 241, 244	4460834	225, 239
3951608	150	4341327	156	4460375	226, 241, 244	4460842	225, 239
3952020	45	4360031	163	4460418	223, 225, 237, 239	4460865	223, 237
3960389	116, 122	4360328 ...	103, 107, 167, 256	4460419	223, 225, 237, 239	4460866 ...	222, 223, 225, 236, 237, 239
3960407	69	4360330	167, 256	4460424	111, 223, 225, 226, 227, 228, 237, 239, 240, 241, 243	4460871 ...	171, 172, 175, 222, 225, 226, 228, 236, 237, 239, 240, 242, 243
3960422	230, 246	4360331	167, 256	4460426	103, 107, 225, 239	4460873 ...	222, 226, 236, 239
3960438	118	4360336	76, 113, 128, 132, 135, 169, 258	4460428	168, 222, 236	4460874 ...	104, 222, 225, 236, 240
3960461	112	4360387	168, 256	4460434	223, 226, 237, 239	4460875	104, 225, 240
3960462	118, 122	4360407	168	4460457	226, 240	4460876 ...	222, 225, 236, 239
3960464	118	4360469 ...	103, 107, 258	4460458	226, 240, 241, 244	4460878	226, 239
3960468	59, 69, 78	4360470 ...	103, 107, 258	4460460	226, 240	4460879	222, 237
3960469	59, 69, 78	4360475 ...	103, 107, 168, 256	4460464	222, 223, 224, 225, 227, 237, 238, 239, 240, 241, 242, 248	4460880 ...	222, 223, 225, 226, 236, 237, 239, 240
3960470	116	4360476 ...	103, 107, 168, 256	4460465	223, 224, 225, 237, 238, 239, 240, 242, 243	4460887 ...	223, 226, 227, 237, 239, 240
3960548	60, 67, 77	4360506 ...	223, 237, 256	4460466	223, 237, 241, 242	4460891 ...	224, 225, 238, 239, 240, 242, 243
3960549	60, 67, 77	4360517 ...	100, 111, 243, 256	4460467	233, 248, 262	4460892	227, 241
3990010 ...	225, 239, 258	4360522 ...	113, 169, 258	4460470	103, 107, 168, 222, 223, 225, 236, 237, 239	4460894	227, 241, 242
4031608	128, 132	4360542 ...	127, 131, 135	4460471	103, 107, 168, 222, 223, 225, 236, 237, 239	4460897 ...	224, 225, 238, 242, 248
4031709	60	4360578	111, 258	4460477	108, 168, 222, 236, 240	4460899	241
4031911	59	4400275	97	4460497	108, 168, 222, 236, 240	4460905 ...	104, 168, 222, 225, 226, 236, 239
4060092	230, 246	4400420	97	4460508	222, 223, 226, 236, 237, 239	4460906	135, 229, 244
4060700	230, 245	4400437	93	4460509	223, 237	4460910	222, 236, 243
4060802 ...	128, 132, 135, 169	4400439	93	4460510	233, 248, 262	4460911	228, 236, 243
4060805	59, 69, 78	4400453	93	4460526	103, 107, 225, 239	4460912	228, 236, 243
4060906	103, 107	4420038	93	4460536	226, 239	4460913	222, 236, 243
4060907	112	4420051	35, 253, 261	4460539	226, 240	4460917 ...	222, 223, 236, 237, 243
4060959	262	4420060 ...	111, 128, 132, 133, 136	4460608	241	4460918 ...	222, 228, 236, 243
4061010	117	4460007	168	4460633	233, 248	4460925	223, 237
4061032	122, 214	4460018 ...	128, 133, 136	4460634	226, 239	4460926	222, 236
4070585	132	4460027 ...	127, 131, 135	4460635	226, 239	4460928	222, 236
4070863	150	4460051	230, 246	4460662	231, 246	4460929 ...	222, 223, 236, 237
4070878	9, 13	4460071 ...	163, 222, 236	4460693	241	4460943	226, 239, 240
4070879	9, 13	4460125	230, 245	4460701	229, 231, 244, 246	4460944	226, 240
4070895	150	4460134 ...	229, 231, 244, 246	4460705	229, 244	4460956	232, 248
4070897	150	4460190 ...	127, 131, 135	4460708	168, 222, 227, 236, 241	4460957	233, 248
4070898	150	4460205 ...	229, 231, 244, 246	4460709	231, 233, 246, 248	4460959	224, 239
4070929	150	4460224	228, 243			4460960	224, 239
4070939	150	4460225 ...	168, 222, 223, 225, 237, 239			4460961	229, 244
4070940	150	4460226 ...	222, 223, 227, 228, 229, 233, 236, 237, 239, 240, 241, 243, 244, 249			4460968 ...	111, 128, 132, 230, 231, 246
4070944	9	4460227 ...	222, 223, 226, 236, 237, 239, 240, 243			4460979	241
4070945	9	4460233 ...	229, 231, 244, 246			4461005	226, 240
4070969	146	4460234 ...	112, 113, 128, 133, 136, 168			4461006	226, 240
4070987	103, 107	4460259	228, 243			4461008	240
4071009	45	4460260	228, 243			4461052	226, 240
4071020	150	4460266	237			4461053	226, 240
4071043	111	4460267 ...	223, 225, 228, 237, 239, 243, 248			4461054	226, 240
4071059	14	4460268 ...	111, 226, 228, 240, 243				
4120035	226, 239						
4130388	14						
4130389	10						
4130390	10, 14						
4160139	116						
4160143	117						
4160149	122, 150						
4160187	143						
4160194	122						
4220162	112						
4220191	59						
4240018	77, 122, 135, 214						
4240032 ...	112, 113, 128, 133, 136						
4240112	93						

PART NUMBER INDEX

4461060.....	226, 240	4641251.....	156	4844958.....	45	70000122.....	127, 131
4461070.....	226, 240	4641262.....	193	4845395.....	69	70000123.....	127, 131
4461071.....	227, 241	4641263.....	40	4845404.....	69	70000124.....	127, 131
4461072.....	227, 241	4641303.....	33	4845658.....	9	70000125.....	127, 131
4461073.....	227, 241	4641317.....	39	4846218.....	156	70000126.....	127, 131
4461074.....	227, 241	4641432.....	39, 43	4846295.....	35	70000127.....	127, 131
4461095.....	226, 240	4711000.....	100	4846296.....	35	70000164.....	77
4461109.....	241	4711400 ...	39, 67, 69, 77,	4846355.....	143	70000264.....	72
4461111.....	241	79, 111, 135, 159, 232,		4846413.....	13	70000342.....	153
4461113.....	241	233, 247, 248		4846452.....	163	70000345.....	71
4461121.....	241	4711500 ...	33, 35, 59, 76,	4846553.....	146	70000579.....	43
4461122.....	241	123, 124, 156, 169		4846554.....	146	70000580.....	43
4461123.....	241	47116009, 13, 39, 59, 60,		4846558.....	146	70000582.....	43, 256
4461124.....	241	69, 79, 118, 143, 146,		4846566.....	69	70000583.....	43
4461157.....	241	150, 156, 157		4846588.....	117	70000781.....	33
4461161.....	241	4711700.....	69, 135	4846790.....	59	70000782.....	54
4461196.....	231, 246	4711800.....	139	4846805.....	59	70000793.....	70
4461197.....	231, 247	4740036.....	35	4846935.....	14	70000794.....	29
4461198.....	230, 245	4740057.....	45	4860224.....	17	70000795.....	29
4461199.....	231, 246	4740076.....	117	4860225.....	18	70000797.....	29
4461200.....	231, 247	4740111.....	10, 14	4860230.....	18	70000912.....	70
4461201.....	230, 245	4740119.....	139	4891600 .	67, 70, 99, 136,	70000913.....	70
4461202.....	231, 246	4740155.....	14	139, 150, 156		70000914.....	70
4461203.....	231, 247	4740171.....	117	4891800 ...	17, 60, 67, 77,	70000915.....	70
4461204.....	230, 245	4740256.....	10, 14	139		70000916.....	71
4461205.....	231, 246	4740274.....	59, 69, 79	4892000	10, 14, 17, 45	70000917.....	71
4461206.....	231, 247	4740362.....	112, 164	4892600.....	156	70000918.....	71
4461207.....	230, 245	4740397	132, 135, 169	4920385.....	79	70000919.....	71
4461222.....	241	4740444.....	104, 107	4922566.....	223, 237	70000934.....	39
4461244.....	230, 245	4740463.....	10, 14	4922569.....	223, 237	70001017.....	58, 59, 69
4461245.....	230, 245	4740472.....	9, 13	4922594 ...	104, 107, 225,	70001020.....	40
4461246.....	230, 245	4740473.....	10, 14	239		70001051.....	61
4461249.....	231, 246	4740492.....	143	4922595.....	168, 222	70001056.....	40
4461250.....	231, 247	4740500.....	117, 122	4922636.....	227, 241	70001103.....	94
4520252.....	17	4740508.....	77	4922641.....	229, 244	70001120.....	61
4520253.....	17	4750800.....	97, 111, 128,	4922643.....	228, 243	70001126.....	72
4520256.....	17	133, 136		4922660.....	223, 237	70001248.....	99, 100
4567073.....	59	4751000 .	35, 40, 93, 112,	4922666 ...	168, 222, 236	70001435.....	71
4568133.....	35	117, 118, 128, 132,		4922737.....	66	70001499.....	156
4568240.....	181	135, 168		4922741.....	229, 244	70001697.....	153
4568264.....	193	4751400 ...	40, 59, 60, 67,	4922742.....	229, 244	70001742.....	61
4568402.....	185	69, 76, 79, 104, 107,		4922743.....	229, 244	70001835.....	71
4568708.....	211	111, 117, 122, 124,		4922749	168, 222, 236	70001836.....	71
4568721.....	59	150, 168, 253		4922771.....	227, 241	70001837.....	71
4568735.....	135	4751500 ...	40, 59, 67, 76,	4922790.....	224	70001838.....	71
4569171.....	69	117, 122, 128, 132,		4922809.....	224	70001839.....	71
4569371.....	62	135, 159, 181		4922871	223, 225, 238	70001841.....	71
4569394.....	78	4751600 ...	33, 39, 59, 66,	4922872.....	224, 238	70001847.....	72
4620158.....	45	69, 79, 93, 97, 117,		4922873.....	224, 237	70001850.....	70
4640113.....	17	122, 127, 132, 156, 164		4922874.....	224, 238	70001866.....	71
4640261.....	35	4751700.....	69	4922875.....	224, 238	70001868.....	71
4640673.....	181	4751800 ...	59, 66, 77, 79,	4922876.....	224, 238	70001870.....	72
4640750.....	59	99, 122		4922970.....	229	70001872.....	228, 242
4640751.....	69	4752000.....	60, 66, 76	4923239.....	104, 226	70001874.....	71
4640774.....	211	4760600	128, 133, 136	4923379	70, 228, 243	70001941.....	112
4640858.....	179	4761000.....	168	4923445.....	244	70002065.....	54
4640902.....	40	4761400.....	104, 107	4923577.....	104, 225	70002066.....	54
4640930.....	40	4770600.....	139	4933217.....	218	70002067.....	54
4640932.....	185, 187	4791400.....	59, 69, 79	4933219.....	218	70002068.....	54
4640952.....	79	4811600.....	61, 128, 132	4933231.....	218	70002069.....	54
4641033.....	193, 197	4811700.....	61	4933243.....	218	70002070.....	54
4641144.....	181	4811900 .	59, 61, 127, 135	4933264.....	218	70002071.....	54
4641162.....	179	4812000.....	61	4933300.....	218, 228	70002072.....	54
4641188.....	181	4812100.....	59, 61, 128	4933349.....	218	70002073.....	54
4641194.....	181, 183	4812200.....	69	4933350.....	218, 244	70002074.....	54
4641232.....	185, 187	4831900.....	70, 79	4933375	218, 226, 227	70002075.....	54, 55
4641234.....	181	4832000.....	59	70000045.....	70	70002085.....	55

PART NUMBER INDEX

70002086.....	55	70002834.....	61	70006503.....	183	7004908.....	85
7000209.....	48	70002835.....	61	70006504.....	183	7007208.....	81
70002097.....	156	7000284.....	21	70006505.....	183	7007412.....	83
7000213.....	21	70002843.....	61	70006506.....	183	7007413.....	81
7000214.....	48	70002844.....	61	7000663.....	71	7007414.....	81
7000217.....	48, 54	70002845.....	61	70006648.....	187	7007415.....	89
7000220.....	21	70002846.....	61	70006699.....	187	7007417.....	81
70002200.....	72	70002847.....	61	70006700.....	187	7007419.....	26, 81
70002231.....	39	70002848.....	61	70006701.....	187	7007420.....	25
7000224.....	21	70002849.....	61	70006802.....	197	7007423.....	81
7000228.....	48, 54	7000285.....	21	70006803.....	197	7007425.....	81
7000229.....	48, 54	70002850.....	61	70006805.....	197	7007435.....	81
7000230.....	48, 54	70002851.....	62	70006806.....	197	7007437.....	26, 30, 81
7000231.....	21	70002852.....	62	70006807.....	197	7007438.....	25, 29, 81
7000235.....	21	7000287.....	21	70006808.....	197	7007439.....	25, 29, 81
7000236.....	21	7000288.....	21	70006809.....	197	7007441.....	81
7000238.....	21	7000289.....	21	7000731.....	22	7007442.....	81
7000239.....	21	70002895.....	77, 258	7001498.....	82	7007446.....	25, 29, 81
70002390.....	33	7000290.....	21	7001901.....	21	7007452.....	81
7000240.....	21	70002906.....	172	7001902.....	21	7007453.....	82
70002415.....	72	70002998.....	40	7001903.....	21	7007454.....	81
70002416.....	72	70003001.....	72	7001906.....	21	7007457.....	81
70002417.....	72	70003002.....	72	7001909.....	48, 54	7007463.....	82
7000246.....	48, 54	70003003.....	72	7001911.....	48, 54	7007464.....	82
7000248.....	48, 54	70003454.....	100	7001912.....	48, 54	7007465.....	82
7000253.....	48, 54	70003483.....	163	7001928.....	21, 48	7007466.....	82
7000255.....	48, 54	70003612.....	40	7001931.....	48, 54	7007470.....	81
7000257.....	48, 54	70003784.....	168	7001985.....	48, 54	7007472.....	82
7000263.....	48, 54	70003921.....	146, 256	70020808.....	242	7007474.....	82
7000265.....	10, 14, 21	70003922.....	146, 256	70020809.....	242	7007475.....	82
7000269.....	48	70003935.....	33	70023379.....	197	7007478.....	82
7000270.....	48	70003936.....	33	7002821.....	233, 248, 262	7007483.....	82
70002705.....	58	70004019.....	40	7002822.....	262	7007484.....	82
70002706.....	58	70004182.....	59	7002823.....	233, 248, 262	7007485.....	82
7000272.....	21	70004183.....	70	7002826.....	262	7007487.....	82
70002724.....	175	70004266.....	40	7002828.....	233, 249	7007488.....	82
70002725.....	175	70004267.....	40	7003928.....	171	7007494.....	81
70002726.....	175	70004316.....	242, 258	7003933.....	175	7007496.....	82
70002727.....	175, 176	70004317.....	242, 258	7003935.....	175	7007497.....	82, 228, 242
70002728.....	175	70004318.....	242, 258	7003941.....	175	7007498.....	82, 228, 242
70002729.....	176	70004319.....	242, 258	7003946.....	175	7007633.....	48, 54
7000273.....	21	70004328.....	156	7003953.....	171	7010116.....	81, 83
70002730.....	171	70004330.....	85	7003969.....	175	7010122.....	82
70002731.....	171	70004331.....	85	7003972.....	176	7010404.....	10, 14
70002732.....	171	70004332.....	85	7003973.....	176	7010405.....	10, 14
70002733.....	171	70004333.....	85	7003976.....	171	7010406.....	10, 14
70002734.....	171	70004334.....	85	7003977.....	171	7010461.....	48
70002735.....	172	70004335.....	85	7003980.....	176	7010464.....	21
7000274.....	21	70004336.....	85	7003982.....	176	7010474.....	48, 54
70002744.....	191	70004337.....	85	7003983.....	176	7010492.....	48, 54
70002745.....	191	70004338.....	85	7003986.....	175	7010543.....	39, 43
70002746.....	191	70004339.....	85	7003989.....	176	7010545.....	43
70002747.....	191	70004340.....	85	7003992.....	171, 175	7011016.....	40
70002748.....	191	70004341.....	85	7003993.....	171, 175	7011043.....	40
70002749.....	191	70004342.....	85	7003994.....	175	7011044.....	40
7000275.....	21	70004343.....	85	7004035.....	55	7011048.....	40
70002750.....	191	70004344.....	85	7004036.....	55	7011062.....	40
70002751.....	191	70004345.....	85	7004042.....	49	7011112.....	185, 187
70002761.....	61	70004346.....	85	7004043.....	49, 55	7011325.....	181
70002762.....	61	70004347.....	85	7004044.....	49, 55	7011346.....	194
70002763.....	62	70004348.....	85	7004045.....	55	7012513.....	127, 131, 135
70002764.....	61	70004349.....	85	7004047.....	55	7012514.....	127, 131, 135
70002765.....	61	70004350.....	85	7004049.....	55	7012518.....	157
7000281.....	48, 54	70004351.....	85	7004275.....	262	7012558.....	127, 131, 135
7000282.....	21	70004352.....	85	7004276.....	262	7012664.....	58, 68, 78, 256
7000283.....	21	70005839.....	197	7004906.....	85	7012699.....	40
70002833.....	61	7000625.....	163	7004907.....	85	7012903.....	43

PART NUMBER INDEX

7012925.....43, 181	7017175 153	7020449 71	7022399.....33
701294139	7017192 153	7020459 71	7022808.....171
7012942.....43	7017195 153	7020460 72	7022812..... 175, 176
7012943.....43, 157, 181, 256	7017210 189	7020464 71	7022814.....171
7012944.39, 43, 157, 256	7017211 189	7020465 70	7022815.....171
7012953.....40, 156	7017213 189	7020468 70	7022816.....171
7012955 156	7017214 189	7020471 71	7022817.....171
7012961.....40	7017215 189	7020479 71	7022818.....171
7012965 156	7017236 189	7020487 70	7022819.... 171, 172, 228, 242
7012967.....43, 156, 181	7017402 43, 157	7021200 81	7022822.....175
701297543	7017406 33	7021201 81	7022823.....175
7012989 156	7017422 43	7021202 81	7022824.....175
701299843	7017451 43, 181, 256	7021203 81	7022825..... 228, 243
701371139	7017452 157	7021205 81	7023023.....189
701371539	7017479 156	7021206 82	7023306.....93
701371639	7017489 43	7021207 81	7023318.....55
701375339	7017492 33	7021208 81	7023347.....93
701480193	7017496 40, 43	7021209 81	7023907..... 25, 29
701480293	7019103 175	7021212 81	7023908..... 25, 29
701481193	7019110 175	7021213 81	7023910..... 25, 29
701481393	7019111 171, 175	7021214 82	7023911.....156
701481693	7019112 175	7021218 82	7023917.....33
701481893	7019114 175	7021219 82	7023918.....43
701631494	7019115 175	7021220 82	7023919..... 43, 181
7016319112	7019122 171	7021221 82	7023921.....43
7016322139	7019123 171	7021222 82	7023922..... 43, 157
701632871, 258	7019123 171	7021223 82	7023923..... 43, 181
701633170, 258	7019141 171	7021226 82	7023925.....43
7016372112	7019142 171	7021227 82	7023927..... 181, 183
7016374139	7019143 171	7021228 82	7023933.....33
7016380112	7019144 171	7021229 82	7023947.....89
7016654262	7019145 171	7021230 82	7023948.....89
7016655262	7019147 171	7021231 82	7023949.....89
701676939	7019149 171	7021232 83	7023950.....89
701680366, 227	7019150 171	7021249 25, 29	7023951.....89
701681366, 227	7019151 175	7021275 25, 29, 90	7023952.....89
7016824.66, 77, 227, 242	7019154 175	7021276 29	7023953.....89
7016825.66, 77, 227, 242	7019155 175	7021277 25, 29	7023954.....89
701702348, 54	7019160 175	7021612 43	7023955.....89
701702854	7019161 175	7021616 157	7023956.....89
701703321	7019162 175	7021625 33	7023957.....89
701704721	7019164 176	7021639 33	7023958.....89
701704821	7019165 176	7022207 39	7023959.....89
701705021	7019166 176	7022215 39	7023960.....89
701705110, 14	7019167 176	7022227 39	7023961.....89
701705210, 14	7019168 175	7022228 39	7023962.....89
701705310, 14	7019171 171	7022229 40	7023963.....89
701705410, 14	7019174 171	7022230 39	7023964.....89
701705510, 14	7019177 171	7022231 40	7023965.....89
701705610, 14	7019194 176	7022302 25, 29	7023966.....90
701705710, 14	7019196 176	7022305 25, 29	7023967..... 89, 90
701705810, 14	7019197 171	7022310 25, 29	7023977.....81
701706822	7019680 127, 131, 135	7022311 25, 29	7023982.....181
701707048, 54	7020020 39	7022312 25, 29	7023983.....156
701707254	7020108 127, 131, 135	7022313 25, 29	7023984.....156
701708054	7020109 127, 131, 135	7022314 25, 29	7023985.....43
701708248	7020110 127, 131, 135	7022318 89	7023986.....43
701708548, 54	7020111 127, 131, 135	7022321 25, 26	7023987.....43
7017136153	7020175 103, 107, 168	7022323 26	7024100.....55
7017142153	7020176 103, 107, 168	7022326 26, 30	7024146.....21
7017158153	7020190 127, 131, 135	7022328 25, 26, 29, 30	7024147.....21
7017159153	7020192 127, 131	7022367 25	7024148.....21
7017162153	7020193 229, 244	7022368 25, 29	7024149.....21
7017163153	7020246 103, 107	7022370 26	7024151.....21
7017164153	7020256 93	7022371 26, 30	7024154.....21
7017172153	7020408 71	7022372 26, 30	7024155.....21
	7020411 71	7022397 33	
	7020447 70		

PART NUMBER INDEX

7024182	22	7024598	139	7026631	70	7027236	71
7024185	48	7024702	48, 49	7026800	62	7027239	72
7024189	22, 49	7024703	48	7026801	61	7027245	72
7024190	22, 49	7024704	48, 54	7026802	61	7027246	70
7024191	22, 49	7024705	48	7026803	61	7027276	71
7024192	22, 49	7024706	48	7026804	62	7027412	59
7024193	22, 49, 50	7024707	48	7026805	62	7027435	25
7024194	22, 49	7024717	22	7026806	62	7027608	70
7024196	22, 49, 50	7024718	22	7026807	62	7027610	70
7024197	22, 49, 50	7024762	48, 54	7026808	62	702769	70
7024369	146	7024763	22, 54	7026809	62	7027740	25, 29
7024370	146	7024781	21	7026810	62	7027741	26, 30
7024374	93	7024782	21	7026811	62, 258	7027790	71
7024375	93	7024783	21	7026812	62	7027791	71
7024379	49, 55	7024784	48, 54	7026813	62	7027792	71
7024380	49, 55	7024828	82	7026814	62	7027793	228, 242
7024381	55	7024832	157	7026815	62	7027794	228
7024389	49	7024844	33	7026816	62	7027795	71, 258
7024390	55	7024854	30	7026817	62	7027796	227, 242
7024396	55	7024861	25	7026819	62	7027887	127, 132, 135
7024398	69	7024862	25, 29	7026820	62	7027965	77, 258
7024404	99	7024865	25	7026821	62	7027972	77, 258
7024439	93	7024867	25, 29	7026822	62	7027991	243
7024440	94	7024868	29	7026826	62	7029592	40
7024441	93	7024870	26	7026827	62	7029593	40
7024442	93	7024871	26, 30	7026828	62	77143013	107
7024443	93	7024881	33	7026829	62	80424002	48, 54
7024444	93, 256	7026004	193	7026830	61, 258	80424042	49
7024445	93	7026015	193	7026831	62	80424043	55
7024446	93	7026016	194	7026832	62	80934561	99
7024453	49, 55	7026189	99, 100	7026833	62	8180311	78
7024454	48, 55	7026197	99	7026839	61	8229242	240
7024455	49, 55	7026199	127, 131, 135	7027004	66, 227, 242	8303541	60
7024456	49, 55	7026503	99	7027012	66, 227	8405009	59
7024457	49, 55	7026504	99	7027015	77, 242	8405104	59
7024458	49, 55	7026505	99	7027017	77, 242	8406009	60
7024459	49	7026506	100	7027018	77, 242	8406105	61
7024481	93	7026507	100	7027027	227, 242	8406109	61
7024508	193, 197	7026508	100	7027028	60, 241	88521205	59, 67, 76
7024560	69	7026509	100	7027029	60, 242	8896941	262
7024565	71	7026510	100	7027030	60, 242	91401281	59, 66, 76
7024579	72	7026608	71	7027031	60, 242	P/N 7024404	100



3121235



An Oshkosh Corporation Company

Corporate Office
JLG Industries, Inc.
1 JLG Drive
McConnellsburg, PA 17233-9533 USA
☎ (717) 485-5161 (Corporate)
☎ (877) 554-5438 (Customer Support)
📠 (717) 485-6417

Visit our website for JLG Worldwide Locations.
www.jlg.com