

---

# **Illustrated Parts Manual**

## **GM Engine Parts Supplement**

**P/N  
3121245**

*December 30, 2013*

**ANSI**

**CE**



**JLG**<sup>®</sup>

An Oshkosh Corporation Company



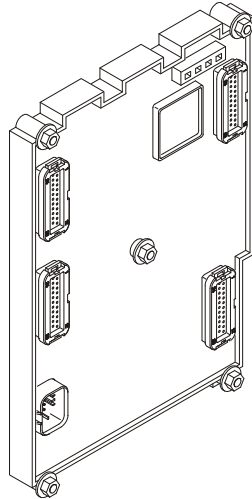
# REVISION LOG

## NOTES:

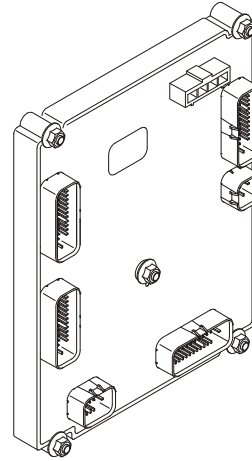
### GROUND MODULE IDENTIFICATION

NOTE: MODULE IS LOCATED NEAR THE GROUND CONTROLS OR IN GROUND CONTROL BOX .

MODULE ON MACHINES  
"WITHOUT UGM"  
(UNIVERSAL  
GROUND MODULE)



MODULE ON MACHINES  
"WITH UGM"  
(UNIVERSAL  
GROUND MODULE)



March 15, 2008 - Original Issue Of Manual

May 1, 2011 - Revised Manual

July 25, 2011 - Revised Manual

October 21, 2011 - Revised Manual

February 15, 2012 - Revised Manual

August 2, 2012 - Revised Manual

January 23, 2013 - Revised Manual

June 30, 2013 - Revised Manual

December 30, 2013 - Revised Manual

# REVISION LOG

# TABLE OF CONTENTS

FIGURE NO.	TITLE	PAGE NO.
<b>SECTION 1 - USAGE CHART</b>		<b>1-1</b>
<b>SECTION 2 - .97L ENGINE</b>		<b>2-1</b>
2-1	SHORT BLOCK COMPONENTS	2-2
2-2	CYLINDER HEAD COMPONENTS	2-6
2-3	LONG BLOCK & DRESS COMPONENTS	2-10
2-4	ELECTRICAL COMPONENTS	2-12
2-5	ALTERNATOR, WATER PUMP & PULLEYS COMPONENTS	2-14
2-6	STARTER COMPONENTS	2-16
2-7	FLYWHEEL HOUSING/PUMP COUPLING COMPONENTS	2-18
2-8	THERMOSTAT & INTAKE MANIFOLD COMPONENTS	2-20
2-9	FUEL SUPPLY COMPONENTS	2-22
2-10	EXHAUST COMPONENTS	2-26
<b>SECTION 3 - 3.0L ENGINE</b>		<b>3-1</b>
3-1	SHORT BLOCK COMPONENTS	3-2
3-2	CYLINDER HEAD COMPONENTS	3-8
3-3	LONG BLOCK & DRESS KIT	3-12
3-4	ELECTRICAL COMPONENTS	3-16
3-5	ALTERNATOR & PULLEY COMPONENTS	3-20
3-6	STARTER KIT	3-22
3-7	FLYWHEEL HOUSING/PUMP COUPLING COMPONENTS	3-24
3-8	AIR INTAKE COMPONENTS (SCISSORS LIFTS ONLY)	3-26
3-9	FUEL SUPPLY COMPONENTS - TIER 1 ENGINES	3-28
3-10	FUEL SUPPLY COMPONENTS - TIER 2 ENGINES	3-32
3-11	FUEL SUPPLY COMPONENTS - TIER 3 & 4 INTERIM ENGINES	3-36
3-12	MIXER ASSEMBLY (TIER 1 & 2 ENGINES)	3-40
3-13	INTAKE/EXHAUST MANIFOLD COMPONENTS	3-42
3-14	MUFFLER COMPONENTS - BOOM LIFTS	3-44
3-15	MUFFLER COMPONENTS - SCISSOR LIFTS	3-48
3-16	COOLANT SYSTEM COMPONENTS	3-52
3-17	ENGINE MOUNTING COMPONENTS	3-54
<b>SECTION 4 - SPECIAL OPTIONS</b>		<b>4-1</b>
<b>SECTION 5 - PARTS NUMBER INDEX</b>		<b>5-1</b>

# TABLE OF CONTENTS

**FIGURE NO.**

**TITLE**

**PAGE NO.**

## USAGE CHART

Part Number	Description	Qty
	<b>MODEL &amp; ENGINE USAGE:</b>	Ref
	<b>Note: UGM refers to Universal Ground Module located near machine Ground Controls. See Revision Log for identification.</b>	Ref
	<b>JLG Boom Lift Models:</b>	Ref
	<b>340AJ (See Section 2 for Breakdown)</b>	Ref
1001117892	Tier 3 .97L Complete Engine	Ref
	<b>400S/460SJ (See Section 3 for Breakdown)</b>	Ref
2000354	Tier 1 3.0L Complete Engine (Machines Prior to SN 0300109274 without UGM)	Ref
1001091583	Tier 2 3.0L Complete Engine (Machines SN 0300109274 to Present without UGM & without Arctic Package)	Ref
See Note	Tier 2 3.0L Complete Engine (Machines SN 0300109274 to Present without UGM & with Arctic Package) ( <b>Note: Not available for purchase</b> )	Ref
1001114595	Tier 3 & 4 interim 3.0L Complete Engine (Machines Prior to SN 0300161285 with UGM)	Ref
1001141139	Tier 3 & 4 interim 3.0L Complete Engine (Machines SN 0300161285 to Present with UGM)	Ref
	<b>450A Series II/450AJ Series II (See Section 3 for Breakdown)</b>	Ref
2000354	Tier 1 3.0L Complete Engine (Machines Prior to SN 0300109286 without UGM)	Ref
1001091583	Tier 2 3.0L Complete Engine (Machines SN 0300109286 to Present without UGM & without Arctic Package)	Ref
1001101819	Tier 2 3.0L Complete Engine (Machines SN 0300109286 to Present without UGM & with Arctic Package)	Ref
1001114595	Tier 3 & 4 interim 3.0L Complete Engine (Machines Prior to SN 0300160835 with UGM)	Ref
1001141139	Tier 3 & 4 interim 3.0L Complete Engine (Machines SN 0300160835 to Present with UGM)	Ref
	<b>600A/600AJ (See Section 3 for Breakdown)</b>	Ref
2000354	Tier 1 3.0L Complete Engine (Machines Prior to SN 0300109298 without UGM)	Ref
1001091768	Tier 2 3.0L Complete Engine (Machines SN 0300109298 to Present without UGM & without Arctic Package)	Ref
1001101823	Tier 2 3.0L Complete Engine (Machines SN 0300109298 to Present without UGM & with Arctic Package)	Ref
1001114600	Tier 3 & 4 interim 3.0L Complete Engine (Machines with UGM)	Ref
	<b>600S/600SJ/660SJ/680SJ (See Section 3 for Breakdown)</b>	Ref
2000354	Tier 1 3.0L Complete Engine (Machines Prior to SN 0300109245 without UGM)	Ref
1001091583	Tier 2 3.0L Complete Engine (Machines SN 0300109245 to Present without UGM & without Arctic Package)	Ref
See Note	Tier 2 3.0L Complete Engine (Machines SN 0300109245 to Present without UGM & with Arctic Package) ( <b>Note: Not available for purchase</b> )	Ref
1001114595	Tier 3 & 4 interim 3.0L Complete Engine (Machines with UGM)	Ref

# SECTION 1 USAGE CHART

## USAGE CHART

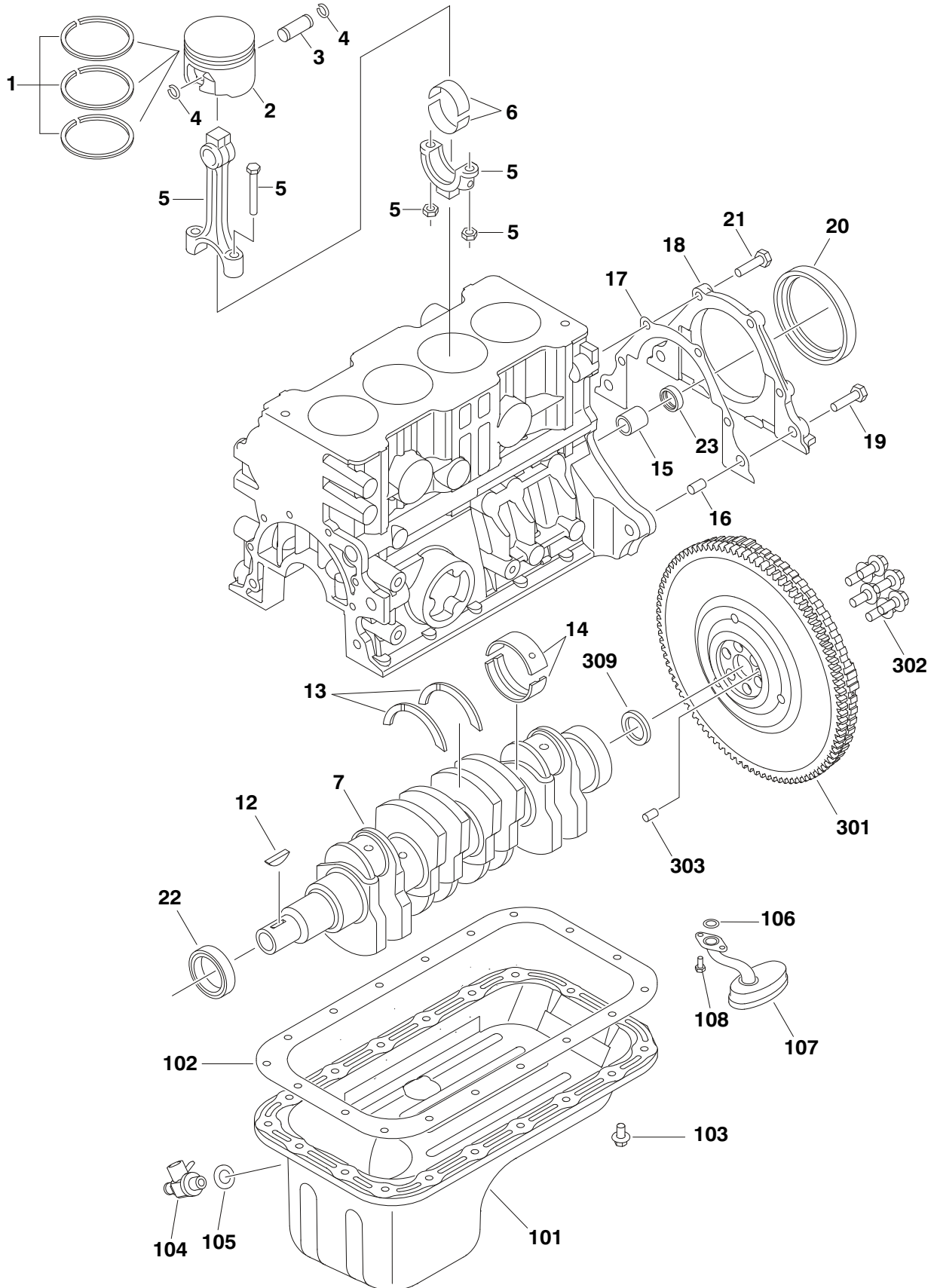
Part Number	Description	Qty
	<b>800A/800AJ (See 3.0L ENGINE SECTION for Breakdown)</b>	Ref
2000354	Tier 1 3.0L Complete Engine (Machines Prior to SN 0300109494 without UGM)	Ref
1001091583	Tier 2 3.0L Complete Engine (Machines SN 0300109494 to Present without UGM & without Arctic Package)	Ref
1001111353	Tier 2 3.0L Complete Engine (Machines SN 0300109494 to Present without UGM & with Arctic Package)	Ref
1001114595	Tier 3 & 4 interim 3.0L Complete Engine (Machines with UGM)	Ref
	<b>800S/860SJ (See 3.0L ENGINE SECTION for Breakdown)</b>	Ref
2000354	Tier 1 3.0L Complete Engine (Machines Prior to SN 0300109494 without UGM)	Ref
1001091583	Tier 2 3.0L Complete Engine (Machines SN 0300109494 to Present without UGM & without Arctic Package)	Ref
See Note	Tier 2 3.0L Complete Engine (Machines SN 0300109494 to Present without UGM & with Arctic Package) <b>(Note: Not available for purchase)</b>	Ref
1001114595	Tier 3 & 4 interim 3.0L Complete Engine (Machines with UGM)	Ref
	<b>JLG Scissors Lift Models:</b>	Ref
	<b>3394RT/4394RT (See 3.0L ENGINE SECTION for Breakdown)</b>	Ref
2000360	Tier 1 3.0L Complete Engine (Machines Prior to SN 0200166823)	Ref
1001091585	Tier 2 3.0L Complete Engine (Machines SN 0200166823 to SN 0200191606)	Ref
1001102398	Tier 2 3.0L Complete Engine (Machines SN 0200191606 to SN 0200198947)	Ref
1001114604	Tier 3 & 4 interim 3.0L Complete Engine (Machines SN 0200198947 to Present)	Ref



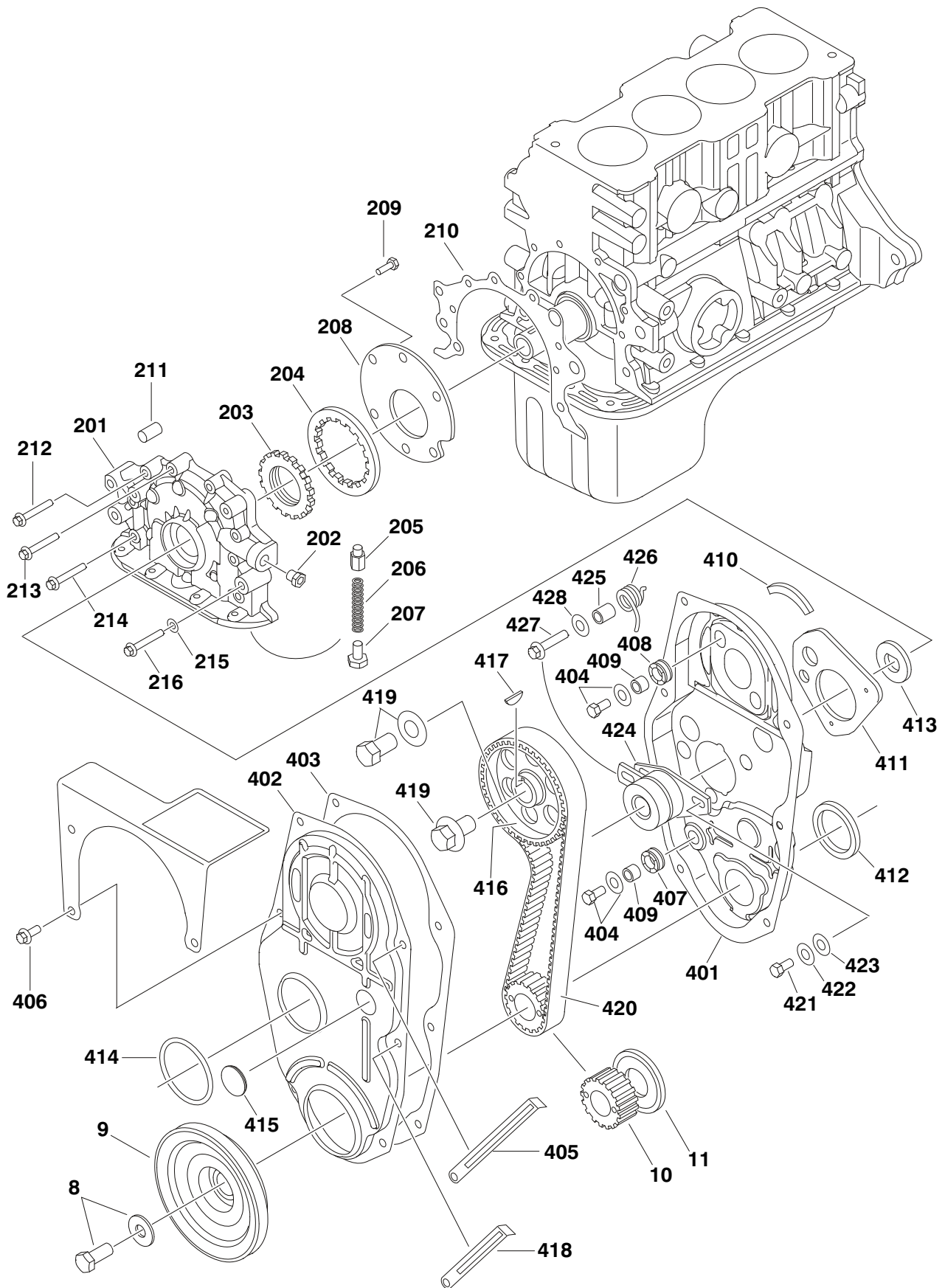
# **SECTION 2 .97L ENGINE**

# SECTION 2 .97L ENGINE

## FIGURE 2-1. SHORT BLOCK COMPONENTS



# SECTION 2 .97L ENGINE



## SECTION 2 .97L ENGINE

### FIGURE 2-1. SHORT BLOCK COMPONENTS

ITEM #	PART NUMBER	QTY.	DESCRIPTION	REV.
		Ref	<b>PISTON/CRANKSHAFT COMPONENTS</b>	
1	70003244	4	Ring, Piston	
2	70003245	4	Piston	
3	70003246	4	Pin, Piston	
4	70003247	8	Clip	
5	70003248	4	Rod, Connecting	
	70003249	8	Bolt, Connecting Rod	
	70003250	8	Nut, Connecting Rod Nut	
6	70003251	8	Bearing, Rod	
7	70003252	1	Crankshaft	
8	70003253	1	Bolt	
9	70003254	1	Ring	
10	70003255	1	Gear, Timing	
11	70003256	1	Washer	
12	70003257	1	Key	
13	70003258	2	Bearing	
14	70003259	10	Bearing, Crankshaft	
15	70003260	1	Gasket	
16	70003261	2	Pin, Dowel	
17	70003262	1	Gasket, Rear Oil Seal Housing	
18	70003263	1	Housing, Rear Oil Seal	
19	70003264	2	Bolt	
20	70003265	1	Seal, Rear Oil	
21	70003266	4	Bolt	
22	70003267	1	Seal, Front Oil	
23	See Note	1	Ring <b>(Note: Not available for purchase)</b>	
24	Use I70003253	1	Washer	
		Ref	<b>OIL PAN COMPONENTS</b>	
101	See Note	1	Pan, Oil <b>(Note: Not available for purchase)</b>	
102	70003268	1	Gasket, Oil Pan	
103	70003269	18	Bolt	
104	70003270	1	Plug, Oil Pan <b>(Note: See Dress Kit before ordering parts)</b>	
105	70003271	1	Seal, Oil Pan Plug	
106	70003272	1	Gasket, Strainer	
107	70003273	1	Strainer, Sump	
108	70003274	2	Bolt	
		Ref	<b>OIL PUMP COMPONENTS</b>	
201	70003275	1	Block, Oil Pump	
202	70003276	1	Plug	
203	70003277	1	Gear, Oil Pump Inner	
204	70003278	1	Gear, Oil Pump Outer	
205	70003279	1	Valve, Oil Pressure Relief	
206	70003280	1	Spring, Oil Pressure Relief	
207	70003281	1	Plug, Oil Pressure Relief	

## SECTION 2 .97L ENGINE

**FIGURE 2-1. SHORT BLOCK COMPONENTS (CONTINUED)**

ITEM #	PART NUMBER	QTY.	DESCRIPTION	REV.
208	70003282	1	Cover, Oil Pump Rear	
209	70003283	6	Screw	
210	70003284	1	Gasket, Oil Pump	
211	70003285	2	Pin, Dowel	
212	70003286	5	Bolt	
213	70003287	1	Bolt	
214	70003288	2	Bolt	
215	70003289	1	Washer	
216	70003290	1	Bolt	
		Ref	<b>FLYWHEEL COMPONENTS</b>	
301	See Note	1	Flywheel ( <b>Note: Not available for purchase</b> )	
	70003403	1	Ring Gear	
302	70003404	6	Bolt, Flywheel	
303	70003405	1	Pin, Dowel	
304 to 308	Not Used			
309	70003406	1	Bearing	
		Ref	<b>TIMING COMPONENTS</b>	
401	70003342	1	Cover, Joining	
402	70003343	1	Cover, Front	
403	70003344	1	Gasket, Front	
404	70003345	4	Bolt & Washer	
405	70003346	2	Support, Long	
406	70003347	6	Bolt	
407	70003348	2	Grommet	
408	70003349	2	Grommet	
409	70003350	4	Spacer	
410	70003351	2	Gasket	
411	70003352	1	Gasket	
412	70003353	1	Gasket	
413	70003354	1	Gasket	
414	70003355	1	Ring, Front Cover	
415	70003356	1	Plug, Front Cover Window	
416	70003357	1	Pulley, Camshaft Timing	
417	70003358	1	Key	
418	70003359	1	Support, Short	
419	70003360	2	Bolt & Washer	
420	70003361	1	Belt, Timing	
421	70003362	1	Bolt	
422	70003363	1	Washer	
423	70003364	1	Washer	
424	70003365	1	Tensioner	
425	70003366	1	Spacer, Torsion Bar	
426	70003367	1	Bar, Torsion	
427	70003368	1	Bolt	
428	70003369	1	Washer, Torsion Bar	

# SECTION 2 .97L ENGINE

## FIGURE 2-2. CYLINDER HEAD COMPONENTS

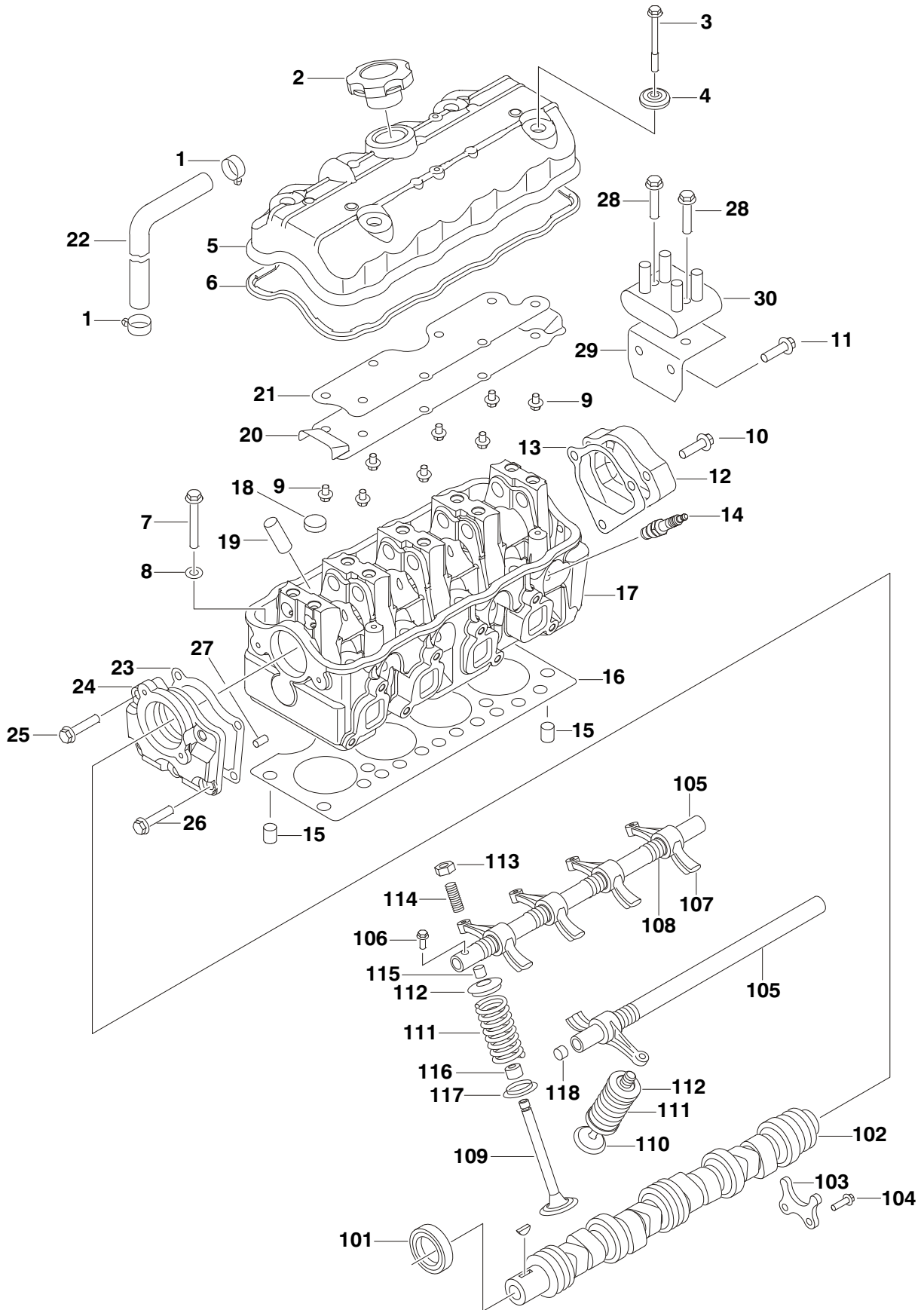


FIGURE 2-2. CYLINDER HEAD COMPONENTS

ITEM #	PART NUMBER	QTY.	DESCRIPTION	REV.
		Ref	<b>CYLINDER HEAD COMPONENTS</b>	
1	70003292	2	Clamp, Outlet	
2	70003293	1	Cap, Vent	
3	70003294	4	Bolt, Cylinder Head	
4	70003295	4	Grommet, Cylinder Bolt	
5	70003296	1	Cover, Valve	
6	70003297	1	Gasket, Valve Cover	
7	70003298	10	Bolt, Cylinder Head	
8	70003299	10	Gasket	
9	70003300	8	Bolt	
10	70003301	1	Screw, Cylinder Head Rear Cover	
11	70003302	2	Screw, Coil Bracket	
12	70003303	1	Cover, Cylinder Head Rear	
13	70003304	2	Gasket, Cylinder Head Rear Cover	
14	70003179	4	Plug, Spark	
15	70003305	2	Pin, Dowel	
16	70003306	1	Gasket, Cylinder Head	
17	70003307	1	Head, Cylinder	
18	70003308	4	Plug	
19	70003309	8	Guide, Valve	
20	70003310	1	Board, Cover	
21	70003311	1	Gasket, Cover Board	
22	70003312	1	Pipe, PCV	
23	70003313	1	Gasket, Cylinder Head Front Cover	
24	70003314	1	Cover, Cylinder Head Front	
25	70003315	3	Bolt, Cylinder Head Front Cover	
26	70003316	2	Bolt, Cylinder head Front Cover	
27	70003317	2	Pin, Dowel	
28	70003318	2	Bolt, Coil	
29	70003319	1	Bracket, Coil	
30	70003320	1	Coil, Ignition	
		Ref	<b>CAMSHAFT COMPONENTS</b>	
101	70003321	1	Seal, Front Camshaft	
102	70003322	1	Camshaft	
103	70003323	1	Plate, Thrust	
104	70003324	2	Bolt	
105	70003325	2	Shaft, Rocker Arm	
106	70003326	10	Bolt	
107	70003327	8	Arm, Rocker	
108	70003328	8	Spring, Rocker	
109	70003329	4	Valve, Intake	
110	70003330	4	Valve, Exhaust	
111	70003331	8	Spring, Valve	
112	70003332	8	Seat, Valve Spring	
113	70003333	8	Nut, Rocker Valve Arm	
114	70003334	8	Screw, Rocker Valve Arm	

## SECTION 2 .97L ENGINE

**FIGURE 2-2. CYLINDER HEAD COMPONENTS (CONTINUED)**

ITEM #	PART NUMBER	QTY.	DESCRIPTION	REV.
115	70003335	10	Block	
116	70003336	8	Seal, Valve	
117	70003337	8	Base, Valve Spring	
118	70003338	4	Plug, Rocker Arm	

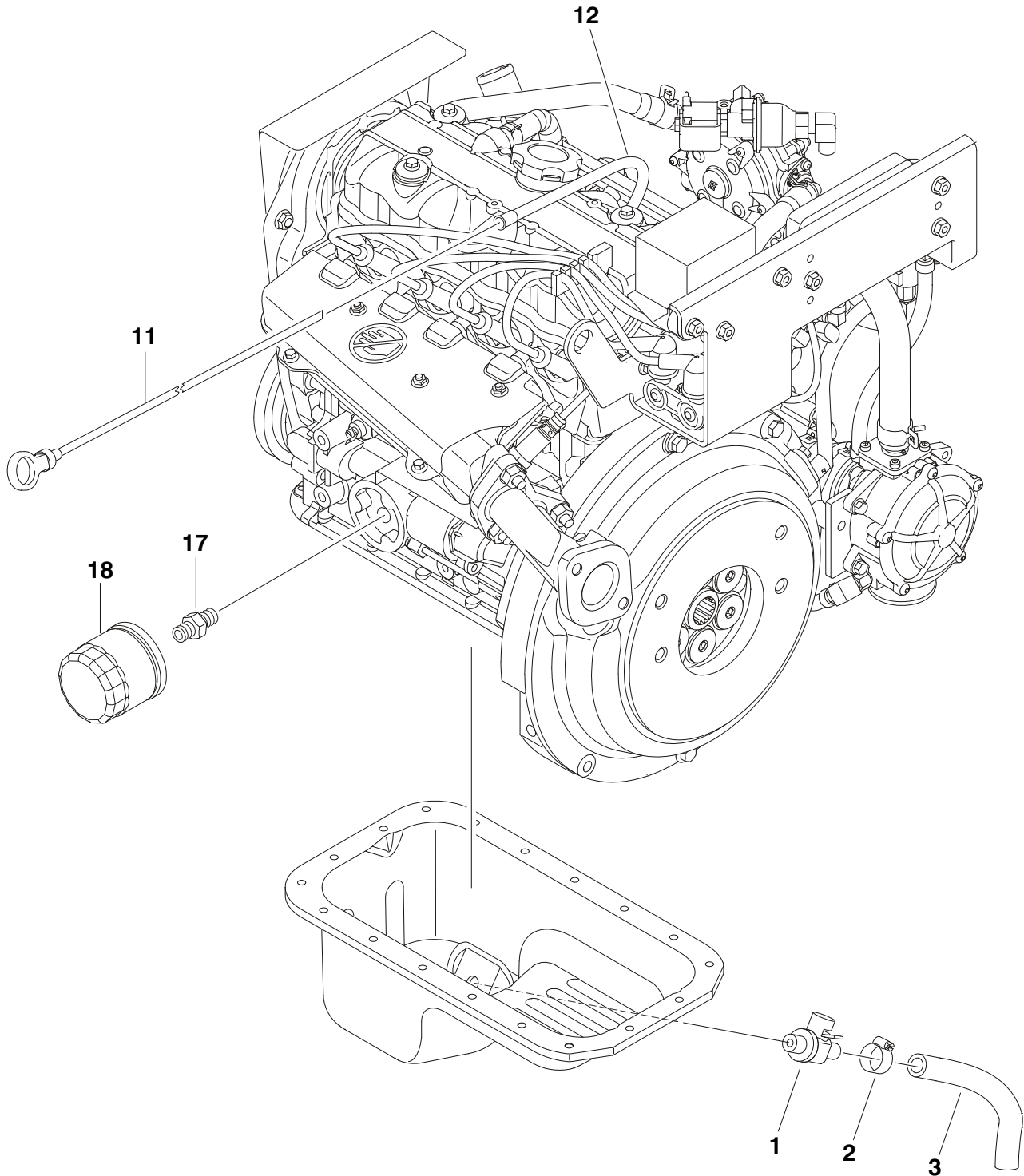


**FIGURE 2-2. CYLINDER HEAD COMPONENTS (CONTINUED)**

ITEM #	PART NUMBER	QTY.	DESCRIPTION	REV.

## SECTION 2 .97L ENGINE

FIGURE 2-3. LONG BLOCK & DRESS COMPONENTS



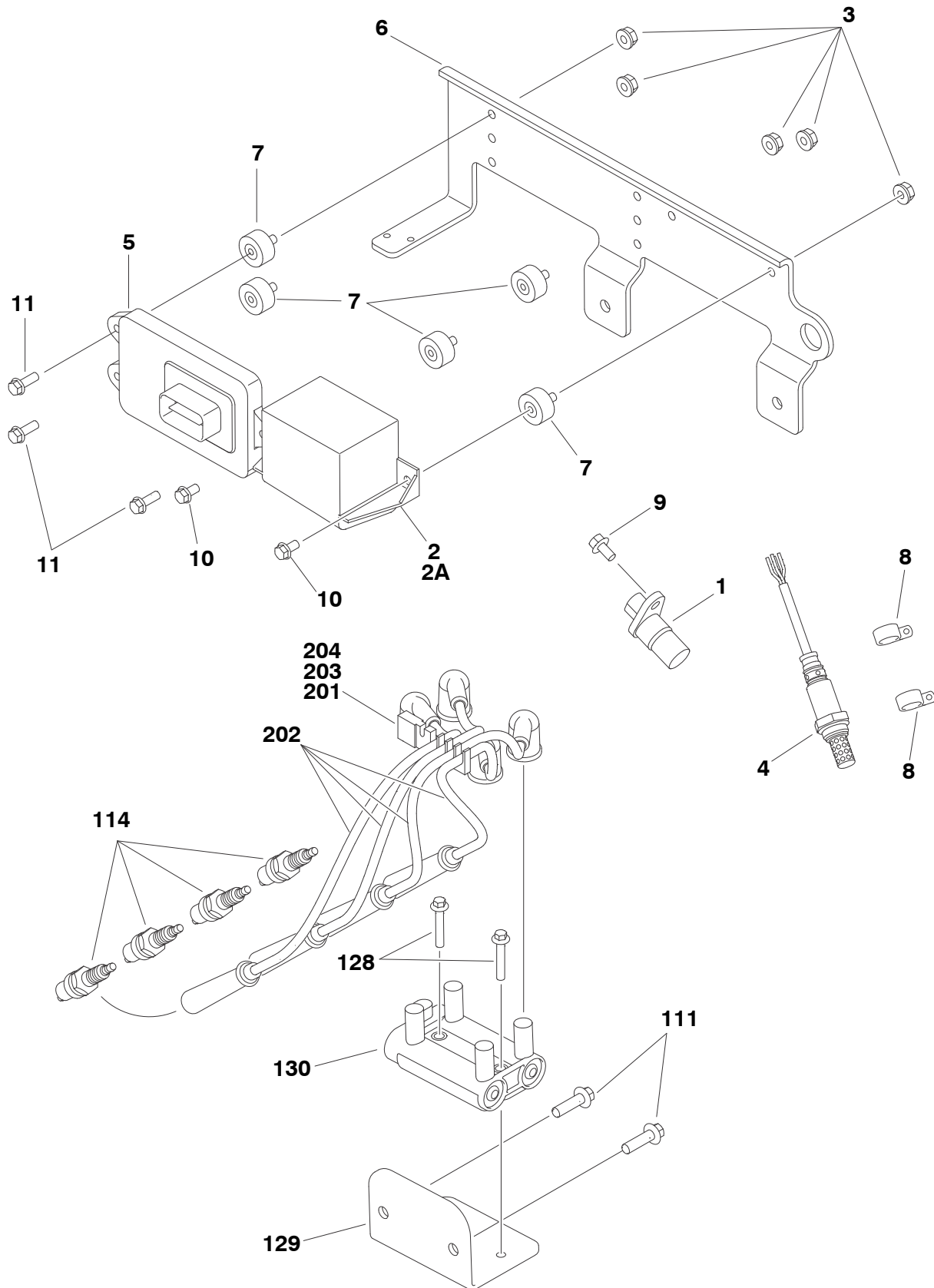
## SECTION 2 .97L ENGINE

**FIGURE 2-3. LONG BLOCK & DRESS COMPONENTS**

ITEM #	PART NUMBER	QTY.	DESCRIPTION	REV.
		Ref	<b>DRESS COMPONENTS</b>	
1	70003226	1	Valve, Oil Drain	
2	70003227	1	Clamp	
3	70001542	1	Hose	
4 to 10	Not Used			
11		1	Dipstick Options (was p/n 70003228) <b>(Note: Engine SN not Machine SN):</b> Prior to Engine SN 0.9L01126 (Redesigned Dipstick & Tube Kit) Engine SN 0.9L01126 to SN 0.9L01240 & SN 0.9L01243 (Dipstick Kit) (was p/n 1001143635)	
	Use 1001143636 Use 1001143762			
12		1	Tube, Dipstick Options <b>(Note: Engine SN not Machine SN):</b> Prior to Engine SN 0.9L01126 (Redesigned Dipstick & Tube Kit) Engine SN 0.9L01126 to SN 0.9L01240 & SN 0.9L01243 (Tube Only)	
	Use 1001143636 70003229			
13 to 16	Not Used			
17	70003291	1	Fitting	
18	70002979	1	Filter, Oil	
101		Ref	<b>SERVICE REPLACEMENT LONG BLOCK</b>	
	See Note	1	Long Block for 1001117892 Engine <b>(Note: Not available for purchase)</b>	

# SECTION 2 .97L ENGINE

## FIGURE 2-4. ELECTRICAL COMPONENTS



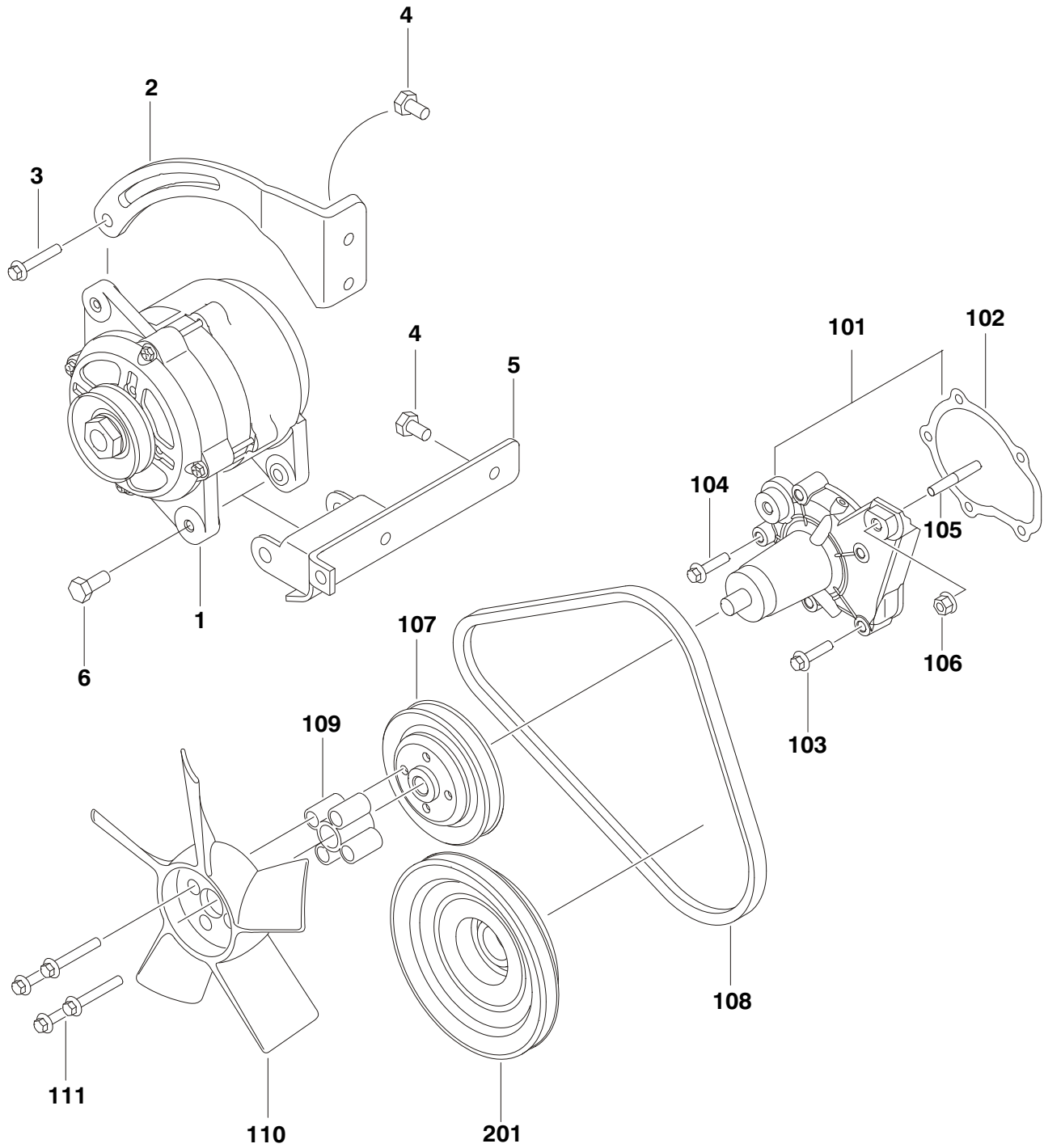
## SECTION 2 .97L ENGINE

### FIGURE 2-4. ELECTRICAL COMPONENTS

ITEM #	PART NUMBER	QTY.	DESCRIPTION	REV.
		Ref	<b>ELECTRICAL COMPONENTS</b>	
1	7027999	1	Sensor, Speed	
2	70003192	1	Harness, Engine	
2A	See Note	1	Box, Fuse ( <b>Note: Part of Harness - Not Available for Purchase</b> )	
	70002627	1	Cover, Fuse Box	
	70001950	2	Relay (Power & Fuel Pump)	
	70001951	1	Relay (Starter)	
	70001931	1	Fuse - 60 Amp (Alternator)	
	See Note	1	Fuse - 20 Amp ( <b>Note: Not Available - Purchase Locally</b> )	
	See Note	3	Fuse - 15 Amp ( <b>Note: Not Available - Purchase Locally</b> )	
	See Note	1	Fuse - 10 Amp ( <b>Note: Not Available - Purchase Locally</b> )	
	See Note	1	Fuse - 5 Amp ( <b>Note: Not Available - Purchase Locally</b> )	
3	70003193	5	Nut	
4	70000719	1	O2 Sensor	
5	70003178	1	Module, ECM	
6	70003194	1	Bracket	
7	70001313	5	Isolator	
8	70003195	2	Clamp	
9	70003196	1	Bolt	
10	70003197	2	Bolt	
11	70003198	5	Bolt	
		Ref	<b>COIL &amp; SPARK PLUG COMPONENTS</b>	
100 to 110	Not Used			
111	70003302	2	Screw	
112 to 113	Not Used			
114	70003179	4	Plug, Spark	
115 to 127	Not Used			
128	70003318	2	Bolt, Coil	
129	70003319	1	Bracket, Coil	
130	70003320	1	Coil, Ignition	
		Ref	<b>SPARK PLUG WIRE COMPONENTS</b>	
201	70003381	1	Clip	
202	70003382	4	Wire, Spark Plug	
203	70003383	1	Bracket	
204	70003384	1	Bolt	

## SECTION 2 .97L ENGINE

FIGURE 2-5. ALTERNATOR, WATER PUMP & PULLEYS COMPONENTS



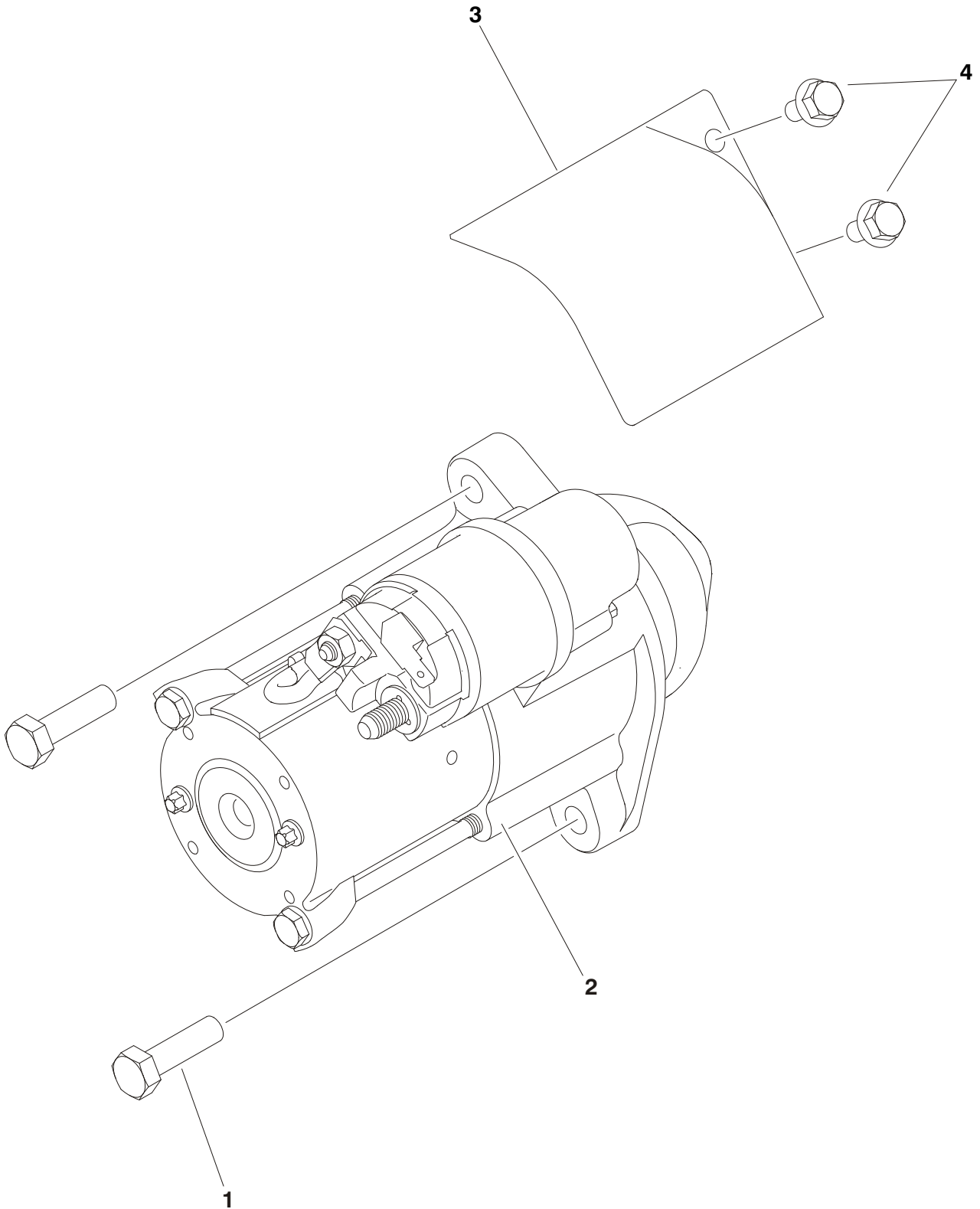
## SECTION 2 .97L ENGINE

**FIGURE 2-5. ALTERNATOR, WATER PUMP & PULLEYS COMPONENTS**

ITEM #	PART NUMBER	QTY.	DESCRIPTION	REV.
		Ref	<b>ALTERNATOR &amp; PULLEY COMPONENTS</b>	
1	70003385	1	Alternator/Generator	
2	70003386	1	Arm, Adjusting	
3	Use 0760812	1	Bolt, Flanged (was p/n 70003387)	
4	70003388	5	Bolt	
5	70003389	1	Bracket, Mounting	
6	70003390	2	Bolt	
		Ref	<b>FAN &amp; WATER PUMP COMPONENTS</b>	
101	70003391	1	Pump, Water (Includes Item 102)	
102	70003392	1	Gasket, Water Pump	
103	70003393	2	Bolt	
104	70003394	1	Bolt	
105	70003395	2	Stud	
106	70003396	2	Nut	
106	70003397	2	Washer	
107	70003398	1	Pulley, Water Pump	
108	70003399	1	V-Belt/Drive Belt	
109	70003400	1	Gasket, Spacer	
110	70003401	1	Fan	
111	Use 70003401	4	Bolt (was p/n 70003402)	
		Ref	<b>CRANK SHAFT PULLEY COMPONENTS</b>	
201	70003189	1	Pulley, Crankshaft	

## SECTION 2 .97L ENGINE

FIGURE 2-6. STARTER COMPONENTS





**FIGURE 2-6. STARTER COMPONENTS**

ITEM #	PART NUMBER	QTY.	DESCRIPTION	REV.
		Ref	<b>STARTER KIT</b>	
1	70003190	2	Bolt, Starter	
2	70003191	1	Starter	
3	See Note	1	Shield, Cover <b>(Note: Not available for purchase)</b>	
4	See Note	2	Bolt, Cover <b>(Note: Not available for purchase)</b>	

## SECTION 2 .97L ENGINE

FIGURE 2-7. FLYWHEEL HOUSING/PUMP COUPLING COMPONENTS

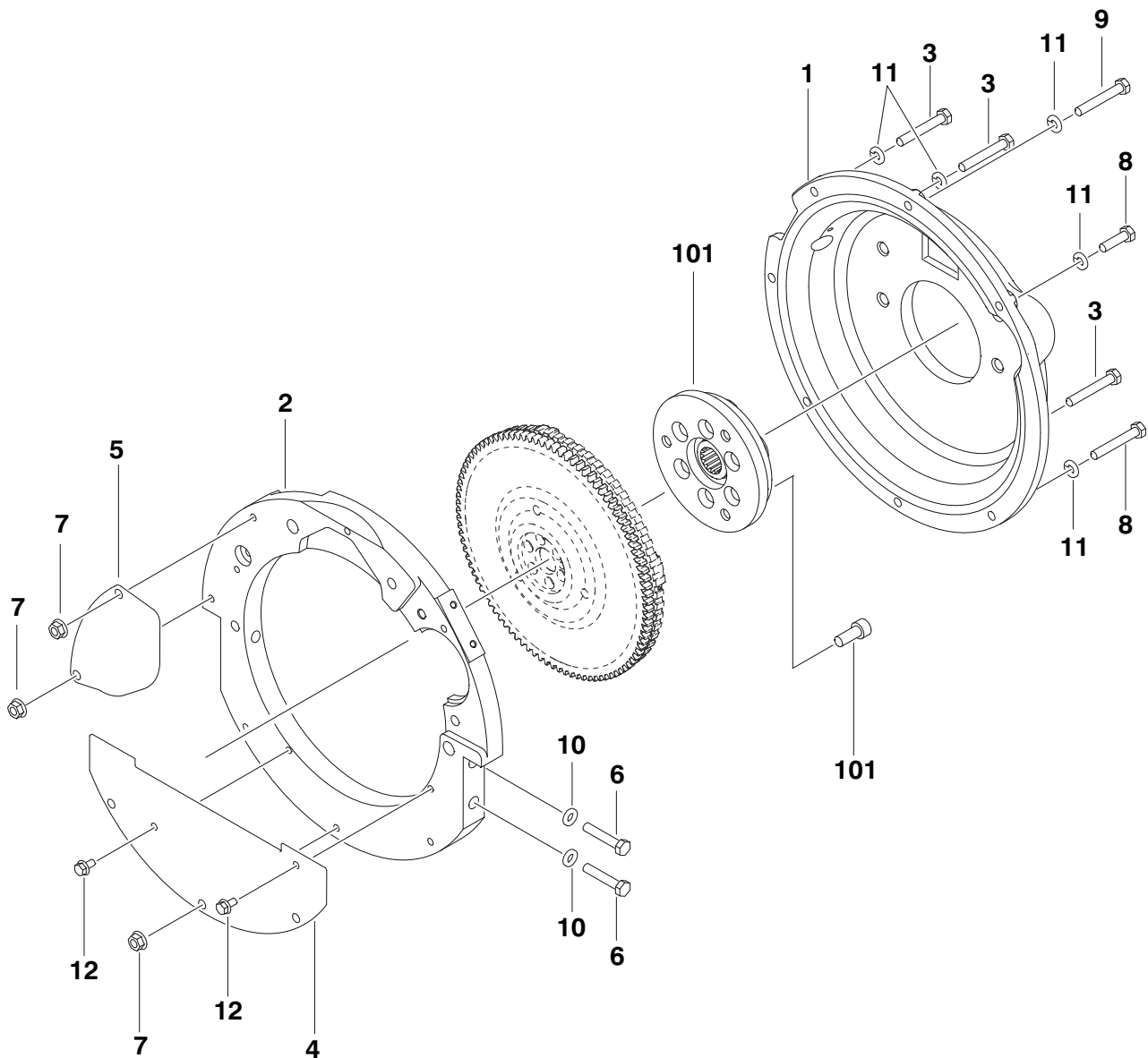
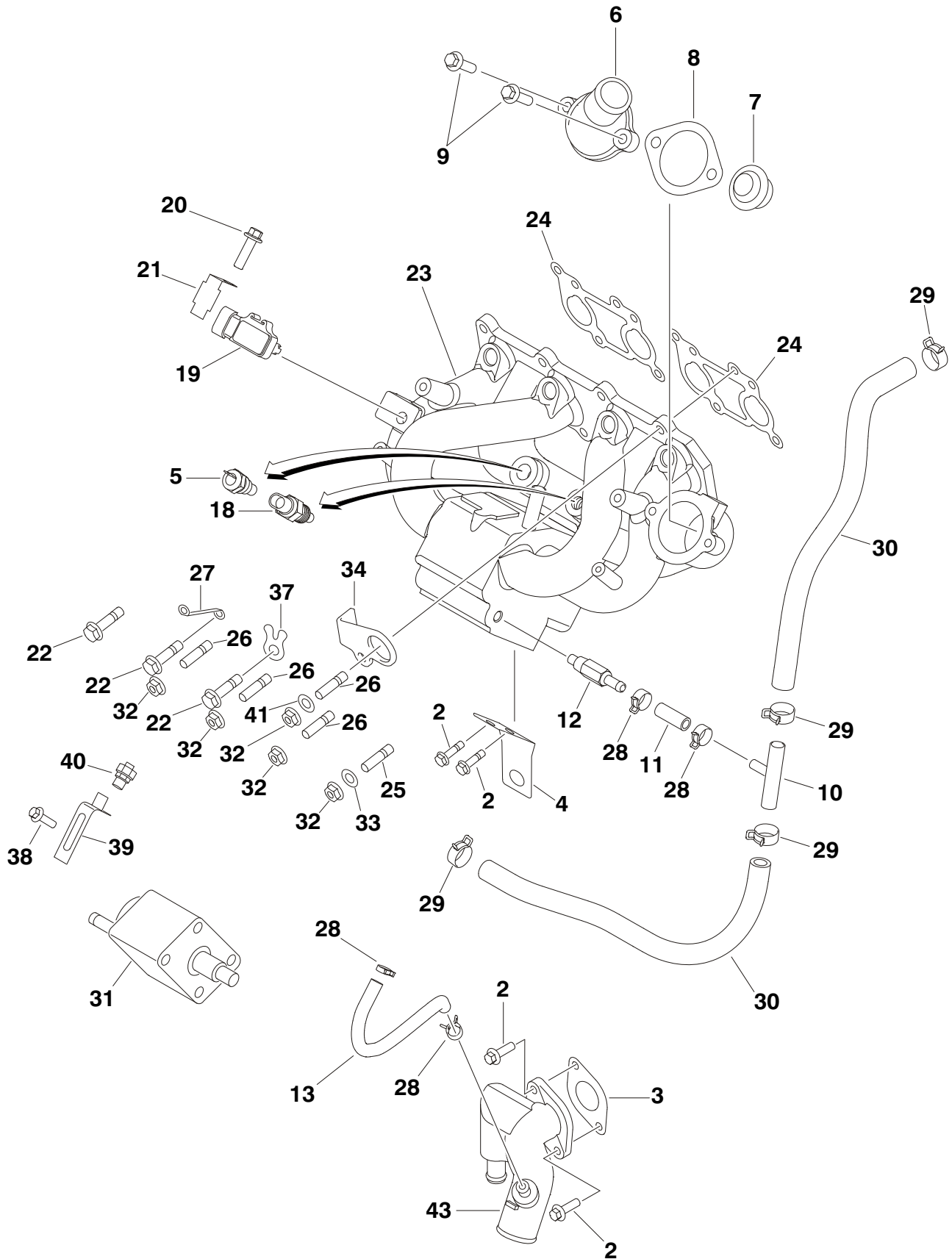


FIGURE 2-7. FLYWHEEL HOUSING/PUMP COUPLING COMPONENTS

ITEM #	PART NUMBER	QTY.	DESCRIPTION	REV.
		Ref	<b>FLYWHEEL HOUSING COMPONENTS</b>	
1	70003180	1	Housing, Flywheel	
2	70003181	1	Spacer	
3	70003182	2	Bolt	
4	70003183	1	Cover, Ring Plate (Bottom)	
5	70003184	1	Cover, Ring Plate (Top)	
6	70001568	2	Bolt	
7	70001316	2	Nut	
8	70003185	2	Bolt	
9	70003186	1	Bolt	
10	70003187	2	Washer	
11	70003188	9	Washer	
12	70002890	2	Bolt	
		Ref	<b>PUMP COUPLING COMPONENTS</b>	
101	See Note	1	Pump Coupling Kit ( <b>Note: Not available for purchase</b> )	

# SECTION 2 .97L ENGINE

## FIGURE 2-8. THERMOSTAT & INTAKE MANIFOLD COMPONENTS



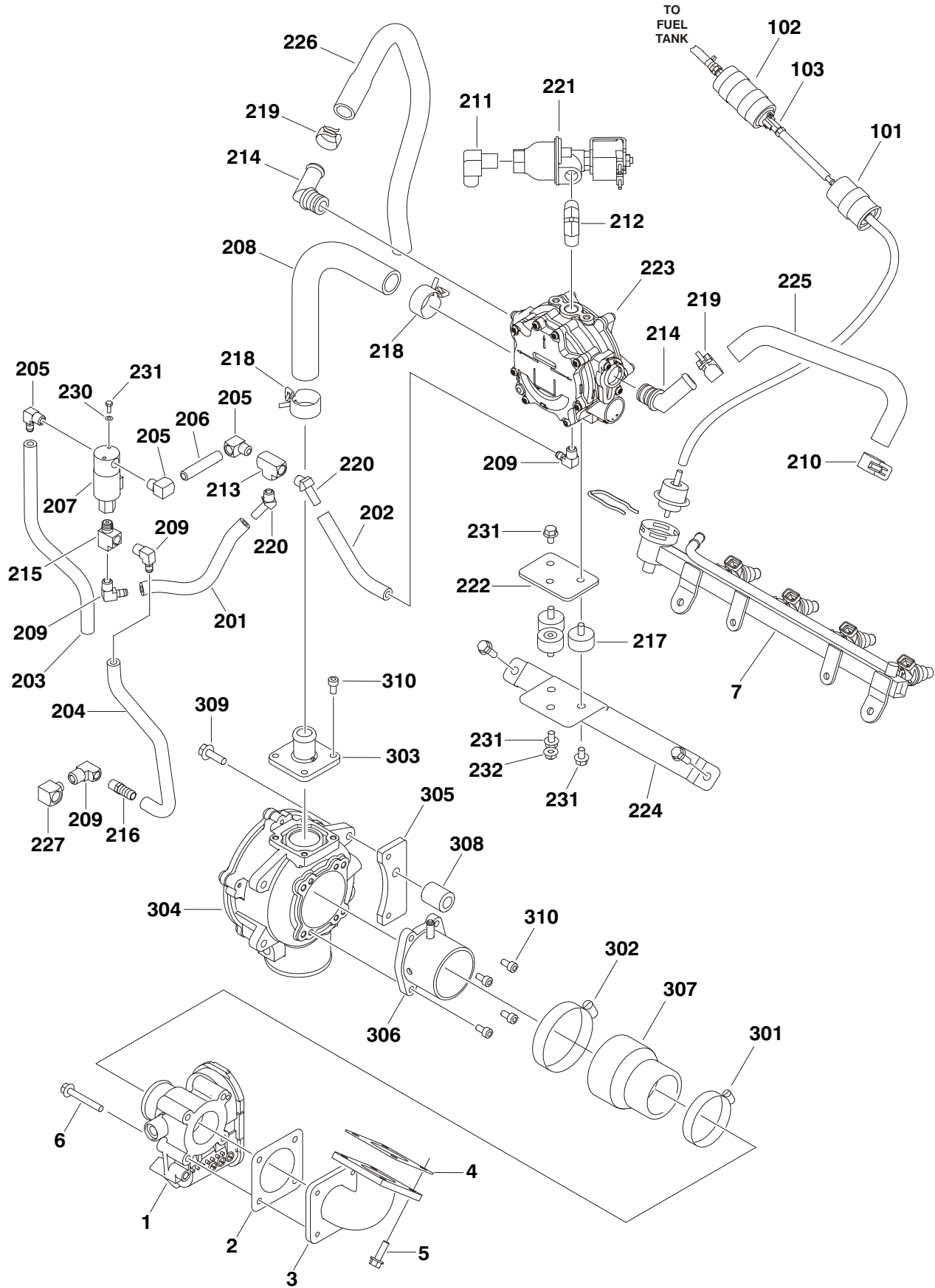
## SECTION 2 .97L ENGINE

**FIGURE 2-8. THERMOSTAT & INTAKE MANIFOLD COMPONENTS**

ITEM #	PART NUMBER	QTY.	DESCRIPTION	REV.
		Ref	<b>THERMOSTAT &amp; INTAKE MANIFOLD COMPONENTS</b>	
1	Not Used			
2	70003409	4	Bolt	
3	70003410	1	Seal	
4	70003411	1	Bracket, Front Intake Manifold	
5	70003412	1	Sensor, Water Temperature	
6	70003413	1	Housing, Thermostat	
7	70003414	1	Thermostat	
8	70003415	1	Gasket, Thermostat Housing	
9	70003416	2	Bolt	
10	70003417	1	Pipe, EGR	
11	70003418	1	Pipe, PCV	
12	70003419	1	Valve, PCV	
13	70003420	1	Pipe, Backwater	
14 to 18	Not Used			
17	See Note	2	Tie-in, Vacuum Aidforce (Not Shown) <b>(Note: Not available for purchase)</b>	
18	70003421	1	Sensor, Coolant Temperature	
19	70003422	1	Sensor, Map	
20	70003423	4	Bolt	
21	70003424	1	Bracket, Map Sensor	
22	70003425	3	Bolt, Intake Manifold	
23	70003426	1	Intake Manifold Set	
24	70003427	2	Gasket, Intake Manifold	
25	70003428	1	Stud, Exhaust Manifold	
26	70003429	4	Stud, Intake Manifold	
27	70003430	1	Patch, Earthing	
28	70003431	4	Clamp	
29	70003432	4	Clamp	
30	70003433	1	Pipe, Backwater	
31	70003434	1	Valve	
32	70003435	5	Nut	
33	70003436	1	Lockwasher	
34	70003437	1	Eye, Lifting	
35 to 36	Not Used			
37	70003438	1	Clip	
38	70003439	1	Bolt	
39	70003440	1	Bracket	
40	70003441	1	Switch	
41	70003442	1	Washer	
42	70003443	1	Ring (Not Shown)	
43	70003444	1	Pipe, Return Water	

# SECTION 2 .97L ENGINE

## FIGURE 2-9. FUEL SUPPLY COMPONENTS



## SECTION 2 .97L ENGINE

### FIGURE 2-9. FUEL SUPPLY COMPONENTS

ITEM #	PART NUMBER	QTY.	DESCRIPTION	REV.
		Ref	<b>THROTTLE BODY &amp; FUEL RAIL COMPONENTS</b>	
1	70003199	1	Body, Throttle	
2	70000006	1	Gasket, Throttle Body to Intake Adapter	
3	70003200	1	Adapter, Intake	
4	70003201	1	Gasket, Intake Adapter	
5	70003196	4	Bolt	
6	70003202	4	Bolt	
7	70003792	1	Fuel Rail & Injectors Assembly	
		Ref	<b>FUEL PUMP &amp; FILTER COMPONENTS</b>	
101	7027972	1	Filter, Fuel	
102	7027973	1	Pump, Fuel	
103	70000166	1	Fitting	
		Ref	<b>VAPORIZER COMPONENTS</b>	
201	70001309	4.75in	Hose	
202	70001309	5in	Hose	
203	70001309	9.5in	Hose	
204	70001309	15.5in	Hose	
205	70003203	3	Fitting, Elbow	
206	70003204	1	Fitting, Nipple	
207	70003205	1	Valve, Trim	
208	70003206	10	Hose	
209	70003207	4	Fitting, Elbow	
210	70003208	1	Clamp	
211	70002880	1	Fitting, Elbow	
212	70003209	1	Fitting, Elbow	
213	70003210	1	Fitting, Tee	
214	70002888	2	Fitting, Elbow	
215	70003211	1	Fitting, Tee	
216	70003212	1	Fitting, Straight	
217	70002881	3	Mount, Isolator	
218	70003213	2	Clamp	
219	70002882	2	Clamp	
220	70003214	2	Fitting, Elbow	
221	70002883	1	Valve, Lock Off with Filter	
	70003224		Filter Kit for 70002883 Valve	
222	70002885	1	Plate	
223	70003215	1	Regulator, Fuel	
	70003225		Repair Kit - 70003215 Regulator	
224	70003216	1	Bracket	
225	70003218	1	Hose (Top)	
226	70003219	1	Hose (Bottom)	
227	70003220	1	Adapter	
228	70003221	1	Terminal, Magnetic Pickup (Not Shown)	
229	70003222	1	Seal, Magnetic Pickup Terminal (Not Shown)	

## SECTION 2 .97L ENGINE

**FIGURE 2-9. FUEL SUPPLY COMPONENTS (CONTINUED)**

ITEM #	PART NUMBER	QTY.	DESCRIPTION	REV.
230	70003223	2	Washer	
231	70002890	5	Bolt	
232	70002891	1	Nut	
		Ref	<b>MIXER COMPONENTS</b>	
301	1320012	1	Clamp	
302	70003230	1	Clamp	
303	70003231	1	Adapter	
304	70003232	1	Mixer	
305	70003233	1	Bracket	
306	70003234	1	Adapter	
307	70003235	1	Reducer	
308	70003236	1	Spacer	
309	70003237	2	Bolt	
310	70003238	8	Bolt	

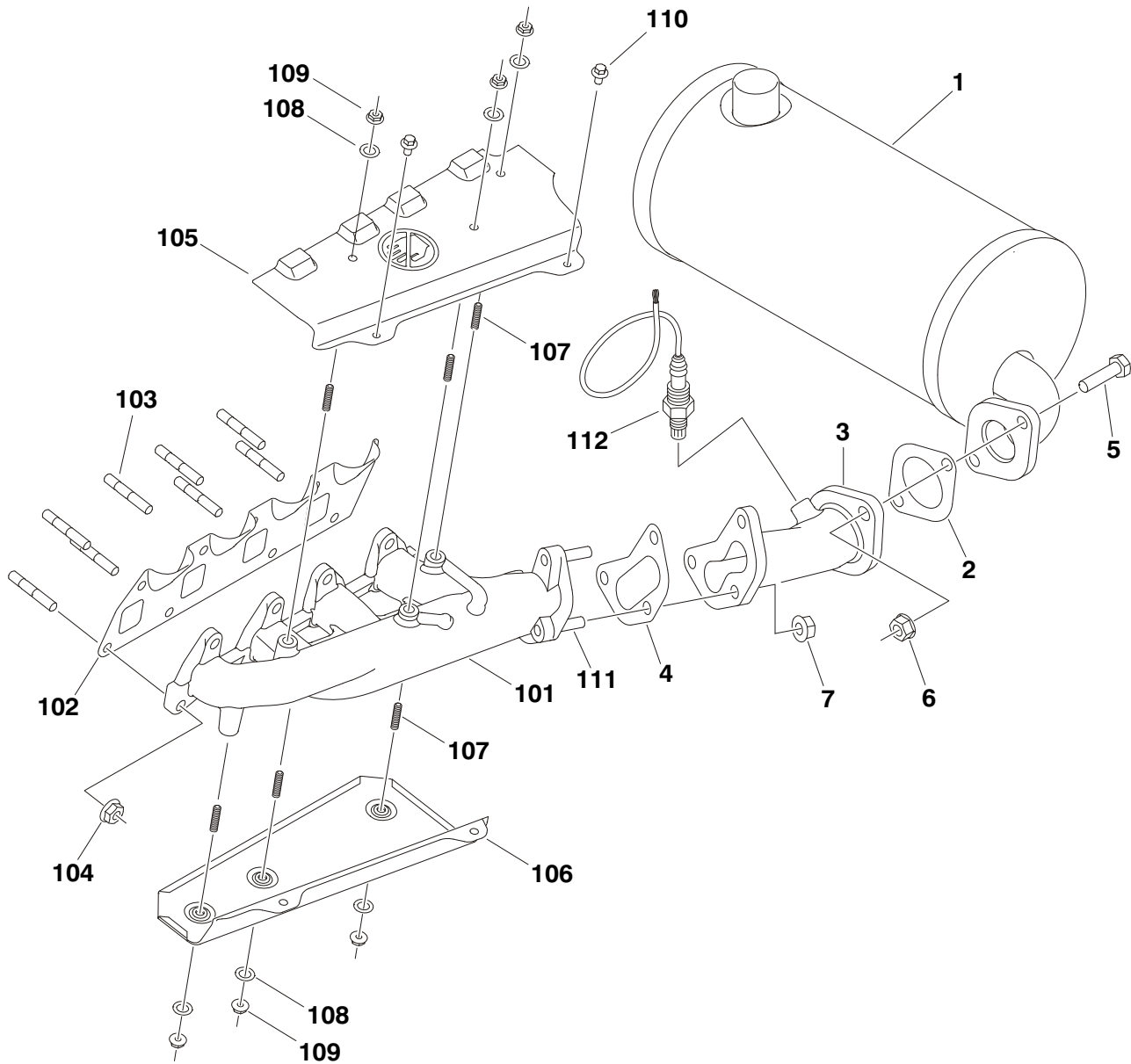


**FIGURE 2-9. FUEL SUPPLY COMPONENTS (CONTINUED)**

ITEM #	PART NUMBER	QTY.	DESCRIPTION	REV.

## SECTION 2 .97L ENGINE

FIGURE 2-10. EXHAUST COMPONENTS



## SECTION 2 .97L ENGINE

**FIGURE 2-10. EXHAUST COMPONENTS**

ITEM #	PART NUMBER	QTY.	DESCRIPTION	REV.
		Ref	<b>MUFFLER COMPONENTS</b>	
1	70003239	1	Muffler	
2	70003240	1	Gasket, Muffler to Adapter	
3	70003241	1	Adapter	
4	70003242	1	Gasket, Adapter to Exhaust Manifold	
5	70002697	2	Bolt	
6	70003243	2	Nut	
7	70003243	3	Nut	
		Ref	<b>EXHAUST MANIFOLD COMPONENTS</b>	
101	70003370	1	Manifold, Exhaust	
102	70003371	1	Gasket, Exhaust Manifold to Block	
103	70003372	8	Stud	
104	70003373	8	Nut	
105	70003374	1	Shield, Manifold Outside	
106	70003375	1	Shield, Manifold Inside	
107	70003376	6	Stud	
108	70003377	6	Washer	
109	70003378	6	Nut	
110	70003379	2	Bolt	
111	70003380	3	Stud	
112	70000719	1	O2 Sensor	

## SECTION 2 .97L ENGINE

**FIGURE 2-10. EXHAUST COMPONENTS (CONTINUED)**

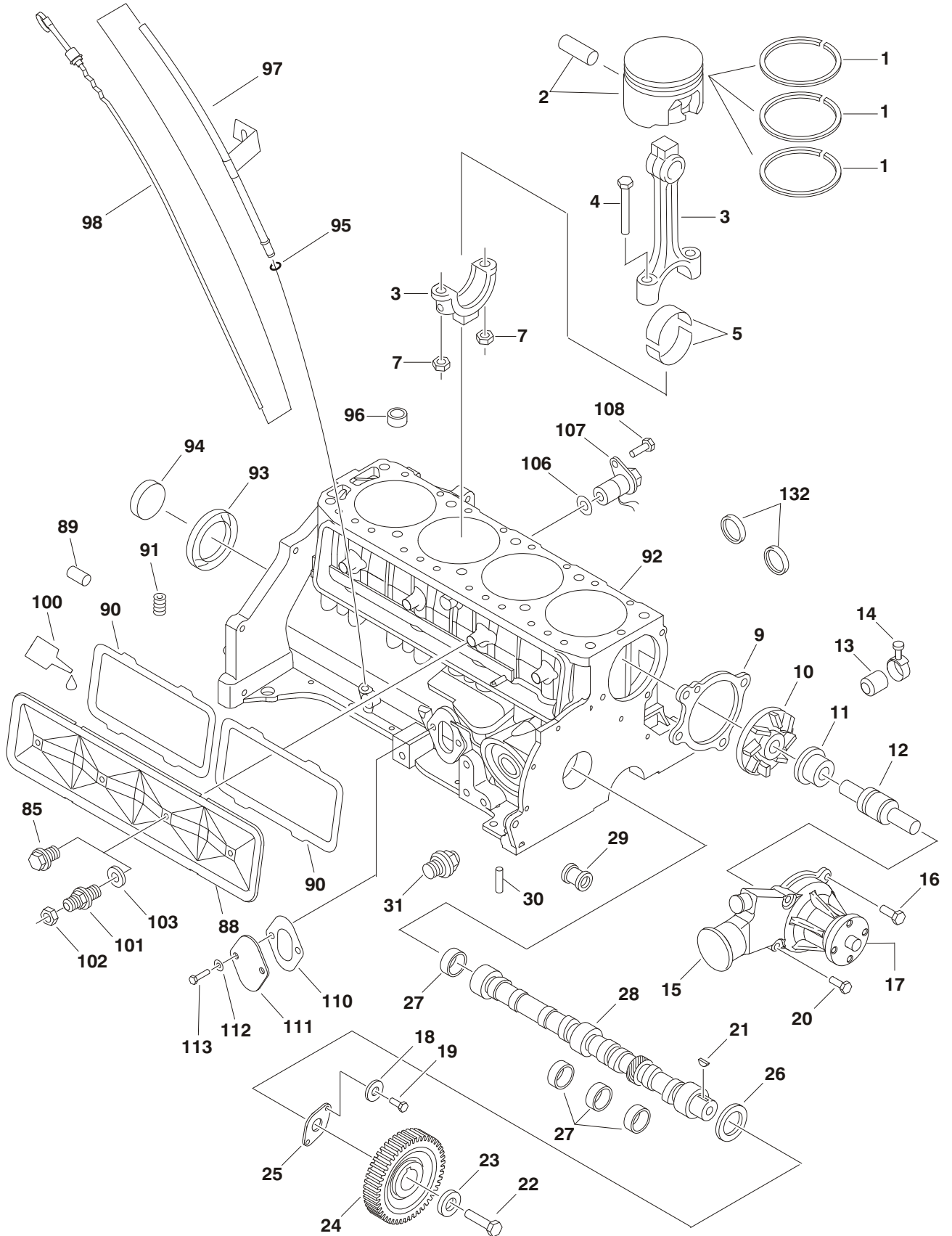
ITEM #	PART NUMBER	QTY.	DESCRIPTION	REV.

# **SECTION 3**

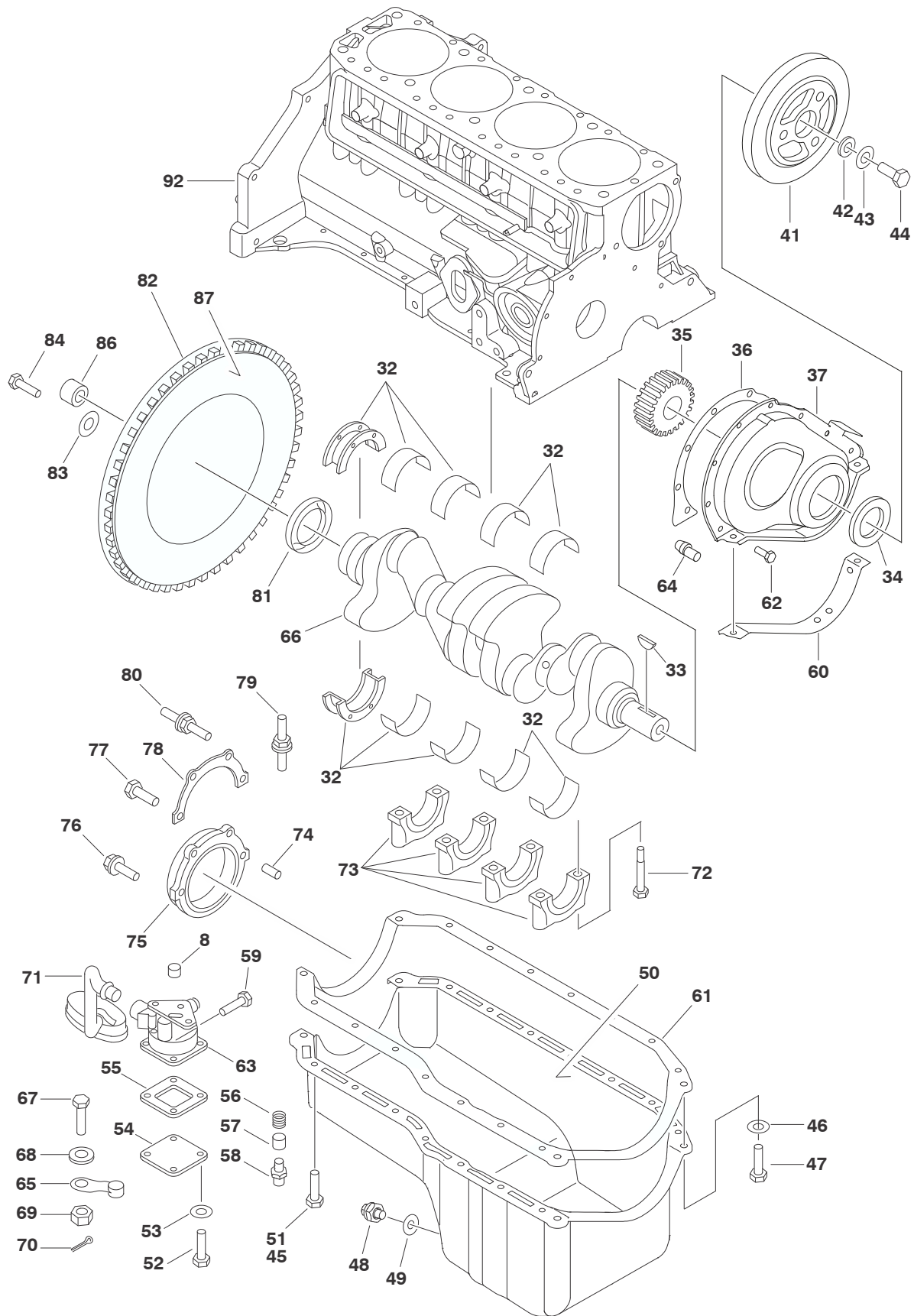
## **3.0L ENGINE**

# SECTION 3 3.0L ENGINE

## FIGURE 3-1. SHORT BLOCK COMPONENTS



# SECTION 3 3.0L ENGINE



## SECTION 3 3.0L ENGINE

**FIGURE 3-1. SHORT BLOCK COMPONENTS**

ITEM #	PART NUMBER	QTY.	DESCRIPTION	REV.
		Ref	<b>SHORT BLOCK COMPONENTS</b>	
		Ref	<b>Note: To determine the machine's engine p/n or emissions TIER level, refer to Section 1 Usage Chart.</b>	
1	70003786 70003781	4	Piston Ring Kit Option: .02 Oversize (Engine p/n 1001141139 Only) Standard	
2	70003881 70003883 70003782	4	Piston with Pin .02 Oversize (Engine p/n 1001141139 Only) Hi Limit (Engine p/n 1001141139 Only) Standard	
3	70001574	4	Rod, Connecting (Includes Items 4)	
4	70001575	8	Bolt, Connecting Rod (2 Per Rod)	
5	70001576 70001577	4	Bearing Kit - Connecting Rod Options: .001 Oversize Standard	
6	Not Used			
7	70001578	8	Nut, Connecting Rod	
8	70001579	1	Bearing, Oil Pump Drive Shaft	
9	70000990	1	Gasket, Water Pump	
10	Use 70000001	1	Impeller, Water Pump (Purchase Item 15)	
11	Use 70000001	1	Bushing, Water Pump (Purchase Item 15)	
12	Use 70000001	1	Shaft, Water Pump (Purchase Item 15)	
13	70001299	1	Cap, Water Outlet	
14	70002920	1	Clamp	
15	Use 70000001	1	Water Pump Kit (Includes Item 9) (was p/n 70001318)	
16	70000989 70000988	1	Bolt, Water Pump Options: Tier 1 & 2 Engines Tier 3 & 4 interim	
17	Use 70000001	1	Plate, Water Pump (Purchase Item 15)	
18	70002921 70003886	1	Washer Options: All Engines except p/n 1001141139 used in Models 400S/ 460SJ & 450A/460AJ Series II Models 400S/460SJ & 450A/460AJ Series II - p/n 1001141139 Engine Only	
19	70001580 70001587	2	Bolt, Cam Plate Options: Tier 1 & 2 Engines Tier 3 & 4 interim	
20	70000988 70000989	2	Bolt, Water Pump Options: Tier 1 & 2 Engines Tier 3 & 4 interim	
21	70001581	1	Key, Crankshaft Balancer	
22	70002923 70003887	1	Bolt, Camshaft Gear Options: All Engines except p/n 1001141139 used in Models 400S/ 460SJ & 450A/460AJ Series II Models 400S/460SJ & 450A/460AJ Series II - p/n 1001141139 Engine Only	
23	70002924	1	Washer	
24	70001269	1	Gear, Camshaft	
25	70001582	1	Plate Kit, Camshaft Thrust (Includes Item 26)	



## SECTION 3 3.0L ENGINE

**FIGURE 3-1. SHORT BLOCK COMPONENTS (CONTINUED)**

ITEM #	PART NUMBER	QTY.	DESCRIPTION	REV.
26	70002925	1	Ring (Purchase Item 25)	
27		3	Bearing, Camshaft Options:	
	70001294		All Engines except p/n 1001141139 used in Models 400S/ 460SJ & 450A/460AJ Series II	
	70003884		Models 400S/460SJ & 450A/460AJ Series II - p/n 1001141139 Engine Only	
28	70001583	1	Camshaft (Includes Items 21 & 26)	
29	70001301	1	Valve, Oil Filter By-Pass	
30	70001584	8	Pin, Cylinder Head Lock	
31	70001272	1	Fitting, Oil Filter	
32		AR	Crankshaft Bearing Kit Options:	
			Positions #1,#2,#3,#4	
	70001290	4	Standard	
	70001586	4	.001 Oversize	
			Position #5	
	70001289	1	Standard	
	70001585	1	.001 Oversize	
33	70001581	1	Key, Crankshaft Balancer	
34		1	Seal, Crankshaft Front Oil	
	70000551		Tier 1 & 2 Engines	
	Use 70000551		Tier 3 & 4 interim (was p/n 70002926)	
35	70001267	1	Gear, Crankshaft	
36		1	Gasket, Engine Front Cover	
	70000552		All Engines except p/n 1001141139 used in Models 400S/ 460SJ & 450A/460AJ Series II	
	70003888		Models 400S/460SJ & 450A/460AJ Series II - p/n 1001141139 Engine Only	
37	70001274	1	Cover, Engine Front (Includes Items 42 & 60)	
38 to 40	Not Used			
41	70001270	1	Balancer, Crankshaft	
42	Use 70001274	1	Ring (Part of Item 37. Purchase Item 37)	
43	70002927	1	Washer	
44	70002928	1	Bolt	
45	70002929	1	Bolt	
46		1	Washer Options:	
	70002930		All Engines except p/n 1001141139 used in Models 400S/ 460SJ & 450A/460AJ Series II	
	70003890		Models 400S/460SJ & 450A/460AJ Series II - p/n 1001141139 Engine Only	
47	70001587	2	Bolt, Water Pump Cover (Also See Item 51)	
48	See Note	1	Plug, Oil Drain <b>Note: JLG Machines do not use a plug. See Model Specific Parts Manual for Oil Drain Valve.</b>	
49	70001588	1	Gasket, Oil Pan Drain (Part of Item 48)	
50	70001321	1	Pan, Oil (Includes Item 48 Plug & Item 49 Gasket)	
51		AR	Bolt, Oil Pan Options (Also See Item 47):	
	70001587	12	Bolt, Standard	
	70001589	2	Bolt, Fuel Pump Cover	
52	70002931	1	Bolt, Oil Pump	
53	70002930	1	Washer	
54	70002933	1	Cover, Oil Pump	

## SECTION 3 3.0L ENGINE

**FIGURE 3-1. SHORT BLOCK COMPONENTS (CONTINUED)**

ITEM #	PART NUMBER	QTY.	DESCRIPTION	REV.
55	70002934	1	Gasket, Oil Pump Cover	
56		1	Spring, Oil Pressure Relief Options: Tier 1 & 2 Engines Tier 3 & 4 interim Options:	
	70002935		All Tier 3 & 4 Interim Engines except p/n 1001141139 used in Models 400S/460SJ & 450A/460AJ Series II	
	Not Required		Models 400S/460SJ & 450A/460AJ Series II - p/n 1001141139 Engine Only	
57		1	Plug, Oil Pressure Relief Options: Tier 1 & 2 Engines Tier 3 & 4 interim Options:	
	70002936		All Tier 3 & 4 Interim Engines except p/n 1001141139 used in Models 400S/460SJ & 450A/460AJ Series II	
	Not Required		Models 400S/460SJ & 450A/460AJ Series II - p/n 1001141139 Engine Only	
58		1	Valve, Oil Pressure Relief Options: Tier 1 & 2 Engines Tier 3 & 4 interim Options:	
	See Note		All Tier 3 & 4 Interim Engines except p/n 1001141139 used in Models 400S/460SJ & 450A/460AJ Series II ( <b>Note: Not available for purchase</b> )	
	Not Required		Models 400S/460SJ & 450A/460AJ Series II - p/n 1001141139 Engine Only	
59	70001590	2	Bolt, Camshaft Sprocket	
60	Use 70001274	1	Gasket, Engine Front Cover (Part of Item 37. Purchase Item 37.)	
61		1	Gasket, Oil Pan Options: All Engines except p/n 1001141139 used in Models 400S/460SJ & 450A/460AJ Series II	
	70000549		Models 400S/460SJ & 450A/460AJ Series II - p/n 1001141139 Engine Only	
	70003892			
62		AR	Bolt, Front Cover Tier 1 & 2 Engines	
	70001591	6	Tier 3 & 4 interim Scissor Lift Engines	
	70001587	12		
63	70001592	1	Pump, Oil (Includes Item 71)	
64	70001593	1	Nozzle, Camshaft Gear Lube	
65	Use 70001596	1	Bracket, Oil Pump Screen (Part of Item 71)	
66	70001594	1	Crankshaft	
67	70001595	AR	Bolt, Oil Pump Screen Bracket	
68	70002937	1	Washer	
69	Use 70001596	1	Nut (Part of Item 71)	
70	70002938	1	Pin	
71	70001596	1	Screen, Oil Pump (Part of Item 63) (Includes Items 65 & 69)	
72	70001597	10	Bolt, Crankshaft Bearing Cap	
73	See Note	4	Cap, Main Bearing ( <b>Note: Not available for purchase</b> )	
74	70001598	1	Pin, Crankshaft Rear Oil Seal Housing Lock	
75	70001599	1	Housing, Crankshaft Rear Oil Seal (Includes Item 80)	
76	70001600	AR	Bolt, Crankshaft Rear Oil Seal Housing	
77	70001601	AR	Bolt, Crankshaft Rear Oil Seal Housing	
78	70001291	1	Gasket, Crankshaft Rear Oil Seal Housing	
79	70002939	1	Stud	
80	70001602	2	Stud, Crankshaft Rear Oil Seal Retainer	

## SECTION 3 3.0L ENGINE

**FIGURE 3-1. SHORT BLOCK COMPONENTS (CONTINUED)**

ITEM #	PART NUMBER	QTY.	DESCRIPTION	REV.
81	7000550	1	Seal, Crankshaft Rear Oil	
82	7000784	1	Ring Gear, Flywheel Options (Part of Item 87) (was p/n 70001266):	
83	70002927	1	Washer, Flywheel (was p/n 70002940)	1
84		6	Bolt, Flywheel Options:	
	Use 70002941		Tier 1 & 2 Engines (was p/n 70001603)	
	70002941		Tier 3 & 4 interim	
85	70001604	4	Bolt, Valve Rod Cover	
86	70002942	1	Bushing	
87	70001605	1	Flywheel (Includes Item 82)	
88	70000788	1	Cover, Valve Push Rod	
89	70001606	2	Pin, Transmission Lock	
90		AR	Sealer, Intake Manifold Options:	
	70001607		Tier 1 & 2 Engines	
	Use 70001607		Tier 3 & 4 interim (was p/n 70002943)	
91	70001298	1	Plug, Engine Block Oil	
92	See Note	1	Block, Engine (Engine SN required - Contact JLG Parts Dept.)	
93	70001285	AR	Plug, Camshaft Rear Bearing Hole	
94	70001686	1	Plug, Engine Block Core	
95	See Note	1	Seal, Dipstick Tube ( <b>Note: Not available for purchase</b> )	
96	70001271	1	Plug, Engine Block Oil	
97	See Note	1	Tube, Dipstick (Note: See LONG BLOCK & DRESS KIT for Breakdown)	
98	See Note	1	Dipstick (Note: See LONG BLOCK & DRESS KIT for Breakdown)	
99	Not Used			
100	70001608	AR	Sealant, RTV	
101	70001609	1	Stud, Valve Push Rod Cover	
102	70001610	1	Nut, Valve Push Rod Cover	
103	70001611	1	Washer, Valve Push Rod Cover	
104 to 105	Not Used			
106	Use 7027999	1	Seal, Crankshaft Position Sensor	
107	7027999	1	Sensor, Crankshaft Position (was p/n 70001292)	
108	70001612	1	Bolt, Crankshaft Position Sensor	
109	Not Used			
110	70001613	1	Gasket, Fuel Pump	
111	70001614	1	Cover, Fuel Pump Opening	
112	70001615	2	Washer, Fuel Pump	
113	70001590	2	Bolt, Fuel Pump Cover	
114 to 131	Not Used			
132	70001617	AR	Plug, Engine Block Core Hole	



## SECTION 3 3.0L ENGINE

### FIGURE 3-2. CYLINDER HEAD COMPONENTS

ITEM #	PART NUMBER	QTY.	DESCRIPTION	REV.
		Ref	<b>CYLINDER HEAD COMPONENTS</b>	
1	70000005	1	Cap, Oil Fill with Opening for PVC Valve	
2	70001591	6	Bolt, Valve Cover	
3	See Note	6	Plate, Valve Cover Hold-Down ( <b>Note: Not available for purchase</b> )	
4	70001268	1	Cover, Valve	
5	70000546	1	Gasket, Valve Cover	
6	70001143	3	Bolt, Water Outlet	
7	70001221	1	Neck, Water Outlet	
8	Use 70000002	1	Thermostat (was p/n 70001284)	
9	70000003	1	Gasket, Water Outlet Neck to Thermostat Housing (was p/n 70001280)	
10	70001325	1	Housing, Thermostat	
11	70001143	3	Bolt, Water Outlet	
12	70001153	10	Bolt, Cylinder Head	
13	70001004	2	Plug, Cylinder Head Core Hole	
14 to 30	Not Used			
31	Use 70000004	1	Gasket, Thermostat Housing to Cylinder Head (was p/n 70001282)	
32 to 46	Not Used			
47	70000548	1	Gasket, Cylinder Head	
48	See Note	4	Plug, Spark ( <b>Note: See LONG BLOCK &amp; DRESS KIT for Breakdown</b> )	
49	70001326	4	Valve, Exhaust	
50	Use 70001320	8	Guide, Valve (Part of Item 68) All Engines except p/n 1001141139 used in Models 400S/460SJ & 450A/460AJ Series II	
	Use 70003873		Models 400S/460SJ & 450A/460AJ Series II - p/n 1001141139 Engine Only	
51	70001296	4	Valve, Intake	
52	See Note	1	Bracket, Engine Lift ( <b>Note: See LONG BLOCK &amp; DRESS KIT for Breakdown</b> )	
53	See Note	2	Bolt, Left Bracket ( <b>Note: See LONG BLOCK &amp; DRESS KIT for Breakdown</b> )	
54 to 66	Not Used			
67	70001275	8	Lifter, Valve	
68	Use 70001320	8	Rod, Valve Push (includes Item 50) All Engines except p/n 1001141139 used in Models 400S/460SJ & 450A/460AJ Series II	
	Use 70003873		Models 400S/460SJ & 450A/460AJ Series II - p/n 1001141139 Engine Only	
69	Use 70001630	8	Stud, Valve Rocker Arm Ball Options: .013 Oversize	
	Use 70001631		.003 Oversize	
70	70001283	8	Seal, Valve, Stem Oil	
71	Use 70001323	1	Head, Cylinder Options: Tier 1 & 2 Engines	
	Use 70002911		Tier 3 & 4 interim Engines	
72	70001327	8	Spring, Valve	

## SECTION 3 3.0L ENGINE

**FIGURE 3-2. CYLINDER HEAD COMPONENTS (CONTINUED)**

ITEM #	PART NUMBER	QTY.	DESCRIPTION	REV.
73	70001279	8	Cap, Valve Spring Options: Tier 1 & 2 Engines	
	70002912		Tier 3 & 4 interim Engines	
74	70001283	12	Shield, Valve Stem Oil (was p/n 70001278)	
75	70001276	8	Arm Kit, Valve Rocker (Includes Rocker & Qty 1 of Items 76 & 77)	
76	70001632	8	Ball, Valve Rocker Arm	
77	70001633	8	Nut, Valve Rocker Arm	
78		16	Key, Valve Rocker Arm Options:	
	70001300		All Engines except p/n 1001141139 used in Models 400S/ 460SJ & 450A/460AJ Series II	
	70003874		Models 400S/460SJ & 450A/460AJ Series II - p/n 1001141139 Engine Only	
79		4	Rotator, Valve Options:	
	70001295		All Engines except p/n 1001141139 used in Models 400S/ 460SJ & 450A/460AJ Series II	
	Not Required		Models 400S/460SJ & 450A/460AJ Series II - p/n 1001141139 Engine Only	
80 to 86	Not Used			
87	70001609	1	Stud, Valve Push Rod Cover	
88	70001610	1	Nut, Valve Push Rod Cover	
89	Not Used			
90	70001293	1	Grommet, PVC Tube	
91		1	Valve, PVC Options:	
	70001277		All Engines except p/n 1001141139 used in Models 400S/ 460SJ & 450A/460AJ Series II	
	70003878		Models 400S/460SJ & 450A/460AJ Series II - p/n 1001141139 Engine Only	
92		1	Fitting, Elbow Options:	
	70001616		All Engines except p/n 1001141139 used in Models 400S/ 460SJ & 450A/460AJ Series II	
	70003879		Models 400S/460SJ & 450A/460AJ Series II - p/n 1001141139 Engine Only	
93 to 96	Not Used			
97	See Note	4	Seal, Fuel Injector (Part of Item 100) <b>(Note: Purchase Item 100)</b>	
98		4	Injector, Main Port Fuel Options (Part of Item 100):	
	70000010		Tier 1 & 2 Engines	
	See Note		Tier 3 & 4 interim Engines <b>(Note: Purchase Item 100)</b>	
99	See Note	4	Seal, Fuel Injector (Part of Item 100) <b>(Note: Purchase Item 100)</b>	
100		1	Rail, Main Port Fuel Injector Options (Includes Items 97, 98 & 99):	
	Use 70002892		Tier 1 & 2 Engines (was p/n 70000009)	
	70002892		Tier 3 & 4 interim Engines	
101 to 103	Not Used			
104		2	Bolt, Fuel Rail Options:	
	70001634		Tier 1 & 2 Engines	
	70002893		Tier 3 & 4 interim Engines	
105		2	Washer, Fuel Rail Bracket Options:	
	70001635		Tier 1 & 2 Engines	
	70002914		Tier 3 & 4 interim Engines	
106	70001636	1	Valve Kit, Fuel Pressure	
107	Not Used			
108	70000014	1	Sensor, Engine Coolant Temperature	

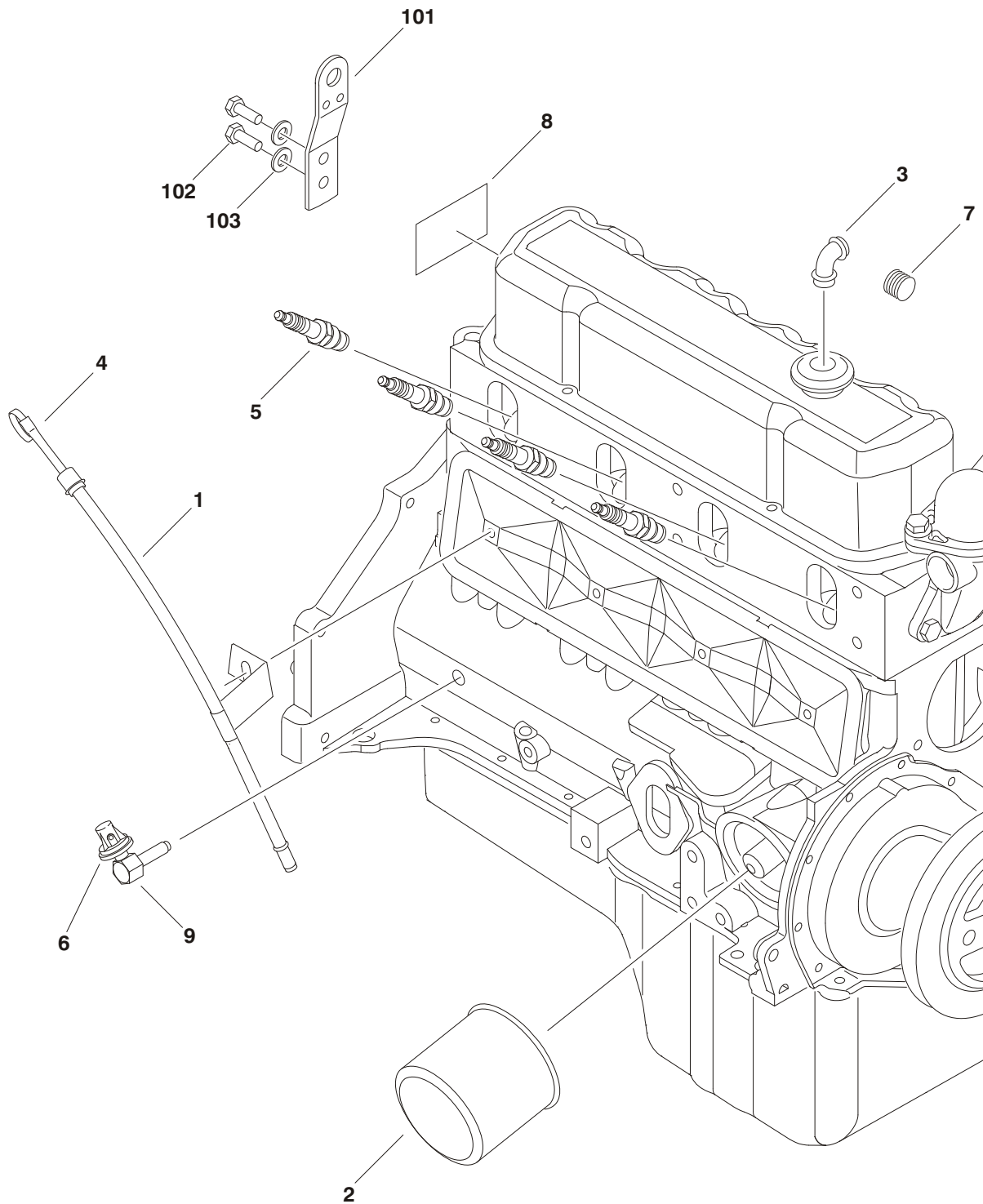
## SECTION 3 3.0L ENGINE

**FIGURE 3-2. CYLINDER HEAD COMPONENTS (CONTINUED)**

ITEM #	PART NUMBER	QTY.	DESCRIPTION	REV.
109	70001637 70001638	1	Bracket, Fuel Injector Rail Options (Engine SN Required): Engines Built Yr 2006-2007 Engines Built Yr 2005-2006	
		Ref	<b>FRONT LIFTING EYE COMPONENTS</b>	
201	70001562	1	Bracket, Lifting Eye	
202	70001563	1	Spacer	
203	0641608	1	Bolt 3/8in-16NC x 1in Grade 5 (was p/n 70001147)	
204	4761600	1	Lockwasher 3/8in (was p/n 70001536)	
205	4711600	2	Flatwasher 3/8in (was p/n 70001561)	
206	70001564	1	Capscrew 3/8in-16NC x 2-1/4in	

# SECTION 3 3.0L ENGINE

## FIGURE 3-3. LONG BLOCK & DRESS KIT





## SECTION 3 3.0L ENGINE

### FIGURE 3-3. LONG BLOCK & DRESS KIT

ITEM #	PART NUMBER	QTY.	DESCRIPTION	REV.
		Ref	<b>DRESS KIT</b>	
		Ref	<b>Note: To determine the machine's engine p/n or emissions TIER level, refer to Section 1 Usage Chart.</b>	
1	70001303	1	Tube, Dipstick Options: All Engines except p/n 1001141139 used in Models 400S/ 460SJ & 450A/460AJ Series II	
	70003896		Models 400S/460SJ & 450A/460AJ Series II - p/n 1001141139 Engine Only	
2	7027965	1	Filter, Oil (Was p/n 70000165)	
3	70001277	1	Valve, PCV (Was p/n 70000008)	
	70001500	1	Elbow, PCV Valve	
4		1	Dipstick Options:	
	7027966		All Engines except p/n 1001141139 used in Models 400S/ 460SJ & 450A/460AJ Series II	
	70003895		Models 400S/460SJ & 450A/460AJ Series II - p/n 1001141139 Engine Only	
5	70000164	4	Plug, Spark (Was p/n 7027996)	
6		1	Switch, Oil Pressure Options:	
	7027967		Tier 1 & 2 Engines	
	70002896		Tier 3 & 4 interim	
7	70001317	1	Plug, 1/2in	
8	See Note	1	Label, Serial Number ( <b>Note: Not available for purchase</b> )	
9		1	Fitting, Oil Pressure Sender Options:	
	70001501		Tier 1 & 2 Engines	
	70002897		Tier 3 & 4 interim	
10		1	Label - Emissions Options (Not Shown):	
	70001688		Tier 1 Engines	
	70001533		Tier 2 Engines	
		Ref	<b>REAR LIFTING EYE COMPONENTS (SCISSOR LIFTS ONLY)</b>	
101	70001671	1	Bracket, Lifting Eye	
102	70001511	1	Capscrew, Socket Head 3/8in-16NC x 2-1/4in Grade 5	
103	70001512	2	Flatwasher 3/8in Hardened	
201		Ref	<b>SERVICE REPLACEMENT LONG BLOCK</b>	
			<b>Note: To determine the machine's engine p/n or emissions TIER level, refer to Section 1 Usage Chart.</b>	
			JLG Boom Lifts Long Block Service Replacement Engines:	
	70002702	1	Long Block for 2000354 Engine	
	See Note	1	Long Block for 1001091583 Engine	
	70001877	1	Long Block for 1001091768 Engine	
	See Note	1	Long Block for 1001101819 Engine	
	See Note	1	Long Block for 1001101823 Engine	
	See Note	1	Long Block for 1001114595 Engine	
	See Note	1	Long Block for 1001114600 Engine	
	See Note	1	Long Block for 1001141139 Engine	

## SECTION 3 3.0L ENGINE

**FIGURE 3-3. LONG BLOCK & DRESS KIT (CONTINUED)**

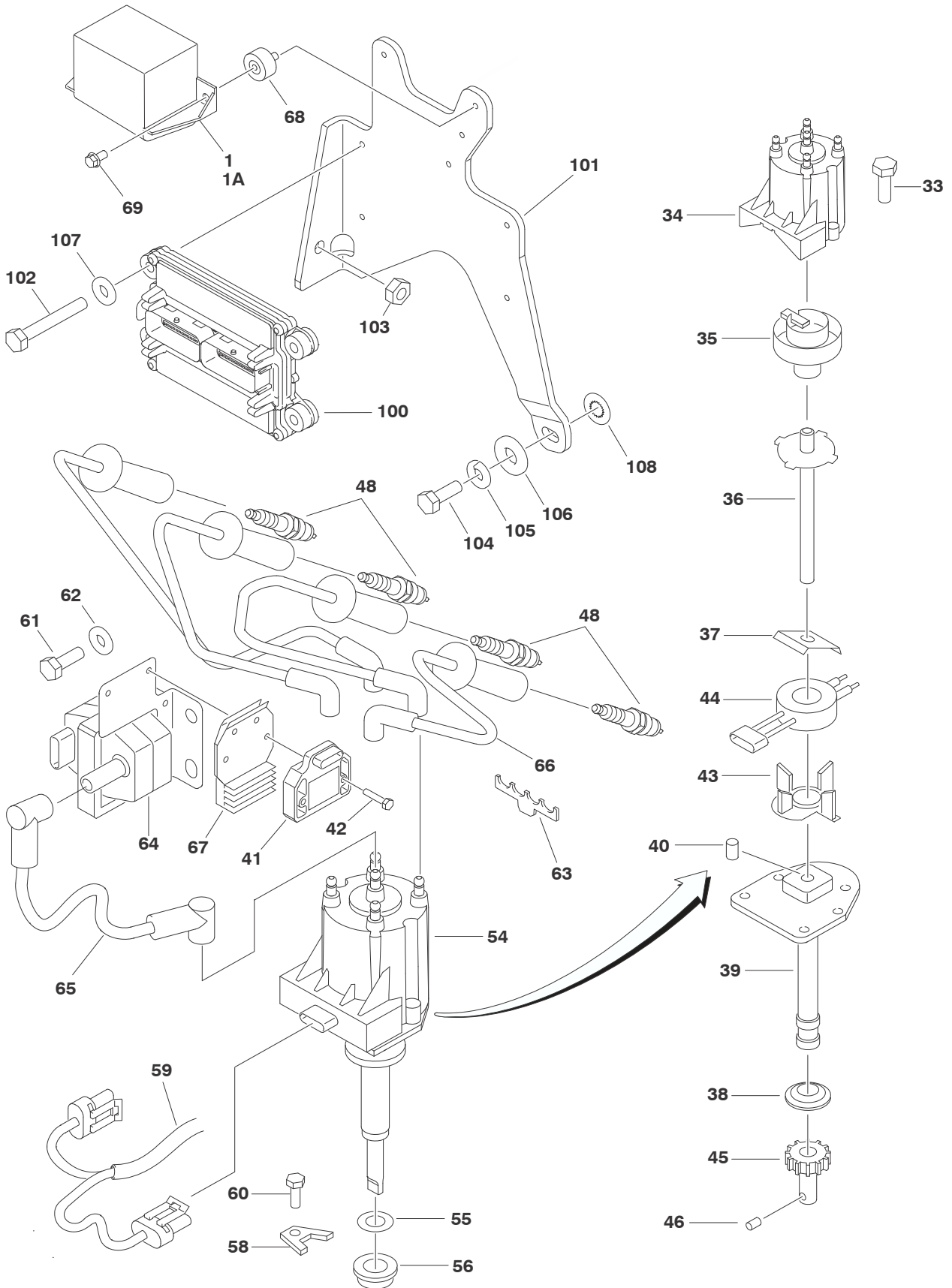
ITEM #	PART NUMBER	QTY.	DESCRIPTION	REV.
	See Note	1	JLG Scissors Lifts Long Block Service Replacement Engines: Long Block for 2000360 Engine	
	70001877	1	Long Block for 1001091585 Engine	
	See Note	1	Long Block for 1001102398 Engine	
	See Note	1	Long Block for 1001114604 Engine	
		Ref	<b>Note: Not available for purchase.</b>	

**FIGURE 3-3. LONG BLOCK & DRESS KIT (CONTINUED)**

ITEM #	PART NUMBER	QTY.	DESCRIPTION	REV.

# SECTION 3 3.0L ENGINE

## FIGURE 3-4. ELECTRICAL COMPONENTS



## SECTION 3 3.0L ENGINE

### FIGURE 3-4. ELECTRICAL COMPONENTS

ITEM #	PART NUMBER	QTY.	DESCRIPTION	REV.
		Ref	<b>ELECTRICAL COMPONENTS</b>	
		Ref	<b>Note: To determine the machine's engine p/n or emissions TIER level, refer to Section 1 Usage Chart.</b>	
1	7027991 70000718	1	Harness Kit Options: Tier 1 Engines Tier 2 Engines Tier 3 & 4 interim	
	70002898		All Tier 3 & 4 Interim Engines except p/n 1001141139 used in Models 400S/460SJ & 450A/460AJ Series II	
	70003908		Models 400S/460SJ & 450A/460AJ Series II - p/n 1001141139 Engine Only	
	7027989	1	Connector, Male - 10 Position (Not Shown)	
1A	See Note	1	Box, Fuse ( <b>Note: Parts of Harness - Not Available for Purchase</b> )	
	70002627	1	Cover, Fuse Box	
	70001950	2	Relay (Power & Fuel Pump)	
	70001951	1	Relay (Starter)	
	70001931	1	Fuse - 60 Amp (Alternator)	
	See Note	1	Fuse - 20 Amp ( <b>Note: Not Available - Purchase Locally</b> )	
	See Note	3	Fuse - 15 Amp ( <b>Note: Not Available - Purchase Locally</b> )	
	See Note	1	Fuse - 10 Amp ( <b>Note: Not Available - Purchase Locally</b> )	
	See Note	1	Fuse - 5 Amp ( <b>Note: Not Available - Purchase Locally</b> )	
2 to 32	Not Used			
33	70001618	2	Bolt, Distributor Cap	
34	70001319	1	Cap Kit, Distributor (Part of 54) (Was p/n 70000679)	
35	7027997	1	Rotor, Distributor (Part of 54) (Was p/n 70001286)	
36	70001619	1	Shaft, Distributor (Part of 54)	
37	70001620	1	Retainer, Distributor Ignition Pick-Up Coil (Part of 54)	
38	70001621	1	Seal (Part of 54)	
39	Use 70001341	1	Housing, Distributor (Part of 54)	
40	70001622	1	Pin, Distributor Ignition Pick Up Pole (Part of 54)	
41	70001288	1	Module, Ignition	
42	70001623	2	Bolt	
43	70001624	1	Reluctor, Distributor ICM (Part of 54)	
44	70001287	1	Coil, Distributor Pick Up (Part of 54)	
45	70001625	1	Gear, Distributor Shaft (Part of 54)	
46	70001626	1	Pin, Distributor Gear (Part of 54)	
47	Not Used			
48	70000164	4	Spark Plug	
49 to 53	Not Used			
54	70001341	1	Distributor Assembly (Includes Items 34-40 & 43-46)	
55	70001281	1	Gasket, Distributor	
56	70001628	1	Thrustwasher, Distributor Drive Gear	
57	Not Used			
58	70001629	1	Clamp	

## SECTION 3 3.0L ENGINE

**FIGURE 3-4. ELECTRICAL COMPONENTS (CONTINUED)**

ITEM #	PART NUMBER	QTY.	DESCRIPTION	REV.
59	70000910	1	Wire Set, Ignition Coil (Includes Item 65) Tier 1 & 2 Engines Tier 3 & 4 interim	
	70002910		All Tier 3 & 4 Interim Engines except p/n 1001141139 used in Models 400S/460SJ & 450A/460AJ Series II	
	70000910		Models 400S/460SJ & 450A/460AJ Series II - p/n 1001141139 Engine Only	
60	70001143	1	Bolt, Distributor	
61		2	Bolt, Ignition Coil Options:	
	70001627		Tier 1 & 2 Engines Tier 3 & 4 interim	
	70002907		All Tier 3 & 4 Interim Engines except p/n 1001141139 used in Models 400S/460SJ & 450A/460AJ Series II	
	70003871		Models 400S/460SJ & 450A/460AJ Series II - p/n 1001141139 Engine Only	
62	70002908	2	Washer	
63	See Note	1	Retainer, Spark Plug ( <b>Note: Not available for purchase</b> )	
64		1	Coil, Ignition Options:	
	7027998		Tier 1 & 2 Engines Tier 3 & 4 interim	
	70002909		All Tier 3 & 4 Interim Engines except p/n 1001141139 used in Models 400S/460SJ & 450A/460AJ Series II	
	70003872		Models 400S/460SJ & 450A/460AJ Series II - p/n 1001141139 Engine Only	
65		1	Wire Set, Ignition Coil Options (Includes Item 59):	
	70000910		Tier 1 & 2 Engines Tier 3 & 4 interim	
	70002910		All Tier 3 & 4 Interim Engines except p/n 1001141139 used in Models 400S/460SJ & 450A/460AJ Series II	
	70000910		Models 400S/460SJ & 450A/460AJ Series II - p/n 1001141139 Engine Only	
66	7027968	1	Wire Set, Spark Plug (Was p/n 70001322)	
67	See Note	1	Heatsink (Part of 64) ( <b>Note: Purchase Item 64</b> )	
68	70001313	2	Isolator	
69	70003197	2	Bolt	
		Ref	<b>ECU MOUNTING COMPONENTS</b>	
100		1	Module, ECU Options:	
	7027994		Tier 1 & 2 Engines Tier 3 & 4 interim Options:	
	70002895		All Tier 3 & 4 Interim Engines except p/n 1001141139 used in Models 400S/460SJ & 450A/460AJ Series II	
	70003907		Models 400S/460SJ & 450A/460AJ Series II - p/n 1001141139 Engine Only	
101		1	Bracket, ECU Mounting Options:	
	70001565		Tier 1 & 2 Engines	
	70002953		Tier 3 & 4 interim	
102	70000948	4	Bolt 1/4in-20NC x 1-1/4in Grade 5	
103	70001566	1	Nut, Flanged 3/8in-16NC	
104	0641608	1	Bolt 3/8in-16NC x 1in Grade 5 (Was p/n 70001147)	

**FIGURE 3-4. ELECTRICAL COMPONENTS (CONTINUED)**

ITEM #	PART NUMBER	QTY.	DESCRIPTION	REV.
105	4761600	1	Lockwasher 3/8in (Was p/n 70001536)	
106	4711600	1	Flatwasher 3/8in (Was p/n 70001561)	
107	70001537	4	Flatwasher 1/4in Hardened	
108	70001567	1	Starwasher 3/8in	

# SECTION 3 3.0L ENGINE

## FIGURE 3-5. ALTERNATOR & PULLEY COMPONENTS

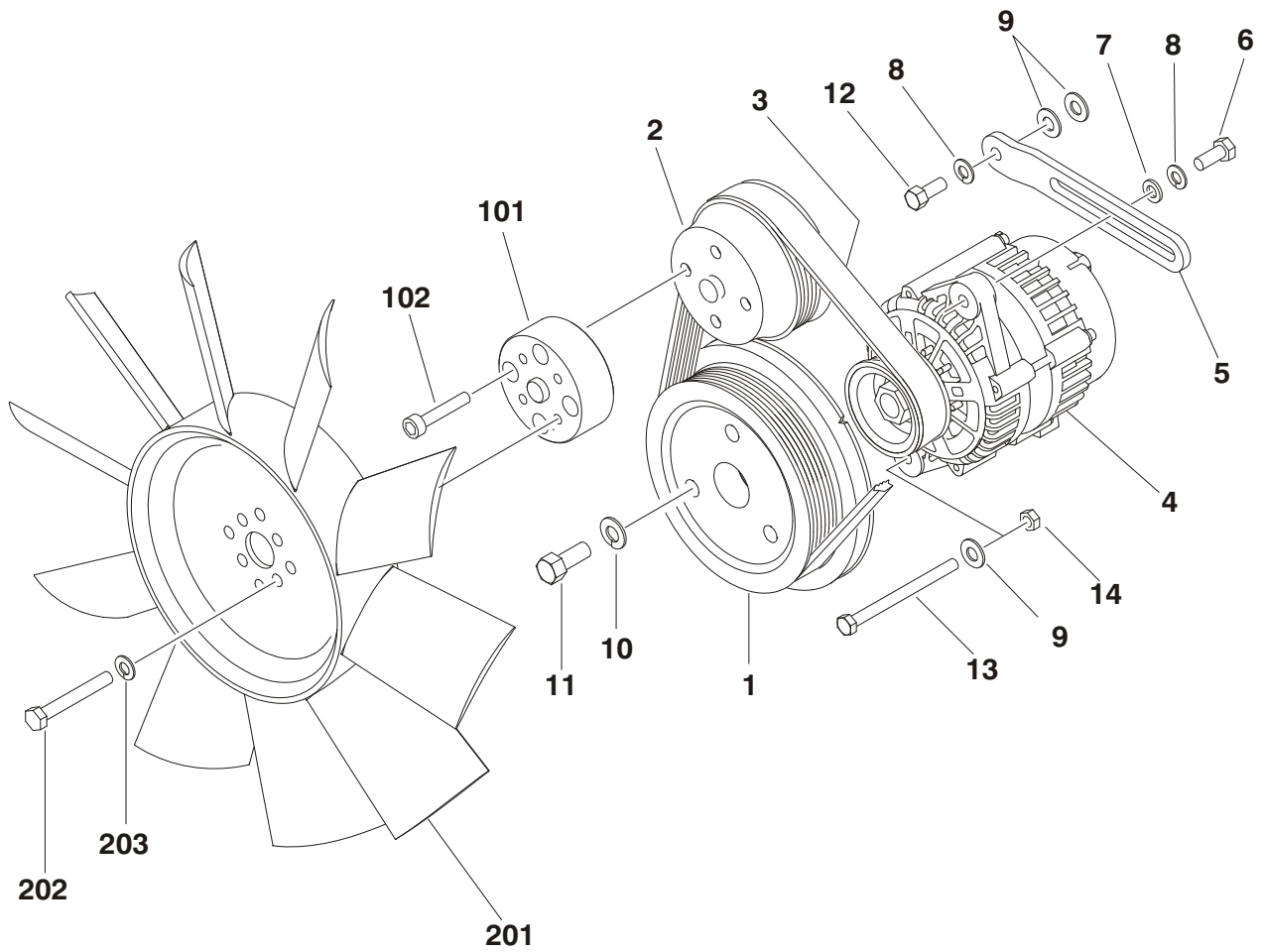




FIGURE 3-5. ALTERNATOR &amp; PULLEY COMPONENTS

ITEM #	PART NUMBER	QTY.	DESCRIPTION	REV.
		Ref	<b>ALTERNATOR &amp; PULLEY COMPONENTS</b>	
		Ref	<b>Note: To determine the machine's engine p/n or emissions TIER level, refer to Section 1 Usage Chart.</b>	
1	70001302	1	Pulley, Accessory	
2	70001053	1	Pulley, Water Pump	
3		1	Belt, Alternator Drive Options:	
	7027992		Boom Lifts	
	70000174		Scissor Lifts	
4	7027993	1	Alternator	
5		1	Arm, Alternator Adjustment Options:	
	70000897		Boom Lifts	
	70001038		Scissor Lifts	
6	70001568	1	Bolt M8 x 30mm Grade 8.8	
7	70001569	1	Flatwasher 5/16in	
8	70001515	2	Lockwasher 5/16in	
9	70001535	3	Flatwasher 5/16in	
10	4761600	3	Lockwasher 5/16in (Was p/n 70001536)	
11	70001570	3	Bolt 3/8in-24NF x 1-1/4in Grade 5	
12	70001571	1	Bolt 5/16in-18NC x 1-1/4in Grade 5	
13	70001572	1	Bolt M8 x 110mm Grade 8.8	
14	70001573	1	Locknut M8	
		Ref	<b>FAN SPACER COMPONENTS</b>	
		Ref	<b>Note: To determine the machine's engine p/n or emissions TIER level, refer to Section 1 Usage Chart.</b>	
101		1	Spacer, Fan Options:	
	70001054		Boom Lifts	
	70001675		Scissor Lifts	
102		4	Capscrew 5/16in-24NF	
	70001540		Boom Lifts - 2in Length	
	70001676		Scissor Lifts - 1-1/2in Length	
		Ref	<b>FAN COMPONENTS</b>	
		Ref	<b>Note: To determine the machine's engine p/n or emissions TIER level, refer to Section 1 Usage Chart.</b>	
201		1	Fan Options:	
	2060025		Boom Lifts	
	70001330		Scissor Lifts	
202	0700810	4	Capscrew M8	
203	4831900	4	Lockwasher M8	

**FIGURE 3-6. STARTER KIT**

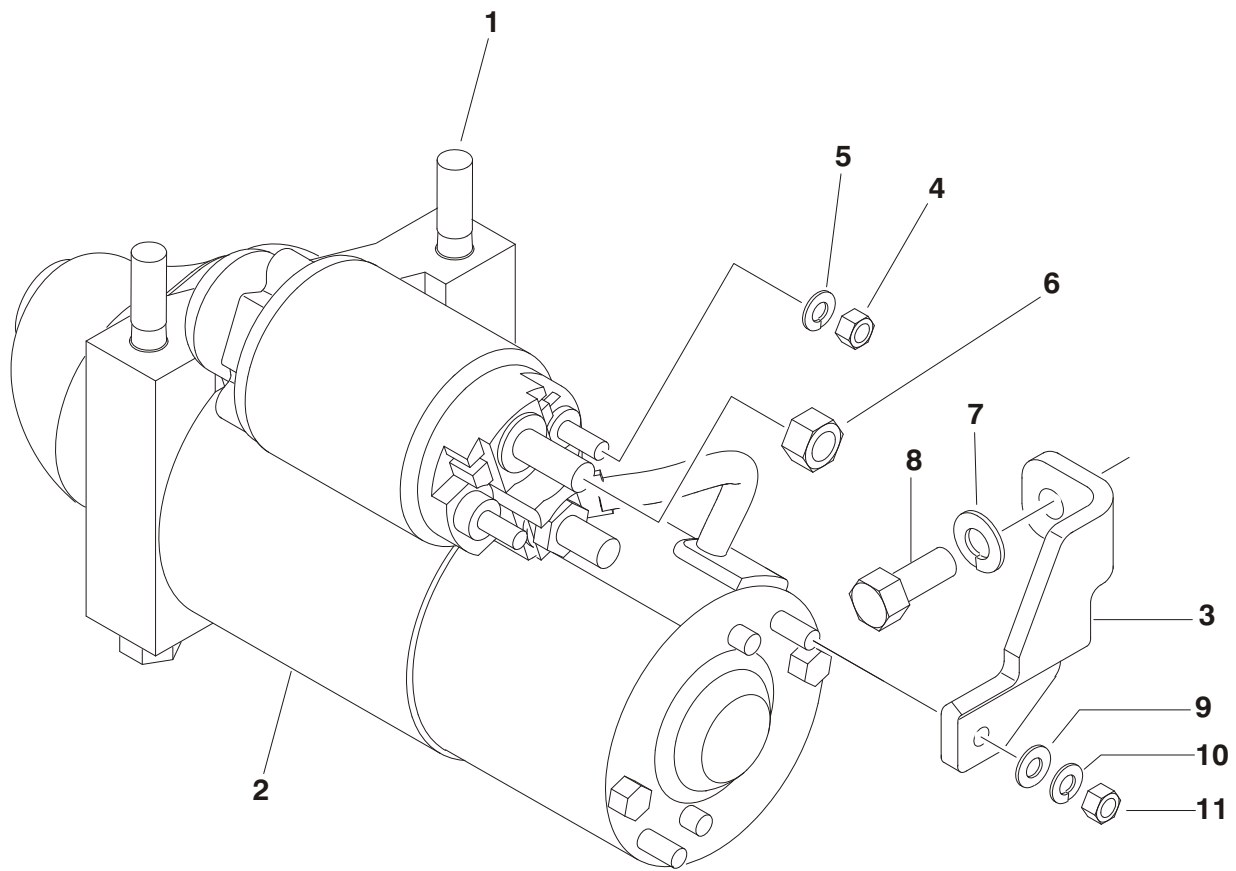
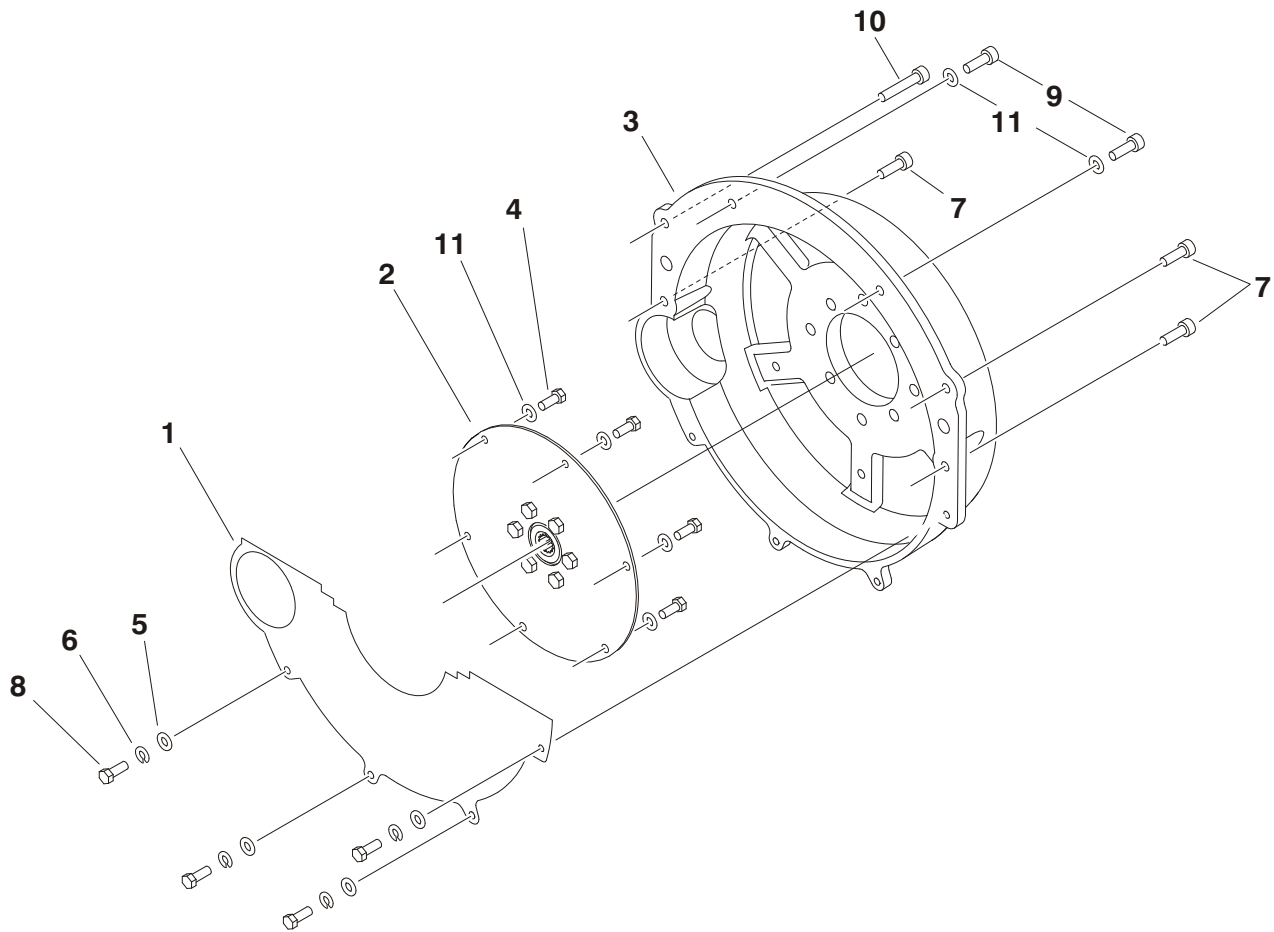


FIGURE 3-6. STARTER KIT

ITEM #	PART NUMBER	QTY.	DESCRIPTION	REV.
		Ref	<b>STARTER KIT</b>	
		Ref	<b>Note: To determine the machine's engine p/n or emissions TIER level, refer to Section 1 Usage Chart.</b>	
1	70001312	2	Bolt, Starter 3/8in-16NC x 4-3/8in	
2	70001149	1	Starter (Was p/n 7027969)	
3	70001315	1	Bracket, Starter	
4	70001513	1	Nut M5	
5	70001514	1	Lockwasher 5/16in	
6	70001316	1	Nut, Flanged M8	
7	70001515	1	Lockwasher 5/16in	
8	70001516	1	Bolt 5/16in-18NC x 3/4in Grade 5	
9	70001517	1	Flatwasher #10	
10	70001518	1	Lockwasher #10	
11	70001519	1	Nut #10-24NC	

# SECTION 3 3.0L ENGINE

## FIGURE 3-7. FLYWHEEL HOUSING/PUMP COUPLING COMPONENTS



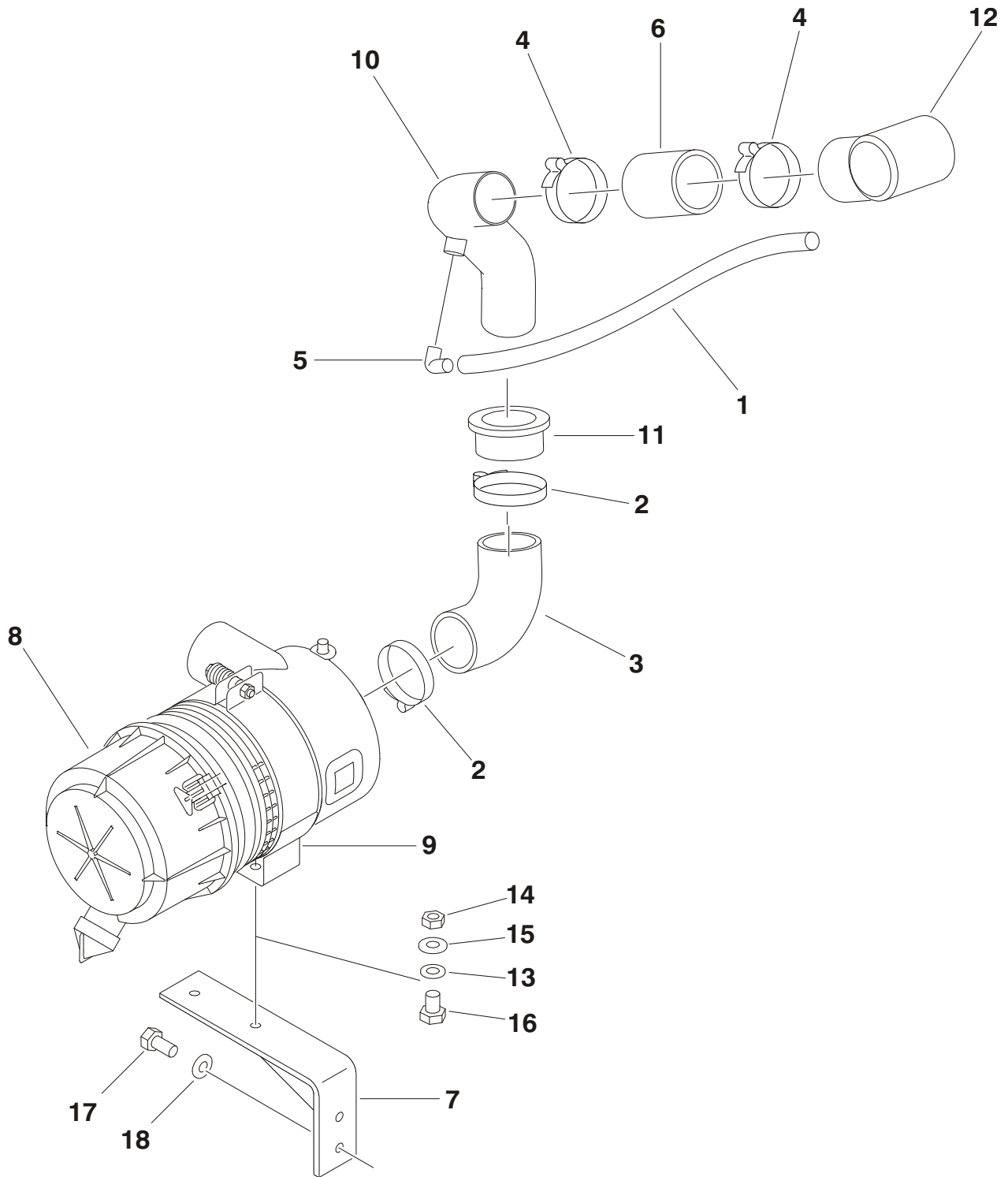
## SECTION 3 3.0L ENGINE

**FIGURE 3-7. FLYWHEEL HOUSING/PUMP COUPLING COMPONENTS**

ITEM #	PART NUMBER	QTY.	DESCRIPTION	REV.
		Ref	<b>FLYWHEEL HOUSING/PUMP COUPLING COMPONENTS</b>	
		Ref		<b>Note: To determine the machine's engine p/n or emissions TIER level, refer to Section 1 Usage Chart.</b>
1	70001502	1	Plate, SAE3 Housing	
2		1	Plate, Drive Options:	
	70001503		SAE 15T	
	70001672		SAE 13T	
3	70001504	1	Housing, Flywheel	
4	70001505	6	Bolt, Clutch	
5	4711400	4	Flatwasher 1/4in (Was p/n 70001506)	
6	70001507	4	Lockwasher 1/4in	
7	70001508	3	Capscrew, Socket Head 3/8in-16NC x 1-1/4in Grade 5	
8		4	Bolt Options:	
	70001509		Bolt 1/4in-20NC x 1/2in (Tier 1 & 2 Engines)	
	70003447		Bolt (Tier 3 & 4 interim Engines)	
9	70001510	2	Bolt 3/8in-16NC x 1-1/2in Grade 8	
10	70001511	1	Capscrew, Socket Head 3/8in-16NC x 2in	
11	70001512	8	Flatwasher 3/8in Hardened	

# SECTION 3 3.0L ENGINE

FIGURE 3-8. AIR INTAKE COMPONENTS (SCISSORS LIFTS ONLY)



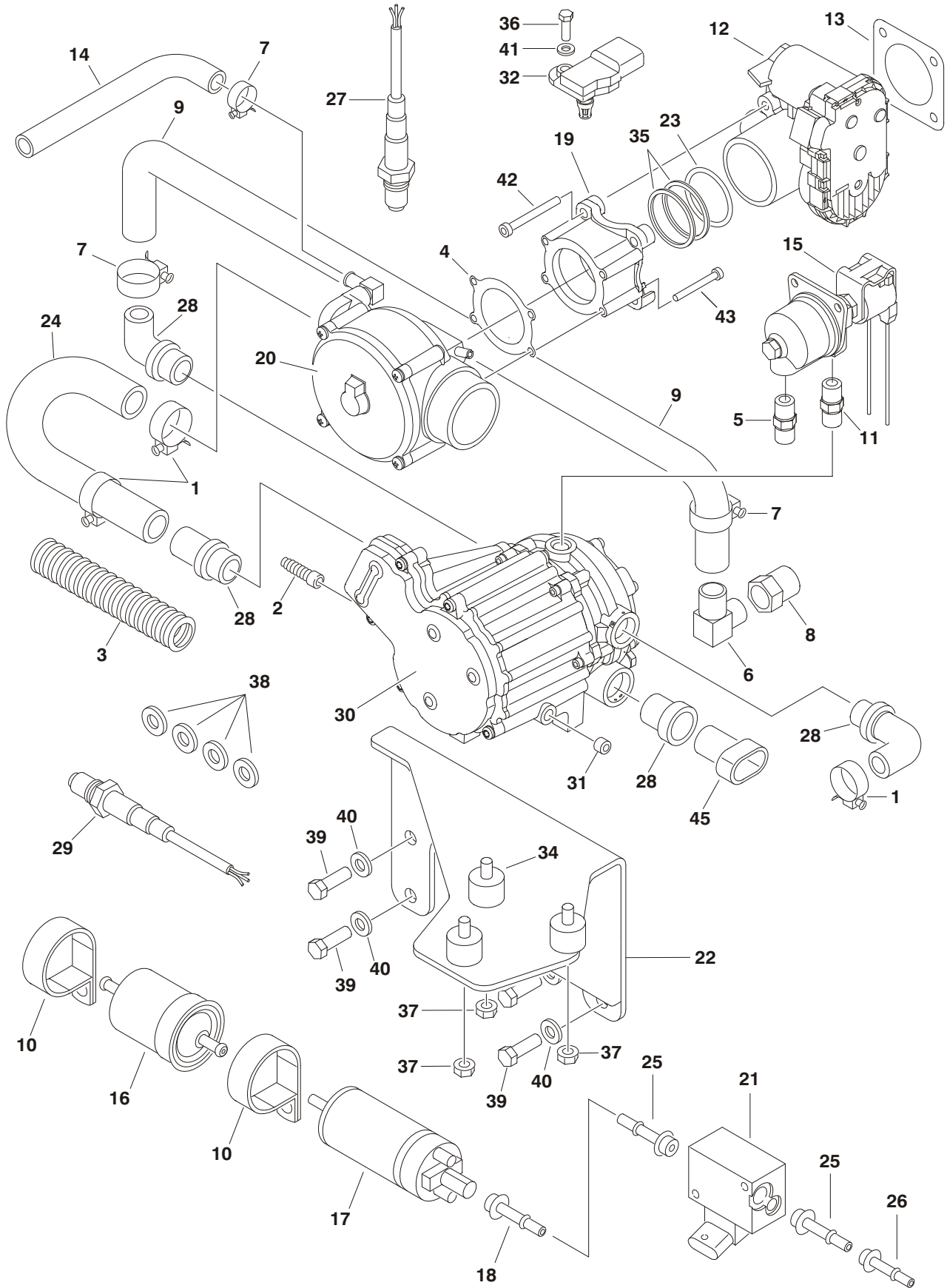
## SECTION 3 3.0L ENGINE

**FIGURE 3-8. AIR INTAKE COMPONENTS (SCISSORS LIFTS ONLY)**

ITEM #	PART NUMBER	QTY.	DESCRIPTION	REV.
		Ref	<b>AIR INTAKE COMPONENTS (SCISSORS LIFTS ONLY)</b>	
		Ref	<b>Note: This Illustration is for Scissor Lift Machines Only. Refer to Model Specific Parts Manuals for Boom Lift Models.</b>	
		Ref	<b>Note: To determine the machine's engine p/n or emissions TIER level, refer to Section 1 Usage Chart.</b>	
1	70001651	20in	Hose	
2	70001652	2	Clamp	
3	70001329	1	Elbow, Air Intake	
4	1320016	2	Clamp (Was p/n 70001645)	
5	70001653	1	Fitting, Elbow	
6	70001336	3 in	Hose	
7	70001337	1	Bracket, Air Cleaner	
8	70001338	1	Air Cleaner Assembly	
	7024438	1	Element, Air Cleaner	
	70001787	1	Cover, Air Cleaner	
	8273291	1	Valve, Dust - Air Cleaner	
9	70001339	1	Band, Mounting	
10	70000175	1	Pipe, Air Cleaner	
11	70000176	1	Insert, Rubber Reducer	
12		1	Elbow, Plastic Options:	
	70000177		Tier 1 & 2 Engines	
	70003448		Tier 3 & 4 interim Engines	
13	70001515	2	Lockwasher 3/8in	
14	70001555	2	Nut 5/16in-18NC	
15	70001535	2	Flatwasher 5/16in	
16	70001516	2	Bolt 5/16in-18NC x 3/4in Grade 5	
17	0641608	2	Bolt 3/8in-16NC x 1in Grade 5 (Was p/n 70001147)	
18	4761600	2	Lockwasher 3/8in (Was p/n 70001536)	

# SECTION 3 3.0L ENGINE

## FIGURE 3-9. FUEL SUPPLY COMPONENTS - TIER 1 ENGINES





## SECTION 3 3.0L ENGINE

**FIGURE 3-9. FUEL SUPPLY COMPONENTS - TIER 1 ENGINES**

ITEM #	PART NUMBER	QTY.	DESCRIPTION	REV.
		Ref	<b>TIER 1 ENGINE FUEL SUPPLY COMPONENTS</b>	
		Ref	<b>Note: To determine the machine's engine p/n or emissions TIER level, refer to Section 1 Usage Chart.</b>	
1	70001304	3	Clamp	
2	70001520	1	Fitting, Straight Barbed	
3	70001521	8in	Loom, 1in Split	
4	70001305	1	Gasket, Adapter	
5	70001306	1	Fitting, Straight	
6	70001522	1	Fitting, Elbow	
7	70001523	3	Clamp	
8	70001524	1	Fitting, Adapter	
9	70001308	1	Hose, Fuel	
10	70001525	2	Clamp, Mounting	
11	70001673	1	Fitting, Nipple	
12	70000007	1	Throttle Body	
13		1	Gasket Options:	
	70000006		All Engines except p/n 1001141139 used in Models 400S/460SJ & 450A/460AJ Series II	
	70003901		Models 400S/460SJ & 450A/460AJ Series II - p/n 1001141139 Engine Only	
14	2750532	17.5in	Hose, Fuel (Was p/n 70001526)	
15	7027971	1	Valve, Lock-Off	
	70001057	1	Replacement Filter, Lock-Off Valve	
16	7027972	1	Filter, Fuel	
17	7027973	1	Pump, High Pressure Fuel	
18	70000166	1	Fitting, Special & Gasket	
19	70000167	1	Adapter, Throttle Body to Mixer	
20	7027975	1	Mixer	
	70000386	1	Clip, Retaining	
21	70000011	1	Manifold, Fuel Temperature/Return	
	70002226	1	Sensor, Fuel Pressure	
22	70001692	1	Bracket, Pressure Regulator Mounting	
23	70000168	1	O-Ring	
24	70001310	1	Hose, Fuel	
25	70001527	2	Fitting, Special	
26	70001528	1	Fitting, Special	
27	70000182	1	Sensor, O2 Pre-Catalyst (Was p/n 7027970)	
28	70001529	1	Fitting Kit	
29	70000719	1	Sensor, O2 Post Catalyst (Was p/n 70000545)	
30	70001311	1	Regulator, Electric Pressure (Was p/n 7027974)	
	70001150	1	Repair Kit - Pressure Regulator (Low Pressure Side Only)	
	70000386	4	Clip, Retaining	
31	70001532	1	Plug	
32	7027976	1	Sensor, T-Map	
33	Not Used			
34	70000169	3	Isolator	
35	70000170	2	Seal, Mixer to Adapter	
36	0641406	1	Bolt 1/4in-20NC x 3/4in Grade 5 (Was p/n 70001534)	

## SECTION 3 3.0L ENGINE

**FIGURE 3-9. FUEL SUPPLY COMPONENTS - TIER 1 ENGINES (CONTINUED)**

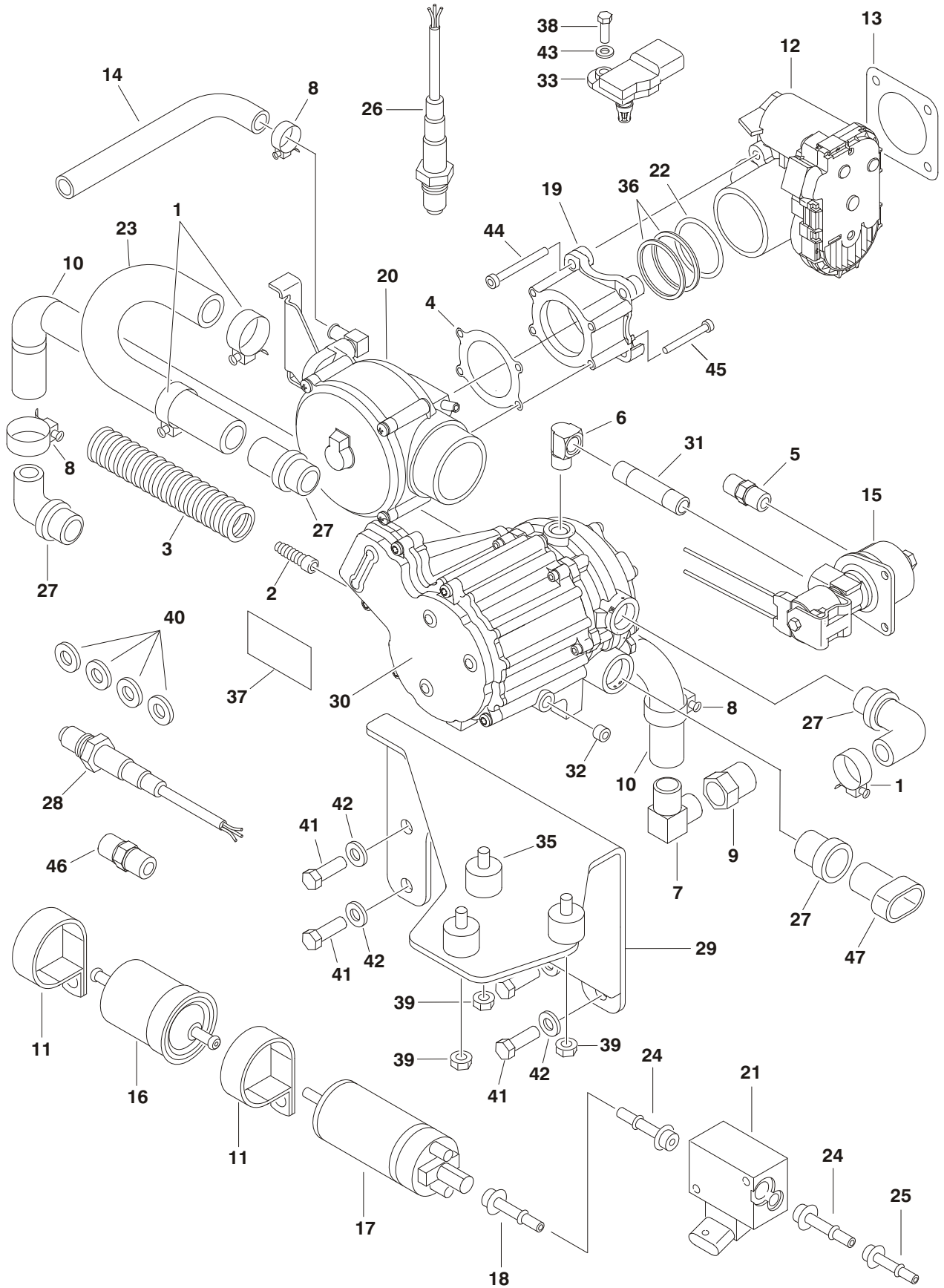
ITEM #	PART NUMBER	QTY.	DESCRIPTION	REV.
37	70001316	3	Nut, Flanged M8	
38	70001535	4	Flatwasher 5/16in	
39	0641608	4	Bolt 3/8in-16NC x 1in Grade 5 (Was p/n 70001147)	
40	4761600	4	Lockwasher 3/8in (Was p/n 70001536)	
41	70001537	1	Flatwasher 1/4in Hardened	
42	70001538	4	Capscrew, Socket Head M6 x 70mm	
43	70001539	4	Capscrew, Socket Head #12-24NF x 1-1/2in	
44	70001688	1	Label - Emissions (Not Shown)	
45	70001929	1	Sensor, Fuel Temperature	

**FIGURE 3-9. FUEL SUPPLY COMPONENTS - TIER 1 ENGINES (CONTINUED)**

ITEM #	PART NUMBER	QTY.	DESCRIPTION	REV.

# SECTION 3 3.0L ENGINE

## FIGURE 3-10. FUEL SUPPLY COMPONENTS - TIER 2 ENGINES



## SECTION 3 3.0L ENGINE

**FIGURE 3-10. FUEL SUPPLY COMPONENTS - TIER 2 ENGINES**

ITEM #	PART NUMBER	QTY.	DESCRIPTION	REV.
		Ref	<b>TIER 2 ENGINE FUEL SUPPLY COMPONENTS</b>	
		Ref	<b>Note: To determine the machine's engine p/n or emissions TIER level, refer to Section 1 Usage Chart.</b>	
1	70001304	3	Clamp	
2	70001520	1	Fitting, Straight Barbed	
3	70001521	8in	Loom, 1in Split	
4	70001305	1	Gasket, Adapter	
5	70001306	1	Fitting, Straight	
6	70001307	1	Fitting, Elbow (Tier 2 Only)	
7	70001522	1	Fitting, Elbow	
8	70001523	3	Clamp	
9	70001524	1	Fitting, Adapter	
10	70001308	1	Hose, Fuel	
11	70001525	2	Clamp, Mounting	
12	70000007	1	Throttle Body	
13	70000006	1	Gasket	
14	2750532	17.5in	Hose, Fuel (Was p/n 70001526)	
15	7027971	1	Valve, Lock-Off	
	70001057	1	Replacement Filter, Lock-Off Valve	
16	7027972	1	Filter, Fuel	
17	7027973	1	Pump, High Pressure Fuel	
18	70000166	1	Fitting, Special & Gasket	
19	70000167	1	Adapter, Throttle Body to Mixer	
20	7027975	1	Mixer	
	70000386	1	Clip, Retaining	
21	70000011	1	Manifold, Fuel Temperature/Return	
	70002226	1	Sensor, Fuel Pressure	
22	70000168	1	O-Ring	
23	70001310	1	Hose, Fuel	
24	70001527	2	Fitting, Special	
25	70001528	1	Fitting, Special	
26	70000182	1	Sensor, O2 Pre-Catalyst (Was p/n 7027970)	
27		1	Fitting Kit Options:	
	70001529		All Boom Lifts	
	See Note		All Scissors Lift (Note: Use p/n 70001529 & 70001674. Must be ordered separately)	
27A		1	Fitting Options:	
	See Note		All Boom Lifts (Note: Not Available Separately. Purchase Kit p/n 70001529)	
	70001674		All Scissor Lifts	
28	70000719	1	Sensor, O2 Post Catalyst (Was p/n 70000545)	
29	70001530	1	Bracket, Mounting	
30	70001311	1	Regulator, Electric Pressure	
	70001150	1	Repair Kit - Pressure Regulator (Low Pressure Side Only)	
	70000386	4	Clip, Retaining	
31	70001531	1	Fitting, Nipple	
32	70001532	1	Plug	
33	7027976	1	Sensor, T-Map	

## SECTION 3 3.0L ENGINE

**FIGURE 3-10. FUEL SUPPLY COMPONENTS - TIER 2 ENGINES (CONTINUED)**

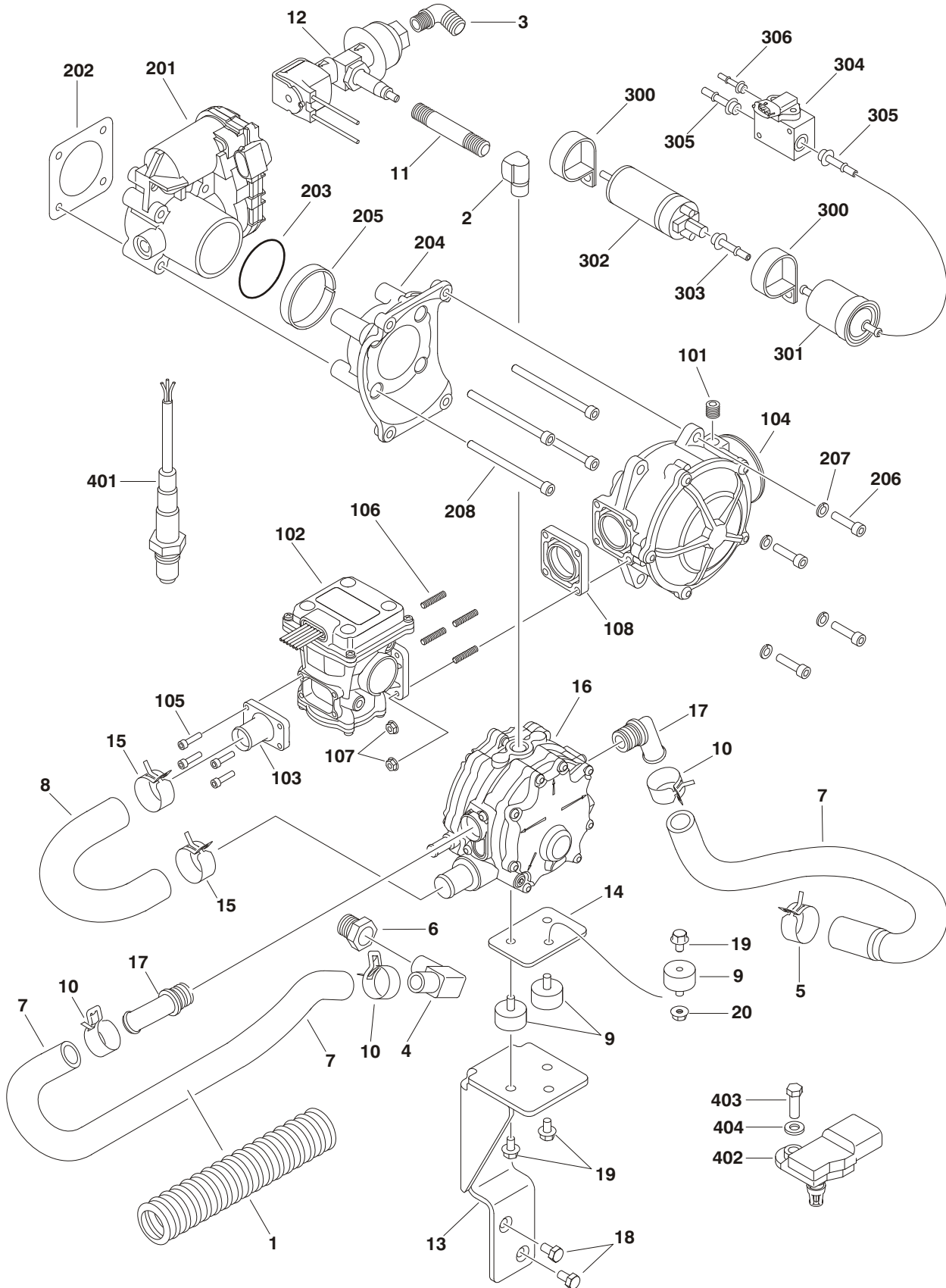
ITEM #	PART NUMBER	QTY.	DESCRIPTION	REV.
34	Not Used			
35	70000169	3	Isolator	
36	70000170	2	Seal, Mixer to Adapter	
37	70001533	1	Label - Emissions (Not Shown)	
38	0641406	1	Bolt 1/4in-20NC x 3/4in Grade 5 (Was p/n 70001534)	
39	70001316	3	Nut, Flanged M8	
40	70001535	4	Flatwasher 5/16in	
41	0641608	4	Bolt 3/8in-16NC x 1in Grade 5 (Was p/n 70001147)	
42	4761600	4	Lockwasher 3/8in (Was p/n 70001536)	
43	70001537	1	Flatwasher 1/4in Hardened	
44	70001538	4	Capscrew, Socket Head M6 x 70mm	
45	70001539	4	Capscrew, Socket Head #12-24NF x 1-1/2in	
46	70001673	1	Fitting, Nipple (Scissor Lifts Only)	
47	70001929	1	Sensor, Fuel Temperature	

**FIGURE 3-10. FUEL SUPPLY COMPONENTS - TIER 2 ENGINES (CONTINUED)**

ITEM #	PART NUMBER	QTY.	DESCRIPTION	REV.

# SECTION 3 3.0L ENGINE

## FIGURE 3-11. FUEL SUPPLY COMPONENTS - TIER 3 & 4 INTERIM ENGINES





## SECTION 3 3.0L ENGINE

**FIGURE 3-11. FUEL SUPPLY COMPONENTS - TIER 3 & 4 INTERIM ENGINES**

ITEM #	PART NUMBER	QTY.	DESCRIPTION	REV.
		Ref	<b>TIER 3 &amp; 4 INTERIM ENGINE FUEL SUPPLY COMPONENTS</b>	
		Ref	<b>Note: To determine the machine's engine p/n or emissions TIER level, refer to Section 1 Usage Chart.</b>	
1	70001521	8in	Loom, 1in Split	
2	70001307	1	Fitting, Elbow	
3	70002880	1	Fitting, Elbow	
4	70001522	1	Fitting, Elbow	
5	70001523	1	Clamp	
6	70001524	1	Fitting, Adapter	
7	70001308	AR	Hose	
8	70001310	1	Hose	
9	70002881	3	Isolator	
10	70002882	3	Clamp	
11	70001531	1	Fitting, Nipple	
12	70002883	1	Valve, Lock-Off	
13		1	Bracket, Mounting Options:	
	70002884		All Tier 3 & 4 Interim Engines except p/n 1001114600 used in Model 600A	
	70002952		Model 600A - 1001114600 Engine Only (Not Shown)	
14	70002885	1	Plate	
15	70002886	2	Clamp	
16	70002887	1	Regulator	
17	70002888	2	Fitting, Elbow	
18	70002889	2	Bolt	
19	70002890	3	Bolt	
20	70002891	3	Nut	
		Ref	<b>TIER 3 &amp; 4 INTERIM ENGINE MIXER/PRESSURE REGULATOR COMPONENTS</b>	
		Ref	<b>Note: To determine the machine's engine p/n or emissions TIER level, refer to Section 1 Usage Chart.</b>	
101	70001532	2	Plug	
102	70002869	1	Regulator, Electronic Pressure	
103	70002870	1	Adapter	
104	70002871	1	Mixer (Note: No Service Breakdown Available)	
105	70002872	4	Bolt	
106		4	Stud Options:	
	70002873		All Tier 3 & 4 Interim Engines except p/n 1001114600 used in Model 600A	
	70002950		Model 600A - 1001114600 Engine Only	
107	70002874	4	Nut	
108	70002949	1	Spacer (Model 600A -1001114600 Engine Only)	
		Ref	<b>TIER 3 &amp; 4 INTERIM ENGINE THROTTLE BODY COMPONENTS</b>	
		Ref	<b>Note: To determine the machine's engine p/n or emissions TIER level, refer to Section 1 Usage Chart.</b>	
201	70000007	1	Throttle Body	

## SECTION 3 3.0L ENGINE

**FIGURE 3-11. FUEL SUPPLY COMPONENTS - TIER 3 & 4 INTERIM ENGINES (CONTINUED)**

ITEM #	PART NUMBER	QTY.	DESCRIPTION	REV.
202	70000006	1	Gasket	
203	70000168	1	O-Ring	
204	70002875	1	Adapter	
205	70002876	1	Spacer	
206	70002877	4	Bolt	
207	70002878	4	Washer	
208	70002879	4	Bolt	
		Ref	<b>TIER 3 &amp; 4 INTERIM ENGINE SENSOR COMPONENTS</b>	
		Ref	<b>Note: To determine the machine's engine p/n or emissions TIER level, refer to Section 1 Usage Chart.</b>	
300	70001525	2	Clamp, Mounting	
301	7027972	1	Filter, Fuel	
302	7027973	1	Pump, High Pressure Fuel	
303	70000166	1	Fitting, Special & Gasket	
304	70000011	1	Manifold, Fuel Temperature/Return	
305	70001527	2	Fitting, Special	
306	70001528	1	Fitting, Special	
		Ref	<b>TIER 3 &amp; 4 INTERIM ENGINE SENSOR COMPONENTS</b>	
		Ref	<b>Note: To determine the machine's engine p/n or emissions TIER level, refer to Section 1 Usage Chart.</b>	
401	70000719	2	Sensor, O2 (Pre- & Post- Catalyst) (Was p/n 70000545)	
402	7027976	1	Sensor, T-Map	
403	0641406	1	Bolt 1/4in-20NC x 3/4in Grade 5 (Was p/n 70001534)	
404	70001537	1	Flatwasher 1/4in Hardened	

**SECTION 3 3.0L ENGINE**

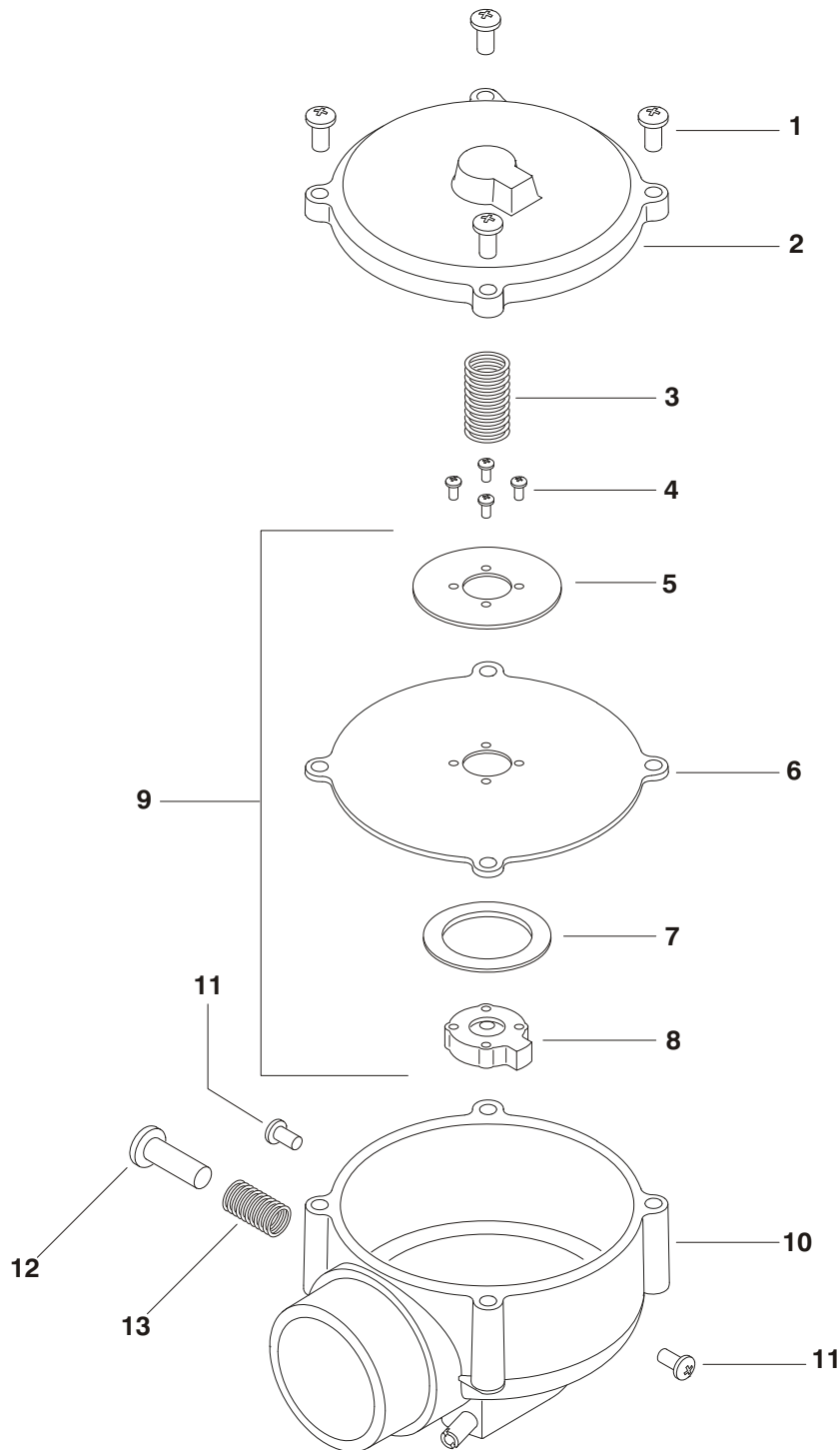
**FIGURE 3-11. FUEL SUPPLY COMPONENTS - TIER 3 & 4 INTERIM ENGINES (CONTINUED)**

ITEM #	PART NUMBER	QTY.	DESCRIPTION	REV.

## SECTION 3 3.0L ENGINE

FIGURE 3-12. MIXER ASSEMBLY (TIER 1 & 2 ENGINES)

NOTE: THIS FIGURE IS ONLY FOR TIER 1 & 2 ENGINES.  
NO BREAKDOWN AVAILABLE FOR TIER 3 & 4 INTERIM  
ENGINE MIXER.



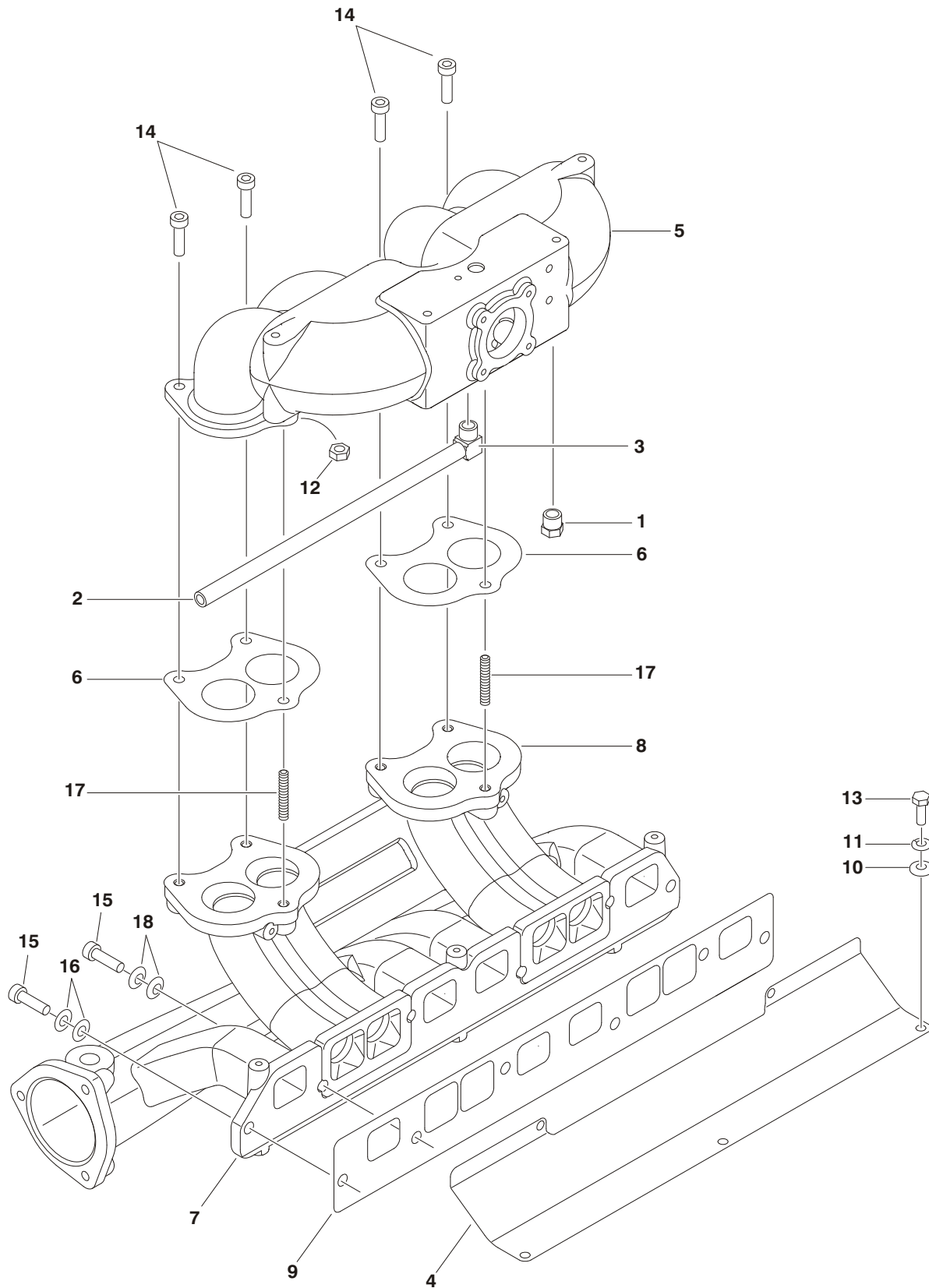
## SECTION 3 3.0L ENGINE

**FIGURE 3-12. MIXER ASSEMBLY (TIER 1 & 2 ENGINES)**

ITEM #	PART NUMBER	QTY.	DESCRIPTION	REV.
	7027975	Ref	<b>MIXER ASSEMBLY</b>	
		Ref	<b>Note: To determine the machine's engine p/n or emissions TIER level, refer to Section 1 Usage Chart.</b>	
		Ref	<b>Note: This Figure is for Tier 1 &amp; 2 Engines Only. No Break-down Available for the Tier 3 &amp; 4 interim Engine Mixer.</b>	
1	Use 7027975	4	Screw #10-24NC x 5/8in	
2	Use 7027975	1	Cover	
3	Use 7027975	1	Spring, Air Valve	
4	Use 7027975	4	Screw #5-32 x 1/4in	
5	Use 7027975	1	Plate, Backup (Part of Item 9)	
6	Use 7027975	1	Diaphragm (Part of Item 9)	
7	Use 7027975	1	Ring, Air Valve (Part of Item 9)	
8	Use 7027975	1	Air Gas Valve Assembly (Part of Item 9)	
9	Use 7027975	1	Valve & Diaphragm Assembly (Includes Items 5-8)	
10	Use 7027975	1	Body	
11	Use 7027975	2	Screw 1/4in-28NF x 5/16in	
12	Use 7027975	1	Screw, Idle	
13	Use 7027975	1	Spring, Idle Screw	

# SECTION 3 3.0L ENGINE

## FIGURE 3-13. INTAKE/EXHAUST MANIFOLD COMPONENTS



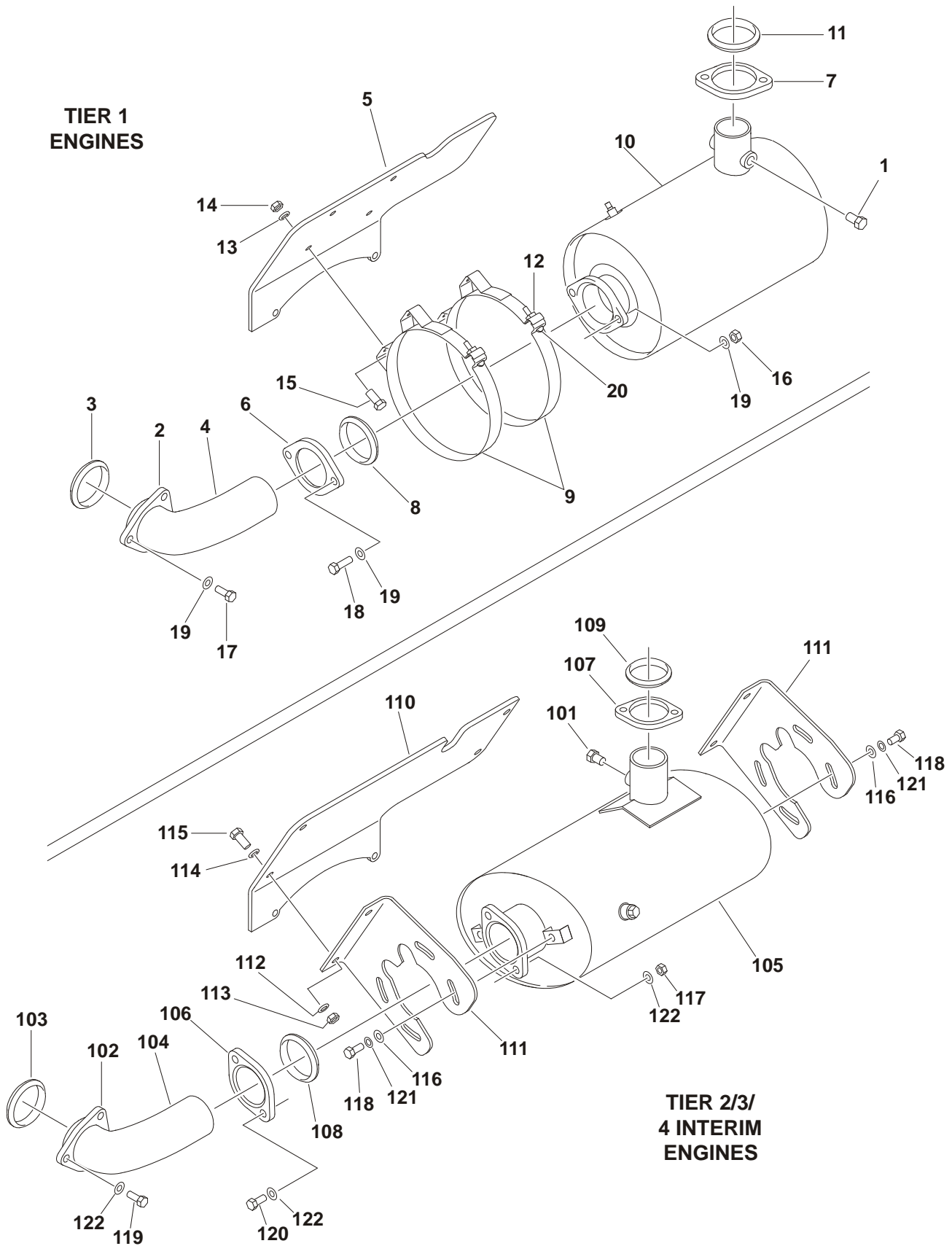
## SECTION 3 3.0L ENGINE

**FIGURE 3-13. INTAKE/EXHAUST MANIFOLD COMPONENTS**

ITEM #	PART NUMBER	QTY.	DESCRIPTION	REV.
		Ref	<b>INTAKE/EXHAUST MANIFOLD COMPONENTS</b>	
		Ref	<b>Note: To determine the machine's engine p/n or emissions TIER level, refer to Section 1 Usage Chart.</b>	
		Ref	<b>Note: See Fuel Supply Components for O2 Sensors.</b>	
1	70001541	1	Fitting, Plug	
2	70001542	14in	Hose, PCV	
3	70001543	1	Fitting, Elbow Barbed	
4	70001544	1	Shield, Heat	
5	70001545	1	Manifold, Intake Upper Half	
6	7027978	1	Gasket Between Upper to Lower Intake Manifold Halves	
7	70001070	1	Manifold, Exhaust	
8	70001546	1	Manifold, Intake Lower Half	
9	70001547	1	Gasket, Intake/Exhaust Manifolds to Cylinder Head (Was p/n 7027977)	
10	4711400	5	Flatwasher 1/4in (Was p/n 70001506)	
11	70001507	5	Lockwasher 1/4in	
12	70001548	2	Nut, Flanged 5/16in-18NC	
13	70001509	5	Bolt 1/4in-20 x 1/2in	
14	70001549	4	Capscrew, Socket Head 5/16in-18NC x 3/4in Grade 5	
15	70001550	6	Capscrew, Socket Head 3/8in-16NC x 1in Grade 8	
16	70001512	4	Flatwasher 3/8in Hardened	
17	70001551	2	Stud 5/16in-18NC x 1-1/2in Grade 5	
18	70001552	8	Washer, Belleville 3/8in	

# SECTION 3 3.0L ENGINE

## FIGURE 3-14. MUFFLER COMPONENTS - BOOM LIFTS





## SECTION 3 3.0L ENGINE

**FIGURE 3-14. MUFFLER COMPONENTS - BOOM LIFTS**

ITEM #	PART NUMBER	QTY.	DESCRIPTION	REV.
		Ref	<b>MUFFLER COMPONENTS</b>	
		Ref	<b>Note: To determine the machine's engine p/n or emissions TIER level, refer to Section 1 Usage Chart.</b>	
		Ref	<b>Note: See Fuel Supply Components for O2 Sensors.</b>	
		Ref	<b>TIER 1 ENGINES</b>	
1	70000943	1	Plug	
2	7027979	1	Flange, Exhaust to Manifold	
3	7027980	1	Seal, Exhaust (Doughnut Gasket)	
4	7027981	1	Pipe, Exhaust	
5	7027983	1	Bracket, Muffler	
6	7027984	1	Flange 2.5in	
7	7027985	1	Flange 2in	
8	7027986	2	Seal 2.5in	
9	7027988	1	Band, Mounting	
10	70000173	1	Muffler, Catalyst	
11	7027987	1	Seal 2in	
12	70001693	2	Nut 1/4in-20NC	
13	70001515	4	Lockwasher 5/16in	
14	70001555	4	Nut 5/16in-18NC	
15	70001516	4	Bolt 5/16in-18NC x 3/4in Grade 5	
16	3311605	2	Nut 3/8in-16NC (Was p/n 70001558)	
17	0641610	3	Bolt 5/16in-18NC x 1-1/4in Grade 5 (Was p/n 70001559)	
18	0641612	2	Bolt 5/16in-18NC x 1-1/2in Grade 5 (Was p/n 70001560)	
19	4711600	7	Flatwasher 3/8in (Was p/n 70001561)	
20	70001694	2	Bolt 5/16in-18NC x 1-1/4in Grade 5	
		Ref	<b>TIER 2, 3 &amp; 4 ENGINES</b>	
101	70000943	1	Plug	
102	7027979	1	Flange, Exhaust to Manifold	
103	7027980	1	Seal, Exhaust (Doughnut Gasket)	
104	7027981	1	Pipe, Exhaust Options: All Models except 600A/600AJ	
	70001684		Model 600A/600AJ Only	
105	70000013	1	Muffler, Catalyst (Tier 2 Engines)	
	70002894		Muffler, Catalyst (Tier 3 & 4 Engines)	
	70002232	2	Plug, Brass (Not Shown)	
106	7027984	1	Flange 2.5in	
107	7027985	1	Flange 2in	
108	7027986	1	Seal 2.5in	
109	7027987	1	Seal 2in	
110	70001553	1	Bracket, Muffler	
111	70001554	2	Bracket, Muffler End Options: All Models except 600A/600AJ	
	70001685		Model 600A/600AJ Only	
112	70001515	4	Lockwasher 5/16in	
113	70001555	4	Nut 5/16in-18NC	

## SECTION 3 3.0L ENGINE

**FIGURE 3-14. MUFFLER COMPONENTS - BOOM LIFTS (CONTINUED)**

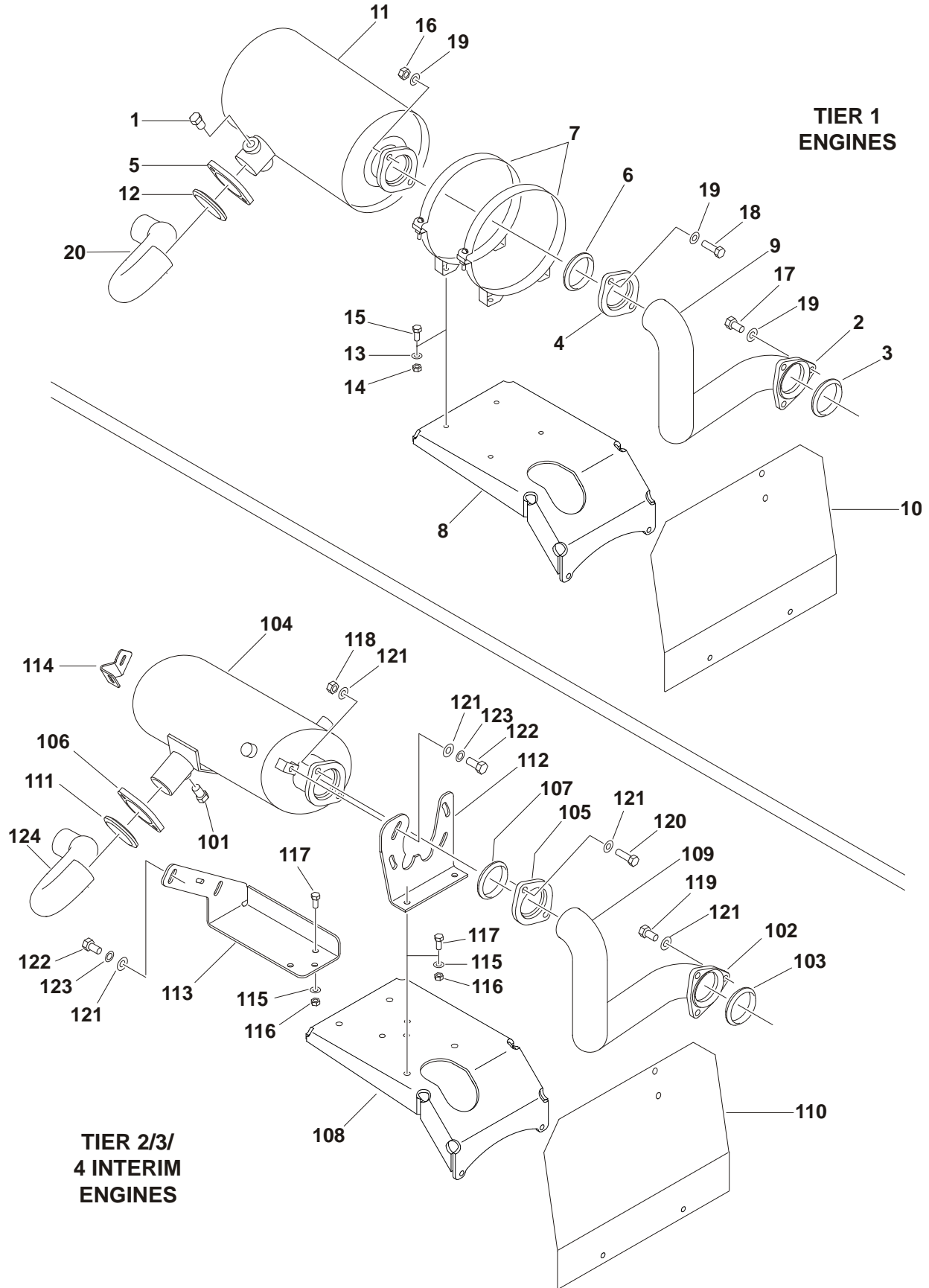
ITEM #	PART NUMBER	QTY.	DESCRIPTION	REV.
114	70001535	4	Flatwasher 5/16in (Tier 2 Engines)	
	70001569	4	Flatwasher 5/16in (Tier 3 & 4 Engines)	
115	70001556	4	Bolt 5/16in-18NC x 1in Grade 5	
116	70001557	4	Flatwasher 3/8in Stainless	
117	3311605	2	Nut 3/8in-16NC (Was p/n 70001558)	
118	0641608	4	Bolt 3/8in-16NC x 1in Grade 5 (Was p/n 70001147)	
119	0641610	3	Bolt 5/16in-18NC x 1-1/4in Grade 5 (Was p/n 70001559)	
120	0641612	2	Bolt 5/16in-18NC x 1-1/2in Grade 5 (Was p/n 70001560)	
121	4761600	4	Lockwasher 3/8in (Was p/n 70001536)	
122	4711600	7	Flatwasher 3/8in (Was p/n 70001561)	

**FIGURE 3-14. MUFFLER COMPONENTS - BOOM LIFTS (CONTINUED)**

ITEM #	PART NUMBER	QTY.	DESCRIPTION	REV.

# SECTION 3 3.0L ENGINE

## FIGURE 3-15. MUFFLER COMPONENTS - SCISSOR LIFTS



## SECTION 3 3.0L ENGINE

### FIGURE 3-15. MUFFLER COMPONENTS - SCISSOR LIFTS

ITEM #	PART NUMBER	QTY.	DESCRIPTION	REV.
		Ref	<b>MUFFLER COMPONENTS</b>	
		Ref	<b>Note: To determine the machine's engine p/n or emissions TIER level, refer to Section 1 Usage Chart.</b>	
		Ref	<b>Note: See Fuel Supply Components for O2 Sensors.</b>	
		Ref	<b>TIER 1 ENGINES</b>	
1	70000943	1	Plug	
2	7027979	1	Flange, Exhaust to Manifold	
3	7027980	1	Seal, Exhaust (Doughnut Gasket)	
4	7027984	1	Flange 2.5in	
5	7027985	1	Flange 2in	
6	7027986	2	Seal - 2.5in	
7	7027988	1	Band, Mounting	
8	70000171	1	Bracket, Muffler	
9	70000172	1	Pipe, Exhaust	
10	70000178	1	Shield, Heat	
11	70000173	1	Muffler, Catalyst	
	70002232	2	Plug (Not Shown)	
12	7027987	1	Seal 2in	
13	70001515	4	Lockwasher 5/16in	
14	70001555	4	Nut 5/16in-18NC	
15	70001516	4	Bolt 5/16in-18NC x 3/4in Grade 5	
16	3311605	2	Nut 3/8in-16NC (Was p/n 70001558)	
17	0641610	3	Bolt 5/16in-18NC x 1-1/4in Grade 5 (Was p/n 70001559)	
18	0641612	2	Bolt 5/16in-18NC x 1-1/2in Grade 5 (Was p/n 70001560)	
19	4711600	7	Flatwasher 3/8in (Was p/n 70001561)	
20	70001340	1	Pipe, Exhaust	
		Ref	<b>TIER 2, 3 &amp; 4 interim ENGINES</b>	
101	70000943	1	Plug	
102	7027979	1	Flange, Exhaust to Manifold	
103	7027980	1	Seal, Exhaust (Doughnut Gasket)	
104		1	Muffler, Catalyst Options:	
	70000013		Tier 2 Engines	
	70002894		Tier 3 & 4 interim Engines	
	70002232	2	Plug, Brass (Not Shown)	
105	7027984	1	Flange 2.5in	
106	7027985	1	Flange 2in	
107	7027986	1	Seal 2.5in	
108	70000171	1	Bracket, Muffler	
109	70000172	1	Pipe, Exhaust	
110	70000178	1	Shield, Heat	
111	7027987	1	Seal 2in	
112	70001554	1	Bracket, Muffler Front Side	
113	70001678	1	Bracket, Muffler Rear Side	
114	70001679	1	Bracket, Tail Pipe	
115	70001515	4	Lockwasher 5/16in	

## SECTION 3 3.0L ENGINE

**FIGURE 3-15. MUFFLER COMPONENTS - SCISSOR LIFTS (CONTINUED)**

ITEM #	PART NUMBER	QTY.	DESCRIPTION	REV.
116	70001555	4	Nut 5/16in-18NC	
117	70001516	4	Bolt 5/16in-18NC x 3/4in Grade 5	
118	3311605	2	Nut 3/8in-16NC (Was p/n 70001558)	
119	0641610	3	Bolt 5/16in-18NC x 1-1/4in Grade 5 (was p/n 70001559)	
120	0641612	2	Bolt 5/16in-18NC x 1-1/2in Grade 5 (was p/n 70001560)	
121	4711600	11	Flatwasher 3/8in (was p/n 70001561)	
122	0641608	4	Bolt 3/8in-16NC x 1in Grade 5 (was p/n 70001147)	
123	4761600	4	Lockwasher 3/8in (was p/n 70001536)	
124	70001340	1	Pipe, Exhaust	

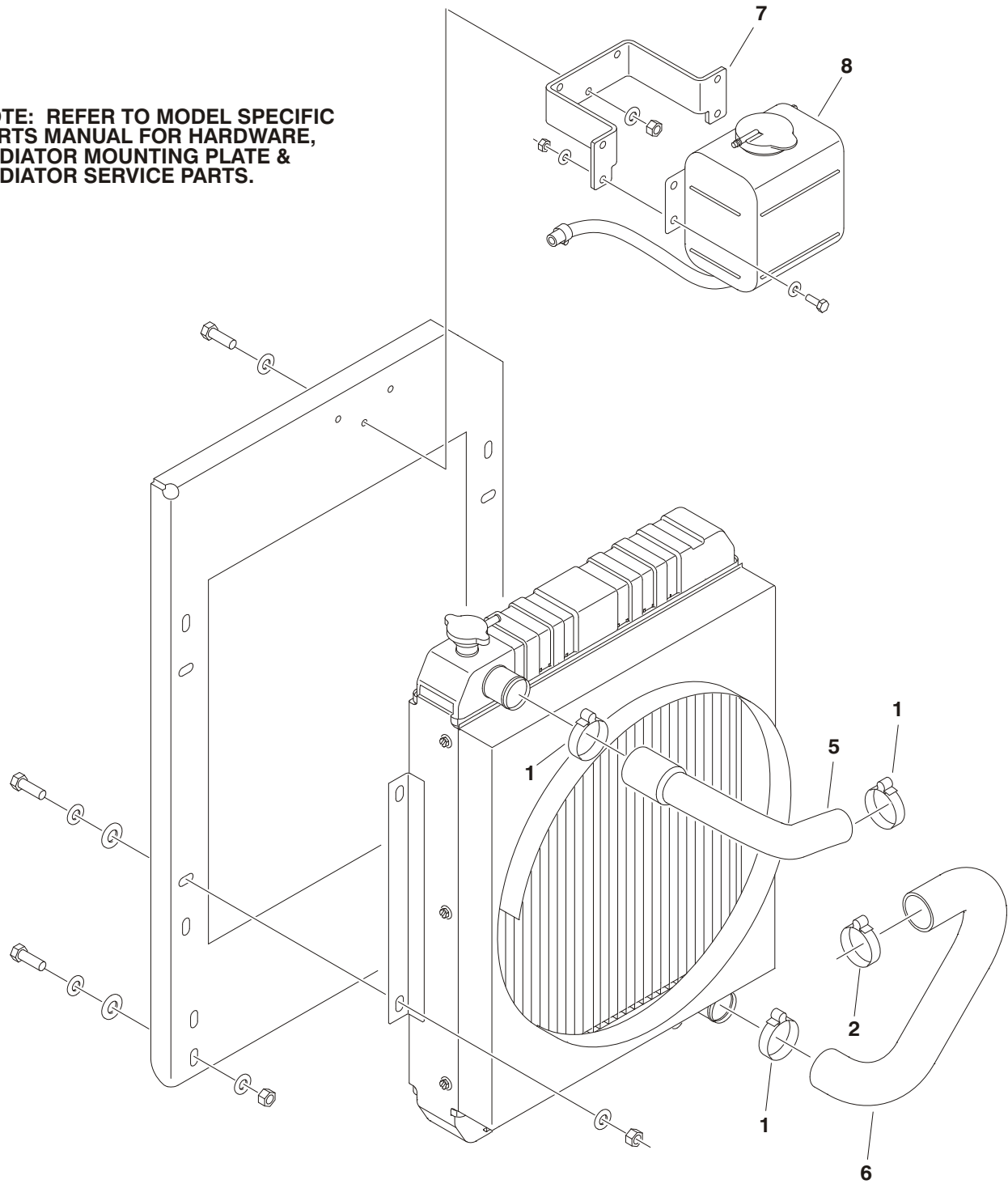
**FIGURE 3-15. MUFFLER COMPONENTS - SCISSOR LIFTS (CONTINUED)**

ITEM #	PART NUMBER	QTY.	DESCRIPTION	REV.

# SECTION 3 3.0L ENGINE

## FIGURE 3-16. COOLANT SYSTEM COMPONENTS

**NOTE: REFER TO MODEL SPECIFIC PARTS MANUAL FOR HARDWARE, RADIATOR MOUNTING PLATE & RADIATOR SERVICE PARTS.**





**FIGURE 3-16. COOLANT SYSTEM COMPONENTS**

ITEM #	PART NUMBER	QTY.	DESCRIPTION	REV.
		Ref	<b>COOLANT SYSTEM COMPONENTS</b>	
		Ref	<b>Note: To determine the machine's engine p/n or emissions TIER level, refer to Section 1 Usage Chart.</b>	
1	1320012	3	Clamp	
2	1320016	1	Clamp	
3 to 4	Not Used			
5		1	Hose, Upper Radiator Options:	
	2720563		Boom Lifts (Note: Refer to Model Specific Parts Manual)	
	70001332		Scissor Lifts	
6		1	Hose, Lower Radiator Options:	
	2720564		Boom Lifts (Note: Refer to Model Specific Parts Manual)	
	70001333		Scissor Lifts	
7		1	Bracket, Coolant Overflow Bottle Options:	
	Not Required		Boom Lifts	
	70001647		Scissor Lifts	
8	1580011	1	Bottle, Coolant Overflow	
9	70001650	1	Decal - Radiator (Not Shown - Located on Radiator)	

# SECTION 3 3.0L ENGINE

## FIGURE 3-17. ENGINE MOUNTING COMPONENTS

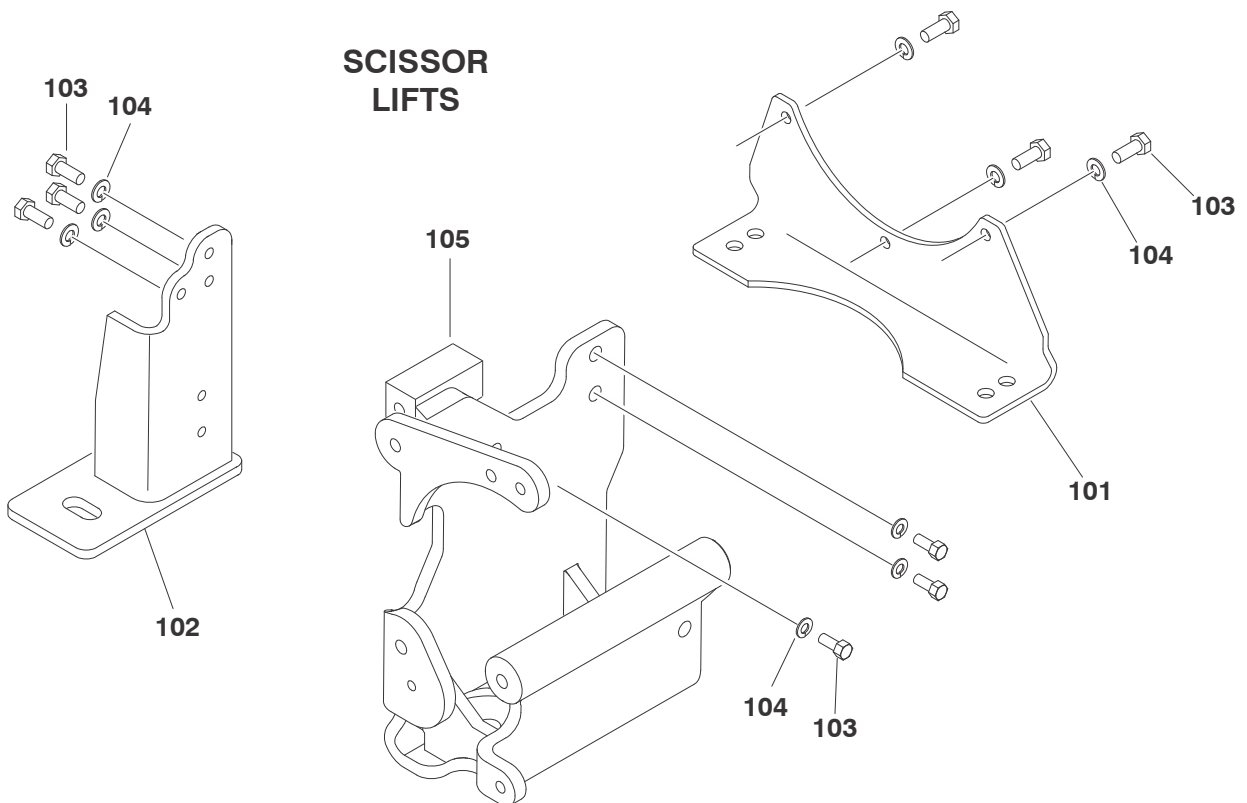
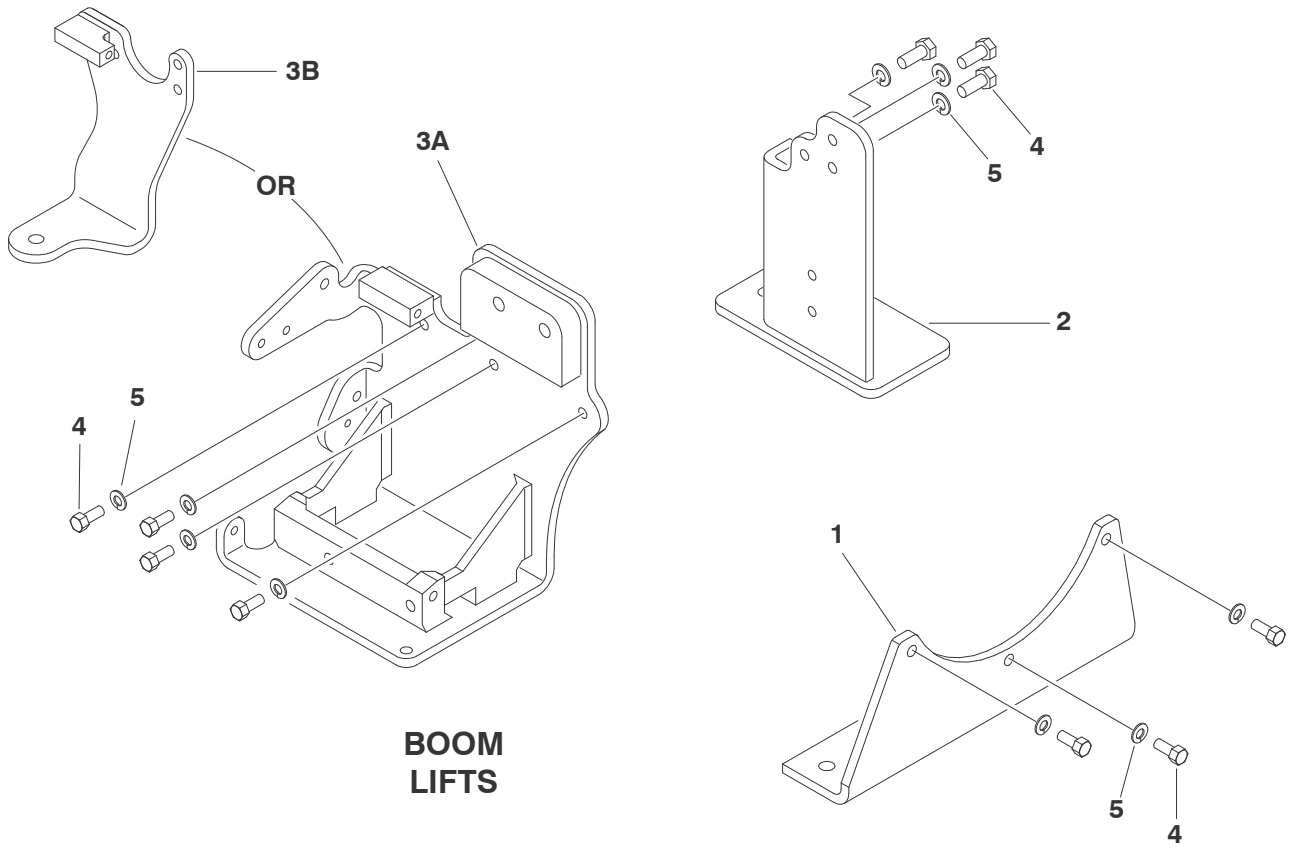


FIGURE 3-17. ENGINE MOUNTING COMPONENTS

ITEM #	PART NUMBER	QTY.	DESCRIPTION	REV.
		Ref	<b>ENGINE MOUNTING COMPONENTS</b>	
		Ref	<b>Note: To determine the machine's engine p/n or emissions TIER level, refer to Section 1 Usage Chart.</b>	
		Ref	<b>Note: Mount position determined by facing front of engine.</b>	
		Ref	<b>Boom Lifts</b>	
1	70000179	1	Mount, Rear Engine	
2	70000180	1	Mount, Engine Left Front	
3		1	Mount, Engine Right Front Options:	
3A	70000896		All Engines except Engine p/n 1001141139 <b>(Note: P/N 1001141467 may be used as an option on other engines but has NO generator mounting capabilities.)</b>	
	70000896		Engine p/n 1001141139 with Generator Options	
3B	1001141467		Engine p/n 1001141139 without Generator Options (was p/n 70003906)	
4	0641608	10	Bolt 3/8in-16NC x 1in Grade 5 (Was p/n 70001147 & p/n 70002701)	
5	4761600	10	Lockwasher 3/8in (was p/n 70001536)	
		Ref	<b>Scissor Lifts</b>	
101	70000179	1	Mount, Rear Engine	
102	70000180	1	Mount, Engine Left Front	
103	0641608	10	Bolt 3/8in-16NC x 1in Grade 5 (Was p/n 70001147)	
104	4761600	10	Lockwasher 3/8in (was p/n 70001536)	
105	70000181	1	Mount, Engine Right Front	

# SECTION 3 3.0L ENGINE

## FIGURE 3-17. ENGINE MOUNTING COMPONENTS (CONTINUED)

ITEM #	PART NUMBER	QTY.	DESCRIPTION	REV.

## SECTION 4 SPECIAL OPTIONS

**Note:** This list is to accommodate machines ordered with special equipment. Options may not be applicable to all models. For more specific parts information contact JLG Parts Department.

FIG&ITEM#	PART NUMBER	QTY.	DESCRIPTION	REV.
10-1		Ref	<b>MISCELLANEOUS SPECIAL OPTIONS</b>	
	0275262	Ref	<b>Cold Weather Package</b>	
	0275261	Ref	<b>Engine Block Heater</b>	
		Ref	<b>Fluids/Lubricants</b>	
	2300004	Ref	Coolant, Antifreeze	
	3020021	Ref	Engine Coupling Grease	
	1001115931	Ref	Motor Oil 5W-30 Full Synthetic	
	1001115930	Ref	Motor Oil 10W-30	
	3020016	Ref	Motor Oil 15W-30	
	70002642	1	<b>Side Oil Fill Kit (Includes Cap, Casting &amp; Hardware) (Mounts on block at mechanical fuel pump location)</b>	
		Ref	<b>TOOLS TO SERVICE GM ENGINES</b>	
	70001255	Ref	Diagnostic Breakout Box	
	2915221	Ref	GM Diagnostic Kit (Includes Engine Diagnostic Software, 7000274 GM Interface Cable & 70001698 Diagnostic Cable)	
	70000274	Ref	GM Interface Cable	
	70001698	Ref	Diagnostic Cable	
	70000459	Ref	Rocker Arm Stud Remover	
	70000460	Ref	Crankshaft Sprocket Puller	
	70000461	Ref	Magnetic Base Dial Indicator	
	70000462	Ref	Dial Indicator	
	70000463	Ref	Piston Ring Compressor	
	70000464	Ref	Valve Spring Compressor	
	70000465	Ref	Cylinder Bore Gauge	
	70000466	Ref	Carbon Remover Brush	
	70000467	Ref	Camshaft Lobe Lift Indicator	
	70000468	Ref	Crankshaft Pulley Installer	
	70000469	Ref	Valve Lifter (Slide Hammer Type)	
	70000470	Ref	Distributor Lower Bushing Remover	
	70000471	Ref	Distributor Lower Bushing Installer	
	70000472	Ref	Valve Spring Tester	
	70000473	Ref	Oil Suction Pipe Installer	
	70000474	Ref	Piston Pin Remover/Installer Set	
	70000475	Ref	Ridge Reamer	
	70000476	Ref	Universal Crankshaft Pulley Remover	
	70000477	Ref	Engine Front Cover Aligner & Oil Seal Installer	
	70000478	Ref	Crankshaft Rear Oil Seal Installer	
	70000479	Ref	Crankshaft Sprocket Remover	
	70000480	Ref	Valve Lifter Remover	
	70000481	Ref	Piston Ring Groove Cleaner	
	70000482	Ref	Valve Guide Reamer	
	70000483	Ref	Connecting Rod Bolt Guide Set	

## SECTION 4 SPECIAL OPTIONS

**Note:** This list is to accommodate machines ordered with special equipment. Options may not be applicable to all models. For more specific parts information contact JLG Parts Department.

FIG&ITEM#	PART NUMBER	QTY.	DESCRIPTION	REV.
	70000484	Ref	Crankshaft Sprocket Installer	
	70000485	Ref	Rocker Stud Hole Reamer .003	
	70000486	Ref	Rocker Arm Stud Remover	
	70000487	Ref	Camshaft Bearing Remover/Installer	
	70000488	Ref	Slide Hammer	
	70000489	Ref	Valve Stem Seal Installer	
	70000490	Ref	Sealer Gasket	
	70000491	Ref	Rocker Stud Hole Reamer .013	

# SECTION 5 PARTS NUMBER INDEX

Part Number	Page	Part Number	Page	Part Number	Page	Part Number	Page
0275261	4-1	7000014	3-10	70000549	3-6	70001290	3-5
0275262	4-1	70000164	3-13, 3-17	70000550	3-7	70001291	3-6
0641406	3-29, 3-34, 3-38	70000165	3-13	70000551	3-5	70001292	3-7
0641608	3-11, 3-18, 3-27, 3-30, 3-34, 3-46, 3-50, 3-55	70000166	2-23, 3-29, 3-33, 3-38	70000552	3-5	70001293	3-10
0641610	3-45, 3-46, 3-49, 3-50	70000167	3-29, 3-33	70000679	3-17	70001294	3-5
0641612	3-45, 3-46, 3-49, 3-50	70000168	3-29, 3-33, 3-38	70000718	3-17	70001295	3-10
0700810	3-21	70000169	3-29, 3-34	70000719	2-13, 2-27, 3-29, 3-33, 3-38	70001296	3-9
0760812	2-15	70000170	3-29, 3-34	70000784	3-7	70001298	3-7
1001091583	1-1, 1-2	70000171	3-49	70000788	3-7	70001299	3-4
1001091585	1-2	70000172	3-49	70000896	3-55	70001300	3-10
1001114604	1-2	70000173	3-45, 3-49	70000897	3-21	70001301	3-5
1001115930	4-1	70000174	3-21	70000897	3-21	70001302	3-21
1001115931	4-1	70000175	3-27	70000910	3-18	70001303	3-13
1001117892	1-1	70000176	3-27	70000943	3-45, 3-49	70001304	3-29, 3-33
1001141139	3-55	70000177	3-27	70000948	3-18	70001305	3-29, 3-33
1001141467	3-55	70000178	3-49	70000988	3-4	70001306	3-29, 3-33
1001143635	2-11	70000179	3-55	70000989	3-4	70001307	3-33, 3-37
1001143636	2-11	70000180	3-55	70000990	3-4	70001308	3-29, 3-33, 3-37
1001143762	2-11	70000181	3-55	70001004	3-9	70001309	2-23
1320012	3-53	70000182	3-29, 3-33	70001038	3-21	70001310	3-29, 3-33, 3-37
1320016	3-27, 3-53	70000274	4-1	70001053	3-21	70001311	3-29, 3-33
1580011	3-53	70000274	4-1	70001054	3-21	70001312	3-23
2000354	1-1, 1-2	70000386	3-29, 3-33	70001057	3-29, 3-33	70001313	2-13, 3-18
2000360	1-2	70000459	4-1	70001070	3-43	70001315	3-23
2060025	3-21	70000460	4-1	70001143	3-9, 3-18	70001316	2-19, 3-23, 3-30, 3-34
2300004	4-1	70000461	4-1	70001147	3-11, 3-18, 3-19, 3-21, 3-25, 3-27, 3-29, 3-30, 3-34, 3-38, 3-43, 3-45, 3-46, 3-49, 3-50, 3-55	70001317	3-13
2720563	3-53	70000462	4-1			70001318	3-4
2720564	3-53	70000463	4-1			70001319	3-17
2750532	2-23, 2-24, 3-29, 3-33	70000464	4-1			70001320	3-9
2915221	4-1	70000465	4-1			70001321	3-5
3020016	4-1	70000466	4-1	70001149	3-23	70001322	3-18
3020021	4-1	70000467	4-1	70001150	3-29, 3-33	70001323	3-9
3311605	3-45, 3-46, 3-49, 3-50	70000468	4-1	70001153	3-9	70001325	3-9
4711400	3-25, 3-43	70000469	4-1	70001221	3-9	70001326	3-9
4711600	3-11, 3-19, 3-45, 3-46, 3-49, 3-50	70000470	4-1	70001255	4-1	70001327	3-9
4761600	3-11, 3-19, 3-21, 3-27, 3-30, 3-34, 3-46, 3-50, 3-55	70000471	4-1	70001266	3-7	70001329	3-27
4831900	3-21	70000472	4-1	70001267	3-5	70001330	3-21
70000001	3-4	70000473	4-1	70001268	3-9	70001332	3-53
70000002	3-9	70000474	4-1	70001269	3-4	70001333	3-53
70000003	3-9	70000475	4-1	70001270	3-5	70001336	3-27
70000004	3-9	70000476	4-1	70001271	3-7	70001337	3-27
70000005	3-9	70000477	4-1	70001272	3-5	70001338	3-27
70000006	2-23, 3-29, 3-33, 3-38	70000478	4-1	70001274	3-5, 3-6	70001339	3-27
70000007	3-29, 3-33, 3-37	70000479	4-1	70001275	3-9	70001340	3-49, 3-50
70000008	3-13	70000480	4-1	70001276	3-10	70001341	3-17
70000009	3-10	70000481	4-1	70001277	3-10, 3-13	70001500	3-13
70000010	3-10	70000482	4-1	70001278	3-10	70001501	3-13
70000011	3-29, 3-33, 3-38	70000483	4-1	70001279	3-10	70001502	3-25
70000013	3-45, 3-49	70000484	4-2	70001280	3-9	70001503	3-25
		70000485	4-2	70001281	3-17	70001504	3-25
		70000486	4-2	70001282	3-9	70001505	3-25
		70000487	4-2	70001283	3-9, 3-10	70001507	3-25, 3-43
		70000488	4-2	70001284	3-9	70001508	3-25
		70000489	4-2	70001285	3-7	70001509	3-25, 3-43
		70000490	4-2	70001286	3-17	70001510	3-25
		70000491	4-2	70001287	3-17	70001511	3-13, 3-25
		70000545	3-29, 3-33, 3-38	70001288	3-17	70001512	3-13, 3-25, 3-43
		70000546	3-9	70001289	3-5	70001513	3-23
		70000548	3-9				

## SECTION 5 PARTS NUMBER INDEX

Part Number	Page	Part Number	Page	Part Number	Page	Part Number	Page
70001514	3-23	70001574	3-4	70001633	3-10	70002887	3-37
70001515	3-21, 3-23, 3-27, 3-45, 3-49	70001575	3-4	70001634	3-10	70002888	3-37
70001516	3-23, 3-27, 3-45, 3-49, 3-50	70001576	3-4	70001635	3-10	70002889	3-37
70001517	3-23	70001577	3-4	70001636	3-10	70002890	2-19, 3-37
70001518	3-23	70001578	3-4	70001637	3-11	70002891	3-37
70001519	3-23	70001579	3-4	70001638	3-11	70002892	3-10
70001520	3-29, 3-33	70001580	3-4	70001647	3-53	70002893	3-10
70001521	3-29, 3-33, 3-37	70001581	3-4, 3-5	70001650	3-53	70002894	3-45, 3-49
70001522	3-29, 3-33, 3-37	70001582	3-4	70001651	3-27	70002895	3-18
70001523	3-29, 3-33, 3-37	70001583	3-5	70001652	3-27	70002896	3-13
70001524	3-29, 3-33, 3-37	70001584	3-5	70001653	3-27	70002897	3-13
70001525	3-29, 3-33, 3-38	70001585	3-5	70001671	3-13	70002898	3-17
70001526	3-29, 3-33	70001586	3-5	70001672	3-25	70002907	3-18
70001527	3-29, 3-33, 3-38	70001587	3-4, 3-5, 3-6	70001673	3-29, 3-34	70002908	3-18
70001528	3-29, 3-33, 3-38	70001588	3-5	70001674	3-33	70002909	3-18
70001529	3-29, 3-33	70001589	3-5	70001675	3-21	70002910	3-18
70001530	3-33	70001590	3-6, 3-7	70001676	3-21	70002911	3-9
70001531	3-33, 3-37	70001591	3-6, 3-9	70001678	3-49	70002912	3-10
70001532	3-29, 3-33, 3-37	70001592	3-6	70001679	3-49	70002914	3-10
70001533	3-13, 3-34	70001593	3-6	70001684	3-45	70002920	3-4
70001535	3-21, 3-27, 3-30, 3-34, 3-46	70001594	3-6	70001685	3-45	70002921	3-4
70001537	3-19, 3-30, 3-34, 3-38	70001595	3-6	70001686	3-7	70002923	3-4
70001538	3-30, 3-34	70001596	3-6	70001688	3-13, 3-30	70002924	3-4
70001539	3-30, 3-34	70001597	3-6	70001692	3-29	70002925	3-5
70001540	3-21	70001598	3-6	70001693	3-45	70002926	3-5
70001541	3-43	70001599	3-6	70001694	3-45	70002927	3-5, 3-7
70001542	2-11, 3-43	70001600	3-6	70001698	4-1	70002928	3-5
70001543	3-43	70001601	3-6	70001787	3-27	70002929	3-5
70001544	3-43	70001602	3-6	70001877	3-13, 3-14	70002930	3-5
70001545	3-43	70001603	3-7	70001929	3-30, 3-34	70002931	3-5
70001546	3-43	70001604	3-7	70001931	2-13, 3-17	70002933	3-5
70001547	3-43	70001605	3-7	70001950	2-13, 3-17	70002934	3-6
70001548	3-43	70001606	3-7	70001951	2-13, 3-17	70002935	3-6
70001549	3-43	70001607	3-7	70002226	3-29, 3-33	70002936	3-6
70001550	3-43	70001608	3-7	70002232	3-45, 3-49	70002937	3-6
70001551	3-43	70001609	3-7, 3-10	70002627	2-13, 3-17	70002938	3-6
70001552	3-43	70001610	3-7, 3-10	70002642	4-1	70002939	3-6
70001553	3-45	70001611	3-7	70002697	2-27	70002940	3-7
70001554	3-45, 3-49	70001612	3-7	70002701	3-55	70002941	3-7
70001555	3-27, 3-45, 3-49, 3-50	70001613	3-7	70002702	3-13	70002942	3-7
70001556	3-46	70001614	3-7	7000274	4-1	70002943	3-7
70001557	3-46	70001615	3-7	70002869	3-37	70002949	3-37
70001562	3-11	70001616	3-10	70002870	3-37	70002950	3-37
70001563	3-11	70001617	3-7	70002871	3-37	70002952	3-37
70001564	3-11	70001618	3-17	70002872	3-37	70002953	3-18
70001565	3-18	70001619	3-17	70002873	3-37	70002979	2-11
70001566	3-18	70001620	3-17	70002874	3-37	70003178	2-13
70001567	3-19	70001621	3-17	70002875	3-38	70003179	2-7, 2-13
70001568	2-19, 3-21	70001622	3-17	70002876	3-38	70003180	2-19
70001569	3-21, 3-46	70001623	3-17	70002877	3-38	70003181	2-19
70001570	3-21	70001624	3-17	70002878	3-38	70003182	2-19
70001571	3-21	70001625	3-17	70002879	3-38	70003183	2-19
70001572	3-21	70001626	3-17	70002880	3-37	70003184	2-19
70001573	3-21	70001627	3-18	70002881	3-37	70003185	2-19
		70001628	3-17	70002882	3-37	70003186	2-19
		70001629	3-17	70002883	3-37	70003187	2-19
		70001630	3-9	70002884	3-37	70003188	2-19
		70001631	3-9	70002885	3-37	70003189	2-15
		70001632	3-10	70002886	3-37	70003190	2-17



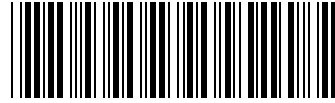
## SECTION 5 PARTS NUMBER INDEX

Part Number	Page	Part Number	Page	Part Number	Page	Part Number	Page
70003191	2-17	70003281	2-4	70003343	2-5	70003402	2-15
70003192	2-13	70003282	2-5	70003344	2-5	70003403	2-5
70003193	2-13	70003283	2-5	70003345	2-5	70003404	2-5
70003194	2-13	70003284	2-5	70003346	2-5	70003405	2-5
70003195	2-13	70003285	2-5	70003347	2-5	70003406	2-5
70003196	2-13, 2-23	70003286	2-5	70003348	2-5	70003409	2-21
70003197	2-13, 3-18	70003287	2-5	70003349	2-5	70003410	2-21
70003198	2-13	70003288	2-5	70003350	2-5	70003411	2-21
70003199	2-23	70003289	2-5	70003351	2-5	70003412	2-21
70003200	2-23	70003290	2-5	70003352	2-5	70003413	2-21
70003201	2-23	70003291	2-11	70003353	2-5	70003414	2-21
70003202	2-23	70003292	2-7	70003354	2-5	70003415	2-21
70003208	2-23	70003293	2-7	70003355	2-5	70003416	2-21
70003226	2-11	70003294	2-7	70003356	2-5	70003417	2-21
70003227	2-11	70003295	2-7	70003357	2-5	70003418	2-21
70003228	2-11	70003296	2-7	70003358	2-5	70003419	2-21
70003229	2-11	70003297	2-7	70003359	2-5	70003420	2-21
70003239	2-27	70003298	2-7	70003360	2-5	70003421	2-21
70003240	2-27	70003299	2-7	70003361	2-5	70003422	2-21
70003241	2-27	70003300	2-7	70003362	2-5	70003423	2-21
70003242	2-27	70003301	2-7	70003363	2-5	70003424	2-21
70003243	2-27	70003302	2-7, 2-13	70003364	2-5	70003425	2-21
70003244	2-4	70003303	2-7	70003365	2-5	70003426	2-21
70003245	2-4	70003304	2-7	70003366	2-5	70003427	2-21
70003246	2-4	70003305	2-7	70003367	2-5	70003428	2-21
70003247	2-4	70003306	2-7	70003368	2-5	70003429	2-21
70003248	2-4	70003307	2-7	70003369	2-5	70003430	2-21
70003249	2-4	70003308	2-7	70003370	2-27	70003431	2-21
70003250	2-4	70003309	2-7	70003371	2-27	70003432	2-21
70003251	2-4	70003310	2-7	70003372	2-27	70003433	2-21
70003252	2-4	70003311	2-7	70003373	2-27	70003434	2-21
70003253	2-4	70003312	2-7	70003374	2-27	70003435	2-21
70003254	2-4	70003313	2-7	70003375	2-27	70003436	2-21
70003255	2-4	70003314	2-7	70003376	2-27	70003437	2-21
70003256	2-4	70003315	2-7	70003377	2-27	70003438	2-21
70003257	2-4	70003316	2-7	70003378	2-27	70003439	2-21
70003258	2-4	70003317	2-7	70003379	2-27	70003440	2-21
70003259	2-4	70003318	2-7, 2-13	70003380	2-27	70003441	2-21
70003260	2-4	70003319	2-7, 2-13	70003381	2-13	70003442	2-21
70003261	2-4	70003320	2-7, 2-13	70003382	2-13	70003443	2-21
70003262	2-4	70003321	2-7	70003383	2-13	70003444	2-21
70003263	2-4	70003322	2-7	70003384	2-13	70003447	3-25
70003264	2-4	70003323	2-7	70003385	2-15	70003448	3-27
70003265	2-4	70003324	2-7	70003386	2-15	70003781	3-4
70003266	2-4	70003325	2-7	70003387	2-15	70003782	3-4
70003267	2-4	70003326	2-7	70003388	2-15	70003786	3-4
70003268	2-4	70003327	2-7	70003389	2-15	70003792	2-23
70003269	2-4	70003328	2-7	70003390	2-15	70003871	3-18
70003270	2-4	70003329	2-7	70003391	2-15	70003872	3-18
70003271	2-4	70003330	2-7	70003392	2-15	70003873	3-9
70003272	2-4	70003331	2-7	70003393	2-15	70003874	3-10
70003273	2-4	70003332	2-7	70003394	2-15	70003878	3-10
70003274	2-4	70003333	2-7	70003395	2-15	70003879	3-10
70003275	2-4	70003334	2-7	70003396	2-15	70003881	3-4
70003276	2-4	70003335	2-8	70003397	2-15	70003883	3-4
70003277	2-4	70003336	2-8	70003398	2-15	70003884	3-5
70003278	2-4	70003337	2-8	70003399	2-15	70003886	3-4
70003279	2-4	70003338	2-8	70003400	2-15	70003887	3-4
70003280	2-4	70003342	2-5	70003401	2-15	70003888	3-5

# SECTION 5 PARTS NUMBER INDEX

Part Number	Page	Part Number	Page	Part Number	Page	Part Number	Page
70003890	3-5						
70003892	3-6						
70003895	3-13						
70003896	3-13						
70003901	3-29						
70003906	3-55						
70003907	3-18						
70003908	3-17						
7024438	3-27						
7027965	3-13						
7027966	3-13						
7027967	3-13						
7027968	3-18						
7027969	3-23						
7027970	3-29, 3-33						
7027971	3-29, 3-33						
7027972	2-23, 3-29, 3-33, 3-38						
7027973	2-23, 3-29, 3-33, 3-38						
7027974	3-29						
7027975	3-29, 3-33, 3-41						
7027976	3-29, 3-33, 3-38						
7027977	3-43						
7027978	3-43						
7027979	3-45, 3-49						
7027980	3-45, 3-49						
7027981	3-45						
7027983	3-45						
7027984	3-45, 3-49						
7027985	3-45, 3-49						
7027986	3-45, 3-49						
7027987	3-45, 3-49						
7027988	3-45, 3-49						
7027989	3-17						
7027991	3-17						
7027992	3-21						
7027993	3-21						
7027994	3-18						
7027996	3-13						
7027997	3-17						
7027998	3-18						
7027999	2-13, 3-7						
8273291	3-27						





3121245



An Oshkosh Corporation Company

Corporate Office  
JLG Industries, Inc.  
1 JLG Drive  
McConnellsburg PA. 17233-9533  
USA

☎ (717) 485-5161

📠 (717) 485-6417

## JLG Worldwide Locations

JLG Industries (Australia)  
P.O. Box 5119  
11 Bolwarra Road  
Port Macquarie  
N.S.W. 2444  
Australia

☎ +61 2 65 811111

📠 +61 2 65 813058

JLG Latino Americana Ltda.  
Rua Eng. Carlos Stevenson,  
80-Suite 71  
13092-310 Campinas-SP  
Brazil

☎ +55 19 3295 0407

📠 +55 19 3295 1025

JLG Industries (UK) Ltd  
Bentley House  
Bentley Avenue  
Middleton  
Greater Manchester  
M24 2GP - England

☎ +44 (0)161 654 1000

📠 +44 (0)161 654 1001

JLG France SAS  
Z.I. de Baulieu  
47400 Fauillet  
France

☎ +33 (0)5 53 88 31 70

📠 +33 (0)5 53 88 31 79

JLG Deutschland GmbH  
Max-Planck-Str. 21  
D - 27721 Ritterhude - Ihlpohl  
Germany

☎ +49 (0)421 69 350 20

📠 +49 (0)421 69 350 45

JLG Equipment Services Ltd.  
Rm 1107 Landmark North  
39 Lung Sum Avenue  
Sheung Shui N. T.  
Hong Kong

☎ (852) 2639 5783

📠 (852) 2639 5797

JLG Industries (Italia) s.r.l.  
Via Po. 22  
20010 Pregnana Milanese - MI  
Italy

☎ +39 029 359 5210

📠 +39 029 359 5845

Oshkosh-JLG Singapore  
Technology Equipment Pte Ltd  
29 Tuas Ave 4,  
Jurong Industrial Estate  
Singapore, 639379

☎ +65-6591 9030

📠 +65-6591 9031

Plataformas Elevadoras  
JLG Iberica, S.L.  
Trapadella, 2  
P.I. Castellbisbal Sur  
08755 Castellbisbal, Barcelona  
Spain

☎ +34 93 772 4700

📠 +34 93 771 1762

JLG Sverige AB  
Enkopingsvagen 150  
Box 704  
SE - 176 27 Jarfalla  
Sweden

☎ +46 (0)850 659 500

📠 +46 (0)850 659 534

[www.jlg.com](http://www.jlg.com)