



Illustrated Parts Manual

MODELS
1930ES, 2030ES,
2630ES,
2646ES & 3246ES
SN 0200152825
TO SN 0200198014 &
SN 1200008481
TO SN 1200025020

3121248

February 1, 2018

ANSI

CE



An Oshkosh Corporation Company

REVISION LOG

NOTES:

NOTE: Country of Manufacture - The ES Scissor Lifts are manufactured by JLG Industries in the following countries:

USA, Belgium or China. Refer to the Serial Number Tag to identify the country of manufacture. ES Scissors manufactured in the USA will have a serial number prefix of 02 (i.e. 02XXXXXXXX), ES Scissors manufactured in Belgium will have a prefix of 12 (i.e. 12XXXXXXXX) and ES Scissors manufactured in the China will have a serial number prefix of B2 (i.e. B2XXXXXXXX).

NOTE: 1930ES, 2030ES, 2630ES, 2646ES & 3246ES Global Illustrated Parts Manual P/N 3121167 has been replaced by multiple manuals. Review machine SN and use the Global Illustrated Parts Manual for the correct serial number range:

USA Built Machines Prior to SN 0200135154 - Use manual p/n 3121246.

USA Built Machines SN 0200135154 through SN 0200152825 - Use manual p/n 3121247.

USA Built Machines SN 0200152825 through SN 0200198014 - Use manual p/n 3121248.

USA Built Machines SN 0200198014 through SN 0200239380 - Use manual p/n 3121275.

USA Built Machines SN 0200239381 to Present - Use manual p/n 3121681 (1930ES) or 3121683 (2646ES/3246ES).

Belgium Built Machines Prior to SN 1200004293 - Use manual p/n 3121246.

Belgium Built Machines SN 1200004293 through SN 1200008481 - Use manual p/n 3121247.

Belgium Built Machines SN 1200008481 to Present - Use manual p/n 3121248.

China Built Machines SN B200000100 through SN B200020295 - Use manual p/n 3121275.

China Built Machines SN B200020296 to Present - Use manual p/n 3121681 (1930ES) or 3121683 (2646ES/3246ES).

Mexico Built Machines SN M200000100 to Present - Use manual p/n 3121681 (1930ES) or 3121683 (2646ES/3246ES).

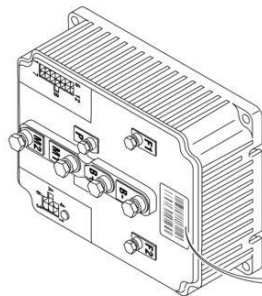
NOTE: Drive Module Identification - The module is located inside a compartment on the frame behind the front drive wheels. Remove the cover and identify the drive module by part number or visual identification (See illustration below). Also, identify the country of manufactured by referring to the SN nameplate before ordering parts (See note above).

USA built machines: All machines built before to SN 0200198014 use the 1600346 Drive Module.

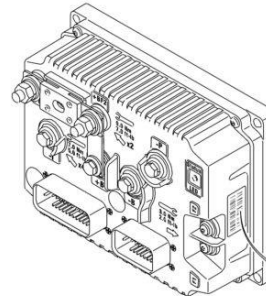
All Machines built SN 0200198014 to present machines use the 001092456 Drive Module.

Belgium built machines: All machines use the 1600346 Drive Module.

China built machines: All machines use the 1001092456 Drive Module.



P/N
1600346
(Color: Blue)



P/N
1001092456
(Color: Black)

REVISION LOG

MANUAL REVISION LOG:

May 31, 2008 - Original Issue of Manual (Edited to B/M 0010588 Revision 68)

August 1, 2008 - Revised Manual (Edited to B/M 0010588 Revision 69)

March 1, 2009 - Revised Manual (Edited to B/M 0010588 Revision 69)

November 15, 2009 - Revised Manual (Edited to B/M 0010588 Revision 77)

December 16, 2009 - Revised Manual (Edited to B/M 0010588 Revision 77)

March 1, 2010 - Revised Manual (Edited to B/M 0010588 Revision 83)

November 1, 2010 - Revised Manual (Edited to B/M 0010588 Revision 89)

April 11, 2011 - Revised Manual (Edited to B/M 0010588 Revision 91)

July 22, 2011 - Revised Manual

October 7, 2011 - Revised Manual

January 10, 2012 - Revised Manual

June 20, 2012 - Revised Manual

August 23, 2012 - Revised Manual

January 10, 2013 - Revised Manual

April 15, 2013 - Revised Manual

July 10, 2013 - Revised Manual

October 9, 2013 - Revised Manual

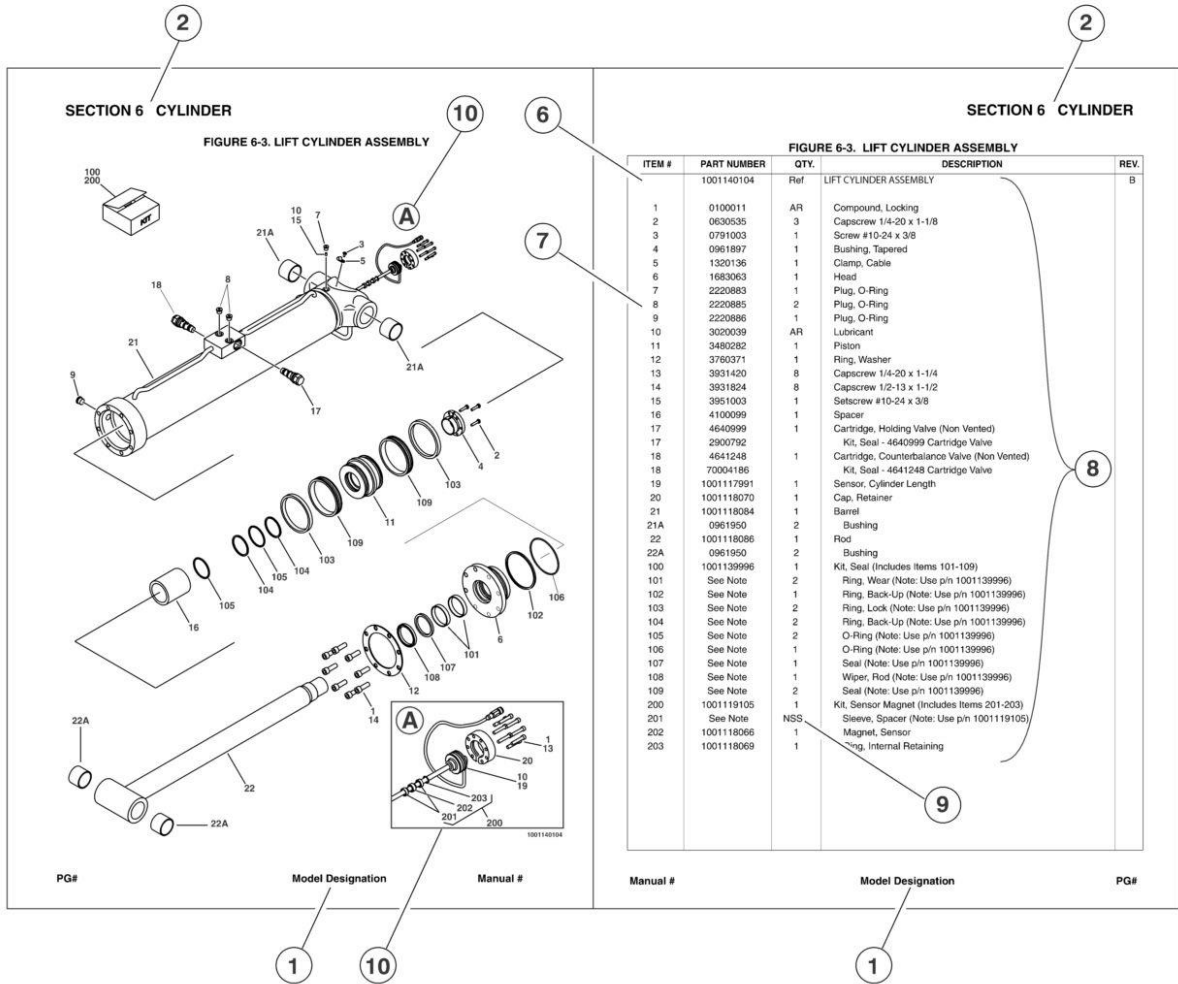
November 4, 2014 - Revised Manual

September 15, 2015 - Revised Manual

June 30, 2017 - Revised Manual

February 1, 2018 - Revised Manual

GENERAL INFORMATION



1) MACHINE IDENTIFICATION

Machines are identified by model and in some cases a combination of models, serial number (SN) or regional standard (i.e ANSI, CE, CSA). Components may also be identified by SN or manufacturer. Common components that may be identified by these characteristics are engines and hydraulic components.

2) PARTS MANUAL ORGANIZATION

Product information in this manual is organized under section titles. Frame, Cylinder, Hydraulic and Electrical are a few examples. Each section is organized by figure and page number. The information within the Figure is then organized by item number, part number, description and corresponding illustration (s).

3) TABLE OF CONTENTS

A table of contents is found toward the beginning of the manual. Figure number, description and page number are provided for quick reference to the page containing the related information.

4) RECOMMENDED SPARE PARTS

The Recommended Spare Parts, located near the end of the manual, reference most frequently used maintenance parts.

5) PART NUMBER INDEX

A numerical index listing all part numbers and the corresponding page number(s) appears at the back of the manual.

GENERAL INFORMATION

6) NON-SERVICED PARTS

In some instances, it is necessary to display non-serviced parts, assemblies or installations. In the case of assemblies and installations there will be a Ref in the Qty column. In case of parts that are not available for service within assemblies or components, there will be a NSS (Not Sold Separately) or NLA (No Longer Available) listed in the Qty. column of the manual.

7) PARTS LIST ITEM NUMBERS

Numbers shown in the item# column correspond to numbers used in the associated illustration (s). Item numbers which are missing from the sequence in the parts list are not used on that page

8) INDENTED PARTS DESCRIPTION

An indented part description is included in the item under which it is indented.

9) ABB REVIATION AND SYMBOLS

AC.....	.. Alternating Current	LCD Liquid Crystal Display
ADE.Advanced Design Electronics	LED Light Emitting Diodes
ANSIAmerican National Standards Institute	LH... Left Hand
AR.As Required	LSSLoad Sensing System
ASSY Assembly	M(m)... Metric/Meter
AUX...Auxiliary	MM (mm)Milimeter
AWG.....	..American WireGauge	mA.....	.. Milliamps
B/M.....	.. Bill of Material	NLA.....	..No Longer Available
CE.....	..European Conformity	NPT National Pipe T threads
CCWCounter Clockwise	NSSNot Sold Separately
cm.....	.. Centimeter	OD.....	..Outside Diameter
CWClockwise	OR B.....	.. O-Ring Bos s
CSA.Canadian Standards Association	ORFS.....	.. O-Ring Face Seal
CYL.....	..Cylinder	OZ (oz).Ounces
DIA.Diameter	PGPage
DCDirect Current	P/N.....	..Part Number
EMS Emergency Stop	qt.....	..Quarts
ENGEngine	QTY.....	..Quantity
FT (ft).....	.. Feet	REFReference
GA(Ga)..Gauge	REVRevision Level
HYDHydraulic	RH... Right Hand
Hz.....	.. Hertz	SAE.....	.. Society of Automotive Engineers
ID.....	..Inside Diameter	SN.....	..Serial Number
in.....	.. inches	SPEC(S).....	..Specifications
ISOInternational Organization for Standards	T/T.....	..Turntable
JIC.....	..Joint Industry Council	UGMUniversal Ground Module
KGKilogram	V.....	.. Volts
L.....	..Liter	W.....	.. Watts
LBPounds	#.....	.. Number

10) ILLUSTRATION REFERENCE LETTERS

When necessary, illustrations may contain reference letters that are intended to track information (i. e. hoses, harnesses) from one point to another or to track visual enlargement of components to show details that may be located in another area on the illustration.

Note: Due to continuous product improvements, JLG Industries, Inc. reserves the right to make specification changes without prior notification. Contact JLG Industries, Inc. for updated information.

TABLE OF CONTENTS

SECTION 1 - FRAME.....	9
FIGURE 1-1. STEERING, DRIVE AND REAR AXLE INSTALLATIONS (USA BUILT MACHINES AND BELGIUM BUILT MACHINES) (SN 0200152825 through 0200170584, SN 1200008481 through 1200015158).....	10
FIGURE 1-2. STEERING, DRIVE AND REAR AXLE INSTALLATIONS (USA BUILT MACHINES AND BELGIUM BUILT MACHINES) (SN 0200170585 through 0200198014, SN 1200015159 through 1200025020).....	14
FIGURE 1-3. WHEEL DRIVE ASSEMBLY.....	18
FIGURE 1-4. DRIVE MODULE AND OTHER FRAME MOUNTED COMPONENTS.....	24
FIGURE 1-5. POTHOLE PROTECTION INSTALLATION (1930ES/2030ES/2630ES).....	28
FIGURE 1-6. POTHOLE PROTECTION INSTALLATION (2646ES/3246ES).....	32
FIGURE 1-7. BATTERY CHARGER ASSEMBLY AND INSTALLATION (DELTA-Q CHARGER).....	36
FIGURE 1-8. BATTERY CHARGER WITH INVERTER ASSEMBLY AND INSTALLATION (OPTIONAL ON ANSI AND CSA SPEC MACHINES).....	40
FIGURE 1-9. LADDERS, BEACON LIGHT AND ROTARY SENSOR COVER INSTALLATION.....	42
SECTION 2 - GROUND COMPONENTS.....	45
FIGURE 2-1. BATTERIES AND COVERS INSTALLATION.....	46
FIGURE 2-2. GROUND CONTROL ASSEMBLY AND INSTALLATION.....	50
FIGURE 2-3. BRAKE DISCONNECT/RELEASE AND MDI (MULTIFUNCTION DIGITAL INDICATOR) GAUGE INSTALLATIONS.....	54
SECTION 3 - SCISSOR ARMS.....	57
FIGURE 3-1. SCISSOR ARMS INSTALLATION - 1930ES.....	58
FIGURE 3-2. SCISSOR ARMS INSTALLATION - 2030ES.....	62
FIGURE 3-3. SCISSOR ARMS INSTALLATION - 2630ES.....	66
FIGURE 3-4. SCISSOR ARMS INSTALLATION - 2646ES/3246ES.....	70
SECTION 4 - PLATFORM.....	75
FIGURE 4-1. PLATFORM INSTALLATION.....	76
FIGURE 4-2. RAIL (FIXED) INSTALLATION - 1930ES.....	80
FIGURE 4-3. RAIL (FOLD-DOWN) INSTALLATION - 1930ES.....	84
FIGURE 4-4. RAIL INSTALLATION - 2030ES/2630ES.....	86
FIGURE 4-5. RAIL INSTALLATION - 2646ES/3246ES.....	90
FIGURE 4-6. PLATFORM CONSOLE BOX INSTALLATION.....	94
FIGURE 4-7. DRIVE/STEER CONTROLLER ASSEMBLY (USA BUILT MACHINES AND BELGIUM BUILT MACHINES) (SN 0200152825 through 0200172401, SN 1200008481 through 1200015408).....	98
FIGURE 4-8. DRIVE/STEER CONTROLLER ASSEMBLY (USA BUILT MACHINES AND BELGIUM BUILT MACHINES) (SN 0200172402 through 0200198014, SN 1200015409 through 1200025020).....	100
FIGURE 4-9. WORKSTATION INSTALLATIONS.....	102
FIGURE 4-10. PACKAGE INSTALLATION (1930ES/2030ES/2630ES).....	104
FIGURE 4-11. PACKAGE INSTALLATION (2646ES/3246ES).....	106
FIGURE 4-12. PANEL INSTALLATIONS.....	110
FIGURE 4-13. QUIK WELDER INSTALLATION.....	114
SECTION 5 - CYLINDER.....	117
FIGURE 5-1. LIFT CYLINDER ASSEMBLY.....	118
FIGURE 5-2. STEER CYLINDER ASSEMBLY.....	124
SECTION 6 - HYDRAULIC.....	127
FIGURE 6-1. HYDRAULIC DIAGRAM.....	128
SECTION 7 - ELECTRICAL.....	131
FIGURE 7-1. ELECTRICAL SCHEMATIC.....	132
FIGURE 7-2. 1930ES ELECTRICAL COMPONENTS INSTALLATION.....	134
FIGURE 7-3. 2030ES/2630ES ELECTRICAL COMPONENTS INSTALLATION.....	148
FIGURE 7-4. 2646ES/3246ES ELECTRICAL COMPONENTS INSTALLATION.....	162
SECTION 8 - DECALS.....	177
FIGURE 8-1. DECAL INSTALLATION (ANSI SPEC).....	178

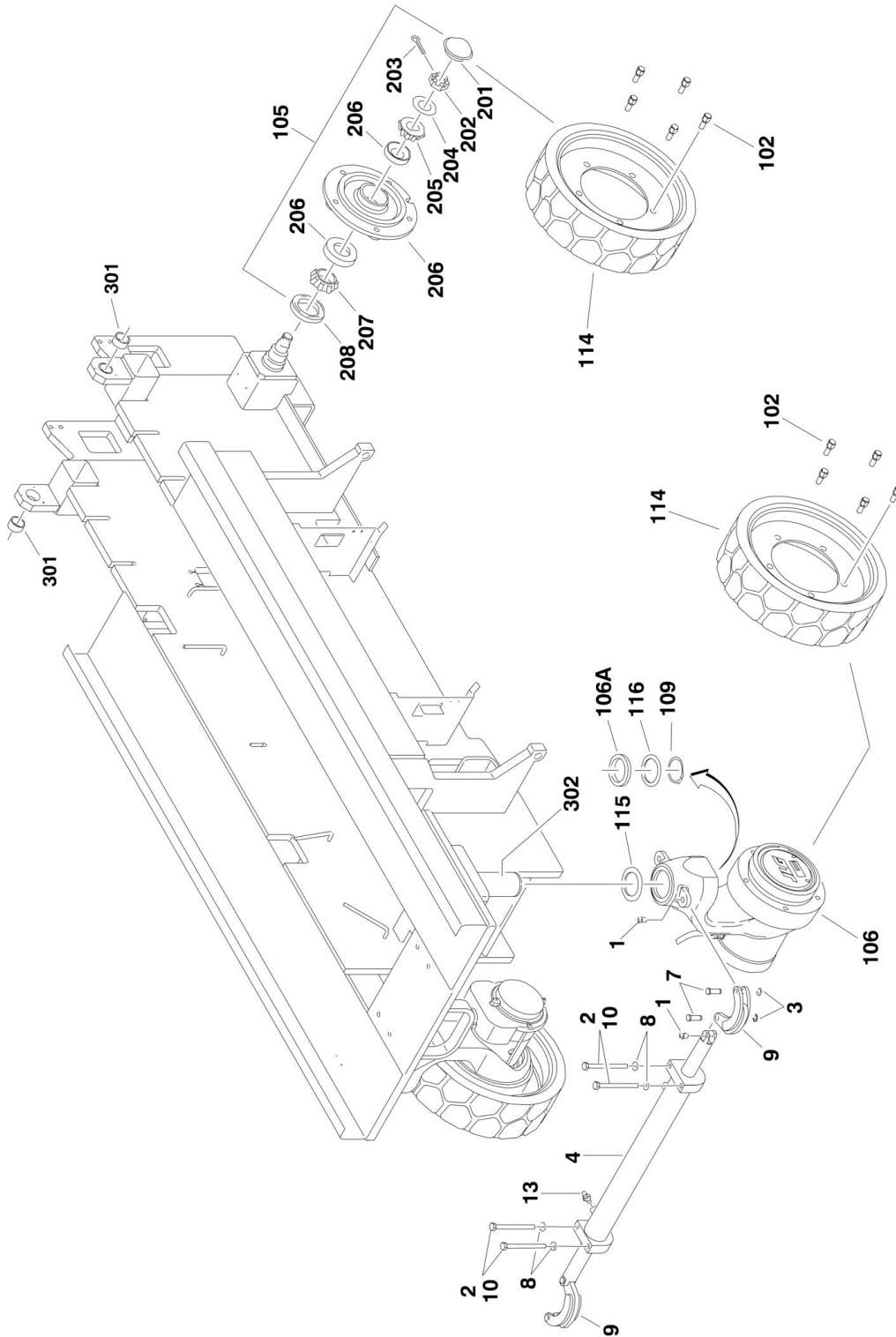
TABLE OF CONTENTS

FIGURE 8-2. DECALS INSTALLATIONS (ANSI EXPORT SPEC)	184
FIGURE 8-3. DECAL INSTALLATION (AUSTRALIAN, CE AND JAPANESE SPECS)	192
SECTION 9 - RECOMMENDED SERVICE PARTS STOCK	197
FIGURE 9-1. MODEL ES STANDARD PARTS	198
FIGURE 9-2. MODEL ES VARIABLE PARTS.....	200
FIGURE 9-3. MODEL ES MAINTENANCE KITS	202
SECTION 10 - SPECIAL OPTIONS	203
FIGURE 10-1. SPECIAL OPTIONS LIST	204
PART NUMBER INDEX.....	209

SECTION 1 - FRAME

SECTION 1 - FRAME

FIGURE 1-1. STEERING, DRIVE AND REAR AXLE INSTALLATIONS (USA BUILT MACHINES AND BELGIUM BUILT MACHINES) (SN 0200152825 through 0200170584, SN 1200008481 through 1200015158)



SECTION 1 - FRAME

FIGURE 1-1. STEERING, DRIVE AND REAR AXLE INSTALLATIONS (USA BUILT MACHINES AND BELGIUM BUILT MACHINES) (SN 0200152825 through 0200170584, SN 1200008481 through 1200015158)

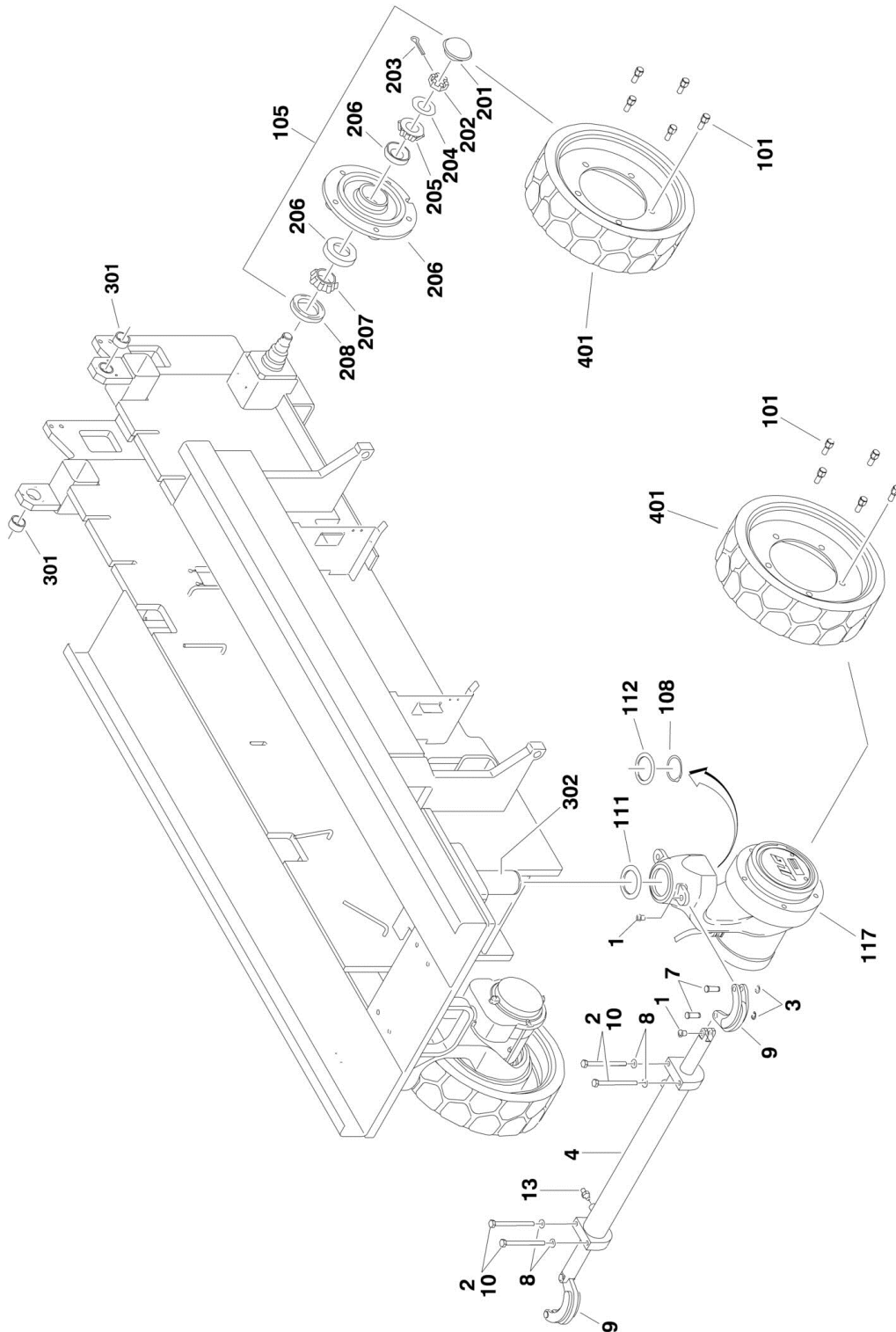
ITEM	PART NUMBER	QTY	DESCRIPTION	REV
		Ref	STEERING INSTALLATION	
	0272371	Ref	Steering Installation (1930ES)	G
	0273227	Ref	Steering Installation (2030ES/2630ES)	D
	0274546	Ref	Steering Installation (2646ES/3246ES)	B
1	0440259	2	Bearing, Flanged	
2		Ref	Bolt M10 Options:	
2	0701016	4	40mm Length	
2	0701020	4	60mm Length	
3	1380153	4	E-Clip	
4		Ref	Steer Cylinder Assembly (See CYLINDER SECTION for Breakdown):	
4	1684237	1	Steer Cylinder Assembly (1930ES/2030ES/2630ES)	
4	1684456	1	Steer Cylinder Assembly (2646ES/3246ES)	
7	3423037	4	Pin, Clevis	
8	4812000	4	Flatwasher M10	
9	4846757	2	Lug, Steer	
10	0100011	AR	Compound, Locking	
13	2110404	2	Fitting, Straight	
		Ref	DRIVE INSTALLATION	
	0275185	Ref	Drive Installation (1930ES) USA Built Machines (SN 0200152825 through 0200161931)	D
	0275445	Ref	Drive Installation (1930ES) USA Built Machines (SN 0200161932 through 0200170585)	A
	0275185	Ref	Drive Installation (1930ES) Belgium Built Machines (SN 1200008481 through 1200011006)	D
	0275445	Ref	Drive Installation (1930ES) Belgium Built Machines (SN 1200011007 through 1200015159)	A
	0275188	Ref	Drive Installation (1930ES) (UL SPEC) USA Built Machines (SN 0200152825 through 0200161931)	E
	0275445	Ref	Drive Installation (1930ES) (UL SPEC) USA Built Machines (SN 0200161932 through 0200170585)	A
	0275188	Ref	Drive Installation (1930ES) (UL SPEC) Belgium Built Machines (SN 1200008481 through 1200011006)	E
	0275445	Ref	Drive Installation (1930ES) (UL SPEC) Belgium Built Machines (SN 1200011007 through 1200015159)	A
	0275186	Ref	Drive Installation (2030ES/2630ES)	C
	0275189	Ref	Drive Installation (2030ES/2630ES) (UL SPEC)	D
	0275187	Ref	Drive Installation (2646ES/3246ES)	C
	0275190	Ref	Drive Installation (2646ES/3246ES) (UL SPEC)	D
102	0630580	20	Bolt, Wheel	
105	2780266	2	Hub Assembly (See Items 201-208 for Breakdown)	
106		Ref	Wheel Drive Assembly Options (See WHEEL DRIVE ASSEMBLY for Breakdown):	
106		Ref	Wheel Drive Assembly (1930ES)	
106	3160306	NLA	Wheel Drive Assembly (1930ES) USA Built Machines (Use p/n 2915236) (SN 0200152825 through 0200161931)	
106	3160337	NLA	Wheel Drive Assembly (1930ES) USA Built Machines (Use p/n 1001100974) (SN 0200161932 through 0200170585)	
106	3160306	NLA	Wheel Drive Assembly (1930ES) Belgium Built Machines (Use p/n 2915236) (SN 1200008481 through 1200011006)	

SECTION 1 - FRAME

ITEM	PART NUMBER	QTY	DESCRIPTION	REV
106	3160337	NLA	Wheel Drive Assembly (1930ES) Belgium Built Machines (Use p/n 1001100974) (SN 1200011007 through 1200015159)	
106	3160307	NLA	Wheel Drive Assembly (2030ES/2630ES/2646ES/3246ES) (Use p/n 1001100975)	
106A	3577112	2	Plate, Spacer (Used only on Machines with Kit p/n 2915236 Installed)	
109	3760463	2	Ring, Retaining	
114		Ref	Tire and Wheel Assembly Options:	
		Ref	Note: Must replace Tire and Wheel Assemblies in pairs per axle.	
114	4520326	NLA	Tire and Wheel Assembly - 1930ES (Use Kit p/n 2915012)	
114	4520565	NLA	Tire and Wheel Assembly - 1930ES (Use Kit p/n 2915012)	
114	1001100840	NLA	Tire and Wheel Assembly - 1930ES (Use Kit p/n 2915012)	
114	1001114467	NLA	Tire and Wheel Assembly - 1930ES (Use Kit p/n 2915012) Note: When replacing the tire, confirm that the existing wheel bolts are part number 0630580, a M12 x 1.5 x 22 bolt. If the bolt is M12 x 36.5, order kit 2915012.	
114	4520327	NLA	Tire and Wheel Assembly - 2030ES/2630ES/2646ES/3246ES (Use Kit p/n 2915013)	
114	4520676	NLA	Tire and Wheel Assembly - 2030ES/2630ES/2646ES/3246ES (Use Kit p/n 2915013)	
114	1001100894	NLA	Tire and Wheel Assembly - 2030ES/2630ES/2646ES/3246ES (Use Kit p/n 2915013)	
114	1001114466	NLA	Tire and Wheel Assembly - 2030ES/2630ES/2646ES/3246ES (Use Kit p/n 2915013) Note: When replacing the tire, confirm that the existing wheel bolts are part number 0630580, a M12 x 1.5 x 22 bolt. If the bolt is M12 x 36.5, order kit 2915012.	
115	4740524	2	Thrustwasher M60	
116	4740564	2	Washer, Spindle Retaining	
	2780266	Ref	HUB ASSEMBLY	B
		Ref	Note: Qtys shown for 1 Assembly. Two Assemblies required per machine.	
201	1001102354	1	Cap, Dust (was p/n 7012524)	
202	3300423	1	Nut, Slotted (was p/n 7010641)	
203	3450406	1	Pin, Cotter 2in x 3/16in (was p/n 7010642)	
204	4740468	1	Washer (was p/n 7019697)	
205	1001102351	1	Bearing, Cone - Outer (was p/n 7026185)	
206	See Note	NSS	Hub (Note: Purchase Complete Hub p/n 2780266)	
207	1001102353	1	Bearing, Cone - Inner (was p/n 7026183)	
208	1001102349	1	Seal (was p/n 7026184)	
		Ref	FRAME WELDMENTS	
301		Ref	Bushing Options:	
301	0440264	2	Bushing (1930ES)	
301	0440265	2	Bushing (2030ES/2630ES/2646ES/3246ES)	
302		Ref	Kingpin Rework Instruction Options (Provides rework procedure for damaged kingpins):	
302	3128601	AR	Kingpin Rework Instruction (1930ES/2030ES/2630ES)	
302	3128703	AR	Kingpin Rework Instruction (2646ES/3246ES)	

SECTION 1 - FRAME

FIGURE 1-2. STEERING, DRIVE AND REAR AXLE INSTALLATIONS (USA BUILT MACHINES AND BELGIUM BUILT MACHINES) (SN 0200170585 through 0200198014, SN 1200015159 through 1200025020)



SECTION 1 - FRAME

FIGURE 1-2. STEERING, DRIVE AND REAR AXLE INSTALLATIONS (USA BUILT MACHINES AND BELGIUM BUILT MACHINES) (SN 0200170585 through 0200198014, SN 1200015159 through 1200025020)

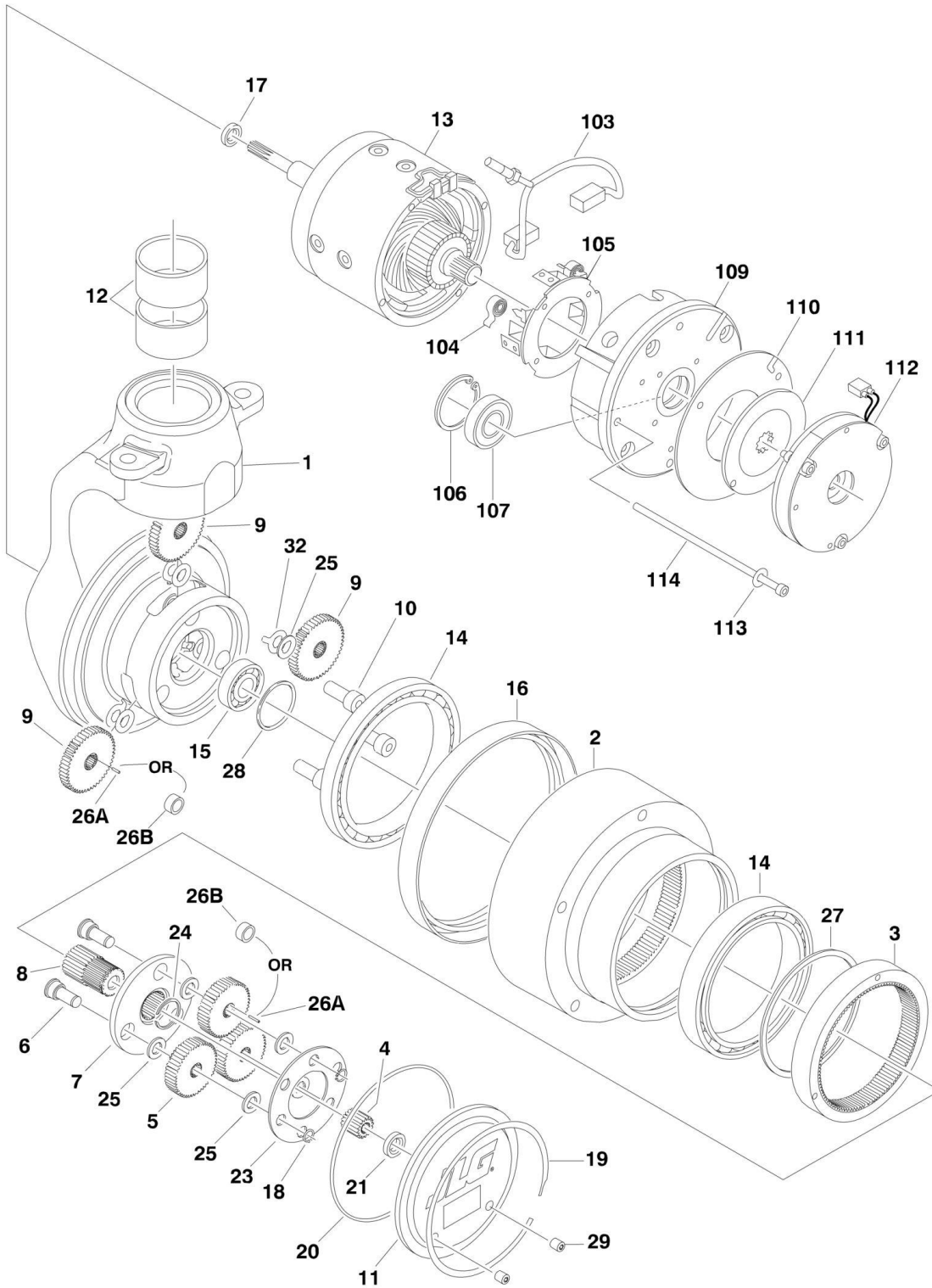
ITEM	PART NUMBER	QTY	DESCRIPTION	REV
		Ref	STEERING INSTALLATION	
	0272371	Ref	Steering Installation (1930ES)	G
	0273227	Ref	Steering Installation (2030ES/2630ES)	D
	0274546	Ref	Steering Installation (2646ES/3246ES)	B
1	0440259	2	Bearing, Flanged	
2		Ref	Bolt M10 Options:	
2	0701016	4	Bolt 40mm Length	
2	0701020	4	Bolt 60mm Length	
3	1380153	4	E-Clip	
4		Ref	Steer Cylinder Assembly (See CYLINDER SECTION for Breakdown):	
4	1684237	1	Steer Cylinder Assembly (1930ES/2030ES/2630ES)	
4	1684456	1	Steer Cylinder Assembly (2646ES/3246ES)	
7	3423037	4	Pin, Clevis	
8	4812000	4	Flatwasher M10	
9	4846757	2	Lug, Steer	
10	0100011	AR	Compound, Locking	
13	2110404	2	Fitting, Straight	
		Ref	DRIVE INSTALLATION	
	1001092739	Ref	Drive Installation (1930ES)	D
	1001092740	Ref	Drive Installation (2030ES/2630ES)	D
	1001092741	Ref	Drive Installation (2646ES/3246ES)	D
101	0630580	20	Bolt, Wheel	
105	2780266	2	Hub Assembly (See Items 201-208 for Breakdown)	
108	3760463	2	Ring, Retaining	
111	4740524	2	Thrustwasher M60	
112	4740564	2	Washer, Spindle Retaining	
117		Ref	Wheel Drive Assembly Options (See WHEEL DRIVE ASSEMBLY for Breakdown):	
117	1001092737	2	Wheel Drive Assembly (1930ES)	
117	1001092738	2	Wheel Drive Assembly (2030ES/2630ES/2646ES/3246ES)	
117	1001092738	2	Wheel Drive Assembly (2646ES/3246ES)	
	2780266	Ref	HUB ASSEMBLY	B
		Ref	Note: Qtys shown for 1 Assembly. Two Assemblies required per machine.	
201	7012524	1	Cap, Dust	
202	7010641	1	Nut, Slotted	
203	7010642	1	Pin, Cotter 2in x 3/16in	
204	7019697	1	Washer	
205	7026185	1	Bearing, Cone - Outer	
206	See Note	NSS	Hub (Note: Purchase Complete Hub p/n 2780266)	
207	7026183	1	Bearing, Cone - Inner	
208	7026184	1	Seal	
		Ref	FRAME WELDMENT	
301		Ref	Bushing Options:	
301	0440264	2	Bushing (1930ES)	
301	0440265	2	Bushing (2030ES/2630ES/2646ES/3246ES)	
302		Ref	Kingpin Rework Instruction Options (Provides rework procedure for damaged kingpins):	

SECTION 1 - FRAME

ITEM	PART NUMBER	QTY	DESCRIPTION	REV
302	3128601	AR	Kingpin Rework Instruction (1930ES/2030ES/2630ES)	
302	3128703	AR	Kingpin Rework Instruction (2646ES/3246ES)	
		Ref	TIRE AND WHEEL INSTALLATION	
	1001092739	Ref	Tire and Wheel Installation (1930ES) USA Built Machines (SN 0200152825 through 0200195327)	D
	0010588	Ref	Tire and Wheel Installation (1930ES) USA Built Machines (SN 0200195328 through 0200198014)	83
	1001092739	Ref	Tire and Wheel Installation (1930ES) Belgium Built Machines (SN 1200008481 through 1200022483)	D
	0010588	Ref	Tire and Wheel Installation (1930ES) Belgium Built Machines (SN 1200022484 through 1200025020)	83
	1001092740	Ref	Tire and Wheel Installation (2030ES/2630ES) USA Built Machines (SN 0200152825 through 0200195327)	D
	0010588	Ref	Tire and Wheel Installation (2030ES/2630ES) USA Built Machines (SN 0200195328 through 0200198014)	83
	1001092740	Ref	Tire and Wheel Installation (2030ES/2630ES) Belgium Built Machines (SN 1200008481 through 1200022483)	D
	0010588	Ref	Tire and Wheel Installation (2030ES/2630ES) Belgium Built Machines (SN 1200022484 through 1200025020)	83
	1001092741	Ref	Tire and Wheel Installation (2646ES/3246ES) USA Built Machines (SN 0200152825 through 0200195327)	D
	0010588	Ref	Tire and Wheel Installation (2646ES/3246ES) USA Built Machines (SN 0200195328 through 0200198014)	83
	1001092741	Ref	Tire and Wheel Installation (2646ES/3246ES) Belgium Built Machines (SN 1200008481 through 1200022483)	D
	0010588	Ref	Tire and Wheel Installation (2646ES/3246ES) Belgium Built Machines (SN 1200022484 through 1200025020)	83
401		Ref	Tire and Wheel Assembly Options:	
		Ref	Note: Must replace Tire and Wheel Assemblies in pairs per axle.	
401	4520565	NLA	Tire and Wheel Assembly (1930ES) (Use p/n 2915012)	
401	1001100840	NLA	Tire and Wheel Assembly (1930ES) (Use p/n 2915012)	
401	1001114467	NLA	Tire and Wheel Assembly (1930ES) (Use p/n 2915012)	
401	4520676	NLA	Tire and Wheel Assembly (2030ES/2630ES/2646ES/3246ES) (Use p/n 2915013)	
401	1001100894	NLA	Tire and Wheel Assembly (2030ES/2630ES/2646ES/3246ES) (Use p/n 2915013)	
401	1001114466	NLA	Tire and Wheel Assembly (2030ES/2630ES/2646ES/3246ES) (Use p/n 2915013)	

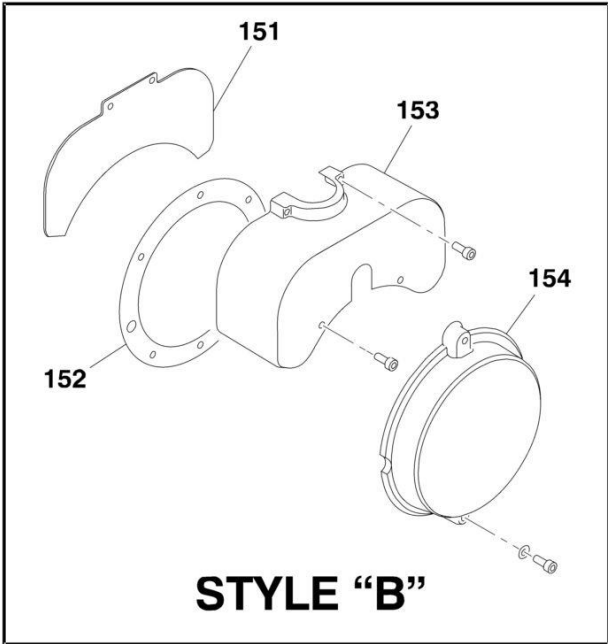
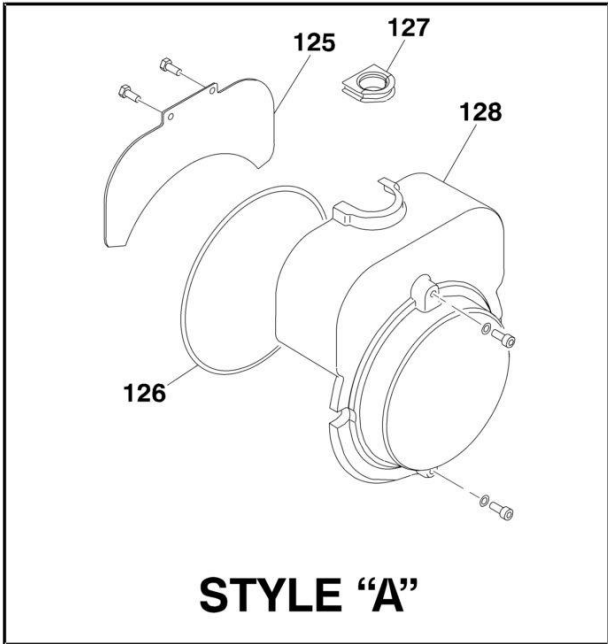
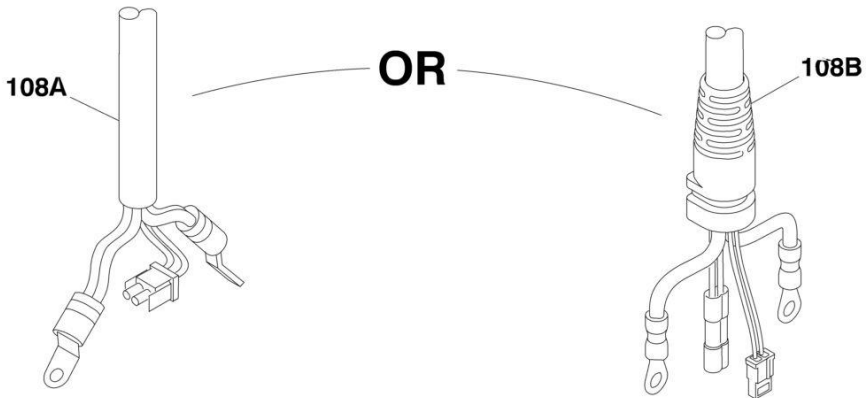
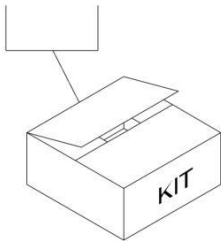
SECTION 1 - FRAME

FIGURE 1-3. WHEEL DRIVE ASSEMBLY



SECTION 1 - FRAME

- 201
- 202
- 203
- 204
- 205A
- 205B
- 205C
- 205D
- 206
- 207
- 208
- 209
- 210A
- 210B
- 211A
- 211B



SECTION 1 - FRAME

FIGURE 1-3. WHEEL DRIVE ASSEMBLY

ITEM	PART NUMBER	QTY	DESCRIPTION	REV
		Ref	WHEEL DRIVE ASSEMBLY (ADVANCED)	
		Ref	Wheel Drive Assembly (1930ES)	
	3160306	Ref	USA Built Machines (SN 0200152825 through 0200161931)	E
	3160337	Ref	USA Built Machines (SN 0200161932 through 0200170584)	A
	1001092737	Ref	USA Built Machines (SN 0200170585 through 0200198014)	F
	3160306	Ref	Belgium Built Machines (SN 1200008481 through 1200011006)	E
	3160337	Ref	Belgium Built Machines (SN 1200011007 through 1200015158)	A
	1001092737	Ref	Belgium Built Machines (SN 1200015159 through 1200025020)	F
		Ref	Wheel Drive Assembly (2030ES/2630ES)	
	3160307	Ref	USA Built Machines (SN 0200152825 through 0200170584)	E
	1001092738	Ref	USA Built Machines (SN 0200170585 through 0200198014)	G
	3160307	Ref	Belgium Built Machines (SN 1200008481 through 1200015158)	E
	1001092738	Ref	Belgium Built Machines (SN 1200015159 through 1200025020)	G
		Ref	Wheel Drive Assembly (2646ES/3246ES)	
	3160307	Ref	USA Built Machines (SN 0200152825 through 0200170584)	E
	1001092738	Ref	USA Built Machines (SN 0200170585 through 0200198014)	G
	3160307	Ref	Belgium Built Machines (SN 1200008481 through 1200015158)	E
	1001092738	Ref	Belgium Built Machines (SN 1200015159 through 1200025020)	G
		Ref	Note: Due to service updates, drive motors may use any of the various parts listed below. Visual identification will be required.	
		Ref	HUB ASSEMBLY	
1	See Note	NSS	Spindle (Note: Purchase Complete Assembly)	
2	See Note	NSS	Hub (Note: Use Item 206)	
3	See Note	NSS	Ring, Input (Note: Use Item 204)	
4	See Note	NSS	Gear, Input Sun (Note: Use Item 203)	
5	See Note	NSS	Gear, Input Planet (Note: Use Item 203)	
6	See Note	NSS	Pin, Planet Gear (Note: Use Item 203)	
7	See Note	NSS	Carrier (Note: Use Item 203)	
8	See Note	NSS	Gear, Output Sun (Note: Use Item 203)	
9	See Note	NSS	Gear, Output Planet (Note: Use Item 207)	
10	See Note	NSS	Pin, Output Planet (Note: Use Item 207)	
11	See Note	NSS	Cover (Note: Use Item 201)	
12	7024757	1	Bushing Kit, Kingpin (Includes 2 Bushings)	
13	See Note	NSS	Motor, Electric (Note: Use Item 205A, 205B, 205C or 205D)	
14	See Note	NSS	Bearing, Main (Note: Use Item 202, 204, 206 or 207)	
15	See Note	NSS	Bearing, Shaft (Note: Use Item 207)	
16	70001739	1	Seal, Lip	
17	7024786	1	Seal, Lip	
18	See Note	NSS	Ring, Retaining (Note: Use Item 203)	
19	See Note	NSS	Ring, Retaining (Note: Use Item 201)	
20	70000191	1	O-Ring	
21	See Note	NSS	Thrustwasher (Note: Use Item 201)	
23	See Note	NSS	Plate, Thrust (Note: Use Item 203)	
24	See Note	NSS	Ring, Retaining (Note: Use Item 203)	

SECTION 1 - FRAME

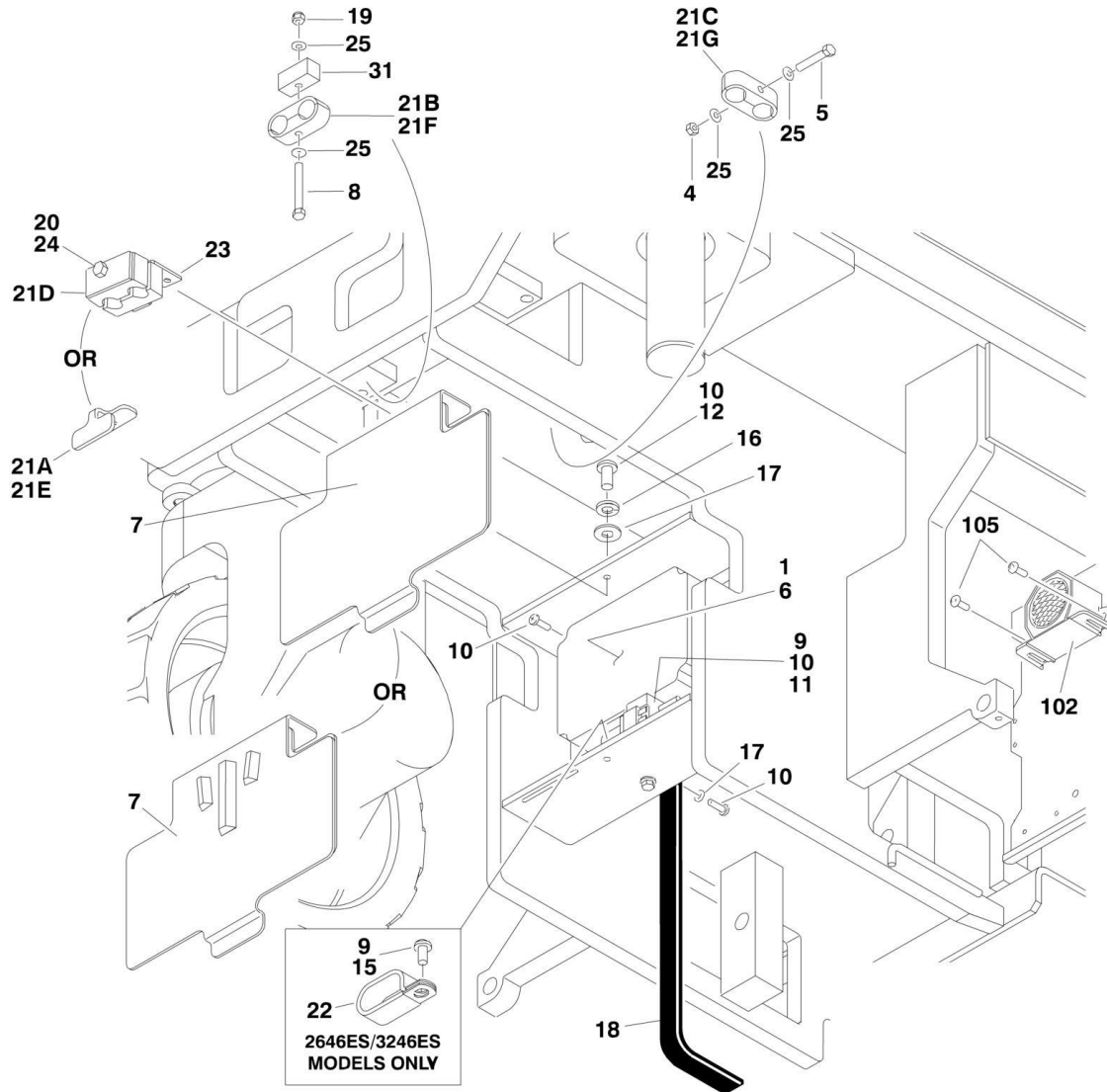
ITEM	PART NUMBER	QTY	DESCRIPTION	REV
25	See Note	NSS	Thrustwasher (Note: Use Item 203 or 207)	
26	See Note	NSS	Bearing/Bushing Options (Note: Use Item 203 or 207)	
26A	See Note	NSS	Bearing, Needle (Note: Use Item 203 or 207)	
26B	See Note	NSS	Bushing (Note: Use Item 203 or 207)	
27	See Note	NSS	Ring, Retaining (Note: Use Item 204, 206 or 207)	
28	See Note	NSS	Ring, Retaining (Note: Use Item 207)	
29	See Note	NSS	Plug (Note: Use Item 201)	
32	See Note	NSS	Washer, Tanged (Note: Use Item 207)	
		Ref	Brake and Motor Components	
103	See Note	NSS	Brush and Terminal Assembly (Note: Use Item 208)	
104	70000790	2	Spring, Brush	
105	70000791	1	Box, Brush	
106	See Note	NSS	Ring, Retaining (Note: Use Item 208)	
107	See Note	NSS	Bearing (Note: Use Item 208)	
108		Ref	Harness, Electrical Cable Options:	
108A	1001099628	1	Harness, Electrical Cable 1930ES (was p/n 7024770)	
108A	1001099676	1	Harness, Electrical Cable 2030ES/2630ES/2646ES/3246ES (was p/n 7024770 & 7024775)	
108B	1001091502	1	Harness, Electrical Cable 1930ES	
108B	1001091843	NLA	Harness, Electrical Cable 2030ES/2630ES/2646ES/3246ES (Use p/n 1001134012)	
109	70000792	1	Commutator	
110	See Note	NSS	Disc, Reaction (Note: Use Item 209)	
111	7024785	1	Disc, Friction	
112	See Note	NSS	Brake Assembly (Note: Use Item 209)	
113	See Note	NSS	Flatwasher (Note: Use Item 210A or 210B)	
114	See Note	2	Bolt (Note: Use Item 210A or 210B)	
		Ref	Style "A" Brake Cover	
125	See Note	NSS	Plate, Cover (Note: Use Item 211A or 211B)	
126	See Note	NSS	O-Ring (Note: Use Item 210A, 210B, 211A or 211B)	
127	70000383	1	Connector, Strain Relief	
128	See Note	NSS	Cover (Note: Use Item 211A or 211B)	
		Ref	Style "B" Brake Cover	
151	See Note	NSS	Plate, Cover (Note: Use Item 211A or 211B)	
152	70001949	1	Gasket, Cover	
153	See Note	NSS	Cover, Top (Note: Use Item 211A or 211B)	
154	See Note	NSS	Cover, End (Note: Use Item 211A or 211B)	
		Ref	KIT OPTIONS	
201	7024747	1	Cover Kit (Includes Items 11, 19, 20, 21 & 29)	
202	7024748	1	Main Seal Kit (Includes Qty 1 of Items 14,16 & 20)	
203	7024749	1	Input Carrier Kit (Includes Items 4-8, 18, 20 & 23-26)	
204	7024758	1	Input Ring Kit (Includes Items 3, 20, 27 & Qty 1 of Item 14)	
205		Ref	Motor Kit Options (Includes Items 13, 17, 103-114 & 151-154):	
205		Ref	Motors with Item #108A Style Electrical Cable	
205A	1001100819	1	Motors 1930ES (was p/n 7024774)	
205B	1001100820	1	Motor 2030ES/2630ES/2646ES/3246ES (was p/n 7024777)	
205		Ref	Motors with Item #108B Style Electrical Cable	
205C	70001263	1	Motor 1930ES	
205D	70001345	1	Motor 2030ES/2630ES/2646ES/3246ES	
206	7024756	1	Hub Kit (Includes Items 2, 16, 20, 27 & Qty 1 of Item 14)	
207	7024750	1	Output Planet Kit (Includes Items 9, 10, 15, 20, 25-28, 32 & Qty 1 of Item 14)	

SECTION 1 - FRAME

ITEM	PART NUMBER	QTY	DESCRIPTION	REV
208	7024771	1	Motor Brush and Bearing Kit (Includes Items 103, 106 & 107)	
209	7024772	1	Brake Kit (Includes Items 110, 111 & 112)	
210		Ref	Motor Hardware Kit (Includes Items 113 & 114)	
210A	7024773	1	Motor 1930ES	
210B	7024776	1	Motor 2030ES/2630ES/2646ES/3246ES	
211		Ref	Brake Cover Kit Options:	
211A	7024787	1	Brake Cover Kit Style "A" (Includes Items 125-128)	
211B	70001265	1	Brake Cover Kit Style "B" (Includes Items 151-154)	

SECTION 1 - FRAME

FIGURE 1-4. DRIVE MODULE AND OTHER FRAME MOUNTED COMPONENTS



SECTION 1 - FRAME

FIGURE 1-4. DRIVE MODULE AND OTHER FRAME MOUNTED COMPONENTS

ITEM	PART NUMBER	QTY	DESCRIPTION	REV
		Ref	DRIVE MODULE INSTALLATION	
		Ref	Drive Module Installation (1930ES):	
		Ref	All except UL Spec	
	0275185	Ref	USA Built Machines (SN 0200152825 through 0200161930)	D
	0275445	Ref	USA Built Machines (SN 0200161931 through 0200170584)	A
	1001092739	Ref	USA Built Machines (SN 0200170585 through 0200198014)	D
	0275185	Ref	Belgium Built Machines (SN 1200008481 through 1200011006)	D
	0275445	Ref	Belgium Built Machines (SN 1200011007 through 1200015158)	A
	1001092739	Ref	Belgium Built Machines (SN 1200015159 through 1200025020)	D
		Ref	UL Spec	
	0275188	Ref	USA Built Machines (SN 0200152825 through 0200161930)	E
	0275445	Ref	USA Built Machines (SN 0200161931 through 0200170584)	A
	1001092739	Ref	USA Built Machines (SN 0200170585 through 0200198014)	D
	0275188	Ref	Belgium Built Machines (SN 1200008481 through 1200011006)	E
	0275445	Ref	Belgium Built Machines (SN 1200011007 through 1200015158)	A
	1001092739	Ref	Belgium Built Machines (SN 1200015159 through 1200025020)	D
		Ref	Drive Module Installation (2030ES/2630ES):	
		Ref	All except UL Spec	
	0275186	Ref	USA Built Machines (SN 0200152825 through 0200170584)	C
	1001092740	Ref	USA Built Machines (SN 0200170585 through 0200198014)	D
	0275186	Ref	Belgium Built Machines (SN 1200008481 through 1200015158)	C
	1001092740	Ref	Belgium Built Machines (SN 1200015159 through 1200025020)	D
		Ref	UL Spec	
	0275189	Ref	USA Built Machines (SN 0200152825 through 0200170584)	D
	1001092740	Ref	USA Built Machines (SN 0200170585 through 0200198014)	D
	0275189	Ref	Belgium Built Machines (SN 1200008481 through 1200015158)	D
	1001092740	Ref	Belgium Built Machines (SN 1200015159 through 1200025020)	D
		Ref	Drive Module Installation (2646ES/3246ES):	
		Ref	All except UL Spec	
	0275187	Ref	USA Built Machines (SN 0200152825 through 0200170584)	C
	1001092741	Ref	USA Built Machines (SN 0200170585 through 0200198014)	D
	0275187	Ref	Belgium Built Machines (SN 1200008481 through 1200015158)	C
	1001092741	Ref	Belgium Built Machines (SN 1200015159 through 1200025020)	D
		Ref	UL Spec	
	0275190	Ref	USA Built Machines (SN 0200152825 through 0200170584)	D
	1001092741	Ref	USA Built Machines (SN 0200170585 through 0200198014)	D
	0275190	Ref	Belgium Built Machines (SN 1200008481 through 1200015158)	D
	1001092741	Ref	Belgium Built Machines (SN 1200015159 through 1200025020)	D
1	0100083	AR	Grease, Heat Transfer	

SECTION 1 - FRAME

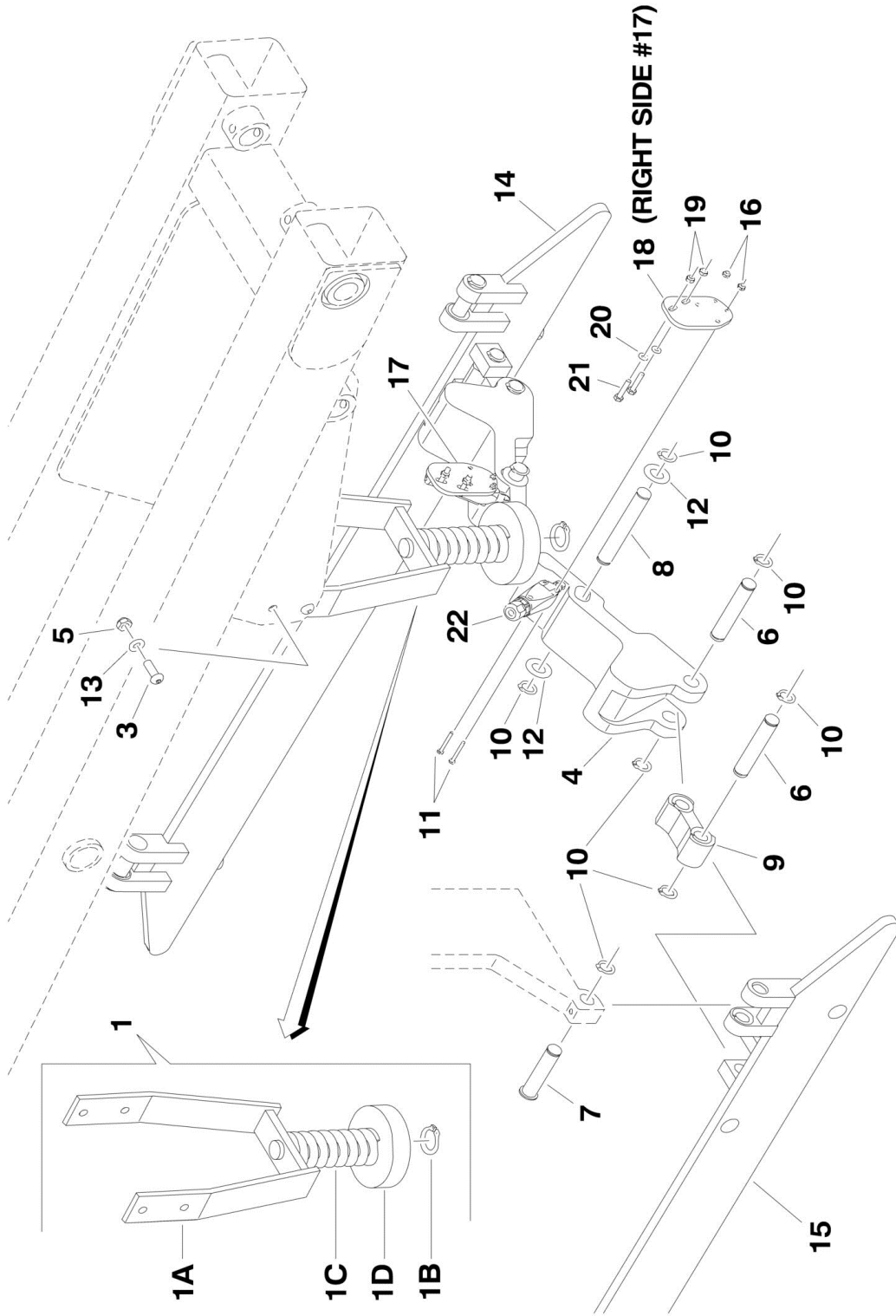
ITEM	PART NUMBER	QTY	DESCRIPTION	REV
4	3290605	AR	Locknut M6	
5	0700619	AR	Bolt M6 x 55mm	
6	1600346	1	Module, Drive	
7		Ref	Cover Options:	
7		Ref	Cover (1930ES)	
7	1671132	Ref	Cover All except UL Spec	
7		Ref	Cover UL Spec Options:	
7	1671181	Ref	Cover USA Built Machines (SN 0200152825 through 0200161930)	
7	1671132	Ref	Cover USA Built Machines (SN 0200161931 through 0200198014)	
	1671181	Ref	Cover Belgium Built Machines (SN 1200008481 through 1200011006)	
	1671132	Ref	Cover Belgium Built Machines (SN 1200011007 through 1200025020)	
7		Ref	Cover (2030ES/2630ES)	
7	1671132	Ref	Cover All except UL Spec	
7		Ref	Cover UL Spec	
7	1671181	Ref	Cover USA Built Machines (SN 0200152825 through 0200170584)	
7	1671132	Ref	Cover USA Built Machines (SN 0200170585 through 0200198014)	
	1671181	Ref	Cover Belgium Built Machines (SN 1200008481 through 1200011006)	
	1671132	Ref	Cover Belgium Built Machines (SN 1200011007 through 1200025020)	
7		Ref	Cover (2646ES/3246ES)	
7	1671133	Ref	Cover All except UL Spec	
7		Ref	Cover UL Spec	
7	1671182	Ref	Cover USA Built Machines (SN 0200152825 through 0200170584)	
7	1671133	Ref	Cover USA Built Machines (SN 0200170585 through 0200198014)	
	1671182	Ref	Cover Belgium Built Machines (SN 1200008481 through 1200015158)	
	1671133	Ref	Cover Belgium Built Machines (SN 1200015159 through 1200025020)	
8	0700624	AR	Bolt M6 x 80mm	
9	4191706	AR	Bolt M6 x 12mm	
10	4191708	AR	Bolt M6 x 20mm	
11		Ref	Relay Options:	
11	3740150	1	All except UL Spec	
11		Ref	UL Spec	
11	3740146	NLA	USA Built Machines (Use p/n 2915064) (SN 0200152825 through 0200161930)	
11	0903098	1	Mounting Bracket Used on 3740146	
11	3740150	1	USA Built Machines (SN 0200161931 through 0200198014)	
11	3740146	NLA	Belgium Built Machines (Use p/n 2915064) (SN 1200008481 through 1200010662)	
11	0903098	1	Mounting Bracket Used on 3740146	
11	3740150	1	Belgium Built Machines (SN 1200010663 through 1200025020)	
		Ref	Note: Relay p/n 3740146 Albright or Curtis brand has 4 terminals and no lead wires.	
		Ref	Note: Relay p/n 3740150 is Trombetta brand has 2	

SECTION 1 - FRAME

ITEM	PART NUMBER	QTY	DESCRIPTION	REV
			terminals and 1 lead wire.	
12	4191709	AR	Bolt M6 x 25mm	
15	4191707	AR	Bolt M6 x 16mm	
16	4831700	AR	Lockwasher M6	
17	4751400	AR	Flatwasher 1/4in Wide	
18	4240147	1	Strap, Anti-Static	
19	3290606	AR	Locknut M6	
20	0700819	AR	Bolt M8 x 55mm	
21		Ref	Clamp, Cable Options:	
		Ref	Note: Due to service updates, cable clamps may be any of the various designs listed below. Visual identification will be required.	
21		Ref	All except UL Spec	
21A	3574714	1	Clamp (Available on All Models)	
21B	1001091492	1	Clamp (Available on 1930ES)	
21C	1001094301	2	Clamp (Available on 2030ES/2630ES/2646ES/3246ES)	
21		Ref	UL Spec	
21D	1320162	1	Clamp (Available on All Models)	
21E	3574714	1	Clamp (Available on 1930ES)	
21F	1001091492	1	Clamp (Available on 1930ES)	
21G	1001094301	2	Clamp (Available on 2030ES/2630ES/2646ES/3246ES)	
22	1321283	1	Clamp, Hose (2646ES/3246ES Only - USA Built Machines) (SN 0200158825 through 0200170585)	
22	1321283	1	Clamp, Hose (2646ES/3246ES Only - Belgium Built Machines) (SN 1200008481 through 1200015159)	
23	4340751	AR	Mount, Cable Clamp (UL Spec Only)	
24	4811900	AR	Flatwasher M8	
25	4811700	AR	Flatwasher M6	
30	4923602	1	Harness, Field Wire Connection (Not Shown - See ELECTRICAL SECTION for Breakdown) (USA Built Machines) (SN 0200156117 through 0200198014)	
30	4923602	1	Harness, Field Wire Connection (Not Shown - See ELECTRICAL SECTION for Breakdown) (Belgium Built Machines) (SN 1200008263 through 1200025020)	
31	1001094124	AR	Block, Spacer (1930ES with Service Upgrade Only)	
		Ref	ALARM INSTALLATIONS	
	0272810	Ref	ANSI and ANSI Export and UL Specs (USA and Belgium Built Machines)	F
	0273966	Ref	ANSI Export and Japanese Specs (USA and Belgium Built Machines)	C
	0273443	Ref	Australian Specs without Overload (USA and Belgium Built Machines)	D
	0272811	Ref	Australian and CE Specs with Overload (USA and Belgium Built Machines)	F
	0272722	Ref	Descent Alarm	A
	0272913	Ref	Motion Alarm	A
102	0140043	1	Alarm	
105	4191706	2	Screw M6 x 12mm	

SECTION 1 - FRAME

FIGURE 1-5. POTHOLE PROTECTION INSTALLATION (1930ES/2030ES/2630ES)



SECTION 1 - FRAME

FIGURE 1-5. POTHOLE PROTECTION INSTALLATION (1930ES/2030ES/2630ES)

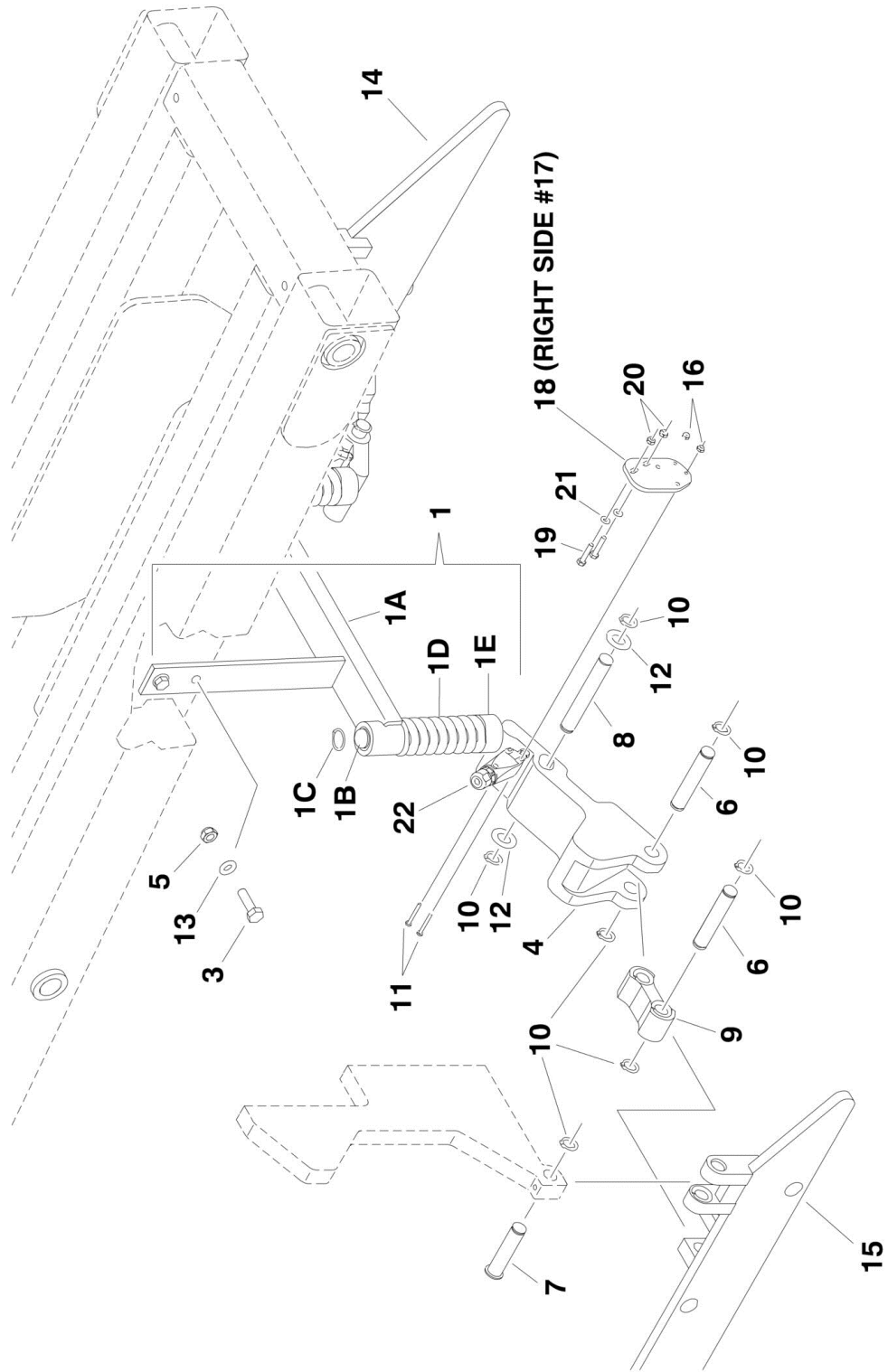
ITEM	PART NUMBER	QTY	DESCRIPTION	REV
		Ref	POTHOLE PROTECTION INSTALLATION	
	0275092	Ref	Pothole Protection Installation (1930ES)	D
	0275093	Ref	Pothole Protection Installation (2030ES/2630ES)	D
1	0060090	NSS	Actuator Assembly (Note: Purchase Individual Components)	A
1A	0060091	1	Actuator Weldment	
1B	3760115	1	Ring, Retaining	
1C	4160202	1	Spring	
1D	4220287	1	Pad	
3	3900351	4	Screw, Button Head M10 x 30mm	
4	3010158	2	Link	
5	3291005	4	Locknut M10	
6	3423045	4	Pin	
7	3423189	4	Pin	
8	3423267	2	Pin	
9	3574176	2	Link	
9	0440263	4	Bushing	
10	3760348	16	Ring, Retaining	
11		Ref	Screw Options:	
11	4010415	4	Screw M4 x 35mm	
11	4031512	4	Screw M4 x 40mm	
12	4740086	4	Thrustwasher	
13	4812000	4	Flatwasher M10	
14		Ref	Bar, Pothole Support (Right)	
14	4846775	1	Bar, Pothole Support (Right) (1930ES) (Not Shown)	
14	4846816	1	Bar, Pothole Support (Right) (2030ES/2630ES)	
14	0440263	4	Bushing	
15		Ref	Bar, Pothole Support (Left)	
15	4846861	1	Bar, Pothole Support (Left) (1930ES) (Not Shown)	
15	4846863	1	Bar, Pothole Support (Left) (2030ES/2630ES)	
15	0440263	4	Bushing	
16	3290405	4	Locknut M4	
17		Ref	Plate, Attach (Right) Options:	
17	Not Required	0	Plate, Attach (Right) USA Built Machines (SN 0200152825 through 0200159658)	
17	3577029	1	Plate, Attach (Right) USA Built Machines (SN 0200159659 through 2000195917)	
17	1001109232	1	Plate, Attach (Right) USA Built Machines (SN 2000195918 through 0200198014)	
17	Not Required	0	Plate, Attach (Right) Belgium Built Machines (SN 1200008481 through 1200009513)	
17	3577029	1	Plate, Attach (Right) Belgium Built Machines (SN 1200009514 through 1200022846)	
17	1001109232	1	Plate, Attach (Right) Belgium Built Machines (SN 1200022847 through 1200025020)	
18		Ref	Plate, Attach (Left) Options:	
18	Not Required	0	Plate, Attach (Left) USA Built Machines (SN 0200152825 through 0200159658)	
18	3577030	1	Plate, Attach (Left) USA Built Machines (SN 0200159659 through 2000195917)	
18	1001109233	1	Plate, Attach (Left) USA Built Machines (SN 2000195918 through 0200198014)	
18	Not Required	0	Plate, Attach (Left) Belgium Built Machines (SN 1200008481	

SECTION 1 - FRAME

ITEM	PART NUMBER	QTY	DESCRIPTION	REV
18	3577030	1	through 1200009513) Plate, Attach (Left) Belgium Built Machines (SN 1200009514 through 1200022846)	
18	1001109233	1	Plate, Attach (Left) Belgium Built Machines (SN 1200022847 through 1200025020)	
19	3290605	4	Locknut M6	
20	4811700	4	Flatwasher M6	
21	0700614	4	Screw M6 x 30mm	
22		Ref	Switch, Limit Options:	
22	4360633	NLA	Switch, Limit USA Built Machines (Use p/n 1001109345) (SN 0200152825 through 2000195917)	
22	1001109088	2	Switch, Limit USA Built Machines (SN 2000195918 through 0200198014)	
22	4360633	NLA	Switch, Limit Belgium Built Machines (Use p/n 1001109345) (SN 1200008481 through 1200022846)	
22	1001109088	2	Switch, Limit Belgium Built Machines (SN 1200022847 through 1200025020)	

SECTION 1 - FRAME

FIGURE 1-6. POTHOLE PROTECTION INSTALLATION (2646ES/3246ES)



SECTION 1 - FRAME

FIGURE 1-6. POTHOLE PROTECTION INSTALLATION (2646ES/3246ES)

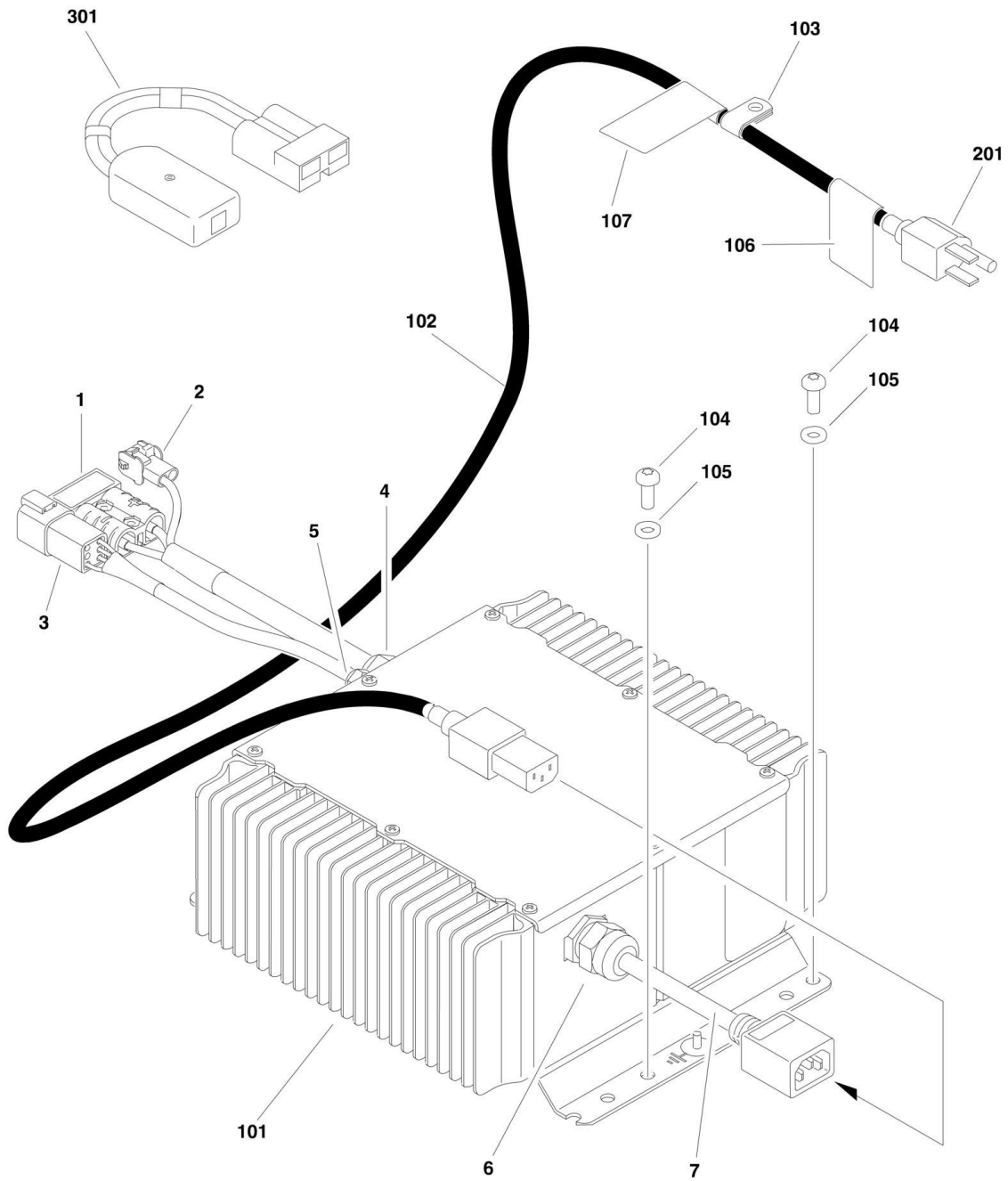
ITEM	PART NUMBER	QTY	DESCRIPTION	REV
	0275094	Ref	POTHOLE PROTECTION INSTALLATION (2646ES/3246ES)	D
1	0060092	NSS	Actuator Assembly (Note: Purchase Individual Components)	B
1A	0060093	1	Actuator	
1B	0962292	4	Bushing	
1B	3423289	2	Pin	
1C	3760115	2	Ring, Retaining	
1D	4160202	2	Spring	
1E	4220293	2	Pad	
3	0701015	4	Screw M10 x 35mm	
4	3010158	2	Link	
5	3291005	4	Locknut M10	
6	3423045	4	Pin	
7	3423189	4	Pin	
8	3423267	2	Pin	
9	3574176	2	Link	
9	0440263	4	Bushing	
10	3760348	16	Ring, Retaining	
11		Ref	Screw Options:	
11	4010415	4	Screw M4 x 35mm	
11	4031512	4	Screw M4 x 40mm	
12	4740086	4	Thrustwasher	
13	4812000	4	Flatwasher M10	
14	4846811	1	Bar, Pothole Support (Right)	
14	0440263	4	Bushing	
15	4846862	1	Bar, Pothole Support (Left)	
15	0440263	4	Bushing	
16	3290405	4	Locknut M4	
17		Ref	Plate, Attach (Right) Options:	
17	Not Required	0	Plate, Attach (Right) USA Built Machines (SN 0200152825 through 0200159658)	
17	3577029	1	Plate, Attach (Right) USA Built Machines (SN 0200159659 through 2000195917)	
17	1001109232	1	Plate, Attach (Right) USA Built Machines (SN 2000195918 through 0200198014)	
17	Not Required	0	Plate, Attach (Right) Belgium Built Machines (SN 1200008481 through 1200009513)	
17	3577029	1	Plate, Attach (Right) Belgium Built Machines (SN 1200009514 through 1200022846)	
17	1001109232	1	Plate, Attach (Right) Belgium Built Machines (SN 1200022847 through 1200025020)	
18		Ref	Plate, Attach (Left) Options:	
18	Not Required	0	Plate, Attach (Left) USA Built Machines (SN 0200152825 through 0200159658)	
18	3577030	1	Plate, Attach (Left) USA Built Machines (SN 0200159659 through 2000195917)	
18	1001109233	1	Plate, Attach (Left) USA Built Machines (SN 2000195918 through 0200198014)	
18	Not Required	0	Plate, Attach (Left) Belgium Built Machines (SN 1200008481 through 1200009513)	
18	3577030	1	Plate, Attach (Left) Belgium Built Machines (SN 1200009514 through 1200022846)	
18	1001109233	1	Plate, Attach (Left) Belgium Built Machines (SN 1200022847 through 1200025020)	

SECTION 1 - FRAME

ITEM	PART NUMBER	QTY	DESCRIPTION	REV
19	0700614	4	Screw M6 x 30mm	
20	3290605	4	Locknut M6	
21	4811700	4	Flatwasher M6	
22		Ref	Switch, Limit Options:	
22	4360633	NLA	Switch, Limit USA Built Machines (Use p/n 1001109345) (SN 0200152825 through 2000195917)	
22	1001109088	2	Switch, Limit USA Built Machines (SN 2000195918 through 0200198014)	
22	4360633	NLA	Switch, Limit Belgium Built Machines (Use p/n 1001109345) (SN 1200008481 through 1200022846)	
22	1001109088	2	Switch, Limit Belgium Built Machines (SN 1200022847 through 1200025020)	

SECTION 1 - FRAME

FIGURE 1-7. BATTERY CHARGER ASSEMBLY AND INSTALLATION (DELTA-Q CHARGER)



SECTION 1 - FRAME

FIGURE 1-7. BATTERY CHARGER ASSEMBLY AND INSTALLATION (DELTA-Q CHARGER)

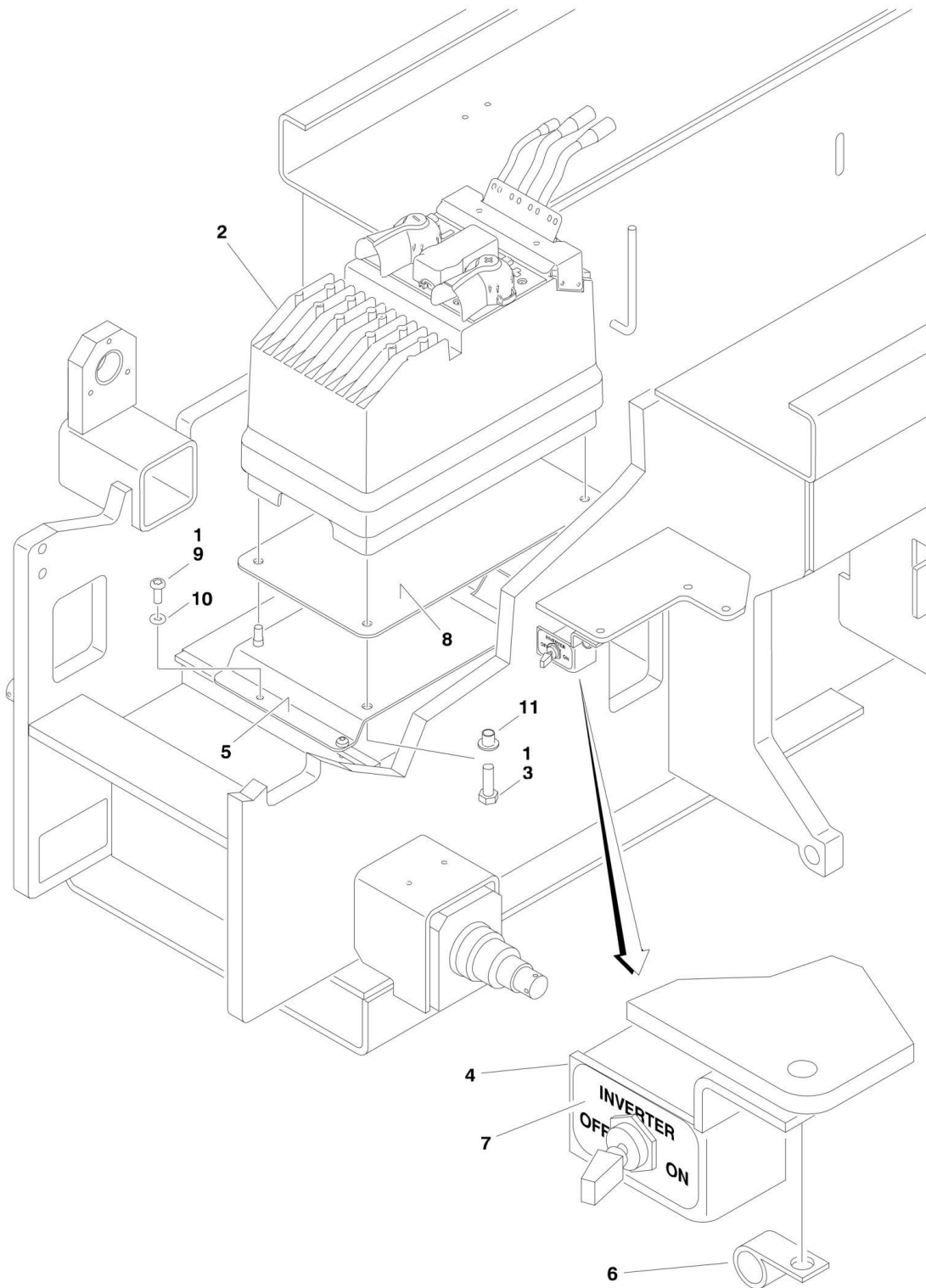
ITEM	PART NUMBER	QTY	DESCRIPTION	REV
		Ref	BATTERY CHARGER ASSEMBLY	
	0400238	Ref	USA Built Machines (SN 0200152825 through 0200197382)	G
		Ref	Note: Use Kit p/n 1001128737 as Replacement.	
	1001112111	Ref	USA Built Machines (SN 0200197383 through 0200198014)	E
		Ref	Note: Use Kit p/n 1001128737 as Replacement.	
	0400238	Ref	Belgium Built Machines (SN 1200008481 through 1200024210)	G
		Ref	Note: Use Kit p/n 1001128737 as Replacement.	
	1001112111	Ref	Belgium Built Machines (SN 1200024211 through 1200025020)	E
		Ref	Note: Use Kit p/n 1001128737 as Replacement.	
1	Not Available	1	Harness with Plug	
1	4460648	1	Plug, Anderson Battery Cable	
2	Not Available	1	Harness with Connector	
2	4460424	1	Connector, Female - 2 Position	
2	4460227	2	Pin, Male	
3	Not Available	1	Harness with Connector	
3	4460899	1	Connector, Female - 6 Position	
3	4460464	6	Pin, Male	
4	Not Available	1	Connector, Strain Relief	
5	Not Available	1	Connector, Strain Relief	
6	Not Available	1	Connector, Strain Relief	
7	Not Available	1	Harness with Connector	
		Ref	BATTERY CHARGER INSTALLATION	
		Ref	Battery Charger Installation (1930ES):	
	0275079	Ref	AC Cable Has Factory Supplied Plug	E
	0275088	Ref	AC Cable Has Locally Supplied Plug	E
	0275088	Ref	AC Cable Has Locally Supplied Plug (Australian Spec - USA Built Machines) (SN 0200152825 through 0200194583)	H
	1001113574	Ref	AC Cable Has Locally Supplied Plug (Australian Spec - USA Built Machines) (SN 0200194584 through 0200198014)	C
	0275088	Ref	AC Cable Has Locally Supplied Plug (Australian Spec - Belgium Built Machines) (SN 1200008481 through 1200022172)	H
	1001113574	Ref	AC Cable Has Locally Supplied Plug (Australian Spec - Belgium Built Machines) (SN 1200022173 through 1200025020)	C
		Ref	Battery Charger Installation 2030ES/2630ES/2646ES/3246ES:	
	0272874	Ref	AC Cable Has Factory Supplied Plug	K
	0272875	Ref	AC Cable Has Locally Supplied Plug	K
	0272875	Ref	AC Cable Has Locally Supplied Plug (Australian Spec - USA Built Machines) (SN 0200152825 through 0200194583)	K
	1001113576	Ref	AC Cable Has Locally Supplied Plug (Australian Spec - USA Built Machines) (SN 0200194584 through 0200198014)	C
	0272875	Ref	AC Cable Has Locally Supplied Plug (Australian Spec - Belgium Built Machines) (SN 1200008481 through 1200022172)	K
	1001113576	Ref	AC Cable Has Locally Supplied Plug (Australian Spec - Belgium Built Machines) (SN 1200022173 through 1200025020)	C
101		Ref	Battery Charger Assembly (See Items 1-7 for Breakdown):	
101	0400238	NLA	Battery Charger Assembly USA Built Machines (Use p/n 1001128737 - Kit p/n 1001128737 includes Charger and Battery) (SN 0200152825 through 0200197382)	
101	1001112111	1	Battery Charger Assembly USA Built Machines (SN	

SECTION 1 - FRAME

ITEM	PART NUMBER	QTY	DESCRIPTION	REV
101	0400238	NLA	0200197383 through 0200198014) Battery Charger Assembly Belgium Built Machines (Use p/n 1001128737 - Kit p/n 1001128737 includes Charger and Battery) (SN 1200008481 through 1200024210)	
101	1001112111	1	Battery Charger Assembly Belgium Built Machines (SN 1200024211 through 1200025020)	
102		Ref	Cable, AC Options:	
102	1060688	1	Cable, AC Factory Supplied Plug (Black)	
102	1001103257	1	Cable, AC Factory Supplied Plug (Orange)	
102	1060689	1	Cable, AC Locally Supplied Plug (Black)	
102	1001103258	1	Cable, AC Locally Supplied Plug (Orange)	
103		Ref	Clamp Options:	
103	1320136	1	Clamp Insulated Clamp	
103	1321293	1	Clamp Non-Insulated Clamp	
104		Ref	Screw M6 Options:	
104	4191706	2	Screw 12mm Length	
104	4191707	2	Screw 16mm Length	
105	4811700	2	Flatwasher M6	
106	1001102258	1	Decal - AC Label (Australian Spec - USA Built Machines) (SN 0200190526 through 0200198014)	
107	1001102489	1	Decal - Charger Label (Australian Spec - USA Built Machines) (SN 0200190526 through 0200198014)	
106	1001102258	1	Decal - AC Label (Australian Spec -Belgium Built Machines Only) (SN 1200021770 through 1200025020)	
107	1001102489	1	Decal - Charger Label (Australian Spec -Belgium Built Machines Only) (SN 1200021770 through 1200025020)	
201		Ref	PLUG OPTIONS:	
201	Not Available	Ref	ANSI Spec Plug (Use Item 102)	
201	Not Available	Ref	Australian and Japanese Specs (Purchase Locally)	
201		Ref	CE Spec Options:	
201	0275666	Ref	IEC Yellow Receptacle Installation	A
201	4461196	Ref	Receptacle, IEC Yellow	
201	0275667	Ref	IEC Blue Receptacle Installation	A
201	4461199	Ref	Receptacle, IEC Blue	
201	0275665	Ref	AFSINT 107 Keyed Ground Receptacle Installation	A
201	4461249	Ref	Receptacle, AFSINT 107 Keyed Ground	
201	0275663	Ref	CEE 7 Post Ground Receptacle Installation	A
201	4461202	Ref	Receptacle, CEE 7 Post Ground	
201	0275664	Ref	CEE 7 Side Ground Receptacle Installation	A
201	4461205	Ref	Receptacle, CEE 7 Side Ground	
301	1600466	NLA	BATTERY CHARGER REPROGRAM CONTROLLER KIT (Note: Use Kit p/n 2915230)	

SECTION 1 - FRAME

FIGURE 1-8. BATTERY CHARGER WITH INVERTER ASSEMBLY AND INSTALLATION (OPTIONAL ON ANSI AND CSA SPEC MACHINES)



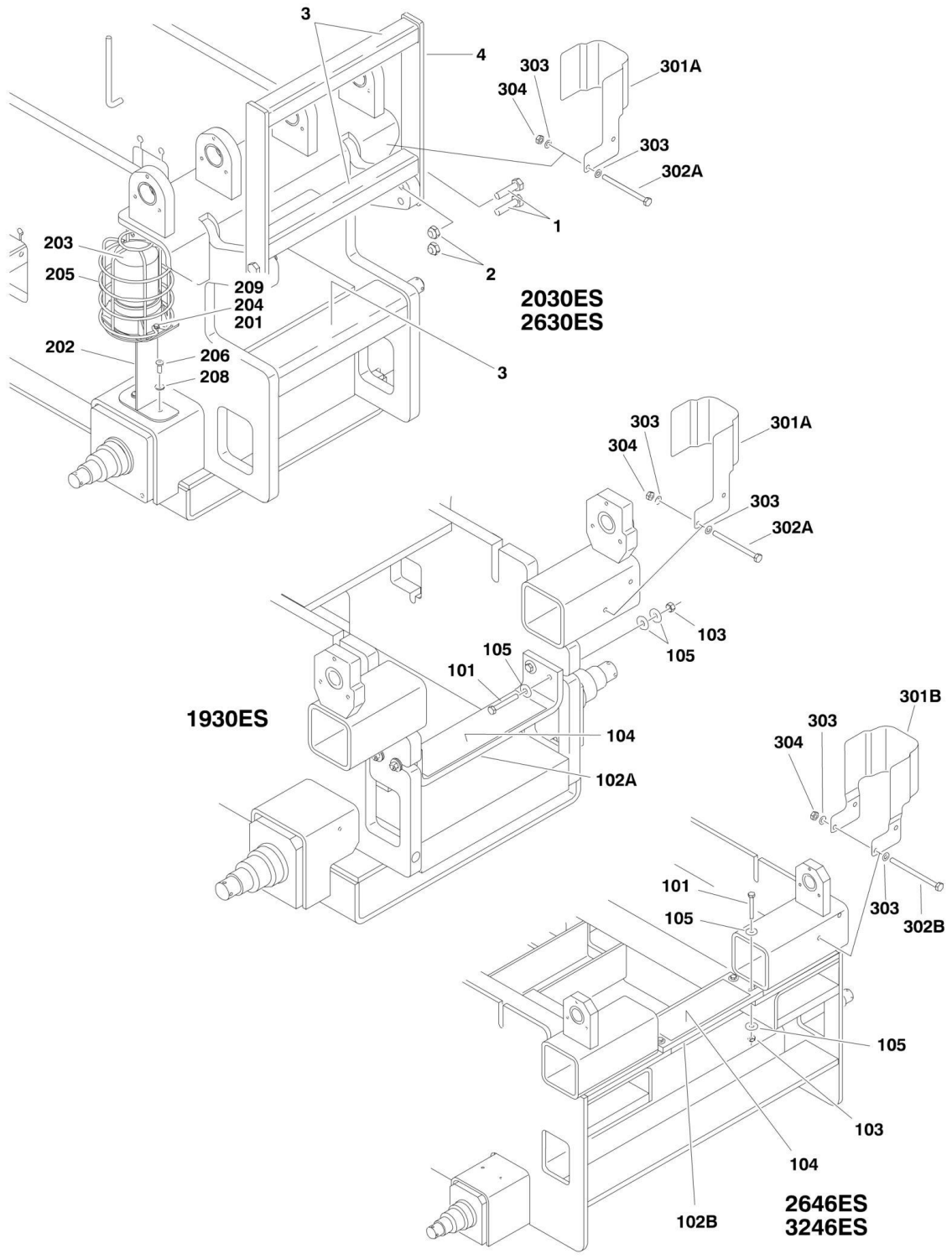
SECTION 1 - FRAME

FIGURE 1-8. BATTERY CHARGER WITH INVERTER ASSEMBLY AND INSTALLATION (OPTIONAL ON ANSI AND CSA SPEC MACHINES)

ITEM	PART NUMBER	QTY	DESCRIPTION	REV
		Ref	BATTERY CHARGER ASSEMBLY	
	0275103	Ref	Battery Charger Assembly (1930ES)	D
	0275104	Ref	Battery Charger Assembly (2030ES/2630ES)	C
	0275105	Ref	Battery Charger Assembly (2646ES/3246ES)	C
1	0100011	AR	Compound, Locking	
2	0400237	NLA	Charger/Inverter Assembly (Use p/n 1001093839)	
3		Ref	Hardware Options:	
3	0760812	4	Bolt M8 x 25mm	
3	0760814	4	Bolt M8 x 30mm	
3	3290805	4	Nut M8	
4	0902780	1	Bracket, Mounting (Remote Switch)	
5		Ref	Bracket, Mounting (Charger/Inverter)	
5	0903444	1	Bracket, Mounting (1930ES)	
5	0903319	1	Bracket, Mounting (2030ES/2630ES/2646ES/3246ES)	
6	1320043	1	Clamp	
7	1705052	1	Decal - On/Off	
8	2820239	1	Insulation, Charger Mounting	
9		Ref	Screw M6 Options:	
9	4191706	AR	Screw 12mm Length	
9	4191707	AR	Screw 16mm Length	
10	4811700	2	Flatwasher M6	
11	4740562	4	Washer, Special	
18	1706749	1	Decal - Inverter (Not Shown - Located on Frame Near Inverter)	
19		Ref	Decal - Hazardous Voltage Options (Not Shown - Located on Platform Near AC Box):	
19	1706765	1	Decal English Language	
19	1001136847	1	Decal Spanish Language	

SECTION 1 - FRAME

FIGURE 1-9. LADDERS, BEACON LIGHT AND ROTARY SENSOR COVER INSTALLATION



SECTION 1 - FRAME

FIGURE 1-9. LADDERS, BEACON LIGHT AND ROTARY SENSOR COVER INSTALLATION

ITEM	PART NUMBER	QTY	DESCRIPTION	REV
		Ref	LADDER INSTALLATIONS	
	0272887	Ref	Ladder Installations (2030ES)	B
	0272888	Ref	Ladder Installations (2630ES)	B
1	0701016	4	Bolt M10 x 40mm	
2	3291005	4	Locknut M10	
3	4420070	3	Tape, Anti-Skid	
4		Ref	Ladder Options:	
4	4846812	1	Ladder (2030ES)	
4	4846813	1	Ladder (2630ES)	
		Ref	LADDER INSTALLATIONS	
	0275120	Ref	Ladder Installations (1930ES)	C
	0275212	Ref	Ladder Installations (2646ES/3246ES)	C
101		Ref	Bolt M6 Options:	
101	0700615	4	Bolt 35mm Length	
101	0700617	4	Bolt 45mm Length	
102		Ref	Ladder Options:	
102A	2930005	1	Ladder (1930ES)	
102B	3576349	1	Ladder (2646ES/3246ES)	
103		Ref	Locknut Options:	
103	3290605	4	Locknut (1930ES)	
103	3290607	4	Locknut (2646ES/3246ES)	
104	4420080	1	Tape, Anti-Skid	
105	4751400	AR	Flatwasher 1/4in Wide	
		Ref	BEACON LIGHT INSTALLATIONS	
	0272309	Ref	Beacon Light Installations (1930ES) (Not Shown)	D
	0274012	Ref	Beacon Light Installations (2030ES/2630ES)	B
	0272980	Ref	Beacon Light Installations (2646ES/3246ES)	D
201	0760410	2	Bolt M4 x 20mm	
202		Ref	Bracket Options:	
202	0902905	1	Bracket (1930ES)	
202	0903086	1	Bracket (2030ES/2630ES)	
202	0902906	1	Bracket (2646ES/3246ES)	
203	2920161	1	Light, Beacon	
203	7016319	1	Bulb, Replacement	
203	7016372	1	Len, Replacement	
204	3290405	2	Locknut M4	
205	4060865	1	Guard	
206	4191707	2	Screw M6 x 16mm	
208	4811700	AR	Flatwasher M6	
209	4750800	2	Flatwasher #8 (Wide)	
		Ref	ROTARY ANGLE SENSOR COVER KIT	
		Ref	Note: This kit is an optional aftermarket Add-on for USA Built Machines SN 0200152825 through 0200198014 Only and Belgium Built Machines SN 1200008481 through 1200025020 Only. Not Available on previous SNs due to changes in frame design. Kit also includes instructions. Parts listed below are for service.	
	1001105108	Ref	Rotary Angle Sensor Cover Kit (1930ES/2030ES/2630ES)	
	1001105109	Ref	Rotary Angle Sensor Cover Kit (2630ES/3246ES)	
301		Ref	Cover Options:	
301A	1001103029	1	Cover for 1930ES/2030ES/2630ES	

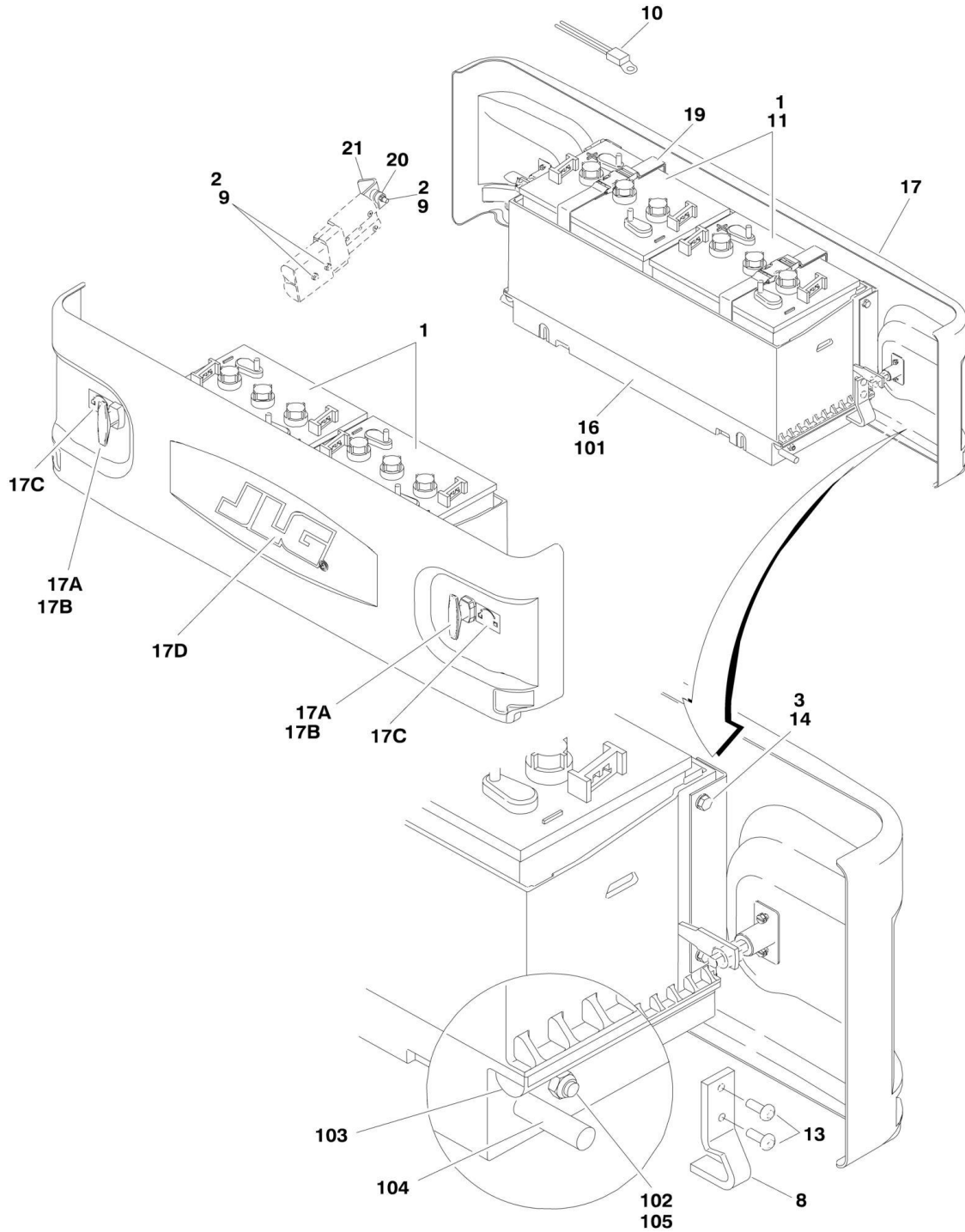
SECTION 1 - FRAME

ITEM	PART NUMBER	QTY	DESCRIPTION	REV
301B	1001103030	1	Cover for 2646ES/3246ES	
302		Ref	Bolt M6 Options:	
302A	0760610	2	Bolt 20mm Length for 1930ES/2030ES/2630ES	
302B	0760612	2	Bolt 25mm Length for 2646ES/3246ES	
303	4811700	4	Flatwasher 6mm	
304	3290605	2	Locknut M6	

SECTION 2 - GROUND COMPONENTS

SECTION 2 - GROUND COMPONENTS

FIGURE 2-1. BATTERIES AND COVERS INSTALLATION



SECTION 2 - GROUND COMPONENTS

FIGURE 2-1. BATTERIES AND COVERS INSTALLATION

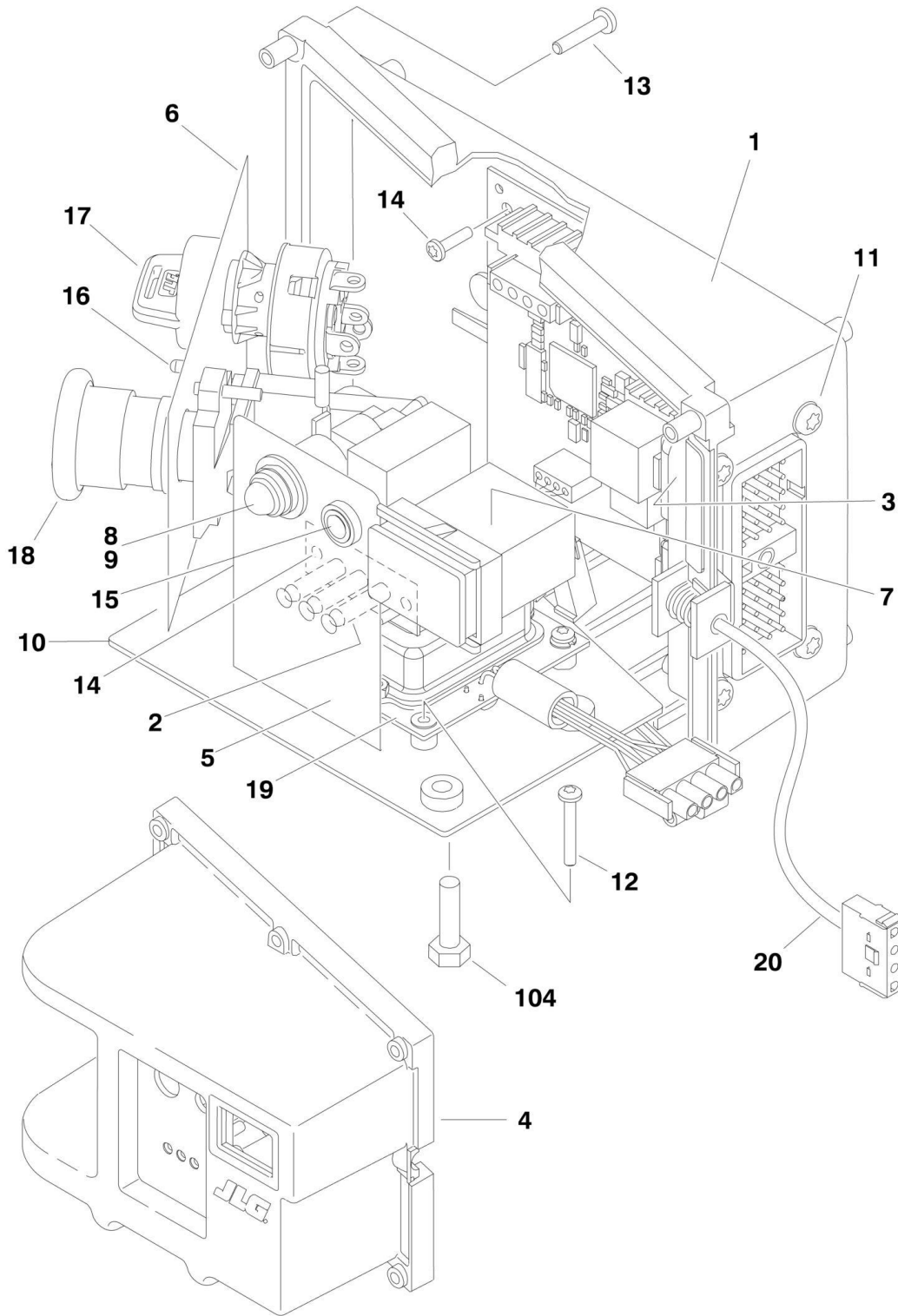
ITEM	PART NUMBER	QTY	DESCRIPTION	REV
		Ref	BATTERIES AND COVERS INSTALLATION	
		Ref	GC Type with 225 AH Rating Batteries:	
	0275020	Ref	All Models (Standard Covers)	D
	0275022	Ref	All Models (Locking Covers)	D
	0275480	Ref	Batteries and Covers Installations (1930ES) (UL Spec with Locking Covers)	E
	0275021	Ref	Batteries and Covers Installations (2030ES/2630ES/2646ES/3246ES) (UL Spec with Locking Covers)	D
		Ref	EV Type with 244 AH Rating Batteries:	
	0275042	Ref	Batteries and Covers Installations (2030ES/2630ES/2646ES/3246ES) with Standard Covers	C
	0275044	Ref	Batteries and Covers Installations (2030ES/2630ES/2646ES/3246ES) with Locking Covers	C
	0275043	Ref	Batteries and Covers Installations (2030ES/2630ES/2646ES/3246ES) (UL Spec) with Locking Covers	C
		Ref	AGM and EVG Type with 225 AH Rating Batteries:	
	0275401	Ref	All Models (Standard Covers)	C
	1001132233	Ref	All Models (Locking Covers)	A
1		Ref	Battery Options:	
1	0400216	4	Battery Type EV-145-WNL (Not Available on 1930ES)	
1	1001112112	4	Battery Type EVGC6A-A	
1	0400215	4	Battery Type GC-110-WNL	
1		Ref	Battery Type UAGC2N Replacement Components (Optional on USA Built Machines (was p/n 0400242) (SN 0200152825 through 0200197383))	
1	0400242	NLA	Battery Type UAGC2N Replacement Components (Optional on Belgium Built Machines) (Use p/n 0400215) (SN 1200008481 through 1200024211)	
1	1001114770	1	Replacement Kit (Kit includes p/n 1001112111 Battery Charger, qty 4 p/n 1001112112 EVGC6A-A Batteries and qty 1 of Item 10 Temperature Sensor)	
1	1001112112	4	Battery Type EVGC6A-A	
		Ref	(Note: Use only after kit has been installed)	
2		Ref	Bolt Options:	
2	0700615	AR	Bolt M6 x 35mm	
2	0700616	AR	Bolt M6 x 40mm	
2	4031713	AR	Bolt, Sockethead M6 x 40mm	
3	0760610	8	Bolt M6 x 20mm	
8		Ref	Plate, Slide Stop Options:	
8	3574981	2	Plate Left Side	
8	3574984	2	Plate Right Side	
9	3290605	AR	Locknut M6	
10	1001112113	NLA	Temperature Sensor Kit (Includes Sensor, Wire Nut and Instructions) (Use p/n 1001127269)	
11	0100051	AR	Grease, Terminal	
13	4191707	8	Screw M6 x 16mm	
14	4811700	8	Flatwasher M6	
16		Ref	Tray Assembly Options (See Items 101-106 for Breakdown):	
16	0273698	2	Tray USA and Belgium	
16	0861678	2	Tray UL Spec	
17		Ref	Cover Options:	

SECTION 2 - GROUND COMPONENTS

ITEM	PART NUMBER	QTY	DESCRIPTION	REV
17	1671202	2	Cover with Decals and Standard Latches	D
17	1671204	2	Cover with Decals and Lockable Latches	D
17	1671204	2	Cover, UL Spec with Decals and Lockable Latches	D
17	1671203	1	Cover, Battery Less Decals and Latches	
		Ref	(Note: Must Purchase Decals and Latches Separately)	
17A		Ref	Latch Options (2 Per Cover):	
17A	2940174	4	Standard	
17A	2940175	4	Locking	
17A	7027863	4	Key	
17B	4071102	NLA	Shim (2 Per Cover) (Use p/n 4750800)	
17C	1706350	2	Decal - Cover	
17D	1705754	1	Decal - JLG	
19	4240172	4	Strap, Battery (UL Spec)	
20	1321130	1	Clamp (UL Spec) (1930ES Only)	
21	Not Available	1	Handle, Disconnect (UL Spec) (1930ES Only)	
21	1001110826	1	Bracket, Disconnect Mounting (UL Spec) (1930ES Only)	
		Ref	TRAY ASSEMBLY OPTIONS:	
	0273698	Ref	USA and Belgium	E
	0861678	Ref	UL Spec	D
101	Purchase Item 16	1	Tray, Battery	
102	3290605	AR	Locknut	
103	3340975	2	Pad, Wear (Note: Wear Pad not available separately from Tray Assembly on some applications)	
104		Ref	Stop, Battery Box Options:	
		Ref	NOTE: Requires (2) 3820032 Rivet & (1) 4811600 Washer	
104	4220252	1	Stop, Battery Box LH	
104	4220253	1	Stop, Battery Box RH	
105	3820032	AR	Rivet (Not Shown)	
106	4811600	AR	Washer (Not Shown)	

SECTION 2 - GROUND COMPONENTS

FIGURE 2-2. GROUND CONTROL ASSEMBLY AND INSTALLATION



SECTION 2 - GROUND COMPONENTS

FIGURE 2-2. GROUND CONTROL ASSEMBLY AND INSTALLATION

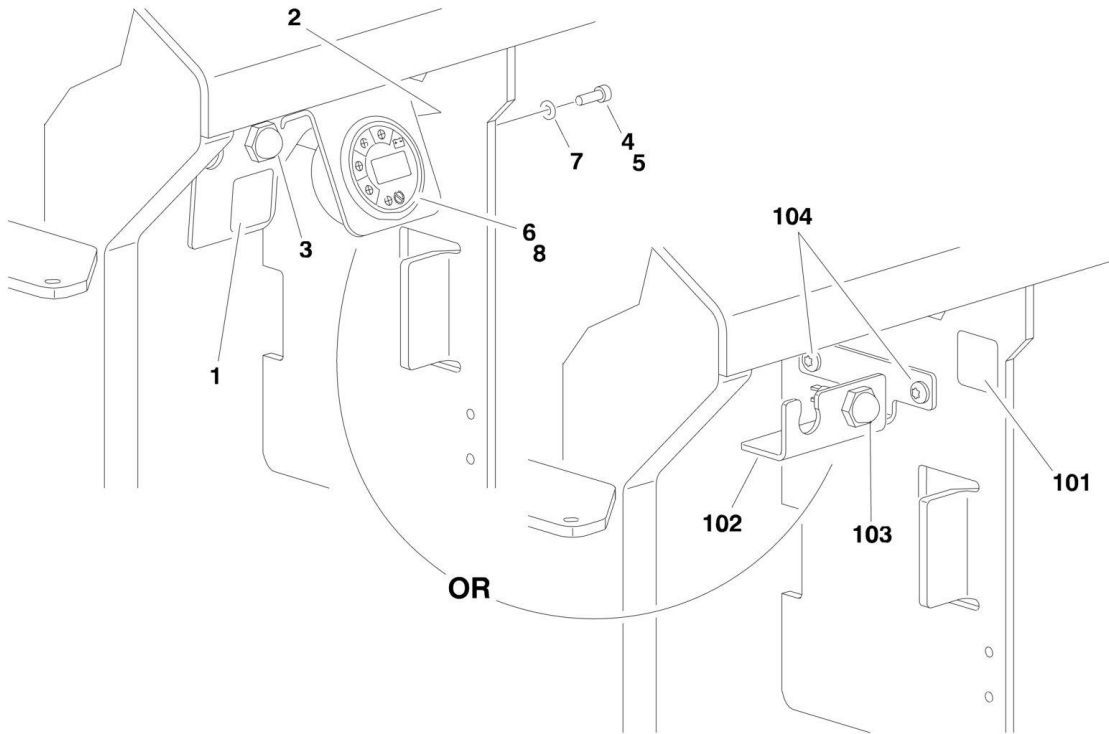
ITEM	PART NUMBER	QTY	DESCRIPTION	REV
		Ref	GROUND CONTROL ASSEMBLY	
	0272780	Ref	ANSI and ANSI Export and UL Specs	AC
	0861669	Ref	ANSI Export and Japanese Specs	R
	0273444	Ref	Australian Specs without Overload	Y
	0272781	Ref	Australian and CE Specs with Overload	AC
1	0380025	1	Box, Ground Control	
2	0610161	1	Board, PC (Battery Charger LED)	
3		Ref	Component Options:	
		Ref	Note: PC Board must be recalibrated when replaced. PC Board used on Machines with p/n 1600346 Drive Module Only.	
3	1600419	1	Board, PC (Ground Control)	
3	2915039	1	Upgrade Kit (Includes Cables, Programming Instructions and CD Software) (Note: Use with p/n 1600419 PC Board. Must be Purchased Separately)	B
4	1671105	1	Cover, Front	
5		Ref	Decal - LED Options:	
5	1705696	1	Decal - LED ANSI, ANSI Export and UL Specs	
5	1705697	1	Decal - LED ANSI Export, CE and Japanese Specs	
5	1705696	1	Decal - LED Australian Spec without Overload	
5	1705697	1	Decal - LED Australian Spec with Overload	
6	1705698	1	Decal - Function	
7	2420172	1	Hourmeter	
8		Ref	Component Options:	
8	3520193	1	Plug (ANSI, ANSI Export and UL Specs)	
8	2920026	1	Lamp (ANSI Export, CE and Japanese Specs)	
8	3520193	1	Plug (Australian Spec without Overload)	
8	2920026	1	Lamp (Australian Spec with Overload)	
9		Ref	Bulb Options:	
9	Not Required	0	Bulb ANSI, ANSI Export and UL Specs	
9	2920094	1	Bulb ANSI Export, CE Spec and Japanese Specs	
9	Not Required	0	Bulb Australian Spec without Overload	
9	2920094	1	Bulb Australian Spec with Overload	
10	4340739	1	Plate, Mounting	
11	3900336	4	Screw, Torx #10-32NF x 1/2in	
11	3321005	4	Locknut #10-32NF	
11	4751000	4	Flatwasher #10 Wide	
12	3900356	4	Screw, Torx M3.5 x 16mm	
13	3900338	6	Screw, Torx M4 x 20mm	
14	3900339	5	Screw, Plastite #6 x 1/2in	
15	4360069	1	Breaker, Circuit - 10Amp	
16	4360328	1	Switch, Toggle	
17		Ref	Keyswitch Options:	
17	4360469	1	Keyswitch ANSI, ANSI Export, Japanese and UL Specs	
17	4360470	1	Keyswitch Australian and CE Specs	
17	2860030	1	Key, Replacement (Fits All Specs)	
18	4360475	1	Switch, Emergency Stop	
18	7020175	1	Cap	
18	7020176	1	Block, Contact	
19	4000006	NLA	Module, Tilt (Use p/n 1810140)	

SECTION 2 - GROUND COMPONENTS

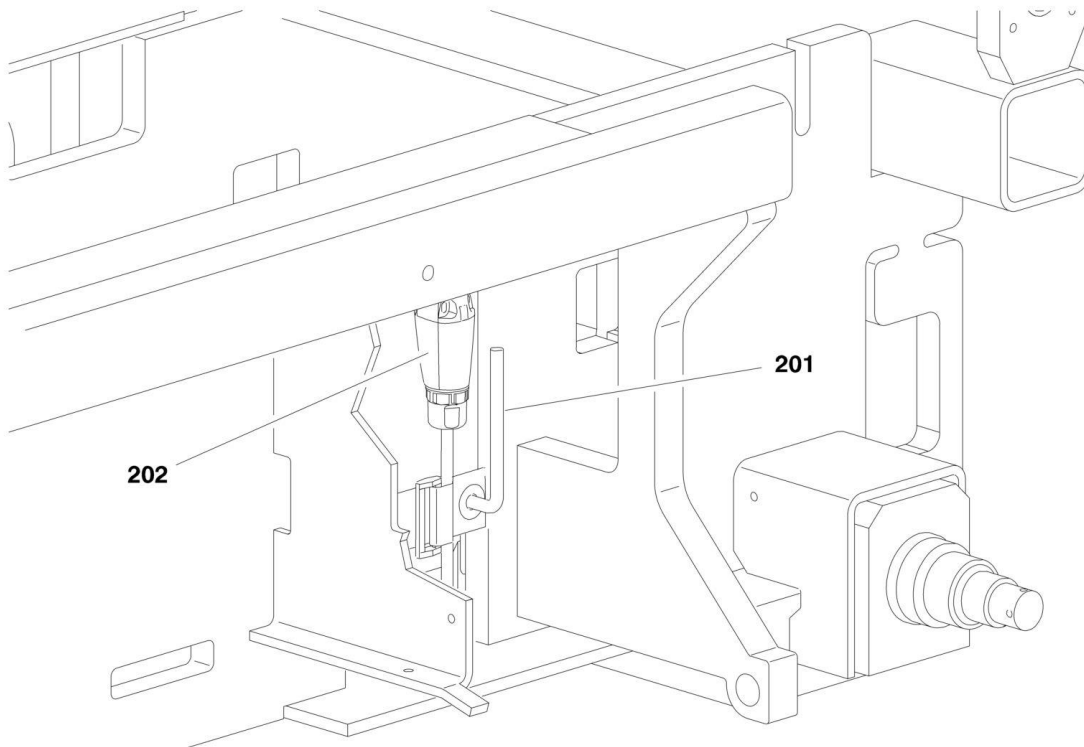
ITEM	PART NUMBER	QTY	DESCRIPTION	REV
20	4922865	1	Harness, Control Box (See ELECTRICAL SECTION for Breakdown)	
		Ref	GROUND CONTROL BOX INSTALLATION	
	0272810	Ref	ANSI and ANSI Export and UL Specs	G
	0273966	Ref	ANSI Export and Japanese Specs	D
	0273443	Ref	Australian Specs without Overload	E
	0272811	Ref	Australian and CE Specs with Overload	G
104	0700615	3	Bolt M6 x 35mm	
	0272878	Ref	ANTI-VANDELISM PACKAGE INSTALLATION (NOT SHOWN)	A
	1671124	1	Cover, Lockable Ground Control Box	

SECTION 2 - GROUND COMPONENTS

FIGURE 2-3. BRAKE DISCONNECT/RELEASE AND MDI (MULTIFUNCTION DIGITAL INDICATOR) GAUGE INSTALLATIONS



OPPOSITE SIDE OF FRAME



SECTION 2 - GROUND COMPONENTS

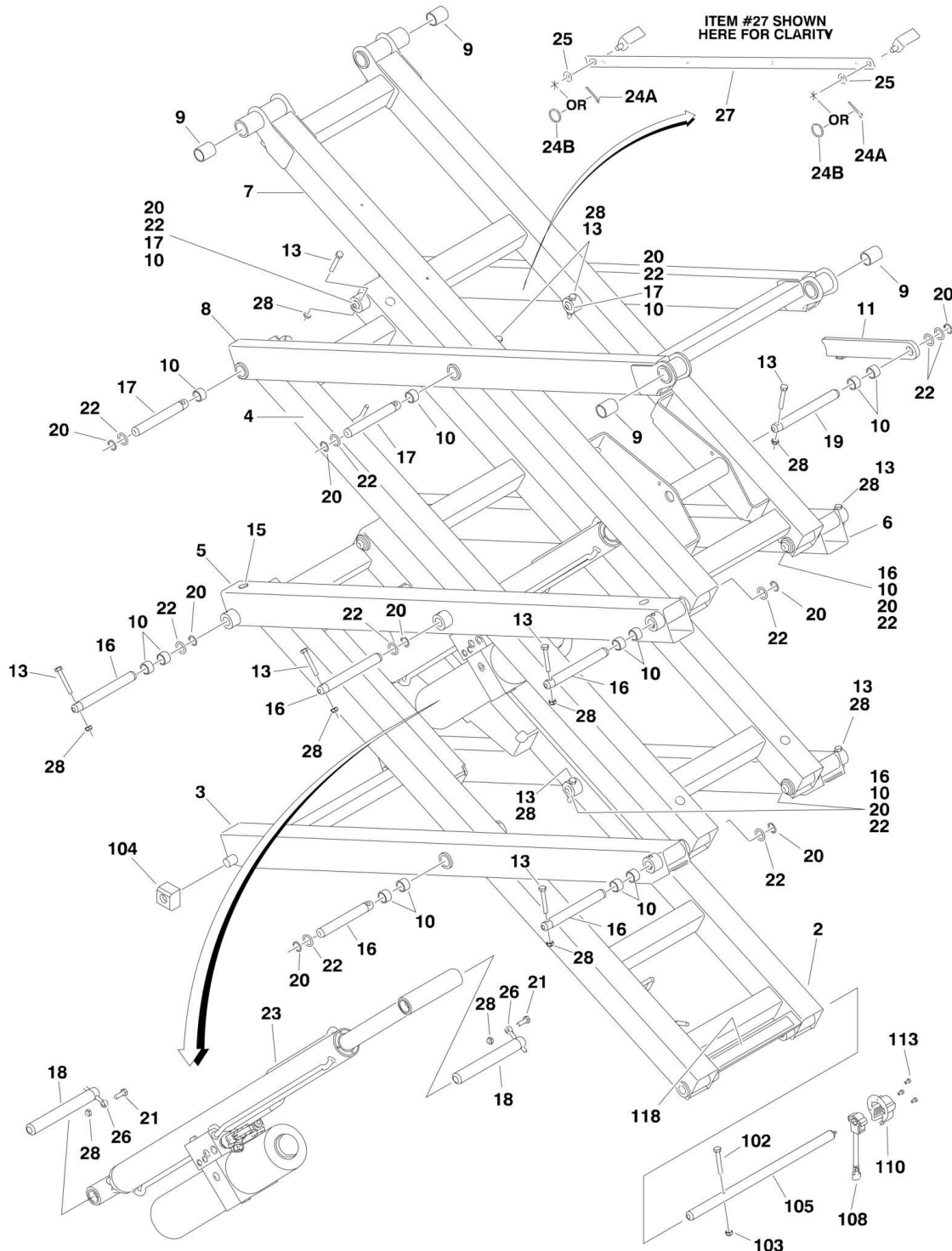
FIGURE 2-3. BRAKE DISCONNECT/RELEASE AND MDI (MULTIFUNCTION DIGITAL INDICATOR) GAUGE INSTALLATIONS

ITEM	PART NUMBER	QTY	DESCRIPTION	REV
	0275530	Ref	MDI (MULTIFUNCTION DIGITAL INDICATOR) GAUGE AND BRAKE RELEASE INSTALLATION	
		Ref	Note: Standard on USA Built Machines SN 0200168420 through SN 0200198014 and Belgium Built Machines SN 1200014906 through 1200025020- Previously Optional.	
1	1706679	1	Decal - Brake Release	
2	1001094203	1	Bracket	
3	4360387	1	Switch, Push Button	
4	4031607	2	Capscrew M5 x 16mm	
5	0100011	AR	Compound, Locking	
6	0100048	AR	Grease, Dielectric	
7	4811600	2	Flatwasher M5	
8	1001092454	1	Gauge, MDI (Multifunction Digital Indicator)	
9	1001093556	1	MDI Harness (Not Shown - See ELECTRICAL SECTION for Breakdown)	
	0275603	Ref	BRAKE RELEASE SWITCH INSTALLATION	A
		Ref	Note: Optional on USA Built Machines SN 0200152825 through SN 0200168420 and Belgium Built Machines SN 1200008481 through SN 1200014906 Only.	
101	1706679	1	Decal - Brake Release	
102	0903598	1	Bracket	
103	4360387	1	Switch, Push Button	
104	4191706	2	Screw M6 x 12mm	
	0275432	Ref	BRAKE RELEASE ONLY INSTALLATION	A
		Ref	Note: Optional on USA Built Machines SN 0200152825 through SN 0200168420 and Belgium Built Machines SN 1200008481 through SN 1200014906 Only.	
201	2902331	1	Mount and Screw Kit	
202	4922944	1	Bracket Disconnect/Release Switch Assembly (See ELECTRICAL SECTION for Breakdown as Design May Vary)	

SECTION 3 - SCISSOR ARMS

SECTION 3 - SCISSOR ARMS

FIGURE 3-1. SCISSOR ARMS INSTALLATION - 1930ES



SECTION 3 - SCISSOR ARMS

FIGURE 3-1. SCISSOR ARMS INSTALLATION - 1930ES

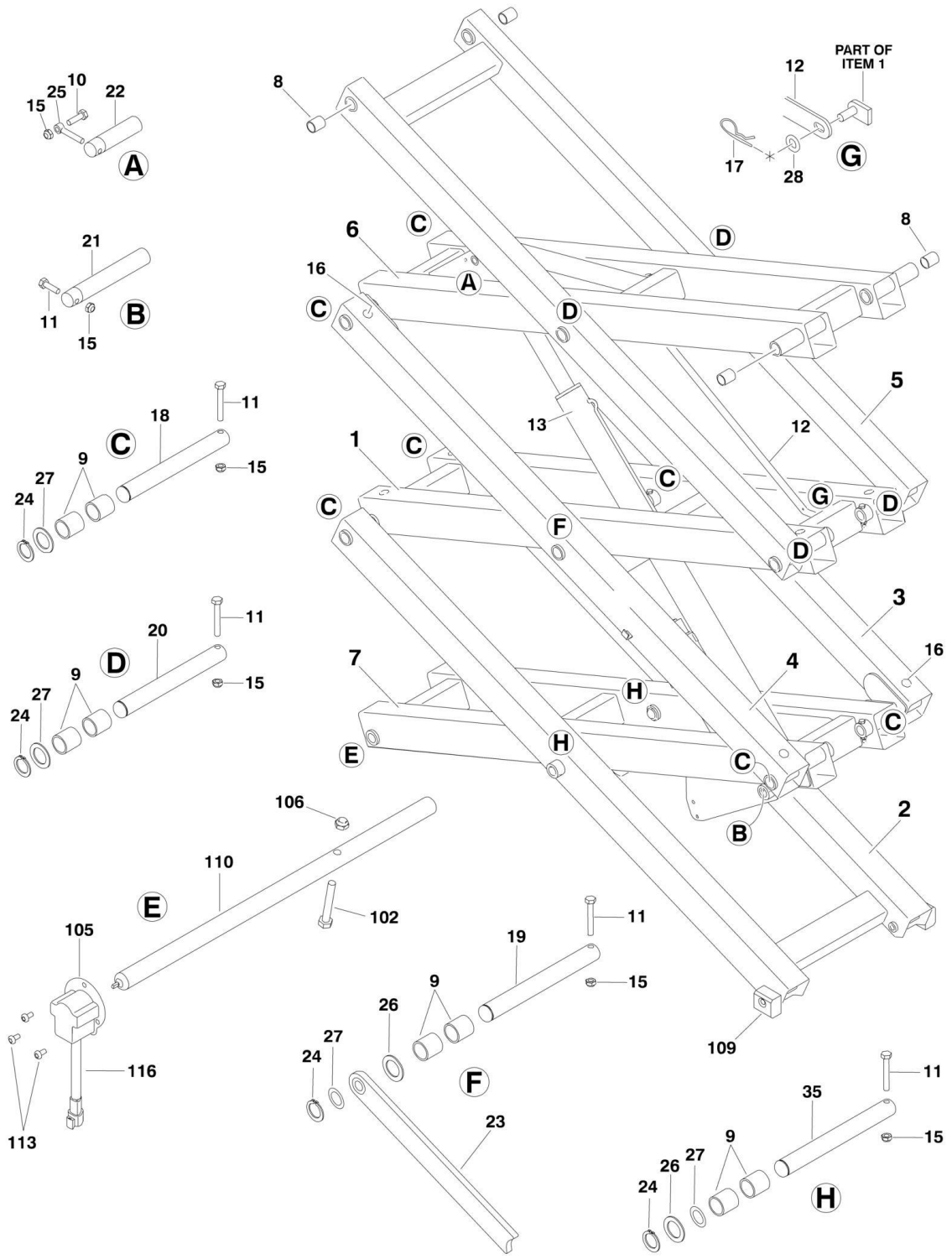
ITEM	PART NUMBER	QTY	DESCRIPTION	REV
		Ref	SCISSOR ARMS ASSEMBLY - 1930ES	
	0274841	Ref	Machines with Standard Hydraulic Oil	K
	0200838	Ref	Machines with Biodegradeable Hydraulic Oil	E
2	0200825	1	Arm - Lower Inboard	
3	0200810	1	Arm - Lower Outboard	
4	0200824	1	Arm - Mid Inboard	
5	0200823	1	Arm - Mid Outboard (Left Side)	
6	0200822	1	Arm - Mid Outboard (Right Side)	
7	0200821	1	Arm - Upper Inboard	
8	0200815	1	Arm - Upper Outboard	
9	0440266	4	Bearing	
10	0440264	28	Bearing	
11	3574159	1	Prop, Safety	
13	0701022	14	Bolt M10 x 70mm	
15	3340962	16	Pad	
16	3423031	9	Pin	
17	3423032	4	Pin	
18	3423038	2	Pin	
19	3423042	1	Pin	
20	3760115	14	Ring, Retaining	
21	0761014	2	Bolt M10 x 30mm	
22	4740531	15	Washer, Special	
23		Ref	Lift Cylinder Assembly Options (See CYLINDER SECTION for Breakdown):	
23	1684484	1	Lift Cylinder Assembly Machines with Standard Hydraulic Oil	
23	1684526	1	Lift Cylinder Assembly Machines with Biodegradeable Hydraulic Oil	
24		Ref	Hardware Options:	
24A	3450303	2	Pin, Cotter 3/32in x 3/4in	
24B	3760170	2	Ring, Split	
25	4812000	2	Flatwasher M10	
26	3841143	2	Keeper, Pin	
27	3576093	1	Bar, Cable Carrier	
28	3291005	NLA	Locknut M10 (Use p/n 3291007)	
	2902455	1	Arms Kit - 1930ES (Includes Items 2-11)	N
		Ref	SCISSOR ARMS INSTALLATIONS - 1930ES	
	0274874	Ref	Machines with Standard Hydraulic Oil	E
	0275692	Ref	Machines with Biodegradeable Hydraulic Oil	B
102	0701022	1	Bolt M10 x 70mm	
103	3291005	1	Locknut M10	
104	3340964	2	Pad, Slide	
105	3423239	1	Pin, Sensor	
108	4360526	NLA	Switch, Rotary Angle Sensor (Use p/n 1001092354)	
110	3200454	1	Mount, Switch	
113	4191706	3	Screw M6 x 12mm	
115	1061036	1	Cable, Manual Descent (Not Shown)	
115	7020218	1	T-Handle (With 1/4in-20 Threads)	
115	70001878	1	T-Handle (With 5mm Threads)	
116	3321402	1	Jam Nut (Not Shown)	
117	4160078	1	Spring, Compression (Not Shown)	

SECTION 3 - SCISSOR ARMS

ITEM	PART NUMBER	QTY	DESCRIPTION	REV
118	4420070	1	Tape, Anti-Skid	

SECTION 3 - SCISSOR ARMS

FIGURE 3-2. SCISSOR ARMS INSTALLATION - 2030ES



SECTION 3 - SCISSOR ARMS

FIGURE 3-2. SCISSOR ARMS INSTALLATION - 2030ES

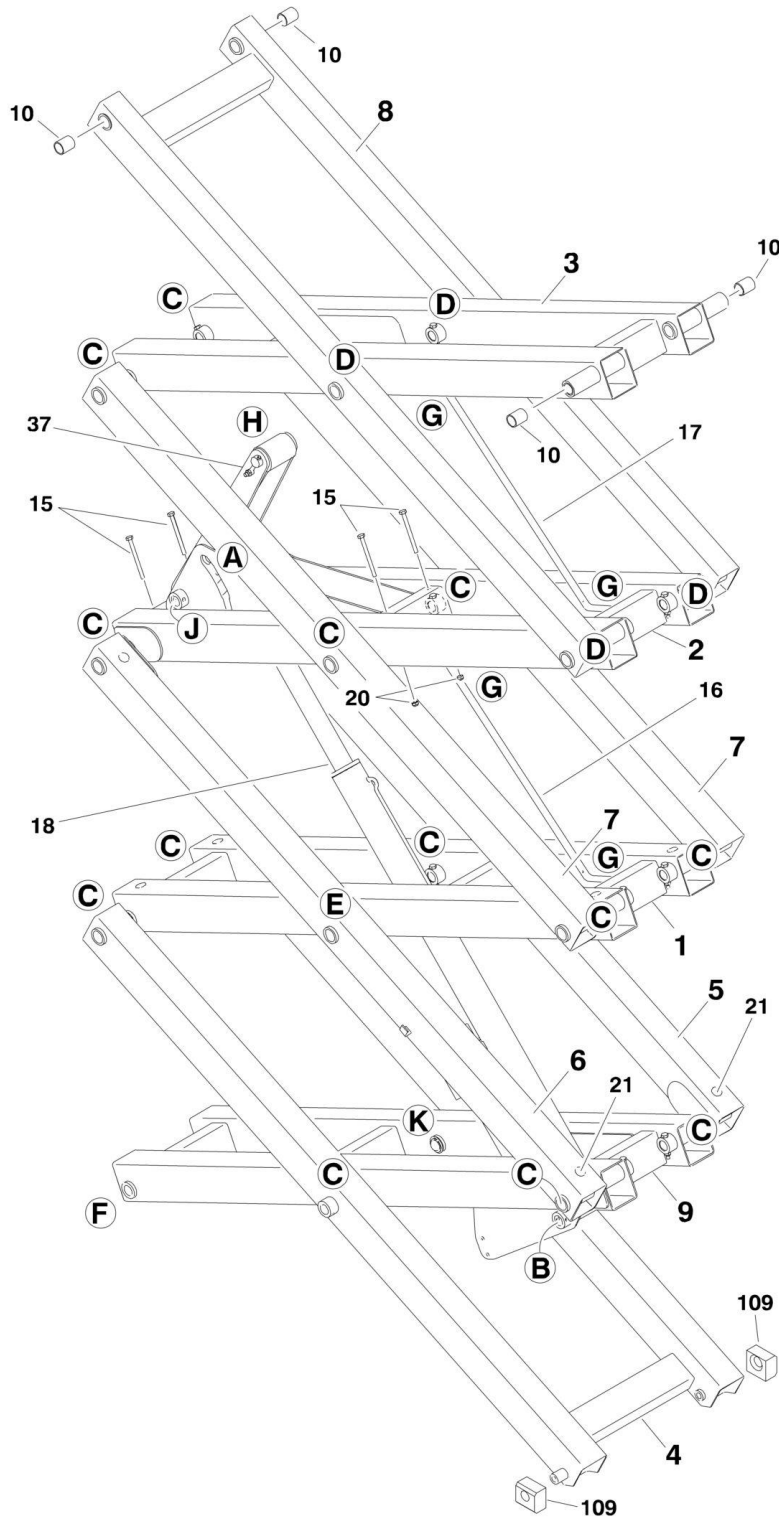
ITEM	PART NUMBER	QTY	DESCRIPTION	REV
		Ref	SCISSOR ARMS ASSEMBLY - 2030ES	
	0275018	Ref	Machines with Standard Hydraulic Oil	I
	0200839	Ref	Machines with Biodegradeable Hydraulic Oil	G
1	0200799	1	Arm - Mid Inboard	
2	0200802	1	Arm - Lower Outboard	
3	0200803	1	Arm - Mid Outboard (Left Side)	
4	0200804	1	Arm - Mid Outboard (Right Side)	
5	0200807	1	Arm - Upper Outboard	
6	0200816	1	Arm - Upper Inboard	
7	0200834	1	Arm - Lower Inboard	
8	0440266	4	Bearing	
9	0440267	28	Bearing	
10	0701015	1	Bolt M10 x 35mm	
11	0701022	15	Bolt M10 x 70mm	
12	1180382	1	Carrier, Cable	
13		Ref	Lift Cylinder Assembly Options (See CYLINDER SECTION for Breakdown):	
13	1684487	1	Lift Cylinder Assembly Machines with Standard Hydraulic Oil	
13	1684527	1	Lift Cylinder Assembly Machines with Biodegradeable Hydraulic Oil	
15	3291005	16	Locknut M10	
16	3340962	16	Pad, Arm	
17	3420156	2	Pin, Cotter	
18	3422997	7	Pin	
19	3423014	1	Pin	
20	3423036	4	Pin	
21	3423038	1	Pin	
22	3423067	1	Pin	
23	3574161	1	Bar, Prop Attach	
24	3760387	14	Ring, Retaining	
25	3841143	1	Keeper, Pin	
26	4071094	AR	Shim, Spacer	
27	4740438	14	Washer, Special	
28	4812000	2	Flatwasher M10	
35		Ref	Pin Options:	
35	3422997	2	Pin (USA Built Machines) (SN 0200152825 through 0200176682)	
35	3423014	2	Pin (USA Built Machines) (SN 0200176683 through 0200198014)	
35	3422997	2	Pin (Belgium Built Machines) (SN 1200008481 through 1200016872)	
35	3423014	2	Pin (Belgium Built Machines) (SN 1200016873 through 1200025020)	
	2902499	1	Scissor Arm Kit - 2030ES (Includes Items 2-9, 12 & 23)	K
		Ref	SCISSOR ARMS INSTALLATIONS - 2030ES	
	0275016	Ref	Machines with Standard Hydraulic Oil	D
	0275693	Ref	Machines with Biodegradeable Hydraulic Oil	B
102	0701022	1	Bolt M10 x 70mm	
103		Ref	Cable, Manual Descent Options (Not Shown):	
103	1061036	1	Cable, 9ft/2.74m Length (USA Built Machines) (SN 0200152825 through 0200161858)	

SECTION 3 - SCISSOR ARMS

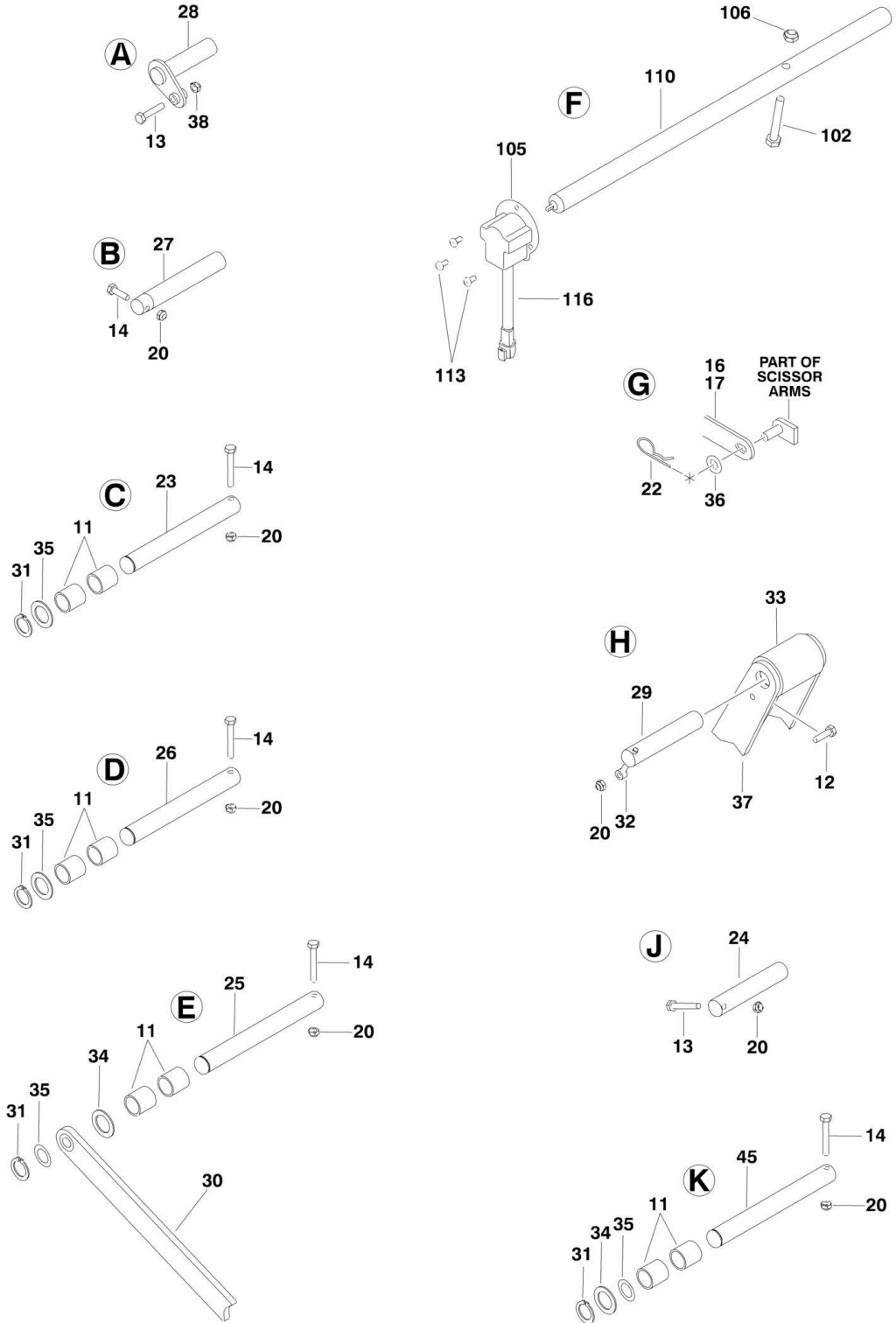
ITEM	PART NUMBER	QTY	DESCRIPTION	REV
103	1061034	1	Cable, 12.5ft/3.81m Length (USA Built Machines) (SN 0200161859 through 0200198014)	
103	1061036	1	Cable, 9ft/2.74m Length (Belgium Built Machines) (SN 1200008481 through 1200011442)	
103	1061034	1	Cable, 12.5ft/3.81m Length (Belgium Built Machines) (SN 1200011443 through 1200025020)	
103	7020218	1	T-Handle (With 1/4in-20 Threads)	
103	70001878	1	T-Handle (With 5mm Threads)	
105	3200454	1	Mount, Switch	
106	3291005	1	Locknut M10	
108	3321402	1	Nut, Jam 1/4in-28NF (Not Shown)	
109	3340957	2	Pad, Slide	
110	3423259	1	Pin, Sensor	
112	4160078	1	Spring, Compression (Not Shown)	
113	4191706	3	Screw M6 x 12mm	
116	4360526	NLA	Switch, Rotary Angle Sensor (Use p/n 1001092354)	

SECTION 3 - SCISSOR ARMS

FIGURE 3-3. SCISSOR ARMS INSTALLATION - 2630ES



SECTION 3 - SCISSOR ARMS



SECTION 3 - SCISSOR ARMS

FIGURE 3-3. SCISSOR ARMS INSTALLATION - 2630ES

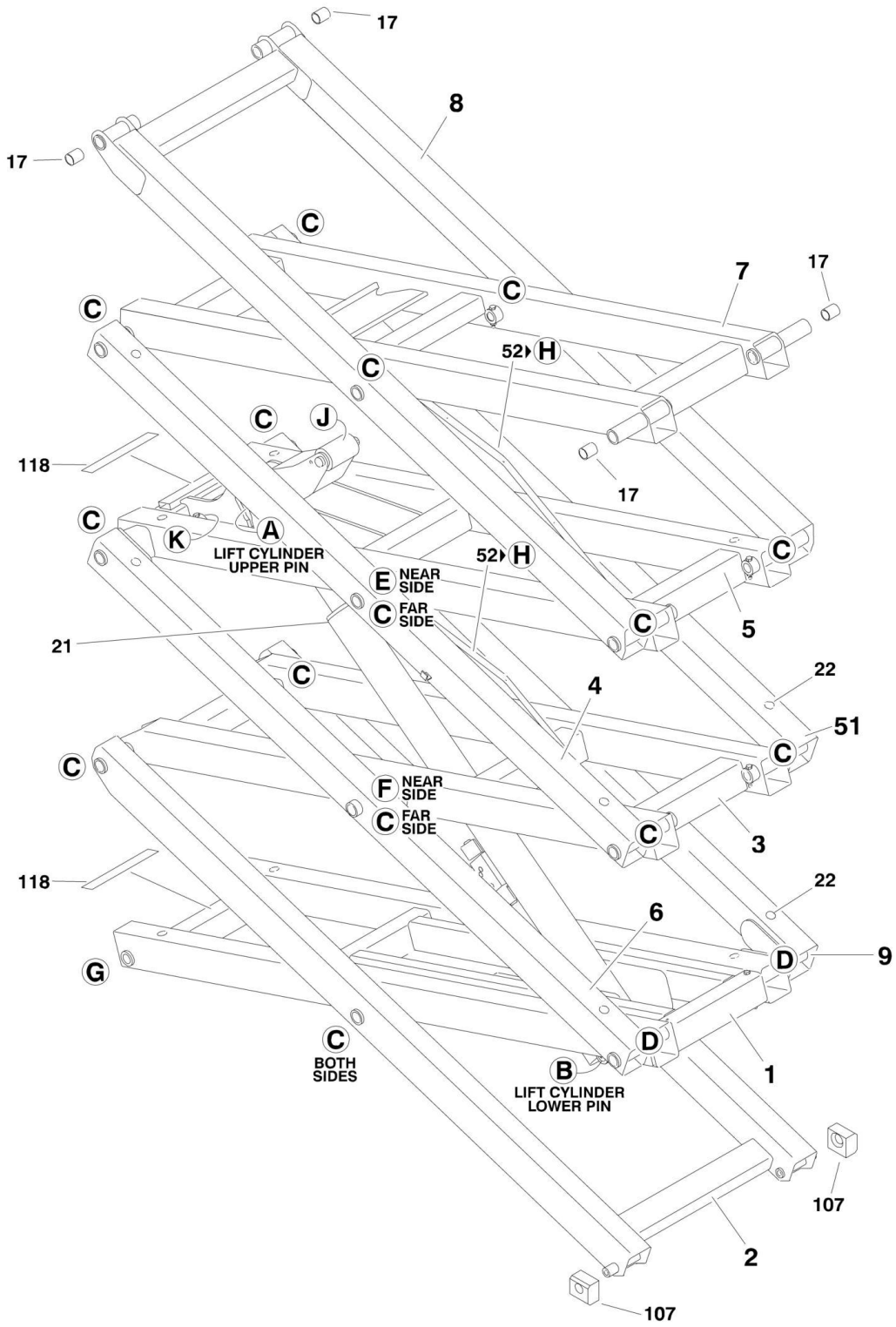
ITEM	PART NUMBER	QTY	DESCRIPTION	REV
		Ref	SCISSOR ARMS ASSEMBLY - 2630ES	
	0275019	Ref	Machines with Standard Hydraulic Oil	J
	0200840	Ref	Machines with Biodegradeable Hydraulic Oil	H
1	0200799	1	Arm - Lower Mid Inboard	
2	0200800	1	Arm - Upper Mid Inboard	
3	0200801	1	Arm - Upper Inboard	
4	0200802	1	Arm - Lower Outboard	
5	0200803	1	Arm - Lower Mid Outboard (Left Side)	
6	0200804	1	Arm - Lower Mid Outboard (Right Side)	
7	0200805	2	Arm - Upper Mid Out board	
8	0200807	1	Arm - Upper Outboard	
9	0200834	1	Arm - Lower Inboard	
10	0440266	4	Bearing	
11	0440267	42	Bearing	
12	0701015	1	Bolt M10 x 35mm	
13	0701017	1	Bolt M10 x 45mm	
14	0701022	18	Bolt M10 x 70mm	
15	0701029	4	Bolt M10 x 120mm	
16	1180382	1	Carrier, Cable	
17	1180383	1	Carrier, Cable	
18		Ref	Lift Cylinder Assembly Options (See CYLINDER SECTION for Breakdown):	
18	1684488	1	Lift Cylinder Assembly Machines with Standard Hydraulic Oil	
18	1684528	1	Lift Cylinder Assembly Machines with Biodegradeable Hydraulic Oil	
20	3291005	23	Locknut M10	
21	3340962	24	Pad, Arm	
22	3420156	2	Pin, Cotter	
23	3422997	13	Pin	
24	3422998	1	Pin	
25	3423014	1	Pin	
26	3423036	4	Pin	
27	3423038	1	Pin	
28	3423039	1	Pin	
29	3423067		Pin	
30	3574161	1	Bar, Prop Attach	
31	3760387	20	Ring, Retaining	
32	3841143	1	Keeper, Pin	
33	3860107	1	Roller	
34	4071094	AR	Shim, Spacer	
35	4740438	20	Washer, Special	
36	4812000	2	Flatwasher M10	
37	4846752	1	Kicker, Arm	
38	3291007	1	Locknut M10	
45		Ref	Pin Options:	
45	3422997	2	Pin (USA Built Machines) (SN 0200152825 through 0200176682)	
45	3423014	2	Pin (USA Built Machines) (SN 0200176683 through 0200198014)	
45	3422997	2	Pin (Belgium Built Machines) (SN 1200008481 through 1200016872)	

SECTION 3 - SCISSOR ARMS

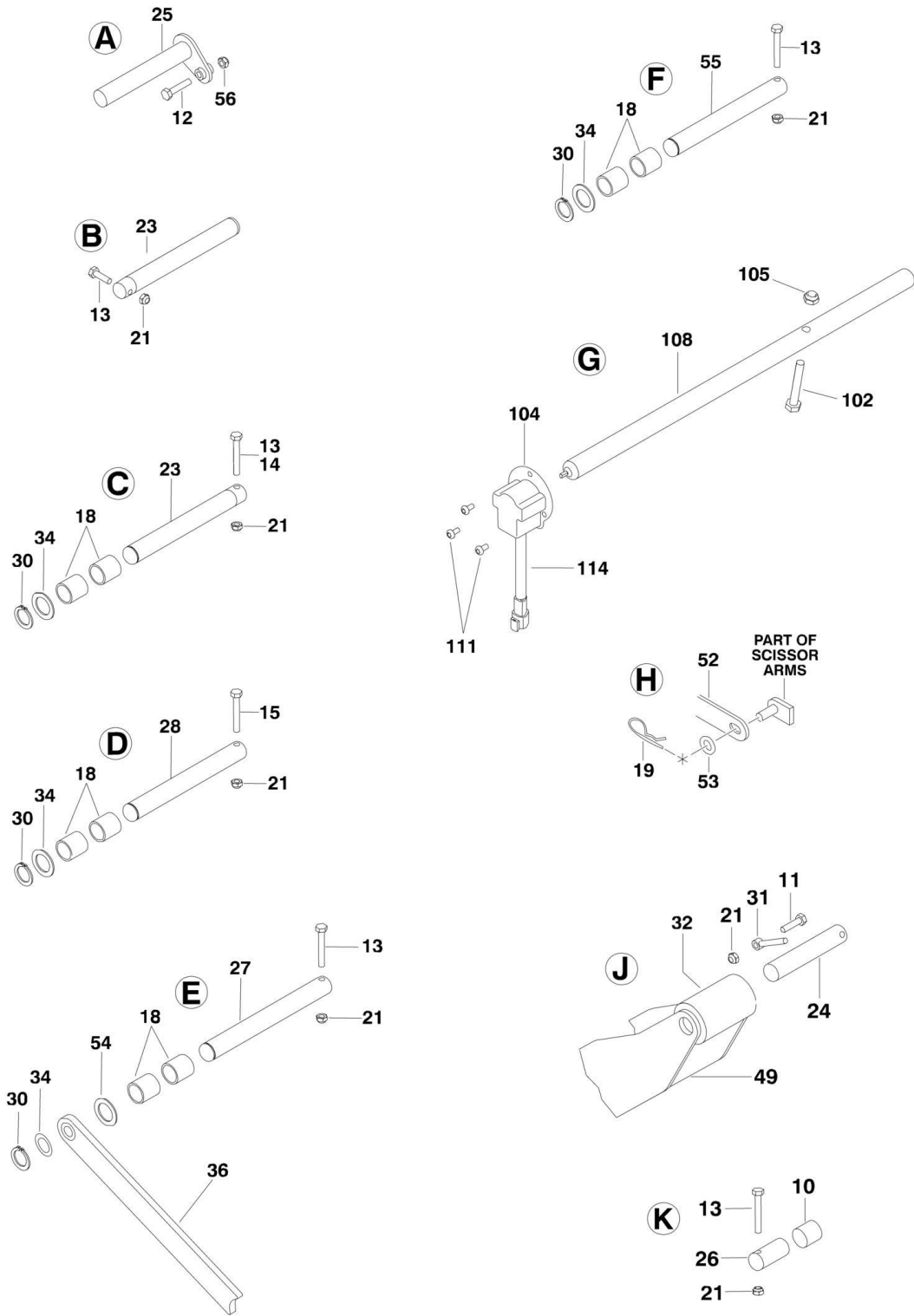
ITEM	PART NUMBER	QTY	DESCRIPTION	REV
45	3423014	2	Pin (Belgium Built Machines) (SN 1200016873 through 1200025020)	
	2902500	1	Scissor Arm Kit - 2630ES (Includes Items 1-11, 16, 17, 30 & 37)	M
		Ref	SCISSORS ARMS INSTALLATION	
	0275017	Ref	Machines with Standard Hydraulic Oil	D
	0275694	Ref	Machines with Biodegradable Hydraulic Oil	B
102	0701022	1	Bolt M10 x 70mm	
103		Ref	Cable, Manual Descent Options (Not Shown):	
103	1061036	1	Cable, 9ft/2.74m Length (USA Built Machines) (SN 0200152825 through 02000161858)	
103	1061034	1	Cable, 12.5ft/3.81m Length (USA Built Machines) (SN 02000161859 through 0200198014)	
103	1061036	1	Cable, 9ft/2.74m Length (Belgium Built Machines) (SN 1200008481 through 1200011442)	
103	1061034	1	Cable, 12.5ft/3.81m Length (Belgium Built Machines) (SN 1200011443 through 1200025020)	
103	7020218	1	T-Handle (With 1/4in-20 Threads)	
103	70001878	1	T-Handle (With 5mm Threads)	
105	3200454	1	Mount, Switch	
106	3291005	1	Locknut M10	
108	3321402	1	Nut, Jam 1/4in-28NF (Not Shown)	
109	3340957	2	Pad, Slide	
110	3423259	1	Pin, Sensor	
112	4160078	1	Spring, Compression (Not Shown)	
113	4191706	3	Screw M6 x 12mm	
116	4360526	NLA	Switch, Rotary Angle Sensor (Use p/n 1001092354)	

SECTION 3 - SCISSOR ARMS

FIGURE 3-4. SCISSOR ARMS INSTALLATION - 2646ES/3246ES



SECTION 3 - SCISSOR ARMS



SECTION 3 - SCISSOR ARMS

FIGURE 3-4. SCISSOR ARMS INSTALLATION - 2646ES/3246ES

ITEM	PART NUMBER	QTY	DESCRIPTION	REV
		Ref	SCISSOR ARMS ASSEMBLIES - 2646ES/3246ES	
	0274880	Ref	Scissor Arms Assemblies (2646ES) with Standard Hydraulic Oil	H
	0200841	Ref	Scissor Arms Assemblies (2646ES) with Biodegradeable Hydraulic Oil	F
	0274878	Ref	Scissor Arms Assemblies (3246ES) with Standard Hydraulic Oil	H
	0200842	Ref	Scissor Arms Assemblies (3246ES) with Biodegradeable Hydraulic Oil	F
1	0200832	1	Arm - Lower Inboard	
2	0200783	1	Arm - Lower Outboard	
3	0200831	1	Arm - Lower Mid Inboard	
4	0200830	1	Arm - Upper Mid Outboard (Right Side)	
5	0200829	1	Arm - Upper Mid Inboard	
6	0200828	1	Arm - Lower Mid Outboard (Right Side)	
7	0200827	1	Arm - Upper Inboard	
8	0200789	1	Arm - Upper Outboard	
9	0200826	1	Arm - Lower Mid Outboard (Left Side)	
10	0440257	2	Bearing	
11	0701016	1	Bolt M10 x 40mm	
12	0701020	1	Bolt M10 x 60mm	
13	0701022	19	Bolt M10 x 70mm	
14	0701027	2	Bolt M10 x 100mm	
15	0701029	2	Bolt M10 x 120mm	
16		Ref	Lift Cylinder Assembly Options (See CYLINDER SECTION for Breakdown):	
16	1684489	1	Lift Cylinder Assembly (2646ES) with Standard Hydraulic Oil	
16	1684529	1	Lift Cylinder Assembly (2646ES) with Biodegradeable Hydraulic Oil	
16	1684490	1	Lift Cylinder Assembly (3246ES) with Standard Hydraulic Oil	
16	1684530	1	Lift Cylinder Assembly (3246ES) with Biodegradeable Hydraulic Oil	
17	0440266	4	Bearing	
18	0440267	40	Bearing	
19	3420156	4	Pin, Cotter	
21	3291005	24	Locknut M10	
22	3340962	24	Pad, Arm	
23	3422997	17	Pin	
24	3422998	1	Pin	
25	3423009	1	Pin	
26	3423011	2	Pin	
27	3423014	1	Pin	
28	3423026	2	Pin	
30	3760387	20	Ring, Retaining	
31	3841143	1	Keeper, Pin	
32	3860104	1	Roller	
34	4740438	20	Washer, Special	
36	3574161	1	Prop, Safety	
49	4846684	1	Kicker, Arm	
51	0200820	1	Arm - Upper Mid Outboard (Left Side)	
52	1180380	2	Carrier, Cable	

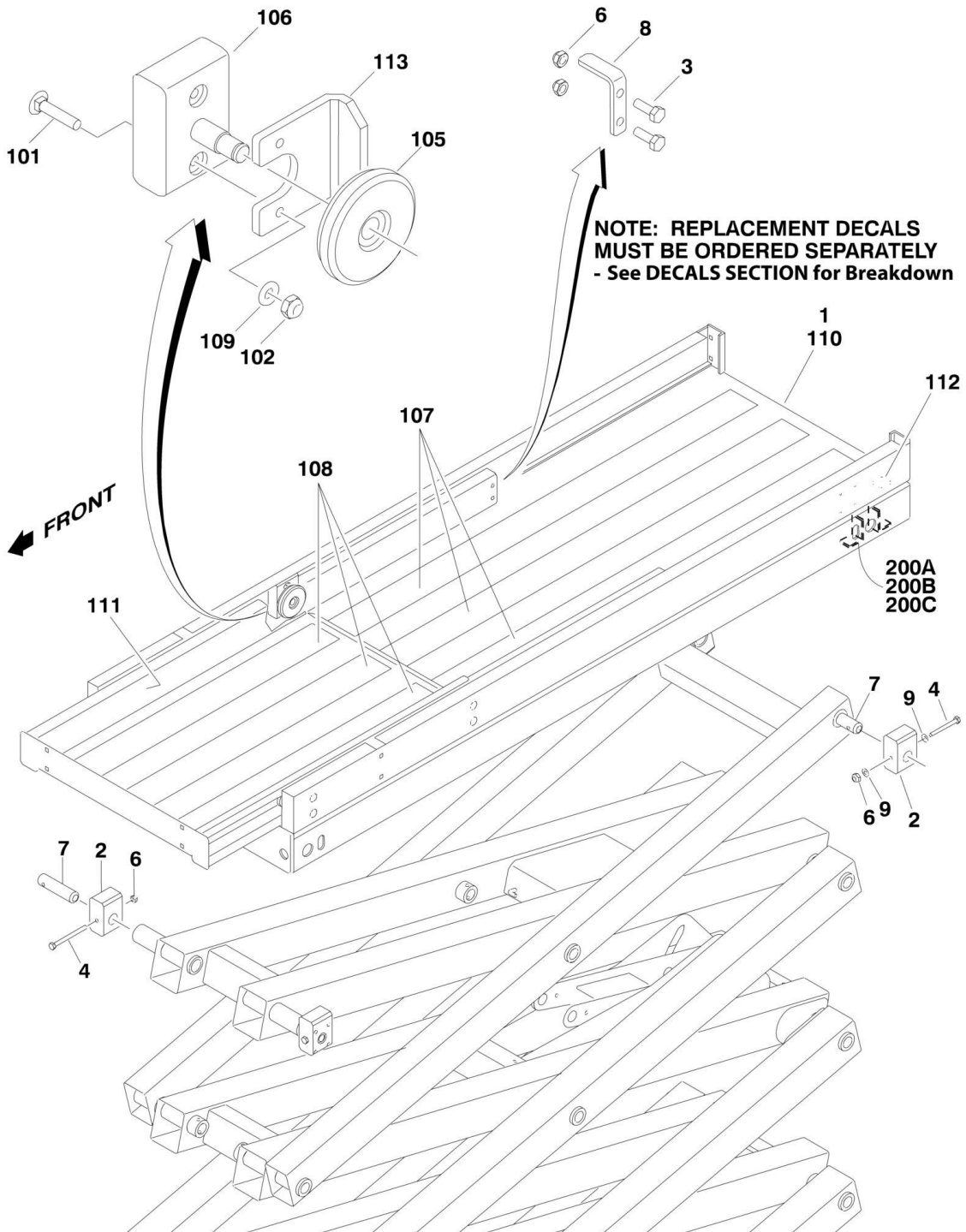
SECTION 3 - SCISSOR ARMS

ITEM	PART NUMBER	QTY	DESCRIPTION	REV
53	4812000	4	Flatwasher M10	
54	4071094	AR	Shim, Spacer	
55	3423170	1	Pin	
56	3291007	1	Locknut M10	
	2902475	1	Scissor Arm Kit - 2646ES/3246ES (Includes Items 1-10, 17, 18, 36, 49, 51 & 52)	L
		Ref	SCISSOR ARMS INSTALLATIONS - 2646ES/3246ES	
	0274879	Ref	Scissor Arms Installations (2646ES) with Standard Hydraulic Oil	D
	0275695	Ref	Scissor Arms Installations (2646ES) with Biodegradeable Hydraulic Oil	C
	0274881	Ref	Scissor Arms Installations (3246ES) with Standard Hydraulic Oil	D
	0275696	Ref	Scissor Arms Installations (3246ES) with Biodegradeable Hydraulic Oil	C
102	0701022	2	Bolt M10 x 70mm	
104	3200454	1	Mount, Switch	
105	3291005	2	Locknut M10	
107	3340957	2	Pad, Slide	
108	3423255	1	Pin, Sensor	
111	4191706	3	Screw M6 x 12mm	
114	4360526	NLA	Switch, Rotary Angle Sensor (Use p/n 1001092354)	
115	1061034	1	Cable, Manual Descent (Not Shown)	
115	7020218	1	T-Handle (With 1/4in-20 Threads)	
115	70001878	1	T-Handle (With 5mm Threads)	
116	3321402	1	Nut, Jam 1/4in-28NF (Not Shown)	
117	4160078	1	Spring, Compression (Not Shown)	
118	4420070	AR	Tape, Anti-Skid (3 Pcs 41mm x 279mm Each)	
119	4420080	AR	Tape, Anti-Skid (1 Pc 60mm x 279mm) (Not Shown - Located on Bottom Step - Part of Frame)	

SECTION 4 - PLATFORM

SECTION 4 - PLATFORM

FIGURE 4-1. PLATFORM INSTALLATION



SECTION 4 - PLATFORM

FIGURE 4-1. PLATFORM INSTALLATION

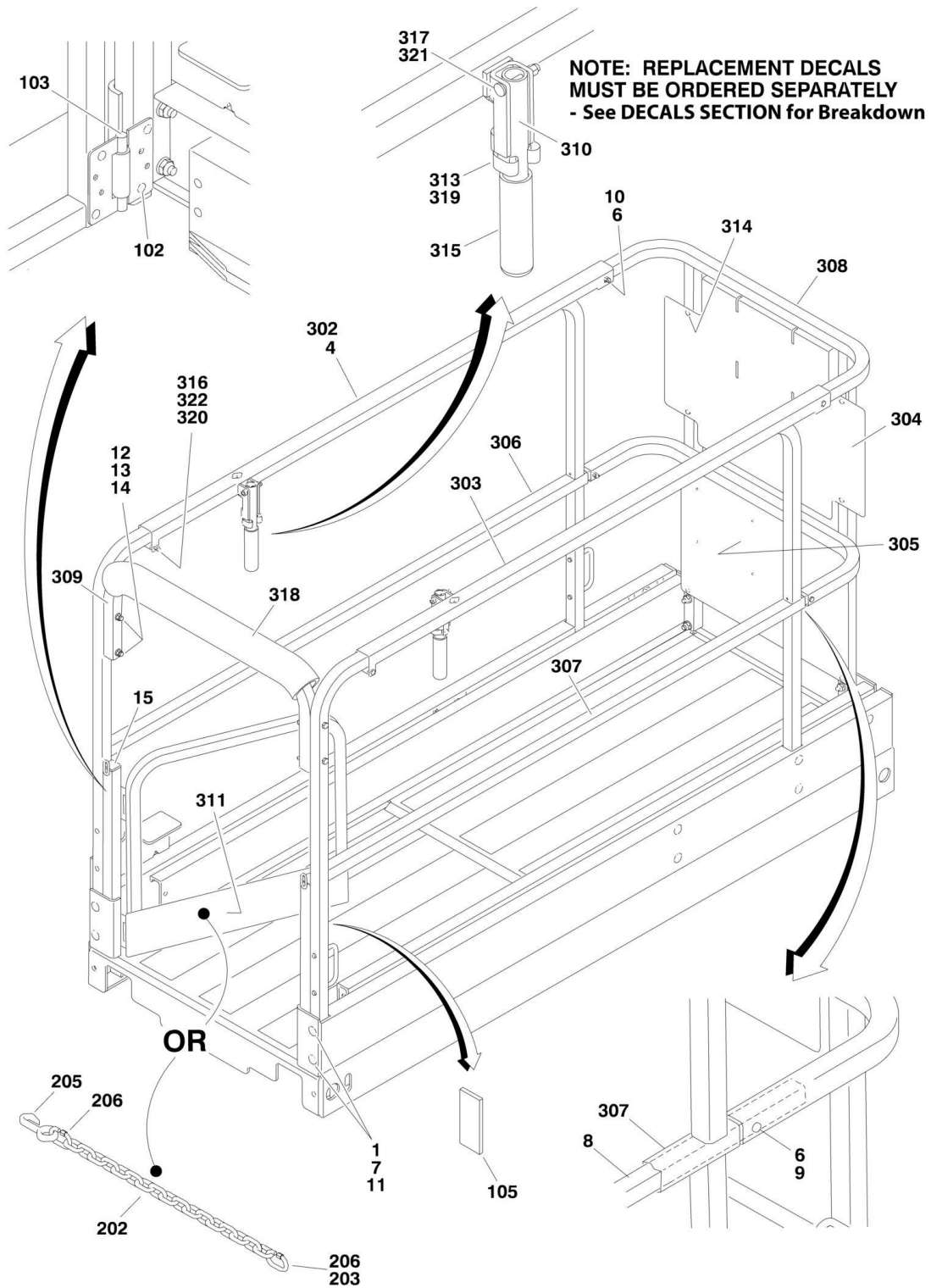
ITEM	PART NUMBER	QTY	DESCRIPTION	REV
		Ref	PLATFORM INSTALLATIONS	
		Ref	All Specs except CE and Japanese Specs	
	0274817	Ref	Platform Installations (1930ES) (Original Equipment)	E
	1001134933	Ref	Platform Installations (1930ES) (Service Replacement)	A
	0274991	Ref	Platform Installations (2030ES/2630ES)	C
	0274930	Ref	Platform Installations (2646ES/3246ES)	B
		Ref	CE and Japanese Specs Only	
	0275029	Ref	Platform Installations (1930ES)	F
	0274992	Ref	Platform Installations (2030ES/2630ES)	C
	0274931	Ref	Platform Installations (2646ES/3246ES)	B
		Ref	Note: All versions are available on ANSI Export and Australian Specs.	
1		Ref	Platform Assembly (See Items 101-113 for Breakdown):	
1	0274818	NLA	Platform Assembly (1930ES) (Original Equipment) (Use p/n 1001134934)	
1	1001134934	1	Platform Assembly 1930ES (Service Replacement)	
1	0274971	1	Platform Assembly (2030ES/2630ES)	
1	0274929	1	Platform Assembly (2646ES/3246ES)	
2		Ref	Block, Slide Options:	
2	3340976	2	Block, Slide (1930ES) (Front Block)	
2	3340965	2	Block, Slide (1930ES) (Rear Block)	
2	1001134951	2	Sleeve, Spacer (1930ES) (Spacer Sleeve Used with Rear Block) (Service Replacement Platforms Only)	
2	0561520	4	Slide (2030ES/2630ES/2646ES/3246ES)	
3	3900351	4	Bolt M10 x 30mm	
4		Ref	Bolt M10 Options:	
4	0701022	2	Bolt 70mm Length (Front Slide Block - 1930ES)	
4	0701026	NLA	Bolt 100mm Length (Rear Slide Block - 1930ES) (Use p/n 0701027 - 90mm Length)	
4	0701029	2	Bolt 120mm Length (Rear Slide Block - 1930ES) (Service Replacement Platform Only)	
4	0701024	2	Bolt 80mm Length (Front Slide Block - 2030ES/2630ES/2646ES/3246ES)	
4	0701027	2	Bolt 100mm Length (Rear Slide Block - 2030ES/2630ES/2646ES/3246ES)	
6	3291005	8	Locknut M10	
7		Ref	Pin Options:	
7	3423049	4	Pin All Machines except CE and Japanese Specs	
7	See Note	4	Pin CE and Japanese Spec Machines (Note: Refer to JLG Supplement p/n 3124288)	
8	3574067	2	Plate, Extension Stop	
9	4812000	4	Flatwasher M10	
		Ref	PLATFORM ASSEMBLY	
	0274818	Ref	Platform Assembly (1930ES) (Original Equipment)	B
	1001134934	Ref	Platform Assembly (1930ES) (Service Replacement)	A
	0274971	Ref	Platform Assembly (2030ES/2630ES)	C
	0274929	Ref	Platform Assembly (2646ES/3246ES)	A
101	0630565	8	Bolt, Carriage M10 x 50mm	
102	3291005	8	Locknut M10	
105	3860118	4	Roller	
106	4340914	4	Mount	

SECTION 4 - PLATFORM

ITEM	PART NUMBER	QTY	DESCRIPTION	REV
107		Ref	Tape, Anti-Skid Options:	
107	4420071	3	Tape, Anti-Skid (1930ES)	
107	4420075	3	Tape, Anti-Skid (2030ES/2630ES)	
107	4420073	5	Tape, Anti-Skid (2646ES/3246ES)	
108		Ref	Tape, Anti-Skid Options:	
108	4420072	3	Tape, Anti-Skid (1930ES/2030ES/2630ES)	
108	4420074	5	Tape, Anti-Skid (2646ES/3246ES)	
109	4812000	8	Flatwasher M10	
110		Ref	Platform Weldment Options:	
110	3510888	NLA	Platform Weldment (1930ES) (Original Equipment)	
110	1001134935	1	Platform Weldment (1930ES) (Service Replacement)	
110	3510892	1	Platform Weldment (2030ES/2630ES)	
110	3510890	1	Platform Weldment (2646ES/3246ES)	
111		Ref	Extension Weldment Options:	
111	4846768	1	Extension Weldment (1930ES/2030ES/2630ES)	
111	4846764	1	Extension Weldment (2646ES/3246ES)	
112	2540045	1	Grommet	
113	0903574	1	Bracket, Stop (Use with p/n 0274818 & 0274971 Platform Assemblies Only)	
		Ref	SLIDE BLOCK MOUNT REPAIR KITS	
200		Ref	Fixed Mount Repair Kit (Kit includes components and instructions to repair weld cracks in fixed mounting block supports on aluminum platforms)	
200A	2915241	1	Fixed Mount Repair Kit (1930ES)	
200B	2915240	1	Fixed Mount Repair Kit (2030ES/2630ES)	
200C	2915241	1	Fixed Mount Repair Kit (2646ES/3246ES)	

SECTION 4 - PLATFORM

FIGURE 4-2. RAIL (FIXED) INSTALLATION - 1930ES



SECTION 4 - PLATFORM

FIGURE 4-2. RAIL (FIXED) INSTALLATION - 1930ES

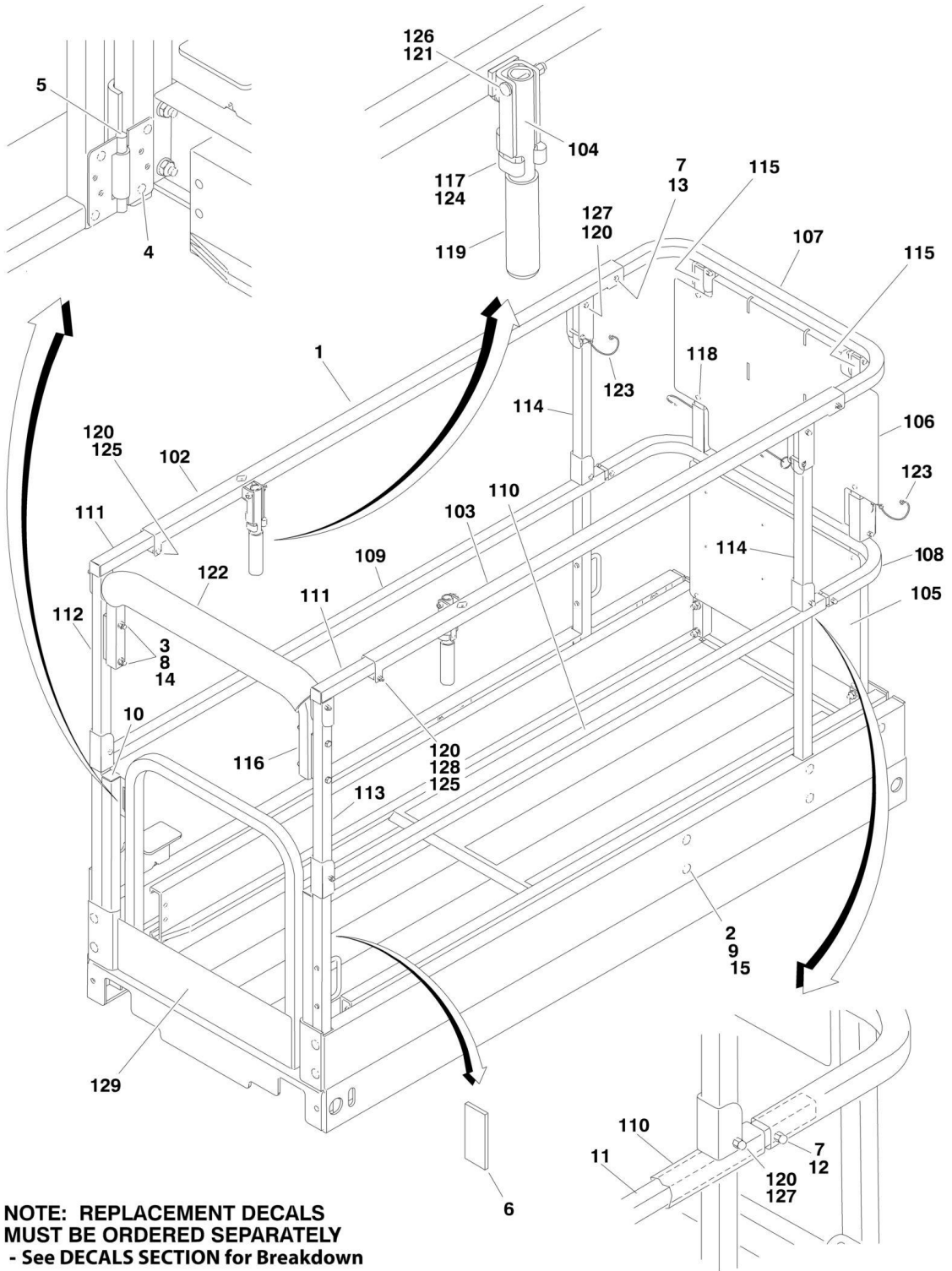
ITEM	PART NUMBER	QTY	DESCRIPTION	REV
		Ref	RAIL INSTALLATION - 1930ES	
	0274985	Ref	Rails with Gate Closure	C
	0274816	Ref	Rails with Chain Closure	D
1	0630565	12	Bolt, Carriage M10 x 55mm	
4		Ref	Rail Assembly Options (See Items 301-322 for Breakdown):	
4	2902448	1	Rails with Gate Closure	
4	2902496	1	Rails with Chain Closure	
6	3290606	4	Capnut M6	
7	3291005	12	Locknut M10	
8	3841716	2	Rod, Fiberglass	
9	4010616	2	Screw M6 x 40mm	
10	4010618	2	Screw M6 x 50mm	
11	4812000	12	Flatwasher M10	
12	0700823	4	Screw M8 x 75mm	
13	3290806	4	Capnut M8	
14	4811900	4	Flatwasher M8	
15	3520072	2	Cap-Plug	
	0274985	Ref	Gate Closure Components	C
102	2080040	8	Fastener, Huck	
103	2600281	2	Hinge	
105	3080007	1	Magnet, Gate	
	0274816	Ref	Chain Closure Components	D
202	1260136	1.75 ft /53cm	Chain (was 2ft/61cm)	
203	2820097	1.67 ft /51cm	Cover, Chain (was 2ft/61cm)	
205	2940064	NLA	Snap Latch (Use Repair Kit p/n 1001101076 - Includes Item 206)	
206	3010088	2	Link	
		Ref	RAIL ASSEMBLY - 1930ES	
	2902496	Ref	Rails with Gate Closure	J
	2902448	Ref	Rails with Chain Closure	H
302	1271617	1	Rail, Slide (Left)	
303	1271618	1	Rail, Slide (Right)	
304	3576645	1	Plate, Billboard (Upper)	
305	3574184	1	Plate, Billboard (Lower)	
306	3641604	1	Rail, Side (Left)	
307	3641605	1	Rail, Side (Right)	
308	3641606	1	Rail, Extension Platform (Front)	
309	4569305	1	Rail (Rear)	
310	2560191	2	Handle, Extension	
311	4846723	1	Gate (2902496 Rail Assembly Only)	
313	1380132	2	Clip, Gripper	
314	2080040	8	Fastener, Huck	
315	2560088	2	Cover, Handle	
316	3290606	2	Capnut M6	
317	3290806	2	Capnut M8	
318	3340612	18 in /46cm	Pad, Rail	
319	3820019	2	Rivet	
320	3860111	2	Roller	

SECTION 4 - PLATFORM

ITEM	PART NUMBER	QTY	DESCRIPTION	REV
321	3900345	2	Screw M8 x 45mm	
322	4010618	2	Screw M6 x 50mm	
350	2902449	1	Rails Kit - 1930ES (Includes Items 302-310) (Not Shown)	J

SECTION 4 - PLATFORM

FIGURE 4-3. RAIL (FOLD-DOWN) INSTALLATION - 1930ES



**NOTE: REPLACEMENT DECALS
MUST BE ORDERED SEPARATELY
- See DECALS SECTION for Breakdown**

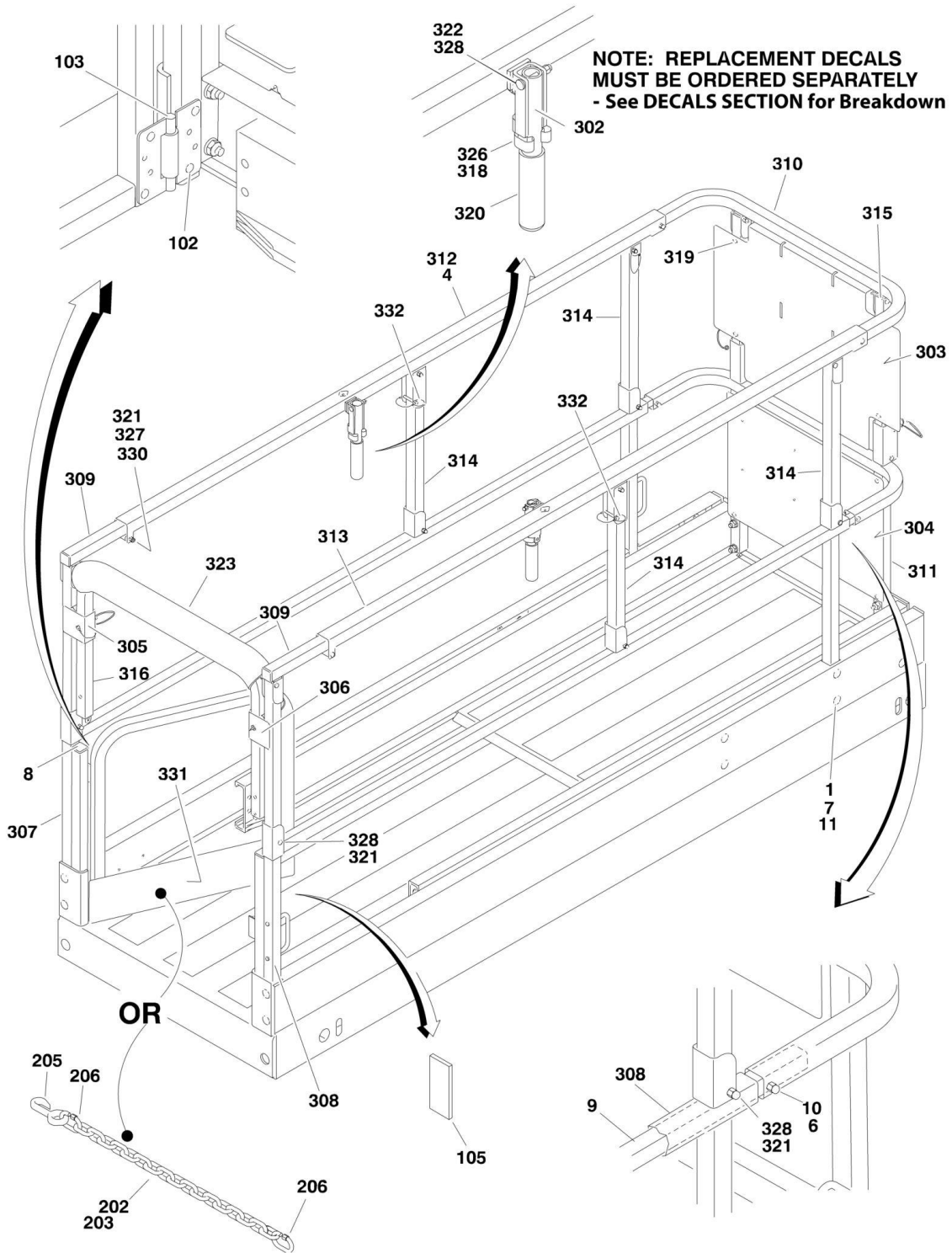
SECTION 4 - PLATFORM

FIGURE 4-3. RAIL (FOLD-DOWN) INSTALLATION - 1930ES

ITEM	PART NUMBER	QTY	DESCRIPTION	REV
		Ref	RAIL INSTALLATION - 1930ES	
	0275429	Ref	Rails with Gate Closure	B
1	2902535	1	Rail Assembly (See Items 101-129 for Breakdown)	
2	0630565	12	Bolt, Carriage M10 x 55mm	
3	0700825	4	Bolt M8 x 85mm	
4	2080040	8	Fastener, Huck	
5	2600281	2	Hinge	
6	3080007	1	Magnet, Gate	
7	3290606	4	Capnut M6	
8	3290806	4	Capnut M8	
9	3291005	12	Capnut M10	
10	3520072	4	Cap-Plug	
11	3841716	2	Tube, Slide (Mid)	
12	4010616	2	Screw M6 x 40mm	
13	4010618	2	Screw M6 x 50mm	
14	4811900	4	Flatwasher M8	
15	4812000	12	Flatwasher M10	
		Ref	RAIL ASSEMBLY - 1930ES	
	2902535	Ref	Rails with Gate Closure	G
102	1271617	1	Rail, Slide (Left)	
103	1271618	1	Rail, Slide (Right)	
104	2560191	2	Handle, Extension	
105	3574184	1	Plate, Billboard (Lower)	
106	3576932	1	Plate, Billboard (Upper)	
107	3641619	1	Rail (Front Upper)	
108	3641620	1	Rail (Front Mid)	
109	3641650	1	Rail (Left Lower Side)	
110	3641651	1	Rail (Right Lower Side)	
111	3641652	2	Rail (Both Upper Sides)	
112	3641653	1	Rail (Left Rear Upper)	
113	3641654	1	Rail (Right Rear Upper)	
114	4568667	2	Tube, Folding (Both Mid Side)	
115	4569404	2	Tube, Folding (Both Front)	
116	4569428	1	Rail (Rear)	
117	1380132	2	Clip, Gripper	
118	2080040	8	Fastener, Huck	
119	2560088	2	Cover, Handle	
120	3290606	14	Capnut M6	
121	3290806	2	Capnut M8	
122	3340612	18 in /46cm	Pad, Rail	
123	3423278	4	Snap Pin/Lanyard Kit	
124	3820019	2	Rivet	
125	3860111	2	Roller	
126	3900345	2	Capscrew M8 x 45mm	
127	4010617	12	Screw M6 x 45mm	
128	4010618	2	Screw M6 x 50mm	
129	4846723	1	Gate	
150	2902536	1	Rails Kit - 1930ES (Includes Items 102-116) (Not Shown)	H

SECTION 4 - PLATFORM

FIGURE 4-4. RAIL INSTALLATION - 2030ES/2630ES



SECTION 4 - PLATFORM

FIGURE 4-4. RAIL INSTALLATION - 2030ES/2630ES

ITEM	PART NUMBER	QTY	DESCRIPTION	REV
		Ref	RAIL INSTALLATION - 2030ES/2630ES	
	0274944	Ref	Rails with Gate Closure	B
	0274943	Ref	Rails with Chain Closure	D
1	0630565	12	Bolt, Carriage M10 x 55mm	
4		Ref	Rail Assembly Options (See Items 301-332 for Breakdown):	
4	2902493	1	Rails with Gate Closure	
4	2902492	1	Rails with Chain Closure	
6	3290606	2	Capnut M6	
7	3291005	12	Locknut M10	
8	3520072	4	Cap-Plug	
9	3841716	2	Rod, Fiberglass	
10	4010616	2	Screw M6 x 40mm	
11	4812000	12	Flatwasher M10	
	0274944	Ref	Gate Closure Components	B
102	2080040	8	Fastener, Huck	
103	2600281	2	Hinge	
105	3080007	1	Magnet, Gate	
	0274943	Ref	Chain Closure Components	D
202	1260136	1.67 ft /51cm	Chain (was 2ft/61cm)	
203	2820097	1.58 ft /49cm	Cover, Chain (was 2ft/61cm)	
205	2940064	NLA	Snap, Latch (Use Repair Kit p/n 1001101076 - Includes Item 206)	
206	3010088	2	Link	
		Ref	RAIL ASSEMBLY - 2030ES/2630ES	
	2902493	Ref	Rails with Gate Closure	L
	2902492	Ref	Rails with Chain Closure	L
302	2560191	2	Handle, Extension	
303	3576932	1	Plate, Billboard (Upper)	
304	3574184	1	Plate, Billboard (Lower)	
305	3641614	1	Rail, Upright (Left Rear)	
306	3641615	1	Rail, Upright (Right Rear)	
307	3641616	1	Rail, Side (Left)	
308	3641617	1	Rail, Side (Right)	
309	3641618	2	Rail, Platform (Top)	
310	3641619	1	Rail, Extension (Top)	
311	3641620	1	Rail, Extension (Mid)	
312	3641621	1	Rail, Slide (Left)	
313	3641622	1	Rail, Slide (Right)	
314	4568667	4	Tube, Folding Post (Platform)	
315	4569404	2	Tube, Folding Post (Extension)	
316	4569319	1	Rail (Rear)	
318	1380132	2	Clip, Gripper	
319	2080040	10	Fastener, Huck	
320	2560088	2	Handle	
321	3290606	20	Capnut M6	
322	3290806	2	Capnut M8	
323	3340612	18 in /46cm	Pad, Rail	

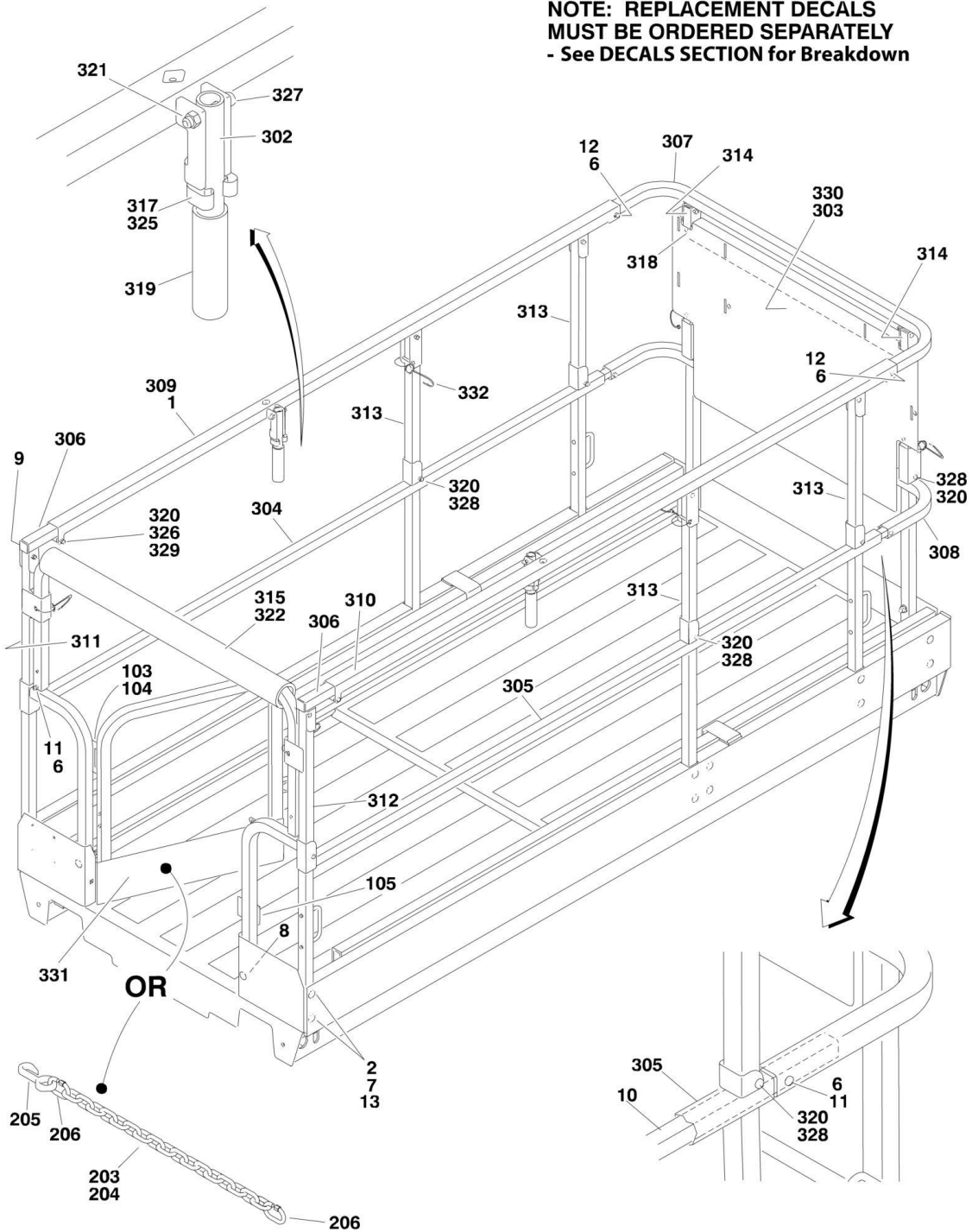
SECTION 4 - PLATFORM

ITEM	PART NUMBER	QTY	DESCRIPTION	REV
326	3820019	2	Rivet	
327	3860111	2	Roller	
328	3900345	2	Screw M8 x 45mm	
329	4010617	24	Screw M6 x 45mm	
330	4010618	2	Screw M6 x 50mm	
331	4846723	1	Gate (2902493 Assembly Only)	
332	3423278	4	Snap Pin/Lanyard Kit	
350	2902494	1	Rails Kit - 2030ES/2630ES (Includes Items 302-316) (Not Shown)	Q

SECTION 4 - PLATFORM

FIGURE 4-5. RAIL INSTALLATION - 2646ES/3246ES

**NOTE: REPLACEMENT DECALS
MUST BE ORDERED SEPARATELY
- See DECALS SECTION for Breakdown**



SECTION 4 - PLATFORM

FIGURE 4-5. RAIL INSTALLATION - 2646ES/3246ES

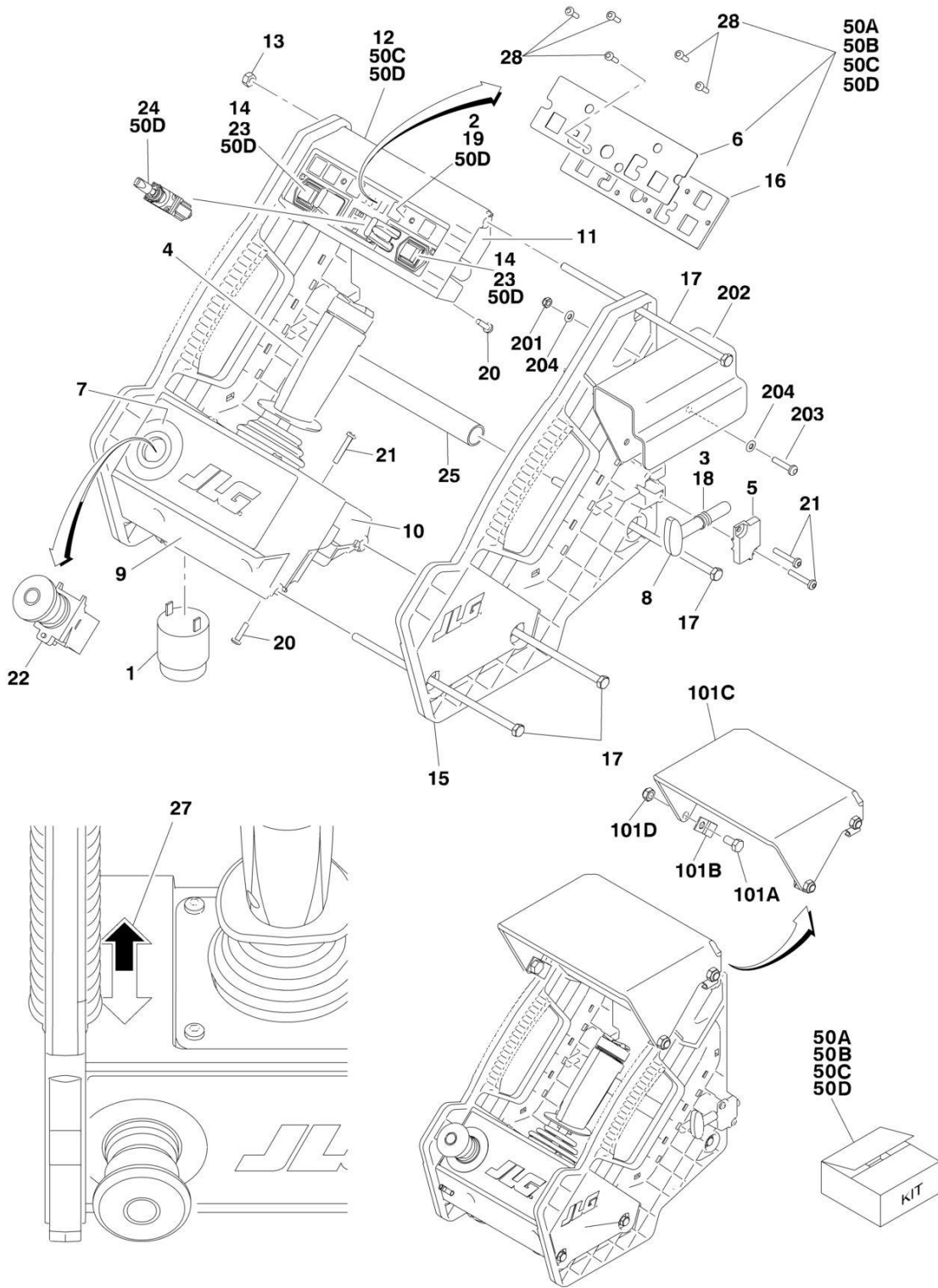
ITEM	PART NUMBER	QTY	DESCRIPTION	REV
		Ref	RAIL INSTALLATION - 2646ES/32646ES	
	0274932	Ref	Rails with Gate Closure	A
	0274933	Ref	Rails with Chain Closure	C
1		Ref	Rail Assembly Options (See Items 301-332 for Breakdown):	
1	2902490	1	Rails with Gate Closure	
1	2902491	1	Rails with Chain Closure	
2	0630565	18	Bolt, Carriage M10 x 55mm	
6	3290606	2	Capnut M6	
7	3291005	18	Locknut M10	
8	3300477	2	Nut, Acorn	
9	3520072	2	Cap-Plug	
10	3841716	2	Rod, Fiberglass	
11	4010616	3	Screw M6 x 40mm	
12	4010618	3	Screw M6 x 50mm	
13	4812000	18	Flatwasher M10	
	0274932	Ref	Gate Closure Components	A
103	2080040	8	Fastener, Huck	
104	2600281	2	Hinge	
105	3080007	1	Magnet, Gate	
	0274933	Ref	Chain Closure Components	C
203	1260136	1.75 ft /53cm	Chain (was 2ft/61cm)	
204	2820097	1.67 ft /51cm	Cover, Chain (was 2ft/61cm)	
205	2940064	NLA	Snap Latch (Use Repair Kit p/n 1001101076 - Includes Item 206)	
206	3010088	2	Link	
		Ref	RAIL ASSEMBLY - 2646ES/3246ES	
	2902490	Ref	Rails with Gate Closure	J
	2902491	Ref	Rails with Chain Closure	J
302	2560191	2	Handle, Extension	
303	3576646	1	Plate, Billboard	
304	3641607	1	Rail, Side (Left Lower)	
305	3641608	1	Rail, Side (Right Lower)	
306	3641609	2	Rail, Platform (Top)	
307	3641610	1	Rail, Extension (Top)	
308	3641611	1	Rail, Extension (Mid)	
309	3641612	1	Rail, Slide (Left)	
310	3641613	1	Rail, Slide (Right)	
311	3641614	1	Rail, Side (Left Rear)	
312	3641615	1	Rail, Side (Right Rear)	
313	4568667	4	Tube, Folding Post (Platform)	
314	4569404	2	Tube, Folding Post (Extension)	
315	4569310	1	Rail (Rear)	
317	1380132	2	Clip, Gripper	
318	2080040	6	Fastener, Huck	
319	2560088	2	Handle	
320	3290606	18	Capnut M6	
321	3290806	2	Capnut M8	
322	3340612	18 in /46cm	Pad, Rail	

SECTION 4 - PLATFORM

ITEM	PART NUMBER	QTY	DESCRIPTION	REV
325	3820019	2	Rivet	
326	3860111	2	Roller	
327	3900345	2	Screw M8 x 45mm	
328	4010617	24	Screw M6 x 45mm	
329	4010618	2	Screw M6 x 50mm	
330	4420037	AR	Tape, Insulation	
331	4846723	1	Gate (2902490 Assembly Only)	
332	3423278	4	Snap Pin/Lanyard Kit	
350	2902489	1	Rails Kit - 2646ES/3246ES (Includes Items 302-315) (Not Shown)	O

SECTION 4 - PLATFORM

FIGURE 4-6. PLATFORM CONSOLE BOX INSTALLATION



SECTION 4 - PLATFORM

FIGURE 4-6. PLATFORM CONSOLE BOX INSTALLATION

ITEM	PART NUMBER	QTY	DESCRIPTION	REV
		Ref	CONSOLE BOX ASSEMBLY	
	0272778	Ref	All Specs except CE Spec (USA Built Machines) (SN 0200152825 through 0200163755)	I
	1001091153	Ref	All Specs except CE Spec (USA Built Machines) (SN 0200163756 through 0200198014)	F
	0272778	Ref	All Specs except CE Spec (Belgium Built Machines) (SN 1200008481 through 1200011997)	I
	1001091153	Ref	All Specs except CE Spec (Belgium Built Machines) (SN 1200011998 through 1200025020)	F
	0272779	Ref	CE Spec (USA Built Machines) (SN 0200152825 through 0200163755)	I
	1001091154	Ref	CE Spec (USA Built Machines) (SN 0200163756 through 0200198014)	F
	0272779	Ref	CE Spec (Belgium Built Machines) (SN 1200008481 through 1200011997)	I
	1001091154	Ref	CE Spec (Belgium Built Machines) (SN 1200011998 through 1200025020)	F
		Ref	Note: When replacing complete assembly, use p/n 1001091153 for All Specs except CE Spec Machines. Use p/n 1001091154 for CE Specs Machines.	
1	0140011	1	Alarm	
2	1600439	NLA	Platform Box Control Module (Use Item 50D)	
3	1380156	1	E-Clip	
4		Ref	Drive/Steer Controller Assembly Options:	
4	1600345	NLA	Drive/Steer Controller Assembly USA Built Machines (Use p/n 1001134438) (See DRIVE/STEER CONTROLLER ASSEMBLY for Breakdown) (SN 0200152825 through 0200172401)	
4	1600402	NLA	Drive/Steer Controller Assembly USA Built Machines (Use p/n 1001134438) (See DRIVE/STEER CONTROLLER ASSEMBLY for Breakdown) (SN 0200172402 through 0200198014)	
4	1600345	NLA	Drive/Steer Controller Assembly Belgium Built Machines (Use p/n 1001134438) (See DRIVE/STEER CONTROLLER ASSEMBLY for Breakdown) (SN 1200008481 through 1200015408)	
4	1600402	NLA	Drive/Steer Controller Assembly Belgium Built Machines (Use p/n 1001134438) (See DRIVE/STEER CONTROLLER ASSEMBLY for Breakdown) (SN 1200015409 through 1200025020)	
5	1671098	1	Latch	
6		Ref	Decal - Icon Options:	
6	See Note	NLA	USA Built Machines (Note: Use Item 50C or 50D) (SN 0200152825 through 0200163755)	
6	See Note	NLA	Belgium Built Machines (Note: Use Item 50C or 50D) (SN 1200008481 through 1200011997)	
6	1705674	1	Decal - Icon All Specs except CE Spec	
6	1705675	1	Decal - Icon CE Spec	
6	See Note	NLA	USA Built Machines (Note: Use Item 50B or 50C) (SN 0200163756 through 0200198014)	
6	See Note	NLA	Belgium Built Machines (Note: Use Item 50B or 50C) (SN 1200011998 through 1200025020)	
6	1001091272	1	Decal - Icon All Specs except CE Spec	
6	1001091275	1	Decal - Icon CE Spec	
7	1705676	1	Decal - Emergency Stop Ring	
8	2560179	1	Handle, Latch	
9		Ref	Housing, Joystick (Lower) Options:	

SECTION 4 - PLATFORM

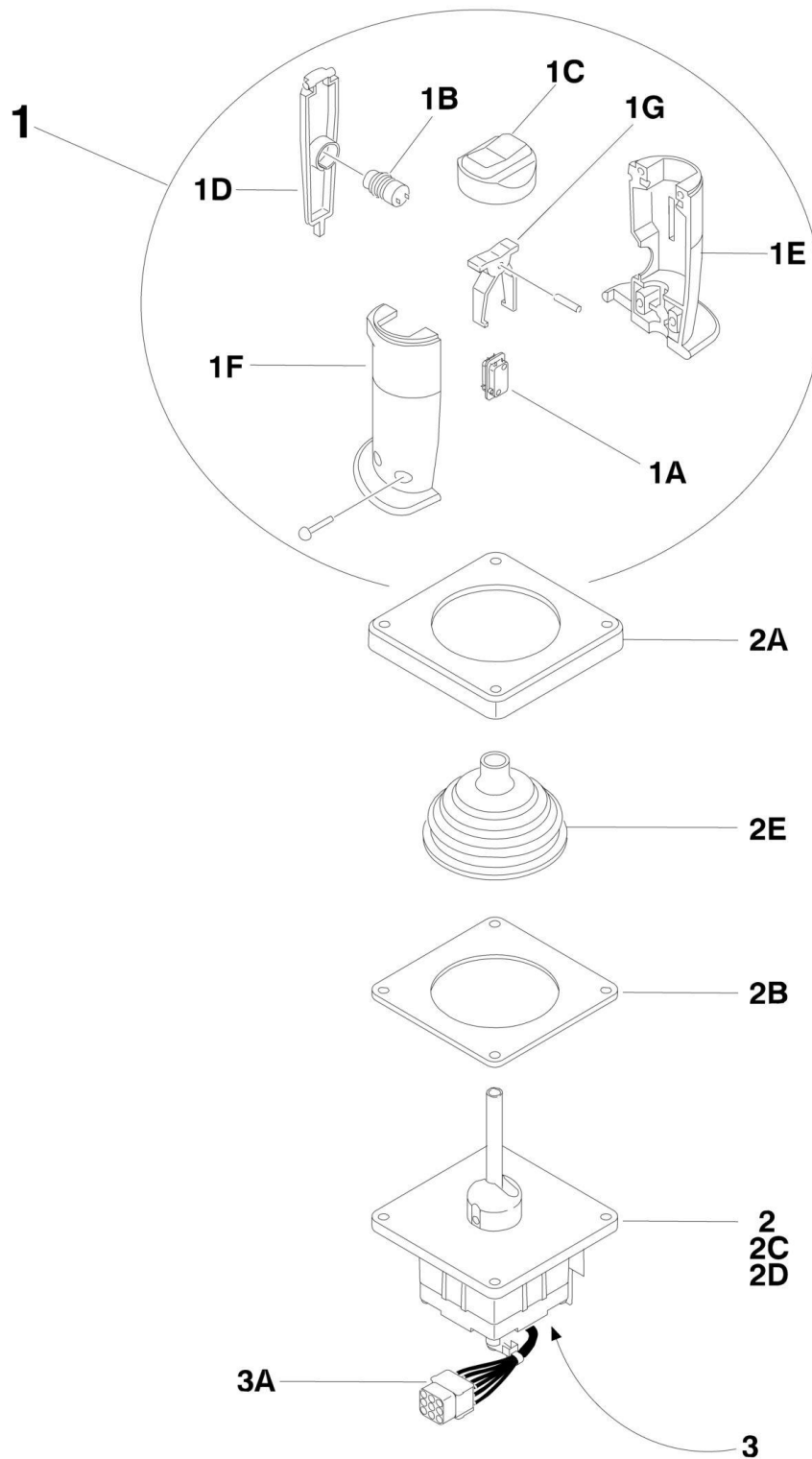
ITEM	PART NUMBER	QTY	DESCRIPTION	REV
9	2760113	NLA	Housing, Joystick (Lower) USA Built Machines (Use p/n 1001091390) (SN 0200152825 through 0200163755)	
9	1001091277	1	Housing, Joystick (Lower) USA Built Machines (SN 0200163756 through 0200198014)	
9	2760113	NLA	Housing, Joystick (Lower) Belgium Built Machines (Use p/n 1001091390) (SN 1200008481 through 1200011997)	
9	1001091277	1	Housing, Joystick (Lower) Belgium Built Machines (SN 1200011998 through 1200025020)	
10		Ref	Mount, Joystick Options:	
10	2760114	NLA	Mount, Joystick USA Built Machines (Use p/n 1001091390) (SN 0200152825 through 0200163755)	
10	1001091278	1	Mount, Joystick USA Built Machines (SN 0200163756 through 0200198014)	
10	2760114	NLA	Mount, Joystick Belgium Built Machines (Use p/n 1001091390) (SN 1200008481 through 1200011997)	
10	1001091278	1	Mount, Joystick Belgium Built Machines (SN 1200011998 through 1200025020)	
11	2760115	NLA	Housing, Module Mounting (Lower) (Use p/n 1001091279)	
12		Ref	Housing, Module Mounting (Upper) Options:	
12	2760116	NLA	Housing, Module Mounting (Upper) USA Built Machines (Note: Use Item 50C or 50D) (SN 0200152825 through 0200163755)	
12	1001091280	1	Housing, Module Mounting (Upper) USA Built Machines (SN 0200163756 through 0200198014)	
12	2760116	NLA	Housing, Module Mounting (Upper) Belgium Built Machines (Note: Use Item 50C or 50D) (SN 1200008481 through 1200011997)	
12	1001091280	1	Housing, Module Mounting (Upper) Belgium Built Machines (SN 1200011998 through 1200025020)	
13	3300473	4	Nut M6	
14	3340968	2	Button (Includes Black Button Only)	
15	3380475	2	Panel, Side	
16		Ref	Plate, Decal Options:	
16	3574249	NLA	Plate USA Built Machines (Note: Use Item 50C or 50D) (SN 0200152825 through 0200163755)	
16	See Note	NLA	Plate USA Built Machines (Note: Use Item 50B, 50C or 50D) (SN 0200163756 through 0200198014)	
16	3574249	NLA	Plate Belgium Built Machines (Note: Use Item 50C or 50D) (SN 1200008481 through 1200011997)	
16	See Note	NLA	Plate Belgium Built Machines (Note: Use Item 50B, 50C or 50D) (SN 1200011998 through 1200025020)	
17	3900333	4	Screw M6 x 190mm	
18	4160203	1	Spring, Compression	
19	4191306	5	Screw M3.5 x 12mm	
20	4191407	8	Screw M4 x 16mm	
21	4191409	6	Screw M4 x 25mm	
22	4360475	1	Switch, Emergency Stop	
22	7020175	1	Cap	
22	7020176	1	Block, Contact	
23	4360538	2	Strip, Switch and Membrane	
24	4360539	1	Switch, Toggle	
25	4568738	1	Tube, Spacer	
26	4922870	1	Harness, Platform Box (Not Shown - See ELECTRICAL SECTION for Breakdown)	
27	1703819	1	Decal - Directional Arrow	
28		Ref	Screw M3.5 x 12mm Options:	

SECTION 4 - PLATFORM

ITEM	PART NUMBER	QTY	DESCRIPTION	REV
28	4191306	6	Screw USA Built Machines (SN 0200152825 through 0200163755)	
28	1001091396	6	Screw USA Built Machines (SN 0200163756 through 0200198014)	
28	4191306	6	Screw Belgium Built Machines (SN 1200008481 through 1200011997)	
28	1001091396	6	Screw Belgium Built Machines (SN 1200011998 through 1200025020)	
50		Ref	Kit Options:	
50A	1001091967	1	Decal Kit for USA Built Machines (Includes Items 6, 16 & 28) (SN 02000152825 through 0200163755)	A
50A	1001091968	1	Decal Kit for USA Built Machines (Includes Items 6, 16 & 28) (SN 0200163756 through 0200198014)	A
		Ref	Note: Two Item 6's are included in the kit - 1 for All Specs except CE and 1 for CE Specs. Use decal required for applicable spec. Dispose of the decal not used.	
		Ref	Note: If Housing has been replaced with Kit 1001091393 or Kit 1001091965, use Decal Kit p/n 1001091968	
50B	1001091967	1	Decal Kit for Belgium Built Machines (Includes Items 6, 16 & 28) (SN 12000008481 through 1200011997)	A
50B	1001091968	1	Decal Kit for Belgium Built Machines (Includes Items 6, 16 & 28) (SN 1200011998 through 1200025020)	A
		Ref	Note: Two Item 6's are included in the kit - 1 for All Specs except CE and 1 for CE Specs. Use decal required for applicable spec. Dispose of the decal not used.	
50C	1001091393	1	Decal and Housing Kit (Includes Items 6, 12, 16 & 28)	C
		Ref	Note: Two Item 6's are included in the kit - 1 for All Specs except CE and 1 for CE Specs. Use decal required for applicable spec. Dispose of the decal not used.	
50D	1001091965	1	Decal, Housing and PC Board Kit (Includes Items 2, 6, 12, 14, 16, 19, 23, 24 & 28)	C
		Ref	Note: Two Item 6's are included in the kit - 1 for All Specs except CE and 1 for CE Specs. Use decal required for applicable spec. Dispose of the decal not used.	
	0272878	Ref	Anti-vandalism Package Installation (Not Shown)	A
	1671131	1	Cover, Lockable Platform Console Box	
	0273841	Ref	PLATFORM BOX COVER INSTALLATION (Use p/n 1001118216 as replacement)	C
101		Ref	Kit, Platform Box Shield Options:	
101	0273841	NLA	Original Equipment (Use p/n 1001118215)	
101	1001118215		Service Replacement	
101A	0760808	4	Bolt M8 x 16mm	
101B	1380159	4	Clip, Cover Mounting	
101C	1671161	NLA	Cover, Platform Box (Use p/n 1001118215)	
101D	3290805	4	Locknut M8	
	0274386	Ref	PLATFORM BOX HANGER INSTALLATION (OPTIONAL)	B
201	3290405	2	Locknut M4	
202	3575794	1	Plate, Bracket	
203	3900338	2	Screw M4 x 20mm	
204	4811400	4	Flatwasher M4	

SECTION 4 - PLATFORM

FIGURE 4-7. DRIVE/STEER CONTROLLER ASSEMBLY (USA BUILT MACHINES AND BELGIUM BUILT MACHINES) (SN 0200152825 through 0200172401, SN 1200008481 through 1200015408)



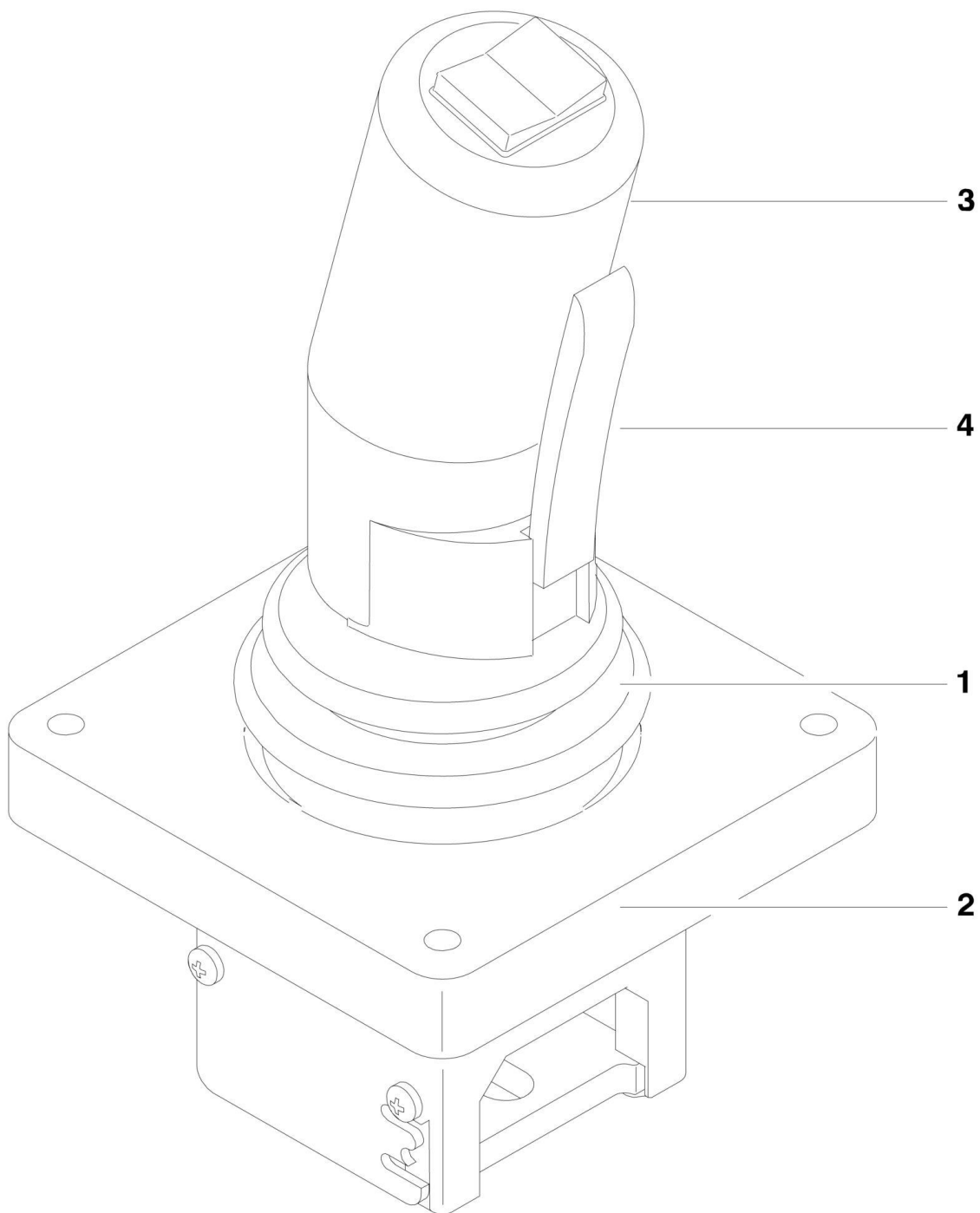
SECTION 4 - PLATFORM

FIGURE 4-7. DRIVE/STEER CONTROLLER ASSEMBLY (USA BUILT MACHINES AND BELGIUM BUILT MACHINES) (SN 0200152825 through 0200172401, SN 1200008481 through 1200015408)

ITEM	PART NUMBER	QTY	DESCRIPTION	REV
	1600345	Ref	CONTROLLER ASSEMBLY Note: Original Equipment controller p/n 1600345 may have been replaced with Service Replacement controller p/n 1001134438. Visually identify controller before ordering parts.	A
		Ref		
1	7020551	1	Grip Assembly	
1A	7020500	2	Switch, Steer Rocker	
1B	7020501	1	Switch, Enable Push Button	
1C	7003790	1	Cap, Rubber Rocker (Includes Lock Ring)	
1D	7011997	1	Trigger	
1E	See Note	NSS	Grip - Right Half (Note: Use Item 1)	
1F	See Note	NSS	Grip - Left Half (Note: Use Item 1)	
1G	See Note	NSS	Actuator, Switch (Note: Use Item 1)	
2	See Note	NSS	Handle, Housing Assembly (Note: Use p/n 1001134438)	
2A	7020552	1	Bezel	
2B	7020553	1	Gasket	
2C	7020554	1	Spring, Centering	
2D	7020555	1	Foot, Centering	
2E	7020556	1	Boot, Rubber	
3	See Note	NSS	Electrical Assembly (Not Shown) (Note: Use p/n 1001134438)	
3A	4460266	1	Connector, Receptacle - 9 Pin	
3A	4460226	7	Socket, Female	
3A	4460265	1	Plug, Male-9 Position (Part of Platform Box Harness)	
3A	4460227	7	Pin, Male (Part of Platform Box Harness)	

SECTION 4 - PLATFORM

FIGURE 4-8. DRIVE/STEER CONTROLLER ASSEMBLY (USA BUILT MACHINES AND BELGIUM BUILT MACHINES) (SN 0200172402 through 0200198014, SN 1200015409 through 1200025020)



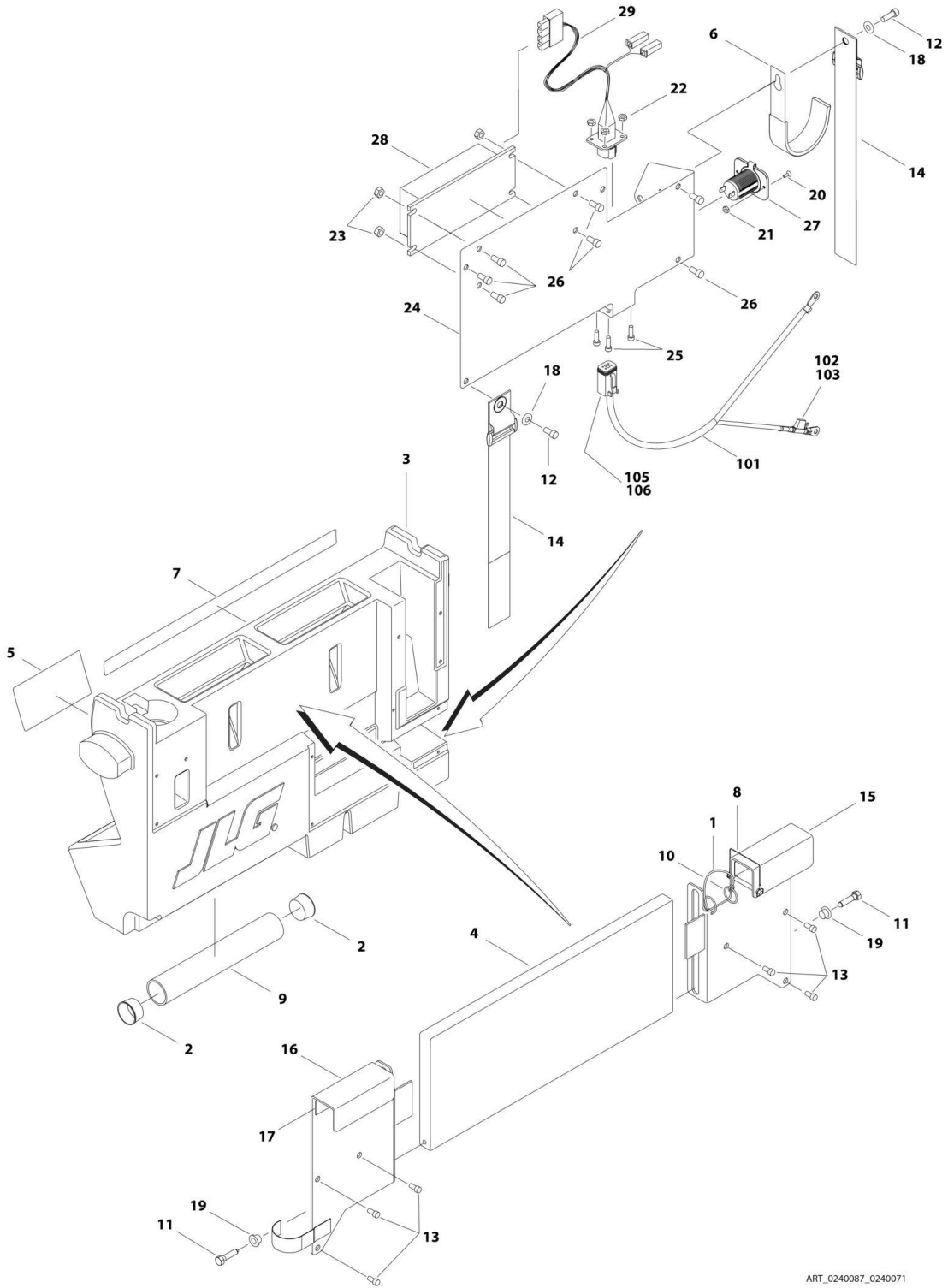
SECTION 4 - PLATFORM

FIGURE 4-8. DRIVE/STEER CONTROLLER ASSEMBLY (USA BUILT MACHINES AND BELGIUM BUILT MACHINES) (SN 0200172402 through 0200198014, SN 1200015409 through 1200025020)

ITEM	PART NUMBER	QTY	DESCRIPTION	REV
	1600402	Ref	DRIVE/STEER CONTROLLER ASSEMBLY	A
		Ref	Note: Use p/n 1001134438 as replacement.	
1	70001250	1	Boot, Panel	
2	70001252	1	Gasket, Mounting	
2	70001251	1	Bezel, Mounting	
3	70003650	1	Handle Repair Kit (Includes handle gasket, item#4 push button and item#4 lever installed in front handle half, back handle half, top actuator, boot and hardware)	
3	70000084	1	Cap, Rubber	
3	70000082	1	Microswitch	
3	7027766	1	Ring, Retaining	
3	7027365	1	Actuator, Handle	
3	70001253	1	Gasket, Handle	
3	70000683	4	Washer, Neoprene	
3	70000685	2	Spacer, Plastic	
3	70000686	2	Screw (Top)	
3	70000684	2	Screw (Bottom)	
4	7027367	1	Switch, Push button	
4	7027765	1	Lever, Enable	

SECTION 4 - PLATFORM

FIGURE 4-9. WORKSTATION INSTALLATIONS



ART_0240087_0240071

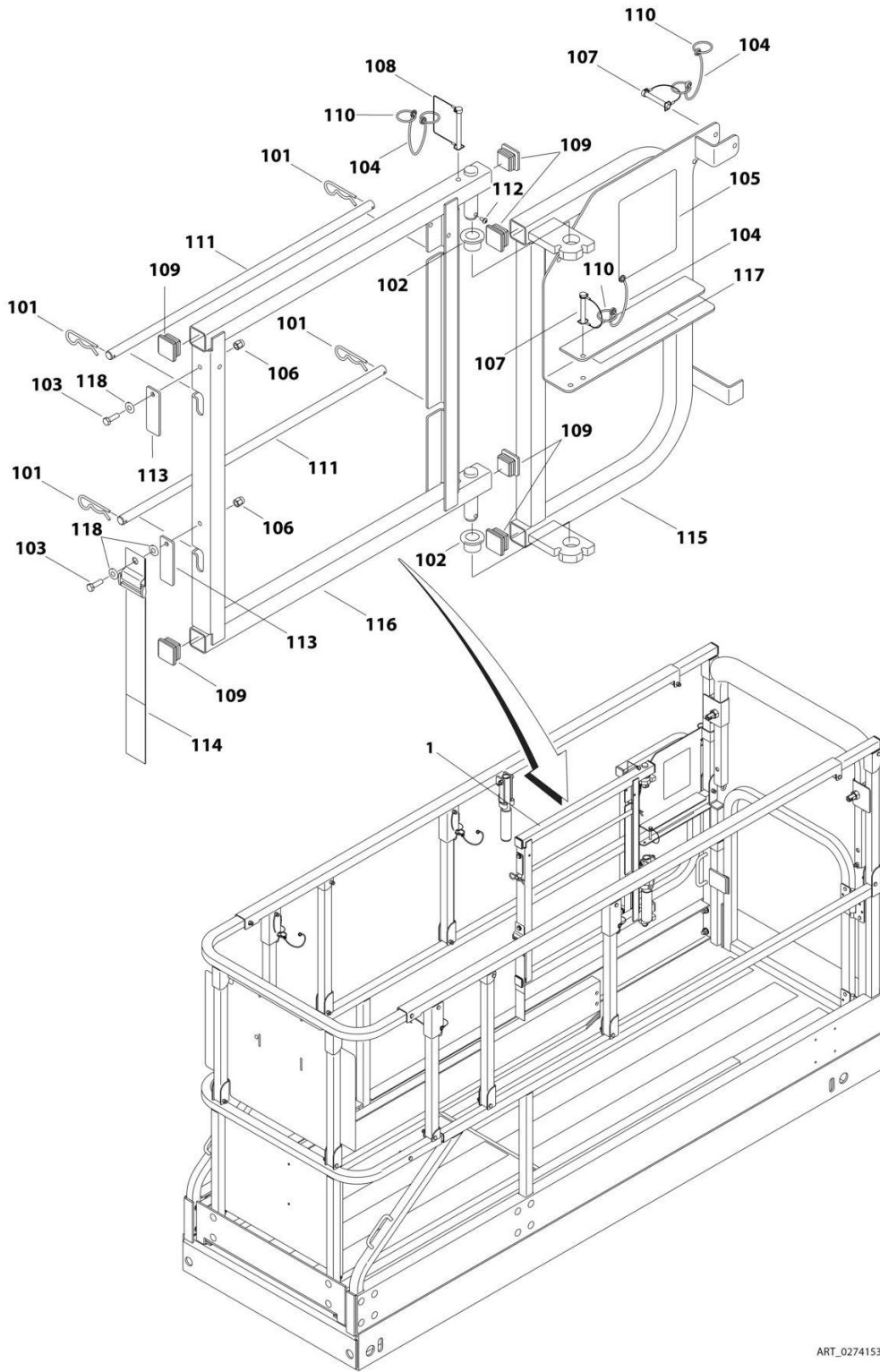
SECTION 4 - PLATFORM

FIGURE 4-9. WORKSTATION INSTALLATIONS

ITEM	PART NUMBER	QTY	DESCRIPTION	REV
		Ref	WORKSTATION INSTALLATIONS	
	0240087	Ref	Workstation W/O DC Converter	B
	0240071	Ref	Workstation W/DC Converter	B
1	1060379	1	Cable, Lanyard	
2	1120555	2	Cap, Manual Storage	
3	1580023	1	Container	
4	1580024	1	Tray	
5	1705997	1	Decal – Workstation	
6	2700100	1	Hook, Hanger	
7	2902348	1	Decal – Workstation Kit	
8	3422219	1	Pin	
9	3460334	1	PVC Pipe	
10	3760170	2	Ring	
11	3900355	2	Screw 5/16 x 1-1/2	
12	3931412	2	Bolt 1/4 x 3/4	
13	3931508	6	Bolt 5/16 x 1/2	
14	4240003	2	Strap	
15	4340853	1	Mount, RH Channel	
16	4340854	1	Mount, LH Channel	
17	4420062	3 ft/0.9m	Tape	
18	4711400	2	Washer 1/4	
19	4740480	2	Insert, Plastic	
20	0740603	2	Screw #6 x 3/4 (Workstation W/DC Converter Only)	
21	3310601	2	Nut #6 (Workstation W/DC Converter Only)	
22	3311005	4	Locknut #10 (Workstation W/DC Converter Only)	
23	3311405	1	Locknut 1/4 (Workstation W/DC Converter Only)	
24	3380527	1	Panel, Converter/Receptacle (Workstation W/DC Converter Only)	
25	3931010	4	Bolt #10 x 5/8 (Workstation W/DC Converter Only)	
26	3931408	1	Bolt 1/4 x 1/2 (Workstation W/DC Converter Only)	
27	4461012	1	Receptacle (Workstation W/DC Converter Only)	
28	4530026	1	Transformer (Workstation W/DC Converter Only)	
29	4923121	1	Harness, Workstation (Workstation W/DC Converter Only)	
29	4460885	1	Connector – 4 Position	
29	4460464	4	Pin	
29	4460878	1	Connector – 4 Position	
29	4460887	4	Terminal	
		Ref	WORKSTATION POWER CABLE INSTALLATIONS	
	4923114	Ref	1930ES/2030ES	A
	4923115	Ref	2630ES/2646ES/3246ES	A
101	1060331	60 ft/18.3m	Electrical Cable – 16/4 (1930ES/2030ES)	
101	1060331	70 ft/21.3m	Electrical Cable – 16/4 (2630ES/2646ES/3246ES)	
102	2400061	1	Fuse – 10 Amp	
103	2400066	1	Holder, Fuse	
105	4460465	4	Socket, Female	
106	4460884	1	Connector – 4 Position	

SECTION 4 - PLATFORM

FIGURE 4-10. PACKAGE INSTALLATION (1930ES/2030ES/2630ES)



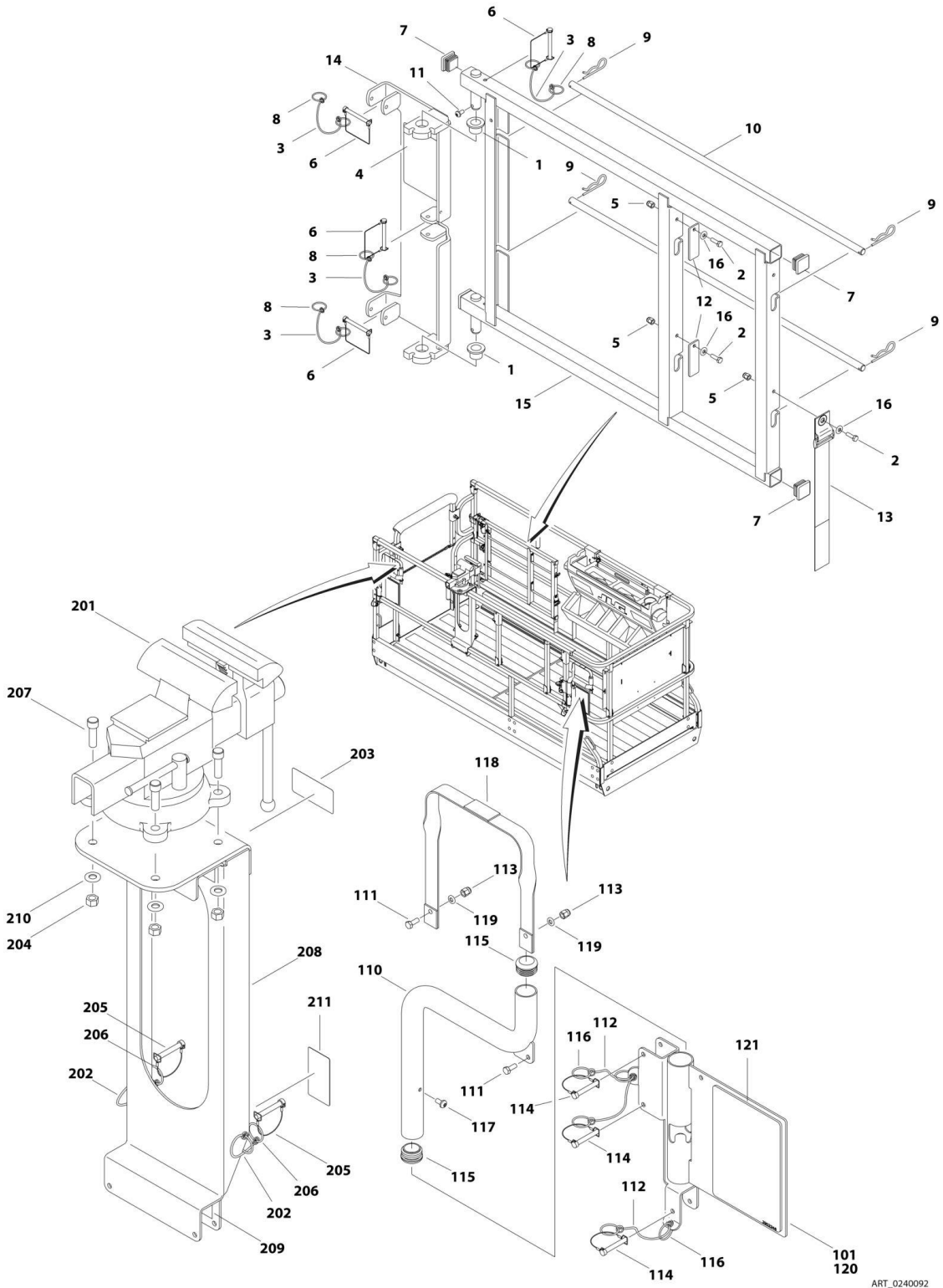
SECTION 4 - PLATFORM

FIGURE 4-10. PACKAGE INSTALLATION (1930ES/2030ES/2630ES)

ITEM	PART NUMBER	QTY	DESCRIPTION	REV
	0274153	Ref	ELECTRICIAN'S TREE INSTALLATION (1930ES/2030ES/2630ES)	A
1	0240102	1	Electrician's Tree (See Items 101-118 for Breakdown)	
	0240102	Ref	ELECTRICIAN'S TREE	A
101	80325	4	Hairpin, Cotter	
102	0440223	2	Bushing	
103	0700610	3	Bolt M6 x 20	
104	1060379	3	Cable, Lanyard	
105	2902386	1	Decal – Electrician's Tree Kit	
106	3290606	3	Nut M6	
107	3421453	2	Pin	
108	3422219	1	Pin	
109	3520072	6	Plug	
110	3760170	5	Ring	
111	3841675	2	Rod, Spool	
112	4191706	1	Screw M6 x 12	
113	4220227	2	Stop, Spool Rod	
114	4240003	1	Strap	
115	4340946	1	Mount, Base Pivot	
116	4340947	1	Mount, Spool Rack	
117	4420062	1	Tape, UHMW	
118	4711400	3	Washer 1/4	

SECTION 4 - PLATFORM

FIGURE 4-11. PACKAGE INSTALLATION (2646ES/3246ES)



ART_0240092

SECTION 4 - PLATFORM

FIGURE 4-11. PACKAGE INSTALLATION (2646ES/3246ES)

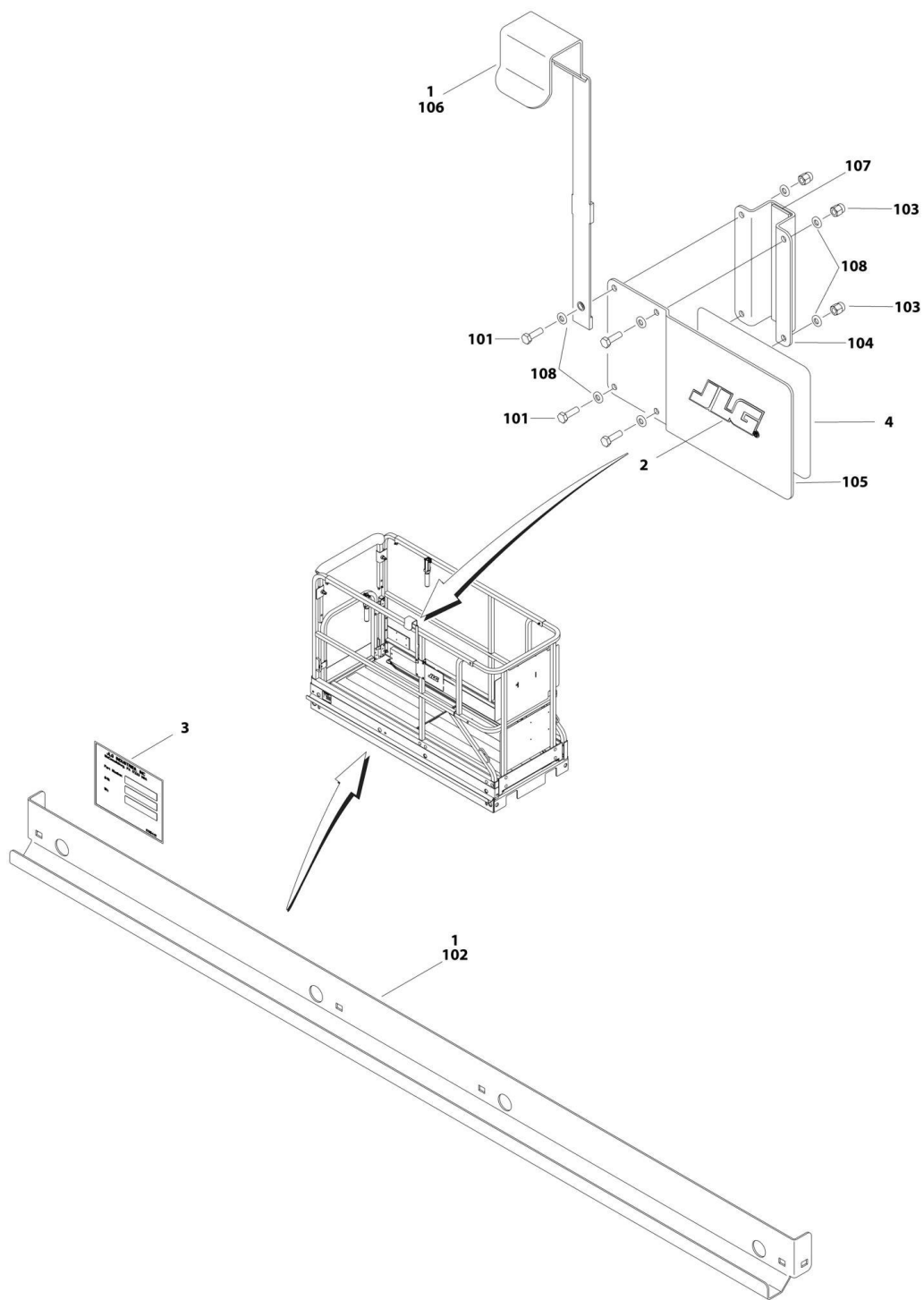
ITEM	PART NUMBER	QTY	DESCRIPTION	REV
		Ref	ACCESSORY, INSTALLATIONS (ELECTRICAL PACKAGE) (2646ES/3246ES)	
	0240092	Ref	2646ES/3246ES (SN 0200152825 through 0200190219, SN 1200008481 through 1200020825)	B
	1001102549	Ref	2646ES/3246ES (SN 0200190220 through 0200198014, SN 1200020826 through 1200025020)	A
1	0440223	2	Bushing	
2	0700610	3	Bolt M6 x 20	
3	1060379	4	Cable, Lanyard	
4	2902347	1	Decal – Electrician’s Tree Kit	
5	3290606	3	Nut M6	
6	3422219	4	Pin	
7	3520072	4	Plug	
8	3760170	8	Ring	
9	80325	4	Hairpin, Cotter	
10	3841667	2	Rod, Spool	
11	4191706	1	Screw M6 x 12	
12	4220227	2	Stop, Spool Rod	
13	4240003	1	Strap	
14	4340909	1	Mount, Base Pivot (SN 0200152825 through 0200190219, SN 1200008481 through 1200020825)	
14	1001102516	1	Mount, Base Pivot (SN 0200190220 through 0200198014, SN 1200020826 through 1200025020)	
15	4340910	1	Mount, Spool Rack (SN 0200152825 through 0200190219, SN 1200008481 through 1200020825)	
15	1001102562	1	Mount, Spool Rack (SN 0200190220 through 0200198014, SN 1200020826 through 1200025020)	
16	4711400	3	Washer 1/4	
		Ref	ACCESSORY, PIPE RACK INSTALLATIONS (ELECTRICAL, PLUMBERS AND PLANT PACKAGES)	
	0272884	Ref	Accessory, Pipe Rack Installation (SN 0200152825 through 0200166714, SN 1200008481 through 1200013003)	D
	1001092074	Ref	Accessory, Pipe Rack Installation (SN 0200166715 through 0200198014, SN 1200013004 through 1200025020)	B
101	0240057	2	Accessory, Pipe Rack Tube (See Items 110-121 for Breakdown) (SN 0200152825 through 0200166714, SN 1200008481 through 1200013003)	
101	1001092073	1	Accessory, Pipe Rack Tube (See Items 110-121 for Breakdown) (SN 0200166715 through 0200198014, SN 1200013004 through 1200025020)	
		Ref	ACCESSORY, PIPE RACK ASSEMBLIES (ELECTRICAL, PLUMBERS AND PLANT PACKAGES)	
	0240057	Ref	Accessory, Pipe Rack Assembly (SN 0200152825 through 0200166714, SN 1200008481 through 1200013003)	E
	1001092073	Ref	Accessory, Pipe Rack Assembly (SN 0200166715 through 0200198014, SN 1200013004 through 1200025020)	A
110	0240054	1	Accessory, Pipe Rack Tube	
111	0700608	2	Bolt M6 x 16	
112	1060379	3	Cable, Lanyard	
113	3290606	2	Nut M6	
114	3421453	3	Pin	
115	3520176	2	Plug	

SECTION 4 - PLATFORM

ITEM	PART NUMBER	QTY	DESCRIPTION	REV
116	3760170	5	Ring	
117	4191706	1	Screw M6 x 12	
118	4240164	1	Strap	
119	4811700	4	Washer M6	
120	4846876	1	Pipe Rack	
121	2902346	2	Decal – Capacity Pipe Rack Kit (SN 0200148345 through 0200166714, SN 1200006172 through 1200013003)	
121	1001092072	2	Decal – Capacity Pipe Rack Kit (SN 0200166715 through 0200198014, SN 1200013004 through 1200025020)	
	0240093	Ref	ACCESSORY, VISE (ELECTRICAL, PLUMBERS AND PLANT PACKAGES)	B
201	0240088	1	Vise	
202	1060379	2	Cable, Lanyard	
203	1705985	1	Decal – Weight	
204	3311605	4	Nut 3/8-16	
205	3421453	2	Pin	
206	3760170	4	Ring	
207	3931620	4	Bolt 3/8 x 1-1/4	
208	4340911	1	Mount	
209	4420062	3 ft/0.9m	Tape, UHMW	
210	4711600	4	Washer 3/8	
211	8005670	1	Decal – Instruction Read Operators Manual	

SECTION 4 - PLATFORM

FIGURE 4-12. PANEL INSTALLATIONS



ART_Q273436

SECTION 4 - PLATFORM

FIGURE 4-12. PANEL INSTALLATIONS

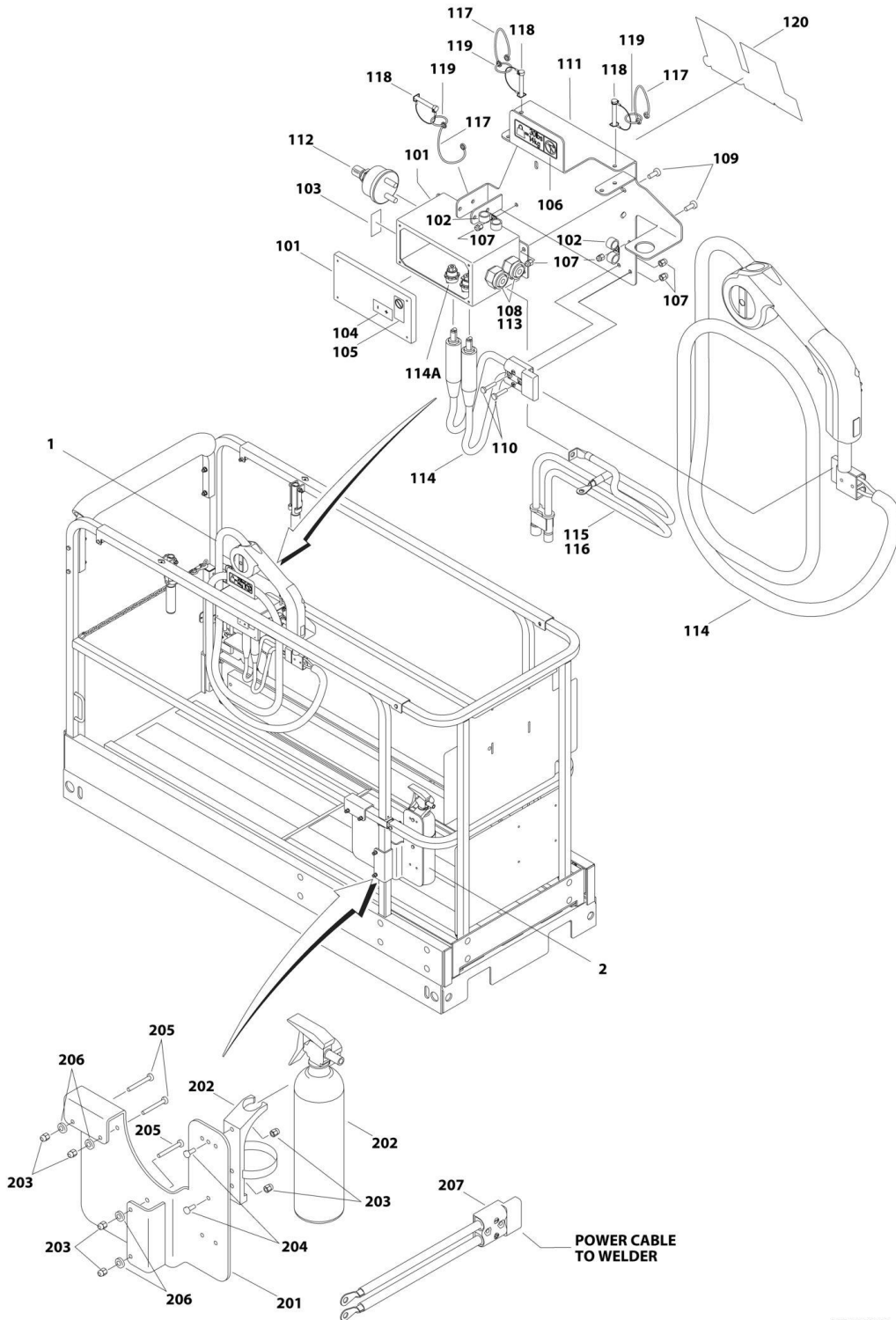
ITEM	PART NUMBER	QTY	DESCRIPTION	REV
		Ref	PANEL CARRIER INSTALLATIONS	
		Ref	1930ES Options:	
	0274970	Ref	ANSI and ANSI Export Specs (SN 0200452825 through 0200166756, SN 1200008481 through 1200013024)	A
	0274969	Ref	Australian, CE and Japan Specs (SN 0200452825 through 0200166756, SN 1200008481 through 1200013024)	A
		Ref	2030ES/2630ES Options	
	0275006	Ref	ANSI and ANSI Export Specs	B
	0275007	Ref	Australian, CE and Japan Specs	B
		Ref	2646ES/3246ES Options	
	0274980	Ref	ANSI and ANSI Export Specs	A
	0274981	Ref	Australian, CE and Japan Specs	A
		Ref	Attach, Panel Carrier Options: (See Items 101-108 for Breakdown)	
1	0240140	1	1930ES (SN 0200152825 through 0200166756, SN 1200008481 through 1200013024)	
1	0240144	1	2030ES/2630ES	
1	0240142	1	2646ES/3246ES	
2	1702010	1	Decal – JLG	
3	See Note	1	Nameplate (Note: Not Available for Purchase)	
4		Ref	Decal – Capacity Options:	
4	1705934	1	1930ES (ANSI and ANSI Export Specs) (SN 0200152825 through 0200166756, SN 1200008481 through 1200013024)	
4	1705935	1	1930ES (Australian, CE and Japan Specs) (SN 0200152825 through 0200166756, SN 1200008481 through 1200013024)	
4	1705934	1	2030ES/2630ES (ANSI and ANSI Export Specs) (SN 0200152825 through 0200166755, SN 1200008481 through 120013023)	
4	1001095299	1	2030ES/2630ES (ANSI and ANSI Export Specs) (SN 0200166756 through 0200198014, SN 1200013024 through 1200025020)	
4	1705935	1	2030ES/2630ES (Australian, CE and Japan Specs) (SN 0200152825 through 0200166755, SN 1200008481 through 1200013023)	
4	1001095300	1	2030ES/2630ES (Australian, CE and Japan Specs) (SN 0200166756 through 0200198014, SN 1200013024 through 1200025020)	
4	1705792	1	2646ES/3246ES (ANSI and ANSI Export Specs)	
4	1705793	1	2646ES/3246ES (Australian, CE and Japan Specs)	
		Ref	PANEL CARRIER ATTACHMENTS	
	0240140	Ref	1930ES (SN 0200152825 through 0200166756, SN 1200008481 through 1200013024)	B
	0240144	Ref	2030ES/2630ES	C
	0240142	Ref	2646ES/3246ES	B
101	0760610	4	Bolt M6 x 20	
102		Ref	Channel Options:	
102	1271625	1	1930ES (SN 0200152825 through 0200166756, SN 1200008481 through 1200013024)	
102	1271631	1	2030ES/2630ES	
102	1271630	1	2646ES/3246ES	
103	3290606	4	Nut M6	
104	3574505	1	Plate, Bracket	
105	3574506	1	Plate, Bracket	

SECTION 4 - PLATFORM

ITEM	PART NUMBER	QTY	DESCRIPTION	REV
106	4240165	1	Strap, Tie Down	
107	4420037	AR	Tape, Insulation	
108	4811700	8	Washer, M6	

SECTION 4 - PLATFORM

FIGURE 4-13. QUIK WELDER INSTALLATION



ART_0272880

SECTION 4 - PLATFORM

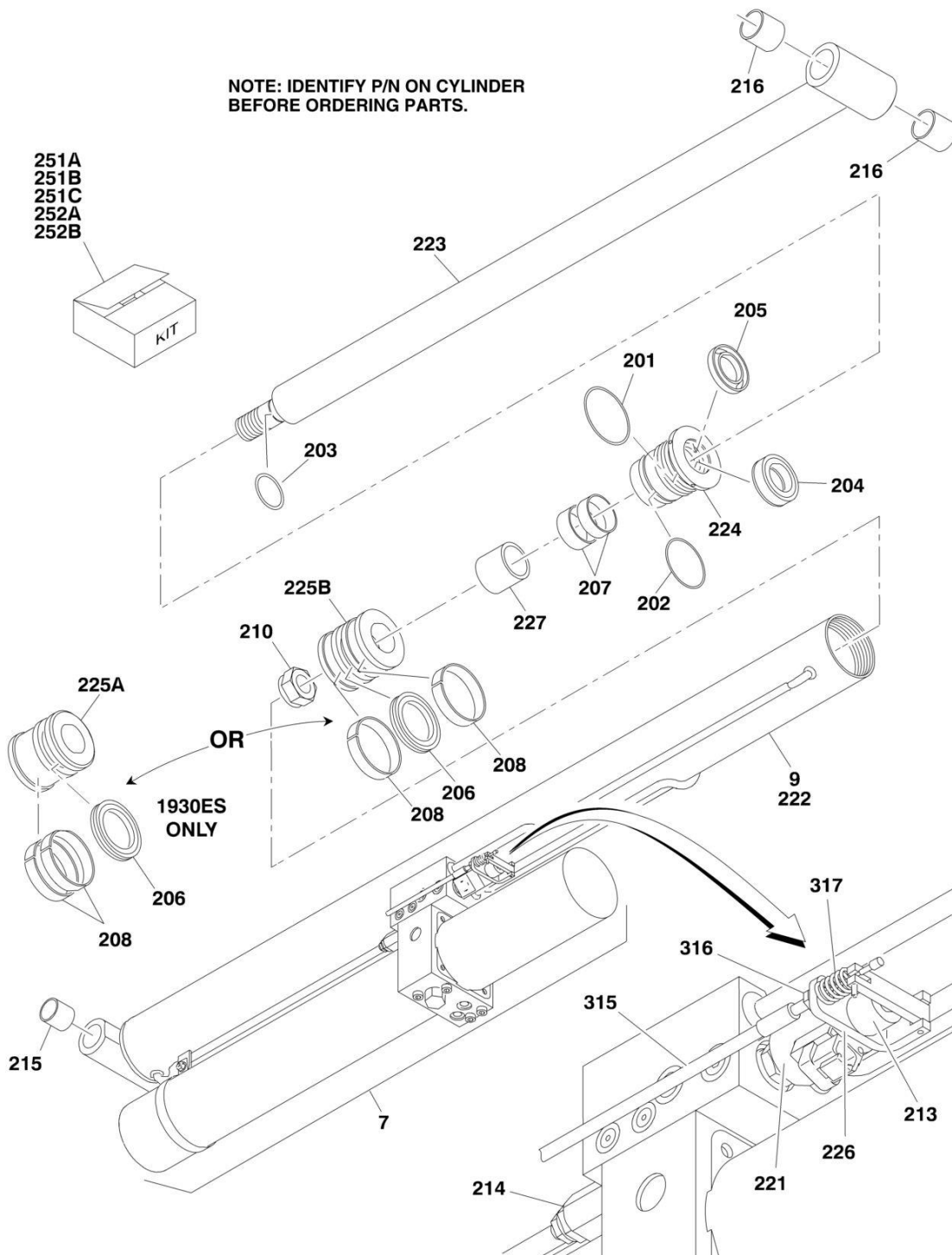
FIGURE 4-13. QUIK WELDER INSTALLATION

ITEM	PART NUMBER	QTY	DESCRIPTION	REV
		Ref	QUIK WELDER INSTALLATIONS	
	0272879	Ref	1930ES	C
	0272880	Ref	2030ES	C
	0272881	Ref	2630ES	C
	0272882	Ref	2646ES/3246ES	C
1	2902334	1	Kit, Quik Welder (See Items 101-120 for Breakdown)	
2		Ref	Quik Welder Ready Installations (See Items 201-204 for	
2	0275072	1	1930ES	
2	0275073	1	2030ES	
2	0275074	1	2630ES	
2	0275075	1	2646ES/3246ES	
	2902334	Ref	QUIK WELDER KIT	B
101	0861527	1	Box, Welder Disconnect	
102	1320224	4	Clamp	
103	1705213	1	Decal – On/Off	
104	1705214	1	Decal – Plus/Minus	
105	1705305	1	Decal – Weld Lead	
106	1705953	1	Decal – Weight	
107	3290606	8	Nut M6	
108	3300048	2	Nut 3/4	
109	4010608	6	Screw M6 x 16	
110	4010614	2	Screw M6 x 30	
111	4340938	1	Mount, Quik Welder	
112	4360155	1	Switch, Master Disconnect	
113	4460328	2	Terminal, Connector	
114	4530021	1	Welder	
114A	7027303	2	Connector, Female	
115	4923048	1	Cable, Quik Welder Assembly	
116	1060957	1	Cable, Welder	
117	1060379	3	Cable, Lanyard	
118	3421453	3	Pin	
119	3760170	3	Ring	
120	1705754	1	Decal - JLG	
		Ref	QUIK WELDER READY INSTALLATIONS	
	0275072	Ref	1930ES	A
	0275073	Ref	2030ES	A
	0275074	Ref	2630ES	A
	0275075	Ref	2646ES/3246ES	A
201	0903416	1	Bracket, Fire Extinguisher Mount	
202	2030010	1	Extinguisher, Fire	
203	3290606	6	Nut M6	
204	4010608	2	Screw M6 x 16	
205	4010618	4	Screw M6 x 50	
206	4811700	4	Washer M6	
207		Ref	Cable, Quik Welder Power Options:	
207	4923049	1	1930ES	
207	4923050	1	2030ES	
207	4923051	1	2630ES	
207	4923052	1	2646ES/3246ES	

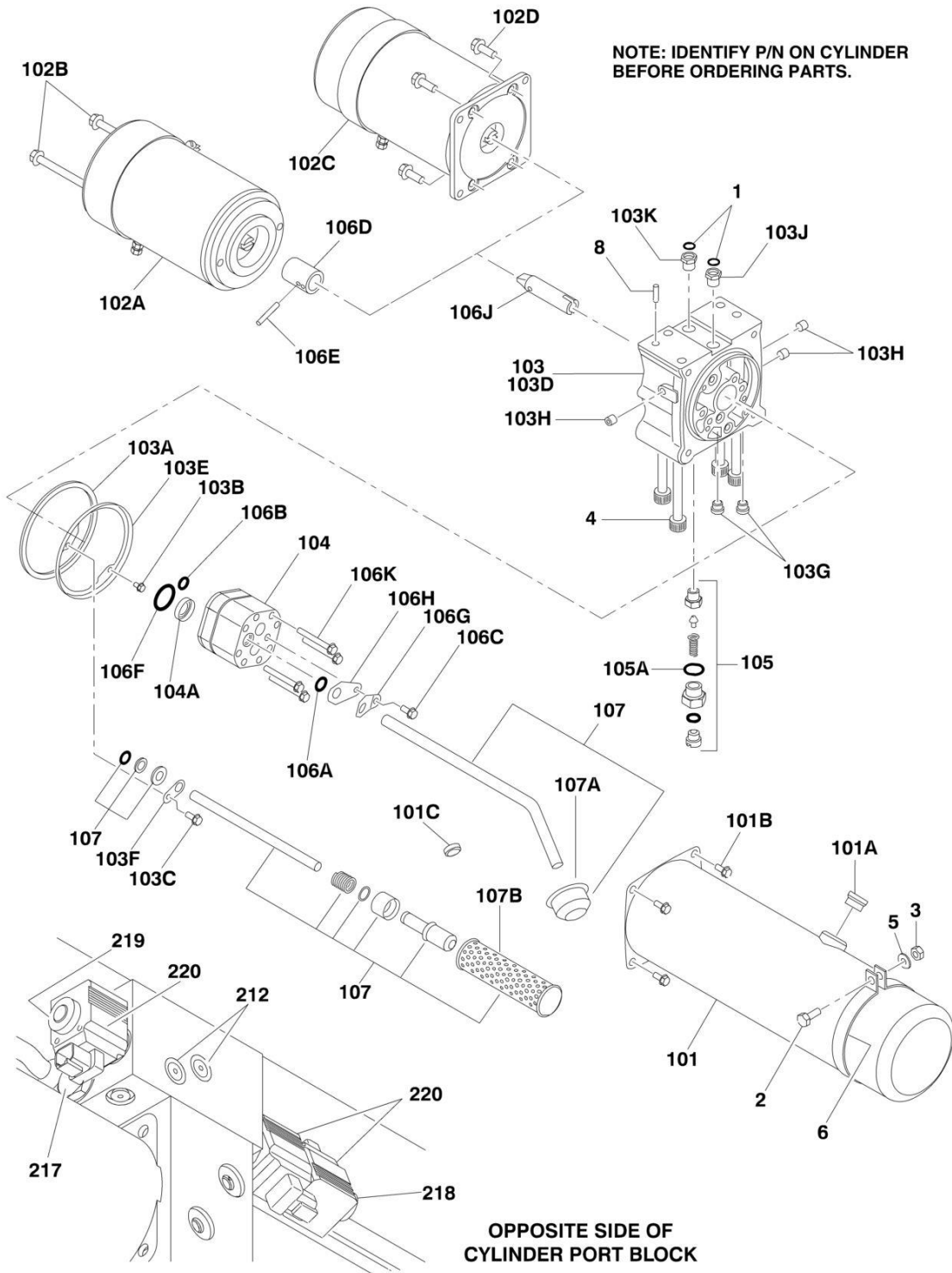
SECTION 5 - CYLINDER

SECTION 5 - CYLINDER

FIGURE 5-1. LIFT CYLINDER ASSEMBLY



SECTION 5 - CYLINDER



SECTION 5 - CYLINDER

FIGURE 5-1. LIFT CYLINDER ASSEMBLY

ITEM	PART NUMBER	QTY	DESCRIPTION	REV
		Ref	LIFT CYLINDER ASSEMBLY	
	1684484	Ref	Lift Cylinder Assembly 1930ES with Standard Hydraulic Oil	D
	1684526	Ref	Lift Cylinder Assembly 1930ES with Biodegradeable Hydraulic Oil	C
	1684487	Ref	Lift Cylinder Assembly 2030ES with Standard Hydraulic Oil	D
	1684527	Ref	Lift Cylinder Assembly 2030ES with Biodegradeable Hydraulic Oil	C
	1684488	Ref	Lift Cylinder Assembly 2630ES with Standard Hydraulic Oil	D
	1684528	Ref	Lift Cylinder Assembly 2630ES with Biodegradeable Hydraulic Oil	C
	1684489	Ref	Lift Cylinder Assembly 2646ES with Standard Hydraulic Oil	D
	1684529	Ref	Lift Cylinder Assembly 2646ES with Biodegradeable Hydraulic Oil	C
	1684490	Ref	Lift Cylinder Assembly 3246ES with Standard Hydraulic Oil	D
	1684530	Ref	Lift Cylinder Assembly 3246ES with Biodegradeable Hydraulic Oil	C
1	7023577	2	O-Ring	
2	See Note	NSS	Cap screw (All except 1930ES Models) (Note: Not Available - Purchase Locally)	
3	See Note	NSS	Locknut (All except 1930ES Models) (Note: Not Available - Purchase Locally)	
4	7023589	4	Cap screw	
5	See Note	NSS	Flatwasher (All except 1930ES Models) (Note: Not Available - Purchase Locally)	
6	7023539	1	Clamp (All except 1930ES Models)	
7		Ref	Power Pack Assembly - Complete Options (See Items 101-107B for Breakdown):	
7	7023558	1	Power Pack Assembly 1930ES	
7	7023549	1	Power Pack Assembly 2030ES	
7	7023568	1	Power Pack Assembly 2630ES	
7	7023557	1	Power Pack Assembly 2646ES	
7	7023535	1	Power Pack Assembly 3246ES	
8		Ref	Pin, Alignment Options:	
8	70003646	2	Pin, Dowel	
8	70003645	2	Roll Pin	
9	See Note	NSS	Cylinder Assembly Only (Note: Purchase Individual Components - See Items 201-227 for Breakdown)	
		Ref	POWER PACK ASSEMBLY - COMPLETE	
	7023558	1	Power Pack Assembly 1930ES (1684484/1684526 Cylinders)	
	7023549	1	Power Pack Assembly 2030ES (1684487/1684527 Cylinders)	
	7023568	1	Power Pack Assembly 2630ES (1684488/1684528 Cylinders)	
	7023557	1	Power Pack Assembly 2646ES (1684489/1684529 Cylinders)	
	7023535	1	Power Pack Assembly 3246ES (1684490/1684530 Cylinders)	
101		Ref	Tank Kit Options (Note: Includes Tank and Items 101A-101C):	
101	7023569	1	Tank Kit 1930ES	
101	7023587	1	Tank Kit 2030ES	
101	7023585	1	Tank Kit 2630ES	
101	7023578	1	Tank Kit 2646ES	
101	7023583	1	Tank Kit 3246ES	
101A	7023593	1	Plug, Fill	
101B	See Note	NSS	Screw (Note: Use Item 101)	
101C	See Note	NSS	Magnet (Note: Use Item 101)	

SECTION 5 - CYLINDER

ITEM	PART NUMBER	QTY	DESCRIPTION	REV
102		Ref	Motor Options:	
102A	7023570	1	Motor 1930ES/2030ES/2630ES	
102A	70000658	1	Brush Kit - 7023570 Motor	
102B	See Note	NSS	Screw (Note: Use Item 102A)	
102C	7023579	1	Motor 2646ES/3246ES	
102C	70000659	1	Brush Kit - 7023579 Motor	
102D	See Note	NSS	Screw (Note: Use Item 102C)	
102D	See Note	NSS	Washer (Note: Use Item 102C)	
103	7023571	1	Adapter	
103	7023571	1	Adapter Kit	
103A	70000335	1	O-Ring	
103B	See Note	NSS	Screw (Note: Use Item 103)	
103C	See Note	NSS	Screw (Note: Use Item 103)	
103D	See Note	NSS	Adapter (Note: Use Item 103)	
103E	See Note	NSS	Seal (Note: Use Item 252A or 252B)	
103F	See Note	NSS	Retainer (Note: Use Item 103)	
103G	2220883	2	Plug	
103H	See Note	NSS	Plug (Note: Use Item 103)	
103J	See Note	NSS	Breather 9/16in - 12UNC (Note: Use Item 103)	
103K	See Note	NSS	Breather 9/16in - 18SAE (Note: Use Item 103)	
104		Ref	Pump Options:	1
		Ref	Note: Shaft Seal is only Repair Part Available. No Other Service Parts Available - Replace Complete Pump.	1
104	7023572	1	Pump 1930ES/2630ES	
104	7023588	1	Pump 2030ES Pump	
104	7023580	1	Pump 2646ES/3246ES Pump	
104A	See Note	NSS	Seal, Shaft (Note: Use Item 252A or 252B)	
105	7023573	1	Relief Valve Assembly	
105A	7023591	1	Sealing Washer	
106		Ref	Power Pack Miscellaneous Service Parts	
106A	See Note	NSS	Seal (Note: Not Available for Purchase)	
106B	See Note	NSS	Seal (Note: Use Item 252A or 252B)	
106C	See Note	NSS	Screw (Note: Not Available for Purchase)	
106D	See Note	NSS	Sleeve (1930ES/2030ES/2630ES Only) (Note: Use Item 106J)	
106E	See Note	NSS	Roll Pin (1930ES/2030ES/2630ES Only) (Note: Use Item 106J)	
106F	See Note	NSS	Seal (Note: Use Item 252A or 252B)	
106G	See Note	NSS	Tab, Locking (Note: Not Available for Purchase)	
106H	See Note	NSS	Retainer, Tube (Note: Not Available for Purchase)	
106J		Ref	Coupler Kit Options:	
106J	7023574	1	Coupler Kit 1930ES/2030ES/2630ES (Includes Items 106D & 106E)	
106J	7023581	1	Coupler Kit 2646ES/3246ES	
106K	See Note	NSS	Screw (Note: Not Available for Purchase)	
107		Ref	Tube Kit Options:	
107	7023575	1	Tube Kit 1930ES	
107	7023586	1	Tube Kit 2030ES/2630ES	
107	7023582	1	Tube Kit 2646ES	
107	7023584	1	Tube Kit 3246ES	
107A	See Note	NSS	Strainer (Note: Use Item 107)	
107B	7023576	1	Filter Element (Includes Seal)	
		Ref	CYLINDER ASSEMBLY ONLY COMPONENTS	

SECTION 5 - CYLINDER

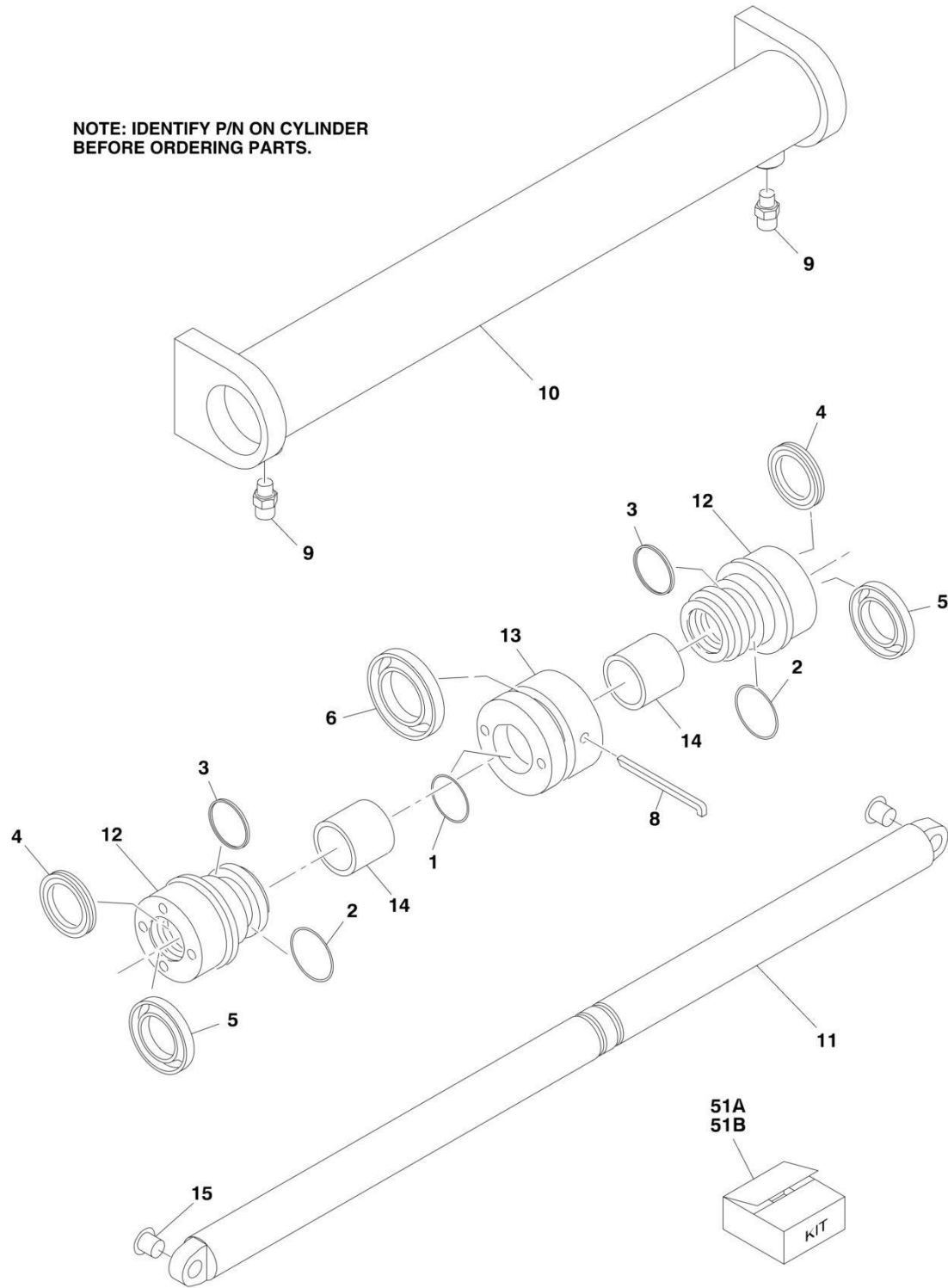
ITEM	PART NUMBER	QTY	DESCRIPTION	REV
201	See Note	NSS	O-Ring (Note: Use Item 251A or 251B)	
202	See Note	NSS	O-Ring (Note: Use Item 251A or 251B)	
203	See Note	NSS	O-Ring (Note: Use Item 251A or 251B)	
204	See Note	NSS	Seal (Note: Use Item 251A or 251B)	
205	See Note	NSS	Wiper (Note: Use Item 251A or 251B)	
206	See Note	NSS	Seal (Note: Use Item 251A or 251B)	
		Ref	(Note: This is a 3 piece seal. Assembly may be required)	
207	See Note	NSS	Ring, Wear (Note: Use Item 251A or 251B)	
208	See Note	NSS	Ring, Wear (Note: Use Item 251A or 251B)	
210	70004193	1	Locknut	
211	2220883	4	Plug, Steel (SAE #4) (Not Shown)	
212	2220882	8	Plug, Steel (SAE #3)	
213	7023543	1	Valve, Proportional (Lift Down)	
214	7023542	1	Valve, Relief (Steer)	
215		Ref	Bushing Options:	
215	0962257	2	Bushing 1930ES	
215	0962006	2	Bushing 2646ES/3246ES	
216		Ref	Bushing Options:	
216	0962257	2	Bushing 1930ES	
216	0962181	2	Bushing 2646ES/3246ES	
217	7023538	1	Valve, Check	
218	7023537	1	Directional Control Valve (Steer)	
219	7023536	1	Directional Control Valve (Lift Up)	
220	70000798	3	Coil (Steer and Lift Up)	
221	70000799	1	Coil (Lift Down)	
222		Ref	Barrel Options:	
222	7023553	1	Barrel 1930ES	
222	7023548	1	Barrel 2030ES/2630ES	
222	7023556	1	Barrel 2646ES	
222	7023534	1	Barrel 3246ES	
223		Ref	Rod Options:	
223	7023552	1	Rod 1930ES	
223	7023547	1	Rod 2030ES/2630ES	
223	7023533	1	Rod 2646ES/3246ES	
224		Ref	Head Options:	
224	7023551	1	Head 1930ES	
224	7023546	1	Head 2030ES/2630ES	
224	7023532	1	Head 2646ES/3246ES	
225		Ref	Piston Options:	
225A	7023550	1	Piston 1930ES	
225B	7023545	1	Piston 2030ES/2630ES	
225B	7023531	1	Piston 2646ES/3246ES	
226	7023530		Emergency Release Assembly	
227		Ref	Spacer Options:	
227	Not Required	0	Spacer 1930ES/2646ES	
227	7023529	1	Spacer 3246ES	
		Ref	SEAL KIT OPTIONS	
251		Ref	Seal Kit - Cylinder Options (Includes Items 201-208):	
251A	7023554	1	Seal Kit - Cylinder 1930ES	
251B	7023544	1	Seal Kit - Cylinder 2030ES/2630ES	
251C	7023528	1	Seal Kit - Cylinder 2646ES/3246ES	

SECTION 5 - CYLINDER

ITEM	PART NUMBER	QTY	DESCRIPTION	REV
252		Ref	Seal Kit - Reservoir/Pump Options (Includes 103A, 103E, 104A, 106B & 106F):	
252A	70001709	1	Seal Kit 1930ES/2030ES/2630ES	
252B	70001982	1	Seal Kit 2646ES/3246ES	
		Ref	MANUAL DESCENT COMPONENTS	
	0274874	Ref	Manual Descent Components 1930ES with Standard Hydraulic Oil	D
	0275692	Ref	Manual Descent Components 1930ES with Biodegradable Hydraulic Oil	B
	0275016	Ref	Manual Descent Components 2030ES with Standard Hydraulic Oil	D
	0275693	Ref	Manual Descent Components 2030ES with Biodegradable Hydraulic Oil	B
	0275017	Ref	Manual Descent Components 2630ES with Standard Hydraulic Oil	D
	0275694	Ref	Manual Descent Components 2630ES with Biodegradable Hydraulic Oil	B
	0274879	Ref	Manual Descent Components 2646ES with Standard Hydraulic Oil	C
	0275695	Ref	Manual Descent Components 2646ES with Biodegradable Hydraulic Oil	B
	0274881	Ref	Manual Descent Components 3246ES with Standard Hydraulic Oil	C
	0275696	Ref	Manual Descent Components 3246ES with Biodegradable Hydraulic Oil	B
315		Ref	Cable, Pull Options:	
315	1061036	1	Cable Pull 1930ES - 9ft/2.74m Length	
315	1061035	NLA	Cable Pull 2030ES/2630ES - 9ft/2.74m Length (USA Built Machines) (Use p/n 1061036 - 10.5ft/3.2m Length Cable) (SN 0200152825 through 0200161858)	
315	1061034	1	Cable Pull 2030ES/2630ES - 12.5ft/3.81m Length (USA Built Machines) (SN 0200161859 through 0200198014)	
315	1061035	NLA	Cable Pull 2030ES/2630ES - 9ft/2.74m Length (Belgium Built Machines) (Use p/n 1061036 - 10.5ft/3.2m Length Cable) (SN 1200008481 through 1200011442)	
315	1061034	1	Cable Pull 2030ES/2630ES - 12.5ft/3.81m Length (Belgium Built Machines) (SN 1200011443 through 1200025020)	
315	1061034	1	Cable Pull 2646ES/3246ES - 12.5ft/3.81m Length	
315	7020218	1	T-Handle (With 1/4in-20 Threads)	
315	70001878	1	T-Handle (With 5mm Threads)	
316	3321402	1	Nut, Jam 1/4in-18NF	
317	4160078	1	Spring	

SECTION 5 - CYLINDER

FIGURE 5-2. STEER CYLINDER ASSEMBLY



SECTION 5 - CYLINDER

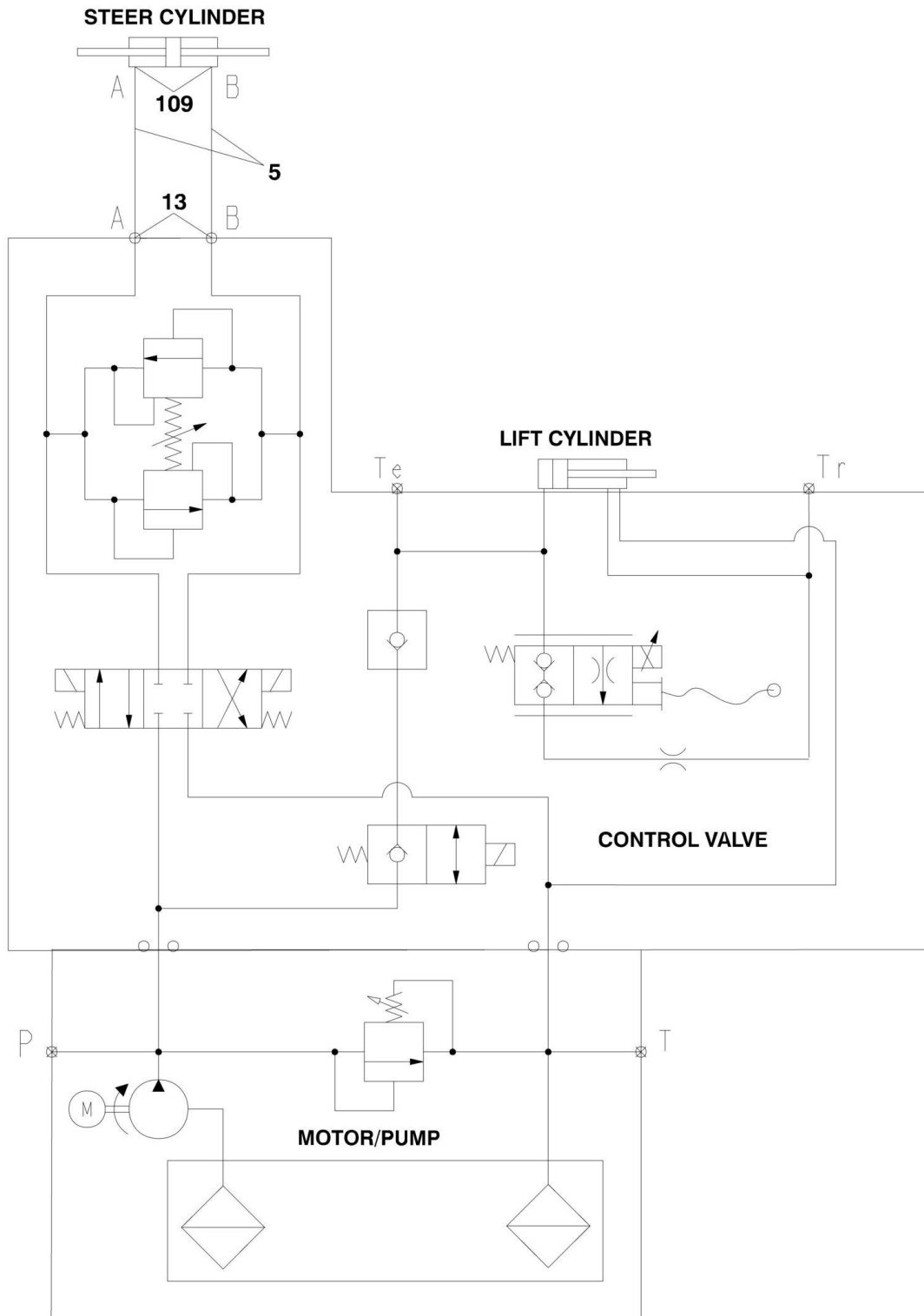
FIGURE 5-2. STEER CYLINDER ASSEMBLY

ITEM	PART NUMBER	QTY	DESCRIPTION	REV
		Ref	STEER CYLINDER ASSEMBLY	
	1684237	Ref	Steer Cylinder Assembly 1930ES/2030ES/2630ES	D
	1684456	Ref	Steer Cylinder Assembly 2646ES/3246ES	A
1	See Note	NSS	O-Ring (Note: Use Item 51A or 51B)	
2	See Note	NSS	O-Ring (Note: Use Item 51A or 51B)	
3	See Note	NSS	Ring, Back-up (Note: Use Item 51A or 51B)	
4	See Note	NSS	Seal (Note: Use Item 51A or 51B)	
5	See Note	NSS	Wiper (Note: Use Item 51A or 51B)	
6	See Note	NSS	Seal (Note: Use Item 51A or 51B)	
8	7023564	1	Ring, Retaining	
9	2110404	2	Fitting, Straight Adapter	
10		Ref	Tube Assembly Options:	
10	7023563	1	Tube Assembly 1930ES/2030ES/2630ES	
10	70000108	1	Tube Assembly 2646ES/3246ES	
11		Ref	Rod Options:	
11	7023562	1	Rod 1930ES/2030ES/2630ES	
11	70000110	1	Rod 2646ES/3246ES	
12	7023561	2	Head	
13	7023560	1	Piston	
14		Ref	Spacer Options:	
14	Not Required	0	Spacer 1930ES/2030ES/2630ES	
14	7023565	2	Spacer 2646ES/3246ES	
15	0440259	2	Bushing	
51		Ref	Seal Kit - Cylinder Options (Includes Items 1-6):	
51A	7023559	1	Seal Kit - Cylinder 1930ES/2030ES/2630ES	
51B	70000107	1	Seal Kit - Cylinder 2646ES/3246ES	

SECTION 6 - HYDRAULIC

SECTION 6 - HYDRAULIC

FIGURE 6-1. HYDRAULIC DIAGRAM



SECTION 6 - HYDRAULIC

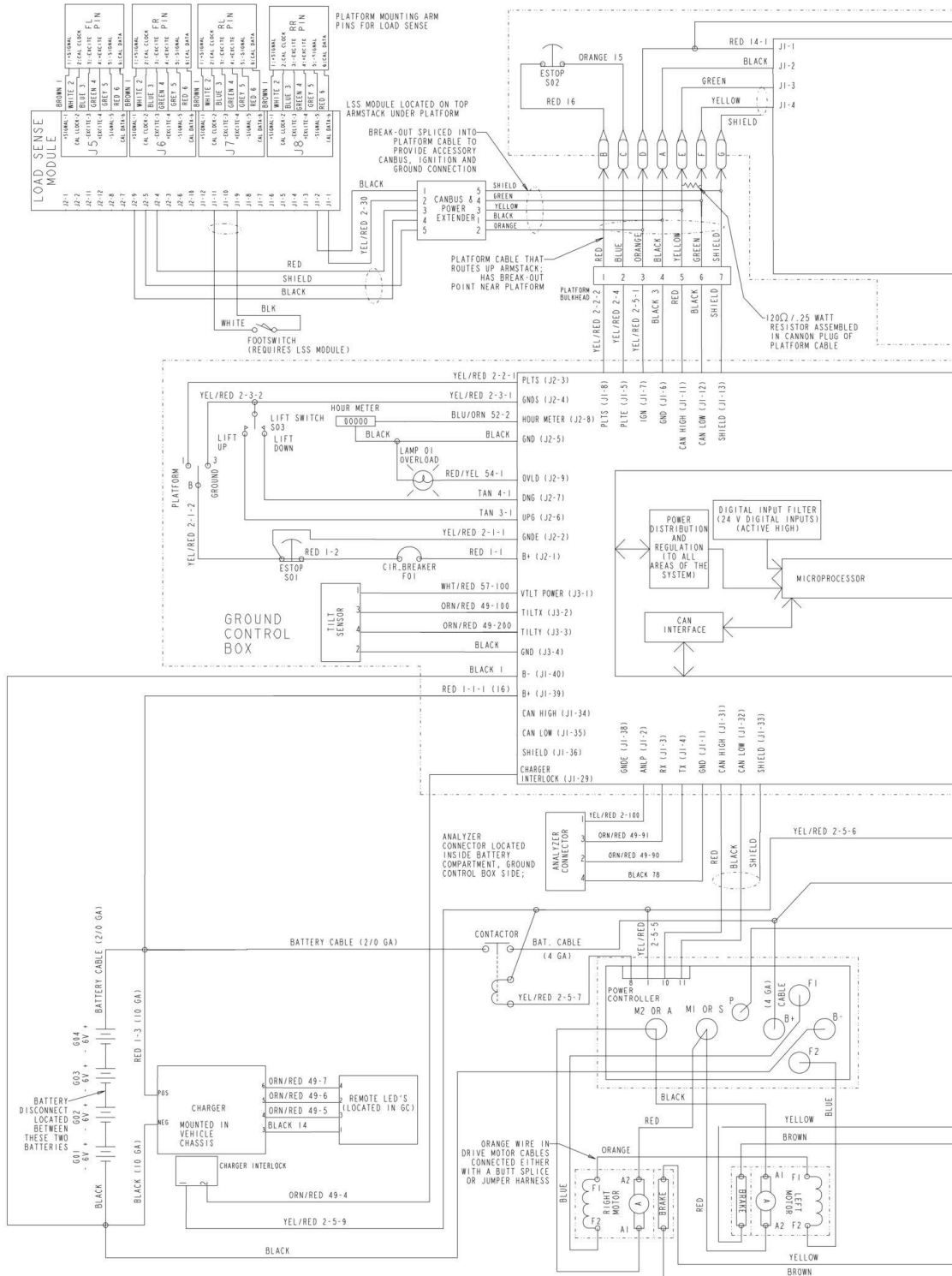
FIGURE 6-1. HYDRAULIC DIAGRAM

ITEM	PART NUMBER	QTY	DESCRIPTION	REV
		Ref	HYDRAULIC COMPONENTS	
	0272371	Ref	Steer Hydraulics (1930ES)	G
	0273227	Ref	Steer Hydraulics (2030ES/2630ES)	D
	0274546	Ref	Steer Hydraulics (2646ES/3246ES)	B
	2792599	Ref	Hydraulic Schematic	D
5		Ref	Hose Options:	
5		Ref	Hose 1930ES	
5	2753882	2	Hose USA Built Machines (SN 0200152825 through 0200161588)	
5	2755056	2	Hose USA Built Machines (SN 0200161589 through 0200198014)	
5	2753882	2	Hose Belgium Built Machines (SN 1200008481 through 1200011442)	
5	2755056	2	Hose Belgium Built Machines (SN 1200011443 through 1200025020)	
5		Ref	Hose 2030ES/2630ES	
5	2753882	2	Hose USA Built Machines (SN 0200152825 through 0200161588)	
5	2755061	2	Hose USA Built Machines (SN 0200161589 through 0200198014)	
5	2753882	2	Hose Belgium Built Machines (SN 1200008481 through 1200011442)	
5	2755061	2	Hose Belgium Built Machines (SN 1200011443 through 1200025020)	
5	2753883	2	Hose 2646ES/3246ES	
13	2110404	2	Fitting, Straight	
		Ref	STEER CYLINDER ASSEMBLY	
	1684237	Ref	Steer Cylinder Assembly 1930ES/2030ES/2630ES	D
	1684456	Ref	Steer Cylinder Assembly 2646ES/3246ES	A
109	2110404	2	Fitting, Straight Adapter	

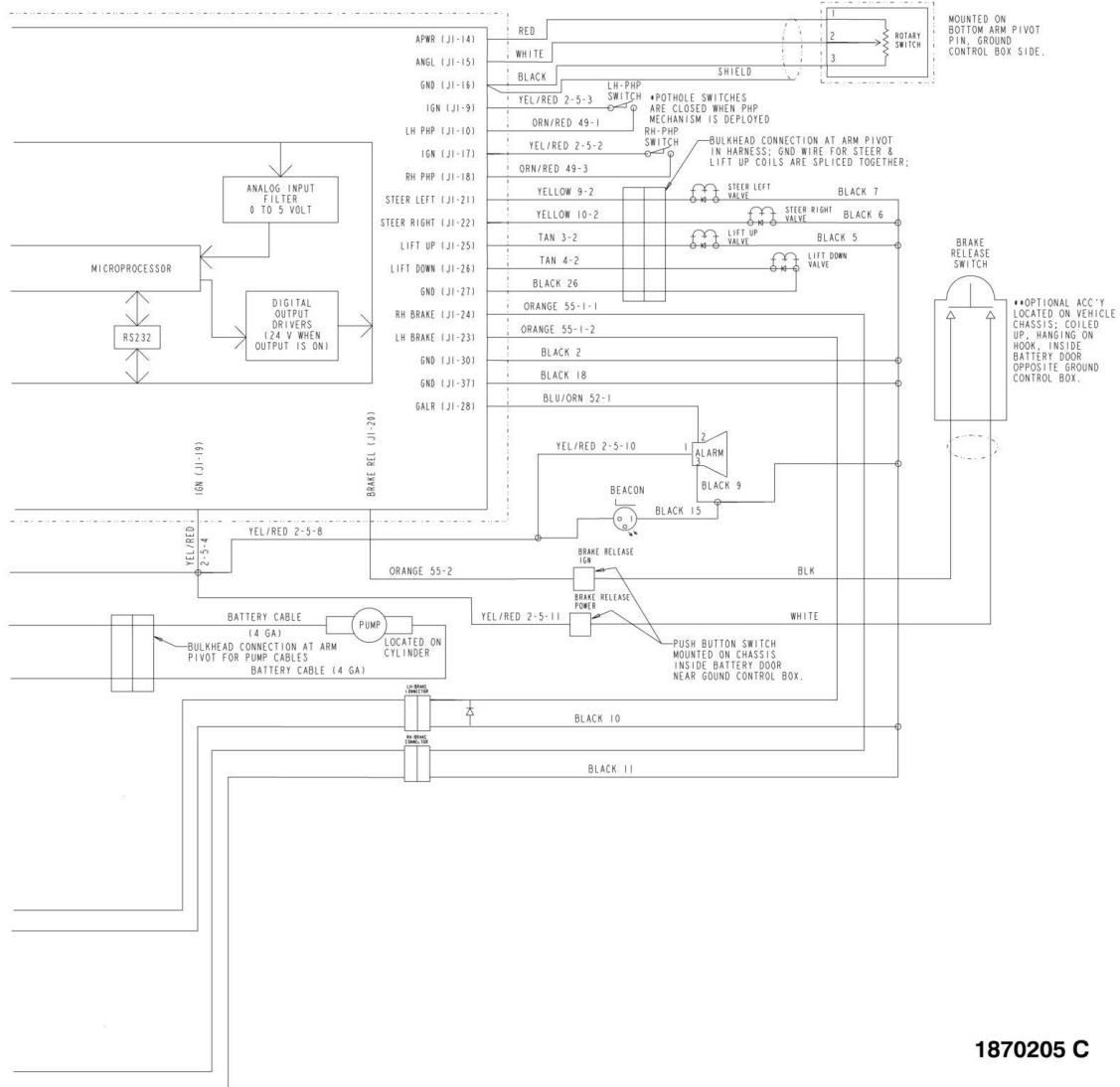
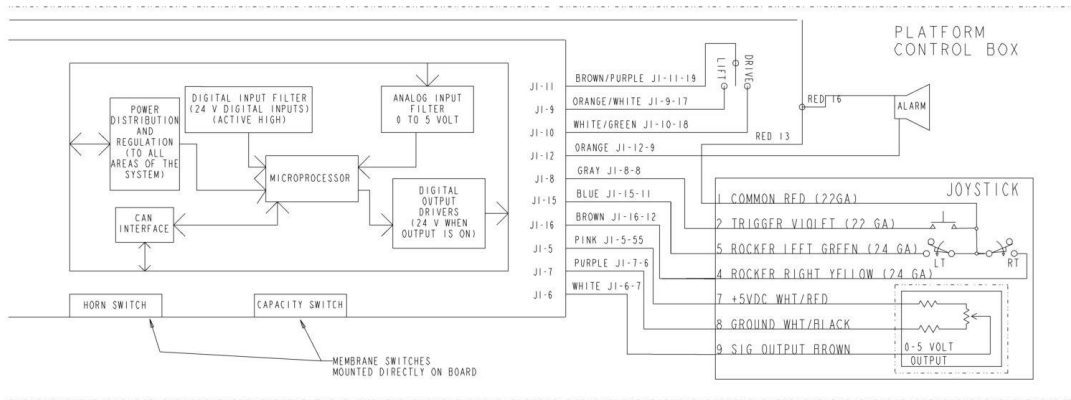
SECTION 7 - ELECTRICAL

SECTION 7 - ELECTRICAL

FIGURE 7-1. ELECTRICAL SCHEMATIC



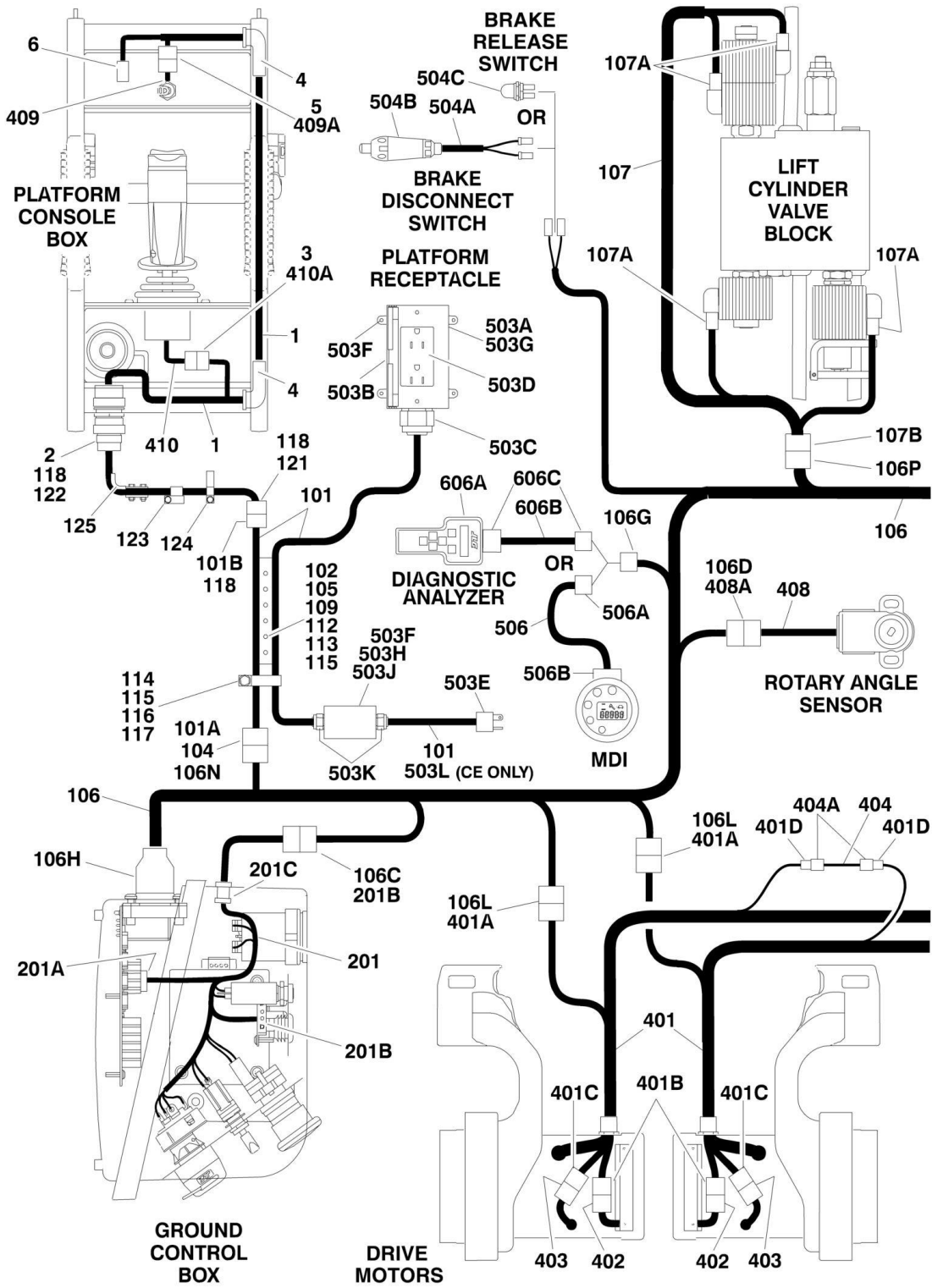
SECTION 7 - ELECTRICAL



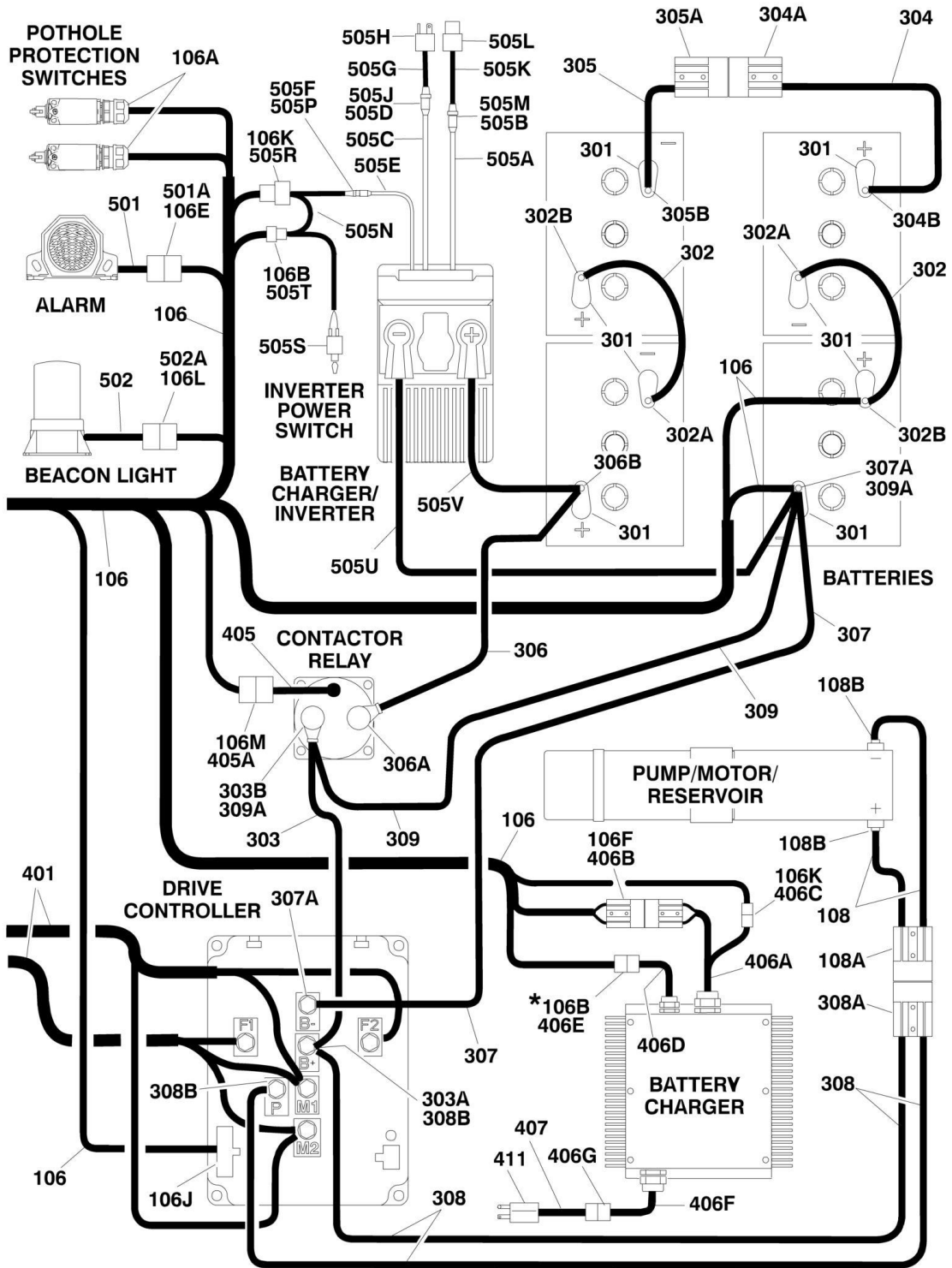
1870205 C

SECTION 7 - ELECTRICAL

FIGURE 7-2. 1930ES ELECTRICAL COMPONENTS INSTALLATION



SECTION 7 - ELECTRICAL



*NOTE: THIS CONNECTION USED ONLY WHEN FOOTSWITCH OR BATTERY CHARGER INTERLOCK OPTIONS ARE REQUIRED.

SECTION 7 - ELECTRICAL

FIGURE 7-2. 1930ES ELECTRICAL COMPONENTS INSTALLATION

ITEM	PART NUMBER	QTY	DESCRIPTION	REV
		Ref	CONSOLE BOX COMPONENTS	
1	4922870	1	Platform Box Harness	B
2	4461016	1	Connector - 14 Position	
2	4460464	5	Pin, Male	
2	4460466	9	Plug, Sealing	
2	4460496	1	Lockwasher	
2	4460497	1	Nut, Panel	
3	4460265	1	Plug, Male - 9 Position	
3	4460267	8	Pin, Male	
4	2540042	2	Grommet 90	
5	See Note	NSS	Receptacle, Female - 3 Position (Note: Not Available for Purchase)	
6	4461057	1	Plug, Male - 16 Position	
		Ref	PLATFORM CABLES INSTALLATION	
	0274972	Ref	ANSI, ANSI Export, Japanese and UL Specs	L
	0275541	Ref	Australian and CE Specs	J
101		Ref	Platform to Ground Harness Options (was p/n 4933218 & 4923587):	
101	1001094154	1	Harness ANSI, ANSI Export, Japanese and UL Specs:	C
101	1001094332	1	Harness Australian and CE Specs:	B
101A	4460930	1	Plug, Male - 8 Position	
101A	4460465	4	Socket, Female	
101A	4460944	3	Socket, Female (Gold)	
101A	4460466	1	Plug, Sealing	
101A	0840061	1	Boot, 8 Position Plug	
101A	2820026	AR	Insulation, Clear Tubing	
101A	2820028	AR	Heat Shrink	
101B	4460930	1	Plug, Male - 8 Position	
101B	4460465	4	Socket, Female	
101B	4460944	3	Socket, Female (Gold)	
101B	4460466	1	Plug, Sealing	
101B	0840061	1	Boot, 8 Position Plug	
101B	2820026	AR	Insulation, Clear Tubing	
101B	2820028	AR	Heat Shrink	
102	1380158	AR	Retainer	
103	1320318	AR	Clamp, Hose	
104	0100048	AR	Grease, Dielectric	
105	4740545	AR	Washer, Special Cable	
106		Ref	Chassis Harness Options:	
106	4923449	NLA	Harness USA Built Machines (Use p/n 10011091218) (SN 0200152825 through 0200195917)	F
106	1001109124	1	Harness USA Built Machines (SN 0200195918 through 0200198014)	B
106	4923449	NLA	Harness Belgium Built Machines (Use p/n 1001109218) (SN 1200008481 through 1200022846)	F
106	1001109124	1	Harness Belgium Built Machines (SN 1200022847 through 1200025020)	B
106		Ref	Wiring Diagram - Chassis Options:	
106	4933351	Ref	Wiring Diagram - Chassis USA Built Machines (SN 0200152825 through 0200195917)	C
106	1001109123	Ref	Wiring Diagram - Chassis USA Built Machines (SN	A

SECTION 7 - ELECTRICAL

ITEM	PART NUMBER	QTY	DESCRIPTION	REV
106	4933351	Ref	0200195918 through 0200198014) Wiring Diagram - Chassis Belgium Built Machines (SN 1200008481 through 1200022846)	C
106	1001109123	Ref	Wiring Diagram - Chassis Belgium Built Machines (SN 1200022847 through 1200025020)	A
106	3990013	2	Diode 1Amp/400V (Not Shown)	
106A		Ref	Switch, Limit Options:	
106A	4360633	NLA	Switch, Limit USA Built Machines (Use p/n 1001109345) (SN 0200152825 through 0200195917)	
106A	1001109088	2	Switch, Limit USA Built Machines (SN 0200195918 through 0200198014)	
106A	4360633	NLA	Switch, Limit Belgium Built Machines (Use p/n 1001109345) (SN 1200008481 through 1200022846)	
106A	1001109088	2	Switch, Limit Belgium Built Machines (SN 1200022847 through 1200025020)	
106A	4460884	2	Plug, Male 4 Position (Use with p/n 1001109088 Switch)	
106A	4460465	4	Socket, Female (Use with p/n 1001109088 Switch)	
106B	4460320	1	Plug, Male - 2 Position (Note: Connection to this plug used only when footswitch or battery interlock options are required)	
106B	4460226	2	Socket, Female	
106C	4460321	1	Plug, Male - 4 Position	
106C	4460227	4	Pin, Male	
106D	4460539	1	Plug, Male - 3 Position	
106D	4460465	3	Socket, Female	
106E	4460539	1	Plug, Male - 3 Position	
106E	4460465	2	Socket, Female	
106F	4460648	1	Connector, Anderson	
106G	4460761	1	Receptacle, Female - 4 Position	
106G	4460227	4	Pin, Male	
106H	4460814	1	Plug, Male - 40 Position	
106H	4460465	31	Socket, Female	
106H	4460944	6	Socket, Female (Gold)	
106H	0840057	1	Boot	
106J	4460870	1	Plug, Male - 12 Position	
106J	4460877	4	Pin, Male	
106K	4460894	1	Plug, Male - 6 Position	
106K	4460465	4	Socket, Female	
106K	0840059	1	Boot	
106L	4460897	3	Receptacle, Female - 2 Position	
106L	4460464	6	Pin, Male	
106M	4460897	1	Receptacle, Female - 2 Position	
106M	4460465	2	Socket, Female	
106N	4460931	1	Receptacle, Female - 8 Position	
106N	4460464	4	Pin, Male	
106N	4460943	3	Pin, Male (Gold)	
106N	0840058	1	Boot	
106P	4460899	1	Connector, Female - 6 Position	
106P	4460464	6	Pin, Male	
106R	4460931	1	Receptacle, Female - 8 Position	
106R	4460464	4	Pin, Male	
107	4923350	1	Lift Cylinder Harness	D
107A	4460891	4	Plug, Male - 2 Position	
107A	4460465	8	Socket, Female	

SECTION 7 - ELECTRICAL

ITEM	PART NUMBER	QTY	DESCRIPTION	REV
107B	4460894	1	Plug, Male - 6 Position	
107B	4460465	6	Socket, Female	
107B	0840059	1	Boot	
108		Ref	Power to Pump Motor Harness Options:	
108	4923271	1	Harness USA Built Machines (SN 0200152825 through 0200164049)	C
108	4923647	1	Harness USA Built Machines (SN 0200164050 through 0200198014)	B
108	4923271	1	Harness Belgium Built Machines (SN 1200008481 through 1200012625)	C
108	4923647	1	Harness Belgium Built Machines (SN 1200012626 through 1200025020)	B
108A		Ref	Connector, Anderson Options:	
108A	See Note	NSS	Connector, Anderson (Red) (Note: Use Item 108)	
108A	See Note	NSS	Connector, Anderson (Gray) (Note: Use Item 108)	
108B	0840041	2	Boot, Terminal (Red)	
109		Ref	Screw M6 Options:	
109	0760610	AR	Screw 20mm Length	
109	0760614	AR	Screw 30mm Length	
110		Ref	Bracket, Battery Connector Options (Not Shown - Located at Item 304):	
110	0903339	1	Bracket, Battery Connector Non-UL Machines	
110	1001110826	1	Bracket, Battery Connector UL Machines	
111	2902476	Ref	Battery Cable Kit (See Items 301- 309 for Breakdown)	
112	3290607	4	Nut M6	
113	4811700	2	Flatwasher M6	
114	1321716	2	Clamp	
115	3291005	AR	Locknut M10	
116	3900351	AR	Screw, Button Head M10 x 30mm	
117	4812000	AR	Flatwasher M10	
118		Ref	Platform to Control Box Coiled Cable Harness Options:	
118	2915251	NLA	Harness USA Built Machines (Use Repair Kit p/n 1001104466 - Includes Items 101B & 121-125) (SN 0200152825 through 0200168419)	A
118	1001096705	1	Harness USA Built Machines (Includes Items 121 & 122) (SN 0200168420 through 0200198014)	A
118	2915251	NLA	Harness Belgium Built Machines (Use Repair Kit p/n 1001104466 - Includes Items 101B & 121-125) (SN 1200008481 through 1200214905)	A
118	1001096705	1	Harness Belgium Built Machines (Includes Items 121 & 122) (SN 1200014906 through 1200025020)	A
121	4460931	1	Receptacle, Female - 8 Position	
121	4460464	4	Pin, Male	
121	4460943	3	Pin, Male (Gold)	
121	4460466	1	Plug, Sealing	
121	0840058	1	Boot, 8 Position Receptacle	
121	2820026	AR	Insulation, Clear Tubing	
121	2820028	AR	Heat Shrink	
122	4460754	1	Connector -14 Position	
122	4460465	4	Socket, Female	
122	4460944	3	Socket, Female	
122	4460466	4	Plug, Sealing	
122	3730119	1	Resistor	
122	4460493	1	Cap, Dust	

SECTION 7 - ELECTRICAL

ITEM	PART NUMBER	QTY	DESCRIPTION	REV
122	2820026	AR	Insulation, Clear Tubing	
123	1001094175	AR	Clamp, Post	
123	4010617	AR	Screw M6 x 45mm	
123	3290606	AR	Nut, Acorn M6	
124	1001094180	4	Clamp, Rail	
124	0760606	4	Screw M6 x 12mm	
124	3290606	4	Nut, Acorn M6	
125	1001104465	AR	Hook, Corner	
125	4010617	AR	Screw M6 x 45mm	
125	3290606	AR	Nut, Acorn M6	
		Ref	GROUND CONTROL BOX COMPONENTS	
201	4922865	1	Control Box Harness	F
201A	4460265	1	Plug, Male - 9 Position	
201A	4460268	9	Socket, Female	
201B	4460761	2	Receptacle, Female - 4 Position	
201B	4460267	8	Pin, Male	
201C	See Note	NSS	Grommet (Note: Molded in Part of Harness)	
201D	4460418	1	Receptacle, Female - 3 Position	
201D	4460419	3	Terminal	
	2902476	Ref	BATTERY CABLE KIT	E
	0275480	Ref	BATTERY CABLE COMPONENTS (UL SPEC ONLY)	A
301	0840060	8	Boot, Terminal (Gray) (Covers only the Battery Terminal Base)	
302	1060998	2	Cable, Battery (Battery Positive to Battery Negative)	E
302A	See Note	NSS	Boot, Terminal (Black) (1 Per Cable Assembly) (Note: Not Available for Purchase)	
302B	See Note	NSS	Boot, Terminal (Red) (1 Per Cable Assembly) (Note: Not Available for Purchase)	
303	1061001	1	Cable, Battery (Contactor to Drive Module B+)	E
303A	See Note	NSS	Boot, Terminal (Black) (Note: Not Available for Purchase)	
303B	See Note	NSS	Boot, Terminal (Red) (Note: Not Available for Purchase)	
304		Ref	Cable, Battery (LH Battery to Disconnect)	
304	4923365	1	Non-UL Machines	C
304	4923414	1	UL Machines	E
304A		Ref	Connector, Anderson Options:	
304A	See Note	NSS	Connector Single Pole (Note: Use p/n 4923365)	
304A	See Note	NSS	Connector Two Pole (Note: Use p/n 4923414)	
304B	See Note	NSS	Boot, Terminal (Black) (Note: Not Available for Purchase)	
305		Ref	Cable, Battery (RH Batteries to Disconnect) Options:	
305	4923366	1	Cable, Battery Non-UL Machines	B
305	4923413	NLA	Cable, Battery UL Machines (Use p/n 1001127523)	B-E
305A		Ref	Connector, Anderson Options:	
305A	See Note	NSS	Connector Single Pole (Note: Use p/n 4923366)	
305A	See Note	NSS	Connector Two Pole (Note: Use p/n 4923413 or 1001127523)	
305B		Ref	Boot, Terminal Options:	
305B	See Note	NSS	Boot, Terminal (Black) (Note: Not Available for Purchase)	
305B	See Note	NSS	Boot, Terminal (Red) (Note: Not Available for Purchase)	
306	4923367	1	Cable, Battery (RH Battery to Contactor)	B
306A	See Note	NSS	Boot, Terminal (Black) (Note: Not Available for Purchase)	
306B	See Note	NSS	Boot, Terminal (Red) (Note: Not Available for Purchase)	
307 AND 307	Not Required	0	Not Required	

SECTION 7 - ELECTRICAL

ITEM	PART NUMBER	QTY	DESCRIPTION	REV
308		Ref	Cable, Battery (Power to Pump Motor)	
308	4923272	2	Cable USA Built Machines (SN 0200152825 through 0200164049)	C
308	4923648	2	Cable USA Built Machines (SN 0200164050 through 0200198014)	B
308	4923272	2	Cable Belgium Built Machines (SN 1200008481 through 1200013824)	C
308	4923648	2	Cable Belgium Built Machines (SN 1200013825 through 1200025020)	B
308A		Ref	Connector, Anderson Options:	
308A	See Note	NSS	Connector Red (Note: Use Item 308)	
308A	See Note	NSS	Connector Gray (Note: Use Item 308)	
308B	0840041	1	Boot, Terminal (Red)	
309	4923374	1	Cable, Battery (Battery to Contactor)	B
309A	See Note	NSS	Boot, Terminal (Red) (Note: Not Available for Purchase)	
		Ref	STANDARD HARNESSSES	
401		Ref	Drive Motor/Brake Harness Options:	
401	1001099628	2	Harness USA Built Machines (was p/n 7024770) (SN 0200152825 through 0200170584)	
401	1001091502	2	Harness USA Built Machines (SN 0200170585 through 0200198014)	E
401	1001099628	2	Harness Belgium Built Machines (was p/n 7024770) (SN 1200008481 through 1200015158)	
401	1001091502	2	Harness Belgium Built Machines (SN 1200015159 through 1200025020)	E
401A	4460891	2	Plug, Male - 2 Position (1 Per Harness)	
401A	4460465	4	Socket, Female (2 Per Harness)	
401B	70001442	2	Plug, Male - 2 Position (1 Per Harness) (To Brake)	
401B	See Note	NSS	Socket, Female (2 Per Harness) (To Brake) (Note: Not Available for Purchase)	
401C	70001443	2	Plug, Male - 2 Position (1 Per Harness) (To Motor)	
401C	70001444	4	Socket, Female (2 Per Harness) (To Motor)	
401D		Ref	Connector Options:	
401D	See Note	NSS	Connector USA Built Machines Use Butt Connector (Note: Purchase Locally) (SN 0200152825 through 0200156116)	
		Ref	Note: P/N 7024770 Harness is equipped with a connector at this location. When replacing, clip connector and butt splice to Drive Harness from opposite side.	
401D	4461261	1	Connector USA Built Machines Use Plug, Male - 1 Position (SN 0200156117 through 0200198014)	
401D	4460509	1	Connector USA Built Machines Use Terminal (SN 0200156117 through 0200198014)	
401D	4461261	1	Connector All Belgium Built Machines Use Plug, Male - 1 Position	
401D	4460509	1	Connector All Belgium Built Machines Use Terminal	
402	See Note	NSS	Harness, Brake (Note: Internal Connections - Purchase Complete Brake)	
402	See Note	NSS	Receptacle, Female - 2 Position (1 Per Harness) (Note: Internal Connections - Purchase Complete Brake)	
402	See Note	NSS	Pin, Male (2 Per Harness) (Note: Internal Connections - Purchase Complete Brake)	
403	See Note	NSS	Harness, Motor (Note: Internal Connections - Purchase Complete Motor)	
403	See Note	NSS	Receptacle, Female - 2 Position (Note: Internal Connections - Purchase Complete Motor)	
403	See Note	NSS	Pin, Male (2 Per Harness) (Note: Internal Connections -	

SECTION 7 - ELECTRICAL

ITEM	PART NUMBER	QTY	DESCRIPTION	REV
404	4923602	2	Purchase Complete Motor)	
404A	4461260	2	Harness, Field Wire Connection	B
404A	4460508	2	Receptacle, Female - 1 Position	
405	3740150	1	Terminal	
405A	4460891	1	Contactor Relay Harness (Includes Relay)	
405A	4460465	2	Plug, Male - 2 Position	
406		Ref	Socket, Female	
406A	See Note	NSS	Battery Charger Components	
406B	4460648	1	DC Harness/Cord Set (Note: Not Available for Purchase)	
406C	4460899	1	Plug, Anderson	
406C	4460464	6	Connector, Female - 6 Position	
406D	See Note	NSS	Pin, Male	
406E	4460424	1	Harness with Connector (Note: Connection to this plug used only when battery interlock options are required) (Note: Not Available for Purchase)	
406E	4460227	2	Connector, Female - 2 Position (Note: Connection to this plug used only when battery interlock options are required)	
406F	See Note	NSS	Pin, Male	
406G	See Note	NSS	AC Harness/Cord Set (Note: Not Available for Purchase)	
407		Ref	Connector, Female (Note: Not Available for Purchase)	
407	1060688	1	Cable, AC Power to Charger Options:	
407	1001103257	1	Cable with Factory Supplied Plug (Black)	
407	1060689	1	Cable with Factory Supplied Plug (Orange)	
407	1001103258	1	Cable with Locally Supplied Plug (Black)	
408	4360526	NLA	Cable with Locally Supplied Plug (Orange)	
408A	4460536	1	Rotary Angle Sensor and Harness (Separate Harness Not Available) (Use p/n 1001092354)	
408A	4460464	3	Receptacle, Female - 3 Position	
409	See Note	NSS	Pin, Male	
409A	4360539	1	Toggle Switch and Harness (Note: No Separate Harness Available)	
410	See Note	NSS	Plug, Male - 3 Position	
410A	4460266	1	Joystick Harness (Note: Purchase Complete Joystick)	
410A	4460226	8	Receptacle, Female - 9 Position	
411		Ref	Socket, Female	
411	See Note	NLA	Plug Options:	
411	See Note	NSS	ANSI Spec Plug (Note: Use p/n 1001103257)	
411		Ref	Australian and Japanese Specs (Note: Purchase Locally)	
411	0275666	Ref	CE Spec Options:	
411	4461196	Ref	IEC Yellow Receptacle Installation	A
411	0276667	Ref	Receptacle, IEC Yellow	
411	4661199	Ref	IEC Blue Receptacle Installation	A
411	0275665	Ref	Receptacle, IEC Blue	
411	4661249	Ref	AFSINT 107 Keyed Ground Receptacle Installation	A
411	0275663	Ref	Receptacle, AFSINT 107 Keyed Ground	
411	4661202	Ref	CEE 7 Post Ground Receptacle Installation	A
411	0275664	Ref	Receptacle, CEE 7 Post Ground	
411	4661205	Ref	CEE 7 Side Ground Receptacle Installation	A
411		Ref	Receptacle, CEE 7 Side Ground	
		Ref	OPTIONAL HARNESSES	
501	0140043	1	Alarm and Harness (Separate Harness Not Available)	
501A	4460536	1	Receptacle, Female - 3 Position	

SECTION 7 - ELECTRICAL

ITEM	PART NUMBER	QTY	DESCRIPTION	REV
501A	4460464	3	Pin, Male	
502	2920161	1	Beacon Light and Harness (Separate Harness Not Available)	
502A	4460891	1	Plug, Male - 2 Position (1 Per Harness)	
502A	4460465	2	Socket, Female (2 Per Harness)	
503		Ref	Platform Electrical Outlet Components	
503		Ref	ANSI, ANSI Export, CSA, Japanese and UL Specs Options:	
503	0272839	Ref	110V with Receptacle and Plug	H
503	0272843	Ref	220V without Receptacle and Plug (Locally Supplied Components)	F
503		Ref	Australian Specs Options:	
503	0272843	Ref	220V without Receptacle and Plug (Locally Supplied Components)	F
503		Ref	CE Specs Options:	
503	0275487	Ref	110V with IEC Yellow Receptacle and Plug and Circuit Breaker	C
503	0272843	Ref	220V without Receptacle and Plug (Locally Supplied Components)	F
503	0275487	NLA	220V with IEC Blue Receptacle and Plug and Circuit Breaker (Use p/n 0275488)	C
503	0275486	Ref	220V with AFSINT 107 Keyed Ground Receptacle and Plug and Circuit Breaker	C
503	0275472	Ref	220V with CEE 7 Post Ground Receptacle and Plug and Circuit Breaker (2x4 Box)	C
503	0275489	Ref	220V with CEE 7 Post Ground Receptacle and Plug and Circuit Breaker (70x70 Box)	D
503	0275485	Ref	220V with CEE 7 Side Ground Receptacle and Plug and Circuit Breaker (2x4 Single Box)	C
503	1001096628	Ref	220V with CEE 7 Side Ground Receptacle and Plug and Circuit Breaker (2x4 Dual Boxes) Note: Qty shown is for single Receptacle Box. Double Qty listed for Dual Receptacle Boxes.	A
503	0275490	Ref	220V with CEE 7 Side Ground Receptacle and Plug and Circuit Breaker (70x70 Box)	D
503		Ref	Decal - AC Power (Not Shown)	
503	1703464	1	110V	
503	3252507	1	220V	
503A		Ref	Box, Switch Options:	
503A	0861731	1	Box 0272839, 0275472, 0275485, 0275486 & 1001096628 Installations	
503A	See Note	NLA	Box 0272843 Installation (Note: Purchase Locally)	
503A	4460315	1	Box 0272839 Installation (Terminal, Spade) (Not Shown)	
503A	0861781	1	Box 0275487 & 0275488 Installations	
503A	See Note	1	Box 0275774/0275775 Installations (Note: Was p/n 0861782 which is no longer available. Use p/n 1001100344 CEE 7 Side Ground Service Kit or p/n 1001100343 CEE 7 Post Ground Service Kit. Kits includes Box p/n 1001141967 & items 503B, 503D & 503E)	
503A	1001141967	1	Box 1001100343, 1001100344, 1001141970 & 1001141971 Service Kits	
503B		Ref	Cover Options:	
503B	1671207	1	Cover 0272839 Installation	
503B	See Note	NLA	Cover 0272843 Installation (Note: Purchase Locally)	
503B	4461244	1	Cover 0275472 Installation (Includes Receptacle)	
503B	4461245	1	Cover 0275485 & 1001096628 Installations (Includes Receptacle)	
503B	4461246	1	Cover 0275486 Installation (Includes Receptacle)	
503B	4461198	1	Cover 0275487 Installation (Includes Receptacle)	

SECTION 7 - ELECTRICAL

ITEM	PART NUMBER	QTY	DESCRIPTION	REV
503B	4461201	1	Cover 0275488 Installation (Includes Receptacle)	
503B	4461204	NLA	Cover 0275489 Installation (Includes Receptacle) (Use P/n 1001100343)	
503B	1001141971	NLA	Cover 0275489 Installation (Includes Receptacle) (Use P/n 1001100343)	
503B	4461207	NLA	Cover 0275490 Installation (Includes Receptacle) (Use p/n 1001100344)	
503B	1001141970	NLA	Cover 0275490 Installation (Includes Receptacle) (Use p/n 1001100344)	
503B	1001141968	1	Cover 1001100343 & 1001141971 Service Kit	
503B	1001141969	1	Cover 1001100344 & 1001141970 Service Kit	
503C		Ref	Connector, Strain Relief Options:	
503C	4460662	1	Connector 0272839, 0275472, 0275485, 0275486 & 1001096628 Installations	
503C	See Note	NLA	Connector 0272843 Installation (Note: Purchase Locally)	
503C	4461257	1	Connector 0275487, 0275488, 0275489 & 0275490 Installations (90)	
503C	4461258	1	Connector 0275487, 0275488, 0275489 & 0275490 Installations (Adapter)	
503C	4460633	1	Connector 0275520 & 0275521 Installations	
503C	4460428	1	Connector 0275522 & 0275523 Installations	
503D		Ref	Receptacle, Electrical Options:	
503D	4460346	1	Receptacle 0272839 Installation	
503D	See Note	NSS	Receptacle 0272843 Installation (Note: Purchase Locally)	
503D	4461244	1	Receptacle 0275472 Installation (Includes Cover)	
503D	4461245	1	Receptacle 0275485 & 1001096628 Installations (Includes Receptacle)	
503D	4461246	1	Receptacle 0275486 Installation (Includes Cover)	
503D	4461198	1	Receptacle 0275487 Installation (Includes Cover)	
503D	4461201	1	Receptacle 0275488 Installation (Includes Cover)	
503D	4461204	NLA	Receptacle 0275489 Installation (Includes Receptacle) (Use p/n 1001100343)	
503D	1001141971	NLA	Receptacle 0275489 Installation (Includes Receptacle) (Use p/n 1001100343)	
503D	4461207	NLA	Receptacle 0275490 Installation (Includes Receptacle) (Use p/n 1001100344)	
503D	1001141970	NLA	Receptacle 0275490 Installation (Includes Receptacle) (Use p/n 1001100344)	
503D	1001141968	1	Receptacle 1001100343 & 1001141971 Service Kit	
503D	1001141969	1	Receptacle 1001100344 & 1001141970 Service Kit	
503E		Ref	Plug End Options:	
503E	4460138	1	Plug End 0272839 Installation (Male)	
503E	See Note	NLA	Plug End 0272843 Installation (Note: Purchase Locally)	
503E	4461202	1	Plug End 0275472/0275489 Installations & 1001100343/ 1001141971 Service Kits (Male)	
503E	4461203	1	Plug End 0275472 & 0275489 Installations & 1001100343/ 1001141971 Service Kits (Female)	
503E	4461205	1	Plug End 0275485 & 1001096628 Installations & 1001100344/ 1001141970 Service Kits (Male)	
503E	4461206	1	Plug End 0275485 & 1001096628 Installations & 1001100344/ 1001141970 Service Kits (Female)	
503E	4461249	1	Plug End 0275486 Installation (Male)	
503E	4461250	1	Plug End 0275486 Installation (Female)	
503E	4461196	1	Plug End 0275487 Installation (Male)	
503E	4461197	1	Plug End 0275487 Installation (Female)	

SECTION 7 - ELECTRICAL

ITEM	PART NUMBER	QTY	DESCRIPTION	REV
503E	4461199	1	Plug End 0275488 Installation (Male)	
503E	4461200	1	Plug End 0275488 Installation (Female)	
503E	4461202	1	Plug End 0275489 Installation (Male)	
503E	4461203	1	Plug End 0275489 Installation (Female)	
503E	4461205	1	Plug End 0275490 Installation (Male)	
503E	4461206	1	Plug End 0275490 Installation (Female)	
503F		Ref	Hardware Options:	
503F	4010405	AR	Screw M4 x 10mm	
503F	4010408	AR	Screw M4 x 16mm	
503F	4010612	AR	Screw M6 x 16mm	
503F	4191706	AR	Screw M6 x 12mm	
503F	4191708	AR	Screw M6 x 20mm	
503F	0760619	AR	Screw M6 x 55mm	
503F	3290405	AR	Locknut M4	
503F	3290605	AR	Locknut M6	
503F	3290607	AR	Locknut M6	
503F	4811400	AR	Flatwasher M4	
503F	1001091102	AR	Flatwasher M4 Oversize	
503F	4811700	AR	Flatwasher M6	
503G		Ref	Bracket, Receptacle Box Mounting Options:	
503G	Not Required	0	Bracket, Receptacle Box Mounting 0272839, 0272843, 0275472, 0275485, 0275486 & 1001096628 Installations	
503G	0903569	1	Bracket, Receptacle Box Mounting 0275487, 0275488, 0275489 & 0275490 Installations 1001096628 Installation (2nd Receptacle Box Only)	
503G	0903484	1	Bracket, Receptacle Box Mounting 1001096628 installation (2nd Receptacle Box Only)	
503H	0903566	1	Bracket, Circuit Breaker Mounting (Required Only on CE Spec Installations except 0272843 Installation)	
503H	01001096627	1	Bracket, Circuit Breaker Mounting (Required Only on CE Spec 1001096628 Installation)	
503J	2902541	AR	Circuit Breaker Box Assembly (Required Only on CE Spec Installations except 0272843 Installation):	E
		Ref	Note: Original box assembly used one single large breaker which is no longer available. For USA Built Machines SN 0200152825 through 0200163755 and Belgium Built Machines SN 1200008481 through 1200011328 Purchase p/n 2902541 as replacement. For USA Built Machines SN 0200163756 through 0200191894 & Belgium Built Machines SN 1200011329 through 1200021491, the one large single may be replaced with p/n 1001181045.	
503J		Ref	Circuit Breaker Options:	
503J	240015	NLA	Circuit Breaker - USA Built Machines (Use p/n 2902541) (SN 0200152825 through 0200163755)	
503J	2400093	NLA	Circuit Breaker - USA Built Machines (Use p/n 1001181045) (SN 0200163756 through 0200191893)	
503J	1001109475	NLA	Circuit Breaker - 16A USA Built Machines (Use p/n 1001181045) (SN 0200191894 through 0200198014)	
503J	1001109482	NLA	Circuit Breaker - 30mA USA Built Machines (Use p/n 1001181045) (SN 0200191894 through 0200198014)	
503J	240015	NLA	Circuit Breaker - Belgium Built Machines (Use p/n 2902541) (SN 1200008481 through 1200011328)	
503J	2400093	NLA	Circuit Breaker - Belgium Built Machines (Use p/n 1001181045) (SN 1200011329 through 1200021490)	
503J	1001109475	NLA	Circuit Breaker - 16A Belgium Built Machines (Use p/n	

SECTION 7 - ELECTRICAL

ITEM	PART NUMBER	QTY	DESCRIPTION	REV
503J	1001109482	NLA	1001181045) (SN 1200021491 through 1200025020) Circuit Breaker - Belgium Built Machines (Use p/n 1001181045) (SN 1200021491 through 1200025020)	
503J		Ref	Terminal Block Options:	
503J	250135	1	USA Built Machines (SN 0200152825 through 0200163755)	
503J	4460957	1	USA Built Machines (SN 0200163756 through 0200198014)	
503J	250135	1	Belgium Built Machines (SN 1200008481 through 1200011328)	
503J	4460957	1	Belgium Built Machines (SN 1200011329 through 1200025020)	
503J		Ref	Barrier, Terminal Block Options:	
503J	Not Required	0	USA Built Machines (SN 0200152825 through 0200163755)	
503J	4460956	1	USA Built Machines (SN 0200163756 through 0200198014)	
503J	Not Required	0	Belgium Built Machines (SN 1200008481 through 1200011328)	
503J	4460956	1	Belgium Built Machines (SN 1200011329 through 1200025020)	
503K		Ref	Connector, Strain Relief (Required Only on CE Spec Installations except 0272843 Installation)	
503K	4460633	1	USA Built Machines (SN 0200152825 through 0200173858)	
503K	1001097150	1	USA Built Machines (SN 0200173859 through 0200198014)	
503K	4460633	1	Belgium Built Machines (SN 1200008481 through 1200015446)	
503K	1001097150	1	Belgium Built Machines (SN 1200015447 through 1200025020)	
503L	1060908	55 in/1.4m	Cable, Extension (Required Only on CE Spec Installations except 0272843 Installation)	
503M	1060908	55 in/1.4m	Cable, Electrical (Required Only on CE Spec 1001096628 Installation) (Not Shown - Connects 2 Receptacle Boxes)	
	2902431	1	Receptacle Box Kit (110V GFI) (Includes Items 503A-503D) (0272839 Installation)	C
	0275216	1	Receptacle, Box and Plug Kit (110V IEC Yellow) (Includes Items 503A, 503B, 503C and Male 503E Plug End) (0275487 Installation)	1
	0275217	1	Receptacle, Box and Plug Kit (220V IEC Blue) (Includes Items 503A, 503B, 503D and Male 503E Plug End) (0275488 Installation)	1
	0275452	1	Receptacle Box Kit (220V CEE 7 Post Ground with 2x4 Box) (Includes Items 503A, 503B, 503D and Male 503E Plug End) (0275472 Installation)	1
	0275218	NLA	Receptacle, Box and Plug Kit (220V CEE 7 Post Ground with 70x70 Box) (Includes Items 503A, 503B, 503D & 503E) (0275489 Installation) (Use p/n 1001100343)	B-A
	1001141971	NLA	Receptacle, Box and Plug Kit (220V CEE 7 Post Ground with 70x70 Box) (Includes Items 503A, 503B, 503D & 503E) (0275489 Installation) (Use p/n 1001100343)	B-A
	0275453	1	Receptacle Box Kit (220V CEE 7 Side Ground with 2x4 Box) (Includes Items 503A, 503B, 503D and Male 503E Plug End) (0275485 and 1001096628 Installations)	1
	0275219	NLA	Receptacle, Box and Plug Kit (220V CEE 7 Side Ground with 70x70 Box) (Includes Items 503A, 503B, 503D & 503E) (0275490 Installation) (Use p/n 1001100344)	B-A

SECTION 7 - ELECTRICAL

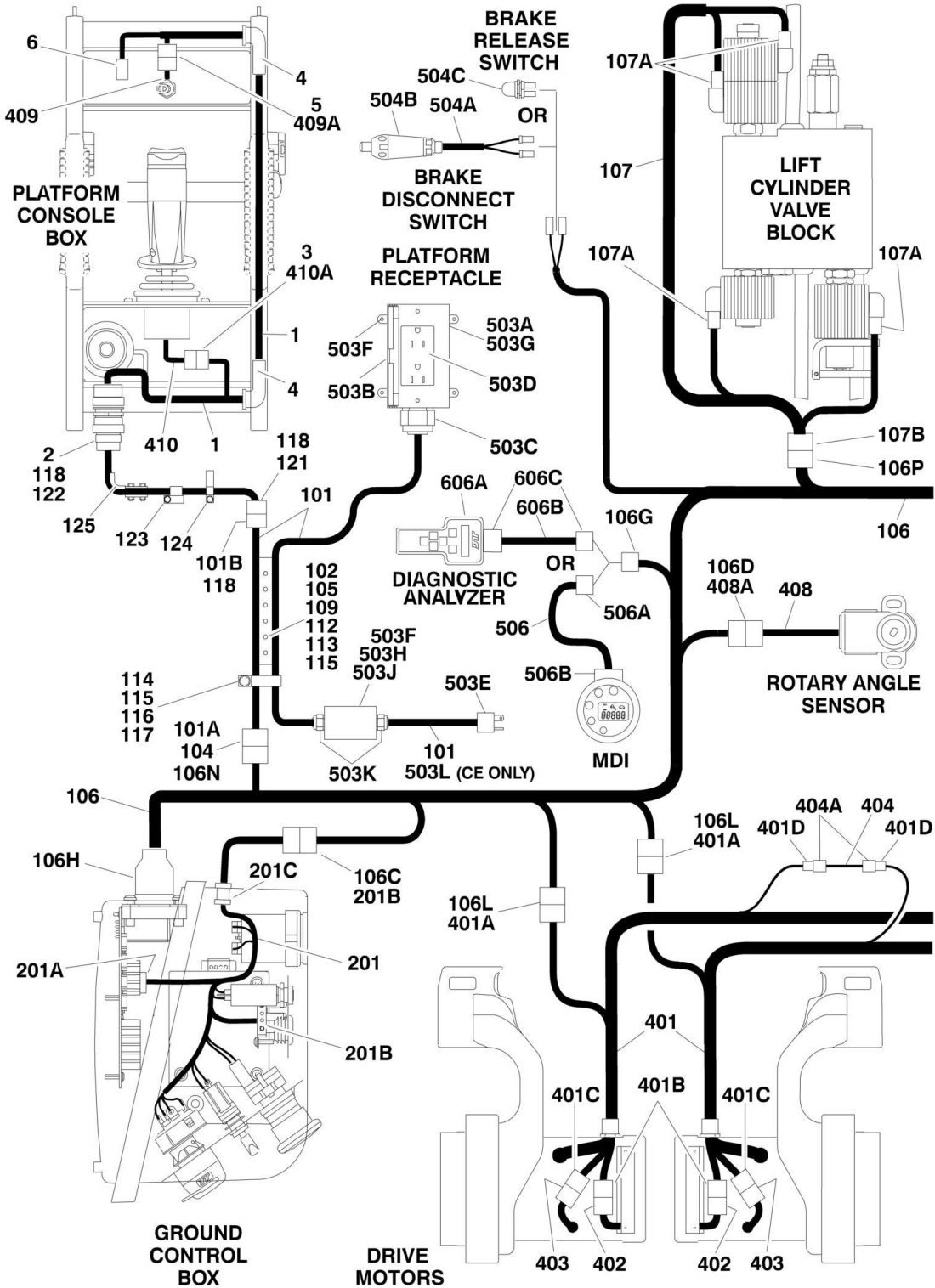
ITEM	PART NUMBER	QTY	DESCRIPTION	REV
	1001141970	NLA	Receptacle, Box and Plug Kit (220V CEE 7 Side Ground with 70x70 Box) (Includes Items 503A, 503B, 503D & 503E) (0275490 Installation) (Use p/n 1001100344)	B-A
	0275454	1	Receptacle, Box and Plug Kit (220V AFSINT 107 Keyed Ground) (Includes Items 503A, 503B, 503D and Male 503E Plug End) (0275486 Installation)	1
504		Ref	Brake Disconnect /Release Switch Components	
504A	4922944	1	Brake Disconnect Harness and Switch	E
504A	1060680	15 ft/2.7m	Cable, Electrical 18/2	
504A	4240003	1	Strap, Cinch (Not Shown)	
504B	4360613	1	Switch, Limit	
504C	4360387	1	Brake Release Switch	
505		Ref	Battery Charger/Inverter Components (ANSI and CSA Option Only):	
505A	See Note	NSS	AC Output Harness (Note: Internal Part of Inverter)	
505B	See Note	NSS	Receptacle, Female - 4 Position (Conxall T9014) (Note: Internal Part of Inverter)	
505C	See Note	NSS	AC Input Harness (Note: Internal Part of Inverter)	
505D	See Note	NSS	Receptacle, Female - 4 Position (Conxall T9016) (Note: Internal Part of Inverter)	
505E	See Note	NSS	Remote Control Harness (Note: Internal Part of Inverter)	
505F	See Note	NSS	Plug, Male - 8 Position (Conxall 7281-8PG-300) (Note: Internal Part of Inverter)	
505G	4923389	NLA	AC Input Harness (Use p/n 1001091479)	D
505H	4460138	1	Plug, Male	
505J	See Note	NSS	Plug, Mail - 4 Position (Conxall T9017) (Note: Use Item 505H)	
505K	4923390	1	AC Output Harness	D
505L	4460779	1	Receptacle, Female	
505M	See Note	NSS	Plug, Male - 4 Position (Conxall T9015) (Note: Use Item 505K)	
505N	4923391	1	Data Interface Harness	D
505P	See Note	NSS	Plug, Male - 8 Position (Conxall 6280-8SG-318) (Note: Use Item 505N)	
505R	4460899	1	Receptacle, Female - 6 Position	
505R	4460464	4	Pin, Male	
505R	4460466	2	Plug, Seal	
505R	3990010	1	Diode 6A/600V	
505S	4360336	1	Switch, Toggle	
505T	4460424	2	Receptacle, Female - 2 Position	
505T	4460267	2	Pin, Male	
505U	4923392	1	Cable, Battery + to Inverter +	A
505V	4923393	1	Cable, Battery - to Inverter -	A
506	1001093556	1	MDI Harness (USA Built Machines Only) (SN 0200168420 through 0200198014)	B
506	1001093556	1	MDI Harness (Belgium Built Machines Only) (SN 1200014906 through 1200025020)	B
506A	4460321	1	Plug, Male	
506A	4460226	4	Socket, Female	
506B	4460868	1	Plug, Male - 6 Position	
506B	4460877	4	Terminal	
506B	1001094105	1	Boot	
		Ref	TOOLS FOR SERVICE	
601	7002821	1	Crimper, Wire (Not Shown)	
602	7002823	1	Extractor, Pin - Universal (Not Shown)	
603	4460467	AR	Extractor, Pin #16 Gauge (Not Shown)	

SECTION 7 - ELECTRICAL

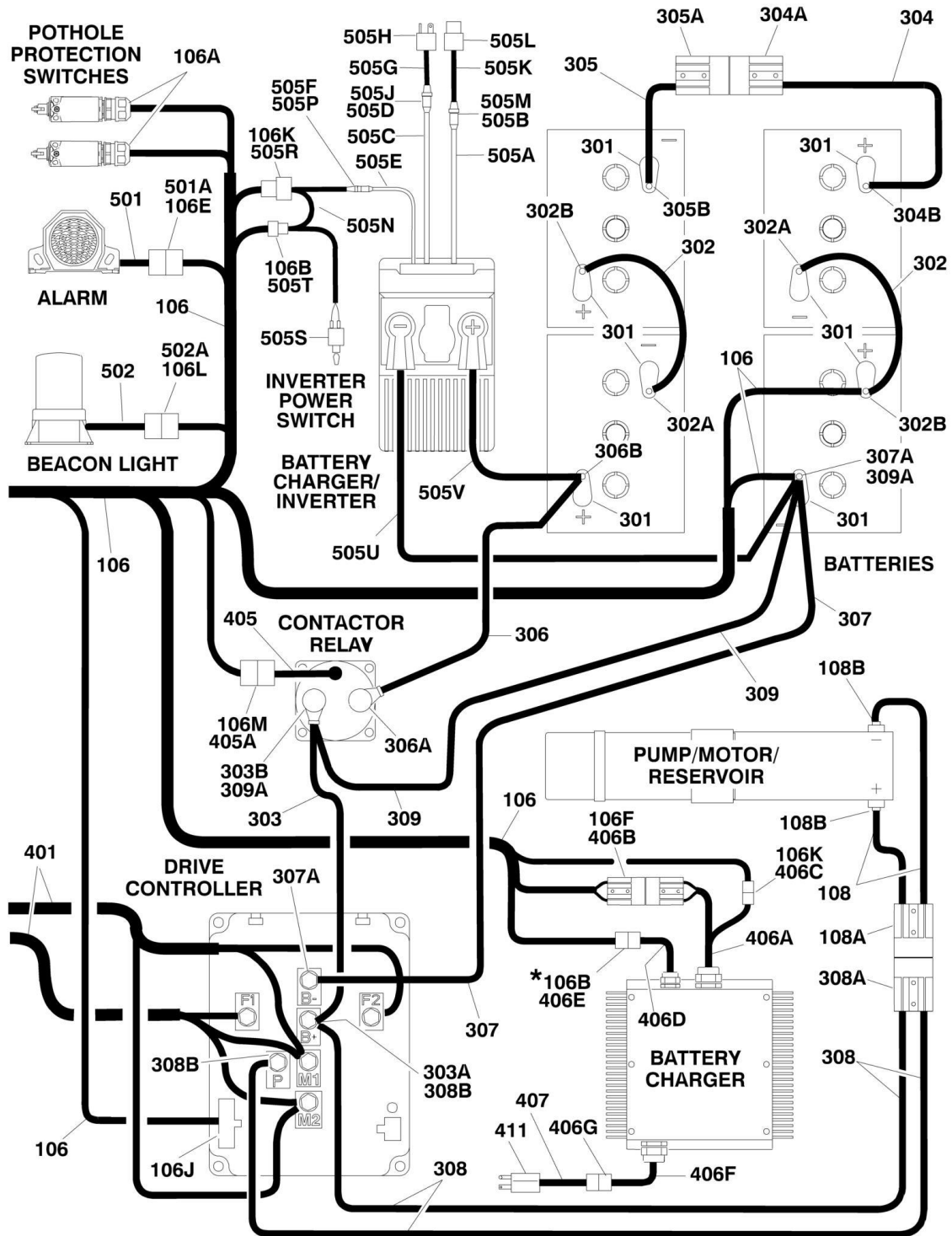
ITEM	PART NUMBER	QTY	DESCRIPTION	REV
604	4460510	AR	Extractor, Pin #12 Gauge (Not Shown)	
605	7002828	1	Stripper, Wire (Not Shown)	
606	2901443	1	Analyzer Kit (Not Shown)	
606A	1600244	1	Analyzer	
606B	1060633	1	Cable, Analyzer	
606C	4460321	2	Plug, Male - 4 Position	
606C	4460226	8	Socket, Female	
607	1001137005	1	Software Cables Kit (Not Shown)	

SECTION 7 - ELECTRICAL

FIGURE 7-3. 2030ES/2630ES ELECTRICAL COMPONENTS INSTALLATION



SECTION 7 - ELECTRICAL



*NOTE: THIS CONNECTION USED ONLY WHEN FOOTSWITCH OR BATTERY CHARGER INTERLOCK OPTIONS ARE REQUIRED.

SECTION 7 - ELECTRICAL

FIGURE 7-3. 2030ES/2630ES ELECTRICAL COMPONENTS INSTALLATION

ITEM	PART NUMBER	QTY	DESCRIPTION	REV
		Ref	CONSOLE BOX COMPONENTS	
1	4922870	1	Platform Box Harness	B
2	4461016	1	Connector - 14 Position	
2	4460464	6	Pin, Male	
2	4460466	8	Plug, Sealing	
2	4460496	1	Lockwasher	
2	4460497	1	Nut, Panel	
3	4460265	1	Plug, Male - 9 Position	
3	4460267	8	Pin, Male	
4	2540042	2	Grommet 90	
5	See Note	NSS	Receptacle, Female - 3 Position (Note: Not Available for Purchase)	
6	4461057	1	Plug, Male - 16 Position	
		Ref	PLATFORM CABLES INSTALLATION	
	0274973	Ref	Platform Cables Installation (2030ES) (ANSI, ANSI Export, Japanese and UL Specs)	J
	0275542	Ref	Platform Cables Installation (2030ES) (Australian and CE Specs)	H
	0274974	Ref	Platform Cables Installation (2630ES) (ANSI, ANSI Export, Japanese and UL Specs)	J
	0275543	Ref	Platform Cables Installation (2630ES) (Australian and CE Specs)	H
101		Ref	Platform to Ground Harness Options:	
101	1001094155	1	Harness Platform to Ground Harness (2030ES ANSI, ANSI Export, Japanese and UL Specs)	C
101	1001094333	1	Harness Platform to Ground Harness (2030ES Australian and CE Specs)	B
101	1001094156	1	Harness Platform to Ground Harness (2630ES ANSI, ANSI Export, Japanese and UL Specs)	C
101	1001094334	1	Harness Platform to Ground Harness (2630ES Australian and CE Specs)	B
101A	4460930	1	Plug, Male - 8 Position	
101A	4460465	4	Socket, Female	
101A	4460944	3	Socket, Female (Gold)	
101A	4460466	1	Plug, Sealing	
101A	0840061	1	Boot, 8 Position Plug	
101A	2820026	AR	Insulation, Clear Tubing	
101A	2820028	AR	Heat Shrink	
101B	4460930	1	Plug, Male - 8 Position	
101B	4460465	4	Socket, Female	
101B	4460944	3	Socket, Female (Gold)	
101B	4460466	1	Plug, Sealing	
101B	0840061	1	Boot, 8 Position Plug	
101B	2820026	AR	Insulation, Clear Tubing	
101B	2820028	AR	Heat Shrink	
102	1380158	AR	Retainer	
104	0100048	AR	Grease, Dielectric	
105	4740545	AR	Washer, Special Cable	
106		Ref	Chassis Harness Options:	
106	4923449	NLA	Harness USA Built Machines (Use p/n 1001109218) (SN 0200152825 through 0200195917)	F
106	1001109124	1	Harness USA Built Machines (SN 0200195918 through	B

SECTION 7 - ELECTRICAL

ITEM	PART NUMBER	QTY	DESCRIPTION	REV
106	4923449	NLA	0200198014) Harness Belgium Built Machines (Use p/n 1001109218) (SN 1200008481 through 1200022846)	F
106	1001109124	1	Harness Belgium Built Machines (SN 1200022847 through 1200025020)	B
106		Ref	Wiring Diagram - Chassis Options:	
106	4933351	Ref	Wiring Diagram - Chassis USA Built Machines (SN 0200152825 through 0200195917)	C
106	1001109123	Ref	Wiring Diagram - Chassis USA Built Machines (SN 0200195918 through 0200198014)	A
106	4933351	Ref	Wiring Diagram - Chassis Belgium Built Machines (SN 1200008481 through 1200022846)	C
106	1001109123	Ref	Wiring Diagram - Chassis Belgium Built Machines (SN 1200022847 through 1200025020)	A
106	3990013	2	Diode 1Amp/400V (Not Shown)	
106A		Ref	Switch, Limit Options:	
106A	4360633	NLA	Switch, Limit USA Built Machines (Use p/n 1001109345) (SN 0200152825 through 0200195917)	
106A	1001109088	2	Switch, Limit USA Built Machines (SN 0200195918 through 0200198014)	
106A	4360633	NLA	Switch, Limit Belgium Built Machines (Use p/n 1001109345) (SN 1200008481 through 1200022846)	
106A	1001109088	2	Switch, Limit Belgium Built Machines (SN 1200022847 through 1200025020)	
106A	4460884	2	Plug, Male 4 Position (Use with p/n 1001109088 Switch)	
106A	4460465	4	Socket, Female (Use with p/n 1001109088 Switch)	
106B	4460320	1	Plug, Male - 2 Position (Note: Connection to this plug used only when footswitch or battery interlock options are required)	
106B	4460226	2	Socket, Female	
106C	4460321	1	Plug, Male - 4 Position	
106C	4460227	4	Pin, Male	
106D	4460539	1	Plug, Male - 3 Position	
106D	4460465	3	Socket, Female	
106E	4460539	1	Plug, Male - 3 Position	
106E	4460465	2	Socket, Female	
106F	4460648	1	Connector, Anderson	
106G	4460761	1	Receptacle, Female - 4 Position	
106G	4460227	4	Pin, Male	
106H	4460814	1	Plug, Male - 40 Position	
106H	4460465	31	Socket, Female	
106H	4460944	6	Socket, Female (Gold)	
106H	0840057	1	Boot	
106J	4460870	1	Plug, Male - 12 Position	
106J	4460877	4	Pin, Male	
106K	4460894	1	Plug, Male - 6 Position	
106K	4460465	4	Socket, Female	
106K	0840059	1	Boot	
106L	4460897	3	Receptacle, Female - 2 Position	
106L	4460464	6	Pin, Male	
106M	4460897	1	Receptacle, Female - 2 Position	
106M	4460465	2	Socket, Female	
106N	4460931	1	Receptacle, Female - 8 Position	
106N	4460464	4	Pin, Male	
106N	4460943	3	Pin, Male (Gold)	

SECTION 7 - ELECTRICAL

ITEM	PART NUMBER	QTY	DESCRIPTION	REV
106N	0840058	1	Boot	
106P	4460899	1	Connector, Female - 6 Position	
106P	4460464	6	Pin, Male	
106R	4460931	1	Receptacle, Female - 8 Position	
106R	4460464	4	Pin, Male	
106T	4460930	1	Plug, Male - 8 Position	
106T	4460466	1	Seal, Plug	
107	4923350	1	Lift Cylinder Harness	D
107A	4460891	4	Plug, Male - 2 Position	
107A	4460465	8	Socket, Female	
107B	4460894	1	Plug, Male - 6 Position	
107B	4460465	6	Socket, Female	
107B	0840059	1	Boot	
108		Ref	Power to Pump Motor Harness Options:	
108	4923271	1	Power to Pump Motor Harness USA Built Machines (SN 0200152825 through 0200172052)	C
108	1001096794	1	Power to Pump Motor Harness USA Built Machines (SN 0200172053 through 0200198014)	B
108	4923271	1	Power to Pump Motor Harness Belgium Built Machines (SN 1200008481 through 1200014905)	C
108	1001096794	1	Power to Pump Motor Harness Belgium Built Machines (SN 1200014906 through 1200025020)	B
108A		Ref	Connector, Anderson Options:	
108A	See Note	NSS	Connector Red (Note: Use Item 108)	
108A	See Note	NSS	Connector Gray (Note: Use Item 108)	
108B	0840041	2	Boot, Terminal (Red)	
109		Ref	Screw M6 Options:	
109	0760610	AR	Screw 20mm Length	
109	0760614	AR	Screw 30mm Length	
111		Ref	Battery Cable Kit Options (See Items 301- 309 for Breakdown):	
111	2902509		Battery Cable Kit USA Built Machines (SN 0200152825 through 0200172052)	
111	1001096799		Battery Cable Kit USA Built Machines (SN 0200172053 through 0200198014)	
111	2902509	1	Battery Cable Kit Belgium Built Machines (SN 1200008481 through 1200014905)	
111	1001096799	1	Battery Cable Kit Belgium Built Machines (SN 1200014906 through 1200025020)	
112	3290607	4	Nut M6	
113	4811700	2	Flatwasher M6	
114	1321716	2	Clamp	
115	3290605	AR	Locknut M6	
116	4031713	AR	Capscrew, Socket Head M6 x 45mm	
117	4811700	AR	Flatwasher M6	
118		Ref	Platform to Control Box Coiled Cable Harness Options:	
118	2915252	NLA	Harness USA Built Machines (Use Repair Kit p/n 1001104467 - Includes Items 101B & 121-125) (SN 0200152825 through 0200168419)	A
118	1001096706	1	Harness USA Built Machines (Includes Items 121 & 122) (SN 0200168420 through 0200198014)	A
118	2915252	NLA	Harness Belgium Built Machines (Use Repair Kit p/n 1001104467 - Includes Items 101B & 121-125) (SN 1200008481 through 1200014905)	A
118	1001096706	1	Harness Belgium Built Machines (Includes Items 121 & 122)	A

SECTION 7 - ELECTRICAL

ITEM	PART NUMBER	QTY	DESCRIPTION	REV
			(SN 1200014906 through 1200025020)	
121	4460931	1	Receptacle, Female - 8 Position	
121	4460464	4	Pin, Male	
121	4460943	3	Pin, Male (Gold)	
121	4460466	1	Plug, Sealing	
121	0840058	1	Boot, 8 Position Receptacle	
121	2820026	AR	Insulation, Clear Tubing	
121	2820028	AR	Heat Shrink	
122	4460754	1	Connector -14 Position	
122	4460465	4	Socket, Female	
122	4460944	3	Socket, Female	
122	4460466	4	Plug, Sealing	
122	3730119	1	Resistor	
122	4460493	1	Cap, Dust	
122	2820026	AR	Insulation, Clear Tubing	
123	1001094175	AR	Clamp, Post	
123	4010617	AR	Screw M6 x 45mm	
123	3290606	AR	Nut, Acorn M6	
124	1001094180	4	Clamp, Rail	
124	0760606	4	Screw M6 x 12mm	
124	3290606	4	Nut, Acorn M6	
125	1001104465	AR	Hook, Corner	
125	4010617	AR	Screw M6 x 45mm	
125	3290606	AR	Nut, Acorn M6	
		Ref	GROUND CONTROL BOX COMPONENTS	
201	4922865	1	Control Box Harness	E
201A	4460265	1	Plug, Male - 9 Position	
201A	4460268	9	Socket, Female	
201B	4460761	2	Receptacle, Female - 4 Position	
201B	4460267	8	Pin, Male	
201C	See Note	NSS	Grommet (Note: Molded in Part of Harness)	
201D	4460418	1	Receptacle, Female - 3 Position	
201D	4460419	3	Terminal	
		Ref	BATTERY CABLE KITS	
	2902509	Ref	USA Built Machines (SN 0200152825 through 0200172052)	F
	1001096799	Ref	USA Built Machines (SN 0200172053 through 0200198014)	C
	2902509	Ref	Belgium Built Machines (SN 1200008481 through 1200014905)	F
	1001096799	Ref	Belgium Built Machines (SN 1200014906 through 1200025020)	C
301	0840060	8	Boot, Terminal (Gray) (Covers only the Battery Terminal Base)	
302	1060998	2	Cable, Battery (Battery Positive to Battery Negative)	E
302A	See Note	NSS	Boot, Terminal (Black) (1 Per Cable Assembly) (Note: Not Available for Purchase)	
302B	See Note	NSS	Boot, Terminal (Red) (1 Per Cable Assembly) (Note: Not Available for Purchase)	
303	1061001	1	Cable, Battery (Contactor to Drive Module B+)	E
303A	See Note	NSS	Boot, Terminal (Black) (Note: Not Available for Purchase)	
303B	See Note	NSS	Boot, Terminal (Red) (Note: Not Available for Purchase)	
304	4923413	NLA	Cable, Battery (LH Battery to Disconnect) (Use p/n 1001127523)	B-E
304A	4460618	1	Connector, Anderson	
304A	2560205	1	Handle, Connector	
304B	See Note	NSS	Boot, Terminal (Red) (Note: Not Available for Purchase)	
305	4923414	1	Cable, Battery (RH Batteries to Disconnect)	E

SECTION 7 - ELECTRICAL

ITEM	PART NUMBER	QTY	DESCRIPTION	REV
305A	4460618	1	Connector, Anderson	
305B	See Note	NSS	Boot, Terminal (Black) (Note: Not Available for Purchase)	
306	4923415	1	Cable, Battery (RH Battery to Contactor)	C
306A	See Note	NSS	Boot, Terminal (Black) (Note: Not Available for Purchase)	
306B	See Note	NSS	Boot, Terminal (Red) (Note: Not Available for Purchase)	
307	4923416	1	Cable, Battery (LH Battery to Connector B-)	B
307A	See Note	NSS	Boot, Terminal (Black) (Note: Not Available for Purchase)	
308		Ref	Cable, Battery (Power to Pump Motor)	
308	4923272	2	Cable USA Built Machines (SN 0200152825 through 0200172052)	C
308	1001096795	2	Cable USA Built Machines (SN 0200172053 through 0200198014)	C
308	4923272	2	Cable Belgium Built Machines (SN 1200008481 through 1200014905)	C
308	1001096795	2	Cable Belgium Built Machines (SN 1200014906 through 1200025020)	C
308A		Ref	Connector, Anderson Options:	
308A	See Note	NSS	Connector, Red (Note: Use Item 308)	
308A	See Note	NSS	Connector, Gray (Note: Use Item 308)	
308B	0840041	1	Boot, Terminal (Red)	
309 AND 309	Not Required	0	Not Required	
		Ref	STANDARD HARNESSSES	
401		Ref	Drive Motor/Brake Harness Options:	
401	1001099676	2	Harness USA Built Machines (was p/n 7024770 & 7024775) (SN 0200152825 through 0200170584)	
401	1001091843	NLA	Harness USA Built Machines (Use p/n 1001134012) (SN 0200170585 through 0200198014)	
401	1001099676	2	Harness Belgium Built Machines (was p/n 7024770 & 7024775) (SN 1200008481 through 1200015158)	
401	1001091843	NLA	Harness Belgium Built Machines (Use p/n 1001134012) (SN 1200015159 through 1200025020)	
401A	4460891	2	Plug, Male - 2 Position (1 Per Harness)	
401A	4460465	4	Socket, Female (2 Per Harness)	
401B	70001442	2	Plug, Male - 2 Position (1 Per Harness) (To Brake)	
401B	See Note	NSS	Socket, Female (2 Per Harness) (To Brake) (Note: Not Available for Purchase)	
401C	70001443	2	Plug, Male - 2 Position (1 Per Harness) (To Motor)	
401C	70001444	4	Socket, Female (2 Per Harness) (To Motor)	
401D		Ref	Connector Options:	
401D	See Note	NSS	Connector USA Built Machines Use Butt Connector (Note: Purchase Locally) (SN 0200152825 through 0200156116)	
		Ref	Note: P/N 7024770 Harness is equipped with a connector at this location. When replacing, clip connector and butt splice to Drive Harness from opposite side.	
401D	4461261	1	Connector USA Built Machines Use Plug, Male - 1 Position (SN 0200156117 through 0200198014)	
401D	4460509	1	Connector USA Built Machines Use Terminal (SN 0200156117 through 0200198014)	
401D	4461261	1	Connector All Belgium Built Machines Use Plug, Male - 1 Position	
401D	4460509	1	All Belgium Built Machines Use Terminal	
402	See Note	NSS	Harness, Brake (Note: Internal Connections - Purchase Complete Brake)	
402	See Note	NSS	Receptacle, Female - 2 Position (1 Per Harness) (Note: Internal	

SECTION 7 - ELECTRICAL

ITEM	PART NUMBER	QTY	DESCRIPTION	REV
402	See Note	NSS	Connections - Purchase Complete Brake) Pin, Male (2 Per Harness) (Note: Internal Connections - Purchase Complete Brake)	
403	See Note	NSS	Harness, Motor (Note: Internal Connections - Purchase Complete Motor)	
403	See Note	NSS	Receptacle, Female - 2 Position (1 Per Harness) (Note: Internal Connections - Purchase Complete Motor)	
403	See Note	NSS	Pin, Male (2 Per Harness) (Note: Internal Connections - Purchase Complete Motor)	
404	4923602	2	Harness, Field Wire Connection	B
404A	4461260	2	Receptacle, Female - 1 Position	
404A	4460508	2	Terminal	
405	3740150	1	Contactory Relay Harness (Includes Relay)	
405A	4460891	1	Plug, Male - 2 Position	
405A	4460465	2	Socket, Female	
406		Ref	Battery Charger Components	
406A	See Note	NSS	DC Harness/Cord Set (Note: Not Available for Purchase)	
406B	4460648	1	Plug, Anderson	
406C	4460899	1	Connector, Female - 6 Position	
406C	4460464	6	Pin, Male	
406D	See Note	NSS	Harness with Connector (Note: Connection to this plug used only when battery interlock options are required) (Note: Not Available for Purchase)	
406E	4460424	1	Connector, Female - 2 Position (Note: Connection to this plug used only when battery interlock options are required)	
406E	4460227	2	Pin, Male	
406F	See Note	NSS	AC Harness/Cord Set (Note: Not Available for Purchase)	
406G	See Note	NSS	Connector, Female (Note: Not Available for Purchase)	
407		Ref	Cable, AC Power to Charger Options:	
407	1060688	1	Cable with Factory Supplied Plug (Black)	
407	1001103257	1	Cable with Factory Supplied Plug (Orange)	
407	1060689	1	Cable with Locally Supplied Plug (Black)	
407	1001103258	1	Cable with Locally Supplied Plug (Orange)	
408	4360526	NLA	Rotary Angle Sensor and Harness (Separate Harness Not Available) (Use p/n 1001092354)	
408A	4460536	1	Receptacle, Female - 3 Position	
408A	4460464	3	Pin, Male	
409	See Note	NSS	Toggle Switch and Harness (Note: No Separate Harness Available)	
409A	4360539	1	Plug, Male - 3 Position	
410	See Note	NSS	Joystick Harness (Note: Purchase Complete Joystick)	
410A	4460266	1	Receptacle, Female - 9 Position	
410A	4460226	8	Socket, Female	
411		Ref	Plug Options:	
411	See Note	NLA	ANSI Spec Plug (Note: Use p/n 1001103257)	
411	See Note	NSS	Australian and Japanese Specs (Note: Purchase Locally)	
411		Ref	CE Spec Options:	
411	0275666	Ref	IEC Yellow Receptacle Installation	A
411	4461196	Ref	Receptacle, IEC Yellow	
411	0276667	Ref	IEC Blue Receptacle Installation	A
411	4661199	Ref	Receptacle, IEC Blue	
411	0275665	Ref	AFSINT 107 Keyed Ground Receptacle Installation	A
411	4661249	Ref	Receptacle, AFSINT 107 Keyed Ground	

SECTION 7 - ELECTRICAL

ITEM	PART NUMBER	QTY	DESCRIPTION	REV
411	0275663	Ref	CEE 7 Post Ground Receptacle Installation	A
411	4661202	Ref	Receptacle, CEE 7 Post Ground	
411	0275664	Ref	CEE 7 Side Ground Receptacle Installation	A
411	4661205	Ref	Receptacle, CEE 7 Side Ground	
		Ref	OPTIONAL HARNESES	
501	0140043	1	Alarm and Harness (Separate Harness Not Available)	
501A	4460536	1	Receptacle, Female - 3 Position	
501A	4460464	3	Pin, Male	
502	2920161	1	Beacon Light and Harness (Separate Harness Not Available)	
502A	4460891	1	Plug, Male - 2 Position (1 Per Harness)	
502A	4460465	2	Socket, Female (2 Per Harness)	
503		Ref	Platform Electrical Outlet Components	
503		Ref	ANSI, ANSI Export, CSA, Japanese and UL Specs Options:	
503	0272839	Ref	110V with Receptacle and Plug	H
503	0272843	Ref	220V without Receptacle and Plug (Locally Supplied Components)	F
503		Ref	Australian Specs Options:	
503	0272843	Ref	220V without Receptacle and Plug (Locally Supplied Components)	F
503		Ref	CE Specs Options:	
503	0275513	NLA	110V with IEC Yellow Receptacle and Plug and Circuit Breaker (Use p/n 0275487)	C
503	0272843	Ref	220V without Receptacle and Plug (Locally Supplied Components)	F
503	0275514	NLA	220V with IEC Blue Receptacle and Plug and Circuit Breaker (Use p/n 0275488)	C
503	0275512	NLA	220V with AFSINT 107 Keyed Ground Receptacle and Plug and Circuit Breaker (Use p/n 0275486)	C
503	0275510	NLA	220V with CEE 7 Post Ground Receptacle and Plug and Circuit Breaker (2x4 Box) (Use p/n 0275472)	C
503	0275515	NLA	220V with CEE 7 Post Ground Receptacle and Plug and Circuit Breaker (70x70 Box) (Use p/n 0275489)	D
503	0275511	NLA	220V with CEE 7 Side Ground Receptacle and Plug and Circuit Breaker (2x4 Single Box) (Use p/n 0275485)	C
503	1001096628	Ref	220V with CEE 7 Side Ground Receptacle and Plug and Circuit Breaker (2x4 Dual Boxes)	A
		Ref	Note: Qty shown is for single Receptacle Box. Double Qty listed for Dual Receptacle Boxes.	
503	0275516	NLA	220V with CEE 7 Side Ground Receptacle and Plug and Circuit Breaker (70x70 Box) (Use p/n 0275490)	D
503		Ref	Decal - AC Power (Not Shown)	
503	1703464	1	Decal 110V	
503	3252507	1	Decal 220V	
503A		Ref	Box, Switch Options:	
503A	0861731	1	Box, Switch 0272839, 0275472, 0275485, 0275486 & 1001096628 Installations	
503A	See Note	NLA	Box, Switch 0272843 Installation (Note: Purchase Locally)	
503A	4460315	1	Box, Switch 0272839 Installation (Terminal, Spade) (Not Shown)	
503A	0861781	1	Box, Switch 0275487 & 0275488 Installations	
503A	See Note	1	Box, Switch 0275774/0275775 Installations (Note: Was p/n 0861782 which is no longer available. Use p/n 100110344 CEE 7 Side Ground Service Kit or p/n 1001100343 CEE 7 Post Ground Service Kit. Kits includes Box p/n 1001141967 & items 503B, 503D & 503E)	

SECTION 7 - ELECTRICAL

ITEM	PART NUMBER	QTY	DESCRIPTION	REV
503A	1001141967	1	Box, Switch 1001100343, 1001100344, 1001141970 & 1001141971 Service Kits	
503B		Ref	Cover Options:	
503B	1671207	1	Cover 0272839 Installation	
503B	See Note	NLA	Cover 0272843 Installation (Note: Purchase Locally)	
503B	4461244	1	Cover 0275472 Installation (Includes Receptacle)	
503B	4461245	1	Cover 0275485 & 1001096628 Installations (Includes Receptacle)	
503B	4461246	1	Cover 0275486 Installation (Includes Receptacle)	
503B	4461198	1	Cover 0275487 Installation (Includes Receptacle)	
503B	4461201	1	Cover 0275488 Installation (Includes Receptacle)	
503B	4461204	NLA	Cover 0275489 Installation (Includes Receptacle) (Use p/n 1001100343)	
503B	1001141971	NLA	Cover 0275489 Installation (Includes Receptacle) (Use p/n 1001100343)	
503B	4461207	NLA	Cover 0275490 Installation (Includes Receptacle) (Use p/n 1001100344)	
503B	1001141970	NLA	Cover 0275490 Installation (Includes Receptacle) (Use p/n 1001100344)	
503B	1001141968	1	Cover 1001100343 & 1001141971 Service Kits	
503B	1001141969	1	Cover 1001100344 & 1001141970 Service Kits	
503C		Ref	Connector, Strain Relief Options:	
503C	4460662	1	Connector 0272839, 0275472, 0275485, 0275486 & 1001096628 Installations	
503C	See Note	NLA	Connector 0272843 Installation (Note: Purchase Locally)	
503C	4461257	1	Connector 0275487, 0275488, 0275489 & 0275490 Installations (90)	
503C	4461258	1	Connector 0275487, 0275488, 0275489 & 0275490 Installations (Adapter)	
503C	4460633	1	Connector 0275520 & 0275521 Installations	
503C	4460428	1	Connector 0275522 & 0275523 Installations	
503D		Ref	Receptacle, Electrical Options:	
503D	4460346	1	Receptacle 0272839 Installation	
503D	See Note	NLA	Receptacle 0272843 Installation (Note: Purchase Locally)	
503D	4461244	1	Receptacle 0275472 Installation (Includes Cover)	
503D	4461245	1	Receptacle 0275485 & 1001096628 Installations (Includes Receptacle)	
503D	4461246	1	Receptacle 0275486 Installation (Includes Cover)	
503D	4461198	1	Receptacle 0275487 Installation (Includes Cover)	
503D	4461201	1	Receptacle 0275488 Installation (Includes Cover)	
503D	4461204	NLA	Receptacle 0275489 Installation (Includes Receptacle) (Use p/n 1001100343)	
503D	1001141971	NLA	Receptacle 0275489 Installation (Includes Receptacle) (Use p/n 1001100343)	
503D	4461207	NLA	Receptacle 0275490 Installation (Includes Receptacle) (Use p/n 1001100344)	
503D	1001141970	NLA	Receptacle 0275490 Installation (Includes Receptacle) (Use p/n 1001100344)	
503D	1001141968	1	Receptacle 1001100343 & 1001141971 Service Kits	
503D	1001141969	1	Receptacle 1001100344 & 1001141970 Service Kits	
503E		Ref	Plug End Options:	
503E	4460138	1	Plug End 0272839 Installation (Male)	
503E	See Note	NLA	Plug End 0272843 Installation (Note: Purchase Locally)	
503E	4461202	1	Plug End 0275472/ 0275489 Installations & 1001100343/ 1001141971 Kits (Male)	

SECTION 7 - ELECTRICAL

ITEM	PART NUMBER	QTY	DESCRIPTION	REV
503E	4461203	1	Plug End 0275472 & 0275489 Installations & 1001100343/ 1001141971 Kits (Female)	
503E	4461205	1	Plug End 0275485/ 1001096628 Installations & 1001100344/ 1001141970 Kits (Male)	
503E	4461206	1	Plug End 0275485 & 1001096628 Installations & 1001100344/ 1001141970 Kits (Female)	
503E	4461249	1	Plug End 0275486 Installation (Male)	
503E	4461250	1	Plug End 0275486 Installation (Female)	
503E	4461196	1	Plug End 0275487 Installation (Male)	
503E	4461197	1	Plug End 0275487 Installation (Female)	
503E	4461199	1	Plug End 0275488 Installation (Male)	
503E	4461200	1	Plug End 0275488 Installation (Female)	
503E	4461202	1	Plug End 0275489 Installation (Male)	
503E	4461203	1	Plug End 0275489 Installation (Female)	
503E	4461205	1	Plug End 0275490 Installation (Male)	
503E	4461206	1	Plug End 0275490 Installation (Female)	
503F		Ref	Hardware Options:	
503F	4010405	AR	Screw M4 x 10mm	
503F	4010408	AR	Screw M4 x 16mm	
503F	4010612	AR	Screw M6 x 16mm	
503F	4191706	AR	Screw M6 x 12mm	
503F	4191708	AR	Screw M6 x 20mm	
503F	0760619	AR	Screw M6 x 55mm	
503F	3290405	AR	Locknut M4	
503F	3290605	AR	Locknut M6	
503F	3290607	AR	Locknut M6	
503F	4811400	AR	Flatwasher M4	
503F	1001091102	AR	Flatwasher M4 Oversize	
503F	4811700	AR	Flatwasher M6	
503G		Ref	Bracket, Receptacle Box Mounting Options:	
503G	Not Required	0	Bracket, Receptacle Box Mounting 0272839, 0272843, 0275472, 0275485, 0275486 & 1001096628 Installations	
503G	0903569	1	Bracket, Receptacle Box Mounting 0275487, 0275488, 0275489 & 0275490 Installations	
503G	0903484	1	Bracket, Receptacle Box Mounting 1001096628 Installation (2nd Receptacle Box Only)	
503H	0903566	1	Bracket, Circuit Breaker Mounting (Required Only on CE Spec Installations except 0272843 Installation)	
503H	01001096627	1	Bracket, Circuit Breaker Mounting (Required Only on CE Spec 1001096628 Installation)	
503J	2902541	AR	Circuit Breaker Box Assembly (Required Only on CE Spec Installations except 0272843 Installation):	E
		Ref	Note: Original box assembly used one single large breaker which is no longer available. For USA Built Machines SN 0200152825 through 0200163755 and Belgium Built Machines SN 1200008481 through 1200011328 Purchase p/n 2902541 as replacement. For USA Built Machines SN 0200163756 through SN0200191894 and Belgium Built Machines SN 1200011329 through SN1200021491, the one large single may be replaced with p/n 1001181045.	
503J		Ref	Circuit Breaker Options:	
503J	240015	NLA	Circuit Breaker - USA Built Machines (Use p/n 2902541) (SN 0200152825 through 0200163755)	
503J	2400093	NLA	Circuit Breaker - USA Built Machines (Use p/n	

SECTION 7 - ELECTRICAL

ITEM	PART NUMBER	QTY	DESCRIPTION	REV
503J	1001109475	NLA	1001181045) (SN 0200163756 through 0200191894) Circuit Breaker - 16A USA Built Machines (Use p/n 1001181045) (SN 0200191894 through 0200198014)	
503J	240015	NLA	Circuit Breaker - Belgium Built Machines (Use p/n 2902541) (SN 1200008481 through 1200011328)	
503J	2400093	NLA	Circuit Breaker - Belgium Built Machines (Use p/n 1001181045) (SN 1200011329 through 1200021490)	
503J	1001109475	NLA	Circuit Breaker - 16A Belgium Built Machines (Use p/n 1001181045) (SN 1200021491 through 1200025020)	
503J	1001109482	NLA	Circuit Breaker - 30mA USA Built Machines (Use p/n 1001181045) (SN 0200191894 through 0200198014)	
503J	1001109482	NLA	Circuit Breaker - 30mA Belgium Built Machines (Use p/n 1001181045) (SN 1200021491 through 1200025020)	
503J		Ref	Terminal Block Options:	
503J	250135	1	Terminal Block USA Built Machines (SN 0200152825 through 0200163755)	
503J	4460957	1	Terminal Block USA Built Machines (SN 0200163756 through 0200198014)	
503J	250135	1	Terminal Block Belgium Built Machines (SN 1200008481 through 1200011328)	
503J	4460957	1	Terminal Block Belgium Built Machines (SN 1200011329 through 1200025020)	
503J		Ref	Barrier, Terminal Block Options:	
503J	Not Required	0	Barrier, Terminal Block USA Built Machines (SN 0200152825 through 0200163755)	
503J	4460956	1	Barrier, Terminal Block USA Built Machines (SN 0200163756 through 0200198014)	
503J	Not Required	0	Barrier, Terminal Block Belgium Built Machines (SN 1200008481 through 1200011328)	
503J	4460956	1	Barrier, Terminal Block Belgium Built Machines (SN 1200011329 through 1200025020)	
503K		Ref	Connector, Strain Relief (Required Only on CE Spec Installations except 0272843 Installation)	
503K	4460633	1	Connector, Strain Relief USA Built Machines (SN 0200152825 through 0200173858)	
503K	1001097150	1	Connector, Strain Relief USA Built Machines (SN 0200173859 through 0200198014)	
503K	4460633	1	Connector, Strain Relief Belgium Built Machines (SN 1200008481 through 1200015446)	
503K	1001097150	1	Connector, Strain Relief Belgium Built Machines (SN 1200015447 through 1200025020)	
503L	1060908	55 in/1.4m	Cable, Extension (Required Only on CE Spec Installations except 0272843 Installation)	
503M	1060908	55 in/1.4m	Cable, Electrical (Required Only on CE Spec 1001096628 Installation) (Not Shown - Connects 2 Receptacle Boxes)	
	2902431	1	Receptacle Box Kit (110V GFI) (Includes Items 503A-503D) (0272839 Installation)	C
	0275216	1	Receptacle, Box and Plug Kit (110V IEC Yellow) (Includes Items 503A, 503B, 503C & Male 503E Plug End) (0275487 Installation)	1
	0275217	1	Receptacle, Box and Plug Kit (220V IEC Blue) (Includes Items 503A, 503B, 503D & Male 503E Plug End) (0275488 Installation)	1
	0275452	1	Receptacle Box Kit (220V CEE 7 Post Ground with 2x4 Box) (Includes Items 503A, 503B, 503D & Male 503E Plug End) (0275472 Installation)	1
	0275218	NLA	Receptacle, Box and Plug Kit (220V CEE 7 Post Ground with 70x70 Box) (Includes Items 503A, 503B, 503D & 503E)	B-A

SECTION 7 - ELECTRICAL

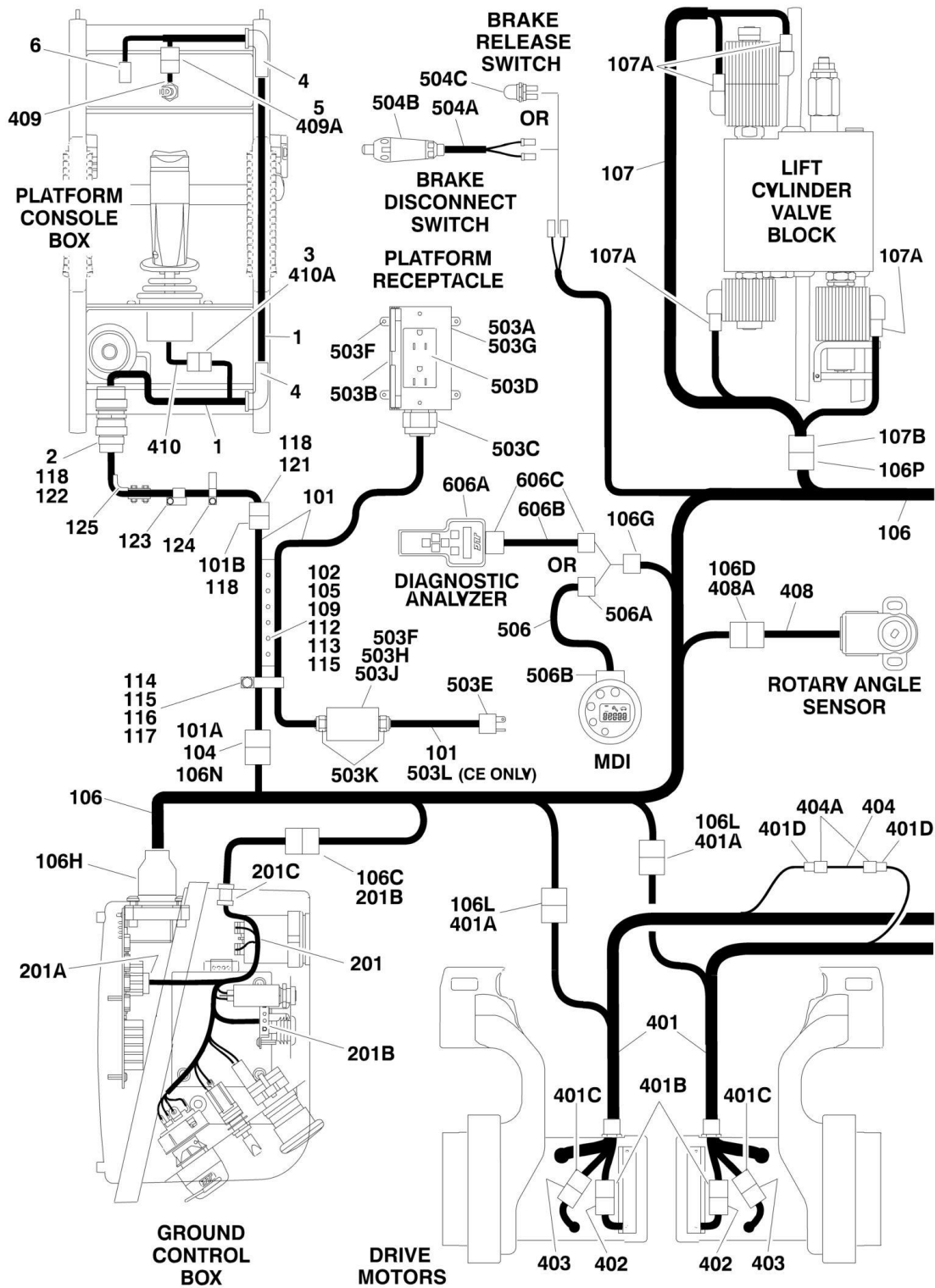
ITEM	PART NUMBER	QTY	DESCRIPTION	REV
	1001141971	NLA	(0275489 Installation) (Use p/n 1001100343) Receptacle, Box and Plug Kit (220V CEE 7 Post Ground with 70x70 Box) (Includes Items 503A, 503B, 503D & 503E) (0275489 Installation) (Use p/n 1001100343)	B-A
	0275453	1	Receptacle Box Kit (220V CEE 7 Side Ground with 2x4 Box) (Includes Items 503A, 503B, 503D & Male 503E Plug End) (0275485 & 1001096628 Installations)	1
	0275219	NLA	Receptacle, Box and Plug Kit (220V CEE 7 Side Ground with 70x70 Box) (Includes Items 503A, 503B, 503D & 503E) (0275490 Installation) (Use p/n 1001100344)	B-A
	1001141970	NLA	Receptacle, Box and Plug Kit (220V CEE 7 Side Ground with 70x70 Box) (Includes Items 503A, 503B, 503D & 503E) (0275490 Installation) (Use p/n 1001100344)	B-A
	0275454	1	Receptacle, Box and Plug Kit (220V AFSINT 107 Keyed Ground) (Includes Items 503A, 503B, 503D & Male 503E Plug End) (0275486 Installation)	1
504		Ref	Brake Disconnect /Release Switch Components	
504A	4922944	1	Brake Disconnect Harness and Switch	E
504A	1060680	15 ft/2.7m	Cable, Electrical 18/2	
504A	4240003	1	Strap, Cinch (Not Shown)	
504B	4360613	1	Switch, Limit	
504C	4360387	1	Brake Release Switch	
505		Ref	Battery Charger/Inverter Components (ANSI and CSA Option Only):	
505A	See Note	NSS	AC Output Harness (Note: Internal Part of Inverter)	
505B	See Note	NSS	Receptacle, Female - 4 Position (Conxall T9014) (Note: Internal Part of Inverter)	
505C	See Note	NSS	AC Input Harness (Note: Internal Part of Inverter)	
505D	See Note	NSS	Receptacle, Female - 4 Position (Conxall T9016) (Note: Internal Part of Inverter)	
505E	See Note	NSS	Remote Control Harness (Note: Internal Part of Inverter)	
505F	See Note	NSS	Plug, Male - 8 Position (Conxall 7281-8PG-300) (Note: Internal Part of Inverter)	
505G	4923389	NLA	AC Input Harness (Use p/n 1001091479)	
505H	4460138	1	Plug, Male	
505J	See Note	NSS	Plug, Male - 4 Position (Conxall T9017) (Note: Use Item 505G)	
505K	4923390	1	AC Output Harness	D
505L	4460779	1	Receptacle, Female	
505M	See Note	NSS	Plug, Male - 4 Position (Conxall T9015) (Note: Use Item 505K)	
505N	4923391	1	Data Interface Harness	D
505P	See Note	NSS	Plug, Male - 8 Position (Conxall 6280-8SG-318) (Note: Use Item 505N)	
505R	4460899	1	Receptacle, Female - 6 Position	
505R	4460464	4	Pin, Male	
505R	4460466	2	Plug, Seal	
505R	3990010	1	Diode 6A/600V	
505S	4360336	1	Switch, Toggle	
505T	4460424	2	Receptacle, Female - 2 Position	
505T	4460267	2	Pin, Male	
505U	4923392	1	Cable, Battery + to Inverter +	A
505V	4923393	1	Cable, Battery - to Inverter -	A
506	1001093556	1	MDI Harness (USA Built Machines Only) (SN 0200168420 through 0200198014)	B
506	1001093556	1	MDI Harness (Belgium Built Machines Only) (SN 1200014906 through 1200025020)	B

SECTION 7 - ELECTRICAL

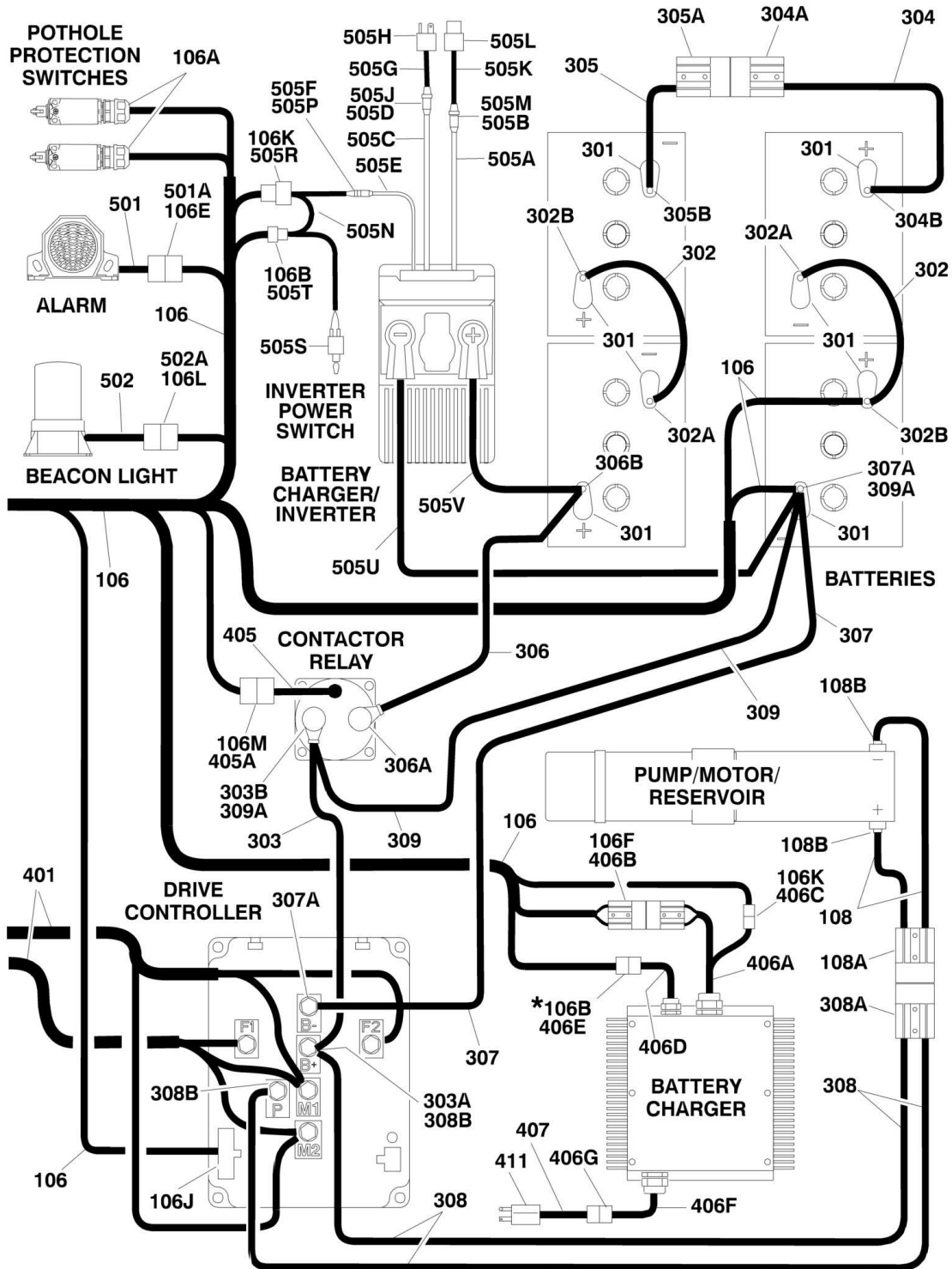
ITEM	PART NUMBER	QTY	DESCRIPTION	REV
506A	4460321	1	Plug, Male	
506A	4460226	4	Socket, Female	
506B	4460868	1	Plug, Male - 6 Position	
506B	4460877	4	Terminal	
506B	1001094105	1	Boot	
		Ref	Tools for Service	
601	7002821	1	Crimper, Wire (Not Shown)	
602	7002823	1	Extractor, Pin - Universal (Not Shown)	
603	4460467	AR	Extractor, Pin #16 Gauge (Not Shown)	
604	4460510	AR	Extractor, Pin #12 Gauge (Not Shown)	
605	7002828	1	Stripper, Wire (Not Shown)	
606	2901443	1	Analyzer Kit (Not Shown)	
606A	1600244	1	Analyzer	
606B	1060633	1	Cable, Analyzer	
606C	4460321	2	Plug, Male - 4 Position	
606C	4460226	8	Socket, Female	
607	1001137005	1	Software Cables Kit (Not Shown)	

SECTION 7 - ELECTRICAL

FIGURE 7-4. 2646ES/3246ES ELECTRICAL COMPONENTS INSTALLATION



SECTION 7 - ELECTRICAL



*NOTE: THIS CONNECTION USED ONLY WHEN FOOTSWITCH OR BATTERY CHARGER INTERLOCK OPTIONS ARE REQUIRED.

SECTION 7 - ELECTRICAL

FIGURE 7-4. 2646ES/3246ES ELECTRICAL COMPONENTS INSTALLATION

ITEM	PART NUMBER	QTY	DESCRIPTION	REV
		Ref	CONSOLE BOX COMPONENTS	
1	4922870	1	Platform Box Harness	B
2	4461016	1	Connector - 14 Position	
2	4460464	6	Pin, Male	
2	4460466	8	Plug, Sealing	
2	4460496	1	Lockwasher	
2	4460497	1	Nut, Panel	
3	4460265	1	Plug, Male - 9 Position	
3	4460267	8	Pin, Male	
4	2540042	2	Grommet 90	
5	See Note	NSS	Receptacle, Female - 3 Position (Note: Not Available for Purchase)	
6	4461057	1	Plug, Male - 16 Position	
		Ref	PLATFORM CABLES INSTALLATION	
	0274975	Ref	Platform Cables Installation 2646ES/3246ES (ANSI, ANSI Export, Japanese and UL Specs)	J
	0275544	Ref	Platform Cables Installation 2646ES/3246ES (Australian and CE Specs)	I
101		Ref	Platform to Ground Harness Options:	
101	1001094157	1	ANSI, ANSI Export, Japanese and UL Specs:	C
101	1001094335	1	Australian and CE Specs:	B
101A	4460930	1	Plug, Male - 8 Position	
101A	4460465	4	Socket, Female	
101A	4460944	3	Socket, Female (Gold)	
101A	4460466	1	Plug, Sealing	
101A	0840061	1	Boot 8 Position Plug	
101A	2820026	AR	Insulation, Clear Tubing	
101A	2820028	AR	Heat Shrink	
101B	4460930	1	Plug, Male - 8 Position	
101B	4460465	4	Socket, Female	
101B	4460944	3	Socket, Female (Gold)	
101B	4460466	1	Plug, Sealing	
101B	0840061	1	Boot 8 Position Plug	
101B	2820026	AR	Insulation, Clear Tubing	
101B	2820028	AR	Heat Shrink	
102	1380158	AR	Retainer	
103	1320318	AR	Clamp, Hose (Not Shown)	
104	0100048	AR	Grease, Dielectric	
105	4740545	AR	Washer, Special Cable	
106		Ref	Chassis Harness Options:	
106	4923450	NLA	Chassis Harness USA Built Machines (Use p/n 1001109219) (SN 0200152825 through 0200195917)	E
106	1001109125	1	Chassis Harness USA Built Machines (SN 0200195918 through 1200025020)	B
106	4923450	NLA	Chassis Harness Belgium Built Machines (Use p/n 1001109219) (SN 1200008481 through 1200022846)	E
106	1001109125	1	Chassis Harness Belgium Built Machines (SN 1200022847 through 1200025020)	B
106		Ref	Wiring Diagram - Chassis Options:	
106	4933351	Ref	Wiring Diagram - Chassis USA Built Machines (SN 0200152825 through 0200195917)	C

SECTION 7 - ELECTRICAL

ITEM	PART NUMBER	QTY	DESCRIPTION	REV
106	1001109123	Ref	Wiring Diagram - Chassis USA Built Machines (SN 0200195918 through 1200025020)	A
106	4933351	Ref	Wiring Diagram - Chassis Belgium Built Machines (SN 1200008481 through 1200022846)	C
106	1001109123	Ref	Wiring Diagram - Chassis Belgium Built Machines (SN 1200022847 through 1200025020)	A
106	3990013	2	Diode 1Amp/400V (Not Shown)	
106A		Ref	Switch, Limit Options:	
106A	4360633	NLA	Switch, Limit USA Built Machines (Use p/n 1001109345) (SN 0200152825 through 0200195917)	
106A	1001109088	2	Switch, Limit USA Built Machines (SN 0200195918 through 1200025020)	
106A	4360633	NLA	Switch, Limit Belgium Built Machines (Use p/n 1001109345) (SN 1200008481 through 1200022846)	
106A	1001109088	2	Switch, Limit Belgium Built Machines (SN 1200022847 through 1200025020)	
106A	4460884	2	Plug, Male 4 Position (Use with p/n 1001109088 Switch)	
106A	4460465	4	Socket, Female (Use with p/n 1001109088 Switch)	
106B	4460320	1	Plug, Male - 2 Position (Note: Connection to this plug used only when footswitch or battery interlock options are required)	
106B	4460226	2	Socket, Female	
106C	4460321	1	Plug, Male - 4 Position	
106C	4460227	4	Pin, Male	
106D	4460539	1	Plug, Male - 3 Position	
106D	4460465	3	Socket, Female	
106E	4460539	1	Plug, Male - 3 Position	
106E	4460465	2	Socket, Female	
106F	4460648	1	Connector, Anderson	
106G	4460761	1	Receptacle, Female - 4 Position	
106G	4460227	4	Pin, Male	
106H	4460814	1	Plug, Male - 40 Position	
106H	4460465	31	Socket, Female	
106H	4460944	6	Socket, Female (Gold)	
106H	0840057	1	Boot	
106J	4460870	1	Plug, Male - 12 Position	
106J	4460877	4	Pin, Male	
106K	4460894	1	Plug, Male - 6 Position	
106K	4460465	4	Socket, Female	
106K	0840059	1	Boot	
106L	4460897	3	Receptacle, Female - 2 Position	
106L	4460464	6	Pin, Male	
106M	4460897	1	Receptacle, Female - 2 Position	
106M	4460465	2	Socket, Female	
106N	4460931	1	Receptacle, Female -8 Position	
106N	4460464	4	Pin, Male	
106N	4460943	3	Pin, Male (Gold)	
106N	0840058	1	Boot	
106P	4460899	1	Connector, Female - 6 Position	
106P	4460464	6	Pin, Male	
106R	4460931	1	Receptacle, Female -8 Position	
106R	4460464	4	Pin, Male	
106T	4460930	1	Plug, Male - 8 Position	
106T	4460466	1	Seal, Plug	

SECTION 7 - ELECTRICAL

ITEM	PART NUMBER	QTY	DESCRIPTION	REV
107	4923350	1	Lift Cylinder Harness	D
107A	4460891	4	Plug, Male - 2 Position	
107A	4460465	8	Socket, Female	
107B	4460894	1	Plug, Male - 6 Position	
107B	4460465	6	Socket, Female	
107B	0840059	1	Boot	
108		Ref	Power to Pump Motor Harness Options:	
108	4923271	1	Harness USA Built Machines (SN 0200152825 through 0200164048)	C
108	4923647	1	Harness USA Built Machines (SN 0200164049 through 0200168419)	B
108	1001093693	1	Harness USA Built Machines (SN 0200168420 through 1200025020)	B
108	4923271	1	Harness Belgium Built Machines (SN 1200008481 through 1200012624)	C
108	4923647	1	Harness Belgium Built Machines (SN 1200012625 through 1200014905)	B
108	1001093693	1	Harness Belgium Built Machines (SN 1200014906 through 1200025020)	B
		Ref	Note: 2646ES & 3246ES with SNs 0200165918, 0200165941, 0200165946, 0200165995, 0200166005, 0200166033, 0200166047 & 0200166065 also use p/n 1001093693.	
108A		Ref	Connector, Anderson Options:	
108A	See Note	NSS	Connector, Red (Note: Use Item 108)	
108A	See Note	NSS	Connector, Gray (Note: Use Item 108)	
108B	0840041	2	Boot, Terminal (Red)	
109		Ref	Screw Options:	
109	0760610	AR	Screw M6 x 20mm	
109	0760614	AR	Screw M6 x 30mm	
110	Not Required	0	Not Required	
111		Ref	Battery Cable Kit Options (See Items 301-309 for Breakdown)	
111	2902507		Battery Cable Kit USA Built Machines (SN 0200152825 through 0200172052)	
111	1001096798		Battery Cable Kit USA Built Machines (SN 0200172053 through 1200025020)	
111	2902507	1	Battery Cable Kit Belgium Built Machines (SN 1200008481 through 1200014905)	
111	1001096798	1	Battery Cable Kit Belgium Built Machines (SN 1200014906 through 1200025020)	
112	3290607	4	Nut M6	
113	4811700	2	Flatwasher M6	
114	1321716	2	Clamp	
115	3290605	AR	Locknut M6	
116	4031713	AR	Capscrew, Socket Head M6 x 45mm	
117	4811700	AR	Flatwasher M6	
118		Ref	Platform to Control Box Coiled Cable Harness Options:	
118	2915253	NLA	Harness USA Built Machines (Use Repair Kit p/n 1001104468 - Includes Items 101B & 121-125) (SN 0200152825 through 0200168419)	A
118	1001096707	1	Harness USA Built Machines (Includes Items 121 & 122) (SN 0200168420 through 1200025020)	A
118	2915253	NLA	Harness Belgium Built Machines (Use Repair Kit p/n 1001104468 - Includes Items 101B & 121-125) (SN 1200008481 through 1200014905)	A

SECTION 7 - ELECTRICAL

ITEM	PART NUMBER	QTY	DESCRIPTION	REV
118	1001096707	1	Harness Belgium Built Machines (Includes Items 121 & 122) (SN 1200014906 through 1200025020)	A
121	4460931	1	Receptacle, Female - 8 Position	
121	4460464	4	Pin, Male	
121	4460943	3	Pin, Male (Gold)	
121	4460466	1	Plug, Sealing	
121	0840058	1	Boot, 8 Position Receptacle	
121	2820026	AR	Insulation, Clear Tubing	
121	2820028	AR	Heat Shrink	
122	4460754	1	Connector -14 Position	
122	4460465	4	Socket, Female	
122	4460944	3	Socket, Female	
122	4460466	4	Plug, Sealing	
122	3730119	1	Resistor	
122	4460493	1	Cap, Dust	
122	2820026	AR	Insulation, Clear Tubing	
123	1001094175	AR	Clamp, Post	
123	4010617	AR	Screw M6 x 45mm	
123	3290606	AR	Nut, Acorn M6	
124	1001094180	4	Clamp, Rail	
124	0760606	4	Screw M6 x 12mm	
124	3290606	4	Nut, Acorn M6	
125	1001104465	AR	Hook, Corner	
125	4010617	AR	Screw M6 x 45mm	
125	3290606	AR	Nut, Acorn M6	
		Ref	GROUND CONTROL BOX COMPONENTS	
201	4922865	1	Control Box Harness	E
201A	4460265	1	Plug, Male - 9 Position	
201A	4460268	9	Socket, Female	
201B	4460761	2	Receptacle, Female - 4 Position	
201B	4460267	8	Pin, Male	
201C	See Note	NSS	Grommet (Note: Molded in Part of Harness)	
201D	4460418	1	Receptacle, Female - 3 Position	
201D	4460419	3	Terminal	
		Ref	BATTERY CABLE KITS	
	2902507	Ref	USA Built Machines (SN 0200152825 through 0200172052)	E
	1001096798	Ref	USA Built Machines (SN 0200172053 through 1200025020)	C
	2902507	Ref	Belgium Built Machines (SN 1200008481 through 1200014905)	E
	1001096798	Ref	Belgium Built Machines (SN 1200014906 through 1200025020)	C
301	0840060	8	Boot, Terminal (Gray) (Covers only the Battery Terminal Base)	
302	1060998	2	Cable, Battery (Battery Positive to Battery Negative)	E
302A	See Note	NSS	Boot, Terminal (Black) (1 Per Cable Assembly) (Note: Not Available for Purchase)	
302B	See Note	NSS	Boot, Terminal (Red) (1 Per Cable Assembly) (Note: Not Available for Purchase)	
303	1061001	1	Cable, Battery (Contactor to Drive Module B+)	E
303A	See Note	NSS	Boot, Terminal (Black) (Note: Not Available for Purchase)	
303B	See Note	NSS	Boot, Terminal (Red) (Note: Not Available for Purchase)	
304	4923401	1	Cable, Battery (LH Battery to Disconnect)	C
304A	4460618	1	Connector, Anderson	
304A	2560205	1	Handle, Connector	
304B	See Note	NSS	Boot, Terminal (Red) (Note: Not Available for Purchase)	

SECTION 7 - ELECTRICAL

ITEM	PART NUMBER	QTY	DESCRIPTION	REV
305	4923402	1	Cable, Battery (RH Batteries to Disconnect)	B
305A	4460618	1	Connector, Anderson	
305B	See Note	NSS	Boot, Terminal (Black) (Note: Not Available for Purchase)	
306	4923406	1	Cable, Battery (RH Battery to Contactor)	B
306A	See Note	NSS	Boot, Terminal (Black) (Note: Not Available for Purchase)	
306B	See Note	NSS	Boot, Terminal (Red) (Note: Not Available for Purchase)	
307	4923409	1	Cable, Battery (LH Battery to Connector B-)	B
307A	See Note	NSS	Boot, Terminal (Black) (Note: Not Available for Purchase)	
308		Ref	Cable, Battery (Power to Pump Motor)	
308	4923410	2	Cable USA Built Machines (SN 0200152825 through 0200172052)	D
308	1001096796	2	Cable USA Built Machines (SN 0200172053 through 1200025020)	B
308	4923410	2	Cable Belgium Built Machines (SN 1200008481 through 1200014905)	D
308	1001096796	2	Cable Belgium Built Machines (SN 1200014906 through 1200025020)	B
308A		Ref	Connector, Anderson Options:	
308A	See Note	NSS	Connector, Red (Note: Not Available for Purchase)	
308A	See Note	NSS	Connector, Gray (Note: Not Available for Purchase)	
308B	0840041	1	Boot, Terminal (Red)	
309	Not Required	0	Cable, Battery (LH Battery to Contactor)	
309A	Not Required	0	Boot, Terminal (Red)	
		Ref	STANDARD HARNESSES	
401		Ref	Drive Motor/Brake Harness Options:	
401	1001099676	2	Harness USA Built Machines (was p/n 7024770 & 7024775) (SN 0200152825 through 0200170584)	
401	1001091843	NLA	Harness USA Built Machines (Use p/n 1001134012) (SN 0200170585 through 1200025020)	E
401	1001099676	2	Harness Belgium Built Machines (was p/n 7024770 & 7024775) (SN 1200008481 through 1200015158)	
401	1001091843	NLA	Harness Belgium Built Machines (Use p/n 1001134012) (SN 1200015159 through 1200025020)	E
401A	4460891	2	Plug, Male - 2 Position (1 Per Harness)	
401A	4460465	4	Socket, Female (2 Per Harness)	
401B	70001442	2	Plug, Male - 2 Position (1 Per Harness) (To Brake)	
401B	See Note	NSS	Socket, Female (2 Per Harness) (To Brake) (Note: Not Available for Purchase)	
401C	70001443	2	Plug, Male - 2 Position (1 Per Harness) (To Motor)	
401C	70001444	4	Socket, Female (2 Per Harness) (To Motor)	
401D		Ref	Connector Options:	
401D	See Note	NSS	Connector USA Built Machines Use Butt Connector (Note: Purchase Locally) (SN 0200152825 through 0200156116)	
		Ref	Note: P/N 7024770 Harness is equipped with a connector at this location. When replacing, clip connector and butt splice to Drive Harness from opposite side.	
401D	4461261	1	Connector USA Built Machines Use Plug, Male - 1 Position (SN 0200156117 through 1200025020)	
401D	4460509	1	Connector USA Built Machines Use Terminal (SN 0200156117 through 1200025020)	
401D	4461261	1	Connector All Belgium Built Machines Use Plug, Male - 1 Position	
401D	4460509	1	All Belgium Built Machines Use Terminal	
402	See Note	NSS	Harness, Brake (Note: Internal Connections - Purchase Complete Brake)	

SECTION 7 - ELECTRICAL

ITEM	PART NUMBER	QTY	DESCRIPTION	REV
402	See Note	NSS	Receptacle, Female - 2 Position (1 Per Harness) (Note: Internal Connections - Purchase Complete Brake)	
402	See Note	NSS	Pin, Male (2 Per Harness) (Note: Internal Connections - Purchase Complete Brake)	
403	See Note	NSS	Harness, Brake (Note: Internal Connections - Purchase Complete Motor)	
403	See Note	NSS	Receptacle, Female - 2 Position (1 Per Harness) (Note: Internal Connections - Purchase Complete Motor)	
403	See Note	NSS	Pin, Male (2 Per Harness) (Note: Internal Connections - Purchase Complete Motor)	
404	4923602	2	Harness, Field Wire Connection	B
404A	4461260	2	Receptacle, Female - 1 Position	
404A	4460508	2	Terminal	
405	3740150	1	Contact Relay Harness (Includes Relay)	
405A	4460891	1	Plug, Male - 2 Position	
405A	4460465	2	Socket, Female	
406		Ref	Battery Charger Components	
406A	See Note	NSS	DC Harness/Cord Set (Note: Not Available for Purchase)	
406B	4460648	1	Plug, Anderson	
406C	4460899	1	Connector, Female - 6 Position	
406C	4460464	6	Pin, Male	
406D	See Note	NSS	Harness with Connector (Note: Connection to this plug used only when battery interlock options are required) (Note: Not Available for Purchase)	
406E	4460424	1	Connector, Female - 2 Position (Note: Connection to this plug used only when battery interlock options are required)	
406E	4460227	2	Pin, Male	
406F	See Note	NSS	AC Harness/Cord Set (Note: Not Available for Purchase)	
406G	See Note	NSS	Connector, Female (Note: Not Available for Purchase)	
407		Ref	Cable, AC Power to Charger Options:	
407	1060688	1	Cable with Factory Supplied Plug (Black)	
407	1001103257	1	Cable with Factory Supplied Plug (Orange)	
407	1060689	1	Cable with Locally Supplied Plug (Black)	
407	1001103258	1	Cable with Locally Supplied Plug (Orange)	
408	4360526	NLA	Rotary Angle Sensor and Harness (Separate Harness Not Available) (Use p/n 1001092354)	
408A	4460536	1	Receptacle, Female - 3 Position	
408A	4460464	3	Pin, Male	
409	See Note	NSS	Toggle Switch and Harness (Note: No Separate Harness Available)	
409A	4360539	1	Plug, Male - 3 Position	
410	Not Available	1	Joystick Harness	
410A	4460266	1	Receptacle, Female - 9 Position	
410A	4460226	8	Socket, Female	
411		Ref	Plug Options:	
411	See Note	NLA	ANSI Spec Plug (Note: Use p/n 1001103257)	
411	See Note	NSS	Australian and Japanese Specs (Note: Purchase Locally)	
411		Ref	CE Spec Options:	
411	0275666	Ref	IEC Yellow Receptacle Installation	A
411	4461196	Ref	Receptacle, IEC Yellow	
411	0276667	Ref	IEC Blue Receptacle Installation	A
411	4661199	Ref	Receptacle, IEC Blue	
411	0275665	Ref	AFSINT 107 Keyed Ground Receptacle Installation	A
411	4661249	Ref	Receptacle, AFSINT 107 Keyed Ground	

SECTION 7 - ELECTRICAL

ITEM	PART NUMBER	QTY	DESCRIPTION	REV
411	0275663	Ref	CEE 7 Post Ground Receptacle Installation	A
411	4661202	Ref	Receptacle, CEE 7 Post Ground	
411	0275664	Ref	CEE 7 Side Ground Receptacle Installation	A
411	4661205	Ref	Receptacle, CEE 7 Side Ground	
		Ref	OPTIONAL HARNESSES	
501	0140043	1	Alarm and Harness (Separate Harness Not Available)	
501A	4460536	1	Receptacle, Female - 3 Position	
501A	4460464	3	Pin, Male	
502	2920161	1	Beacon Light and Harness (Separate Harness Not Available)	
502A	4460891	1	Plug, Male - 2 Position (1 Per Harness)	
502A	4460465	2	Socket, Female (2 Per Harness)	
503		Ref	Platform Electrical Outlet Components	
503		Ref	ANSI, ANSI Export, CSA, Japanese and UL Specs Options:	
503	0272839	Ref	110V with Receptacle and Plug	H
503	0272843	Ref	220V without Receptacle and Plug (Locally Supplied Components)	F
503		Ref	Australian Specs Options:	
503	0272843	Ref	220V without Receptacle and Plug (Locally Supplied Components)	F
503		Ref	CE Specs Options:	
503	0275520	NLA	110V with IEC Yellow Receptacle and Plug and Circuit Breaker (Use p/n 0275487)	C
503	0272843	Ref	220V without Receptacle and Plug (Locally Supplied Components) (All Models)	F
503	0275521	NLA	110V with IEC Blue Receptacle and Plug and Circuit Breaker (Use p/n 0275488)	C
503	0275519	NLA	220V with AFSINT 107 Keyed Ground Receptacle and Plug and Circuit Breaker (Use p/n 0275486)	C
503	0275517	NLA	220V with CEE 7 Post Ground Receptacle and Plug and Circuit Breaker (2 x 4 Box) (Use p/n 0275472)	C
503	0275522	NLA	220V with CEE 7 Post Ground Receptacle and Plug and Circuit Breaker (70x70 Box) (Use p/n 0275489)	D
503	0275518	NLA	220V with CEE 7 Side Ground Receptacle and Plug and Circuit Breaker (2x4 Single Box) (Use p/n 0275485)	C
503	1001096628	Ref	220V with CEE 7 Side Ground Receptacle and Plug and Circuit Breaker (2x4 Dual Boxes)	A
		Ref	Note: Qty shown is for single Receptacle Box. Double Qty listed for Dual Receptacle Boxes.	
503	0275523	NLA	220V with CEE 7 Side Ground Receptacle and Plug and Circuit Breaker (70x70 Box) (Use p/n 0275490)	D
503		Ref	Decal - AC Power (Not Shown)	
503	1703464	1	110V	
503	3252507	1	220V	
503A		Ref	Box, Switch Options:	
503A	0861731	1	Box, Switch 0272839, 0275472, 0275485, 0275486 & 1001096628 Installations	
503A	See Note	NLA	Box, Switch 0272843 Installation (Note: Purchase locally)	
503A	4460315	1	Box, Switch 0272839 Installation (Terminal, Spade) (Not Shown)	
503A	0861781	1	Box, Switch 0275487 & 0275488 Installations	
503A	See Note	1	Box, Switch 0275774/0275775 Installations	
		Ref	(Note: Was p/n 0861782 which is no longer available. Use p/n 1001100344 CEE 7 Side Ground Service Kit or p/n 1001100343 CEE 7 Post Ground Service Kit. Kits includes Box p/n 1001141967 & items 503B, 503D &	

SECTION 7 - ELECTRICAL

ITEM	PART NUMBER	QTY	DESCRIPTION	REV
			503E)	
503A	1001141967	1	Box, Switch 1001100343, 1001100344, 1001141970 & 1001141971 Service Kits	
503B		Ref	Cover Options:	
503B	1671207	1	Cover 0272839 Installation	
503B	See Note	NLA	Cover 0272843 Installation (Note: Purchase Locally)	
503B	4461244	1	Cover 0275472 Installation (Includes Receptacle)	
503B	4461245	1	Cover 0275485 & 1001096628 Installations (Includes Receptacle)	
503B	4461246	1	Cover 0275486 Installation (Includes Receptacle)	
503B	4461198	1	Cover 0275487 Installation (Includes Receptacle)	
503B	4461201	1	Cover 0275488 Installation (Includes Receptacle)	
503B	4461204	NLA	Cover 0275489 Installation (Includes Receptacle) (Use p/n 1001100343)	
	1001141971	NLA	Cover 0275489 Installation (Includes Receptacle) (Use p/n 1001100343)	
503B	4461207	NLA	Cover 0275490 Installation (Includes Receptacle) (Use p/n 1001100344)	
503B	1001141970	NLA	Cover 0275490 Installation (Includes Receptacle) (Use p/n 1001100344)	
503B	1001141968	1	Cover 1001100343 & 1001141971 Service Kit	
503B	1001141969	1	Cover 1001100344 & 1001141970 Service Kit	
503C		Ref	Connector, Strain Relief Options:	
503C	4460662	1	Connector 0272839, 0275472, 0275485, 0275486 & 1001096628 Installations	
503C	See Note	NLA	Connector 0272843 Installation (Note: Purchase Locally)	
503C	4461257	1	Connector 0275487, 0275488, 0275489 & 0275490 Installations (90)	
503C	4461258	1	Connector 0275487, 0275488, 0275489 & 0275490 Installations (Adapter)	
503C	4460633	1	Connector 0275520 & 0275521 Installations	
503C	4460428	1	Connector 0275522 & 0275523 Installations	
503D		Ref	Receptacle, Electrical Options:	
503D	4460346	1	Receptacle 0272839 Installation	
503D	See Note	NLA	Receptacle 0272843 Installation (Note: Purchase Locally)	
503D	4461244	1	Receptacle 0275472 Installation (Includes Cover)	
503D	4461245	1	Receptacle 0275485 & 1001096628 Installations (Includes Receptacle)	
503D	4461246	1	Receptacle 0275486 Installation (Includes Cover)	
503D	4461198	1	Receptacle 0275487 Installation (includes Cover)	
503D	4461201	1	Receptacle 0275488 Installation (Includes Cover)	
503D	4461204	NLA	Receptacle 0275489 Installation (Includes Receptacle) (Use p/n 1001100343)	
	1001141971	NLA	Receptacle 0275489 Installation (Includes Receptacle) (Use p/n 1001100343)	
503D	4461207	NLA	Receptacle 0275490 Installation (Includes Receptacle) (Use p/n 1001100344)	
	1001141970	NLA	Receptacle 0275490 Installation (Includes Receptacle) (Use p/n 1001100344)	
503D	1001141968	1	Receptacle 1001141971 Service Kit	
503D	1001141969	1	Receptacle 1001141970 Service Kit	
503E		Ref	Plug End Options:	
503E	4460138	1	Plug End 0272839 Installation (Male)	
503E	See Note	NLA	Plug End 0272843 Installation (Note: Purchase Locally)	

SECTION 7 - ELECTRICAL

ITEM	PART NUMBER	QTY	DESCRIPTION	REV
503E	4461202	1	Plug End 0275472/0275489 Installations & 1001100343/1001141971 Service Kits (Male)	
503E	4461203	1	Plug End 0275472/0275489 Installations & 1001100343/1001141971 (Female)	
503E	4461205	1	Plug End 0275485 & 1001096628 Installations & 1001100344/ 1001141970 (Male)	
503E	4461206	1	Plug End 0275485 & 1001096628 Installations & 1001100344/ 1001141970 (Female)	
503E	4461249	1	Plug End 0275486 Installation (Male)	
503E	4461250	1	Plug End 0275486 Installation (Female)	
503E	4461196	1	Plug End 0275487 Installation (Male)	
503E	4461197	1	Plug End 0275487 Installation (Female)	
503E	4461199	1	Plug End 0275488 Installation (Male)	
503E	4461200	1	Plug End 0275488 Installation (Female)	
503E	4461202	1	Plug End 0275489 Installation (Male)	
503E	4461203	1	Plug End 0275489 Installation (Female)	
503E	4461205	1	Plug End 0275490 Installation (Male)	
503E	4461206	1	Plug End 0275490 Installation (Female)	
503F		Ref	Hardware Options:	
503F	4010405	AR	Screw M4 x 10mm	
503F	4010408	AR	Screw M4 x 16mm	
503F	4010612	AR	Screw M6 x 16mm	
503F	4191706	AR	Screw M6 x 12mm	
503F	4191708	AR	Screw M6 x 20mm	
503F	0760619	AR	Screw M6 x 55mm	
503F	3290405	AR	Locknut M4	
503F	3290605	AR	Locknut M6	
503F	3290607	AR	Locknut M6	
503F	4811400	AR	Flatwasher M4	
503F	1001091102	AR	Flatwasher M4 Oversize	
503F	4811700	AR	Flatwasher M6	
503G		Ref	Bracket, Receptacle Box Mounting Options:	
503G	Not Required	0	Bracket, Receptacle Box Mounting 0272839, 0272843, 0275472, 0275485, 0275486 & 1001096628 Installations	
503G	0903569	1	Bracket, Receptacle Box Mounting 0275487, 0275488, 0275489 & 0275490 Installations	
503G	0903484	1	Bracket, Receptacle Box Mounting 1001096628 Installation (2nd Receptacle Box Only)	
503H	0903566	1	Bracket, Circuit Breaker Mounting (Required Only on CE Spec Installations except 0272843 Installation)	
503H	1001096627	1	Bracket, Circuit Breaker Mounting (Required Only on CE Spec 1001096628 Installation)	
503J	2902541	AR	Circuit Breaker Box Assembly (Required Only on CE Spec Installations except 0272843 Installation):	E
		Ref	Note: Original box assembly used one single large breaker which is no longer available. For USA Built Machines SN 0200152825 through 0200163755 and Belgium Built Machines SN 1200008481 through 1200011328 Purchase p/n 2902541 as replacement. For USA Built Machines SN 0200163756 through SN 0200191894 and Belgium Built Machines SN 1200011329 through SN 1200021491, the one large single may be replaced with p/n 1001181045.	
503J		Ref	Circuit Breaker Options:	
503J	240015	NLA	Circuit Breaker - USA Built Machines (Use p/n 2902541)	

SECTION 7 - ELECTRICAL

ITEM	PART NUMBER	QTY	DESCRIPTION	REV
503J	2400093	NLA	(SN 0200152825 through 0200163755) Circuit Breaker - USA Built Machines (Use p/n 1001181045) (SN 0200163756 through 0200191893)	
503J	1001109475	NLA	Circuit Breaker - 16A USA Built Machines (Use p/n 1001181045) (SN 0200191894 through 1200025020)	
503J	1001109482	NLA	Circuit Breaker - 30mA USA Built Machines (Use p/n 1001181045) (SN 0200191894 through 1200025020)	
503J	240015	NLA	Circuit Breaker - Belgium Built Machines (Use p/n 2902541) (SN 1200008481 through 1200011328)	
503J	2400093	NLA	Circuit Breaker - Belgium Built Machines (Use p/n 1001181045) (SN 1200011329 through 1200021496)	
503J	1001109475	NLA	Circuit Breaker - 16A Belgium Built Machines (Use p/n 1001181045) (SN 1200021491 through 1200025020)	
503J	1001109482	NLA	Circuit Breaker - 30mA Belgium Built Machines (Use p/n 1001181045) (SN 1200021491 through 1200025020)	
503J		Ref	Terminal Block Options:	
503J	250135	1	Terminal Block USA Built Machines (SN 0200152825 through 0200163755)	
503J	4460957	1	Terminal Block USA Built Machines (SN 0200163756 through 1200025020)	
503J	250135	1	Terminal Block Belgium Built Machines (SN 1200008481 through 1200011328)	
503J	4460957	1	Terminal Block Belgium Built Machines (SN 1200011329 through 1200025020)	
503J		Ref	Barrier, Terminal Block Options:	
503J	Not Required	0	Barrier, Terminal Block USA Built Machines (SN 0200152825 through 0200163755)	
503J	4460956	1	Barrier, Terminal Block USA Built Machines (SN 0200163756 through 1200025020)	
503J	Not Required	0	Barrier, Terminal Block Belgium Built Machines (SN 1200008481 through 1200011328)	
503J	4460956	1	Barrier, Terminal Block Belgium Built Machines (SN 1200011329 through 1200025020)	
503K		Ref	Connector, Strain Relief (Required Only on CE Spec Installations except 0272843 Installation)	
503K	4460633	1	Connector, Strain Relief USA Built Machines (SN 0200152825 through 0200173858)	
503K	1001097150	1	Connector, Strain Relief USA Built Machines (SN 0200173859 through 1200025020)	
503K	4460633	1	Connector, Strain Relief Belgium Built Machines (SN 1200008481 through 1200015446)	
503K	1001097150	1	Connector, Strain Relief Belgium Built Machines (SN 1200015447 through 1200025020)	
503L	1060908	55 in/1.4m	Cable, Extension (Required Only on CE Spec Installations except 0272843 Installation)	
503M	1060908	55 in/1.4m	Cable, Electrical (Required Only on CE Spec 1001096628 Installation) (Not Shown - Connects 2 Receptacle Boxes)	
	2902431	1	Receptacle Box Kit (110V GFI) (Includes Items 503A-503D) (0272839 Installation)	C
	0275216	1	Receptacle, Box and Plug Kit (110V IEC Yellow) (Includes Items 503A, 503B, 503C & Male 503E Plug End) (0275487 Installation)	1
	0275217	1	Receptacle, Box and Plug Kit (220V IEC Blue) (Includes Items 503A, 503B, 503D & Male 503E Plug End) (0275488 Installation)	1
	0275452	1	Receptacle Box Kit (220V CEE 7 Post Ground with 2x4 Box) (Includes Items 503A, 503B, 503D & Male 503E Plug End) (0275472 Installation)	1

SECTION 7 - ELECTRICAL

ITEM	PART NUMBER	QTY	DESCRIPTION	REV
	0275218	NLA	Receptacle, Box and Plug Kit (220V CEE 7 Post Ground with 70x70 Box) (Includes Items 503A, 503B, 503D & 503E) (0275489 Installation) (Use p/n 1001100343)	B-A
	1001141971	NLA	Receptacle, Box and Plug Kit (220V CEE 7 Post Ground with 70x70 Box) (Includes Items 503A, 503B, 503D & 503E) (0275489 Installation) (Use p/n 1001100343)	B-A
	0275453	1	Receptacle Box Kit (220V CEE 7 Side Ground with 2x4 Box) (Includes Items 503A, 503B, 503D & Male 503E Plug End) (0275485 & 1001096628 Installation)	1
	0275219	NLA	Receptacle, Box and Plug Kit (220V CEE 7 Side Ground with 70x70 Box) (Includes Items 503A, 503B, 503D & Male 503E Plug End) (0275490 Installation) (Use p/n 1001100344)	
	1001141970	NLA	Receptacle, Box and Plug Kit (220V CEE 7 Side Ground with 70x70 Box) (Includes Items 503A, 503B, 503D & Male 503E Plug End) (0275490 Installation) (Use p/n 1001100344)	B-A
	0275454	1	Receptacle, Box and Plug Kit (220V AFSINT 107 Keyed Ground) (Includes Items 503A, 503B, 503D & Male 503E Plug End) (0275486 Installation)	1
504		Ref	Brake Disconnect /Release Switch Components	
504A	4922944	1	Brake Disconnect Harness and Switch	E
504A	1060680	15 ft/2.7m	Cable, Electrical 18/2	
504A	4240003	1	Strap, Cinch (Not Shown)	
504B	4360613	1	Switch, Limit	
504C	4360387	1	Brake Release Switch	
505		Ref	Battery Charger/Inverter Components (ANSI and CSA Option Only):	
505A	See Note	NSS	AC Output Harness (Note: Internal Part of Inverter)	
505B	See Note	NSS	Receptacle, Female - 4 Position (Conxall T9014) (Note: Internal Part of Inverter)	
505C	See Note	NSS	AC Input Harness (Note: Internal Part of Inverter)	
505D	See Note	NSS	Receptacle, Female - 4 Position (Conxall T9016) (Note: Internal Part of Inverter)	
505E	See Note	NSS	Remote Control Harness (Note: Internal Part of Inverter)	
505F	See Note	NSS	Plug, Male - 8 Position (Conxall 7281-8PG-300) (Note: Internal Part of Inverter)	
505G	4923389	NLA	AC Input Harness (Use p/n 1001091479)	D
505H	4460138	1	Plug, Male	
505J	See Note	NSS	Plug, Male - 4 Position (Conxall T9017) (Use Item 505G)	
505K	4923390	1	AC Output Harness	D
505L	4460779	1	Receptacle, Female	
505M	See Note	NSS	Plug, Male - 4 Position (Conxall T9015) (Use Item 505K)	
505N	4923391	1	Data Interface Harness	D
505P	See Note	NSS	Plug, Male - 8 Position (Conxall 6280-8SG-318) (Use Item 505N)	
505R	4460899	1	Receptacle, Female - 6 Position	
505R	4460464	4	Pin, Male	
505R	4460466	2	Plug, Seal	
505R	3990010	1	Diode 6A/600V	
505S	4360336	1	Switch, Toggle	
505T	4460424	2	Receptacle, Female - 2 Position	
505T	4460267	2	Pin, Male	
505U	4923392	1	Cable, Battery + to Inverter +	A
505V	4923393	1	Cable, Battery - to Inverter -	A
506	1001093556	1	MDI Harness (USA Built Machines Only) (SN 0200168420 through 1200025020)	B

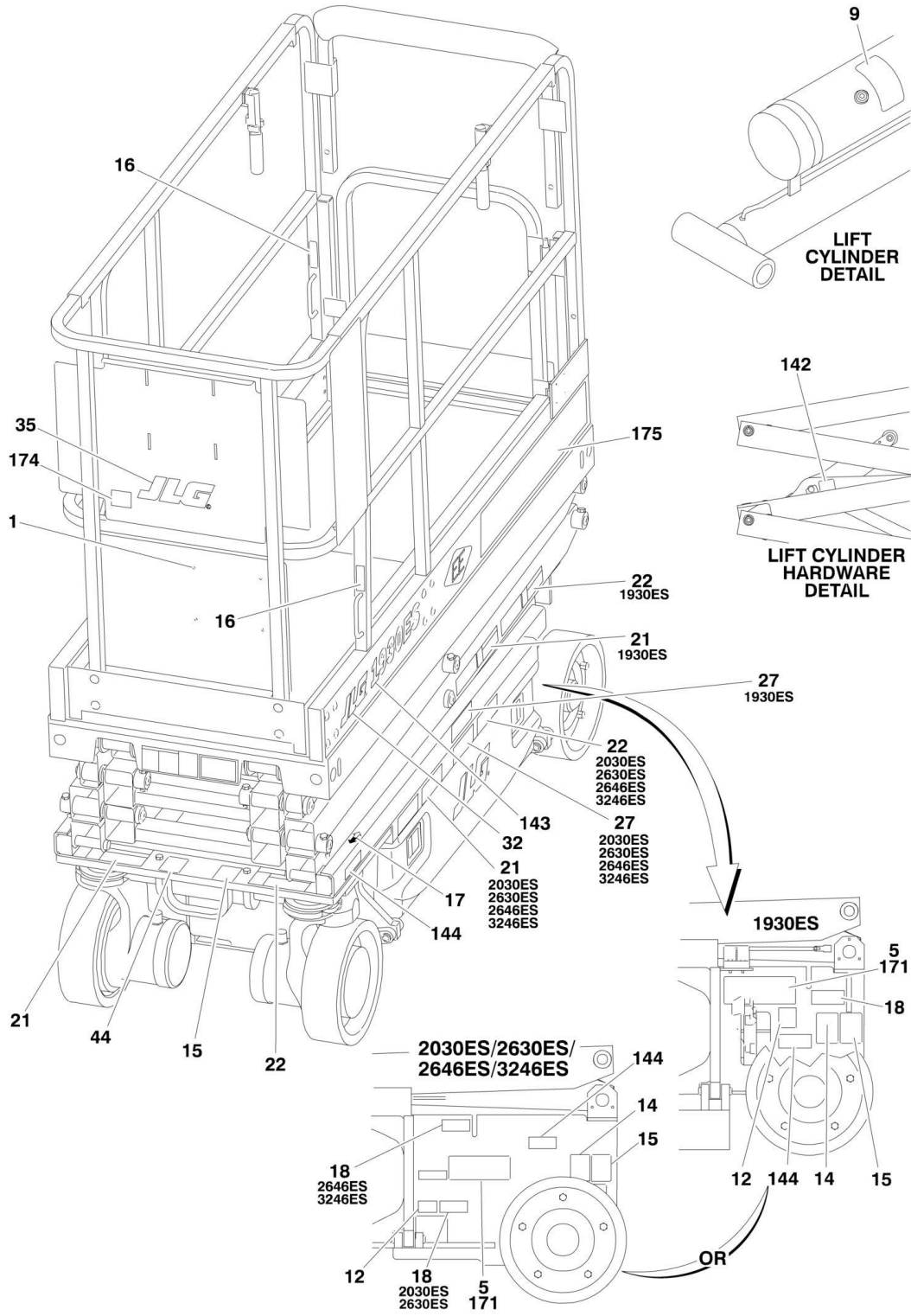
SECTION 7 - ELECTRICAL

ITEM	PART NUMBER	QTY	DESCRIPTION	REV
506	1001093556	1	MDI Harness (Belgium Built Machines Only) (SN 1200014906 through 1200025020)	B
506A	4460321	1	Plug, Male	
506A	4460226	4	Socket, Female	
506B	4460868	1	Plug, Male - 6 Position	
506B	4460877	4	Terminal	
506B	1001094105	1	Boot	
		Ref	Tools for Service	
601	7002821	1	Crimper, Wire (Not Shown)	
602	7002823	1	Extractor, Pin - Universal (Not Shown)	
603	4460467	AR	Extractor, Pin #16 Gauge (Not Shown)	
604	4460510	AR	Extractor, Pin #12 Gauge (Not Shown)	
605	7002828	1	Stripper, Wire (Not Shown)	
606	2901443	1	Analyzer Kit (Not Shown)	
606A	1600244	1	Analyzer	
606B	1060633	1	Cable, Analyzer	
606C	4460321	2	Plug, Male - 4 Position	
606C	4460226	8	Socket, Female	
607	1001137005	1	Software Cables Kit (Not Shown)	

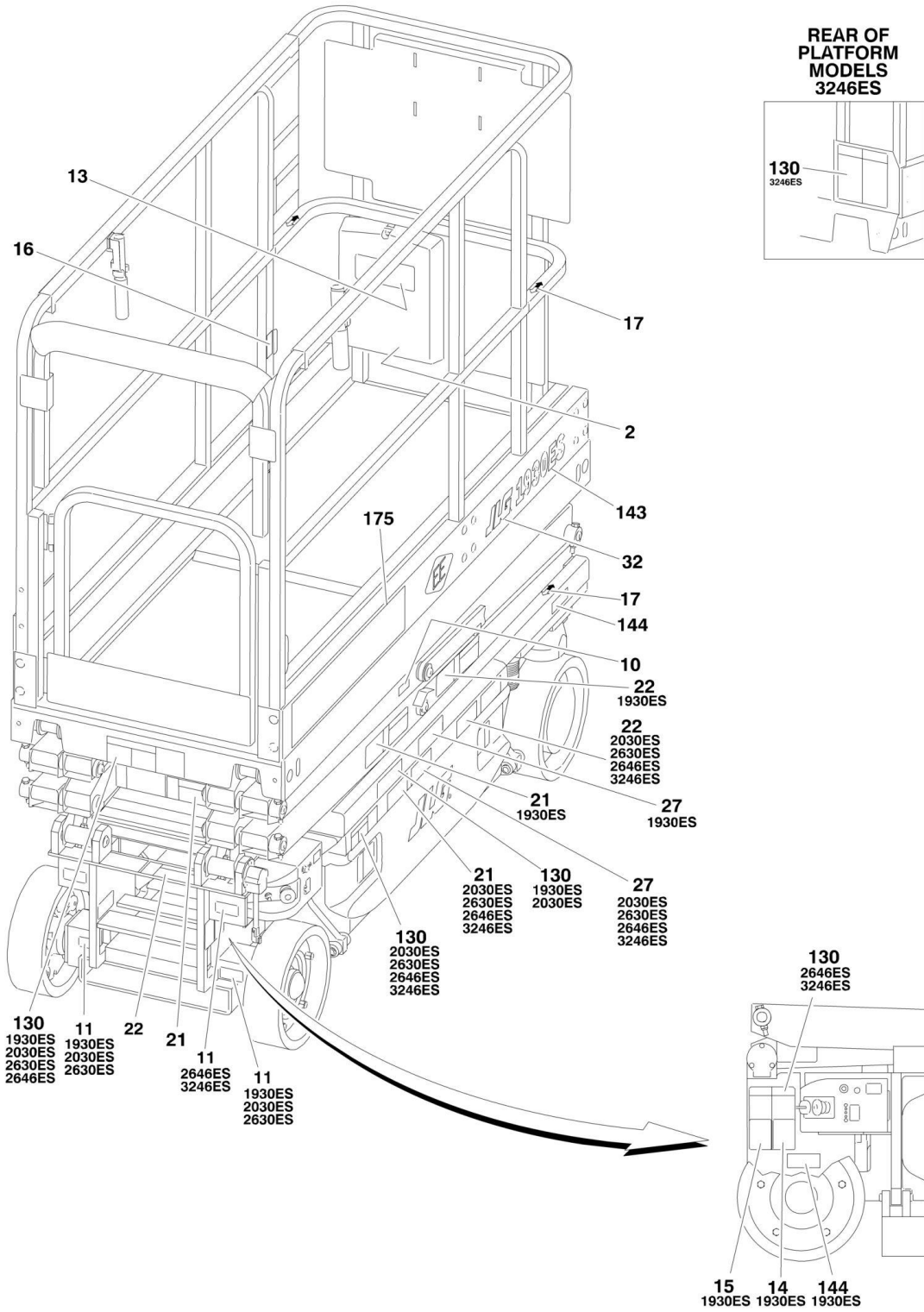
SECTION 8 - DECALS

SECTION 8 - DECALS

FIGURE 8-1. DECAL INSTALLATION (ANSI SPEC)



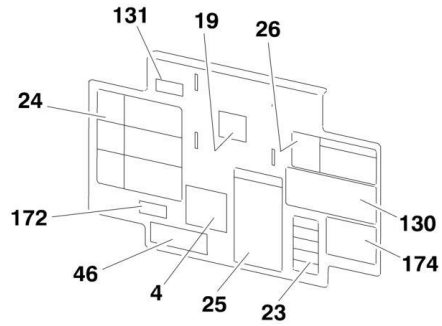
SECTION 8 - DECALS



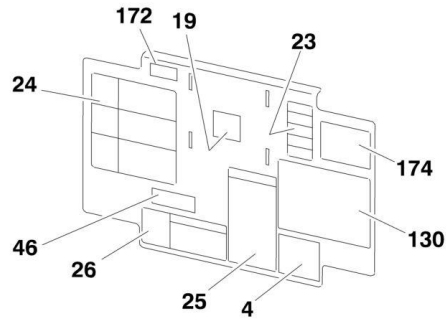
SECTION 8 - DECALS

PLATFORM DECAL PANEL DETAILS

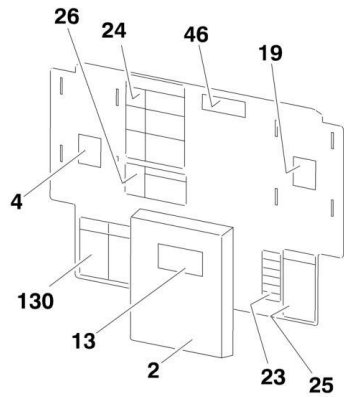
MODEL 1930ES



MODELS 2030ES & 2630ES



MODELS 2646ES & 3246ES



SECTION 8 - DECALS

FIGURE 8-1. DECAL INSTALLATION (ANSI SPEC)

ITEM	PART NUMBER	QTY	DESCRIPTION	REV
		Ref	DECALS INSTALLATION	
	0275220	Ref	Decals Installation 1930ES/2030ES/2630ES/2646ES/3246ES	5
	0272870	Ref	JLG Decals	2
1	2080040	4	Fastener	
2	0860520	1	Box, Manual Storage	
4	1700584	1	Decal - Patent	
5	2080057	4	Fastener	
7	See Note	NSS	Decal - Bar Code (Not Shown - Located on Back of Platform Console Box) (USA Built Machines Only) (Note: Not Available for Purchase) (SN 0200152825 through 0200195328)	
7	See Note	NSS	Decal - Bar Code (Not Shown - Located on Back of Platform Console Box) (Belgium Built Machines Only) (Note: Not Available for Purchase) (SN 1200008481 through 1200022484)	
9	1704412	1	Decal - Hydraulic Oil	
10	1705693	1	Decal - Safety Prop	
11	1704016	2	Decal - Forklift	
12	1702155	1	Decal - Battery Disconnect	
13	1701509	1	Decal - Manual Reference	
14	1703811	4	Decal - Lifting Lugs	
15	1703814	3	Decal - Tie Down	
16	1704277	3	Decal - Attach Lanyard Here	
17	1703819	4	Decal - Directional Arrow	
18	1703822	1	Decal - Manual Descent	
19	1705692	1	Decal - Control Box Location	
21	1705694	4	Decal - Crushing Hazard	
22	1705695	4	Decal - Danger Electrocution	
23	1705686	1	Decal - Legend	
24	1705680	1	Decal - Danger/Warning	
25	1705679	1	Decal - Inspection	
26	1705681	1	Decal - Electrocution	
27	1703813	2	Decal - Warning Battery Vent	
32	1705781	2	Decal - JLG	
35	1702773	1	Decal - JLG	
39		Ref	Decal - AC Power Options:	
39	1703464	1	Decal 120-60Hz	
39	3252507	1	Decal 220V-50/60Hz	
44	1701499	1	Decal - No Lift	
46	1001094359	1	Decal - Troubleshooting (USA Built Machines Only) (SN 0200168420 through 0200198014)	
46	1001094359	1	Decal - Troubleshooting (Belgium Built Machines Only) (SN 1200014906 through 1200025020)	
	0010588	Ref	DECAL OPTIONS	83
130		Ref	Decal - Capacity Options:	
130		Ref	Decal - Capacity 1930ES:	
130	1705638	2	Decal 500lbs/227kg (Platform Box and Platform Entry Locations)	
130	1705699	1	Decal 500lbs/227kg (Ground Control Box Location)	
130	1705639	3	Decal - Capacity 2030ES: 800lbs/363kg (All Locations)	
130		Ref	Decal - Capacity 2630ES:	
130	1705941	1	Platform Console Box Decal - 500lb/227kg & 800lb/360kg	
130	1705880	1	Platform Entry Decal - 500lb/227kg & 800lb/360kg	

SECTION 8 - DECALS

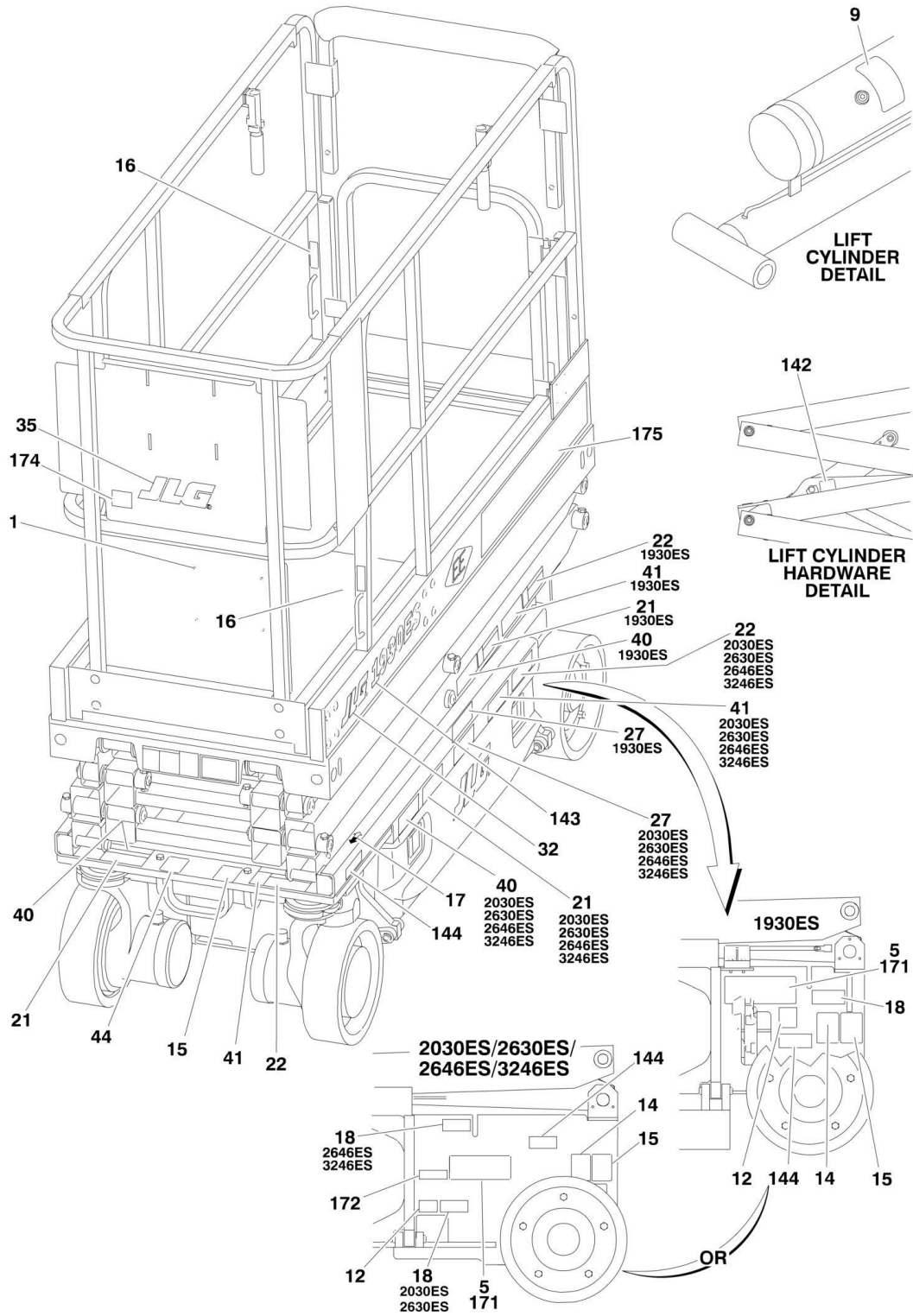
ITEM	PART NUMBER	QTY	DESCRIPTION	REV
130	1705941	1	Ground Control Box - 500lb/227kg & 800lb/360kg	
130	1705640	3	Decal - Capacity 2646ES: 1000lbs/454kg	
130	1705641	3	Decal - Capacity 3246ES: 700lbs/317kg	
131		Ref	Decal - No Pipe Racks/Panel Carriers Options:	
131	Not Required	0	Decal - 1930ES USA Built Machines (SN 0200152825 through 0200166714)	
131	1001092071	1	Decal - 1930ES USA Built Machines (SN 0200166715 through 0200198014)	
131	Not Required	0	Decal - 1930ES Belgium Built Machines (SN 1200008481 through 1200012994)	
131	1001092071	1	Decal - 1930ES Belgium Built Machines (SN 1200012995 through 1200025020)	
131	Not Required	0	Decal - 2030ES/2630ES/2646ES/3246ES	
142	1001116928	NLA	Decal - Hardware Retention (Use p/n 1001116915)	
143		Ref	Decal - Model Designation Options:	
143	1705642	2	Decal - 1930ES USA Built Machines (SN 0200152825 through 0200194463)	
143	1001099919	2	Decal - 1930ES USA Built Machines (SN 0200194464 through 0200198014)	
143	1705642	2	Decal - 1930ES Belgium Built Machines (SN 1200008481 through 1200022096)	
143	1001099919	2	Decal - 1930ES Belgium Built Machines (SN 1200022097 through 1200025020)	
143	1705643	2	Decal - 2030ES USA Built Machines (SN 0200152825 through 0200194675)	
143	1001099920	2	Decal - 2030ES USA Built Machines (SN 0200194676 through 0200198014)	
143	1705643	2	Decal - 2030ES Belgium Built Machines (SN 1200008481 through 1200022096)	
143	1001099920	2	Decal - 2030ES Belgium Built Machines (SN 1200022097 through 1200025020)	
143	1705644	2	Decal - 2630ES USA Built Machines (SN 0200152825 through 0200194675)	
143	1001099921	2	Decal - 2630ES USA Built Machines (SN 0200194676 through 0200198014)	
143	1705644	2	Decal - 2630ES Belgium Built Machines (SN 1200008481 through 1200022096)	
143	1001099921	2	Decal - 2630ES Belgium Built Machines (SN 1200022097 through 1200025020)	
143	1705645	2	Decal - 2646ES USA Built Machines (SN 0200152825 through 0200194675)	
143	1001099922	2	Decal - 2646ES USA Built Machines (SN 0200194676 through 0200198014)	
143	1705645	2	Decal - 2646ES Belgium Built Machines (SN 1200008481 through 1200022096)	
143	1001099922	2	Decal - 2646ES Belgium Built Machines (SN 1200022097 through 1200025020)	
143	1705646	2	Decal - 3246ES USA Built Machines (SN 0200152825 through 0200194675)	
143	1001099923	2	Decal - 3246ES USA Built Machines (SN 0200194676 through 0200198014)	
143	1705646	2	Decal - 3246ES Belgium Built Machines (SN 1200008481 through 1200022096)	
143	1001099923	2	Decal - 3246ES Belgium Built Machines (SN 1200022097 through 1200025020)	
144		Ref	Decal - Max Tire Load Options:	
144	1705647	4	Decal - 1930ES	

SECTION 8 - DECALS

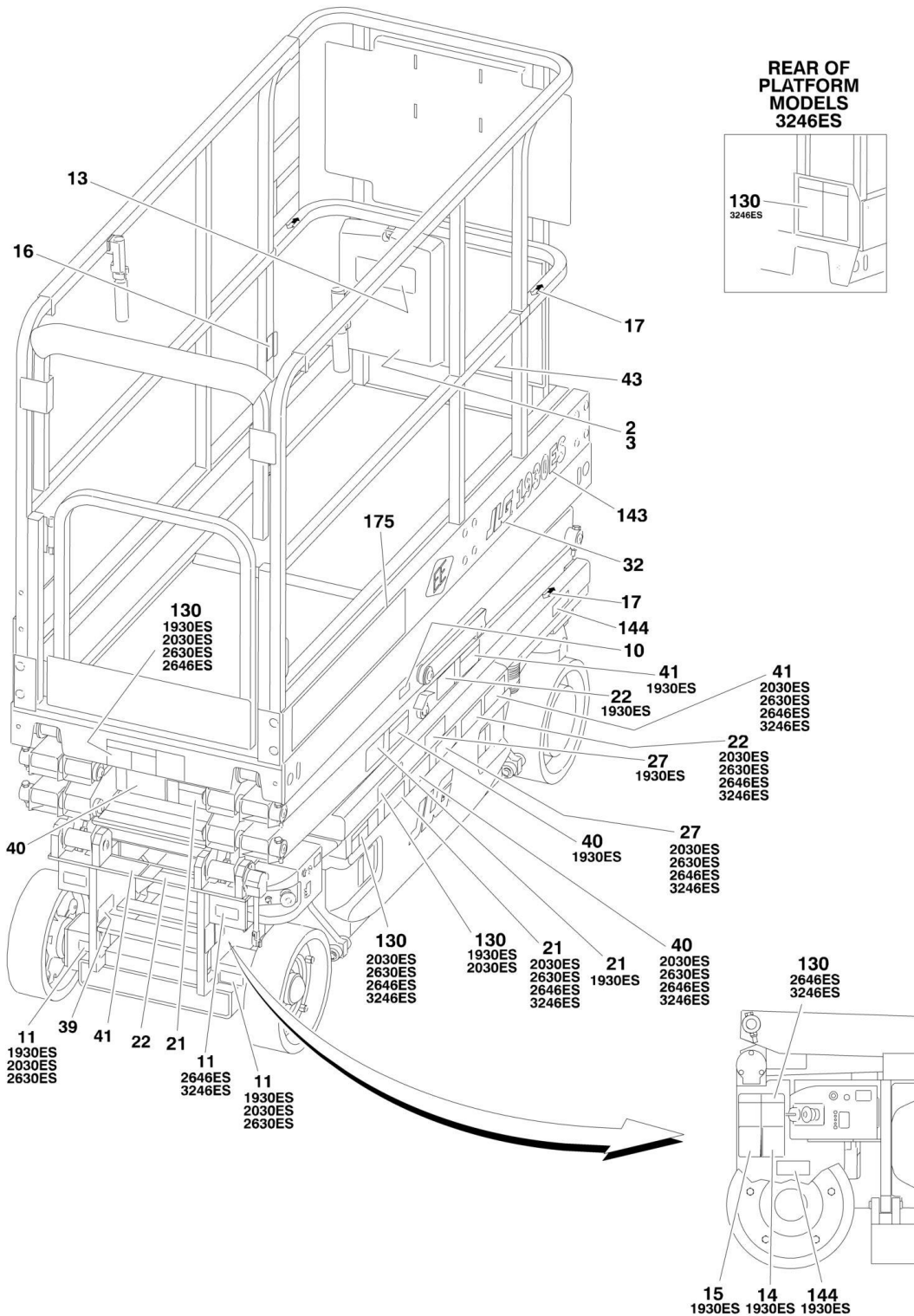
ITEM	PART NUMBER	QTY	DESCRIPTION	REV
144	1706310	4	Decal - 2030ES/2630ES	
144	1706311	4	Decal - 2646ES/3246ES	
171	See Note	NSS	Nameplate - Serial Number (Note: Not Available for Purchase)	
174	3251813	1	Decal - Made in USA	
175		Ref	Decal - Platform Color Options:	
175	1705850	2	Decal - 1930ES USA Built Machines (SN 0200152825 through 0200194464)	
175	1705850	2	Decal - 1930ES Belgium Built Machines Only (SN 1200008481 through 1200022097)	
175	1705850	2	Decal - 2030ES/2630ES USA Built Machines Only (SN 0200152825 through 0200194676)	
175	1705850	2	Decal - 2030ES/2630ES Belgium Built Machines Only (SN 1200008481 through 1200022097)	
175	1705851	2	Decal - 2646ES/3246ES USA Built Machines Only (SN 0200152825 through 0200194676)	
175	1705851	2	Decal - 2646ES/3246ES Belgium Built Machines Only (SN 1200008481 through 1200022097)	

SECTION 8 - DECALS

FIGURE 8-2. DECALS INSTALLATIONS (ANSI EXPORT SPEC)

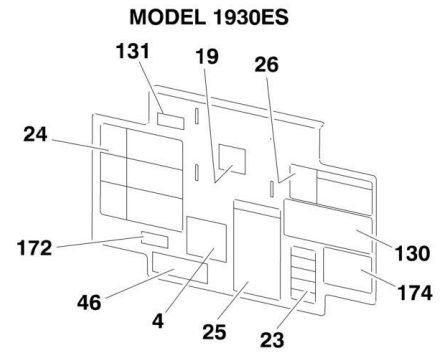


SECTION 8 - DECALS

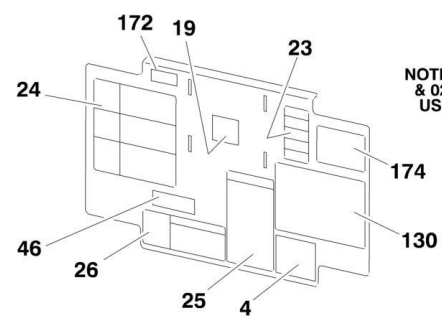
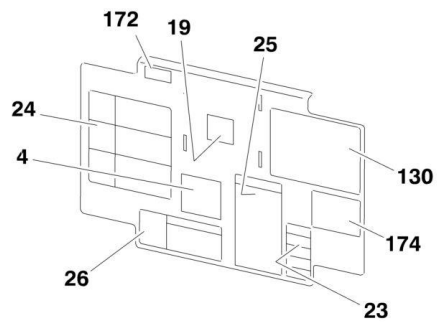


SECTION 8 - DECALS

PLATFORM DECAL PANEL DETAILS



MODELS 2030ES & 2630ES

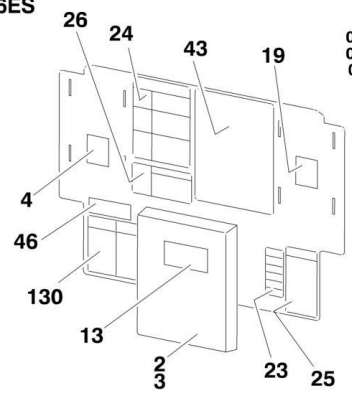
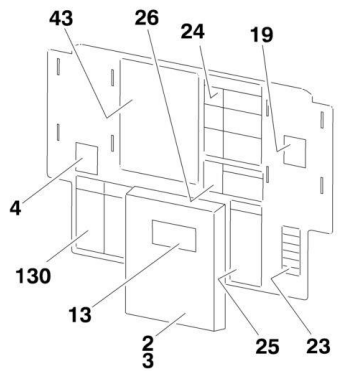


NOTE: SNs 0200166041 & 0200166080 ALSO USE THIS DESIGN.

USA BUILT MACHINES
SN 0200152825 THROUGH 0200168420
& BELGIUM BUILT MACHINES
SN 1200008481 THROUGH 1200014874

USA BUILT MACHINES
SN 0200168420 THROUGH 0200198014 &
BELGIUM BUILT MACHINES
SN 1200014874 TO PRESENT

MODELS 2646ES & 3246ES



NOTE: SNs 0200165918, 0200165941, 0200165946, 0200165995, 0200166005, 0200166033, 0200166047 & 0200166065 ALSO USE THIS DESIGN.

USA BUILT MACHINES
SN 0200152825 THROUGH 0200168420
& BELGIUM BUILT MACHINES
SN 1200008481 THROUGH 1200014874

USA BUILT MACHINES
SN 0200168420 THROUGH 0200198014 &
BELGIUM BUILT MACHINES
SN 1200014874 TO PRESENT

SECTION 8 - DECALS

FIGURE 8-2. DECALS INSTALLATIONS (ANSI EXPORT SPEC)

ITEM	PART NUMBER	QTY	DESCRIPTION	REV
		Ref	DECALS INSTALLATION - ANSI EXPORT SPECS	
	0275225	Ref	Brazilian Spec (Portuguese/Spanish Spec)	5
	0275226	Ref	Chinese Specs (English/Chinese Spec)	5
	0275223	Ref	CSA Spec (English/French)	5
	0275227	Ref	Korean Spec	6
	0275224	Ref	Latin American Spec (English/Spanish)	5
	0272870	Ref	JLG Decals	2
1	2080040	4	Fastener	
2	0860520	1	Box, Manual Storage	
3	1060279	1	Cable, Lanyard	
4	1700584	1	Decal - Patent	
5	2080057	4	Fastener	
7	See Note	NSS	Decal - Bar Code (Not Shown - Located on Back of Platform Console Box) (USA Built Machines Only) (Note: Not Available for Purchase) (SN 0200152825 through 0200195328)	
7	See Note	NSS	Decal - Bar Code (Not Shown - Located on Back of Platform Console Box) (Belgium Built Machines Only) (Note: Not Available for Purchase) (SN 1200008481 through 1200022484)	
9	1704412	1	Decal - Hydraulic Oil	
10	1705693	1	Decal - Safety Prop	
11	1704016	2	Decal - Forklift	
12	1702155	1	Decal - Battery Disconnect	
13	1701509	1	Decal - Manual Reference	
14	1703811	3	Decal - Lifting Lugs	
15	1703814	3	Decal - Tie Down	
16	1704277	3	Decal - Attach Lanyard Here	
17	1703819	4	Decal - Directional Arrow	
18	1703822	1	Decal - Manual Descent	
19	1705692	1	Decal - Control Box Location	
21		Ref	Decal - Crushing Hazard	
21	1705694	4	Decal All Specs except Brazilian Spec	
21	1705722	4	Decal Brazilian Spec	
22		Ref	Decal - Danger Electrocution	
22	1705695	4	Decal All Specs except Brazilian Spec	
22	1703834	4	Decal Brazilian Spec	
23		Ref	Decal - Legend	
23	1705726	1	Decal Brazilian Spec	
23	1705946	1	Decal Chinese Spec	
23	1705723	1	Decal CSA Spec	
23	1706057	1	Decal Korean Spec	
23	1705720	1	Decal Latin American Spec	
24		Ref	Decal - Danger/Warning	
24	1705680	1	Decal All Specs except Brazilian Spec	
24	1705894	1	Decal Brazilian Spec	
25		Ref	Decal - Inspection	
25	1705679	1	Decal All Specs except Brazilian Spec	
25	1705727	1	Decal Brazilian Spec	
26		Ref	Decal - Electrocution	
26	1705681	1	Decal All Specs except Brazilian Spec	
26	1705721	1	Decal Brazilian Spec	

SECTION 8 - DECALS

ITEM	PART NUMBER	QTY	DESCRIPTION	REV
27		Ref	Decal - Warning Battery Vent	
27	1704341	2	Decal Brazilian Spec	
27	1704344	2	Decal Chinese Spec	
27	1704340	2	Decal CSA Spec	
27	1703856	2	Decal Korean Spec	
27	1704339	2	Decal Latin American Spec	
32	1705781	2	Decal - JLG	
35	1702773	1	Decal - JLG	
39		Ref	Decal - AC Power Options:	
39	1703464	1	Decal 120-60Hz	
39	3252507	1	Decal 220V-50/60Hz	
40		Ref	Decal - Crushing Hazard Options:	
40	1705725	4	Decal Brazilian and Latin American Specs	
40	1705717	4	Decal CSA Spec	
40	1705943	4	Decal Chinese Spec	
40	1706052	4	Decal Korean Spec	
41		Ref	Decal - Electrocution Options:	
41	1705724	4	Decal Brazilian and Latin American Specs	
41	1705718	4	Decal CSA Spec	
41	1705944	4	Decal Chinese Spec	
41	1706056	4	Decal Korean Spec	
43		Ref	Decal - Warning/Danger Options:	
43	1705719	1	Decal Brazilian and Latin American Specs	
43	3252098	1	Decal CSA Spec (English/French)	
43	1705945	1	Decal Chinese Spec	
43	1706053	1	Decal Korean Spec	
44	1701499	1	Decal - No Lift	
46	1001094359	1	Decal - Troubleshooting (USA Built Machines Only) (SN 0200168420 through 0200198014)	
46	1001094359	1	Decal - Troubleshooting (Belgium Built Machines Only) (SN 1200014906 through 1200025020)	
	0010588	Ref	DECAL OPTIONS	83
130		Ref	Decal - Capacity Options:	
130		Ref	Decal - 1930ES:	
130	1705638	2	Decal 500lbs/227kg (Platform Box and Platform Entry Locations)	
130	1705699	1	Decal 500lbs/227kg (Ground Control Box Location)	
130	1705639	3	Decal - 2030ES: 800lbs/363kg (All Locations)	
130		Ref	Decal - 2630ES:	
130	1705941	1	Platform Console Box Decal - 500lb/227kg & 800lb/360kg	
130	1705880	1	Platform Entry Decal - 500lb/227kg & 800lb/360kg	
130	1705941	1	Decal Ground Control Box - 500lb/227kg & 800lb/360kg	
130	1705640	3	Decal - 2646ES: 1000lbs/454kg	
130	1705641	3	Decal - 3246ES: 700lbs/317kg	
131		Ref	Decal - No Pipe Racks/Panel Carriers Options:	
131	Not Required	0	Decal - 1930ES USA Built Machines (SN 0200152825 through 0200166714)	
131		Ref	Decal - 1930ES USA Built Machines (SN 0200166715 through 0200198014)	
131	Not Required	0	Decal - 1930ES Belgium Built Machines (SN 1200008481 through 1200012994)	
131	Not Required	1	Decal - 1930ES Belgium Built Machines (SN 1200012995 through 1200025020)	

SECTION 8 - DECALS

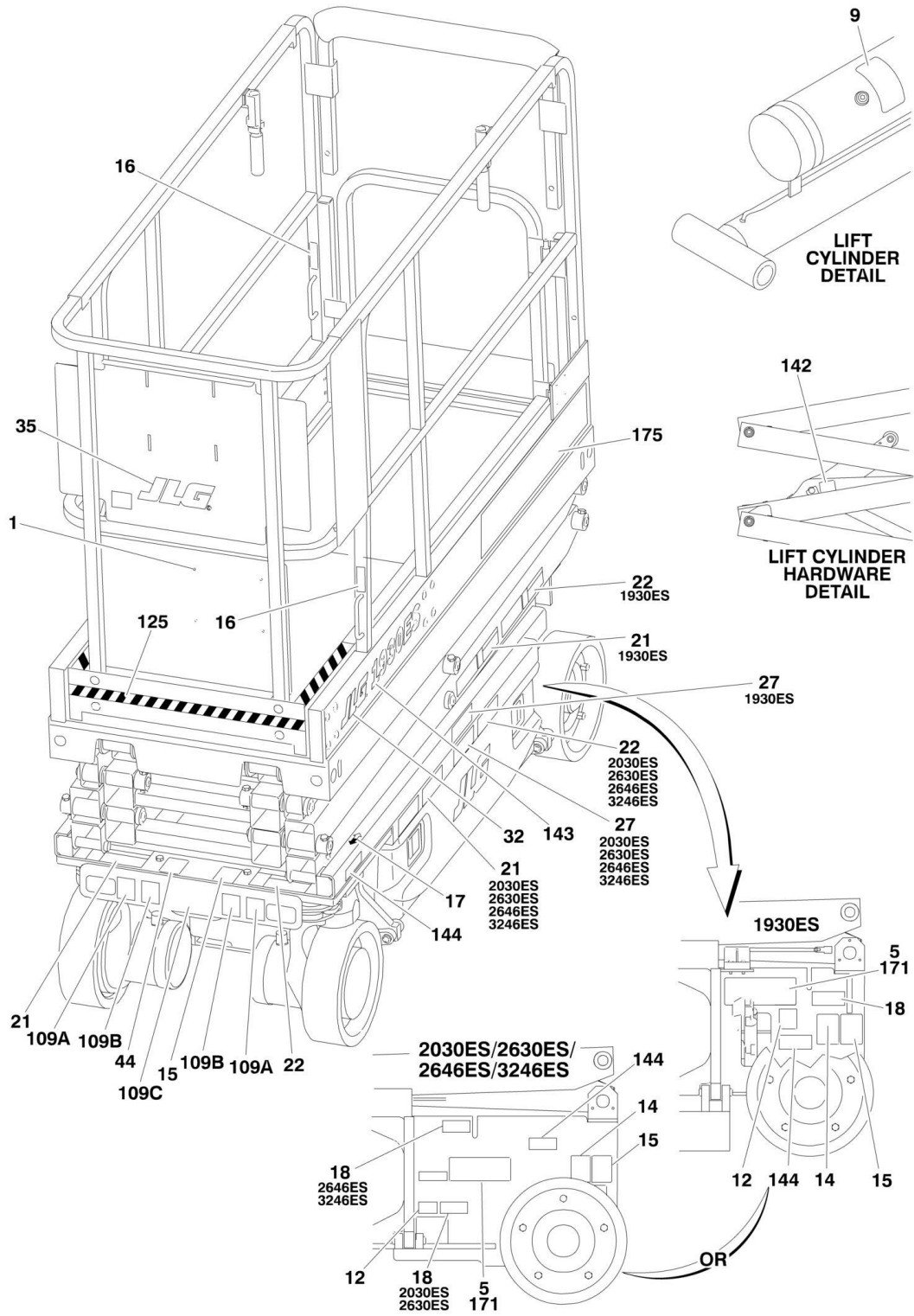
ITEM	PART NUMBER	QTY	DESCRIPTION	REV
131	1001092071	1	Decal ANSI Export/UL Specs	
131	1001092071	NLA	Decal Brazilian and Latin American Specs (Use p/n 1001120623)	
131	1001092580	1	Decal CSA Spec	
131	1001092071	NLA	Decal Chinese Spec (Use p/n 1001120622)	
131	1001092071	NLA	Decal Korean Spec (Use p/n 1001120621)	
131	1001092071	NLA	Decal Latin American Spec (Use p/n 1001120629)	
131	Not Required	0	Decal - 2030ES/2630ES/2646ES/3246ES	
142	1001116928	NLA	Decal - Hardware Retention (Use p/n 1001116915)	
143		Ref	Decal - Model Designation Options:	
143	1705642	2	Decal - 1930ES USA Built Machines (SN 0200152825 through 0200194463)	
143	1001099919	2	Decal - 1930ES USA Built Machines (SN 0200194464 through 0200198014)	
143	1705642	2	Decal - 1930ES Belgium Built Machines (SN 1200008481 through 1200022096)	
143	1001099919	2	Decal - 1930ES Belgium Built Machines (SN 1200022097 through 1200025020)	
143	1705643	2	Decal - 2030ES USA Built Machines (SN 0200152825 through 0200194675)	
143	1001099920	2	Decal - 2030ES USA Built Machines (SN 0200194676 through 0200198014)	
143	1705643	2	Decal - 2030ES Belgium Built Machines (SN 1200008481 through 1200022096)	
143	1001099920	2	Decal - 2030ES Belgium Built Machines (SN 1200022097 through 1200025020)	
143	1705644	2	Decal - 2630ES USA Built Machines (SN 0200152825 through 0200194675)	
143	1001099921	2	Decal - 2630ES USA Built Machines (SN 0200194676 through 0200198014)	
143	1705644	2	Decal - 2630ES Belgium Built Machines (SN 1200008481 through 1200022096)	
143	1001099921	2	Decal - 2630ES Belgium Built Machines (SN 1200022097 through 1200025020)	
143	1705645	2	Decal - 2646ES USA Built Machines (SN 0200152825 through 0200194675)	
143	1001099922	2	Decal - 2646ES USA Built Machines (SN 0200194676 through 0200198014)	
143	1705645	2	Decal - 2646ES Belgium Built Machines (SN 1200008481 through 1200022096)	
143	1001099922	2	Decal - 2646ES Belgium Built Machines (SN 1200022097 through 1200025020)	
143	1705646	2	Decal - 3246ES USA Built Machines (SN 0200152825 through 0200194675)	
143	1001099923	2	Decal - 3246ES USA Built Machines (SN 0200194676 through 0200198014)	
143	1705646	2	Decal - 3246ES Belgium Built Machines (SN 1200008481 through 1200022096)	
143	1001099923	2	Decal - 3246ES Belgium Built Machines (SN 1200022097 through 1200025020)	
144		Ref	Decal - Max Tire Load Options:	
144	1705647	4	Decal - 1930ES	
144	1706310	4	Decal - 2030ES/2630ES	
144	1706311	4	Decal - 2646ES/3246ES	
171	See Note	NSS	Nameplate - Serial Number (Note: Not Available for Purchase)	
172		Ref	Decal - CSA Options:	

SECTION 8 - DECALS

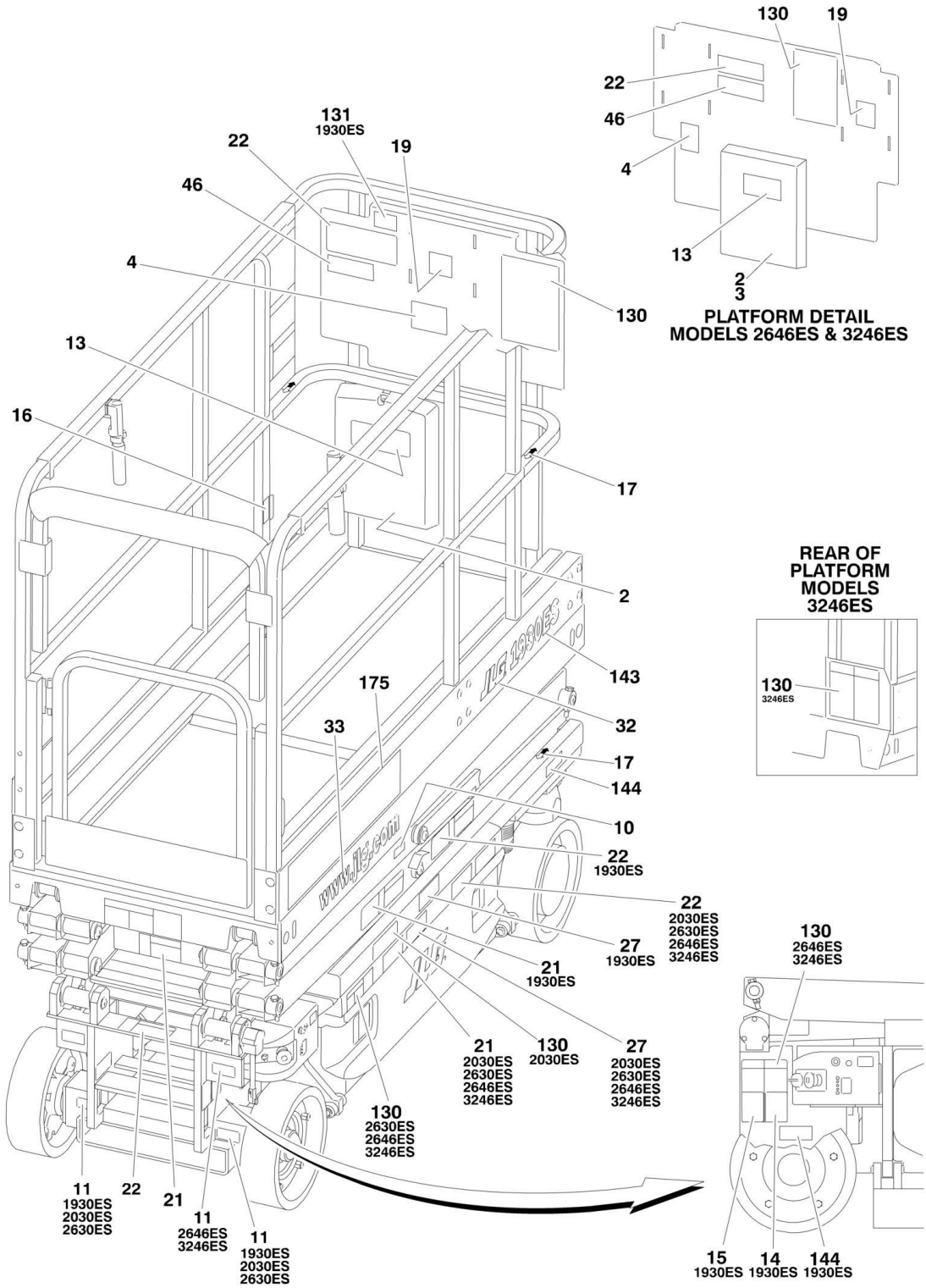
ITEM	PART NUMBER	QTY	DESCRIPTION	REV
172	1705303	1	CSA Spec (English/French)	
172	Not Required	0	Latin American Spec (English/Spanish)/(English/Chinese Spec)	
174	3251813	1	Decal - Made in USA	
175		Ref	Decal - Platform Color Options:	
175	1705850	2	Decal - 1930ES USA Built Machines (SN 0200152825 through 0200194464)	
175	1705850	2	Decal - 1930ES Belgium Built Machines Only (SN 1200008481 through 1200022097)	
175	1705850	2	Decal - 2030ES/2630ES USA Built Machines Only (SN 0200152825 through 0200194676)	
175	1705850	2	Decal - 2030ES/2630ES Belgium Built Machines Only (SN 1200008481 through 1200022097)	
175	1705851	2	Decal - 2646ES/3246ES USA Built Machines Only (SN 0200152825 through 0200194676)	
175	1705851	2	Decal - 2646ES/3246ES Belgium Built Machines Only (SN 1200008481 through 1200022097)	
176	1705880	1	Decal - Capacity (Platform Entry) (800lbs/363kg - 500lbs/227kg) (2630ES)	

SECTION 8 - DECALS

FIGURE 8-3. DECAL INSTALLATION (AUSTRALIAN, CE AND JAPANESE SPECS)



SECTION 8 - DECALS



SECTION 8 - DECALS

FIGURE 8-3. DECAL INSTALLATION (AUSTRALIAN, CE AND JAPANESE SPECS)

ITEM	PART NUMBER	QTY	DESCRIPTION	REV
		Ref	DECALS INSTALLATION - ANSI EXPORT SPECS	
	0275222	Ref	Australian Spec	5
	0275221	Ref	CE and Japanese Specs	5
	0272870	Ref	JLG Decals	2
1	2080040	4	Fastener	
2	0860520	1	Box, Manual Storage	
4	1700584	1	Decal - Patent	
5	2080057	4	Fastener	
7	See Note	NSS	Decal - Bar Code (Not Shown - Located on Back of Platform Console Box) (USA Built Machines) (Note: Not Available for Purchase) (SN 0200152825 through 0200195328)	
7	See Note	NSS	Decal - Bar Code (Not Shown - Located on Back of Platform Console Box) (Belgium Built Machines) (Note: Not Available for Purchase) (SN 1200008481 through 1200022484)	
9	1704412	1	Decal - Hydraulic Oil	
10	1705693	1	Decal - Safety Prop	
11	1704016	2	Decal - Forklift	
12	1702155	1	Decal - Battery Disconnect	
13	1701509	1	Decal - Manual Reference	
14	1703811	3	Decal - Lifting Lugs	
15	1703814	3	Decal - Tie Down	
16	1704277	3	Decal - Attach Lanyard Here	
17	1703819	4	Decal - Directional Arrow	
18	1703822	1	Decal - Manual Descent	
19	1705692	1	Decal - Control Box Location	
21	1705673	4	Decal - Crushing Hazard	
22	1705671	5	Decal - Danger Electrocution	
27	1705670	1	Decal - Warning Battery Vent	
32	1705781	2	Decal - JLG	
35	1702773	1	Decal - JLG	
39		Ref	Decal - AC Power Options:	
39	1703464	1	Decal 120-60Hz	
39	3252507	1	Decal 220V-50/60Hz	
44	1701499	1	Decal - No Lift	
46	1001094359	1	Decal - Troubleshooting (USA Built Machines) (SN 0200168420 through 0200198014)	
46	1001094359	1	Decal - Troubleshooting (Belgium Built Machines) (SN 1200014906 through 0200198014)	
	0010588	Ref	DECAL OPTIONS	83
109	0273454	AR	Lifting Lug and Decals (Standard on Australian and Japanese Specs/Optional on CE Specs)	B
109A	1703811	2	Decal - Lifting Lug	
109B	1703814	2	Decal - Tie-Down	
109C	0240055	1	Attach, Lifting Lug	
109C	3574636	1	Bar, Mounting (Located Behind Item 109C)	
125		Ref	Decal - Corner Stripe Options:	
125	0272721	AR	Decal - 1930ES/2030ES/2630ES	B
125	0272862	AR	Decal - 2646ES/3246ES	B
125	4420051	1.3 m	Decal - 1930ES/2030ES/2630ES	
125	4420051	1.2 m	Decal - 2646ES/3246ES	
130		Ref	Decal - Capacity Options:	

SECTION 8 - DECALS

ITEM	PART NUMBER	QTY	DESCRIPTION	REV
130	1705666	1	Decal - 230kg Indoor/120kg Outdoor (1930ES)	
130	1705667	1	Decal - 360kg (2030ES)	
130	1705887	1	Decal - 230kg (2630ES) (Australian Specs)	
130	1705942	1	Decal - 230kg/360kg (2630ES) (CE Specs)	
130	1705668	1	Decal - 450kg (2646ES)	
130	1705819	1	Decal - 320kg/450kg (3246ES) (Australian Spec)	
130	1705704	1	Decal - 320kg (3246ES) (CE Spec)	
131		Ref	Decal - No Pipe Racks/Panel Carriers Options:	
131	Not Required	0	Decal - 1930ES USA Built Machines (Prior to SN 0200166715)	
131	1001092071	NLA	Decal - 1930ES USA Built Machines (Use p/n 1001092497 for Australian Spec) (SN 0200166715 through 0200198014)	
131	Not Required	0	Decal - 1930ES Belgium Built Machines (Prior to SN 1200012995)	
131	1001092071	NLA	Decal - 1930ES Belgium Built Machines (Use p/n 1001092497 for Australian Spec) (SN 1200012995 through 1200025020)	
131	Not Required	0	Decal - 2030ES/2630ES/2646ES/3246ES	
142	1001116928	NLA	Decal - Hardware Retention (Use p/n 1001116915)	
143		Ref	Decal - Model Designation Options:	
143	1705642	2	Decal - 1930ES USA Built Machines (SN 0200152825 through 0200194463)	
143	1001099919	2	Decal - 1930ES USA Built Machines (SN 0200194464 through 0200198014)	
143	1705642	2	Decal - 1930ES Belgium Built Machines (SN 1200008481 through 1200022096)	
143	1001099919	2	Decal - 1930ES Belgium Built Machines (SN 1200022097 through 1200025020)	
143	1705643	2	Decal - 2030ES USA Built Machines (SN 0200152825 through 0200194675)	
143	1001099920	2	Decal - 2030ES USA Built Machines (SN 0200194676 through 0200198014)	
143	1705643	2	Decal - 2030ES Belgium Built Machines (SN 1200008481 through 1200022096)	
143	1001099920	2	Decal - 2030ES Belgium Built Machines (SN 1200022097 through 1200025020)	
143	1705644	2	Decal - 2630ES USA Built Machines (SN 0200152825 through 0200194675)	
143	1001099921	2	Decal - 2630ES USA Built Machines (SN 0200194676 through 0200198014)	
143	1705644	2	Decal - 2630ES Belgium Built Machines (SN 1200008481 through 1200022096)	
143	1001099921	2	Decal - 2630ES Belgium Built Machines (SN 1200022097 through 1200025020)	
143	1705645	2	Decal - 2646ES USA Built Machines (SN 0200152825 through 0200194675)	
143	1001099922	2	Decal - 2646ES USA Built Machines (SN 0200194676 through 0200198014)	
143	1705645	2	Decal - 2646ES Belgium Built Machines (SN 1200008481 through 1200022096)	
143	1001099922	2	Decal - 2646ES Belgium Built Machines (SN 1200022097 through 1200025020)	
143	1705646	2	Decal - 3246ES USA Built Machines (SN 0200152825 through 0200194675)	
143	1001099923	2	Decal - 3246ES USA Built Machines (SN 0200194676 through 0200198014)	
143	1705646	2	Decal - 3246ES Belgium Built Machines (SN 1200008481 through 1200022096)	

SECTION 8 - DECALS

ITEM	PART NUMBER	QTY	DESCRIPTION	REV
143	1001099923	2	Decal - 3246ES Belgium Built Machines (SN 1200022097 through 1200025020)	
144		Ref	Decal - Max Tire Load Options:	
144	1705648	4	Decal - 1930ES	
144	1706310	4	Decal - 2030ES/2630ES	
144	1706312	4	Decal - 2646ES/3246ES	
171	See Note	NSS	Nameplate - Serial Number (Note: Not Available for Purchase)	
175		Ref	Decal - Platform Color Options:	
175	1705850	2	Decal - 1930ES USA Built Machines (SN 0200152825 through 0200194464)	
175	1705850	2	Decal - 1930ES Belgium Built Machines Only (SN 1200008481 through 1200022097)	
175	1705850	2	Decal - 2030ES/2630ES USA Built Machines Only (SN 0200152825 through 0200194676)	
175	1705850	2	Decal - 2030ES/2630ES Belgium Built Machines Only (SN 1200008481 through 1200022097)	
175	1705851	2	Decal - 2646ES/3246ES USA Built Machines Only (SN 0200152825 through 0200194676)	
175	1705851	2	Decal - 2646ES/3246ES Belgium Built Machines Only (SN 1200008481 through 1200022097)	

SECTION 9 - RECOMMENDED SERVICE PARTS STOCK

SECTION 9 - RECOMMENDED SERVICE PARTS STOCK

SECTION 9 - RECOMMENDED SERVICE PARTS STOCK

FIGURE 9-1. MODEL ES STANDARD PARTS

ITEM	PART NUMBER	QTY	DESCRIPTION	REV
	Note	Ref	Note: The following list will service one machine (built to current production per date on the front cover) with emergency repair parts which can be installed in the field. Parts from the list should be replaced when inventory is depleted to keep service parts stock supplied. For further information, contact your JLG dealer or the JLG Industries Parts Department.	
		Ref	STANDARD PARTS	
	4360069	1	Breaker, Circuit - 10Amp	
	4360328	1	Switch, Toggle	
	2860030	1	Key, Replacement	
	4360475	1	Switch, Mushroom	
	4360387	1	Switch, Push Button	
	1001092354	1	Switch, Rotary Angle Sensor	
	1001134438	1	Controller, Drive	
	4360538	1	Switch and Membrane	
	4360539	1	Switch, Toggle	
	7027367	1	Switch, Push Button	
	70000798	1	Coil	
	70000799	1	Coil	
	7023593	1	Plug, Fill	
	7023576	1	Filter	
	1001097347	1	Relay	

SECTION 9 - RECOMMENDED SERVICE PARTS STOCK

FIGURE 9-2. MODEL ES VARIABLE PARTS

ITEM	PART NUMBER	QTY	DESCRIPTION	REV
	Note	Ref	Note: The following list will service one machine (built to current production per date on the front cover) with emergency repair parts which can be installed in the field. Parts from the list should be replaced when inventory is depleted to keep service parts stock supplied. For further information, contact your JLG dealer or the JLG Industries Parts Department.	
		Ref	VARIABLE PARTS	
	1600346	1	Drive Module (Frame)	
	2915064	1	Relay (UL Spec)	
	3740150	1	Relay (Non-UL Spec)	
	1001114933	1	Tilt Module	
	4360469	1	Switch, Key (ANSI/ANSI Export Spec)	
	4360470	1	Switch, Key (CE/Australian Spec)	
	3080007	1	Magnet, Latch (Machines with Platform Gate Entry)	
	1001101076	1	Snap Latch Repair Kit (Machines with Platform Chain Entry)	
	1001091965	1	Control Module (Platform)	
	1001109088	1	Switch, Limit	
	1001109475	1	Breaker, Circuit 16Amp (CE Spec Machines with Platform Electrical Outlet)	
	1001109482	1	Breaker, Circuit 30mA (CE Spec Machines with Platform Electrical Outlet)	
	4360613	1	Limit Switch (Machines with Optional Brake Disconnect)	
	4360336	1	Switch, Toggle (ANSI and CSA Spec Machines with Optional Battery Charger/Inverter Combo)	
	3990010	2	Diode 6Amp (ANSI and CSA Spec Machines with Optional Battery Charger/Inverter Combo)	

SECTION 9 - RECOMMENDED SERVICE PARTS STOCK

FIGURE 9-3. MODEL ES MAINTENANCE KITS

ITEM	PART NUMBER	QTY	DESCRIPTION	REV
	Note	Ref	Note: The following list will service one machine (built to current production per date on the front cover) with emergency repair parts which can be installed in the field. Parts from the list should be replaced when inventory is depleted to keep service parts stock supplied. For further information, contact your JLG dealer or the JLG Industries Parts Department.	
		Ref	MAINTENANCE KITS	
	1001101329	NLA	Annual Hydraulic Maintenance Kit - 1930ES/2030ES/2630ES (With Standard Hydraulic Oil)	
	1001101330	NLA	Annual Hydraulic Maintenance Kit - 2646ES/3246ES (With Standard Hydraulic Oil)	

SECTION 10 - SPECIAL OPTIONS

SECTION 10 - SPECIAL OPTIONS

FIGURE 10-1. SPECIAL OPTIONS LIST

ITEM	PART NUMBER	QTY	DESCRIPTION	REV
	Note	Ref	Note: This list is to accommodate machines ordered with special equipment. Options may not be applicable to all models. For more specific parts information contact JLG Parts Department.	
		Ref	SPECIAL OPTIONS LIST	
		Ref	Airline Installation (1/2in)	
	0274516	Ref	Airline Installation (1/2in) (1930ES)	
	0274370	Ref	Airline Installation (1/2in) (2030ES)	
	0274517	Ref	Airline Installation (1/2in) (2630ES)	
	0274446	Ref	Airline Installation (1/2in) (2646ES/3246ES)	
		Ref	Brake Disconnect/Release Kit Options	
	0275432	Ref	Brake Disconnect Cable Kit (Optional All Specs)	
	2902331	Ref	Brake Mount Kit (includes Mounting Bracket and Setscrew)	
	4922944	Ref	Brake Switch and Harness	
	0275530	Ref	Brake Release Switch (Optional ANSI, ANSI Export, CSA and UL Specs/Standard on Australian and CE Specs) For Machines without Pressure Checks)	
	See Note	Ref	Brake Release Switch (Optional ANSI, ANSI Export, CSA and UL Specs/Standard on Japanese Specs) (For Machines with Pressure Checks) (was p/n 0275603) Note: Use Both p/ns 0275530 & 0273859.	
	2915016	Ref	Battery Charger Mounting Kit	
		Ref	Decal Options:	
	1001110179	Ref	Decals - Boels (1930ES CE Spec - Dutch Belgium)	
	1001106715	Ref	Decals - Boels (1930ES CE Spec - Dutch Netherlands)	
	1001109207	Ref	Decals - Boels (1930ES CE Spec - French)	
	1001110176	Ref	Decals - Boels (1930ES CE Spec - German Austria)	
	1001109146	Ref	Decals - Boels (1930ES CE Spec - German Deutschland)	
	1001109210	Ref	Decals - Boels (1930ES CE Spec - TJECH)	
	1001110180	Ref	Decals - Boels (2030ES CE Spec - Dutch Belgium)	
	1001106716	Ref	Decals - Boels (2030ES CE Spec - Dutch Netherlands)	
	1001109208	Ref	Decals - Boels (2030ES CE Spec - French)	
	1001110177	Ref	Decals - Boels (2030ES CE Spec - German Austria)	
	1001109147	Ref	Decals - Boels (2030ES CE Spec - German Deutschland)	
	1001109211	Ref	Decals - Boels (2030ES CE Spec - TJECH)	
	1001110181	Ref	Decals - Boels (2646ES/3246ES CE Spec - Dutch Belgium)	
	1001106717	Ref	Decals - Boels (2646ES/3246ES CE Spec - Dutch Netherlands)	
	1001109209	Ref	Decals - Boels (2646ES/3246ES CE Spec - French)	
	1001110178	Ref	Decals - Boels (2646ES/3246ES CE Spec - German Austria)	
	1001109148	Ref	Decals - Boels (2646ES/3246ES CE Spec - German Deutschland)	
	1001109212	Ref	Decals - Boels (2646ES/3246ES CE Spec - TJECH)	
	0272721	Ref	Decals - Corner Stripes (1930ES/2030ES/2630ES)	
	0272862	Ref	Decals - Corner Stripes (2646ES/3246ES)	
	0273603	Ref	Decals - Commercial Solutions Group (ANSI and CSA Specs Only)	
	1705304	Ref	Decals - Service Support (Commercial Solutions Group Only) (ANSI, CSA and UL Specs Only)	
	0274545	Ref	Decals - FedEx (ANSI, CE, CSA and UL Specs Only)	
	0273603	Ref	Decals - Grainger Spec(ANSI, CSA and UL Specs Only)	

SECTION 10 - SPECIAL OPTIONS

ITEM	PART NUMBER	QTY	DESCRIPTION	REV
	0274527	Ref	Decals - Head and Engquist Equipment (ANSI Specs Only)	
	0273543	Ref	Decals - Hertz	
	0272877	Ref	Decals - Home Depot (ANSI, CSA and UL Specs Only)	
	0273544	Ref	Decals - Nations Rent(ANSI, CSA and UL Specs Only)	
	0274242	Ref	Decals - Nations Equipment Services (1930ES/2030ES/2630ES) (ANSI, CSA and UL Specs Only)	
	0274251	Ref	Decals - Nations Equipment Services (2646ES/3246ES) (ANSI, CSA and UL Specs Only)	
	0275900	Ref	Decals - RSC Equipment Rental (ANSI and CSA Specs Only)	
	1705304	Ref	Decals - Service Support (ANSI and CSA Specs Only)	
	1706922	Ref	Decals - Service Support (ANSI and CSA Specs Only)	
	0272872	Ref	Decals - Sunbelt (ANSI, CSA and UL Specs Only)	
	0274179	Ref	Decals - Sunstate (ANSI, CSA and UL Specs Only)	
	0274126	Ref	Decals - UL Specs (EE Rating) (USA Built Machines)	
	1001126013	Ref	Decals - UL Specs (EE Rating) (China Built Machines)	
	0272871	Ref	Decals - United Rentals (ANSI, CSA and UL Specs Only)	
	1001103307	Ref	Decals - UPS (ANSI Spec Only)	
		Ref	Decal Kit Options	
	2890186	Ref	Decal Kit - CE Designation	
	1001149795	Ref	Decal Kit - Complete 1930ES	
	1001149796	Ref	Decal Kit - Complete 2030ES	
	1001149797	Ref	Decal Kit - Complete 2630ES	
	1001149798	Ref	Decal Kit - Complete 2646ES	
	1001149799	Ref	Decal Kit - Complete 3246ES	
	2902522	Ref	Decal Kit - Country Spec (ANSI Spec)	
	2902523	Ref	Decal Kit - Country Spec (Australian and CE Spec)	
	2902526	Ref	Decal Kit - Country Spec (Brazil Spec)	
	2902528	Ref	Decal Kit - Country Spec (Chinese Spec)	
	2902524	Ref	Decal Kit - Country Spec (CSA Spec)	
	2902532	Ref	Decal Kit - Country Spec (Korean Spec)	
	2902525	Ref	Decal Kit - Country Spec (Latin American Spec)	
	2902267	Ref	Decal Kit - Master	
	1001091967	Ref	Decal Kit - Platform Box Decal	
	1001091393	Ref	Decal Kit - Platform Box Decal and Housing	
	1001091965	Ref	Decal Kit - Platform Box Decal, Housing and PC Board	
		Ref	Electrical Connector Kits	
	1001148902	Ref	Amp/Tyco Electrical Connector Kit	
	1001148903	Ref	Deutsch DT Electrical Connector Kit	
	1001148904	Ref	Deutsch HD Electrical Connector Kit	
	1001148905	Ref	Packard Electrical Connector Kit	
	1001148906	Ref	Various Electrical Connectors Kit	
		Ref	Electricians Package (Note: See Platform Section)	
	0273950	Ref	Without DC Converter	
	0273949	Ref	With DC Converter	
		Ref	Electricians Tree (Note: See Platform Section)	
	0240092	Ref	Without DC Converter (SN 0200152825 through 0200190218, SN 1200008481 through 1200020972)	
	1001102549	Ref	Without DC Converter (SN 0200190219 through 0200198014, SN 1200020973 through 1200025020)	
	0274153	Ref	With DC Converter	
	0274849	Ref	Fire Extinguisher Installation (ANSI)	
		Ref	Fluids	

SECTION 10 - SPECIAL OPTIONS

ITEM	PART NUMBER	QTY	DESCRIPTION	REV
	2300028	AR	Fluid, Hydraulic - Mobil DTE 10 Excel 15 (Bulk)	
	70010346	AR	Fluid, Hydraulic - Mobil DTE 10 Excel 15 (1 Gallon)	
	2300042	AR	Fluid, Hydraulic - Synthetic Biodegradeable	
		Ref	Footswitch Installation Options (Japanese Spec)	
	0273761	Ref	Footswitch Installation (1930ES)	
	0273762	Ref	Footswitch Installation (2030ES/2630ES/2646ES/3246ES)	
	3128145	Ref	Inspection Packet (ANSI and ANSI Export Specs Only)	
	0274341	Ref	Interlock Override for Battery Charger Installation (ANSI)	
		Ref	Inverter Installations (ANSI, ANSI Export and Japanese Specs) Only)	
	0272876	Ref	Inverter Installations (1930ES)	
	0273070	Ref	Inverter Installations (2030ES/2630ES)	
	0273071	Ref	Inverter Installations (2646ES/3246ES)	
	2460042	1	Inverter Assembly	
	4360482	1	Switch, Toggle	
	1705051	1	Decal - Instructions	
	1705052	1	Decal - On-Off	
	0273454	Ref	Lifting Lugs Installations	
		Ref	Maintenance Kits - Annual Hydraulic (Not for Machines with Biodegradeable Hydraulic Fluid)	
	1001101329	NLA	Maintenance Kits (1930ES/2030ES/2630ES)	
	1001101330	NLA	Maintenance Kits (2646ES/3246ES)	
	2902405	Ref	Motor Band Kit (UL Specs Only)	
	3125053	Ref	Operator Video (ANSI and ANSI Export Specs Only)	
	1001214536	Ref	Platform Extension Lock Replacement Kit (Steel Platform Only)	
		Ref	Platform Latch - Magna-Latch Side Pull	
	1001135316	Ref	Platform Latch (1930ES/2030ES/2630ES)	
	1001135317	Ref	Platform Latch (2646ES/3246ES)	
		Ref	Platform Limit Switches and Rail Padding Installations	
	0275078	Ref	Rail Padding (1930ES) without Limit Switches (All Specs)	
		Ref	Rail Padding (1930ES) with Limit Switches Options:	
	0275080	Ref	Non-UL Spec (ANSI and ANSI Export Specs Only)	
	1001100029	Ref	UL Spec (ANSI and UL Specs Only)	
	0275077	Ref	Rail Padding (2030ES/2630ES) without Limit Switches (All Specs)	
		Ref	Rail Padding (2030ES/2630ES) with Limit Switches Options:	
	0275081	Ref	Non-UL (ANSI and ANSI Export Specs Only)	
	1001092701	Ref	UL Spec (ANSI and UL Specs Only)	
	0275076	Ref	Rail Assembly (2646ES/3246ES) without Limit Switches	
		Ref	Rail Assembly (2646ES/3246ES) with Limit Switches	
	0275082	Ref	Non-UL Spec (ANSI and ANSI Export Specs Only)	
	1001092702	Ref	UL Spec (ANSI and UL Specs)	
	1001098162	Ref	Platform Limit Switches and Rail Padding Installations 2646ES with Limit Switches without Padding (CE Spec Only)	
	1001121295	Ref	Platform Limit Switches and Rail Padding Installations 2646ES with Limit Switches with Padding (ANSI Export Spec Only)	
		Ref	PLATFORM WORKLIGHTS INSTALLATIONS	
	0272850	Ref	Platform Worklights Installations (1930ES) (Without UL Specs)	
	0272851	Ref	Platform Worklights Installations (2030ES) (Without UL Specs)	

SECTION 10 - SPECIAL OPTIONS

ITEM	PART NUMBER	QTY	DESCRIPTION	REV
	0272852	Ref	Platform Worklights Installations (2630ES) (Without UL Specs)	
	0272853	Ref	Platform Worklights Installations (2646ES/3246ES) (Without UL Specs)	
	0275937	Ref	Platform Worklights Installations (2646ES/3246ES) (With UL Specs)	
	0273952	Ref	Plant Maintenance Package (Note: See Platform Section)	
	0273951	Ref	Plumbers Package (Note: See Platform Section)	
	0273859	Ref	Pressure Check Installation (All Specs except Australian and CE Specs)	
		Ref	Tools for Service	
	7002821	1	Crimper, Wire	
	7002823	1	Extractor, Pin - Universal	
	4460467	AR	Extractor, Pin #16 Gauge	
	4460510	AR	Extractor, Pin #12 Gauge	
	7004275	1	Installer, Cylinder Seal - 1in	
	7004276	1	Installer, Cylinder Seal - 1 1/2in	
	7002826	1	Installer, Cylinder Seal - 2in	
	7016654	1	Screwdriver, Magnetic	
	7002822	1	Screwdriver, Potentiometer	
	7002828	1	Stripper, Wire	
	2901443	1	Analyzer Kit	
	4341055	1	Service Safety Prop	
	1706331	1	Decal - ES Service Prop	
	70000555	1	Relief Valve Removable Tool (For Older Style Relief Valves)	
	2915230	1	Battery Charger Reprogram Controller Kit	

PART NUMBER INDEX

PART NUMBER INDEX

0010588.....16, 181, 188, 194	0272781..... 51	0274874..... 59, 123	0275219.....145, 160, 174
0060090.....29	0272810..... 27, 52	0274878..... 72	0275220.....181
0060091.....29	0272811..... 27, 52	0274879..... 73, 123	0275221.....194
0060092.....33	0272839.... 142, 156, 170	0274880..... 72	0275222.....194
0060093.....33	0272843.... 142, 156, 170	0274881..... 73, 123	0275223.....187
0100011.....11, 15, 41, 55	0272850..... 206	0274929..... 77	0275224.....187
0100048.....55, 136, 150, 164	0272851..... 206	0274930..... 77	0275225.....187
0100051.....47	0272852..... 207	0274931..... 77	0275226.....187
0100083.....25	0272853..... 207	0274932..... 91	0275227.....187
01001096627.... 144, 158	0272862..... 194, 204	0274933..... 91	0275401.....47
0140011.....95	0272870.... 181, 187, 194	0274943..... 87	0275429.....85
0140043.....27, 141, 156, 170	0272871..... 205	0274944..... 87	0275432.....55, 204
0200783.....72	0272872..... 205	0274969..... 111	0275445..... 11, 25
0200789.....72	0272874..... 37	0274970..... 111	0275452.....145, 159, 173
0200799.....63, 68	0272875..... 37	0274971..... 77	0275453.....145, 160, 174
0200800.....68	0272876..... 206	0274972..... 136	0275454.....146, 160, 174
0200801.....68	0272877..... 205	0274973..... 150	0275472.....142
0200802.....63, 68	0272878..... 52, 97	0274974..... 150	0275480.....47, 139
0200803.....63, 68	0272879..... 115	0274975..... 164	0275485.....142
0200804.....63, 68	0272880..... 115	0274980..... 111	0275486.....142
0200805.....68	0272881..... 115	0274981..... 111	0275487.....142
0200807.....63, 68	0272882..... 115	0274985..... 81	0275489.....142
0200810.....59	0272884..... 107	0274991..... 77	0275490.....142
0200815.....59	0272887..... 43	0274992..... 77	0275510.....156
0200816.....63	0272888..... 43	0275006..... 111	0275511.....156
0200820.....72	0272913..... 27	0275007..... 111	0275512.....156
0200821.....59	0272980..... 43	0275016..... 63, 123	0275513.....156
0200822.....59	0273070..... 206	0275017..... 69, 123	0275514.....156
0200823.....59	0273071..... 206	0275018..... 63	0275515.....156
0200824.....59	0273227..... 11, 15, 129	0275019..... 68	0275516.....156
0200825.....59	0273443..... 27, 52	0275020..... 47	0275517.....170
0200826.....72	0273444..... 51	0275021..... 47	0275518.....170
0200827.....72	0273454..... 194, 206	0275022..... 47	0275519.....170
0200828.....72	0273543..... 205	0275029..... 77	0275520.....170
0200829.....72	0273544..... 205	0275042..... 47	0275521.....170
0200830.....72	0273603..... 204	0275043..... 47	0275522.....170
0200831.....72	0273698..... 47, 48	0275044..... 47	0275523.....170
0200832.....72	0273761..... 206	0275072..... 115	0275530.....55, 204
0200834.....63, 68	0273762..... 206	0275073..... 115	0275541.....136
0200838.....59	0273841..... 97	0275074..... 115	0275542.....150
0200839.....63	0273859..... 207	0275075..... 115	0275543.....150
0200840.....68	0273949..... 205	0275076..... 206	0275544.....164
0200841.....72	0273950..... 205	0275077..... 206	0275603.....55
0200842.....72	0273951..... 207	0275078..... 206	0275663.....38, 141, 156, 170
0240054.....107	0273952..... 207	0275079..... 37	0275664.....38, 141, 156, 170
0240055.....194	0273966..... 27, 52	0275080..... 206	0275665.....38, 141, 155, 169
0240057.....107	0274012..... 43	0275081..... 206	0275666.....38, 141, 155, 169
0240071.....103	0274126..... 205	0275082..... 206	0275667.....38
0240087.....103	0274153..... 105, 205	0275088..... 37	0275692.....59, 123
0240088.....108	0274179..... 205	0275092..... 29	0275693.....63, 123
0240092.....107, 205	0274242..... 205	0275093..... 29	0275694.....69, 123
0240093.....108	0274251..... 205	0275094..... 33	0275695.....73, 123
0240102.....105	0274341..... 206	0275103..... 41	0275696.....73, 123
0240140.....111	0274370..... 204	0275104..... 41	0275900.....205
0240142.....111	0274386..... 97	0275105..... 41	0275937.....207
0240144.....111	0274446..... 204	0275120..... 43	0276667.... 141, 155, 169
0272309.....43	0274516..... 204	0275185..... 11, 25	0380025.....51
0272371.....11, 15, 129	0274517..... 204	0275186..... 11, 25	0400215.....47
0272721.....194, 204	0274527..... 205	0275187..... 11, 25	0400216.....47
0272722.....27	0274545..... 204	0275188..... 11, 25	0400237.....41
0272778.....95	0274546..... 11, 15, 129	0275189..... 11, 25	0400238.....37, 38
0272779.....95	0274816..... 81	0275190..... 11, 25	0400242.....47
0272780.....51	0274817..... 77	0275212..... 43	
	0274818..... 77	0275216.... 145, 159, 173	
	0274841..... 59	0275217.... 145, 159, 173	
	0274849..... 205	0275218.... 145, 159, 174	

PART NUMBER INDEX

0440223 105, 107	0903339 138	1001095300.....111	1001109147 204
0440257 72	0903416 115	1001096627172	1001109148 204
0440259 11, 15, 125	0903444 41	1001096628.....142, 156, 170	1001109207 204
0440263 29, 33	0903484 144, 158, 172	1001096705.....138	1001109208 204
0440264 12, 15, 59	0903566 144, 158, 172	1001096706.....152	1001109209 204
0440265 12, 15	0903569 144, 158, 172	1001096707.....166, 167	1001109210 204
0440266 59, 63, 68, 72	0903574 78	1001096794.....152	1001109211 204
0440267 63, 68, 72	0903598 55	1001096795.....154	1001109212 204
0561520 77	0962006 122	1001096796.....168	1001109232 29, 33
0610161 51	0962181 122	1001096798.....166, 167	1001109233 29, 30, 33
0630565 ... 77, 81, 85, 87, 91	0962257 122	1001096799.....152, 153	1001109475 144, 159, 173, 200
0630580 11, 15	0962292 33	1001097150.....145, 159, 173	1001109482 144, 145, 159, 173, 200
0700608 107	1001091102.....144, 158, 172	1001097347.....198	1001110176 204
0700610 105, 107	1001091153.....95	1001098162.....206	1001110177 204
0700614 30, 34	1001091154.....95	1001099628.....21, 140	1001110178 204
0700615 43, 47, 52	1001091272.....95	1001099676.21, 154, 168	1001110179 204
0700616 47	1001091275.....95	1001099919.....182, 189, 195	1001110180 204
0700617 43	1001091277.....96	1001099920.....182, 189, 195	1001110181 204
0700619 26	1001091278.....96	1001099921.....182, 189, 195	1001110826 48, 138
0700624 26	1001091280.....96	1001099922.....182, 189, 195	1001112111 37, 38
0700819 27	1001091393.....97, 205	1001099923.....182, 189, 195, 196	1001112112 47
0700823 81	1001091396.....97	1001100029.....206	1001112113 47
0700825 85	1001091492.....27	1001100819.....21	1001113574 37
0701015 33, 63, 68	1001091502.....21, 140	1001100820.....21	1001113576 37
0701016 11, 15, 43, 72	1001091843.21, 154, 168	1001100840.....12, 16	1001114466 12, 16
0701017 68	1001091965.97, 200, 205	1001100894.....12, 16	1001114467 12, 16
0701020 11, 15, 72	1001091967.....97, 205	1001101076.....200	1001114770 47
0701022 ... 59, 63, 68, 69, 72, 73, 77	1001091968.....97	1001101329.....202, 206	1001114933 200
0701024 77	1001092071.....182, 189, 195	1001101330.....202, 206	1001116928 182, 189, 195
0701026 77	1001092072.....108	1001102258.....38	1001118215 97
0701027 72, 77	1001092073.....107	1001102349.....12	1001121295 206
0701029 68, 72, 77	1001092074.....107	1001102351.....12	1001126013 205
0740603 103	1001092354.....198	1001102353.....12	1001132233 47
0760410 43	1001092454.....55	1001102354.....12	1001134438 198
0760606 139, 153, 167	1001092580.....189	1001102489.....38	1001134933 77
076061044, 47, 111, 138, 152, 166	1001092701.....206	1001102516.....107	1001134934 77
0760612 44	1001092702.....206	1001102549.....107, 205	1001134935 78
0760614 138, 152, 166	1001092737.....15, 20	1001102562.....107	1001134951 77
0760619 144, 158, 172	1001092738.....15, 20	1001103029.....43	1001135316 206
0760808 97	1001092739.....15, 16, 25	1001103030.....44	1001135317 206
0760812 41	1001092740.....15, 16, 25	1001103257 38, 141, 155, 169	1001136847 41
0760814 41	1001092741.....15, 16, 25	1001103258 38, 141, 155, 169	1001137005 147, 161, 175
0761014 59	1001093556 55, 146, 160, 174, 175	1001103307205	1001141967 142, 157, 171
0840041 ... 138, 140, 152, 154, 166, 168	1001093693.....166	1001104465.....139, 153, 167	1001141968 143, 157, 171
0840057 137, 151, 165	1001094105.....146, 161, 175	1001105108.....43	1001141969 143, 157, 171
0840058 ... 137, 138, 152, 153, 165, 167	1001094124.....27	1001105109.....43	1001141970 143, 146, 157, 160, 171, 174
0840059 ... 137, 138, 151, 152, 165, 166	1001094154.....136	1001106715.....204	1001141971 143, 145, 157, 160, 171, 174
0840060 139, 153, 167	1001094155.....150	1001106716.....204	1001148902 205
0840061 136, 150, 164	1001094156.....150	1001106717.....204	1001148903 205
0860520 181, 187, 194	1001094157.....164	1001109088..30, 34, 137, 151, 165, 200	1001148905 205
0861527 115	1001094175.....139, 153, 167	1001109123.....136, 137, 151, 165	1001148906 205
0861669 51	1001094180.....139, 153, 167	1001109124.....136, 150, 151	1001149795 205
0861678 47, 48	1001094203.....55	1001109125.....164	1001149796 205
0861731 142, 156, 170	1001094301.....27	1001109146.....204	1001149797 205
0861781 142, 156, 170	1001094332.....136		1001149798 205
0902780 41	1001094333.....150		1001149799 205
0902905 43	1001094334.....150		1001214536 206
0902906 43	1001094335.....164		
0903086 43	1001094359.....181, 188, 194		
0903098 26	1001095299.....111		
0903319 41			

PART NUMBER INDEX

1060279.....187	1684487 63, 120	1705696 51	250135..... 145, 159, 173
1060331.....103	1684488 68, 120	1705697 51	2540042..... 136, 150, 164
1060379.... 103, 105, 107, 108, 115	1684489 72, 120	1705698 51	2540045..... 78
1060633..... 147, 161, 175	1684490 72, 120	1705699 181, 188	2560088..... 81, 85, 87, 91
1060680..... 146, 160, 174	1684526 59, 120	1705704 195	2560179..... 95
1060688..... 38, 141, 155, 169	1684527 63, 120	1705717 188	2560191..... 81, 85, 87, 91
1060689..... 38, 141, 155, 169	1684528 68, 120	1705718 188	2560205..... 153, 167
1060908..... 145, 159, 173	1684529 72, 120	1705719 188	2600281..... 81, 85, 87, 91
1060957..... 115	1684530 72, 120	1705720 187	2700100..... 103
1060998..... 139, 153, 167	1700584 181, 187, 194	1705721 187	2753882..... 129
1061001..... 139, 153, 167	1701499 181, 188, 194	1705722 187	2753883..... 129
1061034... 64, 69, 73, 123	1701509 181, 187, 194	1705723 187	2755056..... 129
1061035..... 123	1702010 111	1705724 188	2755061..... 129
1061036.... 59, 63, 64, 69, 123	1702155 181, 187, 194	1705725 188	2760113..... 96
1120555..... 103	1702773 181, 188, 194	1705726 187	2760114..... 96
1180380..... 72	1703464 ... 142, 156, 170, 181, 188, 194	1705727 187	2760115..... 96
1180382..... 63, 68	1703811 181, 187, 194	1705754 48, 115	2760116..... 96
1180383..... 68	1703813 181	1705781 181, 188, 194	2780266..... 11, 12, 15
1260136..... 81, 87, 91	1703814 181, 187, 194	1705792 111	2792599..... 129
1271617..... 81, 85	1703819 96, 181, 187, 194	1705793 111	2820026.... 136, 138, 139, 150, 153, 164, 167
1271618..... 81, 85	1703822 181, 187, 194	1705819 195	2820028.... 136, 138, 150, 153, 164, 167
1271625..... 111	1703834 187	1705850 183, 190, 196	2820097..... 81, 87, 91
1271630..... 111	1703856 188	1705880 181, 188, 190	2820239..... 41
1271631..... 111	1704016 181, 187, 194	1705887 195	2860030..... 51, 198
1320043..... 41	1704277 181, 187, 194	1705894 187	2890186..... 205
1320136..... 38	1704339 188	1705934 111	2901443.... 147, 161, 175, 207
1320162..... 27	1704340 188	1705935 111	2902267..... 205
1320224..... 115	1704341 188	1705942 195	2902331..... 55, 204
1320318..... 136, 164	1704344 188	1705943 188	2902334..... 115
1321130..... 48	1704412 181, 187, 194	1705944 188	2902346..... 108
1321283..... 27	1705051 206	1705945 188	2902347..... 107
1321293..... 38	1705052 41, 206	1705946 187	2902348..... 103
1321716..... 138, 152, 166	1705213 115	1705953 115	2902386..... 105
1380132.... 81, 85, 87, 91	1705214 115	1705985 108	2902387..... 105
1380153..... 11, 15	1705303 190	1705997 103	2902405..... 206
1380156..... 95	1705304 204, 205	1706052 188	2902431.... 145, 159, 173
1380158.... 136, 150, 164	1705305 115	1706053 188	2902448..... 81
1380159..... 97	1705638 181, 188	1706056 188	2902449..... 82
1580023..... 103	1705639 181, 188	1706057 187	2902455..... 59
1580024..... 103	1705640 182, 188	1706310 183, 189, 196	2902475..... 73
1600244.... 147, 161, 175	1705641 182, 188	1706311 183, 189	2902476..... 138, 139
1600345..... 95, 99	1705642 182, 189, 195	1706312 196	2902489..... 92
1600346..... 26, 200	1705643 182, 189, 195	1706331 207	2902490..... 91
1600402..... 95, 101	1705644 182, 189, 195	1706350 48	2902491..... 91
1600419..... 51	1705645 182, 189, 195	1706679 55	2902492..... 87
1600439..... 95	1705646 182, 189, 195	1706749 41	2902493..... 87
1600466..... 38	1705647 182, 189	1706765 41	2902494..... 88
1671098..... 95	1705648 196	1706922 205	2902496..... 81
1671105..... 51	1705666 195	2030010 115	2902499..... 63
1671124..... 52	1705667 195	2080040 ... 81, 85, 87, 91, 181, 187, 194	2902500..... 69
1671131..... 97	1705668 195	2080057 181, 187, 194	2902507..... 166, 167
1671132..... 26	1705670 194	2110404 11, 15, 125, 129	2902509..... 152, 153
1671133..... 26	1705671 194	2220882 122	2902522..... 205
1671161..... 97	1705673 194	2220883 121, 122	2902523..... 205
1671181..... 26	1705674 95	2300028 206	2902524..... 205
1671182..... 26	1705675 95	2300042 206	2902525..... 205
1671202..... 48	1705676 95	2400061 103	2902526..... 205
1671203..... 48	1705679 181, 187	2400066 103	2902528..... 205
1671204..... 48	1705680 181, 187	2400093 ... 144, 158, 159, 173	2902532..... 205
1671207.... 142, 157, 171	1705681 181, 187	240015 144, 158, 159, 172, 173	2902535..... 85
1684237.11, 15, 125, 129	1705686 181	2420172 51	2902536..... 85
1684456.11, 15, 125, 129	1705692.... 181, 187, 194	2460042 206	2902541.... 144, 158, 172
1684484..... 59, 120	1705693.... 181, 187, 194		2915016..... 204
	1705694 181, 187		2915039..... 51
	1705695 181, 187		2915064..... 200

PART NUMBER INDEX

2915230	207	3420156	63, 68, 72	3641612.....	91	4060865	43
2915240	78	3421453 ...	105, 107, 108, 115	3641613.....	91	4071094	63, 68, 73
2915241	78	3422219	103, 105, 107	3641614.....	87, 91	4071102	48
2915251	138	3422997	63, 68, 72	3641615.....	87, 91	4160078 ...	59, 64, 69, 73, 123
2915252	152	3422998	68, 72	3641616.....	87	4160202	29, 33
2915253	166	3423009	72	3641617.....	87	4160203	96
2920026	51	3423011	72	3641618.....	87	4191306	96, 97
2920094	51	3423014 ...	63, 68, 69, 72	3641619.....	85, 87	4191407	96
2920161	43, 142, 156, 170	3423026	72	3641620.....	85, 87	4191409	96
2930005	43	3423031	59	3641621.....	87	4191706 ...	26, 27, 38, 41, 55, 59, 64, 69, 73, 105, 107, 108, 144, 158, 172
2940064	81, 87, 91	3423032	59	3641622.....	87	4191707 ...	27, 38, 41, 43, 47
2940174	48	3423036	63, 68	3641650.....	85	4191708	26, 144, 158, 172
2940175	48	3423037	11, 15	3641651.....	85	4191709	27
3010088	81, 87, 91	3423038	59, 63, 68	3641652.....	85	4220227	105, 107
3010158	29, 33	3423039	68	3641653.....	85	4220252	48
3080007 ...	81, 85, 87, 91, 200	3423042	59	3641654.....	85	4220287	29
3125053	206	3423045	29, 33	3730119.....	138, 153, 167	4220293	33
3128145	206	3423049	77	3740146.....	26	4240003 ...	103, 105, 107, 146, 160, 174
3128601	12, 16	3423067	63, 68	3740150.....	26, 141, 155, 169, 200	4240147	27
3128703	12, 16	3423170	73	3760115.....	29, 33, 59	4240164	108
3160306	11, 20	3423189	29, 33	3760170.....	59, 103, 105, 107, 108, 115	4240165	112
3160307	12, 20	3423239	59	3760348.....	29, 33	4240172	48
3160337	11, 12, 20	3423255	73	3760387.....	63, 68, 72	4340739	51
3200454 ...	59, 64, 69, 73	3423259	64, 69	3760463.....	12, 15	4340751	27
3251813	183, 190	3423267	29, 33	3820019.....	81, 85, 88, 92	4340853	103
3252098	188	3423278	85, 88, 92	3820032.....	48	4340854	103
3252507 ...	142, 156, 170, 181, 188, 194	3423289	33	3841143.....	59, 63, 68, 72	4340909	107
3290405 ...	29, 33, 43, 97, 144, 158, 172	3450303	59	3841667.....	107	4340910	107
3290605 ...	26, 30, 34, 43, 44, 47, 48, 144, 152, 158, 166, 172	3450406	12	3841675.....	105	4340911	108
3290606 ...	27, 81, 85, 87, 91, 105, 107, 111, 115, 139, 153, 167	3510888	78	3841716.....	81, 85, 87, 91	4340914	77
3290607	43, 138, 144, 152, 158, 166, 172	3510890	78	3860104.....	72	4340938	115
3290805	41, 97	3510892	78	3860107.....	68	4340946	105
3290806	81, 85, 87, 91	3520072 ...	81, 85, 87, 91, 105, 107	3860111.....	81, 85, 88, 92	4340947	105
3291005 ...	29, 33, 43, 59, 63, 64, 68, 69, 72, 73, 77, 81, 85, 87, 91, 138	3520176	107	3860118.....	77	4341055	207
3291007	68, 73	3520193	51	3900333.....	96	4360069	51, 198
3300048	115	3574067	77	3900336.....	51	4360155	115
3300423	12	3574159	59	3900338.....	51, 97	4360328	51, 198
3300473	96	3574161	63, 68, 72	3900339.....	51	4360336 ...	146, 160, 174, 200
3300477	91	3574176	29, 33	3900345.....	82, 85, 88, 92	4360387	55, 146, 160, 174, 198
3310601	103	3574184	81, 85, 87	3900351.....	29, 77, 138	4360469	51, 200
3311005	103	3574249	96	3900355.....	103	4360470	51, 200
3311405	103	3574505	111	3900356.....	51	4360475	51, 96, 198
3311605	108	3574506	111	3931010.....	103	4360482	206
3321005	51	3574636	194	3931408.....	103	4360526 ...	59, 64, 69, 73, 141, 155, 169
3321402 ...	59, 64, 69, 73, 123	3574714	27	3931412.....	103	4360538	96, 198
3340612 ...	81, 85, 87, 91	3574714	27	3931508.....	103	4360539	96, 141, 155, 169, 198
3340957	64, 69, 73	3574981	47	3931620.....	108	4360613 ...	146, 160, 174, 200
3340962 ...	59, 63, 68, 72	3574984	47	3990010....	146, 160, 174, 200	4360633 30,	34, 137, 151, 165
3340964	59	3575794	97	3990013....	137, 151, 165	4420037	92, 112
3340965	77	3576093	59	4000006.....	51	4420051	194
3340968	96	3576349	43	4010405....	144, 158, 172	4420062 ...	103, 105, 108
3340975	48	3576645	81	4010408....	144, 158, 172	4420070	43, 60, 73
3340976	77	3576646	91	4010415.....	29, 33	4420071	78
3380475	96	3576932	85, 87	4010608.....	115	4420072	78
3380527	103	3577029	29, 33	4010612....	144, 158, 172		
		3577030	29, 30, 33	4010614.....	115		
		3577112	12	4010616....	81, 85, 87, 91		
		3641604	81	4010617....	85, 88, 92, 139, 153, 167		
		3641605	81	4010618....	81, 82, 85, 88, 91, 92, 115		
		3641606	81	4031512.....	29, 33		
		3641607	91	4031607.....	55		
		3641608	91	4031713....	47, 152, 166		
		3641609	91				
		3641610	91				
		3641611	91				

PART NUMBER INDEX

4420073.....78	4460779 146, 160, 174	4520327 12	4923052.....115
4420074.....78	4460814 137, 151, 165	4520565 12, 16	4923114.....103
4420075.....78	4460868 146, 161, 175	4520676 12, 16	4923115.....103
4420080.....43, 73	4460870 137, 151, 165	4530021 115	4923121.....103
4460138....143, 146, 157, 160, 171, 174	4460877 ... 137, 146, 151, 161, 165, 175	4530026 103	4923271.... 138, 152, 166
4460226.....99, 137, 141, 146, 147, 151, 155, 161, 165, 169, 175	4460878 103	4568667 85, 87, 91	4923272.....140, 154
4460227 37, 99, 137, 141, 151, 155, 165, 169	4460884 ... 103, 137, 151, 165	4568738 96	4923350.... 137, 152, 166
4460265.....99, 136, 139, 150, 153, 164, 167	4460885 103	4569305 81	4923365.....139
4460266.....99, 141, 155, 169	4460887 103	4569310 91	4923366.....139
4460267....136, 139, 146, 150, 153, 160, 164, 167, 174	4460891 ... 137, 140, 141, 142, 152, 154, 155, 156, 166, 168, 169, 170	4569319 87	4923367.....139
4460268.... 139, 153, 167	4460894 ... 137, 138, 151, 152, 165, 166	4569404 85, 87, 91	4923374.....140
4460315.....142, 156, 170	4460897 137, 151, 165	4569428 85	4923389.... 146, 160, 174
4460320..... 137, 151, 165	4460899 37, 137, 141, 146, 152, 155, 160, 165, 169, 174	4661199 141, 155, 169	4923390.... 146, 160, 174
4460321.... 137, 146, 147, 151, 161, 165, 175	4460930 ... 136, 150, 152, 164, 165	4661202 141, 156, 170	4923391.... 146, 160, 174
4460328.....115	4460931 ... 137, 138, 151, 152, 153, 165, 167	4661205 141, 156, 170	4923392.... 146, 160, 174
4460346.... 143, 157, 171	4460943 ... 137, 138, 151, 153, 165, 167	4661249 141, 155, 169	4923393.... 146, 160, 174
4460418.... 139, 153, 167	4460944 ... 136, 137, 138, 150, 151, 153, 164, 165, 167	4711400 103, 105, 107	4923401.....167
4460419.... 139, 153, 167	4460956 145, 159, 173	4711600 108	4923402.....168
4460424.....37, 141, 146, 155, 160, 169, 174	4460957 145, 159, 173	4740086 29, 33	4923406.....168
4460428.... 143, 157, 171	4461012 103	4740438 63, 68, 72	4923409.....168
4460464.....37, 103, 136, 137, 138, 141, 142, 146, 150, 151, 152, 153, 155, 156, 160, 164, 165, 167, 169, 170, 174	4461016 136, 150, 164	4740468 12	4923410.....168
4460465.... 103, 136, 137, 138, 140, 141, 142, 150, 151, 152, 153, 154, 155, 156, 164, 165, 166, 167, 168, 169, 170	4461057 136, 150, 164	4740480 103	4923413..... 139, 153
4460466.... 136, 138, 146, 150, 152, 153, 160, 164, 165, 167, 174	4461196.... 38, 141, 143, 155, 158, 169, 172	4740524 12, 15	4923414..... 139, 153
4460467....146, 161, 175, 207	4461197 ... 143, 158, 172	4740531 59	4923415.....154
4460493.... 138, 153, 167	4461198 ... 142, 143, 157, 171	4740545 136, 150, 164	4923416.....154
4460496.... 136, 150, 164	4461199 38, 144, 158, 172	4740562 41	4923449.... 136, 150, 151
4460497.... 136, 150, 164	4461200 144, 158, 172	4740564 12, 15	4923450.....164
4460508.... 141, 155, 169	4461201 143, 157, 171	4750800 43	4923602.....27, 141, 155, 169
4460509.... 140, 154, 168	4461202 38, 143, 144, 157, 158, 172	4751000 51	4923647..... 138, 166
4460510.... 147, 161, 175, 207	4461203 ... 143, 144, 158, 172	4751400 27, 43	4923648.....140
4460536.... 141, 155, 156, 169, 170	4461204 143, 157, 171	4811400 97, 144, 158, 172	4933351.... 136, 137, 151, 164, 165
4460539.... 137, 151, 165	4461205 38, 143, 144, 158, 172	4811600 48, 55	70000082.....101
4460618.... 153, 154, 167, 168	4461206 ... 143, 144, 158, 172	4811700 ... 27, 30, 34, 38, 41, 43, 44, 47, 108, 112, 115, 138, 144, 152, 158, 166, 172	70000084.....101
4460633.... 143, 145, 157, 159, 171, 173	4461207 143, 157, 171	4811900 27, 81, 85	70000107.....125
4460648.....37, 137, 141, 151, 155, 165, 169	4461244 ... 142, 143, 157, 171	4812000 ... 11, 15, 29, 33, 59, 63, 68, 73, 77, 78, 81, 85, 87, 91, 138	70000108.....125
4460662.... 143, 157, 171	4461245 ... 142, 143, 157, 171	4831700 27	70000110.....125
4460754.... 138, 153, 167	4461246 ... 142, 143, 157, 171	4846684 72	70000191.....20
4460761.... 137, 139, 151, 153, 165, 167	4461249 38, 143, 158, 172	4846723 81, 85, 88, 92	70000335.....121
	4461250 143, 158, 172	4846752 68	70000383.....21
	4461257 143, 157, 171	4846757 11, 15	70000555.....207
	4461258 143, 157, 171	4846764 78	70000658.....121
	4461260 141, 155, 169	4846768 78	70000659.....121
	4461261 ... 140, 154, 168	4846775 29	70000683.....101
	4520326..... 12	4846811 33	70000684.....101
		4846812 43	70000685.....101
		4846813 43	70000686.....101
		4846816 29	70000790.....21
		4846861 29	70000791.....21
		4846862 33	70000792.....21
		4846863 29	70000798..... 122, 198
		4846876 108	70000799..... 122, 198
		4922865 52, 139, 153, 167	70001250..... 101
		4922870 96, 136, 150, 164	70001251..... 101
		4922944 55, 146, 160, 174, 204	70001252..... 101
		4923048 115	70001253..... 101
		4923049 115	70001263.....21
		4923050 115	70001265.....22
		4923051 115	70001345.....21
			70001442... 140, 154, 168
			70001443... 140, 154, 168
			70001444... 140, 154, 168
			70001709..... 123
			70001739.....20
			70001878.. 59, 64, 69, 73, 123

PART NUMBER INDEX

70001949	21	7020501	99	7023554	122	7023588	121
70001982	123	7020551	99	7023556	122	7023589	120
70003645	120	7020552	99	7023557	120	7023591	121
70003646	120	7020553	99	7023558	120	7023593	120, 198
70003650	101	7020554	99	7023559	125	7024747	21
70004193	122	7020555	99	7023560	125	7024748	21
70010346	206	7020556	99	7023561	125	7024749	21
7002821 ... 146, 161, 175, 207		7023528	122	7023562	125	7024750	21
7002822	207	7023529	122	7023563	125	7024756	21
7002823 ... 146, 161, 175, 207		7023530	122	7023564	125	7024757	20
7002826	207	7023531	122	7023565	125	7024758	21
7002828 ... 147, 161, 175, 207		7023532	122	7023568	120	7024771	22
7003790	99	7023533	122	7023569	120	7024772	22
7004275	207	7023534	122	7023570	121	7024773	22
7004276	207	7023535	120	7023571	121	7024776	22
7010641	15	7023536	122	7023572	121	7024785	21
7010642	15	7023537	122	7023573	121	7024786	20
7011997	99	7023538	122	7023574	121	7024787	22
7012524	15	7023539	120	7023575	121	7026183	15
7016319	43	7023542	122	7023576	121, 198	7026184	15
7016372	43	7023543	122	7023577	120	7026185	15
7016654	207	7023544	122	7023578	120	7027303	115
7019697	15	7023545	122	7023579	121	7027365	101
7020175	51, 96	7023546	122	7023580	121	7027367	101, 198
7020176	51, 96	7023547	122	7023581	121	7027765	101
7020218 ... 59, 64, 69, 73, 123		7023548	122	7023582	121	7027766	101
7020500	99	7023549	120	7023583	120	7027863	48
		7023550	122	7023584	121	8005670	108
		7023551	122	7023585	120	80325	105, 107
		7023552	122	7023586	121		
		7023553	122	7023587	120		



3121248



An Oshkosh Corporation Company

Corporate Office
JLG Industries, Inc.
1 JLG Drive
McConnellsburg, PA 17233-9533
USA

+1-717-485-5161 (Corporate)
+1-877-554-5438 (Customer Support Toll Free)
+1-717-485-6417

JLG Worldwide Locations

JLG Industries
358 Park Road
Regents Park
NSW 2143
Sydney 2143
Australia
+6 (12) 87186300
+6 (12) 65813058
Email: techservicesaus@jlg.com

JLG Ground Support Oude
Bunders 1034
Breitwaterstraat 12A
3630 Maasmechelen
Belgium
+32 (0)89 84 82 26
Email: emeaservice@jlg.com

JLG Latino Americana LTDA
Rua Antonia Martins Luiz, 580
Distrito Industrial Joao Narezzi
Indaiatuba-SP 13347-404
Brasil
+55 (19) 3936 7664 (Parts)
+55 (19) 3936 9049 (Service)
Email: comercialpecas@jlg.com
Email: servicos@jlg.com

Oshkosh-JLG (Tianjin)
Equipment Technology LTD
Shanghai Branch
No 465 Xiao Nan Road
Feng Xian District
Shanghai 201204
China
+86 (21) 800 819 0050

JLG Industries Dubai
Jafza View
PO Box 262728, LB 19
20th Floor, Office 05
Jebel Ali, Dubai
+971 (0) 4 884 1131
+971 (0) 4 884 7683
Email: emeaservice@jlg.com

JLG France SAS
Z.I. Guillaume Mon Amy
30204 Fauillet
47400 Tonniens
France
+33 (0) 553 84 85 86
+33 (0) 553 84 85 74
Email: pieces@jlg.com

JLG Deutschland GmbH
Max Planck Str. 21
27721 Ritterhude-Ihlpohl
Germany
+49 (0) 421 69350-0
+49 (0) 421 69350-45
Email: german-parts@jlg.com

JLG Equipment Services Ltd.
Rm 1107 Landmark North
39 Lung Sum Avenue
Sheung Shui N. T.
Hong Kong
+(852) 2639 5783
+(852) 2639 5797

JLG Industries (Italia) S. R. L.
Via Po, 22
IT-20010 Pregnana Milanese (MI)
Italy
+39 (0) 2 9359 5210
+39 (0) 2 9359 5211
Email: ricambi@jlg.com

JLG EMEA B.V.
Polaris Avenue 63
2132 JH Hoofddorp
The Netherlands
+31 (0) 23 565 5665
Email: emeaservice@jlg.com

JLG NZ Access Equipment & Services
2B Fisher Crescent
Mt Wellington 1060
Auckland, New Zealand
+6 (12) 87186300
+6 (12) 65813058
Email: techservicesaus@jlg.com

JLG Industries
Vahutinskoe shosse 24b
Khimki,
Moscow Region 141400
Russia Federation
+7 (499) 922 06 99
+7 (499) 922 06 99

Oshkosh-JLG Singapore
Technology Equipment P te Ltd.
35 Tuas Avenue 2
Jurong Industrial Estate
Singapore 639454
+65 6591 9030
+65 6591 9045
Email: SEA@jlg.com

JLG Iberica S. L.
Trapadella, 2
Pol. Ind. Castellbisbal Sur
08755 Castellbisbal
Barcelona
Spain
+34 (0) 93 772 47 00
+34 (0) 93 77 117 62
Email: parts_iberica@jlg.com

JLG Sverige AB
Enkopingsvagen 150
17627 Jarfalla
Sweden
+46 (0) 8 506 595 00
+46 (0) 8 506 595 27
Email: nordicsupport@jlg.com

JLG Industries (UK) Ltd.
Bentley House
Bentley Avenue
Middleton, Greater Manchester
M24 2GP
United Kingdom
+44 (0) 161 654 1000
+44 (0) 161 654 1003
Email: ukparts@jlg.com

www.jlg.com