



Illustrated Parts Manual

Model **1100SB**

3121266

January 14, 2014

ANSI



An Oshkosh Corporation Company

REVISION LOG

June 30, 2010 - Original Issue of Manual (Edited to B/M 0010582 Revision 82)
March 11, 2011 - Revised Manual (Edited to B/M 0010582 Revision 85)
June 8, 2011 - Revised Manual (Edited to B/M 0010582 Revision 91)
September 20, 2011 - Revised Manual (Edited to B/M 0010582 Revision 96)
January 20, 2012 - Revised Manual (Edited to B/M 0010582 Revision C)
June 20, 2012 - Revised Manual (Edited to B/M 0010582 Revision C)
August 15, 2012 - Revised Manual (Edited to B/M 0010582 Revision C)
December 15, 2012 - Revised Manual (Edited to B/M 0010582 Revision C)
April 10, 2013 - Revised Manual (Edited to B/M 0010582 Revision C)
July 10, 2013 - Revised Manual (Edited to B/M 0010582 Revision C)
October 7, 2013 - Revised Manual (Edited to B/M 0010582 Revision C)
January 14, 2014 - Revised Manual (Edited to B/M 0010582 Revision AF & 1001160100 Revision D)

REVISION LOG

TABLE OF CONTENTS

FIGURE NO.	TITLE	PAGE NO.
SECTION 1 - FRAME		1-1
1-1	AXLE INSTALLATIONS	1-2
1-2	STEER INSTALLATION	1-6
1-3	TIRE AND WHEEL DRIVE INSTALLATION	1-8
1-4	DRIVE HUB ASSEMBLY - BONFIGLIOLI	1-10
1-5	DRIVE HUB ASSEMBLY - REGGIANA RIDUTTORI	1-14
1-6	DRIVE MOTOR ASSEMBLY	1-18
1-7	FRAME VALVES AND COVERS INSTALLATION	1-20
1-8	TRACTION VALVE ASSEMBLY	1-24
SECTION 2 - TURNTABLE		2-1
2-1	VALVE, BATTERY, HORN & AUXILIARY PUMP INSTALLATIONS	2-2
2-2	MAIN VALVE ASSEMBLY	2-6
2-3	TURNTABLE SWING DRIVE AND BEARING INSTALLATION	2-10
2-4	SWING MOTOR/HUB ASSEMBLY	2-12
2-5	DEUTZ TD2011 TIER III ENGINE INSTALLATION	2-18
2-6	DEUTZ TD2011 TIER IVi-FLEX ENGINE INSTALLATION	2-26
2-7	DEUTZ TCD2.9L4 ENGINE INSTALLATION	2-34
2-8	PUMP ASSEMBLY (REXROTH)	2-44
2-9	PUMP ASSEMBLY (SAUER TANDEM)	2-50
2-10	PUMP ASSEMBLY (SAUER PISTON)	2-54
2-11	PUMP ASSEMBLY (SAUER GEAR)	2-58
2-12	TANK INSTALLATION	2-60
2-13	ROTARY COUPLING AND COLLECTOR RING INSTALLATION	2-64
2-14	HYDRAULIC OIL COOLER INSTALLATION - TD2011 ENGINES (OPTIONAL)	2-66
2-15	HYDRAULIC OIL COOLER INSTALLATION - DEUTZ TCD2.9L4 ENGINES (OPTIONAL)	2-68
2-16	GROUND CONTROLS INSTALLATION	2-70
2-17	ACCESSORIES INSTALLATION	2-74
2-18	ENGINE TRAY JACK INSTALLATION	2-80
2-19	HOOD INSTALLATION (ABS) (SN 0300073745 ONLY)	2-84
2-20	HOOD INSTALLATION (STEEL)	2-90
2-21	7500W SKYPOWER GENERATOR INSTALLATION	2-96
2-22	CLEARSKY TELEMATICS INSTALLATION (OPTIONAL)	2-102
SECTION 3 - BOOM		3-1
3-1	BOOM INSTALLATION	3-2
3-2	BOOM ASSEMBLY	3-4
3-3	ACTUATOR ASSEMBLIES	3-12
3-4	POWER TRACK INSTALLATION	3-16
3-5	BOOM SENSORS AND SWITCHES INSTALLATION	3-22
3-6	PLATFORM SUPPORT & CONTROL VALVES INSTALLATIONS	3-26
SECTION 4 - PLATFORM		4-1
4-1	PLATFORM COMPONENTS INSTALLATION	4-2
4-2	PLATFORM COMPONENTS INSTALLATION (FALL ARREST PLATFORM)	4-6
4-3	PLATFORM CONSOLE ASSEMBLY	4-8
4-4	CONTROLLER ASSEMBLY (LIFT & SWING)	4-12
4-5	CONTROLLER ASSEMBLY (DRIVE & STEER)	4-16
4-6	SOFT TOUCH SYSTEM INSTALLATION (OPTIONAL)	4-20

TABLE OF CONTENTS

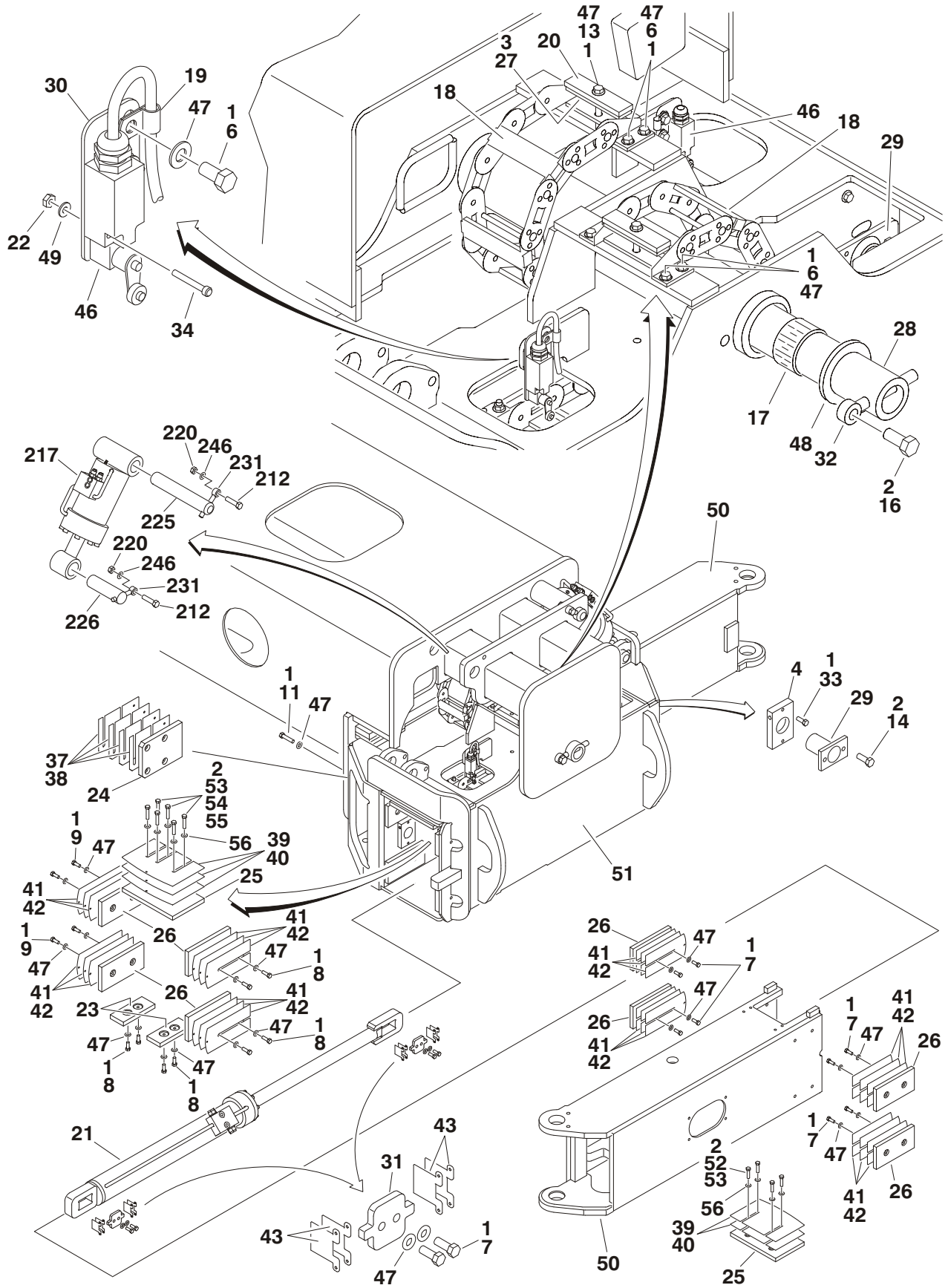
FIGURE NO.	TITLE	PAGE NO.
SECTION 5 - CYLINDER		5-1
5-1	AXLE EXTENSION CYLINDER ASSEMBLY	5-2
5-2	AXLE LOCKOUT CYLINDER ASSEMBLY	5-4
5-3	PLATFORM LEVEL CYLINDER ASSEMBLY	5-6
5-4	LIFT CYLINDER ASSEMBLY	5-8
5-5	JIB CYLINDER ASSEMBLY	5-10
5-6	STEER CYLINDER ASSEMBLY	5-12
5-7	TELESCOPE CYLINDER ASSEMBLY	5-14
SECTION 6 - HYDRAULIC		6-1
6-1	HYDRAULIC DIAGRAM - DRIVE	6-2
6-2	HYDRAULIC DIAGRAM - OSCILLATING AXLE	6-4
6-3	HYDRAULIC DIAGRAM - STEER	6-6
6-4	HYDRAULIC DIAGRAM - TURNTABLE	6-8
6-5	HYDRAULIC DIAGRAM - BOOM	6-12
6-6	HYDRAULIC DIAGRAM LIST	6-14
SECTION 7 - ELECTRICAL		7-1
7-1	ELECTRICAL DIAGRAM LIST	7-2
7-2	HARNESS COMPONENTS INSTALLATION (TD2011 Engines)	7-4
7-3	HARNESS COMPONENTS INSTALLATION (TCD2.9L4 Engines)	7-20
SECTION 8 - DECALS		8-1
8-1	DECAL INSTALLATION (ANSI SPEC)	8-2
SECTION 9 - RECOMMENDED SERVICE PARTS STOCK		9-1
SECTION 10 - SPECIAL OPTIONS		10-1
SECTION 11 - PART NUMBER INDEX		11-1

SECTION 1

FRAME

SECTION 1 FRAME

FIGURE 1-1. AXLE INSTALLATIONS



SECTION 1 FRAME

FIGURE 1-1. AXLE INSTALLATIONS

ITEM #	PART NUMBER	QTY.	DESCRIPTION	REV.
		Ref	AXLE INSTALLATIONS - COMMON PARTS	
	0271521	Ref	Oscillating Axle	K
1	0100011	AR	Compound, Locking	
2	0100019	AR	Compound, Locking	
3	0100081	AR	Adhesive #454	
4	0363037	4	Bar, Stop	
5	Not Used			
6	0641606	40	Bolt 3/8in-16NC x 3/4in	
7	0641608	48	Bolt 3/8in-16NC x 1in	
8	0641609	32	Bolt 3/8in-16NC x 1-1/8in	
9	0641611	16	Bolt 3/8in-16NC x 1-3/8in	
10	Not Used			
11	0641613	8	Bolt 3/8in-16NC x 1-5/8in	
12	Not Used			
13	0641624	4	Bolt 3/8in-16NC x 3in	
14	0641808	8	Bolt 1/2in-13NC x 1in	
15	Not Used			
16	0642214	1	Bolt 3/4in-10NC x 1-3/4in	
17	0962033	2	Bushing	
18	1180358	4	Carrier	
	7024365	AR	24 in Section Repair Kit (Includes Inner & Outer Links, Joining Bars & Rollers, and Assembling Hardware)	
	7024366	1	Mounting Bracket Kit (Includes Mounting Brackets for Both Ends, 1 Roller Assembly and Assembling Hardware)	
19	1320263	4	Clamp, Cable	
20	1320298	4	Clamp, Hose	
21	1684102	4	Axle Extension Cylinder Assembly (See CYLINDER SECTION for Breakdown)	
22	3310805	8	Locknut #8-32NC	
23	3340881	8	Pad, Wear	
24	Use 1001161401	2	Pad, Axle (was p/n 3340907)	
25	Use 1001161402	8	Pad, Wear (was p/n 3340946)	
26	Use 1001161403	32	Pad, Wear (was p/n 3340932)	
27	3340939	8	Pad, Rubber	
28	3422918	1	Pin	
29	3422960	4	Pin	
30	3573294	4	Plate	
31	3573335	8	Plate	
32	3841287	1	Keeper, Pin	
33	3900270	4	Bolt, Shoulder 1/2in -13NC x 1-1/2in	
34	3930820	8	Capscrew #8-32NC x 1-1/4in	
35 to 36	Not Used			
37	4071035	2	Shim #18 Gauge	
38	4071036	4	Shim #11 Gauge	
39	4071054	8	Shim #18 Gauge	
40	4071055	12	Shim #11 Gauge	
41	4071039	24	Shim #18 Gauge	
42	4071040	36	Shim #11 Gauge	

SECTION 1 FRAME

FIGURE 1-1. AXLE INSTALLATIONS (CONTINUED)

ITEM #	PART NUMBER	QTY.	DESCRIPTION	REV.
43	4071042	24	Shim #16 Gauge	
44 to 45	Not Used			
46	4360578	4	Switch, Limit (Note: P/N 4360578 does not include #57 Connector - Purchase Separately)	
47	4711600	140	Flatwasher 3/8in Thin	
48	4740461	1	Thrustwasher	
49	4750800	8	Flatwasher #8 Regular	
50	4846637	4	Extension, Axle	
51	4846383	1	Box, Axle Pivot	
52	0681813	12	Bolt 1/2in-13NC x 1-5/8in (Grade 8)	
53	0681814	18	Bolt 1/2in-13NC x 1-3/4in (Grade 8)	
54	0681815	12	Bolt 1/2in-13NC x 1-7/8in (Grade 8)	
55	0681816	6	Bolt 1/2in-13NC x 2in (Grade 8)	
56	4711800	48	Flatwasher 1/2in Thin	
57	4460968	4	Connector, Strain Relief (Not Shown)	
58 to 200	Not Used			
		Ref	AXLE INSTALLATION - OPTIONAL PARTS	
	0271521	Ref	Oscillating Axle	K
201 to 211				
212	0642020	4	Bolt 5/8in-11NC x 2-1/2in	
213 to 216	Not Used			
217	1684081	2	Oscillating Axle Cylinder Assembly (See CYLINDER SECTION for Breakdown)	
218 to 219	Not Used			
220	3312005	4	Locknut 5/8in-11NC	
221 to 224	Not Used			
225	3422833	2	Pin	
226	3422915	2	Pin	
227 to 230	Not Used			
231	3841258	4	Keeper, Pin	
232 to 245	Not Used			
246	4712000	4	Flatwasher 5/8in Thin	
247 to 253	Not Used			
254	3520054	4	Plug (Not Shown)	

FIGURE 1-1. AXLE INSTALLATIONS (CONTINUED)

ITEM #	PART NUMBER	QTY.	DESCRIPTION	REV.

SECTION 1 FRAME

FIGURE 1-2. STEER INSTALLATION

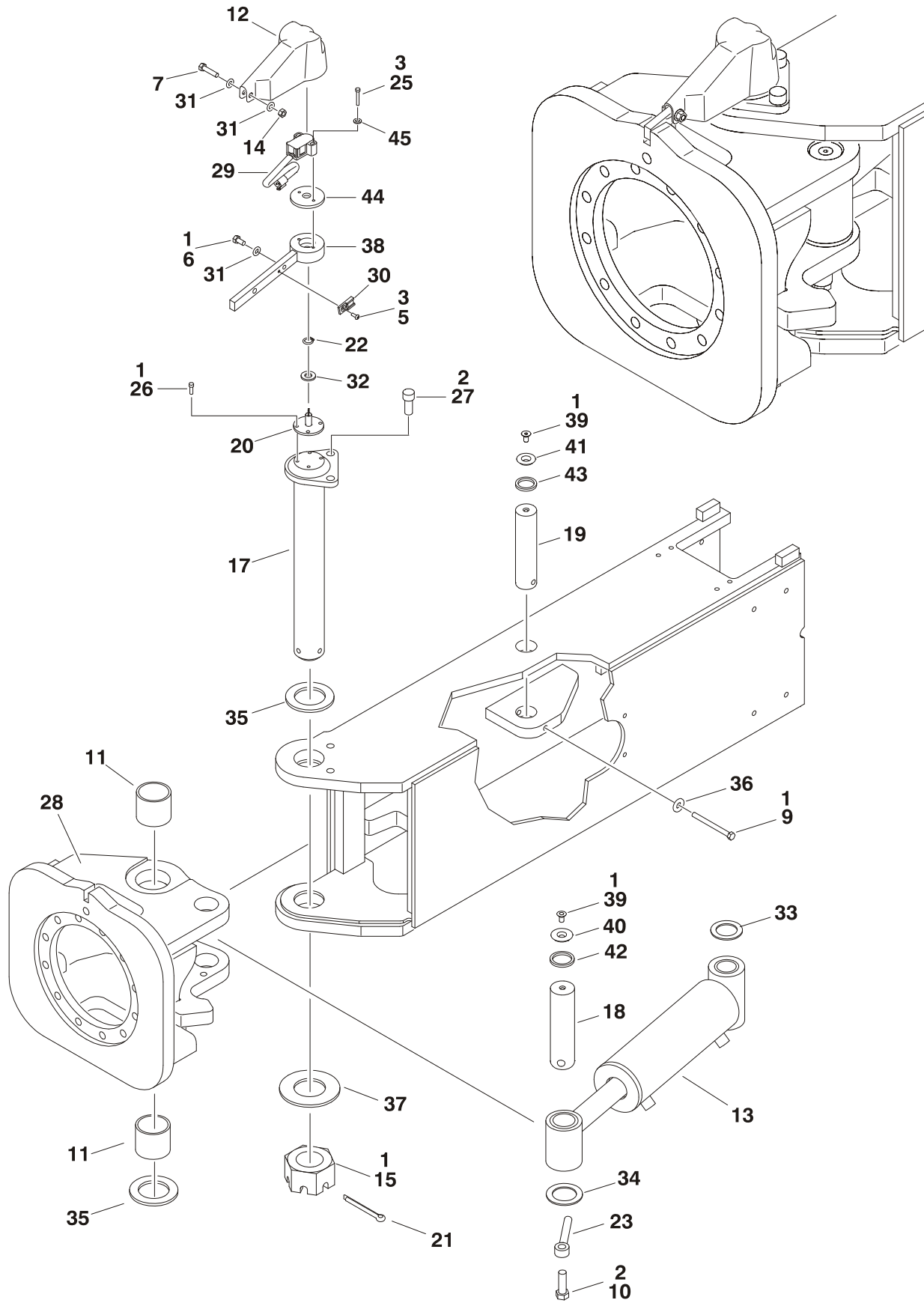
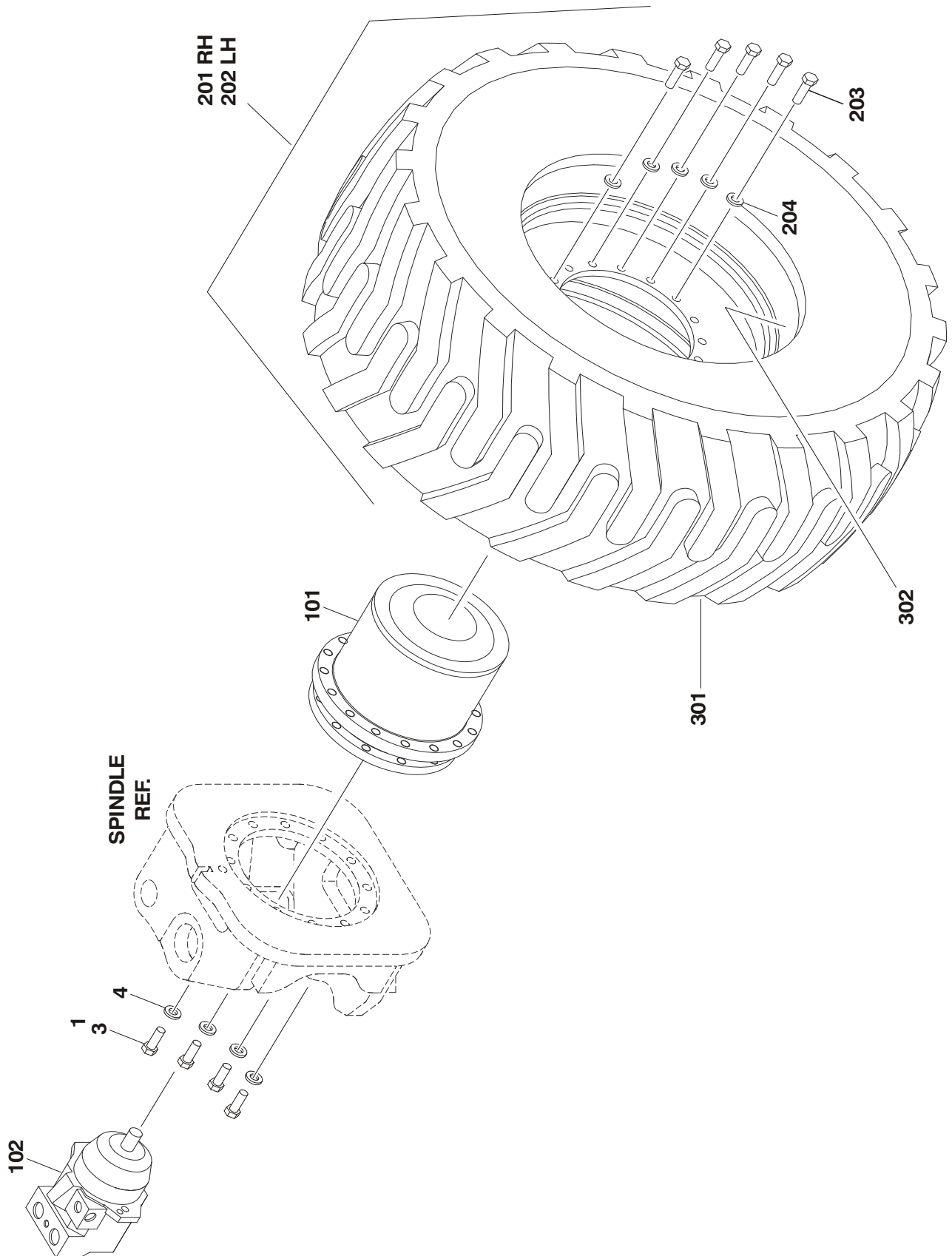


FIGURE 1-2. STEER INSTALLATION

ITEM #	PART NUMBER	QTY.	DESCRIPTION	REV.
	0271520	Ref	STEER INSTALLATION	J
1	0100011	AR	Compound, Locking	
2	0100019	AR	Compound, Locking	
3	0100035	AR	Compound, Locking	
4	Not Used			
5	0630464	4	Screw, Button Head #10-24NC x 1/2in	
6	0641505	4	Bolt 5/16in-18NC x 5/8in	
7	0641511	4	Bolt 5/16in-18NC x 1-3/8in	
8	Not Used			
9	0641634	4	Bolt 3/8in-16NC x 4-1/4in	
10	0642016	4	Bolt 5/8in-11NC x 2in	
11	0962423	8	Bushing	
12	1671040	4	Cover, Sensor	
13	1684314	4	Steer Cylinder Assembly (See CYLINDER SECTION for Breakdown)	
14	3311505	4	Locknut 5/16in-18NC	
15	3300464	4	Nut, Slotted	
16	Not Used			
17	3422917	4	Kingpin	
18	3422940	4	Pin, Steer Cylinder (Outer)	
19	3422941	4	Pin, Steer Cylinder (Inner)	
20	3423256	4	Pin, Sensor	
21	3451214	4	Pin, Cotter 3/8in x 3-1/2in	
22	3760383	4	Ring, Retaining	
23	3841258	4	Keeper, Pin	
24	Not Used			
25	3931020	8	Capscrew #10-24NC x 1-1/4in	
26	3931412	16	Capscrew 1/4in-20NC x 3/4in	
27	3932024	8	Capscrew 5/8in-11NC x 1-1/2in	
28	1001099632	4	Spindle	
29	4360505	4	Switch, Rotary Angle Sensor (Steer)	
30	4460914	4	Terminal	
31	4711500	12	Flatwasher 5/16in Thin	
32	4711800	4	Flatwasher 1/2in Thin	
33	4740181	4	Thrustwasher	
34	4740229	4	Thrustwasher	
35	4740505	8	Thrustwasher	
36	4751600	4	Flatwasher 3/8in Regular	
37	4755000	4	Flatwasher 2-1/2in Regular	
38	0200833	4	Arm, Steer	
39	0741606	8	Screw, Countersunk 3/8in-16NC x 3/4in	
40	1120549	4	Cap, Seal (Outer)	
41	1120550	4	Cap, Seal (Inner)	
42	3960551	4	Seal (Outer)	
43	3960552	4	Seal (Inner)	
44	0080277	4	Adapter, Angle Sensor Pilot	
45	4750800	8	Flatwasher M8	

SECTION 1 FRAME

FIGURE 1-3. TIRE AND WHEEL DRIVE INSTALLATION



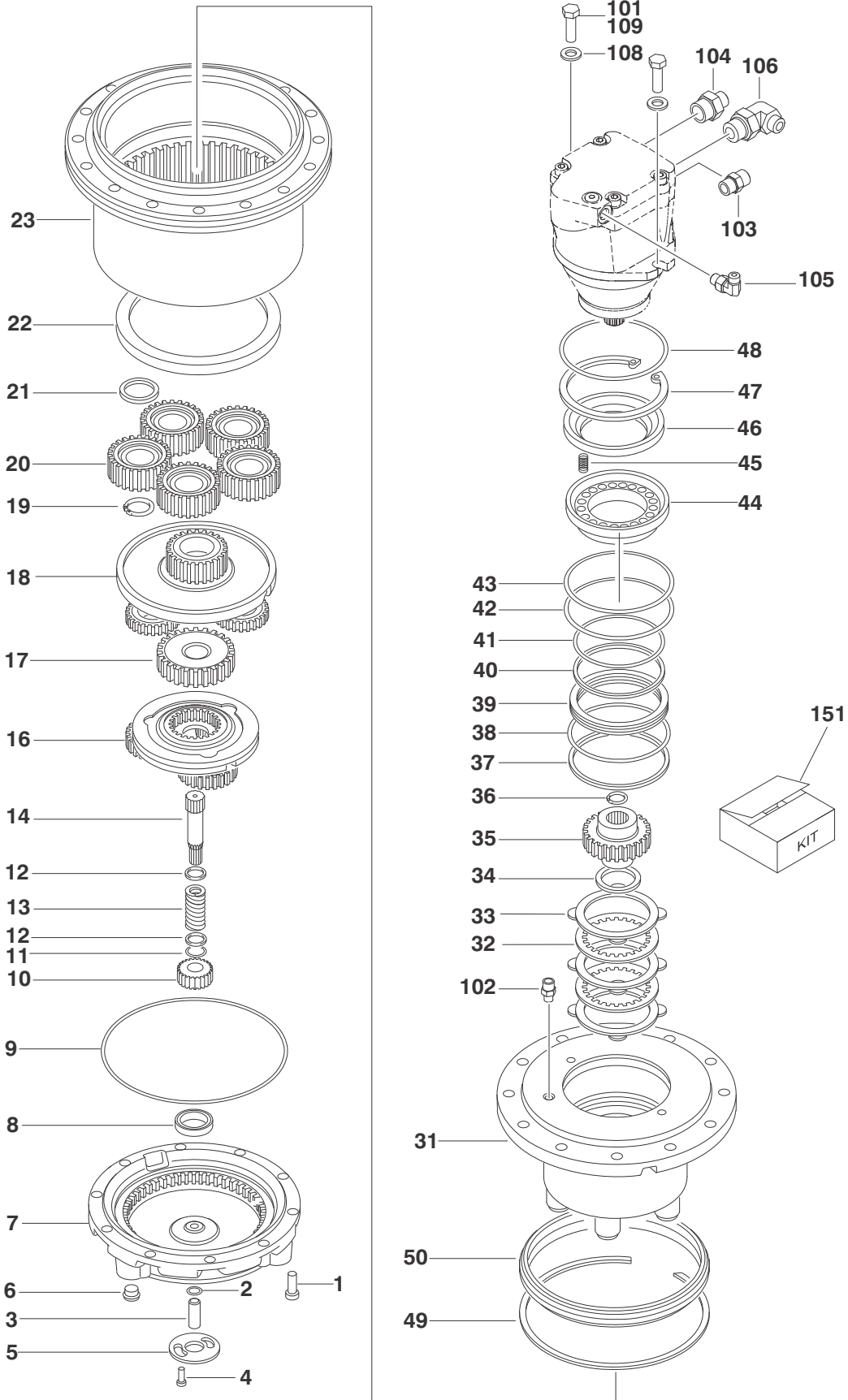
SECTION 1 FRAME

FIGURE 1-3. TIRE AND WHEEL DRIVE INSTALLATION

ITEM #	PART NUMBER	QTY.	DESCRIPTION	REV.
		Ref	WHEEL DRIVE INSTALLATION	
	0275685	Ref	Drive with Bonfiglioli Drive Hub	B
	1001104324	Ref	Drive with Reggiana Riduttori Drive Hub	A
1	0100019	AR	Compound, Locking	
2	Not Used			
3	0701617	48	Bolt M16 x 45mm (12 Per Wheel)	
4	4892000	48	Washer Hardened 5/8in (12 Per Wheel)	
		Ref	HUB AND MOTOR ASSEMBLY	
	2780286	Ref	Drive with Bonfiglioli Drive Hub	C
	1001104315	Ref	Drive with Reggiana Riduttori Drive Hub	A
101		4	Drive Hub Assembly Options:	
		Ref	Note: Various brands used on Machines Built SN 0300100131 to Present. When replacing complete hub, note that all 4 hubs must be the same brand.	
		Ref	Note: Various brands used on Machines Built SN 0300100131 to Present. Identify brand before ordering replacement parts.	
	1001093243		Bonfiglioli Hub (was p/n 2780290) (See DRIVE HUB ASSEMBLY - BONFIGLIOLI for Breakdown)	
	1001104325		Reggiana Riduttori Hub (See DRIVE HUB ASSEMBLY - REGGIANA RIDUTTORI for Breakdown)	
102	3160339	4	Drive Motor Assembly (See DRIVE MOTOR ASSEMBLY for Breakdown)	
		Ref	TIRE AND WHEEL INSTALLATIONS	
	0271852	Ref	Foam-Filled Tires	B
		Ref	Note: Assemblies may require ballast/foam filling to manufacturer's specifications prior to installing on a machine. Refer to Operation & Safety or Service & Maintenance Manuals. Purchase individual tire and/or rim only if able to foam fill tire & wheel assembly, otherwise, purchase complete assembly.	
201	0272055	2	Right Side Tire & Wheel Assembly (See Items 301-302 for Breakdown)	
202	0272056	2	Left Side Tire & Wheel Assembly (See Items 301-302 for Breakdown)	
203	0701619	64	Bolt M16 x 55mm (16 Per Wheel)	
204	4892000	64	Washer Hardened 5/8in (16 Per Wheel)	
		Ref	TIRE AND WHEEL ASSEMBLY COMPONENTS	
301	4520261	4	Tire 445/50D710 (For Foam Filling)	
302	4860236	4	Wheel Rim Only	

SECTION 1 FRAME

FIGURE 1-4. DRIVE HUB ASSEMBLY - BONFIGLIOLI



SECTION 1 FRAME

FIGURE 1-4. DRIVE HUB ASSEMBLY - BONFIGLIOLI

ITEM #	PART NUMBER	QTY.	DESCRIPTION	REV.
	1001093243	Ref Ref	DRIVE HUB ASSEMBLY WITH FITTINGS & HARDWARE Note: Various brands used on Machines Built SN 0300100131 to Present. Identify brand before ordering replacement parts.	C
	1001093242	1	Hub, Torque Less Fittings	
1	70000810	10	Bolt M10 x 25	
2	70000811	1	O-Ring	
3	70000812	1	Pin	
4	70000813	2	Bolt M8 x 16	
5	70002393	1	Cap, Disconnect	
6	See Note	2	Plug (Note: Not Available For Purchase)	
7	70002394	1	Cover Assembly (Includes Items 2-6 & 8)	
8	70000816	1	Pad	
9	70000817	1	O-Ring	
10	70000818	1	Gear, Primary Sun	
11	Use 70000819	1	Ring, Neoprene	
12	Use 70000819	2	Washer	
13	Use 70000819	1	Spring	
14	Use 70000819	1	Shaft	
15	Not Used			
16	70000820	1	Reduction Assembly, Primary	
17	70000821	1	Gear, Secondary Sun	
18	70000822	1	Reduction Assembly, Secondary	
19	70000823	5	Snap Ring	
20	70000824	5	Gear Assembly, Planetary	
21	70000825	5	Spacer	
22	70000826	1	Nut	
23	70002395	1	Housing, Hub	
24 to 30	Not Used			
31	Use 1001093242	1	Spindle (Note: Not Available - Purchase Complete Drive Hub Assembly)	
32	70000834	4	Disc, Steel	
33	70000835	5	Disc, Lined	
34	70000836	1	Spacer	
35	70002398	1	Shaft, Brake	
36	70000838	1	Snap Ring	
37	70000839	1	Ring, Backup	
38	70000840	1	O-Ring	
39	70000841	1	Spacer	
40	70000842	1	Ring, Backup	
41	70000843	1	O-Ring	
42	70000844	1	O-Ring	
43	70000845	1	Ring, Backup	
44	70000846	1	Piston, Brake	
45	70000847	15	Spring	
46	70000848	1	Plate, Spring Retainer	
47	70000849	1	Snap Ring	
48	Use 3790158		O-Ring (was p/n 70002399)	
49	70002396	1	Circlip	

SECTION 1 FRAME

FIGURE 1-4. DRIVE HUB ASSEMBLY - BONFIGLIOLI (CONTINUED)

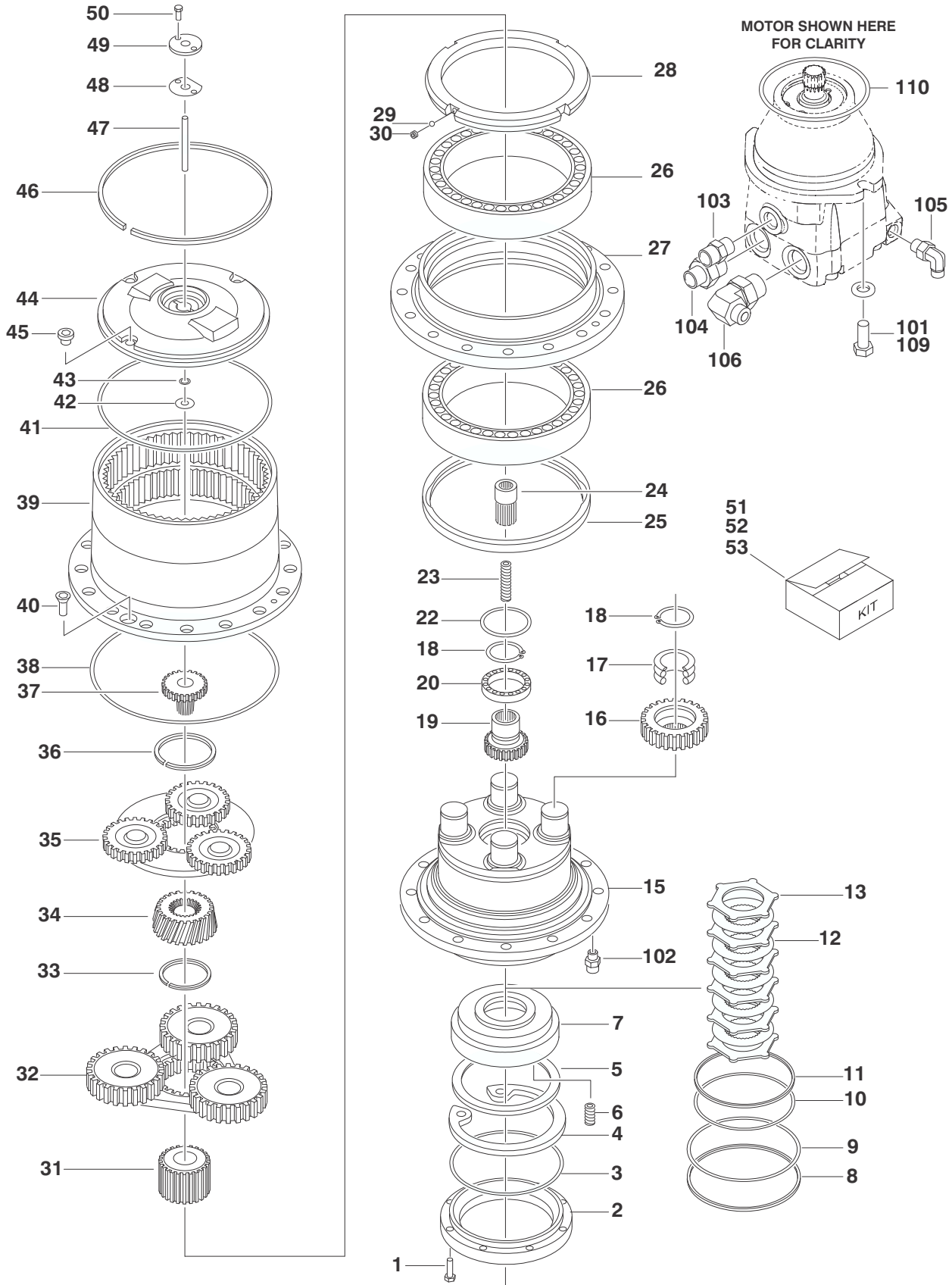
ITEM #	PART NUMBER	QTY.	DESCRIPTION	REV.
50	70002397	1	Seal	
51 to 100	Not Used			
101	0761215	2	Bolt M12 x 35mm	
102	2110404	1	Fitting, Adapter	
103	2110808	1	Fitting, Adapter	
104	2110812	1	Fitting, Adapter	
105	2130406	1	Fitting, Elbow Adapter	
106	2130812	1	Fitting, Elbow Adapter	
107	Not Used			
108	5241200	2	Washer, 12mm Hardened	
109	0100011	AR	Compound, Locking	
110 to 150	Not Used			
151	70000819	1	----- Brake Shaft Kit (Includes Items 11-14)	

FIGURE 1-4. DRIVE HUB ASSEMBLY - BONFIGLIOLI (CONTINUED)

ITEM #	PART NUMBER	QTY.	DESCRIPTION	REV.

SECTION 1 FRAME

FIGURE 1-5. DRIVE HUB ASSEMBLY - REGGIANA RIDOTTORI



SECTION 1 FRAME

FIGURE 1-5. DRIVE HUB ASSEMBLY - REGGIANA RIDUTTORI

ITEM #	PART NUMBER	QTY.	DESCRIPTION	REV.
	1001104325	Ref Ref	DRIVE HUB ASSEMBLY WITH FITTINGS & HARDWARE Note: Various brands used on Machines Built SN 0300100131 to Present. Identify brand before ordering replacement parts.	C
	1001101550	1	Hub, Torque Less Fittings	
1	70002015	8	Bolt M8 x 25	
2	70002016	1	Ring, Motor Support	
3	Use 70002248	1	O-Ring	
4	70002018	1	Snap Ring	
5	70002019	1	Retainer, Spring	
6	70002020	9	Spring	
7	Use 70002249	1	Piston (was p/n 70002021)	
8	See Note	1	Ring, Backup (Note: Use Item 51 or 53.)	
9	See Note	1	O-Ring (Note: Use Item 51 or 53.)	
10	See Note	1	O-Ring (Note: Use Item 51 or 53.)	
11	See Note	1	Ring, Backup (Note: Use Item 51 or 53.)	
12	70002026	5	Disc, Friction	
13	70002027	6	Disc, Steel	
14	Not Used			
15	70002029	1	Spindle	
16	70002030	4	Gear, Planetary	
17	70002031	4	Bearing	
18	70002032	5	Snap Ring	
19	70002033	1	Gear, Brake/Input	
20	70002034	1	Bearing	
21	Not Used			
22	70002035	1	Ring, Wear	
23	70002036	1	Spring	
24	70002037	1	Shaft, Engagement	
25	Use 70002248	1	Seal	
26	70002039	2	Bearing Assembly	
27	70002040	1	Support, Hub	
28	70002041	1	Nut, Retaining	
29	Use 70002674	4	Washer (was p/n 70002042)	
30	Use 70002674	4	Screw (was p/n 70002043)	
31	70002044	1	Gear, Planetary Sun	
32	70002045	1	Reduction Assembly, Secondary	
33	70002046	1	Snap Ring	
34	70002047	1	Gear, Secondary Input Sun	
35	70002048	1	Reduction Assembly, Primary	
36	70002049	1	Snap Ring	
37	70002050	1	Gear, Primary Input Sun	
38	Use 70002248	1	O-Ring	
39	Use 1001101550	1	Housing, Hub (Note: Not Available - Purchase Complete Drive Hub Assembly)	
40	70002052	2	Screw, Countersunk	
41	See Note	1	O-Ring (Note: Use Item 51 or 52.)	
42	Use 70002247	1	Thrustwasher	
43	See Note	1	O-Ring (Note: Use Item 51 or 52.)	

SECTION 1 FRAME

FIGURE 1-5. DRIVE HUB ASSEMBLY - REGGIANA RIDUTTORI (CONTINUED)

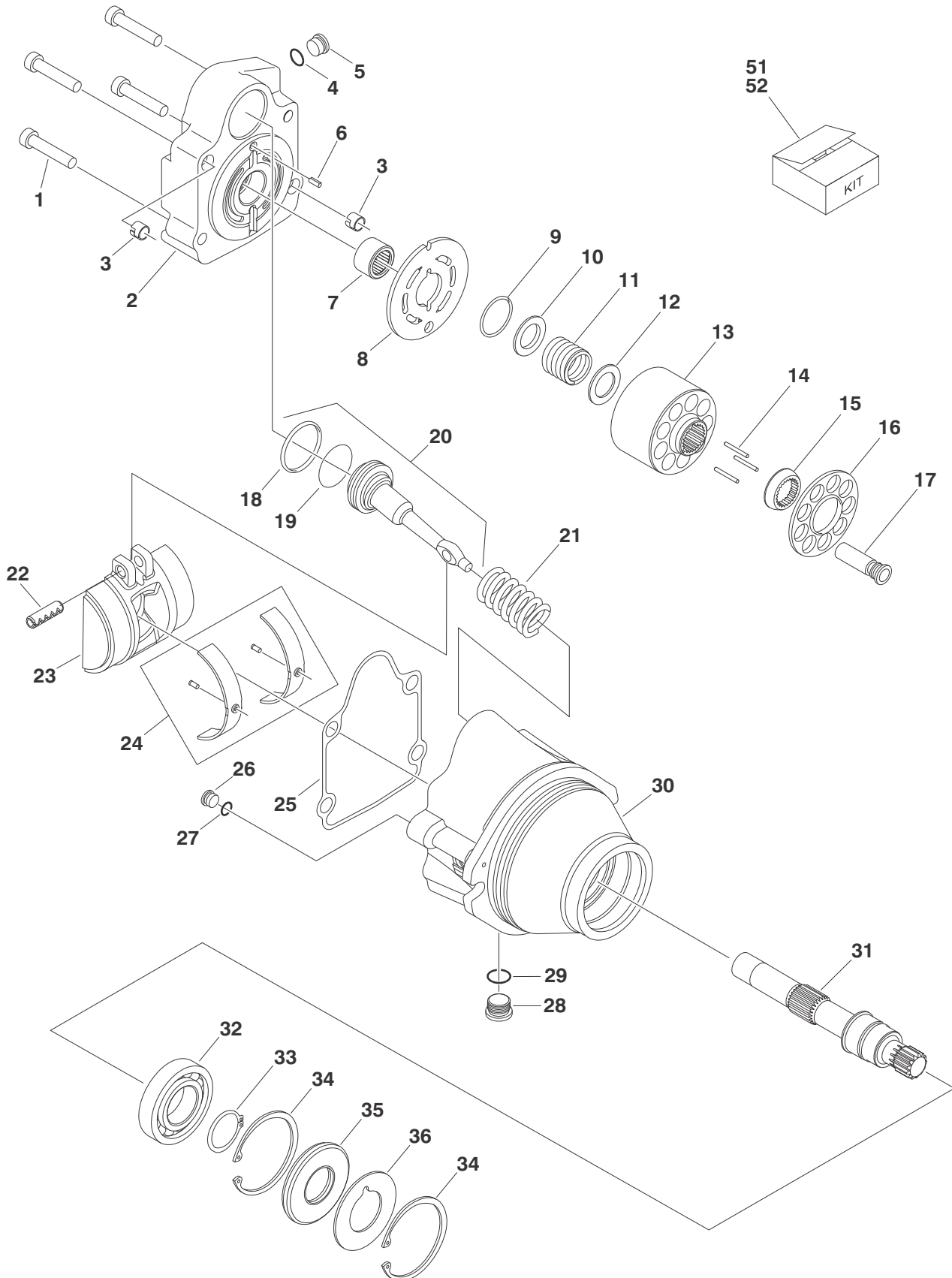
ITEM #	PART NUMBER	QTY.	DESCRIPTION	REV.
44	Use 70002247	1	Cover, Hub	
45	70002057	3	Plug	
46	Use 70002247	1	Snap Ring	
47	Use 70002247	1	Pin, Engagement	
48	See Note	1	Gasket (Note: Use Item 51 or 52.)	
49	Use 70002247	1	Cover, Engagement	
50	Use 70002247	2	Screw	
51	70002248	1	Seal Kit (Includes Items 3, 8-11, 25, 38, 41, 43 & 48)	
52	70002247	1	Cover Kit (Includes Items 41-50)	
53	70002249	1	Brake Kit (Includes Items 4-13)	
54 to 100	Not Used			
101	0761214	2	Bolt M12 x 30mm	
102	2110404	1	Fitting, Adapter	
103	2110808	1	Fitting, Adapter	
104	2110812	1	Fitting, Adapter	
105	2130406	1	Fitting, Elbow Adapter	
106	2130812	1	Fitting, Elbow Adapter	
107	Not Used			
108	5241200	2	Washer, 12mm Hardened	
109	0100011	AR	Compound, Locking	
110	3790158	1	O-Ring	

FIGURE 1-5. DRIVE HUB ASSEMBLY - REGGIANA RIDUTTORI (CONTINUED)

ITEM #	PART NUMBER	QTY.	DESCRIPTION	REV.

SECTION 1 FRAME

FIGURE 1-6. DRIVE MOTOR ASSEMBLY



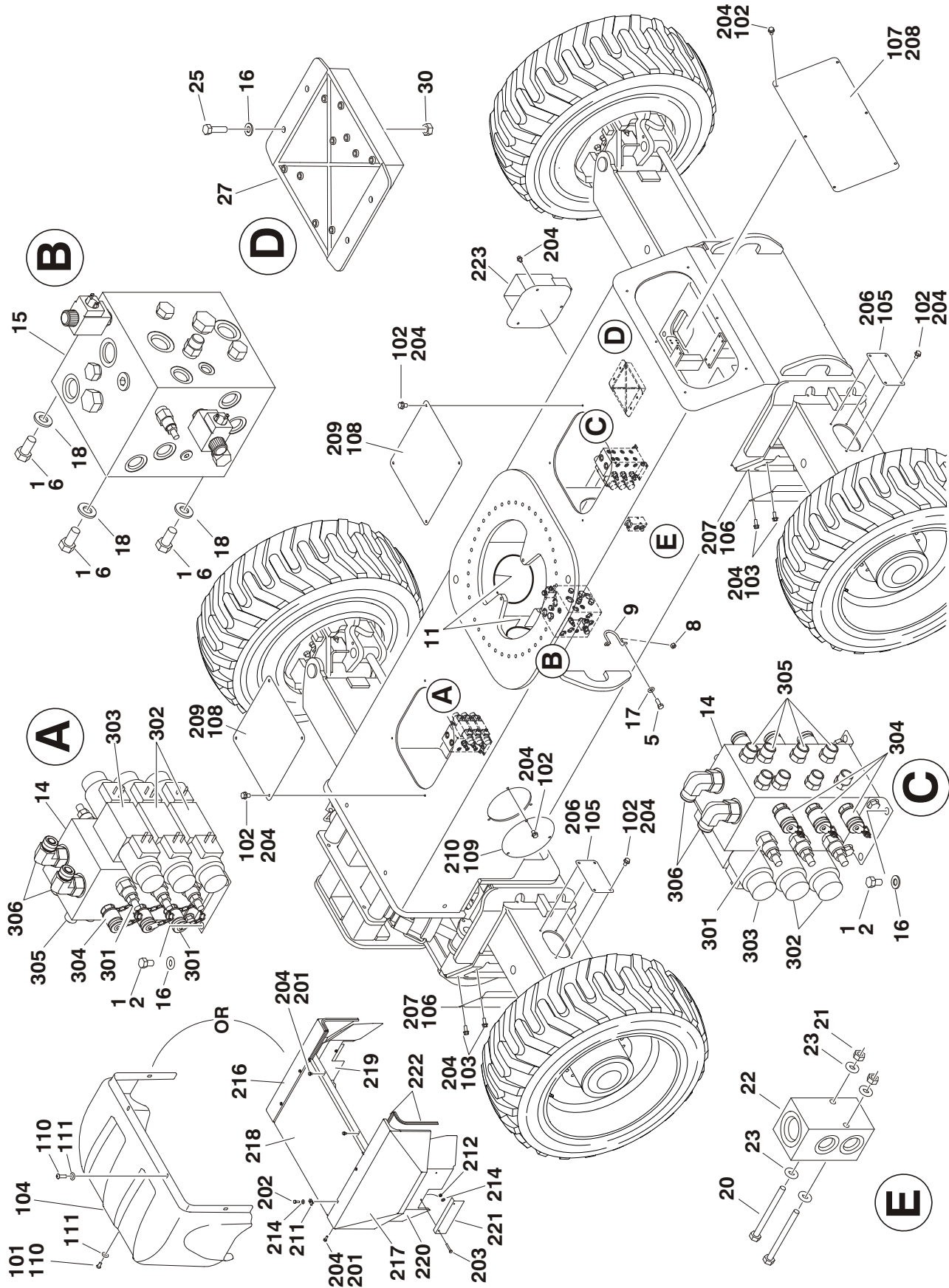
SECTION 1 FRAME

FIGURE 1-6. DRIVE MOTOR ASSEMBLY

ITEM #	PART NUMBER	QTY.	DESCRIPTION	REV.
	3160339	Ref	DRIVE MOTOR ASSEMBLY	B
1	7022368	4	Bolt	
2	7000859	1	End Cap, Motor	
3	70003628	2	Locating Pin	
4	Use 70000862	1	O-Ring	
5	7007420	1	Plug (Includes Item 4)	
6	7007446	1	Pin, Dowel	
7	7021249	1	Bearing, Needle	
8	70000854	1	Plate, Valve	
9	7022311	1	Snap Ring	
10	7022314	1	Retainer, Spring	
11	7024867	1	Spring	
12	7024868	1	Washer (was p/n 7022313)	
13	70000855	1	Block, Cylinder	
14	7021275	3	Pin, Slipper	
15	70000856	1	Guide	
16	70000857	1	Retainer, Slipper	
17	7024865	9	Piston, Cylinder	
18	Use 70000862	1	Ring, Piston	
19	Use 70000862	1	O-Ring	
20	70000860	1	Piston, Servo (Includes Items 18 & 19)	
21	70000861	1	Spring	
22	See Note	1	Pin (Note: Not Available For Purchase)	
23	70000853	1	Swashplate	
24	70000852	1	Bearing Kit	
25	Use 70000862	1	Gasket	
26	See Note	1	Plug (Note: Not Available For Purchase)	
27	Use 70000862	1	O-Ring	
28	7022321	1	Plug (Includes Item 29)	
29	Use 70000862	1	O-Ring	
30	Use 3160339	1	Housing (Note: Not Available - Purchase Complete Drive Motor Assembly)	
31	70000858	1	Shaft	
32	7007437	1	Bearing	
33	7007439	1	Snap Ring	
34	7007438	2	Snap Ring	
35	Use 70000862	1	Seal	
36	7022371	1	Washer, Seal Support	
37 to 50	Not Used			
51	70000862		Motor Seal Kit (Includes Items 4,18,19,25,27,29 & 35)	
52	7027740		Cylinder Block Kit (Includes Items 9 - 17)	

SECTION 1 FRAME

FIGURE 1-7. FRAME VALVES AND COVERS INSTALLATION



SECTION 1 FRAME

FIGURE 1-7. FRAME VALVES AND COVERS INSTALLATION

ITEM #	PART NUMBER	QTY.	DESCRIPTION	REV.
	0271802	Ref	FRAME VALVES INSTALLATION	K
1	0100011	AR	Compound, Locking	
2	0641504	8	Bolt 5/16in-18NC x 1/2in	
3 to 4	Not Used			
5	0641608	12	Bolt 3/8in-16NC x 1in	
6	0641808	4	Bolt 1/2in-13NC x 1in	
7	Not Used			
8	3311605	4	Locknut 3/8in16NC	
9	3841340	2	Loop, Hose	
10	Not Used			
11	4060808	124in/3.2m	Flex-Trim	
12 to 13	Not Used			
14	4641268	2	Valve Assembly - Steer (See Items 301-306)	
15	4641454	1	Valve Assembly - Traction (See TRACTION VALVE ASSEMBLY for Breakdown)	
16	4711500	23	Flatwasher 5/16in Thin	
17	4711600	AR	Flatwasher 3/8in Thin	
18	4711800	4	Flatwasher 1/2in Thin	
19	Not Used			
20	0641424	2	Bolt 1/4in-20NC x 3in	
21	3311405	AR	Locknut 1/4in-20NC	
22	4641155	1	Manifold, Junction	
23	4711400	AR	Flatwasher 1/4in Thin	
24	Not Used			
25	0641509	4	Bolt 5/16in-18NC x1-1/8in	
26	Not Used			
27	Use 1001112758	1	Module (Chassis) (Note: Control System must be recalibrated when Module is replaced) (was p/n 1600331 prior to SN 0300141586)	
	2915024	1	Update Kit (Includes Cables, Programming Instructions & CD Software)	
28 to 29	Not Used			
30	3311505	4	Locknut 5/16in-18NC	
	0271523	Ref	FRAME COVERS INSTALLATION (MACHINES WITH ABS COVERS) (SN 0300073745 ONLY)	C
101	0100011	AR	Compound, Locking	
102	0791604	42	Screw 3/8in-16NC x 1/2in	
103	0791607	16	Screw 3/8in-16NC x 7/8in	
104	1670996	1	Cover, Front	
105	1671045	4	Plate, Cover (Axle Side)	
106	1671046	4	Plate, Cover (Axle Corner)	
107	1671047	1	Plate, Cover (Rear)	
108	1671048	2	Plate, Cover (Frame Top)	
109	1671049	4	Plate, Cover (Frame Side)	
110	3900283	7	Screw, Button Head 3/8in-16NC x 3/4in	
111	4751600	7	Flatwasher 3/8in Regular	

SECTION 1 FRAME

FIGURE 1-7. FRAME VALVES AND COVERS INSTALLATION (CONTINUED)

ITEM #	PART NUMBER	QTY.	DESCRIPTION	REV.
	1001110114	Ref	FRAME COVERS INSTALLATION (MACHINES WITH STEEL COVERS)	C
201	0100011	AR	Compound, Locking	
202	0641406	8	Screw 1/4in-20NC x 3/4in	
203	0641414	4	Screw 1/4in-20NC x 1-3/4in	
204	0791604	63	Screw 3/8in-16NC x 1/2in	
205	Not Used			
206	1671045	4	Plate, Cover (Axle Side)	
207	1671046	4	Plate, Cover (Axle Corner)	
208	1671047	1	Plate, Cover (Rear)	
209	1671048	2	Plate, Cover (Frame Top)	
210	1671049	3	Plate, Cover (Frame Side)	
211	3300454	8	Nut, Retainer 1/4in-20NC	
212	3311405	4	Locknut 1/4in-20NC	
213	Not Used			
214	4711400	12	Flatwasher 1/4in Thin	
215	Not Used			
216	1001110108	1	Cover - RH Side	
217	1001110109	1	Cover - LH Side	
218	1001110110	1	Cover - Center Side	
219	1001110111	1	Shift - RH Side	
220	1001110112	1	Shift - LH Side	
221	1001110113	2	Plate	
222	1001110513	51in/5.5m	Seal	
223	1001110877	1	Mount, Fire Extinguisher	
	4641268	2	STEER VALVE ASSEMBLY	
301	7026028	12	Cartridge (6 Per Valve)	
	7011346	12	Seal Kit - Cartridge (1 Per Cartridge)	
302	7024927	4	Valve (2 Per Valve)	
	7012773	4	Seal Kit - Cartridge (1 Per Cartridge)	
	7018991	8	Coil (2 Per Valve)	
303	Use 70001976	2	Valve (1 Per Valve) (was p/n 7012770)	
	7012773	2	Seal Kit - Cartridge (1 Per Cartridge)	
	7018991	4	Coil (2 Per Valve)	
	70001939	1	Orifice	
304	2221086	6	Check, Pressure	
305	2110606	8	Fitting, Straight	
306	2130810	2	Fitting, Elbow	

FIGURE 1-7. FRAME VALVES AND COVERS INSTALLATION (CONTINUED)

ITEM #	PART NUMBER	QTY.	DESCRIPTION	REV.

FIGURE 1-8. TRACTION VALVE ASSEMBLY

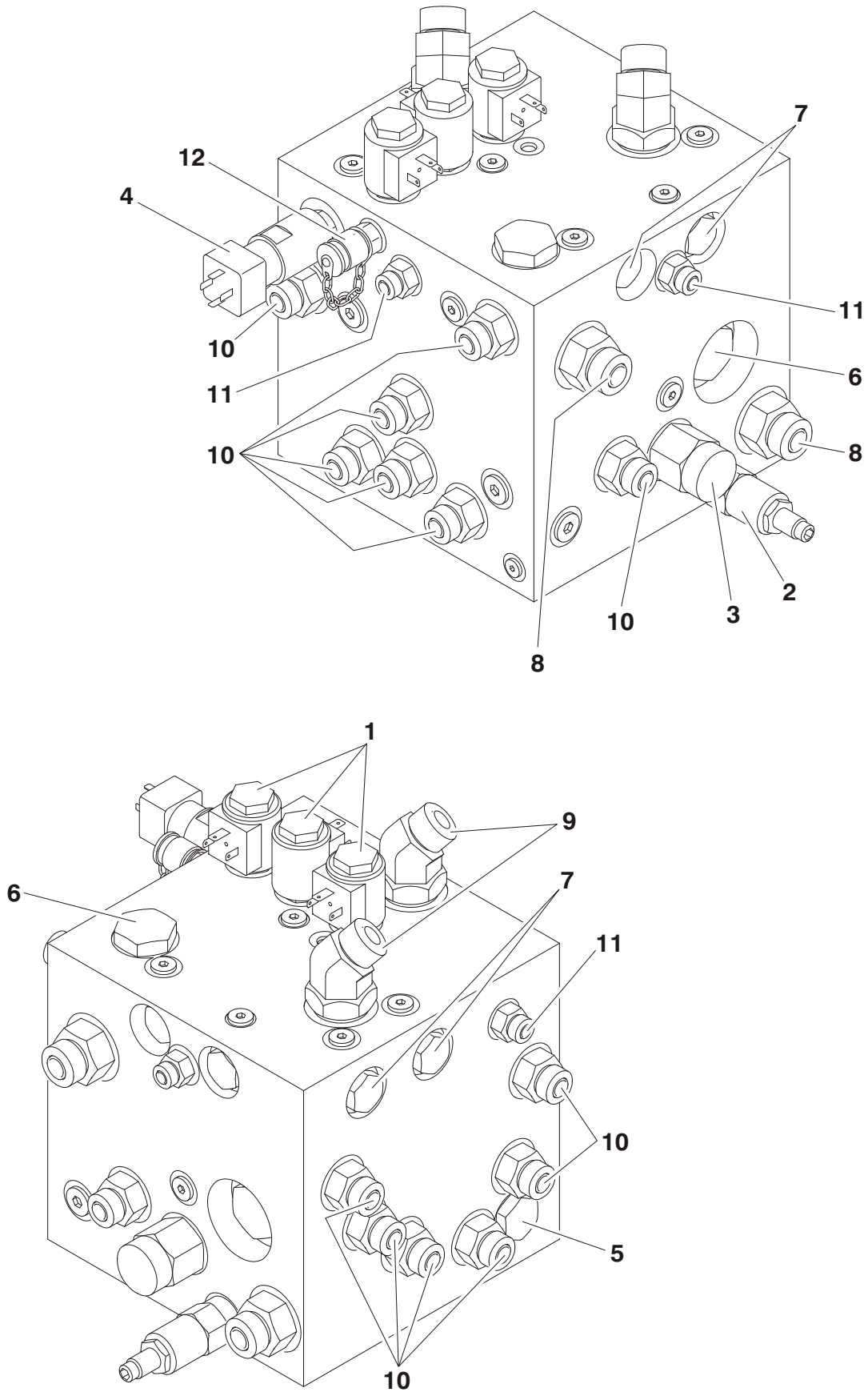


FIGURE 1-8. TRACTION VALVE ASSEMBLY

ITEM #	PART NUMBER	QTY.	DESCRIPTION	REV.
	4641454	Ref	TRACTION VALVE ASSEMBLY	E
1	7012941	3	Cartridge, Solenoid Valve (Steer, Brake & Axle Lockout)	
	7010543	3	Seal Kit - 7012941 Cartridge	
	7012944	2	Coil	
2	70000801	1	Cartridge, Valve (Relief)	
	7012998	1	Seal Kit - 70000801 Cartridge	
3	70000802	1	Cartridge, Valve (Pilot)	
	7012942	1	Seal Kit - 70000802 Cartridge	
4	70000803	1	Pressure Switch	
5	70000804	1	Cartridge, Valve (Shuttle)	
	70000805	1	Seal Kit - 70000804 Cartridge	
6	70000806	2	Cartridge, Valve (Flow Divider)	
	7017405	2	Seal Kit - 70000806 Cartridge	
7	7012955	4	Cartridge, Valve (Check)	
	7012967	4	Seal Kit - 7012955 Cartridge	
8	2111012	2	Fitting, Straight	
9	2151012	2	Fitting, Elbow	
10	2110810	13	Fitting, Straight	
11	2110406	3	Fitting, Straight	
12	2221086	1	Check, Pressure	
13	2220883	1	Plug, #4 (Not Shown)	

SECTION 1 FRAME

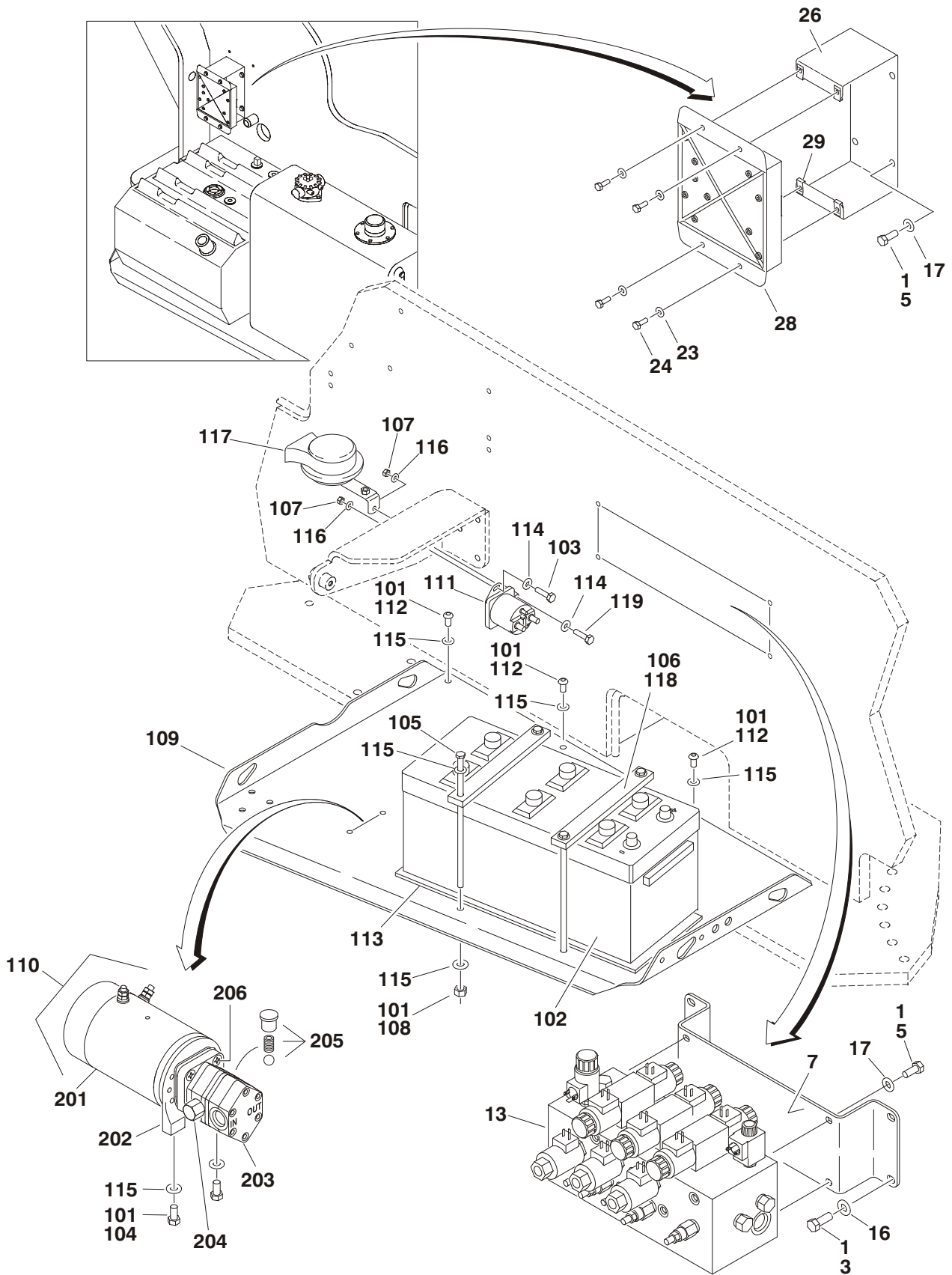
FIGURE 1-8. TRACTION VALVE ASSEMBLY (CONTINUED)

ITEM #	PART NUMBER	QTY.	DESCRIPTION	REV.

SECTION 2 TURNTABLE

SECTION 2 TURNTABLE

FIGURE 2-1. VALVE, BATTERY, HORN & AUXILIARY PUMP INSTALLATIONS



SECTION 2 TURNTABLE

FIGURE 2-1. VALVE, BATTERY, HORN & AUXILIARY PUMP INSTALLATIONS

ITEM #	PART NUMBER	QTY.	DESCRIPTION	REV.
	0271802	Ref	VALVES INSTALLATION - TURNTABLE MOUNTED	K
1	0100011	AR	Compound, Locking	
2	Not Used			
3	0641506	4	Bolt 5/16in-18NC x 3/4in	
4	Not Used			
5	0641608	12	Bolt 3/8in-16NC x 1in	
6	Not Used			
7	0902755	1	Bracket, Valve Mounting	
8 to 12	Not Used			
13	4641267	1	Main Valve Assembly (See MAIN VALVE ASSEMBLY for Breakdown)	
14 to 15	Not Used			
16	4711500	23	Flatwasher 5 /16in Thin	
17	4711600	14	Flatwasher 3/8in Thin	
18 to 22	Not Used			
23	4711400	8	Flatwasher 1/4in Thin	
24	0641406	4	Bolt 1/4in-20NC x 3/4in	
25	Not Used			
26	0902800	1	Bracket, Module Mounting	
27	Not Used			
28	Use 1001112757	1	Module, B.L.A.M. (Note: Control System must be recalibrated when Module is replaced) (was p/n 1600332 prior to SN 0300141586)	
	2915024	1	Update Kit (Includes Cables, Programming Instructions & CD Software)	
29	3300454	4	Nut, Special	
		Ref	BATTERY, HORN & AUXILIARY PUMP INSTALLATION	
	0271795	Ref	With ABS Hoods (SN 0300073745 Only)	E
	1001110740	Ref	With Steel Hoods	A
101	0100011	AR	Compound, Locking	
102	0400020	1	Battery	
103	0641408	1	Bolt 1/4in-20NC x 1in	
104	0641606	2	Bolt 3/8in-16NC x 3/4in	
105	0236768	4	Rod, Hold-down	
106	0363062	2	Bar, Battery	
107	3311405	3	Locknut 1/4in-20NC	
108	3311601	4	Nut 3/8in-16NC	
109		1	Tray Options:	
	3573259		Tray used with ABS Hoods (SN 0300073745 Only)	
	1001117359		Tray used with Steel Hoods (Not Shown)	
110	3600424	1	Auxiliary Pump Assembly (See Items 201-206 for Breakdown)	
111	3740067	1	Relay	
112	3900283	7	Screw, Button Head	
113	3980006	1	Seat, battery	
114	4711400	4	Flatwasher 1/4in Thin	
115	4711600	17	Flatwasher 3/8in Thin	
116	4791400	2	Starwasher 1/4in	

SECTION 2 TURNTABLE

FIGURE 2-1. VALVE, BATTERY, HORN & AUXILIARY PUMP INSTALLATIONS (CONTINUED)

ITEM #	PART NUMBER	QTY.	DESCRIPTION	REV.
117	0140001	1	Horn	
118	4420037	17in/43cm	Tape, Insulation	
119	0641412	1	Bolt 1/4in-20NC x 1-1/2in	
	3600424	Ref	AUXILIARY PUMP ASSEMBLY	B
201	70001056	1	Motor Service Replacement Kit (Includes Motor, p/n 7011062 Adapter, p/n 7011016 Coupling & qty 2 Setscrews)	
	See Note	1	Brush Kit (Note: Not Available For Purchase)	
202	7011062	1	Bracket, Motor/Pump (Part of Item 201)	
	7011016	1	Coupling (Part of Items 201 & 203)	
	7011044	1	Gasket (Part of Item 203)	
203	7029593	1	Pump Service Replacement Kit (Includes Pump, p/n 7011016 Coupling, qty 2 Gaskets & qty 4 each of Screws & Washers)	
	See Note	1	Seal, Shaft (Note: Not Available For Purchase)	
204	Use 7029593	1	Valve Components	
205	Use 7029593	1	Valve Components	
206	7011048	4	Screw	
	7011043	4	Flatwasher	

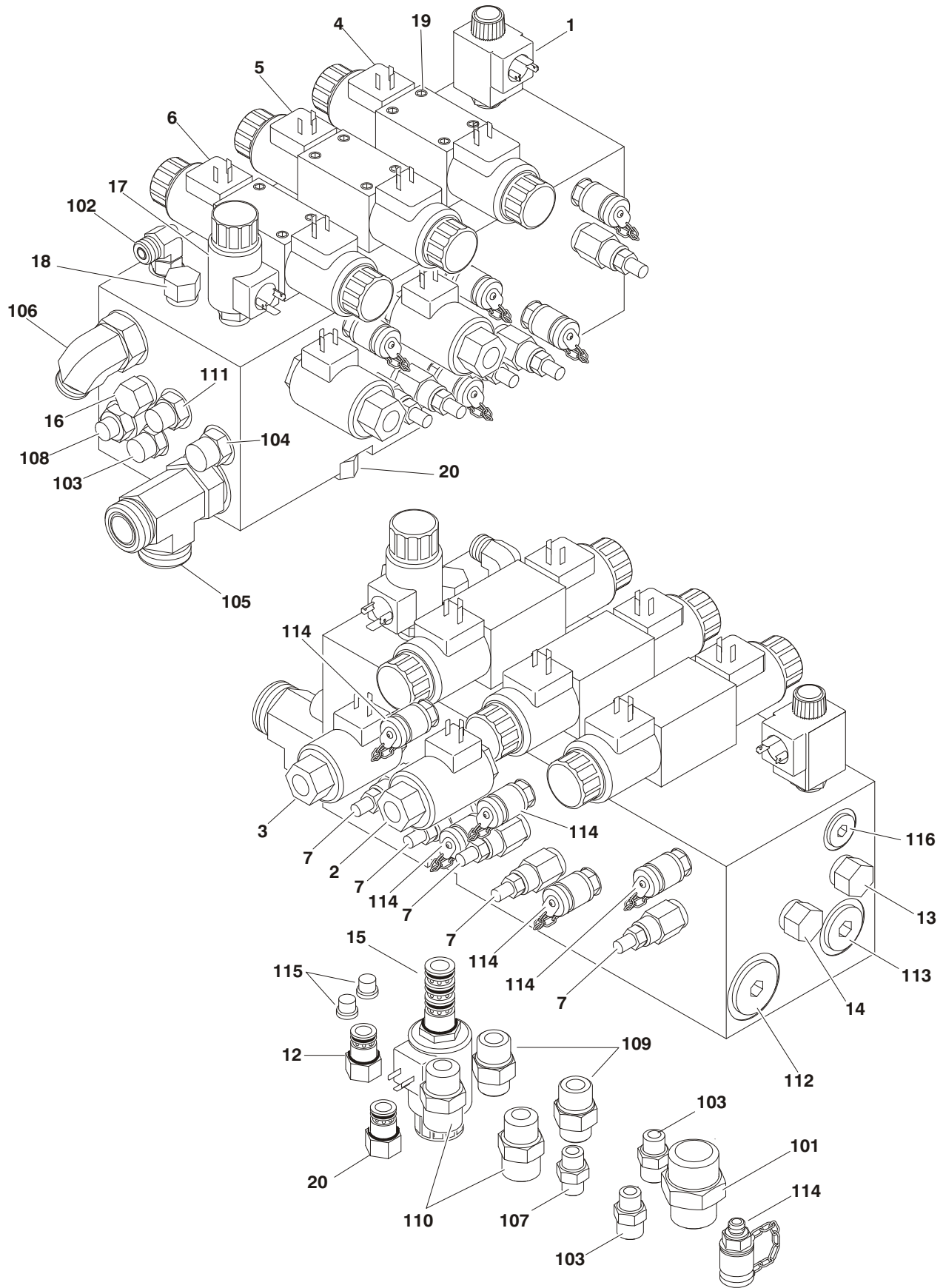
SECTION 2 TURNTABLE

FIGURE 2-1. VALVE, BATTERY, HORN & AUXILIARY PUMP INSTALLATIONS (CONTINUED)

ITEM #	PART NUMBER	QTY.	DESCRIPTION	REV.

SECTION 2 TURNTABLE

FIGURE 2-2. MAIN VALVE ASSEMBLY



SECTION 2 TURNTABLE

FIGURE 2-2. MAIN VALVE ASSEMBLY

ITEM #	PART NUMBER	QTY.	DESCRIPTION	REV.
	4641267	Ref	MAIN VALVE ASSEMBLY	B
1	7024573	1	Cartridge, Solenoid Valve (Dump)	
	7024574	1	Seal Kit - Cartridge	
	7011354	1	Coil	
2	7021636	1	Cartridge, Solenoid Valve (Lift Flow)	
	7017495	1	Seal Kit - Cartridge	
	7017451	1	Coil	
3	7021636	1	Cartridge, Solenoid Valve (Tele Flow)	
	7017495	1	Seal Kit - Cartridge	
	7017451	1	Coil	
4	7024924	1	Control Valve Assembly (Swing)	
	7012773	1	Seal Kit - Valve	
	7018991	2	Coil	
	7021375	2	Nut, Coil	
5	7024925	1	Control Valve Assembly (Lift)	
	7012773	1	Seal Kit - Valve	
	7018991	2	Coil	
	7021375	2	Nut, Coil	
6	Use 70001976	1	Control Valve Assembly (Tele) (was p/n 7012770)	
	7012773	1	Seal Kit - Valve	
	7018991	2	Coil	
	7021375	2	Nut, Coil	
7	7026007	5	Cartridge, Relief Valve (Swing/Lift Up/Lift Down/Tele In/Tele Out)	
	7024574	1	Seal Kit - Cartridge	
8 to 11	Not Used			
12	7026000	1	Cartridge, Check Valve	
	7011311	1	Seal Kit - Cartridge	
13	7026001	1	Cartridge, Check Valve	
	7011311	1	Seal Kit - Cartridge	
14	7026002	1	Cartridge, Shuttle Valve	
	2900770	1	Seal Kit - Cartridge	
15	7024570	1	Cartridge, Solenoid Valve (Aux Lift Down Select)	
	70001930	1	Seal Kit - Cartridge (was p/n 2900770)	
	7024571	1	Coil	
16	7026003	1	Cartridge, Pilot Valve	
	7026004	1	Seal Kit - Cartridge	
17	7026005	1	Cartridge, Solenoid Valve (Aux Lift Down)	
	7026006	1	Seal Kit - Cartridge	
	7024571	1	Coil	
18	7026008	1	Cartridge, Check Valve	
	7011346	1	Seal Kit - Cartridge	
19	7018942	12	Capscrew, Socket Head #10-24NC x 2in	
20	7026016	1	Cartridge, Valve	
	7011346	1	Seal Kit - Cartridge	
21 to 100	Not Used			
101	2111216	1	Fitting, Straight	
102	2130606	1	Fitting, Elbow	
103	2110606	3	Fitting, Straight	

SECTION 2 TURNTABLE

FIGURE 2-2. MAIN VALVE ASSEMBLY (CONTINUED)

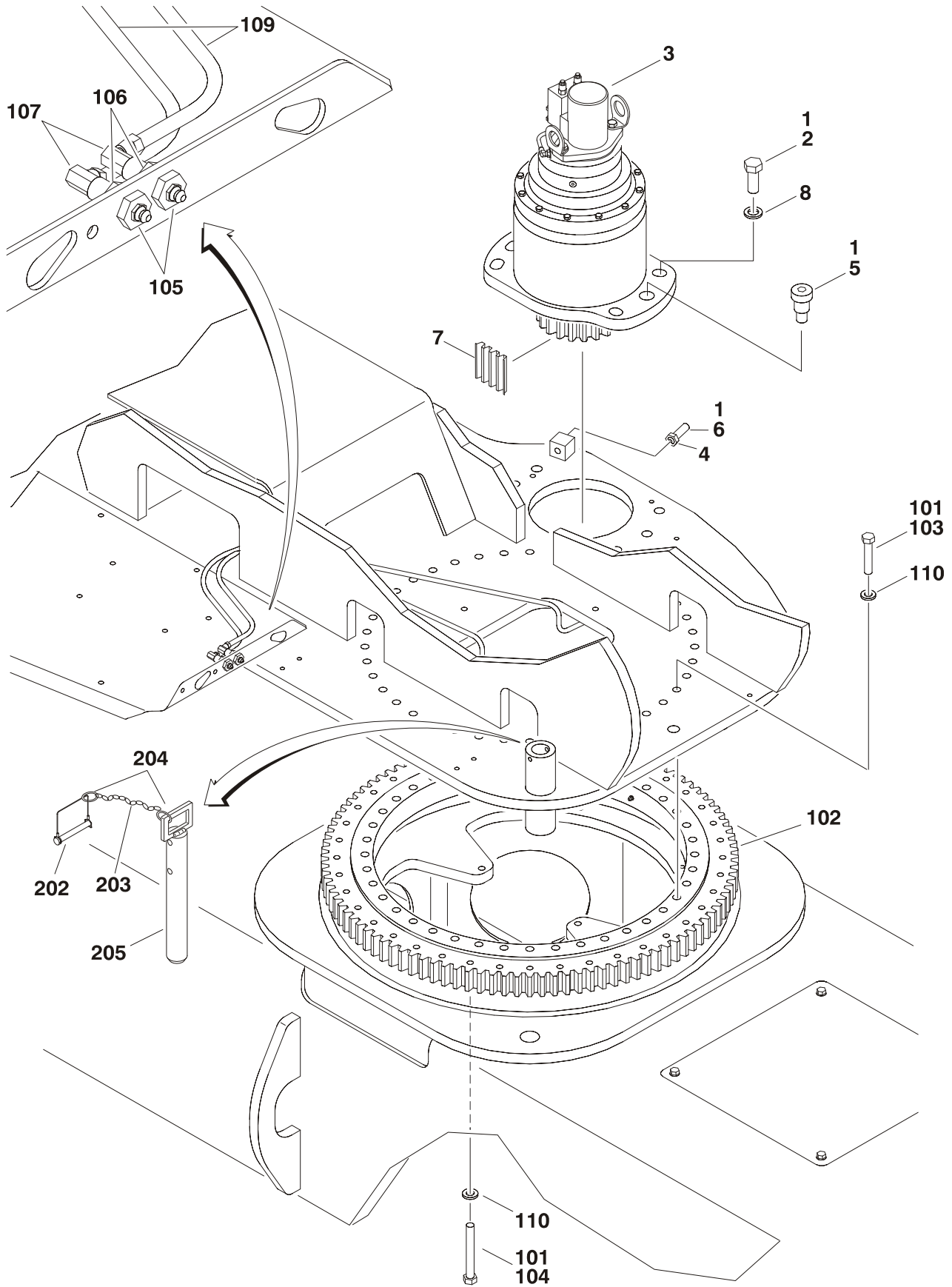
ITEM #	PART NUMBER	QTY.	DESCRIPTION	REV.
104	2110808	1	Fitting, Straight	
105	2170316	1	Fitting, Tee	
106	2131012	1	Fitting, Elbow	
107	2110406	1	Fitting, Straight	
108	2110408	1	Fitting, Straight	
109	2110810	2	Fitting, Straight	
110	2111010	2	Fitting, Straight	
111	2110608	1	Fitting, Straight	
112	2220890	1	Plug	
113	Use 70002760	1	Plug (was p/n 2220888)	
114	2221086	6	Check, Pressure	
115	Use 70002758	2	Fitting, Plug (was p/n 2220883)	
116	Use 70002759	1	Plug w/ O-Ring (was p/n 88662193 & 2220886)	

FIGURE 2-2. MAIN VALVE ASSEMBLY (CONTINUED)

ITEM #	PART NUMBER	QTY.	DESCRIPTION	REV.

SECTION 2 TURNTABLE

FIGURE 2-3. TURNTABLE SWING DRIVE AND BEARING INSTALLATION



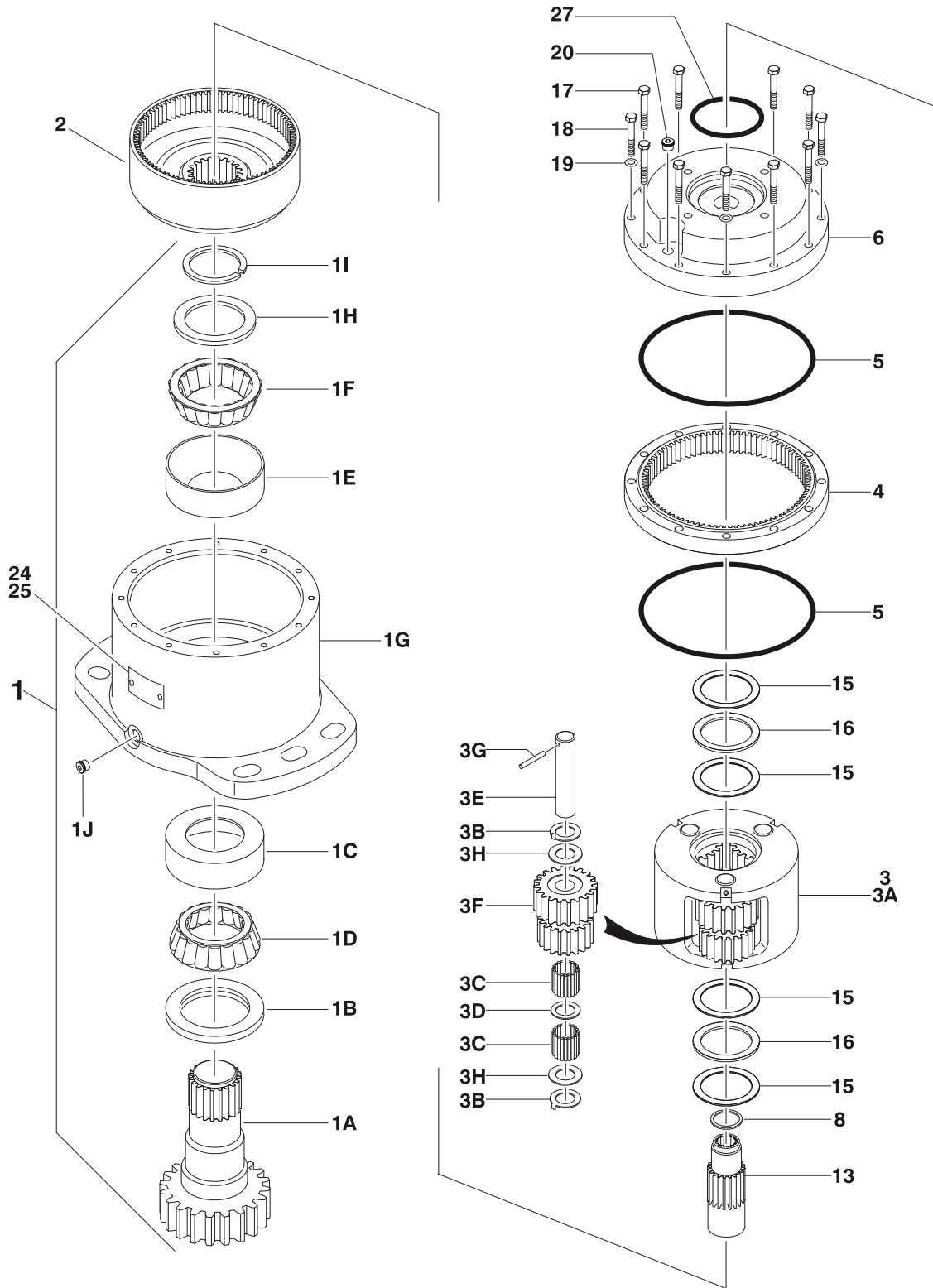
SECTION 2 TURNTABLE

FIGURE 2-3. TURNTABLE SWING DRIVE AND BEARING INSTALLATION

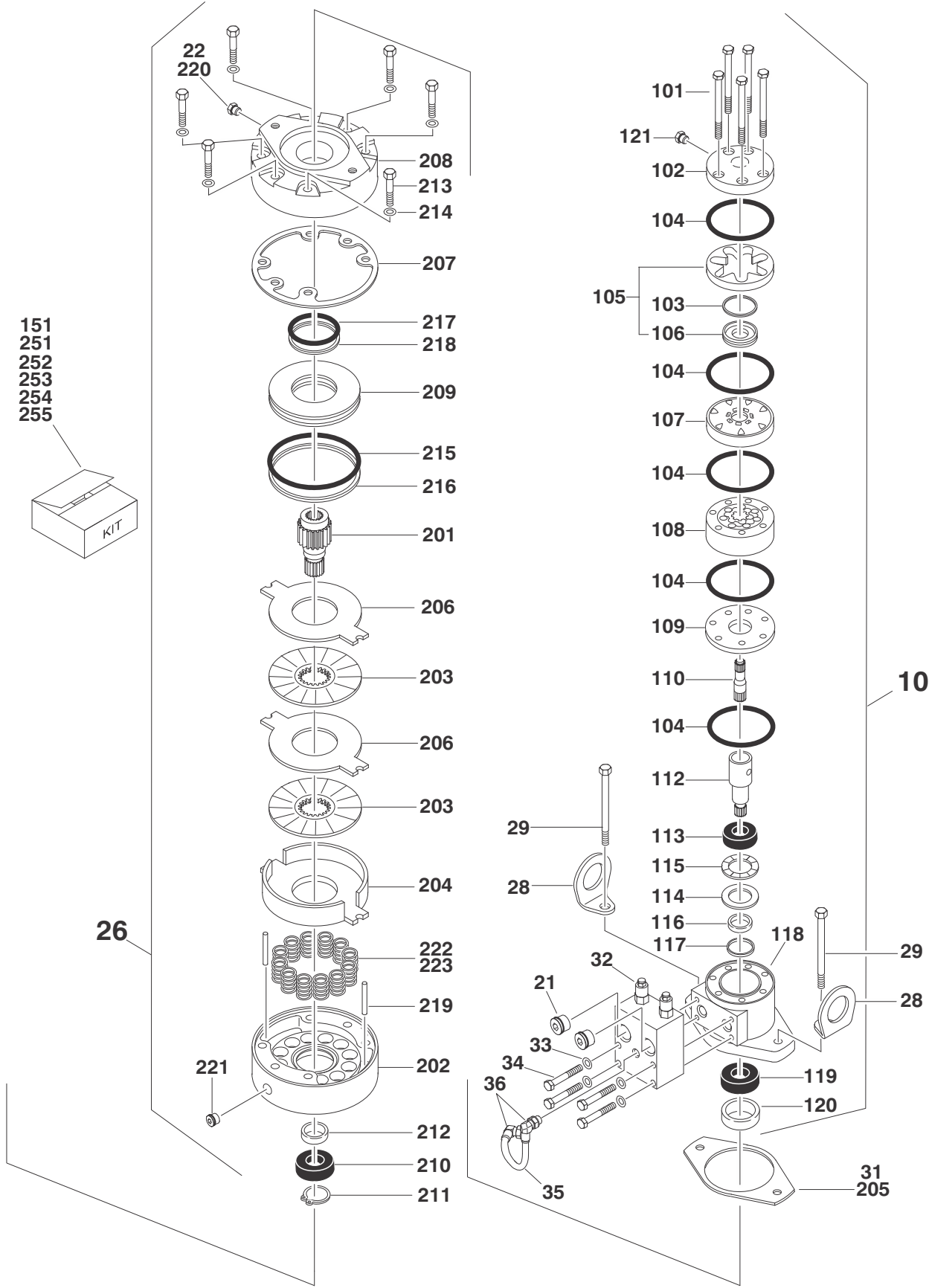
ITEM #	PART NUMBER	QTY.	DESCRIPTION	REV.
	0271596	Ref	SWING DRIVE INSTALLATION	D
1	0100019	AR	Compound, Locking	
2	0682418	5	Bolt 7/8in- 9NC x 2-1/4in (Grade 8)	
3		1	Swing Motor/Hub Assembly Options (See SWING MOTOR/HUB ASSEMBLY for Breakdown)	
	Use 1001134098		Prior to SN 0300074374 (was p/n 3160281 & p/n 3160302)	
	Use 1001134098		SN 0300074374 to SN 0300152138 (was p/n 3160302)	
	Use 1001134098		SN 0300152138 to Present	
4	3312002	1	Nut, Jam 5/8in-11NC	
5	3900223	1	Screw, Shoulder	
6	3952020	1	Setscrew 5/8in-11NC x 2-1/2in	
7	4071041	1	Shim	
8	4892400	5	Flatwasher 7/8in Hardened	
	0271512	Ref	TURNTABLE BEARING AND LUBE INSTALLATION	B
101	0100019	AR	Compound, Locking	
102	Use 2915072	1	Bearing Kit (was p/n 0440251) (Kit Includes Bearing & Mounting Hardware)	
103	0682026	40	Bolt 5/8in-11NC x 3-1/4in (Grade 8)	
104	0682040	40	Bolt 5/8in-11NC x 5in (Grade 8)	
105	2180002	2	Fitting, Grease	
106	2180344	2	Fitting, Bulkhead	
107	2220063	2	Fitting, Adapter	
108	Not Used			
109	2750528	2	Hose	
110	4892000	80	Flatwasher 5/8in Hardened	
	0239842	Ref	TURNTABLE LOCK INSTALLATION	B
201	Not Used			
202	3421565	1	Pin, Snap	
203	1260017	9 in/23cm	Chain - #3	
204	3760170	2	Ring, Quick Release	
205	3421563	1	Pin, Turntable Lock	
		Ref	TURNTABLE WELDMENT OPTIONS:	
	4620149	Ref	Machines with ABS Hoods (SN 0300073745 Only)	
	1001107391	Ref	Machines with Steel Hoods	

SECTION 2 TURNTABLE

FIGURE 2-4. SWING MOTOR/HUB ASSEMBLY



SECTION 2 TURNTABLE



SECTION 2 TURNTABLE

FIGURE 2-4. SWING MOTOR/HUB ASSEMBLY

ITEM #	PART NUMBER	QTY.	DESCRIPTION	REV.
		Ref	SWING MOTOR/HUB ASSEMBLY OPTIONS:	
	3160281	Ref	Prior to SN 0300074374	
	3160302	Ref	SN 0300074374 to SN 0300151138	
	1001134098	Ref	SN 0300151138 to Present	
1	See Note	1	Housing/Shaft Assembly (Note: Not Available - Purchase Complete Swing Motor/Hub Assembly)	
1A	7024183	1	Shaft, Out put	
1B	7000236	1	Seal, Lip	
1C	Use 1001091460	1	Cup, Bearing (was p/n 7000272 & p/n 90202500)	
1D	Use 1001091460	1	Cone, Bearing (was p/n 7000273 & p/n 90202501)	
1E	Use 1001091461	1	Cup, Bearing (was p/n 7000274)	
1F	Use 1001091461	1	Cone, Bearing (was p/n 7000275 & p/n 90202503)	
1G	7024184	1	Housing	
1H	7000239	1	Thrustwasher	
1I	7000240	1	Ring, Retaining	
1J	7017072	1	Plug, Pipe	
2	7001917	1	Gear, Internal	
3	7001918	1	Carrier Assembly	
3A	7001900	1	Carrier	
3B	7007645	6	Washer, Tanged	
3C	7001902	84	Bearing, Needle	
3D	7007646	3	Thrustwasher	
3E	7001904	3	Shaft, Planet	
3F	7001927	3	Gear, Cluster	
3G	7001906	3	Rollpin	
3H	7007648	6	Washer	
4	7010467	1	Gear, Ring	
5	7000224	2	O-Ring	
6	7001920	1	Cover, Input	
7	Not Used			
8	7001922	1	Thrustwasher	
9	Not Used			
10	7024188	1	Motor Assembly (See Items 101-121 for Breakdown)	
11 to 12	Not Used			
13	7001921	1	Gear, Sun	
14	Not Used			
15	7000287	4	Thrustwasher	
16	7000288	2	Bearing, Thrust	
17	7001923	8	Bolt 3/8in-16NC x 3in (Grade 8)	
18	7001924	4	Bolt, Shoulder 3/8in-16NC x 2-3/4in (Grade 8)	
19	7001929	4	Lockwasher (Used with Item 18 Only)	
20	7001928	1	Plug, Pipe	
21	7001926	2	Plug, Pipe	
22	7017082	1	Plug, Pipe	
23	Not Used			
24	See Note	1	Plate, ID (Note: Not Available for Purchase)	
25	7000281	2	Screw, Drive	

SECTION 2 TURNTABLE

FIGURE 2-4. SWING MOTOR/HUB ASSEMBLY (CONTINUED)

ITEM #	PART NUMBER	QTY.	DESCRIPTION	REV.
26	7024182 70003524	1	Brake Assembly Options (See Items 201-223 for Breakdown): Prior to SN 0300151138 SN 0300151138 to Present	
27	7024763	1	O-Ring	
28	See Note	2	Lug, Lifting (Note: Not Available for Purchase)	
29	7024185	2	Bolt 1/2in-13NC x 5in (Grade 8)	
30	Not Used			
31	7000731	1	Gasket	
32		AR	Valve Options: Used With Swing Motor/Hub Assembly p/n 3160281 & p/n 3160302	
	Use 4640741	1	Valve (was p/n 7024187)	
	7011320	2	Cartridge	
	2900770	2	Seal Kit - 7011320 Cartridge (1 Per Cartridge)	
			Used With Swing Motor/Hub Assembly p/n 1001134098	
	70003523	1	Valve	
	70003629	2	Cartridge	
	2900770	2	Seal Kit - 70003629 Cartridge (1 Per Cartridge)	
33	See Note	4	Lockwasher (Note: Not Available for Purchase)	
34	7024135	4	Bolt 5/16in-18NC x 2-1/2in (Grade 8)	
35	7024186	1	Tube	
36	7017085	2	Elbow	
	7024188	Ref	MOTOR ASSEMBLY	
101	7024391	5	Bolt	
102	7004035	1	Cover, End	
103	Use 7024389	1	Seal, Commutator	
104	Use 7024389	5	Seal, Ring	
105	Use 7024453	1	Commutator and Ring Assembly (was p/n 7004037)	
106	Use 7004453	1	Ring	
107	7024379		Manifold	
108	7024392	1	Rotor Set	
109	7024380	1	Plate, Wear	
110	7024393	1	Link, Drive	
111	Not Used			
112	7024395	1	Shaft, Coupling	
113	7024381	1	Bushing, Bronze	
114	7004043	1	Thrustwasher	
115	7004044	1	Bearing, Thrust	
116	Use 7024389		Seal, Inner	
117	Use 7024389	1	Washer, Back-up	
118	7024394	1	Housing	
119	7024390	1	Bearing	
120	Use 7024389	1	Seal	
121	7010795	1	Plug, O-Ring	
122 to 150	Not Used			
151	Use 7024389	1	Seal Kit - 7024188 Motor (Includes Items 103, 104, 116, 117 & 120) (was p/n 7024396)	

SECTION 2 TURNTABLE

FIGURE 2-4. SWING MOTOR/HUB ASSEMBLY (CONTINUED)

ITEM #	PART NUMBER	QTY.	DESCRIPTION	REV.
		Ref	BRAKE ASSEMBLIES	
	7024182	Ref	Prior to SN 030015138	
	70003524	Ref	SN 030015138 to Present	
201	7024189	1	Shaft	
202	Use 7024182	1	Housing (Note: Not Available For Purchase)	
203	Use 7024193	2	Plate, Friction	
204	Use 7024193	1	Plate, Pressure	
205	7000731	1	Gasket	
206	Use 7024193	2	Plate, Outer	
207	See Note	1	Gasket (Note: Use Item 251, 254 or 255.)	
208	7024191	1	Cylinder	
209	7024192	1	Piston	
210	Use 7024197	1	Bearing, Ball	
211	Use 7024197	1	Ring, Retaining	
212	Use 7024197	1	Seal, Shaft	
213	See Note	6	Capscrew (Note: Not Available For Purchase)	
214	See Note	6	Lockwasher (Note: Not Available For Purchase)	
215	Use 7024194	1	O-Ring	
216	Use 7024194	1	Ring, Back-up	
217	Use 7024194	1	O-Ring	
218	Use 7024194	1	Ring, Back-up	
219	7024190	2	Pin, Dowel	
220	See Note	1	Plug (Note: Not Available For Purchase)	
221	See Note	1	Plug (Note: Not Available For Purchase)	
222	Use 7024196	AR	Spring (Natural)	
223	Use 7024196	AR	Spring, (Blue)	
224 to 250	Not Used		-----	
251	7024194	1	Seal Kit - Brake (Includes Items 205, 207 & 215-218)	
252	Use 7024196	1	Spring Kit - Brake (Includes 12 Natural Colored Springs) (was p/n 7024195) Note: Spring Kit p/n 7024195 no Longer Available, Purchase p/n 7024196 for Replacement.	
253	7024196	1	Spring Kit - Brake (Includes 12 Natural & 2 Blue Colored Springs)	
254	7024193	1	Friction Disc Kit - Brake (Includes Items 203, 204, 206 & 207)	
255	7024197	1	Bearing Kit - Brake (Includes Items 207 & 210-212)	

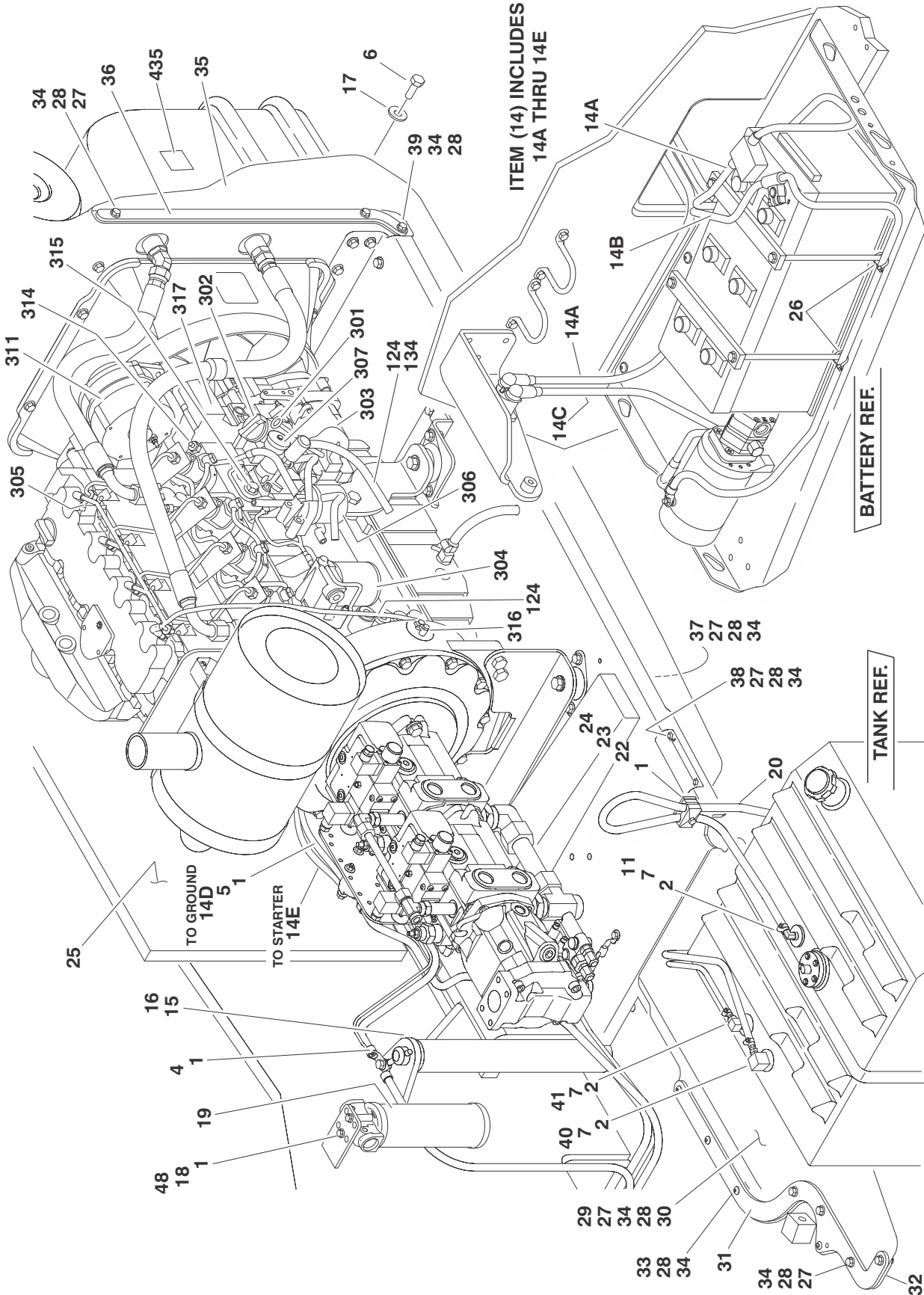
SECTION 2 TURNTABLE

FIGURE 2-4. SWING MOTOR/HUB ASSEMBLY (CONTINUED)

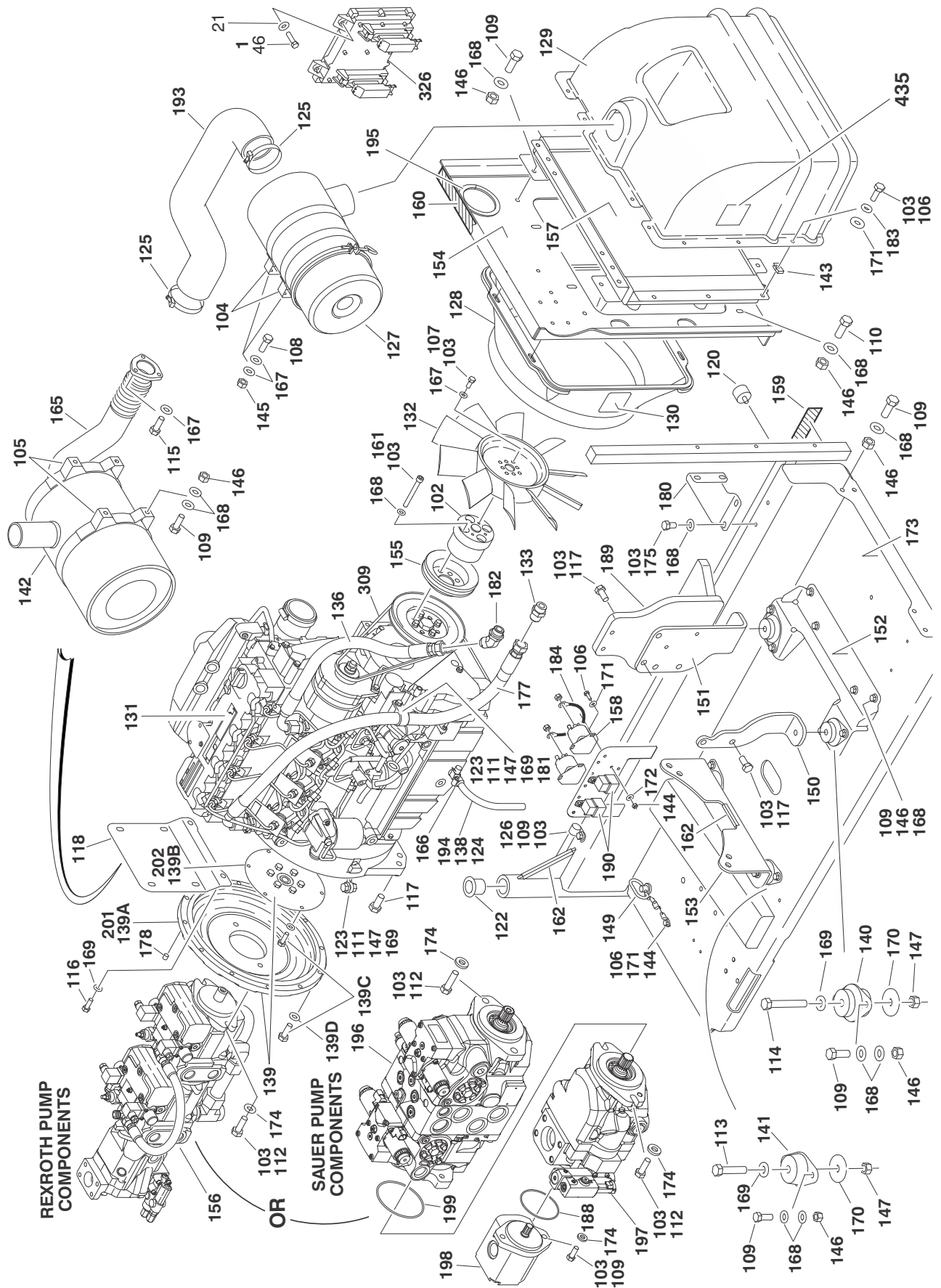
ITEM #	PART NUMBER	QTY.	DESCRIPTION	REV.

SECTION 2 TURNTABLE

FIGURE 2-5. DEUTZ TD2011 TIER III ENGINE INSTALLATION



SECTION 2 TURNTABLE



SECTION 2 TURNTABLE

FIGURE 2-5. DEUTZ TD2011 TIER III ENGINE INSTALLATION

ITEM #	PART NUMBER	QTY.	DESCRIPTION	REV.
		Ref	DEUTZ TD2011 DIESEL ENGINE INSTALLATION OPTIONS:	
		Ref	Tier III Machines with Rexroth Pumps & ABS Hoods (SN 0300073745 Only)	
	1001098516	Ref	With Skypower & Without Cold Weather Plus Package	D
	1001098517	Ref	With Cold Weather Plus Package	D
		Ref	Tier III Machines with Rexroth Pumps & Steel Hoods	
	1001117371	Ref	With Skypower & Without Cold Weather Plus Package	B
	1001116015	Ref	With Cold Weather Plus Package	B
		Ref	Tier III Machines with Sauer Pumps & Steel Hoods	
	1001119053	Ref	With Skypower & Without Cold Weather Plus Package	B
	1001119054	Ref	With Cold Weather Plus Package	B
1	0100011	AR	Compound, Locking	
2	0100079	AR	Sealant, Pipe	
3	1702942	1	Decal, Block Heater (Cold Weather Plus Package - Not Shown)	
4	0641610	1	Bolt 3/8in-16NC x 1-1/4in	
5	0641808	1	Bolt 1/2in-13NC x 1in	
6	0642010	1	Bolt 5/8in-11NC x 1-1/4in	
7	1320022	3	Clamp	
8 to 10	Not Used			
11	2220313	1	Fitting, Elbow Barbed	
12 to 13	Not Used			
14	2902099	1	Battery Cable Kit	C
14A	7024580	1	Cable, Red (To Aux Pump Relay, Battery Positive Terminal & Start Relay)	
14B	7024581	1	Cable, Black (To Aux Pump, Battery Negative Terminal & Ground at Tray Pivot)	
14C	7024582	1	Cable, Red (Aux Pump Relay to Aux Pump)	
14D	7024583	1	Cable, Black (Tray Pivot to Engine Mount)	
14E	7024584	1	Cable, Red (Start Relay to Starter)	
15	3422446	1	Pin	
16	3841143	1	Keeper, Pin	
17	4752000	1	Flatwasher 5/8in Regular	
18		AR	Bolt Options:	
	0641406	2	Bolt 1/4in-20NC x 3/4in (Prior to SN 0300145302)	
	0641606	4	Bolt 3/8in-16NC x 3/4in (SN 0300145302 to Present)	
19	1001108617		Pressure Filter	
	70002231	1	Element, Filter	
20	2750532	55in/1.4m	Hose	
21	4711400	4	Flatwasher 1/4in Thin	
22	0641511	1	Bolt 5/16in-18NC x 1-3/8in	
23	1320187	1	Clamp, Twin	
24	1320190	1	Cover, Clamp	
25	2820170	1	Insulation, Sound Absorbing	
26	4240099	AR	Strap, Tie	
27	0641509	18	Bolt 5/16in-18NC x 1-1/8in	
28	3311505	23	Locknut 5/16in-18NC	

SECTION 2 TURNTABLE

FIGURE 2-5. DEUTZ TD2011 TIER III ENGINE INSTALLATION (CONTINUED)

ITEM #	PART NUMBER	QTY.	DESCRIPTION	REV.
29	3380472 1001111132	1	Panel, Rubber Options: Machines with ABS Hoods (SN 0300073745 Only) Machines with Steel Hoods	
30	3573644	1	Plate, Tray Clamp	
31	3573645 1001112878	1	Plate, Top Clamp Options: Machines with ABS Hoods (SN 0300073745 Only) Machines with Steel Hoods	
32	3573646 1001112879	1	Plate, Bottom Clamp Options: Machines with ABS Hoods (SN 0300073745 Only) Machines with Steel Hoods	
33	3900272	4	Screw, Button 5/16in-18NC x 1-3/4in	
34	4711500	AR	Flatwasher 5/16in Thin	
35	3380473	1	Panel, Rubber	
36	3573669	1	Plate, Clamp	
37	3573727 1001112880	1	Plate, Tray Clamp Options: Machines with ABS Hoods (SN 0300073745 Only) Machines with Steel Hoods	
38	3573728	1	Plate, Tray Clamp	
39	0641506	1	Bolt 5/16in-18NC x 3/4in	
40	2180348	1	Fitting, Barbed	
41	2221176	1	Fitting, Elbow	
42	0641605	3	Bolt 3/8in-16NC x 5/8in (Not Shown)	
43	1671121	1	Cover, Generator (with Skypower) (Not Shown)	
44	4711600	3	Flatwasher 3/8in Thin (Not Shown)	
45	4240018	2	Strap, Tie (Not Shown)	
46	0641410	4	Bolt 1/4in-20NC x 1-1/4in	
47	2200222	1	Plug, Pipe (Used in Bottom of Fuel Tank - Not Shown)	
48	4711400 4711600	AR 2 4	Flatwasher Options: Flatwasher 1/4in Thin (Prior to SN 0300145302) Flatwasher 3/8in Thin (SN 0300145302 to Present)	
		Ref	DEUTZ TD2011 DIESEL ENGINE ASSEMBLY	
		Ref	Tier III Machines with Rexroth Pumps	
	1001098530	Ref	With Skypower & Without Cold Weather Plus Package	E
	1001098531	Ref	With Cold Weather Plus Package	D
		Ref	Tier III Machines with Sauer Pumps	
	1001107973	Ref	With Skypower & Without Cold Weather Plus Package	D
	1001107975	Ref	With Cold Weather Plus Package	D
101	Not Used			
102	0080244	1	Spacer, Fan	
103	0100011	AR	Compound, Locking	
104	0340003	2	Band, Air Cleaner	
105	0340051	2	Band, Muffler	
106	0641406	AR	Bolt 1/4in-20NC x 3/4in	
107	0641506	5	Bolt 5/16in-18NC x 3/4in	
108	0641507	4	Bolt 5/16in-18NC x 7/8in	
109	0641608	AR	Bolt 3/8in-16NC x 1in	
110	0641609	2	Bolt 3/8in-16NC x 1-1/8in	

SECTION 2 TURNTABLE

FIGURE 2-5. DEUTZ TD2011 TIER III ENGINE INSTALLATION (CONTINUED)

ITEM #	PART NUMBER	QTY.	DESCRIPTION	REV.
111	0641808	1	Bolt 1/2in-13NC x 1in	
112		2	Bolt Options:	
	0641812		Bolt 1/2in-13NC x 1-1/2in	
	0641814		Bolt 1/2in-13NC x 1-3/4in	
	0761215		Bolt M12 x 35mm	
113	0641818	2	Bolt 1/2in-13NC x 2-1/4in	
114	0641826	2	Bolt 1/2in-13NC x 3-1/4in	
115	0700810	3	Bolt M8 x 20mm	
116	0711214	2	Bolt M12 x 30mm	
117		AR	Bolt Options:	
	0711414		M14 x 30mm	
	0711417		M14 x 45mm	
118	1001112766	1	Bracket, Muffler	
119	Not Used			
120	0940070	1	Bumper	
121	Not Used			
122	0961986	2	Bushing, Flanged	
123		1	Lanyard Options:	
	1060637		16in/40.6cm Length	
	1001131542		13in/33cm Length	
124	1320022	AR	Clamp	
125	1320058	AR	Clamp	
126	1320223	1	J-Clip	
127	1340065	1	Air Cleaner Assembly	
	7003655	1	Element, Air Cleaner	
128	1671023	1	Shroud, Fan	
129	0272060	1	Box, Air Intake	
130	1703162	2	Decal - Fan Blade	
131	1001098601	1	Engine, Deutz BF4M2011 Options: (See Items 301 to 327 for Individually Serviced Components)	
132	2060025	1	Fan	
133	2220451	1	Fitting, Straight	
134	2720058	34ft/10.3m	Hose	
135	Not Used			
136	2720500	1	Hose, Oil Cooler (Top)	
137	Not Used			
138	2750532	9in/23cm	Hose	
139	2902065	1	Pump Coupling Kit	G
139A	Use 2902065	1	Plate, Pump Mounting (Note: Not Available for Purchase.)	
139B	70000793	1	Coupling, Flex	
139C	Use 2902065	18	Capscrew M10 (Note: Not Available for Purchase.)	
139D	Use 2902065	12	Flatwasher M10 (Note: Not Available for Purchase.)	
140	3200362	2	Mount, Motor (Front)	
141	3200401	2	Mount, Motor (Rear)	
142	3220126	1	Muffler	
	70003555	1	Clamp	
143	3300454	10	Nut	
144	3311405	AR	Locknut 1/4in-20NC	
145	3311505	5	Locknut 5/16in-18NC	

SECTION 2 TURNTABLE

FIGURE 2-5. DEUTZ TD2011 TIER III ENGINE INSTALLATION (CONTINUED)

ITEM #	PART NUMBER	QTY.	DESCRIPTION	REV.
146	3311605	AR	Locknut 3/8in-16NC	
147	3311805	5	Locknut 1/2in-13NC	
148	Not Used			
149	3422532	1	Pin, Hitch	
150	3537416	1	Plate, Mounting (Front Right)	
151	3573529	1	Plate, Mounting (Front Left)	
152	3539971	1	Bracket, Engine Mounting (Front)	
153	3573142	1	Bracket, Engine Mounting (Rear)	
154	4846552	1	Plate, Oil Cooler Mounting	
155		1	Pulley Options:	
	3580320		With Skypower & Without Cold Weather Plus Package	
	3580320		With Cold Weather Plus Package	
156	3600339	1	Pump Assembly - Rexroth (See PUMP ASSEMBLY - REXROTH for Breakdown)	
157	Use 1001145382	1	Cooler, Engine Oil (was p/n 3620041)	
158	3740067	AR	Relay, Start	
159	3960543	1	Seal	
160	3960544	1	Seal	
161	4032022	4	Capscrew M10 x 90mm	
162	4060805	8in/20cm	Flex-Trim	
163 to 164	Not Used			
165	4568293	1	Pipe, Exhaust	
166	4640751	1	Valve, Oil Drain	
167	4711500	AR	Flatwasher 5/16in Thin	
168	4711600	AR	Flatwasher 3/8in Thin	
169	4711800	7	Flatwasher 1/2in Thin	
170	4740274	4	Washer, Snubbing	
171	4751400	AR	Flatwasher 1/4in Regular	
172	4791400	AR	Starwasher 1/4in	
173	4846946	1	Tray	
174		AR	Flatwasher, Hardened Options:	
	4891800		1/2in	
	4891600		3/8in	
175	0641605	4	Bolt 3/8in16NC x 5/8in	
176	0641610	4	Bolt 3/8in-16NC x 1-1/4in	
177	2720501	1	Hose, Oil Cooler (Bottom)	
178	3520054	2	Plug	
179	3573411	2	Plate, Clamp	
180	3573412	1	Gusset	
181	1320060	1	Clamp	
182	2220498	1	Fitting, Elbow	
183	4740518	10	Washer, Nylon	
184		AR	Cable, Jumper Options:	
	4923592	1	All except Cold Weather Plus Package	
	1060904	1	With Cold Weather Plus Package	
185	4240099	AR	Tie, Wire (Not Shown)	
186	4923468	AR	Harness, Glow Plugs Options (Not Shown):	
187	Not Used			
188	3790152	1	O-Ring	
189	4846945	1	Mount, Generator	

SECTION 2 TURNTABLE

FIGURE 2-5. DEUTZ TD2011 TIER III ENGINE INSTALLATION (CONTINUED)

ITEM #	PART NUMBER	QTY.	DESCRIPTION	REV.
190	3740080	2	Relay	
191	2580062	1	Heater, Block (With Cold Weather Plus Package - Not Shown)	
192	4460234	3	Mount, Wire Tie (Used to Secure Block Heater Cord) (With Cold Weather Plus Package - Not Shown)	
193	1001092856	1	Hose, Air Intake	
194	8410013	1	Clamp, Gear	
195	4060804	1ft/25cm	Flex-Trim	
196	1001108616	1	Pump Assembly - Sauer Tandem (See PUMP ASSEMBLY - SAUER TANDEM for Breakdown)	
197	1001108888	1	Pump Assembly - Sauer Piston (See PUMP ASSEMBLY - SAUER PISTON for Breakdown)	
198	1001112927	1	Pump Assembly - Sauer Gear (See PUMP ASSEMBLY - SAUER GEAR for Breakdown)	
199	3790155	1	O-Ring	
	1001098601	Ref	DEUTZ TD2011 ENGINE COMPONENTS	C
301	7027235	1	Dipstick	
302	7020465	1	Cap, Filler	
303	70001850	1	Pump, Oil	
	7020468	1	Seal Between Oil Pump & Engine Block (Not Shown)	
304	7016331	1	Filter, Oil	
305		4	Injector Pump Options:	
		Ref	Note: Series Letter is shown on label at base of Injector Pump.	
	70001128	AR	"A" Series	
	70001129	AR	"B" Series	
	70001130	AR	"C" Series	
	70001131	AR	"D" Series	
306	7016328	1	Filter, Fuel	
307	70000916	1	Pump Fuel Supply	
	70001435	1	Repair Kit	
	70000917	1	O-Seal Between Fuel Pump & Engine Block (Not Shown)	
308	Not Used			
309	7020414	1	V-Belt	
310	7020471	4	Gasket, Exhaust Manifold to Cylinder Head (Not Shown)	
	7020486	1	Gasket, Exhaust Manifold to Exhaust Pipe (Not Shown)	
311	70001867	1	Alternator	
	70001868		Regulator, Voltage (Not Shown)	
312	7020479	1	Starter (Not Shown)	
	7026608	1	Solenoid	
313	Not Used			
314	7027791	1	Sender, Coolant Temperature	
315	7027790	1	Sensor, Oil Pressure	
316	7024565	1	Sensor, Speed	
317	7027792	1	Actuator, Throttle	
	7027276	2	Spring	
318	7020459	1	Thermostat (Not Shown)	
319 to 320	Not Used			
321	7024579	1	Gear, Ring	

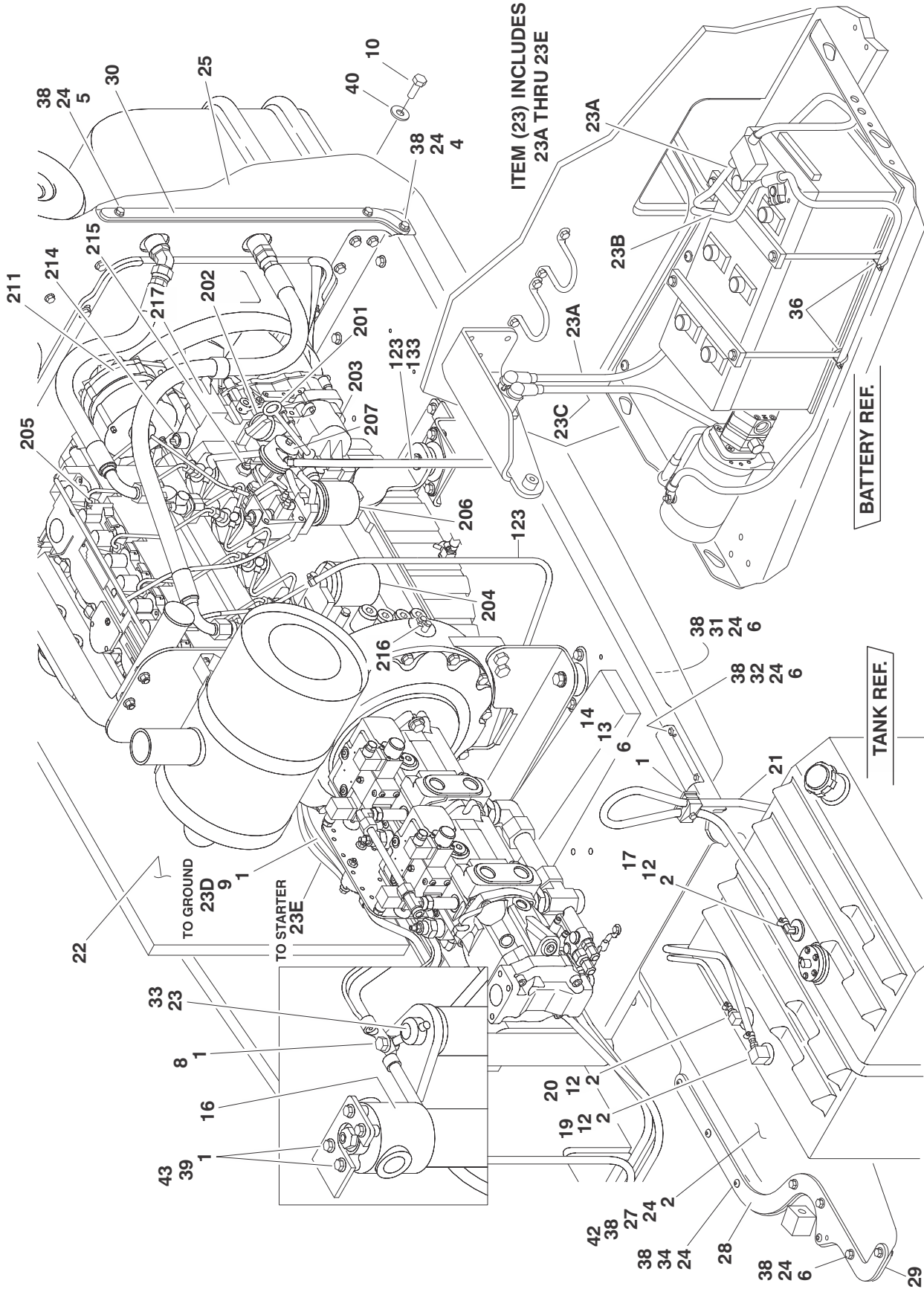
SECTION 2 TURNTABLE

FIGURE 2-5. DEUTZ TD2011 TIER III ENGINE INSTALLATION (CONTINUED)

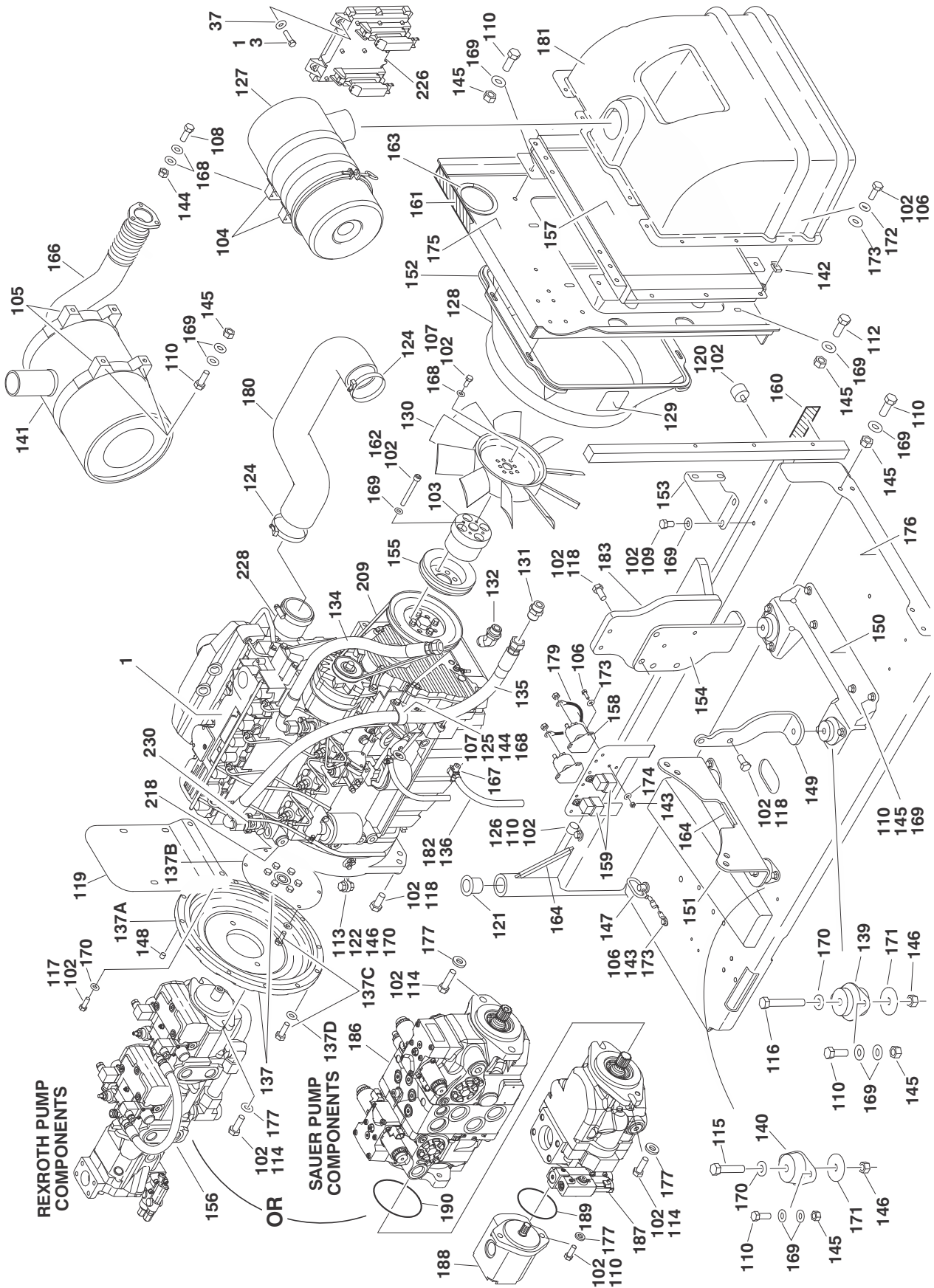
ITEM #	PART NUMBER	QTY.	DESCRIPTION	REV.
322	7027236	1	Sensor, Temperature (Not Shown)	
323	7027239	1	Solenoid, Start (Not Shown)	
324	7027240	1	Turbocharger (Not Shown)	
325	Not Used			
326	1600443	1	Module, EMR2 Controller	
	7027796	1	Harness, Controller (Not Shown)	
327	70002718	1	Seal, Rear Main (Not Shown)	
	1283409	Ref	DECALS INSTALLATION	
401 to 434	Not Used			
435	1001143852	1	Decal - EPA	

SECTION 2 TURNTABLE

FIGURE 2-6. DEUTZ TD2011 TIER IVi-FLEX ENGINE INSTALLATION



SECTION 2 TURNTABLE



SECTION 2 TURNTABLE

FIGURE 2-6. DEUTZ TD2011 TIER IVI-FLEX ENGINE INSTALLATION

ITEM #	PART NUMBER	QTY.	DESCRIPTION	REV.
		Ref	DEUTZ TD2011 DIESEL ENGINE INSTALLATION OPTIONS:	
		Ref	Tier IVi-Flex Engines (SN 0300171079 to Present with Rexroth Pumps & Steel Hoods)	
	1001137791	Ref	With Skypower & Without Cold Weather Plus Package	A
	1001137793	Ref	With Cold Weather Plus Package	A
		Ref	Tier IVi-Flex Engines (SN 0300171079 to Present with Sauer Pumps & Steel Hoods)	
	1001137799	Ref	With Skypower & Without Cold Weather Plus Package	A
	1001137801	Ref	With Cold Weather Plus Package	A
1	0100011	AR	Compound, Locking	
2	0100079	AR	Sealant, Pipe	
3	0641610	4	Bolt 3/8in-16NC x 1-1/4in	
4	0641506	1	Bolt 5/16in-18NC x 3/4in	
5	0641509	7	Bolt 5/16in-18NC x 1-1/8in	
6	0641511	13	Bolt 5/16in-18NC x 1-3/8in	
7	0641605	3	Bolt 3/8in-16NC x 5/8in	
8	0641410	1	Bolt 1/4in-20NC x 1-1/4in	
9	0641808	1	Bolt 1/2in-13NC x 1in	
10	0642010	1	Bolt 5/8in-11NC x 1-1/4in	
11	Not Used			
12	1320022	3	Clamp	
13	1320187	1	Clamp, Twin	
14	1320190	1	Cover, Clamp	
15	1671121	1	Cover, Generator (with Skypower) (Not Shown)	
16	1001108617	1	Filter	
	70002231	1	Element, Filter	
17	2180348	1	Fitting, Barbed	
18	2200222	1	Plug, Pipe (Used in Bottom of Fuel Tank) (Not Shown)	
19	2220313	1	Fitting, Elbow Barbed	
20	2221176	1	Fitting, Elbow	
21	2750532	55in/1.4m	Hose	
22	2820170	1	Insulation, Sound Absorbing	
23	2902099	1	Battery Cable Kit	
23A	7024580	1	Cable, Red (To Aux Pump Relay, Battery Positive Terminal & Start Relay)	
23B	7024581	1	Cable, Black (To Aux Pump, Battery Negative Terminal & Ground at Tray Pivot)	
23C	7024582	1	Cable, Red (Aux Pump Relay to Aux Pump)	
23D	7024583	1	Cable, Black (Tray Pivot to Engine Mount)	
23E	7024584	1	Cable, Red (Start Relay to Starter)	
24	3311505	24	Locknut 5/16in-18NC	
25	3380473	1	Panel, Rubber	
26	3422446	1	Pin	
27	3573644	1	Plate, Tray Clamp	
28	1001112878	1	Plate, Top Clamp	
29	1001112879	1	Plate, Bottom Clamp	
30	3573669	1	Plate, Clamp	
31	1001112880	1	Plate, Tray Clamp	
32	3573728	1	Plate, Tray Clamp	

SECTION 2 TURNTABLE

FIGURE 2-6. DEUTZ TD2011 TIER IVI-FLEX ENGINE INSTALLATION (CONTINUED)

ITEM #	PART NUMBER	QTY.	DESCRIPTION	REV.
33	3841143	1	Keeper, Pin	
34	3900272	4	Screw, Button 5/16in-18NC x 1-3/4in	
35	4240018	2	Strap, Tie (Not Shown)	
36	4240099	AR	Strap, Tie	
37	4711400	4	Flatwasher 1/4in Thin	
38	4711500	44	Flatwasher 5/16in Thin	
39	4711600	7	Flatwasher 3/8in Thin (Not Shown)	
40	4752000	1	Flatwasher 5/8in Wide	
41	Not Used			
42	1001111132	1	Panel, Rubber	
43	0641606	4	Bolt 3/8in-16NC x 3/4in	
44	1702942	1	Decal, Block Heater (Cold Weather Plus Package - Not Shown)	
		Ref	DEUTZ TD2011 DIESEL ENGINE ASSEMBLY OPTIONS:	
		Ref	Tier Ivi-Flex Engines (SN 0300171079 to Present with Rexroth Pumps)	
	1001137788	Ref	With Skypower & Without Cold Weather Plus Package	A
	1001137792	Ref	With Cold Weather Plus Package	A
		Ref	Tier Ivi-Flex Engines (SN 0300171079 to Present with Sauer Pumps)	
	1001137796	Ref	With Skypower & Without Cold Weather Plus Package	A
	1001137800	Ref	With Cold Weather Plus Package	A
101	1001137785	1	Engine, Deutz Tier Ivi-Flex (See Items 201 to 227 for Individually Serviced Components)	
102	0100011	AR	Compound, Locking	
103		1	Spacer, Fan Options:	
	0080244		With Skypower & Without Cold Weather Plus Package	
	0080244		With Cold Weather Plus Package	
104	0340003	2	Band, Air Cleaner	
105	0340051	2	Band, Muffler	
106	0641406	15	Bolt 1/4in-20NC x 3/4in	
107	0641506	5	Bolt 5/16in-18NC x 3/4in	
108	0641507	4	Bolt 5/16in-18NC x 7/8in	
109	0641605	4	Bolt 3/8in-16NC x 5/8in	
110	0641608	AR	Bolt 3/8in-16NC x 1in	
111	0641609	2	Bolt 3/8in-16NC x 1-1/8in	
112	0641610	4	Bolt 3/8in-16NC x 1-1/4in	
113	0641808	1	Bolt 1/2in-13NC x 1in	
114		2	Bolt Options:	
	0641812		Bolt 1/2in-13NC x 1-1/2in	
	0641814		Bolt 1/2in-13NC x 1-3/4in	
	0761215		Bolt M12 x 35mm	
115	0641818	2	Bolt 1/2in-13NC x 2-1/4in	
116	0641826	2	Bolt 1/2in-13NC x 3-1/4in	
117	0711214	2	Bolt M12 x 30mm	
118		AR	Bolt Options:	
	0711414		Bolt M14 x 30mm	
	0711217		Bolt M14 x 45mm	

SECTION 2 TURNTABLE

FIGURE 2-6. DEUTZ TD2011 TIER IVI-FLEX ENGINE INSTALLATION (CONTINUED)

ITEM #	PART NUMBER	QTY.	DESCRIPTION	REV.
119	1001112766	1	Bracket, Muffler	
120	0940070	1	Bumper	
121	0961986	2	Bushing, Flanged	
122	1060637	1	Lanyard	
123	1320022	3	Clamp	
124	1320058	2	Clamp	
125	1320060	1	Clamp	
126	1320223	1	J-Clip	
127	1340065	1	Air Cleaner Assembly	
	7003655	1	Element, Air Cleaner	
128	1671023	1	Shroud, Fan	
129	1703162	2	Decal - Fan Blade	
130	2060025	1	Fan	
131	2220451	1	Fitting, Straight	
132	2220498	1	Fitting, Elbow	
133	2720058	34ft/10.3m	Hose	
134	2720500	1	Hose, Oil Cooler (Top)	
135	2720501	1	Hose, Oil Cooler (Bottom)	
136	2750532	9in/23cm	Hose	
137	2902065	1	Pump Coupling Kit	G
137A	Use 2902065	1	Plate, Pump Mounting (Note: Not Available for Purchase.)	
137B	70000793	1	Coupling, Flex	
137C	Use 2902065	18	Capscrew M10 (Note: Not Available for Purchase.)	
137D	Use 2902065	12	Flatwasher M10 (Note: Not Available for Purchase.)	
138	Not Used			
139	3200362	2	Mount, Motor (Front)	
140	3200401	2	Mount, Motor (Rear)	
141		1	Muffler Options:	
	3220126		Standard Muffler	
	3220130		Optional Catalytic Muffler	
	70001017	1	Clamp	
142	3300454	10	Nut	
143	3311405	5	Locknut 1/4in-20NC	
144	3311505	5	Locknut 5/16in-18NC	
145	3311605	30	Locknut 3/8in-16NC	
146	3311805	5	Locknut 1/2in-13NC	
147	3422532	1	Pin, Hitch	
148	3520054	2	Plug	
149	3537416	1	Plate, Mounting (Front Right)	
150	3539971	1	Bracket, Engine Mounting (Front)	
151	3573142	1	Bracket, Engine Mounting (Rear)	
152	3573411	2	Plate, Clamp	
153	3573412	1	Gusset	
154	3573529	1	Plate, Mounting (Front Left)	
155		1	Pulley Options:	
	3580320		With Skypower & Without Cold Weather Plus Package	
	3580320		With Cold Weather Plus Package	
156	3600339	1	Pump Assembly - Rexroth (See PUMP ASSEMBLY - REXROTH for Breakdown)	

SECTION 2 TURNTABLE

FIGURE 2-6. DEUTZ TD2011 TIER IVI-FLEX ENGINE INSTALLATION (CONTINUED)

ITEM #	PART NUMBER	QTY.	DESCRIPTION	REV.
157	Use 1001145382	1	Cooler, Engine Oil (was p/n 3620041)	
158	3740067	AR	Relay, Start	
159	3740080	2	Relay	
160	3960543	1	Seal	
161	3960544	1	Seal	
162	4032022	4	Capscrew M10 x 90mm	
163	4060804	1ft/25cm	Flex-Trim	
164	4060805	8in/20cm	Flex-Trim	
165	4240099	AR	Tie, Wire (Not Shown)	
166	4568293	1	Pipe, Exhaust	
167	4640751	1	Valve, Oil Drain	
168	4711500	AR	Flatwasher 5/16in Thin	
169	4711600	AR	Flatwasher 3/8in Thin	
170	4711800	7	Flatwasher 1/2in Thin	
171	4740274	4	Washer, Snubbing	
172	4740518	10	Washer, Nylon	
173	4751400	20	Flatwasher 1/4in Wide	
174	4791400	4	Starwasher 1/4in	
175	4846552	1	Plate, Oil Cooler Mounting	
176	4846946	1	Tray	
177		AR	Flatwasher, Hardened Options:	
	4891800		1/2in	
	4891600		3/8in	
178	4923468	1	Harness, Glow Plugs (Not Shown)	
179		1	Cable, Jumper Options:	
	4923592		With Skypower & Without Cold Weather Plus Package	
	1060904		With Cold Weather Plus Package	
180	1001092856	1	Hose, Air Intake	
181	0272060	1	Box, Air Intake	
182	8410013	1	Clamp, Gear	
183		AR	Mount, Generator Options:	
	4846945	1	With Skypower & Without Cold Weather Plus Package	
	4846945	1	With Cold Weather Plus Package	
184	2580062	1	Heater, Block (With Cold Weather Plus Package - Not Shown)	
185	4460234	3	Mount, Wire Tie (Used to Secure Block Heater Cord) (With Cold Weather Plus Package - Not Shown)	
186	1001108616	1	Pump Assembly - Sauer Tandem (See PUMP ASSEMBLY - SAUER TANDEM for Breakdown)	
187	1001108888	1	Pump Assembly - Sauer Piston (See PUMP ASSEMBLY - SAUER PISTON for Breakdown)	
188	1001112927	1	Pump Assembly - Sauer Gear (See PUMP ASSEMBLY - SAUER GEAR for Breakdown)	
189	3790152	1	O-Ring	
190	3790155	1	O-Ring	
		Ref	DEUTZ TD2011 ENGINE COMPONENTS OPTIONS:	
	1001137785	Ref	Tier IVi-Flex Engines	B
201	70004313	1	Dipstick	
	70000044	1	O-Ring	

SECTION 2 TURNTABLE

FIGURE 2-6. DEUTZ TD2011 TIER IVI-FLEX ENGINE INSTALLATION (CONTINUED)

ITEM #	PART NUMBER	QTY.	DESCRIPTION	REV.
202	7020465	1	Cap, Filler	
203	70001850	1	Pump, Oil	
	7020468	1	Seal Between Oil Pump & Engine Block (Not Shown)	
204	7016331	1	Filter, Oil	
	70003472	1	Bracket, Oil Filter (includes Temperature Sensor Components)	
	7027236	1	Sensor, Temperature	
	700025082	1	Ring, Sealing	
	70003473	1	Gasket, Bracket to Engine Block (Not Shown)	
205		4	Injector Pump Options:	
		Ref	Note: Series Letter is shown on label at base of Injector Pump.	
	70001128	AR	"A" Series	
	70001129	AR	"B" Series	
	70001130	AR	"C" Series	
	70001131	AR	"D" Series	
206	7016328	1	Filter, Fuel	
	70001423	1	Bracket	
207	70000916	1	Pump Fuel Supply	
	70001435	1	Repair Kit	
	70000918	1	Sealing Ring (Not Shown)	
	70000917	1	O-Seal Between Fuel Pump & Engine Block (Not Shown)	
	70000919	1	Pump, Hand (Not Shown)	
208	Not Used			
209	7020414	1	V-Belt	
210	7020471	4	Gasket, Exhaust Manifold to Cylinder Head (Not Shown)	
	7020486	1	Gasket, Exhaust Manifold to Exhaust Pipe (Not Shown)	
211	70004292	1	Alternator	
	70001868		Regulator, Voltage (Not Shown)	
	70001866		Seal (Not Shown)	
212	7020479	1	Starter (Not Shown)	
	70004058	1	Solenoid	
	70001498	1	Baffle, Cooling (Not Shown)	
213	Not Used			
214	7027791	1	Sender, Coolant Temperature	
215	7027790	1	Sensor, Oil Pressure	
216	70004272	1	Sensor, Speed	
217	7027792	1	Actuator, Throttle	
	7027276	2	Spring	
218	70003475	1	Thermostat	
219 to 220	Not Used			
221	70001870	1	Flywheel (Not Shown)	
	7024579	1	Gear, Ring (Not Shown)	
222 to 223	Not Used			
224	7027240	1	Turbocharger (Not Shown)	
	70001857	1	Flange, Turbocharger (Not Shown)	
	70001135	1	Gasket (Not Shown)	
	70002675	2	Clamp (Not Shown - Used on Sleeve rising vertically from Turbo)	
	70002676	1	Sleeve, Rubber (Not Shown - Rises vertically from Turbo)	

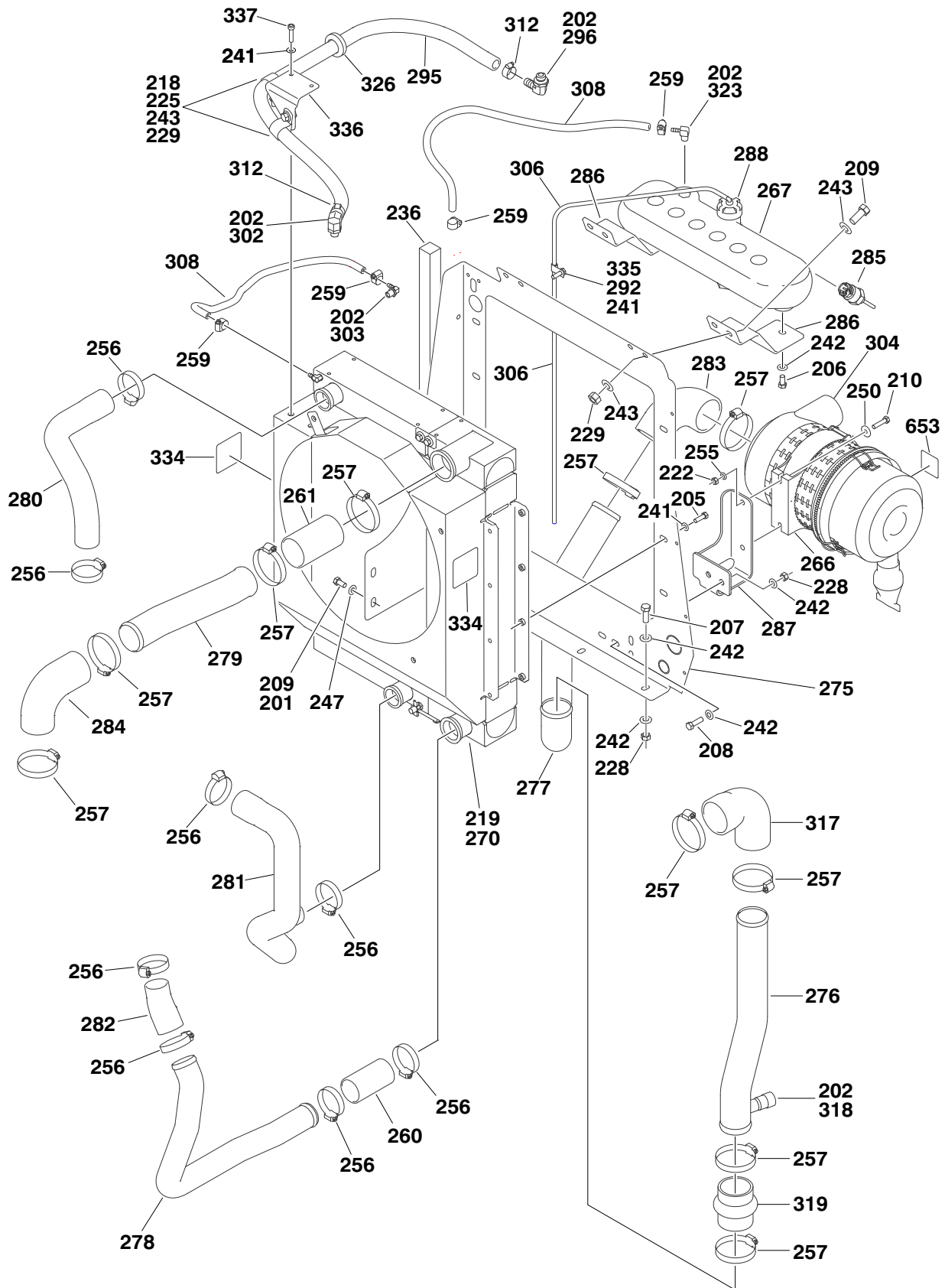
SECTION 2 TURNTABLE

FIGURE 2-6. DEUTZ TD2011 TIER IVI-FLEX ENGINE INSTALLATION (CONTINUED)

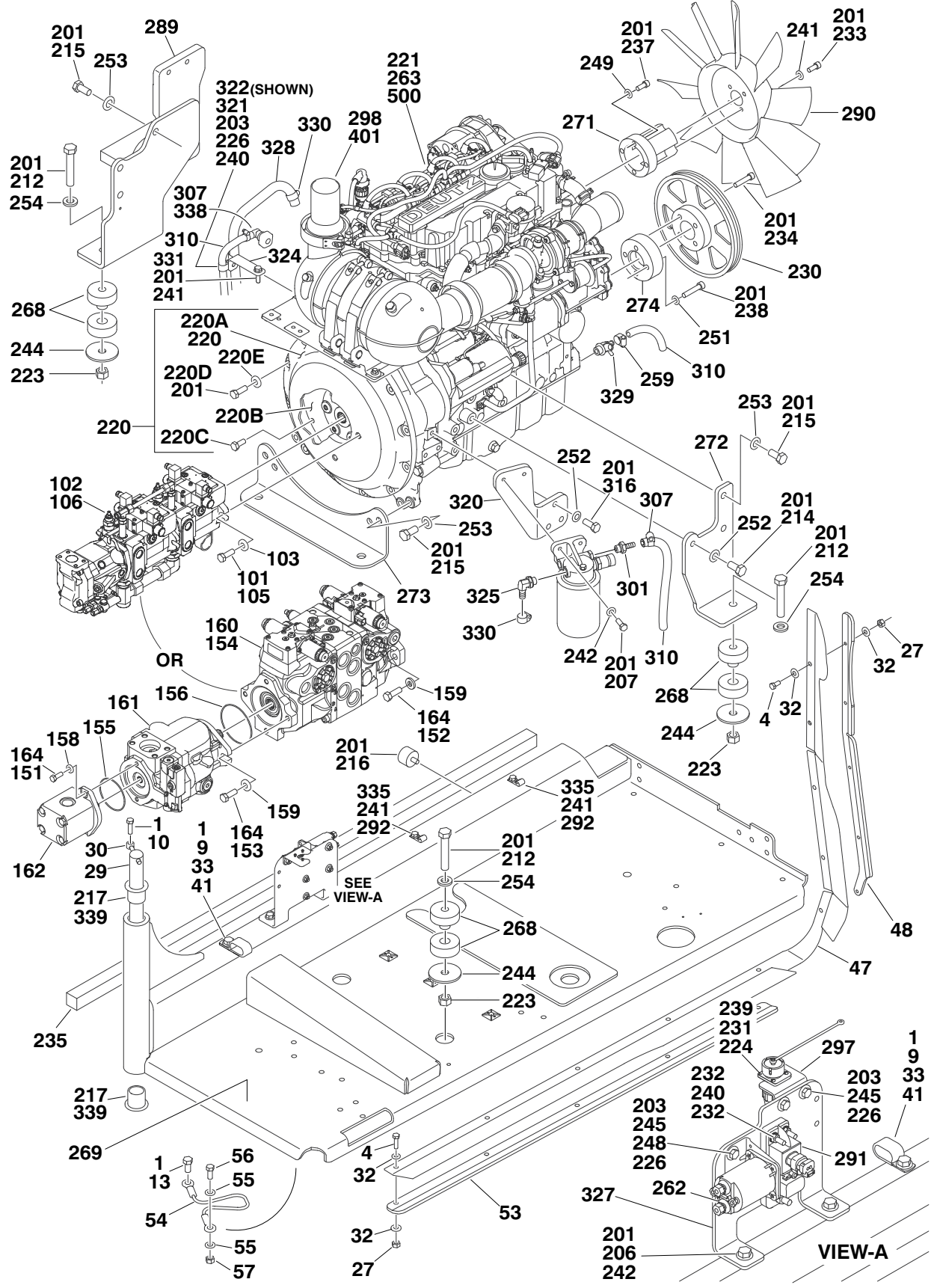
ITEM #	PART NUMBER	QTY.	DESCRIPTION	REV.
225		AR	Gasket Options (Not Shown):	
	70002677	1	Gasket, Valve Cover	
		1	Gasket, Cylinder Head	
	70002415		1 Notch	
	70002416		2 Notches	
	70002417		3 Notches	
	70001871	4	Gasket, Air Intake Manifold	
226	7027795	1	Module, EMR2 Controller	
	7027796	1	Harness, Controller (Not Shown)	
227	70000345	4	Plug, Glow (Not Shown)	
228	70001124	1	Pipe, Breather	
	70000068	1	Gasket, Breather Pipe	
229	70001125	1	Cap, Breather (Not Shown - Located - Cylinder Head Cover)	
	70001126	1	O-Ring (Not Shown)	
230	70004268	2	Connector, Radiator (Tier IVi-Flex Engines Only)	
	70004269	2	Ring, Sealing	
231	70002718	1	Seal, Rear Main (Not Shown)	

SECTION 2 TURNTABLE

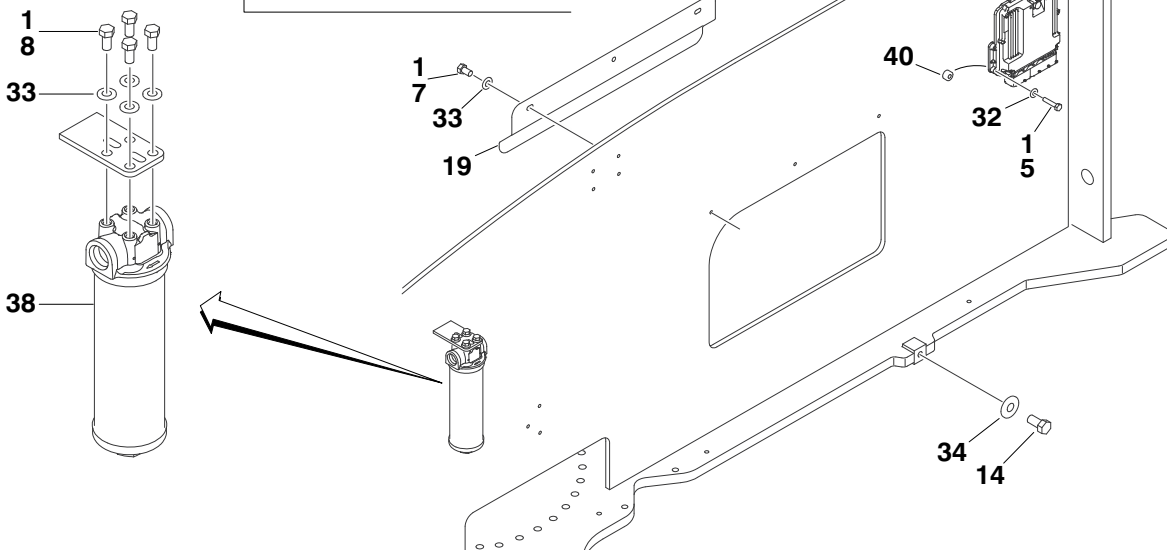
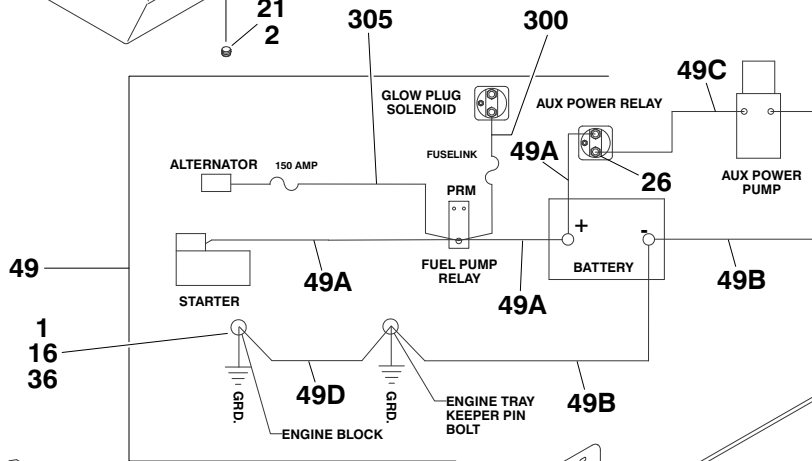
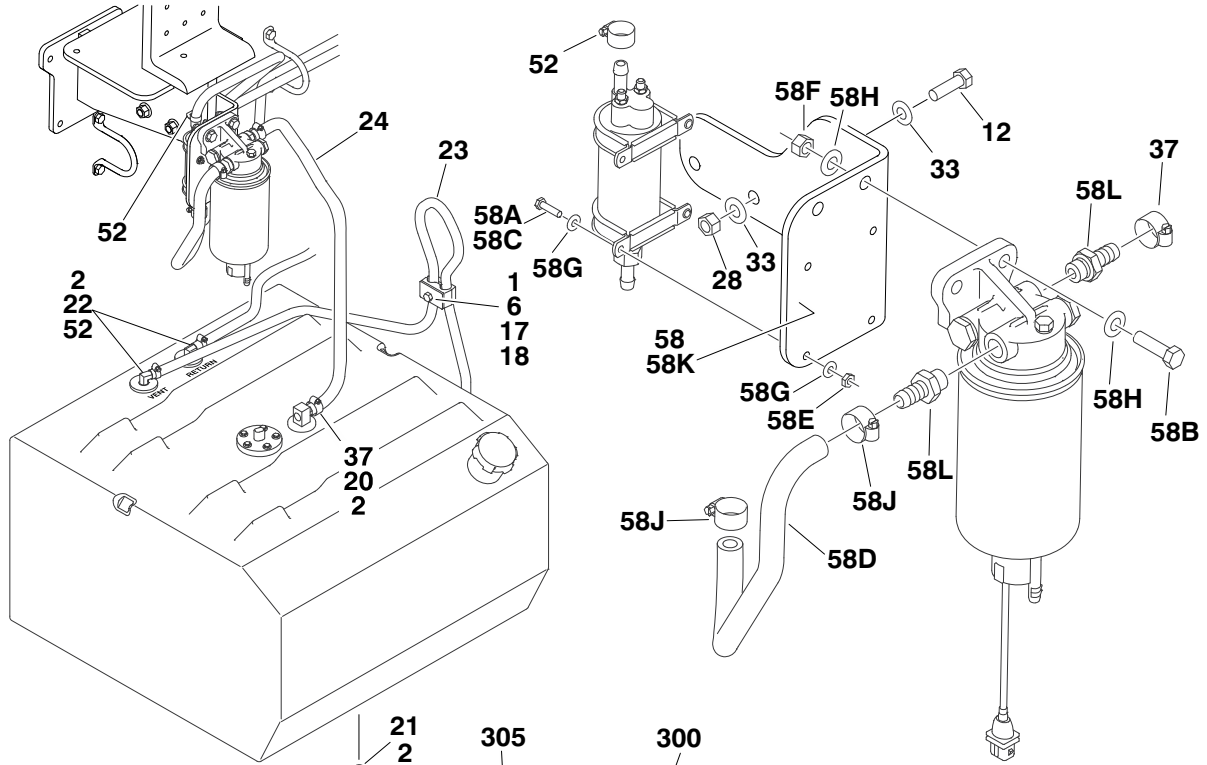
FIGURE 2-7. DEUTZ TCD2.9L4 ENGINE INSTALLATION



SECTION 2 TURNTABLE



SECTION 2 TURNTABLE



SECTION 2 TURNTABLE

FIGURE 2-7. DEUTZ TCD2.9L4 ENGINE INSTALLATION

ITEM #	PART NUMBER	QTY.	DESCRIPTION	REV.
		Ref	DEUTZ TCD2.9L4 DIESEL ENGINE INSTALLATION OPTIONS:	
	1001141811	Ref	Machines With Rexroth Pumps & Without Cold Weather Plus Package (Steel Hood)	F
	1001141815	Ref	Machines With Rexroth Pumps & With Cold Weather Plus Package (Steel Hood)	F
	1001134389	Ref	Machines With Sauer Pumps & Without Cold Weather Plus Package (Steel Hood)	F
	1001141744	Ref	Machines With Sauer Pumps & With Cold Weather Plus Package (Steel Hood)	F
1	0100011	AR	Compound, Locking	
2	0100079	AR	Sealant, Pipe	
3	Not Used			
4	0641408	10	Bolt 1/4in-20NC x 1in	
5	0641410	4	Bolt 1/4in-20NC x 1-1/4in	
6	0641511	1	Bolt 5/16in-18NC x 1-3/8in	
7	0641605	3	Bolt 3/8in-16NC x 5/8in	
8	0641606	4	Bolt 3/8in-16NC x 3/4in	
9	0641608	1	Bolt 3/8in-16NC x 1in	
10	0641610	1	Bolt 3/8in-16NC x 1-1/4in	
11	Not Used			
12	0641612	2	Bolt 3/8in-16NC x 1-1/2in	
13	0641808	1	Bolt 1/2in-13NC x 1in	
14	0642010	1	Bolt 5/8in-11NC x 1-1/4in	
15	Not Used			
16	0761210	1	Bolt M12 x 20mm	
17	1320187	1	Clamp	
18	1320190	1	Cover, Clamp	
19	1671121	1	Cover	
20	2180832	1	Fitting, Barbed	
21	2200222	1	Plug, Pipe	
22	2220313	2	Fitting, Elbow Barbed	
23	1001165035	5ft/1.5m	Hose	
24	1001154405	2ft/0.6m	Hose	
25	Not Used			
26	3300220	2	Nut 5/16in-18NC	
27	3311405	10	Locknut 1/4in-20NC	
28	3311605	2	Locknut 3/8in-16NC	
29	3422446	1	Pin, Pivot	
30	3841143	1	Pin, Keeper	
31	4240018	2	Strap, Tie (Not Shown)	
32	4711400	AR	Flatwasher 1/4in Thin	
33	4711600	14	Flatwasher 3/8inThin	
34	4752000	1	Flatwasher 5/8in Regular	
35	Not Used			
36	4812100	1	Flatwasher M12	
37	8405006	2	Clamp	
38	1001108617	1	Filter	
	70002231	1	Element, Filter	
39	Not Used			

SECTION 2 TURNTABLE

FIGURE 2-7. DEUTZ TCD2.9L4 ENGINE INSTALLATION (CONTINUED)

ITEM #	PART NUMBER	QTY.	DESCRIPTION	REV.
40	1001110425	4	Spacer	
41	1001116792	1	Clamp	
42	Not Used			
43	1001138491	1	Harness, Fuel (Not Shown - See ELECTRICAL SECTION for Breakdown)	
44 to 46	Not Used			
47	1001140604	1	Panel, Rubber	
48	1001145089	1	Clamp	
49	1001141225	1	Battery Cable Kit	E
49A	7027042	1	Cable, Battery (Red) (Battery + to Relays & Starter)	
49B	7027043	1	Cable, Battery (Black) (Battery - to Tray Pivot Grd) & Aux Pump	
49C	7027044	1	Cable (Red) (Aux Relay to Aux Pump)	
49D	7027045	1	Cable, Battery (Black) (Engine to Tray Pivot Grd)	
50 to 51	Not Used			
52	1320022	3	Clamp	
53	1001145842	1	Plate, Clamping	
54	1001131542	1	Lanyard	
55	4711700	2	Flatwasher 7/16in Thin	
56	0641708	1	Bolt 7/16in-14NC x 1in	
57	3311705	1	Locknut 7/16in-14NC	
58	1001165101	1	Bracket, Fuel Pump/Filter Assembly	
58A	0100011	AR	Compound, Locking	
58B	0641611	2	Bolt 3/8in-16NC x 1-3/8in	
58C	0721006	4	Screw #10-24NC x 3/4in	
58D	1001154405	1.5ft/0.5m	Hose	
58E	3311001	4	Nut #10-24NC	
58F	3311605	2	Locknut 3/8in-16NC	
58G	4711000	8	Flatwasher #10 Thin	
58H	4711600	4	Flatwasher 3/8in Thin	
58J	8405006	2	Clamp	
58K	1001140222	1	Bracket, Mounting	
58L	1001141718	2	Fitting	
		Ref	DEUTZ TCD2.9LA ENGINE SUB-ASSEMBLIES	
	1001141812	Ref	Machines With Rexroth Pumps & Without Cold Weather Plus Package	F
	1001141813	Ref	Machines With Rexroth Pumps & With Cold Weather Plus Package	G
101	0641812	2	Bolt 1/2in-13NC x 1-1/2in	
102	3020037	AR	Grease, Pump Coupling	
103	4740171	2	Flatwasher 1/2in Hardened	
104	Not Used			
105	0100011	AR	Compound, Locking	
106	1001152963	1	Pump Assembly - Rexroth (See PUMP ASSEMBLY - REXROTH for Breakdown)	
107	1001119456	1	Harness, Pump (Not Shown - See ELECTRICAL SECTION for Breakdown)	

SECTION 2 TURNTABLE

FIGURE 2-7. DEUTZ TCD2.9L4 ENGINE INSTALLATION (CONTINUED)

ITEM #	PART NUMBER	QTY.	DESCRIPTION	REV.
		Ref	DEUTZ TCD2.9LA ENGINE SUB-ASSEMBLIES	
	1001134390	Ref	Machines With Sauer Pumps & Without Cold Weather Plus Package	E
	1001141745	Ref	Machines With Sauer Pumps & With Cold Weather Plus Package	E
151	0641608	2	Bolt 3/8in-16NC x 1in	
152	0641812	2	Bolt 1/2in-13NC x 1-1/2in	
153	0761215	2	Bolt M12 x 35mm	
154	3020037	AR	Grease, Pump Coupling	
155	3790152	1	O-Ring	
156	3790155	1	O-Ring	
157	Not Used			
158	4891600	2	Flatwasher 3/8in Hardened	
159	4891800	4	Flatwasher 1/2in Hardened	
160	1001108616	1	Pump Assembly - Sauer Tandem (See PUMP ASSEMBLY - SAUER TANDEM for Breakdown)	
161	1001108888	1	Pump Assembly - Sauer Piston (See PUMP ASSEMBLY - SAUER PISTON for Breakdown)	
162	1001112927	1	Pump Assembly - Sauer Gear (See PUMP ASSEMBLY - SAUER GEAR for Breakdown)	
163	Not Used			
164	0100011	AR	Compound, Locking	
		Ref	DEUTZ TCD2.9LA ENGINE ASSEMBLIES	
	1001134392	Ref	Machines Without Cold Weather Plus Package	P
	1001141746	Ref	Machines With Cold Weather Plus Package	M
201	0100011	AR	Compound, Locking	
202	0100020	AR	Sealant	
203	0641406	5	Bolt 1/4in-20NC x 3/4in	
204	Not Used			
205	0641508	8	Bolt 5/16in-18NC x 1in	
206	0641606	5	Bolt 3/8in-16NC x 3/4in	
207	0641608	9	Bolt 3/8in-16NC x 1in	
208	0641610	2	Bolt 3/8in-16NC x 1-1/4in	
209	0641708	6	Bolt 7/16in-14NC x 1in	
210	0700815	2	Bolt M8 x 35mm	
211	Not Used			
212	0682028	4	Bolt 5/8in-11NC x 3-1/2in Grade 8	
213	Not Used			
214	0771212	1	Bolt M12 x 25mm Grade 10.9mm	
215	0771414	9	Bolt M14 x 30mm Grade 10.9	
216	0940070	1	Bumper	
217	0961986	2	Bushing, Flanged	
218	0641706	2	Bolt 7/16in-14NC x 3/4in	
219		3.2gal/ 12.1L	Anti-Freeze Options:	
	2300004		Without Arctic Package	
	2300041		With Arctic Package	

SECTION 2 TURNTABLE

FIGURE 2-7. DEUTZ TCD2.9L4 ENGINE INSTALLATION (CONTINUED)

ITEM #	PART NUMBER	QTY.	DESCRIPTION	REV.
220	2902065	1	Pump Coupling Kit	G
220A	Use 2902065	1	Plate, Pump Mounting (Note: Not Available for Purchase.)	
220B	70000793	1	Coupling, Flex	
220C	See Note	8	Bolt M10 x 20mm Grade 10.9 (Note: Not Available - Purchase Locally)	
220D	See Note	12	Bolt M10 x 25mm Grade 10.9 (Note: Not Available - Purchase Locally)	
220E	See Note	12	Flatwasher M10 (Note: Not Available - Purchase Locally)	
221		2.4gal/9L	Oil, Motor Options:	
	1001136079		Without Arctic Package	
	1001136172		With Arctic Package	
222	3290801	2	Nut M8	
223	3272001	4	Nut 5/8in-11NC Grade 8	
224	3310401	3	Nut #4-40NC	
225	8406302	2	Clamp	
226	3311405	6	Locknut 1/4in-20NC	
227	Not Used			
228	3311605	9	Locknut 3/8in-16NC	
229	3311705	5	Locknut 7/16in-14NC	
230	3580320	1	Pulley	
231	3910408	3	Screw #4-40NC x 1/2in	
232	3931432	1	Capscrew 1/4in-20NC x 2in	
233	3931512	4	Capscrew 5/16in-18NC x 3/4in	
234	3931628	4	Capscrew 3/8in-16NC x 1-3/4in	
235	3960543	1	Seal	
236	3960544	1	Seal	
237	4031914	4	Bolt M8 x 50mm	
238	4032014	4	Bolt M10 x 50mm	
239	4710400	3	Flatwasher #4 Thin	
240	4711400	3	Flatwasher 1/4in Thin	
241	4711500	18	Flatwasher 5/16in Thin	
242	4711600	25	Flatwasher 3/8in Thin	
243	4711700	10	Flatwasher 7/16in Thin	
244	1001146219	4	Flatwasher Special	
245	4751400	8	Flatwasher 1/4in Regular	
246	Not Used			
247	4751700	2	Flatwasher 7/16in Regular	
248	4791400	2	Starwasher 1/4in	
249	4811900	4	Flatwasher M8	
250	4811902	2	Flatwasher M8	
251	4812000	4	Flatwasher M10	
252	4812100	4	Flatwasher M12	
253	4812200	9	Flatwasher M14	
254	4892000	4	Flatwasher 5/8in Hardened	
255	4831900	2	Lockwasher M8	
256	8405201	8	Clamp	
257	8405204	10	Clamp	
258	Not Used			
259	8410013	5	Clamp	
260	91563070	1	Coupling, Rubber	

SECTION 2 TURNTABLE

FIGURE 2-7. DEUTZ TCD2.9L4 ENGINE INSTALLATION (CONTINUED)

ITEM #	PART NUMBER	QTY.	DESCRIPTION	REV.
261	1001114495	1	Hose	
262	1001117308	1	Relay	
263	1001128947	1	Engine, Deutz TD2.9L4	
264 to 265	Not Used			
266	1001133634	1	Clamp	
267	1001133651	1	Tank, Surge	
268	1001155575	4	Mount, Motor	
269	1001134485	1	Tray	
270	1001135090	1	Radiator	
271	1001135138	1	Spacer, Fan	
272	1001135560	1	Support, Engine	
273	1001135562	1	Support, Engine - Rear	
274	1001135679	1	Spacer, Pulley	
275	1001135680	1	Support, Radiator	
276	1001135901	1	Pipe, Air Intake	
277	1001135903	1	Pipe, Air Intake	
278	1001135913	1	Pipe, Turbo to Air Cleaner	
279	1001135914	1	Pipe, Air Cleaner to Intake	
280	1001135924	1	Hose, Radiator (Upper)	
281	1001135926	1	Hose, Radiator (Lower)	
282	1001135943	1	Coupling, Rubber	
283	1001135946	1	Elbow, Rubber	
284	1001136292	1	Pipe, Elbow	
285	1001136377	1	Sensor, Coolant Level	
286	1001136626	2	Bracket	
287	1001136665	1	Bracket	
288	1001136834	1	Cap, Tank	
289	1001142398	1	Support, Engine	
290	1001137276	1	Fan	
291	1001138228	1	Module, Power	
292	1001138253	5	Clamp	
293	Not Used			
294	1001138346	1	Harness, Engine (Not Shown - See ELECTRICAL SECTION for Breakdown)	
295	1001138524	1	Hose	
296	1001138559	1	Fitting, Elbow	
297	1001139240	1	Bracket	
298	1001153024	1	Pipe, Exhaust	
299	Not Used			
300	1001141304	1	Wire, Glow Plug	
301	1001141717	1	Fitting, Straight	
302	1001141719	1	Fitting, Elbow Barbed	
303	1001140564	1	Fitting, Elbow Barbed	
304	1001133633	1	Air Cleaner Assembly	
	70024190	1	Element, Air Filter	
305	1001135779	1	Cable, Alternator Positive	
306	1001138248	4ft/1.2m	Tubing	
307	1320022	2	Clamp	
308	2720015	4.5ft/1.4m	Hose	

SECTION 2 TURNTABLE

FIGURE 2-7. DEUTZ TCD2.9L4 ENGINE INSTALLATION (CONTINUED)

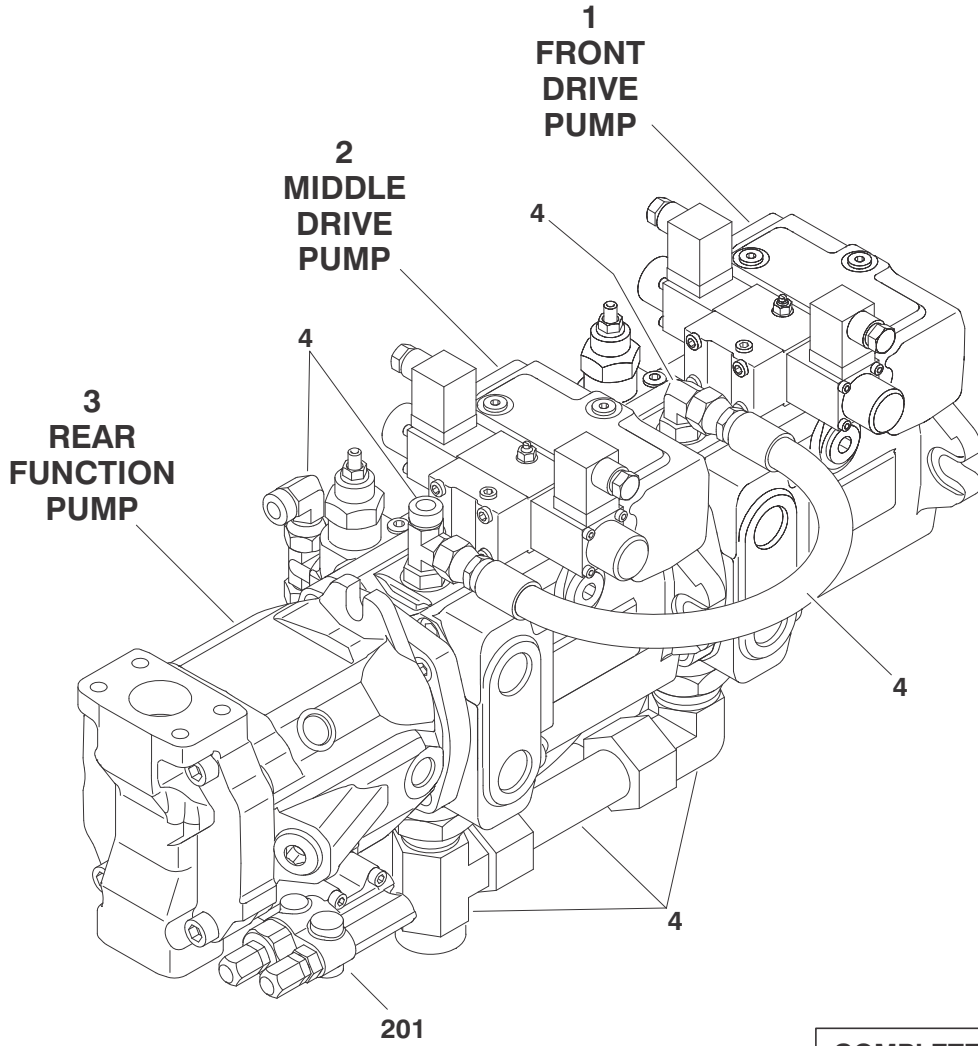
ITEM #	PART NUMBER	QTY.	DESCRIPTION	REV.
309	Not Used			
310	1001165035	30.5ft/ 9.3m	Hose	
311	Not Used			
312	8405007	2	Clamp	
313	4240099	AR	Tie-Strap (Used to Secure Block Heater Cord) (With Cold Weather Plus Package - Not Shown)	
314	4460234	3	Mount, Wire Tie (Used to Secure Block Heater Cord) (With Cold Weather Plus Package - Not Shown)	
315	1001140312	1	Heater, Block (With Cold Weather Plus Package - Not Shown)	
316	0761214	3	Bolt M12 x 30mm	
317	1001143341	1	Pipe, Elbow	
318	1001143390	1	Indicator, Air Filter Service	
319	1001142637	1	Hose, Hump	
320	101142685	1	Bracket	
321	8406102	1	Clip	
322	8406112	1	Clip	
323	1001134488	1	Fitting, Elbow Barbed	
324	1001138717	1	Bracket	
325	1001142501	1	Fitting, Elbow Barbed	
326	1001144089	1	Grommet	
327	1001145154	1	Plate, Mounting	
328	1001154405	5ft/1.5m	Hose	
329	4640751	1	Valve, Oil Drain	
330	8405006	2	Clamp	
331	0760810	1	Bolt M8 x 20mm	
332	1001148843	1	Harness, Fuel Filter (Not Shown - See ELECTRICAL SECTION for Breakdown)	
333	Not Used			
334	1703162	2	Decal - Fan	
335	0641503	3	Bolt 5/16in-18NC x 3/8in	
336	1001153387	1	Plate	
337	3931508	2	Capscrew 5/16in-18NC x 1/2in	
338	1001155823	1	Coupling	
339	0100062	AR	Adhesive, Loctite #680	
	1001139930	Ref	SPARK ARRESTER INSTALLATION (OPTIONAL)	
401	1001154157	1	Stack, Spark Arrester Exhaust	
500	1001128947	Ref	ENGINE COMPONENTS	I
		Ref	Note: Information not available at time of printing.	
	1283409	Ref	DECALS INSTALLATION	
601 to 652	Not Used			
653	1001143852	1	Decal - EPA	

FIGURE 2-7. DEUTZ TCD2.9L4 ENGINE INSTALLATION (CONTINUED)

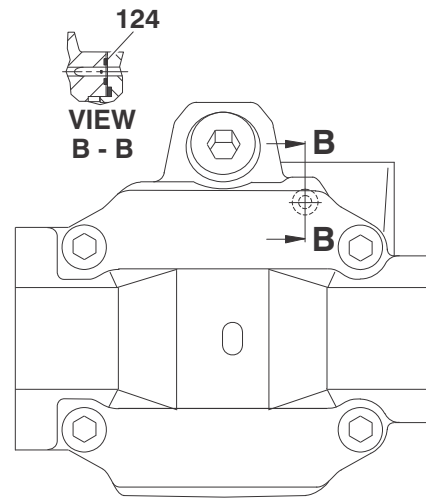
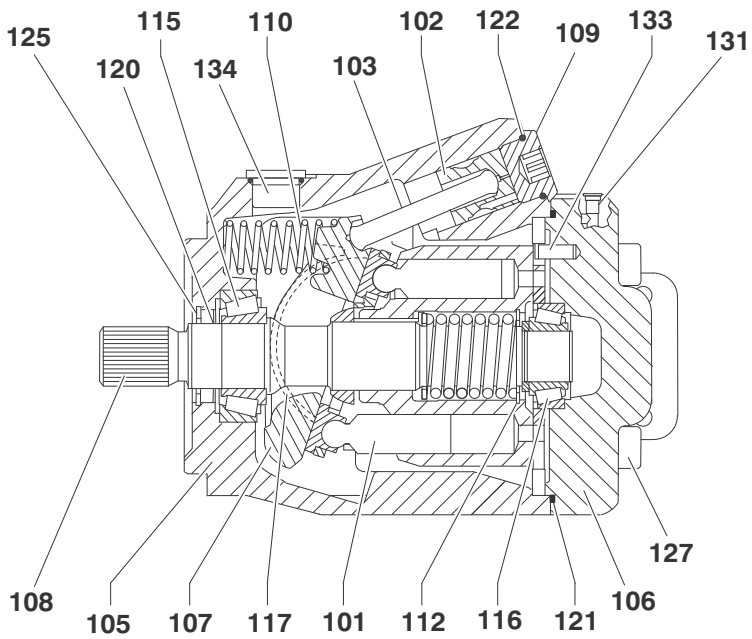
ITEM #	PART NUMBER	QTY.	DESCRIPTION	REV.

SECTION 2 TURNTABLE

FIGURE 2-8. PUMP ASSEMBLY (REXROTH)

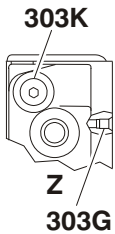
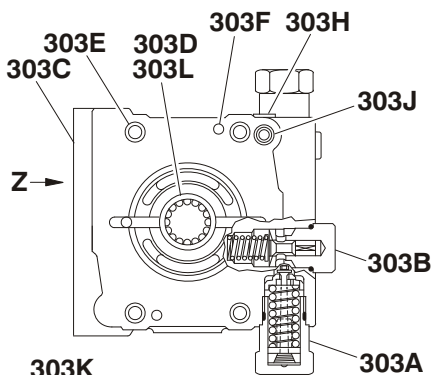


COMPLETE REAR PUMP

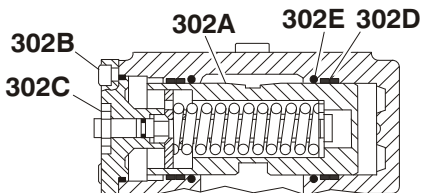
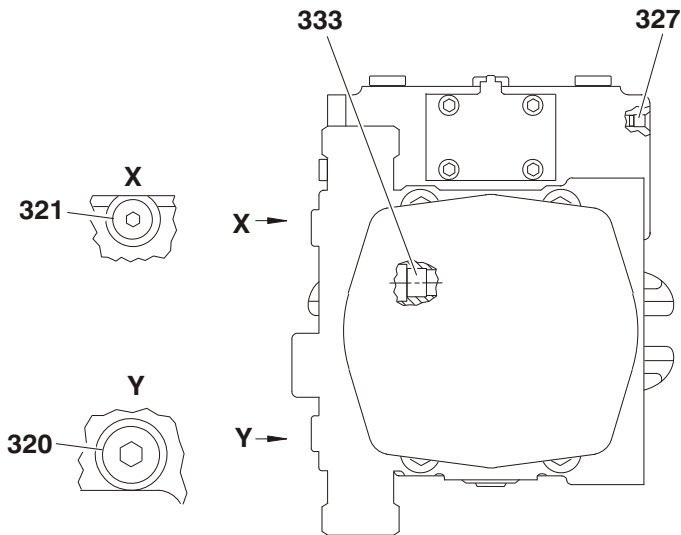


SECTION 2 TURNTABLE

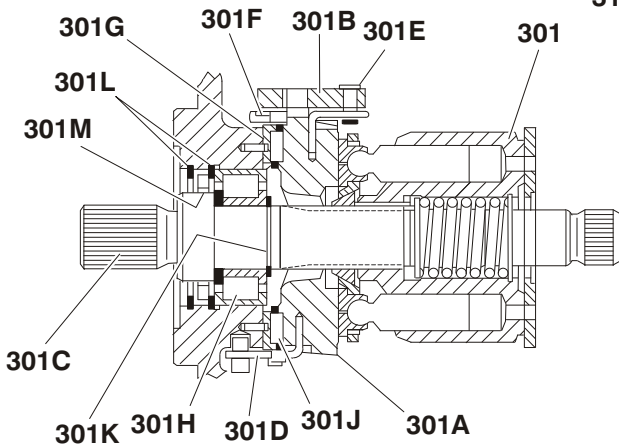
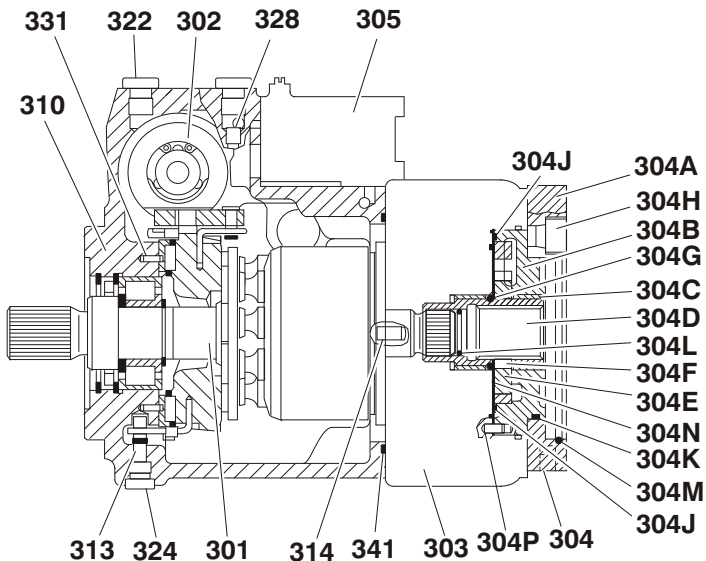
COMPLETE FRONT & MID PUMPS



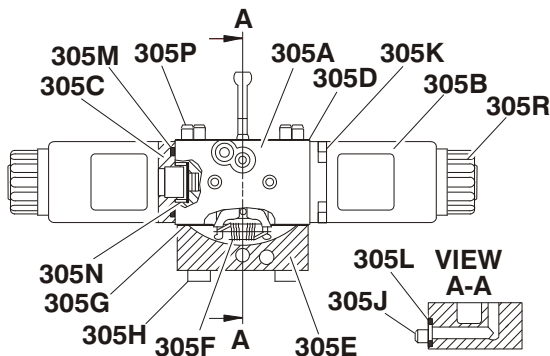
**PORT PLATE SECTION
FRONT & MID PUMPS
(DETAIL OF ITEM 303)**



**HYD. CONTROL FRONT & MID PUMPS
(DETAIL OF ITEM 302)**



**ROTARY GROUP FRONT & MID PUMPS
(DETAIL OF ITEM 301)**



**CONTROL MODULE FRONT & MID PUMPS
(DETAIL OF ITEM 305)**

SECTION 2 TURNTABLE

FIGURE 2-8. PUMP ASSEMBLY (REXROTH)

ITEM #	PART NUMBER	QTY.	DESCRIPTION	REV.
		Ref	Note: Information on p/n 1001152963 used on Machines with Deutz TCD2.9L4 Engines Not Available at Time of Printing.	
	3600339	Ref	PUMP ASSEMBLY	D
	1001152963	Ref	Machines with Deutz BF4M2011 & TD2011 Engines	A
		Ref	Machines with Deutz TCD2.9L4 Engines (Note: Service Parts Not Available)	
1	7024042 See Note	1	Front Drive Pump Assembly Options (Includes Items 301- 341): Machines with Deutz BF4M2011 & TD2011 Engines Machines with Deutz TCD2.9L4 Engines (Note: Service Parts Not Available)	
2	7024043 See Note	1	Middle Drive Pump Assembly (Includes Items 301- 341) Machines with Deutz BF4M2011 & TD2011 Engines Machines with Deutz TCD2.9L4 Engines (Note: Service Parts Not Available)	
3	7024044 See Note	1	Rear Function Pump Assembly (Includes Items 101-201) Machines with Deutz BF4M2011 & TD2011 Engines Machines with Deutz TCD2.9L4 Engines (Note: Service Parts Not Available)	
4	70001952	1	Hydraulic Kit (Includes all Rexroth Supplied Hydraulic Fittings, Hoses & Tubes)	
	7024044	Ref	REAR FUNCTION PUMP ASSEMBLY	
101	7024914	1	Rotary Section	
102	See Note	1	Piston, Control (Note: Not Available - Purchase Complete Assembly)	
103	See Note	1	Rod, Piston (Note: Not Available - Purchase Complete Assembly)	
104	Not Used			
105	See Note	1	Housing, Pump (Note: Not Available - Purchase Complete Assembly)	
106	See Note	1	Plate, Port (Note: Not Available - Purchase Complete Assembly)	
107	7024915	1	Plate, Swash	
108	7024916	1	Driveshaft	
109	See Note	1	Plug (Note: Not Available for Purchase)	
110	See Note	1	Spring (Note: Not Available for Purchase)	
111	Not Used			
112	7012709	1	Shim	
113 to 114	Not Used			
115	7024038	1	Bearing, Roller	
116	7012706	1	Bearing, Roller	
117	7024917	2	Shell, Cradle	
118 to 119	Not Used			
120	7024918	1	Seal, Shaft	
121	7024919	1	O-Ring	
122	7024920	1	O-Ring	
123	Not Used			

SECTION 2 TURNTABLE

FIGURE 2-8. PUMP ASSEMBLY (REXROTH) (CONTINUED)

ITEM #	PART NUMBER	QTY.	DESCRIPTION	REV.
124	7024921	1	Seal	
125	7012715	1	V-Ring	
126	Not Used			
127	See Note	4	Capscrew M12 x 45mm Grade10.9 (Note: Not Available for Purchase)	
128 to 130	Not Used			
131	See Note	1	Plug (Note: Not Available for Purchase)	
132	Not Used			
133	See Note	1	Pin, Dowel (Note: Not Available for Purchase)	
134	See Note	1	Plug (Note: Not Available for Purchase)	
201	7024913	Ref	Pilot Valve Assembly	
		Ref	Note: Two mounting designs of p/n 7024913 pilot valve exist. Early design uses qty. 3 o-rings. Late design uses qty. 1 sealing plate. Seal designs cannot be interchanged. Verify seal design before ordering.	
	7024922	3	O-Ring (Seals between Pilot Valve & Rear Pump)	
	70021867	1	Plate, Sealing (Seals between Pilot Valve & Rear Pump)	
		Ref	FRONT DRIVE PUMP ASSEMBLIES	
	7024042	Ref	Front Drive Pump Assembly	
	7024043	Ref	Middle Drive Pump Assembly	
301	7024064	1	Rotary Group	
301A	Use 7024064	1	Cradle	
301B	Use 7024064	1	Ring, Slide	
301C	Use 7024064	1	Driveshaft	
301D	Use 7024064	1	Wire	
301E	Use 7024064	1	Pin, Joint	
301F	Use 7024064	1	Wire	
301G	Use 7024064	1 Pair	Liner, Bearing	
301H	Use 7024064	1	Bearing, Roller	
301J	Use 7024064	1 Set	Cradle Bearing Assembly	
301K	Use 7024064	1	Ring, Retaining	
301L	70001968	2	Ring, Retaining	
301M	7024070	1	Seal, Shaft Ring	
302	7024065	1	Control Group - Hydraulic	
302A	Use 7024065	1	Piston, Positioning - Complete	
	7024071	1	O-Ring, Outer Seal	
	7024072	1	O-Ring, Stem	
302B	See Note	4	Capscrew M6 x 12mm (Note: Not Available - Purchase Locally)	
302C	Use 7024065	1	Nut	
302D	Use 7024065	2	Ring, Guide	
302E	Use 7024065	2	Seal, O-Ring	
303	7024911	1	Port Plate Group	
303A	7024073	2	Cartridge, Relief Valve (High Pressure)	
	7024075	1	O-Ring	
	7024076	1	Ring, Back-up	

SECTION 2 TURNTABLE

FIGURE 2-8. PUMP ASSEMBLY (REXROTH) (CONTINUED)

ITEM #	PART NUMBER	QTY.	DESCRIPTION	REV.
303B		1	Cartridge Options:	
	7024097	1	Front Pump Cartridge (Lock Valve With Orifice) Note: Sold as an Assembly Except Outer Seal.	
	7024075	1	O-Ring	
	7023881	1	Middle Pump Cartridge (Pressure Relief Valve) Note: Sold as an Assembly Except Outer Seal.	
	7024077	1	O-Ring	
303C	Use 7024911	1	Plate, Port	
303D	Use 7024911	1	Bushing, Bearing	
303E	See Note	4	Capscrew M12 x 70mm Grade10.9 (Note: Not Available - Purchase Locally)	
303F	Use 7024911	2	Pin, Dowel	
303G	Use 7024911	1	Pin, Break-Off	
303H	See Note	1	Screw, Locking M10 x 1mm (Note: Not Available - Purchase Locally)	
303J	7024908	2	O-Ring	
303K	See Note	2	Screw, Locking 7/16in-20NF (Note: Not Available - Purchase Locally)	
303L	Use 7024911	1	Bearing, Roller	
304	7024906	1	Internal Gear Pump	
304A	Use 7024906	1	Flange, Intermediate	
304B	Use 7024906	1	IZP-Housing	
304C	Use 7024906	1	Bushing, Bearing	
304D	Use 7024906	1	Coupling, Driveshaft Through	
304E	Use 7024906	1	Gear Set	
304F	Use 7024906	1	Key, Driveshaft	
304G	Use 7024906	1	Ring, Retaining	
304H	See Note	4	Capscrew M10 x 20mm (Note: Not Available - Purchase Locally)	
304J	7024080	2	Seal	
304K	7024081	1	O-Ring	
304L	Use 7024906	1	Ring, Retaining	
304M	7024910	1	O-Ring (Purchase p/n 7024906)	
304N	7024005	1	Plate, Wear	
304P	Use 7024906	1	Pin, Cylinder	
305	7024068	1	Control Module	
305A	7024084	1	Valve Body, Lever & Internal Components	
305B	7024083	2	Coil, Solenoid	
305C	Use 7024068	2	Spacer, Coil	
305D	7024085	1	Gasket	
305E	Use 7024068	1	Cover	
305F	Use 7024068	1	Spring, Draw	
305G	7024086	1	Gasket	
305H	See Note	4	Capscrew M6 x 65mm (Note: Not Available - Purchase Locally)	
305J	See Note	1	Capscrew M6 x 45mm (Note: Not Available - Purchase Locally)	
305K	See Note	8	Capscrew M5 x 10mm (Note: Not Available - Purchase Locally)	
305L	7024087	1	O-Ring	
305M	7024088	2	O-Ring	

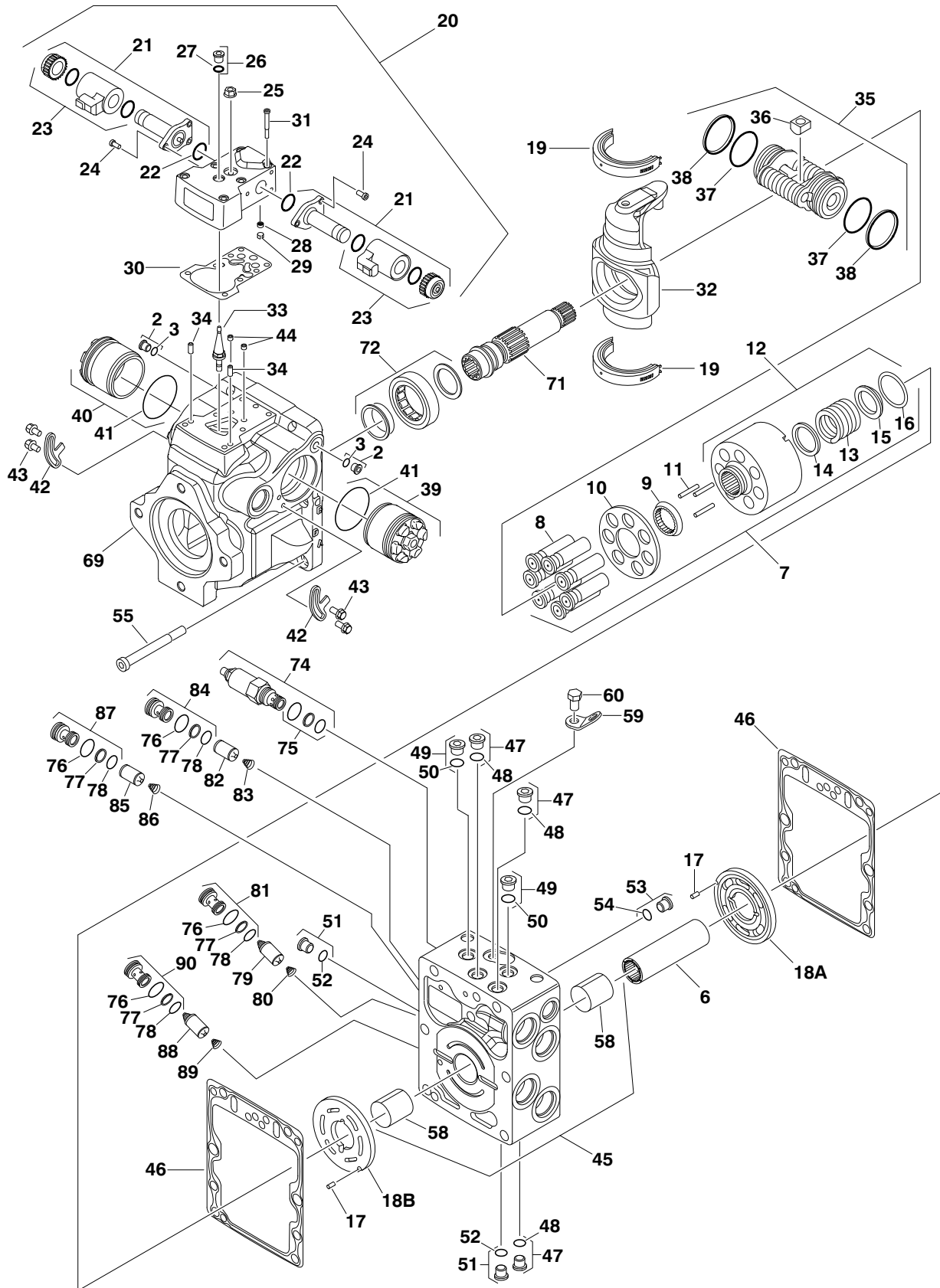
SECTION 2 TURNTABLE

FIGURE 2-8. PUMP ASSEMBLY (REXROTH) (CONTINUED)

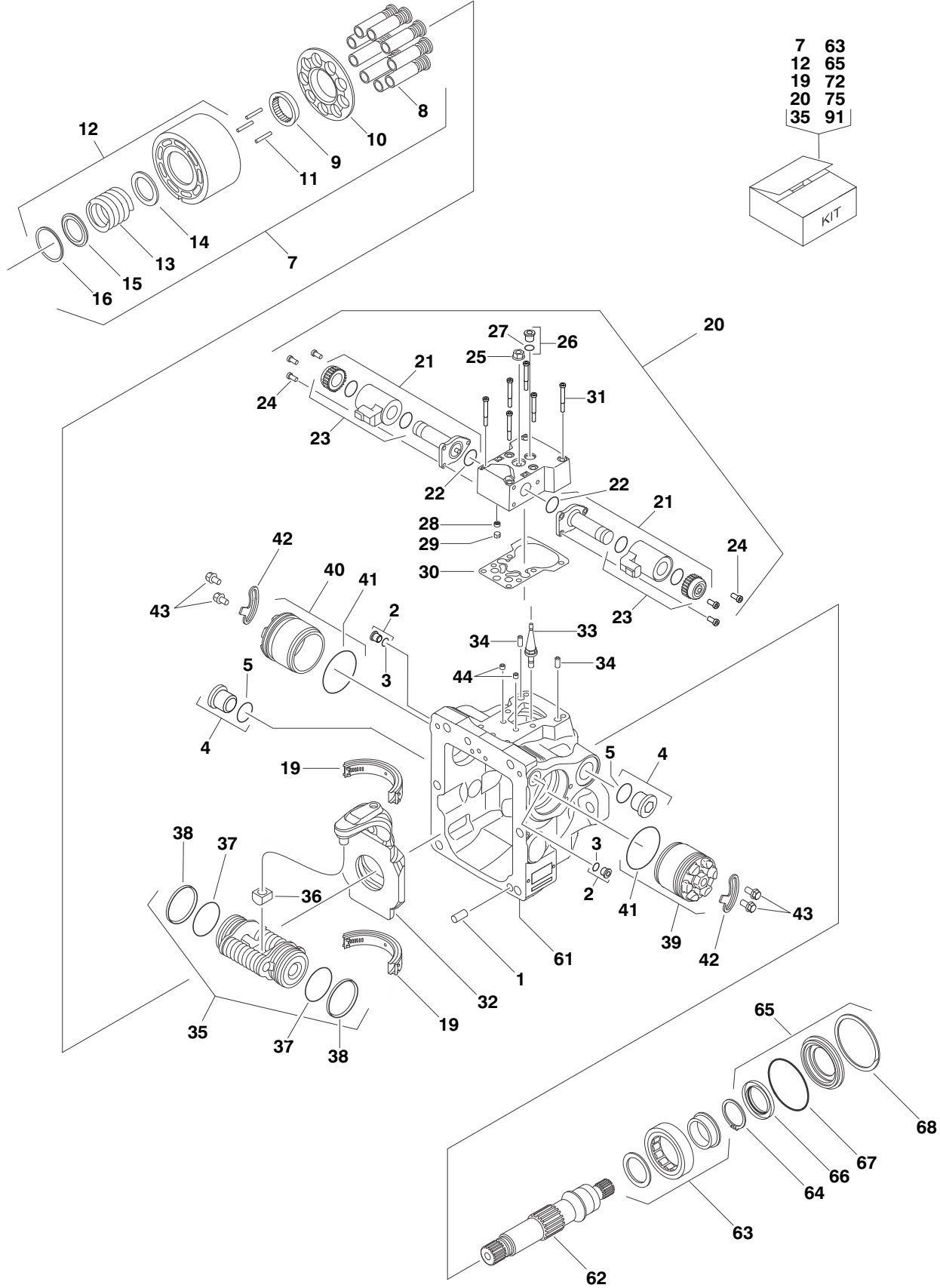
ITEM #	PART NUMBER	QTY.	DESCRIPTION	REV.
305N	7024089	2	Cup, Spring	
305P	Use 7024068	2	Pin, Cylinder	
305Q	70002569	2	Nut, Coil	
306 to 309	Not Used			
310	See Note	1	Housing (Note: Not Available for Purchase)	
311 to 312	Not Used			
313	See Note	2	Pin, Dowel (Note: Not Available for Purchase)	
314	See Note	1	Pin, Cylinder (Note: Not Available for Purchase)	
315 to 319	Not Used			
320	See Note	1	Screw 7/8in-14NF (Front Drive Pump Only) (Note: Not Available - Purchase Locally)	
321	See Note	1	Screw 9/16in-18NF (Note: Not Available -Purchase Locally)	
322	See Note	1	Screw 7/16in-20NF (Note: Not Available - Purchase Locally)	
323	Not Used			
324	See Note	1	Screw M10 x 1mm (Note: Not Available - Purchase Locally)	
325 to 326	Not Used			
327	See Note	1	Pin, Double Break-Off (Note: Not Available for Purchase)	
328	7018936	2	Orifice	
329 to 330	Not Used			
331	See Note	2	Pin, Clamping (Note: Not Available for Purchase)	
333 to 340	Not Used			
341	7024069	1	O-Ring	

SECTION 2 TURNTABLE

FIGURE 2-9. PUMP ASSEMBLY (SAUER TANDEM)



SECTION 2 TURNTABLE



SECTION 2 TURNTABLE

FIGURE 2-9. PUMP ASSEMBLY (SAUER TANDEM)

ITEM #	PART NUMBER	QTY.	DESCRIPTION	REV.
	1001108616	Ref	PUMP ASSEMBLY (SAUER TANDEM)	A
1	70002132	4	Pin	
2	70002133	4	Plug Assembly (Includes Item 3)	
3	7007207	4	O-Ring (Part of Item 3)	
4	7007419	2	Plug Assembly (Includes Item 5)	
5	7007418	2	O-Ring (Part of Item 5)	
6	70002600	1	Coupling	
7	70002135	2	Cylinder Block Kit (Each Kit Includes Qty 1 of Items 8-10 & 12-16 & Qty 3 of Item 11)	
8	70002136	2	Piston Assembly Kit (Includes Qty 9 Piston Assemblies) (Part of Item 7)	
9	70002137	2	Guide, Slipper Retainer (Part of Item 7)	
10	70002138	2	Retainer, Slipper (Part of Item 7)	
11	7021275	6	Pin, Slipper Retainer Holddown (Part of Item 7)	
12	70002143	2	Cylinder Block Assembly (Includes Qty 1 of Item 13-16) (Part of Item 7)	
13	70002139	2	Spring (Part of Item 12)	
14	70002140	2	Washer (Part of Item 12)	
15	70002141	2	Washer (Part of Item 12)	
16	70002142	2	Ring, Retaining (Part of Item 12)	
17	7007446	2	Pin	
18		AR	Plate, Valve Options:	
18A	70002601	1	Plate, CW Valve	
18B	70002602	1	Plate, CCW Valve	
19	70002145	2	Swashplate Bearing Kit (Includes Qty 2 Bearings)	
20	70002618	2	EDC Kit (Includes Items 21-31)	
21	70002619	4	Solenoid Valve Assy (Includes Item 22 & 23) (Part of Item 20)	
22	70002148	4	O-Ring (2 Per EDC Assembly) (Part of Item 21)	
23	70002620	4	Coil, Nut & Seals Kit (2 Per EDC Assembly) (Part of Item 21)	
24	70002150	12	Screw (Part of Item 20)	
25	7022301	2	Nut, Seal (Part of Item 20)	
26	70002151	2	Plug Assembly (Part of Item 20) (Includes Item 27)	
27	7007207	2	O-Ring (Part of Item 26)	
28	70002134	2	Screen (Part of Item 20)	
29	70002153	2	Ring, Locking (Part of Item 20)	
30	70002154	2	Gasket, Control (Part of Item 20)	
31	70002156	12	Capscrew (Part of Item 20)	
32	70002152	2	Swashplate	
33	70002155	2	Link, Swashplate	
34	70002157	4	Pin, Dowel	
35	70002158	2	Servo Piston Assembly (Includes Items 36-38)	
36	70002159	2	Block, Slider (Part of Item 35)	
37	70002160	2	O-Ring (Part of Item 35)	
38	70002161	2	Ring, Piston (Part of Item 35)	
39	70002162	2	Cylinder, Servo	
40	70002162	2	Cylinder, Servo	
41	70002163	4	O-Ring	

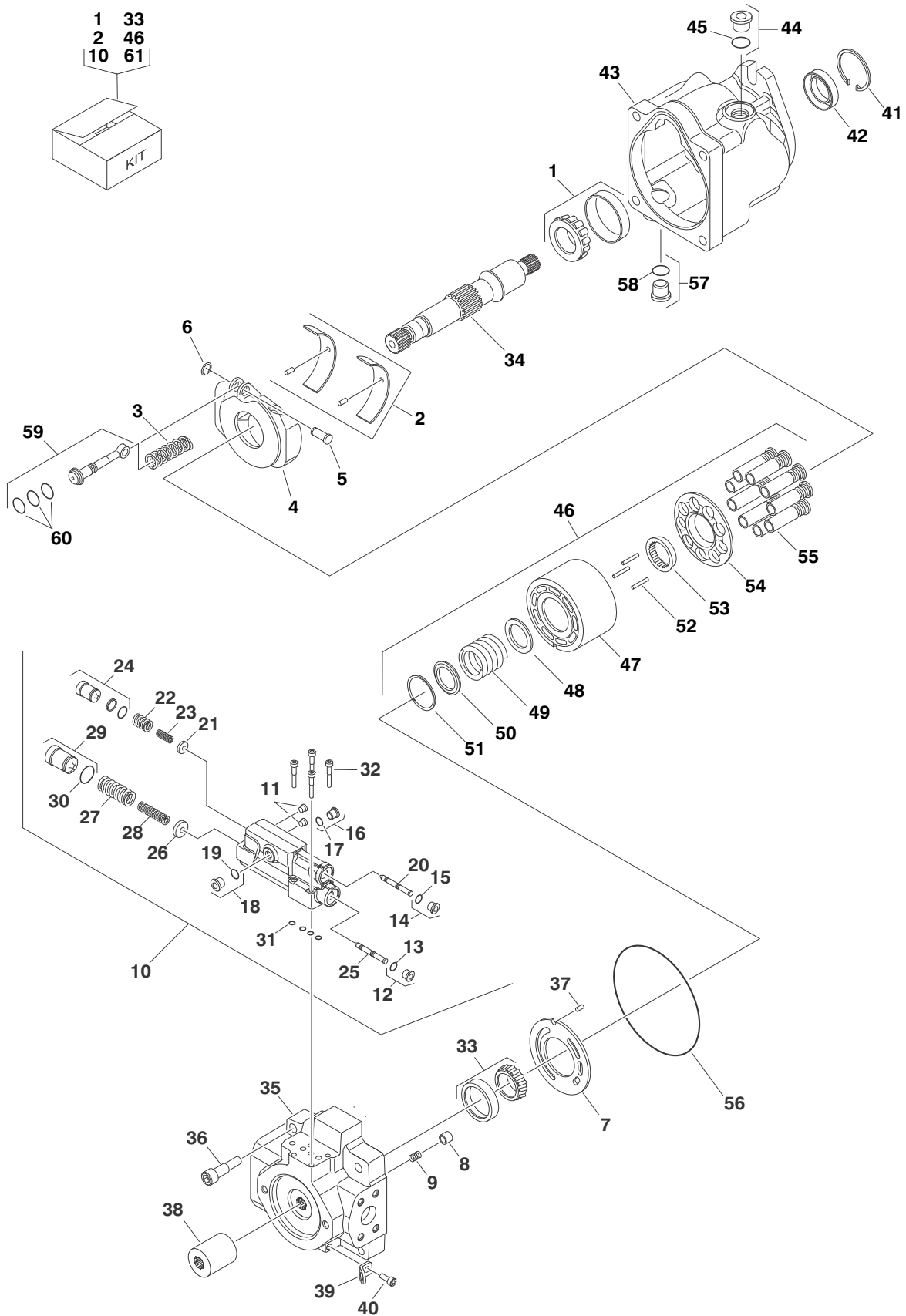
SECTION 2 TURNTABLE

FIGURE 2-9. PUMP ASSEMBLY (SAUER TANDEM) (CONTINUED)

ITEM #	PART NUMBER	QTY.	DESCRIPTION	REV.
42	70002164	4	Plate, Locking	
43	70002165	8	Screw	
44	70002604	4	Orifice	
45	70002605	1	Center Section Assembly (Includes Item 58)	
46	70002168	2	Gasket, End Cap	
47	70001958	2	Plug Assembly (Includes Item 48)	
48	7021256	2	O-Ring (Part of Item 47)	
49	70001958	2	Plug Assembly (Includes Item 50)	
50	7021256	2	O-Ring (Part of Item 49)	
51	70001958	2	Plug Assembly (Includes Item 52)	
52	7021256	2	O-Ring (Part of Item 51)	
53	70001958	2	Plug Assembly (Includes Item 54)	
54	7021256	2	O-Ring (Part of Item 53)	
55	70002606	4	Capscrew	
56 to 57	Not Used			
58	70002607	2	Bearing, Journal (Part of Item 45)	
59	7022608	1	Bracket, Lifting	
60	70002609	1	Screw	
61	Use 1001108616	1	Housing (Note: Not Available For Purchase)	
62	70002175	1	Shaft	
63	70002610	1	Ball Bearing Kit	
64	70007439	1	Ring, Retaining	
65	70002174	1	Shaft Seal Kit (Includes Items 66-68)	
66	70002177	1	Seal, Lip	
67	70002178	1	O-Ring	
68	70002179	1	Ring, Retaining	
69	Use 1001108616	1	Housing (Note: Not Available For Purchase)	
70	Not Used			
71	70002612	1	Shaft	
72	70002610	1	Ball Bearing Kit	
73	Not Used			
74	70002621	1	High Pressure Relief Valve Cartridge Assy (Includes Item 75 & 76)	
75	70002622	1	Seal Kit - 70002621 Valve (Part of Item 74)	
76	7007415	1	O-Ring (Part of Item 79)	
77	7021293	1	Ring, Back-up (Part of Item 79)	
78	7022300	1	O-Ring (Part of Item 79)	
79	70002616	1	SCR Valve Assembly	
80	7024800	1	Spring	
81	7021265	1	Plug Assembly (Includes Qty 1 of Items 76-78)	
82	70002616	1	SCR Valve Assembly	
83	7024800	1	Spring	
84	7021265	1	Plug Assembly (Includes Qty 1 of Items 76-78)	
85	70002616	1	SCR Valve Assembly	
86	7024800	1	Spring	
87	70002617	1	Plug Assembly (Includes Qty 1 of Items 76-78)	
88	70002616	1	SCR Valve Assembly	
89	7024800	1	Spring	
90	7021265	1	Plug Assembly (Includes Qty 1 of Items 76-78)	
91	70002623	1	Overhaul Seal Kit (Includes Items 3,5,22,27,30,37,38,41,46,48, 50,52,54,66,67,75,76,77 & 78)	

SECTION 2 TURNTABLE

FIGURE 2-10. PUMP ASSEMBLY (SAUER PISTON)



SECTION 2 TURNTABLE

FIGURE 2-10. PUMP ASSEMBLY (SAUER PISTON)

ITEM #	PART NUMBER	QTY.	DESCRIPTION	REV.
	1001108888	Ref	PUMP ASSEMBLY (SAUER PISTON)	A
1	70002578	1	Bearing Kit - Front (Includes Cup & Cone)	
2	70002579	1	Swashplate Bearing Kit (Includes Qty 2 Bearings & Retainer Pins)	
3	70002580	1	Spring, Bias	
4	70002581	1	Swashplate Assembly	
5	70002582	1	Shaft	
6	70002583	1	Ring, Retaining	
7	70002584	1	Plate, Valve	
8	70001956	1	Poppet, Check Valve	
9	70001955	1	Spring	
10	70022286	1	Control Kit (Includes Items 21-32)	
11	Use 70022286	1	Setscrew (Purchase Item 10)	
12	70002133	1	Plug Assembly (Includes Item 13)	
13	7007207	1	O-Ring (Part of Item 12)	
14	70002133	1	Plug Assembly (Includes Item 15)	
15	7007207	1	O-Ring (Part of Item 14)	
16	70002133	1	Plug Assembly (Includes Item 17)	
17	7007207	1	O-Ring (Part of Item 16)	
18	70002133	1	Plug Assembly (Includes Item 19)	
19	7007207	1	O-Ring (Part of Item 18)	
20	Use 70022286	1	Spool (Note: Not Available For Purchase)	
21	Use 70022286	1	Guide, Spring LS (Note: Not Available For Purchase)	
22	Use 70022286	1	Spring, Outer LS (Note: Not Available For Purchase)	
23	Use 70022286	1	Spring, Inner LS (Note: Not Available For Purchase)	
24	See Note	1	Plug, Adjusting LS (Note: Not Available - Purchase Item 10 or 61)	
25	Use 70022286	1	Spool, Control (Note: Not Available For Purchase)	
26	Use 70022286	1	Guide, Spring PC (Note: Not Available For Purchase)	
27	Use 70022286	1	Spring, Outer PC (Note: Not Available For Purchase)	
28	Use 70022286	1	Spring, Inner PC (Note: Not Available For Purchase)	
29	Use 70022286	1	Plug, Adjusting PC (Note: Not Available For Purchase)	
30	See Note	1	O-Ring (Note: Not Available - Purchase Item 10 or 61)	
31	See Note	4	Ring, Seal (Note: Not Available - Purchase Item 10 or 61)	
32	Use 70022286	4	Capscrew (Note: Not Available For Purchase)	
33	70002585	1	Bearing Kit - Rear (Includes Cup & Cone)	
34	70002586	1	Shaft	
35	70002587	1	Cap, End	
36	70002588	4	Capscrew	
37	7007446	1	Pin, Slotted	
38	70002589	1	Coupling	
39	7022340	1	Bracket, Lifting	
40	70002590	1	Capscrew	
41	7023962	1	Ring, Retaining	
42	70022287	1	Seal, Lip	
43	Use 1001108888	1	Housing (Note: Not Available For Purchase)	
44	7023964	1	Plug Assembly (Includes Item 45)	
45	7007415	1	O-Ring (Part of Item 44)	

SECTION 2 TURNTABLE

FIGURE 2-10. PUMP ASSEMBLY (SAUER PISTON) (CONTINUED)

ITEM #	PART NUMBER	QTY.	DESCRIPTION	REV.
46	70002596	1	Cylinder Block Kit (Includes Items 47-55)	
47	Use 70002596	1	Cylinder (Note: Not Available For Purchase)	
48	7007429	1	Seat, Spring	
49	70002591	1	Spring	
50	7007427	1	Seat, Spring	
51	7007426	1	Ring, Retaining	
52	7021275	3	Pin, Hold-down	
53	70002592	1	Guide, Slipper Retainer	
54	70002593	1	Retainer, Slipper	
55	70002594	9	Piston Assembly	
56	70002595	1	Seal, End Cap	
57	7023964	1	Plug, O-Ring (Includes Item 58)	
58	7007415	1	O-Ring (Part of Item 57)	
59	70002597	1	Servo Piston Assembly (Includes Item 60)	
60	70002598	3	Ring, Piston (Part of Item 59)	
61	70002599	1	Complete Seal Kit (Includes Items 13,15,17,19,24,30,31,42,45,56, 58 & 60)	

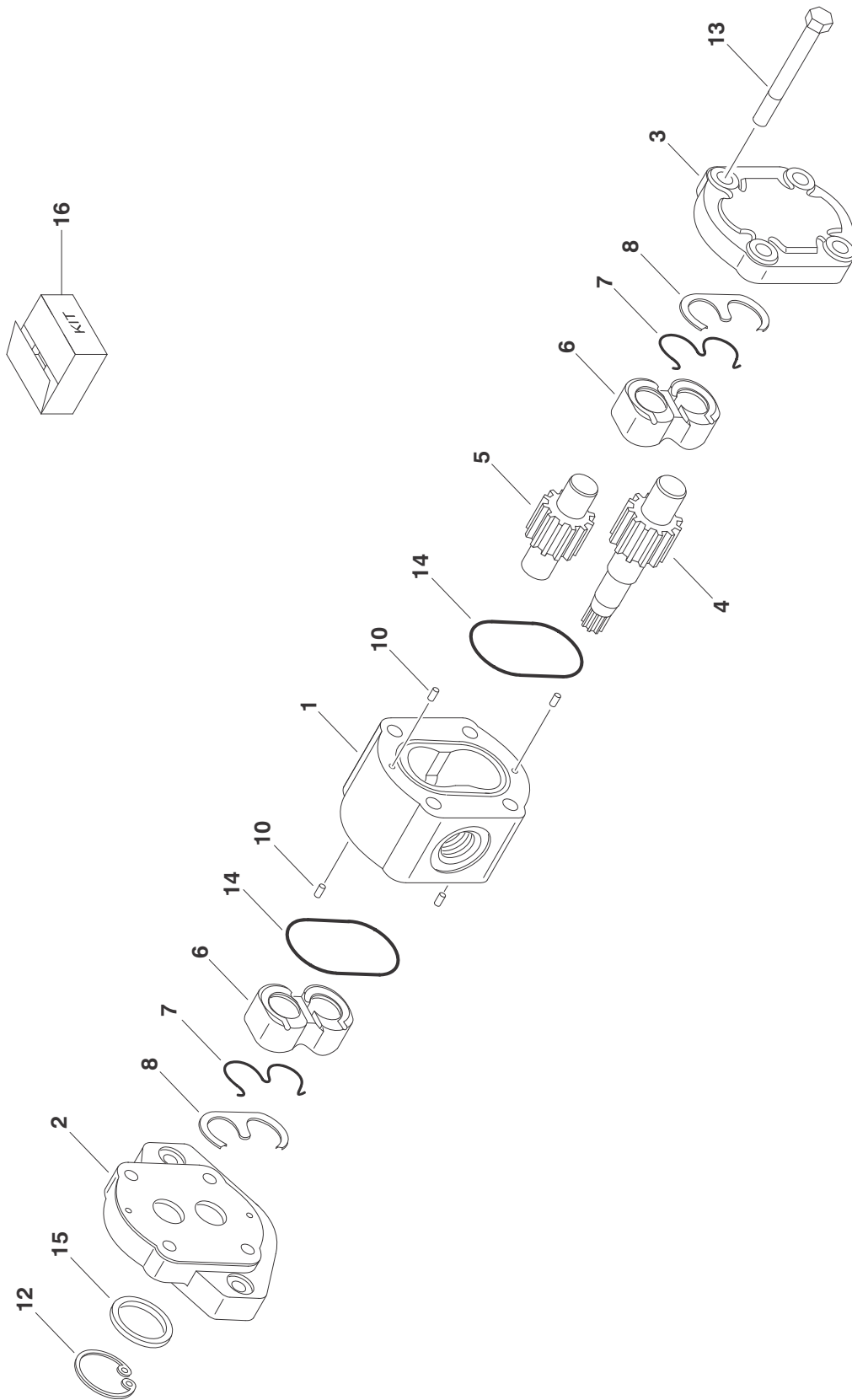
SECTION 2 TURNTABLE

FIGURE 2-10. PUMP ASSEMBLY (SAUER PISTON) (CONTINUED)

ITEM #	PART NUMBER	QTY.	DESCRIPTION	REV.

SECTION 2 TURNTABLE

FIGURE 2-11. PUMP ASSEMBLY (SAUER GEAR)



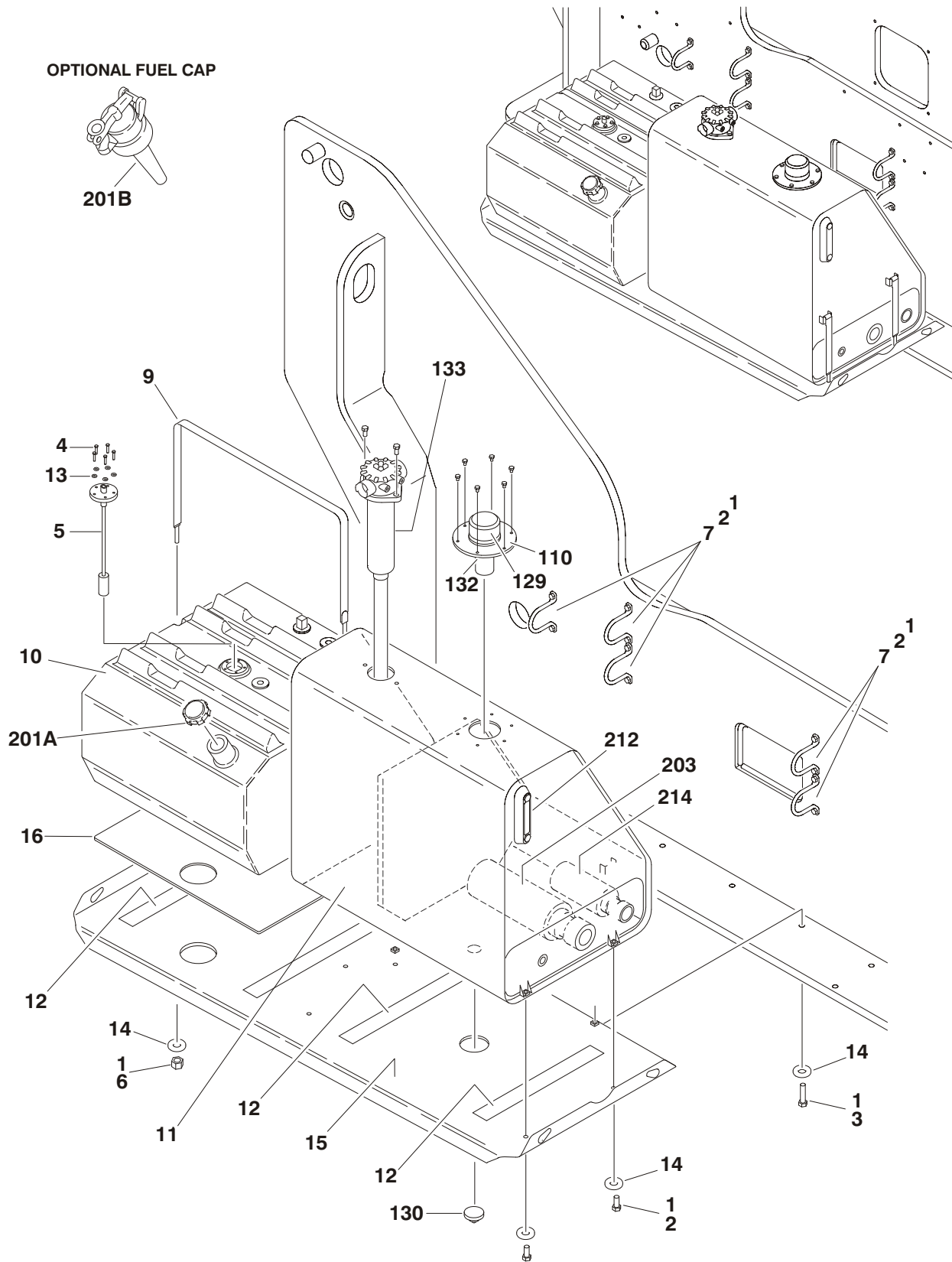
SECTION 2 TURNTABLE

FIGURE 2-11. PUMP ASSEMBLY (SAUER GEAR)

ITEM #	PART NUMBER	QTY.	DESCRIPTION	REV.
	1001112927	Ref	PUMP ASSEMBLY (SAUER GEAR)	A
1	Use 1001112927	1	Body (Note: Not Available For Purchase)	
2	Use 1001112927	1	Cover, Front (Note: Not Available For Purchase)	
3	Use 1001112927	1	Cover, Rear (Note: Not Available For Purchase)	
4	Use 1001112927	1	Shaft, Gear (Note: Not Available For Purchase)	
5	Use 1001112927	1	Gear, Idler (Note: Not Available For Purchase)	
6	Use 1001112927	2	Block, Bearing (Note: Not Available For Purchase)	
7	Use 7007489	2	Ring, Anti-Extrusion	
8	Use 7007489	2	Ring, Seal	
10	See Note	4	Pin, Dowel (Note: Not Available For Purchase)	
11	Not Used			
12	70002576	1	Ring, Retaining	
13	See Note	4	Capscrew (Note: Not Available For Purchase)	
14	Use 7007489	2	O-Ring	
15	Use 7007489	1	Seal, Lip (was p/n 70002577) (Note: Lip Seal no Longer Available as an Individual Service Part, Must Purchase p/n 7007489)	
16	7007489	1	Seal Kit - 1001112927 Pump (Includes Items 7,8,14 & 15)	

SECTION 2 TURNTABLE

FIGURE 2-12. TANK INSTALLATION



SECTION 2 TURNTABLE

FIGURE 2-12. TANK INSTALLATION

ITEM #	PART NUMBER	QTY.	DESCRIPTION	REV.
		Ref	TANKS INSTALLATION	
	0271572	Ref	Machines with ABS Hoods (SN 0300073745 Only)	B
	1001117358	Ref	Machines with Steel Hoods	A
1	0100011	AR	Compound, Locking	
2	0641608	AR	Bolt 3/8in-16NC x 1in	
3		AR	Fastener Options:	
	0641614		Bolt, Hex Head 3/8in-16NC x 1-3/4in	
	3900283		Screw, Button Head 3/8in-16NC x 3/4in	
4	0731007	5	Screw, Machine #10-32NF x 7/8in	
5	2420191	1	Gauge, Fuel	
	3960525	1	Gasket, Fuel Gasket Mounting Flange (Part of Item 10)	
6	3311601	6	Nut 3/8in-16NC	
7	3841340	9	Loop, Hose	
8	Not Used			
9	4240139	1	Strap, Tank	
10	4400439	1	Tank, Fuel	
11	4400457	1	Tank, Hydraulic Oil	
12	4420038	74in/1.9m	Tape	
13	4751000	5	Flatwasher #10 Regular	
14	4751600	16	Flatwasher 3/8in Regular	
15		1	Tray Options:	
	4846476		Tray for Machines with ABS Hoods (SN 0300073745 Only)	
	1001118919		Tray for Machines with Steel Hoods (Not Shown)	
16	1001107359	1	Plate, Support (Machines with Steel Hoods Only)	
	4400457	Ref	HYDRAULIC OIL TANK ASSEMBLY	E
101 to 102	Not Used			
103	7026571	1	Strainer, Suction	
104 to 109	Not Used			
110	7024439	1	Cover	
	7023306	1	Seal, Cover Plate (Not Shown)	
	7024440	1	Gasket (Not Shown)	
111	Not Used			
112	7024441	1	Gauge, Sight	
113	Not Used			
114	7024442	1	Strainer	
115 to 124	Not Used			
125	7024445	1	Strainer (Filler Neck) (Not Shown)	
126 to 128	Not Used			
129	7024444	1	Cap, Fill	
130	7024446	1	Plug, Magnetic	
131	Not Used			
132	7024443	1	Neck, Filler	
133	7024374	1	Filter, Hydraulic Oil	
	7024375	1	Element, Filter	
	7023347	1	Gasket, Filter Mounting Flange	

SECTION 2 TURNTABLE

FIGURE 2-12. TANK INSTALLATION (CONTINUED)

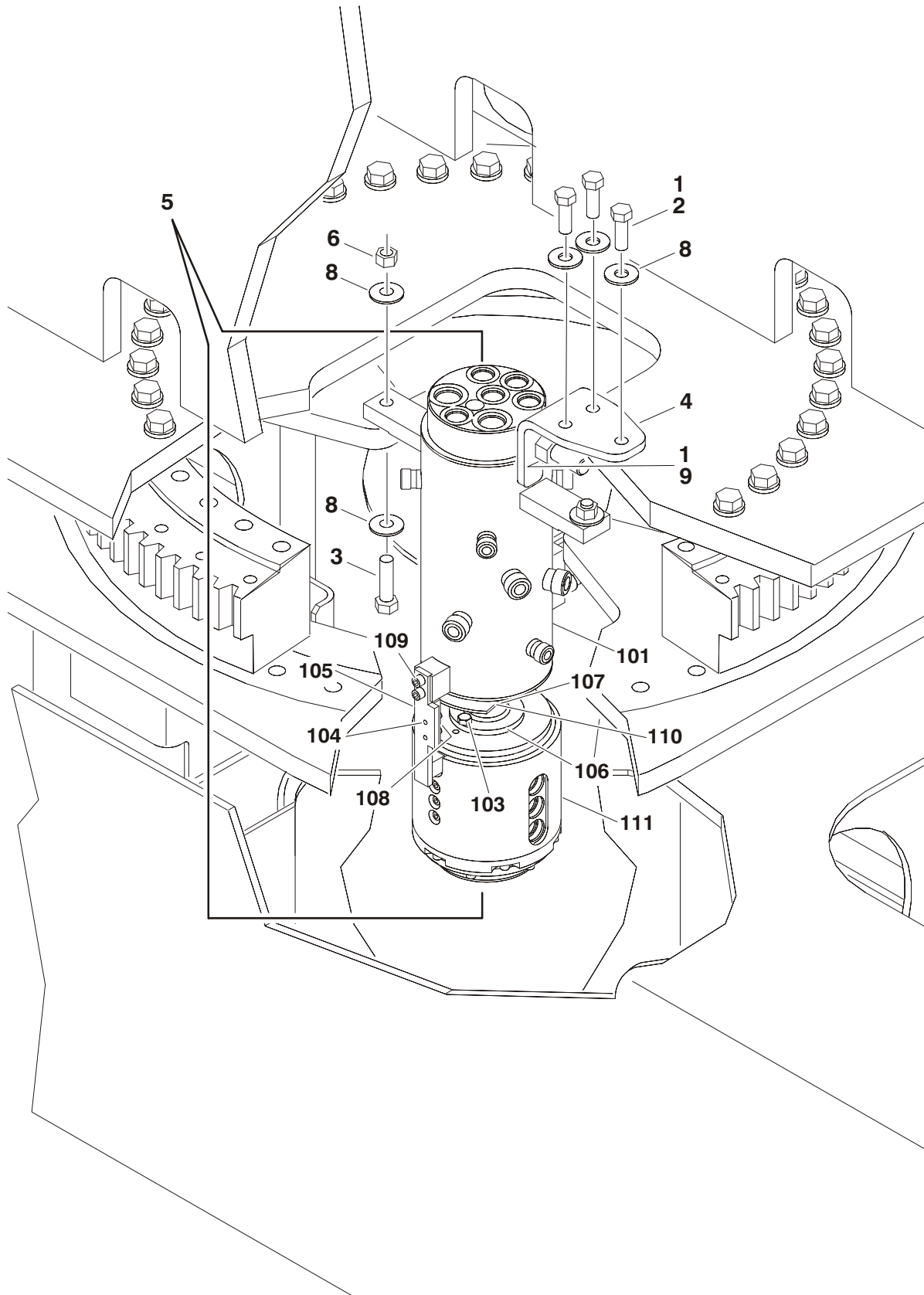
ITEM #	PART NUMBER	QTY.	DESCRIPTION	REV.
201 201A 201B	7016314 1120487	Ref 1	FUEL TANK CAP INSTALLATION Cap Options: Standard Non-Locking (Part of Item 10) Optional Lockable	

FIGURE 2-12. TANK INSTALLATION (CONTINUED)

ITEM #	PART NUMBER	QTY.	DESCRIPTION	REV.

SECTION 2 TURNTABLE

FIGURE 2-13. ROTARY COUPLING AND COLLECTOR RING INSTALLATION



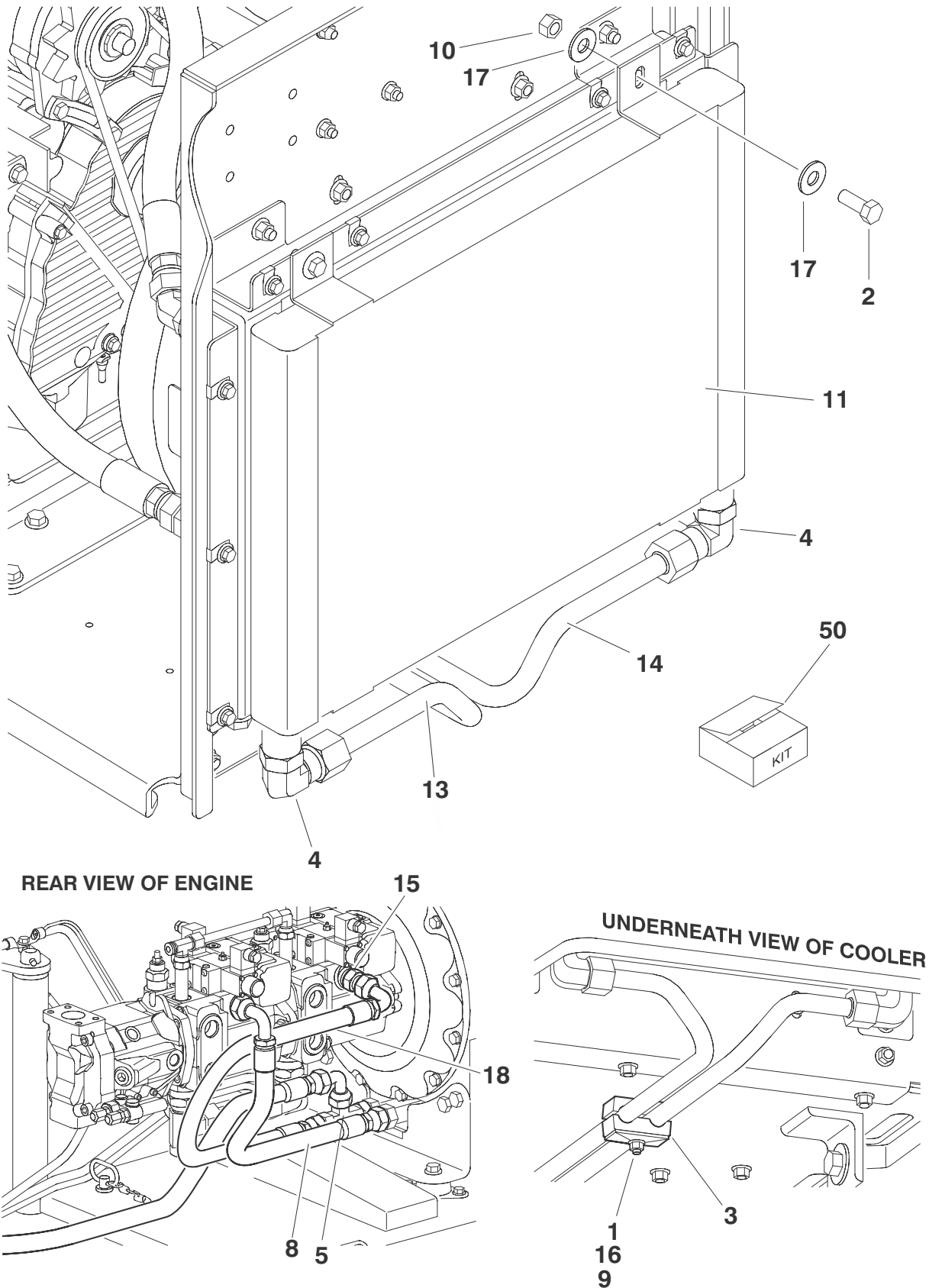
SECTION 2 TURNTABLE

FIGURE 2-13. ROTARY COUPLING AND COLLECTOR RING INSTALLATION

ITEM #	PART NUMBER	QTY.	DESCRIPTION	REV.
	0271688	Ref	ROTARY COUPLING AND COLLECTOR RING INSTALLATION	D
1	0100011	AR	Compound, Locking	
2	0641812	3	Bolt 1/2in-13NC x 1-1/2in	
3	0641820	2	Bolt 1/2in-13NC x 2-1/2in	
4	0902790	1	Bracket, Swivel	
5	1660302	1	Rotary Coupling and Collector Ring Assembly (See Items 101-111 for Breakdown)	
6	3311805	2	Locknut 1/2in-13NC	
7	Not Used			
8	4751800	7	Flatwasher 1/2in Regular	
9	3322201	2	Nut 3/4in-16NC	
	1660302	Ref	ROTARY COUPLING AND COLLECTOR RING ASSEMBLY	C
101	70001102 See Note 70001101	1 1	Coupling, Rotary Bearing (Note: Not Available For Purchase) Seal Kit - Coupling	
102	7026029	1	Contactora, Rotary Circuit (Does not include connector or pins)	
103	0641506	4	Bolt 5/16in-18NC x 3/4in	
104	3931512	2	Capscrew 5/16in-18NC x 3/4in	
105	70000780	1	Arm, Torque	
106	80334251	1	Adapter	
107	7026030	1	Plate, Cam	
108	7026031	1	Sensor, Proximity	
109	3931008	2	Capscrew #10-32 x 1/2in	
110	7026032	1	Pin, Dowel	
111	0100048	AR	Grease, Silicone (Apply to Contactora Connector)	

SECTION 2 TURNTABLE

FIGURE 2-14. HYDRAULIC OIL COOLER INSTALLATION - TD2011 ENGINES (OPTIONAL)



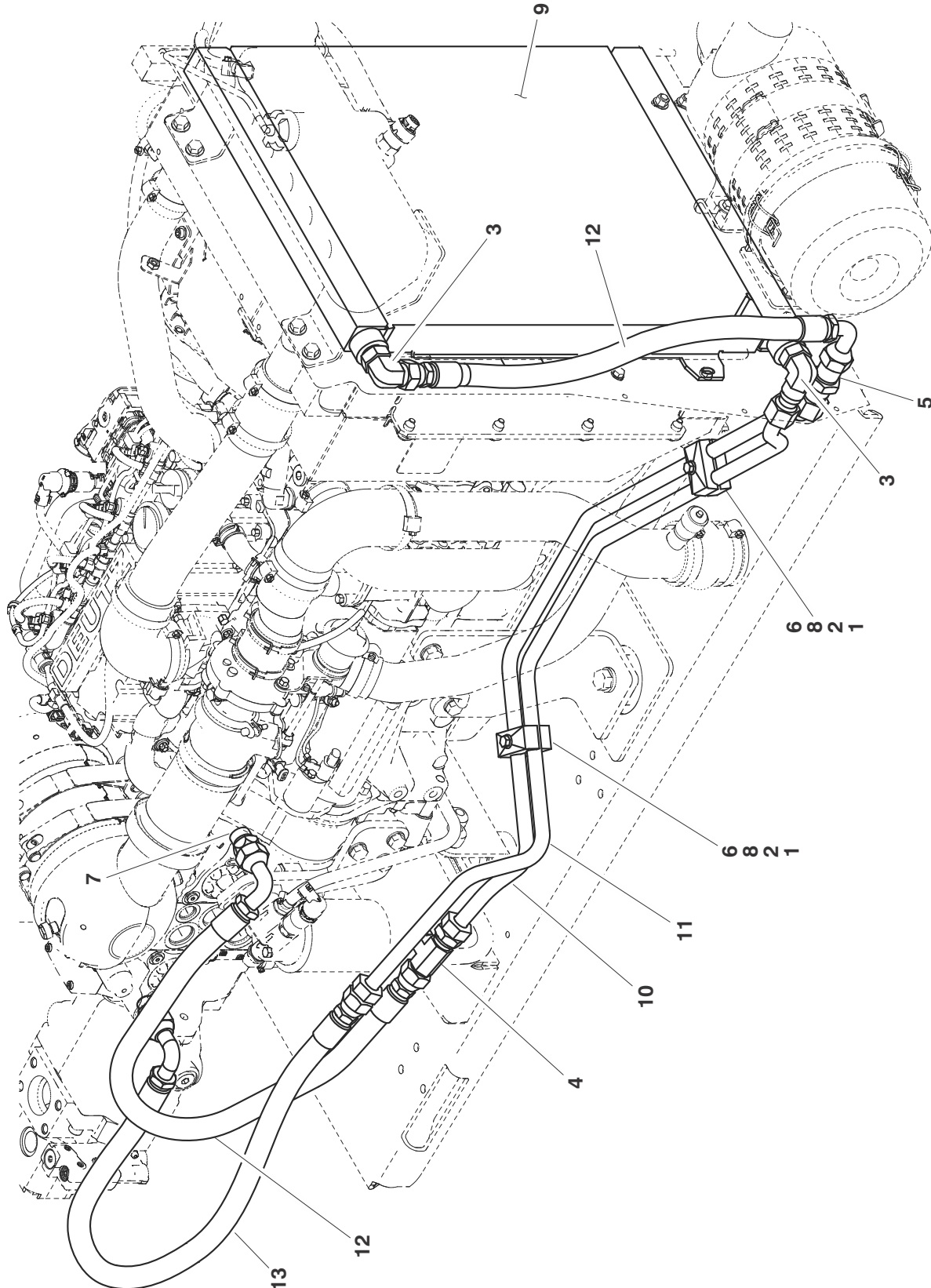
SECTION 2 TURNTABLE

FIGURE 2-14. HYDRAULIC OIL COOLER INSTALLATION - TD2011 ENGINES (OPTIONAL)

ITEM #	PART NUMBER	QTY.	DESCRIPTION	REV.
		Ref	HYDRAULIC OIL COOLER INSTALLATION (OPTIONAL)	
	0272080	Ref	Machines with Rexroth Pump	B
	1001118957	Ref	Machines with Sauer Pump	B
		Ref	Note: See Engine Installation for Engine Oil Cooler.	
1	0641520	2	Bolt 5/16in-18NC x 2-1/2in	
2	0641608	4	Bolt 3/8in-16NC x 1in	
3	1320162	2	Clamp, Hose	
4	2131212	2	Fitting, Elbow	
5	2170712	1	Fitting, Tee	
6 to 7	Not Used			
8		1	Hose Options:	
	2753778		Machines with Rexroth Pump	
	2753999		Machines with Sauer Pump	
9	3311505	2	Locknut 5/16in-18NC	
10	3311605	4	Locknut 3/8in-16NC	
11	3620034	1	Cooler, Hydraulic Oil	
12	Not Used			
13	4568426	1	Tube	
14	4568427	1	Tube	
15		1	Valve, Check Options:	
	4641247		Machines with Rexroth Pump	
	1001109677		Machines with Sauer Pump	
16	4711500	4	Flatwasher 5/16in Thin	
17	4751600	8	Flatwasher 3/8in Regular	
18		1	Hose Options:	
	2753843		Machines with Rexroth Pump	
	2753778		Machines with Sauer Pump	
19 to 49	Not Used			
50	1001120564		----- Oil Cooler Add-on Kit (Includes Items 1-18)	

SECTION 2 TURNTABLE

FIGURE 2-15. HYDRAULIC OIL COOLER INSTALLATION - DEUTZ TCD2.9L4 ENGINES (OPTIONAL)



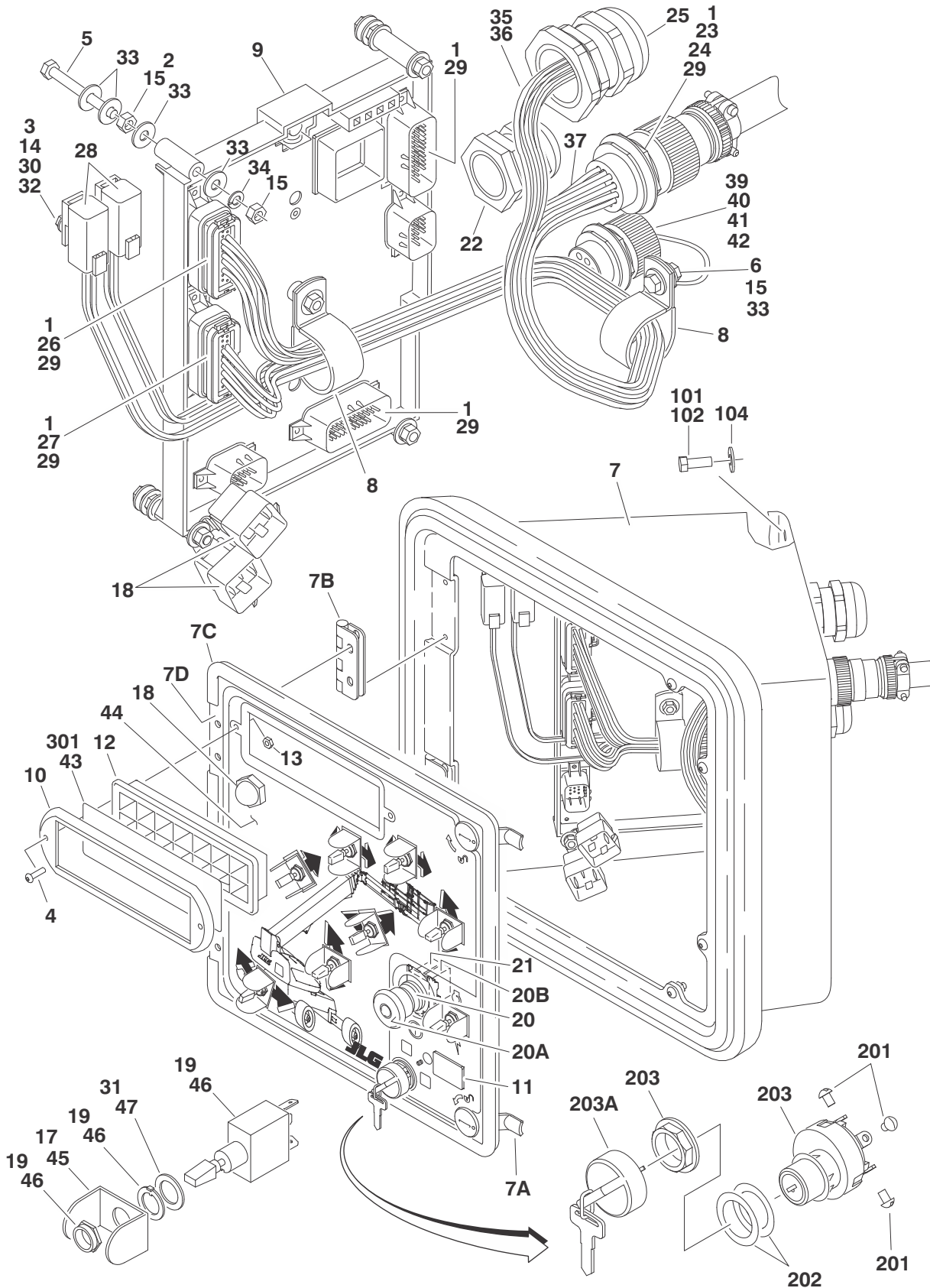
SECTION 2 TURNTABLE

FIGURE 2-15. HYDRAULIC OIL COOLER INSTALLATION - DEUTZ TCD2.9L4 ENGINES (OPTIONAL)

ITEM #	PART NUMBER	QTY.	DESCRIPTION	REV.
		Ref	HYDRAULIC OIL COOLER INSTALLATION (OPTIONAL)	
	1001139492	Ref	Deutz TCD2.9L4 Engine Machines with Rexroth Pump	E
	1001139494	Ref	Deutz TCD2.9L4 Engine Machines with Sauer Pump	D
		Ref	Note: See Engine Installation for Engine Oil Cooler.	
1	0641520	2	Bolt 5/16in-18NC x 2-1/2in	
2	1320162	2	Clamp, Hose	
3	2131212	2	Fitting, 90°	
4	2170712	1	Fitting, Tee	
5	2171112	1	Fitting, Straight	
6	3311505	2	Locknut 5/16in-18NC	
7		1	Valve Options:	
	4641247		Deutz Machines with Rexroth Pump	
	1001109677		Deutz Machines with Sauer Pump	
8	4711500	4	Flatwasher 5/16in Thin	
9	1001135124	1	Cooler, Hydraulic Oil	
10		1	Tube Options:	
	1001154214		Deutz Machines with Rexroth Pump	
	1001139665		Deutz Machines with Sauer Pump	
11	1001139666	1	Tube	
12	1001143087	2	Hose	
13	1001143123	1	Hose	

SECTION 2 TURNTABLE

FIGURE 2-16. GROUND CONTROLS INSTALLATION



SECTION 2 TURNTABLE

FIGURE 2-16. GROUND CONTROLS INSTALLATION

ITEM #	PART NUMBER	QTY.	DESCRIPTION	REV.
	1001121492	Ref	GROUND CONTROL BOX SUB-ASSEMBLY	C
	1001120865	Ref	GROUND CONTROLS ASSEMBLY	H
1	0100048	AR	Grease, Dielectric	
2	0100081	AR	Loctite #454	
3	0630464	2	Screw, Button #10-24NC x1/2in	
4	0630518	2	Screw, Button Head #10-24NC x 3/4in	
5	0630548	5	Screw, Self Tapping	
6	0641406	1	Bolt 1/4in-20NC x 3/4in	
7	1001110014	1	Box Assembly	A
7A	2940139	2	Latch	
7B	2600279	2	Hinge	
7C	3960418	53in/1.4m	Seal	
7D	3380465	1	Panel, Front	
8	1320095	2	Clamp	
9	1001120866	1	Module, Ground Control (Note: Control System must be recalibrated when Module is replaced)	
10	1670829	1	Bezel	
11	2420172	1	Hourmeter	
12	2760105	1	Housing, Light	
13	3300408	2	Locknut, Nylon	
14	3311001	2	Nut #10-24NC	
15	3311401	11	Nut 1/4in-20NC	
16	3740049	2	Relay	
17	4060906	7	Guard, Switch	
18	4360274	1	Switch, Pushbutton	
19	4360328	7	Switch, Toggle	
20	4360475	1	Switch, Push-Pull Emergency	
20A	7020175	1	Cap	
20B	7020176	1	Block, Contact	
21	4360476	1	Block, Contact	
22	4460426	1	Connector, Strain Relief	
23	4460470	1	Nut, Terminal	
24	4460471	1	Washer, Terminal	
25	4460526	1	Connector, Strain Relief	
26	4460874	1	Connector, White	
27	4460875	1	Connector, Gray	
28	4460892	2	Bar, Buss	
29	4460905	4	Connector, Plug	
30	4460914	2	Base, Terminal	
31	4740444	7	Washer	
32	4751000	2	Flatwasher #10 regular	
33	4751400	22	Flatwasher 1/4in Regular	
34	4761400	5	Lockwasher 1/4in	
35	1001119372	1	Harness, Ground Box to Engine (See ELECTRICAL SECTION for Breakdown)	
36	1001116369	1	Harness, Valve (See ELECTRICAL SECTION for Breakdown)	
37	1001120180	1	Harness, Ground Control Box (See ELECTRICAL SECTION for Breakdown)	

SECTION 2 TURNTABLE

FIGURE 2-16. GROUND CONTROLS INSTALLATION (CONTINUED)

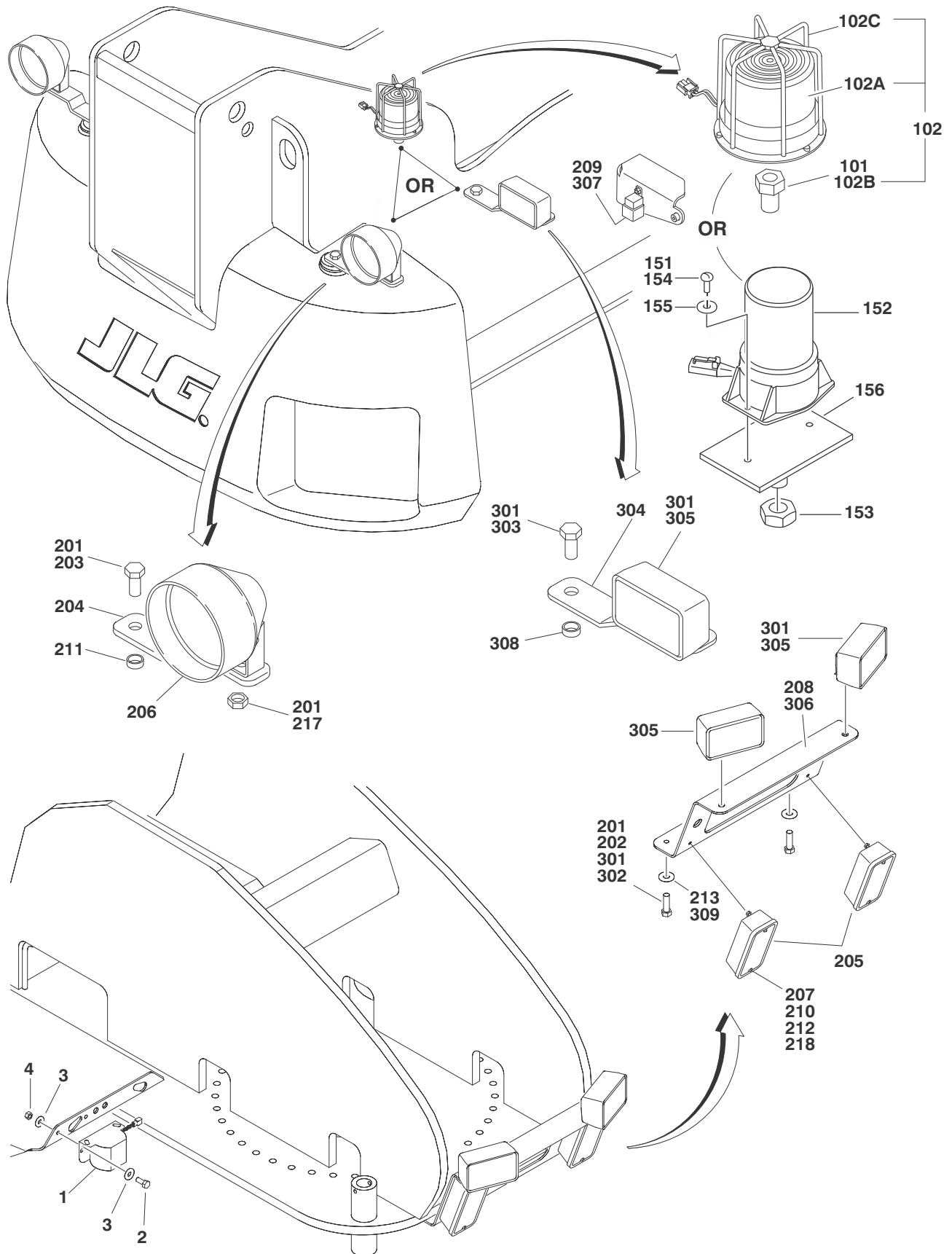
ITEM #	PART NUMBER	QTY.	DESCRIPTION	REV.
38	Not Used			
39	4460496	1	Washer, Terminal	
40	4460497	1	Nut, Terminal	
41	1001120337	1	Harness, ClearSky Ready	
42	1001106736	1	Cap, Dust	
43	1705974	1	Decal - Light Panel (Prior to SN 0300142938)	
44	1706911	1	Decal - Lid	
45	4060906	1	Guard, Switch	
46	4360328	1	Switch, Toggle	
47	47404446	1	Washer, Special	
		Ref	GROUND CONTROL BOX INSTALLATIONS	
	1001121491	Ref	Deutz TD2011 Engine Machines with Rexroth Pumps	B
	1001121489	Ref	Deutz TD2011 Engine Machines with Sauer Pumps	B
	1001144348	Ref	Deutz TCD2.9L4 Engine Machines	B
101	0100011	AR	Compound, Locking	
102	3931616	4	Bolt 3/8in-16NC x 3/4in	
103	Not Used			
104	4751600	4	Flatwasher 3/8in Regular	
105		AR	Harness, Pump Adapter Options:	
	1001119456	2	Machines with Rexroth Pumps	
	Not Required	1	Machines with Sauer Pumps	
106	1001119470	1	Harness, Engine (Deutz TD2011 Engine Only)	
	0259666	Ref	KEYSWITCH INSTALLATION	A
201	3910804	6	Screw #8-32NC x 1/8in	
202	4070987	2	Shim .015	
203	4360469	1	Keyswitch	
203A	2860030	1	Key, Replacement (All Specs)	
		Ref	LIGHT PANEL INSTALLATIONS (SN 0300142938 TO PRESENT)	
	1001121826	Ref	ANSI & ANSI Export Specs	A
	1001121827	Ref	Australian & CE Specs	A
301		1	Decal - Light Panel Options:	
	1001122383		ANSI & ANSI Export Specs	
	1705174		Australian & CE Specs	

FIGURE 2-16. GROUND CONTROLS INSTALLATION (CONTINUED)

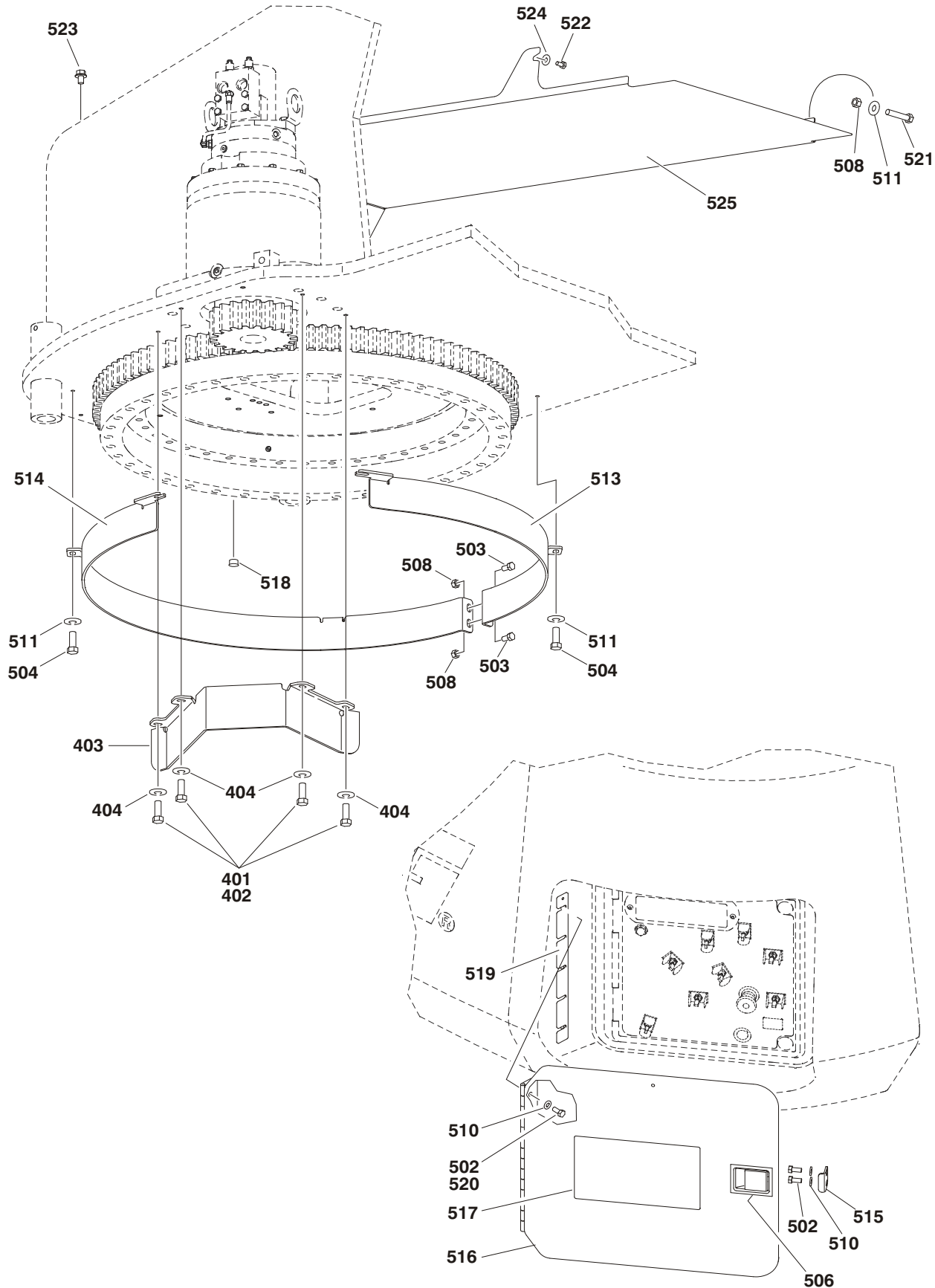
ITEM #	PART NUMBER	QTY.	DESCRIPTION	REV.

SECTION 2 TURNTABLE

FIGURE 2-17. ACCESSORIES INSTALLATION



SECTION 2 TURNTABLE



SECTION 2 TURNTABLE

FIGURE 2-17. ACCESSORIES INSTALLATION

ITEM #	PART NUMBER	QTY.	DESCRIPTION	REV.
	0271806	Ref	ALARMS INSTALLATION	A
1	0257887	1	Alarm	
	0140032	1	Alarm	
	2820035	6in/15cm	Loom	
	4460424	1	Plug	
	4460268	2	Socket, Female	
2	0641506	2	Bolt 5/16in-18NC x 3/4in	
3	3311505	2	Locknut 5/16in-18NC	
4	4751500	4	Flatwasher 5/16in Regular	
	0271807	Ref	STROBE LIGHT INSTALLATION (AMBER) (OPTIONAL) (Prior to SN 0300171640)	C
101	0100011	AR	Compound, Locking	
102	0272507	1	Strobe Light Assembly/Guard/Harness Assy (Includes Items 102B & 102C)	B
102A		1	Lamp, Strobe Options:	
	7016380	1	Bulb for ECCO Model 6640	
	70001941	1	Bulb for ECCO Model 6650	
102B		1	Adapter Options:	
	0630491		Guard used with ECCO Model 6640	
	0080241		Guard used with ECCO Model 6650	
102C		1	Guard Options:	
	4060907		Guard used with ECCO Model 6640	
	2920215		Guard used with ECCO Model 6650	
	1001150406	Ref	STROBE LIGHT INSTALLATION (AMBER) (OPTIONAL) (SN 0300171640 TO PRESENT)	A
151	0100035	AR	Compound, Locking	
152	2920161	1	Strobe Light/Harness Assembly	
	7016319	1	Bulb	
	7016372	1	Lens	
153	3312602	1	Nut, Jam 1in-8NC	
154	3900085	2	Screw #10-32 x 1/2in	
155	4751000	2	Flatwasher 1/4in Thin	
156	1001149994	1	Mount Strobe	
	0271769	Ref	HEADLIGHT & TAILLIGHTS INSTALLATION (OPTIONAL)	B
201	0100011	AR	Compound, Locking	
202	0641610	2	Bolt 3/8in-16NC x 1-1/4in	
203	0642612	2	Bolt 1in-8NC x 1-1/2in	
204	0902206	2	Bracket, Mounting	
205	2920113	2	Taillight	
206	2920110	2	Headlight	
	7016628	2	Bulb, Replacement (1 Per Headlight)	
207	3311001	4	Nut #10-24NC	

SECTION 2 TURNTABLE

FIGURE 2-17. ACCESSORIES INSTALLATION (CONTINUED)

ITEM #	PART NUMBER	QTY.	DESCRIPTION	REV.
208	3573336	2	Plate, Mounting	
209	3740080	1	Relay, Bosch	
210	3911040	4	Screw #10-24NC x 2-1/2in	
211	4220162	2	Spacer	
212	4751000	4	Flatwasher #10 Regular	
213	4751600	2	Flatwasher 3/8in Regular	
214 to 216	Not Used			
217	3311605	2	Locknut 3/8in-16NC	
218	0100035	AR	Compound, Locking	
	0271808	Ref	ILLUMINATION LIGHTS INSTALLATION (OPTIONAL)	B
301	0100011	AR	Compound, Locking	
302	0641610	2	Bolt 3/8in-16NC x 1-1/4in	
303	0642612	2	Bolt 1in-8NC x 1-1/2in	
304	0902206	2	Bracket, Mounting	
305	2920157	4	Headlight	
	7024452	4	Bulb, Replacement (1 Per Light)	
306	3573336	2	Plate, Mounting	
307	3740080	1	Relay, Bosch	
308	4220162	2	Spacer	
309	4751600	2	Flatwasher 3/8in Regular	
	0271874	Ref	PINION SHIELD INSTALLATION	
401	0100011	AR	Compound, Locking	
402	0641608	4	Bolt 3/8in-16NC x 1in	
403	3573355	1	Plate, Pinion	
404	4751600	4	Flatwasher 3/8in Regular	
	1001111219	Ref	SHIELDS INSTALLATION (OPTIONAL)	G
501	Not Used			
502	0641506	5	Bolt 5/16in-18NC x 3/4in	
503	0641606	2	Bolt 3/8in-16NC x 3/4in	
504	0641608	3	Bolt 3/8in-16NC x 1in	
505	Not Used			
506	2940045	1	Latch, Paddle	
507	Not Used			
508	3311605	AR	Locknut 3/8in-16NC	
509	Not Used			
510	4711500	7	Flatwasher 5/16in Thin	
511	4751600	AR	Flatwasher 3/8in Regular	
512	Not Used			
513	1001111175	1	Plate, Bearing Cover	
514	1001111176	1	Plate, Bearing Cover	
515	1001112911	1	Plate, Striker	
516	1001111193	1	Door	
517	1001113173	1	Decal - Emergency Stop	

SECTION 2 TURNTABLE

FIGURE 2-17. ACCESSORIES INSTALLATION (CONTINUED)

ITEM #	PART NUMBER	QTY.	DESCRIPTION	REV.
518	1001114392	1	Plug, Rubber	
519	1001115168	1	Shim	
520	0100011	AR	Compound, Locking	
521	0630511	1	Bolt 3/8in-16NC x 2in	
522	0641404	1	Bolt 1/4in-20NC x 1/2in	
523	0791604	2	Bolt 3/8in-16NC x 1/2in	
524	4751400	1	Flatwasher 1/4in Regular	
525	1001115440	1	Shield, Turntable	

SECTION 2 TURNTABLE

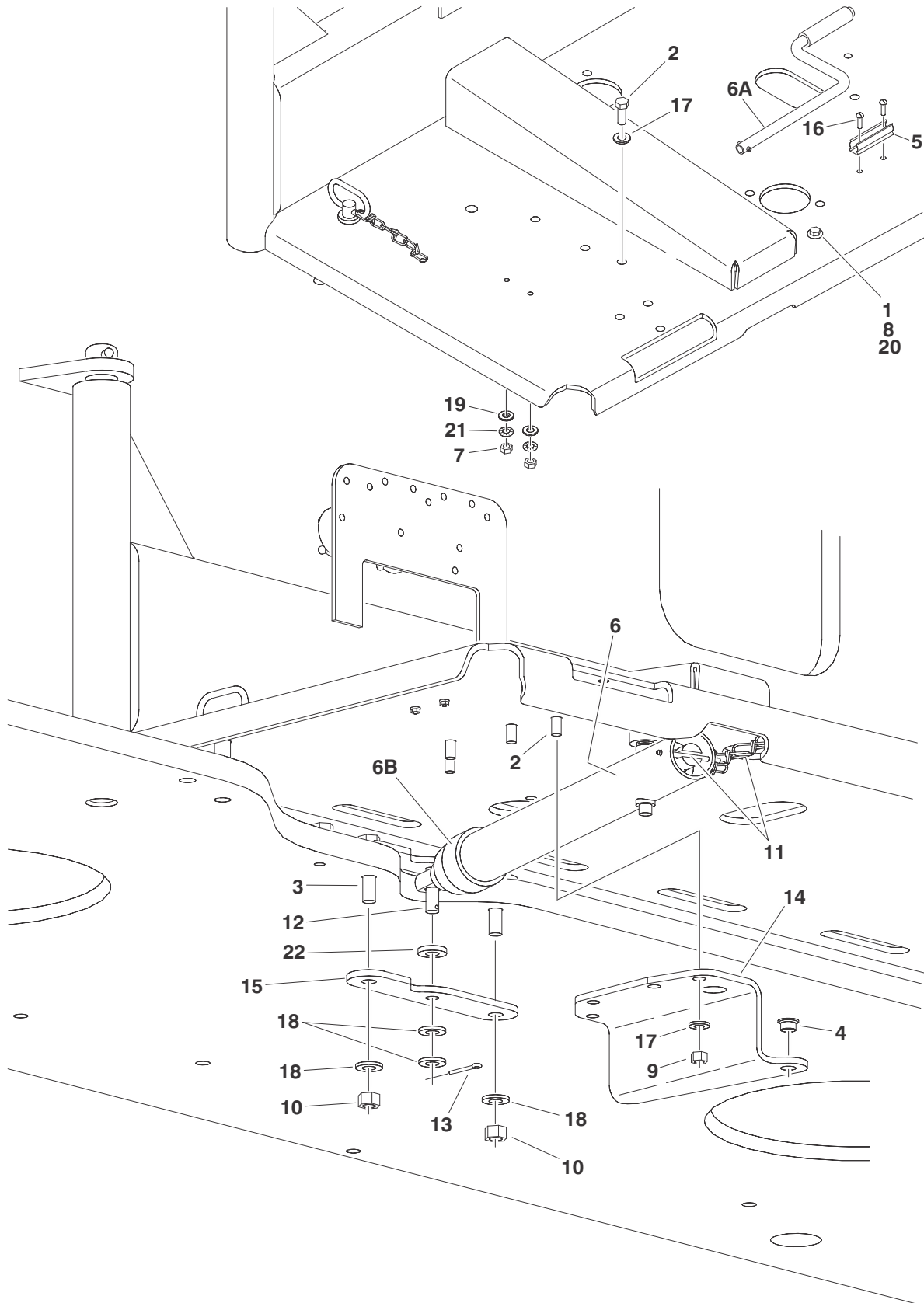
FIGURE 2-17. ACCESSORIES INSTALLATION (CONTINUED)

ITEM #	PART NUMBER	QTY.	DESCRIPTION	REV.

SECTION 2 TURNTABLE

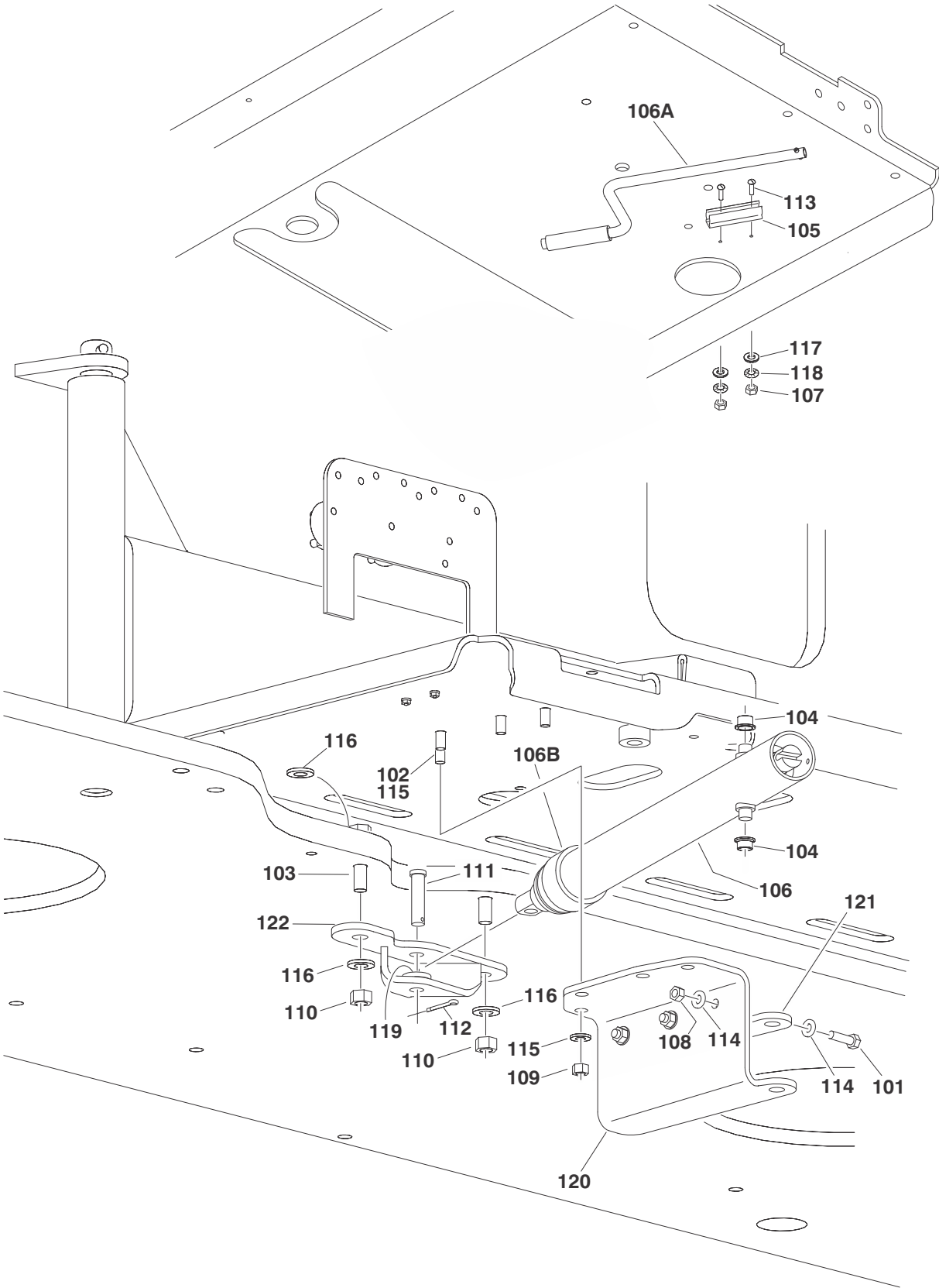
FIGURE 2-18. ENGINE TRAY JACK INSTALLATION

DEUTZ TD2011 ENGINE MACHINES



SECTION 2 TURNTABLE

DEUTZ TCD2.9L4 ENGINE MACHINES



SECTION 2 TURNTABLE

FIGURE 2-18. ENGINE TRAY JACK INSTALLATION

ITEM #	PART NUMBER	QTY.	DESCRIPTION	REV.
	0272064	Ref	ENGINE TRAY JACK INSTALLATION (DEUTZ TD2011 ENGINES MACHINES)	C
1	Not Used			
2	0641608	4	Bolt 3/8in-16NC x 1in	
3	0641818	2	Bolt 1/2in-13NC x 2-1/4in	
4	0962051	2	Bearing, Flanged	
5	1380147	1	Clip, Spring	
6	2840016	1	Jack and Handle Assembly	
6A		1	Handle Options:	
	7016374		Burr Manufacturing Brand (identified by 4in handle offset)	
	7024598		Hammerblow Corp Brand (identified by 4-1/2in handle offset)	
6B	7016322	1	Wiper (Burr Manufacturing Brand Only)	
7	3310601	2	Nut #6-32NC	
8	Not Used			
9	3311605	4	Locknut 3/8in-16NC	
10	3311805	2	Locknut 1/2in-13NC	
11	Not Used			
12	3430816	1	Pin, Clevis	
13	3450404	1	Pin, Cotter 1/8in x 1in	
14	3537445	1	Bracket	
15	3573454	2	Bracket	
16	3910608	2	Screw #6-32NC x 1/2in	
17	4711600	8	Flatwasher 3/8in Thin	
18	4711800	4	Flatwasher 1/2in Thin	
19	4750600	2	Flatwasher #6 Regular	
20	Not Used			
21	4770600	2	Starwasher #6	
22	4891800	1	Flatwasher 1/2in Hardened	
	1001143294	Ref	ENGINE TRAY JACK INSTALLATION (DEUTZ TCD2.9L4 ENGINE MACHINES)	A
101	0641509	3	Bolt 5/16in-18NC x 1-1/8in	
102	0641608	4	Bolt 3/8in-16NC x 1in	
103	0641816	2	Bolt 1/2in-13NC x 2in	
104	0962051	2	Bearing, Flanged	
105	1380147	1	Clip, Spring	
106	2840016	1	Jack and Handle Assembly	
106A		1	Handle Options:	
	7016374		Burr Manufacturing Brand (identified by 4in handle offset)	
	7024598		Hammerblow Corp Brand (identified by 4-1/2in handle offset)	
106B	7016322	1	Wiper (Burr Manufacturing Brand Only)	
107	3310601	2	Nut #6-32NC	
108	3311505	3	Locknut 5/16in-18NC	
109	3311605	4	Locknut 3/8in-16NC	
110	3311805	2	Locknut 1/2in-13NC	
111	3430816	1	Pin, Clevis	
112	3450404	1	Pin, Cotter 1/8in x 1in	

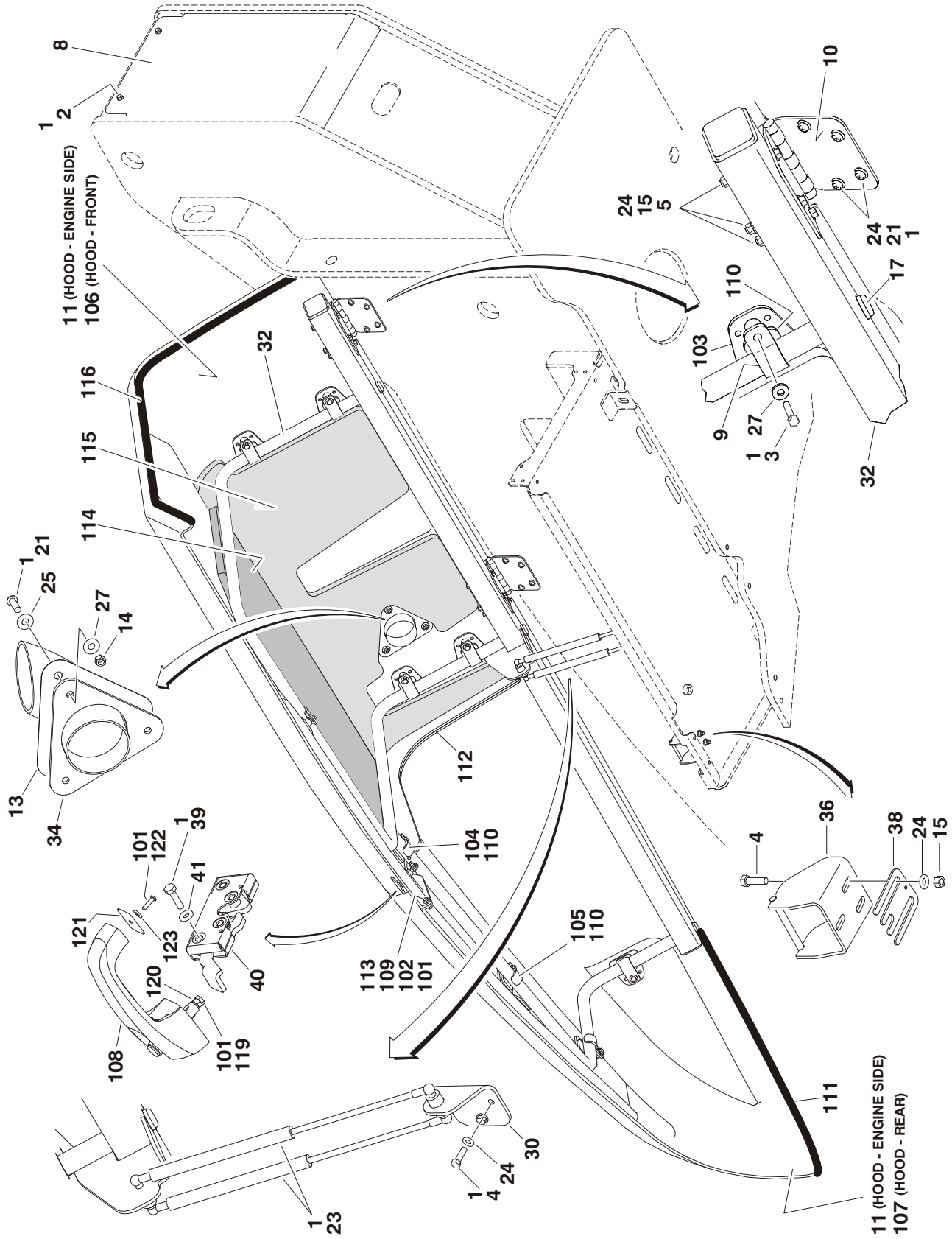
SECTION 2 TURNTABLE

FIGURE 2-18. ENGINE TRAY JACK INSTALLATION (CONTINUED)

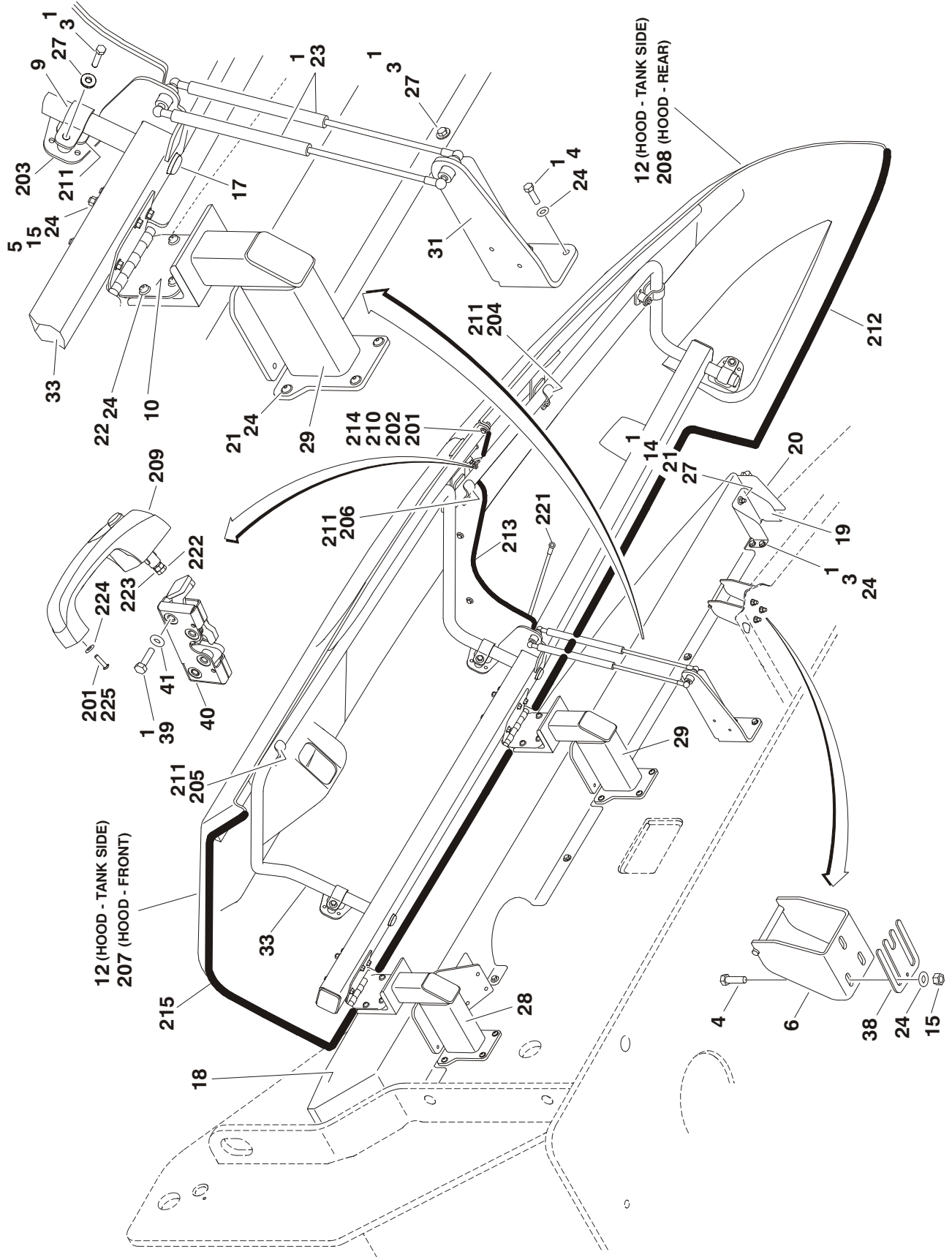
ITEM #	PART NUMBER	QTY.	DESCRIPTION	REV.
113	3910608	2	Screw #6-32NC x 1/2in	
114	4711500	6	Flatwasher 5/16in Thin	
115	4711600	8	Flatwasher 3/8in Thin	
116	4711800	4	Flatwasher 1/2in Thin	
117	4750600	2	Flatwasher #6 Regular	
118	4770600	2	Starwasher #6	
119	4891800	1	Flatwasher, 1/2in Hardened	
120	1001143298	1	Plate, Jack Bracket	
121	1001131482	1	Plate, Jack Bracket	
122	1001135663	1	Support, Engine Tray Jack	

SECTION 2 TURNTABLE

FIGURE 2-19. HOOD INSTALLATION (ABS) (SN 0300073745 ONLY)



SECTION 2 TURNTABLE



SECTION 2 TURNTABLE

FIGURE 2-19. HOOD INSTALLATION (ABS) (SN 0300073745 ONLY)

ITEM #	PART NUMBER	QTY.	DESCRIPTION	REV.
	0271595	Ref	HOOD INSTALLATION (ABS)	F
1	0100011	AR	Compound, Locking	
2	0791604	2	Screw 3/8in-16NC x 1/2in	
3	0641608	24	Bolt 3/8in-16NC x 1in	
4	0641610	AR	Bolt 3/8in-16NC x 1-1/4in	
5	0641630	12	Bolt 3/8in-16NC x 3-3/4in	
6	0903156	1	Bracket	
7	0940088	2	Bumper	
8	1671038	1	Cover, Turntable	
9	2080051	16	Clamp	
10	2600280	4	Hinge	
11	1671192	1	Hood, Engine Side (See Items 101-123 for Breakdown):	
		Ref	Note: Replacement decals must be ordered separately - See DECAL SECTION.	
12	1671194	1	Hood, Tank Side (See Items 201-225 for Breakdown):	
		Ref	Note: Replacement decals must be ordered separately - See DECAL SECTION.	
13	2820141	1	Shield, Heat	
14	3311601	5	Nut 3/8in-16NC	
15	3311605	18	Locknut 3/8in-16NC	
16	3321501	2	Nut 5/16in-24NF	
17	3520186	6	Plug	
18	3573231	1	Trough, Powertrack	
19	3573232	1	Mount, Trough	
20	3573233	1	Plate, Seal Mounting	
21	3900232	21	Screw, Button Head 3/8in-16NC x 1-1/4in	
22	3900283	16	Screw, Button Head 3/8in-16NC x 3/4in	
23	4160194	4	Spring, Gas	
24	4711600	70	Flatwasher 3/8in Thin	
25	4740500	3	Washer, Nylon	
26	4751500	2	Flatwasher 5/16in Regular	
27	4751600	38	Flatwasher 3/8in Regular	
28	4340924	1	Support, Front Hood	
29	4340923	1	Support, Rear Hood	
30	4341001	1	Mount, Gas Spring	
31	4340999	1	Mount, Gas Spring	
32	4340996	1	Support, Engine Side Hood	
33	4340995	1	Support, Tank Side Hood	
34	4846503	1	Stack, Exhaust	
35	0641612	6	Bolt 3/8in-16NC x 1-1/2in	
36	0903154	1	Bracket, Latch	
37	3520034	2	Plug (Not Shown - Located in Boom Rest)	
38	4071048	AR	Shim	
39	0641408	8	Bolt 1/4in-20NC x 1in	
40	2940173	2	Latch, Rotary	
41	4711400	8	Flatwasher 1/4in Thin	

SECTION 2 TURNTABLE

FIGURE 2-19. HOOD INSTALLATION (ABS) (SN 0300073745 ONLY) (CONTINUED)

ITEM #	PART NUMBER	QTY.	DESCRIPTION	REV.
	1671192	Ref	ENGINE SIDE HOOD ASSEMBLY (ABS) Note: Replacement decals must be ordered separately - See DECAL SECTION.	A
		Ref		
101	0100011	AR	Compound, Locking	
102	0641506	10	Bolt 5/16in-18NC x 3/4in	
103	0902746	7	Bracket	
104	0903161	1	Bracket	
105	0902761	1	Bracket	
106	1001097956	1	Hood Kit - Front (Includes Items 13, 25, 114 & 115)	
107	2680496	1	Hood - Rear	
108	2560187	1	Handle, Push Button	
109	3311501	10	Nut 5/16in-18NC	
110	3340877	9	Pad	
111	3960464	12ft/3.7m	Seal, Hood	
112	4060806	49in/1.3m	Flex-Trim	
113	4751500	20	Flatwasher 5/16in Regular	
114	2820145	1	Insulation	
115	2820146	1	Insulation	
116	4060804	61in/1.6m	Flex-Trim	
117	0100081	AR	Adhesive (Not Shown)	
118	Not Used			
119	0760608	1	Screw M6 x 16mm	
120	3290601	1	Nut M6	
121	3575782	1	Plate, Handle Backing	
122	3900363	2	Screw M6 x 1x25mm	
123	4811900	2	Flatwasher M8	
	1671194	Ref	TANK SIDE HOOD ASSEMBLY (ABS) Note: Replacement decals must be ordered separately - See DECAL SECTION.	A
		Ref		
201	0100011	AR	Compound, Locking	
202	0641506	9	Bolt 5/16in-18NC x 3/4in	
203	0902746	4	Bracket	
204	0902762	1	Bracket	
205	0902763	1	Bracket	
206	0903162	1	Bracket	
207	1671193	1	Hood - Front	
208	2680498	1	Hood - Rear	
209	2560187	1	Handle, Push Button	
210	3311501	9	Nut 5/16in-18NC	
211	3340877	7	Pad	
212	3960464	149in/3.8m	Seal, Hood	
213	4060806	40in/1.2m	Flex-Trim	
214	4751500	18	Flatwasher 5/16in Regular	
215	4060804	53in/1.4m	Flex-Trim	
216	0100081	AR	Adhesive (Not Shown)	
217 to 220	Not Used			
221	4240150	1	Strap, Ground	

SECTION 2 TURNTABLE

FIGURE 2-19. HOOD INSTALLATION (ABS) (SN 0300073745 ONLY) (CONTINUED)

ITEM #	PART NUMBER	QTY.	DESCRIPTION	REV.
222	0760608	1	Screw M6 x 16mm	
223	3290601	1	Nut M6	
224	3900363	2	Screw M6 x 1x25mm	
225	4811900	2	Flatwasher M8	

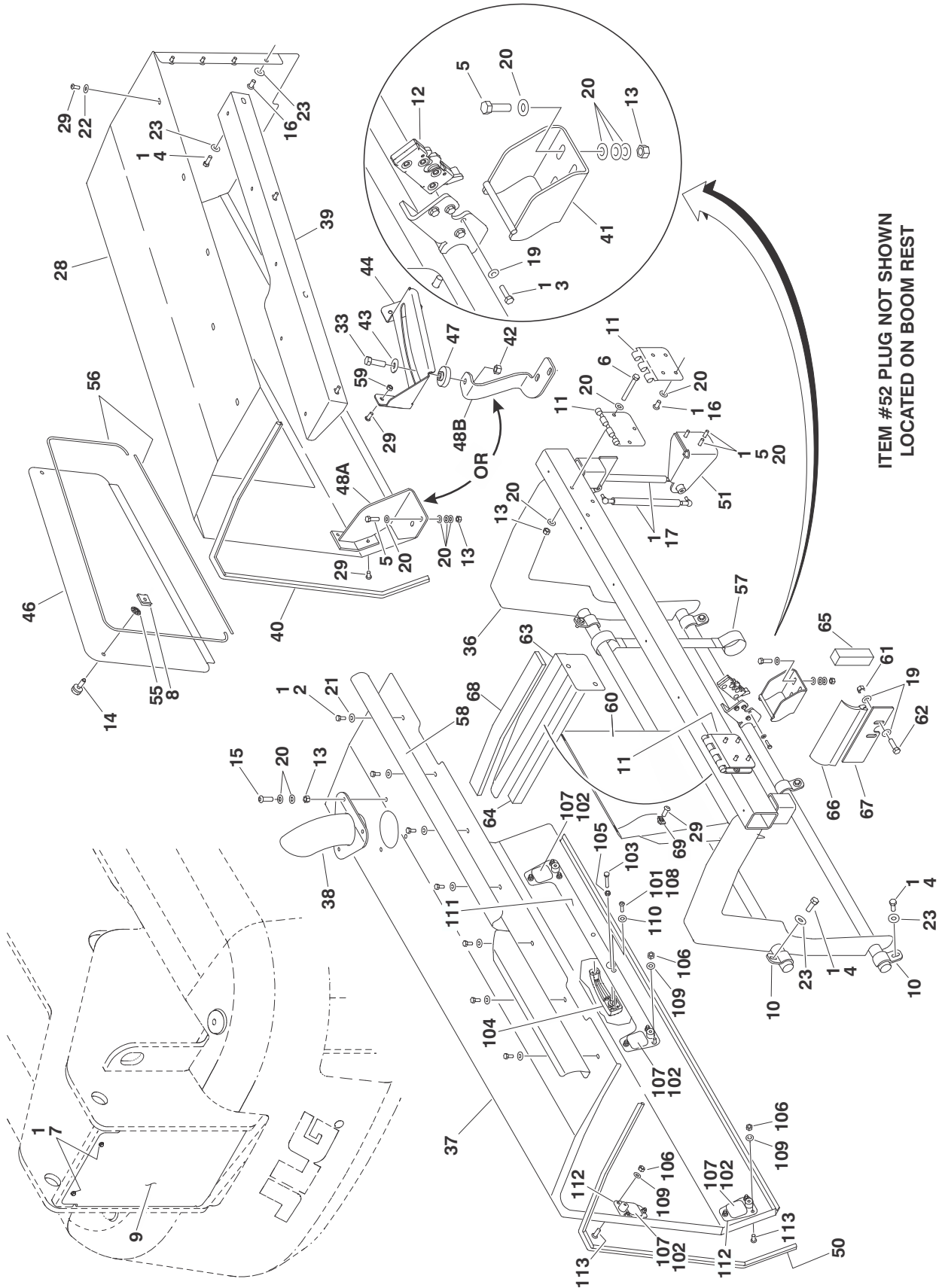
SECTION 2 TURNTABLE

FIGURE 2-19. HOOD INSTALLATION (ABS) (SN 0300073745 ONLY) (CONTINUED)

ITEM #	PART NUMBER	QTY.	DESCRIPTION	REV.

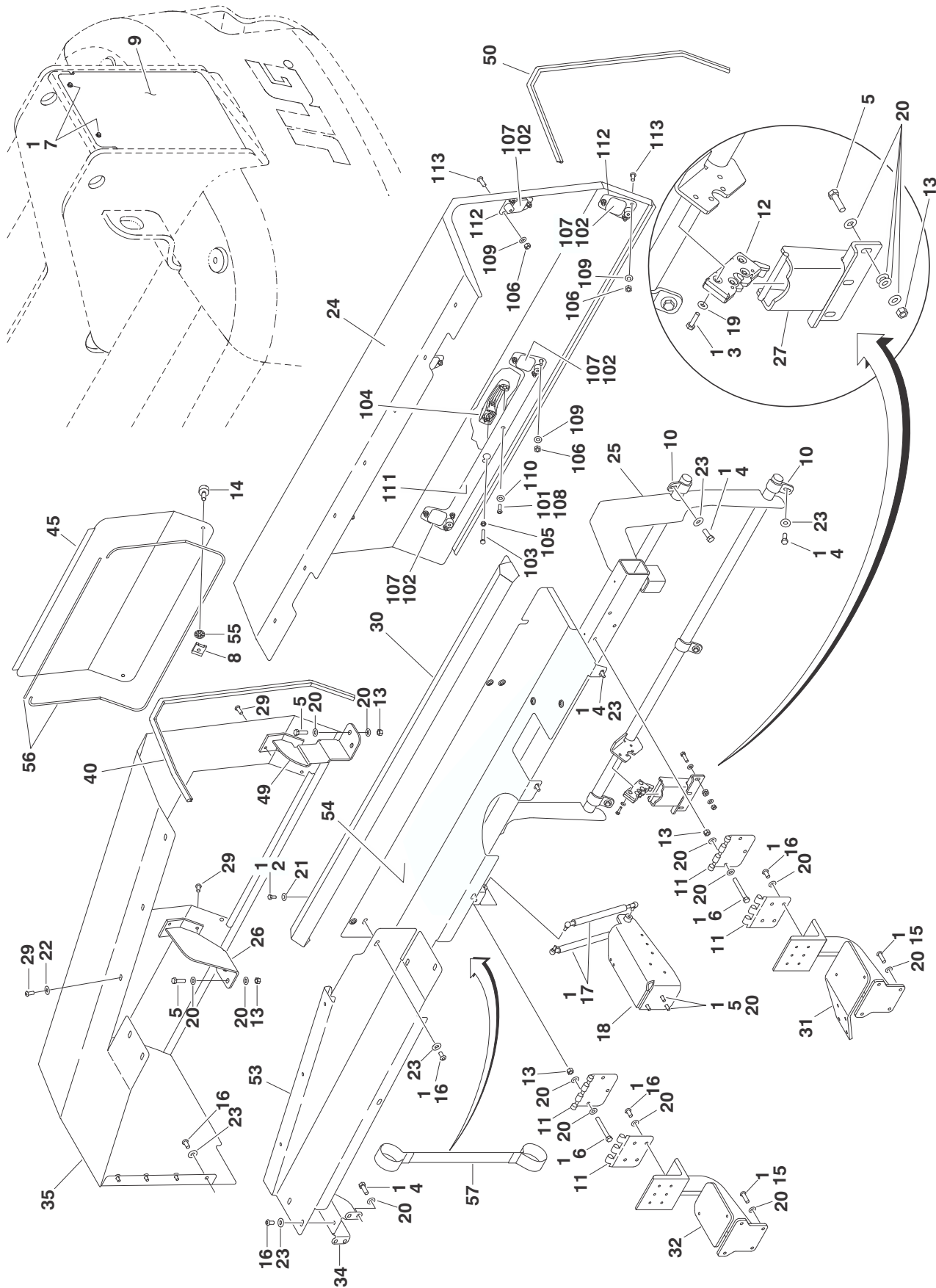
SECTION 2 TURNTABLE

FIGURE 2-20. HOOD INSTALLATION (STEEL)



ITEM #52 PLUG NOT SHOWN
LOCATED ON BOOM REST

SECTION 2 TURNTABLE



SECTION 2 TURNTABLE

FIGURE 2-20. HOOD INSTALLATION (STEEL)

ITEM #	PART NUMBER	QTY.	DESCRIPTION	REV.
		Ref	HOOD INSTALLATIONS	
	1001109543	Ref	Prior to SN 0300162522	D
	1001131545	Ref	All Machines Except Machines with Deutz TCD2.9L4 Engines (SN 0300162522 to Present)	C
	1001139774	Ref	Machines with Deutz TCD2.9L4 Engines	E
1	0100011	AR	Compound, Locking	
2	0641405	14	Bolt 1/4in-20NC x 5/8in	
3	0641408	8	Bolt 1/4in-20NC x 1in	
4	0641608	24	Bolt 3/8in-16NC x 1in	
5	0641610	18	Bolt 3/8in-16NC x 1-1/4in	
6	0641630	12	Bolt 3/8in-16NC x 3-3/4in	
7	0791604	2	Screw 3/8in-16NC x 1/2in	
8	1380169	4	Clip, Receptacle	
9	1671038	1	Cover, Turntable	
10	2080051	12	Clamp	
11	2600280	4	Hinge	
12	2940173	2	Latch, Rotary	
13	3311605	27	Locknut 3/8in-16NC	
14	3900174	4	Screw, Thumb	
15	3900232	11	Screw, Button Head 3/8in-16NC x 1-1/4in	
16	3900283	32	Screw, Button Head 3/8in-16NC x 3/4in	
17	4160194	4	Spring, Gas	
18	4340999	1	Mount, Gas Spring	
19	4711400	8	Flatwasher 1/4in Thin	
20	4711600	AR	Flatwasher 1/4in Thin	
21	4751400	14	Flatwasher 1/4in Regular	
22	4751500	10	Flatwasher 5/16in Regular	
23	4751600	36	Flatwasher 3/8in Regular	
24	1001107176	1	Hood, Tank Side - Front (See Items 101-113 for Breakdown)	
		Ref	Note: Replacement decals must be ordered separately - See DECAL SECTION.	
25	1001108142	1	Support, Tank Side Hood	
26	1001108680	1	Bracket, Hood Support	
27	1001113004	1	Bracket, Striker	
28		1	Hood, Engine Side - Rear Options: Prior to SN 0300162522 SN 0300162522 to Present	
29	3900210	AR	Screw, Button Head 5/16in-18NC x 3/4in	
30	1001109511	1	Shield, Hinge	
31	1001109651	1	Support, Front Hood	
32	1001109652	1	Support, Front Hood	
33	0641813	1	Bolt 1/2in-13NC x 1-5/8in (SN 0300162522 to Present)	
34	1001109759	1	Support, Power Track Trough	
35	1001109838	1	Hood, Tank Side - Rear	
36	Use 1001146036	1	Support, Engine Side (was p/n 1001109941)	

SECTION 2 TURNTABLE

FIGURE 2-20. HOOD INSTALLATION (STEEL) (CONTINUED)

ITEM #	PART NUMBER	QTY.	DESCRIPTION	REV.
37		1	Hood, Engine Side - Front Option (See Items 101-113 for Breakdown):	
	1001109989		Machines with Caterpillar, Deutz BF4M2011 & Deutz TD2011 Engines	
	1001139805		Machines with Deutz TCD2.9L4 Engines	
		Ref	Note: Replacement decals must be ordered separately - See DECAL SECTION.	
38		1	Stack, Exhaust Options:	
	1001110027		Machines with Caterpillar, Deutz BF4M2011 & Deutz TD2011 Engines	
	1001139778		Machines with Deutz TCD2.9L4 Engines	
39	1001110146	1	Support, Engine Side	
40	1001110166	9.5ft/2.9m	Seal	
41	1001110194	1	Bracket, Striker	
42	3311805	1	Locknut 1/2in-13NC (SN 0300162522 to Present)	
43	4751800	1	Flatwasher 1/2in Regular (SN 0300162522 to Present)	
44	1001131460	1	Bracket, Engine Tray (SN 0300162522 to Present)	
45	1001110257	1	Cover, Access (Tank Side)	
46	1001110258	1	Cover, Access (Engine Side)	
47	1001131462	1	Pad, Hood Slide (SN 0300162522 to Present)	
48		1	Bracket, Hood Support Options:	
48A	1001110295		Prior to SN 0300162522	
48B	1001131461		SN 0300162522 to Present	
49	1001110296	1	Bracket, Hood Support	
50	1001110433	9.5ft/2.9m	Seal	
51	1001110486	1	Mount, Gas Spring	
52	3520034	2	Plug, Hole (Not Shown - Located on Inside Turntable)	
53	1001111585	1	Plate, Power Track Trough	
54	1001112162	1	Plate, Power Track Trough	
55	3760308	4	Retainer	
56	1001113047	17ft/5.2m	Seal, Adhesive Backed	
57	1001112691	2	Strap, Hand Pull	
58	1001114098	1	Shield, Rubber	
59	3311505	4	Locknut 5/16in-18NC (SN 0300162522 to Present)	
60	1001145162	1	Panel, Heat Deflector (Machines with Deutz TCD2.9L4 Engines)	
61	3311405	2	Locknut 1/4in-20NC (Machines with Deutz TCD2.9L4 Engines)	
62	0641406	2	Bolt 1/4in-20NC x 3/4in (Machines with Deutz TCD2.9L4 Engines)	
63	1001140483	1	Bracket (Machines with Deutz TCD2.9L4 Engines)	
64	1001140485	1	Seal (Machines with Deutz TCD2.9L4 Engines)	
65	1001146132	1	Seal (Machines with Deutz TCD2.9L4 Engines)	
66	1001146178	1	Seal (Machines with Deutz TCD2.9L4 Engines)	
67	1001146183	1	Plate (Machines with Deutz TCD2.9L4 Engines)	
68	1001146244	1	Seal (Machines with Deutz TCD2.9L4 Engines)	
69	8310658	5	Nut, Retainer (Machines with Deutz TCD2.9L4 Engines)	

SECTION 2 TURNTABLE

FIGURE 2-20. HOOD INSTALLATION (STEEL) (CONTINUED)

ITEM #	PART NUMBER	QTY.	DESCRIPTION	REV.
		Ref	HOOD COMPONENTS	
	1001107176	Ref	Tank Side Hood	F
		Ref	Engine Side Hood Options:	
	1001109989	Ref	Machines with Caterpillar, Deutz BF4M2011 & Deutz TD2011Engines	F
	1001139805	Ref	Machines with Deutz TCD2.9L4 Engines	D
		Ref	Note: Qtys shown are for 1 Side. Double qty for both sides.	
		Ref	Note: Replacement decals must be ordered separately - See DECAL SECTION.	
101	0100011	AR	Compound, Locking	
102	0100081	AR	Adhesive, Loctite #454	
103	0700616	1	Bolt 5/16in-18NC x 3/4in	
104	2560187	1	Handle, Push Button	
105	3290601	1	Nut M6	
106	3311505	18	Locknut 5/16in-18NC	
107	3340877	6	Pad	
108	3900363	2	Screw, Button Head M6 x 1x25mm	
109	4711500	18	Flatwasher 5/16in Thin	
110	4811900	2	Flatwasher M8	
111	1001107978	1	Mount, Handle	
112	1001108024	4	Bracket	
113	3900210	1	Screw, Button Head 5/16in-18NC x 3/4in	

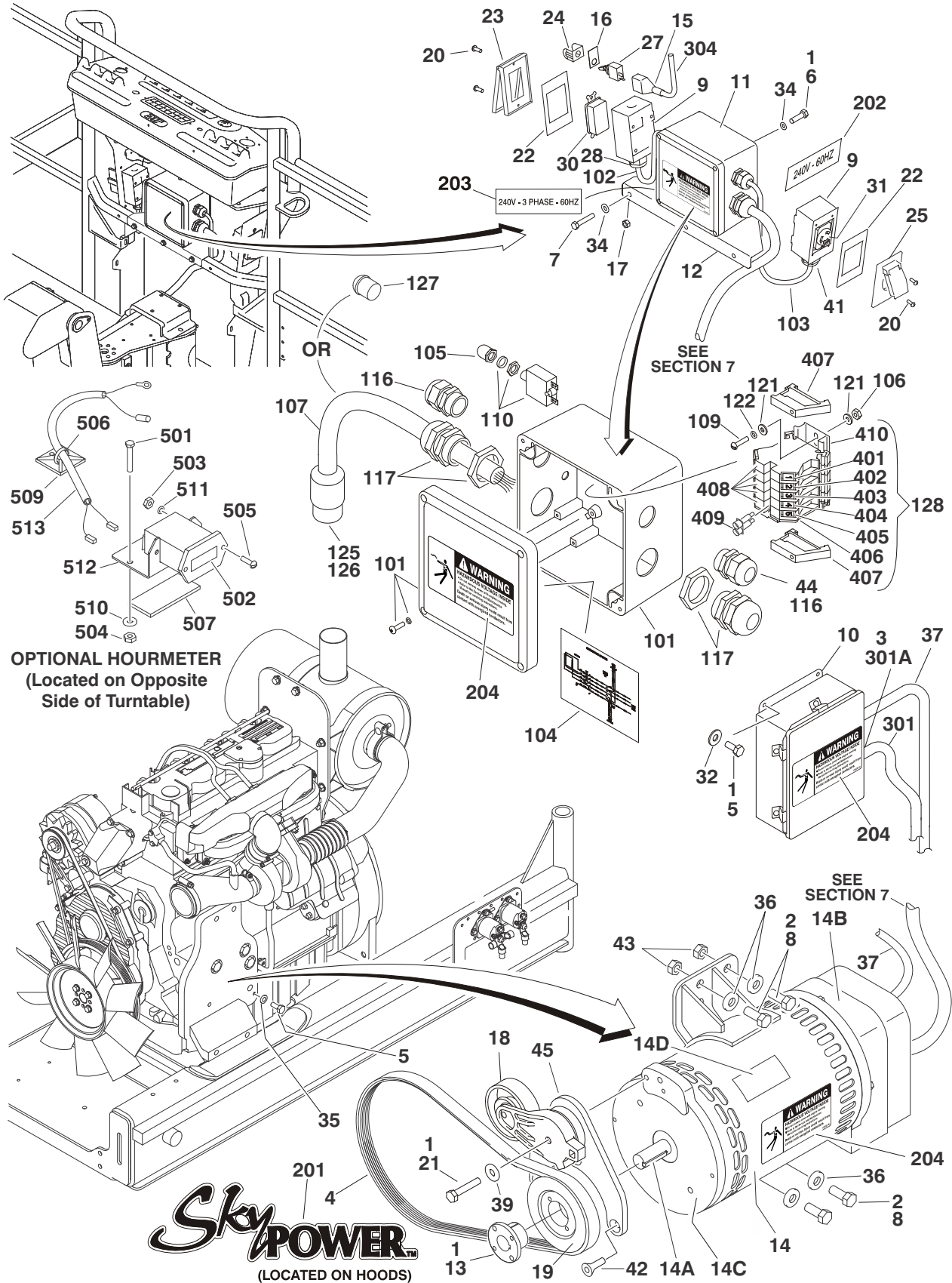
SECTION 2 TURNTABLE

FIGURE 2-20. HOOD INSTALLATION (STEEL) (CONTINUED)

ITEM #	PART NUMBER	QTY.	DESCRIPTION	REV.

SECTION 2 TURNTABLE

FIGURE 2-21. 7500W SKYPOWER GENERATOR INSTALLATION



SkyPOWER
(LOCATED ON HOODS)

SECTION 2 TURNTABLE

FIGURE 2-21. 7500W SKYPOWER GENERATOR INSTALLATION

ITEM #	PART NUMBER	QTY.	DESCRIPTION	REV.
		Ref	7500W SKYPOWER GENERATOR INSTALLATION	
	1001125427	Ref	60Hz Spec (TD2011 Engines)	A
	1001137590	Ref	60Hz Spec (TCD2.9L4 Engines)	C
		Ref	Note: SkyPower Generator is Standard On ANSI Specs.	
		Ref	Note: See ELECTRICAL SECTION for Boom Cable Installation.	
1	0100011	AR	Compound, Locking	
2	0100019	AR	Compound, Locking	
3	0100048	AR	Grease, Dielectric	
4		1	Belt, Generator Options:	
	0480128		TD2011 Engine	
	1001142645		TCD2.9L4 Engines	
5	0641404	5	Bolt 1/4in-20NC x 1/2in	
6	0641508	4	Bolt 5/16in-18NC x 1in	
7	0641516	3	Bolt, 5/16in-18NC x 2in	
8	0641810	4	Bolt, 1/2in-13NC x 1-1/4in	
9	0860038	2	Box, Switch-Weatherhead	
10	0861538	1	Box, Generator Control	
	7024488	1	Card, Circuit - Generator Power	
	See Note	1	Fuse (Note: Not Available - Purchase Locally)	
	7024489	1	Card, Circuit - Control	
		Ref	Note: Same Circuit Card (P/N 7024489) is used for both 60Hz & 50Hz. When replacing card, rocker switch on card must be set for required application.	
	70000619	1	Harness, Circuit Card	
11		1	Junction Box Assembly Options (See Items 101-128 for Breakdown):	
	0861542	1	60Hz Spec (TD2011 Engines)	
	1001142914		60Hz Spec (TCD2.9L4 Engines)	
12	0902888	1	Bracket, Generator Junction Box	
13	0962520	1	Bushing, Taper	
14		1	Generator, 7500W Options:	
	2460048		Deutz TD2011 Engines	
	1001136988		Deutz TCD2.9L4 Engines	
	Use 70003631	1	Brushholder Assembly (Not Shown) (was p/n 7024484)	
	7024485	1	Breaker, Circuit 30Amp (Not Shown)	
	70001696	1	Boot, Breaker (was p/n 7024486) (Not Shown)	
	70001966	1	Bearing, Ball Radial (Located in Belt Tensioner Endbell - Not Shown)	
	7027799	1	Block, Connector 6 Position (Not Shown)	
	70002460	1	Nut, Brass (Attaches p/n 7027799 to Cover) (Not Shown)	
	70002297	AR	Stud 1/4in-20NC x 12-7/8in (Not Shown)	
	7026188	1	Clamp, Cable (Not Shown)	
	7026597	1	Connector with Leads (Not Shown)	
	7026626	1	Connector with Pins (Not Shown)	
	70001100	1	Rotor/Armature (Not Shown)	
	70001384	1	Bearing, Ball Radial (Not Shown)	
	70002088	1	Stator (Not Shown)	
	Use 70004169	1	Plate, End Panel (Not Shown) (was p/n 70002255)	

SECTION 2 TURNTABLE

FIGURE 2-21. 7500W SKYPOWER GENERATOR INSTALLATION (CONTINUED)

ITEM #	PART NUMBER	QTY.	DESCRIPTION	REV.
	70000863	1	Fan (Not Shown)	
	70001974	1	Decal - Terminal Connections (Not Shown)	
14A	Use 70004169	1	Shroud, Endbell (was p/n 70002290)	
14B	Use 70004169	1	Endbell, Rear (Brush Block End) (was p/n 70001385)	
	Use 70004169	1	Shroud, Endbell (was p/n 70002290)	
14C	70001953	1	Endbell, Front (Tensioner End)	
14D	70001973	1	Decal - Warning Moving Parts	
15	2820031	AR	Insulator, Heat Shrink	
16	3251102	1	Nameplate, Generator	
17	3311508	3	Nut, 5/16in-18NC Serrated Flange	
18	3580317	1	Pulley, Belt Tensioner	
19	3580318	1	Pulley, Generator	
20	3910606	8	Screw, Round Head #6-32NC x 3/8in	
21	0641618	1	Bolt 3/8in-16NC x 2in	
22	3960422	2	Gasket, AC Receptacle	
23	1001110873	1	Shield, Receptacle Cover	
24	4060802	1	Guard, Switch	
25	1001110872	1	Cover, Receptacle	
26	4240018	AR	Strap, Tie (Not Shown)	
27	4360336	1	Switch, Toggle	
28	4460051	1	Connector, Strain Relief	
29	4460315	4	Terminal, Spade (Not Shown - Use 2 each with items 30 & 31)	
30	4460346	1	Terminal, Receptacle	
31	4460958	1	Receptacle	
32	4711400	4	Flatwasher 1/4in Thin	
33	Not Used			
34	4751500	7	Flatwasher 5/16in Regular	
35	4791400	2	Starwasher 1/4in	
36	4891800	4	Flatwasher 1/2in Hardened	
37	4922972	1	Harness, Generator Cable	B
	4460225	1	Plug, Male 6 Position (Plugs into Generator)	
	4460226	6	Socket, Female (Use with 4460225)	
	4460807	1	Seal, Plug (Use with 4460225)	
	4460808	1	Seal, Interface (Use with 4460225)	
	See Note	1	Connector, Female 6 Position (Plugs into Control Box) (Note: Not Available For Purchase)	
	See Note	6	Pin, Male (Note: Not Available For Purchase)	
38	Not Used			
39	4711600	1	Washer	
40	0100020	AR	Sealant, Pipe (Not Shown)	
41	4460071	1	Connector, Strain Relief	
42	0741607	3	Screw, Countersunk Flathead 3/8in-16NC x 7/8in	
43	3311801	2	Nut 1/2in-13NC	
44	3520192	1	Plug, Hole (Deutz TCD2.9L4 Engines Only)	
45	1001138011	1	Bracket (Deutz TCD2.9L4 Engines Only)	

SECTION 2 TURNTABLE

FIGURE 2-21. 7500W SKYPOWER GENERATOR INSTALLATION (CONTINUED)

ITEM #	PART NUMBER	QTY.	DESCRIPTION	REV.
		Ref	JUNCTION BOX ASSEMBLY	
	0861542	Ref	60Hz Spec (TD2011 Engines)	D
	1001142914	Ref	60Hz Spec (TCD2.9L4 Engines)	A
101	0861541	1	Box, Junction	
102	1060494	2ft/.6m	Cable, Electrical 12/3	
103		2.5ft/.76m	Cable, Electrical 10/3	
	1060708		60Hz Spec (TD2011 Engines)	
	Not Required		60Hz Spec (TCD2.9L4 Engines)	
104	1705376	1	Decal - Wiring Schematic	
105	3300396	1	Cover, Fuse	
106	3310601	2	Nut #6-32NC	
107	1060343	1.5ft/.46m	Cable, Electrical 10/4	
108	Not Used			
109	3910610	2	Bolt #6-32NC x 5/8in	
110	4360070	1	Circuit Breaker - 15 Amp	
111 to 115	Not Used			
116	4460425	2	Strain Relief, Terminal	
	3520192	1	Plug (60Hz Deutz TCD2.9L4 Engines Only)	
117	4460426	2	Connector, Strain Relief	
118 to 120	Not Used			
121	4750600	4	Flatwasher, #6 Regular	
122	4760600	2	Lockwasher #6	
123 to 124	Not Used			
125	1671092	1	Cover	
126	4460963	1	Connector	
127	Not Required	1	Plug	
128		1	Terminal Block Assembly Options (See Items 401-410 for Breakdown):	
	NPN		Gray Terminal Block Assembly	
	1001121340		Tan Terminal Block Assembly	
		Ref	DECAL INSTALLATION	
	0272435	1	60Hz Spec	B
201	1705460	2	Decal - SkyPower™	
202	1705374	1	Decal - 240V - 60Hz	
203	1705375	1	Decal - 240V - 3 Phase	
204	1705387	3	Decal, Hazardous Voltage	
	1001122528	Ref	ELECTRICAL DIAGRAM COMPONENTS	A
301	1001119968	1	Generator Harness	B
301A	4460967	1	Plug, Male - 3 Position	
	4460465	3	Socket, Female	
301B	1001117078	1	Fuseholder/w/Fuse (Not Shown)	
302 to 303	Not Used			
304	4922641	1	Switch Harness	

SECTION 2 TURNTABLE

FIGURE 2-21. 7500W SKYPOWER GENERATOR INSTALLATION (CONTINUED)

ITEM #	PART NUMBER	QTY.	DESCRIPTION	REV.
		Ref	TERMINAL BLOCK ASSEMBLY	
	NPN	Ref	Gray Terminal Block Assembly (Complete Assembly Not Available - Purchase Individual Components)	
	1001121340	Ref	Tan Terminal Block Assembly	A
401		2	Marker Strip #1 Options:	
	4460411		Gray Terminal Block Assembly	
	70002818		Tan Terminal Block Assembly	
402		4	Marker Strip #2 Options:	
	4460412		Gray Terminal Block Assembly	
	70002819		Tan Terminal Block Assembly	
403		2	Marker Strip #3 Options:	
	4460413		Gray Terminal Block Assembly	
	70002820		Tan Terminal Block Assembly	
404		2	Marker Strip #4 Options:	
	4460414		Gray Terminal Block Assembly	
	70002821		Tan Terminal Block Assembly	
405		4	Marker Strip #5 Options:	
	4460415		Gray Terminal Block Assembly	
	70002822		Tan Terminal Block Assembly	
406		1	Terminal, End Barrier Options:	
	4460956		Gray Terminal Block Assembly	
	70002823		Tan Terminal Block Assembly	
407		2	Terminal, End Block Options:	
	4460607		Gray Terminal Block Assembly	
	70002824		Tan Terminal Block Assembly	
408		7	Terminal, Block Options:	
	4460957		Gray Terminal Block Assembly	
	70002825		Tan Terminal Block Assembly	
409		2	Terminal, Cross Connector Jumper Options:	
	4461001		Gray Terminal Block Assembly	
	70002826		Tan Terminal Block Assembly	
410	3641533	1	Rail, Relay	
	1001103286	Ref	HOURMETER INSTALLATION (OPTIONAL)	A
501	0720808	1	Screw #8-32 x 1in	
502	2420165	1	Hourmeter	
503	3310601	2	Nut #6-32	
504	3310805	1	Locknut #8-32	
505	3910608	2	Screw #6-32 x 1/2in	
506	4240032	3	Strap, Tie	
507	4420060	3in/7cm	Tape, Double-Sided	
508	4460018	1	Connector, Butt Splice (Not Shown)	
509	4460234	2	Mount, Tie Strap	
510	4750800	1	Flatwasher #8 Regular	
511	4760600	2	Lockwasher #6	
512	1001094375	1	Bracket, Hourmeter	
513	1001094509	1	Harness, Hourmeter	

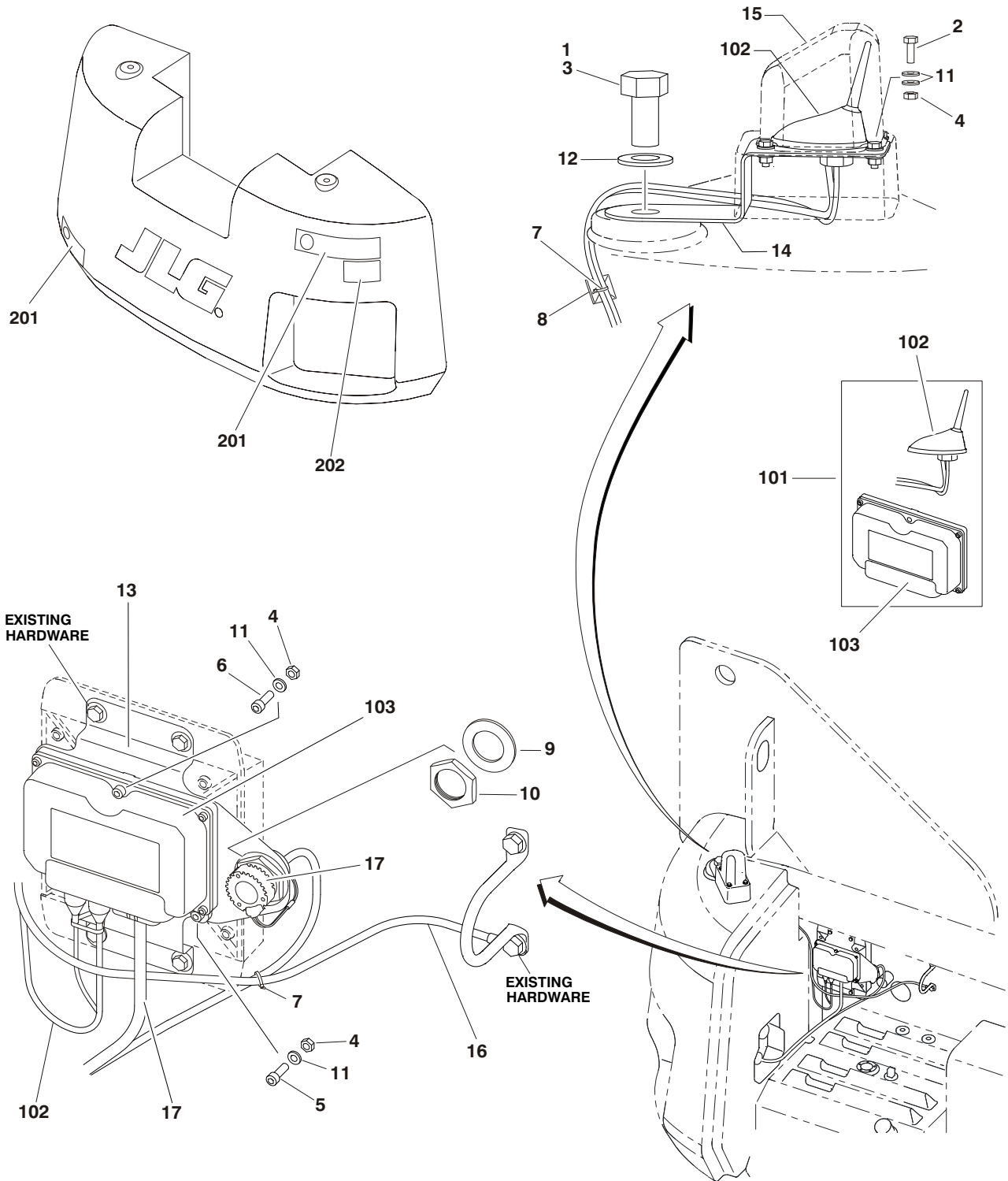
SECTION 2 TURNTABLE

FIGURE 2-21. 7500W SKYPOWER GENERATOR INSTALLATION (CONTINUED)

ITEM #	PART NUMBER	QTY.	DESCRIPTION	REV.

SECTION 2 TURNTABLE

FIGURE 2-22. CLEARSKY TELEMATICS INSTALLATION (OPTIONAL)



SECTION 2 TURNTABLE

FIGURE 2-22. CLEARSKY TELEMATICS INSTALLATION (OPTIONAL)

ITEM #	PART NUMBER	QTY.	DESCRIPTION	REV.
	1001112987	Ref	CLEARSKY TELEMATICS INSTALLATION	A
1	0100011	AR	Compound, Locking	
2	0641406	4	Bolt 1/4in-20NC x 3/4in	
3	0642612	1	Bolt 1in-8NC x 1-1/2in	
4	3311405	9	Locknut 1/4in-20NC	
5	3931412	2	Capscrew 1/4in-20NC x 3/4in	
6	3931416	2	Capscrew 1/4in-20NC x 1in	
7	4240033	AR	Strap, Tie	
8	4460488	2	Mount, Tie Strap	
9	4460496	1	Lockwasher, Strain Relief	
10	4460497	1	Nut, Strain Relief	
11	4711400	15	Flatwasher 1/4in Thin	
12	4712600	1	Flatwasher 1in Thin	
13	1001100432	1	Support, Controller	
14	1001100672	1	Mount, Antenna	
15	1001100876	1	Cover	
16	1001103356	1	Ground Wire	
17	1001111914	1	Harness, Telematics (See ELECTRICAL SECTION for Breakdown)	
		Ref	CLEARSKY TELEMATICS CONTROLLERS (Factory Installed)	
	1001112988	Ref	ANSI Spec	A
101	1001100352	1	Controller, Telematic Kit (Includes Items 102 & 103):	
102	1001100443	1	Antenna & Harness	
103	70002293	1	Controller, Telematics	
		Ref	CLEARSKY TELEMATICS DECALS	
		Ref	ANSI Spec Options:	
	1001116304	Ref	SN 0300073745 Only	A
	1001120994	Ref	All Other Machines	A
201	1001116208	2	Decal - ClearSky	
202		1	Decal - Radio Frequency Device Options:	
	1001116217	1	SN 0300073745 Only	
	1001120989	1	All Other Machines	
	1001119938	Ref	CLEARSKY TELEMATICS KIT (Dealer Installed) (Not Shown)	

SECTION 2 TURNTABLE

FIGURE 2-22. CLEARSKY TELEMATICS INSTALLATION (OPTIONAL) (CONTINUED)

ITEM #	PART NUMBER	QTY.	DESCRIPTION	REV.

SECTION 3 BOOM

SECTION 3 BOOM

FIGURE 3-1. BOOM INSTALLATION

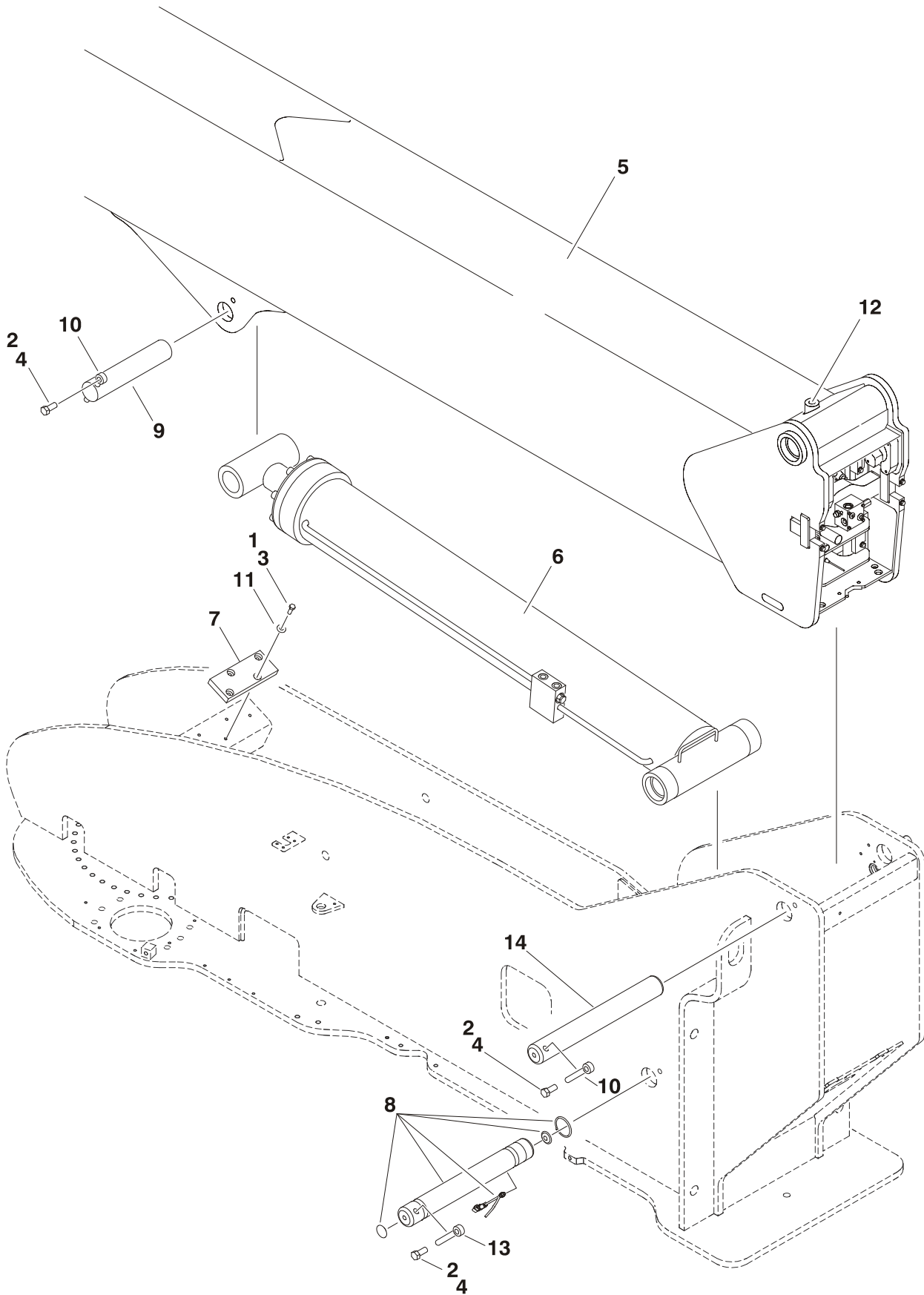
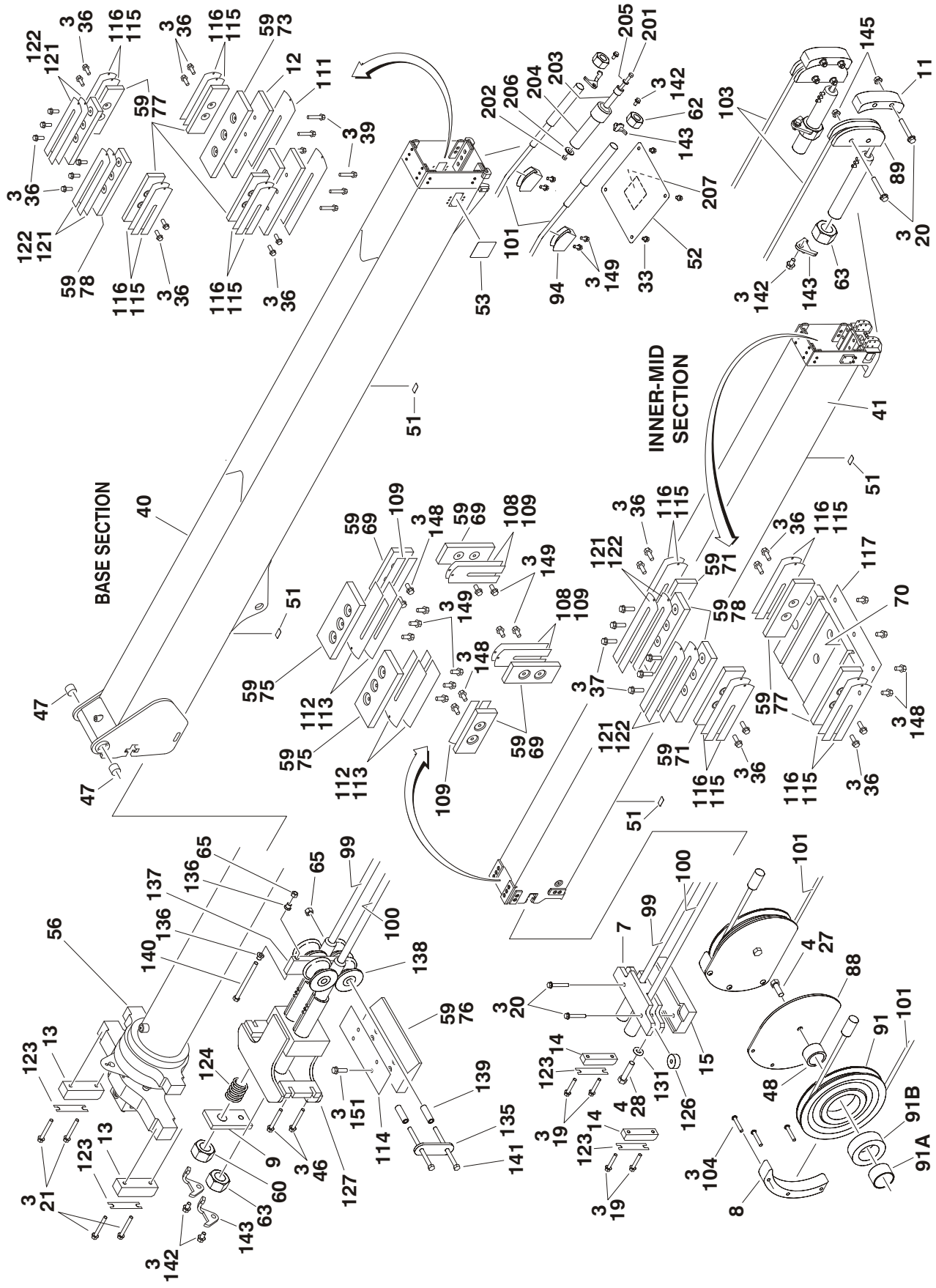


FIGURE 3-1. BOOM INSTALLATION

ITEM #	PART NUMBER	QTY.	DESCRIPTION	REV.
		Ref	BOOM INSTALLATIONS	
	0271530	Ref	Without Arctic Package	F
	1001139516	Ref	With Arctic Package	A
1	0100011	AR	Compound, Locking	
2	0100019	AR	Compound, Locking	
3	0641608	4	Bolt 3/8in-16NC x 1in	
4	0642214	3	Bolt 3/4in-10NC x 1-3/4in	
5		1	Boom Assembly Options (See BOOM ASSEMBLY for Breakdown):	
	0801315		1350SJP - Without Arctic Package	
	1001139517		1350SJP - With Arctic Package	
6	1684162	2	Lift Cylinder Assembly (See CYLINDER SECTION for Breakdown)	
7	3340927	1	Pad	
8	3423208	1	Pin, Load Sensing	
9	3422955	1	Pin	
10	3841287	2	Keeper, Pin	
11	4751600	4	Flatwasher 3/8in Regular	
12	Not Required	1	Plug	
13	3841581	1	Keeper, Pin	
14	3422988	1	Pin	

SECTION 3 BOOM

FIGURE 3-2. BOOM ASSEMBLY



SECTION 3 BOOM

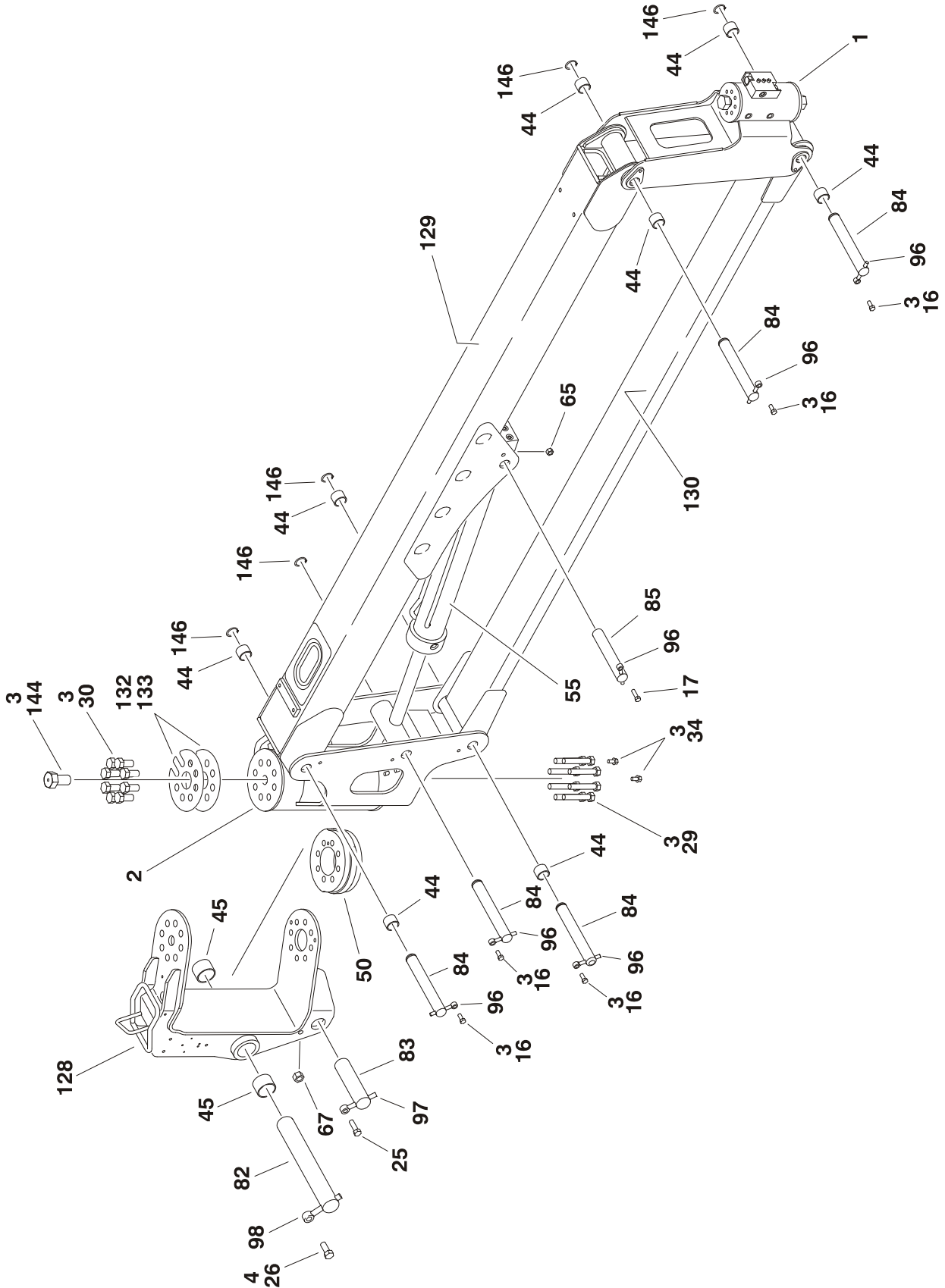


FIGURE 3-2. BOOM ASSEMBLY

ITEM #	PART NUMBER	QTY.	DESCRIPTION	REV.
		Ref	BOOM ASSEMBLY	
	0801315	Ref	Without Arctic Package	P
	1001139517	Ref	With Arctic Package	A
1	1001097643	1	Actuator Assembly (Platform Rotate) (See ACTUATOR ASSEMBLIES for Breakdown)	
2	1001097619	1	Actuator Assembly (Jib Rotate) (See ACTUATOR ASSEMBLIES for Breakdown)	
3	0100011	AR	Compound, Locking	
4	0100019	AR	Compound, Locking	
5	0561431	1	Block, Rope Retainer	
6	0561437	2	Block, Rope Retainer	
7	0561439	1	Block, Outer Mid Extend	
8	0561444	2	Block, Cable Retainer	
9	0561454	1	Block, Switch Adjuster	
10	0561457	2	Block, Cable Retainer	
11	0561458	2	Block, Cable Retainer	
12	0561471	2	Block, Spacer	
13	0561500	2	Block, Trunnion Keeper	
14	0561482	2	Block, Trunnion Keeper	
15	3340955	1	Pad	
16	0641607	5	Bolt 3/8in-16NC x 7/8in	
17	0641610	1	Bolt 3/8in-16NC x 1-1/4in	
18	0641615	4	Bolt 3/8in-16NC x 1-7/8in	
19	0791618	4	Screw 3/8in-16NC x 2-1/4in	
20	0791620	10	Screw 3/8in-16NC x 2-1/2in	
21	0791624	4	Screw 3/8in-16NC x 3in	
22	0641646	4	Bolt 3/8in-16NC x 5-3/4in	
23	0641652	3	Bolt 3/8in-16NC x 6-1/2in	
24	0641808	1	Bolt 1/2in-13NC x 1in	
25	0641813	1	Bolt 1/2in-13NC x 1-5/8in	
26	0642012	1	Bolt 5/8in-11NC x 1-1/2in	
27	0642014	4	Bolt 5/8in-11NC x 1-3/4in	
28	0642022	2	Bolt 5/8in-11NC x 2-3/4in	
29	0682028	8	Bolt 5/8in-11NC x 3-1/2in (Grade 8)	
30	0682212	8	Bolt 3/4in-10NC x 1-1/2in (Grade 8)	
31	0741606	3	Screw, Flathead 3/8in-16NC x 3/4in	
32	0741806	1	Screw, Flathead 1/2in-13NC x 3/4in	
33	0791604	4	Screw 3/8in-16NC x 1/2in	
34	0791606	2	Screw 3/8in-16NC x 3/4in	
35	Not Used			
36	0811608	AR	Screw 3/8in-16NC x 1in	
37	0811610	10	Screw 3/8in-16NC x 1-1/4in	
38	0811614	4	Screw 3/8in-16NC x 1-3/4in	
39	0811616	6	Screw 3/8in-16NC x 2in	
40	0801301	1	Base, Boom	
41	0801302	1	Mid, Inner	
42	0801303	1	Mid, Outer	
43	0801304	1	Fly, Boom	

SECTION 3 BOOM

FIGURE 3-2. BOOM ASSEMBLY (CONTINUED)

ITEM #	PART NUMBER	QTY.	DESCRIPTION	REV.
44	0961951	8	Bushing	
45	0962224	2	Bearing	
46	0791612	4	Screw 3/8in-16NC x 1-1/2in	
47	0962297	2	Bushing	
48	0962409	2	Bushing	
49	0962410	2	Bushing	
50	1100131	1	Cam	
51	Not Required	8	Cover	
52	1671032	1	Cover	
53	1671033	1	Cover	
54		1	Platform Level Cylinder Assembly Options (See CYLINDER SECTION for Breakdown):	
	1684149		Without Arctic Package	
	1001138802		With Arctic Package	
55		1	Jib Cylinder Assembly Options (See CYLINDER SECTION for Breakdown):	
	1684173		Without Arctic Package	
	1001138803		With Arctic Package	
56	1684108	1	Telescope Cylinder Assembly (See CYLINDER SECTION for Breakdown)	
57	3020039	AR	Lubricant, Moly	
58	3300239	4	Nut, Nylon Insert	
59	3020042	AR	Lubricant w/PTFE	
60	3300458	1	Nut 1in-12NF	
61	Not Used			
62	3300460	2	Nut 1-1/4in-7NC	
63	3300461	3	Nut 1-3/8in-6NC	
64	Not Used			
65	3311605	7	Locknut 3/8in-16NC	
66	3311801	4	Nut 1/2in-13NC	
67	3311805	1	Locknut 1/2in-13NC	
68	3340871	2	Pad, Wear	
69	3340881	12	Pad, Wear	
70	3340910	1	Pad, Wear	
71	3340912	2	Pad, Wear	
72	4700039	1	Pad, Wear	
73	3340916	2	Pad, Wear	
74	3340917	2	Pad, Wear	
75	3340918	2	Pad, Wear	
76	4700038	1	Pad, Wear	
77	3340921	12	Pad, Wear	
78	3340922	6	Pad, Wear	
79	3340926	1	Pad, Wear	
80	3422926	1	Pin	
81	3422937	1	Pin	
82		1	Pin Options:	
	3422953		Prior to SN 0300160862	
	1001119899		SN 0300160862 to Present	
83	3422956	1	Pin	
84	3422957	5	Pin	

SECTION 3 BOOM

FIGURE 3-2. BOOM ASSEMBLY (CONTINUED)

ITEM #	PART NUMBER	QTY.	DESCRIPTION	REV.
85	3422958	1	Pin	
86	3422959	1	Pin	
87	3572950	2	Plate, Cable Retract Retainer	
88	3572951	2	Plate, Cable Retract Retainer	
89	3580342	2	Sheave	
90	3580308	1	Sheave	
90A	0962401	1	Bushing (Outer)	
90B	0962472	1	Bushing (Inner)	
90C	3441680	8	Rollpin	
91	3580298	2	Sheave	
91A	0962402	1	Bushing (Outer)	
91B	0962406	1	Bushing (Inner)	
92	3580300	1	Sheave	
92A		AR	Bushing Options:	
	0961948	2	Bushing (Inner) (Prior to SN 0300160032)	
	1001139972	1	Sleeve, Bushing (Inner) (SN 0300160032 to Present)	
92B	0962403	1	Bushing (Outer)	
93	3580302	1	Sheave	
93A	0962404	1	Bushing (Outer)	
93B	0962411	1	Bushing (Inner)	
94	3580341	2	Sheave	
95	3760233	1	Ring, Retaining	
96	3841143	6	Keeper, Pin	
97	3841203	2	Keeper, Pin	
98	3841258	1	Keeper, Pin	
99	3890029	1	Cable, Outer Mid Extend	
100	3890030	1	Cable, Outer Mid Extend	
101	3890031	2	Cable, Outer Mid Retract	
102	3890032	4	Cable, Fly Extend	
103	3890033	2	Cable, Fly Retract	
104	0641618	6	Screw 3/8in-16NC x 2-1/4in	
105	4070863	2	Shim #11 Gauge	
106	4070864	2	Shim #18 Gauge	
107	4070895	2	Shim #16 Gauge	
108	4070897	6	Shim #18 Gauge	
109	4070898	12	Shim #11 Gauge	
110	4071012	1	Shim #16 Gauge	
111	4071013	2	Shim #16 Gauge (Prior to SN 0300156660)	
112	4071015	2	Shim #16 Gauge	
113	4071016	2	Shim #11 Gauge (Prior to SN 0300141586 Only)	
114	4071017	1	Shim #16 Gauge	
115	4071018	8	Shim #16 Gauge	
116	4071019	12	Shim #11 Gauge	
117	4071024	1	Shim #16 Gauge	
118	4071025	1	Shim #16 Gauge	
119	4071026	1	Shim #11 Gauge (Prior to SN 0300141586 Only)	
120	4071027	2	Shim #16 Gauge	
121	4071028	6	Shim #16 Gauge	
122	4071029	6	Shim #11 Gauge	

SECTION 3 BOOM

FIGURE 3-2. BOOM ASSEMBLY (CONTINUED)

ITEM #	PART NUMBER	QTY.	DESCRIPTION	REV.
123	4071031	4	Shim #16 Gauge	
124	4160193	1	Spring	
125	4711600	10	Flatwasher 3/8in Thin	
126	4740509	2	Spacer	
127	4846453	1	Plate, Mounting	
128	4846462	1	Pivot	
129	4846482	1	Link, Jib (Upper)	
130	0801550	1	Link, Jib (Lower)	
131	4892000	2	Flatwasher 5/8in Hardened	
132	4071044	1	Shim #18 Gauge	
133	4071045	1	Shim #11 Gauge	
134	4071046	2	Shim #16 Gauge	
135	0363066	2	Bar, Stabilizer	
136	0962447	2	Bearing, Flanged	
137	3573437	1	Plate, Pulley Adjustment	
138	3580306	4	Pulley	
139	4568423	4	Tube, Spacer	
140	0641640	1	Bolt 3/8in-16NC x 5in	
141	0641644	2	Bolt 3/8in-16NC x 5-1/2in	
142	0791605	6	Screw 3/8in-16NC x 5/8in	
143	3573444	6	Plate, Lock	
144	0630558	1	Bolt 1-1/8inNC x 2in	
145	3311608	8	Nut, Castle 3/8in-16NC	
146	3760133	5	Ring, Retaining	
147	Not Used			
148	0811606	AR	Screw 3/8in-16NC x 3/4in	
149	0811607	AR	Screw 3/8in-16NC x 7/8in	
150	0811608	3	Screw 3/8in-16NC x 1in	
151	0811608	4	Screw 3/8in-16NC x 1in	
	0272048	Ref	WIRE ROPE TOOLS INSTALLATION (OPTIONAL)	B
201	0641676	1	Bolt 3/8in-16NC x 9-1/2in	
202	3311605	1	Locknut 3/8in-16NC	
203	4120040	1	Socket 3/4in	
204	4120043	1	Socket 2in	
205	4711600	1	Flatwasher 3/8in Thin	
206	4891600	1	Flatwasher 3/8in Hardened	
207	1705307	1	Decal - Tool Location	

FIGURE 3-2. BOOM ASSEMBLY (CONTINUED)

ITEM #	PART NUMBER	QTY.	DESCRIPTION	REV.

SECTION 3 BOOM

FIGURE 3-3. ACTUATOR ASSEMBLIES

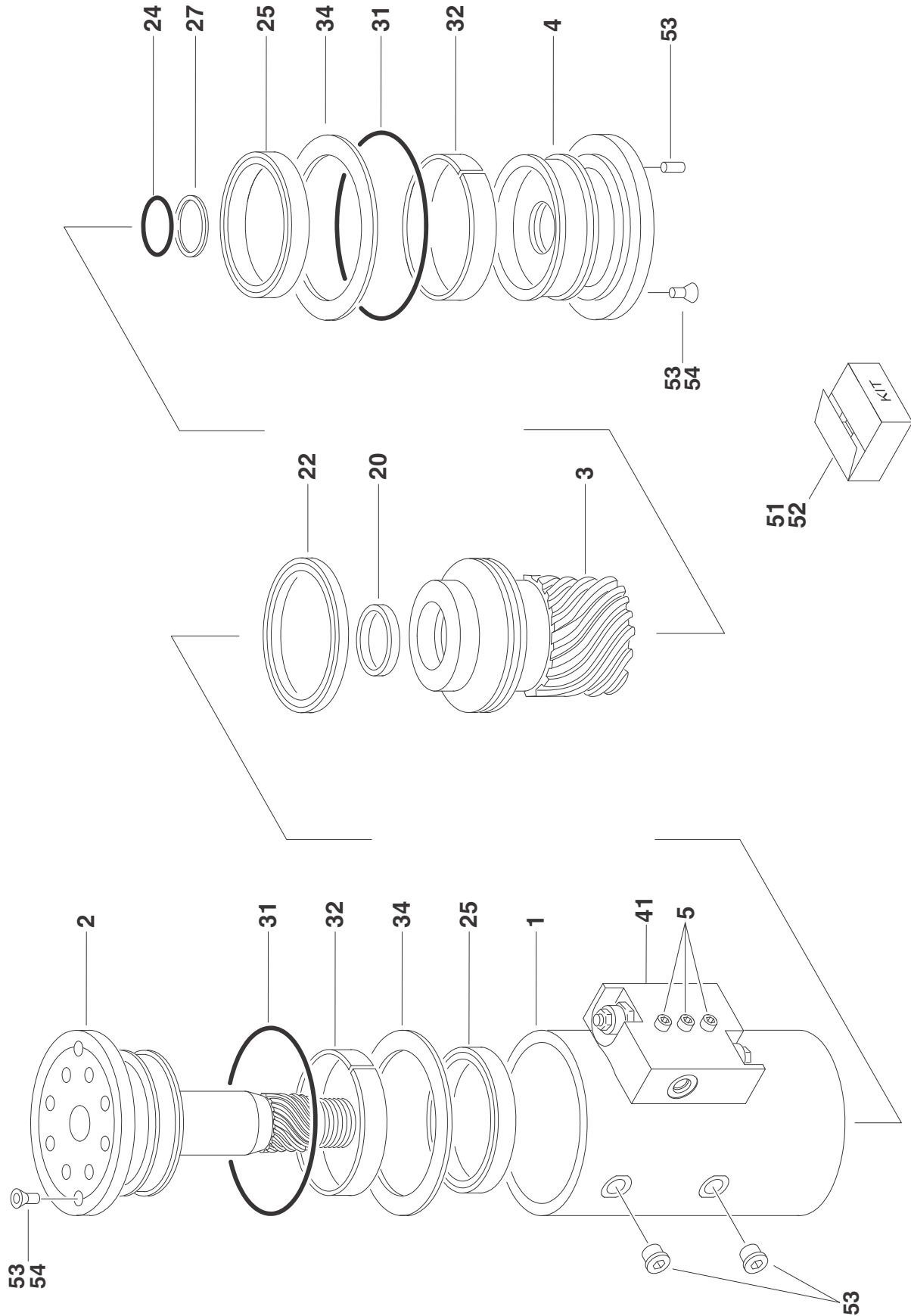


FIGURE 3-3. ACTUATOR ASSEMBLIES

ITEM #	PART NUMBER	QTY.	DESCRIPTION	REV.
		Ref	ACTUATOR ASSEMBLIES	
	1001097643	Ref	Platform Rotate	A
	1001097619	Ref	Jib Rotate	A
1	See Note	1	Case/Bracket Weldment (Note: Not Available - Purchase Complete Actuator Assembly)	
2		1	Shaft Options:	
	7017162		1001097643 Platform Rotator	
	7017191		1001097619 Jib Rotator	
3		1	Sleeve, Piston Options:	
	7017163		1001097643 Platform Rotator	
	7017187		1001097619 Jib Rotator	
4		1	Cap, End Options:	
	7017164		1001097643 Platform Rotator	
	7017188		1001097619 Jib Rotator	
5	See Note	1	Bolt 1/4in-20NC (Grade 8) (Note: Not Available For Purchase)	
6 to 19	Not Used			
20	See Note	1	Seal, Rod (Note: Use Item 52)	
21	Not Used			
22	See Note	1	Seal, Piston (Note: Use Item 52)	
23	Not Used			
24	See Note	1	Seal, Cap (Note: Use Item 52)	
25	See Note	2	Packing, Bearing (Note: Use Item 52)	
26	Not Used			
27	See Note	1	Ring, Cap Back-Up (Note: Use Item 52)	
28 to 30	Not Used			
31	See Note	2	Seal (Note: Use Item 52)	
32	See Note	2	Bearing, Shaft (Note: Use Item 51)	
33	Not Used			
34	See Note	2	Thrustwasher (Note: Use Item 51)	
35 to 40	Not Used			
41		1	Motion Control Valve Assembly Options (Cartridges not serviced separately.)	
	70001639		1001097643 Platform Rotator	
	Use 70002859		1001097619 Jib Rotator (was p/n70001641)	
42 to 50	Not Used			
51		1	Bearing Kit Options: (Includes Items 32 & 34)	
	7017159		1001097643 Platform Rotator	
	7017185		1001097619 Jib Rotator	
52		1	Seal Kit Options: (Includes Items 20,22,24,25,27 & 31)	
	7017158		1001097643 Platform Rotator	
	70000342		Standard	
			Cold Climate	
			1001097619 Jib Rotator	
	7017184		Standard	
	70000796		Cold Climate	

SECTION 3 BOOM

FIGURE 3-3. ACTUATOR ASSEMBLIES

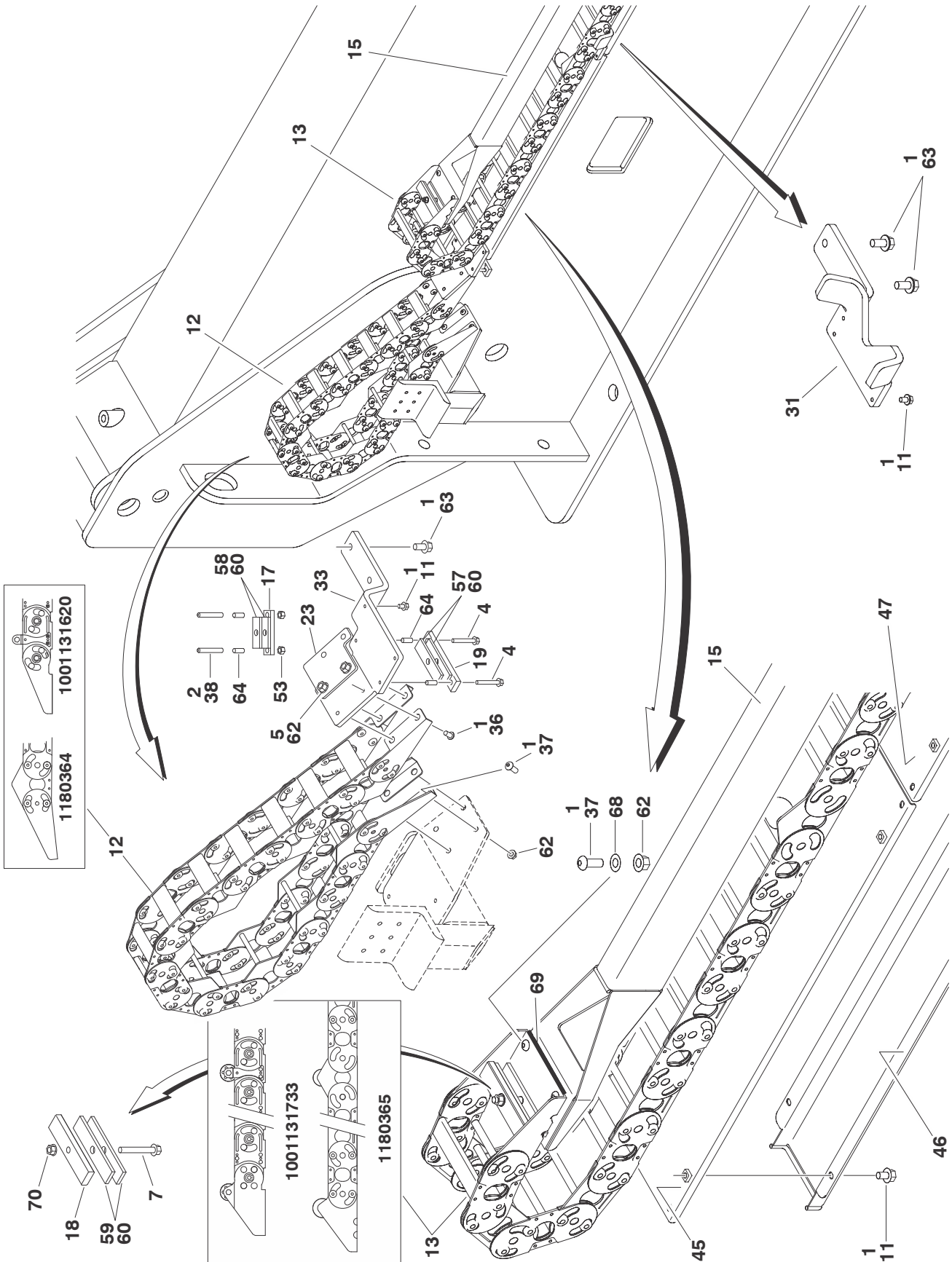
ITEM #	PART NUMBER	QTY.	DESCRIPTION	REV.
53	7017142 See Note	1	Hardware Kit (Platform Rotator Actuator) Options: 1001097643 Platform Rotator 1001097619 Jib Rotator (Note: Not Available For Purchase)	
54	70001697 See Note	4	Screw, Countersunk 1/4in-20NC x 3/8in (Grade 8) Options: 1001097643 Platform Rotator 1001097619 Jib Rotator (Note: Not Available For Purchase)	

FIGURE 3-3. ACTUATOR ASSEMBLIES

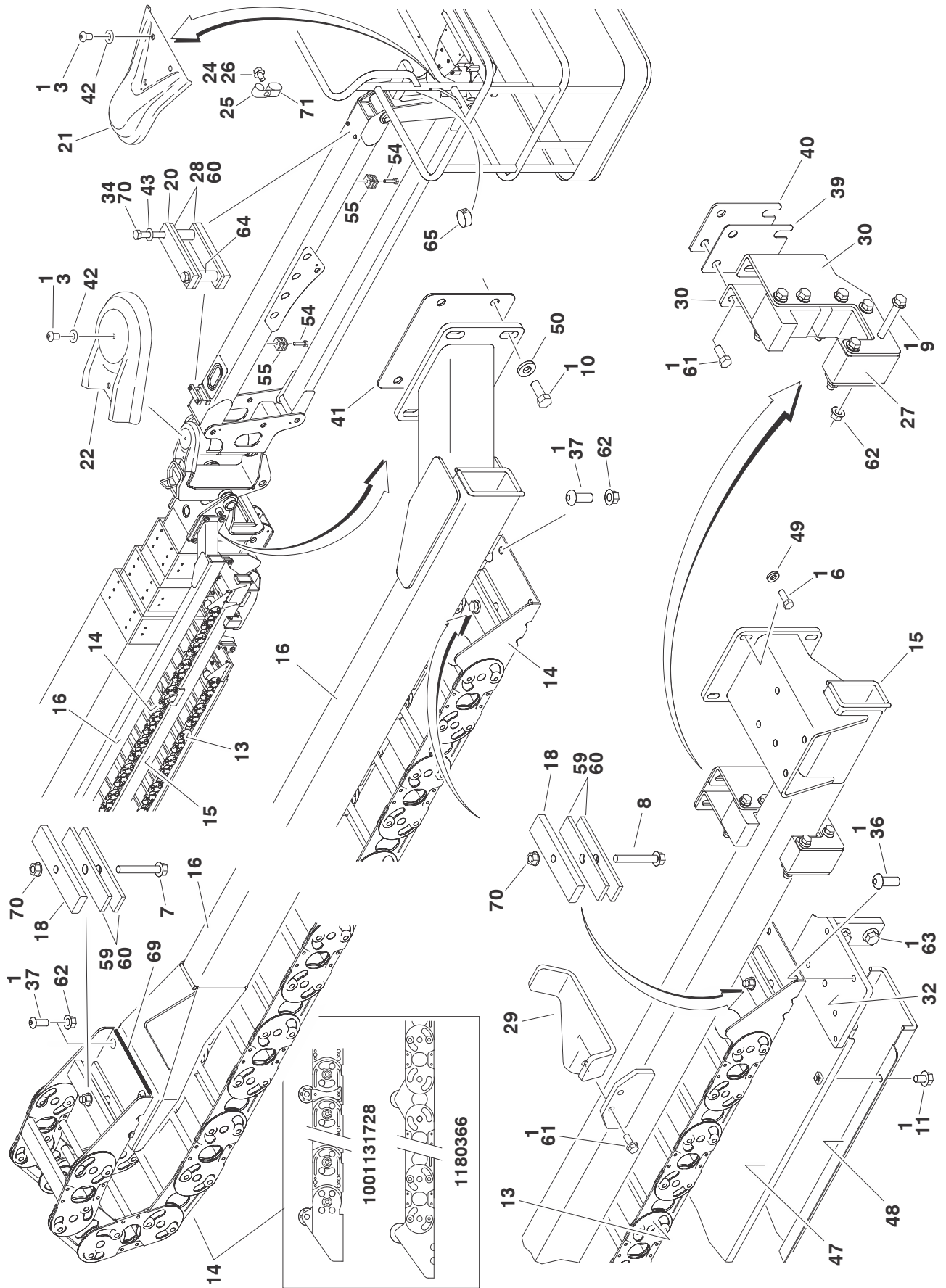
ITEM #	PART NUMBER	QTY.	DESCRIPTION	REV.

SECTION 3 BOOM

FIGURE 3-4. POWER TRACK INSTALLATION



SECTION 3 BOOM



SECTION 3 BOOM

FIGURE 3-4. POWER TRACK INSTALLATION

ITEM #	PART NUMBER	QTY.	DESCRIPTION	REV.
	0271570	Ref	POWER TRACK INSTALLATION	O
1	0100011	AR	Compound, Locking	
2	0100019	AR	Compound, Locking	
3	0630467	6	Screw, Button 5/16in-18NC x 1/2in	
4	0791518	2	Screw 5/16in-18NC x 2-1/4in	
5	3900232	2	Screw, Button 3/8in-16NC x 1-1/4in	
6	0641608	4	Bolt 3/8in-16NC x 1in	
7	0791620	2	Screw 3/8in-16NC x 2-1/2in	
8	0791622	2	Screw 3/8in-16NC x 2-3/4in	
9	0791624	6	Screw 3/8in-16NC x 3in	
10	0641810	4	Bolt 1/2in-13NC x 1-1/4in	
11	0791504	58	Screw 5/16in-18NC x 1/2in	
12		1	Carrier (T/T to Boom) Options:	
		Ref	Note: Original Equipment Power Track may have been replaced with Service Replacement. Visually identify component before ordering replacement parts.	
	Use 1001131620		Prior to SN 0300155163 (was p/n 1180364)	
	1001131620		SN 0300155163 to Present	
		AR	Section Repair Kit Options (Includes Inner & Outer Links, Joining Bars & Rollers & Assembling Hardware):	
	7024367		Repair Section for 1180364 Power Track	
	70003917		Repair Section for 1001131620 Power Track	
		1	Mounting Bracket Kit Option (Includes Mounting Brackets for Both Ends, 1 Roller Assembly & Assembling Hardware):	
	7024368		Kit for 1180364 Power Track	
	70003918		Kit for 1001131620 Power Track	
13		1	Carrier (Lower) Options:	
		Ref	Note: Original Equipment Power Track may have been replaced with Service Replacement. Visually identify component before ordering replacement parts.	
	Use 1001131733		Prior to SN 0300155163 (was p/n 1180365)	
	1001131733		SN 0300155163 to Present	
		AR	Section Repair Kit Options (Includes Inner & Outer Links, Joining Bars & Rollers & Assembling Hardware):	
	7024362		Repair Section for 1180365 Power Track	
	70003913		Repair Section for 1001131733 Power Track	
		1	Mounting Bracket Kit Option (Includes Mounting Brackets for Both Ends, 1 Roller Assembly & Assembling Hardware):	
	7024363		Kit for 1180365 Power Track	
	70003915		Kit for 1001131733 Power Track	
		AR	Center Bracket Kit Options (Includes 1 Flat Bar, 1 Round Bar, 1 Roller & Assembling Hardware)	
	7024364		Kit for 1180365 Power Track	
	70003914		Kit for 1001131733 Power Track	

SECTION 3 BOOM

FIGURE 3-4. POWER TRACK INSTALLATION (CONTINUED)

ITEM #	PART NUMBER	QTY.	DESCRIPTION	REV.
14		1	Carrier (Upper) Options:	
		Ref	Note: Original Equipment Power Track may have been replaced with Service Replacement. Visually identify component before ordering replacement parts.	
	Use 1001131728		Prior to SN 0300155163 (was p/n 1180366)	
	1001131728		SN 0300155163 to Present	
		AR	Section Repair Kit Options (Includes Inner & Outer Links, Joining Bars & Rollers & Assembling Hardware):	
	7024362		Repair Section for 1180366 Power Track	
	70003913		Repair Section for 1001131728 Power Track	
		1	Mounting Bracket Kit Option (Includes Mounting Brackets for Both Ends, 1 Roller Assembly & Assembling Hardware):	
	7024363		Kit for 1180366 Power Track	
	70003915		Kit for 1001131728 Power Track	
		AR	Center Bracket Kit Options (Includes 1 Flat Bar, 1 Round Bar, 1 Roller & Assembling Hardware)	
	7024364		Kit for 1180366 Power Track	
	70003914		Kit for 1001131728 Power Track	
15	1180362	1	Tube, Push (Lower)	
16	1180363	1	Tube, Push (Upper)	
17	1320277	1	Clamp, Hose	
18	1320294	4	Clamp, Bar	
19	1320295	1	Clamp, Bar	
20	1320296	3	Clamp, Bar	
21	1670964	1	Cover, Support/Rotator	
22	1671043	1	Cover, Jib Pivot	
23	4846753	1	Shield, Hose Protection	
24	0641406	1	Screw 1/4in-20NC x 3/4in	
25	1320263	AR	Clamp, Cable	
26	4711400	AR	Flatwasher 1/4in Thin	
27	3340925	1	Pad	
28	3340934	4	Pad, Clamp	
29	3573016	3	Support, Track	
30	3573179	2	Plate, Mounting	
31	3573181	5	Support, Track	
32	3573194	1	Plate, Track Mounting	
33	3573210	1	Plate, Track Mounting	
34	3900260	4	Capscrew 3/8in-16NC x 4in	
35	Not Used			
36	3900283	6	Screw, Button Head 3/8in-16NC x 3/4in	
37	3900316	16	Screw, Button Head 3/8in-16NC x 1in	
38	3951620	2	Setscrew 3/8in-16NC x 2-1/2in	
39	4071021	1	Shim, Adjusting 16Ga	
40	4071022	1	Shim, Adjusting 11Ga	
41	4071023	1	Shim, Adjusting 11Ga	
42	4711500	6	Flatwasher 5/16in Thin	
43	4711600	4	Flatwasher 3/8in Thin	
44	Not Used			
45	4846431	1	Cover, Cable (Front)	
46	4846485	1	Support, Cable (Front)	

SECTION 3 BOOM

FIGURE 3-4. POWER TRACK INSTALLATION (CONTINUED)

ITEM #	PART NUMBER	QTY.	DESCRIPTION	REV.
47	4846423	5	Cover, Cable (Rear)	
48	4846429	5	Support, Cable (Rear)	
49	4891600	4	Flatwasher, 3/8in Hardened	
50	4891800	4	Flatwasher 1/2in Hardened	
51 to 52	Not Used			
53	3311601	2	Nut 3/8in-16NC	
54	0641510	2	Bolt 5/16in-18NC x 1-1/4in	
55	1320159	2	Clamp	
56	4240018	10	Tie-Strap (Not Shown)	
57	3340940	2	Pad, Rubber	
58	3340941	2	Pad, Rubber	
59	3340942	8	Pad, Rubber	
60	0100081	AR	Adhesive #454	
61	0791607	10	Screw 3/8in-16NC x 7/8in	
62	3311608	AR	Nut, Flanged 3/8in-16NC	
63	0791808	12	Screw 1/2in-13NC x 1in	
64	4562516	AR	Tubing, Poly	
65	4240153	AR	Strap, 4in Cinch (Not Shown)	
66	4240155	3	Strap, 8in Cinch (Not Shown)	
67	4240156	3	Strap, 12in Cinch (Not Shown)	
68	4751500	4	Flatwasher 5/16in Regular	
69	4060804	11in/28cm	Shield, Flex Trim 3/16in	
70	3300492	8	Nut, Nylon Insert	
71	1321385	1	Clamp, Hose	

FIGURE 3-4. POWER TRACK INSTALLATION (CONTINUED)

ITEM #	PART NUMBER	QTY.	DESCRIPTION	REV.

SECTION 3 BOOM

FIGURE 3-5. BOOM SENSORS AND SWITCHES INSTALLATION

WITNESS DECALS & HOLE COVERS
LOCATED ON BOTTOM OF INNER MID BOOM

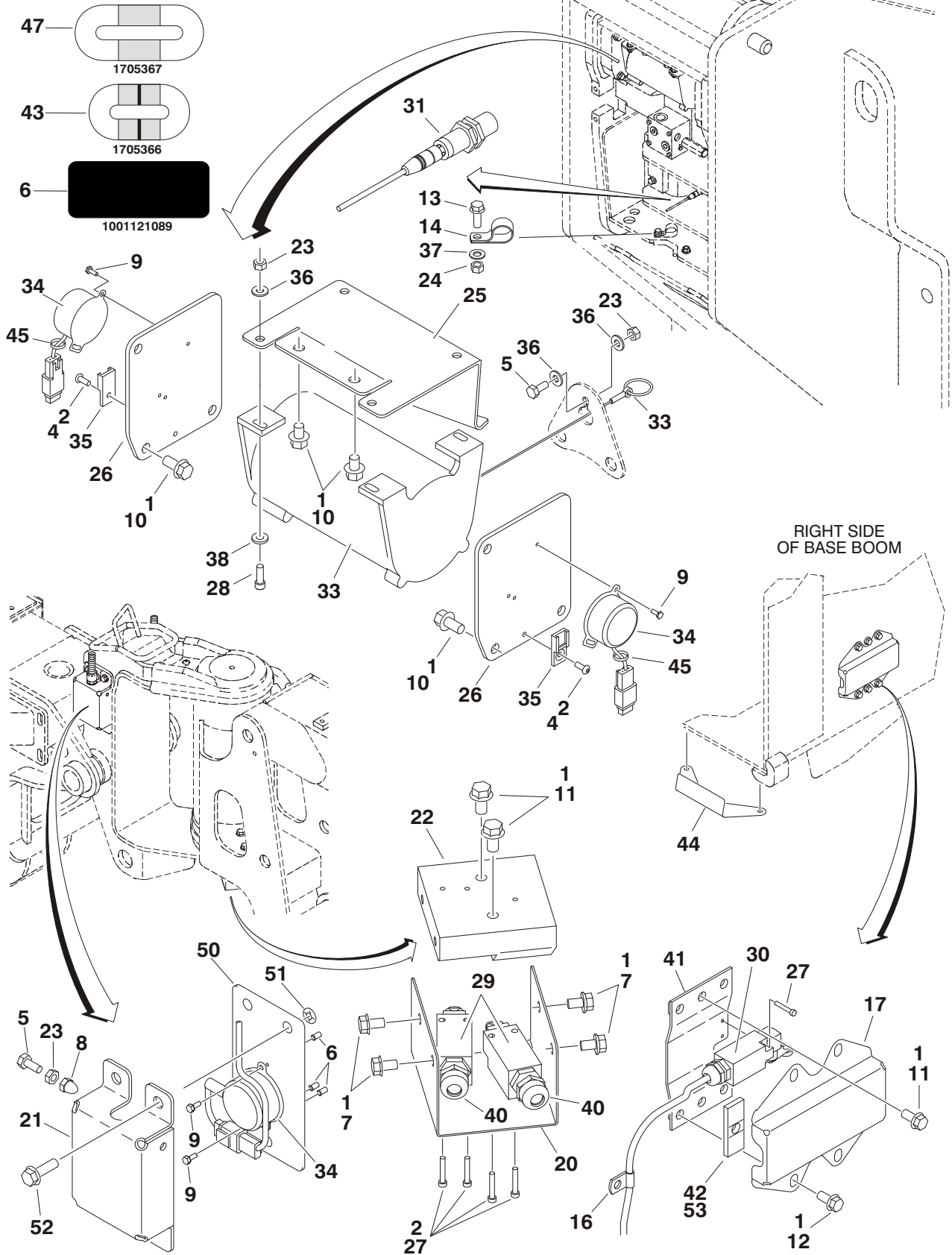


FIGURE 3-5. BOOM SENSORS AND SWITCHES INSTALLATION

ITEM #	PART NUMBER	QTY.	DESCRIPTION	REV.
	1001121106	Ref	BOOM SENSORS AND SWITCHES INSTALLATIONS	B
1	0100011	AR	Compound, Locking	
2	0100035	AR	Compound, Locking	
3	Not Used			
4	0630464	2	Screw, Button Head #10-24NC x 1/2in	
5	0641405	5	Bolt 1/4in-20NC x 5/8in	
6	1001121089	3	Cover, Hole	
7	0791504	4	Screw 5/16in-18NC x 1/2in	
8	3300430	2	Nut, Acorn 1/4in-20NC	
9	3930606	12	Screw, Machine #6-32NC x 3/8in	
10	0791604	AR	Screw 3/8in-16NC x 1/2in	
11	0791605	AR	Screw 3/8in-16NC x 5/8in	
12	0791606	4	Screw 3/8in-16NC x 3/4in	
13	0791608	2	Screw 3/8in-16NC x 1in	
14	1320130	2	Clamp, Hose	
15	Not Used			
16	1320301	1	Clamp, Cable	
17	1671031	1	Cover, Limit Switch	
18 to 19	Not Used			
20	1671039	1	Cover, Jib Switch	
21	1671044	2	Cover, Level Sensor	
22	3200433	1	Mount, Jib Switch	
23	3311405	9	Locknut 1/4in-20NC	
24	3311605	2	Locknut 3/8in-16NC	
25	3574431	1	Plate, Switch Mounting	
26	3573301	2	Plate, Sensor Mounting	
27	3930816	6	Capscrew #8-32NC x 1in	
28	3931414	4	Capscrew 1/4in-20NC x 7/8in	
29	4360548	2	Switch, Jib Limit (Note: Control System must be recalibrated when Switch is replaced)	
30	4360578	1	Switch, Boom Length Limit (Note: Control System must be recalibrated when Switch is replaced) (Note: P/N 4360578 does not include #48 Connector - Purchase Separately)	
31	4360527	1	Switch, Cable Break Proximity (Note: Control System must be recalibrated when Switch is replaced)	
32	Not Used			
33	4360543	1	Sensor, Boom Length (Note: Control System must be recalibrated when Sensor is replaced)	
34		4	Sensor, Angle Indicator Options (Note: Control System must be recalibrated when Sensor is replaced): Prior to SN 0300141600 (was p/n 4360534 & p/n 4360545) SN 0300141600 to SN 0300157203 (was p/n 4360545) SN 0300157203 to Present	
	Use 1001147479			
	Use 1001133329			
	1001133329			
35	4460914	2	Terminal, Base	
36	4711400	10	Flatwasher 1/4in Thin	
37	4711600	2	Flatwasher 3/8in Thin	
38	4891400	4	Flatwasher 1/4in Hardened	
39	0641406	4	Bolt 1/4in-20NC x 3/4in	
40	4460428	2	Connector, Strain Relief	

SECTION 3 BOOM

FIGURE 3-5. BOOM SENSORS AND SWITCHES INSTALLATION (CONTINUED)

ITEM #	PART NUMBER	QTY.	DESCRIPTION	REV.
41	4846484	1	Mount, Switch	
42	3340941	1	Pad, Rubber	
43	1705366	1	Decal - Boom Length (500LB Cap)	
44	3574616	1	Plate, Boom Length	
45	Not Required	2	Tie-Strap	
46	Not Used			
47	1705367	1	Decal - Boom Length (1000LB Cap)	
48	4460968	3	Connector, Strain Relief (Not Shown)	
49	1320136	2	Clamp, Cable (Not Shown)	
50	4341158	2	Plate, Mounting Sensor	
51	8310070	6	Pushnut 3/8in	
52	0791605	6	Screw 3/8in-16NC x 5/8in	
53	0100081	AR	Adhesive	

FIGURE 3-5. BOOM SENSORS AND SWITCHES INSTALLATION (CONTINUED)

ITEM #	PART NUMBER	QTY.	DESCRIPTION	REV.

SECTION 3 BOOM

FIGURE 3-6. PLATFORM SUPPORT & CONTROL VALVES INSTALLATIONS

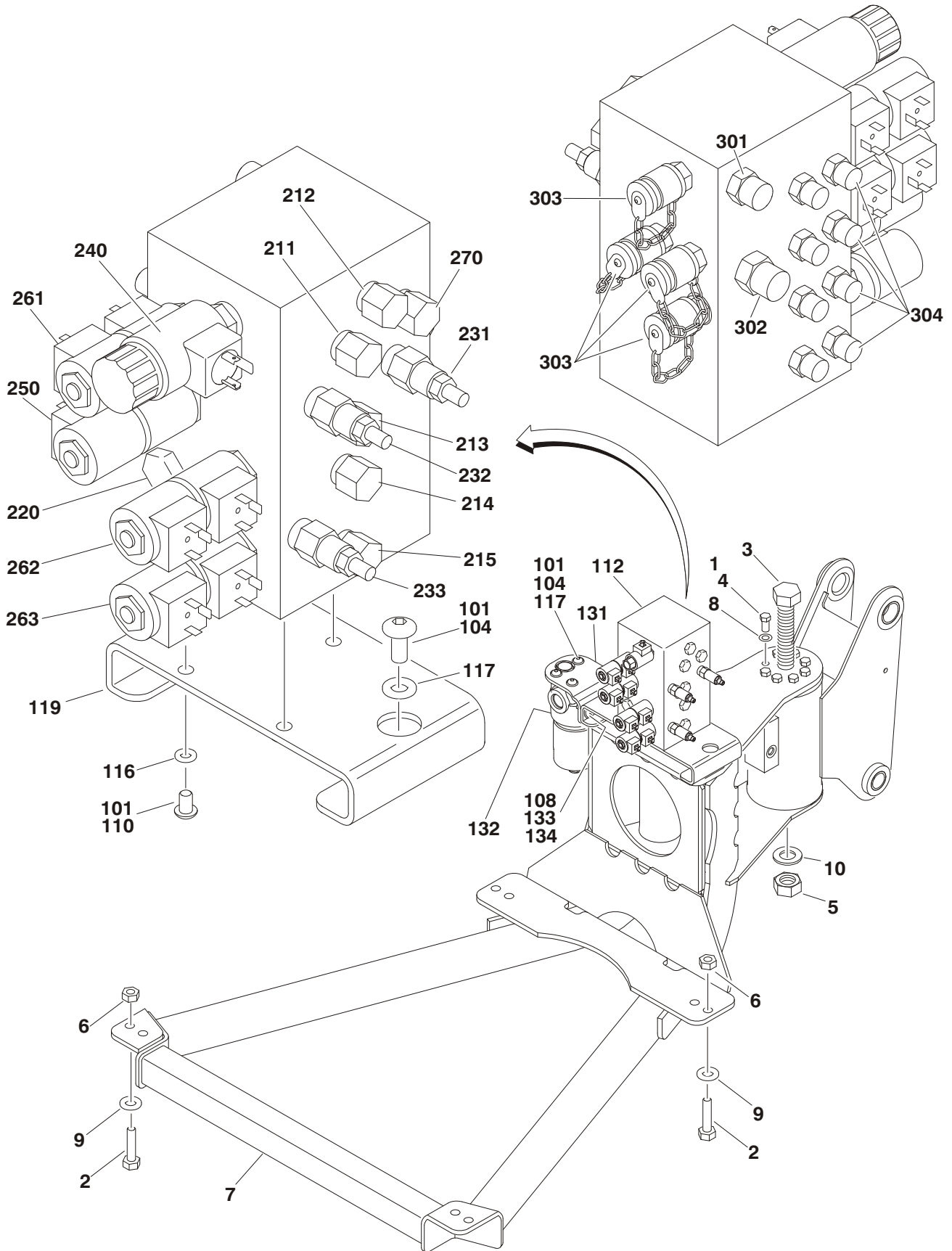


FIGURE 3-6. PLATFORM SUPPORT & CONTROL VALVES INSTALLATIONS

ITEM #	PART NUMBER	QTY.	DESCRIPTION	REV.
	0272070	Ref	PLATFORM SUPPORT INSTALLATION	D
1	0100011	AR	Compound, Locking	
2	0641812	8	Bolt 1/2in-13NC x 1-1/2in	
3	0642684	1	Bolt 1in-8NC x 10-1/4in	
4	0681608	8	Bolt 3/8in-16NC x 1in (Grade 8)	
5	3300243	1	Nut 1in-8NC	
6	3311805	8	Locknut 1/2in-13NC	
7	4846573	1	Support Weldment	
8	4891600	8	Flatwasher 3/8in Hardened	
9	4891800	8	Flatwasher 1/2in Hardened	
10	4892600	1	Flatwasher 1in Hardened	
	0271802	Ref	CONTROL VALVE INSTALLATION	K
101	0100011	AR	Compound, Locking	
102 to 103	Not Used			
104	3900283	AR	Screw, Button Head 3/8in-16NC x 3/4in	
105 to 106	Not Used			
108	3311605	2	Locknut 3/8in-16NC	
109	Not Used			
110	3900210	3	Screw, Button Head 5/16in-18NC x 3/4in	
111	Not Used			
112	4641460	1	Platform Valve	
113 to 115	Not Used			
116	4711500	3	Flatwasher 5/16in Thin	
117	4711600	AR	Flatwasher 3/8in Thin	
118	Not Used			
119	4341264	1	Plate, Valve Mounting	
120 to 130	Not Used			
131	0903530	1	Bracket, Filter Mounting	
132	2120217	1	Filter, Pressure	
	70002097	1	Element	
	70004328	1	Plug, Indicator	
133	3900232	2	Screw, Button Head 3/8in-16NC x 1-1/4in	
134	4751600	4	Flatwasher 3/8in Regular	
	4641460	Ref	PLATFORM VALVE ASSEMBLY	C
201 to 210	Not Used			
211	7026018	1	Valve, Cartridge	
	7011346	1	Seal Kit - Valve	
212	7026019	1	Valve, Cartridge (Flow Control)	
	7011346	1	Seal Kit - Valve	
213	7026020	1	Valve, Cartridge (Rotate)	
	7011346	1	Seal Kit - Valve	
214	7026021	1	Valve, Cartridge (Jib Swing)	
	7011346	1	Seal Kit - Valve	

SECTION 3 BOOM

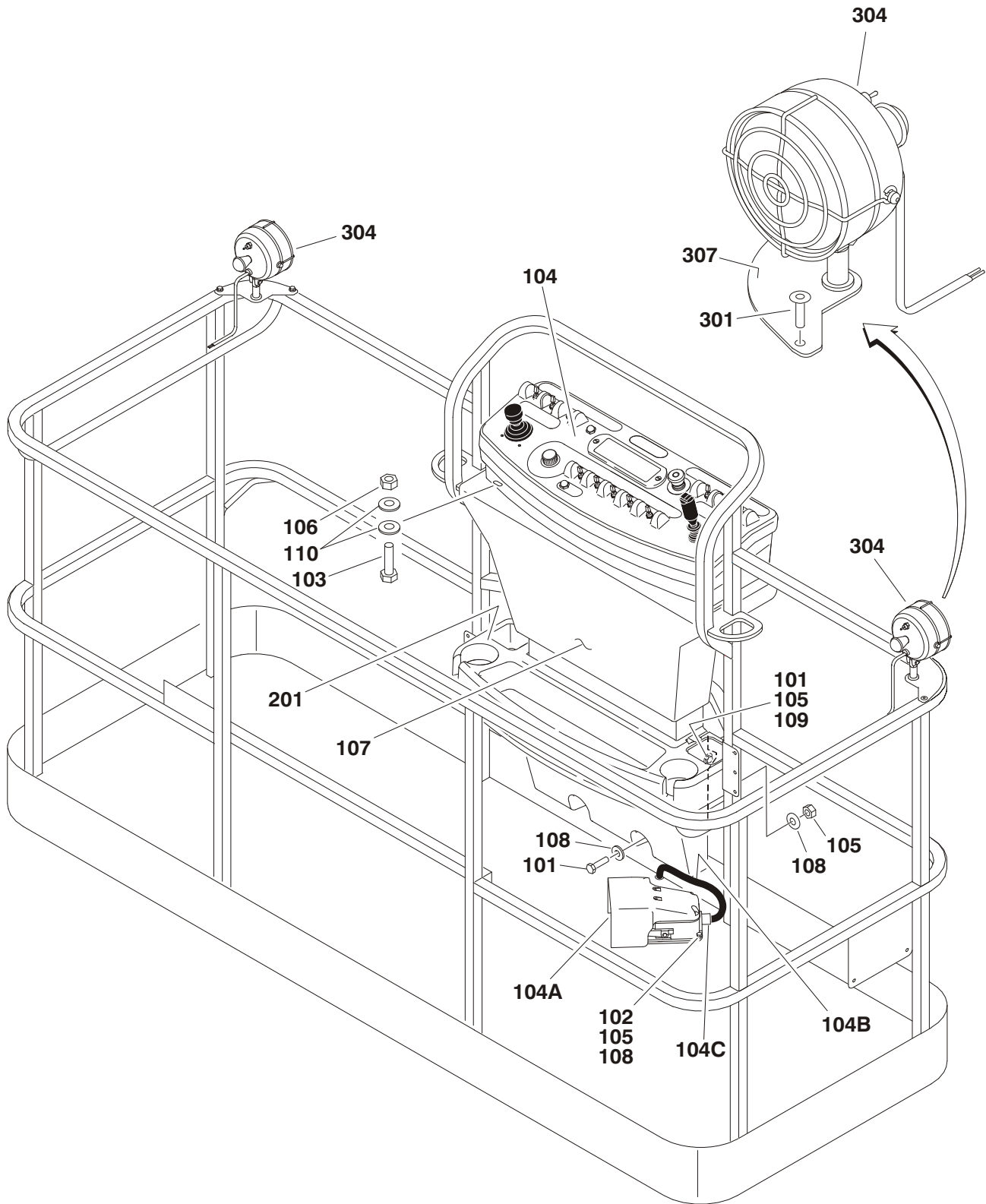
FIGURE 3-6. PLATFORM SUPPORT & CONTROL VALVES INSTALLATIONS (CONTINUED)

ITEM #	PART NUMBER	QTY.	DESCRIPTION	REV.
215	7026019	1	Valve, Cartridge (Jib Lift)	
	7011346	1	Seal Kit - Valve	
216 to 219	Not Used			
220	7011355	1	Valve, Cartridge (Jib)	
	2900770	1	Seal Kit - Valve	
221 to 230	Not Used			
231	7024572	1	Valve, Relief Cartridge (Platform Level Up)	
	7011346	1	Seal Kit - Valve	
232	7024572	1	Valve, Relief Cartridge (Platform Level Down)	
	7011346	1	Seal Kit - Valve	
233	7024572	1	Valve, Relief Cartridge (Jib Up/Down)	
	7011346	1	Seal Kit - Valve	
234 to 239	Not Used			
240	7026022	1	Valve, Cartridge (Dump)	
	2900770	1	Seal Kit - Valve	
	7024571	1	Coil	
241 to 249	Not Used			
250	7023922	1	Valve, Cartridge (Platform Rotate)	
	7017402	1	Seal Kit - Valve	
	7012944	2	Coil	
251 to 260	Not Used			
261	7023922	1	Valve, Cartridge (Platform Level)	
	7017402	1	Seal Kit - Valve	
	7012944	2	Coil	
262	7023922	1	Valve, Cartridge (Jib Swing)	
	7017402	1	Seal Kit - Valve	
	7012944	2	Coil	
263	7023922	1	Valve, Cartridge (Jib Lift)	
	7017402	1	Seal Kit - Valve	
	7012944	2	Coil	
264 to 269	Not Used			
270	7026023	1	Valve, Cartridge (Check)	
	7011346	1	Seal Kit - Valve	
271 to 300	Not Used			
301	2110606	1	Fitting, Straight	
302	4641255	1	Fitting, Check Valve	
303	2221086	4	Check, Pressure	
304	2110404	8	Fitting, Straight	

SECTION 4 PLATFORM

SECTION 4 PLATFORM

FIGURE 4-1. PLATFORM COMPONENTS INSTALLATION



SECTION 4 PLATFORM

FIGURE 4-1. PLATFORM COMPONENTS INSTALLATION

ITEM #	PART NUMBER	QTY.	DESCRIPTION	REV.
		Ref	FOOTSWITCH AND COVERS INSTALLATION	
	Use 1001145785	Ref	Prior to SN 0300171349 (was p/n 0273400)	C
	Use 1001145785	Ref	SN 0300171349 to Present	B
		Ref	Note: Replacement decals must be ordered separately - See DECAL SECTION.	
1 to 100	Not Used			
101	0641406	4	Bolt 1/4in-20NC x 3/4in	
102	0641408	3	Bolt 1/4in-20NC x 1in	
103	0641610	4	Bolt 3/8in-16NC x 1-1/4in	
104		1	Platform Console Box Assembly Options (See PLATFORM CONSOLE ASSEMBLY for Breakdown):	
	Use 1001146161		Prior to SN 0300171349 (was p/n 0861631)	
	1001146161	1	SN 0300171349 to Present	
			Footswitch Assembly Options:	
	0272970		Prior to SN 0300171349	B
	1001117174		SN 0300171349 to Present	B
		Ref	Note: Assembly p/n 0272970 may use either p/n 4360031 or p/n 1001117320 Footswitch. If Original Equipment was replaced as an "assembly," p/n 1001117320 may have been used as part of the Service Replacement. Identify component before ordering parts.	
104A		AR	Footswitch Options:	
	4360031	1	Footswitch Prior to SN 0300143790	
	7000625	2	Block, Contact (4360031 Footswitch)	
	1001117320	1	Footswitch SN 0300143790 to Present	
	70003483	1	Block, Contact (1001117320 Footswitch)	
	1001117172	1	Footswitch SN 0300171349 to Present	
	70002902	1	Switch, 20Amp	
	70002903	1	Gasket	
	70002904	4	Replacement Kit, Bolt	
	70002905	1	Cover, Aluminum	
104B	1060918	7ft/2.14m	Cable, Electrical - 18/3	
104C	4460071	1	Connector, Strain Relief	
105	3311405	7	Locknut 1/4in-20NC	
106	3311605	4	Locknut 3/8in-16NC	
107	3380434	1	Panel, Molded	
108	4740362	7	Washer, Fender	
109	4751400	4	Flatwasher 1/4in Regular	
110	4751600	8	Flatwasher 3/8in Regular	
		Ref	TRAY INSTALLATIONS (OPTIONAL)	
201	1580012	1	Tray, Storage (Center)	

SECTION 4 PLATFORM

FIGURE 4-1. PLATFORM COMPONENTS INSTALLATION (CONTINUED)

ITEM #	PART NUMBER	QTY.	DESCRIPTION	REV.
	0272096	Ref	WORKLIGHTS INSTALLATION (OPTIONAL)	E
301	2080040	4	Fastener	
302 to 303	Not Used			
304	2920140	2	Worklight	
	7016399	2	Bulb, Replacement (1 Per Light)	
305 to 306	Not Used			
307	3536089	2	Plate, Lamp Mounting	

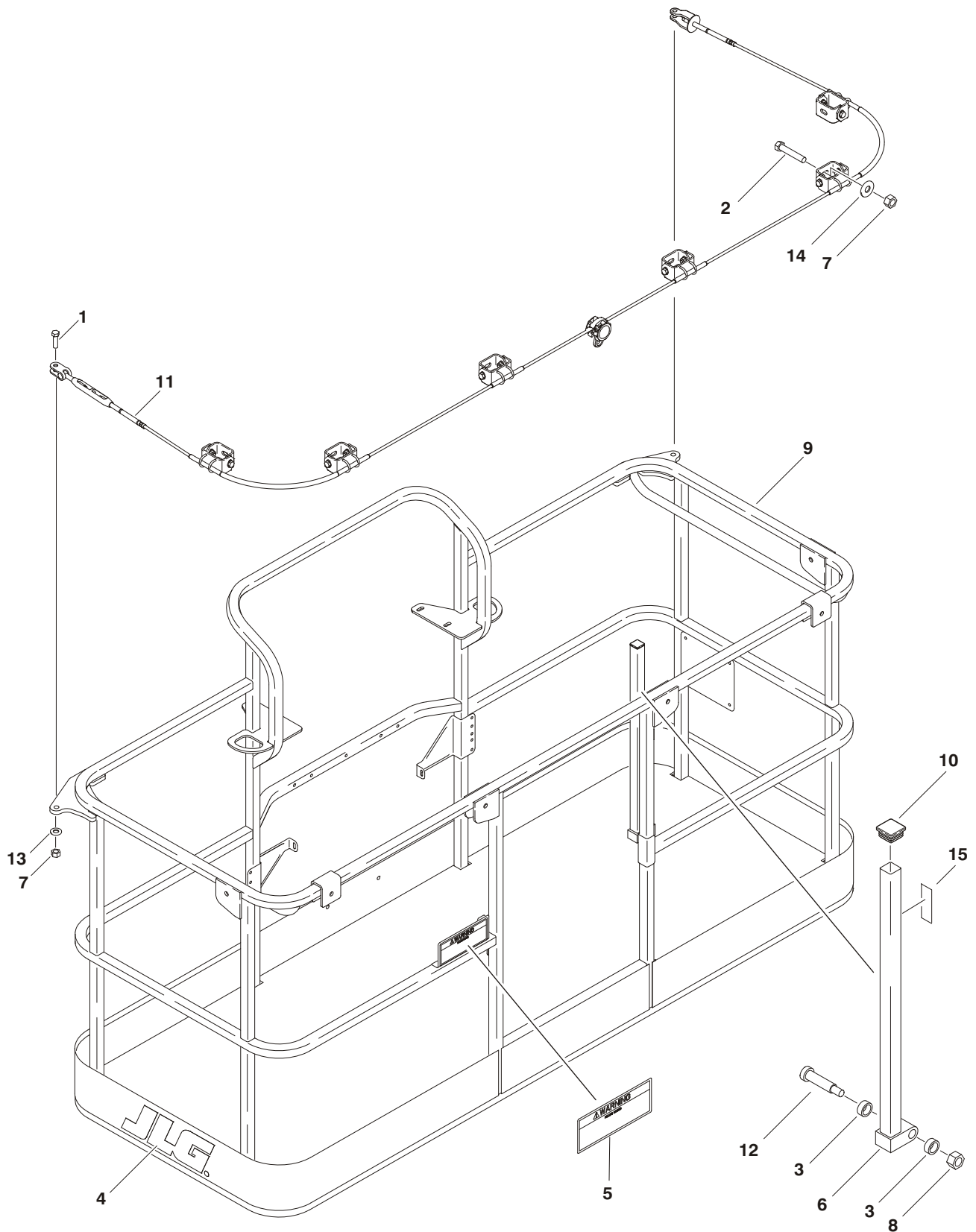
SECTION 4 PLATFORM

FIGURE 4-1. PLATFORM COMPONENTS INSTALLATION (CONTINUED)

ITEM #	PART NUMBER	QTY.	DESCRIPTION	REV.

SECTION 4 PLATFORM

FIGURE 4-2. PLATFORM COMPONENTS INSTALLATION (FALL ARREST PLATFORM)



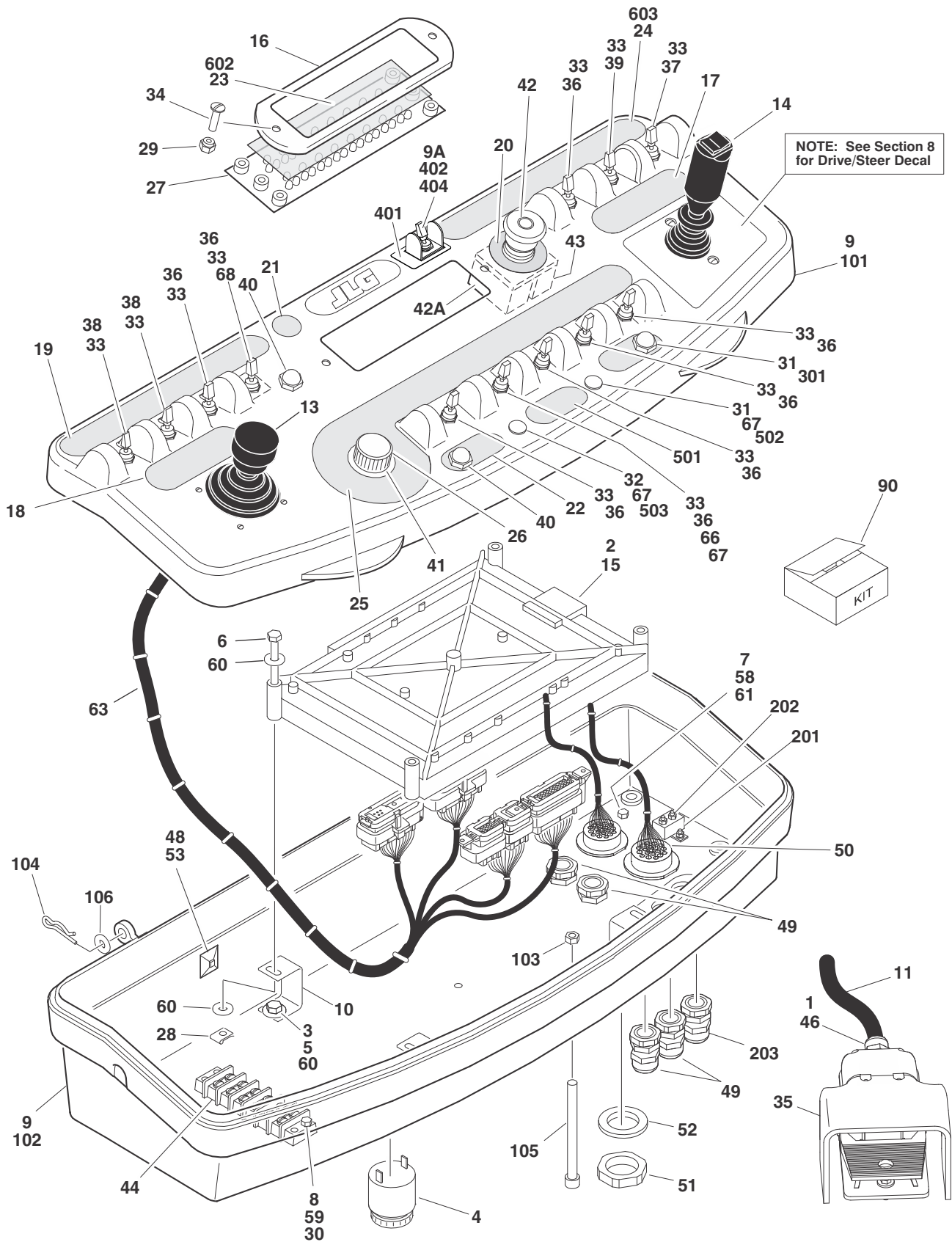
SECTION 4 PLATFORM

FIGURE 4-2. PLATFORM COMPONENTS INSTALLATION (FALL ARREST PLATFORM)

ITEM #	PART NUMBER	QTY.	DESCRIPTION	REV.
		Ref	PLATFORM ASSEMBLY (FALL ARREST)	
	3510868	Ref	ANSI Spec	E
		Ref	Note: Replacement decals must be ordered separately - See DECAL SECTION.	
1	0681814	2	Bolt 1/2in-13NC x 1-3/4in	
2	0681822	6	Bolt 1/2in-13NC x 2-3/4in	
3	0962270	2	Bearing, Oilite	
4	1702773	1	Decal - JLG	
5	1705014	1	Decal - Safety	
6	2410014	1	Gate Weldment	
7	3271805	8	Locknut 1/2in-13NC	
8	3311605	1	Locknut 3/8in-16NC	
9	See Note	1	Platform Weldment (Note: Not Available - Purchase Platform Assembly)	
10	3520072	1	Cap-Plug	
11	3890040	1	Cable, Fall Arrest	
12	3900054	1	Bolt 1/2in-13NC x 1-3/4in	
13	4711800	2	Flatwasher 1/2in Thin	
14	4751800	6	Flatwasher 1/2in Regular	
15	1706385	1	Decal - Drop Bar	

SECTION 4 PLATFORM

FIGURE 4-3. PLATFORM CONSOLE ASSEMBLY



SECTION 4 PLATFORM

FIGURE 4-3. PLATFORM CONSOLE ASSEMBLY

ITEM #	PART NUMBER	QTY.	DESCRIPTION	REV.
		Ref	CONSOLE BOX ASSEMBLIES	
	0861631	Ref	Prior to SN 0300171349	L
	1001146161	Ref	SN 0300171349 to Present	B
		Ref	Note: When replacing complete console box assembly p/n 0861631, use p/n 1001146161 as service replacement.	
1	0100020	AR	Sealant, Pipe	
2	0100048	AR	Grease, Dielectric	
3	0100081	AR	Adhesive	
4	0140011	1	Alarm	
5	0641404	4	Bolt 1/4in-20NC x 1/2in	
6	0641414	4	Bolt 1/4in-20NC x 1-3/4in	
7	0720804	1	Screw #8-32NC x 1/2in	
8	0721006	AR	Bolt #10-24NC x 3/4in	
9	0861630	1	Box, Console (See Items 101-106 for Breakdown)	
9A	1671314	1	Cover, Hole (Used without Boom Control Select Option)	
10	0902751	4	Bracket, Support	
11	1060918	7ft/2.1m	Cable, 18/3	
12	Not Used			
13	Use 1001129555	1	Controller Assembly (Lift & Swing) (See CONTROLLER ASSEMBLY (LIFT & SWING) for Breakdown) (was p/n 1600317 & p/n 1001118417) (Note: Service Replacement Kit p/n 1001129555 Includes Controller p/n 1001118417 & Instructions)	
14	Use 1001118416	1	Controller Assembly (Drive & Steer) (See CONTROLLER ASSEMBLY (DRIVE & STEER) for Breakdown) (was p/n 1600318)	
15	1600343	1	Module, Platform Control (Note: Control System needs recalibrated when replaced)	
	2915024	1	Update Kit (Includes Cables, Programming Instructions & CD Software)	
16	1671176	1	Bezel	
17	1702565	1	Decal (Drive and Steer)	
18	1702566	1	Decal (Lift and Swing)	
19	1705744	1	Decal (Horn)	
20	1704260	1	Decal (EMS)	
21	1705132	1	Decal (ADE)	
22	1705171	1	Decal (Jib Stow)	
23	1705973	1	Decal (Platform Display) (Prior to SN 0300142938)	
24	1705174	1	Decal (Stop) (Prior to SN 0300142938)	
25	1705745	1	Decal (Function Speed)	
26	2560136	1	Handle, Knob	
27	2920154	1	Panel, LED Light	
28	3300353	4	Nut, Tinnerman	
29	3300408	2	Insert, Nylon	
30	3311005	AR	Nut #10-24NC	
31	3520026	2	Plug, Hole	
32	3520027	1	Plug, Hole	
33	3790012	11	O-Ring	

SECTION 4 PLATFORM

FIGURE 4-3. PLATFORM CONSOLE ASSEMBLY (CONTINUED)

ITEM #	PART NUMBER	QTY.	DESCRIPTION	REV.
34	3900183	2	Screw, Button Head #10-24NC x 1-1/4in	
35	See Note	1	Footswitch (Note: See PLATFORM COMPONENTS INSTALLATION for call-out)	
36	4360328	7	Switch, Toggle	
37	4360330	1	Switch, Toggle	
38	4360331	2	Switch, Toggle	
39	4360336	1	Switch, Toggle	
40	4360387	2	Switch, Pushbutton	
41	4360407	1	Controller, Speed	
	See Note	1	Gasket "Top Hat" (Included with Switch) (Note: Not Available - Purchase Complete Controller.)	
	70003784	1	Seal	
42	4360475	1	Switch, Emergency Stop	
	7020175	1	Cap, Red	
42A	7020176	1	Contact Block	
43	4360476	1	Block, Contact	
44	4460007	1	Bar, Buss	
45	Not Used			
46	4460071	1	Connector, Strain Relief	
47	4460226	2	Socket, Female (Not Shown - Used with Footswitch)	
48	4460234	3	Tie-Strap	
49	4460428	AR	Connector, Strain Relief	
50	4460464	1	Terminal, Deutsch	
51	4460470	1	Nut, Terminal	
52	4460471	1	Lockwasher, Terminal	
53	4460488	1	Base, Mounting	
54	4460496	1	Nut, Terminal (Not Shown)	
55	4460497	1	Lockwasher, Terminal (Not Shown)	
56	4460708	2	Connector, Female - 15 Position (Not Shown)	
57	4460905	5	Plug, Seal (Not Shown)	
58	4750800	1	Flatwasher #8 Regular	
59	4751000	AR	Flatwasher #10 Regular	
60	4751400	8	Flatwasher 1/4in Regular	
61	4760800	1	Lockwasher #8	
62	4922666	1	Harness, Analyzer Cable (Not Shown)	
63	4923448	1	Harness, Console Box	
64	4922947	1	Harness, Tilt Sensor (Right Side) (Not Shown)	
65	4922948	1	Harness, Tilt Sensor (Left Side) (Not Shown)	
66	3520054	1	Plug, Hole	
67	0100009	AR	Sealant	
68	4071074	1	Shim	
69 to 89	Not Used			
90		1	Decal Kit Options:	
	1001109181		ANSI & Australian Spec (Includes Items 9A,17-25,401 & Drive/Steer Decal)	2
	See Note		All Other Specs (Note: Not Available For Purchase)	

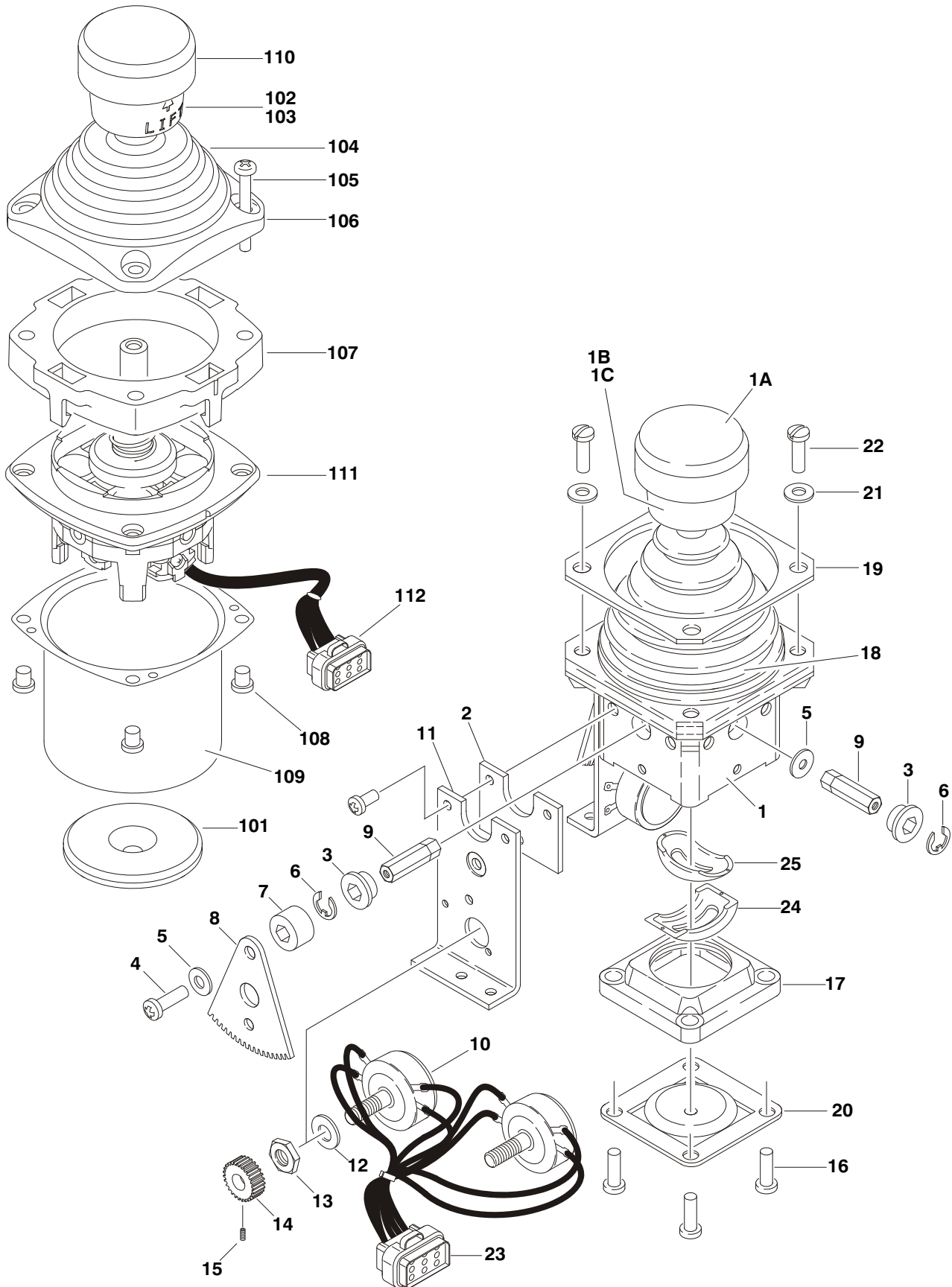
SECTION 4 PLATFORM

FIGURE 4-3. PLATFORM CONSOLE ASSEMBLY (CONTINUED)

ITEM #	PART NUMBER	QTY.	DESCRIPTION	REV.
	0861630	Ref	CONSOLE BOX ASSEMBLY	F
101	See Note	1	Console Top (Note: Not Available For Purchase)	
102	See Note	1	Console Bottom (Note: Not Available For Purchase)	
103	3311601	1	Nut 3/8in-16NC	
104	3470003	2	Hairpin	
105	0630568	1	Screw 3/8in-16NC x 4-1/2in	
106	4711500	2	Flatwasher 5/16in Thin	
		Ref	PLATFORM WORKLIGHTS INSTALLATIONS	
201	4360232	1	Breaker, Circuit	
	0721003	1	Screw #10-24NC x 3/8in	
	4761000	1	Lockwasher #10	
202	3311001	2	Nut #10-24NC	
203	4460426	1	Connector, Strain Relief	
		Ref	CHASSIS LIGHTS COMPONENTS INSTALLATION	
301	4360522	1	Switch, Pushbutton	
	1705170	1	Decal - Lights	
	0275098	Ref	BOOM CONTROL SELECT SWITCH INSTALLATION	B
401	1706741	1	Decal - Boom Control Select	
402	4060906	1	Guard, Switch	
403	Not Used			
404	4360336	1	Switch Toggle -----	
	9984273	Ref	Switch Installation Kit, Boom Control Select (Requires Version P7.0 or higher software)	
		Ref	SOFT TOUCH SYSTEM INSTALLATIONS	
	0273706	Ref	8Ft/2.4m Platforms w/Fall Arrest	B
501	1702938	1	Decal, Soft Touch Override	
502	4360387	1	Switch, Push Button	
503	2920028	1	Lamp, Indicator	
	2920029	1	Bulb	
		Ref	LIGHT PANEL INSTALLATIONS (SN 0300142938 TO PRESENT)	
	1001121826	Ref	ANSI & ANSI Export Specs	A
	1001121827	Ref	Australian & CE Specs	A
601	Not Used			
		1	Decal - Light Panel Options:	
602	1001122384		ANSI & ANSI Export Specs	
	1705173		Australian & CE Specs	
603		1	Decal - Stop Options:	
	1001122611		ANSI & ANSI Export Specs	
	1705974		Australian & CE Specs	

SECTION 4 PLATFORM

FIGURE 4-4. CONTROLLER ASSEMBLY (LIFT & SWING)



SECTION 4 PLATFORM

FIGURE 4-4. CONTROLLER ASSEMBLY (LIFT & SWING)

ITEM #	PART NUMBER	QTY.	DESCRIPTION	REV.
		Ref	Note: Original Equipment controller may have been replaced with Service Replacement controller. Visually identify controller before ordering parts.	
		Ref	CONTROLLER ASSEMBLIES	
	1600317	Ref	Controller Assembly (OEM) (Original Equipment - Prior to SN 0300146315)	C
1	7019141	1	Mechanical Assembly (Includes Base, Handle Stem & Items 1A, 1B, 1C & 18)	
1A	7019197	1	Handle Cap & Rod	
1B	7003928	1	Spring	
1C	7022808	1	Cap, Lift	
2	7019171	2	Plate	
3	7019111	4	Bearing, Gear	
4	7019143	2	Screw	
5	7019144	2	Spacer, Cam	
6	7019145	4	E-Clip	
7	7019174	2	Spacer	
8	7003977	2	Gear, Drive	
9		2	Shaft Options:	
	7019147		Shaft, Short	
	7019177		Shaft, Long	
10	7022818	2	Potentiometer	
11	7019142	2	Plate	
12	7003992	2	Washer	
13	7003993	2	Nut	
14	7003976	2	Gear, Slave	
15	7019149	2	Setscrew	
16	7022816	4	Screw	
17	7019150	1	Gate	
18	7022814	1	Boot	
19	7022815	1	Bezel	
20	See Note	1	Center, Detent (Note: Not Available For Purchase)	
21	7003953	4	Washer	
22	7022817	4	Screw	
23	7022819	1	Plug, Male 8 Position (Natural)	
	4460871	8	Socket, Female	
24	7019122	1	Gimble, Outer	
25	7019123	1	Gimble, Inner	
	Use 1001129555	Ref	Controller Assembly	A
		Ref	(Service Replacement - Prior to SN 0300146315)	
		Ref	(Original Equipment - SN 0300146315 to Present)	
		Ref	Note: Was p/n 1001118417 Assembly - Use p/n 1001129555 Kit as replacement.	
101	70002730	1	Gasket	
102	7003928	1	Spring	
103	7022808	1	Cap, Lift	
104	70002731	1	Boot	

SECTION 4 PLATFORM

FIGURE 4-4. CONTROLLER ASSEMBLY (LIFT & SWING) (CONTINUED)

ITEM #	PART NUMBER	QTY.	DESCRIPTION	REV.
105	70002732	4	Screw	
106	7022815	1	Bezel	
107	70002733	1	Adapter	
108	70002734	4	Screw	
109	70002735	1	Can, Enclosure	
110	70002906	1	Cap	
111	Use 1001129555	1	Mechanical Assembly (Note: Not Available For Purchase)	
112	7022819	1	Plug, Male 8 Position (Natural) (Not Shown)	
	4460871	6	Socket, Female	

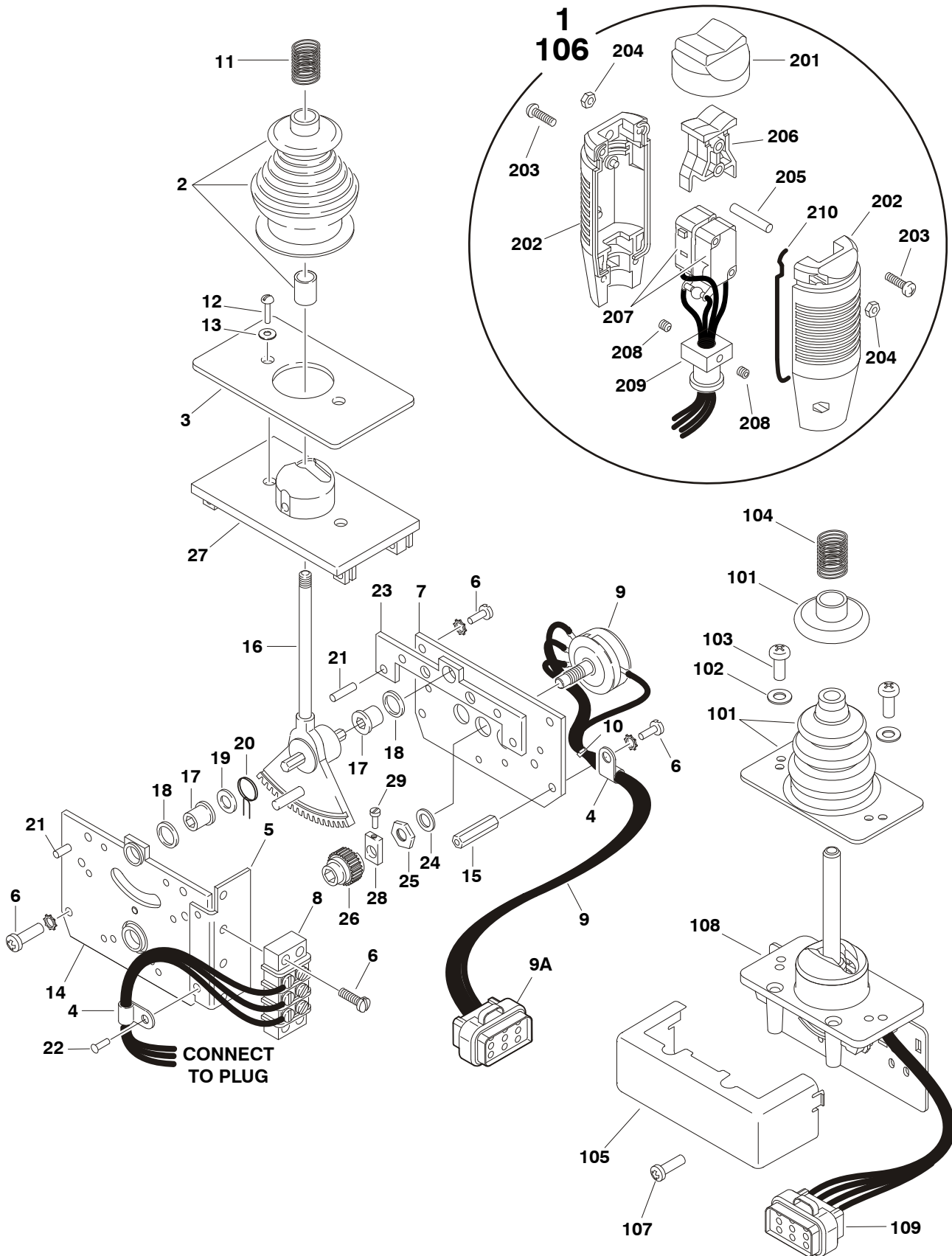
SECTION 4 PLATFORM

FIGURE 4-4. CONTROLLER ASSEMBLY (LIFT & SWING) (CONTINUED)

ITEM #	PART NUMBER	QTY.	DESCRIPTION	REV.

SECTION 4 PLATFORM

FIGURE 4-5. CONTROLLER ASSEMBLY (DRIVE & STEER)



SECTION 4 PLATFORM

FIGURE 4-5. CONTROLLER ASSEMBLY (DRIVE & STEER)

ITEM #	PART NUMBER	QTY.	DESCRIPTION	REV.
		Ref	Note: Original Equipment controller may have been replaced with Service Replacement controller. Visually identify controller before ordering parts.	
		Ref	CONTROLLER ASSEMBLIES	
	1600318	Ref	Controller Assembly (OEM) (Original Equipment - Prior to SN 0300146315)	D
1	7022812	1	Handle Assembly (See Items 201-210 for Breakdown)	
2	7019161	1	Boot and Sleeve	
3	7003933	1	Gasket	
4	7019154	2	Clamp, Wire	
5	7022823	1	Bracket, Mounting	
6	7003994	1	Screw	
7	7022822	1	Plate, Pot Mounting	
8	7003986	1	Strip, Terminal - 3 Position	
9	7022824	1	Electric Assembly	
9A	Use 1001113961	1	Plug, Male - 8 Position (Black) (was p/n 7022825)	
	4460871	7	Socket, Female	
10	7019151	AR	Tie-Strap	
11	7019162	1	Spring	
12	7003969	2	Screw	
13	7003941	2	Washer	
14	See Note	1	Plate, Mounting (Left Side) (Note: Not Available For Purchase)	
15	7019115	2	Stand-Off	
16	7019155	1	Shaft 8mm	
17	7019111	2	Bearing	
18	7019110	2	Spacer, Head Gear	
19	7019112	1	Washer	
20	7003946	1	Spring, Return	
21	7019103	4	Pin	
22	See Note	1	Rivet (Note: Not Available For Purchase)	
23	7019168	1	Plate, Mounting (Right Side)	
24	7003992	1	Washer	
25	7003993	1	Nut	
26	7003935	1	Gear, Slave	
27	7019160	1	Plate, Base	
28	7019114	1	Coupling, Potentiometer	
29	See Note	1	Screw, Cup Point (Note: Not Available For Purchase)	
	1001118416	Ref	Controller Assembly (Service Replacement - Prior to SN 0300146315) (Original Equipment - SN 0300146315 to Present)	A
101	70002724	1	Boot & Control Lock Assembly	
102	7003941	2	Washer	
103	70002725	2	Screw	
104	7019162	1	Spring	
105	70002726	1	Enclosure	
106	70002727	1	Handle Assembly (See Items 201-210 for Breakdown)	

SECTION 4 PLATFORM

FIGURE 4-5. CONTROLLER ASSEMBLY (DRIVE & STEER) (CONTINUED)

ITEM #	PART NUMBER	QTY.	DESCRIPTION	REV.
107	70002728	1	Screw	
108	Use 1001118416	1	Mechanical Assembly (Note: Not Available For Purchase)	
109	Use 1001113961	1	Plug, Male - 8 Position (Black) (was p/n 7022825)	
	4460871	7	Socket, Female	
		Ref	HANDLE ASSEMBLY	
	7022812	Ref	Controller Assembly p/n 1600318	
	70002727	Ref	Controller Assembly p/n 1001118416	
201	7003972	1	Boot, Switch	
202	7003973	2	Half, Handle	
203	7003980	4	Screw	
204	7019167	4	Nut	
205	7019164	1	Axle	
206	7019165	1	Rocker	
207		1	Wiring Assembly Options:	
	7019196		Controller Assembly p/n 1600318	
	7019166	2	Switch, Micro	
	70002729		Controller Assembly p/n 1001118416	
	7003982	2	Switch, Micro	
208	7003983	2	Setscrew	
209	7019194	1	Coupling	
210	7003989	2	Gasket	

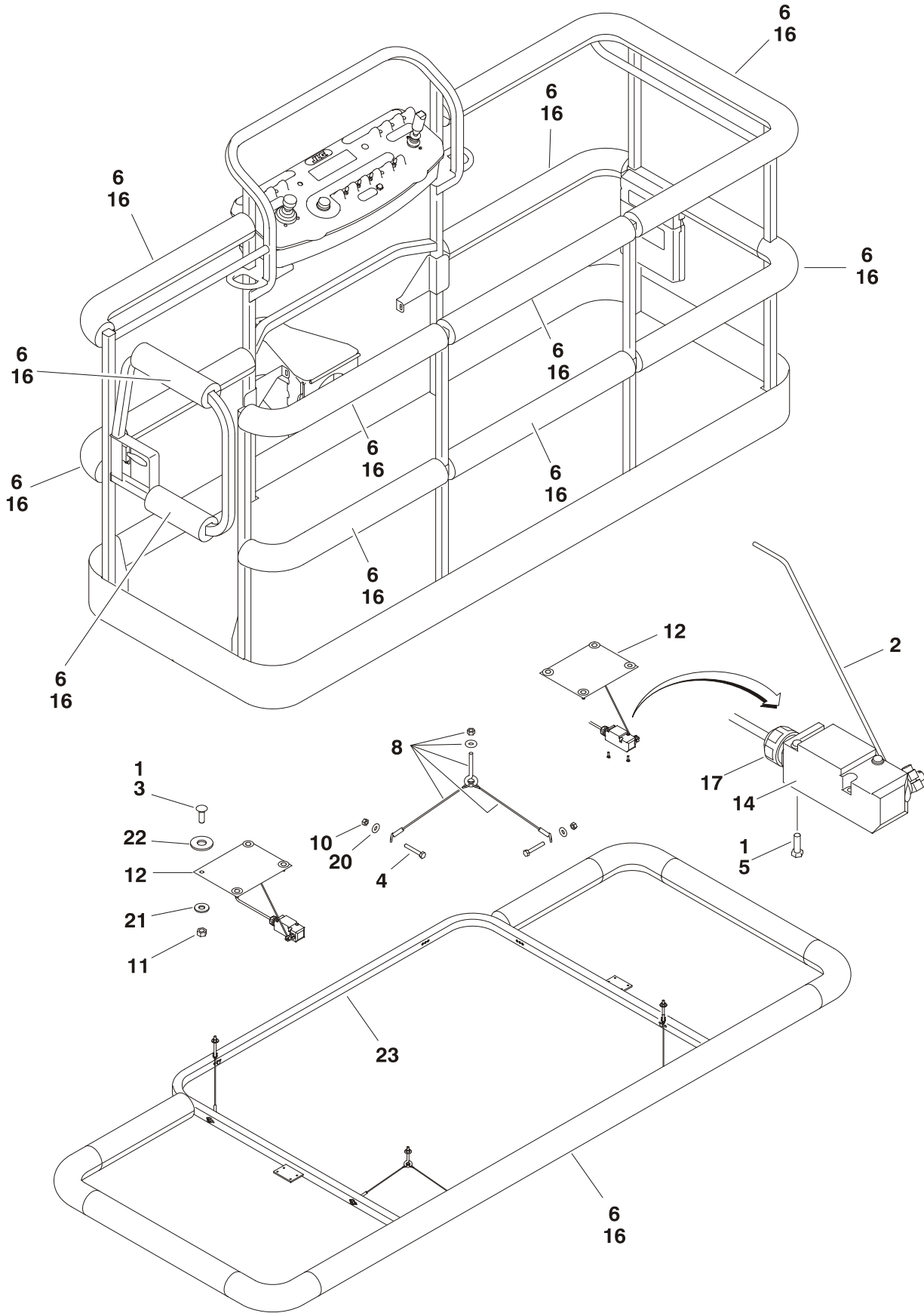
SECTION 4 PLATFORM

FIGURE 4-5. CONTROLLER ASSEMBLY (DRIVE & STEER) (CONTINUED)

ITEM #	PART NUMBER	QTY.	DESCRIPTION	REV.

SECTION 4 PLATFORM

FIGURE 4-6. SOFT TOUCH SYSTEM INSTALLATION (OPTIONAL)



SECTION 4 PLATFORM

FIGURE 4-6. SOFT TOUCH SYSTEM INSTALLATION (OPTIONAL)

ITEM #	PART NUMBER	QTY.	DESCRIPTION	REV.
		Ref	SOFT TOUCH SYSTEM INSTALLATIONS OPTIONS:	
	0273706	Ref	8Ft/2.4m Platforms w/Fall Arrest	B
1	0100011	AR	Compound, Locking	
2	0200048	2	Arm, Switch Activator	
3	0630462	8	Bolt, Carriage	
4	0641414	8	Bolt 1/4in-20NC x 1-3/4in	
5	0721005	4	Screw, Machine #10-24 x 5/8in	
6	0940133	1	Bumper Kit	
7	Not Used			
8	1060903	4	Wire Rope & Eyebolt Assembly	
9	Not Used			
10	3311401	8	Nut 1/4in-20NC	
11	3311501	8	Nut 5/16in-18NC	
12	3574091	2	Plate, Striker	
13	4240099	7	Tie-Strap (Not Shown)	
14	4360057	2	Switch, Limit	
15	Not Used			
16	4420068	1	Tape, Yellow Adhesive	
17	4460049	2	Connector, Strain Relief	
18	4460234	7	Base, Tie-Strap Mounting (Not Shown)	
19	Not Used			
20	4751400	8	Flatwasher 1/4in Regular	
21	4751500	12	Flatwasher 5/16in Regular	
22	4751800	8	Flatwasher 1/2in Regular	
23	4846673	1	Rail, Soft-Touch	
	0272444	Ref	SOFT TOUCH COUNTERWEIGHT INSTALLATION (NOT SHOWN)	C
	4821397	1	Counterweight (Located in Frame)	

SECTION 4 PLATFORM

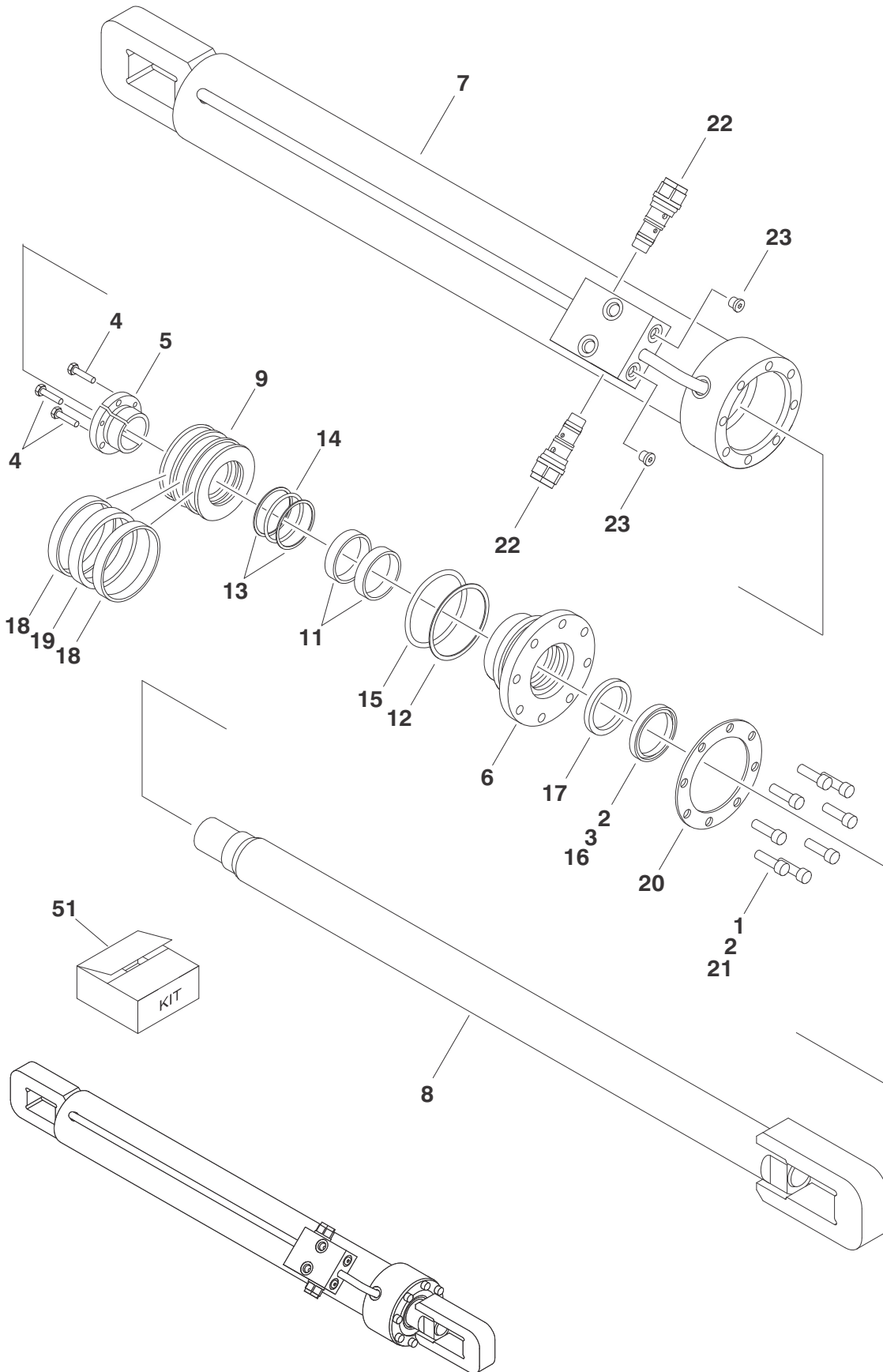
FIGURE 4-6. SOFT TOUCH SYSTEM INSTALLATION (OPTIONAL) (CONTINUED)

ITEM #	PART NUMBER	QTY.	DESCRIPTION	REV.

SECTION 5 CYLINDER

SECTION 5 CYLINDER

FIGURE 5-1. AXLE EXTENSION CYLINDER ASSEMBLY



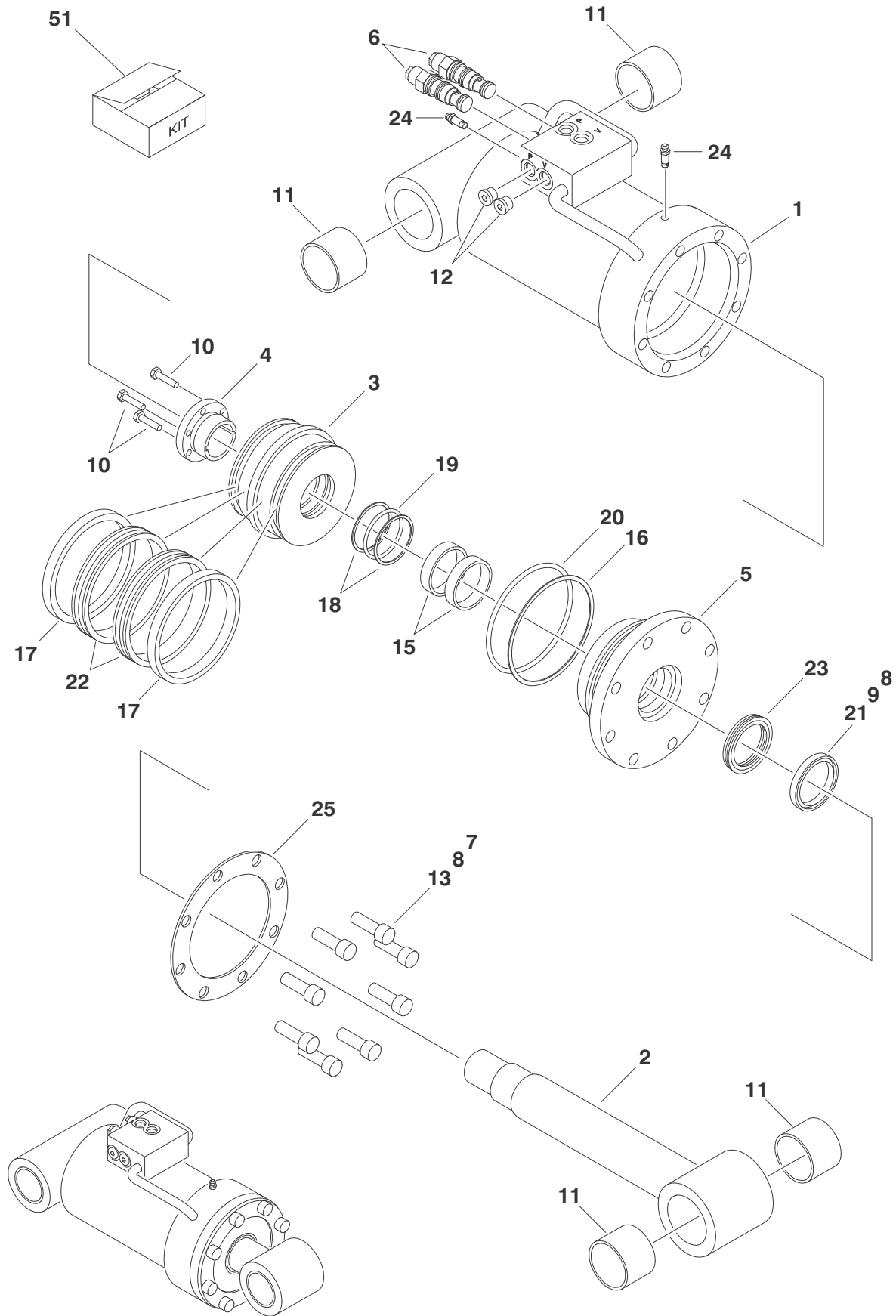
SECTION 5 CYLINDER

FIGURE 5-1. AXLE EXTENSION CYLINDER ASSEMBLY

ITEM #	PART NUMBER	QTY.	DESCRIPTION	REV.
	1684102	Ref	AXLE EXTENSION CYLINDER ASSEMBLY	D
1	0100011	AR	Compound, Locking	
2	0100038	AR	Primer, Locking	
3	0100063	AR	Loctite #RC 609	
4	0630535	3	Capscrew 1/4in-20NC x 1-1/8in	
5	0961896	1	Bushing, Tapered	
6	1683056	1	Head	
7	1684103	1	Barrel Weldment	
8	1684105	1	Rod Weldment	
9	3480272	1	Piston	
10	Not Used			
11	Use 2901773	2	Ring, Wear	
12	Use 2901773	1	Ring, Back-Up	
13	Use 2901773	2	Ring, Back-Up	
14	Use 2901773	1	O-Ring	
15	Use 2901773	1	O-Ring	
16	Use 2901773	1	Wiper, Rod	
17	Use 2901773	1	Seal	
18	Use 2901773	2	Ring, Wear	
19	Use 2901773	1	T-Seal	
20	3760369	1	Ring, Washer	
21	3931620	8	Bolt 3/8in-16NC x 1-1/4in	
22	4640509	2	Cartridge, Holding Valve	
23	2900792	2	Seal Kit - 4640509 Cartridge Valve (1 Per Valve)	
24 to 50	2220883	2	Plug, O-Ring	
51	Not Used			
	2901773	1	Seal Kit (Includes Items 11-19)	

SECTION 5 CYLINDER

FIGURE 5-2. AXLE LOCKOUT CYLINDER ASSEMBLY



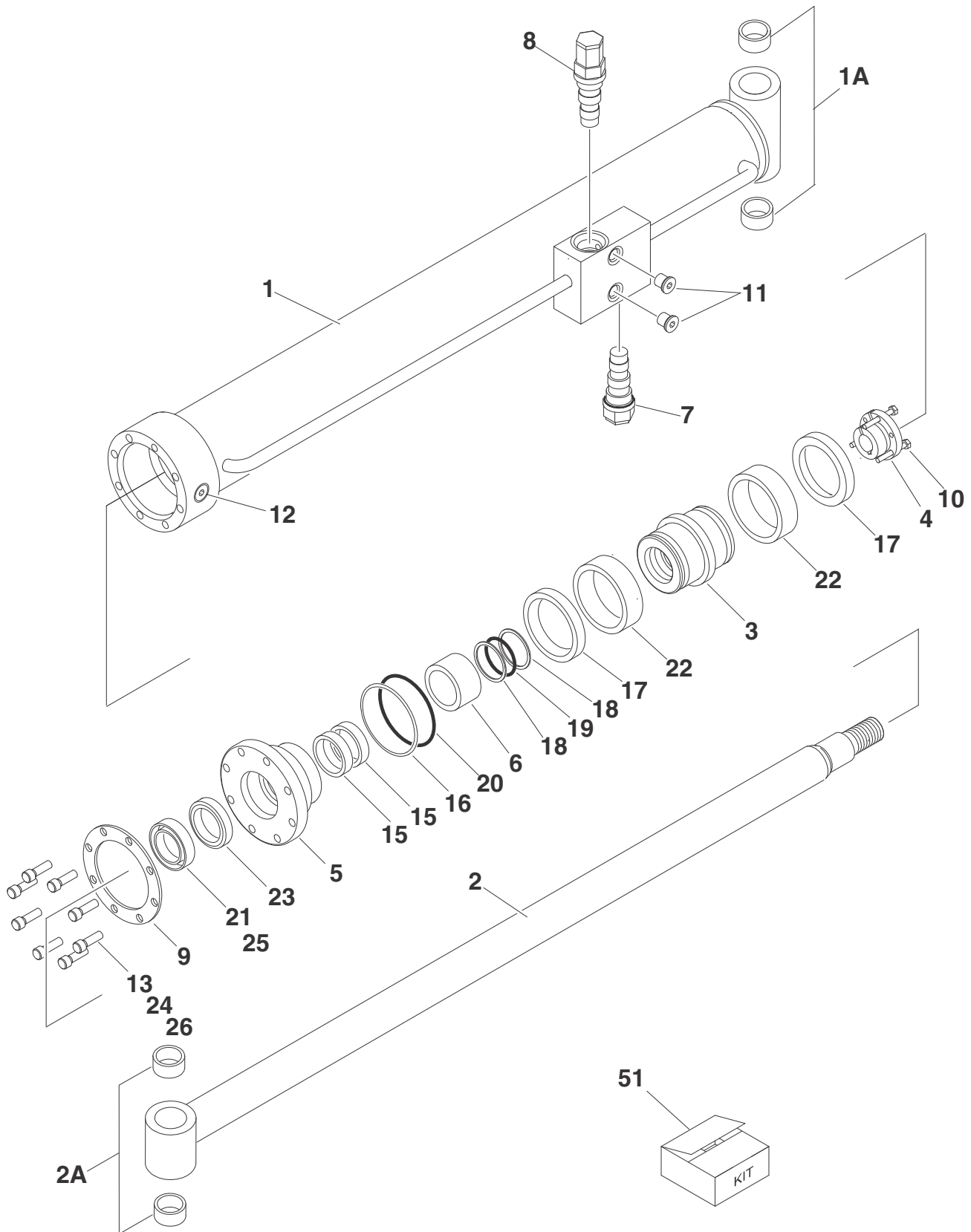
SECTION 5 CYLINDER

FIGURE 5-2. AXLE LOCKOUT CYLINDER ASSEMBLY

ITEM #	PART NUMBER	QTY.	DESCRIPTION	REV.
	1684081	Ref	AXLE LOCKOUT CYLINDER ASSEMBLY	E
1	1684082	1	Barrel Weldment	
2	1684083	1	Rod Weldment	
3	3480269	1	Piston	
4	0961896	1	Bushing	
5	1683062	1	Head	
6	4641276	2	Cartridge, Valve (Counterbalance)	
	2900770	2	Seal Kit - 4640936 Valve (1 Per Assembly)	
7	0100011	AR	Compound, Locking	
8	0100038	AR	Primer, Locking	
9	Not Required			
10	0630535	3	Bolt 1/4in-20NC x 1-1/8in	
11	0961950	4	Bearing	
12	2220885	2	Plug, O-Ring	
13	3931824	8	Bolt, Socket Head 1/2in-13NC x 1-1/2in	
14	Not Used			
15	Use 2902087	2	Ring, Wear	
16	Use 2902087	1	Ring, Back-up	
17	Use 2902087	2	Ring, Lock	
18	Use 2902087	2	Ring, Back-up	
19	Use 2902087	1	O-Ring	
20	Use 2902087	1	O-Ring	
21	Use 2902087	1	Wiper	
22	Use 2902087	2	Seal	
23	Use 2902087	1	Seal, Rod	
24	4640858	2	Valve, Bleeder	
25	3760371	1	Ring, Washer	
26 to 50	Not Used			
51	2902087	1	Seal Kit (Includes Items 15-23)	

SECTION 5 CYLINDER

FIGURE 5-3. PLATFORM LEVEL CYLINDER ASSEMBLY



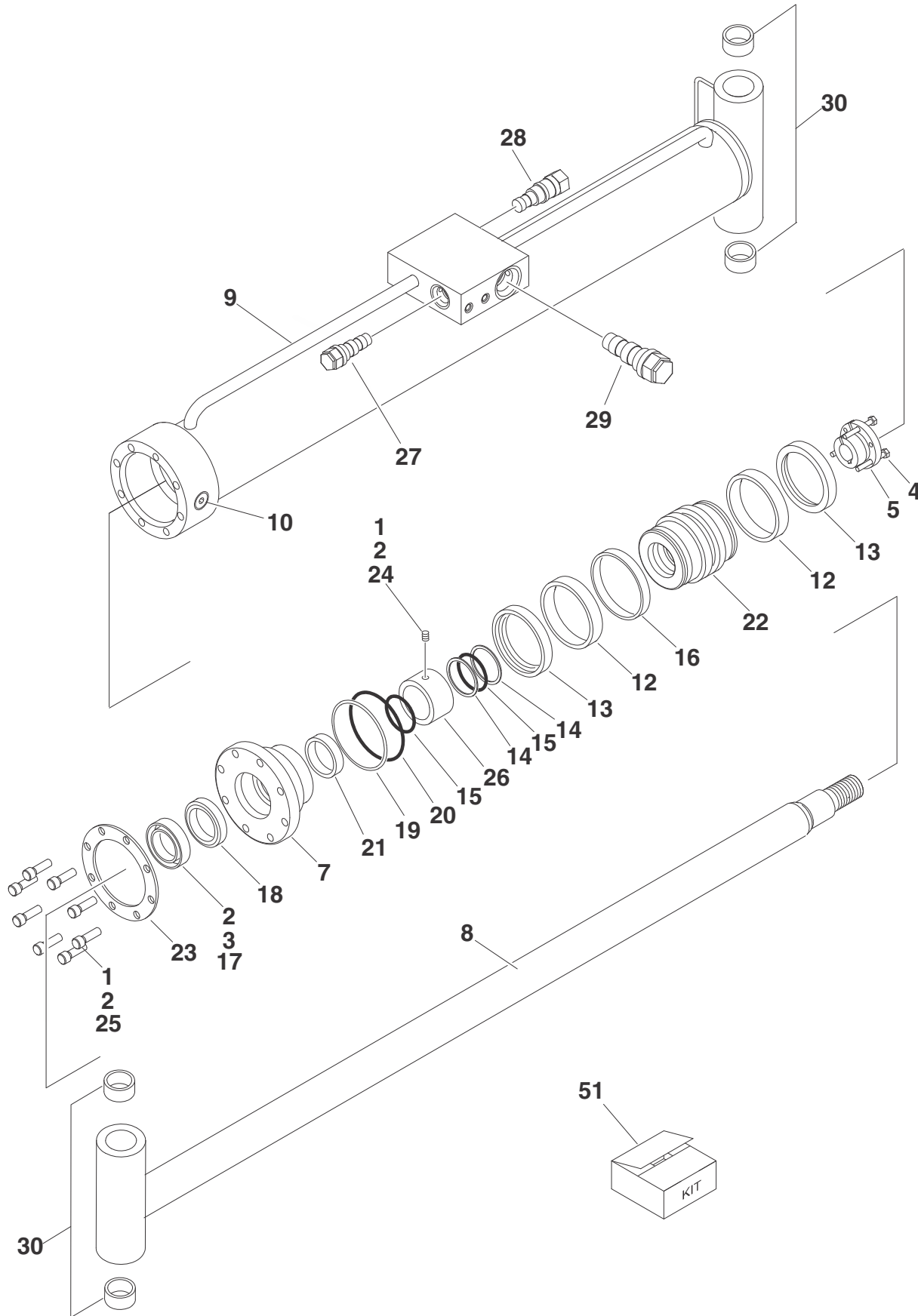
SECTION 5 CYLINDER

FIGURE 5-3. PLATFORM LEVEL CYLINDER ASSEMBLY

ITEM #	PART NUMBER	QTY.	DESCRIPTION	REV.
		Ref	PLATFORM LEVEL CYLINDER ASSEMBLIES	
	1684149	Ref	Without Arctic Package	F
	1001128802	Ref	With Arctic Package	A
1	1684150	1	Barrel Weldment	
1A	0961949	2	Bushing	
2	Use 1684306	1	Rod Weldment Options: Prior to SN 0300073906 (was p/n 1684152) SN 0300073906 to Present	
2A	0961949	2	Bushing	
3	1684306	1	Piston Options: Without Arctic Package	
	3480162		With Arctic Package	
4	0961896	1	Bushing, Tapered	
5	1683062	1	Head	
6	4568345	1	Spacer	
7	4640509	1	Cartridge, Holding Valve (Non Vented)	
	2900792	1	Seal Kit - 4640509 Cartridge Valve (1 Per Valve)	
8	4641248	1	Cartridge, Counterbalance Valve (Non Vented)	
	7011112	1	Seal Kit - 4640932 Cartridge Valve (1 Per Valve)	
9	3760371	1	Ring, Washer	
10	0630535	3	Capscrew 1/4in-20NC x 1-1/8in	
11	2220885	2	Plug, O-Ring	
12	2220886	1	Plug, O-Ring	
13	3931824	8	Capscrew 1/2in-13NC x 1-1/2in	
14	Not Used			
15	See Note	2	Ring, Wear (Note: Use Item 51)	
16	See Note	1	Ring, Back-Up (Note: Use Item 51)	
17	See Note	2	Ring, Lock (Note: Use Item 51)	
18	See Note	2	Ring, Back-Up (Note: Use Item 51)	
19	See Note	1	O-Ring (Note: Use Item 51)	
20	See Note	1	O-Ring (Note: Use Item 51)	
21	See Note	1	Wiper, Rod (Note: Use Item 51)	
22	See Note	2	Ring, Guide (Note: Use Item 51)	
23	See Note	1	Seal, Rod (Note: Use Item 51)	
24	0100011	AR	Compound, Locking	
25	0100063	AR	Loctite #RC 609 (Prior to SN 0300133494)	
26	0100038	AR	Primer, Locking	
27 to 50	Not Used			
51	2902087	1	Seal Kit Options (Includes Items 15-23) Without Arctic Package	
	1001138804		With Arctic Package	

SECTION 5 CYLINDER

FIGURE 5-4. LIFT CYLINDER ASSEMBLY



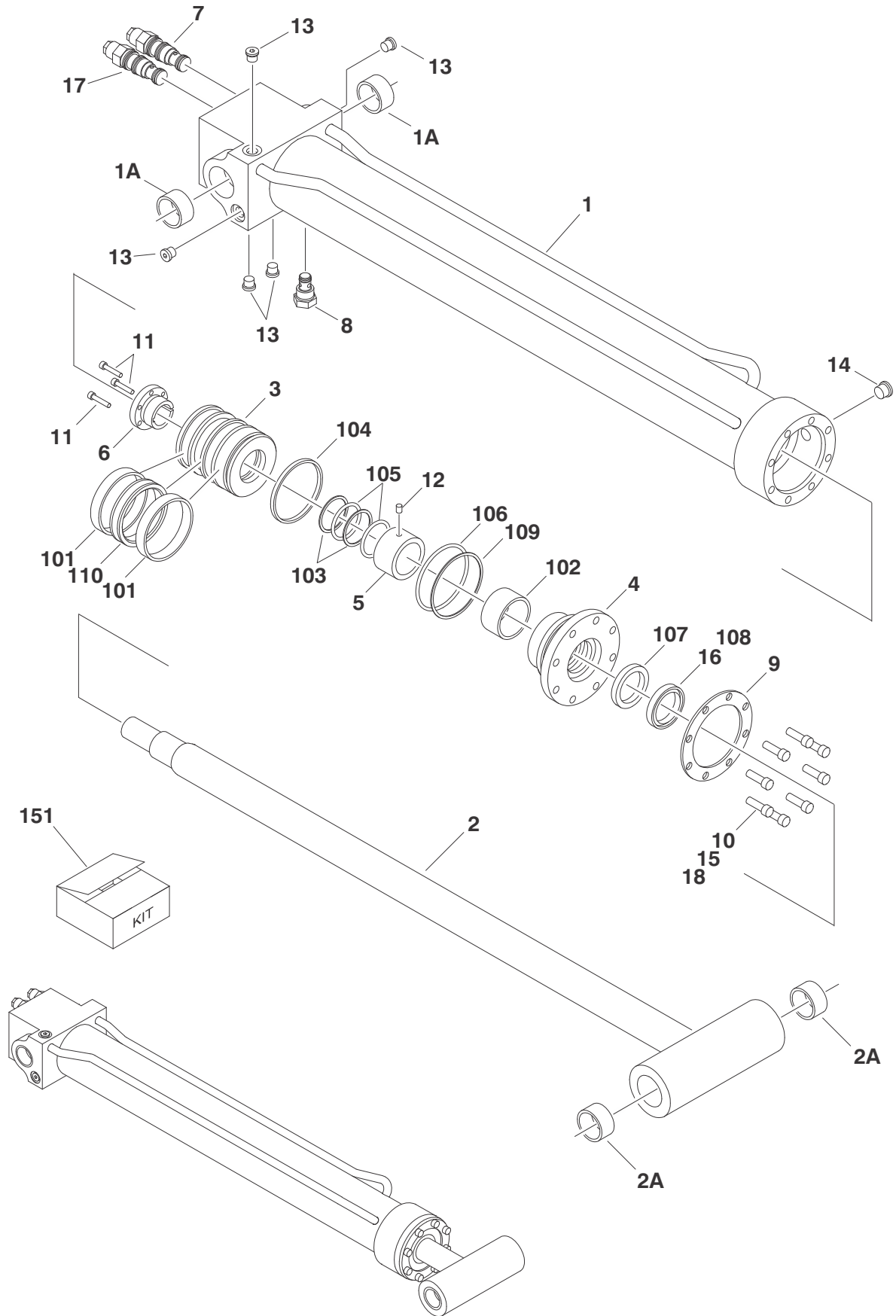
SECTION 5 CYLINDER

FIGURE 5-4. LIFT CYLINDER ASSEMBLY

ITEM #	PART NUMBER	QTY.	DESCRIPTION	REV.
	1684162	Ref	LIFT CYLINDER ASSEMBLY	G
1	0100011	AR	Compound, Locking	
2	0100038	AR	Primer, Locking	
3	Not Required			
4	0630537	3	Capscrew	
5	0961901	1	Bushing, Tapered	
6	Not Used			
7	1683072	1	Head	
8	1684159	1	Rod	
9	1684249	1	Barrel	
10	2220888	1	Plug, O-Ring	
11	Not Used			
12	Use 2902082	2	Ring, Guide	
13	Use 2902082	2	Ring, Lock	
14	Use 2902082	2	Ring, Back-Up	
15	Use 2902082	AR	O-Ring	
16	Use 2902082	1	Ring, Wear	
17	Use 2902082	1	Wiper, Rod	
18	Use 2902082	1	Seal, Rod	
19	Use 2902082	1	Ring, Back-Up	
20	Use 2902082	1	O-Ring	
21	Use 2902082	1	Ring, Wear	
22	3480270	1	Piston	
23	3760375	1	Ring, Washer	
24	Not Required	1	Setscrew	
25	3932244	8	Capscrew 3/4in-10NC x 2-3/4in	
26	4568319	1	Spacer	
27	4640438	1	Cartridge, Check Valve	
28	2900770	1	Seal Kit - 4640438 Cartridge Valve	
28	4640509	1	Cartridge, Holding Valve (Non Vented)	
28	2900792	1	Seal Kit - 4640509 Cartridge Valve	
29	4641210	1	Cartridge, Pressure Regulator Valve	
29	7010545	1	Seal Kit - 4641210 Cartridge Valve	
30	0962297	4	Bushing	
31 to 50	Not Used			
51	2902082	1	Seal Kit (Includes Items 12-21)	

SECTION 5 CYLINDER

FIGURE 5-5. JIB CYLINDER ASSEMBLY



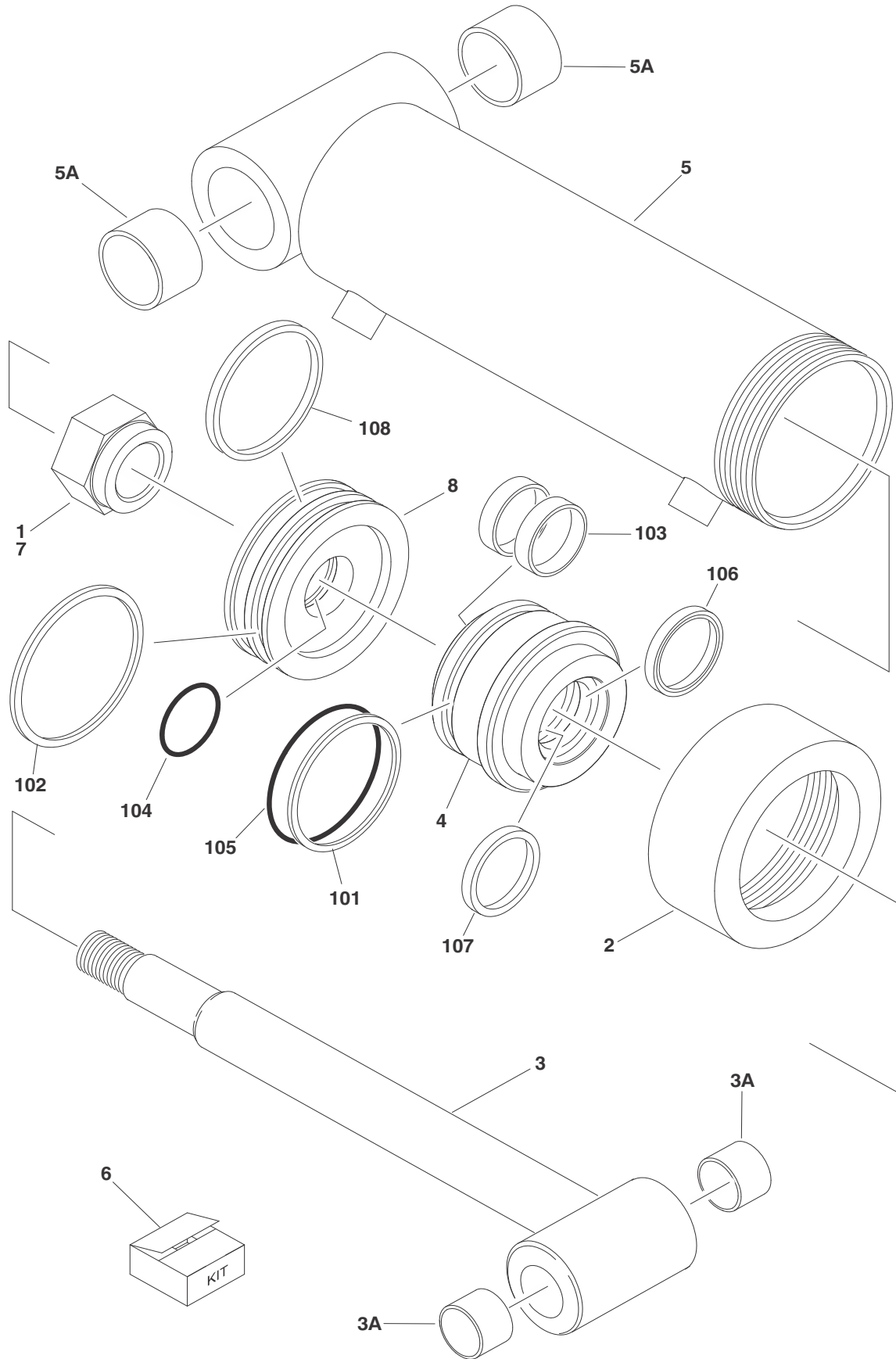
SECTION 5 CYLINDER

FIGURE 5-5. JIB CYLINDER ASSEMBLY

ITEM #	PART NUMBER	QTY.	DESCRIPTION	REV.
		Ref	JIB CYLINDER ASSEMBLIES	
	1684173	Ref	Without Arctic Package	F
	1001128803	Ref	With Arctic Package	A
1	1684174	1	Barrel Weldment	
1A	0962257	2	Bushing	
2	1684176	1	Rod Weldment	
2A	0962257	2	Bushing	
3	3480271	1	Piston	
4	1683053	1	Head	
5	Use 4100100	1	Spacer (Prior to SN 0300079596) (was p/n 4566471)	
6	0961893	1	Bushing, Tapered	
7	4640452	1	Cartridge, Counterbalance (Port above V2)	
	2900770	1	Seal Kit - 4640452 Cartridge Valve (1 Per Valve)	
8	4641114	1	Cartridge, Restricted/Check	
	7012967	1	Seal Kit - 4641114 Cartridge Valve (1 Per Valve)	
9	3760368	1	Ring, Washer	
10	3931516	8	Capscrew 5/16in-18NC x 1in	
11	0630534	3	Capscrew #10-24NC x 1in	
12	3900141	1	Setscrew 1/4in-20NC x 1/2in (Prior to SN 0300079596)	
13	2220883	5	Plug, O-Ring	
14	2220885	1	Plug, O-Ring	
15	0100011	AR	Compound, Locking	
16	0100063	AR	Loctite #609 (Prior to SN 0300079596)	
17	4641260	1	Cartridge, Counterbalance (Port above V1)	
	2900770	1	Seal Kit - 4641260 Cartridge Valve (1 Per Valve)	
18	0100038	AR	Primer, Locking	
18 to 100	Not Used			
101	See Note	2	Ring, Wear (Note: Use Item 151)	
102	See Note	1	Ring, Wear (Note: Use Item 151)	
103	See Note	2	Ring, Back-up (Note: Use Item 151)	
104	See Note	1	Seal (Note: Use Item 151)	
105	See Note	2	O-Ring (Note: Use Item 151)	
106	See Note	1	O-Ring (Note: Use Item 151)	
107	See Note	1	Seal (Note: Use Item 151)	
108	See Note	1	Wiper, Rod (Note: Use Item 151)	
109	See Note 1	1	Ring, Back-up (Note: Use Item 151)	
110	See Note	1	Seal (Note: Use Item 151)	
111 to 150	Not Used			
151		1	Seal Kit Options (Includes Items 101-110):	
	2902092		Without Arctic Package	
	1001138805		With Arctic Package	

SECTION 5 CYLINDER

FIGURE 5-6. STEER CYLINDER ASSEMBLY



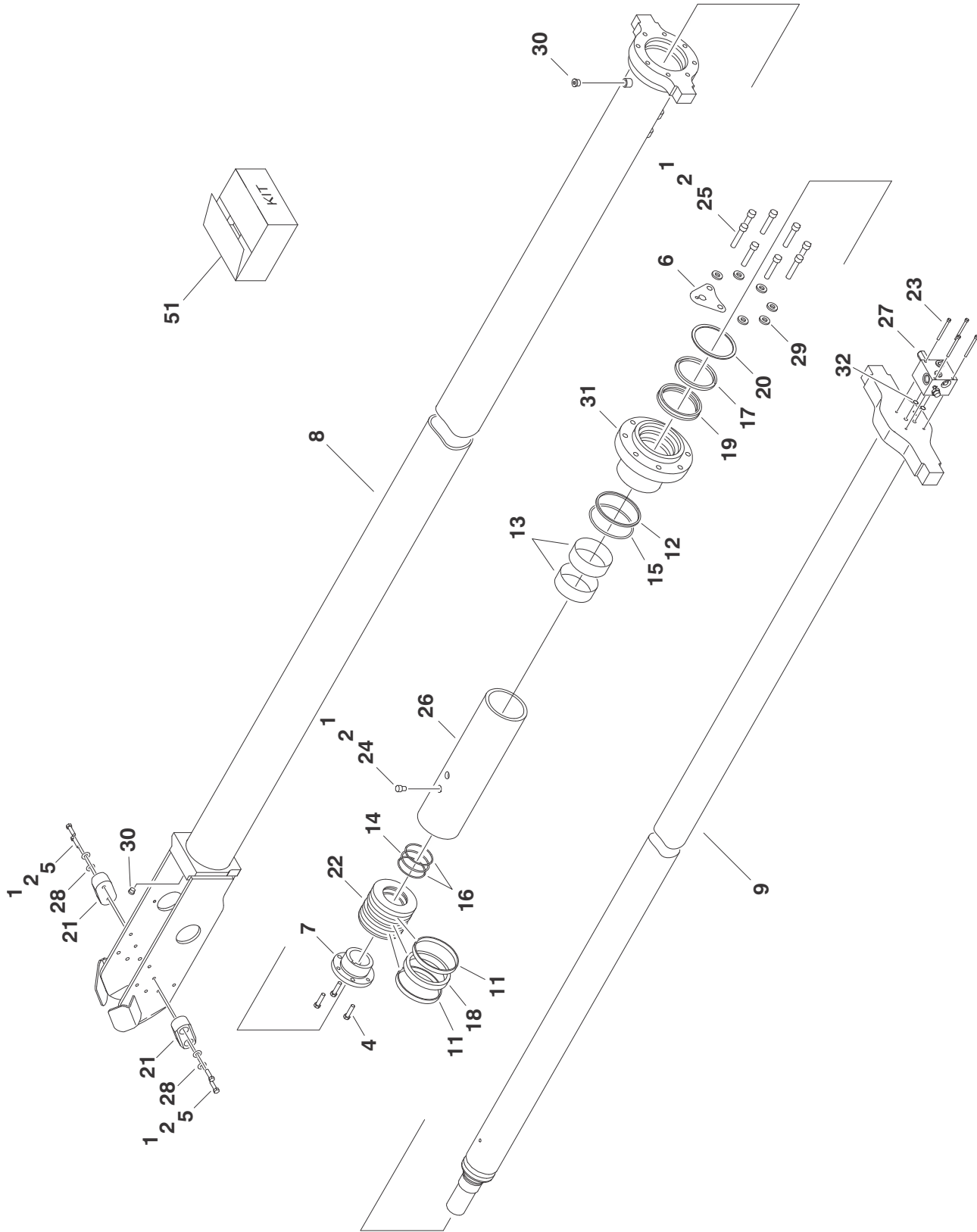
SECTION 5 CYLINDER

FIGURE 5-6. STEER CYLINDER ASSEMBLY

ITEM #	PART NUMBER	QTY.	DESCRIPTION	REV.
	1684314	Ref	STEER CYLINDER	B
1	0100035	AR	Compound, Locking	
2	1120094	1	Cap, Cylinder	
3	1684275	1	Rod	
3A	0961950	2	Bushing	
4	1684315	1	Head	
5	1684317	1	Barrel	
5A	0961949	2	Bushing	
6	2902257	1	Seal Kit (Includes Items 101-108)	
7	3300465	1	Nut	
8	3480278	1	Piston	
9 to 100	Not Used			
101	Use 2902257	1	Ring, Back-up	
102	Use 2902257	1	Ring, Wear	
103	Use 2902257	2	Ring, Wear	
104	Use 2902257	1	O-Ring	
105	Use 2902257	1	O-Ring	
106	Use 2902257	1	Wiper	
107	Use 2902257	1	Seal, Piston	
108	Use 2902257		Seal	

SECTION 5 CYLINDER

FIGURE 5-7. TELESCOPE CYLINDER ASSEMBLY



SECTION 5 CYLINDER

FIGURE 5-7. TELESCOPE CYLINDER ASSEMBLY

ITEM #	PART NUMBER	QTY.	DESCRIPTION	REV.
	1684108	Ref	TELESCOPE CYLINDER ASSEMBLIES	K
1	0100011	AR	Compound, Locking	
2	0100038	AR	Primer, Locking	
3	Not Used			
4	0630535	3	Capscrew	
5	0641608	4	Bolt 3/8in-16NC x 1in	
6	0902743	1	Bracket	
7	0961903	1	Bushing, Tapered	
8	1684109	1	Barrel Weldment	
9	1001104923	1	Rod Weldment	
10	Not Used			
11	Use 2902081	2	Ring, Wear	
12	Use 2902081	1	Ring, Back-Up	
13	Use 2902081	2	Ring, Wear	
14	Use 2902081	1	O-Ring	
15	Use 2902081	1	O-Ring	
16	Use 2902081	2	Ring, Back-Up	
17	Use 2902081	1	Wiper, Rod	
18	Use 2902081	1	T-Seal	
19	Use 2902081	1	Seal, Rod	
20	Use 2902081	1	Ring, Retaining	
21	3340963	2	Pad, Wear	
22	3480268	1	Piston	
23	3931448	4	Capscrew 1/4in-20NC x 3in	
24	3931608	1	Capscrew 3/8in-16NC x 1in	
25	3931840	8	Capscrew 1/2in-13NC x 2-1/2in	
26	1001104922	1	Spacer	
27	4641256	1	Valve Assembly	
	2220884	1	Plug, SAE #5 (with O-Ring)	
	2220885	1	Plug, SAE #6 (with O-Ring)	
28	4711600	4	Flatwasher 3/8in Narrow	
29	4891800	6	Flatwasher 1/2in Hardened	
30	2220885	2	Plug, O-Ring	
31	1684141	1	Head	
32	3790112	2	O-Ring	
33 to 50	Not Used			
51	2902081	1	Seal Kit (Includes Items 11-20)	

SECTION 5 CYLINDER

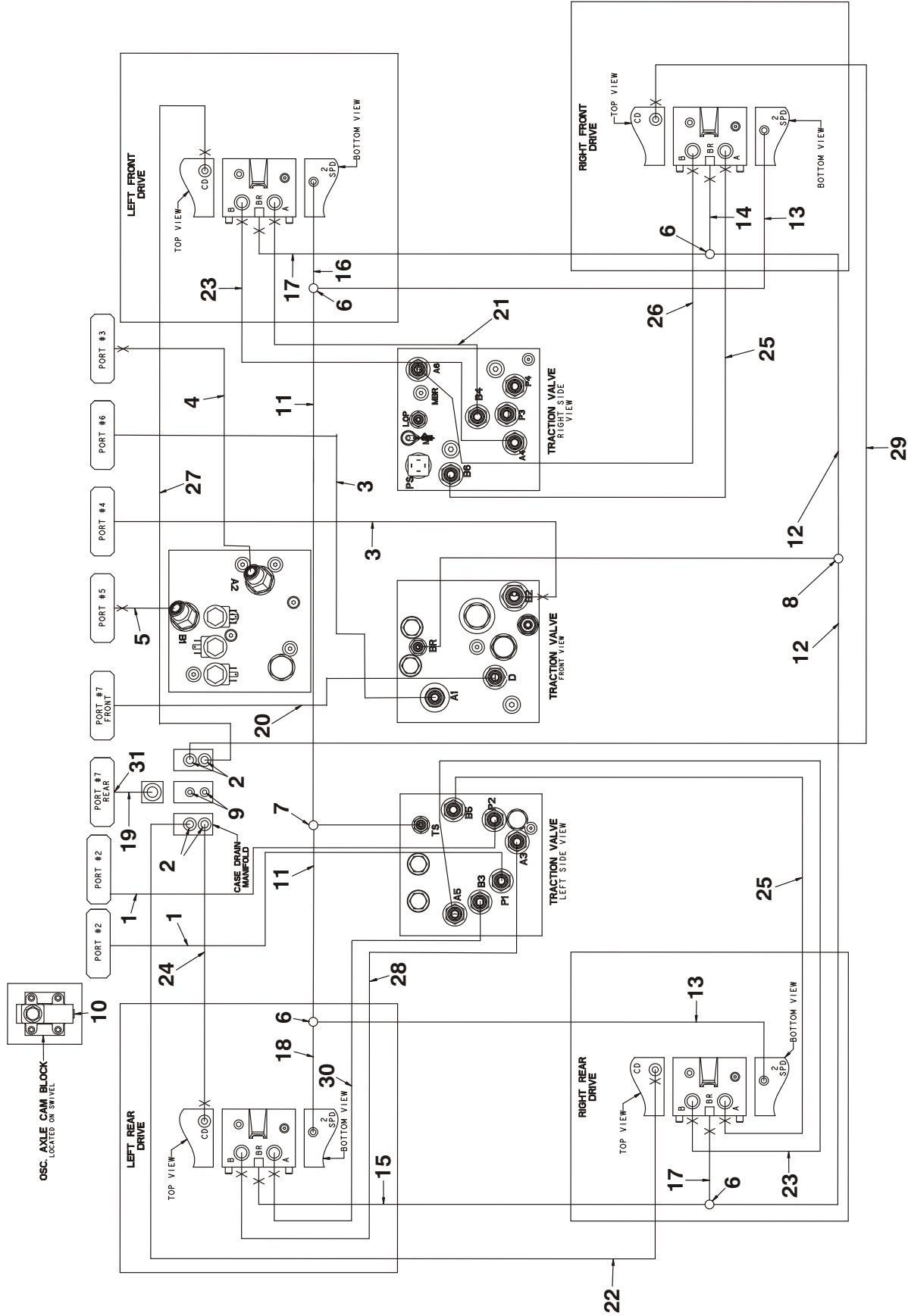
FIGURE 5-7. TELESCOPE CYLINDER ASSEMBLY (CONTINUED)

ITEM #	PART NUMBER	QTY.	DESCRIPTION	REV.

SECTION 6 HYDRAULIC

SECTION 6 HYDRAULIC

FIGURE 6-1. HYDRAULIC DIAGRAM - DRIVE



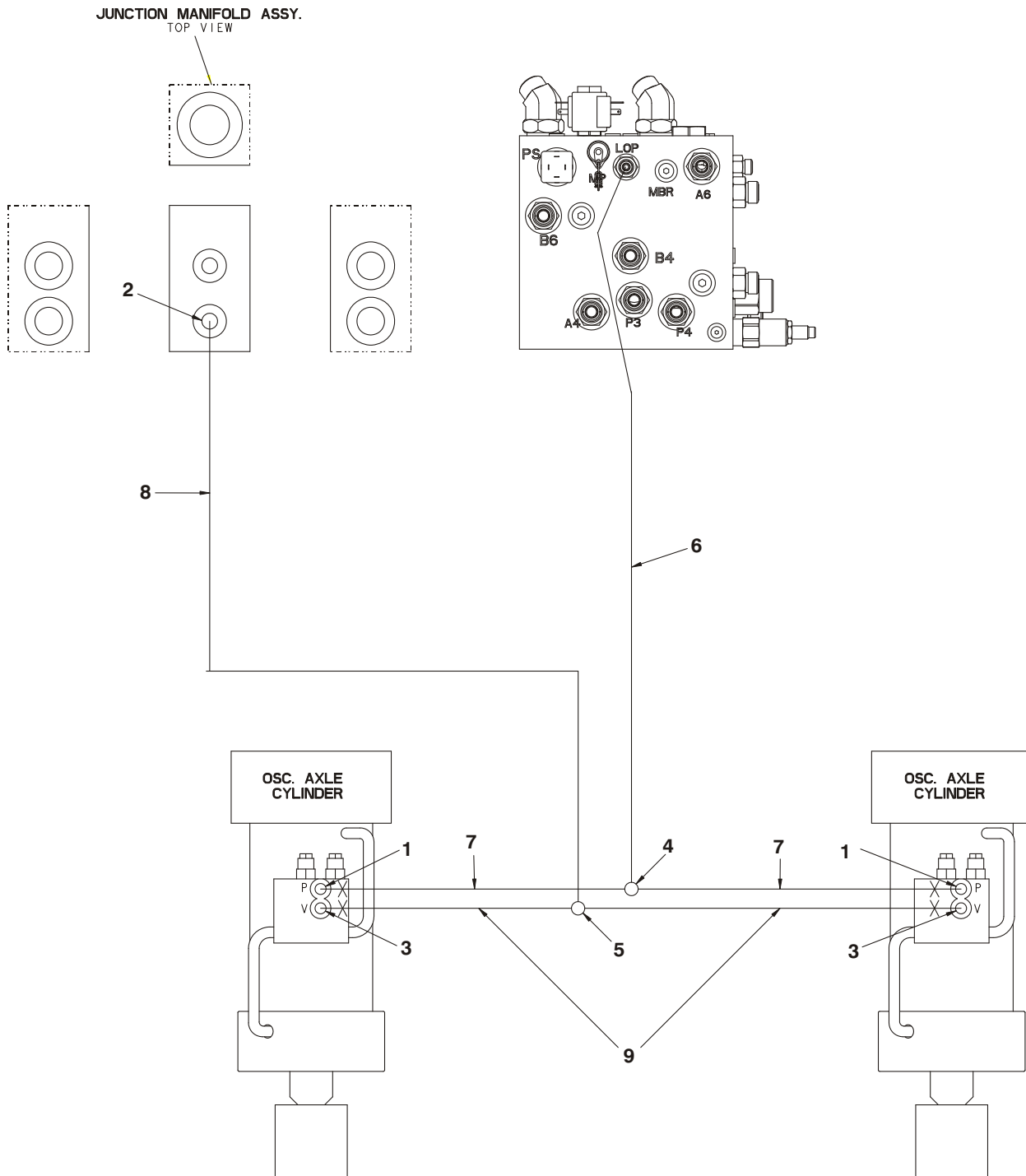
SECTION 6 HYDRAULIC

FIGURE 6-1. HYDRAULIC DIAGRAM - DRIVE

ITEM #	PART NUMBER	QTY.	DESCRIPTION	REV.
		Ref	HYDRAULIC DIAGRAM - DRIVE	
	1283457	Ref	Hydraulic Diagram for Deutz TD2011 Engine Machines with Rexroth Pumps	G
	1001152971	Ref	Hydraulic Diagram for Deutz TCD2.9L4 Engine Machines with Rexroth Pumps	A
	2792772	Ref	All Machines	4
	1001118859	Ref	Hydraulic Diagram for Machines with Sauer Pumps	C
	2792772	Ref	All Machines	4
1	2753685	2	Hose	
2	2110808	4	Fitting, Straight	
3	2753703	2	Hose	
4	2753764	1	Hose	
5	2753768	1	Hose	
6	2170504	4	Fitting, Tee	
7	2170704	1	Fitting, Tee	
8	2170804	1	Fitting, Tee	
9	2220235	2	Plug	
10	2220238	1	Plug	
11	2753541	2	Hose	
12	2753545	2	Hose	
13	2753677	2	Hose	
14	2753714	1	Hose	
15	2753713	1	Hose	
16	2753716	1	Hose	
17	2753715	2	Hose	
18	2753552	1	Hose	
19	2753752	1	Hose	
20	2753582	1	Hose	
21	2753756	1	Hose	
22	2753747	1	Hose	
23	2753757	2	Hose	
24	2753748	1	Hose	
25	2753759	2	Hose	
26	2753760	1	Hose	
27	2753749	1	Hose	
28	2753761	1	Hose	
29	2753750	1	Hose	
30	2753762	1	Hose	
31	2110812	1	Fitting, Straight	

SECTION 6 HYDRAULIC

FIGURE 6-2. HYDRAULIC DIAGRAM - OSCILLATING AXLE



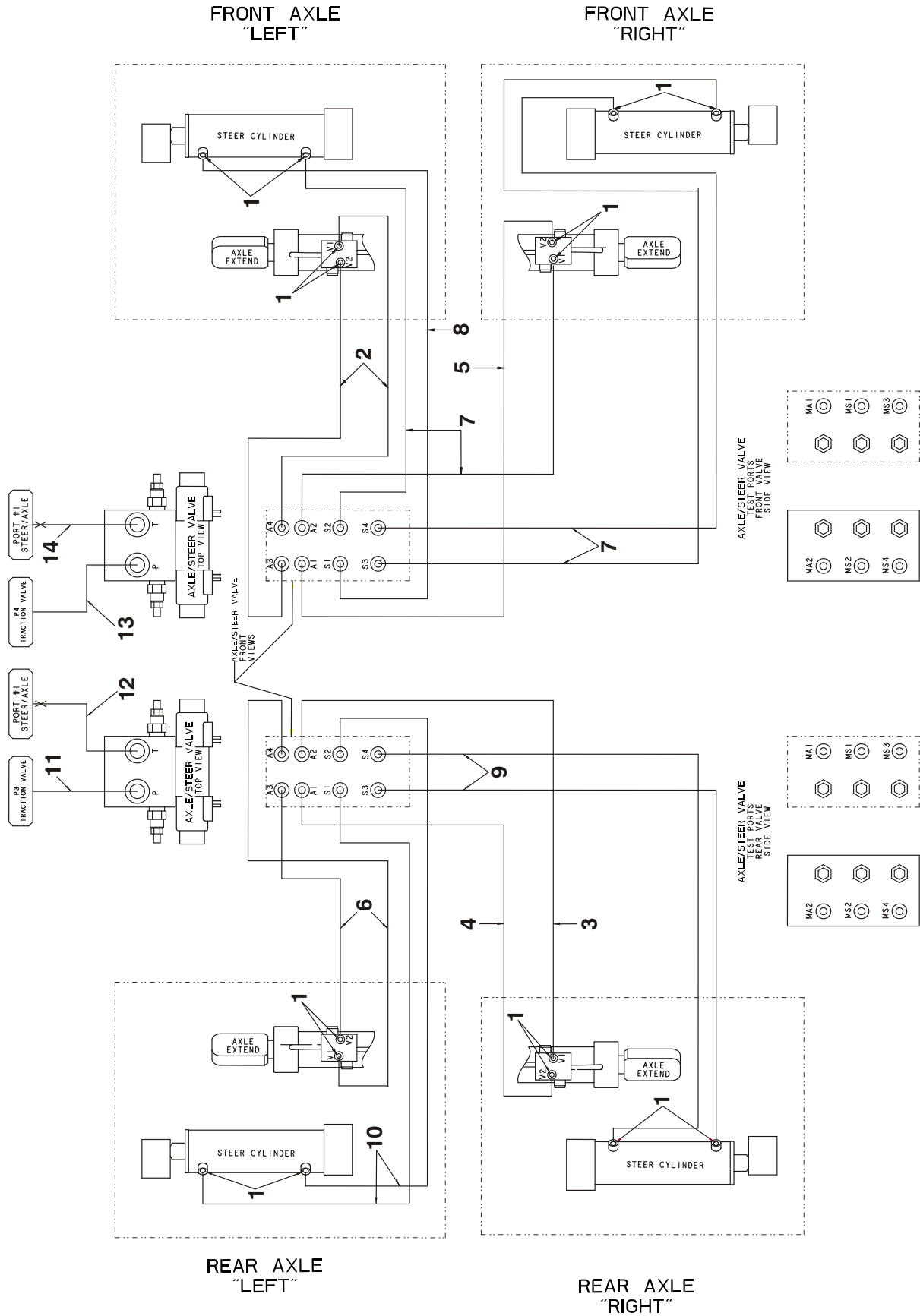
SECTION 6 HYDRAULIC

FIGURE 6-2. HYDRAULIC DIAGRAM - OSCILLATING AXLE

ITEM #	PART NUMBER	QTY.	DESCRIPTION	REV.
		Ref	HYDRAULIC DIAGRAM - OSCILLATING AXLES	
	1283457	Ref	Hydraulic Diagram for Deutz TD2011 Engine Machines with Rexroth Pumps	G
	1001152971	Ref	Hydraulic Diagram for Deutz TCD2.9L4 Engine Machines with Rexroth Pumps	A
	2792647	Ref	All Machines	4
	1001118859	Ref	Hydraulic Diagram for Machines with Sauer Pumps	C
	2792647	Ref	All Machines	4
1	2110406	2	Fitting, Straight	
2	2110604	1	Fitting, Straight	
3	2110606	2	Fitting, Straight	
4	2170504	1	Fitting, Tee	
5	2170506	1	Fitting, Tee	
6	2753726	1	Hose	
7	2753719	2	Hose	
8	2753727	1	Hose	
9	2753729	2	Hose	

SECTION 6 HYDRAULIC

FIGURE 6-3. HYDRAULIC DIAGRAM - STEER



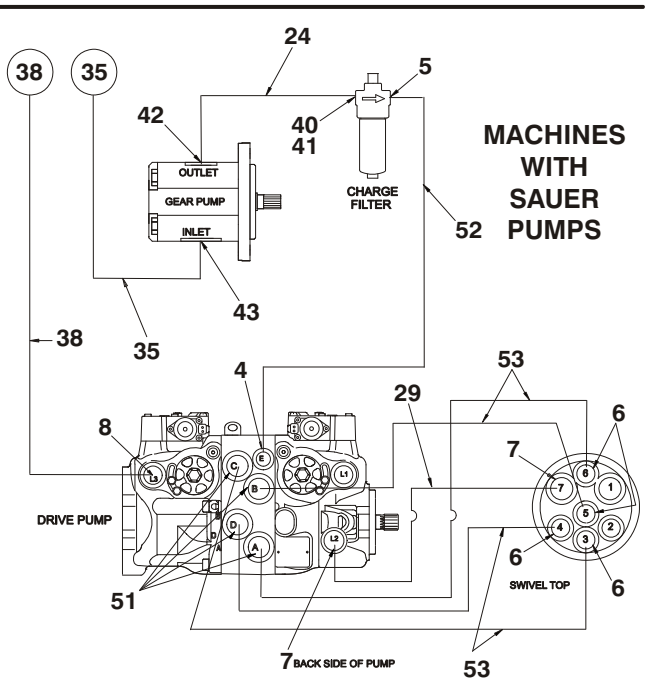
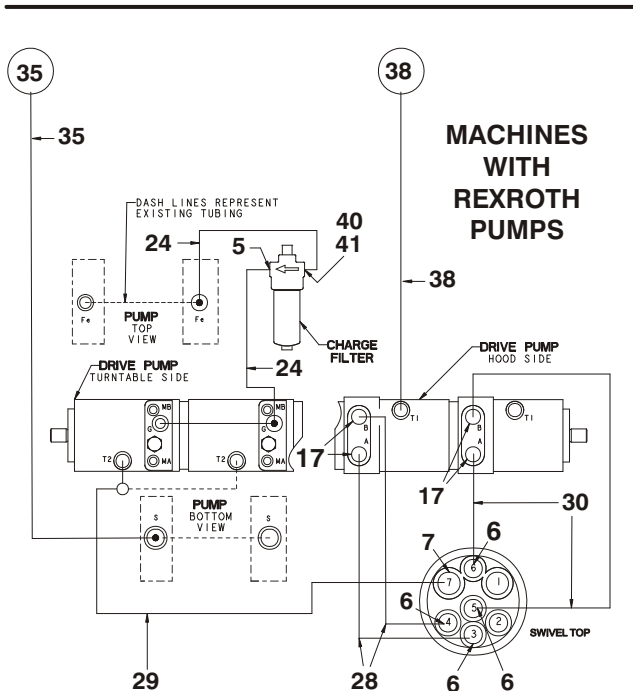
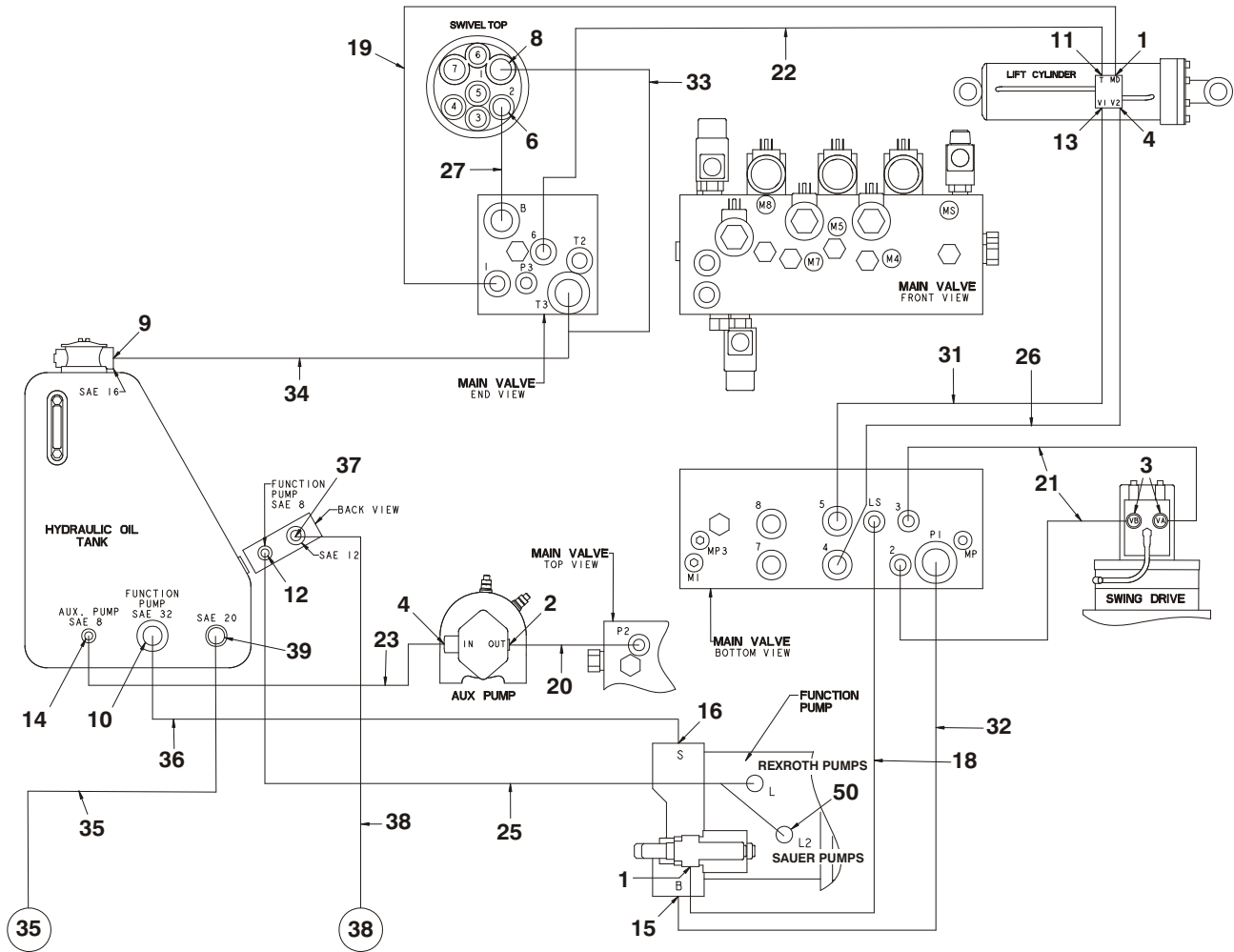
SECTION 6 HYDRAULIC

FIGURE 6-3. HYDRAULIC DIAGRAM - STEER

ITEM #	PART NUMBER	QTY.	DESCRIPTION	REV.
		Ref	HYDRAULIC DIAGRAM - STEER	
	1283457	Ref	Hydraulic Diagram for Deutz TD2011 Engine Machines with Rexroth Pumps	G
	1001152971	Ref	Hydraulic Diagram for Deutz TCD2.9L4 Engine Machines with Rexroth Pumps	A
	2792773	Ref	All Machines	2
	1001118859	Ref	Hydraulic Diagram for Machines with Sauer Pumps	C
	2792773	Ref	All Machines	2
1	2130606	16	Fitting, Elbow	
2	2753732	2	Hose	
3	2753733	1	Hose	
4	2753728	1	Hose	
5	2753734	1	Hose	
6	2753735	2	Hose	
7	2753736	4	Hose	
8	2753737	1	Hose	
9	2753738	2	Hose	
10	2753739	2	Hose	
11	2753753	1	Hose	
12	2753742	1	Hose	
13	2753754	1	Hose	
14	2753743	1	Hose	

SECTION 6 HYDRAULIC

FIGURE 6-4. HYDRAULIC DIAGRAM - TURNTABLE



SECTION 6 HYDRAULIC

FIGURE 6-4. HYDRAULIC DIAGRAM - TURNTABLE

ITEM #	PART NUMBER	QTY.	DESCRIPTION	REV.
		Ref	HYDRAULIC DIAGRAM - TURNTABLE	
	1283457	Ref	Hydraulic Diagram for Deutz TD2011 Engine Machines with Rexroth Pumps	G
	1001152971	Ref	Hydraulic Diagram for Deutz TCD2.9L4 Engine Machines with Rexroth Pumps	A
	2792715	Ref	Deutz TD2011 Engine (SN 03001001310 to SN 0300139323)	5
	1001114620	Ref	Deutz TD2011 Engine (SN 0300139323 to Present)	2
	1001152968	Ref	Deutz TCD2.9L4 Engine Machines	A
	1001118859	Ref	Hydraulic Diagram with Sauer Pumps	C
	1001118869	Ref	All Machines	4
1	2110404	AR	Fitting, Straight	
2	2110608	1	Fitting, Straight	
3	2110610	2	Fitting, Straight	
4	2110810	AR	Fitting, Straight	
5		1	Fitting Options:	
	2110812		Fitting, Straight (Rexroth Pumps)	
	2130812		Fitting, Elbow (Sauer Pumps)	
6	2111010	5	Fitting, Straight	
7	2111012	AR	Fitting, Straight	
8	2111212	AR	Fitting, Straight	
9	2111616	1	Fitting, Straight	
10	2113232	1	Fitting, Straight	
11	2130606	1	Fitting, Elbow	
12	2130808	1	Fitting, Elbow	
13	2131010	1	Fitting, Elbow	
14	2150808	1	Fitting, Elbow	
15	2220478	1	Flange Kit	
16		1	Flange Kit Options:	
	2220737		Flange Kit (Rexroth Pumps)	
	1001110604		Flange Kit (Sauer Pumps)	
17	2221117	4	Flange Kit (Rexroth Pumps)	
18		1	Hose Options:	
	2753622		Hose (Rexroth Pumps)	
	1001118932		Hose (Sauer Pumps)	
19	2753718	1	Hose	
20	2753730	1	Hose	
21	2753731	2	Hose	
22	2753734	1	Hose	
23	2753758	1	Hose	
24	2753746	AR	Hose	
25		1	Hose Options:	
	2753741		Hose (Rexroth Pumps)	
	1001118934		Hose (Sauer Pumps)	
26	2753744	1	Hose	
27	2753766	1	Hose	
28	2753769	2	Hose (Rexroth Pumps)	
29	2753708	1	Hose	
30	2753770	2	Hose (Rexroth Pumps)	

SECTION 6 HYDRAULIC

FIGURE 6-4. HYDRAULIC DIAGRAM - TURNTABLE (CONTINUED)

ITEM #	PART NUMBER	QTY.	DESCRIPTION	REV.
31	2753765	1	Hose	
32	2753771	1	Hose	
33	2753772	1	Hose	
34	2753774	1	Hose	
35		1	Hose Options:	
	2753775		TD2011 Engine Machines with Rexroth Pumps	
	1001152966		Deutz TCD2.9L4 Engine Machines with Rexroth Pumps	
	1001119817		Machines with Sauer Pumps	
36		1	Hose Options:	
	2753776		Hose (Rexroth Pumps)	
	1001118935		Hose (Sauer Pumps)	
37		1	Fitting, Elbow Options:	
	2131212		Fitting, Elbow (Rexroth Pumps)	
	2131612		Fitting, Elbow (Sauer Pumps)	
38		1	Hose Options:	
	2753773		Hose (Rexroth Pumps)	
	1001119138		Hose (Sauer Pumps)	
39	2112020	1	Fitting, Straight	
40	2170308	1	Fitting, Straight	
41	2170908	1	Fitting, Cap	
42	2110812	1	Fitting, Straight (Sauer Pumps)	
43	2112016	1	Fitting, Straight (Sauer Pumps)	
44	2130404	1	Fitting, Elbow (Sauer Pumps)	
45 to 49	Not Used			
50	2130810	1	Fitting, Elbow (Sauer Pumps)	
51	2111016	4	Fitting, Straight (Sauer Pumps)	
52	1001118933	1	Hose (Sauer Pumps)	
53	1001119468	4	Hose (Sauer Pumps)	

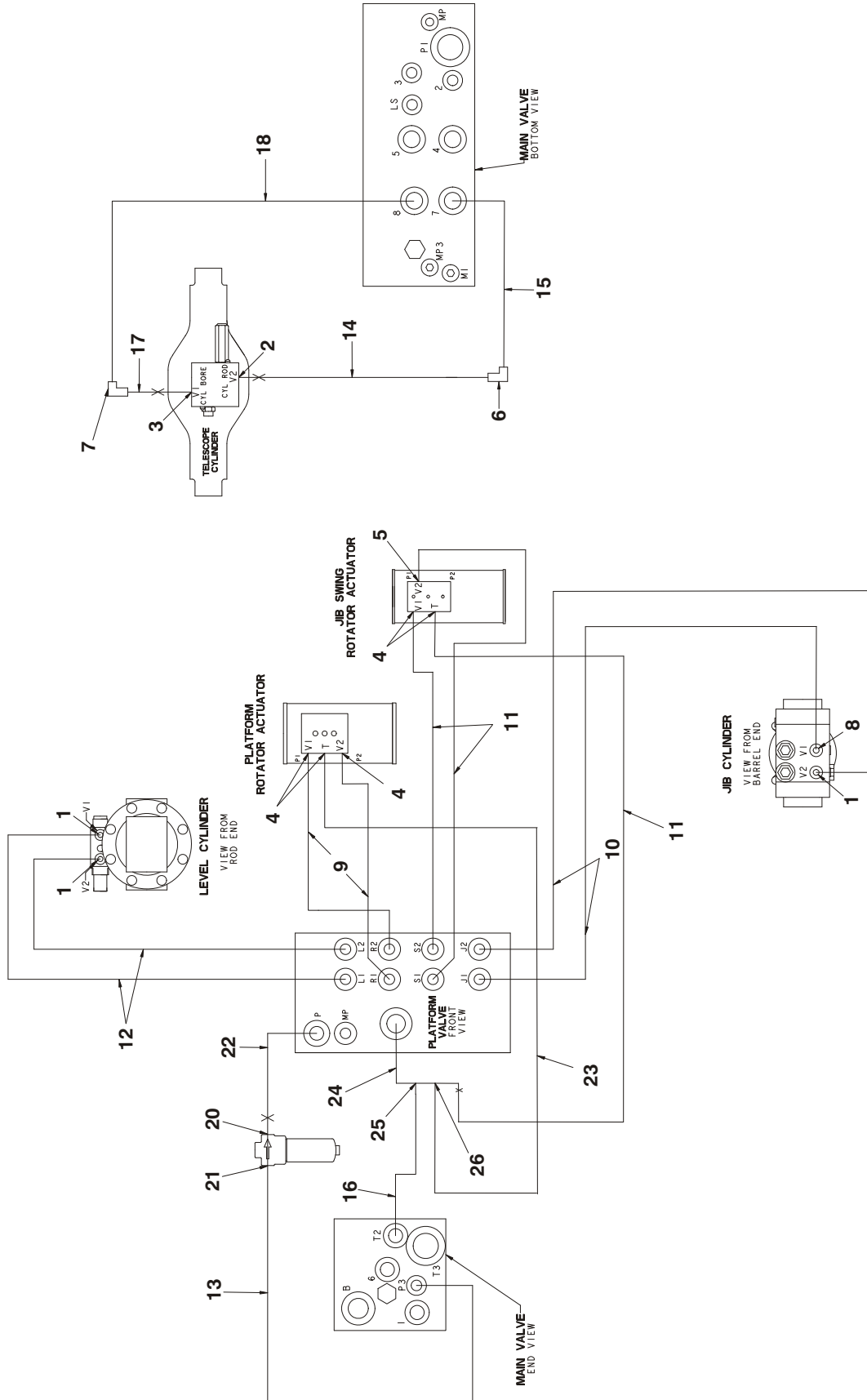
SECTION 6 HYDRAULIC

FIGURE 6-4. HYDRAULIC DIAGRAM - TURNTABLE (CONTINUED)

ITEM #	PART NUMBER	QTY.	DESCRIPTION	REV.

SECTION 6 HYDRAULIC

FIGURE 6-5. HYDRAULIC DIAGRAM - BOOM



SECTION 6 HYDRAULIC

FIGURE 6-5. HYDRAULIC DIAGRAM - BOOM

ITEM #	PART NUMBER	QTY.	DESCRIPTION	REV.
		Ref	HYDRAULIC DIAGRAMS - BOOM	
	1283457	Ref	Hydraulic Diagram for Deutz TD2011 Engine Machines with Rexroth Pumps	G
	1001152971	Ref	Hydraulic Diagram for Deutz TCD2.9L4 Engine Machines with Rexroth Pumps	A
	1001098026	Ref	All Machines	3
	1001118859	Ref	Hydraulic Diagram (Sauer Pumps)	C
	1001098026	Ref	All Machines	3
1	2110404	3	Fitting, Straight	
2	2110808	1	Fitting, Straight	
3	2111010	1	Fitting, Straight	
4	2150404	5	Fitting, Elbow	
5	2170204	1	Fitting, Elbow	
6	2171208	1	Fitting, Elbow	
7	2171210	1	Fitting, Elbow	
8	2180830	1	Fitting, Orifice	
9	2753545	2	Hose	
10	2753717	2	Hose	
11	2753716	3	Hose	
12	2753552	2	Hose	
13	2753740	1	Hose	
14	2753745	1	Hose	
15	2753755	1	Hose	
16	2753751	1	Hose	
17	2753763	1	Hose	
18	2753767	1	Hose	
19	Not Used			
20	2110612	1	Fitting, Straight	
21	2130612	1	Fitting, Elbow	
22	2717059	1	Hose	
23	2754288	1	Hose	
24	2170708	1	Fitting, Tee	
25	1001097820	1	Fitting, Straight	
26	2170704	1	Fitting, Tee	
	1001098243	1	----- Kit, Hose (Includes Items 13, 14, 16, 17)	

SECTION 6 HYDRAULIC

FIGURE 6-6. HYDRAULIC DIAGRAM LIST

ITEM #	PART NUMBER	QTY.	DESCRIPTION	REV.
		Ref	Note: Diagrams With Asterisk (*) Are Shown In The Preceding Pages. Information on diagrams not shown is available from JLG Service/Parts Departments.	
	1283457*	Ref	Hydraulic Diagram - Boom	
	1001152971*	Ref	Hydraulic Diagram for Deutz TD2011 Engine Machines with Rexroth Pumps (SN 0300100131 to Present)	
	1001098026*	Ref	Hydraulic Diagram for Deutz TCD2.9L4 Engine Machines with Rexroth Pumps	
	1001118859*	Ref	All Machines	
	1001098026*	Ref	Hydraulic Diagram (Sauer Pumps)	
		Ref	All Machines	
	1283457*	Ref	Hydraulic Diagram - Drive	
	1001152971*	Ref	Hydraulic Diagram for Deutz TD2011 Engine Machines with Rexroth Pumps	
	2792772*	Ref	Hydraulic Diagram for Deutz TCD2.9L4 Engine Machines with Rexroth Pumps	
	1001118859*	Ref	All Machines	
	2792772*	Ref	Hydraulic Diagram for Machines with Sauer Pumps	
		Ref	All Machines	
	1283457*	Ref	Hydraulic Diagram - Oscillating Axle	
	1001152971*	Ref	Hydraulic Diagram for Deutz TD2011 Engine Machines with Rexroth Pumps (SN 0300100131 to Present)	
	2792647*	Ref	Hydraulic Diagram for Deutz TCD2.9L4 Engine Machines with Rexroth Pumps	
	1001118859*	Ref	SN 0300100131 to Present	
	2792647*	Ref	Hydraulic Diagram for Machines with Sauer Pumps (SN 0300100131 to Present)	
		Ref	All Machines	
	1283457*	Ref	Hydraulic Diagram - Steer	
	1001152971*	Ref	Hydraulic Diagram for Deutz TD2011 Engine Machines with Rexroth Pumps	
	2792773*	Ref	Hydraulic Diagram for Deutz TCD2.9L4 Engine Machines with Rexroth Pumps	
	1001118859*	Ref	All Machines	
	2792773*	Ref	Hydraulic Diagram for Machines with Sauer Pumps	
		Ref	All Machines	
	1283457*	Ref	Hydraulic Diagram - Turntable	
	1001152971*	Ref	Hydraulic Diagram for Deutz BF4M2011 & TD2011 Engine Machines with Rexroth Pumps (SN 0300100131 to Present)	
	1001114620*	Ref	Hydraulic Diagram for Deutz TCD2.9L4 Engine Machines with Rexroth Pumps	
	1001152968*	Ref	Deutz TD2011 Engines	
	1001118859*	Ref	Deutz TCD2.9L4 Engines	
	1001118869*	Ref	Hydraulic Diagram for Machines with Rexroth Pumps	
		Ref	All Machines	

SECTION 6 HYDRAULIC

ITEM #	PART NUMBER	QTY.	DESCRIPTION	REV.
	2792565	Ref	Hydraulic Diagram - Welder	
	0272080	Ref	Hydraulic Schematic - Oil Cooler	
	1001110749	Ref	Hydraulic Schematic - Standard	

SECTION 6 HYDRAULIC

ITEM #	PART NUMBER	QTY.	DESCRIPTION	REV.

SECTION 7 ELECTRICAL

SECTION 7 ELECTRICAL

FIGURE 7-1. ELECTRICAL DIAGRAM LIST

ITEM #	PART NUMBER	QTY.	DESCRIPTION	REV.
		Ref	Note: Diagrams not shown are available from the JLG Service Department.	
	4933262	Ref	CHASSIS ILLUMINATION LIGHTS ELECTRICAL DIAGRAM	
	1001102417	Ref	CLEARSKY TELEMATICS ELECTRICAL DIAGRAM	
		Ref	GENERATOR ELECTRICAL DIAGRAM	
		Ref	2500W Generators	
	4933300	Ref	110V/60Hz	
	1001100027	Ref	110V/220V50Hz	
	4933264	Ref	7500W Generators	
	1001116206	Ref	GROUND CONTROL BOX ELECTRICAL DIAGRAM	
	4933253	Ref	HEADLIGHT & TAILLIGHTS ELECTRICAL DIAGRAM	
	4933249	Ref	PLATFORM FLOODLIGHTS ELECTRICAL DIAGRAM	
	0272097	Ref	PLATFORM WORKLIGHTS ELECTRICAL DIAGRAM	
		Ref	STANDARD ELECTRICAL SCHEMATIC OPTIONS:	
	1001110936		SN 0300073745 Only	
	1001119860		All Other Machines	

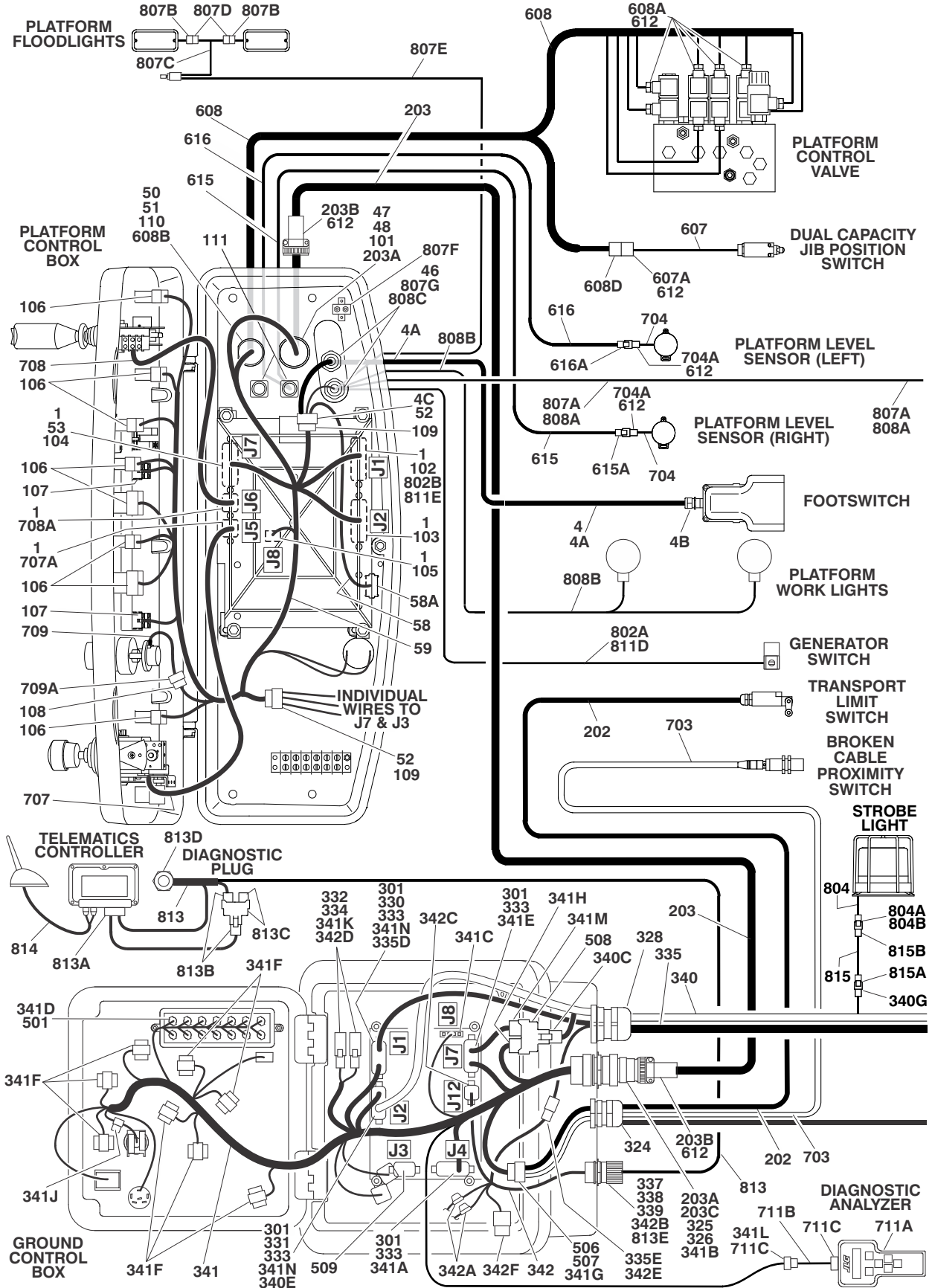
SECTION 7 ELECTRICAL

FIGURE 7-1. ELECTRICAL DIAGRAM LIST (CONTINUED)

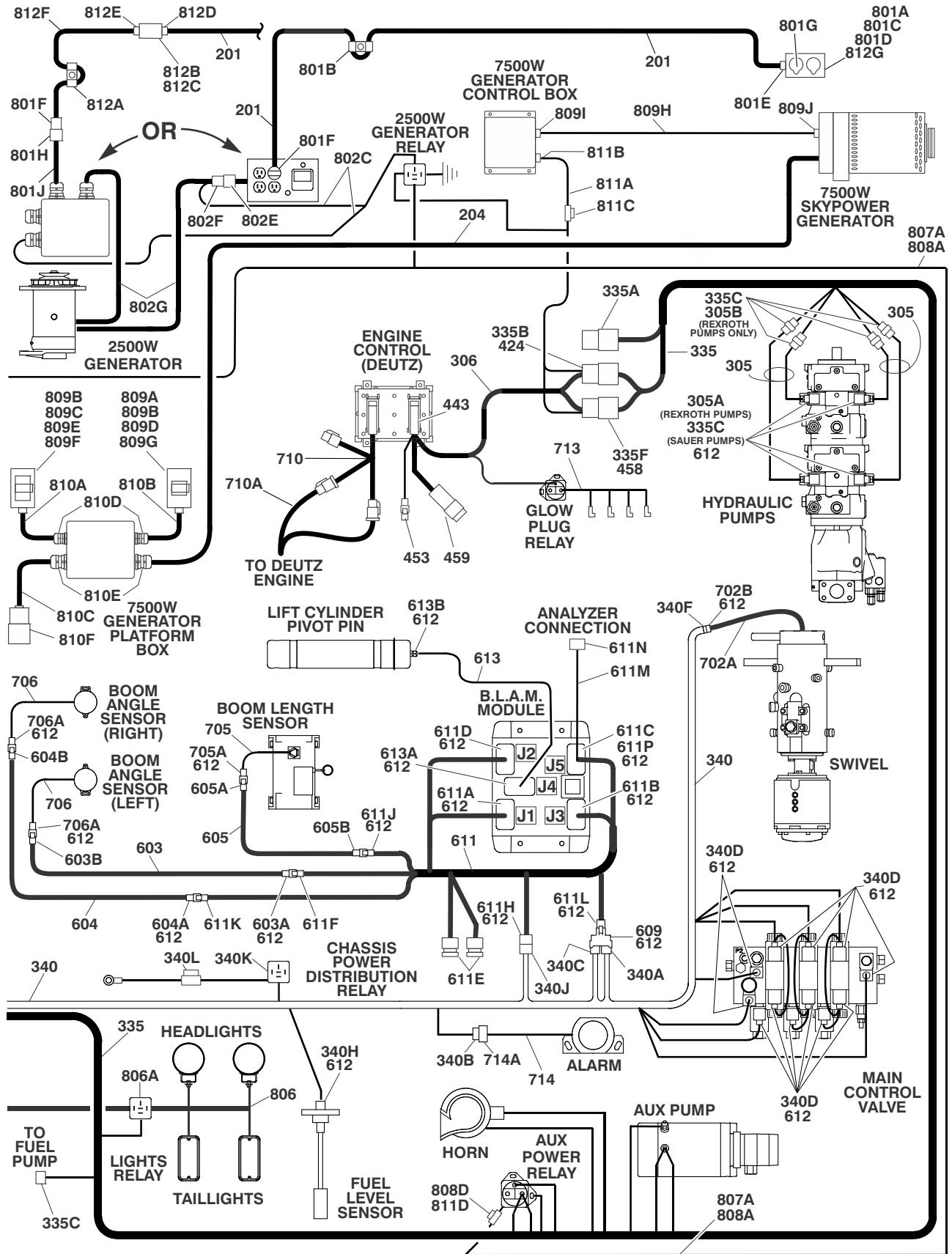
ITEM #	PART NUMBER	QTY.	DESCRIPTION	REV.

SECTION 7 ELECTRICAL

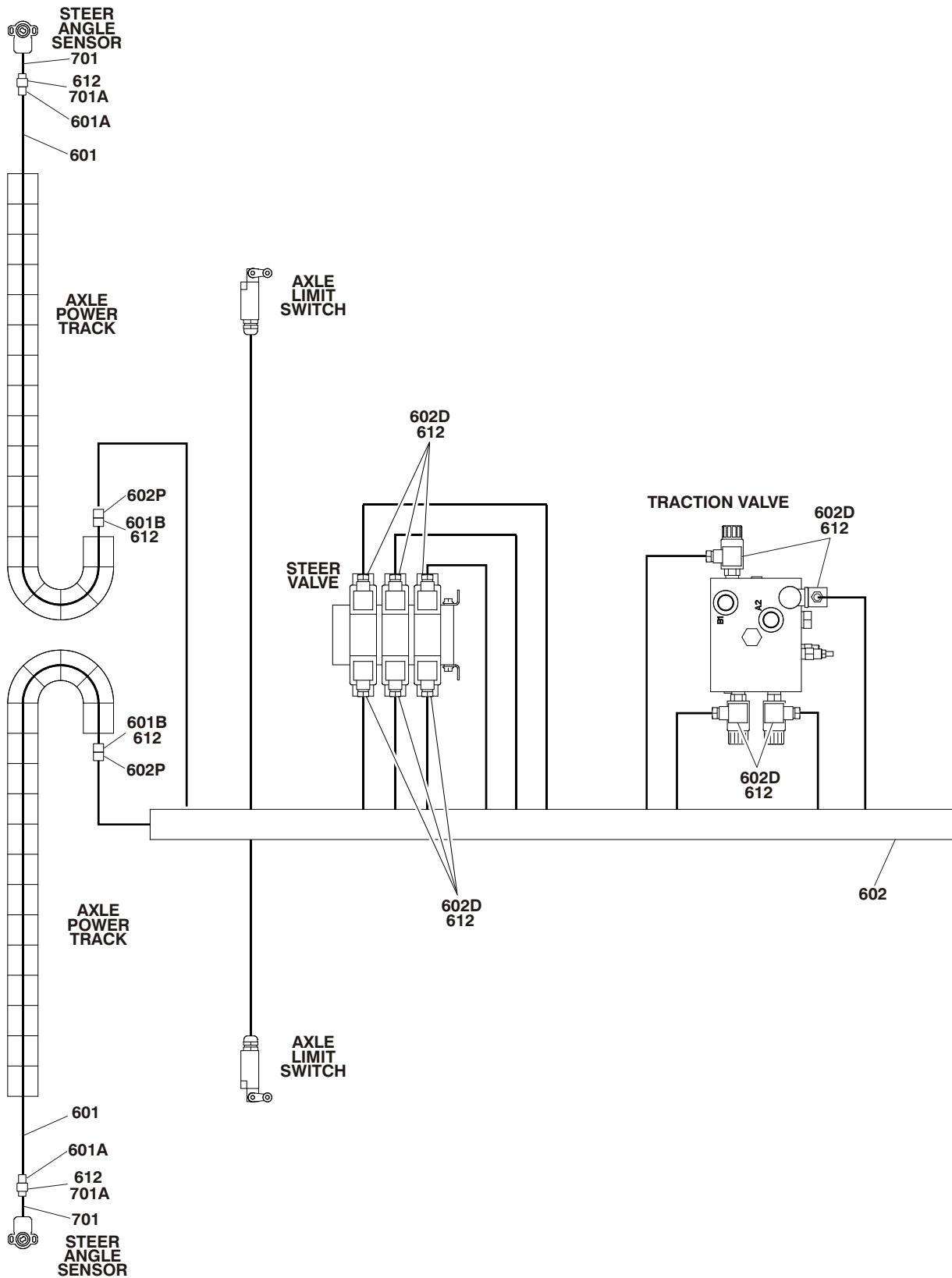
FIGURE 7-2. HARNESS COMPONENTS INSTALLATION (TD2011 ENGINES)



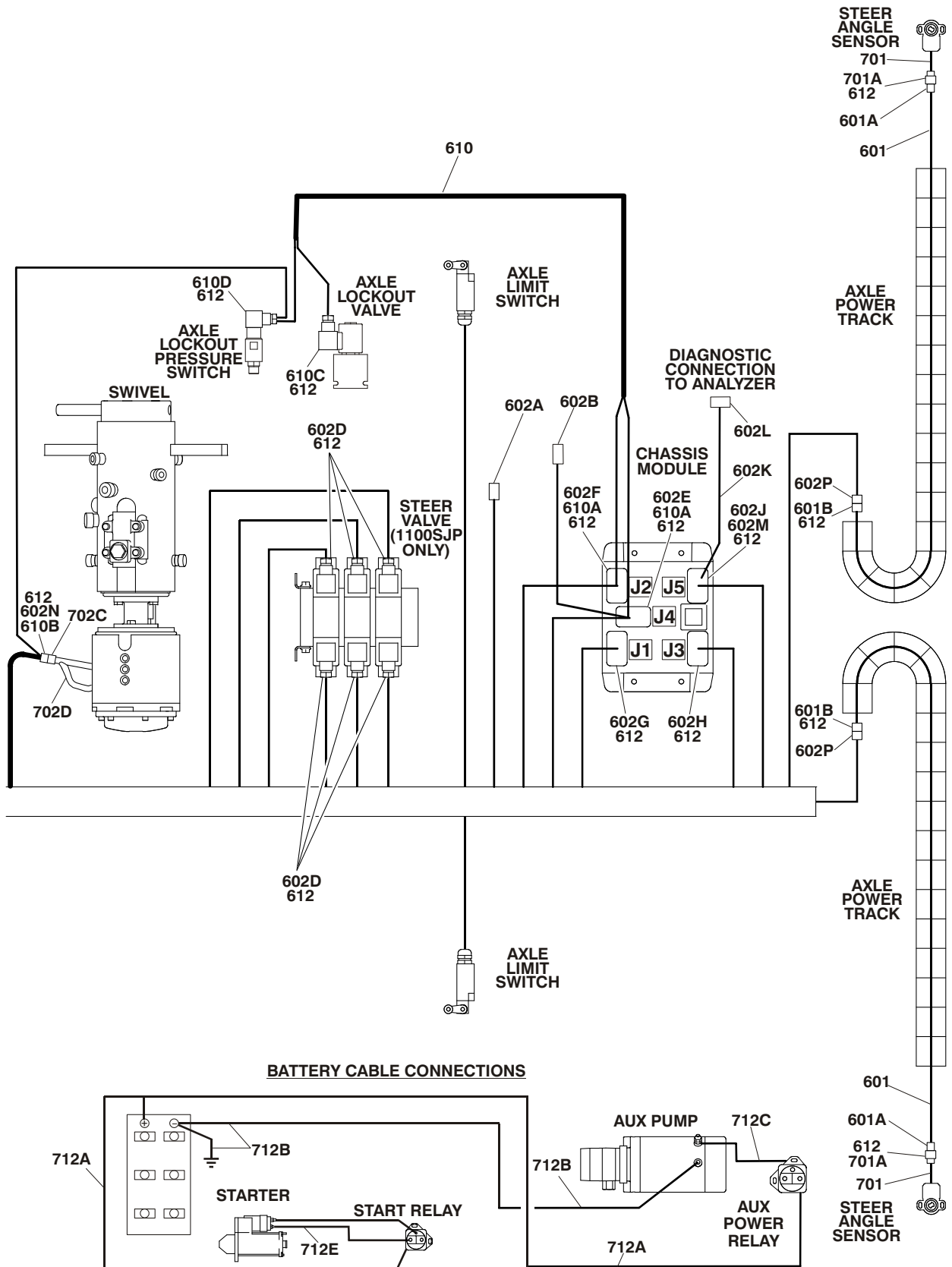
SECTION 7 ELECTRICAL



SECTION 7 ELECTRICAL



SECTION 7 ELECTRICAL



SECTION 7 ELECTRICAL

FIGURE 7-2. HARNESS COMPONENTS INSTALLATION (TD2011 ENGINES)

ITEM #	PART NUMBER	QTY.	DESCRIPTION	REV.
		Ref	PLATFORM CONSOLE BOX COMPONENTS	
	Use 1001146161	Ref	Prior to SN 0300171349 (was p/n 0861631)	L
	1001146161	Ref	SN 0300171349 to Present	B
1	0100048	AR	Grease, Dielectric	
2 to 3	Not Used			
4		AR	Footswitch Components:	
4A	1060918	7ft/2.14m	Cable, Electrical - 18/3	
4B	4460071	1	Connector, Strain Relief	
4C	4460226	2	Socket, Female	
	4460464	1	Pin, Male	
5 to 45	Not Used			
46	4460428	4	Connector, Strain Relief	
47	4460470	1	Nut, Terminal	
48	4460471	1	Lockwasher, Terminal	
49	Not Used			
50	4460496	1	Lockwasher, Terminal	
51	4460497	1	Nut, Terminal	
52	4460708	2	Receptacle, Female - 15 Position	
53	4460905	5	Seal, Plug	
54 to 57	Not Used			
58	4922666	1	Harness, Analyzer Cable	2/B
	4460226	4	Socket, Female (Not Shown - Located at J2)	
58A	4460761	1	Connector, Female - 4 Position	
	4460227	4	Pin, Male	
59	4923448	1	Harness, Platform Box (See Items 101-111 for Breakdown)	
	4923448	Ref	PLATFORM BOX HARNESS ASSEMBLY	3/B
101	4460866	1	Connector - 19 Pin	
	4460464	7	Pin, Male Deutsch 16 Ga	
	4460508	4	Pin, Male Deutsch 12 Ga	
	4460943	3	Pin, Male 16 Ga (Gold Plated)	
102	4460874	1	Connector - 35 Position (Natural)	
	4460871	7	Socket, Female	
	4460905	4	Plug	
103	4460876	1	Connector - 35 Position (Blue)	
	4460871	32	Socket, Female	
	4460905	3	Plug	
104	4460873	1	Connector - 35 Position (Black)	
	4460871	34	Socket, Female	
	4460905	1	Plug	
105	4460879	1	Connector, Male - 2 Position	
	4460887	2	Terminal (12 Gauge)	
106	4460418	12	Connector, Female - 6 Position	
	4460419	36	Socket, Female	
107	4460225	5	Plug, Male - 6 Position	
	4460226	21	Terminal (16 Gauge)	

SECTION 7 ELECTRICAL

FIGURE 7-2. HARNESS COMPONENTS INSTALLATION (TD2011 ENGINES) (CONTINUED)

ITEM #	PART NUMBER	QTY.	DESCRIPTION	REV.
108	4460225	1	Plug, Male - 6 Position	
	4460227	5	Pin, Male	
109	4460434	2	Plug, Male - 15 Position	
	4460227	14	Pin, Male	
110	4460925	1	Connector - 21 Pin	
	4460929	13	Pin, Male Deutsch 16 Ga	
	4460466	8	Plug	
111	1001121616	2	Connector, 6 Position	
	1001121615	2	Base, Mounting	
		Ref	BOOM CABLES INSTALLATION	
	0273855	Ref	All Specs with 7500W Generator Option	A
201	Not Required	0	Cable, Electrical - 10/3	
202	4922762	1	Cable, Electrical - 18/3 (50ft/15.3m Length)	B
203	4922673	1	Harness Assembly - Boom (12/4 -18/8)	2/B
	1060896	157ft/48m	Cable, Electrical - 12/4&18/8	
	2820118	8in/18cm	Heat Shrink	
203A	4460465	11	Socket, Female 18 Gauge	
	4460865	2	Connector - 19 Position	
	4460509	4	Socket, Female 12 Gauge	
	4460466	8	Seal, Plug	
203B	4460473	2	Clamp. Cable	
203C	4460465	11	Socket, Female 18 Gauge	
	4460509	4	Socket, Female 12 Gauge	
204	4922795	1	Harness, Generator (8/5) (with 7500W Generator Only)	
		Ref	GROUND CONTROL BOX COMPONENTS	
301	0100048	AR	Grease, Dielectric	
302 to 304	Not Used			
305	1001119456	2	Harness, Pump Adapter (Machines with Rexroth Pumps Only) (P/N 1001119456 Includes 2 Adapter Harnesses. Total of qty 4 required)	B
305A	4460880	4	DIN Connector (1 per Harness)	
305B	4460897	4	Connector, Female - 2 Position	
	4460464	8	Pin, Male	
306	1001119470	1	Harness, Engine (See Items 401-459 for Breakdown)	
307 to 323	Not Used			
324	4460426	1	Connector, Strain Relief	
325	4460470	1	Nut, Terminal	
326	4460471	1	Washer, Terminal	
327	Not Used			
328	4460526	1	Connector, Strain Relief	
329	Not Used			
330	4460874	1	Connector, White - 35 Position	
331	4460875	1	Connector, Gray - 35 Position	
332	4460892	2	Bar, Buss	
333	4460905	4	Plug, Connector	
334	4460914	2	Base, Terminal	

SECTION 7 ELECTRICAL

FIGURE 7-2. HARNESS COMPONENTS INSTALLATION (TD2011 ENGINES) (CONTINUED)

ITEM #	PART NUMBER	QTY.	DESCRIPTION	REV.		
335	1001119372	1	Harness, Ground Control to Engine	C		
335A	4460899	1	Receptacle, Female - 6 Position			
	4460464	4	Pin, Male			
	4460466	2	Plug, Seal			
	4460899	1	Receptacle, Female - 6 Position			
335B	4460464	AR	Pin, Male			
	4460944	2	Socket, Female (Prior to SN 0300170698)			
	4460466	1	Plug, Seal (Prior to SN 0300170698)			
	4460943	1	Socket, Female (SN 0300170698 to Present)			
335C	4460891	5	Plug, Male - 2 Position			
	4460465	10	Socket, Female			
335D	4460871	AR	Socket, Female			
335E	4460539	1	Plug, Male - 3 Position			
	4460944	3	Socket, Female (Gold)			
335F	4460931	1	Receptacle, Female - 8 Position			
	4460464	AR	Pin, Male			
	4460466	1	Plug, Seal			
336	1001116206	1	Ground Control Wiring Diagram (Not Shown) (See Items 501-509 for Breakdown)			
337	4460496	1	Lockwasher, Terminal			
338	4460497	1	Nut, Terminal			
339	1001106736	1	Cap, Dust			
340	1001116369	1	Valve Harness Assembly	1/D		
340A		1	Connector Options: Prior to SN 0300143169			
	4460536	1	Connector, Female - 3 Position			
	4460943	3	Pin, Male			
			SN 0300143169 to Present			
	4460965	1	Plug, Male - 3 Position			
	4460944	3	Socket, Female			
	340B	4460320	1		Plug, Male - 2 Position	
		4460267	2		Pin, Male	
	340C	4460965	2		Plug, Male - 3 Position	
		4460944	6		Socket, Female	
340D	4460880	11	DIN Connector			
340E	4460871	16	Socket, Female			
340F	4460836	1	Plug, Male - 12 Position			
	4460466	4	Plug, Socket			
	4460465	3	Socket, Female			
	4460942	2	Socket, Female 14-16 GA			
	4460944	3	Socket, Female 16-18 GA			
	4460424	1	Connector, Female - 2 Position			
340G	4460268	2	Socket, Female			
	4460843	1	Plug, Male - 2 Position			
340H	4460842	2	Socket, Female			
	4460894	1	Plug, Male - 6 Position			
340J	4460465	3	Socket, Female			
	4460942	3	Socket, Female 14-16 GA			

SECTION 7 ELECTRICAL

FIGURE 7-2. HARNESS COMPONENTS INSTALLATION (TD2011 ENGINES) (CONTINUED)

ITEM #	PART NUMBER	QTY.	DESCRIPTION	REV.
340K	3740080	1	Relay, Sealed	A
	4460374	1	Plug, Sealed	
	4460375	5	Terminal, Female	
340L	2400066	1	Fuseholder w/Leads	
	2400065	1	Fuse, 30A	
341	1001120180	1	Ground Control Box Harness Assembly	
	3990001	2	Diode - 3 Amp (Not Shown - Located at Power Down Relay)	
341A	4460876	1	Connector, Blue - 35 Position	
	4460871	29	Socket, Female	
341B	4460866	1	Connector - 19 Pin	
	4460464	10	Pin, Male Deutsch 16 Ga	
	4460508	3	Pin, Male Deutsch 12 Ga	
341C	4460878	1	Plug, Male - 4 Position	
	4460887	3	Terminal (12 Gauge)	
341D	4120035	10	Base, Light	
	4460634	10	Terminal (16 Gauge)	
	4460635	10	Terminal (12 Gauge)	
341E	4460873	1	Connector, Black - 35 Position	
	4460871	16	Socket, Female	
341F	4460418	8	Connector, Female - 6 Position	
	4460419	24	Socket, Female	
341G	4460225	1	Plug, Male - 6 Position	
	4460227	6	Pin, Male	
341H	4460965	1	Plug, Male - 3 Position (Blue Lock)	
	4460944	3	Socket, Female	
	4922099	2ft/.6m	Cable, Can-Buss	
341J	2400066	1	Fuseholder with Cover	
	2400065	1	Fuse 30 Amp	
341K	4460894	2	Plug, Male - 6 Position	
	4460465	1	Socket, Female 16-18GA	
	4460942	2	Socket, Female 14GA	
341L	4460761	1	Connector, Female - 4 Position	
	4460227	4	Pin, Male	
341M	4460966	1	Plug, Male - 3 Position (Green Lock)	
	4460944	3	Socket, Female	
	4922099	2ft/.6m	Cable, Can-Buss	
341N	4460871	9	Socket, Female	
342	1001120337	1	Harness, ClearSky Ready	A
342A	2400060	2	Fuseholder with Cover	
	2400064	2	Fuse 5Amp	
342B	1001112612	1	Receptacle, Female - 9 Position	
	4460464	6	Pin, Male	
	4460466	3	Plug, Sealing	
342C	1001113961	1	Plug, Male - 8 Position	
	4460871	3	Socket, Female	
	4460905	5	Plug, Sealing	
342D	4460465	1	Socket, Female	
342E	4460539	1	Plug, Male - 3 Position	
	4460871	3	Pin, Male	

SECTION 7 ELECTRICAL

FIGURE 7-2. HARNESS COMPONENTS INSTALLATION (TD2011 ENGINES) (CONTINUED)

ITEM #	PART NUMBER	QTY.	DESCRIPTION	REV.
342F	4460933	1	Plug, Male - 12 Position	
	4460465	9	Socket, Female	
	4460466	3	Plug, Sealing	
	4460898	1	Connector, Female Bussbar - 9 Position	
	1001119470	Ref	ENGINE HARNESS ASSEMBLY	B
401 to 423	Not Used			
424	4460894	1	Connector, Female - 6 Position	
	4460465	2	Socket, Female	
	4460944	3	Socket, Female	
	4460466	1	Plug, Seal	
425 to 442	Not Used			
443	4461052	1	Connector, Female - 25 Position	
	4461005	5	Terminal	
	4461006	5	Seal	
	4461054	2	Seal, Terminal	
	4461060	2	Terminal (Tin)	
	4461053	1	Cover, Plug	
	4461008	18	Plug, Hole	
	444 to 452	Not Used		
453	4461095	1	Plug, Male - 3 Position	
	4460944	3	Socket, Female	
	4461070	1	Receptacle, Female with Resistor - 3 Position	
454 to 457	Not Used			
458	4460930	1	Connector, Female - 8 Position	
	4460465	2	Socket, Female	
	4460466	6	Plug, Seal	
459	2902443	1	Receptacle Kit	
	4461071	8	Socket, Female	
	4461072	1	Receptacle	
	4461073	1	Cap, Dust	
	4461074	1	Shell, Black	
	1001116206	Ref	GROUND CONTROL BOX WIRING DIAGRAM	C
501	2920129	10	Bulb, Light	
502 to 505	Not Used			
506	4460226	6	Socket, Female	
507	4460224	1	Connector, Female - 6 Position	
508	4460945	1	Connector, Female - 3 Way	
509	4460872	1	Plug, Male - 14 Position	
	4460871	AR	Socket, Female	
	4460905	AR	Plug, Sealing	
	0274660	Ref	WIRING HARNESES INSTALLATION	1/D
601	4922718	4	Axle Power Track Harness Assembly	B

SECTION 7 ELECTRICAL

FIGURE 7-2. HARNESS COMPONENTS INSTALLATION (TD2011 ENGINES) (CONTINUED)

ITEM #	PART NUMBER	QTY.	DESCRIPTION	REV.
601A	4460539	1 Per Assy	Plug, Male - 3 Position	3/D
	4460944	3 Per Assy	Socket, Female	
601B	4460932	1 Per Assy	Connector, Female - 4 Position	
	4460943	4 Per Assy	Pin, Male	
602	4922696	1	Chassis Harness Assembly	
602A	4460894	1	Plug, Male - 6 Position	
	4460465	6	Socket, Female	
	4460892	1	Bar, Buss - 6 Position	
602B	4460891	1	Plug, Male - 2 Position	
	4460465	2	Socket, Female	
602C	4460894	1	Plug, Male - 6 Position (Not Shown)	
	4460465	6	Socket, Female	
	4460892	1	Bar, Buss - 6 Position	
602D	4460880	14	DIN Connector	
602E	4460930	1	Connector, Gray - 8 Position	
	4460465	3	Socket, Female	
	4460466	5	Plug, Terminal	
602F	4460836	1	Connector, Black - 12 Position	
	4460465	6	Socket, Female	
	4460466	6	Plug, Terminal	
602G	4460933	1	Connector, Gray - 12 Position	
	4460465	8	Socket, Female	
	4460466	4	Plug, Terminal	
602H	4460934	1	Connector, Green - 12 Position	
	4460944	12	Socket, Female	
602J	4460935	1	Connector, Brown - 12 Position	
	4460465	8	Socket, Female	
602K	4922705	1	Analyzer Harness	2/B
602L	4460761	1	Connector, Female	
		4460227	4	Pin, Male
602M	4460465	4	Socket, Female	
602N	4460950	1	Connector, Female - 12 Position	
	4460464	6	Pin, Male 16-18 GA	
	4460943	3	Pin, Male 16-18 GA (Gold)	
	4460941	2	Pin, Male 14-16GA	
602P	4460884	4	Connector, Gray - 4 Position	
	4460944	16	Socket, Female	
603	4922781	1	B.L.A.M. to Boom Angle Sensor Harness (Left Side)	3/B
603A	4460932	1	Connector, Gray - 4 Position	
		4460943	4	Pin, Male
603B	4460911	1	Plug, Male - 3 Position	
	4460918	3	Socket, Female	
	4460912	1	Lock, Wedge - Position	
604	4922780	1	B.L.A.M. to Boom Angle Sensor Harness (Right Side)	2/B
604A	4460884	1	Connector, Gray - 4 Position	
		4460944	4	Socket, Female
604B	4460911	1	Plug, Male - 3 Position	
	4460918	3	Socket, Female	
	4460912	1	Lock, Wedge - Position	

SECTION 7 ELECTRICAL

FIGURE 7-2. HARNESS COMPONENTS INSTALLATION (TD2011 ENGINES) (CONTINUED)

ITEM #	PART NUMBER	QTY.	DESCRIPTION	REV.
605	4922716	1	B.L.A.M. to Boom Length Sensor Harness	C
605A	4460539	2	Plug, Male - 3 Position	
	4460944	3	Socket, Female	
605B	4460894	1	Plug, Male - 6 Position	
	4460944	4	Socket, Female	
	4460466	2	Plug, Sealing	
606	Not Used			
607	4922785	1	Dual Capacity Jib Position Switch Harness	B
607A	4460897	1	Connector, Female - 2 Position	
	4460464	2	Pin, Male	
608	4922777	1	Platform Valve Harness	1/C
608A	4460880	9	DIN Connector	
608B	4460926	1	Connector - 21 Position	
	4460928	13	Socket, Female	
	4460466	8	Plug, Hole	
608C	4460897	1	Connector, Female - 2 Position	
	4460464	2	Pin, Male	
608D	4460891	1	Plug, Male - 2 Position	
609	4460945	1	Connector, Female - 3 Way	
	4460465	2	Socket, Female	
610	4922767	1	Lockout Valve Harness	2/C
610A	4460465	3	Socket, Female	
610B	4460464	1	Pin, Male	
610C	4460880	2	Connector, DIN	
610D	4460449	2	Connector, DIN	
611	4922786	1	B.L.A.M. Harness	4/C
611A	4460933	1	Plug, Male - 12 Position (Gray)	
	4460466	7	Plug, Seal	
	4460944	3	Socket, Female	
	4460465	1	Socket, Female	
	4460942	1	Socket, Female	
611B	4460934	1	Plug, Male - 12 Position (Green)	
	4460466	7	Plug, Seal	
	4460944	3	Socket, Female	
611C	4460465	2	Socket, Female	
	4460935	1	Plug, Male - 12 Position (Brown)	
	4460466	5	Plug, Seal	
611D	4460465	2	Socket, Female	
	4460836	1	Plug, Male - 12 Position (Black)	
	4460466	8	Plug, Seal	
611E	4460944	2	Socket, Female	
	4460465	2	Socket, Female	
	4460836	2	Plug, Male - 12 Position (Black)	
	4460466	14	Plug, Seal	
	4460944	5	Socket, Female	
611F	4460465	5	Socket, Female	
	4460837	2	Receptacle, Female - 12 Position Buss Bar	
	4460884	1	Plug, Male 4 Position (Gray)	
	4460944	4	Socket, Female	

SECTION 7 ELECTRICAL

FIGURE 7-2. HARNESS COMPONENTS INSTALLATION (TD2011 ENGINES) (CONTINUED)

ITEM #	PART NUMBER	QTY.	DESCRIPTION	REV.
611G	4460894	1	Plug, Male - 6 Position (Gray)	
	4460465	5	Socket, Female	
	4460466	1	Plug, Sealing	
611H	4460899	1	Connector, Female - 6 Position (Gray)	
	4460464	3	Pin, Male	
	4460941	3	Pin, Male (Gold Plated)	
611J	4460899	1	Connector, Female - 6 Position (Gray)	
	4460466	2	Plug, Sealing	
	4460943	4	Pin, Male (Gold Plated)	
611K	4460932	1	Plug, Male - 4 Position (Gray)	
	4460943	1	Pin, Male	
611L	4460966	1	Connector, Female - 3 Position	
	4460944	3	Socket, Female	
611M	4922705	1	Analyzer Harness	2/B
611N	4460761	1	Connector, Female - 4 Position	
	4460227	4	Pin, Male	
611P	4460465	4	Socket, Female	
612	0100048	AR	Lubricant, Silicone	
613	4923256	1	Load Sensing Pin Harness	B
613A	4460930	1	Connector, Gray - 8 Position	
	4460465	4	Socket, Female	
	4460466	3	Plug, Sealing	
613B	See Note	1	Connector, Female - 4 Position (Note: Not Available For Purchase)	
	See Note	4	Terminal (Note: Not Available For Purchase)	
614	Not Used			
615	4922947	1	Right Level Sensor, Harness	E
615A	4460911	1	Plug, Male - 3 Position	
	4460918	3	Pin, Male	
	4460912	1	Lock, Wedge - Position	
	1320309	1	Clamp, Cable	
	1560012	1	Nut, Conduit	
	1560011	1	Connector, Conduit	
	4461013	1	Plug, Male - 7 Position	
616	4922948	1	Left Level Sensor, Harness	E
616A	4460911	1	Plug, Male - 3 Position	
	4460918	3	Pin, Male	
	4460912	1	Lock, Wedge - Position	
	1320309	1	Clamp, Cable	
	1560012	1	Nut, Conduit	
	1560011	1	Connector, Conduit	
	4461013	1	Plug, Male - 7 Position	
		Ref	STANDARD HARNESS COMPONENTS	
701	4360505	4	Steer Angle Sensor Harness (Includes Sensor)	
701A	4460536	1 Per Assy	Plug, Male - 3 Position	
	4460464	3 Per Assy	Pin, Male	

SECTION 7 ELECTRICAL

FIGURE 7-2. HARNESS COMPONENTS INSTALLATION (TD2011 ENGINES) (CONTINUED)

ITEM #	PART NUMBER	QTY.	DESCRIPTION	REV.
702	1660302	1	Coupling Electrical Components	
702A	See Note	1	Coupling Turntable Harness (Note: Not Available For Purchase)	
702B	4460837	1	Connector, Female - 12 Position	
	4460466	4	Plug, Socket	
	4460464	3	Pin, Male 16-18 GA	
	4460943	3	Pin, Male 16-18 GA (Gold)	
	4460941	2	Pin, Male 14-16GA	
702C	See Note	1	Coupling Frame Harness (Note: Not Available For Purchase)	
702D	4460836	1	Plug, Male - 12 Position	
	4460465	6	Socket, Female 16-18 GA	
	4460942	2	Socket, Female 14-16 GA	
	4460944	3	Socket, Female 16-18 GA (Gold)	
	4460466	1	Plug, Socket	
703	4360527	1	Broken Cable Proximity Switch Harness (Includes Switch)	
704		2	Platform Level Sensor Harness Options (Includes Sensor):	
	Use 1001147479		Prior to SN 0300141600 (was p/n 4360534 & p/n 4360545)	
	Use 1001133329		SN 0300141600 to SN 0300157203 (was p/n 4360545)	
	1001133329		SN 0300157203 to Present	
704A	4460910	2	Connector, Female - 3 Position	
	4460917	6	Pin, Male	
	4460913	1	Lock, Wedge	
705	See Note	1	Boom Length Switch Harness (Note: Not Available For Purchase)	
705A	4460536	1	Connector, Female - 3 Position	
	4460943	3	Pin, Male	
706		2	Boom Angle Sensor Harness Options (Includes Sensor):	
	Use 1001147479		Prior to SN 0300141600 (was p/n 4360534 & p/n 4360545)	
	Use 1001133329		SN 0300141600 to SN 0300157203 (was p/n 4360545)	
	1001133329		SN 0300157203 to Present	
706A	4460910	2	Connector, Female Deutsch - 3 Position	
	4460917	6	Pin, Male	
	4460913	1	Lock, Wedge	
707	See Note	1	Controller Harness Assembly (Lift and Swing) (Note: Not Available For Purchase)	
707A	7022819	1	Plug, Male - 8 Position (Natural)	
	4460871	8	Socket, Female	
708	7022824	1	Controller Harness/Circuit Board Assembly (Drive and Steer)	
708A	7022825	1	Plug, Male - 8 Position (Black)	
	4460871	7	Socket, Female	
709	See Note	1	Speed Control Harness (Note: Not Available For Purchase)	
709A	4460224	1	Connector, Female - 6 Position	
	4460226	5	Socket, Female	
710	7027796	1	Engine Harness	
710A	70001869	1	Engine Harness (Deutz Tier III Engines)	
	70001872	1	Engine Harness (Deutz Tier IVi Engines)	
	70004061	1	Deutz Harness to Alternator	
	70004271	1	Deutz Harness to Starter	
711	0272621	1	Control System Analyzer Installation	A
	2901443	1	Analyzer/Cable Kit	1

SECTION 7 ELECTRICAL

FIGURE 7-2. HARNESS COMPONENTS INSTALLATION (TD2011 ENGINES) (CONTINUED)

ITEM #	PART NUMBER	QTY.	DESCRIPTION	REV.
711A	1600244	1	Analyzer	
711B	1060633	1	Cable, Analyzer	1/B
711C	4460321	2	Plug, Male	
	70003407	2	Shell, Back	
	4460226	8	Socket, Female	
712	2902099	1	Battery Cable Kit	C
712A	7024580	1	Cable, Red (To Aux Pump Relay, Battery Positive Terminal & Start Relay)	
712B	7024581	1	Cable, Black (To Aux Pump, Battery Negative Terminal & Ground at Tray Pivot)	
712C	7024582	1	Cable, Red (Aux Pump Relay to Aux Pump)	
712D	7024583	1	Cable, Black (Tray Pivot to Engine Mount) (Not Shown)	
712E	7024584	1	Cable, Red (Start Relay to Starter)	
713	4923468	1	Harness, Glow Plug	
714	0257887	1	Alarm Harness (Includes Alarm)	
	0140032	1	Alarm	
	2820035	6in/15cm	Loom	
	4460424	1	Plug	
	4460268	2	Socket, Female	
714A	4460424	1	Plug, Male - 2 Position	
	4460268	2	Socket, Female	
		Ref	OPTIONAL HARNESS COMPONENTS	
801 to 801J	Not Required	Ref	AC to Platform Receptacle Components	
802to 802G	Not Required	Ref	2500W Generator Electrical Components	
803	Not Used			
804		1	Strobe Light Harness (Includes Strobe Light) Options:	
	0272507		Prior to SN 0300171640	B
	2920161		SN 0300171640 to Present	B
804A	4460320	1	Connector, Female - 2 Position (Strobe Light - 0272507)	
	4460267	2	Pin, Male (Strobe Light - 0272507)	
804B	4460891	1	Connector, Male - 2 Position (Strobe Light - 2920161)	
	4460465	2	Socket, Female (Strobe Light - 2920161)	
805	Not Used			
806	4922738	1	Headlight & Taillight & Chassis Illumination Lights Harness	
806A	4460374	1	Plug, Sealed	
807to 807G	Not Required	Ref	Floodlights Harness Components	
808	See Note	1	Work Lights Harness Components: (Note: Not Available For Purchase)	
808A	4922834	1	Harness, Electric 10/3 (Aux Relay to Console Box)	
	4921757	AR	Fusible Link	
808B	See Note	2	Work Light Harness (Supplied with Work Light) (Note: Not Available For Purchase)	
808C	4460426	1	Connector, Strain Relief	
808D	2400066	1	Fuseholder with Cover	
	2400070	1	Fuse 20 Amp	
809	1001125427	Ref	7500W SkyPower Generator Installations	A
809A	4460958	1	Receptacle, Female Twist-Lock	
809B	3960422	2	Gasket	

SECTION 7 ELECTRICAL

FIGURE 7-2. HARNESS COMPONENTS INSTALLATION (TD2011 ENGINES) (CONTINUED)

ITEM #	PART NUMBER	QTY.	DESCRIPTION	REV.
809C	1001110873	1	Cover, Receptacle	
809D	1001110872	1	Cover, Receptacle	
809E	4460346	1	Receptacle	
809F	4460051	1	Connector, Strain Relief	
809G	4460071	1	Connector, Strain Relief	
809H	4922972	1	Harness, Generator	
809I	See Note	1	Plug, Male - 6 Position (Note: Not Available For Purchase)	
	See Note	6	Socket, Female (Note: Not Available For Purchase)	
809J	4460225	1	Plug, Male - 6 Position	
	4460226	6	Socket, Female	
810	0861542	Ref	7500W SkyPower Generator Junction Box Components	C
810A	1060494	2ft/.6m	Cable, Electrical 12/3	
810B	1060708	2.5ft/.76m	Cable, Electrical 10/3	
810C	1060343	1.5ft/.46m	Cable, Electrical 10/4	
810D	4460425	2	Connector, Strain Relief	
810E	4460426	AR	Connector, Strain Relief	
810F	1671092	1	Cover	
	4460963	1	Connector	
811	1001122528	Ref	7500W Generator Electrical Diagram Components	A
811A	1001119968	1	Generator Harness	A
811B	4460967	1	Plug, Male - 3 Position	
	4460465	3	Socket, Female	
811C	1001117078	1	Connector, Metri-Pack W/5Amp Fuse	
811D	4922641	1	Switch Harness	
811E	4460226	2	Socket, Female	
812to 812G	Not Required			
813	1001111914	1	ClearSky Telematics Harness	B
813A	70020808	1	Plug, Male - 23 Position	
	4460871	5	Socket	
	4460905	18	Plug, Seal	
813B	4460539	2	Plug, Male - 3 Position (Includes Wedge Lock & Seal)	
	4460944	6	Socket	
	See Note	2	Wedge Lock (Note: Not Available For Purchase)	
813C	4460945	2	Bulkhead, 3 Way Female	
	See Note	2	Plug, Male - 3 Position with 120 ohm Resistor (Note: Not Available For Purchase)	
	See Note	1	Wedge Lock (Note: Not Available For Purchase)	
813D	1001112612	1	Connector, Diagnostic	
	4460943	2	Pin	
	4460464	2	Pin	
	4460466	2	Plug, Seal	
	1001106736	1	Cap, Dust	
813E	1001112796	1	Connector, Diagnostic	
	4460944	2	Socket	
	4460466	2	Plug, Seal	
814	70002296	1	Harness, Telematics Antenna (Includes Antenna) (Note: No other parts available)	
815	1001149818	1	Strobe Light Harness SN 0300171640 to Present)	A
815A	4460320	1	Connector, Female - 2 Position	
	4460267	2	Pin, Male	

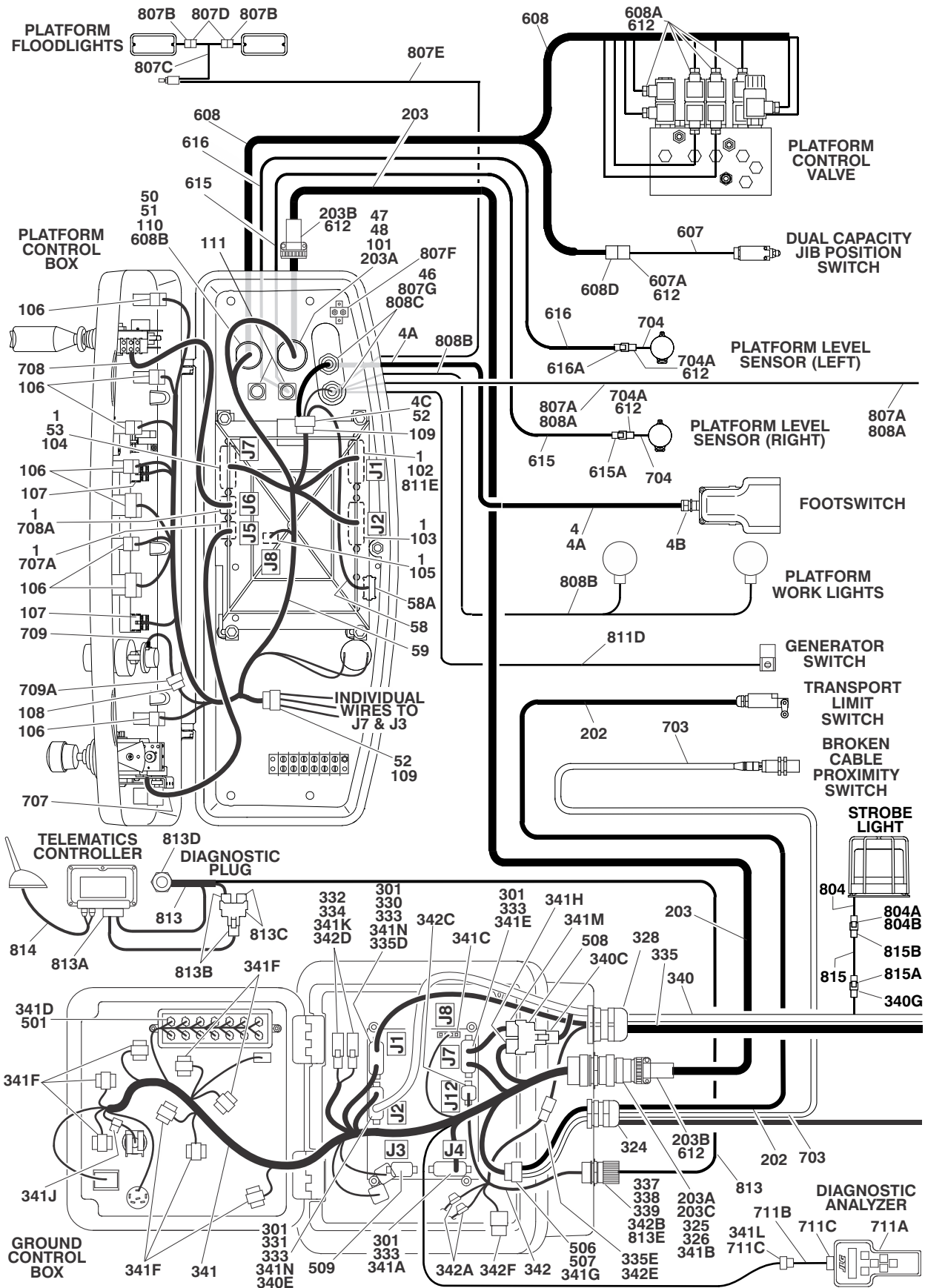
SECTION 7 ELECTRICAL

FIGURE 7-2. HARNESS COMPONENTS INSTALLATION (TD2011 ENGINES) (CONTINUED)

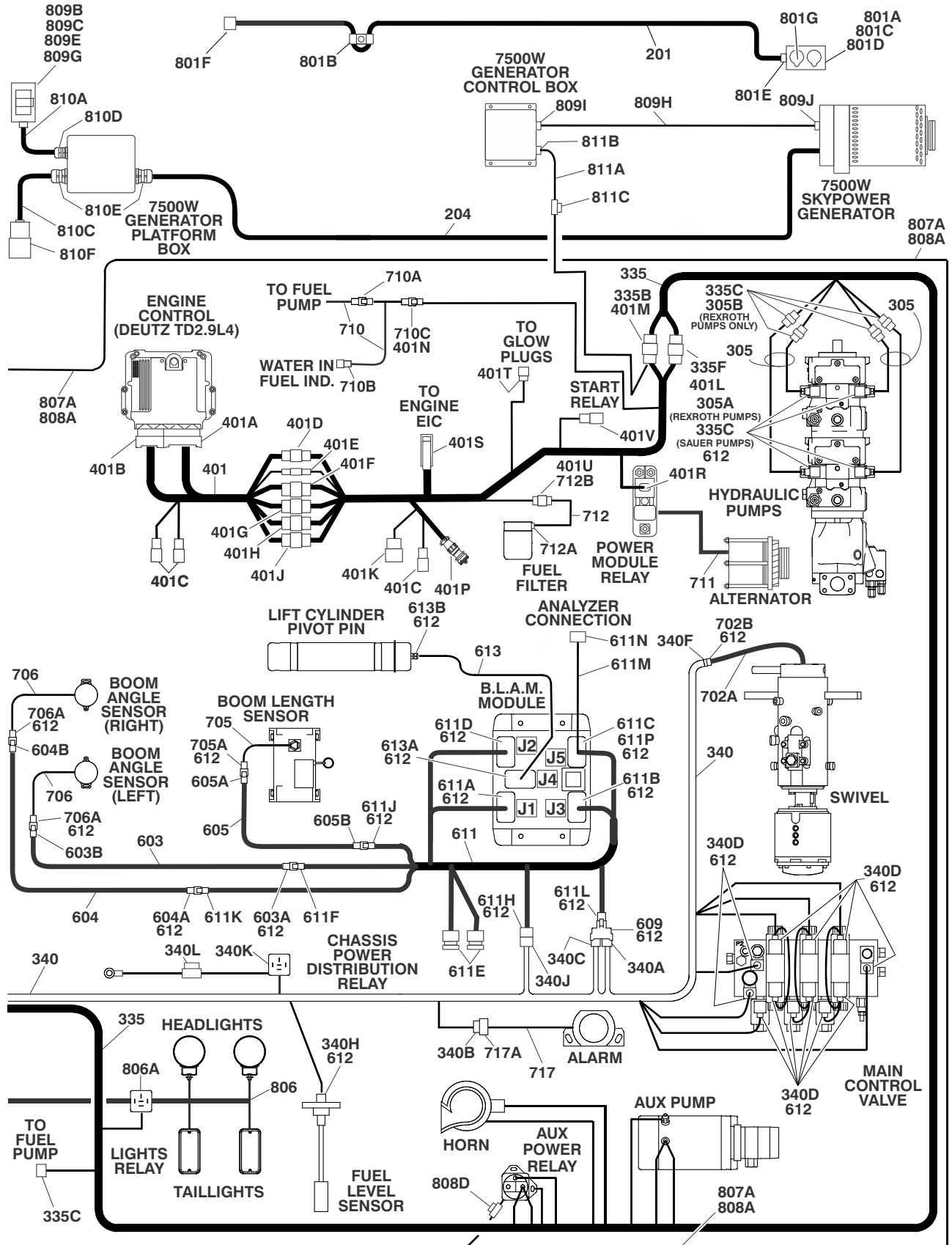
ITEM #	PART NUMBER	QTY.	DESCRIPTION	REV.
815B	4460897	1	Connector, Female - 2 Position	
	4460464	2	Pin, Male	
		Ref	TOOLS (NOT SHOWN)	
	7002821	1	Crimper (For Wire to Pin/Socket Connections)	
	7002823	1	Extractor (For Removal of Pin/Socket from Connectors)	
	4460467	1	Extractor, Pin (Blue 16-18 Gauge) (For Removal of Pin/Socket from Connectors)	
	4460510	1	Extractor, Pin (Yellow 12-14 Gauge) (For Removal of Pin/Socket from Connectors)	
	7002828	1	Stripper, Wire	
	1001137005	1	Cable Kit, Software	

SECTION 7 ELECTRICAL

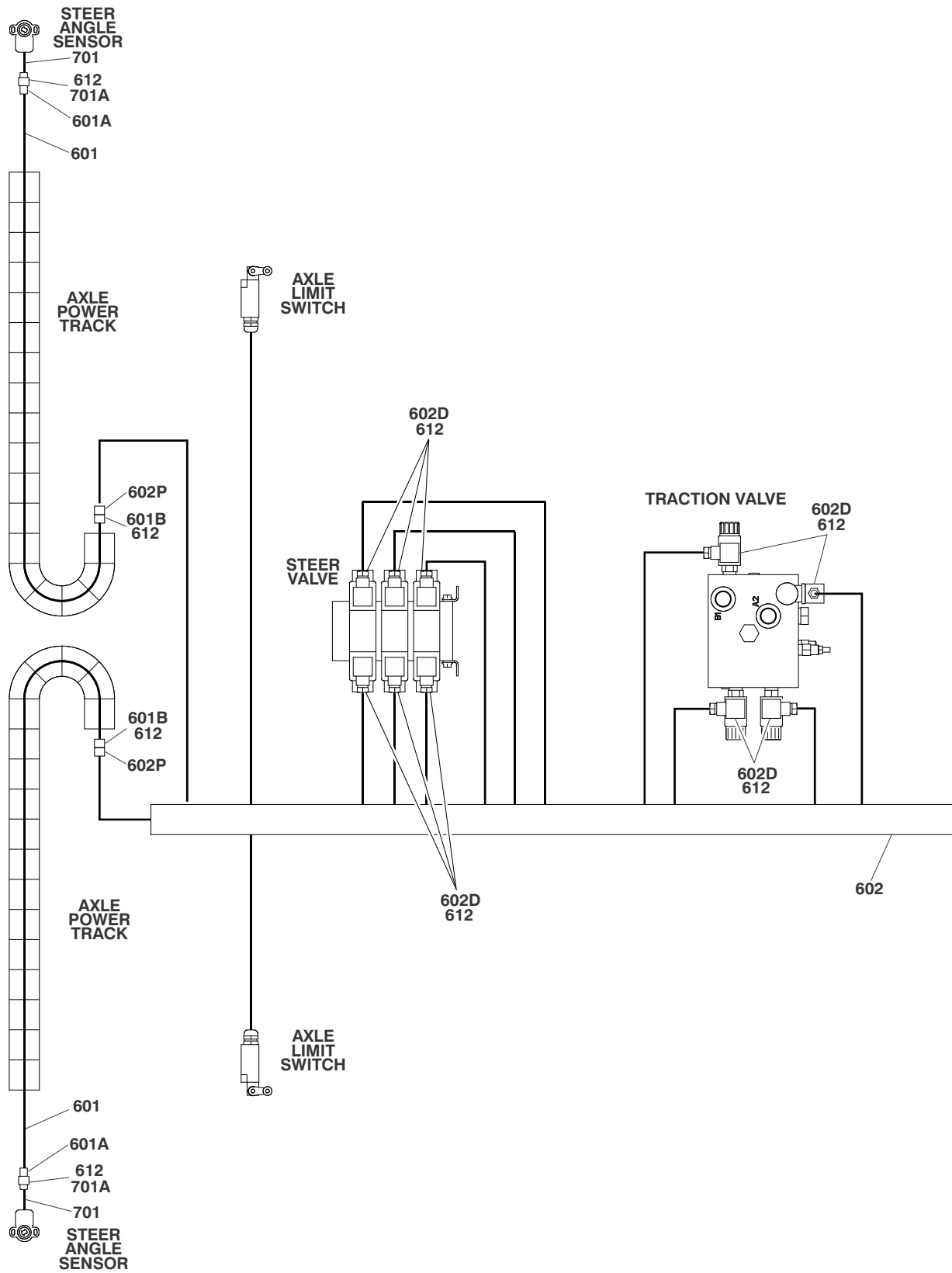
FIGURE 7-3. HARNESS COMPONENTS INSTALLATION (TCD2.9L4 ENGINES)



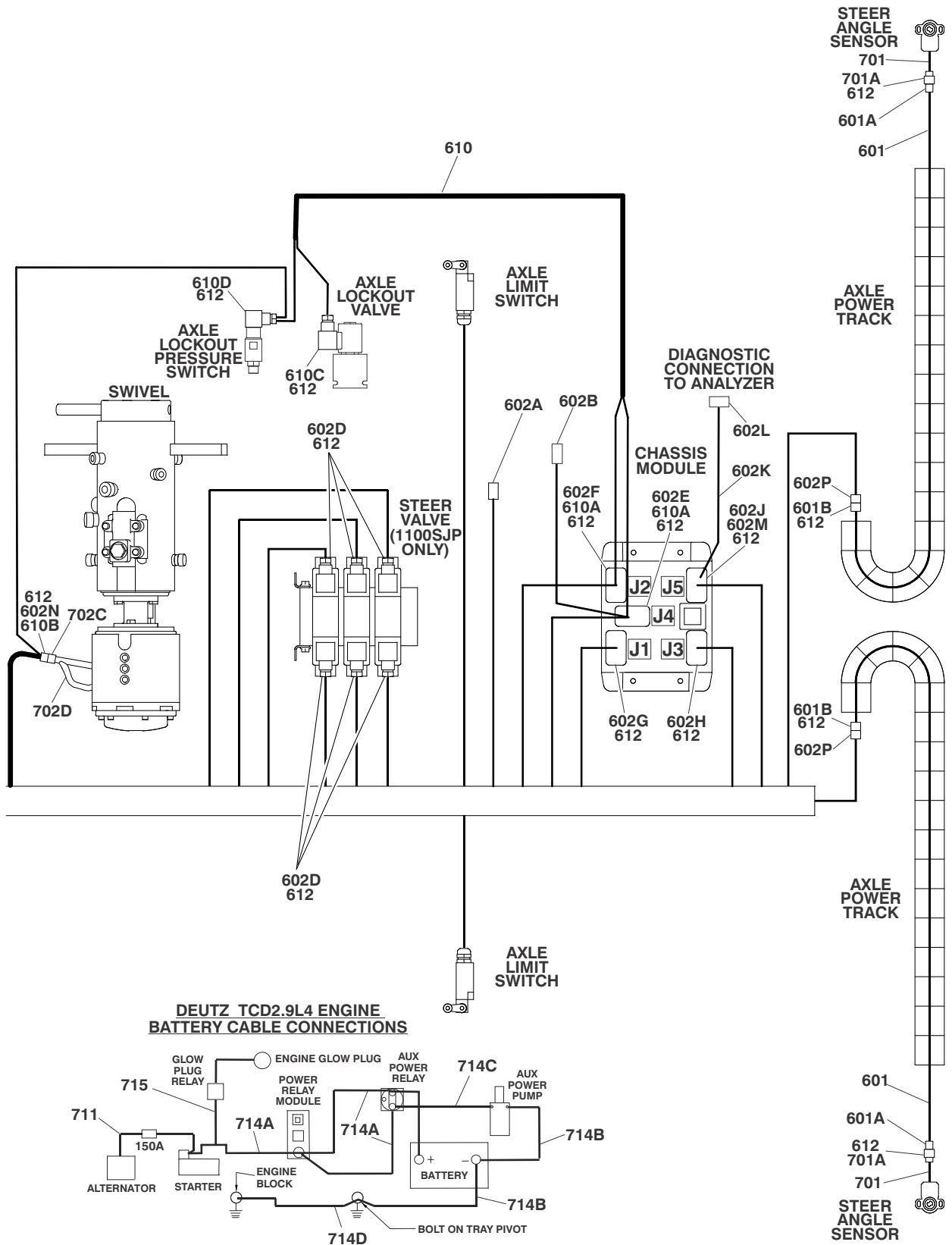
SECTION 7 ELECTRICAL



SECTION 7 ELECTRICAL



SECTION 7 ELECTRICAL



SECTION 7 ELECTRICAL

FIGURE 7-3. HARNESS COMPONENTS INSTALLATION (TCD2.9L4 ENGINES)

ITEM #	PART NUMBER	QTY.	DESCRIPTION	REV.
	1001146161	Ref	PLATFORM CONSOLE BOX COMPONENTS	B
1	0100048	AR	Grease, Dielectric	
2 to 3	Not Used			
4		AR	Footswitch Components:	
4A	1060918	7ft/2.14m	Cable, Electrical - 18/3	
4B	4460071	1	Connector, Strain Relief	
4C	4460226	2	Socket, Female	
	4460464	1	Pin, Male	
5 to 45	Not Used			
46	4460428	4	Connector, Strain Relief	
47	4460470	1	Nut, Terminal	
48	4460471	1	Lockwasher, Terminal	
49	Not Used			
50	4460496	1	Lockwasher, Terminal	
51	4460497	1	Nut, Terminal	
52	4460708	2	Receptacle, Female - 15 Position	
53	4460905	5	Seal, Plug	
54 to 57	Not Used			
58	4922666	1	Harness, Analyzer Cable	2/B
	4460226	4	Socket, Female (Not Shown - Located at J2)	
58A	4460761	1	Connector, Female - 4 Position	
	4460227	4	Pin, Male	
59	4923448	1	Harness, Platform Box (See Items 101-111 for Breakdown)	
	4923448	Ref	PLATFORM BOX HARNESS ASSEMBLY	3/B
101	4460866	1	Connector - 19 Pin	
	4460464	7	Pin, Male Deutsch 16 Ga	
	4460508	4	Pin, Male Deutsch 12 Ga	
	4460943	3	Pin, Male 16 Ga (Gold Plated)	
102	4460874	1	Connector - 35 Position (Natural)	
	4460871	7	Socket, Female	
	4460905	4	Plug	
103	4460876	1	Connector - 35 Position (Blue)	
	4460871	32	Socket, Female	
	4460905	3	Plug	
104	4460873	1	Connector - 35 Position (Black)	
	4460871	34	Socket, Female	
	4460905	1	Plug	
105	4460879	1	Connector, Male - 2 Position	
	4460887	2	Terminal (12 Gauge)	
106	4460418	12	Connector, Female - 6 Position	
	4460419	36	Socket, Female	
107	4460225	5	Plug, Male - 6 Position	
	4460226	21	Terminal (16 Gauge)	
108	4460225	1	Plug, Male - 6 Position	
	4460227	5	Pin, Male	

SECTION 7 ELECTRICAL

FIGURE 7-3. HARNESS COMPONENTS INSTALLATION (TCD2.9L4 ENGINES) (CONTINUED)

ITEM #	PART NUMBER	QTY.	DESCRIPTION	REV.
109	4460434	2	Plug, Male - 15 Position	
	4460227	14	Pin, Male	
110	4460925	1	Connector - 21 Pin	
	4460929	13	Pin, Male Deutsch 16 Ga	
	4460466	8	Plug	
111	1001121616	2	Connector, 6 Position	
	1001121615	2	Base, Mounting	
		Ref	BOOM CABLES INSTALLATION	
	0273855	Ref	All Specs with 7500W Generator Option	A
201	Not Required	0	Cable, Electrical - 10/3	
202	4922762	1	Cable, Electrical - 18/3 (50ft/15.3m Length)	B
203	4922673	1	Harness Assembly - Boom (12/4 -18/8)	2/B
	1060896	157ft/48m	Cable, Electrical - 12/4&18/8	
	2820118	8in/18cm	Heat Shrink	
203A	4460465	11	Socket, Female 18 Gauge	
	4460865	2	Connector - 19 Position	
	4460509	4	Socket, Female 12 Gauge	
	4460466	8	Seal, Plug	
203B	4460473	2	Clamp. Cable	
203C	4460465	11	Socket, Female 18 Gauge	
	4460509	4	Socket, Female 12 Gauge	
204	4922795	1	Harness, Generator (8/5) (with 7500W Generator Only)	
		Ref	GROUND CONTROL BOX COMPONENTS	
301	0100048	AR	Grease, Dielectric	
302 to 304	Not Used			
305	1001119456	2	Harness, Pump Adapter (Machines with Rexroth Pumps Only) (P/N 1001119456 Includes 2 Adapter Harnesses. Total of qty 4 required)	B
305A	4460880	4	DIN Connector (1 per Harness)	
305B	4460897	4	Connector, Female - 2 Position	
	4460464	8	Pin, Male	
306	1001119470	1	Harness, Engine (See Items 401-459 for Breakdown)	
307 to 323	Not Used			
324	4460426	1	Connector, Strain Relief	
325	4460470	1	Nut, Terminal	
326	4460471	1	Washer, Terminal	
327	Not Used			
328	4460526	1	Connector, Strain Relief	
329	Not Used			
330	4460874	1	Connector, White - 35 Position	
331	4460875	1	Connector, Gray - 35 Position	
332	4460892	2	Bar, Buss	
333	4460905	4	Plug, Connector	
334	4460914	2	Base, Terminal	
335	1001119372	1	Harness, Ground Control to Engine	C

SECTION 7 ELECTRICAL

FIGURE 7-3. HARNESS COMPONENTS INSTALLATION (TCD2.9L4 ENGINES) (CONTINUED)

ITEM #	PART NUMBER	QTY.	DESCRIPTION	REV.	
335A	4460899	1	Receptacle, Female - 6 Position	1/D	
	4460464	4	Pin, Male		
	4460466	2	Plug, Seal		
335B	4460899	1	Receptacle, Female - 6 Position		
	4460464	AR	Pin, Male		
	4460944	2	Socket, Female (Prior to SN 0300170698)		
	4460466	1	Plug, Seal (Prior to SN 0300170698)		
	4460943	1	Socket, Female (SN 0300170698 to Present)		
335C	4460891	5	Plug, Male - 2 Position		
	4460465	10	Socket, Female		
335D	4460871	AR	Socket, Female		
335E	4460539	1	Plug, Male - 3 Position		
	4460944	3	Socket, Female (Gold)		
335F	4460931	1	Receptacle, Female - 8 Position		
	4460464	AR	Pin, Male		
	4460466	1	Plug, Seal		
336	1001116206	1	Ground Control Wiring Diagram (Not Shown) (See Items 501-509 for Breakdown)		
337	4460496	1	Lockwasher, Terminal		
338	4460497	1	Nut, Terminal		
339	1001106736	1	Cap, Dust		
340	1001116369	1	Valve Harness Assembly		
340A		1	Connector Options: Prior to SN 0300143169		
	4460536	1	Connector, Female - 3 Position		
	4460943	3	Pin, Male		
			SN 0300143169 to Present		
	4460965	1	Plug, Male - 3 Position		
	4460944	3	Socket, Female		
	340B	4460320	1		Plug, Male - 2 Position
		4460267	2		Pin, Male
	340C	4460965	2		Plug, Male - 3 Position
		4460944	6		Socket, Female
340D	4460880	11	DIN Connector		
340E	4460871	16	Socket, Female		
340F	4460836	1	Plug, Male - 12 Position		
	4460466	4	Plug, Socket		
	4460465	3	Socket, Female		
	4460942	2	Socket, Female 14-16 GA		
	4460944	3	Socket, Female 16-18 GA		
340G	4460424	1	Connector, Female - 2 Position		
	4460268	2	Socket, Female		
340H	4460843	1	Plug, Male - 2 Position		
	4460842	2	Socket, Female		
340J	4460894	1	Plug, Male - 6 Position		
	4460465	3	Socket, Female		
	4460942	3	Socket, Female 14-16 GA		
340K	3740080	1	Relay, Sealed		
	4460374	1	Plug, Sealed		
	4460375	5	Terminal, Female		

SECTION 7 ELECTRICAL

FIGURE 7-3. HARNESS COMPONENTS INSTALLATION (TCD2.9L4 ENGINES) (CONTINUED)

ITEM #	PART NUMBER	QTY.	DESCRIPTION	REV.
340L	2400066	1	Fuseholder w/Leads	A
	2400065	1	Fuse, 30A	
341	1001120180	1	Ground Control Box Harness Assembly	
	3990001	2	Diode - 3 Amp (Not Shown - Located at Power Down Relay)	
341A	4460876	1	Connector, Blue - 35 Position	
	4460871	29	Socket, Female	
341B	4460866	1	Connector - 19 Pin	
	4460464	10	Pin, Male Deutsch 16 Ga	
	4460508	3	Pin, Male Deutsch 12 Ga	
341C	4460878	1	Plug, Male - 4 Position	
	4460887	3	Terminal (12 Gauge)	
341D	4120035	10	Base, Light	
	4460634	10	Terminal (16 Gauge)	
	4460635	10	Terminal (12 Gauge)	
341E	4460873	1	Connector, Black - 35 Position	
	4460871	16	Socket, Female	
341F	4460418	8	Connector, Female - 6 Position	
	4460419	24	Socket, Female	
341G	4460225	1	Plug, Male - 6 Position	
	4460227	6	Pin, Male	
341H	4460965	1	Plug, Male - 3 Position (Blue Lock)	
	4460944	3	Socket, Female	
	4922099	2ft/.6m	Cable, Can-Buss	
341J	2400066	1	Fuseholder with Cover	
	2400065	1	Fuse 30 Amp	
341K	4460894	2	Plug, Male - 6 Position	
	4460465	1	Socket, Female 16-18GA	
	4460942	2	Socket, Female 14GA	
341L	4460761	1	Connector, Female - 4 Position	
	4460227	4	Pin, Male	
341M	4460966	1	Plug, Male - 3 Position (Green Lock)	
	4460944	3	Socket, Female	
	4922099	2ft/.6m	Cable, Can-Buss	
341N	4460871	9	Socket, Female	
342	1001120337	1	Harness, ClearSky Ready	A
342A	2400060	2	Fuseholder with Cover	
	2400064	2	Fuse 5Amp	
342B	1001112612	1	Receptacle, Female - 9 Position	
	4460464	6	Pin, Male	
	4460466	3	Plug, Sealing	
342C	1001113961	1	Plug, Male - 8 Position	
	4460871	3	Socket, Female	
	4460905	5	Plug, Sealing	
342D	4460465	1	Socket, Female	
342E	4460539	1	Plug, Male - 3 Position	
	4460871	3	Pin, Male	

SECTION 7 ELECTRICAL

FIGURE 7-3. HARNESS COMPONENTS INSTALLATION (TCD2.9L4 ENGINES) (CONTINUED)

ITEM #	PART NUMBER	QTY.	DESCRIPTION	REV.
342F	4460933	1	Plug, Male - 12 Position	
	4460465	9	Socket, Female	
	4460466	3	Plug, Sealing	
	4460898	1	Connector, Female Bussbar - 9 Position	
401	1001138346	Ref	ENGINE HARNESS ASSEMBLY	E
401A	1001133956	1	Connector (Includes Cover, Locks & Retention Plate)	
	1001126352	6	Terminal	
	1001126353	6	Seal, Terminal	
	1001126384	18	Terminal	
	1001126351	1	Terminal	
	1001126356	65	Plug, Seal	
	1001126357	3	Plug, Seal	
401B	1001133957	1	Connector (Includes Cover, Locks & Retention Plate)	
	1001126384	17	Terminal	
	1001126351	13	Terminal	
	1001126356	18	Plug, Seal	
401C	1001126357	8	Plug, Seal	
	4461070	3	Receptacle, Female With Resistor (3 Position)	
	4461095	6	Plug, Male - 3 Position	
	4460944	6	Socket, Female	
	4460466	2	Seal, Plug	
401D	4460930	1	Plug, Male - 8 Position	
	4460944	5	Socket, Female (Gold)	
	4460465	2	Socket, Female	
	4460466	1	Seal, Plug	
	4460931	1	Receptacle, Female - 8 Position	
	4460943	8	Pin, Male (Gold)	
	4460464	8	Pin, Male	
	4460466	1	Seal, Plug	
	401E	1001116707	1	
91143340	1	Terminal		
1001116967	1	Receptacle, Female - 1 Position		
91143339	1	Terminal		
401F	4460935	1	Plug, Brown - 12 Position	
	4460465	12	Socket, Female	
	4460982	1	Receptacle, Female - 12 Position	
	4460464	12	Pin, Male	
401G	4460933	1	Plug, Gray - 12 Position	
	4460942	12	Socket, Female	
	4460970	1	Receptacle, Female - 12 Position	
	4460941	12	Pin, Male	
401H	4460934	1	Plug, Green - 12 Position	
	4460465	10	Socket, Female	
	4460466	2	Seal, Plug	
	1001152762	1	Receptacle, Female - 12 Position	
	4460464	10	Pin, Male	
	4460466	2	Seal, Plug	

SECTION 7 ELECTRICAL

FIGURE 7-3. HARNESS COMPONENTS INSTALLATION (TCD2.9L4 ENGINES) (CONTINUED)

ITEM #	PART NUMBER	QTY.	DESCRIPTION	REV.
401J	4460836	1	Plug, Black - 12 Position	
	4460465	8	Socket, Female	
	4460466	4	Seal, Plug	
	4460950	1	Receptacle, Female - 12 Position	
	4460464	8	Pin, Male	
	4460466	4	Seal, Plug	
401K	80484084	1	Receptacle, Female - 8 Position	
	8229242	1	Fuse - 5A	
	80983191	1	Fuse - 10A	
	1001147264	1	Cap	
	1001116727	8	Plug	
	4460458	4	Seal	
401L	4460894	1	Plug, Male - 6 Position	
	4460465	3	Socket, Female	
	4460944	2	Socket, Female	
	4460466	1	Seal, Plug	
401M	4460930	1	Connector, Female - 8 Position	
	4460465	1	Socket, Female	
	4460466	7	Plug, Seal	
401N	4460884	1	Plug, Male - 4 Position	
	4460465	2	Socket, Female	
	4460942	2	Socket, Female	
401P	2902443	1	Kit, Receptacle	
	4461071	8	Terminal, Female (Gold)	
	4461072	1	Connector, Flange Mount	
	4461073	1	Connector, Dust Cap	
	4461074	1	Connector, Shell	
401R	1001116952	1	Plug, Male - 2 Position	
	4460465	2	Socket, Female	
401S	1001126362	1	Receptacle, Female - 62 Position	
	1001126363	33	Terminal	
	1001126364	33	Seal	
	1001126391	23	Plug	
	4461008	4	Plug, Cavity	
	1001126365	2	Terminal	
	4461054	2	Seal	
401T	1001142938	1	Plug, Male - 2 Position	
	1001142940	2	Terminal, Female	
	1001142941	2	Seal	
401U	1001133714	1	Plug, Male - 4 Position	
	1001133715	3	Terminal, Female	
	1001135650	3	Seal	
401V	1001138110	1	Plug, Male - 2 Position	
	1001138111	2	Socket, Female	
	1001138113	2	Seal	

SECTION 7 ELECTRICAL

FIGURE 7-3. HARNESS COMPONENTS INSTALLATION (TCD2.9L4 ENGINES) (CONTINUED)

ITEM #	PART NUMBER	QTY.	DESCRIPTION	REV.
	1001116206	Ref	GROUND CONTROL BOX WIRING DIAGRAM	C
501	2920129	10	Bulb, Light	
502 to 505	Not Used			
506	4460226	6	Socket, Female	
507	4460224	1	Connector, Female - 6 Position	
508	4460945	1	Connector, Female - 3 Way	
509	4460872	1	Plug, Male - 14 Position	
	4460871	AR	Socket, Female	
	4460905	AR	Plug, Sealing	
	0274660	Ref	WIRING HARNESES INSTALLATION	1/D
601	4922718	4	Axle Power Track Harness Assembly	B
601A	4460539	1 Per Assy	Plug, Male - 3 Position	
	4460944	3 Per Assy	Socket, Female	
601B	4460932	1 Per Assy	Connector, Female - 4 Position	
	4460943	4 Per Assy	Pin, Male	
602	4922696	1	Chassis Harness Assembly	3/D
602A	4460894	1	Plug, Male - 6 Position	
	4460465	6	Socket, Female	
	4460892	1	Bar, Buss - 6 Position	
602B	4460891	1	Plug, Male - 2 Position	
	4460465	2	Socket, Female	
602C	4460894	1	Plug, Male - 6 Position (Not Shown)	
	4460465	6	Socket, Female	
	4460892	1	Bar, Buss - 6 Position	
602D	4460880	14	DIN Connector	
602E	4460930	1	Connector, Gray - 8 Position	
	4460465	3	Socket, Female	
	4460466	5	Plug, Terminal	
602F	4460836	1	Connector, Black - 12 Position	
	4460465	6	Socket, Female	
	4460466	6	Plug, Terminal	
602G	4460933	1	Connector, Gray - 12 Position	
	4460465	8	Socket, Female	
	4460466	4	Plug, Terminal	
602H	4460934	1	Connector, Green - 12 Position	
	4460944	12	Socket, Female	
602J	4460935	1	Connector, Brown - 12 Position	
	4460465	8	Socket, Female	
602K	4922705	1	Analyzer Harness	2/B
602L	4460761	1	Connector, Female	
	4460227	4	Pin, Male	
602M	4460465	4	Socket, Female	
602N	4460950	1	Connector, Female - 12 Position	
	4460464	6	Pin, Male 16-18 GA	
	4460943	3	Pin, Male 16-18 GA (Gold)	
	4460941	2	Pin, Male 14-16GA	

SECTION 7 ELECTRICAL

FIGURE 7-3. HARNESS COMPONENTS INSTALLATION (TCD2.9L4 ENGINES) (CONTINUED)

ITEM #	PART NUMBER	QTY.	DESCRIPTION	REV.
602P	4460884	4	Connector, Gray - 4 Position	
	4460944	16	Socket, Female	
603	4922781	1	B.L.A.M. to Boom Angle Sensor Harness (Left Side)	3/B
603A	4460932	1	Connector, Gray - 4 Position	
	4460943	4	Pin, Male	
603B	4460911	1	Plug, Male - 3 Position	
	4460918	3	Socket, Female	
	4460912	1	Lock, Wedge - Position	
604	4922780	1	B.L.A.M. to Boom Angle Sensor Harness (Right Side)	2/B
604A	4460884	1	Connector, Gray - 4 Position	
	4460944	4	Socket, Female	
604B	4460911	1	Plug, Male - 3 Position	
	4460918	3	Socket, Female	
	4460912	1	Lock, Wedge - Position	
605	4922716	1	B.L.A.M. to Boom Length Sensor Harness	C
605A	4460539	2	Plug, Male - 3 Position	
	4460944	3	Socket, Female	
605B	4460894	1	Plug, Male - 6 Position	
	4460944	4	Socket, Female	
	4460466	2	Plug, Sealing	
606	Not Used			
607	4922785	1	Dual Capacity Jib Position Switch Harness	B
607A	4460897	1	Connector, Female - 2 Position	
	4460464	2	Pin, Male	
608	4922777	1	Platform Valve Harness	1/C
608A	4460880	9	DIN Connector	
608B	4460926	1	Connector - 21 Position	
	4460928	13	Socket, Female	
	4460466	8	Plug, Hole	
608C	4460897	1	Connector, Female - 2 Position	
	4460464	2	Pin, Male	
608D	4460891	1	Plug, Male - 2 Position	
	4460465	2	Socket, Female	
609	4460945	1	Connector, Female - 3 Way	
610	4922767	1	Lockout Valve Harness	2/C
610A	4460465	3	Socket, Female	
610B	4460464	1	Pin, Male	
610C	4460880	2	Connector, DIN	
610D	4460449	2	Connector, DIN	
611	4922786	1	B.L.A.M. Harness	4/C
611A	4460933	1	Plug, Male - 12 Position (Gray)	
	4460466	7	Plug, Seal	
	4460944	3	Socket, Female	
	4460465	1	Socket, Female	
	4460942	1	Socket, Female	
611B	4460934	1	Plug, Male - 12 Position (Green)	
	4460466	7	Plug, Seal	
	4460944	3	Socket, Female	
	4460465	2	Socket, Female	

SECTION 7 ELECTRICAL

FIGURE 7-3. HARNESS COMPONENTS INSTALLATION (TCD2.9L4 ENGINES) (CONTINUED)

ITEM #	PART NUMBER	QTY.	DESCRIPTION	REV.
611C	4460935	1	Plug, Male - 12 Position (Brown)	
	4460466	5	Plug, Seal	
	4460465	2	Socket, Female	
611D	4460836	1	Plug, Male - 12 Position (Black)	
	4460466	8	Plug, Seal	
	4460944	2	Socket, Female	
611E	4460465	2	Socket, Female	
	4460836	2	Plug, Male - 12 Position (Black)	
	4460466	14	Plug, Seal	
611F	4460944	5	Socket, Female	
	4460465	5	Socket, Female	
	4460837	2	Receptacle, Female - 12 Position Buss Bar	
611G	4460884	1	Plug, Male 4 Position (Gray)	
	4460944	4	Socket, Female	
611H	4460894	1	Plug, Male - 6 Position (Gray)	
	4460465	5	Socket, Female	
	4460466	1	Plug, Sealing	
611J	4460899	1	Connector, Female - 6 Position (Gray)	
	4460464	3	Pin, Male	
	4460941	3	Pin, Male (Gold Plated)	
611K	4460899	1	Connector, Female - 6 Position (Gray)	
	4460466	2	Plug, Sealing	
	4460943	4	Pin, Male (Gold Plated)	
611L	4460932	1	Plug, Male - 4 Position (Gray)	
	4460943	1	Pin, Male	
611M	4460966	1	Connector, Female - 3 Position	2/B
	4460944	3	Socket, Female	
611N	4922705	1	Analyzer Harness	
611P	4460761	1	Connector, Female - 4 Position	
	4460227	4	Pin, Male	
612	4460465	4	Socket, Female	
613	0100048	AR	Lubricant, Silicone	
613A	4923256	1	Load Sensing Pin Harness	B
613B	4460930	1	Connector, Gray - 8 Position	
	4460465	4	Socket, Female	
	4460466	3	Plug, Sealing	
614	See Note	1	Connector, Female - 4 Position (Note: Not Available For Purchase)	
	See Note	4	Terminal (Note: Not Available For Purchase)	
615	Not Used			E
615A	4922947	1	Right Level Sensor, Harness	
	4460911	1	Plug, Male - 3 Position	
	4460918	3	Pin, Male	
	4460912	1	Lock, Wedge - Position	
	1320309	1	Clamp, Cable	
	1560012	1	Nut, Conduit	
615A	1560011	1	Connector, Conduit	
	4461013	1	Plug, Male - 7 Position	

SECTION 7 ELECTRICAL

FIGURE 7-3. HARNESS COMPONENTS INSTALLATION (TCD2.9L4 ENGINES) (CONTINUED)

ITEM #	PART NUMBER	QTY.	DESCRIPTION	REV.
616	4922948	1	Left Level Sensor, Harness	E
616A	4460911	1	Plug, Male - 3 Position	
	4460918	3	Pin, Male	
	4460912	1	Lock, Wedge - Position	
	1320309	1	Clamp, Cable	
	1560012	1	Nut, Conduit	
	1560011	1	Connector, Conduit	
	4461013	1	Plug, Male - 7 Position	
		Ref	STANDARD HARNESS COMPONENTS	
701	4360505	4	Steer Angle Sensor Harness (Includes Sensor)	
701A	4460536	1 Per Assy	Plug, Male - 3 Position	
	4460464	3 Per Assy	Pin, Male	
702	1660302	1	Coupling Electrical Components	
702A	See Note	1	Coupling Turntable Harness (Note: Not Available For Purchase)	
702B	4460837	1	Connector, Female - 12 Position	
	4460466	4	Plug, Socket	
	4460464	3	Pin, Male 16-18 GA	
	4460943	3	Pin, Male 16-18 GA (Gold)	
	4460941	2	Pin, Male 14-16GA	
702C	See Note	1	Coupling Frame Harness (Note: Not Available For Purchase)	
702D	4460836	1	Plug, Male - 12 Position	
	4460465	6	Socket, Female 16-18 GA	
	4460942	2	Socket, Female 14-16 GA	
	4460944	3	Socket, Female 16-18 GA (Gold)	
	4460466	1	Plug, Socket	
703	4360527	1	Broken Cable Proximity Switch Harness (Includes Switch)	
704		2	Platform Level Sensor Harness Options (Includes Sensor):	
	Use 1001147479		Prior to SN 0300141600 (was p/n 4360534 & p/n 4360545)	
	Use 1001133329		SN 0300141600 to SN 0300157203 (was p/n 4360545)	
	1001133329		SN 0300157203 to Present	
704A	4460910	2	Connector, Female - 3 Position	
	4460917	6	Pin, Male	
	4460913	1	Lock, Wedge	
705	See Note	1	Boom Length Switch Harness (Note: Not Available For Purchase)	
705A	4460536	1	Connector, Female - 3 Position	
	4460943	3	Pin, Male	
706		2	Boom Angle Sensor Harness Options (Includes Sensor):	
	Use 1001147479		Prior to SN 0300141600 (was p/n 4360534 & p/n 4360545)	
	Use 1001133329		SN 0300141600 to SN 0300157203 (was p/n 4360545)	
	1001133329		SN 0300157203 to Present	
706A	4460910	2	Connector, Female Deutsch - 3 Position	
	4460917	6	Pin, Male	
	4460913	1	Lock, Wedge	
707	See Note	1	Controller Harness Assembly (Lift and Swing) (Note: Not Available For Purchase)	

SECTION 7 ELECTRICAL

FIGURE 7-3. HARNESS COMPONENTS INSTALLATION (TCD2.9L4 ENGINES) (CONTINUED)

ITEM #	PART NUMBER	QTY.	DESCRIPTION	REV.
707A	7022819	1	Plug, Male - 8 Position (Natural)	
	4460871	8	Socket, Female	
708	7022824	1	Controller Harness/Circuit Board Assembly (Drive and Steer)	
708A	7022825	1	Plug, Male - 8 Position (Black)	
	4460871	7	Socket, Female	
709	See Note	1	Speed Control Harness (Note: Not Available For Purchase)	
709A	4460224	1	Connector, Female - 6 Position	
	4460226	5	Socket, Female	
710	1001138491		Fuel Harness Components	C
710A	4460897	1	Receptacle, Female - 2 Position	
	4460941	2	Pin, Male	
	4460891	1	Plug, Male - 2 Position	
	4460942	2	Socket, Female	
710B	1001116983	1	Receptacle, Female - 2 Position	
	1001116710	2	Terminal	
	4461054	2	Seal	
710C	4460932	1	Receptacle, Female - 4 Position	
	4460941	2	Pin, Male	
	4460464	2	Pin, Male	
711	1001135779	1	Alternator Positive Cable	
712	1001148843	1	Fuel Filter Harness	A
712A	1001148842	1	Receptacle, Female - 2 Position	
	1001148841	4	Pin, Male	
	1001135650	4	Seal	
712B	1001133714	1	Plug, Male - 2 Position	
	1001133715	4	Socket, Female	
	1001135650	4	Seal	
713	0272621	1	Control System Analyzer Installation	A
	2901443	1	Analyzer/Cable Kit	1
713A	1600244	1	Analyzer	
713B	1060633	1	Cable, Analyzer	1/B
713C	4460321	2	Plug, Male	
	70003407	2	Shell, Back	
	4460226	8	Socket, Female	
714	1001141225	1	Battery Cable Kit	E
714A	7027042	1	Cable, Battery (Red) (Battery + to Relays & Starter)	
714B	7027043	1	Cable, Battery (Black) (Battery - to Tray Pivot Grd) & Aux Pump	
714C	7027044	1	Cable (Red) (Aux Relay to Aux Pump)	
714D	7027045	1	Cable, Battery (Black) (Engine to Tray Pivot Grd)	
715	1001141304	1	Wire, Glow Plug	
716	Not Used			
717	0257887	1	Alarm Harness (Includes Alarm)	
	0140032	1	Alarm	
	2820035	6in/15cm	Loom	
	4460424	1	Plug	
	4460268	2	Socket, Female	
717A	4460424	1	Plug, Male - 2 Position	
	4460268	2	Socket, Female	

SECTION 7 ELECTRICAL

FIGURE 7-3. HARNESS COMPONENTS INSTALLATION (TCD2.9L4 ENGINES) (CONTINUED)

ITEM #	PART NUMBER	QTY.	DESCRIPTION	REV.
		Ref	OPTIONAL HARNESS COMPONENTS	
801to 801G	Not Required	Ref	AC to Platform Receptacle Components	
802 to 803	Not Used			
804		1	Strobe Light Harness (Includes Strobe Light) Options:	
	0272507		Prior to SN 0300171640	B
	2920161		SN 0300171640 to Present	B
804A	4460320	1	Connector, Female - 2 Position (Strobe Light - 0272507)	
	4460267	2	Pin, Male (Strobe Light - 0272507)	
804B	4460891	1	Connector, Male - 2 Position (Strobe Light - 2920161)	
	4460465	2	Socket, Female (Strobe Light - 2920161)	
805	Not Used			
806	4922738	1	Headlight & Taillight & Chassis Illumination Lights Harness	
806A	4460374	1	Plug, Sealed	
807to 807G	Not Required	Ref	Floodlights Harness Components	
808	See Note	1	Work Lights Harness Components: (Note: Not Available For Purchase)	
808A	4922834	1	Harness, Electric 10/3 (Aux Relay to Console Box)	
	4921757	AR	Fusible Link	
808B	See Note	2	Work Light Harness (Supplied with Work Light) (Note: Not Available For Purchase)	
808C	4460426	1	Connector, Strain Relief	
808D	2400066	1	Fuseholder with Cover	
	2400070	1	Fuse 20 Amp	
809	1001137590	Ref	7500W SkyPower Generator Installations	A
809A	Not Used			
809B	3960422	1	Gasket	
809C	1001110873	1	Cover, Receptacle	
809D	Not Used			
809E	4460346	1	Receptacle	
809F	Not Used			
809G	4460071	1	Connector, Strain Relief	
809H	4922972	1	Harness, Generator	B
809I	77363233	1	Plug, Male - 6 Position	
	4460465	6	Socket, Female	
809J	4460225	1	Plug, Male - 6 Position	
	4460226	6	Socket, Female	
810	1001142914	Ref	7500W SkyPower Generator Junction Box Components	A
810A	1060494	2ft/.6m	Cable, Electrical 12/3	
810B	Not Used			
810C	1060343	1.5ft/.46m	Cable, Electrical 10/4	
810D	4460425	1	Connector, Strain Relief	
810E	4460426	2	Connector, Strain Relief	
810F	1671092	1	Cover	
	4460963	1	Connector	
811	1001122528	Ref	7500W Generator Electrical Diagram Components	B
811A	1001119968	1	Generator Harness	A
811B	4460967	1	Plug, Male - 3 Position	
	4460465	3	Socket, Female	
811C	1001117078	1	Connector, Metri-Pack W/5Amp Fuse	

SECTION 7 ELECTRICAL

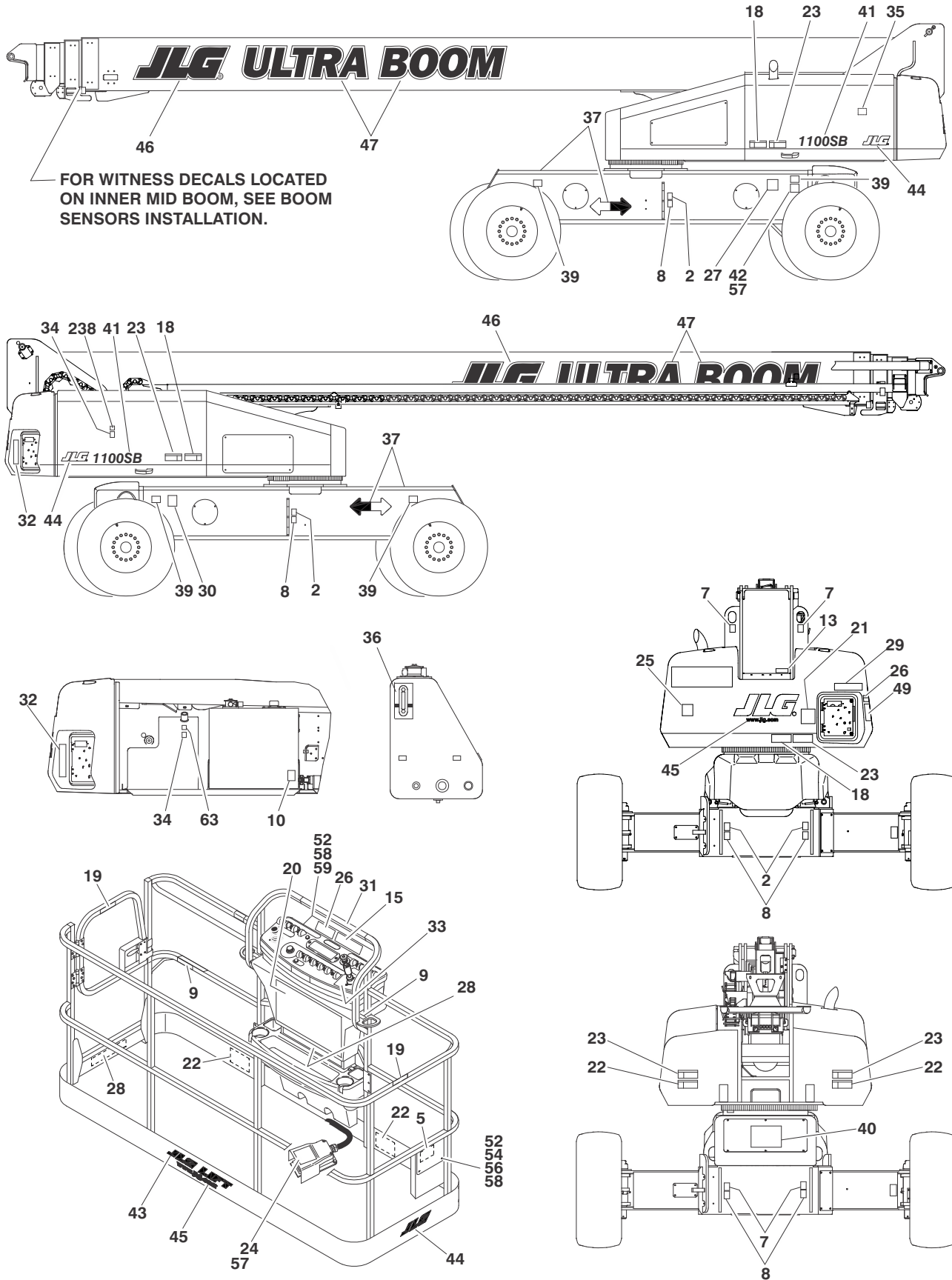
FIGURE 7-3. HARNESS COMPONENTS INSTALLATION (TCD2.9L4 ENGINES) (CONTINUED)

ITEM #	PART NUMBER	QTY.	DESCRIPTION	REV.
811D	4922641	1	Switch Harness	
811E	4460226	2	Socket, Female	
812to 812G	Not Required			
813	1001111914	1	ClearSky Telematics Harness	B
813A	70020808	1	Plug, Male - 23 Position	
	4460871	5	Socket	
	4460905	18	Plug, Seal	
813B	4460539	2	Plug, Male - 3 Position (Includes Wedge Lock & Seal)	
	4460944	6	Socket	
	See Note	2	Wedge Lock (Note: Not Available For Purchase)	
813C	4460945	2	Bulkhead, 3 Way Female	
	See Note	2	Plug, Male - 3 Position with 120 ohm Resistor (Note: Not Available For Purchase)	
	See Note	1	Wedge Lock (Note: Not Available For Purchase)	
813D	1001112612	1	Connector, Diagnostic	
	4460943	2	Pin	
	4460464	2	Pin	
	4460466	2	Plug, Seal	
	1001106736	1	Cap, Dust	
813E	1001112796	1	Connector, Diagnostic	
	4460944	2	Socket	
	4460466	2	Plug, Seal	
814	70002296	1	Harness, Telematics Antenna (Includes Antenna) (Note: No other parts available)	
815	1001149818	1	Strobe Light Harness SN 0300171640 to Present)	A
815A	4460320	1	Connector, Female - 2 Position	
	4460267	2	Pin, Male	
815B	4460897	1	Connector, Female - 2 Position	
	4460464	2	Pin, Male	
		Ref	TOOLS (NOT SHOWN)	
	7002821	1	Crimper (For Wire to Pin/Socket Connections)	
	7002823	1	Extractor (For Removal of Pin/Socket from Connectors)	
	4460467	1	Extractor, Pin (Blue 16-18 Gauge) (For Removal of Pin/Socket from Connectors)	
	4460510	1	Extractor, Pin (Yellow 12-14 Gauge) (For Removal of Pin/Socket from Connectors)	
	7002828	1	Stripper, Wire	
	1001137005	1	Cable Kit, Software	

SECTION 8 DECALS

SECTION 8 DECALS

FIGURE 8-1. DECAL INSTALLATION (ANSI SPEC)



SECTION 8 DECALS

FIGURE 8-1. DECAL INSTALLATION (ANSI SPEC)

ITEM #	PART NUMBER	QTY.	DESCRIPTION	REV.
	1283409	Ref	STANDARD DECAL INSTALLATIONS	Q
	0274730	Ref	Decals - JLG (ABS Hoods) (SN 0300073745 Only)	B
	1001116025	Ref	Decals - JLG (Steel Hoods)	B
	1001120455	Ref	ANSI Decals	B
	1001120509	Ref	Model Designation Decals	1
1	Not Used			
2	1701499	4	Decal - No Lift	
3 to 4	Not Used			
5	1701509	1	Decal - Manual	
6	Not Used			
7	1703811	4	Decal - Tie Down/Lift	
8	1703814	6	Decal - Tie Down	
9	1704277	4	Decal - Attach Lanyard Here	
10	1704412	1	Decal - Hydraulic Oil Chart	
11 to 12	Not Used			
13	3251243	1	Nameplate - 120V-60Hz	
14	Not Used			
15	1705337	1	Decal - Tip Over	
16 to 17	Not Used			
18	1703953	4	Decal - Warning/Crushing	
19	1702868	2	Decal - No Hands	
20	1703797	1	Decal - Danger/Warning (Platform)	
21	1001120457	1	Decal - Danger/Warning (Ground Control)	
22	1703804	6	Decal - Warning Crushing	
23	1703805	5	Decal - Danger/Electrocution	
24	3252347	1	Decal - Footswitch	
25	3251813	1	Decal - USA	
26	1705492	2	Decal - Tip Over Hazard	
27	See Note	1	Decal - Bar Code (Note: Not Available For Purchase)	
28		2	Decal - Capacity (Platform) Options: Prior to SN 0300142938	
	1705168		SN 0300142938 to Present	
29	1001122369	1	Decal - Capacity (Ground Control) Options: Prior to SN 0300142938	
	1705181		SN 0300142938 to Present	
30	1001122376	1	Decal - Patent Prior to SN 0300151576	
	1700584		SN 0300151576 to Present	
31	1001131269	1	Decal - Legend (Platform)	
32	1706751	1	Decal - Legend (Ground Control)	
33	1705868	1	Decal - Drive/Steer Instructions	
34	1705351	1	Decal - Fuel	
35	1701505	2	Decal - Warning Explosion/Fire	
36	1704972	1	Decal - Oil Level	
37	1705511	1	Decal - Arrow	
38	1701501	4		
39	Not Used			
	2902357	1	Decal Kit - Tire Load	
	1705167	4	Decal - Tire Load	

SECTION 8 DECALS

FIGURE 8-1. DECAL INSTALLATION (ANSI SPEC) (CONTINUED)

ITEM #	PART NUMBER	QTY.	DESCRIPTION	REV.
40	1705096	1	Decal - Lift Diagram	
41	1001120452	2	Decal - Model	
42	See Note	1	Nameplate - Serial Number (Note: Not Available For Purchase)	
43	1702774	1	Decal - JLG Lift (3.5in)	
44	1702773	AR	Decal - JLG (5in)	
45	1704885	AR	Decal - www.jlg.com Options:	
		2	Prior to SN 0300173916	
		1	SN 0300173916 to Present	
46	1705864	2	Decal - JLG (12in)	
47	1705864	2	Decal - Ultra Boom	
48	Not Used			
49	1705365	1	Decal - Daily Check	
50 to 51	Not Used			
52	0641406	7	Bolt 1/4in-20NC x 3/4in	
53	Not Used			
54		1	Box, Manual Storage Options:	
	0860520		Prior to SN 0300180275	
	91403230		SN 0300180275 to Present	
55	Not Used			
56	3311405	4	Locknut 1/4in-20NC	
57	3820001	2	Rivet	
58	4751400	7	Flatwasher 1/4in	
59	3380474	1	Plate, Decal Mount	
60 to 62	Not Used			
63	1001108923	1	Decal, Fuel Specification	
64	Not Used			
65	1702773	1	Decal - JLG (5in)	
66 to 237	Not used			
238	1001125387	1	Decal, Fuel Specification (Machines with Deutz TCD2.9L4 Engine Only)	

	2902303	1	Master Decal Kit (Includes Items 2-13)	
	1001120456	1	ANSI Spec Decal Kit (Includes Items 15-23, 25 & 26)	

SECTION 9 RECOMMENDED SERVICE PARTS STOCK

MODEL 1100SB

The following list will service one machine (built to current production per date on the front cover) with emergency repair parts which can be installed in the field. Parts from the list should be replaced when inventory is depleted to keep service parts stock supplied. For further information, contact your JLG dealer or the JLG Industries Parts Department.

Part Number	Description	Qty./Machine
STANDARD PARTS		Ref
7024365	Axle Powertrack Repair Kit (Figure 1-1)	1
4360505	Switch (Figure 1-2)	1
7018991	Coil (Figures 1-7 & 2-2)	1
7012944	Coil (Figures 1-8 & 3-6)	1
3740067	Relay (Figures 2-1, 2-5 & 2-6)	1
7011354	Coil (Figure 2-2)	1
7017451	Coil (Figure 2-2)	1
7024571	Coil (Figures 2-2 & 3-6)	1
70002231	Element, Pressure Filter (Figures 2-5, 2-6 & 2-7)	12
3740080	Relay (Figures 2-5, 2-6, 2-17 & 7-3)	1
7024444	Breather, Hydraulic Oil Tank (Figure 2-12)	12
7024375	Element, Hydraulic Oil Filter (Figure 2-12)	12
3740049	Relay (Figure 2-16)	1
4360328	Switch, Toggle (Figure 2-16 & 4-3)	1
4360475	Switch, Mushroom (Figure 2-16 & 4-3)	1
4360476	Contact, Switch Block (Figure 2-16 & 4-3)	1
4360274	Switch, Push Button (Figure 2-16)	1
2860030	Key, Replacement (Figure 2-16)	1
70003917	Boom Powertrack Repair Section (Figure 3-4)	1
70003913	Boom Powertrack Repair Section (Figure 3-4)	1
70002097	Element, Pressure Filter (Figure 3-6)	12
4360330	Switch, Toggle (Figure 4-3)	1
4360331	Switch, Toggle (Figure 4-3)	1
4360336	Switch, Toggle (Figure 4-3)	1
4360387	Switch, Push Button (Figure 4-3)	1
1001129555	Controller, Lift & Swing (Figure 4-3)	1
1001118416	Controller, Drive & Steer (Figure 4-3)	1
4360407	Controller, Speed (Figure 4-3)	1
3990001	Diode - 3 Amp (Figure 7-3)	2
2400065	Fuse (Figure 7-3)	2
VARIABLE PARTS		Ref
4360578	Switch, Limit (Figures 1-1 & 3-5)	1
1001112758	Module (Chassis) (Figure 1-7)	1
1001112757	Module, B.L.A.M. (Figure 2-1)	1
7003655	Element, Deutz TD2011 Engine Air Filter (Figures 2-5 & 2-6)	12
7016331	Element, Deutz TD2011 Engine Oil Filter (Figures 2-5 & 2-6)	12
7016328	Element, Deutz TD2011 Engine Fuel (Figures 2-5 & 2-6)	12
1600443	Module, Deutz TD2011 Engine (Figures 2-5 & 2-6)	1
70024190	Element, Deutz TCD2.9L4 Engine Air Filter (Figure 2-7)	12
7026031	Sensor, Proximity (Figure 2-13)	1
1001120866	Module, Ground Control (Figure 2-16)	1

SECTION 9 RECOMMENDED SERVICE PARTS STOCK

MODEL 1100SB

The following list will service one machine (built to current production per date on the front cover) with emergency repair parts which can be installed in the field. Parts from the list should be replaced when inventory is depleted to keep service parts stock supplied. For further information, contact your JLG dealer or the JLG Industries Parts Department.

Part Number	Description	Qty./Machine
4360469	Switch, Key (ANSI & ANSI Export Specs) (Figure 2-16)	1
4360336	Switch, Toggle (Machines with 7500W Generator) (Figure 2-21)	1
4360070	Circuit Breaker 15 Amp (Machines with 7500W Generator) (Figure 2-21)	1
1001117078	Fuseholder/w/Fuse (Machines with 7500W Generator) (Figure 2-19)	2
4360548	Switch, Jib Limit (Figure 3-5)	1
4360527	Switch, Cable Break (Figure 3-5)	1
4360543	Sensor, Boom Length (Figure 3-5)	1
1001133329	Sensor, Angle Indicator (Figure 3-5)	1
1001117174	Footswitch Kit (Figure 4-1)	
1600343	Module, Platform Control (Figure 4-3)	1
4360232	Breaker, Circuit (Platform Worklights Option) (Figure 4-3)	1
4360522	Switch, Push Button (Chassis Worklights Option) (Figure 4-3)	1
4360057	Switch, Limit (Soft-Touch System Option) (Figure 4-6)	1
2400064	Fuse 5 Amp (Machines with ClearSky Telematics) (Figure 7-3)	2

SECTION 10 SPECIAL OPTIONS

Note: This list is to accommodate machines ordered with special equipment. Options may not be applicable to all models. For more specific parts information contact JLG Parts Department.

FIG&ITEM#	PART NUMBER	QTY.	DESCRIPTION	REV.
10—1		Ref	MISCELLANEOUS SPECIAL OPTIONS	
	0272078	Ref	Accessory Counterweight (Required with SkyWelder & Fall Arrest Platform Options)	
	1340067	Ref	Air Cleaner Pre-Cleaner	
	0271933	Ref	Airline Installation, 1/2in	
	0271803	Ref	Bellows, Cylinder (Fixed Axle)	
	0271804	Ref	Bellows, Cylinder (Oscillating Axle)	
	0271805	Ref	Bellows, Cylinder (Boom)	
	0271875	Ref	Boom Wipers Installation	
	0273862	Ref	Cold Weather Package	
		Ref	Decals Installations	
	1702788	Ref	Biodegradable Hydraulic Fluid (English)	
	1001108923	Ref	EPA/Carburetor Fuel Spec	
	0257195	Ref	Government Warranty Decal	
	1702868	2	No Hands Decal	
	0272435	Ref	SkyPower (60Hz)	
	1705307	1	Tool Location	
	1702962	Ref	Warning Proposition 65 (California Spec Machines)	
		Ref	Electrical Connector Kits	
	1001148902	Ref	Amp/Tyco Electrical Connector Kit	
	1001148903	Ref	Deutsch DT Electrical Connector Kit	
	1001148904	Ref	Deutsch HD Electrical Connector Kit	
	1001148905	Ref	Packard Electrical Connector Kit	
	1001148906	Ref	Various Electrical Connectors Kit	
	1001145708	Ref	Fan Guard Installation (TCD2.9L4 Engines Only)	
	1001139099	Ref	Fire Extinguisher Installation	
		Ref	Fluids	
	3020008	Ref	Drive Hub Lubricant	
	2300040	Ref	Diesel Fuel Conditioner	
		Ref	Hydraulic Fluid	
	2300014	Ref	Mobil 424	
	2300029	Ref	Mobil EAL ISO 46 Bio	
	2300016	Ref	Mobil DTE 10 Excel 32	
	2300021	Ref	Union Carbide Ucon HP5046 Fire Resistant	
	2300039	Ref	Exxon Univis (Arctic Package)	

SECTION 10 SPECIAL OPTIONS

Note: This list is to accommodate machines ordered with special equipment. Options may not be applicable to all models. For more specific parts information contact JLG Parts Department.

FIG&ITEM#	PART NUMBER	QTY.	DESCRIPTION	REV.
	1001142966	Ref	Hood Bracket Kit (Eliminate any bending of the hood when cranking engine tray open.)	
	1001148971	Ref	Lanyard (Bolt-On) Installation Kit	
	2915046	Ref	Load Pin Harness Kit	
		Ref	Panel, Foot Switch Options:	
	3380652	Ref	Prior to SN 0300171349	
	1001117294	Ref	SN 0300171349 to Present	
		Ref	Platform Console Cover Installation	
	0258703	Ref	Clear Cover	
	1001110974	Ref	Steel Cover	
	1001149730	Ref	Platform Mid Rail Repair Kit	
	1001099466	Ref	Security Lock (Programmable)	
		Ref	Tools for Service:	
	2901443	1	Analyzer Kit	
	0272048	Ref	Boom Cable Tools Installation	
	4120040	1	Socket 3/4in	
	4120043	1	Socket 2in	
	1705307	1	Decal - Tool Location	
	7002821	Ref	Crimper, Wire	
	7002823	Ref	Pin Extractor - Universal (For Electrical Connectors with Pins and Sockets)	
	4460467	1	Extractor - 16-18 Gauge (For Removal of Pin/Sockets from Deutsch Connectors)	
	4460510	1	Extractor - 12-14 Gauge (For Removal of Pin/Sockets from Deutsch Connectors)	
	7016654	Ref	Screwdriver, Magnetic	
	7002822	Ref	Screwdriver, Pontimeter	
	7004275	Ref	Seal Tool 1in (For Cylinders)	
	7004276	Ref	Seal Tool 1-1/2in (For Cylinders)	
	7002828	Ref	Stripper, Wire	
	4921850	1	Throttle Service Harness	
	70004185	1	Torque Multiplier	
	7016655	1	Wire Rope Sheave Gauge	

SECTION 11 PART NUMBER INDEX

Part Number	Page	Part Number	Page	Part Number	Page	Part Number	Page
0080241	2-76	0271804	10-1	0630548	2-71	0641706	2-39
0080244	2-21, 2-29	0271805	10-1	0630558	3-10	0641708	2-38, 2-39
0080277	1-7	0271806	2-76	0630568	4-11	0641808	1-3, 1-21, 2-20, 2-22, 2-28, 2-29, 2-37, 3-7
0100009	4-10	0271807	2-76	0641404	2-78, 2-97, 4-9	0641810	2-97, 3-18
0100011	1-3, 1-7, 1-12, 1-16, 1-21, 1-22, 2-3, 2-20, 2-21, 2-28, 2-29, 2-37, 2-38, 2-39, 2-61, 2-65, 2-72, 2-76, 2-77, 2-78, 2-86, 2-87, 2-92, 2-94, 2-97, 2-103, 3-3, 3-7, 3-18, 3-23, 3-27, 4-21, 5-3, 5-5, 5-7, 5-9, 5-11, 5-15	0271808	2-77	0641405	2-92, 3-23	0641812	2-22, 2-29, 2-38, 2-39, 2-65, 3-27
0100019	1-3, 1-7, 1-9, 2-11, 2-97, 3-3, 3-7, 3-18	0271852	1-9	0641406	1-22, 2-3, 2-20, 2-21, 2-29, 2-39, 2-71, 2-93, 2-103, 3-19, 3-23, 4-3, 8-4	0641813	2-92, 3-7
0100020	2-39, 2-98, 4-9	0271874	2-77	0641408	2-3, 2-37, 2-86, 2-92, 4-3	0641814	2-22, 2-29
0100035	1-7, 2-76, 2-77, 3-23, 5-13	0271875	10-1	0641410	2-21, 2-28, 2-37	0641816	2-82
0100038	5-3, 5-5, 5-7, 5-9, 5-11, 5-15	0271933	10-1	0641412	2-4	0641818	2-22, 2-29, 2-82
0100048	2-65, 2-71, 2-97, 4-9, 7-8, 7-9, 7-15, 7-24, 7-25, 7-32	0272048	3-10, 10-2	0641414	1-22, 4-9, 4-21	0641820	2-65
0100062	2-42	0272055	1-9	0641424	1-21	0641826	2-22, 2-29
0100063	5-3, 5-7, 5-11	0272056	1-9	0641503	2-42	0642010	2-20, 2-28, 2-37
0100079	2-20, 2-28, 2-37	0272060	2-22, 2-31	0641504	1-21	0642012	3-7
0100081	1-3, 2-71, 2-87, 2-94, 3-20, 3-24, 4-9	0272064	2-82	0641505	1-7	0642014	3-7
0140001	2-4	0272070	3-27	0641506	2-3, 2-21, 2-28, 2-29, 2-65, 2-76, 2-77, 2-87	0642016	1-7
0140011	4-9	0272078	10-1	0641507	2-21, 2-29	0642020	1-4
0140032	2-76, 7-17, 7-34	0272080	2-67, 6-15	0641508	2-39, 2-97	0642022	3-7
0200048	4-21	0272096	4-4	0641509	1-21, 2-20, 2-28, 2-82	0642214	1-3, 3-3
0200833	1-7	0272097	7-2	0641510	3-20	0642612	2-76, 2-77, 2-103
0236768	2-3	0272435	2-99, 10-1	0641511	1-7, 2-20, 2-28, 2-37	0642684	3-27
0239842	2-11	0272444	4-21	0641516	2-97	0681608	3-27
0257195	10-1	0272507	2-76, 7-17, 7-35	0641520	2-67, 2-69	0681813	1-4
0257887	2-76, 7-17, 7-34	0272621	7-16, 7-34	0641605	2-21, 2-23, 2-28, 2-29, 2-37	0681814	1-4, 4-7
0258703	10-2	0272790	4-3	0641606	1-3, 2-3, 2-20, 2-29, 2-37, 2-39, 2-77	0681815	1-4
0259666	2-72	0273400	4-3	0641607	3-7	0681816	1-4
0271512	2-11	0273706	4-11, 4-21	0641608	1-3, 1-21, 2-3, 2-21, 2-29, 2-37, 2-39, 2-61, 2-67, 2-77, 2-82, 2-86, 2-92, 3-3, 3-18, 5-15	0681822	4-7
0271520	1-7	0273855	7-9, 7-25	0641609	1-3, 2-21, 2-29	0682026	2-11
0271521	1-3, 1-4	0273862	10-1	0641610	2-20, 2-23, 2-28, 2-29, 2-37, 2-39, 2-76, 2-77, 2-86, 2-92, 3-7, 4-3	0682028	2-39, 3-7
0271523	1-21	0274660	7-12, 7-30	0641611	1-3, 2-38	0682040	2-11
0271530	3-3	0274730	8-3	0641612	2-37, 2-86	0682212	3-7
0271570	3-18	0275098	4-11	0641613	1-3	0682418	2-11
0271572	2-61	0275685	1-9	0641614	2-61	0700616	2-94
0271595	2-86	0340003	2-21, 2-29	0641615	3-7	0700810	2-22
0271596	2-11	0340051	2-21, 2-29	0641618	2-98, 3-9	0700815	2-39
0271688	2-65	0363037	1-3	0641624	1-3	0701617	1-9
0271769	2-76	0363062	2-3	0641630	2-86, 2-92	0701619	1-9
0271795	2-3	0363066	3-10	0641634	1-7	0711214	2-22, 2-29
0271802	1-21, 2-3, 3-27	0400020	2-3	0641640	3-10	0711217	2-29
0271803	10-1	0440251	2-11	0641644	3-10	0711414	2-22, 2-29
		0480128	2-97	0641646	3-7	0711417	2-22
		0561431	3-7	0641652	3-7	0720804	4-9
		0561437	3-7	0641676	3-10	0720808	2-100
		0561439	3-7			0721003	4-11
		0561444	3-7			0721005	4-21
		0561454	3-7			0721006	2-38, 4-9
		0561457	3-7			0731007	2-61
		0561458	3-7			0741606	1-7, 3-7
		0561471	3-7			0741607	2-98
		0561482	3-7			0741806	3-7
		0561500	3-7			0760608	2-87, 2-88
		0630462	4-21			0760810	2-42
		0630464	1-7, 2-71, 3-23			0761210	2-37
		0630467	3-18			0761214	1-16, 2-42
		0630491	2-76			0761215	1-12, 2-22, 2-29, 2-39
		0630511	2-78			0771212	2-39
		0630518	2-71				
		0630534	5-11				
		0630535	5-3, 5-5, 5-7, 5-15				
		0630537	5-9				

SECTION 11 PART NUMBER INDEX

Part Number	Page	Part Number	Page	Part Number	Page	Part Number	Page
0771414	2-39	0961949	5-7, 5-13	1001107176	2-92, 2-94	1001111585	2-93
0791504	3-18, 3-23	0961950	5-5, 5-13	1001107359	2-61	1001111914	2-103, 7-18, 7-36
0791518	3-18	0961951	3-8	1001107391	2-11	1001112162	2-93
0791604	1-21, 1-22, 2-78, 2-86, 2-92, 3-7, 3-23	0961986	2-22, 2-30, 2-39	1001107973	2-21	1001112612	7-11, 7-18, 7-27, 7-36
0791605	3-10, 3-23, 3-24	0962033	1-3	1001107975	2-21	1001112691	2-93
0791606	3-7, 3-23	0962051	2-82	1001107978	2-94	1001112757	2-3, 9-1
0791607	1-21, 3-20	0962224	3-8	1001108024	2-94	1001112758	1-21, 9-1
0791608	3-23	0962257	5-11	1001108142	2-92	1001112766	2-22, 2-30
0791612	3-8	0962270	4-7	1001108616	2-24, 2-31, 2-39, 2-52, 2-53	1001112796	7-18, 7-36
0791618	3-7	0962297	3-8, 5-9	1001108617	2-20, 2-28, 2-37	1001112878	2-21, 2-28
0791620	3-7, 3-18	0962401	3-9	1001108680	2-92	1001112879	2-21, 2-28
0791622	3-18	0962402	3-9	1001108888	2-24, 2-31, 2-39, 2-55	1001112880	2-21, 2-28
0791624	3-7, 3-18	0962403	3-9	1001108904	2-92	1001112911	2-77
0791808	3-20	0962404	3-9	1001108923	8-4, 10-1	1001112927	2-24, 2-31, 2-39, 2-59
0801301	3-7	0962406	3-9	1001109181	4-10	1001112987	2-103
0801302	3-7	0962409	3-8	1001109511	2-92	1001112988	2-103
0801303	3-7	0962410	3-8	1001109543	2-92	1001113004	2-92
0801304	3-7	0962411	3-9	1001109651	2-92	1001113047	2-93
0801315	3-3, 3-7	0962423	1-7	1001109652	2-92	1001113173	2-77
0801550	3-10	0962447	3-10	1001109677	2-67, 2-69	1001113961	4-17, 4-18, 7-11, 7-27
0811606	3-10	0962472	3-9	1001109759	2-92	1001114098	2-93
0811607	3-10	0962520	2-97	1001109838	2-92	1001114392	2-78
0811608	3-7, 3-10	1001091460	2-14	1001109891	2-92	1001114495	2-41
0811610	3-7	1001091461	2-14	1001109989	2-93, 2-94	1001114620	6-9, 6-14
0811614	3-7	1001092856	2-24, 2-31	1001110014	2-71	1001115168	2-78
0811616	3-7	1001093242	1-11	1001110027	2-93	1001115440	2-78
0860038	2-97	1001093243	1-9, 1-11	1001110108	1-22	1001116015	2-20
0860520	8-4	1001094375	2-100	1001110109	1-22	1001116025	8-3
0861538	2-97	1001094509	2-100	1001110110	1-22	1001116206	7-2, 7-10, 7-12, 7-26, 7-30
0861541	2-99	1001097619	3-7, 3-13	1001110111	1-22	1001116208	2-103
0861542	2-97, 2-99, 7-18	1001097643	3-7, 3-13	1001110112	1-22	1001116217	2-103
0861630	4-9, 4-11	1001097820	6-13	1001110113	1-22	1001116304	2-103
0861631	4-3, 4-9, 7-8	1001097956	2-87	1001110114	1-22	1001116369	2-71, 7-10, 7-26
0902206	2-76, 2-77	1001098026	6-13, 6-14	1001110115	1-22	1001116707	7-28
0902743	5-15	1001098243	6-13	1001110116	1-22	1001116710	7-34
0902746	2-87	1001098516	2-20	1001110166	2-93	1001116727	7-29
0902751	4-9	1001098517	2-20	1001110194	2-93	1001116792	2-38
0902755	2-3	1001098530	2-21	1001110257	2-93	1001116952	7-29
0902761	2-87	1001098531	2-21	1001110258	2-93	1001116967	7-28
0902762	2-87	1001098601	2-22, 2-24	1001110295	2-93	1001116983	7-34
0902763	2-87	1001099466	10-2	1001110296	2-93	1001117078	2-99, 7-18, 7-35, 9-2
0902790	2-65	1001099632	1-7	1001110425	2-38	1001117172	4-3
0902800	2-3	1001100027	7-2	1001110433	2-93	1001117174	4-3, 9-2
0902888	2-97	1001100352	2-103	1001110486	2-93	1001117294	10-2
0903154	2-86	1001100432	2-103	1001110513	1-22	1001117308	2-41
0903156	2-86	1001100443	2-103	1001110604	6-9	1001117320	4-3
0903161	2-87	1001100672	2-103	1001110740	2-3	1001117358	2-61
0903162	2-87	1001100876	2-103	1001110749	6-15	1001117359	2-3
0903530	3-27	1001101550	1-15	1001110872	2-98, 7-18	1001117371	2-20
0940070	2-22, 2-30, 2-39	1001102417	7-2	1001110873	2-98, 7-18, 7-35	1001118416	4-9, 4-17, 4-18, 9-1
0940088	2-86	1001103286	2-100	1001110877	1-22	1001118417	4-9, 4-13
0940133	4-21	1001103356	2-103	1001110936	7-2	1001118859	6-3, 6-5, 6-7, 6-
0961893	5-11	1001104315	1-9	1001110974	10-2		
0961896	5-3, 5-5, 5-7	1001104324	1-9	1001110974	10-2		
0961901	5-9	1001104325	1-9, 1-15	1001111132	2-21, 2-29		
0961903	5-15	1001104325	1-9, 1-15	1001111175	2-77		
0961948	3-9	1001104922	5-15	1001111176	2-77		
		1001104923	5-15	1001111176	2-77		
		1001106736	2-72, 7-10, 7-18, 7-26, 7-36	1001111193	2-77		
				1001111219	2-77		

SECTION 11 PART NUMBER INDEX

Part Number	Page	Part Number	Page	Part Number	Page	Part Number	Page
	9, 6-13, 6-14	1001126364	7-29	1001136834	2-41	1001141813	2-38
1001118869	6-9, 6-14	1001126365	7-29	1001136988	2-97	1001141815	2-37
1001118919	2-61	1001126384	7-28	1001137005	7-19, 7-36	1001142398	2-41
1001118932	6-9	1001126391	7-29	1001137276	2-41	1001142501	2-42
1001118933	6-10	1001128802	5-7	1001137590	2-97, 7-35	1001142637	2-42
1001118934	6-9	1001128803	5-11	1001137785	2-29, 2-31	1001142645	2-97
1001118935	6-10	1001128947	2-41, 2-42	1001137788	2-29	1001142914	2-97, 2-99, 7-35
1001118957	2-67	1001129555	4-9, 4-13, 4-14, 9-1	1001137791	2-28	1001142938	7-29
1001119053	2-20			1001137792	2-29	1001142940	7-29
1001119054	2-20	1001131269	8-3	1001137793	2-28	1001142941	7-29
1001119138	6-10	1001131460	2-93	1001137796	2-29	1001142966	10-2
1001119372	2-71, 7-10, 7-25	1001131461	2-93	1001137799	2-28	1001143087	2-69
1001119456	2-38, 2-72, 7-9, 7-25	1001131462	2-93	1001137800	2-29	1001143123	2-69
		1001131482	2-83	1001137801	2-28	1001143294	2-82
1001119468	6-10	1001131542	2-22, 2-38	1001138011	2-98	1001143298	2-83
1001119470	2-72, 7-9, 7-12, 7-25	1001131544	2-92	1001138110	7-29	1001143341	2-42
		1001131545	2-92	1001138111	7-29	1001143390	2-42
1001119817	6-10	1001131620	3-18	1001138113	7-29	1001143852	2-25, 2-42
1001119860	7-2	1001131728	3-19	1001138228	2-41	1001144089	2-42
1001119899	3-8	1001131733	3-18	1001138248	2-41	1001144348	2-72
1001119938	2-103	1001133329	3-23, 7-16, 7- 33, 9-2	1001138253	2-41	1001145089	2-38
1001119968	2-99, 7-18, 7-35			1001138346	2-41, 7-28	1001145154	2-42
1001120180	2-71, 7-11, 7-27	1001133633	2-41	1001138491	2-38, 7-34	1001145162	2-93
1001120337	2-72, 7-11, 7-27	1001133634	2-41	1001138524	2-41	1001145382	2-23, 2-31
1001120452	8-4	1001133651	2-41	1001138559	2-41	1001145708	10-1
1001120455	8-3	1001133714	7-29, 7-34	1001138717	2-42	1001145785	4-3
1001120456	8-4	1001133715	7-29, 7-34	1001138802	3-8	1001145842	2-38
1001120457	8-3	1001133956	7-28	1001138803	3-8	1001146036	2-92
1001120509	8-3	1001133957	7-28	1001138804	5-7	1001146132	2-93
1001120564	2-67	1001134098	2-11, 2-14	1001138805	5-11	1001146161	4-3, 4-9, 7-8, 7- 24
1001120865	2-71	1001134389	2-37	1001139099	10-1	1001146178	2-93
1001120866	2-71, 9-1	1001134390	2-39	1001139240	2-41	1001146183	2-93
1001120989	2-103	1001134392	2-39	1001139492	2-69	1001146219	2-40
1001120994	2-103	1001134485	2-41	1001139494	2-69	1001146244	2-93
1001121089	3-23	1001134488	2-42	1001139516	3-3	1001147264	7-29
1001121106	3-23	1001135090	2-41	1001139517	3-3, 3-7	1001147479	3-23, 7-16, 7-33
1001121340	2-99, 2-100	1001135124	2-69	1001139665	2-69	1001148841	7-34
1001121489	2-72	1001135138	2-41	1001139666	2-69	1001148842	7-34
1001121491	2-72	1001135560	2-41	1001139774	2-92	1001148843	2-42, 7-34
1001121492	2-71	1001135562	2-41	1001139778	2-93	1001148902	10-1
1001121615	7-9, 7-25	1001135650	7-29, 7-34	1001139805	2-93, 2-94	1001148903	10-1
1001121616	7-9, 7-25	1001135663	2-83	1001139930	2-42	1001148904	10-1
1001121826	2-72, 4-11	1001135679	2-41	1001139972	3-9	1001148905	10-1
1001121827	2-72, 4-11	1001135680	2-41	1001140222	2-38	1001148906	10-1
1001122369	8-3	1001135779	2-41, 7-34	1001140312	2-42	1001148971	10-2
1001122376	8-3	1001135901	2-41	1001140483	2-93	1001149730	10-2
1001122383	2-72	1001135903	2-41	1001140485	2-93	1001149818	7-18, 7-36
1001122384	4-11	1001135913	2-41	1001140564	2-41	1001149994	2-76
1001122528	2-99, 7-18, 7-35	1001135914	2-41	1001140604	2-38	1001150406	2-76
1001122611	4-11	1001135924	2-41	1001141225	2-38, 7-34	1001152762	7-28
1001125387	8-4	1001135926	2-41	1001141304	2-41, 7-34	1001152963	2-38, 2-46
1001125427	2-97, 7-17	1001135943	2-41	1001141717	2-41	1001152966	6-10
1001126351	7-28	1001135946	2-41	1001141718	2-38	1001152968	6-9, 6-14
1001126352	7-28	1001136079	2-40	1001141719	2-41	1001152971	6-3, 6-5, 6-7, 6- 9, 6-13, 6-14
1001126353	7-28	1001136172	2-40	1001141744	2-37	1001153024	2-41
1001126356	7-28	1001136292	2-41	1001141745	2-39	1001153387	2-42
1001126357	7-28	1001136377	2-41	1001141746	2-39	1001154157	2-42
1001126362	7-29	1001136626	2-41	1001141811	2-37		
1001126363	7-29	1001136665	2-41	1001141812	2-38		

SECTION 11 PART NUMBER INDEX

Part Number	Page	Part Number	Page	Part Number	Page	Part Number	Page
1001154214	2-69	1560011	7-15, 7-32, 7-33	1684314	1-7, 5-13	1706741	4-11
1001154405	2-37, 2-38, 2-42	1560012	7-15, 7-32, 7-33	1684315	5-13	1706751	8-3
1001155575	2-41	1580012	4-3	1684317	5-13	1706911	2-72
1001155823	2-42	1600244	7-17, 7-34	1700584	8-3	2060025	2-22, 2-30
1001161401	1-3	1600317	4-9, 4-13	1701499	8-3	2080040	4-4
1001161402	1-3	1600318	4-9, 4-17	1701501	8-3	2080051	2-86, 2-92
1001161403	1-3	1600331	1-21	1701505	8-3	2110404	1-12, 1-16, 3-28, 6-9, 6-13
1001165035	2-37, 2-42	1600332	2-3	1701509	8-3	2110406	1-25, 2-8, 6-5
1001165101	2-38	1600343	4-9, 9-2	1702565	4-9	2110408	2-8
101142685	2-42	1600443	2-25, 9-1	1702566	4-9	2110604	6-5
1060343	2-99, 7-18, 7-35	1660302	2-65, 7-16, 7-33	1702773	4-7, 8-4	2110606	1-22, 2-7, 3-28, 6-5
1060494	2-99, 7-18, 7-35	1670829	2-71	1702774	8-4	2110608	2-8, 6-9
1060633	7-17, 7-34	1670964	3-19	1702788	10-1	2110610	6-9
1060637	2-22, 2-30	1670996	1-21	1702868	8-3, 10-1	2110612	6-13
1060708	2-99, 7-18	1671023	2-22, 2-30	1702938	4-11	2110808	1-12, 1-16, 2-8, 6-3, 6-13
1060896	7-9, 7-25	1671031	3-23	1702942	2-20, 2-29	2110810	1-25, 2-8, 6-9
1060903	4-21	1671032	3-8	1702962	10-1	2110812	1-12, 1-16, 6-3, 6-9, 6-10
1060904	2-23, 2-31	1671033	3-8	1703162	2-22, 2-30, 2-42	2111010	2-8, 6-9, 6-13
1060918	4-3, 4-9, 7-8, 7-24	1671038	2-86, 2-92	1703797	8-3	2111012	1-25, 6-9
1100131	3-8	1671039	3-23	1703804	8-3	2111016	6-10
1120094	5-13	1671040	1-7	1703805	8-3	2111212	6-9
1120487	2-62	1671043	3-19	1703811	8-3	2111216	2-7
1120549	1-7	1671044	3-23	1703814	8-3	2111616	6-9
1120550	1-7	1671045	1-21, 1-22	1703953	8-3	2112016	6-10
1180358	1-3	1671046	1-21, 1-22	1704260	4-9	2112020	6-10
1180362	3-19	1671047	1-21, 1-22	1704277	8-3	2113232	6-9
1180363	3-19	1671048	1-21, 1-22	1704412	8-3	2120217	3-27
1180364	3-18	1671049	1-21, 1-22	1704885	8-4	2130404	6-10
1180365	3-18	1671092	2-99, 7-18, 7-35	1704972	8-3	2130406	1-12, 1-16
1180366	3-19	1671121	2-21, 2-28, 2-37	1705014	4-7	2130606	2-7, 6-7, 6-9
1260017	2-11	1671176	4-9	1705096	8-4	2130612	6-13
1283409	2-25, 2-42, 8-3	1671192	2-86, 2-87	1705132	4-9	2130808	6-9
1283457	6-3, 6-5, 6-7, 6-9, 6-13, 6-14	1671193	2-87	1705167	8-3	2130810	1-22, 6-10
1320022	2-20, 2-22, 2-28, 2-30, 2-38, 2-41	1671194	2-86, 2-87	1705168	8-3	2130812	1-12, 1-16, 6-9
1320058	2-22, 2-30	1671314	4-9	1705170	4-11	2131010	6-9
1320060	2-23, 2-30	1683053	5-11	1705171	4-9	2131012	2-8
1320095	2-71	1683056	5-3	1705173	4-11	2131212	2-67, 2-69, 6-10
1320130	3-23	1683062	5-5, 5-7	1705174	2-72, 4-9	2131612	6-10
1320136	3-24	1683072	5-9	1705181	8-3	2150404	6-13
1320159	3-20	1684081	1-4, 5-5	1705307	3-10, 10-1, 10-2	2150808	6-9
1320162	2-67, 2-69	1684082	5-5	1705337	8-3	2151012	1-25
1320187	2-20, 2-28, 2-37	1684083	5-5	1705351	8-3	2170204	6-13
1320190	2-20, 2-28, 2-37	1684102	1-3, 5-3	1705365	8-4	2170308	6-10
1320223	2-22, 2-30	1684103	5-3	1705366	3-24	2170316	2-8
1320263	1-3, 3-19	1684105	5-3	1705367	3-24	2170504	6-3, 6-5
1320277	3-19	1684108	3-8, 5-15	1705374	2-99	2170506	6-5
1320294	3-19	1684109	5-15	1705375	2-99	2170704	6-3, 6-13
1320295	3-19	1684141	5-15	1705376	2-99	2170708	6-13
1320296	3-19	1684149	3-8, 5-7	1705387	2-99	2170712	2-67, 2-69
1320298	1-3	1684150	5-7	1705460	2-99	2170804	6-3
1320301	3-23	1684152	5-7	1705492	8-3	2170908	6-10
1320309	7-15, 7-32, 7-33	1684159	5-9	1705511	8-3	2171112	2-69
1321385	3-20	1684162	3-3, 5-9	1705511	8-3	2171208	6-13
1340065	2-22, 2-30	1684162	3-3, 5-9	1705744	4-9	2171210	6-13
1340067	10-1	1684173	3-8, 5-11	1705745	4-9	2180002	2-11
1380147	2-82	1684174	5-11	1705745	4-9	2180344	2-11
1380169	2-92	1684176	5-11	1705864	8-4		
		1684176	5-11	1705868	8-3		
		1684249	5-9	1705973	4-9		
		1684275	5-13	1705974	2-72, 4-11		
		1684306	5-7	1706385	4-7		

SECTION 11 PART NUMBER INDEX

Part Number	Page	Part Number	Page	Part Number	Page	Part Number	Page
2180348	2-21, 2-28	2753622	6-9	2753773	6-10	3020042	3-8
2180830	6-13	2753677	6-3	2753774	6-10	3160281	2-11, 2-14, 2-15
2180832	2-37	2753685	6-3	2753775	6-10	3160302	2-11, 2-14, 2-15
2200222	2-21, 2-28, 2-37	2753703	6-3	2753776	6-10	3160339	1-9, 1-19
2220063	2-11	2753708	6-9	2753778	2-67	3200362	2-22, 2-30
2220235	6-3	2753713	6-3	2753843	2-67	3200401	2-22, 2-30
2220238	6-3	2753714	6-3	2753999	2-67	3200433	3-23
2220313	2-20, 2-28, 2-37	2753715	6-3	2754288	6-13	3220126	2-22, 2-30
2220451	2-22, 2-30	2753716	6-3, 6-13	2760105	2-71	3220130	2-30
2220478	6-9	2753717	6-13	2780286	1-9	3251102	2-98
2220498	2-23, 2-30	2753718	6-9	2780290	1-9	3251243	8-3
2220737	6-9	2753719	6-5	2792565	6-15	3251813	8-3
2220883	1-25, 2-8, 5-3, 5-11	2753726	6-5	2792647	6-5, 6-14	3252347	8-3
2220884	5-15	2753727	6-5	2792715	6-9	3271805	4-7
2220885	5-5, 5-7, 5-11, 5-15	2753728	6-7	2792772	6-3, 6-14	3272001	2-40
2220886	2-8, 5-7	2753729	6-5	2792773	6-7, 6-14	3290601	2-87, 2-88, 2-94
2220888	2-8, 5-9	2753730	6-9	2820031	2-98	3290801	2-40
2220890	2-8	2753731	6-9	2820035	2-76, 7-17, 7-34	3300220	2-37
2221086	1-22, 1-25, 2-8, 3-28	2753732	6-7	2820118	7-9, 7-25	3300239	3-8
2221117	6-9	2753733	6-7	2820141	2-86	3300243	3-27
2221176	2-21, 2-28	2753734	6-7, 6-9	2820145	2-87	3300353	4-9
2300004	2-39	2753735	6-7	2820146	2-87	3300396	2-99
2300014	10-1	2753736	6-7	2820170	2-20, 2-28	3300408	2-71, 4-9
2300016	10-1	2753737	6-7	2840016	2-82	3300430	3-23
2300021	10-1	2753738	6-7	2860030	2-72, 9-1	3300454	1-22, 2-3, 2-22, 2-30
2300029	10-1	2753739	6-7	2900770	2-7, 2-15, 3-28, 5-5, 5-9, 5-11	3300458	3-8
2300039	10-1	2753740	6-13	2900792	5-3, 5-7, 5-9	3300460	3-8
2300040	10-1	2753741	6-9	2901443	7-16, 7-34, 10-2	3300461	3-8
2300041	2-39	2753742	6-7	2901773	5-3	3300464	1-7
2400060	7-11, 7-27	2753743	6-7	2901773	5-3	3300465	5-13
2400064	7-11, 7-27, 9-2	2753744	6-9	2902065	2-22, 2-30, 2-40	3300492	3-20
2400065	7-11, 7-27, 9-1	2753745	6-13	2902081	5-15	3310401	2-40
2400066	7-11, 7-17, 7-27, 7-35	2753746	6-9	2902082	5-9	3310601	2-82, 2-99, 2-100
2400070	7-17, 7-35	2753747	6-3	2902087	5-5, 5-7	3310805	1-3, 2-100
2410014	4-7	2753748	6-3	2902092	5-11	3311001	2-38, 2-71, 2-76, 4-11
2420165	2-100	2753749	6-3	2902099	2-20, 2-28, 7-17	3311005	4-9
2420172	2-71	2753750	6-3	2902257	5-13	3311401	2-71, 4-21
2420191	2-61	2753751	6-13	2902303	8-4	3311405	1-21, 1-22, 2-3, 2-22, 2-30, 2-37, 2-40, 2-93, 2-103, 3-23, 4-3, 8-4
2460048	2-97	2753752	6-3	2902357	8-3	3311501	2-87, 4-21
2560136	4-9	2753753	6-7	2902443	7-12, 7-29	3311505	1-7, 1-21, 2-20, 2-22, 2-28, 2-30, 2-67, 2-69, 2-76, 2-82, 2-93, 2-94
2560187	2-87, 2-94	2753754	6-7	2915024	1-21, 2-3, 4-9	3311508	2-98
2580062	2-24, 2-31	2753755	6-13	2915046	10-2	3311601	2-3, 2-61, 2-86, 3-20, 4-11
2600279	2-71	2753756	6-3	2915072	2-11	3311605	1-21, 2-23, 2-30, 2-37, 2-38, 2-40, 2-67, 2-77, 2-82, 2-86, 2-92, 3-8, 3-10, 3-23, 3-27, 4-3, 4-7
2600280	2-86, 2-92	2753757	6-3	2920028	4-11	3311608	3-10, 3-20
2680496	2-87	2753758	6-9	2920029	4-11	3311705	2-38, 2-40
2680498	2-87	2753759	6-3	2920110	2-76		
2717059	6-13	2753760	6-3	2920113	2-76		
2720015	2-41	2753761	6-3	2920129	7-12, 7-30		
2720058	2-22, 2-30	2753762	6-3	2920140	4-4		
2720500	2-22, 2-30	2753763	6-13	2920154	4-9		
2720501	2-23, 2-30	2753764	6-3	2920157	2-77		
2750528	2-11	2753765	6-10	2920161	2-76, 7-17, 7-35		
2750532	2-20, 2-22, 2-28, 2-30	2753766	6-9	2920215	2-76		
2753541	6-3	2753767	6-13	2940045	2-77		
2753545	6-3, 6-13	2753768	6-3	2940139	2-71		
2753552	6-3, 6-13	2753769	6-9	2940173	2-86, 2-92		
2753582	6-3	2753770	6-9	3020008	10-1		
		2753771	6-10	3020037	2-38, 2-39		
		2753772	6-10	3020039	3-8		

SECTION 11 PART NUMBER INDEX

Part Number	Page	Part Number	Page	Part Number	Page	Part Number	Page
3311801	2-98, 3-8	3423256	1-7	3580300	3-9		3-27
3311805	2-23, 2-30, 2-65, 2-82, 2-93, 3-8, 3-27	3430816	2-82	3580302	3-9	3900316	3-19
3312002	2-11	3441680	3-9	3580306	3-10	3900363	2-87, 2-88, 2-94
3312005	1-4	3450404	2-82	3580308	3-9	3910408	2-40
3312602	2-76	3451214	1-7	3580317	2-98	3910606	2-98
3321501	2-86	3470003	4-11	3580318	2-98	3910608	2-82, 2-83, 2-100
3322201	2-65	3480162	5-7	3580320	2-23, 2-30, 2-40	3910610	2-99
3340871	3-8	3480268	5-15	3580341	3-9	3910804	2-72
3340877	2-87, 2-94	3480269	5-5, 5-7	3580342	3-9	3911040	2-77
3340881	1-3, 3-8	3480270	5-9	3600339	2-23, 2-30, 2-46	3930606	3-23
3340907	1-3	3480271	5-11	3600424	2-3, 2-4	3930816	3-23
3340910	3-8	3480272	5-3	3620034	2-67	3930820	1-3
3340912	3-8	3480278	5-13	3620041	2-23, 2-31	3931008	2-65
3340916	3-8	3510868	4-7	3641533	2-100	3931020	1-7
3340917	3-8	3520026	4-9	3740049	2-71, 9-1	3931412	1-7, 2-103
3340918	3-8	3520027	4-9	3740067	2-3, 2-23, 2-31, 9-1	3931414	3-23
3340921	3-8	3520034	2-86, 2-93	3740080	2-24, 2-31, 2-77, 7-11, 7-26, 9-1	3931416	2-103
3340922	3-8	3520054	1-4, 2-23, 2-30, 4-10			3931432	2-40
3340925	3-19	3520072	4-7	3760133	3-10	3931448	5-15
3340926	3-8	3520186	2-86	3760170	2-11	3931508	2-42
3340927	3-3	3520192	2-98, 2-99	3760233	3-9	3931512	2-40, 2-65
3340932	1-3	3536089	4-4	3760308	2-93	3931516	5-11
3340934	3-19	3537416	2-23, 2-30	3760368	5-11	3931608	5-15
3340939	1-3	3537445	2-82	3760369	5-3	3931616	2-72
3340940	3-20	3539971	2-23, 2-30	3760371	5-5, 5-7	3931620	5-3
3340941	3-20, 3-24	3572950	3-9	3760375	5-9	3931628	2-40
3340942	3-20	3572951	3-9	3760383	1-7	3931824	5-5, 5-7
3340946	1-3	3573016	3-19	3790012	4-9	3931840	5-15
3340955	3-7	3573142	2-23, 2-30	3790112	5-15	3932024	1-7
3340963	5-15	3573179	3-19	3790152	2-23, 2-31, 2-39	3932244	5-9
3380434	4-3	3573181	3-19	3790155	2-24, 2-31, 2-39	3951620	3-19
3380465	2-71	3573194	3-19	3790158	1-11, 1-16	3952020	2-11
3380472	2-21	3573210	3-19	3820001	8-4	3960418	2-71
3380473	2-21, 2-28	3573231	2-86	3841143	2-20, 2-29, 2-37, 3-9	3960422	2-98, 7-17, 7-35
3380474	8-4	3573232	2-86	3841203	3-9	3960464	2-87
3380652	10-2	3573233	2-86	3841258	1-4, 1-7, 3-9	3960525	2-61
3421563	2-11	3573259	2-3	3841287	1-3, 3-3	3960543	2-23, 2-31, 2-40
3421565	2-11	3573294	1-3	3841340	1-21, 2-61	3960544	2-23, 2-31, 2-40
3422446	2-20, 2-28, 2-37	3573301	3-23	3841581	3-3	3960551	1-7
3422532	2-23, 2-30	3573335	1-3	3890029	3-9	3960552	1-7
3422833	1-4	3573336	2-77	3890030	3-9	3980006	2-3
3422915	1-4	3573355	2-77	3890031	3-9	3990001	7-11, 7-27, 9-1
3422917	1-7	3573411	2-23, 2-30	3890032	3-9	4031914	2-40
3422918	1-3	3573412	2-23, 2-30	3890033	3-9	4032014	2-40
3422926	3-8	3573437	3-10	3890040	4-7	4032022	2-23, 2-31
3422937	3-8	3573444	3-10	3900054	4-7	4060802	2-98
3422940	1-7	3573454	2-82	3900085	2-76	4060804	2-24, 2-31, 2-87, 3-20
3422941	1-7	3573529	2-23, 2-30	3900141	5-11	4060805	2-23, 2-31
3422953	3-8	3573644	2-21, 2-28	3900174	2-92	4060806	2-87
3422955	3-3	3573645	2-21	3900183	4-10	4060808	1-21
3422956	3-8	3573646	2-21	3900210	2-92, 2-94, 3-27	4060906	2-71, 2-72, 4-11
3422957	3-8	3573669	2-21, 2-28	3900223	2-11	4060907	2-76
3422958	3-9	3573727	2-21	3900232	2-86, 2-92, 3-18, 3-27	4070863	3-9
3422959	3-9	3573728	2-21, 2-28			4070864	3-9
3422960	1-3	3574091	4-21	3900260	3-19	4070895	3-9
3422988	3-3	3574431	3-23	3900270	1-3	4070897	3-9
3423208	3-3	3574616	3-24	3900272	2-21, 2-29	4070898	3-9
		3575782	2-87	3900283	1-21, 2-3, 2-61, 2-86, 2-92, 3-19,	4070987	2-72
		3580298	3-9				

SECTION 11 PART NUMBER INDEX

Part Number	Page	Part Number	Page	Part Number	Page	Part Number	Page
4071012	3-9	4360232	4-11, 9-2	4460412	2-100		7-27, 7-30, 7-31, 7-36
4071013	3-9	4360274	2-71, 9-1	4460413	2-100		
4071015	3-9	4360328	2-71, 2-72, 4-10, 9-1	4460414	2-100	4460607	2-100
4071016	3-9	4360330	4-10, 9-1	4460415	2-100	4460634	7-11, 7-27
4071017	3-9	4360331	4-10, 9-1	4460418	7-8, 7-11, 7-24, 7-27	4460635	7-11, 7-27
4071018	3-9	4360336	2-98, 4-10, 4-11, 9-1, 9-2	4460419	7-8, 7-11, 7-24, 7-27	4460708	4-10, 7-8, 7-24
4071019	3-9			4460424	2-76, 7-10, 7-17, 7-26, 7-34	4460761	7-8, 7-11, 7-13, 7-15, 7-24, 7-27, 7-30, 7-32
4071021	3-19	4360387	4-10, 4-11, 9-1	4460425	2-99, 7-18, 7-35	4460807	2-98
4071022	3-19	4360407	4-10, 9-1	4460426	2-71, 2-99, 4-11, 7-9, 7-17, 7-18, 7-25, 7-35	4460808	2-98
4071023	3-19	4360469	2-72, 9-2			4460836	7-10, 7-13, 7-14, 7-16, 7-26, 7-29, 7-30, 7-32, 7-33
4071024	3-9	4360475	2-71, 4-10, 9-1	4460428	3-23, 4-10, 7-8, 7-24		
4071025	3-9	4360476	2-71, 4-10, 9-1	4460434	7-9, 7-25	4460837	7-14, 7-16, 7-32, 7-33
4071026	3-9	4360505	1-7, 7-15, 7-33, 9-1	4460449	7-14, 7-31		
4071027	3-9	4360522	4-11, 9-2	4460458	7-29	4460842	7-10, 7-26
4071028	3-9	4360527	3-23, 7-16, 7-33, 9-2	4460464	4-10, 7-8, 7-9, 7-10, 7-11, 7-13, 7-14, 7-15, 7-16, 7-18, 7-19, 7-24, 7-25, 7-26, 7-27, 7-28, 7-29, 7-30, 7-31, 7-32, 7-33, 7-34, 7-36	4460843	7-10, 7-26
4071029	3-9	4360534	3-23, 7-16, 7-33			4460865	7-9, 7-25
4071031	3-10	4360543	3-23, 9-2	4460465	2-99, 7-9, 7-10, 7-11, 7-12, 7-13, 7-14, 7-15, 7-16, 7-18, 7-19, 7-24, 7-25, 7-26, 7-27, 7-28, 7-29, 7-30, 7-31, 7-32, 7-33, 7-35	4460866	7-8, 7-11, 7-24, 7-27
4071035	1-3	4360545	3-23, 7-16, 7-33			4460871	4-13, 4-14, 4-17, 4-18, 7-8, 7-10, 7-11, 7-12, 7-16, 7-18, 7-24, 7-26, 7-27, 7-30, 7-34, 7-36
4071036	1-3	4360548	3-23, 9-2				
4071039	1-3	4360578	1-4, 3-23, 9-1			4460872	7-12, 7-30
4071040	1-3	4400439	2-61			4460873	7-8, 7-11, 7-24, 7-27
4071041	2-11	4400457	2-61			4460874	2-71, 7-8, 7-9, 7-24, 7-25
4071042	1-4	4420037	2-4			4460875	2-71, 7-9, 7-25
4071044	3-10	4420038	2-61			4460876	7-8, 7-11, 7-24, 7-27
4071045	3-10	4420060	2-100			4460878	7-11, 7-27
4071046	3-10	4420068	4-21			4460879	7-8, 7-24
4071048	2-86	4460007	4-10			4460880	7-9, 7-10, 7-13, 7-14, 7-25, 7-26, 7-30, 7-31
4071054	1-3	4460018	2-100			4460884	7-13, 7-14, 7-29, 7-31, 7-32
4071055	1-3	4460049	4-21			4460887	7-8, 7-11, 7-24, 7-27
4071074	4-10	4460051	2-98, 7-18			4460891	7-10, 7-13, 7-14, 7-17, 7-26, 7-30, 7-31, 7-34, 7-35
4100100	5-11	4460071	2-98, 4-3, 4-10, 7-8, 7-18, 7-24, 7-35			4460892	2-71, 7-9, 7-13, 7-25, 7-30
4120035	7-11, 7-27			4460466	7-9, 7-10, 7-11, 7-12, 7-13, 7-14, 7-15, 7-16, 7-18, 7-25, 7-26, 7-27, 7-28, 7-29, 7-30, 7-31, 7-32, 7-33, 7-36	4460894	7-10, 7-11, 7-12, 7-13, 7-14, 7-15, 7-26, 7-27, 7-29, 7-30, 7-31, 7-32
4120040	3-10, 10-2	4460224	7-12, 7-16, 7-30, 7-34			4460897	7-9, 7-14, 7-19, 7-25, 7-31, 7-34, 7-36
4120043	3-10, 10-2					4460898	7-12, 7-28
4160193	3-10	4460225	2-98, 7-8, 7-9, 7-11, 7-18, 7-24, 7-27, 7-35			4460899	7-10, 7-15, 7-26, 7-32
4160194	2-86, 2-92					4460905	2-71, 4-10, 7-8, 7-9, 7-11, 7-12, 7-18, 7-24, 7-25, 7-27, 7-30, 7-36
4220162	2-77	4460226	2-98, 4-10, 7-8, 7-12, 7-16, 7-17, 7-18, 7-24, 7-30, 7-34, 7-35, 7-36				
4240018	2-21, 2-29, 2-37, 2-98, 3-20			4460467	7-19, 7-36, 10-2		
4240032	2-100			4460470	2-71, 4-10, 7-8, 7-9, 7-24, 7-25		
4240033	2-103			4460471	2-71, 4-10, 7-8, 7-9, 7-24, 7-25		
4240099	2-20, 2-23, 2-29, 2-31, 2-42, 4-21	4460227	7-8, 7-9, 7-11, 7-13, 7-15, 7-24, 7-25, 7-27, 7-30, 7-32				
4240139	2-61			4460473	7-9, 7-25		
4240150	2-87	4460234	2-24, 2-31, 2-42, 2-100, 4-10, 4-21	4460488	2-103, 4-10		
4240153	3-20			4460496	2-72, 2-103, 4-10, 7-8, 7-10, 7-24, 7-26		
4240155	3-20	4460267	7-10, 7-17, 7-18, 7-26, 7-35, 7-36	4460497	2-72, 2-103, 4-10, 7-8, 7-10, 7-24, 7-26		
4240156	3-20						
4340923	2-86	4460268	2-76, 7-10, 7-17, 7-26, 7-34				
4340924	2-86						
4340995	2-86	4460315	2-98				
4340996	2-86	4460320	7-10, 7-17, 7-18, 7-26, 7-35, 7-36	4460508	7-8, 7-11, 7-24, 7-27		
4340999	2-86, 2-92			4460509	7-9, 7-25		
4341001	2-86	4460321	7-17, 7-34	4460510	7-19, 7-36, 10-2		
4341158	3-24	4460346	2-98, 7-18, 7-35	4460526	2-71, 7-9, 7-25		
4341264	3-27	4460374	7-11, 7-17, 7-26, 7-35	4460536	7-10, 7-15, 7-16, 7-26, 7-33		
4360031	4-3			4460539	7-10, 7-11, 7-13, 7-14, 7-18, 7-26,		
4360057	4-21, 9-2	4460375	7-11, 7-26				
4360070	2-99, 9-2	4460411	2-100				

SECTION 11 PART NUMBER INDEX

Part Number	Page	Part Number	Page	Part Number	Page	Part Number	Page
4460910	7-16, 7-33	4460982	7-28	4711600	1-4, 1-21, 2-3, 2-21, 2-23, 2-29, 2-31, 2-37, 2-38, 2-40, 2-82, 2-83, 2-86, 2-92, 2-98, 3-10, 3-19, 3-23, 3-27, 5-15	4846383	1-4
4460911	7-13, 7-15, 7-31, 7-32, 7-33	4461001	2-100			4846423	3-20
4460912	7-13, 7-15, 7-31, 7-32, 7-33	4461005	7-12			4846429	3-20
4460913	7-16, 7-33	4461006	7-12			4846431	3-19
4460914	1-7, 2-71, 3-23, 7-9, 7-25	4461008	7-12, 7-29			4846453	3-10
4460917	7-16, 7-33	4461013	7-15, 7-32, 7-33			4846462	3-10
4460918	7-13, 7-15, 7-31, 7-32, 7-33	4461052	7-12			4846476	2-61
4460925	7-9, 7-25	4461053	7-12	4711700	2-38, 2-40	4846482	3-10
4460926	7-14, 7-31	4461054	7-12, 7-29, 7-34	4711800	1-4, 1-7, 1-21, 2-23, 2-31, 2-82, 2-83, 4-7	4846484	3-24
4460928	7-14, 7-31	4461060	7-12			4846485	3-19
4460929	7-9, 7-25	4461070	7-12, 7-28			4846503	2-86
4460930	7-12, 7-13, 7-15, 7-28, 7-29, 7-30, 7-32	4461071	7-12, 7-29	4712000	1-4	4846552	2-23, 2-31
4460931	7-10, 7-26, 7-28	4461072	7-12, 7-29	4712600	2-103	4846573	3-27
4460932	7-13, 7-15, 7-30, 7-31, 7-32, 7-34	4461073	7-12, 7-29	4740171	2-38	4846637	1-4
4460933	7-12, 7-13, 7-14, 7-28, 7-30, 7-31	4461074	7-12, 7-29	4740181	1-7	4846673	4-21
4460934	7-13, 7-14, 7-28, 7-30, 7-31	4461095	7-12, 7-28	4740229	1-7	4846753	3-19
4460935	7-13, 7-14, 7-28, 7-30, 7-32	4520261	1-9	4740274	2-23, 2-31	4846945	2-23, 2-31
4460941	7-13, 7-15, 7-16, 7-28, 7-30, 7-32, 7-33, 7-34	4562516	3-20	4740362	4-3	4846946	2-23, 2-31
4460942	7-10, 7-11, 7-14, 7-16, 7-26, 7-27, 7-28, 7-29, 7-31, 7-33, 7-34	4566471	5-11	4740444	2-71	4860236	1-9
4460943	7-8, 7-10, 7-13, 7-15, 7-16, 7-18, 7-24, 7-26, 7-28, 7-30, 7-31, 7-32, 7-33, 7-36	4568293	2-23, 2-31	47404446	2-72	4891400	3-23
4460944	7-10, 7-11, 7-12, 7-13, 7-14, 7-15, 7-16, 7-18, 7-26, 7-27, 7-28, 7-29, 7-30, 7-31, 7-32, 7-33, 7-36	4568319	5-9	4740461	1-4	4891600	2-23, 2-31, 2-39, 3-10, 3-20, 3-27
4460945	7-12, 7-14, 7-18, 7-30, 7-31, 7-36	4568345	5-7	4740500	2-86	4891800	2-23, 2-31, 2-39, 2-82, 2-83, 2-98, 3-20, 3-27, 5-15
4460950	7-13, 7-29, 7-30	4568423	3-10	4740505	1-7	4892000	1-9, 2-11, 2-40, 3-10
4460956	2-100	4568426	2-67	4740509	3-10	4892400	2-11
4460957	2-100	4568427	2-67	4740518	2-23, 2-31	4892600	3-27
4460958	2-98, 7-17	4620149	2-11	4750600	2-82, 2-83, 2-99	4921757	7-17, 7-35
4460963	2-99, 7-18, 7-35	4640438	5-9	4750800	1-4, 1-7, 2-100, 4-10	4921850	10-2
4460965	7-10, 7-11, 7-26, 7-27	4640452	5-11	4751000	2-61, 2-71, 2-76, 2-77, 4-10	4922099	7-11, 7-27
4460966	7-11, 7-15, 7-27, 7-32	4640509	5-3, 5-7, 5-9	4751400	2-23, 2-31, 2-40, 2-71, 2-78, 2-92, 4-3, 4-10, 4-21, 8-4	4922641	2-99, 7-18, 7-36
4460967	2-99, 7-18, 7-35	4640741	2-15			4922666	4-10, 7-8, 7-24
4460968	1-4, 3-24	4640751	2-23, 2-31, 2-42			4922673	7-9, 7-25
4460970	7-28	4640858	5-5			4922696	7-13, 7-30
		4641114	5-11			4922705	7-13, 7-15, 7-30, 7-32
		4641155	1-21			4922716	7-14, 7-31
		4641210	5-9			4922718	7-12, 7-30
		4641247	2-67, 2-69			4922738	7-17, 7-35
		4641248	5-7			4922762	7-9, 7-25
		4641255	3-28			4922767	7-14, 7-31
		4641256	5-15			4922777	7-14, 7-31
		4641260	5-11			4922780	7-13, 7-31
		4641267	2-3, 2-7			4922781	7-13, 7-31
		4641268	1-21, 1-22			4922785	7-14, 7-31
		4641276	5-5			4922786	7-14, 7-31
		4641454	1-21, 1-25			4922795	7-9, 7-25
		4641460	3-27			4922834	7-17, 7-35
		4700038	3-8			4922947	4-10, 7-15, 7-32
		4700039	3-8			4922948	4-10, 7-15, 7-33
		4710400	2-40			4922972	2-98, 7-18, 7-35
		4711000	2-38			4923256	7-15, 7-32
		4711400	1-21, 1-22, 2-3, 2-20, 2-21, 2-29, 2-37, 2-40, 2-86, 2-92, 2-98, 2-103, 3-19, 3-23			4923448	4-10, 7-8, 7-24
		4711500	1-7, 1-21, 2-3, 2-21, 2-23, 2-29, 2-31, 2-40, 2-67, 2-69, 2-77, 2-83, 2-94, 3-19, 3-27, 4-11			4923468	2-23, 2-31, 7-17
						4923592	2-23, 2-31
						4933249	7-2
						4933253	7-2
						4933262	7-2

SECTION 11 PART NUMBER INDEX

Part Number	Page	Part Number	Page	Part Number	Page	Part Number	Page
4933264	7-2	70000916	2-24, 2-32	70002032	1-15	7000224	1
4933300	7-2	70000917	2-24, 2-32	70002033	1-15	70002247	2-14
5241200	1-12, 1-16	70000918	2-32	70002034	1-15	70002248	1-15, 1-16
70000044	2-31	70000919	2-32	70002035	1-15	70002248	1-15, 1-16
70000068	2-33	70001017	2-30	70002036	1-15	70002249	1-15, 1-16
70000342	3-13	70001056	2-4	70002037	1-15	70002255	2-97
70000345	2-33	70001100	2-97	70002039	1-15	70002290	2-98
70000619	2-97	70001101	2-65	70002040	1-15	70002293	2-103
70000780	2-65	70001102	2-65	70002041	1-15	70002296	7-18, 7-36
70000793	2-22, 2-30, 2-40	70001124	2-33	70002042	1-15	70002297	2-97
70000796	3-13	70001125	2-33	70002043	1-15	7000236	2-14
70000801	1-25	70001126	2-33	70002044	1-15	7000239	2-14
70000802	1-25	70001128	2-24, 2-32	70002045	1-15	70002393	1-11
70000803	1-25	70001129	2-24, 2-32	70002046	1-15	70002394	1-11
70000804	1-25	70001130	2-24, 2-32	70002047	1-15	70002395	1-11
70000805	1-25	70001131	2-24, 2-32	70002048	1-15	70002396	1-11
70000806	1-25	70001135	2-32	70002049	1-15	70002397	1-12
70000810	1-11	70001384	2-97	70002050	1-15	70002398	1-11
70000811	1-11	70001385	2-98	70002052	1-15	70002399	1-11
70000812	1-11	70001423	2-32	70002057	1-16	7000240	2-14
70000813	1-11	70001435	2-24, 2-32	70002088	2-97	70002415	2-33
70000816	1-11	70001498	2-32	70002097	3-27, 9-1	70002416	2-33
70000817	1-11	70001639	3-13	70002132	2-52	70002417	2-33
70000818	1-11	70001641	3-13	70002133	2-52, 2-55	70002460	2-97
70000819	1-11, 1-12	70001696	2-97	70002134	2-52	700025082	2-32
70000820	1-11	70001697	3-14	70002135	2-52	70002569	2-49
70000821	1-11	70001850	2-24, 2-32	70002136	2-52	70002576	2-59
70000822	1-11	70001857	2-32	70002137	2-52	70002577	2-59
70000823	1-11	70001866	2-32	70002138	2-52	70002578	2-55
70000824	1-11	70001867	2-24	70002139	2-52	70002579	2-55
70000825	1-11	70001868	2-24, 2-32	70002140	2-52	70002580	2-55
70000826	1-11	70001869	7-16	70002141	2-52	70002581	2-55
70000834	1-11	70001870	2-32	70002142	2-52	70002582	2-55
70000835	1-11	70001871	2-33	70002143	2-52	70002583	2-55
70000836	1-11	70001872	7-16	70002145	2-52	70002584	2-55
70000838	1-11	70001930	2-7	70002148	2-52	70002585	2-55
70000839	1-11	70001939	1-22	70002150	2-52	70002586	2-55
70000840	1-11	70001941	2-76	70002151	2-52	70002587	2-55
70000841	1-11	70001952	2-46	70002152	2-52	70002588	2-55
70000842	1-11	70001953	2-98	70002153	2-52	70002589	2-55
70000843	1-11	70001955	2-55	70002154	2-52	70002590	2-55
70000844	1-11	70001956	2-55	70002155	2-52	70002591	2-56
70000845	1-11	70001958	2-53	70002156	2-52	70002592	2-56
70000846	1-11	70001966	2-97	70002157	2-52	70002593	2-56
70000847	1-11	70001968	2-47	70002158	2-52	70002594	2-56
70000848	1-11	70001973	2-98	70002159	2-52	70002595	2-56
70000849	1-11	70001974	2-98	70002160	2-52	70002596	2-56
70000852	1-19	70001976	1-22, 2-7	70002161	2-52	70002597	2-56
70000853	1-19	70002015	1-15	70002162	2-52	70002598	2-56
70000854	1-19	70002016	1-15	70002163	2-52	70002599	2-56
70000855	1-19	70002018	1-15	70002164	2-53	70002600	2-52
70000856	1-19	70002019	1-15	70002165	2-53	70002601	2-52
70000857	1-19	70002020	1-15	70002168	2-53	70002602	2-52
70000858	1-19	70002021	1-15	70002174	2-53	70002604	2-53
70000859	1-19	70002026	1-15	70002175	2-53	70002605	2-53
70000860	1-19	70002027	1-15	70002177	2-53	70002606	2-53
70000861	1-19	70002029	1-15	70002178	2-53	70002607	2-53
70000862	1-19	70002030	1-15	70002179	2-53	70002609	2-53
70000863	2-98	70002031	1-15	70002231	2-20, 2-28, 2-37, 9-	70002610	2-53

SECTION 11 PART NUMBER INDEX

Part Number	Page	Part Number	Page	Part Number	Page	Part Number	Page
70002612	2-53	70003628	1-19	7003982	4-18	7016331	2-24, 2-32, 9-1
70002616	2-53	70003629	2-15	7003983	4-18	7016372	2-76
70002617	2-53	70003631	2-97	7003986	4-17	7016374	2-82
70002618	2-52	70003784	4-10	7003989	4-18	7016380	2-76
70002619	2-52	70003913	3-18, 3-19, 9-1	7003992	4-13, 4-17	7016399	4-4
70002620	2-52	70003914	3-18, 3-19	7003993	4-13, 4-17	7016628	2-76
70002621	2-53	70003915	3-18, 3-19	7003994	4-17	7016654	10-2
70002622	2-53	70003917	3-18, 9-1	7004035	2-15	7016655	10-2
70002623	2-53	70003918	3-18	7004037	2-15	7017072	2-14
70002674	1-15	70004058	2-32	7004043	2-15	7017082	2-14
70002675	2-32	70004061	7-16	7004044	2-15	7017085	2-15
70002676	2-32	70004169	2-97, 2-98	7004275	10-2	7017142	3-14
70002677	2-33	70004185	10-2	7004276	10-2	7017158	3-13
70002718	2-25, 2-33	70004268	2-33	7007207	2-52, 2-55	7017159	3-13
7000272	2-14	70004269	2-33	7007415	2-53, 2-55, 2-56	7017162	3-13
70002724	4-17	70004271	7-16	7007418	2-52	7017163	3-13
70002725	4-17	70004292	2-32	7007419	2-52	7017164	3-13
70002726	4-17	70004313	2-31	7007420	1-19	7017184	3-13
70002727	4-17, 4-18	70004328	3-27	7007426	2-56	7017185	3-13
70002728	4-18	7000625	4-3	7007427	2-56	7017187	3-13
70002729	4-18	7000731	2-15, 2-16	7007429	2-56	7017188	3-13
7000273	2-14	70007439	2-53	7007437	1-19	7017191	3-13
70002730	4-13	7001900	2-14	7007438	1-19	7017402	3-28
70002731	4-13	7001902	2-14	7007439	1-19	7017405	1-25
70002732	4-14	7001904	2-14	7007446	1-19, 2-52, 2-55	7017451	2-7, 9-1
70002733	4-14	7001906	2-14	7007489	2-59	7017495	2-7
70002734	4-14	7001917	2-14	7007645	2-14	7018936	2-49
70002735	4-14	7001918	2-14	7007646	2-14	7018942	2-7
7000274	2-14	7001920	2-14	7007648	2-14	7018991	1-22, 2-7, 9-1
7000275	2-14	7001921	2-14	7010467	2-14	7019103	4-17
70002758	2-8	7001922	2-14	7010543	1-25	7019110	4-17
70002759	2-8	7001923	2-14	7010545	5-9	7019111	4-13, 4-17
70002760	2-8	7001924	2-14	7010795	2-15	7019112	4-17
7000281	2-14	7001926	2-14	7011016	2-4	7019114	4-17
70002818	2-100	7001927	2-14	7011043	2-4	7019115	4-17
70002819	2-100	7001928	2-14	7011044	2-4	7019122	4-13
70002820	2-100	7001929	2-14	7011048	2-4	7019123	4-13
70002821	2-100	70020808	7-18, 7-36	7011062	2-4	7019141	4-13
70002822	2-100	70021867	2-47	7011112	5-7	7019142	4-13
70002823	2-100	70022286	2-55	7011311	2-7	7019143	4-13
70002824	2-100	70022287	2-55	7011320	2-15	7019144	4-13
70002825	2-100	70024190	2-41, 9-1	7011346	1-22, 2-7, 3-27, 3-28	7019145	4-13
70002826	2-100	7002821	7-19, 7-36, 10-2	7011354	2-7, 9-1	7019147	4-13
70002859	3-13	7002822	10-2	7011355	3-28	7019149	4-13
7000287	2-14	7002823	7-19, 7-36, 10-2	7012706	2-46	7019150	4-13
7000288	2-14	7002828	7-19, 7-36, 10-2	7012709	2-46	7019151	4-17
70002902	4-3	7003655	2-22, 2-30, 9-1	7012715	2-47	7019154	4-17
70002903	4-3	7003928	4-13	7012770	1-22, 2-7	7019155	4-17
70002904	4-3	7003933	4-17	7012773	1-22, 2-7	7019160	4-17
70002905	4-3	7003935	4-17	7012941	1-25	7019161	4-17
70002906	4-14	7003941	4-17	7012942	1-25	7019162	4-17
70003407	7-17, 7-34	7003946	4-17	7012944	1-25, 3-28, 9-1	7019164	4-18
70003472	2-32	7003953	4-13	7012955	1-25	7019165	4-18
70003473	2-32	7003969	4-17	7012967	1-25, 5-11	7019166	4-18
70003475	2-32	7003972	4-18	7012998	1-25	7019167	4-18
70003483	4-3	7003973	4-18	7016314	2-62	7019168	4-17
70003523	2-15	7003976	4-13	7016319	2-76	7019171	4-13
70003524	2-15, 2-16	7003977	4-13	7016322	2-82	7019174	4-13
70003555	2-22	7003980	4-18	7016328	2-24, 2-32, 9-1	7019177	4-13

SECTION 11 PART NUMBER INDEX

Part Number	Page	Part Number	Page	Part Number	Page	Part Number	Page
7019194	4-18	7024071	2-47	7024445	2-61	7026023	3-28
7019196	4-18	7024072	2-47	7024446	2-61	7026028	1-22
7019197	4-13	7024073	2-47	7024452	2-77	7026029	2-65
7020175	2-71, 4-10	7024075	2-47, 2-48	7024453	2-15	7026030	2-65
7020176	2-71, 4-10	7024076	2-47	7024484	2-97	7026031	2-65, 9-1
7020414	2-24, 2-32	7024077	2-48	7024485	2-97	7026032	2-65
7020459	2-24	7024080	2-48	7024486	2-97	7026188	2-97
7020465	2-24, 2-32	7024081	2-48	7024488	2-97	7026571	2-61
7020468	2-24, 2-32	7024083	2-48	7024489	2-97	7026597	2-97
7020471	2-24, 2-32	7024084	2-48	7024565	2-24	7026608	2-24
7020479	2-24, 2-32	7024085	2-48	7024570	2-7	7026626	2-97
7020486	2-24, 2-32	7024086	2-48	7024571	2-7, 3-28, 9-1	7027042	2-38, 7-34
7021249	1-19	7024087	2-48	7024572	3-28	7027043	2-38, 7-34
7021256	2-53	7024088	2-48	7024573	2-7	7027044	2-38, 7-34
7021265	2-53	7024089	2-49	7024574	2-7	7027045	2-38, 7-34
7021275	1-19, 2-52, 2-56	7024097	2-48	7024579	2-24, 2-32	7027235	2-24
7021293	2-53	7024135	2-15	7024580	2-20, 2-28, 7-17	7027236	2-25, 2-32
7021375	2-7	7024182	2-15, 2-16	7024581	2-20, 2-28, 7-17	7027239	2-25
7021636	2-7	7024183	2-14	7024582	2-20, 2-28, 7-17	7027240	2-25, 2-32
7022300	2-53	7024184	2-14	7024583	2-20, 2-28, 7-17	7027276	2-24, 2-32
7022301	2-52	7024185	2-15	7024584	2-20, 2-28, 7-17	7027740	1-19
7022311	1-19	7024186	2-15	7024598	2-82	7027790	2-24, 2-32
7022313	1-19	7024187	2-15	7024763	2-15	7027791	2-24, 2-32
7022314	1-19	7024188	2-14, 2-15	7024800	2-53	7027792	2-24, 2-32
7022321	1-19	7024189	2-16	7024865	1-19	7027795	2-33
7022340	2-55	7024190	2-16	7024867	1-19	7027796	2-25, 2-33, 7-16
7022368	1-19	7024191	2-16	7024868	1-19	7027799	2-97
7022371	1-19	7024192	2-16	7024906	2-48	7029593	2-4
7022608	2-53	7024193	2-16	7024908	2-48	77363233	7-35
7022808	4-13	7024194	2-16	7024910	2-48	80334251	2-65
7022812	4-17, 4-18	7024195	2-16	7024911	2-47, 2-48	80484084	7-29
7022814	4-13	7024196	2-16	7024913	2-47	80983191	7-29
7022815	4-13, 4-14	7024197	2-16	7024914	2-46	8229242	7-29
7022816	4-13	7024362	3-18, 3-19	7024915	2-46	8310070	3-24
7022817	4-13	7024363	3-18, 3-19	7024916	2-46	8310658	2-93
7022818	4-13	7024364	3-18, 3-19	7024917	2-46	8405006	2-37, 2-38, 2-42
7022819	4-13, 4-14, 7-16, 7-34	7024365	1-3, 9-1	7024918	2-46	8405201	2-40
		7024366	1-3	7024919	2-46	8405204	2-40
7022822	4-17	7024367	3-18	7024920	2-46	8406102	2-42
7022823	4-17	7024368	3-18	7024921	2-47	8406112	2-42
7022824	4-17, 7-16, 7-34	7024374	2-61	7024922	2-47	8406302	2-40
7022825	4-17, 4-18, 7-16, 7-34	7024375	2-61, 9-1	7024924	2-7	8410013	2-24, 2-31, 2-40
		7024379	2-15	7024925	2-7	88662193	2-8
7023306	2-61	7024380	2-15	7024927	1-22	90202500	2-14
7023347	2-61	7024381	2-15	7026000	2-7	90202501	2-14
7023881	2-48	7024389	2-15	7026001	2-7	90202503	2-14
7023922	3-28	7024390	2-15	7026002	2-7	91143339	7-28
7023962	2-55	7024391	2-15	7026003	2-7	91143340	7-28
7023964	2-55, 2-56	7024392	2-15	7026004	2-7	91403230	8-4
7024005	2-48	7024393	2-15	7026005	2-7	91563070	2-40
7024038	2-46	7024394	2-15	7026006	2-7	9984273	4-11
7024042	2-46, 2-47	7024395	2-15	7026007	2-7		
7024043	2-46, 2-47	7024396	2-15	7026008	2-7		
7024044	2-46	7024439	2-61	7026016	2-7		
7024064	2-47	7024440	2-61	7026018	3-27		
7024065	2-47	7024441	2-61	7026019	3-27, 3-28		
7024068	2-48, 2-49	7024442	2-61	7026020	3-27		
7024069	2-49	7024443	2-61	7026021	3-27		
7024070	2-47	7024444	2-61, 9-1	7026022	3-28		

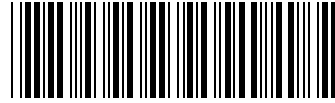
SECTION 11 PART NUMBER INDEX

Part Number	Page	Part Number	Page	Part Number	Page	Part Number	Page
-------------	------	-------------	------	-------------	------	-------------	------

11-12

1100SB

3121266



3121266



An Oshkosh Corporation Company

Corporate Office
JLG Industries, Inc.
1 JLG Drive
McConnellsburg PA. 17233-9533
USA

☎ (717) 485-5161

📠 (717) 485-6417

JLG Worldwide Locations

JLG Industries (Australia)
P.O. Box 5119
11 Bolwarra Road
Port Macquarie
N.S.W. 2444
Australia

☎ +61 2 65 811111

📠 +61 2 65 810122

JLG Latino Americana Ltda.
Rua Eng. Carlos Stevenson,
80-Suite 71
13092-310 Campinas-SP
Brazil

☎ +55 19 3295 0407

📠 +55 19 3295 1025

JLG Industries (UK) Ltd
Bentley House
Bentley Avenue
Middleton
Greater Manchester
M24 2GP - England

☎ +44 (0)161 654 1000

📠 +44 (0)161 654 1001

JLG France SAS
Z.I. de Baulieu
47400 Fauillet
France

☎ +33 (0)5 53 88 31 70

📠 +33 (0)5 53 88 31 79

JLG Deutschland GmbH
Max-Planck-Str. 21
D - 27721 Ritterhude - Ihlpohl
Germany

☎ +49 (0)421 69 350 20

📠 +49 (0)421 69 350 45

JLG Equipment Services Ltd.
Rm 1107 Landmark North
39 Lung Sum Avenue
Sheung Shui N. T.
Hong Kong

☎ (852) 2639 5783

📠 (852) 2639 5797

JLG Industries (Italia) s.r.l.
Via Po. 22
20010 Pregnana Milanese - MI
Italy

☎ +39 029 359 5210

📠 +39 029 359 5845

Oshkosh-JLG Singapore
Technology Equipment Pte
Ltd
29 Tuas Ave 4,
Jurong Industrial Estate
Singapore, 639379

☎ +65-6591 9030

📠 +65-6591 9031

Plataformas Elevadoras
JLG Iberica, S.L.
Trapadella, 2
P.I. Castellbisbal Sur
08755 Castellbisbal, Barcelona
Spain

☎ +34 93 772 4700

📠 +34 93 771 1762

JLG Sverige AB
Enkopingsvagen 150
Box 704
SE - 176 27 Jarfalla
Sweden

☎ +46 (0)850 659 500

📠 +46 (0)850 659 534