



# Illustrated Parts Manual

**Model  
510AJ**

**SN E300001114  
TO PRESENT**

**3121294**

**July 17, 2018 - Rev I**

**ANSI**

**CE**



An Oshkosh Corporation Company



## REVISION LOG

**NOTE: The 510AJ may be manufactured by JLG Industries in the countries of Belgium or Romania. Refer to the Serial Number Tag to determine the country of manufacture. The country of manufacture may be determined by the Serial Number. Boom Lifts manufactured in Belgium will have a prefix of 13 (i.e. 13XXXXXXXX) and Boom Lifts manufactured in Romania will have a prefix of E3 (i.e. E3XXXXXXXX).**

**NOTE: Is the Parts Manual you are viewing correct for the machine that you are ordering parts for? See Below:**

**Belgium Built Machines - All Machines - Use Parts Manual p/n 3121182**

**Romanian Built Machines Prior to SN E300001114 - Use Parts Manual p/n 3121182**

**Romanian Built Machines SN E300001114 to Present - Use Parts Manual p/n 3121294**

**NOTE: Machines with SN E300001068 is also built to the same specs as Romanian Built Machines SN E300001114 to Present - Use Parts Manual p/n 3121294.**

**March 25, 2013 - A - Original Issue (Edited to 1001142991 Revision A)**

**May 17, 2013 - B - Revised Manual (Edited to 1001142991 Revision B)**

**August 30, 2013 - C - Revised Manual (Edited to 1001142991 Revision B)**

**November 25, 2013 - D - Revised Manual (Edited to 1001142991 Revision D)**

**November 1, 2014 - E - Revised Manual (Edited to 1001142991 Revision D)**

**January 6, 2017 - F - Revised Manual (Edited to 1001142991 Revision M)**

**February 28, 2017 - G - Revised Manual (Edited to B/M 1001142991 Revision Z)**

**November 30, 2017 - H - Revised Manual**

**July 17, 2018 - I - Revised Manual**

# GENERAL INFORMATION

**SECTION 6 CYLINDER**

**FIGURE 6-3. LIFT CYLINDER ASSEMBLY**

PG#                      Model Designation                      Manual #

**SECTION 6 CYLINDER**

**FIGURE 6-3. LIFT CYLINDER ASSEMBLY**

ITEM #	PART NUMBER	QTY.	DESCRIPTION	REV.
	1001140104	Ref	LIFT CYLINDER ASSEMBLY	B
1	0100011	AR	Compound, Locking	
2	0630535	3	Capscrew 1/4-20 x 1-1/8	
3	0791003	1	Screw #10-24 x 3/8	
4	0961897	1	Bushing, Tapered	
5	1320136	1	Clamp, Cable	
6	1683063	1	Head	
7	2220883	1	Plug, O-Ring	
8	2220885	2	Plug, O-Ring	
9	2220886	1	Plug, O-Ring	
10	3020039	AR	Lubricant	
11	3480282	1	Piston	
12	3760371	1	Ring, Washer	
13	3931420	8	Capscrew 1/4-20 x 1-1/4	
14	3931824	8	Capscrew 1/2-13 x 1-1/2	
15	3951003	1	Set-screw #10-24 x 3/8	
16	4100099	1	Spacer	
17	4640999	1	Cartridge, Holding Valve (Non Vented)	
17	2900792		Kit, Seal - 4640999 Cartridge Valve	
18	4641248	1	Cartridge, Counterbalance Valve (Non Vented)	
18	70004186		Kit, Seal - 4641248 Cartridge Valve	
19	1001117991	1	Sensor, Cylinder Length	
20	1001118070	1	Cap, Retainer	
21	1001118084	1	Barrel	
21A	0961950	2	Bushing	
22	1001118086	1	Rod	
22A	0961950	2	Bushing	
100	1001139996	1	Kit, Seal (Includes Items 101-109)	
101	See Note	2	Ring, Wear (Note: Use p/n 1001139996)	
102	See Note	1	Ring, Back-Up (Note: Use p/n 1001139996)	
103	See Note	2	Ring, Lock (Note: Use p/n 1001139996)	
104	See Note	2	Ring, Back-Up (Note: Use p/n 1001139996)	
105	See Note	2	O-Ring (Note: Use p/n 1001139996)	
106	See Note	1	O-Ring (Note: Use p/n 1001139996)	
107	See Note	1	Seal (Note: Use p/n 1001139996)	
108	See Note	1	Wiper, Rod (Note: Use p/n 1001139996)	
109	See Note	2	Seal (Note: Use p/n 1001139996)	
200	1001119105	1	Kit, Sensor Magnet (Includes Items 201-203)	
201	See Note	NSS	Sleeve, Spacer (Note: Use p/n 1001119105)	
202	1001118066	1	Magnet, Sensor	
203	1001118069	1	Ring, Internal Retaining	

Manual #                      Model Designation                      PG#

## 1) MACHINE IDENTIFICATION

Machines are identified by model and in some cases a combination of models, serial number (SN) or regional standard (i.e. ANSI, CE, CSA). Components may also be identified by SN or manufacturer. Common components that may be identified by these characteristics are engines and hydraulic components.

## 2) PARTS MANUAL ORGANIZATION

Product information in this manual is organized under section titles. Frame, Cylinder, Hydraulic and Electrical are a few examples. Each section is organized by figure and page number. The information within the Figure is then organized by item number, part number, description and corresponding illustration(s).

## 3) TABLE OF CONTENTS

A table of contents is found toward the beginning of the manual. Figure number, description and page number are provided for quick reference to the page containing the related information.

## 4) RECOMMENDED SPARE PARTS

The Recommended Spare Parts, located near the end of the manual, reference most frequently used maintenance parts.

## 5) PART NUMBER INDEX

A numerical index listing all part numbers and the corresponding page number(s) appears at the back of the manual.

## GENERAL INFORMATION

### 6) NON-SERVICED PARTS

In some instances, it is necessary to display non-serviced parts, assemblies or installations. In the case of assemblies and installations there will be a Ref in the Qty column. In case of parts that are not available for service within assemblies or components, there will be a NSS (Not Sold Separately) or NLA (No Longer Available) listed in the Qty. column of the manual.

### 7) PARTS LIST ITEM NUMBERS

Numbers shown in the item# column correspond to numbers used in the associated illustration (s). Item numbers which are missing from the sequence in the parts list are not used on that page

### 8) INDENTED PARTS DESCRIPTION

An indented part description is included in the item under which it is indented.

### 9) ABBREVIATION AND SYMBOLS

AC..... Alternating Current  
 ADE..... Advanced Design Electronics  
 ANSI..... American National Standards Institute  
 AR..... As Required  
 ASSY..... Assembly  
 AUX..... Auxiliary  
 AWG..... American Wire Gauge  
 B/M..... Bill of Material  
 CE..... European Conformity  
 CCW..... Counter Clockwise  
 cm..... Centimeter  
 CW..... Clockwise  
 CSA..... Canadian Standards Association  
 CYL..... Cylinder  
 DIA..... Diameter  
 DC..... Direct Current  
 EMS..... Emergency Stop  
 ENG..... Engine  
 FT(ft)..... Feet  
 GA(Ga)..... Gauge  
 HYD..... Hydraulic  
 Hz..... Hertz  
 ID..... Inside Diameter  
 in..... inches  
 ISO..... International Organization for Standards  
 JIC..... Joint Industry Council  
 KG..... Kilogram  
 L..... Liter  
 LB..... Pounds

LCD..... Liquid Crystal Display  
 LED..... Light Emitting Diodes  
 LH..... Left Hand  
 LSS..... Load Sensing System  
 M(m)..... Metric/Meter  
 MM(mm)..... Millimeter  
 mA..... Milliamps  
 NLA..... No Longer Available  
 NPT..... National Pipe Threads  
 NSS..... Not Sold Separately  
 OD..... Outside Diameter  
 ORB..... O-Ring Boss  
 ORFS..... O-Ring Face Seal  
 OZ (oz)..... Ounces  
 PG..... Page  
 P/N..... Part Number  
 qt..... Quarts  
 QTY..... Quantity  
 REF..... Reference  
 REV..... Revision Level  
 RH..... Right Hand  
 SAE..... Society of Automotive Engineers  
 SN..... Serial Number  
 SPEC(S)..... Specifications  
 T/T..... Turntable  
 UGM..... Universal Ground Module  
 V..... Volts  
 W..... Watts  
 #..... Number

### 10) ILLUSTRATION REFERENCE LETTERS

When necessary, illustrations may contain reference letters that are intended to track information (i. e. hoses, harnesses) from one point to another or to track visual enlargement of components to show details that may be located in another area on the illustration.

*Note: Due to continuous product improvements, JLG Industries, Inc. reserves the right to make specification changes without prior notification. Contact JLG Industries, Inc. for updated information.*



# TABLE OF CONTENTS

SECTION 1 - FRAME.....	9
FIGURE 1-1. AXLE AND STEERING INSTALLATION.....	10
FIGURE 1-2. TIRE AND WHEEL DRIVE INSTALLATION .....	12
FIGURE 1-3. DRIVE HUB/BRAKE ASSEMBLY (REAR).....	16
FIGURE 1-4. DRIVE HUB ASSEMBLY (FRONT).....	20
FIGURE 1-5. DRIVE MOTOR ASSEMBLY .....	22
FIGURE 1-6. DRIVE VALVES AND FRAME SHIELDS INSTALLATION .....	24
SECTION 2 - TURNTABLE.....	27
FIGURE 2-1. MAIN CONTROL VALVE AND ALARM INSTALLATIONS .....	28
FIGURE 2-2. MAIN CONTROL VALVE ASSEMBLY.....	30
FIGURE 2-3. TURNTABLE AND SWING DRIVE INSTALLATIONS .....	32
FIGURE 2-4. SWING MOTOR ASSEMBLY .....	34
FIGURE 2-5. SWING BEARING AND ROTATION BOX ASSEMBLY (ORIGINAL EQUIPMENT) .....	36
FIGURE 2-6. SWING BEARING AND ROTATION BOX ASSEMBLY (SERVICE REPLACEMENT) .....	38
FIGURE 2-7. CATERPILLAR ENGINE INSTALLATION .....	40
FIGURE 2-8. DEUTZ ENGINE INSTALLATION.....	48
FIGURE 2-9. PISTON PUMP ASSEMBLY .....	56
FIGURE 2-10. AUXILIARY PUMP ASSEMBLY.....	60
FIGURE 2-11. TANK INSTALLATIONS.....	62
FIGURE 2-12. GROUND CONTROL BOX ASSEMBLY (FIBERGLASS BOX) .....	66
FIGURE 2-13. GROUND CONTROL BOX ASSEMBLY (STEEL BOX).....	70
FIGURE 2-14. LIGHT INSTALLATIONS.....	74
FIGURE 2-15. HOODS INSTALLATION .....	78
FIGURE 2-16. 2500W GENERATOR INSTALLATION - CATERPILLAR MACHINES (OPTIONAL).....	82
FIGURE 2-17. 2500W GENERATOR INSTALLATION - DEUTZ MACHINES (OPTIONAL) .....	86
FIGURE 2-18. 4000W GENERATOR INSTALLATION - DEUTZ D2011 ENGINES (SN E300001114 through E300002603).....	90
FIGURE 2-19. 4000W GENERATOR INSTALLATION - DEUTZ D2011 ENGINES (SN E300002604 to Present) .....	94
FIGURE 2-20. 7500W SKYPOWER GENERATOR INSTALLATION - DEUTZ D2011 ENGINES (110V-50HZ).....	98
FIGURE 2-21. 7500W SKYPOWER GENERATOR INSTALLATION - DEUTZ D2011 ENGINES (220V-50HZ).....	102
SECTION 3 - BOOM.....	105
FIGURE 3-1. TOWER/MID BOOMS AND CYLINDERS INSTALLATION .....	106
FIGURE 3-2. MAIN BOOM INSTALLATION.....	110
FIGURE 3-3. MAIN BOOM ASSEMBLY.....	114
FIGURE 3-4. ROTATOR ASSEMBLIES.....	118
FIGURE 3-5. PLATFORM SUPPORT AND CONTROL VALVES INSTALLATIONS.....	120
SECTION 4 - PLATFORM.....	123
FIGURE 4-1. PLATFORM INSTALLATION (WITHOUT SKYGUARD).....	124
FIGURE 4-2. PLATFORM INSTALLATION (WITH SKYGUARD).....	128
FIGURE 4-3. PLATFORM CONSOLE ASSEMBLY (WITHOUT SKYGUARD).....	132
FIGURE 4-4. PLATFORM CONSOLE ASSEMBLY (WITH SKYGUARD) .....	136
FIGURE 4-5. CONTROLLER ASSEMBLY (LIFT AND SWING) (SN E300001114 through E300001831).....	140
FIGURE 4-6. CONTROLLER ASSEMBLY (LIFT AND SWING) (SN E300001832 to Present) .....	142
FIGURE 4-7. CONTROLLER ASSEMBLY (DRIVE AND STEER) (SN E300001114 through E300001831).....	146
FIGURE 4-8. CONTROLLER ASSEMBLY (DRIVE AND STEER) (SN E300001832 to Present).....	148
FIGURE 4-9. CROSS RAIL INSTALLATION .....	150
FIGURE 4-10. SKYGUARD SYSTEM INSTALLATION.....	152
FIGURE 4-11. SKYGLAZIER INSTALLATION - WITH LSS (AUSTRALIAN SPECS) .....	154
FIGURE 4-12. SKYWELDER INSTALLATION - 50HZ .....	156
FIGURE 4-13. WELDER ASSEMBLY .....	158
SECTION 5 - CYLINDER.....	161
FIGURE 5-1. AXLE LOCKOUT CYLINDER ASSEMBLY .....	162
FIGURE 5-2. LEVEL (PLATFORM SLAVE) CYLINDER ASSEMBLY .....	164
FIGURE 5-3. LIFT (JIB) CYLINDER ASSEMBLY.....	166
FIGURE 5-4. LIFT (MAIN BOOM) CYLINDER ASSEMBLY .....	168
FIGURE 5-5. LIFT (TOWER BOOM) CYLINDER ASSEMBLY.....	170
FIGURE 5-6. MASTER CYLINDER ASSEMBLY.....	172
FIGURE 5-7. STEER CYLINDER ASSEMBLY.....	174

# TABLE OF CONTENTS

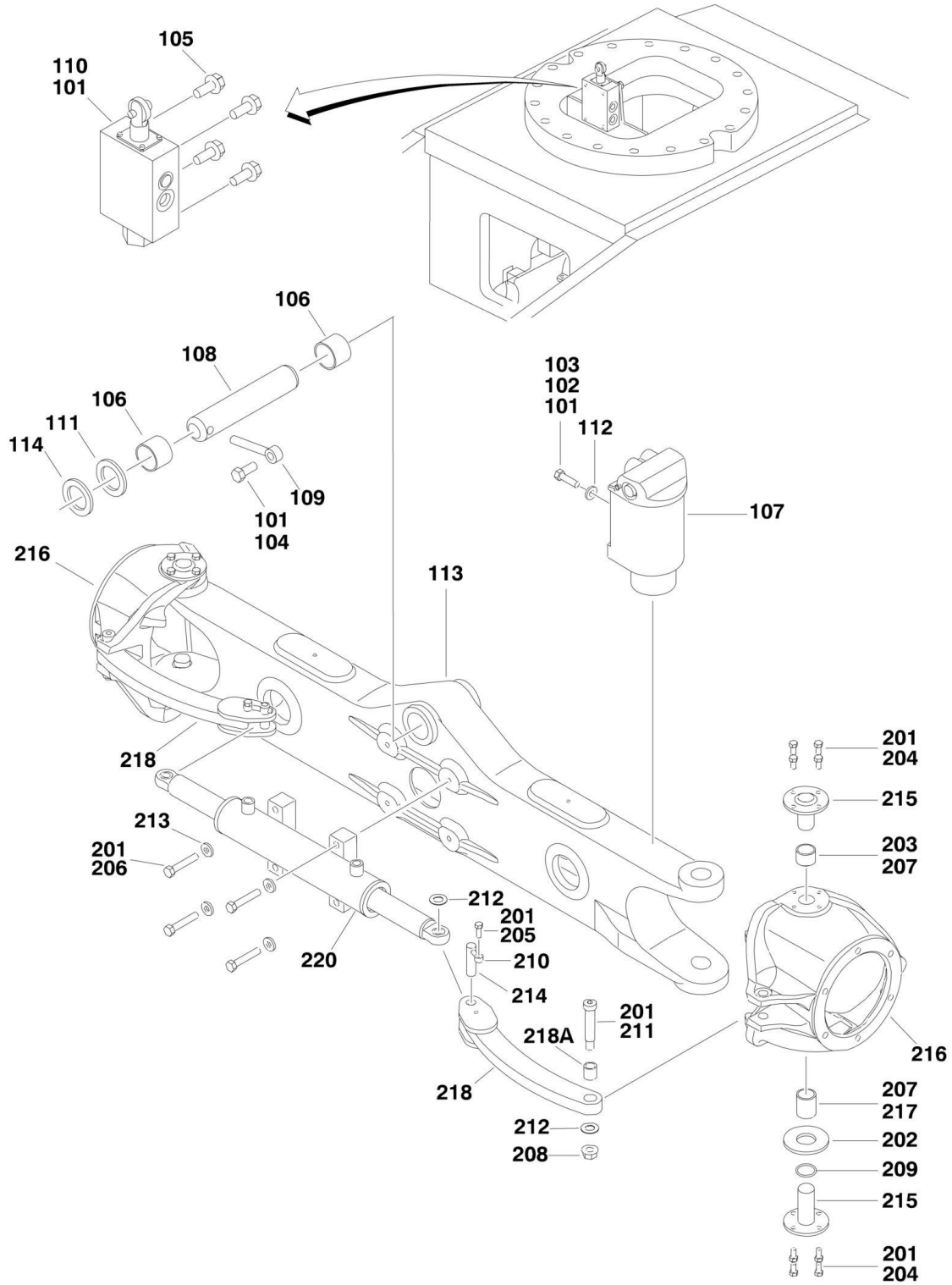
FIGURE 5-8. TELESCOPE CYLINDER ASSEMBLY .....	176
SECTION 6 - HYDRAULIC .....	179
FIGURE 6-1. AXLE LOCKOUT HYDRAULIC DIAGRAM .....	180
FIGURE 6-2. DRIVE HYDRAULIC DIAGRAM .....	182
FIGURE 6-3. STANDARD HYDRAULIC DIAGRAM.....	186
FIGURE 6-4. HYDRAULIC DIAGRAM LIST.....	190
SECTION 7 - ELECTRICAL.....	191
FIGURE 7-1. ELECTRICAL DIAGRAM LIST .....	192
FIGURE 7-2. HARNESS COMPONENTS INSTALLATION .....	194
SECTION 8 - DECALS .....	209
FIGURE 8-1. DECAL INSTALLATION - ANSI EXPORT SPEC (ENGLISH LANGUAGE) .....	210
FIGURE 8-2. DECAL INSTALLATION - ANSI EXPORT SPECS (OTHER LANGUAGES).....	212
FIGURE 8-3. DECALS INSTALLATION - AUSTRALIAN AND CE SPECS.....	216
SECTION 9 - RECOMMENDED SERVICE PARTS STOCK .....	219
FIGURE 9-1. MODEL 510AJ STANDARD PARTS .....	220
FIGURE 9-2. MODEL 510AJ VARIABLE PARTS .....	222
SECTION 10 - SPECIAL OPTIONS .....	223
FIGURE 10-1. SPECIAL OPTIONS .....	224
PART NUMBER INDEX.....	229



**SECTION 1 - FRAME**

# SECTION 1 - FRAME

## FIGURE 1-1. AXLE AND STEERING INSTALLATION



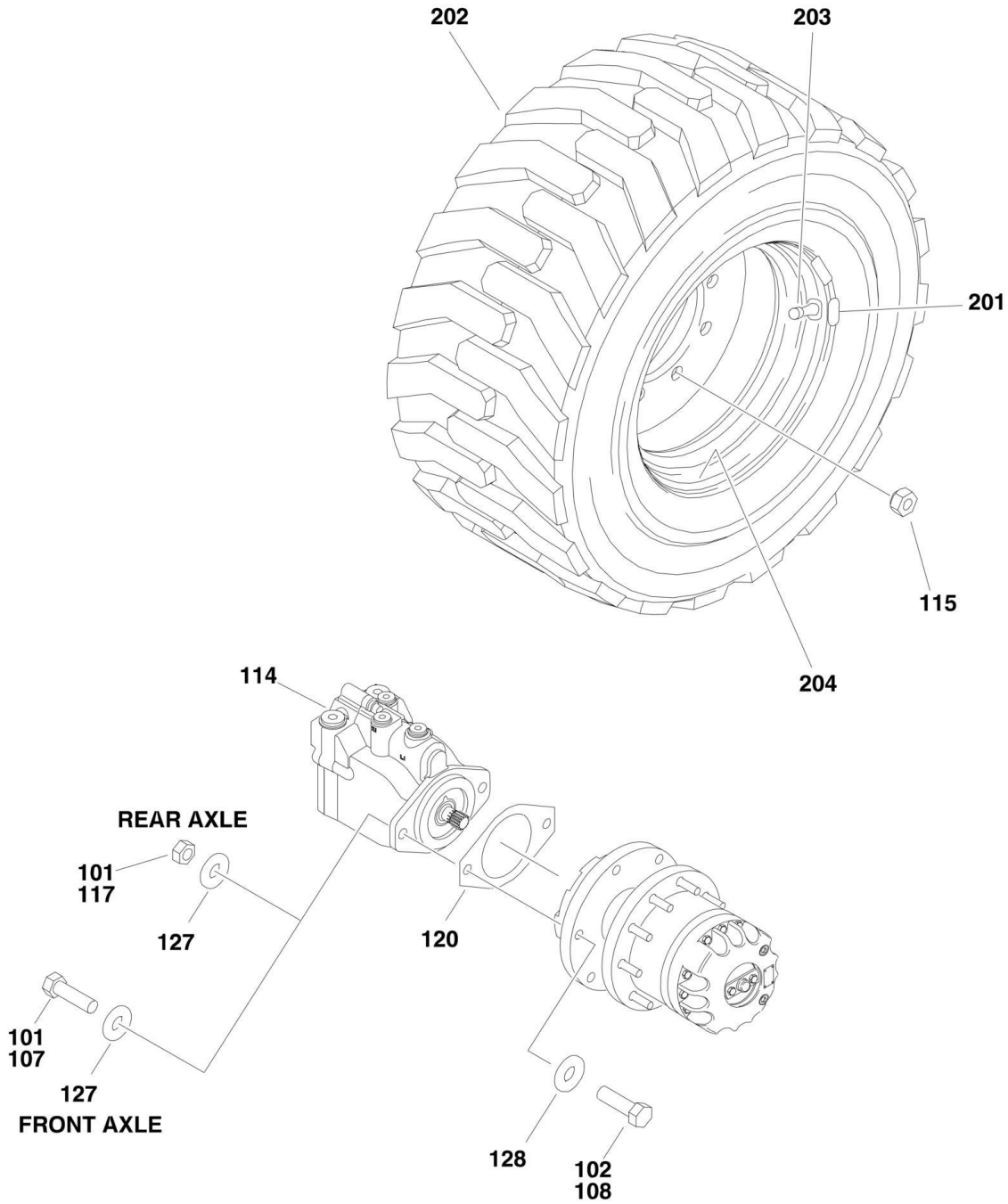
# SECTION 1 - FRAME

## FIGURE 1-1. AXLE AND STEERING INSTALLATION

ITEM	PART NUMBER	QTY	DESCRIPTION	REV
	1001139087	Ref	<b>OSCILLATING AXLE INSTALLATION</b>	D
101	0100011	AR	Compound, Locking	
102	0100019	AR	Primer, Locking	
103	0641814	8	Bolt 1/2in-13NC x 1-3/4in	
104	0642012	1	Bolt 5/8in-11NC x 1-1/2in	
105	0791506	4	Screw, 5/16in-18NC x 3/4in	
106	0961950	2	Bushing	
107	1684465	2	Lockout Cylinder Assembly (See CYLINDER SECTION for Breakdown)	
108	3422592	1	Pin, Axle Pivot	
109	3841258	1	Keeper, Pin	
110	4641265	1	Lockout Valve Assembly	
111	4740229	1	Thrustwasher	
112	4891800	8	Flatwasher, 1/2in Hardened	
113	1001098130	1	Axle	
114	4071101	1	Shim	
	1001139935	Ref	<b>STEERING INSTALLATION</b>	D
201	0100011	AR	Compound, Locking	
202	0440271	2	Thrustwasher	
203	0440291	2	Bushing	
204	0641606	16	Bolt 3/8in-16NC x 3/4in	
204	0681607	16	Bolt 3/8in-16NC x 7/8in	
205	0681607	2	Bolt 3/8in-16NC x 7/8in	
206	0681820	4	Bolt 1/2in-13NC x 2-1/2in (Grade 8)	
207	3020029	AR	Grease, Bearing (Not Shown)	
208	3312008	2	Nut, Flanged 5/8in-11NC	
209	3780182	2	O-Ring	
210	3841520	2	Keeper	
211	3900255	2	Screw, Shoulder	
212	4740086	4	Thrustwasher	
213	4891800	4	Flatwasher 1/2in Hardened	
214	1001116867	2	Pin	
215	1001139141	2	Kingpin	
216	1001139645	2	Spindle	
217	1001139476	2	Bearing	
218	1001139892	2	Tie-Rod	
218A	1001139943	2	Bushing for 1001139892 Tie-Rod (1 Per Tie-Rod)	
220	1001143434	1	Steer Cylinder Assembly (See CYLINDER SECTION for Breakdown)	

# SECTION 1 - FRAME

## FIGURE 1-2. TIRE AND WHEEL DRIVE INSTALLATION



# SECTION 1 - FRAME

## FIGURE 1-2. TIRE AND WHEEL DRIVE INSTALLATION

ITEM	PART NUMBER	QTY	DESCRIPTION	REV
	0275854	Ref	<b>WHEEL DRIVE INSTALLATION</b>	E
101	0100011	AR	Compound, Locking	
102	0100019	AR	Compound, Locking	
107	0681810	4	Bolt 1/2in-13NC x 1-1/4in (Grade 8) (Front Axle)	
108	0682014	12	Bolt 5/8in-11NC x 1-3/4in (Grade 8)	
111	2780267	2	Drive Hub/Brake Assembly (Rear) (See DRIVE HUB/BRAKE ASSEMBLY (REAR) For Breakdown)	
112	2780268	2	Drive Hub/Brake Assembly (Front - Not Shown) (See DRIVE HUB/BRAKE ASSEMBLY (FRONT) For Breakdown)	
114	3160348	4	Drive Motor Assembly (See DRIVE MOTOR ASSEMBLY for Breakdown)	
115	3300106	36	Lugnut	
117	3311801	4	Nut 1/2in-13NC (Rear Axle)	
120	3960526	4	Gasket	
127	4891800	8	Flatwasher 1/2in Hardened	
128	4892000	24	Flatwasher 5/8in Hardened	
		Ref	<b>TIRE AND WHEEL INSTALLATIONS</b>	
	0270091	Ref	<b>12 x 16.5 Pneumatic (Available on ANSI Export Specs Only)</b>	C
	0270092	Ref	<b>12 x 16.5 Foam-Filled (Available on All Specs Except CE Specs)</b>	C
	0270092	Ref	<b>12 x 16.5 Foam-Filled (Available on CE Specs) (SN E300001114 through E300002416)</b>	C
	0270653	Ref	<b>12 x 16.5 Foam-Filled Non-Marking (Available on All Specs Except CE Specs)</b>	B
	0270653	Ref	<b>12 x 16.5 Foam-Filled Non-Marking (Available on CE Specs) (SN E300001114 through E300002416)</b>	B
	0271995	Ref	<b>14 x 17.5 Pneumatic (Available on ANSI Export Specs Only)</b>	B
	0271998	Ref	<b>14 x 17.5 Foam-Filled (Available on All Specs)</b>	B
	0258031	Ref	<b>33/1550 x 16.5 Foam-Filled (Available on All Specs)</b>	B
	0270074	2	12 x 16.5 Pneumatic Right Side (Use p/n 1001148863)	B-C
	0270075	2	12 x 16.5 Pneumatic Left Side (Use p/n 1001148864)	B-C
	0270076	2	12 x 16.5 Foam-Filled Right Side (See Note) (Use p/n 1001148865)	C-D
	0270654	2	12 x 16.5 Foam-Filled Right Side (Non-Marking) (See Note) (Use p/n 1001148869)	C-D
	0270077	2	12 x 16.5 Foam-Filled Left Side (See Note) (Use p/n 1001148866)	C-D
	0270655	2	12 x 16.5 Foam-Filled Left Side (Non-Marking) (See Note) (Use p/n 1001148870)	C-D
	0271993	2	14 x 17.5 Pneumatic Right Side (Use p/n 1001148873)	B-C
	0271994	2	14 x 17.5 Pneumatic Left Side (Use p/n 1001148874)	B-C
	0271997	2	14 x 17.5 Foam-Filled Right Side (See Note) (Use p/n 1001148875)	B-C
	0271996	2	14 x 17.5 Foam-Filled Left Side (See Note) (Use p/n 1001148876)	B-C
	0258011	2	33/1550 x 16.5 Foam-Filled Right Side	F
	0258012	2	33/1550 x 16.5 Foam-Filled Left Side	F
		Ref	<b>Note: Assemblies may require ballast/foam filling to manufacturer's specifications prior to installing on a machine. Refer to Operation and Safety or Service and Maintenance Manuals. Purchase individual tire and/or rim only if able to foam fill tire and wheel assembly, otherwise, purchase complete assembly.</b>	

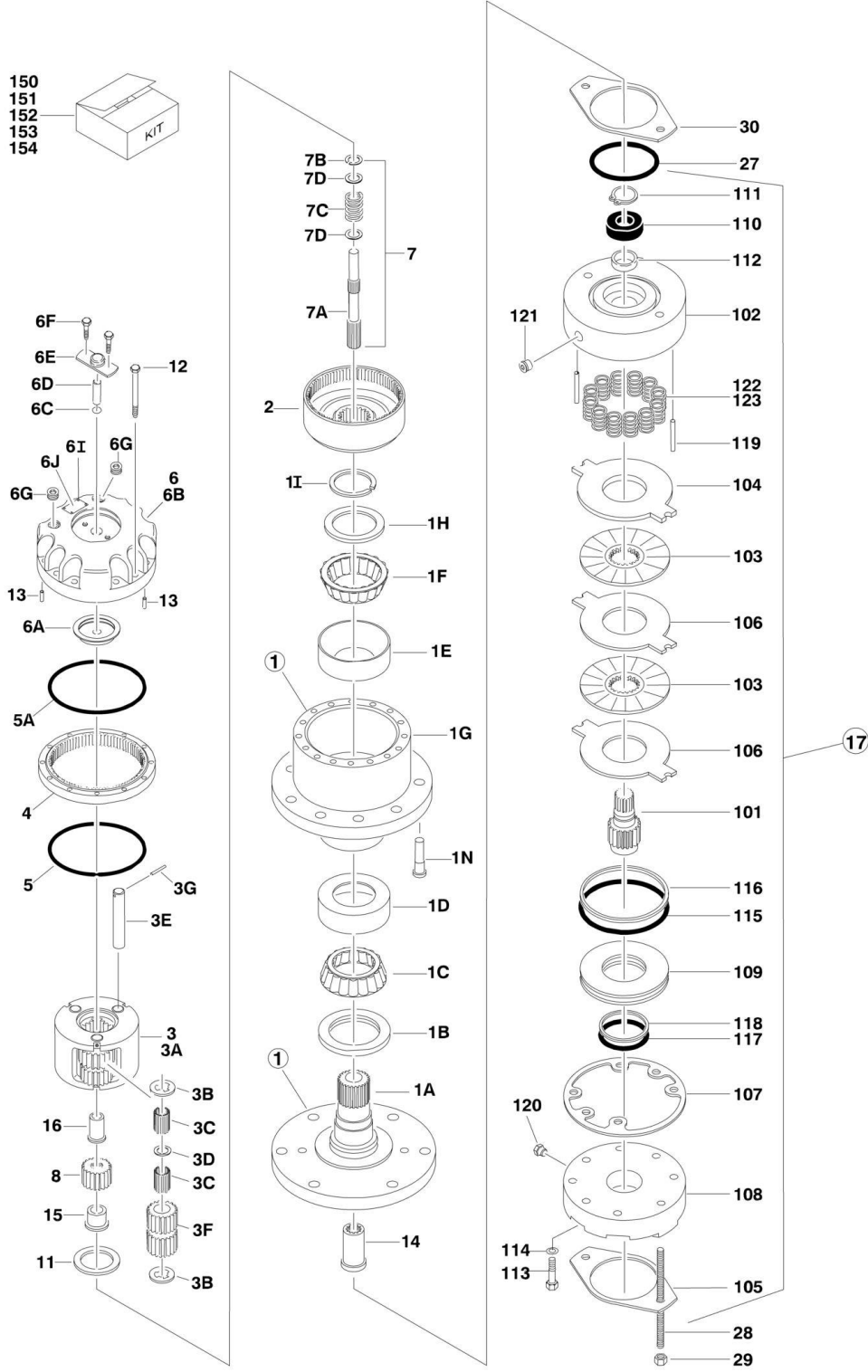
## SECTION 1 - FRAME

ITEM	PART NUMBER	QTY	DESCRIPTION	REV
201	1702740	1	Decal - 90PSI (Pneumatic Tires Only)	
202		Ref	Tire Options:	
202	4520216	1	12 x 16.5 NHS	
202	4520240	1	12 x 16.5 Non-Marking	
202	4520259	1	14 x 17.5 NHS	
202	4520217	1	33/1550 x 16.5 NHS	
203		Ref	Valve Stem Options (Pneumatic Only):	
203	4640113	1	Pneumatic Tires Only	
203	8786514	1	33/1550 x 16.5 Foam-Filled Tire and Wheel Assy Only	
203	4641122	1	Foam Filled Only	
203	1001149953	1	Cap, Valve Stem (Foam Filled Only)	
204		Ref	Rim, Wheel Options:	
204	4860213	1	16.5 x 9.75 (Use with 12 x 16.5 Tires) (Use p/n 1001147274)	
204	4860179	1	16.5 x 12 (Use with 33/1550 x 16.5 Tires)	
204	4860198	1	17.5 x 10.5 (Use with 14 x 17.5 Tires) (Use p/n 1001146397)	



# SECTION 1 - FRAME

## FIGURE 1-3. DRIVE HUB/BRAKE ASSEMBLY (REAR)





# SECTION 1 - FRAME

## FIGURE 1-3. DRIVE HUB/BRAKE ASSEMBLY (REAR)

ITEM	PART NUMBER	QTY	DESCRIPTION	REV
	2780267	Ref	<b>DRIVE HUB/BRAKE ASSEMBLY</b>	F
1	See Note	1	Spindle/Housing Assembly (Note: Not Available - Individual Components)	
1A	7017059	1	Spindle	
1B	7001998	1	Seal	
1C	7010429	1	Cone, Bearing (Includes Item 1D)	
1D	7010429	1	Cup, Bearing (Includes Item 1C)	
1E	7000257	1	Cup, Bearing	
1F	7000258	1	Cone, Bearing	
1G	7007601	1	Housing/Ring Gear	
1H	7000232	1	Thrustwasher	
1I	7000229	1	Ring, Retaining	
1N	7007640	9	Stud, Wheel	
2	7000246	1	Gear, Internal	
3	7024712	1	Carrier Assembly	
3A	7024712	1	Carrier	
3B	7024712	6	Ring, Retaining	
3C	7024712	AR	Bearing, Needle	
3D	7024712	3	Thrustwasher	
3E	7024712	3	Shaft, Planet	
3F	7024712	3	Gear, Planet	
3G	7024712	3	Rollpin	
4	7000248	1	Ring Gear	
5	7000230	1	O-Ring	
5A	7017070	1	O-Ring	
6	70001349	1	Cover Assembly (was p/n 7017090)	
6A	70001349	1	Spacer, Thrust (was p/n 7017097)	
6B	70001349	1	Plate, Cover (was p/n 7017091)	
6C	70001349	1	O-Ring (was p/n 7017095)	
6D	70001349	1	Rod, Disconnect (was p/n 7017092)	
6E	70001349	1	Cap, Disengage (was p/n 7017093)	
6F	70001349	2	Bolt (was p/n 0641404)	
6G	7017094	1	Plug, Pipe	
6I	See Note	4	Rivet (Note: Not Available - Purchase Locally)	
6J	See Note	1	Plate, ID (Note: Not Available for Purchase)	
7		Ref	Input Shaft Assembly	
7A	7024714	1	Shaft	
7B	7000261	1	Ring, Retaining	
7C	7000262	1	Spring	
7D	7000263	2	Spacer, Thrust	
8	7024713	1	Gear, Sun	
11	7000253	1	Thrustwasher	
12	7017067	12	Bolt	
13	7017080	4	Pin, Dowell	
14	7000206	1	Coupling	
15	7024715	1	Spacer, Input	
16	7024716	1	Spacer, Input	
17	7024182	1	Brake Assembly (See Items 101-154 for Breakdown)	
27	7024705	1	O-Ring	
28	7024717	2	Rod, Threaded	

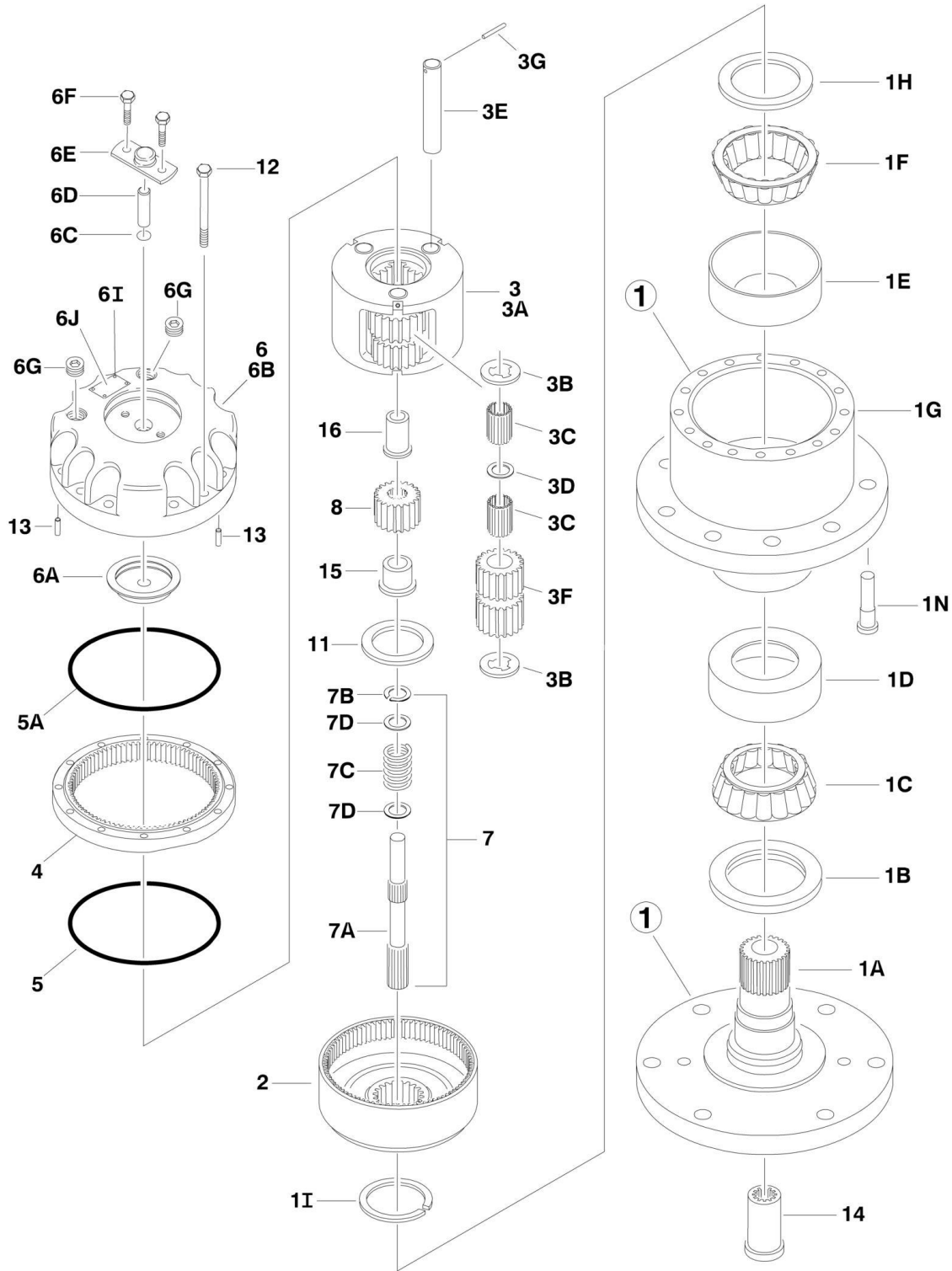
## SECTION 1 - FRAME

ITEM	PART NUMBER	QTY	DESCRIPTION	REV
29	7024718	2	Nut 1/2in-13NC	
30	7000731	1	Gasket (SN E300001114 through E300002171)	
30	70005483	1	Gasket (SN E300002172 to Present)	
	7024182	Ref	<b>BRAKE ASSEMBLY</b>	
101	7024189	1	Shaft	
102	7024182	1	Housing	
103	7024193	2	Plate, Friction	
104	7024193	1	Plate, Pressure	
105	7000731	1	Gasket	
106	7024193	2	Plate, Outer	
107	See Note	1	Gasket (Note: Use Item 150, 153 or 154.)	
108	7024191	1	Cylinder	
109	7024192	1	Piston	
110	See Note	1	Bearing, Ball (Note: Use Item 154)	
111	See Note	1	Ring, Retaining (Note: Use Item 154)	
112	See Note	1	Seal, Shaft (Note: Use Item 154)	
113	See Note	6	Capscrew (Note: Not Available - Purchase Locally)	
114	See Note	6	Lockwasher (Note: Not Available - Purchase Locally)	
115	7024194	1	O-Ring	
116	7024194	1	Ring, Back-up	
117	7024194	1	O-Ring	
118	7024194	1	Ring, Back-up	
119	7024190	2	Pin, Dowel	
120	See Note	1	Plug (Note: Not Available - Purchase Locally)	
121	See Note	2	Plug (Note: Not Available - Purchase Locally)	
122	7024196	10	Spring Kit (Natural)	
123	7024196	2	Spring Kit (Blue)	
150	70006429	1	Seal Kit, Hub (Includes Items 1I, 5, 5A & 12)	
150	70006428	1	Seal & Bearing Kit, Hub (Includes Items 1C-1F, 1I, 5, 5A & 12)	
150	7024194	1	Seal Kit, Brake (Includes Items 105, 107 & 115-118)	
151	7024196	1	Spring Kit, Brake (Includes 12 Natural Colored Springs Item 122) (was p/n 7024195)	
152	7024196	1	Spring Kit, Brake (Includes 12 Natural Colored Springs Item 122 and 2 Blue Colored Springs Item 123)	
153	7024193	1	Friction Disc Kit, Brake (Includes Items 103, 104, 106 & 107)	
154	7024197	1	Bearing Kit - 7024182 Brake (Includes Items 107 & 110-112)	



# SECTION 1 - FRAME

## FIGURE 1-4. DRIVE HUB ASSEMBLY (FRONT)



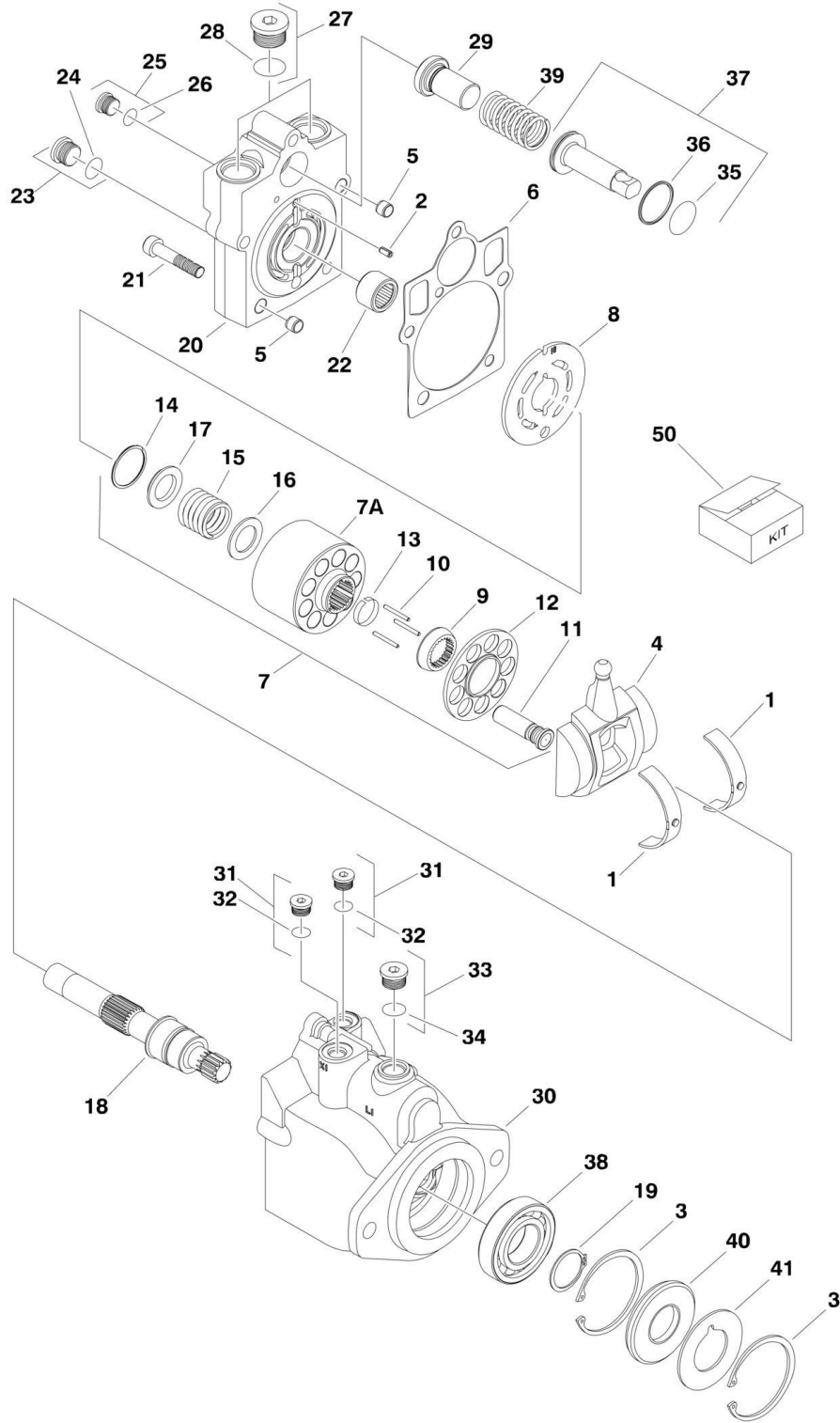
# SECTION 1 - FRAME

## FIGURE 1-4. DRIVE HUB ASSEMBLY (FRONT)

ITEM	PART NUMBER	QTY	DESCRIPTION	REV
	2780268	Ref	<b>DRIVE HUB ASSEMBLY</b>	D
1	See Note	1	Spindle/Housing Assembly (Note: Not Available - Individual Components)	
1A	7017059	1	Spindle	
1B	7001998	1	Seal	
1C	7010429	1	Cone, Bearing (Includes Item 1D)	
1D	7010429	1	Cup, Bearing (Includes Item 1C)	
1E	7000257	1	Cup, Bearing	
1F	7000258	1	Cone, Bearing	
1G	7007601	1	Housing/Ring Gear	
1H	7000232	1	Thrustwasher	
1I	7000229	1	Ring, Retaining	
1N	7007640	9	Stud, Wheel	
2	7000246	1	Gear, Internal	
3	7024712	1	Carrier Assembly	
3A	7024712	1	Carrier	
3B	7024712	6	Ring, Retaining	
3C	7024712	AR	Bearing, Needle	
3D	7024712	3	Thrustwasher	
3E	7024712	3	Shaft, Planet	
3F	7024712	3	Gear, Planet	
3G	7024712	3	Rollpin	
4	7000248	1	Ring Gear	
5	7000230	1	O-Ring	
5A	7017070	1	O-Ring	
6	70001349	1	Cover Assembly (was p/n 7017090)	
6A	70001349	1	Spacer, Thrust (was p/n 7017097)	
6B	70001349	1	Plate, Cover (was p/n 7017091)	
6C	70001349	1	O-Ring (was p/n 7017095)	
6D	70001349	1	Rod, Disconnect (was p/n 7017092)	
6E	70001349	1	Cap, Disengage (was p/n 7017093)	
6F	70001349	2	Bolt (was p/n 0641404)	
6G	7017094	1	Plug, Pipe	
6I	See Note	4	Rivet (Note: Not Available - Purchase Locally)	
6J	See Note	1	Plate, ID (Note: Not Available for Purchase)	
7		Ref	Input Shaft Assembly	
7A	7024714	1	Shaft	
7B	7000261	1	Ring, Retaining	
7C	7000262	1	Spring	
7D	7000263	2	Spacer, Thrust	
8	7024713	1	Gear, Sun	
11	7000253	1	Thrustwasher	
12	7017067	12	Bolt	
13	7017080	4	Pin, Dowel	
14	7000206	1	Coupling	
15	7024715	1	Spacer, Input	
16	7024716	1	Spacer, Input	
150	70006429	1	Seal Kit, Hub (Includes Items 1I, 5, 5A & 12) (Not Shown)	
150	70006428	1	Seal & Bearing Kit, Hub (Includes Items 1C-1F, 1I, 5, 5A & 12) (Not Shown)	

# SECTION 1 - FRAME

## FIGURE 1-5. DRIVE MOTOR ASSEMBLY



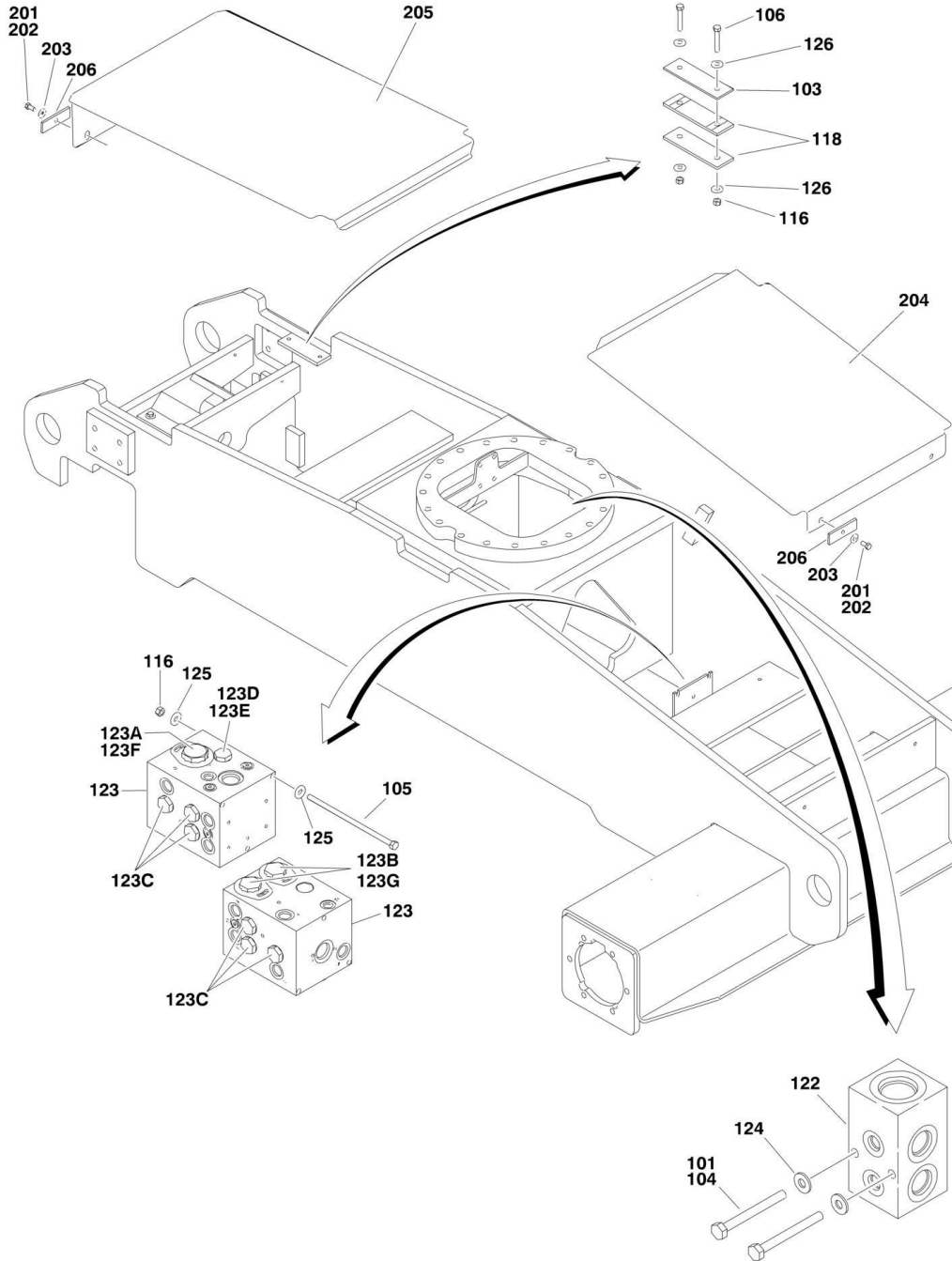
# SECTION 1 - FRAME

## FIGURE 1-5. DRIVE MOTOR ASSEMBLY

ITEM	PART NUMBER	QTY	DESCRIPTION	REV
	3160348	Ref	<b>DRIVE MOTOR ASSEMBLY (4WD)</b>	D
1	7022302	2	Bearing, Journal	
2	7007446	1	Pin	
3	7007438	2	Ring, Retaining	
4	7022305	1	Swashplate	
5	See Note	2	Pin (Note: Not Available for Purchase)	
6	7022328	1	Gasket	
7	7023907	1	Cylinder Block Kit (Includes Items 7A & 9-17)	
7A	7023907	1	Block, Cylinder	
8	7023908	1	Plate, Valve	
9	7021277	1	Guide, Slipper Retainer	
10	7021275	3	Pin, Slipper Hold Down	
11	7023907	9	Piston Assembly	
12	7021276	1	Retainer, Hold Down Pin	
13	7022310	1	Retainer, Slipper	
14	7022311	1	Ring, Retaining	
15	7022312	1	Spring	
16	7024868	1	Washer	
17	7022314	1	Retainer, Spring	
18	7023910	1	Shaft	
19	7007439	1	Ring, Retaining	
20	70000797	1	Cap, End - Axial	
21	7022368	5	Screw	
22	7021249	1	Bearing, Needle	
23	2220886	1	Plug (Includes Item 24)	
24	7022328	1	O-Ring	
25	2220883	1	Plug (Includes Item 26)	
26	7022328	1	O-Ring	
27	2220888	2	Plug (Includes Item 28)	
28	7022328	2	O-Ring	
29	7022372	1	Seat, Spring	
30	3160348	1	Housing	
31	2220883	2	Plug (Items Item 32)	
32	7022328	2	O-Ring	
33	2220886	1	Plug (Items Item 34)	
34	7022328	1	O-Ring	
35	7022328	1	O-Ring	
36	7022328	1	Ring, Seal	
37	7024854	1	Piston, Servo (Includes Items 35 & 36)	
38	7007437	1	Bearing	
39	7022326	1	Spring	
40	7022328	1	Seal, Lip	
41	7022371	1	Washer, Support	
50	7022328	1	Seal Kit (Includes Items 6, 24, 26, 28, 32, 34, 35, 36 & 40)	

# SECTION 1 - FRAME

## FIGURE 1-6. DRIVE VALVES AND FRAME SHIELDS INSTALLATION





## SECTION 1 - FRAME

**FIGURE 1-6. DRIVE VALVES AND FRAME SHIELDS INSTALLATION**

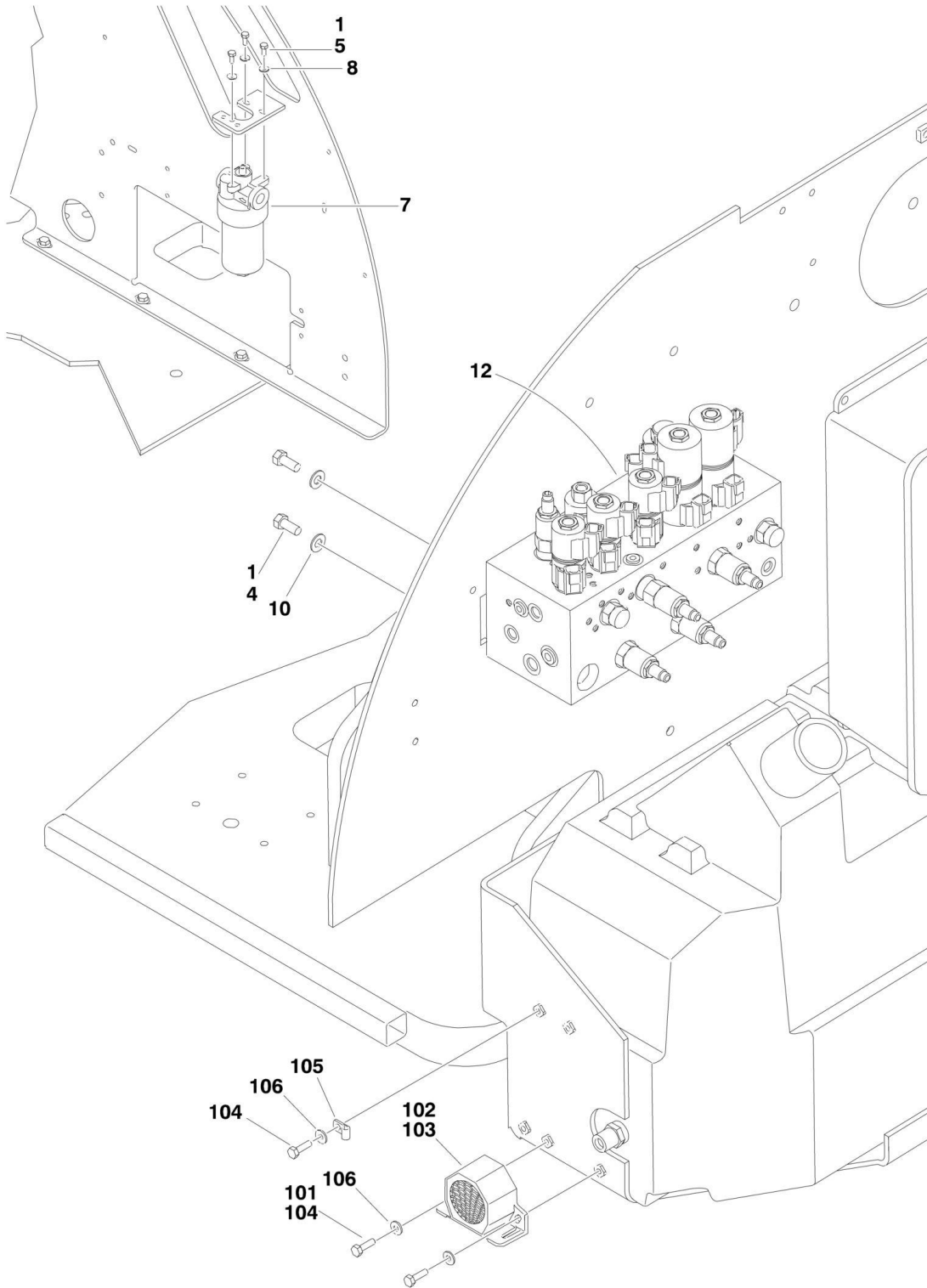
ITEM	PART NUMBER	QTY	DESCRIPTION	REV
	0275854	Ref	<b>DRIVE VALVES INSTALLATIONS</b>	E
101	0100011	AR	Compound, Locking	
103	0363012	2	Bar, Clamping	
104	0641420	2	Bolt 1/4in-20NC x 2-1/2in	
105	0641560	3	Bolt 5/16in-18NC x 7-1/2in	
106	0641618	4	Bolt 3/8in-16NC x 2-1/4in	
116	3311505	AR	Locknut 5/16in-18NC	
118	3340911	4	Rubber, Clamp	
122	4641155	1	Valve, Junction Manifold	B
123	4641510	1	Flow Divider Valve Assembly	D
123A	7023917	1	Valve, Cartridge (Flow Divider)	
123A	7021625	1	Seal Kit - 7023917 Flow Divider Cartridge	
123B	7023934	2	Valve, Cartridge (Flow Divider)	
123B	7021655	2	Seal Kit - 7023934 Flow Divider Cartridge	
123C	7022397	6	Valve, Cartridge (Check)	
123C	7022399	6	Seal Kit - 7022397 Check Cartridge	
123D	7021639	2	Valve, Cartridge (Check)	
123D	7017496	2	Seal Kit - 7021639 Check Cartridge (was p/n 2900756)	
123E	7024881	1	Piston, Pilot	
123F	70000781	1	Lockdown Kit (Port FD1)	
123G	70003962	2	Lockdown Kit (Ports FD2 & FD3)	
124	4711400	2	Flatwasher 1/4in Thin	
125	4751500	6	Flatwasher 5/16in Regular	
126	4751600	AR	Flatwasher 3/8in Regular	
	1001140666	Ref	<b>FRAME SHIELDS INSTALLATION</b>	C
201	0100011	AR	Compound, Locking	
202		Ref	Bolt 3/8in-16NC Options:	
202	0641606	4	Bolt 3/8in-16NC x 3/4in	
202	0641612	4	Bolt 3/8in-16NC x 1-1/2in	
203	4751600	4	Flatwasher 3/8in Regular	
204	1001140381	1	Shield, Frame (Rear)	
205	1001140404	1	Shield, Frame (Front)	
206	3340860	4	Pad, Rubber	



**SECTION 2 - TURNTABLE**

# SECTION 2 - TURNTABLE

## FIGURE 2-1. MAIN CONTROL VALVE AND ALARM INSTALLATIONS



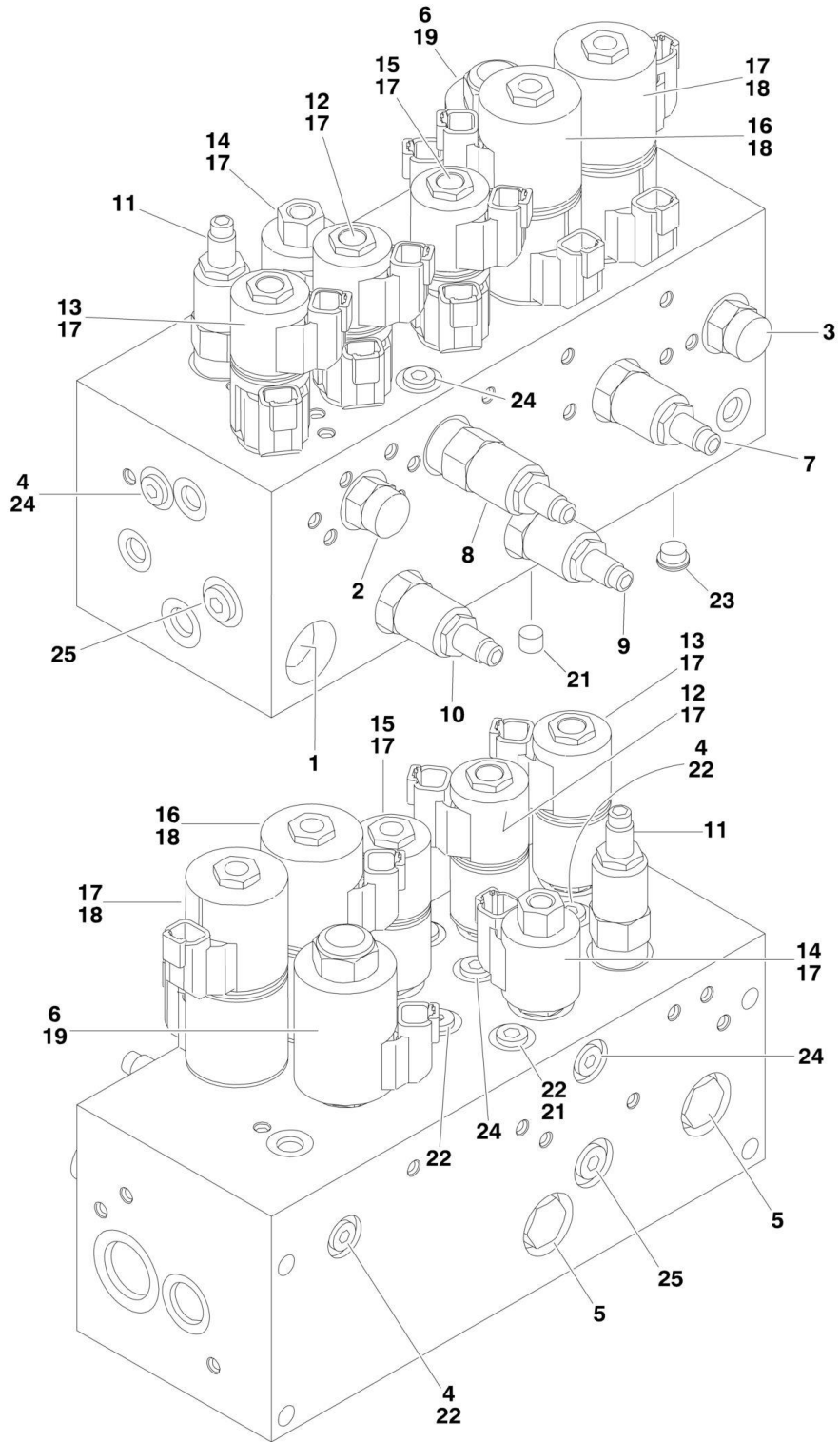
**SECTION 2 - TURNTABLE**

**FIGURE 2-1. MAIN CONTROL VALVE AND ALARM INSTALLATIONS**

ITEM	PART NUMBER	QTY	DESCRIPTION	REV
	1001141804	Ref	<b>VALVES INSTALLATIONS</b>	B
1	0100011	AR	Compound, Locking	
4	0641607	4	Bolt 3/8in-16NC x 7/8in	
5	0651405	3	Bolt 1/4in-24NF x 5/8in	
7	2120209	1	Pressure Filter Assembly	
7	2120210	1	Element, Filter	
7	7020020	1	Indicator	
7	70000934	1	O-Ring, Filter Bowl	
8	4751400	3	Flatwasher 1/4in Regular	
10	4711600	4	Flatwasher 3/8in Thin	
12	1001138771	1	Main Control Valve Assembly (See MAIN CONTROL VALVE ASSEMBLY for Breakdown)	
	1001142264	Ref	<b>ALARM INSTALLATION</b>	C
101	0100011	AR	Compound, Locking	
102	0100048	AR	Sealant, Silicone	
103	0140044	1	Alarm/Harness Assembly	
104	0641405	3	Bolt 1/4in-20NC x 5/8in	
105	1320136	1	Clamp	
106	4711400	3	Flatwasher 1/4in Thin	

# SECTION 2 - TURNTABLE

## FIGURE 2-2. MAIN CONTROL VALVE ASSEMBLY



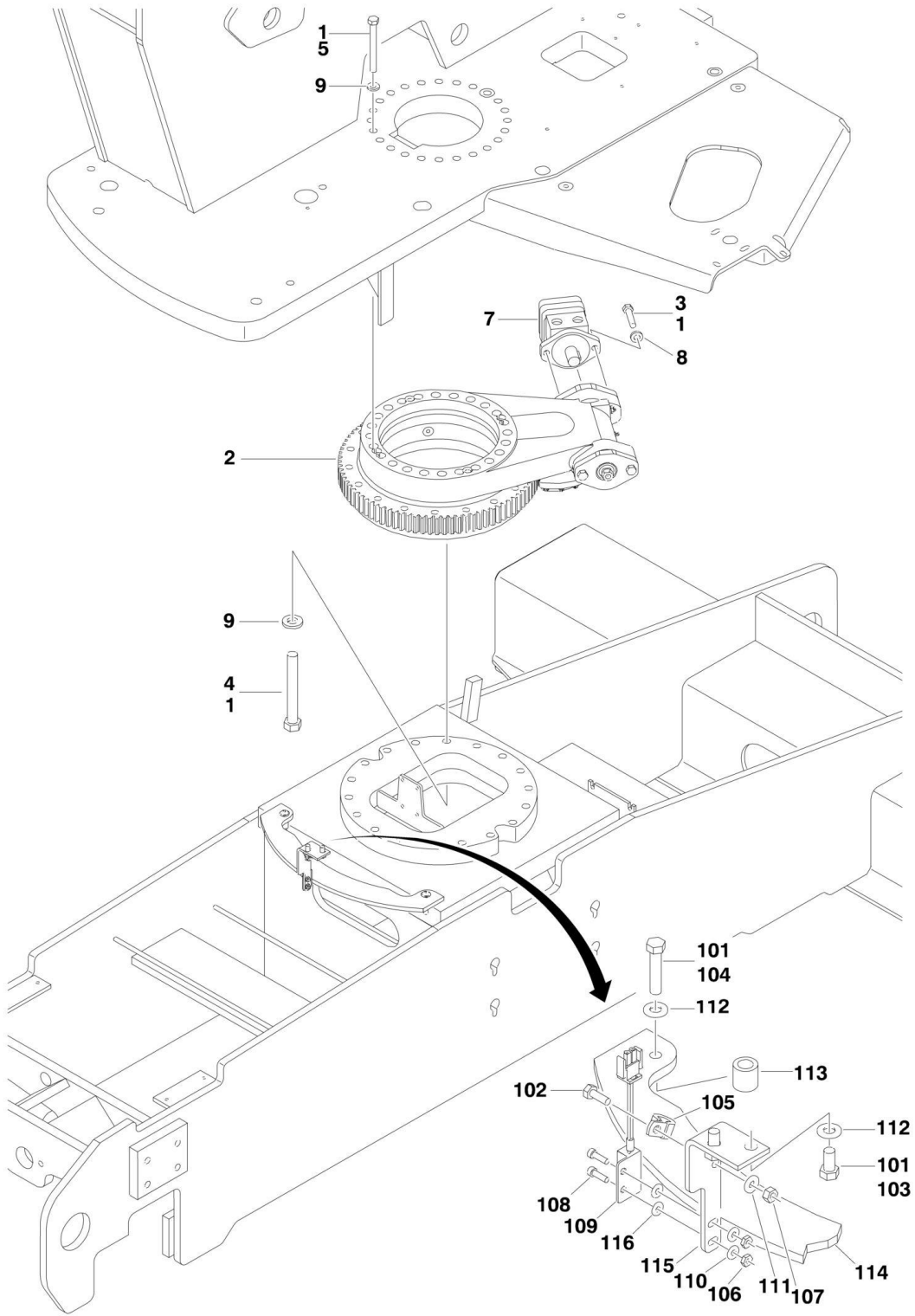
## SECTION 2 - TURNTABLE

### FIGURE 2-2. MAIN CONTROL VALVE ASSEMBLY

ITEM	PART NUMBER	QTY	DESCRIPTION	REV
	1001138771	Ref	<b>PROPORTIONAL VALVE ASSEMBLY</b>	C
1	7012975	1	Cartridge, Check	
1	7012540	1	Seal Kit - 7012975 Cartridge	
2	70003787	2	Cartridge	
2	7010543	2	Seal Kit - 70003787 Cartridge	
3	70002972	1	Cartridge, Flow Regulator	
3	7010543	1	Seal Kit - 70002972 Cartridge	
4	7017440	3	Cartridge, Load Shuttle	
4	7017441	3	Seal Kit - 7017440 Cartridge	
5	10837580	2	Cartridge, Load Shuttle	
5	7010543	2	Seal Kit - 10837580 Cartridge	
6	7021611	1	Cartridge (Proportional Dump)	
6	7012518	1	Seal Kit - 7021611 Cartridge	
7	7023971	1	Cartridge, Relief (Telescope)	
7	7012998	1	Seal Kit - 7023971 Cartridge	
8	7021613	1	Cartridge, Relief (Lower Lift)	
8	7012998	1	Seal Kit - 7021613 Cartridge	
9	7017422	1	Cartridge, Relief (Steer)	
9	7012998	1	Seal Kit - 7017422 Cartridge	
10	7017421	1	Cartridge, Relief (Upper Lift)	
10	7012998	1	Seal Kit - 7017421 Cartridge	
11	7017423	1	Cartridge, Relief (Swing)	
11	7012998	1	Seal Kit - 7017423 Cartridge	
12	7023922	1	Cartridge without Coil (Upper Lift)	
12	7017402	1	Seal Kit - 7023922 Cartridge	
13	7023914	1	Cartridge without Coil (Swing)	
13	7017402	1	Seal Kit - 7023914 Cartridge	
14	7017410	1	Cartridge without Coil (Proportional Dump)	
14	7012967	1	Seal Kit - 7017410 Cartridge	
15	7017433	1	Cartridge without Coil (Steer)	
15	7017402	1	Seal Kit - 7017433 Cartridge	
16	7017454	2	Cartridge without Coil (Lower Lift and Telescope)	
16	7012903	2	Seal Kit - 7017454 Cartridge	
17	70002386	7	Coil	
18	70003788	4	Coil	
19	70003789	1	Coil	
21	See Note	2	Orifice (Note: Not Available for Purchase)	
22	7017406	5	Plug	
23	7024844	1	Plug	
24	See Note	3	Plug (Note: Not Available for Purchase)	
25	See Note	2	Plug (Note: Not Available for Purchase)	

# SECTION 2 - TURNTABLE

## FIGURE 2-3. TURNTABLE AND SWING DRIVE INSTALLATIONS





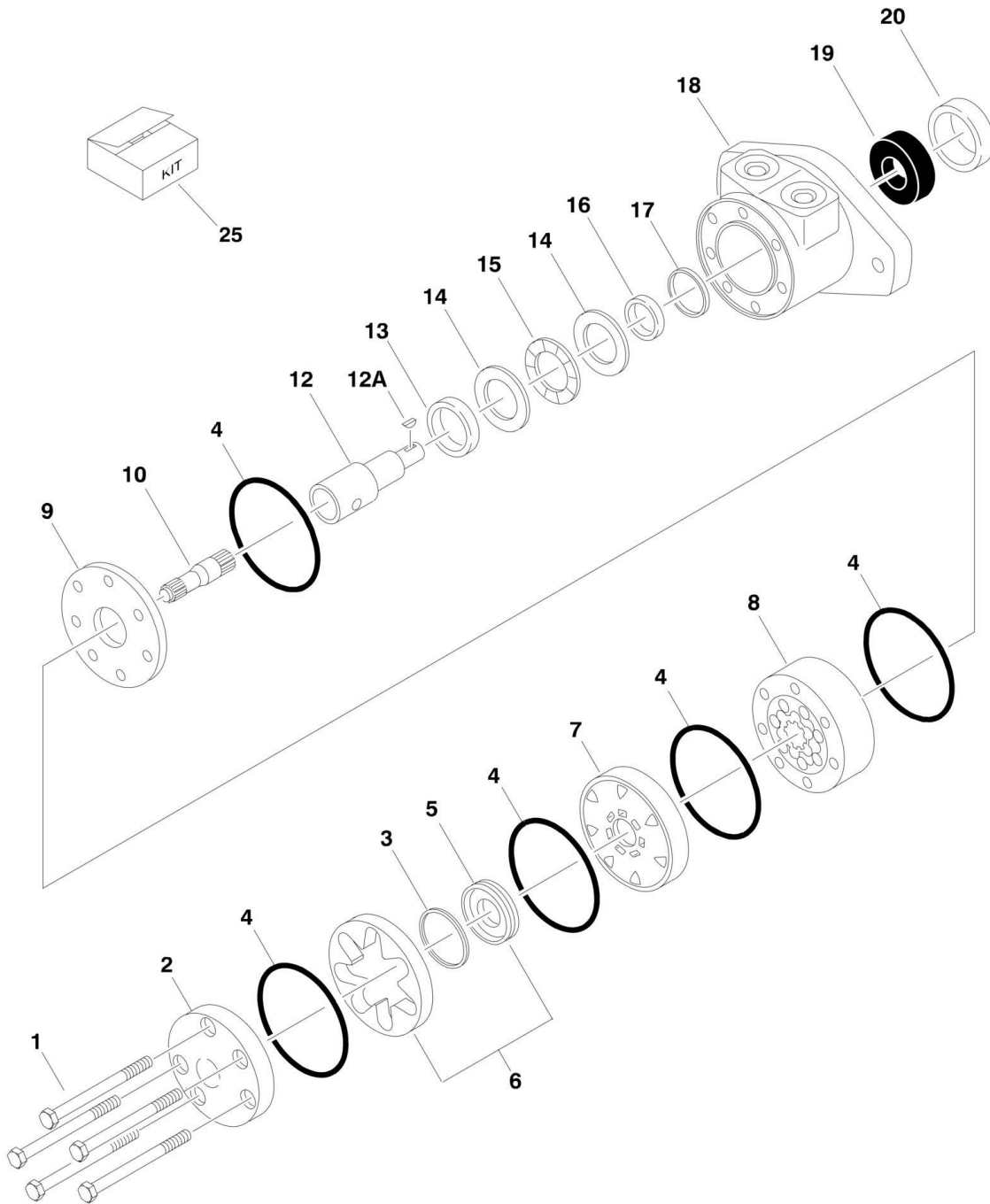
## SECTION 2 - TURNTABLE

### FIGURE 2-3. TURNTABLE AND SWING DRIVE INSTALLATIONS

ITEM	PART NUMBER	QTY	DESCRIPTION	REV
		Ref	<b>SWING DRIVE INSTALLATIONS</b>	
	0273358	Ref	<b>Perfection Gear Dohi Version</b>	D
	1001153365	Ref	<b>Perfection Gear Jing Wei Version</b>	B
1	0100019	AR	Compound, Locking	
2		Ref	Swing Bearing and Rotation Box Assembly Options (See SWING BEARING AND ROTATION BOX ASSEMBLY for Breakdown)	
2	0440272	NLA	Swing Bearing and Rotation Box Assembly (DOHI) (Use p/n 1001231278)	
2	1001153016	NLA	Swing Bearing and Rotation Box Assembly (JING WEI) (Use p/n 1001231278)	
3	3931832	2	Bolt 1/2in-13NC x 2in	
4	0682040	18	Bolt 5/8in-11NC x 5in (Grade 8)	
5	0682048	24	Bolt 5/8in-11NC x 6in (Grade 8)	
6	2160001	2	Fitting, Grease	
7	1001104850	1	Swing Motor Assembly (See SWING MOTOR ASSEMBLY for Breakdown)	
8	4740171	2	Flatwasher 1/2in Special	
9	4892000	42	Flatwasher 5/8in Hardened	
	1001102695	Ref	<b>DRIVE ORIENTATION INSTALLATION</b>	D
101	0100011	AR	Compound, Locking	
102	0641406	1	Bolt 1/4in-20NC x 3/4in	
103	0641606	2	Bolt 3/8in-16NC x 3/4in	
104	88261039	2	Screw 3/8in-16NC x 2in	
105	1320041	1	Clamp	
106	3311005	2	Locknut #10	
107	3311405	1	Locknut 1/4in-20NC	
108	3931010	2	Screw #10-24 x 5/8in	
109	4360517	1	Switch, Proximity	
110	4711000	2	Flatwasher #10 Regular	
111	4711400	1	Flatwasher 1/4in Thin	
112	4711600	4	Flatwasher 3/8in Thin	
113	1001145163	2	Spacer (was p/n 7116691 & 1001114757)	
114	1001102526	1	Cam	
115	1001102527	1	Bracket, Switch	
116	4740120	2	Flatwasher, Special	

# SECTION 2 - TURNTABLE

## FIGURE 2-4. SWING MOTOR ASSEMBLY



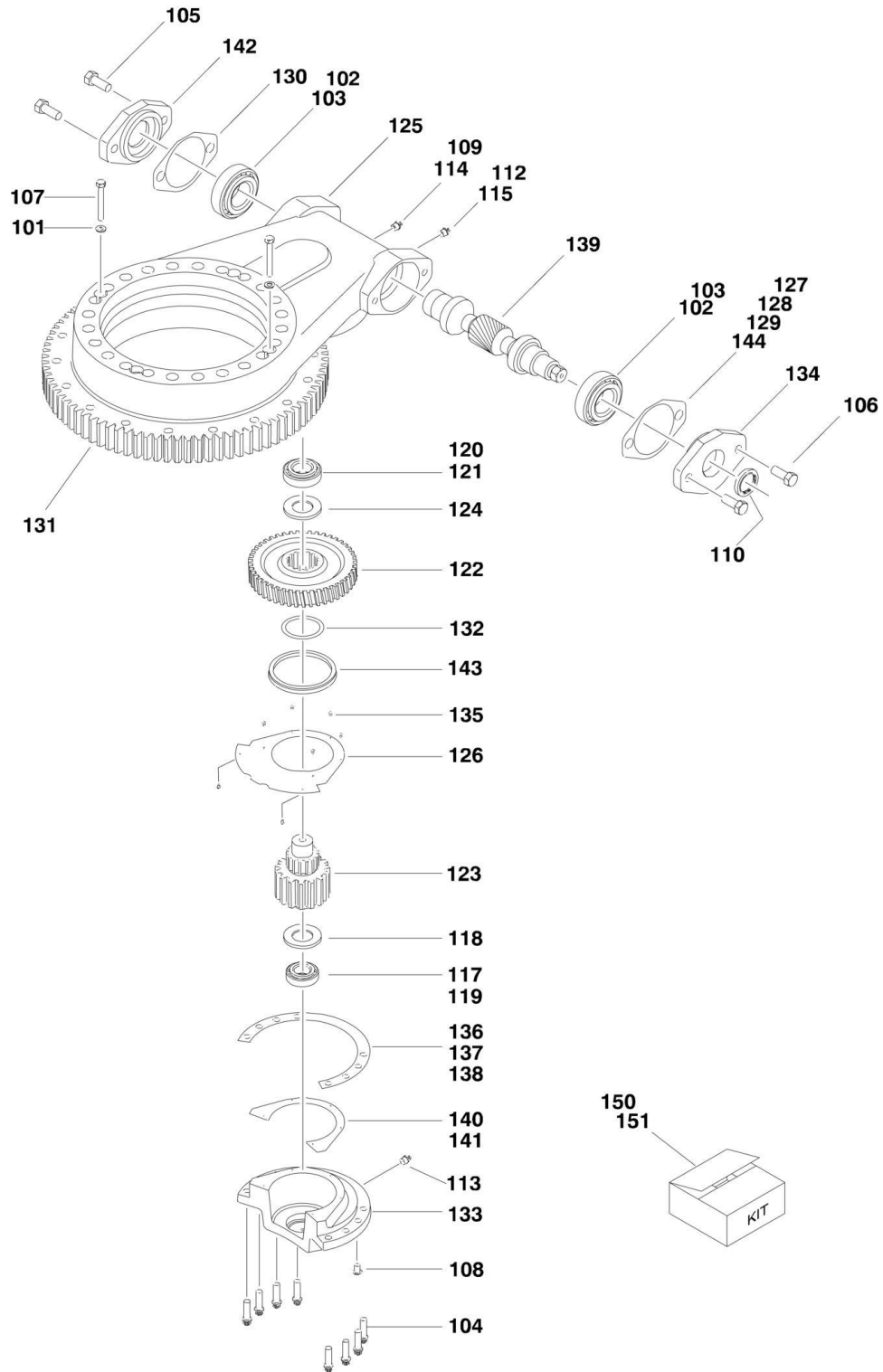
**SECTION 2 - TURNTABLE**

**FIGURE 2-4. SWING MOTOR ASSEMBLY**

ITEM	PART NUMBER	QTY	DESCRIPTION	REV
	1001104850	Ref	<b>SWING MOTOR ASSEMBLY</b>	A
1	See Note	5	Bolt (Note: Not available for purchase)	
2	7004035	1	Cover, End	
3	7023318	1	Seal, Commutator	
4	7004036	5	O-Ring	
5	7024453	1	Commutator	
6	7024453	1	Commutator and Ring Assembly (Includes Items 5)	
7	7024379	1	Manifold	
8	70002206	1	Rotor Set	
9	7024380	1	Plate, Wear	
10	70002207	1	Link, Drive	
12	70000088	1	Shaft, Coupling	
12A	70000089	1	Key	
13	7024381	1	Bushing, Inner	
14	7004043	1	Thrustwasher	
15	7004044	1	Bearing, Thrust	
16	7004049	1	Seal, Inner Shaft	
17	7004045	1	Ring, Backup	
18	See Note	1	Housing (Note: Not Available - Purchase Complete Motor)	
19	7024390	1	Bearing	
20	7004047	1	Seal, Outer Shaft	
25	7024389	1	Seal Kit (Includes Items 3, 4, 16, 17 & 20)	

# SECTION 2 - TURNTABLE

## FIGURE 2-5. SWING BEARING AND ROTATION BOX ASSEMBLY (ORIGINAL EQUIPMENT)



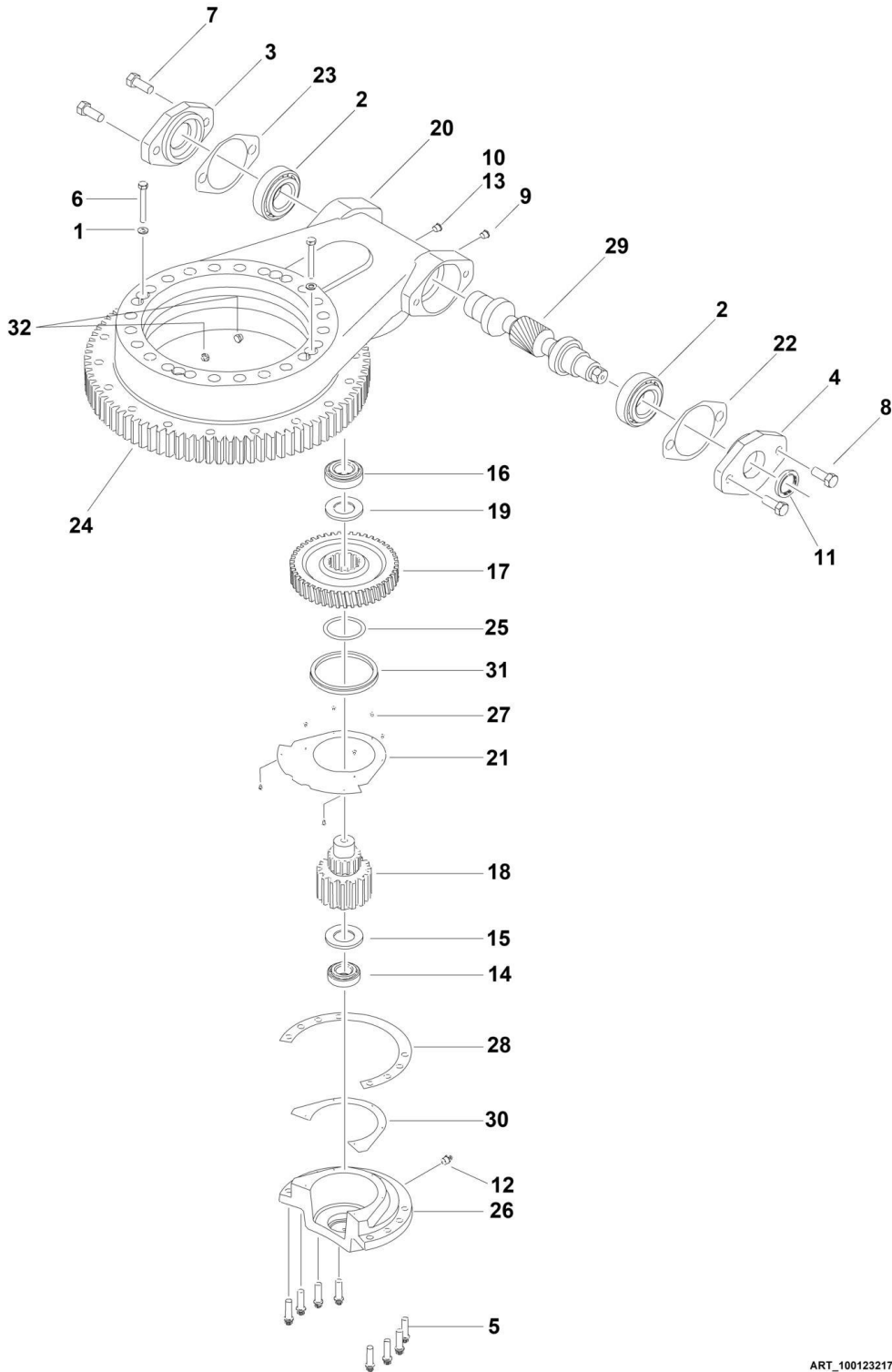
## SECTION 2 - TURNTABLE

**FIGURE 2-5. SWING BEARING AND ROTATION BOX ASSEMBLY (ORIGINAL EQUIPMENT)**

ITEM	PART NUMBER	QTY	DESCRIPTION	REV
		Ref	<b>SWING BEARING AND ROTATION BOX ASSEMBLIES</b>	
	0440272	Ref	<b>Perfection Gear Dohi Version</b>	E
	1001153016	Ref	<b>Perfection Gear Jing Wei Version</b>	B
101	4891500	2	Flatwasher 5/16in Hardened	
102	7026042	2	Cup, Bearing	
103	7026043	2	Cone, Bearing	
104	0681610	8	Bolt 3/8in-16NC x 1-1/4in (Grade 8)	
105	0641808	2	Bolt 1/2in-13NC x 1in	
106	0641810	2	Bolt 1/2in-13NC x 1-1/4in	
107	0641520	2	Bolt 5/16in-18NC x 2-1/2in	
108	See Note	1	Plug 1/8in (Note: Not Available - Purchase Locally)	
109	See Note	1	Plug (Note: Not Available - Purchase Locally)	
110	7026060	1	Seal, Oil	
112	See Note	2	Cap (Note: Not Available - Purchase Complete Assembly)	
113	See Note	1	Fitting, Grease (Note: Not Available - Purchase Locally)	
114	7026044	1	Bushing, Reducer	
115	7027358	1	Fitting, Grease	
117	7026045	1	Cup, Bearing	
118	7026046	1	Ring, Grease	
119	7026047	1	Cone, Bearing	
120	7026048	1	Cup, Bearing	
121	7026049	1	Cone, Bearing	
122	7026050	1	Worm-Gear	
123	7026051	1	Pinion, Output	
124	7026052	1	Spacer, Washer	
125	See Note	1	Housing (Note: Not Available - Purchase Complete Assembly)	
126	7026053	1	Cover, Gear	
127	7026059	AR	Shim, Brown (.010in)	
128	7026059	AR	Shim, Clear (.0075in)	
129	7026059	AR	Shim, Blue (.005in)	
130	7026059	AR	Shim, Yellow (.020in)	
131		Ref	Bearing, Turntable Options:	
131	70000042	1	DOHI Brand	
131	70004158	1	JING WEI Brand	
132	7026060	1	O-Ring	
133	7026055	1	Cap, Gear	
134	7027354	1	Cap, Worm	
135	70000681	8	Screw #6-32 x 3/8in	
136	7026059	AR	Shim, Natural (.0075)	
137	7026059	AR	Shim, Blue (.005)	
138	7026059	AR	Shim, Green (.003)	
139	7026057	1	Worm, Ground	
140	7026059	AR	Shim, Blue (.005)	
141	7026059	AR	Shim, Yellow (.020)	
142	7027356	1	Adapter, Motor	
143	7026060	1	Seal, Face	
144	7026059	AR	Shim, Green (.003)	
150	7026060	1	Seal Kit (Includes Items 110, 132 & 143)	
151	7026059	1	Shim Kit (Includes Items 127-130, 136-138, 140-141 & 144)	

# SECTION 2 - TURNTABLE

## FIGURE 2-6. SWING BEARING AND ROTATION BOX ASSEMBLY (SERVICE REPLACEMENT)



ART\_1001232177

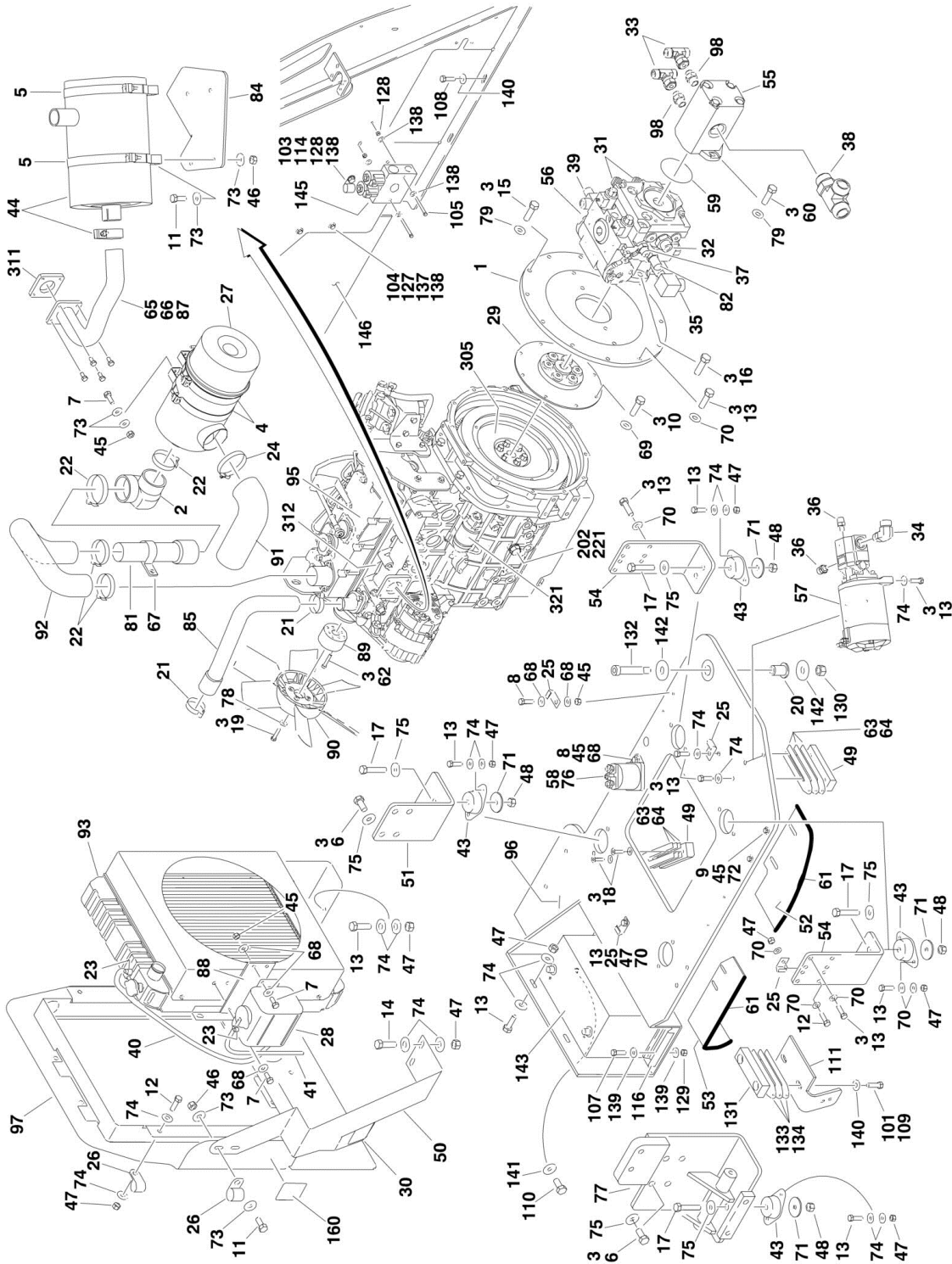
## SECTION 2 - TURNTABLE

**FIGURE 2-6. SWING BEARING AND ROTATION BOX ASSEMBLY (SERVICE REPLACEMENT)**

ITEM	PART NUMBER	QTY	DESCRIPTION	REV
	1001231277	Ref	SWING BEARING AND ROTATION BOX ASSEMBLY	B
1	7026041	2	Flatwasher 5/16	
2	7026042	2	Cup, Bearing	
2	7026043	2	Cone, Bearing	
3	7027356	1	Adapter, Motor	
4	7027354	1	Cap, Worm	
5	70006739	8	Bolt 3/8 x 1-1/4	
6	70003138	2	Bolt 5/16 x 2-1/2	
7	70002647	2	Bolt 1/2 x 1	
8	70002648	1	Bolt 1/2 x 1-1/4	
9	70000865	2	Plug	
10	70002649	1	Vent, Pressure	
11	7027360	1	Seal, Oil	
12	70002651	1	Fitting, Grease	
13	7026044	1	Bushing, Reducer	
14	7026045	1	Cup, Bearing	
14	7026047	1	Cone, Bearing	
15	7026046	1	Ring, Grease	
16	7026048	1	Cup, Bearing	
16	7026049	1	Cone, Bearing	
17	7026050	1	Worm-Gear	
18	7026051	1	Pinion, Output	
19	7026052	1	Spacer, Washer	
20	See Note	1	Housing (Note: Not Available - Purchase Complete Assy)	
21	7026053	1	Cover, Gear	
22	7027352	AR	Shim, Brown (.010)	
22	7027351	AR	Shim, Clear (.0075)	
22	7027350	AR	Shim, Blue (.005)	
23	70006740	1	Shim, Yellow(.020)	
24	70006741	1	Shim, Blue (.005)	
25	70004254	1	O-Ring	
26	7026055	1	Cap, Gear	
27	70000681	8	Screw #6 x 3/8	
28	70004259	AR	Shim, Natural (.0075)	
28	70004258	AR	Shim, Blue (.005)	
28	70004257	AR	Shim, Green (.003)	
29	7026057	1	Worm, Ground	
30	70004260	1	Shim, Blue (.005)	
30	70004261	1	Shim, Yellow (.020)	
31	70004262	1	Seal, Oil	
32	70006742	1	Plug	

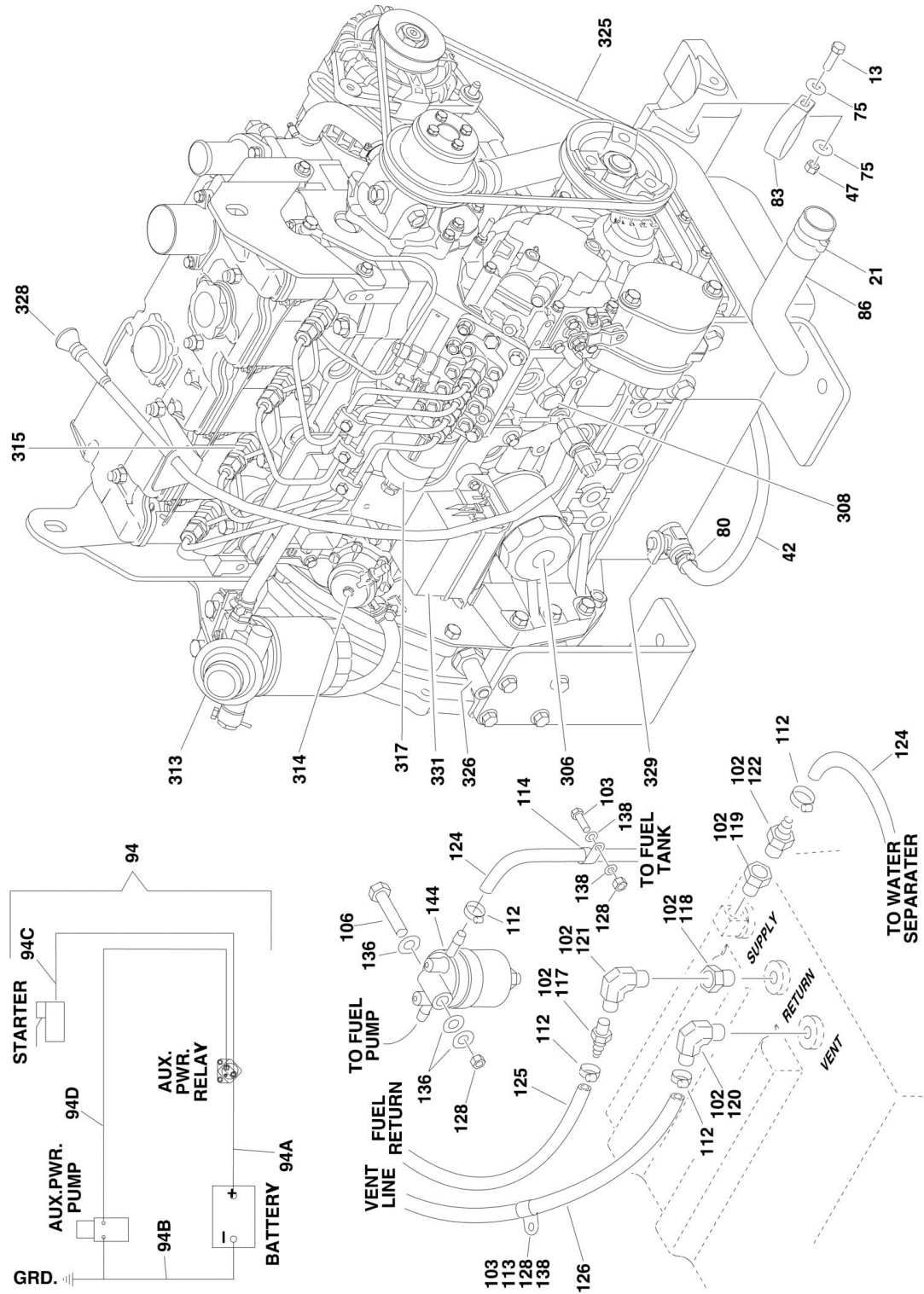
# SECTION 2 - TURNTABLE

## FIGURE 2-7. CATERPILLAR ENGINE INSTALLATION





# SECTION 2 - TURNTABLE



## SECTION 2 - TURNTABLE

FIGURE 2-7. CATERPILLAR ENGINE INSTALLATION

ITEM	PART NUMBER	QTY	DESCRIPTION	REV
	1001141999	Ref	<b>CATERPILLAR ENGINE ASSEMBLY</b>	A
1	0080181	1	Adaptor, Pump Mounting Plate	
2	0080201	1	Elbow, Rubber	
3	0100011	AR	Compound, Locking	
4	0340041	2	Band, Air Cleaner Mounting	
5	0340046	2	Band, Muffler Mounting	
6	0630569	9	Bolt M14 x 30mm	
7	0641406	8	Bolt 1/4in-20NC x 3/4in	
8	0641408	3	Bolt 1/4in-20NC x 1in	
9	0641410	2	Bolt 1/4in-20NC x 1-1/4in	
10	0641506	8	Bolt 5/16in-18NC x 3/4in	
11	0641507	6	Bolt 5/16in-18NC x 7/8in	
12	0641609	5	Bolt 3/8in-16NC x 1-1/8in	
13	0641610	39	Bolt 3/8in-16NC x 1-1/4in	
14	0641611	2	Bolt 3/8in-16NC x 1-3/8in	
15	0641614	2	Bolt 3/8in-16NC x 1-3/4in	
16	0641812	2	Bolt 1/2in-13NC x 1-1/2in	
17	0641820	4	Bolt 1/2in-13NC x 2-1/2in	
18	0741610	2	Screw, Countersunk 3/8in-16NC x 1-1/4in	
19	0760815	4	Bolt M8 x 35mm	
20	0962172	1	Bushing, Flanged	
21	1320012	4	Clamp	
22	1320016	4	Clamp	
23	1320022	3	Clamp	
24	1320058	1	Clamp	
25	1320223	5	Clamp	
26	1320318	2	P-Clamp	
27	1340060	1	Air Cleaner Assembly	
27	7012664	1	Element, Air Cleaner	
28	1580011	1	Container, Coolant Overflow	
29	1660255	1	Coupling, Pump	
30	1703162	2	Decal - Caution Fan	
31	2151212	2	Fitting, Elbow	
32	2220376	1	Fitting, Straight	
33	2220383	2	Fitting, Tee	
34	2220567	1	Fitting, Elbow	
35	2220578	1	Fitting, Elbow	
36	2220603	2	Fitting, Straight	
37	2220947	1	Fitting, Straight	
38	2221026	1	Fitting, Tee	
39	2221041	1	Fitting, Tee	
40	2720058	2.5 ft/0.8m	Hose	
41	2720271	1.25 ft/0.38m	Hose	
42	2720615	1.5 ft/0.46m	Hose	
43	3200378	4	Mount, Motor	
44		Ref	Muffler Options:	
44	3220113	1	Standard Spark Arresting Muffler	

## SECTION 2 - TURNTABLE

ITEM	PART NUMBER	QTY	DESCRIPTION	REV
44	70001017	1	Clamp	
44	1001107116	1	Optional Catalytic Muffler (Not Available on Arctic Machines)	
44	70002705	1	Clamp	
44	70002706	1	Plug, Brass	
45	3311405	11	Locknut 1/4in-20NC	
46	3311505	6	Locknut 5/16in-18NC	
47	3311605	22	Locknut 3/8in-16NC	
48	3311805	4	Locknut 1/2in-13NC	
49	3340399	2	Pad, Wear	
50	3573937	1	Plate, Radiator Support	
51	3577130	1	Plate, Engine Mounting (Front)	
52	3571032	1	Plate, Baffle	
53	3571033	1	Plate, Air	
54	3577135	2	Plate, Engine Mounting (Rear)	
55	3600318	1	Gear Pump Assembly (Note: Seal Kit is only serviceable part available)	
55	7023929	1	Seal Kit - 3600318 Pump	
56	3600385	1	Piston Pump Assembly (See PISTON PUMP ASSEMBLY for Breakdown)	
57	3600423	1	Auxiliary Pump Assembly (See AUXILIARY PUMP ASSEMBLY for Breakdown)	
58	3740067	1	Relay	
59	3790152	1	O-Ring	
60	3931620	2	Capscrew, Socket Head 3/8in-16NC x 1-1/4in	
61	3960438	28	Seal, Self Gripping	
		in/71cm		
62	4031711	4	Bolt M6 x 35mm	
63	4070497	4	Shim (11Ga)	
64	4070498	2	Shim (16Ga)	
65	4100025	1.6	Sleeve, Fiberglass	
		ft/0.49mm		
66	4568743	1	Pipe, Exhaust	
67	4569176	1	Tube, Air Intake	
68	4711400	12	Flatwasher, 1/4in Thin	
69	4711500	8	Flatwasher 5/16in Thin	
70	4711600	26	Flatwasher 3/8in Thin	
71	4740274	4	Washer, Snubbing	
72	4751400	12	Flatwasher 1/4in Regular	
73	4751500	12	Flatwasher 5/16in Regular	
74	4751600	42	Flatwasher 3/8in Regular	
75	4751800	13	Flatwasher 1/2in Regular	
76	4791400	2	Starwasher 1/4in	
77	4846821	1	Mount, Motor/Generator	
78	4891500	4	Flatwasher 5/16in Hardened	
79	4891600	2	Flatwasher 3/8in Hardened	
80	8405006	1	Clamp, Gear	
81	85941018	1	P-Clamp	
82	88662037	1	Fitting, Straight	
83	1001097588	1	Clip, Tube	
84	1001098525	1	Plate, Muffler Support	
85	1001100577	1	Hose, Radiator (Top)	
86	1001100818	1	Hose, Radiator (Bottom)	

## SECTION 2 - TURNTABLE

ITEM	PART NUMBER	QTY	DESCRIPTION	REV
87	1001100825	2	Tie-Strap	
88	1001100837	1	Bracket, Bottle	
89	1001101201	1	Spacer, Fan	
90	1001101408	1	Fan	
91	1001101681	1	Elbow, Rubber	
92	1001101950	1	Tube, Air Intake	
93	1001102706	1	Radiator	
93	7027412	1	Cap, Radiator	
93	70004091	1	Shroud, Radiator	
93	70023056	1	Petcock	
94	1001102860	1	Battery Cable Kit	A
94A	7027025	1	Cable - Battery to Auxiliary Relay	
94B	7027026	1	Cable - Battery and Auxiliary Pump to Ground	
94C	7027023	1	Cable - Auxiliary Relay to Starter	
94D	7027024	1	Cable - Auxiliary Relay to Auxiliary Pump	
95	1001106426	1	Caterpillar Engine Assembly	
96	1001106790	1	Tray, Engine	
97	1001106793	1	Support, Radiator	
98	1001141913	2	Valve, Check	
	1001141998	Ref	<b>CATERPILLAR ENGINE INSTALLATION</b>	A
101	0100011	AR	Compound, Locking	
102	0100020	AR	Sealant	
103	0641406	3	Bolt 1/4in-20NC x 3/4in	
104	0641408	5	Bolt 1/4in-20NC x 1in	
105	0641418	2	Bolt 1/4in-20NC x 2-1/4in	
106	0641420	1	Bolt 1/4in-20NC x 2-1/2in	
107	0641512	2	Bolt 5/16in-18NC x 1-1/2in	
108	0641608	3	Bolt 3/8in-16NC x 1in	
109	0641612	2	Bolt 3/8in-16NC x 1-1/2in	
110	0642010	1	Bolt 5/8in-11NC x 1-1/4in	
111	0902443	1	Bracket, Hood Latch Mount	
112	1320022	7	Clamp, Fuel Line	
113	1320223	AR	Clamp, J Clip 1/2in	
114	1320318	2	Clamp	
115	1701505	1	Decal, Diesel (Not Shown)	
116	1787217	1	Clamp, Battery Hold-Down	
117	2180536	1	Fitting, Barbed	
118	2220250	1	Fitting, Reducer	
119	2220273	1	Fitting, Reducer	
120	2220313	1	Fitting, Elbow Barbed	
121	2220459	1	Fitting, Elbow	
122	2220794	1	Fitting, Straight Barbed	
123	2300004	2.7 gal/ 10.2L	Coolant, Anti-Freeze (Not Shown)	
124	2720058	10 ft/3.0m	Hose	
125	2720271	8 ft/2.4m	Hose	
126	2750532	7 ft/2.1m	Hose	
127	3020016	2.5 gal/ 9.5L	Oil, Motor 15W-40 (Not Shown)	
128	3311405	11	Locknut 1/4in-20NC	
129	3311505	2	Locknut 5/16in-18NC	
130	3312005	1	Locknut 5/8in-11NC	

**SECTION 2 - TURNTABLE**

ITEM	PART NUMBER	QTY	DESCRIPTION	REV
131	3340399	1	Pad, Wear	
132	3900254	1	Screw, Shoulder	
133	4070497	2	Shim (11Ga)	
134	4070498	1	Shim (16Ga)	
136	4711400	3	Flatwasher 1/4in Thin	
137	4740362	5	Washer, Fender	
138	4751400	15	Flatwasher 1/4in Regular	
139	4751400	4	Flatwasher 5/16in Regular	
140	4751600	5	Flatwasher 3/8in Regular	
141	4752000	1	Flatwasher 5/8in Regular	
142	4752200	2	Flatwasher 3/4in Regular	
143	8008750	1	Battery	
144	1001100857	1	Separator, Fuel-Water	
144	70002377	1	Filter	
144	70002378	1	Seal, O-Ring	
145	1001139079	1	Valve Assembly	
145	7012974	2	Cartridge without Coil	
145	7010543	2	Seal Kit - 7012974 Cartridge	
145	70002386	2	Coil	
146	1001140674	1	Panel, Rubber	
160		Ref	Decal - Warning Explosion/Fire Options:	
160	1706098	1	ANSI Export, Australian and CE Specs	
160	1706059	1	Brazilian Spec	
160	1706060	1	Chinese Spec	
160	1706064	1	CSA Spec	
160	1706061	1	Korean Spec	
160	1706063	1	Spanish Language	
	1001106426	Ref	<b>CATERPILLAR ENGINE COMPONENTS</b>	C
301	7026848	1	Valve, Breather	
301	7026846	1	Gauze, Breather Valve	
302	7026847	4	Seal, Valve Cover Nut	
303	7026849	1	Gasket, Air Intake	
304	7026850	1	Seal, Valve Cover	
305	7026852	1	Flywheel with Starter Gear Set	
305	7026853	1	Gear, Rim	
305	7026851	1	Seal, Rear Main (Not Shown)	
306	70001403	1	Filter, Oil (was p/n 7026855)	
307	7026860	1	Cap, Oil Fill	
307	7026856	1	Seal, Oil Fill Cap	
308	7026858	1	Valve, Relief	
308	7026857	1	Seal	
309	7026864	1	Pump, Water	
309	7026863	1	Gasket, Water Pump (Fits Between Pump and Pump Rear Plate)	
309	7026865	1	Gasket, Water Pump (Fits Between Pump Rear Plate and Engine Block)	
310	7026867	1	Thermostat	
310	7026866	1	Gasket (Fits Between Regulator and Engine Block)	
310	7026868	1	Gasket (Fits Between Regulator and Hose Adapter)	
311	7026869	1	Gasket, Exhaust	
312	7026870	1	Gasket, Exhaust Manifold	
313	70003758	1	Filter Assembly	
313	70003791	1	Element, Fuel Filter (was p/n 7026871)	

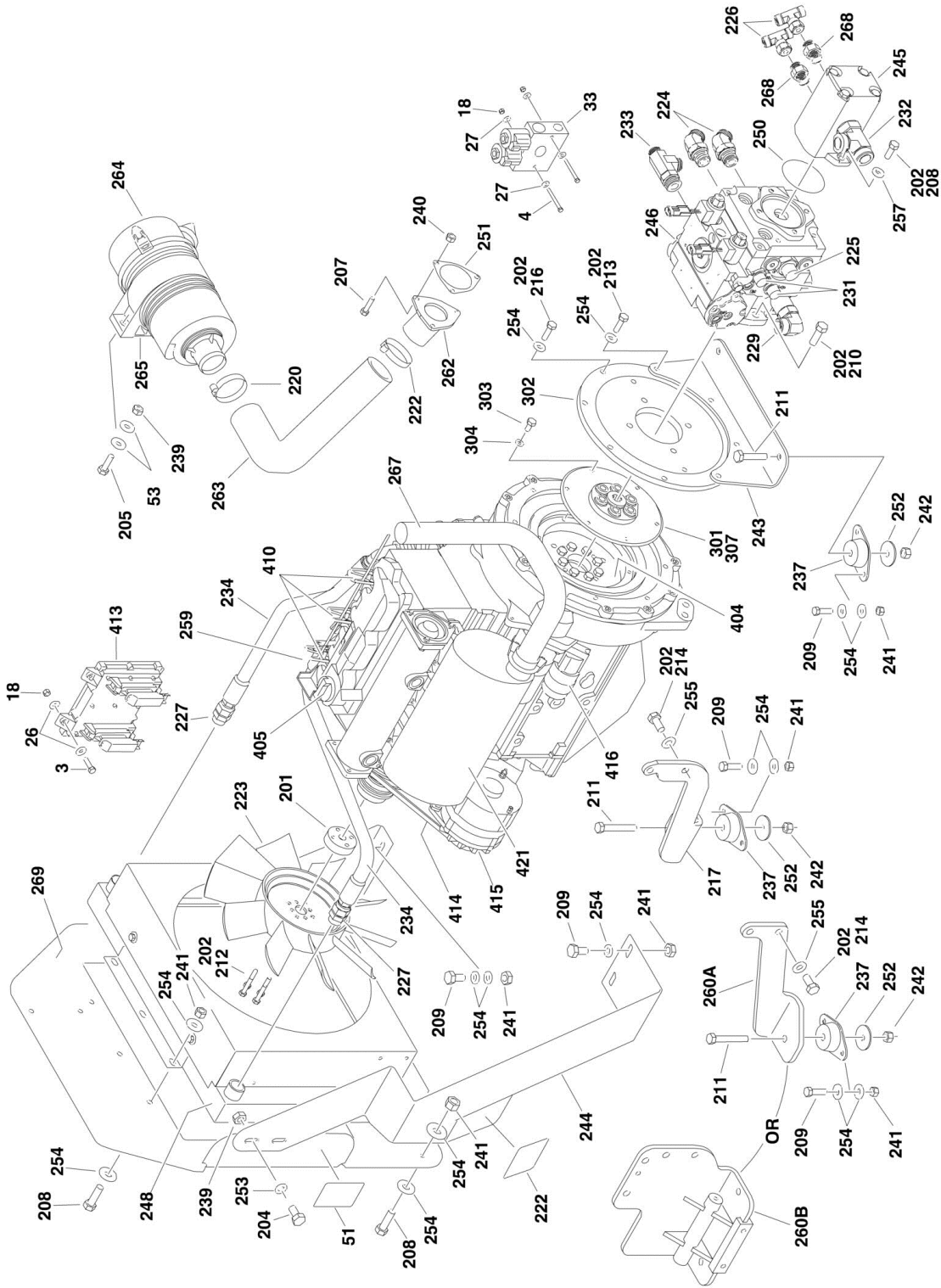
## SECTION 2 - TURNTABLE

ITEM	PART NUMBER	QTY	DESCRIPTION	REV
313	7026872	1	Gasket, Fuel Filter Element	
314	7026873	1	Pump, Fuel Transfer	
314	7026874	1	Seal	
315	7026875	4	Injector, Fuel	
317	70003541	1	Actuator	
318	70003768	1	Alternator	
319	7026878	4	Glowplug	
320	70003759	1	Switch, Oil Pressure	
320	70003760	1	Adapter, Oil Pressure Switch	
321	70003769	1	Starter	
322	7026854	1	Seal, Front Main (Not Shown)	
323	7026859	1	Gasket, Oil Pan (Not Shown)	
324	7026862	1	Gasket, Valve Bracket (Not Shown - Located Between Valve Bracket and Cylinder Head)	
325	70003761	1	Belt	
326	70003766	1	Sensor, Speed	
327	70003765	1	Sensor, Temperature (Not Shown)	
328	70003763	1	Dipstick	
328	70003764	1	Tube, Dipstick	
329	4641272	1	Valve, Oil Drain	
329	7026861	1	Seal, Oil Drain Valve	
330	70003767	1	Harness, Engine (Not Shown)	
331	70003770	1	ECM	



# SECTION 2 - TURNTABLE

## FIGURE 2-8. DEUTZ ENGINE INSTALLATION







## SECTION 2 - TURNTABLE

FIGURE 2-8. DEUTZ ENGINE INSTALLATION

ITEM	PART NUMBER	QTY	DESCRIPTION	REV
		Ref	<b>DEUTZ ENGINE INSTALLATIONS</b>	
	1001141527	Ref	<b>Deutz Engine Installations (SN E300001114 through E300001394)</b>	B
	1001157624	Ref	<b>Deutz Engine Installations (SN E300001395 to Present)</b>	A
1	0100011	AR	Compound, Locking	
2	0100020	AR	Sealant, Pipe	
3	0641410	4	Bolt 1/4in-20NC x 1-1/4in	
4	0641418	2	Bolt 1/4in-20NC x 2-1/4in	
5	0641512	2	Bolt 5/16in-18NC x 1-1/2in	
6	0641612	2	Bolt 3/8in-16NC x 1-1/2in	
6	0641614	2	Bolt 3/8in-16NC x 1-3/4in	
7	0642010	1	Bolt 5/8in-11NC x 1-1/4in	
8	0902443	1	Bracket, Hood Latch Mount	
9	1320022	5	Clamp, Fuel Line	
10	1701505	1	Decal, Diesel Fuel (Not Shown)	
11	1787217	1	Clamp, Battery Hold-Down	
12	2180348	1	Fitting, Barbed	
13	2200222	1	Plug, Pipe (Not Shown - Located on Bottom of Fuel Tank)	
14	2220313	1	Fitting, Elbow Barbed	
15	2221176	1	Fitting, Elbow	
16	2750058	15 ft/4.6m	Hose	
17	2750532	7 ft/2.2m	Hose	
18	3311405	6	Locknut 1/4in-20NC	
19	3311505	2	Locknut 5/16in-18NC	
20	3312005	1	Locknut 5/8in-11NC	
21	3340399	1	Pad, Wear	
22	3900254	1	Screw, Shoulder	
23	4070497	2	Shim (11 Gauge)	
24	4070498	1	Shim (16 Gauge)	
25	4240099	1	Wire, Tie (Not Shown - Located on Vent Line)	
26	4711400	8	Flatwasher 1/4in Thin	
27	4751400	4	Flatwasher 1/4in Regular	
28	4751500	4	Flatwasher 5/16in Regular	
29	4751600	2	Flatwasher 3/8in Regular	
30	4752000	1	Flatwasher 5/8in Regular	
31	4752200	2	Flatwasher 3/4in Regular	
32	8008750	1	Battery	
33	1001139079	1	Valve Assembly	
33	7012974	2	Cartridge without Coil	
33	7010543	2	Seal Kit - 7012974 Cartridge	
33	70002386	2	Coil	
34	0902444	1	Bracket <b>(SN E300001395 to Present)</b>	
51		Ref	Decal - Warning Explosion/Fire Options:	
51	1706098	1	ANSI Export, Australian and CE Specs	
51	1706059	1	Brazilian Spec	
51	1706060	1	Chinese Spec	
51	1706064	1	CSA Spec	
51	1706061	1	Korean Spec	
51	1706063	1	Spanish Language	
	1001141528	Ref	<b>ENGINE ASSEMBLY</b>	F

## SECTION 2 - TURNTABLE

ITEM	PART NUMBER	QTY	DESCRIPTION	REV
201	0080231	1	Adapter, Fan Spacer	
202	0100011	AR	Compound, Locking	
204	0641406	2	Bolt 1/4in-20NC x 3/4in	
205	0641409	2	Bolt, 1/4in-20NC x 1-1/8in	
206	0641410	6	Bolt, 1/4in-20NC x 1-1/4in	
207	0641510	3	Bolt, 5/16in-10NC x 1-1/4in	
208	0641608	11	Bolt 3/8in-16NC x 1in	
209	0641610	16	Bolt 3/8in-16NC x 1-1/4in	
210	0641812	2	Bolt 1/2in-13NC x 1-1/2in	
211	0641820	4	Bolt 1/2in-13NC x 2-1/2in	
212	0700816	4	Bolt M8 x 40mm	
213	0701014	4	Bolt M10 x 30mm	
214	0711414	4	Bolt M10 x 35mm	
215	0741610	2	Screw, Countersunk 3/8in-16NC x 1-1/4in	
216	0771012	4	Bolt M10 x 25mm	
217	0902740	1	Bracket, Engine Mounting (Left)	
218	0962172	1	Bushing, Flanged	
219	1060904	1	Cable, Jumper	
220	1320016	2	Clamp	
221	1320223	3	Clamp, J Clip	
222	1703162	2	Decal, Fan Blade	
223	2060025	1	Fan	
224	2151212	2	Fitting, Elbow	
225	2220376	1	Fitting, Straight	
226	2220383	2	Fitting, Tee	
227	2220451	2	Fitting, Straight	
228	2220567	1	Fitting, Elbow	
229	2220578	1	Fitting, Elbow	
230	2220603	2	Fitting, Straight	
231	2220947	2	Fitting, Straight	
232	2221026	2	Fitting, Tee	
233	2221041	1	Fitting, Tee	
234	2720467	2	Hose, Oil Cooler	
235	2902060	1	Battery Cable Kit	C
235A	7027041	1	Cable (Battery - to Ground) (was p/n 7016837)	
235B	7027050	1	Cable (Battery + to Relays)	
235C	7016820	1	Cable (Auxilliary Relay to Starter)	
235D	7016834	1	Cable (Auxilliary Relay to Auxilliary Pump)	
236	3020016	2.5 gal/9.46Li	Motor Oil (Not Shown)	
237	3200406	4	Mount, Rubber	
238	3311401	1	Nut 1/4in-20NC	
239	3311405	10	Locknut 1/4in-20NC	
240	3311505	3	Locknut 5/16in-18NC	
241	3311605	21	Locknut 3/8in-16NC	
242	3311805	4	Locknut 1/2in-13NC	
243		Ref	Bracket, Engine Mounting (Rear) Options:	
243	3570801	1	Bracket, Engine Mounting (Rear) (SN E300001114 through E300001394)	
243	0903063	1	Bracket, Engine Mounting (Rear) (SN E300001395 to Present)	
244	3573937	1	Support, Radiator	
245	3600318	1	Gear Pump Assembly (Note: Seal Kit is only serviceable part	

## SECTION 2 - TURNTABLE

ITEM	PART NUMBER	QTY	DESCRIPTION	REV
			available)	
245	7023929	1	Seal Kit - 3600318 Pump	
246	3600385	1	Piston Pump Assembly (See PISTON PUMP ASSEMBLY for Breakdown)	
247	3600423	1	Auxiliary Pump Assembly (See AUXILIARY PUMP ASSEMBLY for Breakdown)	
248	1001150998	1	Radiator	
249	3740067	3	Relay (Auxiliary Power)	
250	3790152	1	O-Ring	
251	3960407	1	Gasket, Air Intake	
252	4740274	4	Washer, Snubbing	
253	4751400	21	Flatwasher 1/4in Regular	
254	4751600	44	Flatwasher 3/8in Regular	
255	4812200	4	Flatwasher, M4	
256	4846683	1	Tray, Engine Mounting	
257	4891600	2	Flatwasher, 3/8in Hardened	
258	4923451	1	Harness, Glow Plugs	
259	1001144476	1	Engine, Deutz	
260		Ref	Bracket, Motor Mount Options:	
260A	1001138135	1	Bracket without Generator Mounting Capabilities	
260B	4846567	1	Bracket with Generator Mounting Capabilities	
261	1001138238	2	Pad, Wear	
262	1001139819	1	Adapter, Air Intake	
263	1001140334	1	Hose, Air Intake	
264	1001141693	1	Air Cleaner Assembly	
264	70003783	1	Element, Air Cleaner	
265	1001141694	1	Clamp, Air Cleaner	
267	1001141748	1	Pipe, Exhaust	
268	1001141913	2	Fitting, Check Valve	
269	1001142230	1	Plate, Radiator Mount	
	0256847	Ref	<b>PUMP COUPLING INSTALLATION</b>	2
301	1660234	1	Coupling, Hayes	
302	0080163	1	Plate, Pump Adapter	
303	0700810	63	Bolt M8 x 20mm	
304	4831900	6	Lockwasher M8	
307	3020021	AR	Grease, Coupling	
	1001144476	Ref	<b>ENGINE COMPONENTS</b>	C
401	7020026	1	Dipstick (Not Shown)	
401	70001002	1	Tube, Dipstick (Not Shown)	
402	70003475	1	Thermostat	
402	7020460	1	Spring, Compression	
403		Ref	Seal and Gasket Options (Not Shown)	
403	70002718	1	Seal, Rear Main Crankshaft	
403	7020430	1	Gasket, Valve Cover	
403		Ref	Gasket, Cylinder Head Options:	
403	70003479	1	Gasket (1 Notch)	
403	70003480	1	Gasket (2 Notches)	
403	70003481	1	Gasket (3 Notches)	
403	70001871	3	Gasket, Intake Manifold (Not Shown)	
403	7020471	3	Gasket, Exhaust (Not Shown)	
404	70000264	1	Flywheel	
404	7024579	1	Ring, Gear	

## SECTION 2 - TURNTABLE

ITEM	PART NUMBER	QTY	DESCRIPTION	REV
405	7020465	2	Cap, Filler	
406	70000800	1	Repair Kit for Timing Belt Tensioner (Not Shown)	
407	70001850	1	Pump, Oil Lube (Not Shown)	
407	7020468	1	Seal Between Oil Pump and Engine Block (Not Shown)	
408	7016331	1	Filter, Oil	
408	70003472	1	Bracket, Oil Filter	
408A	7027236	1	Sensor, Oil Temperature (Located in Rear Of Filter Mount)	
409		Ref	Pump, Injector Options:	
409	70000912	3	Series A Injector	
409	70000913	3	Series B Injector	
409	70000914	3	Series C Injector	
409	70000915	3	Series D Injector	
409	70003464	3	O-Ring, Injector Pump	
410	70003478	3	Injector, Fuel	
410	70003136	3	O-Ring, Injector Pump	
410	70000345	3	Plug, Glow	
411		Ref	Filter, Fuel Options:	
411	7020023	1	Standard	
411	70003463	1	RME Resistant (Note: Use with European Bio-Diesel Fuels)	
411	70001423	1	Bracket, Fuel Filter	
412	70000916	1	Pump Fuel Supply	
412	70001435	1	Repair Kit - Pump	
412	70000917	1	O-Seal Between Fuel Pump and Engine Block (Not Shown)	
412	70000918	1	Seal Between Fuel Pump and Hand Pump (Not Shown)	
412	70000919	1	Pump, Hand	
413	7027795	1	Module, EMR2	
413	7027796	1	Cable, Interconnection (Not Shown)	
413	70004059	1	Plug, Analyzer (Not Shown)	
413	70004060	1	Plug, Connector (Not Shown)	
413	70001872	1	Harness, Engine (Not Shown)	
414	70004102	1	V-Belt	
415	70004056	1	Alternator	
415	70001868	1	Regulator, Voltage (Not Shown)	
415	70001866	1	Gasket Set for Regulator	
415	70004103	1	Cable, Alternator Interconnection (Not Shown)	
416	70004057	1	Starter	
416	70004058	1	Relay, Starter	
416	70004062	1	Cable, Starter Interconnection (Not Shown)	
417	7024565	1	Tacho-Generator	
417	70003932	1	Sleeve, Spacer	
418	7027791	1	Sensor, Temperature	
419	7027790	1	Sensor, Oil Pressure	
420	7027792	1	Actuator, Throttle	
421		Ref	Muffler Options:	
421	7020455	1	Standard Non-Spark Arresting Muffler	
421	70001844	1	Clamp	
421	3220110	1	Optional Spark Arresting Muffler (Note: Discard exhaust pipe that comes with muffler and use item #267)	
421	1320176	1	Clamp	
421	3220112	1	Optional Catalytic Muffler (Note: Not Available on Arctic Machines) (Note: Discard exhaust pipe that comes with muffler and use item #267)	

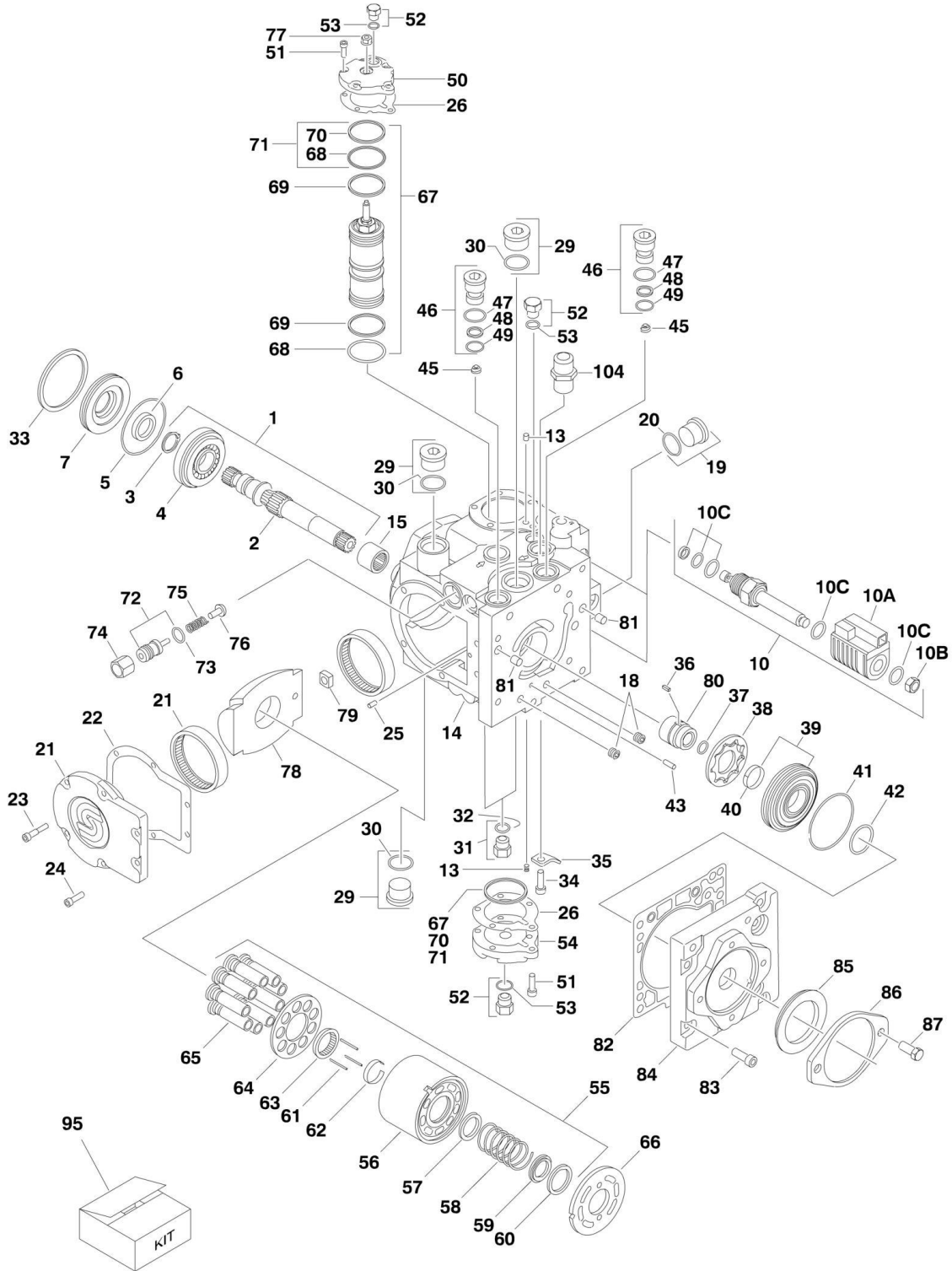
## SECTION 2 - TURNTABLE

ITEM	PART NUMBER	QTY	DESCRIPTION	REV
421	1320176	1	Clamp	



# SECTION 2 - TURNTABLE

## FIGURE 2-9. PISTON PUMP ASSEMBLY





## SECTION 2 - TURNTABLE

### FIGURE 2-9. PISTON PUMP ASSEMBLY

ITEM	PART NUMBER	QTY	DESCRIPTION	REV
	3600385	Ref	<b>PISTON PUMP ASSEMBLY</b>	A
1	7021240	1	Shaft Assembly (Includes Items 2-4)	
2	7021237	1	Shaft	
3	7021238	1	Ring, Retaining	
4	7021239	1	Bearing, Roller	
5	7021280	1	O-Ring	
6	7021242	1	Seal, Lip	
7	7021243	1	Carrier, Seal Shaft	
10	7024855	2	Solenoid Assembly	
10A	7024856	2	Coil (1 Per Assy)	
10B	7024857	2	Nut (1 Per Assy)	
10C	7024858	2	Seal Kit - 7024855 Cartridge (1 Per Assy)	
13	7022377	2	Orifice	
14	7022378	1	Housing Assembly (Includes Items 15-20)	
15	7021249	1	Bearing, Needle	
18	7001485	2	Plug	
19	7022380	1	Plug (Includes Item 20)	
20	7022381	1	O-Ring	
21	7021248	1	Side Cover Assembly (Includes Item 22)	
22	7021280	1	Gasket	
23	7021255	4	Screw	
24	7021251	2	Screw	
25	7021250	1	Pin	
26	7021280	2	Gasket	
29	7007419	2	Plug Assembly	
30	7021280	2	O-Ring	
31	7007470	2	Plug Assembly	
32	7021280	2	O-Ring	
33	7021257	1	Ring, Retaining	
34	7021251	1	Screw	
35	7022342	1	Bracket, Lifting	
36	7022342	1	Key	
37	7022341	1	Ring, Retaining	
38	7021258	1	Gerotor	
39	7021260	1	Gerotor Cover Assembly	
40	7021259	1	Bearing, Journal	
42	7021280	1	O-Ring	
43	See Note	1	Pin (Note: Not available for purchase)	
45	7024800	1	Spring	
46	7021265	2	Bypass Valve Assembly (Includes Items 47-49)	
47	7021280	2	O-Ring	
48	7021280	2	Ring, Back Up	
49	7021280	2	O-Ring	
50	7022382	1	Cover, Servo	
51	7021255	10	Screw	
52	7007470	1	Plug Assembly	
53	7021280	1	O-Ring	
54	7021268	1	Cover, Servo	
55	7021269	1	Cylinder Block Assembly (Includes Items 56-65)	
56	7021270	1	Cylinder Block	

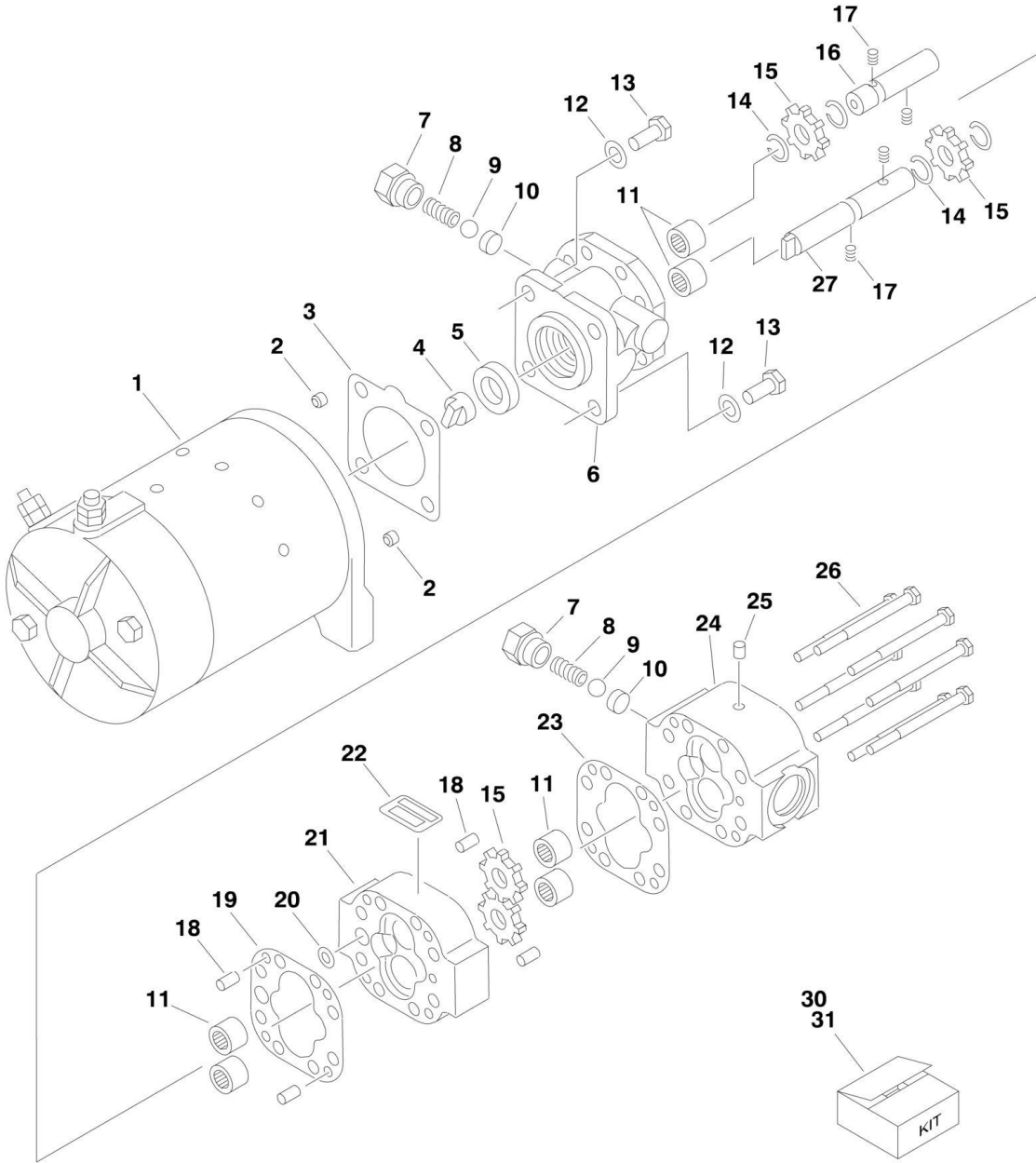
## SECTION 2 - TURNTABLE

ITEM	PART NUMBER	QTY	DESCRIPTION	REV
57	7021271	1	Washer	
58	7021272	1	Spring	
59	7021273	1	Washer	
60	7021274	1	Ring, Retaining	
61	7021275	3	Pin, Slipper Hold Down	
62	7021276	1	Retainer, Hold Down Pin	
63	7021277	1	Guide, Slipper Retainer	
64	7021278	1	Retainer, Slipper	
65	7021279	9	Piston Assembly	
66	7021281	1	Plate, Valve	
67	7022385	1	Servo Piston Assembly (Includes Items 68-70)	
68	7021280	2	O-Ring	
69	7021280	2	Ring, Bearing	
70	7021280	2	Ring, Piston	
71	7007412	1	Servo Piston Ring Kit (Includes Items 68 & 70 Only)	
72	7022346	1	Plug Assembly	
73	7021280	1	O-Ring	
74	7021290	1	Nut	
75	7022347	1	Spring	
76	7024804	1	Poppet	
77	7021280	1	Nut, Seal	
78	7022386	1	Swashplate	
79	7022387	1	Slider, Block	
80	7021294	1	Coupling	
81	7001481	2	Pin	
82	70002257	1	Gasket	
83	7021296	7	Screw	
84	7021297	1	Cover, Charge Pump	
85	7021298	1	Seal	
86	7021299	1	Plate, Cover	
87	7007289	2	Screw	
88	7007470	1	Plug (Not Shown)	
89	7021256	1	O-Ring (Not Shown)	
95	7021280		Seal Kit (Includes Items 5-6, 22, 26, 30, 32, 42, 47-49, 53, 68-70, 73, 77, 82 & 89)	



# SECTION 2 - TURNTABLE

## FIGURE 2-10. AUXILIARY PUMP ASSEMBLY



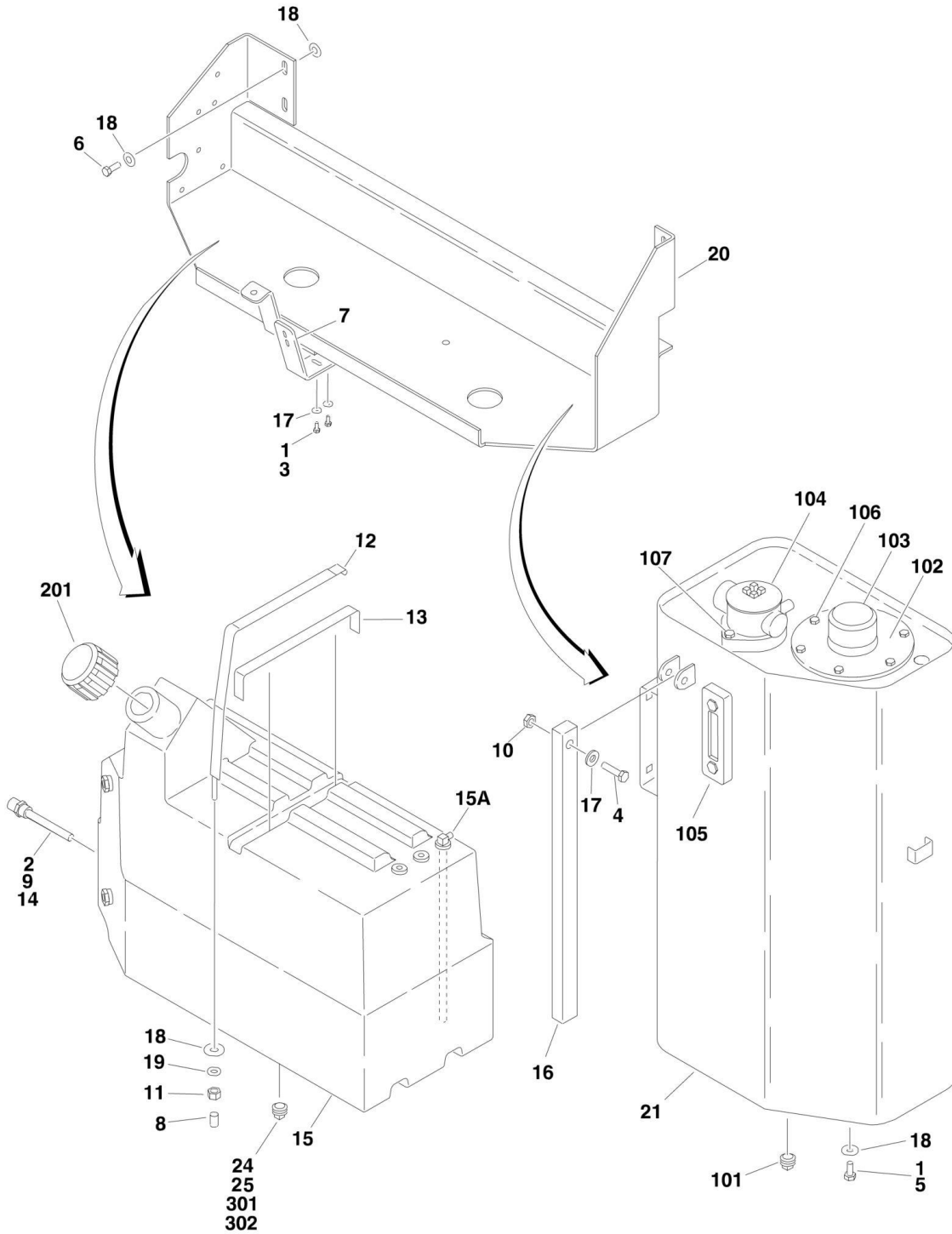
**SECTION 2 - TURNTABLE**

**FIGURE 2-10. AUXILIARY PUMP ASSEMBLY**

ITEM	PART NUMBER	QTY	DESCRIPTION	REV
	3600423	Ref	<b>AUXILIARY PUMP ASSEMBLY</b>	A
1	7011067	1	Motor and Adapter	
2	See Note	2	Setscrew (Note: Not Available - Purchase Locally)	
3	7011044	1	Gasket, Mounting	
4	7011016	1	Coupling	
5	70000969	1	Seal, Shaft	
6	70000978	1	Stator	
7	See Note	2	Cap Assembly (Note: Use Item 30 or 31.)	
8	70000978	2	Spring	
9	70000978	2	Ball	
10	70000978	2	Seat	
11	70000976	6	Bearing, Needle	
12	70000978	4	Washer	
13	70000978	4	Screw	
14	70000970	4	Ring, Retaining	
15	70000971	4	Gear	
16	70000972	1	Shaft, Idler	
17	70000978	4	Pin, Drive	
18	70000978	4	Pin, Dowel	
19	70000973	1	Gasket	
20	See Note	1	O-Ring (Note: Use Item 30 or 31.)	
21	70000978	1	Housing, Gear	
22	See Note	1	Label (Note: Not Available for Purchase)	
23	7000974	1	Gasket	
24	70000978	1	Housing, Gear	
25	70000978	1	Plug	
26	70000978	8	Screw	
27	70000975	1	Shaft, Drive	
30	70000977	1	Seal Kit (Includes Items 3, 5, 20 & Qty 2 O-Rings for Item 7)	
31	70000978	1	Replacement Pump Kit (Includes Items 3-21 & 23-27)	

# SECTION 2 - TURNTABLE

## FIGURE 2-11. TANK INSTALLATIONS



**SECTION 2 - TURNTABLE**

**FIGURE 2-11. TANK INSTALLATIONS**

ITEM	PART NUMBER	QTY	DESCRIPTION	REV
	1001144403	Ref	<b>TANK INSTALLATION</b>	D
1	0100011	AR	Compound, Locking	
2	1001182997	AR	Adhesive	
3	0641405	2	Bolt 1/4in-20NC x 5/8in	
4	0641416	1	Bolt 1/4in-20NC x 2in	
5	0641606	3	Bolt 3/8in-16NC x 3/4in	
6	0641608	4	Bolt 3/8in-16NC x 1in	
7	0902535	1	Bracket, Hood Latch	
8	1120532	1	Cap, Protective	
9	2820035	2 ft/.61m	Insulate, Tubing	
10	3311405	1	Locknut 1/4in-20NC	
11	3311601	1	Nut 3/8in-16NC	
12	4240145	1	Strap, Tank Mount	
13	4280295	2 ft/.61m	Strip, Bumper	
14	4360436	1	Switch, Fuel Level	
15	4400408	1	Tank, Fuel (Includes Standard Non-Locking Cap) <b>(SN E300001114 through E300002147)</b>	
15A	7020056	1	Fitting and Pick-up Tube (Supply Line)	
15	1001160569	1	Tank, Fuel (Includes Standard Non-Locking Cap) <b>(SN E300002148 to Present)</b>	
15a	70004786	1	Fitting and Pick-up Tube (Supply Line)	
16	4567627	1	Tube, Hood Prop	
17	4751400	4	Flatwasher 1/4in Regular	
18	4751600	10	Flatwasher 3/8in Regular	
19	4761600	4	Lockwasher 3/8in	
20	4846665	1	Tray Weldment	
21	1001141821	1	Hydraulic Tank Assembly (See Items 101-107 for Breakdown) (Use p/n 1001153619)	
24	0100020	AR	Sealant, Pipe	
25	2200222	1	Plug, Pipe	
		Ref	<b>HYDRAULIC TANK ASSEMBLY</b>	
	1001141821	Ref	<b>Original Equipment</b>	C
	1001153619	Ref	<b>Service Replacement</b>	C
		Ref	<b>Note: Original Equipment Tank may have been replaced with Service Replacement Tank p/n 1001153619. Identify p/n stamped on tank before ordering parts.</b>	
101	7024446	1	Plug, Magnetic	
102	7024439	1	Cover	
103	7024444	1	Cap	
103	7024445	1	Strainer	
103		Ref	Neck, Fill Options:	
	7024443	1	Neck, Fill (USA Built Machines)	
	70004862	1	Neck, Fill (Romanian Built Machines)	
103	7024440	1	Gasket (Cover to Tank)	
104	70001959	1	Filter, Return	
104	70001960	1	Element, Filter	
104	7023347	1	Gasket (Filter Flange to Tank)	
104	7023306		Seal (Filter Cap to Filter Housing)	
105		Ref	Gauge, Sight Options:	
105	70003865	1	1001141821 Tank	
105	7024441	1	1001153619 Tank	

## SECTION 2 - TURNTABLE

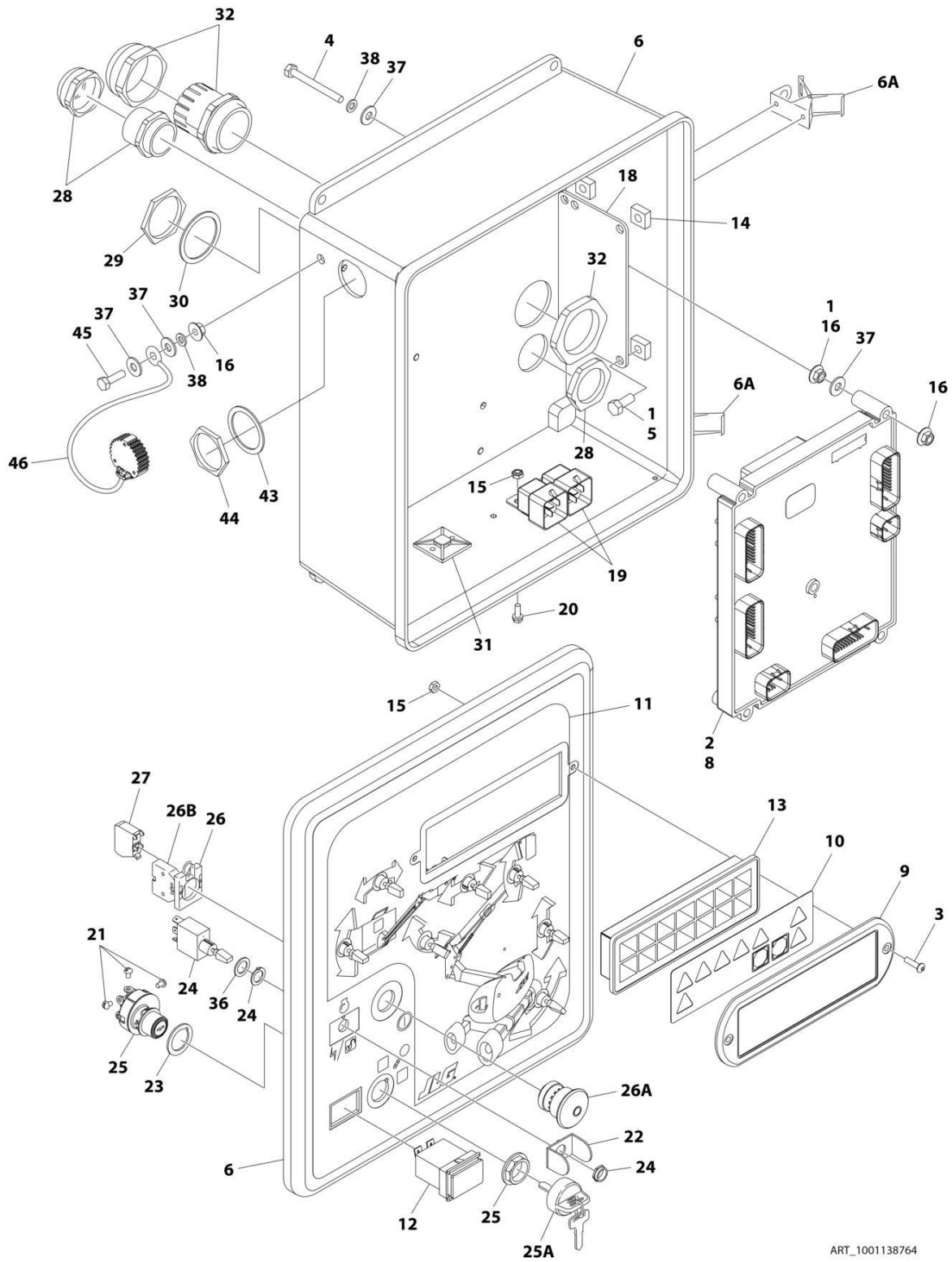
ITEM	PART NUMBER	QTY	DESCRIPTION	REV
106	83304174	6	Nut 1/4in-20NC	
106	83304173	6	Flatwasher 1/4in Regular	
106	83304172	6	Stud 1/4in-20NC	
107	83304170	2	Bolt 3/8in-16NC x 1-1/4in	
107	4751600	2	Flatwasher 3/8in Regular	
201		Ref	<b>FUEL CAP OPTIONS</b>	
201	7016314	Ref	Cap, Fuel (Standard)	
201	1120487	Ref	Cap, Fuel (Optional)	
		Ref	<b>ENGINE INSTALLATIONS</b>	
301	2200222	1	Plug	
302	0100020	AR	Sealant, Pipe	





# SECTION 2 - TURNTABLE

## FIGURE 2-12. GROUND CONTROL BOX ASSEMBLY (FIBERGLASS BOX)



ART\_1001138764

## SECTION 2 - TURNTABLE

**FIGURE 2-12. GROUND CONTROL BOX ASSEMBLY (FIBERGLASS BOX)**

ITEM	PART NUMBER	QTY	DESCRIPTION	REV
		Ref	<b>GROUND CONTROL BOX ASSEMBLIES (FIBERGLASS BOX)</b>	
	1001138764	Ref	<b>Deutz Engine Machines (ANSI Export and Australian Specs) (SN E300001114 through E300001997)</b>	C
	1001138676	Ref	<b>Deutz Engine Machines (CE Specs) (SN E300001114 through E300001997)</b>	C
	1001138761	Ref	<b>Caterpillar Engine Machines (CE Specs)</b>	B
		Ref	<b>Note: Caterpillar Engines not available on ANSI Export and Australian Specs.</b>	
1	0100011	AR	Compound, Locking	
2	0100048	AR	Grease, Dielectric	
3	0630518	2	Screw, Button Head	
4	0630548	5	Bolt	
5	0641506	4	Bolt 5/16in-18NC x 3/4in	
6	1001105784	1	Box, Fiberglass	
6A	7020246	2	Latch	
8	1001103667	1	Module, Control (Re-calibration Required When Replaced)	
9	1670829	1	Bezel	
10	1706712	1	Decal - Ground Control Display	
11	1001102598	1	Decal - Faceplate	
12	2420172	1	Gauge, Hourmeter	
13	2760105	1	Housing, Display Light	
14	3300205	4	Nut, Retainer	
15	3300408	4	Locknut, Plastic Insert	
16	77143013	11	Locknut 1/4in-20NC	
18	3539219	1	Plate, Reinforcement	
19	3740049	2	Relay - SPDT	
20	3900268	2	Screw #10-24NC x 1/2in	
21	3910804	6	Screw #8-32NC x 1/4in	
22	4060906	1	Shield, Toggle Switch	
23	4070987	1	Shim (.015in)	
23	1001151393	1	Shim, Nylon (.068in)	
24	4360328	8	Switch, Toggle	
25		Ref	Switch, Key Options:	
25	4360469	1	ANSI Export and Australian Specs	
25	4360470	1	CE Specs	
25A	2860030	1	Key	
26	4360475	1	Switch, Emergency Stop	
26A	7020175	1	Cap, Mushroom Head	
26B	7020176	1	Block, Contact	
27	4360476	1	Switch, Contact Block	
28	4460426	1	Connector, Strain Relief	
29	4460470	1	Nut, Terminal	
30	4460471	1	Locknut, Terminal	
31	4460488	10	Base, Terminal Mounting	
32	4460526	1	Connector, Strain Relief	
36	4740444	8	Washer, Special	
37	4751400	12	Flatwasher 1/4in Regular	
38	4761400	6	Lockwasher 1/4in	
39	1001138588	1	Valve Harness Assembly (Not Shown - See ELECTRICAL SECTION for Breakdown)	

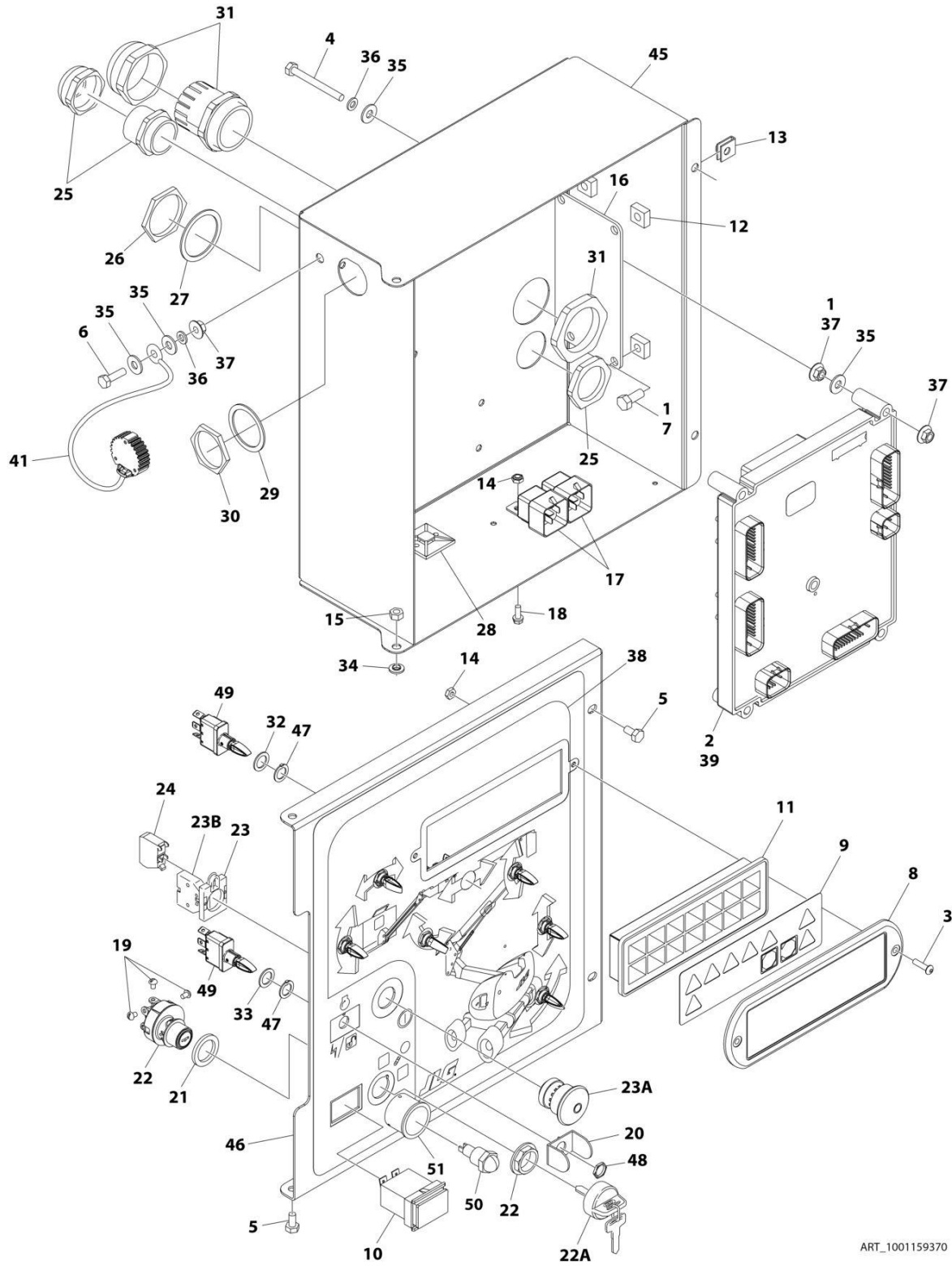
## SECTION 2 - TURNTABLE

ITEM	PART NUMBER	QTY	DESCRIPTION	REV
40		Ref	Engine Harness Assembly (Not Shown - See ELECTRICAL SECTION for Breakdown)	
40	1001139084	1	Caterpillar Engine Machines	
40	1001139085	1	Deutz Engine Machines	
41	1001105636	1	Ground Control Box Harness Assembly (Not Shown - See ELECTRICAL SECTION for Breakdown)	
43	4460496	1	Lockwasher	
44	4460497	1	Nut	
45	0641407	1	Bolt 1/4in-20NC x 7/8in	
46	1001106736	1	Cap, Dust	



# SECTION 2 - TURNTABLE

## FIGURE 2-13. GROUND CONTROL BOX ASSEMBLY (STEEL BOX)



ART\_1001159370

## SECTION 2 - TURNTABLE

**FIGURE 2-13. GROUND CONTROL BOX ASSEMBLY (STEEL BOX)**

ITEM	PART NUMBER	QTY	DESCRIPTION	REV
		Ref	<b>GROUND CONTROL BOX ASSEMBLIES</b>	
	1001159370	Ref	<b>Deutz Engine Machines (ANSI Export and Australian Specs) (SN E300001998 through E300002415)</b>	B
	1001188018	Ref	<b>Deutz Engine Machines (ANSI Export and Australian Specs) (SN E300002416 to Present)</b>	A
	1001159369	Ref	<b>Deutz Engine Machines (CE Specs) (SN E300001998 through E300002415)</b>	B
	1001188019	Ref	<b>Deutz Engine Machines (CE Specs) (SN E300002416 to Present)</b>	A
1	0100011	AR	Compound, Locking	
2	0100048	AR	Grease, Dielectric	
3	0630518	2	Screw, Button Head	
4	0630548	5	Bolt	
5	0641404	4	Bolt 1/4in-20NC x 1/2in	
6	0641407	1	Bolt 1/4in-20NC x 7/8in	
7	0641506	4	Bolt 5/16in-18NC x 3/4in	
8	1670829	1	Bezel	
9	1706712	1	Decal - Ground Control Display	
10	2420172	1	Gauge, Hourmeter <b>(SN E300001114 through E300002415)</b>	
10	1001109503	1	Gauge, Indicator <b>(SN E300002416 to Present)</b>	
11	2760105	1	Housing, Display Light	
12	3300205	4	Nut, Retainer	
13	3300353	2	Nut, Tinnerman	
14	3300408	4	Locknut, Plastic Insert	
15	3311405	2	Locknut, 1/4in-20NC	
16	3539219	1	Plate, Reinforcement	
17	3740049	2	Relay - SPDT	
18	3900268	2	Screw #10-24NC x 1/2in	
19	3910804	6	Screw #8-32NC x 1/4in	
20	4060906	1	Shield, Toggle Switch	
21	4070991	1	Shim (.125in)	
22		Ref	Switch, Key Options:	
22	4360469	1	ANSI Export and Australian Specs	
22	4360470	1	CE Specs	
22A	2860030	1	Key	
23	4360475	1	Switch, Emergency Stop	
23A	7020175	1	Cap, Mushroom Head	
23B	7020176	1	Block, Contact	
24	4360476	1	Switch, Contact Block	
25	4460426	1	Connector, Strain Relief	
26	4460470	1	Nut, Terminal	
27	4460471	1	Locknut, Terminal	
28	4460488	10	Base, Terminal Mounting	
29	4460496	1	Lockwasher	
30	4460497	1	Nut	
31	4460526	1	Connector, Strain Relief	
32	4740397	7	Spacer, Flatwasher	
33	4740444	1	Washer, Special	
34	4740518	2	Flatwasher, Nylon	
35	4751400	12	Flatwasher 1/4in Regular	

## SECTION 2 - TURNTABLE

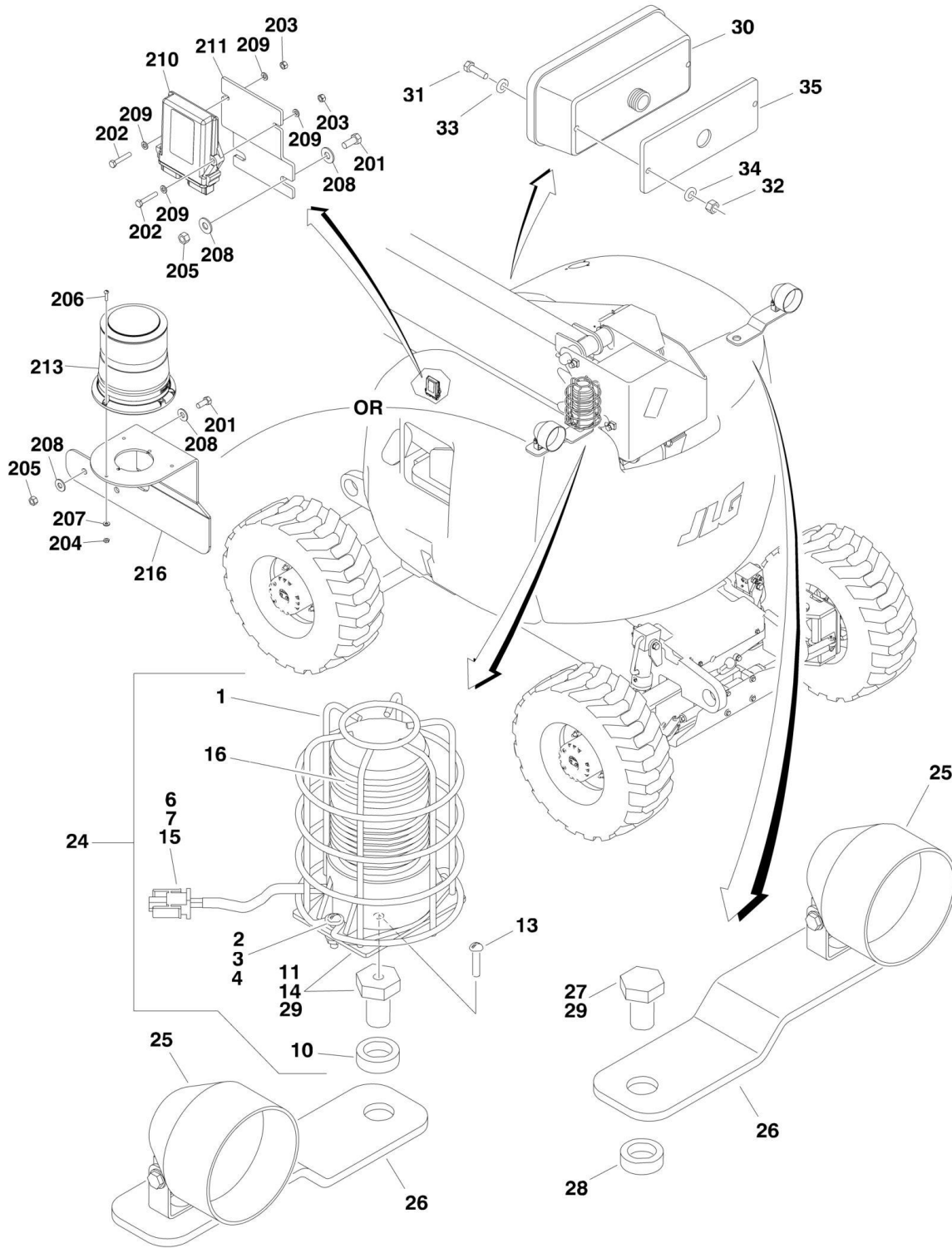
ITEM	PART NUMBER	QTY	DESCRIPTION	REV
36	4761400	6	Lockwasher 1/4in	
37	77143013	11	Locknut 1/4in-20NC	
38	1001102598	1	Decal - Faceplate <b>(SN E300001114 through E300002415)</b>	
38	1001180533	1	Decal - Faceplate <b>(SN E300002416 to Present)</b>	
39	1001103667	1	Module, Control (Re-calibration Required When Replaced)	
40	1001105636	1	Ground Control Box Harness Assembly (Not Shown - See ELECTRICAL SECTION for Breakdown)	
41	1001106736	1	Cap, Dust	
42	1001138588	1	Valve Harness Assembly (Not Shown - See ELECTRICAL SECTION for Breakdown)	
43	1001139085	1	Engine Harness Assembly (Not Shown - See ELECTRICAL SECTION for Breakdown)	
45	1001145194	1	MTB Base	
46	1001152173	1	MTB Lid <b>(SN E300001114 through E300002415)</b>	
46	1001188042	1	MTB Lid <b>(SN E300002416 to Present)</b>	
47	1001155043	8	Washer, Special	
48	1001155044	8	Nut, Special	
49	1001155045	8	Switch, Toggle	
50	4360387	1	Switch, Pushbutton <b>(SN E300002416 to Present)</b>	
51	1001176469	1	Shroud, Pushbutton Switch <b>(SN E300002416 to Present)</b>	





# SECTION 2 - TURNTABLE

## FIGURE 2-14. LIGHT INSTALLATIONS



**SECTION 2 - TURNTABLE**

**FIGURE 2-14. LIGHT INSTALLATIONS**

ITEM	PART NUMBER	QTY	DESCRIPTION	REV
	0271073	Ref	<b>STROBE LIGHT INSTALLATION (AMBER) (OPTIONAL)</b>	D
		Ref	<b>Note: If machine is equipped with BLUE Strobe Light, see SPECIAL OPTIONS SECTION SkyGuard Kit.</b>	
1	4060865	1	Guard	
2	3911014	2	Screw, Machine #10-24NC x 7/8in	
3	4751000	4	Flatwasher #10 Regular	
4	3311001	2	Nut #10-24NC	
5	2820035	12 ft/31cm	Loom (Not Shown)	
6	4460320	1	Plug, Terminal (SN E300001114 through E300001992)	
6	4460891	1	Plug, Male - 2 Position (SN E300001993 to Present)	
7	4460267	2	Pin, Male (SN E300001114 through E300001992)	
7	4460465	1	Socket, Female (SN E300001993 to Present)	
8	4240032	1	Tiestrap (Not Shown)	
9	4460234	1	Clamp (Not Shown)	
10	4220162	1	Spacer, Stop	
11	4846698	1	Mounting, Light	
13	0741606	1	Screw 3/8 x 3/4	
14	0100011	AR	Compound, Locking	
15	0100048	AR	Sealant, Silicone	
16	2920146	1	Strobe Light Assembly (Use p/n 0272529)	
16	7016319	1	Bulb, Replacement	
16	7016372	1	Lens	
24	0272529	1	Strobe Light Kit (Includes Items 1-7, 10, 11 & 16)	B
		Ref	<b>LIGHTS INSTALLATIONS (OPTIONAL)</b>	
	0271072	Ref	<b>Headlights and Taillights</b>	C
	1001108204	Ref	<b>Chassis Floodlights (Not Shown)</b>	A
25		Ref	Light Options:	
25	2920110	2	Headlight (Round Shape)	
25	7016628	2	Bulb, Light (1 Per Light)	
25	2920157	2	Floodlight (Rectangular Shape)	
26	0902206	2	Bracket, Mounting	
27	0642612	1	Bolt 1in-8NC x 1-1/2in	
28	4220162	2	Spacer	
29	0100011	AR	Compound, Locking	
30		Ref	Light Options:	
30	2920113	2	Taillight	
30	2920157	2	Floodlight (Rectangular Shape)	
31	3911040	4	Screw, Machine #10-24NC x 2-1/2in (0271072 Installation)	
32	3311005	4	Nut #10-24NC (0271072 Installation Only)	
33	4751000	4	Flatwasher #10 Regular (0271072 Installation Only)	
34		Ref	Washer Options:	
34	4740362	4	Headlights and Taillights	
34	4751800	4	Chassis Floodlights	
35	3960461	2	Gasket (0271072 Installation Only)	
37	4240032	12	Tie-Strap (Not Shown)	
38	4460234	12	Mount, Tie-Strap (Not Shown)	
39		Ref	Switch Options (Not Shown - Located on Console):	
39	4360336	1	Toggle Switch	
39	4360522	1	Pushbutton Switch	
40	3790012	AR	O-Ring (Not Shown - Located on Console)	

## SECTION 2 - TURNTABLE

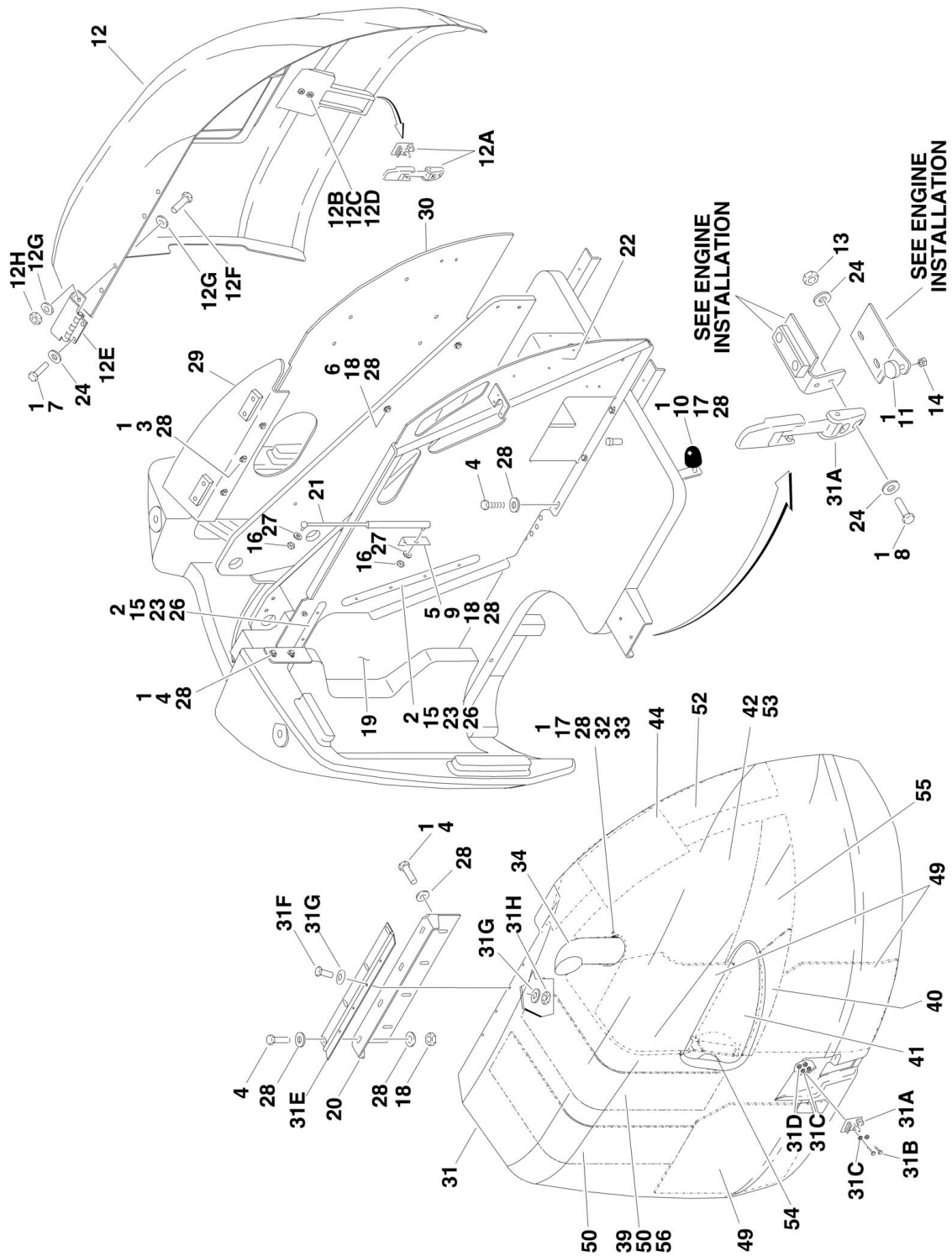
ITEM	PART NUMBER	QTY	DESCRIPTION	REV
41		Ref	Decal, Lights (Not Shown - Located on Console)	
	1001188650	Ref	<b>STROBE LIGHT INSTALLATIONS (BLUE) (WITH SKYGUARD) (SN E30002432 to Present)</b>	A
201	0641607	4	Bolt 3/8 x 7/8	
202	0700615	2	Bolt M6 x 35	
203	3290607	2	Nut M6	
204	3311005	3	Nut #10	
205	3311605	4	Nut 3/8	
206	3911012	3	Screw #10 x 3/4	
207	4711000	3	Washer #10	
208	4751600	8	Washer 3/8	
209	4811700	4	Washer M6	
210	1001142683	1	Controller, Beacon Module	
211	1001142722	1	Bracket	
212	1001142736	1	Harness, Beacon Control (Not Shown)	F
212A	1001112796	1	Connector - 9 Position	
212A	4460465	6	Socket, Female	
212A	4460466	3	Plug, Terminal	
212B	1001112612	1	Connector - 9 Position	
212B	4460464	6	Pin, Male	
212B	4460466	3	Plug, Terminal	
212C	1001116808	1	Plug, Male - 12 Position	
212C	4460928	3	Socket, Female	
212C	4460518	9	Plug, Terminal	
212D	1001116774	1	Plug, Male - 12 Position	
212D	4460928	3	Socket, Female	
212D	4460518	9	Plug, Terminal	
212E	4461095	1	Plug, Male - 3 Position	
212E	4460465	3	Socket, Female	
212E	4461070	1	Connector, Female with Resistor 3 Position	
212F	4460933	1	Plug, Male - 12 Position	
212F	4460465	12	Socket, Female	
212F	1001119020	1	Bussbar - 12 Position	
212G	4460891	1	Plug, Male - 2 Position	
212G	4460465	2	Socket, Female	
213	1001143431	NLA	Light, Beacon (Use p/n 1001210696 & 1001200910)	
213	4460897	1	Receptacle, Female - 2 Position	
213	4460943	2	Pin, Male	
214	1001150944	1	Harness, Beacon Control (Not Shown)	C
214A	1001116808	1	Plug, Male - 12 Position	
214A	1001126008	3	Socket, Female	
214A	4460518	9	Plug, Terminal	
214B	1001116774	1	Plug, Male - 12 Position	
214B	1001126008	2	Socket, Female	
214B	4460518	10	Plug, Terminal	
214C	1001113961	1	Plug, Male - 8 Position	
214C	4460871	5	Socket, Female	
214C	4460905	3	Plug, Terminal	
214D	4460536	1	Plug, Male - 3 Position	
214D	1001144147	1	Plug, Male - 3 Position	
214D	4460464	2	Pin, Male	
214D	4460466	1	Plug, Terminal	

**SECTION 2 - TURNTABLE**

<b>ITEM</b>	<b>PART NUMBER</b>	<b>QTY</b>	<b>DESCRIPTION</b>	<b>REV</b>
214D	1001116815	1	Connector, Female - 3 Position	
214E	4460891	1	Plug, Male - 2 Position	
214E	4460465	2	Socket, Female	
214F	4460871	1	Socket, Female	
216	1001192896	1	Bracket	

# SECTION 2 - TURNTABLE

## FIGURE 2-15. HOODS INSTALLATION



**SECTION 2 - TURNTABLE**

**FIGURE 2-15. HOODS INSTALLATION**

ITEM	PART NUMBER	QTY	DESCRIPTION	REV
		Ref	<b>HOODS INSTALLATION</b>	
	1001137918	Ref	<b>Caterpillar Engine Machines</b>	C
	1001137922	Ref	<b>Deutz Engine Machines</b>	C
1	0100011	AR	Compound, Locking	
2	0641408	4	Bolt 1/4in-20NC x 1-1/4in	
3	0641607	3	Bolt 3/8in-16NC x 7/8in	
4	0641608	13	Bolt 3/8in-16NC x 1in	
5	0641610	2	Bolt 3/8in-16NC x 1-1/4in	
6	0641614	4	Bolt 3/8in-16NC x 1-3/4in	
7	0721004	4	Bolt #10-24NC x 1/2in	
8	0721006	4	Bolt #10-24NC x 3/4in	
9	0902504	1	Angle, Mounting	
10	0940071	1	Bumper	
11	0940083	2	Bumper	
12	2680439	1	Hood Kit (Tank Side) (Includes Items 12A-12H)	N
12A	2940109	1	Latch	
12B	0721008	2	Screw, Machine #10-24NC x 1in	
12C	4750800	4	Flatwasher #8 Regular	
12D	3311005	2	Locknut #10-24NC	
12E	2600246	2	Hinge	
12F	0721006	4	Screw, Machine #10-24NC x 3/4in	
12G	4750800	8	Flatwasher #8 Regular	
12H	3311005	4	Locknut #10-24NC	
13	3311005	4	Locknut #10-24NC	
14	3311401	2	Nut 1/4in-20NC	
15	3311405	4	Locknut 1/4in-20NC	
16	3311505	2	Nut 5/16in - 18NC	
17	3311601	AR	Nut 3/8in-16NC	
18	3311605	10	Locknut 3/8in-16NC	
19		Ref	Panel, Rubber Options:	
19	See Note	1	Caterpillar Engine Machines (Note: See Engine Installation for call out)	
19		Ref	Deutz Engine Machines	
19	3380445	1	Panel, Rubber <b>(SN E300001114 through E300001394)</b>	
19	1001138444	1	Panel, Rubber <b>(SN E300001395 to Present)</b>	
20	3573024	1	Plate, Hinge Mounting	
21	4160170	1	Spring, Gas	
22		Ref	Hood Mounting Weldment Options:	
22	1001107157	1	Caterpillar Engine Machines	
22	4341388	1	Deutz Engine Machines	
23	4740362	4	Washer, Fender	
24	4750800	12	Flatwasher #8 Regular	
25	4751000	8	Flatwasher #10 Regular	
26	4751400	4	Flatwasher 1/4in Regular	
27	4751500	2	Flatwasher 5/16in Regular	
28	4751600	AR	Flatwasher 3/8in Regular	
29	4846037	1	Hood Mounting Weldment	
30	4846669	1	Hood Mounting Weldment (Use p/n 4846424)	
31		Ref	Hood Kit (Engine Side) Options (was p/n 2680438):	
31	1001145959	1	Caterpillar Engine Machines (Includes Items 31A-31H &	

## SECTION 2 - TURNTABLE

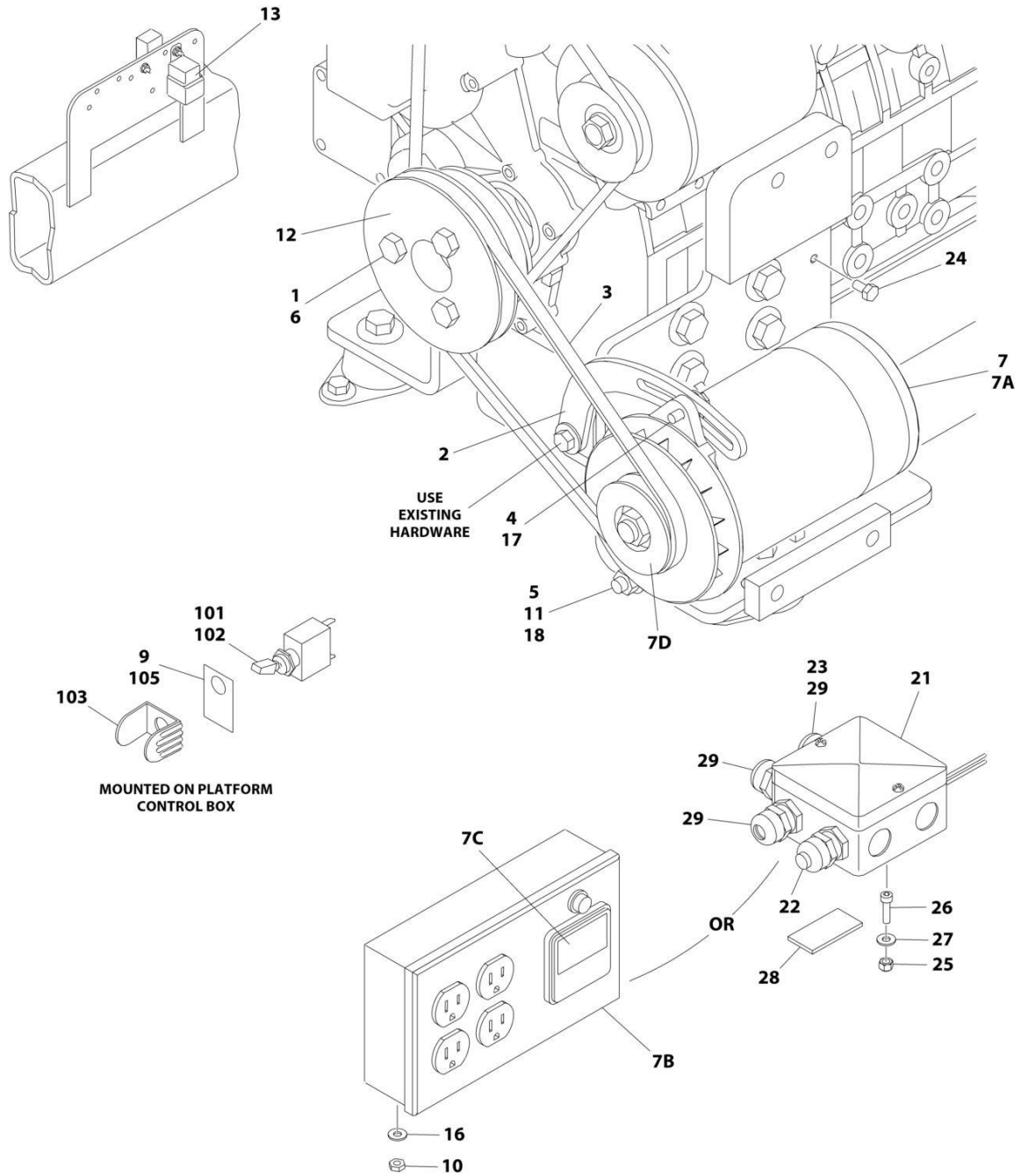
ITEM	PART NUMBER	QTY	DESCRIPTION	REV
31	1001146954	1	Current Heat Shields) (Note: Item 34 must be ordered separately) Deutz Engine Machines (Includes Items 31A-31H, 16, 32, 33, 34 & Current Heat Shields)	
		Ref	<b>Note: Replacement Decals Must be Ordered Separately - See DECAL SECTION.</b>	
31A	2940109	1	Latch	
31B	0721008	2	Screw, Machine #10-24NC x 1in	
31C	4751000	4	Flatwasher #10 Regular	
31D	3311005	2	Locknut #10-24NC	
31E	2600210	1	Hinge	
31F	3900232	4	Screw, Button Head 3/8in-16NC x 1-1/4in	
31G	4751600	8	Flatwasher 3/8in Regular	
31H	3311605	4	Locknut 3/8in-16NC	
32	3900232	3	Capscrew, Button Head 3/8in-16NC 1-1/4in	
33	4740500	3	Flatwasher, Special	
34	4845194	1	Exhaust Tube Weldment	
39	1001105272	AR	Insulation, Heat Shield (Caterpillar Engine Machines)	
40	1001105273	AR	Insulation, Heat Shield (Caterpillar Engine Machines)	
41	1001105275	AR	Insulation, Heat Shield (Caterpillar Engine Machines)	
42	1001105276	AR	Insulation, Heat Shield (Caterpillar Engine Machines)	
44	1001109495	AR	Insulation, Heat Shield (Caterpillar Engine Machines)	
49	2820099	3	Foam, Acoustical (Deutz Engine Machines Only)	
50	2820100	2	Foam, Acoustical (Deutz Engine Machines Only)	
51	1001153313	AR	Insulation, Heat Shield (Deutz Engine Machines)	
52	1001153314	AR	Insulation, Heat Shield (Deutz Engine Machines)	
53	1001153315	AR	Insulation, Heat Shield (Deutz Engine Machines)	
54	1001153316	AR	Insulation, Heat Shield (Deutz Engine Machines)	
55	1001153317	AR	Insulation, Heat Shield (Deutz Engine Machines)	
56	1001153318	AR	Insulation, Heat Shield (Deutz Engine Machines)	





# SECTION 2 - TURNTABLE

## FIGURE 2-16. 2500W GENERATOR INSTALLATION - CATERPILLAR MACHINES (OPTIONAL)



ART\_1001111285

## SECTION 2 - TURNTABLE

**FIGURE 2-16. 2500W GENERATOR INSTALLATION - CATERPILLAR MACHINES (OPTIONAL)**

ITEM	PART NUMBER	QTY	DESCRIPTION	REV
		Ref	<b>GENERATOR INSTALLATION</b>	
	1001111285	Ref	<b>110V/60Hz Generator (ANSI Export Specs)</b>	A
	1001100944	Ref	<b>110V/50Hz Generator (CE Specs Only)</b>	B
	1001100943	Ref	<b>220V/50Hz Generator (CE Specs Only)</b>	B
1	0100011	Ref	Compound, Locking	
2	0200742	1	Arm, Adjusting	
3		Ref	V-Belt Options:	
3	0480121	1	110V/60Hz	
3	0480120	1	110V/50Hz	
3	0480120	1	220V/50Hz	
4	0641508	1	Bolt 5/16 x 1	
5	0641772	1	Bolt 7/16 x 9	
6	0701217	3	Bolt M12 x 45	
7		Ref	Generator and Control Box Assembly Options:	
7	2460055	1	110V/60Hz	
7	2460049	1	110V/50Hz	
7	1001100321	1	220V/50Hz	
7A	7012558	1	Replacement Generator - 110V/60Hz	
7A	2460049	1	Replacement Generator - 110V/50Hz	
7A	1001100321	1	Replacement Generator - 220V/50Hz	
		Ref	<b>Note: All Replacement Generators come standard with P/N 3580134 Pulley. This Pulley may not be correct for all applications. Refer to Pulley options below.</b>	
7A	7026199	1	110V/60Hz Armature with Slip Rings	
7A	70000122	1	110V/50Hz Armature with Slip Rings	
7A	70000123	1	220V/50Hz Armature with Slip Rings	
7A	7020109	4	Holder, Brush	
7A	7020108	4	Brush	
7A	7012513	4	Cap, Brush Holder	
7A	7012514	1	Fan	
7A	7020190	2	Bearing	
7A	7020110	1	End Bell, Front	
7A	7020111	1	End Bell, Rear	
7A	7020193	1	Cord, Power	
7B	7019680	1	Replacement Control Box (Used with 2460055 Generator Only)	
7B	4360542	1	Circuit Breaker	
7B	4460190	1	Receptacle, Double (110V Box)	
7B	4460027	1	Receptacle, Double Twist Lock (110V Box)	
7B	3520028	1	Plug, Hole	
7C	2420203	1	Voltmeter (Used with 2460055 Generator Only)	
7D		Ref	Pulley Options:	
7D	3580276	1	110V/60Hz	
7D	3580134	1	110V/50Hz	
7D	3580134	1	220V/50Hz	
7D	7027887	1	Key, Woodruff	
8	2820031	AR	Heat Shrink (Not Shown)	
9	3251102	1	Nameplate	
10	3311005	2	Nut #10 (Used with 2460055 Generator Only)	
11	3311705	1	Nut 7/16	

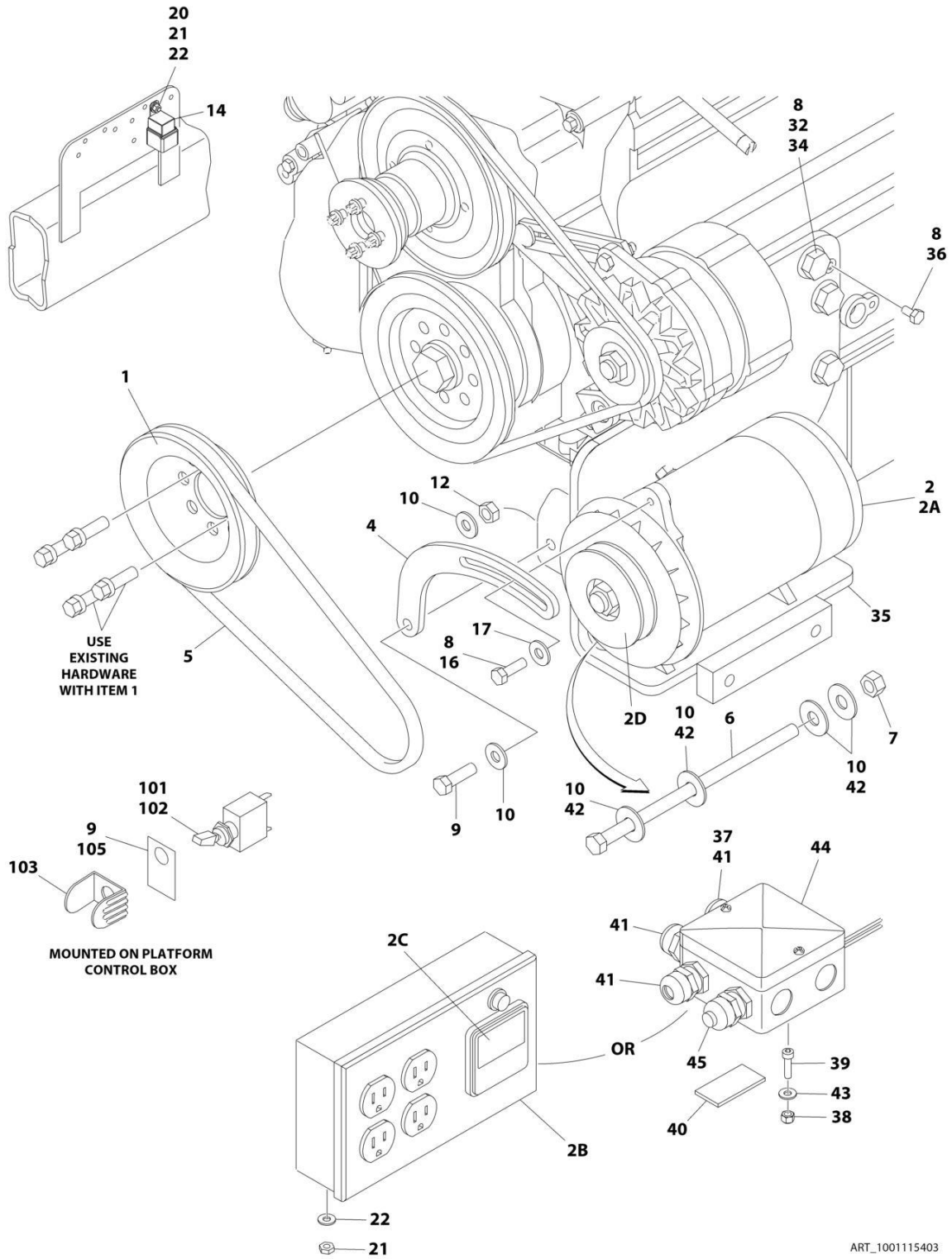
## SECTION 2 - TURNTABLE

ITEM	PART NUMBER	QTY	DESCRIPTION	REV
12	3580315	1	Pulley	
13	3740080	1	Relay	
16	4751000	8	Washer #10	
17	4751500	1	Washer 5/16	
18	4751700	AR	Washer 7/16	
20		Ref	Diagram, Wiring Options (Not Shown)	
20	1001112588	1	110V/60Hz Generator	
20	1001112743	1	110V/50Hz Generator	
20	1001112743	1	220V/50Hz Generator	
		Ref	<b>Note: Items 21-29 for CE Specs Only</b>	
21	1001099869	1	Box, Junction (CE Specs Only)	
22		Ref	Light, Red (CE Specs Only) Options:	
22	1001100233	1	125V	
22	1001100234	1	250V	
23	0962449	1	Bushing (CE Specs Only)	
24	0641404	1	Bolt 1/4 x 1/2 (CE Specs Only)	
25	3290505	1	Locknut M5 (CE Specs Only)	
26	4031608	1	Bolt M5 x 20mm	
27	4811600	1	Washer M5	
28	4420060	3 in/8cm	Tape, Double Sided Foam Acrylic	
29	4460968	3	Connector, Strain Relief	
		Ref	<b>PLATFORM COMPONENTS</b>	
	1001111285	Ref	<b>110V/60Hz Generator (ANSI Export Specs)</b>	A
	1001111815	Ref	<b>110V/50Hz Generator (CE Specs Only)</b>	A
	1001111814	Ref	<b>220V/50Hz Generator (CE Specs Only)</b>	A
101	4360336	1	Switch, Toggle	
102	4740397	1	Washer	
103	4060802	1	Guard, Switch	
104	2820031	1	Heat Shrink (Not Shown)	
105	3251102	1	Nameplate	



# SECTION 2 - TURNTABLE

## FIGURE 2-17. 2500W GENERATOR INSTALLATION - DEUTZ MACHINES (OPTIONAL)



ART\_1001115403

# SECTION 2 - TURNTABLE

**FIGURE 2-17. 2500W GENERATOR INSTALLATION - DEUTZ MACHINES (OPTIONAL)**

ITEM	PART NUMBER	QTY	DESCRIPTION	REV
		Ref	<b>GENERATOR INSTALLATION OPTIONS:</b>	
	1001115403	Ref	<b>110V/60Hz Generator (ANSI Export Specs)</b>	A
	1001100732	Ref	<b>110V/50Hz Generator (CE Specs Only)</b>	C
	1001100749	Ref	<b>220V/50Hz Generator (CE Specs Only)</b>	C
1	3580158	1	Pulley	
2		Ref	Generator and Control Box Assembly Options:	
2	2460055	1	110V/60Hz Generator	
2	2460049	1	110V/50Hz Generator	
2	1001100321	1	220V/50Hz Generator	
2A		Ref	Generator Options:	
2A	7012558	1	Generator - 110V/60Hz	
2A	2460049	1	Generator - 110V/50Hz	
2A	1001100321	1	Generator - 220V/50Hz	
		Ref	<b>Note: All Replacement Generators come standard with P/N 3580134 Pulley. This Pulley may not be correct for all applications. Refer to Pulley options below.</b>	
2A	7026199	1	110V/60Hz Armature with Slip Rings	
2A	70000122	1	110V/50Hz Armature with Slip Rings	
2A	70000123	1	220V/50Hz Armature with Slip Rings	
2A	7020109	4	Holder, Brush	
2A	7020108	4	Brush	
2A	7012513	4	Cap, Brush Holder	
2A	7012514	1	Fan	
2A	7020190	2	Bearing	
2A	7020110	1	End Bell, Front	
2A	7020111	1	End Bell, Rear	
2A	7020193	1	Cord, Power	
2B		Ref	Control Box Options:	
2B	7019680	1	110V	
2B	70000127	1	220V	
2B		Ref	Breaker, Circuit Options:	
2B	4360542	1	110V	
2B	70000126	1	220V	
2B	4460190	1	Receptacle, Double (110V Box)	
2B	4460027	1	Receptacle, Double Twist Lock (110V Box)	
2B	70000124	1	Receptacle, Double (220V Box)	
2B	70000125	1	Receptacle, Single Twist Lock (220V Box)	
2B	3520028	1	Plug, Hole	
2C		Ref	Voltmeter Options:	
2C	2420203	1	110V	
2C	7020192	1	220V	
2D		Ref	Pulley Options:	
2D	3580276	1	110V/60Hz	
2D	3580134	1	110V/50Hz	
2D	3580134	1	220V/50Hz	
2D	7027887	1	Key, Woodruff	
4	0200742	1	Arm, Adjusting	
5		Ref	V-Belt Options:	
5	0480122	1	110V/60Hz	
5	0480120	1	110V/50Hz	

## SECTION 2 - TURNTABLE

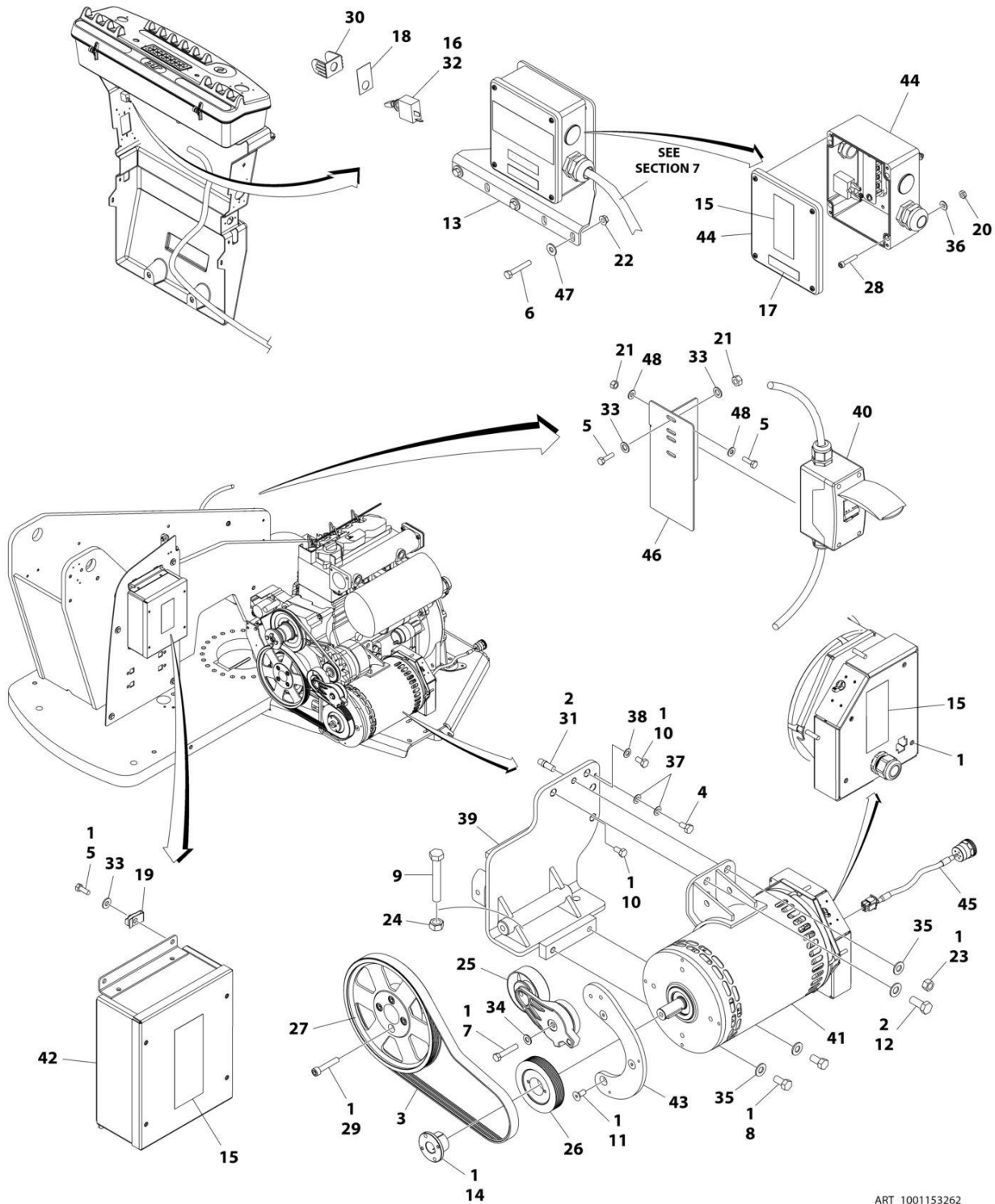
ITEM	PART NUMBER	QTY	DESCRIPTION	REV
5	0480120	1	220V/50Hz	
6	0641772	1	Bolt 7/16 x 9	
7	3311705	1	Nut 7/16	
8	0100011	AR	Compound, Locking	
9	0641610	1	Bolt 3/8 x 1-1/4	
10	4751600	AR	Washer 3/8	
12	3311605	1	Nut 3/8	
14	3740080	1	Relay	
16	0641508	1	Bolt 5/16 x 1	
17	4751500	1	Washer 5/16	
18		Ref	Diagram, Wiring Options (Not Shown)	
18	1001112588	1	110V/60Hz Generator	
18	1001112743	1	110V/50Hz Generator	
18	1001112743	1	220V/50Hz Generator	
20	0721006	1	Bolt #10 x 3/4	
21	3311005	3	Nut #10	
22	4751000	6	Washer #10	
31	0641820	1	Bolt 1/2 x 2-1/2 (Not Shown - Attaches Item 35 to Engine Tray)	
32	0711414	4	Bolt M14 x 30	
33	3311805	1	Locknut 1/2in (Not Shown - Attaches Item 35 to Engine Tray)	
34	4812200	2	Washer M14	
35	4846567	1	Bracket, Motor Mounting	
		Ref	<b>Note: Items 36-45 for CE Specs Only</b>	
36	0641404	1	Bolt 1/4 x 1/2	
37	0962449	1	Bushing	
38	3290505	1	Nut M5	
39	4031608	1	Bolt M5 x 20	
40	4420060	3 in/8cm	Tape, Double Sided Foam Acrylic	
41	4460968	3	Connector, Strain Relief	
42	4751700	4	Washer 7/16	
43	4811600	1	Washer M5	
44	1001099869	1	Box, Junction	
45		Ref	Light, Red Options:	
45	1001100233	1	125V	
45	1001100234	1	250V	
		Ref	<b>With UGM</b>	
	1001115403	Ref	<b>110V/60Hz Generator (ANSI Export Specs)</b>	A
	1001115411	Ref	<b>110V/50Hz Generator (CE Specs Only)</b>	A
	1001115412	Ref	<b>220V/50Hz Generator (CE Specs Only)</b>	A
101	4360336	1	Switch, Toggle	
102	4740397	1	Washer	
103	4060802	1	Guard, Switch	
104	2820031	AR	Heat Shrink (Not Shown)	
105	3251102	1	Nameplate	





# SECTION 2 - TURNTABLE

FIGURE 2-18. 4000W GENERATOR INSTALLATION - DEUTZ D2011 ENGINES (SN E300001114 through E300002603)



ART\_1001153262

## SECTION 2 - TURNTABLE

**FIGURE 2-18. 4000W GENERATOR INSTALLATION - DEUTZ D2011 ENGINES (SN E300001114 through E300002603)**

ITEM	PART NUMBER	QTY	DESCRIPTION	REV
	1001153262	Ref	4000W GENERATOR INSTALLATION	E
1	0100011	AR	Compound, Locking	
2	0100019	AR	Compound, Locking	
3	0480129	1	Belt	
4	0641404	1	Bolt 1/4 x 1/2	
5	0641407	8	Bolt 1/4 x 7/8	
6	0641516	AR	Bolt 5/16 x 2	
7	0641616	1	Bolt 3/8 x 2	
8	0641808	2	Bolt 1/2 x 1	
9	0641820	1	Bolt 1/2 x 2-1/2	
10	0711414	3	Bolt M14 x 30	
11	0741607	3	Screw 3/8 x 7/8	
12	0771415	1	Bolt M14 x 35	
13	0902888	1	Bracket <b>(SN E300001114 through E300002543)</b>	
14	0962520	1	Bushing, Split Taper	
15	1705489	AR	Decal - Hazardous Voltage	
16	2820031	AR	Heatshrink	
17	3251242	1	Decal - 240V-50Hz <b>(SN E300001114 through E300002543)</b>	
18	3251102	1	Nameplate - Generator	
19	3300454	4	Nut - Tinnerman 1/4	
20	3311005	AR	Nut #10	
21	3311405	4	Nut 1/4	
22	3311508	AR	Nut 5/16	
23	3311801	1	Nut 1/2	
24	3311805	1	Nut 1/2	
25	3580317	1	Tensioner, Belt	
26	3580319	1	Pulley	
27	3580320	1	Pulley	
28	3931016	AR	Capscrew #10 x 1	
29	4032015	4	Capscrew M10 x 55	
30	4060802	1	Guard, Switch	
31	4300157	1	Stud	
32	4360336	1	Switch, Toggle	
33	4711400	8	Washer 1/4	
34	4711600	1	Washer 3/8	
35	4711800	3	Washer 1/2	
36	4751000	AR	Washer #10	
37	4791400	2	Washer 1/4	
38	4812200	1	Washer M14	
39	4846567	1	Bracket, Motor Mount	
40	1001096070	1	Breaker Box Kit	
41	1001138565	1	Generator Assembly (50Hz)	
41	70003709	1	Ring, Retaining (External)	
41	70003708	1	Ring, Retaining (Internal)	
41	70001966	1	Bearing	
41	70004092	1	Endbell (Shaft End)	
41	70004171	1	Key	
41	70004676	1	Rotor	
41	70004677	1	Stator	

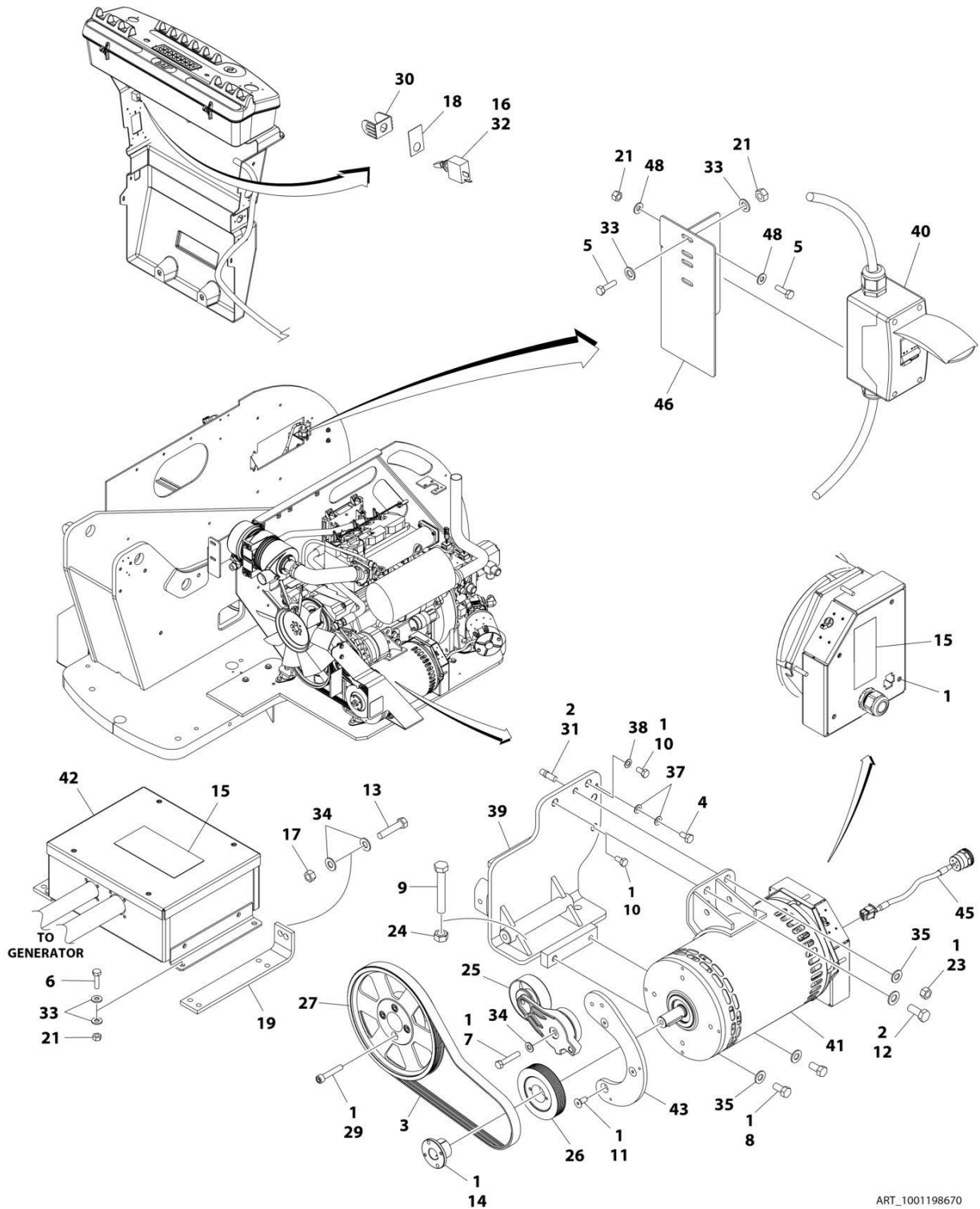
## SECTION 2 - TURNTABLE

ITEM	PART NUMBER	QTY	DESCRIPTION	REV
41	70004678	1	Endbell (Rear)	
41	70004679	1	Cover, Endbell (Rear)	
41	70004680	1	Enclosure, Wiring	
41	70004681	1	Cover, Enclosure	
41	70004682	1	Switch, Reset (Located on Enclosure Cover)	
41	70004683	1	Connector, Strain Relief (Located on Enclosure Cover)	
42	1001138566	1	Control Box Assembly	
42	70006552	1	Capacitor	
42	70006553	1	Relay	
43	1001139357	1	Mount, Tensioner	
44	1001152458	1	Junction Box Assembly (SN E300001114 through E300002543)	
45	1001152532	1	Generator Harness	
46	1001162445	1	Bracket	
47	4751500	AR	Washer 5/16	
48	4751400	4	Washer 1/4	



# SECTION 2 - TURNTABLE

FIGURE 2-19. 4000W GENERATOR INSTALLATION - DEUTZ D2011 ENGINES (SN E300002604 to Present)



## SECTION 2 - TURNTABLE

**FIGURE 2-19. 4000W GENERATOR INSTALLATION - DEUTZ D2011 ENGINES (SN E300002604 to Present)**

ITEM	PART NUMBER	QTY	DESCRIPTION	REV
	1001198670	Ref	4000W GENERATOR INSTALLATION	A
1	0100011	AR	Compound, Locking	
2	0100019	AR	Compound, Locking	
3	0480129	1	Belt	
4	0641404	1	Bolt 1/4 x 1/2	
5	0641407	4	Bolt 1/4 x 7/8	
6	0641408	4	Bolt 1/4 x 1	
7	0641616	1	Bolt 3/8 x 2	
8	0641808	2	Bolt 1/2 x 1	
9	0641820	1	Bolt 1/2 x 2-1/2	
10	0711414	3	Bolt M14 x 30	
11	0741607	3	Screw 3/8 x 7/8	
12	0771415	1	Bolt M14 x 35	
13	0641614	2	Bolt 3/8 x 1-3/4	
14	0962520	1	Bushing, Split Taper	
15	1705489	2	Decal - Hazardous Voltage	
16	2820031	AR	Heatshrink	
17	3311605	2	Nut 3/8	
18	3251102	1	Nameplate - Generator	
19	1001154944	2	Plate, Mounting	
21	3311405	8	Nut 1/4	
23	3311801	1	Nut 1/2	
24	3311805	1	Nut 1/2	
25	3580317	1	Tensioner, Belt	
26	3580319	1	Pulley	
27	3580320	1	Pulley	
29	4032015	4	Capscrew M10 x 55	
30	4060802	1	Guard, Switch	
31	4300157	1	Stud	
32	4360336	1	Switch, Toggle	
33	4711400	12	Washer 1/4	
34	4711600	5	Washer 3/8	
35	4711800	3	Washer 1/2	
37	4791400	2	Washer 1/4	
38	4812200	1	Washer M14	
39	4846567	1	Bracket, Motor Mount	
40	1001096070	1	Breaker Box Kit	
41	1001138565	1	Generator Assembly (50Hz)	
41	70003709	1	Ring, Retaining (External)	
41	70003708	1	Ring, Retaining (Internal)	
41	70001966	1	Bearing	
41	70004092	1	Endbell (Shaft End)	
41	70004171	1	Key	
41	70004676	1	Rotor	
41	70004677	1	Stator	
41	70004678	1	Endbell (Rear)	
41	70004679	1	Cover, Endbell (Rear)	
41	70004680	1	Enclosure, Wiring	
41	70004681	1	Cover, Enclosure	

## SECTION 2 - TURNTABLE

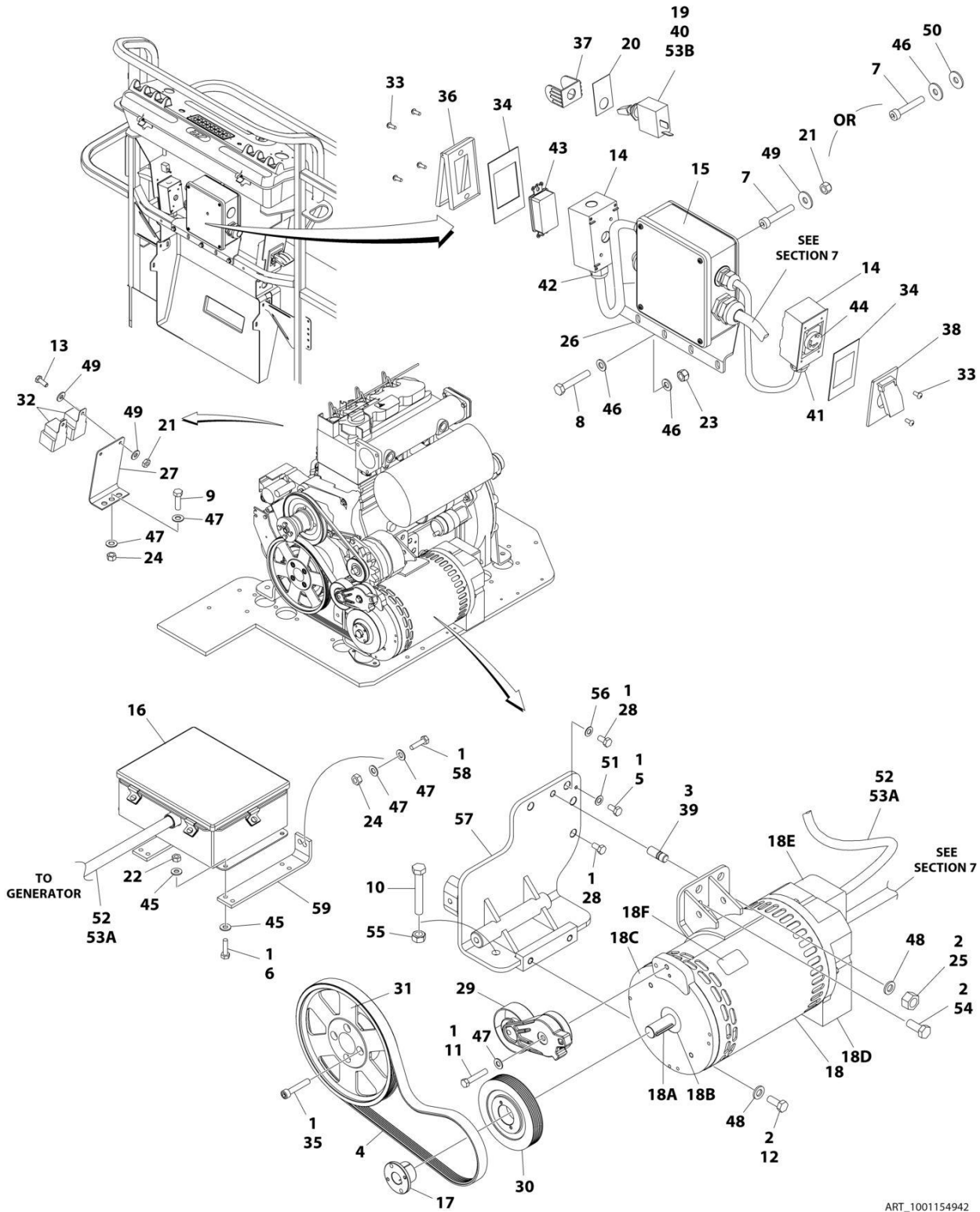
ITEM	PART NUMBER	QTY	DESCRIPTION	REV
41	70004682	1	Switch, Reset (Located on Enclosure Cover)	
41	70004683	1	Connector, Strain Relief (Located on Enclosure Cover)	
42	1001138566	1	Control Box Assembly	
42	70006552	1	Capacitor	
42	70006553	1	Relay	
43	1001139357	1	Mount, Tensioner	
45	1001152532	1	Generator Harness	
46	1001162445	1	Bracket	
48	4751400	4	Washer 1/4	





# SECTION 2 - TURNTABLE

## FIGURE 2-20. 7500W SKYPOWER GENERATOR INSTALLATION - DEUTZ D2011 ENGINES (110V-50HZ)



ART\_1001154942

## SECTION 2 - TURNTABLE

**FIGURE 2-20. 7500W SKYPOWER GENERATOR INSTALLATION - DEUTZ D2011 ENGINES (110V-50HZ)**

ITEM	PART NUMBER	QTY	DESCRIPTION	REV
	1001154942	Ref	7500W GENERATOR INSTALLATION	C
1	0100011	AR	Compound, Locking	
2	0100019	AR	Compound, Locking	
3	0100062	AR	Sealant	
4	0480129	1	Belt	
5	0641403	1	Bolt 1/4 x 3/8	
6	0641408	4	Bolt 1/4 x 1	
7	0641505	AR	Bolt 5/16 x 5/8	
7	3931016	AR	Capscrew #10 x 1	
8	0641516	3	Bolt 5/16 x 2	
9	0641610	AR	Bolt 3/8 x 1-1/4	
10	0641820	1	Bolt 1/2 x 2-1/2	
11	0641618	1	Bolt 3/8 x 2-1/4	
12	0641808	2	Bolt 1/2 x 1	
13	0721004	AR	Screw #10 x 1/2	
14	0860038	AR	Box, Switch - Weatherhead	
15	0861567	1	Junction Box Assembly <b>(SN E30000114 through E300001571)</b>	
15	1001157525	1	Junction Box Assembly <b>(SN E300001572 to Present)</b>	
16	0861572	1	Control Box Assembly	
16	7024488	1	Card, Circuit - Generator Power	
16	See Note	NSS	Fuse (Note: Not Available - Purchase Locally)	
16	7024489	1	Card, Circuit - Control	
16	70000619	1	Harness, Control Box (Internal)	
17	0962520	1	Bushing, Split Taper	
18	2460048	1	Generator Assembly	
18	70001100	1	Rotor (Includes p/n 70001384 & 70000863) (Not Shown)	
18	70001384	1	Bearing, Ball Radial (Not Shown)	
18	70000863	1	Fan (Not Shown)	
18	70002088	1	Stator (Not Shown)	
18	70002297	1	Stud	
18	70003631	1	Brushholder Assembly (Not Shown)	
18A	70004171	1	Key	
18B	70001966	1	Bearing, Ball Radial (Located in Belt Tensioner Endbell)	
18B	70003708	1	Ring, Internal Retaining (Located in Belt Tensioner Endbell)	
18B	70003709	1	Ring, External Retaining (Located in Belt Tensioner Endbell)	
18C	70001953	1	Endbell, Belt Tensioner	
18D	70004169	1	Endbell, Brush Block	
18E	70004169	1	Shroud	
18E	See Note	NSS	Insulator, Endbell (Note: Not Available for Purchase)	
18E	7027799	1	Block, Connector - 6 Position (Not Shown)	
18E	70002460	1	Nut, Brass (Attaches p/n 7027799 to Cover) (Not Shown)	
18E	7024485	1	Breaker, Circuit 30Amp (Not Shown)	
18E	70001696	1	Boot, Breaker (Not Shown)	
18E	7026626	1	Connector - 6 Position (Includes Seal) (Not Shown - Plugs into Item 51)	
18E	7026597	1	Connector, with Leads (Not Shown)	
18E	7026188	1	Clamp, Cable Options (Not Shown)	
18E	70004169	1	Plate, End Panel	
18E	70001974	1	Decal - Terminal Connections	

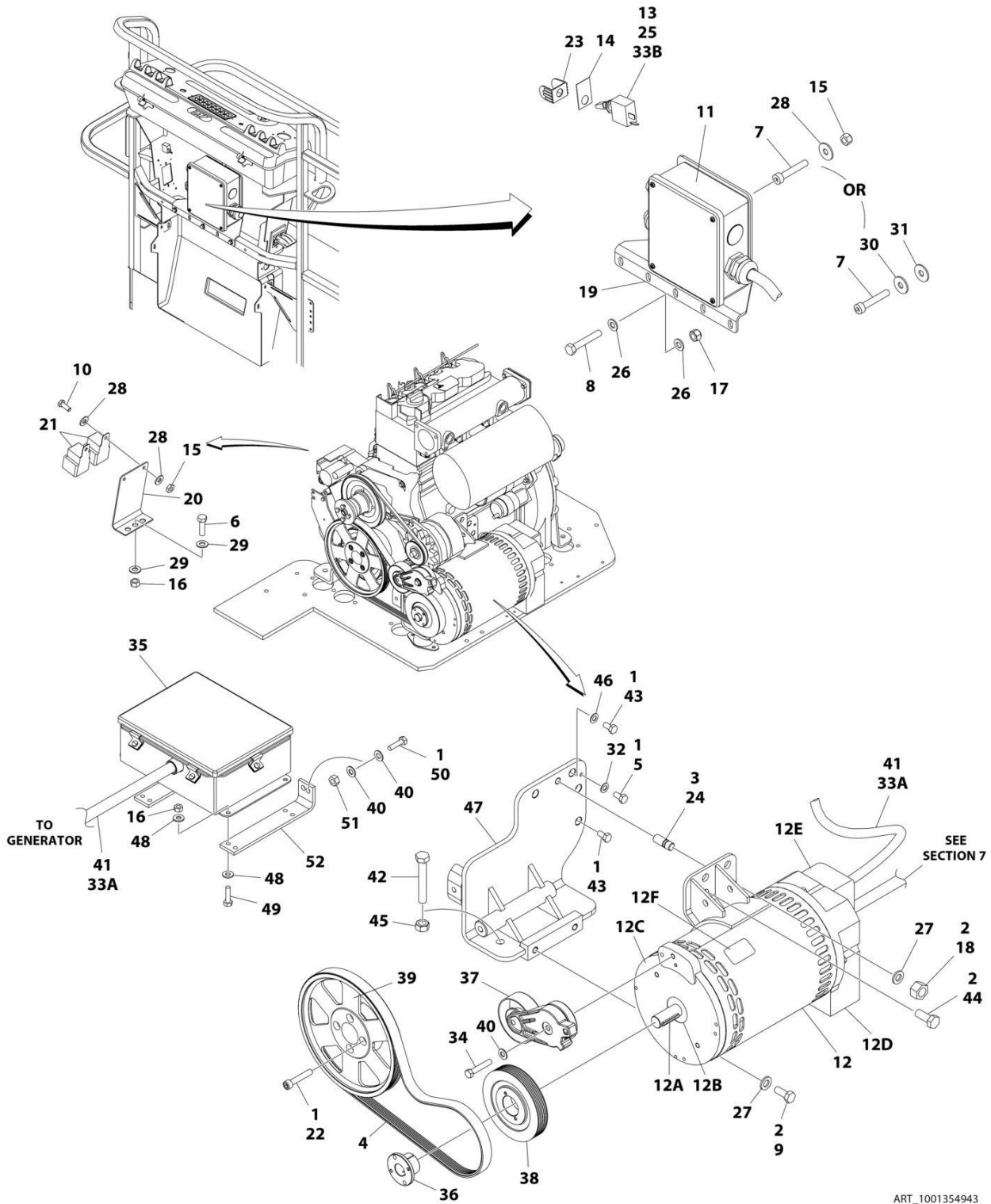
## SECTION 2 - TURNTABLE

ITEM	PART NUMBER	QTY	DESCRIPTION	REV
18F	70001973	1	Decal - Warning Moving Parts	
19	2820031	AR	Heatshrink	
20	3252764	1	Nameplate	
21	3311005	AR	Nut #10	
22	3311405	4	Nut 1/4	
23	3311505	3	Nut 5/16	
24	3311605	AR	Nut 3/8	
25	3311801	1	Nut 1/2	
26	0902888	1	Bracket	
27	3574163	1	Bracket <b>(SN E300001114 through E300001571)</b>	
28	0711414	3	Bolt M14 x 30	
29	3580317	1	Tensioner, Belt	
30	3580319	1	Pulley	
31	3580320	1	Pulley	
32	3740080	2	Relay <b>(SN E300001114 through E300001571)</b>	
33	3910606	AR	Screw #6 x 3/8	
34	3960422	AR	Gasket	
35	4032015	4	Capscrew M10 x 55	
36	1001110873	1	Cover, Receptacle	
37	4060802	1	Guard, Switch	
38	1001110872	1	Cover, Receptacle <b>(SN E300001114 through E300001571)</b>	
39	4300157	1	Stud	
40	4360336	1	Switch, Toggle	
41	4460051	1	Connector, Strain Relief <b>(SN E300001114 through E300001571)</b>	
42	4460071	1	Connector, Strain Relief	
43	4460346	1	Receptacle	
44	4460958	1	Receptacle <b>(SN E300001114 through E300001571)</b>	
45	4711400	8	Washer 1/4	
46	4711500	AR	Washer 5/16	
47	4711600	AR	Washer 3/8	
48	4711800	3	Washer 1/2	
49	4751000	AR	Washer #10	
50	4761500	AR	Washer 5/16	
51	4791400	1	Washer 1/4	
52	4922925	1	Generator Harness	
53		Ref	Generator Wiring Diagram (Not Shown)	
53A	1001112587	1	Generator Harness <b>(SN E300001114 through E300001571)</b>	
53A	1001152429	1	Generator Harness <b>(SN E300001572 to Present)</b>	
53B	1001152429	1	Switch Harness	
54	0771415	1	Bolt M14 x 35	
55	3311805	1	Nut 1/2	
56	4812200	1	Washer M14	
57	4846567	1	Bracket, Motor Mount	
58	0641614	AR	Bolt 3/8 x 1-3/4	
58	0641608	AR	Bolt 3/8 x 1	
59	1001154944	2	Plate, Mounting	



# SECTION 2 - TURNTABLE

FIGURE 2-21. 7500W SKYPOWER GENERATOR INSTALLATION - DEUTZ D2011 ENGINES (220V-50HZ)



ART\_1001354943

## SECTION 2 - TURNTABLE

**FIGURE 2-21. 7500W SKYPOWER GENERATOR INSTALLATION - DEUTZ D2011 ENGINES (220V-50HZ)**

ITEM	PART NUMBER	QTY	DESCRIPTION	REV
	1001154943	Ref	7500W GENERATOR INSTALLATION	C
1	0100011	AR	Compound, Locking	
2	0100019	AR	Compound, Locking	
3	0100062	AR	Sealant	
4	0480129	1	Belt	
5	0641403	1	Bolt 1/4 x 3/8	
6	0641410	AR	Bolt 1/4 x 1-1/4	
7	0641505	AR	Bolt 5/16 x 5/8	
7	3931016	AR	Capscrew #10 x 1	
8	0641516	3	Bolt 5/16 x 2	
9	0641808	2	Bolt 1/2 x 1	
10	0721004	AR	Screw #10 x 1/2	
11	0861567	1	Junction Box Assembly (SN E300001114 through E300001571)	
11	1001157525	1	Junction Box Assembly (SN E300001572 to Present)	
12	2460048	1	Generator Assembly	
12	70001100	1	Rotor (Includes p/n 70001384 & 70000863) (Not Shown)	
12	70001384	1	Bearing, Ball Radial (Not Shown)	
12	70000863	1	Fan (Not Shown)	
12	70002088	1	Stator (Not Shown)	
12	70002297	1	Stud	
12	70003631	1	Brushholder Assembly (Not Shown)	
12A	70004171	1	Key	
12B	70001966	1	Bearing, Ball Radial (Located in Belt Tensioner Endbell)	
12B	70003708	1	Ring, Internal Retaining (Located in Belt Tensioner Endbell)	
12B	70003709	1	Ring, External Retaining (Located in Belt Tensioner Endbell)	
12C	70001953	1	Endbell, Belt Tensioner	
12D	70004169	1	Endbell, Brush Block	
12E	70004169	1	Shroud	
12E	See Note	NSS	Insulator, Endbell (Note: Not Available for Purchase)	
12E	7027799	1	Block, Connector - 6 Position (Not Shown)	
12E	70002460	1	Nut, Brass (Attaches p/n 7027799 to Cover) (Not Shown)	
12E	7024485	1	Breaker, Circuit 30Amp (Not Shown)	
12E	70001696	1	Boot, Breaker (Not Shown)	
12E	7026626	1	Connector - 6 Position (Includes Seal) (Not Shown - Plugs into Item 32)	
12E	7026597	1	Connector, with Leads (Not Shown)	
12E	7026188	1	Clamp, Cable Options (Not Shown)	
12E	70004169	1	Plate, End Panel	
12E	70001974	1	Decal - Terminal Connections	
12F	70001973	1	Decal - Warning Moving Parts	
13	2820031	AR	Heatshrink	
14	3252764	1	Nameplate	
15	3311005	AR	Nut #10	
16	3311405	AR	Nut 1/4	
17	3311505	AR	Nut 5/16	
18	3311801	1	Nut 1/2	
19	0902888	1	Bracket	
20	3574163	1	Bracket	
21	3740080	2	Relay (SN E300001114 through E300001571)	

## SECTION 2 - TURNTABLE

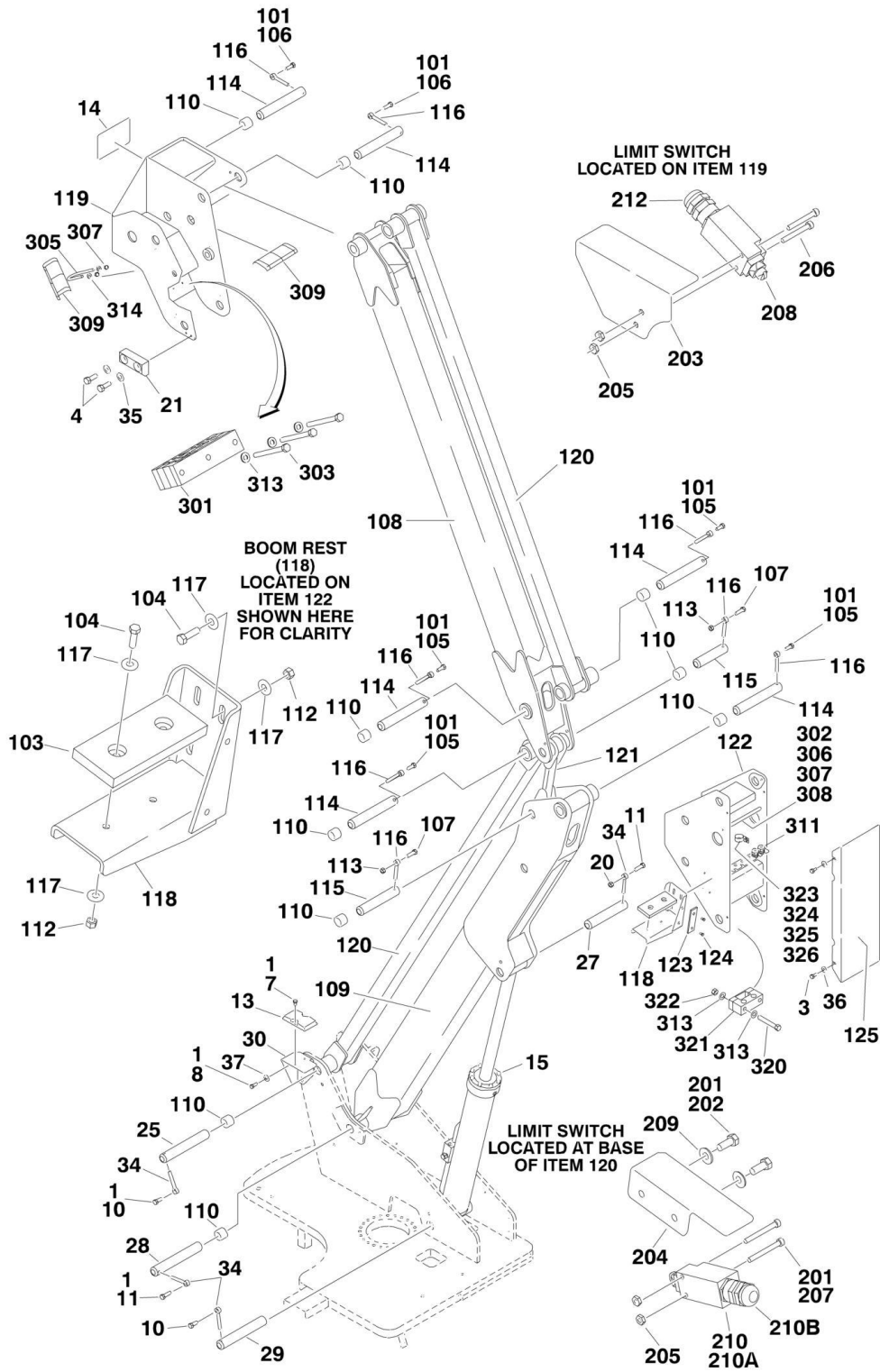
ITEM	PART NUMBER	QTY	DESCRIPTION	REV
22	4032015	1	Capscrew M10 x 55	
23	4060802	1	Guard, Switch	
24	4300157	1	Stud	
25	4360336	1	Switch, Toggle	
26	4711500	6	Washer 5/16	
27	4711800	3	Washer 1/2	
28	4751000	AR	Washer #10	
29	4751400	AR	Washer 1/4	
30	4751500	AR	Washer 5/16	
31	4761500	AR	Washer 5/16	
32	4791400	1	Washer 1/4	
33		Ref	Generator Wiring Diagram (Not Shown)	
33A	1001112587	1	Generator Harness (SN E300001114 through E300001571)	
33A	1001152429	1	Generator Harness (SN E300001572 to Present)	
33B	1001152429	1	Switch Harness	
34	0641618	1	Bolt 3/8 x 2-1/4	
35	0861572	1	Control Box Assembly	
35	7024488	1	Card, Circuit - Generator Power	
35	See Note	NSS	Fuse (Note: Not Available - Purchase Locally)	
35	7024489	1	Card, Circuit - Control	
35	70000619	1	Harness, Circuit Card	
36	0962520	1	Bushing, Split Taper	
37	3580317	1	Tensioner, Belt	
38	3580319	1	Pulley	
39	3580320	1	Pulley	
40	4711600	AR	Washer 3/8	
41	4922925	1	Generator Harness	
42	0641820	1	Bolt 1/2 x 2-1/2	
43	0711414	3	Bolt M14 x 30	
44	0771415	1	Bolt M14 x 35	
45	3311805	1	Nut 1/2	
46	4812200	1	Washer M14	
47	4846567	1	Bracket, Motor Mount	
48	4711400	8	Washer 1/4	
49	0641408	4	Bolt 1/4 x 1	
50	0641614	AR	Bolt 3/8 x 1-3/4	
51	3311605	AR	Nut 3/8	
52	1001154944	2	Plate, Mounting	



**SECTION 3 - BOOM**

# SECTION 3 - BOOM

## FIGURE 3-1. TOWER/MID BOOMS AND CYLINDERS INSTALLATION



## SECTION 3 - BOOM

### FIGURE 3-1. TOWER/MID BOOMS AND CYLINDERS INSTALLATION

ITEM	PART NUMBER	QTY	DESCRIPTION	REV
		Ref	<b>TOWER BOOMS AND CYLINDERS INSTALLATION</b>	
		Ref	<b>Booms and Cylinders Installations</b>	
	0272496	Ref	<b>Without SkyPower</b>	F
	1001154941	Ref	<b>With SkyPower</b>	A
		Ref	<b>Boom Assemblies</b>	
	1001098639	Ref	<b>Without SkyPower</b>	D
	1001154937	Ref	<b>With SkyPower</b>	A
1	0100011	AR	Compound, Locking	
3	0641505	4	Bolt 5/16in-18NC x 5/8in	
4	0641507	2	Bolt 5/16in-18NC x 7/8in	
7	0641806	2	Bolt 1/2in-13NC x 3/4in	
8	0641810	3	Bolt 1/2in-13NC x 1-1/4in	
10	0642012	2	Bolt 5/8in-11NC x 1-1/2in	
11	0642016	2	Bolt 5/8in-11NC x 2in	
13	0940048	1	Bumper	
14	1671013	1	Cover	
15	1684239	1	Tower Lift Cylinder Assembly (See CYLINDER SECTION for Breakdown)	
20	3312005	1	Locknut 5/8in-11NC	
21	3340914	1	Pad	
25	3422664	1	Pin	
27	3422912	1	Pin	
28	3422913	1	Pin	
29	3423015	3	Pin	
30	3572691	1	Plate, Boom Rest	
34	3841258	4	Keeper, Pin	
35	4711500	2	Flatwasher 5/16in Thin	
36	4751500	4	Flatwasher 5/16in Regular	
37	4751800	3	Flatwasher 1/2in Regular	
		Ref	<b>TOWER BOOM ASSEMBLY</b>	
	0272340	Ref	<b>Without SkyPower</b>	J
	0801592	Ref	<b>With SkyPower</b>	H
101	0100011	AR	Compound, Locking	
103	0561076	1	Block, Boom Rest	
104	0641610	6	Bolt 3/8in-16NC x 1-1/4in	
105	0642012	4	Bolt 5/8in-11NC x 1-1/2in	
106	0642014	2	Bolt 5/8in-11NC x 1-3/4in	
107	0642016	2	Bolt 5/8in-11NC x 2in	
108	0801356	1	Boom, Mid	
109	0801357	1	Boom, Tower	
110	0961950	20	Bearing, Garmax	
112	3311605	6	Locknut 3/8in-16NC	
113	3312005	2	Locknut 5/8in-11NC	
114	3422568	6	Pin	
115	3422912	2	Pin	
116	3841258	8	Keeper, Pin	
117	4751600	12	Flatwasher 3/8in Regular	
118	4846905	1	Rest, Boom	
119	4846697	1	Upright (Upper)	
120	3010140	2	Link	

## SECTION 3 - BOOM

ITEM	PART NUMBER	QTY	DESCRIPTION	REV
121	4846701	1	Link, Timing	
122	1001145890	1	Upright (Lower)	
123	3340608	1	Pad, Wear	
124	0641605	2	Bolt 3/8in-16NC x 3/8in	
125	3574066	1	Cover	
	0272497	Ref	<b>LIMIT SWITCHES INSTALLATION</b>	E
201	0100011	AR	Compound, Locking	
202	0641406	2	Capscrew, 1/4in-20NC x 3/4in	
203	1001096617	1	Cover, Switch	
204	1671086	1	Cover, Switch	
205	3311005	4	Locknut #10-24NC	
206	3931024	2	Capscrew #10-24NC x 1-1/2in	
207	3931030	2	Capscrew #10-24NC x 1-7/8in	
208	4360548	1	Switch, Limit	
209	4751400	2	Flatwasher, 1/4in Regular	
210	4922714	1	Cable / Limit Switch (Not Shown)	B
210A	1060902	8.5 ft/2.6m	Cable, Electrical 18/2 (Not Shown - See ELECTRICAL SECTION)	
210B	4360548	1	Switch, Limit	
210C	4460968	1	Connector, Strain Relief	
210D	4460226	2	Socket, Contact (Not Shown)	
211	4060803	8.5 in/217mm	Shield, Flex Trim (Not Shown)	
212	4460968	1	Connector, Strain Relief	
		Ref	<b>BOOM CABLES AND CLAMPS INSTALLATIONS</b>	
	0272594	Ref	<b>Without SkyPower</b>	D
	0275436	Ref	<b>With SkyPower</b>	D
301	0561460	1	Block, Clamp	
302	0630498	1	Bolt	
303	0641528	3	Bolt 5/16in-18NC x 3-1/2in	
304	1060991	1	Cable, Electrical - 12/3 (AC Power Cable) (Not Shown - See ELECTRICAL SECTION)	
305	1320300	1	Clamp, Hose	
306	3300420	1	Nut, Acorn 1/4in-20NC	
307	3311605	3	Locknut 3/8in-16NC	
308	3860096	1	Roller	
309	4061032	2	Shield, Cable	
310	4240018	3	Tie-Strap (Not Shown)	
311	4460425	2	Connector, Strain Relief	
312	4460866	1	Connector - 19 Pin (Not Shown - See ELECTRICAL SECTION)	
313	4711500	3	Flatwasher 5/16in Thin	
314	4711600	2	Flatwasher 3/8in Thin	
315	4922530	1	Harness, Tower Boom (Not Shown - See ELECTRICAL SECTION)	
316	4922770	1	Cable, Electrical - 18/2 (Not Shown - See ELECTRICAL SECTION)	
320	0641524	AR	Bolt 5/16in-18NC x 3in	
321	1321738	1	Clamp, Block (Machines with SkyPower Only)	
322	3311505	AR	Nut 5/16in-18NC	
323	0641408	1	Bolt 1/4in-20NC x 1in	
324	1320061	1	Clamp, Hose (Machines with SkyPower Only)	
325	3311405	1	Locknut 1/4in-20NC	

## SECTION 3 - BOOM

ITEM	PART NUMBER	QTY	DESCRIPTION	REV
326	4751400	2	Flatwasher 1/4in Regular	
327	1320177	1	Clamp, Hose (Not Shown - Used on Airline) (Machines with SkyPower Only)	
328	2220829	1	Fitting, Plug (Not Shown - Used on Airline) (Machines with SkyPower Only)	
329	2221037	1	Fitting, Barbed (Not Shown - Used on Airline) (Machines with SkyPower Only)	
330	2720646	1	Hose, Airline (Not Shown) (Machines with SkyPower Only)	

# SECTION 3 - BOOM

## FIGURE 3-2. MAIN BOOM INSTALLATION

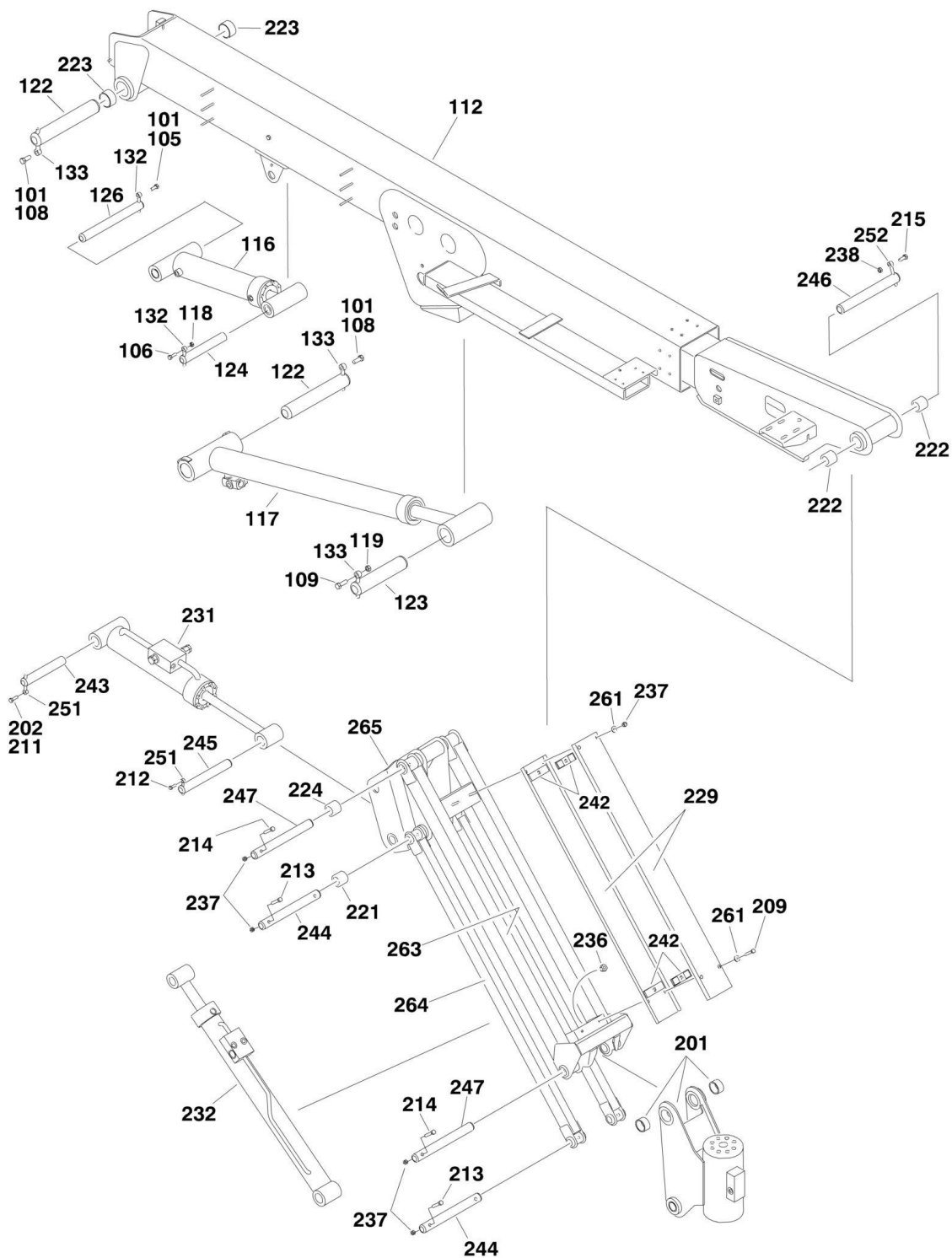


FIGURE 3-2. MAIN BOOM INSTALLATION

ITEM	PART NUMBER	QTY	DESCRIPTION	REV
		Ref	<b>MAIN BOOM AND CYLINDERS INSTALLATION</b>	
		Ref	<b>Booms and Cylinders Installations</b>	
	0272496	Ref	<b>Without SkyPower</b>	F
	1001154941	Ref	<b>With SkyPower</b>	A
		Ref	<b>Boom Assemblies</b>	
	1001098639	Ref	<b>Without SkyPower</b>	D
	1001154937	Ref	<b>With SkyPower</b>	A
101	0100011	AR	Compound, Locking	
105	0641608	1	Bolt 3/8in-16NC x 1in	
106	0641610	1	Bolt 3/8in-16NC x 1-1/4in	
108	0641810	2	Bolt 1/2in-13NC x 1-1/4in	
109	0641812	1	Bolt 1/2in-13NC x 1-1/2in	
112		Ref	Main Boom Assembly Options (See MAIN BOOM ASSEMBLY and Items 201-266 for Breakdown):	
112	0801337	1	Without SkyPower	
112	1001154938	1	With SkyPower	
116	1684241	1	Master Cylinder Assembly (See CYLINDER SECTION for Breakdown)	
117	1684244	1	Upper Lift Cylinder Assembly (See CYLINDER SECTION for Breakdown)	
118	3311605	1	Locknut 3/8in-16NC	
119	3311805	1	Locknut 1/2in-13NC	
122	3422177	2	Pin	
123	3422178	1	Pin	
124	3422582	1	Pin	
126	3422806	1	Pin	
132	3841143	2	Keeper, Pin	
133	3841203	3	Keeper, Pin	
		Ref	<b>JIB INSTALLATIONS</b>	
	0801337	Ref	<b>Without SkyPower</b>	M
	1001154938	Ref	<b>With SkyPower</b>	B
201	0060050	NLA	Rotator Assembly (Note: Use p/n 0060096) (See ROTATOR ASSEMBLY for Breakdown) <b>(SN E300001114 through E300002465)</b>	
201	0060096	1	Rotator Assembly (See ROTATOR ASSEMBLY for Breakdown) <b>(SN E300002466 to Present)</b>	
202	0100011	AR	Compound, Locking	
209	0641518	2	Bolt 5/16in-18NC x 2-1/4in	
211	0641607	1	Bolt 3/8in-16NC x 7/8in	
212	0641610	1	Bolt 3/8in-16NC x 1-1/4in	
213	0641616	4	Bolt 3/8in-16NC x 2in	
214	0641618	2	Bolt 3/8in-16NC x 2-1/4in	
215	0641810	1	Bolt 1/2in-13NC x 1-1/4in	
221	0962292	2	Bushing	
222	0961948	2	Bushing	
223	0961950	2	Bushing	
224	0961951	2	Bushing	
229	1671083	2	Cover, Jib Hose	
231	1001094789	1	Level (Platform Slave) Cylinder Assembly (See CYLINDER SECTION for Breakdown)	
232	1684242	1	Jib Lift Cylinder Assembly (See CYLINDER SECTION for	

## SECTION 3 - BOOM

ITEM	PART NUMBER	QTY	DESCRIPTION	REV
			Breakdown)	
236	3311505	2	Locknut 5/16in-18NC	
237	3311605	10	Locknut 3/8in-16NC	
238	3311805	1	Locknut 1/2in-13NC	
242	3340943	4	Pad, Rubber	
243	3422669	1	Pin	
244	3422791	2	Pin	
245	3422792	1	Pin	
246	3422793	1	Pin	
247	3422794	2	Pin	
251	3841143	2	Keeper, Pin	
252	3841203	1	Keeper, Pin	
260	4751400	6	Flatwasher 1/4in Regular	
261	4751500	6	Flatwasher 5/16in Regular	
263	4846688	1	Link, Jib (Upper)	
264	4846689	2	Link, Jib (Lower)	
265	4846693	1	Pivot, Jib	





# SECTION 3 - BOOM

## FIGURE 3-3. MAIN BOOM ASSEMBLY

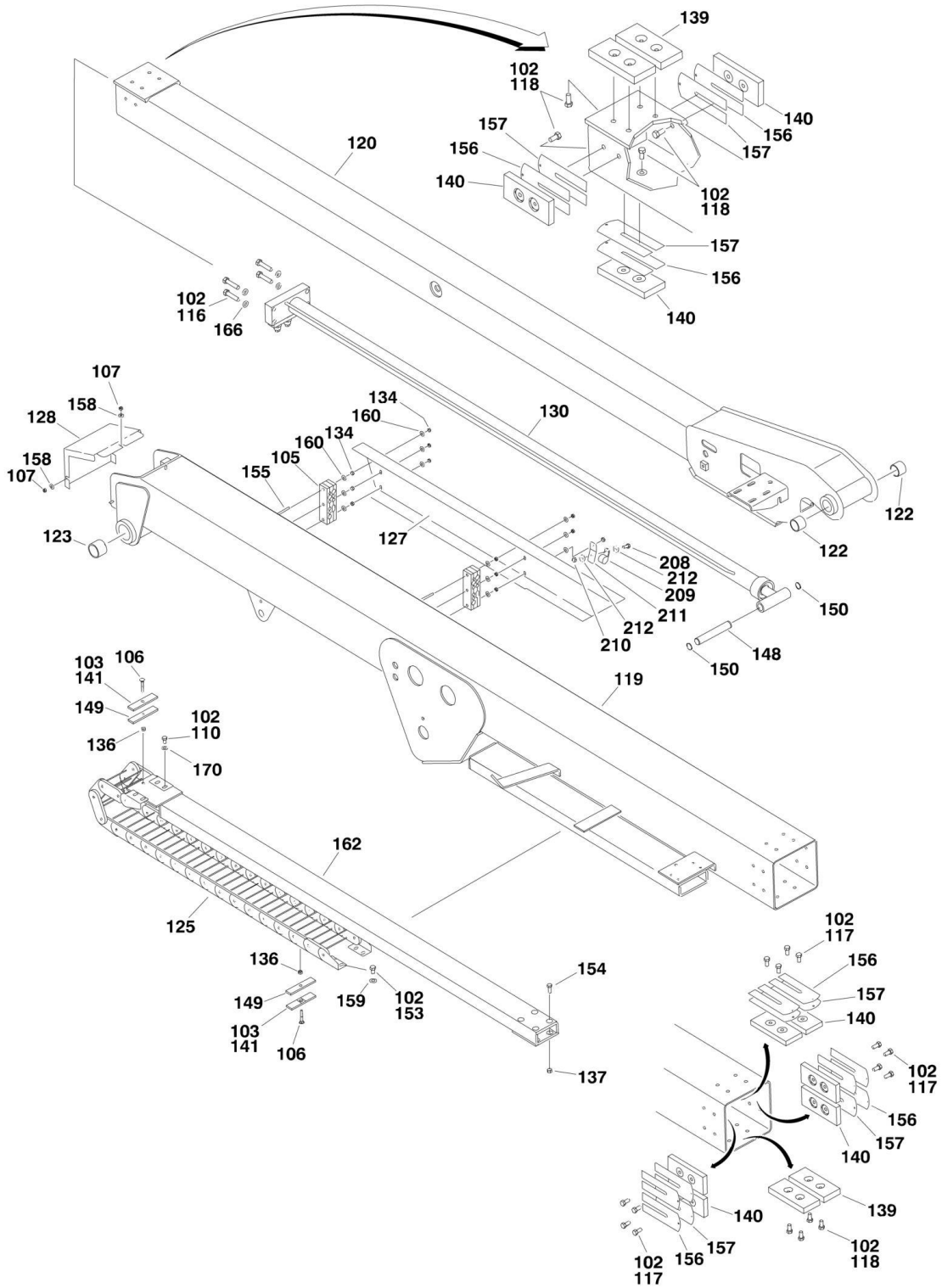


FIGURE 3-3. MAIN BOOM ASSEMBLY

ITEM	PART NUMBER	QTY	DESCRIPTION	REV
		Ref	<b>MAIN BOOM ASSEMBLY</b>	
	0801337	Ref	<b>Without SkyPower</b>	L
	1001154938	Ref	<b>With SkyPower</b>	B
102	0100011	AR	Compound, Locking	
103	0100081	AR	Adhesive #454	
105	0561515	2	Block, Hose Clamp	
106	0630401	2	Bolt, Carriage 5/16in-18NC x 2in	
107	0641404	2	Bolt 1/4in-20NC x 1/2in	
110	0641604	4	Bolt 3/8in-16NC x 1/4in	
116	0641818	4	Bolt 1/2in-13NC x 2-1/4in	
117	0791606	12	Screw 3/8in-16NC x 3/4in	
118	0791607	16	Screw 3/8in-16NC x 7/8in	
119	0801375	1	Base Weldment	
120	0801374	1	Fly Weldment	
122	0961948	2	Bearing	
123	0961950	2	Bearing	
125	1180377	NLA	Powertrack - GX style (Original Equipment) (Use p/n 1001225899)	
125	1001225899	1	Powertrack - MA style (Service Replacement)	
125	7026120	AR	Repair Section (1180377 Power Track)	
125	70006267	1	Repair Section (1001225899 Power Track)	
125	7026119	1	Feet, Mounting (Includes 4 Feet & Mounting Hardware) (1180377 Power Track)	
125	70006274	1	Feet, Mounting (Includes 4 Feet & Mounting Hardware) (1001225899 Power Track)	
127	1671078	1	Shield	
128		Ref	Cover, Boom End Options:	
128	1671079	1	Without SkyPower	
128	1671111	1	With SkyPower	
130	1684235	1	Telescope Cylinder Assembly (See CYLINDER SECTION for Breakdown)	
134	3311402	12	Nut, Jam 1/4in-20NC	
136	3311505	2	Locknut 5/16in-18NC	
137	3311605	10	Locknut 3/8in-16NC	
139	3340837	4	Pad, Wear	
140	1001148652	10	Pad, Wear	
141	3340940	2	Pad, Rubber	
148	3422996	1	Pin	
149	3572448	2	Plate, Clamp	
150	3760115	2	Ring, Retaining	
153	3900283	4	Screw, Button Head 3/8in-16NC x 3/4in	
154	3900316	4	Screw, Button Head 3/8in-16NC x 1in	
155	3951420	6	Setscrew 1/4in-20NC x 2-1/2in	
156	4071056	10	Shim (1mm)	
157	4071057	10	Shim (3mm)	
158	4711400	3	Flatwasher 1/4in Thin	
159	4711600	4	Flatwasher 3/8in Thin	
160	4751400	6	Flatwasher 1/4in Regular	
162	4846650	1	Tube, Carrier	
166	4891800	4	Flatwasher 1/2in Hardened	

## SECTION 3 - BOOM

ITEM	PART NUMBER	QTY	DESCRIPTION	REV
168	3941406	1	Screw, Self Tap 1/4in-20NC x 3/4in (Not Shown)	
169	3311501	4	Nut, 5/16-18NC (Not Shown)	
170	4891600	4	Flatwasher 3/8in Hardened	
		Ref	<b>BOOM CABLES AND CLAMPS INSTALLATION</b>	
	0272620	Ref	<b>Without SkyPower</b>	C
	1001154940	Ref	<b>With SkyPower</b>	A
201	1060992	1	Cable, Electrical - 12/3 (AC Power Cable) (Not Shown - See ELECTRICAL SECTION)	
202	4460865	1	Connector - 19 Pin (Not Shown - See ELECTRICAL SECTION for Location)	
203	4922806	1	Harness, Main Boom (Not Shown - See ELECTRICAL SECTION)	
204	4460473	1	Terminal, Cable Clamp Assembly (Not Shown - See ELECTRICAL SECTION)	
207	4922858	1	Cable, Electrical (8/5 Generator Cable) (With SkyPower Only) (Not Shown - See ELECTRICAL SECTION):	
208	0641506	2	Bolt 5/16in-18NC x 3/4in (With SkyPower Only)	
209	1320202	2	Clamp (With SkyPower Only)	
210	3311505	2	Locknut 5/16in-18NC (With SkyPower Only)	
211	3574532	2	Plate, Clamp Mounting (With SkyPower Only)	
212	4751500	4	Flatwasher 5/16in Regular (With SkyPower Only)	
213	2820647	1	Hose, Air Line (With SkyPower Only) (Not Shown)	



# SECTION 3 - BOOM

## FIGURE 3-4. ROTATOR ASSEMBLIES

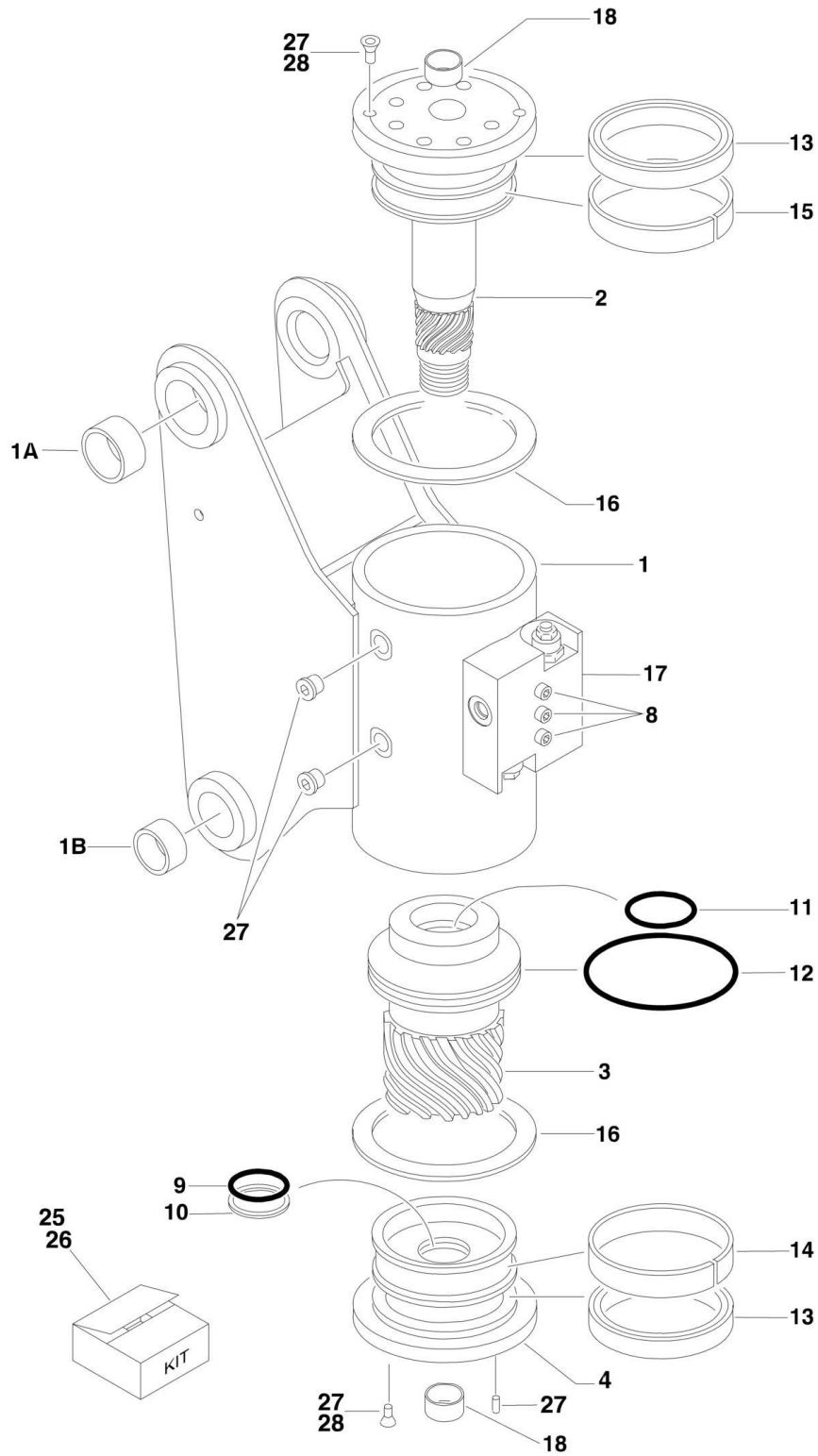
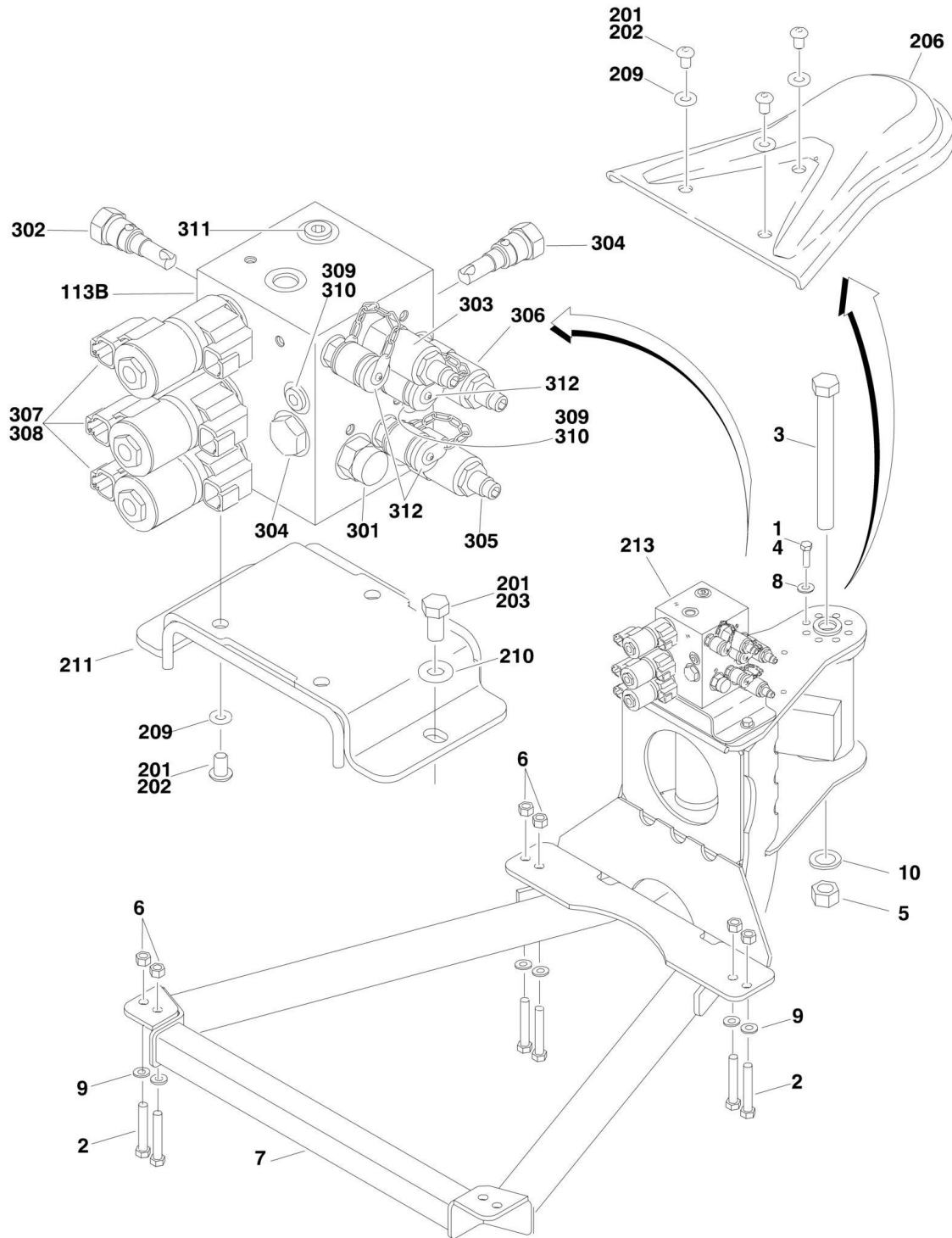


FIGURE 3-4. ROTATOR ASSEMBLIES

ITEM	PART NUMBER	QTY	DESCRIPTION	REV
		Ref	<b>ROTATOR ASSEMBLIES</b>	
	0060050	Ref	<b>Rotator Assembly (SN E300001114 through E300002465)</b>	G
	0060096	Ref	<b>Rotator Assembly (SN E300002466 to Present)</b>	B
1	See Note	1	Case/Bracket Weldment (Note: Not Available - Purchase Complete Assembly)	
1A	0962257	2	Bushing (Top) (Must be ordered separately from Case)	
1B	0961947	2	Bushing (Bottom) (Must be ordered separately from Case)	
2	7017140	1	Shaft (0060050 Rotator)	
2	7017162	1	Shaft (0060096 Rotator)	
3	7017139	1	Sleeve, Piston (0060050 Rotator)	
3	7017163	1	Sleeve, Piston (0060096 Rotator)	
4	7017148	1	Cap, End (0060050 Rotator)	
4	7017164	1	Cap, End (0060096 Rotator)	
8	See Note	NSS	Bolt 1/4in-20NC (Grade 8) (Note: Not Available for Purchase)	
9	See Note	NSS	Seal, Cap (Note: Use Item 25)	
10	See Note	NSS	Ring, Back-up Cap (Note: Use Item 25)	
11	See Note	NSS	Seal, Rod (Note: Use Item 25)	
12	See Note	NSS	Seal, Piston (Note: Use Item 25)	
13	See Note	NSS	Packing, Bearing (Note: Use Item 25)	
14	See Note	NSS	Bearing, Cap (Note: Use Item 26)	
15	See Note	NSS	Bearing, Shaft (Note: Use Item 26)	
16	See Note	NSS	Thrustwasher (Note: Use Item 26)	
17	7017172	1	Counterbalance Valve Assembly	
17	7017192	2	Cartridge (No Seal Kit Available)	
18	7017136	2	Bushing (0060050 Rotator)	
18	See Note	NSS	Bushing (0060096 Rotator) (Note: Not Available for Purchase)	
25	7017137	1	Seal Kit (Includes Items 9-13) (0060050 Rotator)	
25	70000342	1	Seal Kit (Includes Items 9-13) (0060096 Rotator)	
26	7017138	1	Bearing Kit (Includes Items 14-16) (0060050 Rotator)	
26	7017159	1	Bearing Kit (Includes Items 14-16) (0060096 Rotator)	
27	See Note	1	Hardware Kit (0060050 Rotator) (Note: Not Available for Purchase)	
27	See Note	1	Hardware Kit (0060096 Rotator)	
28	70001697	4	Screw, Countersunk 1/4in-20NC x 3/8in (Grade 8)	

# SECTION 3 - BOOM

## FIGURE 3-5. PLATFORM SUPPORT AND CONTROL VALVES INSTALLATIONS





## SECTION 3 - BOOM

**FIGURE 3-5. PLATFORM SUPPORT AND CONTROL VALVES INSTALLATIONS**

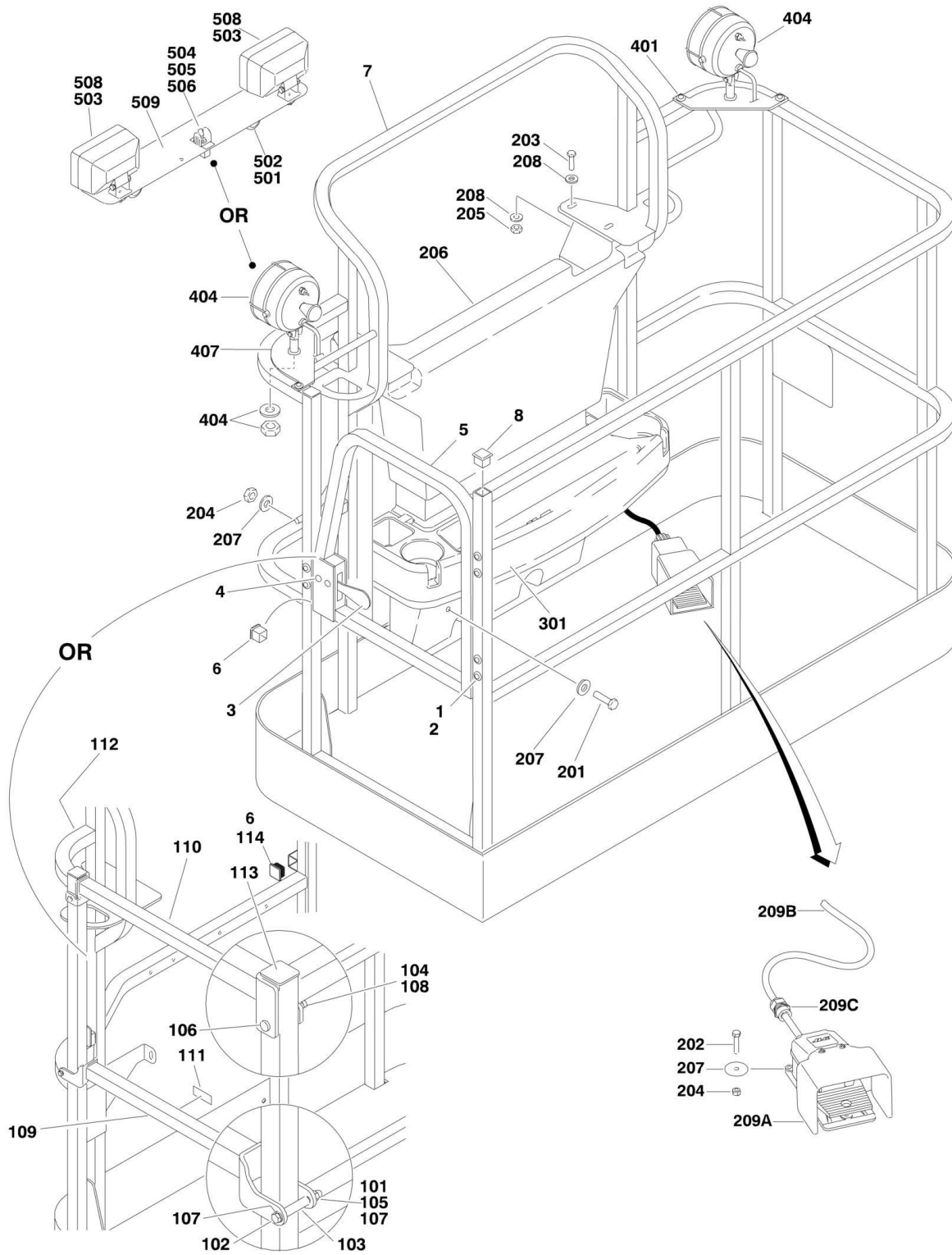
ITEM	PART NUMBER	QTY	DESCRIPTION	REV
		Ref	<b>PLATFORM SUPPORT INSTALLATION</b>	
	0272070	Ref	<b>Machines without LSS</b>	F
	See Note	Ref	<b>Machines with LSS (Note: For Replacement Parts, Contact JLG Customer Service and Request Manual p/n 3124287)</b>	
1	0100011	AR	Compound, Locking	
2	0641812	8	Bolt 1/2in-13NC x 1-1/2in	
3	0642684	1	Bolt 1in-8NC x 10-1/2in	
4	0681608	8	Bolt 3/8in-16NC x 1in	
5	3272605	1	Locknut 1in-8NC (Use p/n 3300243)	
6	3311805	8	Locknut 1/2in-13NC	
7	4846573	1	Support Weldment	
8	4891600	8	Flatwasher 3/8in Hardened	
9	4891800	8	Flatwasher 1/2in Hardened	
10	4892600	1	Flatwasher 1in Hardened	
	1001141804	Ref	<b>CONTROL VALVE INSTALLATIONS</b>	B
201	0100011	AR	Compound, Locking	
202	0630467	6	Screw, Button Head	
203	0641606	2	Bolt 3/8in-16NC x 3/4in	
206	1670964	1	Cover	
209	4711500	9	Flatwasher 5/16in Thin	
210	4711600	2	Flatwasher 3/8in Thin	
211	4846218	1	Plate, Valve Mounting	
213	1001138951	1	Platform Valve Assembly (See Items 301-305 for Breakdown)	
	1001138951	Ref	<b>PLATFORM VALVE ASSEMBLY (450AJ SERIES II)</b>	B
301	7012989	1	Valve, Cartridge	
301	7012953	1	Seal Kit - 7012989 Valve	
302	7023984	1	Valve, Cartridge	
302	7012953	1	Seal Kit - 7023984 Valve	
303	70003790	1	Valve, Cartridge	
303	7021653	1	Seal Kit - 70003790 Valve	
304	7012914	2	Valve, Pressure Control	
304	7012918	2	Seal Kit - 7012914 Valve	
305	7023911	1	Valve, Relief	
305	7012967	1	Seal Kit - 7023911 Valve	
306	7023912	1	Valve, Relief	
306	7012967	1	Seal Kit - 7023912 Valve	
307	7017452	2	Valve, Solenoid	
307	7017402	2	Seal Kit - 7017452 Valve	
308	70002386	6	Coil	
309	See Note	2	Orifice (Note: Not available for purchase)	
310	7017406	2	Plug	
311	See Note	1	Plug (Note: Not Available for Purchase)	
312	2221086	3	Fitting, Diagnostic	



**SECTION 4 - PLATFORM**

# SECTION 4 - PLATFORM

## FIGURE 4-1. PLATFORM INSTALLATION (WITHOUT SKYGUARD)



## SECTION 4 - PLATFORM

**FIGURE 4-1. PLATFORM INSTALLATION (WITHOUT SKYGUARD)**

ITEM	PART NUMBER	QTY	DESCRIPTION	REV
		Ref	<b>PLATFORM ASSEMBLY WITH GATE</b>	
	1001145407	Ref	<b>6ft (1.83m) with No Mesh</b>	E
	1001145409	Ref	<b>5ft (1.52m) with No Mesh</b>	E
	1001145411	Ref	<b>4ft (1.22m) with No Mesh</b>	E
		Ref	<b>Note: Platform and Mesh must be ordered separately for Platforms with Mesh. See SPECIAL OPTIONS SECTION for Mesh Installations.</b>	
		Ref	<b>Note: Replacement Decals Must be Ordered Separately - See DECALS SECTION.</b>	
1	2080040	16	Fastener, Huck	
2	2600281	2	Hinge, Self-Closing	
3	2940074	1	Latch	
4	3820020	2	Rivet, Pop	
5	1001144629	1	Gate Weldment	
6	1001152037	3	Cap-Plug (SN E300001114 through E300002415)	
6	1001145781	3	Cap-Plug (SN E300002416 to Present)	
7	See Note	1	Platform Weldment (Note: Not Available - Purchase Platform Assembly)	
8	1001145781	2	Cap-Plug	
		Ref	<b>PLATFORM ASSEMBLY WITH DROP-BAR</b>	
	1001145406	Ref	<b>6ft (1.83m) with No Mesh</b>	E
	1001145408	Ref	<b>5ft (1.52m) with No Mesh</b>	E
	1001145410	Ref	<b>4ft (1.22m) with No Mesh</b>	E
		Ref	<b>Note: Platform and Mesh must be ordered separately for Platforms with Mesh. See SPECIAL OPTIONS SECTION for Mesh Installations.</b>	
		Ref	<b>Note: Replacement Decals Must be Ordered Separately - See DECALS SECTION.</b>	
101	0100011	AR	Compound, Locking	
102	0641418	2	Bolt 1/4in-20NC x 2-1/4in	
103	0961845	2	Bushing	
104	3290606	2	Nut M6	
105	3300151	2	Nut, Acorn	
106	4010618	2	Screw M6 x 50mm	
107	4711400	4	Flatwasher 1/4in	
108	4811700	2	Flatwasher M6	
109	1001138494	1	Bar, Drop	
110	1001138514	1	Rail (Top)	
111	1001140429	1	Decal - Drop-Bar	
112	See Note	1	Platform Weldment (Note: Note Available - Purchase Platform Assembly)	
113	1001145781	2	Cap-Plug	
114	1001152037	2	Cap-Plug (SN E300001114 through E300002415)	
114	1001145781	2	Cap-Plug (SN E300002416 to Present)	
	1001143630	Ref	<b>CONSOLE BOX and FOOTSWITCH INSTALLATION</b>	C
201	0641406	2	Bolt 1/4in-20NC x 3/4in	
202	0641408	3	Bolt 1/4in-20NC x 1in	
203	0641610	4	Bolt 3/8in-16NC x 1-1/4in	
204	3311405	5	Locknut 1/4in-20NC	
205	3311605	4	Locknut 3/8in-16NC	
206	3380434	1	Panel, Decal Mount	

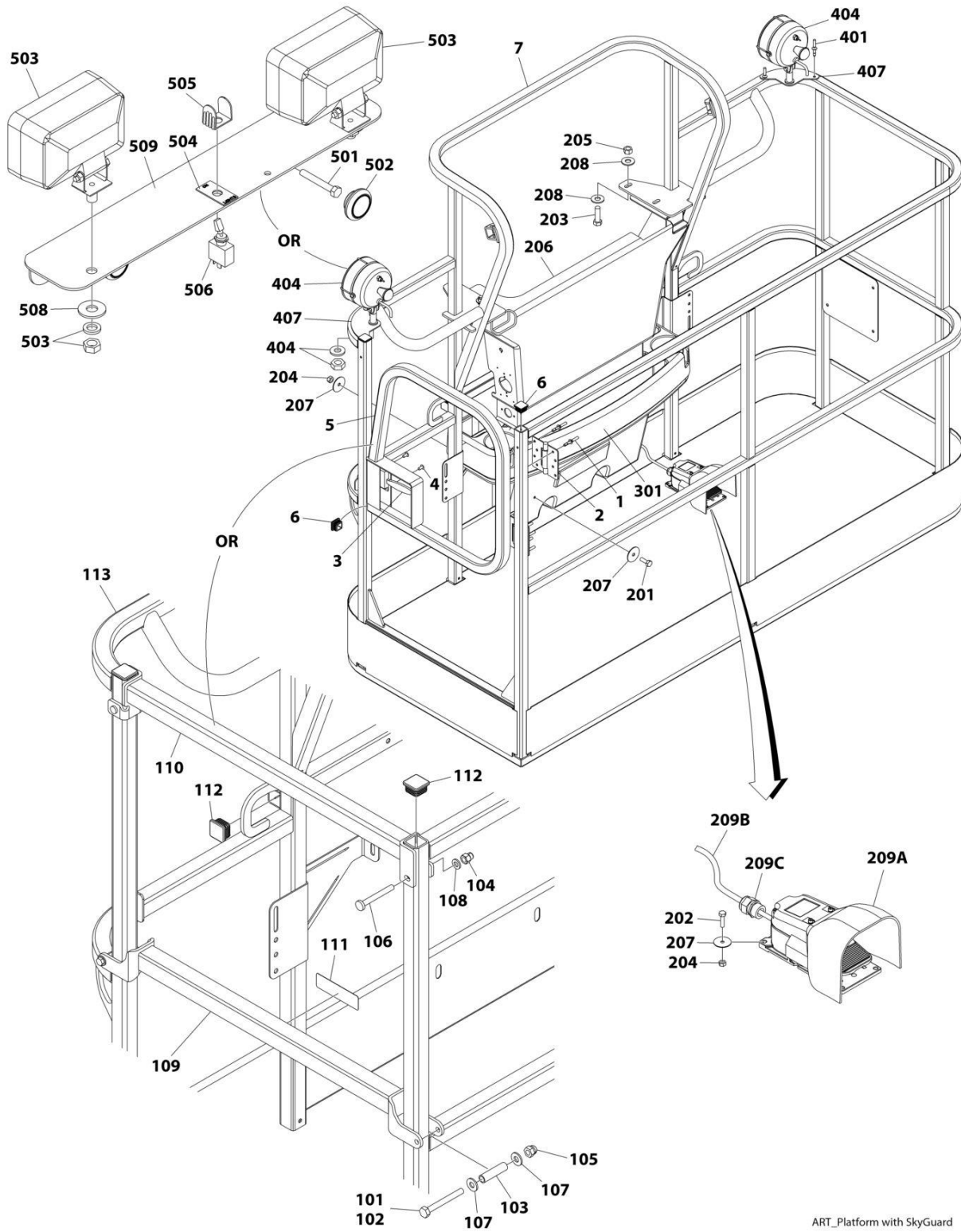
## SECTION 4 - PLATFORM

ITEM	PART NUMBER	QTY	DESCRIPTION	REV
207	4740362	1	Washer, Fender 1/4in	
208	4751600	8	Flatwasher 3/8in Regular	
209		Ref	Platform Console Box Assembly (Not Shown) (See PLATFORM CONSOLE ASSEMBLY for Breakdown)	
	1001139202	NLA	Platform Console Box Assembly (Use p/n 1001166671) <b>(SN E300001114 through E300001831)</b>	D
	1001166671	Ref	Platform Console Box Assembly <b>(SN E300001832 to Present)</b>	A
209A	1001117174	1	Footswitch Assembly (Includes Footswitch and Items 209B-209E)	B
209A	70002902	1	Block, Contact	
209A	70002903	1	Gasket	
209A	70002905	1	Cover	
209A	70002904	1	Bolt Kit - Cover	
209B	1060918	7.5 ft/ 2.3m	Cable, Electrical - 18/3	
209C	4460071	1	Connector, Strain Relief	
209D	4460464	1	Pin, Male (Not Shown)	
209E	4460226	2	Socket, Female (Not Shown)	
		Ref	<b>TRAY INSTALLATIONS (OPTIONAL)</b>	
301	1580012	1	Tray, Storage (Center)	
	0274862	Ref	<b>WORKLIGHTS INSTALLATIONS (OPTIONAL)</b>	B
401	2080040	4	Fastener, Huck	
404	2920140	2	Worklight Assembly (Includes Nut and Flatwasher)	
404	7016399	2	Bulb, Replacement (1 Per Worklight)	
407	3536089	2	Plate, Mounting	
413	4460426	1	Connector, Strain Relief (Not Shown - Located at Console Box)	
417	2820035	9	Loom, Vinyl (Not Shown)	
418	4240099	10	Tie-Strap (Not Shown)	
	0272921	Ref	<b>FLOODLIGHTS INSTALLATION (OPTIONAL)</b>	A
501	0641518	2	Bolt 5/16in-18NC x 2-1/4in	
502	2560173	2	Handle, Star Knob	
503	2920157	2	Floodlight	
503	7024452	2	Bulb, Replacement (1 Per Light)	
504	3250585	1	Nameplate - Lights On	
505	4060802	1	Guard, Switch	
506	4360336	1	Switch, Toggle	
507	4420037	AR	Tape, Insulation (Not Shown)	
508	4751800	2	Flatwasher 1/2in Regular	
509	4846561	1	Mount, Light	
511	0641406	1	Bolt 1/4in-20NC x 3/4in (Used with #413 - Not Shown)	
512	1060663	72 ft/22m	Cable, Electrical 12/3 (Not Shown)	
513	1320222	1	J-Clip (Not Shown)	
514	3311405	1	Locknut 1/4in-20NC (Used with #413 - Not Shown)	
515	4711400	2	Flatwasher 1/4in Thin (Used with #413 - Not Shown)	



# SECTION 4 - PLATFORM

## FIGURE 4-2. PLATFORM INSTALLATION (WITH SKYGUARD)



ART\_Platform with SkyGuard



## SECTION 4 - PLATFORM

**FIGURE 4-2. PLATFORM INSTALLATION (WITH SKYGUARD)**

ITEM	PART NUMBER	QTY	DESCRIPTION	REV
		Ref	<b>PLATFORM ASSEMBLY WITH GATE</b>	
	1001188312	Ref	<b>6ft (1.83m) with No Mesh</b>	B
	1001188315	Ref	<b>5ft (1.52m) with No Mesh</b>	B
	1001188319	Ref	<b>4ft (1.22m) with No Mesh</b>	B
		Ref	<b>Note: Platform and Mesh must be ordered separately for Platforms with Mesh. See SPECIAL OPTIONS SECTION for Mesh Installations.</b>	
		Ref	<b>Note: Replacement Decals Must be Ordered Separately - See DECALS SECTION.</b>	
1	2080040	16	Fastener, Huck	
2	2600281	2	Hinge, Self-Closing	
3	2940074	1	Latch	
4	3820020	4	Rivet, Pop	
5	1001144629	1	Gate Weldment	
6	1001145781	5	Cap-Plug	
7	See Note	1	Platform Weldment (Note: Not Available - Purchase Platform Assembly)	
		Ref	<b>PLATFORM ASSEMBLY WITH DROP-BAR</b>	
	1001188311	Ref	<b>6ft (1.83m) with No Mesh</b>	B
	1001188314	Ref	<b>5ft (1.52m) with No Mesh</b>	B
	1001188318	Ref	<b>4ft (1.22m) with No Mesh</b>	B
		Ref	<b>Note: Platform and Mesh must be ordered separately for Platforms with Mesh. See SPECIAL OPTIONS SECTION for Mesh Installations.</b>	
		Ref	<b>Note: Replacement Decals Must be Ordered Separately - See DECALS SECTION.</b>	
101	0100011	AR	Compound, Locking	
102	0641418	2	Bolt 1/4in-20NC x 2-1/4in	
103	0961845	2	Bushing	
104	3290606	2	Nut M6	
105	3300151	2	Nut, Acorn	
106	4010618	2	Screw M6 x 50mm	
107	4711400	4	Flatwasher 1/4in	
108	4811700	2	Flatwasher M6	
109	1001138494	1	Bar, Drop	
110	1001138514	1	Rail (Top)	
111	1001140429	1	Decal - Drop-Bar	
112	1001145781	4	Cap-Plug	
113	See Note	1	Platform Weldment (Note: Note Available - Purchase Platform Assembly)	
	1001190119	Ref	<b>CONSOLE BOX AND FOOTSWITCH INSTALLATION</b>	A
201	0641406	2	Bolt 1/4in-20NC x 3/4in	
202	0641408	3	Bolt 1/4in-20NC x 1in	
203	0641610	4	Bolt 3/8in-16NC x 1-1/4in	
204	3311405	5	Locknut 1/4in-20NC	
205	3311605	4	Locknut 3/8in-16NC	
206	3380434	1	Panel, Decal Mount	
207	4740362	1	Washer, Fender 1/4in	
208	4751600	8	Flatwasher 3/8in Regular	
209		Ref	Platform Console Box Assembly (Not Shown) (See PLATFORM CONSOLE ASSEMBLY (WITH SKYGUARD) for Breakdown)	
209A	1001117174	1	Footswitch Assembly (Includes Footswitch and Items 209B-	B

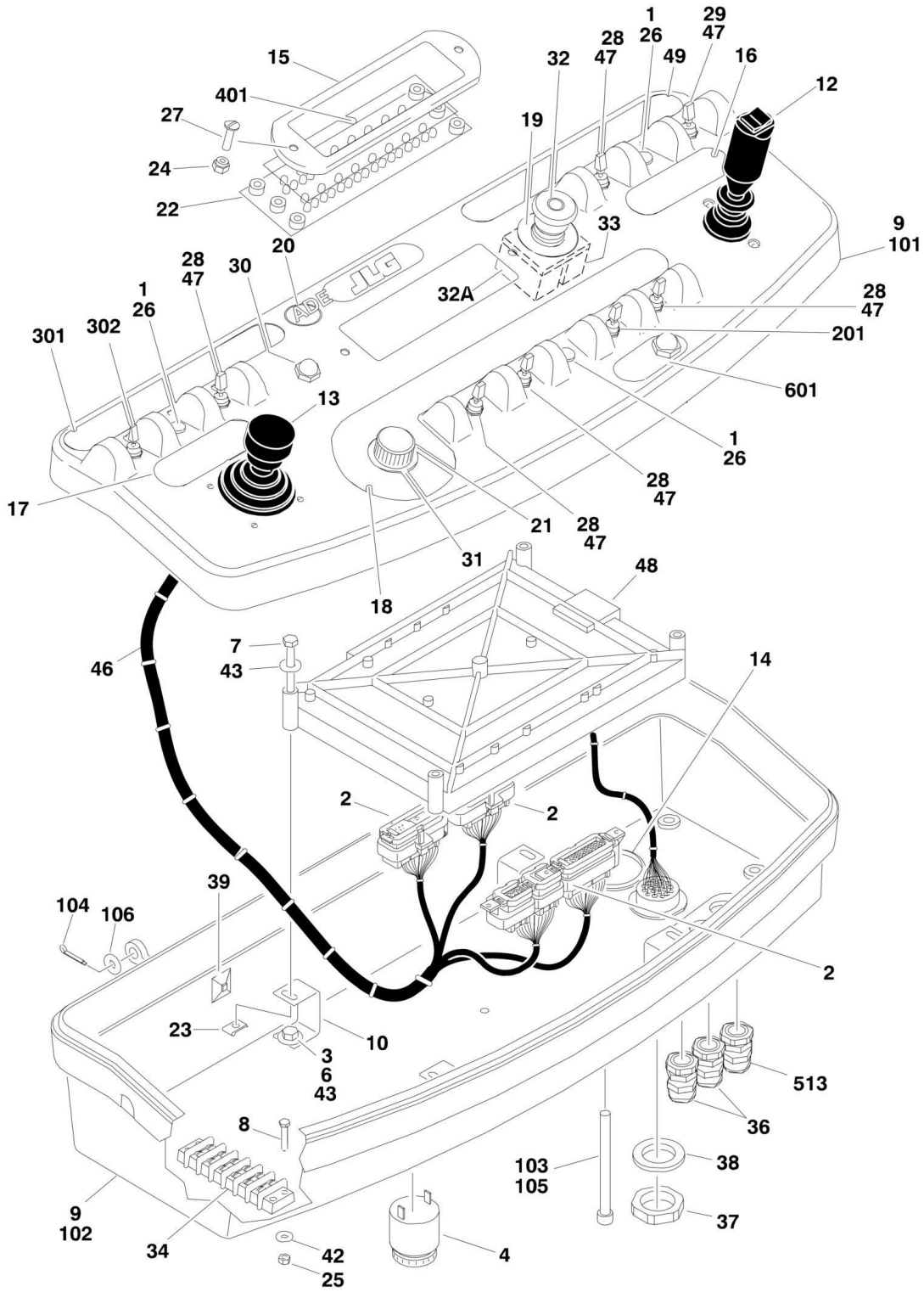
## SECTION 4 - PLATFORM

ITEM	PART NUMBER	QTY	DESCRIPTION	REV
			209E)	
209A	70002902	1	Block, Contact	
209A	70002903	1	Gasket	
209A	70002905	1	Cover	
209A	70002904	1	Bolt Kit - Cover	
209B	1060918	7.5 ft/ 2.3m	Cable, Electrical - 18/3	
209C	4460071	1	Connector, Strain Relief	
209D	4460464	1	Pin, Male (Not Shown)	
209E	4460226	2	Socket, Female (Not Shown)	
		Ref	<b>TRAY INSTALLATIONS (OPTIONAL)</b>	
301	1580012	1	Tray, Storage (Center)	
	0274862	Ref	<b>WORKLIGHTS INSTALLATIONS (OPTIONAL)</b>	B
401	2080040	4	Fastener, Huck	
404	2920140	2	Worklight Assembly (Includes Nut and Flatwasher)	
404	7016399	2	Bulb, Replacement (1 Per Worklight)	
407	3536089	2	Plate, Mounting	
413	4460426	1	Connector, Strain Relief (Not Shown - Located at Console Box)	
417	2820035	9	Loom, Vinyl (Not Shown)	
418	4240099	10	Tie-Strap (Not Shown)	
	0272921	Ref	<b>FLOODLIGHTS INSTALLATION (OPTIONAL)</b>	A
501	0641518	2	Bolt 5/16in-18NC x 2-1/4in	
502	2560173	2	Handle, Star Knob	
503	2920157	2	Floodlight	
503	7024452	2	Bulb, Replacement (1 Per Light)	
504	3250585	1	Nameplate - Lights On	
505	4060802	1	Guard, Switch	
506	4360336	1	Switch, Toggle	
507	4420037	AR	Tape, Insulation (Not Shown)	
508	4751800	2	Flatwasher 1/2in Regular	
509	4846561	1	Mount, Light	
511	0641406	1	Bolt 1/4in-20NC x 3/4in (Used with #413 - Not Shown)	
512	1060663	72 ft/22m	Cable, Electrical 12/3 (Not Shown)	
513	1320222	1	J-Clip (Not Shown)	
514	3311405	1	Locknut 1/4in-20NC (Used with #413 - Not Shown)	
515	4711400	2	Flatwasher 1/4in Thin (Used with #413 - Not Shown)	



# SECTION 4 - PLATFORM

## FIGURE 4-3. PLATFORM CONSOLE ASSEMBLY (WITHOUT SKYGUARD)



## SECTION 4 - PLATFORM

**FIGURE 4-3. PLATFORM CONSOLE ASSEMBLY (WITHOUT SKYGUARD)**

ITEM	PART NUMBER	QTY	DESCRIPTION	REV
		Ref	<b>PLATFORM CONSOLE ASSEMBLY (WITHOUT SKYGUARD)</b>	
	1001139202	Ref	<b>Platform Console Assembly - Romanian Built Machines (SN E300001114 through E300001831)</b>	D
	1001166671	Ref	<b>Platform Console Assembly - Romanian Built Machines (SN E300001832 to Present)</b>	A
1	0100009	AR	Sealant	
2	0100048	AR	Grease, Dielectric	
3	0100081	AR	Adhesive #454	
4	0140011	1	Alarm	
6	0641406	4	Bolt 1/4in-20NC x 3/4in	
7	0641414	4	Bolt 1/4in-20NC x 1-3/4in	
8	0721006	2	Screw, Machine #10-24NC x 3/4in	
9	0861441	1	Box, Console (See Items 101-106 for Breakdown)	
10		Ref	Bracket, Support Options:	
10	0902751	4	Bracket, Support <b>(SN E300001114 through E300001831)</b>	
10	1001172760	4	Bracket, Support <b>(SN E300001832 to Present)</b>	
12		Ref	Controller Assembly (Drive and Steer) (See CONTROLLER ASSEMBLY (DRIVE AND STEER) for Breakdown)	
12	1001118416	NLA	Controller Assembly (Drive and Steer) (Note: Use p/n 1001212415) <b>(SN E300001114 through E300001831)</b>	
12	1001166538	NLA	Controller Assembly (Drive and Steer) (Note: Use p/n 1001212415) <b>(SN E300001832 to Present)</b>	
13		Ref	Controller Assembly (Lift and Swing) (See CONTROLLER ASSEMBLY (LIFT AND SWING) for Breakdown) (was p/n 1001118417)	
13	1001129555	NLA	Controller Assembly (Lift and Swing) (Note: Use p/n 1001129555) <b>(SN E300001114 through E300001831)</b>	
13	1001166539	NLA	Controller Assembly (Lift and Swing) (Note: Use p/n 1001129555) <b>(SN E300001832 to Present)</b>	
14	1001110434	1	Cover	
15	1671176	1	Bezel	
16	1702565	1	Decal (Drive and Steer)	
17	1702566	1	Decal (Lift and Swing)	
18	1702567	1	Decal (Function Speed)	
19	1704260	1	Decal - EMS	
20	1705132	1	Decal - ADE Control	
21	2560136	1	Handle, Knob	
22	2920154	1	Panel, LED Light	
23	3300353	4	Nut, Tinnerman	
24	3300408	2	Insert, Nylon	
25	3311005	2	Locknut #10-24NC	
26	3520054	4	Plug, Hole	
27	3911018	2	Screw, Machine #10-24NC x 1-1/8in	
28		Ref	Switch, Toggle Options:	
28	4360328	5	Switch, Toggle <b>(SN E300001114 through E300001831)</b>	
28	1001155045	5	Switch, Toggle <b>(SN E300001832 to Present)</b>	
29		Ref	Switch, Toggle Options:	
29	4360330	1	Switch, Toggle <b>(SN E300001114 through E300001831)</b>	
29	1001159256	1	Switch, Toggle <b>(SN E300001832 to Present)</b>	
30	4360387	1	Switch, Pushbutton	
31	4360407	1	Controller, Speed	
31	See Note	1	Gasket "Top Hat" (Included with Switch) (Note: Not Available -	

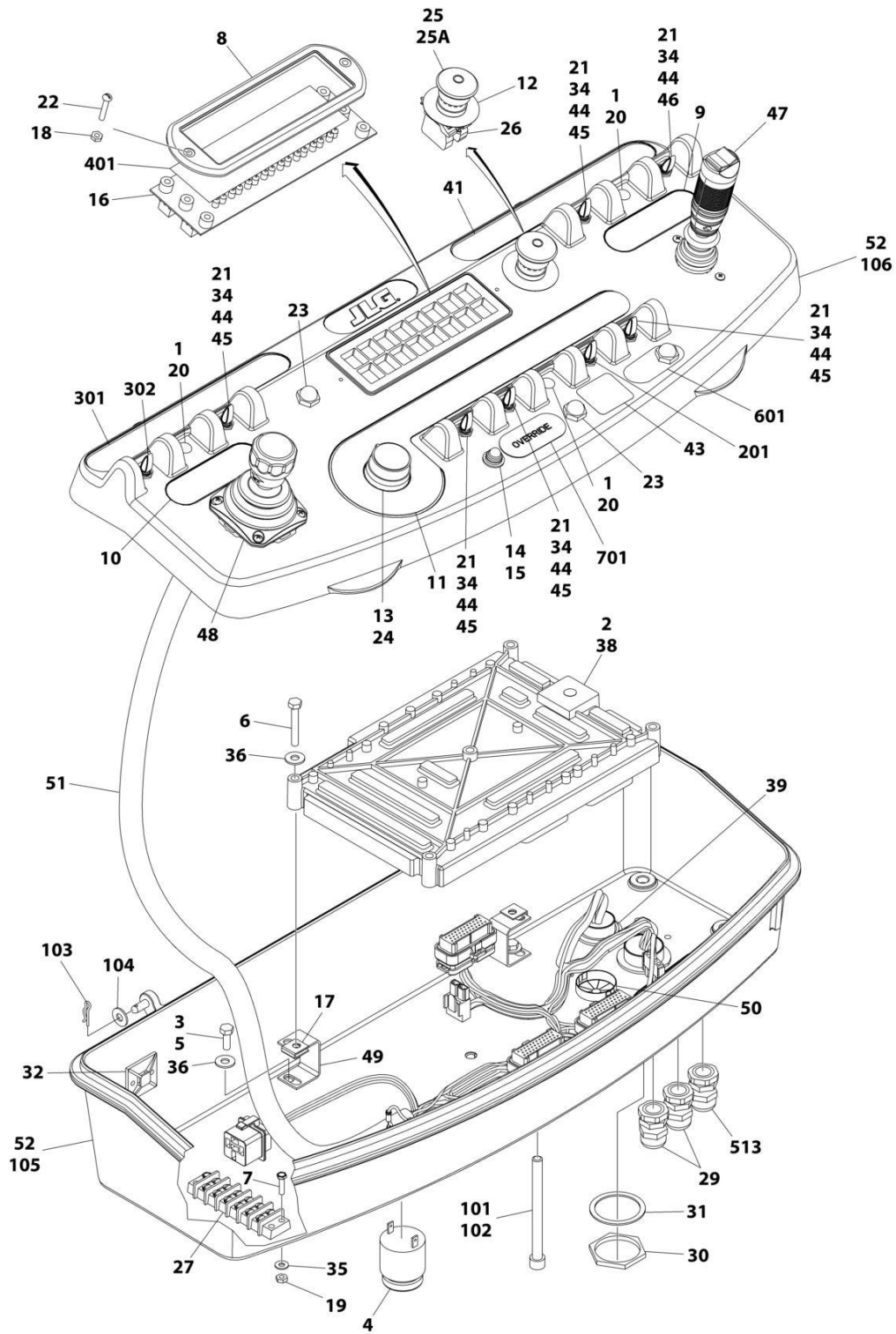
## SECTION 4 - PLATFORM

ITEM	PART NUMBER	QTY	DESCRIPTION	REV
			Purchase Complete Controller.)	
31	70003784	1	Seal	
32	4360475	1	Switch, Emergency Stop	
32	7020175	1	Cap, Red	
32A	7020176	1	Contact Block	
33	4360476	1	Block, Contact	
34	4460007	1	Bussbar	
35	4460234	3	Base, Tie-Strap Mounting (Not Shown - Located on Item 101)	
36	4460428	2	Connector, Strain Relief	
37	4460470	1	Nut, Terminal	
38	4460471	1	Lockwasher, Terminal	
39	4460488	1	Base, Mounting	
40	4460708	2	Receptacle - 15 Position (Not Shown)	
42	4751000	2	Flatwasher #10 Regular	
43	4751400	8	Flatwasher 1/4in Regular	
44	1001139135	1	Harness, Upper Valve (Not Shown - See ELECTRICAL SECTION for Breakdown)	
45	4922666	1	Harness, Analyzer Cable (Not Shown - See ELECTRICAL SECTION for Breakdown)	
46	1001107007	1	Harness, Platform Box (See ELECTRICAL SECTION for Breakdown)	
47	3790012	6	O-Ring	
48	1001106938	1	Controller, Module (Re-calibration Required When Replaced)	
49	1001131168	1	Decal (Stop)	
	1001119559	1	Decal Kit Options (Includes Items 16-20, 49, 501, & 601)	
50	4740397	AR	Washer, Spacer	
	0861441	Ref	<b>CONSOLE BOX ASSEMBLY</b>	F
101	0861441	1	Console Top (Note: Not Available for Purchase)	
102	0861441	1	Console Bottom (Note: Not Available for Purchase)	
103	3311601	1	Nut 3/8in-16NC	
104	3470003	2	Hair, Pin	
105	0630568	1	Screw 3/8in-16NC x 4-1/2in	
106	4711500	2	Flatwasher 5/16in Thin	
	0271340	Ref	<b>JIB SWITCH INSTALLATION</b>	1-A
201	4360328	1	Switch, Toggle	
201	3790012	1	O-Ring	
	0275854	Ref	<b>DRIVE SWITCH INSTALLATION (FROM WHEEL DRIVE INSTALLATIONS)</b>	E
301	1702676	1	Decal	
302	4360331		Switch, Toggle	
302	3790012		O-Ring	
	1001108994	Ref	<b>LIGHT PANEL DECAL INSTALLATIONS</b>	A
401	1001107853	1	Decal - Display	
	0274862	Ref	<b>PLATFORM WORKLIGHT INSTALLATION (OPTIONAL)</b>	C
513	4460426	1	Connector, Strain Relief	
	0271072	Ref	<b>LIGHT COMPONENTS (OPTIONAL)</b>	A
601	4360522	Ref	Switch, Pushbutton	
601	1705170	Ref	Decal, Lights	



# SECTION 4 - PLATFORM

## FIGURE 4-4. PLATFORM CONSOLE ASSEMBLY (WITH SKYGUARD)



ART\_1001190095



## SECTION 4 - PLATFORM

**FIGURE 4-4. PLATFORM CONSOLE ASSEMBLY (WITH SKYGUARD)**

ITEM	PART NUMBER	QTY	DESCRIPTION	REV
	1001190095	Ref	<b>PLATFORM CONSOLE ASSEMBLY</b>	A
1	0100009	AR	Sealant	
2	0100048	AR	Grease, Dielectric	
3	0100081	AR	Adhesive #454	
4	0140011	1	Alarm	
5	0641406	4	Bolt 1/4in-20NC x 3/4in	
6	0641414	4	Bolt 1/4in-20NC x 1-3/4in	
7	0721006	2	Screw, Machine #10-24NC x 3/4in	
8	1671176	1	Bezel	
9	1702565	1	Decal (Drive and Steer)	
10	1702566	1	Decal (Lift and Swing)	
11	1702567	1	Decal (Function Speed)	
12	1704260	1	Decal - EMS	
13	2560136	1	Handle, Knob	
14	2920028	1	Light, Indicator	
15	2920029	1	Bulb	
16	2920154	1	Panel, LED Light	
17	3300353	4	Nut, Tinnerman	
18	3300408	2	Insert, Nylon	
19	3311005	2	Locknut #10-24NC	
20	3520054	4	Plug, Hole	
21	3790012	6	O-Ring	
22	3911018	2	Screw, Machine #10-24NC x 1-1/8in	
23	4360387	2	Switch, Pushbutton	
24	4360407	1	Controller, Speed	
24	See Note	1	Gasket "Top Hat" (Included with Switch) (Note: Not Available - Purchase Complete Controller.)	
24	70003784	1	Seal	
25	4360475	1	Switch, Emergency Stop	
25	7020175	1	Cap, Red	
25A	7020176	1	Contact Block	
26	4360476	1	Block, Contact	
27	4460007	1	Bussbar	
28	4460234	3	Base, Tie-Strap Mounting (Not Shown - Located on Item 101)	
29	4460428	2	Connector, Strain Relief	
30	4460470	1	Nut, Terminal	
31	4460471	1	Lockwasher, Terminal	
32	4460488	1	Base, Mounting	
33	4460708	2	Receptacle - 15 Position (Not Shown)	
34	4740397	6	Washer, Spacer	
35	4751000	2	Flatwasher #10 Regular	
36	4751400	8	Flatwasher 1/4in Regular	
37	4922666	1	Harness, Analyzer Cable (Not Shown - See ELECTRICAL SECTION for Breakdown)	
38	1001106938	1	Controller, Module (Re-calibration Required When Replaced)	
39	1001110434	1	Cover	
41	1001131168	1	Decal (Stop)	
42	1001139135	1	Harness, Upper Valve (Not Shown - See ELECTRICAL SECTION for Breakdown)	
43	1001144433	1	Decal - No Weight (With SkyGuard)	

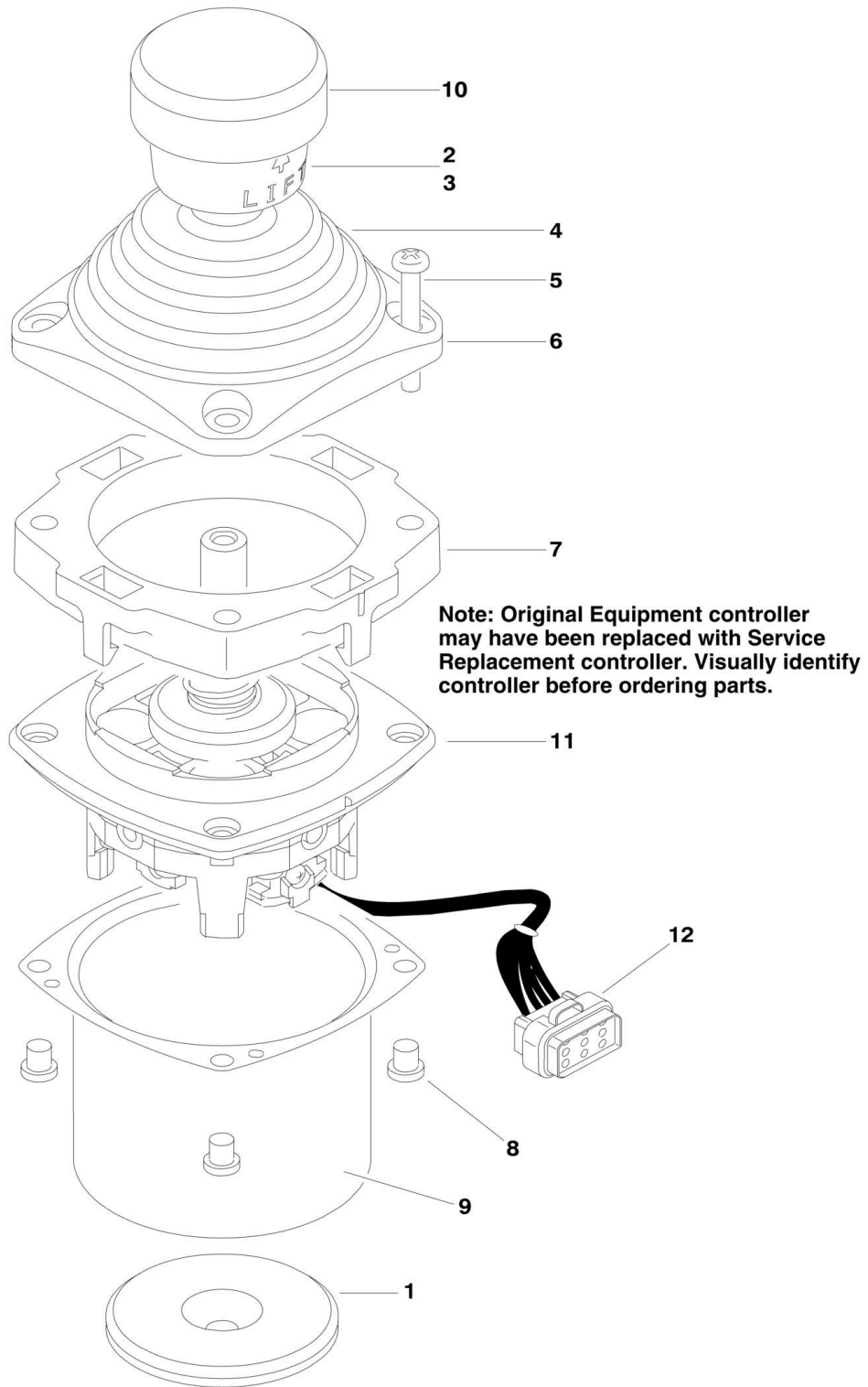
## SECTION 4 - PLATFORM

ITEM	PART NUMBER	QTY	DESCRIPTION	REV
44	1001155044	6	Nut 15/32	
45	1001155045	5	Switch, Toggle	
46	1001159256	1	Switch, Toggle	
47	1001166538	NLA	Controller Assembly (Drive and Steer) (Note: Use p/n 1001212415)	
48	1001166539	NLA	Controller Assembly (Lift and Swing) (Note: Use p/n 1001129555)	
49	1001172760	4	Bracket, Support	
50	1001185281	1	Plug	
51	1001185891	1	Harness, Platform Box (See ELECTRICAL SECTION for Breakdown)	
52	1001190017	1	Box, Console (See Items 101-106 for Breakdown)	
	1001190017	Ref	<b>CONSOLE BOX ASSEMBLY</b>	B
101	0630568	1	Screw 3/8in-16NC x 4-1/2in	
102	3311601	1	Nut 3/8in-16NC	
103	3470003	2	Hair, Pin	
104	4711500	2	Flatwasher 5/16in Thin	
105	See Note	NSS	Console Bottom (Note: Not Available for Purchase)	
106	See Note	NSS	Console Top (Note: Not Available for Purchase)	
	0271340	Ref	<b>JIB SWITCH INSTALLATION</b>	1-A
201	4360328	1	Switch, Toggle	
201	3790012	1	O-Ring	
	0275854	Ref	<b>DRIVE SWITCH INSTALLATION (FROM WHEEL DRIVE INSTALLATIONS)</b>	E
301	1702676	1	Decal	
302	4360331	1	Switch, Toggle	
302	3790012	1	O-Ring	
	1001108994	Ref	<b>LIGHT PANEL DECAL INSTALLATIONS</b>	A
401	1001107853	1	Decal - Display	
	0274862	Ref	<b>PLATFORM WORKLIGHT INSTALLATION (OPTIONAL)</b>	C
513	4460426	1	Connector, Strain Relief	
	0271072	Ref	<b>LIGHT COMPONENTS (OPTIONAL)</b>	A
601	4360522	Ref	Switch, Pushbutton	
601	1705170	Ref	Decal, Lights	
		Ref	<b>DECAL - SKYGUARD</b>	
701	1001141300	1	Decal - SkyGuard Override	
701	1001141302	1	Decal - SkyGuard/Soft Touch Override	



# SECTION 4 - PLATFORM

FIGURE 4-5. CONTROLLER ASSEMBLY (LIFT AND SWING) (SN E300001114 through E300001831)



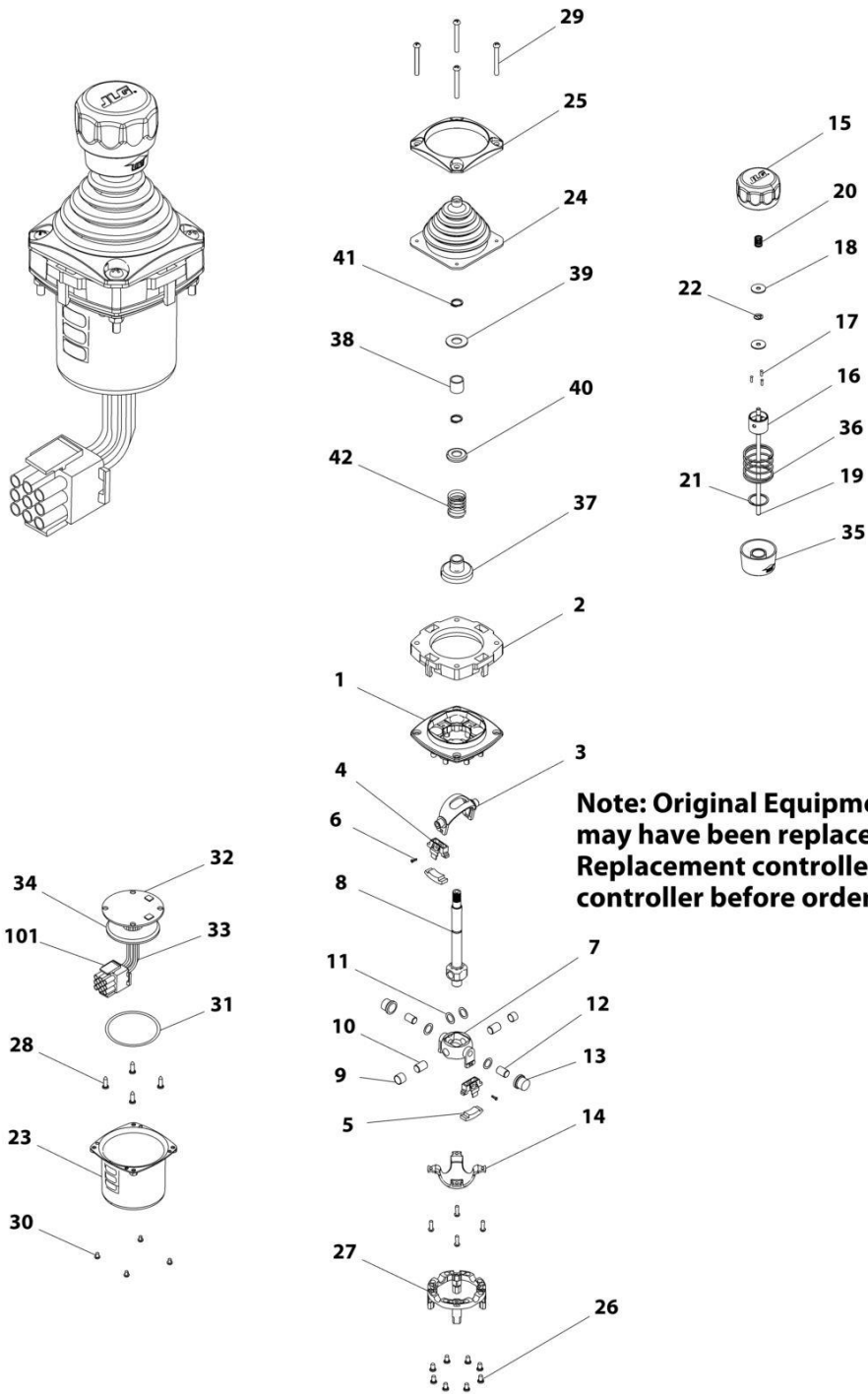
## SECTION 4 - PLATFORM

**FIGURE 4-5. CONTROLLER ASSEMBLY (LIFT AND SWING) (SN E300001114 through E300001831)**

ITEM	PART NUMBER	QTY	DESCRIPTION	REV
	1001118417	Ref	<b>CONTROLLER ASSEMBLY (SN E300001114 through E300001831)</b>	E
		Ref	<b>Note: Use p/n 1001129555 Kit as replacement.</b>	
1	70002730	1	Gasket	
2	7003928	1	Spring	
3	7022808	1	Cap, Lift	
4	70002731	1	Boot	
5	70002732	4	Screw	
6	7022815	1	Bezel	
7	70002733	1	Adapter	
8	70002734	4	Screw	
9	70002735	1	Can, Enclosure	
10	70002906	1	Cap	
11	See Note	NSS	Mechanical Assembly (Note: Use p/n 1001129555)	
12	7022819	1	Plug, Male 8 Position (Natural) (Not Shown)	
12	4460871	6	Socket, Female	

# SECTION 4 - PLATFORM

## FIGURE 4-6. CONTROLLER ASSEMBLY (LIFT AND SWING) (SN E30001832 to Present)



**Note: Original Equipment controller may have been replaced with Service Replacement controller. Visually identify controller before ordering parts.**

ART\_1001166539

## SECTION 4 - PLATFORM

**FIGURE 4-6. CONTROLLER ASSEMBLY (LIFT AND SWING) (SN E300001832 to Present)**

ITEM	PART NUMBER	QTY	DESCRIPTION	REV
	1001166539	Ref	<b>CONTROLLER ASSEMBLY (LIFT AND SWING) (SN E300001832 to Present)</b>	D
		Ref	<b>Note: Use p/n 1001129555 as Replacement.</b>	
1	See Note	1	Main Cast Body (Note: Not Available - Purchase Complete Assembly)	
2	70004752	1	Adapter	
3	See Note	1	Pivot Arm, Plastic (Note: Not Available - Purchase Complete Assembly)	
4	See Note	2	Holder, Magnet (Note: Not Available - Purchase Complete Assembly)	
5	See Note	2	Arc, Magnet (Note: Not Available - Purchase Complete Assembly)	
6	See Note	2	Screw (Note: Not Available for Purchase)	
7	See Note	1	Pivot Arm, Cast (Note: Not Available - Purchase Complete Assembly)	
8	See Note	1	Shaft, Main (Note: Not Available - Purchase Complete Assembly)	
9	See Note	2	Bearing (Note: Not Available - Purchase Complete Assembly)	
10	See Note	2	Pin (Note: Not Available - Purchase Complete Assembly)	
11	See Note	4	Shim (Note: Not Available - Purchase Complete Assembly)	
12	See Note	2	Pin (Note: Not Available - Purchase Complete Assembly)	
13	See Note	2	Bearing (Note: Not Available - Purchase Complete Assembly)	
14	See Note	1	Dome, Centering (Note: Not Available - Purchase Complete Assembly)	
15	70004753	1	Cap	
16	70004754	1	Insert, Cap	
17	70004755	3	Pin	
18	70004756	2	Washer	
19	70004757	1	Pin, Centering	
20	70004758	1	Spring	
21	70004759	1	Ring, Retaining	
22	70004760	1	E-Ring	
23	70004761	1	Can, Enclosure	
24	70004762	1	Boot	
25	70004763	1	Bezel	
26	See Note	8	Screw (Note: Not Available for Purchase)	
27	See Note	1	Base Mounting (Note: Not Available - Purchase Complete Assembly)	
28	See Note	4	Screw (Note: Not Available for Purchase)	
29	70004764	4	Screw	
30	70004765	4	Screw	
31	70004766	1	O-Ring	
32	See Note	1	Plate (Note: Not Available - Purchase Complete Assembly)	
33	See Note	1	Harness (Note: Not Available - Purchase Complete Assembly)	
34	70004767	1	Grommet, Rubber	
35	70004768	1	Housing	
36	70004769	1	Spring	
37	70004770	1	Stopper	
38	70004771	1	Spacer	
39	70004772	1	Washer	
40	70004773	1	Disc	
41	70004774	2	Ring, Retaining	

## SECTION 4 - PLATFORM

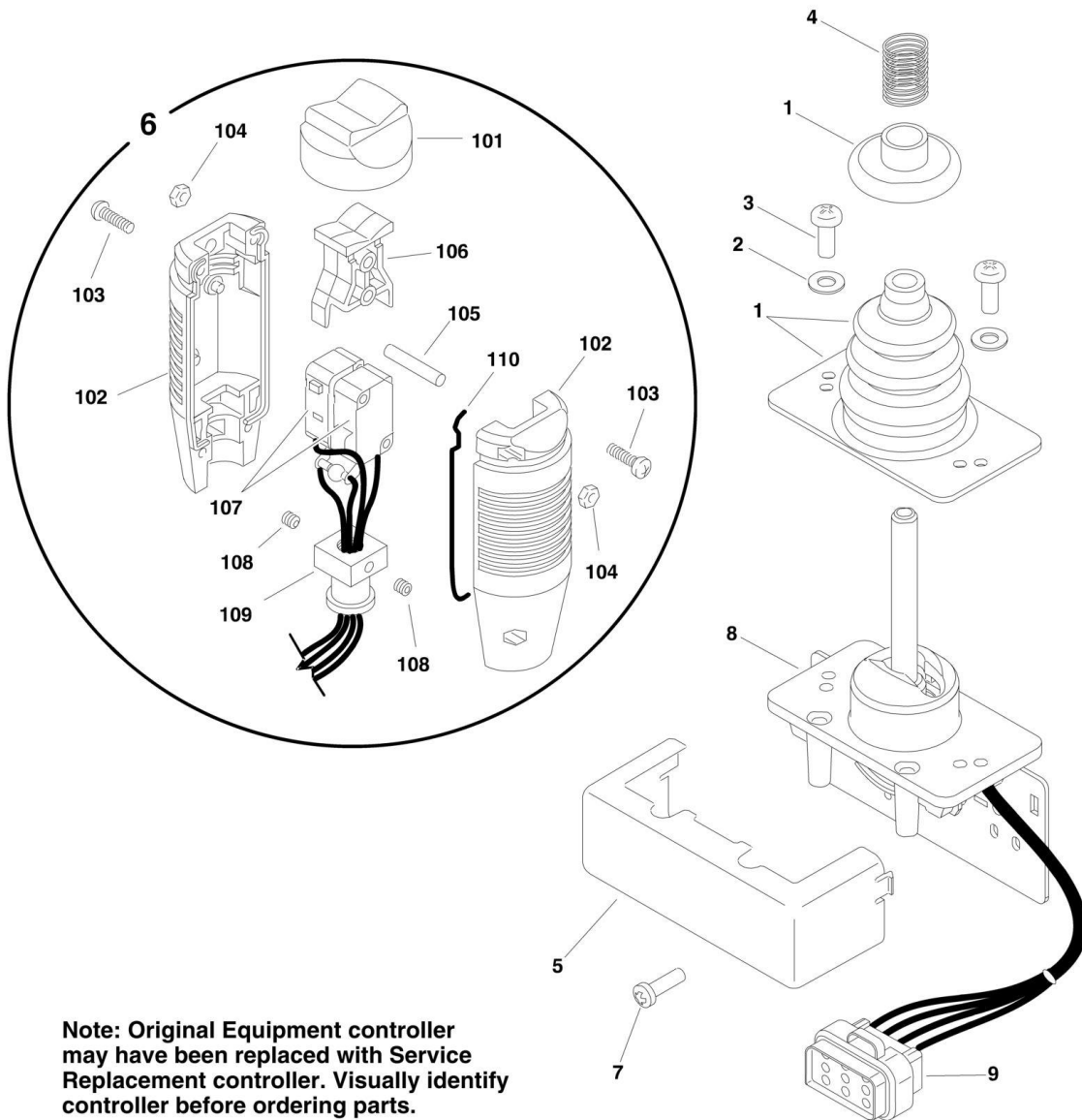
ITEM	PART NUMBER	QTY	DESCRIPTION	REV
42	70004775	1	Spring	
101	4460265	1	Connector - 9 Position	
101	4460226	6	Socket, Female	





# SECTION 4 - PLATFORM

FIGURE 4-7. CONTROLLER ASSEMBLY (DRIVE AND STEER) (SN E300001114 through E300001831)



**Note:** Original Equipment controller may have been replaced with Service Replacement controller. Visually identify controller before ordering parts.

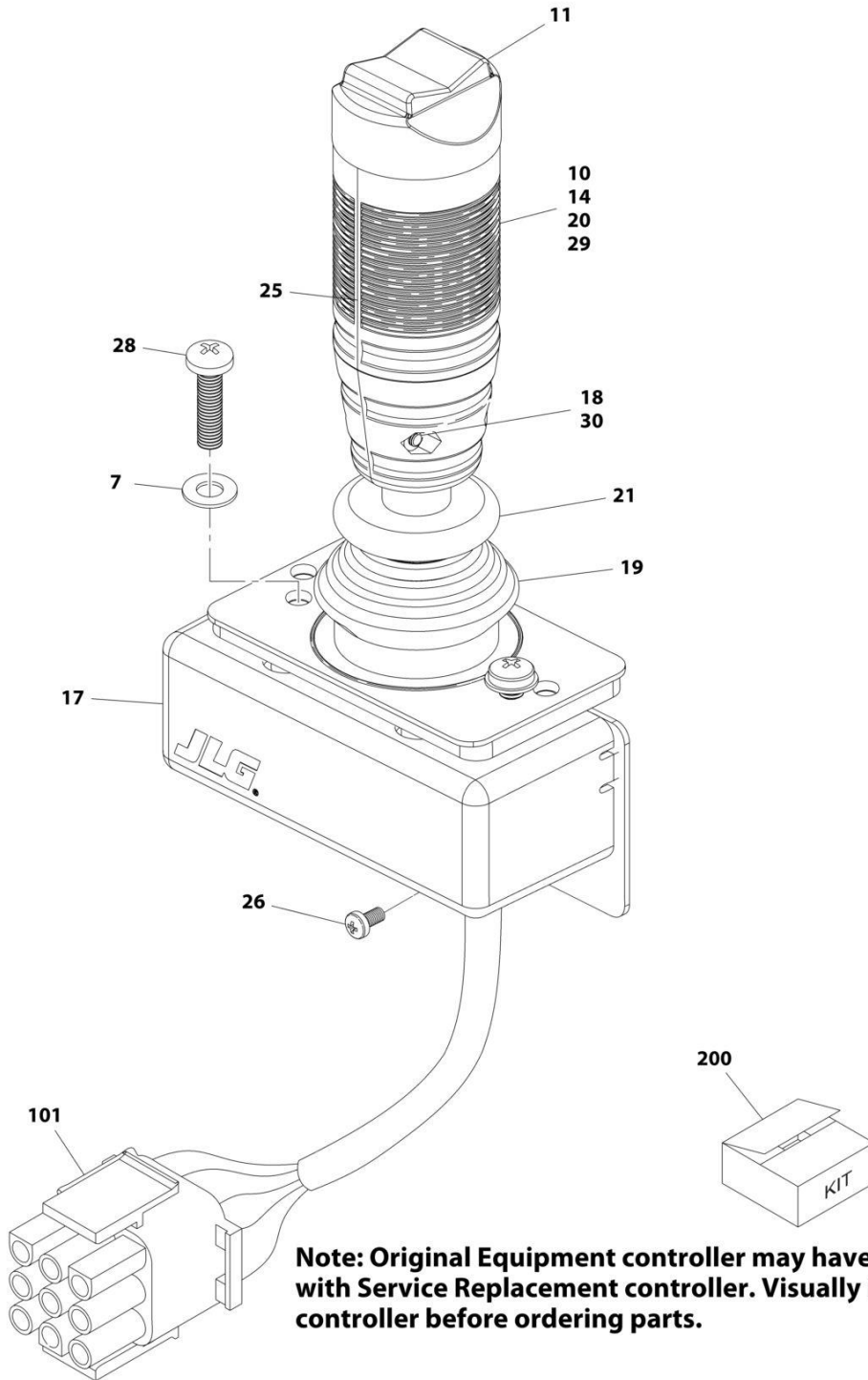
## SECTION 4 - PLATFORM

**FIGURE 4-7. CONTROLLER ASSEMBLY (DRIVE AND STEER) (SN E300001114 through E300001831)**

ITEM	PART NUMBER	QTY	DESCRIPTION	REV
	1001118416	Ref	<b>CONTROLLER ASSEMBLY (DRIVE AND STEER) (SN E300001114 through E300001831)</b>	D
		Ref	<b>Note: Use p/n 1001212415 as Replacement.</b>	
1	70002724	1	Boot and Control Lock Assembly	
2	7003941	2	Washer	
3	70002725	2	Screw	
4	7019162	1	Spring	
5	70002726	1	Enclosure	
6	70002727	1	Handle Assembly (See Items 101-110 for Breakdown)	
7	70002728	1	Screw	
8	See Note	NSS	Mechanical Assembly (Note: Use p/n 1001212415)	
9	1001113961	1	Plug, Male - 8 Position (Black)	
9	4460871	7	Socket, Female	
	70002727	Ref	<b>HANDLE ASSEMBLY</b>	
101	7003972	1	Boot, Switch	
102	7003973	2	Half, Handle	
103	7003980	4	Screw	
104	7019167	4	Nut	
105	7019164	1	Axle	
106	7019165	1	Rocker	
107	70002729	1	Wiring Assembly	
107	7003982	2	Switch, Micro	
108	7003983	2	Setscrew	
109	7019194	1	Coupling	
110	7003989	2	Gasket	

# SECTION 4 - PLATFORM

FIGURE 4-8. CONTROLLER ASSEMBLY (DRIVE AND STEER) (SN E300001832 to Present)



**Note: Original Equipment controller may have been replaced with Service Replacement controller. Visually identify controller before ordering parts.**

ART\_1001166538

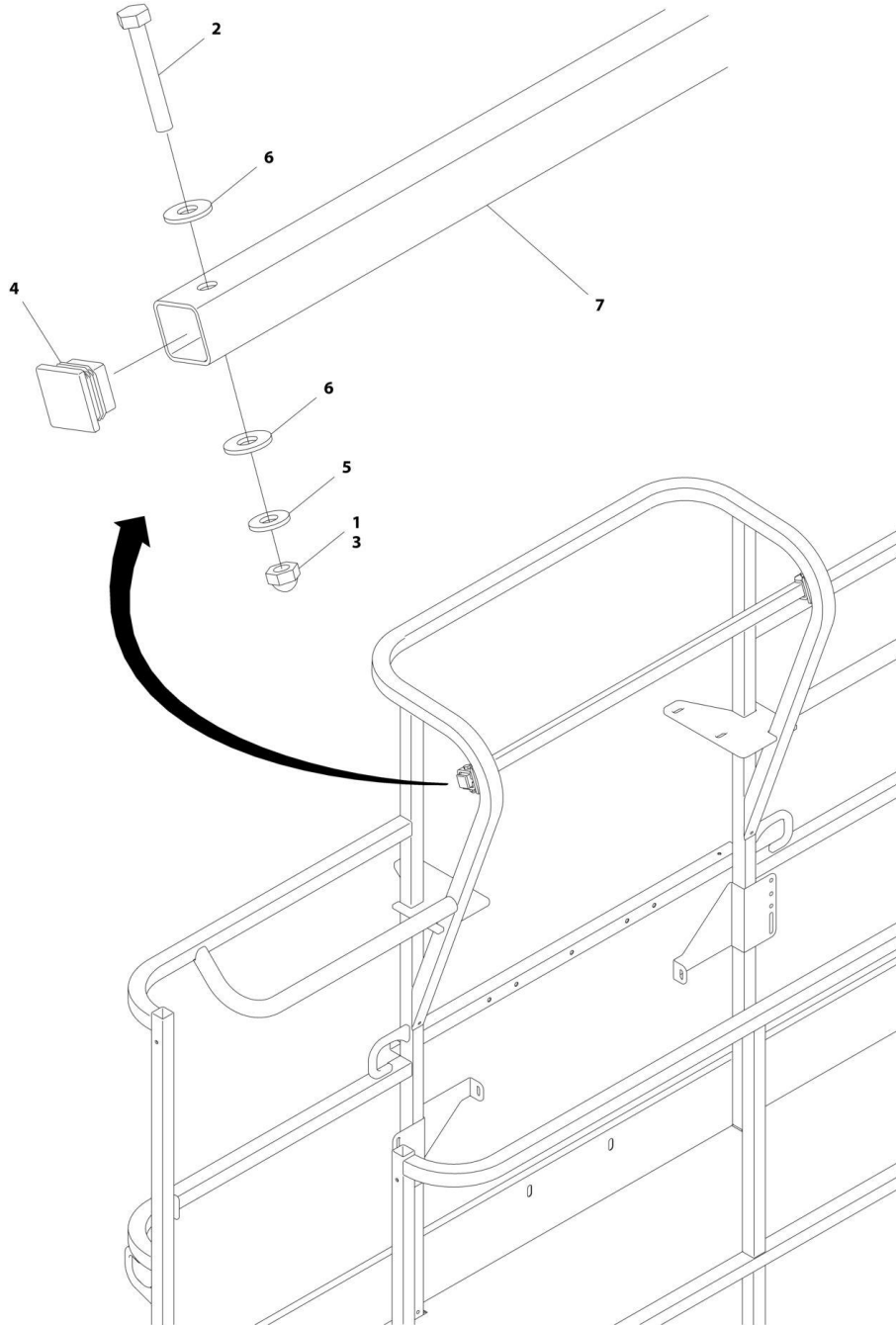
## SECTION 4 - PLATFORM

**FIGURE 4-8. CONTROLLER ASSEMBLY (DRIVE AND STEER) (SN E300001832 to Present)**

ITEM	PART NUMBER	QTY	DESCRIPTION	REV
	1001166538	Ref	<b>CONTROLLER ASSEMBLY (DRIVE AND STEER) (SN E300001832 to Present)</b>	E
		Ref	<b>Note: Use p/n 1001212415 as Replacement.</b>	
7	70004738	2	Washer	
10	70004739	1	Roller	
11	70004740	1	Boot, Switch	
14	70004741	2	Half, Handle	
17	70004742	1	Enclosure	
18	70004743	4	Nut	
19	70004744	NLA	Boot, Controller (Note: Use Item 200)	
20	70004745	NLA	Tube, Locking (Note: Use Item 200)	
21	70004746	NLA	Disc, Locking (Note: Use Item 200)	
25	70004747	2	Seal, Rope	
26	70004748	1	Screw, M3 x 6mm	
28	70004749	2	Screw, M5 x 20mm	
29	70004750	1	Pin, Dowel	
30	70004751	4	Screw, M3 x 16mm	
101	4460265	1	Connector - 9 Position	
101	4460226	7	Socket, Female	
200	70005230	1	Boot Kit (Includes Items 19-21)	

# SECTION 4 - PLATFORM

## FIGURE 4-9. CROSS RAIL INSTALLATION



ART\_1001182138

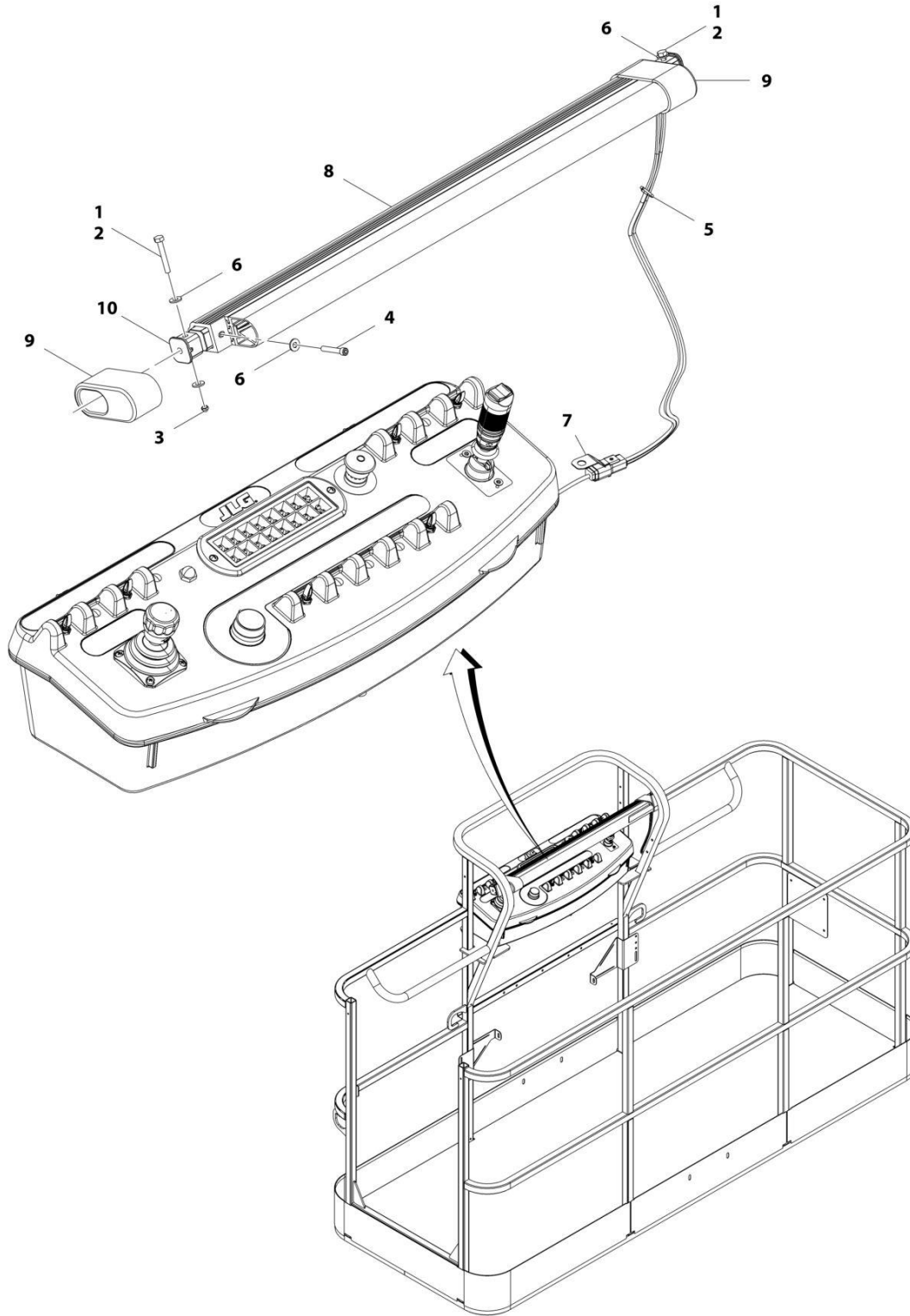
## SECTION 4 - PLATFORM

### FIGURE 4-9. CROSS RAIL INSTALLATION

ITEM	PART NUMBER	QTY	DESCRIPTION	REV
	1001182138	Ref	<b>CROSS RAIL INSTALLATION</b>	A
1	0100071	AR	Compound, Locking	
2	0641414	2	Bolt 1/4 x 1-3/4	
3	3300430	2	Nut 1/4	
4	3520182	2	Plug	
5	4711400	2	Washer 1/4	
6	4751400	4	Washer 1/4	
7	1001191708	1	Bar	

# SECTION 4 - PLATFORM

## FIGURE 4-10. SKYGUARD SYSTEM INSTALLATION



ART\_1001187508



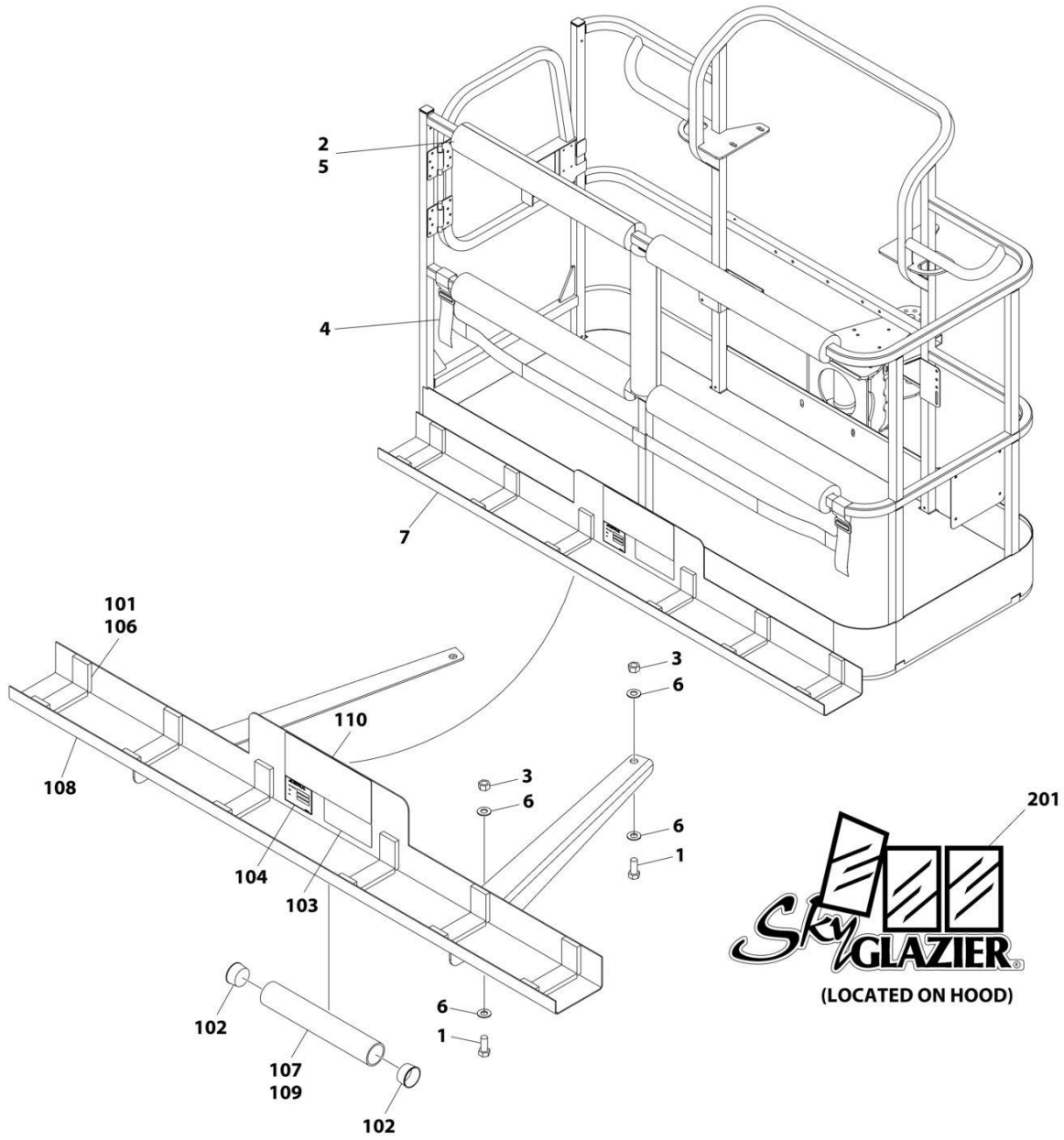
## SECTION 4 - PLATFORM

**FIGURE 4-10. SKYGUARD SYSTEM INSTALLATION**

ITEM	PART NUMBER	QTY	DESCRIPTION	REV
	1001187508	Ref	<b>SKYGUARD SYSTEM INSTALLATION</b>	A
1	0100011	AR	Compound, Locking	
2	0641414	2	Bolt 1/4 x 1-3/4	
3	3300430	2	Nut 1/4	
4	3931424	2	Capscrew 1/4 x 1-1/2	
5	4240033	1	Tie-Strap	
6	4711400	6	Washer 1/4	
7	1001120328	1	Mount	
8	1001137673	1	Switch, SkyGuard Assembly	
9	1001186517	2	Cover, Platform Sensor	
10	1001188889	2	Support, Block	

# SECTION 4 - PLATFORM

## FIGURE 4-11. SKYGLAZIER INSTALLATION - WITH LSS (AUSTRALIAN SPECS)



ART\_1001102648

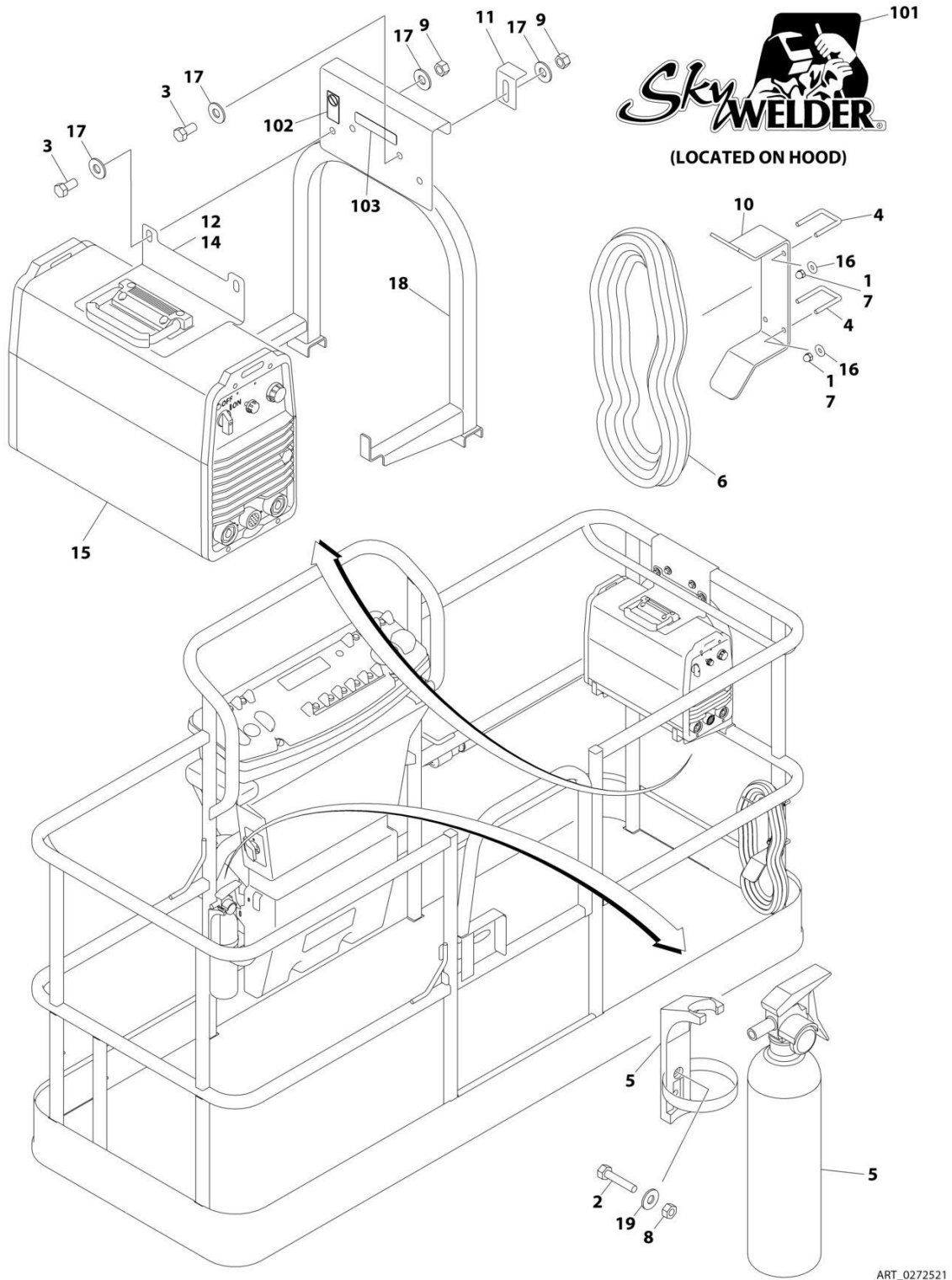
## SECTION 4 - PLATFORM

**FIGURE 4-11. SKYGLAZIER INSTALLATION - WITH LSS (AUSTRALIAN SPECS)**

ITEM	PART NUMBER	QTY	DESCRIPTION	REV
	1001102648	Ref	<b>SKYGLAZIER INSTALLATION</b>	A
1	0642026	4	Bolt 5/8 x 3-1/4	
2	0940199	1	Bumper Kit	
3	3312005	4	Nut 5/8	
4	4240149	1	Strap Kit	
5	4420014	AR	Tape	
6	4712000	8	Washer 5/8	
7	1001101424	1	Tray Assembly (See Items 101-110 for Breakdown)	
	1001101424	Ref	<b>TRAY ASSEMBLY</b>	A
101	0100081	AR	Adhesive	
102	1120555	2	Cap, Tube	
103	1701509	1	Decal - Manual	
104	See Note	NSS	Nameplate - Serial Number (Note: Not Available for Purchase)	
106	3340956	1	Pad Kit	
107	3460334	1	Tube	
108	4341415	1	Support	
109	4420066	AR	Tape, Double Sided	
110	1001102446	2	Decal - Glazier Capacity	
201	1705358	2	Decal - SkyGlazier	

# SECTION 4 - PLATFORM

## FIGURE 4-12. SKYWELDER INSTALLATION - 50HZ



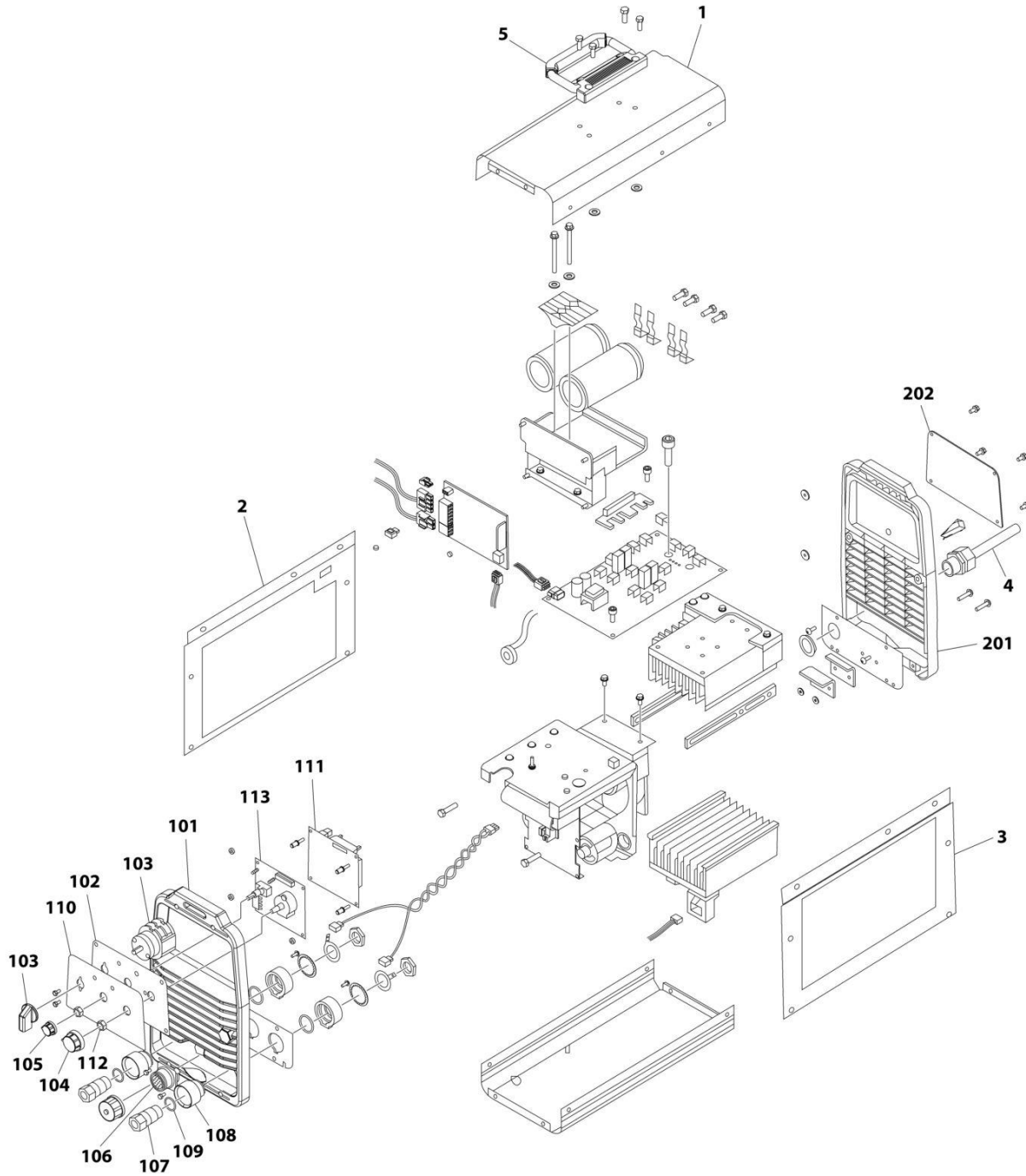
## SECTION 4 - PLATFORM

**FIGURE 4-12. SKYWELDER INSTALLATION - 50HZ**

ITEM	PART NUMBER	QTY	DESCRIPTION	REV
	0272521	Ref	SKYWELDER INSTALLATION	F
1	0100011	AR	Compound, Locking	
2	0630518	2	Screw #10 x 3/4	
3	0641606	4	Bolt 3/8 x 3/4	
4	1320302	2	U-Clamp	
5	2030010	1	Extinguisher, Fire	
6	2902217	1	Weld Leads Kit	
7	3300151	4	Nut 1/4	
8	3311005	2	Nut #10	
9	3311605	4	Nut 3/8	
10	3573400	1	Bracket	
11	3577121	2	Angle	
12	3573642	1	Plate	
13	4240099	AR	Tie-Strap (Not Shown)	
14	4420037	AR	Tape	
15	4530028	1	Welder Assembly (See WELDER ASSEMBLY for Breakdown)	
16	4751400	4	Washer 1/4	
17	4751600	8	Washer 3/8	
18	4846627	1	Support	
19	4751000	2	Washer #10	
	0272588	Ref	SKYWELDER DECAL INSTALLATION	B
101	1705355	1	Decal - SkyWelder	
102	1705305	1	Decal - Weld Lead	
103	1001228988	1	Decal - Weight	

# SECTION 4 - PLATFORM

## FIGURE 4-13. WELDER ASSEMBLY



ART\_4530028

## SECTION 4 - PLATFORM

### FIGURE 4-13. WELDER ASSEMBLY

ITEM	PART NUMBER	QTY	DESCRIPTION	REV
	4530028	Ref	WELDER ASSEMBLY	B
		Ref	Note: For Other Components, contact your Miller Welder Dealer.	
1	7027773	1	Cover, Top	
1	7027774	1	Decal - Static Precautionary Warning	
2	See Note	NSS	Panel, LH Side (Note: Part of Item 1. Purchase Item 1)	
3	See Note	NSS	Panel, RH Side (Note: Part of Item 1. Purchase Item 1)	
4	7024467	1	Cable, Power	
4	7027775	1	Decal - Electrical Shock Warning (Not Shown)	
5	7027776	1	Handle, Carrying	
101	7024462	1	Panel, Front	
102	7024463	1	Panel, Console	
103	7024469	1	Switch with Lead	
104	7024470	1	Knob	
105	7024471	1	Knob	
106	7024472	1	Receptacle with Leads and Plugs	
107	7024473	2	Receptacle, Twistlock Female	
108	7024474	2	Insulator	
109	7024475	2	O-Ring	
110	7027777	1	Nameplate	
111	7027779	1	Circuit Card Assembly (Process Control)	
112	7024478	2	Nut	
113	7027778	1	Circuit Card Assembly (Operator Interface)	
201	7024462	1	Panel, Rear	
202	7027780	1	Panel, Cover	

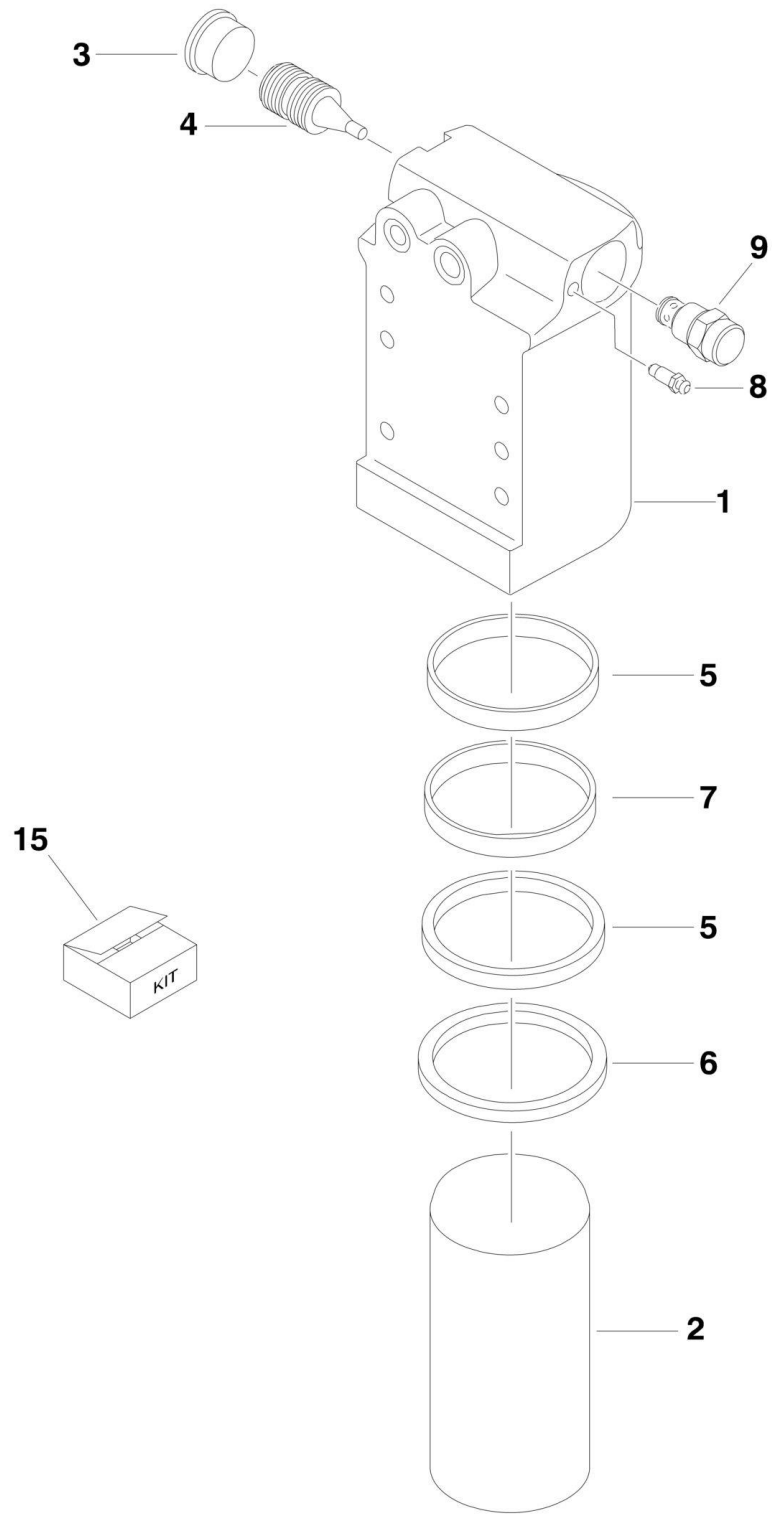




**SECTION 5 - CYLINDER**

# SECTION 5 - CYLINDER

FIGURE 5-1. AXLE LOCKOUT CYLINDER ASSEMBLY



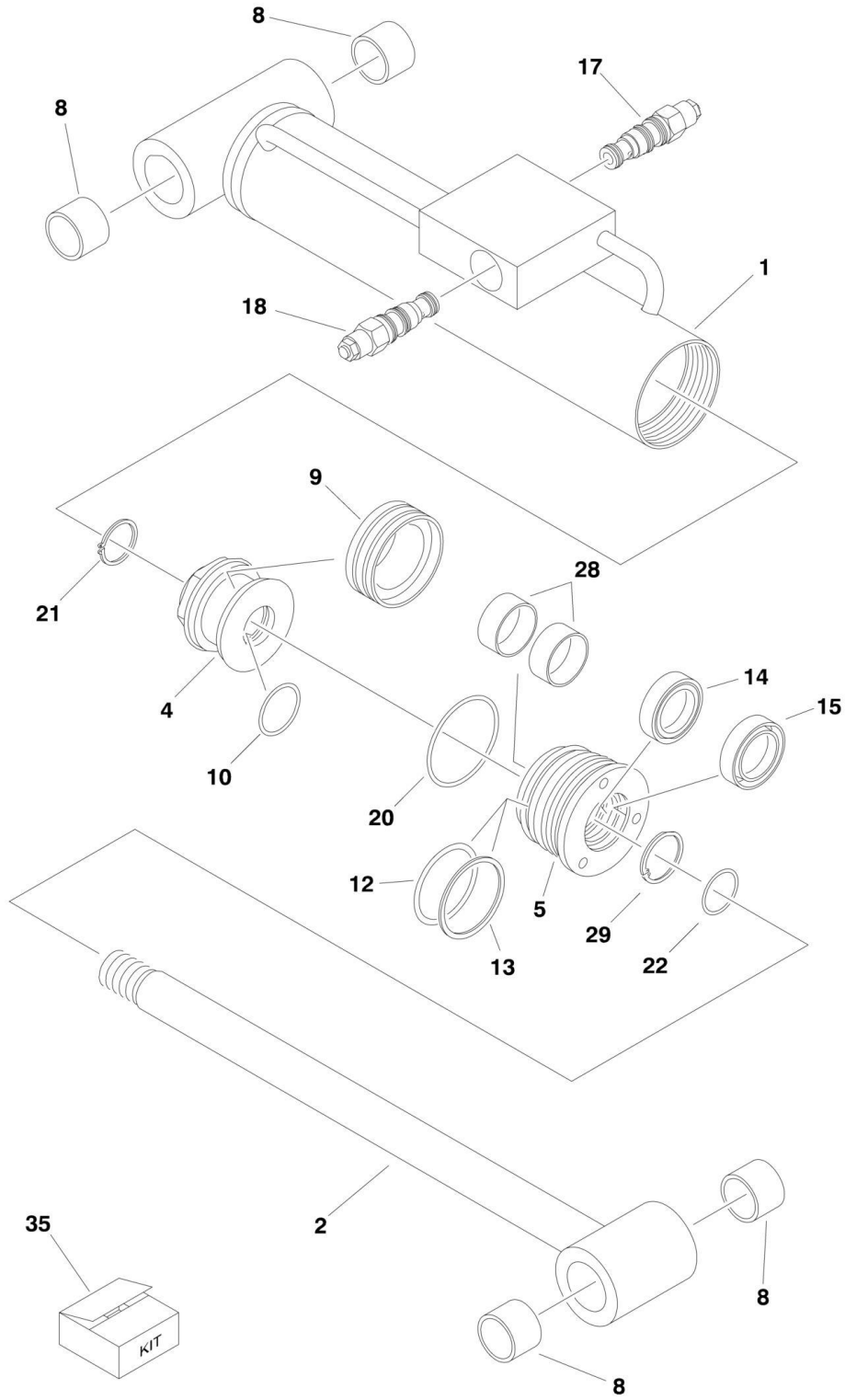
## SECTION 5 - CYLINDER

### FIGURE 5-1. AXLE LOCKOUT CYLINDER ASSEMBLY

ITEM	PART NUMBER	QTY	DESCRIPTION	REV
	1684465	Ref	<b>AXLE LOCKOUT CYLINDER ASSEMBLY</b>	H
1	0370026	1	Barrel	
2	1684290	1	Rod	
3	2220890	1	Plug	
4	3480288	1	Piston, Pilot	
5	2902266	2	Ring, Wear	
6	2902266	1	Wiper	
7	2902266	1	Seal, Rod	
8	4640858	1	Bleeder	
9	4641390	1	Cartridge, Valve	
9	7017496	1	Seal Kit	
15	2902266	1	Seal Kit, Cylinder (Includes Items 5-7)	

# SECTION 5 - CYLINDER

## FIGURE 5-2. LEVEL (PLATFORM SLAVE) CYLINDER ASSEMBLY



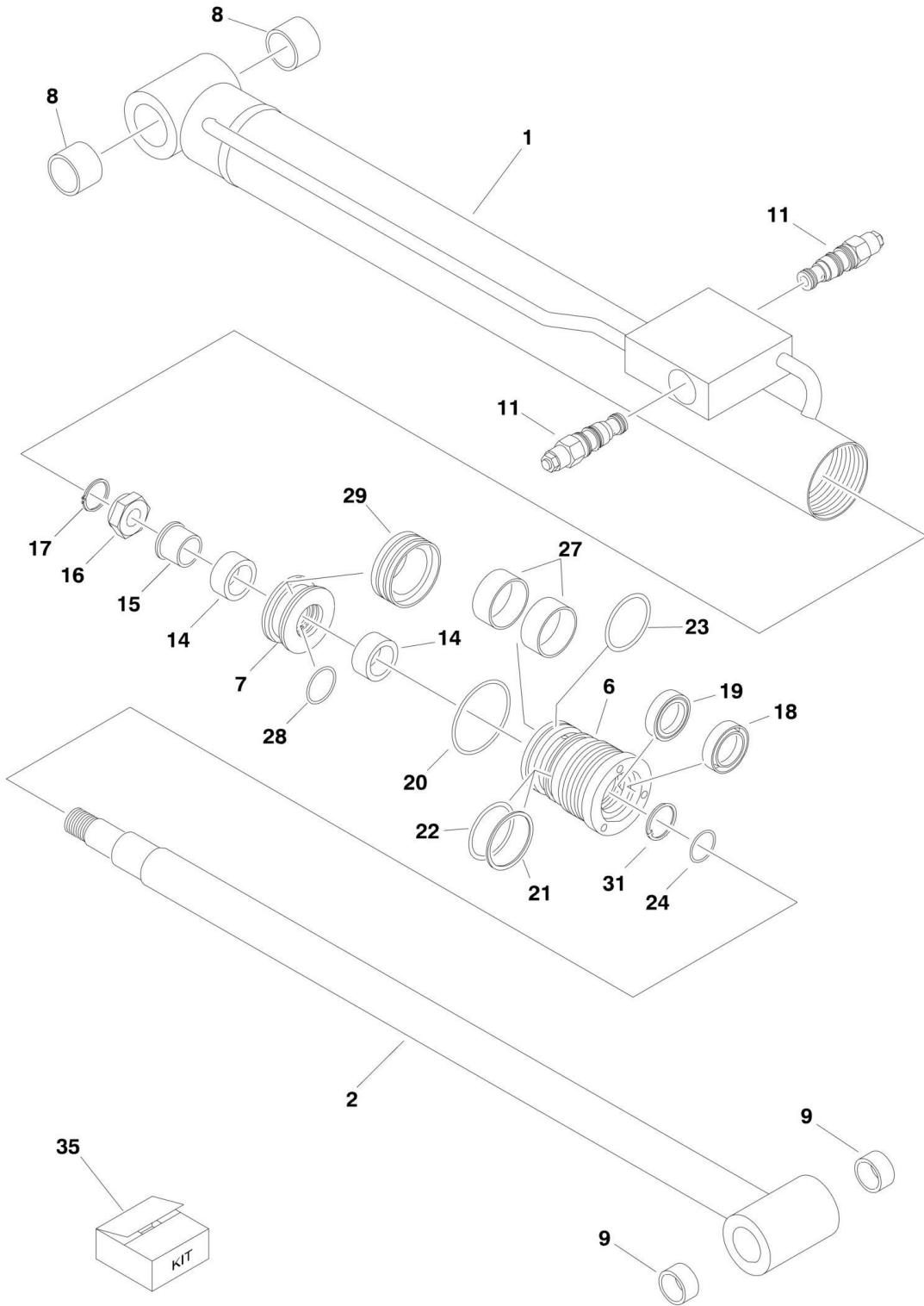
## SECTION 5 - CYLINDER

**FIGURE 5-2. LEVEL (PLATFORM SLAVE) CYLINDER ASSEMBLY**

ITEM	PART NUMBER	QTY	DESCRIPTION	REV
	1001094789	Ref	<b>LEVEL CYLINDER ASSEMBLY</b>	B
1	7026117	1	Barrel	
2	7026118	1	Rod	
4	7026081	1	Piston	
5	70005580	1	Head	
8	0961951	4	Bearing	
9	7026087	1	Seal	
10	7026087	1	O-Ring	
12	7026087	1	O-Ring	
13	7026087	1	Ring, Back-up	
14	7026087	1	Seal	
15	7026087	1	Wiper	
17	70001086	1	Cartridge, Valve Options:	
17	2900770	1	Seal Kit - 70001086 Valves	
18	7011377	1	Cartridge, Valve	
18	7011358	1	Seal Kit - 7011377 Valve	
20	7026087	1	O-Ring	
21	70002216	1	Ring, Retaining	
22	7026087	1	O-Ring	
28	7026087	2	Ring, Wear <b>(SN E300001237 to Present)</b>	
29	70002217	1	Ring, Retaining	
35	7026087	1	Seal Kit - Cylinder (Includes Items 9, 10, 12-15, 20, 22 & 28)	

# SECTION 5 - CYLINDER

## FIGURE 5-3. LIFT (JIB) CYLINDER ASSEMBLY



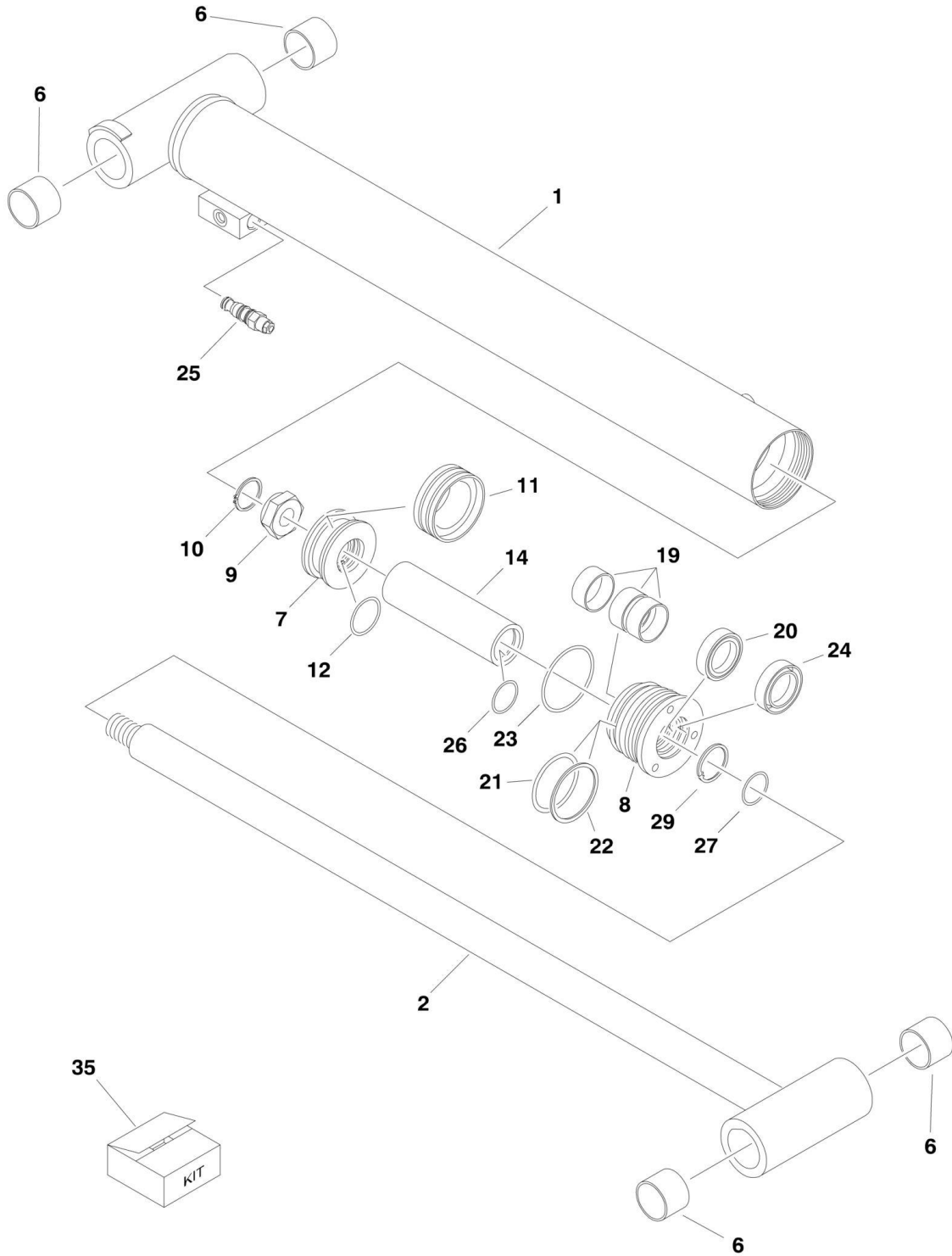
## SECTION 5 - CYLINDER

**FIGURE 5-3. LIFT (JIB) CYLINDER ASSEMBLY**

ITEM	PART NUMBER	QTY	DESCRIPTION	REV
	1684242	Ref	<b>JIB LIFT CYLINDER ASSEMBLY</b>	D
1	7026093	1	Barrel	
2	7026094	1	Rod	
6	7026088	1	Head	
7	7026089	1	Piston	
8	0961951	2	Bearing	
9	0961947	2	Bearing	
11	7026096	2	Cartridge, Valve	
11	2900770	2	Seal Kit - 7026096 Valve (1 Per Cartridge)	
14	7026090	2	Bushing	
15	7026091	1	Sleeve	
16	7026092	1	Nut	
17	70002223	1	Ring, Retaining	
18	7026095	1	Wiper	
19	7026095	1	Seal	
20	7026095	1	O-Ring	
21	7026095	1	Ring, Back-up	
22	7026095	1	O-Ring	
23	7026095	1	O-Ring	
24	7026095	1	O-Ring	
27	7026095	2	Ring, Ware <b>(SN E300001237 to Present)</b>	
28	7026095	1	O-Ring	
29	7026095	1	Seal	
31	70002220	1	Ring, Retaining	
35	7026095	1	Seal Kit - Cylinder (Includes Items 18-24, 28 & 29)	

# SECTION 5 - CYLINDER

## FIGURE 5-4. LIFT (MAIN BOOM) CYLINDER ASSEMBLY





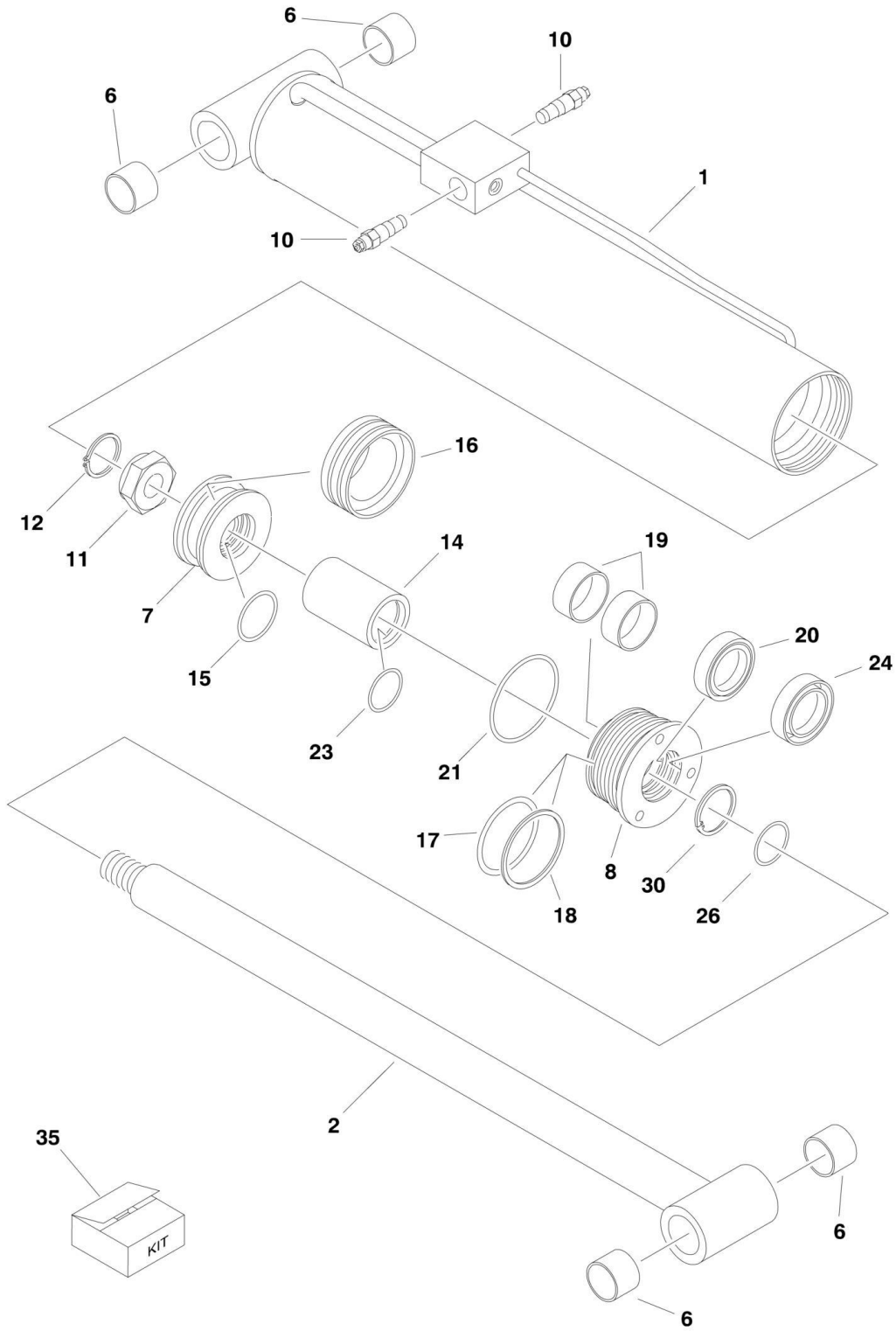
## SECTION 5 - CYLINDER

**FIGURE 5-4. LIFT (MAIN BOOM) CYLINDER ASSEMBLY**

ITEM	PART NUMBER	QTY	DESCRIPTION	REV
	1684244	Ref	<b>MAIN LIFT CYLINDER ASSEMBLY</b>	E
1	7026101	1	Barrel	
2	7026102	1	Rod	
6	0961950	4	Bearing	
7	7026097	1	Piston	
8	7026098	1	Head	
9	7026099	1	Nut	
10	70002224	1	Ring, Retaining	
11	70002225	1	Seal	
12	70002225	1	O-Ring	
14	See Note	1	Spacer (Note: Not Available for Purchase)	
19	70002225	3	Ring, Wear	
20	70002225	1	Seal	
21	70002225	1	O-Ring	
22	70002225	1	Ring, Back-up	
23	70002225	1	O-Ring	
24	70002225	1	Wiper	
25	4640936	1	Cartridge, Valve	
25	2900770	1	Seal Kit - 4640936 Valve	
26	Item 35	1	O-Ring	
27	Item 35	1	O-Ring	
29	70002219	1	Ring, Retaining	
35	70002225	1	Seal Kit - Cylinder (Includes Items 11, 12, 19-24, 26 & 27)	

# SECTION 5 - CYLINDER

## FIGURE 5-5. LIFT (TOWER BOOM) CYLINDER ASSEMBLY



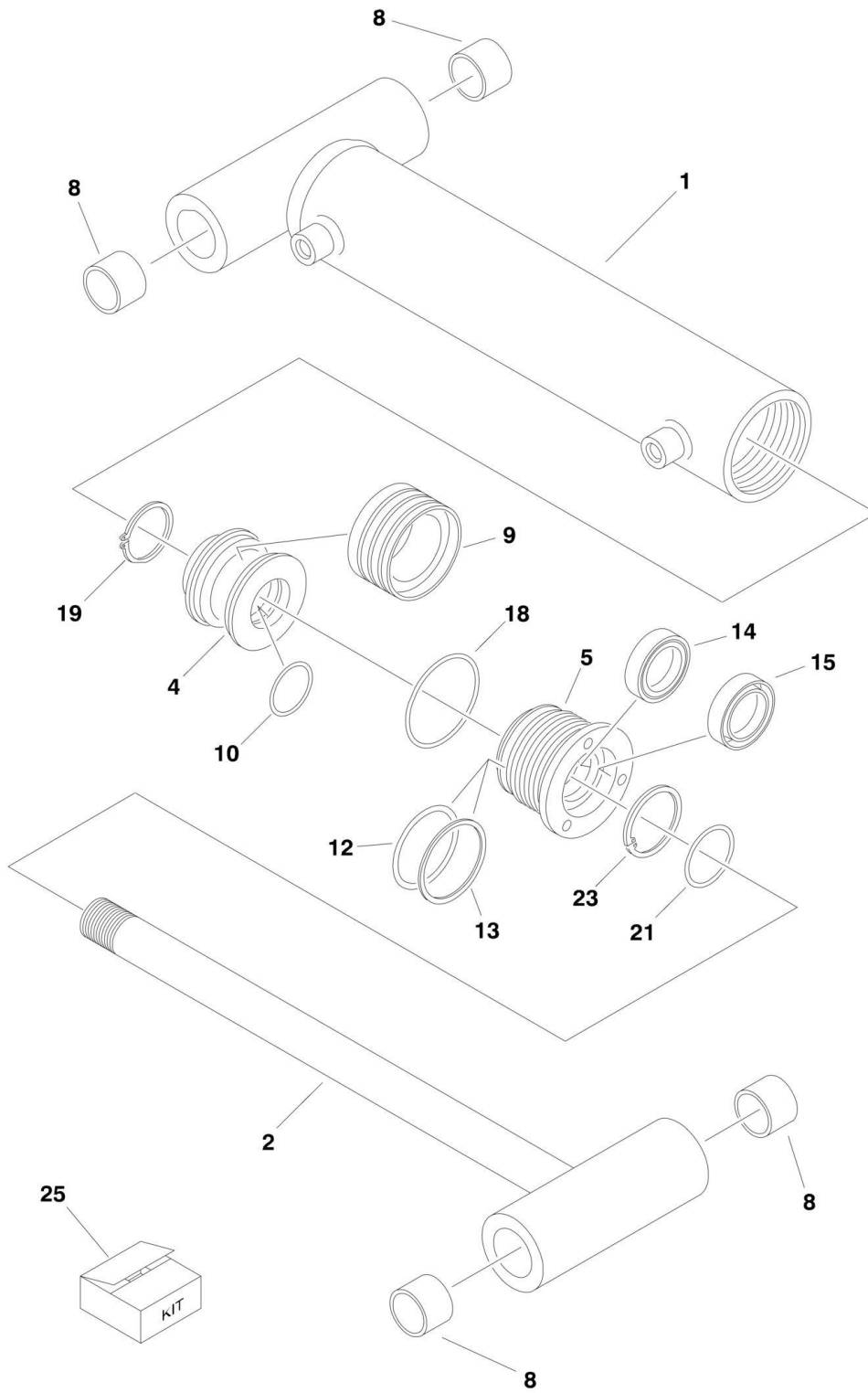
## SECTION 5 - CYLINDER

**FIGURE 5-5. LIFT (TOWER BOOM) CYLINDER ASSEMBLY**

ITEM	PART NUMBER	QTY	DESCRIPTION	REV
	1684239	Ref	<b>TOWER LIFT CYLINDER ASSEMBLY</b>	D
1	7026078	1	Barrel	
2	7026079	1	Rod	
6	0961950	4	Bearing	
7	7026073	1	Piston	
8	7026074	1	Head	
10	4641260	2	Cartridge, Valve	
10	2900770	2	Seal Kit - 4641260 Valve (1 Per Assembly)	
11	7026075	1	Nut	
12	70002221	1	Ring, Retaining	
14	7026076	1	Spacer	
15	7026080	1	O-Ring	
16	7026080	1	Seal	
17	7026080	1	O-Ring	
18	7026080	1	Ring, Back-up	
19	7026080	2	Ring, Wear	
20	7026080	1	Seal	
21	7026080	1	O-Ring	
23	7026080	1	O-Ring	
24	7026080	1	Wiper	
26	7026080	1	O-Ring	
30	70002222	1	Ring, Retaining	
35	7026080	1	Seal Kit - Cylinder (Includes Items 15-21, 23, 24 & 26)	

# SECTION 5 - CYLINDER

## FIGURE 5-6. MASTER CYLINDER ASSEMBLY



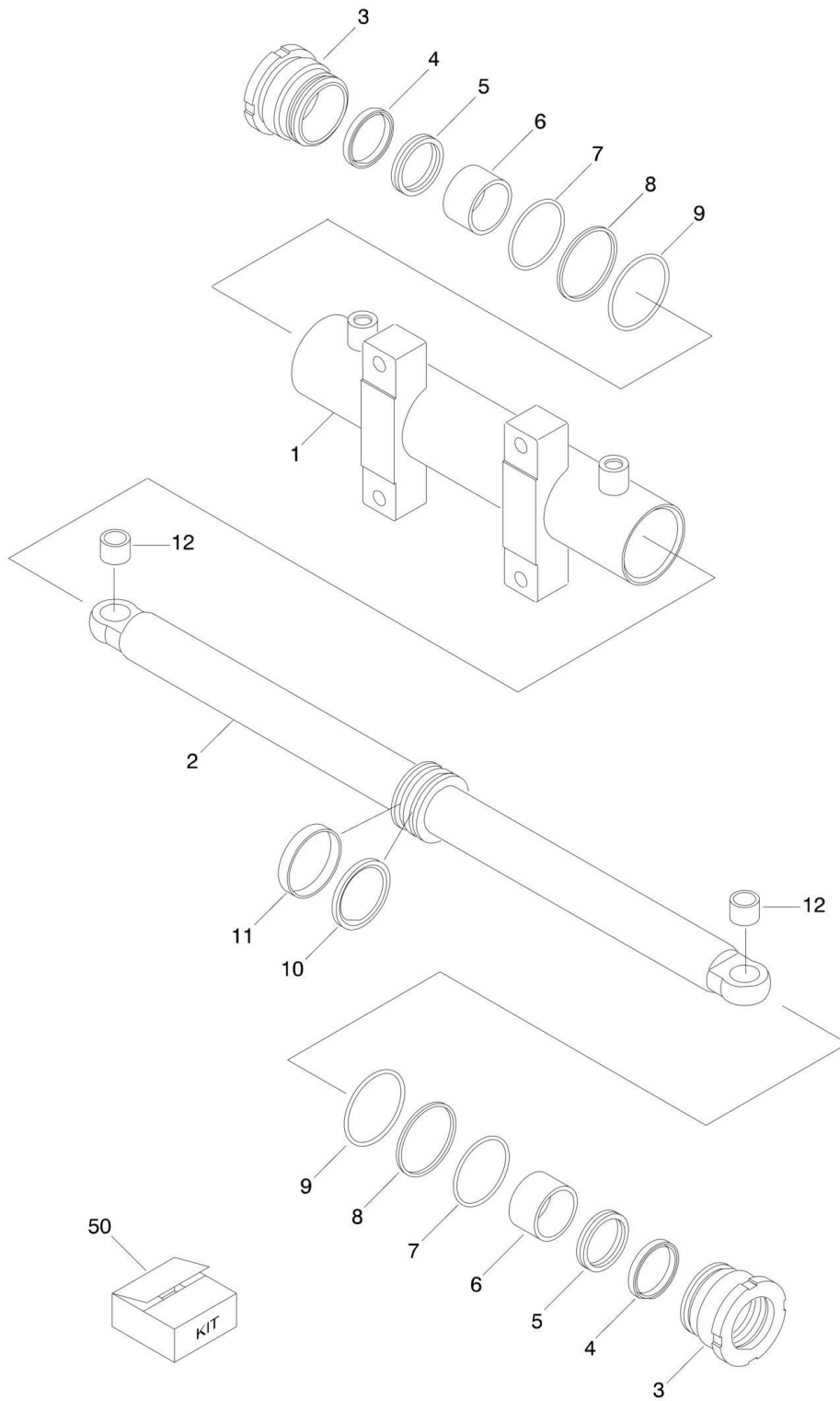
## SECTION 5 - CYLINDER

**FIGURE 5-6. MASTER CYLINDER ASSEMBLY**

ITEM	PART NUMBER	QTY	DESCRIPTION	REV
	1684241	Ref	<b>MASTER CYLINDER ASSEMBLY</b>	C
1	7026085	1	Barrel	
2	7026086	1	Rod	
4	7026081	1	Piston	
5	7026082	1	Head	
8	0961951	4	Bearing	
9	7026087	1	Seal	
10	7026087	1	O-Ring	
12	7026087	1	O-Ring	
13	7026087	1	Ring, Back-up	
14	7026087	1	Seal	
15	7026087	1	Wiper	
18	7026087	1	O-Ring	
19	70002216	1	Ring, Retaining	
21	7026087	1	O-Ring	
23	70002217	1	Ring, Retaining	
25	7026087	1	Seal Kit - Cylinder (Includes Items 9, 10, 12-15, 18 & 21)	

# SECTION 5 - CYLINDER

## FIGURE 5-7. STEER CYLINDER ASSEMBLY



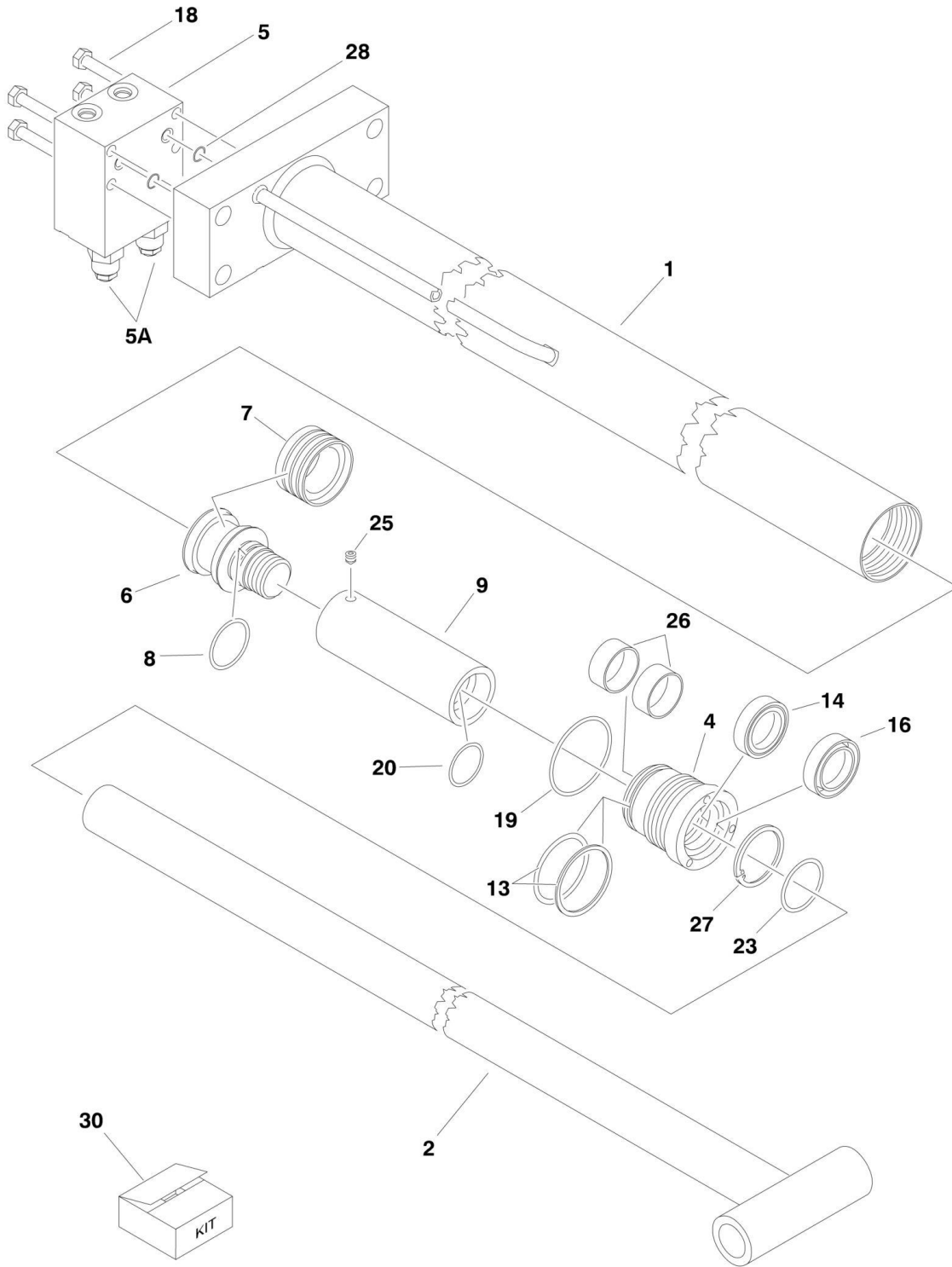
## SECTION 5 - CYLINDER

**FIGURE 5-7. STEER CYLINDER ASSEMBLY**

ITEM	PART NUMBER	QTY	DESCRIPTION	REV
	1001143434	Ref	<b>STEER CYLINDER ASSEMBLY</b>	D
1	70003933	1	Barrel	
2	70003934	1	Rod	
3	70003098	2	Head	
4	70003099	2	Wiper	
5	70003099	2	Seal, Rod	
6	70003099	2	Bearing	
7	70003099	2	O-Ring	
8	70003099	2	Ring, Back-up	
9	70003099	2	O-Ring	
10	70003099	1	Seal, Piston	
11	70003099	1	Ring, Wear	
12	70003099	2	Bearing	
50	70003099	1	Seal Kit - 1001143434 Cylinder (includes Items 4-12)	

# SECTION 5 - CYLINDER

## FIGURE 5-8. TELESCOPE CYLINDER ASSEMBLY





## SECTION 5 - CYLINDER

**FIGURE 5-8. TELESCOPE CYLINDER ASSEMBLY**

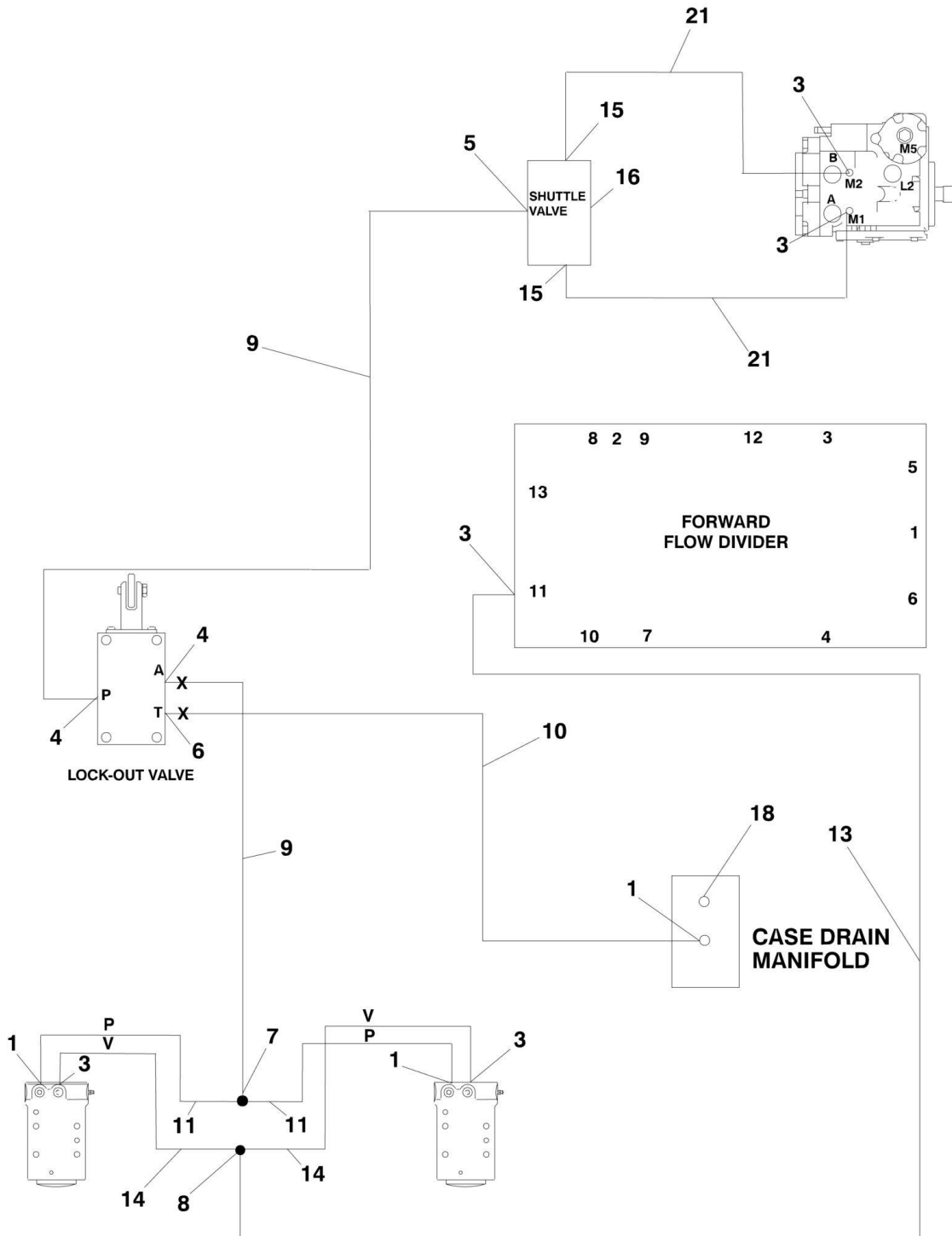
ITEM	PART NUMBER	QTY	DESCRIPTION	REV
	1684235	Ref	<b>TELESCOPE CYLINDER ASSEMBLY</b>	D
1	7026070	1	Barrel	
2	7026071	1	Rod	
4	7026064	1	Head	
5	70001963	1	Valve Block Assembly w/Cartridges	
5A	7011347	2	Cartridge, Valve	
5A	2900770	2	Seal Kit - 7011347 Valve (1 Per Assembly)	
6	7026065	1	Piston	
7	7026072	1	Seal	
8	7026072	1	O-Ring	
9	70206066	1	Spacer	
13	7026072	1	O-Ring	
13	7026072	1	Ring, Back-up	
14	7026072	1	Seal	
16	7026072	1	Wiper	
18	7026067	4	Bolt	
19	7026072	1	O-Ring	
20	7026072	1	O-Ring	
23	7026072	1	O-Ring	
25	7026069	1	Setscrew	
26	7026072	2	Ring, Wear	
27	70002220	1	Ring, Retaining	
28	70000779	2	O-Ring	
30	7026072	1	Seal Kit - Cylinder (Includes Items 7, 8, 13, 14, 16, 19, 20, 23 & 26)	



**SECTION 6 - HYDRAULIC**

# SECTION 6 - HYDRAULIC

## FIGURE 6-1. AXLE LOCKOUT HYDRAULIC DIAGRAM



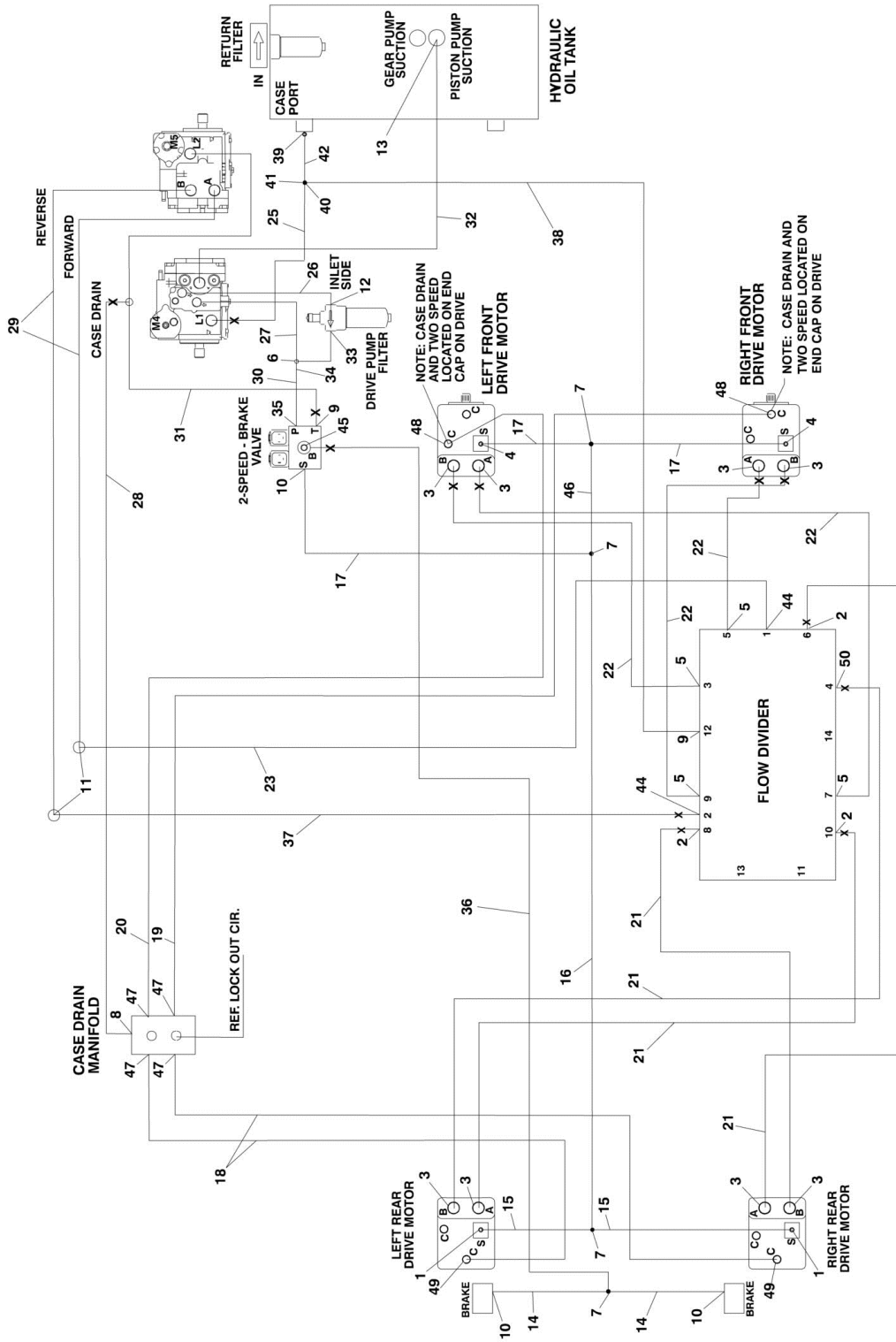
## SECTION 6 - HYDRAULIC

**FIGURE 6-1. AXLE LOCKOUT HYDRAULIC DIAGRAM**

ITEM	PART NUMBER	QTY	DESCRIPTION	REV
	1001140559	Ref	<b>AXLE LOCKOUT HYDRAULIC DIAGRAM</b>	B
1	2220415	3	Fitting, Straight	
3	2220371	5	Fitting, Straight	
4	2220466	2	Fitting, Elbow	
5	1001138697	1	Fitting, Straight	
6	2220502	1	Fitting, Elbow	
7	2220504	1	Fitting, Tee	
8	2220490	1	Fitting, Tee	
9	1001138688	1	Hose	
10	1001138689	1	Hose	
11	1001140537	2	Hose	
13	1001140692	1	Hose	
14	1001140693	2	Hose	
15	2220473	2	Fitting, Elbow	
16	8902175	1	Valve, Shuttle	
18	2220235	1	Plug	
21	1001143486	2	Hose	
22	1001138688	1	Hose	

# SECTION 6 - HYDRAULIC

## FIGURE 6-2. DRIVE HYDRAULIC DIAGRAM



## SECTION 6 - HYDRAULIC

### FIGURE 6-2. DRIVE HYDRAULIC DIAGRAM

ITEM	PART NUMBER	QTY	DESCRIPTION	REV
	1001138578	Ref	<b>DRIVE HYDRAULIC DIAGRAM - 4WD</b>	F
1	2220582	2	Fitting, Straight	
2	2110808	AR	Fitting, Straight	
3	2110812	8	Fitting, Straight	
4	2220472	2	Fitting, Elbow	
5	2130808	4	Fitting, Elbow	
6	2221063	1	Fitting, Tee	
7	2220504	4	Fitting, Tee	
8	2220366	1	Fitting, Elbow	
9	2220603	2	Fitting, Straight	
10	2220466	3	Fitting, Elbow	
11	2221085	2	Fitting, Elbow	
12	2221042	1	Fitting, Elbow	
13	1001143501	1	Clamp	
14	1001138601	2	Hose	
15	1001138598	2	Hose	
16	1001140491	1	Hose	
17		Ref	Hose Options:	
17	1001140491	3	Hose ( <b>SN E300001114 through E300001394</b> )	
17	1001143526	3	Hose ( <b>SN E300001395 to Present</b> )	
18	1001143490	2	Hose	
19		Ref	Hose Options:	
19	1001138599	1	Hose ( <b>SN E300001114 through E300001394</b> )	
19	1001143527	1	Hose ( <b>SN E300001395 to Present</b> )	
20		Ref	Hose Options:	
20	1001138600	1	Hose ( <b>SN E300001114 through E300001394</b> )	
20	1001143527	1	Hose ( <b>SN E300001395 to Present</b> )	
21	2754244	4	Hose	
22	1001094649	4	Hose	
23	2753605	1	Hose	
25	1001138414	1	Hose	
26	1001138415	1	Hose	
27	1001138597	1	Hose	
28	1001138417	1	Hose	
29	2753604	2	Hose	
30	1001138418	1	Hose	
31	1001138419	1	Hose	
32	1001143498	1	Hose	
33	2221216	1	Fitting, Straight	
34	2220618	1	Fitting, Straight	
35	2220415	1	Fitting, Straight	
36	1001140499	1	Hose	
37	2753602	1	Hose	
38	1001140692	1	Hose	
39	2220465	1	Fitting, Elbow	
40	2220621	1	Fitting, Straight	
41	2220481	1	Fitting, Tee	
42	1001138423	1	Hose	
44	2111212	2	Fitting, Straight	
45	4641282	1	Valve, Check	

## SECTION 6 - HYDRAULIC

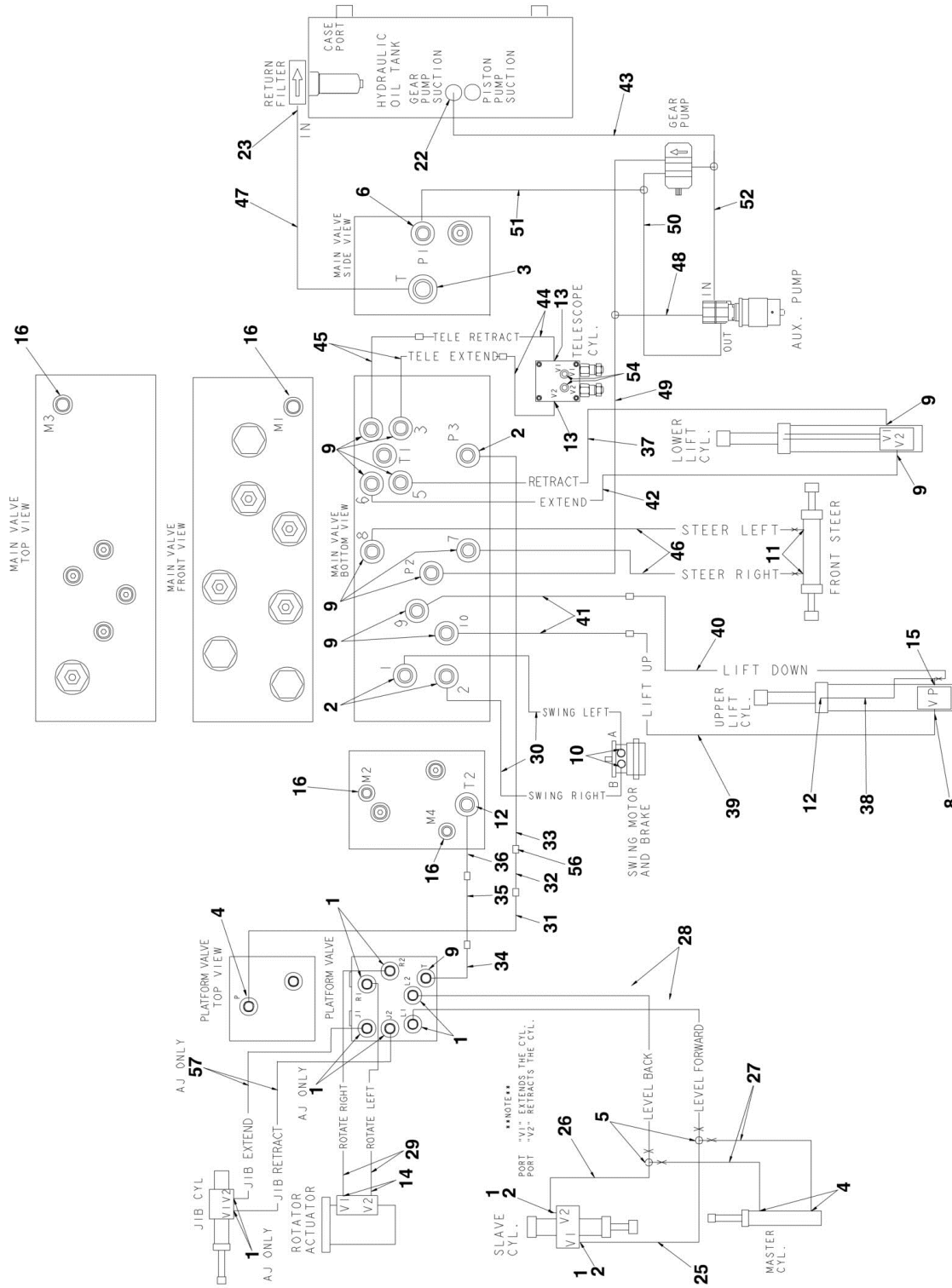
ITEM	PART NUMBER	QTY	DESCRIPTION	REV
46	1001140491	1	Hose	
47		Ref	Fitting, Elbow Options:	
47	2220373	4	Fitting, Elbow <b>(SN E300001114 through E300001394)</b>	
47	2220500	4	Fitting, Elbow <b>(SN E300001395 to Present)</b>	
48	2220596	2	Fitting, Elbow	
49	2220373	2	Fitting, Straight	
50		Ref	Fitting Options:	
50	2110808	1	Fitting, Straight <b>(SN E300001114 through E300001454)</b>	
50	2220472	1	Fitting, Elbow <b>(SN E300001455 through E300001913)</b>	
50	2110808	1	Fitting, Straight <b>(SN E300001914 to Present)</b>	





# SECTION 6 - HYDRAULIC

## FIGURE 6-3. STANDARD HYDRAULIC DIAGRAM



## SECTION 6 - HYDRAULIC

**FIGURE 6-3. STANDARD HYDRAULIC DIAGRAM**

ITEM	PART NUMBER	QTY	DESCRIPTION	REV
		Ref	<b>STANDARD HYDRAULIC DIAGRAM</b>	
	1001138577	Ref	<b>Turntable Hydraulic Diagram</b>	D
	1001138896	Ref	<b>Main Boom Hydraulic Diagram</b>	C
	1001138894	Ref	<b>Tower Boom Hydraulic Diagram</b>	B
1	2220415	AR	Fitting, Straight	
2	2220582	5	Fitting, Straight	
3	2220451	1	Fitting, Straight	
4	2220472	3	Fitting, Elbow	
5	2220504	2	Fitting, Tee	
6	2220500	1	Fitting, Elbow	
8	2220819	1	Fitting, Long Elbow	
9	2220371	12	Fitting, Straight	
10	2221033	2	Fitting, Straight	
11	2220501	2	Fitting, Long Straight	
12	2220473	2	Fitting, Elbow	
13	Not Required	0	Not Required	
14	2220502	2	Fitting, Elbow	
15	2220899	1	Fitting, Tee	
16	2221086	4	Fitting, Pressure, Check	
22	1001143501	1	Clamp	
23	2220435	1	Fitting, Straight	
25	1001138601	1	Hose	
26	1001138601	1	Hose	
27	1001138899	2	Hose	
28	1001138609	2	Hose	
29	1001138286	2	Hose	
30	1001138595	2	Hose	
31	1001146527	1	Hose	
32	1001146524	1	Hose	
33	1001146808	1	Hose	
34	1001138901	1	Hose	
35	1001138292	1	Hose	
36	1001138293	1	Hose	
37	1001138294	1	Hose	
38	4567946	1	Tube	
39	1001138296	1	Hose	
40	1001138297	1	Hose	
41	1001138298	2	Hose	
42	1001138299	1	Hose	
43	1001143499	1	Hose	
44	1001138301	2	Hose	
45	1001138302	2	Hose	
46	1001138305	2	Hose	
47	1001143485	1	Hose	
48	1001138305	1	Hose	
49	1001138306	1	Hose	
50	1001138307	1	Hose	
51	1001141595	1	Hose	
52	1001138309	1	Hose	
53	1705091	1	Decal, Hose Tags (Not Shown)	

## SECTION 6 - HYDRAULIC

ITEM	PART NUMBER	QTY	DESCRIPTION	REV
54	2220473	2	Fitting, Elbow	
56	2230021	1	Fitting, Adapter	
57	1001138287	2	Hose	



## SECTION 6 - HYDRAULIC

FIGURE 6-4. HYDRAULIC DIAGRAM LIST

ITEM	PART NUMBER	QTY	DESCRIPTION	REV
		Ref	<b>Note: Information on diagrams not shown is available from JLG Customer Service Department.</b>	Ref
	1001140559	Ref	<b>Axle (Oscillating) Hydraulic Diagram</b>	
	1001138579	Ref	<b>Axle (Oscillating) Hydraulic Diagram</b>	
	1001138579	Ref	<b>Boom Hydraulic Diagrams</b>	
	1001138896	Ref	<b>Main Boom Hydraulic Diagram</b>	
	1001138894	Ref	<b>Tower Boom Hydraulic Diagram</b>	
	1001138578	Ref	<b>Drive Hydraulic Diagram</b>	
	1001138579	Ref	<b>Drive Hydraulic Diagram</b>	
		Ref	<b>Oil Cooler Hydraulic Diagrams:</b>	
	1001142868	Re	Caterpillar Engines	
	1001142867	Re	Deutz Engines	
	1001138577	Ref	<b>Standard Hydraulic Diagrams:</b>	
	1001138579	Ref	<b>Standard Hydraulic Diagrams:</b>	
	2792780	Ref	<b>Standard Hydraulic Schematic</b>	

**SECTION 7 - ELECTRICAL**

## SECTION 7 - ELECTRICAL

FIGURE 7-1. ELECTRICAL DIAGRAM LIST

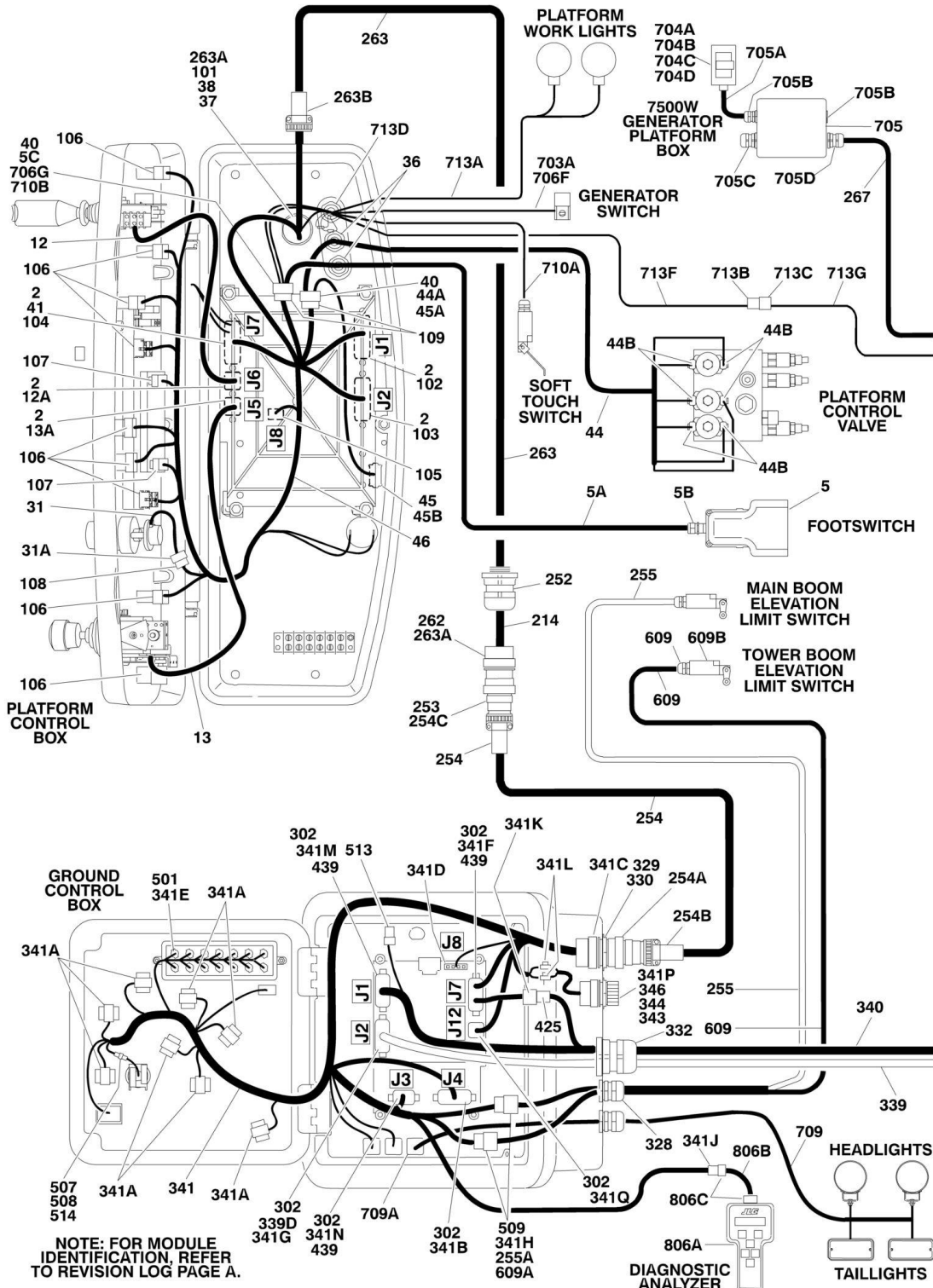
ITEM	PART NUMBER	QTY	DESCRIPTION	REV
		Ref	<b>Note: Diagrams are available from the JLG Customer Service Department.</b>	
		Ref	<b>GENERATOR ELECTRICAL DIAGRAM (2500W)</b>	
		Ref	<b>Note: For Diagram for Machines with 7500W SkyPower Generator, see JLG Supplement P/N 3124242.</b>	
	1001112588	Ref	<b>110V/60HZ</b>	
	1001112743	Ref	<b>110V/50HZ &amp; 220V/50HZ</b>	
		Ref	<b>GENERATOR ELECTRICAL DIAGRAM (4000W 50Hz)</b>	
	1001153025	Ref	<b>GENERATOR ELECTRICAL DIAGRAM - 4000W 50Hz (ANSI Export and CE Specs)</b>	
	1001159648	Ref	<b>GENERATOR ELECTRICAL DIAGRAM - 4000W 50Hz (Australian Specs)</b>	
	1001160271	Ref	<b>GENERATOR ELECTRICAL DIAGRAM - 4000W 50Hz (CE/UK Specs)</b>	
		Ref	<b>GROUND CONTROL BOX ELECTRICAL DIAGRAMS</b>	
	1001141934	Ref	<b>Caterpillar Engine Machines</b>	
	1001141932	Ref	<b>Deutz Engine Machines</b>	
	4933219	Ref	<b>HEADLIGHTS AND TAILLIGHTS/CHASSIS FLOODLIGHTS ELECTRICAL DIAGRAM</b>	
	0274862	Ref	<b>PLATFORM WORKLIGHTS ELECTRICAL DIAGRAM</b>	
	1001141989	Ref	<b>STANDARD ELECTRICAL SCHEMATIC</b>	





# SECTION 7 - ELECTRICAL

## FIGURE 7-2. HARNESS COMPONENTS INSTALLATION





# SECTION 7 - ELECTRICAL

## FIGURE 7-2. HARNESS COMPONENTS INSTALLATION

ITEM	PART NUMBER	QTY	DESCRIPTION	REV
		Ref	<b>HARNESS COMPONENTS INSTALLATION</b>	
		Ref	<b>PLATFORM CONSOLE BOX COMPONENTS</b>	
	1001139202	Ref	Platform Console Box Components (Without SkyGuard) (Use p/n 1001166671) <b>(SN E300001114 through E300001831)</b>	D
	1001166671	Ref	Platform Console Box Components (Without SkyGuard) <b>(SN E300001832 to Present)</b>	A
	1001190095	Ref	Platform Console Box Components (With SkyGuard)	A
2	0100048	AR	Grease, Dielectric	
5	1001117174	Ref	Footswitch Components	B
5A	1060918	7.5 ft/ 2.3m	Cable, Electrical - 18/3	
5B	4460071	1	Connector, Strain Relief	
5C	4460226	2	Socket, Female	
5C	4460464	1	Pin, Male Deutsch	
12		Ref	Controller Harness/Circuit Board Assembly (Drive and Steer) Options:	
12	7022824	1	Controller Harness/Circuit Board Assembly (Drive and Steer) <b>(SN E300001114 through E300001831)</b>	
12	See Note	1	Controller Harness/Circuit Board Assembly (Drive and Steer) (Note: Not Available - Purchase Complete Controller) <b>(SN E300001832 to Present)</b>	
12A	1001113961	1	Connector - 8 Position (Black)	
12A	4460871	7	Socket, Female	
13	See Note	1	Controller Harness Assembly (Lift and Swing) (Note: Not Available - Purchase Complete Controller)	
13A	7022819	1	Connector - 8 Position (Natural)	
13A	4460871	8	Socket, Female	
31	See Note	1	Controller Harness Assembly (Speed Control) (Note: Not Available - Purchase Complete Controller)	
31A	4460224	1	Connector - 6 Position	
31A	4460226	8	Socket, Female	
36	4460428	2	Connector, Strain Relief	
37	4460470	1	Nut, Terminal	
38	4460471	1	Lockwasher, Terminal	
40	4460708	2	Connector - 15 Position	
44	1001139135	1	Harness, Upper Valve	A
44A	4460226	7	Socket, Female	
44B	4460891	6	Plug, Male - 2 Position	
44B	1001116692	12	Socket, Female	
45	4922666	1	Harness, Analyzer Cable	2-B
45A	4460226	4	Socket, Female	
45B	4460761	1	Connector, Female - 4 Position	
45B	4460227	4	Pin, Male	
46	1001107007	1	Harness, Platform Box (Without SkyGuard) (See Items 101-109 for Breakdown)	
46	1001185891	1	Harness, Platform Box (With SkyGuard) (See Items 101-109 for Breakdown)	
		Ref	<b>PLATFORM BOX HARNESS ASSEMBLY</b>	
	1001107007	Ref	Platform Box Harness Assembly (Without SkyGuard)	E
	1001185891	Ref	Platform Box Harness Assembly (With SkyGuard)	C
101	4460866	1	Connector - 19 Position	
101	4460464	7	Pin, Male Deutsch 16 Ga	

## SECTION 7 - ELECTRICAL

ITEM	PART NUMBER	QTY	DESCRIPTION	REV
101	4460508	3	Pin, Male Deutsch 12 Ga	
102	4460874	1	Connector - 35 Position (Natural)	
102	4460871	AR	Socket, Female	
103	4460875	1	Connector - 35 Position (Gray)	
103	4460871	26	Socket, Female	
104	4460873	1	Connector - 35 Position (Black)	
104	4460871	AR	Socket, Female	
105	4460879	1	Connector, Male 2 Position	
105	4460887	2	Terminal (12 Gauge)	
106	4460418	AR	Connector, Female - 6 Position	
106	4460419	AR	Socket, Female	
107	4460225	4	Connector - 6 Position	
107	4460226	18	Socket, Female	
108	4460225	1	Connector - 6 Position	
108	4460227	5	Pin, Male	
109	4460434	2	Connector - 15 Position	
109	4460227	25	Pin, Male	
110	4460708	1	Connector - 15 Position (Not Shown - With SkyGuard)	
110	4460226	3	Socket, Female	
111	4460884	1	Plug, Male - 4 Position (Not Shown - With SkyGuard)	
111	4460944	4	Terminal, Gold	
112	4460536	1	Connector, Female - 3 Position (Not Shown - With SkyGuard)	
112	4460943	3	Pin	
112	4460539	1	Plug, Male - 3 Position (Not Shown - With SkyGuard)	
112	4460944	3	Terminal, Gold	
		Ref	<b>BOOM CABLES INSTALLATION</b>	
		Ref	<b>Tower Boom Components</b>	
	0272594	Ref	<b>Without SkyPower</b>	D
	0275436	Ref	<b>With SkyPower</b>	D
201 to 250	Not Required	0	Not Required	
251	1060991	1	Cable, Electrical 12/3	
252	4460425	2	Connector, Strain Relief	
253	4460866	1	Connector - 19 Position	
253	2820031	1	Heat Shrink	
254	4922530	1	Harness Assembly - Tower Boom (12/4 - 18/8)	3-D
254	1060896	34 ft/ 10.4m	Cable, Electrical - 12/4 & 18/8	
254	2820118	6 in/15cm	Heat Shrink	
254A	4460865	2	Connector - 19 Position	
254A	4460465	11	Socket, Female 18 Gauge	
254A	4460509	4	Socket, Female 12 Gauge	
254A	4460466	4	Seal, Plug	
254B	4460473	1	Clamp, Cable	
254C	4460464	11	Pin, Male 18 Gauge	
254C	4460508	4	Pin, Male 12 Gauge	
255	4922770	1	Cable, Electrical 18/2	
255A	4460226	2	Socket, Female	
256	1671093	1	Cover, Male Plug (With SkyPower Only)	
257	4460960	1	Plug, Female (With SkyPower Only)	
258		Ref	Cable, Electrical 8/5 - SkyPower Tower Boom Options:	
258	Not Required	0	Without SkyPower	
258	4922857	1	With SkyPower	

## SECTION 7 - ELECTRICAL

ITEM	PART NUMBER	QTY	DESCRIPTION	REV
		Ref	<b>Main Boom Cable Components</b>	
	0272620	Ref	<b>Without SkyPower</b>	C
	1001154940	Ref	<b>Main Boom Cable Components</b>	A
261	1060992	1	Cable, Electrical 12/3	
262	4460865	1	Connector - 19 Position	
263	4922806	1	Harness Assembly - Main Boom (12/4 - 18/8)	1-A
263	1060896	37	Cable, Electrical - 12/4 & 18/8	
		ft/11.3m		
263	2820118	6 in/15cm	Heat Shrink	
263A	4460865	2	Connector - 19 Position	
263A	4460465	22	Socket, Female 18 Gauge	
263A	4460509	8	Socket, Female 12 Gauge	
263A	4460466	4	Seal, Plug	
263B	4460473	1	Clamp, Cable	
264	4460473	1	Clamp, Cable	
265	1671092	1	Cover, Female Connector (With SkyPower Only)	
266	4460959	1	Connector, Male (With SkyPower Only)	
267		Ref	Cable, Electrical 8/5 - SkyPower Main Boom Options:	
267	Not Required	0	Without SkyPower	
267	4922858	1	With SkyPower	
		Ref	<b>GROUND CONTROL BOX COMPONENTS</b>	
302	0100048	AR	Grease, Dielectric	
328	4460426	1	Connector, Strain Relief	
328	3520035	AR	Plug	
329	4460470	1	Nut, Terminal	
330	4460471	1	Locknut, Terminal	
332	4460526	1	Connector, Strain Relief	
339	1001138588	1	Valve Harness Assembly	D
339A	4460891	12	Plug, Male - 2 Position	
339A	1001116692	24	Socket, Female	
339B	4460539	1	Plug, Male - 3 Position	
339B	1001116692	2	Socket, Female	
339B	4460518	1	Seal, Plug	
339C	4460424	1	Connector, Male - 2 Position	
339C	4460268	2	Pin, Female	
339D	4460871	21	Socket, Female	
340		Ref	Engine Harness Assembly (See Items 401-456 for Breakdown)	
340	1001139084	1	Caterpillar Engine Machines	
340	1001139085	1	Deutz Engine Machines	
341	1001105636	1	Ground Control Box Harness Assembly	E
341	3990010	2	Diode 6 Amp (Not Shown)	
341A	4460418	9	Connector, Female - 6 Position	
341A	4460419	27	Socket, Female	
341B	4460876	1	Connector - 35 Position (Blue)	
341B	4460871	28	Socket, Female	
341B	4460905	7	Seal, Plug	
341C	4460866	1	Connector - 19 Pin	
341C	4460464	7	Pin, Male Deutsch 16 Ga	
341C	4460508	3	Pin, Male Deutsch 12 Ga	
341D	4460878	1	Housing, Terminal - 4 Position	
341D	4460887	3	Terminal (12 Gauge)	
341E	4120035	6	Base, Light	

## SECTION 7 - ELECTRICAL

ITEM	PART NUMBER	QTY	DESCRIPTION	REV
341E	4460634	7	Terminal (16 Gauge)	
341E	4460635	5	Terminal (12 Gauge)	
341F	4460873	1	Connector - 35 Position (Black)	
341F	4460871	21	Socket, Female	
341F	4460905	17	Seal, Plug	
341G	4460875	1	Connector - 35 Position (Gray)	
341G	4460871	3	Socket, Female	
341G	4460905	15	Seal, Plug	
341H	4460434	2	Connector - 15 Position	
341H	4460227	22	Pin	
341J	4460761	1	Connector, Female - 4 Position	
341J	4460227	4	Pin, Male	
341K	4460536	1	Connector, Female - 3 Position	
341K	4460943	3	Pin	
341L	8229242	2	Fuse 5A	
341L	2400060	2	Holder, Fuse	
341M	4460874	1	Connector, Natural	
341M	4460871	8	Socket, Female	
341M	4460905	20	Plug, Seal	
341N	1001106339	1	Connector, Male - 14 Position	
341N	4460871	2	Socket, Female	
341N	4460905	8	Plug, Seal	
341P	1001112612	1	Connector - 9 Position	
341P	4460943	4	Socket, Female	
341Q	1001106340	1	Connector, Male - 14 Position	
341Q	4460871	5	Socket, Female	
342		Ref	Ground Control Box Wiring Diagram (Not Shown - See Items 501 to 518 for Breakdown)	
342	1001141934	Ref	Caterpillar Engine Machines	
342	1001141932	Ref	Deutz Engine Machines	
343	4460497	1	Nut, Terminal	
344	4460496	1	Locknut, Terminal	
346	1001106736	1	Cap, Dust	
		Ref	<b>ENGINE HARNESS ASSEMBLY</b>	
	1001139084	Ref	<b>Caterpillar Engine Machines</b>	B
	1001139085	Ref	<b>Deutz Engine Machines</b>	B
417	4460424	1	Connector - 2 Position	
417	4460226	2	Socket, Female	
418	4460897	1	Connector - 2 Position	
418	4460464	2	Socket, Female	
419	4460891	2	Plug, Male - 2 Position	
419	1001116692	4	Socket, Female	
423	4461070	1	Receptacle with Resistor (Deutz Engine Machines Only)	
423	4460944	3	Terminal, Gold (Deutz Engine Machines Only)	
423	4461095	1	Connector - 3 Position (Deutz Engine Machines Only)	
425	4460539	1	Connector - 3 Position	
425	4460944	3	Terminal, Gold	
428	4460742	2	Connector - 2 Position	
428	4460457	4	Terminal, Female	
428	4460458	4	Seal, Terminal	
433	4461052	1	Connector - 25 Position (Deutz Engine Machines Only)	
433	4461005	5	Terminal 18-20 Gauge (Deutz Engine Machines Only)	

## SECTION 7 - ELECTRICAL

ITEM	PART NUMBER	QTY	DESCRIPTION	REV
433	4461060	2	Terminal 14-16 Gauge (Deutz Engine Machines Only)	
433	4461006	5	Seal 18-20 Gauge (Deutz Engine Machines Only)	
433	4461054	2	Seal 14-16 Gauge (Deutz Engine Machines Only)	
433	4461008	18	Plug, Hole (Deutz Engine Machines Only)	
433	4461053	1	Cover, Plug (Deutz Engine Machines Only)	
438	4460899	1	Connector - 6 Position (Caterpillar Engine Machines Only)	
438	4460464	5	Pin, Male (Caterpillar Engine Machines Only)	
438	4460466	1	Seal, Plug (Caterpillar Engine Machines Only)	
439	4460871	AR	Socket, Female	
456	2902443	1	Receptacle Kit (Deutz Engine Machines Only)	
456	4461071	8	Socket, Female (Gold)	
456	4461072	1	Receptacle 8 Position with Mounting Flange	
456	4461073	1	Cap, Dust	
456	4461074	1	Shell	
457	4461157	1	Connector - 2 Position	
457	4460979	2	Pin, Male	
457	4460458	2	Seal, Terminal	
		Ref	<b>GROUND CONTROL BOX WIRING DIAGRAM</b>	
	1001141934	Ref	<b>Caterpillar Engine Machines</b>	A
	1001141932	Ref	<b>Deutz Engine Machines</b>	D
501	2920129	AR	Bulb, Light	
507	2400065	1	Fuse, 30 Amp	
508	2400066	1	Fuse, Holder	
509	4460708	2	Connector - 15 Position	
509	4460226	4	Socket, Female <b>(SN E300001114 through E300002560)</b>	
509	4922637	1	Harness, Jumper (Not Shown)	
513	4460894	1	Connector - 6 Position	
513	4460892	1	Connector, Bussbar - 6 Position	
514	1001173590	1	Fuse Assembly (Includes Items 507 & 508) <b>(SN E300002832 to Present)</b>	
		Ref	<b>STANDARD HARNESS COMPONENTS</b>	
601		Ref	Battery Cable Kit Options:	
601	2902060	1	Deutz Engine Machines	C
601	1001102860	1	Caterpillar Engine Machines	A
601A		Ref	Cable, Battery (Red) Options:	
601A	7027050	1	Deutz Engine Machines (Battery + to Starter and Auxiliary Relays)	
601A	7027025	1	Caterpillar Engine Machines (Battery to Auxiliary Power Relay)	
601B		Ref	Cable, Battery Options (Battery - and Auxiliary Pump to Ground) (Black):	
601B	7027041	1	Deutz Engine Machines (was p/n 7016837)	
601B	7027026	1	Caterpillar Engine Machines	
601C		Ref	Cable, Battery (Red) Options:	
601C	7016820	1	Deutz Engine Machines (Relay to Starter)	
601C	7027023	1	Caterpillar Engine Machines (Relay to Starter)	
601D		Ref	Cable, Battery (Red) (Auxiliary Relay to Auxiliary Pump)	
601D	7016834	1	Deutz Engine Machines	
601D	7027024	1	Caterpillar Engine Machines	
602	70003767	1	Jumper Cable (Deutz Engine Machines Only)	
603	4923451	1	Harness, Glow Plugs (Deutz Engine Machines Only)	
604	70003767	AR	Caterpillar Engine Harness Components	



## SECTION 7 - ELECTRICAL

ITEM	PART NUMBER	QTY	DESCRIPTION	REV
604A	70020808	1	Connector - 23 Position	
604A	4460871	16	Socket, Female	
604B	91503103	1	Connector - 6 Position	
604B	77363228	6	Terminal	
604B	91504107	1	Lock, Connector	
604B	4460466	AR	Plug	
604C	See Note	1	Connector - 8 Position (Note: Not available for purchase)	
604D	7026408	2	Connector - 2 Position	
604D	77363229	4	Terminal	
604D	80604018	2	Lock, Connector	
605		Ref	Deutz Engine Harness Components	
605A	7027796	1	Deutz Engine Harness	
605B	See Note	1	Connector (Note: Not Available - Purchase Item 605A)	
605C	7027793	1	Plug-In, Connector	
605D	70000345	4	Glow Plug Harness (Includes Glow Plug)	
605E	7027794	1	Deutz Engine Harness (For other replacement parts refer to Deutz engine dealer)	
606	70002455	1	Caterpillar Speed Sensor Harness (Includes Speed Sensor)	
607	4360517	1	Drive Orientation Switch Harness (Includes Switch)	A
607A	4460320	1	Connector - 2 Position	
607A	4460227	2	Pin, Male	
608	7024830	2	Pump Harness	
608	4460867	2	Receptacle, Female - 2 Position (4WD)	
608	4460850	4	Pin, Male (4WD)	
608B	Not Required	0	Not Required	
609	4922714	1	Limit Switch Harness (Includes Limit Switch)	B
609	1060902	8.5 ft/ 2.6m	Cable, Electrical 18/2	
609A	4460226	2	Socket, Female	
609B	4360548	1	Switch, Limit	
609C	4460968	1	Relief, Strain	
610	4360436	AR	Fuel Level Sensor Harness (Includes Sensor Only - Order Plug and Pins Separately)	
610A	4460320	1	Plug, Male - 2 Position	
610A	4460267	2	Pin, Male	
		Ref	<b>OPTIONAL HARNESS COMPONENTS</b>	
701		Ref	AC to Platform Receptacle Components	
701	0258303	Ref	110V GFI Receptacle (ANSI Export and Australian Specs)	6
701	0258304	Ref	110V/220V (Plug and Receptacle Supplied Locally) (ANSI Export and Australian Specs)	C
701		Ref	110V/220V (CE Spec Only)	
701		Ref	<b>Without Generator:</b>	
701	0258304	Ref	110V/220V (Plug and Receptacle Supplied Locally)	C
701	0275681	Ref	110V with IEC Yellow Receptacle and Plug and Circuit Breaker	B
701	0275678	Ref	220V with CEE 7 Post Ground Receptacle and Plug and Circuit Breaker (2x4 Box) (Use p/n 1001162448) ( <b>SN E300001114 through E300001972</b> )	C
701	1001162448	Ref	220V with CEE 7 Post Ground Receptacle and Plug and Circuit Breaker (2x4 Box) ( <b>SN E300001973 to Present</b> )	B
701	0275679	Ref	220V with CEE 7 Side Ground Receptacle and Plug and Circuit Breaker (2x4 Box) (Use p/n 1001162451) ( <b>SN E300001114 through E300001972</b> )	B
701	1001162451	1	220V with CEE 7 Side Ground Receptacle and Plug and	

## SECTION 7 - ELECTRICAL

ITEM	PART NUMBER	QTY	DESCRIPTION	REV
701	0275683	Ref	Circuit Breaker (2x4 Box) <b>(SN E300001973 to Present)</b> 220V with CEE 7 Post Ground Receptacle and Plug and Circuit Breaker (70mm x 70mm Box) <b>(SN E300001114 through E300001972)</b>	B
701	0275684	Ref	220V with CEE 7 Side Ground Receptacle and Plug and Circuit Breaker (70mm x 70mm Box) <b>(SN E300001114 through E300001972)</b>	B
701	0275680	Ref	220V with AFSINT 107 Keyed Ground Receptacle and Plug and Circuit Breaker (2x4 Box)	B
701	0275682	Ref	220V with IEC Blue Receptacle and Plug and Circuit Breaker	B
701		Ref	<b>With Generator:</b>	
701	1001101913	Ref	110V with IEC Yellow Receptacle and Plug and Circuit Breaker	C
701	1001101910	Ref	220V with CEE 7 Post Ground Receptacle and Plug and Circuit Breaker (2x4 Box)	C
701	1001101911	Ref	220V with CEE 7 Side Ground Receptacle and Plug and Circuit Breaker (2x4 Box)	C
701	1001101915	Ref	220V with CEE 7 Post Ground Receptacle and Plug and Circuit Breaker (70mm x 70mm Box) <b>(SN E300001114 through E300002544)</b>	C
701	1001101916	Ref	220V with CEE 7 Side Ground Receptacle and Plug and Circuit Breaker (70mm x 70mm Box) <b>(SN E300001114 through E300002544)</b>	C
701	1001101912	Ref	220V with AFSINT 107 Keyed Ground Receptacle and Plug and Circuit Breaker (2x4 Box)	C
701	1001101914	Ref	220V with IEC Blue Receptacle and Plug and Circuit Breaker	C
701A		Ref	Box Options:	
701A	0860038	1	0258303 Installation	
701A	See Note	1	0258304 Installation (Note: Not Available - Purchase Locally)	
701A	0861781	1	0275681/0275680/1001101913/1001101914 Installations	
701A	0861731	1	0275678/0275679/1001101910/1001101911/1001101912/ 1001162448/1001162451 Installations	
701A	See Note	1	0275683/0275684/1001101915/1001101916 Installations (Note: Was p/n 0861782 which is no longer available. Use p/n 1001100344 CEE 7 Side Ground Service Kit or p/n 1001100343 CEE 7 Post Ground Service Kit. Kit include Box p/n 1001141967 & items 701B, 701C, 701L & 701N.)	
701A	0861781	1	0275682 Installation	
701A	1001141967	1	1001100344, 1001100344, 1001141970 & 1001141971 Kits	
701B		Ref	Receptacle Options:	
701B	4460346	1	0258303 Installations	
701B	See Note	1	0258304 Installation (Note: Not Available - Purchase Locally)	
701B	4461198	1	0275681/1001101913 Installations	
701B	4461244	1	0275678/1001101910/1001162448 Installations	
701B	4461245	1	0275679/1001101911/1001162451 Installations	
701B	4461204	1	0275683/1001101915 Installations (Use p/n 1001100343)	
701B	4461207	1	0275684/1001101916 Installations (Use p/n 1001100344)	
701B	4461246	1	0275680/1001101912 Installations	
701B	4461201	1	0275682/1001101914 Installations	
701B	1001141968	1	1001100343 & 1001141971 Kits	
701B	1001141969	1	1001100344 & 1001141970 Kits	
701C		Ref	Plug Options:	
701C	4460205	1	0258303 Installations	

## SECTION 7 - ELECTRICAL

ITEM	PART NUMBER	QTY	DESCRIPTION	REV
701C	See Note	1	0258304 Installation (Note: Not Available - Purchase Locally)	
701C	4461196	1	0275681/1001101913 Installations	
701C	4461202	1	0275678/0275683/1001101910/1001101915 Installations & 1001100343 & 1001141971 Kits	
701C	4461205	1	0275679/0275684/1001101911/1001101916/1001162448/1001162451 Installations & 1001100344 & 1001141970 Kits	
701C	4461249	1	0275680/1001101912 Installation	
701C	4461199	1	0275682/1001101914 Installation	
701D	0903484	1	Bracket (All Installations except 0258303/0258304 Installations) <b>(SN E300001114 through E300002415)</b>	
701D	1001193018	1	Bracket (All Installations except 0258303/0258304/0275681/0275678/1001162448/0275679/0275683/0275680/0275682 Installations) <b>(SN E300002416 to Present)</b>	
701E	0903612	1	Bracket (All Installations except 0258303/0258304 Installations)	
701E	1001162445	1	Bracket (1001162448/1001162451 Installations)	
701F		Ref	Decal Options:	
701F	1705325	1	110V	
701F	3252507	1	220V	
701G		Ref	Circuit Breaker Box Kit Options (All Installations except 0258303/0258304 Installations):	
701G	2902549	1	Without Generator	E
701G	1001152485	1	Without Generator	D
701G	1001096070	1	With Generator	E
701G		Ref	Breaker, Circuit - 16 Amp Options:	
701G	1001109475	NLA	Without Latch and Bracket (Note: Use p/n 1001181045) <b>(SN E300001114 through E300002622)</b>	
701G	1001109482	NLA	With Latch and Bracket (Note: Use p/n 1001181045) <b>(SN E300001114 through E300002622)</b>	
701G	1001181045	1	16 Amp/30mA (110/230VAC) <b>(SN E300002623 to Present)</b>	
701G	1001189172	1	Breaker 16 Amp Double 230/400V (Kit 1001152485 Only)	
701G	0861880	1	Box, Breaker	
701G	1001152483	1	Box, Breaker (Kit 1001152485 Only)	
701G	4460956	1	Barrier, Terminal Block End	
701G	4460957	1	Block, Terminal	
701G	1001189171	1	Breaker 30mA 230/400V (Kit 1001152485 Only)	
701H		Ref	Connector, Strain Relief Options:	
701H	4460633	2	M20 Diameter	
701H	1001097150	2	M25 Diameter	
701J	1060908	Ref	Cable, Electrical 12/3 Options (All Installations except 0258303/0258304 Installations):	
701J	1060908	6 ft/1.8m	Without Generator	
701J	1060908	12 ft/3.7m	With Generator	
701K		Ref	Connector, Strain Relief	
701K	4460968	1	All Installations except 0258303/0258304	
701K	See Note	1	0258304 Installation (Note: Not Available - Purchase Locally)	
701K	4460071	1	0258303 Installation	
701K	4460662	1	1001162448/1001162451 Installations	
701L		Ref	Shield, Cover	
701L	Part of Item 701A	1	All Installations except 0258303/0258304 Installations	
701L		Ref	0258303 Installation Options	

## SECTION 7 - ELECTRICAL

ITEM	PART NUMBER	QTY	DESCRIPTION	REV
701L	4060700	1	Side Hinged	
701L	1001110873	1	Top Hinged	
701L	Not Available		0258304 Installation (Purchase Locally)	
701L	3960422	1	Gasket, Cover (0258303 Installation)	
701M		Ref	Plug, Male Options:	
701M	4460709	1	All Installations Except 0258303 Installation	
701M	4460205	1	0258303 Installation	
701M	1671093	1	Cover, Plug (0258304 Installation Only) <b>(SN E300001114 through E300002559)</b>	
701M	1001156352	1	Cover, Plug (0258304 Installation Only) <b>(SN E300002560 to Present)</b>	
701N		Ref	Connector, Female Options:	
701N	4460710	1	All Installations Except 0258303 Installation	
701N	4460134	1	0258303 Installation	
701N	4461197	1	1001101913 Installation	
701N	4461200	1	1001101914 Installation	
701N	4461203	1	1001101910/1001101915 Installations & 1001100343 & 1001141971 Kits	
701N	4461206	1	1001101911/1001101916 Installations & 1001100344 & 1001141970 Kits	
701N	4461250	1	1001101912 Installation	
701N	1671092	1	Cover, Connector (0258304 Installation Only) <b>(SN E300001114 through E300002559)</b>	
701N	1001156351	1	Cover, Connector (0258304 Installation Only) <b>(SN E300002560 to Present)</b>	
		Ref	<b>KIT, PLUG and SOCKET OPTIONS:</b>	
		Ref	<b>Without Generator:</b>	
	See Note	Ref	0258303 Installation (Note: Purchase Individual Components)	
	See Note	Ref	0258304 Installation (Note: Not Available - Purchase Locally)	
	0275216	Ref	110V with IEC Yellow (Includes Items 701A, 701B, 701C & 701L) (0275681 Installation)	A
	0275452	Ref	220V with CEE 7 Post Ground (2 x 4 Box) (Includes Items 701A, 701B, 701C & 701L) (0275678/1001162448 Installation)	C
	0275453	Ref	220V with CEE 7 Side Ground (2 x 4 Box) (Includes Items 701A, 701B, 701C & 701L) (0275679/1001162451 Installation)	B
	0275218	Ref	220V with CEE 7 Post Ground (70mm x 70mm Box) (Includes Items 701A-701C, 701L & 701N) (0275683 Installation) (Use p/n 1001100343)	B-2
	0275219	Ref	220V with CEE 7 Side Ground (70mm x 70mm Box) (Includes Items 701A-701C, 701L & 701N) (0275684 Installation) (Use p/n 1001100344)	B-A
	0275454	Ref	220V with AFSINT 107 Keyed Ground (Includes Items 701A, 701B, 701C & 701L) (0275680 Installation)	A
	0275217	Ref	220V with IEC Blue (Includes Items 701A, 701B, 701C & 701L) (0275682 Installation)	A
		Ref	<b>With Generator:</b>	
	1001100341	Ref	110V with IEC Yellow (Includes Items 701A - 701C, 701L & 701N) (1001101913 Installation)	2-A
	1001100345	Ref	220V with CEE 7 Post Ground (2 x 4 Box) (Includes Items 701A - 701C, 701L & 701N)(1001101910 Installation)	2-A
	1001100347	Ref	220V with CEE 7 Side Ground (2 x 4 Box) (Includes Items 701A - 701C, 701L & 701N) (1001101911 Installation)	3-A
	1001100346	Ref	220V with AFSINT 107 Keyed Ground (Includes Items 701A	2-A

## SECTION 7 - ELECTRICAL

ITEM	PART NUMBER	QTY	DESCRIPTION	REV
	1001100342	Ref	- 701C, 701L & 701N) (1001101912 Installation) 220V with IEC Blue (Includes Items 701A - 701C, 701L & 701N) (1001101914 Installation)	2-A
	1001091971	Ref	220V with CEE 7 Post Ground (70mm x 70mm Box) (Includes Items 701A - 701C, 701L & 701N) (1001101915 Installation) (Use p/n 1001100343 Kit)	B
	1001091970	Ref	220V with CEE 7 Side Ground (70mm x 70mm Box) (Includes Items 701A - 701C, 701L & 701N) (1001101916 Installation) (Use p/n 1001100344 Kit)	B
702	4921829	1	2500W Generator to Rear of Boom Harness (110V) (ANSI and CSA)	2
		Ref	<b>Note: Harness used to connect AC at platform harness to generator receptacle to power platform receptacle.</b>	
702	1060494	6 ft/1.83m	110V Cable, Electrical - 12/3 (ANSI and CSA Specs)	
702A	4460205	1	Plug, Male (110V)	
702B		Ref	Receptacle, Female Options:	
702B	4460134	1	110V (ANSI and CSA Specs)	
702B	4460701	1	220V (ANSI and CSA Specs)	
702B	See Note	1	110V/220V (Machines with Locally Supplied Plug and Receptacle) (ANSI Export, Australian and CE Specs) (Note: Not Available - Purchase Locally)	
702B	4461197	1	110V with IEC Yellow Receptacle and Plug and Circuit Breaker (CE Specs Option)	
702B	4461203	1	220V with CEE 7 Post Ground Receptacle and Plug and Circuit Breaker (2x4 Box) (CE Specs Option)	
702B	4461206	1	220V with CEE 7 Side Ground Receptacle and Plug and Circuit Breaker (2x4 Box) (CE Specs Option)	
702B	4461203	1	220V with CEE 7 Post Ground Receptacle and Plug and Circuit Breaker (70mm x 70mm Box) (CE Specs Option)	
702B	4461206	1	220V with CEE 7 Side Ground Receptacle and Plug and Circuit Breaker (70mm x 70mm Box) (CE Specs Option)	
702B	4461250	1	220V with AFSINT 107 Keyed Ground Receptacle and Plug and Circuit Breaker (2x4 Box) (CE Specs Option)	
702B	4461200	1	220V with IEC Blue Receptacle and Plug and Circuit Breaker (CE Specs Option)	
703		Ref	2500W Generator Electrical Components	
703	1001112588	AR	110V/60HZ	A
703	1001112743	AR	110V/50Hz & 220V/50Hz	B
703A	4922641	1	Harness - On/Off Switch	1-A
703A	4460226	2	Socket, Female	
703B	1001112589	1	Powermite Control Box to Relay	
703C	7020193	1	Harness, Generator Power	
		Ref	<b>Note: Items 703D &amp; 703E used on Following Applications:</b>	
		Ref	<b>Caterpillar Engine Machines - All</b>	
		Ref	<b>Deutz Engine Machines - All with 110V/60Hz</b>	
703D	4460321	1	Connector, Male - 4 Position	
703D	4460906	4	Socket, Female	
703E	4460961	1	Connector, Female - 4 Position	
703E	4460705	4	Pin, Male	
704		Ref	7500W Generator Electrical Components (Deutz Engine Machines Only)	
704	1001154942	AR	60Hz Spec	C
704	1001154943	AR	50Hz Specs	C
704A		Ref	Gasket Options:	
704A	3960422	AR	60Hz Spec	

## SECTION 7 - ELECTRICAL

ITEM	PART NUMBER	QTY	DESCRIPTION	REV
704A	See Note	AR	50Hz Spec (Note: Not Available - Purchase Locally.)	
704B		Ref	Cover, Receptacle Options:	
704B	1001110873	1	60Hz Spec	
704B	See Note	1	50Hz Spec (Note: Not Available - Purchase Locally.)	
704C		Ref	Receptacle Options:	
704C	4460346	1	60Hz Spec	
704C	See Note	1	50Hz Spec (Note: Not Available - Purchase Locally.)	
704D	4460071	1	Connector, Strain Relief	
704E	4922925	1	Harness, Generator	C
704F	77363233	1	Plug, Male - 6 Position (Note: Not available for purchase.)	
704F	4460465	6	Socket, Female (Note: Not available for purchase.)	
704G	4460225	1	Plug, Male - 6 Position	
704G	4460226	6	Socket, Female	
705	1001157525	Ref	7500W SkyPower Generator Junction Box Components (Deutz Engine Machines Only)	B
705A	See Note	2 ft/.6m	Cable, Electrical 12/3 (Note: Not Available - Purchase Locally)	
705B	4460425	1	Connector, Strain Relief	
705B	3520192	1	Plug, Hole	
705C	4460426	1	Connector, Strain Relief	
705C	3520189	1	Plug, Hole	
705D	4460426	1	Connector, Strain Relief	
705E	1001152525	1	Plug, Hole	
706	1001157769	Ref	7500W Generator Electrical Diagram Components (Deutz Engine Machines Only)	A
706A	1001152429	1	Generator Harness	C
706B	4460742	1	Connector - 2 Position	
706B	4460743	2	Socket, Female	
706B	4460458	2	Seal	
706C	4460967	1	Connector - 3 Position	
706C	4460465	3	Socket, Female	
706D	2400060	1	Fuseholder	
706D	2400064	1	Fuse - 5 Amp	
706E	4922641	1	Switch Harness	
707	0255917	1	Strobe Light Harness (Includes Strobe Light)	
707A	4460320	1	Connector, Female - 2 Position	
707A	4460267	2	Pin, Male	
708	0257887	1	Alarm Harness (Includes Alarm)	
708A	4460424	1	Connector - 2 Position	
708A	4460268	2	Socket, Female	
709	See Note	1	Lights Harness (Note: Not available for purchase)	
709	1060341	37 ft/ 11.3m	Cable, Electrical - 16/2	
709A	3740049	1	Relay	
709A	4922643	1	Harness, Bag (Located at Ground Control Box) (Not Shown)	
710	See Note	1	Soft-Touch System Harness (Note: Not available for purchase)	
710A	1060341	Ref	Cable, Electrical - 16/2 Options:	
710A	1060341	15 ft/4.6m	2.5ft/.7m x 6ft/8m Platform	
710A	1060341	22.7 ft/ 6.9m	3ft/.9m x 6ft/8m Platform	
710B	4460871	2	Socket, Female	
713		Ref	Platform Worklights Components	
713A	2920140	2	Platform Worklights External Harness (Includes Light and Wire	

## SECTION 7 - ELECTRICAL

ITEM	PART NUMBER	QTY	DESCRIPTION	REV
713B	4460459	1	Only) Connector - 3 Position	
713B	4460790	3	Socket, Female	
713B	4460789	3	Seal	
713C	4460476	1	Receptacle, Female	
713C	4460850	3	Pin, Male	
713C	4460790	3	Socket, Female	
713D	4460426	1	Connector, Strain Relief	
713E	2400070	1	Fuse	
713E	2400066	1	Holder, Fuse	
713F	1060988	1	Worklights Harness (Upper Boom to Worklights)	
713G	1060987	1	Worklights Harness (Lower Boom to Aux Power Solenoid)	
		Ref	<b>TOOLS (NOT SHOWN)</b>	
801	7002821	1	Crimper (For Wire to Pin/Socket Connections)	
802	7002823	1	Extractor (For Removal of Pin/Socket from Connectors)	
803	4460467	1	Extractor, Pin (Blue 16-18 Gauge) (For Removal of Pin/Socket from Connectors)	
804	4460510	1	Extractor, Pin (Yellow 12-14 Gauge) (For Removal of Pin/Socket from Connectors)	
805	7002828	1	Stripper, Wire	
806	2901443	1	Analyzer Kit	
806A	1600244	1	Analyzer	
806B	1060633	1	Cable, Analyzer	1-A
806C	4460321	2	Plug, Male	
806C	4460226	8	Socket, Female	
807	1001137005	1	Cable Kit, Software (Not Shown)	

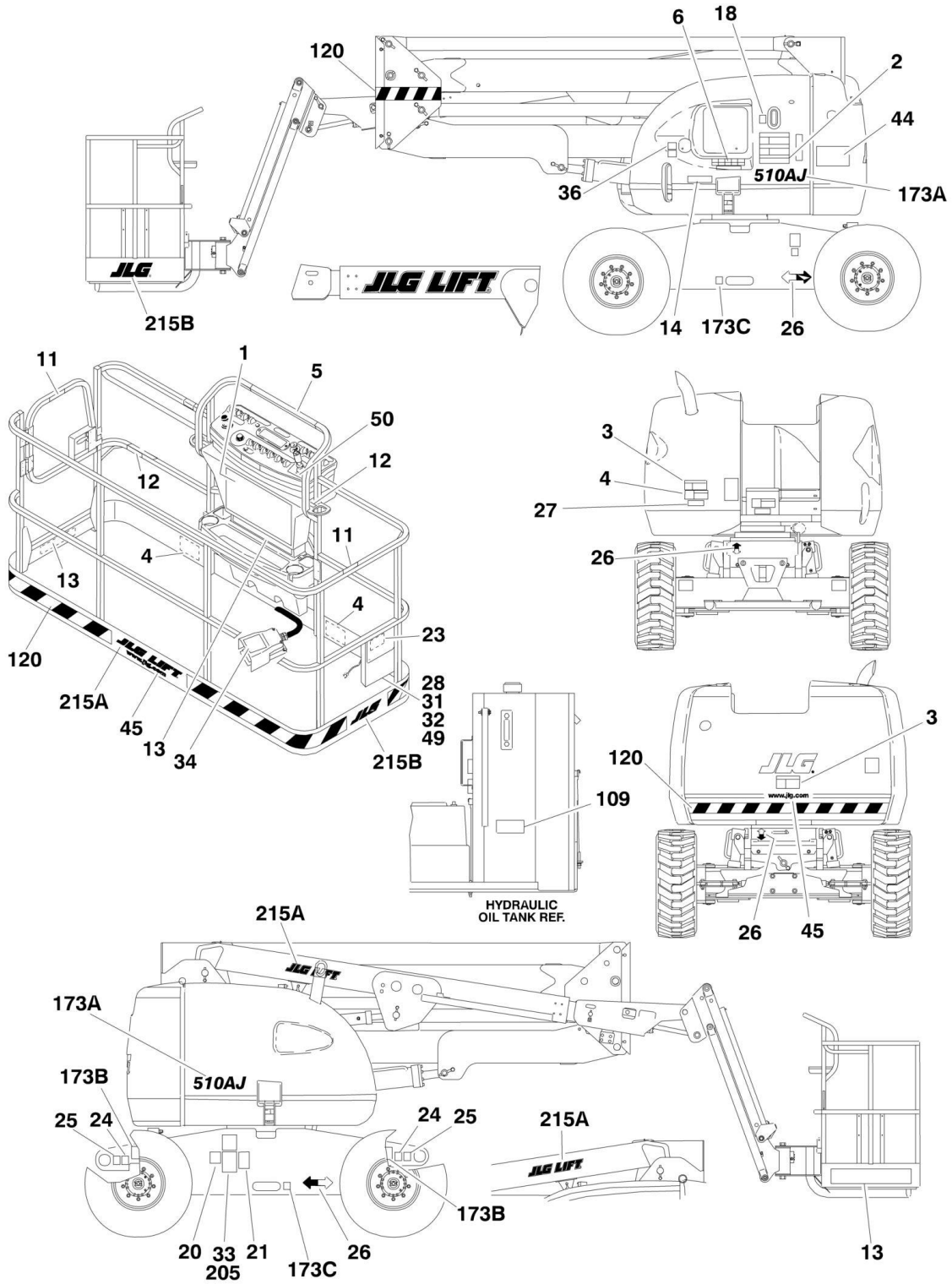




**SECTION 8 - DECALS**

# SECTION 8 - DECALS

FIGURE 8-1. DECAL INSTALLATION - ANSI EXPORT SPEC (ENGLISH LANGUAGE)



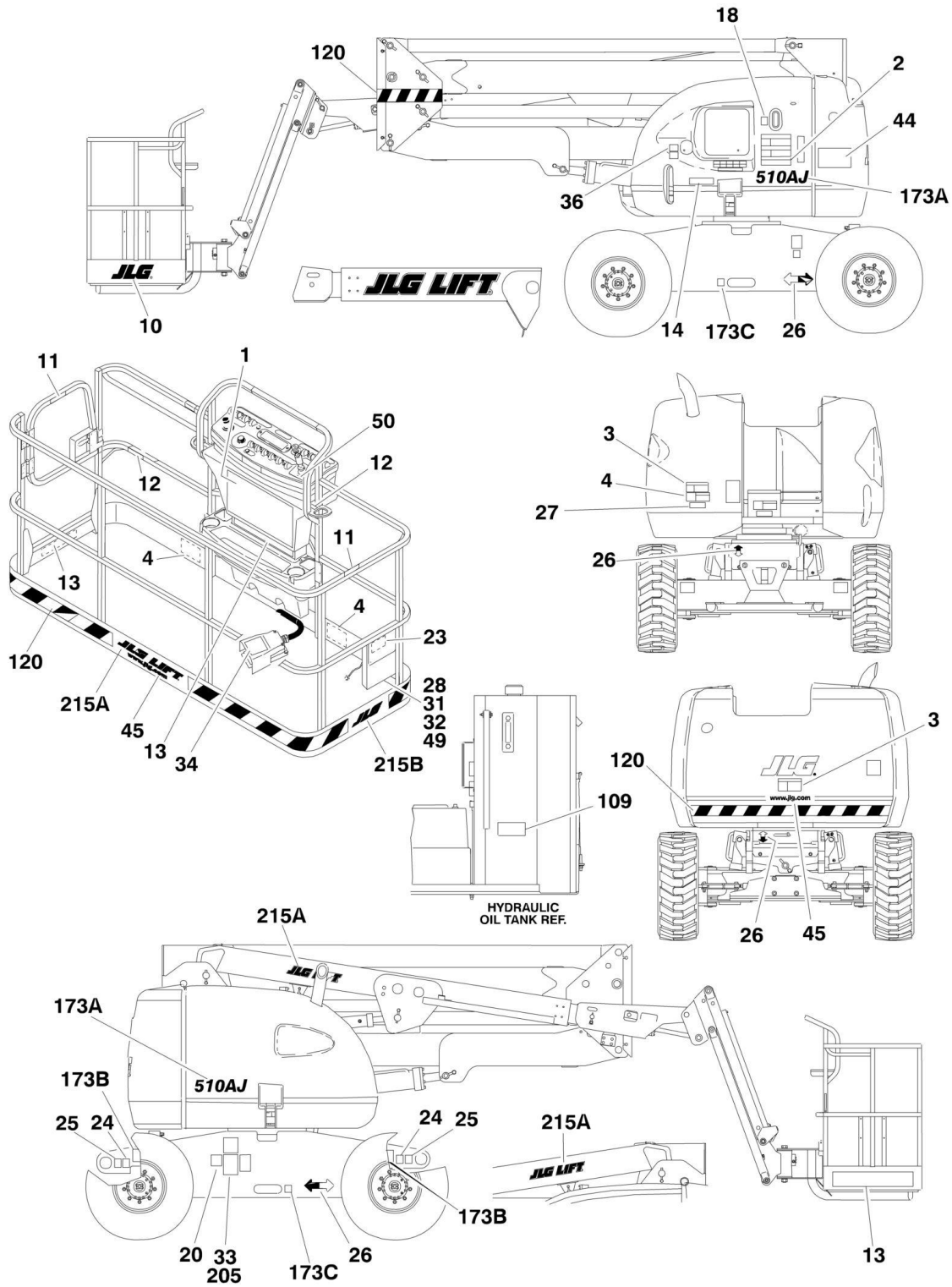
## SECTION 8 - DECALS

**FIGURE 8-1. DECAL INSTALLATION - ANSI EXPORT SPEC (ENGLISH LANGUAGE)**

ITEM	PART NUMBER	QTY	DESCRIPTION	REV
	1001143099	Ref	<b>STANDARD DECAL INSTALLATION</b>	E
1	1703797	1	Decal - Danger/Warning	
2	1703798	1	Decal - Danger/Warning	
3	1703805	2	Decal - Danger/Electrocution	
4	1703804	3	Decal - Warning/Crushing	
5	1001108493	1	Decal - Legend	
6	1706941	1	Decal - Legend	
11	1702868	2	Decal - No Hands	
12	1704277	3	Decal - Attach Lanyard Here	
13	1001121801	1	Decal - Max Capacity	
14	1001121814	1	Decal - Max Capacity	
18	1701504	1	Decal - Hydraulic Oil	
20	See Note	1	Decal - Bar Code (Note: Not Available for Purchase)	
21	1001131269	1	Decal - Patent	
23	1701509	1	Decal - Manual	
24	1702300	4	Decal - Tie Down/Lift	
25	1701500	4	Decal - Tie Down/Lift	
26	1701529	4	Decal - Arrow	
27	3251243	1	Nameplate 120V-60Hz	
28	0860520	1	Box, Manual Storage	
31	4751400	4	Flatwasher 1/4in Regular	
32	3311405	4	Locknut 1/4in-20NC	
33	3820001	2	Rivet	
34	3252347	1	Decal - Footswitch	
36	1701505	1	Decal - Diesel Fuel	
44	1001143110	1	Decal - Lift Diagram	
45	1704885	AR	Decal - Website	
49	0641406	4	Bolt, 1/4in-20NC x 3/4in	
50	1705351	1	Decal, Drive/Steer	
	1001142990	Ref	<b>DECAL OPTIONS</b>	
109	1704412	1	Decal - Hydraulic Fluid	
120	0272165	Ref	<b>Warning Stripe Decal Installation</b>	
120	4420051	21.7 ft/ 6.61m	Decal - Warning Stripes	
173	0272582	Ref	<b>Model Designation Decal Installation</b>	2
173A	1705487	2	Decal - 510AJ	
173B	1705669	4	Decal - Max Tire Load	
173C	1702300	2	Decal - Tie-Down ( <b>SN E300001114 through E300001395</b> )	
205	See Note	1	Nameplate - Serial Number (Note: Not Available for Purchase)	
215	0272530	Ref	<b>JLG Logo Decals</b>	1
215A	1702774	3	Decal - JLG Lift (3 1/2in)	
215B	1702773	1	Decal - JLG (5in)	

# SECTION 8 - DECALS

FIGURE 8-2. DECAL INSTALLATION - ANSI EXPORT SPECS (OTHER LANGUAGES)



## SECTION 8 - DECALS

**FIGURE 8-2. DECAL INSTALLATION - ANSI EXPORT SPECS (OTHER LANGUAGES)**

ITEM	PART NUMBER	QTY	DESCRIPTION	REV
		Ref	<b>DECAL INSTALLATIONS</b>	
	1001143105	Ref	<b>Brazil Spec (Spanish/Portuguese)</b>	E
	1001143104	Ref	<b>Chinese Spec (English/Chinese)</b>	E
	1001143102	Ref	<b>Korean Spec</b>	E
	1001143107	Ref	<b>Latin America Spec (English/Spanish)</b>	E
1		Ref	Decal - Danger/Warning Options:	
1	1703928	1	Brazil Spec	
1	1703925	1	Chinese Spec	
1	1703927	1	Korean Spec	
1	1703923	1	Latin American Spec	
2		Ref	Decal - Danger/Warning Options:	
2	1703934	1	Brazil Spec	
2	1703931	1	Chinese Spec	
2	1703933	1	Korean Spec	
2	1703929	1	Latin American Spec	
3		Ref	Decal - Danger Electrocution Options:	
3	1703940	2	Brazil Spec	
3	1703937	2	Chinese Spec	
3	1703939	2	Korean Spec	
3	1703935	2	Latin American Spec	
4		Ref	Decal - Warning/Crushing	
4	1703952	3	Brazil Spec	
4	1703949	3	Chinese Spec	
4	1703951	3	Korean Spec	
4	1703947	3	Latin American Spec	
11		Ref	Decal - No Hands Options:	
11	1704002	2	Brazil Spec	
11	Not Required	0	Chinese/Japanese/Korean Spec	
11	1704000	2	CSA Spec	
11	1704001	2	Latin American Spec	
12	1704277	3	Decal - Attach Lanyard	
13		Ref	Decal - Max Capacity Options:	
13	1001121920	2	Brazil Spec	
13	1001121810	2	Chinese Spec	
13	1001121918	2	Korean Spec	
13	1001121805	2	Latin American Spec	
14		Ref	Decal - Max Capacity Options:	
14	1001121923	1	Brazil Spec	
14	1001121823	1	Chinese Spec	
14	1001121921	1	Korean Spec	
14	1001121818	1	Latin American Spec	
18	1701504	1	Decal - Hydraulic Oil	
19		Ref	Decal - Inspection Options:	
19	1704008	1	Brazil Spec	
19	1704007	1	Latin American Spec	
19	Not Required	0	Chinese/Korean Spec	
20	See Note	1	Decal - Bar Code (Note: Not Available for Purchase)	
23	1701509	1	Decal - Manual	
24	1702300	4	Decal - Tie Down/Lift	
25	1701500	4	Decal - Tie Down/Lift	

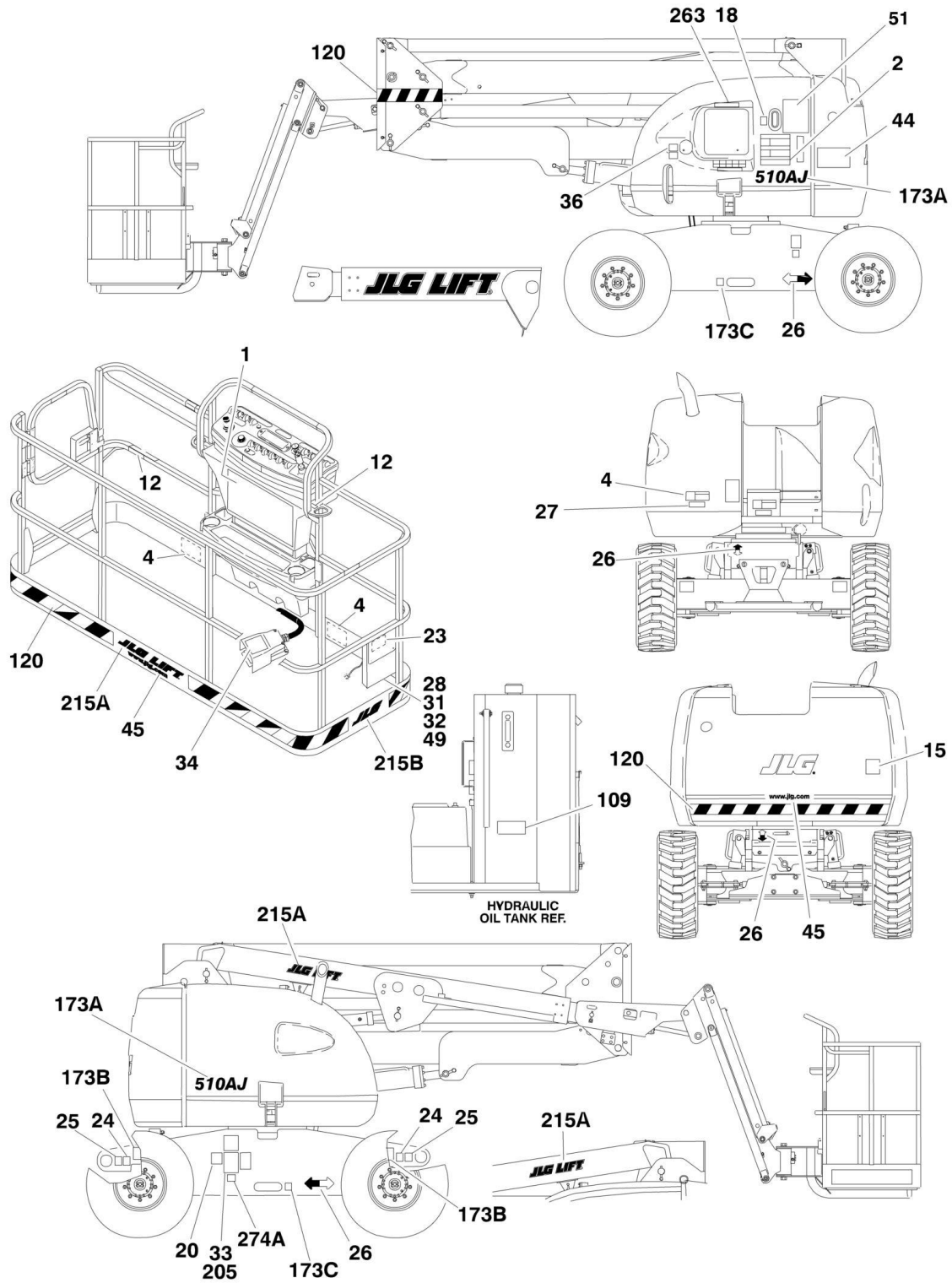
## SECTION 8 - DECALS

ITEM	PART NUMBER	QTY	DESCRIPTION	REV
26	1701529	4	Decal - Arrow	
27		Ref	Decal Options:	
27	3251243	1	120V-60Hz - Brazil/Latin American Spec	
27	Not Required	0	Chinese/Korean Spec	
28	0860520	1	Box, Manual Storage	
31	4751400	4	Flatwasher 1/4in Regular	
32	3311405	4	Locknut 1/4in-20NC	
33	3820001	4	Rivet	
34		Ref	Decal - Footswitch Options:	
34	1703985	1	Brazil Spec	
34	1703982	1	Chinese Spec	
34	1703981	1	Korean Spec	
34	1703983	1	Latin American Spec	
36	1701505	1	Decal - Diesel Fuel	
44	1001143110	1	Decal - Lift Diagram	
45	1704885	AR	Decal - Website	
49	0641406	4	Bolt 1/4in-20NC x 3/4in	
50		Ref	Decal, Drive/Steer Options	
50	1705905	1	Brazil Spec	
50	1705430	1	Chinese Spec	
50	1705427	1	Korean Spec	
50	1705910	1	Latin American Spec	
	1001142990	Ref	<b>DECAL OPTIONS</b>	
109	1704412	1	Decal - Hydraulic Fluid	
120	0272165	Ref	<b>Warning Stripe Decal Installation</b>	
120	4420051	21.7 ft/6.61m	Decal - Warning Stripes	
173	0272582	Ref	<b>Model Designation Decal Installation</b>	2
173A	1705487	2	Decal - 510AJ	
173B	1705669	4	Decal - Max Tire Load	
173C	1702300	2	Decal - Tie-Down <b>(SN E300001114 through E300001395)</b>	
205	See Note	1	Nameplate - Serial Number (Note: Not Available for Purchase)	
215	0272530	Ref	<b>JLG Logo Decals</b>	1
215A	1702774	3	Decal - JLG Lift (3 1/2in)	
215B	1702773	1	Decal - JLG (5in)	



# SECTION 8 - DECALS

## FIGURE 8-3. DECALS INSTALLATION - AUSTRALIAN AND CE SPECS





## SECTION 8 - DECALS

**FIGURE 8-3. DECALS INSTALLATION - AUSTRALIAN AND CE SPECS**

ITEM	PART NUMBER	QTY	DESCRIPTION	REV
		Ref	<b>DECAL INSTALLATIONS</b>	
	1001143100	Ref	<b>Australian Spec</b>	E
	1001143106	Ref	<b>CE Spec</b>	E
1		Ref	Decal - Danger/Warning Options:	
1	1703992	1	Australian Spec	
1	1705821	1	CE Spec	
2		Ref	Decal - Danger/Warning Options:	
2	1705332	1	Australian Spec	
2	1705822	1	CE Spec	
4	1701518	3	Decal - Warning/Crushing	
12	1704277	3	Decal - Attach Lanyard	
15		Ref	Decal - Sound Power Level Options:	
15	Not Required	0	Australian Spec	
15	1705084	1	CE Spec	
18	1701504	AR	Decal - Hydraulic Oil	
20	See Note	1	Decal - Bar Code (Note: Not Available for Purchase)	
23	1701509	1	Decal - Manual	
24	1702300	4	Decal - Tie Down/Lift	
25	1701500	4	Decal - Tie Down/Lift	
26	1701529	4	Decal - Arrow	
27		Ref	Decal Options:	
27	3251242	1	240V-50Hz - Australian Spec	
27	Not Required	0	CE Spec	
28	0860520	1	Box, Manual Storage	
31	4751400	4	Flatwasher 1/4in Regular	
32	3311405	4	Locknut 1/4in-20NC	
33		Ref	Fastener Options:	
33	3820001	4	Australian Spec	
33	2080057	2	CE Spec	
34		Ref	Decal - Footswitch Options:	
34	3252347	1	Australian Spec	
34	1705828	1	CE Spec	
36	1701505	1	Decal - Fuel	
44	1001143110	1	Decal - Lift Diagram	
45	1704885	AR	Decal - Website	
49	0641406	4	Bolt, 1/4in-20NC x 3/4in	
51		Ref	Decal - Emergency Controls Options:	
51	1001112551	1	Australian Spec	
51	Not Required	0	CE Spec	
	1001142990	Ref	<b>DECAL OPTIONS</b>	
109	1704412	1	Decal - Hydraulic Fluid	
120	0272165	Ref	<b>Warning Stripe Decal Installation</b>	
120	4420051	21.7 ft/ 6.61m	Decal - Warning Stripes	
173	0272582	Ref	<b>Model Designation Decal Installation</b>	B
173A	1705487	2	Decal - 510AJ	
173B	1705669	4	Decal - Max Tire Load	
173C	1702300	2	Decal - Tie-Down ( <b>SN E300001114 through E300001395</b> )	
205	See Note	1	Nameplate - Serial Number (Note: Not Available for Purchase)	
215	0272530	Ref	<b>JLG Logo Decals</b>	1

## SECTION 8 - DECALS

ITEM	PART NUMBER	QTY	DESCRIPTION	REV
215A	1702774	3	Decal - JLG Lift (3 1/2in)	
215B	1702773	1	Decal - JLG (5in)	
263	1001189882	NLA	Decal - MSSO (Note: Use p/n 1001197408) (CE Spec Only) <b>(SN E300002416 through E300002822)</b>	
263	1001197408	1	Decal - MSSO (CE Spec Only) <b>(SN E300002823 to Present)</b>	
274	1001214029	1	Decal - EAC Installation (CIS and Russia Specs)	
274A	1001173703	1	Decal - EAC	

## **SECTION 9 - RECOMMENDED SERVICE PARTS STOCK**

## **SECTION 9 - RECOMMENDED SERVICE PARTS STOCK**

## SECTION 9 - RECOMMENDED SERVICE PARTS STOCK

FIGURE 9-1. MODEL 510AJ STANDARD PARTS

ITEM	PART NUMBER	QTY	DESCRIPTION	REV
		Ref	<b>Note: The following list will service one machine (built to current production per date on the front cover) with emergency repair parts which can be installed in the field. Parts from the list should be replaced when inventory is depleted to keep service parts stock supplied. For further information, contact your JLG dealer or the JLG Industries Parts Department.</b>	
		Ref	<b>STANDARD PARTS</b>	
	2120210	1	Element, Filter	
	70002386	1	Coil	
	70003788	1	Coil	
	70003789	1	Coil	
	4360517	1	Switch, Proximity	
	3740067	1	Relay	
	7024444	1	Breather, Hydraulic Tank	
	70001960	1	Element, Return Filter	
	3740049	1	Relay	
	4360328	1	Switch, Toggle	
	2860030	1	Key, Replacement	
	4360475	1	Switch, Mushroom	
	4360476	1	Contact, Switch Block	
	4360387	1	Switch, Push Button	
	1001212415	1	Controller (Drive and Steer)	
	1001129555	1	Controller (Lift and Swing)	
	4360407	1	Control, Speed	
	4360330	1	Switch, Toggle	
	4360331	1	Switch, Toggle	
	3990010	2	Diode 6 Amp	
	8229242	2	Fuse	
	2920129	2	Bulb, Light	
	2400065	2	Fuse	



## SECTION 9 - RECOMMENDED SERVICE PARTS STOCK

FIGURE 9-2. MODEL 510AJ VARIABLE PARTS

ITEM	PART NUMBER	QTY	DESCRIPTION	REV
		Ref	<b>Note: The following list will service one machine (built to current production per date on the front cover) with emergency repair parts which can be installed in the field. Parts from the list should be replaced when inventory is depleted to keep service parts stock supplied. For further information, contact your JLG dealer or the JLG Industries Parts Department.</b>	
		Ref	<b>VARIABLE PARTS</b>	
	7012664	1	Element, Air Cleaner (Caterpillar Engine Machines)	
	70002377	1	Filter, Fuel/Oil Separator, (Caterpillar Engine Machines)	
	70001403	1	Filter, Oil Element, (Caterpillar Engine Machines)	
	7026871	1	Filter, Fuel (Caterpillar Engine Machines)	
	70003770	1	Module, ECM Engine Control (Caterpillar Engine Machines)	
	70003783	1	Element, Air Cleaner (Deutz Engine Machines)	
	7016331	1	Filter, Oil Element, (Deutz Engine Machines)	
	7020023	1	Filter, Fuel - Standard (Deutz Engine Machines)	
	70003463	1	Filter, Fuel - RME Resistant (Deutz Engine Machines using European Bio-Diesel Fuels)	
	7027795	1	Module, Control (Deutz Engine Machines)	
	1001103667	1	Module, Ground Control	
	4360469	1	Switch, Key (All Specs Except CE Spec)	
	4360470	1	Switch, Key (CE Specs)	
	4360548	1	Switch, Limit	
	2940074	1	Latch (Machines with Gate)	
	1001106938	1	Module, Platform Control	

**SECTION 10 - SPECIAL OPTIONS**

# SECTION 10 - SPECIAL OPTIONS

## FIGURE 10-1. SPECIAL OPTIONS

ITEM	PART NUMBER	QTY	DESCRIPTION	REV
		Ref	<b>MISCELLANEOUS SPECIAL OPTIONS</b>	
	Note	Ref	<b>Note: This list is to accommodate machines ordered with special equipment. Options may not be applicable to all models. For more specific parts information contact JLG Parts Department.</b>	
	1340061	Ref	<b>Air Cleaner with Dust Evacuator Valve</b>	
		Ref	<b>Air Line at Platform Installations</b>	
	0272786	Ref	<b>Without SkyPower</b>	
	0275910	Ref	<b>With SkyPower</b>	
	1001186763	Ref	<b>Axle Bearing Kit</b>	
	1001146823	Ref	<b>Bellows Installations</b>	
	0271315	Ref	<b>Boom Wiper Installation</b>	
	0256789	Ref	<b>Camera Mount Assembly</b>	
	1001152960	Ref	<b>Chassis Counterweight Installation (Used with Turf/Sand Tires)</b>	
		Ref	<b>Clear Sky (Telematic) Installation</b>	
		Ref	<b>Note: Refer to Manual Supplement p/n 3128499 for available replacement parts.</b>	
	1001132727	Ref	<b>Australian Spec</b>	
	1001127090	Ref	<b>Brazil and New Zealand Spec Only</b>	
		Ref	<b>Clear Sky (Telematic) Kit (Includes Installation, Decals, User Guide and Manual 3128499)</b>	
	1001121614	Ref	<b>ANSI Export Specs</b>	
	1001139146	Ref	<b>Australian Specs</b>	
	See Note	Ref	<b>Brazil and New Zealand Spec Only (Note: Not Available for Purchase.)</b>	
		Ref	<b>Cold Weather Start Kits</b>	
	0273064	Ref	<b>Caterpillar/Perkins Engine Machines</b>	
	0271912	Ref	<b>Deutz Engine Machines</b>	
		Ref	<b>Container Transport Wheels</b>	
	0272031	Ref	<b>(33/1550 x 16.5 Tire and Wheels)</b>	
	1001148145	Ref	<b>(12 x 16.5 Tire and Wheels)</b>	
	1001148146	Ref	<b>(14 x 17.5 Tire and Wheels)</b>	
		Ref	<b>Decals Installations</b>	
	1001196611	Ref	Decal - Ahern Rentals	
	1001196715	Ref	Decal - Blueline Rentals	
	1001127096	Ref	Decal - ClearSky	
	1001200131	Ref	Decal - Quick Start Reference (Loxam Rental) (Danish Spec)	
	1001200129	Ref	Decal - Quick Start Reference (Loxam Rental) (Dutch Spec)	
	1001181145	Ref	Decal - Quick Start Reference (Loxam Rental) (English Spec)	
	1001200128	Ref	Decal - Quick Start Reference (Loxam Rental) (French Spec)	
	1001200130	Ref	Decal - Quick Start Reference (Loxam Rental) (German Spec)	
	1001200134	Ref	Decal - Quick Start Reference (Loxam Rental) (Norwegians Spec)	
	1001200133	Ref	Decal - Quick Start Reference (Loxam Rental) (Spanish Spec)	
	1001200132	Ref	Decal - Quick Start Reference (Loxam Rental) (Swedish Spec)	
	1705358	Ref	Decal - SkyGlazier (Australian Specs)	
	0272589	Ref	Decal - SkyPower	
	0272588	Ref	Decal - SkyWelder (50Hz) (CE Specs)	
	1001197848	Ref	Decal - Sunbelt	



## SECTION 10 - SPECIAL OPTIONS

ITEM	PART NUMBER	QTY	DESCRIPTION	REV
	0272165	Ref	Decal Installation - Warning Stripes	
		Ref	<b>Decal Kits Options:</b>	
	1001108725	Ref	Decal Kit - Platform	
	1001119559	Ref	Decal Kit - Platform Console Box	
		Ref	<b>Electrical Connector Kits</b>	
	1001148902	Ref	Amp/Tyco Electrical Connector Kit	
	1001148903	Ref	Deutsch DT Electrical Connector Kit	
	1001148904	Ref	Deutsch HD Electrical Connector Kit	
	1001148905	Ref	Packard Electrical Connector Kit	
	1001148906	Ref	Various Electrical Connectors Kit	
	1001185077	Ref	<b>Fan and Belt Shield Installation (Deutz D2011 Engines)</b>	
	1001182598	Ref	<b>Fan Guard (Deutz D2011 Engines)</b>	
		Ref	<b>Filter Kits</b>	
		Ref	<b>Boom Hydraulic Air Filter Kit Options:</b>	
	1001109698	Ref	Deutz Engine Machines	
		Ref	<b>Combined Filter Kit Options:</b>	
	1001156538	Ref	Caterpillar Engine Machines	
	1001156539	Ref	Deutz Engine Machines	
		Ref	<b>Engine Fuel/Oil Filter Kit Options:</b>	
	1001110138	Ref	Deutz Engines	
		Ref	<b>Fluids</b>	
	2300004	Ref	Coolant, Antifreeze (Caterpillar Engine Machines)	
	3020021	Ref	Engine Coupling Grease	
	3020016	Ref	Engine Oil 15W-40	
		Ref	Hydraulic Fluids:	
	2300014	Ref	Mobil 424	
	2300027	Ref	Mobil 224H Bio	
	2300029	Ref	Mobil EAL ISO 46 Bio	
	2300016	Ref	Mobil DTE 10 Excel 32	
	2300019	Ref	Quaker State Quintolubric 888-46 Fire Resistant	
	2300039	Ref	Exxon Univis Hvl 26 (Machines with Arctic Package)	
	3020008	Ref	Lubricant 80W-90 (Torque Hubs)	
	1001094475	Ref	<b>Hourmeter for Generator Installation</b>	
	1001148971	Ref	<b>Lanyard (Bolt-On) Kit Installation</b>	
		Ref	<b>Oil Cooler Installation</b>	
	1001142867	Ref	<b>Deutz Engines</b>	
	1001142868	Ref	<b>Caterpillar Engines</b>	
	0274661	Ref	<b>Pipe Jack</b>	
	0258703	Ref	<b>Platform Console Cover Installation (SN E300001114 through E300002416)</b>	
	1001195304	Ref	<b>Platform Console Cover Installation (SN E300002544 to Present)</b>	
	1001205175	Ref	<b>Platform Console Cover Kit</b>	
	2915227	Ref	<b>Platform Conversion Kit (Side Entry)</b>	
		Ref	<b>Platform Entry Kits</b>	
	1001142504	Ref	<b>Drop Bar (Replacing Swing Gate with Drop Bar)</b>	
	1001142505	Ref	<b>Swing Gate (Replacing Drop Bar with Swing Gate)</b>	
		Ref	<b>Platform Mesh Installations (Side Entry Platforms) (ANSI Export Specs Only)</b>	
	0273146	Ref	<b>30in X 5ft (76cm x 1.52m) Mesh to Top Rail</b>	
	0273147	Ref	<b>30in X 4ft (76cm x 1.22m) Mesh to Top Rail</b>	
		Ref	<b>Platform Mesh Installation Kits (Side Entry Platforms)</b>	

## SECTION 10 - SPECIAL OPTIONS

ITEM	PART NUMBER	QTY	DESCRIPTION	REV
	1001214524	Ref	<b>30in X 6ft (76cm x 1.83m) Mesh to Mid Rail</b>	
	1001214560	Ref	<b>30in X 6ft (76cm x 1.83m) Mesh to Top Rail</b>	
	1001214515	Ref	<b>30in X 5ft (76cm x 1.52m) Mesh to Mid Rail</b>	
	1001214559	Ref	<b>30in X 5ft (76cm x 1.52m) Mesh to Top Rail</b>	
	1001214478	Ref	<b>30in X 4ft (76cm x 1.22m) Mesh to Mid Rail</b>	
	1001214552	Ref	<b>30in X 4ft (76cm x 1.22m) Mesh to Top Rail</b>	
	1001103558	Ref	<b>Platform Rail Extension Installation - 30in x 60in Platforms</b>	
	0274095	Ref	<b>Platform Rail Extension Installation - 30in x 72in Platforms</b>	
	1001116419	Ref	<b>Platform Tray Carrier (for Cable) Installations (Australian Specs Only)</b>	
	1001194203	Ref	<b>Receptacle (110V) IEC Yellow Receptacle (With 4000W Generator)</b>	
	1001194197	Ref	<b>Receptacle (220V) with CEE 7 Post Ground (2x4 Box) (With 4000W Generator)</b>	
	1001194198	Ref	<b>Receptacle (220V) with CEE 7 Side Ground (2x4 Box) (With 4000W Generator)</b>	
	1001194200	Ref	<b>Receptacle (220V) with AFSINT 107 Keyed Ground (2x4 Box) (With 4000W Generator)</b>	
	1001194204	Ref	<b>Receptacle (220V) IEC Blue Receptacle (With 4000W Generator)</b>	
	1001194365	Ref	<b>Receptacle (220V) Box W/Cover (2x4 Box) (With 4000W Generator)</b>	
		Ref	<b>SkyGuard Components</b>	
	1001143669	NLA	<b>SkyGuard Complete Installation Kit (UGM Equipped Machines) (Note: Use p/n 1001206477) (SN E300001114 through E300002415)</b>	
	1001137672	Ref	<b>SkyGuard Platform Sensor Installation Kit (UGM Equipped Machines) (SN E300001114 through E300002415)</b>	
	1001207304	Ref	<b>SkyGuard Beacon Add-On Kit (Red Beacon)</b>	
	1001143256	Ref	<b>SkyGuard Optional Blue Beacon Installation Kit</b>	
	1001176372	Ref	<b>SkyGuard Removal Plug Kit</b>	
	1001200275	Ref	<b>Telematics Installations (Customer Supplied)</b>	
	1001195610	Ref	<b>Telematics - United Rentals - M6</b>	
	1001228964	Ref	<b>Telematic Retrofit Harness Kit (Machines with UGM)</b>	
		Ref	<b>Tools for Service</b>	
	2901443	Ref	Analyzer Kit	
	8896941	Ref	Wire Stripper	
	7002821	Ref	Wire Crimper (To install wire ends to wires)	
	7002823	Ref	Pin/Socket Extractor - Universal (To Remove Pins/Sockets from Connectors)	
	4460467	Ref	Extractor - 16-18 Gauge (For Removal of Pin/Sockets from Deutsch Connectors)	
	4460510	Ref	Extractor - 12-14 Gauge (For Removal of Pin/Sockets from Deutsch Connectors)	
	7002822	Ref	Screwdriver, Potentiometer (To Adjust Drive Controllers)	
	7016654	Ref	Screwdriver, Magnetic	
	7004275	Ref	Seal Installation Tool - 1in	
	7004276	Ref	Seal Installation Tool - 1-1/2in	
	7002826	Ref	Seal Installation Tool - 2in	
	7016655	Ref	Wire Rope Sheave Gauge	
	7002840	Ref	Anti-Rotation Pin Removal Tool (Use to Disassemble Lockout Valve)	
	1001137005	Ref	Kit, Software Cable	
	1001231278	Ref	<b>Turntable Bearing Kit (replaces 2915082 &amp; 1001160532)it</b>	

**SECTION 10 - SPECIAL OPTIONS**

<b>ITEM</b>	<b>PART NUMBER</b>	<b>QTY</b>	<b>DESCRIPTION</b>	<b>REV</b>
	1001200409	Ref	<b>Water/Fuel Separator Installation (Deutz D2011 Engines)</b>	
	1001202281	1	<b>Filter Element</b>	
	1001204665	Ref	<b>Water/Fuel Separator Kit (Deutz D2011 Engines)</b>	



**PART NUMBER INDEX**

# PART NUMBER INDEX

0060050.....111, 119	0272588 ..... 157, 224	0641414 ... 133, 137, 151,	0721004.....79, 99, 103
0060096.....111, 119	0272589 ..... 224	153	0721006.79, 88, 133, 137
0080163.....52	0272594 ..... 108, 197	0641416 ..... 63	0721008.....79, 80
0080181.....42	0272620 ..... 116, 198	0641418 44, 50, 125, 129	0741606.....75
0080201 .....42	0272786 ..... 224	0641420 ..... 25, 44	0741607.....91, 95
0080231 .....51	0272921 ..... 126, 130	0641505 ..... 99, 103, 107	0741610.....42, 51
0100009.....133, 137	0273064 ..... 224	0641506 .. 42, 67, 71, 116	0760815.....42
0100011....11, 13, 25, 29,	0273146 ..... 225	0641507 ..... 42, 107	0771012.....51
33, 42, 44, 50, 51, 63,	0273147 ..... 225	0641508 ..... 83, 88	0771415.91, 95, 100, 104
67, 71, 75, 79, 83, 88,	0273358 ..... 33	0641510 ..... 51	0791506.....11
91, 95, 99, 103, 107,	0274095 ..... 226	0641512 ..... 44, 50	0791606.....115
108, 111, 115, 121,	0274661 ..... 225	0641516 ..... 91, 99, 103	0791607.....115
125, 129, 153, 157	0274862... 126, 130, 134,	0641518 .... 111, 126, 130	0801337.....111, 115
0100019....11, 13, 33, 91,	138, 192	0641520 ..... 37	0801356.....107
95, 99, 103	0275216 ..... 204	0641524 ..... 108	0801357.....107
0100020....44, 50, 63, 64	0275217 ..... 204	0641528 ..... 108	0801374.....115
0100048....29, 67, 71, 75,	0275218 ..... 204	0641560 ..... 25	0801375.....115
133, 137, 196, 198	0275219 ..... 204	0641604 ..... 115	0801592.....107
0100062.....99, 103	0275436 ..... 108, 197	0641605 ..... 108	0860038.....99, 202
0100071 .....151	0275452 ..... 204	0641606 ... 11, 25, 33, 63,	0860520....211, 214, 217
0100081....115, 133, 137,	0275453 ..... 204	121, 157	0861441.....133, 134
155	0275454 ..... 204	0641607 .. 29, 76, 79, 111	0861567.....99, 103
0140011.....133, 137	0275678 ..... 201	0641608 ... 44, 51, 63, 79,	0861572.....99, 104
0140044.....29	0275679 ..... 201	100, 111	0861731.....202
0200742.....83, 87	0275680 ..... 202	0641609 ..... 42	0861781.....202
0255917 .....206	0275681 ..... 201	0641610 ... 42, 51, 79, 88,	0861880.....203
0256789.....224	0275682 ..... 202	99, 107, 111, 125, 129	0902206.....75
0256847 .....52	0275683 ..... 202	0641611 ..... 42	0902443.....44, 50
0257887 .....206	0275684 ..... 202	0641612 ..... 25, 44, 50	0902444.....50
0258011 .....13	0275854.13, 25, 134, 138	0641614 ... 42, 50, 79, 95,	0902504.....79
0258012 .....13	0275910 ..... 224	100, 104	0902535.....63
0258031 .....13	0340041 ..... 42	0641616 ..... 91, 95, 111	0902740.....51
0258303 .....201	0340046 ..... 42	0641618 25, 99, 104, 111	0902751.....133
0258304 .....201	0363012 ..... 25	0641772 ..... 83, 88	0902888.....91, 100, 103
0258703 .....225	0370026 ..... 163	0641806 ..... 107	0903063.....51
0270074 .....13	0440271 ..... 11	0641808 ... 37, 91, 95, 99,	0903484.....203
0270075 .....13	0440272 ..... 33, 37	103	0903612.....203
0270076 .....13	0440291 ..... 11	0641810 ..... 37, 107, 111	0940048.....107
0270077 .....13	0480120 ..... 83, 87, 88	0641812 42, 51, 111, 121	0940071.....79
0270091 .....13	0480121 ..... 83	0641814 ..... 11	0940083.....79
0270092 .....13	0480122 ..... 87	0641818 ..... 115	0940199.....155
0270653 .....13	0480129 ...91, 95, 99, 103	0641820 ... 42, 51, 88, 91,	0961845.....125, 129
0270654 .....13	0561076 ..... 107	95, 99, 104	0961947.....119, 167
0270655 .....13	0561460 ..... 108	0642010 ..... 44, 50	0961948.....111, 115
0271072.....75, 134, 138	0561515 ..... 115	0642012 ..... 11, 107	0961950.....11, 107, 111,
0271073 .....75	0630401 ..... 115	0642014 ..... 107	115, 169, 171
0271315 .....224	0630467 ..... 121	0642016 ..... 107	0961951....111, 165, 167,
0271340 .....134, 138	0630498 ..... 108	0642026 ..... 155	173
0271912 .....224	0630518 ..... 67, 71, 157	0642612 ..... 75	0962172.....42, 51
0271993 .....13	0630548 ..... 67, 71	0642684 ..... 121	0962257.....119
0271994 .....13	0630568 ..... 134, 138	0651405 ..... 29	0962292.....111
0271995 .....13	0630569 ..... 42	0681607 ..... 11	0962449.....84, 88
0271996 .....13	0641403 ..... 99, 103	0681608 ..... 121	0962520...91, 95, 99, 104
0271997 .....13	0641404 ... 71, 84, 88, 91,	0681610 ..... 37	1001091970.....205
0271998 .....13	95, 115	0681810 ..... 13	1001091971.....205
0272031 .....224	0641405 ..... 29, 63	0681820 ..... 11	1001094475.....225
0272070 .....121	0641406 ... 33, 42, 44, 51,	0682014 ..... 13	1001094649.....183
0272165....211, 214, 217,	108, 125, 126, 129,	0682040 ..... 33	1001094789.....111, 165
225	130, 133, 137, 211,	0682048 ..... 33	1001096070...91, 95, 203
0272340 .....107	214, 217	0700615 ..... 76	1001096617.....108
0272496.....107, 111	0641407 ... 68, 71, 91, 95	0700810 ..... 52	1001097150.....203
0272497 .....108	0641408 ... 42, 44, 79, 95,	0700816 ..... 51	1001097588.....43
0272521 .....157	99, 104, 108, 125, 129	0701014 ..... 51	1001098130.....11
0272529 .....75	0641409 ..... 51	0701217 ..... 83	1001098525.....43
0272530....211, 214, 217	0641410 ...42, 50, 51, 103	0711414 ... 51, 88, 91, 95,	1001098639.....107, 111
0272582....211, 214, 217		100, 104	1001099869.....84, 88

## PART NUMBER INDEX

1001100233 ..... 84, 88	1001110138.....225	1001138298.....187	1001140559 ..... 181, 190
1001100234 ..... 84, 88	1001110434..... 133, 137	1001138299.....187	1001140666 ..... 25
1001100321 ..... 83, 87	1001110872..... 100	1001138301.....187	1001140674 ..... 45
1001100341 ..... 204	1001110873..... 100, 204,	1001138302.....187	1001140692 ..... 181, 183
1001100342 ..... 205	206	1001138305.....187	1001140693 ..... 181
1001100345 ..... 204	1001111285..... 83, 84	1001138306.....187	1001141300 ..... 138
1001100346 ..... 204	1001111814..... 84	1001138307.....187	1001141302 ..... 138
1001100347 ..... 204	1001111815..... 84	1001138309.....187	1001141527 ..... 50
1001100577 ..... 43	1001112551..... 217	1001138414.....183	1001141528 ..... 50
1001100732 ..... 87	1001112587..... 100, 104	1001138415.....183	1001141595 ..... 187
1001100749 ..... 87	1001112588.. 84, 88, 192,	1001138417.....183	1001141693 ..... 52
1001100818 ..... 43	205	1001138418.....183	1001141694 ..... 52
1001100825 ..... 44	1001112589..... 205	1001138419.....183	1001141748 ..... 52
1001100837 ..... 44	1001112612..... 76, 199	1001138423.....183	1001141804 ..... 29, 121
1001100857 ..... 45	1001112743.. 84, 88, 192,	1001138444..... 79	1001141821 ..... 63
1001100943 ..... 83	205	1001138494..... 125, 129	1001141913 ..... 44, 52
1001100944 ..... 83	1001112796..... 76	1001138514..... 125, 129	1001141932 ..... 192, 199,
1001101201 ..... 44	1001113961.. 76, 147, 196	1001138565..... 91, 95	200
1001101408 ..... 44	1001115403..... 87, 88	1001138566..... 92, 96	1001141934 ..... 192, 199,
1001101424 ..... 155	1001115411..... 88	1001138577..... 187, 190	200
1001101681 ..... 44	1001115412..... 88	1001138578..... 183, 190	1001141967 ..... 202
1001101910 ..... 202	1001116419..... 226	1001138579..... 190	1001141968 ..... 202
1001101911 ..... 202	1001116692..... 196, 198,	1001138588.. 67, 72, 198	1001141969 ..... 202
1001101912 ..... 202	199	1001138595..... 187	1001141989 ..... 192
1001101913 ..... 202	1001116774..... 76	1001138597.....183	1001141998 ..... 44
1001101914 ..... 202	1001116808..... 76	1001138598.....183	1001141999 ..... 42
1001101915 ..... 202	1001116815..... 77	1001138599.....183	1001142230 ..... 52
1001101916 ..... 202	1001116867..... 11	1001138600.....183	1001142264 ..... 29
1001101950 ..... 44	1001117174..... 126, 129,	1001138601..... 183, 187	1001142504 ..... 225
1001102446 ..... 155	196	1001138609..... 187	1001142505 ..... 225
1001102526 ..... 33	1001118416..... 133, 147	1001138676..... 67	1001142683 ..... 76
1001102527 ..... 33	1001118417..... 141	1001138688..... 181	1001142722 ..... 76
1001102598 ..... 67, 72	1001119020..... 76	1001138689..... 181	1001142736 ..... 76
1001102648 ..... 155	1001119559..... 134, 225	1001138697..... 181	1001142867 ..... 190, 225
1001102695 ..... 33	1001120328..... 153	1001138761..... 67	1001142868 ..... 190, 225
1001102706 ..... 44	1001121614..... 224	1001138764..... 67	1001142990 ..... 211, 214,
1001102860 ..... 44, 200	1001121801..... 211	1001138771..... 29, 31	217
1001103558 ..... 226	1001121805..... 213	1001138894..... 187, 190	1001143099 ..... 211
1001103667 .. 67, 72, 222	1001121810..... 213	1001138896..... 187, 190	1001143100 ..... 217
1001104850 ..... 33, 35	1001121814..... 211	1001138899..... 187	1001143102 ..... 213
1001105272 ..... 80	1001121818..... 213	1001138901..... 187	1001143104 ..... 213
1001105273 ..... 80	1001121823..... 213	1001138951..... 121	1001143105 ..... 213
1001105275 ..... 80	1001121918..... 213	1001139079..... 45, 50	1001143106 ..... 217
1001105276 ..... 80	1001121920..... 213	1001139084.. 68, 198, 199	1001143107 ..... 213
1001105636 .. 68, 72, 198	1001121921..... 213	1001139085.. 68, 72, 198,	1001143110 ..... 211, 214,
1001105784 ..... 67	1001121923..... 213	199	217
1001106339 ..... 199	1001126008..... 76	1001139087..... 11	1001143256 ..... 226
1001106340 ..... 199	1001127090..... 224	1001139135..... 134, 137,	1001143431 ..... 76
1001106426 ..... 44, 45	1001127096..... 224	196	1001143434 ..... 11, 175
1001106736 .. 68, 72, 199	1001129555..... 133, 220	1001139141..... 11	1001143485 ..... 187
1001106790 ..... 44	1001131168..... 134, 137	1001139146..... 224	1001143486 ..... 181
1001106793 ..... 44	1001131269..... 211	1001139202..... 126, 133,	1001143490 ..... 183
1001106938 ..... 134, 137,	1001132727..... 224	196	1001143498 ..... 183
222	1001137005..... 207, 226	1001139357..... 92, 96	1001143499 ..... 187
1001107007 ..... 134, 196	1001137672..... 226	1001139476..... 11	1001143501 ..... 183, 187
1001107116 ..... 43	1001137673..... 153	1001139645..... 11	1001143526 ..... 183
1001107157 ..... 79	1001137918..... 79	1001139819..... 52	1001143527 ..... 183
1001107853 ..... 134, 138	1001137922..... 79	1001139892..... 11	1001143630 ..... 125
1001108204 ..... 75	1001138135..... 52	1001139935..... 11	1001143669 ..... 226
1001108493 ..... 211	1001138238..... 52	1001139943..... 11	1001144147 ..... 76
1001108725 ..... 225	1001138286..... 187	1001140334..... 52	1001144403 ..... 63
1001108994 ..... 134, 138	1001138287..... 188	1001140381..... 25	1001144433 ..... 137
1001109475 ..... 203	1001138292..... 187	1001140404..... 25	1001144476 ..... 52
1001109482 ..... 203	1001138293..... 187	1001140429..... 125, 129	1001144629 ..... 125, 129
1001109495 ..... 80	1001138294..... 187	1001140491..... 183, 184	1001145163 ..... 33
1001109503 ..... 71	1001138296..... 187	1001140499..... 183	1001145194 ..... 72
1001109698 ..... 225	1001138297..... 187	1001140537 ..... 181	1001145406 ..... 125

## PART NUMBER INDEX

1001145407.....125	1001159648.....192	1001200133.....224	1671083.....111
1001145408.....125	1001160271.....192	1001200134.....224	1671086.....108
1001145409.....125	1001160569.....63	1001200275.....226	1671092.....198, 204
1001145410.....125	1001162445..92, 96, 203	1001200409.....227	1671093.....197, 204
1001145411.....125	1001162448.....201	1001202281.....227	1671111.....115
1001145781.....125, 129	1001162451.....201	1001204665.....227	1671176.....133, 137
1001145890.....108	1001166538....133, 138, 149	1001205175.....225	1684235.....115, 177
1001145959.....79	1001166539....133, 138, 143	1001207304.....226	1684239.....107, 171
1001146524.....187	1001166671....126, 133, 196	1001212415.....220	1684241.....111, 173
1001146527.....187	1001172760....133, 138	1001214029.....218	1684242.....111, 167
1001146808.....187	1001173590.....200	1001214478.....226	1684244.....111, 169
1001146823.....224	1001173703.....218	1001214515.....226	1684290.....163
1001146954.....80	1001176372.....226	1001214524.....226	1684465.....11, 163
1001148145.....224	1001176469.....72	1001214552.....226	1701500....211, 213, 217
1001148146.....224	1001180533.....72	1001214559.....226	1701504....211, 213, 217
1001148652.....115	1001181045.....203	1001214560.....226	170150544, 50, 211, 214, 217
1001148902.....225	1001181145.....224	1001225899.....115	1701509....155, 211, 213, 217
1001148903.....225	1001182138.....151	1001228964.....226	1701518.....217
1001148904.....225	1001182598.....225	1001228988.....157	1701529....211, 214, 217
1001148905.....225	1001182997.....63	1001231277.....39	1702300....211, 213, 214, 217
1001148906.....225	1001185077.....225	1001231278.....226	1702565.....133, 137
1001148971.....225	1001185281.....138	1060341.....206	1702566.....133, 137
1001149953.....14	1001185891....138, 196	1060494.....205	1702567.....133, 137
1001150944.....76	1001186517.....153	1060633.....207	1702576.....134, 138
1001150998.....52	1001186763.....224	1060663.....126, 130	1702676.....14
1001151393.....67	1001187508.....153	1060896.....197, 198	1702740.....14
1001152037.....125	1001188018.....71	1060902.....108, 201	1702773....211, 214, 218
1001152173.....72	1001188019.....71	1060908.....203	1702774....211, 214, 218
1001152429....100, 104, 206	1001188042.....72	1060918....126, 130, 196	1702868.....211
1001152458.....92	1001188311.....129	1060987.....207	1703162.....42, 51
1001152483.....203	1001188312.....129	1060988.....207	1703797.....211
1001152485.....203	1001188314.....129	1060991.....108, 197	1703798.....211
1001152525.....206	1001188315.....129	1060992.....116, 198	1703804.....211
1001152532.....92, 96	1001188318.....129	10837580.....31	1703805.....211
1001152960.....224	1001188319.....129	1120487.....64	1703805.....211
1001153016.....33, 37	1001188650.....76	1120532.....63	1703923.....213
1001153025.....192	1001188889.....153	1120555.....155	1703925.....213
1001153262.....91	1001189171.....203	1180377.....115	1703927.....213
1001153313.....80	1001189172.....203	1320012.....42	1703928.....213
1001153314.....80	1001189882.....218	1320016.....42, 51	1703929.....213
1001153315.....80	1001190017.....138	1320022.....42, 44, 50	1703931.....213
1001153316.....80	1001190095....137, 196	1320041.....33	1703933.....213
1001153317.....80	1001190119.....129	1320058.....42	1703934.....213
1001153318.....80	1001191708.....151	1320061.....108	1703935.....213
1001153365.....33	1001192896.....77	1320136.....29	1703937.....213
1001153619.....63	1001193018.....203	1320176.....53, 54	1703939.....213
1001154937....107, 111	1001194197.....226	1320177.....109	1703940.....213
1001154938....111, 115	1001194198.....226	1320202.....116	1703947.....213
1001154940....116, 198	1001194200.....226	1320222.....126, 130	1703949.....213
1001154941....107, 111	1001194203.....226	1320223.....42, 44, 51	1703951.....213
1001154942....99, 205	1001194204.....226	1320300.....108	1703952.....213
1001154943....103, 205	1001194365.....226	1320302.....157	1703981.....214
1001154944.95, 100, 104	1001195304.....225	1320318.....42, 44	1703982.....214
1001155043.....72	1001195610.....226	1321738.....108	1703983.....214
1001155044.....72, 138	1001196611.....224	1340060.....42	1703985.....214
1001155045.72, 133, 138	1001196715.....224	1340061.....224	1703992.....217
1001156351.....204	1001197408.....218	1580011.....42	1704000.....213
1001156352.....204	1001197848.....224	1580012.....126, 130	1704001.....213
1001156538.....225	1001198670.....95	1600244.....207	1704002.....213
1001156539.....225	1001200128.....224	1660234.....52	1704007.....213
1001157525.99, 103, 206	1001200129.....224	1660255.....42	1704008.....213
1001157624.....50	1001200130.....224	1670829.....67, 71	1704260.....133, 137
1001157769.....206	1001200131.....224	1670964.....121	1704277....211, 213, 217
1001159256....133, 138	1001200132.....224	1671013.....107	1704412....211, 214, 217
1001159369.....71		1671078.....115	1704885....211, 214, 217
1001159370.....71		1671079.....115	1705084.....217



## PART NUMBER INDEX

1705091 .....	187	2220567 .....	42, 51	2820035.63, 75, 126, 130	126, 129, 130, 211,
1705132 .....	133	2220578 .....	42, 51	2820099.....80	214, 217
1705170 .....	134, 138	2220582 .....	183, 187	2820100.....80	3311501..... 116
1705305 .....	157	2220596 .....	184	2820118.....197, 198	3311505... 25, 43, 44, 50,
1705325 .....	203	2220603 .....	42, 51, 183	2820647.....116	51, 79, 100, 103, 108,
1705332 .....	217	2220618 .....	183	2860030.....67, 71, 220	112, 115, 116
1705351 .....	211	2220621 .....	183	2900770....165, 167, 169,	3311508..... 91
1705355 .....	157	2220794 .....	44	171, 177	3311601.63, 79, 134, 138
1705358 .....	155, 224	2220819 .....	187	2901443.....207, 226	3311605... 43, 51, 76, 79,
1705427 .....	214	2220829 .....	109	2902060.....51, 200	80, 88, 95, 100, 104,
1705430 .....	214	2220883 .....	23	2902217.....157	107, 108, 111, 112,
1705487 ....	211, 214, 217	2220886 .....	23	2902266.....163	115, 125, 129, 157
1705489 .....	91, 95	2220888 .....	23	2902443.....200	3311705..... 83, 88
1705669 ....	211, 214, 217	2220890 .....	163	2902549.....203	3311801. 13, 91, 95, 100,
1705821 .....	217	2220899 .....	187	2915227.....225	103
1705822 .....	217	2220947 .....	42, 51	2920028.....137	3311805... 43, 51, 88, 91,
1705828 .....	217	2221026 .....	42, 51	2920029.....137	95, 100, 104, 111, 112,
1705905 .....	214	2221033 .....	187	2920110.....75	121
1705910 .....	214	2221037 .....	109	2920113.....75	3312005.44, 50, 107, 155
1706059 .....	45, 50	2221041 .....	42, 51	2920129.....200, 220	3312008..... 11
1706060 .....	45, 50	2221042 .....	183	2920140....126, 130, 206	3340399..... 43, 45, 50
1706061 .....	45, 50	2221063 .....	183	2920146.....75	3340608..... 108
1706063 .....	45, 50	2221085 .....	183	2920154.....133, 137	3340837..... 115
1706064 .....	45, 50	2221086 .....	121, 187	2920157....75, 126, 130	3340860..... 25
1706098 .....	45, 50	2221176 .....	50	2940074....125, 129, 222	3340911..... 25
1706712 .....	67, 71	2221216 .....	183	2940109.....79, 80	3340914..... 107
1706941 .....	211	2230021 .....	188	3010140.....107	3340940..... 115
1787217 .....	44, 50	2300004 .....	44, 225	3020008.....225	3340943..... 112
2030010 .....	157	2300014 .....	225	3020016.....44, 51, 225	3340956..... 155
2060025 .....	51	2300016 .....	225	3020021.....52, 225	3380434..... 125, 129
2080040 ...	125, 126, 129,	2300019 .....	225	3020029.....11	3380445..... 79
130		2300027 .....	225	3160348.....13, 23	3422177..... 111
2080057 .....	217	2300029 .....	225	3200378.....42	3422178..... 111
2110808 .....	183, 184	2300039 .....	225	3200406.....51	3422568..... 107
2110812 .....	183	2400060 .....	199, 206	3220110.....53	3422582..... 111
2111212 .....	183	2400064 .....	206	3220112.....53	3422592..... 11
2120209 .....	29	2400065 .....	200, 220	3220113.....42	3422664..... 107
2120210 .....	29, 220	2400066 .....	200, 207	3250585.....126, 130	3422669..... 112
2130808 .....	183	2400070 .....	207	3251102....83, 84, 88, 91,	3422791..... 112
2151212 .....	42, 51	2420172 .....	67, 71	95	3422792..... 112
2160001 .....	33	2420203 .....	83, 87	3251242.....91, 217	3422793..... 112
2180348 .....	50	2460048 .....	99, 103	3251243.....211, 214	3422794..... 112
2180536 .....	44	2460049 .....	83, 87	3252347.....211, 217	3422806..... 111
2200222 .....	50, 63, 64	2460055 .....	83, 87	3252507.....203	3422912..... 107
2220235 .....	181	2560136 .....	133, 137	3252764.....100, 103	3422913..... 107
2220250 .....	44	2560173 .....	126, 130	3272605.....121	3422996..... 115
2220273 .....	44	2600210 .....	80	3290505.....84, 88	3423015..... 107
2220313 .....	44, 50	2600246 .....	79	3290606.....125, 129	3460334..... 155
2220366 .....	183	2600281 .....	125, 129	3290607.....76	3470003..... 134, 138
2220371 .....	181, 187	2680439 .....	79	3300106.....13	3480288..... 163
2220373 .....	184	2720058 .....	42, 44	3300151....125, 129, 157	3520028..... 83, 87
2220376 .....	42, 51	2720271 .....	42, 44	3300205.....67, 71	3520035..... 198
2220383 .....	42, 51	2720467 .....	51	3300353....71, 133, 137	3520054..... 133, 137
2220415 ....	181, 183, 187	2720615 .....	42	3300408.67, 71, 133, 137	3520182..... 151
2220435 .....	187	2720646 .....	109	3300420.....108	3520189..... 206
2220451 .....	51, 187	2750058 .....	50	3300430.....151, 153	3520192..... 206
2220459 .....	44	2750532 .....	44, 50	3300454.....91	3536089..... 126, 130
2220465 .....	183	2753602 .....	183	3311001.....75	3539219..... 67, 71
2220466 .....	181, 183	2753604 .....	183	3311005....33, 75, 76, 79,	3570801..... 51
2220472 ....	183, 184, 187	2753605 .....	183	80, 83, 88, 91, 100,	3571032..... 43
2220473 ....	181, 187, 188	2754244 .....	183	103, 108, 133, 137, 157	3571033..... 43
2220481 .....	183	2760105 .....	67, 71	3311401.....51, 79	3572448..... 115
2220490 .....	181	2780267 .....	13, 17	3311402.....115	3572691..... 107
2220500 .....	184, 187	2780268 .....	13, 21	3311405....33, 43, 44, 50,	3573024..... 79
2220501 .....	187	2792780 .....	190	51, 63, 71, 79, 91, 95,	3573400..... 157
2220502 .....	181, 187	2820031 ...	83, 84, 88, 91,	100, 103, 108, 125,	3573642..... 157
2220504 ....	181, 183, 187	95, 100, 103, 197			3573937..... 43, 51

# PART NUMBER INDEX

3574066.....108	4060906 ..... 67, 71	4460265 ..... 144, 149	4460878.....198
3574163.....100, 103	4061032 ..... 108	4460267 ..... 75, 201, 206	4460879.....197
3574532.....116	4070497 ..... 43, 45, 50	4460268 ..... 198, 206	4460884.....197
3577121.....157	4070498 ..... 43, 45, 50	4460320 ..... 75, 201, 206	4460887.....197, 198
3577130.....43	4070987 ..... 67	4460321 ..... 205, 207	4460891..75, 76, 77, 196, 198, 199
3577135.....43	4070991 ..... 71	4460346 ... 100, 202, 206	4460892.....200
3580134.....83, 87	4071056 ..... 115	4460418 ..... 197, 198	4460894.....200
3580158.....87	4071057 ..... 115	4460419 ..... 197, 198	4460897.....76, 199
3580276.....83, 87	4071101 ..... 11	4460424 ... 198, 199, 206	4460899.....200
3580315.....84	4100025 ..... 43	4460425 ... 108, 197, 206	4460905.....76, 198, 199
3580317.91, 95, 100, 104	4120035 ..... 198	4460426 67, 71, 126, 130, 134, 138, 198, 206, 207	4460906.....205
3580319.91, 95, 100, 104	4160170 ..... 79	4460428 ... 134, 137, 196	4460928.....76
3580320.91, 95, 100, 104	4220162 ..... 75	4460434 ..... 197, 199	4460933.....76
3600318.....43, 51	4240018 ..... 108	4460457 ..... 199	4460943.....76, 197, 199
3600385.....43, 52, 57	4240032 ..... 75	4460458 ... 199, 200, 206	4460944.....197, 199
3600423.....43, 52, 61	4240033 ..... 153	4460459 ..... 207	4460956.....203
3740049.67, 71, 206, 220	4240099 .... 50, 126, 130, 157	4460464 .... 76, 126, 130, 196, 197, 198, 199, 200	4460957.....203
3740067.....43, 52, 220	4240145 ..... 63	4460465 .75, 76, 77, 197, 198, 206	4460958.....100
3740080.84, 88, 100, 103	4240149 ..... 155	4460466 .... 76, 197, 198, 200, 201	4460959.....198
3760115.....115	4280295 ..... 63	4460467 ..... 207, 226	4460960.....197
3780182.....11	4300157.91, 95, 100, 104	4460470 67, 71, 134, 137, 196, 198	4460961.....205
3790012.....75, 134, 137, 138	4341388 ..... 79	4460471 67, 71, 134, 137, 196, 198	4460967.....206
3790152.....43, 52	4341415 ..... 155	4460473 ... 116, 197, 198	4460968 84, 88, 108, 201, 203
3820001 ....211, 214, 217	4360328 .... 67, 133, 134, 138, 220	4460476 ..... 207	4460979.....200
3820020.....125, 129	4360330 ..... 133, 220	4460488 67, 71, 134, 137	4461005.....199
3841143.....111, 112	4360331 ... 134, 138, 220	4460496 ..... 68, 71, 199	4461006.....200
3841203.....111, 112	4360336 ... 75, 84, 88, 91, 95, 100, 104, 126, 130	4460497 ..... 68, 71, 199	4461008.....200
3841258.....11, 107	4360387 .... 72, 133, 137, 220	4460508 ..... 197, 198	4461052.....199
3841520.....11	4360407 ... 133, 137, 220	4460509 ..... 197, 198	4461053.....200
3860096.....108	4360436 ..... 63, 201	4460510 ..... 207, 226	4461054.....200
3900232.....80	4360469 ..... 67, 71, 222	4460518 ..... 76, 198	4461060.....200
3900254.....45, 50	4360470 ..... 67, 71, 222	4460526 ..... 67, 71, 198	4461070.....76, 199
3900255.....11	4360475 67, 71, 134, 137, 220	4460536 ..... 76, 197, 199	4461071.....200
3900268 .....67, 71	4360476 67, 71, 134, 137, 220	4460539 ... 197, 198, 199	4461072.....200
3900283.....115	4360517 ..... 33, 201, 220	4460633 ..... 203	4461073.....200
3900316.....115	4360522 ..... 75, 134, 138	4460634 ..... 199	4461074.....200
3910606.....100	4360542 ..... 83, 87	4460635 ..... 199	4461095.....76, 199
3910804.....67, 71	4360548 ... 108, 201, 222	4460662 ..... 203	4461157.....200
3911012.....76	4400408 ..... 63	4460701 ..... 205	4461196.....203
3911014.....75	4420014 ..... 155	4460705 ..... 205	4461197.....204, 205
3911018.....133, 137	4420037 ... 126, 130, 157	4460708 ... 134, 137, 196, 197, 200	4461198.....202
3911040.....75	4420051 ... 211, 214, 217	4460709 ..... 204	4461199.....203
3931010.....33	4420060 ..... 84, 88	4460710 ..... 204	4461200.....204, 205
3931016.....91, 99, 103	4420066 ..... 155	4460742 ..... 199, 206	4461201.....202
3931024.....108	4460007 ..... 134, 137	4460743 ..... 206	4461202.....203
3931030.....108	4460027 ..... 83, 87	4460761 ..... 196, 199	4461203.....204, 205
3931424.....153	4460051 ..... 100	4460789 ..... 207	4461204.....202
3931620.....43	4460071 ... 100, 126, 130, 196, 203, 206	4460790 ..... 207	4461205.....203
3931832.....33	4460134 ..... 204, 205	4460850 ..... 201, 207	4461206.....204, 205
3941406.....116	4460190 ..... 83, 87	4460865 ... 116, 197, 198	4461207.....202
3951420.....115	4460205 ... 202, 204, 205	4460866 ... 108, 196, 197, 198	4461244.....202
3960407 .....52	4460224 ..... 196	4460867 ..... 201	4461245.....202
3960422....100, 204, 205	4460225 ..... 197, 206	4460871 76, 77, 141, 147, 196, 197, 198, 199, 200, 201, 206	4461246.....202
3960438.....43	4460226 ... 108, 126, 130, 144, 149, 196, 197, 199, 200, 201, 205, 206, 207	4460873 ..... 197, 199	4461249.....203
3960461 .....75	4460227 ... 196, 197, 199, 201	4460874 ..... 197, 199	4461250.....204, 205
3960526.....13	4460234 ..... 75, 134, 137	4460875 ..... 197, 199	4520216.....14
3990010.....198, 220		4460876 ..... 198	4520217.....14
4010618.....125, 129			4520240.....14
4031608.....84, 88			4520259.....14
4031711.....43			4530028.....157, 159
4032015.91, 95, 100, 104			4567627.....63
4060700.....204			4567946.....187
4060802....84, 88, 91, 95, 100, 104, 126, 130			4568743.....43
4060803.....108			4569176.....43
4060865.....75			4640113.....14

# PART NUMBER INDEX

4640858 .....	163	4846561 .....	126, 130	70000934 .....	29	70002648 .....	39
4640936 .....	169	4846567 ...	52, 88, 91, 95, 100, 104	70000969 .....	61	70002649 .....	39
4641122 .....	14	4846573 .....	121	70000970 .....	61	70002651 .....	39
4641155 .....	25	4846627 .....	157	70000971 .....	61	70002705 .....	43
4641260 .....	171	4846650 .....	115	70000972 .....	61	70002706 .....	43
4641265 .....	11	4846665 .....	63	70000973 .....	61	70002718 .....	52
4641272 .....	46	4846669 .....	79	70000975 .....	61	70002724 .....	147
4641282 .....	183	4846683 .....	52	70000976 .....	61	70002725 .....	147
4641390 .....	163	4846688 .....	112	70000977 .....	61	70002726 .....	147
4641510 .....	25	4846689 .....	112	70000978 .....	61	70002727 .....	147
4711000 .....	33, 76	4846693 .....	112	70001002 .....	52	70002728 .....	147
4711400 ...	25, 29, 33, 43, 45, 50, 91, 95, 100, 104, 115, 125, 126, 129, 130, 151, 153	4846697 .....	107	70001017 .....	43	70002729 .....	147
4711500 ....	43, 100, 104, 107, 108, 121, 134, 138	4846698 .....	75	70001086 .....	165	70002730 .....	141
4711600 ...	29, 33, 43, 91, 95, 100, 104, 108, 115, 121	4846701 .....	108	70001100 .....	99, 103	70002731 .....	141
4711800	91, 95, 100, 104	4846821 .....	43	70001349 .....	17, 21	70002732 .....	141
4712000 .....	155	4846905 .....	107	70001384 .....	99, 103	70002733 .....	141
4740086 .....	11	4860179 .....	14	70001403 .....	45, 222	70002734 .....	141
4740120 .....	33	4860198 .....	14	70001423 .....	53	70002735 .....	141
4740171 .....	33	4860213 .....	14	70001435 .....	53	70002902 .....	126, 130
4740229 .....	11	4891500 .....	37, 43	70001696 .....	99, 103	70002903 .....	126, 130
4740274 .....	43, 52	4891600	43, 52, 116, 121	70001697 .....	119	70002904 .....	126, 130
4740362 .	45, 75, 79, 126, 129	4891800	11, 13, 115, 121	70001844 .....	53	70002905 .....	126, 130
4740397 .	71, 84, 88, 134, 137	4892000 .....	13, 33	70001850 .....	53	70002906 .....	141
4740444 .....	67, 71	4892600 .....	121	70001866 .....	53	70002972 .....	31
4740500 .....	80	4921829 .....	205	70001868 .....	53	70003098 .....	175
4740518 .....	71	4921829 .....	205	70001871 .....	52	70003099 .....	175
4750800 .....	79	4922530 .....	108, 197	70001872 .....	53	70003136 .....	53
4751000 ...	75, 79, 80, 84, 88, 91, 100, 104, 134, 137, 157	4922637 .....	200	70001953 .....	99, 103	70003138 .....	39
4751400 ...	29, 43, 45, 50, 52, 63, 67, 71, 79, 92, 96, 104, 108, 109, 112, 115, 134, 137, 151, 157, 211, 214, 217	4922641 .....	205, 206	70001959 .....	63	70003463 .....	53, 222
4751500 ...	25, 43, 50, 79, 84, 88, 92, 104, 107, 112, 116	4922643 .....	206	70001960 .....	63, 220	70003464 .....	53
4751600 ...	25, 43, 45, 50, 52, 63, 64, 76, 79, 80, 88, 107, 126, 129, 157	4922666 ...	134, 137, 196	70001963 .....	177	70003472 .....	53
4751700 .....	84, 88	4922714 .....	108, 201	70001966 .	91, 95, 99, 103	70003475 .....	52
4751800	43, 75, 107, 126, 130	4922770 .....	108, 197	70001973 .....	100, 103	70003478 .....	53
4752000 .....	45, 50	4922806 .....	116, 198	70001974 .....	99, 103	70003479 .....	52
4752200 .....	45, 50	4922857 .....	197	7000206 .....	17, 21	70003480 .....	52
4761400 .....	67, 72	4922858 .....	116, 198	70002088 .....	99, 103	70003481 .....	52
4761500 .....	100, 104	4922925 ...	100, 104, 206	70002206 .....	35	70003541 .....	46
4761600 .....	63	4923451 .....	52, 200	70002207 .....	35	70003631 .....	99, 103
4791400 .	43, 91, 95, 100, 104	4933219 .....	192	70002216 .....	165, 173	70003708 .	91, 95, 99, 103
4811600 .....	84, 88	70000042 .....	37	70002217 .....	165, 173	70003709 .	91, 95, 99, 103
4811700 ....	76, 125, 129	70000088 .....	35	70002219 .....	169	70003758 .....	45
4812200 ...	52, 88, 91, 95, 100, 104	70000089 .....	35	70002220 .....	167, 177	70003759 .....	46
4831900 .....	52	70000122 .....	83, 87	70002221 .....	171	70003760 .....	46
4845194 .....	80	70000123 .....	83, 87	70002222 .....	171	70003761 .....	46
4846037 .....	79	70000124 .....	87	70002223 .....	167	70003763 .....	46
4846218 .....	121	70000125 .....	87	70002224 .....	169	70003764 .....	46
		70000126 .....	87	70002225 .....	169	70003765 .....	46
		70000127 .....	87	70002257 .....	58	70003766 .....	46
		70000264 .....	52	7000229 .....	17, 21	70003767 .....	46, 200
		70000342 .....	119	70002297 .....	99, 103	70003768 .....	46
		70000345 .....	53, 201	7000230 .....	17, 21	70003769 .....	46
		70000619 .....	99, 104	7000232 .....	17, 21	70003770 .....	46, 222
		70000681 .....	37, 39	70002377 .....	45, 222	70003783 .....	52, 222
		70000779 .....	177	70002378 .....	45	70003784 .....	134, 137
		70000781 .....	25	70002386	31, 45, 50, 121, 220	70003787 .....	31
		70000797 .....	23	70002455 .....	201	70003788 .....	31, 220
		70000800 .....	53	7000246 .....	17, 21	70003789 .....	31, 220
		70000863 .....	99, 103	70002460 .....	99, 103	70003790 .....	121
		70000865 .....	39	7000248 .....	17, 21	70003791 .....	45
		70000912 .....	53	7000253 .....	17, 21	70003865 .....	63
		70000913 .....	53	7000257 .....	17, 21	70003932 .....	53
		70000914 .....	53	7000257 .....	17, 21	70003933 .....	175
		70000915 .....	53	7000258 .....	17, 21	70003934 .....	175
		70000916 .....	53	7000261 .....	17, 21	70003962 .....	25
		70000917 .....	53	7000262 .....	17, 21	70004056 .....	53
		70000918 .....	53	7000263 .....	17, 21	70004057 .....	53
		70000919 .....	53	70002647 .....	39	70004058 .....	53

# PART NUMBER INDEX

70004059.....	53	70005580.....	165	7012918.....	121	7020455.....	53
70004060.....	53	70006267.....	115	7012953.....	121	7020460.....	52
70004062.....	53	70006274.....	115	7012967.....	31, 121	7020465.....	53
70004091.....	44	70006428.....	18, 21	7012974.....	45, 50	7020468.....	53
70004092.....	91, 95	70006429.....	18, 21	7012975.....	31	7020471.....	52
70004102.....	53	70006552.....	92, 96	7012989.....	121	70206066.....	177
70004103.....	53	70006553.....	92, 96	7012998.....	31	7021237.....	57
70004158.....	37	70006739.....	39	7016314.....	64	7021238.....	57
70004169.....	99, 103	70006740.....	39	7016319.....	75	7021239.....	57
70004171.....	91, 95, 99, 103	70006741.....	39	7016331.....	53, 222	7021240.....	57
70004254.....	39	70006742.....	39	7016372.....	75	7021242.....	57
70004257.....	39	7000731.....	18	7016399.....	126, 130	7021243.....	57
70004258.....	39	7000974.....	61	7016628.....	75	7021248.....	57
70004259.....	39	7001481.....	58	7016654.....	226	7021249.....	23, 57
70004260.....	39	7001485.....	57	7016655.....	226	7021250.....	57
70004261.....	39	7001998.....	17, 21	7016820.....	51, 200	7021251.....	57
70004262.....	39	70020808.....	201	7016834.....	51, 200	7021255.....	57
70004676.....	91, 95	70023056.....	44	7017059.....	17, 21	7021256.....	58
70004677.....	91, 95	7002821.....	207, 226	7017067.....	17, 21	7021257.....	57
70004678.....	92, 95	7002822.....	226	7017070.....	17, 21	7021258.....	57
70004679.....	92, 95	7002823.....	207, 226	7017080.....	17, 21	7021259.....	57
70004680.....	92, 95	7002826.....	226	7017094.....	17, 21	7021260.....	57
70004681.....	92, 95	7002828.....	207	7017136.....	119	7021265.....	57
70004682.....	92, 96	7002840.....	226	7017137.....	119	7021268.....	57
70004683.....	92, 96	7003928.....	141	7017138.....	119	7021269.....	57
70004738.....	149	7003941.....	147	7017139.....	119	7021270.....	57
70004739.....	149	7003972.....	147	7017140.....	119	7021271.....	58
70004740.....	149	7003973.....	147	7017148.....	119	7021272.....	58
70004741.....	149	7003980.....	147	7017159.....	119	7021273.....	58
70004742.....	149	7003982.....	147	7017162.....	119	7021274.....	58
70004743.....	149	7003983.....	147	7017163.....	119	7021275.....	23, 58
70004744.....	149	7003989.....	147	7017164.....	119	7021276.....	23, 58
70004745.....	149	7004035.....	35	7017172.....	119	7021277.....	23, 58
70004746.....	149	7004036.....	35	7017192.....	119	7021278.....	58
70004747.....	149	7004043.....	35	7017402.....	31, 121	7021279.....	58
70004748.....	149	7004044.....	35	7017406.....	31, 121	7021280.....	57, 58
70004749.....	149	7004045.....	35	7017410.....	31	7021281.....	58
70004750.....	149	7004047.....	35	7017421.....	31	7021290.....	58
70004751.....	149	7004049.....	35	7017422.....	31	7021294.....	58
70004752.....	143	7004275.....	226	7017423.....	31	7021296.....	58
70004753.....	143	7004276.....	226	7017433.....	31	7021297.....	58
70004754.....	143	7007289.....	58	7017440.....	31	7021298.....	58
70004755.....	143	7007412.....	58	7017441.....	31	7021299.....	58
70004756.....	143	7007419.....	57	7017452.....	121	7021611.....	31
70004757.....	143	7007437.....	23	7017454.....	31	7021613.....	31
70004758.....	143	7007438.....	23	7017496.....	25, 163	7021625.....	25
70004759.....	143	7007439.....	23	7019162.....	147	7021639.....	25
70004760.....	143	7007446.....	23	7019164.....	147	7021653.....	121
70004761.....	143	7007470.....	57, 58	7019165.....	147	7021655.....	25
70004762.....	143	7007601.....	17, 21	7019167.....	147	7022302.....	23
70004763.....	143	7007640.....	17, 21	7019194.....	147	7022305.....	23
70004764.....	143	7010429.....	17, 21	7019680.....	83, 87	7022310.....	23
70004765.....	143	7010543.....	31, 45, 50	7020020.....	29	7022311.....	23
70004766.....	143	7011016.....	61	7020023.....	53, 222	7022312.....	23
70004767.....	143	7011044.....	61	7020026.....	52	7022314.....	23
70004768.....	143	7011067.....	61	7020056.....	63	7022326.....	23
70004769.....	143	7011347.....	177	7020108.....	83, 87	7022328.....	23
70004770.....	143	7011358.....	165	7020109.....	83, 87	7022341.....	57
70004771.....	143	7011377.....	165	7020110.....	83, 87	7022342.....	57
70004772.....	143	7012513.....	83, 87	7020111.....	83, 87	7022346.....	58
70004773.....	143	7012514.....	83, 87	7020175.....	67, 71, 134, 137	7022347.....	58
70004774.....	143	7012518.....	31	7020176.....	67, 71, 134, 137	7022368.....	23
70004775.....	144	7012540.....	31	7020190.....	83, 87	7022371.....	23
70004786.....	63	7012558.....	83, 87	7020192.....	87	7022372.....	23
70004862.....	63	7012664.....	42, 222	7020193.....	83, 87, 205	7022377.....	57
70005230.....	149	7012903.....	31	7020246.....	67	7022378.....	57
70005483.....	18	7012914.....	121	7020430.....	52	7022380.....	57

## PART NUMBER INDEX

7022381	57	7024474	159	7026080	171	7026875	46
7022382	57	7024475	159	7026081	165, 173	7026878	46
7022385	58	7024478	159	7026082	173	7027023	44, 200
7022386	58	7024485	99, 103	7026085	173	7027024	44, 200
7022387	58	7024488	99, 104	7026086	173	7027025	44, 200
7022397	25	7024489	99, 104	7026087	165, 173	7027026	44, 200
7022399	25	7024565	53	7026088	167	7027041	51, 200
7022808	141	7024579	52	7026089	167	7027050	51, 200
7022815	141	7024705	17	7026090	167	7027236	53
7022819	141, 196	7024712	17, 21	7026091	167	7027350	39
7022824	196	7024713	17, 21	7026092	167	7027351	39
7023306	63	7024714	17, 21	7026093	167	7027352	39
7023318	35	7024715	17, 21	7026094	167	7027354	37, 39
7023347	63	7024716	17, 21	7026095	167	7027356	37, 39
7023907	23	7024717	17	7026096	167	7027358	37
7023908	23	7024718	18	7026097	169	7027360	39
7023910	23	7024800	57	7026098	169	7027412	44
7023911	121	7024804	58	7026099	169	7027773	159
7023912	121	7024830	201	7026101	169	7027774	159
7023914	31	7024844	31	7026102	169	7027775	159
7023917	25	7024854	23	7026117	165	7027776	159
7023922	31	7024855	57	7026118	165	7027777	159
7023929	43, 52	7024856	57	7026119	115	7027778	159
7023934	25	7024857	57	7026120	115	7027779	159
7023971	31	7024858	57	7026188	99, 103	7027780	159
7023984	121	7024868	23	7026199	83, 87	7027790	53
7024182	17, 18	7024881	25	7026408	201	7027791	53
7024189	18	7026041	39	7026597	99, 103	7027792	53
7024190	18	7026042	37, 39	7026626	99, 103	7027793	201
7024191	18	7026043	37, 39	7026846	45	7027794	201
7024192	18	7026044	37, 39	7026847	45	7027795	53, 222
7024193	18	7026045	37, 39	7026848	45	7027796	53, 201
7024194	18	7026046	37, 39	7026849	45	7027799	99, 103
7024196	18	7026047	37, 39	7026850	45	7027887	83, 87
7024197	18	7026048	37, 39	7026851	45	77143013	67, 72
7024379	35	7026049	37, 39	7026852	45	77363228	201
7024380	35	7026050	37, 39	7026853	45	77363229	201
7024381	35	7026051	37, 39	7026854	46	77363233	206
7024389	35	7026052	37, 39	7026856	45	8008750	45, 50
7024390	35	7026053	37, 39	7026857	45	80604018	201
7024439	63	7026055	37, 39	7026858	45	8229242	199, 220
7024440	63	7026057	37, 39	7026859	46	83304170	64
7024441	63	7026059	37	7026860	45	83304172	64
7024443	63	7026060	37	7026861	46	83304173	64
7024444	63, 220	7026064	177	7026862	46	83304174	64
7024445	63	7026065	177	7026863	45	8405006	43
7024446	63	7026067	177	7026864	45	85941018	43
7024452	126, 130	7026069	177	7026865	45	8786514	14
7024453	35	7026070	177	7026866	45	88261039	33
7024462	159	7026071	177	7026867	45	88662037	43
7024463	159	7026072	177	7026868	45	8896941	226
7024467	159	7026073	171	7026869	45	8902175	181
7024469	159	7026074	171	7026870	45	91503103	201
7024470	159	7026075	171	7026871	222	91504107	201
7024471	159	7026076	171	7026872	46		
7024472	159	7026078	171	7026873	46		
7024473	159	7026079	171	7026874	46		



3121294



An Oshkosh Corporation Company

**Corporate Office**  
**JLG Industries, Inc.**  
**1 JLG Drive**  
**McConnellsburg, PA 17233-9533 USA**  
**☎ (717) 485-5161 (Corporate)**  
**☎ (877) 554-5438 (Customer Support)**  
**📠 (717) 485-6417**

**Visit our website for JLG Worldwide Locations.**  
**[www.jlg.com](http://www.jlg.com)**