



Illustrated Parts Manual

**Model
67SL**

3121323

October 15, 2013

ANSI



An Oshkosh Corporation Company

REVISION LOG

October 15, 2006 - Original Issue of Manual (Edited to B/M 0010689 Revision 4)
March 15, 2007 - Revised Manual (Edited to B/M 0010689 Revision 5)
June 30, 2007 - Revised Manual (Edited to B/M 0010689 Revision 6)
November 30, 2007 - Revised Manual (Edited to B/M 0010689 Revision 8)
April 30, 2008 - Revised Manual (Edited to B/M 0010689 Revision 8)
May 15, 2009 - Revised Manual (Edited to B/M 0010689 Revision 9)
September 21, 2010 - Revised Manual (Edited to B/M 0010689 Revision 11)
March 15, 2011 - Revised Manual (Edited to B/M 0010689 Revision 13)
September 1, 2011 - Revised Manual (Edited to B/M 0010689 Revision 13)
November 10, 2011 - Revised Manual (Edited to B/M 0010689 Revision 13)
February 27, 2012 - Revised Manual (Edited to B/M 0010689 Revision 13)
June 29, 2012 - Revised Manual (Edited to B/M 0010689 Revision 13)
September 21, 2012 - Revised Manual (Edited to B/M 0010689 Revision 13)
January 30, 2013 - Revised Manual (Edited to B/M 0010689 Revision 13)
April 18, 2013 - Revised Manual (Edited to B/M 0010689 Revision 13)
July 16, 2013 - Revised Manual (Edited to B/M 0010689 Revision 13)
October 15, 2013 - Revised Manual (Edited to B/M 0010689 Revision 13)

REVISION LOG

TABLE OF CONTENTS

FIGURE NO.	TITLE	PAGE NO.
SECTION 1 - FRAME		1-1
1-1	STEERING INSTALLATION	1-2
1-2	REAR AXLE INSTALLATION	1-4
1-3	WHEEL DRIVE INSTALLATION	1-6
1-4	DRIVE MOTOR ASSEMBLY	1-8
1-5	DRIVE HUB ASSEMBLY	1-10
1-6	LADDER & LEVELING CYLINDERS INSTALLATION	1-14
SECTION 2 - GROUND CONTROLS		2-1
2-1	VALVE SIDE COMPONENTS INSTALLATION	2-2
2-2	MAIN VALVE ASSEMBLY	2-6
2-3	DRIVE VALVE ASSEMBLY (PRIOR TO S/N 1200022933)	2-8
2-4	DRIVE VALVE ASSEMBLY (S/N 1200022933 TO PRESENT)	2-10
2-5	HAND PUMP ASSEMBLY	2-12
2-6	MAIN TERMINAL BOX ASSEMBLY	2-14
2-7	ENGINE SIDE COMPONENTS INSTALLATION	2-16
2-8	ENGINE INSTALLATION	2-20
2-9	FUEL TANK INSTALLATION	2-24
2-10	HOODS INSTALLATION	2-26
SECTION 3 - SCISSORS ARMS		3-1
3-1	SCISSORS ARMS INSTALLATION	3-2
SECTION 4 - PLATFORM		4-1
4-1	PLATFORM AND ACCESSORIES INSTALLATION	4-2
4-2	PLATFORM CONSOLE ASSEMBLY & INSTALLATION	4-8
4-3	DRIVE/STEER CONTROLLER ASSEMBLY	4-12
SECTION 5 - CYLINDER		5-1
5-1	LIFT CYLINDER ASSEMBLY	5-2
5-2	LEVELING CYLINDER ASSEMBLY	5-4
5-3	PLATFORM EXTENSION CYLINDER ASSEMBLY	5-6
5-4	STEER CYLINDER ASSEMBLY	5-8
SECTION 6 - HYDRAULIC		6-1
6-1	HYDRAULIC DIAGRAM (PRIOR TO S/N 1200021262)	6-2
6-2	HYDRAULIC DIAGRAM (S/N 1200021262 TO PRESENT)	6-8
SECTION 7 - ELECTRICAL		7-1
7-1	ELECTRICAL SCHEMATIC	7-2
7-2	HARNESS COMPONENTS INSTALLATION	7-18
SECTION 8 - DECALS		8-1
8-1	DECAL INSTALLATION	8-2
SECTION 9 - RECOMMENDED SERVICE PARTS STOCK		9-1
SECTION 10 - SPECIAL OPTIONS		10-1

TABLE OF CONTENTS

FIGURE NO.	TITLE	PAGE NO.
	SECTION 11 - PART NUMBER INDEX	11-1

SECTION 1

FRAME

SECTION 1 FRAME

FIGURE 1-1. STEERING INSTALLATION

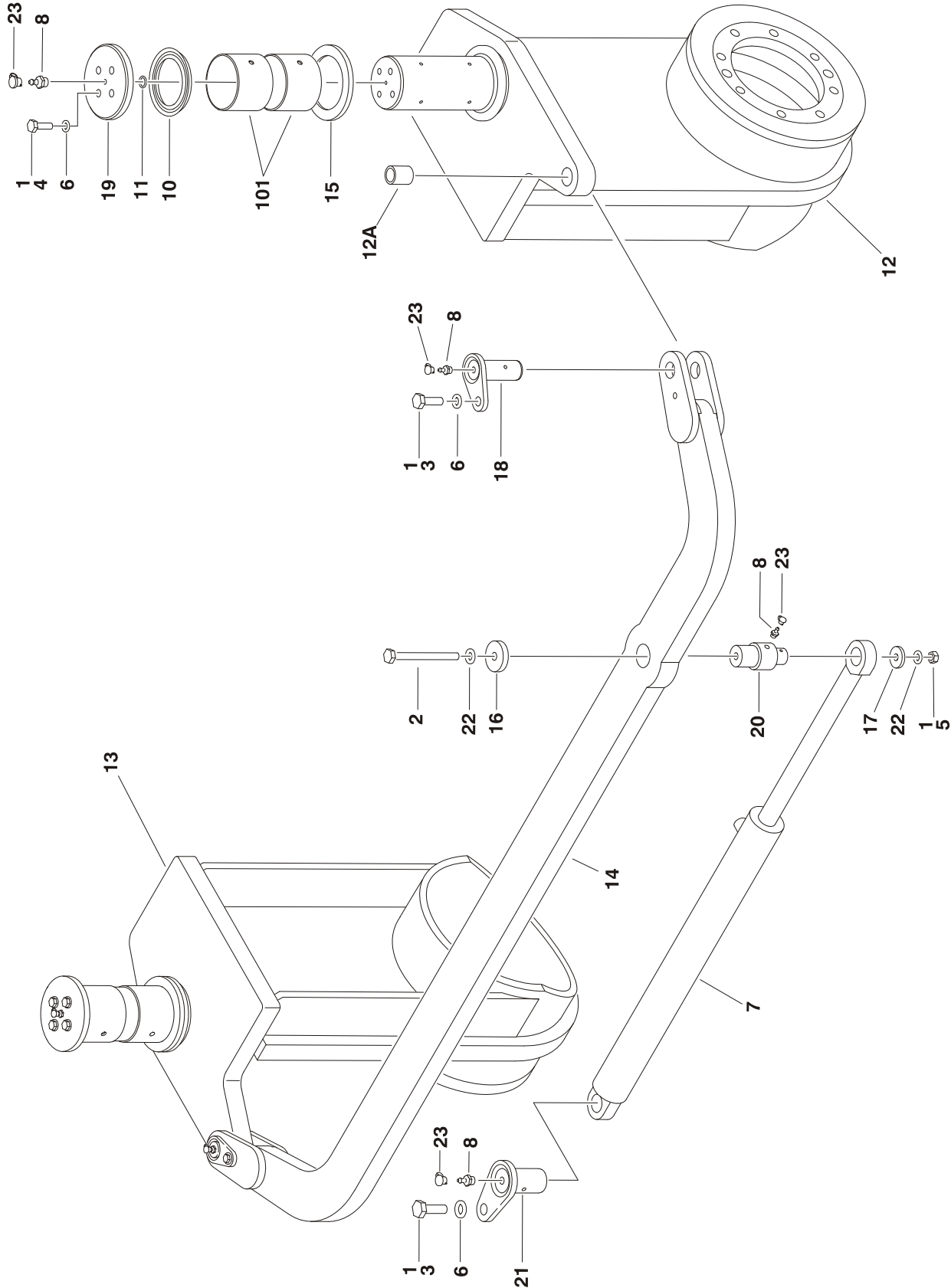


FIGURE 1-1. STEERING INSTALLATION

ITEM #	PART NUMBER	QTY.	DESCRIPTION	REV.
	0275465	Ref.	STEERING INSTALLATION	F
1	0100019	A/R	Locking, Compound	
2	0711230	1	Bolt M12 x 125mm	
3	0761210	3	Bolt M12 x 20mm	
4	0761214	8	Bolt M12 x 30mm	
5	3331215	1	Nut M12	
6	4832100	11	Lockwasher M12	
7	H900007	1	Steering Cylinder Assembly (See Section 5 for Breakdown)	
8	2160016	6	Fitting, Grease	
9	Not Used			
10	S001286	2	Seal	
11	S001613	2	O-Ring	
12	S006615	1	Spindle Left	
12A	S001551	1	Bushing	
13	S006665	1	Spindle Right	
13A	S001551	1	Bushing (Not Shown)	
14	S006812	1	Rod, Tie	
15	S200243	2	Thrustwasher	
16	S200252	1	Washer, Brass (50mm O.D.)	
17	S200253	1	Washer, Brass (40mm O.D.)	
18	S201004	2	Pin	
19	S201005	2	Cap	
20	S900052	1	Pin	
21	S900053	1	Pin	
22	4812100	2	Flatwasher M12	
23	S000142	6	Cap, Grease Fitting	
	S201086	Ref.	FRAME WELDMENT	N
101	S000182	4	Bushing	

SECTION 1 FRAME

FIGURE 1-2. REAR AXLE INSTALLATION

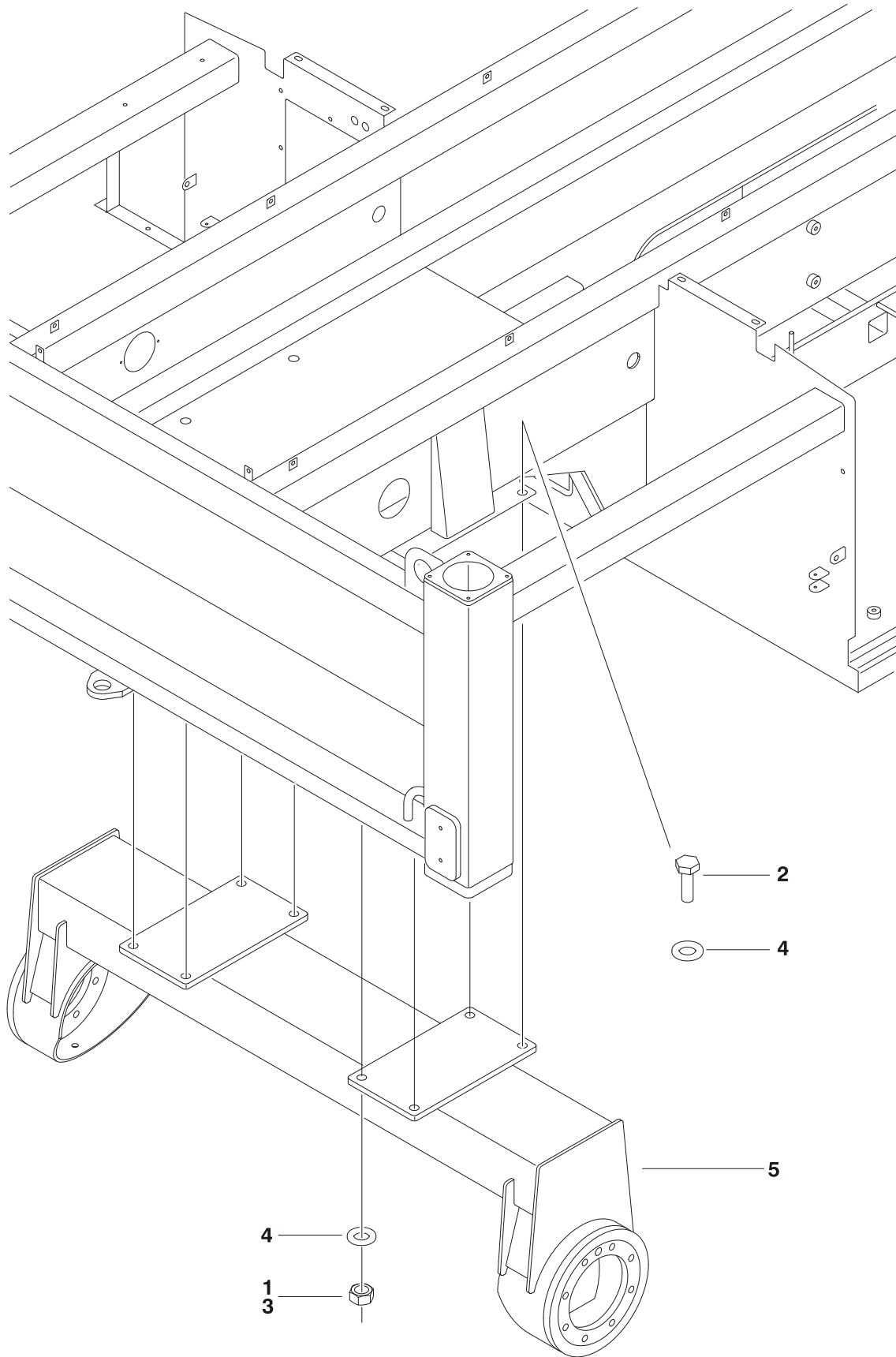


FIGURE 1-2. REAR AXLE INSTALLATION

ITEM #	PART NUMBER	QTY.	DESCRIPTION	REV.
	0275464	Ref.	REAR AXLE INSTALLATION	B
1	0100019	A/R	Locking, Compound	
2	0712022	8	Bolt M20 x 65mm	
3	3332011	8	Nut M20	
4	5242000	16	Flatwasher, Hardened	
5	S201059	1	Rear Axle Weldment	

SECTION 1 FRAME

FIGURE 1-3. WHEEL DRIVE INSTALLATION

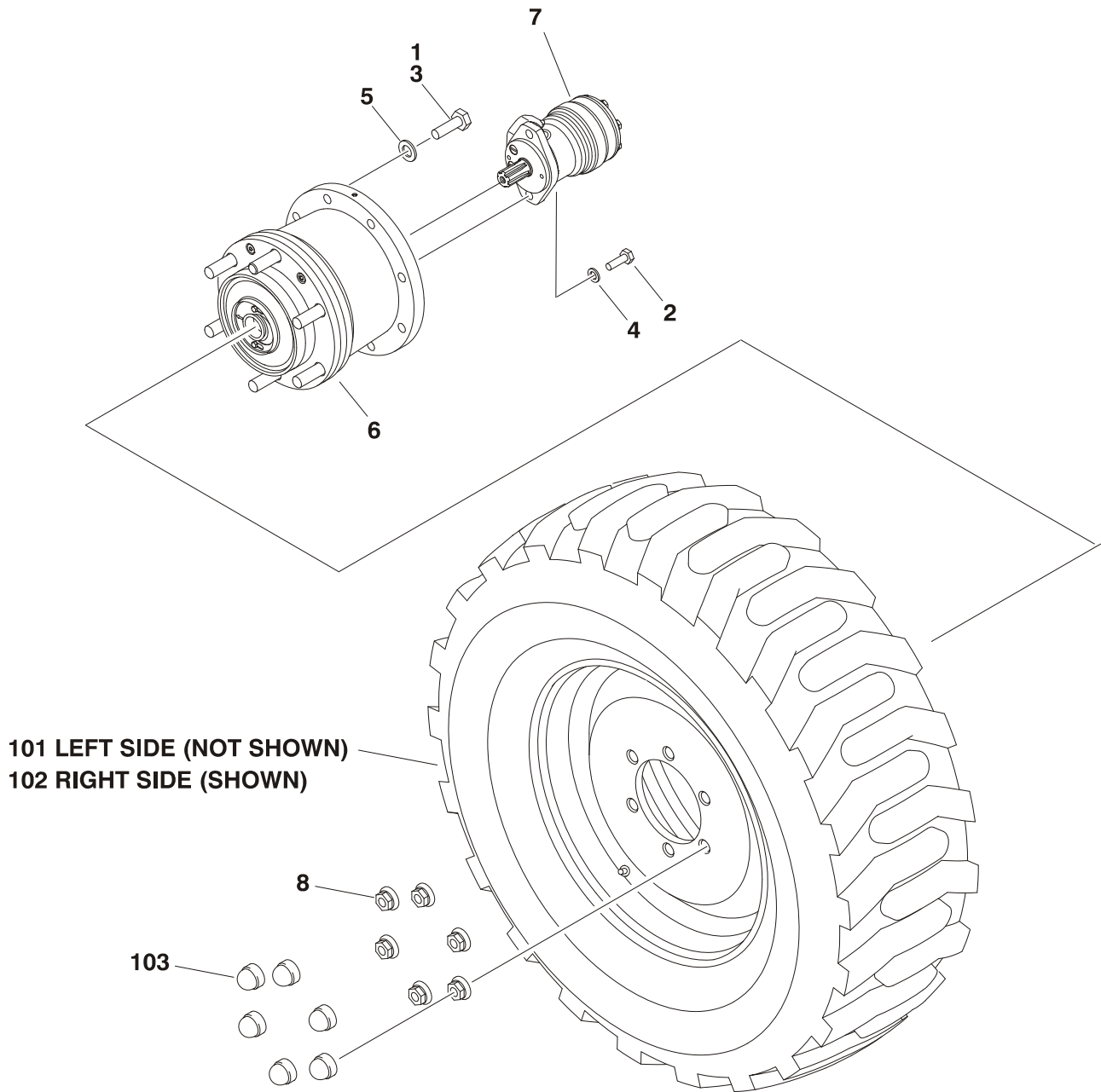


FIGURE 1-3. WHEEL DRIVE INSTALLATION

ITEM #	PART NUMBER	QTY.	DESCRIPTION	REV.
	0275475	Ref.	DRIVE INSTALLATION	G
1	0100019	A/R	Locking, Compound	
2	0761215	8	Bolt M12 x 35mm	
3	0771619	32	Bolt M16 x 55mm	
4	4832100	8	Lockwasher M12	
5	5241600	32	Flatwasher, Hardened	
6	H000219	4	Drive Hub Assembly (See Figure 1-5 for Breakdown)	
7	H000443	4	Drive Motor Assembly (See Figure 1-4 for Breakdown)	
8	S003991	24	Wheel Nut	
	S900224	Ref.	TIRE & WHEEL INSTALLATION	E
101	S900225	2	Wheel & Tire Assembly - Foam Filled (Left Side)	
102	S900226	2	Wheel & Tire Assembly - Foam Filled (Right Side)	
		Ref.	Note: Assemblies may require ballast/foam filling to manufacturer's specifications prior to installing on a machine. Refer to Operation & Safety or Service & Maintenance Manuals. Purchase individual tire and/or rim only if able to foam fill tire & wheel assembly, otherwise, purchase complete assembly.	
	S900227	4	Rim (1 per Assembly)	
	4520288	4	Tire (1 per Assembly)	
103	S004000	24	Cap, Wheel Nut	

SECTION 1 FRAME

FIGURE 1-4. DRIVE MOTOR ASSEMBLY

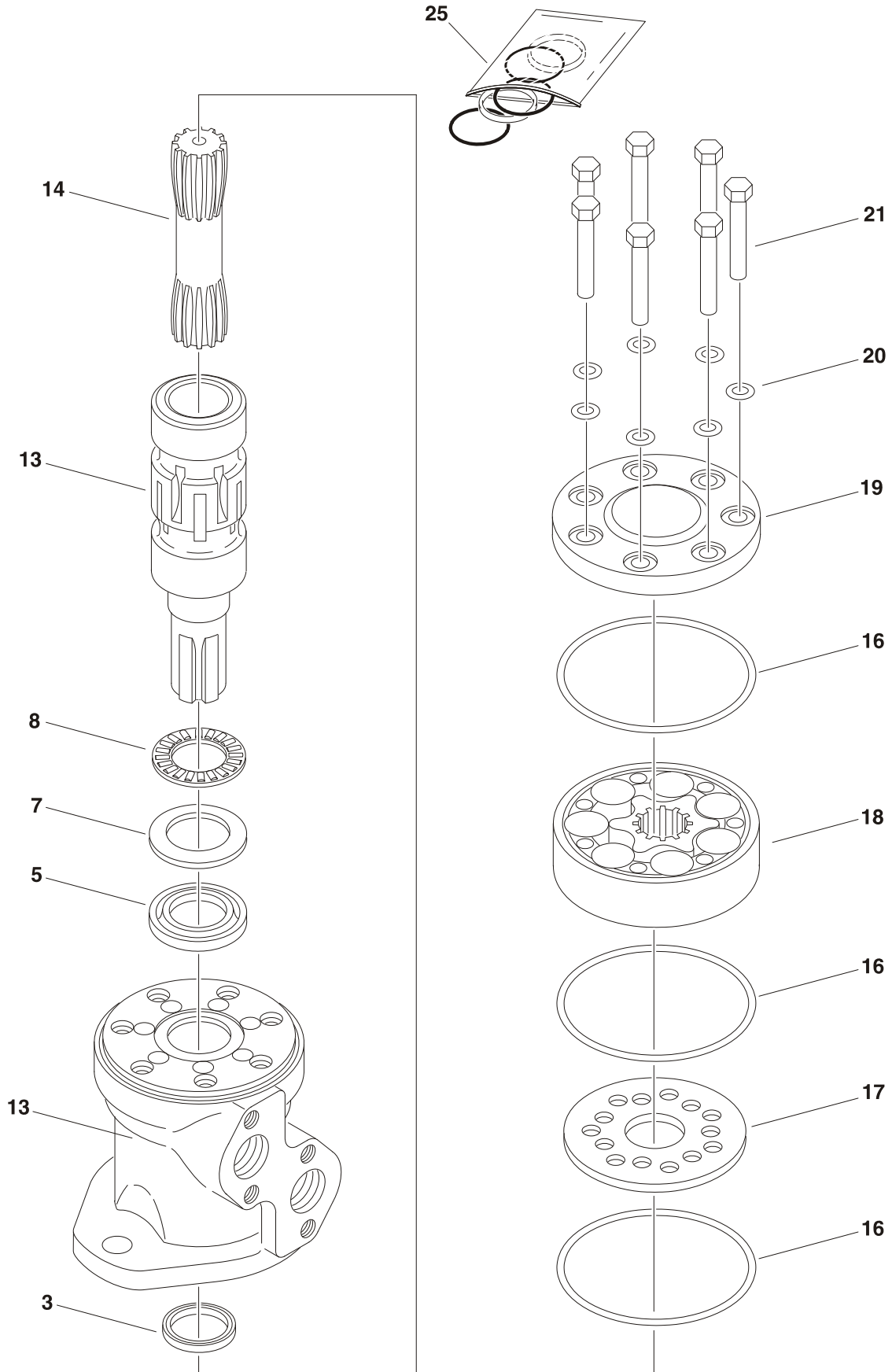
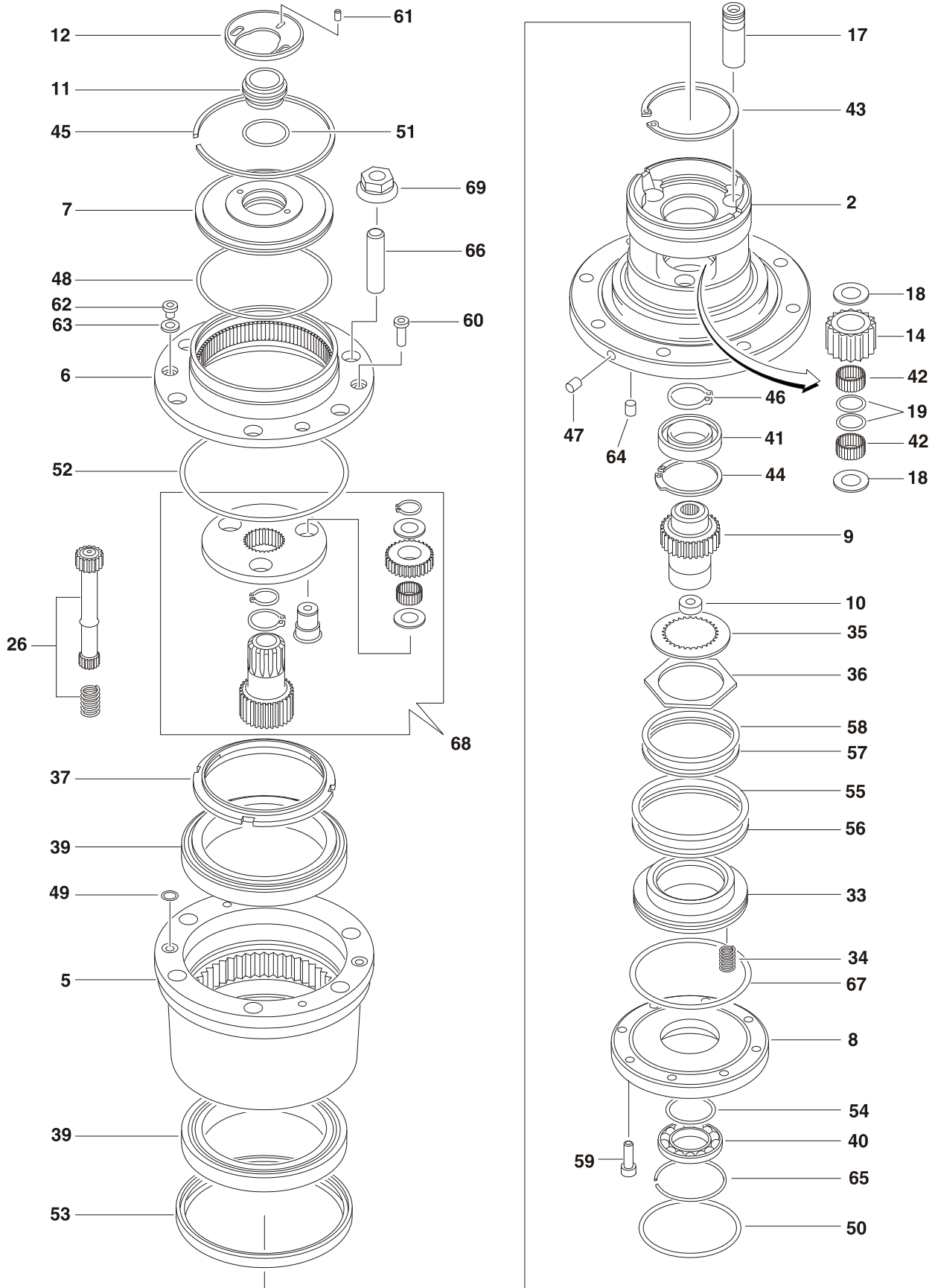


FIGURE 1-4. DRIVE MOTOR ASSEMBLY

ITEM #	PART NUMBER	QTY.	DESCRIPTION	REV.
	H000443	Ref.	DRIVE MOTOR ASSEMBLY	D
1 to 2	Not Used			
3	7027861	1	Seal, Dust	
4	Not Used			
5	Use 7020127	1	Seal, Shaft	
6	Not Used			
7	7020128	1	Race, Bearing	
8	7020129	1	Bearing, Needle	
9 to 12	Not Used			
13	See Note	1	Shaft & Housing (Note: Not Available - Purchase Complete Assembly)	
14	7027941	1	Shaft, Cardan	
15	Not Used			
16	Use 7020127	3	O-Ring	
17	7027939	1	Plate, Distributor	
18	See Note	1	Gear Set (Note: Not Available - Purchase Complete Assembly)	
19	7027940	1	Cover, End	
20	Use 7020127	7	Washer	
21	See Note	7	Screw M8 x 45mm (Note: Not Available - Purchase Locally)	
22 to 24	Not Used			
25	7020127	1	Seal Kit - H000443 Motor (Includes Items 3,5,16 & 20)	

SECTION 1 FRAME

FIGURE 1-5. DRIVE HUB ASSEMBLY



SECTION 1 FRAME

FIGURE 1-5. DRIVE HUB ASSEMBLY

ITEM #	PART NUMBER	QTY.	DESCRIPTION	REV.
	H000219	Ref.	DRIVE HUB ASSEMBLY	E
1	Not Used			
2	See Note	1	Spindle (Note: Not Available - Purchase Complete Assembly)	
3 to 4	Not Used			
5	See Note	1	Hub (Note: Not Available - Purchase Complete Assembly)	
6	70000239	1	Gear Ring	
7	See Note	1	Cover (Note: Not Available - Purchase Complete Assembly)	
8	See Note	1	Flange (Note: Not Available - Purchase Complete Assembly)	
9	See Note	1	Coupling (Note: Not Available - Purchase Complete Assembly)	
10	See Note	1	Thrustwasher (Note: Not Available - Purchase Complete Assembly)	
11	See Note	1	Thrustwasher (Note: Not Available - Purchase Complete Assembly)	
12	See Note	1	Circlip (Note: Not Available - Purchase Locally)	
13	Not Used			
14	See Note	3	Planetary Gear (Note: Not Available - Purchase Complete Assembly)	
15 to 16	Not Used			
17	See Note	3	Pin (Note: Not Available - Purchase Complete Assembly)	
18	See Note	6	Thrustwasher (Note: Not Available - Purchase Complete Assembly)	
19	See Note	6	Spacer (Note: Not Available - Purchase Complete Assembly)	
20 to 25	Not Used			
26	70000240	1	Sun Pinion	
27 to 32	Not Used			
33	See Note	1	Piston (Note: Not Available - Purchase Complete Assembly)	
34	70000241	16	Spring	
35	70000242	5	Disc	
36	70000243	6	Disc	
37	70000244	1	Lock Nut	
38	Not Used			
39	70000245	2	Bearing	
40	70000246	1	Bearing	
41	70000247	1	Bearing	
42	See Note	6	Bearing (Note: Not Available - Purchase Complete Assembly)	
43	See Note	1	Circlip (Note: Not Available - Purchase Locally)	
44	See Note	1	Circlip (Note: Not Available - Purchase Locally)	
45	See Note	1	Disc (Note: Not Available - Purchase Complete Assembly)	
46	See Note	1	Circlip (Note: Not Available - Purchase Locally)	
47	See Note	1	Plug (Note: Not Available - Purchase Locally)	
48	70000248	1	O-Ring	
49	70000249	2	O-Ring	
50	70000250	1	O-Ring	
51	70000251	1	O-Ring	
52	70000252	1	O-Ring	
53	70000253	1	Oil Seal	
54	70000254	1	Gasket	
55	70000255	1	O-Ring	
56	70000256	1	Blocking Ring	

SECTION 1 FRAME

FIGURE 1-5. DRIVE HUB ASSEMBLY (CONTINUED)

ITEM #	PART NUMBER	QTY.	DESCRIPTION	REV.
57	70000257	1	O-Ring	
58	70000258	1	Blocking Ring	
59	See Note	8	Screw (Note: Not Available - Purchase Locally)	
60	See Note	2	Screw (Note: Not Available - Purchase Locally)	
61	See Note	2	Screw (Note: Not Available - Purchase Locally)	
62	See Note	2	Plug (Note: Not Available - Purchase Locally)	
63	See Note	2	Washer (Note: Not Available - Purchase Locally)	
64	See Note	1	Plug (Note: Not Available - Purchase Locally)	
65	See Note	1	Disc (Note: Not Available - Purchase Complete Assembly)	
66	70000259	6	Threaded Stud	
67	70000260	1	O-Ring	
68	70000346	1	Reduction Gear Kit	
69	S003991	6	Wheel Nut	

FIGURE 1-5. DRIVE HUB ASSEMBLY (CONTINUED)

ITEM #	PART NUMBER	QTY.	DESCRIPTION	REV.

SECTION 1 FRAME

FIGURE 1-6. LADDER & LEVELING CYLINDERS INSTALLATION

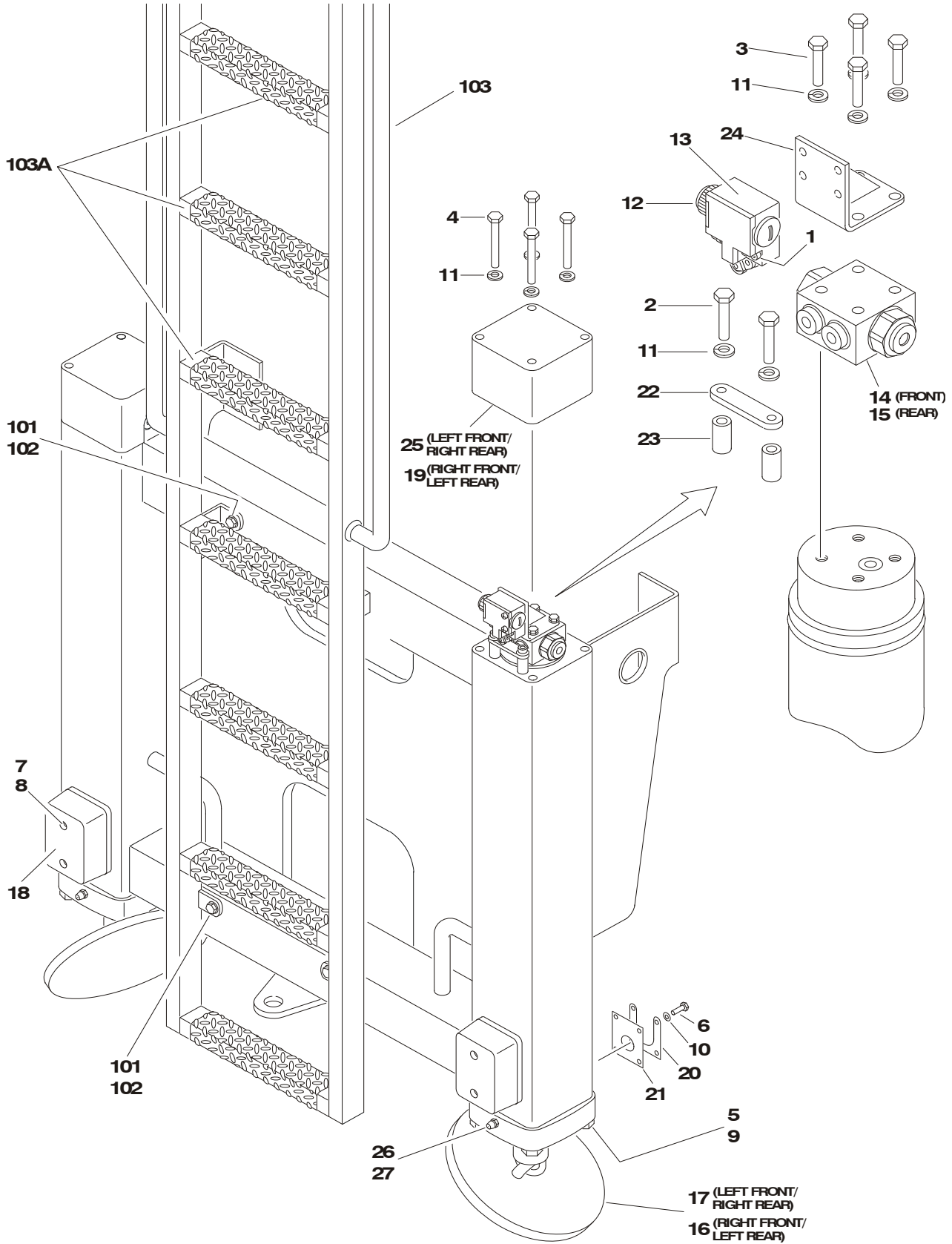


FIGURE 1-6. LADDER & LEVELING CYLINDERS INSTALLATION

ITEM #	PART NUMBER	QTY.	DESCRIPTION	REV.
	0275478	Ref.	LEVELING CYLINDER INSTALLATION	C
1	4031510	16	Capscrew M4 x 30mm	
2	0700817	8	Bolt M8 x 45mm	
3	0700818	16	Bolt M8 x 50mm	
4	0700833	16	Bolt M8 x 160mm	
5	0701222	16	Bolt M12 x 70mm	
6	0760608	16	Bolt M6 x 16mm	
7	0701018	8	Bolt, M10 x 50mm	
8	4832000	8	Lockwasher M10	
9	4832100	16	Lockwasher M12	
10	4831700	16	Lockwasher M6	
11	4831900	40	Lockwasher M8	
12	E000269	4	Connector, Strain Relief (PG13.5)	
13	E000359	4	Switch, Limit	
14	H000558	2	Valve Assembly (8 Bar) (Front Leveling Cylinders) (No Replacement Parts Available - Replace Complete Valve)	
15	H000559	2	Valve Assembly (1 Bar) (Rear Leveling Cylinders) (No Replacement Parts Available - Replace Complete Valve)	
16	H900018	2	Leveling Cylinder Assembly (Right Front & Left Rear) (See Section 5 for Breakdown)	
17	H900019	2	Leveling Cylinder Assembly (Left Front & Right Rear) (See Section 5 for Breakdown)	
18	S001640	4	Bumper	
19	S004039	2	Cover, Leveling Switch (Right Front & Left Rear)	
20	S900002	4	Plate	
21	S900003	4	Gasket	
22	S900013	4	Plate, Leveling Switch	
23	S900014	8	Spacer, Leveling Switch	
24	S900021	4	Bracket, Limit Switch	
25	S900238	2	Cover, Leveling Switch (Left Front & Right Rear)	
26	2160016	4	Fitting, Grease	
27	S000142	4	Cap, Grease Fitting	
	0275508	Ref.	LADDER INSTALLATION	A
101	0761010	4	Bolt M10 x 20mm	
102	4832000	4	Lockwasher M10	
103	S900064	1	Ladder	
103A	S004014	9	Step Plate	
	3820510	27	Rivet	

SECTION 1 FRAME

FIGURE 1-6. LADDER & LEVELING CYLINDERS INSTALLATION (CONTINUED)

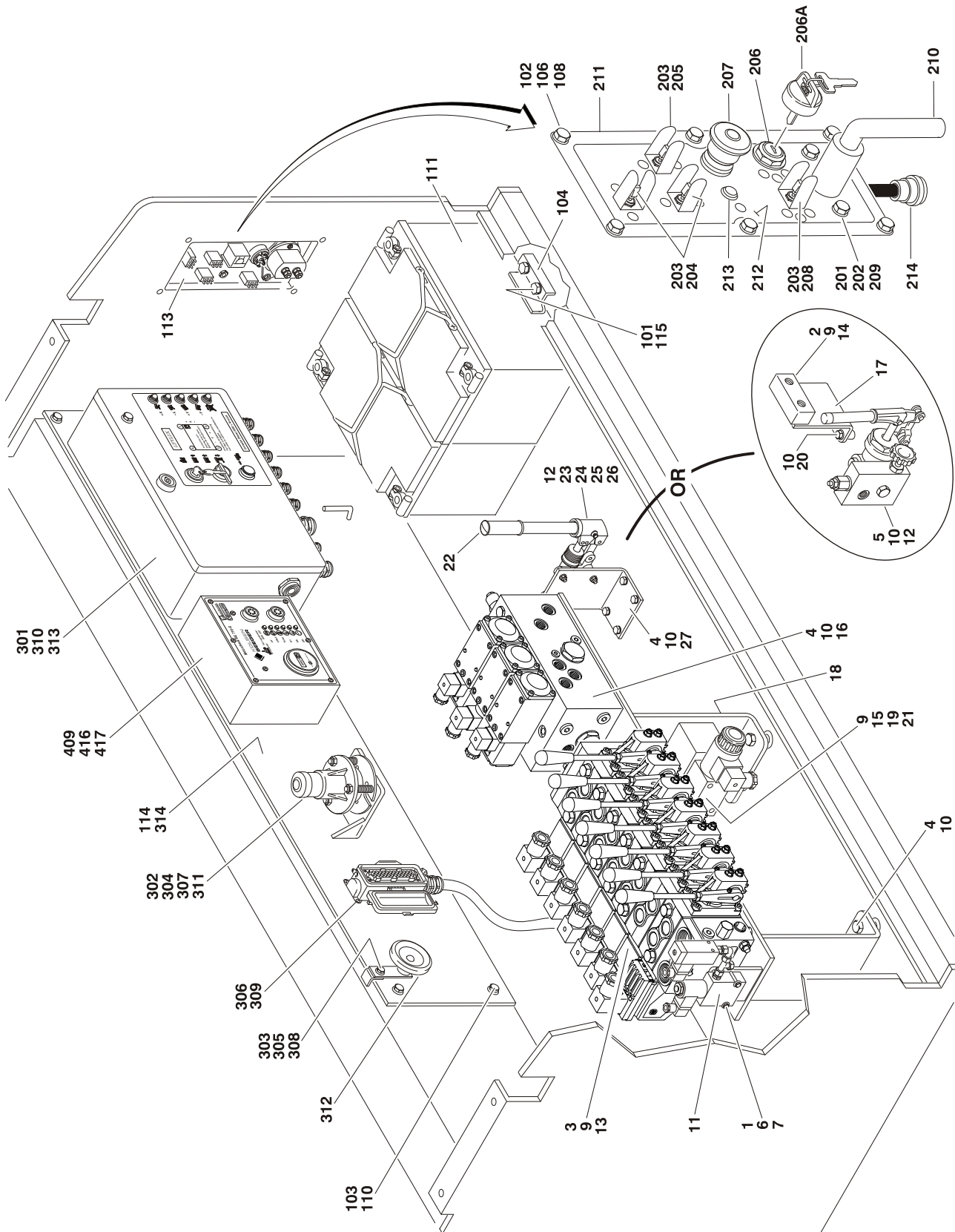
ITEM #	PART NUMBER	QTY.	DESCRIPTION	REV.

SECTION 2

GROUND CONTROLS

SECTION 2 GROUND CONTROLS

FIGURE 2-1. VALVE SIDE COMPONENTS INSTALLATION



SECTION 2 GROUND CONTROLS

FIGURE 2-1. VALVE SIDE COMPONENTS INSTALLATION

ITEM #	PART NUMBER	QTY.	DESCRIPTION	REV.
	0275477	Ref.	VALVE COMPARTMENT INSTALLATION	F
1	0700617	2	Bolt M6 x 45mm	
2	0760810	2	Bolt M8 x 20mm	
3	0760812	4	Bolt M8 x 25mm	
4	0761012	A/R	Bolt M10 x 25mm	
5	0761015	4	Bolt M10 x 35mm	
6	3290605	2	Nut M6	
7	4811700	4	Flatwasher M6	
8	Not Used			
9	4831900	A/R	Lockwasher M8	
10	4832000	A/R	Lockwasher M10	
11	H000019	1	Lowering Valve Assembly	D
	7012986	1	Coil	
	7012941	1	Cartridge, Valve	
	7010543	1	Seal Kit - 7012941 Valve	
12		1	Hand Pump Assembly Options: Prior to S/N 1200021262 (See Figure 2-5 for Breakdown) S/N 1200021262 to Present (No Breakdown Available at Time of Printing)	
	H000285			
	320066			
13	H000324	1	Main Valve Assembly (See Figure 2-2 for Breakdown)	
14	H000363	1	Manifold, Pressure Distribution (Prior to S/N 1200021262)	
15	H000370	1	Valve, Steer (Note: Valve currently purchased from multiple vendors. Service parts no longer available.)	D
16		1	Drive Valve Assembly Options: Prior to S/N 1200022933 (was p/n H005376) (See Figure 2-3 for Breakdown) S/N 1200022933 to Present (See Figure 2-4 for Breakdown)	
	Use 1001113273			
	1001111759			
17	S200267	1	Bracket, Hydraulic Pressure Manifold (Prior to S/N 1200021262)	
18	S201091	1	Bracket, Valve Mounting	
19	0760814	2	Bolt M8 x 30mm	
20	0761010	2	Bolt M10 x 20mm	
21	3291001	2	Nut M10	
22	DL0113	1	Lever, Hand Pump (S/N 1200021262 to Present)	
23	0700817	2	Bolt M8 x 45mm	
24	0700820	1	Bolt M8 x 60mm	
25	4811900	3	Flatwasher M8	
26	3290805	3	Locknut M8	
27	1001103611	1	Bracket, Hand Pump (S/N 1200021262 to Present)	
	0275599	Ref.	GROUND CONTROLS INSTALLATION	E
101	0700815	4	Bolt M8 x 35mm	
102	0760610	6	Bolt M6 x 20mm	
103	0761010	4	Bolt M10 x 20mm	
104	1787217	2	Clamp, Battery	
105	Not Used			
106	3290605	6	Nut M6	
107	Not Used			

SECTION 2 GROUND CONTROLS

FIGURE 2-1. VALVE SIDE COMPONENTS INSTALLATION (CONTINUED)

ITEM #	PART NUMBER	QTY.	DESCRIPTION	REV.
108	4811700	12	Flatwasher M6	
109	Not Used			
110	4832000	4	Lockwasher M10	
111	8008750	2	Battery	
112	Not Used			
113	E900032	1	Ground Control Panel Assembly (See Items 201-214 for Breakdown)	
114	E900037	1	Electrical Panel Assembly (See Items 301-314 for Breakdown)	
115	4831900	4	Lockwasher M8	
	E900032	Ref.	GROUND CONTROL PANEL ASSEMBLY	E
		Ref.	Note: All machines from start of production to revision D have been updated to revision E.	
201	0760608	2	Bolt M6 x 16mm	
202	3290605	2	Nut M6	
203	4060802	4	Guard, Switch	
204	4360314	2	Switch, Toggle	
205	4360671	1	Switch, Toggle	
206	4360469	1	Switch, Key	
206A	2860030	2	Key, Replacement	
207	4360475	1	Switch, Emergency Stop	
	7020175	1	Cap, Red	
	7020176	1	Block, Contact	
208	4360698	1	Switch, Toggle	
209	4811700	4	Flatwasher M6	
210	E000059	1	Switch, Battery Disconnect	
	70001114	1	Handle	
211	E900033	1	Plate, Switch Mounting	
212	E900034	1	Decal, Ground Panel	
213	E900048	1	LED, Yellow	
214	E900055	1	Harness, Ground Panel (See Section 7 for Breakdown)	
	E900037	Ref.	ELECTRICAL PANEL ASSEMBLY	D
301	0760605	4	Bolt M6 x 10mm	
302	0760610	4	Bolt M6 x 20mm	
303	0760810	1	Bolt M8 x 20mm	
304	3290605	4	Nut M6	
305	3290805	1	Nut M8	
306	4031605	4	Capscrew M5 x 10mm	
307	4811700	8	Flatwasher M6	
308	4811900	2	Flatwasher M8	
309	4831600	4	Lockwasher M5	
310	4831700	4	Lockwasher M6	
311	E000044	1	Switch, Tilt	
312	E000063	1	Horn	
313	E900061	1	Main Terminal Box Assembly (See Figure 2-6 for Breakdown)	
314	S200265	1	Panel, Electrical Carrier	

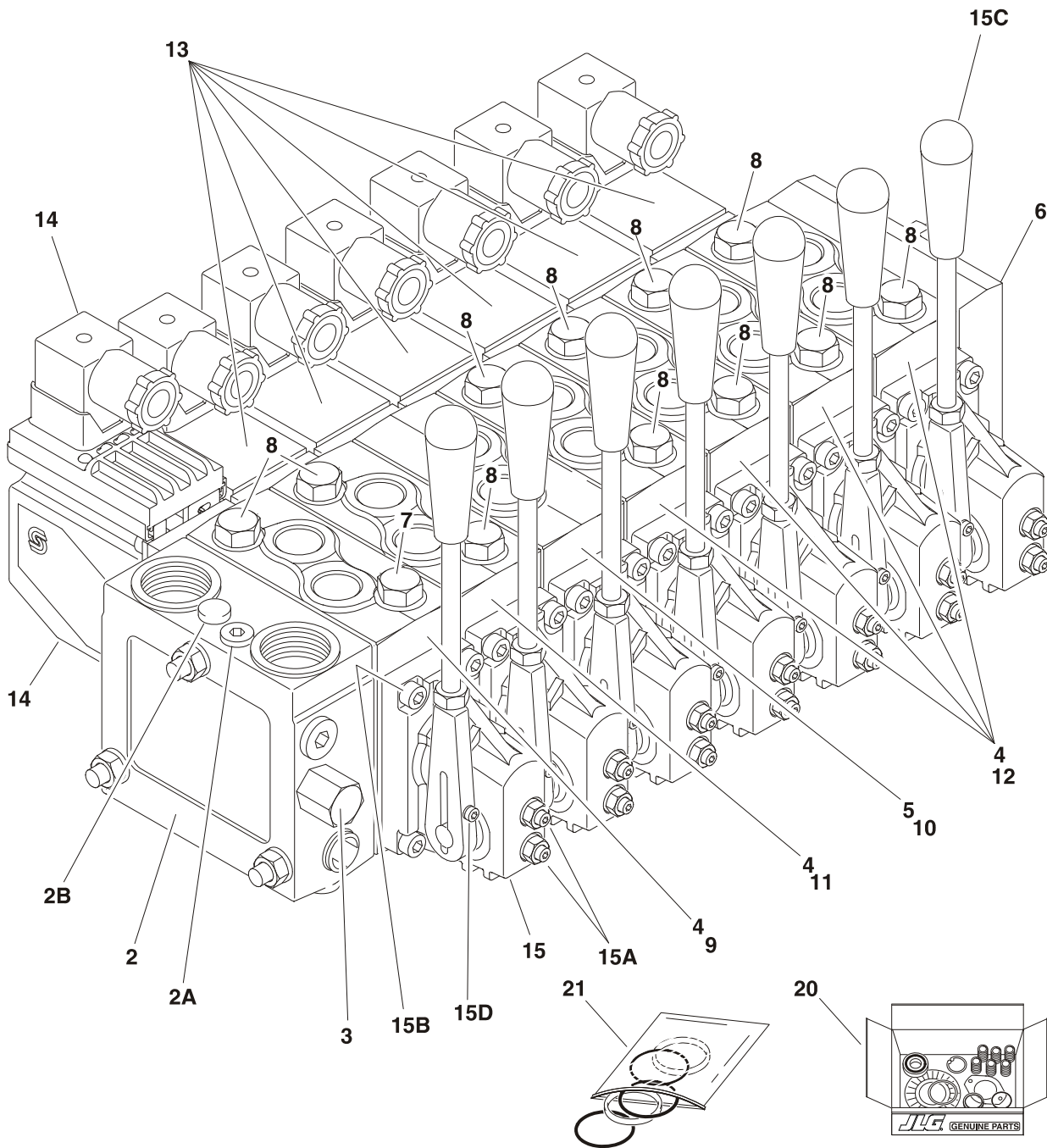
SECTION 2 GROUND CONTROLS

FIGURE 2-1. VALVE SIDE COMPONENTS INSTALLATION (CONTINUED)

ITEM #	PART NUMBER	QTY.	DESCRIPTION	REV.
	0275476	Ref.	ENGINE INSTALLATION	G
401 to 408	Not Used			
409		1	Control Box, Deutz Engine Options: Prior to S/N 1200016566 S/N 1200016566 to Present	
	H005559			
	1001094781			
	70001352	1	PC Board with LEDs	
	70001353	1	E-Prom w/ Software	
	70001355	1	Diode	
	70000634	1	Hourmeter	
	70000635	2	Switch, Pushbutton	
	70001122	4	Mount, Isolator	
410 to 415	Not Used			
416	3290405	4	Locknut M4	
417	4811400	4	Flatwasher M4	

SECTION 2 GROUND CONTROLS

FIGURE 2-2. MAIN VALVE ASSEMBLY



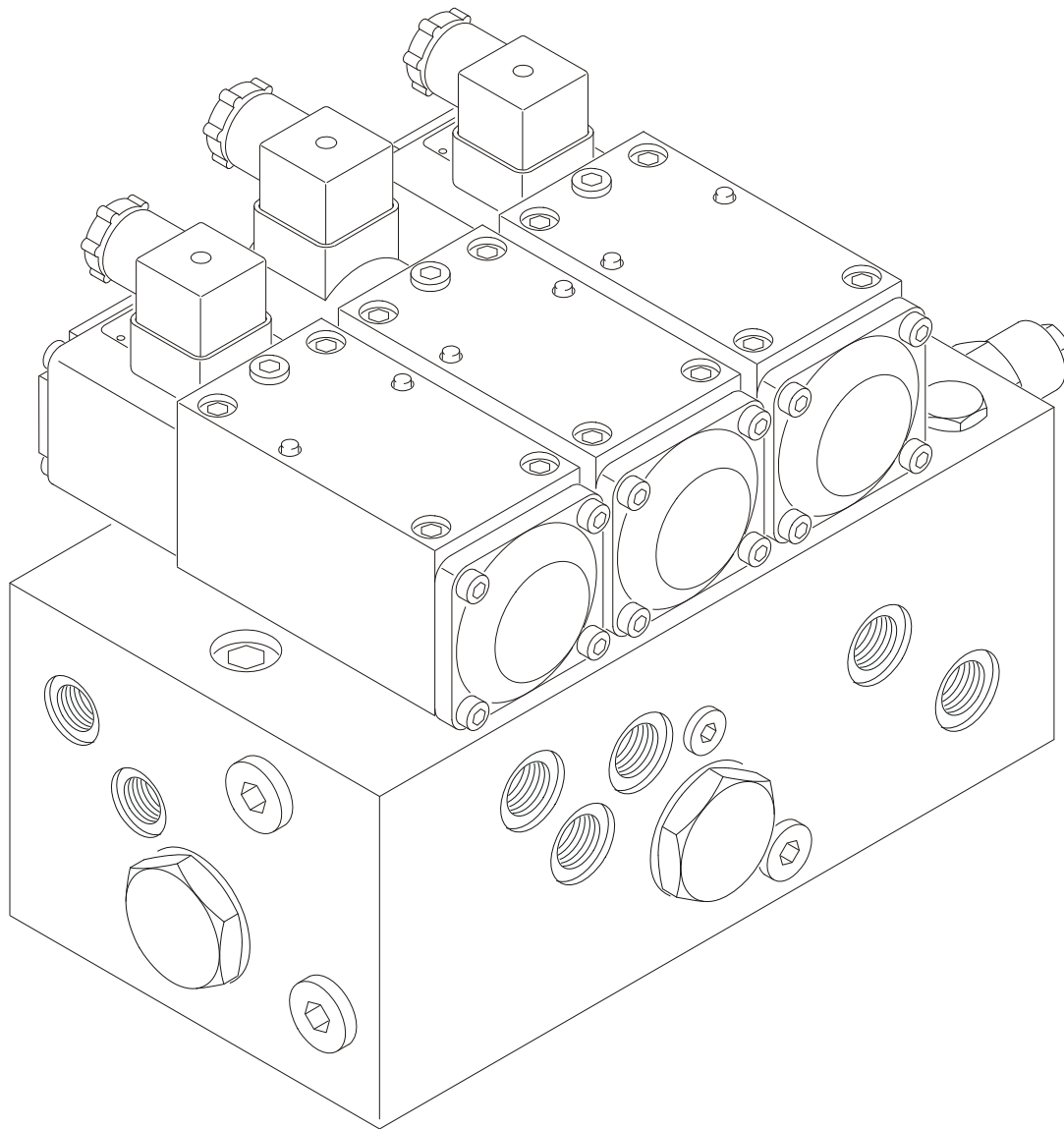
SECTION 2 GROUND CONTROLS

FIGURE 2-2. MAIN VALVE ASSEMBLY

ITEM #	PART NUMBER	QTY.	DESCRIPTION	REV.
	H000324	Ref.	MAIN VALVE ASSEMBLY	F
1	Not Used			
2	H000353	1	Section, Pump (Left Side)	
	8007939	1	Seal Kit - H000353 Section	
2A	8007944	1	Pilot Supply Assembly	
2B	7027912	1	Relief Assembly	
3	H000352	1	External Pilot Supply	
4	7028847	6	Valve Section (With Relief Valve) (All Functions Except Lift) (was p/n H000188)	
	8007935	6	Seal Kit - 7028847 Section (was p/n H000031)	
5	H000542	1	Valve Section (Without Relief Valve) (Lift Functions Only)	
	8007935	1	Seal Kit - H000542 Section (was p/n H000031)	
6	H000580	1	End Plate	
	See Item 17	1	Seal Kit - H000580 Section	
7		1	Valve, Relief (Platform Function Only) Options:	
	H000602		Prior to S/N 1200008864	
	H000609		S/N 1200008864 to Present	
8	H005250	11	Valve, Relief (All Functions Except Lift Function)	
9		1	Spool (Platform) Options:	
	H000390		Prior to S/N 1200008864	
	H000514		S/N 1200008864 to Present	
10	7027915	1	Spool (Drive)	
11	H000516	1	Spool (Lift)	
12	H000512	4	Spool (Outtrigger)	
13	H000191	6	Electrical Activator (on-off) (All Functions Except Drive)	
	8007954	6	Seal Kit - H000191 Electrical Activator (was p/n H000032)	
	7028846	24	Screw, Mounting	
	7028849	6	DIN Connector (Black)	
14	H000206	1	Electrical Activator (Proportional High) (Drive Function Only)	
	8007954	1	Seal Kit - H000206 Electrical Activator (was p/n H000032)	
	7028846	4	Screw, Mounting	
	8007953	1	DIN Connector (White)	
15	7028893	7	Mechanical Activation Assembly (was p/n H000187)	
	8007894	7	Seal Kit - 7028893 Mechanical Activator (was p/n H005248)	
15A	1003107	14	Nut, Seal (2 per Assembly)	
	8007915	14	Pin, Threaded (2 per Assembly)	
15B	0318854	28	Screw (4 per Assembly)	
15C	H005247	7	Base & Lever Assembly (1 per Assembly)	
15D	0307544	7	Screw (1 per Assembly)	
	0893076	7	Washer (1 Per Assembly)	
16 to 19	Not Used			
20	8003064	1	Assembly Kit (Includes Hardware & Seals for Between Valve Sections)	
21	7028848	9	Seal Kit for Between Valve Sections (was p/n H005249) Note: One Seal Kit does both sides of section.	

SECTION 2 GROUND CONTROLS

FIGURE 2-3. DRIVE VALVE ASSEMBLY (PRIOR TO S/N 1200022933)



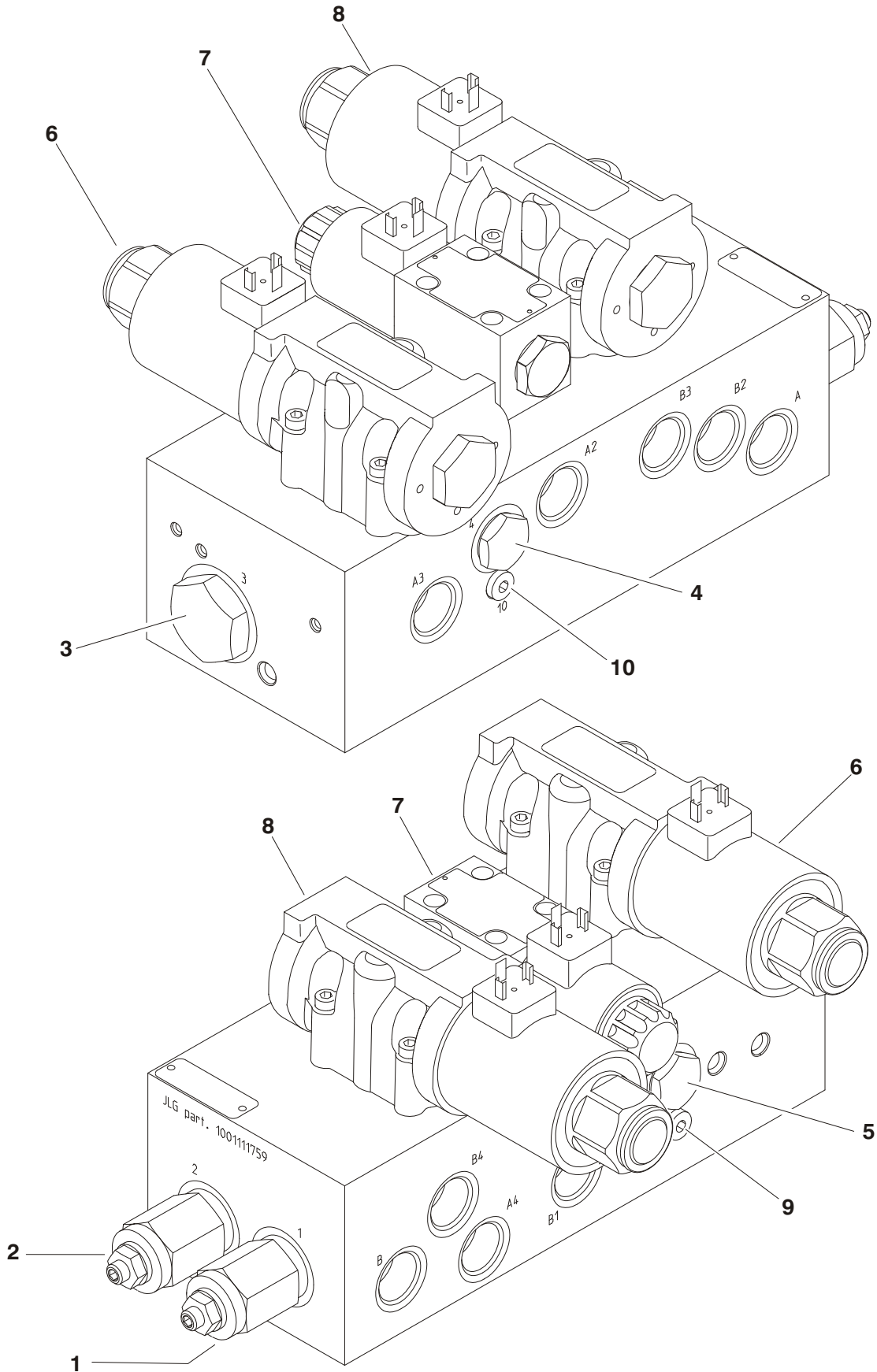
SECTION 2 GROUND CONTROLS

FIGURE 2-3. DRIVE VALVE ASSEMBLY (PRIOR TO S/N 1200022933)

ITEM #	PART NUMBER	QTY.	DESCRIPTION	REV.
	See Note	Ref. Ref.	DRIVE VALVE ASSEMBLY Note: Original Equipment was p/n H005376. No Service Parts Available. Use p/n 100113273 as Service Replacement. See Next Figure for Replacement Parts.	D

SECTION 2 GROUND CONTROLS

FIGURE 2-4. DRIVE VALVE ASSEMBLY (S/N 1200022933 TO PRESENT)



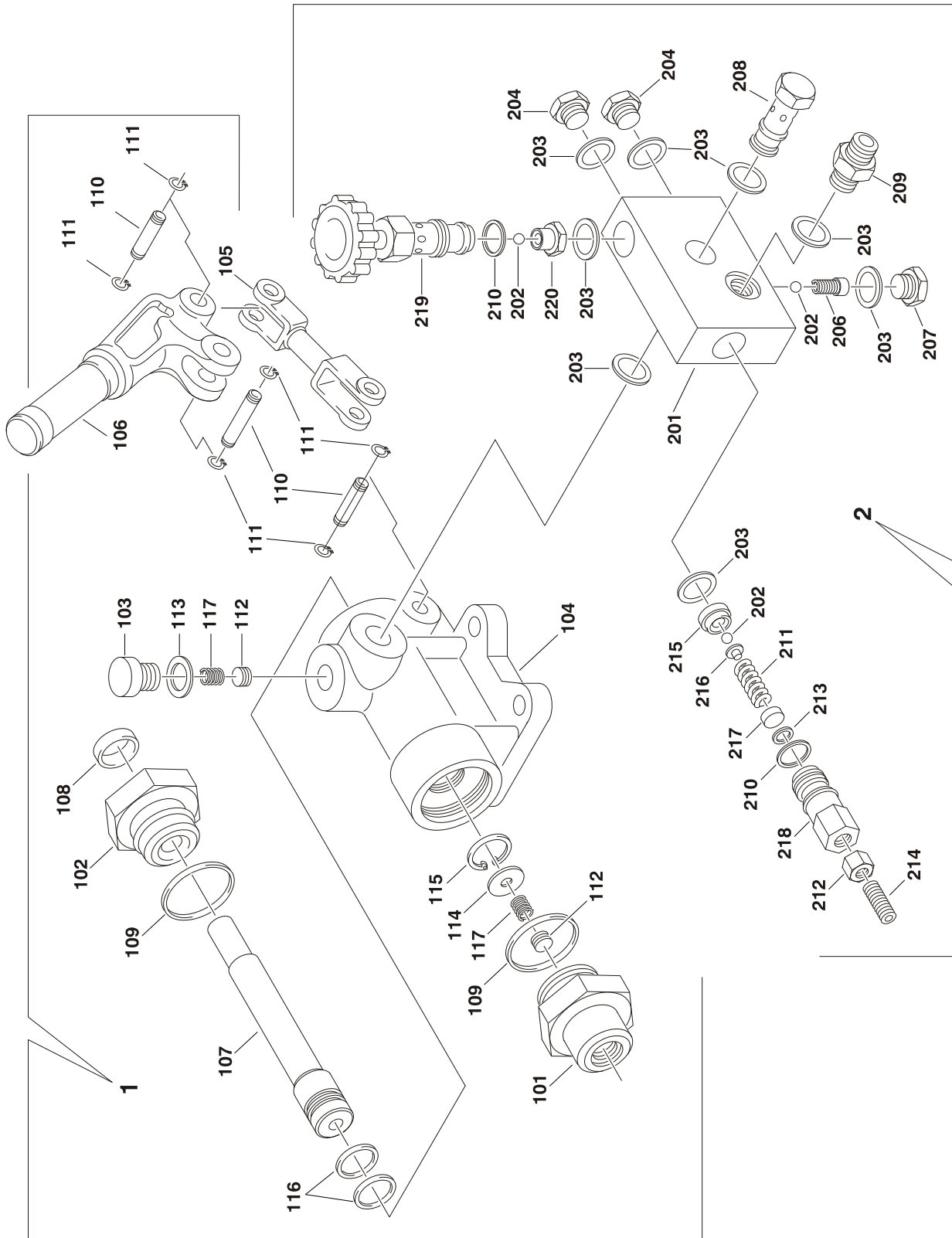
SECTION 2 GROUND CONTROLS

FIGURE 2-4. DRIVE VALVE ASSEMBLY (S/N 1200022933 TO PRESENT)

ITEM #	PART NUMBER	QTY.	DESCRIPTION	REV.
	1001111759	Ref.	DRIVE VALVE ASSEMBLY	A
1	70003606	1	Cartridge, Relief	
2	70003606	1	Cartridge, Relief	
3	70003607	1	Cartridge, Flow Divider	
4	70003608	1	Cartridge, Flow Divider	
5	70003608	1	Cartridge, Flow Divider	
6	70003609	1	Directional Valve Assembly	
7	70003610	1	Directional Valve Assembly	
8	70003609	1	Directional Valve Assembly	
9	70003611	1	Orifice .8mm	
10	70003611	1	Orifice .8mm	

SECTION 2 GROUND CONTROLS

FIGURE 2-5. HAND PUMP ASSEMBLY



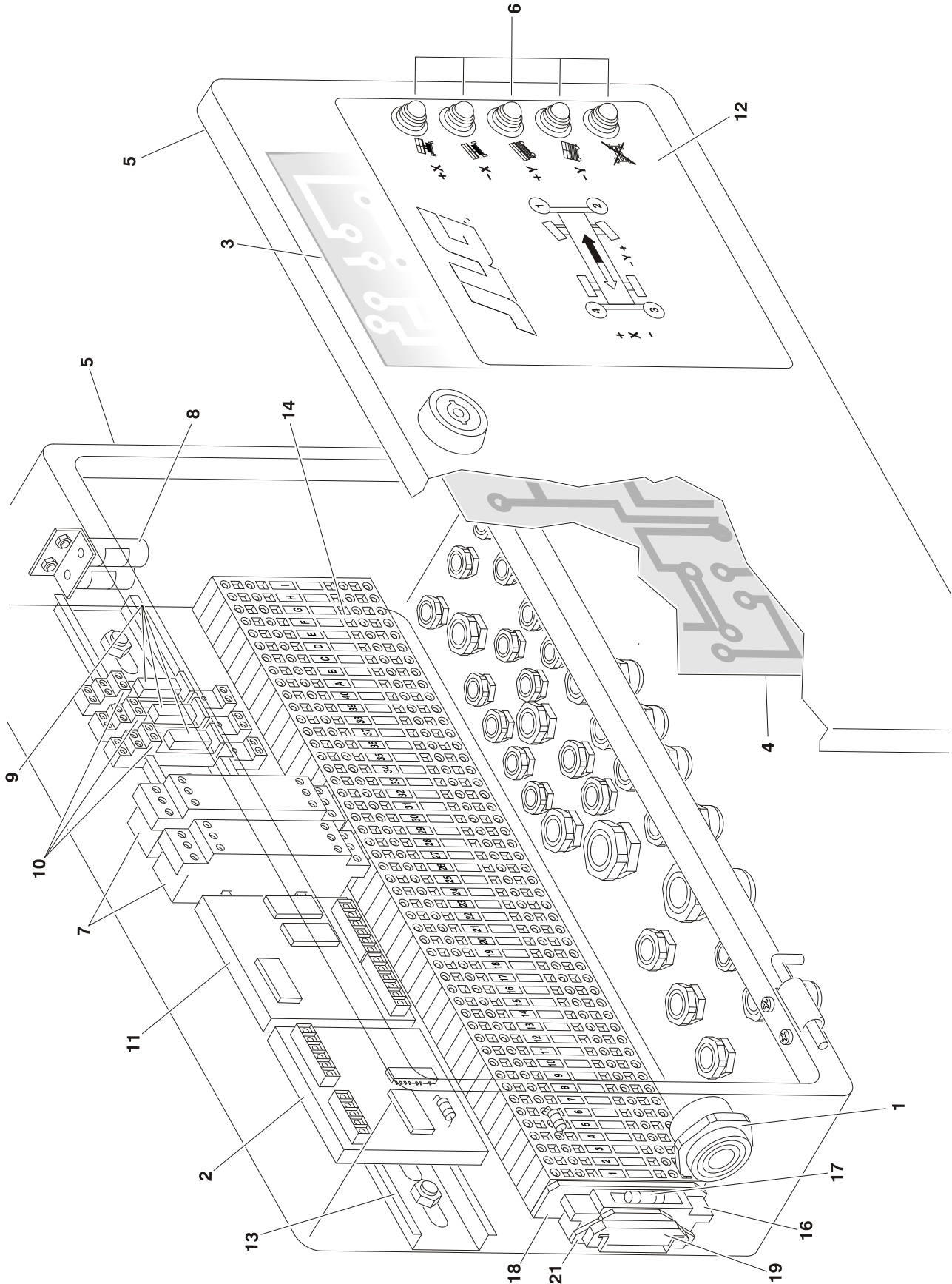
SECTION 2 GROUND CONTROLS

FIGURE 2-5. HAND PUMP ASSEMBLY

ITEM #	PART NUMBER	QTY.	DESCRIPTION	REV.
	H000285	Ref.	HAND PUMP ASSEMBLY	D
1	70000513	1	Pump Assembly (See Items 101-117 for Breakdown)	
2	70000528	1	Valve Assembly (See Items 201-220 for breakdown)	
	70000513	Ref.	PUMP ASSEMBLY	
101	70000514	1	Valve, Suction	
102	See Note	1	Plug (Note: Not Available - Purchase Locally)	
103	See Note	1	Plug (Note: Not Available - Purchase Locally)	
104	See Note	1	Body (Note: Not Available - Purchase Pump Assembly)	
105	70000515	1	Rod, Connecting	
106	70000516	1	Lever	
107	70000517	1	Piston	
108	70000518	1	Seal	
109	70000519	2	Seal	
110	70000520	2	Pin	
111	70000521	6	Ring, Retaining	
112	70000522	2	Ball	
113	70000523	1	Ring	
114	70000524	1	Washer	
115	70000525	1	Ring, Internal Retaining	
116	70000526	2	Seal	
117	70000527	2	Spring	
	70000528	Ref.	VALVE ASSEMBLY	
201	See Note	1	Body (Note: Not Available - Purchase Valve Assembly)	
202	70000529	3	Ball	
203	70000530	8	Ring	
204	See Note	2	Bolt M8 x 8mm (Note: Not Available - Purchase Locally)	
205	70000531	1	Spinner (Not Shown)	
206	70000532	1	Spring	
207	See Note	1	Plug (Note: Not Available - Purchase Locally)	
208	70000533	1	Screw	
209	70000534	1	Fitting, Straight	
210	70000535	2	Seal	
211	70000536	1	Spring	
212	See Note	1	Nut M10 (Note: Not Available - Purchase Locally)	
213	70000537	1	Seal	
214	See Note	1	Setscrew (Note: Not Available - Purchase Locally)	
215	70000538	1	Relief, Valve	
216	70000539	1	Pin, Ball Driving	
217	70000540	1	Plate, Seal	
218	70000541	1	Valve Body	
219	70000542	1	Knob Assembly	
220	70000543	1	Valve Body	

SECTION 2 GROUND CONTROLS

FIGURE 2-6. MAIN TERMINAL BOX ASSEMBLY



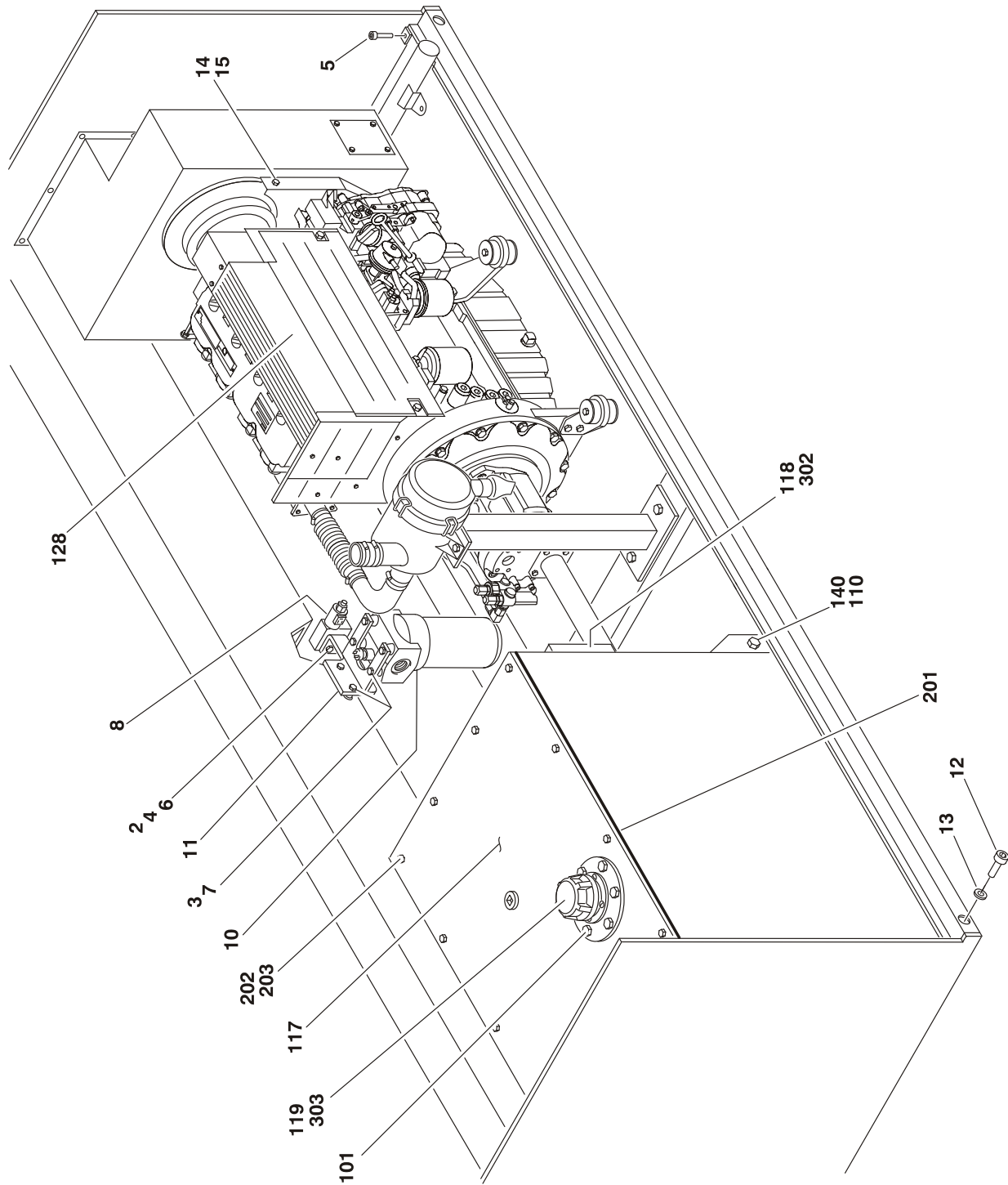
SECTION 2 GROUND CONTROLS

FIGURE 2-6. MAIN TERMINAL BOX ASSEMBLY

ITEM #	PART NUMBER	QTY.	DESCRIPTION	REV.
	E900061	Ref. Ref.	MAIN TERMINAL BOX ASSEMBLY Note: All machines from the start of production to revision C have been updated to revision D.	E
1	0140011	1	Alarm	
2	E000189	1	Card, Pump Delay	
3	E000214	1	Card, Nivelux Control	
4	1001112938	1	Card, Complex Control	
5	E000375	1	Housing, Control Box	
6	E000419	5	LED, Red	
7	E000457	2	Relay	
8	E001206	1	Sensor, Level	
9	E001375	3	Relay	
10	E001376	3	Base, Relay	
11	E007404	1	Card, Trigger Control	
12	E900057	1	Decal, Cover	
13	E900059	2	Rail, DIN	
14	1001093353	76	Block, Terminal	
15	Not Used			
16	1001092405	1	Holder, Fuse	
17	1001092406	1	Fuse, 10A	
18	1001093354	1	Plate, Terminal Intermediate	
19	1001093355	2	Stop, Terminal End	
20	1001093361	19	Terminal, Jumper (Not Shown)	
21	1001093379	1	Plate, Terminal End	
22 to 23	Not Used			
24	70000952	1	Connector (2 Pin for Nivelux Board - Not Shown)	
25	70000953	2	Connector (3 Pin for Nivelux Board - Not Shown)	
26	70000954	1	Connector (4 Pin for Nivelux Board - Not Shown)	
27	70000955	1	Connector (8 Pin for Complex Board - Not Shown)	
28	70000956	4	Connector (12 Pin for Nivelux & Complex Board - Not Shown)	
29	70003616	1	Connector (6 Pin for Nivelux & Complex Board - Not Shown)	

SECTION 2 GROUND CONTROLS

FIGURE 2-7. ENGINE SIDE COMPONENTS INSTALLATION



SECTION 2 GROUND CONTROLS

FIGURE 2-7. ENGINE SIDE COMPONENTS INSTALLATION

ITEM #	PART NUMBER	QTY.	DESCRIPTION	REV.
	0275476	Ref.	ENGINE SIDE COMPONENTS INSTALLATION	G
1	Not Used			
2	0700618	2	Bolt M6 x 50mm	
3	0761010	6	Bolt M10 x 20mm	
4	3290605	2	Nut M6	
5	4032316	2	Capscrew M16 x 60	
6	4811700	4	Flatwasher M6	
7	4832000	6	Lockwasher M10	
8	H000077	1	Valve, Directional Control	
	7017444	1	Coil	
	7017414	1	Cartridge	
	2900708	1	Seal Kit - 7017414 Valve	
9	Not Used			
10	H900046	1	Filter, Pressure	
	70000899	1	Element	
11	S900241	1	Bracket, Oil Filter	
12	4032310	2	Capscrew M16 x 30mm	
13	4832300	2	Lockwasher M16	
14	0760505	2	Bolt M5 x 10mm	
15	4831600	2	Lockwasher M5	
16 to 17	Not Used			
18	8007986	1	Mount, Tie Strap (Not Shown)	
	0275614	Ref.	ENGINE TRAY INSTALLATION	L
101	0760505	6	Bolt M5 x 10mm	
102 to 109	Not Used			
110	4812000	8	Flatwasher M10	
111 to 116	Not Used			
117		1	Tank, Hydraulic Options:	
	H000009		Prior to S/N 1200012378 (see Items 201-203 for Breakdown)	
	1001091075		S/N 1200012378 to Present (see Items 301-303 for Breakdown)	
118	H000013	1	Gauge, Hydraulic Oil Level (Prior to S/N 1200012378)	
119	H000241	1	Breather (Prior to S/N 1200012378)	
120 to 127	Not Used			
128	H900047	1	Engine Installation (See Figure 2-8 for Breakdown)	
129 to 139	Not Used			
140	0761014	4	Bolt M10 x 30mm	
	H000009	Ref.	HYDRAULIC TANK ASSEMBLY (PRIOR TO S/N 1200012378)	H
201	3960605	1	Seal	
202	0760810	10	Bolt M8 x 20mm	
203	4831900	10	Lockwasher M8	

SECTION 2 GROUND CONTROLS

FIGURE 2-7. ENGINE SIDE COMPONENTS INSTALLATION

ITEM #	PART NUMBER	QTY.	DESCRIPTION	REV.
	1001091075	Ref.	HYDRAULIC TANK ASSEMBLY (S/N 1200012378 TO PRESENT)	B
301	Not Used			
302	H000013	1	Gauge, Hydraulic Oil Level	
303	H000241	1	Breather	

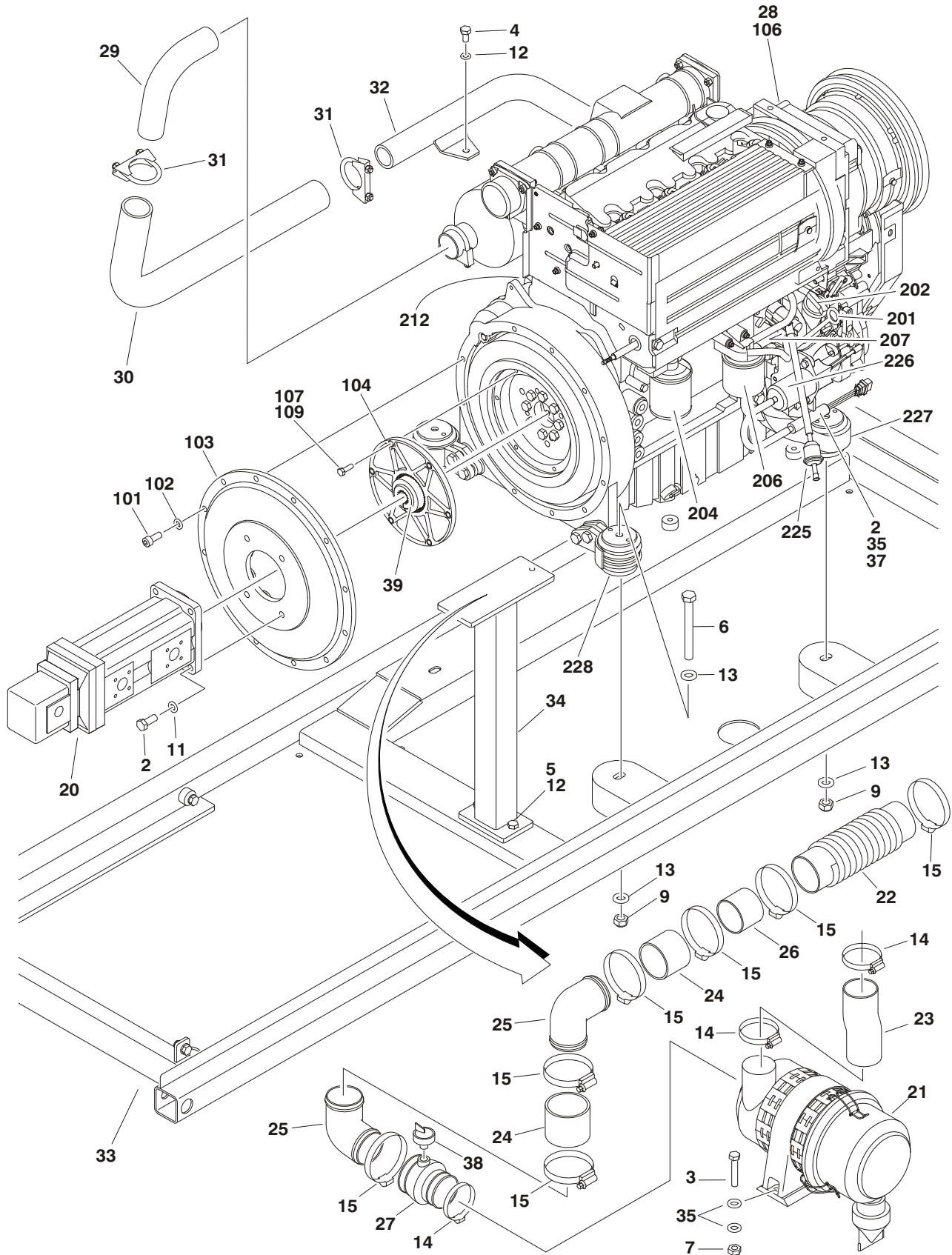
SECTION 2 GROUND CONTROLS

FIGURE 2-7. ENGINE SIDE COMPONENTS INSTALLATION

ITEM #	PART NUMBER	QTY.	DESCRIPTION	REV.

SECTION 2 GROUND CONTROLS

FIGURE 2-8. ENGINE INSTALLATION



SECTION 2 GROUND CONTROLS

FIGURE 2-8. ENGINE INSTALLATION

ITEM #	PART NUMBER	QTY.	DESCRIPTION	REV.
	0275614	Ref.	ENGINE INSTALLATION	L
1	Not Used			
2	0760812	4	Bolt M8 x 25mm	
3	0760817	2	Bolt M8 x 45mm	
4	0761010	2	Bolt M10 x 20mm	
5	0761012	2	Bolt M10 x 25mm	
6	0761228	4	Bolt M12 x 110mm	
7	3290805	3	Nut M8	
8	3291005	4	Nut M10	
9	3291205	4	Nut M12	
10	Not Used			
11	4831900	4	Lockwasher M8	
12	4832000	4	Lockwasher M10	
13	4812100	8	Flatwasher M12	
14	8005376	3	Clamp, Hose	
15	8405204	7	Clamp, Hose	
16 to 19	Not Used			
20		1	Pump, Hydraulic Options:	
	Use 1001113420	1	Prior to S/N 1200022654 (was p/n H000310)	
	1001113420	1	S/N 1200022654 to Present	
	70000938	1	Seal Kit, Front Pump Section	
	70000939	1	Seal Kit, Middle Pump Section	
		1	Seal Kit, Rear Pump Section Options:	
	70000941		Used With Pump p/n H000310	
	70002626		Used With Pump p/n 1001113420	
	70000940	1	Seal Kit, Adapter	
21	H004005	1	Air Cleaner Assembly	
	H005232	1	Primary Element (Outer)	
	70000054	1	Safety Element (Inner)	
22	H005234	1	Rubber Intake Tube	
23	H005236	1	Hose, Intake (Intake Pipe to Air Cleaner)	
24	H005237	2	Tube, Air Intake	
25	H005238	2	Elbow, Air Intake	
26	H005239	1	Pipe, Intake	
27	H005242	1	Sleeve, Reducing	
28	H900047	1	Engine/Pump Assembly (See Items 101 - 106 for Breakdown)	
29	H900066	1	Elbow, Exhaust	
30	S005171	1	Pipe, Exhaust Flex	
31	S005172	2	Clamp, Exhaust	
32	S200024	1	Tailpipe	
33	S200262	1	Tray, Engine	
34	S200268	1	Bracket, Air Filter	
35	4811900	5	Flatwasher M8	
36	Not Used			
37	1001091513	1	Bracket, Wiring Loom	
38	1001091514	1	Indicator, Filter Clog	
39	1001093794	1	Hub, Coupling	

SECTION 2 GROUND CONTROLS

FIGURE 2-8. ENGINE INSTALLATION (CONTINUED)

ITEM #	PART NUMBER	QTY.	DESCRIPTION	REV.
	H900047	Ref.	ENGINE/PUMP ASSEMBLY	E
101	4032009	A/R	Capscrew M10 x 25mm	
102	4832000	A/R	Lockwasher M10	
103	H004080	1	Flange, Pump Mounting	
104	1001093793	1	Flange, Coupling	
	See Note	1	Coupling Assembly (was p/n H004089)	
		Ref.	Note: P/N H004089 no longer available. Replace with p/n 1001093793 & p/n 1001093794.	
105	Not Used			B
106	H900048	1	Engine Assembly (See Items 201 - 225 for Breakdown)	
107	0760812	6	Bolt M8 x 25mm	
108	Not Used			
109	0100011	A/R	Compound, Locking	
	H900048	Ref.	ENGINE COMPONENTS	D
201	7027248	1	Dipstick	
202	7020465	1	Cap, Filler	
203	See Note	1	Pump, Oil Lube (Not Shown) (Note: Not Available for Purchase)	
	See Note	1	Seal Between Oil Pump & Engine Block (Not Shown) (Note: Not Available for Purchase)	
204	7016331	1	Filter, Oil	
205	See Note	1	Pump, Injector - A (Not Shown) (Note: Not Available for Purchase)	
	See Note	1	Pump, Injector - B (Not Shown) (Note: Not Available for Purchase)	
	See Note	1	Pump, Injector - C (Not Shown) (Note: Not Available for Purchase)	
	See Note	1	Pump, Injector - D (Not Shown) (Note: Not Available for Purchase)	
	See Note	4	Gasket (1 per Injector) (Not Shown) (Note: Not Available for Purchase)	
206	7020023	1	Filter, Fuel	
207	7027238	1	Pump Fuel Supply	
	7020411	1	Seal Between Fuel Pump & Engine Block (Not Shown)	
208	See Note	4	Gasket, Intake Manifold (Not Shown) (Note: Not Available for Purchase)	
209	7020414	1	V-Belt (Not Shown)	
210	See Note	4	Gasket, Exhaust Manifold to Engine Block (Not Shown) (Note: Not Available for Purchase)	
	See Note	1	Gasket, Exhaust Manifold to Exhaust Pipe (Not Shown) (Note: Not Available for Purchase)	
211	H004087	1	Muffler	
212	70000059	1	Starter	
	7026608	1	Solenoid, Starter	
213	Not Used			
214	See Note	1	Sender, Temperature (Not Shown) (Note: Not Available for Purchase)	
	See Note	1	Ring, Sealing (Note: Not Available for Purchase)	

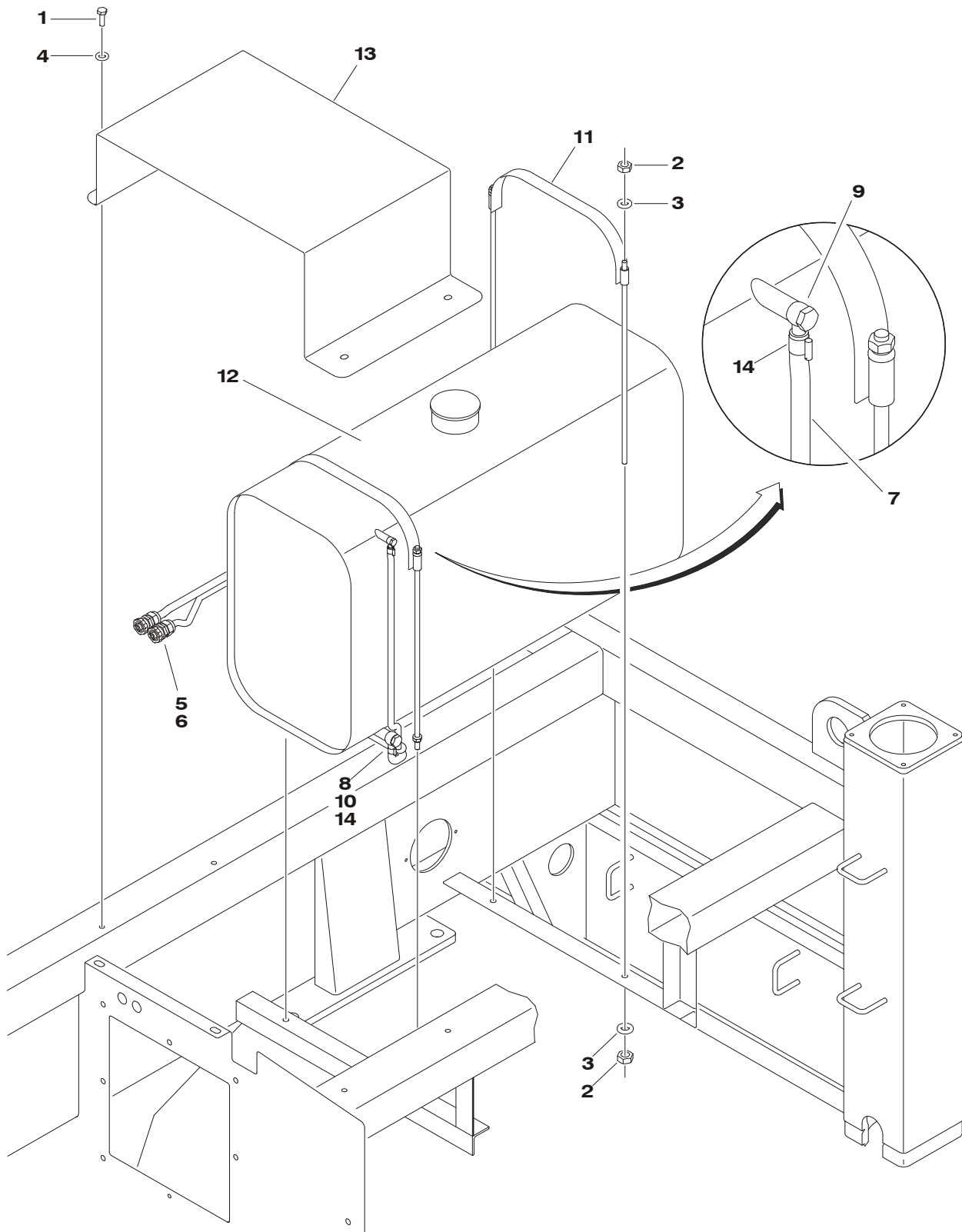
SECTION 2 GROUND CONTROLS

FIGURE 2-8. ENGINE INSTALLATION (CONTINUED)

ITEM #	PART NUMBER	QTY.	DESCRIPTION	REV.
215	See Note	1	Switch, Oil Pressure (Not Shown) (Note: Not Available for Purchase)	
216	70000062	1	Solenoid, Shutdown (Bolts to Front of Engine - Not Shown)	
	70000061	1	Spring	
217	7027239	1	Solenoid, Start (Threads into Side of Front Cover - Not Shown)	
218 to 219	Not Used			
220	See Note	4	Plug, Glow (Not Shown) (Note: Not Available for Purchase)	
221	See Note	1	Thermostat (Not Shown) (Note: Not Available for Purchase)	
222	Not Used			
223	See Note	1	Flywheel (Not Shown) (Note: Not Available for Purchase)	
224	7024579	1	Gear, Ring (Not Shown)	
225	7027245	1	Filter, Fuel In-line	
226	H005224	1	Solenoid, Throttle	
	70000055	1	Solenoid	
	70000056	1	Cable, Electrical	
227	70001136	1	Mount, Motor (LH Front)	
	70001137	1	Mount, Motor (RH Front)	
228	70001138	2	Mount, Motor (Rear)	

SECTION 2 GROUND CONTROLS

FIGURE 2-9. FUEL TANK INSTALLATION



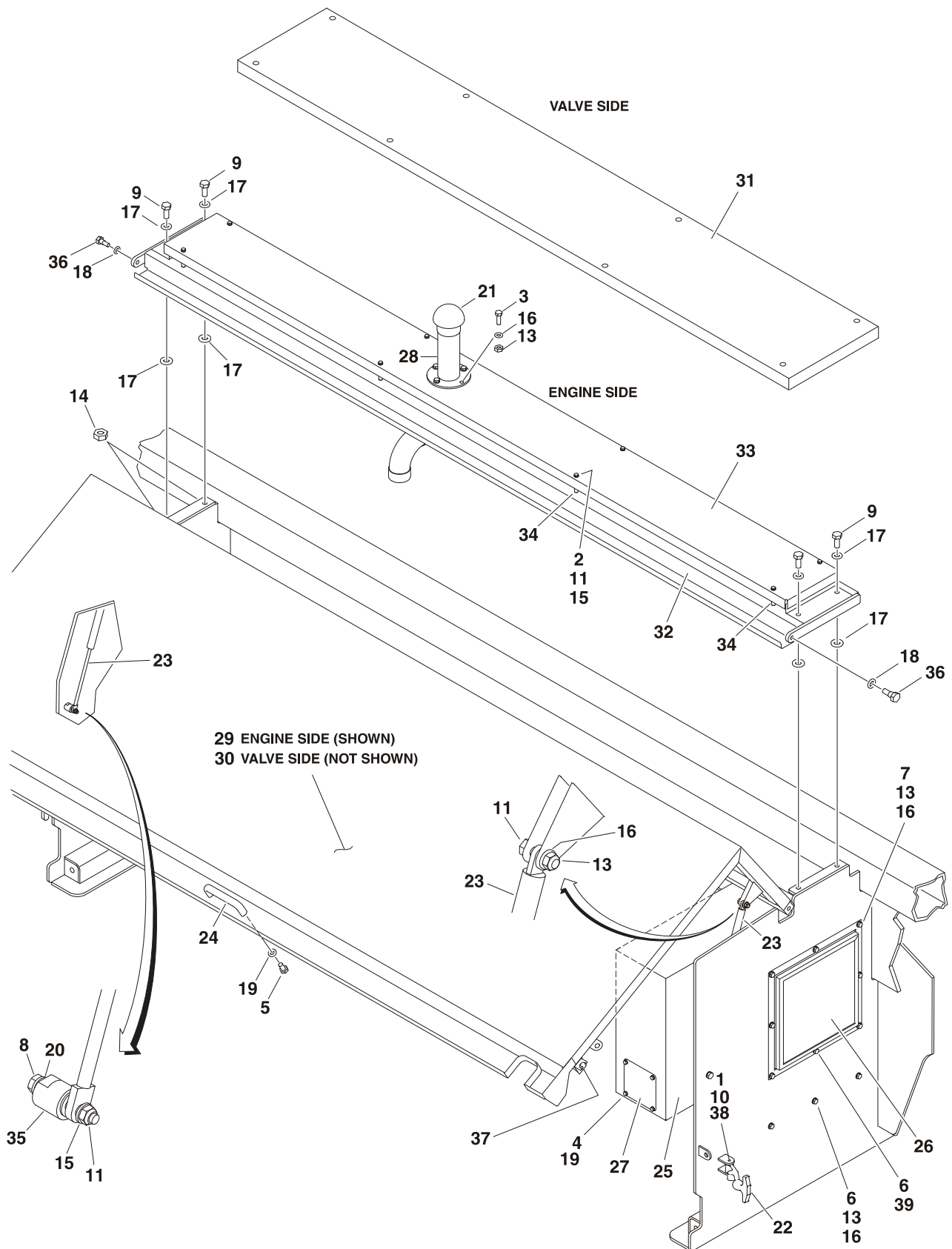
SECTION 2 GROUND CONTROLS

FIGURE 2-9. FUEL TANK INSTALLATION

ITEM #	PART NUMBER	QTY.	DESCRIPTION	REV.
	0275613	Ref.	FUEL TANK INSTALLATION	G
1	0761006	4	Bolt M10 x 12mm	
2	3290805	8	Nut M8	
3	4831900	8	Lockwasher M8	
4	4832000	4	Lockwasher M10	
5	E900051	2	Connector, Stain Relief	
6	E900052	2	Nut, Strain Relief	
7	H000038	4.5m/15ft	Hose (5.5mm)	
8	H000039	3m/10ft	Hose (7.5mm)	
9	H000048	1	Fitting, Hose	
10	H000049	1	Fitting, Hose	
11	H000051	2	Strap, Fuel Tank	
12	H000412	1	Tank, Fuel	
	70000902	1	Cap, Fuel	
13	S900273	1	Shield, Fuel Tank	
14	H000040	4	Clamp	
15	8007986	A/R	Mount, Tie Strap (Not Shown)	

SECTION 2 GROUND CONTROLS

FIGURE 2-10. HOODS INSTALLATION



SECTION 2 GROUND CONTROLS

FIGURE 2-10. HOODS INSTALLATION

ITEM #	PART NUMBER	QTY.	DESCRIPTION	REV.
	0275469	Ref. Ref	HOODS AND COVERS INSTALLATION Note: Replacement decals must be ordered separately - See Section 8.	G
1	0700518	4	Bolt M5 x 55mm	
2	1001096653	8	Bolt M6 x 70mm	
3	0700812	4	Bolt M8 x 25mm	
4	0760605	4	Bolt M6 x 10mm	
5	0760608	4	Bolt M6 x 16mm	
6	0760812	4	Bolt M8 x 25mm	
7	0760814	7	Bolt M8 x 30mm	
8	0761010	4	Bolt M10 x 20mm	
9	0761012	8	Bolt M10 x 25mm	
10	3290505	4	Locknut M5	
11	3290605	12	Locknut M6	
12	Not Used			
13	3290805	18	Locknut M8	
14	3291005	8	Locknut M10	
15	4811700	20	Flatwasher M6	
16	4811900	36	Flatwasher M8	
17	4812000	16	Flatwasher M10	
18	4832100	4	Lockwasher M12	
19	4831700	8	Lockwasher M6	
20	4832000	4	Lockwasher M10	
21	1001091761	1	Cap, Rain (was p/n H005235)	
22	S000056	4	Strap, Hood	
23	S000246	4	Spring, Gas	
24	S001676	2	Handle	
25	S200270	1	Shroud, Fan	
26	S200271	1	Screen, Safety	
27	S200272	1	Cover, Access	
28	S900005	1	Pipe, Air Intake	
29	S900055	1	Hood (Left)	
30	S900056	1	Hood (Right)	
31	S900057	1	Panel, Cabinet Top (Right)	
32	S900058	1	Panel, Cabinet Top (Left)	
33	S900059	1	Cover, Cabinet Top Panel (Left)	
34	S900060	8	Spacer	
35	S900078	4	Pin, Hood Strut Mounting	
36	S900079	4	Bolt, Special	
37	3820408	8	Rivet	
38	4811600	8	Flatwasher M5	
39	4831900	1	Lockwasher M8	
40	0760815	4	Bolt M8 x 35mm	

SECTION 2 GROUND CONTROLS

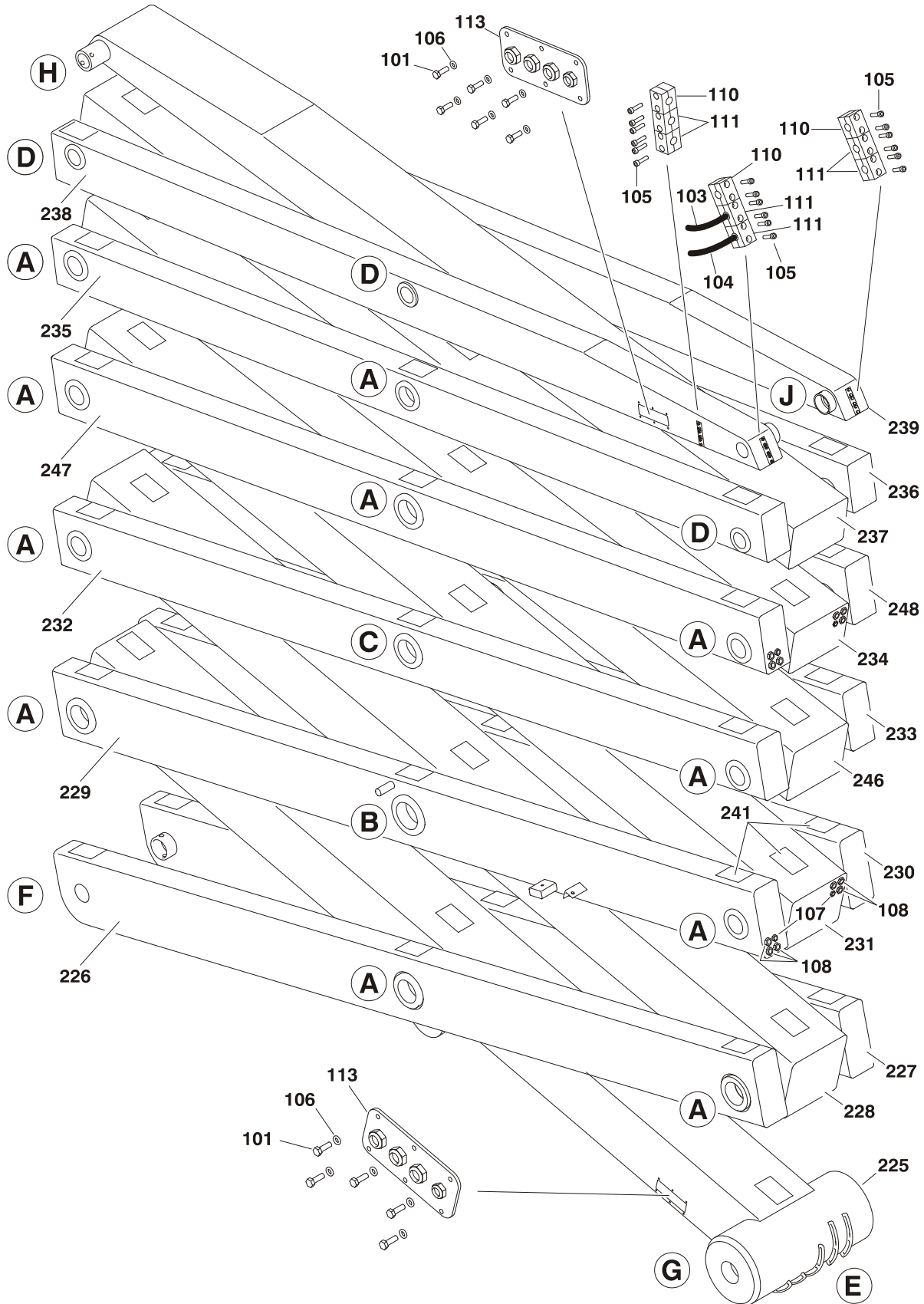
FIGURE 2-10. HOODS INSTALLATION (CONTINUED)

ITEM #	PART NUMBER	QTY.	DESCRIPTION	REV.

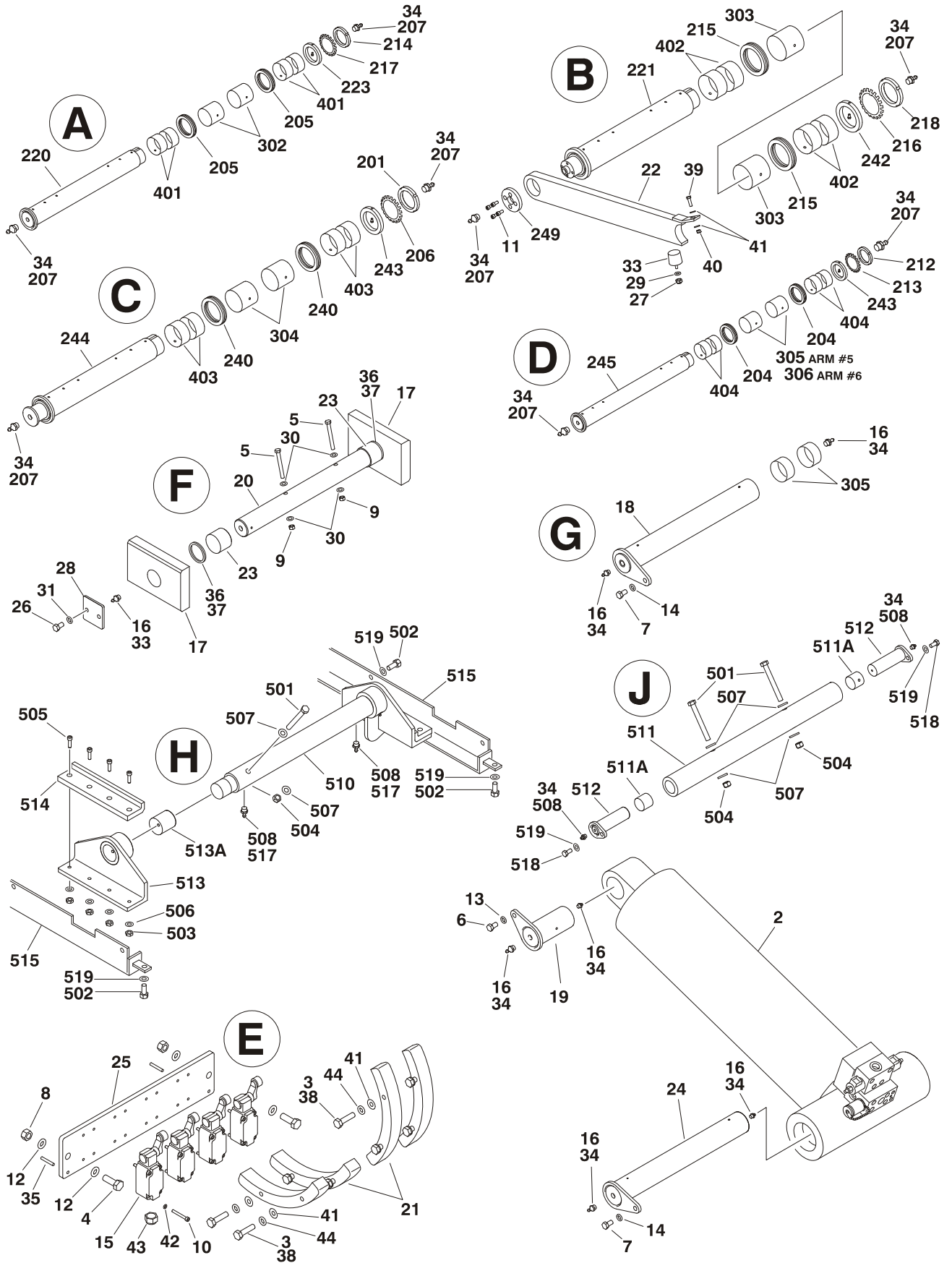
SECTION 3 SCISSORS ARMS

SECTION 3 SCISSORS ARMS

FIGURE 3-1. SCISSORS ARMS INSTALLATION



SECTION 3 SCISSORS ARMS



SECTION 3 SCISSORS ARMS

FIGURE 3-1. SCISSORS ARMS INSTALLATION

ITEM #	PART NUMBER	QTY.	DESCRIPTION	REV.
	0275623	Ref.	SCISSOR ARMS INSTALLATION	F
1	Not Used			
2	0275624	1	Lift Cylinder with Valves Assembly (See Section 5 for Breakdown)	
3	0701014	8	Bolt M10 x 30mm	
4	0701217	2	Bolt M12 x 45mm	
5	0701631	2	Bolt M16 x 140mm	
6	0761215	1	Bolt M12 x 35mm	
7	0762015	2	Bolt M20 x 35mm	
8	3291207	2	Locknut M12	
9	3291605	2	Locknut M16	
10	4031612	16	Bolt M16 x 40mm	
11	4031908	4	Bolt M8 x 20mm	
12	4812100	4	Flatwasher M12	
13	4832100	1	Lockwasher M12	
14	4832500	2	Lockwasher M20	
15	E000376	4	Switch, Limit	
16	2160016	7	Fitting, Grease	
17	S004035	2	Block, Slide	
18	S007034	1	Pin	
19	S007035	1	Pin	
20	S007036	1	Pin	
21	S200134	4	Cam	
22	S201017	1	Prop, Safety	
23	S201024	2	Spacer	
24	S900074	1	Pin	
25	S900075	1	Plate, Switch Mounting	
26	0760605	4	Bolt M6 x10mm	
27	3290805	1	Locknut M8	
28	S900054	2	Plate, Cover	
29	4811900	1	Flatwasher M8	
30	4812300	4	Flatwasher M16	
31	4831700	4	Lockwasher M6	
32	Not Used			
33	S001594	1	Bumper	
34	S000142	39	Cap, Grease Fitting	
35	3440816	2	Rollpin	
36	S900331	A/R	Shim 2mm	
37	S900332	A/R	Shim 3mm	
38	0100019	A/R	Locking, Compound	
39	0761015	1	Bolt M10 x 35mm	
40	3291005	1	Locknut M10	
41	4812000	10	Flatwasher M10	
42	4831600	16	Lockwasher M5	
43	E000269	4	Strain Relief, M20	
44	4832000	8	Lockwasher M10	

SECTION 3 SCISSORS ARMS

FIGURE 3-1. SCISSORS ARMS INSTALLATION (CONTINUED)

ITEM #	PART NUMBER	QTY.	DESCRIPTION	REV.
	0275444	Ref.	SCISSOR ARMS & CABLE SUB-ASSEMBLY	F
101	0700812	12	Bolt M8 x 25mm	
102	Not Used			
103	2754477	1	Hose	
104	2754516	1	Hose	
105	4031709	18	Bolt M6 x 25mm	
106	4831900	12	Lockwasher M8	
107	E000016	12	Connector, Strain Relief	
108	E000045	36	Connector, Strain Relief	
109	Not Used			
110	H000371	3	Clamp, Cable	
111	H000430	6	Clamp, Cable	
112	Not Used			
113	S900223	2	Cover	
	S900076	Ref.	SCISSOR ARMS ASSEMBLY	H
201	S000021	1	Nut, M90	
202 to 203	Not Used			
204	S000123	6	Bearing, Ball Thrust	
205	S000124	22	Bearing, Ball Thrust	
206	S000129	1	Retaining Washer MB18	
207	2160016	32	Fitting, Grease	
208 to 211	Not Used			
212	S000191	3	Nut M60	
213	S000233	3	Retaining Washer, 60mm	
214	S000234	11	Retaining Washer, 80mm	
215	S001237	2	Bearing, Ball Thrust	
216	S001238	1	Retaining Washer MB20	
217	S001240	11	Nut M80	
218	S001241	1	Nut, 100mm	
219	Not Used			
220	S007116	11	Pin, 90 mm	
221	S007117	1	Pin, 120 mm	
222	S200090	3	Washer & Pin	
223	S200092	11	Washer & Pin	
224	Not Used			
225	S201025	1	Arm #1 Inner (See Items 301 to 306 for Breakdown)	
226	S201026	1	Arm RH #1 Outer (See Items 401 to 404 for Breakdown)	
227	S201027	1	Arm LH #1 Outer (See Items 401 to 404 for Breakdown)	
228	S201028	1	Arm #2 Inner (See Items 301 to 306 for Breakdown)	
229	S201029	1	Arm RH #2 Outer (See Items 401 to 404 for Breakdown)	
230	S201030	1	Arm LH #2 Outer (See Items 401 to 404 for Breakdown)	
231	S201031	1	Arm #3 Inner (See Items 301 to 306 for Breakdown)	
232	S201032	1	Arm RH #3 Outer (See Items 401 to 404 for Breakdown)	
233	S201033	1	Arm LH #3 Outer (See Items 401 to 404 for Breakdown)	
234	S201034	1	Arm #5 Inner (See Items 301 to 306 for Breakdown)	
235	S201035	1	Arm RH #5 Outer (See Items 401 to 404 for Breakdown)	

SECTION 3 SCISSORS ARMS

FIGURE 3-1. SCISSORS ARMS INSTALLATION (CONTINUED)

ITEM #	PART NUMBER	QTY.	DESCRIPTION	REV.
236	S201036	1	Arm LH #5 Outer (See Items 401 to 404 for Breakdown)	
237	S201037	1	Arm #6 Inner (See Items 301 to 306 for Breakdown)	
238	S201038	1	Arm RH #6 Outer (See Items 401 to 404 for Breakdown)	
239	S201039	1	Arm LH #6 Outer (See Items 401 to 404 for Breakdown)	
240	S201582	2	Bearing, Ball Thrust	
241	S900240	95	Pad	
242	S900257	1	Washer & Pin	
243	S900258	1	Washer & Pin	
244	S900259	1	Pin, 100 mm	
245	S900260	3	Pin, 75 mm	
246	S900261	1	Arm #4 Inner (See Items 301 to 306 for Breakdown)	
247	S900262	1	Arm RH #4 Outer (See Items 401 to 404 for Breakdown)	
248	S900263	1	Arm LH #4 Outer (See Items 401 to 404 for Breakdown)	
249	S200175	1	Lockwasher	
		Ref.	INNER SCISSOR ARM WELDMENTS	
	S201025	Ref.	Arm #1 Inner	F
	S201028	Ref.	Arm #2 Inner	D
	S201031	Ref.	Arm #3 Inner	C
	S900261	Ref.	Arm #4 Inner	C
	S201034	Ref.	Arm #5 Inner	C
	S201037	Ref.	Arm #6 Inner	C
301	S000118	6	Bushing, 90 x 60mm (S201025 qty 2 & S201035 qty 4)	
302	S000182	18	Bushing, 90 x 90mm (S201025 qty 4, S201028 qty 4, S201031 qty 4 & S900261 qty 6)	
303	S000189	2	Bushing, 120 x 100mm (SS201028 qty 2)	
304	S200911	2	Bushing, 100 x 80mm (S201031 qty 2)	
305	S000116	2	Bushing, 75 x 60mm (S201035 qty 2)	
306	S000188	4	Bushing, 75 x 80mm (S201037 qty 4)	
		Ref.	OUTER SCISSOR ARM WELDMENTS	
	S201026	Ref.	Arm RH #1 Outer	D
	S201027	Ref.	Arm LH #1 Outer	D
	S201029	Ref.	Arm RH #2 Outer	E
	S201030	Ref.	Arm LH #2 Outer	D
	S201032	Ref.	Arm RH #3 Outer	C
	S201033	Ref.	Arm LH #3 Outer	C
	S900262	Ref.	Arm RH #4 Outer	C
	S900263	Ref.	Arm LH #4 Outer	C
	S201035	Ref.	Arm RH #5 Outer	C
	S201036	Ref.	Arm LH #5 Outer	C
	S201038	Ref.	Arm RH #6 Outer	C
	S201039	Ref.	Arm LH #6 Outer	C
401	S000118	44	Bushing, 90 x 60mm (S201026 qty4, S201027 qty4, S201029 qty4, S201030 qty4, S201032 qty4, S201033 qty4, S900262 qty6, S900263 qty6, S201035 qty4 & S201036 qty4)	
402	S000187	4	Bushing, 120 x 60mm (S201029 qty2 & S201030 qty2)	
403	S001494	4	Bushing, 100 x 60mm (S201032 qty2 & S201033 qty2)	

SECTION 3 SCISSORS ARMS

FIGURE 3-1. SCISSORS ARMS INSTALLATION (CONTINUED)

ITEM #	PART NUMBER	QTY.	DESCRIPTION	REV.
404	S000116	12	Bushing, 75 x 60mm (S201035 qty2, S201036 qty2, S201038 qty4 & S201036 qty4)	
	0275418	Ref.	SCISSOR ARMS TO PLATFORM ATTACHMENT INSTALLATION	F
501	0701630	3	Bolt M16 x 130mm	
502	0761010	14	Bolt M10 x 20mm	
503	3291005	8	Locknut M10	
504	3291605	3	Locknut M16	
505	4032011	8	Capscrew M10 x 35mm	
506	4812000	8	Flatwasher M10	
507	4812300	6	Flatwasher M16	
508	2160016	4	Fitting, Grease	
509	Not Used			
510	S007037	1	Pin	
511	S007038	1	Pin	
511A	S000227	2	Bushing, 40 x 50mm	
512	S007039	2	Pin	
513	S200096	2	Support, Slide	
513A	S000178	2	Bushing, 60 x 60mm	
514	S200097	2	Pad, Wear	
515	S200237	2	Bracket, Slide Constraint	
516	Not Used			
517	S000142	4	Cap, Grease Fitting	
518	0761012	2	Bolt M10 x 25mm	
519	4832000	16	Lockwasher M10	

SECTION 3 SCISSORS ARMS

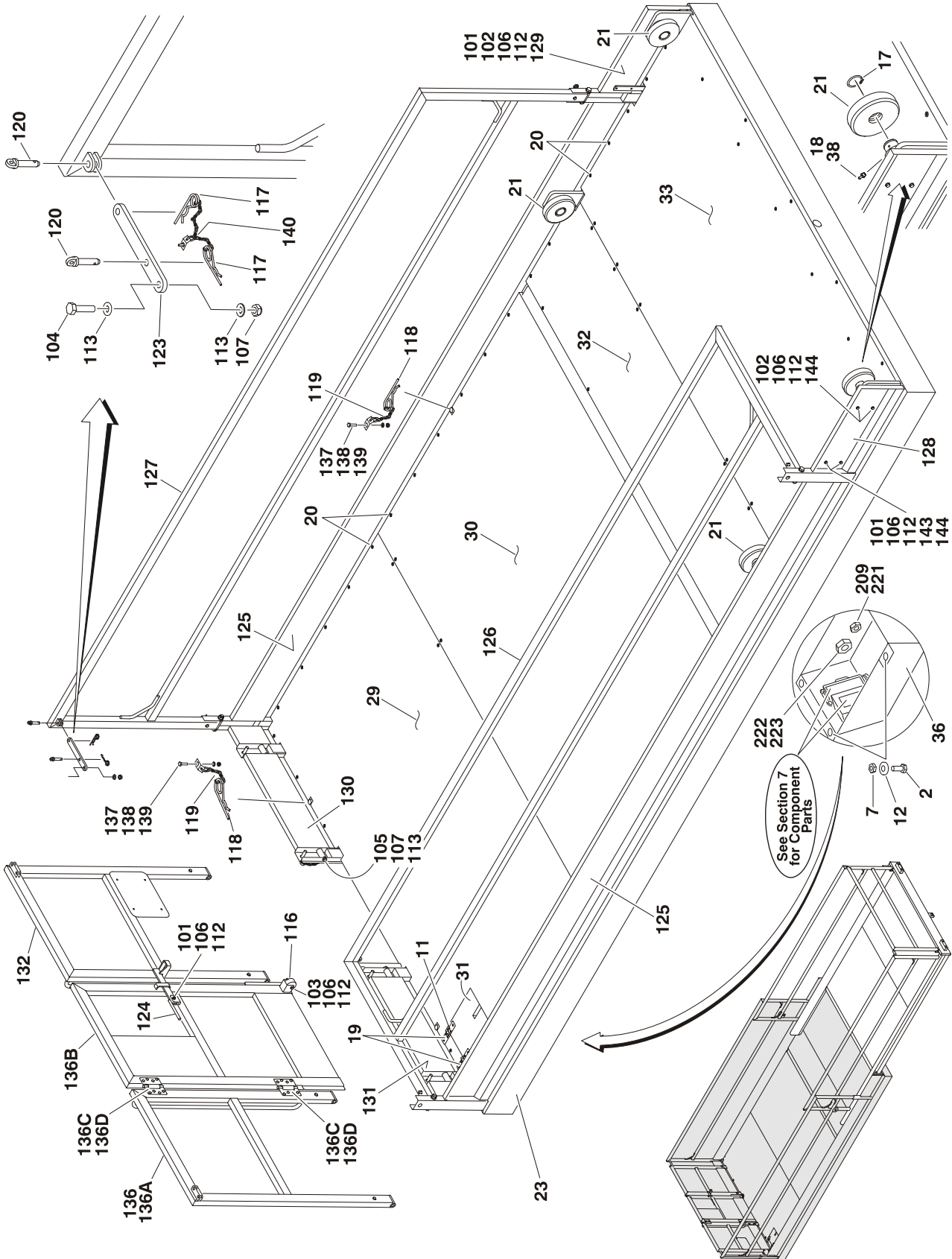
FIGURE 3-1. SCISSORS ARMS INSTALLATION (CONTINUED)

ITEM #	PART NUMBER	QTY.	DESCRIPTION	REV.

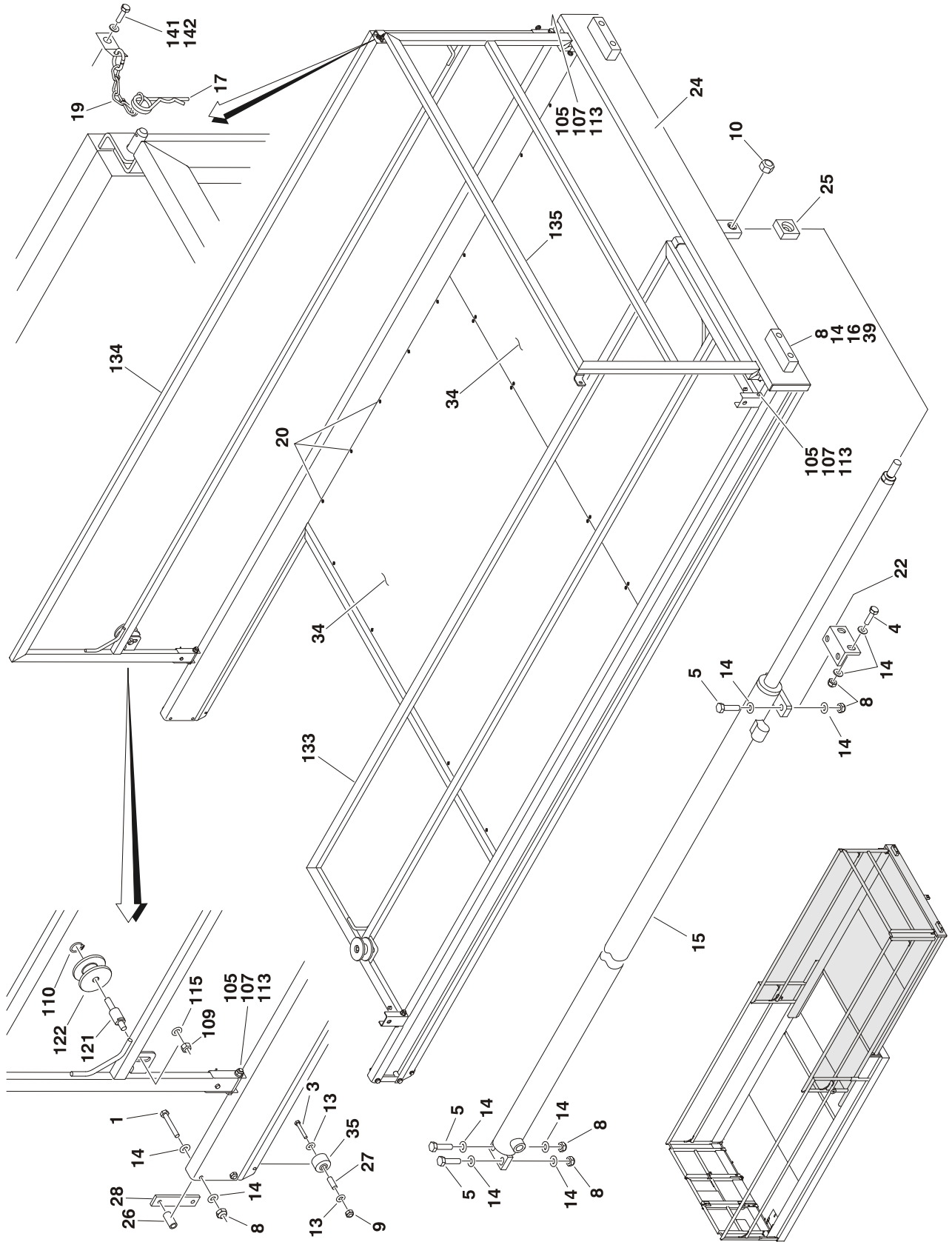
SECTION 4 PLATFORM

SECTION 4 PLATFORM

FIGURE 4-1. PLATFORM AND ACCESSORIES INSTALLATION



SECTION 4 PLATFORM



SECTION 4 PLATFORM

FIGURE 4-1. PLATFORM AND ACCESSORIES INSTALLATION

ITEM #	PART NUMBER	QTY.	DESCRIPTION	REV.
	0275419	Ref.	PLATFORM AND EXTENSION INSTALLATION	K
		Ref.		
			Note: Replacement decals must be purchased separately - See Section 8.	
1	0701022	4	Bolt M10 x 70mm	
2	0760610	4	Bolt M6 x 20mm	
3	0760819	2	Bolt M8 x 55mm	
4	0761015	2	Bolt M10 x 35mm	
5	0761016	4	Bolt M10 x 40mm	
6	Not Used			
7	3290605	4	Nut M6	
8	3291005	14	Nut M10	
9	3290805	2	Nut M8	
10	3291605	1	Nut M16	
11	3900376	12	Capscrew M4.2 x 13mm	
12	4811700	8	Flatwasher M6	
13	4811900	4	Flatwasher M8	
14	4812000	28	Flatwasher M10	
15	H900013	1	Extension Cylinder Assembly (See Section 5 for Breakdown)	
16	S000055	2	Bumper	
17	3760491	4	Snap Ring	
18	2160016	4	Fitting, Grease	
19	S000237	2	Hinge	
20	S001445	A/R	Screw, Self-Tapping	
21	S005049	4	Roller	
22	S200226	1	Bracket, Extension Cylinder	
23	S201068	1	Platform Weldment	
24	S201080	1	Extension Deck Weldment	
25	S900015	1	Block, Cylinder Rod Attaching	
26	S900016	4	Spacer	
27	S900017	2	Spacer	
28	S900018	2	Plate, Stop	
29	S900028	1	Plate, Main Deck Front Floor	
30	S900029	1	Plate, Main Deck Front Middle Floor	
31	S900030	1	Door, Connector Compartment	
32		1	Plate, Main Deck Rear Middle Floor Options:	
	S900031		Prior to S/N 1200015549	
	1001092804		S/N 1200015549 to Present	
33		1	Plate, Main Deck Rear Floor Options:	
	S900032		Prior to S/N 1200015549	
	1001092805		S/N 1200015549 to Present	
34	S900033	2	Plate, Extension Deck Floor	
35	S900155	2	Roller	
36	S900229	1	Connector Compartment	
37	Not Used			
38	S000142	4	Cap, Grease Fitting	
39	0701025	4	Bolt M10 x 85mm	

SECTION 4 PLATFORM

FIGURE 4-1. PLATFORM AND ACCESSORIES INSTALLATION (CONTINUED)

ITEM #	PART NUMBER	QTY.	DESCRIPTION	REV.
	0275420	Ref.	PLATFORM AND EXTENSION RAILS INSTALLATION	F
101	0700614	A/R	Bolt M6 x 30mm	
102		4	Bolt Options:	
	0700615		Prior to S/N 1200016566 (M6 x 35mm)	
	0760805		S/N 1200016566 to Present (M8 x 10mm)	
103	0700619	1	Bolt M6 x 55mm	
104	0701016	2	Bolt M10 x 40mm	
105	0701024	14	Bolt M10 x 80mm	
106	3290605	A/R	Nut M6	
107	3291005	16	Nut M10	
108	Not Used			
109	3291605	2	Nut M16	
110	3760518	2	Ring, Retaining	
111	Not Used			
112	4811700	A/R	Flatwasher M6	
113	4812000	32	Flatwasher M10	
114	Not Used			
115	4812300	2	Flatwasher M16	
116	S000031	1	Roller	
117	S000145	20	Hairpin, Spring M3	
118	S000510	4	Hairpin, Spring M4	
119	S001443	18	Chain	
120	S200223	4	Pin	
121	S200230	2	Pin	
122	S200231	2	Roller	
123	S200233	2	Link	
124	S200238	1	Latch	
125	S201070	2	Kickplate, Side	
126	S201071	1	Rail, Left Side	
127	S201072	1	Rail, Right Side	
128	S201073	1	Kickplate, Left Bolted	
129	S201074	1	Kickplate, Right Bolted	
130	S201075	1	Kickplate, Right Front	
131	S201076	1	Kickplate, Left Front	
132	1001101880	1	Rail, Right Front	
133	S201081	1	Rail, Left Extension	
134	S201082	1	Rail, Right Extension	
135	S201083	1	Rail, Rear Extension	
136	S900237	1	Gate & Left Rail Assembly	
136A	1001101879	1	Rail, Left Front	
136B	1001101876	1	Gate	
136C	2600281	2	Hinge	
136D	2080040	16	Rivet	
137	0760810	4	Bolt M8 x 20mm	
138	3290805	4	Nut M8	
139	4811900	4	Flatwasher M8	
140	S900275	4	Chain	
141	0760605	2	Bolt M6 x 10mm	

SECTION 4 PLATFORM

FIGURE 4-1. PLATFORM AND ACCESSORIES INSTALLATION (CONTINUED)

ITEM #	PART NUMBER	QTY.	DESCRIPTION	REV.
142	4831700	2	Lockwasher M6	
143	0760805	4	Bolt M8 x 10mm	
144	4831900	8	Lockwasher M8	
	0275639	Ref.	RECEPTACLES INSTALLATION	H
201 to 208	Not Used			
209	E000016	1	Connector, Strain Relief (was p/n 4460071)	
210 to 220	Not Used			
221	1001097369	1	Nut, Strain Relief	
222	1001097370	1	Nut, Strain Relief	
223	E000045	1	Connector, Strain Relief	

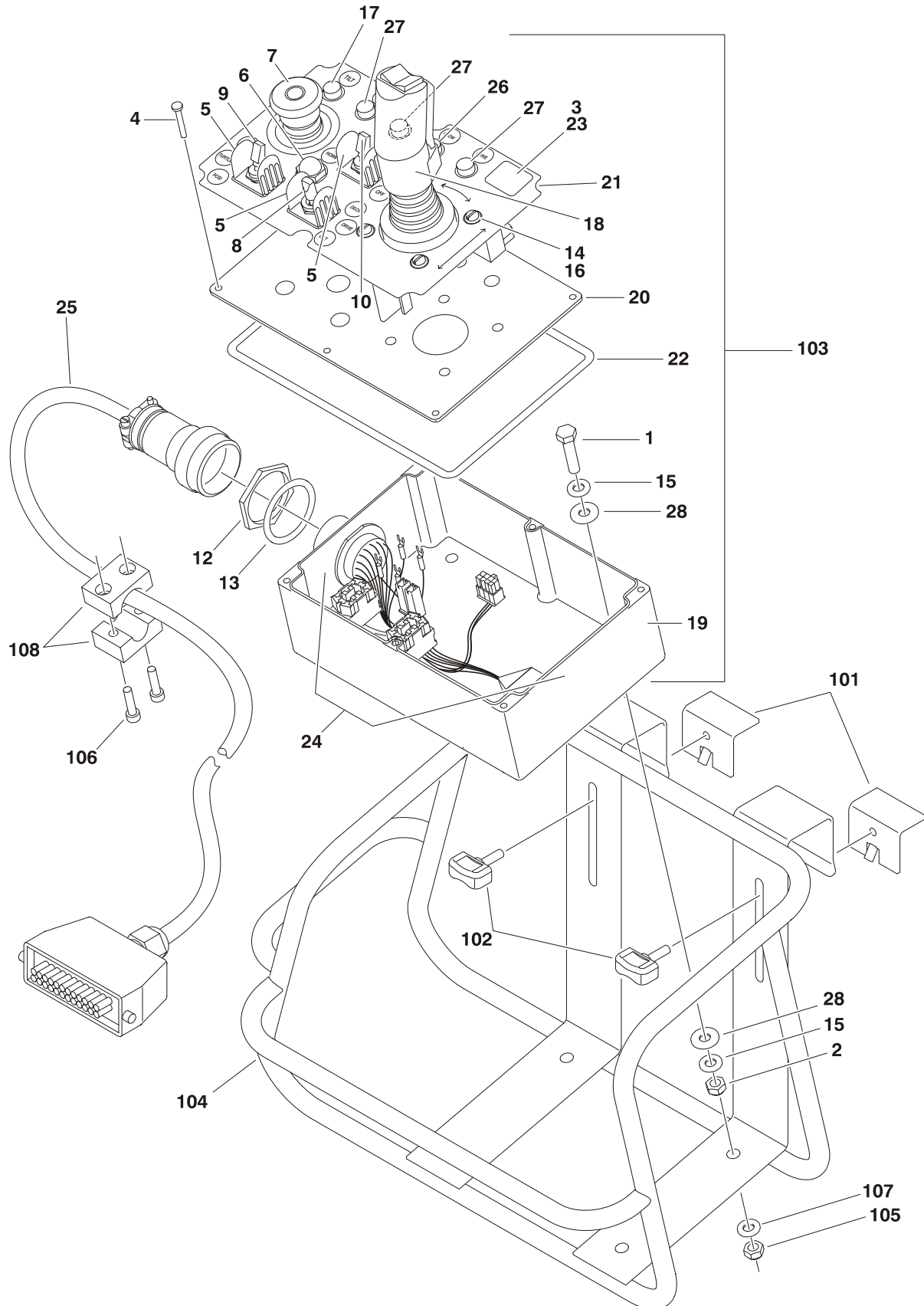
SECTION 4 PLATFORM

FIGURE 4-1. PLATFORM AND ACCESSORIES INSTALLATION (CONTINUED)

ITEM #	PART NUMBER	QTY.	DESCRIPTION	REV.

SECTION 4 PLATFORM

FIGURE 4-2. PLATFORM CONSOLE ASSEMBLY & INSTALLATION



SECTION 4 PLATFORM

FIGURE 4-2. PLATFORM CONSOLE ASSEMBLY & INSTALLATION

ITEM #	PART NUMBER	QTY.	DESCRIPTION	REV.
	E900026	Ref.	PLATFORM CONSOLE ASSEMBLY	F
1	0760508 0760815	4	Bolt Options: Prior to S/N 1200016338 (M5 x 16mm) S/N 1200016338 to Present (M8 x 35mm)	
2	3290505 3290805	4	Locknut Options: Prior to S/N 1200016338 (M5 Locknut) S/N 1200016338 to Present (M8 Locknut)	
3	3520060	1	Plug	
4	4010414	6	Screw M4 x 30mm	
5	4060802	3	Guard, Switch	
6	4360387	1	Switch, Push Button	
7	4360475	1	Switch, Emergency Stop	
	7020175	1	Cap, Red	
	7020176	1	Block, Contact	
8	4360525	1	Switch, Toggle	
9	4360693	1	Switch, Toggle	
10	4360698	1	Switch, Toggle	
11	4460121	1	Cap, Wire (Not Shown)	
12	4460470	1	Nut, Terminal	
13	4460471	1	Lockwasher, Terminal	
14	4740120	4	Washer, Nylon	
15		A/R	Flatwasher Options:	
	4811600	4	Prior to S/N 1200016338 (M5 Flatwasher)	
	4811900	8	S/N 1200016338 to Present (M8 Flatwasher)	
16	8303891	4	Screw #10-32NF x 3/4"	
17	E000419	1	Light, LED (Red)	
18	E900025	1	Drive/Steer Controller Assembly (See Figure 4-3 for Breakdown)	
19	1001096367	1	Box, Control (was p/n E900028)	
20	E900029		Lid, Control Box	
21	E900030	1	Decal, Console	
22	E900031	1	Seal	
23	E900036	1	Decal	
24	E900041	1	Harness, Platform Console Box (See Section 7 for Breakdown)	
25	E900042	1	Harness, Jumper (See Section 7 for Breakdown)	
26	E900048	1	Light, LED (Yellow)	
27	E900049	3	Light, LED (Green)	
28	4811902	8	Flatwasher M8 (Large O.D. - S/N 1200016338 to Present Only)	
	0275673	Ref.	PLATFORM CONSOLE INSTALLATION	C
101	0181847	2	Clamp, Console Bracket	
102	2560141	2	Screw, Thumb	
103	E900026	1	Console Assembly, Platform (see Items 1 - 28 for Breakdown)	
104	S000009	1	Bracket, Console Panel Options: Prior to S/N 1200016338 S/N 1200016338 to Present	
105	1001096366 3290805	4	Locknut M8	
106	4031709	2	Screw M6 x 25mm	

SECTION 4 PLATFORM

FIGURE 4-2. PLATFORM CONSOLE ASSEMBLY & INSTALLATION (CONTINUED)

ITEM #	PART NUMBER	QTY.	DESCRIPTION	REV.
107	4811900	4	Flatwasher M8	
108	H000371	1	Clamp	

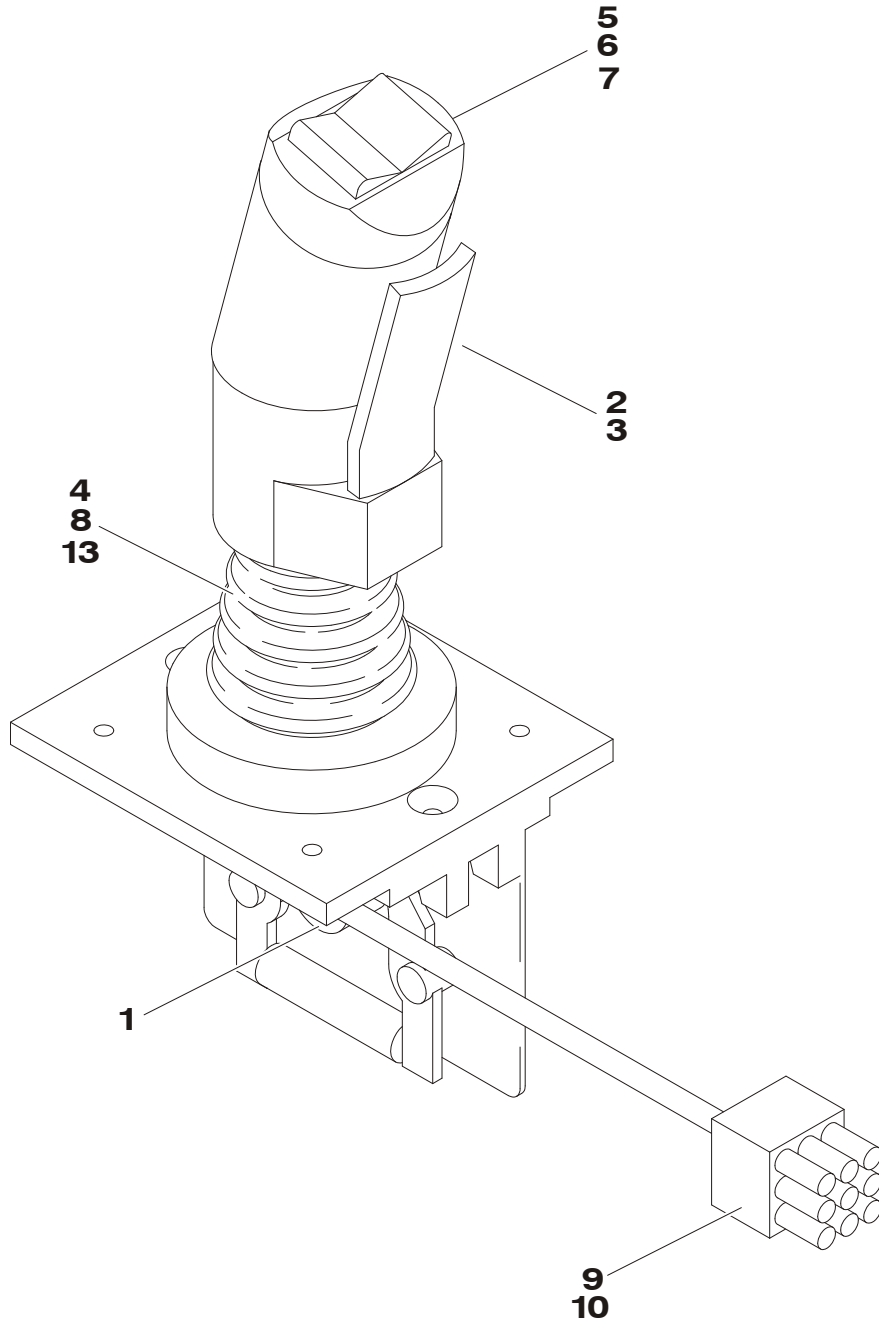
SECTION 4 PLATFORM

FIGURE 4-2. PLATFORM CONSOLE ASSEMBLY & INSTALLATION (CONTINUED)

ITEM #	PART NUMBER	QTY.	DESCRIPTION	REV.

SECTION 4 PLATFORM

FIGURE 4-3. DRIVE/STEER CONTROLLER ASSEMBLY



SECTION 4 PLATFORM

FIGURE 4-3. DRIVE/STEER CONTROLLER ASSEMBLY

ITEM #	PART NUMBER	QTY.	DESCRIPTION	REV.
	E900025	Ref.	DRIVE/STEER CONTROLLER ASSEMBLY	B
1	7000081	1	Potentiometer	
2	7027367	1	Switch, Push Button (Not Shown - Located Behind Item #3)	
3	7027765	1	Lever, Enabler	
4	7027766	1	Ring, Retaining	
5	7000082	1	Microswitch	
6	7000083	1	Coupler, Microswitch	
7	7000084	1	Cap, Rubber	
8	7000085	1	Boot, Rubber	
9	4460265	1	Plug, Male - 9 Pin	
10	4460226	6	Socket, Female	
11	4460266	1	Connector, Receptacle - 9 Pin (Not Shown - Part of Console Harness)	
12	4460267	6	Pin, Male (Not Shown - Part of Console Harness)	
13	70000685	1	Washer, Plastic Bushing	
14	70000684	A/R	Screw, Handle (Not Shown)	
15	See Note	A/R	Nut, Handle (Not Shown) (Note: Not Available for Purchase)	
16	70000683	A/R	Washer, Neoprene (Not Shown)	
17	70000686	A/R	Screw, Handle (Not Shown)	

SECTION 4 PLATFORM

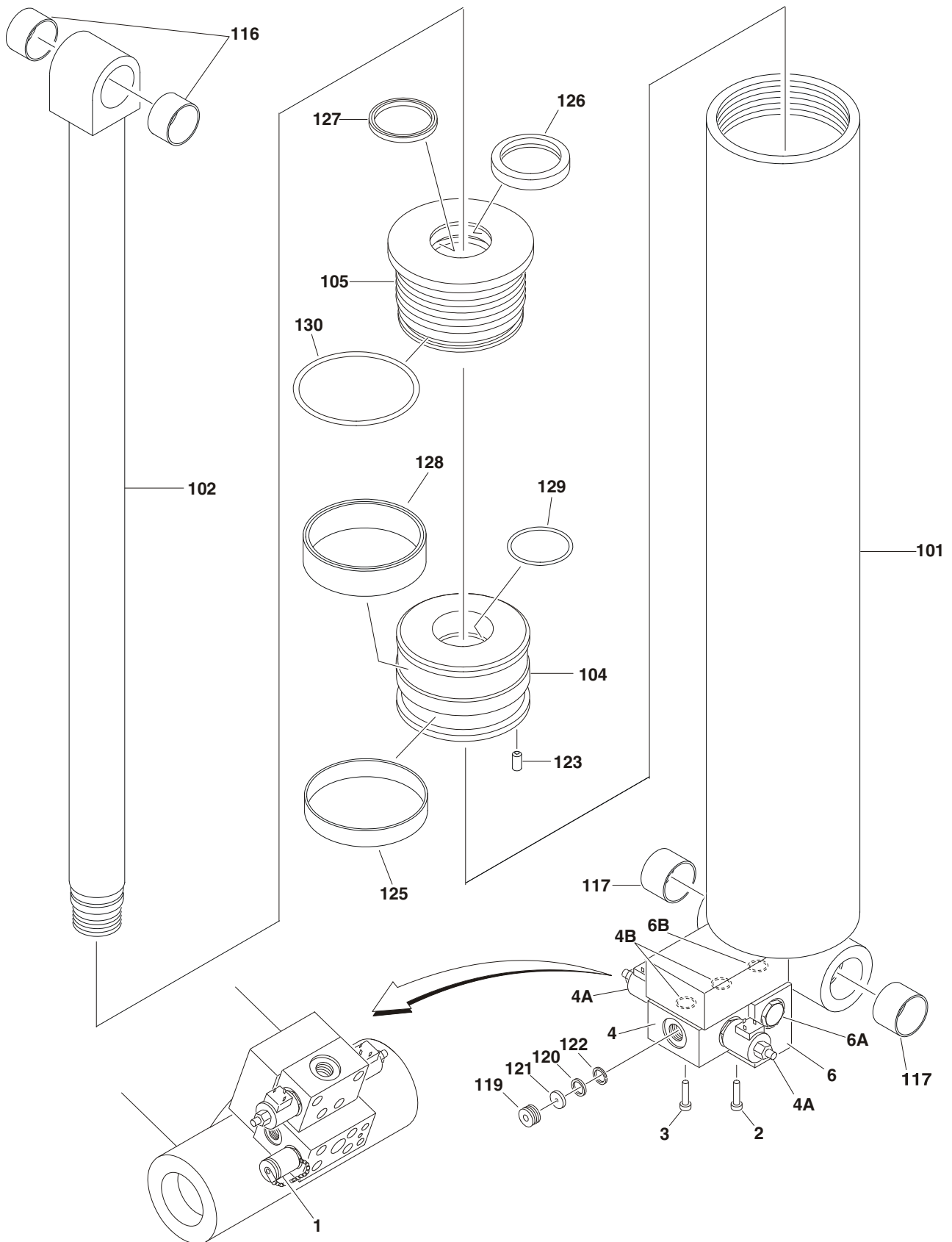
FIGURE 4-3. DRIVE/STEER CONTROLLER ASSEMBLY (CONTINUED)

ITEM #	PART NUMBER	QTY.	DESCRIPTION	REV.

SECTION 5 CYLINDER

SECTION 5 CYLINDER

FIGURE 5-1. LIFT CYLINDER ASSEMBLY



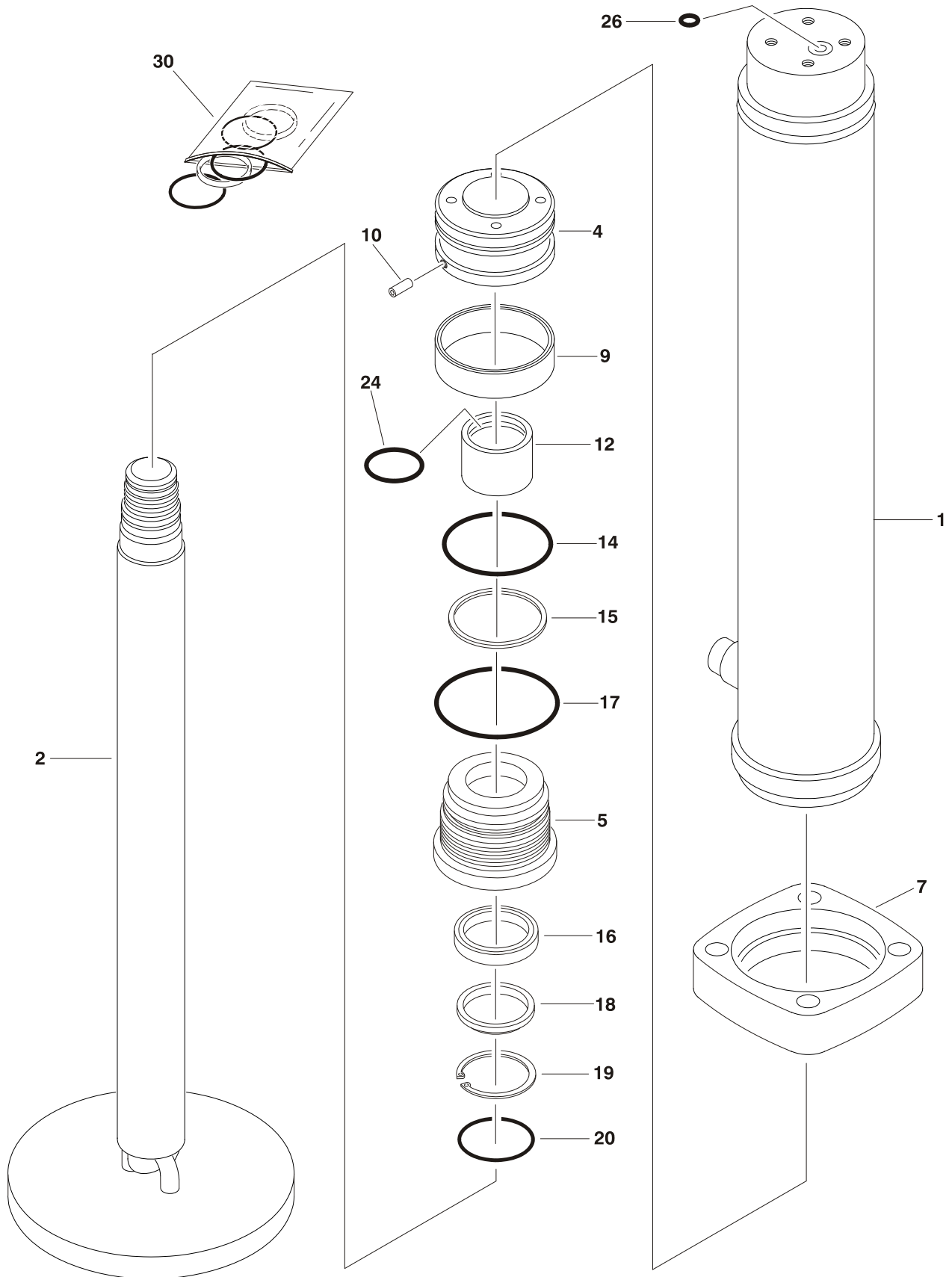
SECTION 5 CYLINDER

FIGURE 5-1. LIFT CYLINDER ASSEMBLY

ITEM #	PART NUMBER	QTY.	DESCRIPTION	REV.
	0275624	Ref.	LIFT CYLINDER & VALVES COMPLETE	C
1	2221222	1	Fitting, Test	
2	4031714	4	Capscrew M6 x 50mm	
3	4031913	4	Capscrew M8 x 45mm	
4	H005243	1	Holding Valve Assembly	E
4A	70000942	2	Cartridge, Valve	
	7012972	2	Seal Kit - Cartridge (1 Per Cartridge)	
	7012986	2	Coil	
4B	70000188	2	O-Ring (Between Valve & Cylinder)	
5	H005782	1	Lift Cylinder Assembly (See Item 101-130 for Breakdown)	
6	H900045	1	Check Valve Assembly	C
6A	7012955	1	Cartridge, Valve	
	7012998	1	Seal Kit - 7012955 Cartridge	
	H000271	1	Piston	
6B	70000189	1	O-Ring (Between Valve & Cylinder)	
	H005782	Ref.	LIFT CYLINDER ONLY	
101	S201000	1	Barrel Weldment	
102	S200999	1	Rod Weldment	
103	Not Used			
104	S201001	1	Piston	
105	S201002	1	Head	
106 to 115	Not Used			
116	S000118	2	Bushing	
117	S001735	2	Bushing	
118	Not Used			
119	70000186	1	Screw, Throttle	
120	70000187	1	Ring, Throttle	
121	70000185	1	Plate, Throttle	
122	See Note	1	Ring, Retaining (Note: Not Available - Purchase Locally)	
123	See Note	1	Setscrew (Note: Not Available - Purchase Locally)	
124	Not Used			
125	70000207	1	Ring, Wear	
126	H003085	1	Ring, Wiper	
127	H003091	1	Seal, Rod	
128	H003098	1	Seal, Piston	
129	H003108	1	O-Ring	
130	H003114	1	O-Ring	
		Ref.	Note: No seal kit available. Purchase individual seals.	

SECTION 5 CYLINDER

FIGURE 5-2. LEVELING CYLINDER ASSEMBLY



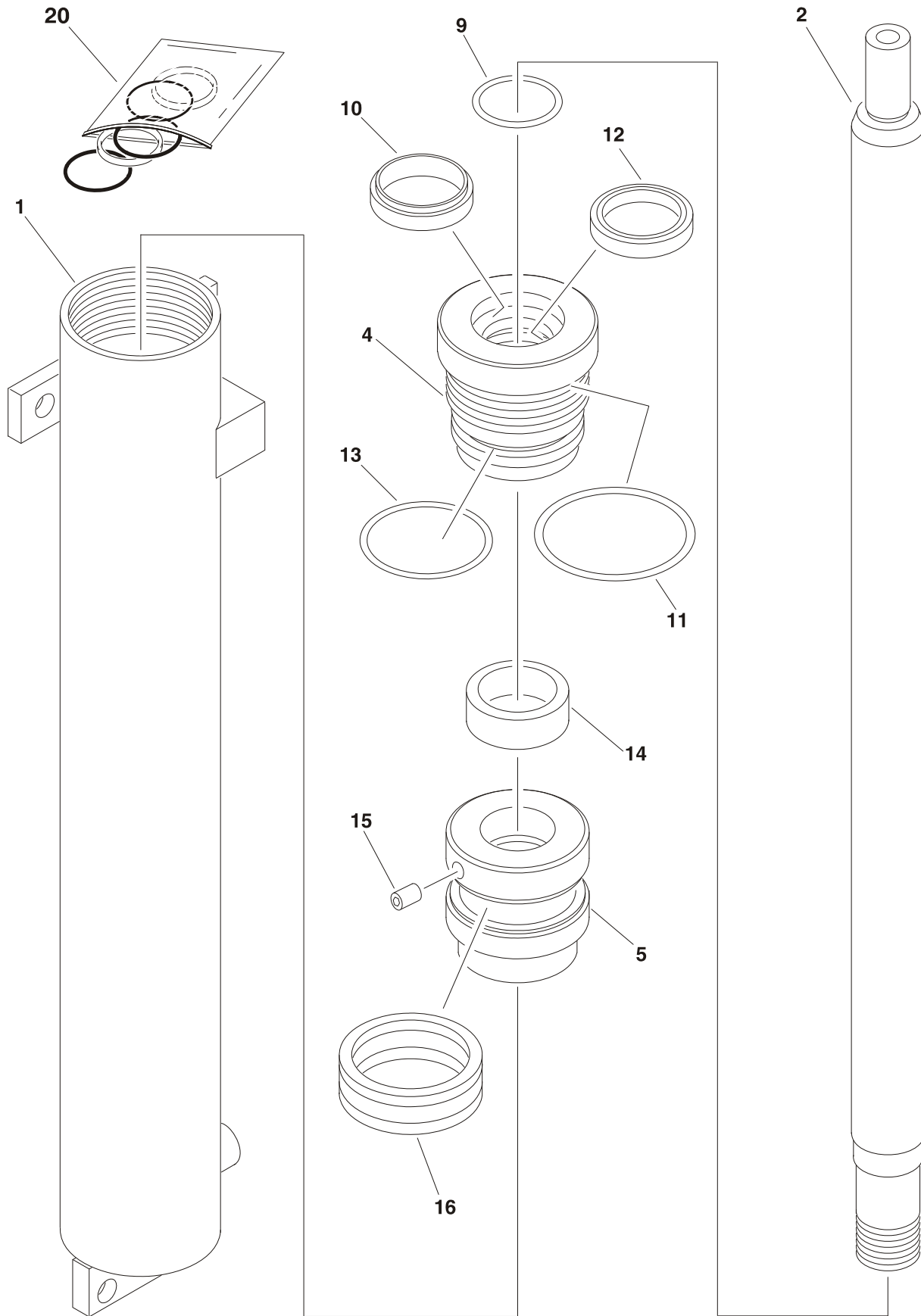
SECTION 5 CYLINDER

FIGURE 5-2. LEVELING CYLINDER ASSEMBLY

ITEM #	PART NUMBER	QTY.	DESCRIPTION	REV.
		Ref.	LEVELING CYLINDER ASSEMBLY	
	H900018	Ref.	Right Front & Left Rear Cylinders	F
	H900019	Ref.	Left Front & Right Rear Cylinders	F
1		1	Barrel Options:	
	70000770		H900018 Cylinder	
	70000772		H900019 Cylinder	
2	70000769	1	Rod	
3	Not Used			
4	70000764	1	Piston	
5	70000765	1	Head	
6	Not Used			
7	70000766	1	Flange, Mounting	
8	Not Used			
9	Use 70000771	1	Seal, Piston	
10	See Note	1	Setscrew (Note: Not Available - Purchase Locally)	
11	Not Used			
12	70000767	1	Spacer	
13	Not Used			
14	Use 70000771	1	Seal, Head	
15	Use 70000771	1	Ring, Backup	
16	Use 70000771	1	Seal, Rod	
17	Use 70000771	1	O-Ring	
18	Use 70000771	1	Wiper	
19	70000768	1	Ring, Retaining	
20	Use 70000771	1	O-Ring	
21 to 23	Not Used			
24	Use 70000771	1	O-Ring	
25	Not Used			
26	70000700	1	O-Ring	
27 to 29	Not Used			
30	70000771	1	Seal Kit (Includes Items 9,14-18,20 & 24)	

SECTION 5 CYLINDER

FIGURE 5-3. PLATFORM EXTENSION CYLINDER ASSEMBLY



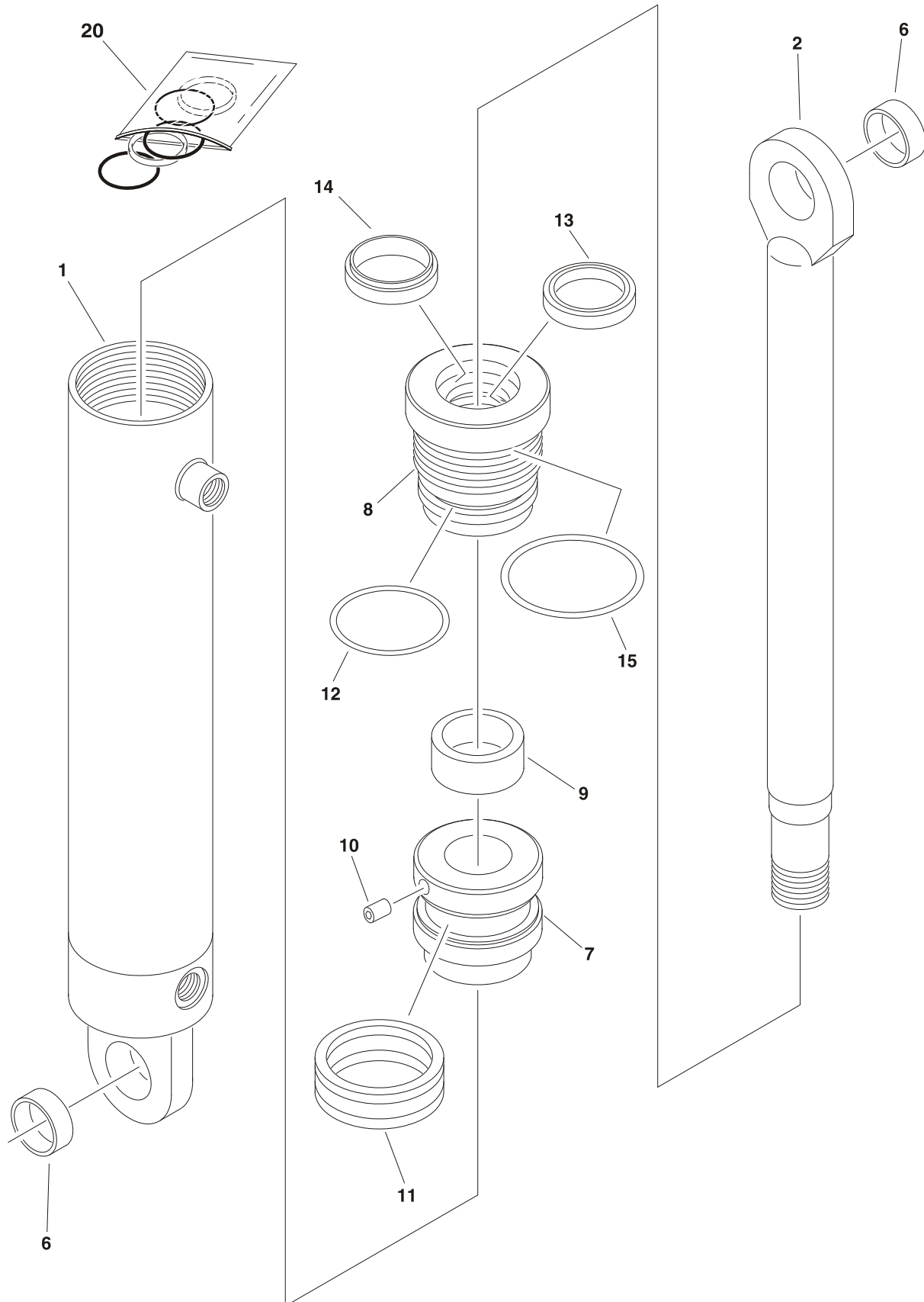
SECTION 5 CYLINDER

FIGURE 5-3. PLATFORM EXTENSION CYLINDER ASSEMBLY

ITEM #	PART NUMBER	QTY.	DESCRIPTION	REV.
	H900013	Ref.	EXTENSION CYLINDER ASSEMBLY	B
1	70000761	1	Barrel	
2	70000760	1	Rod	
3	Not Used			
4	70000707	1	Head	
5	70000708	1	Piston	
6 to 8	Not Used			
9	Use 70000713	1	O-Ring	
10	Use 70000713	1	Wiper	
11	Use 70000713	1	O-Ring	
12	Use 70000713	1	Seal, Rod	
13	Use 70000713	1	Seal, Head	
14	70000759	1	Spacer	
15	See Note	1	Setscrew (Note: Not Available - Purchase Locally)	
16	Use 70000713	1	Seal, Piston	
17 to 19	Not Used			
20	70000713	1	Seal Kit (Includes Items 9-13 & 16)	

SECTION 5 CYLINDER

FIGURE 5-4. STEER CYLINDER ASSEMBLY



SECTION 5 CYLINDER

FIGURE 5-4. STEER CYLINDER ASSEMBLY

ITEM #	PART NUMBER	QTY.	DESCRIPTION	REV.
	H900007	Ref.	STEERING CYLINDER ASSEMBLY	A
1	70000763	1	Barrel	
2	70000762	1	Rod	
3 to 5	Not Used			
6	70000749	2	Bushing	
7	70000750	1	Piston	
8	70000751	1	Head	
9	70000752	1	Spacer	
10	See Note	1	Setscrew (Note: Not Available - Purchase Locally)	
11	Use 70000755	1	Seal, Piston	
12	Use 70000755	1	Seal, Head	
13	Use 70000755	1	Seal, Rod	
14	Use 70000755	1	Wiper	
15	Use 70000755	1	O-Ring	
16 to 19	Not Used			
20	70000755	1	Seal Kit (Includes Items 11-15)	

SECTION 5 CYLINDER

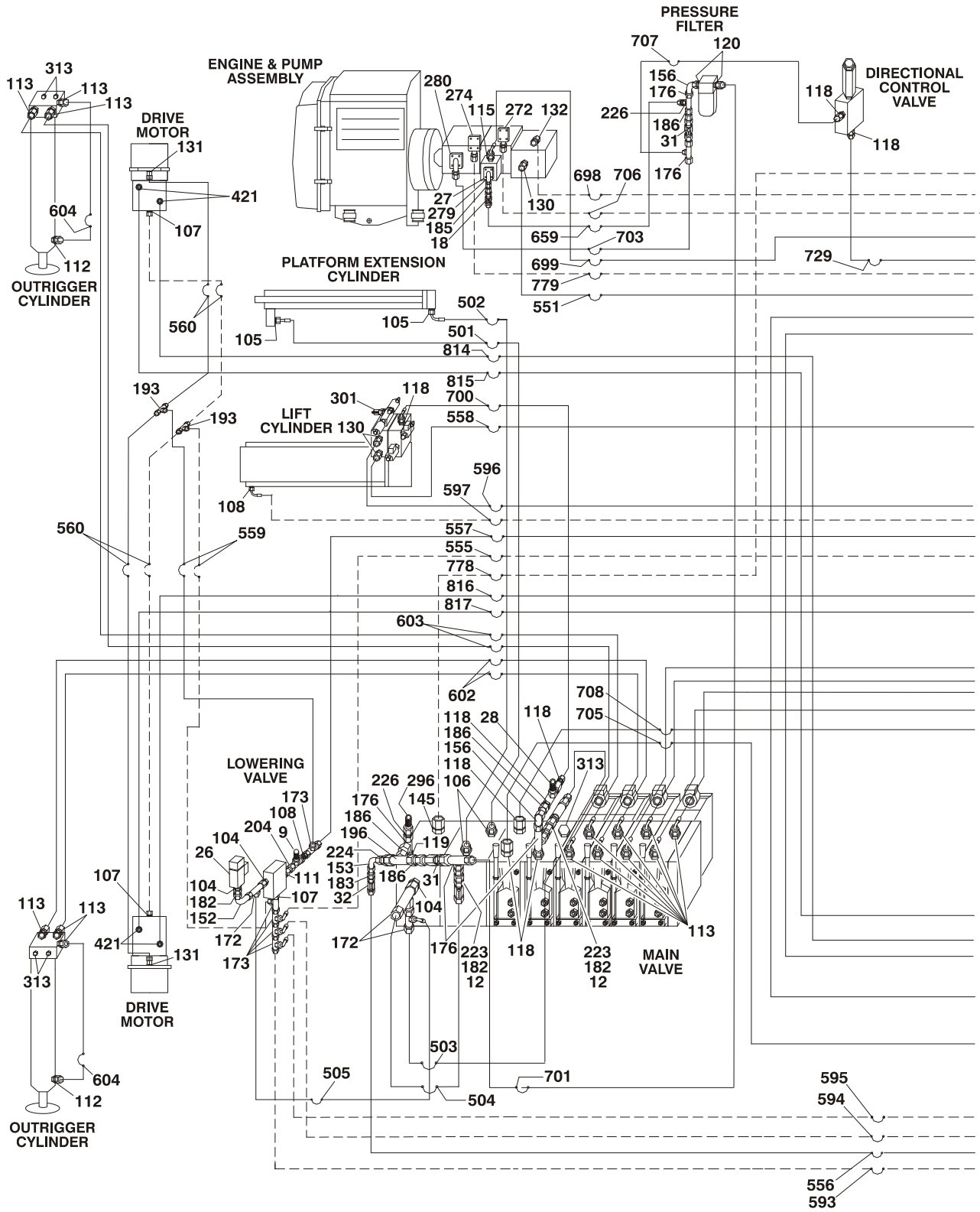
FIGURE 5-4. STEER CYLINDER ASSEMBLY (CONTINUED)

ITEM #	PART NUMBER	QTY.	DESCRIPTION	REV.

SECTION 6 HYDRAULIC

SECTION 6 HYDRAULIC

FIGURE 6-1. HYDRAULIC DIAGRAM (PRIOR TO S/N 1200021262)



SECTION 6 HYDRAULIC

FIGURE 6-1. HYDRAULIC DIAGRAM (PRIOR TO S/N 1200021262)

ITEM #	PART NUMBER	QTY.	DESCRIPTION	REV.
	H900049	Ref.	HYDRAULIC DIAGRAM	F
	H900052	Ref.	INLINE VALVE KIT	3
1 to 4	Not Used			
5	H000015	1	Valve, Ball (Not Serviceable - Replace Complete Valve)	
6	Not Used			
7	H000311	1	Filter, Hydraulic	A
	70000020	1	Element, Filter	
	70000021	1	Seal	
8	Not Used			
9	H000018	1	Valve, Lowering Speed Adjustment Throttle (Not Serviceable - Replace Complete Valve)	
10 to 11	Not Used			
12	H000351	2	Valve, Check (Not Serviceable - Replace Complete Valve)	
13 to 17	Not Used			
18	H000115	1	Valve, Check (Not Serviceable - Replace Complete Valve)	
19 to 25	Not Used			
26	H000536	1	Pressure Switch with Connector Plug (Not Serviceable - Replace Complete Valve)	
27	H000147	1	Solenoid Valve Assembly	C
	7017410	1	Cartridge, Valve	
	7012998	1	Seal Kit - 7017410 Valve	
	7012986	1	Coil	
	70001938	1	O-Ring (Between Valve & Pump)	
28	H000524	1	Valve, Throttle Check (Not Serviceable - Replace Complete Valve)	
29	Not Used			
30	H000344	3	Valve, Ball (Not Serviceable - Replace Complete Valve)	
31	H000339	3	Valve, Check (Not Serviceable - Replace Complete Valve)	
32	H000312	2	Valve, Check (Not Serviceable - Replace Complete Valve)	
33 to 35	Not Used			
36	H000279	1	Valve, Ball (Not Serviceable - Replace Complete Valve)	
	H900050	Ref.	FITTING KIT	4
101 to 103	Not Used			
104	2142706	5	Fitting, Straight	
105	2142707	4	Fitting, Straight	
106	2142743	2	Fitting, Straight	
107	2142708	11	Fitting, Straight	
108	2142709	4	Fitting, Straight	
109	2142710	A/R	Fitting, Straight	
110	Not Used			
111	2142711	1	Fitting, Straight	
112	2142712	5	Fitting, Straight	
113	2142713	21	Fitting, Straight	
114	Not Used			
115	2142714	2	Fitting, Straight	
116	Not Used			

SECTION 6 HYDRAULIC

FIGURE 6-1. HYDRAULIC DIAGRAM (PRIOR TO S/N 1200021262)

ITEM #	PART NUMBER	QTY.	DESCRIPTION	REV.
117	2142751	1	Fitting, Straight	
118	2142716	10	Fitting, Straight	
119	2142717	5	Fitting, Straight	
120	2142752	2	Fitting, Straight	
121 to 122	Not Used			
123	2142719	4	Fitting, Straight	
124 to 129	Not Used			
130	2140803	3	Fitting, Straight	
131	H000148	4	Connecting Piece	
132	2140807	1	Fitting, Straight	
133 to 144	Not Used			
145	2142744	1	Fitting, Straight	
146 to 151	Not Used			
152	2143402	1	Fitting, 90°	
153	2143403	A/R	Fitting, 90°	
154	2143404	1	Fitting, 90°	
155	2143405	1	Fitting, 90°	
156	2143406	2	Fitting, 90°	
157 to 171	Not Used			
172	2142202	3	Fitting, Tee	
173	2142203	A/R	Fitting, Tee	
174	2142204	1	Fitting, Tee	
175	2142205	1	Fitting, Tee	
176	2142206	7	Fitting, Tee	
177 to 181	Not Used			
182	2143602	3	Fitting, Union	
183	2143603	5	Fitting, Union	
184	Not Used			
185	2143605	2	Fitting, Union	
186	2143606	6	Fitting, Union	
187	Not Used			
188	2143608	1	Fitting, Union	
189 to 192	Not Used			
193	2141908	2	Fitting, Tee	
194 to 195	Not Used			
196	2141911	1	Fitting, Tee	
197 to 203	Not Used			
204	2142804	1	Fitting, Straight	
205 to 216	Not Used			
217	2143507	1	Fitting, Reducer	
218 to 222	Not Used			
223	2143513	2	Fitting, Reducer	
224	2143514	1	Fitting, Reducer	
225	Not Used			
226	2143516	4	Fitting, Reducer	
227 to 244	Not Used			
243	2141503	4	Fitting, Bulkhead Union	
244 to 271	Not Used			
272	2143705	1	Flange Kit	

SECTION 6 HYDRAULIC

FIGURE 6-1. HYDRAULIC DIAGRAM (PRIOR TO S/N 1200021262)

ITEM #	PART NUMBER	QTY.	DESCRIPTION	REV.
273	Not Used			
274	2143707	1	Flange Kit	
275 to 278	Not Used			
279	2143703	1	Flange Kit	
280	2143717	1	Flange Kit	
281 to 295	Not Used			
296	2144105	2	Fitting, Test	
297 to 312	Not Used			
313	2143807	10	Plug	
314 to 319	Not Used			
320	2221214	2	Plug, Magnetic (w/ Copper Sealing Ring - Prior to S/N 1200015549)	
321 to 355	Not Used			
356	2141517	4	Fitting, Straight	
357 to 420	Not Used			
421	2142733	4	Fitting, Straight	
422	2142734	4	Fitting, Straight	
425	2142735	4	Fitting, Straight	
426	2142740	4	Fitting, Straight	
	H900051	Ref.	HYDRAULIC HOSE KIT	5
500	2755039	1	Hose	
501	2754477	1	Hose	
502	2754516	1	Hose	
503	2754361	1	Hose	
504	2754364	1	Hose	
505	2754479	1	Hose	
512	2754366	1	Hose	
513 to 549	Not Used			
550	2754480	2	Hose	
551	2754377	1	Hose	
552	2754368	1	Hose	
553	2754375	1	Hose	
554	Not Used			
555	2755040	1	Hose	
556	2754376	1	Hose	
557	2754372	1	Hose	
558	2754482	1	Hose	
559	2754373	1	Hose	
560	2754369	1	Hose	
561	2754481	1	Hose	
562 to 592	Not Used			
593	2754473	1	Hose	
594	2754354	1	Hose	
595	2754350	1	Hose	
596		1	Hose Options:	
	2754475		Prior to S/N 1200015549	
	2754352		S/N 1200015549 to Present	
597	2754353	1	Hose	

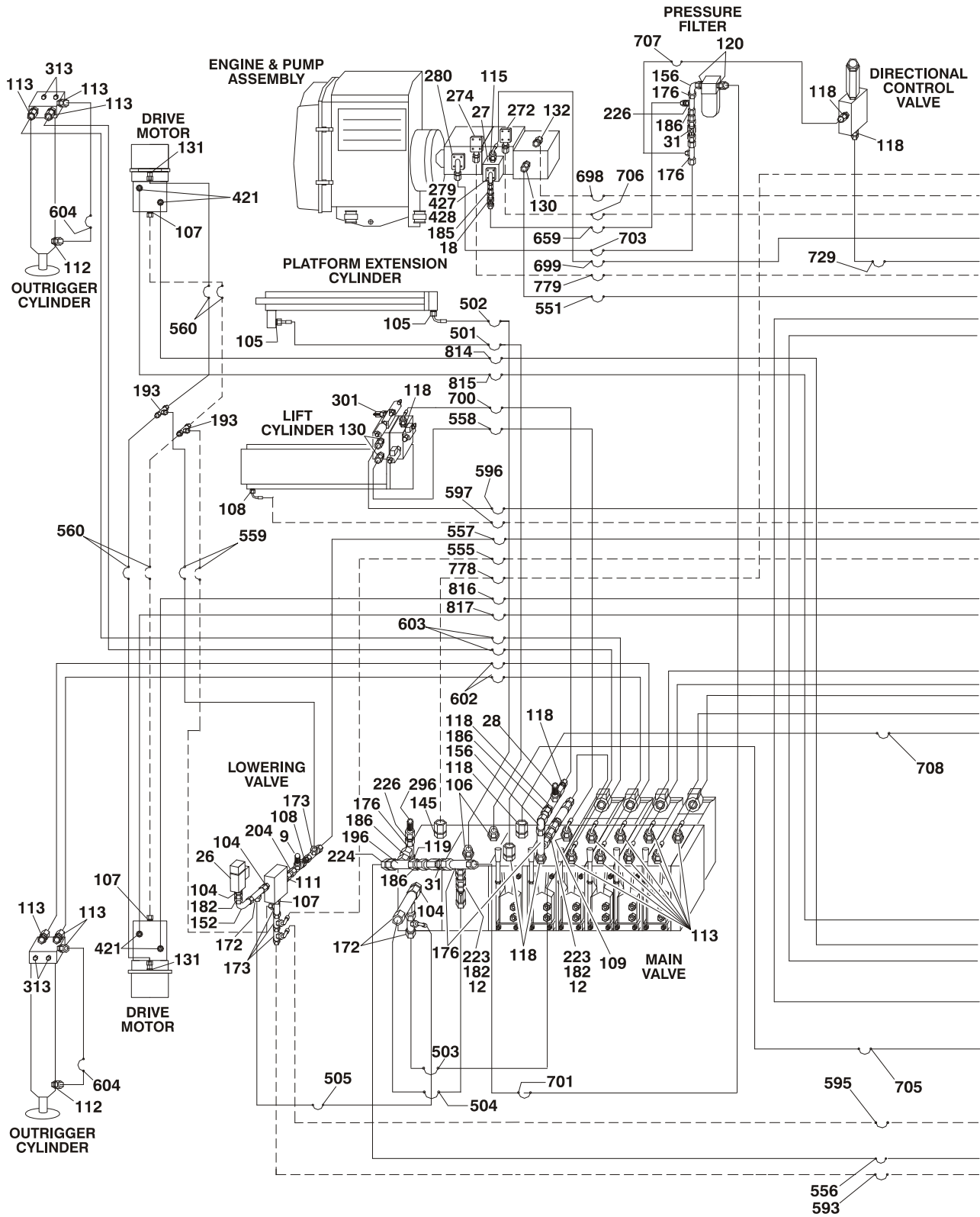
SECTION 6 HYDRAULIC

FIGURE 6-1. HYDRAULIC DIAGRAM (PRIOR TO S/N 1200021262)

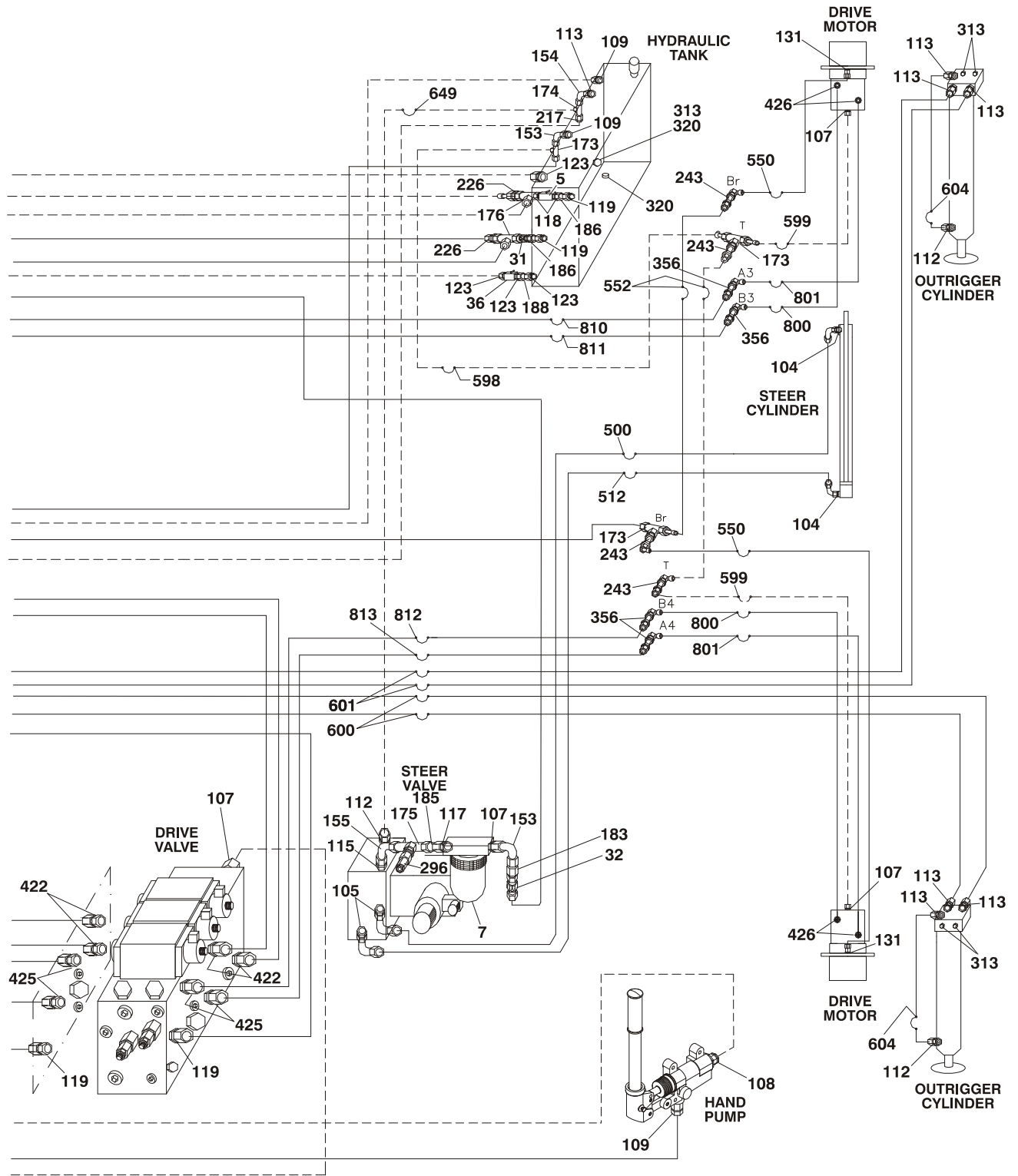
ITEM #	PART NUMBER	QTY.	DESCRIPTION	REV.
598	1001092080	1	Hose	
599	2754474	2	Hose	
600	2754493	2	Hose	
601	2754492	2	Hose	
602	2754393	2	Hose	
603	2754393	2	Hose	
604	2754392	4	Hose	
605 to 648	Not Used			
649	2754476	1	Hose	
650 to 658	Not Used			
659	2754383	1	Hose	
660 to 697	Not Used			
698	2754357	1	Hose	
699	2754356	1	Hose	
700	2754484	1	Hose	
701	2754485	1	Hose	
702	Not Used			
703	2754391	1	Hose	
704	Not Used			
705	2754483	1	Hose	
706	2754388	1	Hose	
707	2754390	1	Hose	
708	2754483	1	Hose	
709 to 728	Not Used			
729	2754358	1	Hose	
730 to 777	Not Used			
778	2754495	1	Hose	
779	2754359	1	Hose	
780 to 799	Not Used			
800	2754487	2	Hose	
801	2754486	2	Hose	
802 to 809	Not Used			
810	2754489	1	Hose	
811	2754489	1	Hose	
812	2754488	1	Hose	
813	2754488	1	Hose	
814	2754491	1	Hose	
815	2754491	1	Hose	
816	2754490	1	Hose	
817	2754490	1	Hose	

SECTION 6 HYDRAULIC

FIGURE 6-2. HYDRAULIC DIAGRAM (S/N 1200021262 TO PRESENT)



SECTION 6 HYDRAULIC



SECTION 6 HYDRAULIC

FIGURE 6-2. HYDRAULIC DIAGRAM (S/N 1200021262 TO PRESENT)

ITEM #	PART NUMBER	QTY.	DESCRIPTION	REV.
	H900049	Ref.	HYDRAULIC DIAGRAM	I
	H900052	Ref.	INLINE VALVE KIT	5
1 to 4	Not Used			
5	H000015	1	Valve, Ball (Not Serviceable - Replace Complete Valve)	
6	Not Used			
7	H000311	1	Filter, Hydraulic	A
	70000020	1	Element, Filter	
	70000021	1	Seal	
8	Not Used			
9	H000018	1	Valve, Lowering Speed Adjustment Throttle (Not Serviceable - Replace Complete Valve)	
10 to 11	Not Used			
12	H000351	2	Valve, Check (Not Serviceable - Replace Complete Valve)	
13 to 17	Not Used			
18	H000115	1	Valve, Check (Not Serviceable - Replace Complete Valve)	
19 to 25	Not Used			
26	H000536	1	Pressure Switch with Connector Plug (Not Serviceable - Replace Complete Valve)	
27	H000147	1	Solenoid Valve Assembly	C
	7017410	1	Cartridge, Valve	
	7012998	1	Seal Kit - 7017410 Valve	
	7012986	1	Coil	
	70001938	1	O-Ring (Between Valve & Pump)	
28	H000524	1	Valve, Throttle Check (Not Serviceable - Replace Complete Valve)	
29 to 30	Not Used			
31	H000339	3	Valve, Check (Not Serviceable - Replace Complete Valve)	
32	H000312	1	Valve, Check (Not Serviceable - Replace Complete Valve)	
33 to 35	Not Used			
36	H000279	1	Valve, Ball (Not Serviceable - Replace Complete Valve)	
	H900050	Ref.	FITTING KIT	7
101 to 103	Not Used			
104	2142706	5	Fitting, Straight	
105	2142707	4	Fitting, Straight	
106	2142743	2	Fitting, Straight	
107	2142708	A/R	Fitting, Straight	
108	2142709	3	Fitting, Straight	
109	2142710	4	Fitting, Straight	
110	Not Used			
111	2142711	1	Fitting, Straight	
112	2142712	5	Fitting, Straight	
113	2142713	21	Fitting, Straight	
114	Not Used			
115	2142714	2	Fitting, Straight	
116	Not Used			
117	2142751	1	Fitting, Straight	

SECTION 6 HYDRAULIC

FIGURE 6-2. HYDRAULIC DIAGRAM (S/N 1200021262 TO PRESENT)

ITEM #	PART NUMBER	QTY.	DESCRIPTION	REV.
118	2142716	10	Fitting, Straight	
119	2142717	5	Fitting, Straight	
120	2142752	2	Fitting, Straight	
121 to 122	Not Used			
123	2142719	4	Fitting, Straight	
124 to 129	Not Used			
130	2140803	3	Fitting, Straight	
131	H000148	4	Connecting Piece	
132	2140807	1	Fitting, Straight	
133 to 144	Not Used			
145	2142744	1	Fitting, Straight	
146 to 151	Not Used			
152	2143402	1	Fitting, 90°	
153	2143403	2	Fitting, 90°	
154	2143404	1	Fitting, 90°	
155	2143405	1	Fitting, 90°	
156	2143406	2	Fitting, 90°	
157 to 171	Not Used			
172	2142202	3	Fitting, Tee	
173	2142203	A/R	Fitting, Tee	
174	2142204	1	Fitting, Tee	
175	2142205	1	Fitting, Tee	
176	2142206	7	Fitting, Tee	
177 to 181	Not Used			
182	2143602	3	Fitting, Union	
183	2143603	1	Fitting, Union	
184	Not Used			
185	2143605	2	Fitting, Union	
186	2143606	6	Fitting, Union	
187	Not Used			
188	2143608	1	Fitting, Union	
189 to 192	Not Used			
193	2141908	2	Fitting, Tee	
194 to 195	Not Used			
196	2141911	1	Fitting, Tee	
197 to 203	Not Used			
204	2142804	1	Fitting, Straight	
205 to 216	Not Used			
217	2143507	1	Fitting, Reducer	
218 to 222	Not Used			
223	2143513	2	Fitting, Reducer	
224	2143514	1	Fitting, Reducer	
225	Not Used			
226	2143516	4	Fitting, Reducer	
227 to 244	Not Used			
243	2141503	4	Fitting, Bulkhead Union	
244 to 271	Not Used			
272	2143705	1	Flange Kit	
273	Not Used			

SECTION 6 HYDRAULIC

FIGURE 6-2. HYDRAULIC DIAGRAM (S/N 1200021262 TO PRESENT)

ITEM #	PART NUMBER	QTY.	DESCRIPTION	REV.
274	2143707	1	Flange Kit	
275 to 278	Not Used			
279	2143703	1	Flange Kit	
280	2143717	1	Flange Kit	
281 to 295	Not Used			
296	2144105	2	Fitting, Test	
297 to 312	Not Used			
313	2143807	9	Plug	
314 to 319	Not Used			
320	2221214	2	Plug, Magnetic (w/ Copper Sealing Ring - Prior to S/N 1200015549)	
321 to 355	Not Used			
356	2141517	4	Fitting, Straight	
357 to 420	Not Used			
421	2142733	4	Fitting, Straight	
422	2142734	4	Fitting, Straight	
425	2142735	4	Fitting, Straight	
426	2142740	4	Fitting, Straight	
427	4031718	2	Bolt, Socket Head M8 x 70mm	
428	4031720	2	Bolt, Socket Head M8 x 80mm	
	H900051	Ref.	HYDRAULIC HOSE KIT	9
500	2755039	1	Hose	
501	2754477	1	Hose	
502	2754516	1	Hose	
503	2754361	1	Hose	
504	2754364	1	Hose	
505	2754479	1	Hose	
512	2754366	1	Hose	
513 to 549	Not Used			
550	2754480	2	Hose	
551	2754377	1	Hose	
552	2754368	2	Hose	
553 to 554	Not Used			
555	2754494	1	Hose	
556	2754376	1	Hose	
557	2754372	1	Hose	
558	2754482	1	Hose	
559	2754373	2	Hose	
560	2754369	4	Hose	
561 to 592	Not Used			
593	2754473	1	Hose (Prior to S/N 1200022933)	
594	Not Used			
595	2754350	1	Hose	
596	2754352	1	Hose	
597	2754353	1	Hose	
598	1001092080	1	Hose	
599	2754474	2	Hose	
600	2754493	2	Hose	

SECTION 6 HYDRAULIC

FIGURE 6-2. HYDRAULIC DIAGRAM (S/N 1200021262 TO PRESENT)

ITEM #	PART NUMBER	QTY.	DESCRIPTION	REV.
601	2754492	2	Hose	
602	2754393	2	Hose	
603	2754393	2	Hose	
604	2754392	4	Hose	
605 to 648	Not Used			
649	2754476	1	Hose	
650 to 658	Not Used			
659	2754383	1	Hose	
660 to 697	Not Used			
698	2754357	1	Hose	
699	2754356	1	Hose	
700	2754484	1	Hose	
701	2754485	1	Hose	
702	Not Used			
703	2754391	1	Hose	
704	Not Used			
705	2754483	1	Hose	
706	2754388	1	Hose	
707	2754390	1	Hose	
708	2754483	1	Hose	
709 to 728	Not Used			
729	2754358	1	Hose	
730 to 777	Not Used			
778	2754495	1	Hose	
779	2754359	1	Hose	
780 to 799	Not Used			
800	2754487	2	Hose	
801	2754486	2	Hose	
802 to 809	Not Used			
810	2754489	1	Hose	
811	2754489	1	Hose	
812	2754488	1	Hose	
813	2754488	1	Hose	
814	2754491	1	Hose	
815	2754491	1	Hose	
816	2754490	1	Hose	
817	2754490	1	Hose	

SECTION 6 HYDRAULIC

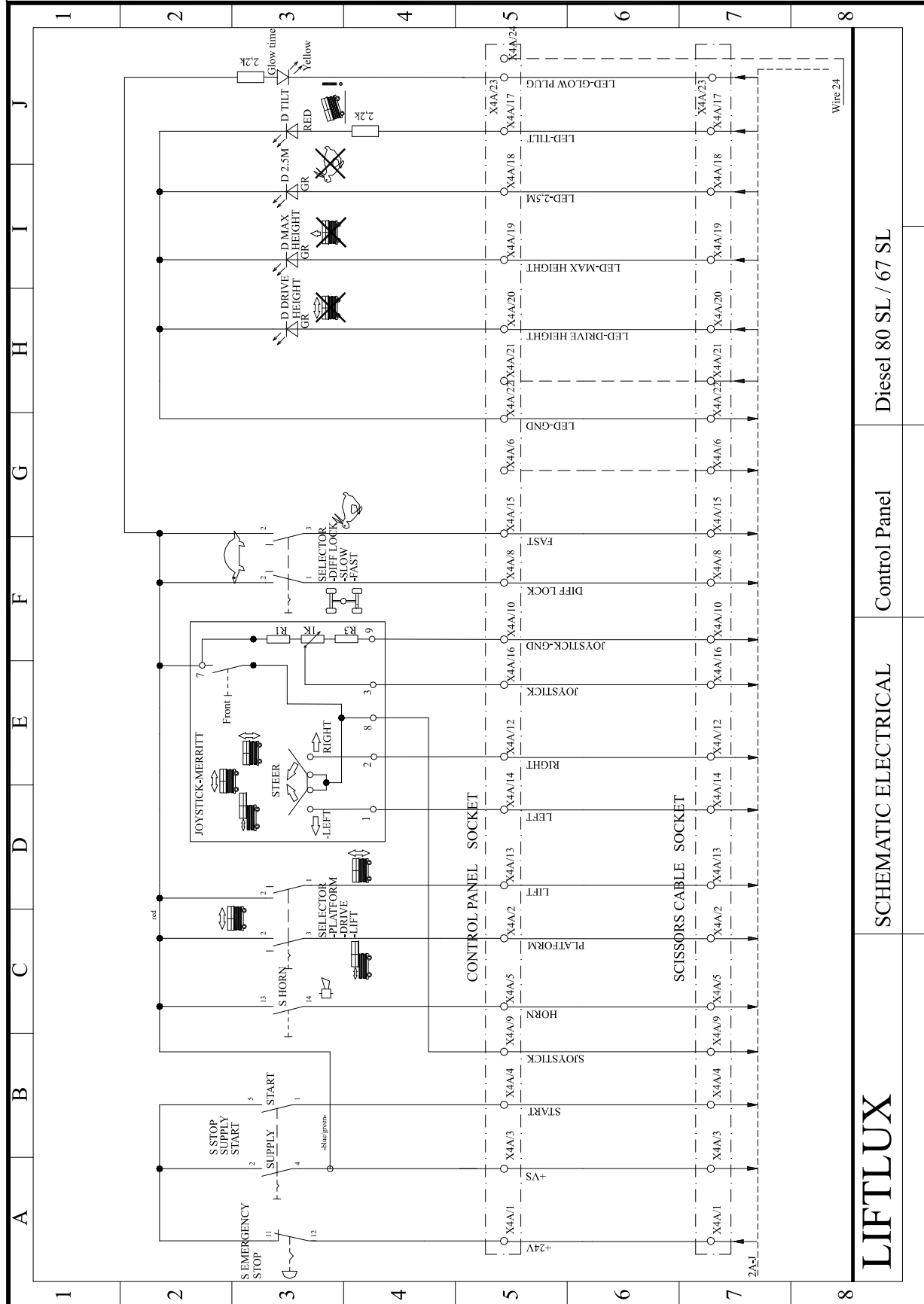
FIGURE 6-2. HYDRAULIC DIAGRAM (S/N 1200021262 TO PRESENT)

ITEM #	PART NUMBER	QTY.	DESCRIPTION	REV.

SECTION 7 ELECTRICAL

SECTION 7 ELECTRICAL

FIGURE 7-1. ELECTRICAL SCHEMATIC

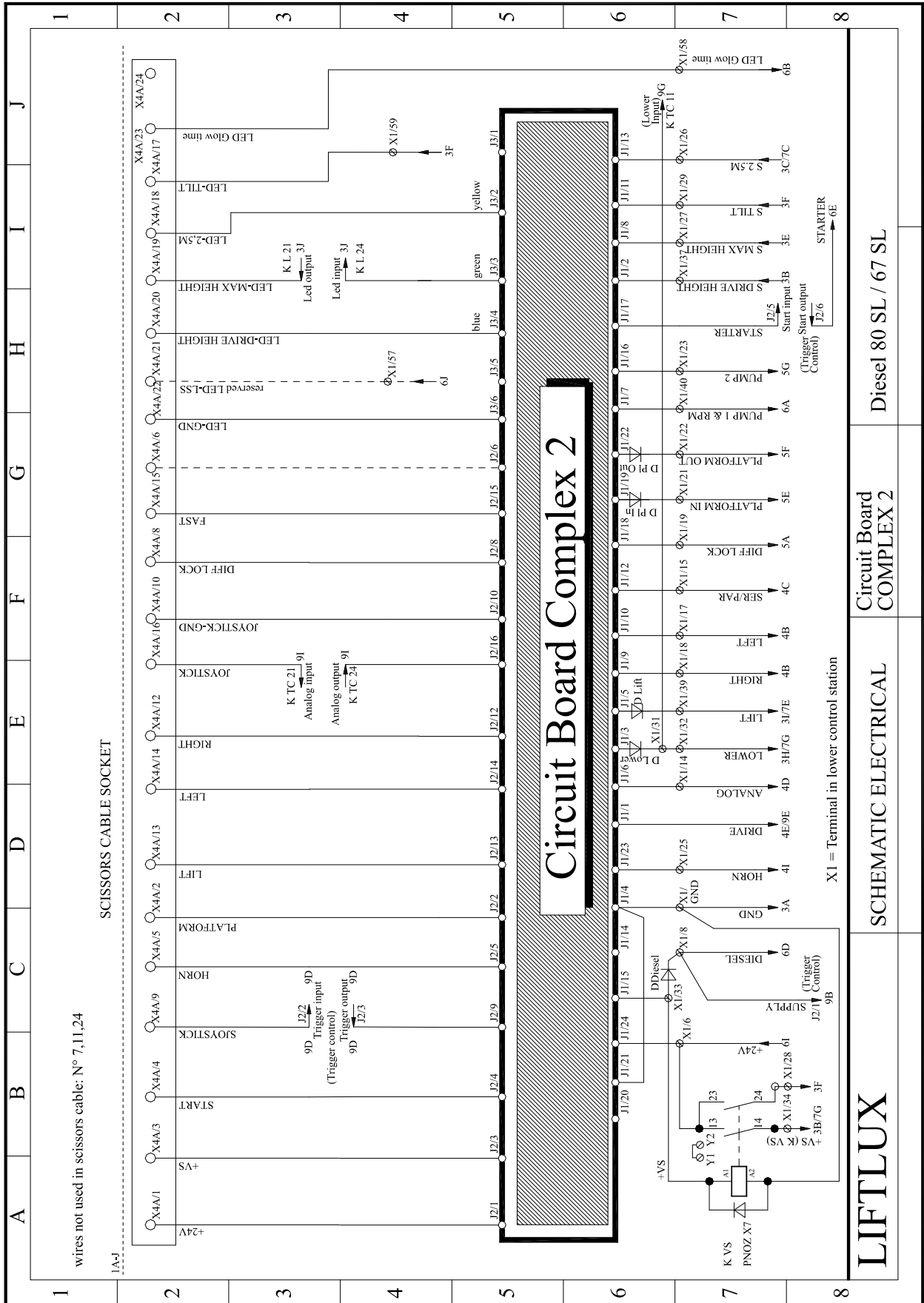


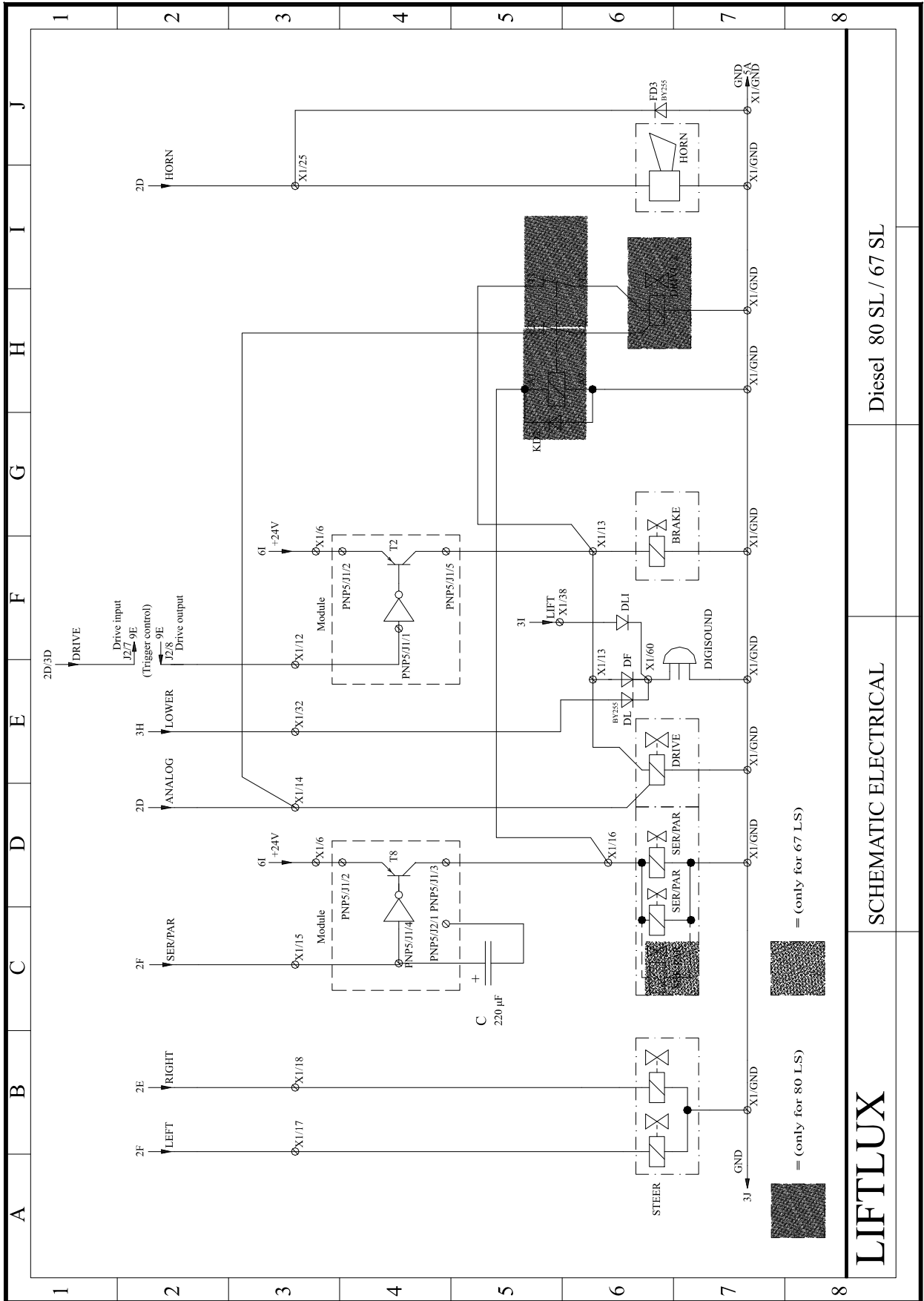
Diesel 80 SL / 67 SL

Control Panel

SCHEMATIC ELECTRICAL

LIFTLUX



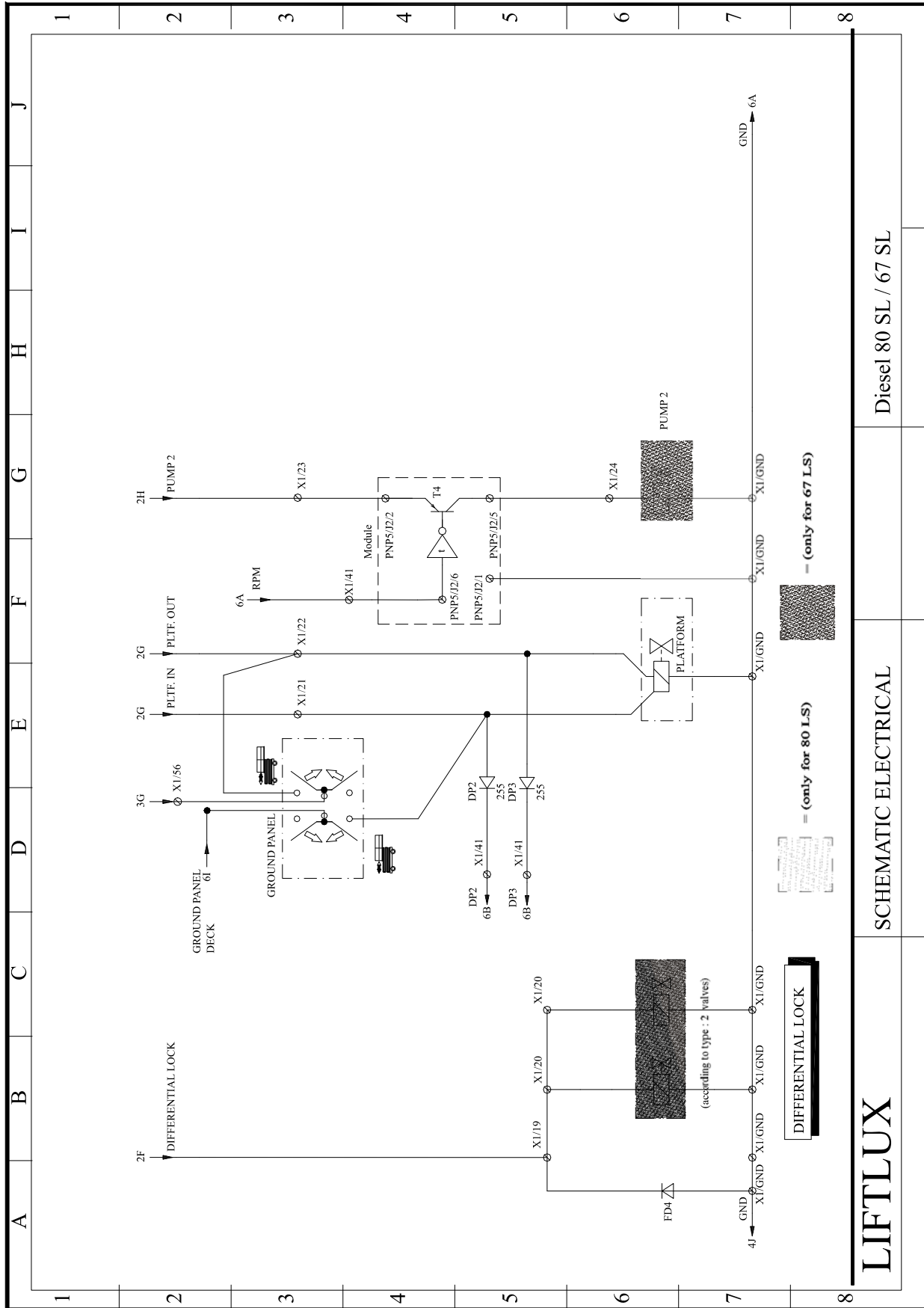


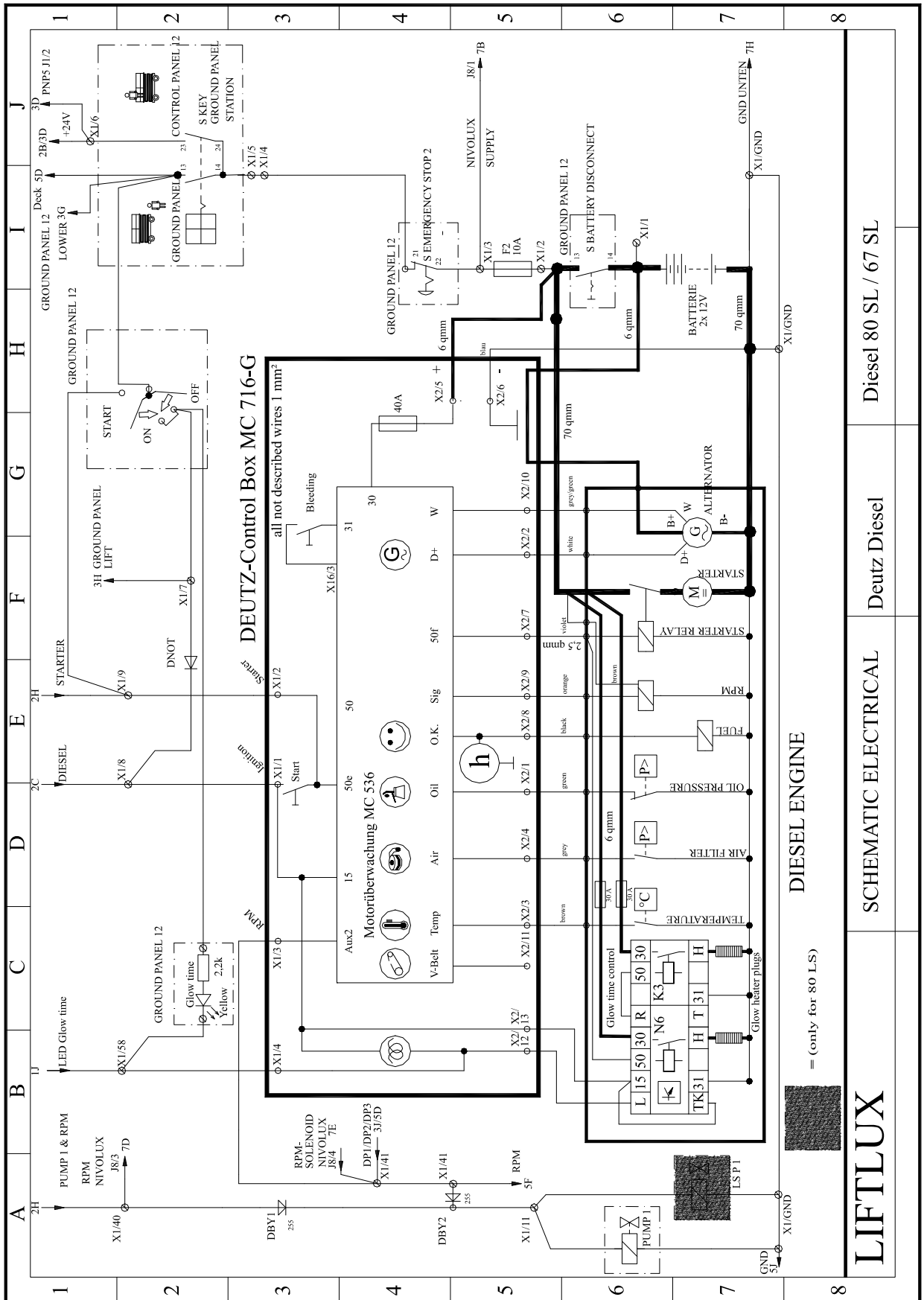
Diesel 80 SL / 67 SL

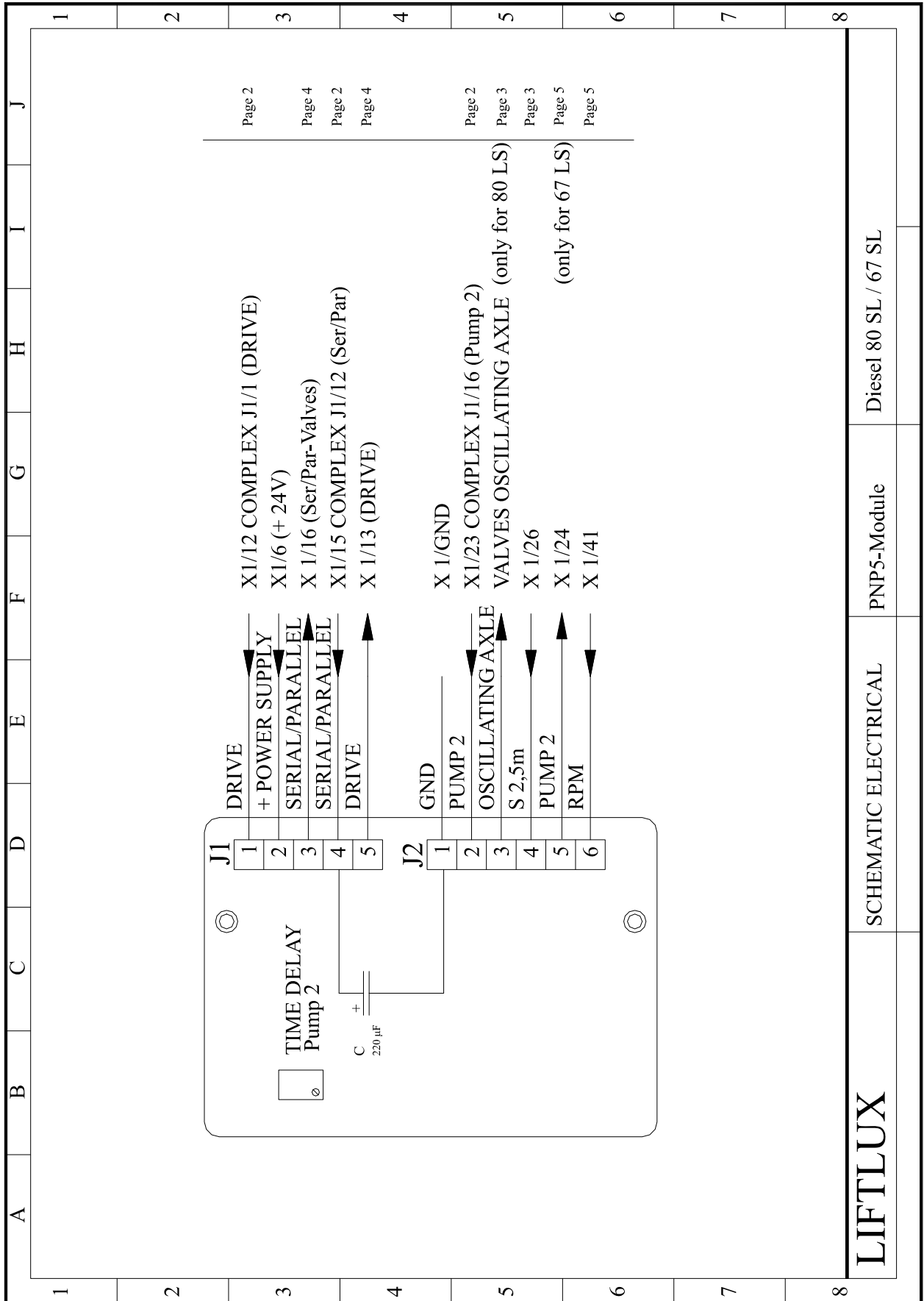
SCHEMATIC ELECTRICAL

LIFTLUX

SECTION 7 ELECTRICAL







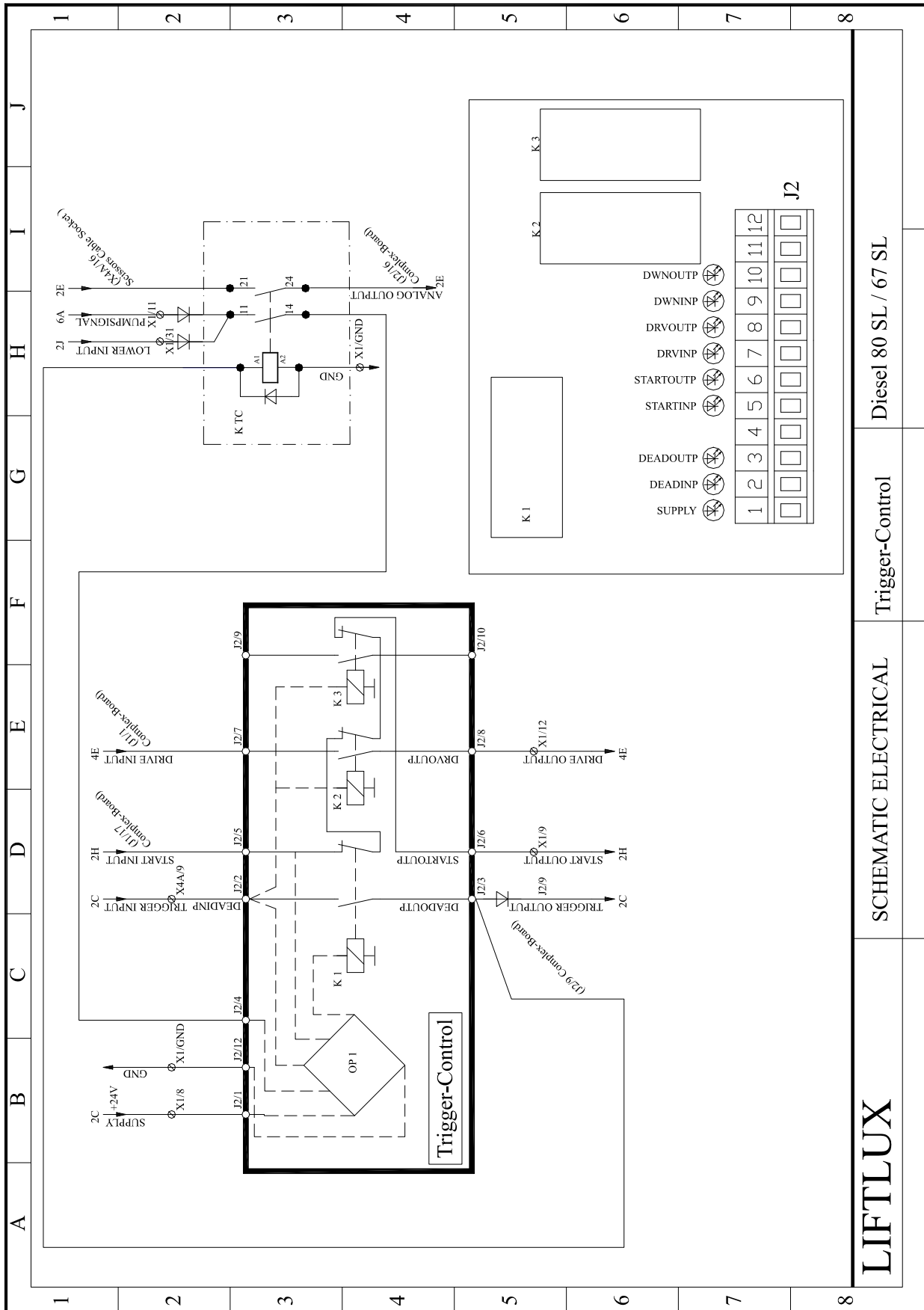
Diesel 80 SL / 67 SL

PNP5-Module

SCHEMATIC ELECTRICAL

LIFTLUX

SECTION 7 ELECTRICAL



LIFTLUX

SCHEMATIC ELECTRICAL

Trigger-Control

Diesel 80 SL / 67 SL

SECTION 7 ELECTRICAL

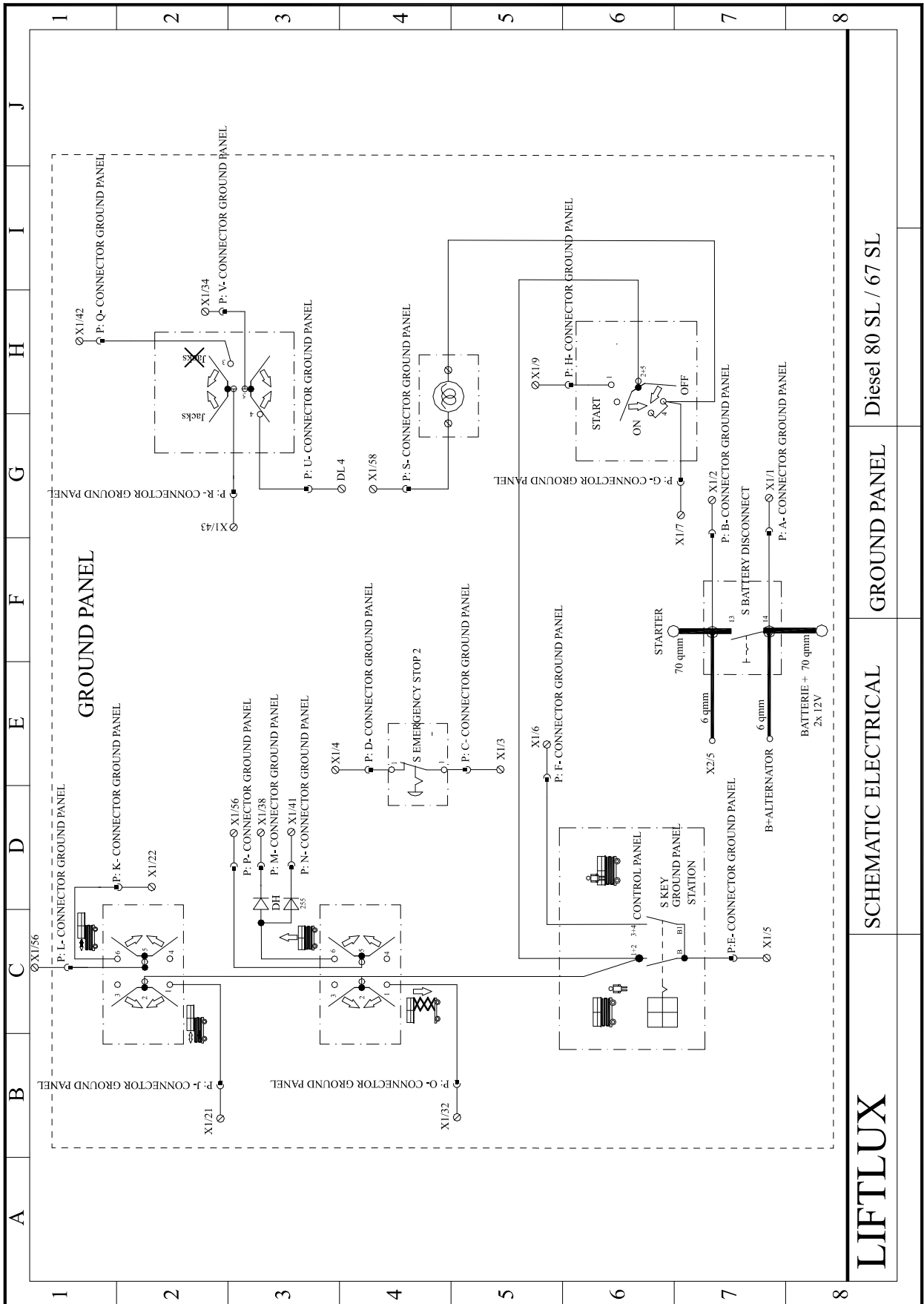
	A	B	C	D	E	F	G	H	I	J
1		1 Ground panel Battery + 6I								
		2 Ground panel Battery out 6I				F2 (10A) IN 6I				
		3 Ground panel S Emergency 6I				F2 (10A) OUT 6I				
		4	Ground panel S Emergency 6I							
		5				Ground panel S Keys 6J				
2		6				Ground panel S Key 6I				
		6				Complex J1/24 2B				
		7	KT/21 3G			Ground panel S Key on 6H				
		7								
3		8	Motor Control Box Ignition 6D			D Diesel (Cathode) 2C				
		9	Motor Control Box Start 6E			Trigger control J2/6 2H				
		10								
		11	Pump 1 6A			DBY1/DBY2 (Cathode) 6A				
		12				Trigger control J2/8 4E				
		13	Brake Valve 4F			PNP5 J1/5 4F				
		13	Drive Valve IN 4E			DF (Anode) 4E				
		14	Drive Valve Analog 4D			Complex J1/6 Analog 2D				
		15				Complex J1/12 Ser/Par 2F				
		16	Ser/Par Valve 4D			PNP5 J1/3 4D				
		17	Steer Left Valve 4B			Complex J1/10 Left 2F				
		18	Steer Right Valve 4B			Complex J1/9 Right 2E				
		19				Complex J1/18 Dir/Lock 2F				
		20	Dir/Lock Valve 2 5C							
		21								
		21	Platform IN Valve 5E			D Platf. IN (Cathode) 2G				
		22	Platform OUT Valve 5F			D Platf. OUT (Cathode) 2G				
		23				Complex J1/16 Pump 2 2H				
		24				PNP5 J2/5 5G				
		25	Item 4I			Pump 2 5G				
		26	S 2.5m/11 3C			FD 3 (Cathode) 4I				
		27	S Max Height/11 3E			Complex J1/23 Horn 2D				
		28	S Tilt IN 3F			Complex J1/13 S 2.5m 2J				
		29	S Tilt OUT 3F			Complex J1/8 S Max Height/2I				
		30	S Max Drive Height/21 3I			Complex J1/11 S Tilt 2I				
		31	Lower Input K TC 11 9F			DL 2 (Cathode) 3I				
		32				D Lower (Cathode) 2E				
		32	Lower Load Holding Valves 8G			Ground panel Lower 3G				
		33				FD 1 (Cathode) 3H				
		34	S Max Height/12 3E			Complex J1/15 +VS 2C				
		34	Ground panel S Jacks 7A			K VS /14,24 2B				
		34				Nivolux J8/9 7G				

LIFTLUX

SCHEMATIC ELECTRICAL

Terminals

Diesel 80 SL / 67 SL



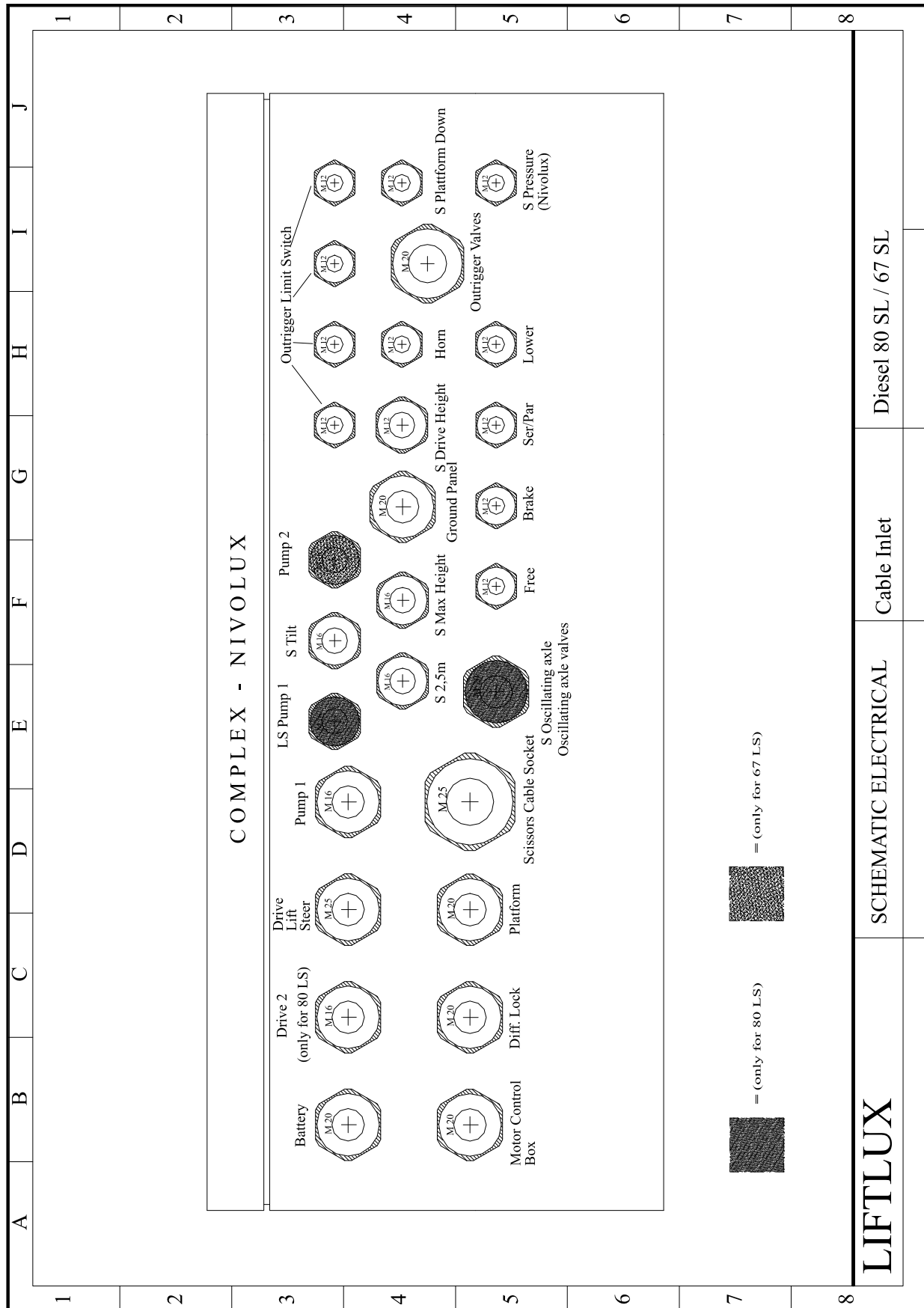
Diesel 80 SL / 67 SL

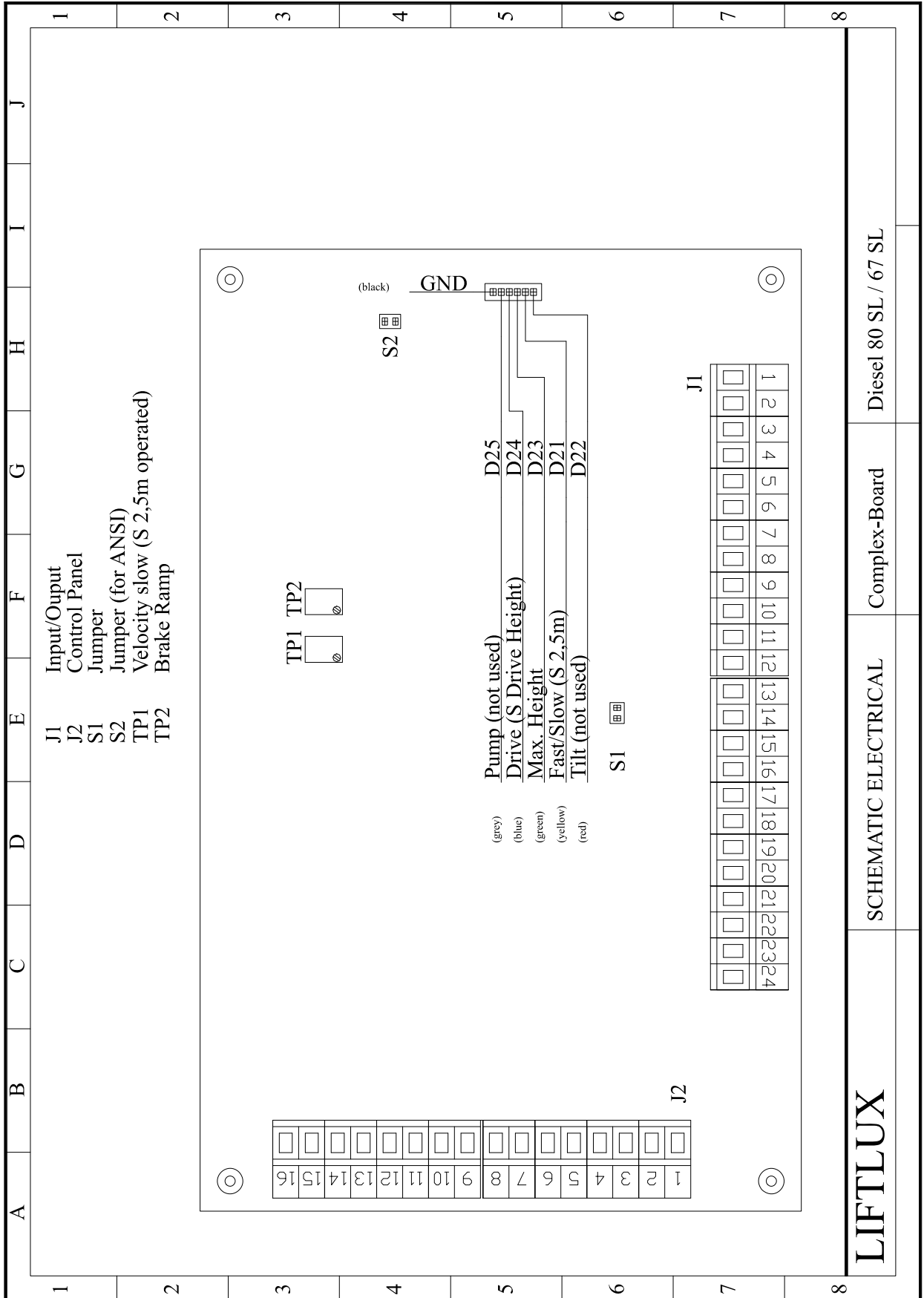
GROUND PANEL

SCHEMATIC ELECTRICAL

LIFTLUX

SECTION 7 ELECTRICAL





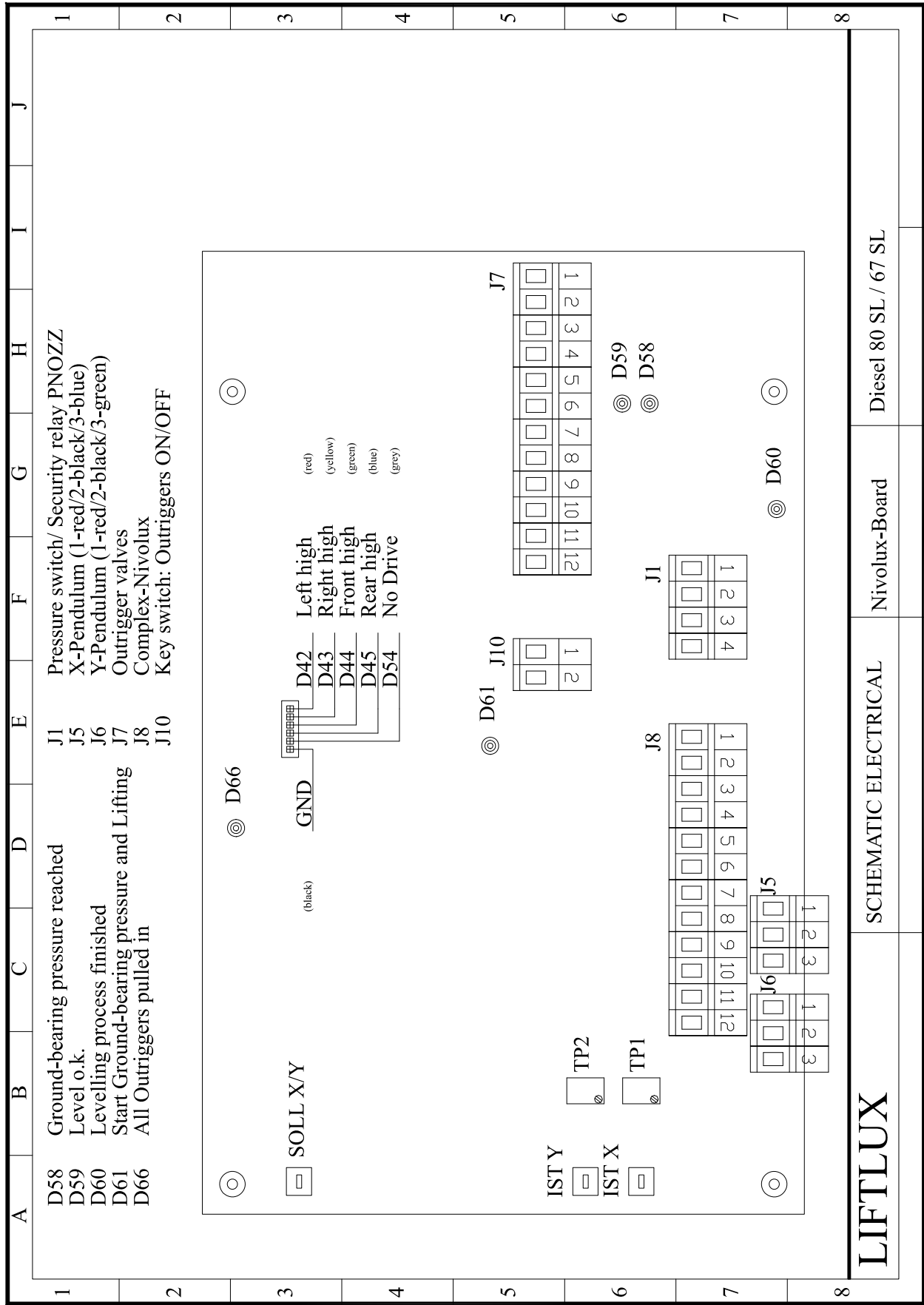
Diesel 80 SL / 67 SL

Complex-Board

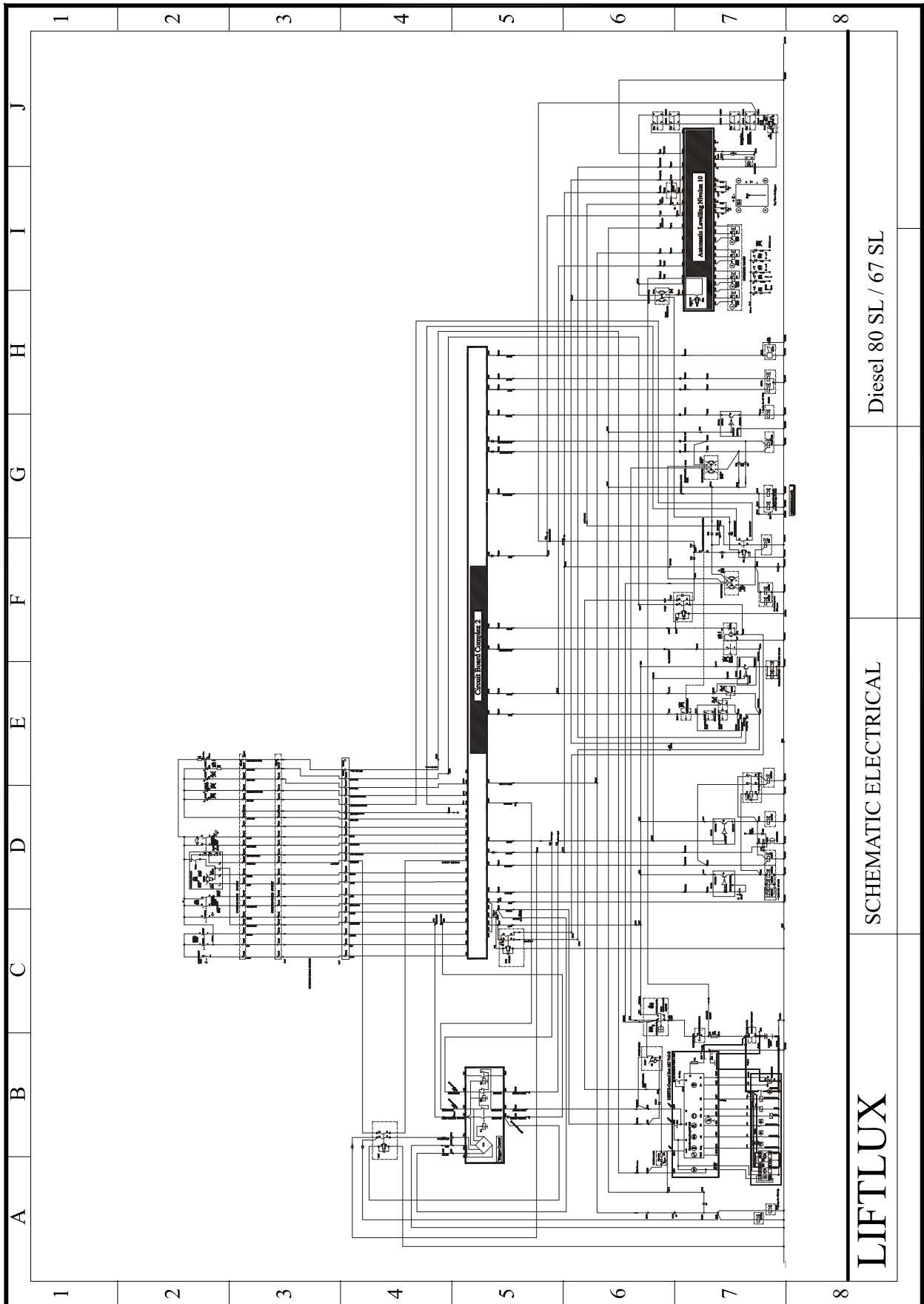
SCHEMATIC ELECTRICAL

LIFTLUX

SECTION 7 ELECTRICAL



SECTION 7 ELECTRICAL



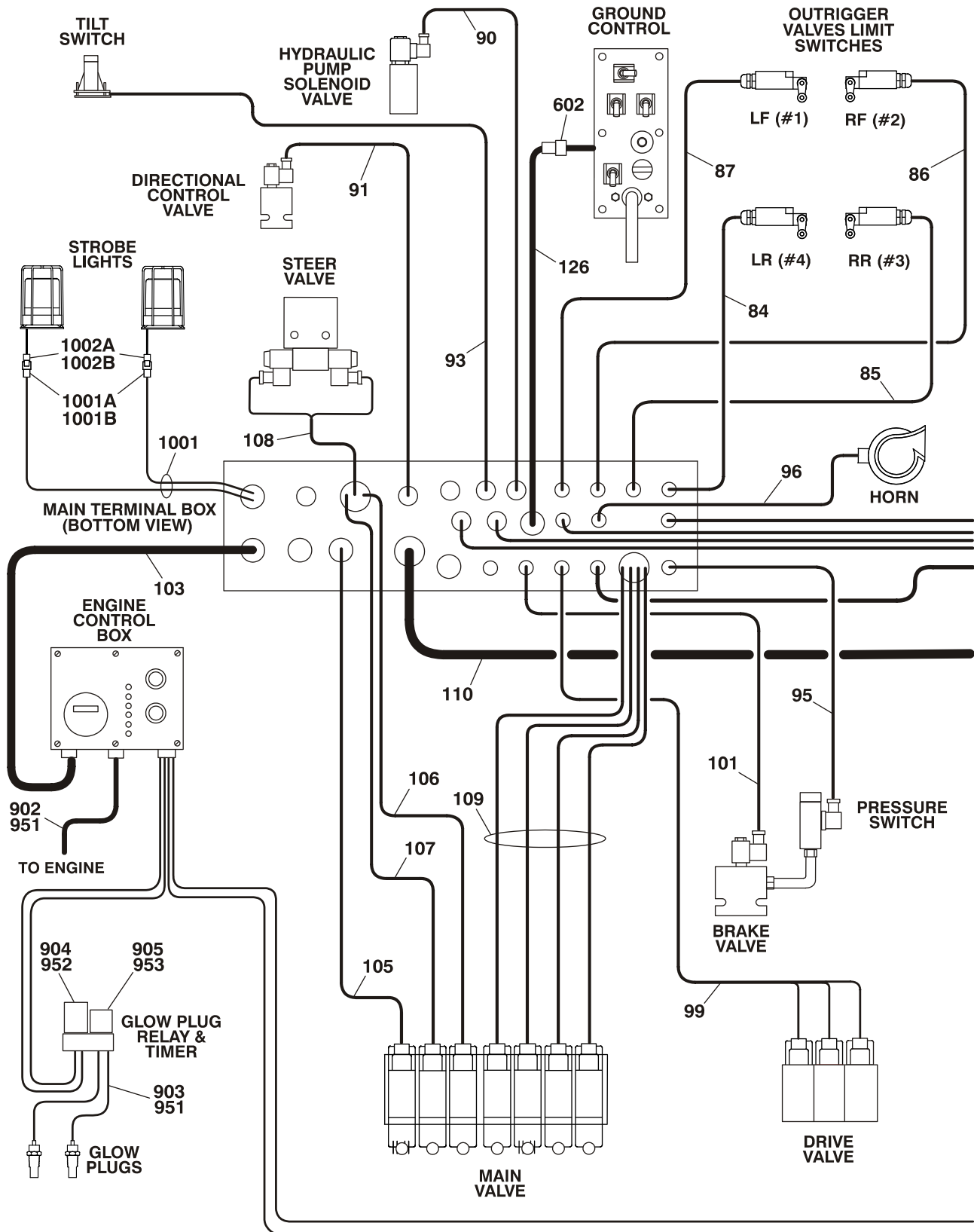
Diesel 80 SL / 67 SL

SCHEMATIC ELECTRICAL

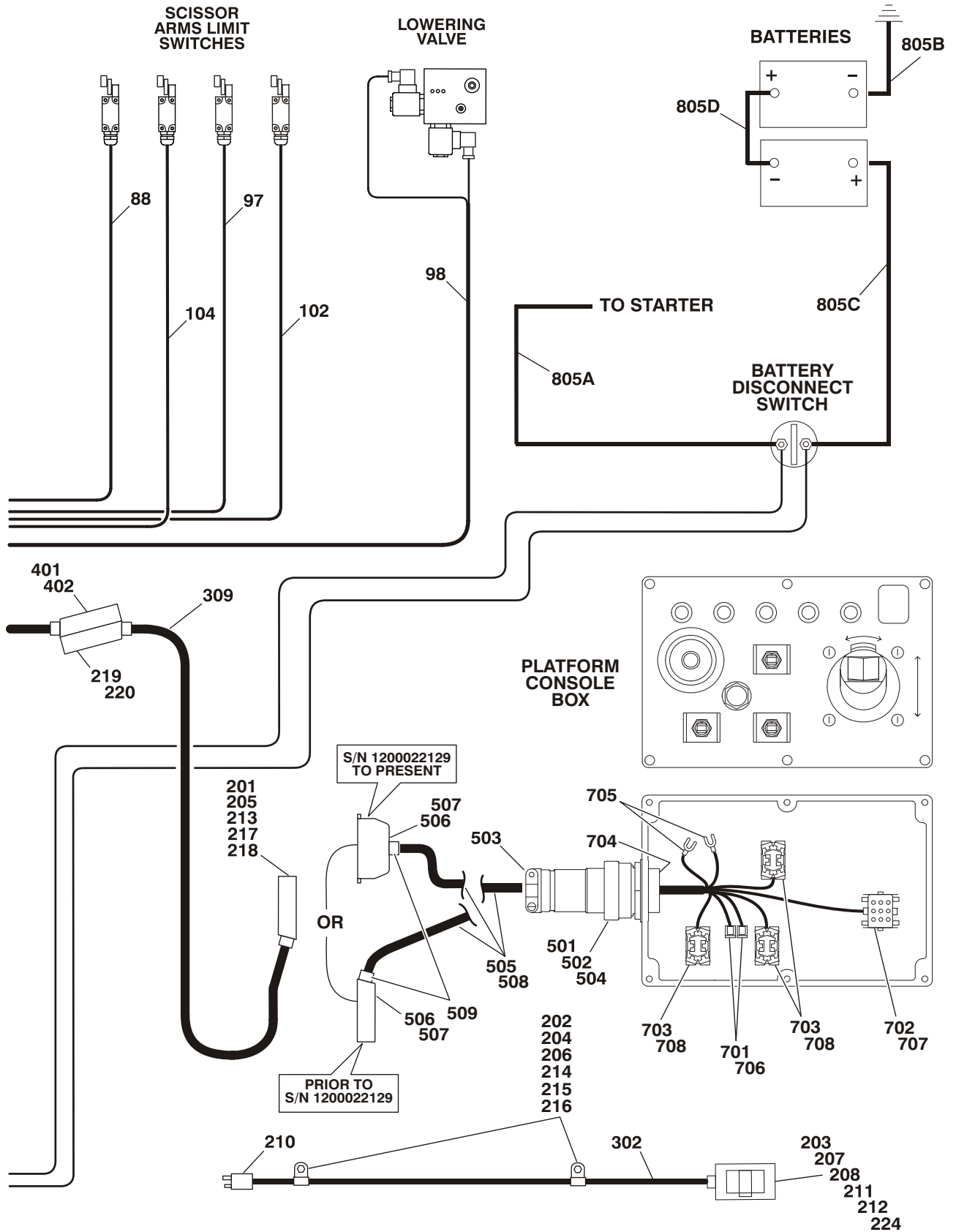
LIFTLUX

SECTION 7 ELECTRICAL

FIGURE 7-2. HARNESS COMPONENTS INSTALLATION



SECTION 7 ELECTRICAL



SECTION 7 ELECTRICAL

FIGURE 7-2. HARNESS COMPONENTS INSTALLATION

ITEM #	PART NUMBER	QTY.	DESCRIPTION	REV.
	E900065	Ref.	MAIN TERMINAL BOX HARNESS KIT INSTALLATION	D
1 to 83	Not Used			
84	70001154	1	Harness, #4 Outrigger Limit Switch	
85	70001155	1	Harness, #3 Outrigger Limit Switch	
86	70001156	1	Harness, #2 Outrigger Limit Switch	
87	70001157	1	Harness, #1 Outrigger Limit Switch	
88	70001158	1	Harness, Platform Down Limit Switch	
89	Not Used			
90	70001159	1	Harness, Hydraulic Pump Solenoid Valve	
91	70001160	1	Harness, Directional Control Valve	
92	Not Used			
93	70001161	1	Harness, Tilt Switch	
94	Not Used			
95	70001162	1	Harness, Pressure Switch	
96	70001163	1	Harness, Horn	
97	70001164	1	Harness, Drive Lock Limit Switch	
98	70001165	1	Harness, Lowering Valve	
99	70001166	1	Harness, Drive Speed Valve	
100	Not Used			
101	70001167	1	Harness, Brake Valve	
102	70001168	1	Harness, Max Height Limit Switch	
103	70001169	1	Harness, Engine Control Box	
104	70001170	1	Harness, 2.5M Limit Switch	
105	70001171	1	Harness, Platform Extend Valve	
106	70001172	1	Harness, Lift Valve	
107	70001173	1	Harness, Drive Valve	
108	70001174	1	Harness, Steer Valve	
109	See Note	1	Harness Assembly, Outrigger Valves (Not Available - Purchase Individual Components)	
109A	70001175	1	Harness, #1 Outrigger Valve	
109B	70001176	1	Harness, #2 Outrigger Valve	
109C	70001177	1	Harness, #3 Outrigger Valve	
109D	70001178	1	Harness, #4 Outrigger Valve	
110	70001179	1	Harness, Remote Control Box Connector	
111 to 125	Not Used			
126	70001214	1	Harness, Ground Control Panel	
127	E000102	1	Connector Housing, Female 24-Pin (Not Shown)	
128	E000481	1	Connector Insert, Female 24-Pin (Not Shown)	
129	70000952	1	Connector (2 Pin for Nivelux - Not Shown)	
130	70000953	2	Connector (3 Pin for Nivelux - Not Shown)	
131	70000954	1	Connector (4 Pin for Nivelux - Not Shown)	
132	70000955	2	Connector (8 Pin for Complex - Not Shown)	
133	70000956	4	Connector (12 Pin for Nivelux and Complex - Not Shown)	
	0275639	Ref.	RECEPTACLES INSTALLATION	H
201	0760508	4	Bolt M5 x 16mm	
202	0760610	2	Bolt M6 x 20mm	

SECTION 7 ELECTRICAL

FIGURE 7-2. HARNESS COMPONENTS INSTALLATION (CONTINUED)

ITEM #	PART NUMBER	QTY.	DESCRIPTION	REV.
203		1	Box Options:	
	0860038	1	Box, Receptacle (Prior to S/N 1200022202)	
	2902431	1	Box, Receptacle Kit (S/N 1200022202 to Present)	
	0861731	1	Box, Non-Metallic Receptacle	
	1671207	1	Cover	
	4460346	1	Receptacle (110V)	
	4460662	1	Strain Relief	
204	1320224	2	Clamp	
205	3290505	4	Locknut M5	
206	3290605	2	Locknut M6	
207		4	Hardware Options:	
	3900294		Screw, Self-Tapping (Prior to S/N 1200022202)	
	0760408		Bolt M4 x 16mm (S/N 1200022202 to Present)	
208	4060700	1	Cover, Receptacle (Prior to S/N 1200022202)	
209	Not Used			
210	4460138	1	Plug, Male	
211	4460315	3	Terminal, Spade	
212	4460346	1	Receptacle (Prior to S/N 1200022202)	
213	4811600	A/R	Flatwasher M5	
214	4811700	A/R	Flatwasher M6	
215	4811702	2	Flatwasher M6 Large O.D.	
216	4831700	2	Lockwasher M6	
217	E000102	1	Housing, Connector - Female 24 Pin	
218	E000481	1	Insert, Connector - Female 24 Pin	
219	E000103	1	Housing, Connector - Male 24 Pin	
220	E000482	1	Insert, Connector - Male 24 Pin	
221 to 223	Not Used			
224	3290405	4	Locknut M4 (S/N 1200022202 to Present)	
	0275444	Ref.	SCISSORS ARMS & CABLES INSTALLATION	H
301	Not Used			
302	1060663	39m/128ft	Cable, Electrical 12/3	
303 to 308	Not Used			
309	E000083	45m/148ft	Cable, Electrical (25 Wire)	
	E900061	Ref.	MAIN TERMINAL BOX ASSEMBLY	D
401	E000102	1	Housing, Connector - Female 24 Pin	
402	E000481	1	Insert, Connector - Female 24 Pin	
	E900042	Ref.	PLATFORM CONSOLE JUMPER HARNESS	E
501	4460465	24	Socket, Female	
502	4460468	1	Cap, Dust	
503	4460492	1	Clamp, Cable	
504	4460502	1	Connector - 31 Position	
505	E000083	6m/20ft	Cable, Electrical (25 Wire)	

SECTION 7 ELECTRICAL

FIGURE 7-2. HARNESS COMPONENTS INSTALLATION (CONTINUED)

ITEM #	PART NUMBER	QTY.	DESCRIPTION	REV.
506	E000103 E000108	1	Housing, Connector - Male 24 Pin Options: Prior to S/N 1200022129 S/N 1200022129 to Present	
507	E000482	1	Insert, Connector - Male 24 Pin	
508	E900043	6m/20ft	Loom, Wire	
509	E900045	1	Relief, Strain	
	E900055	Ref.	GROUND CONTROL PANEL HARNESS	E
601	4460418	4	Connector, Female - 6 Position (Attaches to Toggle Switch - Not Shown)	
	4460419	A/R	Terminal, Female (Not Shown)	
602	4460462	1	Connector - 23 Position	
	4460465	A/R	Terminal, Female	
603	E900056	2	Diode BY255 (Not Shown)	
	E900041	Ref.	PLATFORM CONSOLE BOX HARNESS	D
701	4460260	2	Terminal, Locking Female	
702	4460266	1	Connector, Female - 9 Position	
703	4460418	3	Connector - 6 Position	
704	4460503	1	Connector - 31 Position	
705	Not Used			
706	4460259	A/R	Connector, Female - 1 Position Locking	
707	4460267	6	Pin, Male	
708	4460419	15	Socket, Female	
709	4460464	20	Pin, Male	
	0275599	Ref.	BATTERY CABLES INSTALLATION	E
801 to 804	Not Used			
805	2902547	1	Battery Cable Kit	
805A	70001762	1	Battery Cable (Battery Disconnect Switch to Starter)	
	See Note	2	Boot, Terminal (Red) (Not Shown) (Not Available for Purchase)	
805B	70001763	1	Battery Cable (Battery Negative to Engine Ground)	
	See Note	1	Boot, Terminal (Black) (Not Shown) (Not Available for Purchase)	
	See Note	1	Boot, Square Terminal (Black) (Not Shown) (Not Available for Purchase)	
805C	70001764	1	Battery Cable (Battery Positive to Battery Disconnect Switch)	
	See Note	1	Boot, Terminal (Red) (Not Shown) (Not Available for Purchase)	
	See Note	1	Boot, Square Terminal (Red) (Not Shown) (Not Available for Purchase)	
805D	70001765	1	Battery Cable (Battery Positive to Battery Negative Jumper)	
	See Note	1	Boot, Square Terminal (Red) (Not Shown) (Not Available for Purchase)	
	See Note	1	Boot, Square Terminal (Black) (Not Shown) (Not Available for Purchase)	
806 to 811	Not Used			

SECTION 7 ELECTRICAL

FIGURE 7-2. HARNESS COMPONENTS INSTALLATION (CONTINUED)

ITEM #	PART NUMBER	QTY.	DESCRIPTION	REV.
812	E000072	4.2m/14ft	Loom, Wire (15mm O.D. - Not Shown)	
813 to 815	Not Used			
816	E000005	6.6m/22ft	Loom, Wire (8mm O.D. - Not Shown)	
817	E000084	3.5m/12ft	Loom, Wire (12mm O.D. - Not Shown)	
	0275614	Ref.	ENGINE HARNESSES INSTALLATION	K
		Ref.	Prior to S/N 1200021338	
901	1001105080	1	Harness, Air Cleaner Indicator (was p/n 70001859 - Not Shown)	
902	1001105077	1	Harness, Engine (was p/n 70001860)	
903	1001105079	1	Harness, Glow Plug (was p/n 70001861)	
904	See Note	1	Relay, Glow Plug Timer Note: Relay was p/n 70000924. P/N 70000924 is no longer available. Purchase qty 1 each of relay p/n 70003647 & base p/n 70003648.	
905	70000925	1	Relay	
	70000926	1	Base, Relay	
906	8229236	2	Fuse, 30A (Not Shown)	
		Ref.	S/N 1200021338 to Present	
951	1001105682	1	Harness, Engine (Complete)	
952	See Note	1	Relay, Glow Plug Timer Note: Relay was p/n 70000924. P/N 70000924 is no longer available. Purchase qty 1 each of relay p/n 70003647 & base p/n 70003648.	
953	70000925	1	Relay	
	70000926	1	Base, Relay	
954	8229236	2	Fuse, 30A (Not Shown)	
		Ref.	OPTIONAL HARNESS COMPONENTS	
1001	1001099183	1	Harness Assembly, Beacon	
1001A	4460897	2	Connector, Female - 2 Position	
1001B	4460464	4	Pin, Male	
1002		A/R	Lamp Components, Beacon	
1002A	4460891	1	Connector, Male - 2 Position	
1002B	4460465	2	Socket, Female	

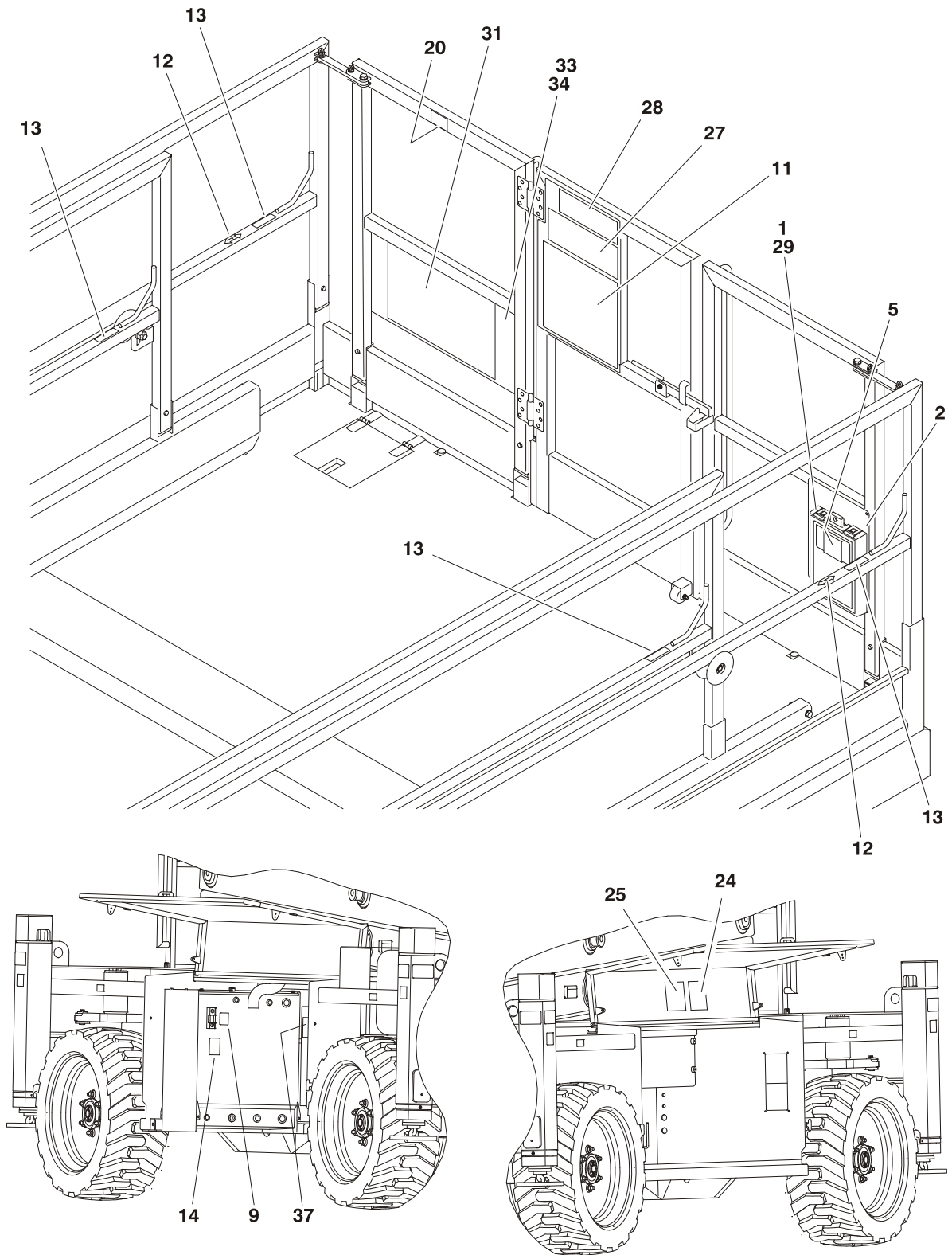
SECTION 7 ELECTRICAL

FIGURE 7-2. HARNESS COMPONENTS INSTALLATION (CONTINUED)

ITEM #	PART NUMBER	QTY.	DESCRIPTION	REV.

SECTION 8 DECALS

SECTION 8 DECALS



SECTION 8 DECALS

FIGURE 8-1. DECAL INSTALLATION

ITEM #	PART NUMBER	QTY.	DESCRIPTION	REV.
		Ref.	DECAL INSTALLATION	
	0275932	Ref.	ANSI Spec	G
	1001092749	Ref.	CSA Spec	F
1	8990147	1	Box, Manual Storage	
	70003486	2	Clip, Manual Holder	
2	1060279	1	Cable, Lanyard	
3		8	Decal - Outrigger Warning Options:	
	1701214		ANSI Spec	
	1704690		CSA Spec	
4	1701505	1	Decal - Diesel Fuel	
5	1701640	1	Decal - Manual	
6	1702773	3	Decal - JLG	
7	1703687	4	Decal - Direction Arrow	
8	1703811	4	Decal - Lifting Lug	
9	1703812	1	Decal - Hydraulic Oil	
10	1703814	4	Decal - Tie Down	
11	1703816	1	Decal - Danger/Warning (ANSI Spec Only)	
12	1703819	A/R	Decal - Direction Arrow	
13	1704277	8	Decal - Lanyard Attach	
14	1704412	1	Decal - Hydraulic Oil	
15	1704885	1	Decal - JLG Website	
16		4	Decal - Crushing Options:	
	1705694		ANSI Spec	
	1705311		CSA Spec - Prior to S/N 1200015548	
	1705694		CSA Spec - S/N 1200015548 to Present	
17		5	Decal - Electrocution Options:	
	1705695		ANSI Spec	
	1705040		CSA Spec	
18	1706472	1	Decal - Fall Hazard (Prior to S/N 1200015548)	
19	1706482	1	Decal - Manual Descent Inside	
20	1706485	1	Decal - Control Box Location	
21	1706487	1	Decal - Safety Prop	
22	1706559	4	Decal - Pad Load	
23	1706560	4	Decal - Wheel Load	
24		1	Decal - Manual Descent Options:	
	1706598		Prior to S/N 1200021262	
	1001103745		S/N 1200021262 to Present	
25	1706599	1	Decal - Manual Descent (Prior to S/N 1200021262)	
26	1707182	2	Decal - 67SL Model Designation	
27		1	Decal - Legend Options:	
	1707185		ANSI Spec	
	1001092736		CSA Spec	
28	1707187	A/R	Decal - Capacity	
29	2080040	4	Fastener, Huck	
30	See Note	1	Nameplate - Serial Number (Note: Not Available For Purchase)	
31	1704684	1	Decal - Danger/Warning (CSA Spec Only)	
32	1705303	1	Decal - CSA (CSA Spec Only)	

SECTION 8 DECALS

FIGURE 8-1. DECAL INSTALLATION (CONTINUED)

ITEM #	PART NUMBER	QTY.	DESCRIPTION	REV.
33	3820408	7	Rivet (CSA Spec Only)	
34	1001092752	1	Plate, Decal Mounting (CSA Spec Only)	
35	1703464	1	Decal, AC Power	
36	1705717	4	Decal, Crushing (CSA Spec Only)	
37	1706098	1	Decal, Ether Warning (S/N 1200019436 to Present)	

SECTION 8 DECALS

FIGURE 8-1. DECAL INSTALLATION (CONTINUED)

ITEM #	PART NUMBER	QTY.	DESCRIPTION	REV.

SECTION 9 RECOMMENDED SERVICE PARTS STOCK

MODEL 67SL

The following list will service one machine (built to current production per date on the front cover) with emergency repair parts which can be installed in the field. Parts from the list should be replaced when inventory is depleted to keep service parts stock supplied. For further information, contact your JLG dealer or the JLG Industries Parts Department.

Part Number	Description	Qty./Machine
STANDARD PARTS		
7012986	Coil (Figures 2-1, 5-1 & 6-2)	1
70000441	Coil (Figure 2-1)	1
4360314	Switch, Toggle (Figure 2-1)	1
4360671	Switch, Toggle (Figure 2-1)	1
4360698	Switch, Toggle (Figures 2-1 & 4-2)	1
4360469	Switch, Key (Figure 2-1)	1
2860030	Key, Replacement (Figure 2-1)	1
4360475	Switch, Emergency Stop (Figures 2-1 & 4-2)	1
E000059	Switch, Battery Disconnect (Figure 2-1)	1
70000635	Switch, Push Button (Figure 2-1)	1
E000457	Relay (Figure 2-6)	1
E001375	Relay (Figure 2-6)	1
7017444	Coil (Figure 2-7)	1
70000899	Element, Filter (Figure 2-7)	4
H000241	Breather (Figure 2-7)	4
H005232	Element, Primary Air Filter (Figures 2-8)	4
70000054	Element, Secondary Air Filter (Figures 2-8)	4
7016331	Filter, Oil (Deutz Engine) (Figure 2-8)	4
7020023	Filter, Fuel (Deutz Engine) (Figure 2-8)	4
7027245	Filter, In-line Fuel (Deutz Engine) (Figure 2-8)	4
S200238	Latch (Figure 4-1)	1
4360387	Switch, Push Button (Figure 4-2)	1
4360525	Switch, Toggle (Figure 4-2)	1
4360693	Switch, Toggle (Figure 4-2)	1
E900025	Controller, Drive/Steer (Figure 4-2)	1
70000020	Element, Mini Pressure Filter (Figure 6-2)	4
E900056	Diode (Figure 7-2)	2
VARIABLE PARTS		
E000359	Limit Switch (Figure 1-6)	1
E000044	Switch, Tilt (Figure 2-1)	1
70001352	PC Board - Engine Control (Figure 2-1)	1
E000189	PC Board - Pump Delay (Figure 2-6)	1
E000214	PC Board - Nivelux Control (Figure 2-6)	1
1001112938	PC Board - Complex Control (Figure 2-6)	1
E007404	PC Board - Trigger Control (Figure 2-6)	1
E000376	Limit Switch (Figure 3-1)	1

SECTION 9 RECOMMENDED SERVICE PARTS STOCK

MODEL 67SL

The following list will service one machine (built to current production per date on the front cover) with emergency repair parts which can be installed in the field. Parts from the list should be replaced when inventory is depleted to keep service parts stock supplied. For further information, contact your JLG dealer or the JLG Industries Parts Department.

Part Number	Description	Qty./Machine

SECTION 10 SPECIAL OPTIONS

Note: This list is to accommodate machines ordered with special equipment. Options may not be applicable to all models. For more specific parts information contact JLG Parts Department.

FIG&ITEM#	PART NUMBER	QTY.	DESCRIPTION	REV.
10-1		Ref.	MISCELLANEOUS SPECIAL OPTIONS	
	1001098929	Ref.	Beacon Lamp Installation	
	2920161	2	Lamp, Beacon	
	4060865	2	Guard, Stone	
	1001099040	2	Bracket, Beacon Lamp	
		Ref.	Fluids:	
	3020016	A/R	Oil, Motor Mobil Delvac MX 15W-40	
	3020008	A/R	Oil, Transmission ATF 184	
	2300014	A/R	Oil, Hydraulic MobilFluid 424	
	2300029	A/R	Oil, Hydraulic Mobil EAL EnviroSyn H46	
			Maintenance Kits:	
	71001111713	1	Combined Filter Kit	
	71001111685	1	Fuel/Oil Filter Kit	
	71001111678	1	Hydraulic/Air Filter Kit	
		Ref.	Tools For Service:	
	7002828	1	Wire Stripper	
	7002821	1	Wire Crimper (To Install Wire Ends to Wires)	
	7002823	1	Pin/Socket Extractor - Universal (To Remove Pins/Sockets from Connectors)	
	4460467	1	Extractor - 16-18 Gauge (For Removal of Pins/Sockets for Deutsch Connectors)	
	4460510	1	Extractor - 12-14 Gauge (For Removal of Pins/Sockets for Deutsch Connectors)	
	7002822	1	Screwdriver, Potentiometer (To Adjust Drive Controller)	
	7016654	1	Screwdriver, Magnetic	
	7004275	1	Seal Installation Tool - 1in	
	7004276	1	Seal Installation Tool - 1-1/2in	
	7002826	1	Seal Installation Tool - 2in	

SECTION 10 SPECIAL OPTIONS

Note: This list is to accommodate machines ordered with special equipment. Options may not be applicable to all models. For more specific parts information contact JLG Parts Department.

FIG&ITEM#	PART NUMBER	QTY.	DESCRIPTION	REV.

SECTION 11 PART NUMBER INDEX

Part Number	Page	Part Number	Page	Part Number	Page	Part Number	Page
0100011	2-22	0760812	2-3, 2-21, 2-22, 2-27	1001112938	2-15, 9-1	2142710	6-4, 6-10
0100019	1-3, 1-5, 1-7, 3-4	0760814	2-3, 2-27	1001113273	2-3, 2-9	2142711	6-4, 6-10
0140011	2-15	0760815	2-27, 4-9	1001113420	2-21	2142712	6-4, 6-10
0181847	4-9	0760817	2-21	1003107	2-7	2142713	6-4, 6-10
0256789	10-1	0760819	4-4	1060279	8-4	2142714	6-4, 6-10
0275418	3-7	0761006	2-25	1060663	7-21	2142716	6-5, 6-11
0275419	4-4	0761010	1-15, 2-3, 2-17, 2-21, 2-27, 3-7	1320224	7-21	2142717	6-5, 6-11
0275420	4-5	0761012	2-3, 2-21, 2-27, 3-7	1671207	7-21	2142719	6-5, 6-11
0275444	3-5, 7-21	0761014	2-17	1701214	8-4	2142733	6-6, 6-12
0275464	1-5	0761015	2-3, 3-4, 4-4	1701505	8-4	2142734	6-6, 6-12
0275465	1-3	0761016	4-4	1701640	8-4	2142735	6-6, 6-12
0275469	2-27	0761016	4-4	1702773	8-4	2142740	6-6, 6-12
0275475	1-7	0761210	1-3	1703464	8-5	2142743	6-4, 6-10
0275476	2-5, 2-17	0761214	1-3	1703687	8-4	2142744	6-5, 6-11
0275477	2-3	0761215	1-7, 3-4	1703811	8-4	2142751	6-5, 6-10
0275478	1-15	0761228	2-21	1703812	8-4	2142752	6-5, 6-11
0275508	1-15	0762015	3-4	1703814	8-4	2142804	6-5, 6-11
0275599	2-3, 7-22	0771619	1-7	1703816	8-4	2143402	6-5, 6-11
0275613	2-25	0860038	7-21	1703819	8-4	2143403	6-5, 6-11
0275614	2-17, 2-21, 7-23	0861731	7-21	1704277	8-4	2143404	6-5, 6-11
0275623	3-4	0893076	2-7	1704412	8-4	2143405	6-5, 6-11
0275624	3-4, 5-3	1001091075	2-17, 2-18	1704684	8-4	2143406	6-5, 6-11
0275639	4-6, 7-20	1001091513	2-21	1704690	8-4	2143507	6-5, 6-11
0275673	4-9	1001091514	2-21	1704885	8-4	2143513	6-5, 6-11
0275932	8-4	1001091761	2-27	1705040	8-4	2143514	6-5, 6-11
0307544	2-7	1001092080	6-7, 6-12	1705303	8-4	2143516	6-5, 6-11
0318854	2-7	1001092405	2-15	1705311	8-4	2143602	6-5, 6-11
0700518	2-27	1001092406	2-15	1705694	8-4	2143603	6-5, 6-11
0700614	4-5	1001092736	8-4	1705695	8-4	2143605	6-5, 6-11
0700615	4-5	1001092749	8-4	1705717	8-5	2143606	6-5, 6-11
0700617	2-3	1001092752	8-5	1706098	8-5	2143608	6-5, 6-11
0700618	2-17	1001092804	4-4	1706472	8-4	2143703	6-6, 6-12
0700619	4-5	1001092805	4-4	1706482	8-4	2143705	6-5, 6-11
0700812	2-27, 3-5	1001093353	2-15	1706485	8-4	2143707	6-6, 6-12
0700815	2-3	1001093354	2-15	1706487	8-4	2143717	6-6, 6-12
0700817	1-15, 2-3	1001093355	2-15	1706559	8-4	2143807	6-6, 6-12
0700818	1-15	1001093361	2-15	1706560	8-4	2144105	6-6, 6-12
0700820	2-3	1001093379	2-15	1706598	8-4	2160016	1-3, 1-15, 3-4, 3-5, 3-7, 4-4
0700833	1-15	1001093793	2-22	1706599	8-4	2221214	6-6, 6-12
0701014	3-4	1001093794	2-21	1707182	8-4	2221222	5-3
0701016	4-5	1001094781	2-5	1707185	8-4	2300014	10-1
0701018	1-15	1001096366	4-9	1707187	8-4	2300029	10-1
0701022	4-4	1001096367	4-9	1787217	2-3	2560141	4-9
0701024	4-5	1001096653	2-27	2080040	4-5, 8-4	2600281	4-5
0701025	4-4	1001097369	4-6	2140803	6-5, 6-11	2754350	6-6, 6-12
0701217	3-4	1001097370	4-6	2140807	6-5, 6-11	2754352	6-6, 6-12
0701222	1-15	1001098929	10-1	2141503	6-5, 6-11	2754353	6-6, 6-12
0701630	3-7	1001099040	10-1	2141517	6-6, 6-12	2754354	6-6
0701631	3-4	1001099183	7-23	2141908	6-5, 6-11	2754356	6-7, 6-13
0711230	1-3	1001101876	4-5	2141911	6-5, 6-11	2754357	6-7, 6-13
0712022	1-5	1001101879	4-5	2142202	6-5, 6-11	2754358	6-7, 6-13
0760408	7-21	1001101880	4-5	2142203	6-5, 6-11	2754359	6-7, 6-13
0760505	2-17	1001103611	2-3	2142204	6-5, 6-11	2754361	6-6, 6-12
0760508	4-9, 7-20	1001103745	8-4	2142205	6-5, 6-11	2754364	6-6, 6-12
0760605	2-4, 2-27, 3-4, 4-5	1001105077	7-23	2142206	6-5, 6-11	2754366	6-6, 6-12
0760608	1-15, 2-4, 2-27	1001105079	7-23	2142706	6-4, 6-10	2754368	6-6, 6-12
0760610	2-3, 2-4, 4-4, 7-20	1001105080	7-23	2142707	6-4, 6-10	2754369	6-6, 6-12
0760805	4-5, 4-6	1001105682	7-23	2142708	6-4, 6-10	2754372	6-6, 6-12
0760810	2-3, 2-4, 2-17, 4-5	1001111759	2-3, 2-11	2142709	6-4, 6-10		

SECTION 11 PART NUMBER INDEX

Part Number	Page	Part Number	Page	Part Number	Page	Part Number	Page
2754373	6-6, 6-12	3520060	4-9	4460897	7-23	70000248	1-11
2754375	6-6	3760491	4-4	4520288	1-7	70000249	1-11
2754376	6-6, 6-12	3760518	4-5	4740120	4-9	70000250	1-11
2754377	6-6, 6-12	3820408	2-27, 8-5	4811400	2-5	70000251	1-11
2754383	6-7, 6-13	3820510	1-15	4811600	2-27, 4-9, 7-21	70000252	1-11
2754388	6-7, 6-13	3900294	7-21	4811700	2-3, 2-4, 2-17, 2-27, 4-4, 4-5, 7-21	70000253	1-11
2754390	6-7, 6-13	3900376	4-4	4811702	7-21	70000254	1-11
2754391	6-7, 6-13	3960605	2-17	4811900	2-3, 2-4, 2-21, 2-27, 3-4, 4-4, 4-5, 4-9, 4-10	70000255	1-11
2754392	6-7, 6-13	4010414	4-9	4812000	2-17, 2-27, 3-4, 3-7, 4-4, 4-5	70000256	1-11
2754393	6-7, 6-13	4031510	1-15	4812100	1-3, 2-21, 3-4	70000257	1-12
2754473	6-6, 6-12	4031605	2-4	4812300	3-4, 3-7, 4-5	70000258	1-12
2754474	6-7, 6-12	4031612	3-4	4831600	2-4, 2-17, 3-4	70000259	1-12
2754475	6-6	4031709	3-5, 4-9	4831700	1-15, 2-4, 2-27, 3-4, 4-6, 7-21	70000260	1-12
2754476	6-7, 6-13	4031714	5-3	4831900	1-15, 2-3, 2-4, 2-17, 2-21, 2-25, 2-27, 3-5, 4-6	70000346	1-12
2754477	3-5, 6-6, 6-12	4031718	6-12	4832000	1-15, 2-3, 2-4, 2-17, 2-21, 2-22, 2-25, 2-27, 3-4, 3-7	70000441	9-1
2754479	6-6, 6-12	4031720	6-12	4832100	1-3, 1-7, 1-15, 2-27, 3-4	70000513	2-13
2754480	6-6, 6-12	4031908	3-4	4832300	2-17	70000514	2-13
2754481	6-6	4031913	5-3	4832500	3-4	70000515	2-13
2754482	6-6, 6-12	4032009	2-22	5241600	1-7	70000516	2-13
2754483	6-7, 6-13	4032011	3-7	5242000	1-5	70000517	2-13
2754484	6-7, 6-13	4032310	2-17	70000020	6-4, 6-10, 9-1	70000518	2-13
2754485	6-7, 6-13	4032316	2-17	70000021	6-4, 6-10	70000519	2-13
2754486	6-7, 6-13	4060700	7-21	70000054	2-21, 9-1	70000520	2-13
2754487	6-7, 6-13	4060802	2-4, 4-9	70000055	2-23	70000521	2-13
2754488	6-7, 6-13	4060865	10-1	70000056	2-23	70000522	2-13
2754489	6-7, 6-13	4360314	2-4, 9-1	70000059	2-22	70000523	2-13
2754490	6-7, 6-13	4360387	4-9, 9-1	70000061	2-23	70000524	2-13
2754491	6-7, 6-13	4360469	2-4, 9-1	70000062	2-23	70000525	2-13
2754492	6-7, 6-13	4360475	2-4, 4-9, 9-1	70000081	4-13	70000526	2-13
2754493	6-7, 6-12	4360525	4-9, 9-1	70000082	4-13	70000527	2-13
2754494	6-12	4360671	2-4, 9-1	70000083	4-13	70000528	2-13
2754495	6-7, 6-13	4360693	4-9, 9-1	70000084	4-13	70000529	2-13
2754516	3-5, 6-6, 6-12	4360698	2-4, 4-9, 9-1	70000085	4-13	70000530	2-13
2755039	6-6, 6-12	4460071	4-6	70000185	5-3	70000531	2-13
2755040	6-6	4460121	4-9	70000186	5-3	70000532	2-13
2860030	2-4, 9-1	4460138	7-21	70000187	5-3	70000533	2-13
2900708	2-17	4460226	4-13	70000188	5-3	70000534	2-13
2902431	7-21	4460259	7-22	70000189	5-3	70000535	2-13
2902547	7-22	4460260	7-22	70000207	5-3	70000536	2-13
2920161	10-1	4460265	4-13	70000239	1-11	70000537	2-13
3020008	10-1	4460266	4-13, 7-22	70000240	1-11	70000538	2-13
3020016	10-1	4460267	4-13, 7-22	70000241	1-11	70000539	2-13
320066	2-3	4460315	7-21	70000242	1-11	70000540	2-13
3290405	2-5, 7-21	4460346	7-21	70000243	1-11	70000541	2-13
3290505	2-27, 4-9, 7-21	4460418	7-22	70000244	1-11	70000542	2-13
3290605	2-3, 2-4, 2-17, 2-27, 4-4, 4-5, 7-21	4460419	7-22	70000245	1-11	70000543	2-13
3290805	2-3, 2-4, 2-21, 2-25, 2-27, 3-4, 4-4, 4-5, 4-9	4460462	7-22	70000246	1-11	70000634	2-5
3291001	2-3	4460464	7-22, 7-23	70000247	1-11	70000635	2-5, 9-1
3291005	2-21, 2-27, 3-4, 3-7, 4-4, 4-5	4460465	7-21, 7-22, 7-23			70000683	4-13
3291205	2-21	4460467	10-1			70000684	4-13
3291207	3-4	4460468	7-21			70000685	4-13
3291605	3-4, 3-7, 4-4, 4-5	4460470	4-9			70000686	4-13
3331215	1-3	4460471	4-9			70000700	5-5
3332011	1-5	4460492	7-21			70000707	5-7
3440816	3-4	4460502	7-21			70000708	5-7
		4460503	7-22			70000713	5-7
		4460510	10-1			70000749	5-9
		4460662	7-21			70000750	5-9
		4460891	7-23			70000751	5-9

SECTION 11 PART NUMBER INDEX

Part Number	Page	Part Number	Page	Part Number	Page	Part Number	Page
70000752	5-9	70001177	7-20	7027248	2-22	E007404	2-15, 9-1
70000755	5-9	70001178	7-20	7027367	4-13	E900025	4-9, 4-13, 9-1
70000759	5-7	70001179	7-20	7027765	4-13	E900026	4-9
70000760	5-7	70001214	7-20	7027766	4-13	E900028	4-9
70000761	5-7	70001352	2-5, 9-1	7027861	1-9	E900029	4-9
70000762	5-9	70001353	2-5	7027912	2-7	E900030	4-9
70000763	5-9	70001355	2-5	7027915	2-7	E900031	4-9
70000764	5-5	70001762	7-22	7027939	1-9	E900032	2-4
70000765	5-5	70001763	7-22	7027940	1-9	E900033	2-4
70000766	5-5	70001764	7-22	7027941	1-9	E900034	2-4
70000767	5-5	70001765	7-22	7028846	2-7	E900036	4-9
70000768	5-5	70001859	7-23	7028847	2-7	E900037	2-4
70000769	5-5	70001860	7-23	7028848	2-7	E900041	4-9, 7-22
70000770	5-5	70001861	7-23	7028849	2-7	E900042	4-9, 7-21
70000771	5-5	70001938	6-4, 6-10	7028893	2-7	E900043	7-22
70000772	5-5	70002626	2-21	71001111678	10-1	E900045	7-22
70000899	2-17, 9-1	70003486	8-4	71001111685	10-1	E900048	2-4, 4-9
70000902	2-25	70003606	2-11	71001111713	10-1	E900049	4-9
70000924	7-23	70003607	2-11	8003064	2-7	E900051	2-25
70000925	7-23	70003608	2-11	8005376	2-21	E900052	2-25
70000926	7-23	70003609	2-11	8007894	2-7	E900055	2-4, 7-22
70000938	2-21	70003610	2-11	8007915	2-7	E900056	7-22, 9-1
70000939	2-21	70003611	2-11	8007935	2-7	E900057	2-15
70000940	2-21	70003616	2-15	8007939	2-7	E900059	2-15
70000941	2-21	70003647	7-23	8007944	2-7	E900061	2-4, 2-15, 7-21
70000942	5-3	70003648	7-23	8007953	2-7	E900065	7-20
70000952	2-15, 7-20	7002821	10-1	8007954	2-7	H000009	2-17
70000953	2-15, 7-20	7002822	10-1	8007986	2-17, 2-25	H000013	2-17, 2-18
70000954	2-15, 7-20	7002823	10-1	8008750	2-4	H000015	6-4, 6-10
70000955	2-15, 7-20	7002826	10-1	8229236	7-23	H000018	6-4, 6-10
70000956	2-15, 7-20	7002828	10-1	8303891	4-9	H000019	2-3
70001114	2-4	7004275	10-1	8405204	2-21	H000038	2-25
70001122	2-5	7004276	10-1	8990147	8-4	H000039	2-25
70001136	2-23	7010543	2-3	DL0113	2-3	H000040	2-25
70001137	2-23	7012941	2-3	E000005	7-23	H000048	2-25
70001138	2-23	7012955	5-3	E000016	3-5, 4-6	H000049	2-25
70001154	7-20	7012972	5-3	E000044	2-4, 9-1	H000051	2-25
70001155	7-20	7012986	2-3, 5-3, 6-4, 6-10, 9-1	E000045	3-5, 4-6	H000077	2-17
70001156	7-20			E000059	2-4, 9-1	H000115	6-4, 6-10
70001157	7-20	7012998	5-3, 6-4, 6-10	E000063	2-4	H000147	6-4, 6-10
70001158	7-20	7016331	2-22, 9-1	E000072	7-23	H000148	6-5, 6-11
70001159	7-20	7016654	10-1	E000083	7-21	H000191	2-7
70001160	7-20	7017410	6-4, 6-10	E000084	7-23	H000206	2-7
70001161	7-20	7017414	2-17	E000102	7-20, 7-21	H000219	1-7, 1-11
70001162	7-20	7017444	2-17, 9-1	E000103	7-21, 7-22	H000241	2-17, 2-18, 9-1
70001163	7-20	7020023	2-22, 9-1	E000108	7-22	H000271	5-3
70001164	7-20	7020127	1-9	E000189	2-15, 9-1	H000279	6-4, 6-10
70001165	7-20	7020128	1-9	E000214	2-15, 9-1	H000285	2-3, 2-13
70001166	7-20	7020129	1-9	E000269	1-15, 3-4	H000310	2-21
70001167	7-20	7020175	2-4, 4-9	E000359	1-15, 9-1	H000311	6-4, 6-10
70001168	7-20	7020176	2-4, 4-9	E000375	2-15	H000312	6-4, 6-10
70001169	7-20	7020411	2-22	E000376	3-4, 9-1	H000324	2-3, 2-7
70001170	7-20	7020414	2-22	E000419	2-15, 4-9	H000339	6-4, 6-10
70001171	7-20	7020465	2-22	E000457	2-15, 9-1	H000344	6-4
70001172	7-20	7024579	2-23	E000481	7-20, 7-21	H000351	6-4, 6-10
70001173	7-20	7026608	2-22	E000482	7-21, 7-22	H000352	2-7
70001174	7-20	7027238	2-22	E001206	2-15	H000353	2-7
70001175	7-20	7027239	2-23	E001375	2-15, 9-1	H000363	2-3
70001176	7-20	7027245	2-23, 9-1	E001376	2-15	H000370	2-3

SECTION 11 PART NUMBER INDEX

Part Number	Page	Part Number	Page	Part Number	Page	Part Number	Page
H000371	3-5, 4-10	S000116	3-6, 3-7	S200175	3-6	S900003	1-15
H000390	2-7	S000118	3-6, 5-3	S200223	4-5	S900005	2-27
H000412	2-25	S000123	3-5	S200226	4-4	S900013	1-15
H000430	3-5	S000124	3-5	S200230	4-5	S900014	1-15
H000443	1-7, 1-9	S000129	3-5	S200231	4-5	S900015	4-4
H000512	2-7	S000142	1-3, 1-15, 3-4, 3-7, 4-4	S200233	4-5	S900016	4-4
H000514	2-7	S000145	4-5	S200237	3-7	S900017	4-4
H000516	2-7	S000178	3-7	S200238	4-5, 9-1	S900018	4-4
H000524	6-4, 6-10	S000182	1-3, 3-6	S200243	1-3	S900021	1-15
H000536	6-4, 6-10	S000187	3-6	S200252	1-3	S900028	4-4
H000542	2-7	S000188	3-6	S200253	1-3	S900029	4-4
H000558	1-15	S000189	3-6	S200262	2-21	S900030	4-4
H000559	1-15	S000191	3-5	S200265	2-4	S900031	4-4
H000580	2-7	S000227	3-7	S200267	2-3	S900032	4-4
H000602	2-7	S000233	3-5	S200268	2-21	S900033	4-4
H000609	2-7	S000234	3-5	S200270	2-27	S900052	1-3
H003085	5-3	S000237	4-4	S200271	2-27	S900053	1-3
H003091	5-3	S000246	2-27	S200272	2-27	S900054	3-4
H003098	5-3	S000510	4-5	S200911	3-6	S900055	2-27
H003108	5-3	S001237	3-5	S200999	5-3	S900056	2-27
H003114	5-3	S001238	3-5	S201000	5-3	S900057	2-27
H004005	2-21	S001240	3-5	S201001	5-3	S900058	2-27
H004080	2-22	S001241	3-5	S201002	5-3	S900059	2-27
H004087	2-22	S001286	1-3	S201004	1-3	S900060	2-27
H004089	2-22	S001443	4-5	S201005	1-3	S900064	1-15
H005224	2-23	S001445	4-4	S201017	3-4	S900074	3-4
H005232	2-21, 9-1	S001494	3-6	S201024	3-4	S900075	3-4
H005234	2-21	S001551	1-3	S201025	3-5, 3-6	S900076	3-5
H005235	2-27	S001594	3-4	S201026	3-5, 3-6	S900078	2-27
H005236	2-21	S001613	1-3	S201027	3-5, 3-6	S900079	2-27
H005237	2-21	S001640	1-15	S201028	3-5, 3-6	S900155	4-4
H005238	2-21	S001676	2-27	S201029	3-5, 3-6	S900223	3-5
H005239	2-21	S001735	5-3	S201030	3-5, 3-6	S900224	1-7
H005242	2-21	S003991	1-7, 1-12	S201031	3-5, 3-6	S900225	1-7
H005243	5-3	S004000	1-7	S201032	3-5, 3-6	S900226	1-7
H005247	2-7	S004014	1-15	S201033	3-5, 3-6	S900227	1-7
H005250	2-7	S004035	3-4	S201034	3-5, 3-6	S900229	4-4
H005376	2-3, 2-9	S004039	1-15	S201035	3-5, 3-6	S900237	4-5
H005559	2-5	S005049	4-4	S201036	3-6	S900238	1-15
H005782	5-3	S005171	2-21	S201037	3-6	S900240	3-6
H900007	1-3, 5-9	S005172	2-21	S201038	3-6	S900241	2-17
H900013	4-4, 5-7	S006615	1-3	S201039	3-6	S900257	3-6
H900018	1-15, 5-5	S006665	1-3	S201059	1-5	S900258	3-6
H900019	1-15, 5-5	S006812	1-3	S201068	4-4	S900259	3-6
H900045	5-3	S007034	3-4	S201070	4-5	S900260	3-6
H900046	2-17	S007035	3-4	S201071	4-5	S900261	3-6
H900047	2-17, 2-21, 2-22	S007036	3-4	S201072	4-5	S900262	3-6
H900048	2-22	S007037	3-7	S201073	4-5	S900263	3-6
H900049	6-4, 6-10	S007038	3-7	S201074	4-5	S900273	2-25
H900050	6-4, 6-10	S007039	3-7	S201075	4-5	S900275	4-5
H900051	6-6, 6-12	S007116	3-5	S201076	4-5	S900331	3-4
H900052	6-4, 6-10	S007117	3-5	S201080	4-4	S900332	3-4
H900066	2-21	S200024	2-21	S201081	4-5		
p	7-23	S200090	3-5	S201082	4-5		
S000009	4-9	S200092	3-5	S201083	4-5		
S000021	3-5	S200096	3-7	S201086	1-3		
S000031	4-5	S200097	3-7	S201091	2-3		
S000055	4-4	S200134	3-4	S201582	3-6		
S000056	2-27			S900002	1-15		



3121323



An Oshkosh Corporation Company

Corporate Office
JLG Industries, Inc.
1 JLG Drive
McConnellsburg PA. 17233-9533
USA

☎ (717) 485-5161

📠 (717) 485-6417

JLG Worldwide Locations

JLG Industries (Australia)
P.O. Box 5119
11 Bolwarra Road
Port Macquarie
N.S.W. 2444
Australia

☎ +61 2 65 811111

📠 +61 2 65 813058

JLG Latino Americana Ltda.
Rua Eng. Carlos Stevenson,
80-Suite 71
13092-310 Campinas-SP
Brazil

☎ +55 19 3295 0407

📠 +55 19 3295 1025

JLG Industries (UK) Ltd
Bentley House
Bentley Avenue
Middleton
Greater Manchester
M24 2GP - England

☎ +44 (0)161 654 1000

📠 +44 (0)161 654 1001

JLG France SAS
Z.I. de Baulieu
47400 Fauillet
France

☎ +33 (0)5 53 88 31 70

📠 +33 (0)5 53 88 31 79

JLG Deutschland GmbH
Max-Planck-Str. 21
D - 27721 Ritterhude - Ihlpohl
Germany

☎ +49 (0)421 69 350 20

📠 +49 (0)421 69 350 45

JLG Equipment Services Ltd.
Rm 1107 Landmark North
39 Lung Sum Avenue
Sheung Shui N. T.
Hong Kong

☎ (852) 2639 5783

📠 (852) 2639 5797

JLG Industries (Italia) s.r.l.
Via Po. 22
20010 Pregnana Milanese - MI
Italy

☎ +39 029 359 5210

📠 +39 029 359 5845

Oshkosh-JLG Singapore
Technology Equipment Pte
Ltd
29 Tuas Ave 4,
Jurong Industrial Estate
Singapore, 639379

☎ +65-6591 9030

📠 +65-6591 9031

Plataformas Elevadoras
JLG Iberica, S.L.
Trapadella, 2
P.I. Castellbisbal Sur
08755 Castellbisbal, Barcelona
Spain

☎ +34 93 772 4700

📠 +34 93 771 1762

JLG Sverige AB
Enkopingsvagen 150
Box 704
SE - 176 27 Jarfalla
Sweden

☎ +46 (0)850 659 500

📠 +46 (0)850 659 534