



# Illustrated Parts Manual

## **Model 67SL**

3121323

December 15, 2014

**ANSI**



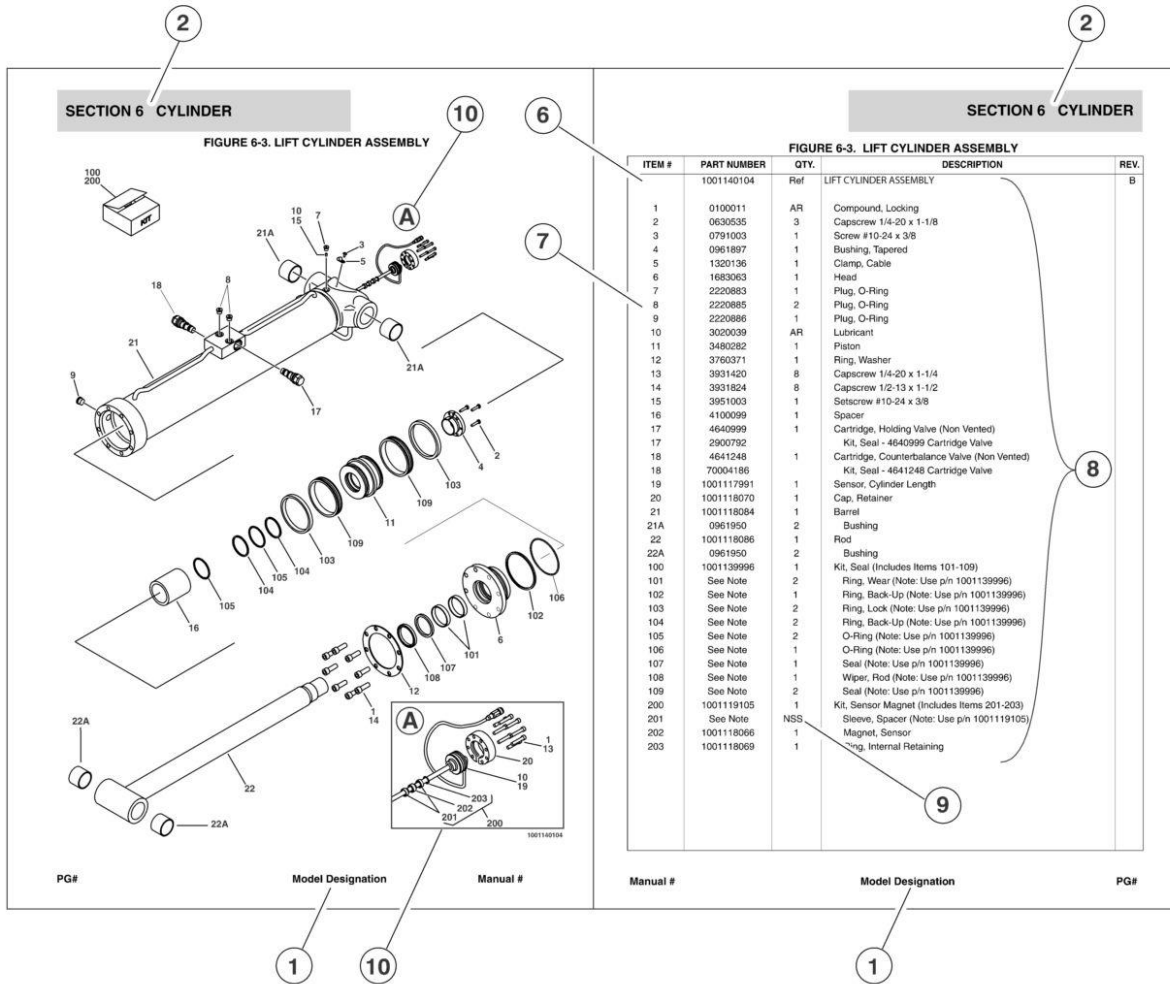
An Oshkosh Corporation Company



## REVISION LOG

October 15, 2006 - Original Issue of Manual (Edited to B/M 0010689 Revision 4)  
March 15, 2007 - Revised Manual (Edited to B/M 0010689 Revision 5)  
June 30, 2007 - Revised Manual (Edited to B/M 0010689 Revision 6)  
November 30, 2007 - Revised Manual (Edited to B/M 0010689 Revision 8)  
April 30, 2008 - Revised Manual (Edited to B/M 0010689 Revision 8)  
May 15, 2009 - Revised Manual (Edited to B/M 0010689 Revision 9)  
September 21, 2010 - Revised Manual (Edited to B/M 0010689 Revision 11)  
March 15, 2011 - Revised Manual (Edited to B/M 0010689 Revision 13)  
September 1, 2011 - Revised Manual (Edited to B/M 0010689 Revision 13)  
November 10, 2011 - Revised Manual (Edited to B/M 0010689 Revision 13)  
February 27, 2012 - Revised Manual (Edited to B/M 0010689 Revision 13)  
June 29, 2012 - Revised Manual (Edited to B/M 0010689 Revision 13)  
September 21, 2012 - Revised Manual (Edited to B/M 0010689 Revision 13)  
January 30, 2013 - Revised Manual (Edited to B/M 0010689 Revision 13)  
April 18, 2013 - Revised Manual (Edited to B/M 0010689 Revision 13)  
July 16, 2013 - Revised Manual (Edited to B/M 0010689 Revision 13)  
October 15, 2013 - Revised Manual (Edited to B/M 0010689 Revision 13)  
December 15, 2014 - Revised Manual (Edited to B/M 0010689 Revision 13)

# GENERAL INFORMATION



## 1) MACHINE IDENTIFICATION

Machines are identified by model and in some cases a combination of models, serial number (SN) or regional standard (i.e. ANSI, CE, CSA). Components may also be identified by SN or manufacturer. Common components that may be identified by these characteristics are engines and hydraulic components.

## 2) PARTS MANUAL ORGANIZATION

Product information in this manual is organized under section titles. Frame, Cylinder, Hydraulic and Electrical are a few examples. Each section is organized by figure and page number. The information within the Figure is then organized by item number, part number, description and corresponding illustration(s).

## 3) TABLE OF CONTENTS

A table of contents is found toward the beginning of the manual. Figure number, description and page number are provided for quick reference to the page containing the related information.

## 4) RECOMMENDED SPARE PARTS

The Recommended Spare Parts, located near the end of the manual, reference most frequently used maintenance parts.

## 5) PART NUMBER INDEX

A numerical index listing all part numbers and the corresponding page number(s) appears at the back of the manual.

## GENERAL INFORMATION

### 6) NON-SERVICED PARTS

In some instances, it is necessary to display non-serviced parts, assemblies or installations. In the case of assemblies and installations there will be a Ref in the Qty column. In case of parts that are not available for service within assemblies or components, there will be a NSS (Not Sold Separately) or NLA (No Longer Available) listed in the Qty. column of the manual.

### 7) PARTS LIST ITEM NUMBERS

Numbers shown in the item# column correspond to numbers used in the associated illustration (s). Item numbers which are missing from the sequence in the parts list are not used on that page

### 8) INDENTED PARTS DESCRIPTION

An indented part description is included in the item under which it is indented.

### 9) ABBREVIATION AND SYMBOLS

AC.....	.. Alternating Current	LCD.....	.. Liquid Crystal Display
ADE.....	.. Advanced Design Electronics	LED.....	.. Light Emitting Diodes
ANSI.....	.. American National Standards Institute	LH.....	.. Left Hand
AR.....	.. As Required	LSS.....	.. Load Sensing System
ASSY.....	.. Assembly	M(m).....	.. Metric/Meter
AUX.....	.. Auxiliary	MM (mm).....	.. Milimeter
AWG.....	.. American Wire Gauge	mA.....	.. Milliamps
B/M.....	.. Bill of Material	NLA.....	.. No Longer Available
CE.....	.. European Conformity	NPT.....	.. National Pipe Threads
CCW.....	.. Counter Clockwise	NSS.....	.. Not Sold Separately
cm.....	.. Centimeter	OD.....	.. Outside Diameter
CW.....	.. Clockwise	ORB.....	.. O-Ring Boss
CSA.....	.. Canadian Standards Association	ORFS.....	.. O-Ring Face Seal
CYL.....	.. Cylinder	OZ (oz).....	.. Ounces
DIA.....	.. Diameter	PG.....	.. Page
DC.....	.. Direct Current	P/N.....	.. Part Number
EMS.....	.. Emergency Stop	qt.....	.. Quarts
ENG.....	.. Engine	QTY.....	.. Quantity
FT (ft).....	.. Feet	REF.....	.. Reference
GA (Ga).....	.. Gauge	REV.....	.. Revision Level
HYD.....	.. Hydraulic	RH.....	.. Right Hand
Hz.....	.. Hertz	SAE.....	.. Society of Automotive Engineers
ID.....	.. Inside Diameter	SN.....	.. Serial Number
in.....	.. inches	SPEC(S).....	.. Specifications
ISO.....	.. International Organization for Standards	T/T.....	.. Turntable
JIC.....	.. Joint Industry Council	UGM.....	.. Universal Ground Module
KG.....	.. Kilogram	V.....	.. Volts
L.....	.. Liter	W.....	.. Watts
LB.....	.. Pounds	#.....	.. Number

### 10) ILLUSTRATION REFERENCE LETTERS

When necessary, illustrations may contain reference letters that are intended to track information (i.e. hoses, harnesses) from one point to another or to track visual enlargement of components to show details that may be located in another area on the illustration.

*Note: Due to continuous product improvements, JLG Industries, Inc. reserves the right to make specification changes without prior notification. Contact JLG Industries, Inc. for updated information.*



# TABLE OF CONTENTS

SECTION 1 - FRAME.....	9
FIGURE 1-1. STEERING INSTALLATION .....	10
FIGURE 1-2. REAR AXLE INSTALLATION .....	12
FIGURE 1-3. WHEEL DRIVE INSTALLATION.....	14
FIGURE 1-4. DRIVE MOTOR ASSEMBLY .....	16
FIGURE 1-5. DRIVE HUB ASSEMBLY .....	18
FIGURE 1-6. LADDER AND LEVELING CYLINDERS INSTALLATION.....	22
SECTION 2 - GROUND CONTROLS .....	25
FIGURE 2-1. VALVE SIDE COMPONENTS INSTALLATION.....	26
FIGURE 2-2. MAIN VALVE ASSEMBLY .....	30
FIGURE 2-3. DRIVE VALVE ASSEMBLY (Prior to SN 1200022933).....	32
FIGURE 2-4. DRIVE VALVE ASSEMBLY (SN 1200022933 to Present).....	34
FIGURE 2-5. HAND PUMP ASSEMBLY .....	36
FIGURE 2-6. MAIN TERMINAL BOX ASSEMBLY .....	38
FIGURE 2-7. ENGINE SIDE COMPONENTS INSTALLATION.....	40
FIGURE 2-8. ENGINE INSTALLATION.....	42
FIGURE 2-9. FUEL TANK INSTALLATION.....	46
FIGURE 2-10. HOODS INSTALLATION .....	48
SECTION 3 - SCISSORS ARMS .....	51
FIGURE 3-1. SCISSORS ARMS INSTALLATION.....	52
SECTION 4 - PLATFORM.....	57
FIGURE 4-1. PLATFORM AND ACCESSORIES INSTALLATION.....	58
FIGURE 4-2. PLATFORM CONSOLE ASSEMBLY AND INSTALLATION.....	62
FIGURE 4-3. DRIVE/STEER CONTROLLER ASSEMBLY .....	64
SECTION 5 - CYLINDER.....	67
FIGURE 5-1. LIFT CYLINDER ASSEMBLY .....	68
FIGURE 5-2. LEVELING CYLINDER ASSEMBLY .....	70
FIGURE 5-3. PLATFORM EXTENSION CYLINDER ASSEMBLY .....	72
FIGURE 5-4. STEER CYLINDER ASSEMBLY.....	74
SECTION 6 - HYDRAULIC .....	77
FIGURE 6-1. HYDRAULIC DIAGRAM (Prior to SN 1200021262).....	78
FIGURE 6-2. HYDRAULIC DIAGRAM (SN 1200021262 to Present) .....	84
SECTION 7 - ELECTRICAL .....	89
FIGURE 7-1. ELECTRICAL SCHEMATIC.....	90
FIGURE 7-2. HARNESS COMPONENTS INSTALLATION.....	106
SECTION 8 - DECALS.....	111
FIGURE 8-1. DECAL INSTALLATION.....	112
SECTION 9 - RECOMMENDED SERVICE PARTS STOCK .....	117
FIGURE 9-1. MODEL 67SL STANDARD PARTS .....	118
FIGURE 9-2. MODEL 67SL VARIABLE PARTS .....	120
SECTION 10 - SPECIAL OPTIONS.....	121
FIGURE 10-1. SPECIAL OPTIONS.....	122
PART NUMBER INDEX.....	123





**SECTION 1 - FRAME**



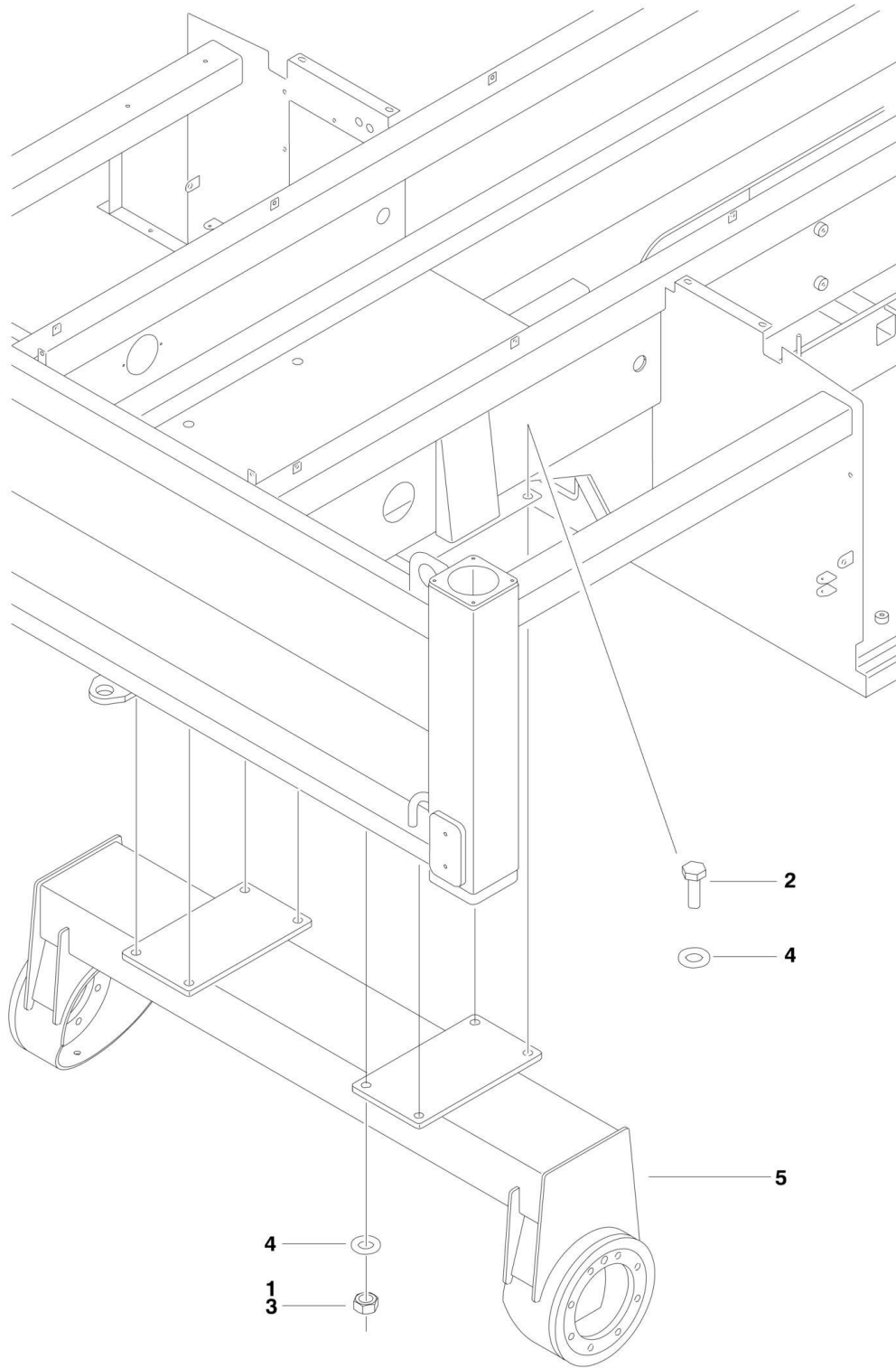
# SECTION 1 - FRAME

## FIGURE 1-1. STEERING INSTALLATION

ITEM	PART NUMBER	QTY	DESCRIPTION	REV
	0275465	Ref	<b>STEERING INSTALLATION</b>	F
1	0100019	AR	Locking, Compound	
2	0711230	1	Bolt M12 x 125mm	
3	0761210	3	Bolt M12 x 20mm	
4	0761214	8	Bolt M12 x 30mm	
5	3331215	1	Nut M12	
6	4832100	11	Lockwasher M12	
7	H900007	1	Steering Cylinder Assembly (See CYLINDER SECTION for Breakdown)	
8	2160016	6	Fitting, Grease	
10	S001286	2	Seal	
11	S001613	2	O-Ring	
12	S006615	1	Spindle Left	
12A	S001551	1	Bushing	
13	S006665	1	Spindle Right	
13A	S001551	1	Bushing (Not Shown)	
14	S006812	1	Rod, Tie	
15	S200243	2	Washer, Thrust	
16	S200252	1	Washer, Brass (50mm O.D.)	
17	S200253	1	Washer, Brass (40mm O.D.)	
18	S201004	2	Pin	
19	S201005	2	Cap	
20	S900052	1	Pin	
21	S900053	1	Pin	
22	4812100	2	Flatwasher M12	
23	S000142	6	Cap, Grease Fitting	
	S201086	Ref	<b>FRAME WELDMENT</b>	N
101	S000182	4	Bushing	

# SECTION 1 - FRAME

## FIGURE 1-2. REAR AXLE INSTALLATION

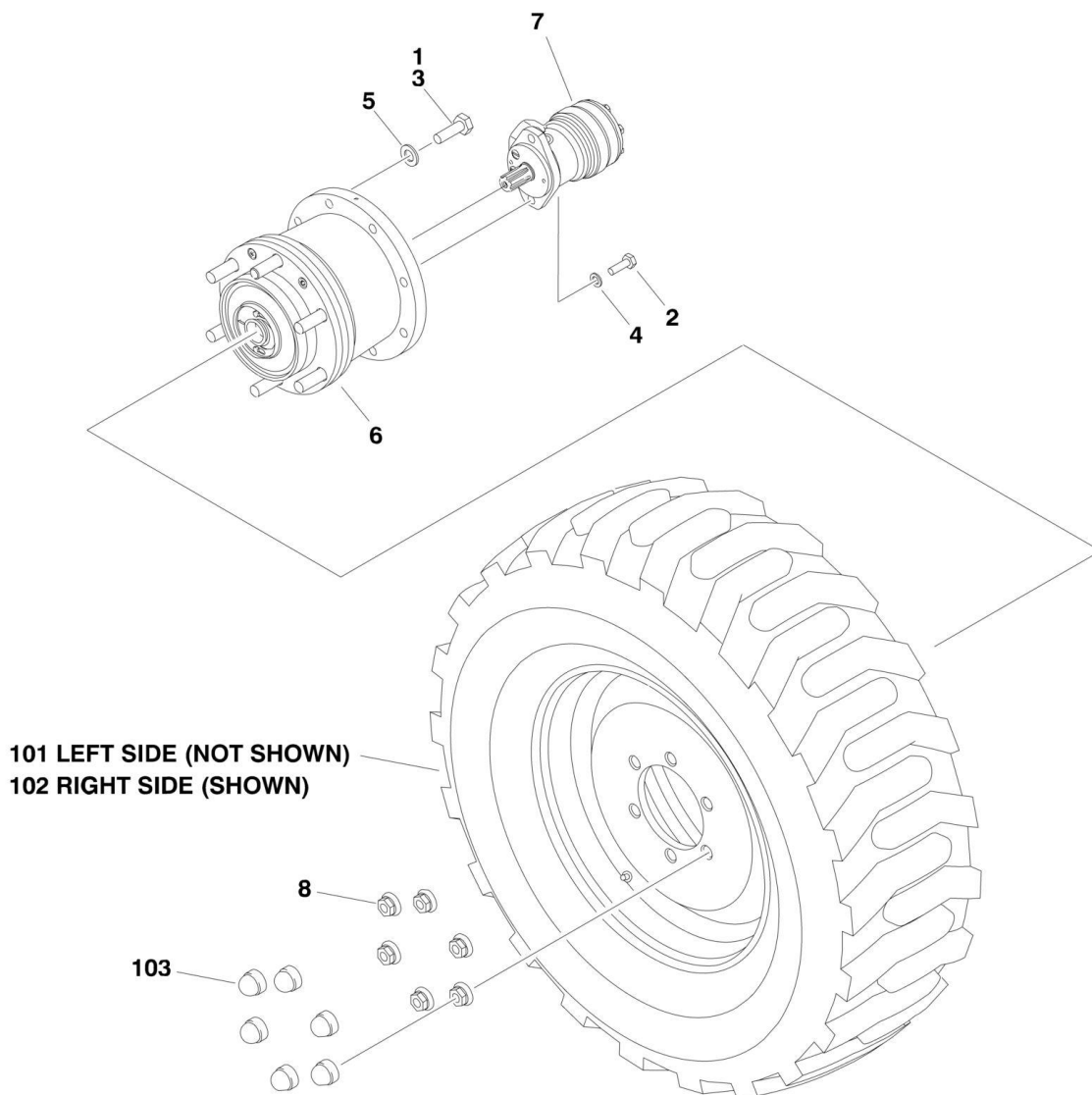


**FIGURE 1-2. REAR AXLE INSTALLATION**

<b>ITEM</b>	<b>PART NUMBER</b>	<b>QTY</b>	<b>DESCRIPTION</b>	<b>REV</b>
	0275464	Ref	<b>REAR AXLE INSTALLATION</b>	<b>B</b>
1	0100019	AR	Locking, Compound	
2	0712022	8	Bolt M20 x 65mm	
3	3332011	8	Nut M20	
4	5242000	16	Washer, Hardened	
5	S201059	1	Rear Axle Weldment	

# SECTION 1 - FRAME

## FIGURE 1-3. WHEEL DRIVE INSTALLATION



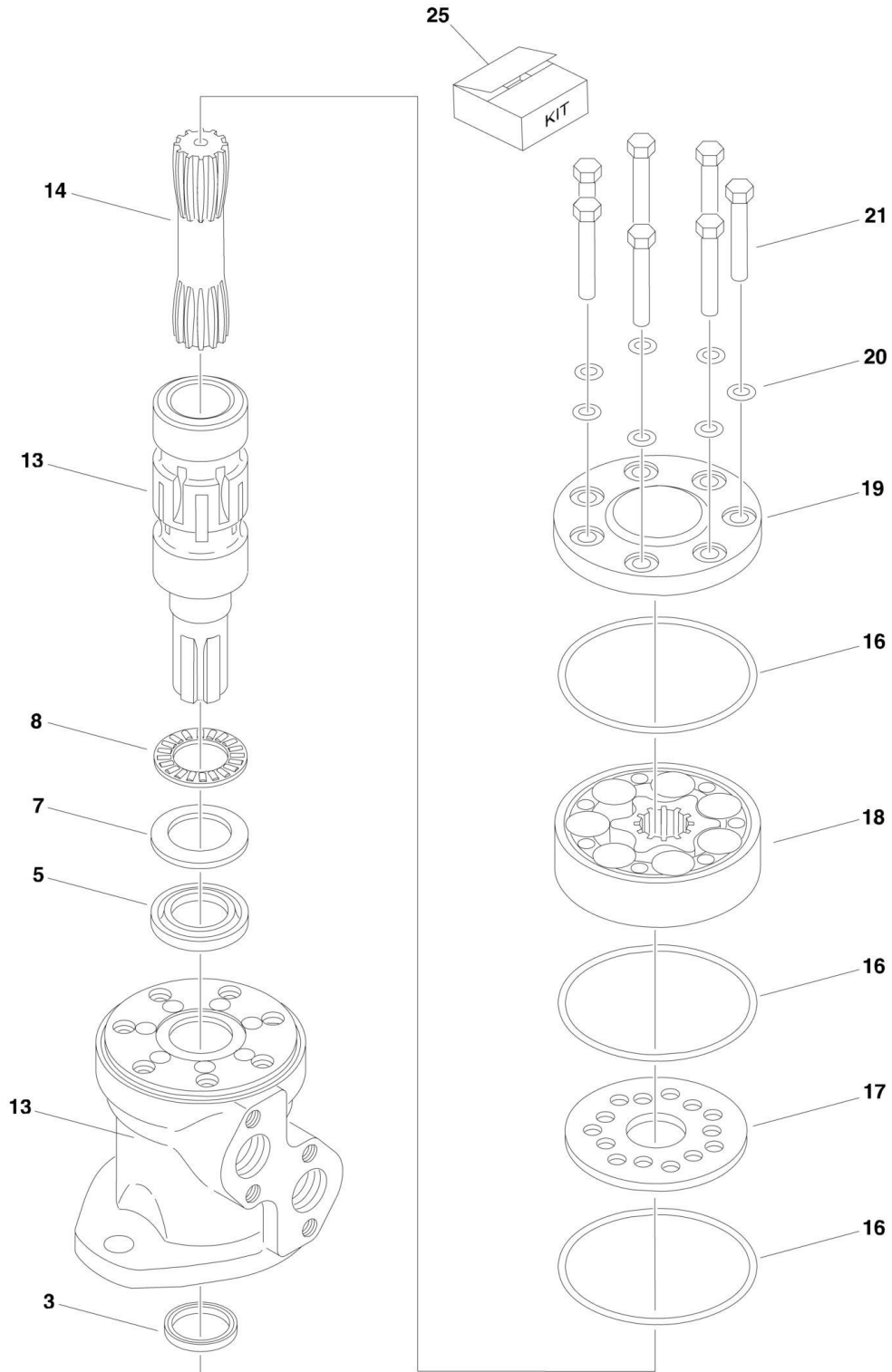
# SECTION 1 - FRAME

## FIGURE 1-3. WHEEL DRIVE INSTALLATION

ITEM	PART NUMBER	QTY	DESCRIPTION	REV
	0275475	Ref	<b>DRIVE INSTALLATION</b>	G
1	0100019	AR	Locking, Compound	
2	0761215	8	Bolt M12 x 35mm	
3	0771619	32	Bolt M16 x 55mm	
4	4832100	8	Lockwasher M12	
5	5241600	32	Washer, Hardened	
6	H000219	4	Drive Hub Assembly (See DRIVE HUB ASSEMBLY for Breakdown)	
7	H000443	4	Drive Motor Assembly (See DRIVE MOTOR ASSEMBLY for Breakdown)	
8	S003991	24	Wheel Nut	
	S900224	Ref	<b>TIRE AND WHEEL INSTALLATION</b>	E
101	S900225	2	Wheel and Tire Assembly - Foam Filled (Left Side)	
102	S900226	2	Wheel and Tire Assembly - Foam Filled (Right Side)	
		Ref	<b>Note: Assemblies may require ballast/foam filling to manufacturer's specifications prior to installing on a machine. Refer to Operation and Safety or Service and Maintenance Manuals. Purchase individual tire and/or rim only if able to foam fill tire and wheel assembly, otherwise, purchase complete assembly.</b>	
102	S900227	4	Rim (1 per Assembly)	
102	4520288	4	Tire (1 per Assembly)	
103	S004000	24	Cap, Wheel Nut	

# SECTION 1 - FRAME

## FIGURE 1-4. DRIVE MOTOR ASSEMBLY





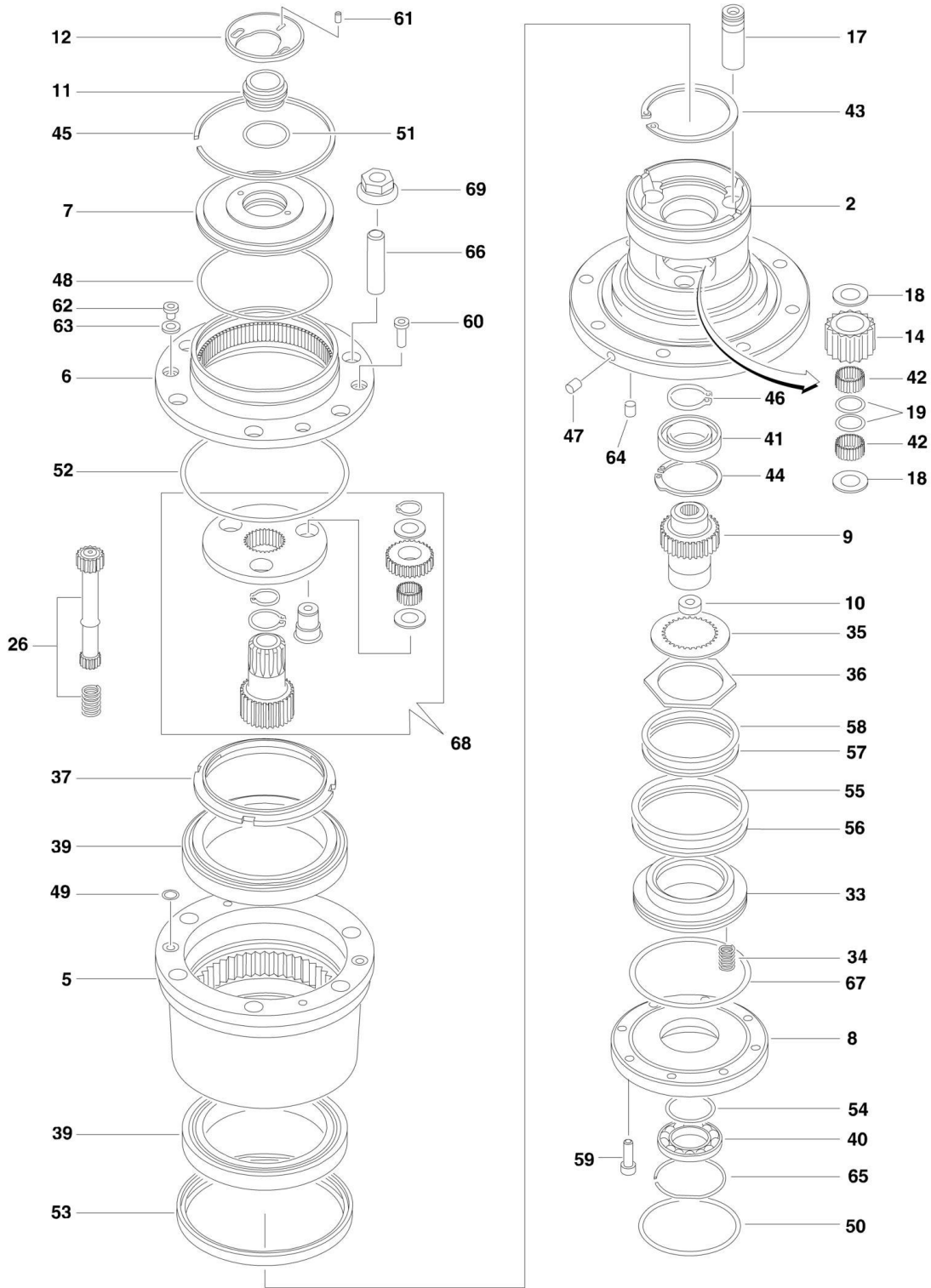
## SECTION 1 - FRAME

### FIGURE 1-4. DRIVE MOTOR ASSEMBLY

ITEM	PART NUMBER	QTY	DESCRIPTION	REV
	H000443	Ref	<b>DRIVE MOTOR ASSEMBLY</b>	D
3	7027861	1	Seal, Dust	
5	See Note	NSS	Seal, Shaft (Note: Use Item 25)	
7	7020128	1	Race, Bearing	
8	7020129	1	Bearing, Needle	
13	See Note	1	Shaft and Housing (Note: Not Available - Purchase Complete Assembly)	
14	7027941	1	Shaft, Cardan	
16	See Note	NSS	O-Ring (Note: Use Item 25)	
17	7027939	1	Plate, Distributor	
18	See Note	1	Gear Set (Note: Not Available - Purchase Complete Assembly)	
19	7027940	1	Cover, End	
20	See Note	NSS	Washer (Note: Use Item 25)	
21	See Note	7	Screw M8 x 45mm (Note: Not Available - Purchase Locally)	
25	7020127	1	Seal Kit - H000443 Motor (Includes Items 3, 5, 16 & 20)	

# SECTION 1 - FRAME

## FIGURE 1-5. DRIVE HUB ASSEMBLY



# SECTION 1 - FRAME

## FIGURE 1-5. DRIVE HUB ASSEMBLY

ITEM	PART NUMBER	QTY	DESCRIPTION	REV
	H000219	Ref	<b>DRIVE HUB ASSEMBLY</b>	E
2	See Note	1	Spindle (Note: Not Available - Purchase Complete Assembly)	
5	See Note	1	Hub (Note: Not Available - Purchase Complete Assembly)	
6	70000239	1	Gear Ring	
7	See Note	1	Cover (Note: Not Available - Purchase Complete Assembly)	
8	See Note	1	Flange (Note: Not Available - Purchase Complete Assembly)	
9	See Note	1	Coupling (Note: Not Available - Purchase Complete Assembly)	
10	See Note	1	Thrustwasher (Note: Not Available - Purchase Complete Assembly)	
11	See Note	1	Thrustwasher (Note: Not Available - Purchase Complete Assembly)	
12	See Note	1	Circlip (Note: Not Available - Purchase Locally)	
14	See Note	3	Planetary Gear (Note: Not Available - Purchase Complete Assembly)	
17	See Note	3	Pin (Note: Not Available - Purchase Complete Assembly)	
18	See Note	6	Thrustwasher (Note: Not Available - Purchase Complete Assembly)	
19	See Note	6	Spacer (Note: Not Available - Purchase Complete Assembly)	
26	70000240	1	Sun Pinion	
33	See Note	1	Piston (Note: Not Available - Purchase Complete Assembly)	
34	70000241	16	Spring	
35	70000242	5	Disc	
36	70000243	6	Disc	
37	70000244	1	Lock Nut	
39	70000245	2	Bearing	
40	70000246	1	Bearing	
41	70000247	1	Bearing	
42	See Note	6	Bearing (Note: Not Available - Purchase Complete Assembly)	
43	See Note	1	Circlip (Note: Not Available - Purchase Locally)	
44	See Note	1	Circlip (Note: Not Available - Purchase Locally)	
45	See Note	1	Disc (Note: Not Available - Purchase Complete Assembly)	
46	See Note	1	Circlip (Note: Not Available - Purchase Locally)	
47	See Note	1	Plug (Note: Not Available - Purchase Locally)	
48	70000248	1	O-Ring	
49	70000249	2	O-Ring	
50	70000250	1	O-Ring	
51	70000251	1	O-Ring	
52	70000252	1	O-Ring	
53	70000253	1	Oil Seal	
54	70000254	1	Gasket	
55	70000255	1	O-Ring	
56	70000256	1	Blocking Ring	
57	70000257	1	O-Ring	
58	70000258	1	Blocking Ring	
59	See Note	8	Screw (Note: Not Available - Purchase Locally)	
60	See Note	2	Screw (Note: Not Available - Purchase Locally)	
61	See Note	2	Screw (Note: Not Available - Purchase Locally)	
62	See Note	2	Plug (Note: Not Available - Purchase Locally)	
63	See Note	2	Washer (Note: Not Available - Purchase Locally)	
64	See Note	1	Plug (Note: Not Available - Purchase Locally)	

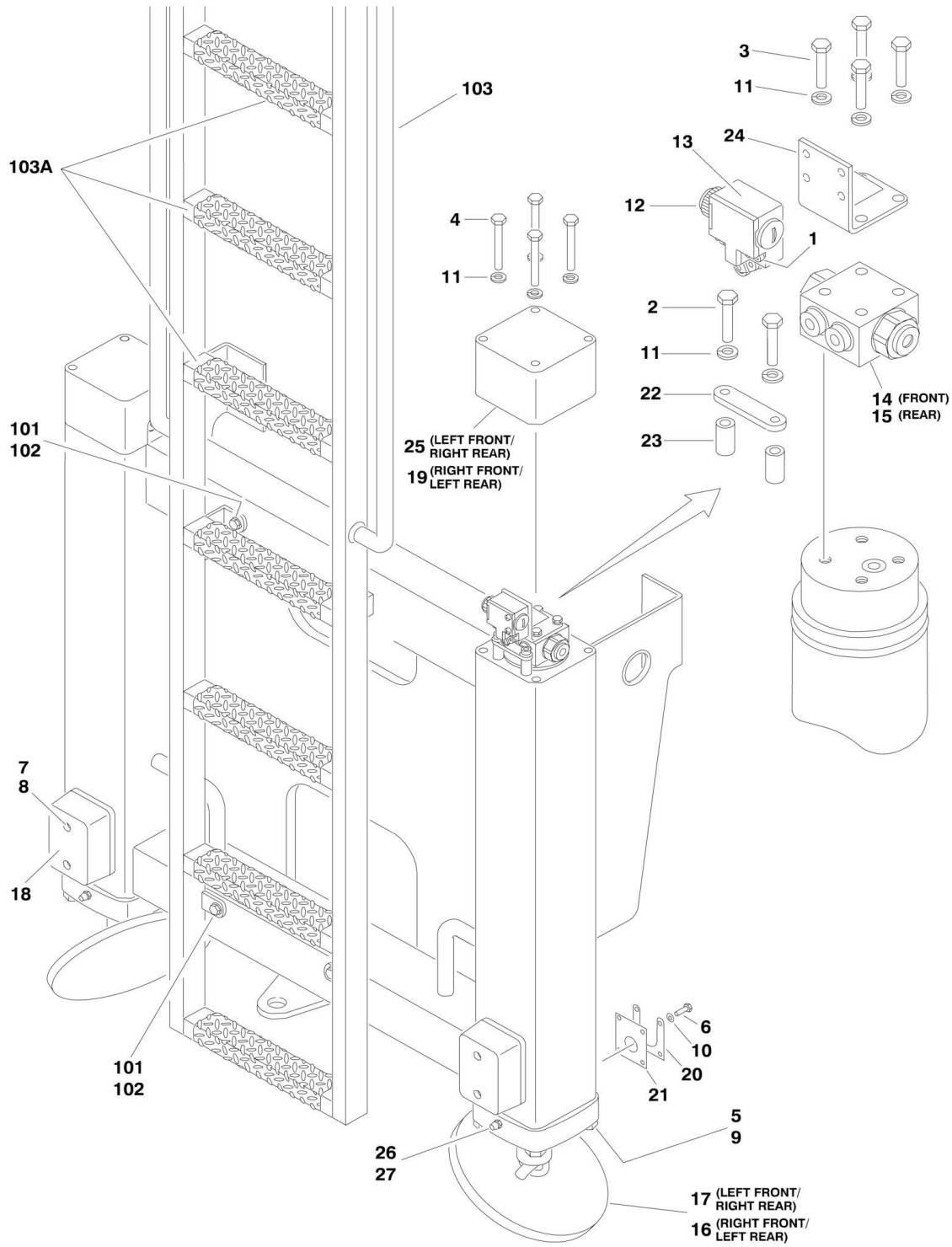
## SECTION 1 - FRAME

ITEM	PART NUMBER	QTY	DESCRIPTION	REV
65	See Note	1	Disc (Note: Not Available - Purchase Complete Assembly)	
66	70000259	6	Threaded Stud	
67	70000260	1	O-Ring	
68	70000346	1	Reduction Gear Kit	
69	S003991	6	Wheel Nut	



# SECTION 1 - FRAME

## FIGURE 1-6. LADDER AND LEVELING CYLINDERS INSTALLATION



## SECTION 1 - FRAME

**FIGURE 1-6. LADDER AND LEVELING CYLINDERS INSTALLATION**

ITEM	PART NUMBER	QTY	DESCRIPTION	REV
	0275478	Ref	<b>LEVELING CYLINDER INSTALLATION</b>	C
1	4031510	16	Capscrew M4 x 30mm	
2	0700817	8	Bolt M8 x 45mm	
3	0700818	16	Bolt M8 x 50mm	
4	0700833	16	Bolt M8 x 160mm	
5	0701222	16	Bolt M12 x 70mm	
6	0760608	16	Bolt M6 x 16mm	
7	0701018	8	Bolt, M10 x 50mm	
8	4832000	8	Lockwasher M10	
9	4832100	16	Lockwasher M12	
10	4831700	16	Lockwasher M6	
11	4831900	40	Lockwasher M8	
12	E000269	4	Connector, Strain Relief (PG13.5)	
13	E000359	4	Switch, Limit	
14	H000558	2	Valve Assembly (8 Bar) (Front Leveling Cylinders) (No Replacement Parts Available - Replace Complete Valve)	
15	H000559	2	Valve Assembly (1 Bar) (Rear Leveling Cylinders) (No Replacement Parts Available - Replace Complete Valve)	
16	H900018	2	Leveling Cylinder Assembly (Right Front and Left Rear) (See CYLINDER SECTION for Breakdown)	
17	H900019	2	Leveling Cylinder Assembly (Left Front and Right Rear) (See CYLINDER SECTION for Breakdown)	
18	S001640	4	Bumper	
19	S004039	2	Cover, Leveling Switch (Right Front and Left Rear)	
20	S900002	4	Plate	
21	S900003	4	Gasket	
22	S900013	4	Plate, Leveling Switch	
23	S900014	8	Spacer, Leveling Switch	
24	S900021	4	Bracket, Limit Switch	
25	S900238	2	Cover, Leveling Switch (Left Front and Right Rear)	
26	2160016	4	Fitting, Grease	
27	S000142	4	Cap, Grease Fitting	
	0275508	Ref	<b>LADDER INSTALLATION</b>	A
101	0761010	4	Bolt M10 x 20mm	
102	4832000	4	Lockwasher M10	
103	S900064	1	Ladder	
103A	S004014	9	Step Plate	
103A	3820510	27	Rivet	

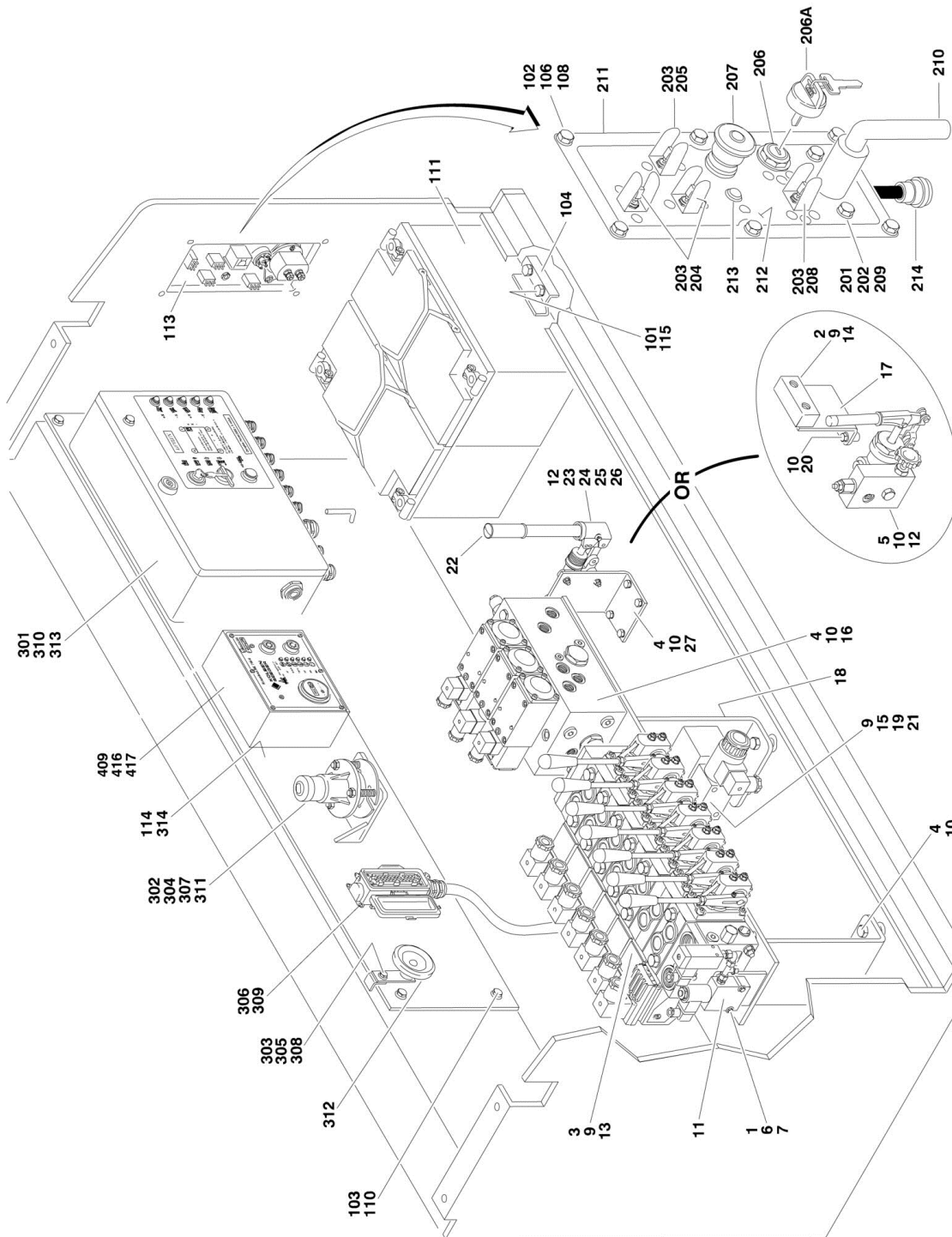




**SECTION 2 - GROUND CONTROLS**

# SECTION 2 - GROUND CONTROLS

## FIGURE 2-1. VALVE SIDE COMPONENTS INSTALLATION



## SECTION 2 - GROUND CONTROLS

### FIGURE 2-1. VALVE SIDE COMPONENTS INSTALLATION

ITEM	PART NUMBER	QTY	DESCRIPTION	REV
	0275477	Ref	<b>VALVE COMPARTMENT INSTALLATION</b>	F
1	0700617	2	Bolt M6 x 45mm	
2	0760810	2	Bolt M8 x 20mm	
3	0760812	4	Bolt M8 x 25mm	
4	0761012	AR	Bolt M10 x 25mm	
5	0761015	4	Bolt M10 x 35mm	
6	3290605	2	Nut M6	
7	4811700	4	Flatwasher M6	
9	4831900	AR	Lockwasher M8	
10	4832000	AR	Lockwasher M10	
11	H000019	1	Lowering Valve Assembly	D
11	7012986	1	Coil	
11	7012941	1	Cartridge, Valve	
11	7010543	1	Seal Kit - 7012941 Valve	
12		Ref	Hand Pump Assembly Options:	
12	H000285	1	Hand Pump Assembly (See HAND PUMP ASSEMBLY for Breakdown) <b>(Prior to SN 1200021262)</b>	
12	320066	1	Hand Pump Assembly (No Breakdown Available at Time of Printing) <b>(SN 1200021262 to Present)</b>	
13	H000324	1	Main Valve Assembly (See MAIN VALVE ASSEMBLY for Breakdown)	
14	H000363	1	Manifold, Pressure Distribution <b>(Prior to SN 1200021262)</b>	
15	H000370	1	Valve, Steer (Note: Valve currently purchased from multiple vendors. Service parts no longer available.)	D
16		Ref	Drive Valve Assembly Options:	
16	H005376	1	Drive Valve Assembly (Use p/n 1001113273) (See DRIVE VALVE ASSEMBLY for Breakdown) <b>(Prior to SN 1200022933)</b>	
16	1001111759	1	Drive Valve Assembly (See DRIVE VALVE ASSEMBLY for Breakdown) <b>(SN 1200022933 to Present)</b>	
17	S200267	1	Bracket, Hydraulic Pressure Manifold <b>(Prior to SN 1200021262)</b>	
18	S201091	1	Bracket, Valve Mounting	
19	0760814	2	Bolt M8 x 30mm	
20	0761010	2	Bolt M10 x 20mm	
21	3291001	2	Nut M10	
22	DL0113	1	Lever, Hand Pump <b>(SN 1200021262 to Present)</b>	
23	0700817	2	Bolt M8 x 45mm	
24	0700820	1	Bolt M8 x 60mm	
25	4811900	3	Flatwasher M8	
26	3290805	3	Locknut M8	
27	1001103611	1	Bracket, Hand Pump <b>(SN 1200021262 to Present)</b>	
	0275599	Ref	<b>GROUND CONTROLS INSTALLATION</b>	E
101	0700815	4	Bolt M8 x 35mm	
102	0760610	6	Bolt M6 x 20mm	
103	0761010	4	Bolt M10 x 20mm	
104	1787217	2	Clamp, Battery	
106	3290605	6	Nut M6	
108	4811700	12	Flatwasher M6	
110	4832000	4	Lockwasher M10	
111	8008750	2	Battery	
113	E900032	1	Ground Control Panel Assembly (See Items 201-214 for Breakdown)	

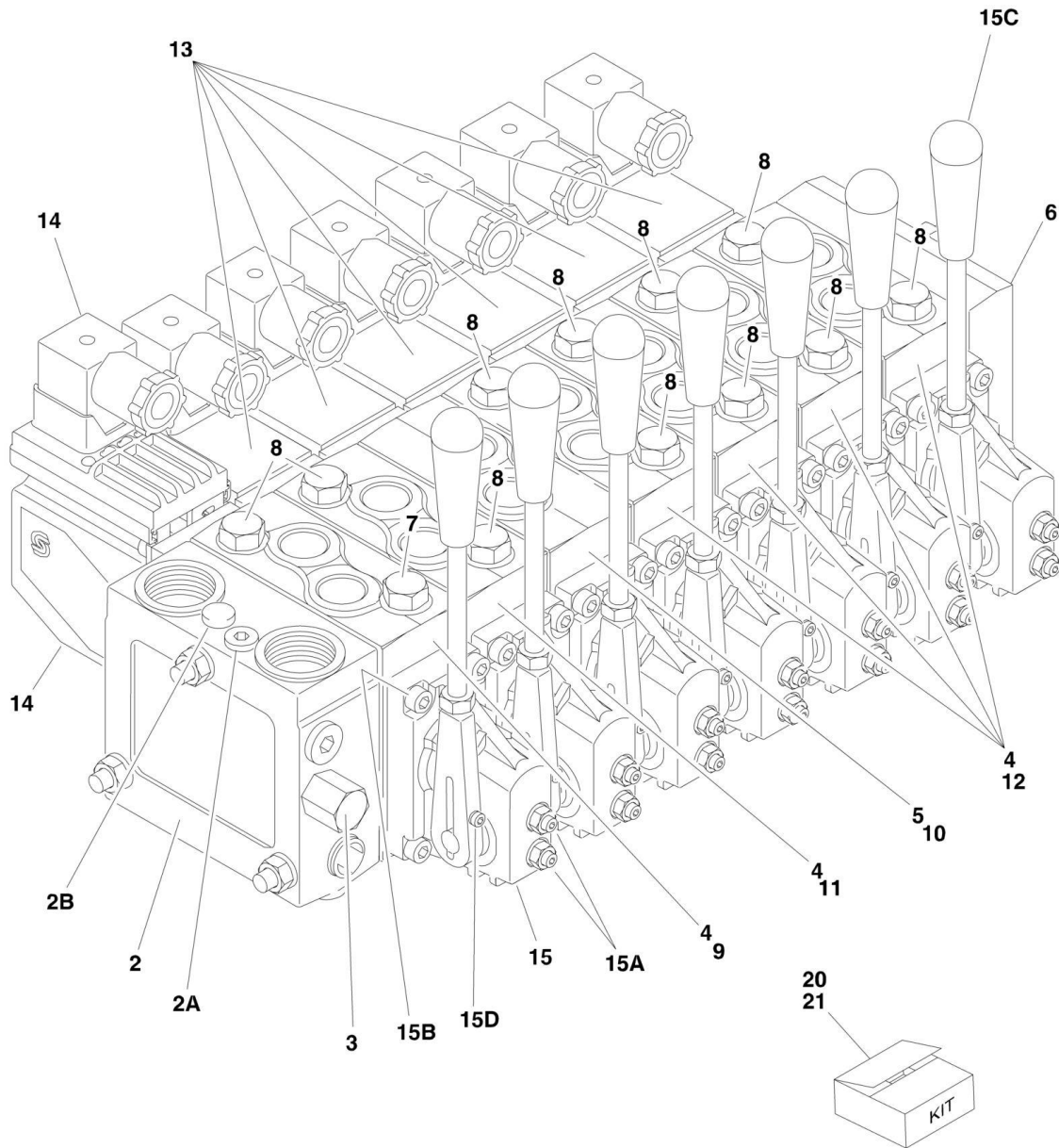
## SECTION 2 - GROUND CONTROLS

ITEM	PART NUMBER	QTY	DESCRIPTION	REV	
114	E900037	1	Electrical Panel Assembly (See Items 301-314 for Breakdown)	E	
115	4831900	4	Lockwasher M8		
	E900032	Ref	<b>GROUND CONTROL PANEL ASSEMBLY</b>		
		Ref	<b>Note: All machines from start of production to revision D have been updated to revision E.</b>		
201	0760608	2	Bolt M6 x 16mm		
202	3290605	2	Nut M6		
203	4060802	4	Guard, Switch		
204	4360314	2	Switch, Toggle		
205	4360671	1	Switch, Toggle		
206	4360469	1	Switch, Key		
206A	2860030	2	Key, Replacement		
207	4360475	1	Switch, Emergency Stop		
207	7020175	1	Cap, Red		
207	7020176	1	Block, Contact		
208	4360698	1	Switch, Toggle		
209	4811700	4	Flatwasher M6		
210	E000059	1	Switch, Battery Disconnect		
210	70001114	1	Handle		
211	E900033	1	Plate, Switch Mounting		
212	E900034	1	Decal, Ground Panel		
213	E900048	1	LED, Yellow		
214	E900055	1	Harness, Ground Panel (See ELECTRICAL SECTION for Breakdown)		
	E900037	Ref	<b>ELECTRICAL PANEL ASSEMBLY</b>		D
301	0760605	4	Bolt M6 x 10mm		
302	0760610	4	Bolt M6 x 20mm		
303	0760810	1	Bolt M8 x 20mm		
304	3290605	4	Nut M6		
305	3290805	1	Nut M8		
306	4031605	4	Capscrew M5 x 10mm		
307	4811700	8	Flatwasher M6		
308	4811900	2	Flatwasher M8		
309	4831600	4	Lockwasher M5		
310	4831700	4	Lockwasher M6		
311	E000044	1	Switch, Tilt		
312	E000063	1	Horn		
313	E900061	1	Main Terminal Box Assembly (See MAIN TERMINAL BOX ASSEMBLY for Breakdown)		
314	S200265	1	Panel, Electrical Carrier		
	0275476	Ref	<b>ENGINE INSTALLATION</b>	G	
409		Ref	Control Box, Deutz Engine Options:		
409	H005559	1	Control Box (Prior to SN 1200016566)		
409	1001094781	1	Control Box (SN 1200016566 to Present)		
409	70001352	1	PC Board with LEDs		
409	70001353	1	E-Prom w/ Software		
409	70001355	1	Diode		
409	70000634	1	Hourmeter		
409	70000635	2	Switch, Pushbutton		
409	70001122	4	Mount, Isolator		
416	3290405	4	Locknut M4		
417	4811400	4	Flatwasher M4		



# SECTION 2 - GROUND CONTROLS

## FIGURE 2-2. MAIN VALVE ASSEMBLY



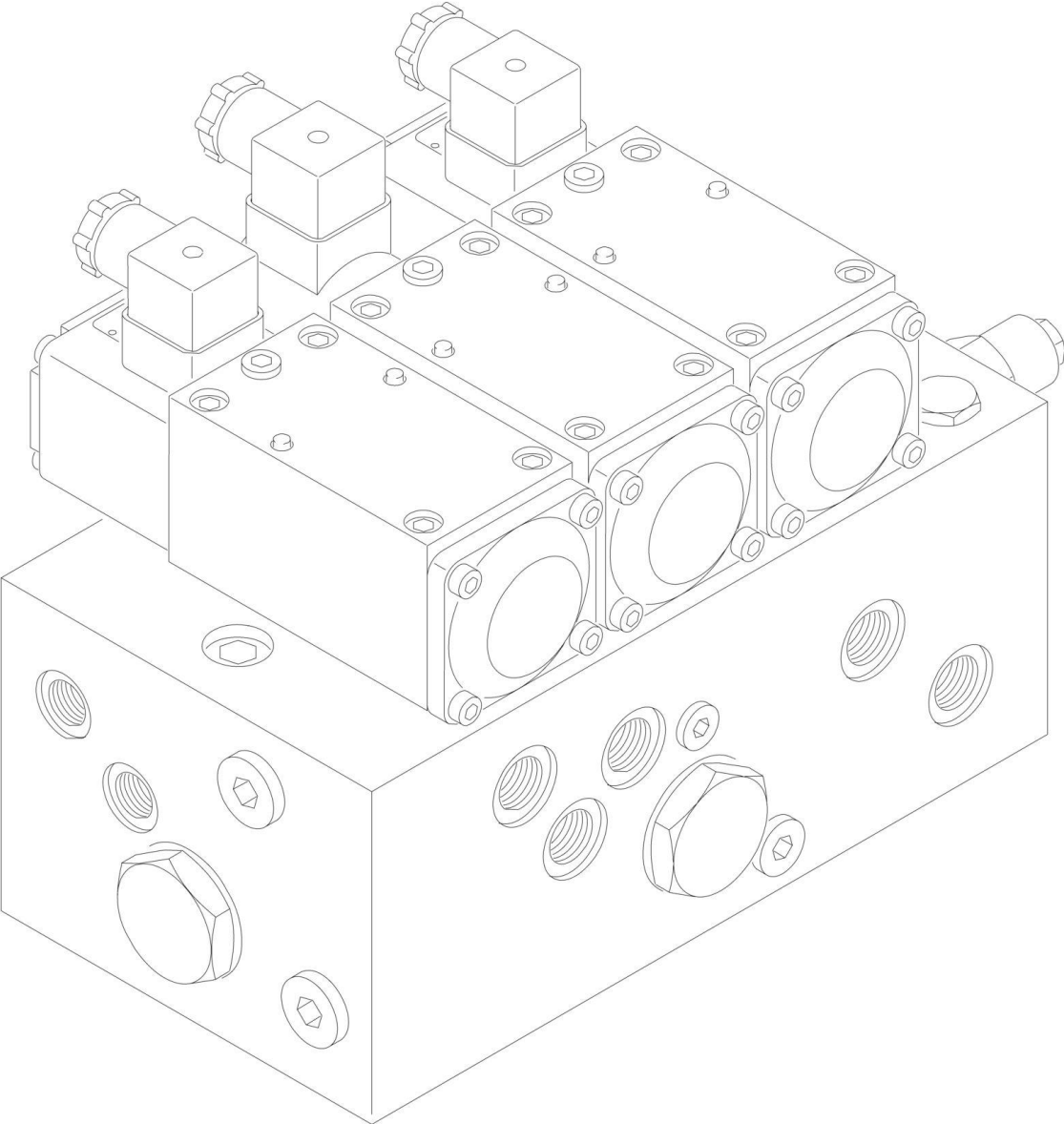
## SECTION 2 - GROUND CONTROLS

### FIGURE 2-2. MAIN VALVE ASSEMBLY

ITEM	PART NUMBER	QTY	DESCRIPTION	REV
	H000324	Ref	<b>MAIN VALVE ASSEMBLY</b>	F
2	H000353	1	Section, Pump (Left Side)	
2	8007939	1	Seal Kit - H000353 Section	
2A	8007944	1	Pilot Supply Assembly	
2B	7027912	1	Relief Assembly	
3	H000352	1	External Pilot Supply	
4	7028847	6	Valve Section (With Relief Valve) (All Functions Except Lift) (Was p/n H000188)	
4	H000031	6	Seal Kit - 7028847 Section (Use p/n 8007935)	
5	H000542	1	Valve Section (Without Relief Valve) (Lift Functions Only)	
5	H000031	1	Seal Kit - H000542 Section (Use p/n 8007935)	
6	H000580	1	End Plate	
6	See Note	NSS	Seal Kit - H000580 Section (Note: Use Item 21)	
7		Ref	Valve, Relief (Platform Function Only) Options:	
7	H000602	1	Valve, Relief (Platform Function Only) ( <b>Prior to SN 1200008864</b> )	
7	H000609	1	Valve, Relief (Platform Function Only) ( <b>SN 1200008864 to Present</b> )	
8	H005250	11	Valve, Relief (All Functions Except Lift Function)	
9		Ref	Spool (Platform) Options:	
9	H000390	1	Spool (Platform) ( <b>Prior to SN 1200008864</b> )	
9	H000514	1	Spool (Platform) ( <b>SN 1200008864 to Present</b> )	
10	7027915	1	Spool (Drive)	
11	H000516	1	Spool (Lift)	
12	H000512	4	Spool (Outrigger)	
13	H000191	6	Electrical Activator (on-off) (All Functions Except Drive)	
13	H000032	6	Seal Kit - H000191 Electrical Activator (Use p/n 8007954)	
13	7028846	24	Screw, Mounting	
13	7028849	6	DIN Connector (Black)	
14	H000206	1	Electrical Activator (Proportional High) (Drive Function Only)	
14	H000032	1	Seal Kit - H000206 Electrical Activator (Use p/n 8007954)	
14	7028846	4	Screw, Mounting	
14	8007953	1	DIN Connector (White)	
15	7028893	7	Mechanical Activation Assembly (Was p/n H000187)	
15	H005248	7	Seal Kit - 7028893 Mechanical Activator (Use p/n 8007894)	
15A	1003107	14	Nut, Seal (2 per Assembly)	
15A	8007915	14	Pin, Threaded (2 per Assembly)	
15B	0318854	28	Screw (4 per Assembly)	
15C	H005247	7	Base and Lever Assembly (1 per Assembly)	
15D	0307544	7	Screw (1 per Assembly)	
15D	0893076	7	Washer (1 Per Assembly)	
20	8003064	1	Assembly Kit (Includes Hardware and Seals for Between Valve Sections)	
21	7028848	9	Seal Kit for Between Valve Sections (Was p/n H005249) (Note: One Seal Kit does both sides of section.)	

**SECTION 2 - GROUND CONTROLS**

**FIGURE 2-3. DRIVE VALVE ASSEMBLY (Prior to SN 1200022933)**





## SECTION 2 - GROUND CONTROLS

**FIGURE 2-3. DRIVE VALVE ASSEMBLY (Prior to SN 1200022933)**

ITEM	PART NUMBER	QTY	DESCRIPTION	REV
	H005376	Ref Ref	<b>DRIVE VALVE ASSEMBLY</b> <b>Note: Original Equipment was p/n H005376. No Service Parts Available. Use p/n 1001113273 as Service Replacement.</b>	D



## SECTION 2 - GROUND CONTROLS

**FIGURE 2-4. DRIVE VALVE ASSEMBLY (SN 1200022933 to Present)**

ITEM	PART NUMBER	QTY	DESCRIPTION	REV
	1001111759	Ref	<b>DRIVE VALVE ASSEMBLY</b>	A
1	70003606	1	Cartridge, Relief	
2	70003606	1	Cartridge, Relief	
3	70003607	1	Cartridge, Flow Divider	
4	70003608	1	Cartridge, Flow Divider	
5	70003608	1	Cartridge, Flow Divider	
6	70003609	1	Directional Valve Assembly	
7	70003610	1	Directional Valve Assembly	
8	70003609	1	Directional Valve Assembly	
9	70003611	1	Orifice .8mm	
10	70003611	1	Orifice .8mm	



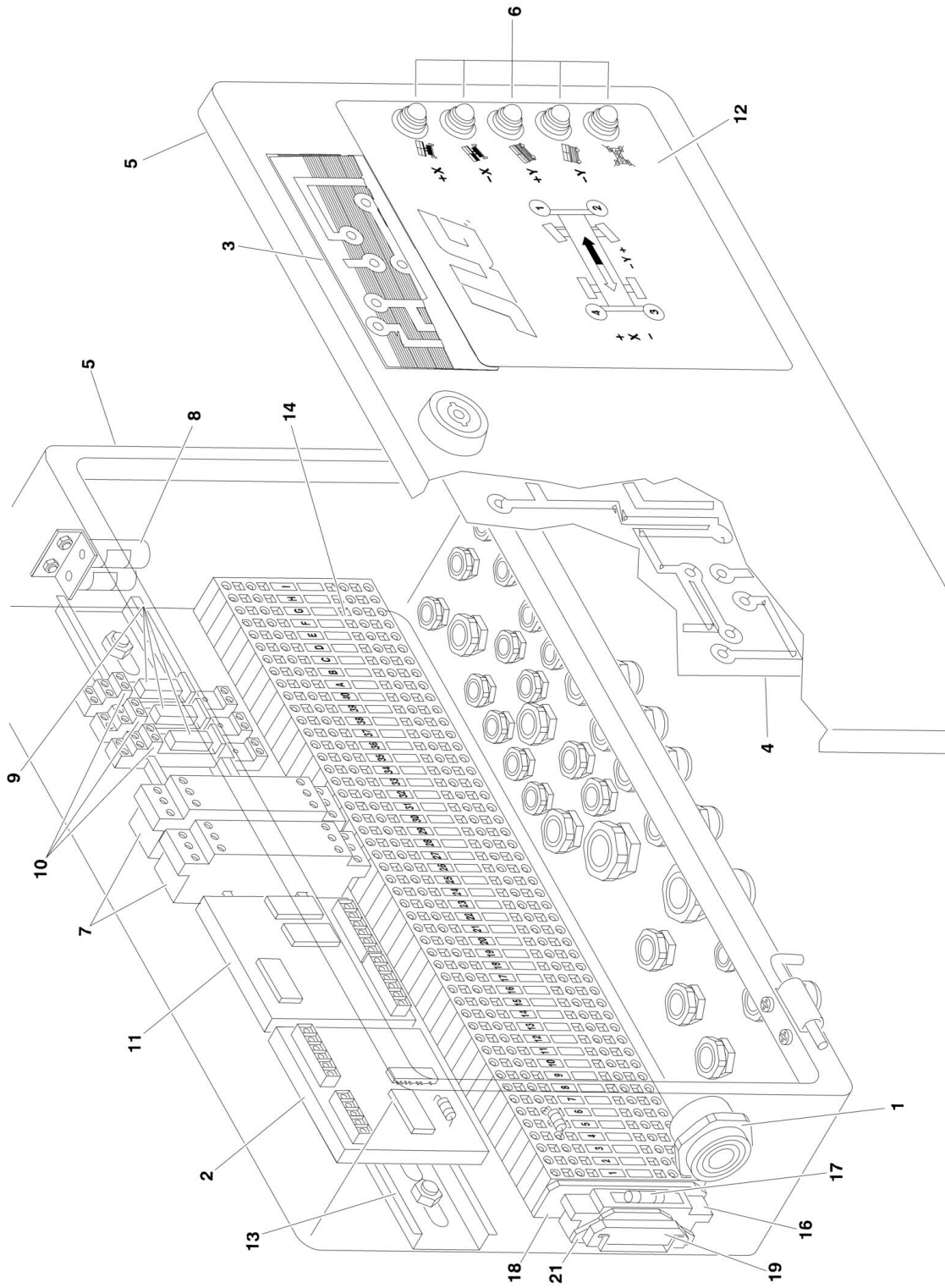
## SECTION 2 - GROUND CONTROLS

### FIGURE 2-5. HAND PUMP ASSEMBLY

ITEM	PART NUMBER	QTY	DESCRIPTION	REV
	H000285	Ref	<b>HAND PUMP ASSEMBLY</b>	D
1	70000513	1	Pump Assembly (See Items 101-117 for Breakdown)	
2	70000528	1	Valve Assembly (See Items 201-220 for breakdown)	
	70000513	Ref	<b>PUMP ASSEMBLY</b>	
101	70000514	1	Valve, Suction	
102	See Note	1	Plug (Note: Not Available - Purchase Locally)	
103	See Note	1	Plug (Note: Not Available - Purchase Locally)	
104	See Note	1	Body (Note: Not Available - Purchase Pump Assembly)	
105	70000515	1	Rod, Connecting	
106	70000516	1	Lever	
107	70000517	1	Piston	
108	70000518	1	Seal	
109	70000519	2	Seal	
110	70000520	2	Pin	
111	70000521	6	Ring, Retaining	
112	70000522	2	Ball	
113	70000523	1	Ring	
114	70000524	1	Washer	
115	70000525	1	Ring, Internal Retaining	
116	70000526	2	Seal	
117	70000527	2	Spring	
	70000528	Ref	<b>VALVE ASSEMBLY</b>	
201	See Note	1	Body (Note: Not Available - Purchase Pump Assembly)	
202	70000529	3	Ball	
203	70000530	8	Ring	
204	See Note	2	Bolt M8 x 8mm (Note: Not Available - Purchase Locally)	
205	70000531	1	Spinner (Not Shown)	
206	70000532	1	Spring	
207	See Note	1	Plug (Note: Not Available - Purchase Locally)	
208	70000533	1	Screw	
209	70000534	1	Fitting, Straight	
210	70000535	2	Seal	
211	70000536	1	Spring	
212	See Note	1	Nut M10 (Note: Not Available - Purchase Locally)	
213	70000537	1	Seal	
214	See Note	1	Setscrew (Note: Not Available - Purchase Locally)	
215	70000538	1	Relief, Valve	
216	70000539	1	Pin, Ball Driving	
217	70000540	1	Plate, Seal	
218	70000541	1	Valve Body	
219	70000542	1	Knob Assembly	
220	70000543	1	Valve Body	

# SECTION 2 - GROUND CONTROLS

## FIGURE 2-6. MAIN TERMINAL BOX ASSEMBLY



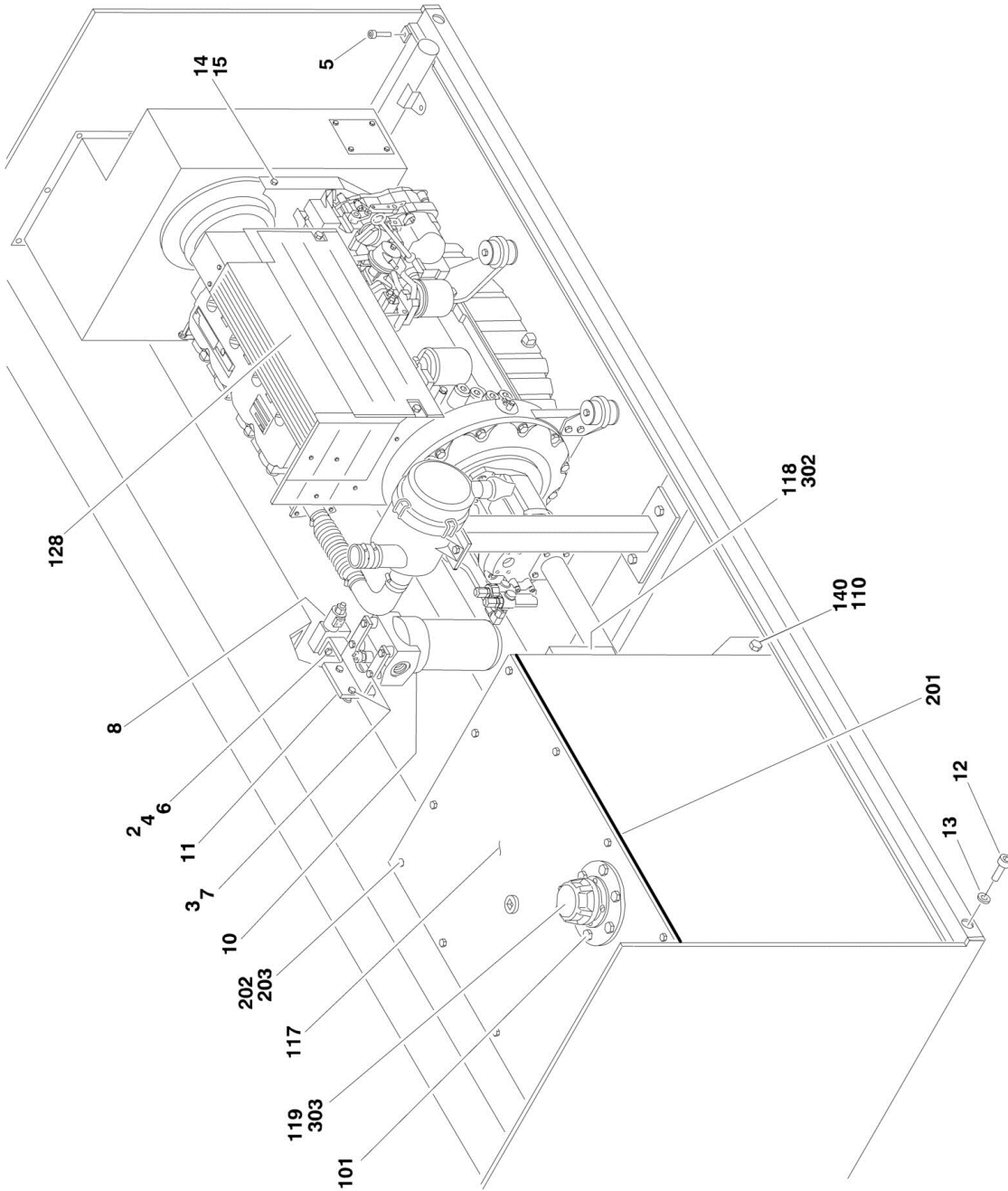
## SECTION 2 - GROUND CONTROLS

**FIGURE 2-6. MAIN TERMINAL BOX ASSEMBLY**

ITEM	PART NUMBER	QTY	DESCRIPTION	REV
	E900061	Ref	<b>MAIN TERMINAL BOX ASSEMBLY</b>	E
		Ref	<b>Note: All machines from the start of production to revision C have been updated to revision D.</b>	
1	0140011	1	Alarm	
2	E000189	1	Card, Pump Delay	
3	E000214	1	Card, Nivelux Control	
4	1001112938	1	Card, Complex Control	
5	E000375	1	Housing, Control Box	
6	E000419	5	LED, Red	
7	E000457	2	Relay	
8	E001206	1	Sensor, Level	
9	E001375	3	Relay	
10	E001376	3	Base, Relay	
11	E007404	1	Card, Trigger Control	
12	E900057	1	Decal, Cover	
13	E900059	2	Rail, DIN	
14	1001093353	76	Block, Terminal	
16	1001092405	1	Holder, Fuse	
17	1001092406	1	Fuse, 10A	
18	1001093354	1	Plate, Terminal Intermediate	
19	1001093355	2	Stop, Terminal End	
20	1001093361	19	Terminal, Jumper (Not Shown)	
21	1001093379	1	Plate, Terminal End	
24	70000952	1	Connector (2 Pin for Nivelux Board - Not Shown)	
25	70000953	2	Connector (3 Pin for Nivelux Board - Not Shown)	
26	70000954	1	Connector (4 Pin for Nivelux Board - Not Shown)	
27	70000955	1	Connector (8 Pin for Complex Board - Not Shown)	
28	70000956	4	Connector (12 Pin for Nivelux and Complex Board - Not Shown)	
29	70003616	1	Connector (6 Pin for Nivelux and Complex Board - Not Shown)	

# SECTION 2 - GROUND CONTROLS

## FIGURE 2-7. ENGINE SIDE COMPONENTS INSTALLATION





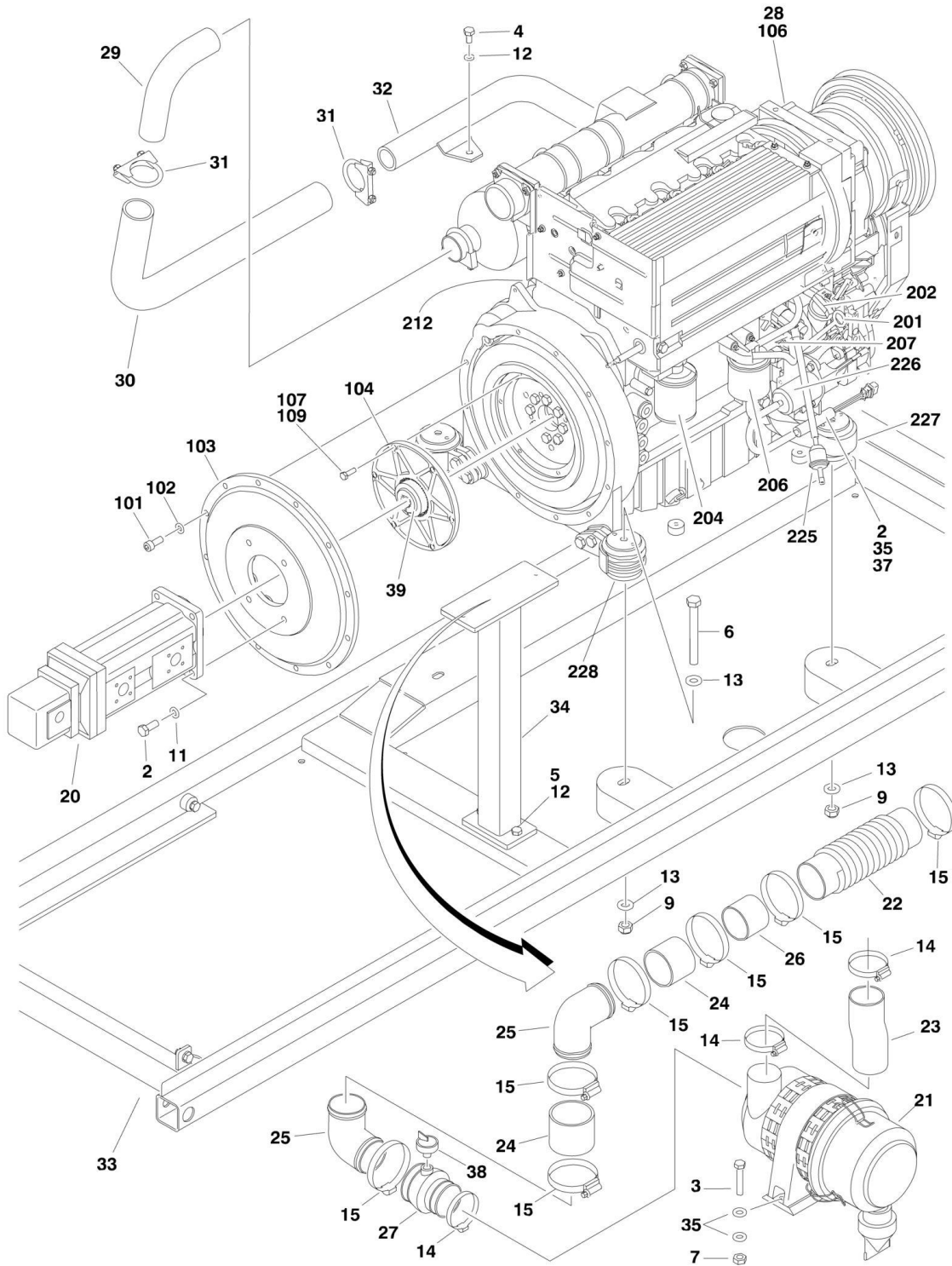
## SECTION 2 - GROUND CONTROLS

### FIGURE 2-7. ENGINE SIDE COMPONENTS INSTALLATION

ITEM	PART NUMBER	QTY	DESCRIPTION	REV
	0275476	Ref	<b>ENGINE SIDE COMPONENTS INSTALLATION</b>	G
2	0700618	2	Bolt M6 x 50mm	
3	0761010	6	Bolt M10 x 20mm	
4	3290605	2	Nut M6	
5	4032316	2	Capscrew M16 x 60	
6	4811700	4	Flatwasher M6	
7	4832000	6	Lockwasher M10	
8	H000077	1	Valve, Directional Control	
8	7017444	1	Coil	
8	7017414	1	Cartridge	
8	2900708	1	Seal Kit - 7017414 Valve	
10	H900046	1	Filter, Pressure	
10	70000899	1	Element	
11	S900241	1	Bracket, Oil Filter	
12	4032310	2	Capscrew M16 x 30mm	
13	4832300	2	Lockwasher M16	
14	0760505	2	Bolt M5 x 10mm	
15	4831600	2	Lockwasher M5	
18	8007986	1	Mount, Tie Strap (Not Shown)	
	0275614	Ref	<b>ENGINE TRAY INSTALLATION</b>	L
101	0760505	6	Bolt M5 x 10mm	
110	4812000	8	Flatwasher M10	
117		Ref	Tank, Hydraulic Options:	
117	H000009	1	Tank, Hydraulic (See Items 201-203 for Breakdown) <b>(Prior to SN 1200012378)</b>	
117	1001091075	1	Tank, Hydraulic (See Items 301-303 for Breakdown) <b>(SN 1200012378 to Present)</b>	
118	H000013	1	Gauge, Hydraulic Oil Level <b>(Prior to SN 1200012378)</b>	
119	H000241	1	Breather <b>(Prior to SN 1200012378)</b>	
128	H900047	1	Engine Installation (See ENGINE INSTALLATION for Breakdown)	
140	0761014	4	Bolt M10 x 30mm	
	H000009	Ref	<b>HYDRAULIC TANK ASSEMBLY (Prior to SN 1200012378)</b>	H
201	3960605	1	Seal	
202	0760810	10	Bolt M8 x 20mm	
203	4831900	10	Lockwasher M8	
	1001091075	Ref	<b>HYDRAULIC TANK ASSEMBLY (SN 1200012378 to Present)</b>	B
302	H000013	1	Gauge, Hydraulic Oil Level	
303	H000241	1	Breather	

# SECTION 2 - GROUND CONTROLS

## FIGURE 2-8. ENGINE INSTALLATION



## SECTION 2 - GROUND CONTROLS

### FIGURE 2-8. ENGINE INSTALLATION

ITEM	PART NUMBER	QTY	DESCRIPTION	REV
	0275614	Ref	<b>ENGINE INSTALLATION</b>	L
2	0760812	4	Bolt M8 x 25mm	
3	0760817	2	Bolt M8 x 45mm	
4	0761010	2	Bolt M10 x 20mm	
5	0761012	2	Bolt M10 x 25mm	
6	0761228	4	Bolt M12 x 110mm	
7	3290805	3	Nut M8	
8	3291005	4	Nut M10	
9	3291205	4	Nut M12	
11	4831900	4	Lockwasher M8	
12	4832000	4	Lockwasher M10	
13	4812100	8	Flatwasher M12	
14	8005376	3	Clamp, Hose	
15	8405204	7	Clamp, Hose	
20		Ref	Pump, Hydraulic Options:	
20	H000310	NLA	Pump, Hydraulic (Use p/n 1001113420) <b>(Prior to SN 1200022654)</b>	
20	1001113420	1	Pump, Hydraulic <b>(SN 1200022654 to Present)</b>	
20	70000938	1	Seal Kit, Front Pump Section	
20	70000939	1	Seal Kit, Middle Pump Section	
20		Ref	Seal Kit, Rear Pump Section Options:	
20	70000941	1	Used With Pump p/n H000310	
20	70002626	1	Used With Pump p/n 1001113420	
20	70000940	1	Seal Kit, Adapter	
21	H004005	1	Air Cleaner Assembly	
21	H005232	1	Primary Element (Outer)	
21	70000054	1	Safety Element (Inner)	
22	H005234	1	Rubber Intake Tube	
23	H005236	1	Hose, Intake (Intake Pipe to Air Cleaner)	
24	H005237	2	Tube, Air Intake	
25	H005238	2	Elbow, Air Intake	
26	H005239	1	Pipe, Intake	
27	H005242	1	Sleeve, Reducing	
28	H900047	1	Engine/Pump Assembly (See Items 101 - 106 for Breakdown)	
29	H900066	1	Elbow, Exhaust	
30	S005171	1	Pipe, Exhaust Flex	
31	S005172	2	Clamp, Exhaust	
32	S200024	1	Tailpipe	
33	S200262	1	Tray, Engine	
34	S200268	1	Bracket, Air Filter	
35	4811900	5	Flatwasher M8	
37	1001091513	1	Bracket, Wiring Loom	
38	1001091514	1	Indicator, Filter Clog	
39	1001093794	1	Hub, Coupling	
	H900047	Ref	<b>ENGINE/PUMP ASSEMBLY</b>	E
101	4032009	AR	Capscrew M10 x 25mm	
102	4832000	AR	Lockwasher M10	
103	H004080	1	Flange, Pump Mounting	
104	1001093793	1	Flange, Coupling	
104	See Note	1	Coupling Assembly (was p/n H004089) (Note: P/N H004089 no	

## SECTION 2 - GROUND CONTROLS

ITEM	PART NUMBER	QTY	DESCRIPTION	REV
			longer available. Replace with p/n 1001093793 & p/n 1001093794.)	
106	H900048	1	Engine Assembly (See Items 201 - 225 for Breakdown)	
107	0760812	6	Bolt M8 x 25mm	
109	0100011	AR	Compound, Locking	
	H900048	Ref	<b>ENGINE COMPONENTS</b>	D
201	7027248	1	Dipstick	
202	7020465	1	Cap, Filler	
203	See Note	1	Pump, Oil Lube (Not Shown) (Note: Not Available for Purchase)	
203	See Note	1	Seal Between Oil Pump and Engine Block (Not Shown) (Note: Not Available for Purchase)	
204	7016331	1	Filter, Oil	
205	See Note	1	Pump, Injector - A (Not Shown) (Note: Not Available for Purchase)	
205	See Note	1	Pump, Injector - B (Not Shown) (Note: Not Available for Purchase)	
205	See Note	1	Pump, Injector - C (Not Shown) (Note: Not Available for Purchase)	
205	See Note	1	Pump, Injector - D (Not Shown) (Note: Not Available for Purchase)	
205	See Note	4	Gasket (1 per Injector) (Not Shown) (Note: Not Available for Purchase)	
206	7020023	1	Filter, Fuel	
207	7027238	1	Pump Fuel Supply	
207	7020411	1	Seal Between Fuel Pump and Engine Block (Not Shown)	
208	See Note	4	Gasket, Intake Manifold (Not Shown) (Note: Not Available for Purchase)	
209	7020414	1	V-Belt (Not Shown)	
210	See Note	4	Gasket, Exhaust Manifold to Engine Block (Not Shown) (Note: Not Available for Purchase)	
210	See Note	1	Gasket, Exhaust Manifold to Exhaust Pipe (Not Shown) (Note: Not Available for Purchase)	
211	H004087	1	Muffler	
212	70000059	1	Starter	
212	7026608	1	Solenoid, Starter	
214	See Note	1	Sender, Temperature (Not Shown) (Note: Not Available for Purchase)	
214	See Note	1	Ring, Sealing (Note: Not Available for Purchase)	
215	See Note	1	Switch, Oil Pressure (Not Shown) (Note: Not Available for Purchase)	
216	70000062	1	Solenoid, Shutdown (Bolts to Front of Engine - Not Shown)	
216	70000061	1	Spring	
217	7027239	1	Solenoid, Start (Threads into Side of Front Cover - Not Shown)	
220	See Note	4	Plug, Glow (Not Shown) (Note: Not Available for Purchase)	
221	See Note	1	Thermostat (Not Shown) (Note: Not Available for Purchase)	
223	See Note	1	Flywheel (Not Shown) (Note: Not Available for Purchase)	
224	7024579	1	Gear, Ring (Not Shown)	
225	7027245	1	Filter, Fuel In-line	
226	H005224	1	Solenoid, Throttle	
226	70000055	1	Solenoid	
226	70000056	1	Cable, Electrical	
227	70001136	1	Mount, Motor (LH Front)	
227	70001137	1	Mount, Motor (RH Front)	
228	70001138	2	Mount, Motor (Rear)	





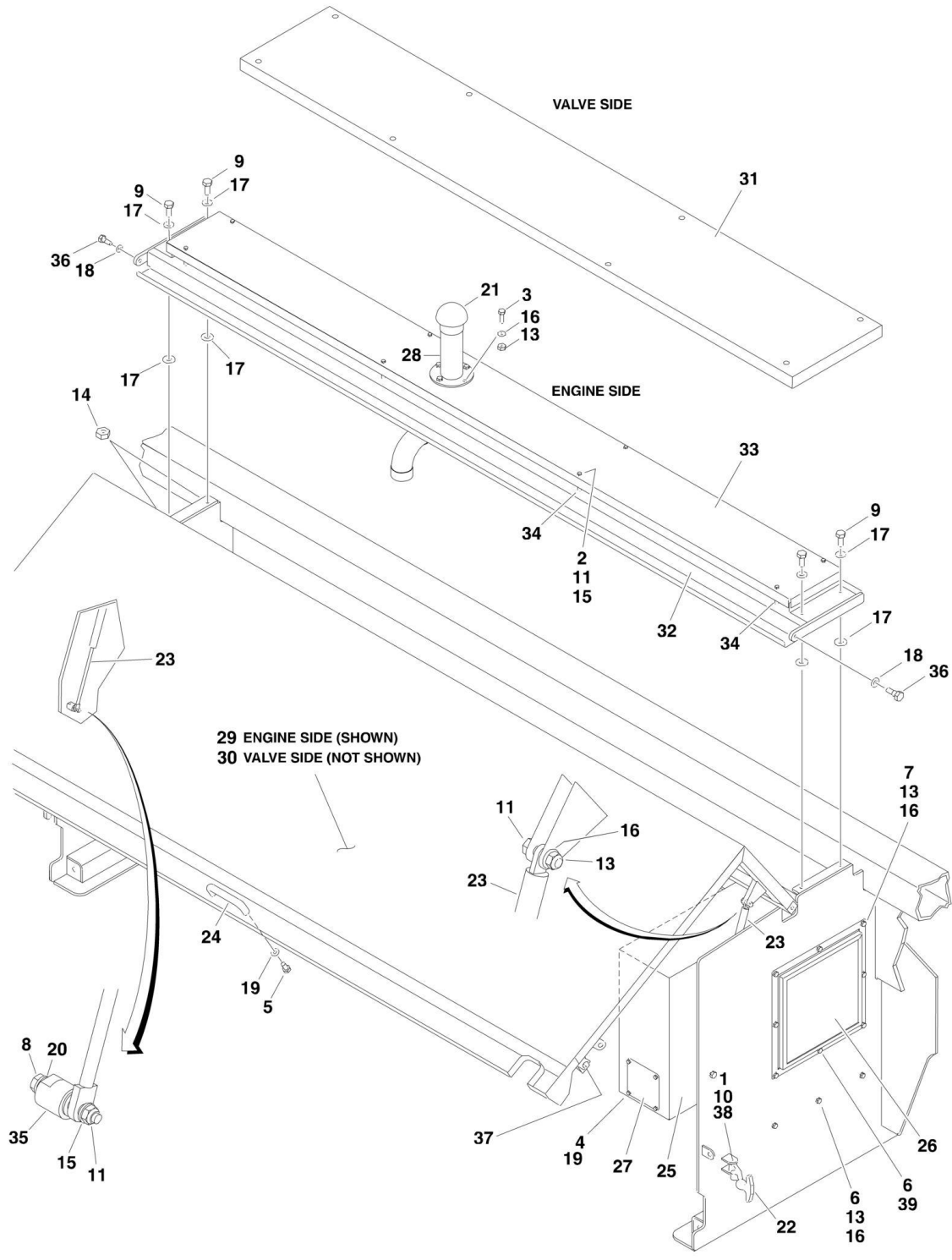
## SECTION 2 - GROUND CONTROLS

### FIGURE 2-9. FUEL TANK INSTALLATION

ITEM	PART NUMBER	QTY	DESCRIPTION	REV
	0275613	Ref	<b>FUEL TANK INSTALLATION</b>	G
1	0761006	4	Bolt M10 x 12mm	
2	3290805	8	Nut M8	
3	4831900	8	Lockwasher M8	
4	4832000	4	Lockwasher M10	
5	E900051	2	Connector, Strain Relief	
6	E900052	2	Nut, Strain Relief	
7	H000038	4.5 m/15ft	Hose (5.5mm)	
8	H000039	3 m/10ft	Hose (7.5mm)	
9	H000048	1	Fitting, Hose	
10	H000049	1	Fitting, Hose	
11	H000051	2	Strap, Fuel Tank	
12	H000412	1	Tank, Fuel	
12	70000902	1	Cap, Fuel	
13	S900273	1	Shield, Fuel Tank	
14	H000040	4	Clamp	
15	8007986	AR	Mount, Tie Strap (Not Shown)	

# SECTION 2 - GROUND CONTROLS

## FIGURE 2-10. HOODS INSTALLATION





## SECTION 2 - GROUND CONTROLS

**FIGURE 2-10. HOODS INSTALLATION**

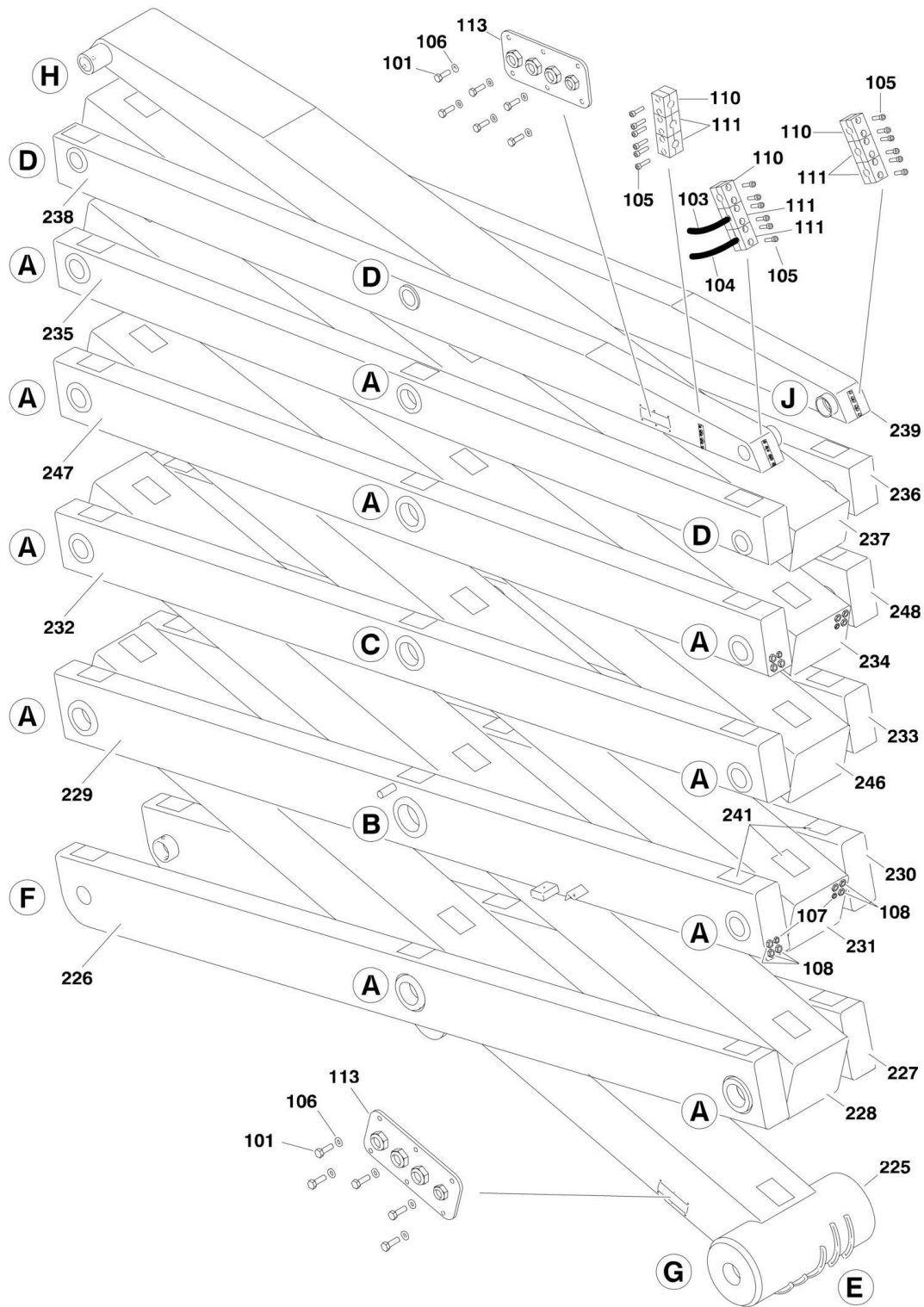
ITEM	PART NUMBER	QTY	DESCRIPTION	REV
	0275469	Ref	<b>HOODS AND COVERS INSTALLATION</b>	G
		Ref		
1	0700518	4	Bolt M5 x 55mm	
2	1001096653	8	Bolt M6 x 70mm	
3	0700812	4	Bolt M8 x 25mm	
4	0760605	4	Bolt M6 x 10mm	
5	0760608	4	Bolt M6 x 16mm	
6	0760812	4	Bolt M8 x 25mm	
7	0760814	7	Bolt M8 x 30mm	
8	0761010	4	Bolt M10 x 20mm	
9	0761012	8	Bolt M10 x 25mm	
10	3290505	4	Locknut M5	
11	3290605	12	Locknut M6	
13	3290805	18	Locknut M8	
14	3291005	8	Locknut M10	
15	4811700	20	Flatwasher M6	
16	4811900	36	Flatwasher M8	
17	4812000	16	Flatwasher M10	
18	4832100	4	Lockwasher M12	
19	4831700	8	Lockwasher M6	
20	4832000	4	Lockwasher M10	
21	H005235	1	Cap, Rain (Use p/n 1001091761)	
22	S000056	4	Strap, Hood	
23	S000246	4	Spring, Gas	
24	S001676	2	Handle	
25	S200270	1	Shroud, Fan	
26	S200271	1	Screen, Safety	
27	S200272	1	Cover, Access	
28	S900005	1	Pipe, Air Intake	
29	S900055	1	Hood (Left)	
30	S900056	1	Hood (Right)	
31	S900057	1	Panel, Cabinet Top (Right)	
32	S900058	1	Panel, Cabinet Top (Left)	
33	S900059	1	Cover, Cabinet Top Panel (Left)	
34	S900060	8	Spacer	
35	S900078	4	Pin, Hood Strut Mounting	
36	S900079	4	Bolt, Special	
37	3820408	8	Rivet	
38	4811600	8	Flatwasher M5	
39	4831900	1	Lockwasher M8	
40	0760815	4	Bolt M8 x 35mm	



**SECTION 3 - SCISSORS ARMS**

# SECTION 3 - SCISSORS ARMS

## FIGURE 3-1. SCISSORS ARMS INSTALLATION





## SECTION 3 - SCISSORS ARMS

FIGURE 3-1. SCISSORS ARMS INSTALLATION

ITEM	PART NUMBER	QTY	DESCRIPTION	REV
	0275623	Ref	<b>SCISSOR ARMS INSTALLATION</b>	F
2	0275624	1	Lift Cylinder with Valves Assembly (See CYLINDER SECTION for Breakdown)	
3	0701014	8	Bolt M10 x 30mm	
4	0701217	2	Bolt M12 x 45mm	
5	0701631	2	Bolt M16 x 140mm	
6	0761215	1	Bolt M12 x 35mm	
7	0762015	2	Bolt M20 x 35mm	
8	3291207	2	Locknut M12	
9	3291605	2	Locknut M16	
10	4031612	16	Bolt M16 x 40mm	
11	4031908	4	Bolt M8 x 20mm	
12	4812100	4	Flatwasher M12	
13	4832100	1	Lockwasher M12	
14	4832500	2	Lockwasher M20	
15	E000376	4	Switch, Limit	
16	2160016	7	Fitting, Grease	
17	S004035	2	Block, Slide	
18	S007034	1	Pin	
19	S007035	1	Pin	
20	S007036	1	Pin	
21	S200134	4	Cam	
22	S201017	1	Prop, Safety	
23	S201024	2	Spacer	
24	S900074	1	Pin	
25	S900075	1	Plate, Switch Mounting	
26	0760605	4	Bolt M6 x10mm	
27	3290805	1	Locknut M8	
28	S900054	2	Plate, Cover	
29	4811900	1	Flatwasher M8	
30	4812300	4	Flatwasher M16	
31	4831700	4	Lockwasher M6	
33	S001594	1	Bumper	
34	S000142	39	Cap, Grease Fitting	
35	3440816	2	Rollpin	
36	S900331	AR	Shim 2mm	
37	S900332	AR	Shim 3mm	
38	0100019	AR	Locking, Compound	
39	0761015	1	Bolt M10 x 35mm	
40	3291005	1	Locknut M10	
41	4812000	10	Flatwasher M10	
42	4831600	16	Lockwasher M5	
43	E000269	4	Strain Relief, M20	
44	4832000	8	Lockwasher M10	
	0275444	Ref	<b>SCISSOR ARMS AND CABLE SUB-ASSEMBLY</b>	F
101	0700812	12	Bolt M8 x 25mm	
103	2754477	1	Hose	
104	2754516	1	Hose	
105	4031709	18	Bolt M6 x 25mm	
106	4831900	12	Lockwasher M8	

## SECTION 3 - SCISSORS ARMS

ITEM	PART NUMBER	QTY	DESCRIPTION	REV
107	E000016	12	Connector, Strain Relief	
108	E000045	36	Connector, Strain Relief	
110	H000371	3	Clamp, Cable	
111	H000430	6	Clamp, Cable	
113	S900223	2	Cover	
	S900076	Ref	<b>SCISSOR ARMS ASSEMBLY</b>	H
201	S000021	1	Nut, M90	
204	S000123	6	Bearing, Ball Thrust	
205	S000124	22	Bearing, Ball Thrust	
206	S000129	1	Retaining Washer MB18	
207	2160016	32	Fitting, Grease	
212	S000191	3	Nut M60	
213	S000233	3	Retaining Washer, 60mm	
214	S000234	11	Retaining Washer, 80mm	
215	S001237	2	Bearing, Ball Thrust	
216	S001238	1	Retaining Washer MB20	
217	S001240	11	Nut M80	
218	S001241	1	Nut, 100mm	
220	S007116	11	Pin, 90 mm	
221	S007117	1	Pin, 120 mm	
222	S200090	3	Washer and Pin	
223	S200092	11	Washer and Pin	
225	S201025	1	Arm #1 Inner (See Items 301 to 306 for Breakdown)	
226	S201026	1	Arm RH #1 Outer (See Items 401 to 404 for Breakdown)	
227	S201027	1	Arm LH #1 Outer (See Items 401 to 404 for Breakdown)	
228	S201028	1	Arm #2 Inner (See Items 301 to 306 for Breakdown)	
229	S201029	1	Arm RH #2 Outer (See Items 401 to 404 for Breakdown)	
230	S201030	1	Arm LH #2 Outer (See Items 401 to 404 for Breakdown)	
231	S201031	1	Arm #3 Inner (See Items 301 to 306 for Breakdown)	
232	S201032	1	Arm RH #3 Outer (See Items 401 to 404 for Breakdown)	
233	S201033	1	Arm LH #3 Outer (See Items 401 to 404 for Breakdown)	
234	S201034	1	Arm #5 Inner (See Items 301 to 306 for Breakdown)	
235	S201035	1	Arm RH #5 Outer (See Items 401 to 404 for Breakdown)	
236	S201036	1	Arm LH #5 Outer (See Items 401 to 404 for Breakdown)	
237	S201037	1	Arm #6 Inner (See Items 301 to 306 for Breakdown)	
238	S201038	1	Arm RH #6 Outer (See Items 401 to 404 for Breakdown)	
239	S201039	1	Arm LH #6 Outer (See Items 401 to 404 for Breakdown)	
240	S201582	2	Bearing, Ball Thrust	
241	S900240	95	Pad	
242	S900257	1	Washer and Pin	
243	S900258	1	Washer and Pin	
244	S900259	1	Pin, 100 mm	
245	S900260	3	Pin, 75 mm	
246	S900261	1	Arm #4 Inner (See Items 301 to 306 for Breakdown)	
247	S900262	1	Arm RH #4 Outer (See Items 401 to 404 for Breakdown)	
248	S900263	1	Arm LH #4 Outer (See Items 401 to 404 for Breakdown)	
249	S200175	1	Lockwasher	
		Ref	<b>INNER SCISSOR ARM WELDMENTS</b>	
	S201025	Ref	<b>Arm #1 Inner</b>	F
	S201028	Ref	<b>Arm #2 Inner</b>	D
	S201031	Ref	<b>Arm #3 Inner</b>	C

## SECTION 3 - SCISSORS ARMS

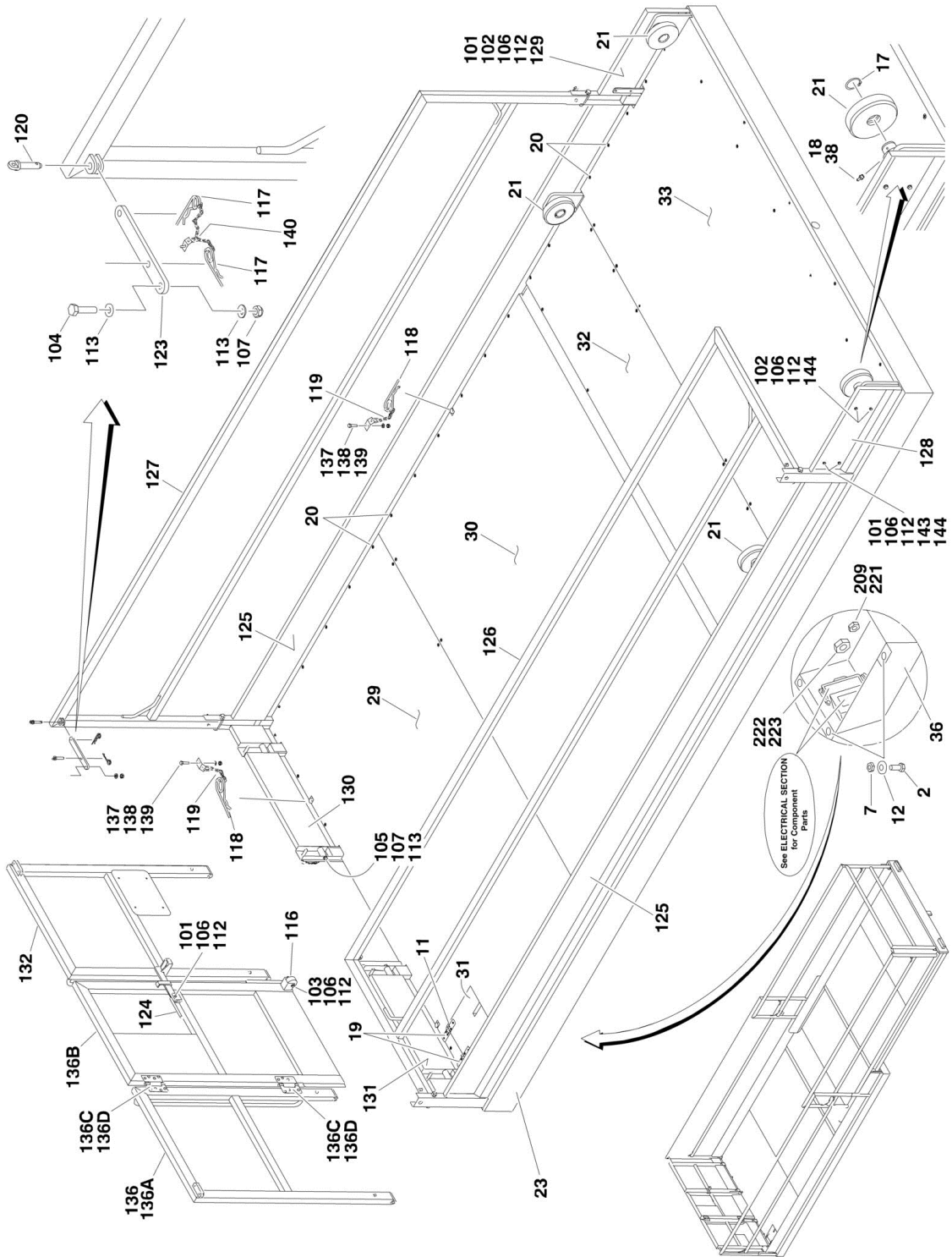
ITEM	PART NUMBER	QTY	DESCRIPTION	REV
	S900261	Ref	<b>Arm #4 Inner</b>	C
	S201034	Ref	<b>Arm #5 Inner</b>	C
	S201037	Ref	<b>Arm #6 Inner</b>	C
301	S000118	6	Bushing, 90 x 60mm (S201025 qty 2 & S201035 qty 4)	
302	S000182	18	Bushing, 90 x 90mm (S201025 qty 4, S201028 qty 4, S201031 qty 4 & S900261 qty 6)	
303	S000189	2	Bushing, 120 x 100mm (SS201028 qty 2)	
304	S200911	2	Bushing, 100 x 80mm (S201031 qty 2)	
305	S000116	2	Bushing, 75 x 60mm (S201035 qty 2)	
306	S000188	4	Bushing, 75 x 80mm (S201037 qty 4)	
		Ref	<b>OUTER SCISSOR ARM WELDMENTS</b>	
	S201026	Ref	<b>Arm RH #1 Outer</b>	D
	S201027	Ref	<b>Arm LH #1 Outer</b>	D
	S201029	Ref	<b>Arm RH #2 Outer</b>	E
	S201030	Ref	<b>Arm LH #2 Outer</b>	D
	S201032	Ref	<b>Arm RH #3 Outer</b>	C
	S201033	Ref	<b>Arm LH #3 Outer</b>	C
	S900262	Ref	<b>Arm RH #4 Outer</b>	C
	S900263	Ref	<b>Arm LH #4 Outer</b>	C
	S201035	Ref	<b>Arm RH #5 Outer</b>	C
	S201036	Ref	<b>Arm LH #5 Outer</b>	C
	S201038	Ref	<b>Arm RH #6 Outer</b>	C
	S201039	Ref	<b>Arm LH #6 Outer</b>	C
401	S000118	44	Bushing, 90 x 60mm (S201026 qty4, S201027 qty4, S201029 qty4, S201030 qty4, S201032 qty4, S201033 qty4, S900262 qty6, S900263 qty6, S201035 qty4 & S201036 qty4)	
402	S000187	4	Bushing, 120 x 60mm (S201029 qty2 & S201030 qty2)	
403	S001494	4	Bushing, 100 x 60mm (S201032 qty2 & S201033 qty2)	
404	S000116	12	Bushing, 75 x 60mm (S201035 qty2, S201036 qty2, S201038 qty4 & S201036 qty4)	
	0275418	Ref	<b>SCISSOR ARMS TO PLATFORM ATTACHMENT INSTALLATION</b>	F
501	0701630	3	Bolt M16 x 130mm	
502	0761010	14	Bolt M10 x 20mm	
503	3291005	8	Locknut M10	
504	3291605	3	Locknut M16	
505	4032011	8	Capscrew M10 x 35mm	
506	4812000	8	Flatwasher M10	
507	4812300	6	Flatwasher M16	
508	2160016	4	Fitting, Grease	
510	S007037	1	Pin	
511	S007038	1	Pin	
511A	S000227	2	Bushing, 40 x 50mm	
512	S007039	2	Pin	
513	S200096	2	Support, Slide	
513A	S000178	2	Bushing, 60 x 60mm	
514	S200097	2	Pad, Wear	
515	S200237	2	Bracket, Slide Constraint	
517	S000142	4	Cap, Grease Fitting	
518	0761012	2	Bolt M10 x 25mm	
519	4832000	16	Lockwasher M10	



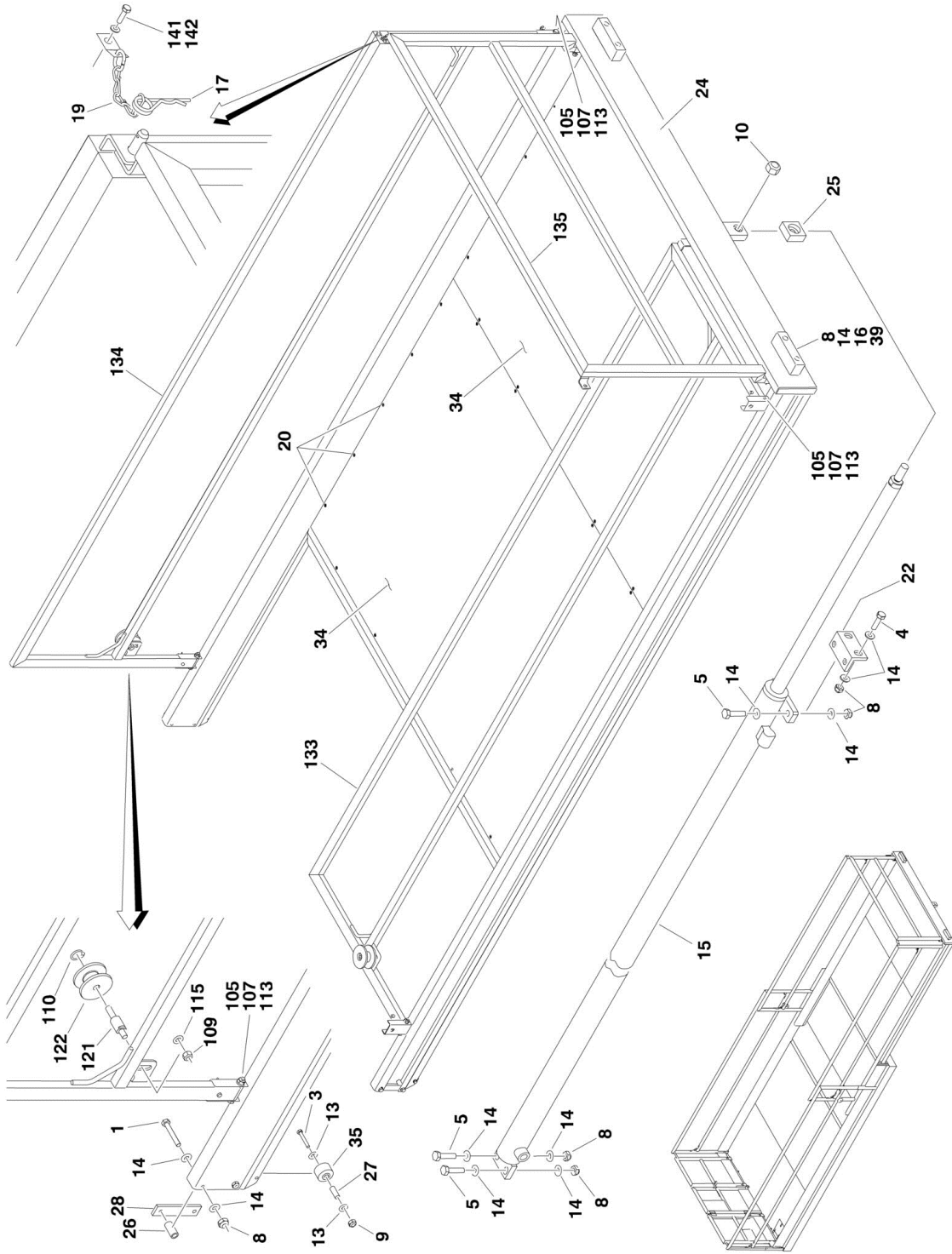
**SECTION 4 - PLATFORM**

# SECTION 4 - PLATFORM

## FIGURE 4-1. PLATFORM AND ACCESSORIES INSTALLATION



# SECTION 4 - PLATFORM



# SECTION 4 - PLATFORM

## FIGURE 4-1. PLATFORM AND ACCESSORIES INSTALLATION

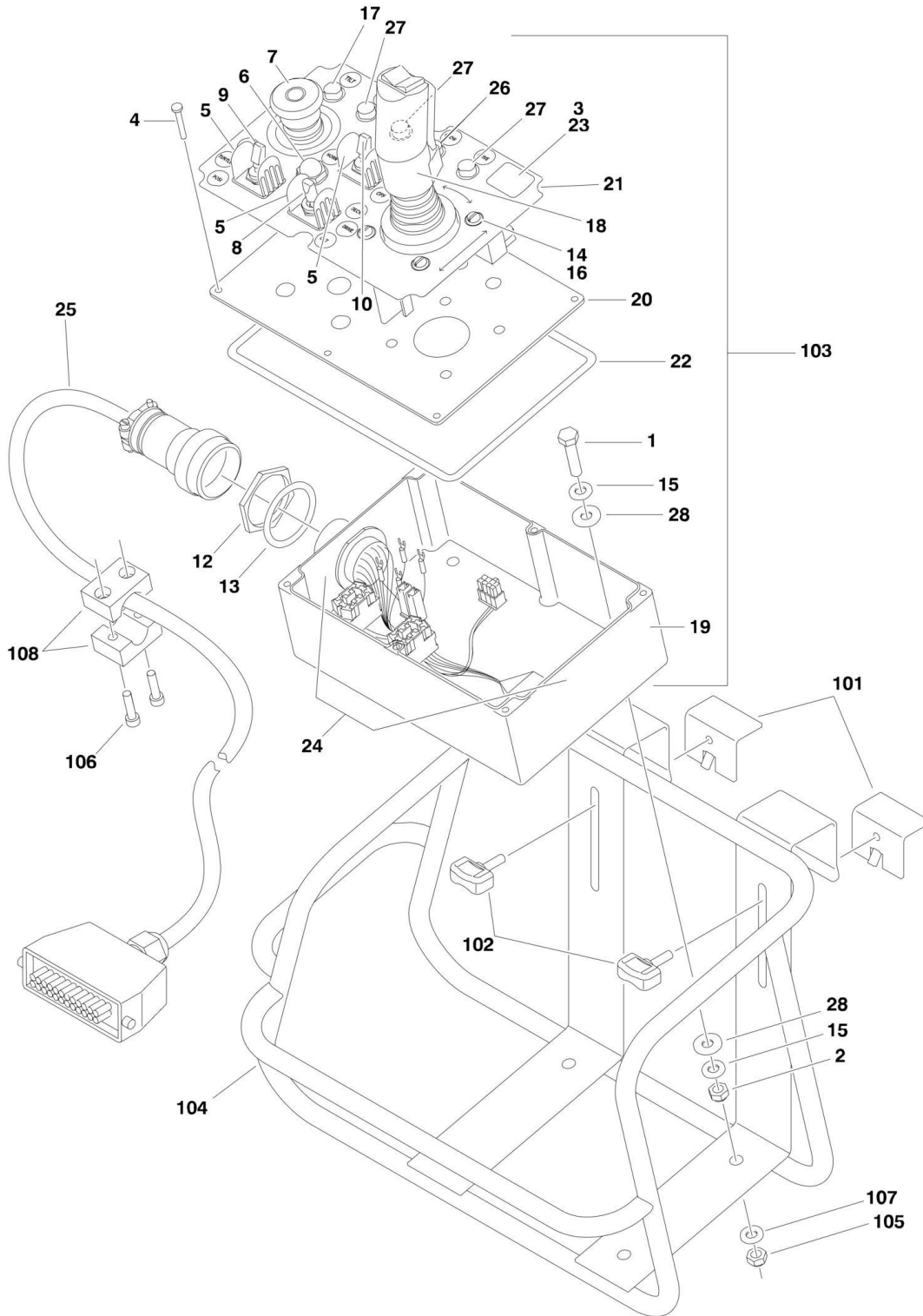
ITEM	PART NUMBER	QTY	DESCRIPTION	REV
	0275419	Ref	<b>PLATFORM AND EXTENSION INSTALLATION</b>	K
		Ref	<b>Note: Replacement decals must be purchased separately - See DECALS SECTION</b>	
1	0701022	4	Bolt M10 x 70mm	
2	0760610	4	Bolt M6 x 20mm	
3	0760819	2	Bolt M8 x 55mm	
4	0761015	2	Bolt M10 x 35mm	
5	0761016	4	Bolt M10 x 40mm	
7	3290605	4	Nut M6	
8	3291005	14	Nut M10	
9	3290805	2	Nut M8	
10	3291605	1	Nut M16	
11	3900376	12	Capscrew M4.2 x 13mm	
12	4811700	8	Flatwasher M6	
13	4811900	4	Flatwasher M8	
14	4812000	28	Flatwasher M10	
15	H900013	1	Extension Cylinder Assembly (See CYLINDER SECTION for Breakdown)	
16	S000055	2	Bumper	
17	3760491	4	Snap Ring	
18	2160016	4	Fitting, Grease	
19	S000237	2	Hinge	
20	S001445	AR	Screw, Self-Tapping	
21	S005049	4	Roller	
22	S200226	1	Bracket, Extension Cylinder	
23	S201068	1	Platform Weldment	
24	S201080	1	Extension Deck Weldment	
25	S900015	1	Block, Cylinder Rod Attaching	
26	S900016	4	Spacer	
27	S900017	2	Spacer	
28	S900018	2	Plate, Stop	
29	S900028	1	Plate, Main Deck Front Floor	
30	S900029	1	Plate, Main Deck Front Middle Floor	
31	S900030	1	Door, Connector Compartment	
32		Ref	Plate, Main Deck Rear Middle Floor Options:	
32	S900031	1	Plate, Main Deck Rear Middle Floor ( <b>Prior to SN 1200015549</b> )	
32	1001092804	1	Plate, Main Deck Rear Middle Floor ( <b>SN 1200015549 to Present</b> )	
33		Ref	Plate, Main Deck Rear Floor Options:	
33	S900032	1	Plate, Main Deck Rear Floor ( <b>Prior to SN 1200015549</b> )	
33	1001092805	1	Plate, Main Deck Rear Floor ( <b>SN 1200015549 to Present</b> )	
34	S900033	2	Plate, Extension Deck Floor	
35	S900155	2	Roller	
36	S900229	1	Connector Compartment	
38	S000142	4	Cap, Grease Fitting	
39	0701025	4	Bolt M10 x 85mm	
	0275420	Ref	<b>PLATFORM AND EXTENSION RAILS INSTALLATION</b>	F
101	0700614	AR	Bolt M6 x 30mm	
102		Ref	Bolt Options:	
102	0700615	4	Bolt (M6 x 35mm) ( <b>Prior to SN 1200016566</b> )	

## SECTION 4 - PLATFORM

ITEM	PART NUMBER	QTY	DESCRIPTION	REV
102	0760805	4	Bolt (M8 x 10mm) (SN 1200016566 to Present)	
103	0700619	1	Bolt M6 x 55mm	
104	0701016	2	Bolt M10 x 40mm	
105	0701024	14	Bolt M10 x 80mm	
106	3290605	AR	Nut M6	
107	3291005	16	Nut M10	
109	3291605	2	Nut M16	
110	3760518	2	Ring, Retaining	
112	4811700	AR	Flatwasher M6	
113	4812000	32	Flatwasher M10	
115	4812300	2	Flatwasher M16	
116	S000031	1	Roller	
117	S000145	20	Hairpin, Spring M3	
118	S000510	4	Hairpin, Spring M4	
119	S001443	18	Chain	
120	S200223	4	Pin	
121	S200230	2	Pin	
122	S200231	2	Roller	
123	S200233	2	Link	
124	S200238	1	Latch	
125	S201070	2	Kickplate, Side	
126	S201071	1	Rail, Left Side	
127	S201072	1	Rail, Right Side	
128	S201073	1	Kickplate, Left Bolted	
129	S201074	1	Kickplate, Right Bolted	
130	S201075	1	Kickplate, Right Front	
131	S201076	1	Kickplate, Left Front	
132	1001101880	1	Rail, Right Front	
133	S201081	1	Rail, Left Extension	
134	S201082	1	Rail, Right Extension	
135	S201083	1	Rail, Rear Extension	
136	S900237	1	Gate and Left Rail Assembly	
136A	1001101879	1	Rail, Left Front	
136B	1001101876	1	Gate	
136C	2600281	2	Hinge	
136D	2080040	16	Rivet	
137	0760810	4	Bolt M8 x 20mm	
138	3290805	4	Nut M8	
139	4811900	4	Flatwasher M8	
140	S900275	4	Chain	
141	0760605	2	Bolt M6 x 10mm	
142	4831700	2	Lockwasher M6	
143	0760805	4	Bolt M8 x 10mm	
144	4831900	8	Lockwasher M8	
	0275639	Ref	<b>RECEPTACLES INSTALLATION</b>	H
209	4460071	1	Connector, Strain Relief (Use p/n E000016)	
221	1001097369	1	Nut, Strain Relief	
222	1001097370	1	Nut, Strain Relief	
223	E000045	1	Connector, Strain Relief	

# SECTION 4 - PLATFORM

## FIGURE 4-2. PLATFORM CONSOLE ASSEMBLY AND INSTALLATION



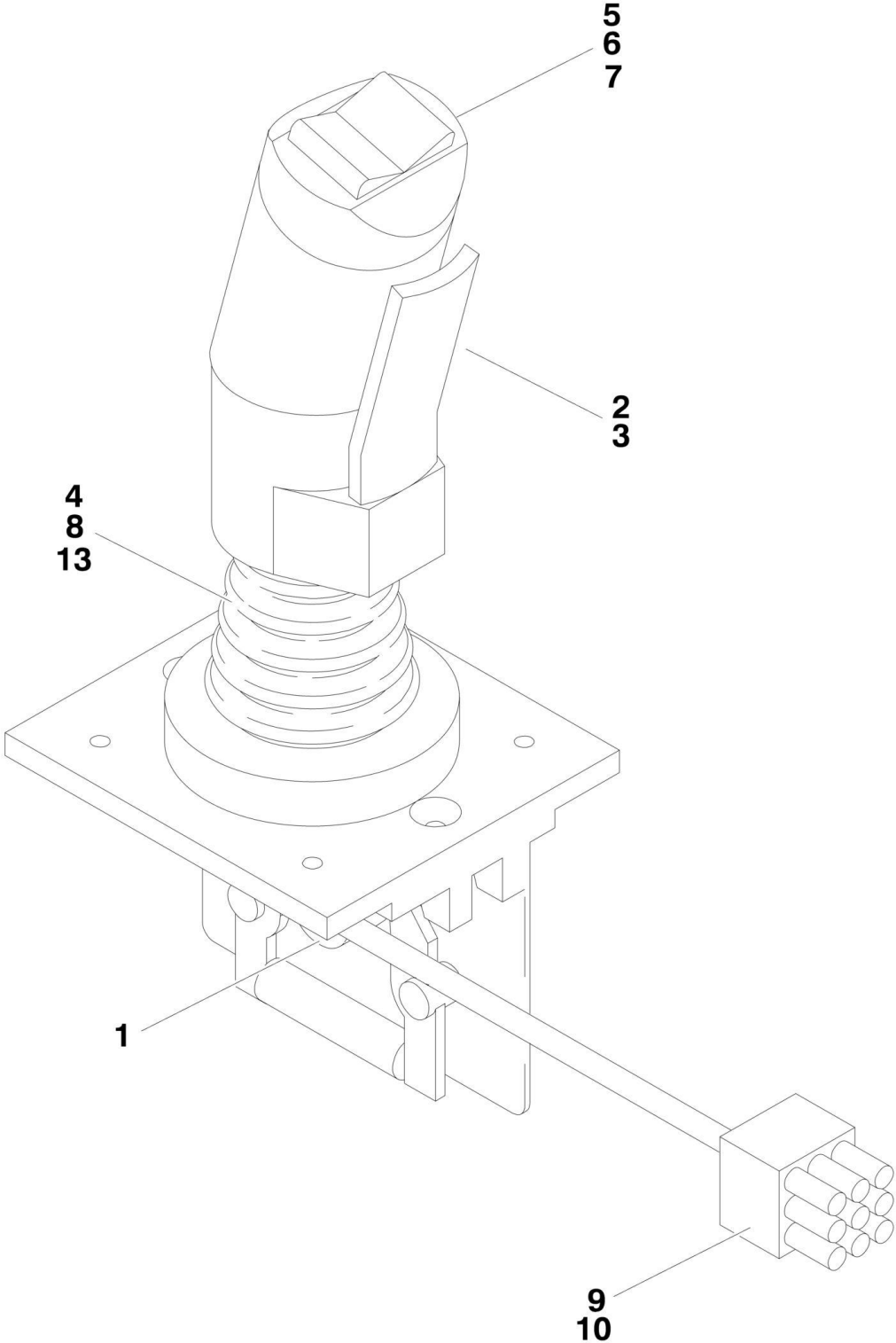
## SECTION 4 - PLATFORM

**FIGURE 4-2. PLATFORM CONSOLE ASSEMBLY AND INSTALLATION**

ITEM	PART NUMBER	QTY	DESCRIPTION	REV
	E900026	Ref	<b>PLATFORM CONSOLE ASSEMBLY</b>	F
1		Ref	Bolt Options:	
1	0760508	4	Bolt (M5 x 16mm) <b>(Prior to SN 1200016338)</b>	
1	0760815	4	Bolt (M8 x 35mm) <b>(SN 1200016338 to Present)</b>	
2		Ref	Locknut Options:	
2	3290505	4	Locknut (M5 Locknut) <b>(Prior to SN 1200016338)</b>	
2	3290805	4	Locknut (M8 Locknut) <b>(SN 1200016338 to Present)</b>	
3	3520060	1	Plug	
4	4010414	6	Screw M4 x 30mm	
5	4060802	3	Guard, Switch	
6	4360387	1	Switch, Push Button	
7	4360475	1	Switch, Emergency Stop	
7	7020175	1	Cap, Red	
7	7020176	1	Block, Contact	
8	4360525	1	Switch, Toggle	
9	4360693	1	Switch, Toggle	
10	4360698	1	Switch, Toggle	
11	4460121	1	Cap, Wire (Not Shown)	
12	4460470	1	Nut, Terminal	
13	4460471	1	Lockwasher, Terminal	
14	4740120	4	Washer, Nylon	
15		Ref	Flatwasher Options:	
15	4811600	4	Flatwasher (M5 Flatwasher) <b>(Prior to SN 1200016338)</b>	
15	4811900	8	Flatwasher (M8 Flatwasher) <b>(SN 1200016338 to Present)</b>	
16	8303891	4	Screw #10-32NF x 3/4in	
17	E000419	1	Light, LED (Red)	
18	E900025	1	Drive/Steer Controller Assembly (See DRIVE/STEER CONTROLLER ASSEMBLY for Breakdown)	
19	E900028	1	Box, Control (Use p/n 1001096367)	
20	E900029		Lid, Control Box	
21	E900030	1	Decal, Console	
22	E900031	1	Seal	
23	E900036	1	Decal	
24	E900041	1	Harness, Platform Console Box (See ELECTRICAL SECTION for Breakdown)	
25	E900042	1	Harness, Jumper (See ELECTRICAL SECTION for Breakdown)	
26	E900048	1	Light, LED (Yellow)	
27	E900049	3	Light, LED (Green)	
28	4811902	8	Flatwasher M8 (Large O.D Only) <b>(SN 1200016338 to Present)</b>	
	0275673	Ref	<b>PLATFORM CONSOLE INSTALLATION</b>	C
101	0181847	2	Clamp, Console Bracket	
102	2560141	2	Screw, Thumb	
103	E900026	1	Console Assembly, Platform (See Items 1 - 28 for Breakdown)	
104		Ref	Bracket, Console Panel Options:	
104	S000009	1	Bracket, Console Panel <b>(Prior to SN 1200016338)</b>	
104	1001096366	1	Bracket, Console Panel <b>(SN 1200016338 to Present)</b>	
105	3290805	4	Locknut M8	
106	4031709	2	Screw M6 x 25mm	
107	4811900	4	Flatwasher M8	
108	H000371	1	Clamp	

**SECTION 4 - PLATFORM**

**FIGURE 4-3. DRIVE/STEER CONTROLLER ASSEMBLY**





## SECTION 4 - PLATFORM

**FIGURE 4-3. DRIVE/STEER CONTROLLER ASSEMBLY**

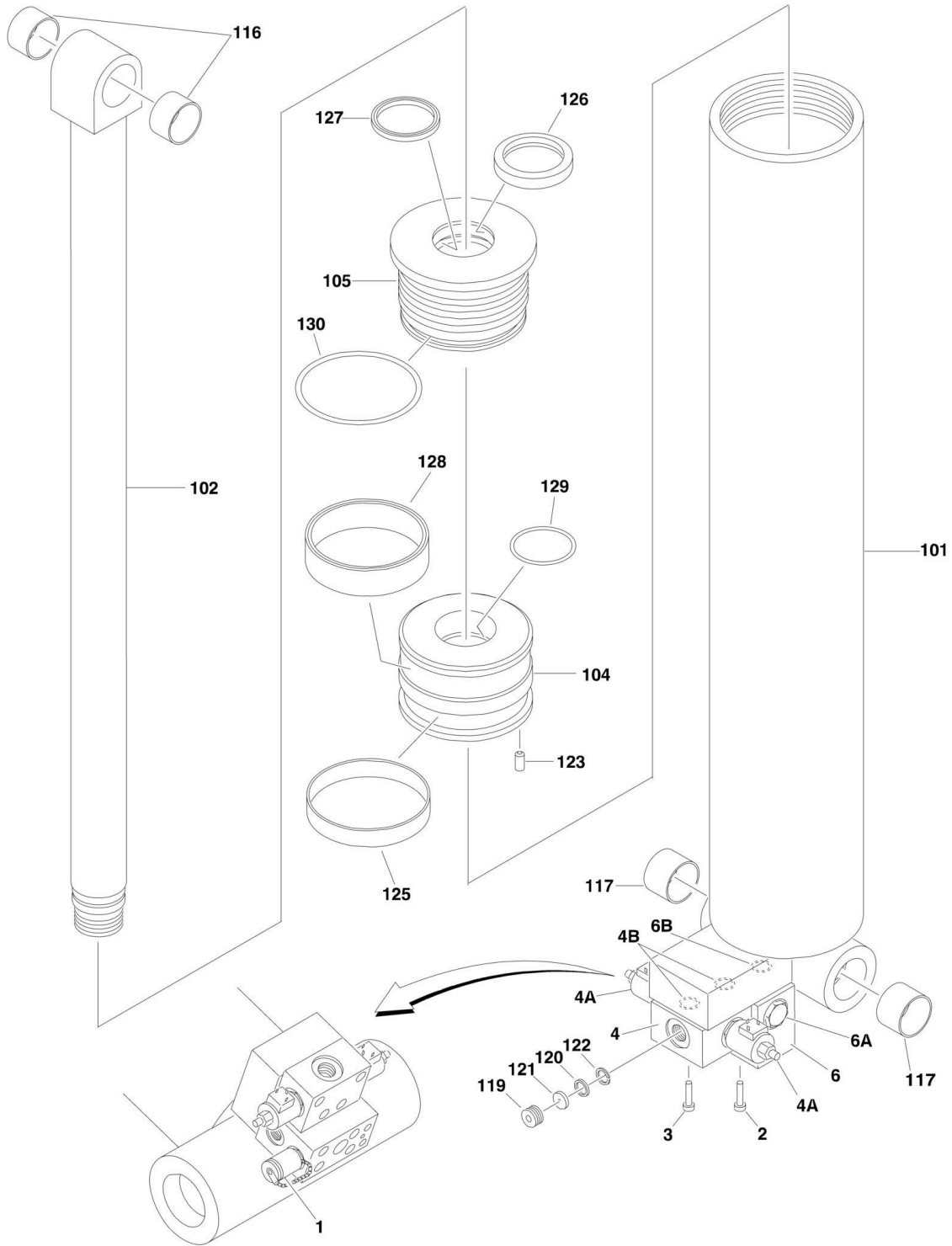
ITEM	PART NUMBER	QTY	DESCRIPTION	REV
	E900025	Ref	<b>DRIVE/STEER CONTROLLER ASSEMBLY</b>	B
1	70000081	1	Potentiometer	
2	7027367	1	Switch, Push Button (Not Shown - Located Behind Item #3)	
3	7027765	1	Lever, Enabler	
4	7027766	1	Ring, Retaining	
5	70000082	1	Microswitch	
6	70000083	1	Coupler, Microswitch	
7	70000084	1	Cap, Rubber	
8	70000085	1	Boot, Rubber	
9	4460265	1	Plug, Male - 9 Pin	
10	4460226	6	Socket, Female	
11	4460266	1	Connector, Receptacle - 9 Pin (Not Shown - Part of Console Harness)	
12	4460267	6	Pin, Male (Not Shown - Part of Console Harness)	
13	70000685	1	Washer, Plastic Bushing	
14	70000684	AR	Screw, Handle (Not Shown)	
15	See Note	AR	Nut, Handle (Not Shown) (Note: Not Available for Purchase)	
16	70000683	AR	Washer, Neoprene (Not Shown)	
17	70000686	AR	Screw, Handle (Not Shown)	



**SECTION 5 - CYLINDER**

# SECTION 5 - CYLINDER

## FIGURE 5-1. LIFT CYLINDER ASSEMBLY



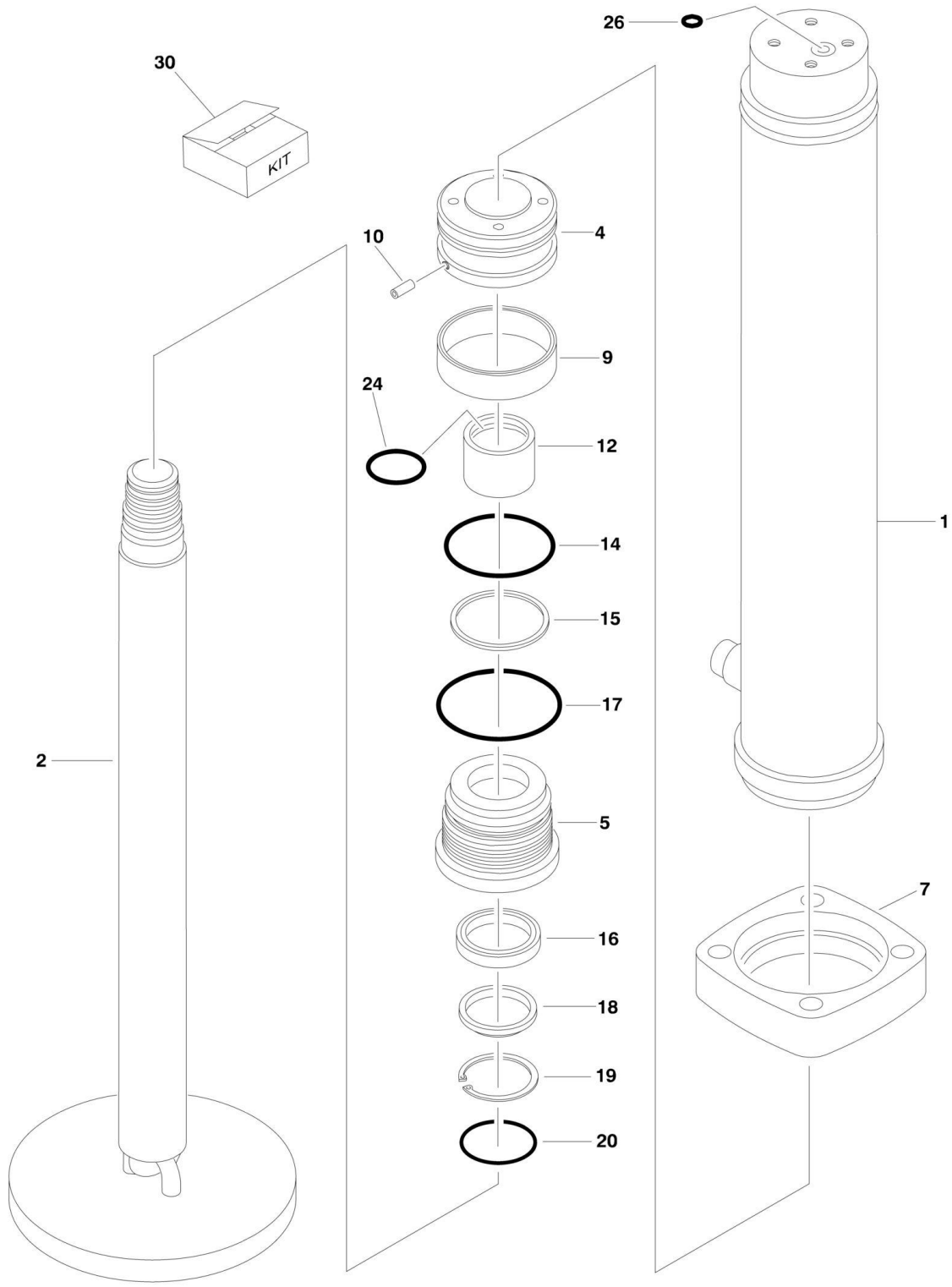
## SECTION 5 - CYLINDER

### FIGURE 5-1. LIFT CYLINDER ASSEMBLY

ITEM	PART NUMBER	QTY	DESCRIPTION	REV
	0275624	Ref	<b>LIFT CYLINDER AND VALVES COMPLETE</b>	C
1	2221222	1	Fitting, Test	
2	4031714	4	Capscrew M6 x 50mm	
3	4031913	4	Capscrew M8 x 45mm	
4	H005243	1	Holding Valve Assembly	E
4A	70000942	2	Cartridge, Valve	
4A	7012972	2	Seal Kit - Cartridge (1 Per Cartridge)	
4A	7012986	2	Coil	
4B	70000188	2	O-Ring (Between Valve and Cylinder)	
5	H005782	1	Lift Cylinder Assembly (See Item 101-130 for Breakdown)	
6	H900045	1	Check Valve Assembly	C
6A	7012955	1	Cartridge, Valve	
6A	7012998	1	Seal Kit - 7012955 Cartridge	
6A	H000271	1	Piston	
6B	70000189	1	O-Ring (Between Valve and Cylinder)	
	H005782	Ref	<b>LIFT CYLINDER ONLY</b>	
101	S201000	1	Barrel Weldment	
102	S200999	1	Rod Weldment	
104	S201001	1	Piston	
105	S201002	1	Head	
116	S000118	2	Bushing	
117	S001735	2	Bushing	
119	70000186	1	Screw, Throttle	
120	70000187	1	Ring, Throttle	
121	70000185	1	Plate, Throttle	
122	See Note	1	Ring, Retaining (Note: Not Available - Purchase Locally)	
123	See Note	1	Setscrew (Note: Not Available - Purchase Locally)	
125	70000207	1	Ring, Wear	
126	H003085	1	Ring, Wiper	
127	H003091	1	Seal, Rod	
128	H003098	1	Seal, Piston	
129	H003108	1	O-Ring	
130	H003114	1	O-Ring	
		Ref	<b>Note: No seal kit available. Purchase individual seals.</b>	

# SECTION 5 - CYLINDER

## FIGURE 5-2. LEVELING CYLINDER ASSEMBLY



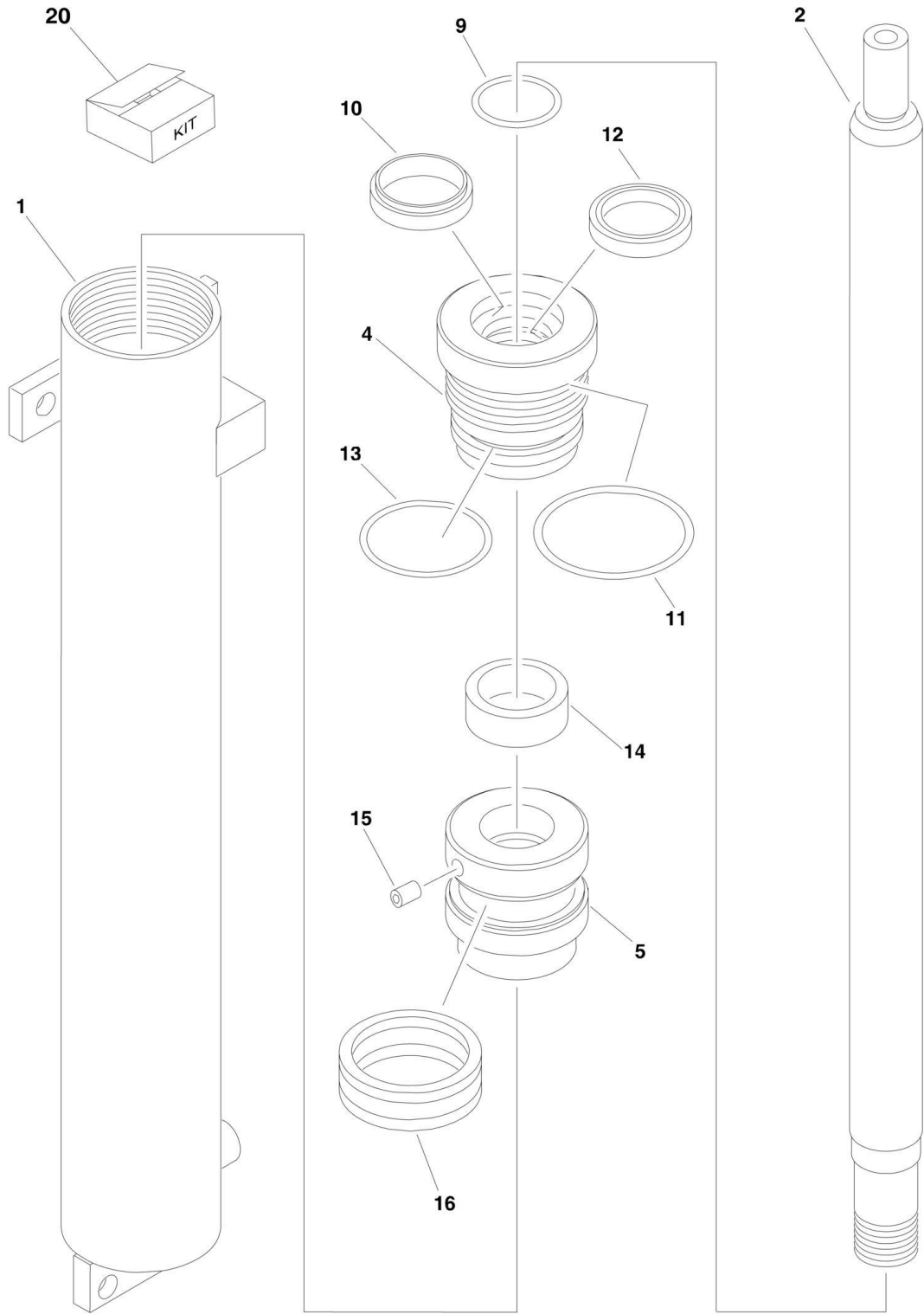
## SECTION 5 - CYLINDER

**FIGURE 5-2. LEVELING CYLINDER ASSEMBLY**

ITEM	PART NUMBER	QTY	DESCRIPTION	REV
		Ref	<b>LEVELING CYLINDER ASSEMBLY</b>	
	H900018	Ref	<b>Right Front and Left Rear Cylinders</b>	F
	H900019	Ref	<b>Left Front and Right Rear Cylinders</b>	F
1		Ref	Barrel Options:	
1	70000770	1	H900018 Cylinder	
1	70000772	1	H900019 Cylinder	
2	70000769	1	Rod	
4	70000764	1	Piston	
5	70000765	1	Head	
7	70000766	1	Flange, Mounting	
9	See Note	1	Seal, Piston (Note: Use Item 30)	
10	See Note	1	Setscrew (Note: Not Available - Purchase Locally)	
12	70000767	1	Spacer	
14	See Note	1	Seal, Head (Note: Use Item 30)	
15	See Note	1	Ring, Backup (Note: Use Item 30)	
16	See Note	1	Seal, Rod (Note: Use Item 30)	
17	See Note	1	O-Ring (Note: Use Item 30)	
18	See Note	1	Wiper (Note: Use Item 30)	
19	70000768	1	Ring, Retaining	
20	See Note	1	O-Ring (Note: Use Item 30)	
24	See Note	1	O-Ring (Note: Use Item 30)	
26	70000700	1	O-Ring	
30	70000771	1	Seal Kit (Includes Items 9, 14-18, 20 & 24)	

# SECTION 5 - CYLINDER

## FIGURE 5-3. PLATFORM EXTENSION CYLINDER ASSEMBLY





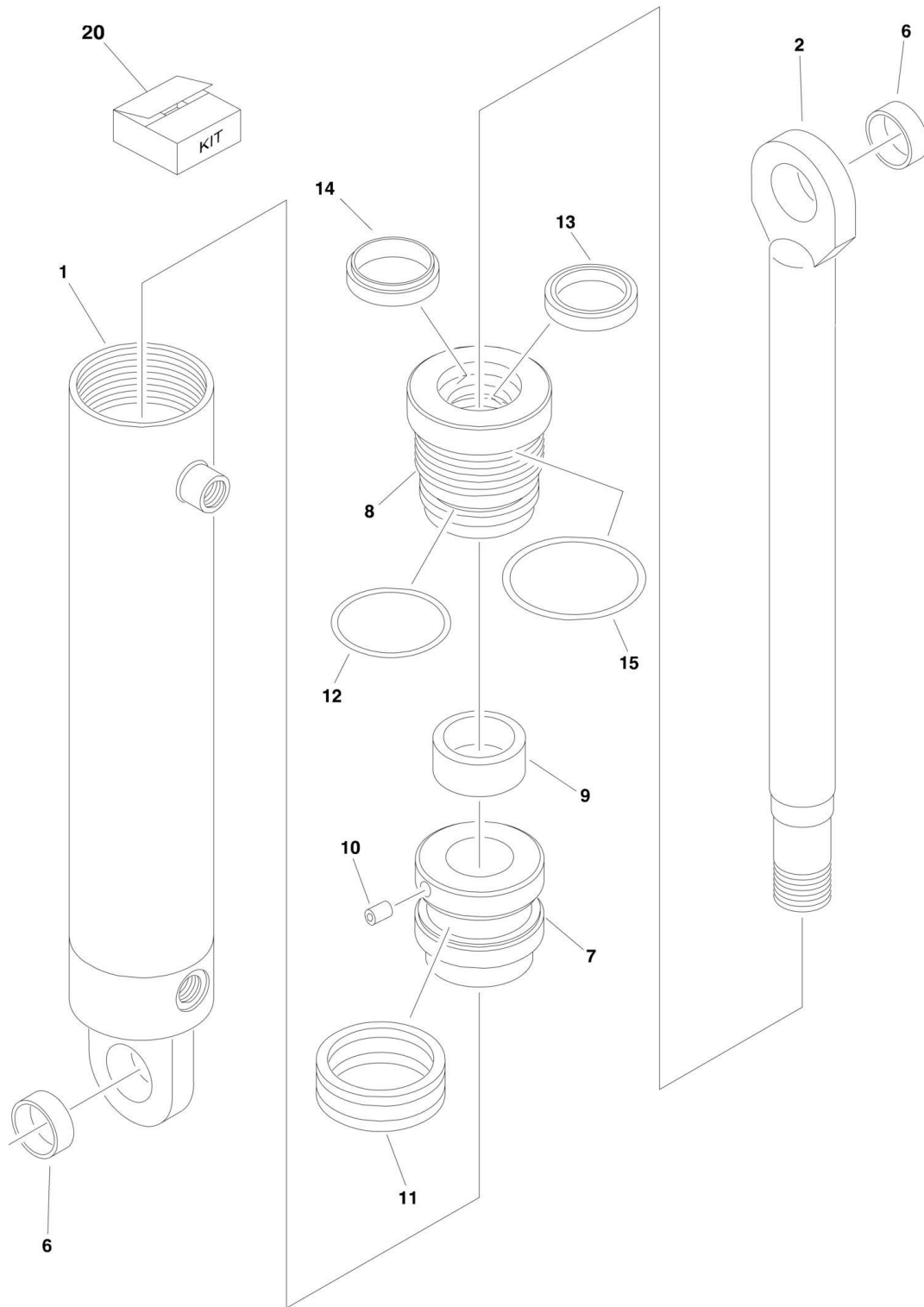
## SECTION 5 - CYLINDER

**FIGURE 5-3. PLATFORM EXTENSION CYLINDER ASSEMBLY**

ITEM	PART NUMBER	QTY	DESCRIPTION	REV
	H900013	Ref	<b>EXTENSION CYLINDER ASSEMBLY</b>	B
1	70000761	1	Barrel	
2	70000760	1	Rod	
4	70000707	1	Head	
5	70000708	1	Piston	
9	See Note	1	O-Ring (Note: Use Item 20)	
10	See Note	1	Wiper (Note: Use Item 20)	
11	See Note	1	O-Ring (Note: Use Item 20)	
12	See Note	1	Seal,Rod (Note: Use Item 20)	
13	See Note	1	Seal, Head (Note: Use Item 20)	
14	70000759	1	Spacer	
15	See Note	1	Setscrew (Note: Not Available - Purchase Locally)	
16	See Note	1	Seal, Piston (Note: Use Item 20)	
20	70000713	1	Seal Kit (Includes Items 9-13 & 16)	

# SECTION 5 - CYLINDER

## FIGURE 5-4. STEER CYLINDER ASSEMBLY



## SECTION 5 - CYLINDER

**FIGURE 5-4. STEER CYLINDER ASSEMBLY**

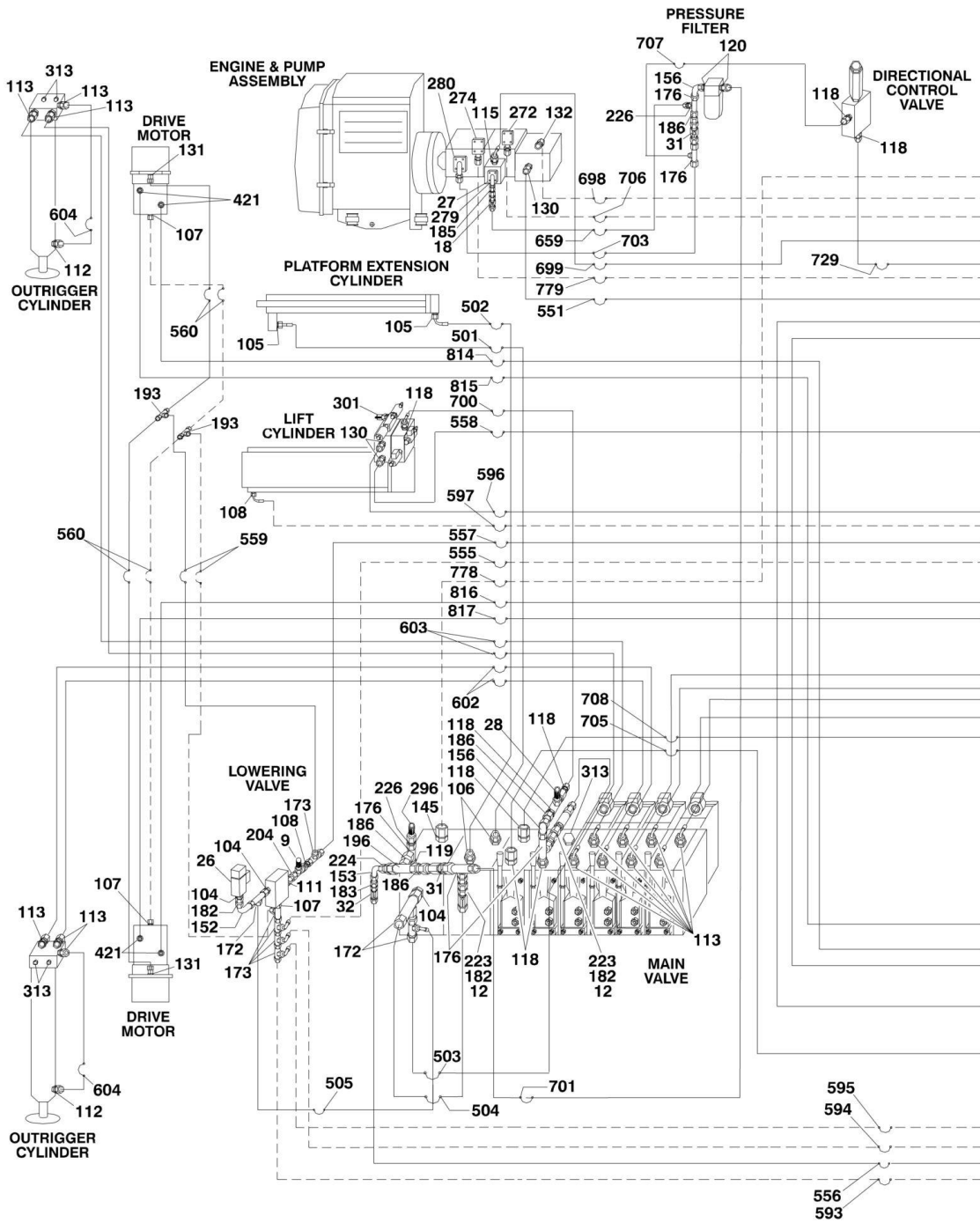
ITEM	PART NUMBER	QTY	DESCRIPTION	REV
	H900007	Ref	<b>STEERING CYLINDER ASSEMBLY</b>	A
1	70000763	1	Barrel	
2	70000762	1	Rod	
6	70000749	2	Bushing	
7	70000750	1	Piston	
8	70000751	1	Head	
9	70000752	1	Spacer	
10	See Note	1	Setscrew (Note: Not Available - Purchase Locally)	
11	See Note	1	Seal, Piston (Note: Use Item 20)	
12	See Note	1	Seal, Head (Note: Use Item 20)	
13	See Note	1	Seal, Rod (Note: Use Item 20)	
14	See Note	1	Wiper (Note: Use Item 20)	
15	See Note	1	O-Ring (Note: Use Item 20)	
20	70000755	1	Seal Kit (Includes Items 11-15)	



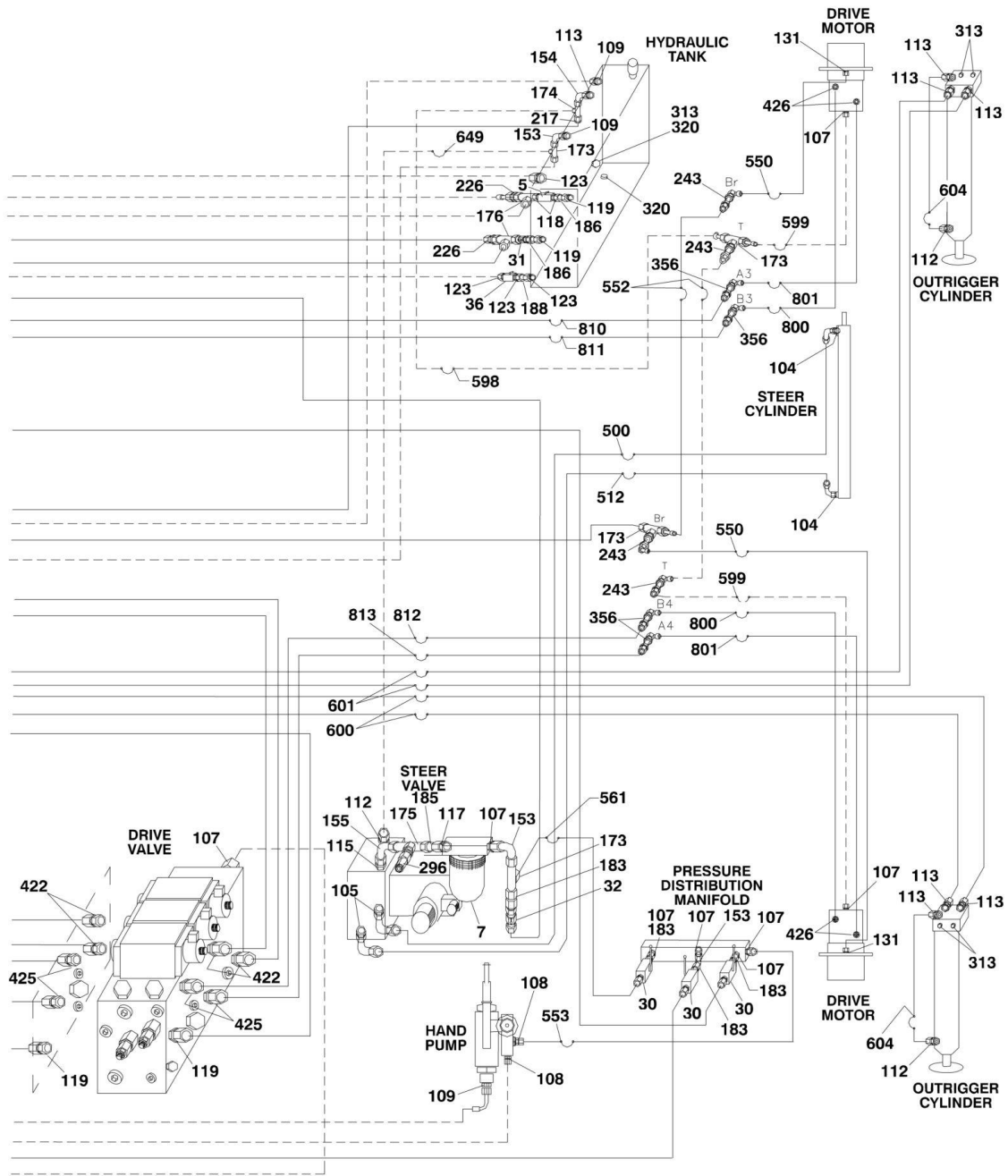
**SECTION 6 - HYDRAULIC**

# SECTION 6 - HYDRAULIC

FIGURE 6-1. HYDRAULIC DIAGRAM (Prior to SN 1200021262)



# SECTION 6 - HYDRAULIC



# SECTION 6 - HYDRAULIC

**FIGURE 6-1. HYDRAULIC DIAGRAM (Prior to SN 1200021262)**

ITEM	PART NUMBER	QTY	DESCRIPTION	REV
	H900049	Ref	<b>HYDRAULIC DIAGRAM</b>	F
	H900052	Ref	<b>INLINE VALVE KIT</b>	3
5	H000015	1	Valve, Ball (Not Serviceable - Replace Complete Valve)	
7	H000311	1	Filter, Hydraulic	A
7	70000020	1	Element, Filter	
7	70000021	1	Seal	
9	H000018	1	Valve, Lowering Speed Adjustment Throttle (Not Serviceable - Replace Complete Valve)	
12	H000351	2	Valve, Check (Not Serviceable - Replace Complete Valve)	
18	H000115	1	Valve, Check (Not Serviceable - Replace Complete Valve)	
26	H000536	1	Pressure Switch with Connector Plug (Not Serviceable - Replace Complete Valve)	
27	H000147	1	Solenoid Valve Assembly	C
27	7017410	1	Cartridge, Valve	
27	7012998	1	Seal Kit - 7017410 Valve	
27	7012986	1	Coil	
27	70001938	1	O-Ring (Between Valve and Pump)	
28	H000524	1	Valve, Throttle Check (Not Serviceable - Replace Complete Valve)	
30	H000344	3	Valve, Ball (Not Serviceable - Replace Complete Valve)	
31	H000339	3	Valve, Check (Not Serviceable - Replace Complete Valve)	
32	H000312	2	Valve, Check (Not Serviceable - Replace Complete Valve)	
36	H000279	1	Valve, Ball (Not Serviceable - Replace Complete Valve)	
	H900050	Ref	<b>FITTING KIT</b>	4
104	2142706	5	Fitting, Straight	
105	2142707	4	Fitting, Straight	
106	2142743	2	Fitting, Straight	
107	2142708	11	Fitting, Straight	
108	2142709	4	Fitting, Straight	
109	2142710	AR	Fitting, Straight	
111	2142711	1	Fitting, Straight	
112	2142712	5	Fitting, Straight	
113	2142713	21	Fitting, Straight	
115	2142714	2	Fitting, Straight	
117	2142751	1	Fitting, Straight	
118	2142716	10	Fitting, Straight	
119	2142717	5	Fitting, Straight	
120	2142752	2	Fitting, Straight	
123	2142719	4	Fitting, Straight	
130	2140803	3	Fitting, Straight	
131	H000148	4	Connecting Piece	
132	2140807	1	Fitting, Straight	
145	2142744	1	Fitting, Straight	
152	2143402	1	Fitting, 90	
153	2143403	AR	Fitting, 90	
154	2143404	1	Fitting, 90	
155	2143405	1	Fitting, 90	
156	2143406	2	Fitting, 90	
172	2142202	3	Fitting, Tee	
173	2142203	AR	Fitting, Tee	



## SECTION 6 - HYDRAULIC

ITEM	PART NUMBER	QTY	DESCRIPTION	REV
174	2142204	1	Fitting, Tee	
175	2142205	1	Fitting, Tee	
176	2142206	7	Fitting, Tee	
182	2143602	3	Fitting, Union	
183	2143603	5	Fitting, Union	
185	2143605	2	Fitting, Union	
186	2143606	6	Fitting, Union	
188	2143608	1	Fitting, Union	
193	2141908	2	Fitting, Tee	
196	2141911	1	Fitting, Tee	
204	2142804	1	Fitting, Straight	
217	2143507	1	Fitting, Reducer	
223	2143513	2	Fitting, Reducer	
224	2143514	1	Fitting, Reducer	
226	2143516	4	Fitting, Reducer	
243	2141503	4	Fitting, Bulkhead Union	
272	2143705	1	Flange Kit	
274	2143707	1	Flange Kit	
279	2143703	1	Flange Kit	
280	2143717	1	Flange Kit	
296	2144105	2	Fitting, Test	
313	2143807	10	Plug	
320	2221214	2	Plug, Magnetic (w/ Copper Sealing Ring) <b>(Prior to SN 1200015549)</b>	
356	2141517	4	Fitting, Straight	
421	2142733	4	Fitting, Straight	
422	2142734	4	Fitting, Straight	
425	2142735	4	Fitting, Straight	
426	2142740	4	Fitting, Straight	
	H900051	Ref	<b>HYDRAULIC HOSE KIT</b>	5
500	2755039	1	Hose	
501	2754477	1	Hose	
502	2754516	1	Hose	
503	2754361	1	Hose	
504	2754364	1	Hose	
505	2754479	1	Hose	
512	2754366	1	Hose	
550	2754480	2	Hose	
551	2754377	1	Hose	
552	2754368	1	Hose	
553	2754375	1	Hose	
555	2755040	1	Hose	
556	2754376	1	Hose	
557	2754372	1	Hose	
558	2754482	1	Hose	
559	2754373	1	Hose	
560	2754369	1	Hose	
561	2754481	1	Hose	
593	2754473	1	Hose	
594	2754354	1	Hose	
595	2754350	1	Hose	
596		Ref	Hose Options:	

## SECTION 6 - HYDRAULIC

ITEM	PART NUMBER	QTY	DESCRIPTION	REV
596	2754475	1	Hose (Prior to SN 1200015549)	
596	2754352	1	Hose (SN 1200015549 to Present)	
597	2754353	1	Hose	
598	1001092080	1	Hose	
599	2754474	2	Hose	
600	2754493	2	Hose	
601	2754492	2	Hose	
602	2754393	2	Hose	
603	2754393	2	Hose	
604	2754392	4	Hose	
649	2754476	1	Hose	
659	2754383	1	Hose	
698	2754357	1	Hose	
699	2754356	1	Hose	
700	2754484	1	Hose	
701	2754485	1	Hose	
703	2754391	1	Hose	
705	2754483	1	Hose	
706	2754388	1	Hose	
707	2754390	1	Hose	
708	2754483	1	Hose	
729	2754358	1	Hose	
778	2754495	1	Hose	
779	2754359	1	Hose	
800	2754487	2	Hose	
801	2754486	2	Hose	
810	2754489	1	Hose	
811	2754489	1	Hose	
812	2754488	1	Hose	
813	2754488	1	Hose	
814	2754491	1	Hose	
815	2754491	1	Hose	
816	2754490	1	Hose	
817	2754490	1	Hose	







## SECTION 6 - HYDRAULIC

FIGURE 6-2. HYDRAULIC DIAGRAM (SN 1200021262 to Present)

ITEM	PART NUMBER	QTY	DESCRIPTION	REV
	H900049	Ref	<b>HYDRAULIC DIAGRAM</b>	I
	H900052	Ref	<b>INLINE VALVE KIT</b>	5
5	H000015	1	Valve, Ball (Not Serviceable - Replace Complete Valve)	
7	H000311	1	Filter, Hydraulic	A
7	70000020	1	Element, Filter	
7	70000021	1	Seal	
9	H000018	1	Valve, Lowering Speed Adjustment Throttle (Not Serviceable - Replace Complete Valve)	
12	H000351	2	Valve, Check (Not Serviceable - Replace Complete Valve)	
18	H000115	1	Valve, Check (Not Serviceable - Replace Complete Valve)	
26	H000536	1	Pressure Switch with Connector Plug (Not Serviceable - Replace Complete Valve)	
27	H000147	1	Solenoid Valve Assembly	C
27	7017410	1	Cartridge, Valve	
27	7012998	1	Seal Kit - 7017410 Valve	
27	7012986	1	Coil	
27	70001938	1	O-Ring (Between Valve and Pump)	
28	H000524	1	Valve, Throttle Check (Not Serviceable - Replace Complete Valve)	
31	H000339	3	Valve, Check (Not Serviceable - Replace Complete Valve)	
32	H000312	1	Valve, Check (Not Serviceable - Replace Complete Valve)	
36	H000279	1	Valve, Ball (Not Serviceable - Replace Complete Valve)	
	H900050	Ref	<b>FITTING KIT</b>	7
104	2142706	5	Fitting, Straight	
105	2142707	4	Fitting, Straight	
106	2142743	2	Fitting, Straight	
107	2142708	AR	Fitting, Straight	
108	2142709	3	Fitting, Straight	
109	2142710	4	Fitting, Straight	
111	2142711	1	Fitting, Straight	
112	2142712	5	Fitting, Straight	
113	2142713	21	Fitting, Straight	
115	2142714	2	Fitting, Straight	
117	2142751	1	Fitting, Straight	
118	2142716	10	Fitting, Straight	
119	2142717	5	Fitting, Straight	
120	2142752	2	Fitting, Straight	
123	2142719	4	Fitting, Straight	
130	2140803	3	Fitting, Straight	
131	H000148	4	Connecting Piece	
132	2140807	1	Fitting, Straight	
145	2142744	1	Fitting, Straight	
152	2143402	1	Fitting, 90	
153	2143403	2	Fitting, 90	
154	2143404	1	Fitting, 90	
155	2143405	1	Fitting, 90	
156	2143406	2	Fitting, 90	
172	2142202	3	Fitting, Tee	
173	2142203	AR	Fitting, Tee	
174	2142204	1	Fitting, Tee	

## SECTION 6 - HYDRAULIC

ITEM	PART NUMBER	QTY	DESCRIPTION	REV
175	2142205	1	Fitting, Tee	
176	2142206	7	Fitting, Tee	
182	2143602	3	Fitting, Union	
183	2143603	1	Fitting, Union	
185	2143605	2	Fitting, Union	
186	2143606	6	Fitting, Union	
188	2143608	1	Fitting, Union	
193	2141908	2	Fitting, Tee	
196	2141911	1	Fitting, Tee	
204	2142804	1	Fitting, Straight	
217	2143507	1	Fitting, Reducer	
223	2143513	2	Fitting, Reducer	
224	2143514	1	Fitting, Reducer	
226	2143516	4	Fitting, Reducer	
243	2141503	4	Fitting, Bulkhead Union	
272	2143705	1	Flange Kit	
274	2143707	1	Flange Kit	
279	2143703	1	Flange Kit	
280	2143717	1	Flange Kit	
296	2144105	2	Fitting, Test	
313	2143807	9	Plug	
320	2221214	2	Plug, Magnetic (w/ Copper Sealing Ring) <b>(Prior to SN 1200015549)</b>	
356	2141517	4	Fitting, Straight	
421	2142733	4	Fitting, Straight	
422	2142734	4	Fitting, Straight	
425	2142735	4	Fitting, Straight	
426	2142740	4	Fitting, Straight	
427	4031718	2	Bolt, Socket Head M8 x 70mm	
428	4031720	2	Bolt, Socket Head M8 x 80mm	
	H900051	Ref	<b>HYDRAULIC HOSE KIT</b>	9
500	2755039	1	Hose	
501	2754477	1	Hose	
502	2754516	1	Hose	
503	2754361	1	Hose	
504	2754364	1	Hose	
505	2754479	1	Hose	
512	2754366	1	Hose	
550	2754480	2	Hose	
551	2754377	1	Hose	
552	2754368	2	Hose	
555	2754494	1	Hose	
556	2754376	1	Hose	
557	2754372	1	Hose	
558	2754482	1	Hose	
559	2754373	2	Hose	
560	2754369	4	Hose	
593	2754473	1	<b>HOSE (Prior to SN 1200022933)</b>	
595	2754350	1	Hose	
596	2754352	1	Hose	
597	2754353	1	Hose	
598	1001092080	1	Hose	

## SECTION 6 - HYDRAULIC

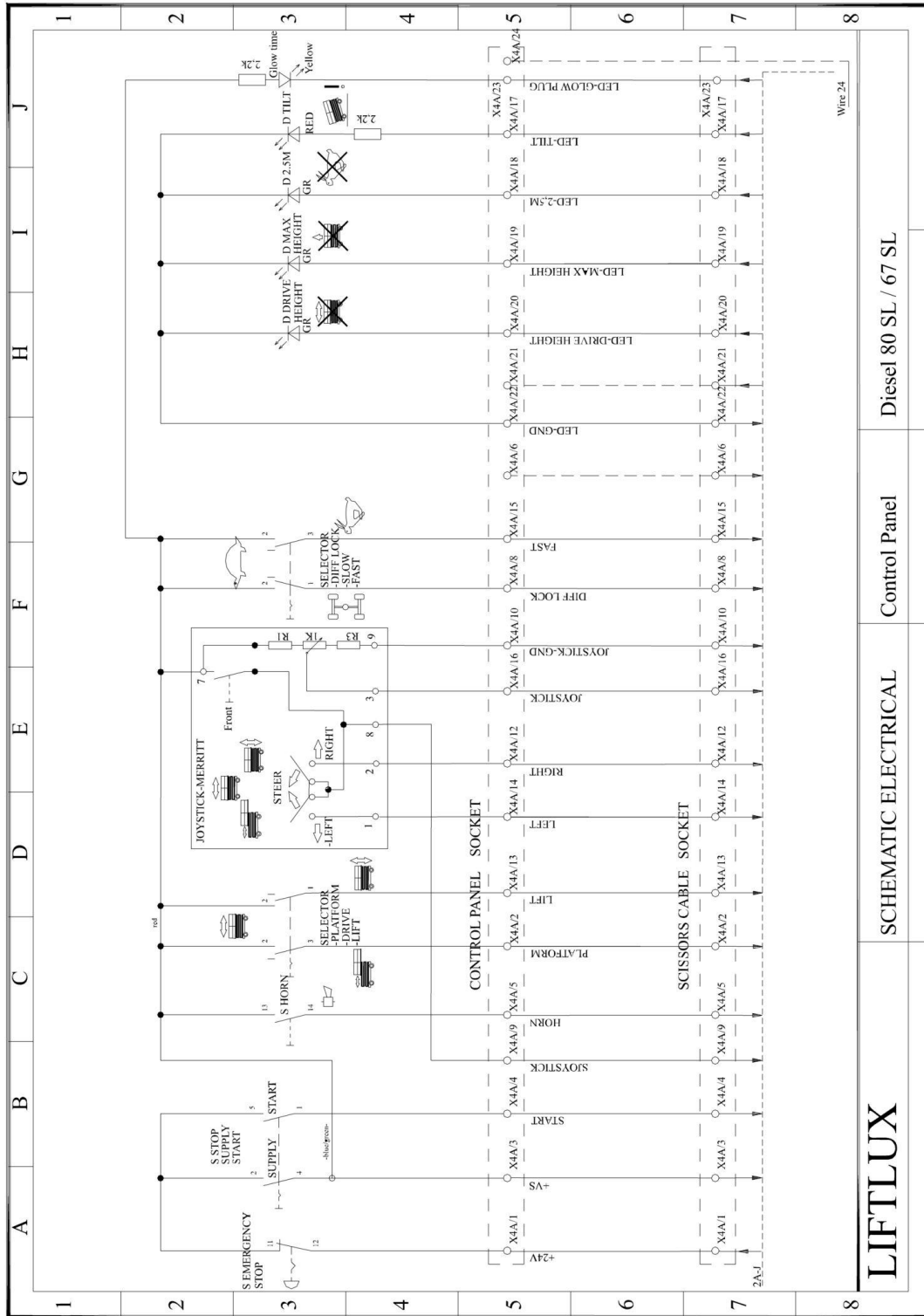
ITEM	PART NUMBER	QTY	DESCRIPTION	REV
599	2754474	2	Hose	
600	2754493	2	Hose	
601	2754492	2	Hose	
602	2754393	2	Hose	
603	2754393	2	Hose	
604	2754392	4	Hose	
649	2754476	1	Hose	
659	2754383	1	Hose	
698	2754357	1	Hose	
699	2754356	1	Hose	
700	2754484	1	Hose	
701	2754485	1	Hose	
703	2754391	1	Hose	
705	2754483	1	Hose	
706	2754388	1	Hose	
707	2754390	1	Hose	
708	2754483	1	Hose	
729	2754358	1	Hose	
778	2754495	1	Hose	
779	2754359	1	Hose	
800	2754487	2	Hose	
801	2754486	2	Hose	
810	2754489	1	Hose	
811	2754489	1	Hose	
812	2754488	1	Hose	
813	2754488	1	Hose	
814	2754491	1	Hose	
815	2754491	1	Hose	
816	2754490	1	Hose	
817	2754490	1	Hose	

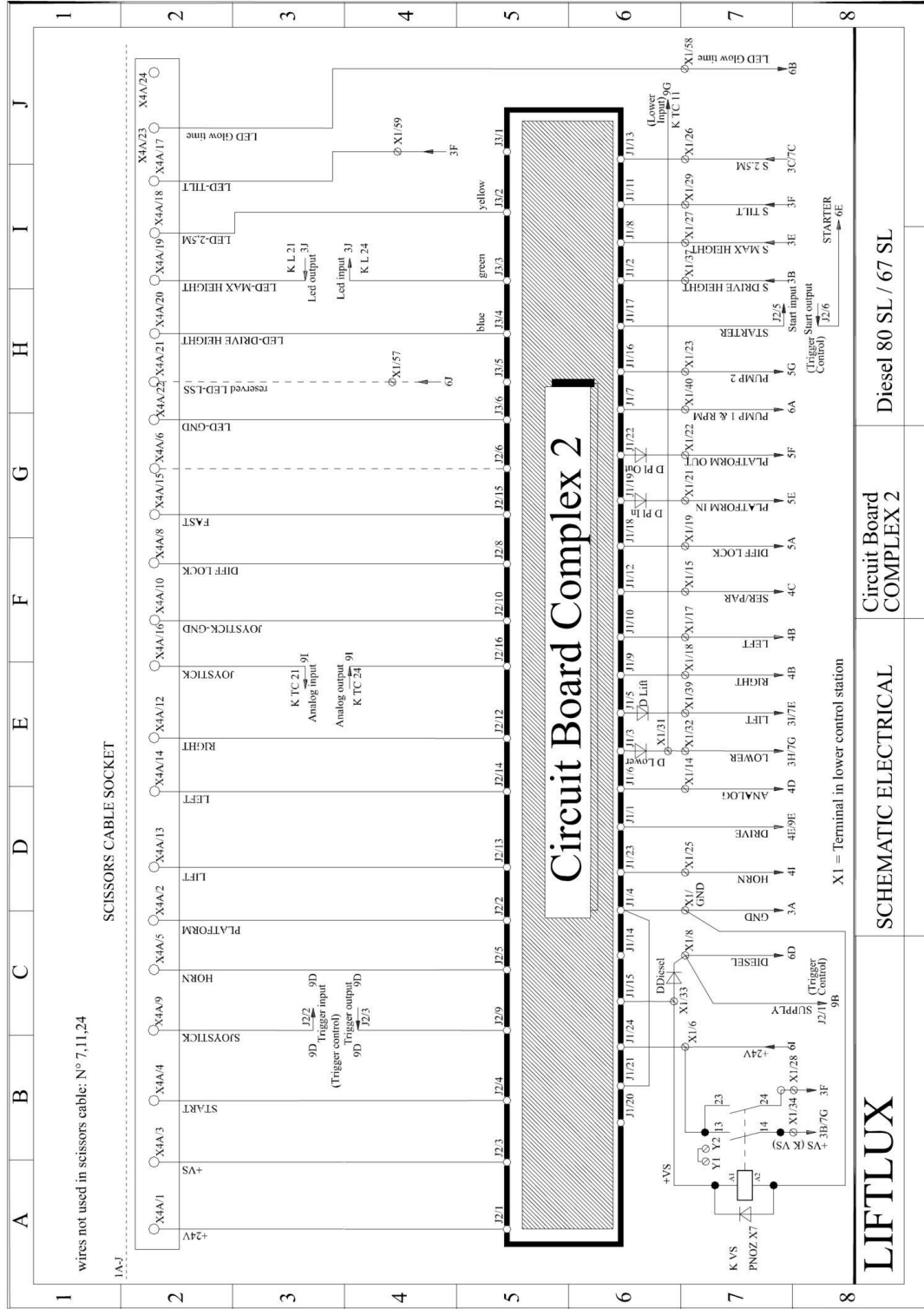


**SECTION 7 - ELECTRICAL**

# SECTION 7 - ELECTRICAL

## FIGURE 7-1. ELECTRICAL SCHEMATIC





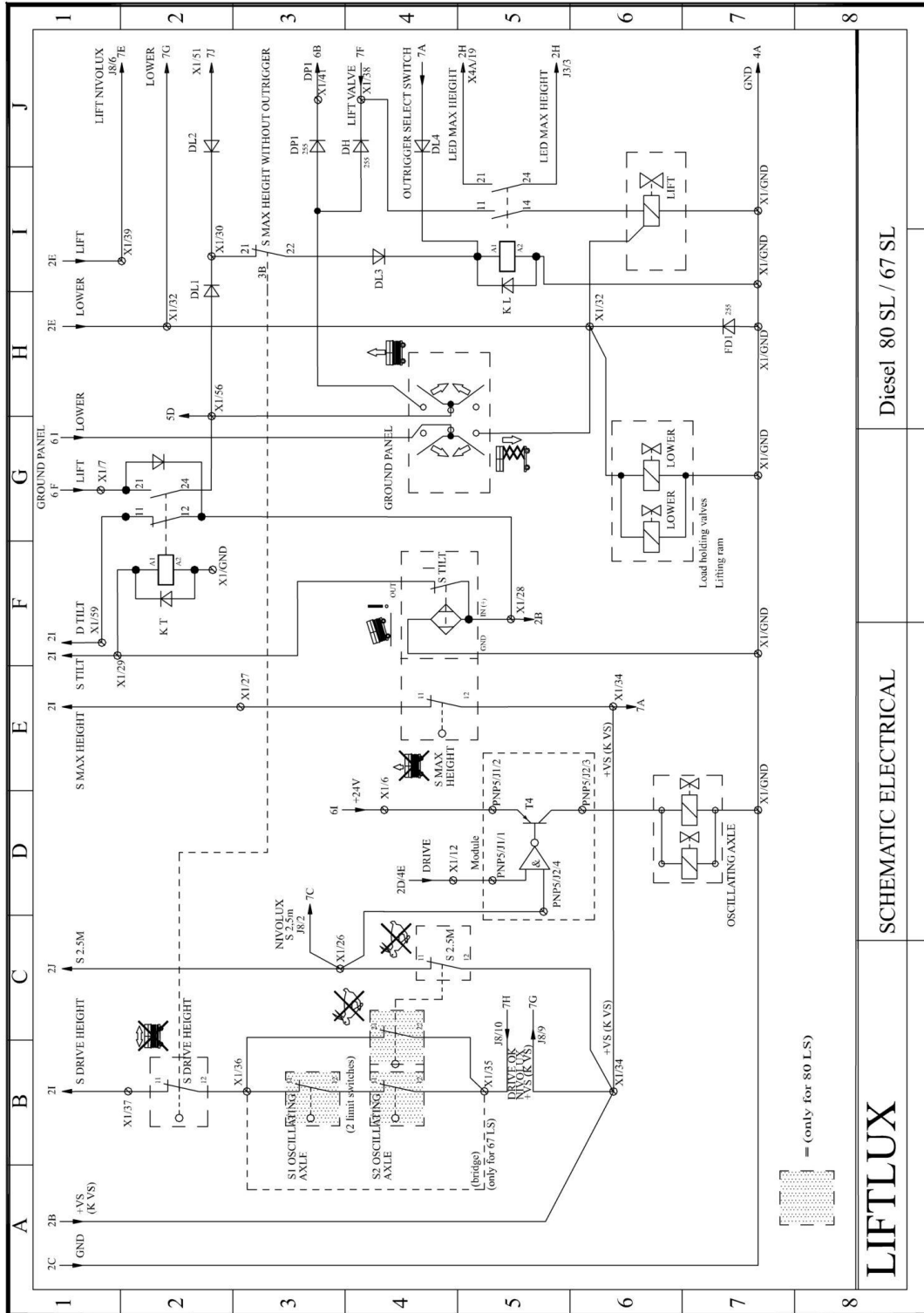
LIFTLUX

SCHEMATIC ELECTRICAL

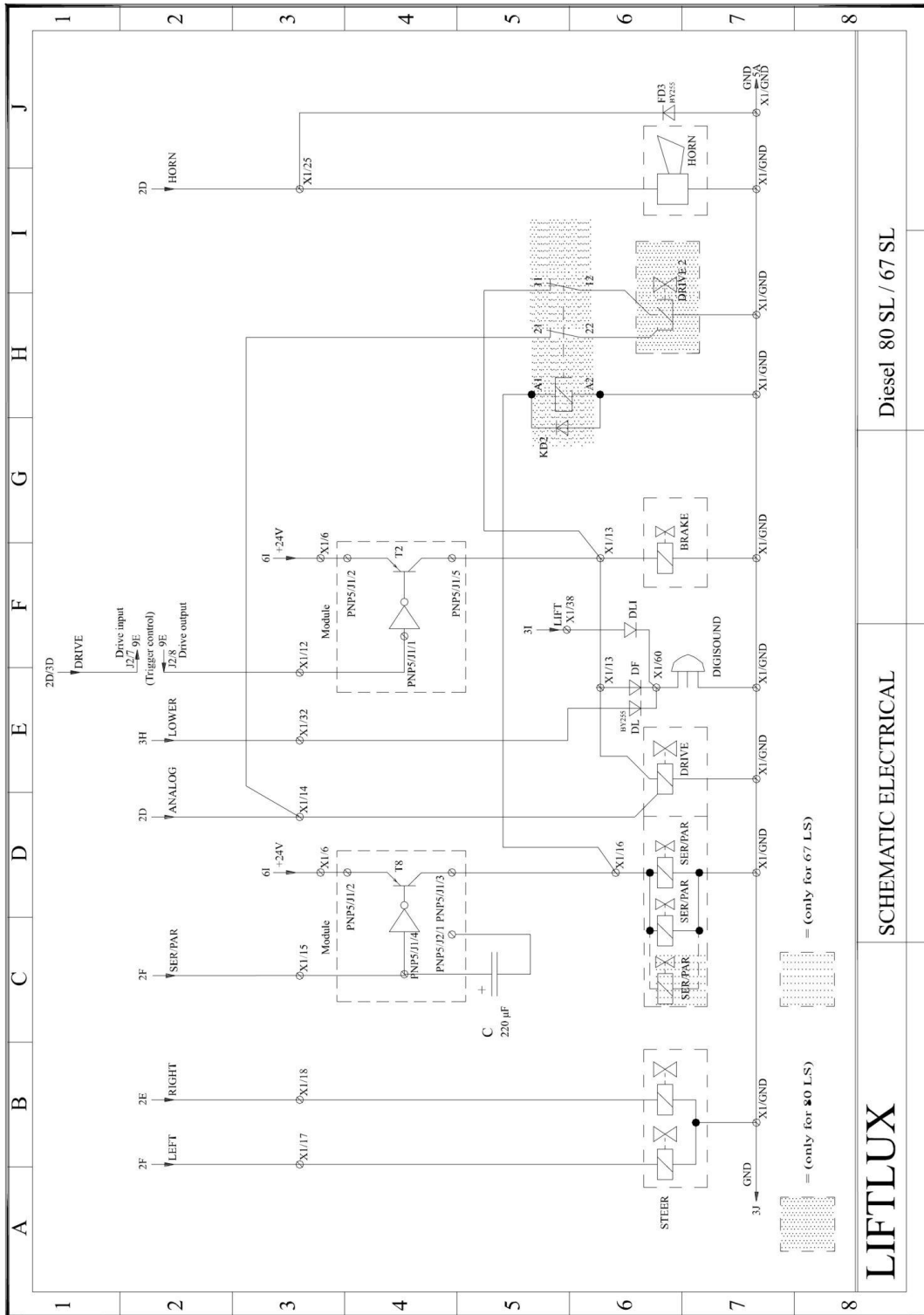
Circuit Board COMPLEX 2

Diesel 80 SL / 67 SL

# SECTION 7 - ELECTRICAL



# SECTION 7 - ELECTRICAL

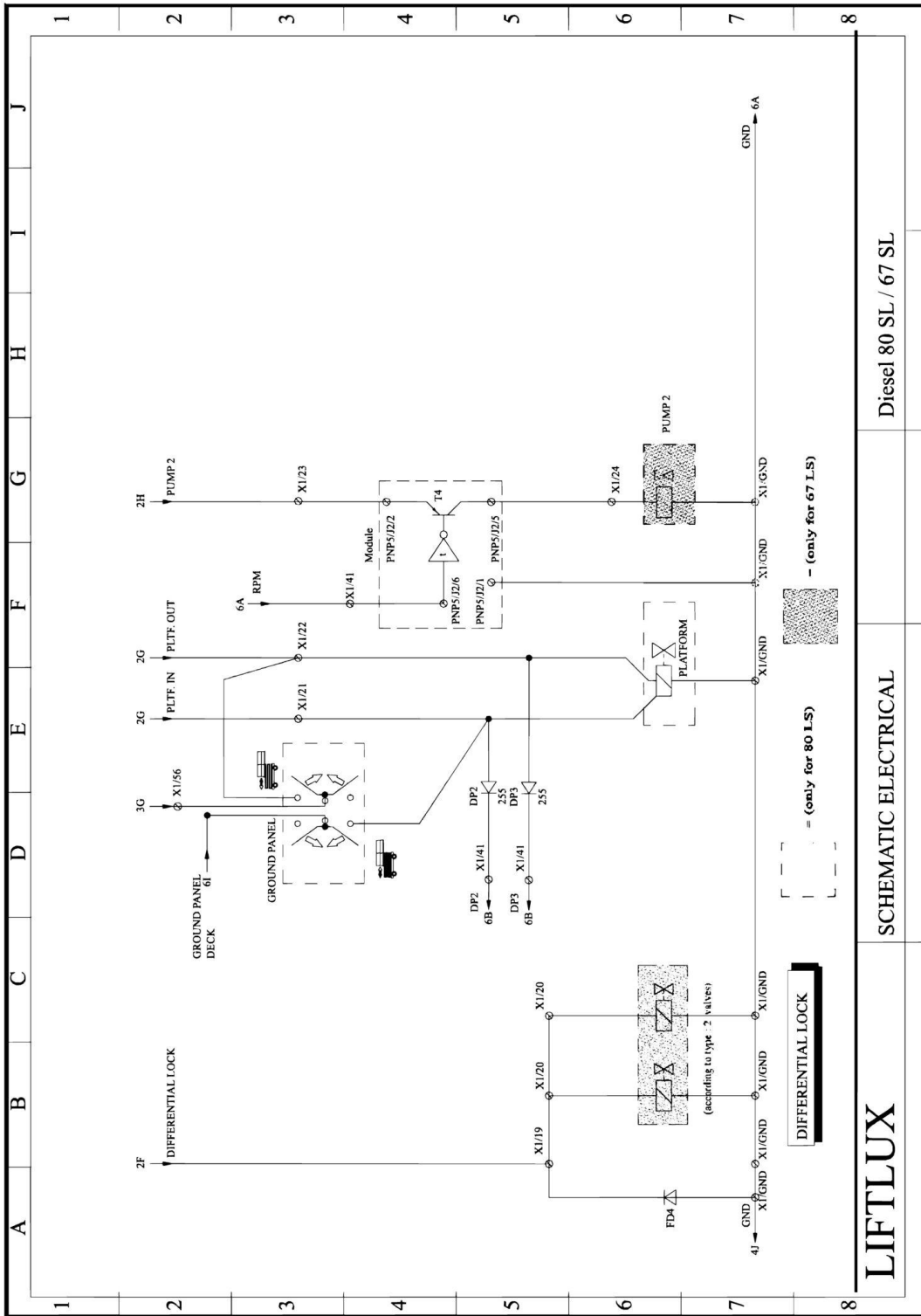


Diesel 80 SL / 67 SL

SCHEMATIC ELECTRICAL

LIFTLUX

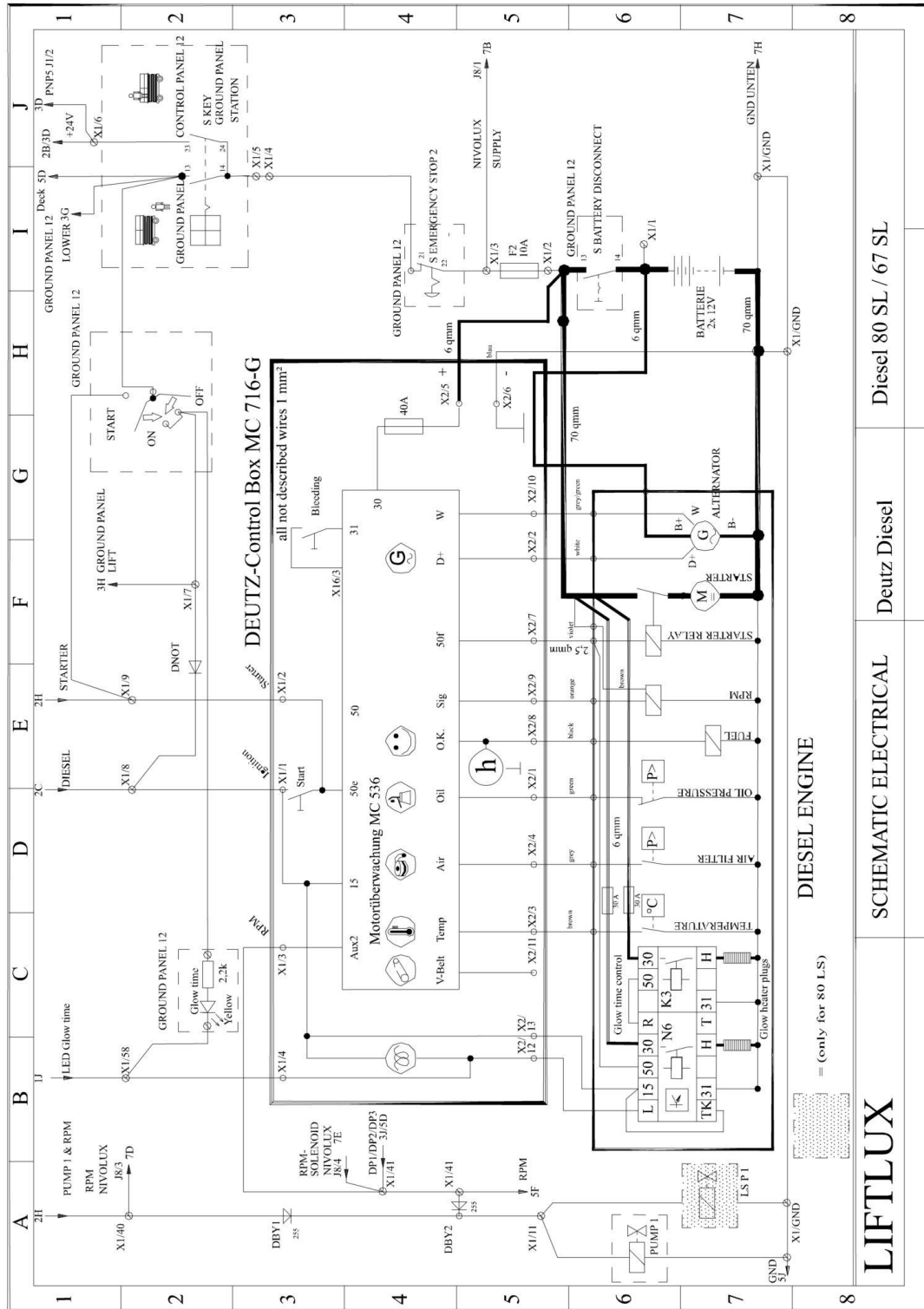
# SECTION 7 - ELECTRICAL



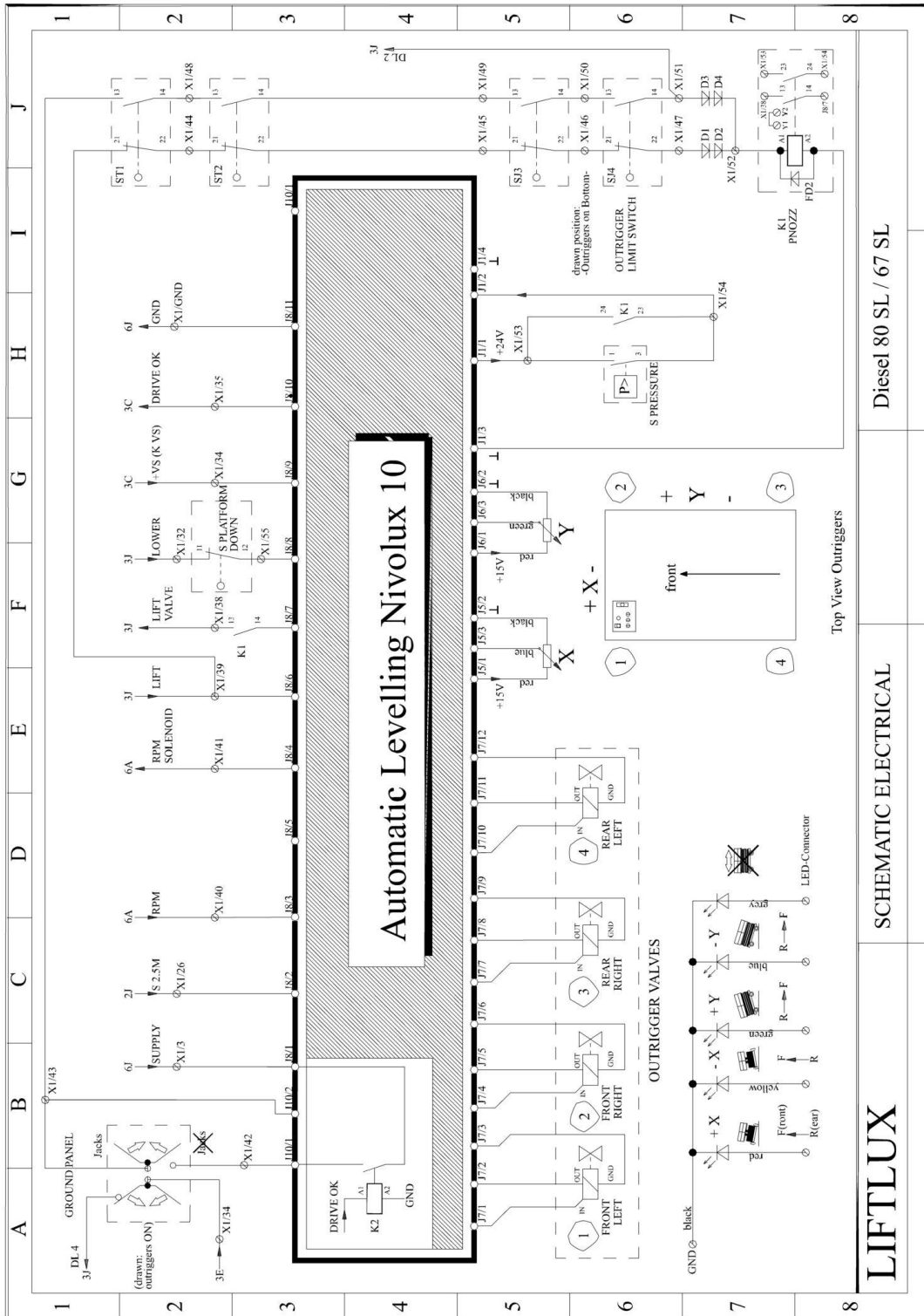
**LIFTLUX**

SCHEMATIC ELECTRICAL

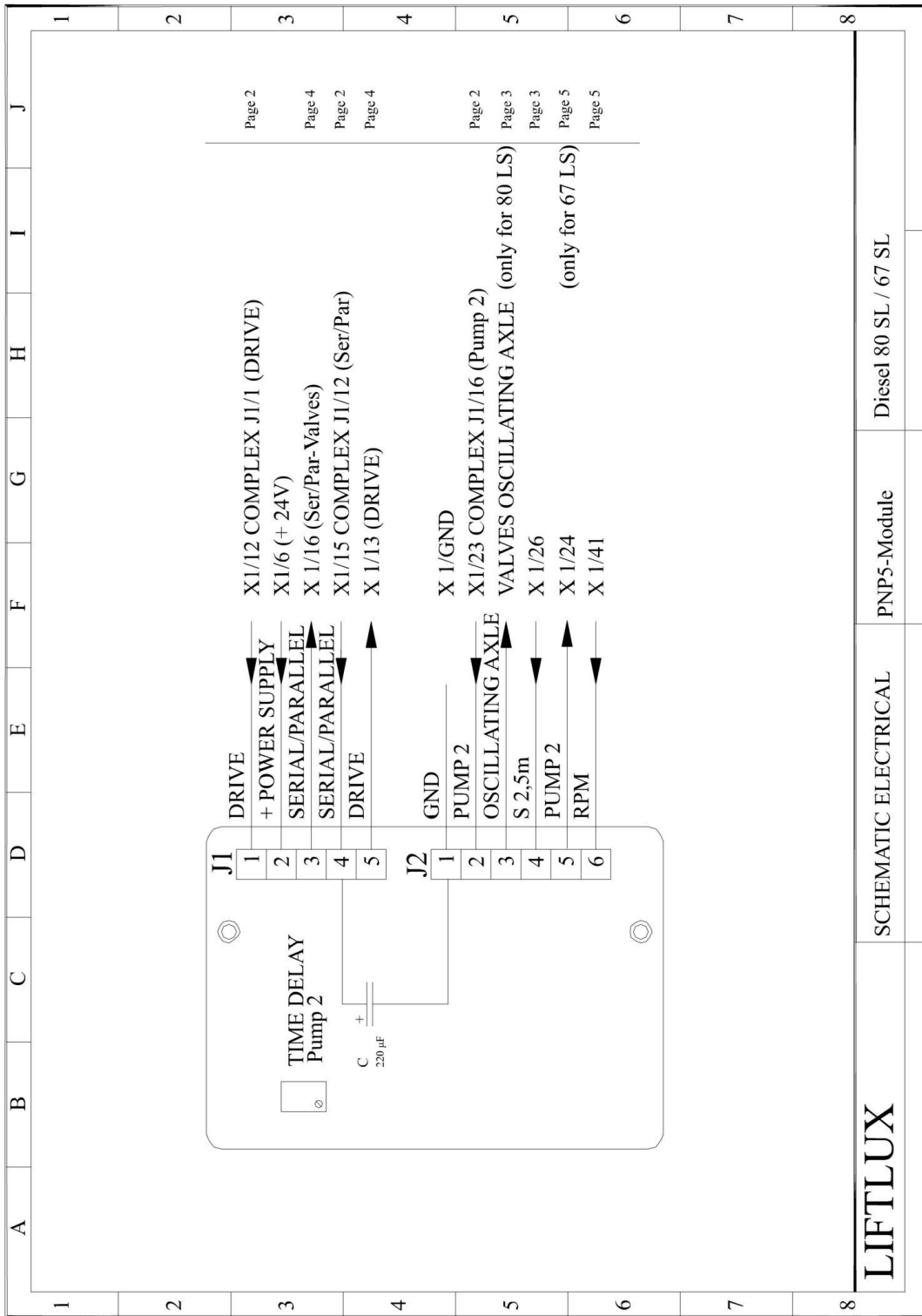
Diesel 80 SL / 67 SL



# SECTION 7 - ELECTRICAL







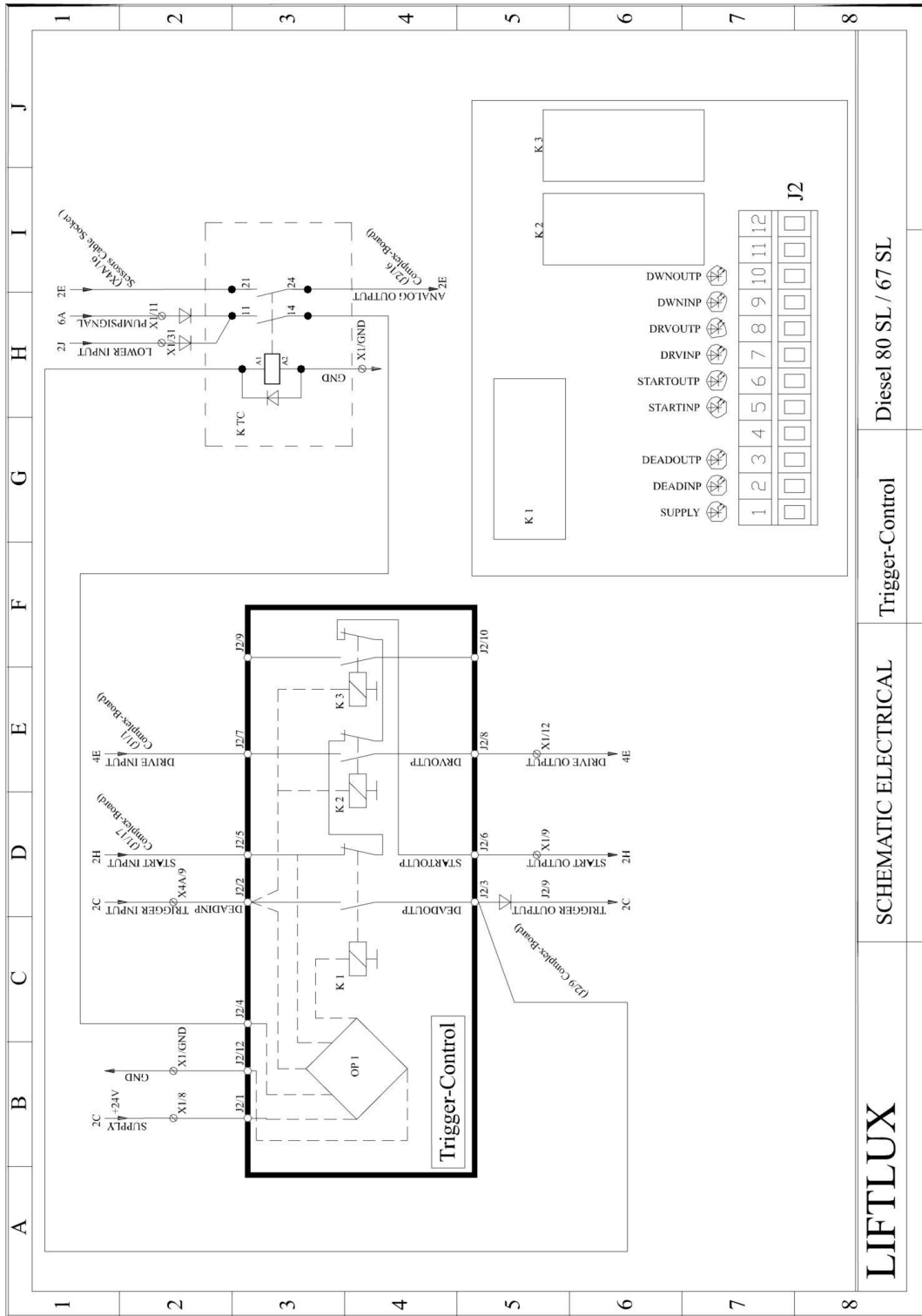
LIFTLUX

SCHEMATIC ELECTRICAL

PNP5-Module

Diesel 80 SL / 67 SL

# SECTION 7 - ELECTRICAL



# SECTION 7 - ELECTRICAL

A	B	C	D	E	F	G	H	I	J
1	1	Ground panel Battery +	6I						
2	2	Ground panel Battery out	6I		F2 (10A) IN				
3	3	Ground panel S Emergency	6I	Nivolux J8/1	F2 (10A) OUT				
4	4	Ground panel S Emergency	6I						
5	5				Ground panel S Key				
6	6			PNPS J1/2	3D	Ground panel S Key			
7	7	KT 21	3G	K VS /13,23	2B	Complex J1/24			
8	8			DNOT	6F	Ground panel S Key on			
9	9	Motor Control Box Ignition	6D						
10	10	Motor Control Box Start	6E						
11	11	Pump 1	6A	LS Pump1	9H	D Diesel (Cathode)			
12	12				6B	Trigger control J2/6			
13	13	Brake Valve	4F						
14	14	Drive Valve IN	4E	KD2 /11	4I	DBYT/DBY2 (Cathode)			
15	15	Drive Valve Analog	4D	KD2 /21	4H	Trigger control J2/8			
16	16	Ser/Par Valve	4D			PNPS J1/5			
17	17	Steer Left Valve	4B			DF (Anode)			
18	18	Steer Right Valve	4B			Complex J1/6 Analog			
19	19					Complex J1/12 Ser/Par			
20	20	Diff Lock Valve 2	5C			Complex J1/3			
21	21	Diff Lock Valve 1	5B	FD1 (Cathode)	5A	PNPS J1/3			
22	22	Platform IN Valve	5E			Complex J1/10 Left			
23	23	Platform OUT Valve	5F			Complex J1/9 Right			
24	24					Complex J1/18 Diff Lock			
25	25	Platform IN Valve	5E	DP2					
26	26	Platform OUT Valve	5F						
27	27	Hom	4I						
28	28	S Max Height /11	3C						
29	29	S Max Height /11	3E						
30	30	S Tilt IN	3F						
31	31	S Tilt OUT	3F						
32	32	S Max Drive Height /21	3I						
33	33	Lower Input K TC 11	9F						
34	34	Lower Load Holding Valves G							
35	35	S Max Height /12	3E						
36	36	Ground panel S Jacks	7A						

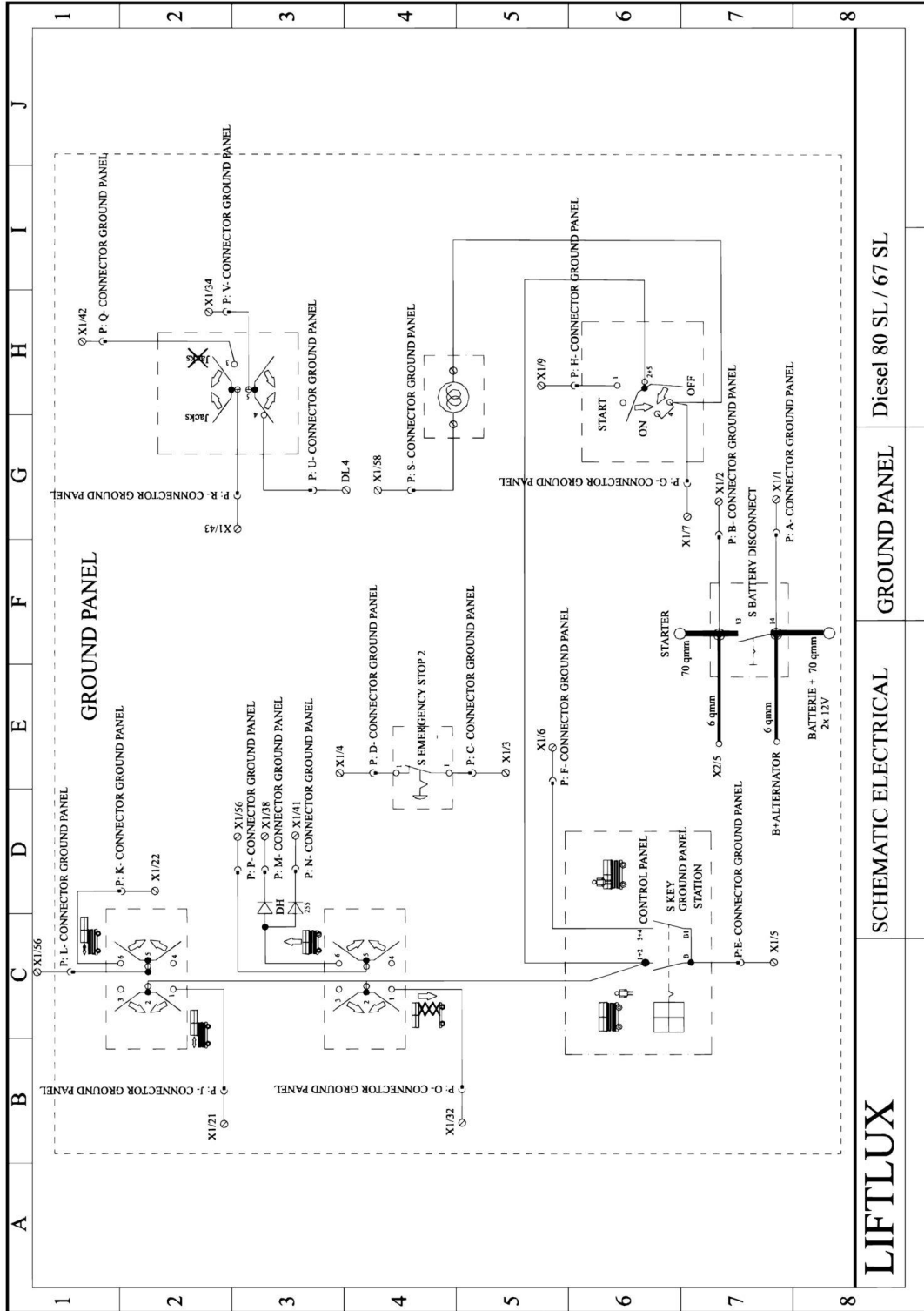
LIFTLUX

SCHEMATIC ELECTRICAL

Terminals

Diesel 80 SL / 67 SL





LIFTLUX

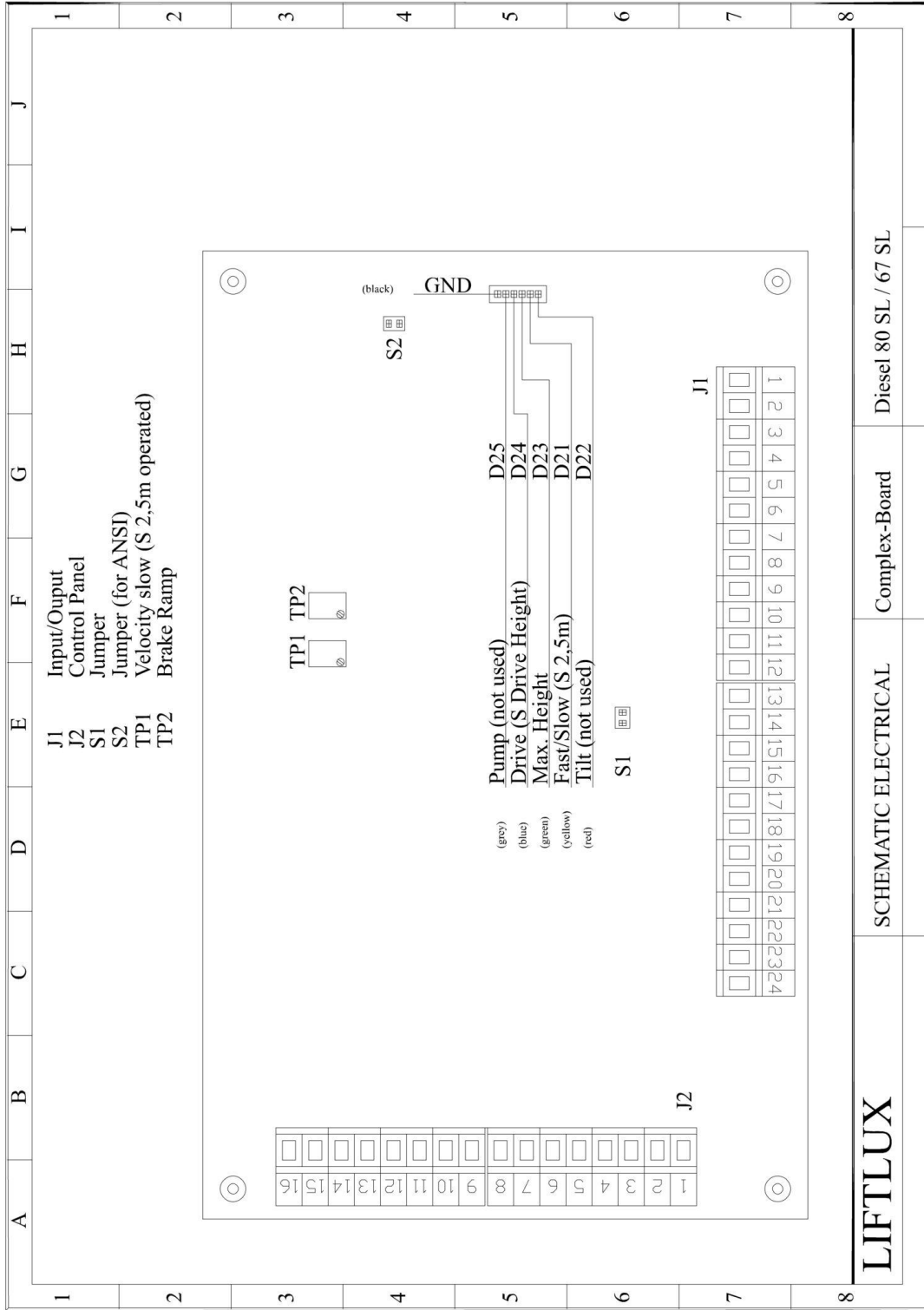
SCHEMATIC ELECTRICAL

GROUND PANEL

Diesel 80 SL / 67 SL



# SECTION 7 - ELECTRICAL



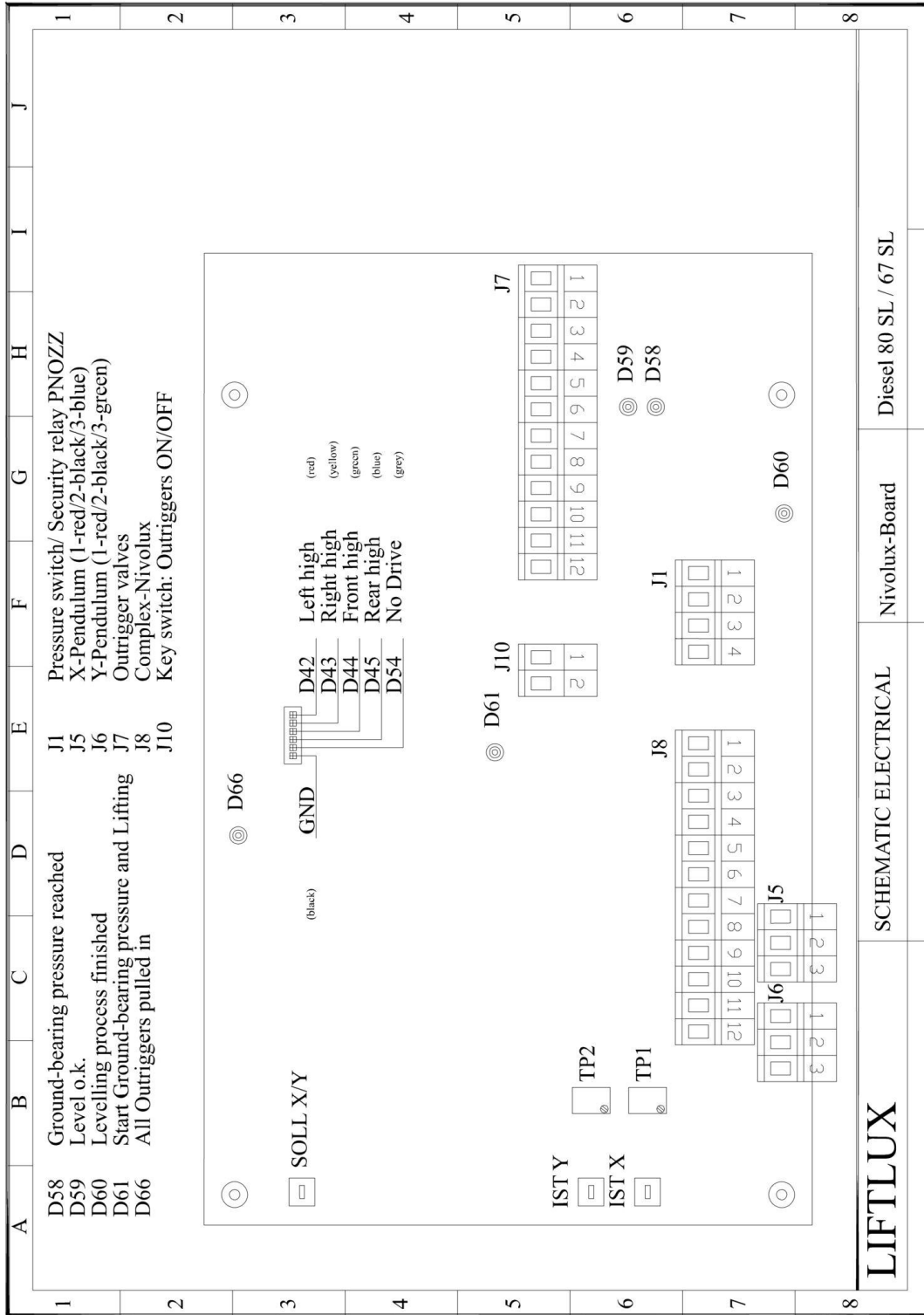
**LIFTLUX**

Diesel 80 SL / 67 SL

Complex-Board

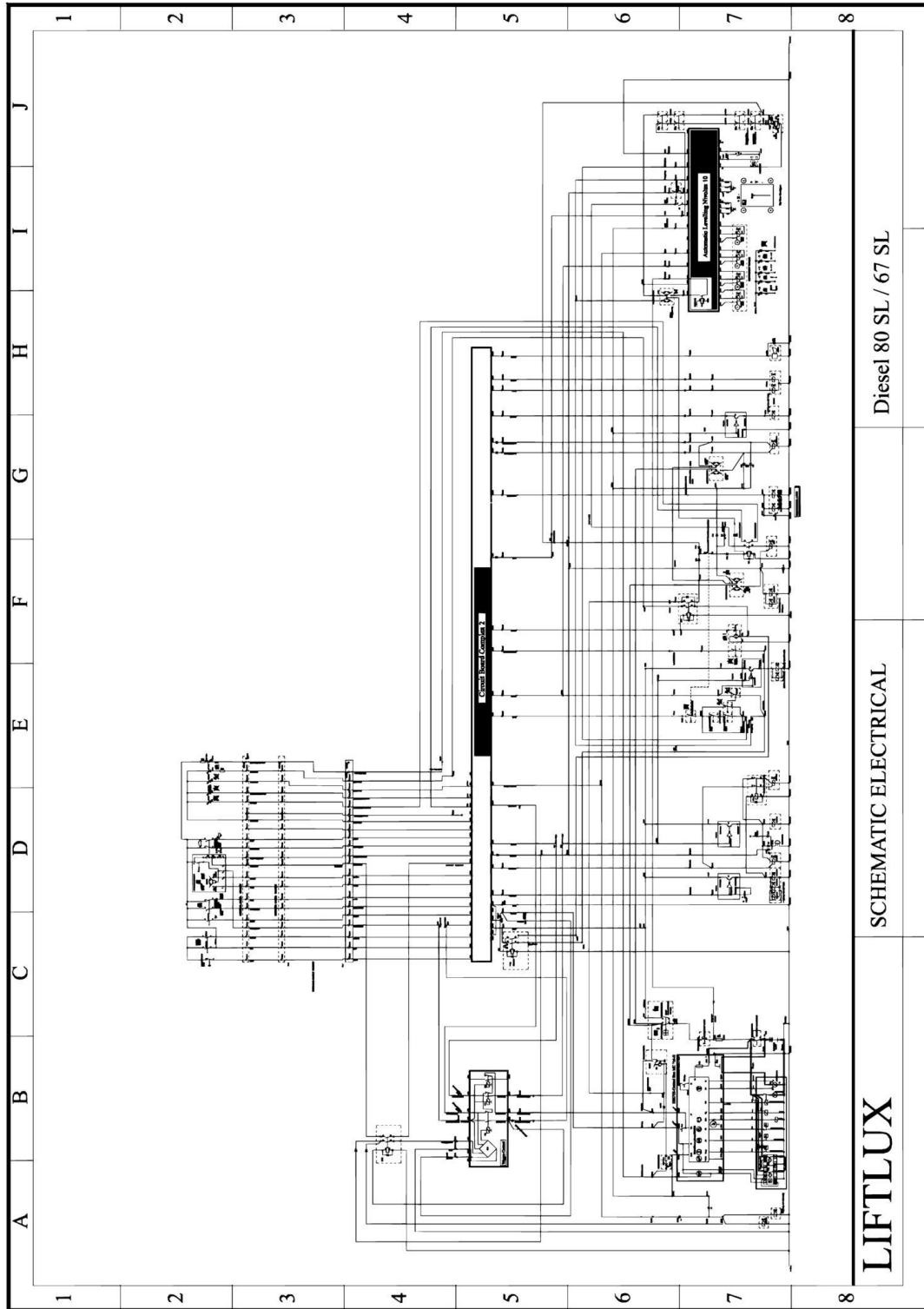
SCHEMATIC ELECTRICAL

# SECTION 7 - ELECTRICAL



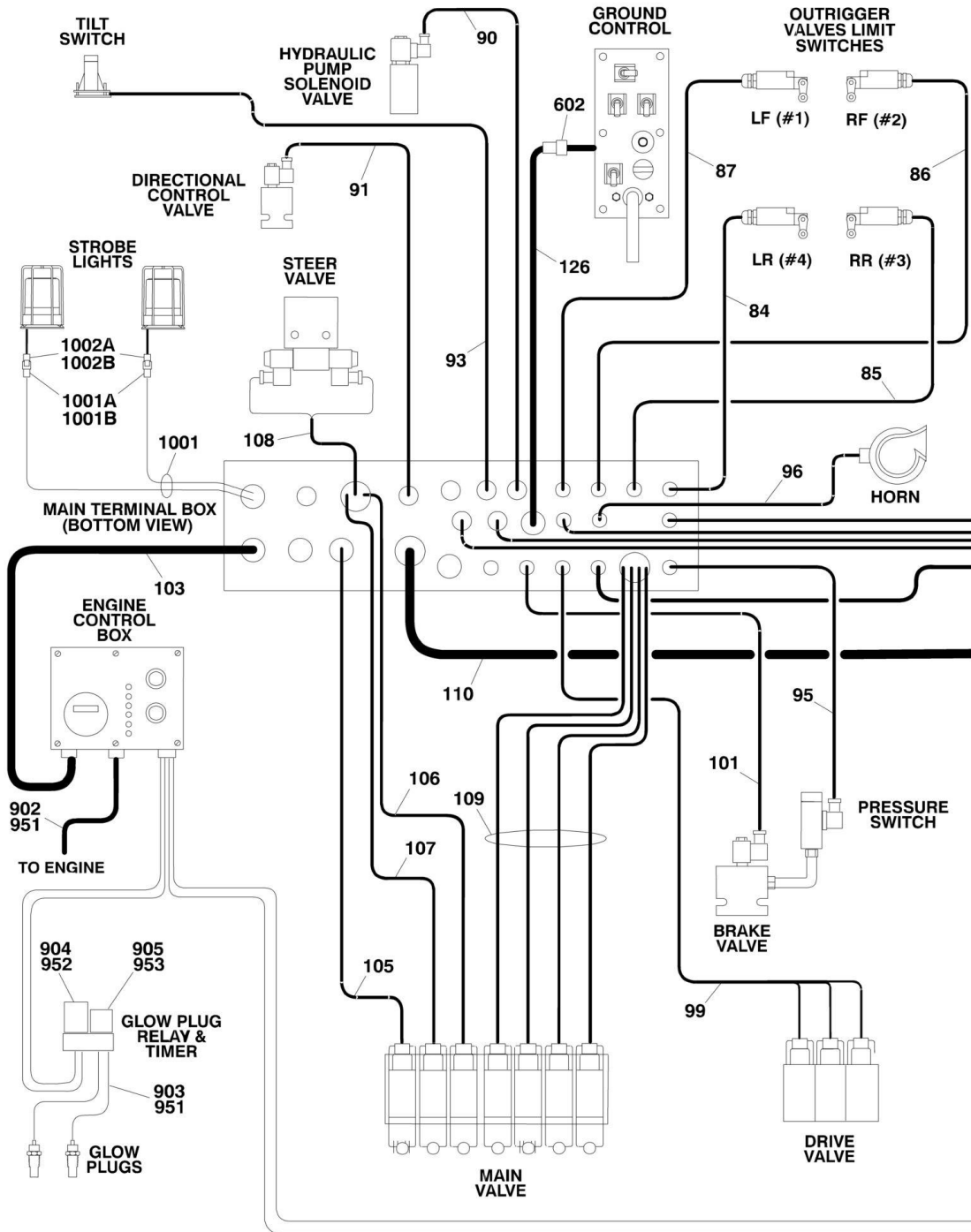


# SECTION 7 - ELECTRICAL

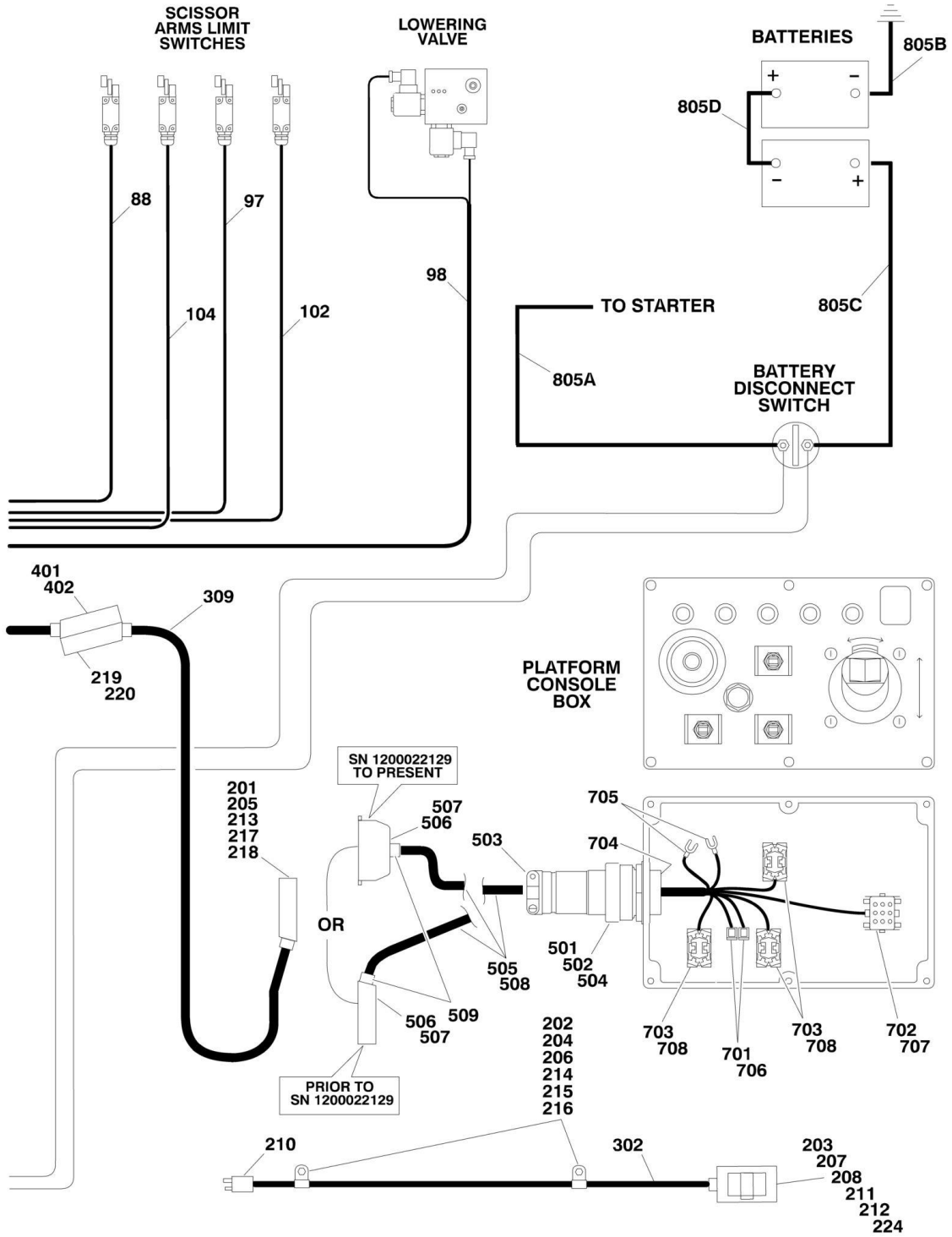


# SECTION 7 - ELECTRICAL

## FIGURE 7-2. HARNESS COMPONENTS INSTALLATION



# SECTION 7 - ELECTRICAL



# SECTION 7 - ELECTRICAL

## FIGURE 7-2. HARNESS COMPONENTS INSTALLATION

ITEM	PART NUMBER	QTY	DESCRIPTION	REV
	E900065	Ref	<b>MAIN TERMINAL BOX HARNESS KIT INSTALLATION</b>	D
84	70001154	1	Harness, #4 Outrigger Limit Switch	
85	70001155	1	Harness, #3 Outrigger Limit Switch	
86	70001156	1	Harness, #2 Outrigger Limit Switch	
87	70001157	1	Harness, #1 Outrigger Limit Switch	
88	70001158	1	Harness, Platform Down Limit Switch	
90	70001159	1	Harness, Hydraulic Pump Solenoid Valve	
91	70001160	1	Harness, Directional Control Valve	
93	70001161	1	Harness, Tilt Switch	
95	70001162	1	Harness, Pressure Switch	
96	70001163	1	Harness, Horn	
97	70001164	1	Harness, Drive Lock Limit Switch	
98	70001165	1	Harness, Lowering Valve	
99	70001166	1	Harness, Drive Speed Valve	
101	70001167	1	Harness, Brake Valve	
102	70001168	1	Harness, Max Height Limit Switch	
103	70001169	1	Harness, Engine Control Box	
104	70001170	1	Harness, 2.5M Limit Switch	
105	70001171	1	Harness, Platform Extend Valve	
106	70001172	1	Harness, Lift Valve	
107	70001173	1	Harness, Drive Valve	
108	70001174	1	Harness, Steer Valve	
109	See Note	1	Harness Assembly, Outrigger Valves (Note: Not Available - Purchase Individual Components)	
109A	70001175	1	Harness, #1 Outrigger Valve	
109B	70001176	1	Harness, #2 Outrigger Valve	
109C	70001177	1	Harness, #3 Outrigger Valve	
109D	70001178	1	Harness, #4 Outrigger Valve	
110	70001179	1	Harness, Remote Control Box Connector	
126	70001214	1	Harness, Ground Control Panel	
127	E000102	1	Connector Housing, Female 24-Pin (Not Shown)	
128	E000481	1	Connector Insert, Female 24-Pin (Not Shown)	
129	70000952	1	Connector (2 Pin for Nivelux - Not Shown)	
130	70000953	2	Connector (3 Pin for Nivelux - Not Shown)	
131	70000954	1	Connector (4 Pin for Nivelux - Not Shown)	
132	70000955	2	Connector (8 Pin for Complex - Not Shown)	
133	70000956	4	Connector (12 Pin for Nivelux and Complex - Not Shown)	
	0275639	Ref	<b>RECEPTACLES INSTALLATION</b>	H
201	0760508	4	Bolt M5 x 16mm	
202	0760610	2	Bolt M6 x 20mm	
203		Ref	Box Options:	
203	0860038	1	Box, Receptacle ( <b>Prior to SN 1200022202</b> )	
203	2902431	1	Box, Receptacle Kit ( <b>SN 1200022202 to Present</b> )	
203	0861731	1	Box, Non-Metallic Receptacle	
203	1671207	1	Cover	
203	4460346	1	Receptacle (110V)	
203	4460662	1	Strain Relief	
204	1320224	2	Clamp	
205	3290505	4	Locknut M5	
206	3290605	2	Locknut M6	

## SECTION 7 - ELECTRICAL

ITEM	PART NUMBER	QTY	DESCRIPTION	REV
207		Ref	Hardware Options:	
207	3900294	4	Screw, Self-Tapping <b>(Prior to SN 1200022202)</b>	
207	0760408	4	Bolt M4 x 16mm <b>(SN 1200022202 to Present)</b>	
208	4060700	1	Cover, Receptacle <b>(Prior to SN 1200022202)</b>	
210	4460138	1	Plug, Male	
211	4460315	3	Terminal, Spade	
212	4460346	1	Receptacle <b>(Prior to SN 1200022202)</b>	
213	4811600	AR	Flatwasher M5	
214	4811700	AR	Flatwasher M6	
215	4811702	2	Flatwasher M6 Large O.D.	
216	4831700	2	Lockwasher M6	
217	E000102	1	Housing, Connector - Female 24 Pin	
218	E000481	1	Insert, Connector - Female 24 Pin	
219	E000103	1	Housing, Connector - Male 24 Pin	
220	E000482	1	Insert, Connector - Male 24 Pin	
224	3290405	4	Locknut M4 <b>(SN 1200022202 to Present)</b>	
	0275444	Ref	<b>SCISSORS ARMS AND CABLES INSTALLATION</b>	H
302	1060663	39 m/128ft	Cable, Electrical 12/3	
309	E000083	45 m/148ft	Cable, Electrical (25 Wire)	
	E900061	Ref	<b>MAIN TERMINAL BOX ASSEMBLY</b>	D
401	E000102	1	Housing, Connector - Female 24 Pin	
402	E000481	1	Insert, Connector - Female 24 Pin	
	E900042	Ref	<b>PLATFORM CONSOLE JUMPER HARNESS</b>	E
501	4460465	24	Socket, Female	
502	4460468	1	Cap, Dust	
503	4460492	1	Clamp, Cable	
504	4460502	1	Connector - 31 Position	
505	E000083	6 m/20ft	Cable, Electrical (25 Wire)	
506		Ref	Housing, Connector - Male 24 Pin Options:	
506	E000103	1	Housing, Connector - Male 24 Pin <b>(Prior to SN 1200022129)</b>	
506	E000108	1	Housing, Connector - Male 24 Pin <b>(SN 1200022129 to Present)</b>	
507	E000482	1	Insert, Connector - Male 24 Pin	
508	E900043	6 m/20ft	Loom, Wire	
509	E900045	1	Relief, Strain	
	E900055	Ref	<b>GROUND CONTROL PANEL HARNESS</b>	E
601	4460418	4	Connector, Female - 6 Position (Attaches to Toggle Switch - Not Shown)	
601	4460419	AR	Terminal, Female (Not Shown)	
602	4460462	1	Connector - 23 Position	
602	4460465	AR	Terminal, Female	
603	E900056	2	Diode BY255 (Not Shown)	
	E900041	Ref	<b>PLATFORM CONSOLE BOX HARNESS</b>	D
701	4460260	2	Terminal, Locking Female	
702	4460266	1	Connector, Female - 9 Position	
703	4460418	3	Connector - 6 Position	
704	4460503	1	Connector - 31 Position	
706	4460259	AR	Connector, Female - 1 Position Locking	
707	4460267	6	Pin, Male	
708	4460419	15	Socket, Female	
709	4460464	20	Pin, Male	

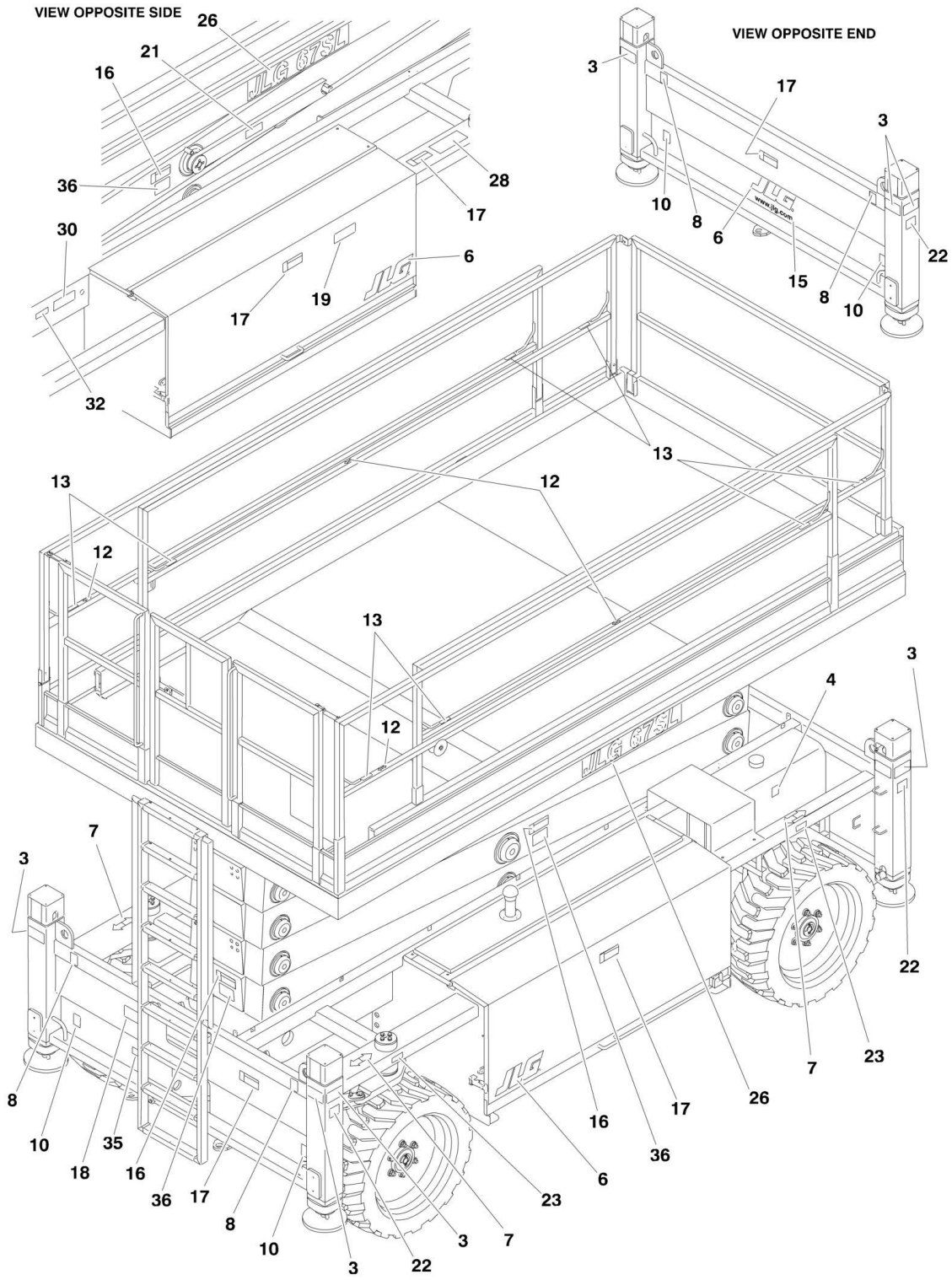
## SECTION 7 - ELECTRICAL

ITEM	PART NUMBER	QTY	DESCRIPTION	REV
	0275599	Ref	<b>BATTERY CABLES INSTALLATION</b>	E
805	2902547	1	Battery Cable Kit	
805A	70001762	1	Battery Cable (Battery Disconnect Switch to Starter)	
805A	See Note	2	Boot, Terminal (Red) (Not Shown) (Note: Not Available for Purchase)	
805B	70001763	1	Battery Cable (Battery Negative to Engine Ground)	
805B	See Note	1	Boot, Terminal (Black) (Not Shown) (Note: Not Available for Purchase)	
805B	See Note	1	Boot, Square Terminal (Black) (Not Shown) (Note: Not Available for Purchase)	
805C	70001764	1	Battery Cable (Battery Positive to Battery Disconnect Switch)	
805C	See Note	1	Boot, Terminal (Red) (Not Shown) (Note: Not Available for Purchase)	
805C	See Note	1	Boot, Square Terminal (Red) (Not Shown) (Note: Not Available for Purchase)	
805D	70001765	1	Battery Cable (Battery Positive to Battery Negative Jumper)	
805D	See Note	1	Boot, Square Terminal (Red) (Not Shown) (Note: Not Available for Purchase)	
805D	See Note	1	Boot, Square Terminal (Black) (Not Shown) (Note: Not Available for Purchase)	
812	E000072	4.2 m/14ft	Loom, Wire (15mm O.D. - Not Shown)	
816	E000005	6.6 m/22ft	Loom, Wire (8mm O.D. - Not Shown)	
817	E000084	3.5 m/12ft	Loom, Wire (12mm O.D. - Not Shown)	
	0275614	Ref	<b>ENGINE HARNESSES INSTALLATION</b>	K
		Ref	<b>Engine Harnesses Installation (Prior to SN 1200021338)</b>	
901	1001105080	1	Harness, Air Cleaner Indicator (was p/n 70001859 - Not Shown)	
902	1001105077	1	Harness, Engine (was p/n 70001860)	
903	1001105079	1	Harness, Glow Plug (was p/n 70001861)	
904	See Note	1	Relay, Glow Plug Timer (Note: Relay was p/n 70000924. P/N 70000924 is no longer available. Purchase qty 1 each of relay p/n 70003647 and base p/n 70003648.)	
905	70000925	1	Relay	
905	70000926	1	Base, Relay	
906	8229236	2	Fuse, 30A (Not Shown)	
		Ref	<b>Engine Harnesses Installation (SN 1200021338 to Present)</b>	
951	1001105682	1	Harness, Engine (Complete)	
952	See Note	1	Relay, Glow Plug Timer (Note: Relay was p/n 70000924. P/N 70000924 is no longer available. Purchase qty 1 each of relay p/n 70003647 and base p/n 70003648.)	
953	70000925	1	Relay	
953	70000926	1	Base, Relay	
954	8229236	2	Fuse, 30A (Not Shown)	
		Ref	<b>OPTIONAL HARNESS COMPONENTS</b>	
1001	1001099183	1	Harness Assembly, Beacon	
1001A	4460897	2	Connector, Female - 2 Position	
1001B	4460464	4	Pin, Male	
1002		Ref	Lamp Components, Beacon	
1002A	4460891	1	Connector, Male - 2 Position	
1002B	4460465	2	Socket, Female	

**SECTION 8 - DECALS**

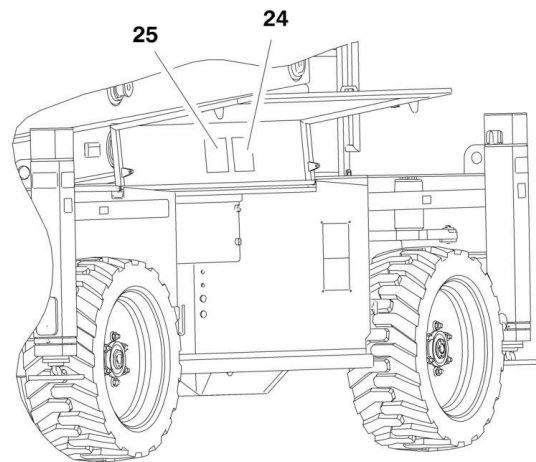
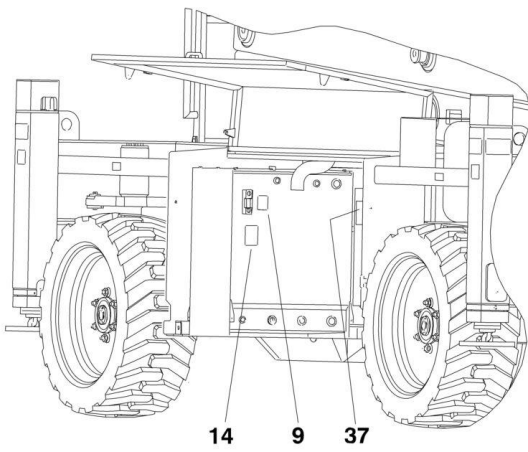
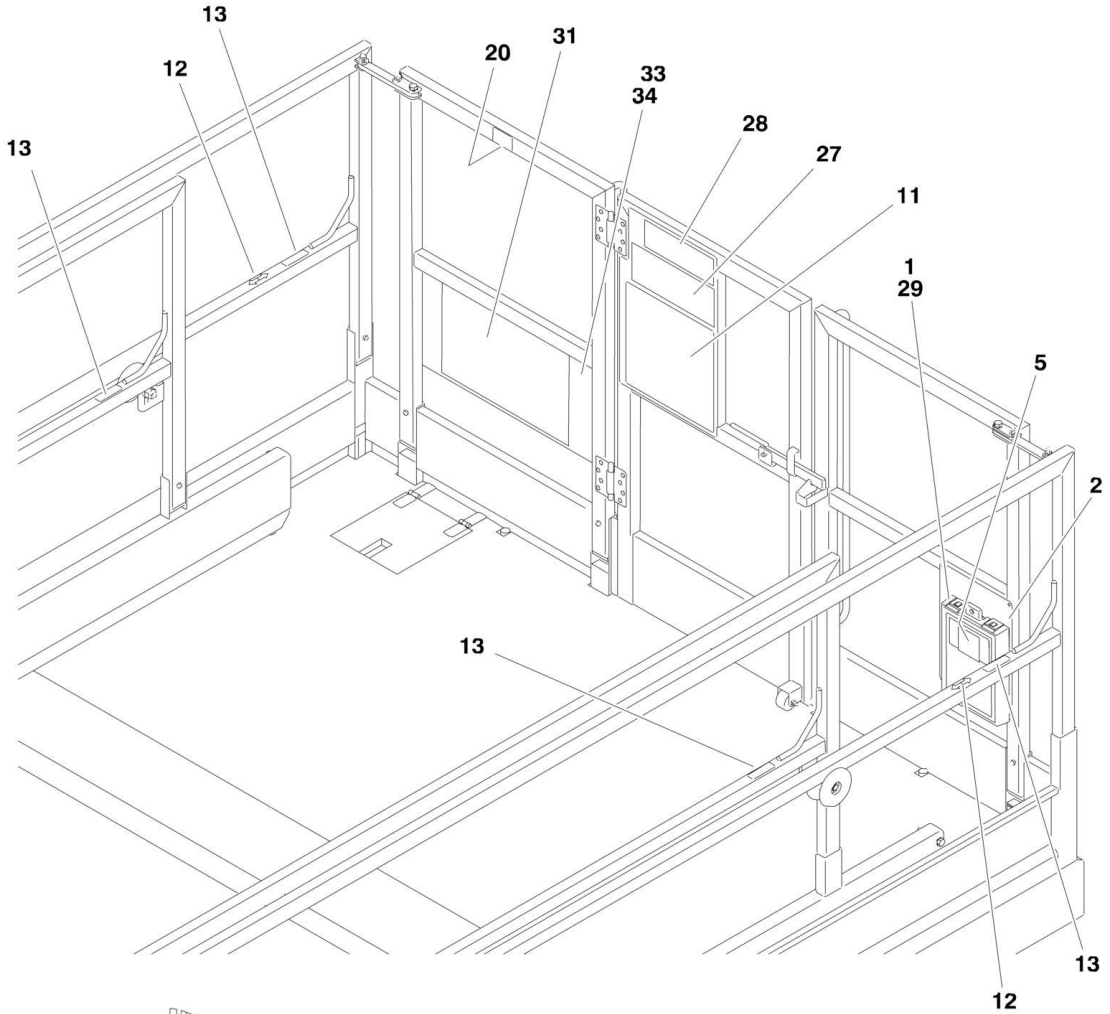
# SECTION 8 - DECALS

## FIGURE 8-1. DECAL INSTALLATION





# SECTION 8 - DECALS



# SECTION 8 - DECALS

## FIGURE 8-1. DECAL INSTALLATION

ITEM	PART NUMBER	QTY	DESCRIPTION	REV
		Ref	<b>DECAL INSTALLATION</b>	
	0275932	Ref	<b>ANSI Spec</b>	G
	1001092749	Ref	<b>CSA Spec</b>	F
1	8990147	1	Box, Manual Storage	
1	70003486	2	Clip, Manual Holder	
2	1060279	1	Cable, Lanyard	
3		Ref	Decal - Outrigger Warning Options:	
3	1701214	8	ANSI Spec	
3	1704690	8	CSA Spec	
4	1701505	1	Decal - Diesel Fuel	
5	1701640	1	Decal - Manual	
6	1702773	3	Decal - JLG	
7	1703687	4	Decal - Direction Arrow	
8	1703811	4	Decal - Lifting Lug	
9	1703812	1	Decal - Hydraulic Oil	
10	1703814	4	Decal - Tie Down	
11	1703816	1	Decal - Danger/Warning (ANSI Spec Only)	
12	1703819	AR	Decal - Direction Arrow	
13	1704277	8	Decal - Lanyard Attach	
14	1704412	1	Decal - Hydraulic Oil	
15	1704885	1	Decal - JLG Website	
16		Ref	Decal - Crushing Options:	
16	1705694	4	ANSI Spec	
16	1705311	4	CSA Spec ( <b>Prior to SN 1200015548</b> )	
16	1705694	4	CSA Spec ( <b>SN 1200015548 to Present</b> )	
17		Ref	Decal - Electrocution Options:	
17	1705695	5	ANSI Spec	
17	1705040	5	CSA Spec	
18	1706472	1	Decal - Fall Hazard ( <b>Prior to SN 1200015548</b> )	
19	1706482	1	Decal - Manual Descent Inside	
20	1706485	1	Decal - Control Box Location	
21	1706487	1	Decal - Safety Prop	
22	1706559	4	Decal - Pad Load	
23	1706560	4	Decal - Wheel Load	
24		Ref	Decal - Manual Descent Options:	
24	1706598	1	Decal - Manual Descent ( <b>Prior to SN 1200021262</b> )	
24	1001103745	1	Decal - Manual Descent ( <b>SN 1200021262 to Present</b> )	
25	1706599	1	Decal - Manual Descent ( <b>Prior to SN 1200021262</b> )	
26	1707182	2	Decal - 67SL Model Designation	
27		Ref	Decal - Legend Options:	
27	1707185	1	ANSI Spec	
27	1001092736	1	CSA Spec	
28	1707187	AR	Decal - Capacity	
29	2080040	4	Fastener, Huck	
30	See Note	1	Nameplate - Serial Number (Note: Not Available For Purchase)	
31	1704684	1	Decal - Danger/Warning (CSA Spec Only)	
32	1705303	1	Decal - CSA (CSA Spec Only)	
33	3820408	7	Rivet (CSA Spec Only)	
34	1001092752	1	Plate, Decal Mounting (CSA Spec Only)	
35	1703464	1	Decal, AC Power	

## SECTION 8 - DECALS

ITEM	PART NUMBER	QTY	DESCRIPTION	REV
36	1705717	4	Decal, Crushing (CSA Spec Only)	
37	1706098	1	Decal, Ether Warning (SN 1200019436 to Present)	



## **SECTION 9 - RECOMMENDED SERVICE PARTS STOCK**

## **SECTION 9 - RECOMMENDED SERVICE PARTS STOCK**

## SECTION 9 - RECOMMENDED SERVICE PARTS STOCK

FIGURE 9-1. MODEL 67SL STANDARD PARTS

ITEM	PART NUMBER	QTY	DESCRIPTION	REV
	Note	Ref	<b>Note: The following list will service one machine (built to current production per date on the front cover) with emergency repair parts which can be installed in the field. Parts from the list should be replaced when inventory is depleted to keep service parts stock supplied. For further information, contact your JLG dealer or the JLG Industries Parts Department.</b>	
		Ref	<b>STANDARD PARTS</b>	
	7012986	1	Coil	
	70000441	1	Coil	
	4360314	1	Switch, Toggle	
	4360671	1	Switch, Toggle	
	4360698	1	Switch, Toggle	
	4360469	1	Switch, Key	
	2860030	1	Key, Replacement	
	4360475	1	Switch, Emergency Stop	
	E000059	1	Switch, Battery Disconnect	
	70000635	1	Switch, Push Button	
	E000457	1	Relay	
	E001375	1	Relay	
	7017444	1	Coil	
	70000899	4	Element, Filter	
	H000241	4	Breather	
	H005232	4	Element, Primary Air Filter	
	70000054	4	Element, Secondary Air Filter	
	7016331	4	Filter, Oil (Deutz Engine)	
	7020023	4	Filter, Fuel (Deutz Engine)	
	7027245	4	Filter, In-line Fuel (Deutz Engine)	
	S200238	1	Latch	
	4360387	1	Switch, Push Button	
	4360525	1	Switch, Toggle	
	4360693	1	Switch, Toggle	
	E900025	1	Controller, Drive/Steer	
	70000020	4	Element, Mini Pressure Filter	
	E900056	2	Diode	



## SECTION 9 - RECOMMENDED SERVICE PARTS STOCK

FIGURE 9-2. MODEL 67SL VARIABLE PARTS

ITEM	PART NUMBER	QTY	DESCRIPTION	REV
	Note	Ref	<b>Note: The following list will service one machine (built to current production per date on the front cover) with emergency repair parts which can be installed in the field. Parts from the list should be replaced when inventory is depleted to keep service parts stock supplied. For further information, contact your JLG dealer or the JLG Industries Parts Department.</b>	
		Ref	<b>VARIABLE PARTS</b>	
	E000359	1	Limit Switch	
	E000044	1	Switch, Tilt	
	70001352	1	PC Board - Engine Control	
	E000189	1	PC Board - Pump Delay	
	E000214	1	PC Board - Nivelux Control	
	1001112938	1	PC Board - Complex Control	
	E007404	1	PC Board - Trigger Control	
	E000376	1	Limit Switch	



**SECTION 10 - SPECIAL OPTIONS**

## SECTION 10 - SPECIAL OPTIONS

FIGURE 10-1. SPECIAL OPTIONS

ITEM	PART NUMBER	QTY	DESCRIPTION	REV
		Ref	<b>MISCELLANEOUS SPECIAL OPTIONS</b>	
	Note	Ref	<b>Note: This list is to accommodate machines ordered with special equipment. Options may not be applicable to all models. For more specific parts information contact JLG Parts Department.</b>	
	1001098929	Ref	<b>Beacon Lamp Installation</b>	
	2920161	2	Lamp, Beacon	
	4060865	2	Guard, Stone	
	1001099040	2	Bracket, Beacon Lamp	
		Ref	<b>Fluids:</b>	
	3020016	AR	Oil, Motor Mobil Delvac MX 15W-40	
	3020008	AR	Oil, Transmission ATF 184	
	2300014	AR	Oil, Hydraulic MobilFluid 424	
	2300029	AR	Oil, Hydraulic Mobil EAL EnviroSyn H46	
		Ref	<b>Maintenance Kits:</b>	
	71001111713	1	Combined Filter Kit	
	71001111685	1	Fuel/Oil Filter Kit	
	71001111678	1	Hydraulic/Air Filter Kit	
		Ref	<b>Tools For Service:</b>	
	7002828	1	Wire Stripper	
	7002821	1	Wire Crimper (To install wire ends to wires.)	
	7002823	1	Pin/Socket Extractor - Universal (To Remove Pins/Sockets from Connectors)	
	4460467	1	Extractor - 16-18 Gauge (For Removal of Pins/Sockets for Deutsch Connectors)	
	4460510	1	Extractor - 12-14 Gauge (For Removal of Pins/Sockets for Deutsch Connectors)	
	7002822	1	Screwdriver, Potentiometer (To Adjust Drive Controller)	
	7016654	1	Screwdriver, Magnetic	
	7004275	1	Seal Installation Tool - 1in	
	7004276	1	Seal Installation Tool - 1-1/2in	
	7002826	1	Seal Installation Tool - 2in	

**PART NUMBER INDEX**

# PART NUMBER INDEX

0100011.....44	0761012.... 27, 43, 49, 56	1703819..... 114	2143516.....81, 87
0100019..... 11, 13, 15, 54	0761014..... 41	1704277..... 114	2143602.....81, 87
0140011.....39	0761015..... 27, 54, 60	1704412..... 114	2143603.....81, 87
0181847.....63	0761016..... 60	1704684..... 114	2143605.....81, 87
0275418.....56	0761210..... 11	1704690..... 114	2143606.....81, 87
0275419.....60	0761214..... 11	1704885..... 114	2143608.....81, 87
0275420.....60	0761215..... 15, 54	1705040..... 114	2143703.....81, 87
0275444..... 54, 109	0761228..... 43	1705303..... 114	2143705.....81, 87
0275464..... 13	0762015..... 54	1705311..... 114	2143707.....81, 87
0275465..... 11	0771619..... 15	1705694..... 114	2143717.....81, 87
0275469.....49	0860038..... 108	1705695..... 114	2143807.....81, 87
0275475..... 15	0861731..... 108	1705717..... 115	2144105.....81, 87
0275476.....28, 41	0893076..... 31	1706098..... 115	2160016.... 11, 23, 54, 55, 56, 60
0275477.....27	1001091075..... 41	1706472..... 114	2221214.....81, 87
0275478.....23	1001091513..... 43	1706482..... 114	2221222.....69
0275508.....23	1001091514..... 43	1706485..... 114	2300014.....122
0275599.....27, 110	1001092080..... 82, 87	1706487..... 114	2300029.....122
0275613.....47	1001092405..... 39	1706559..... 114	2560141.....63
0275614..... 41, 43, 110	1001092406..... 39	1706560..... 114	2600281.....61
0275623..... 54	1001092736..... 114	1706598..... 114	2754350.....81, 87
0275624..... 54, 69	1001092749..... 114	1706599..... 114	2754352.....82, 87
0275639..... 61, 108	1001092752..... 114	1707182..... 114	2754353.....82, 87
0275673.....63	1001092804..... 60	1707185..... 114	2754354.....81
0275932..... 114	1001092805..... 60	1707187..... 114	2754356.....82, 88
0307544.....31	1001093353..... 39	1787217..... 27	2754357.....82, 88
0318854.....31	1001093354..... 39	2080040..... 61, 114	2754358.....82, 88
0700518.....49	1001093355..... 39	2140803.....80, 86	2754359.....82, 88
0700614.....60	1001093361..... 39	2140807.....80, 86	2754361.....81, 87
0700615.....60	1001093379..... 39	2141503.....81, 87	2754364.....81, 87
0700617.....27	1001093793..... 43	2141517.....81, 87	2754366.....81, 87
0700618.....41	1001093794..... 43	2141908.....81, 87	2754368.....81, 87
0700619.....61	1001094781..... 28	2141911.....81, 87	2754369.....81, 87
0700812..... 49, 54	1001096366..... 63	2142202.....80, 86	2754372.....81, 87
0700815.....27	1001096653..... 49	2142203.....80, 86	2754373.....81, 87
0700817.....23, 27	1001097369..... 61	2142204.....81, 86	2754375.....81
0700818.....23	1001097370..... 61	2142205.....81, 87	2754376.....81, 87
0700820.....27	1001098929..... 122	2142206.....81, 87	2754377.....81, 87
0700833.....23	1001099040..... 122	2142706.....80, 86	2754383.....82, 88
0701014.....54	1001099183..... 110	2142707.....80, 86	2754388.....82, 88
0701016.....61	1001101876..... 61	2142708.....80, 86	2754390.....82, 88
0701018.....23	1001101879..... 61	2142709.....80, 86	2754391.....82, 88
0701022.....60	1001101880..... 61	2142710.....80, 86	2754392.....82, 88
0701024.....61	1001103611..... 27	2142711.....80, 86	2754393.....82, 88
0701025.....60	1001103745..... 114	2142712.....80, 86	2754473.....81, 87
0701217.....54	1001105077..... 110	2142713.....80, 86	2754474.....82, 88
0701222.....23	1001105079..... 110	2142714.....80, 86	2754475.....82
0701630.....56	1001105080..... 110	2142716.....80, 86	2754476.....82, 88
0701631.....54	1001105682..... 110	2142717.....80, 86	2754477..... 54, 81, 87
0711230..... 11	1001111759..... 27, 35	2142719.....80, 86	2754479.....81, 87
0712022..... 13	1001112938..... 39, 120	2142733.....81, 87	2754480.....81, 87
0760408.....109	1001113420..... 43	2142734.....81, 87	2754481.....81
0760505.....41	1003107..... 31	2142735.....81, 87	2754482.....81, 87
0760508.....63, 108	1060279..... 114	2142740.....81, 87	2754483.....82, 88
0760605.....28, 49, 54, 61	1060663..... 109	2142743.....80, 86	2754484.....82, 88
0760608.....23, 28, 49	1320224..... 108	2142744.....80, 86	2754485.....82, 88
0760610....27, 28, 60, 108	1671207..... 108	2142751.....80, 86	2754486.....82, 88
0760805.....61	1701214..... 114	2142752.....80, 86	2754487.....82, 88
0760810....27, 28, 41, 61	1701505..... 114	2142804.....81, 87	2754488.....82, 88
0760812....27, 43, 44, 49	1701640..... 114	2143402.....80, 86	2754489.....82, 88
0760814.....27, 49	1702773..... 114	2143403.....80, 86	2754490.....82, 88
0760815.....49, 63	1703464..... 114	2143404.....80, 86	2754491.....82, 88
0760817.....43	1703687..... 114	2143405.....80, 86	2754492.....82, 88
0760819.....60	1703811..... 114	2143406.....80, 86	2754493.....82, 88
0761006.....47	1703812..... 114	2143507.....81, 87	2754494.....87
0761010....23, 27, 41, 43, 49, 56	1703814..... 114	2143513.....81, 87	2754495.....82, 88
	1703816..... 114	2143514.....81, 87	

## PART NUMBER INDEX

2754516 .....	54, 81, 87	4460267 .....	65, 109	70000241 .....	19	70000755 .....	75
2755039 .....	81, 87	4460315 .....	109	70000242 .....	19	70000759 .....	73
2755040 .....	81	4460346 .....	108, 109	70000243 .....	19	70000760 .....	73
2860030 .....	28, 118	4460418 .....	109	70000244 .....	19	70000761 .....	73
2900708 .....	41	4460419 .....	109	70000245 .....	19	70000762 .....	75
2902431 .....	108	4460462 .....	109	70000246 .....	19	70000763 .....	75
2902547 .....	110	4460464 .....	109, 110	70000247 .....	19	70000764 .....	71
2920161 .....	122	4460465 .....	109, 110	70000248 .....	19	70000765 .....	71
3020008 .....	122	4460467 .....	122	70000249 .....	19	70000766 .....	71
3020016 .....	122	4460468 .....	109	70000250 .....	19	70000767 .....	71
320066 .....	27	4460470 .....	63	70000251 .....	19	70000768 .....	71
3290405 .....	28, 109	4460471 .....	63	70000252 .....	19	70000769 .....	71
3290505 .....	49, 63, 108	4460492 .....	109	70000253 .....	19	70000770 .....	71
3290605 ...	27, 28, 41, 49, 60, 61, 108	4460502 .....	109	70000254 .....	19	70000771 .....	71
3290805 ...	27, 28, 43, 47, 49, 54, 60, 61, 63	4460503 .....	109	70000255 .....	19	70000772 .....	71
3291001 .....	27	4460510 .....	122	70000256 .....	19	70000899 .....	41, 118
3291005 ...	43, 49, 54, 56, 60, 61	4460662 .....	108	70000257 .....	19	70000902 .....	47
3291205 .....	43	4460891 .....	110	70000258 .....	19	70000925 .....	110
3291207 .....	54	4460897 .....	110	70000259 .....	20	70000926 .....	110
3291605 ...	54, 56, 60, 61	4520288 .....	15	70000260 .....	20	70000938 .....	43
3331215 .....	11	4740120 .....	63	70000346 .....	20	70000939 .....	43
3332011 .....	13	4811400 .....	28	70000441 .....	118	70000940 .....	43
3440816 .....	54	4811600 .....	49, 63, 109	70000513 .....	37	70000941 .....	43
3520060 .....	63	4811700 ...	27, 28, 41, 49, 60, 61, 109	70000514 .....	37	70000942 .....	69
3760491 .....	60	4811702 .....	109	70000515 .....	37	70000952 .....	39, 108
3760518 .....	61	4811900 ...	27, 28, 43, 49, 54, 60, 61, 63	70000516 .....	37	70000953 .....	39, 108
3820408 .....	49, 114	4811902 .....	63	70000517 .....	37	70000954 .....	39, 108
3820510 .....	23	4812000 ...	41, 49, 54, 56, 60, 61	70000518 .....	37	70000955 .....	39, 108
3900294 .....	109	4812100 .....	11, 43, 54	70000519 .....	37	70000956 .....	39, 108
3900376 .....	60	4812300 .....	54, 56, 61	70000520 .....	37	70001114 .....	28
3960605 .....	41	4831600 .....	28, 41, 54	70000521 .....	37	70001122 .....	28
4010414 .....	63	4831700 ...	23, 28, 49, 54, 61, 109	70000522 .....	37	70001136 .....	44
4031510 .....	23	4831900 ...	23, 27, 28, 41, 43, 47, 49, 54, 61	70000523 .....	37	70001137 .....	44
4031605 .....	28	4832000 ...	23, 27, 41, 43, 47, 49, 54, 56	70000524 .....	37	70001138 .....	44
4031612 .....	54	4832100 ...	11, 15, 23, 49, 54	70000525 .....	37	70001154 .....	108
4031709 .....	54, 63	4832300 .....	41	70000526 .....	37	70001155 .....	108
4031714 .....	69	4832500 .....	54	70000527 .....	37	70001156 .....	108
4031718 .....	87	5241600 .....	15	70000528 .....	37	70001157 .....	108
4031720 .....	87	5242000 .....	13	70000529 .....	37	70001158 .....	108
4031908 .....	54	70000020 .....	80, 86, 118	70000530 .....	37	70001159 .....	108
4031913 .....	69	70000021 .....	80, 86	70000531 .....	37	70001160 .....	108
4032009 .....	43	70000054 .....	43, 118	70000532 .....	37	70001161 .....	108
4032011 .....	56	70000055 .....	44	70000533 .....	37	70001162 .....	108
4032310 .....	41	70000056 .....	44	70000534 .....	37	70001163 .....	108
4032316 .....	41	70000059 .....	44	70000535 .....	37	70001164 .....	108
4060700 .....	109	70000061 .....	44	70000536 .....	37	70001165 .....	108
4060802 .....	28, 63	70000062 .....	44	70000537 .....	37	70001166 .....	108
4060865 .....	122	70000081 .....	65	70000538 .....	37	70001167 .....	108
4360314 .....	28, 118	70000082 .....	65	70000539 .....	37	70001168 .....	108
4360387 .....	63, 118	70000083 .....	65	70000540 .....	37	70001169 .....	108
4360469 .....	28, 118	70000084 .....	65	70000541 .....	37	70001170 .....	108
4360475 .....	28, 63, 118	70000085 .....	65	70000542 .....	37	70001171 .....	108
4360525 .....	63, 118	70000185 .....	69	70000543 .....	37	70001172 .....	108
4360671 .....	28, 118	70000186 .....	69	70000634 .....	28	70001173 .....	108
4360693 .....	63, 118	70000187 .....	69	70000635 .....	28, 118	70001174 .....	108
4360698 .....	28, 63, 118	70000188 .....	69	70000683 .....	65	70001175 .....	108
4460071 .....	61	70000189 .....	69	70000684 .....	65	70001176 .....	108
4460121 .....	63	70000207 .....	69	70000685 .....	65	70001177 .....	108
4460138 .....	109	70000239 .....	19	70000686 .....	65	70001178 .....	108
4460226 .....	65	70000240 .....	19	70000700 .....	71	70001179 .....	108
4460259 .....	109			70000707 .....	73	70001214 .....	108
4460260 .....	109			70000708 .....	73	70001352 .....	28, 120
4460265 .....	65			70000713 .....	73	70001353 .....	28
4460266 .....	65, 109			70000749 .....	75	70001355 .....	28
				70000750 .....	75	70001762 .....	110
				70000751 .....	75	70001763 .....	110
				70000752 .....	75	70001764 .....	110

# PART NUMBER INDEX

70001765.....	110	8007953.....	31	H000039.....	47	H900007.....	11, 75
70001938.....	80, 86	8007986.....	41, 47	H000040.....	47	H900013.....	60, 73
70002626.....	43	8008750.....	27	H000048.....	47	H900018.....	23, 71
70003486.....	114	8229236.....	110	H000049.....	47	H900019.....	23, 71
70003606.....	35	8303891.....	63	H000051.....	47	H900045.....	69
70003607.....	35	8405204.....	43	H000077.....	41	H900046.....	41
70003608.....	35	8990147.....	114	H000115.....	80, 86	H900047.....	41, 43
70003609.....	35	DL0113.....	27	H000147.....	80, 86	H900048.....	44
70003610.....	35	E000005.....	110	H000148.....	80, 86	H900049.....	80, 86
70003611.....	35	E000016.....	55	H000191.....	31	H900050.....	80, 86
70003616.....	39	E000044.....	28, 120	H000206.....	31	H900051.....	81, 87
7002821.....	122	E000045.....	55, 61	H000219.....	15, 19	H900052.....	80, 86
7002822.....	122	E000059.....	28, 118	H000241.....	41, 118	H900066.....	43
7002823.....	122	E000063.....	28	H000271.....	69	S000009.....	63
7002826.....	122	E000072.....	110	H000279.....	80, 86	S000021.....	55
7002828.....	122	E000083.....	109	H000285.....	27, 37	S000031.....	61
7004275.....	122	E000084.....	110	H000310.....	43	S000055.....	60
7004276.....	122	E000102.....	108, 109	H000311.....	80, 86	S000056.....	49
7010543.....	27	E000103.....	109	H000312.....	80, 86	S000116.....	56
7012941.....	27	E000108.....	109	H000324.....	27, 31	S000118.....	56, 69
7012955.....	69	E000189.....	39, 120	H000339.....	80, 86	S000123.....	55
7012972.....	69	E000214.....	39, 120	H000344.....	80	S000124.....	55
7012986.....	27, 69, 80, 86, 118	E000269.....	23, 54	H000351.....	80, 86	S000129.....	55
7012998.....	69, 80, 86	E000359.....	23, 120	H000352.....	31	S000142 ..	11, 23, 54, 56, 60
7016331.....	44, 118	E000375.....	39	H000353.....	31	S000145.....	61
7016654.....	122	E000376.....	54, 120	H000363.....	27	S000178.....	56
7017410.....	80, 86	E000419.....	39, 63	H000370.....	27	S000182.....	11, 56
7017414.....	41	E000457.....	39, 118	H000371.....	55, 63	S000187.....	56
7017444.....	41, 118	E000481.....	108, 109	H000390.....	31	S000188.....	56
7020023.....	44, 118	E000482.....	109	H000412.....	47	S000189.....	56
7020127.....	17	E001206.....	39	H000430.....	55	S000191.....	55
7020128.....	17	E001375.....	39, 118	H000443.....	15, 17	S000227.....	56
7020128.....	17	E001376.....	39	H000512.....	31	S000233.....	55
7020129.....	17	E007404.....	39, 120	H000514.....	31	S000234.....	55
7020175.....	28, 63	E900025.....	63, 65, 118	H000516.....	31	S000237.....	60
7020176.....	28, 63	E900026.....	63	H000524.....	80, 86	S000246.....	49
7020411.....	44	E900028.....	63	H000536.....	80, 86	S000510.....	61
7020414.....	44	E900029.....	63	H000542.....	31	S001237.....	55
7020465.....	44	E900030.....	63	H000558.....	23	S001238.....	55
7024579.....	44	E900031.....	63	H000559.....	23	S001240.....	55
7026608.....	44	E900032.....	27, 28	H000580.....	31	S001241.....	55
7027238.....	44	E900033.....	28	H000602.....	31	S001286.....	11
7027239.....	44	E900034.....	28	H000609.....	31	S001443.....	61
7027245.....	44, 118	E900036.....	63	H003085.....	69	S001445.....	60
7027248.....	44	E900037.....	28	H003091.....	69	S001494.....	56
7027367.....	65	E900041.....	63, 109	H003098.....	69	S001551.....	11
7027765.....	65	E900042.....	63, 109	H003108.....	69	S001594.....	54
7027766.....	65	E900043.....	109	H003114.....	69	S001613.....	11
7027861.....	17	E900045.....	109	H004005.....	43	S001640.....	23
7027912.....	31	E900048.....	28, 63	H004080.....	43	S001676.....	49
7027915.....	31	E900049.....	63	H004087.....	44	S001735.....	69
7027939.....	17	E900051.....	47	H005224.....	44	S003991.....	15, 20
7027940.....	17	E900052.....	47	H005232.....	43, 118	S004000.....	15
7027941.....	17	E900055.....	28, 109	H005234.....	43	S004014.....	23
7028846.....	31	E900056.....	109, 118	H005235.....	49	S004035.....	54
7028847.....	31	E900057.....	39	H005236.....	43	S004039.....	23
7028848.....	31	E900059.....	39	H005237.....	43	S005049.....	60
7028849.....	31	E900061.....	28, 39, 109	H005238.....	43	S005171.....	43
7028893.....	31	E900065.....	108	H005239.....	43	S005172.....	43
71001111678.....	122	H000009.....	41	H005242.....	43	S006615.....	11
71001111685.....	122	H000013.....	41	H005243.....	69	S006665.....	11
71001111713.....	122	H000015.....	80, 86	H005247.....	31	S006812.....	11
8003064.....	31	H000018.....	80, 86	H005248.....	31	S007034.....	54
8005376.....	43	H000019.....	27	H005250.....	31	S007035.....	54
8007915.....	31	H000031.....	31	H005376.....	27, 33	S007036.....	54
8007939.....	31	H000032.....	31	H005559.....	28	S007037.....	56
8007944.....	31	H000038.....	47	H005782.....	69		

## PART NUMBER INDEX

S007038.....	56	S201001.....	69	S201081.....	61	S900064.....	23
S007039.....	56	S201002.....	69	S201082.....	61	S900074.....	54
S007116.....	55	S201004.....	11	S201083.....	61	S900075.....	54
S007117.....	55	S201005.....	11	S201086.....	11	S900076.....	55
S200024.....	43	S201017.....	54	S201091.....	27	S900078.....	49
S200090.....	55	S201024.....	54	S201582.....	55	S900079.....	49
S200092.....	55	S201025.....	55	S900002.....	23	S900155.....	60
S200096.....	56	S201026.....	55, 56	S900003.....	23	S900223.....	55
S200097.....	56	S201027.....	55, 56	S900005.....	49	S900224.....	15
S200134.....	54	S201028.....	55	S900013.....	23	S900225.....	15
S200175.....	55	S201029.....	55, 56	S900014.....	23	S900226.....	15
S200223.....	61	S201030.....	55, 56	S900015.....	60	S900227.....	15
S200226.....	60	S201031.....	55	S900016.....	60	S900229.....	60
S200230.....	61	S201032.....	55, 56	S900017.....	60	S900237.....	61
S200231.....	61	S201033.....	55, 56	S900018.....	60	S900238.....	23
S200233.....	61	S201034.....	55, 56	S900021.....	23	S900240.....	55
S200237.....	56	S201035.....	55, 56	S900028.....	60	S900241.....	41
S200238.....	61, 118	S201036.....	55, 56	S900029.....	60	S900257.....	55
S200243.....	11	S201037.....	55, 56	S900030.....	60	S900258.....	55
S200252.....	11	S201038.....	55, 56	S900031.....	60	S900259.....	55
S200253.....	11	S201039.....	55, 56	S900032.....	60	S900260.....	55
S200262.....	43	S201059.....	13	S900033.....	60	S900261.....	55, 56
S200265.....	28	S201068.....	60	S900052.....	11	S900262.....	55, 56
S200267.....	27	S201070.....	61	S900053.....	11	S900263.....	55, 56
S200268.....	43	S201071.....	61	S900054.....	54	S900273.....	47
S200270.....	49	S201072.....	61	S900055.....	49	S900275.....	61
S200271.....	49	S201073.....	61	S900056.....	49	S900331.....	54
S200272.....	49	S201074.....	61	S900057.....	49	S900332.....	54
S200911.....	56	S201075.....	61	S900058.....	49		
S200999.....	69	S201076.....	61	S900059.....	49		
S201000.....	69	S201080.....	60	S900060.....	49		

# PART NUMBER INDEX







3121323



An Oshkosh Corporation Company

*JLG Industries, Inc.*  
*1 JLG Drive*  
*McConnellsburg PA. 17233-9533*  
*USA*  
*Phone: +1-717-485-5161*  
*Customer Support Toll Free: 1-877-554-5438*  
*Fax: +1-717-485-6417*

## ***JLG Worldwide Locations***

---

JLG Industries (Australia)  
P.O. Box 5119  
11 Bolwarra Road  
Port Macquarie  
N.S.W. 2444  
Australia  
Phone: +61 2 65811111  
Fax: +61 2 65813058

JLG Latino Americana Ltd.  
Rua Antonia Martins Luiz, 580  
Distrito Industrial João Narezzi  
13347-404 Indaiatuba - SP  
Brazil  
Phone: +55 19 3936 8870  
Fax: +55 19 3935 2312

JLG Industries (UK) Ltd  
Bentley House  
Bentley Avenue  
Middleton  
Greater Manchester  
M24 2GP  
England  
Phone: +44 (0)161 654 1000  
Fax: +44 (0)161 654 1001

JLG France SAS  
Z.I. de Baulieu  
47400 Fauillet  
France  
Phone: +33 (0)5 53 88 31 70  
Fax: +33 (0)5 53 88 31 79

JLG Deutschland GmbH  
Max-Planck-Str. 21  
D - 27721 Ritterhude-Ihlpohl  
Germany  
Phone: +49 (0)421 69 350 20  
Fax: +49 (0)421 69 350 45

JLG Equipment Services Ltd.  
Rm 1107 Landmark North  
39 Lung Sum Avenue  
Sheung Shui N.T.  
Hong Kong  
Phone: +852 2639 5783  
Fax: +852 2639 5797

JLG Industries (Italia) s.r.l.  
Via Po, 22  
20010 Pregnana Milanese - MI  
Italy  
Phone: +39 029 359 5210  
Fax: +39 029 359 5845

JLG Europe B.V.  
Polaris Avenue 63  
2132 JH Hoofddorp  
The Netherlands  
Phone: +31 (0)23 565 5665  
Fax: +31 (0)23 557 2493

JLG Polska  
Ul. Krolewska  
00-060 Warszawa  
Poland  
Phone: +48 (0)914 320 245  
Fax: +48 (0)914 358 200

Plataformas Elevadoras  
JLG Iberica, S.L.  
Trapadella, 2  
P.I. Castellbisbal Sur  
08755Castellbisbal, Barcelona  
Spain  
Phone: +34 93 772 4 700  
Fax: +34 93 771 1762

JLG Sverige AB  
Enkopingsvagen 150  
Box 704  
SE - 176 27 Jarfalla  
Sweden  
Phone: +46 (0)850 659 500  
Fax: +46 (0)850 659 534

---

[www.jlg.com](http://www.jlg.com)