



Illustrated Parts Manual

Model 80SL

3121326

October 15, 2013

ANSI



An Oshkosh Corporation Company

REVISION LOG

October 1, 2006 - Original Issue of Manual (Manual Edited to B/M 0010695 Revision 3)
February 28, 2007 - Revised Manual (Manual Edited to B/M 0010695 Revision 6)
June 15, 2007 - Revised Manual (Manual Edited to B/M 0010695 Revision 6)
November 1, 2007 - Revised Manual (Manual Edited to B/M 0010695 Revision 7)
January 31, 2008 - Revised Manual (Manual Edited to B/M 0010695 Revision 9)
July 31, 2008 - Revised Manual (Manual Edited to B/M 0010695 Revision 9)
May 15, 2009 - Revised Manual (Manual Edited to B/M 0010695 Revision 10)
November 15, 2010 - Revised Manual (Manual Edited to B/M 0010695 Revision 10)
April 8, 2011 - Revised Manual (Manual Edited to B/M 0010695 Revision 13)
July 11, 2011 - Revised Manual (Manual Edited to B/M 0010695 Revision 13)
October 3, 2011 - Revised Manual (Manual Edited to B/M 0010695 Revision 13)
February 24, 2012 - Revised Manual (Manual Edited to B/M 0010695 Revision 13)
June 29, 2012 - Revised Manual (Manual Edited to B/M 0010695 Revision 13)
September 21, 2012 - Revised Manual (Manual Edited to B/M 0010695 Revision 13)
January 31, 2013 - Revised Manual (Manual Edited to B/M 0010695 Revision 13)
April 18, 2013 - Revised Manual (Manual Edited to B/M 0010695 Revision 13)
July 16, 2013 - Revised Manual (Manual Edited to B/M 0010695 Revision 13)
October 15, 2013 - Revised Manual (Manual Edited to B/M 0010695 Revision 13)

REVISION LOG

TABLE OF CONTENTS

FIGURE NO.	TITLE	PAGE NO.
SECTION 1 - FRAME		1-1
1-1	STEERING INSTALLATION	1-2
1-2	REAR AXLE INSTALLATION	1-4
1-3	WHEEL DRIVE INSTALLATION	1-6
1-4	DRIVE MOTOR ASSEMBLY	1-8
1-5	DRIVE HUB ASSEMBLY	1-10
1-6	LEVELING CYLINDERS INSTALLATION	1-14
1-7	LADDER INSTALLATION	1-16
SECTION 2 - GROUND CONTROLS		2-1
2-1	VALVE SIDE COMPONENTS INSTALLATION	2-2
2-2	MAIN VALVE ASSEMBLY	2-6
2-3	HAND PUMP ASSEMBLY	2-8
2-4	DRIVE VALVE ASSEMBLY	2-10
2-5	MAIN TERMINAL BOX ASSEMBLY	2-12
2-6	ENGINE SIDE COMPONENTS INSTALLATION	2-14
2-7	ENGINE INSTALLATION	2-18
2-8	PISTON PUMP ASSEMBLY	2-22
2-9	HOODS INSTALLATION	2-26
SECTION 3 - SCISSORS ARMS		3-1
3-1	SCISSORS ARMS INSTALLATION	3-2
SECTION 4 - PLATFORM		4-1
4-1	PLATFORM AND ACCESSORIES INSTALLATION	4-2
4-2	PLATFORM CONSOLE ASSEMBLY & INSTALLATION	4-8
4-3	DRIVE/STEER CONTROLLER ASSEMBLY	4-12
SECTION 5 - CYLINDER		5-1
5-1	AXLE LOCKOUT CYLINDER ASSEMBLY	5-2
5-2	LIFT CYLINDER ASSEMBLY	5-4
5-3	LEVELING CYLINDER ASSEMBLY	5-6
5-4	PLATFORM EXTENSION CYLINDER ASSEMBLY	5-8
5-5	STEERING CYLINDER ASSEMBLY	5-10
SECTION 6 - HYDRAULIC		6-1
6-1	HYDRAULIC DIAGRAM (PRIOR TO S/N 1200021263)	6-2
6-2	HYDRAULIC DIAGRAM (S/N 1200021263 TO PRESENT)	6-10
SECTION 7 - ELECTRICAL		7-1
7-1	ELECTRICAL SCHEMATIC	7-2
7-2	HARNES COMPONENTS INSTALLATION	7-18
SECTION 8 - DECALS		8-1
8-1	DECAL INSTALLATION	8-2
SECTION 9 - RECOMMENDED SERVICE PARTS STOCK		9-1

TABLE OF CONTENTS

FIGURE NO.	TITLE	PAGE NO.
SECTION 10	SPECIAL OPTIONS	10-1
SECTION 11	PART NUMBER INDEX	11-1

SECTION 1

FRAME

FIGURE 1-1. STEERING INSTALLATION

ITEM #	PART NUMBER	QTY.	DESCRIPTION	REV.
	0275565	Ref.	STEERING INSTALLATION	F
1	Not Used			
2	0711232	1	Bolt M12 x 150mm	
3	0761210	3	Bolt M12 x 20mm	
4	0761214	8	Bolt M12 x 30mm	
5	Not Used			
6	3331215	1	Nut M12	
7	4832100	11	Lockwasher M12	
8	H900014	1	Steer Cylinder Assembly (See Section 5 for Breakdown)	
9	2160016	3	Fitting, Grease (was p/n S000141)	
10	S001613	2	O-Ring	
11	S001614	2	Ring	
12	S200252	1	Washer	
13	S200253	1	Washer	
14	Not Used			
15	S201585	1	Tie-Bar	
16	S201586	1	Spindle (Left)	
16A	S900322	1	Bushing	
17	S201587	1	Spindle (Right)	
17A	S900322	1	Bushing (Not Shown)	
18	S201588	2	Cap	
19	S201589	2	Pin	
20	S900085	1	Pin	
21	S900088	1	Pin	
22	S900214	2	Ring	
23	4812100	2	Flatwasher M12	
24	S000142	6	Cap, Grease Fitting	
25	2160018	3	Fitting, 90° Grease	
	S201598	Ref.	FRAME WELDMENT	I
101 to 177	Not Used			
178	S200911	4	Bushing	

SECTION 1 FRAME

FIGURE 1-2. REAR AXLE INSTALLATION

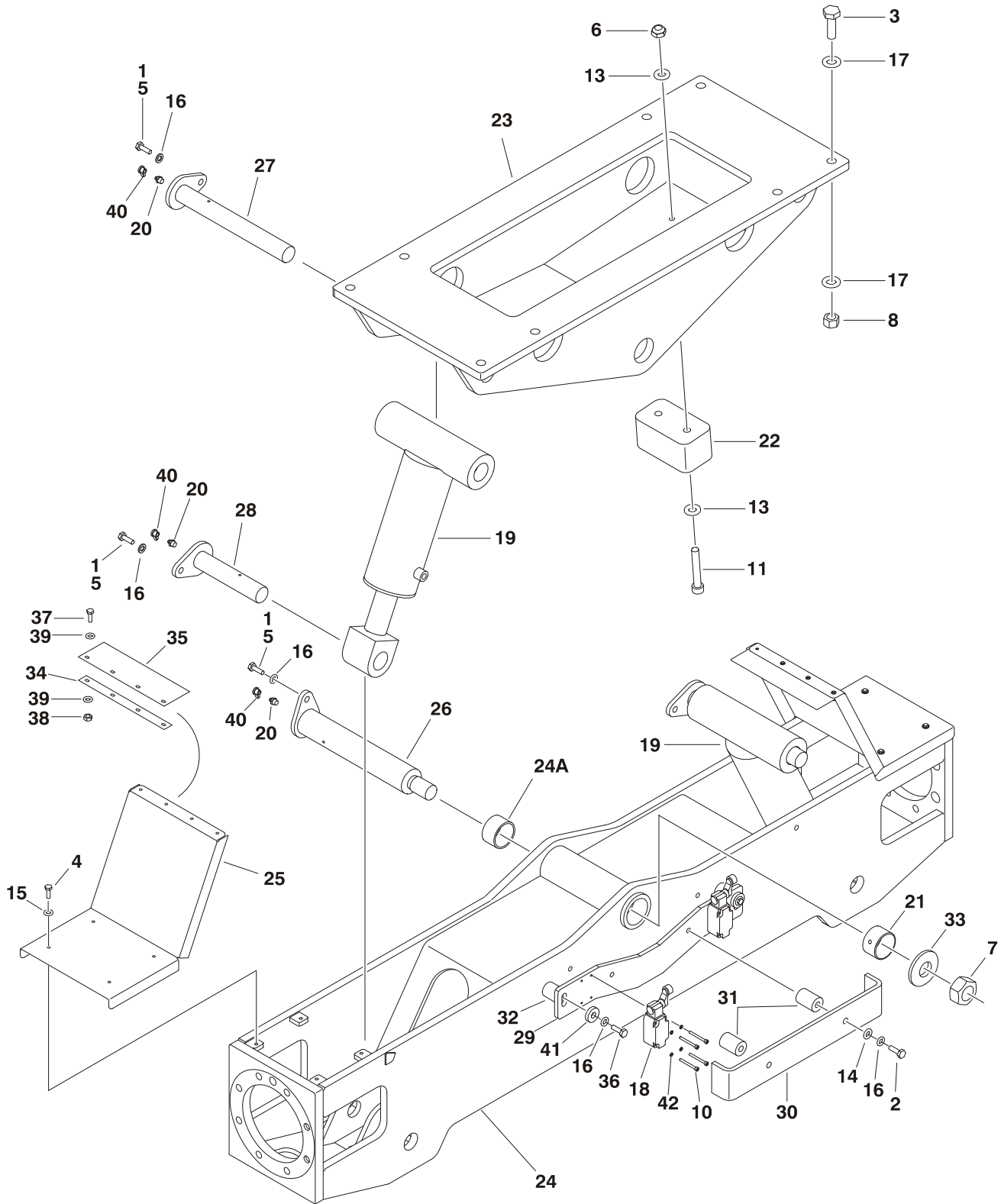
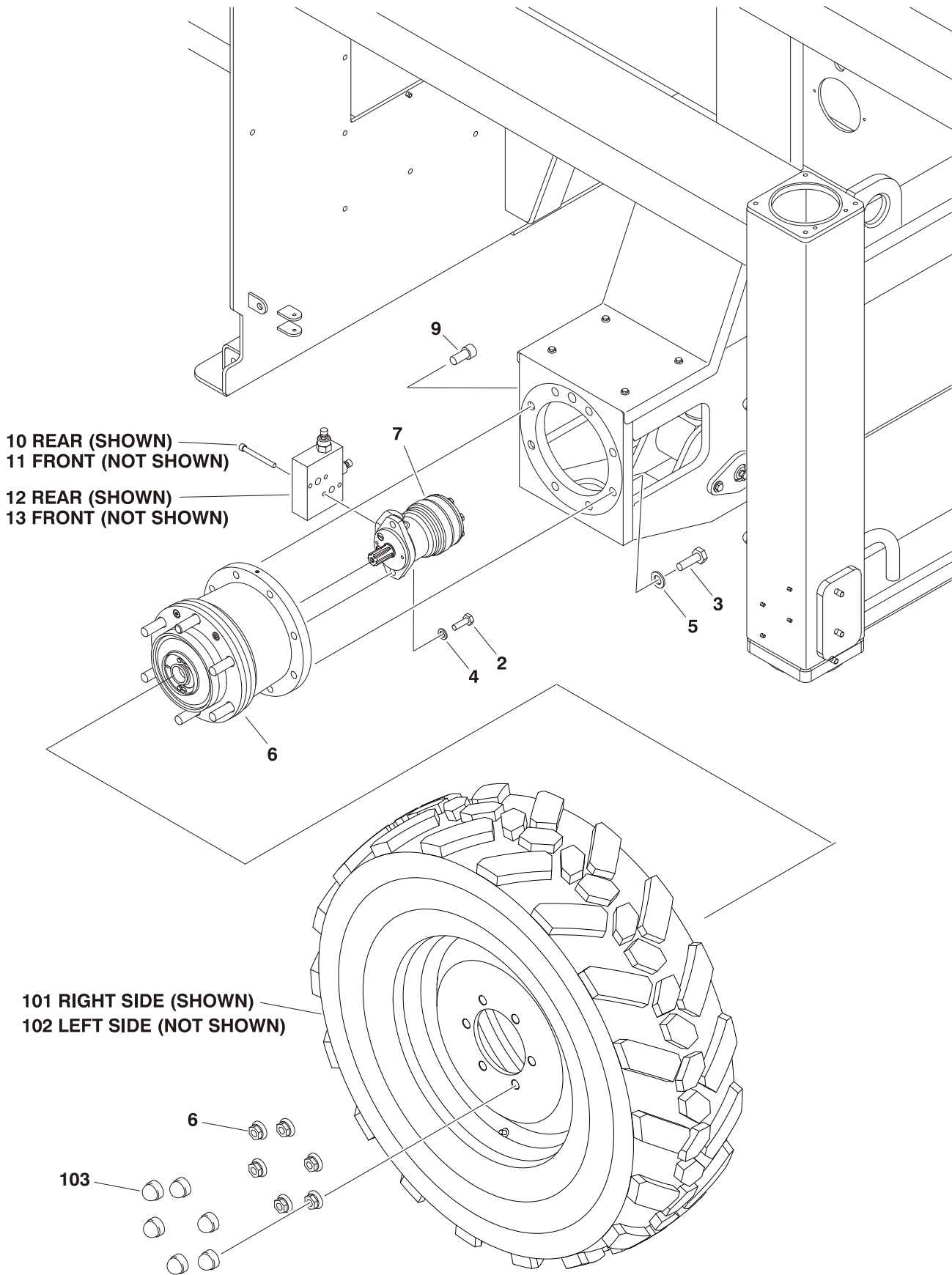


FIGURE 1-2. REAR AXLE INSTALLATION

ITEM #	PART NUMBER	QTY.	DESCRIPTION	REV.
	0275564	Ref.	REAR AXLE INSTALLATION	J
1	0100019	A/R	Compound, Locking	
2	0701222	2	Bolt M12 x 70mm	
3	0712026	8	Bolt M20 x 90mm	
4	0760819	8	Bolt M8 x 20mm	
5	0761214	5	Bolt M12 x 30mm	
6	3291005	4	Locknut M10	
7	3293605	1	Locknut M36	
8	3332011	8	Nut M20	
9	Not Used			
10	4031614	8	Capscrew M5 x 50mm	
11	4032018	4	Capscrew M10 x 70mm	
12	Not Used			
13	4812000	8	Flatwasher M10	
14	4812100	2	Flatwasher M12	
15	4831900	8	Lockwasher M8	
16	4832100	9	Lockwasher M12	
17	5242000	16	Flatwasher M20 Hardened	
18	E000376	2	Switch, Limit	
19	H900009	2	Axle Lockout Cylinder Assembly (See Section 5 for Breakdown)	
20	2160016	5	Fitting, Grease	
21	Not Used			
22	S001640	2	Bumper	
23	S201591	1	Pivot, Axle	
24	S201592	1	Oscillating Axle Weldment	
24A	S001557	2	Bushing	
25	S201593	2	Cover	
26	S201594	1	Pin	
27	S201595	2	Pin	
28	S201596	2	Pin	
29	S201597	1	Plate	
30	S900186	1	Cover, Switch	
31	S900189	2	Bushing	
32	S900190	2	Bushing	
33		1	Plate, End Options: Prior to S/N 1200022194 S/N 1200022194 to Present	
	S900191			
	S900231			
34	S900209	2	Plate	
35	S900210	2	Seal	
36	0701224	2	Bolt M12 x 80mm	
37	0700510	8	Bolt M5 x 20mm	
38	3290505	8	Locknut M5	
39	4811600	16	Flatwasher M5	
40	S000142	5	Cap, Grease Fitting	
41	S900211	2	Bushing	
42	4831600	8	Lockwasher M5	

SECTION 1 FRAME

FIGURE 1-3. WHEEL DRIVE INSTALLATION



SECTION 1 FRAME

FIGURE 1-3. WHEEL DRIVE INSTALLATION

ITEM #	PART NUMBER	QTY.	DESCRIPTION	REV.
	0275566	Ref.	WHEEL DRIVE INSTALLATION	G
1	Not Used			
2	0761215	8	Bolt M12 x 35mm	
3	0771619	24	Bolt M16 x 55mm	
4	4832100	8	Lockwasher M12	
5	5241600	24	Flatwasher M16 Hardened	
6	H000219	4	Drive Hub Assembly (See Figure 1-5 for Breakdown)	
7	H000443	4	Drive Motor Assembly (See Figure 1-4 for Breakdown)	
8	Not Used			
9	5272611	8	Capscrew M16 x 35mm	
10	4032013	8	Capscrew M10 x 45mm	
11	4032015	8	Capscrew M10 x 55mm	
12	H000331	2	Shock Valve Assembly (Rear Axles) (No Replacement Parts Available - Replace Complete Valve)	
13	H000723	2	Travel Valve Assembly (Front Axles) (No Replacement Parts Available - Replace Complete Valve)	
	0275708	Ref.	TIRE AND WHEEL INSTALLATION	C
101	S900327	2	Wheel & Tire Assembly - Foam Filled (Right Side)	
102	S900328	2	Wheel & Tire Assembly - Foam Filled (Left Side)	
		Ref.	Note: Assemblies may require ballast/foam filling to manufacturer's specifications prior to installing on a machine. Refer to Operation & Safety or Service & Maintenance Manuals. Purchase individual tire and/or rim only if able to foam fill tire & wheel assembly, otherwise, purchase complete assembly.	
	70000154	4	Rim	
	70000153	4	Tire	
103	S004000	24	Cap, Wheel Nut	

FIGURE 1-4. DRIVE MOTOR ASSEMBLY

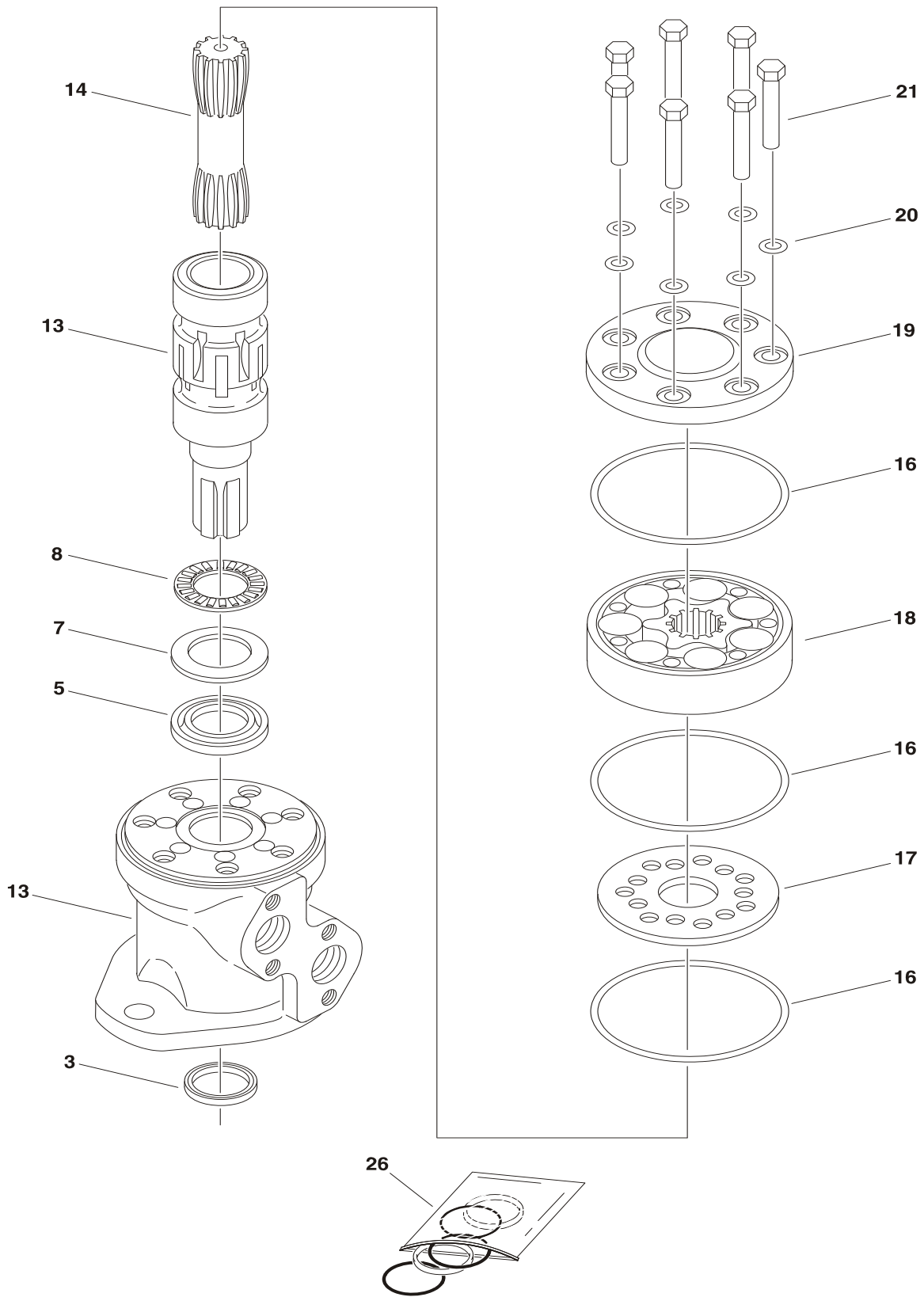


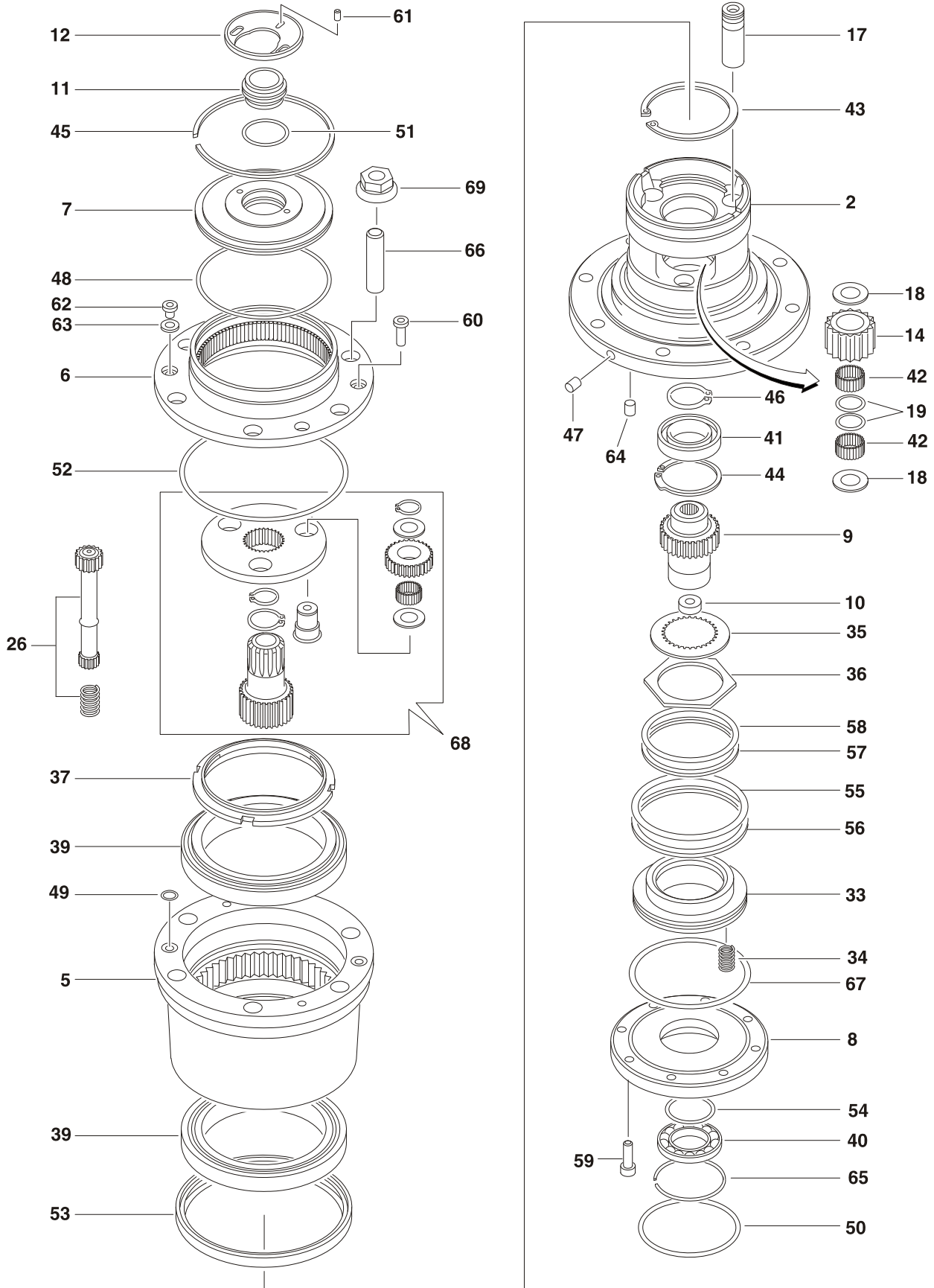
FIGURE 1-4. DRIVE MOTOR ASSEMBLY

ITEM #	PART NUMBER	QTY.	DESCRIPTION	REV.
	H000443	Ref.	DRIVE MOTOR ASSEMBLY	D
1 to 2	Not Used			
3	7027861	1	Seal, Dust	
4	Not Used			
5	Use 7020127	1	Seal, Shaft	
6	Not Used			
7	7020128	1	Race, Bearing	
8	7020129	1	Bearing, Needle	
9 to 12	Not Used			
13	See Note	1	Shaft & Housing (Note: Not Available - Purchase Complete Assembly)	
14	7027941	1	Shaft, Cardan	
15	Not Used			
16	Use 7020127	3	O-Ring	
17	7027939	1	Plate, Distributor	
18	See Note	1	Gear Set (Note: Not Available - Purchase Complete Assembly)	
19	7027940	1	Cover, End	
20	Use 7020127	7	Washer	
21	See Note	7	Screw M8 x 45mm (Note: Not Available - Purchase Locally)	
22 to 25	Not Used			

26	7020127	1	Seal Kit - H000443 Motor (Includes Items 3,5,16 & 20)	

SECTION 1 FRAME

FIGURE 1-5. DRIVE HUB ASSEMBLY



SECTION 1 FRAME

FIGURE 1-5. DRIVE HUB ASSEMBLY

ITEM #	PART NUMBER	QTY.	DESCRIPTION	REV.
	H000219	Ref.	DRIVE HUB ASSEMBLY - COMPLETE	E
1	Not Used			
2	See Note	1	Spindle (Note: Not Available - Purchase Complete Assembly)	
3 to 4	Not Used			
5	See Note	1	Hub (Note: Not Available - Purchase Complete Assembly)	
6	70000239	1	Gear Ring	
7	See Note	1	Cover (Note: Not Available - Purchase Complete Assembly)	
8	See Note	1	Flange (Note: Not Available - Purchase Complete Assembly)	
9	See Note	1	Coupling (Note: Not Available - Purchase Complete Assembly)	
10	See Note	1	Thrustwasher (Note: Not Available - Purchase Complete Assembly)	
11	See Note	1	Thrustwasher (Note: Not Available - Purchase Complete Assembly)	
12	See Note	1	Circlip (Note: Not Available - Purchase Locally)	
13	Not Used			
14	See Note	3	Planetary Gear (Note: Not Available - Purchase Complete Assembly)	
15 to 16	Not Used			
17	See Note	3	Pin (Note: Not Available - Purchase Complete Assembly)	
18	See Note	6	Thrustwasher (Note: Not Available - Purchase Complete Assembly)	
19	See Note	6	Spacer (Note: Not Available - Purchase Complete Assembly)	
20 to 25	Not Used			
26	70000240	1	Sun Pinion	
27 to 32	Not Used			
33	See Note	1	Piston (Note: Not Available - Purchase Complete Assembly)	
34	70000241	16	Spring	
35	70000242	5	Disc	
36	70000243	6	Disc	
37	70000244	1	Lock Nut	
38	Not Used			
39	70000245	2	Bearing	
40	70000246	1	Bearing	
41	70000247	1	Bearing	
42	See Note	6	Bearing (Note: Not Available - Purchase Complete Assembly)	
43	See Note	1	Circlip (Note: Not Available - Purchase Locally)	
44	See Note	1	Circlip (Note: Not Available - Purchase Locally)	
45	See Note	1	Disc (Note: Not Available - Purchase Complete Assembly)	
46	See Note	1	Circlip (Note: Not Available - Purchase Locally)	
47	See Note	1	Plug (Note: Not Available - Purchase Locally)	
48	70000248	1	O-Ring	
49	70000249	2	O-Ring	
50	70000250	1	O-Ring	
51	70000251	1	O-Ring	
52	70000252	1	O-Ring	
53	70000253	1	Oil Seal	
54	70000254	1	Gasket	
55	70000255	1	O-Ring	
56	70000256	1	Blocking Ring	

SECTION 1 FRAME

FIGURE 1-5. DRIVE HUB ASSEMBLY (CONTINUED)

ITEM #	PART NUMBER	QTY.	DESCRIPTION	REV.
57	70000257	1	O-Ring	
58	70000258	1	Blocking Ring	
59	See Note	8	Screw (Note: Not Available - Purchase Locally)	
60	See Note	2	Screw (Note: Not Available - Purchase Locally)	
61	See Note	2	Screw (Note: Not Available - Purchase Locally)	
62	See Note	2	Plug (Note: Not Available - Purchase Locally)	
63	See Note	2	Washer (Note: Not Available - Purchase Complete Assembly)	
64	See Note	1	Plug (Note: Not Available - Purchase Locally)	
65	See Note	1	Disc (Note: Not Available - Purchase Complete Assembly)	
66	70000259	6	Threaded Stud	
67	70000260	1	O-Ring	
68	70000346	1	Reduction Gear Kit	
69	S003991	6	Nut, Wheel	
	See Note	1	----- Seal Kit - H000219 Hub (Note: Not Available - Purchase Individual Parts)	

FIGURE 1-5. DRIVE HUB ASSEMBLY (CONTINUED)

ITEM #	PART NUMBER	QTY.	DESCRIPTION	REV.

SECTION 1 FRAME

FIGURE 1-6. LEVELING CYLINDERS INSTALLATION

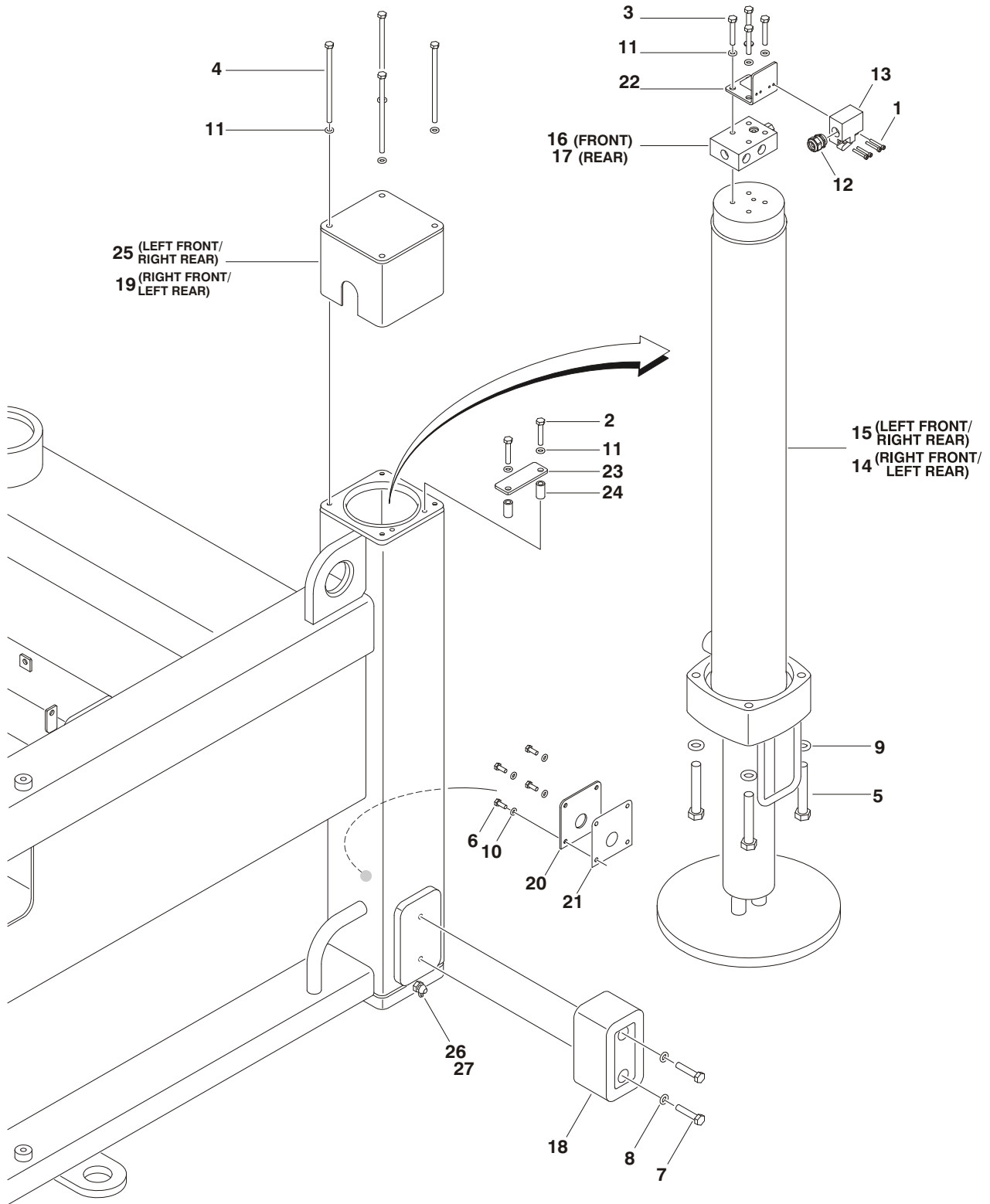


FIGURE 1-6. LEVELING CYLINDERS INSTALLATION

ITEM #	PART NUMBER	QTY.	DESCRIPTION	REV.
	0275571	Ref.	LEVELING CYLINDERS INSTALLATION	E
1	4031510	16	Capscrew M4 x 30mm	
2	0700817	8	Bolt M8 x 45mm	
3	0700818	16	Bolt M8 x 50mm	
4	0700833	16	Bolt M8 x 160mm	
5	0701627	16	Bolt M16 x 100mm	
6	0700608	16	Bolt M6 x 16mm	
7	0701018	8	Bolt M10 x 50mm	
8	4832000	8	Lockwasher 10mm	
9	4832300	16	Lockwasher 16mm	
10	4831700	16	Lockwasher 6mm	
11	4831900	40	Lockwasher 8mm	
12	E000269	4	Connector, Strain Relief	
13	E000359	4	Switch, Limit	
14	H900008	2	Leveling Cylinder Assembly (Right Front and Left Rear) (See Section 5 for Breakdown)	
15	H900010	2	Leveling Cylinder Assembly (Left Front and Right Rear) (See Section 5 for Breakdown)	
16	H000558	2	Valve Assembly (8 Bar - Front) (No Replacement Parts Available - Replace Complete Valve)	
17	H000559	2	Valve Assembly (1 Bar - Rear) (No Replacement Parts Available - Replace Complete Valve)	
18	S001640	4	Bumper	
19	S201599	2	Cover, Switch (Right Front and Left Rear)	
20	S900002	4	Plate, Cover	
21	S900003	4	Gasket	
22	S900021	4	Bracket, Switch Mounting	
23	S900102	4	Plate	
24	S900103	8	Spacer	
25	S900187	2	Cover, Switch (Left Front and Right Rear)	
26	2160016	4	Fitting, Grease	
27	S000142	4	Cap, Grease Fitting	

SECTION 1 FRAME

FIGURE 1-7. LADDER INSTALLATION

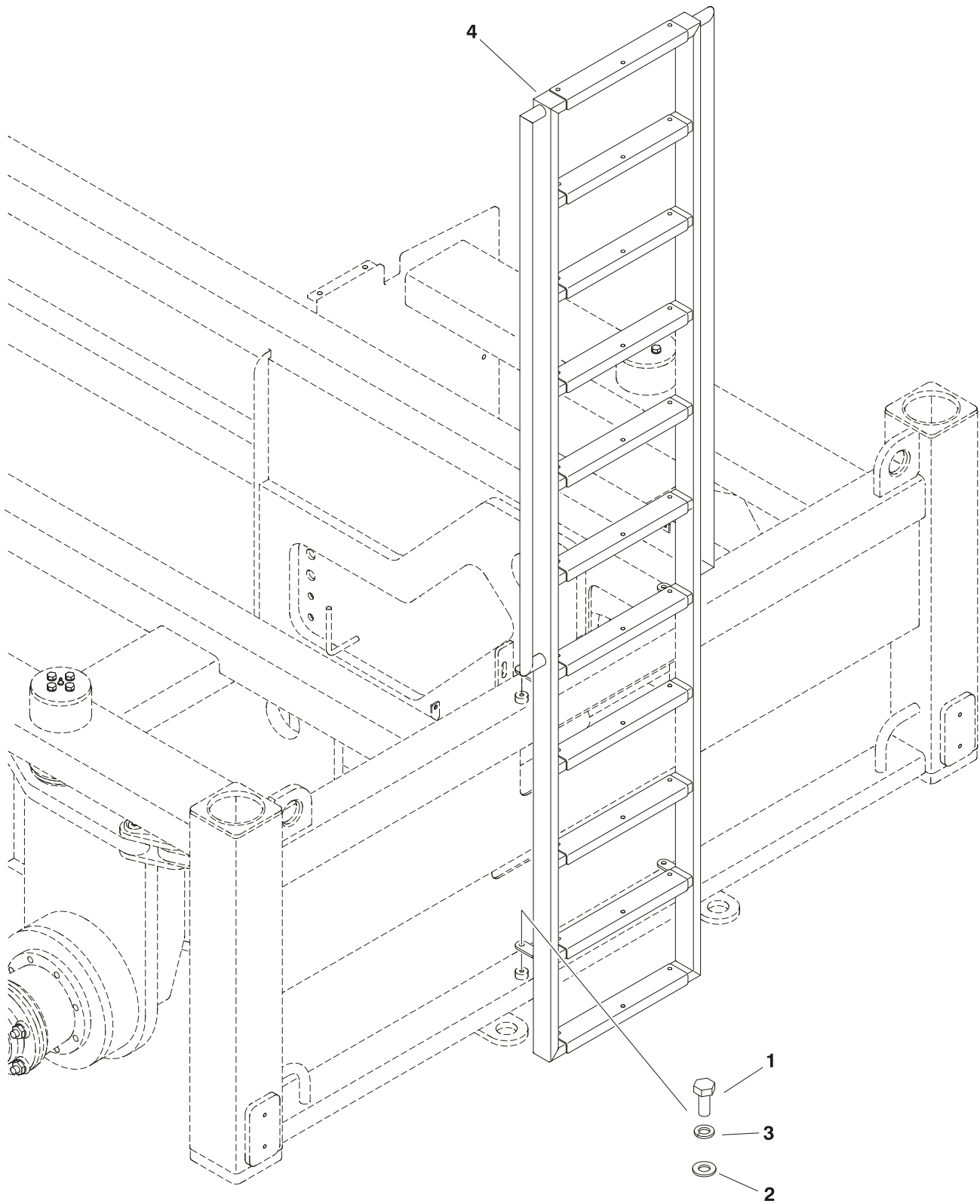


FIGURE 1-7. LADDER INSTALLATION

ITEM #	PART NUMBER	QTY.	DESCRIPTION	REV.
	0275570	Ref.	LADDER INSTALLATION	C
1		4	Bolt M10 Options: 25mm Length (Prior to S/N 1200020819) 20mm Length (S/N 1200020819 to Present)	
	0761012			
	0761010			
2	4812000	4	Flatwasher M10 (Prior to S/N 1200020819)	
3	4832000	4	Lockwasher M10	
4	S201601	1	Ladder Assembly	D
	3820510	33	Rivet	
	S004014	11	Tread Plate	

SECTION 1 FRAME

FIGURE 1-7. LADDER INSTALLATION (CONTINUED)

ITEM #	PART NUMBER	QTY.	DESCRIPTION	REV.

SECTION 2

GROUND CONTROLS

SECTION 2 GROUND CONTROLS

FIGURE 2-1. VALVE SIDE COMPONENTS INSTALLATION

ITEM #	PART NUMBER	QTY.	DESCRIPTION	REV.
	0275593	Ref.	VALVE COMPARTMENT INSTALLATION	E
1	0700617	2	Bolt M6 x 45mm	
2	0760813	4	Bolt M8 x 25mm	
3	0761014	12	Bolt M10 x 30mm	
4	0761015	4	Bolt M10 x 35mm	
5	3290605	2	Locknut M6	
6	4811700	4	Flatwasher M6	
7	Not Used			
8	4831900	4	Lockwasher M8	
9	4832000	16	Lockwasher M10	
10	H000019	1	Solenoid Valve	
	7012986	1	Coil	
	7012941	1	Cartridge	
	7010543	1	Seal Kit - 7012941 Cartridge	
11	H000121	1	Main Valve Assembly (See Figure 2-2 for Breakdown)	
12		1	Hand Pump Assembly Options:	
	H000285		S/N 1200020465 to S/N 1200021263 (See Figure 2-3 for Breakdown)	
	320066		S/N 1200021263 to Present (No Breakdown Available at Time of Printing)	
13	H000436	1	Drive Valve Assembly (See Figure 2-4 for Breakdown)	
14	S201613	1	Bracket, Main Valve	
15	S900089	1	Bracket, RH Valve	
16	S900192	1	Bracket, LH Valve	
17	0700817	2	Bolt M8 x 45mm	
18	0700820	1	Bolt M8 x 60mm	
19	3290805	3	Locknut M8	
20	4811900	3	Flatwasher M8	
21	1001103611	1	Bracket, Hand Pump (S/N 1200021263 to Present)	
22	DL0113	1	Lever, Hand Pump (S/N 1200021263 to Present)	
	0275636	Ref.	FUEL TANK INSTALLATION	D
101	H000038	16.5ft/5m	Hose, Fuel Line (Return)	
102	H000039	16.5ft/5m	Hose, Fuel Line (Supply)	
103	H000040	4	Clamp, Hose	
104	H000048	1	Fitting, Fuel Hose (Return)	
105	H000049	1	Fitting, Fuel Hose (Supply)	
106	H000051	2	Strap, Fuel Tank Mounting	
107	H000412	1	Tank, Fuel	
107A	70000902	1	Cap, Fuel	
108	3290805	2	Locknut M8	
109	4831900	4	Lockwasher M8	
110	471678	A/R	Tie Strap (Not Shown)	
111	8007986	6	Mount, Tie Strap (Not Shown)	

SECTION 2 GROUND CONTROLS

FIGURE 2-1. VALVE SIDE COMPONENTS INSTALLATION (CONTINUED)

ITEM #	PART NUMBER	QTY.	DESCRIPTION	REV.
	0275720	Ref.	GROUND CONTROLS INSTALLATION	E
201	0700815	4	Bolt M8 x 35mm	
202	0760610	6	Bolt M6 x 20mm	
203	0761010	4	Bolt M10 x 20mm	
204	1787217	2	Clamp, Battery Hold-Down	
205	Not Used			
206	3290605	6	Locknut M6	
207	3290805	A/R	Locknut M8	
208	4811700	12	Flatwasher M6	
209	4811900	A/R	Flatwasher M8	
210	4832000	4	Lockwasher M10	
211	8008750	2	Battery	
212		A/R	Loom / Shield, Cable Options (Not Shown):	
	E000072	6m/20ft	Prior to S/N 1200025000	
	E000009	6.3m/21ft	S/N 1200025000 to Present	
213	E900032	1	Ground Control Panel Assembly (See Items 301-316 for Breakdown)	
214	E900072	1	Electrical Tray Assembly (See Items 401-414 for Breakdown)	
215	4831900	A/R	Lockwasher M8	
216	E000005	8.2m/27ft	Loom / Shield, Cable (Not Shown) (S/N 1200025000 to Present)	
217	E000084	3.3m/11ft	Loom / Shield, Cable (Not Shown) (S/N 1200025000 to Present)	
	E900032	Ref.	GROUND CONTROL PANEL ASSEMBLY	F
		Ref.	Note: All machines from start of production to revision D have been updated to revision E.	
301	0760608	2	Bolt M6 x 16mm	
302	3290605	2	Locknut M6	
303	4060802	4	Guard, Switch	
304	4360314	2	Switch, Toggle	
305	4360671	1	Switch, Toggle	
306	4360469	1	Switch, Key	
306A	2860030	1	Key, Replacement	
307	4360475	1	Switch, Emergency Stop	
308	4360698	1	Switch, Toggle	
309	4811700	3	Flatwasher M6	
310	E000059	1	Switch, Battery Isolator	
	70001114	1	Handle	
311	E900033	1	Plate, Switch Mounting	
312	E900034	1	Decal, Ground Control	
313	E900048	1	Light, Indicator	
314	E900055	1	Harness, Ground Control (See Section 7 for Breakdown)	
315	4811702	1	Flatwasher M6 (Wide)	
316	S001443	1	Chain Assembly (Includes Mounting Plate & Attaching Ring)	
	E900072	Ref.	ELECTRICAL TRAY ASSEMBLY	C
401	0760605	4	Bolt M6 x 10mm	
402	0760610	4	Bolt M6 x 20mm	

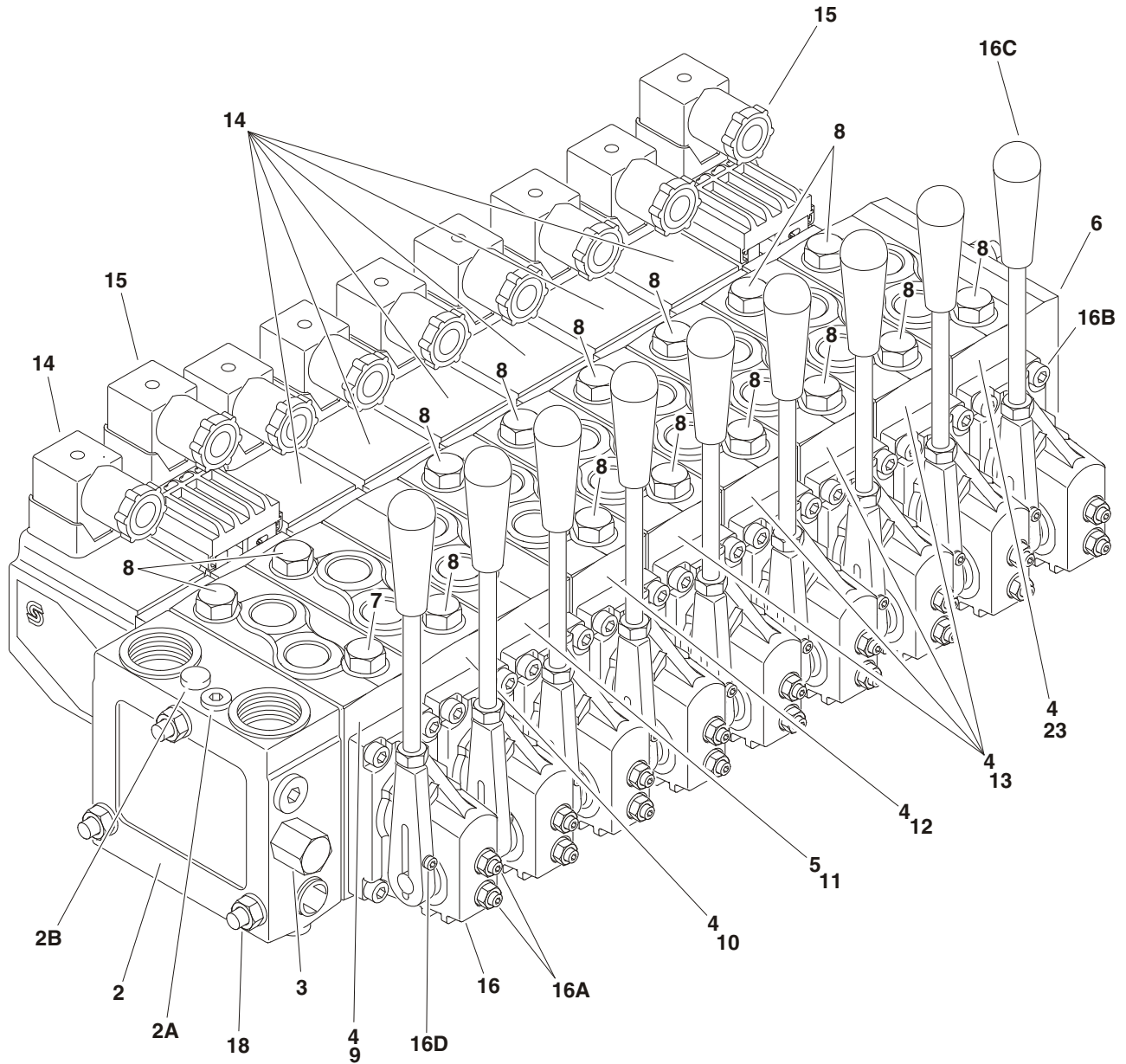
SECTION 2 GROUND CONTROLS

FIGURE 2-1. VALVE SIDE COMPONENTS INSTALLATION (CONTINUED)

ITEM #	PART NUMBER	QTY.	DESCRIPTION	REV.
403	0760810	1	Bolt M8 x 20mm	
404	3290605	4	Locknut M6	
405	3290805	1	Locknut M8	
406	4031605	4	Capscrew M5 x 10mm	
407	4811700	8	Flatwasher M6	
408	4811900	2	Flatwasher M8	
409	4831600	4	Lockwasher M5	
410	4831700	4	Lockwasher M6	
411	E000044	1	Switch, Tilt	
412	E000063	1	Horn	
413	E900063	1	Terminal Box Assembly (See Figure 2-5 for Breakdown)	
414	S200265	1	Panel, Electrical Carrier	
	0275567	Ref.	ENGINE INSTALLATION	G
501 to 510	Not Used			
511	Use 1001094781	1	Control Box, Deutz Engine Options: Prior to S/N 1200016563 (was p/n H005559) S/N 1200016563 to Present	
	1001094781			
	70001352	1	PC Board with LEDs	
	70001353	1	E-Prom w/Software	
	70001355	1	Diode	
	70000634	1	Hourmeter	
	70000635	2	Switch, Pushbutton	
	70001122	4	Mount, Vibration	

SECTION 2 GROUND CONTROLS

FIGURE 2-2. MAIN VALVE ASSEMBLY



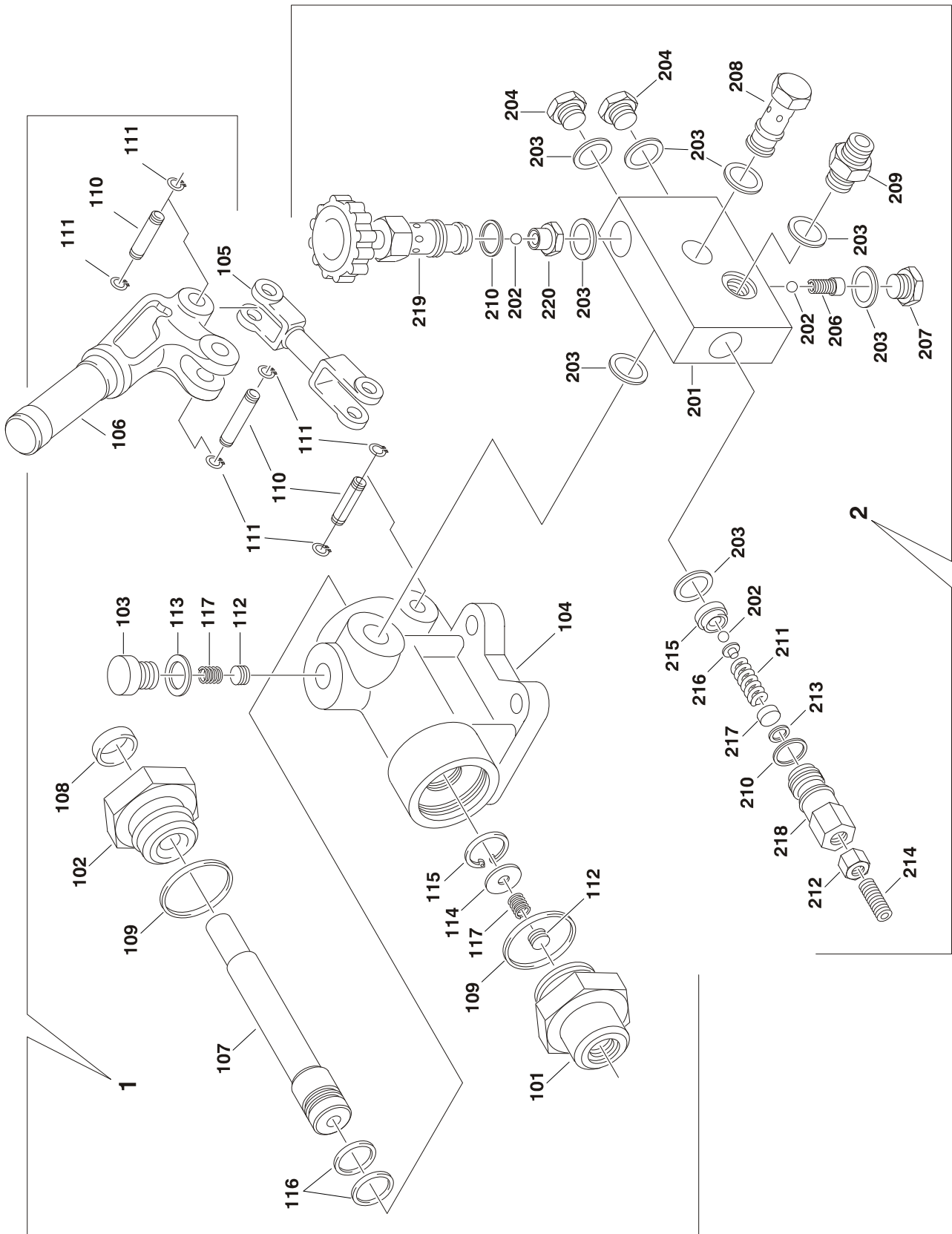
SECTION 2 GROUND CONTROLS

FIGURE 2-2. MAIN VALVE ASSEMBLY

ITEM #	PART NUMBER	QTY.	DESCRIPTION	REV.
	H000121		MAIN CONTROL VALVE ASSEMBLY	D
1	Not Used			
2	H000116	1	Section, Pump (Left Side)	
	8007939	1	Seal Kit - H000116 Section	
2A	8007944	1	Pilot Supply Assembly	
2B	7027912	1	Relief Assembly	
3	H000352	1	External Pilot Supply	
4	7028847	8	Valve Section (With Relief Valve) (All Functions Except Lift) (was p/n H000188)	
	8007935	8	Seal Kit - 7028847 Section (was p/n H000031)	
5	H000542	1	Valve Section (Without Relief Valve) (Lift Functions Only)	
	8007935	1	Seal Kit - H000542 Section (was p/n H000031)	
6	H000580	1	End Plate	
	See Note	1	Seal Kit - H000580 Section (Note: Use Item 18)	
7		1	Valve, Relief (Platform Function Only) Options:	
	H000602		Prior to S/N 1200016203	
	H000609		S/N 1200016203 to Present	
8	H005250	15	Valve, Relief (All Functions Except Lift Function)	
9		1	Spool (Platform) Options:	
	H000390		Prior to S/N 1200016203	
	H000514		S/N 1200016203 to Present	
10	H005279	1	Spool (Drive 2)	
11	H000516	1	Spool (Lift)	
12	H000207	1	Spool (Steer)	
13	H000389	4	Spool (Outrigger)	
14	H000191	7	Electrical Activator (on-off) (All Functions Except Drive & Drive 2)	
	8007954	7	Seal Kit - H000191 Electrical Activator (was p/n H000032)	
	7028846	28	Screw, Mounting	
	7028849	7	DIN Connector (Black)	
15	H000206	2	Electrical Activator (Proportional High) (Drive & Drive 2 Functions)	
	8007954	2	Seal Kit - H000206 Electrical Activator (was p/n H000032)	
	7028846	8	Screw, Mounting	
	8007953	2	DIN Connector (White)	
16	7028893	8	Mechanical Activation Assembly (was p/n H000187)	
	8007894	8	Seal Kit - 7028893 Mechanical Activator (was p/n H005248)	
16A	1003107	16	Nut, Seal (2 per Assembly)	
	8007915	16	Pin, Threaded (2 per Assembly)	
16B	0318854	32	Screw (4 per Assembly)	
16C	H005247	8	Base & Lever Assembly (1 per Assembly)	
16D	0307544	8	Screw (1 per Assembly)	
	0893076	8	Washer (1 Per Assembly)	
17	Not Used			
18	H000397	1	Assembly Kit (Includes Hardware & Seals for Between Valve Sections)	
	7028848	9	Seal Kit for Between Valve Sections (was p/n H005249) Note: One Seal Kit does both sides of section.	
19 to 22	Not Used			
23	H000514	1	Spool (Drive 1)	

SECTION 2 GROUND CONTROLS

FIGURE 2-3. HAND PUMP ASSEMBLY



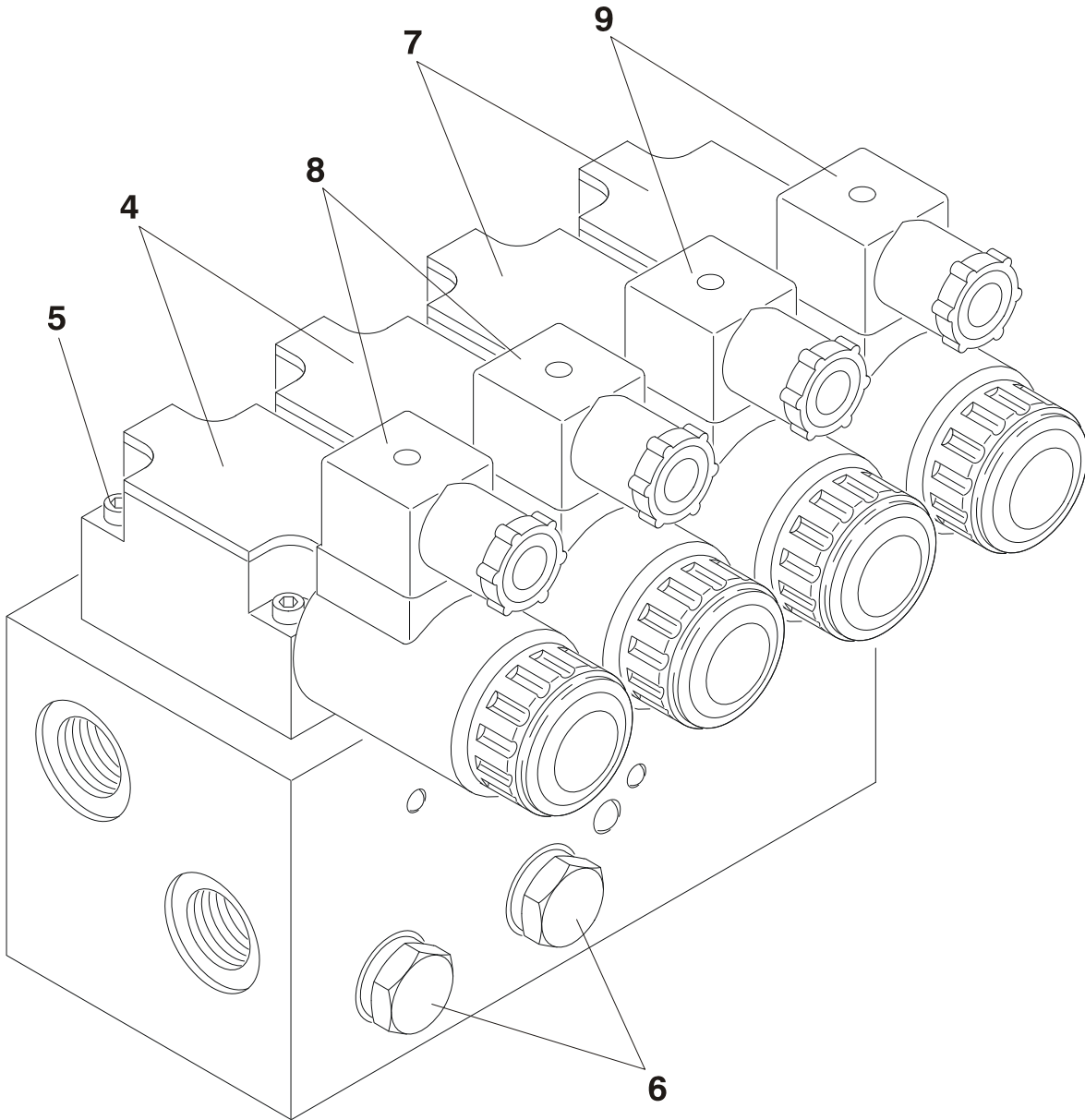
SECTION 2 GROUND CONTROLS

FIGURE 2-3. HAND PUMP ASSEMBLY

ITEM #	PART NUMBER	QTY.	DESCRIPTION	REV.
	H000285	Ref.	HAND PUMP ASSEMBLY	E
1	70000513	1	Pump Assembly (See Items 101-117 for Breakdown)	
2	70000528	1	Valve Assembly (See Items 201-220 for Breakdown)	
	70000513	Ref.	PUMP ASSEMBLY	
101	70000514	1	Valve, Suction	
102	See Note	1	Plug (Note: Not Available - Purchase Locally)	
103	See Note	1	Plug (Note: Not Available - Purchase Locally)	
104	See Note	1	Body (Note: Not Available - Purchase Pump Assembly)	
105	70000515	1	Rod, Connecting	
106	70000516	1	Lever	
107	70000517	1	Piston	
108	70000518	1	Seal	
109	70000519	2	Seal	
110	70000520	2	Pin	
111	70000521	6	Ring, Retaining	
112	70000522	2	Ball	
113	70000523	1	Ring	
114	70000524	1	Washer	
115	70000525	1	Ring, Internal Retaining	
116	70000526	2	Seal	
117	70000527	2	Spring	
	70000528	Ref.	VALVE ASSEMBLY	
201	See Note	1	Body (Note: Not Available - Purchase Valve Assembly)	
202	70000529	3	Ball	
203	70000530	8	Ring	
204	See Note	2	Bolt M8 x 8mm (Note: Not Available - Purchase Locally)	
205	70000531	1	Spinner (Not Shown)	
206	70000532	1	Spring	
207	See Note	1	Plug (Note: Not Available - Purchase Locally)	
208	70000533	1	Screw	
209	70000534	1	Fitting, Straight	
210	70000535	2	Seal	
211	70000536	1	Spring	
212	See Note	1	Nut M10 (Note: Not Available - Purchase Locally)	
213	70000537	1	Seal	
214	See Note	1	Setscrew (Note: Not Available - Purchase Locally)	
215	70000538	1	Relief, Valve	
216	70000539	1	Pin, Ball Driving	
217	70000540	1	Plate, Seal	
218	70000541	1	Valve Body	
219	70000542	1	Knob Assembly	
220	70000543	1	Valve Body	

SECTION 2 GROUND CONTROLS

FIGURE 2-4. DRIVE VALVE ASSEMBLY



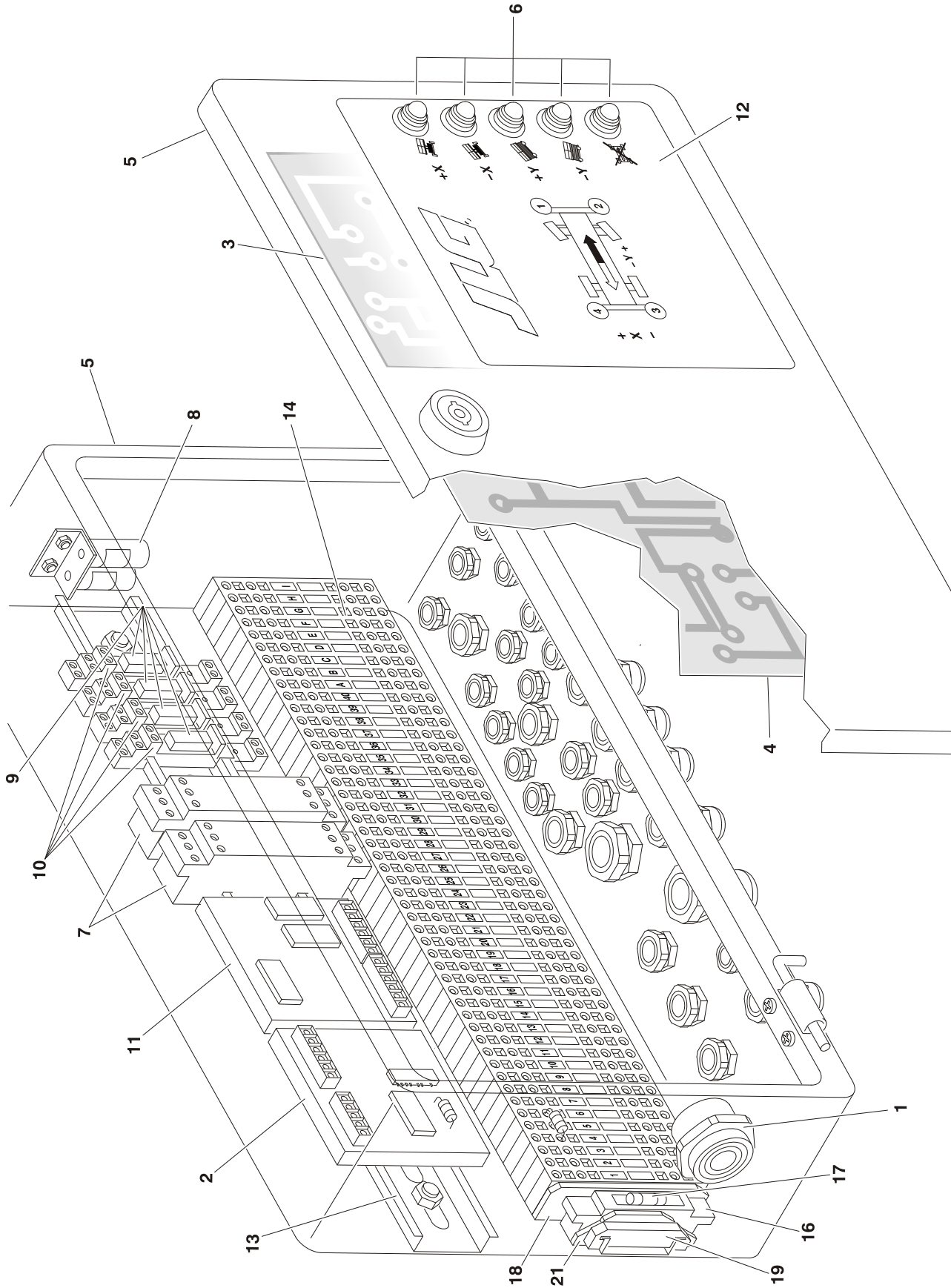
SECTION 2 GROUND CONTROLS

FIGURE 2-4. DRIVE VALVE ASSEMBLY

ITEM #	PART NUMBER	QTY.	DESCRIPTION	REV.
	H000436	Ref.	DRIVE VALVE ASSEMBLY	D
1 to 3	Not Used			
4	70000269	2	Spool Valve	
	70000385	A/R	Coil	
		Ref.	Note: Coil Nut, and Seal Kit Not Currently Available	
5	70000270	16	DIN Screw	
6	70000267	2	Flow Divider	
7	70000271	2	Spool Valve	
	70000385	A/R	Coil	
		Ref.	Note: Coil Nut, and Seal Kit Not Currently Available	
8	70000333	2	DIN Connector (Gray)	
9	70000332	2	DIN Connector (Black)	

SECTION 2 GROUND CONTROLS

FIGURE 2-5. MAIN TERMINAL BOX ASSEMBLY



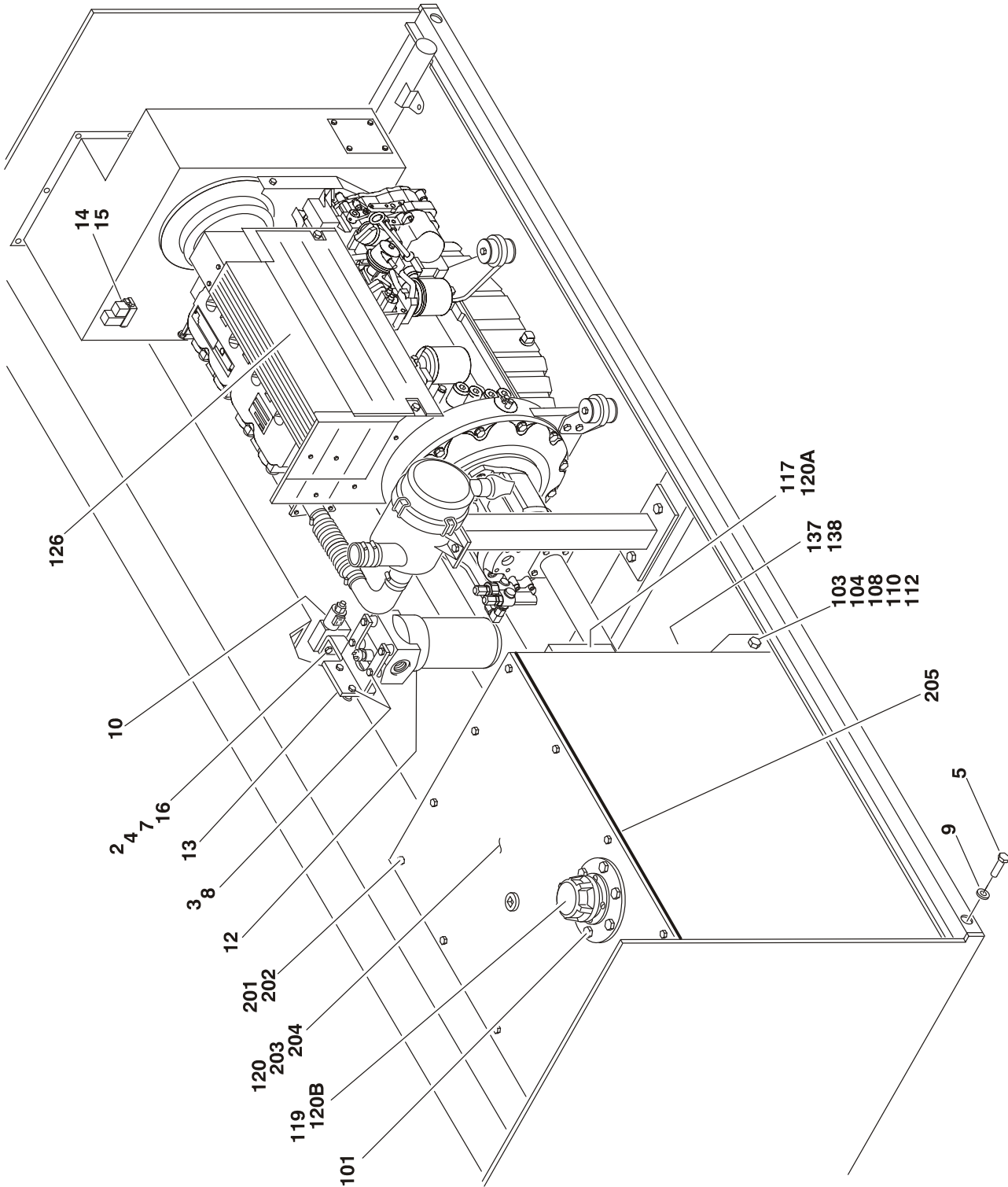
SECTION 2 GROUND CONTROLS

FIGURE 2-5. MAIN TERMINAL BOX ASSEMBLY

ITEM #	PART NUMBER	QTY.	DESCRIPTION	REV.
	E900063	Ref.	MAIN TERMINAL BOX ASSEMBLY	F
		Ref.	Note: All machines from start of production to revision C have been updated to revision D.	
1	0140011	1	Alarm	
2	E000189	1	Card, Pump	
3	E000214	1	Card, Nivolux Control	
4	1001112938	1	Card, Complex Control	
5	E000375	1	Housing, Control Box	
6	E000419	5	LED, Red	
7	E000457	2	Relay	
8	E001206	1	Sensor, Level	
9	E001375	4	Relay	
10	E001376	4	Base, Relay	
11	E007404	1	Card, Trigger Control	
12	E900057	1	Decal, Cover	
13	E900059	2	Rail, DIN	
14	1001093353	76	Block, Terminal	
15	Not Used			
16	1001092405	1	Holder, Fuse	
17	1001092406	1	Fuse, 10A	
18	1001093354	1	Plate, Terminal Intermediate	
19	1001093355	2	Stop, Terminal End	
20	1001093361	18	Terminal, Jumper (Not Shown)	
21	1001093379	1	Plate, Terminal End	
22	70000952	1	Connector (2 Pin for Nivolux Board - Not Shown)	
23	70000953	2	Connector (3 Pin for Nivolux Board - Not Shown)	
24	70000954	1	Connector (4 Pin for Nivolux Board - Not Shown)	
25	70000955	1	Connector (8 Pin for Complex Board - Not Shown)	
26	70000956	4	Connector (12 Pin for Nivolux & Complex Board - Not Shown)	
27	70003616	1	Connector (6 Pin for Nivolux & Complex Board - Not Shown)	

SECTION 2 GROUND CONTROLS

FIGURE 2-6. ENGINE SIDE COMPONENTS INSTALLATION



SECTION 2 GROUND CONTROLS

FIGURE 2-6. ENGINE SIDE COMPONENTS INSTALLATION

ITEM #	PART NUMBER	QTY.	DESCRIPTION	REV.
	0275567	Ref.	ENGINE SIDE COMPONENTS INSTALLATION	G
1	Not Used			
2	0700620	2	Bolt M6 x 60mm	
3	0761010	6	Bolt M10 x 20mm	
4	3290605	2	Locknut M6	
5	4032310	2	Capscrew M16 x 30mm	
6	4032316	2	Capscrew M16 x 60mm (Not Shown - Bolts Tray to Frame Next to Rails)	
7	4811700	4	Flatwasher M6	
8	4832000	6	Lockwasher M10	
9	4832300	2	Lockwasher M16	
10	H000077	1	Valve, Directional Control	
	7017444	1	Coil	
	7017414	1	Cartridge	
	2900708	1	Seal Kit - 7017414 Cartridge	
11	Not Used			
12	H900073	1	Filter, Hydraulic	
	70000900	1	Element	
13		1	Bracket, Oil Filter Options: Prior to S/N 1200016563 S/N 1200016563 to Present	
	S900241			
	1001091921			
14	0760505	2	Bolt M5 x 10mm	
15	4831600	2	Lockwasher M5	
16	3290801	2	Nut M8	
	0275662	Ref.	ENGINE AND TANK INSTALLATION	K
101	0760505	6	Bolt M5 x 10mm	
102	Not Used			
103	0761010	1	Bolt M10 x 20mm	
104	0761012	2	Bolt M10 x 25mm	
105 to 107	Not Used			
108	3291005	2	Locknut M10	
109	Not Used			
110	4812000	4	Flatwasher M10	
111	Not Used			
112	4832000	6	Lockwasher M10	
113 to 116	Not Used			
117	H000013	1	Gauge, Hydraulic Oil Level (Prior to S/N 1200011762 Only)	
118	Not Used			
119	H000241	1	Breather (Prior to S/N 1200011762)	
120		1	Hydraulic Tank Assembly Options: Prior to S/N 1200011762 (See Items 201-205 for Breakdown) S/N 1200011762 to Present	
	H000442			
	1001091145			
120A	H000013	1	Gauge, Hydraulic Oil Level	
120B	H000241	1	Breather	
121 to 125	Not Used			

SECTION 2 GROUND CONTROLS

FIGURE 2-6. ENGINE SIDE COMPONENTS INSTALLATION (CONTINUED)

ITEM #	PART NUMBER	QTY.	DESCRIPTION	REV.
126	H900071 1001098950	1	Deutz Engine Assembly Options (See Figure 2-7 For Breakdown): Prior to S/N 1200016563 S/N 1200016563 to Present	
127 to 136	Not Used			
137	4031708	4	Bolt M6 x 20mm	
138	H000122	1	Valve, Lock-Up	
	H000442	Ref.	HYDRAULIC TANK ASSEMBLY	E
201	4031908	12	Capscrew M8 x 20mm	
202	4831900	12	Lockwasher M8	
203	Use H000442	1	Tank Weldment Less Cover (was p/n H000442-13)	
204	H000442-14	1	Cover	
205	3960605	1	Seal	

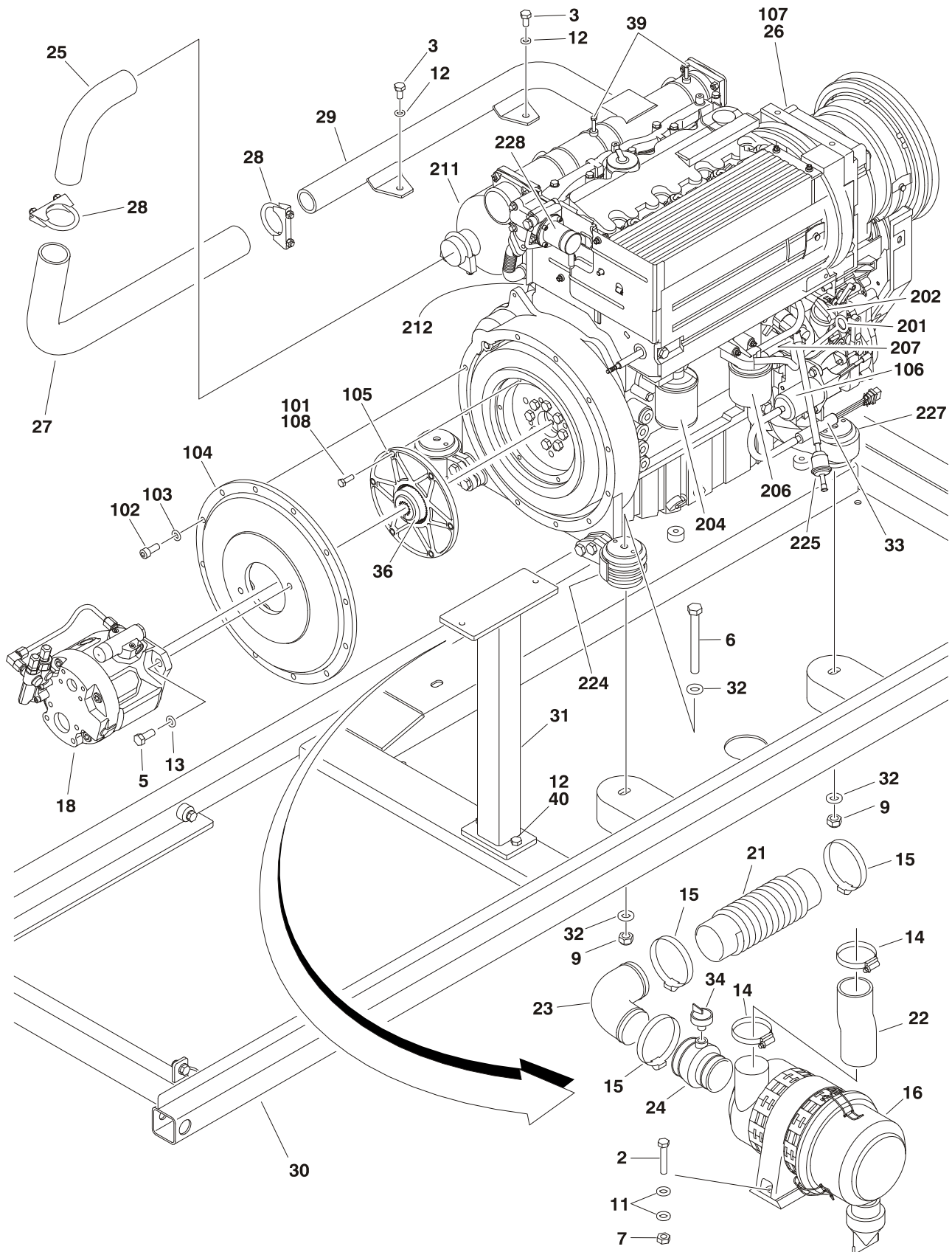
SECTION 2 GROUND CONTROLS

FIGURE 2-6. ENGINE SIDE COMPONENTS INSTALLATION (CONTINUED)

ITEM #	PART NUMBER	QTY.	DESCRIPTION	REV.

SECTION 2 GROUND CONTROLS

FIGURE 2-7. ENGINE INSTALLATION



SECTION 2 GROUND CONTROLS

FIGURE 2-7. ENGINE INSTALLATION

ITEM #	PART NUMBER	QTY.	DESCRIPTION	REV.
	0275662	Ref.	ENGINE INSTALLATION	K
1	Not Used			
2	0760817	2	Bolt M8 x 45mm	
3	0761010	3	Bolt M10 x 20mm	
4	Not Used			
5	0761214	2	Bolt M12 x 30mm	
6	0761228	4	Bolt M12 x 110mm	
7	3290805	2	Locknut M8	
8	Not Used			
9	3291205	4	Locknut M12	
10	Not Used			
11	4811900	4	Flatwasher M8	
12	4832000	5	Lockwasher M10	
13	4832100	2	Lockwasher M12	
14	8005376	3	Clip, Hose Clamp	
15	8405204	3	Clamp	
16	1001091198	1	Air Cleaner Assembly (was p/n 70000053)	
	70000054	1	Filter, Safety (Inner)	
	H005232	1	Filter, Primary (Outer)	
17	Not Used			
18	H000220	1	Pump Assembly (See Figure 2-8 for Breakdown)	
19 to 20	Not Used			
21	H005234	1	Hose, Air Intake	
22		1	Hose, Air Intake Options:	
	H005236		Prior to S/N 1200016563	
	1001092803		S/N 1200016563 to Present	
23	H005238	1	Elbow, Air Intake	
24	H005242	1	Sleeve, Reducing	
25	H900066	1	Pipe, Exhaust	
26		1	Deutz Engine Assembly Options (See Items 101-108 for Breakdown):	
	H900071		Prior to S/N 1200016563	
	1001098950		S/N 1200016563 to Present	
27	S005171	1	Pipe, Exhaust Flex	
28	S005172	2	Clamp, Exhaust	
29	S201602	1	Tailpipe	
30	S201610	1	Tray, Engine	
31	S201614	1	Bracket, Air Cleaner	
32	4812100	8	Flatwasher M12	
33	1001091513	1	Bracket, Solenoid Wiring Loom	
34	1001091514	1	Indicator, Air Cleaner Clog	
35	Not Used			
36	1001093796	1	Hub, Coupling	
37 to 38	Not Used			
39	0760614	2	Bolt M6 x 30mm	
40	0761014	2	Bolt M10 x 30mm	
41	8007986	16	Mount, Tie Strap (Not Shown)	
42	471678	A/R	Strap, Tie (Not Shown)	

SECTION 2 GROUND CONTROLS

FIGURE 2-7. ENGINE INSTALLATION (CONTINUED)

ITEM #	PART NUMBER	QTY.	DESCRIPTION	REV.
		Ref.	ENGINE ASSEMBLY	
	H900071	Ref.	Prior to S/N 1200016563	D
	1001098950	Ref.	S/N 1200016563 to Present	B
101	0760812	6	Bolt M8 x 25mm	
102	4032009	11	Capscrew M10 x 25mm	
103	4832000	11	Lockwasher M10	
104	H004083	1	Flange	
105	See Note	1	Coupling Assembly (was p/n H004084)	
		Ref.	Note: P/N H004084 no longer available. Replace with p/n 1001093793 & p/n 1001093796.	
	1001093793	1	Flange, Coupling	
106	H005224	1	Throttle Control Assembly	B
	70000055	1	Solenoid	
	70000056	1	Cable, Electrical	
107		1	Engine, Deutz F4L2011F Options (See Items 201- 235 for Breakdown):	
	H900072		Prior to S/N 1200016563	
	1001098951		S/N 1200016563 to Present	
108	0100011	A/R	Compound, Locking	
		Ref.	ENGINE COMPONENTS	
	H900072	Ref.	Prior to S/N 1200016563	B
	1001098951	Ref.	S/N 1200016563 to Present	C
201	70000043	1	Dipstick	
202	7020465	1	Cap, Filler	
203		1	Pump, Oil Lube Options (Not Shown):	
	70000045		Prior to S/N 1200016563	
	70001850		S/N 1200016563 to Present	
	7020468	1	Seal Between Oil Pump & Engine Block (Not Shown)	
204	7016331	1	Filter, Oil	
205	70000912	A/R	Pump, Injector - A (Not Shown)	
	70000913	A/R	Pump, Injector - B (Not Shown)	
	70000914	A/R	Pump, Injector - C (Not Shown)	
	70000915	A/R	Pump, Injector - D (Not Shown)	
	See Note	4	Gasket (1 per Injector) (Not Shown) (Note: Not Available for Purchase from JLG. Contact your Engine Dealer)	
206	7020023	1	Filter, Fuel	
207	70000916	1	Pump Fuel Supply	
	70000917	1	O-Seal Between Fuel Pump & Engine Block (Not Shown)	
208	7020449	4	Gasket, Intake Manifold (Not Shown)	
209		1	V-Belt Options (Not Shown):	
	7020414		Prior to S/N 1200016563	
	70000075		S/N 1200016563 to Present	
210	7020471	4	Gasket, Muffler to Cylinder Head (Not Shown)	
211		1	Muffler Options:	
	7000695		Prior to S/N 1200016563	
	70001843		S/N 1200016563 to Present	

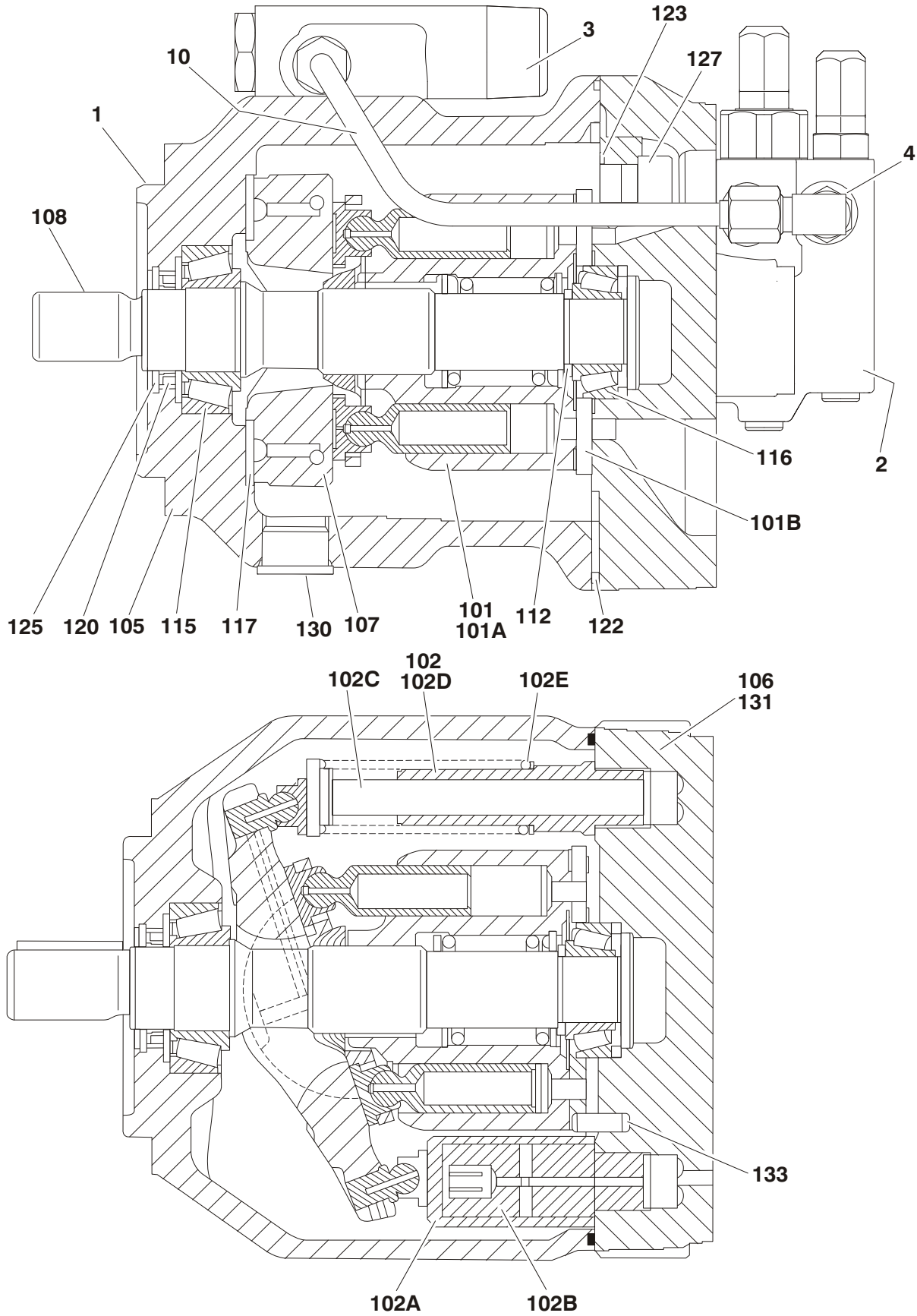
SECTION 2 GROUND CONTROLS

FIGURE 2-7. ENGINE INSTALLATION (CONTINUED)

ITEM #	PART NUMBER	QTY.	DESCRIPTION	REV.
212	70000059	1	Starter	
		1	Solenoid, Starter	
	7026608		Prior to S/N 1200016563	
	70001852		S/N 1200016563 to Present	
213	Not Used			
214		1	Sender, Temperature Options (Not Shown):	
	7020168		Prior to S/N 1200016563	
	70001851		S/N 1200016563 to Present	
	7020480	1	Ring, Sealing	
215		1	Switch, Oil Pressure Options (Not Shown):	
	7020443		Prior to S/N 1200016563	
	7016330		S/N 1200016563 to Present	
216	70000062	1	Solenoid, Shutdown (Bolts to Front of Engine - Not Shown)	
	70000061	1	Spring	
	7027249	1	Seal, O-Ring	
217	Not Used			
218		1	Solenoid, Start Options (Threads into Side of Front Cover - Not Shown):	
	7027239		Prior to S/N 1200016563	
	70000073		S/N 1200016563 to Present	
	70000074	1	O-Ring	
219	Not Used			
220	70000922	2	Plug, Glow (Not Shown)	
	7020492	2	Sealing Ring	
221	7020459	1	Thermostat (Not Shown)	
222	Not Used			
223	70000264	1	Flywheel (Not Shown)	
	7024579	1	Gear, Ring (Not Shown)	
224	70001138	2	Mount Assembly, Rear Engine	
225		1	Filter, Fuel In-line Options:	
	7027245		Prior to S/N 1200016563	
	See Note		S/N 1200016563 to Present (Note: Not Available for Purchase from JLG. Contact your Engine Dealer)	
226	70001136	1	Mount Assembly, Left Front (Not Shown)	
227	70001137	1	Mount Assembly, Right Front	
228	70001841	1	Valve, EGR	
229	70001835	1	Gasket, EGR Valve Housing to EGR Manifold (Not Shown)	
230	70001836	1	Gasket, EGR Manifold to Cylinder Head (Not Shown)	
231	70001837	1	Gasket, EGR Valve Housing to EGR Pipe (Not Shown)	
232	70001838	2	Gasket, EGR Pipe Adapter to Cylinder Head (Not Shown)	
233	70001840	1	Restrictor, EGR (Not Shown)	
234	70000057	1	Generator (Not Shown)	
	70000058	1	Regulator, Voltage	
235	See Note	1	Valve, Oil Drain (Not Shown) (Note: Not Available for Purchase from JLG. Contact your Engine Dealer)	
	70002740	1	Hose, Oil Drain (Not Shown)	

SECTION 2 GROUND CONTROLS

FIGURE 2-8. PISTON PUMP ASSEMBLY



SECTION 2 GROUND CONTROLS

FIGURE 2-8. PISTON PUMP ASSEMBLY

ITEM #	PART NUMBER	QTY.	DESCRIPTION	REV.
	H000220	Ref.	PISTON PUMP ASSEMBLY	C
1	70003737	1	Pump (See Items 101-133 for Breakdown)	
2	70003738	1	Valve, Control	
	70021667	1	Gasket (Between Pump And Valve)	
	7024954	4	Bolt, M6 x 30mm	
3	70003739	1	Valve, Control	
	70003751	1	Gasket (Between Pump And Valve)	
	70003752	1	Bolt, M6 x 16mm	
	70003753	2	Bolt, M6 x 25mm	
	70003754	1	Cap, Tamper Proof	
4	70003740	1	Fitting, Adapter	
	70003755	1	O-Ring	
5 to 9	Not Used			
10	70003741	1	Tube	
	70003737	Ref.	PUMP ASSEMBLY	
101	70003173	1	Rotary Group	
101A	Use 70003173		Hydraulic Section, Rotary Group (Note: Not Available for Purchase.)	
101B	70003750	1	Plate, Control	
102	70003742	1	Control Mechanism	
102A	Use 70003742	1	Piston, Control (Note: Not Available for Purchase.)	
102B	Use 70003742	1	Guide, Piston (Note: Not Available for Purchase.)	
102C	Use 70003742	1	Piston (Note: Not Available for Purchase.)	
102D	Use 70003742	1	Guide, Piston (Note: Not Available for Purchase.)	
102E	Use 70003742	1	Spring (Note: Not Available for Purchase.)	
103 to 104	Not Used			
105	Use 70003737	1	Housing, Pump (Note: Not Available for Purchase.)	
106	70003743	1	Control Mechanism	
107	70003744	1	Plate, Swash	
108	70003175	1	Shaft, Drive	
109 to 111	Not Used			
112	7012709	1	Shim	
113 to 114	Not Used			
115	7024038	1	Bearing, Roller	
116	7012706	1	Bearing, Roller	
117	70003745	2	Liner, Bearing	
118 to 119	Not Used			
120	7024818	1	Seal Ring, Shaft	
121	Not Used			
122	70003746	1	Seal Ring, Shaft	
123	70003747	4	O-Ring	
124	Not Used			
125	70003177	1	Ring, Retainer	
126	Not Used			
127	70003748	4	Bolt	
128 to 129	Not Used			

SECTION 2 GROUND CONTROLS

FIGURE 2-8. PISTON PUMP ASSEMBLY (CONTINUED)

ITEM #	PART NUMBER	QTY.	DESCRIPTION	REV.
130	70003749	1	Plug	
131	70003340	1	Plug	
132	Not Used			
133	7024952	1	Plug	

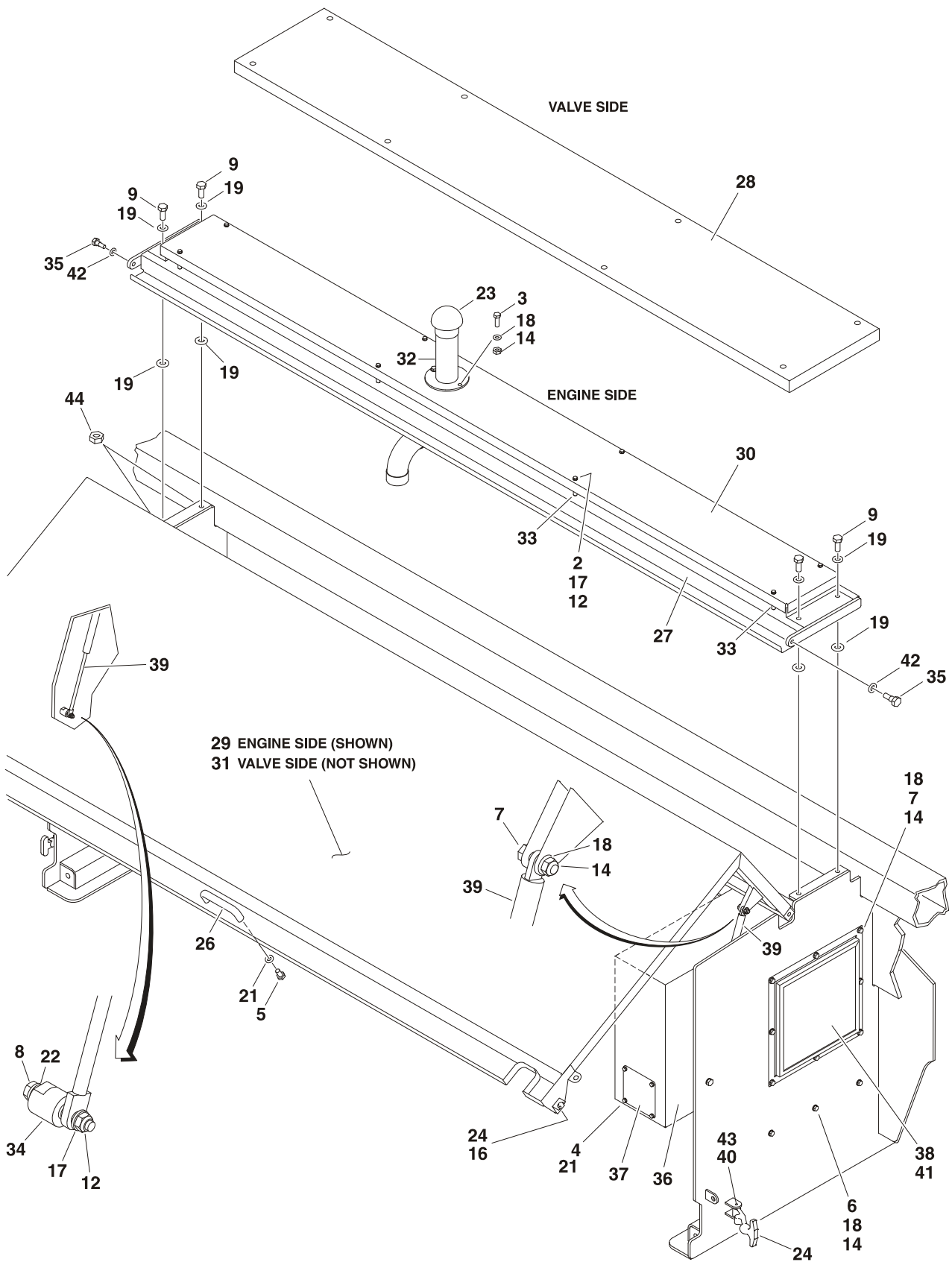
SECTION 2 GROUND CONTROLS

FIGURE 2-8. PISTON PUMP ASSEMBLY (CONTINUED)

ITEM #	PART NUMBER	QTY.	DESCRIPTION	REV.

SECTION 2 GROUND CONTROLS

FIGURE 2-9. HOODS INSTALLATION



SECTION 2 GROUND CONTROLS

FIGURE 2-9. HOODS INSTALLATION

ITEM #	PART NUMBER	QTY.	DESCRIPTION	REV.
	0275568	Ref. Ref	HOODS INSTALLATION Note: Replacement decals must be ordered separately - See Section 8.	F
1	0700518	4	Bolt M5 x 55mm	
2	0700621	16	Bolt M6 x 65mm	
3	0700812	2	Bolt, M8 x 25mm	
4	0760605	4	Bolt M6 x 10mm	
5	0760606	4	Bolt M6 x 12mm	
6	0760812	A/R	Bolt M8 x 25mm	
7	0760814	A/R	Bolt M8 x 30mm	
8	0761010	4	Bolt M10 x 20mm	
9	0761014	8	Bolt M10 x 30mm	
10 to 11	Not Used			
12	3290605	20	Locknut M6	
13	Not Used			
14	3290805	16	Locknut M8	
15	Not Used			
16	3820408	8	Rivet	
17	4811700	36	Flatwasher M6	
18	4811900	32	Flatwasher M8	
19	4812000	16	Flatwasher M10	
20	Not Used			
21	4831700	8	Lockwasher M6	
22	4832000	4	Lockwasher M10	
23	H005235	1	Cover, Protection	
24	S000056	4	Strap, Hood	
25	Not Used			
26	S001676	2	Handle	
27	S201604	2	Panel, Cabinet Top Filler	
28	S201605	1	Cover, Top (Engine Side)	
29	S201606	1	Hood (Engine Side)	
30	S201608	1	Cover, Top (Valve Side)	
31	S201609	1	Hood (Valve Side)	
32	S201661	1	Tube, Air Intake	
33	S900060	16	Spacer	
34	S900078	4	Pin	
35	S900079	4	Bolt, Special	
36	S900091	1	Air duct	
37	S900092	1	Cover, Cleaning	
38	S900093	1	Grid, Safety	
39		4	Spring, Gas Options: Prior to S/N 1200016563 S/N 1200016563 to Present	
40	S001513 1001093028			
41	4811600	8	Flatwasher M5	
42	4831900	1	Lockwasher M8	
43	4832100	4	Lockwasher M12	
44	3290505	4	Locknut M5	
44	3291005	8	Locknut M10	

SECTION 2 GROUND CONTROLS

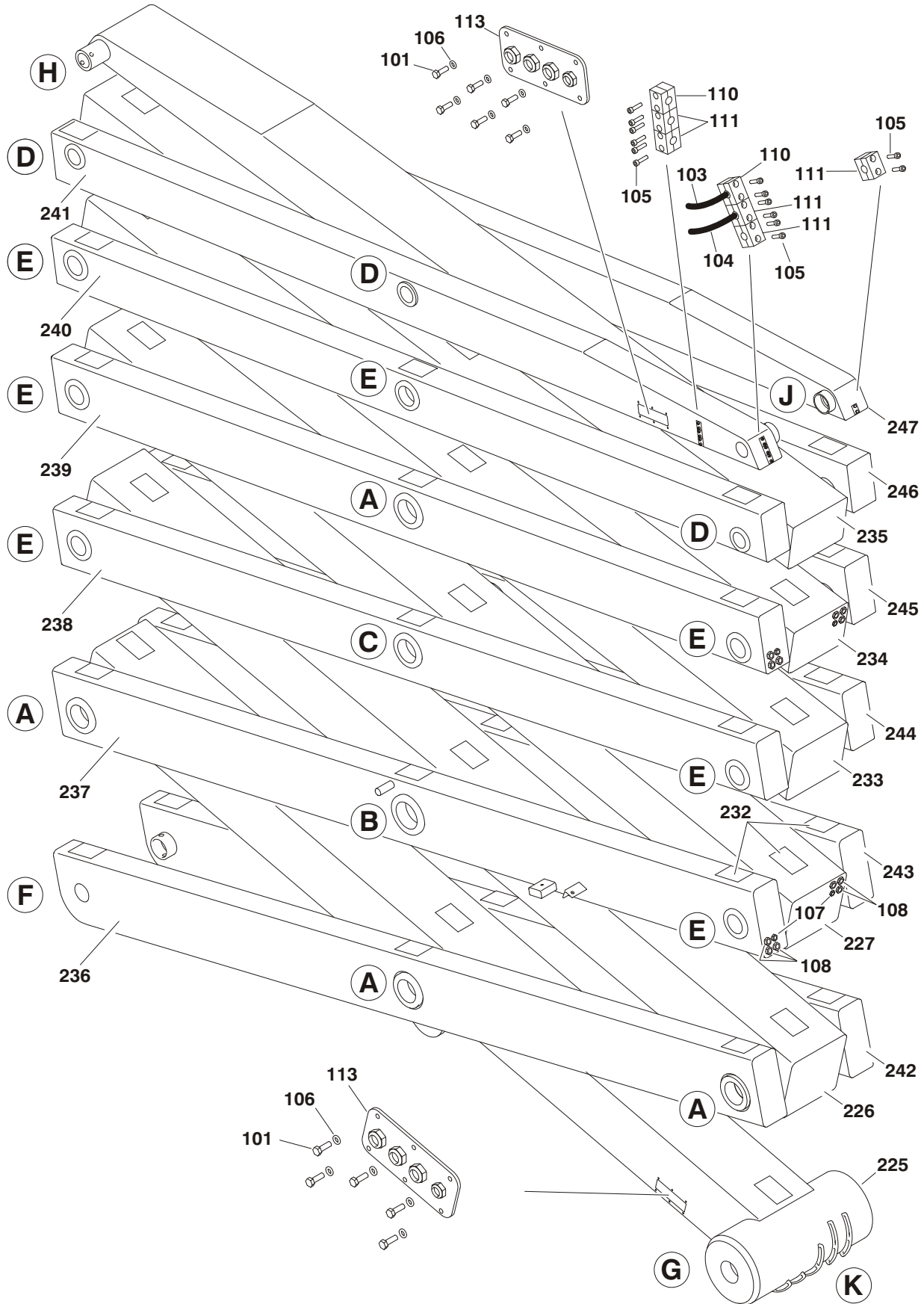
FIGURE 2-9. HOODS INSTALLATION (CONTINUED)

ITEM #	PART NUMBER	QTY.	DESCRIPTION	REV.

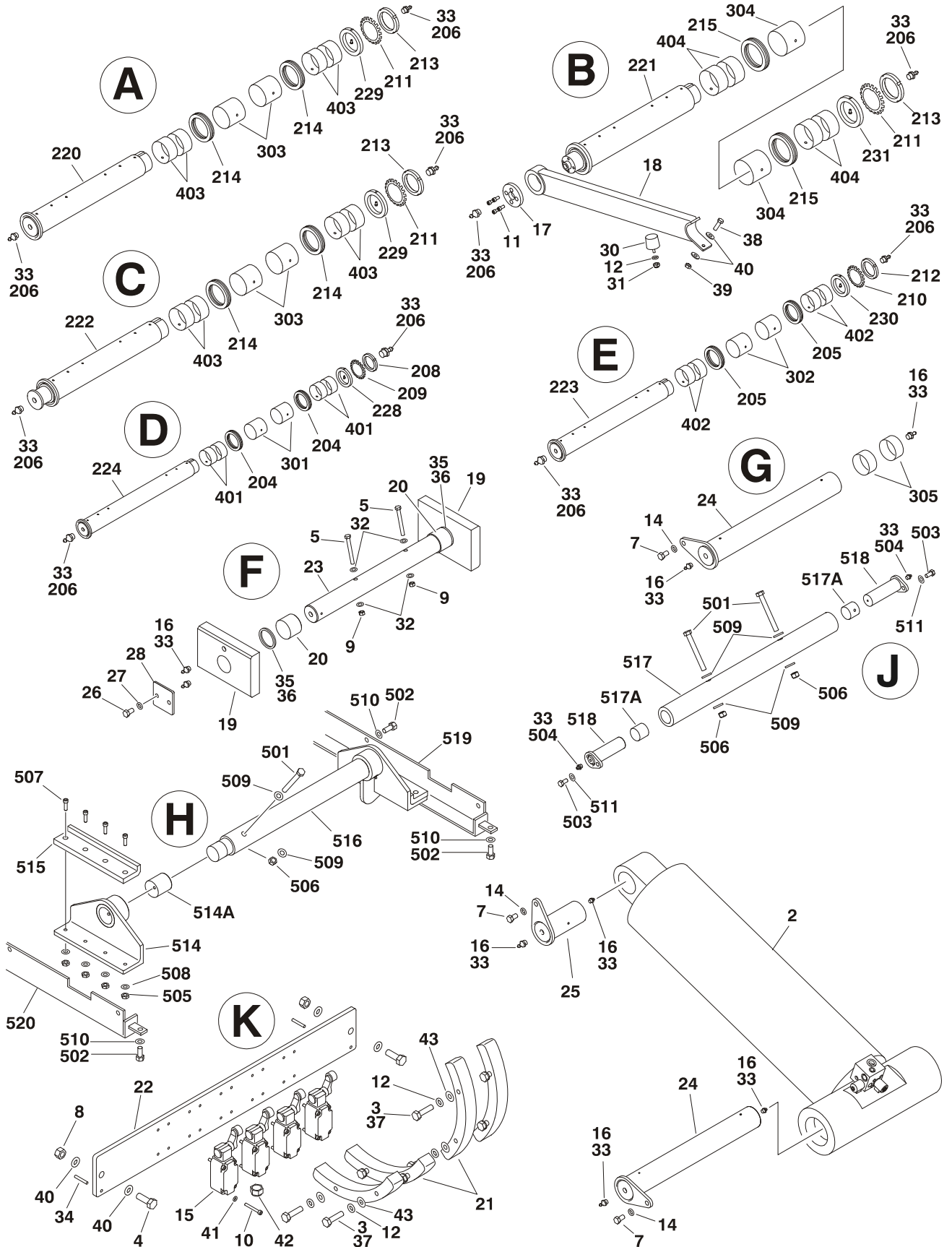
SECTION 3 SCISSORS ARMS

SECTION 3 SCISSORS ARMS

FIGURE 3-1. SCISSORS ARMS INSTALLATION



SECTION 3 SCISSORS ARMS



SECTION 3 SCISSORS ARMS

FIGURE 3-1. SCISSORS ARMS INSTALLATION

ITEM #	PART NUMBER	QTY.	DESCRIPTION	REV.
	0275634	Ref.	SCISSOR ARMS INSTALLATION	G
1	Not Used			
2	0275635	1	Lift Cylinder with Valve Assembly (See Section 5 for Breakdown)	
3	0701015	8	Bolt M10 x 35mm	
4	0701217	2	Bolt M12 x 45mm	
5	0701631	2	Bolt M16 x 140mm	
6	Not Used			
7	0762015	3	Bolt M20 x 35mm	
8	3291207	2	Locknut M12	
9	3291605	2	Locknut M16	
10	4031612	16	Bolt M16 x 40mm	
11	4032111	4	Bolt M12 x 35mm	
12	4812000	9	Flatwasher M10	
13	Not Used			
14	4832500	3	Lockwasher M20	
15	E000376	4	Switch, Limit	
16	2160016	9	Fitting, Grease	
17	S200094	1	Lockwasher	
18	S200095	1	Prop, Safety	
19	S900312	2	Block, Slide	
20	S200100	2	Spacer	
21	S200132	4	Cam	
22	S900111	1	Plate, Switch Mounting	
23	S900125	1	Pin	
24	S900126	2	Pin	
25	S900127	1	Pin	
26	0760605	4	Bolt M6 x10mm	
27	4831700	4	Lockwasher M6	
28	S900288	2	Plate, Cover	
29	Not Used			
30	S001592	1	Bumper	
31	3291005	1	Locknut M10	
32	4812300	4	Flatwasher M16	
33	S000142	41	Cap, Grease Fitting	
34	3440816	2	Rollpin	
35	S900329	A/R	Shim 2mm	
36	S900330	A/R	Shim 3mm	
37	Not Used			
38	0761217	1	Bolt M12 x 45mm	
39	3291205	1	Locknut M12	
40	4812100	6	Flatwasher M12	
41	4831600	16	Lockwasher M5	
42	E000269	4	Relief, Strain	
43	4832000	8	Lockwasher M10	
	0275609	Ref.	SCISSOR ARMS & CABLE SUB-ASSEMBLY	E
101	0700812	12	Bolt M8 x 25mm	

SECTION 3 SCISSORS ARMS

FIGURE 3-1. SCISSORS ARMS INSTALLATION (CONTINUED)

ITEM #	PART NUMBER	QTY.	DESCRIPTION	REV.
102	Not Used			
103	2754478	1	Hose	
104	2754526	1	Hose	
105	4031709	A/R	Bolt M6 x 25mm	
106	4831900	12	Lockwasher M8	
107	E000016	12	Connector, Strain Relief	
108	E000045	36	Connector, Strain Relief	
109	Not Used			
110	H000371	3	Clamp, Cable	
111	H000430	A/R	Clamp, Cable	
112	Not Used			
113	S900223	2	Cover	
114	1062255	A/R	Tie-Strap (Not Shown)	
	S900128	Ref.	SCISSOR ARMS ASSEMBLY	F
201 to 203	Not Used			
204	S000123	6	Bearing, Ball Thrust	
205	S000124	14	Bearing, Ball Thrust	
206	2160016	32	Fitting, Grease	
207	Not Used			
208	S000191	3	Nut, 60mm	
209	S000233	3	Retaining Washer, 60mm	
210	S000234	7	Retaining Washer, 80mm	
211	S001238	6	Retaining Washer, 100mm	
212	S001240	7	Nut, 80mm	
213	S001241	6	Nut, 100mm	
214	S001491	10	Bearing, Ball Thrust	
215	S001492	2	Bearing, Ball Thrust	
216 to 219	Not Used			
220	S007120	4	Pin, 110 mm	
221	S007121	1	Pin, 130 mm	
222	S007122	1	Pin, 110 mm	
223	S007123	7	Pin, 90 mm	
224	S007124	3	Pin, 75 mm	
225	S200075	1	Arm #1 Inner (See Items 301 to 305 for Breakdown)	
226	S200078	1	Arm #2 Inner (See Items 301 to 305 for Breakdown)	
227	S200081	1	Arm #3 Inner (See Items 301 to 305 for Breakdown)	
228	S200090	3	Washer & Pin	
229	S200091	5	Washer & Pin	
230	S200092	7	Washer & Pin	
231	S200093	1	Washer & Pin	
232	S900240	95	Pad	
233	S900242	1	Arm #4 Inner (See Items 301 to 305 for Breakdown)	
234	S900243	1	Arm #5 Inner (See Items 301 to 305 for Breakdown)	
235	S900244	1	Arm #6 Inner (See Items 301 to 305 for Breakdown)	
236	S900245	1	Arm RH #1 Outer (See Items 401 to 404 for Breakdown)	
237	S900246	1	Arm RH #2 Outer (See Items 401 to 404 for Breakdown)	
238	S900247	1	Arm RH #3 Outer (See Items 401 to 404 for Breakdown)	

SECTION 3 SCISSORS ARMS

FIGURE 3-1. SCISSORS ARMS INSTALLATION (CONTINUED)

ITEM #	PART NUMBER	QTY.	DESCRIPTION	REV.
239	S900248	1	Arm RH #4 Outer (See Items 401 to 404 for Breakdown)	
240	S900249	1	Arm RH #5 Outer (See Items 401 to 404 for Breakdown)	
241	S900250	1	Arm RH #6 Outer (See Items 401 to 404 for Breakdown)	
242	S900251	1	Arm LH #1 Outer (See Items 401 to 404 for Breakdown)	
243	S900252	1	Arm LH #2 Outer (See Items 401 to 404 for Breakdown)	
244	S900253	1	Arm LH #3 Outer (See Items 401 to 404 for Breakdown)	
245	S900254	1	Arm LH #4 Outer (See Items 401 to 404 for Breakdown)	
246	S900255	1	Arm LH #5 Outer (See Items 401 to 404 for Breakdown)	
247	S900256	1	Arm LH #6 Outer (See Items 401 to 404 for Breakdown)	
		Ref.	INNER SCISSOR ARM WELDMENTS	
	S200075	Ref.	Arm #1 Inner	
	S200078	Ref.	Arm #2 Inner	
	S200081	Ref.	Arm #3 Inner	
	S900242	Ref.	Arm #4 Inner	
	S900243	Ref.	Arm #5 Inner	
	S900244	Ref.	Arm #6 Inner	
301	S000188	6	Bushing, 75 x 80mm (S900243 qty 2 & S900244 qty 4)	
302	S000117	14	Bushing, 90 x 100mm (S200078 qty 2, S200081 qty 4, S900242 qty 4 & S900243 qty 4)	
303	S001595	10	Bushing, 110 x 110mm (S200075 qty 4, S200078 qty 2, S200081 qty2 & S900242 qty 2)	
304	S001498	2	Bushing, 130 x 100mm (S200078 qty 2)	
305	S001496	2	Bushing, 110 x 60mm (S200075 qty 2)	
		Ref.	OUTER SCISSOR ARM WELDMENTS	
	S900245	Ref.	Arm RH #1 Outer	
	S900246	Ref.	Arm RH #2 Outer	
	S900247	Ref.	Arm RH #3 Outer	
	S900248	Ref.	Arm RH #4 Outer	
	S900249	Ref.	Arm RH #5 Outer	
	S900250	Ref.	Arm RH #6 Outer	
	S900251	Ref.	Arm LH #1 Outer	
	S900252	Ref.	Arm LH #2 Outer	
	S900253	Ref.	Arm LH #3 Outer	
	S900254	Ref.	Arm LH #4 Outer	
	S900255	Ref.	Arm LH #5 Outer	
	S900256	Ref.	Arm LH #6 Outer	
401	S000116	12	Bushing, 75 x 60mm (S900249 qty2, S900250 qty4, S900255 qty2 & S900256 qty4)	
402	S000118	28	Bushing, 90 x 60mm (S900246 qty2, S900247 qty4, S900248 qty4, S900249 qty4, S900252 qty2, S900253 qty4, S900254 qty4 & S900255 qty4)	
403	S001496	20	Bushing, 110 x 60mm (S900245 qty4, S900246 qty2, S900247 qty2, S900248 qty2, S900251 qty4, S900252 qty2, S900253 qty2 & S900254 qty2)	
404	S001497	4	Bushing, 130 x 60mm (S900246 qty2 & S900252 qty2)	

SECTION 3 SCISSORS ARMS

FIGURE 3-1. SCISSORS ARMS INSTALLATION (CONTINUED)

ITEM #	PART NUMBER	QTY.	DESCRIPTION	REV.
	0275749	Ref.	SCISSOR ARMS TO PLATFORM ATTACHMENT INSTALLATION	E
501	0701631	3	Bolt M16 x 120mm	
502	0761010	14	Bolt M10 x 20mm	
503	0761212	2	Bolt M12 x 25mm	
504	2160016	4	Fitting, Grease	
505	3291005	8	Locknut M10	
506	3291605	3	Locknut M16	
507	4032011	8	Capscrew M10 x 35mm	
508	4812000	8	Flatwasher M10	
509	4812300	6	Flatwasher M16	
510	4832000	14	Lockwasher M10	
511	4832100	2	Lockwasher M12	
512 to 513	Not Used			
514	1001102404	2	Slide Support (was p/n S900120)	
514A	S000010	2	Bushing, 60 x 70mm	
515	S900121	2	Wear Pad	
516	S007043	1	Pin, 75 mm (was p/n S900122)	
517	S900123	1	Pin, 75 mm	
517A	S001499	2	Bushing, 45 x 50mm	
518	S900124	2	Pin, Outer Scissor Arm to Platform	
519	S900279	1	Bracket, Slide Constraint (Right)	
520	S900280	1	Bracket, Slide Constraint (Left)	
521	S000242	A/R	Cap, Grease Fitting (Not Shown)	

SECTION 3 SCISSORS ARMS

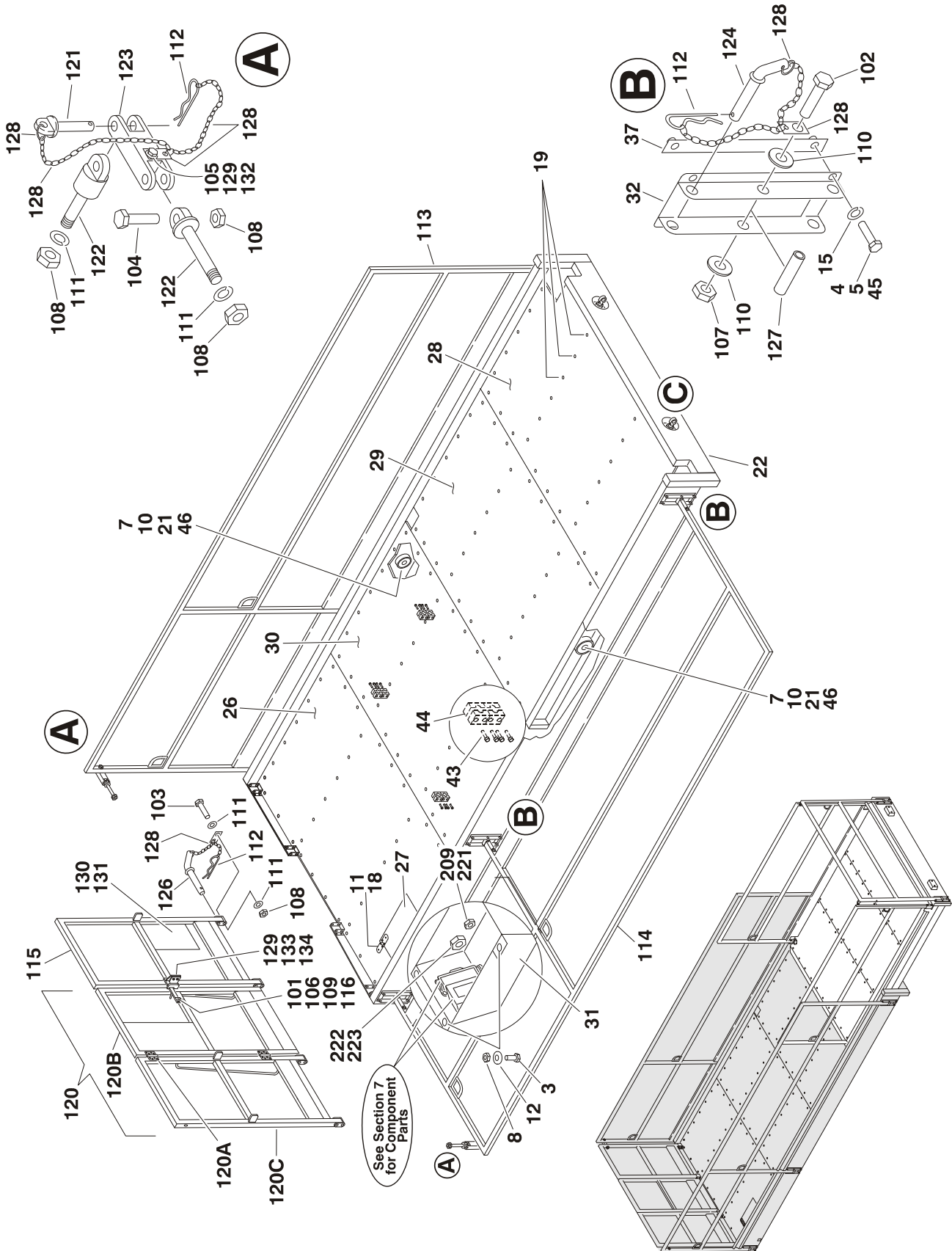
FIGURE 3-1. SCISSORS ARMS INSTALLATION (CONTINUED)

ITEM #	PART NUMBER	QTY.	DESCRIPTION	REV.

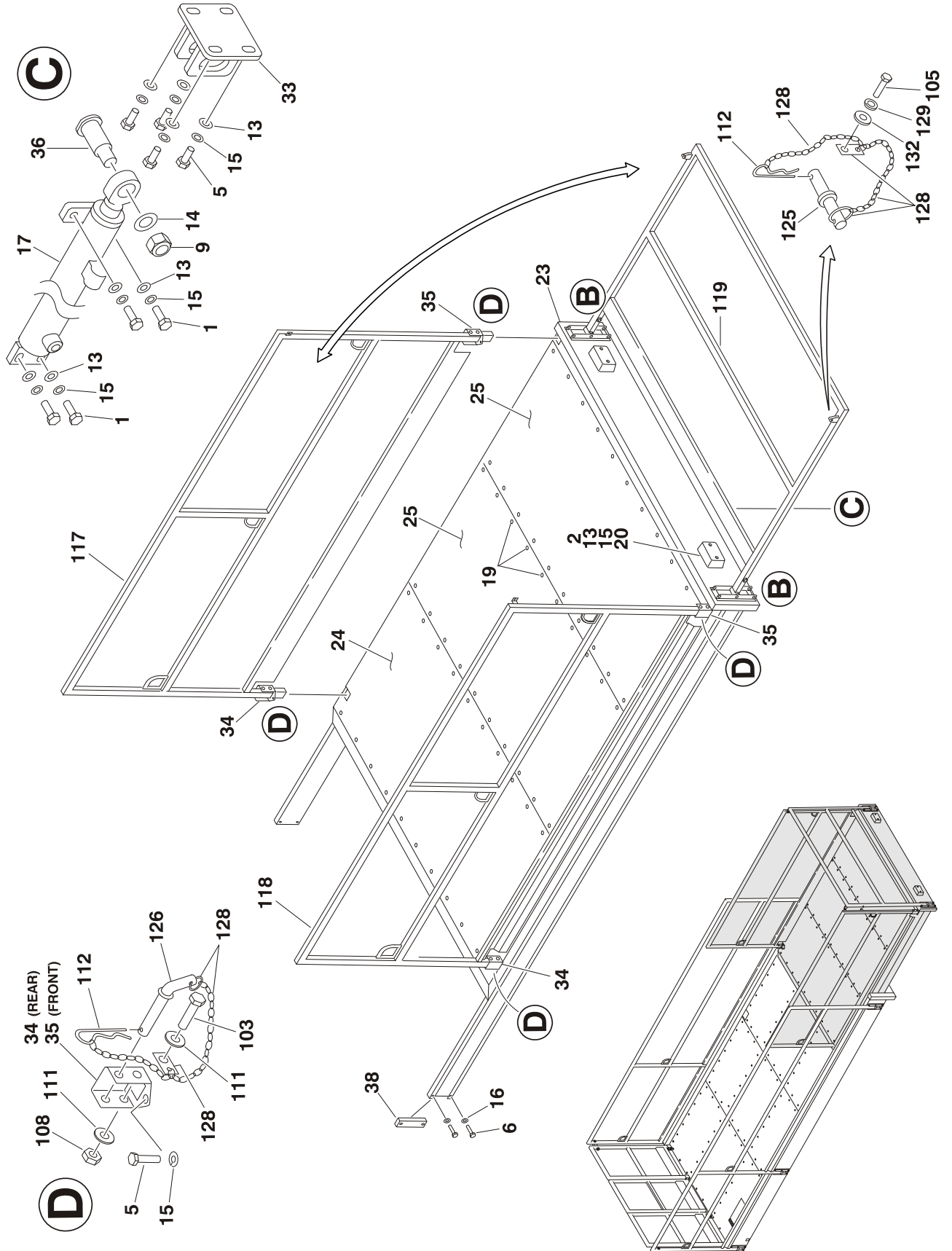
SECTION 4 PLATFORM

SECTION 4 PLATFORM

FIGURE 4-1. PLATFORM AND ACCESSORIES INSTALLATION



SECTION 4 PLATFORM



SECTION 4 PLATFORM

FIGURE 4-1. PLATFORM AND ACCESSORIES INSTALLATION

ITEM #	PART NUMBER	QTY.	DESCRIPTION	REV.
	0275640	Ref. Ref.	PLATFORM & EXTENSION INSTALLATION Note: Replacement decals must be purchased separately - See Section 8.	I
1	0701014	8	Bolt M10 x 30mm	
2	0701020	4	Bolt M10 x 60mm	
3	0760610	4	Bolt M6 x 20mm	
4	0761010	4	Bolt M10 x 20mm	
5	0761012	36	Bolt M10 x 25mm	
6	0761214	4	Bolt M12 x 30mm	
7	2160016	4	Fitting, Grease	
8	3290605	4	Locknut M6	
9	3292005	2	Locknut M20	
10	3760491	4	Snap Ring	
11	3900376	12	Screw, Countersunk M4 x 13mm	
12	4811700	8	Flatwasher M6	
13	4812000	20	Flatwasher M10	
14	4812500	2	Flatwasher M20	
15	4832000	56	Lockwasher M10	
16	4832100	4	Lockwasher M12	
17	H900020	2	Extension Cylinder Assembly (See Section 5 for Breakdown)	
18	S000237	2	Hinge	
19	S001445	A/R	Screw, Self-Tapping	
20	S001640	2	Bumper	
21	S005049	4	Roller	
22	S200012	1	Platform Weldment	
23	S200033	1	Extension Weldment	
24	S900041	1	Plate, Extension Deck Front Floor	
25	S900042	2	Plate, Extension Deck Floor	
26	S900043	1	Plate, Main Deck Front Floor	
27	S900044	1	Door, Receptacle Compartment	
28	S900045	1	Plate, Main Deck Rear Floor	
29	S900046	1	Plate, Main Deck Rear Middle Floor	
30	S900130	1	Plate, Main Deck Front Middle Floor	
31	S900229	1	Compartment, Receptacle	
32	S900269	8	Bracket, Hinge	
33	S900276	2	Bracket, Extension Cylinder Attaching	
34	S900277	2	Bracket, Extension Rail (Rear)	
35	S900278	2	Bracket, Extension Rail (Front)	
36	S900289	2	Pin, Extension Cylinder	
37	S900291	12	Anchor Plate	
38	S900293	2	Stop, Extension	
39 to 42	Not Used			
43	4031709	24	Capscrew M6 x 25mm	
44	H000430	12	Clamp, Cable/Hose	
45	0761008	4	Bolt M10 x 16mm	
46	S000142	4	Cap, Grease Fitting (Prior to S/N 1200022285)	

SECTION 4 PLATFORM

FIGURE 4-1. PLATFORM AND ACCESSORIES INSTALLATION (CONTINUED)

ITEM #	PART NUMBER	QTY.	DESCRIPTION	REV.
	0275638	Ref.	RAILS INSTALLATION	I
101	0700615	1	Bolt M6 x 35mm	
102	0701029	8	Bolt M10 x 120mm	
103	0761228	8	Bolt M10 x 110mm	
104	0701217	2	Bolt M12 x 45mm	
105	0760608	4	Bolt M6 x 16mm	
106	3290605	1	Nut M6	
107	3291005	8	Locknut M10	
108	3291205	14	Locknut M12	
109	4811700	A/R	Flatwasher M6	
110	4812000	16	Flatwasher M10	
111	4812100	24	Flatwasher M12	
112	S000145	20	Pin, Cotter	
113	S200017	1	Rail, Main Platform (Right Side)	
114	S200015	1	Rail, Main Platform (Left Side)	
115	1001101886	1	Rail, Platform End (Right Side)	
		Ref.	Note: For machines prior to S/N 1200020020, customer must also purchase qty. 2 item 129, qty. 1 item 133 & qty. 2 item 134.	
116	S200238	1	Latch, Gate	
117	S900233	1	Rail, Platform Extension (Right Side)	
118	S900234	1	Rail, Platform Extension (Left Side)	
119	S900235	1	Rail, Platform Extension End	
120	S900264	1	Rail, Platform End (Left Side & Gate)	
120A	2080040	A/R	Fastener, Huck	
	2600281	2	Hinge	
120B	1001101885	1	Gate	
120C	1001101884	1	Rail, Platform Front (Left Side)	
121	S900117	2	Pin	
122	S900118	4	Pin	
123	S900267	2	Bar	
124	S900268	8	Pin	
125	S900113	2	Pin	
126	S900271	8	Pin	
127	S900274	8	Tube	
128	S900275	20	Chain Assembly (Includes Mounting Plate & Attaching Ring)	
129	4831700	6	Lockwasher M6	
130	2080040	3	Fastener, Huck	
131	S200027-11	1	Plate, Manual Box Attaching	
132	4811702	4	Flatwasher M6 (Wide)	
133	1001103161	1	Plate, Adjustable Lock	
134	0760612	2	Bolt M6 x 25mm	

SECTION 4 PLATFORM

FIGURE 4-1. PLATFORM AND ACCESSORIES INSTALLATION (CONTINUED)

ITEM #	PART NUMBER	QTY.	DESCRIPTION	REV.
	0275639	Ref.	RECEPTACLES INSTALLATION	H
201 to 208	Not Used			
209	E000016	1	Connector, Strain Relief (was p/n 4460071)	
210 to 220	Not Used			
221	1001097369	1	Nut, Strain Relief	
222	1001097370	1	Nut, Strain Relief	
223	E000045	1	Connector, Strain Relief	

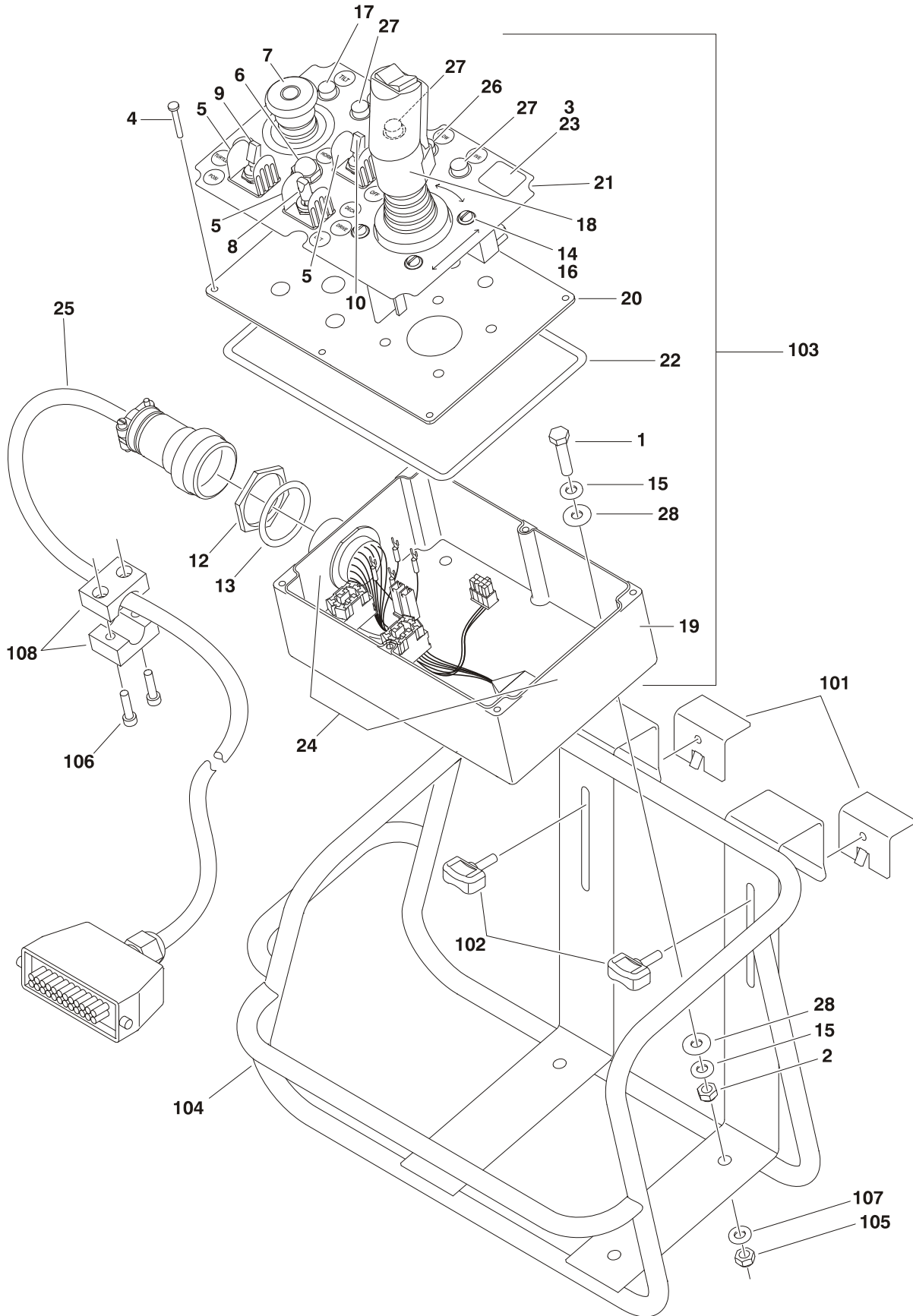
SECTION 4 PLATFORM

FIGURE 4-1. PLATFORM AND ACCESSORIES INSTALLATION (CONTINUED)

ITEM #	PART NUMBER	QTY.	DESCRIPTION	REV.

SECTION 4 PLATFORM

FIGURE 4-2. PLATFORM CONSOLE ASSEMBLY & INSTALLATION



SECTION 4 PLATFORM

FIGURE 4-2. PLATFORM CONSOLE ASSEMBLY & INSTALLATION

ITEM #	PART NUMBER	QTY.	DESCRIPTION	REV.
	E900026	Ref.	PLATFORM CONSOLE ASSEMBLY	F
1	0760508 0760815	4	Bolt Options: Prior to S/N 1200016563 (M5 x 16mm) S/N 1200016563 to Present (M8 x 35mm)	
2	3290505 3290805	4	Locknut Options: Prior to S/N 1200016563 (M5 Locknut) S/N 1200016563 to Present (M8 Locknut)	
3	3520060	1	Plug	
4	4010414	6	Screw M4 x 30mm	
5	4060802	3	Guard, Switch	
6	4360387	1	Switch, Push Button	
7	4360475	1	Switch, Emergency Stop	
	7020175	1	Cap, Red	
	7020176	1	Block, Contact	
8	4360525	1	Switch, Toggle	
9	4360693	1	Switch, Toggle	
10	4360698	1	Switch, Toggle	
11	4460121	1	Cap, Wire (Not Shown)	
12	4460470	1	Nut, Terminal	
13	4460471	1	Lockwasher, Terminal	
14	4740120	4	Washer, Nylon	
15		A/R	Flatwasher Options:	
	4811600	4	Prior to S/N 1200016563 (M5 Flatwasher)	
	4811900	8	S/N 1200016563 to Present (M8 Flatwasher)	
16	8303891	4	Screw #10-32NF x 3/4"	
17	E000419	1	Light, LED (Red)	
18	E900025	1	Drive/Steer Controller Assembly (See Figure 4-3 for Breakdown)	
19	1001096367	1	Box, Control (was p/n E900028)	
20	E900029		Lid, Control Box	
21	E900030	1	Decal, Console	
22	E900031	1	Seal	
23	E900036	1	Decal	
24	E900041	1	Harness, Platform Console Box (See Section 7 for Breakdown)	
25	E900042	1	Harness, Jumper (See Section 7 for Breakdown)	
26	E900048	1	Light, LED (Yellow)	
27	E900049	3	Light, LED (Green)	
28	4811902	8	Flatwasher M8 (Large O.D. - S/N 1200016563 to Present Only)	
	0275673	Ref.	PLATFORM CONSOLE INSTALLATION	C
101	0181847	2	Clamp, Console Bracket	
102	2560141	2	Screw, Thumb	
103	E900026	1	Console Assembly, Platform (see Items 1 - 28 for Breakdown)	
104		1	Bracket, Console Panel Options:	
	S000009		Prior to S/N 1200016563	
	1001096366		S/N 1200016563 to Present	
105	3290805	4	Locknut M8	
106	4031709	2	Screw M6 x 25mm	

SECTION 4 PLATFORM

FIGURE 4-2. PLATFORM CONSOLE ASSEMBLY & INSTALLATION (CONTINUED)

ITEM #	PART NUMBER	QTY.	DESCRIPTION	REV.
107	4811900	4	Flatwasher M8	
108	H000371	1	Clamp	

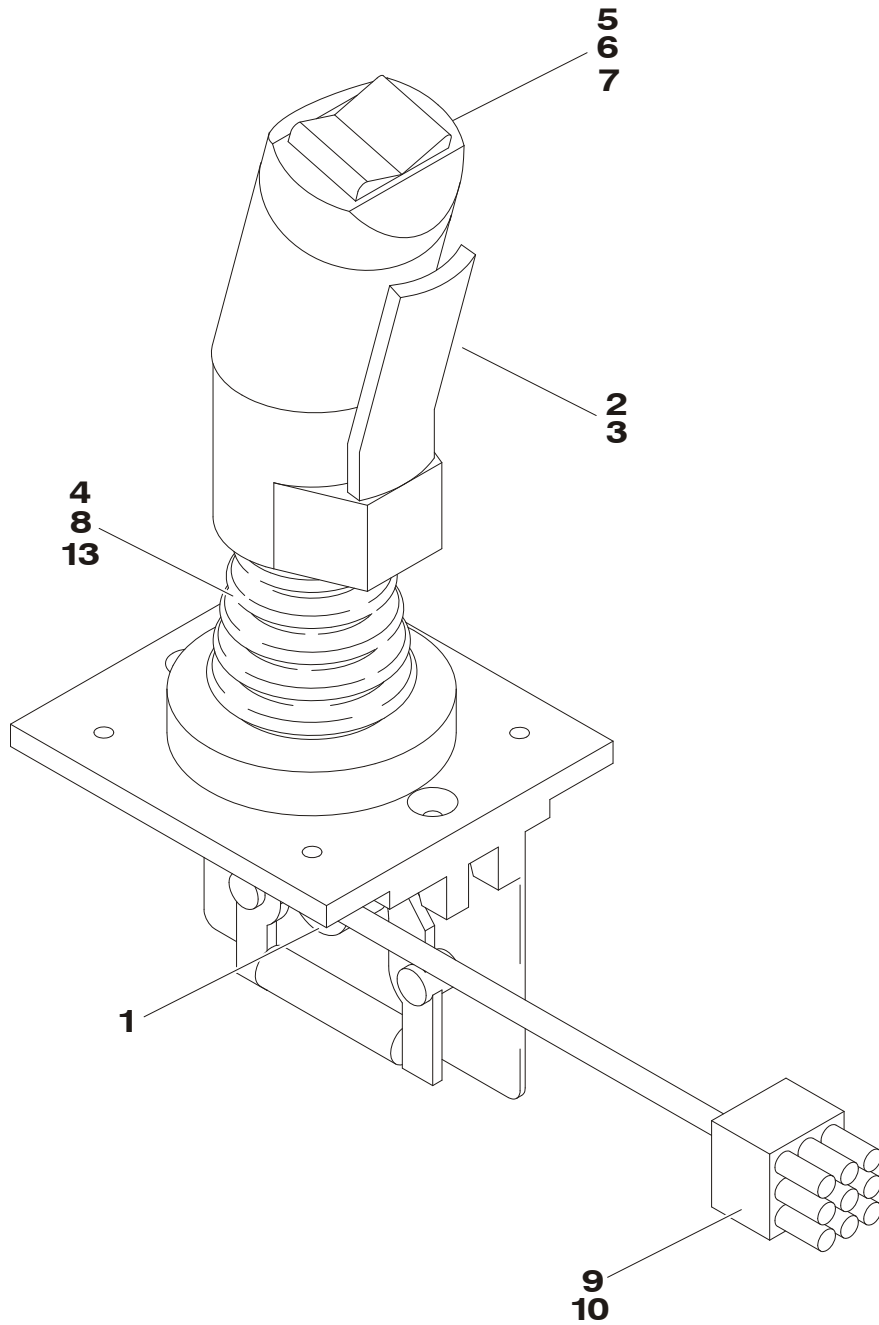
SECTION 4 PLATFORM

FIGURE 4-2. PLATFORM CONSOLE ASSEMBLY & INSTALLATION (CONTINUED)

ITEM #	PART NUMBER	QTY.	DESCRIPTION	REV.

SECTION 4 PLATFORM

FIGURE 4-3. DRIVE/STEER CONTROLLER ASSEMBLY



SECTION 4 PLATFORM

FIGURE 4-3. DRIVE/STEER CONTROLLER ASSEMBLY

ITEM #	PART NUMBER	QTY.	DESCRIPTION	REV.
	E900025	Ref.	DRIVE/STEER CONTROLLER ASSEMBLY	B
1	7000081	1	Potentiometer	
2	7027367	1	Switch, Push Button (Not Shown - Located Behind Item #3)	
3	7027765	1	Lever, Enabler	
4	7027766	1	Ring, Retaining	
5	7000082	1	Microswitch	
6	7000083	1	Coupler, Microswitch	
7	7000084	1	Cap, Rubber	
8	7000085	1	Boot, Rubber	
9	4460265	1	Plug, Male - 9 Pin	
10	4460226	6	Socket, Female	
11	4460266	1	Connector, Receptacle - 9 Pin (Not Shown - Part of Console Harness)	
12	4460267	6	Pin, Male (Not Shown - Part of Console Harness)	
13	7000685	1	Washer, Plastic Bushing	
14	7000684	A/R	Screw, Handle (Not Shown)	
15	See Note	A/R	Nut, Handle (Not Shown) (Note: Not Available for Purchase)	
16	7000683	A/R	Washer, Neoprene (Not Shown)	
17	7000686	A/R	Screw, Handle (Not Shown)	

SECTION 4 PLATFORM

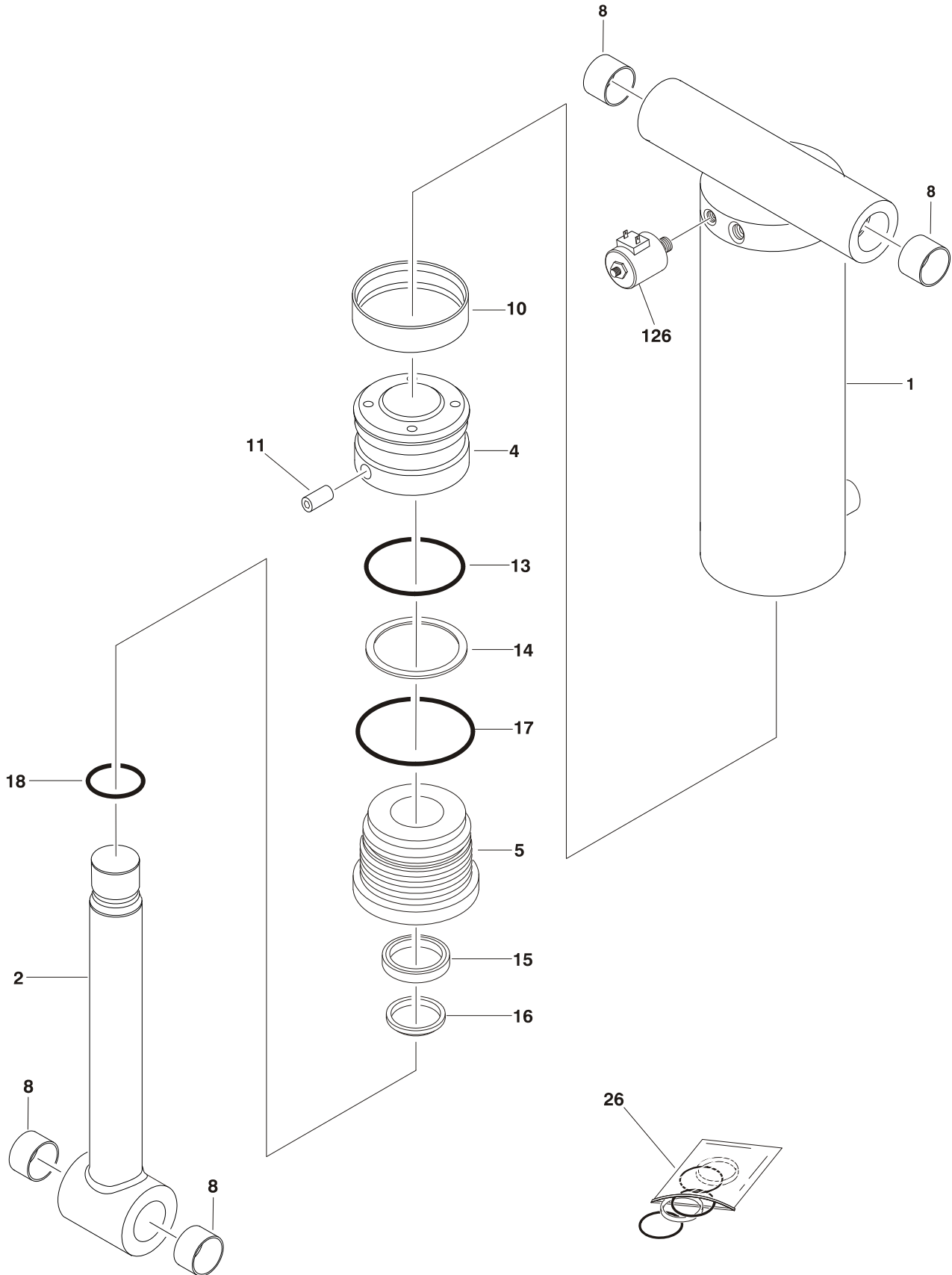
FIGURE 4-3. DRIVE/STEER CONTROLLER ASSEMBLY (CONTINUED)

ITEM #	PART NUMBER	QTY.	DESCRIPTION	REV.

SECTION 5 CYLINDER

SECTION 5 CYLINDER

FIGURE 5-1.AXLE LOCKOUT CYLINDER ASSEMBLY



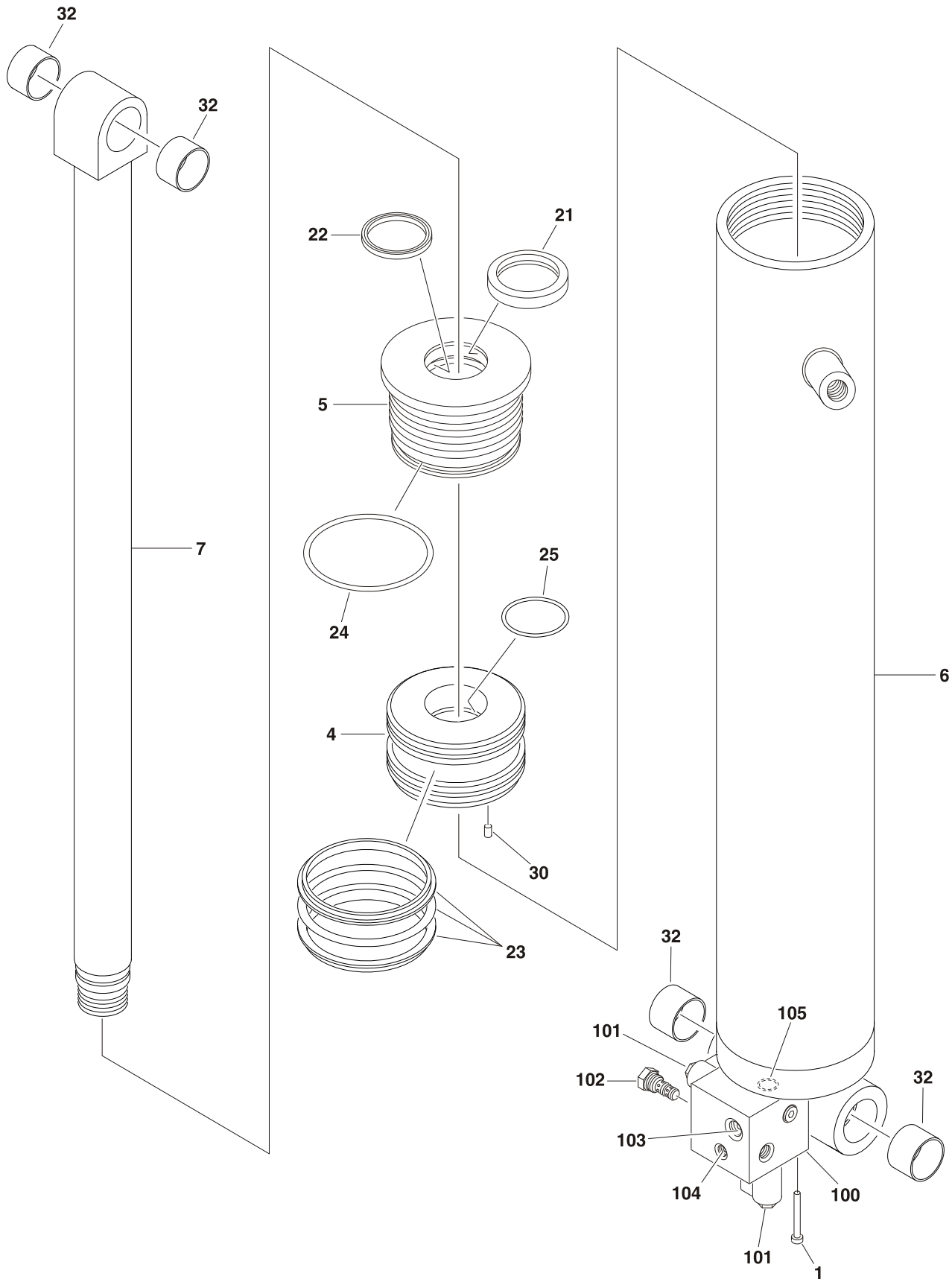
SECTION 5 CYLINDER

FIGURE 5-1. AXLE LOCKOUT CYLINDER ASSEMBLY

ITEM #	PART NUMBER	QTY.	DESCRIPTION	REV.
	H900009	Ref.	AXLE LOCKOUT CYLINDER ASSEMBLY	D
1	70000748	1	Barrel	
2	70000747	1	Rod	
3	Not Used			
4	70000744	1	Piston	
5	70000745	1	Head	
6 to 7	Not Used			
8	70000746	4	Bushing	
9	Not Used			
10	Use 7026103	1	Piston Seal	
11	See Note	1	Setscrew (Note: Not Available - Purchase Locally)	
12	Not Used			
13	Use 7026103	1	Head Seal	
14	Use 7026103	1	Backup Ring	
15	Use 7026103	1	Rod Seal	
16	Use 7026103	1	Wiper	
17	Use 7026103	1	O-Ring	
18	Use 7026103	1	O-Ring	
19 to 25	Not Used		-----	
26	7026103	1	Seal Kit (Includes Items 10,13,14,15,16,17 & 18)	
	H900070	Ref.	INLINE VALVE KIT	5
101 to 125	Not Used			
126	H000280	1	Valve, Load Check	
	7012986	1	Coil	
	7024897	1	Cartridge	
	7012972	1	Seal Kit - 7024897 Valve	

SECTION 5 CYLINDER

FIGURE 5-2. LIFT CYLINDER ASSEMBLY



SECTION 5 CYLINDER

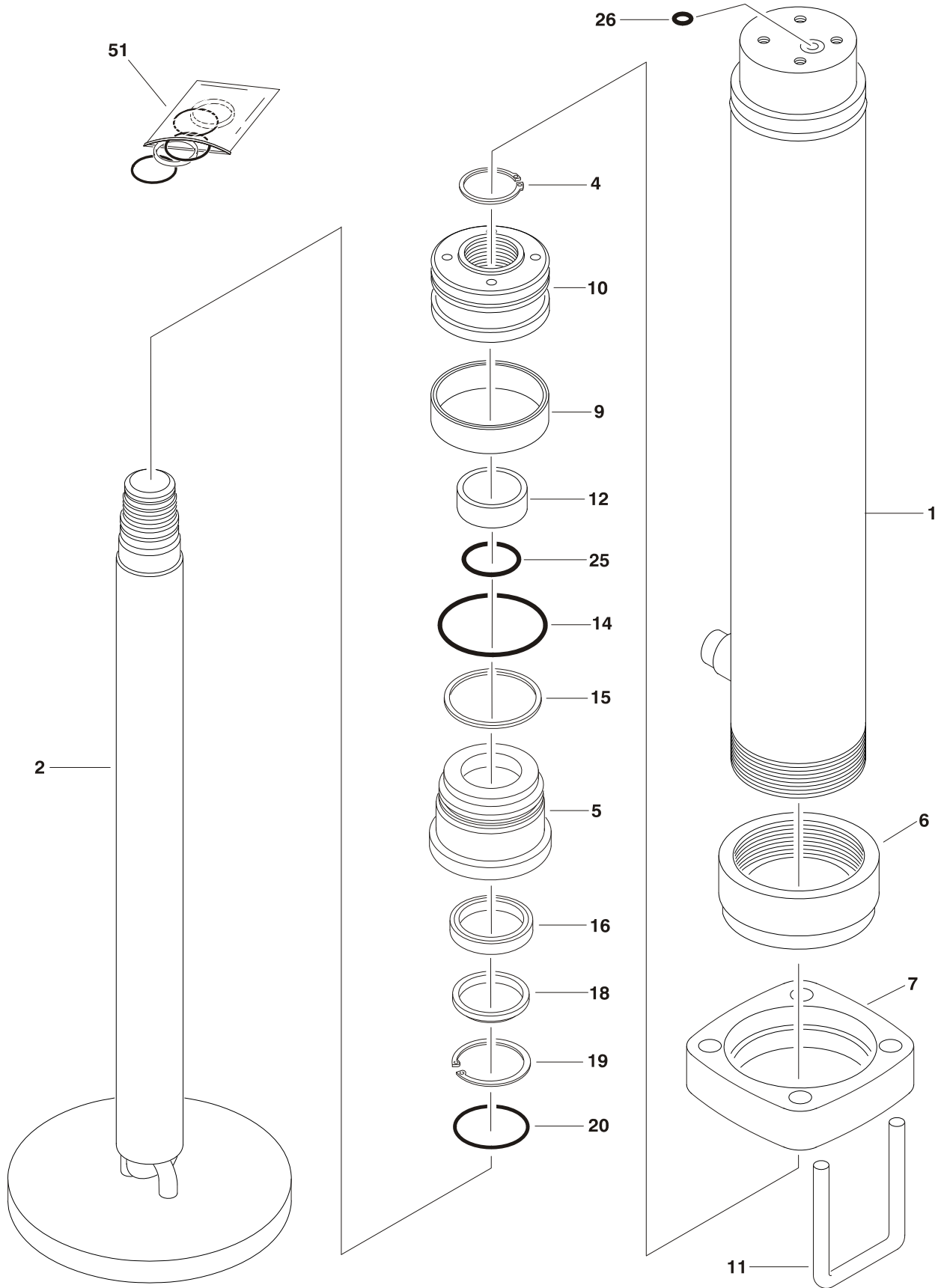
FIGURE 5-2. LIFT CYLINDER ASSEMBLY

ITEM #	PART NUMBER	QTY.	DESCRIPTION	REV.
	0275635	Ref.	LIFT CYLINDER & VALVE COMPLETE	A
1	4032025	4	Capscrew M10 x 120mm	
	H000444	Ref.	LIFT CYLINDER ASSEMBLY ONLY	
2 to 3	Not Used			
4	S201640	1	Piston	
5	S201641	1	Cylinder Head	
6	S201639	1	Cylinder Barrel	
7	S201638	1	Piston Rod	
8 to 20	Not Used			
21	H003085	1	Wiper	
22	H003091	1	Rod Seal	
23	H000532	1	Piston Seal	
24	H003115	1	O-Ring	
25	H003108	1	O-Ring	
26	Not Used			
27	70000184	1	O-Ring (Not Shown)	
28 to 29	Not Used			
30	S200910	1	Setscrew	
31	Not Used			
32	S001496	4	Bushing	
		Ref.	Note: No seal kit available. Purchase individual seals.	

100	H900065	Ref.	LOWER/LIFT VALVE ASSEMBLY ONLY	C
101	70000219	2	Cartridge, Solenoid Valve (Less Coil)	
	7023919	2	Seal Kit - 70000219 Cartridge	
	7017444	2	Coil	
102	70000220	1	Check Valve Cartridge	
	7021632	1	Seal Kit - 70000220 Cartridge	
103	See Note	1	Orifice (Note: Not Available for Purchase)	
104	See Note	1	Orifice (Note: Not Available for Purchase)	
105	70000150	1	O-Ring	

SECTION 5 CYLINDER

FIGURE 5-3. LEVELING CYLINDER ASSEMBLY



SECTION 5 CYLINDER

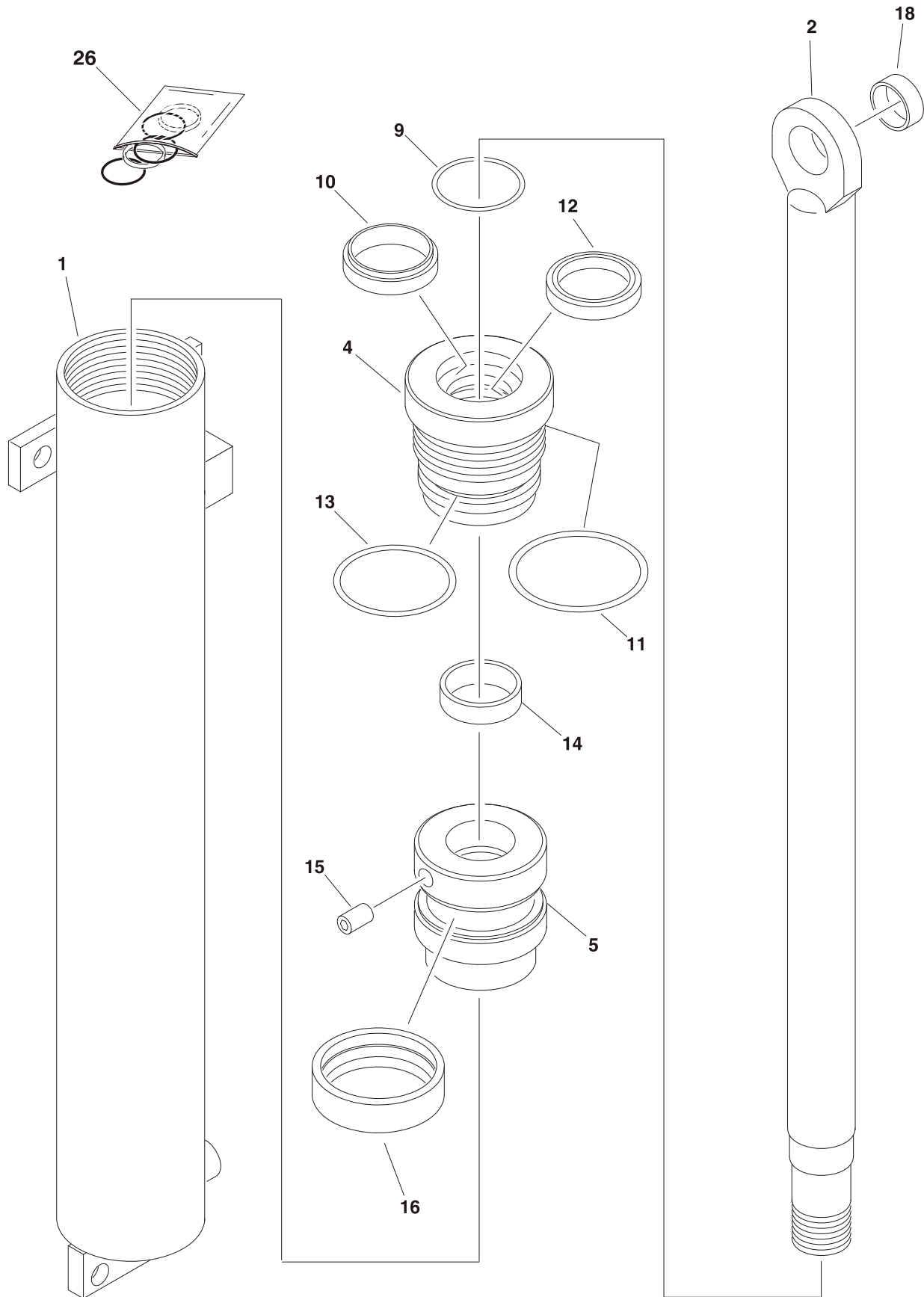
FIGURE 5-3. LEVELING CYLINDER ASSEMBLY

ITEM #	PART NUMBER	QTY.	DESCRIPTION	REV.
		Ref.	LEVELING CYLINDER ASSEMBLY	
	H900008	Ref.	Right Front & Left Rear Cylinder	H
	H900010	Ref.	Left Front & Right Rear Cylinder	H
1		1	Barrel Options: Right Front & Left Rear Cylinder Left Front & Right Rear Cylinder	
	70000703			
	70000706			
2	70000702	1	Rod Assembly	
3	Not Used			
4	70000692	1	Snap Ring	
5	70000693	1	Head	
6	70000694	1	Cap	
7	70000695	1	Mounting Flange (Includes Item #11)	
8	Not Used			
9	Use 70000704	1	Piston Seal	
10	70000696	1	Piston	
11	70000697	1	Stop	
12	70000698	1	Spacer	
13	Not Used			
14	Use 70000704	1	O-Ring	
15	Use 70000704	1	Ring, Back-Up	
16	Use 70000704	1	Seal, Rod	
17	Not Used			
18	Use 70000704	1	Wiper	
19	70000699	1	Snap Ring	
20	Use 70000704	1	O-Ring	
21 to 24	Not Used			
25	Use 70000704	1	O-Ring	
26	70000700	1	O-Ring	
27 to 50	Not Used			

51	70000704	1	Seal Kit (Includes Items 9,14,15,16,18,20 & 25)	

SECTION 5 CYLINDER

FIGURE 5-4. PLATFORM EXTENSION CYLINDER ASSEMBLY



SECTION 5 CYLINDER

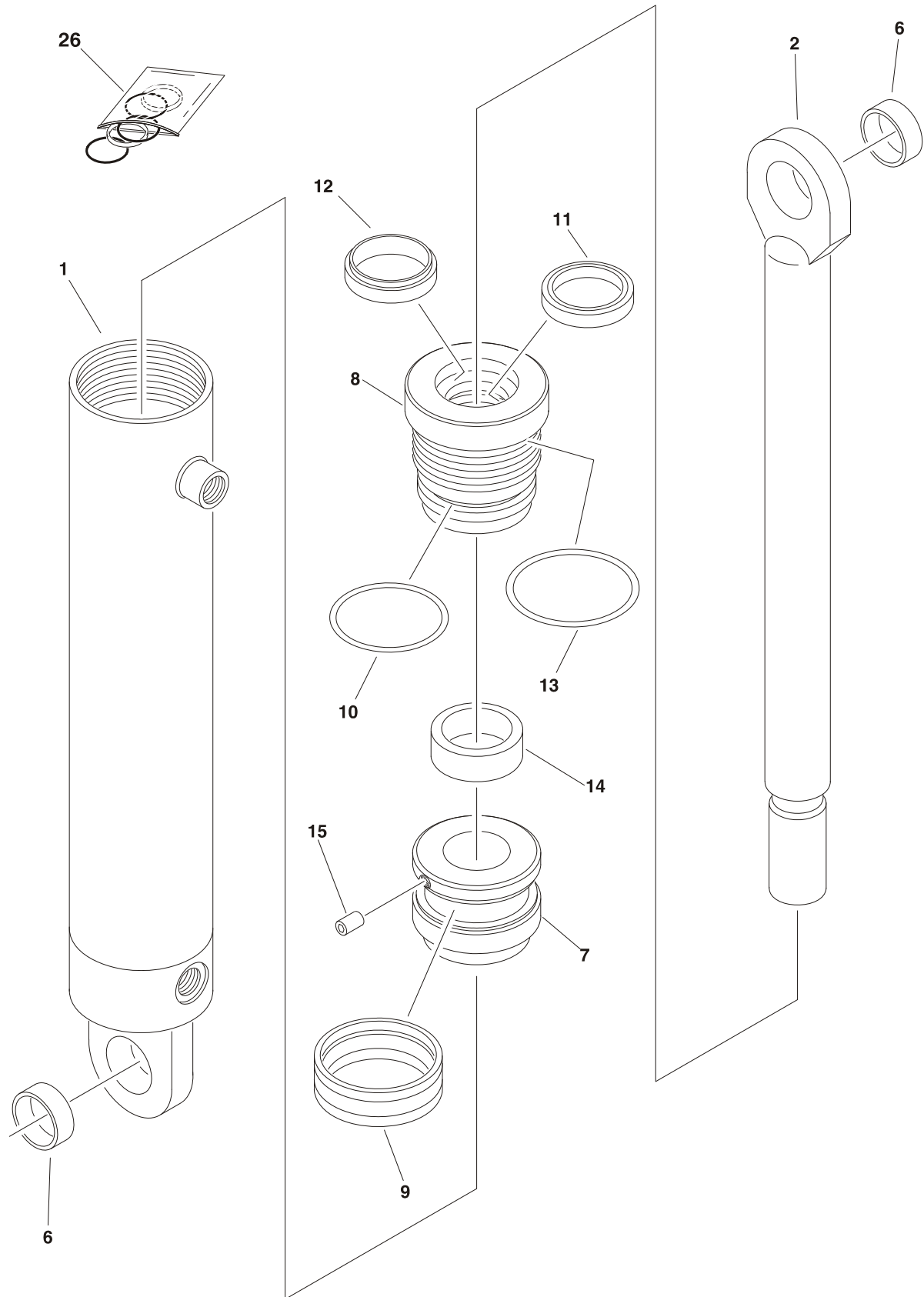
FIGURE 5-4. PLATFORM EXTENSION CYLINDER ASSEMBLY

ITEM #	PART NUMBER	QTY.	DESCRIPTION	REV.
	H900020	Ref.	PLATFORM EXTENSION CYLINDER ASSEMBLY	D
1	70000712	1	Barrel	
2	70000711	1	Rod	
3	Not Used			
4	70000707	1	Head	
5	70000708	1	Piston	
6 to 8	Not Used			
9	Use 70000713	1	O-Ring	
10	Use 70000713	1	Wiper	
11	Use 70000713	1	O-Ring	
12	Use 70000713	1	Rod Seal	
13	Use 70000713	1	Head Seal	
14	70000709	1	Spacer	
15	See Note	1	Setscrew (Note: Not Available - Purchase Locally)	
16	Use 70000713	1	Piston Seal	
17	Not Used			
18	70000710	1	Rod Bushing	
19 to 25	Not Used			

26	70000713	1	Seal Kit (Includes Items 9,10,11,12,13 & 16)	

SECTION 5 CYLINDER

FIGURE 5-5. STEERING CYLINDER ASSEMBLY



SECTION 5 CYLINDER

FIGURE 5-5. STEERING CYLINDER ASSEMBLY

ITEM #	PART NUMBER	QTY.	DESCRIPTION	REV.
	H900014	Ref.	STEERING CYLINDER ASSEMBLY	D
1	70000754	1	Barrel	
2	70000753	1	Rod	
3 to 5	Not Used			
6	70000749	2	Bushing	
7	70000750	1	Piston	
8	70000751	1	Head	
9	Use 70000755	1	Piston Seal	
10	Use 70000755	1	Head Seal	
11	Use 70000755	1	Rod Seal	
12	Use 70000755	1	Wiper	
13	Use 70000755	1	O-Ring	
14	70000752	1	Spacer	
15	See Note	1	Setscrew (Note: Not Available - Purchase Locally)	
16 to 25	Not Used		-----	
26	70000755	1	Seal Kit (Includes Items 9,10,11,12 & 13)	

SECTION 5 CYLINDER

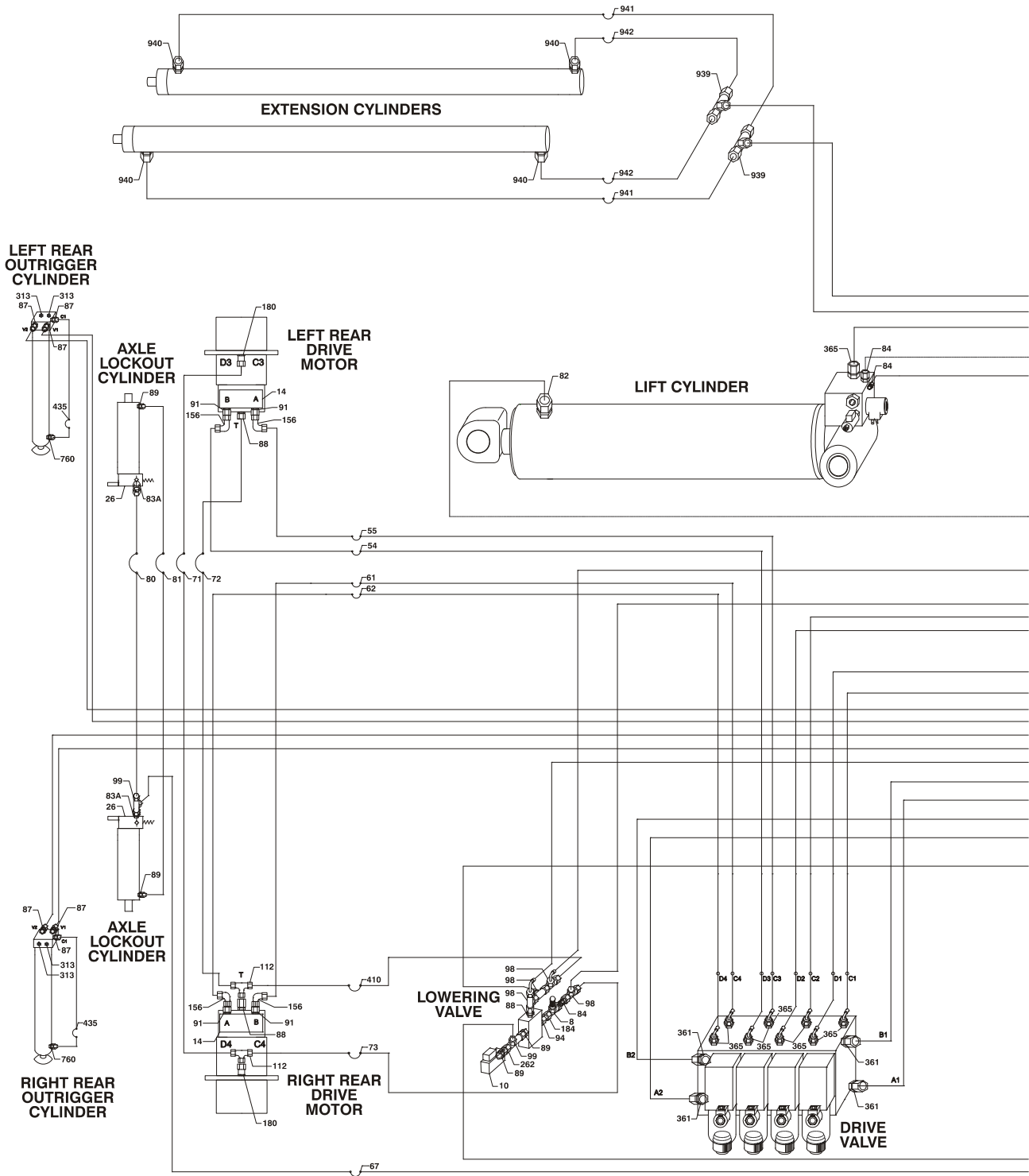
FIGURE 5-5. STEERING CYLINDER ASSEMBLY (CONTINUED)

ITEM #	PART NUMBER	QTY.	DESCRIPTION	REV.

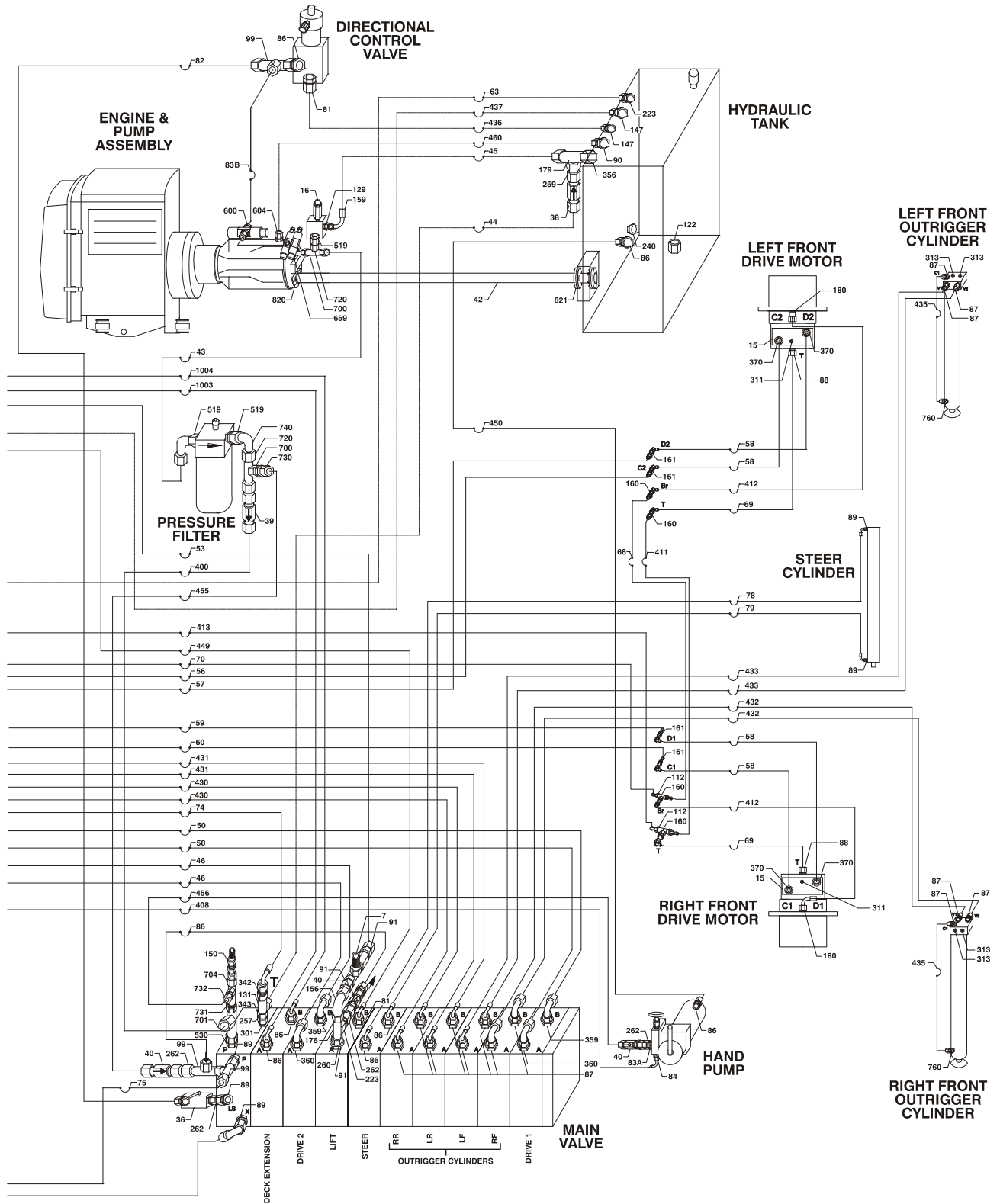
SECTION 6 HYDRAULIC

SECTION 6 HYDRAULIC

FIGURE 6-1. HYDRAULIC DIAGRAM (PRIOR TO S/N 1200021263)



SECTION 6 HYDRAULIC



SECTION 6 HYDRAULIC

FIGURE 6-1. HYDRAULIC DIAGRAM (PRIOR TO S/N 1200021263)

ITEM #	PART NUMBER	QTY.	DESCRIPTION	REV.
	H900067	Ref.	HYDRAULIC DIAGRAM	E
	H900070	Ref.	INLINE VALVE KIT	4
1 to 6	Not Used			
7	H000524	1	Valve, Throttle Check (Not Serviceable - Replace Complete Valve)	
8	H000018	1	Valve, Lowering Speed Adjustment Throttle (Not Serviceable - Replace Complete Valve)	
9	Not Used			
10	H000536	1	Switch, Pressure (Not Serviceable - Replace Complete Valve)	
11 to 15	Not Used			
16	H005529	1	Valve, Pressure Control	
	7024895	1	Cartridge, Valve Less Coil	
	7024896	1	Seal Kit - 7024895 Cartridge	
	7017444	1	Coil	
17 to 25	Not Used			
26	H000280	2	Valve, Load Holding	
	7024897	2	Cartridge, Valve Less Coil (1 Per Valve)	
	7012972	2	Seal Kit - 7024897 Cartridge (1 Per Valve)	
	7012986	2	Coil (1 Per Valve)	
27 to 35	Not Used			
36	H000306	1	Valve, Flow Control (Not Serviceable - Replace Complete Valve)	
37	H000122	1	Valve, Lock-up (Not Serviceable - Replace Complete Valve) (Prior to S/N 1200011762)	
38	H000273	1	Check Valve (Not Serviceable - Replace Complete Valve)	
39	H000123	1	Check Valve (Not Serviceable - Replace Complete Valve)	
40	H000351	3	Check Valve (Not Serviceable - Replace Complete Valve)	
	H900068	Ref.	HYDRAULIC FITTING KIT	5
	H900069	Ref.	HYDRAULIC HOSE KIT	5
41	1321564	2	Clamp (Not Shown)	
42	2754464	1	Hose	
43	2754463	1	Hose	
44	2754426	1	Hose	
45	2754422	1	Hose	
46	2754459	2	Hose	
47 to 49	Not Used			
50	2754458	2	Hose	
51 to 52	Not Used			
53	2754455	1	Hose	
54	2754453	1	Hose	
55	2754453	1	Hose	
56	2754457	1	Hose	
57	2754457	1	Hose	
58	2754454	4	Hose	
59	2754456	1	Hose	
60	2754455	1	Hose	

SECTION 6 HYDRAULIC

FIGURE 6-1. HYDRAULIC DIAGRAM (PRIOR TO S/N 1200021263) (CONTINUED)

ITEM #	PART NUMBER	QTY.	DESCRIPTION	REV.
61	2754452	1	Hose	
62	2754451	1	Hose	
63	2754445	1	Hose	
64 to 66	Not Used			
67	2754429	1	Hose	
68	2754441	1	Hose	
69		2	Hose Options:	
	2754418		Prior to S/N 1200020020	
	2754435		S/N 1200020020 to Present	
70	2754437	1	Hose	
71		1	Hose Options:	
	2754439		Prior to S/N 1200020020	
	2754351		S/N 1200020020 to Present	
72	2754417	1	Hose	
73	2754440	1	Hose	
74	2754420	1	Hose	
75	2754433	1	Hose	
76 to 77	Not Used			
78	2754432	1	Hose	
79	2754432	1	Hose	
80	2754434	1	Hose	
81A	2142710	1	Fitting, Straight	
81B	2754427	1	Hose	
82A	2142712	1	Fitting, Straight	
82B	2754430	1	Hose	
83A	2142707	3	Fitting, Straight	
83B	2754415	1	Hose	
84	2142709	A/R	Fitting, Straight	
85	Not Used			
86A	2142743	7	Fitting, Straight	
86B	2754428	1	Hose	
87	2142715	20	Fitting, Straight	
88	2142708	5	Fitting, Straight	
89	2142706	9	Fitting, Straight	
90	2142746	1	Fitting, Straight	
91	2142716	7	Fitting, Straight	
94	2142711	1	Fitting, Straight	
95 to 97	Not Used			
98	2142203	4	Fitting, Tee	
99	2142202	5	Fitting, Tee	
100 to 111	Not Used			
112	2142103	4	Fitting, Tee	
113	2142713	1	Fitting, Straight	
114 to 121	Not Used			
122	2143809	1	Blanking Plug (Prior to S/N 1200020242 Only)	
123 to 128	Not Used			
129	2142741	1	Fitting, Straight	
130	Not Used			
131	2141914	1	Fitting, Tee	

SECTION 6 HYDRAULIC

FIGURE 6-1. HYDRAULIC DIAGRAM (PRIOR TO S/N 1200021263) (CONTINUED)

ITEM #	PART NUMBER	QTY.	DESCRIPTION	REV.
132 to 146	Not Used			
147	2142754	2	Fitting, Straight	
148 to 149	Not Used			
150		1	Fitting Options: Prior to S/N 1200020242 (Fitting, Cap) S/N 1200020242 to Present (Fitting, Diagnostic Tip)	
	2142503			
	2144105			
151 to 155	Not Used			
156	2143406	5	Fitting, 90°	
157 to 158	Not Used			
159	2143409	1	Fitting, 90°	
160	2141503	4	Fitting, Bulkhead Union	
161	2141506	4	Fitting, Bulkhead Union	
162 to 175	Not Used			
176	2142206	1	Fitting, Tee	
177 to 178	Not Used			
179	2142209	1	Fitting, Tee	
180	H000148	4	Fitting	
181 to 183	Not Used			
184	2142804	1	Fitting, Straight	
185 to 222	Not Used			
223	2143513	1	Fitting, Reducer	
224 to 239	Not Used			
240	2221214	1	Plug (Includes Copper Sealing Ring)	
241 to 256	Not Used			
257	2143608	1	Fitting, Straight	
258	Not Used			
259	2143609	1	Fitting, Straight	
260	2143606	1	Fitting, Straight	
261	Not Used			
262	2143602	5	Fitting, Straight	
263 to 300	Not Used			
301	2142744	1	Fitting, Straight	
302 to 310	Not Used			
311	2143803	2	Blanking Plug	
312	Not Used			
313	2143807	8	Blanking Plug	
314 to 341	Not Used			
342	2143579	1	Fitting, Reducer	
343	2143534	1	Fitting, Reducer	
344 to 355	Not Used			
356	2142742	1	Fitting, Straight	
357 to 358	Not Used			
359	2142747	2	Fitting, Straight	
360	2142753	2	Fitting, Straight	
361	2142748	4	Fitting, Straight	
362	Not Used			
363	2140803	2	Fitting, Straight (Not Shown - Prior to S/N 1200011762)	
364	Not Used			
365	2142717	A/R	Fitting, Straight	

SECTION 6 HYDRAULIC

FIGURE 6-1. HYDRAULIC DIAGRAM (PRIOR TO S/N 1200021263) (CONTINUED)

ITEM #	PART NUMBER	QTY.	DESCRIPTION	REV.
366 to 369	Not Used			
370	2144007	4	Fitting, Straight	
371 to 399	Not Used			
400	2754462	1	Hose	
408	2754436	1	Hose	
410	2754416	1	Hose	
411	2754421	1	Hose	
412	2754435	2	Hose	
413	2754442	1	Hose	
430	2754447	2	Hose	
431	2754449	2	Hose	
432	2754446	2	Hose	
433	2754448	2	Hose	
435	2754450	4	Hose	
436	2754419	1	Hose	
437	2754443	1	Hose	
449	2754438	1	Hose	
450	2754431	1	Hose	
455	2754461	1	Hose	
456	2754460	1	Hose	
460	2754392	1	Hose	
461 to 518	Not Used			
519	2142749	3	Fitting, Straight	
520 to 529	Not Used			
530	2142750	1	Fitting, Straight	
531 to 599	Not Used			
600	2142755	1	Fitting, Straight	
601 to 603	Not Used			
604	2142756	1	Fitting, Straight	
605 to 658	Not Used			
659	2221228	1	Fitting, Straight	
660 to 699	Not Used			
700	2142219	2	Fitting, Tee	
701	2142218	1	Fitting, Tee	
703	Not Used			
704	2142215	1	Fitting, Tee	
705 to 719	Not Used			
720	2143619	2	Fitting, Straight	
721 to 729	Not Used			
730	2143568	1	Fitting, Reducer	
731	2143564	1	Fitting, Reducer	
732	2143547	1	Fitting, Reducer	
733 to 739	Not Used			
740	2143419	1	Fitting, 90°	
741 to 759	Not Used			
760	2144005	4	Fitting, Straight	
761 to 819	Not Used			
820	2171824	1	Flange Kit (Includes Qty1 O-Ring & Qty 4 each Screws & Flatwashers)	

SECTION 6 HYDRAULIC

FIGURE 6-1. HYDRAULIC DIAGRAM (PRIOR TO S/N 1200021263) (CONTINUED)

ITEM #	PART NUMBER	QTY.	DESCRIPTION	REV.
821	2171832	1	Flange Kit (Includes Qty1 O-Ring & Qty 4 each Screws & Flatwashers)	
	0275640	Ref.	PLATFORM HYDRAULIC COMPONENTS	E
900 to 938	Not Used			
939	2141907	2	Fitting, Tee	
940	2142707	4	Fitting, Straight	
941	2754525	2	Hose	
942	2754529	2	Hose	
	0275609	Ref.	ARMS HYDRAULIC COMPONENTS	D
1001 to 1002	Not Used			
1003	2754478	1	Hose	
1004	2754526	1	Hose	

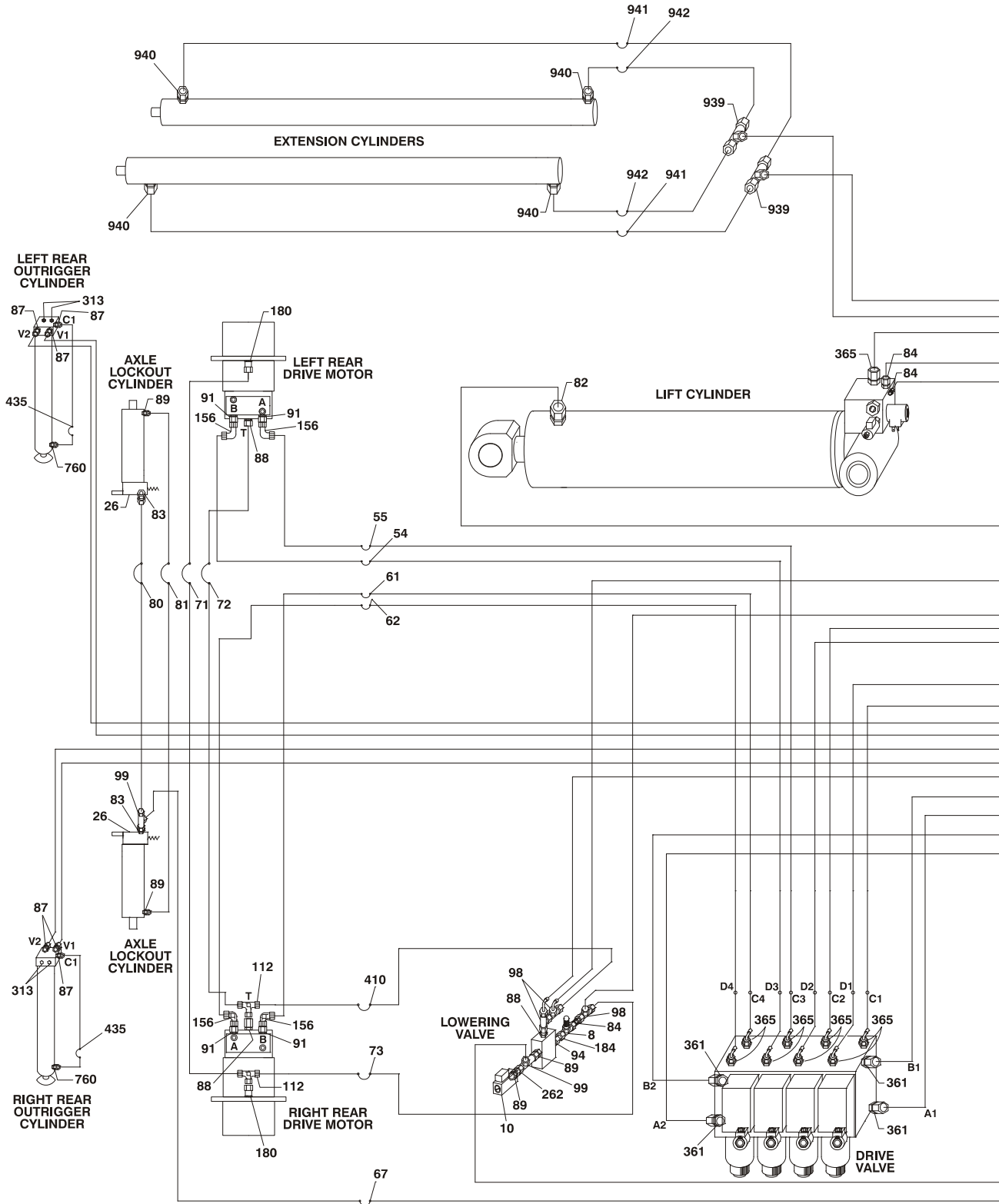
SECTION 6 HYDRAULIC

FIGURE 6-1. HYDRAULIC DIAGRAM (PRIOR TO S/N 1200021263) (CONTINUED)

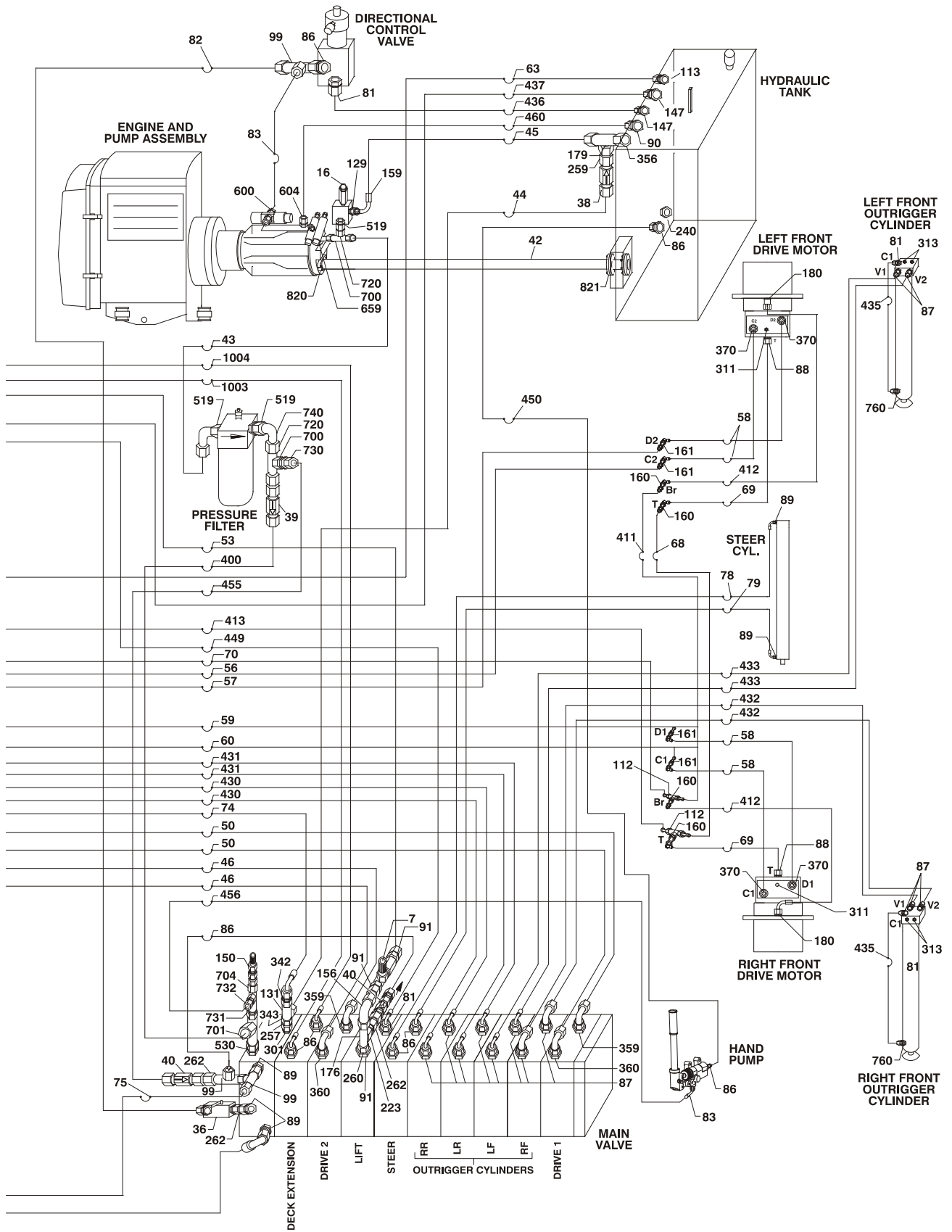
ITEM #	PART NUMBER	QTY.	DESCRIPTION	REV.

SECTION 6 HYDRAULIC

FIGURE 6-2. HYDRAULIC DIAGRAM (S/N 1200021263 TO PRESENT)



SECTION 6 HYDRAULIC



SECTION 6 HYDRAULIC

FIGURE 6-2. HYDRAULIC DIAGRAM (S/N 1200021263 TO PRESENT)

ITEM #	PART NUMBER	QTY.	DESCRIPTION	REV.
	H900067	Ref.	HYDRAULIC DIAGRAM	G
	H900070	Ref.	INLINE VALVE KIT	5
1 to 6	Not Used			
7	H000524	1	Valve, Throttle Check (Not Serviceable - Replace Complete Valve)	
8	H000018	1	Valve, Lowering Speed Adjustment Throttle (Not Serviceable - Replace Complete Valve)	
9	Not Used			
10	H000536	1	Switch, Pressure (Not Serviceable - Replace Complete Valve)	
11 to 15	Not Used			
16	H005529	1	Valve, Pressure Control	
	7024895	1	Cartridge, Valve Less Coil	
	7024896	1	Seal Kit - 7024895 Cartridge	
	7017444	1	Coil	
17 to 25	Not Used			
26	H000280	2	Valve, Load Holding	
	7024897	2	Cartridge, Valve Less Coil (1 Per Valve)	
	7012972	2	Seal Kit - 7024897 Cartridge (1 Per Valve)	
	7012986	2	Coil (1 Per Valve)	
27 to 35	Not Used			
36	H000306	1	Valve, Flow Control (Not Serviceable - Replace Complete Valve)	
37	Not Used			
38	H000273	1	Check Valve (Not Serviceable - Replace Complete Valve)	
39	H000123	1	Check Valve (Not Serviceable - Replace Complete Valve)	
40	H000351	2	Check Valve (Not Serviceable - Replace Complete Valve)	
	H900068	Ref.	HYDRAULIC FITTING KIT	6
	H900069	Ref.	HYDRAULIC HOSE KIT	7
41	1321564	2	Clamp (Not Shown)	
42	2754464	1	Hose	
43	2754463	1	Hose	
44	2754426	1	Hose	
45	2754422	1	Hose	
46	2754459	2	Hose	
47 to 49	Not Used			
50	2754458	2	Hose	
51 to 52	Not Used			
53	2754455	1	Hose	
54	2754453	1	Hose	
55	2754453	1	Hose	
56	2754457	1	Hose	
57	2754457	1	Hose	
58	2754454	4	Hose	
59	2754456	1	Hose	
60	2754455	1	Hose	
61	2754452	1	Hose	

SECTION 6 HYDRAULIC

FIGURE 6-2. HYDRAULIC DIAGRAM (S/N 1200021263 TO PRESENT) (CONTINUED)

ITEM #	PART NUMBER	QTY.	DESCRIPTION	REV.
62	2754451	1	Hose	
63	2754445	1	Hose	
64 to 66	Not Used			
67	2754429	1	Hose	
68	2754441	1	Hose	
69	2754435	2	Hose	
70	2754437	1	Hose	
71	2754351	1	Hose	
72	2754417	1	Hose	
73	2754440	1	Hose	
74	2754420	1	Hose	
75	2754433	1	Hose	
76 to 77	Not Used			
78	2754432	1	Hose	
79	2754432	1	Hose	
80	2754434	1	Hose	
81A	2142710	1	Fitting, Straight	
81B	2754427	1	Hose	
82A	2142712	1	Fitting, Straight	
82B	2754430	1	Hose	
83A	2142707	2	Fitting, Straight	
83B	2754415	1	Hose	
84	2142709	4	Fitting, Straight	
85	Not Used			
86A	2142743	7	Fitting, Straight	
86B	2754428	1	Hose	
87	2142715	20	Fitting, Straight	
88	2142708	5	Fitting, Straight	
89	2142706	9	Fitting, Straight	
90	2142746	1	Fitting, Straight	
91	2142716	7	Fitting, Straight	
92 to 93	Not Used			
94	2142711	1	Fitting, Straight	
95 to 97	Not Used			
98	2142203	3	Fitting, Tee	
99	2142202	5	Fitting, Tee	
100 to 111	Not Used			
112	2142103	4	Fitting, Tee	
113	2142713	1	Fitting, Straight	
114 to 128	Not Used			
129	2142741	1	Fitting, Straight	
130	Not Used			
131	2141914	1	Fitting, Tee	
132 to 146	Not Used			
147	2142754	2	Fitting, Straight	
148 to 149	Not Used			
150	2144105	1	Fitting, Diagnostic Tip	
151 to 155	Not Used			
156	2143406	5	Fitting, 90°	

SECTION 6 HYDRAULIC

FIGURE 6-2. HYDRAULIC DIAGRAM (S/N 1200021263 TO PRESENT) (CONTINUED)

ITEM #	PART NUMBER	QTY.	DESCRIPTION	REV.
157 to 158	Not Used			
159	2143409	1	Fitting, 90°	
160	2141503	4	Fitting, Bulkhead Union	
161	2141506	4	Fitting, Bulkhead Union	
162 to 175	Not Used			
176	2142206	1	Fitting, Tee	
177 to 178	Not Used			
179	2142209	1	Fitting, Tee	
180	H000148	4	Fitting	
181 to 183	Not Used			
184	2142804	1	Fitting, Straight	
185 to 222	Not Used			
223	2143513	1	Fitting, Reducer	
224 to 239	Not Used			
240	2221214	1	Plug (Includes Copper Sealing Ring)	
241 to 256	Not Used			
257	2143608	1	Fitting, Straight	
258	Not Used			
259	2143609	1	Fitting, Straight	
260	2143606	1	Fitting, Straight	
261	Not Used			
262	2143602	4	Fitting, Straight	
263 to 300	Not Used			
301	2142744	1	Fitting, Straight	
302 to 310	Not Used			
311	2143803	2	Blanking Plug	
312	Not Used			
313	2143807	8	Blanking Plug	
314 to 341	Not Used			
342	2143579	1	Fitting, Reducer	
343	2143534	1	Fitting, Reducer	
344 to 355	Not Used			
356	2142742	1	Fitting, Straight	
357 to 358	Not Used			
359	2142747	2	Fitting, Straight	
360	2142753	2	Fitting, Straight	
361	2142748	4	Fitting, Straight	
362 to 364	Not Used			
365	2142717	10	Fitting, Straight	
366 to 369	Not Used			
370	2144007	4	Fitting, Straight	
371 to 399	Not Used			
400	2754462	1	Hose	
410	2754416	1	Hose	
411	2754421	1	Hose	
412	2754435	2	Hose	
413	2754442	1	Hose	
430	2754447	2	Hose	
431	2754449	2	Hose	

SECTION 6 HYDRAULIC

FIGURE 6-2. HYDRAULIC DIAGRAM (S/N 1200021263 TO PRESENT) (CONTINUED)

ITEM #	PART NUMBER	QTY.	DESCRIPTION	REV.
432	2754446	2	Hose	
433	2754448	2	Hose	
435	2754450	4	Hose	
436	2754419	1	Hose	
437	2754443	1	Hose	
449	2754438	1	Hose	
450	2754431	1	Hose	
455	2754461	1	Hose	
456	2754460	1	Hose	
460	2754392	1	Hose	
461 to 518	Not Used			
519	2142749	3	Fitting, Straight	
520 to 529	Not Used			
530	2142750	1	Fitting, Straight	
531 to 599	Not Used			
600	2144801	1	Fitting, Straight	
601 to 603	Not Used			
604	2144805	1	Fitting, Straight	
605 to 658	Not Used			
659	2221228	1	Fitting, Straight	
660 to 699	Not Used			
700	2142219	2	Fitting, Tee	
701	2142218	1	Fitting, Tee	
703	Not Used			
704	2142215	1	Fitting, Tee	
705 to 719	Not Used			
720	2143619	2	Fitting, Straight	
721 to 729	Not Used			
730	2143568	1	Fitting, Reducer	
731	2143564	1	Fitting, Reducer	
732	2143547	1	Fitting, Reducer	
733 to 739	Not Used			
740	2143419	1	Fitting, 90°	
741 to 759	Not Used			
760	2144005	4	Fitting, Straight	
761 to 819	Not Used			
820	2171824	1	Flange Kit (Includes Qty1 O-Ring & Qty 4 each Screws & Flatwashers)	
821	2171832	1	Flange Kit (Includes Qty1 O-Ring & Qty 4 each Screws & Flatwashers)	
	0275640	Ref.	PLATFORM HYDRAULIC COMPONENTS	F
900 to 938	Not Used			
939	2141907	2	Fitting, Tee	
940	2142707	4	Fitting, Straight	
941	2754525	2	Hose	
942	2754529	2	Hose	

SECTION 6 HYDRAULIC

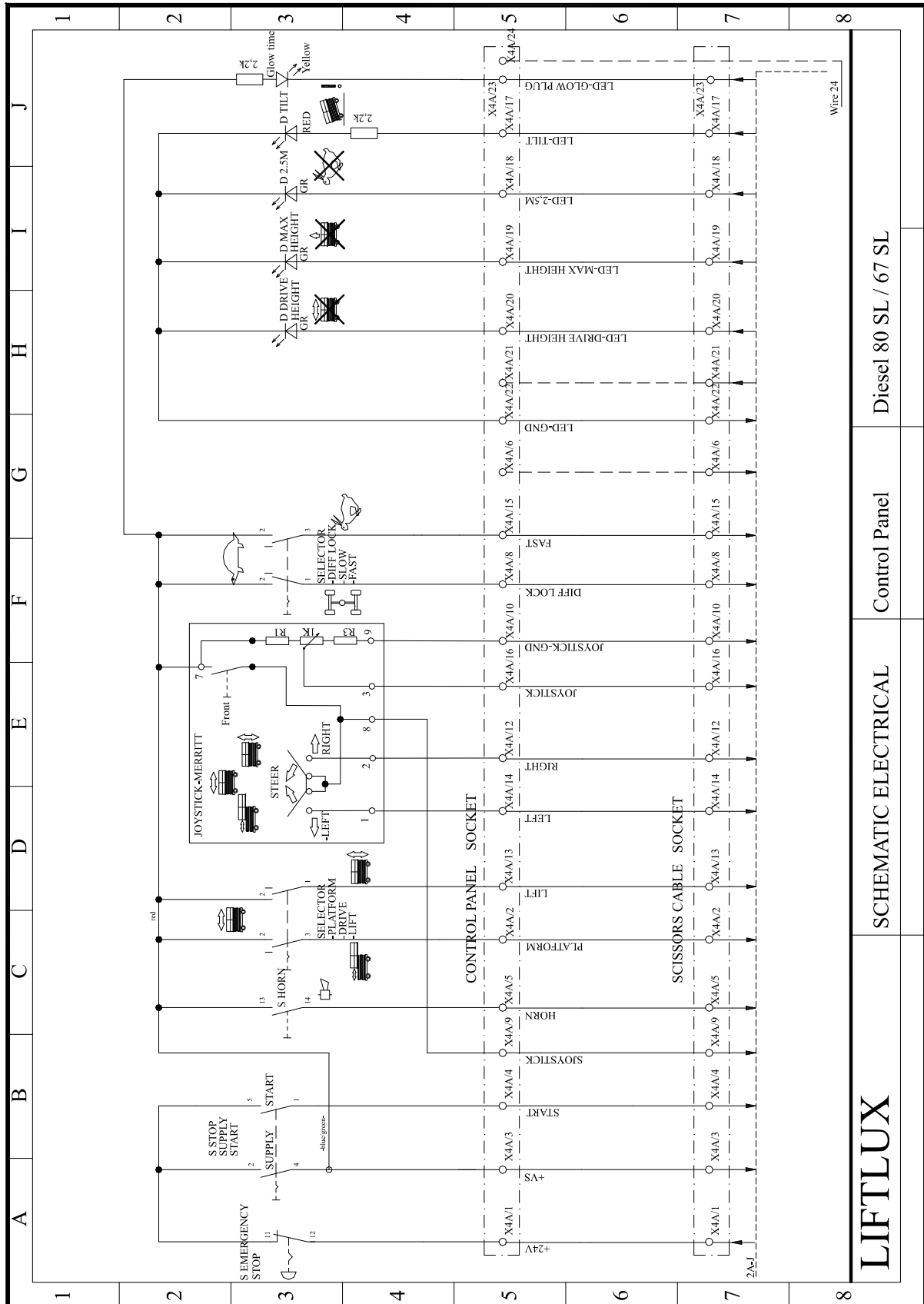
FIGURE 6-2. HYDRAULIC DIAGRAM (S/N 1200021263 TO PRESENT) (CONTINUED)

ITEM #	PART NUMBER	QTY.	DESCRIPTION	REV.
	0275609	Ref.	ARMS HYDRAULIC COMPONENTS	E
1001 to 1002	Not Used			
1003	2754478	1	Hose	
1004	2754526	1	Hose	

SECTION 7 ELECTRICAL

SECTION 7 ELECTRICAL

FIGURE 7-1. ELECTRICAL SCHEMATIC

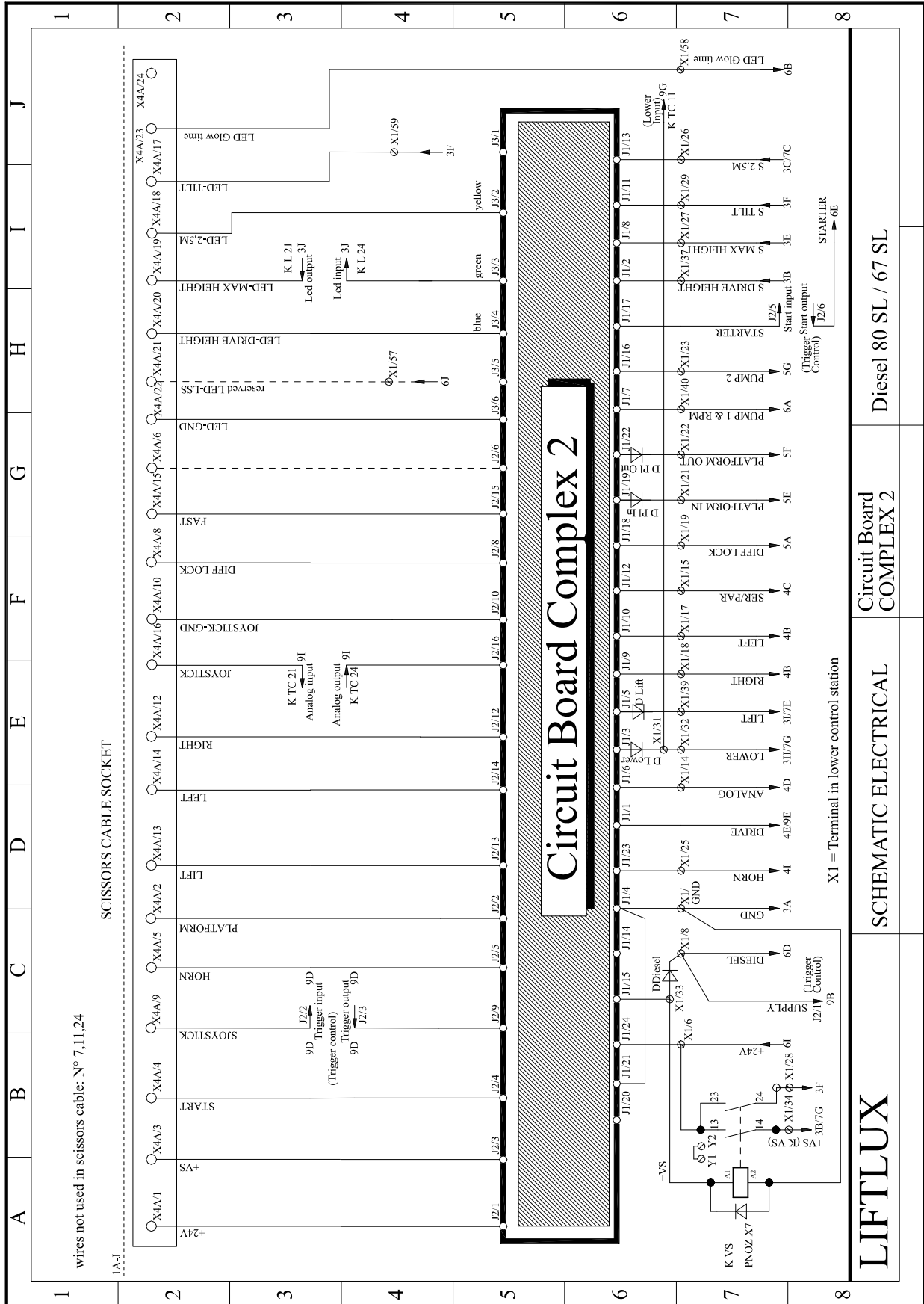


LIFTLUX

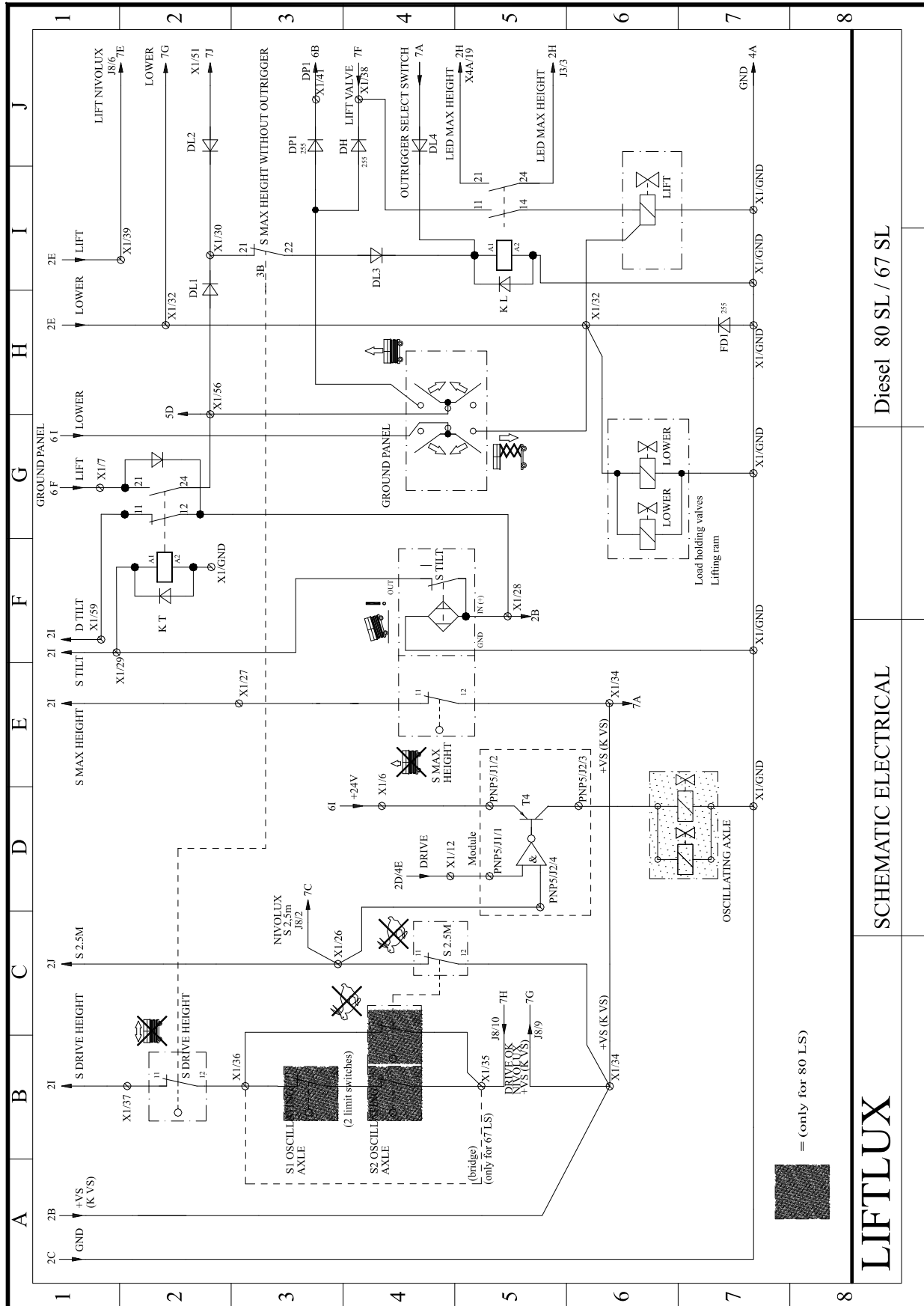
Diesel 80 SL / 67 SL

Control Panel

SCHEMATIC ELECTRICAL



SECTION 7 ELECTRICAL

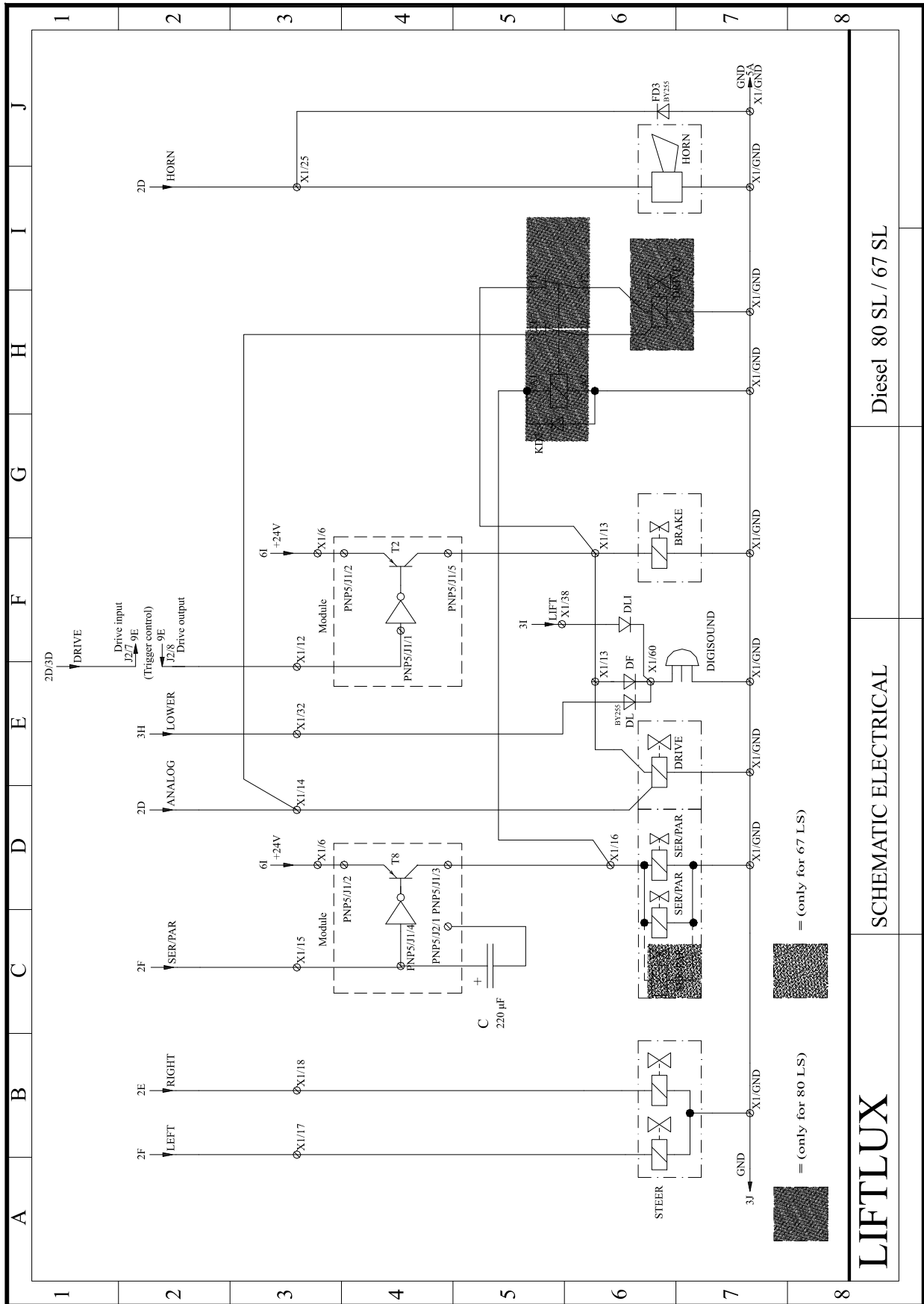


Diesel 80 SL / 67 SL

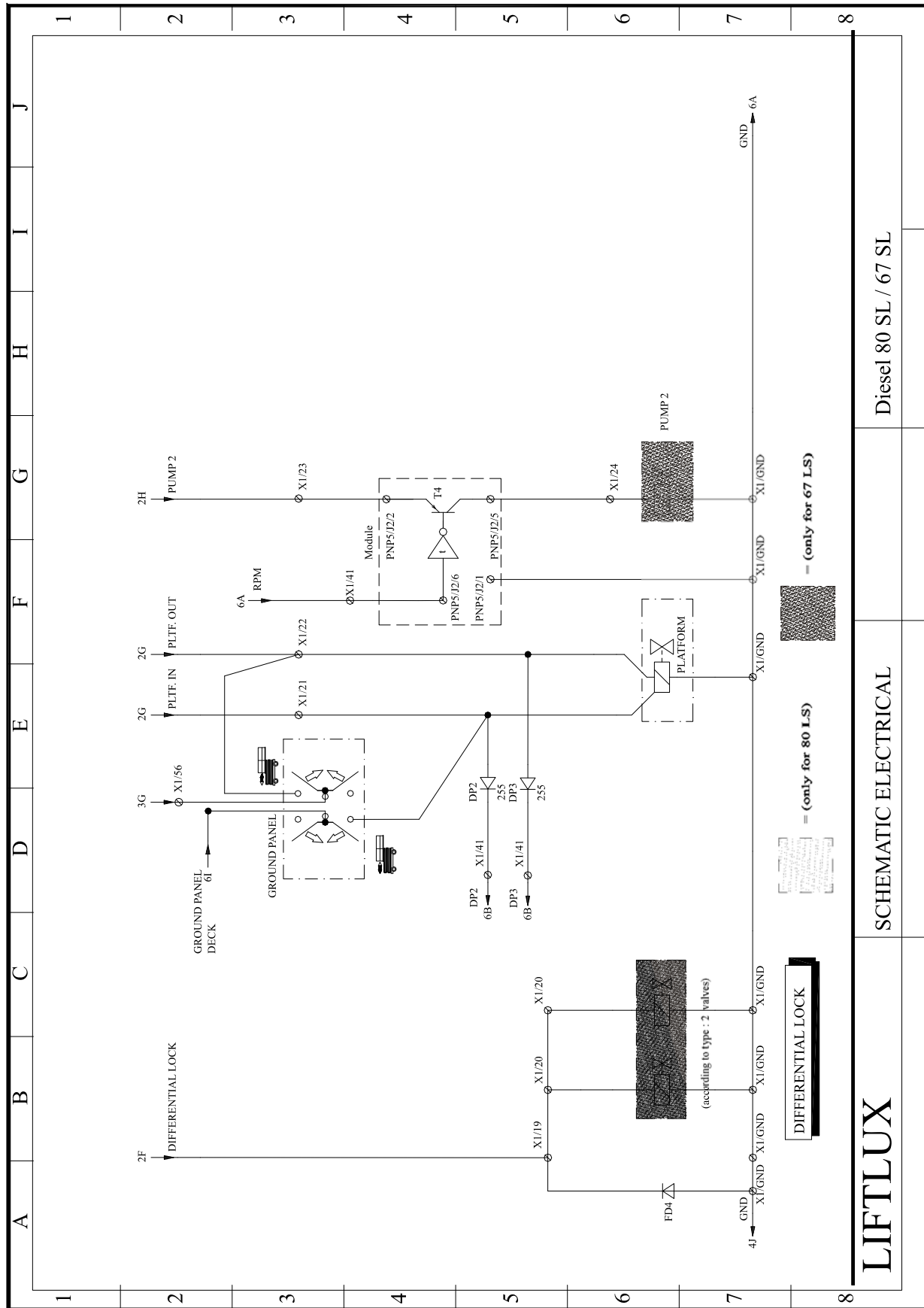
SCHEMATIC ELECTRICAL

LIFTLUX

= (only for 80 LS)



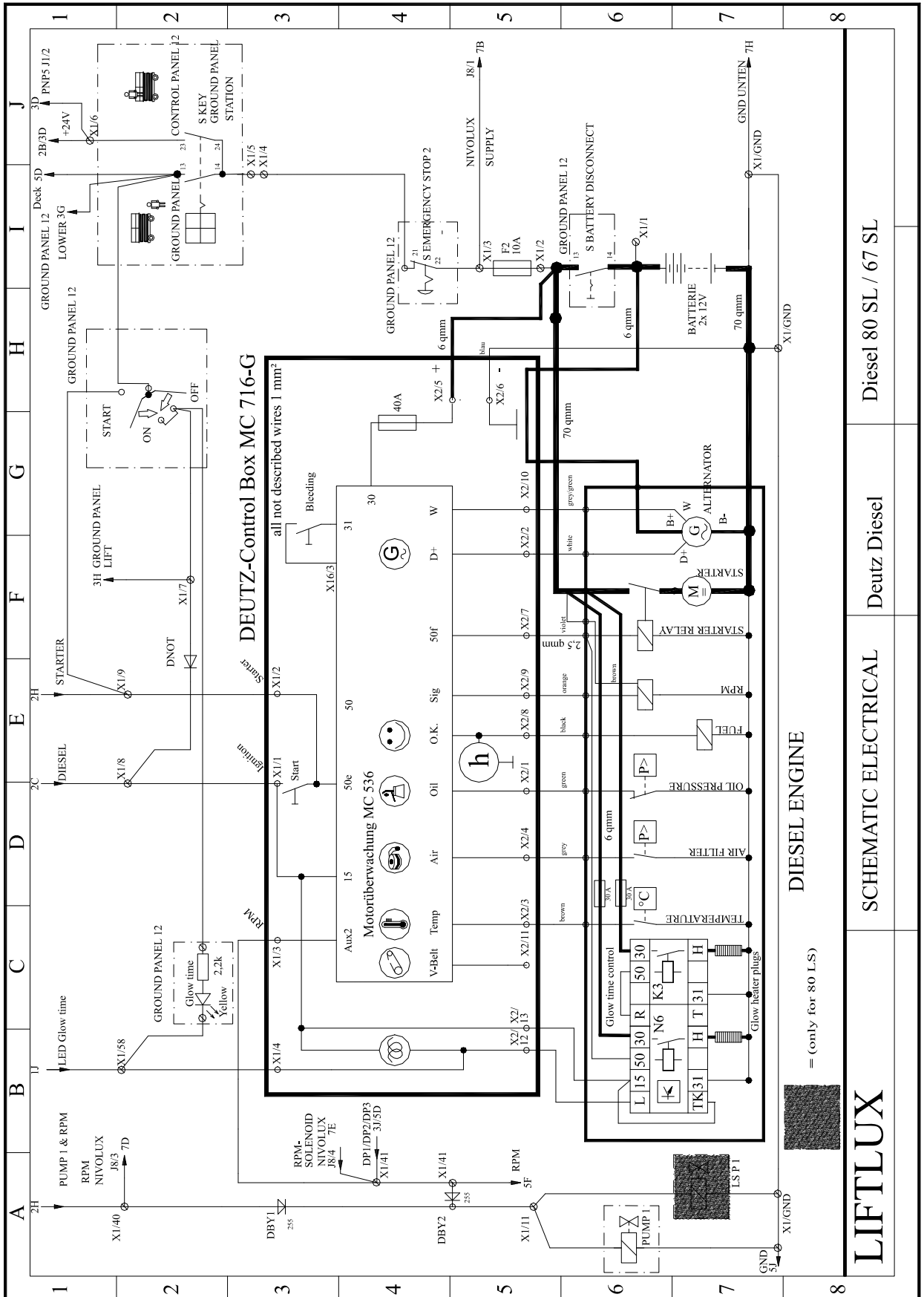
SECTION 7 ELECTRICAL



Diesel 80 SL / 67 SL

SCHEMATIC ELECTRICAL

LIFTLUX



Diesel 80 SL / 67 SL

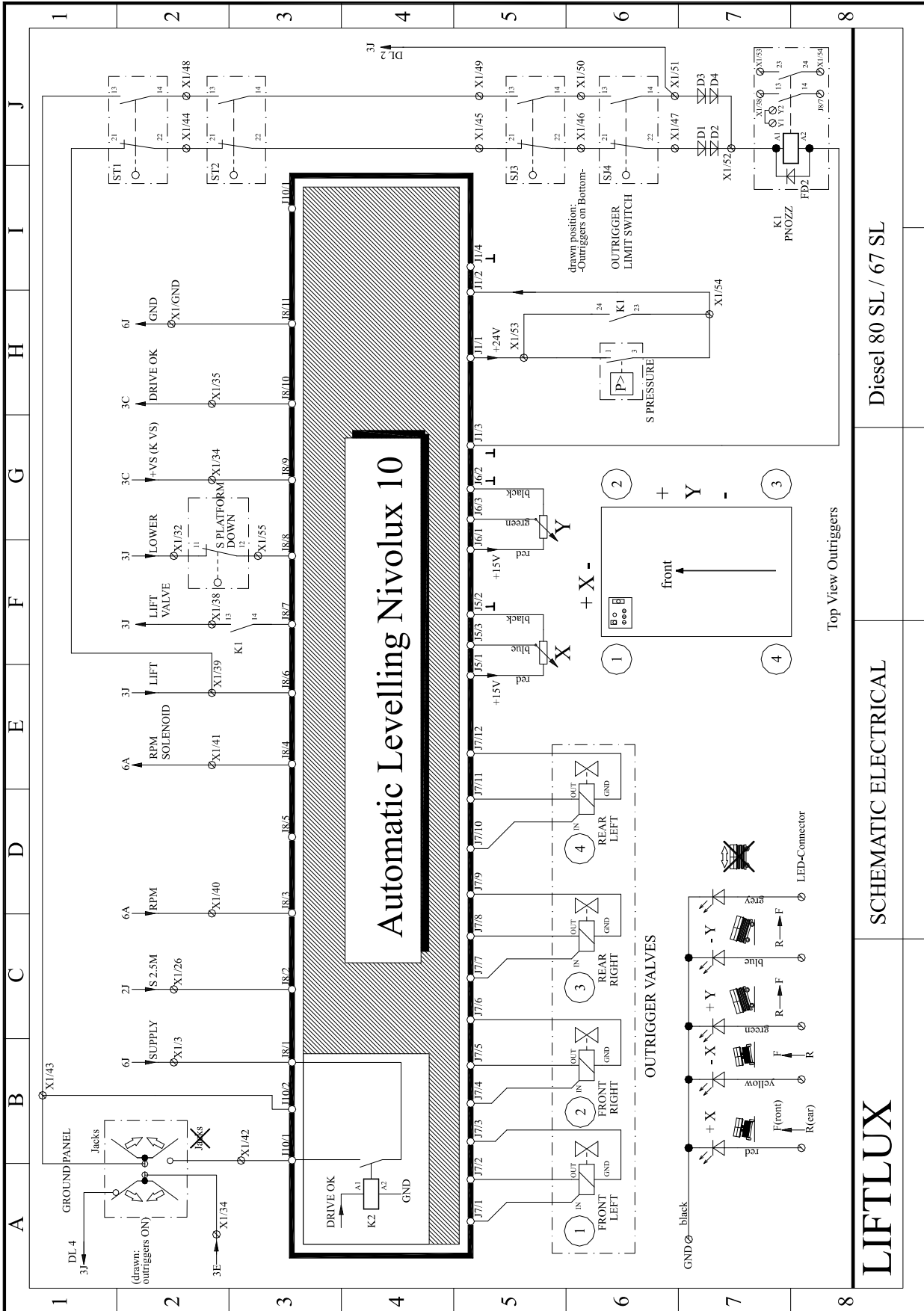
Deutz Diesel

SCHEMATIC ELECTRICAL

LIFTLUX

DIESEL ENGINE

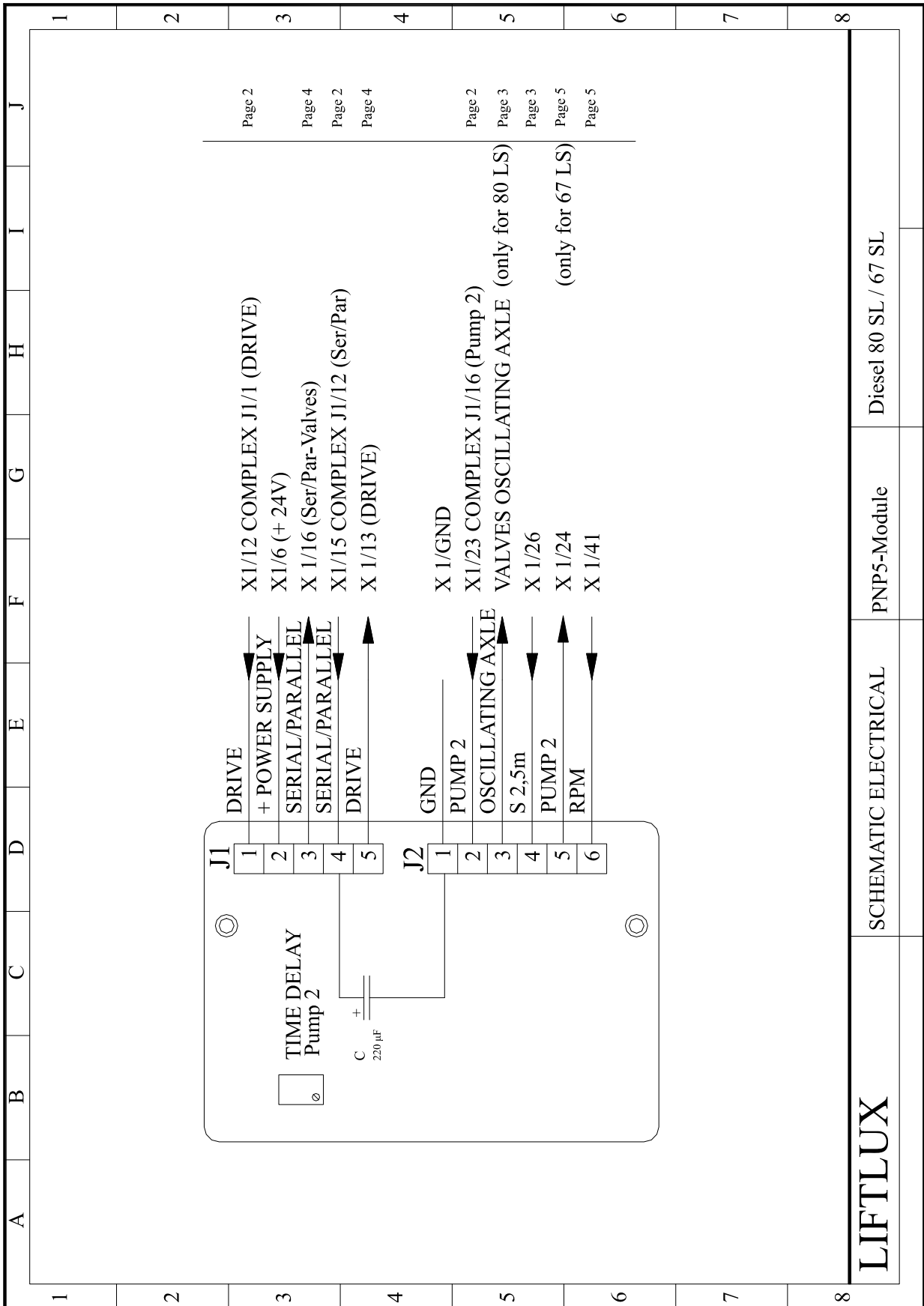
= (only for 80 L.S)



Diesel 80 SL / 67 SL

SCHEMATIC ELECTRICAL

LIFTLUX



Page 2

Page 4

Page 2

Page 4

Page 2

Page 3

Page 3

Page 5

Page 5

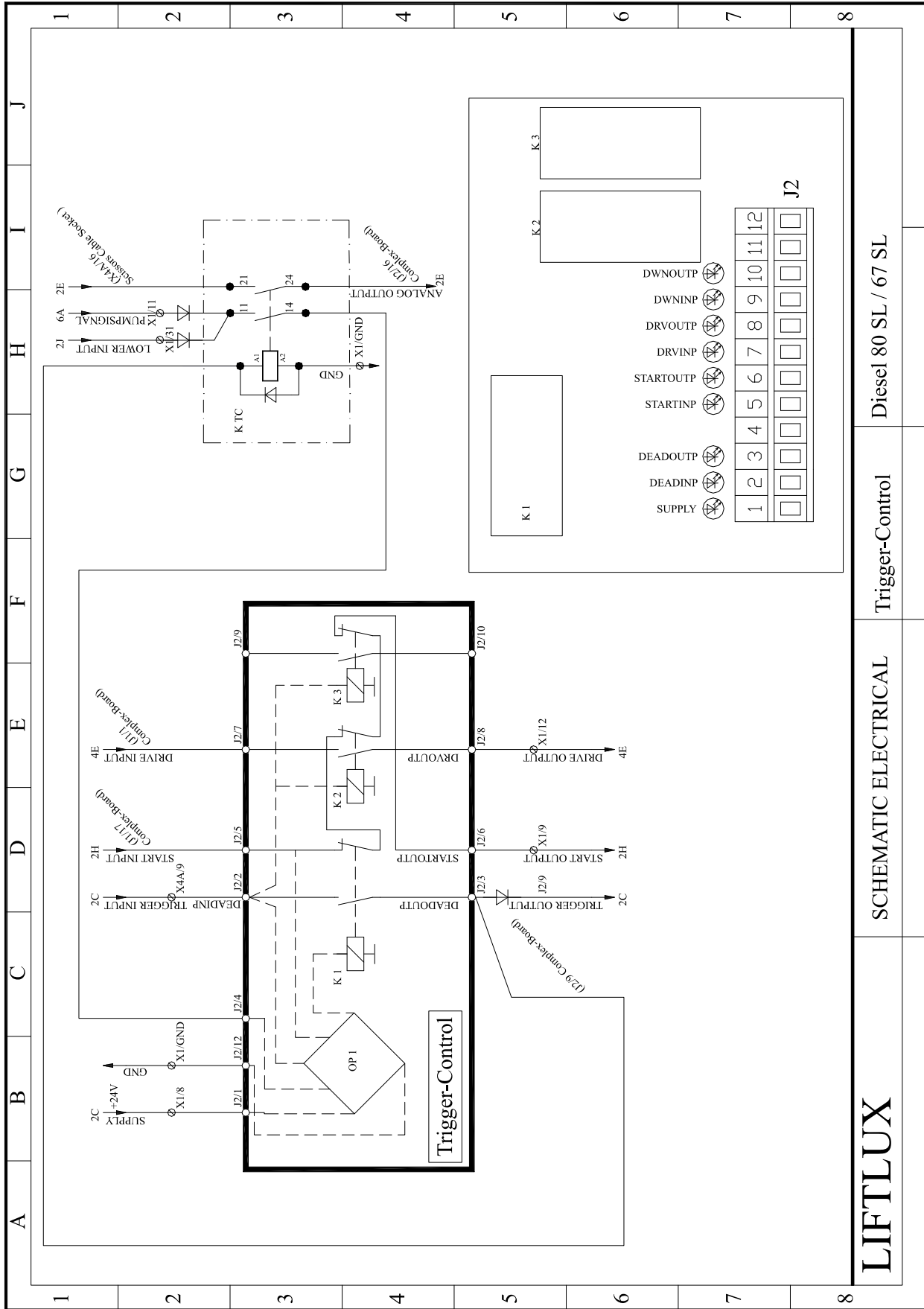
Diesel 80 SL / 67 SL

PNP5-Module

SCHEMATIC ELECTRICAL

LIFTLUX

SECTION 7 ELECTRICAL



LIFTLUX

SCHEMATIC ELECTRICAL

Trigger-Control

Diesel 80 SL / 67 SL

SECTION 7 ELECTRICAL

A	B	C	D	E	F	G	H	I	J
1	1 Ground panel Battery + 6I	2	TOP	3	4				
2	2 Ground panel Battery out 6I					F2 (10A) IN 6I			
	3 Ground panel S Emergency 6I		Nivolux J8/1		7B F2 (10A) OUT 6I				
	4		Ground panel S Emergency 6I						
	5					Ground panel S Key. 6I			
	6					Ground panel S Key 6I			
	6		PNP5 J1/2	3D					
	6		K VS /13,23	2B		Complex J1/24 2B			
	7	KT/21	3G			Ground panel S Key on 6H			
	7								
	8	Motor Control Box Ignition 6D	9 B	DN0T (Cathode) 6F		D Diesel (Cathode) 2C			
	9	Motor Control Box Start 6E		Ground panel S Key start 6H		Trigger control J2/6 2H			
	10								
	11	Pump 1 6A	6 B	K TC 11 9H		DBY1/DBY2 (Cathode) 6A			
	12					Trigger control J2/8 4E			
	13	Brake Valve 4F				PNP5 J1/5 4F			
	13	Drive Valve IN 4E	KD2 /11 4I			DF (Anode) 4E			
	14	Drive Valve Analog 4D	KD2 /21 4H			Complex J1/6 Analog 2D			
	15					Complex J1/12 Ser/Par 2F			
	16	Ser/Par Valve 4D	KD2 /A1 4H			PNP5 J1/3 4D			
	17	Steer Left Valve 4B				Complex J1/10 Left 2F			
	18	Steer Right Valve 4B				Complex J1/9 Right 2E			
	19					Complex J1/18 Diff Lock 2F			
	20	Diff Lock Valve 2 5C	Diff Lock Valve 1 5B	FD4 (Cathode) 5A					
	21								
	21	Platform IN Valve 5E	DP2 5E			D Platf. IN (Cathode) 2G			
	22	Platform OUT Valve 5F	Ground panel Deck 5F			D Platf. OUT (Cathode) 2G			
	23					Complex J1/16 Pump 2 2H			
	24					PNP5 J2/2 5G			
	25	Hom 4I				Pump 2 5G			
	26	S 2.5m /11 3C	PNP5 J2/4 3D			Complex J1/23 Hom 2D			
	27	S Max Height /11 3E				Complex J1/13 S 2,5m 2J			
	28	S Tilt IN 3F	KT /12 3F			Complex J1/8 S Max Height 2I			
	29	S Tilt OUT 3F	KT /A1 3F			Complex J1/11 S Tilt 2I			
	30	S Max Drive Height /21 3I	DL 1 (Cathode) 3I						
	31	Lower Input K TC 11 9F				D Lower (Cathode) 2E			
	32					Ground panel. Lower 3G			
	32	Lower Load Holding Valves G	S Platform Down /11 7G			FD 1 (Cathode) 3H			
	33		DL (Anode) 4E			Complex J1/15 +VS 2C			
	34	S Max Height /12 3E	K VS /A1 2A			K VS /14,24 2B			
	34	Ground panel S Jacks 7A	S 2,5m /12 3C			Nivolux J8/9 7G			

LIFTLUX

SCHEMATIC ELECTRICAL

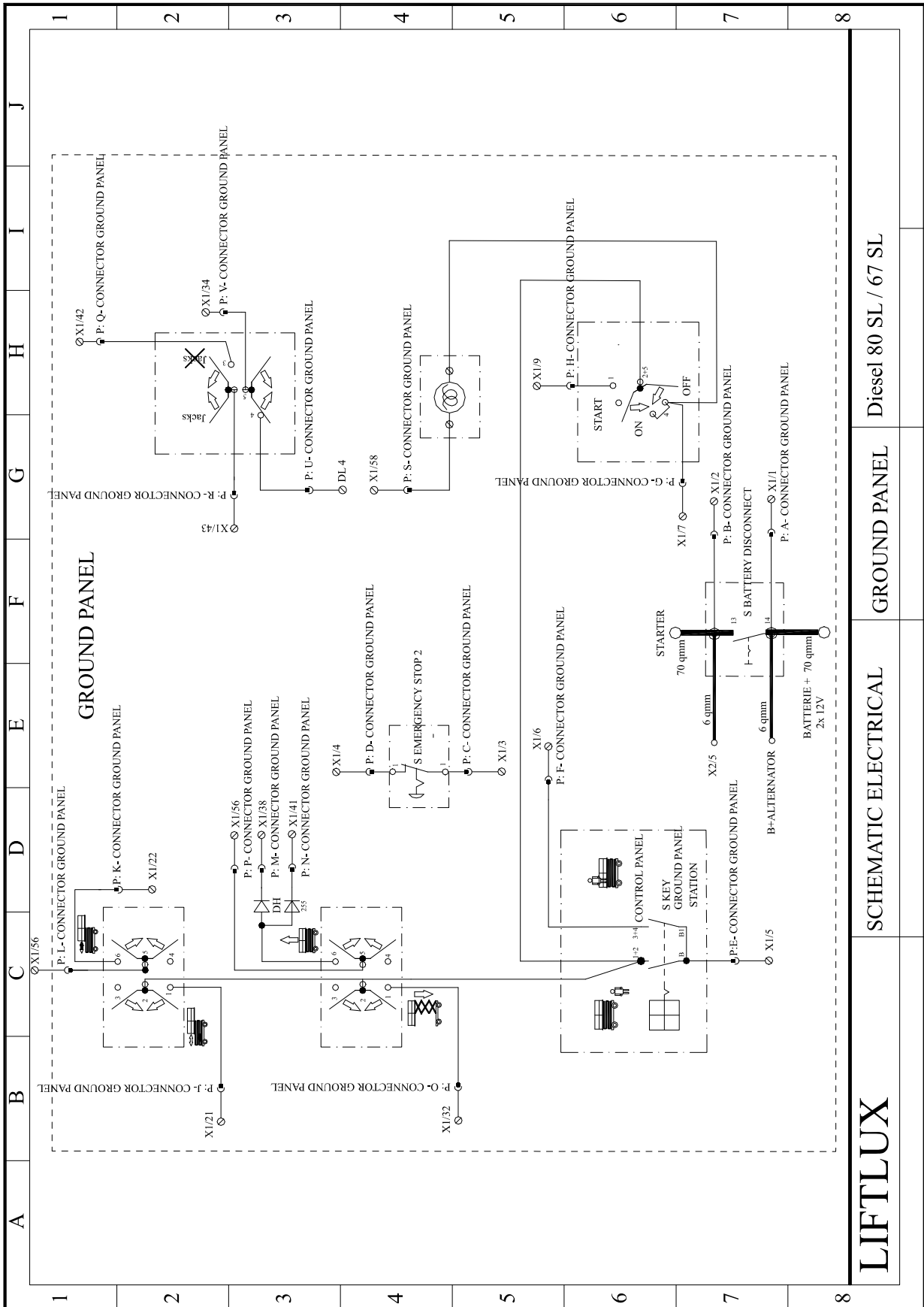
Terminals

Diesel 80 SL / 67 SL

SECTION 7 ELECTRICAL

A	B	C	D	E	F	G	H	I	J	
1	33S Oscillating Axle /12	3B	S 2.5m /22	3C	Nivolux J8/10	4				
	36S Drive Height/12	3B	S Oscillating Axle /11	3B	S 2.5m /21	3B				
	37S Drive Height /11	3B			Complex J1/2 S 8m	2I				
	38KL 11	3I			DL (Cathode)	3I				
	39ST1 /21	7I			Nivolux J8/6	7E				
	40DA1	6B	Nivolux J8/3	7D	DBY1	6A				
	41 Motor Control Box RPM	6D	Nivolux J8/4	7E	DBY2	6A				
	41DA2	6A	DP3 (Cathode)	5D	PNP5 J2/6	5F				
	42 Ground panel S Jacks	7B			Nivolux J10/1	7B				
	43 Ground panel S Jacks	7B	ST1 /13	7J	Nivolux J10/2	7A				
	44ST2 /21	7I	ST1 /22	7J						
	45ST3 /21	7I	ST2 /22	7J						
	46ST4 /21	7I	ST3 /22	7J						
	47ST4 /22	7I			D1	7I				
	48ST2 /13	7I	ST1 /14	7J						
	49ST3 /13	7I	ST2 /14	7J						
	50ST4 /13	7I	ST3 /14	7J						
	51ST4 /14	7I			DL 2 (Anode)	7I/3I	D3			
	52		K1/A1 PNOZZ	7J	D4 (Cathode)	7J	D2 (Cathode)			
	53S Pressure /1 Nivolux	7H			K1 /23 PNOZZ	7H	Nivolux J1/1			
	54S Pressure /3 Nivolux	7H			K1 /24 PNOZZ	7H	Nivolux J1/2			
	55S Platform Down /12	7G					Nivolux J8/8			
	56 KT /24	3G	DL 1 (Anode)	3H	Ground Panel Deck out	5D	Ground panel lift+			
	57				X4A/21 LED Overload	2H				
	58 LED Glow time	2J	Ground panel LED Glow	6B						
	59 LED TILT	2I	KT /11	3F						
	60 DL (Cathode)	4E	DL4 (Cathode)	4F	Digsound	4E	DF (Cathode)			
	Lift	6I	Load Holding Valves	3G	KD2 /A2	4H	Complex			
	Steer	3H	S Tilt	3F	FD3	4J	FD1			
	Drive	4B	Diff Lock Valve 1	5B	FD4	5A	PNP5 J2/1			
	Brake	4E	Diff Lock Valve 2	5C	KL/A2	3I	Digsound			
	Serial/Parallel	4D	Trigger control J2/12	9B	Drive 2	4H	K1 PNOZZ			
	Pump 1	6A	Hom	4I			K VS PNOZZ			
	Motor Control Box	6H	Platform	5E	LS Pump 1	6B	KT /A2			
			Oscillating Axle Valves	3D			KTC /A2			
8	LIFTLUX					SCHEMATIC ELECTRICAL			Terminals	Diesel 80 SL / 67 SL

35-36
35-36
Connection: bridge only for 67 LS



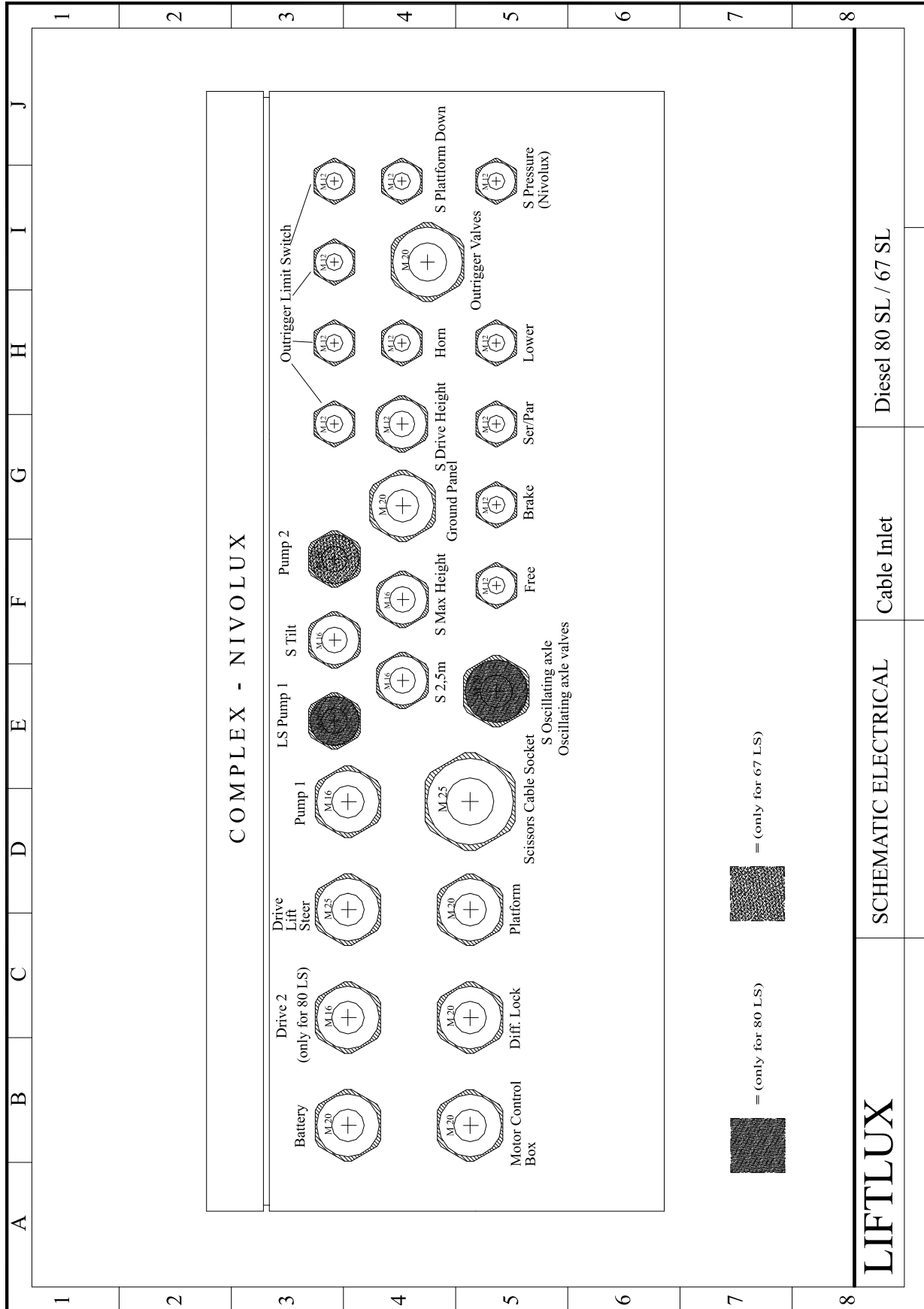
LIFTLUX

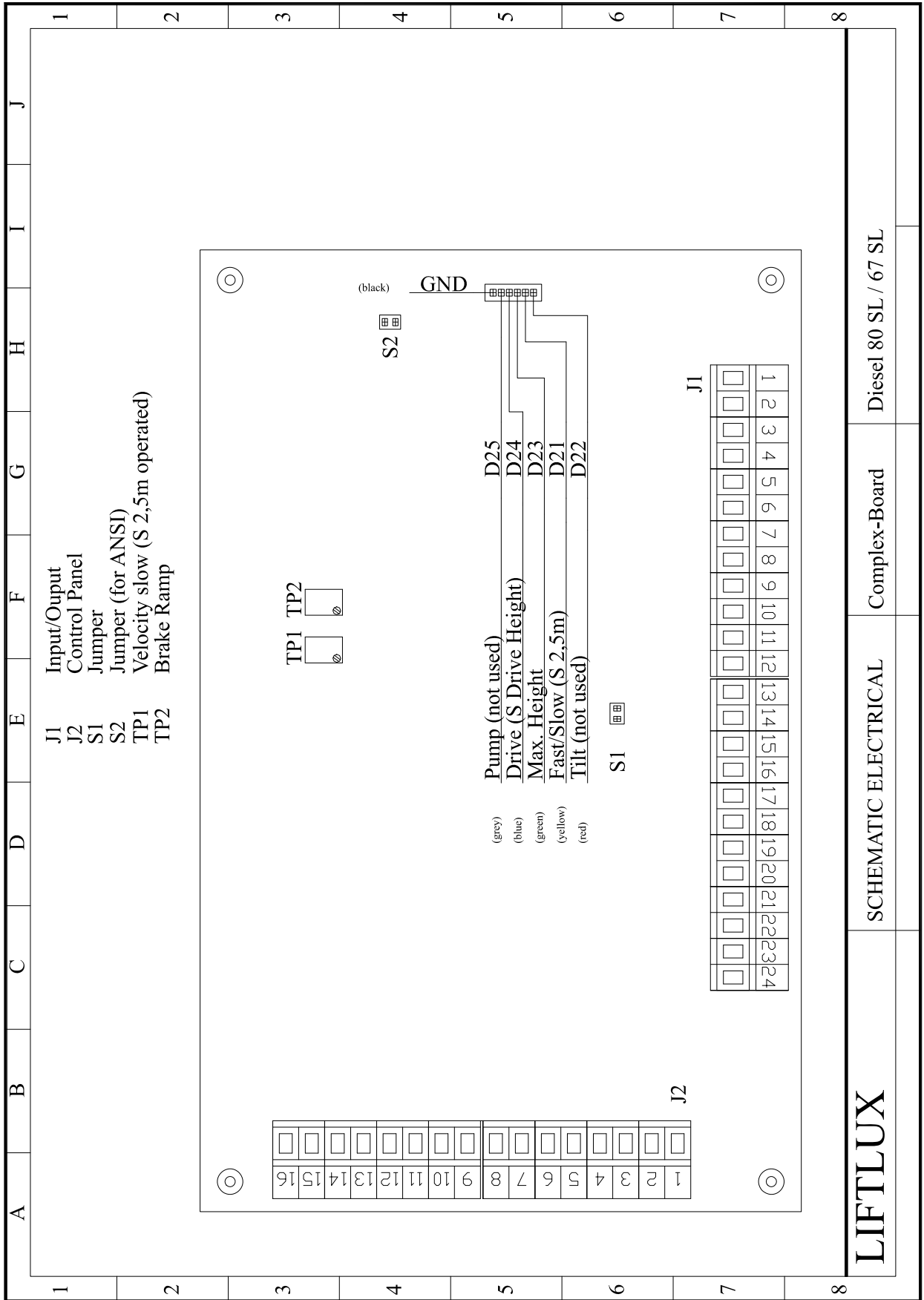
SCHEMATIC ELECTRICAL

GROUND PANEL

Diesel 80 SL / 67 SL

SECTION 7 ELECTRICAL





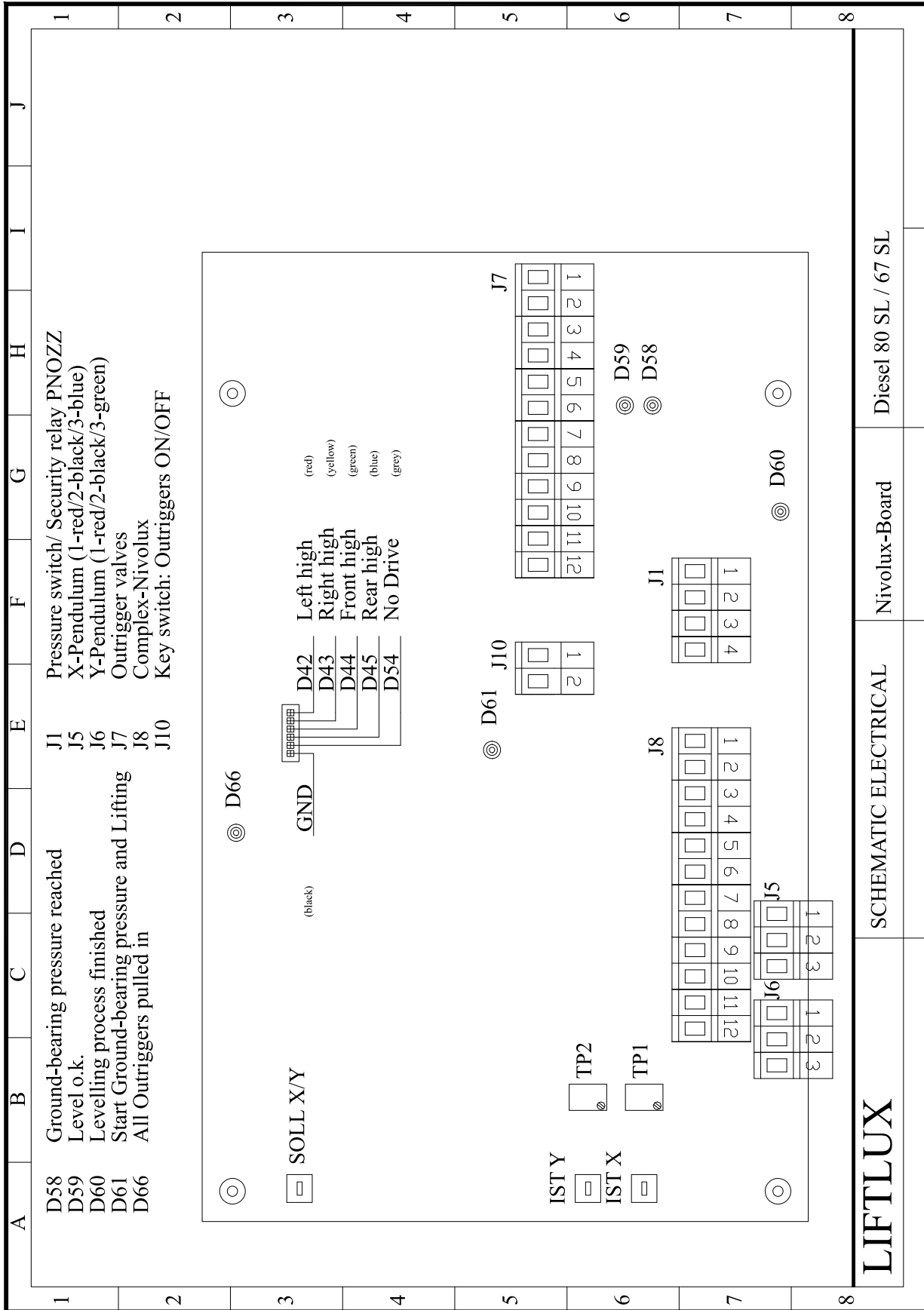
LIFTLUX

SCHEMATIC ELECTRICAL

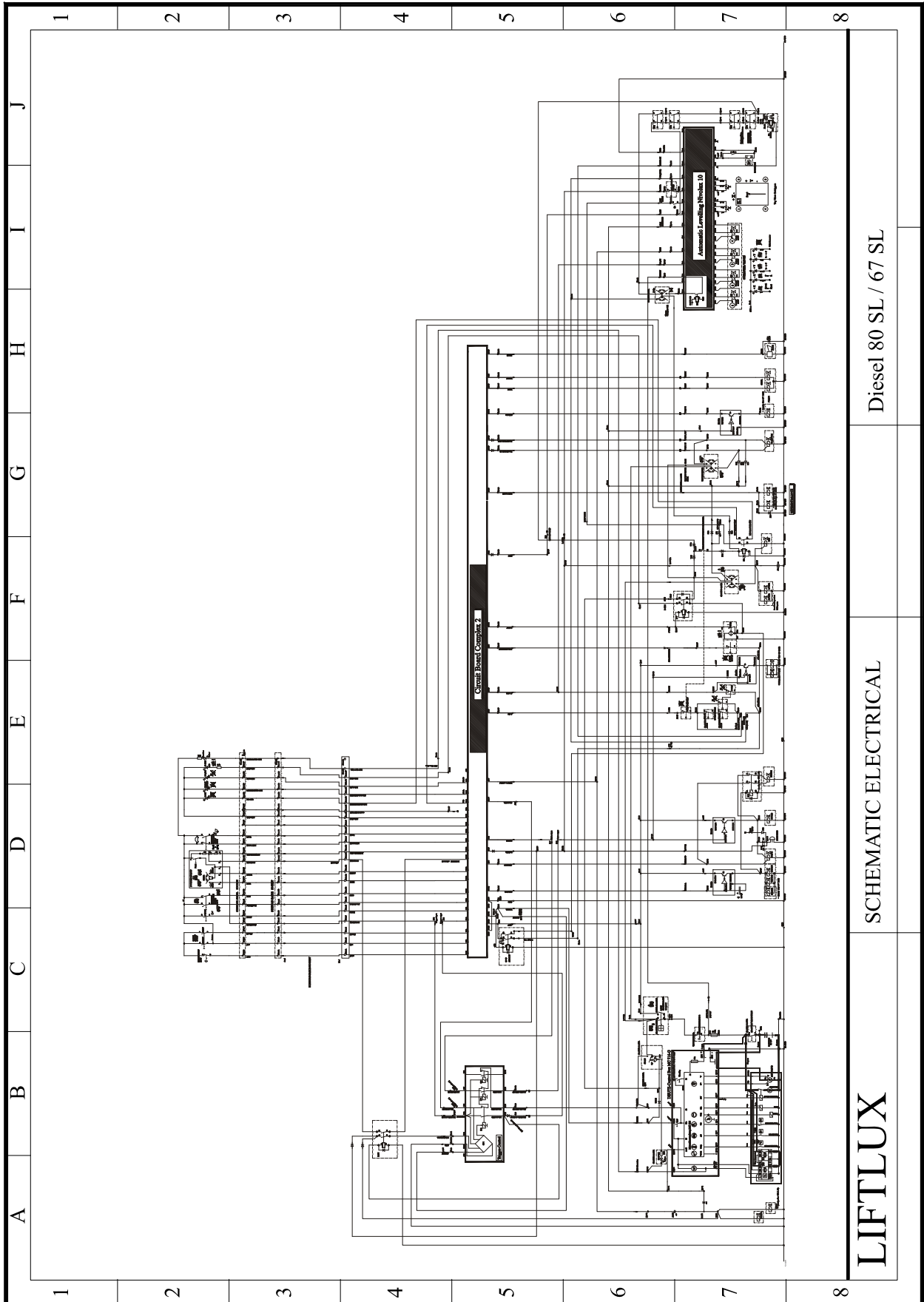
Complex-Board

Diesel 80 SL / 67 SL

SECTION 7 ELECTRICAL



SECTION 7 ELECTRICAL



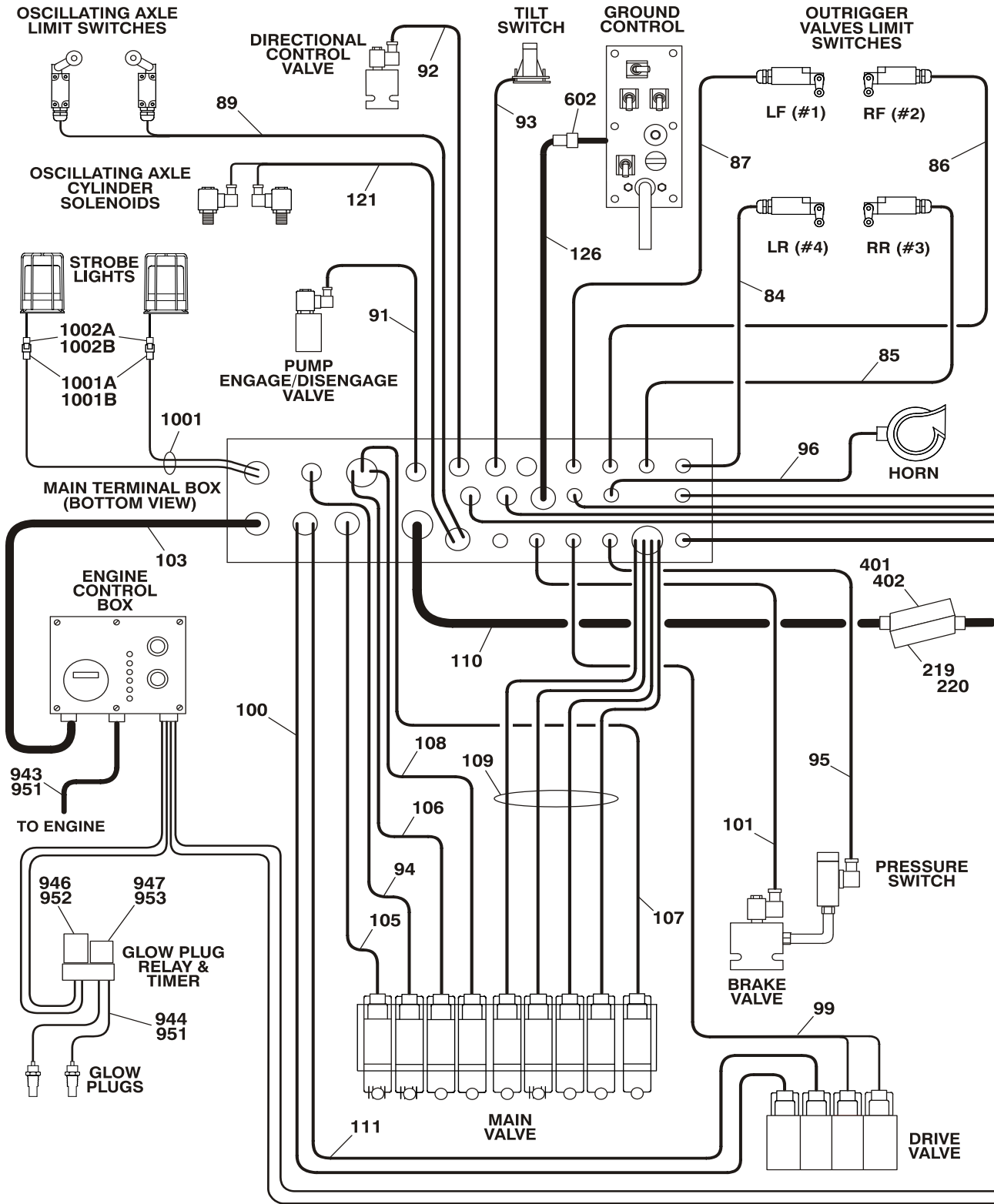
Diesel 80 SL / 67 SL

SCHEMATIC ELECTRICAL

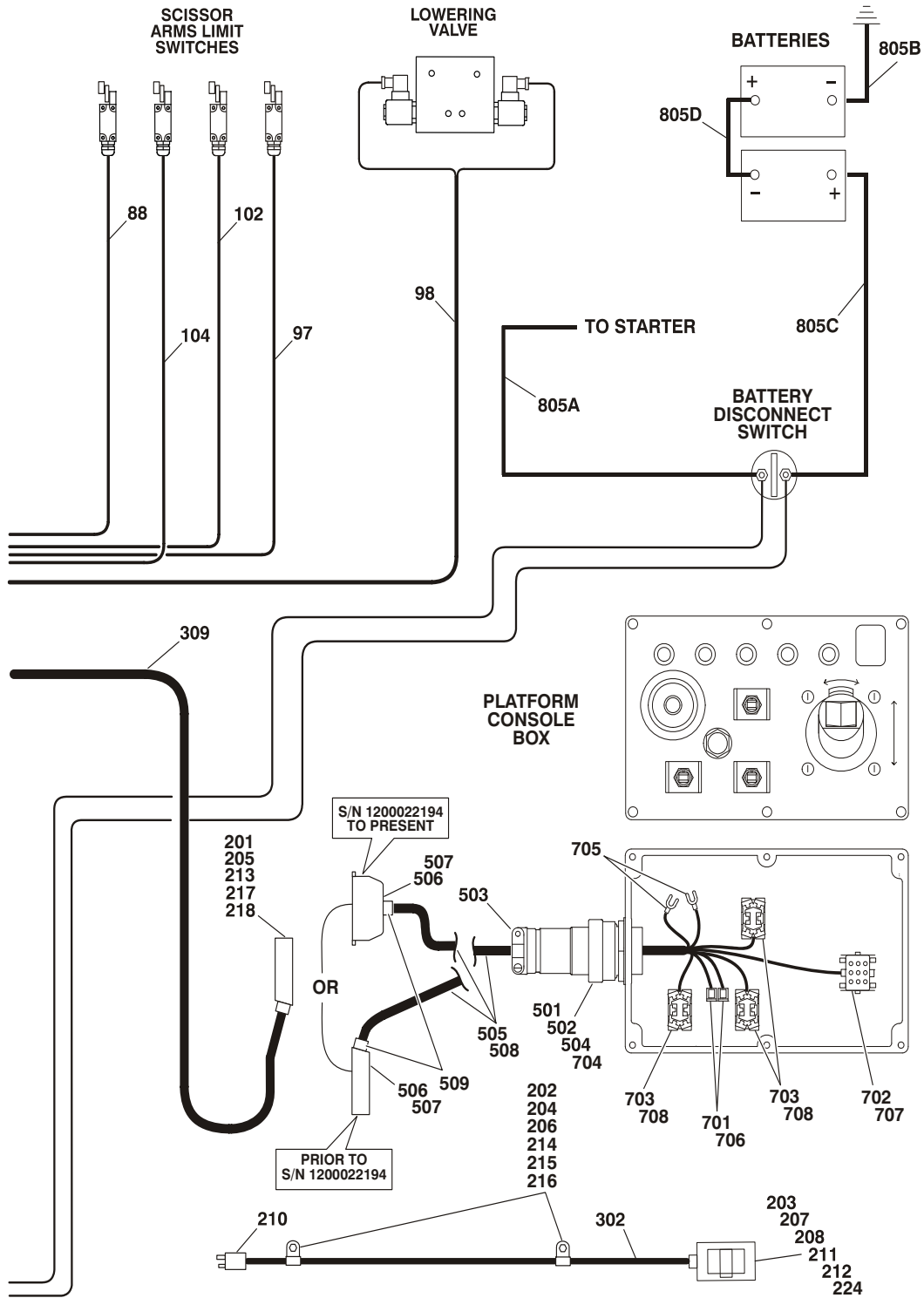
LIFTLUX

SECTION 7 ELECTRICAL

FIGURE 7-2. HARNESS COMPONENTS INSTALLATION



SECTION 7 ELECTRICAL



SECTION 7 ELECTRICAL

FIGURE 7-2. HARNESS COMPONENTS INSTALLATION

ITEM #	PART NUMBER	QTY.	DESCRIPTION	REV.
	E900066	Ref.	MAIN TERMINAL BOX HARNESS KIT INSTALLATION	D
1 to 83	Not Used			
84	70001182	1	Harness, #4 Outrigger Limit Switch	
85	70001183	1	Harness, #3 Outrigger Limit Switch	
86	70001184	1	Harness, #2 Outrigger Limit Switch	
87	70001185	1	Harness, #1 Outrigger Limit Switch	
88	70001186	1	Harness, Platform Down Limit Switch	
89	70001187	1	Harness, Oscillating Axle Limit Solenoid	
90	Not Used			
91	70001188	1	Harness, Pump Engage/Disengage Valve	
92	70001189	1	Harness, Directional Control Valve	
93	70001190	1	Harness, Tilt Switch	
94	70001191	1	Harness, Drive 2 Valve	
95	70001192	1	Harness, Pressure Switch	
96	70001193	1	Harness, Horn	
97	70001194	1	Harness, Max Height Limit Switch	
98	70001195	1	Harness, Lowering Valve	
99	70001196	1	Harness, Drive Speed Valve	
100	70001197	1	Harness, Differential Lock Valve #2	
101	70001198	1	Harness, Brake Valve	
102	70001199	1	Harness, Max Drive Height Limit Switch	
103	70001200	1	Harness, Engine Control Box	
104	70001201	1	Harness, 2.5M Limit Switch	
105	70001202	1	Harness, Platform Extend Valve	
106	70001203	1	Harness, Lift Valve	
107	70001204	1	Harness, Drive Valve	
108	70001205	1	Harness, Steer Valve	
109	70001261	1	Harness Assembly, Outrigger Valves	
110	70001210	1	Harness, Remote Control Box Connector	
111	70001211	1	Harness, Differential Lock Valve #1	
112 to 120	Not Used			
121	70001212	1	Harness, Oscillating Axle Switch	
122 to 125	Not Used			
126	70001213	1	Harness, Ground Control Panel	
127 to 130	Not Used			
131	70000952	1	Connector (2 Pin for Nivelux Board - Not Shown)	
132	70000953	2	Connector (3 Pin for Nivelux Board - Not Shown)	
133	70000954	1	Connector (4 Pin for Nivelux Board - Not Shown)	
134	70000955	1	Connector (8 Pin for Complex Board - Not Shown)	
135	70000956	4	Connector (12 Pin for Nivelux & Complex Board - Not Shown)	

SECTION 7 ELECTRICAL

FIGURE 7-2. HARNESS COMPONENTS INSTALLATION (CONTINUED)

ITEM #	PART NUMBER	QTY.	DESCRIPTION	REV.
	0275639	Ref.	RECEPTACLES INSTALLATION	H
201	0760508	4	Bolt M5 x 16mm	
202	0760610	2	Bolt M6 x 20mm	
203		1	Box Options:	
	0860038	1	Box, Receptacle (Prior to S/N 1200022285)	
	2902431	1	Box, Receptacle Kit (S/N 1200022285 to Present)	
	0861731	1	Box, Non-Metallic Receptacle	
	1671207	1	Cover	
	4460346	1	Receptacle (110V)	
	4460662	1	Strain Relief	
204	1320224	2	Clamp	
205	3290505	4	Locknut M5	
206	3290605	2	Locknut M6	
207		4	Hardware Options:	
	3900294		Screw, Self-Tapping (Prior to S/N 1200022285)	
	0760408		Bolt M4 x 16mm (S/N 1200022285 to Present)	
208	4060700	1	Cover, Receptacle (Prior to S/N 1200022285)	
209	Not Used			
210	4460138	1	Plug, Male	
211	4460315	3	Terminal, Spade	
212	4460346	1	Receptacle (Prior to S/N 1200022285)	
213	4811600	A/R	Flatwasher M5	
214	4811700	A/R	Flatwasher M6	
215	4811702	2	Flatwasher M6 Large O.D.	
216	4831700	2	Lockwasher M6	
217	E000102	1	Housing, Connector - Female 24 Pin	
218	E000481	1	Insert, Connector - Female 24 Pin	
219	E000103	1	Housing, Connector - Male 24 Pin	
220	E000482	1	Insert, Connector - Male 24 Pin	
221 to 223	Not Used			
224	3290405	4	Locknut M4 (S/N 1200022285 to Present)	
	0275609	Ref.	SCISSORS ARMS & CABLES INSTALLATION	E
301	Not Used			
302	1060663	45m/148ft	Cable, Electrical 12/3	
303 to 308	Not Used			
309	E000083	45m/148ft	Cable, Electrical (25 Wire)	
	E900063	Ref.	MAIN TERMINAL BOX ASSEMBLY	F
401	E000102	1	Housing, Connector - Female 24 Pin	
402	E000481	1	Insert, Connector - Female 24 Pin	

SECTION 7 ELECTRICAL

FIGURE 7-2. HARNESS COMPONENTS INSTALLATION (CONTINUED)

ITEM #	PART NUMBER	QTY.	DESCRIPTION	REV.
	E900042	Ref.	PLATFORM CONSOLE JUMPER HARNESS	E
501	4460465	24	Socket, Female	
502	4460468	1	Cap, Dust	
503	4460492	1	Clamp, Cable	
504	4460502	1	Connector - 31 Position	
505	E000083	6m/20ft	Cable, Electrical (25 Wire)	
506		1	Housing, Connector - Male 24 Pin Options: Prior to S/N 1200022194	
	E000103		S/N 1200022194 to Present	
507	E000482	1	Insert, Connector - Male 24 Pin	
508	E900043	6m/20ft	Loom, Wire	
509	E900045	1	Relief, Strain	
	E900055	Ref.	GROUND CONTROL PANEL HARNESS	E
601	4460418	4	Connector, Female - 6 Position (Attaches to Toggle Switch - Not Shown)	
	4460419	A/R	Terminal, Female	
602	4460462	1	Connector - 23 Position	
	4460465	A/R	Terminal, Female	
603	E900056	2	Diode BY255 (Not Shown)	
	E900041	Ref.	PLATFORM CONSOLE BOX HARNESS	D
701	4460260	2	Terminal, Locking Female	
702	4460266	1	Connector, Female - 9 Position	
703	4460418	3	Connector - 6 Position	
704	4460503	1	Connector - 31 Position	
705	Not Used			
706	4460259	A/R	Connector, Female - 1 Position Locking	
707	4460267	6	Pin, Male	
708	4460419	15	Socket, Female	
709	4460464	20	Pin, Male	
	0275720	Ref.	BATTERY CABLES INSTALLATION	D
801 to 804	Not Used			
805	2902554	1	Battery Cable Kit	
805A	70001776	1	Cable, Battery (A) (Starter to Battery Disconnect)	
805B	70001777	1	Cable, Battery (B) (Battery - to Engine)	
805C	70001778	1	Cable, Battery (C) (Battery + to Battery Disconnect)	
805D	70001765	1	Cable, Battery (D) (Battery - to Battery +)	
806 to 811	Not Used			
812	E000072	6m/20ft	Loom / Shield, Cable (Not Shown)	

SECTION 7 ELECTRICAL

FIGURE 7-2. HARNESS COMPONENTS INSTALLATION (CONTINUED)

ITEM #	PART NUMBER	QTY.	DESCRIPTION	REV.
	0275662	Ref.	ENGINE HARNESSES INSTALLATION	L
		Ref.	Prior to S/N 1200021339	
901 to 942	Not Used			
943	1001105078	1	Harness, Engine (was p/n 70001780)	
944	1001105079	1	Harness, Glow Plug (was p/n 70001781)	
945	1001105080	1	Harness, Air Cleaner Indicator (was p/n 70001779 - Not Shown)	
946	See Note	1	Relay, Glow Plug Timer Note: Relay was p/n 70000924. P/N 70000924 is no longer available. Purchase qty 1 each of relay p/n 70003647 & base p/n 70003648.	
947	70000925	1	Relay	
	70000926	1	Base, Relay	
948	8229236	2	Fuse, 30A (Not Shown)	
949 to 950	Not Used			
		Ref.	S/N 1200021339 to Present	
951	1001105682	1	Harness, Engine (Complete)	
952	See Note	1	Relay, Glow Plug Timer Note: Relay was p/n 70000924. P/N 70000924 is no longer available. Purchase qty 1 each of relay p/n 70003647 & base p/n 70003648.	
953	70000925	1	Relay	
	70000926	1	Base, Relay	
954	8229236	2	Fuse, 30A (Not Shown)	
		Ref.	OPTIONAL HARNESS COMPONENTS	
1001	1001099183	1	Harness Assembly, Beacon	
1001A	4460897	2	Connector, Female - 2 Position	
1001B	4460464	4	Pin, Male	
1002		A/R	Lamp Components, Beacon	
1002A	4460891	1	Connector, Male - 2 Position	
1002B	4460465	2	Socket, Female	

SECTION 7 ELECTRICAL

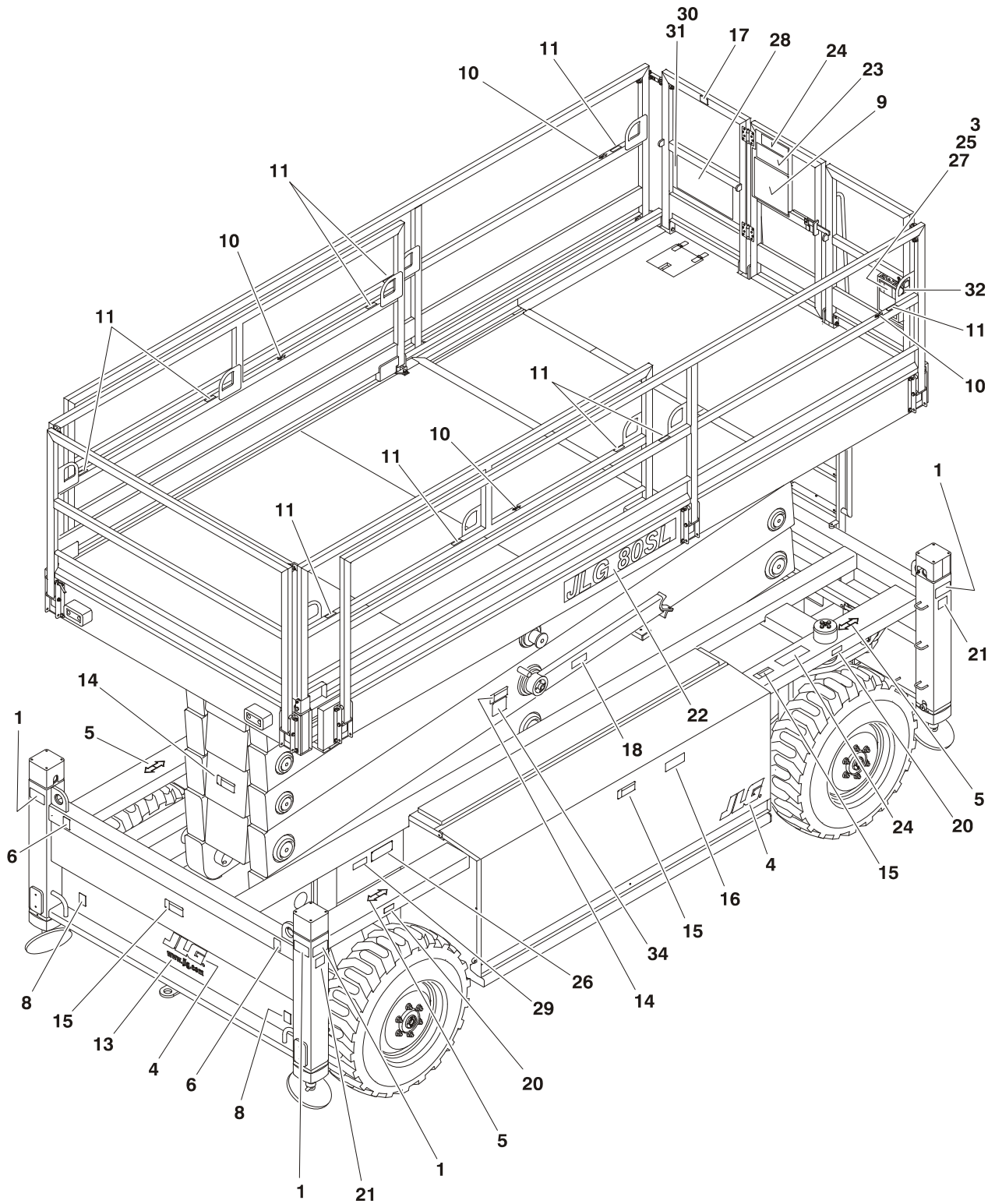
FIGURE 7-2. HARNESS COMPONENTS INSTALLATION (CONTINUED)

ITEM #	PART NUMBER	QTY.	DESCRIPTION	REV.

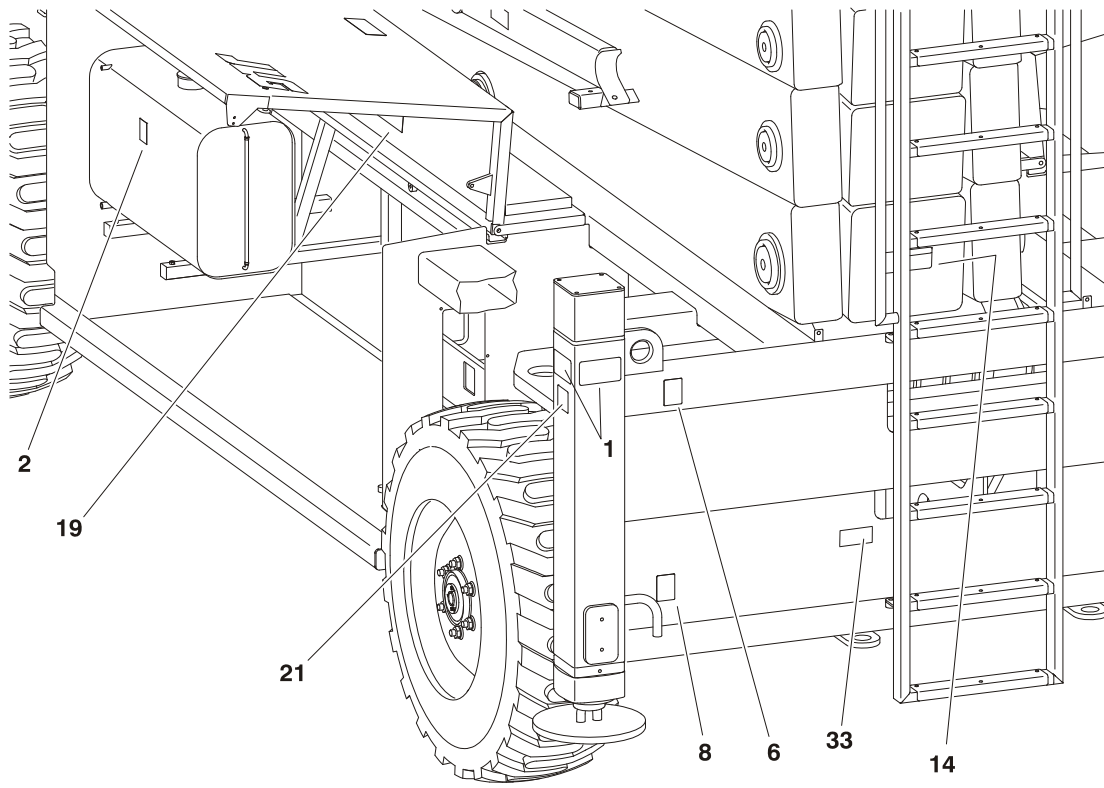
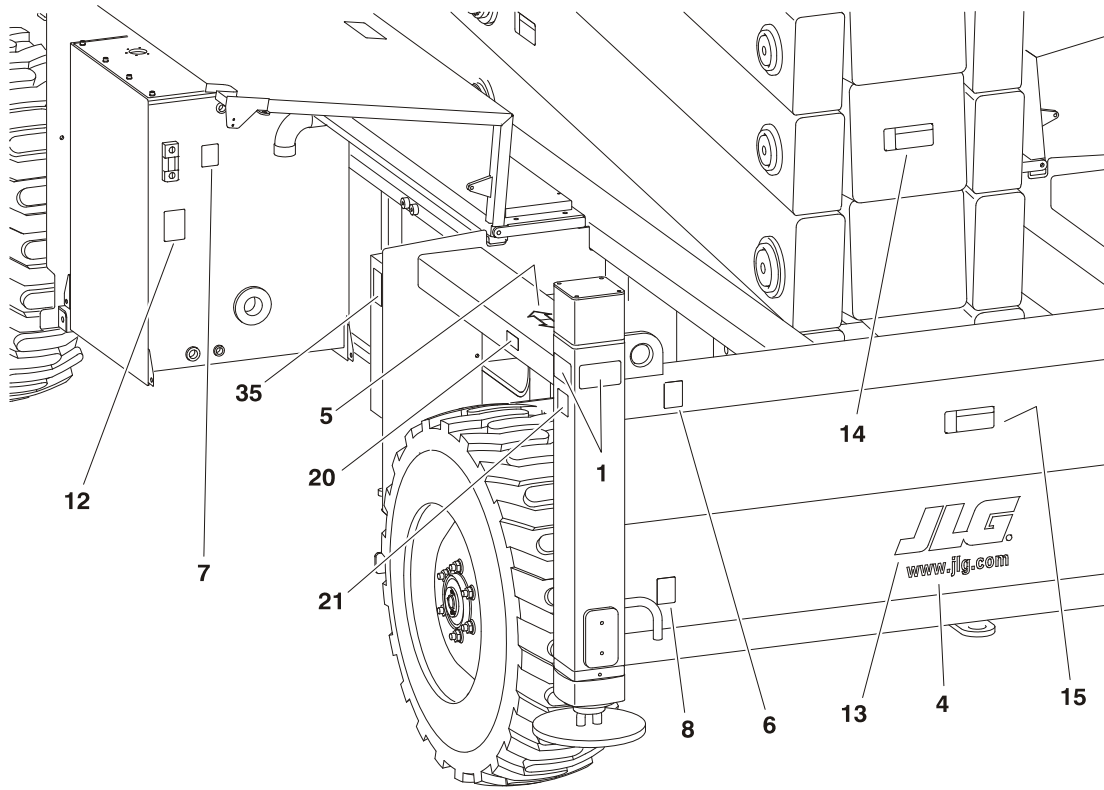
SECTION 8 DECALS

SECTION 8 DECALS

FIGURE 8-1. DECAL INSTALLATION



SECTION 8 DECALS



SECTION 8 DECALS

FIGURE 8-1. DECAL INSTALLATION

ITEM #	PART NUMBER	QTY.	DESCRIPTION	REV.
		Ref.	DECAL INSTALLATION	
	0275933	Ref.	ANSI Spec	H
	1001092750	Ref.	CSA Spec	G
1		8	Decal - Outrigger Warning Options:	
	1701214		ANSI Spec	
	1704690		CSA Spec	
2	1701505	1	Decal - Diesel Fuel	
3	1701640	1	Decal - Manual	
4	1702773	3	Decal - JLG	
5	1703687	4	Decal - Direction Arrow	
6	1703811	4	Decal - Lifting Lug	
7	1703812	1	Decal - Hydraulic Oil	
8	1703814	4	Decal - Tie Down	
9	1703816	1	Decal - Danger/Warning (ANSI Spec Only)	
10	1703819	A/R	Decal - Direction Arrow	
11	1704277	A/R	Decal - Lanyard Attach	
12	1704412	1	Decal - Hydraulic Oil	
13	1704885	1	Decal - Website	
14		4	Decal - Crushing Options:	
	1705694		ANSI Spec	
	1705311		CSA Spec - Prior to S/N 1200016263	
	1705694		CSA Spec - S/N 1200016263 to Present	
15		5	Decal - Electrocutation Options:	
	1705695		ANSI Spec	
	1705040		CSA Spec	
16	1706482	1	Decal - Manual Descent Inside	
17	1706485	1	Decal - Control Box Location	
18	1706487	1	Decal - Safety Prop	
19		1	Decal - Manual Descent Options:	
	1706490		Prior to S/N 1200021263	
	1001103747		S/N 1200021263 to Present	
20	1706507	4	Decal - Wheel Load	
21	1706508	4	Decal - Pad Load	
22	1707184	2	Decal - Model Designation	
23		1	Decal - Legend Options:	
	1707185		ANSI Spec	
	1001092736		CSA Spec	
24	1707188	A/R	Decal - Capacity	
25	2080040	4	Fastener, Huck	
26	See Note	1	Nameplate - Serial Number (Note: Not Available for Purchase)	
27	8990147	1	Box, Manual Storage	
	70003486	2	Clip, Manual Holder	
28	1704684	1	Decal - Danger/Warning (CSA Spec Only)	
29	1705303	1	Decal - CSA (CSA Spec Only)	
30	1001092752	1	Plate, Decal (CSA Spec Only)	
31	3820408	7	Rivet, Blind (CSA Spec Only)	
32	1060279	1	Cable, Lanyard	

FIGURE 8-1. DECAL INSTALLATION (CONTINUED)

ITEM #	PART NUMBER	QTY.	DESCRIPTION	REV.
33	1703464	1	Decal, AC Power	
34	1705717	1	Decal, Crushing (CSA Spec Only)	
35	1706098	1	Decal, Ether Warning	

SECTION 8 DECALS

FIGURE 8-1. DECAL INSTALLATION (CONTINUED)

ITEM #	PART NUMBER	QTY.	DESCRIPTION	REV.

SECTION 9 RECOMMENDED SERVICE PARTS STOCK

MODEL 80SL

The following list will service one machine (built to current production per date on the front cover) with emergency repair parts which can be installed in the field. Parts from the list should be replaced when inventory is depleted to keep service parts stock supplied. For further information, contact your JLG dealer or the JLG Industries Parts Department.

Part Number	Description	Qty./Machine
STANDARD PARTS		
H000019	Solenoid (Figure 2-1)	1
7012986	Coil (Figures 2-1, 5-1 & 6-2)	1
4360314	Switch, Toggle (Figure 2-1)	1
4360671	Switch, Toggle (Figure 2-1)	1
4360698	Switch, Toggle (Figures 2-1 & 4-2)	1
4360469	Switch, Key (Figure 2-1)	1
2860030	Key, Replacement (Figure 2-1)	1
4360475	Switch, Emergency Stop (Figures 2-1 & 4-2)	1
E000059	Battery Disconnect Switch (Figure 2-1)	1
E000044	Switch, Tilt (Figure 2-1)	1
70000635	Switch, Push Button (Figure 2-1)	1
70000385	Coil (Figure 2-4)	1
E000457	Relay (Figure 2-5)	1
7017444	Coil (Figures 2-6, 5-2 & 6-2)	1
H000241	Air Breather Filter (Figure 2-6)	12
70000900	Element, Hydraulic Filter Figure 2-7)	4
70000054	Element, Air Cleaner Filter (Figure 2-7)	12
7016331	Filter, Oil (Deutz Engine) (Figure 2-7)	12
7020023	Filter, Fuel (Figure 2-7)	12
S200238	Latch, Gate (Figure 4-1)	1
4360387	Switch, Push Button (Figure 4-2)	1
4360525	Switch, Toggle (Figure 4-2)	1
4360693	Switch, Toggle (Figure 4-2)	1
E900025	Control, Joystick (Figure 4-2)	1
E900056	Diode (Figure 7-2)	2
VARIABLE PARTS		
E000376	Limit Switch (Figures 1-2 & 3-1)	1
E000359	Limit Switch (Figure 1-6)	1
70001352	PC Board (Engine Control) (Figure 2-1)	1
E000189	PC Board (Pump) (Figure 2-5)	1
E000214	PC Board (Nivolux) (Figure 2-5)	1
1001112938	PC Board (Complex Control) (Figure 2-5)	1

SECTION 9 RECOMMENDED SERVICE PARTS STOCK

MODEL 80SL

The following list will service one machine (built to current production per date on the front cover) with emergency repair parts which can be installed in the field. Parts from the list should be replaced when inventory is depleted to keep service parts stock supplied. For further information, contact your JLG dealer or the JLG Industries Parts Department.

Part Number	Description	Qty./Machine

SECTION 10 SPECIAL OPTIONS

Note: This list is to accommodate machines ordered with special equipment. Options may not be applicable to all models. For more specific parts information contact JLG Parts Department.

FIG&ITEM#	PART NUMBER	QTY.	DESCRIPTION	REV.
10-1		Ref.	MISCELLANEOUS SPECIAL OPTIONS	
	1001098929	Ref.	Beacon Lamp Installation	
	2920161	2	Lamp, Beacon	
	4060865	2	Guard, Stone	
	1001099040	2	Bracket, Beacon Lamp	
		Ref.	Filter Kits:	
	1001111714	1	Combined Filter Kit (Hydraulic/Air & Fuel/Engine Oil)	
	1001111679	1	Hydraulic/Air Filter	
	1001111685	1	Fuel/Engine Oil Filter	
		Ref.	Tools For Service:	
	7002828	1	Wire Stripper	
	7002821	1	Wire Crimper (To Install Wire Ends to Wires)	
	7002823	1	Pin/Socket Extractor - Universal (To Remove Pins/Sockets from Connectors)	
	7002823	1	Pin/Socket Extractor - Universal (To Remove Pins/Sockets from	
	4460467	1	Extractor - 16-18 Gauge (For Removal of Pins/Sockets for Deutsch Connectors)	
	4460510	1	Extractor - 12-14 Gauge (For Removal of Pins/Sockets for Deutsch Connectors)	
	7002822	1	Screwdriver, Potentiometer (To Adjust Drive Controller)	
	7016654	1	Screwdriver, Magnetic	
	7004275	1	Seal Installation Tool - 1in	
	7004276	1	Seal Installation Tool - 1-1/2in	
	7002826	1	Seal Installation Tool - 2in	
	1001094298	1	Hand Rail Tool (245-25)	
		Ref.	Fluids	
	2300014	290k	Oil, MobilFluid 424	
	2300029	290k	Oil, Mobil EAL Envirosyn H 46	
	3020008	2 ltr	Oil, Mobilube HD 80W-90	
	3020016	6 ltr	Oil, Motor Delvac MX 15W-40	

SECTION 10 SPECIAL OPTIONS

Note: This list is to accommodate machines ordered with special equipment. Options may not be applicable to all models. For more specific parts information contact JLG Parts Department.

FIG&ITEM#	PART NUMBER	QTY.	DESCRIPTION	REV.

SECTION 11 PART NUMBER INDEX

Part Number	Page	Part Number	Page	Part Number	Page	Part Number	Page
0100011	2-20	0760612	4-5	1001101886	4-5	2142103	6-5, 6-13
0100019	1-5	0760614	2-19	1001102404	3-7	2142202	6-5, 6-13
0140011	2-13	0760810	2-5	1001103161	4-5	2142203	6-5, 6-13
0181847	4-9	0760812	2-20, 2-27	1001103611	2-3	2142206	6-6, 6-14
0275564	1-5	0760813	2-3	1001103747	8-4	2142209	6-6, 6-14
0275565	1-3	0760814	2-27	1001105078	7-23	2142215	6-7, 6-15
0275566	1-7	0760815	4-9	1001105079	7-23	2142218	6-7, 6-15
0275567	2-5, 2-15	0760817	2-19	1001105080	7-23	2142219	6-7, 6-15
0275568	2-27	0760819	1-5	1001105682	7-23	2142503	6-6
0275570	1-17	0761008	4-4	1001111679	10-1	2142706	6-5, 6-13
0275571	1-15	0761010	1-17, 2-4, 2-15, 2-19, 2-27, 3-7, 4-4	1001111685	10-1	2142707	6-5, 6-8, 6-13, 6-15
0275593	2-3			1001111714	10-1	2142708	6-5, 6-13
0275609	3-4, 6-8, 6-16, 7-21			1001112938	2-13, 9-1	2142709	6-5, 6-13
0275634	3-4	0761012	1-17, 2-15, 4-4	1003107	2-7	2142710	6-5, 6-13
0275635	3-4, 5-5	0761014	2-3, 2-19, 2-27	1060279	8-4	2142711	6-5, 6-13
0275636	2-3	0761015	2-3	1060663	7-21	2142712	6-5, 6-13
0275638	4-5	0761210	1-3	1062255	3-5	2142713	6-5, 6-13
0275639	4-6, 7-21	0761212	3-7	1320224	7-21	2142715	6-5, 6-13
0275640	4-4, 6-8, 6-15	0761214	1-3, 1-5, 2-19, 4-4	1321564	6-4, 6-12	2142716	6-5, 6-13
0275662	2-15, 2-19, 7-23	0761215	1-7	1671207	7-21	2142717	6-6, 6-14
0275673	4-9	0761217	3-4	1701214	8-4	2142741	6-5, 6-13
0275708	1-7	0761228	2-19, 4-5	1701505	8-4	2142742	6-6, 6-14
0275720	2-4, 7-22	0762015	3-4	1701640	8-4	2142743	6-5, 6-13
0275749	3-7	0771619	1-7	1702773	8-4	2142744	6-6, 6-14
0275933	8-4	0860038	7-21	1703464	8-5	2142746	6-5, 6-13
0307544	2-7	0861731	7-21	1703687	8-4	2142747	6-6, 6-14
0318854	2-7	0893076	2-7	1703811	8-4	2142748	6-6, 6-14
0700510	1-5	1001091145	2-15	1703812	8-4	2142749	6-7, 6-15
0700518	2-27	1001091198	2-19	1703814	8-4	2142750	6-7, 6-15
0700608	1-15	1001091513	2-19	1703816	8-4	2142753	6-6, 6-14
0700615	4-5	1001091514	2-19	1703819	8-4	2142754	6-6, 6-13
0700617	2-3	1001091921	2-15	1704277	8-4	2142755	6-7
0700620	2-15	1001092405	2-13	1704412	8-4	2142756	6-7
0700621	2-27	1001092406	2-13	1704684	8-4	2142804	6-6, 6-14
0700812	2-27, 3-4	1001092736	8-4	1704690	8-4	2143406	6-6, 6-13
0700815	2-4	1001092750	8-4	1704885	8-4	2143409	6-6, 6-14
0700817	1-15, 2-3	1001092752	8-4	1705040	8-4	2143419	6-7, 6-15
0700818	1-15	1001092803	2-19	1705303	8-4	2143513	6-6, 6-14
0700820	2-3	1001093028	2-27	1705311	8-4	2143534	6-6, 6-14
0700833	1-15	1001093353	2-13	1705694	8-4	2143547	6-7, 6-15
0701014	4-4	1001093354	2-13	1705695	8-4	2143564	6-7, 6-15
0701015	3-4	1001093355	2-13	1705717	8-5	2143568	6-7, 6-15
0701018	1-15	1001093361	2-13	1706098	8-5	2143579	6-6, 6-14
0701020	4-4	1001093379	2-13	1706482	8-4	2143602	6-6, 6-14
0701029	4-5	1001093793	2-20	1706485	8-4	2143606	6-6, 6-14
0701217	3-4, 4-5	1001093796	2-19	1706487	8-4	2143608	6-6, 6-14
0701222	1-5	1001094298	10-1	1706490	8-4	2143609	6-6, 6-14
0701224	1-5	1001094781	2-5	1706507	8-4	2143619	6-7, 6-15
0701627	1-15	1001096366	4-9	1706508	8-4	2143803	6-6, 6-14
0701631	3-4, 3-7	1001096367	4-9	1707184	8-4	2143807	6-6, 6-14
0711232	1-3	1001097369	4-6	1707185	8-4	2143809	6-5
0712026	1-5	1001097370	4-6	1707188	8-4	2144005	6-7, 6-15
0760408	7-21	1001098929	10-1	1787217	2-4	2144007	6-7, 6-14
0760505	2-15	1001098950	2-16, 2-19, 2-20	2080040	4-5, 8-4	2144105	6-6, 6-13
0760508	4-9, 7-21	1001098951	2-20	2140803	6-6	2144801	6-15
0760605	2-4, 2-27, 3-4	1001099040	10-1	2141503	6-6, 6-14	2144805	6-15
0760606	2-27	1001099183	7-23	2141506	6-6, 6-14	2160016	1-3, 1-5, 1-15, 3-4, 3-5, 3-7, 4-4
0760608	2-4, 4-5	1001101884	4-5	2141907	6-8, 6-15	2160018	1-3
0760610	2-4, 4-4, 7-21	1001101885	4-5	2141914	6-5, 6-13		

SECTION 11 PART NUMBER INDEX

Part Number	Page	Part Number	Page	Part Number	Page	Part Number	Page
2171824	6-7, 6-15	2754529	6-8, 6-15	4360671	2-4, 9-1	4832500	3-4
2171832	6-8, 6-15	2860030	2-4, 9-1	4360693	4-9, 9-1	5241600	1-7
2221214	6-6, 6-14	2900708	2-15	4360698	2-4, 4-9, 9-1	5242000	1-5
2221228	6-7, 6-15	2902431	7-21	4460071	4-6	5272611	1-7
2300014	10-1	2902554	7-22	4460121	4-9	70000043	2-20
2300029	10-1	2920161	10-1	4460138	7-21	70000045	2-20
2560141	4-9	3020008	10-1	4460226	4-13	70000053	2-19
2600281	4-5	3020016	10-1	4460259	7-22	70000054	2-19, 9-1
2754351	6-5, 6-13	320066	2-3	4460260	7-22	70000055	2-20
2754392	6-7, 6-15	3290405	7-21	4460265	4-13	70000056	2-20
2754415	6-5, 6-13	3290505	1-5, 2-27, 4-9, 7-21	4460266	4-13, 7-22	70000057	2-21
2754416	6-7, 6-14	3290605	2-3, 2-4, 2-5, 2-15, 2-27, 4-4, 4-5, 7-21	4460267	4-13, 7-22	70000058	2-21
2754417	6-5, 6-13			4460315	7-21	70000059	2-21
2754418	6-5			4460346	7-21	70000061	2-21
2754419	6-7, 6-15	3290801	2-15	4460418	7-22	70000062	2-21
2754420	6-5, 6-13	3290805	2-3, 2-4, 2-5, 2-19, 2-27, 4-9	4460419	7-22	70000073	2-21
2754421	6-7, 6-14			4460462	7-22	70000074	2-21
2754422	6-4, 6-12	3291005	1-5, 2-15, 2-27, 3-4, 3-7, 4-5	4460464	7-22, 7-23	70000075	2-20
2754426	6-4, 6-12			4460465	7-22, 7-23	70000081	4-13
2754427	6-5, 6-13	3291205	2-19, 3-4, 4-5	4460467	10-1	70000082	4-13
2754428	6-5, 6-13	3291207	3-4	4460468	7-22	70000083	4-13
2754429	6-5, 6-13	3291605	3-4, 3-7	4460470	4-9	70000084	4-13
2754430	6-5, 6-13	3292005	4-4	4460471	4-9	70000085	4-13
2754431	6-7, 6-15	3293605	1-5	4460492	7-22	70000150	5-5
2754432	6-5, 6-13	3331215	1-3	4460502	7-22	70000153	1-7
2754433	6-5, 6-13	3332011	1-5	4460503	7-22	70000154	1-7
2754434	6-5, 6-13	3440816	3-4	4460510	10-1	70000184	5-5
2754435	6-5, 6-7, 6-13, 6-14	3520060	4-9	4460662	7-21	70000219	5-5
2754436	6-7	3760491	4-4	4460891	7-23	70000220	5-5
2754437	6-5, 6-13	3820408	2-27, 8-4	4460897	7-23	70000239	1-11
2754438	6-7, 6-15	3820510	1-17	471678	2-3, 2-19	70000240	1-11
2754439	6-5	3900294	7-21	4740120	4-9	70000241	1-11
2754440	6-5, 6-13	3900376	4-4	4811600	1-5, 2-27, 4-9, 7-21	70000242	1-11
2754441	6-5, 6-13	3960605	2-16	4811700	2-3, 2-4, 2-5, 2-15, 2-27, 4-4, 4-5, 7-21	70000243	1-11
2754442	6-7, 6-14	4010414	4-9			70000244	1-11
2754443	6-7, 6-15	4031510	1-15			70000245	1-11
2754445	6-5, 6-13	4031605	2-5	4811702	2-4, 4-5, 7-21	70000246	1-11
2754446	6-7, 6-15	4031612	3-4	4811900	2-3, 2-4, 2-5, 2-19, 2-27, 4-9, 4-10	70000247	1-11
2754447	6-7, 6-14	4031614	1-5			70000248	1-11
2754448	6-7, 6-15	4031708	2-16	4811902	4-9	70000249	1-11
2754449	6-7, 6-14	4031709	3-5, 4-4, 4-9	4812000	1-5, 1-17, 2-15, 2-27, 3-4, 3-7, 4-4, 4-5	70000250	1-11
2754450	6-7, 6-15	4031908	2-16			70000251	1-11
2754451	6-5, 6-13	4032009	2-20	4812100	1-3, 1-5, 2-19, 3-4, 4-5	70000252	1-11
2754452	6-5, 6-12	4032011	3-7			70000253	1-11
2754453	6-4, 6-12	4032013	1-7	4812300	3-4, 3-7	70000254	1-11
2754454	6-4, 6-12	4032015	1-7			70000255	1-11
2754455	6-4, 6-12	4032018	1-5	4812500	4-4	70000256	1-11
2754456	6-4, 6-12	4032025	5-5	4831600	1-5, 2-5, 2-15, 3-4	70000257	1-12
2754457	6-4, 6-12	4032111	3-4	4831700	1-15, 2-5, 2-27, 3-4, 4-5, 7-21	70000258	1-12
2754458	6-4, 6-12	4032310	2-15			70000259	1-12
2754459	6-4, 6-12	4032316	2-15	4831900	1-5, 1-15, 2-3, 2-4, 2-16, 2-27, 3-5	70000260	1-12
2754460	6-7, 6-15	4060700	7-21			70000264	2-21
2754461	6-7, 6-15	4060802	2-4, 4-9	4832000	1-15, 1-17, 2-3, 2-4, 2-15, 2-19, 2-20, 2-27, 3-4, 3-7, 4-4	70000267	2-11
2754462	6-7, 6-14	4060865	10-1			70000269	2-11
2754463	6-4, 6-12	4360314	2-4, 9-1			70000270	2-11
2754464	6-4, 6-12	4360387	4-9, 9-1			70000271	2-11
2754478	3-5, 6-8, 6-16	4360469	2-4, 9-1	4832100	1-3, 1-5, 1-7, 2-19, 2-27, 3-7, 4-4	70000332	2-11
2754525	6-8, 6-15	4360475	2-4, 4-9, 9-1			70000333	2-11
2754526	3-5, 6-8, 6-16	4360525	4-9, 9-1	4832300	1-15, 2-15	70000346	1-12

SECTION 11 PART NUMBER INDEX

Part Number	Page	Part Number	Page	Part Number	Page	Part Number	Page
70000385	2-11, 9-1	70000745	5-3	70001212	7-20	7004276	10-1
70000513	2-9	70000746	5-3	70001213	7-20	7010543	2-3
70000514	2-9	70000747	5-3	70001261	7-20	7012706	2-23
70000515	2-9	70000748	5-3	70001352	2-5, 9-1	7012709	2-23
70000516	2-9	70000749	5-11	70001353	2-5	7012941	2-3
70000517	2-9	70000750	5-11	70001355	2-5	7012972	5-3, 6-4, 6-12
70000518	2-9	70000751	5-11	70001765	7-22	7012986	2-3, 5-3, 6-4, 6-12, 9-1
70000519	2-9	70000752	5-11	70001776	7-22	7016330	2-21
70000520	2-9	70000753	5-11	70001777	7-22	7016331	2-20, 9-1
70000521	2-9	70000754	5-11	70001778	7-22	7016654	10-1
70000522	2-9	70000755	5-11	70001779	7-23	7017414	2-15
70000523	2-9	70000900	2-15, 9-1	70001780	7-23	7017444	2-15, 5-5, 6-4, 6-12, 9-1
70000524	2-9	70000902	2-3	70001781	7-23	7020023	2-20, 9-1
70000525	2-9	70000912	2-20	70001835	2-21	7020127	1-9
70000526	2-9	70000913	2-20	70001836	2-21	7020128	1-9
70000527	2-9	70000914	2-20	70001837	2-21	7020129	1-9
70000528	2-9	70000915	2-20	70001838	2-21	7020168	2-21
70000529	2-9	70000916	2-20	70001840	2-21	7020175	4-9
70000530	2-9	70000917	2-20	70001841	2-21	7020176	4-9
70000531	2-9	70000917	2-20	70001841	2-21	7020414	2-20
70000531	2-9	70000922	2-21	70001843	2-20	7020443	2-21
70000532	2-9	70000924	7-23	70001843	2-20	7020449	2-20
70000533	2-9	70000925	7-23	70001850	2-20	7020459	2-21
70000534	2-9	70000925	7-23	70001851	2-21	7020465	2-20
70000535	2-9	70000926	7-23	70001852	2-21	7020468	2-20
70000536	2-9	70000952	2-13, 7-20	70002740	2-21	7020471	2-20
70000537	2-9	70000953	2-13, 7-20	70003173	2-23	7020480	2-21
70000538	2-9	70000954	2-13, 7-20	70003175	2-23	7020492	2-21
70000539	2-9	70000955	2-13, 7-20	70003177	2-23	7021632	5-5
70000540	2-9	70000956	2-13, 7-20	70003340	2-24	7023919	5-5
70000541	2-9	70001114	2-4	70003486	8-4	7024038	2-23
70000542	2-9	70001122	2-5	70003616	2-13	7024579	2-21
70000543	2-9	70001136	2-21	70003647	7-23	7024818	2-23
70000634	2-5	70001137	2-21	70003648	7-23	7024895	6-4, 6-12
70000635	2-5, 9-1	70001138	2-21	70003737	2-23	7024896	6-4, 6-12
70000683	4-13	70001182	7-20	70003738	2-23	7024897	5-3, 6-4, 6-12
70000684	4-13	70001183	7-20	70003739	2-23	7024952	2-24
70000685	4-13	70001184	7-20	70003740	2-23	7024954	2-23
70000686	4-13	70001185	7-20	70003741	2-23	7026103	5-3
70000692	5-7	70001186	7-20	70003742	2-23	7026608	2-21
70000693	5-7	70001187	7-20	70003743	2-23	7027239	2-21
70000694	5-7	70001188	7-20	70003744	2-23	7027245	2-21
70000695	5-7	70001189	7-20	70003745	2-23	7027249	2-21
70000696	5-7	70001190	7-20	70003746	2-23	7027367	4-13
70000697	5-7	70001191	7-20	70003747	2-23	7027765	4-13
70000698	5-7	70001192	7-20	70003748	2-23	7027766	4-13
70000699	5-7	70001193	7-20	70003749	2-24	7027861	1-9
70000700	5-7	70001194	7-20	70003750	2-23	7027912	2-7
70000702	5-7	70001195	7-20	70003751	2-23	7027939	1-9
70000703	5-7	70001196	7-20	70003752	2-23	7027940	1-9
70000704	5-7	70001197	7-20	70003753	2-23	7027941	1-9
70000706	5-7	70001198	7-20	70003754	2-23	7028846	2-7
70000707	5-9	70001199	7-20	70003755	2-23	7028847	2-7
70000708	5-9	70001200	7-20	7000695	2-20	7028848	2-7
70000709	5-9	70001201	7-20	70021667	2-23	7028849	2-7
70000710	5-9	70001202	7-20	7002821	10-1	7028893	2-7
70000711	5-9	70001203	7-20	7002822	10-1	8005376	2-19
70000712	5-9	70001204	7-20	7002823	10-1		
70000713	5-9	70001205	7-20	7002826	10-1		
70000744	5-3	70001210	7-20	7002828	10-1		
		70001211	7-20	7004275	10-1		

SECTION 11 PART NUMBER INDEX

Part Number	Page	Part Number	Page	Part Number	Page	Part Number	Page
8007894	2-7	E900057	2-13	H003085	5-5	S001492	3-5
8007915	2-7	E900059	2-13	H003091	5-5	S001496	3-6, 5-5
8007935	2-7	E900063	2-5, 2-13, 7-21	H003108	5-5	S001497	3-6
8007939	2-7	E900066	7-20	H003115	5-5	S001498	3-6
8007944	2-7	E900072	2-4	H004083	2-20	S001499	3-7
8007953	2-7	H000013	2-15	H004084	2-20	S001513	2-27
8007954	2-7	H000018	6-4, 6-12	H005224	2-20	S001557	1-5
8007986	2-3, 2-19	H000019	2-3, 9-1	H005232	2-19	S001592	3-4
8008750	2-4	H000031	2-7	H005234	2-19	S001595	3-6
8229236	7-23	H000032	2-7	H005235	2-27	S001613	1-3
8303891	4-9	H000038	2-3	H005236	2-19	S001614	1-3
8405204	2-19	H000039	2-3	H005238	2-19	S001640	1-5, 1-15, 4-4
8990147	8-4	H000040	2-3	H005242	2-19	S001676	2-27
DL0113	2-3	H000048	2-3	H005247	2-7	S003991	1-12
E000005	2-4	H000049	2-3	H005248	2-7	S004000	1-7
E000009	2-4	H000051	2-3	H005249	2-7	S004014	1-17
E000016	3-5, 4-6	H000077	2-15	H005250	2-7	S005049	4-4
E000044	2-5, 9-1	H000116	2-7	H005279	2-7	S005171	2-19
E000045	3-5, 4-6	H000121	2-3, 2-7	H005529	6-4, 6-12	S005172	2-19
E000059	2-4, 9-1	H000122	2-16, 6-4	H005559	2-5	S007043	3-7
E000063	2-5	H000123	6-4, 6-12	H900008	1-15, 5-7	S007120	3-5
E000072	2-4, 7-22	H000148	6-6, 6-14	H900009	1-5, 5-3	S007121	3-5
E000083	7-21, 7-22	H000187	2-7	H900010	1-15, 5-7	S007122	3-5
E000084	2-4	H000188	2-7	H900014	1-3, 5-11	S007123	3-5
E000102	7-21	H000191	2-7	H900020	4-4, 5-9	S007124	3-5
E000103	7-21, 7-22	H000206	2-7	H900065	5-5	S200012	4-4
E000108	7-22	H000207	2-7	H900066	2-19	S200015	4-5
E000189	2-13, 9-1	H000219	1-7, 1-11	H900067	6-4, 6-12	S200017	4-5
E000214	2-13, 9-1	H000220	2-19, 2-23	H900068	6-4, 6-12	S200027	4-5
E000269	1-15, 3-4	H000241	2-15, 9-1	H900069	6-4, 6-12	S200033	4-4
E000359	1-15, 9-1	H000273	6-4, 6-12	H900070	5-3, 6-4, 6-12	S200075	3-5, 3-6
E000375	2-13	H000280	5-3, 6-4, 6-12	H900071	2-16, 2-19, 2-20	S200078	3-5, 3-6
E000376	1-5, 3-4, 9-1	H000285	2-3, 2-9	H900072	2-20	S200081	3-5, 3-6
E000419	2-13, 4-9	H000306	6-4, 6-12	H900073	2-15	S200090	3-5
E000457	2-13, 9-1	H000331	1-7	p	7-23	S200091	3-5
E000481	7-21	H000351	6-4, 6-12	S000009	4-9	S200092	3-5
E000482	7-21, 7-22	H000352	2-7	S000010	3-7	S200093	3-5
E001206	2-13	H000371	3-5, 4-10	S000056	2-27	S200094	3-4
E001375	2-13	H000389	2-7	S000116	3-6	S200095	3-4
E001376	2-13	H000390	2-7	S000117	3-6	S200100	3-4
E007404	2-13	H000397	2-7	S000118	3-6	S200132	3-4
E900025	4-9, 4-13, 9-1	H000412	2-3	S000123	3-5	S200238	4-5, 9-1
E900026	4-9	H000430	3-5, 4-4	S000124	3-5	S200252	1-3
E900028	4-9	H000436	2-3, 2-11	S000141	1-3	S200253	1-3
E900029	4-9	H000442	2-15, 2-16	S000142	1-3, 1-5, 1-15, 3-4, 4-4	S200265	2-5
E900030	4-9	H000443	1-7, 1-9	S000145	4-5	S200910	5-5
E900031	4-9	H000444	5-5	S000188	3-6	S200911	1-3
E900032	2-4	H000514	2-7	S000191	3-5	S201585	1-3
E900033	2-4	H000516	2-7	S000233	3-5	S201586	1-3
E900034	2-4	H000524	6-4, 6-12	S000234	3-5	S201587	1-3
E900036	4-9	H000532	5-5	S000237	4-4	S201588	1-3
E900041	4-9, 7-22	H000536	6-4, 6-12	S000242	3-7	S201589	1-3
E900042	4-9, 7-22	H000542	2-7	S001238	3-5	S201591	1-5
E900043	7-22	H000558	1-15	S001240	3-5	S201592	1-5
E900045	7-22	H000559	1-15	S001241	3-5	S201593	1-5
E900048	2-4, 4-9	H000580	2-7	S001443	2-4	S201594	1-5
E900049	4-9	H000602	2-7	S001445	4-4	S201595	1-5
E900055	2-4, 7-22	H000609	2-7	S001491	3-5	S201596	1-5
E900056	7-22, 9-1	H000723	1-7			S201597	1-5

SECTION 11 PART NUMBER INDEX

Part Number	Page	Part Number	Page	Part Number	Page	Part Number	Page
S201598	1-3	S900211	1-5				
S201599	1-15	S900214	1-3				
S201601	1-17	S900223	3-5				
S201602	2-19	S900229	4-4				
S201604	2-27	S900231	1-5				
S201605	2-27	S900233	4-5				
S201606	2-27	S900234	4-5				
S201608	2-27	S900235	4-5				
S201609	2-27	S900240	3-5				
S201610	2-19	S900241	2-15				
S201613	2-3	S900242	3-5, 3-6				
S201614	2-19	S900243	3-5, 3-6				
S201638	5-5	S900244	3-5, 3-6				
S201639	5-5	S900245	3-5, 3-6				
S201640	5-5	S900246	3-5, 3-6				
S201641	5-5	S900247	3-5, 3-6				
S201661	2-27	S900248	3-6				
S900002	1-15	S900249	3-6				
S900003	1-15	S900250	3-6				
S900021	1-15	S900251	3-6				
S900041	4-4	S900252	3-6				
S900042	4-4	S900253	3-6				
S900043	4-4	S900254	3-6				
S900044	4-4	S900255	3-6				
S900045	4-4	S900256	3-6				
S900046	4-4	S900264	4-5				
S900060	2-27	S900267	4-5				
S900078	2-27	S900268	4-5				
S900079	2-27	S900269	4-4				
S900085	1-3	S900271	4-5				
S900088	1-3	S900274	4-5				
S900089	2-3	S900275	4-5				
S900091	2-27	S900276	4-4				
S900092	2-27	S900277	4-4				
S900093	2-27	S900278	4-4				
S900102	1-15	S900279	3-7				
S900103	1-15	S900280	3-7				
S900111	3-4	S900288	3-4				
S900113	4-5	S900289	4-4				
S900117	4-5	S900291	4-4				
S900118	4-5	S900293	4-4				
S900120	3-7	S900312	3-4				
S900121	3-7	S900322	1-3				
S900122	3-7	S900327	1-7				
S900123	3-7	S900328	1-7				
S900124	3-7	S900329	3-4				
S900125	3-4	S900330	3-4				
S900126	3-4						
S900127	3-4						
S900128	3-5						
S900130	4-4						
S900186	1-5						
S900187	1-15						
S900189	1-5						
S900190	1-5						
S900191	1-5						
S900192	2-3						
S900209	1-5						
S900210	1-5						

SECTION 11 PART NUMBER INDEX

Part Number	Page	Part Number	Page	Part Number	Page	Part Number	Page
-------------	------	-------------	------	-------------	------	-------------	------



3121326



An Oshkosh Corporation Company

Corporate Office
JLG Industries, Inc.
1 JLG Drive
McConnellsburg PA. 17233-9533
USA

☎ (717) 485-5161

📠 (717) 485-6417

JLG Worldwide Locations

JLG Industries (Australia)
P.O. Box 5119
11 Bolwarra Road
Port Macquarie
N.S.W. 2444
Australia

☎ +61 2 65 811111

📠 +61 2 65 813058

JLG Latino Americana Ltda.
Rua Eng. Carlos Stevenson,
80-Suite 71
13092-310 Campinas-SP
Brazil

☎ +55 19 3295 0407

📠 +55 19 3295 1025

JLG Industries (UK) Ltd
Bentley House
Bentley Avenue
Middleton
Greater Manchester
M24 2GP - England

☎ +44 (0)161 654 1000

📠 +44 (0)161 654 1001

JLG France SAS
Z.I. de Baulieu
47400 Fauillet
France

☎ +33 (0)5 53 88 31 70

📠 +33 (0)5 53 88 31 79

JLG Deutschland GmbH
Max-Planck-Str. 21
D - 27721 Ritterhude - Ihlpohl
Germany

☎ +49 (0)421 69 350 20

📠 +49 (0)421 69 350 45

JLG Equipment Services Ltd.
Rm 1107 Landmark North
39 Lung Sum Avenue
Sheung Shui N. T.
Hong Kong

☎ (852) 2639 5783

📠 (852) 2639 5797

JLG Industries (Italia) s.r.l.
Via Po. 22
20010 Pregnana Milanese - MI
Italy

☎ +39 029 359 5210

📠 +39 029 359 5845

Oshkosh-JLG Singapore
Technology Equipment Pte
Ltd
29 Tuas Ave 4,
Jurong Industrial Estate
Singapore, 639379

☎ +65-6591 9030

📠 +65-6591 9031

Plataformas Elevadoras
JLG Iberica, S.L.
Trapadella, 2
P.I. Castellbisbal Sur
08755 Castellbisbal, Barcelona
Spain

☎ +34 93 772 4700

📠 +34 93 771 1762

JLG Sverige AB
Enkopingsvagen 150
Box 704
SE - 176 27 Jarfalla
Sweden

☎ +46 (0)850 659 500

📠 +46 (0)850 659 534