



---

# Illustrated Parts Manual

**Model  
1850SJ**

3121620

August 10, 2018 - Rev M

**ANSI**

**CE**



**AS/NZS**



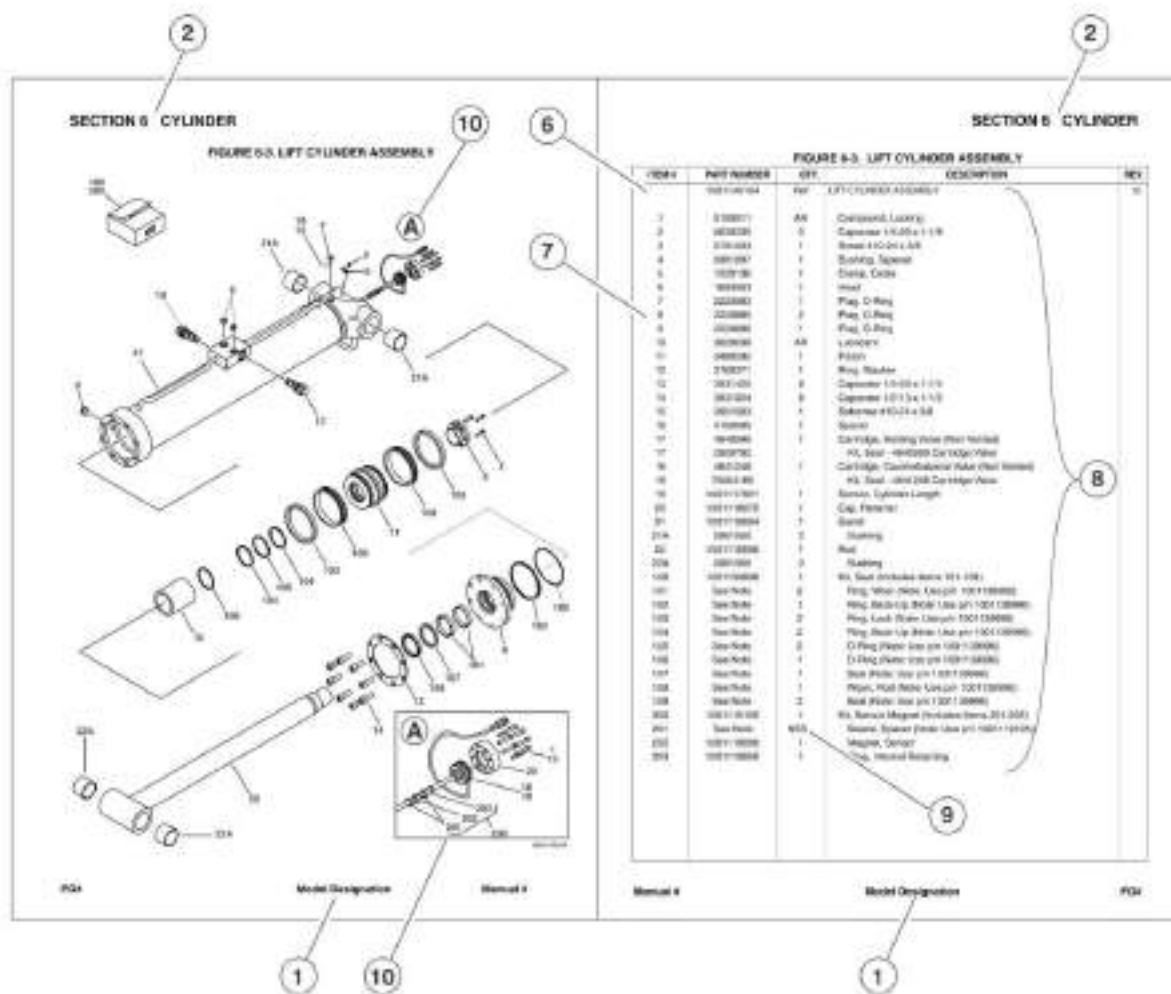
An Oshkosh Corporation Company



## REVISION LOG

March 31, 2014 - A - Original Issue of Manual (Edited to B/M 1001154100 Revision E)  
December 17, 2014 - B - Revised Manual (Edited to B/M 1001154100 Revision H)  
October 30, 2015 - C - Revised Manual (Edited to B/M 1001154100 Revision AA)  
January 15, 2016 - D - Revised Manual (Edited to B/M 1001154100 Revision AA) (Revision 2)  
July 1, 2016 - E - Revised Manual (Edited to B/M 1001154100 Revision AK)  
September 20, 2016 - F - Revised Manual (Edited to B/M 1001154100 Revision AQ) (Revision 1)  
February 15, 2017 - G - Revised Manual (Edited to B/M 1001154100 Revision AW)  
May 19, 2017 - H - Revised Manual (Edited to B/M 1001154100 Revision AW)  
August 18, 2017 - I - Revised Manual (Edited to B/M 1001154100 Revision AX)  
November 17, 2017 - J - Revised Manual (Edited to B/M 1001154100 Revision AZ)  
February 23, 2018 - K - Revised Manual (Edited to B/M 1001154100 Revision AZ)  
May 1, 2018 - L - Revised Manual (Edited to B/M 1001154100 Revision AZ)  
August 10, 2018 - M - Revised Manual (Edited to B/M 1001154100 Revision BA) (Revision 1)

## GENERAL INFORMATION



### 1) MACHINE IDENTIFICATION

Machines are identified by model and in some cases a combination of models, serial number (SN) or regional standard (Le ANSI, CE, CSA). Components may also be identified by SN or manufacturer. Common components that may be identified by these characteristics are engines and hydraulic components.

### 2) PARTS MANUAL ORGANIZATION

Product information in this manual is organized under section titles. Frame, Cylinder, Hydraulic and Electrical are a few examples. Each section is organized by figure and page number. The information within the Figure is then organized by item number, part number, description and corresponding illustration(s).

### 3) TABLE OF CONTENTS

A table of contents is found toward the beginning of the manual. Figure number, description and page number are provided for quick reference to the page containing the related information.

### 4) RECOMMENDED SPARE PARTS

The Recommended Spare Parts, located near the end of the manual, reference most frequently used maintenance parts.

### 5) PART NUMBER INDEX

A numerical index listing all part numbers and the corresponding page number(s) appears at the back of the manual.



## GENERAL INFORMATION

### 6) NON-SERVICED PARTS

In some instances, it is necessary to display non-serviced parts, assemblies or installations. In the case of assemblies and installations there will be a Ref in the Qty column. In case of parts that are not available for service within assemblies or components, there will be a NSS (Not Sold Separately) or NLA (No Longer Available) listed in the Qty. column of the manual.

### 7) PARTS LIST ITEM NUMBERS

Numbers shown in the item# column correspond to numbers used in the associated illustration (s). Item numbers which are missing from the sequence in the parts list are not used on that page.

### 8) INDENTED PARTS DESCRIPTION

An indented part description is included in the item under which it is indented.

### 9) ABBREVIATION AND SYMBOLS

AC.....	Alternating Current	LCD.....	Liquid Crystal Display
ADE.....	Advanced Design Electronics	LED.....	Light Emitting Diodes
ANSI.....	American National Standards Institute	LH.....	Left Hand
AR.....	As Required	LSS.....	Load Sensing System
ASSY.....	Assembly	M(m).....	Metric/Meter
AUX.....	Auxiliary	MM (mm).....	Millimeter
AWG.....	American Wire Gauge	mA.....	Miliamps
B/M.....	Bill of Material	NLA.....	No Longer Available
CE.....	European Conformity	NPT.....	National Pipe Threads
CCW.....	Counter Clockwise	NSS.....	Not Sold Separately
cm.....	Centimeter	OD.....	Outside Diameter
CW.....	Clockwise	ORB.....	O-Ring Boss
CSA.....	Canadian Standards Association	ORFS.....	O-Ring Face Seal
CYL.....	Cylinder	OZ (oz).....	Ounces
DIA.....	Diameter	PG.....	Page
DC.....	Direct Current	P/N.....	Part Number
EMS.....	Emergency Stop	qt.....	Quarts
ENG.....	Engine	QTY.....	Quantity
FT (ft).....	Feet	REF.....	Reference
GA (Gal).....	Gauge	REV.....	Revision Level
HYD.....	Hydraulic	RH.....	Right Hand
Hz.....	Hertz	SAE.....	Society of Automotive Engineers
ID.....	Inside Diameter	SN.....	Serial Number
In.....	Inches	SPEC(S).....	Specifications
ISO.....	International Organization for Standards	T/T.....	Turntable
JIC.....	Joint Industry Council	UGM.....	Universal Ground Module
KG.....	Kilogram	V.....	Volts
L.....	Liter	W.....	Watts
LB.....	Pounds	#.....	Number

### 10) ILLUSTRATION REFERENCE LETTERS

When necessary, illustrations may contain reference letters that are intended to track information (i.e. hoses, harnesses) from one point to another or to track visual enlargement of components to show details that may be located in another area on the illustration.

*Note: Due to continuous product improvements, JLG Industries, Inc. reserves the right to make specification changes without prior notification. Contact JLG Industries, Inc. for updated information.*



# TABLE OF CONTENTS

SECTION 1 - FRAME.....	13
FIGURE 1-1. AXLES INSTALLATION (Prior to SN 0300215612) .....	14
FIGURE 1-2. AXLES INSTALLATION (SN 0300215612 to Present).....	16
FIGURE 1-3. STEERING INSTALLATION .....	18
FIGURE 1-4. WHEEL DRIVE INSTALLATION .....	20
FIGURE 1-5. DRIVE MOTOR ASSEMBLY .....	22
FIGURE 1-6. DRIVE HUB ASSEMBLY .....	24
FIGURE 1-7. TIRE/WHEEL INSTALLATION - IN445/50D710 FOAM-FILLED.....	28
FIGURE 1-8. TIRE/WHEEL INSTALLATION - SOLID TIRES .....	30
FIGURE 1-9. VALVES INSTALLATION - FRAME (WITHOUT LSS).....	32
FIGURE 1-10. VALVES INSTALLATION - FRAME (WITH LSS).....	34
FIGURE 1-11. TRACTION VALVE ASSEMBLY (Prior to SN 0300224866) .....	36
FIGURE 1-12. TRACTION VALVE ASSEMBLY (SN 0300224866 to Present) .....	38
FIGURE 1-13. STEER/AXLE EXTEND VALVE ASSEMBLY.....	40
FIGURE 1-14. ELECTRICAL COMPONENTS INSTALLATION - FRAME .....	42
FIGURE 1-15. ELECTRICAL COMPONENTS INSTALLATION - FRAME (ANSI, ANSI EXPORT (HRC), CSA AND JAPANESE SPECS) (SN 0300210987 to Present).....	44
FIGURE 1-16. ELECTRICAL COMPONENTS INSTALLATION - FRAME (CE SPECS).....	46
FIGURE 1-17. ELECTRICAL COMPONENTS INSTALLATION - FRAME (CE SPECS) (SN 0300210988 to Present) .....	48
FIGURE 1-18. COVERS INSTALLATION - FRAME.....	50
SECTION 2 - TURNTABLE .....	53
FIGURE 2-1. VALVES AND HYDRAULIC FILTERS INSTALLATION - TURNTABLE (WITHOUT LSS).....	54
FIGURE 2-2. VALVES AND HYDRAULIC FILTERS INSTALLATION - TURNTABLE (WITH LSS) .....	56
FIGURE 2-3. MAIN VALVE ASSEMBLY (Prior to SN 0300247850).....	58
FIGURE 2-4. MAIN VALVE ASSEMBLY (SN 0300247850 to Present).....	62
FIGURE 2-5. TURNTABLE BEARING INSTALLATION .....	66
FIGURE 2-6. TURNTABLE LOCK INSTALLATION.....	68
FIGURE 2-7. SWING DRIVE INSTALLATION .....	70
FIGURE 2-8. SWING HUB/BRAKE/ MOTOR ASSEMBLY.....	72
FIGURE 2-9. COUPLING/COLLECTOR RING INSTALLATION .....	76
FIGURE 2-10. TANKS INSTALLATION (Prior to SN 0300210987) .....	78
FIGURE 2-11. TANKS INSTALLATION (SN 0300210987 to Present) .....	80
FIGURE 2-12. TANKS INSTALLATION - WITH DIESEL EXHAUST FLUID TANK (SN 0300210987 to Present) .....	82
FIGURE 2-13. HYDRAULIC TANK ASSEMBLY.....	84
FIGURE 2-14. AUXILIARY POWER/BATTERIES INSTALLATIONS .....	86
FIGURE 2-15. AUXILIARY PUMP AND MOTOR ASSEMBLY (Prior to SN 0300238870) .....	88
FIGURE 2-16. AUXILIARY PUMP AND MOTOR ASSEMBLY (SN 0300238870 to Present) .....	90
FIGURE 2-17. TURNTABLE ELECTRICAL COMPONENTS INSTALLATION.....	92
FIGURE 2-18. TURNTABLE ELECTRICAL COMPONENTS INSTALLATION (ANSI, CSA AND JAPANESE SPECS) (SN 0300210987 to Present) .....	96
FIGURE 2-19. TURNTABLE ELECTRICAL COMPONENTS INSTALLATION.....	100
FIGURE 2-20. TURNTABLE ELECTRICAL COMPONENTS INSTALLATION (CE SPECS) (SN 0300210988 to Present).....	104
FIGURE 2-21. GROUND CONTROL CONSOLE ASSEMBLY .....	108
FIGURE 2-22. GROUND CONTROL CONSOLE ASSEMBLY .....	110
FIGURE 2-23. GROUND CONTROL CONSOLE ASSEMBLY .....	112
FIGURE 2-24. GROUND CONTROL CONSOLE ASSEMBLY .....	114
FIGURE 2-25. KEY SWITCH - ANSI, ANSI EXPORT, AUSTRALIAN AND CSA SPECS.....	116
FIGURE 2-26. KEY SWITCH - CE SPECS (Prior to SN 0300201023).....	118
FIGURE 2-27. LIGHT PANEL.....	120
FIGURE 2-28. LIGHT PANEL.....	122
FIGURE 2-29. LIGHT PANEL.....	124
FIGURE 2-30. LIGHT PANEL.....	126
FIGURE 2-31. ELECTRICAL PANEL ASSEMBLY .....	128
FIGURE 2-32. ALARM INSTALLATION .....	130
FIGURE 2-33. BEACON LIGHT INSTALLATION - AMBER .....	132
FIGURE 2-34. STROBE LIGHT INSTALLATION - BLUE (Prior to SN 0300217096) .....	134
FIGURE 2-35. STROBE LIGHT INSTALLATION - BLUE (SN 0300217096 to Present) .....	136
FIGURE 2-36. STROBE LIGHT INSTALLATION - RED (Prior to SN 0300217096) .....	138
FIGURE 2-37. STROBE LIGHT INSTALLATION - RED (SN 0300217096 to Present) .....	140
FIGURE 2-38. HOOD INSTALLATION (Prior to SN 0300205509) .....	142
FIGURE 2-39. HOOD INSTALLATION (SN 0300205509 through 0300210986).....	148
FIGURE 2-40. HOOD INSTALLATION (SN 0300210987 to Present) .....	154
FIGURE 2-41. VENTURI INSTALLATION.....	160

# TABLE OF CONTENTS

FIGURE 2-42. VENTURI INSTALLATION .....	162
SECTION 3 - ENGINE .....	165
FIGURE 3-1. DEUTZ LRC ENGINE INSTALLATION - NO COLD WEATHER PKG.....	166
FIGURE 3-2. DEUTZ LRC ENGINE/PUMP ASSEMBLY - NO COLD WEATHER PKG .....	170
FIGURE 3-3. DEUTZ LRC ENGINE ASSEMBLY - NO COLD WEATHER PKG.....	172
FIGURE 3-4. DEUTZ LRC ENGINE INSTALLATION - WITH COLD WEATHER PKG.....	178
FIGURE 3-5. DEUTZ LRC ENGINE/PUMP ASSEMBLY - WITH COLD WEATHER PKG.....	182
FIGURE 3-6. DEUTZ LRC ENGINE ASSEMBLY - WITH COLD WEATHER PKG.....	184
FIGURE 3-7. DEUTZ LRC ENGINE COMPONENTS .....	190
FIGURE 3-8. DEUTZ T4I ENGINE INSTALLATION - NO COLD WEATHER PKG .....	194
FIGURE 3-9. DEUTZ T4I ENGINE/PUMP ASSEMBLY - NO COLD WEATHER PKG .....	198
FIGURE 3-10. DEUTZ T4I ENGINE ASSEMBLY - NO COLD WEATHER PKG.....	200
FIGURE 3-11. DEUTZ T4I ENGINE INSTALLATION - WITH COLD WEATHER PKG.....	206
FIGURE 3-12. DEUTZ T4I ENGINE/PUMP ASSEMBLY - WITH COLD WEATHER PKG.....	210
FIGURE 3-13. DEUTZ T4I ENGINE ASSEMBLY - WITH COLD WEATHER PKG.....	212
FIGURE 3-14. DEUTZ T4I ENGINE COMPONENTS .....	218
FIGURE 3-15. DEUTZ EPA FLEX T4I ENGINE INSTALLATION - NO COLD WEATHER PKG .....	222
FIGURE 3-16. DEUTZ EPA FLEX T4I ENGINE/PUMP ASSEMBLY - NO COLD WEATHER PKG .....	226
FIGURE 3-17. DEUTZ EPA FLEX T4I ENGINE ASSEMBLY - NO COLD WEATHER PKG.....	228
FIGURE 3-18. DEUTZ EPA FLEX T4I ENGINE INSTALLATION - WITH COLD WEATHER PKG.....	234
FIGURE 3-19. DEUTZ EPA FLEX T4I ENGINE/PUMP ASSEMBLY - WITH COLD WEATHER PKG) .....	238
FIGURE 3-20. DEUTZ EPA FLEX T4I ENGINE ASSEMBLY - WITH COLD WEATHER PKG.....	240
FIGURE 3-21. DEUTZ EPA FLEX T4I ENGINE COMPONENTS .....	246
FIGURE 3-22. DEUTZ EU FLEX T4I ENGINE INSTALLATION - NO COLD WEATHER PKG.....	250
FIGURE 3-23. DEUTZ EU FLEX T4I ENGINE/PUMP ASSEMBLY - NO COLD WEATHER PKG .....	254
FIGURE 3-24. DEUTZ EU FLEX T4I ENGINE ASSEMBLY - NO COLD WEATHER PKG.....	256
FIGURE 3-25. DEUTZ EU FLEX T4I ENGINE COMPONENTS .....	262
FIGURE 3-26. DEUTZ T4F ENGINE INSTALLATION - NO COLD WEATHER PKG .....	266
FIGURE 3-27. DEUTZ T4F ENGINE/PUMP ASSEMBLY - NO COLD WEATHER PKG .....	270
FIGURE 3-28. DEUTZ T4F ENGINE ASSEMBLY - NO COLD WEATHER PKG .....	272
FIGURE 3-29. DEUTZ T4F ENGINE INSTALLATION - WITH COLD WEATHER PKG.....	278
FIGURE 3-30. DEUTZ T4F ENGINE/PUMP ASSEMBLY - WITH COLD WEATHER PKG .....	282
FIGURE 3-31. DEUTZ T4F ENGINE ASSEMBLY - WITH COLD WEATHER PKG.....	284
FIGURE 3-32. DEUTZ T4F ENGINE COMPONENTS .....	290
FIGURE 3-33. PUMP COUPLING KIT .....	296
FIGURE 3-34. TANDEM PUMP ASSEMBLY .....	298
FIGURE 3-35. PISTON PUMP ASSEMBLY.....	302
FIGURE 3-36. GEAR PUMP ASSEMBLY .....	306
FIGURE 3-37. SPARK ARRESTOR INSTALLATION - DEUTZ T4I (OPTIONAL) (Prior to SN 0300251465).....	308
FIGURE 3-38. SPARK ARRESTOR INSTALLATION - DEUTZ LRC (OPTIONAL) .....	310
FIGURE 3-39. SPARK ARRESTOR INSTALLATION - DEUTZ T4F (OPTIONAL) .....	312
FIGURE 3-40. 4000W GENERATOR INSTALLATION - 50HZ SPEC (OPTIONAL) .....	314
FIGURE 3-41. 7500W SKYPOWER GENERATOR INSTALLATION - 60HZ (OPTIONAL) .....	318
FIGURE 3-42. 7500W SKYPOWER GENERATOR INSTALLATION - 50HZ (OPTIONAL) .....	322
SECTION 4 - BOOM.....	325
FIGURE 4-1. BOOM INSTALLATION .....	326
FIGURE 4-2. BOOM ASSEMBLY .....	328
FIGURE 4-3. JIB INSTALLATION .....	336
FIGURE 4-4. JIB ASSEMBLY .....	340
FIGURE 4-5. PLATFORM ROTATOR ASSEMBLY (Prior to SN 0300199535).....	342
FIGURE 4-6. PLATFORM ROTATOR ASSEMBLY (SN 0300199535 to Present).....	344
FIGURE 4-7. JIB ROTATOR ASSEMBLY (Prior to SN 0300199535).....	346
FIGURE 4-8. JIB ROTATOR ASSEMBLY (SN 0300199535 to Present) .....	348
FIGURE 4-9. PLATFORM SUPPORT INSTALLATION - NO LSS .....	350
FIGURE 4-10. PLATFORM SUPPORT INSTALLATION - WITH 4 CELL LSS .....	352
FIGURE 4-11. PLATFORM SUPPORT INSTALLATION - WITH 1 CELL LSS .....	354
FIGURE 4-12. POWER TRACK INSTALLATION - BOOM .....	356
FIGURE 4-13. VALVES INSTALLATION - BOOM (WITHOUT LSS) .....	360
FIGURE 4-14. VALVES INSTALLATION - BOOM (WITH LSS).....	362
FIGURE 4-15. JIB VALVE ASSEMBLY.....	364
FIGURE 4-16. PLATFORM VALVE ASSEMBLY .....	366
FIGURE 4-17. BOOM SENSORS AND SWITCHES INSTALLATION .....	368
FIGURE 4-18. BOOM CABLES - ANSI, ANSI EXPORT, CHINA, CSA AND JAPANESE SPECS .....	374

# TABLE OF CONTENTS

FIGURE 4-19. BOOM CABLES (AUSTRALIAN AND CE SPECS).....	376
FIGURE 4-20. BOOM CABLES - SKYPOWER.....	378
FIGURE 4-21. BOOM CABLES INSTALLATION - 4000W 50HZ GENERATOR (ANSI EXPORT, AUSTRALIAN, CE, CHINA AND JAPANESE SPECS).....	380
FIGURE 4-22. JIB ENCLOSURE BOX ASSEMBLY.....	382
SECTION 5 - PLATFORM.....	385
FIGURE 5-1. PLATFORM ASSEMBLY - 36IN X 6FT (91.5CM X 1.83M) WITH SWING GATE.....	386
FIGURE 5-2. PLATFORM ASSEMBLY - SIDE GATE ENTRY (Prior to SN 0300201023).....	388
FIGURE 5-3. PLATFORM ASSEMBLY - SIDE GATE ENTRY (SN 0300201023 to Present).....	390
FIGURE 5-4. PLATFORM ASSEMBLY - SIDE GATE/DROP BAR TRI-ENTRY.....	392
FIGURE 5-5. PLATFORM ASSEMBLY - DROP BAR ENTRY.....	394
FIGURE 5-6. PLATFORM ASSEMBLY - DROP BAR ENTRY (Prior to SN 0300201023).....	396
FIGURE 5-7. PLATFORM ASSEMBLY - DROP BAR ENTRY (SN 0300201023 to Present).....	398
FIGURE 5-8. PLATFORM ASSEMBLY - DROP BAR TRI-ENTRY.....	400
FIGURE 5-9. PLATFORM ASSEMBLY - FALL ARREST - ANSI SPEC (Prior to SN 0300201023).....	402
FIGURE 5-10. PLATFORM ASSEMBLY - FALL ARREST - ANSI SPEC (SN 0300201023 to Present).....	404
FIGURE 5-11. PLATFORM ASSEMBLY - FALL ARREST - AUSTRALIAN AND CE SPECS (Prior to SN 0300201023).....	406
FIGURE 5-12. PLATFORM ASSEMBLY - FALL ARREST - AUSTRALIAN AND CE SPECS (SN 0300201023 to Present).....	408
FIGURE 5-13. TRAY INSTALLATION.....	410
FIGURE 5-14. LCD DISPLAY INSTALLATION (Prior to SN 0300201023).....	412
FIGURE 5-15. LCD DISPLAY INSTALLATION (SN 0300201023 through 0300249008).....	414
FIGURE 5-16. LCD DISPLAY INSTALLATION (SN 0300249009 to Present).....	416
FIGURE 5-17. PLATFORM CONTROLS INSTALLATION - WITHOUT SKYGUARD.....	418
FIGURE 5-18. PLATFORM CONTROLS INSTALLATION - WITH SKYGUARD (Prior to SN 0300234077).....	420
FIGURE 5-19. PLATFORM CONTROLS INSTALLATION - WITH SKYGUARD (SN 0300234077 to Present).....	422
FIGURE 5-20. PLATFORM CONSOLE ASSEMBLY - WITHOUT SKYGUARD (Prior to SN 0300212338).....	424
FIGURE 5-21. PLATFORM CONSOLE ASSEMBLY - WITHOUT SKYGUARD (SN 0300212338 through 0300218317).....	428
FIGURE 5-22. PLATFORM CONSOLE ASSEMBLY - WITHOUT SKYGUARD (SN 0300218318 to Present).....	432
FIGURE 5-23. PLATFORM CONSOLE ASSEMBLY - WITH SKYGUARD (Prior to SN 0300212338).....	436
FIGURE 5-24. PLATFORM CONSOLE ASSEMBLY - WITH SKYGUARD (SN 0300212338 through 0300218317).....	440
FIGURE 5-25. PLATFORM CONSOLE ASSEMBLY - WITH SKYGUARD (SN 0300218318 through 0300234076).....	444
FIGURE 5-26. PLATFORM CONSOLE ASSEMBLY - WITH SKYGUARD (SN 0300234077 to Present).....	448
FIGURE 5-27. DECAL AND LIGHT PANEL.....	452
FIGURE 5-28. DECAL AND LIGHT PANEL.....	454
FIGURE 5-29. DECAL AND LIGHT PANEL.....	456
FIGURE 5-30. DECAL AND LIGHT PANEL.....	458
FIGURE 5-31. LIFT AND SWING CONTROLLER ASSEMBLY (Prior to SN 0300188926).....	460
FIGURE 5-32. CONTROLLER ASSEMBLY (LIFT AND SWING) (SN 0300188926 to Present).....	462
FIGURE 5-33. DRIVE AND STEER CONTROLLER ASSEMBLY (Prior to SN 0300188926).....	466
FIGURE 5-34. CONTROLLER ASSEMBLY (DRIVE AND STEER) (SN 0300188926 to Present).....	468
FIGURE 5-35. FOOTSWITCH ASSEMBLY.....	470
FIGURE 5-36. SKYGUARD SYSTEM INSTALLATION (SN 0300201023 to Present).....	472
FIGURE 5-37. CROSS RAIL INSTALLATION.....	474
FIGURE 5-38. PIPE RACK INSTALLATION (ANSI AND CSA SPECS).....	476
FIGURE 5-39. PIPE RACK INSTALLATION (AUSTRALIAN SPEC).....	478
FIGURE 5-40. SKYCUTTER INSTALLATION.....	480
FIGURE 5-41. SKYWELDER/SKYCUTTER COMBO INSTALLATION (60HZ).....	482
FIGURE 5-42. SKYGLAZIER INSTALLATION (ANSI, AUSTRALIAN AND CSA SPECS).....	486
FIGURE 5-43. SKYGLAZIER INSTALLATION - WITH 4 CELL LSS (AUSTRALIAN SPECS) (SN 0300221070 to Present).....	488
FIGURE 5-44. SKYGLAZIER INSTALLATION - WITH 1 CELL LSS (AUSTRALIAN SPECS).....	490
FIGURE 5-45. SKYGLAZIER INSTALLATION (BRAZIL SPECS).....	492
FIGURE 5-46. SKYGLAZIER INSTALLATION (DANISH SPECS).....	494
FIGURE 5-47. SKYGLAZIER INSTALLATION (LATIN AMERICAN SPECS).....	496
FIGURE 5-48. SKYGLAZIER INSTALLATION - WITH 4 CELL LSS (ENGLISH/FRENCH SPECS).....	498
FIGURE 5-49. SKYGLAZIER INSTALLATION - WITH 1 CELL LSS (ENGLISH/FRENCH SPECS).....	500
FIGURE 5-50. SKYGLAZIER INSTALLATION - WITH 4 CELL LSS (GERMAN SPECS).....	502
FIGURE 5-51. SKYGLAZIER INSTALLATION - WITH 1 CELL LSS (GERMAN SPECS).....	504
FIGURE 5-52. SKYGLAZIER INSTALLATION - WITH 4 CELL LSS (ITALIAN SPECS).....	506
FIGURE 5-53. SKYGLAZIER INSTALLATION - WITH 1 CELL LSS (ITALIAN SPECS).....	508
FIGURE 5-54. SKYGLAZIER INSTALLATION - WITH 4 CELL LSS (PORTUGUESE SPECS).....	510
FIGURE 5-55. SKYGLAZIER INSTALLATION - WITH 1 CELL LSS (PORTUGUESE SPECS).....	512
FIGURE 5-56. SKYGLAZIER INSTALLATION - WITH 4 CELL LSS (SPANISH SPECS).....	514
FIGURE 5-57. SKYGLAZIER INSTALLATION - WITH 1 CELL LSS (SPANISH SPECS).....	516
FIGURE 5-58. SKYGLAZIER INSTALLATION - WITH 4 CELL LSS (SWEDISH SPECS).....	518
FIGURE 5-59. SKYGLAZIER INSTALLATION - WITH 1 CELL LSS (SWEDISH SPECS).....	520

# TABLE OF CONTENTS

FIGURE 5-60. SKYGLAZIER INSTALLATION - WITH 4 CELL LSS (UK SPECS) .....	522
FIGURE 5-61. SKYGLAZIER INSTALLATION - WITH 1 CELL LSS (UK SPECS) .....	524
FIGURE 5-62. SKYWELDER INSTALLATION (50HZ).....	526
FIGURE 5-63. SKYWELDER INSTALLATION (60HZ).....	528
FIGURE 5-64. SKYWELDER PREP PACKAGE (60HZ).....	530
FIGURE 5-65. SOFT TOUCH INSTALLATION - 8FT (2.4M) PLATFORM (OPTIONAL) .....	532
FIGURE 5-66. SOFT TOUCH INSTALLATION - 8FT (2.4M) FALL ARREST PLATFORM (OPTIONAL) .....	534
FIGURE 5-67. PLASMA CUTTER ASSEMBLY .....	536
FIGURE 5-68. WELDER ASSEMBLY .....	538
FIGURE 5-69. FALL ARREST INSTALLATION (BOLT - ON) (6FT/1.82M PLATFORM).....	540
FIGURE 5-70. FALL ARREST INSTALLATION (BOLT-ON) (6FT/1.82M TRI-ENTRY PLATFORM).....	542
FIGURE 5-71. FALL ARREST INSTALLATION (BOLT - ON) (8FT/2.4M PLATFORM).....	544
 SECTION 6 - CYLINDER.....	 547
FIGURE 6-1. AXLE EXTEND CYLINDER ASSEMBLY (Prior to SN 0300239676).....	548
FIGURE 6-2. AXLE EXTEND CYLINDER ASSEMBLY (SN 0300239676 to Present).....	550
FIGURE 6-3. LEVEL CYLINDER ASSEMBLY - JIB SLAVE (Prior to SN 0300239676) .....	552
FIGURE 6-4. LEVEL CYLINDER ASSEMBLY - JIB SLAVE (SN 0300239676 to Present).....	554
FIGURE 6-5. LEVEL CYLINDER ASSEMBLY - PLATFORM SLAVE (Prior to SN 0300239170) .....	556
FIGURE 6-6. LEVEL CYLINDER ASSEMBLY - PLATFORM SLAVE (SN 0300239170 to Present) .....	558
FIGURE 6-7. LIFT CYLINDER ASSEMBLY - BOOM (Prior to SN 0300239676) .....	560
FIGURE 6-8. LIFT CYLINDER ASSEMBLY - BOOM (SN 0300239676 to Present) .....	562
FIGURE 6-9. LIFT CYLINDER ASSEMBLY - JIB (Prior to SN 0300239676).....	564
FIGURE 6-10. LIFT CYLINDER ASSEMBLY - JIB (SN 0300239676 to Present) .....	566
FIGURE 6-11. LOCK CYLINDER ASSEMBLY - JIB (Prior to SN 0300239170) .....	568
FIGURE 6-12. LOCK CYLINDER ASSEMBLY - JIB (SN 0300239170 to Present).....	570
FIGURE 6-13. STEER CYLINDER ASSEMBLY (Prior to SN 0300239676).....	572
FIGURE 6-14. STEER CYLINDER ASSEMBLY (SN 0300239676 to Present).....	574
FIGURE 6-15. TELESCOPE CYLINDER ASSEMBLY - BOOM.....	576
FIGURE 6-16. TELESCOPE CYLINDER ASSEMBLY - BOOM (SN 0300244678 to Present) .....	578
FIGURE 6-17. TELESCOPE CYLINDER ASSEMBLY - JIB .....	580
 SECTION 7 - HYDRAULIC .....	 583
FIGURE 7-1. BOOM AND JIB HYDRAULIC DIAGRAM.....	584
FIGURE 7-2. CHASSIS HYDRAULIC DIAGRAM .....	586
FIGURE 7-3. TURNTABLE HYDRAULIC DIAGRAM.....	590
FIGURE 7-4. HYDRAULIC DIAGRAM LIST.....	594
 SECTION 8 - ELECTRICAL.....	 595
FIGURE 8-1. ELECTRICAL DIAGRAM LIST .....	596
FIGURE 8-2. AC BOX AT PLATFORM INSTALLATION - 110V IEC 60309 YELLOW WITHOUT 4000W GENERATOR (CE SPECS).....	598
FIGURE 8-3. AC BOX AT PLATFORM INSTALLATION - 220V IEC 60309 BLUE WITHOUT 4000W GENERATOR (CE SPECS) .....	600
FIGURE 8-4. AC BOX AT PLATFORM INSTALLATION - 220V CEE7 POST GROUND (2X4 BOX) WITHOUT 4000W GENERATOR (CE SPECS).....	602
FIGURE 8-5. AC BOX AT PLATFORM INSTALLATION - 220V AFSINT 107 KEYED GROUND (2X4 BOX) WITHOUT 4000W GENERATOR (CE SPECS) .....	604
FIGURE 8-6. AC BOX AT PLATFORM INSTALLATION - 220V CEE7 SIDE GROUND (2X4 BOX) WITHOUT 4000W GENERATOR (CE SPECS).....	606
FIGURE 8-7. AC BOX AT PLATFORM INSTALLATION - BOX WITH COVER (2X4 BOX) WITH 4000W GENERATOR (ANSI EXPORT, AUSTRALIAN AND CE SPECS) .....	608
FIGURE 8-8. BATTERY CABLE KIT - DEUTZ T4I ENGINES .....	610
FIGURE 8-9. BATTERY CABLE KIT - DEUTZ T4F ENGINES .....	612
FIGURE 8-10. BEACON CONTROL HARNESS.....	614
FIGURE 8-11. BLAM HARNESS .....	616
FIGURE 8-12. BOOM AC CABLE - ANSI, ANSI EXPORT, CSA AND JAPANESE SPECS.....	618
FIGURE 8-13. BOOM AC CABLE - AUSTRALIAN AND CE SPECS.....	620
FIGURE 8-14. BOOM AC CABLE - SKYPOWER (Prior to SN 0300228529) .....	622
FIGURE 8-15. BOOM AC CABLE - SKYPOWER (SN 0300228529 to Present).....	624
FIGURE 8-16. BOOM AC CABLE - MAIN BOOM WITH 4000W 50HZ GENERATOR (ANSI EXPORT, AUSTRALIAN, CE AND JAPANESE SPECS).....	626
FIGURE 8-17. BOOM AC CABLE - JIB BOOM WITH 4000W 50HZ GENERATOR (ANSI EXPORT, AUSTRALIAN, CE AND JAPANESE SPECS).....	628

# TABLE OF CONTENTS

FIGURE 8-18. BOOM HARNESS (Prior to SN 0300224828) .....	630
FIGURE 8-19. BOOM SENSOR HARNESS (Prior to SN 0300224828) .....	632
FIGURE 8-20. BOOM SENSOR HARNESS (SN 0300224828 to Present) .....	634
FIGURE 8-21. BREAKER BOX ASSEMBLY - AC CABLE (CE SPEC) .....	636
FIGURE 8-22. BREAKER BOX KIT - AC CABLE .....	638
FIGURE 8-23. BREAKER BOX KIT - 4000W 50HZ GENERATOR .....	640
FIGURE 8-24. CHASSIS HARNESS .....	642
FIGURE 8-25. COUPLING/COLLECTOR RING HARNESS AND COMPONENTS .....	646
FIGURE 8-26. DRIVE PUMP HARNESS .....	648
FIGURE 8-27. ENGINE CAN HARNESS .....	650
FIGURE 8-28. ENGINE HARNESS - DEUTZ T4I ENGINES .....	652
FIGURE 8-29. ENGINE HARNESS - DEUTZ T4F ENGINES .....	656
FIGURE 8-30. FUEL PUMP AND WIF HARNESS (Prior to SN 0300237158) .....	660
FIGURE 8-31. FUEL PUMP AND WIF HARNESS (SN 0300237158 to Present) .....	662
FIGURE 8-32. GENERATOR HARNESS - 4000W GENERATOR .....	664
FIGURE 8-33. GENERATOR ENABLE HARNESS - 7500W GENERATOR .....	666
FIGURE 8-34. GROUND CONTROL PANEL HARNESS .....	668
FIGURE 8-35. JIB AC CABLE - ANSI, ANSI EXPORT, CSA AND JAPANESE SPECS .....	672
FIGURE 8-36. JIB AC CABLE - AUSTRALIAN AND CE SPECS .....	674
FIGURE 8-37. JIB AC CABLE - SKYPOWER (Prior to SN 0300228529) .....	676
FIGURE 8-38. JIB AC CABLE - SKYPOWER (SN 0300228529 to Present) .....	678
FIGURE 8-39. JIB CONTROL CABLE .....	680
FIGURE 8-40. JIB VALVE HARNESS .....	682
FIGURE 8-41. LCD DISPLAY HARNESS (Prior to SN 0300249009) .....	686
FIGURE 8-42. LCD DISPLAY HARNESS (SN 0300249009 to Present) .....	688
FIGURE 8-43. LOAD SENSOR CABLE .....	690
FIGURE 8-44. MAIN BOOM 16/4 CABLE .....	692
FIGURE 8-45. MAIN BOOM CONTROL CABLE .....	694
FIGURE 8-46. MTS CONNECTION CABLE .....	696
FIGURE 8-47. PLATFORM CONSOLE HARNESS - WITHOUT SKYGUARD .....	698
FIGURE 8-48. PLATFORM CONSOLE HARNESS - WITH SKYGUARD (Prior to SN 0300234077) .....	702
FIGURE 8-49. PLATFORM CONSOLE HARNESS - WITH SKYGUARD (SN 0300234077 to Present) .....	706
FIGURE 8-50. PLATFORM INTERFACE HARNESS .....	710
FIGURE 8-51. PLATFORM VALVE HARNESS .....	712
FIGURE 8-52. RECEPTACLE AND CLAMP INSTALLATION - 110V - ANSI SPEC .....	714
FIGURE 8-53. RECEPTACLE AND CLAMP INSTALLATION - 220V - ANSI SPEC .....	716
FIGURE 8-54. RECEPTACLE AND CLAMP INSTALLATION - SUPPLIED LOCALLY .....	718
FIGURE 8-55. STEER HARNESS .....	720
FIGURE 8-56. TURNTABLE HARNESS .....	722
FIGURE 8-57. TRANSPORT SWITCH HARNESS .....	726
FIGURE 8-58. UREA TANK HARNESS .....	728
FIGURE 8-59. VALVE BANK HARNESS (Prior to SN 0300201023) .....	730
FIGURE 8-60. VALVE BANK HARNESS (SN 0300201023 to Present) .....	734
SECTION 9 - DECALS .....	737
FIGURE 9-1. DECAL INSTALLATION - ANSI SPEC .....	738
FIGURE 9-2. DECAL INSTALLATION - ANSI EXPORT SPEC .....	742
FIGURE 9-3. DECAL INSTALLATION - AUSTRALIAN SPEC .....	746
FIGURE 9-4. DECAL INSTALLATION - BRAZIL SPEC .....	748
FIGURE 9-5. DECAL INSTALLATION - CE SPEC .....	752
FIGURE 9-6. DECAL INSTALLATION - CHINESE SPEC .....	756
FIGURE 9-7. DECAL INSTALLATION - CSA SPEC .....	760
FIGURE 9-8. DECAL INSTALLATION - JAPANESE SPEC .....	764
FIGURE 9-9. DECAL INSTALLATION - KOREAN SPEC .....	768
FIGURE 9-10. DECAL INSTALLATION - OPTIONS .....	772
SECTION 10 - RECOMMENDED SERVICE PARTS STOCK .....	775
FIGURE 10-1. MODEL 1850SJ STANDARD PARTS .....	776
FIGURE 10-2. MODEL 1850SJ VARIABLE PARTS .....	778
SECTION 11 - SPECIAL OPTIONS .....	779
FIGURE 11-1. SPECIAL OPTIONS .....	780
PART NUMBER INDEX .....	785

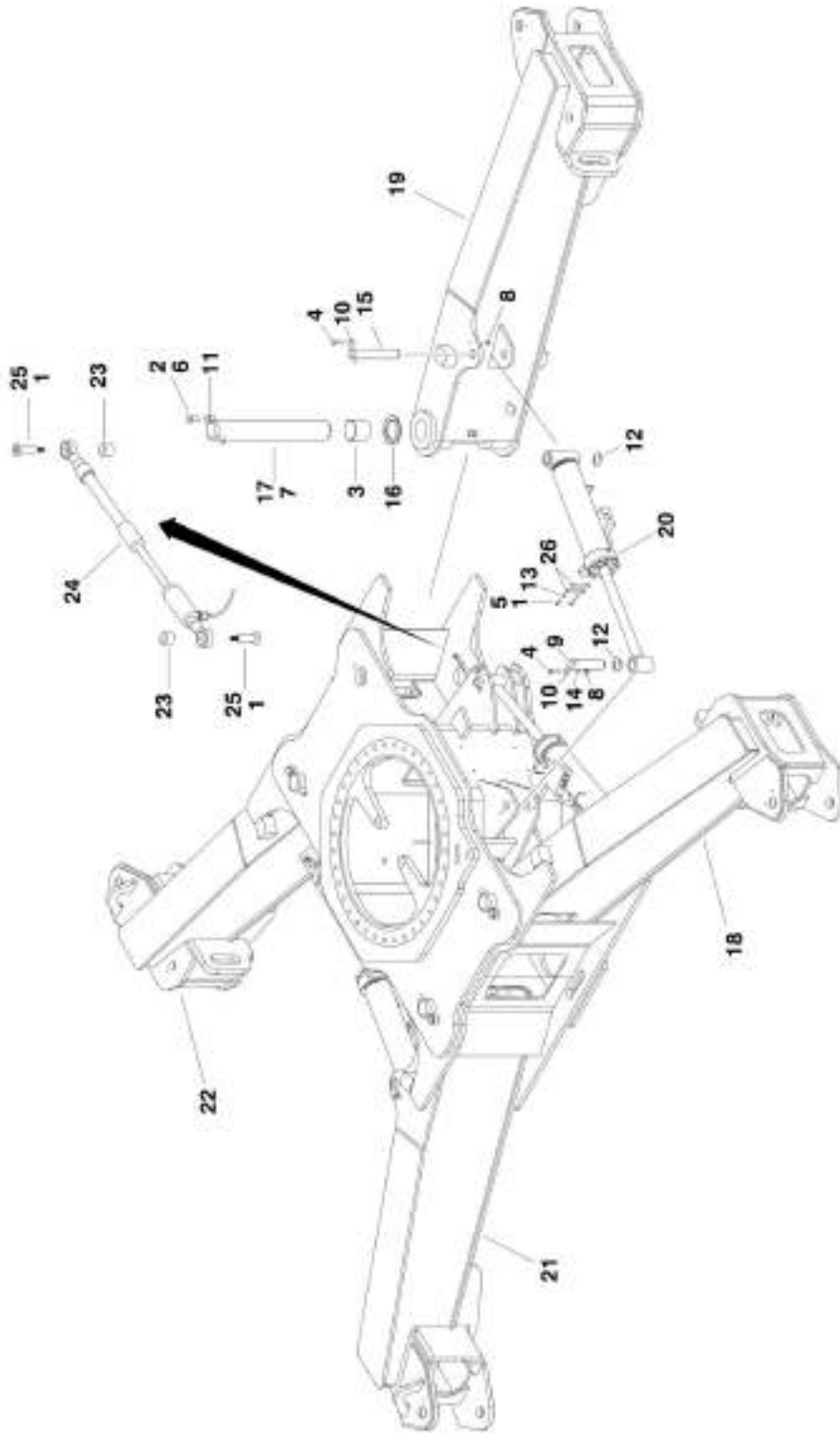




**SECTION 1 - FRAME**

**SECTION 1 - FRAME**

**FIGURE 1-1. AXLES INSTALLATION (Prior to SN 0300215612)**



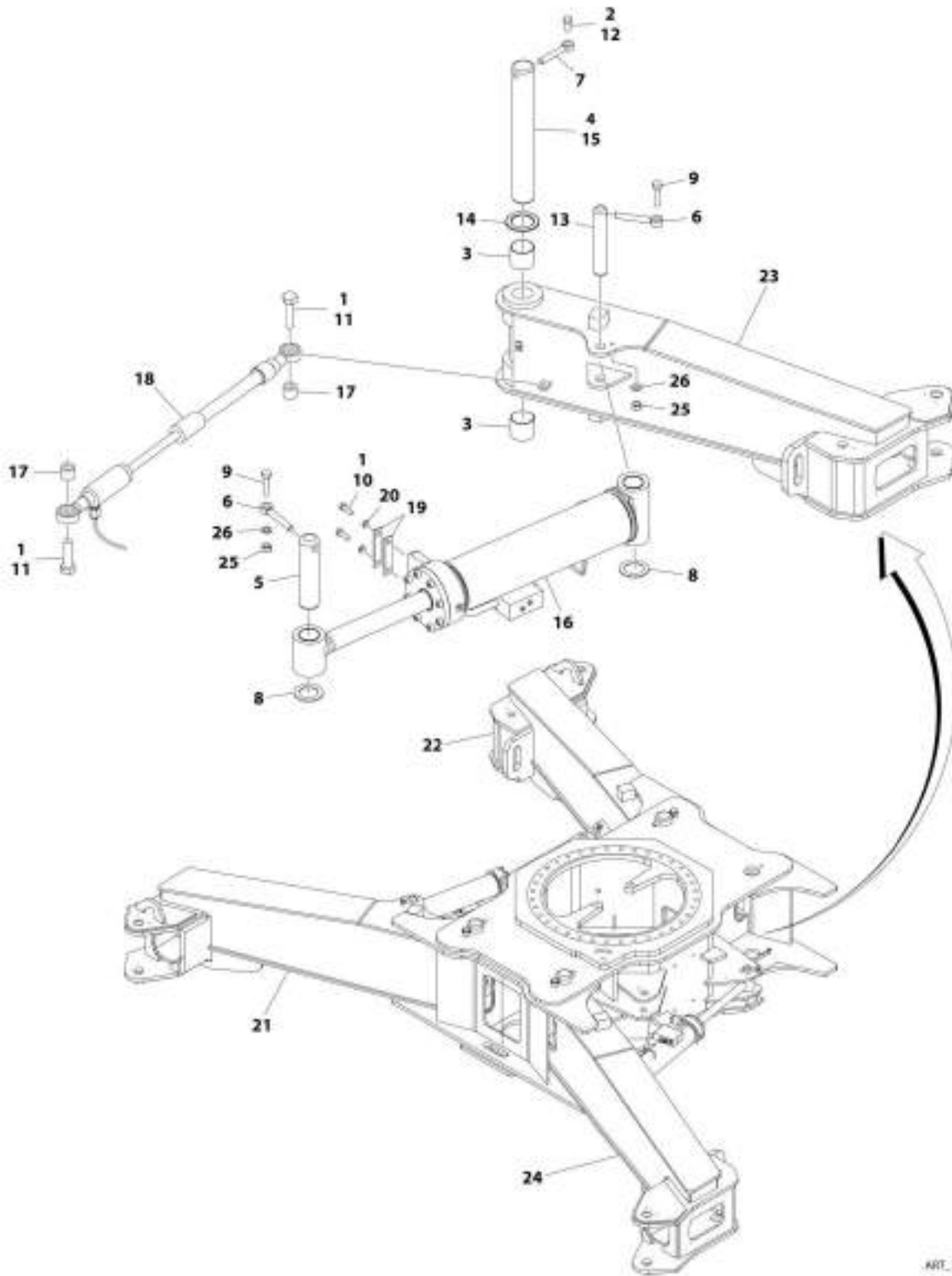
## SECTION 1 - FRAME

**FIGURE 1-1. AXLES INSTALLATION (Prior to SN 0300215612)**

ITEM	PART NUMBER	QTY	DESCRIPTION	REV
	1001156464	Ref	AXLES INSTALLATION (Prior to SN 0300215612)	F
1	0100011	AR	Compound, Locking	
2	0100071	AR	Compound, Locking	
3	0440273	8	Bushing	
4	0701420001	8	Bolt M14 x 60	
5	0761015001	8	Bolt M10 x 35	
6	0762418001	8	Bolt M24 x 50	
7	3020039	AR	Lubricant	
8	3291407001	8	Nut M14	
9	3422912	4	Pin	
10	3841258	8	Keeper, Pin	
11	3841356	4	Keeper, Pin	
12	4740229	8	Washer, Thrust	
13	1001172358	8	Washer M10	
14	4812200001	8	Washer M14	
15	1001120000	4	Pin	
16	1001155133	4	Washer, Thrust	
17	1001155363	4	Pin	
18	1001155619	1	Axle - Front RH	
19	1001155690	1	Axle - Front LH	
20	1001156648	NLA	Axle Extend Cylinder Assembly (Use p/n 1001228066) (See CYLINDER SECTION for Breakdown)	
21	1001156862	1	Axle - Rear RH	
22	1001156863	1	Axle - Rear LH	
23	1001157007	8	Sleeve	
24	1001157084	4	Axle Sensor and Harness Assembly	
24	4460910	1	Receptacle, Female - 3 Position	
24	4460917	6	Pin, Male	
25		Ref	Bolt Options:	
25	1001157466	8	Bolt M10 x 30 (Prior to SN 0300189331)	
25	0761016001	8	Bolt M10 x 40 (SN 0300189331 to Present)	
26	1001158017	AR	Shim	

# SECTION 1 - FRAME

FIGURE 1-2. AXLES INSTALLATION (SN 0300215612 to Present)



ART\_1001185591

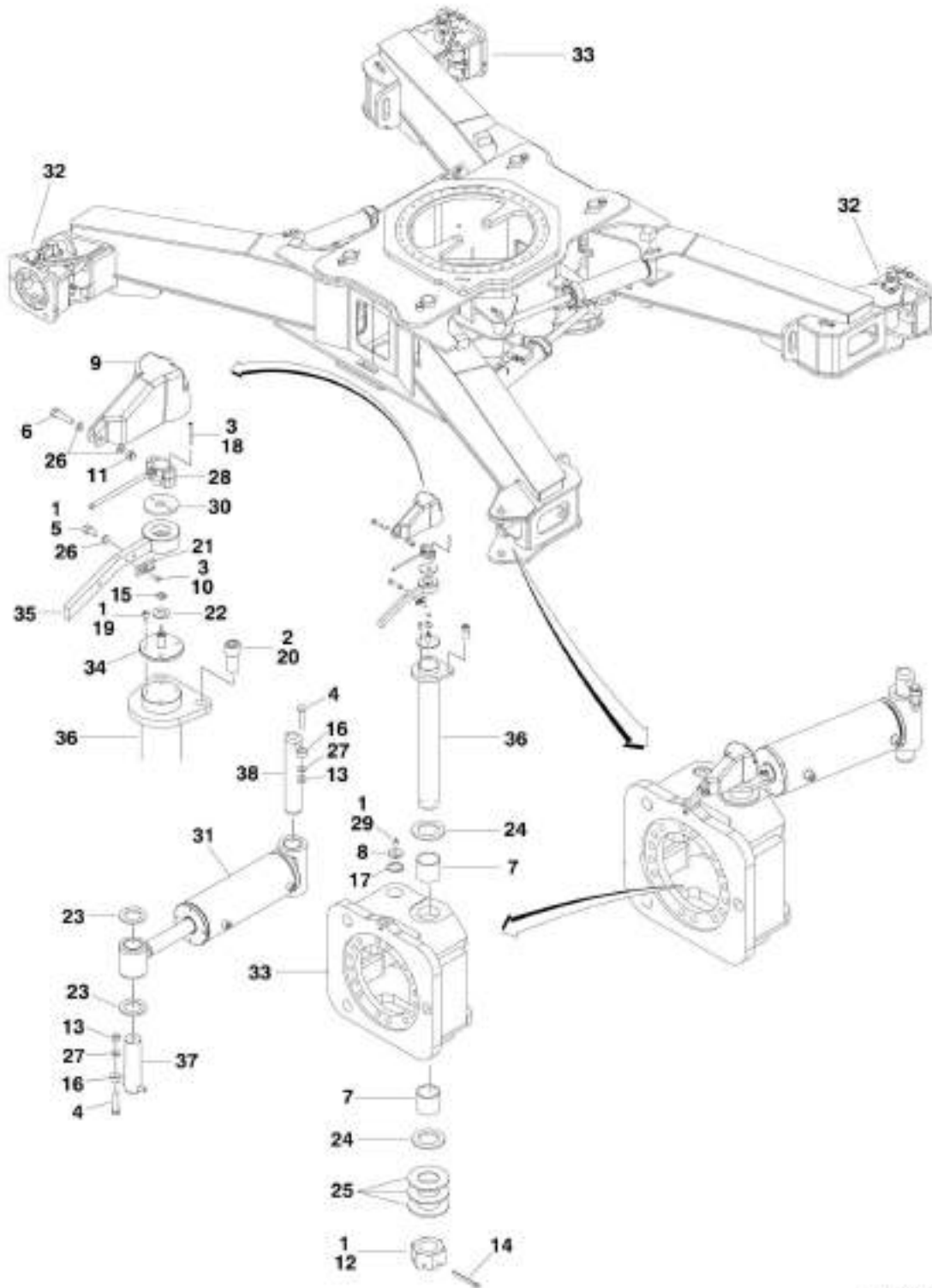
## SECTION 1 - FRAME

**FIGURE 1-2. AXLES INSTALLATION (SN 0300215612 to Present)**

ITEM	PART NUMBER	QTY	DESCRIPTION	REV
	1001195541	Ref	AXLES INSTALLATION (SN 0300215612 to Present)	C
1	0100011	AR	Compound, Locking	
2	0100071	AR	Compound, Locking	
3	0440273	8	Bushing	
4	3020039	AR	Lubricant	
5	3422912	4	Pin	
6	3841258	8	Keeper, Pin	
7	3841356	4	Keeper, Pin	
8	4740229	8	Washer, Thrust	
9	0701420001	8	Bolt M14 x 60	
10	0761015001	8	Bolt M10 x 35	
11	0761016001	8	Bolt M10 x 40	
12	0762418001	4	Bolt M24 x 50	
13	1001120000	4	Pin	
14	1001155133	4	Washer, Thrust	
15	1001155363	4	Pin	
16	1001156648	NLA	Axle Extend Cylinder Assembly (Use p/n 1001228066) (See CYLINDER SECTION for Breakdown) <b>(Prior to SN 0300239676)</b>	
16	1001228066	4	Axle Extend Cylinder Assembly (See CYLINDER SECTION for Breakdown) <b>(SN 0300239676 to Present)</b>	
17	1001157007	8	Sleeve	
18	1001157084	4	Axle Sensor and Harness Assembly	
18	4460910	1	Receptacle, Female - 3 Position	
18	4460917	6	Pin, Male	
19	1001158017	AR	Shim	
20	1001172358	8	Washer M10	
21	1001197553	1	Axle - Front RH	
22	1001197554	1	Axle - Front LH	
23	1001197555	1	Axle - Rear RH	
24	1001197556	1	Axle - Rear LH	
25	3291407001	8	Nut M14	
26	4812200001	8	Washer M14	

# SECTION 1 - FRAME

## FIGURE 1-3. STEERING INSTALLATION



REF\_1001130006

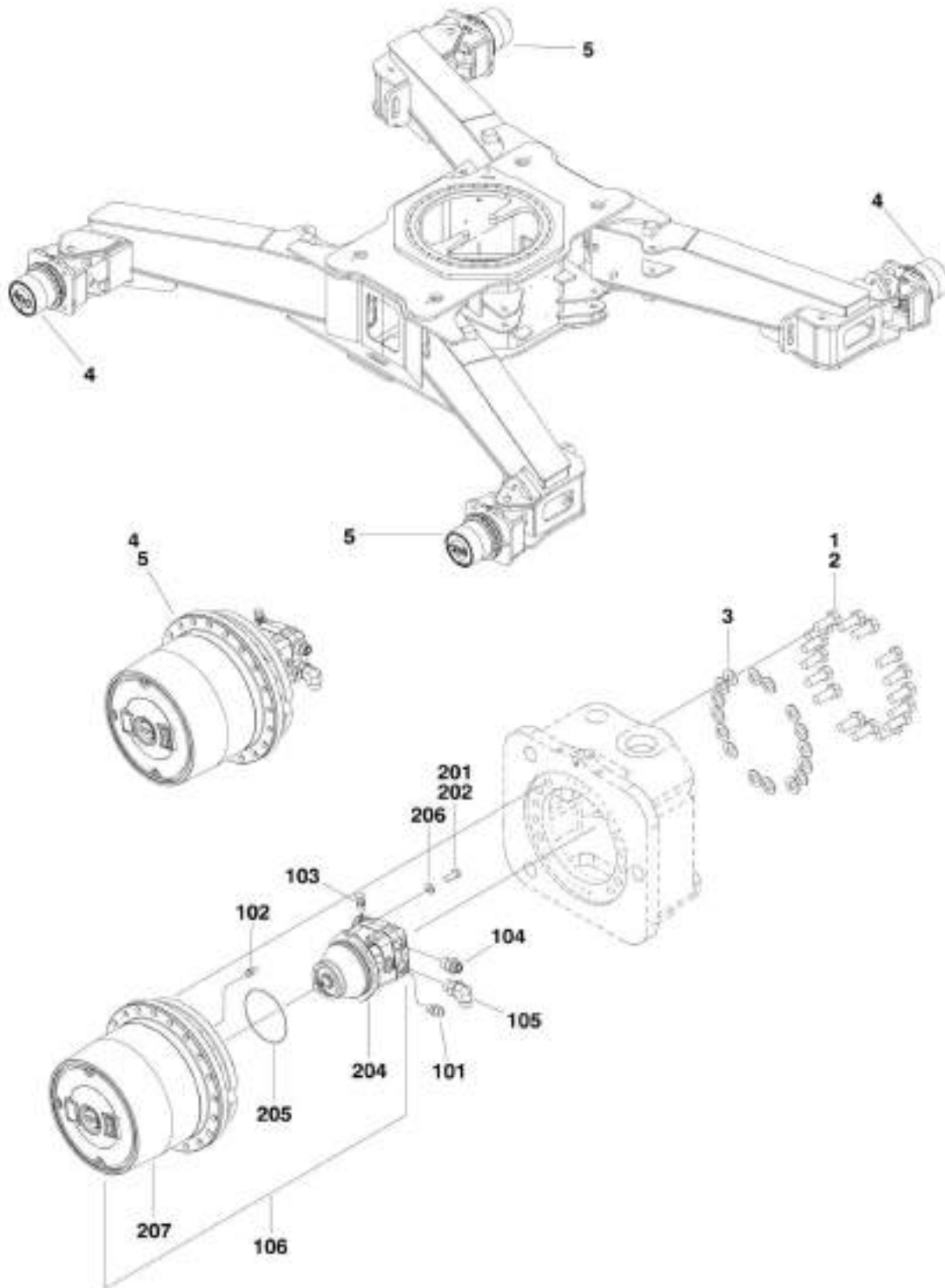
# SECTION 1 - FRAME

## FIGURE 1-3. STEERING INSTALLATION

ITEM	PART NUMBER	QTY	DESCRIPTION	REV
	1001156606	Ref	STEERING INSTALLATION	F
1	0100011	AR	Compound, Locking	
2	0100019	AR	Compound, Locking	
3	0100035	AR	Compound, Locking	
4	0701422001	8	Bolt M14 x 70	
5	0760808001	4	Bolt M8 x 16	
6	0760815001	4	Bolt M8 x 35	
7	0962423	8	Bushing	
8	1120549	4	Cap	
9	1671040	4	Cover	
10	2080091	4	Screw M4 x 16	
11	3290805001	4	Nut M8	
12	3300464001	4	Nut	
13	3291214001	8	Nut M14	
14	3451214	4	Pin, Cotter	
15	3760383	4	Ring	
16	3841258	8	Keeper, Pin	
17	3960551	4	Seal	
18	4031512	8	Capscrew M4 x 40	
19	4031707	16	Capscrew M6 x 16	
20	4032311001	8	Capscrew M16 x 35	
21	4460914	4	Base, Terminal	
22	4711800	4	Washer 1/2	
23	4740229	8	Washer, Thrust	
24	4740505	8	Washer, Thrust	
25	4755000001	AR	Washer 2-1/2	
26	4811900001	12	Washer M8	
27	4812200001	8	Washer M14	
28	1001146963	4	Sensor Assembly	
28	4460899	1	Connector - 6 Position	
28	4460464	6	Socket, Female	
29	1001174345	4	Screw M20 x 20	
30	1001155836	4	Adapter	
31	1001155986	NLA	Steer Cylinder Assembly (Use p/n 1001228065) (See CYLINDER SECTION for Breakdown) <b>(Prior to SN 0300239676)</b>	
31	1001228065	4	Steer Cylinder Assembly (See CYLINDER SECTION for Breakdown) <b>(SN 0300239676 to Present)</b>	
32	1001156678	2	Spindle - Front LH and Rear RH	
33	1001156679	2	Spindle - Front RH and Rear LH	
34	1001156778	4	Pin	
35	1001156785	4	Link	
36	1001156815	4	Kingpin	
37	1001156991	4	Pin	
38	1001156996	4	Pin	
39	1001155817	4	Steer Harness (Not Shown - See ELECTRICAL SECTION for Breakdown)	

# SECTION 1 - FRAME

## FIGURE 1-4. WHEEL DRIVE INSTALLATION



1001157090



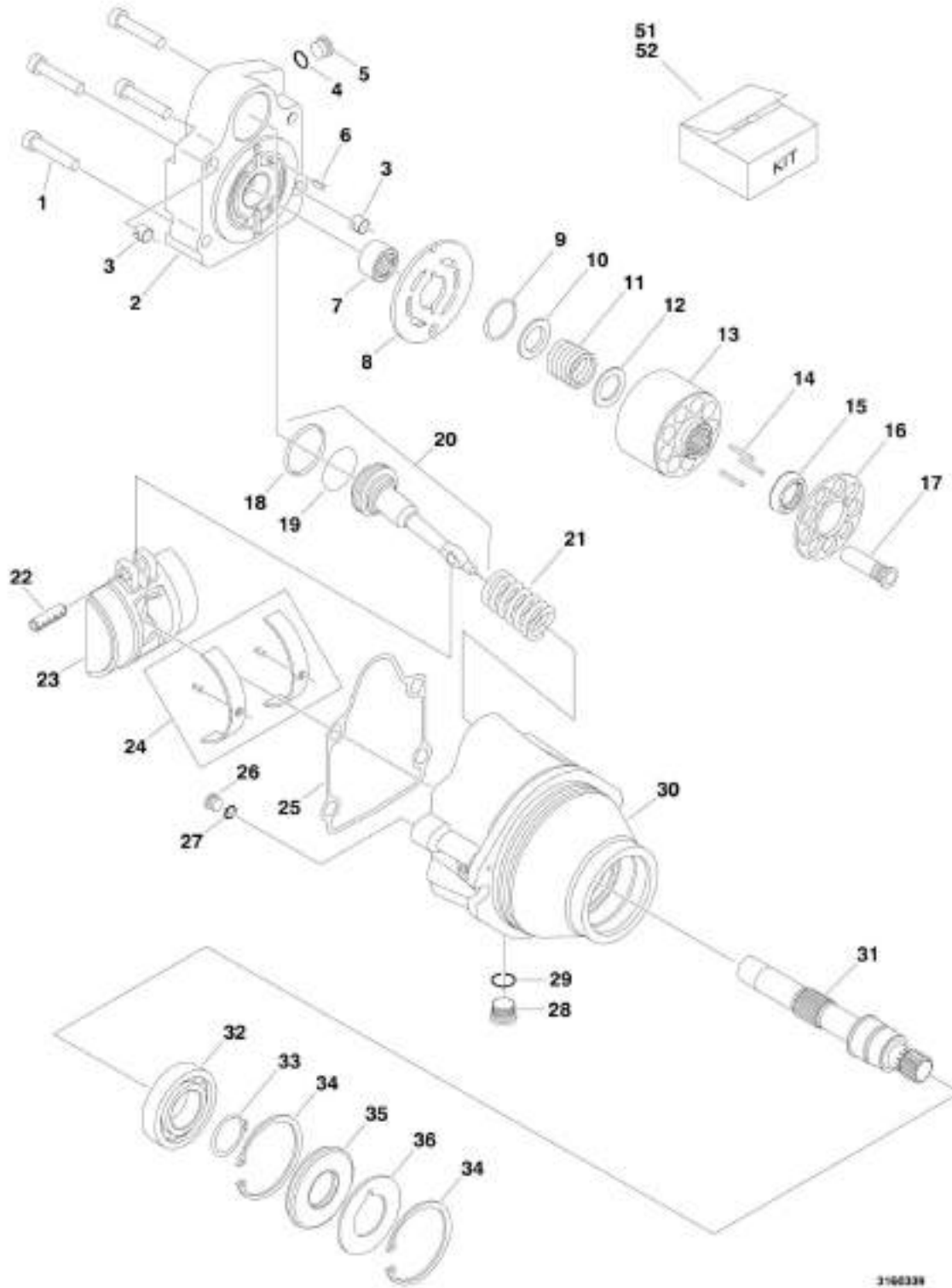
## SECTION 1 - FRAME

### FIGURE 1-4. WHEEL DRIVE INSTALLATION

ITEM	PART NUMBER	QTY	DESCRIPTION	REV
	1001157850	Ref	WHEEL DRIVE INSTALLATION	F
1	0100019	AR	Compound, Locking	
2	0762018001	64	Bolt M20 x 50	
3	5242000001	64	Washer M20	
4	1001154759	2	Drive Hub/Motor with Fittings - Front LH and Rear RH (See Items 101-106 for Breakdown)	
5	1001157849	2	Drive Hub/Motor with Fittings - Front RH and Rear LH (See Items 101-106 for Breakdown)	
	1001154759	Ref	HUB/MOTOR ASSEMBLY WITH FITTINGS - FRONT LH AND REAR RH	E
	1001157849	Ref	HUB/MOTOR ASSEMBLY WITH FITTINGS - FRONT RH AND REAR LH	E
101	2110808	1	Fitting, Straight ORFS/ORB	
102	2220415	1	Fitting, Straight JIC/ORB	
103	2220472	1	Fitting, 90 JIC/ORB	
104	2111012	1	Fitting, Straight ORFS/ORB	
104	2131012	1	Fitting, 90 ORFS/ORB	
105	2111012	1	Fitting, Straight ORFS/ORB	
105	2131012	1	Fitting, 90 ORFS/ORB	
106	1001154772	1	Drive Hub/Motor (See Items 201-207 for Breakdown)	
	1001154772	Ref	DRIVE HUB/MOTOR ASSEMBLY	C
201	0100011	AR	Compound, Locking	
202	0761214	2	Bolt M12 x 30	
203	3020008	2.6 qt /2.5L	Lube, Gear (Not Shown)	
204	3160339	1	Motor - Drive (See DRIVE MOTOR ASSEMBLY for Breakdown)	
205	3790158	1	O-Ring	
206	5241200	2	Washer M12	
207	1001149921	1	Hub - Drive (See DRIVE HUB ASSEMBLY for Breakdown)	

# SECTION 1 - FRAME

## FIGURE 1-5. DRIVE MOTOR ASSEMBLY



3160339

# SECTION 1 - FRAME

## FIGURE 1-5. DRIVE MOTOR ASSEMBLY

ITEM	PART NUMBER	QTY	DESCRIPTION	REV
	3160339	Ref	DRIVE MOTOR ASSEMBLY	D
1	7022368	4	Bolt	
2	70000859	1	End Cap, Motor	
3	70003628	2	Locating Pin	
4	See Note	NSS	O-Ring (Note: Use p/n 70000862)	
5	7007420	1	Plug (Includes Item 4)	
6	7007446	1	Pin, Dowel	
7	7021249	1	Bearing, Needle	
8	70000854	1	Plate, Valve	
9	7022311	1	Snap Ring	
10	7022314	1	Retainer, Spring	
11	7024867	1	Spring	
12	7024868	1	Washer (was p/n 7022313)	
13	70000855	1	Block, Cylinder	
14	7021275	3	Pin, Slipper	
15	70000856	1	Guide	
16	70000857	1	Retainer, Slipper	
17	7024865	9	Piston, Cylinder	
18	See Note	NSS	Ring, Piston (Note: Use p/n 70000862)	
19	See Note	NSS	O-Ring (Note: Use p/n 70000862)	
20	70000860	1	Piston, Servo (Includes Items 18 & 19)	
21	70000861	1	Spring	
22	See Note	NSS	Pin (Note: Not Available for Purchase)	
23	70000853	1	Swashplate	
24	70000852	1	Kit, Bearing	
25	See Note	NSS	Gasket (Note: Use p/n 70000862)	
26	See Note	NSS	Plug (Note: Not Available for Purchase)	
27	See Note	NSS	O-Ring (Note: Use p/n 70000862)	
28	7022321	1	Plug (Includes Item 29)	
29	See Note	NSS	O-Ring (Note: Use p/n 70000862)	
30	See Note	NSS	Housing (Note: Not Available - Purchase Complete Motor)	
31	70000858	1	Shaft	
32	7007437	1	Bearing	
33	7007439	1	Snap Ring	
34	7007438	2	Snap Ring	
35	See Note	NSS	Seal (Note: Use p/n 70000862)	
36	7022371	1	Washer, Seal Support	
51	70000862	1	Kit, Motor Seal (Includes Items 4, 18, 19, 25, 27, 29 & 35)	
52	7027740	1	Kit, Cylinder Block (Includes Items 9 - 17)	

# SECTION 1 - FRAME

## FIGURE 1-6. DRIVE HUB ASSEMBLY

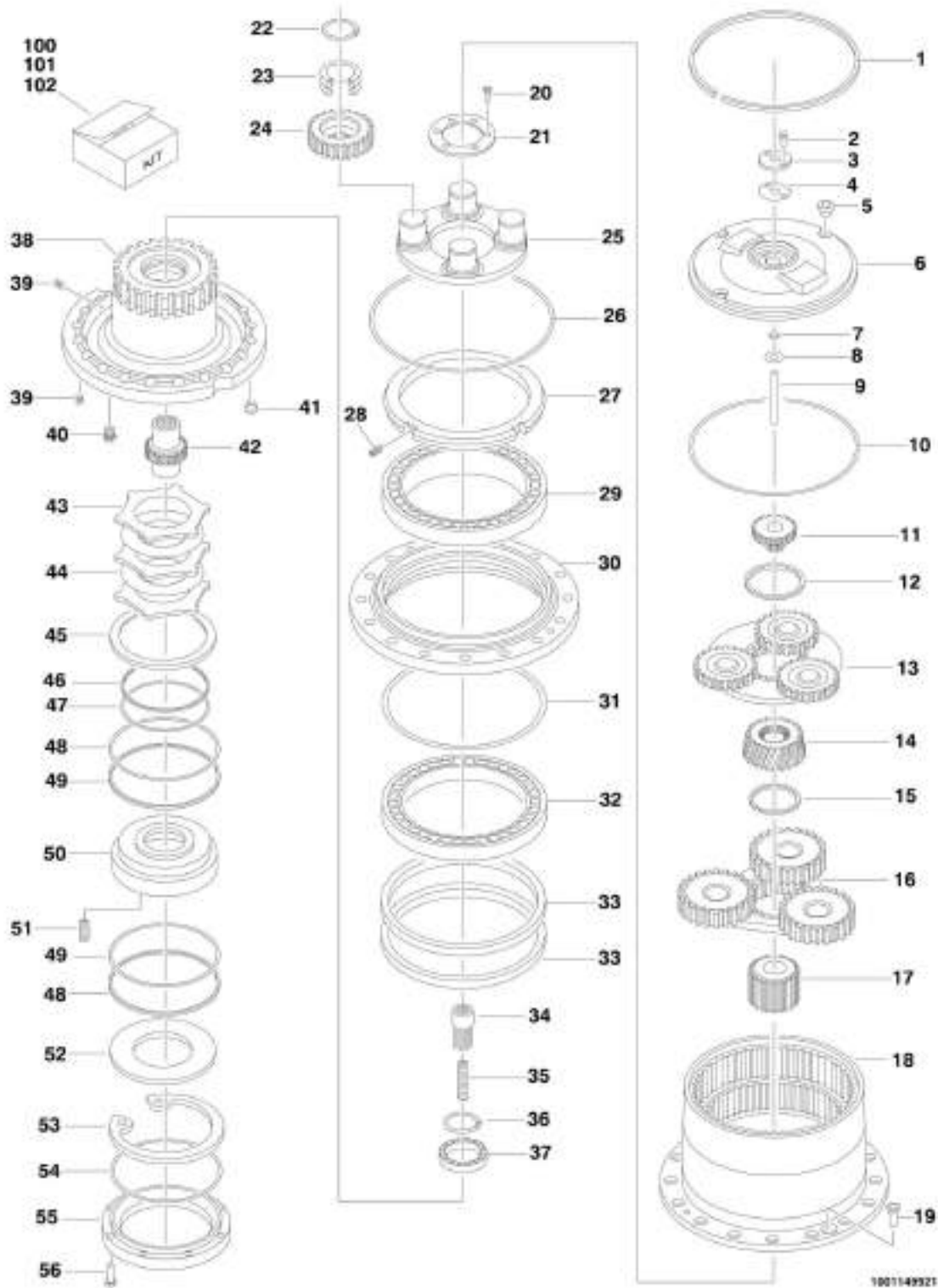


FIGURE 1-6. DRIVE HUB ASSEMBLY

ITEM	PART NUMBER	QTY	DESCRIPTION	REV
	1001149921	Ref	DRIVE HUB ASSEMBLY	G
1	70004429	1	Ring	
2	See Note	NSS	Screw M6x20 (Note: Use p/n 70004452)	
3	See Note	NSS	Cover (Note: Use p/n 70004452)	
4	See Note	NSS	Gasket (Note: Use p/n 70004452 or 70004451)	
5	See Note	NSS	Plug (Includes O-Ring) (Note: Use p/n 70004452)	
6	See Note	NSS	Cover (Note: Use p/n 70004452)	
7	See Note	NSS	O-Ring (Note: Use p/n 70004452 or 70004451)	
8	See Note	NSS	Shim (Note: Use p/n 70004452)	
9	See Note	NSS	Pin (Note: Use p/n 70004452)	
10	See Note	NSS	O-Ring (Note: Use p/n 70004452 or 70004451)	
11	70004430	1	Pinion	
12	70004431	1	Ring, Retaining	
13	70004432	1	Assembly, Gear Reduction	
14	70004433	1	Pinion	
15	70004434	1	Ring	
16	70004435	1	Assembly, Gear Reduction	
17	70004436	1	Pinion	
18	See Note	NSS	Housing, Hub (Note: Use p/n 1001149921)	
19	70002052	2	Screw M10 x 25	
20	70004437	6	Screw M6 x 14	
21	70004438	1	Plug	
22	70002032	4	Ring, Retaining	
23	70002031	4	Bearing	
24	70004439	4	Wheel, Planet	
25	70004440	1	Flange	
26	See Note	NSS	O-Ring (Note: Use p/n 70004451)	
27	70004441	1	Nut	
28	70004363	2	Screw M6 x 10	
29	70004442	1	Bearing	
30	See Note	NSS	Support, Hub (Note: Use p/n 1001149921)	
31	See Note	NSS	O-Ring (Note: Use p/n 70004451)	
32	70004443	1	Bearing	
33	See Note	1	Seal (Note: Use p/n 70004451)	
34	70004444	1	Coupling	
35	70002036	1	Spring	
36	70004445	1	Ring, Retaining	
37	70004446	1	Bearing	
38	See Note	NSS	Axle (Note: Use p/n 1001149921)	
39	70004447	3	Plug	
40	70002057	3	Plug (Includes O-Ring)	
41	70002028	1	Plug, Plastic	
42	70004448	1	Shaft, Input	
43	See Note	NSS	Disc, Iron (Note: Use p/n 70004453)	
44	See Note	NSS	Disc, Brake (Note: Use p/n 70004453)	
45	See Note	NSS	Spacer (Note: Use p/n 70004453)	
46	See Note	NSS	Seal (Note: Use p/n 70004453 or 70004451)	
47	See Note	NSS	O-Ring (Note: Use p/n 70004453 or 70004451)	
48	See Note	NSS	Seal (Note: Use p/n 70004453 or 70004451)	
49	See Note	NSS	O-Ring (Note: Use p/n 70004453 or 70004451)	

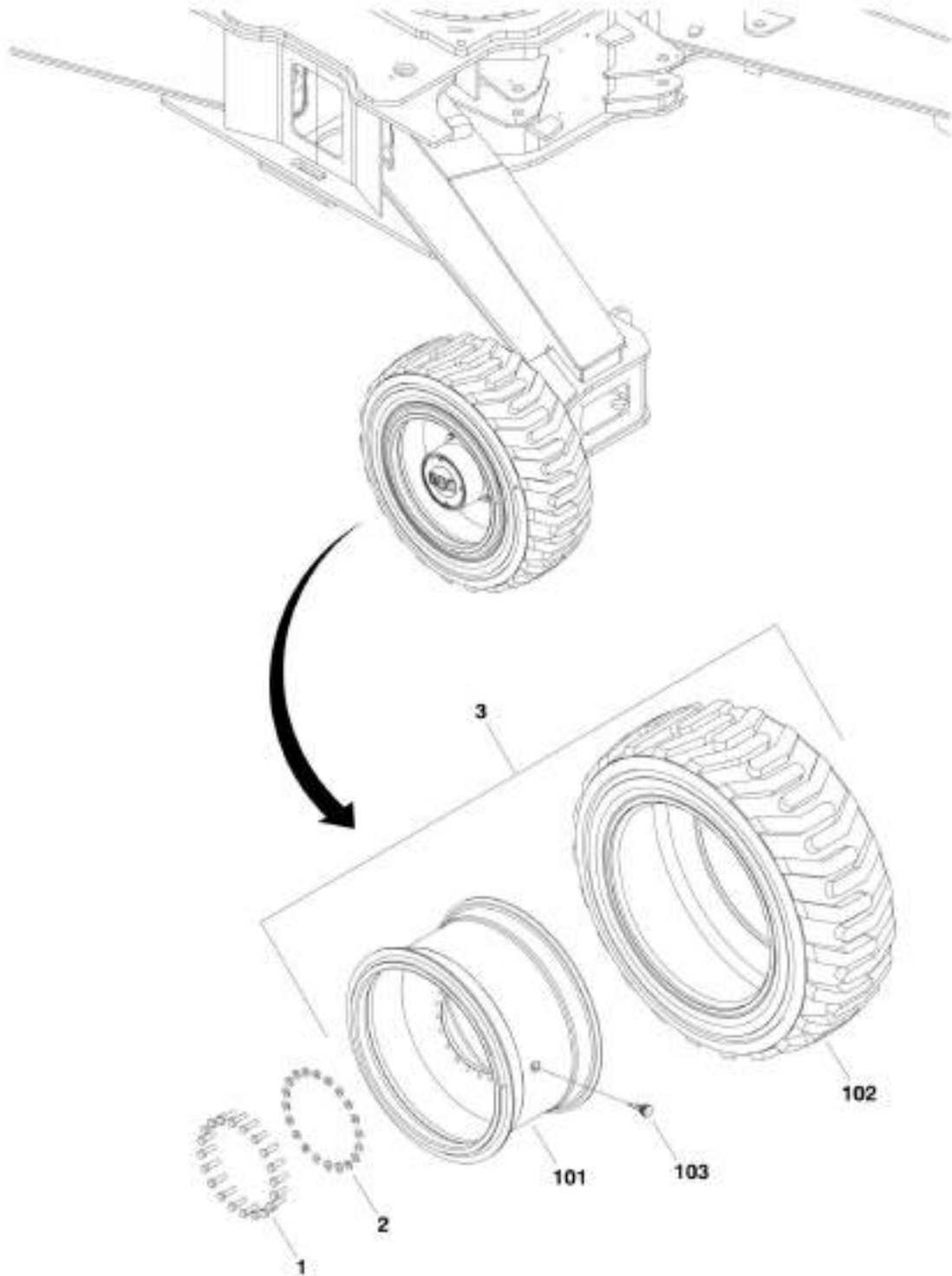
## SECTION 1 - FRAME

ITEM	PART NUMBER	QTY	DESCRIPTION	REV
50	See Note	NSS	Piston, Brake (Note: Use p/n 70004453)	
51	See Note	NSS	Spring, Brake (Note: Use p/n 70004453)	
52	See Note	NSS	Spacer (Note: Use p/n 70004453)	
53	See Note	NSS	Ring, Retaining (Note: Use p/n 70004453)	
54	See Note	NSS	O-Ring (Note: Use p/n 70004451)	
55	70004449	1	Support, Motor	
56	70004450	6	Screw M8 x 25	
100	70004451	1	Kit, Seal (Includes Items 4, 7, 10, 26, 31, 33, 46-49 & 54)	
101	70004452	1	Kit, Cover (Includes Items 2-10)	
102	70004453	1	Kit, Brake (Includes Items 43-53)	



# SECTION 1 - FRAME

FIGURE 1-7. TIRE/WHEEL INSTALLATION - IN445/50D710 FOAM-FILLED



1001137216



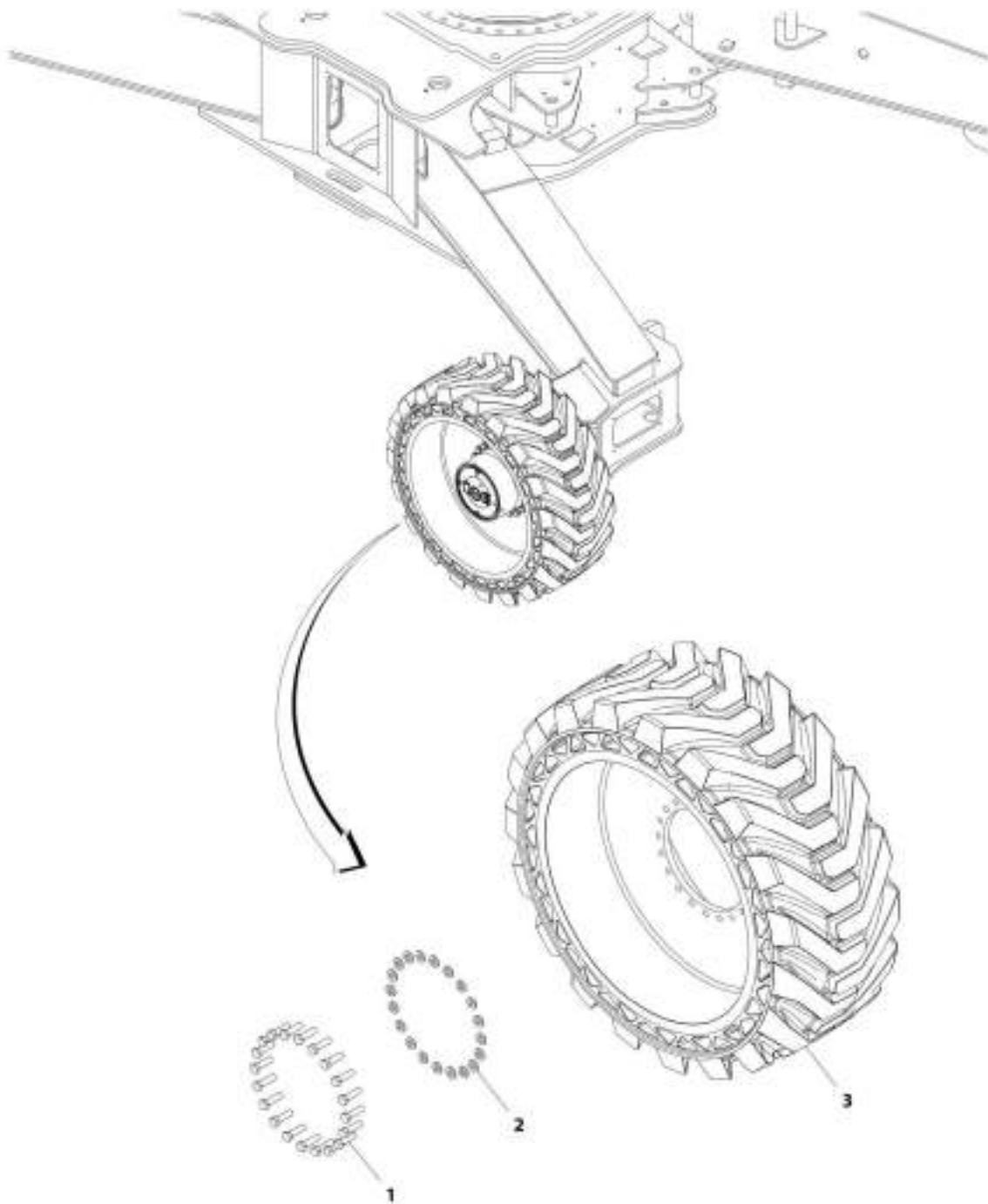
## SECTION 1 - FRAME

**FIGURE 1-7. TIRE/WHEEL INSTALLATION - IN445/50D710 FOAM-FILLED**

ITEM	PART NUMBER	QTY	DESCRIPTION	REV
	1001157216	Ref	TIRE/WHEEL INSTALLATION - IN445/50D710 FOAM-FILLED	E
		Ref	Note: Requires ballast/foam filling to manufacturer's specifications prior to installing on a machine. Refer to Service and Maintenance Manuals. Purchase individual tire and/or rim only if able to foam fill tire and wheel assembly, otherwise, purchase complete.	
1	0701619001	80	Bolt M16 x 55 (20 Per Wheel)	
2	1001172356	80	Washer 5/8 (20 Per Wheel)	
3	1001147616	2	Tire/Wheel (RH Side) (See Items 101-103 for Breakdown)	
3	1001149711	2	Tire/Wheel (LH Side) (See Items 101-103 for Breakdown)	
	1001147616	Ref	TIRE/WHEEL ASSEMBLY (RH SIDE)	G
	1001149711	Ref	TIRE/WHEEL ASSEMBLY (LH SIDE)	G
101	1001147617	4	Wheel (1 per Tire/Wheel)	
102	1001147618	4	Tire (1 per Tire/Wheel)	
103	1001157467	4	Valve (1 per Tire/Wheel)	

# SECTION 1 - FRAME

## FIGURE 1-8. TIRE/WHEEL INSTALLATION - SOLID TIRES



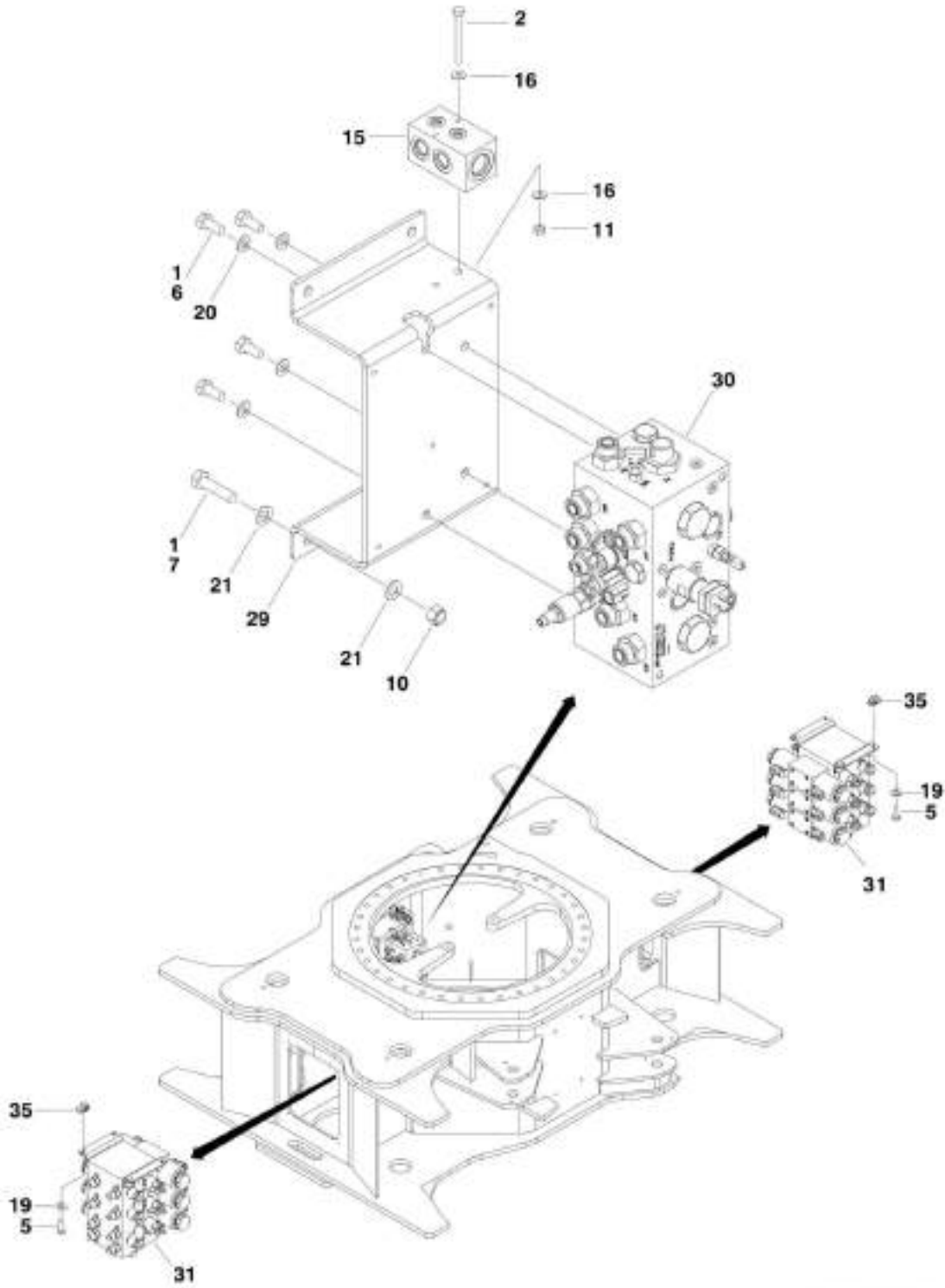
AWT\_100100439

**FIGURE 1-8. TIRE/WHEEL INSTALLATION - SOLID TIRES**

<b>ITEM</b>	<b>PART NUMBER</b>	<b>QTY</b>	<b>DESCRIPTION</b>	<b>REV</b>
	1001188459	Ref	TIRE/WHEEL INSTALLATION - SOLID TIRES	E
1	0701619001	80	Bolt M16 x 55 (20 Per Wheel)	
2	1001172356	80	Washer 5/8 (20 Per Wheel)	
3	1001188461	2	Tire/Wheel (RH Side) (Breakdown Not Currently Available)	
3	1001188462	2	Tire/Wheel (LH Side) (Breakdown Not Currently Available)	

# SECTION 1 - FRAME

FIGURE 1-9. VALVES INSTALLATION - FRAME (WITHOUT LSS)



100115706\_PG 1 OF 3

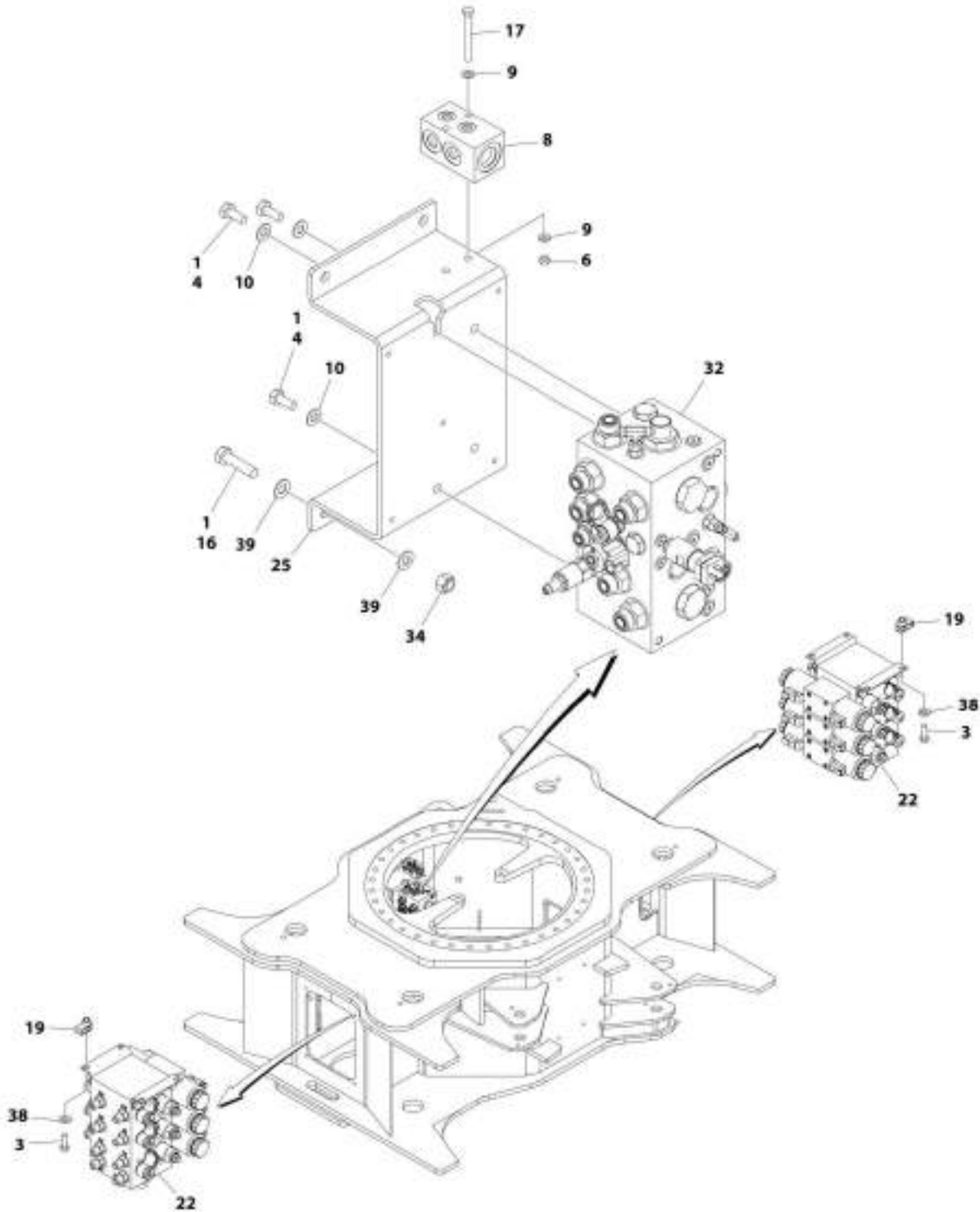
## SECTION 1 - FRAME

**FIGURE 1-9. VALVES INSTALLATION - FRAME (WITHOUT LSS)**

ITEM	PART NUMBER	QTY	DESCRIPTION	REV
	1001157706	Ref	VALVES INSTALLATION - FRAME (WITHOUT LSS)	M
1	0100011	AR	Compound, Locking	
2	0641422	2	Bolt 1/4 x 2-3/4 <b>(Prior to SN 0300218318)</b>	
2	1001096653	2	Bolt M6 x 70 <b>(SN 0300218318 to Present)</b>	
5	0760812	8	Bolt M8 x 25	
6	0761012	4	Bolt M10 x 25	
7	0761218001	4	Bolt M12 x 50	
10	3291205001	4	Nut M12	
11	3311405	2	Nut 1/4 <b>(Prior to SN 0300218318)</b>	
11	3290607	2	Nut M6 <b>(SN 0300218318 to Present)</b>	
15	4641155	1	Manifold, Junction	
16	4711400	4	Washer 1/4 <b>(Prior to SN 0300218318)</b>	
16	4811700	4	Washer M6 <b>(SN 0300218318 to Present)</b>	
19	4811900001	8	Washer M8	
20	4812000	4	Washer M10	
21	4812100001	8	Washer M12	
29	1001164354	1	Bracket	
30	1001157198	NLA	Traction Valve Assembly (Use p/n 1001219110) (See TRACTION VALVE ASSEMBLY for Breakdown) <b>(Prior to SN 0300224866)</b>	
30	1001219110	1	Traction Valve Assembly (See TRACTION VALVE ASSEMBLY for Breakdown) <b>(SN 0300224866 to Present)</b>	
31	1001157207	2	Steer/Axle Extend Valve Assembly (See STEER/AXLE EXTEND VALVE ASSEMBLY for Breakdown)	
35	1001118274	8	Nut M8	

# SECTION 1 - FRAME

## FIGURE 1-10. VALVES INSTALLATION - FRAME (WITH LSS)



ART\_1801216995\_10F3

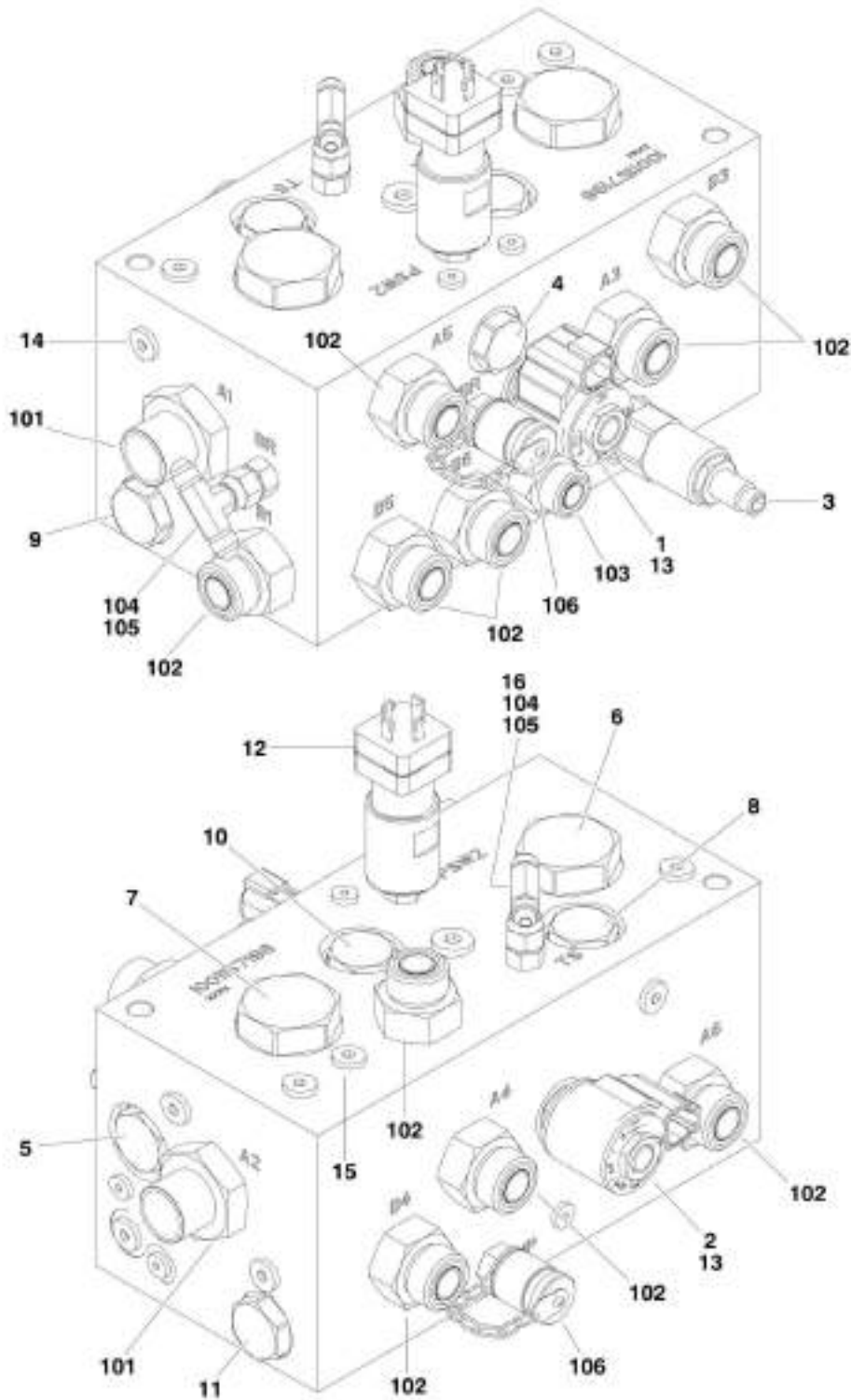
## SECTION 1 - FRAME

**FIGURE 1-10. VALVES INSTALLATION - FRAME (WITH LSS)**

ITEM	PART NUMBER	QTY	DESCRIPTION	REV
	1001219995	Ref	VALVES INSTALLATION - FRAME (WITH LSS)	B
1	0100011	AR	Compound, Locking	
3	0760812	8	Bolt M8 x 25	
4	0761012	4	Bolt M10 x 25	
6	3290607	2	Nut M6	
8	4641155	1	Manifold, Junction	
9	4811700	4	Washer M6	
10	4812000	4	Washer M10	
16	0761218001	4	Bolt M12 x 50	
17	1001096653	2	Bolt M6 x 70	
19	1001118274	8	Nut M8	
22	1001157207	2	Steer/Axle Extend Valve Assembly (See STEER/AXLE EXTEND VALVE ASSEMBLY for Breakdown)	
25	1001164354	1	Bracket	
32	1001219110	1	Traction Valve Assembly (See TRACTION VALVE ASSEMBLY for Breakdown)	
34	3291205001	4	Nut M12	
38	4811900001	4	Washer M8	
39	4812100001	8	Washer M12	

# SECTION 1 - FRAME

FIGURE 1-11. TRACTION VALVE ASSEMBLY (Prior to SN 0300224866)



1001157150



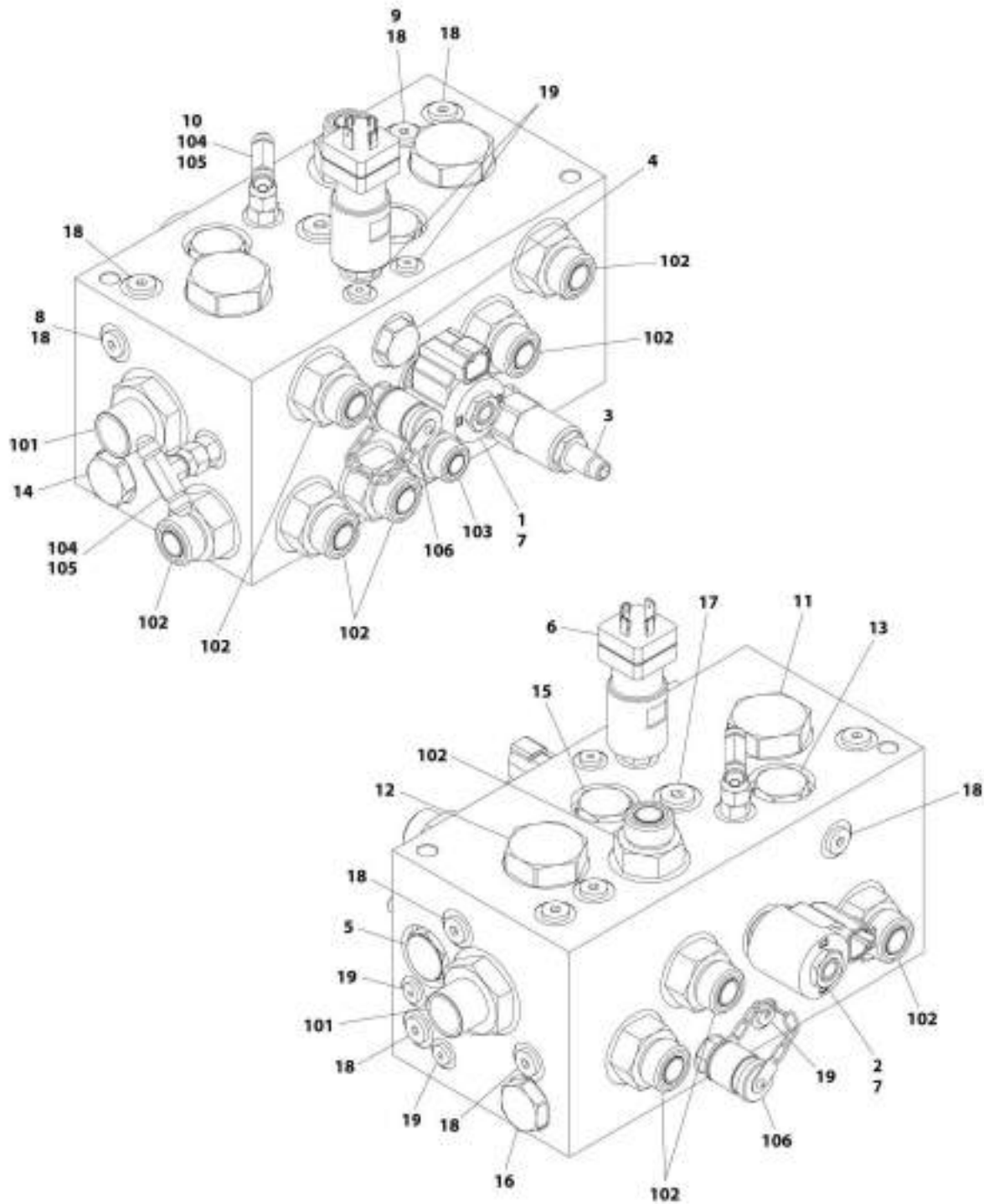
## SECTION 1 - FRAME

**FIGURE 1-11. TRACTION VALVE ASSEMBLY (Prior to SN 0300224866)**

ITEM	PART NUMBER	QTY	DESCRIPTION	REV
	1001157198	Ref	TRACTION VALVE ASSEMBLY (Prior to SN 0300224866)	H
1	7012941	1	Cartridge, Solenoid Less Coil	
1	7010543	1	Kit, Seal	
2	7012941	1	Cartridge, Solenoid Less Coil	
2	7010543	1	Kit, Seal	
3	70004383	1	Cartridge, Relief	
3	7012998	1	Kit, Seal	
4	70004384	1	Cartridge, Load Shuttle	
4	7012973	1	Kit, Seal	
5	70004385	1	Cartridge	
5	70002978	1	Kit, Seal	
6	70004017	1	Cartridge, Flow Divider	
6	7021625	1	Kit, Seal	
7	70004017	1	Cartridge, Flow Divider	
7	7021625	1	Kit, Seal	
8	70003408	1	Cartridge, Check	
8	7022399	1	Kit, Seal	
9	70003408	1	Cartridge, Check	
9	7022399	1	Kit, Seal	
10	70003408	1	Cartridge, Check	
10	7022399	1	Kit, Seal	
11	70003408	1	Cartridge, Check	
11	7022399	1	Kit, Seal	
12	70000803	1	Cartridge, Pressure Switch	
13	70002386	2	Coil	
14	7017493	1	Orifice	
15	7017493	1	Orifice	
16	70004386	1	Orifice	
101	2111016	2	Fitting, Straight ORB/ORFS	
102	2111012	10	Fitting, Straight ORB/ORFS	
103	2110810	1	Fitting, Straight ORB/ORFS	
104	2220415	2	Fitting, Straight JIC/ORB	
105	2220861	2	Fitting, Tee JIC/ORB	
106	2221086	2	Fitting, Test	

# SECTION 1 - FRAME

FIGURE 1-12. TRACTION VALVE ASSEMBLY (SN 0300224866 to Present)



ART\_100210110

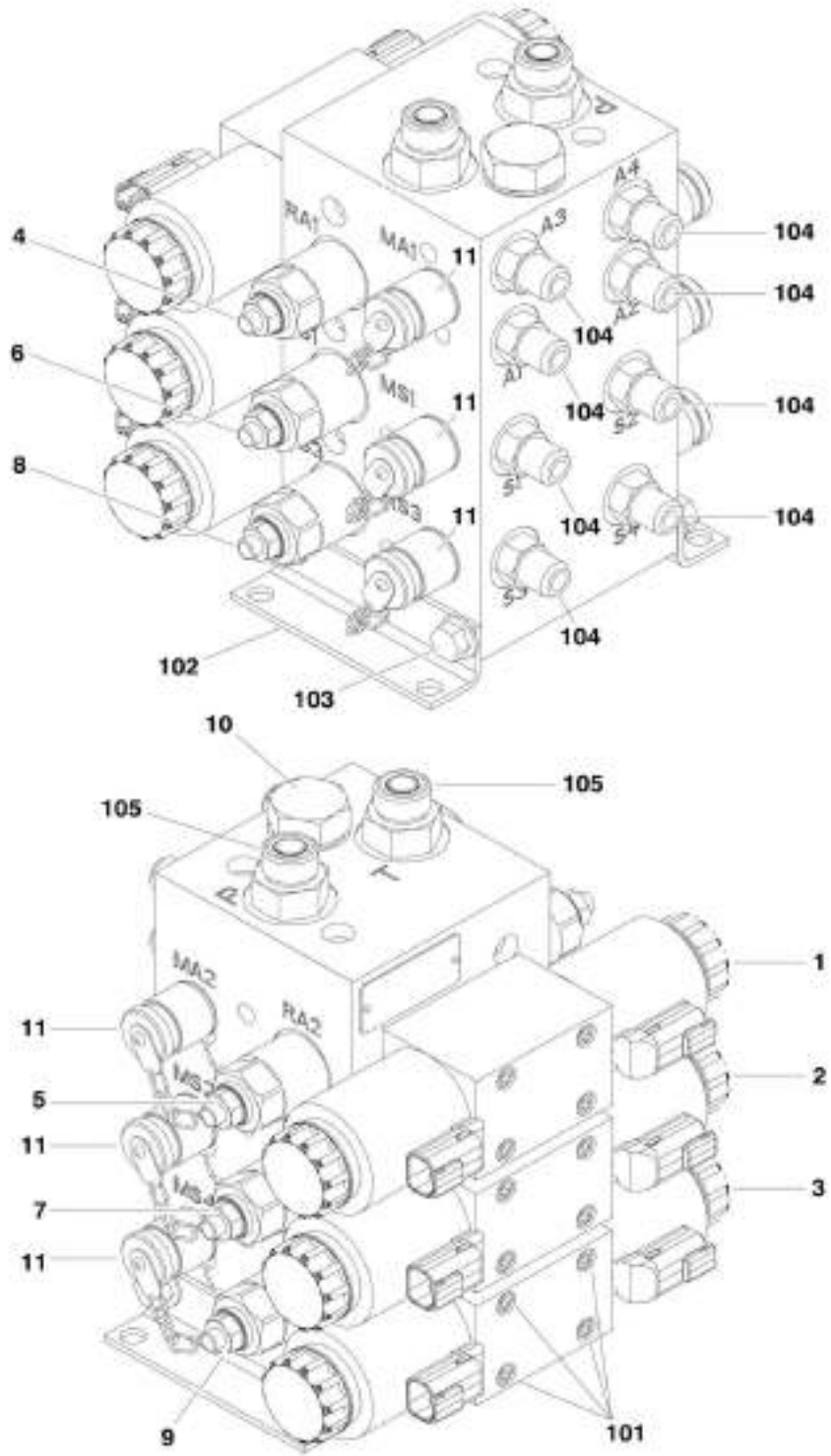
## SECTION 1 - FRAME

**FIGURE 1-12. TRACTION VALVE ASSEMBLY (SN 0300224866 to Present)**

ITEM	PART NUMBER	QTY	DESCRIPTION	REV
	1001219110	Ref	TRACTION VALVE ASSEMBLY (SN 0300224866 to Present)	B
1	7012941	1	Cartridge, Solenoid Less Coil	
1	7010543	1	Kit, Seal	
2	7012941	1	Cartridge, Solenoid Less Coil	
2	7010543	1	Kit, Seal	
3	70004383	1	Cartridge, Relief	
3	7012998	1	Kit, Seal	
4	70004384	1	Cartridge, Load Shuttle	
4	7012973	1	Kit, Seal	
5	70000804	1	Cartridge	
5	70000805	1	Kit, Seal	
6	70000803	1	Cartridge, Pressure Switch	
7	70002386	2	Coil	
8	7017493	1	Orifice	
9	7017493	1	Orifice	
10	70004386	1	Orifice	
11	70004017	1	Cartridge, Flow Divider	
11	7021625	1	Kit, Seal	
12	70004017	1	Cartridge, Flow Divider	
12	7021625	1	Kit, Seal	
13	70003408	1	Cartridge, Check	
13	7022399	1	Kit, Seal	
14	70003408	1	Cartridge, Check	
14	7022399	1	Kit, Seal	
15	70003408	1	Cartridge, Check	
15	7022399	1	Kit, Seal	
16	70003408	1	Cartridge, Check	
16	7022399	1	Kit, Seal	
17	2220885	1	Plug	
18	2220883	9	Plug	
19	2220881	8	Plug	
101	2111016	2	Fitting, Straight ORB/ORFS	
102	2111012	10	Fitting, Straight ORB/ORFS	
103	2110810	1	Fitting, Straight ORB/ORFS	
104	2220415	2	Fitting, Straight JIC/ORB	
105	2220861	2	Fitting, Tee JIC/ORB	
106	2221086	2	Fitting, Test	

# SECTION 1 - FRAME

## FIGURE 1-13. STEER/AXLE EXTEND VALVE ASSEMBLY



1001157207

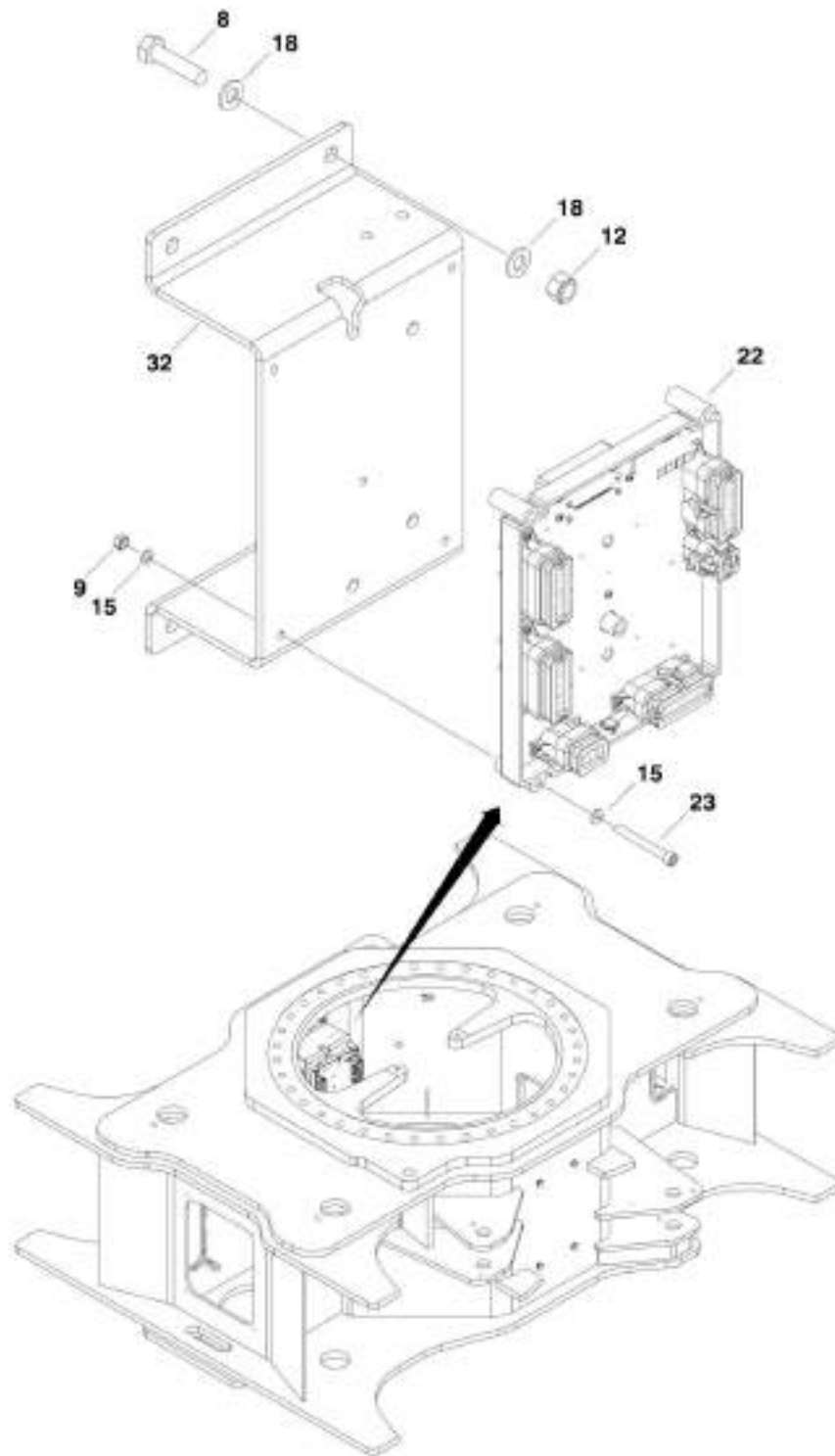
# SECTION 1 - FRAME

## FIGURE 1-13. STEER/AXLE EXTEND VALVE ASSEMBLY

ITEM	PART NUMBER	QTY	DESCRIPTION	REV
	1001157207	Ref	STEER/AXLE EXTEND VALVE ASSEMBLY	E
1	70004459	1	Valve, Direction Control	
1	7012773	1	Kit, Seal	
1	70004460	2	Coil	
1	7021375	2	Nut, Coil	
1	70004461	2	O-Ring, Solenoid Pole	
2	70004462	1	Valve, Direction Control	
2	7012773	1	Kit, Seal	
2	70004463	2	Coil	
2	7021375	2	Nut, Coil	
2	70004461	2	O-Ring, Solenoid Pole	
3	70004462	1	Valve, Direction Control	
3	7012773	1	Kit, Seal	
3	70004463	2	Coil	
3	7021375	2	Nut, Coil	
3	70004461	2	O-Ring, Solenoid Pole	
4	70004464	1	Cartridge, Relief	
4	70004055	1	Kit, Seal	
5	70004464	1	Cartridge, Relief	
5	70004055	1	Kit, Seal	
6	70004464	1	Cartridge, Relief	
6	70004055	1	Kit, Seal	
7	70004464	1	Cartridge, Relief	
7	70004055	1	Kit, Seal	
8	70004464	1	Cartridge, Relief	
8	70004055	1	Kit, Seal	
9	70004464	1	Cartridge, Relief	
9	70004055	1	Kit, Seal	
10	70004465	1	Cartridge, Flow Divider	
10	70004164	1	Kit, Seal	
11	2221086	6	Fitting, Test	
101	See Note	NSS	Capscrew #10 x 2 (Note: Purchase Locally)	
102	See Note	NSS	Bracket (Note: Not Available for Purchase)	
103	0641504	4	Bolt 5/16-18 x 1/2	
104	2220371	8	Fitting, Straight JIC/ORB	
105	2110810	2	Fitting, Straight ORB/ORFS	

# SECTION 1 - FRAME

FIGURE 1-14. ELECTRICAL COMPONENTS INSTALLATION - FRAME



102158522\_PG 1 OF 2

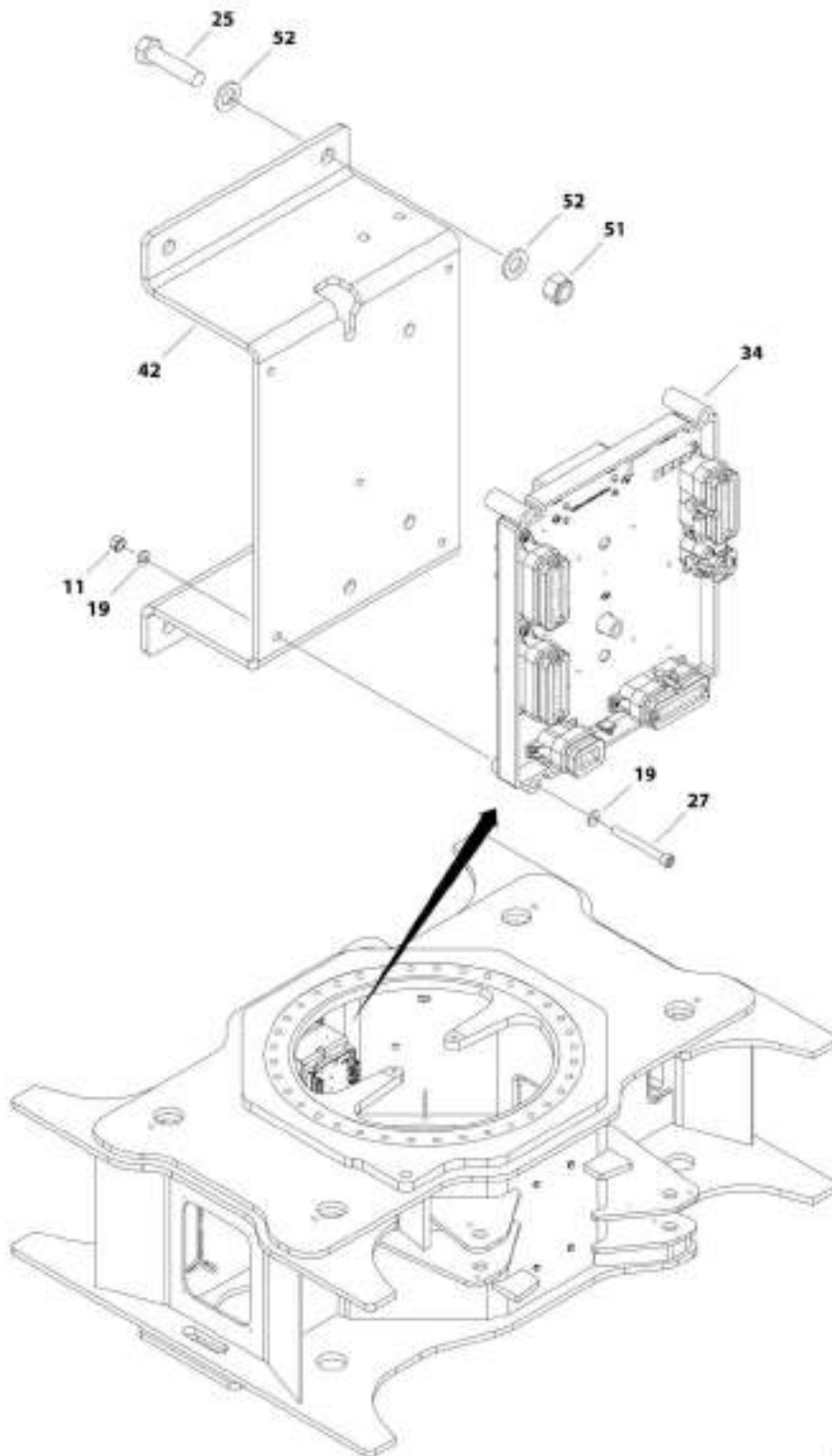
## SECTION 1 - FRAME

**FIGURE 1-14. ELECTRICAL COMPONENTS INSTALLATION - FRAME**

ITEM	PART NUMBER	QTY	DESCRIPTION	REV
	1001156522	Ref	ELECTRICAL COMPONENTS INSTALLATION - FRAME (ANSI EXPORT (LRC), AUSTRALIAN AND CHINA SPECS)	O
	1001156522	Ref	ELECTRICAL COMPONENTS INSTALLATION - FRAME (ANSI, CSA AND JAPANESE SPECS) <b>(Prior to SN 0300210987)</b>	L
	1001156522	Ref	ELECTRICAL COMPONENTS INSTALLATION - FRAME (CE SPECS) <b>(Prior to SN 0300201023)</b>	K
8	0761218001	4	Bolt M12 x 50	
9	3290605	5	Nut M6	
12	3291205001	4	Nut M12	
15	4811700	10	Washer M6	
18	4812100001	8	Washer M12	
22	1001150162	1	Module, Control (Note: Re-calibration Required When Replaced)	
23	1001118878	5	Capscrew M6 x 55	
30	1001149975	1	Chassis Harness (Not Shown - See ELECTRICAL SECTION for Breakdown)	
32	1001164354	1	Bracket	

## SECTION 1 - FRAME

FIGURE 1-15. ELECTRICAL COMPONENTS INSTALLATION - FRAME (ANSI, ANSI EXPORT (HRC), CSA AND JAPANESE SPECS) (SN 0300210987 to Present)



MT 18118619, 10K2



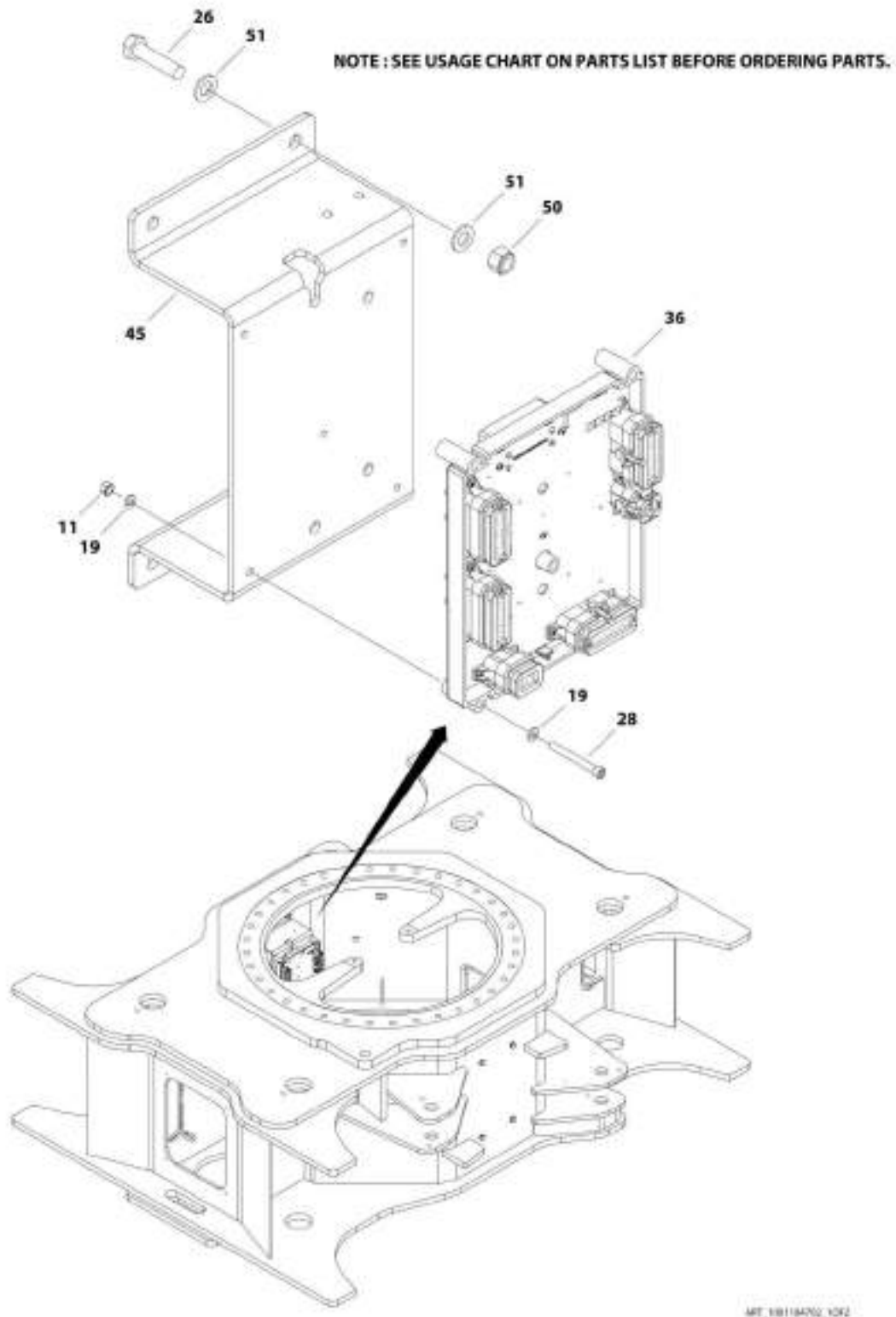
## SECTION 1 - FRAME

**FIGURE 1-15. ELECTRICAL COMPONENTS INSTALLATION - FRAME (ANSI, ANSI EXPORT (HRC), CSA AND JAPANESE SPECS) (SN 0300210987 to Present)**

ITEM	PART NUMBER	QTY	DESCRIPTION	REV
	1001198619	Ref	ELECTRICAL COMPONENTS INSTALLATION - FRAME (ANSI, ANSI EXPORT (HRC), CSA AND JAPANESE SPECS) (SN <b>0300210987 to Present</b> )	E
11	3290605	6	Nut M6	
19	4811700	10	Washer M6	
25	0761218001	4	Bolt M12 x 50	
27	1001118878	5	Capscrew M6 x 55	
32	1001149975	1	Chassis Harness (Not Shown - See ELECTRICAL SECTION for Breakdown)	
34	1001150162	1	Module, Control (Note: Re-calibration Required When Replaced)	
42	1001164354	1	Bracket	
51	3291205001	4	Nut M12	
52	4812100001	8	Washer M12	

# SECTION 1 - FRAME

FIGURE 1-16. ELECTRICAL COMPONENTS INSTALLATION - FRAME (CE SPECS)



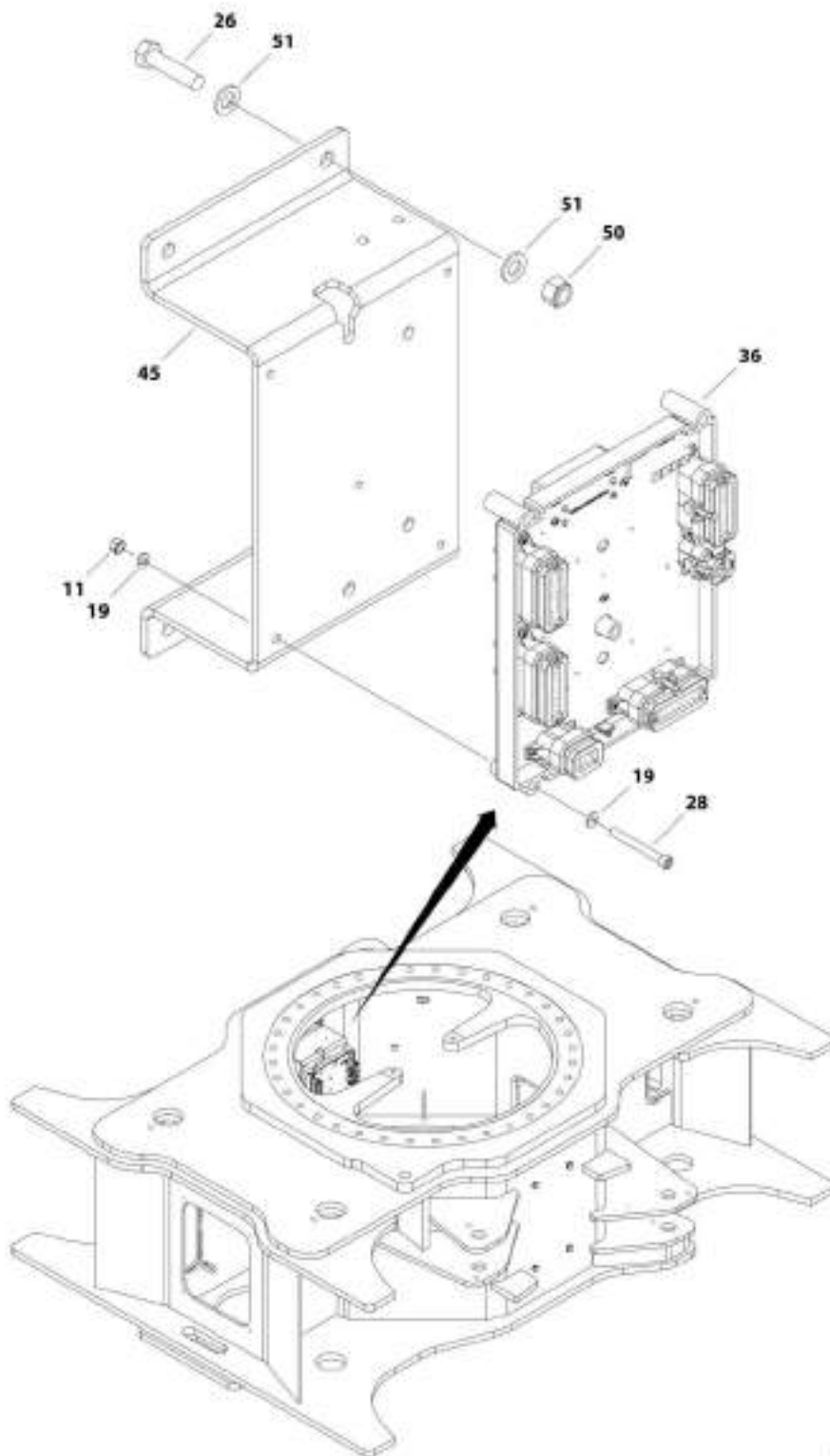
## SECTION 1 - FRAME

**FIGURE 1-16. ELECTRICAL COMPONENTS INSTALLATION - FRAME (CE SPECS)**

ITEM	PART NUMBER	QTY	DESCRIPTION	REV
	1001184702	Ref	ELECTRICAL COMPONENTS INSTALLATION - FRAME (CE SPECS)	E
		Ref	Usage Chart	
		Ref	CE Specs <b>(SN 0300201023 through 0300210987)</b>	
		Ref	CE (LRC) Specs <b>(SN 0300223410 to Present)</b>	
11	3290605	6	Nut M6	
19	4811700	10	Washer M6	
26	0761218001	4	Bolt M12 x 50	
28	1001118878	5	Capscrew M6 x 55	
34	1001149975	1	Chassis Harness (Not Shown - See ELECTRICAL SECTION for Breakdown)	
36	1001150162	1	Module, Control (Note: Re-calibration Required When Replaced)	
45	1001164354	1	Bracket	
50	3291205001	4	Nut M12	
51	4812100001	8	Washer M12	

# SECTION 1 - FRAME

FIGURE 1-17. ELECTRICAL COMPONENTS INSTALLATION - FRAME (CE SPECS) (SN 0300210988 to Present)



MT, 18118634, 10/2

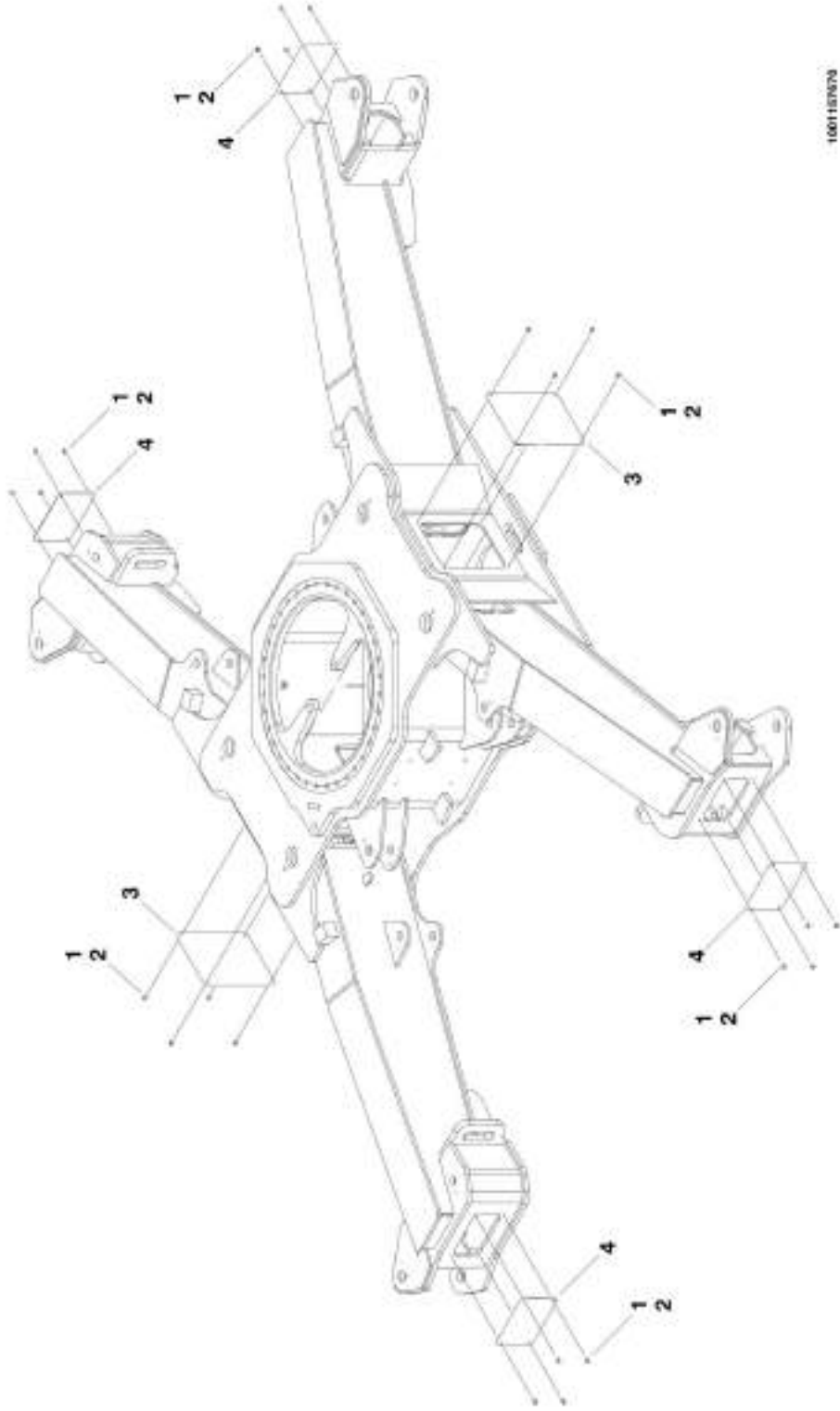
## SECTION 1 - FRAME

**FIGURE 1-17. ELECTRICAL COMPONENTS INSTALLATION - FRAME (CE SPECS) (SN 0300210988 to Present)**

ITEM	PART NUMBER	QTY	DESCRIPTION	REV
	1001198624	Ref	ELECTRICAL COMPONENTS INSTALLATION - FRAME (CE SPECS) (SN 0300210988 to Present)	E
11	3290605	6	Nut M6	
19	4811700	10	Washer M6	
26	0761218001	4	Bolt M12 x 50	
28	1001118878	5	Capscrew M6 x 55	
34	1001149975	1	Chassis Harness (Not Shown - See ELECTRICAL SECTION for Breakdown)	
36	1001150162	1	Module, Control (Note: Re-calibration Required When Replaced)	
45	1001164354	1	Bracket	
50	3291205001	4	Nut M12	
51	4812100001	8	Washer M12	

# SECTION 1 - FRAME

## FIGURE 1-18. COVERS INSTALLATION - FRAME



1001187679

## SECTION 1 - FRAME

### FIGURE 1-18. COVERS INSTALLATION - FRAME

ITEM	PART NUMBER	QTY	DESCRIPTION	REV
	1001157670	Ref	COVERS INSTALLATION - FRAME	B
1	0100011	AR	Compound, Locking	
2	5251210001	24	Bolt M12 x 20	
3	1001155561	2	Cover	
4	1001156867	4	Cover	

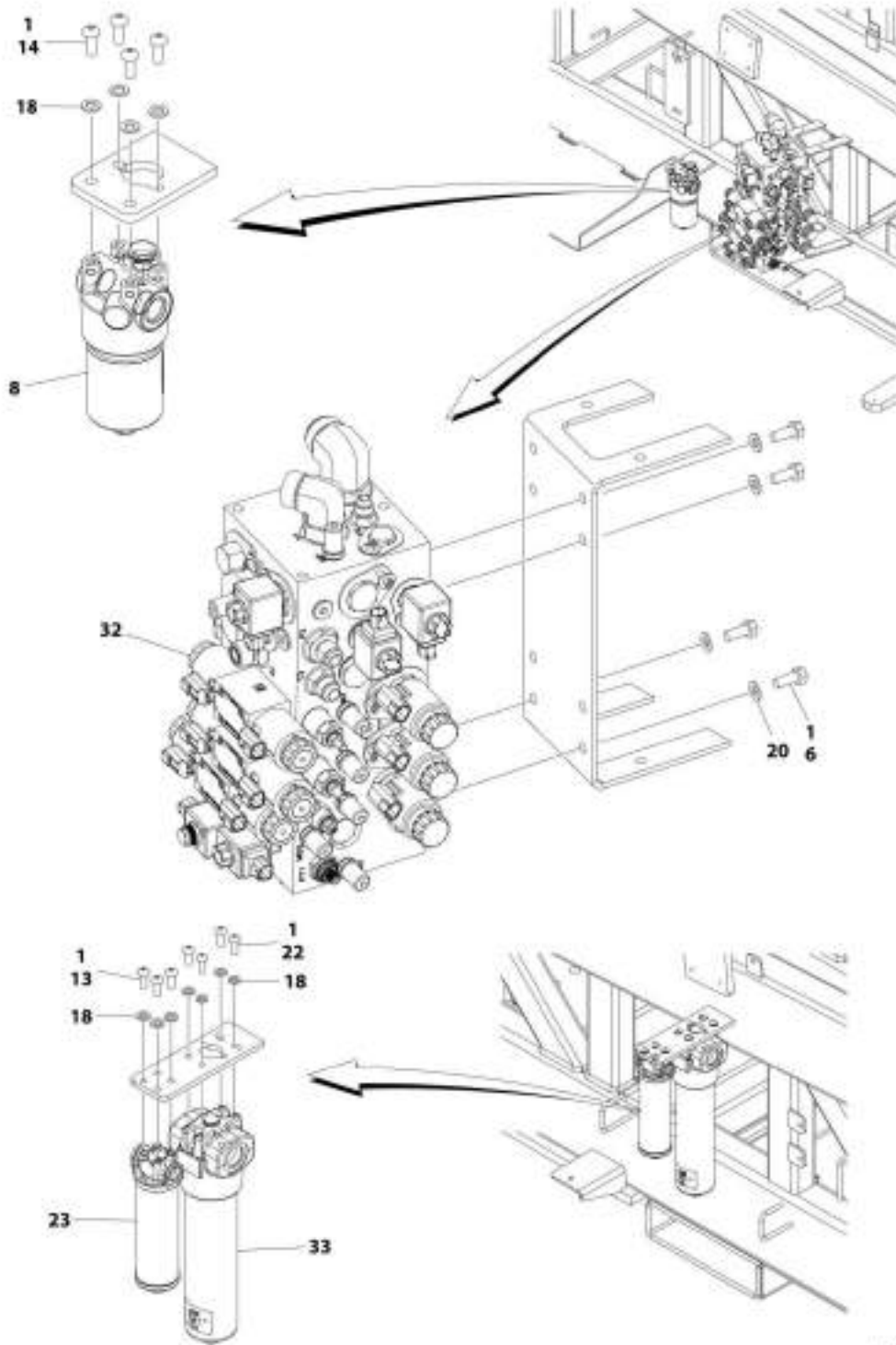




**SECTION 2 - TURNTABLE**

## SECTION 2 - TURNTABLE

FIGURE 2-1. VALVES AND HYDRAULIC FILTERS INSTALLATION - TURNTABLE (WITHOUT LSS)



AHT\_1881157786\_2 OF 3

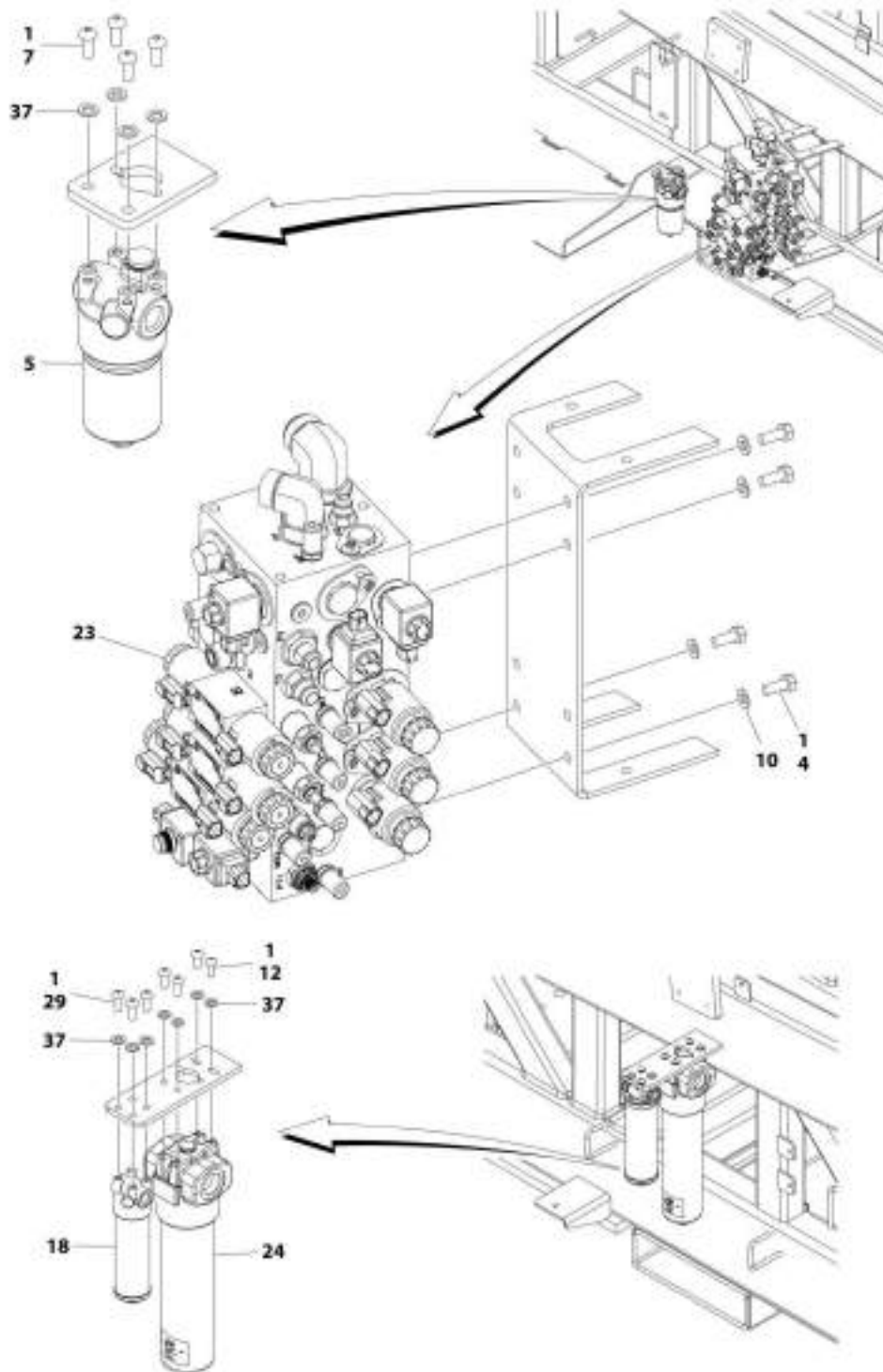
## SECTION 2 - TURNTABLE

**FIGURE 2-1. VALVES AND HYDRAULIC FILTERS INSTALLATION - TURNTABLE (WITHOUT LSS)**

ITEM	PART NUMBER	QTY	DESCRIPTION	REV
	1001157706	Ref	VALVES AND HYDRAULIC FILTERS INSTALLATION - TURNTABLE (WITHOUT LSS)	M
1	0100011	AR	Compound, Locking	
6	0761012	4	Bolt M10 x 25	
8	2120217	1	Filter	
8	70002097	1	Element	
8	70001499	1	Kit, Seal	
8	70004328	1	Plug, Indicator	
13	1001173846	4	Screw 3/8-16 x 3/4	
13	1001238236	4	Screw 3/8-16 x 7/8	
14	3900316	4	Screw 3/8-16 x 1	
18	4711600001	12	Washer 3/8	
20	4812000	4	Washer M10	
22	88261128	4	Screw 3/8-16 x 1	
23	1001108617	1	Filter	
23	70002231	1	Element	
32	1001158406	NLA	Main Valve Assembly (Use p/n 1001234548) (See MAIN VALVE ASSEMBLY for Breakdown) <b>(Prior to SN 0300247850)</b>	
32	1001234548	1	Main Valve Assembly (See MAIN VALVE ASSEMBLY for Breakdown) <b>(SN 0300247850 to Present)</b>	
33	1001158412	1	Filter	
33	1001161232	1	Element	

## SECTION 2 - TURNTABLE

FIGURE 2-2. VALVES AND HYDRAULIC FILTERS INSTALLATION - TURNTABLE (WITH LSS)



AMT\_1001219905\_30F3

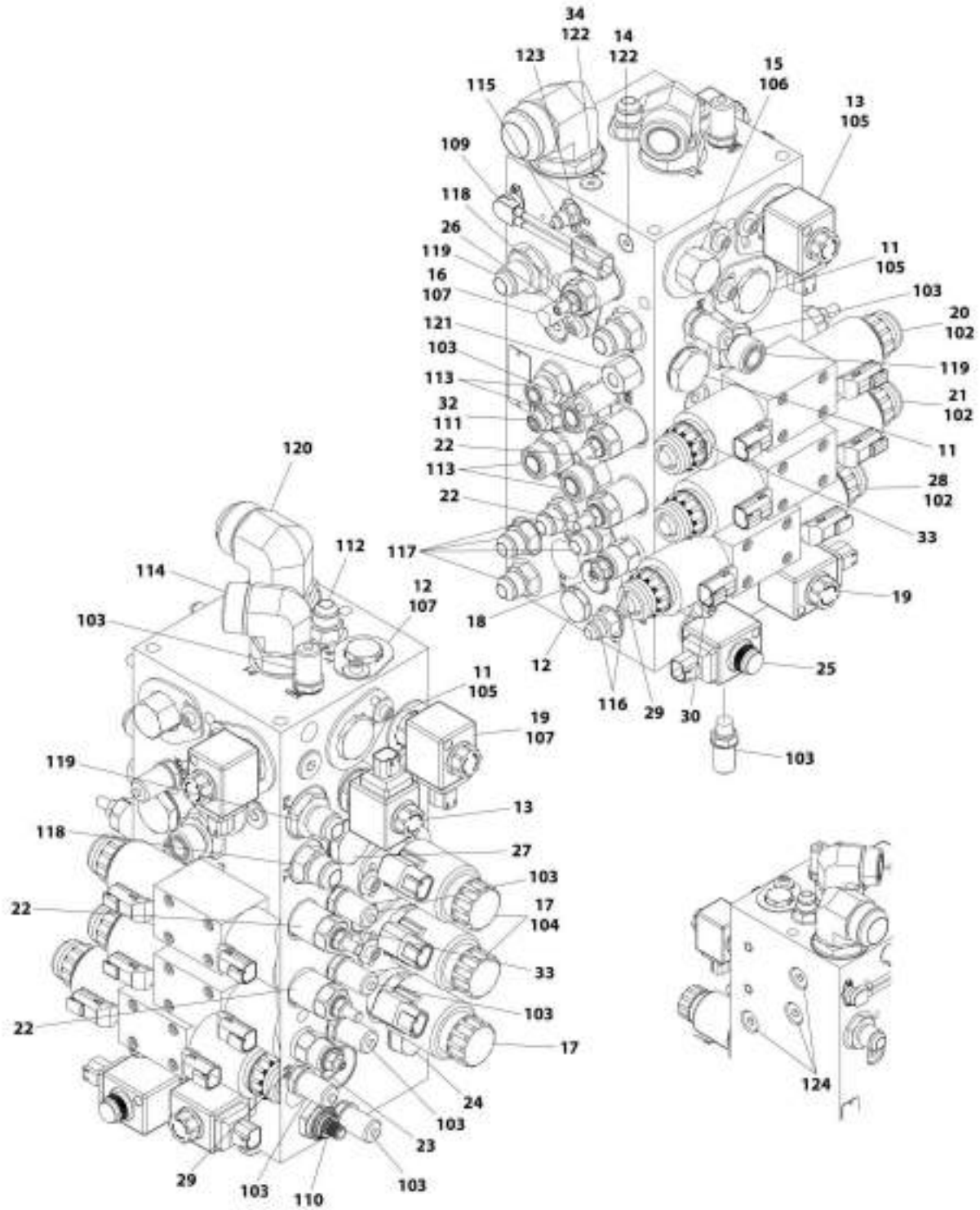
## SECTION 2 - TURNTABLE

**FIGURE 2-2. VALVES AND HYDRAULIC FILTERS INSTALLATION - TURNTABLE (WITH LSS)**

ITEM	PART NUMBER	QTY	DESCRIPTION	REV
	1001219995	Ref	VALVES AND HYDRAULIC FILTERS INSTALLATION - TURNTABLE (WITH LSS)	B
1	0100011	AR	Compound, Locking	
4	0761012	4	Bolt M10 x 25	
5	2120217	1	Filter	
5	70002097	1	Element	
5	70001499	1	Kit, Seal	
7	3900316	4	Screw 3/8-16 x 1	
10	4812000	4	Washer M10	
12	88261128	4	Screw 3/8-16 x 1	
18	1001108617	1	Filter	
18	70002231	1	Element	
23	1001158406	NLA	Main Valve Assembly (Use p/n 1001234548) (See MAIN VALVE ASSEMBLY for Breakdown) <b>(Prior to SN 0300247850)</b>	
23	1001234548	1	Main Valve Assembly (See MAIN VALVE ASSEMBLY for Breakdown) <b>(SN 0300247850 to Present)</b>	
24	1001158412	1	Filter	
24	1001161232	1	Element	
29	1001173846	4	Screw 3/8-16 x 3/4	
29	1001238236	4	Screw 3/8-16 x 7/8	
37	4711600001	12	Washer 3/8	

# SECTION 2 - TURNTABLE

FIGURE 2-3. MAIN VALVE ASSEMBLY (Prior to SN 0300247850)



ART\_1001158400

**SECTION 2 - TURNTABLE**

**FIGURE 2-3. MAIN VALVE ASSEMBLY (Prior to SN 0300247850)**

ITEM	PART NUMBER	QTY	DESCRIPTION	REV
	1001158406	Ref	MAIN VALVE ASSEMBLY	K
11	70004583	3	Cartridge, Check	
11	70004584	3	Kit, Seal	
12	70004585	2	Cartridge, Check	
12	70004052	2	Kit, Seal	
13	70004586	2	Cartridge, Solenoid	
13	70004587	2	Kit, Seal	
13	70004588	2	Coil	
14	70004589	1	Orifice	
15	70004590	1	Cartridge, Directional	
15	70023862	1	Kit, Seal	
16	70004591	1	Cartridge, Pressure Reducing	
16	70004592	1	Kit, Seal	
17	70004593	3	Cartridge, Solenoid	
17	70004594	3	Kit, Seal	
17	70004595	3	Coil	
18	70023859	1	Cartridge, Shuttle	
18	70023860	1	Kit, Seal	
19	70004598	2	Cartridge, Dump	
19	70004055	2	Kit, Seal	
19	70004588	2	Coil	
20	70004459	1	Valve	
20	7012773	1	Kit, Seal	
20	70004460	2	Coil	
20	7021375	2	Nut	
21	70004600	1	Valve	
21	7012773	1	Kit, Seal	
21	70004460	2	Coil	
21	7021375	2	Nut	
22	70004601	4	Cartridge, Relief Valve	
22	70004602	4	Kit, Seal	
23	70004603	1	Plug	
24	70004604	1	Cartridge, Pilot Check	
24	70004605	1	Kit, Seal	
25	70004606	1	Cartridge, Solenoid	
25	70004053	1	Kit, Seal	
25	70004599	1	Coil	
26	70004607	1	Cartridge, Relief Valve	
26	70004602	1	Kit, Seal	
27	70004608	1	Cartridge, Check	
27	70004584	1	Kit, Seal	
28	70004609	1	Valve	
28	7012773	1	Kit, Seal	
28	70004460	2	Coil	
28	7021375	2	Nut	
29	70004610	2	Cartridge, Counterbalance	
29	70004611	2	Kit, Seal	
30	70004612	1	Cartridge, Throttle	
30	70004052	1	Kit, Seal	
32	7023821	1	Orifice	

## SECTION 2 - TURNTABLE

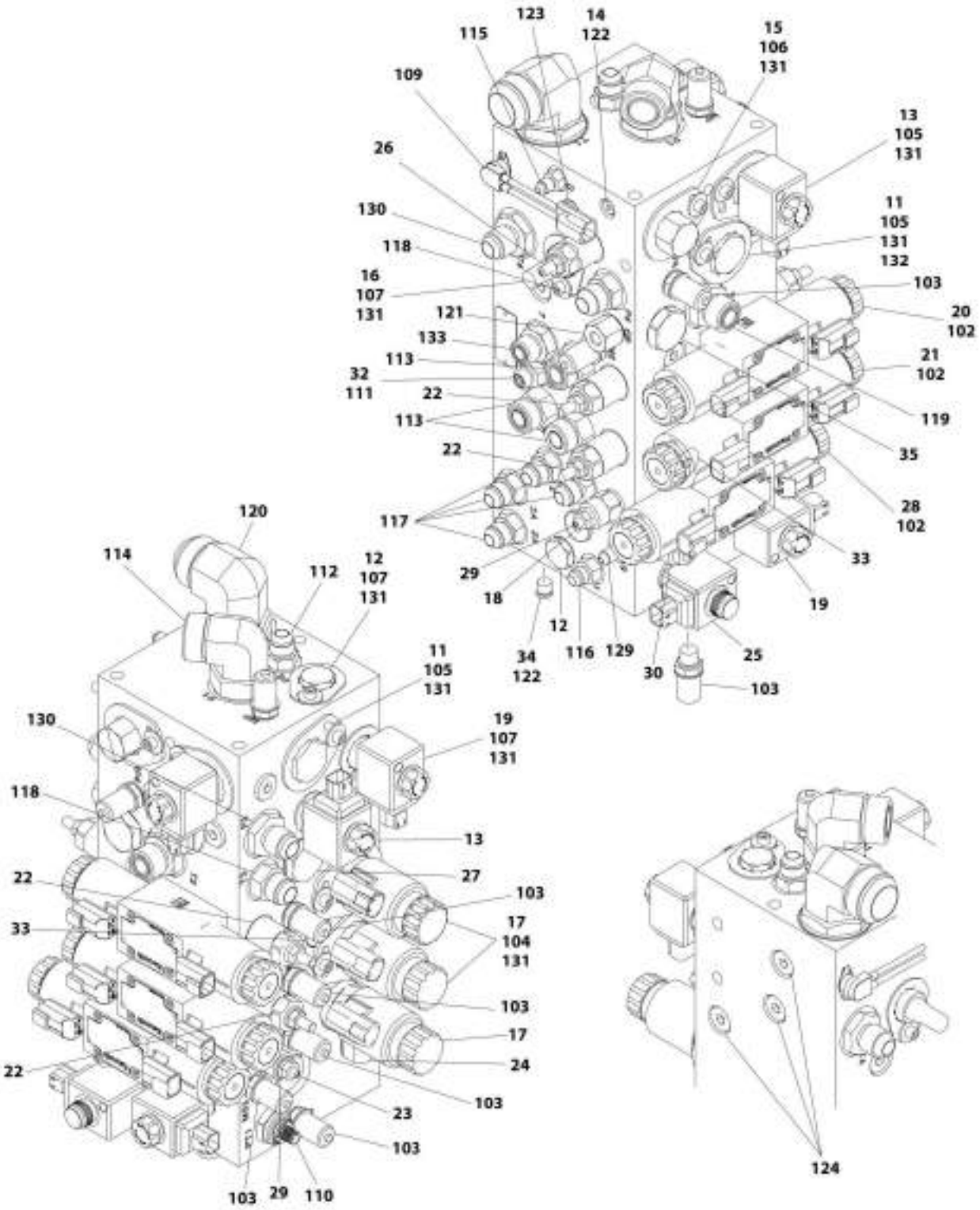
ITEM	PART NUMBER	QTY	DESCRIPTION	REV
33	70004613	2	Cartridge, Shuttle	
34	70004668	1	Plug, Orifice	
102	7018942	12	Capscrew #10 x 2	
103	2221086	9	Fitting, Test	
104	70005954	2	Kit, Locking	
105	70005957	3	Kit, Locking	
106	70005956	1	Kit, Locking	
107	70005955	3	Kit, Locking	
109	70004614	1	Sensor, Thermostat	
109	70004615	1	Capscrew #6 x 3/8-16	
110	70004616	1	Switch, Transducer Switch	
111	2110406	1	Fitting, Straight ORB/ORFS	
112	2220373	1	Fitting, Straight JIC/ORB	
113	2111010	3	Fitting, Straight ORB/ORFS	
113	2110810	1	Fitting, Straight ORB/ORFS	
114	2131616	1	Fitting, Elbow ORFS/ORB	
115	2220415	1	Fitting, Straight JIC/ORB	
116	2220582	1	Fitting, Straight JIC/ORB	
116	2220371	1	Fitting, Straight JIC/ORB	
117	2220373	4	Fitting, Straight JIC/ORB	
118	2220947	2	Fitting, Straight JIC/ORB	
119	2111012	1	Fitting, Straight JIC/ORB	
119	2220865	2	Fitting, Straight JIC/ORB	
120	88662070	1	Fitting, 90 JIC/ORB	
121	See Note	NSS	Fitting, Straight (Note: Not Available for Purchase)	
122	70002758	2	Plug, Zero Leak	
123	70004617	1	Plug, Zero Leak	
124	70002759	AR	Plug, Zero Leak	





# SECTION 2 - TURNTABLE

FIGURE 2-4. MAIN VALVE ASSEMBLY (SN 0300247850 to Present)



MIT\_1001234548

**SECTION 2 - TURNTABLE**

**FIGURE 2-4. MAIN VALVE ASSEMBLY (SN 0300247850 to Present)**

ITEM	PART NUMBER	QTY	DESCRIPTION	REV
	1001234548	Ref	MAIN VALVE ASSEMBLY	A
11	70004583	3	Cartridge, Check	
11	70004584	3	Kit, Seal	
12	70004585	2	Cartridge, Check	
12	70004052	2	Kit, Seal	
13	70004586	2	Cartridge, Solenoid	
13	70004587	2	Kit, Seal	
13	70004588	5	Coil	
14	70004589	1	Orifice	
15	70004590	1	Cartridge, Directional	
15	70023862	1	Kit, Seal	
16	70004591	1	Cartridge, Pressure Reducing	
16	70004592	1	Kit, Seal	
17	70004593	3	Cartridge, Solenoid	
17	70004594	3	Kit, Seal	
17	70004595	3	Coil	
18	70023859	1	Cartridge, Shuttle	
18	70023860	1	Kit, Seal	
19	70004598	2	Cartridge, Dump	
19	70004055	2	Kit, Seal	
19	70004588	2	Coil	
20	70004459	1	Valve	
20	7012773	1	Kit, Seal	
20	70004460	2	Coil	
20	7021375	2	Nut	
21	70004600	1	Valve	
21	7012773	1	Kit, Seal	
21	70004463	2	Coil	
21	7021375	2	Nut	
22	70004601	4	Cartridge, Relief Valve	
22	70004602	4	Kit, Seal	
23	70023866	1	Valve, Cartridge (Check)	
23	70023867	1	Kit, Seal	
24	70004604	1	Cartridge, Pilot Check	
24	70004605	1	Kit, Seal	
25	70004606	1	Cartridge, Solenoid	
25	70004053	1	Kit, Seal	
25	70004599	1	Coil	
26	70004607	1	Cartridge, Relief Valve	
26	70004602	1	Kit, Seal	
27	70004608	1	Cartridge, Check	
27	70004584	1	Kit, Seal	
28	70004609	1	Valve	
28	7012773	1	Kit, Seal	
28	70004463	2	Coil	
28	7021375	2	Nut	
29	70004610	2	Cartridge, Counterbalance	
29	70004611	1	Kit, Seal	
30	70004612	1	Cartridge, Throttle	
30	70004052	1	Kit, Seal	

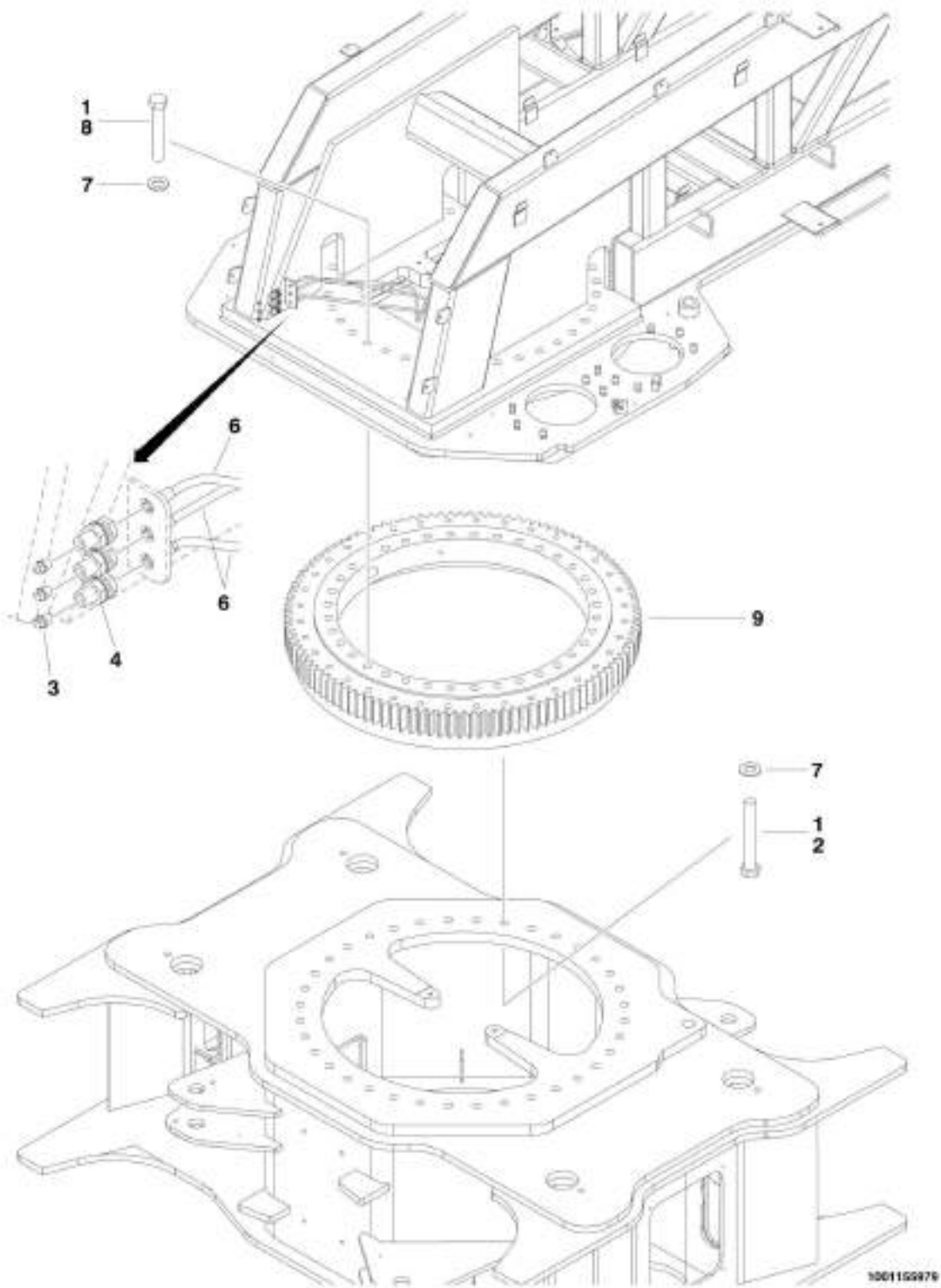
## SECTION 2 - TURNTABLE

ITEM	PART NUMBER	QTY	DESCRIPTION	REV
32	7023821	1	Orifice	
33	70004613	2	Cartridge, Shuttle	
34	70004668	1	Plug, Orifice	
35	10837489	1	Cartridge, Check Valve	
35	70239191	1	Kit, Seal	
102	7018942	12	Capscrew #10 x 2	
103	2221086	9	Fitting, Test	
104	70000781	2	Kit, Locking	
105	70002962	3	Kit, Locking	
106	70004618	1	Kit, Locking	
107	70004619	3	Kit, Locking	
109	70004614	1	Sensor, Thermostat	
109	70004615	2	Capscrew #6 x 3/8-16	
109	70005961	2	Insert, Threaded	
110	70004616	1	Switch, Transducer Switch	
111	2110406	1	Fitting, Straight ORB/ORFS	
112	2220373	1	Fitting, Straight JIC/ORB	
113	2111010	3	Fitting, Straight ORB/ORFS	
114	2131616	1	Fitting, Elbow ORFS/ORB	
115	2220415	1	Fitting, Straight JIC/ORB	
116	2220371	1	Fitting, Straight JIC/ORB	
117	2220373	4	Fitting, Straight JIC/ORB	
118	2220947	2	Fitting, Straight JIC/ORB	
119	2111012	1	Fitting, Straight JIC/ORB	
120	88662070	1	Fitting, 90 JIC/ORB	
121	See Note	NSS	Fitting, Straight (Note: Not Available for Purchase)	
122	70002758	2	Plug, Zero Leak	
123	70004617	1	Plug, Zero Leak	
124	70002759	AR	Plug, Zero Leak	
129	2220582	1	Fitting, Straight JIC/ORB	
130	2220865	2	Fitting, Straight JIC/ORB	
131	70005958	9	Capscrew	
132	4751400	1	Washer 1/4	
133	2110810	1	Fitting, Straight ORB/ORFS	



## SECTION 2 - TURNTABLE

FIGURE 2-5. TURNTABLE BEARING INSTALLATION



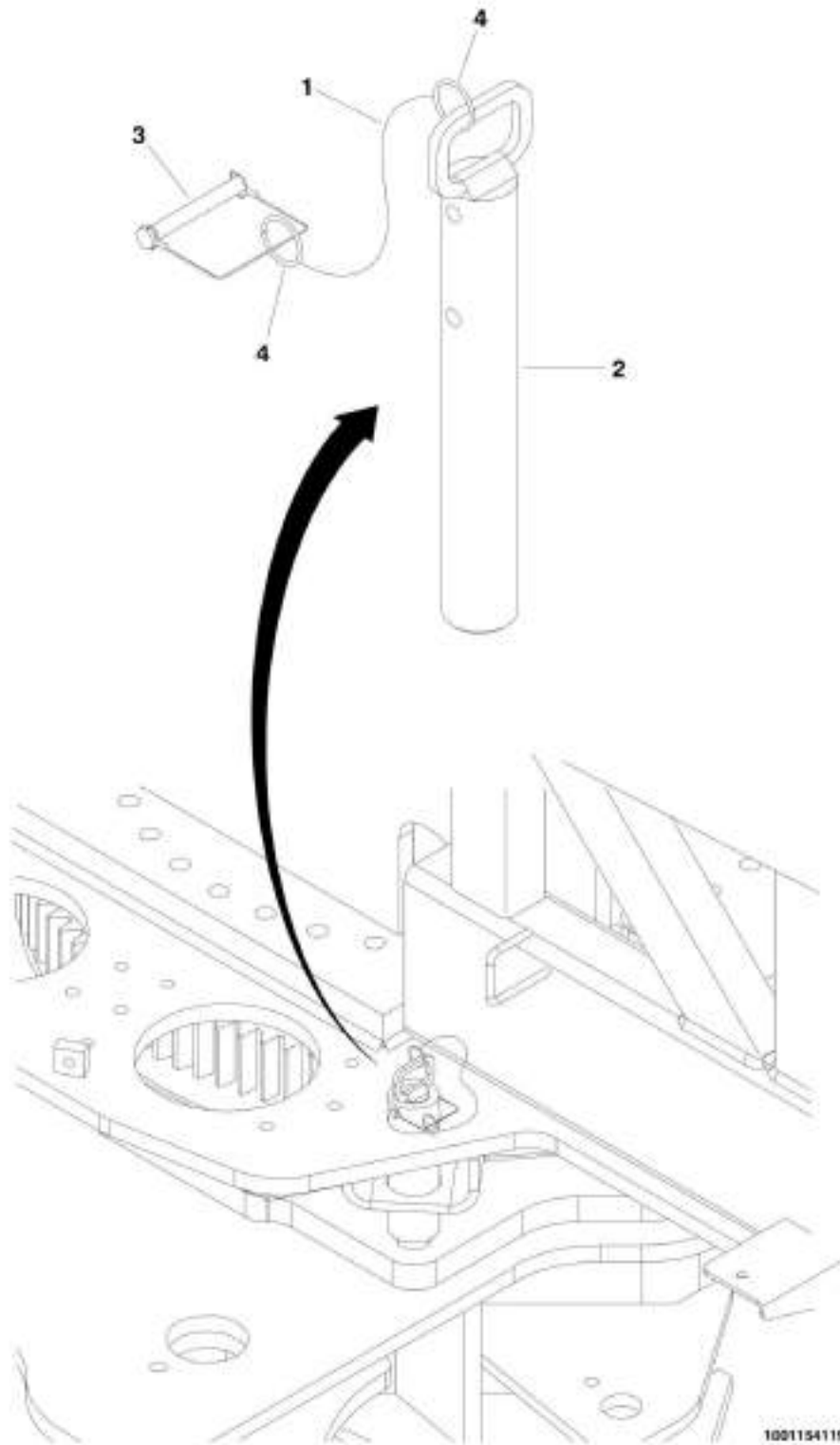
**SECTION 2 - TURNTABLE**

**FIGURE 2-5. TURNTABLE BEARING INSTALLATION**

<b>ITEM</b>	<b>PART NUMBER</b>	<b>QTY</b>	<b>DESCRIPTION</b>	<b>REV</b>
	1001153979	Ref	TURNTABLE BEARING INSTALLATION	C
1	0100019	AR	Compound, Locking	
2	0712435	36	Bolt M24 x 180 Grade 10.9	
3	2160002	1	Fitting, Grease	
4	2180344	3	Fitting, Bulkhead NPT	
3	2751032	1	Hose	
7	5242400	71	Washer M24	
8	1001097587	35	Bolt M24 x 150 Grade 10.9	
9	1001149823	1	Bearing, Swing	

## SECTION 2 - TURNTABLE

FIGURE 2-6. TURNTABLE LOCK INSTALLATION





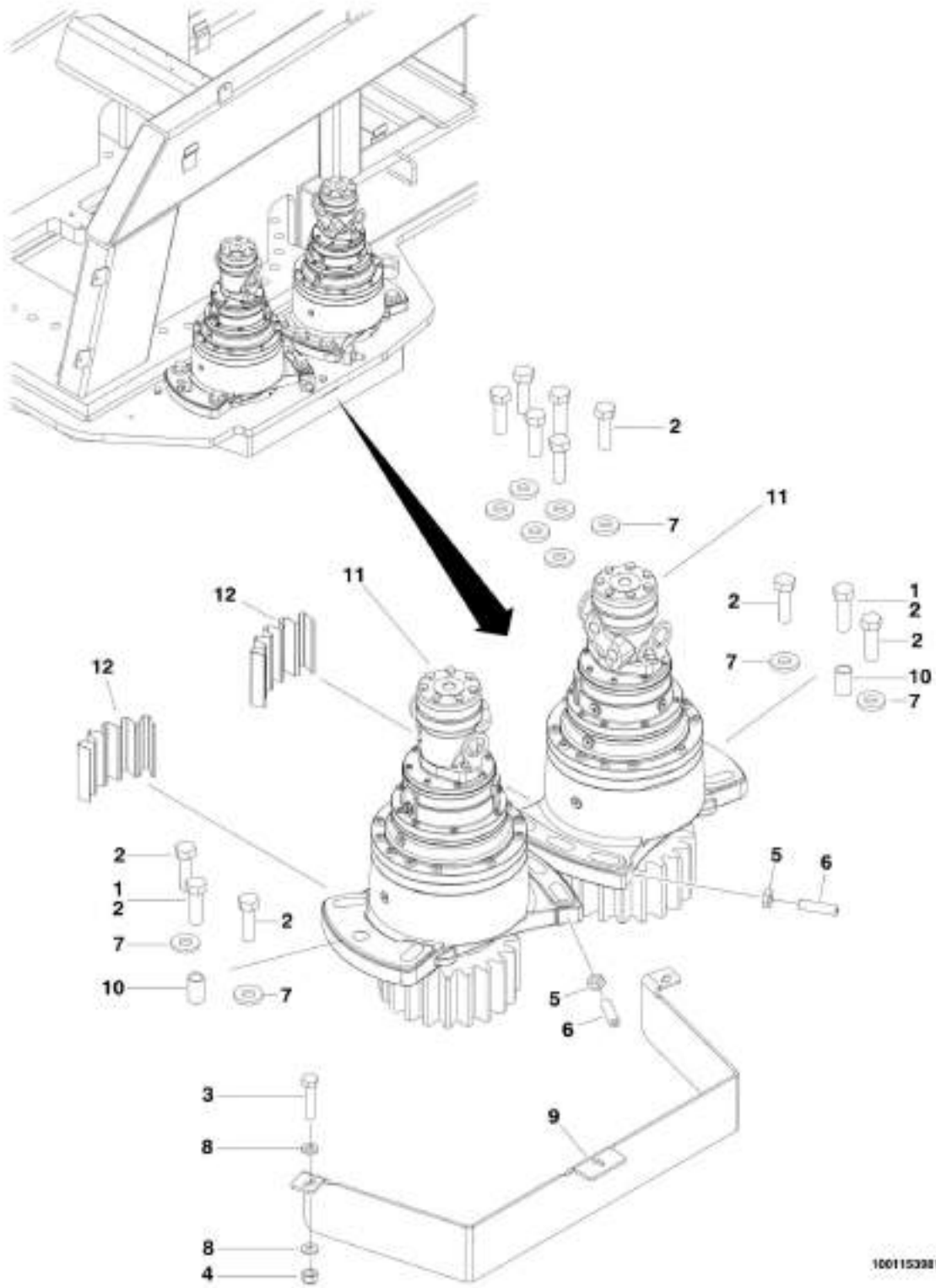
**SECTION 2 - TURNTABLE**

**FIGURE 2-6. TURNTABLE LOCK INSTALLATION**

<b>ITEM</b>	<b>PART NUMBER</b>	<b>QTY</b>	<b>DESCRIPTION</b>	<b>REV</b>
	1001154119	Ref	TURNTABLE LOCK INSTALLATION	A
1	1260017	8 in/20cm	Chain	
2	3421563	1	Pin	
3	3421565	1	Pin	
4	3760170	2	Ring	

# SECTION 2 - TURNTABLE

## FIGURE 2-7. SWING DRIVE INSTALLATION



1001153381

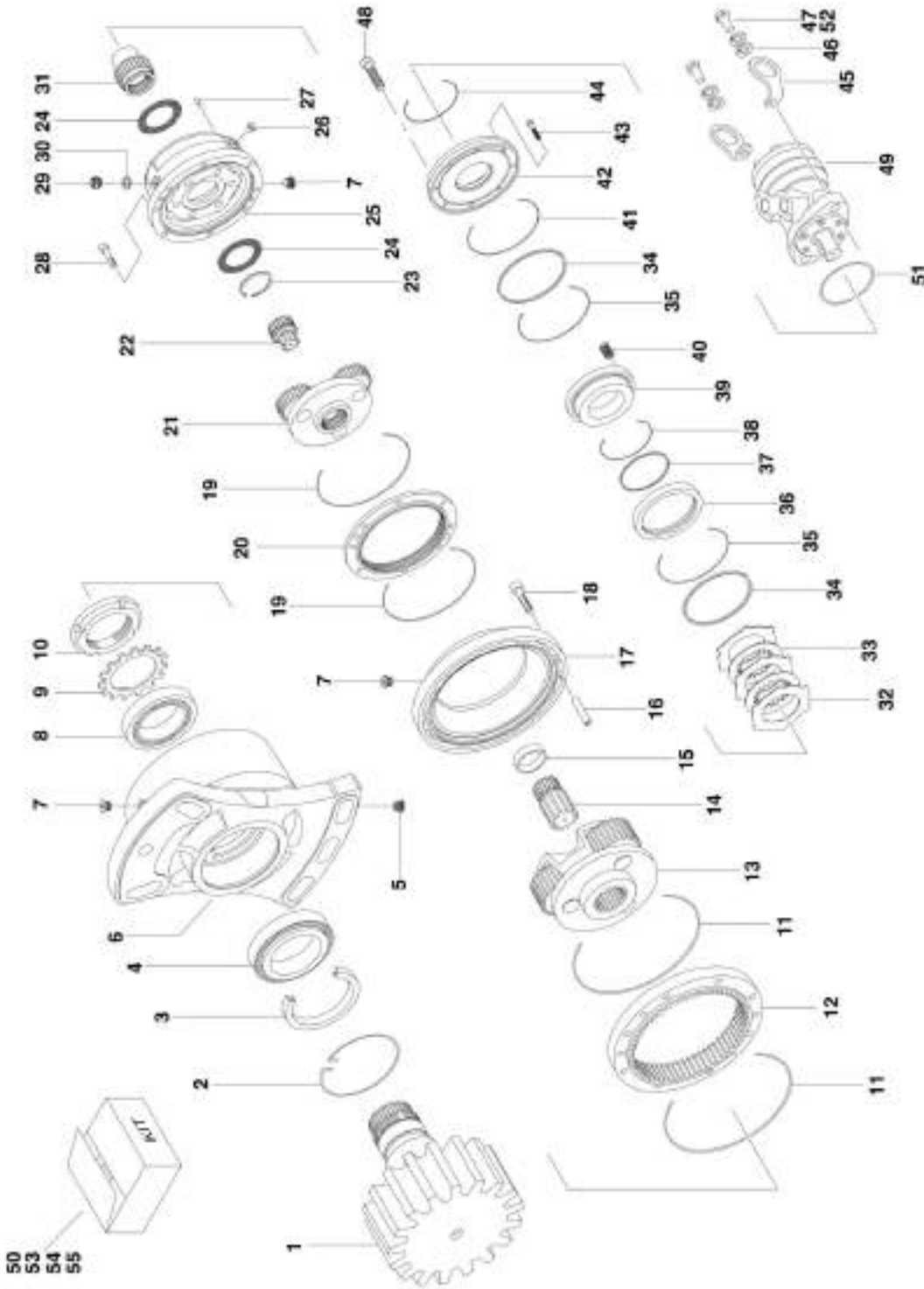
**SECTION 2 - TURNTABLE**

**FIGURE 2-7. SWING DRIVE INSTALLATION**

ITEM	PART NUMBER	QTY	DESCRIPTION	REV
	1001153981	Ref	SWING DRIVE INSTALLATION	C
1	0100019	AR	Compound, Locking	
2	0682220	12	Bolt 3/4 x 2-1/2 Grade 8	
3	0701018	3	Bolt M10 x 50	
4	3291005	3	Nut M10	
5	3312002	2	Nut 5/8-11	
6	3952020	2	Setscrew 5/8-11 x 2-1/2	
7	4740057	10	Washer	
8	4812000	6	Washer M10	
9	1001150725	1	Shield	
10	1001153983	2	Bar	
11	1001153984	2	Swing Hub/Brake/Motor Assembly (See SWING HUB/BRAKE/MOTOR ASSEMBLY for Breakdown)	
12	1001154377	2	Shim	

# SECTION 2 - TURNTABLE

## FIGURE 2-8. SWING HUB/BRAKE/ MOTOR ASSEMBLY



100113384

## SECTION 2 - TURNTABLE

### FIGURE 2-8. SWING HUB/BRAKE/ MOTOR ASSEMBLY

ITEM	PART NUMBER	QTY	DESCRIPTION	REV
	1001153984	Ref	HUB/BRAKE/MOTOR - SWING	E
1	70004466	1	Shaft	
2	70004467	1	Ring	
3	See Note	NSS	Seal, Oil (Use p/n 70004489)	
4	70004468	1	Bearing	
5	70004469	1	Plug with O-Ring	
6	70004470	1	Support, Output	
7	70002057	5	Plug with O-Ring	
8	70004471	1	Bearing	
9	70004472	1	Washer	
10	70004473	1	Nut, Ring	
11	See Note	NSS	O-Ring (Use p/n 70004489)	
12	70004474	1	Ring, Planetary	
13	70004475	1	Reduction, Gear - Complete	
14	70004476	1	Pinion	
15	70004477	1	Spacer	
16	70004478	4	Pin, Spring	
17	70004479	1	Spacer	
18	70004480	8	Capscrew M10x55	
19	See Note	NSS	O-Ring (Use p/n 70004489)	
20	70004481	1	Ring, Planetary	
21	70004482	1	Reduction, Gear - Complete	
22	70004483	1	Pinion	
23	See Note	NSS	Ring (Use p/n 70004488)	
24	See Note	NSS	Washer (Use p/n 70004488)	
25	See Note	NSS	Housing, Brake (Use p/n 70004488)	
26	See Note	NSS	Plug (Use p/n 70004488)	
27	See Note	NSS	Plug (Use p/n 70004488)	
28	See Note	NSS	Capscrew M8x35 (Use p/n 70004488)	
29	See Note	NSS	Plug (Use p/n 70004488)	
30	See Note	NSS	Washer (Use p/n 70004488)	
31	See Note	NSS	Shaft, Input (Use p/n 70004488)	
32	See Note	NSS	Disc, Steel (Use p/n 70004488)	
33	See Note	NSS	Disc (Use p/n 70004488)	
34	See Note	NSS	Seal (Use p/n 70004488 or 70004490)	
35	See Note	NSS	O-Ring (Use p/n 70004488 or 70004490)	
36	See Note	NSS	Spacer (Use p/n 70004488)	
37	See Note	NSS	Seal (Use p/n 70004488 or 70004490)	
38	See Note	NSS	O-Ring (Use p/n 70004488 or 70004490)	
39	See Note	NSS	Piston, Brake (Use p/n 70004488)	
40	See Note	NSS	Spring, Brake (Use p/n 70004488)	
41	See Note	NSS	O-Ring (Use p/n 70004488 or 70004490)	
42	See Note	NSS	Cover (Use p/n 70004488 or 70004490)	
43	See Note	NSS	Screw M6x25 (Use p/n 70004488)	
44	See Note	NSS	O-Ring (Use p/n 70004488 or 70004490)	
45	70004484	2	Lug, Lifting	
46	70004485	4	Washer, Lock	
47	70004486	2	Capscrew M12x25	
48	70004487	2	Capscrew M12x35	
49	70004491	1	Motor	

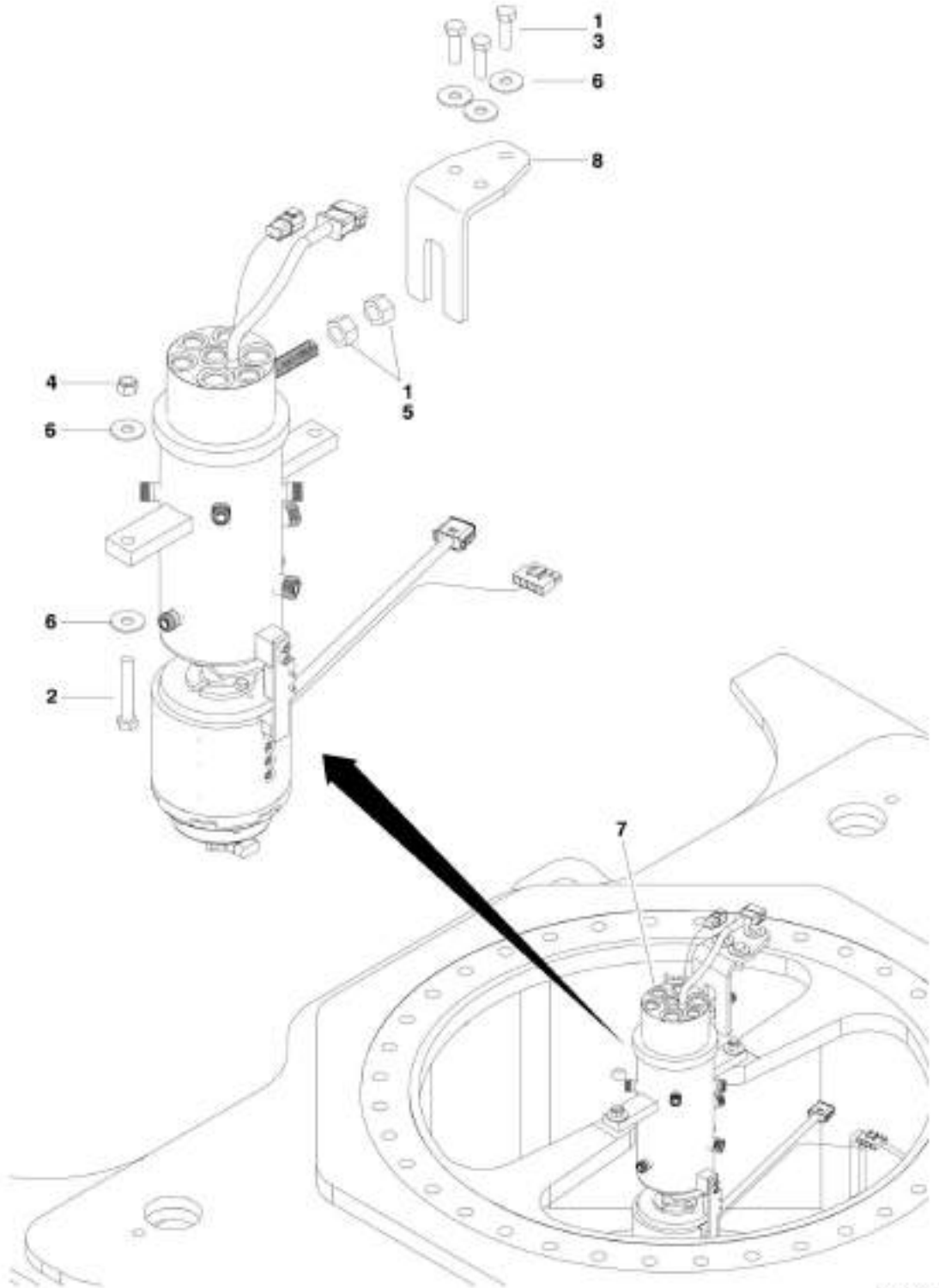
## SECTION 2 - TURNTABLE

ITEM	PART NUMBER	QTY	DESCRIPTION	REV
		Ref	Note: Seal Kit is the on replacement component available. Otherwise, replacement complete motor.	
50	70004492	1	Kit, Seal - Motor	
51	70004493	1	O-Ring	
52	70004494	2	Bolt	
53	70004488	1	Kit, Brake (Includes Items 23-44)	
54	70004489	1	Kit, Seal - Gearbox (Includes Items 3, 11 & 19)	
55	70004490	1	Kit, Brake Seal (Includes Items 34, 35, 37, 38 & 44)	



## SECTION 2 - TURNTABLE

FIGURE 2-9. COUPLING/COLLECTOR RING INSTALLATION



1001154192



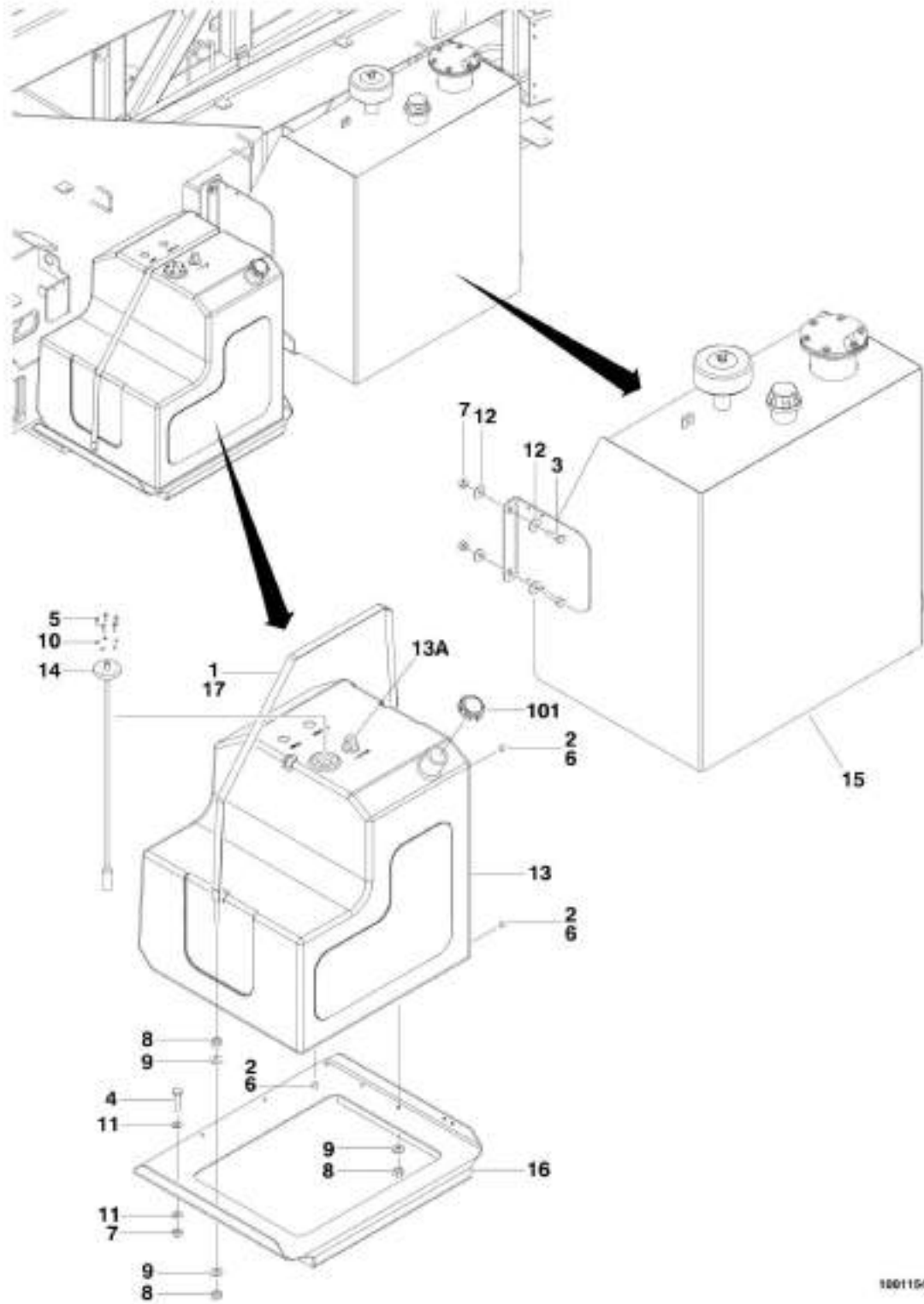
**SECTION 2 - TURNTABLE**

**FIGURE 2-9. COUPLING/COLLECTOR RING INSTALLATION**

<b>ITEM</b>	<b>PART NUMBER</b>	<b>QTY</b>	<b>DESCRIPTION</b>	<b>REV</b>
	1001154192	Ref	COUPLING/COLLECTOR RING INSTALLATION	A
1	0100011	AR	Compound, Locking	
2	0701224	2	Bolt M12 x 80	
3	0761216	3	Bolt M12 x 40	
4	3291205	2	Nut M12	
5	3322201	2	Nut 3/4	
6	4812102	7	Washer M12	
7	1001146978	1	Coupling/Collector Ring Assembly (See ELECTRICAL SECTION for Breakdown)	
8	1001154196	1	Bracket	

## SECTION 2 - TURNTABLE

FIGURE 2-10. TANKS INSTALLATION (Prior to SN 0300210987)



100115-0006

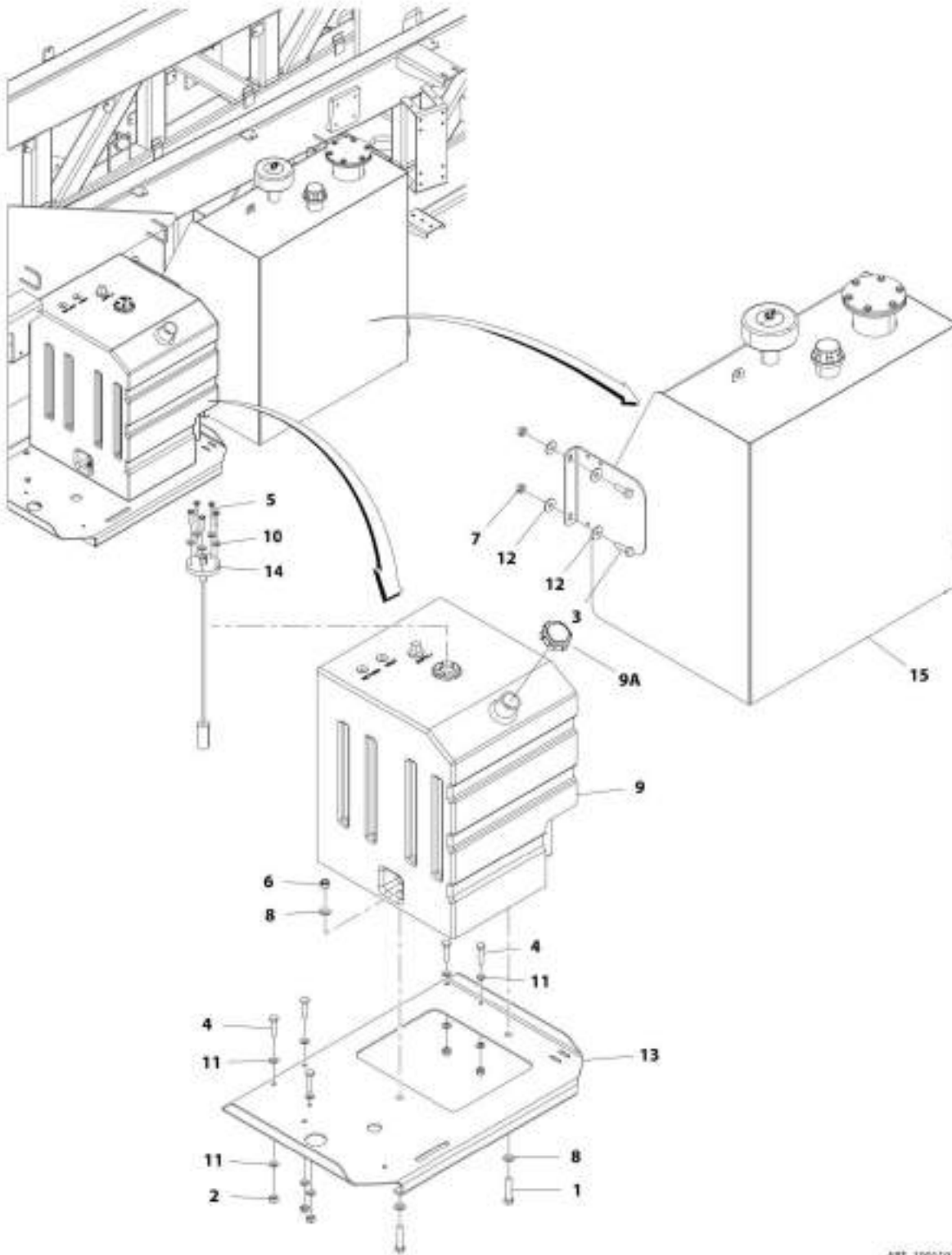
## SECTION 2 - TURNTABLE

**FIGURE 2-10. TANKS INSTALLATION (Prior to SN 0300210987)**

ITEM	PART NUMBER	QTY	DESCRIPTION	REV
	1001154006	Ref	TANKS INSTALLATION (Prior to SN 0300210987)	D
1	0100011	AR	Compound, Locking	
2	0100020	AR	Sealant	
3	0701015	4	Bolt M10 x 35	
4	0701017	6	Bolt M10 x 45	
5	0731007	5	Screw, Machine #10-24 x 7/8	
6	2200222	3	Plug	
7	3291007	10	Nut M10	
8	3311601	4	Nut 3/8-16	
9	4711600	4	Washer 3/8	
10	4751000	5	Washer #10	
11	4812000	12	Washer M10	
12	4812002	8	Washer M10	
13	1001108579	1	Tank, Fuel	
13A	70004413	1	Tube, Pickup	
14	1001109048	1	Gauge, Fuel	
14	3960525	1	Gasket (Gauge to Tank)	
15	1001147879	1	Tank, Hydraulic (See HYDRAULIC TANK ASSEMBLY for Breakdown)	
16	1001154005	1	Tray	
17	1001110059	1	Strap	
		Ref	FUEL TANK CAP	
101	7016314	1	Cap - Standard Black Non-Locking (Part of Item 13)	
101	1120487	1	Cap - Optional Blue Lockable (Lock Not Included) (Not Shown)	

## SECTION 2 - TURNTABLE

FIGURE 2-11. TANKS INSTALLATION (SN 0300210987 to Present)



ART\_100191215

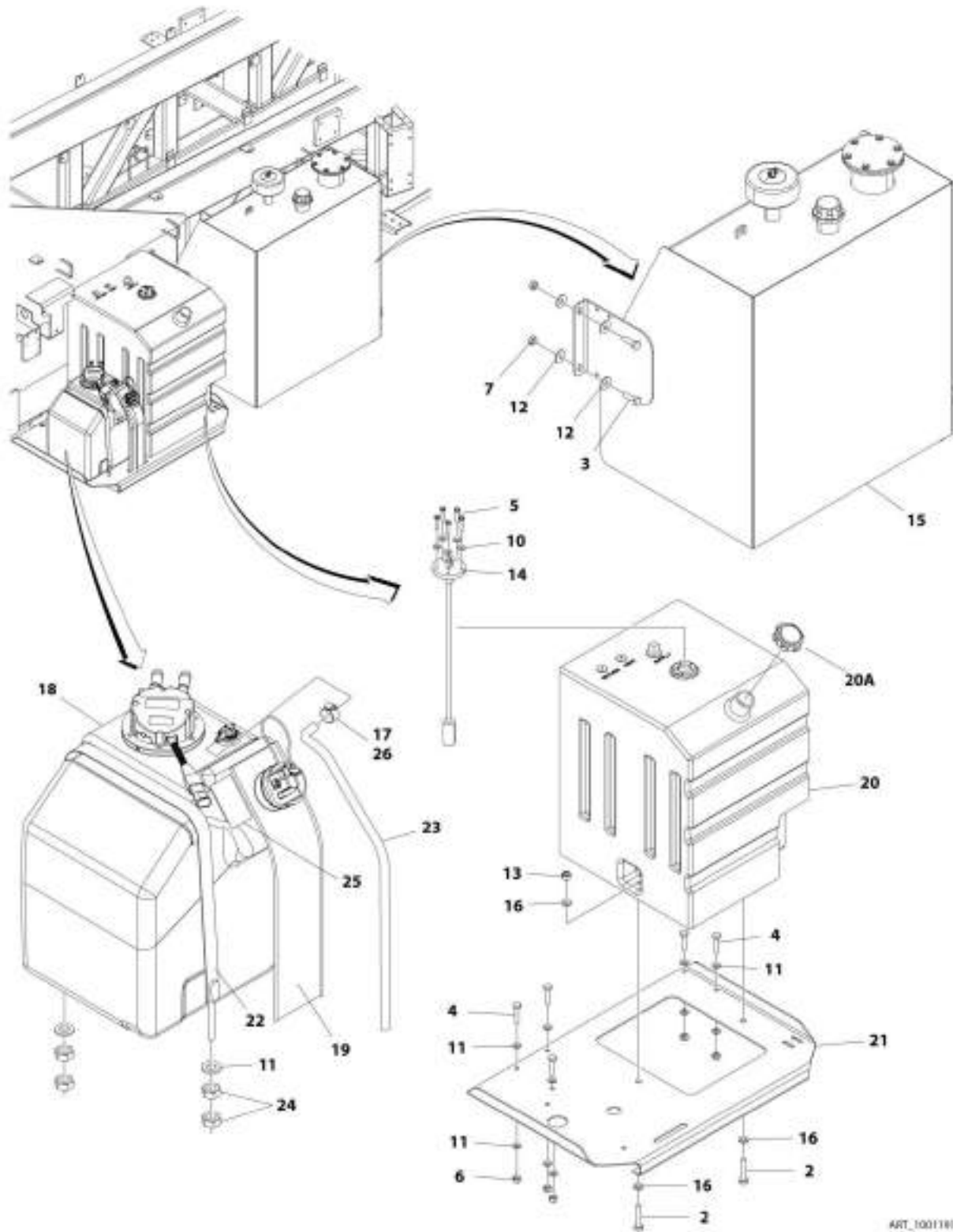
## SECTION 2 - TURNTABLE

**FIGURE 2-11. TANKS INSTALLATION (SN 0300210987 to Present)**

ITEM	PART NUMBER	QTY	DESCRIPTION	REV
	1001191215	Ref	TANKS INSTALLATION (SN 0300210987 to Present)	A
1	0701220	2	Bolt M12 x 60	
2	3291005	5	Nut, Lock M10	
3	0701015	4	Bolt M10 x 35	
4	0701017	5	Bolt M10 x 45	
5	0731007	5	Screw, Machine #10-24 x 7/8	
6	3291205	2	Nut, Lock M12	
7	3291007	4	Nut M10	
8	4812100	4	Washer M12	
9	1001188491	1	Tank, Fuel	
9A	70005565	1	Cap, Fuel	
10	4751000	5	Washer #10	
11	4812000	10	Washer M10	
12	4812002	8	Washer M10	
13	1001189008	1	Tray	
14	1001109048	1	Gauge, Fuel	
14	3960525	1	Gasket (Gauge to Tank)	
15	1001147879	1	Tank, Hydraulic (See HYDRAULIC TANK ASSEMBLY for Breakdown)	

## SECTION 2 - TURNTABLE

FIGURE 2-12. TANKS INSTALLATION - WITH DIESEL EXHAUST FLUID TANK (SN 0300210987 to Present)



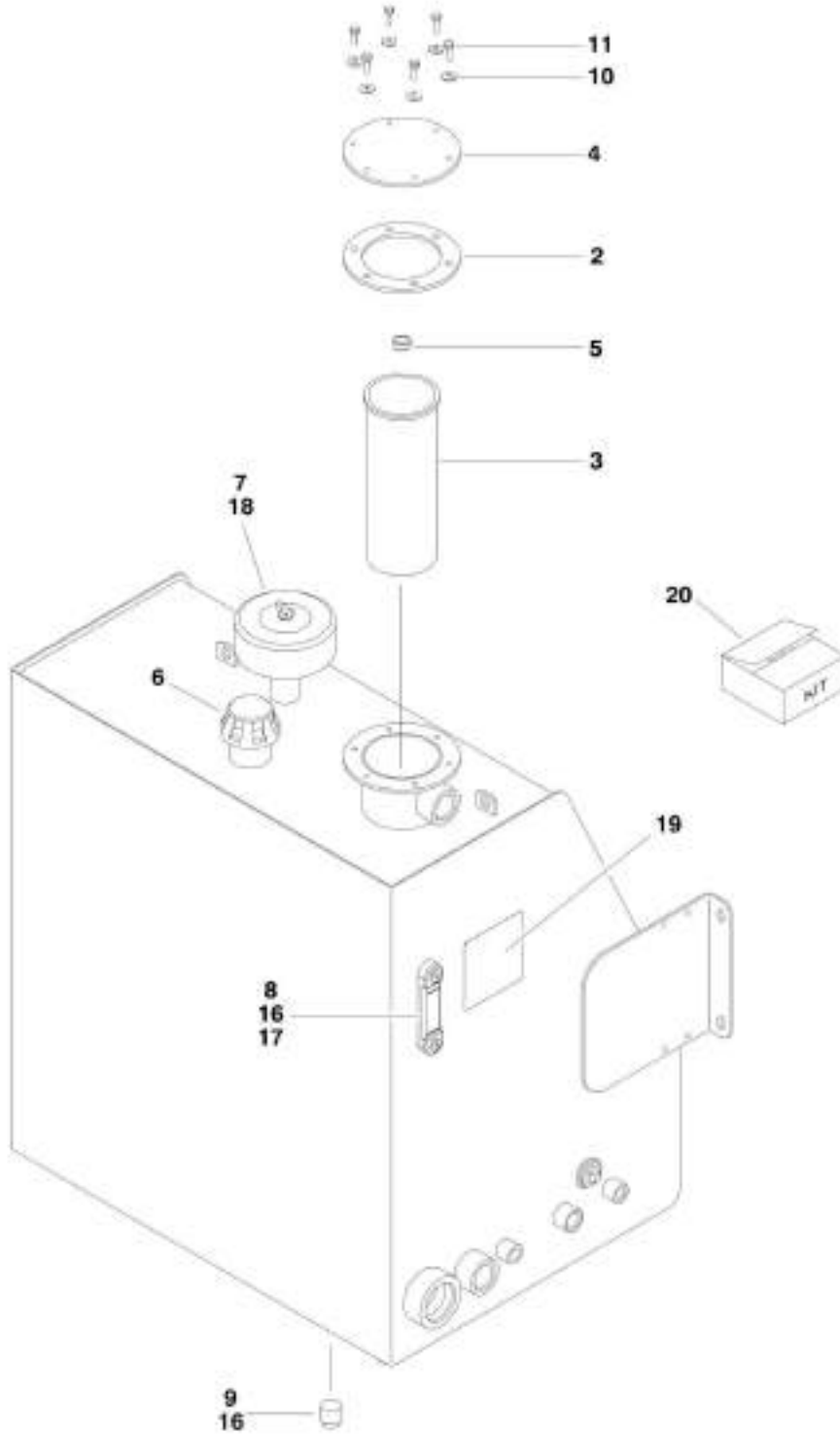
## SECTION 2 - TURNTABLE

**FIGURE 2-12. TANKS INSTALLATION - WITH DIESEL EXHAUST FLUID TANK (SN 0300210987 to Present)**

ITEM	PART NUMBER	QTY	DESCRIPTION	REV
	1001191216	Ref	TANKS INSTALLATION - WITH DIESEL EXHAUST FLUID TANK <b>(SN 0300210987 to Present)</b>	F
1	0100011	AR	Compound, Locking (Not Shown)	
2	0701220	2	Bolt M12 x 60	
3	0701015	4	Bolt M10 x 35	
4	0701017	5	Bolt M10 x 45	
5	0731007	5	Screw, Machine #10-24 x 7/8	
6	3291005	5	Nut, Lock M10	
7	3291007	4	Nut M10	
10	4751000	5	Washer #10	
11	4812000	12	Washer M10	
12	4812002	8	Washer M10	
13	3291205	2	Nut, Lock M12	
14	1001109048	1	Gauge, Fuel	
14	3960525	1	Gasket (Gauge to Tank)	
15	1001147879	1	Tank, Hydraulic (See HYDRAULIC TANK ASSEMBLY for Breakdown)	
16	4812100	4	Washer M12	
17	8405006	1	Clamp <b>(Prior to SN 0300226724)</b>	
18	1001164968	NLA	Tank - Diesel Exhaust Fluid (Use p/n 1001225676) <b>(Prior to SN 0300226724)</b>	
18	1001174795	1	Cap	
18	1001164965	NLA	Electrical Assembly (Use p/n 1001225677)	
18	1001225676	1	Tank - Diesel Exhaust Fluid <b>(SN 0300226724 to Present)</b>	
18	1001174795	1	Cap	
18	1001225677	1	Electrical Assembly	
18	1001215319	1	Valve, Breather	
19	1001168272	1	Sleeve, Spill Guard	
20	1001188491	1	Tank, Fuel	
20A	70005565	1	Cap, Fuel	
21	1001189008	1	Tray	
22	1001189159	1	Strap	
23	1001175201	28 in/ 0.7m	Hose	
24	3291001	4	Nut M10	
25	1001196806	1	Decal, Exhaust Fluid	
26	1320022	1	Clamp <b>(SN 0300226724 to Present)</b>	

# SECTION 2 - TURNTABLE

## FIGURE 2-13. HYDRAULIC TANK ASSEMBLY



1001147879



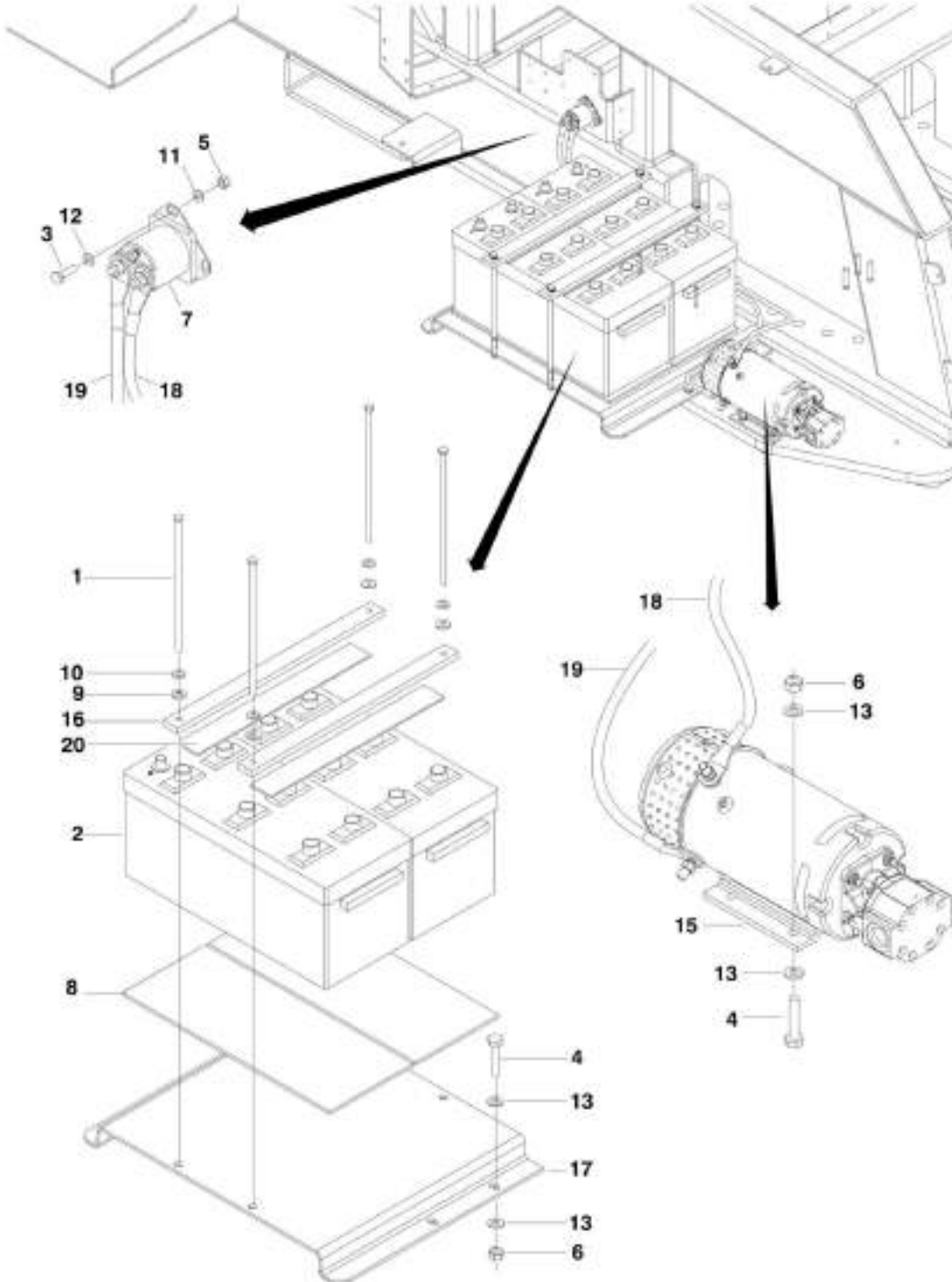
**SECTION 2 - TURNTABLE**

**FIGURE 2-13. HYDRAULIC TANK ASSEMBLY**

ITEM	PART NUMBER	QTY	DESCRIPTION	REV
	1001147879	Ref	HYDRAULIC TANK ASSEMBLY	G
2	See Note	NSS	Gasket (Use p/n 70004150)	
3	See Note	NSS	Element, Filter (Use p/n 70004150)	
4	See Note	NSS	Cover (Note: Not Available for Purchase)	
5	70004412	1	Spring	
6	70002838	1	Cap, Fill	
7	See Note	NSS	Breather (Use p/n 70004150)	
8	7024441	1	Gauge	
9	See Note	NSS	Plug (Note: Purchase Locally)	
10	See Note	NSS	Washer 5/16in Stainless Steel (Note: Purchase Locally)	
11	See Note	NSS	Bolt 5/16-18 x 1 Stainless Steel (Note: Purchase Locally)	
16	See Note	AR	Loctite #243 (Note: Purchase Locally)	
17	See Note	AR	Lubricant (Note: Purchase Locally)	
18	See Note	AR	Loctite #565 (Note: Purchase Locally)	
19	70004411	1	Decal, Service	
20	70004150	1	Kit, Service (Includes Item 2, 3 & 7)	

## SECTION 2 - TURNTABLE

FIGURE 2-14. AUXILIARY POWER/BATTERIES INSTALLATIONS



1001194034

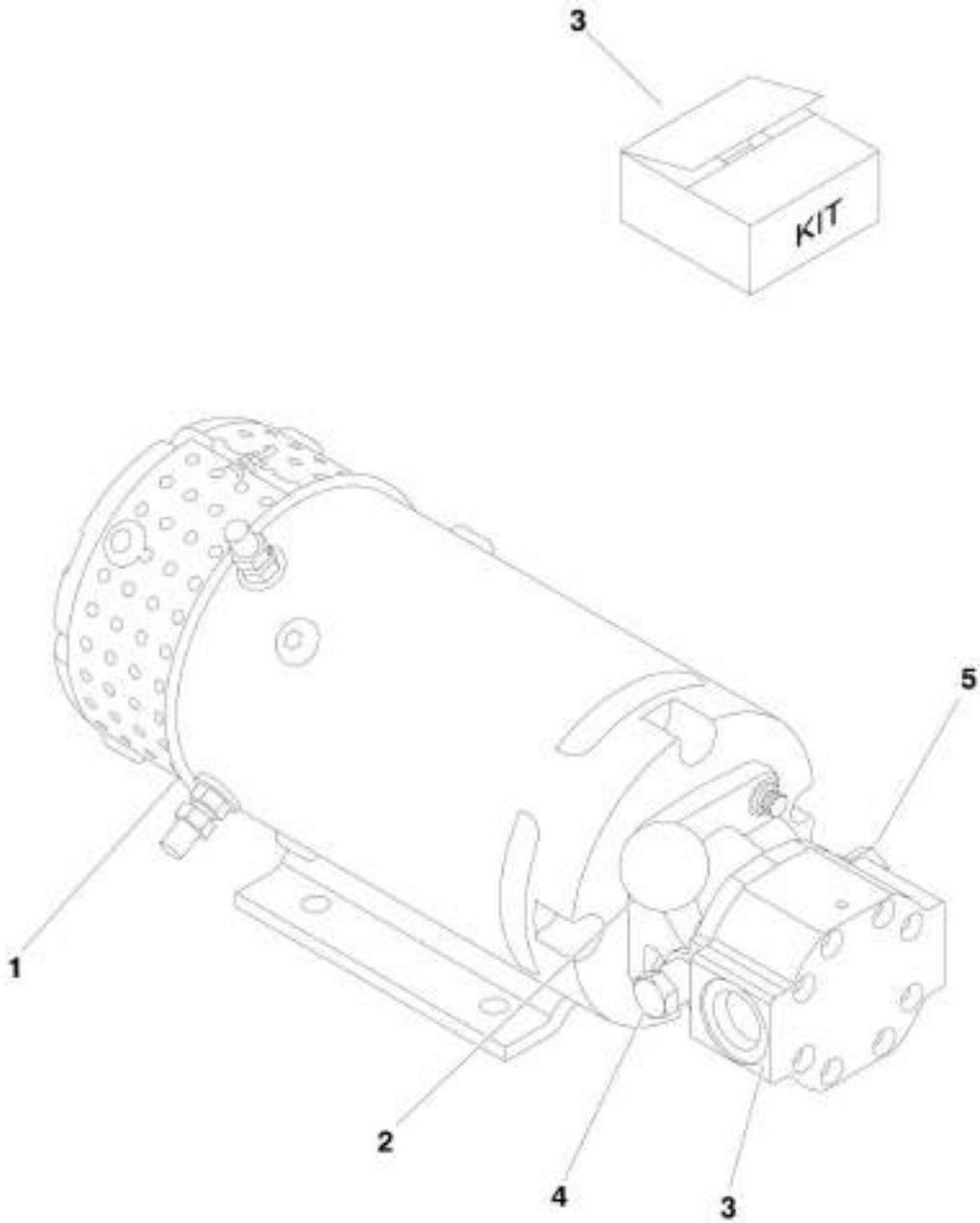
## SECTION 2 - TURNTABLE

### FIGURE 2-14. AUXILIARY POWER/BATTERIES INSTALLATIONS

ITEM	PART NUMBER	QTY	DESCRIPTION	REV
	1001154034	Ref	AUXILIARY POWER/BATTERIES INSTALLATIONS	D
1	0236768	4	Bolt, Tie-Down	
2	0400020	2	Battery	
3	0700610	2	Bolt M6 x 20	
4	0701018	8	Bolt M10 x 50	
5	3290607	2	Nut M6	
6	3291007	8	Nut M10	
7	3740067	1	Relay	
8	3980006	2	Seat, battery	
9	4711600	4	Washer 3/8	
10	4761600	4	Washer 3/8	
11	4791400	2	Washer 1/4	
12	4811700	2	Washer M6	
13	4812000	16	Washer M10	
15	3600465	1	Pump/Motor, Auxiliary (See AUXILIARY PUMP/MOTOR ASSEMBLY for Breakdown) <b>(Prior to SN 0300238870)</b>	
15	1001224066	1	Pump/Motor, Auxiliary (See AUXILIARY PUMP/MOTOR ASSEMBLY for Breakdown) (Note: Not Available at time of printing) <b>(SN 0300238870 to Present)</b>	
16	1001154035	2	Plate	
17	1001164056	1	Bracket	
18	1001154144	1	Cable, Electrical (Positive)	
19	1001154145	1	Cable, Electrical (Negative)	
20	4420038	34 in /85cm	Tape	

## SECTION 2 - TURNTABLE

FIGURE 2-15. AUXILIARY PUMP AND MOTOR ASSEMBLY (Prior to SN 0300238870)



3400465

**SECTION 2 - TURNTABLE**

**FIGURE 2-15. AUXILIARY PUMP AND MOTOR ASSEMBLY (Prior to SN 0300238870)**

ITEM	PART NUMBER	QTY	DESCRIPTION	REV
	3600465	Ref	AUXILIARY PUMP AND MOTOR ASSEMBLY	D
1	7010924	1	Motor	
1	7010639	2	Brush	
1	7010640	8	Spring, Brush	
2	7011044	1	Gasket, Adapter to Motor	
2	70000998	1	Coupling	
2	70000999	1	Key, Woodruff	
2	See Note	NSS	Adapter (Note: Not Available for Purchase)	
3	70001001	1	Kit, Pump (Includes Pump, Adapter to Motor Gasket p/n 7011044 & Mounting Hardware)	
3	7011043	4	Screw	
3	7011048	4	Washer	
3	70001000	1	Kit, Seal (Includes Adapter to Motor Gasket p/n 7011044, Pump to Adapter Gasket, Shaft Seal and O-Rings for Hex Caps on Adapter)	
4	See Note	NSS	Ball (Note: Not Available for Purchase)	
4	See Note	NSS	Spring (Note: Not Available for Purchase)	
4	See Note	NSS	Screw, Valve Adjustment (Note: Not Available for Purchase)	
5	See Note	NSS	Ball and Spring Assembly (Note: Not Available for Purchase)	
5	See Note	NSS	Plug (Note: Not Available for Purchase)	

## SECTION 2 - TURNTABLE

FIGURE 2-16. AUXILIARY PUMP AND MOTOR ASSEMBLY (SN 0300238870 to Present)

**Note: Breakdown Not Available at Time of Printing.**

ART\_1001224088

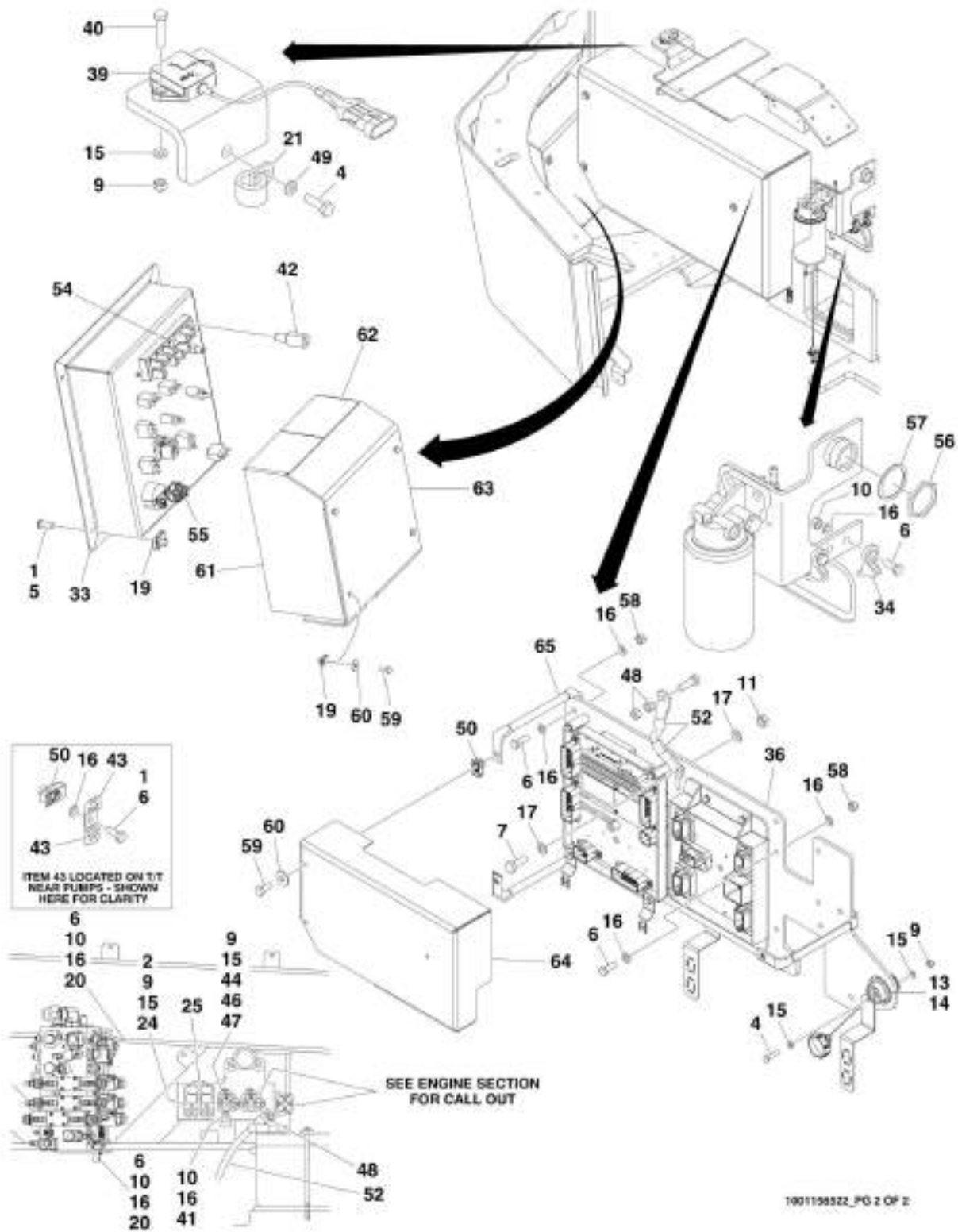
**SECTION 2 - TURNTABLE**

**FIGURE 2-16. AUXILIARY PUMP AND MOTOR ASSEMBLY (SN 0300238870 to Present)**

ITEM	PART NUMBER	QTY	DESCRIPTION	REV
	1001224066 See Note	Ref Ref	AUXILIARY PUMP AND MOTOR ASSEMBLY Note: Breakdown Not Available at time of printing.	A

# SECTION 2 - TURNTABLE

FIGURE 2-17. TURNTABLE ELECTRICAL COMPONENTS INSTALLATION



1001198322\_PG 2 OF 2



## SECTION 2 - TURNTABLE

**FIGURE 2-17. TURNTABLE ELECTRICAL COMPONENTS INSTALLATION**

ITEM	PART NUMBER	QTY	DESCRIPTION	REV
	1001156522	Ref	TURNTABLE ELECTRICAL COMPONENTS INSTALLATION (ANSI EXPORT, AUSTRALIAN, CE (LRC) AND CHINA SPECS)	O
	1001156522	Ref	TURNTABLE ELECTRICAL COMPONENTS INSTALLATION (ANSI, CSA AND JAPANESE SPECS) <b>(Prior to SN 0300210987)</b>	L
	1001156522	Ref	TURNTABLE ELECTRICAL COMPONENTS INSTALLATION (CE SPECS) <b>(Prior to SN 0300201023)</b>	K
1	0100035	AR	Compound, Locking	
2	0700618	2	Bolt M6 x 50	
4	0760612	5	Bolt M6 x 25	
5	1001164726	4	Capscrew M8 X 20	
6	0760812	AR	Bolt M8 x 25	
7	0761014	1	Bolt, M10 X 30	
9	3290605	16	Nut, M6	
10	3290807	9	Nut, M8	
11	3291007	1	Nut, M10	
13	4460496	1	Washer, Terminal	
14	4460497	1	Nut, Terminal	
15	4811700	24	Washer M6	
16	4811900	AR	Washer M8	
17	4812000	2	Washer M10	
19	8310686	AR	Nut, Retainer, M8	
20	8406201	2	Clip	
21	1320041	1	Clamp	
24	1001174871	2	Fuse, Power Module	
25	1001135027	1	Bussbar	
26	1001149970	1	Harness - Drive Pump (Not Shown - See ELECTRICAL SECTION for Breakdown)	
27	1001149972	1	Harness - Turntable (Not Shown - See ELECTRICAL SECTION for Breakdown)	
28	1001149973	1	Harness - Ground Control Panel (Not Shown - See ELECTRICAL SECTION for Breakdown)	
29	1001149974	1	Harness - Main Valve (Not Shown - See ELECTRICAL SECTION for Breakdown) <b>(Prior to SN 0300210987)</b>	
29	1001197446	1	Harness - Main Valve (Not Shown - See ELECTRICAL SECTION for Breakdown) <b>(SN 0300210987 to Present)</b>	
31	1001149979	1	Harness - Blam (Not Shown - See ELECTRICAL SECTION for Breakdown)	
33	1001154512	1	Panel, Ground Control (See GROUND CONTROL CONSOLE ASSEMBLY for Breakdown)	
34	1001156107	6	Holder, Cable	
34		Ref	Note: Qty 4 Not Shown - Located Behind Hydraulic Tank	
35	1001156135	1	Harness - Fuel Pump (Not Shown - See ELECTRICAL SECTION for Breakdown) <b>(Prior to SN 0300237158)</b>	
35	1001211885	1	Harness - Fuel Pump (Not Shown - See ELECTRICAL SECTION for Breakdown) <b>(SN 0300237158 to Present)</b>	
36	1001156859	1	Panel, Electrical (See ELECTRICAL PANEL ASSEMBLY for Breakdown)	
37	1001158922	1	Kit, Battery Cable (Not Shown - See ELECTRICAL SECTION for Breakdown)	
39	1001151895	1	Sensor, Tilt	
40	0760614	2	Bolt M6 X 30	
41	0760815	1	Bolt M8 X 35	
42	2920129	10	Lamp, Display	

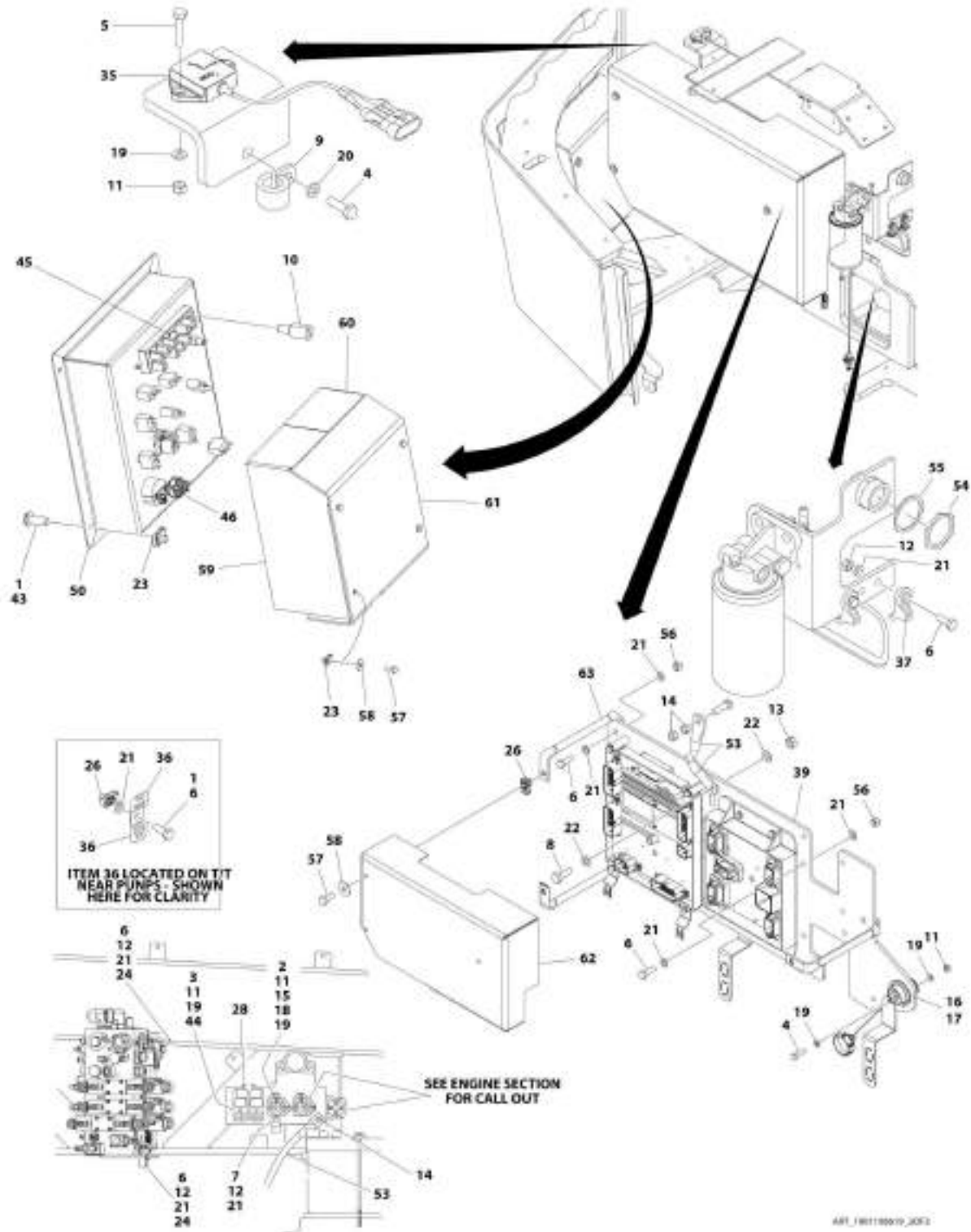
## SECTION 2 - TURNTABLE

ITEM	PART NUMBER	QTY	DESCRIPTION	REV
43	1001155967	4	Holder, Side Mount	
44	0700610	2	Bolt M6 x 20	
46	3740067	1	Relay	
47	4791400	2	Starwasher 1/4	
48	3311601	4	Nut 3/8-16	
49	4811702	1	Washer M6	
50	1001118274	AR	Nut M8	
51	1001163631	4	Cable, MTS Connection (Not Shown - See ELECTRICAL SECTION for Breakdown)	
52	6611172	2	Cable, Ground to Frame	
53	1001157646	1	Cable, Load Sensor (Not Shown - Runs from Item 36 RH Module to Lift Cylinder) (See ELECTRICAL SECTION for Breakdown)	
54	1001184083	4	Plug, Large, 1/2	
55	1001187744	AR	Chemical, Battery Protector and Sealer	
56	4460470	1	Nut <b>(SN 0300223410 to Present)</b>	
57	4460471	1	Washer <b>(SN 0300223410 to Present)</b>	
58	3290805	3	Nut M8 <b>(SN 0300232595 to Present)</b>	
59	0760810001	7	Bolt M8 x 20 <b>(SN 0300232595 to Present)</b>	
60	4811902001	7	Washer M8 <b>(SN 0300232595 to Present)</b>	
61	1001223167	1	Cover <b>(SN 0300232595 to Present)</b>	
62	1001223168	1	Cover <b>(SN 0300232595 to Present)</b>	
63	1001223169	1	Cover <b>(SN 0300232595 to Present)</b>	
64	1001223170	1	Cover <b>(Including 0300232595)</b>	
65	1001225279	3	Brace <b>(SN 0300232595 to Present)</b>	
66	4922160	1	Harness, Analyzer (Not Shown) <b>(SN 0300232595 to Present)</b>	



## SECTION 2 - TURNTABLE

FIGURE 2-18. TURNTABLE ELECTRICAL COMPONENTS INSTALLATION (ANSI, CSA AND JAPANESE SPECS) (SN 0300210987 to Present)



## SECTION 2 - TURNTABLE

**FIGURE 2-18. TURNTABLE ELECTRICAL COMPONENTS INSTALLATION (ANSI, CSA AND JAPANESE SPECS) (SN 0300210987 to Present)**

ITEM	PART NUMBER	QTY	DESCRIPTION	REV
	1001198619	Ref	TURNTABLE ELECTRICAL COMPONENTS INSTALLATION (ANSI, CSA AND JAPANESE SPECS) (SN 0300210987 to Present)	E
1	0100035	AR	Compound, Locking	
2	0700610	2	Bolt M6 x 20	
3	0700618	2	Bolt M6 x 50	
4	0760612	5	Bolt M6 x 25	
5	0760614	2	Bolt M6 X 30	
6	0760812	AR	Bolt M8 x 25	
7	0760815	1	Bolt M8 X 35	
8	0761014	1	Bolt, M10 X 30	
9	1320041	1	Clamp	
10	2920129	10	Lamp, Display	
11	3290605	16	Nut, M6	
12	3290807	9	Nut, M8	
13	3291007	1	Nut, M10	
14	3311601	4	Nut 3/8-16	
15	3740067	1	Relay	
16	4460496	1	Washer, Terminal	
17	4460497	1	Nut, Terminal	
18	4791400	2	Starwasher 1/4	
19	4811700	24	Washer M6	
20	4811702	1	Washer M6	
21	4811900	AR	Washer M8	
22	4812000	2	Washer M10	
23	8310686	AR	Nut, Retainer, M8	
24	8406201	2	Clip	
26	1001118274	AR	Nut M8	
28	1001135027	1	Bussbar	
29	1001149970	1	Harness - Drive Pump (Not Shown - See ELECTRICAL SECTION for Breakdown)	
30	1001149972	1	Harness - Turntable (Not Shown - See ELECTRICAL SECTION for Breakdown)	
31	1001149973	1	Harness - Ground Control Panel (Not Shown - See ELECTRICAL SECTION for Breakdown)	
33	1001149979	1	Harness - Blam (Not Shown - See ELECTRICAL SECTION for Breakdown)	
35	1001151895	1	Sensor, Tilt	
36	1001155967	4	Holder, Side Mount	
37	1001156107	6	Holder, Cable	
37		Ref	Note: Qty 4 Not Shown - Located Behind Hydraulic Tank	
38	1001156135	1	Harness - Fuel Pump (Not Shown - See ELECTRICAL SECTION for Breakdown) (Prior to SN 0300237158)	
38	1001211885	1	Harness - Fuel Pump (Not Shown - See ELECTRICAL SECTION for Breakdown) (SN 0300237158 to Present)	
39	1001156859	1	Panel, Electrical (See ELECTRICAL PANEL ASSEMBLY for Breakdown)	
40	1001157646	1	Cable, Load Sensor (Not Shown - Runs from Item 36 RH Module to Lift Cylinder) (See ELECTRICAL SECTION for Breakdown)	
41	1001163631	4	Cable, MTS Connection (Not Shown - See ELECTRICAL SECTION for Breakdown)	

## SECTION 2 - TURNTABLE

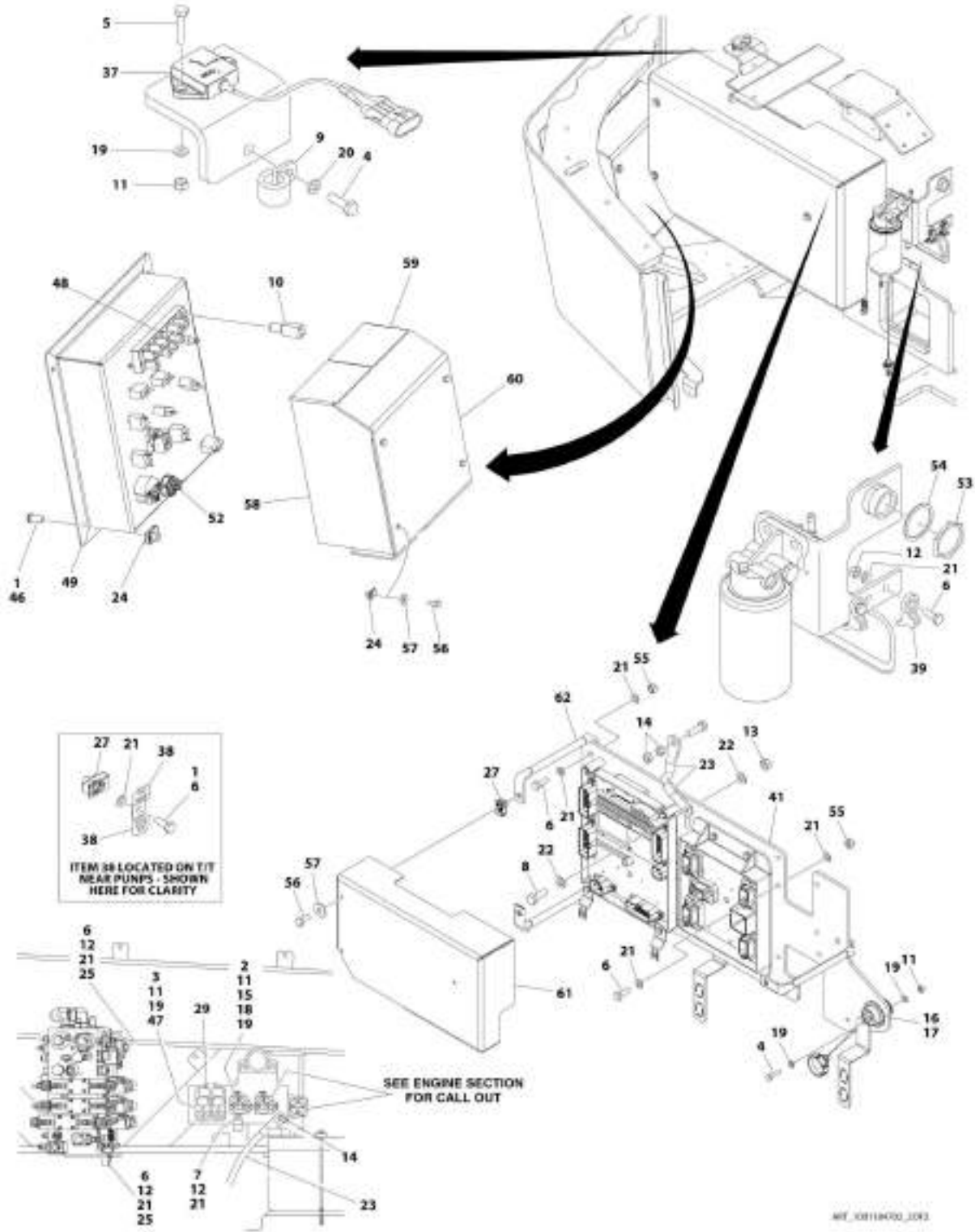
ITEM	PART NUMBER	QTY	DESCRIPTION	REV
43	1001164726	4	Capscrew M8 X 20	
44	1001174871	2	Fuse, Power Module	
45	1001184083	4	Plug, Large, 1/2	
46	1001187744	AR	Chemical, Battery Protector and Sealer	
47	1001191166	1	Harness, UREA Tank (Not Shown - See ELECTRICAL SECTION for Breakdown)	
48	1001197442	1	Kit, Battery Cable (Not Shown - See ELECTRICAL SECTION for Breakdown)	
49	1001197446	1	Harness - Main Valve (Not Shown - See ELECTRICAL SECTION for Breakdown)	
50	1001198625	1	Panel, Ground Control (See GROUND CONTROL CONSOLE ASSEMBLY for Breakdown)	
53	6611172	2	Cable, Ground to Frame	
54	4460470	1	Terminal Nut <b>(SN 0300217780 to Present)</b>	
55	4460471	1	Terminal Washer <b>(SN 0300217780 to Present)</b>	
56	3290805	3	Nut M8 <b>(SN 0300232595 to Present)</b>	
57	0760810001	7	Bolt M8 x 20 <b>(SN 0300232595 to Present)</b>	
58	4811902001	7	Washer M8 <b>(SN 0300232595 to Present)</b>	
59	1001223167	1	Cover <b>(SN 0300232595 to Present)</b>	
60	1001223168	1	Cover <b>(SN 0300232595 to Present)</b>	
61	1001223169	1	Cover <b>(SN 0300232595 to Present)</b>	
62	1001223170	1	Cover <b>(SN 0300232595 to Present)</b>	
63	1001225279	3	Brace <b>(SN 0300232595 to Present)</b>	
64	4922160	1	Harness, Analyzer (Not Shown) <b>(SN 0300232595 to Present)</b>	



# SECTION 2 - TURNTABLE

## FIGURE 2-19. TURNTABLE ELECTRICAL COMPONENTS INSTALLATION

NOTE : SEE USAGE CHART ON PARTS LIST BEFORE ORDERING PARTS.



REF\_00119400\_101



## SECTION 2 - TURNTABLE

### FIGURE 2-19. TURNTABLE ELECTRICAL COMPONENTS INSTALLATION

ITEM	PART NUMBER	QTY	DESCRIPTION	REV
	1001184702	Ref	TURNTABLE ELECTRICAL COMPONENTS INSTALLATION (CE SPECS)	E
		Ref	Usage Chart	
		Ref	CE Specs <b>(SN 0300201023 through 0300210987)</b>	
		Ref	CE (LRC) Specs <b>(SN 0300223410 to Present)</b>	
1	0100035	AR	Compound, Locking	
2	0700610	2	Bolt M6 x 20	
3	0700618	2	Bolt M6 x 50	
4	0760612	5	Bolt M6 x 25	
5	0760614	2	Bolt M6 X 30	
6	0760812	AR	Bolt M8 x 25	
7	0760815	1	Bolt M8 X 35	
8	0761014	1	Bolt, M10 X 30	
9	1320041	1	Clamp	
10	2920129	10	Lamp, Display	
11	3290605	16	Nut, M6	
12	3290807	9	Nut, M8	
13	3291007	1	Nut, M10	
14	3311601	4	Nut 3/8-16	
15	3740067	1	Relay	
16	4460496	1	Washer, Terminal	
17	4460497	1	Nut, Terminal	
18	4791400	2	Starwasher 1/4	
19	4811700	24	Washer M6	
20	4811702	1	Washer M6	
21	4811900	AR	Washer M8	
22	4812000	2	Washer M10	
23	6611172	2	Cable, Ground to Frame	
24	8310686	AR	Nut, Retainer, M8	
25	8406201	2	Clip	
27	1001118274	AR	Nut M8	
29	1001135027	1	Bussbar	
30	1001149970	1	Harness - Drive Pump (Not Shown - See ELECTRICAL SECTION for Breakdown)	
31	1001149972	1	Harness - Turntable (Not Shown - See ELECTRICAL SECTION for Breakdown)	
32	1001149973	1	Harness - Ground Control Panel (Not Shown - See ELECTRICAL SECTION for Breakdown)	
33	1001197446	1	Harness - Main Valve (Not Shown - See ELECTRICAL SECTION for Breakdown)	
35	1001149979	1	Harness - Blam (Not Shown - See ELECTRICAL SECTION for Breakdown)	
37	1001151895	1	Sensor, Tilt	
38	1001155967	4	Holder, Side Mount	
39	1001156107	6	Holder, Cable	
39		Ref	Note: Qty 4 Not Shown - Located Behind Hydraulic Tank	
40	1001156135	1	Harness - Fuel Pump (Not Shown - See ELECTRICAL SECTION for Breakdown) <b>(Prior to SN 0300237158)</b>	
40	1001211885	1	Harness - Fuel Pump (Not Shown - See ELECTRICAL SECTION for Breakdown) <b>(SN 0300237158 to Present)</b>	
41	1001156859	1	Panel, Electrical (See ELECTRICAL PANEL ASSEMBLY for Breakdown)	

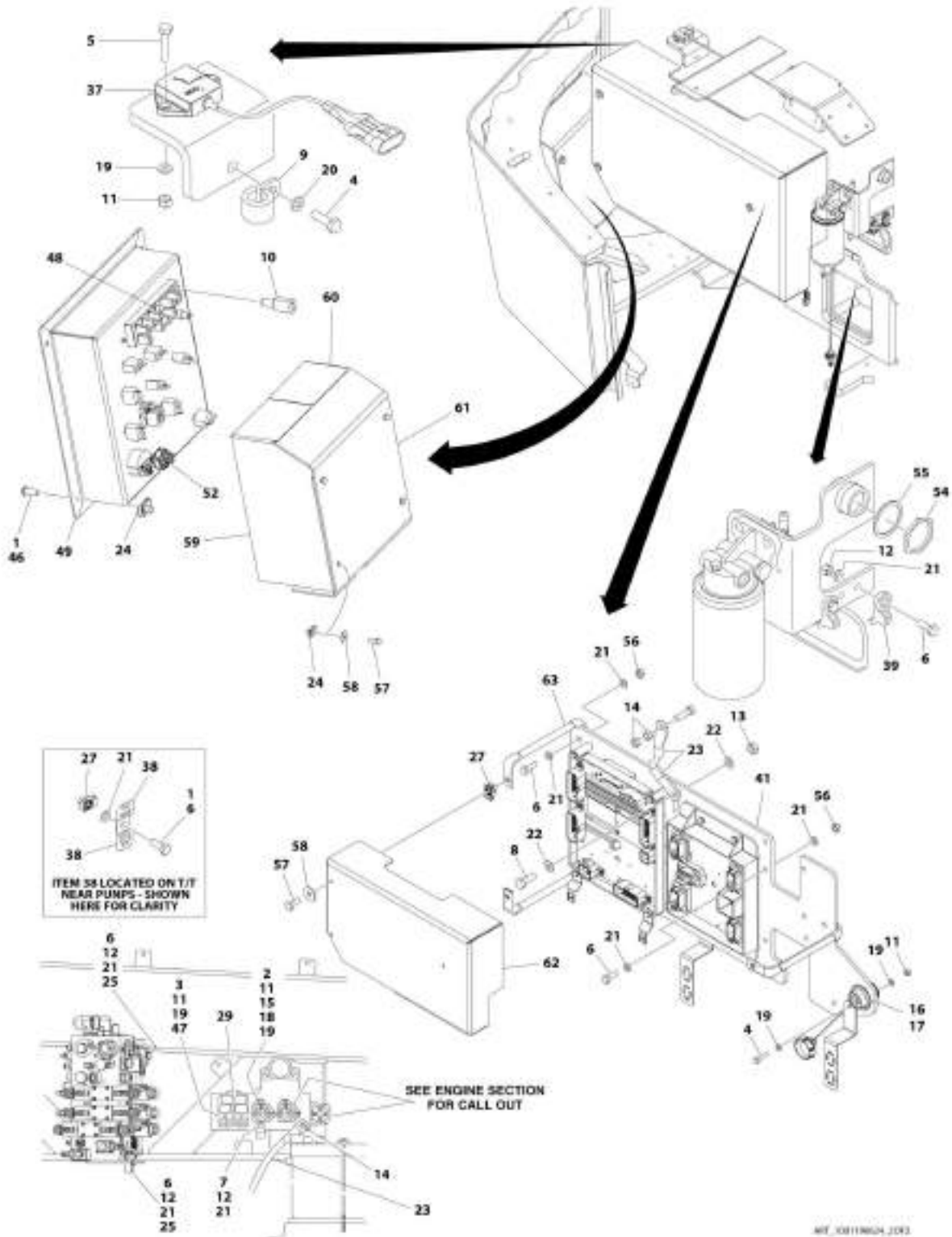
## SECTION 2 - TURNTABLE

ITEM	PART NUMBER	QTY	DESCRIPTION	REV
42	1001157646	1	Cable, Load Sensor (Not Shown - Runs from Item 36 RH Module to Lift Cylinder) (See ELECTRICAL SECTION for Breakdown)	
43	1001158922	1	Kit, Battery Cable (Not Shown - See ELECTRICAL SECTION for Breakdown)	
44	1001163631	4	Cable, MTS Connection (Not Shown - See ELECTRICAL SECTION for Breakdown)	
46	1001164726	4	Capscrew M8 X 20	
47	1001174871	2	Fuse, Power Module	
48	1001184083	4	Plug, Large, 1/2	
49	1001184701	1	Panel, Ground Control (See GROUND CONTROL CONSOLE ASSEMBLY for Breakdown)	
52	1001187744	AR	Chemical, Battery Protector and Sealer	
53	4460470	1	Nut <b>(SN 0300223410 to Present)</b>	
54	4460471	1	Washer <b>(SN 0300223410 to Present)</b>	
55	3290805	3	Nut M8 <b>(SN 0300232595 to Present)</b>	
56	0760810001	7	Bolt M8 x 20 <b>(SN 0300232595 to Present)</b>	
57	4811902001	7	Washer M8 <b>(SN 0300232595 to Present)</b>	
58	1001223167	1	Cover <b>(SN 0300232595 to Present)</b>	
59	1001223168	1	Cover <b>(SN 0300232595 to Present)</b>	
60	1001223169	1	Cover <b>(SN 0300232595 to Present)</b>	
61	1001223170	1	Cover <b>(SN 0300232595 to Present)</b>	
62	1001225279	3	Brace <b>(SN 0300232595 to Present)</b>	
63	4922160	1	Harness, Analyzer (Not Shown) <b>(SN 0300232595 to Present)</b>	



## SECTION 2 - TURNTABLE

FIGURE 2-20. TURNTABLE ELECTRICAL COMPONENTS INSTALLATION (CE SPECS) (SN 0300210988 to Present)



## SECTION 2 - TURNTABLE

**FIGURE 2-20. TURNTABLE ELECTRICAL COMPONENTS INSTALLATION (CE SPECS) (SN 0300210988 to Present)**

ITEM	PART NUMBER	QTY	DESCRIPTION	REV
	1001198624	Ref	TURNTABLE ELECTRICAL COMPONENTS INSTALLATION (CE SPECS) (SN 0300210988 to Present)	E
1	0100035	AR	Compound, Locking	
2	0700610	2	Bolt M6 x 20	
3	0700618	2	Bolt M6 x 50	
4	0760612	5	Bolt M6 x 25	
5	0760614	2	Bolt M6 X 30	
6	0760812	AR	Bolt M8 x 25	
7	0760815	1	Bolt M8 X 35	
8	0761014	1	Bolt, M10 X 30	
9	1320041	1	Clamp	
10	2920129	10	Lamp, Display	
11	3290605	16	Nut, M6	
12	3290807	9	Nut, M8	
13	3291007	1	Nut, M10	
14	3311601	4	Nut 3/8-16	
15	3740067	1	Relay	
16	4460496	1	Washer, Terminal	
17	4460497	1	Nut, Terminal	
18	4791400	2	Starwasher 1/4	
19	4811700	24	Washer M6	
20	4811702	1	Washer M6	
21	4811900	AR	Washer M8	
22	4812000	2	Washer M10	
23	6611172	2	Cable, Ground to Frame	
24	8310686	AR	Nut, Retainer, M8	
25	8406201	2	Clip	
27	1001118274	AR	Nut M8	
29	1001135027	1	Bussbar	
30	1001149970	1	Harness - Drive Pump (Not Shown - See ELECTRICAL SECTION for Breakdown)	
31	1001149972	1	Harness - Turntable (Not Shown - See ELECTRICAL SECTION for Breakdown)	
32	1001149973	1	Harness - Ground Control Panel (Not Shown - See ELECTRICAL SECTION for Breakdown)	
33	1001197446	1	Harness - Main Valve (Not Shown - See ELECTRICAL SECTION for Breakdown)	
35	1001149979	1	Harness - Blam (Not Shown - See ELECTRICAL SECTION for Breakdown)	
37	1001151895	1	Sensor, Tilt	
38	1001155967	4	Holder, Side Mount	
39	1001156107	6	Holder, Cable	
39		Ref	Note: Qty 4 Not Shown - Located Behind Hydraulic Tank	
40	1001156135	1	Harness - Fuel Pump (Not Shown - See ELECTRICAL SECTION for Breakdown) (Prior to SN 0300237158)	
40	1001211885	1	Harness - Fuel Pump (Not Shown - See ELECTRICAL SECTION for Breakdown) (SN 0300237158 to Present)	
41	1001156859	1	Panel, Electrical (See ELECTRICAL PANEL ASSEMBLY for Breakdown)	
42	1001157646	1	Cable, Load Sensor (Not Shown - Runs from Item 36 RH Module to Lift Cylinder) (See ELECTRICAL SECTION for Breakdown)	

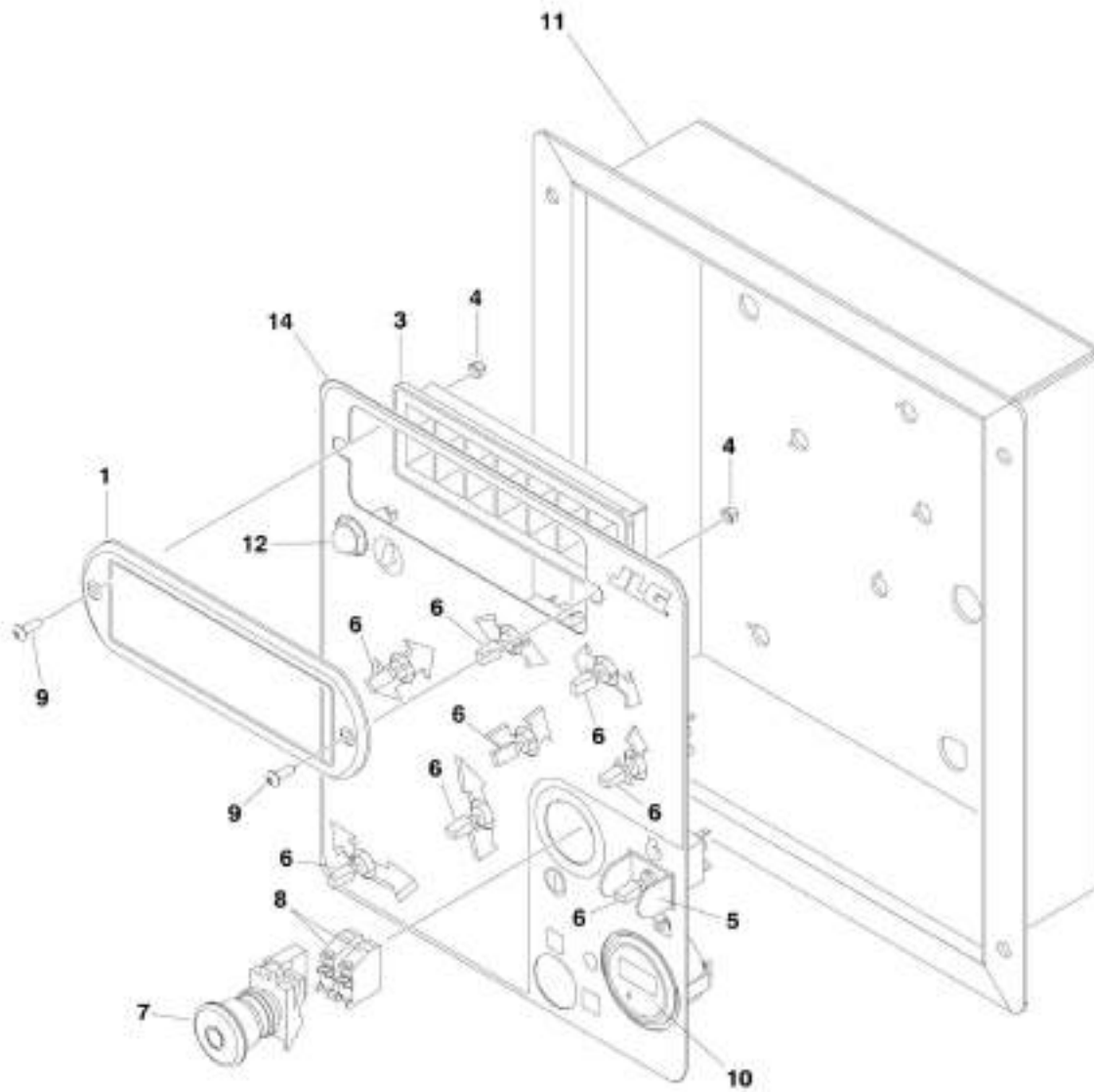
## SECTION 2 - TURNTABLE

ITEM	PART NUMBER	QTY	DESCRIPTION	REV
43	1001197442	1	Kit, Battery Cable (Not Shown - See ELECTRICAL SECTION for Breakdown)	
44	1001163631	4	Cable, MTS Connection (Not Shown - See ELECTRICAL SECTION for Breakdown)	
46	1001164726	4	Capscrew M8 X 20	
47	1001174871	2	Fuse, Power Module	
48	1001184083	4	Plug, Large, 1/2	
49	1001198626	1	Panel, Ground Control (See GROUND CONTROL CONSOLE ASSEMBLY for Breakdown)	
52	1001187744	AR	Chemical, Battery Protector and Sealer	
53	1001191166	1	Harness, UREA Tank (Not Shown - See ELECTRICAL SECTION for Breakdown)	
54	4460470	1	Terminal Nut <b>(SN 0300217780 to Present)</b>	
55	4460471	1	Terminal Washer <b>(SN 0300217780 to Present)</b>	
56	3290805	3	Nut M8 <b>(SN 0300232595 to Present)</b>	
57	0760810001	7	Bolt M8 x 20 <b>(SN 0300232595 to Present)</b>	
58	4811902001	7	Washer M8 <b>(SN 0300232595 to Present)</b>	
59	1001223167	1	Cover <b>(SN 0300232595 to Present)</b>	
60	1001223168	1	Cover <b>(SN 0300232595 to Present)</b>	
61	1001223169	1	Cover <b>(SN 0300232595 to Present)</b>	
62	1001223170	1	Cover <b>(SN 0300232595 to Present)</b>	
63	1001225279	3	Brace <b>(SN 0300232595 to Present)</b>	
64	4922160	1	Harness, Analyzer (Not Shown) <b>(SN 0300232595 to Present)</b>	



## SECTION 2 - TURNTABLE

FIGURE 2-21. GROUND CONTROL CONSOLE ASSEMBLY



100154812



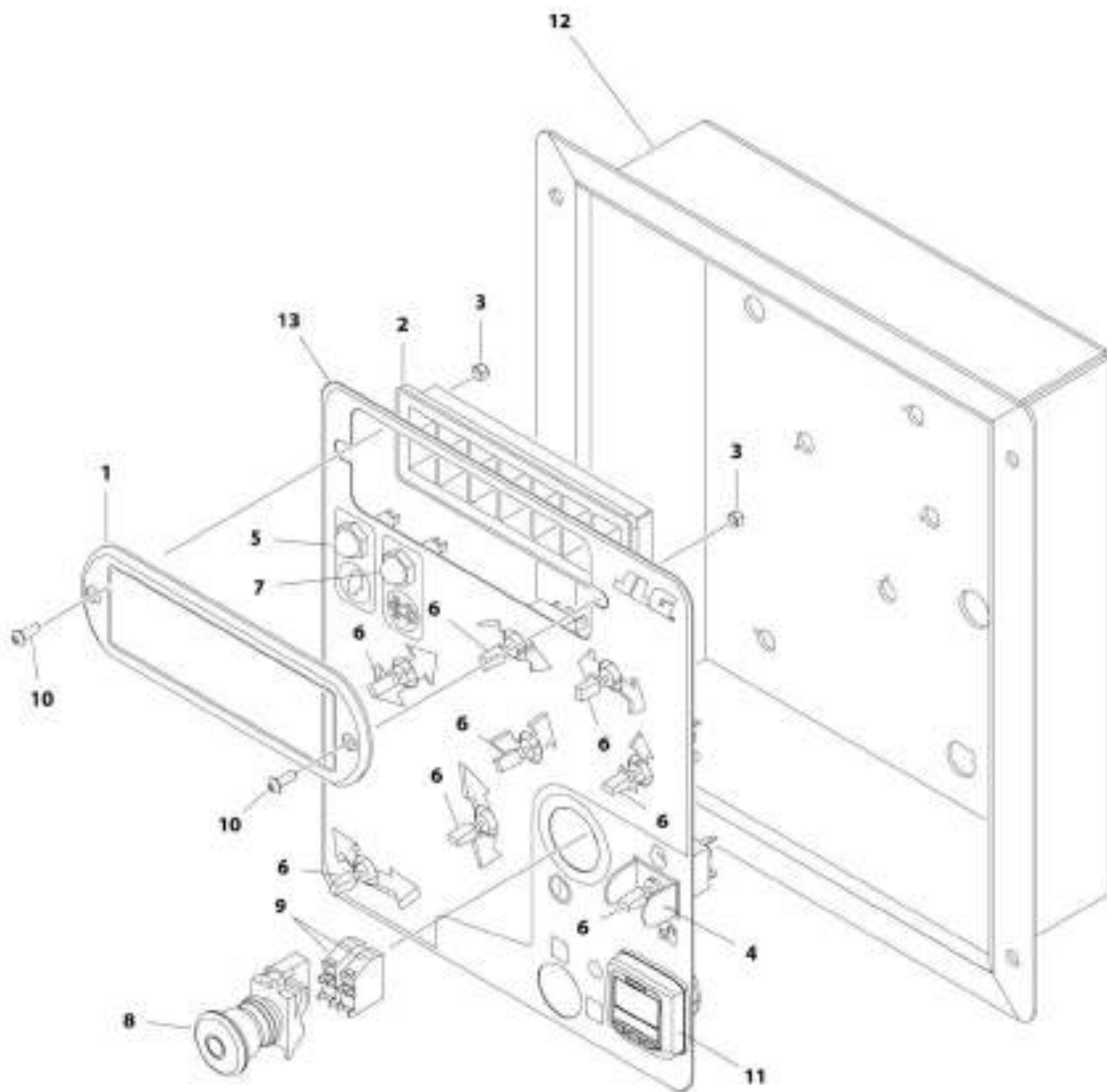
# SECTION 2 - TURNTABLE

**FIGURE 2-21. GROUND CONTROL CONSOLE ASSEMBLY**

ITEM	PART NUMBER	QTY	DESCRIPTION	REV
	1001154512	Ref	GROUND CONTROL CONSOLE ASSEMBLY (ANSI EXPORT AND AUSTRALIAN SPECS)	C
	1001154512	Ref	GROUND CONTROL CONSOLE ASSEMBLY (ANSI, CSA AND JAPANESE SPECS) <b>(Prior to SN 0300210987)</b>	C
	1001154512	Ref	GROUND CONTROL CONSOLE ASSEMBLY (CE SPECS) <b>(Prior to SN 0300201023)</b>	C
1	1670829	1	Bezel	
3	2760105	1	Housing, Light	
4	3290505	2	Nut M5	
5	4060906	1	Guard, Switch	
6	4360328	8	Switch, Toggle	
7	4360475	1	Switch, Push-Pull Emergency	
7	7020175	1	Cap	
7	7020176	1	Block, Contact	
8	4360476	2	Block, Contact	
9	1001099125	2	Screw M5 x 16 Grade 10.9	
10	1001109503	1	Gauge	
11	1001154513	1	Panel	
12	4360274	1	Switch, Pushbutton	
14	1001156232	1	Decal - Ground Control	

## SECTION 2 - TURNTABLE

FIGURE 2-22. GROUND CONTROL CONSOLE ASSEMBLY



AFT 185119021

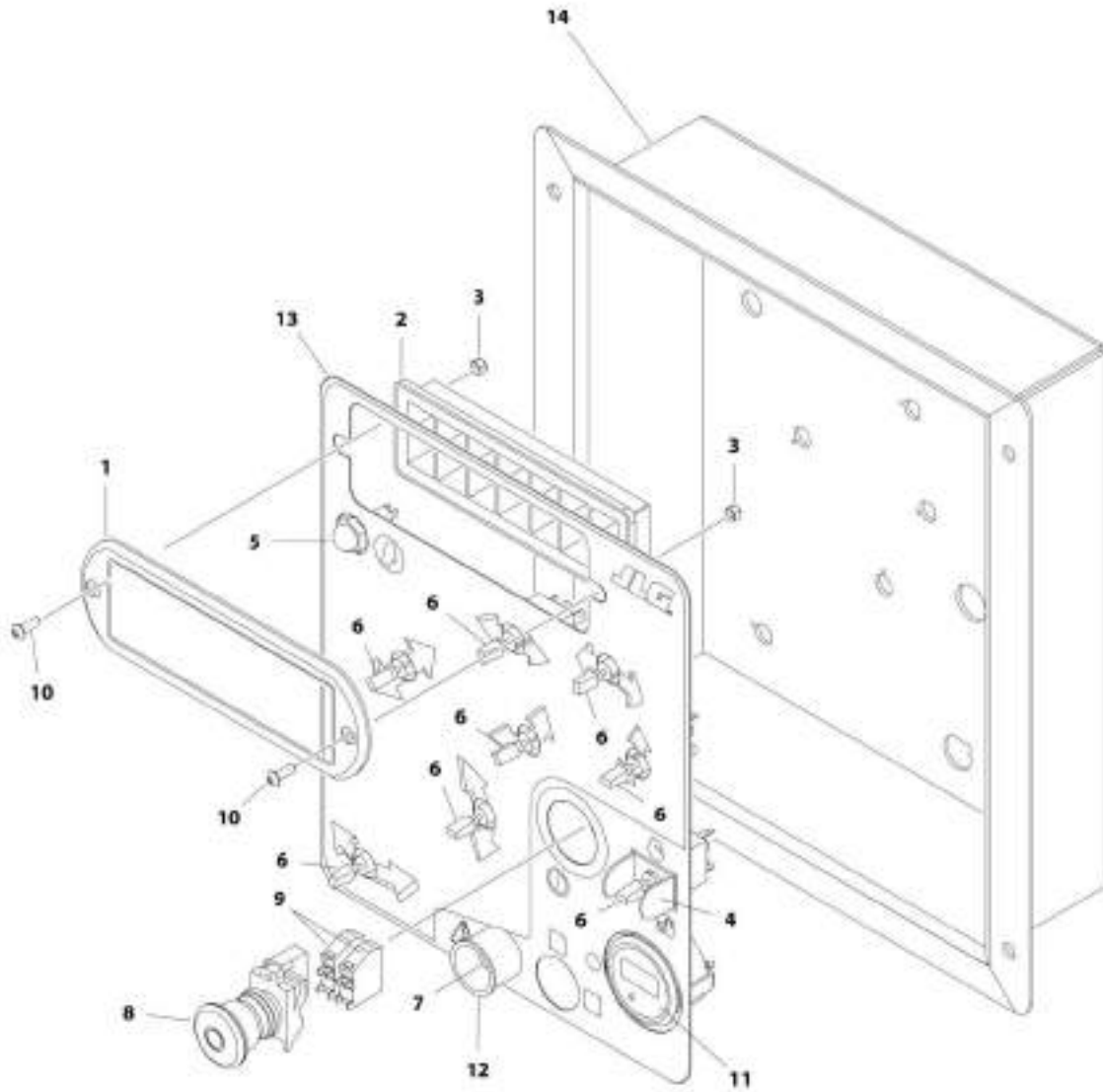
**SECTION 2 - TURNTABLE**

**FIGURE 2-22. GROUND CONTROL CONSOLE ASSEMBLY**

ITEM	PART NUMBER	QTY	DESCRIPTION	REV
	1001198625	Ref	GROUND CONTROL CONSOLE ASSEMBLY (ANSI, CSA AND JAPANESE SPECS) (SN 0300210987 to Present)	A
1	1670829	1	Bezel	
2	2760105	1	Housing, Light	
3	3290505	2	Nut M5	
4	4060906	1	Guard, Switch	
5	4360274	1	Switch, Pushbutton	
6	4360328	8	Switch, Toggle	
7	4360387	1	Switch, Push Button	
8	4360475	1	Switch, Push-Pull Emergency	
8	7020175	1	Cap	
8	7020176	1	Block, Contact	
9	4360476	2	Block, Contact	
10	1001099125	2	Screw M5 x 16 Grade 10.9	
11	1001171482	1	Gauge	
12	1001198627	1	Panel	
13	1001198682	1	Decal - Ground Control	

## SECTION 2 - TURNTABLE

FIGURE 2-23. GROUND CONTROL CONSOLE ASSEMBLY



ART. 185124701

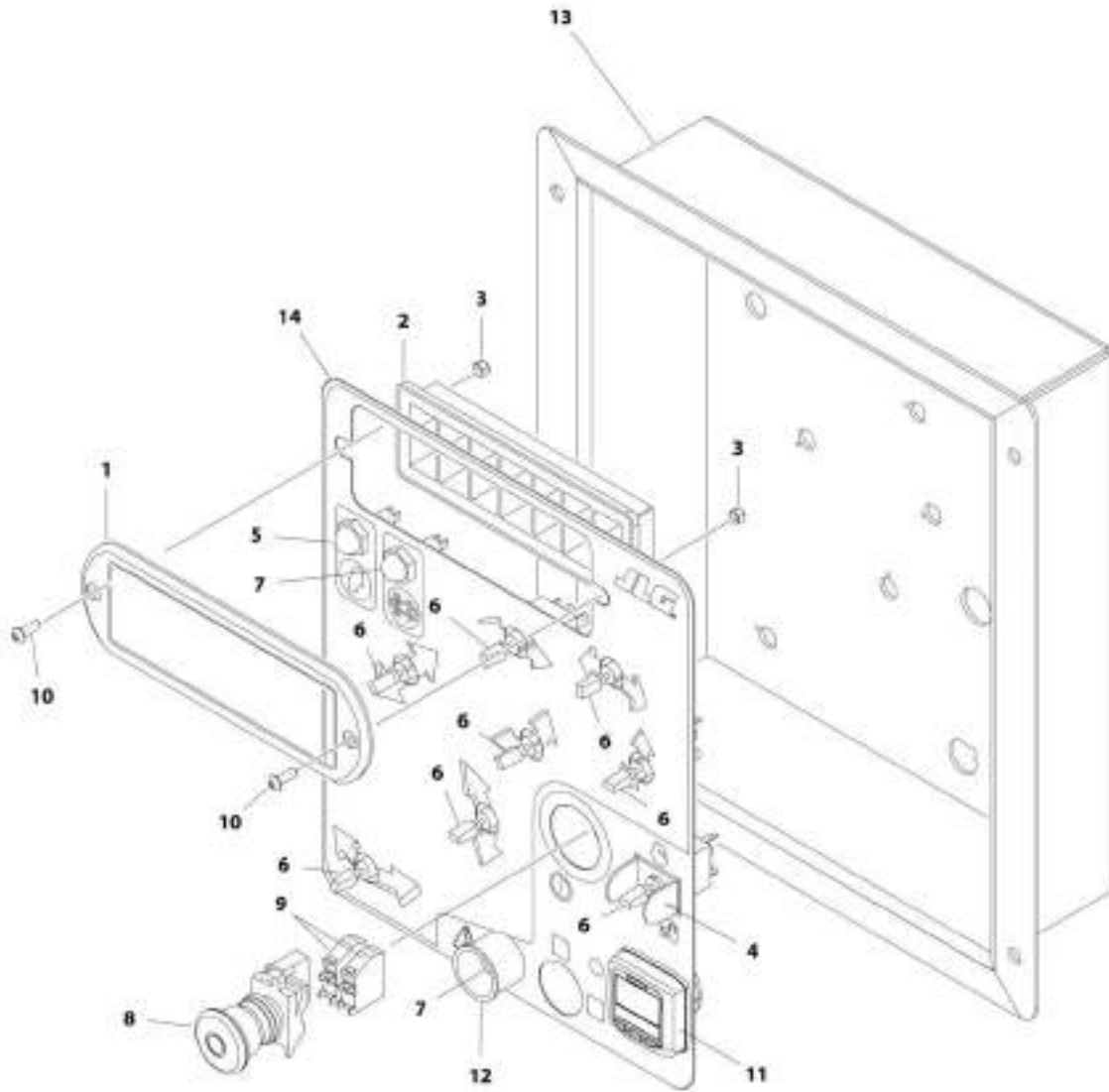
**SECTION 2 - TURNTABLE**

**FIGURE 2-23. GROUND CONTROL CONSOLE ASSEMBLY**

ITEM	PART NUMBER	QTY	DESCRIPTION	REV
	1001184701	Ref	GROUND CONTROL CONSOLE ASSEMBLY (CE SPECS) (SN 0300201023 through 0300210986)	A
1	1670829	1	Bezel	
2	2760105	1	Housing, Light	
3	3290505	2	Nut M5	
4	4060906	1	Guard, Switch	
5	4360274	1	Switch, Pushbutton	
6	4360328	8	Switch, Toggle	
7	4360387	1	Switch, Push Button	
8	4360475	1	Switch, Push-Pull Emergency	
8	7020175	1	Cap	
8	7020176	1	Block, Contact	
9	4360476	2	Block, Contact	
10	1001099125	2	Screw M5 x 16 Grade 10.9	
11	1001109503	1	Gauge	
12	1001176469	1	Shroud	
13	1001180096	1	Decal - Ground Control	
14	1001184697	1	Panel	

## SECTION 2 - TURNTABLE

FIGURE 2-24. GROUND CONTROL CONSOLE ASSEMBLY



AFT 185119632

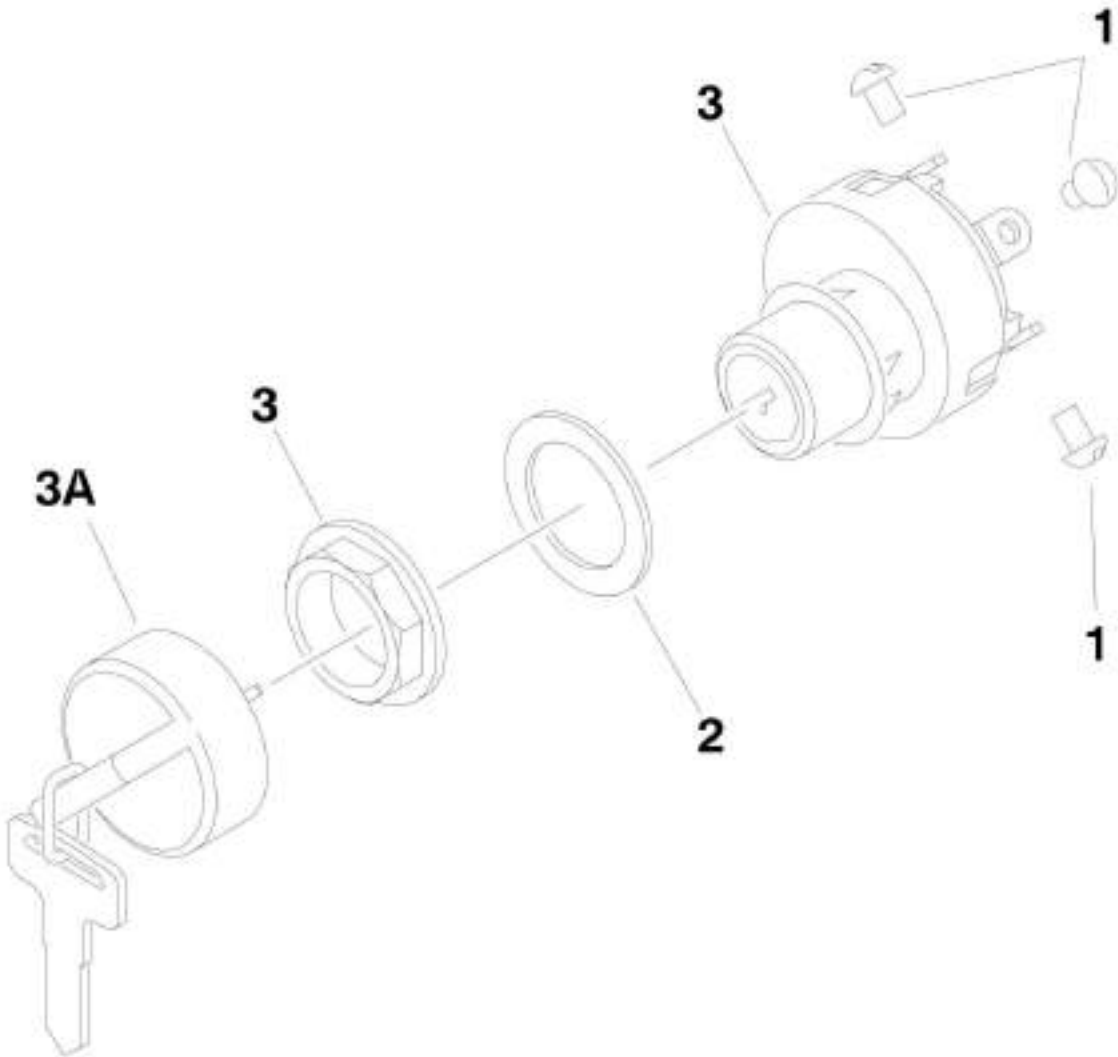
**SECTION 2 - TURNTABLE**

**FIGURE 2-24. GROUND CONTROL CONSOLE ASSEMBLY**

ITEM	PART NUMBER	QTY	DESCRIPTION	REV
	1001198626	Ref	GROUND CONTROL CONSOLE ASSEMBLY (CE SPECS) (SN <b>0300210987 to Present</b> )	A
1	1670829	1	Bezel	
2	2760105	1	Housing, Light	
3	3290505	2	Nut M5	
4	4060906	1	Guard, Switch	
5	4360274	1	Switch, Pushbutton	
6	4360328	8	Switch, Toggle	
7	4360387	2	Switch, Push Button	
8	4360475	1	Switch, Push-Pull Emergency	
8	7020175	1	Cap	
8	7020176	1	Block, Contact	
9	4360476	2	Block, Contact	
10	1001099125	2	Screw M5 x 16 Grade 10.9	
11	1001171482	1	Gauge	
12	1001176469	1	Shroud	
13	1001198628	1	Panel	
14	1001198683	1	Decal - Ground Control	

## SECTION 2 - TURNTABLE

FIGURE 2-25. KEY SWITCH - ANSI, ANSI EXPORT, AUSTRALIAN AND CSA SPECS



0259666  
0259667



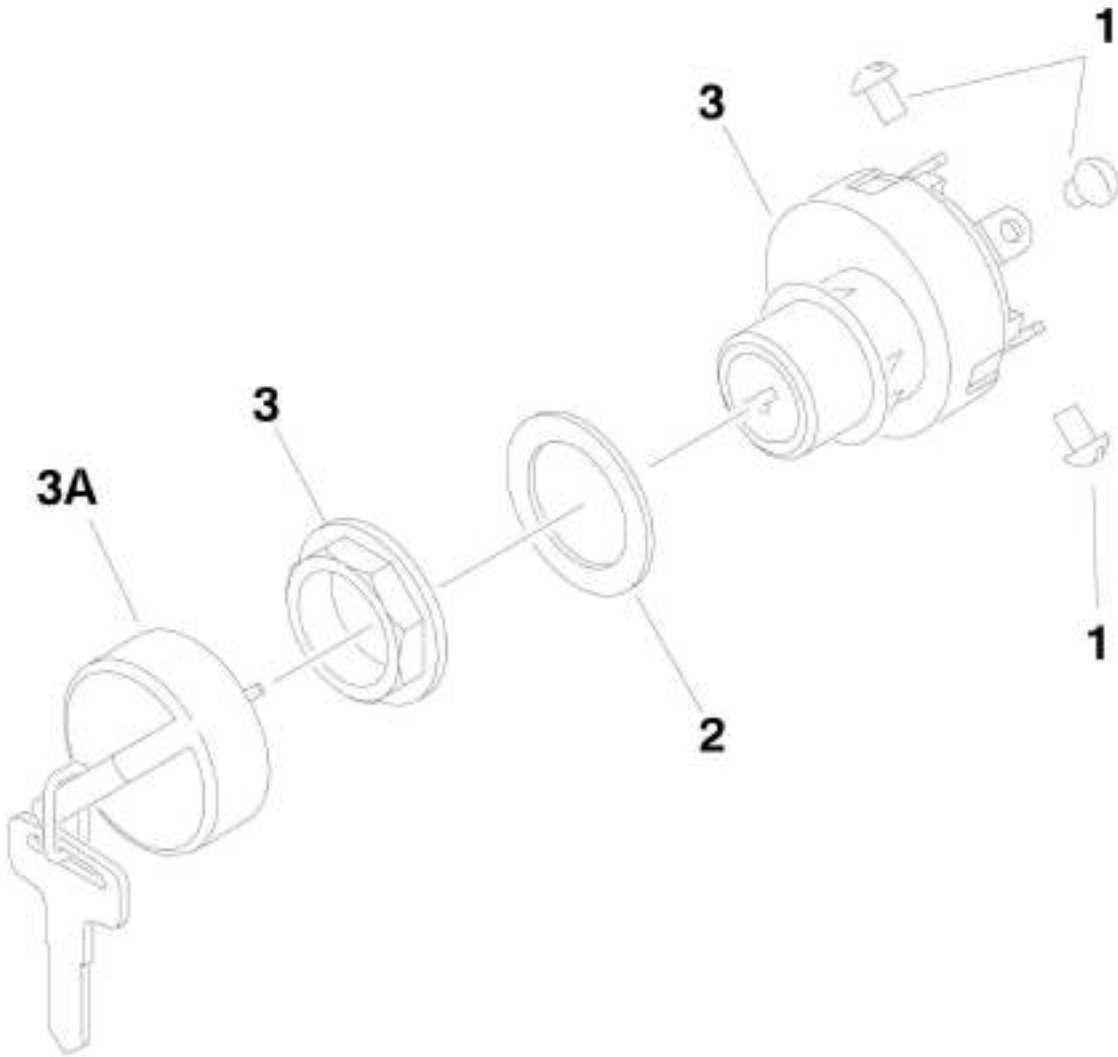
**SECTION 2 - TURNTABLE**

**FIGURE 2-25. KEY SWITCH - ANSI, ANSI EXPORT, AUSTRALIAN AND CSA SPECS**

<b>ITEM</b>	<b>PART NUMBER</b>	<b>QTY</b>	<b>DESCRIPTION</b>	<b>REV</b>
	0259666	Ref	KEY SWITCH INSTALLATION (ANSI, ANSI EXPORT, AUSTRALIAN AND CSA SPECS)	C
1	3910804	6	Screw #8 x 1/8	
2	1001151393		Shim .063	
3	4360469	1	Keyswitch	
3A	2860030	1	Key, Replacement	

## SECTION 2 - TURNTABLE

FIGURE 2-26. KEY SWITCH - CE SPECS (Prior to SN 0300201023)



0259666  
0259667

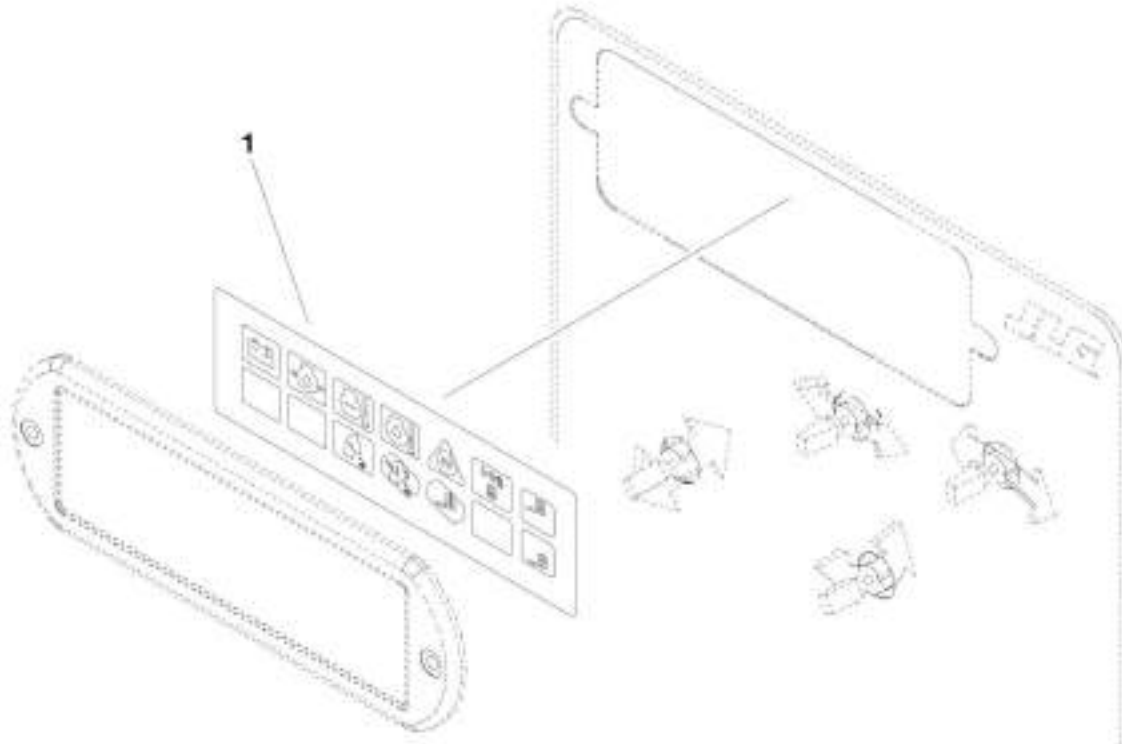
**SECTION 2 - TURNTABLE**

**FIGURE 2-26. KEY SWITCH - CE SPECS (Prior to SN 0300201023)**

ITEM	PART NUMBER	QTY	DESCRIPTION	REV
	0259667	Ref	KEY SWITCH INSTALLATION (CE SPECS) (Prior to SN <b>0300201023</b> )	B
1	3910804	6	Screw #8 x 1/8	
2	1001151393		Shim .063	
3	4360470	1	Keyswitch	
3A	2860030	1	Key, Replacement	

# SECTION 2 - TURNTABLE

## FIGURE 2-27. LIGHT PANEL



1001121826\_PG 1 OF 2

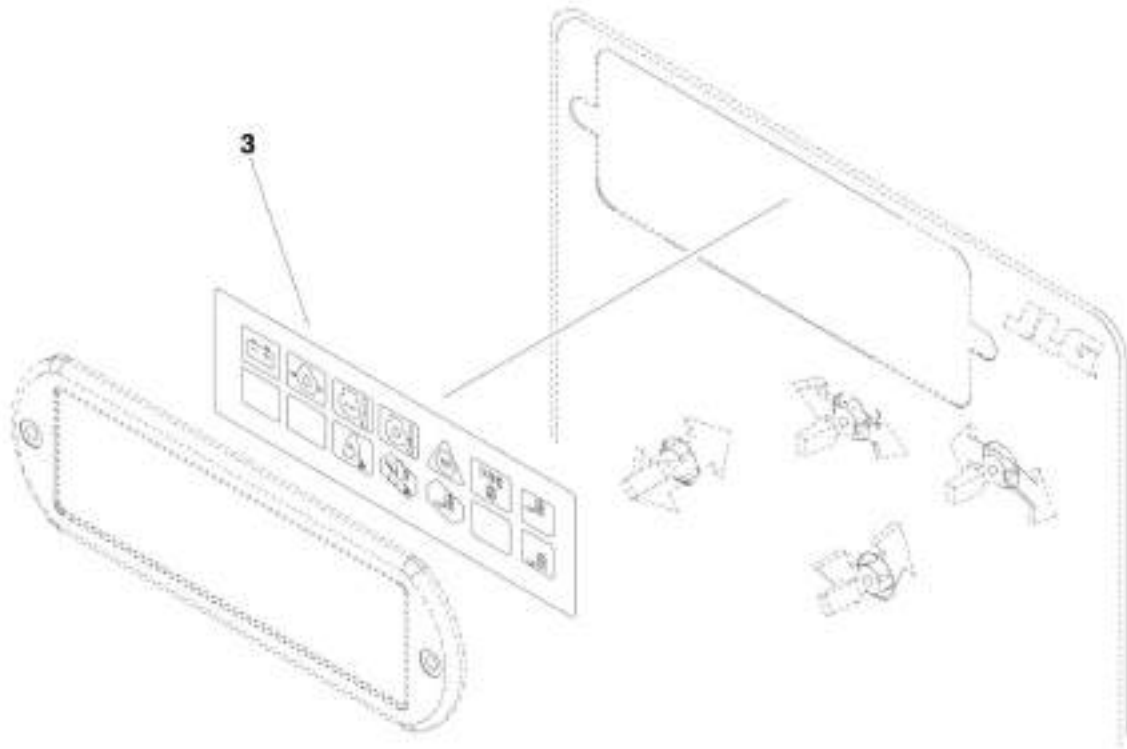
**SECTION 2 - TURNTABLE**

**FIGURE 2-27. LIGHT PANEL**

<b>ITEM</b>	<b>PART NUMBER</b>	<b>QTY</b>	<b>DESCRIPTION</b>	<b>REV</b>
	1001121826	Ref	LIGHT PANEL INSTALLATION (ANSI EXPORT (LRC) AND CHINA SPECS)	A
	1001121826	Ref	LIGHT PANEL INSTALLATION (ANSI, CSA AND JAPANESE SPECS) <b>(Prior to SN 0300210987)</b>	A
1	1001122383	1	Decal - Display	

# SECTION 2 - TURNTABLE

## FIGURE 2-28. LIGHT PANEL



1001121827\_PG 1 OF 2

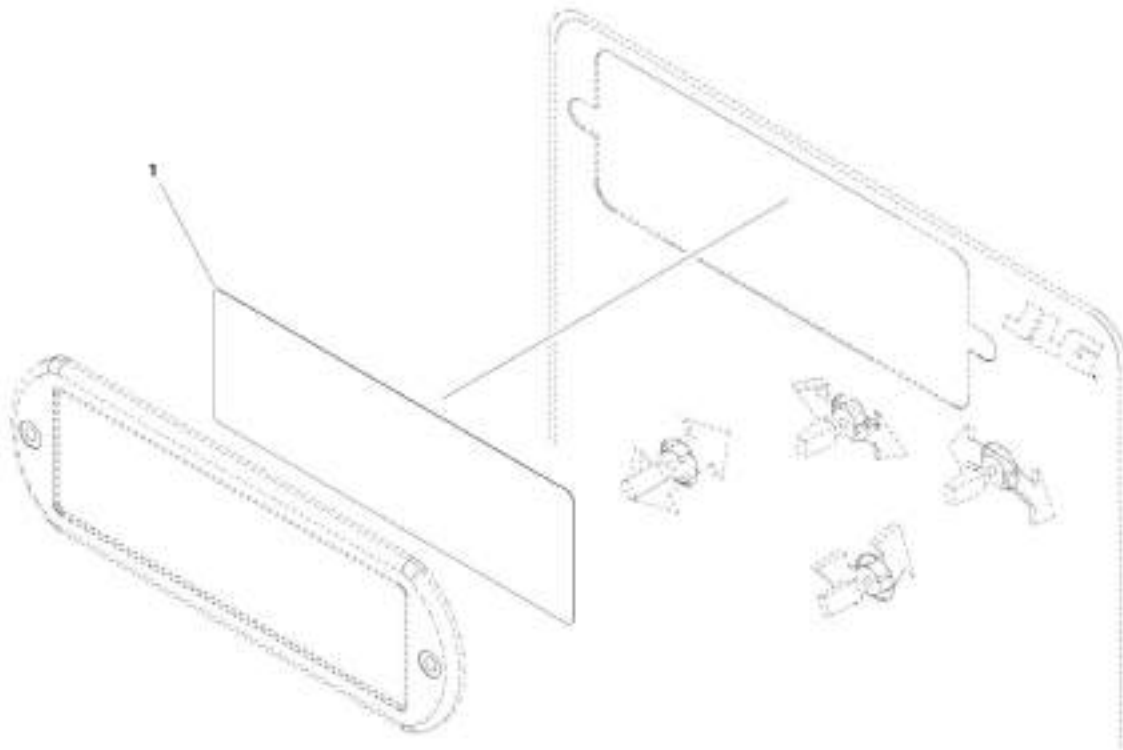
**SECTION 2 - TURNTABLE**

**FIGURE 2-28. LIGHT PANEL**

<b>ITEM</b>	<b>PART NUMBER</b>	<b>QTY</b>	<b>DESCRIPTION</b>	<b>REV</b>
	1001121827	Ref	LIGHT PANEL INSTALLATION (CE (LRC) AND AUSTRALIAN SPECS)	A
	1001121827	Ref	LIGHT PANEL INSTALLATION (CE SPECS) <b>(Prior to SN 0300210987)</b>	A
3	1705974	1	Decal - Display	

# SECTION 2 - TURNTABLE

FIGURE 2-29. LIGHT PANEL



AFT\_001 19867\_002



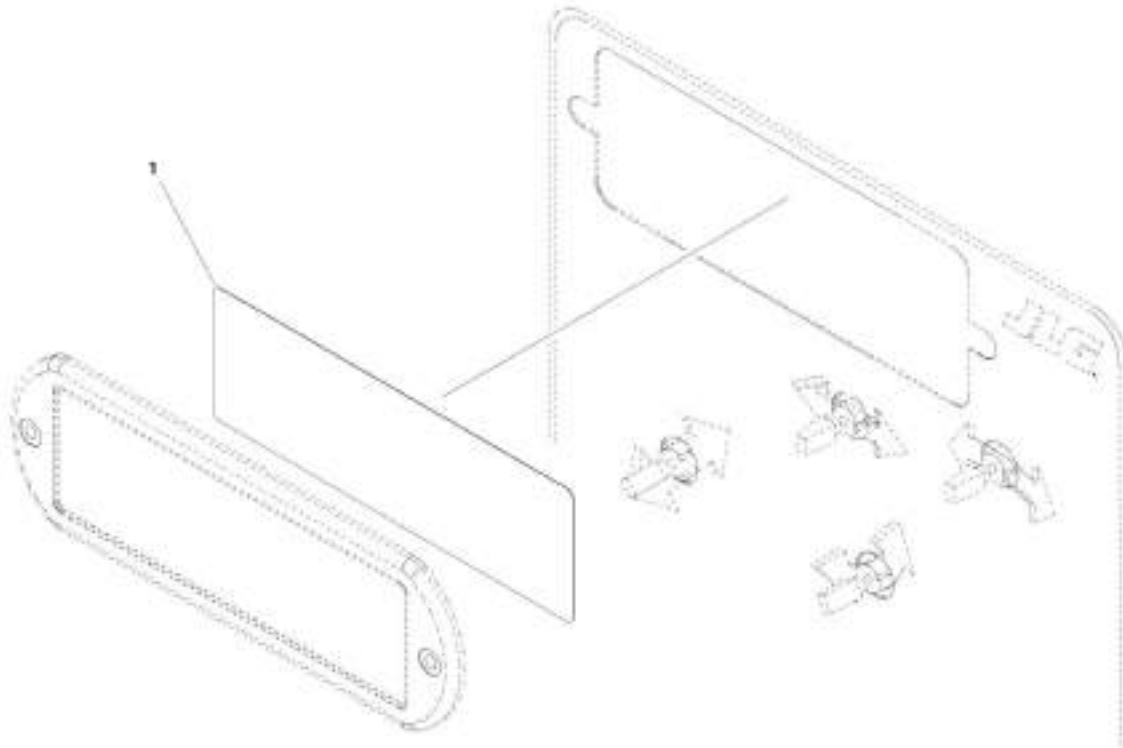
**SECTION 2 - TURNTABLE**

**FIGURE 2-29. LIGHT PANEL**

ITEM	PART NUMBER	QTY	DESCRIPTION	REV
1	1001198867	Ref	LIGHT PANEL INSTALLATION (ANSI, ANSI EXPORT (HRC), CSA AND JAPANESE SPECS) <b>(SN 0300210987 to Present)</b>	A
	1001198869	1	Decal - Display	

# SECTION 2 - TURNTABLE

## FIGURE 2-30. LIGHT PANEL



AFT 001 19886 002

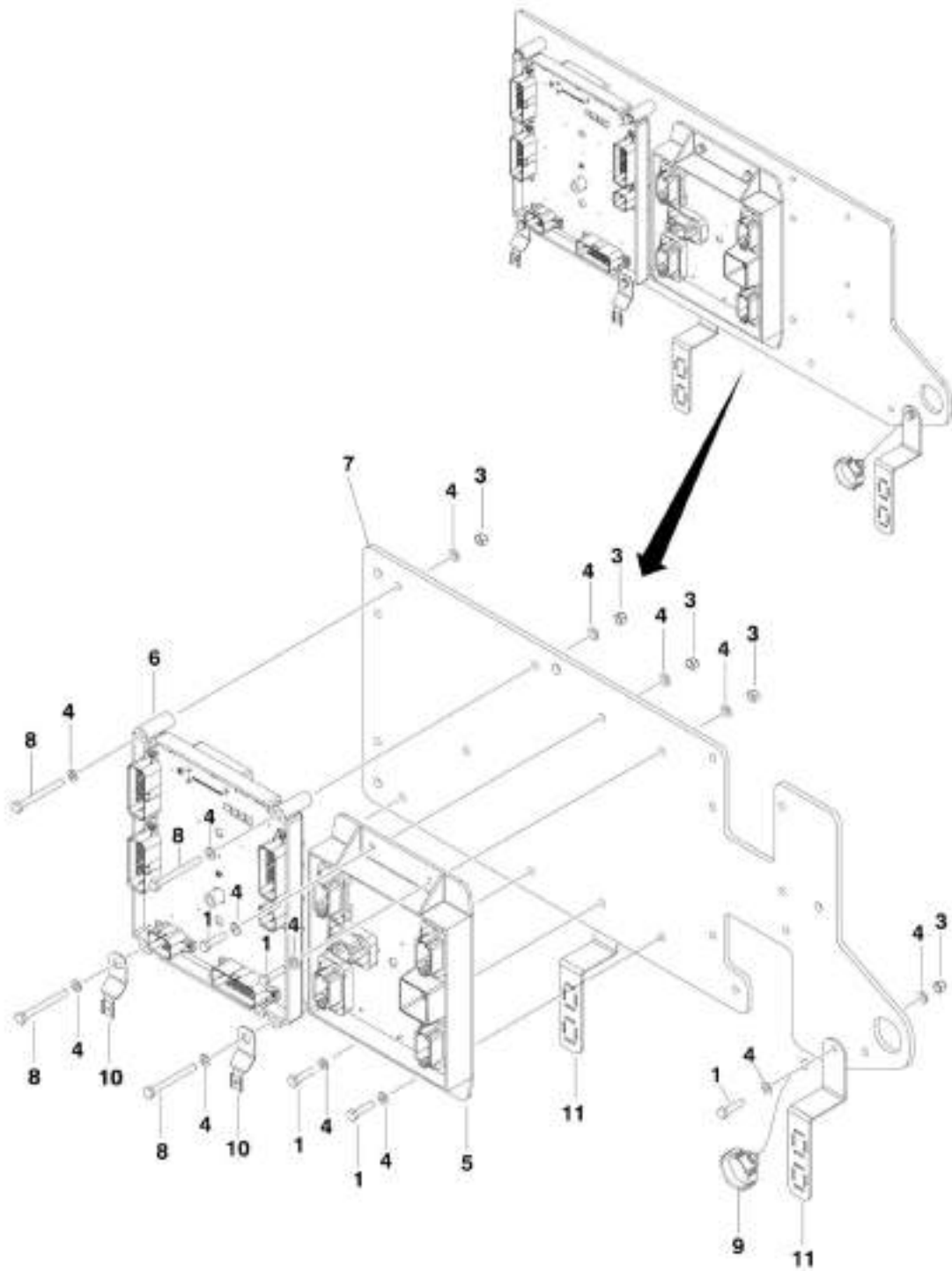
**SECTION 2 - TURNTABLE**

**FIGURE 2-30. LIGHT PANEL**

ITEM	PART NUMBER	QTY	DESCRIPTION	REV
1	1001198870	1	LIGHT PANEL INSTALLATION (CE SPECS) (SN 0300210987 to Present) Decal - Display	A

# SECTION 2 - TURNTABLE

## FIGURE 2-31. ELECTRICAL PANEL ASSEMBLY



WTT\_1001/09850

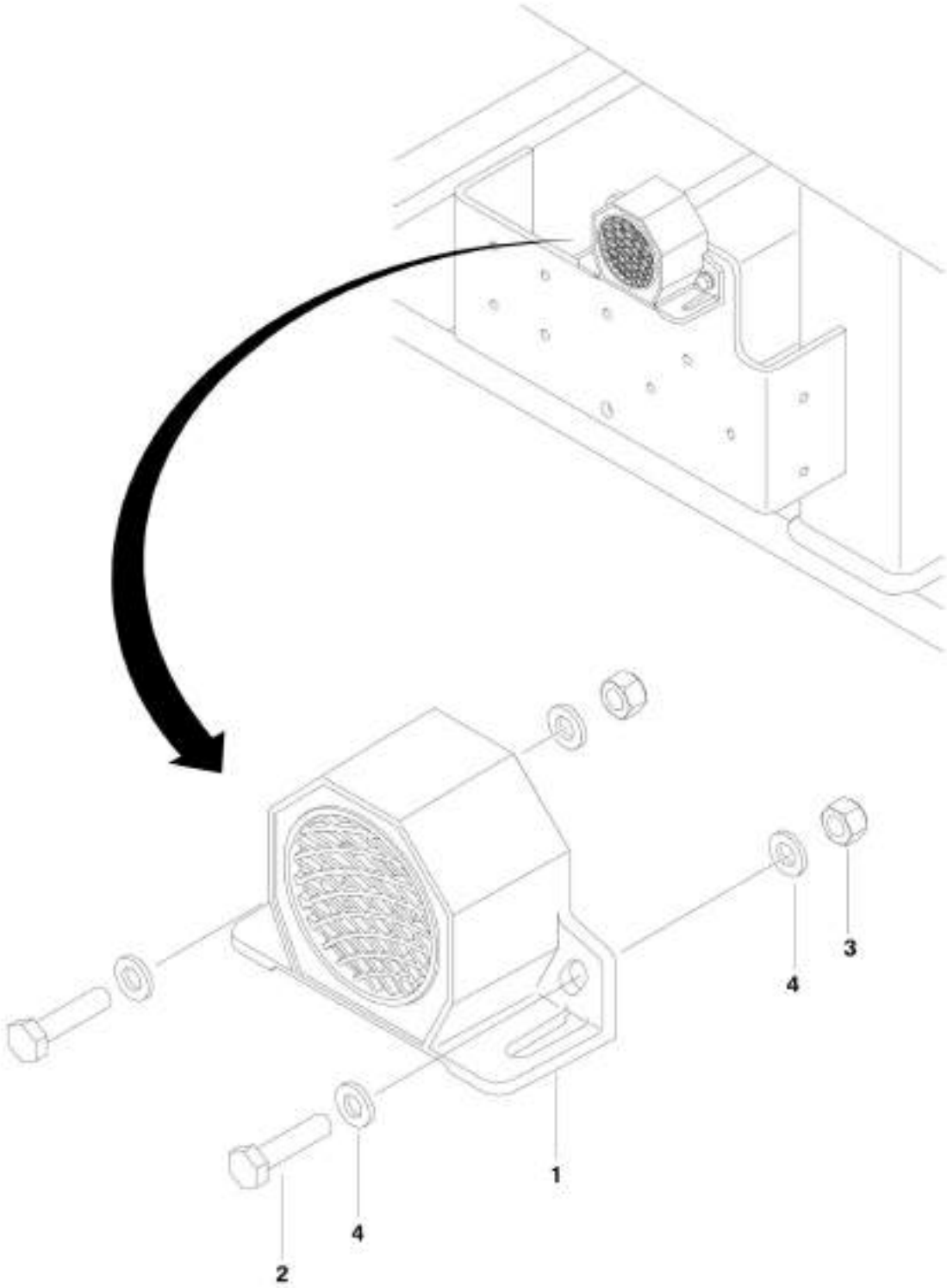
**SECTION 2 - TURNTABLE**

**FIGURE 2-31. ELECTRICAL PANEL ASSEMBLY**

ITEM	PART NUMBER	QTY	DESCRIPTION	REV
	1001156859	Ref	ELECTRICAL PANEL ASSEMBLY	E
1	0760612	5	Bolt M6 x 25	
3	3290605	9	Nut M6	
4	4811700	18	Washer M6	
5	1001112757	NLA	Module, Controller (Use p/n 1001227960) (Note: Control System Must Be Recalibrated When Controller is Replaced.) <b>(Prior to SN 0300248235)</b>	
5	1001227960	1	Module, Controller (Note: Control System Must Be Recalibrated When Controller is Replaced.) <b>(SN 0300248235 to Present)</b>	
6	1001119509	1	Module, Controller (Note: Control System Must Be Recalibrated When Controller is Replaced.)	
7	1001156860	NLA	Plate (Use p/n 1001227704) <b>(Prior to SN 0300232595)</b>	
7	1001227704	1	Plate <b>(SN 0300232595 to Present)</b>	
8	0700620	4	Bolt M6 x 60	
9	1001106736	1	Cap, Dust	
10	1001120328	2	Mount, Connector	
11	1001159162	2	Bracket	

**SECTION 2 - TURNTABLE**

**FIGURE 2-32. ALARM INSTALLATION**



1001147879

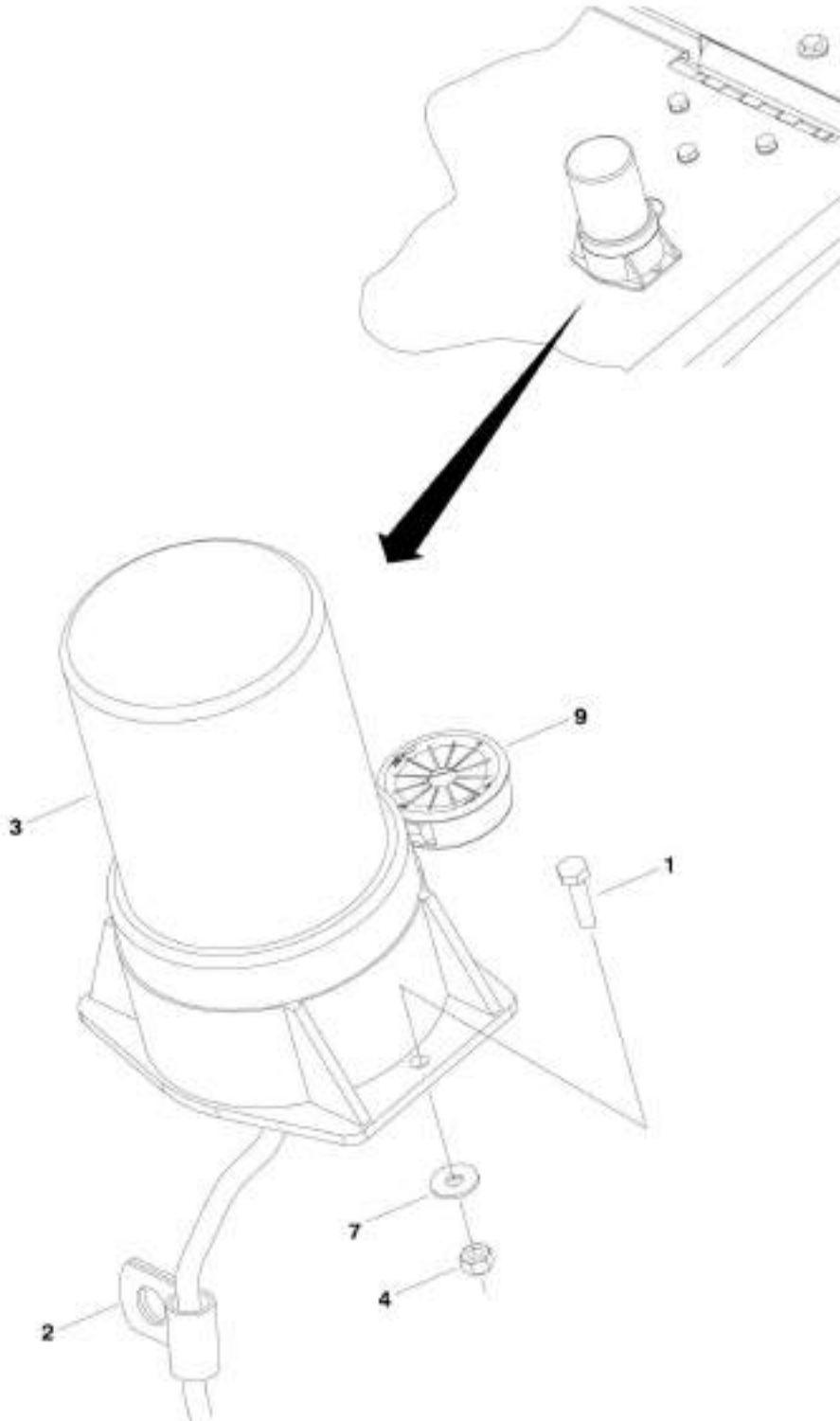
**SECTION 2 - TURNTABLE**

**FIGURE 2-32. ALARM INSTALLATION**

<b>ITEM</b>	<b>PART NUMBER</b>	<b>QTY</b>	<b>DESCRIPTION</b>	<b>REV</b>
	1001154030	Ref	ALARM INSTALLATION	A
1	0140043	1	Alarm	
1	4460536	1	Receptacle, Female - 3 Position	
1	4460943	3	Pin, Male	
2	0700612	2	Bolt M6 x 25	
3	3290605	2	Nut M6	
4	4811700	4	Washer M6	

## SECTION 2 - TURNTABLE

FIGURE 2-33. BEACON LIGHT INSTALLATION - AMBER



1001157031



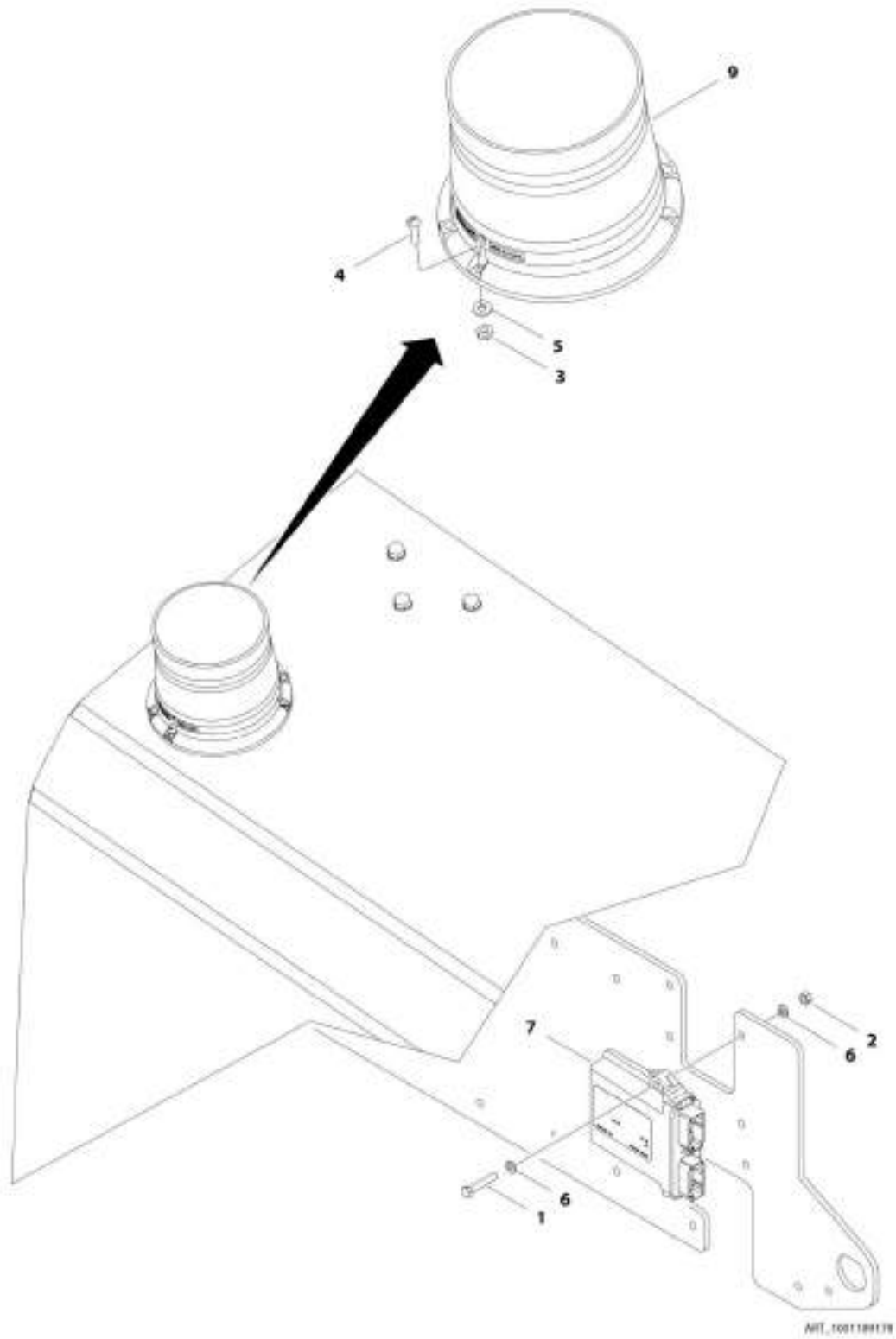
**SECTION 2 - TURNTABLE**

**FIGURE 2-33. BEACON LIGHT INSTALLATION - AMBER**

ITEM	PART NUMBER	QTY	DESCRIPTION	REV
	1001157031	Ref	BEACON LIGHT INSTALLATION - AMBER	C
1	0760408	2	Bolt M4 x 16	
2	1320263	2	Clamp	
3	2920161	1	Strobe Light/Guard/Harness Assembly (Amber) (See ELECTRICAL SECTION for Breakdown)	B
3	7016319	1	Bulb, Replacement	
3	7016272	1	Lens, Replacement	
3	4460891	1	Plug, Male - 2 Position	
3	4460465	1	Socket, Female	
4	3290405	2	Nut M4	
7	1001091102	2	Washer M4	
9	1001169085	1	Grommet	
100	4060865	1	Guard (Not Shown - Must be Purchased Separately)	

## SECTION 2 - TURNTABLE

FIGURE 2-34. STROBE LIGHT INSTALLATION - BLUE (Prior to SN 0300217096)



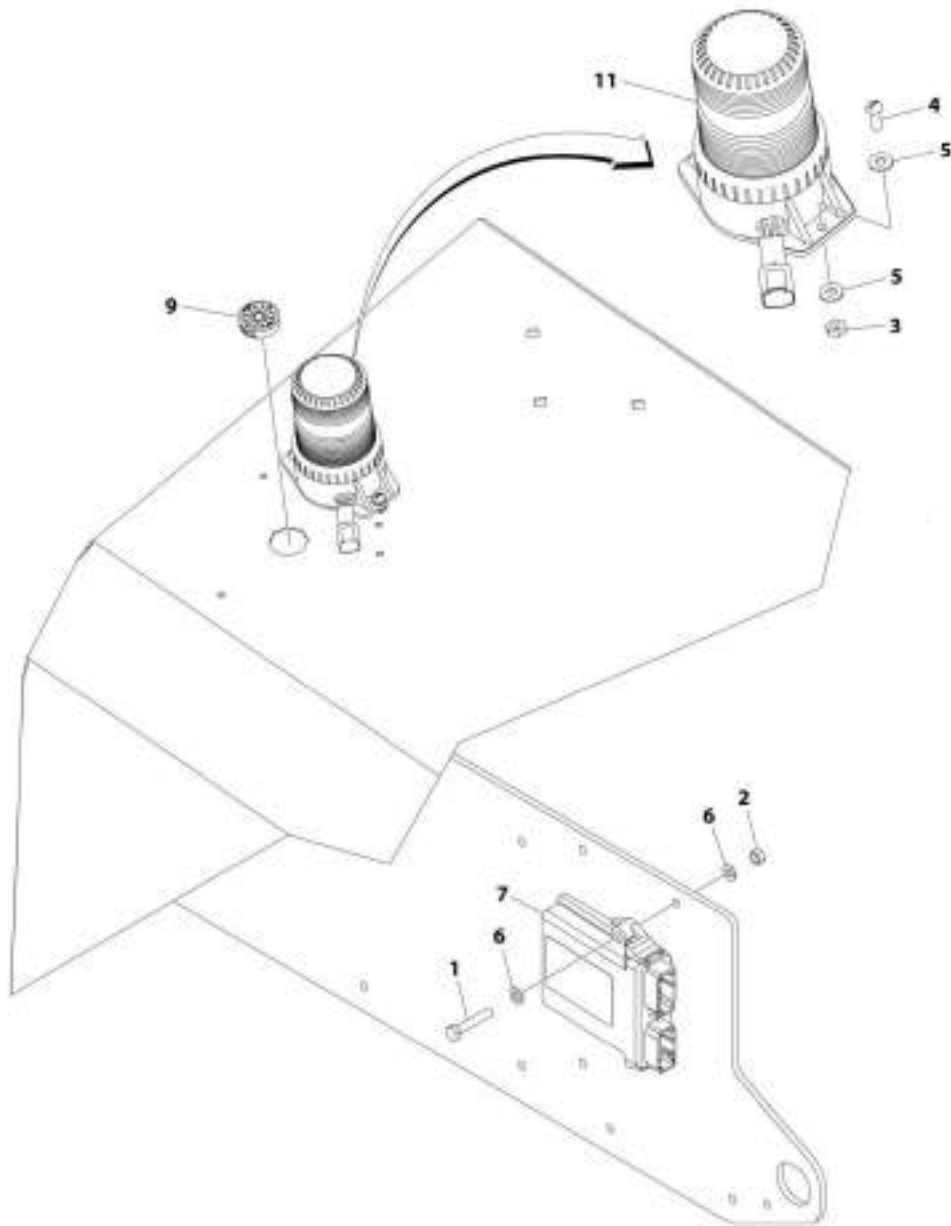
**SECTION 2 - TURNTABLE**

**FIGURE 2-34. STROBE LIGHT INSTALLATION - BLUE (Prior to SN 0300217096)**

ITEM	PART NUMBER	QTY	DESCRIPTION	REV
	1001189178	Ref	STROBE LIGHT INSTALLATION - BLUE (Prior to SN 0300217096)	B
1	0700615	2	Bolt M6 x 35	
2	3290607	2	Nut M6	
3	3311005	3	Nut #10	
4	3911012	3	Screw 10 x 3/4	
5	4711000	3	Washer #10	
6	4811700	4	Washer M6	
7	1001142683	1	Module, Control Beacon	
8	1001142736	1	Beacon Control Harness (See ELECTRICAL SECTION for Breakdown)	
9	1001179196	NLA	Strobe Light/Harness Assembly (Use Mounting Kit p/n 1001210696 & Strobe Light p/n 1001200910)	
9	7028909	1	Connector - 2 Position	
9	4460943	2	Pin, Male (Gold)	
9	80604017	2	Wedglock	

## SECTION 2 - TURNTABLE

FIGURE 2-35. STROBE LIGHT INSTALLATION - BLUE (SN 0300217096 to Present)



ART\_100120596J

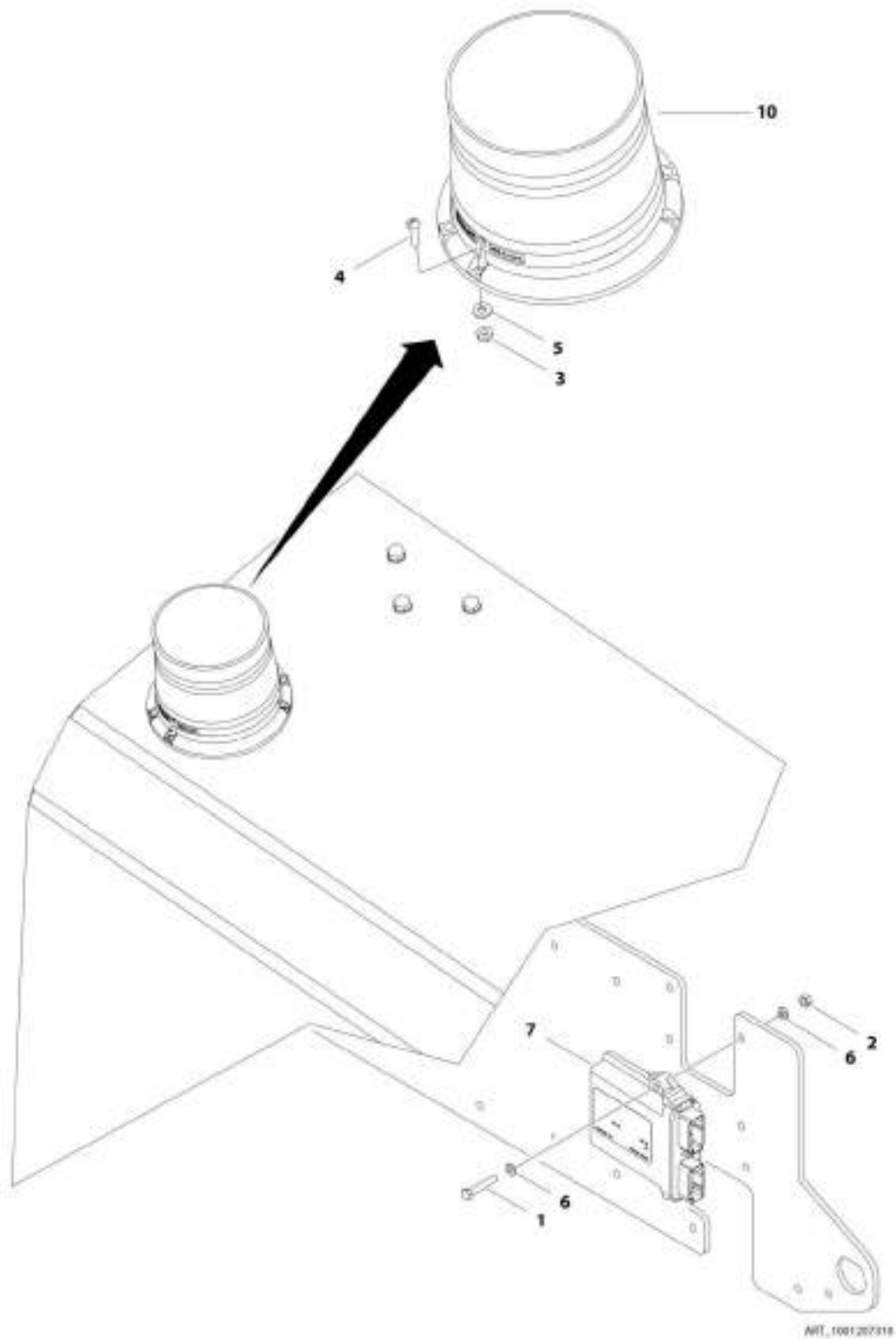
**SECTION 2 - TURNTABLE**

**FIGURE 2-35. STROBE LIGHT INSTALLATION - BLUE (SN 0300217096 to Present)**

ITEM	PART NUMBER	QTY	DESCRIPTION	REV
	1001205962	Ref	STROBE LIGHT INSTALLATION - BLUE (SN 0300217096 to Present)	D
1	0700615	2	Bolt M6 x 35	
2	3290607	2	Nut M6	
3	3311005	2	Nut #10	
4	3911010	2	Screw 10 x 5/8	
5	4711000	4	Washer #10	
6	4811700	4	Washer M6	
7	1001142683	1	Module, Control Beacon	
8	1001142736	1	Beacon Control Harness (See ELECTRICAL SECTION for Breakdown)	
9	2540020	1	Grommet	
11	1001200910	1	Lamp, Blue Beacon	
11	7028909	1	Connector - 2 Position	
11	4460943	2	Pin, Male	

## SECTION 2 - TURNTABLE

FIGURE 2-36. STROBE LIGHT INSTALLATION - RED (Prior to SN 0300217096)



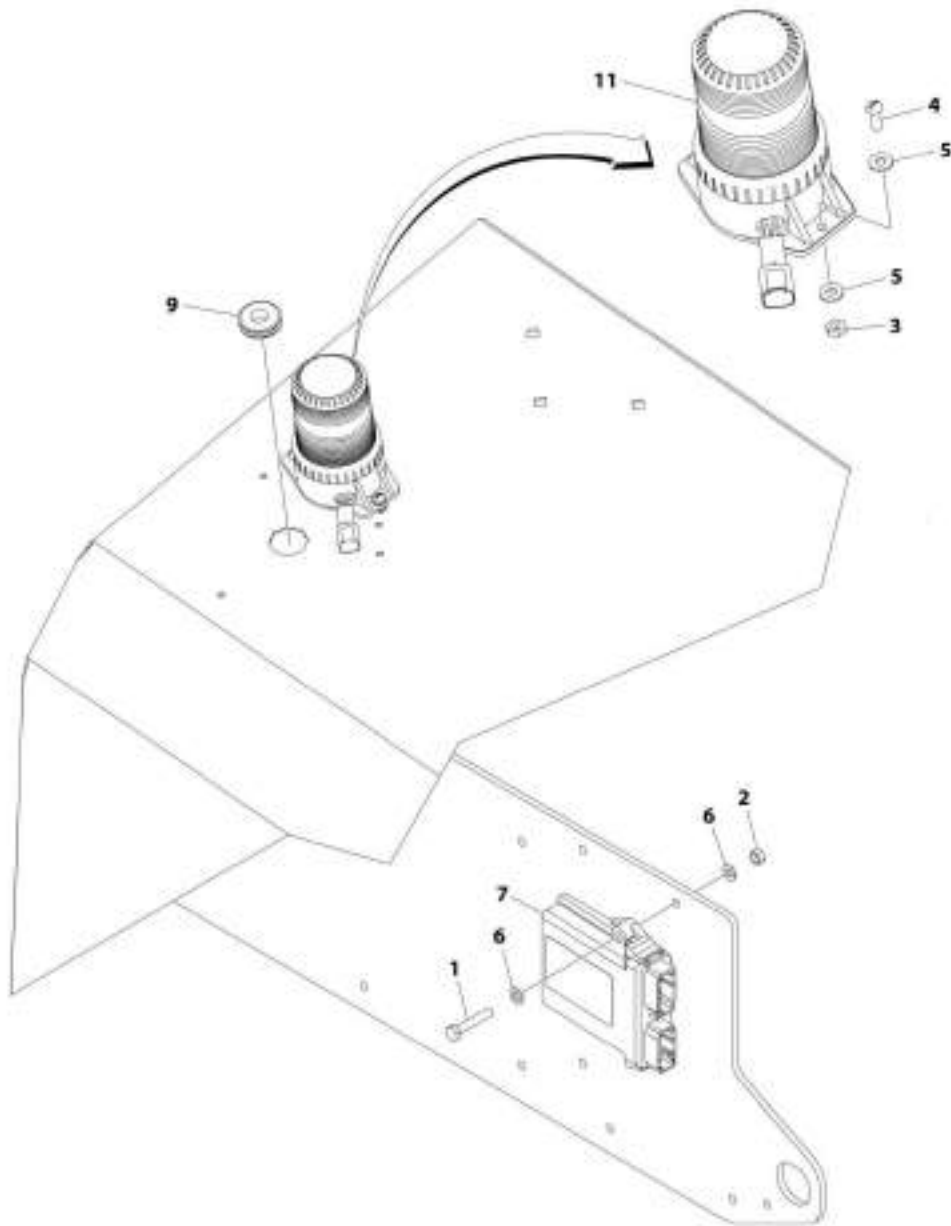
**SECTION 2 - TURNTABLE**

**FIGURE 2-36. STROBE LIGHT INSTALLATION - RED (Prior to SN 0300217096)**

ITEM	PART NUMBER	QTY	DESCRIPTION	REV
	1001207310	Ref	STROBE LIGHT INSTALLATION - RED (Prior to SN 0300217096)	B
1	0700615	2	Bolt M6 x 35	
2	3290607	2	Nut M6	
3	3311005	3	Nut #10	
4	3911012	3	Screw #10 x 3/4	
5	4711000	3	Washer #10	
6	4811700	2	Washer M6	
7	1001142683	1	Module, Beacon Control	
8	1001142736	1	Strobe Light Harness - Red Light (Not Shown - See ELECTRICAL SECTION for Breakdown)	
10	1001197067	NLA	Strobe Light Assembly - Red (Use Mounting Kit p/n 1001210696 & Strobe Light p/n 1001207004)	
10	4460897	1	Receptacle, Female - 2 Position	
10	4460464	1	Pin, Male	

## SECTION 2 - TURNTABLE

FIGURE 2-37. STROBE LIGHT INSTALLATION - RED (SN 0300217096 to Present)



ART\_1001209074



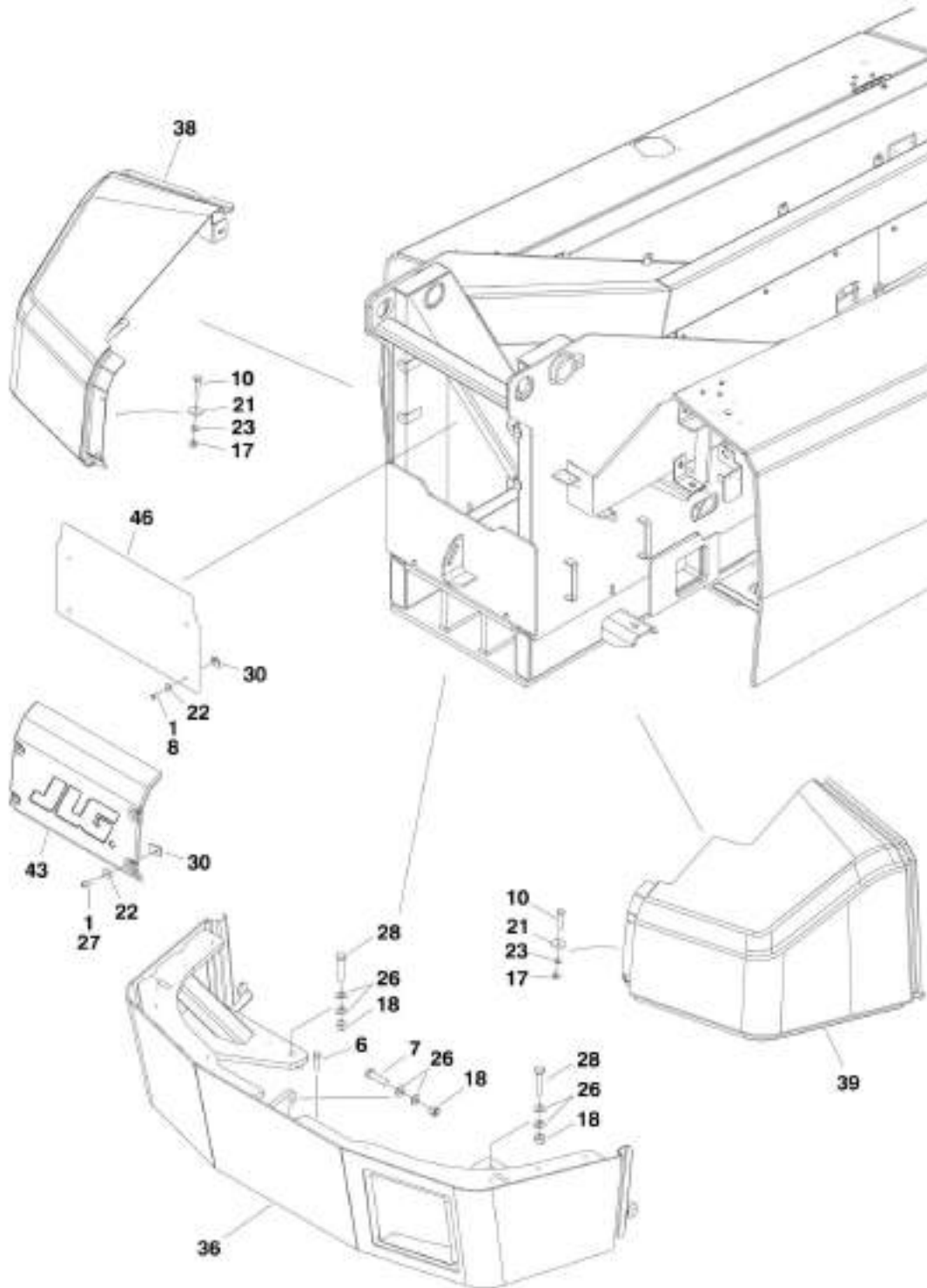
# SECTION 2 - TURNTABLE

**FIGURE 2-37. STROBE LIGHT INSTALLATION - RED (SN 0300217096 to Present)**

ITEM	PART NUMBER	QTY	DESCRIPTION	REV
	1001209874	Ref	STROBE LIGHT INSTALLATION - RED (SN 0300217096 to Present)	D
1	0700615	2	Bolt M6 x 35	
2	3290607	2	Nut M6	
3	3311005	3	Nut #10	
4	3911012	3	Screw #10 x 3/4	
5	4711000	3	Washer #10	
6	4811700	2	Washer M6	
7	1001142683	1	Module, Beacon Control	
8	1001142736	1	Strobe Light Harness - Red Light (Not Shown - See ELECTRICAL SECTION for Breakdown)	
9	1001169085	1	Grommet	
11	1001207004	1	Light, Strobe	
11	7028909	1	Connector - 2 Position	
11	4460943	2	Pin, Male	

# SECTION 2 - TURNTABLE

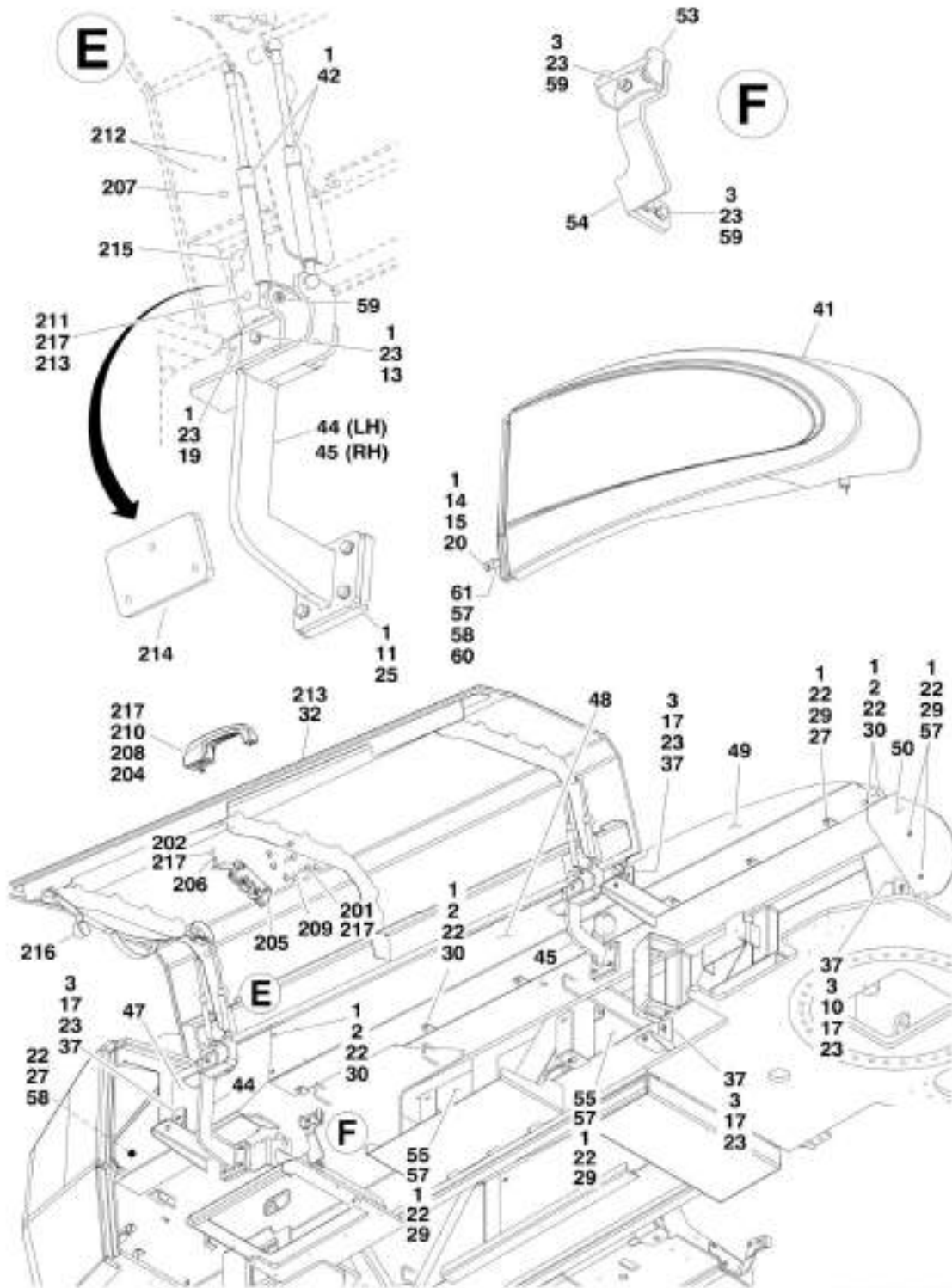
FIGURE 2-38. HOOD INSTALLATION (Prior to SN 0300205509)



1001157030\_PG 1 OF 3



# SECTION 2 - TURNTABLE



1801167000\_PG 3 OF 3

## SECTION 2 - TURNTABLE

**FIGURE 2-38. HOOD INSTALLATION (Prior to SN 0300205509)**

ITEM	PART NUMBER	QTY	DESCRIPTION	REV
		Ref	Note: Replacement Decals Must Be Ordered Separately - See DECALS SECTION.	
	1001157000	Ref	<b>HOOD INSTALLATION (Prior to SN 0300205509)</b>	J
1	0100011	AR	Compound, Locking	
2	0630615001	8	Bolt M8 x 16	
3	0701014001	22	Bolt M10 x 30	
4	0701015	2	Bolt M10 x 35	
6	1001110853	1	Bolt M16 x 70	
7	0712426	1	Bolt M24 x 90 Grade 10.9	
8	0760808001	4	Bolt M8 x 16	
9	0760810001	2	Bolt M8 x 20	
10	0761018	12	Bolt M10 x 30	
11	0761214	12	Bolt M12 x 30	
12		Ref	Bolt Options:	
12	0761215	NLA	Bolt M12 x 35 (Use p/n 0761216) <b>(Prior to SN 0300190128)</b>	
12	0761216	4	Bolt M12 x 40 <b>(SN 0300190128 through 0300205508)</b>	
13	0761012	16	Bolt M10 x 25	
14	0940049	4	Stopper	
15	3271501	8	Nut 5/16-18 Grade 8	
17	3291005	26	Nut M10	
18	3292405	3	Nut M24	
19	3900393001	4	Screw M10 x 20	
20	4711500	8	Washer 5/16	
21	4740572	10	Washer M10	
22	4811902001	AR	Washer M8	
23	1001172358	AR	Washer M10	
24	4812002001	AR	Washer M10	
25	4812100	AR	Washer M12	
26	5242400	AR	Washer M24	
27	8310643	11	Screw M8 x 25 Grade 10.9	
28	1001095136	2	Screw M24 x 110 Grade 10.9	
29	1001118274	28	Nut M8	
30	1001149160	8	Nut, Tinnerman	
31	1001155438	1	Hood - Engine Side (See Items 101-122 for Breakdown)	
32	1001155456	1	Hood - Tank Side (See Items 201-217 for Breakdown)	
33	1001155591	2	Bracket	
34	1001155734	1	Cover	
35	1001155832	1	Plate	
36	1001155880	1	Cover, Counterweight	
37	1001155902	8	Bracket	
38	1001155908	1	Cover	
39	1001155909	1	Cover	
40	1001155918	1	Cover	
41	1001155919	1	Cover	
42	1001156242	NLA	Spring, Gas (Use p/n 1001227710)	
43	1001169081	1	Cover	
44	1001156456	1	Bracket	
45	1001156457	1	Bracket	
46	1001156520	1	Panel	
47	1001157217	1	Trough	

## SECTION 2 - TURNTABLE

ITEM	PART NUMBER	QTY	DESCRIPTION	REV
48	1001157218	1	Trough	
49	1001157219	1	Trough	
50	1001157223	1	Panel	
51	1001157224	1	Panel	
52	1001157730	1	Bracket	
53	1001157731	2	Bracket	
54	1001157732	1	Bracket	
55	1001159652	2	Cover	
56	1001159653	2	Cover	
57	0760812001	26	Bolt M8 x 25	
58	3290805	5	Nut M8	
59	3291007	18	Nut M10	
60	4811900	8	Washer M8	
61	1001165306	2	Brace	
	1001155438	Ref	HOOD ASSEMBLY - ENGINE SIDE	C
		Ref	Note: Replacement Decals Must be Ordered Separately - See DECAL SECTION.	
101	0100011	AR	Compound, Locking	
102	0641408	4	Bolt 1/4-20 x1	
103	0700616	1	Bolt 5/16-18 x 3/4	
104	0761012	6	Bolt M10 x 25	
105	2560187	1	Handle, Push Button	
106	2940173	1	Latch	
107	3290601	1	Nut M6	
108	3520032	1	Plug	
109	3900363	2	Screw M6 x 25	
110	4711400	AR	Washer 1/4	
111	4811900	AR	Washer M8	
112	4812000	AR	Washer M10	
113	3520173	2	Plug	
114	1001155437	1	Hood	
115	1001155584	2	Plate	
116	1001156347	2	Hinge	
117	3290605	6	Nut M6	
118	4811700	AR	Washer M6	
119	0760612	6	Bolt M6 x 25	
120	1001157906	1	Seal	
121	1001157907	1	Plate	
122	1001160505	1	Strap	
	1001155456	Ref	HOOD ASSEMBLY - TANK SIDE	D
		Ref	Note: Replacement Decals Must be Ordered Separately - See DECAL SECTION.	
201	0641408	4	Bolt 1/4-20 x1	
202	0700616	1	Bolt 5/16-18 x 3/4	
203	0761012001	6	Bolt M10 x 25	
204	2560187	1	Handle, Push Button	
205	2940173	1	Latch	
206	3290601	1	Nut M6	
207	3520032	1	Plug	
208	3900363	2	Screw M6 x 25	
209	4711400	AR	Washer 1/4	
210	4811900	AR	Washer M8	

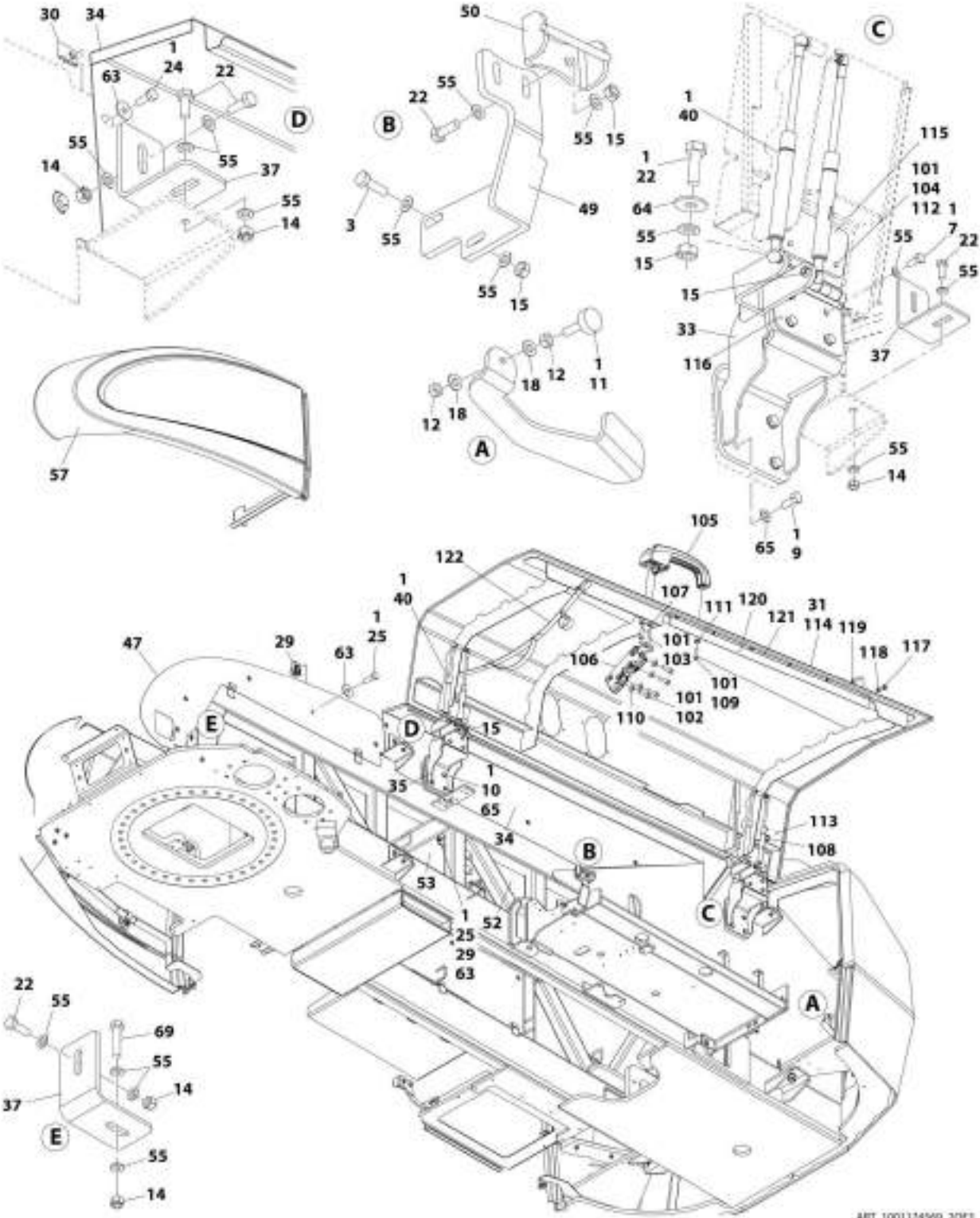
**SECTION 2 - TURNTABLE**

<b>ITEM</b>	<b>PART NUMBER</b>	<b>QTY</b>	<b>DESCRIPTION</b>	<b>REV</b>
211	1001172358	AR	Washer M10	
212	3520173	2	Plug	
213	1001155454	1	Hood	
214	1001155584	2	Plate	
215	1001156347	2	Hinge	
216	1001160505	1	Strap	
217	0100011	AR	Compound, Locking	



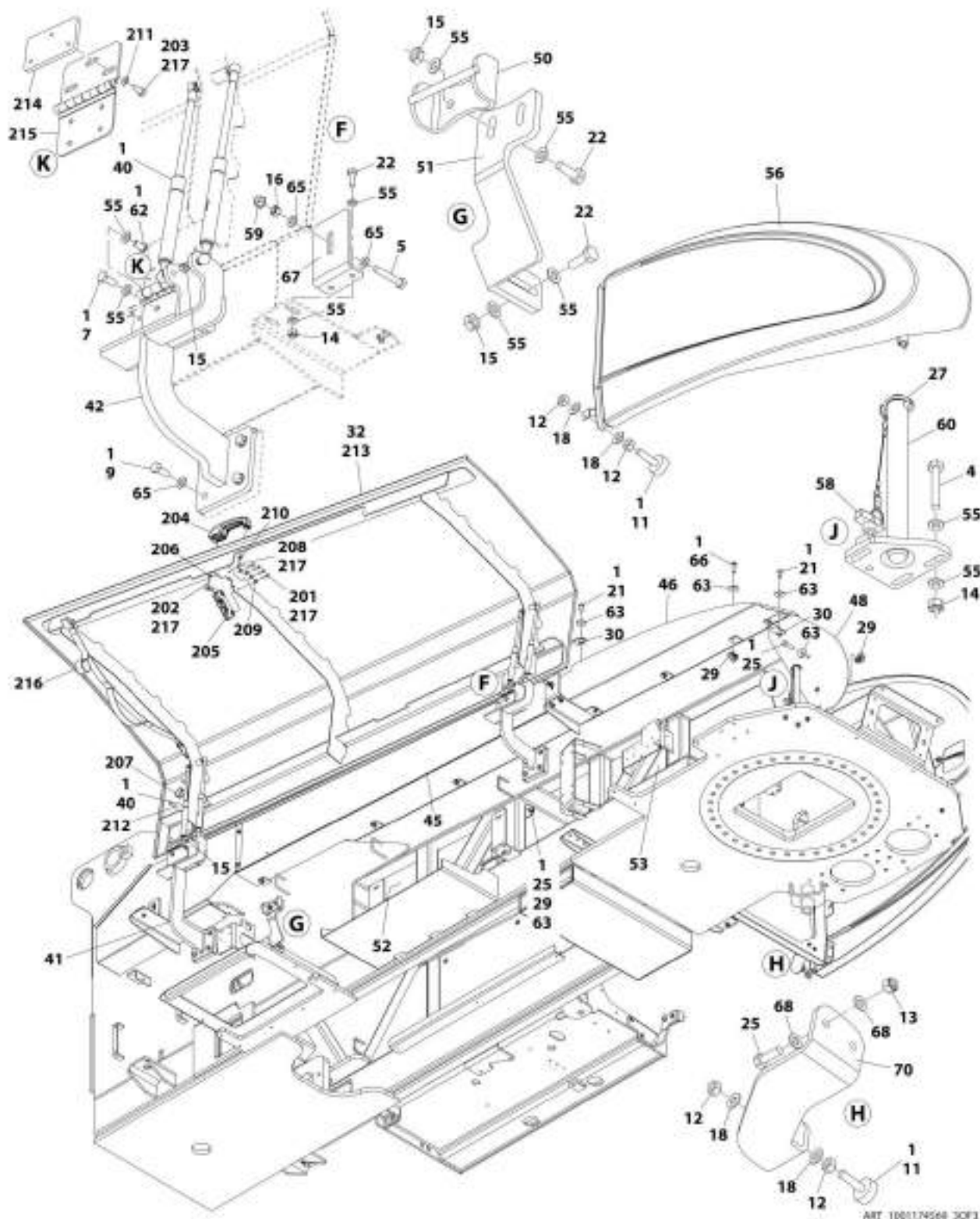


# SECTION 2 - TURNTABLE



ART\_100114569\_20F3

# SECTION 2 - TURNTABLE



ART\_1001174568\_30F1

## SECTION 2 - TURNTABLE

**FIGURE 2-39. HOOD INSTALLATION (SN 0300205509 through 0300210986)**

ITEM	PART NUMBER	QTY	DESCRIPTION	REV
		Ref	Note: Replacement Decals Must Be Ordered Separately - See DECALS SECTION.	
	1001174569	Ref	HOOD INSTALLATION (SN 0300205509 through 0300210986)	F
1	0100011	AR	Compound, Locking	
3	0701015	2	Bolt M10 x 35	
4	0701020	3	Bolt M10 x 60	
5	0761222	1	Bolt M12 x 70	
6	0712426	1	Bolt M24 x 90 Grade 10.9	
7	0761012	16	Bolt M10 x 25	
9	0761214	12	Bolt M12 x 30	
10	0761216	4	Bolt M12 x 40	
11	0940049	4	Stopper	
12	3271501	8	Nut 5/16-18 Grade 8	
13	3290805	3	Nut M8	
14	3291005001	25	Nut, Lock M10	
15	3291007	18	Nut M10	
16	3291205	1	Nut, Lock M12	
17	3292405	3	Nut M24	
18	4711500	8	Washer 5/16	
19	4740572	10	Washer M10	
20	5242400	AR	Washer M24	
21	0630615001	8	Bolt M8 x 16	
22	0701014001	19	Bolt M10 x 30	
23	0760808001	4	Bolt M8 x 16	
24	0760810001	2	Bolt M8 x 20	
25	0760812001	24	Bolt M8 x 25	
26	1001095136	2	Screw M24 x 110 Grade 10.9	
27	1001183022	1	Pin	
28	1001110853	1	Bolt M16 x 70	
29	1001118274	28	Nut M8	
30	1001149160	18	Nut, Tinnerman	
31	1001155438	1	Hood - Engine Side (See Items 101-122 for Breakdown)	
32	1001155456	1	Hood - Tank Side (See Items 201-217 for Breakdown)	
33	1001155591	2	Bracket	
34	1001155734	1	Cover	
35	1001155832	1	Plate	
36	1001155880	1	Cover, Counterweight	
37	1001155902	5	Bracket	
38	1001155908	1	Cover	
39	1001155909	1	Cover	
40	1001156242	NLA	Spring, Gas (Use p/n 1001227710)	
41	1001156456	1	Bracket	
42	1001156457	1	Bracket	
43	1001156520	1	Panel	
44	1001157217	1	Trough	
45	1001157218	1	Trough	
46	1001174597	1	Though	
47	1001157224	1	Panel	
48	1001174596	1	Panel	
49	1001157730	1	Bracket	

## SECTION 2 - TURNTABLE

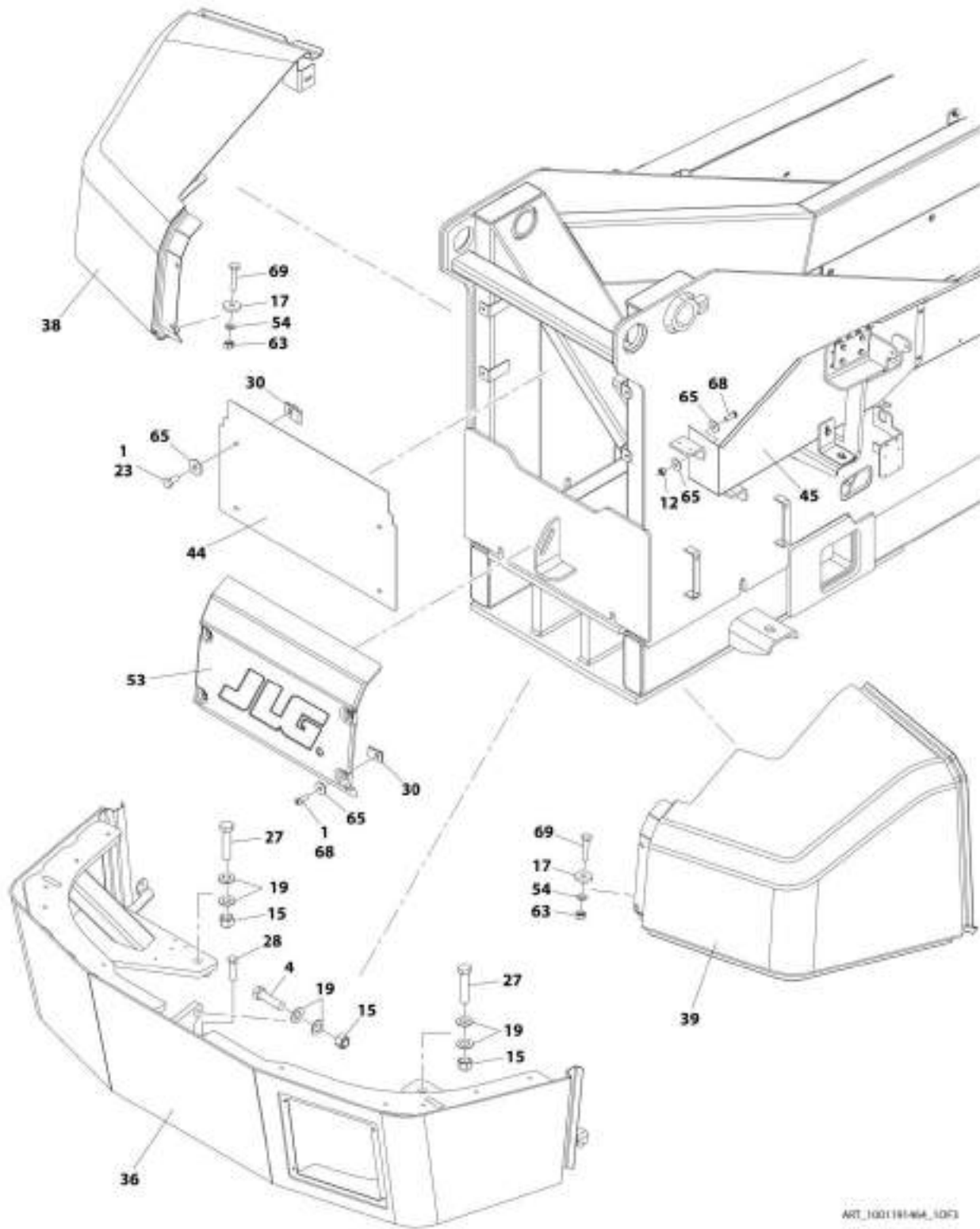
ITEM	PART NUMBER	QTY	DESCRIPTION	REV
50	1001157731	2	Bracket	
51	1001157732	1	Bracket	
52	1001159652	2	Cover	
53	1001159653	2	Cover	
54	1001169081	1	Cover	
55	1001172358	AR	Washer M10	
56	1001172781	1	Cover	
56	1001174516	1	Receiver	
56	1001183003	2	Bearing, Flange	
57	1001155918	1	Cover	
58	1001174514	1	Pin, T-Handle	
59	5261200	1	Nut M12	
60	1001174520	1	Pin, Hood Hinge	
62	3900393001	4	Screw M10 x 20	
63	4811902001	AR	Washer M8	
64	4812002001	AR	Washer M10	
65	4812100001	18	Washer M12	
66	8310643001	11	Bolt M8 x 25	
67	1001183047	1	Bracket	
68	4811900	8	Washer M8	
69	0761018001	11	Bolt M10 x 50	
70	1001165306	1	Brace	
	1001155438	Ref	HOOD ASSEMBLY - ENGINE SIDE	C
		Ref	Note: Replacement Decals Must be Ordered Separately - See DECAL SECTION.	
101	0100011	AR	Compound, Locking	
102	0641408	4	Bolt 1/4-20 x1	
103	0700616	1	Bolt 5/16-18 x 3/4	
104	0761012	6	Bolt M10 x 25	
105	2560187	1	Handle, Push Button	
106	2940173	1	Latch	
107	3290601	1	Nut M6	
108	3520032	1	Plug	
109	3900363	2	Screw M6 x 25	
110	4711400	AR	Washer 1/4	
111	4811900	AR	Washer M8	
112	4812000	AR	Washer M10	
113	3520173	2	Plug	
114	1001155437	1	Hood	
115	1001155584	2	Plate	
116	1001156347	2	Hinge	
117	3290605	6	Nut M6	
118	4811700	AR	Washer M6	
119	0760612	6	Bolt M6 x 25	
120	1001157906	1	Seal	
121	1001157907	1	Plate	
122	1001160505	1	Strap	
	1001155456	Ref	HOOD ASSEMBLY - TANK SIDE	D
		Ref	Note: Replacement Decals Must be Ordered Separately - See DECAL SECTION.	
201	0641408	4	Bolt 1/4-20 x1	
202	0700616	1	Bolt 5/16-18 x 3/4	

**SECTION 2 - TURNTABLE**

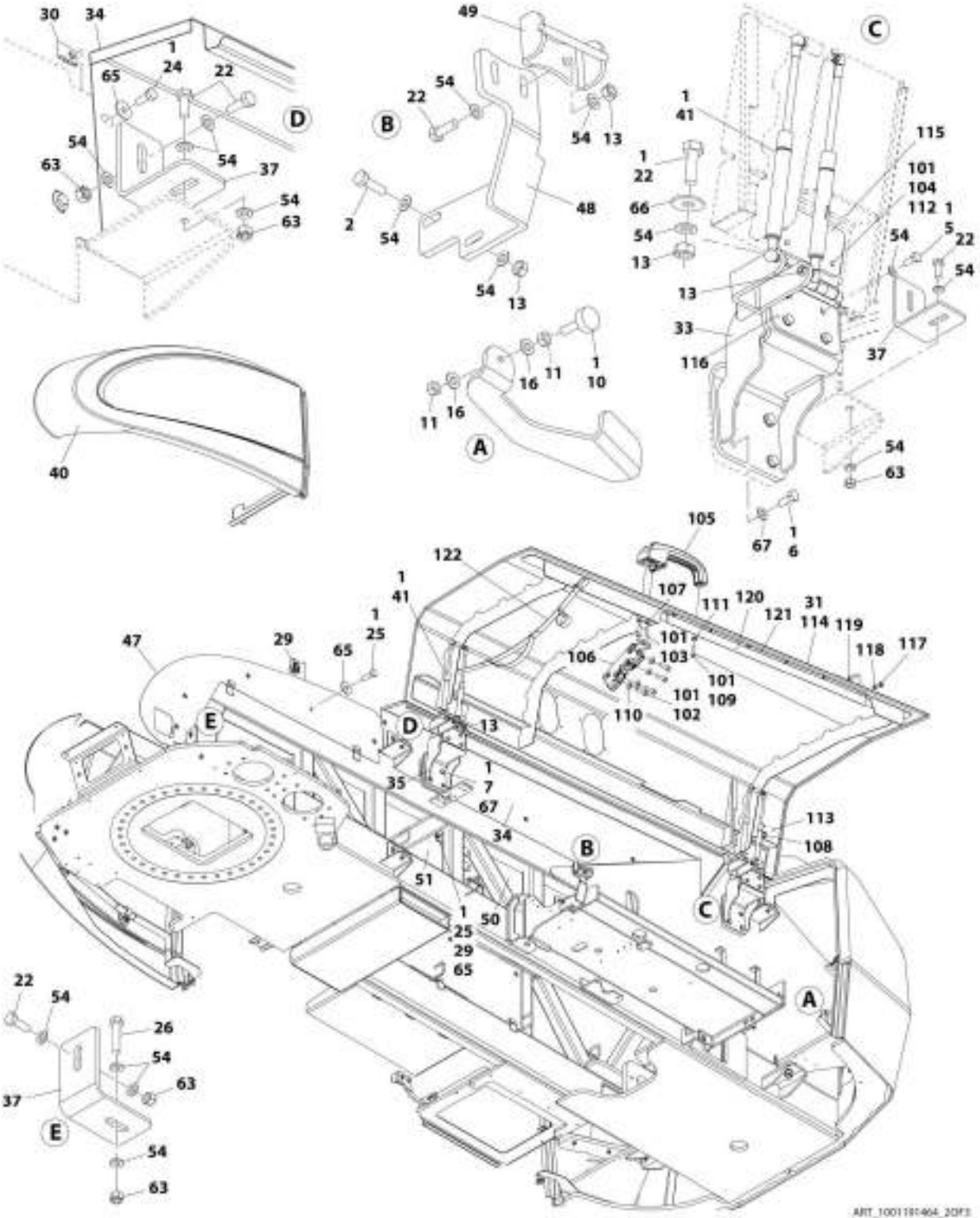
ITEM	PART NUMBER	QTY	DESCRIPTION	REV
203	0761012001	6	Bolt M10 x 25	
204	2560187	1	Handle, Push Button	
205	2940173	1	Latch	
206	3290601	1	Nut M6	
207	3520032	1	Plug	
208	3900363	2	Screw M6 x 25	
209	4711400	AR	Washer 1/4	
210	4811900	AR	Washer M8	
211	1001172358	AR	Washer M10	
212	3520173	2	Plug	
213	1001155454	1	Hood	
214	1001155584	2	Plate	
215	1001156347	2	Hinge	
216	1001160505	1	Strap	
217	0100011	AR	Compound, Locking	

## SECTION 2 - TURNTABLE

FIGURE 2-40. HOOD INSTALLATION (SN 0300210987 to Present)

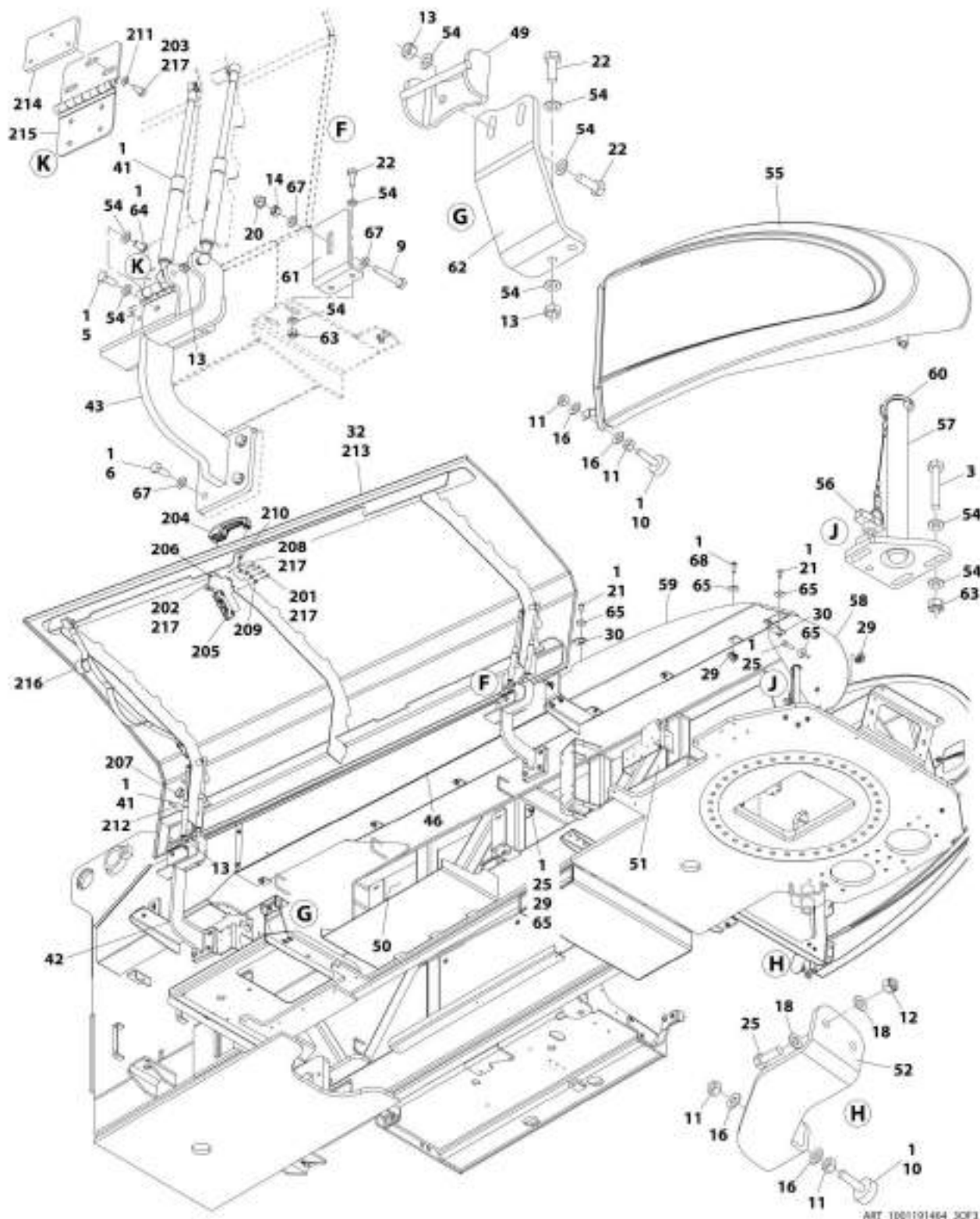


SECTION 2 - TURNTABLE



ART\_1001191464\_20F3

# SECTION 2 - TURNTABLE



ART\_1001191464\_30F3



## SECTION 2 - TURNTABLE

**FIGURE 2-40. HOOD INSTALLATION (SN 0300210987 to Present)**

ITEM	PART NUMBER	QTY	DESCRIPTION	REV
		Ref	Note: Replacement Decals Must Be Ordered Separately - See DECALS SECTION.	
	1001191464	Ref	<b>HOOD INSTALLATION (SN 0300210987 to Present)</b>	E
1	0100011	AR	Compound, Locking	
2	0701015	2	Bolt M10 x 35	
3	0701020	3	Bolt M10 x 60	
4	0712426	1	Bolt M24 x 90 Grade 10.9	
5	0761012	16	Bolt M10 x 25	
6	0761214	12	Bolt M12 x 30	
7	0761216	4	Bolt M12 x 40	
9	0761222	1	Bolt M12 x 70	
10	0940049	4	Stopper	
11	3271501	8	Nut 5/16-18 Grade 8	
12	3290805	3	Nut M8	
13	3291007	AR	Nut M10	
14	3291205	1	Nut, Lock M12	
15	3292405	3	Nut M24	
16	4711500	8	Washer 5/16	
17	4740572	10	Washer M10	
18	4811900	4	Washer M8	
19	5242400	AR	Washer M24	
20	5261200	1	Nut M12	
21	0630615001	8	Bolt M8 x 16	
22	0701014001	19	Bolt M10 x 30	
23	0760808001	4	Bolt M8 x 16	
24	0760810001	2	Bolt M8 x 20	
25	0760812001	24	Bolt M8 x 25	
26	0761018001	1	Bolt M10 x 50	
27	1001095136	2	Screw M24 x 110 Grade 10.9	
28	1001110853	1	Bolt M16 x 70	
29	1001118274	28	Nut M8	
30	1001149160	18	Nut, Tinnerman	
31	1001155438	1	Hood - Engine Side (See Items 101-122 for Breakdown)	
32	1001155456	1	Hood - Tank Side (See Items 201-217 for Breakdown)	
33	1001155591	2	Bracket	
34	1001155734	1	Cover	
35	1001155832	1	Plate	
36	1001155880	NLA	Cover, Counterweight (Use p/n 1001196553) <b>(SN 0300210987 through 0300212337)</b>	
36	1001196553	1	Cover, Counterweight <b>(SN 0300212338 to Present)</b>	
37	1001155902	5	Bracket	
38	1001155908	1	Cover	
39	1001155909	1	Cover	
40	1001155918	1	Cover	
41	1001156242	8	Spring, Gas (Use p/n 1001227710) <b>(Prior to SN 0300239479)</b>	
41	1001227710	8	Spring, Gas <b>(SN 0300239479 to Present)</b>	
42	1001156456	1	Bracket	
43	1001156457	1	Bracket	
44	1001156520	1	Panel	
45	1001157217	1	Trough	

## SECTION 2 - TURNTABLE

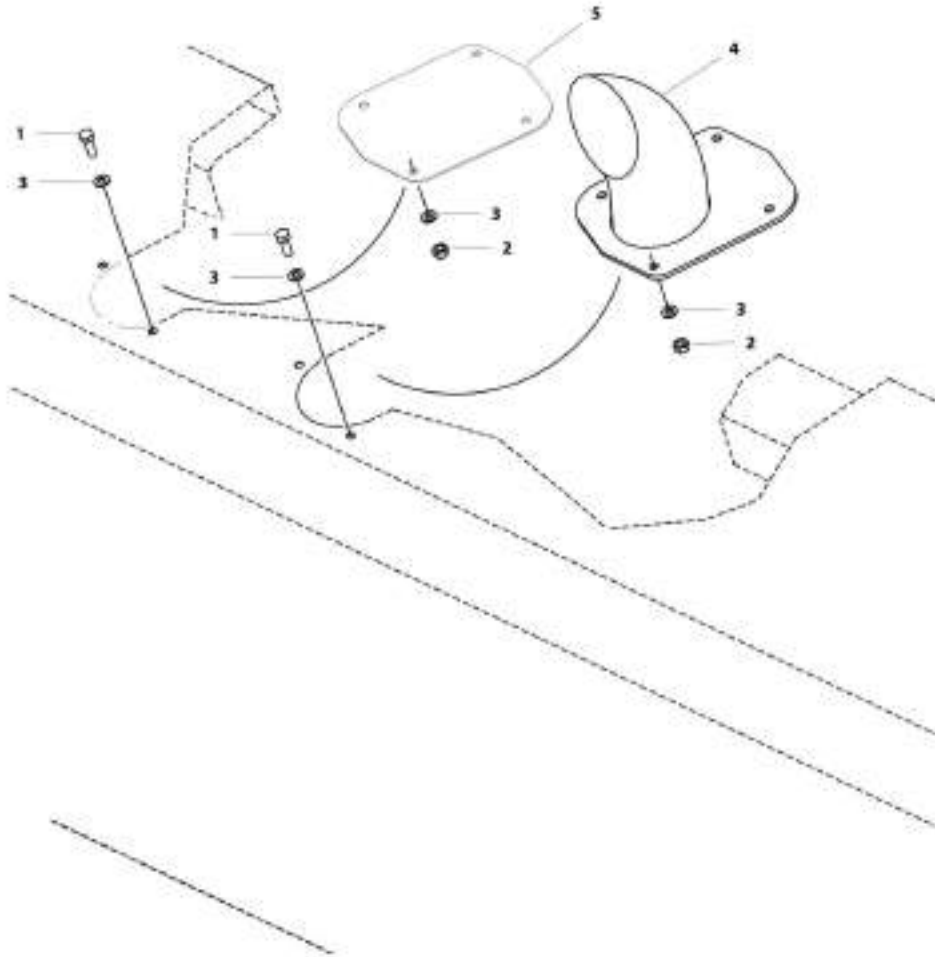
ITEM	PART NUMBER	QTY	DESCRIPTION	REV
46	1001157218	1	Trough	
47	1001157224	1	Panel	
48	1001157730	1	Bracket	
49	1001157731	2	Bracket	
50	1001159652	2	Cover	
51	1001159653	2	Cover	
52	1001165306	1	Brace	
53	1001169081	1	Cover	
54	1001172358	AR	Washer M10	
55	1001172781	1	Cover	
55	1001174516	1	Receiver	
55	1001183003	2	Bearing, Flange	
56	1001174514	1	Pin, T-Handle	
57	1001174520	1	Pin, Hood Hinge	
58	1001174596	1	Panel	
59	1001174597	1	Though	
60	1001183022	1	Pin	
61	1001183047	1	Bracket	
62	1001189009	1	Bracket	
63	3291005001	25	Nut, Lock M10	
64	3900393001	4	Screw M10 x 20	
65	4811902001	AR	Washer M8	
66	4812002001	AR	Washer M10	
67	4812100001	18	Washer M12	
68	8310643001	11	Bolt M8 x 25	
69	0761018001	10	Bolt M10 x 50 (SN 0300210987 through 0300212337)	
69	0761016001	10	Bolt M10 x 40 (SN 0300212338 to Present)	
	1001155438	Ref	HOOD ASSEMBLY - ENGINE SIDE	C
		Ref	Note: Replacement Decals Must be Ordered Separately - See DECAL SECTION.	
101	0100011	AR	Compound, Locking	
102	0641408	4	Bolt 1/4-20 x1	
103	0700616	1	Bolt 5/16-18 x 3/4	
104	0761012	6	Bolt M10 x 25	
105	2560187	1	Handle, Push Button	
106	2940173	1	Latch	
107	3290601	1	Nut M6	
108	3520032	1	Plug	
109	3900363	2	Screw M6 x 25	
110	4711400	AR	Washer 1/4	
111	4811900	AR	Washer M8	
112	4812000	AR	Washer M10	
113	3520173	2	Plug	
114	1001155437	1	Hood	
115	1001155584	2	Plate	
116	1001156347	2	Hinge	
117	3290605	6	Nut M6	
118	4811700	AR	Washer M6	
119	0760612	6	Bolt M6 x 25	
120	1001157906	1	Seal	
121	1001157907	1	Plate	
122	1001160505	1	Strap	

**SECTION 2 - TURNTABLE**

ITEM	PART NUMBER	QTY	DESCRIPTION	REV
	1001155456	Ref	HOOD ASSEMBLY - TANK SIDE	D
		Ref	Note: Replacement Decals Must be Ordered Separately - See DECAL SECTION.	
201	0641408	4	Bolt 1/4-20 x1	
202	0700616	1	Bolt 5/16-18 x 3/4	
203	0761012001	6	Bolt M10 x 25	
204	2560187	1	Handle, Push Button	
205	2940173	1	Latch	
206	3290601	1	Nut M6	
207	3520032	1	Plug	
208	3900363	2	Screw M6 x 25	
209	4711400	AR	Washer 1/4	
210	4811900	AR	Washer M8	
211	1001172358	AR	Washer M10	
212	3520173	2	Plug	
213	1001155454	1	Hood	
214	1001155584	2	Plate	
215	1001156347	2	Hinge	
216	1001160505	1	Strap	
217	0100011	AR	Compound, Locking	

# SECTION 2 - TURNTABLE

## FIGURE 2-41. VENTURI INSTALLATION



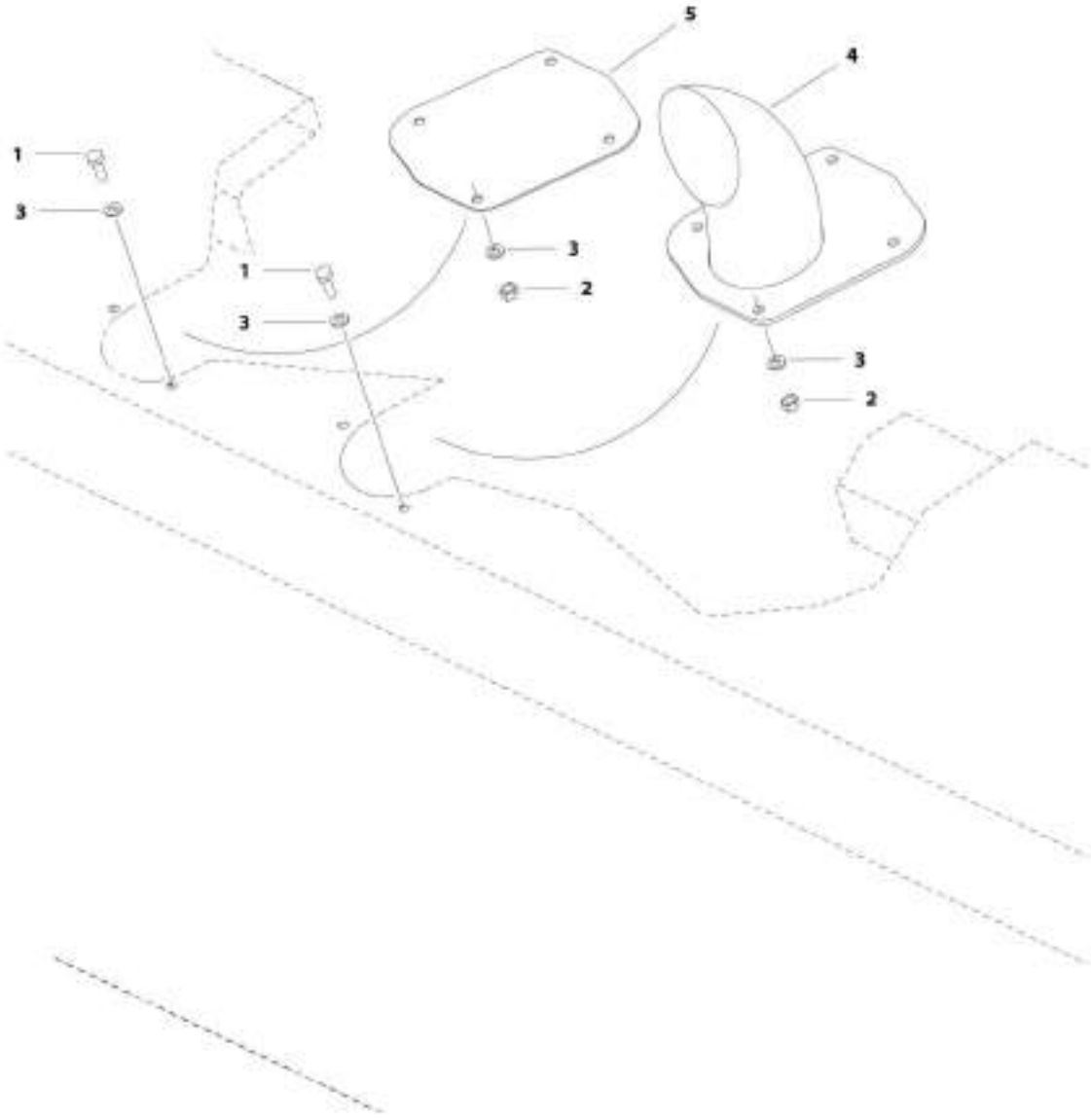
**SECTION 2 - TURNTABLE**

**FIGURE 2-41. VENTURI INSTALLATION**

ITEM	PART NUMBER	QTY	DESCRIPTION	REV
	1001161488	Ref	VENTURI INSTALLATION (HRC) (ALL SPECS EXCEPT ANSI EXPORT AND AUSTRALIAN SPECS)	E
	1001161488	Ref	VENTURI INSTALLATION (HRC) (ANSI EXPORT AND AUSTRALIAN SPECS) <b>(Prior to SN 0300199535)</b>	D
1	0701014001	AR	Bolt M10 x 30	
2	3291005001	AR	Nut M10	
3	1001172358	AR	Washer M10	
4	1001155527	1	Venturi, Exhaust	
5	1001190927	1	Panel <b>(SN 0300210987 to Present)</b>	

# SECTION 2 - TURNTABLE

## FIGURE 2-42. VENTURI INSTALLATION



REF\_20019000

**SECTION 2 - TURNTABLE**

**FIGURE 2-42. VENTURI INSTALLATION**

<b>ITEM</b>	<b>PART NUMBER</b>	<b>QTY</b>	<b>DESCRIPTION</b>	<b>REV</b>
	1001190032	Ref	VENTURI INSTALLATION (LRC) (ANSI EXPORT, AUSTRALIAN, CE (CLR) AND CHINA SPECS) <b>(SN 0300199535 to Present)</b>	B
1	0701014001	AR	Bolt M10 x 30	
2	3291005001	AR	Nut M10	
3	1001172358	AR	Washer M10	
4	1001161470	1	Venturi, Exhaust	
5	1001190927	1	Panel <b>(SN 0300210987 to Present)</b>	

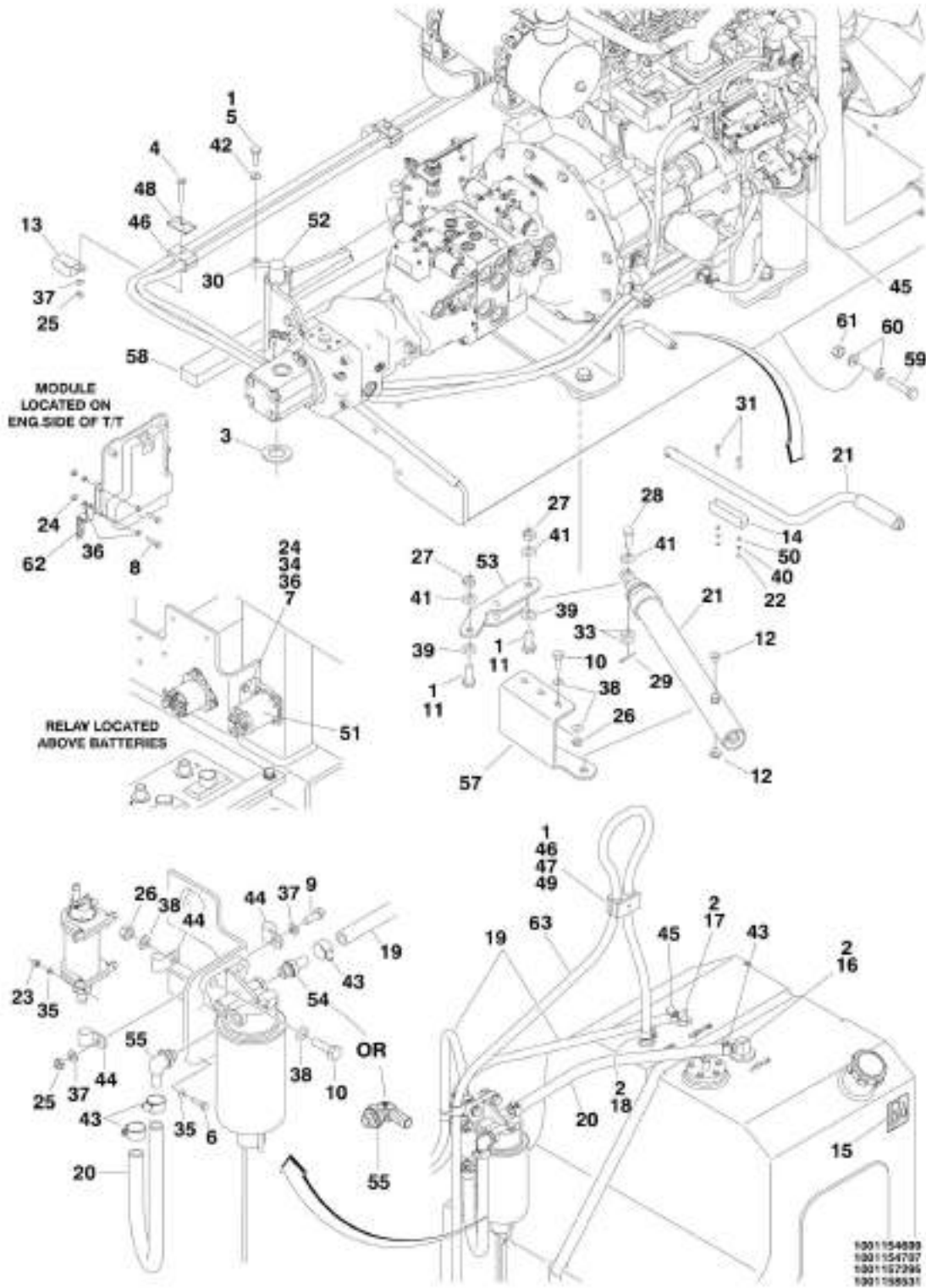




**SECTION 3 - ENGINE**

# SECTION 3 - ENGINE

## FIGURE 3-1. DEUTZ LRC ENGINE INSTALLATION - NO COLD WEATHER PKG



## SECTION 3 - ENGINE

**FIGURE 3-1. DEUTZ LRC ENGINE INSTALLATION - NO COLD WEATHER PKG**

ITEM	PART NUMBER	QTY	DESCRIPTION	REV
	1001154707	Ref	DEUTZ LRC ENGINE INSTALLATION - NO COLD WEATHER PKG	L
1	0100011	AR	Compound, Locking	
2	0100020	AR	Sealant	
3	0440162	1	Bearing, Thrust	
4	0700818	3	Bolt M8 x 50	
5	0711015	1	Bolt M10 x 35 Grade 10.9	
6	0760408	4	Bolt M4 x 16	
7	0760610	2	Bolt M6 x 20	
8	0760613	4	Bolt M6 x 28	
9	0760812	1	Bolt M8 x 25	
10	0761015	5	Bolt M10 x 35	
11	0771416	2	Bolt M14 x 40 Grade 10.9	
12	0962051	2	Bearing, Flange	
13	1321716	3	Clamp	
14	1380147	1	Clip	
15	1701505	1	Decal - Fuel ( <b>Prior to SN 0300188926</b> )	
16	2180832	1	Fitting, Straight NPT/Barbed	
17	2220313	1	Fitting, 90 NPT/Barbed	
18	2221114	1	Fitting, Straight NPT/Barbed	
19	1001165035	35 ft/10.5m	Hose	
20	2720615	3 ft/1m	Hose ( <b>Prior to SN 0300239993</b> )	
20	1001154405	4.5 ft /1.37m	Hose ( <b>SN 0300239993 to Present</b> )	
21	2840016	1	Jack with Handle	
21	7016374	1	Handle (Burr Manufacturing Brand)	
21	7024598	1	Handle (Hammerblow Corp Brand)	
21	7016322	1	Wiper (Burr Manufacturing Brand Only)	
22	3290301	2	Nut M3	
23	3290405	4	Nut M4	
24	3290607	6	Nut M6	
25	3290807	4	Nut M8	
26	3291007	5	Nut M10	
27	3331411	2	Nut M14	
28	3430816	1	Pin	
29	3450404	1	Pin, Cotter 1/8 x 1	
30	3841143	1	Keeper	
31	4010308	2	Screw M3 x16	
32	4240099	AR	Tie-Strap (Not Shown)	
33	4711800	2	Washer 1/2	
34	4791400	2	Washer 1/4	
35	4811400	8	Washer M4	
36	4811700	10	Washer M6	
37	4811900	5	Washer M8	
38	4812000	10	Washer M10	
39	4812200	4	Washer M14	
40	4871200	2	Washer M3	
41	4891800	1	Washer 1/2	
42	5241000	1	Washer M10	
43	8405006	4	Clamp ( <b>Prior to SN 0300250353</b> )	

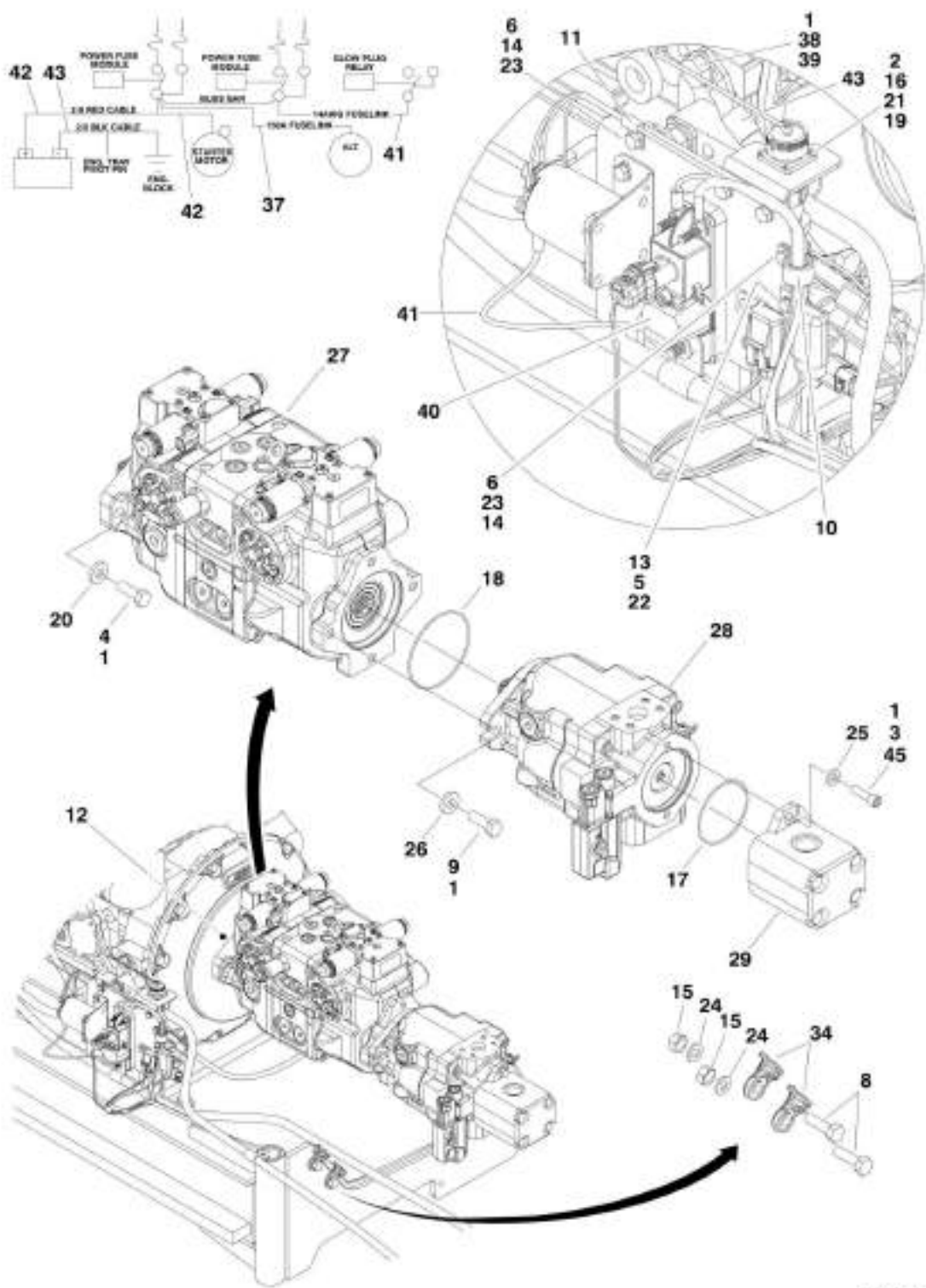
## SECTION 3 - ENGINE

ITEM	PART NUMBER	QTY	DESCRIPTION	REV
43	1001186342	4	Clamp (SN 0300250353 to Present)	
44	8406101	3	Clip	
45	8410013	5	Clamp	
46	8750014	4	Clamp	
47	8750031	1	Plate	
48	8769128	3	Cover	
49	1001101580	1	Screw M8 x 30	
50	1001110544	2	Washer M3	
51	1001117308	2	Relay	
52	1001135196	1	Pin	
53	1001135497	1	Support	
54	1001141718	1	Fitting, Straight NPT/Barbed (Prior to SN 0300250353)	
55	1001142501	AR	Fitting, 90 NPT/Barbed	
57	1001155939	1	Plate	
58	1001156719	1	Seal	
59	0642220	1	Bolt 3/4-10 x 2-1/2	
60	4712200	2	Washer 3/4	
61	8310067	1	Nut 3/4-10	
62	1001159162	1	Bracket, Support	
63	1001165035	7 ft/2.1m	Hose (Prior to SN 0300226994)	
63	2750532	7 ft/2.1m	Hose (SN 0300226994 to Present)	



# SECTION 3 - ENGINE

FIGURE 3-2. DEUTZ LRC ENGINE/PUMP ASSEMBLY - NO COLD WEATHER PKG



1001154705P

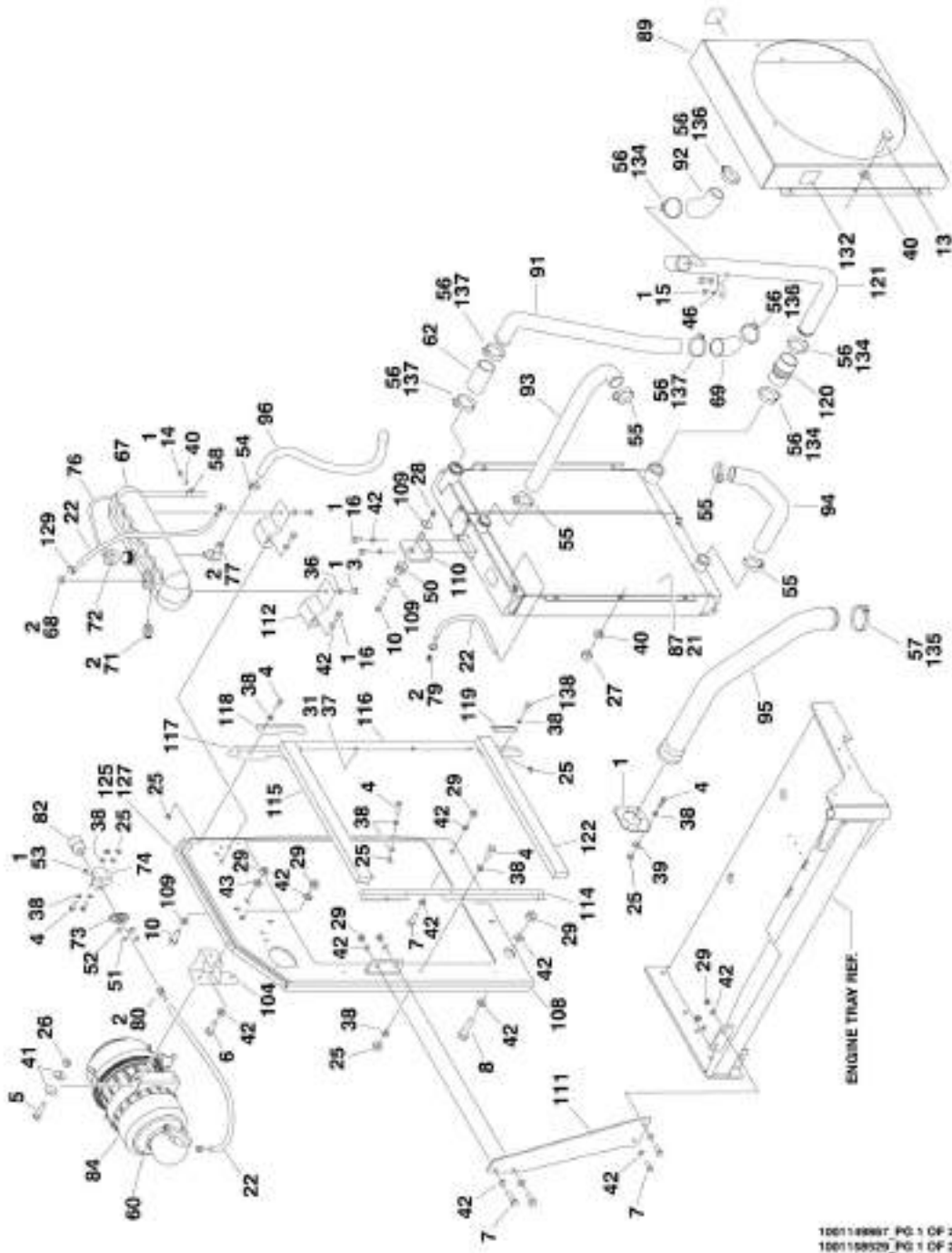
## SECTION 3 - ENGINE

**FIGURE 3-2. DEUTZ LRC ENGINE/PUMP ASSEMBLY - NO COLD WEATHER PKG**

ITEM	PART NUMBER	QTY	DESCRIPTION	REV
	1001154706	Ref	DEUTZ LRC ENGINE/PUMP ASSEMBLY - NO COLD WEATHER PKG	I
1	0100011	AR	Compound, Locking	
2	0100035	AR	Compound, Locking	
3	0641608	2	Bolt 3/8-18 x 1 ( <b>Prior to SN 0300216486</b> )	
4	0841812	2	Bolt 1/2-13 x 1-1/2	
5	0700510	1	Bolt M5 x 20	
6	0760610	2	Bolt M6 x 20	
8	0761015	2	Bolt M10 x 35	
9	0761215	2	Bolt M12 x 35	
10	1320041	1	Clamp	
11	1320136	1	Clamp	
12	3020037	AR	Lubricant	
13	3290507	1	Nut M5	
14	3290607	2	Nut M6	
15	3291007	2	Nut M10	
16	3310401	3	Nut #4-40NC	
17	3790152	1	O-Ring	
18	3790155	1	O-Ring	
19	3910408	3	Screw #4-40 x 1/2	
20	4740171	2	Washer	
21	4750400	3	Washer #4	
22	4811600	2	Washer M5	
23	4811700	2	Washer M6	
24	4812000	2	Washer M10	
25	4891600	2	Washer 3/8	
26	4891800	2	Washer 1/2	
27	1001108616	1	Tandem Pump Assembly (See TANDEM PUMP ASSEMBLY for Breakdown)	
28	1001169892	1	Piston Pump Assembly (See PISTON PUMP ASSEMBLY for Breakdown)	
29	1001112927	1	Gear Pump Assembly (See GEAR PUMP ASSEMBLY for Breakdown)	
31	1001149971	1	Harness, Engine (Not Shown - See ELECTRICAL SECTION for Breakdown)	
33	1001156001	1	Harness Can (Not Shown - See ELECTRICAL SECTION for Breakdown)	
34	1001156107	2	Holder, Cable	
35	1001156718	1	Seal (Not Shown - Located on Side of Radiator Mounting Plate)	
36	1001156719	1	Seal (Not Shown)	
37	1001157073	1	Cable, Alternator Power	
38	0761210	1	Bolt M12 x 20	
39	4812100	1	Washer M12	
40	1001135027	1	Insulator	
41	1001141304	1	Wire, Glow Plug	
42	1001154142	1	Cable, Battery (Positive)	
43	1001154143	1	Cable, Battery (Negative)	
44	1001168734	1	Wire, Glow Plug (Not Shown)	
45	3931620	2	Screw 3/8 x 1-1/4 ( <b>SN 0300216486 to Present</b> )	

# SECTION 3 - ENGINE

## FIGURE 3-3. DEUTZ LRC ENGINE ASSEMBLY - NO COLD WEATHER PKG







## SECTION 3 - ENGINE

FIGURE 3-3. DEUTZ LRC ENGINE ASSEMBLY - NO COLD WEATHER PKG

ITEM	PART NUMBER	QTY	DESCRIPTION	REV
	1001149867	Ref	DEUTZ LRC ENGINE ASSEMBLY - NO COLD WEATHER PKG	O
1	0100011	AR	Compound, Locking	
2	0100020	AR	Sealant	
3	0641606	2	Bolt 3/8-18 x 3/4	
4		Ref	Bolt Options:	
4	0700610	22	Bolt M6 x 20 <b>(Prior to SN 0300190128)</b>	
4	0700612	20	Bolt M6 x 25 <b>(SN 0300190128 to Present)</b>	
5	0700815	2	Bolt M8 x 35	
6	0701013	2	Bolt M10 x 28	
7	0701015	6	Bolt M10 x 35	
8	0701016	2	Bolt M10 x 40	
9	0701017	2	Bolt M10 x 45	
10	0701019	1	Bolt M10 x 55	
11	0701627	4	Bolt M16 x 100	
12	0711214	4	Bolt M12 x 30 Grade 10.9	
13	0760810	5	Bolt M8 x 20	
14	0760812	7	Bolt M8 x 25	
15	0761008	2	Bolt M10 x 16	
16	0761012	10	Bolt M10 x 25	
17	0761210	3	Bolt M12 x 20	
18	0771414	4	Bolt M14 x 30 Grade 10.9	
18	0771415	4	Bolt M14 x 35 Grade 10.9	
19	0961951	2	Bushing	
20	1321716	1	Clamp	
21	2300004	13.2 qt/ 12.5L	Coolant, Anti-Freeze <b>(Prior to SN 0300212076)</b>	
21	1001103452	13.2 qt/ 12.5L	Coolant, Anti-Freeze <b>(SN 0300212076 to Present)</b>	
22	2720015	5 ft/1.5m	Hose	
23	2720340	1 ft/30.5m	Hose <b>(Prior to SN 0300242692)</b>	
23	1001165035	1 ft/30.5m	Hose <b>(SN 0300242692 to Present)</b>	
24	2902065	1	Pump Coupling Kit (See PUMP COUPLING KIT for Breakdown)	
25	3290607	23	Nut M6	
26	3290805	2	Nut M8	
27	3290807	9	Nut M8	
28	3291005	1	Nut M10	
29	3291007	10	Nut M10	
30	3291601	4	Nut M16	
31	3820032	9	Rivet	
32	5251022	6	Bolt M10 x 70	
33		Ref	Capscrew Options:	
33	4031910	4	Capscrew M8 x 30 <b>(Prior to SN 0300190128)</b>	
33	4031912	4	Capscrew M8 x 40 <b>(SN 0300190128 to Present)</b>	
34	4240099	AR	Tie-Strap (Not Shown)	
35	4640751	1	Valve, Oil Drain	
36	4711600	2	Washer 3/8	
37	4811600	4	Washer M5	
38	4811700	41	Washer M6	
39	4811702	4	Washer M6	
40	4811900	25	Washer M8	

## SECTION 3 - ENGINE

ITEM	PART NUMBER	QTY	DESCRIPTION	REV
41	4811902	4	Washer M8	
42	4812000	34	Washer M10	
43	4812002	1	Washer M10	
44	4812100	11	Washer M12	
45	4812200	4	Washer M14	
46	5241000	2	Washer M10	
47	5241600	4	Washer M16	
48	5271614	1	Capscrew M16 x 50	
49	7300435	4	Washer	
50	8278020	1	Mount	
51	8305401	2	Nut 1/4	
52	8307109	2	Washer 1/4	
53	8310548	2	Screw 1/4 x 1/2	
54	8405007	2	Clamp	
55	8405104	4	Clamp	
56	8405201	8	Clamp <b>(Prior to SN 0300213776)</b>	
57	8405204	1	Clamp <b>(Prior to SN 0300213776)</b>	
58	8406109	2	Clamp	
59	8406303	1	Clip	
60	8410011	1	Clamp	
61	8410013	3	Clamp	
62	91563070	1	Coupling, Rubber	
63	1001111116	2	Clamp	
64	1001117308	1	Relay	
65	1001119727	2	Clamp	
67	1001166393	1	Tank	
68	1001134488	1	Fitting, 90 NPT/Barbed	
69	1001135943	1	Coupling	
70	1001136079	9.6 qt/ 9.1L	Oil, Motor	
71	1001138827	1	Sensor	
72	1001136834	1	Cap	
73	1001138173	1	Support	
74	1001138175	1	Bracket	
75	1001138228	1	Module, Relay	
75	70023592	1	Fuse 20Amp	
75	70023593	1	Fuse 30Amp	
76	1001138248	5 ft/1.5m	Tubing	
77	1001138559	1	Fitting, 90 NPT	
78	1001139240	1	Bracket	
79	1001140564	1	Fitting, 90 NPT/Barbed	
80	1001141995	1	Fitting, Straight NPT/Barbed	
81	1001142501	1	Fitting, 90 NPT/Barbed	
82	1001143390	1	Indicator, Air Restriction	
83		Ref	Fan Options:	
83	1001147567	1	Fan <b>(Prior to SN 0300190128)</b>	
83	1001177137	1	Fan <b>(SN 0300190128 to Present)</b>	
84	1001147847	1	Filter, Air	
84	70023809	1	Element	
84	70023872	1	Secondary Element	
84	70024328	1	Elbow, Rubber	
84	70024329	1	Clamp, Mounting	

## SECTION 3 - ENGINE

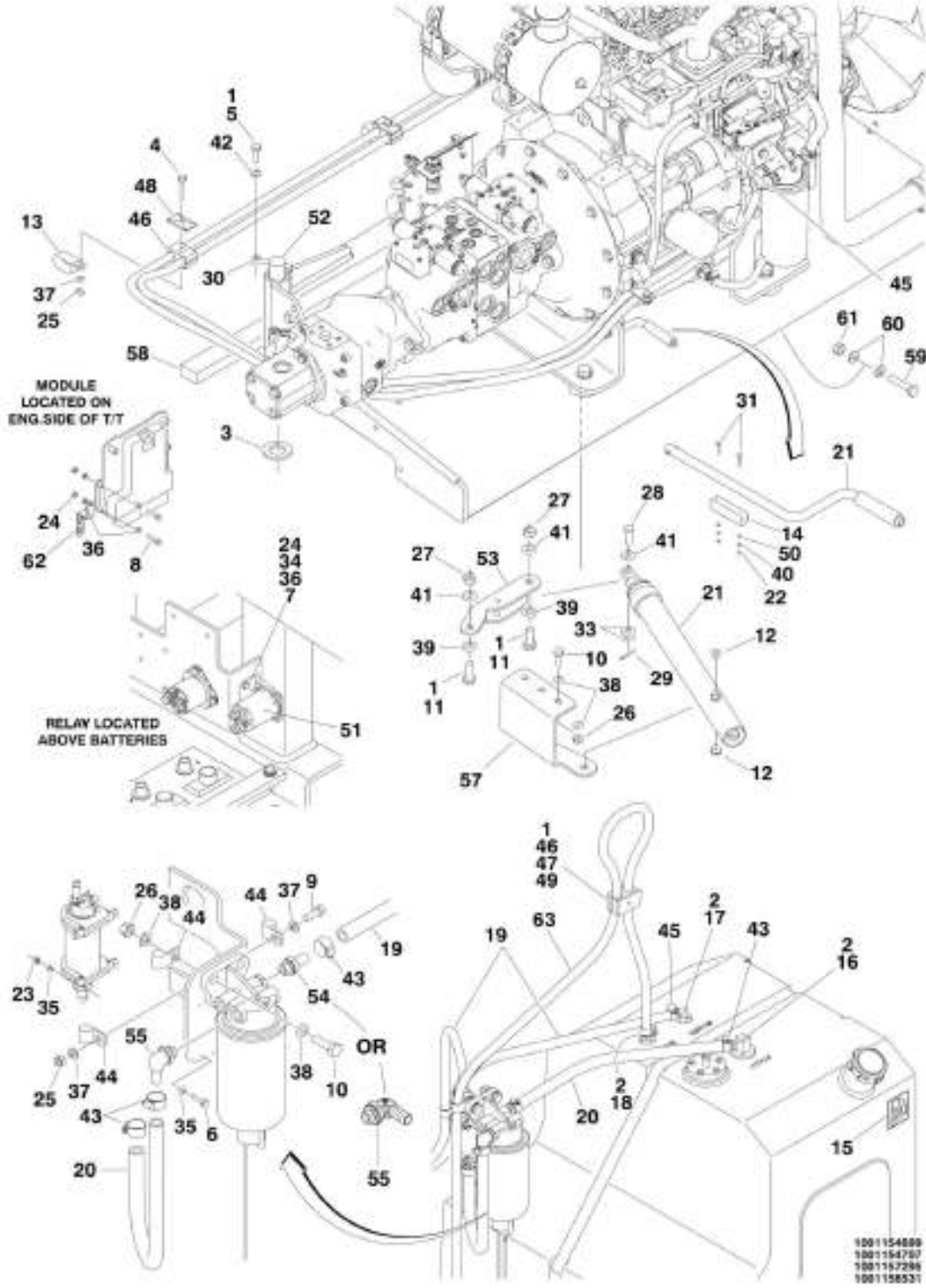
ITEM	PART NUMBER	QTY	DESCRIPTION	REV
85	1001148076	1	Deutz LRC Engine (See DEUTZ LRC ENGINE COMPONENTS for Breakdown)	
86	1001148641	2	Bracket	
87	1001149407	1	Radiator	
88	1001149517	4	Mount, Motor	
89	1001149736	1	Shroud	
90	1001149746	1	Pulley	
91	1001150498	1	Tube	
92	1001150499	1	Hose	
93	1001150500	1	Hose	
94	1001150504	1	Hose	
95	1001150505	1	Pipe	
96	1001150553	1	Hose	
97		Ref	Adapter Options:	
97	1001150900	1	Adapter <b>(Prior to SN 0300190128)</b>	
97	1001177134	1	Adapter <b>(SN 0300190128 to Present)</b>	
98	1001151432	1	Muffler	
99	1001151491	1	Support	
100	1001151749	1	Tray	
101	1001151761	1	Pipe, Exhaust	
102	1001152489	1	Fitting, 90 Barbed	
103	1001154405	8.5 in/ 21cm	Hose	
104	1001155023	1	Plate	
105	1001155496	1	Support	
106	1001160518	1	Support	
107	1001155498	1	Plate	
108	1001155525	1	Support	
109	1001155540	2	Washer	
110	1001157862	1	Bracket	
111	1001155550	1	Plate <b>(Prior to SN 0300228229)</b>	
111	1001212817	1	Plate <b>(SN 0300228229 to Present)</b>	
112	1001155557	2	Plate	
113	1001155563	1	Seal	
114	1001155564	1	Bracket	
115	1001155565	1	Seal	
116	1001155566	1	Bracket	
117	1001156034	1	Seal	
118	1001156035	1	Bracket	
119	1001156062	1	Bracket	
120	1001156091	1	Hose	
121	1001156112	1	Tube	
122	1001156644	2	Seal	
123	1001158262	1	Pipe, Exhaust	
124	1001158289	1	Bracket	
125	1001155728	1	Seal	
126	4060807	22 in/ 55cm	Flex-Trim	
127	0100081	AR	Adhesive	
128	0711218	4	Bolt M12 x 50 Grade 10.9	
129	1320022	4	Clamp <b>(Prior to SN 0300228229)</b>	
130	1001170982	1	Fitting, 90 SAE/Barbed	

## SECTION 3 - ENGINE

ITEM	PART NUMBER	QTY	DESCRIPTION	REV
132	1703162	2	Decal - Fan Blade (SN 0300190128 to Present)	
133	1321716	1	Clamp (Prior to SN 0300190128)	
133	8406110	2	Clip (SN 0300190128 to Present)	
134	8410012	3	Clamp (SN 0300213776 to Present)	
135	1001208297	1	Clamp (SN 0300213776 to Present)	
136	1001208298	2	Clamp (SN 0300213776 to Present)	
137	1001208299	3	Clamp (SN 0300213776 to Present)	
138	0700612	2	Bolt M6 x 25	
138	0760614	2	Bolt M6 x 30	

# SECTION 3 - ENGINE

## FIGURE 3-4. DEUTZ LRC ENGINE INSTALLATION - WITH COLD WEATHER PKG



## SECTION 3 - ENGINE

**FIGURE 3-4. DEUTZ LRC ENGINE INSTALLATION - WITH COLD WEATHER PKG**

ITEM	PART NUMBER	QTY	DESCRIPTION	REV
	1001158531	Ref	DEUTZ LRC ENGINE INSTALLATION - WITH COLD WEATHER PKG	L
1	0100011	AR	Compound, Locking	
2	0100020	AR	Sealant	
3	0440162	1	Bearing, Thrust	
4	0700818	3	Bolt M8 x 50	
5	0711015	1	Bolt M10 x 35 Grade 10.9	
6	0760408	4	Bolt M4 x 16	
7	0760610	2	Bolt M6 x 20	
8	0760613	4	Bolt M6 x 28	
9	0760812	1	Bolt M8 x 25	
10	0761015	5	Bolt M10 x 35	
11	0771416	2	Bolt M14 x 40 Grade 10.9	
12	0962051	2	Bearing, Flange	
13	1321716	3	Clamp	
14	1380147	1	Clip	
15	1701505	1	Decal - Fuel <b>(Prior to SN 0300188926)</b>	
16	2180832	1	Fitting, Straight NPT/Barbed	
17	2220313	1	Fitting, 90 NPT/Barbed	
18	2221114	1	Fitting, Straight NPT/Barbed	
19	1001165035	35 ft/10.5m	Hose	
20	2720615	3 ft/1m	Hose <b>(Prior to SN 0300239993)</b>	
20	1001154405	4.5 ft /1.37m	Hose <b>(SN 0300239993 to Present)</b>	
21	2840016	1	Jack with Handle	
21	7016374	1	Handle (Burr Manufacturing Brand)	
21	7024598	1	Handle (Hammerblow Corp Brand)	
21	7016322	1	Wiper (Burr Manufacturing Brand Only)	
22	3290301	2	Nut M3	
23	3290405	4	Nut M4	
24	3290607	6	Nut M6	
25	3290807	4	Nut M8	
26	3291007	5	Nut M10	
27	3331411	2	Nut M14	
28	3430816	1	Pin	
29	3450404	1	Pin, Cotter 1/8 x 1	
30	3841143	1	Keeper	
31	4010308	2	Screw M3 x16	
32	4240099	AR	Tie-Strap (Not Shown)	
33	4711800	2	Washer 1/2	
34	4791400	2	Washer 1/4	
35	4811400	8	Washer M4	
36	4811700	10	Washer M6	
37	4811900	5	Washer M8	
38	4812000	10	Washer M10	
39	4812200	4	Washer M14	
40	4871200	2	Washer M3	
41	4891800	1	Washer 1/2	
42	5241000	1	Washer M10	

## SECTION 3 - ENGINE

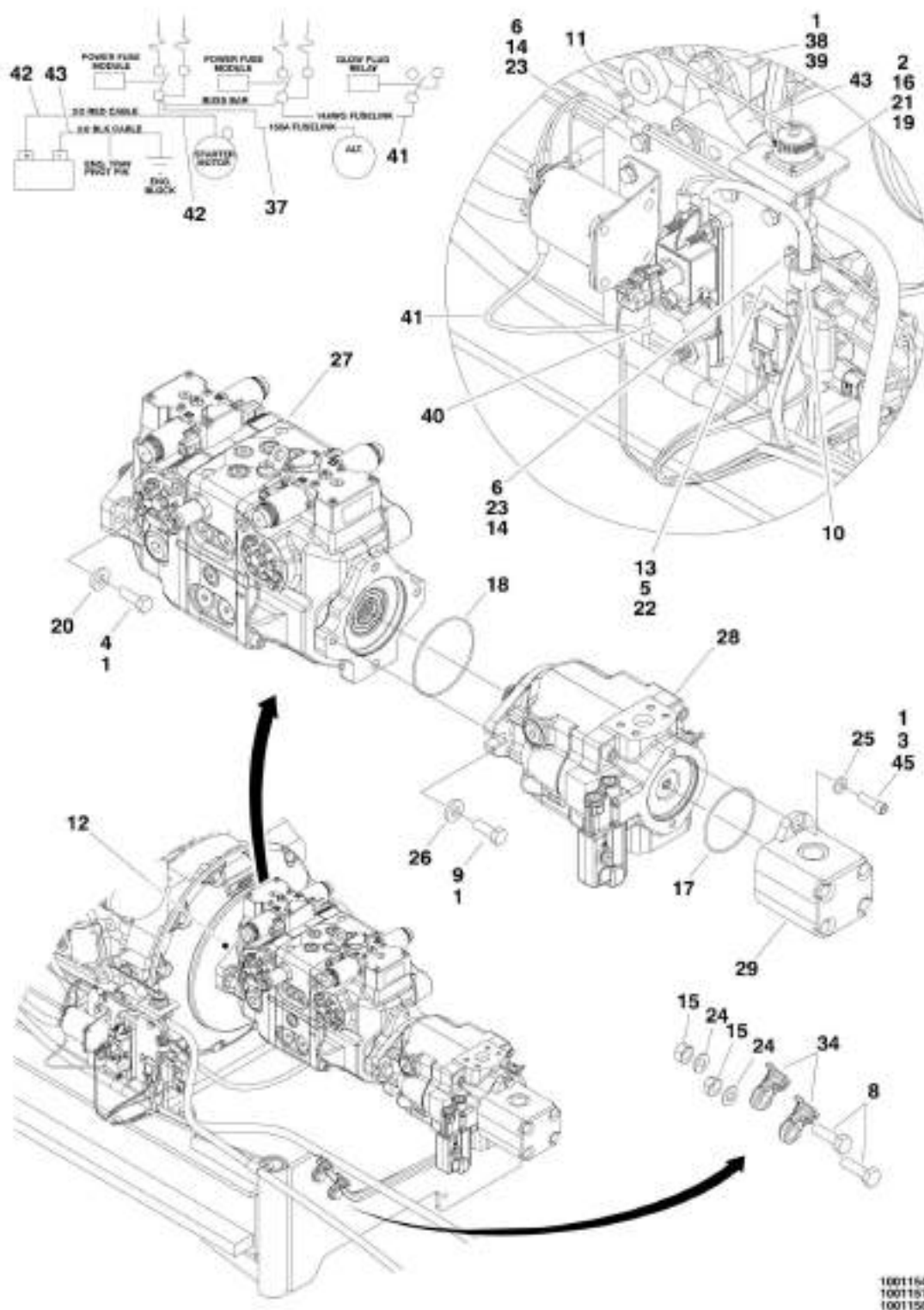
ITEM	PART NUMBER	QTY	DESCRIPTION	REV
43	8405006	4	Clamp <b>(Prior to SN 0300250353)</b>	
43	1001186342	4	Clamp <b>(SN 0300250353 to Present)</b>	
44	8406101	3	Clip	
45	8410013	5	Clamp	
46	8750014	4	Clamp	
47	8750031	1	Plate	
48	8769128	3	Cover	
49	1001101580	1	Screw M8 x 30	
50	1001110544	2	Washer M3	
51	1001117308	2	Relay	
52	1001135196	1	Pin	
53	1001135497	1	Support	
54	1001141718	1	Fitting, Straight NPT/Barbed <b>(Prior to SN 0300250353)</b>	
55	1001142501	AR	Fitting, 90 NPT/Barbed	
57	1001155939	1	Plate	
58	1001156719	1	Seal	
59	0642220	1	Bolt 3/4-10 x 2-1/2	
60	4712200	2	Washer 3/4	
61	8310067	1	Nut 3/4-10	
62	1001159162	1	Bracket, Support	
63	1001165035	7 ft/2.1m	Hose <b>(Prior to SN 0300226994)</b>	
63	2750532	7 ft/2.1m	Hose <b>(SN 0300226994 to Present)</b>	





# SECTION 3 - ENGINE

FIGURE 3-5. DEUTZ LRC ENGINE/PUMP ASSEMBLY - WITH COLD WEATHER PKG



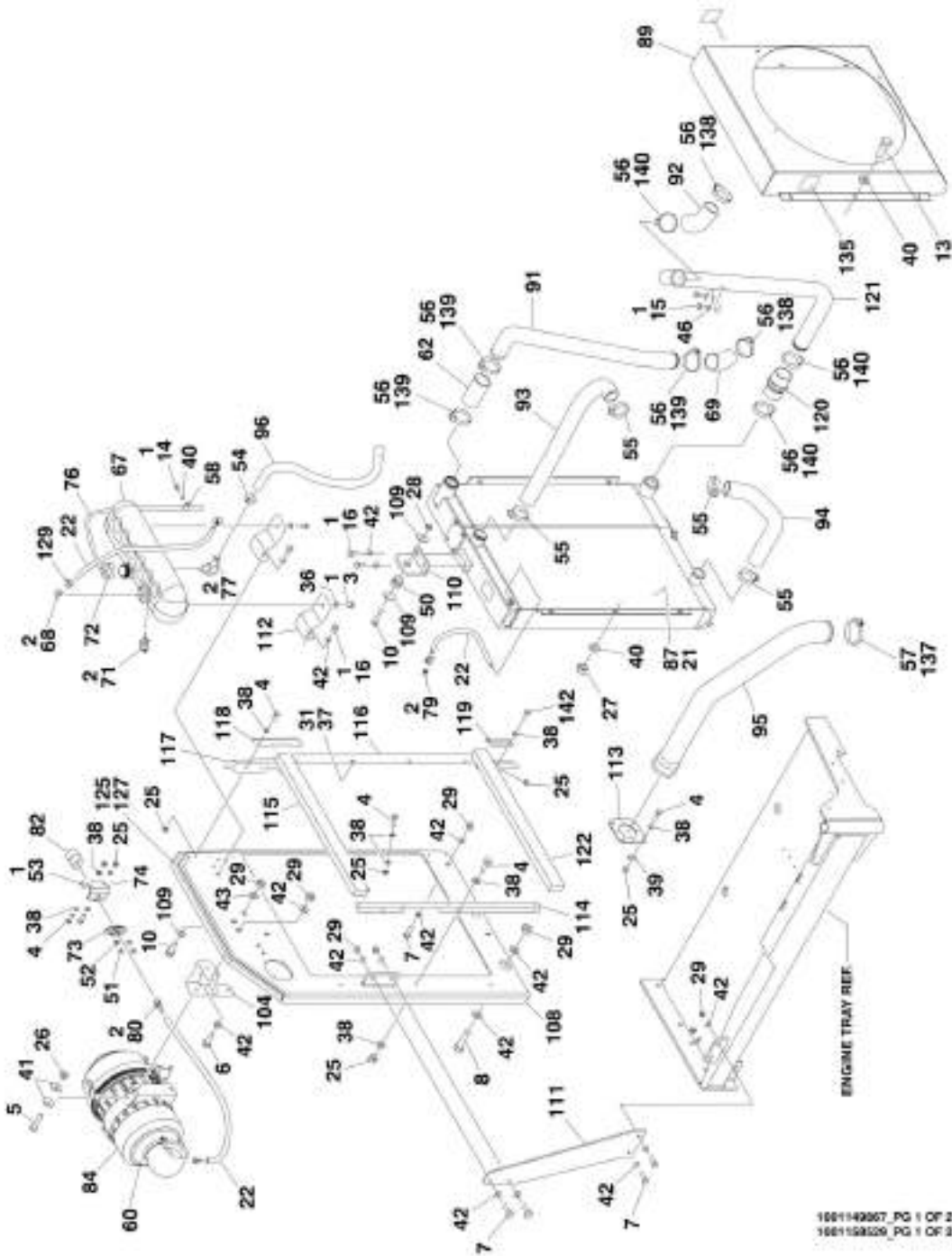
## SECTION 3 - ENGINE

**FIGURE 3-5. DEUTZ LRC ENGINE/PUMP ASSEMBLY - WITH COLD WEATHER PKG**

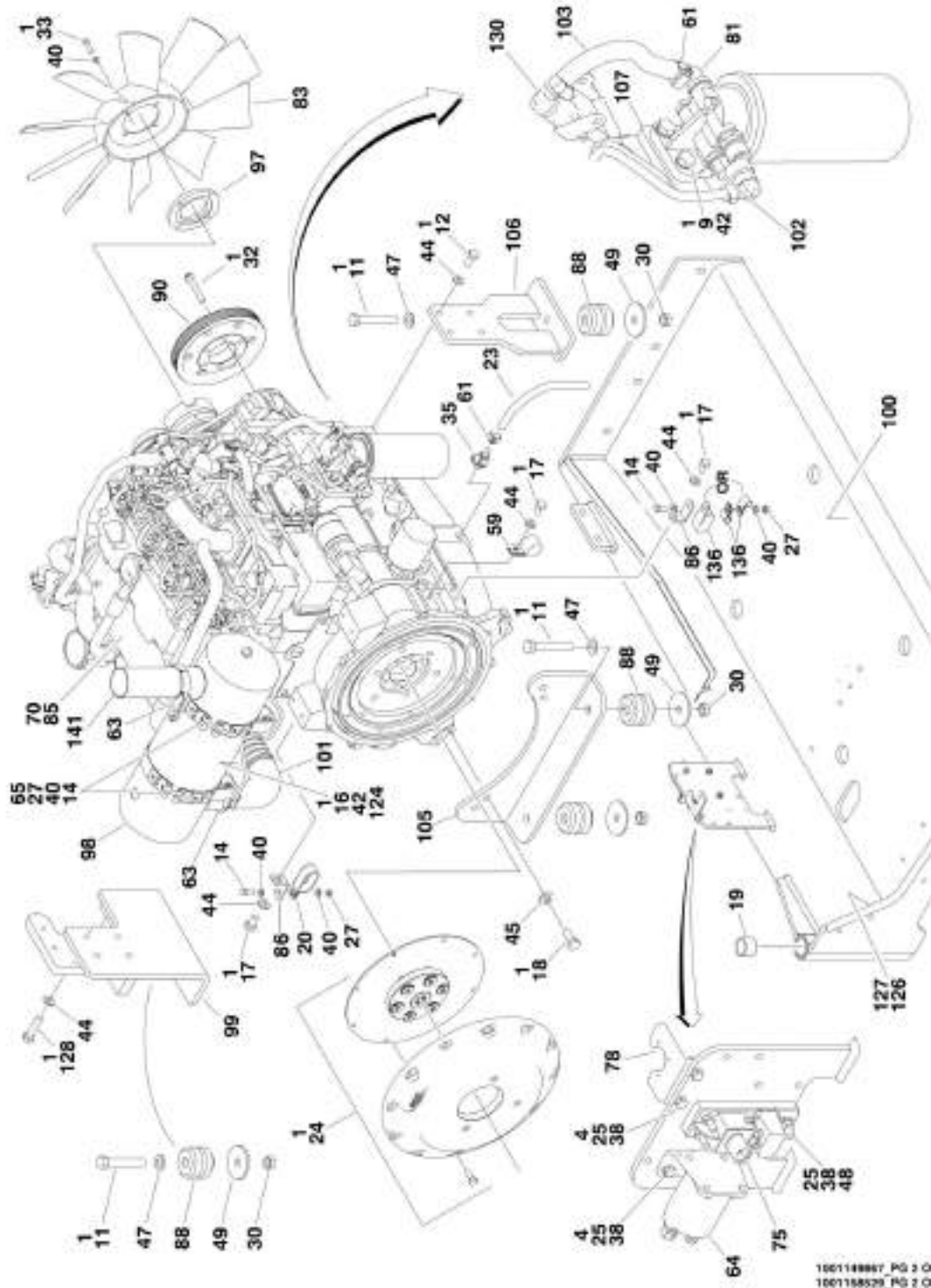
ITEM	PART NUMBER	QTY	DESCRIPTION	REV
	1001158530	Ref	DEUTZ LRC ENGINE/PUMP ASSEMBLY - WITH COLD WEATHER PKG	I
1	0100011	AR	Compound, Locking	
2	0100035	AR	Compound, Locking	
3	0641608	2	Bolt 3/8-18 x 1 <b>(Prior to SN 0300216486)</b>	
4	0841812	2	Bolt 1/2-13 x 1-1/2	
5	0700510	1	Bolt M5 x 20	
6	0760610	2	Bolt M6 x 20	
8	0761015	2	Bolt M10 x 35	
9	0761215	2	Bolt M12 x 35	
10	1320041	1	Clamp	
11	1320136	1	Clamp	
12	3020037	AR	Lubricant	
13	3290507	1	Nut M5	
14	3290607	2	Nut M6	
15	3291007	2	Nut M10	
16	3310401	3	Nut #4-40NC	
17	3790152	1	O-Ring	
18	3790155	1	O-Ring	
19	3910408	3	Screw #4 x 1/2	
20	4740171	2	Washer,	
21	4750400	3	Washer #4	
22	4811600	2	Washer M5	
23	4811700	2	Washer M6	
24	4812000	2	Washer M10	
25	4891600	2	Washer 3/8	
26	4891800	2	Washer 1/2	
27	1001108616	1	Pump, Tandem (See TANDEM PUMP ASSEMBLY for Breakdown)	
28	1001169892	1	Pump, Piston (See PISTON PUMP ASSEMBLY for Breakdown)	
29	1001112927	1	Pump, Gear (See GEAR PUMP ASSEMBLY for Breakdown)	
31	1001149971	1	Harness, Engine (Not Shown - See ELECTRICAL SECTION for Breakdown)	
33	1001156001	1	Harness Can (Not Shown - See ELECTRICAL SECTION for Breakdown)	
34	1001156107	2	Holder, Cable	
35	1001156718	1	Seal (Not Shown - Located on Side of Radiator Mounting Plate)	
36	1001156719	1	Seal	
37	1001157073	1	Cable, Alternator Power	
38	0761210	1	Bolt M12 x 20	
39	4812100	1	Washer M12	
40	1001135027	1	Insulator	
41	1001141304	1	Wire, Glow Plug	
42	1001154142	1	Cable, Battery (Positive)	
43	1001154143	1	Cable, Battery (Negative)	
44	1001168734	1	Wire, Glow Plug (Not Shown)	
45	3931620	2	Screw 3/8 x 1-1/4 <b>(SN 0300216486 to Present)</b>	

# SECTION 3 - ENGINE

FIGURE 3-6. DEUTZ LRC ENGINE ASSEMBLY - WITH COLD WEATHER PKG



SECTION 3 - ENGINE



100148867\_PG 3 OF 2  
100158529\_PG 2 OF 2

## SECTION 3 - ENGINE

FIGURE 3-6. DEUTZ LRC ENGINE ASSEMBLY - WITH COLD WEATHER PKG

ITEM	PART NUMBER	QTY	DESCRIPTION	REV
	1001158529	Ref	DEUTZ LRC ENGINE ASSEMBLY - WITH COLD WEATHER PKG	O
1	0100011	AR	Compound, Locking	
2	0100020	AR	Sealant	
3	0641606	2	Bolt 3/8-18 x 3/4	
4		Ref	Bolt Options:	
4	0700610	22	Bolt M6 x 20 <b>(Prior to SN 0300190128)</b>	
4	0700612	20	Bolt M6 x 25 <b>(SN 0300190128 to Present)</b>	
5	0700815	2	Bolt M8 x 35	
6	0701013	2	Bolt M10 x 28	
7	0701015	6	Bolt M10 x 35	
8	0701016	2	Bolt M10 x 40	
9	0701017	2	Bolt M10 x 45	
10	0701019	1	Bolt M10 x 55	
11	0701627	4	Bolt M16 x 100	
12	0711214	4	Bolt M12 x 30 Grade 10.9	
13	0760810	5	Bolt M8 x 20	
14	0760812	7	Bolt M8 x 25	
15	0761008	2	Bolt M10 x 16	
16	0761012	10	Bolt M10 x 25	
17	0761210	3	Bolt M12 x 20	
18	0771414	4	Bolt M14 x 30 Grade 10.9	
18	0771415	4	Bolt M14 x 35 Grade 10.9	
19	0961951	2	Bushing	
20	1321716	1	Clamp	
21	2300041	13.2 qt/ 12.5L	Coolant, Anti-Freeze <b>(Prior to SN 0300212076)</b>	
21	1001198361	13.2 qt/ 12.5L	Coolant, Anti-Freeze <b>(SN 0300212076 through 0300228228)</b>	
21	1001103452	13.2 qt/ 12.5L	Coolant, Anti-Freeze <b>(SN 0300228229 to Present)</b>	
22	2720015	5 ft/1.5m	Hose	
23	2720340	1 ft/30.5m	Hose <b>(Prior to SN 0300242692)</b>	
23	1001165035	1 ft/30.5m	Hose <b>(SN 0300242692 to Present)</b>	
24	2902065	1	Pump Coupling Kit (See PUMP COUPLING KIT for Breakdown)	
25	3290607	23	Nut M6	
26	3290805	2	Nut M8	
27	3290807	9	Nut M8	
28	3291005	1	Nut M10	
29	3291007	10	Nut M10	
30	3291601	4	Nut M16	
31	3820032	9	Rivet	
32	5251022	6	Bolt M10 x 70	
33		Ref	Capscrew Options:	
33	4031910	4	Capscrew M8 x 30 <b>(Prior to SN 0300190128)</b>	
33	4031912	4	Capscrew M8 x 40 <b>(SN 0300190128 to Present)</b>	
34	4240099	AR	Tie-Strap (Not Shown)	
35	4640751	1	Valve, Oil Drain	
36	4711600	AR	Washer 3/8	
37	4811600	AR	Washer M5	
38	4811700	AR	Washer M6	

## SECTION 3 - ENGINE

ITEM	PART NUMBER	QTY	DESCRIPTION	REV
39	4811702	AR	Washer M6	
40	4811900	AR	Washer M8	
41	4811902	AR	Washer M8	
42	4812000	AR	Washer M10	
43	4812002	AR	Washer M10	
44	4812100	AR	Washer M12	
45	4812200	AR	Washer M14	
46	5241000	AR	Washer M10	
47	5241600	AR	Washer M16	
48	5271614	1	Capscrew M16 x 50	
49	7300435	4	Washer	
50	8278020	1	Mount	
51	8305401	2	Nut 1/4	
52	8307109	2	Washer 1/4	
53	8310548	2	Screw 1/4 x 1/2	
54	8405007	2	Clamp	
55	8405104	4	Clamp	
56	8405201	8	Clamp <b>(Prior to SN 0300213776)</b>	
57	8405204	1	Clamp <b>(Prior to SN 0300213776)</b>	
58	8406109	2	Clamp	
59	8406303	1	Clip	
60	8410011	1	Clamp	
61	8410013	3	Clamp	
62	91563070	1	Coupling, Rubber	
63	1001111116	2	Clamp	
64	1001117308	1	Relay	
65	1001119727	2	Clamp	
67	1001166393	1	Tank	
68	1001134488	1	Fitting, 90 NPT/Barbed	
69	1001135943	1	Coupling	
70	1001136172	9.6 qt/ 9.1L	Oil, Motor	
71	1001138827	1	Sensor	
72	1001136834	1	Cap	
73	1001138173	1	Support	
74	1001138175	1	Bracket	
75	1001138228	1	Module, Relay	
76	1001138248	5 ft/1.5m	Tubing	
77	1001138559	1	Fitting, 90 NPT	
78	1001139240	1	Bracket	
79	1001140564	1	Fitting, 90 NPT/Barbed	
80	1001141995	1	Fitting, Straight NPT/Barbed	
81	1001142501	1	Fitting, 90 NPT/Barbed	
82	1001143390	1	Indicator, Air Restriction	
83		Ref	Fan Options:	
83	1001147567	1	Fan <b>(Prior to SN 0300190128)</b>	
83	1001177137	1	Fan <b>(SN 0300190128 to Present)</b>	
84	1001147847	1	Filter, Air	
84	70023809	1	Element	
84	70024328	1	Elbow, Rubber	
84	70024329	1	Clamp, Mounting	
85	1001148076	1	Deutz LRC Engine (See DEUTZ LRC ENGINE COMPONENTS for	

## SECTION 3 - ENGINE

ITEM	PART NUMBER	QTY	DESCRIPTION	REV
			Breakdown)	
86	1001148641	2	Bracket	
87	1001149407	1	Radiator	
88	1001149517	4	Mount, Motor	
89	1001149736	1	Shroud	
90	1001149746	1	Pulley	
91	1001150498	1	Tube	
92	1001150499	1	Hose	
93	1001150500	1	Hose	
94	1001157300	1	Hose, Lower Radiator (Top Section)	
94	1001157301	1	Hose, Lower Radiator (Bottom Section)	
94	1001152112	1	Heater, Engine Block (Not Shown)	
94	1702942	1	Decal - Engine Block Heater (Not Shown)	
95	1001150505	1	Pipe	
96	1001150553	1	Hose	
97		Ref	Adapter Options:	
97	1001150900	1	Adapter ( <b>Prior to SN 0300190128</b> )	
97	1001177134	1	Adapter ( <b>SN 0300190128 to Present</b> )	
98	1001151432	1	Muffler	
99	1001151491	1	Support	
100	1001151749	1	Tray	
101	1001151761	1	Pipe, Exhaust	
102	1001152489	1	Fitting, 90 Barbed	
103	1001154405	8.5 in /21cm	Hose	
104	1001155023	1	Plate	
105	1001155496	1	Support	
106	1001160518	1	Support	
107	1001155498	1	Plate	
108	1001155525	1	Support	
109	1001155540	2	Washer	
110	1001157862	1	Bracket	
111	1001155550	1	Plate ( <b>Prior to SN 0300228229</b> )	
111	1001212817	1	Plate ( <b>SN 0300228229 to Present</b> )	
112	1001155557	2	Plate	
113	1001155563	1	Seal	
114	1001155564	1	Bracket	
115	1001155565	1	Seal	
116	1001155566	1	Bracket	
117	1001156034	1	Seal	
118	1001156035	1	Bracket	
119	1001156062	1	Bracket	
120	1001156091	1	Hose	
121	1001156112	1	Tube	
122	1001156644	2	Seal	
	1001158289	1	Bracket	
125	1001155728	1	Seal	
126	4060807	22 in/ 55cm	Flex-Trim	
127	0100081	AR	Adhesive	
128	0711218	4	Bolt M12 x 50 Grade 10.9	
129	1320022	4	Clamp	

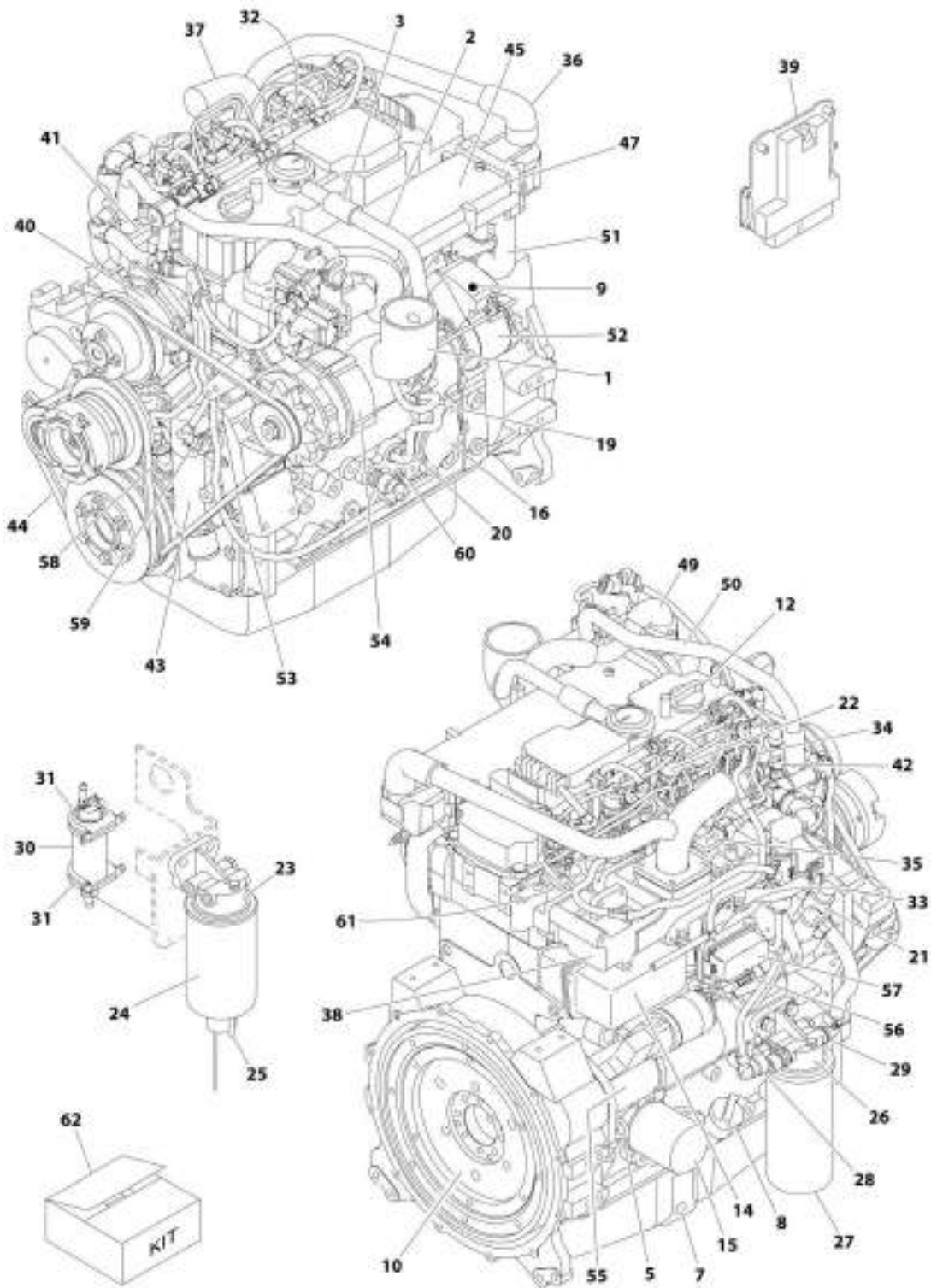


## SECTION 3 - ENGINE

ITEM	PART NUMBER	QTY	DESCRIPTION	REV
130	1001170982	1	Fitting, 90 SAE/Barbed	
135	1703162	2	Decal - Fan Blade (SN 0300190128 to Present)	
136	1321716	1	Clamp (Prior to SN 0300190128)	
136	8406110	2	Clip (SN 0300190128 to Present)	
137	1001208297	1	Clamp (SN 0300213776 to Present)	
138	1001208298	2	Clamp (SN 0300213776 to Present)	
139	1001208299	3	Clamp (SN 0300213776 to Present)	
140	8410012	3	Clamp (SN 0300213776 to Present)	
141	1001158262	1	Pipe, Exhaust	
142	0700612	2	Bolt M6 x 25	
142	0760614	2	Bolt M6 x 30	

# SECTION 3 - ENGINE

## FIGURE 3-7. DEUTZ LRC ENGINE COMPONENTS



ARE\_1001148076

## SECTION 3 - ENGINE

### FIGURE 3-7. DEUTZ LRC ENGINE COMPONENTS

ITEM	PART NUMBER	QTY	DESCRIPTION	REV
	1001148076	Ref	DEUTZ LRC ENGINE COMPONENTS	G
1	70024497	1	Pipe, Intake	
1	70025680	1	Clamp	
2	70025111	1	Clamp	
2	70025128	1	Bolt	
2	70025116	1	Clamp	
2	See Note	NSS	Line, Breather (Includes Item 3) (Note: Not Available for Purchase)	
3	70025119	1	Sleeve, Rubber	
3	7002511	1	Clamp	
4	70002718	1	Seal, Rear Main (Not Shown)	
5	70025745	1	Dipstick	
5	70025755	1	Tube, Dipstick	
5	7020442	1	O-Seal	
6	70025123	24	Screw, Oil Pan (Not Shown)	
7	70025088	1	Plug	
8	7020465	1	Cap	
8	See Note	NSS	Tube, Fill (Note: Not Available for Purchase)	
8	70024471	1	Gasket (Tube to Engine Block)	
9	70025786	1	Plug	
10	70001870	1	Flywheel	
10	7024579	1	Gear, Rim	
11	70025789	1	Gasket, Head (Not Shown)	
11	70024481	1	Gasket, Valve Cover (Not Shown)	
12	7020465	1	Cap, Fill	
13	70025763	1	Pump, Oil (Not Shown)	
13	70025717	2	Tube, Adapter (Not Shown)	
13	70025718	4	O-Ring (Not Shown)	
13	70025714	2	Bushing, Dowel (Not Shown)	
14	70004275	1	Cooler, Oil	
14	70024495	1	Gasket	
15	7016331	1	Filter, Oil	
15	70025137	1	Bushing, Screw	
16	70025731	1	Cover	
16	70002813	1	Seal	
17	70025730	1	Pipe, Transfer (Not Shown - Located in Oil Pan)	
18	70025722	1	Line, Oil Suction (Not Shown - Located in Oil Pan)	
19	70024489	1	Line, Lube	
19	70025087	2	Screw	
19	70025105	4	Ring, Sealing	
20	See Note	NSS	Line, Lube Return (Note: Not Available for Purchase)	
20	70025132	1	O-Seal	
20	70025234	1	Flange, Upper	
20	70024509	1	Gasket, Upper Flange	
21	70024487	1	Pump, High Pressure	
21	70025152	1	O-Ring	
21	70004505	1	Valve, Overflow	
21	70004506	1	O-Ring	
21	70004507	1	O-Ring	
21	70004508	1	Valve, Volume Control	
21	70004509	1	O-Ring	

## SECTION 3 - ENGINE

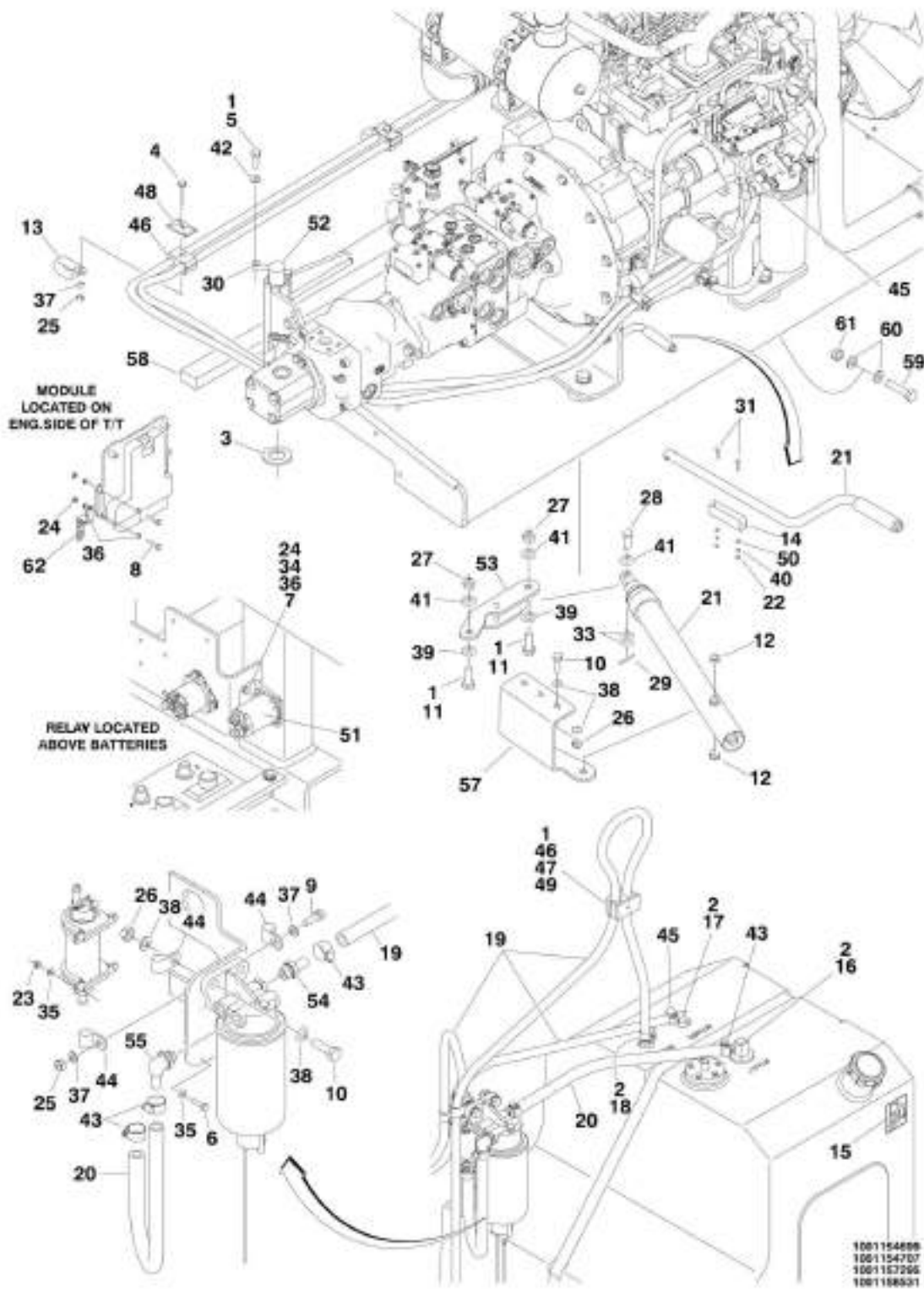
ITEM	PART NUMBER	QTY	DESCRIPTION	REV
21	70004510	1	Gasket	
21	See Note	NSS	O-Seal (Between Pump and Block) (Note: Not Available for Purchase)	
21	70025729	1	Gear	
22	70024485	4	Injector, Fuel	
22	70025140	4	Washer, Sealing	
22	70025146	4	Clamp	
22	70025145	4	O-Seal	
22	70025154	4	Shoe, Clamping	
23	70024961	1	Head and Filter Assembly	
24	70025153	NLA	Filter (Use p/n 1001225430)	
25	70024513	1	Sensor with Cable	
25	70025239	1	Ring, Sealing	
26	70004511	1	Head and Filter Assembly	
27	70004512	NLA	Filter (Use p/n 1001225432)	
28	70024504	1	Sensor, Pressure	
28	70024920	1	O-Seal	
29	70004514	1	Fitting	
29	70004513	1	Ring, Sealing	
30	70024486	1	Pump, Fuel Supply	
31	70025144	2	Clamp	
32	70025151	1	Rail, Fuel	
32	70025235	1	Kit, Repair - Fuel Rail	
32	70025240	1	O-Ring	
32	70025534	1	Pipe, Pressure Pump to Fuel Rail	
32	70024498	1	Pipe, Fuel Rail to Cylinders 1 & 2	
32	70024499	1	Pipe, Fuel Rail to Cylinders 3 & 4	
33	70024501	1	Line, Fuel	
33	70025109	3	Clamp, Band	
33	70025686	3	Clamp, Pipe	
34	70025766	1	Pipe, Fuel Leakage	
34	70025756	2	Retainer for Fuel Leakage Pipe	
35	70024921	1	Sensor, Pressure	
35	70025120	1	O-Seal	
36	70025721	1	Hose, Elbow	
36	70025675	1	Clamp (Manifold Side)	
36	70025681	1	Clamp (Pipe Side)	
37	70025748	1	Pipe, Air Charge	
37	70025726	1	Gasket	
38	70025772	1	Manifold, Air Charge	
38	70024475	1	Gasket (Manifold to Head)	
39	70025210	1	Module, Engine Control	
40	70004515	1	Pump, Water	
40	70025713	1	Seal (RH Side Pump to Item 43)	
40	70004516	2	Ring, Sealing (For Smaller Plug)	
40	7016309	1	Ring, Sealing (For Larger Plug)	
41	70025741	1	Housing, Thermostat	
41	70024473	1	Thermostat	
41	7016309	1	Ring, Sealing (For Bottom Plug)	
41	70024493	1	Gasket (Housing to Head)	
42	70024918	1	Sender, Temperature	
43	70025762	1	Manifold, Coolant	

## SECTION 3 - ENGINE

ITEM	PART NUMBER	QTY	DESCRIPTION	REV
44	70004517	1	V-Belt	
44	See Note	NSS	Tensioner, Pulley (Note: Not Available for Purchase)	
45	70025723	1	EGR Manifold Assembly	
45	70025708	1	Module, EGR	
45	70025710	1	O-Seal	
45	70025709	1	O-Seal	
47	70025768	1	Valve, Shuttle	
48	70024482	1	Gasket, Exhaust Manifold to Head (Not Shown)	
49	See Note	NSS	Tube, Compensator (Note: Not Available for Purchase)	
49	70024500	2	Gasket	
50	70024496	1	Line, Water	
50	7020492	1	Ring, Sealing (For Plug in Line)	
50	70024478	1	Gasket (Water Line to EGR Valve)	
50	70025701	1	Sleeve, Rubber	
50	70025687	2	Clamp (For Sleeve)	
50	70025699	1	Clamp, Insulated	
51	70024479	1	Hose	
51	70025687	1	Clamp (Lower)	
51	70025773	1	Clamp (Upper)	
51	70025744	1	Fitting (at Lower End of Hose)	
51	70024469	1	O-Seal (For Fitting)	
52	70004518	1	Turbocharger	
52	70024480	1	Gasket	
53	70004519	1	V-Belt	
54	70025533	1	Generator	
54	70025149	1	Controller	
54	70025131	1	Fan	
54	70025150	1	Pulley	
54	70025141	1	Nut, Pulley	
55	70004520	1	Starter	
56	70025780	1	Relay	
57	70025783	1	Harness, Engine	
58	70024916	1	Tacho-Generator	
58	70024917	1	O-Seal	
59	70024503	1	Tacho-Generator	
59	70024917	1	O-Seal	
60	70024504	1	Switch, Pressure	
60	70024920	1	O-Seal	
61	70024474	4	Plug, Glow	
62	70025707	1	Gasket Kit	

# SECTION 3 - ENGINE

## FIGURE 3-8. DEUTZ T4I ENGINE INSTALLATION - NO COLD WEATHER PKG



## SECTION 3 - ENGINE

**FIGURE 3-8. DEUTZ T4I ENGINE INSTALLATION - NO COLD WEATHER PKG**

ITEM	PART NUMBER	QTY	DESCRIPTION	REV
	1001154699	Ref	DEUTZ T4I ENGINE INSTALLATION - NO COLD WEATHER PKG	J
1	0100011	AR	Compound, Locking	
2	0100020	AR	Sealant	
3	0440162	1	Bearing, Thrust	
4	0700818	3	Bolt M8 x 50	
5	0711015	1	Bolt M10 x 35 Grade 10.9	
6	0760408	4	Bolt M4 x 16	
7	0760610	2	Bolt M6 x 20	
8	0760613	4	Bolt M6 x 28	
9	0760812	1	Bolt M8 x 25	
10	0761015	5	Bolt M10 x 35	
11	0771416	2	Bolt M14 x 40 Grade 10.9	
12	0962051	2	Bearing, Flange	
13	1321716	3	Clamp	
14	1380147	1	Clip	
15	1701505	1	Decal - Fuel ( <b>Prior to SN 0300190128</b> )	
16	2180832	1	Fitting, Straight NPT/Barbed	
17	2220313	1	Fitting, 90 NPT/Barbed	
18	2221114	1	Fitting, Straight NPT/Barbed	
19	1001165035	42 in/13m	Hose	
20	2720615	3 ft/1m	Hose	
21	2840016	1	Jack with Handle	
21	7016374	1	Handle (Burr Manufacturing Brand)	
21	7024598	1	Handle (Hammerblow Corp Brand)	
21	7016322	1	Wiper (Burr Manufacturing Brand Only)	
22	3290301	2	Nut M3	
23	3290405	4	Nut M4	
24	3290607	6	Nut M6	
25	3290807	4	Nut M8	
26	3291007	5	Nut M10	
27	3331411	2	Nut M14	
28	3430816	1	Pin	
29	3450404	1	Pin, Cotter 1/8 x 1	
30	3841143	1	Keeper	
31	4010308	2	Screw M3 x16	
32	4240099	AR	Tie-Strap (Not Shown)	
33	4711800	2	Washer 1/2	
34	4791400	2	Washer 1/4	
35	4811400	8	Washer M4	
36	4811700	10	Washer M6	
37	4811900	5	Washer M8	
38	4812000	10	Washer M10	
39	4812200	4	Washer M14	
40	4871200	2	Washer M3	
41	4891800	1	Washer 1/2	
42	5241000	1	Washer M10	
43	8405006	4	Clamp	
44	8406101	3	Clip	
45	8410013	5	Clamp	
46	8750014	4	Clamp	

## SECTION 3 - ENGINE

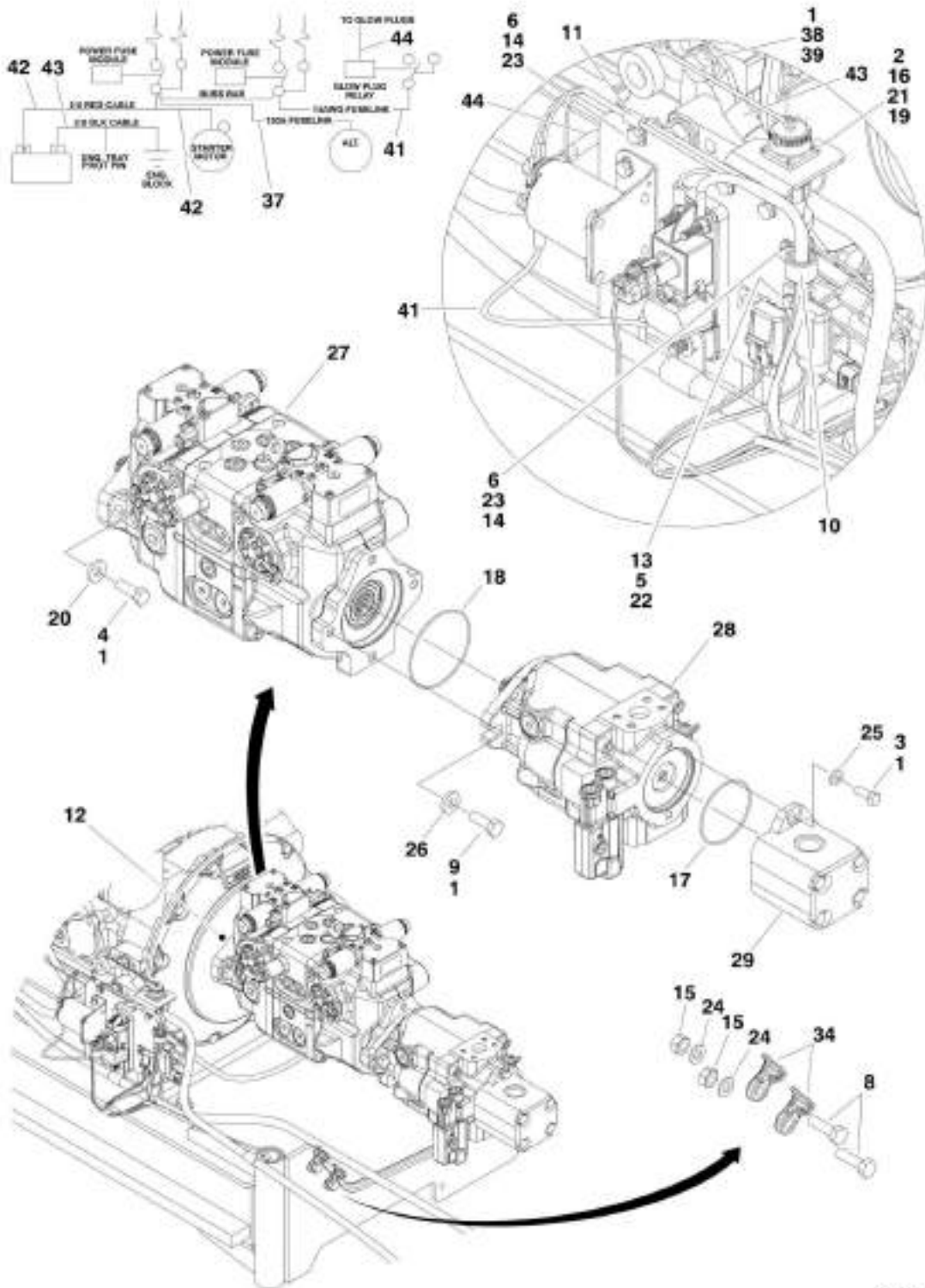
ITEM	PART NUMBER	QTY	DESCRIPTION	REV
47	8750031	1	Plate	
48	8769128	3	Cover	
49	1001101580	1	Screw M8 x 30	
50	1001110544	2	Washer M3	
51	1001117308	2	Relay	
52	1001135196	1	Pin	
53	1001135497	1	Support	
54	1001141718	1	Fitting, Straight NPT/Barbed	
55	1001142501	1	Fitting, 90 NPT/Barbed	
57	1001155939	1	Plate	
58	1001156719	1	Seal	
59	0642220	1	Bolt 3/4-10 x 2-1/2	
60	4712200	2	Washer 3/4	
61	8310067	1	Nut 3/4-10	
62	1001159162	1	Bracket, Support	





# SECTION 3 - ENGINE

FIGURE 3-9. DEUTZ T41 ENGINE/PUMP ASSEMBLY - NO COLD WEATHER PKG



1001154697

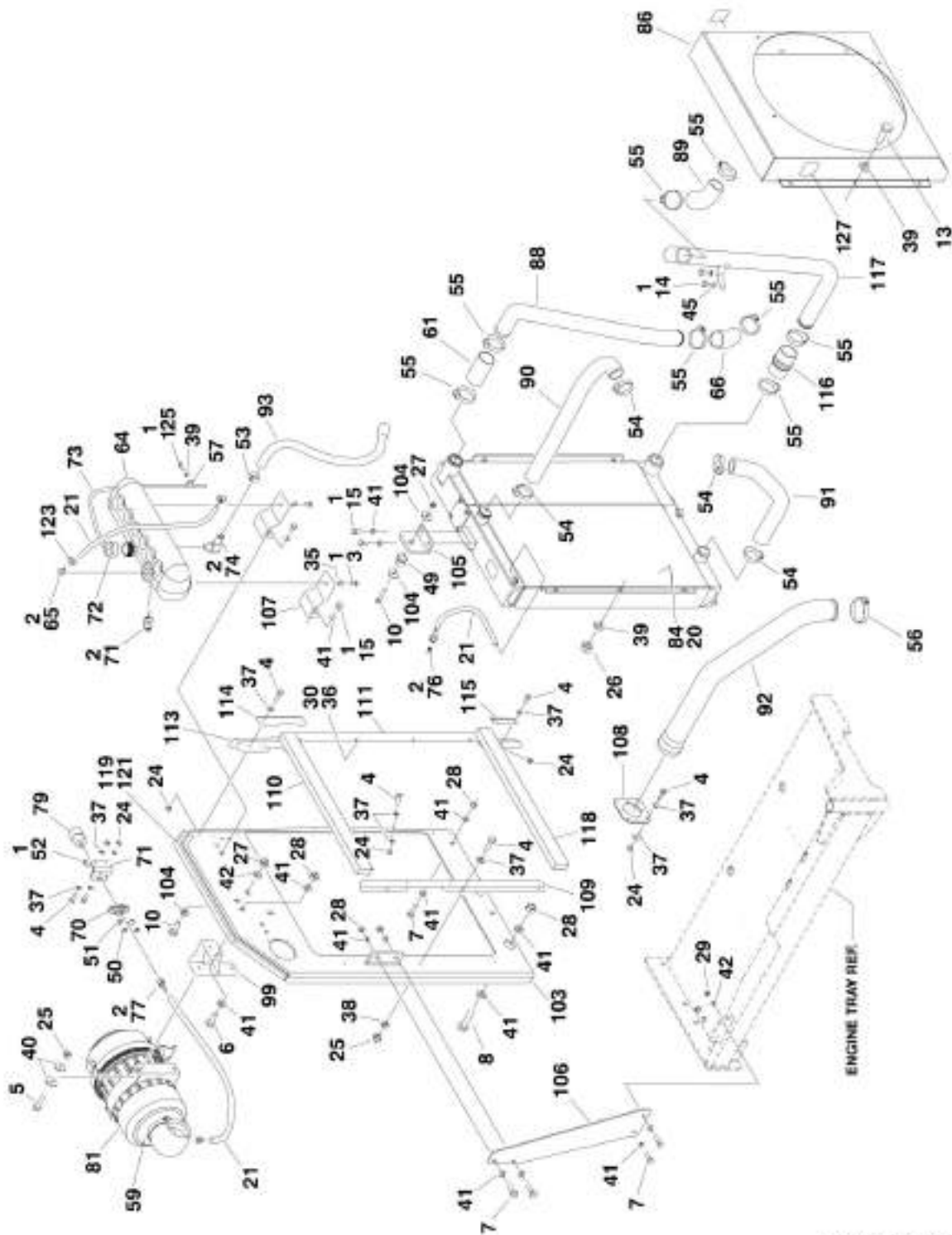
## SECTION 3 - ENGINE

**FIGURE 3-9. DEUTZ T4I ENGINE/PUMP ASSEMBLY - NO COLD WEATHER PKG**

ITEM	PART NUMBER	QTY	DESCRIPTION	REV
	1001154697	Ref	DEUTZ T4I ENGINE/PUMP ASSEMBLY - NO COLD WEATHER PKG	I
1	0100011	AR	Compound, Locking	
2	0100035	AR	Compound, Locking	
3	0641608	2	Bolt 3/8-18 x 1	
4	0841812	2	Bolt 1/2-13 x 1-1/2	
5	0700510	1	Bolt M5 x 20	
6	0760610	2	Bolt M6 x 20	
8	0761015	2	Bolt M10 x 35	
9	0761215	2	Bolt M12 x 35	
10	1320041	1	Clamp	
11	1320136	1	Clamp	
12	3020037	AR	Lubricant	
13	3290507	1	Nut M5	
14	3290607	2	Nut M6	
15	3291007	2	Nut M10	
16	3310401	3	Nut #4-40NC	
17	3790152	1	O-Ring	
18	3790155	1	O-Ring	
19	3910408	3	Screw #4 x 1/2	
20	4740171	2	Washer,	
21	4750400	3	Washer #4	
22	4811600	2	Washer M5	
23	4811700	2	Washer M6	
24	4812000	2	Washer M10	
25	4891600	2	Washer 3/8	
26	4891800	2	Washer 1/2	
27	1001108616	1	Tandem Pump Assembly (See TANDEM PUMP ASSEMBLY for Breakdown)	
28	1001169892	1	Piston Pump Assembly (See PISTON PUMP ASSEMBLY for Breakdown)	
29	1001112927	1	Gear Pump Assembly (See GEAR PUMP ASSEMBLY for Breakdown)	
31	1001149971	1	Harness, Engine (Not Shown - See ELECTRICAL SECTION for Breakdown)	
33	1001156001	1	Harness Can (Not Shown - See ELECTRICAL SECTION for Breakdown)	
34	1001156107	2	Holder, Cable	
35	1001156718	1	Seal (Not Shown - Located on Side of Radiator Mounting Plate)	
36	1001156719	1	Seal	
37	1001157073	1	Cable, Alternator Power	
38	0761210	1	Bolt M12 x 20	
39	4812100	1	Washer M12	
41	1001141304	1	Wire, Glow Plug Fuse	
42	1001154142	1	Cable, Battery (Positive)	
43	1001154143	1	Cable, Battery (Negative)	
44	1001168734	1	Wire, Glow Plug	

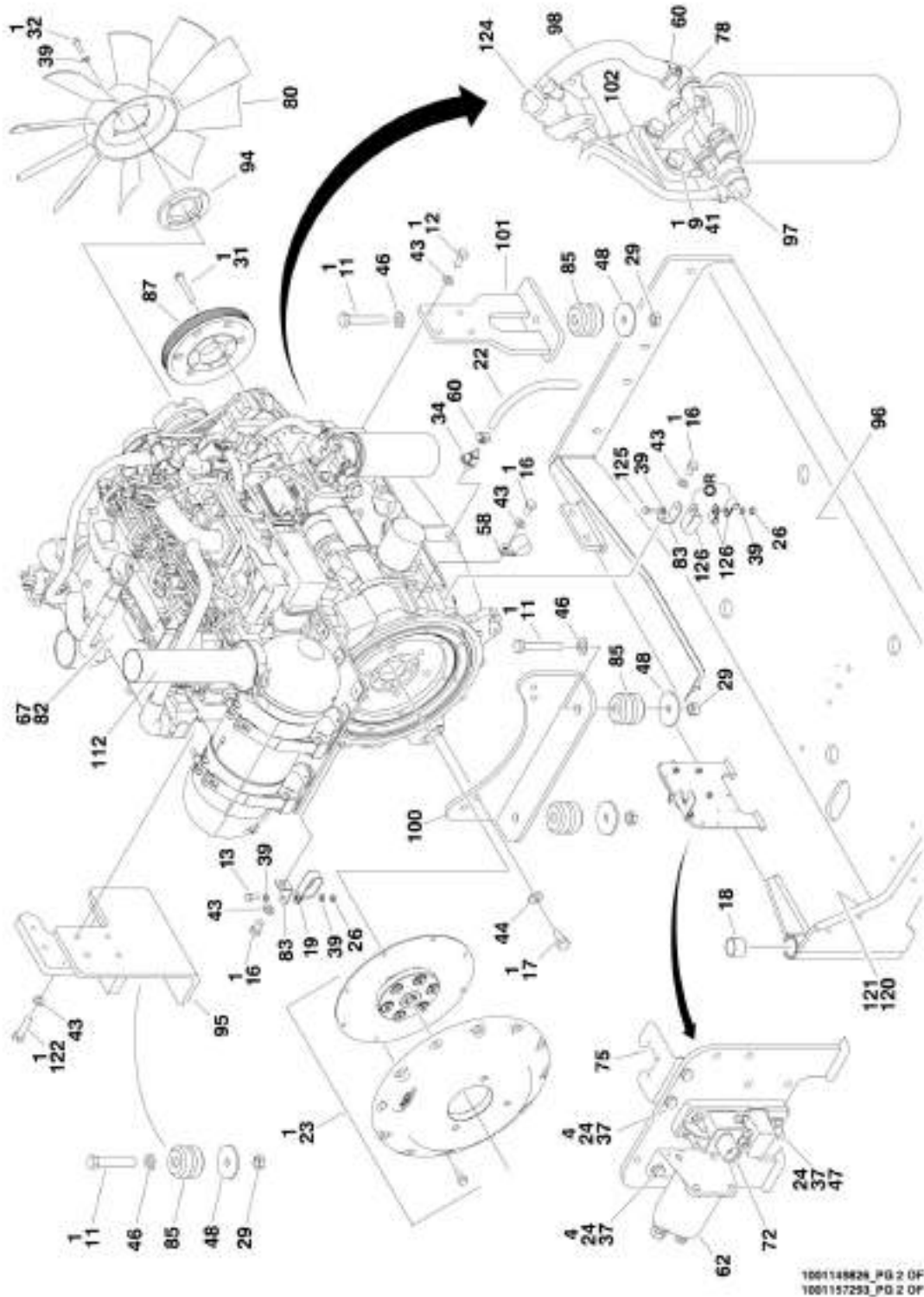
# SECTION 3 - ENGINE

## FIGURE 3-10. DEUTZ T4I ENGINE ASSEMBLY - NO COLD WEATHER PKG



1861149626\_PG 1 OF 2  
1861157293\_PG 1 OF 2

# SECTION 3 - ENGINE



## SECTION 3 - ENGINE

FIGURE 3-10. DEUTZ T4I ENGINE ASSEMBLY - NO COLD WEATHER PKG

ITEM	PART NUMBER	QTY	DESCRIPTION	REV
	1001149826	Ref	DEUTZ T4I ENGINE ASSEMBLY - NO COLD WEATHER PKG	L
1	0100011	AR	Compound, Locking	
2	0100020	AR	Sealant	
3	0641606	2	Bolt 3/8-18 x 3/4	
4		Ref	Bolt Options:	
4	0700610	22	Bolt M6 x 20 <b>(Prior to SN 0300190128)</b>	
4	0700612	22	Bolt M6 x 25 <b>(SN 0300190128 to Present)</b>	
5	0700815	2	Bolt M8 x 35	
6	0701013	2	Bolt M10 x 28	
7	0701015	6	Bolt M10 x 35	
8	0701016	2	Bolt M10 x 40	
9	0701017	2	Bolt M10 x 45	
10	0701019	1	Bolt M10 x 55	
11	0701627	4	Bolt M16 x 100	
12	0711214	4	Bolt M12 x 30 Grade 10.9	
13	0760810	AR	Bolt M8 x 20	
14	0761008	2	Bolt M10 x 16	
15	0761012	6	Bolt M10 x 25	
16	0761210	3	Bolt M12 x 20	
17	0771414	4	Bolt M14 30 Grade 10.9	
18	0961951	2	Bushing	
19	1321716	AR	Clamp	
20	2300004	13.2 qt /12.5L	Coolant, Anti-Freeze	
21	2720015	5 ft/1.5m	Hose	
22	2720340	1 ft/30.5m	Hose	
23	2902065	1	Pump Coupling Kit (See PUMP COUPLING KIT for Breakdown)	
24	3290607	23	Nut M6	
25	3290805	2	Nut M8	
26	3290807	5	Nut M8	
27	3291005	1	Nut M10	
28	3291007	10	Nut M10	
29	3291601	4	Nut M16	
30	3820032	9	Rivet	
31	5251022	6	Bolt M10 x 70	
32		Ref	Capscrew Options:	
32	4031910	4	Capscrew M8 x 30 <b>(Prior to SN 0300190128)</b>	
32	4031912	4	Capscrew M8 x 40 <b>(SN 0300190128 to Present)</b>	
33	4240099	AR	Tie-Strap (Not Shown)	
34	4640751	1	Valve, Oil Drain	
35	4711600	2	Washer 3/8	
36	4811600	4	Washer M5	
37	4811700	41	Washer M6	
38	4811702	4	Washer M6	
39	4811900	17	Washer M8	
40	4811902	4	Washer M8	
41	4812000	30	Washer M10	
42	4812002	1	Washer M10	
43	4812100	11	Washer M12	
44	4812200	4	Washer M14	

## SECTION 3 - ENGINE

ITEM	PART NUMBER	QTY	DESCRIPTION	REV
45	5241000	2	Washer M10	
46	5241600	4	Washer M16	
47	5271614	1	Capscrew M16 x 50	
48	7300435	4	Washer	
49	8278020	1	Mount	
50	8305401	2	Nut 1/4	
51	8307109	2	Washer 1/4	
52	8310548	2	Screw 1/4 x 1/2	
53	8405007	2	Clamp	
54	8405104	4	Clamp	
55	8405201	8	Clamp	
56	8405204	1	Clamp	
57	8406109	2	Clamp	
58	8406303	1	Clip	
59	8410011	1	Clamp	
60	8410013	3	Clamp	
61	91563070	1	Coupling, Rubber	
62	1001111116	2	Clamp	
64	1001166393	1	Tank	
65	1001134488	1	Fitting, 90 NPT/Barbed	
66	1001135943	1	Coupling	
67	1001136079	9.6 qt /9.1L	Oil, Motor	
68	1001138827	1	Sensor	
69	1001136834	1	Cap	
70	1001138173	1	Support	
71	1001138175	1	Bracket	
72	1001138228	1	Module, Relay	
73	1001138248	5 ft/1.5m	Tubing	
74	1001138559	1	Fitting, 90 NPT	
75	1001139240	1	Bracket	
76	1001140564	1	Fitting, 90 NPT/Barbed	
77	1001141995	1	Fitting, Straight NPT/Barbed	
78	1001142501	1	Fitting, 90 NPT/Barbed	
79	1001143390	1	Indicator, Air Restriction	
80		Ref	Fan Options:	
80	1001147567	1	Fan ( <b>Prior to SN 0300190128</b> )	
80	1001177137	1	Fan ( <b>SN 0300190128 to Present</b> )	
81	1001147847	1	Filter, Air	
81	70023809	1	Element	
81	70024328	1	Elbow, Rubber	
81	70024329	1	Clamp, Mounting	
82	1001148075	1	Deutz T4i Engine (See Deutz T4i ENGINE COMPONENTS for Breakdown)	
83	1001148641	2	Bracket	
84	1001149407	1	Radiator	
85	1001149517	4	Mount, Motor	
86	1001149736	1	Shroud	
87	1001149746	1	Pulley	
88	1001150498	1	Tube	
89	1001150499	1	Hose	
90	1001150500	1	Hose	

## SECTION 3 - ENGINE

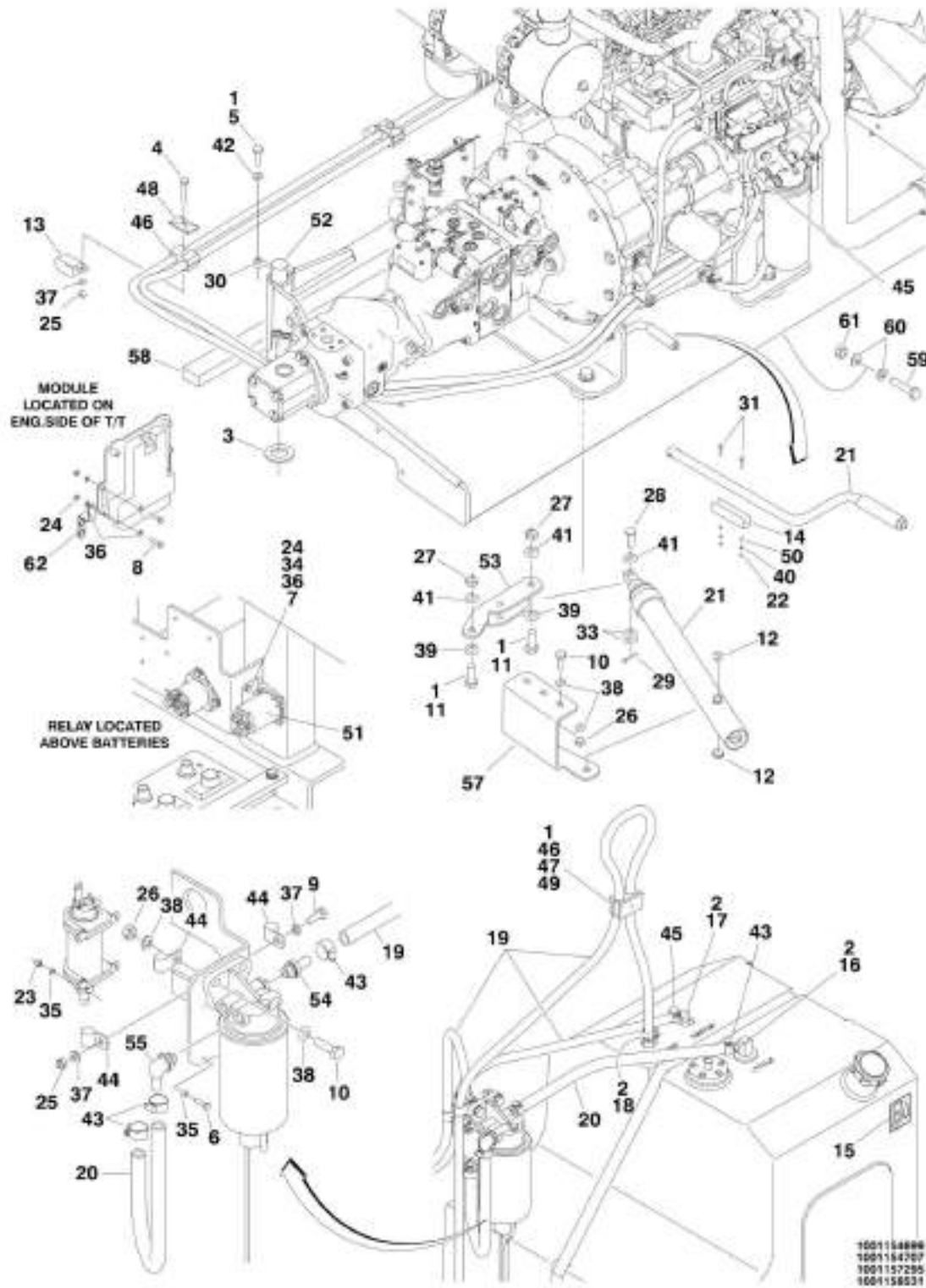
ITEM	PART NUMBER	QTY	DESCRIPTION	REV
91	1001150504	1	Hose	
92	1001150505	1	Pipe	
93	1001150553	1	Hose	
94		Ref	Adapter Options:	
94	1001150900	1	Adapter <b>(Prior to SN 0300190128)</b>	
94	1001177134	1	Adapter <b>(SN 0300190128 to Present)</b>	
95	1001151491	1	Support	
96	1001151749	1	Tray	
97	1001152489	1	Fitting, 90 Barbed	
98	1001154405	8.5 in /21cm	Hose	
99	1001155023	1	Plate	
100	1001155496	1	Support	
101	1001160518	1	Support	
102	1001155498	1	Plate	
103	1001155525	1	Support	
104	1001155540	2	Washer	
105	1001157862	1	Bracket	
106	1001155550	1	Plate	
107	1001155557	2	Plate	
108	1001155563	1	Seal	
109	1001155564	1	Bracket	
110	1001155565	1	Seal	
111	1001155566	1	Bracket	
112	1001155567	1	Pipe, Exhaust	
113	1001156034	1	Seal	
114	1001156035	1	Bracket	
115	1001156062	1	Bracket	
116	1001156091	1	Hose	
117	1001156112	1	Tube	
118	1001156644	2	Seal	
119	1001155728	1	Seal	
120	4060807	22 in /55cm	Flex-Trim	
121	0100081	AR	Adhesive	
122	0711218	4	Bolt M12 x 50 Grade 10.9	
123	1320022	4	Clamp	
124	1001170982	1	Fitting, 90 SAE/Barbed	
125	0760812	3	Bolt M8 x 25 <b>(SN 0300190128 to Present)</b>	
126	1321716	1	Clamp <b>(Prior to SN 0300190128)</b>	
126	8406110	2	Clip <b>(SN 0300190128 to Present)</b>	
127	1703162	2	Decal - Fan Blade <b>(SN 0300190128 to Present)</b>	





# SECTION 3 - ENGINE

## FIGURE 3-11. DEUTZ T4I ENGINE INSTALLATION - WITH COLD WEATHER PKG



## SECTION 3 - ENGINE

**FIGURE 3-11. DEUTZ T4I ENGINE INSTALLATION - WITH COLD WEATHER PKG**

ITEM	PART NUMBER	QTY	DESCRIPTION	REV
	1001157295	Ref	DEUTZ T4I ENGINE INSTALLATION - NO COLD WEATHER PKG	J
1	0100011	AR	Compound, Locking	
2	0100020	AR	Sealant	
3	0440162	1	Bearing, Thrust	
4	0700818	3	Bolt M8 x 50	
5	0711015	1	Bolt M10 x 35 Grade 10.9	
6	0760408	4	Bolt M4 x 16	
7	0760610	2	Bolt M6 x 20	
8	0760613	4	Bolt M6 x 28	
9	0760812	1	Bolt M8 x 25	
10	0761015	5	Bolt M10 x 35	
11	0771416	2	Bolt M14 x 40 Grade 10.9	
12	0962051	2	Bearing, Flange	
13	1321716	3	Clamp	
14	1380147	1	Clip	
15	1701505	1	Decal - Fuel ( <b>Prior to SN 0300188926</b> )	
16	2180832	1	Fitting, Straight NPT/Barbed	
17	2220313	1	Fitting, 90 NPT/Barbed	
18	2221114	1	Fitting, Straight NPT/Barbed	
19	1001165035	42 in/13m	Hose	
20	2720615	3 ft/1m	Hose	
21	2840016	1	Jack with Handle	
21	7016374	1	Handle (Burr Manufacturing Brand)	
21	7024598	1	Handle (Hammerblow Corp Brand)	
21	7016322	1	Wiper (Burr Manufacturing Brand Only)	
22	3290301	2	Nut M3	
23	3290405	4	Nut M4	
24	3290607	6	Nut M6	
25	3290807	4	Nut M8	
26	3291007	5	Nut M10	
27	3331411	2	Nut M14	
28	3430816	1	Pin	
29	3450404	1	Pin, Cotter 1/8 x 1	
30	3841143	1	Keeper	
31	4010308	2	Screw M3 x16	
32	4240099	AR	Tie-Strap (Not Shown)	
33	4711800	2	Washer 1/2	
34	4791400	2	Washer 1/4	
35	4811400	8	Washer M4	
36	4811700	10	Washer M6	
37	4811900	5	Washer M8	
38	4812000	10	Washer M10	
39	4812200	4	Washer M14	
40	4871200	2	Washer M3	
41	4891800	1	Washer 1/2	
42	5241000	1	Washer M10	
43	8405006	4	Clamp	
44	8406101	3	Clip	
45	8410013	5	Clamp	
46	8750014	4	Clamp	

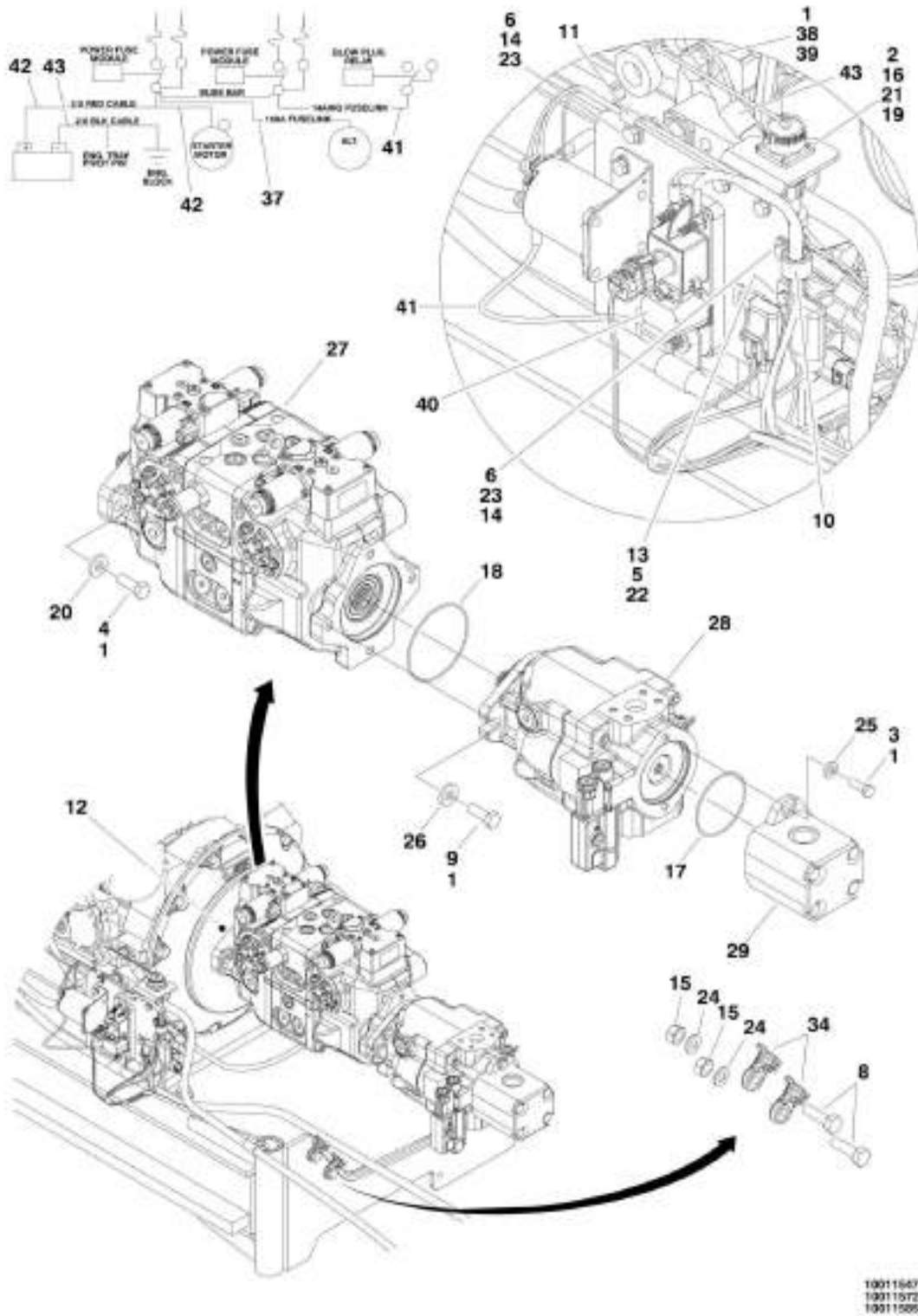
## SECTION 3 - ENGINE

ITEM	PART NUMBER	QTY	DESCRIPTION	REV
47	8750031	1	Plate	
48	8769128	3	Cover	
49	1001101580	1	Screw M8 x 30	
50	1001110544	2	Washer M3	
51	1001117308	2	Relay	
52	1001135196	1	Pin	
53	1001135497	1	Support	
54	1001141718	1	Fitting, Straight NPT/Barbed	
55	1001142501	1	Fitting, 90 NPT/Barbed	
57	1001155939	1	Plate	
58	1001156719	1	Seal	
59	0642220	1	Bolt 3/4-10 x 2-1/2	
60	4712200	2	Washer 3/4	
61	8310067	1	Nut 3/4-10	
62	1001159162	1	Bracket, Support	



# SECTION 3 - ENGINE

FIGURE 3-12. DEUTZ T4I ENGINE/PUMP ASSEMBLY - WITH COLD WEATHER PKG



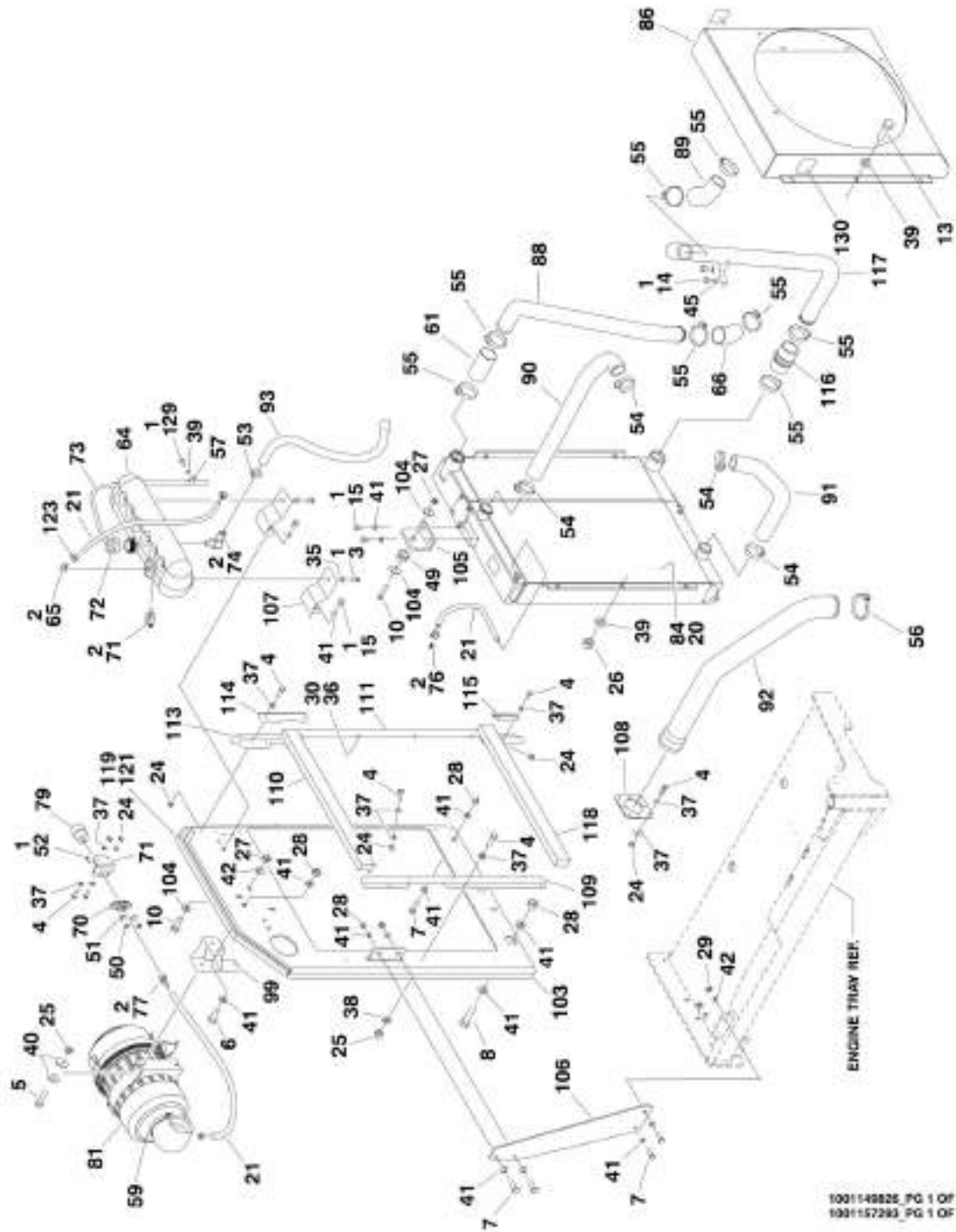
## SECTION 3 - ENGINE

**FIGURE 3-12. DEUTZ T4I ENGINE/PUMP ASSEMBLY - WITH COLD WEATHER PKG**

ITEM	PART NUMBER	QTY	DESCRIPTION	REV
	1001157294	Ref	DEUTZ T4I ENGINE/PUMP ASSEMBLY - WITH COLD WEATHER PKG	J
1	0100011	AR	Compound, Locking	
2	0100035	AR	Compound, Locking	
3	0641608	2	Bolt 3/8-18 x 1	
4	0841812	2	Bolt 1/2-13 x 1-1/2	
5	0700510	1	Bolt M5 x 20	
6	0760610	2	Bolt M6 x 20	
8	0761015	2	Bolt M10 x 35	
9	0761215	2	Bolt M12 x 35	
10	1320041	1	Clamp	
11	1320136	1	Clamp	
12	3020037	AR	Lubricant	
13	3290507	1	Nut M5	
14	3290607	2	Nut M6	
15	3291007	2	Nut M10	
16	3310401	3	Nut #4	
17	3790152	1	O-Ring	
18	3790155	1	O-Ring	
19	3910408	3	Screw #4 x 1/2	
20	4740171	2	Washer,	
21	4750400	3	Washer #4	
22	4811600	2	Washer M5	
23	4811700	2	Washer M6	
24	4812000	2	Washer M10	
25	4891600	2	Washer 3/8n	
26	4891800	2	Washer 1/2in	
27	1001108616	1	Tandem Pump Assembly (See TANDEM PUMP ASSEMBLY for Breakdown)	
28	1001169892	1	Piston Pump Assembly (See PISTON PUMP ASSEMBLY for Breakdown)	
29	1001112927	1	Gear Pump Assembly (See GEAR PUMP ASSEMBLY for Breakdown)	
31	1001149971	1	Harness, Engine (Not Shown - See ELECTRICAL SECTION for Breakdown)	
33	1001156001	1	Harness Can (Not Shown - See ELECTRICAL SECTION for Breakdown)	
34	1001156107	2	Holder, Cable	
35	1001156718	1	Seal (Not Shown - Located on Side of Radiator Mounting Plate)	
36	1001156719	1	Seal	
37	1001157073	1	Cable, Alternator Power	
38	0761210	1	Bolt M12 x 20	
39	4812100	1	Washer M12	
40	1001135027	1	Insulator	
41	Not Required	AR	Wire, Glow Plug	
42	1001154142	1	Cable, Battery (Positive)	
43	1001154143	1	Cable, Battery (Negative)	

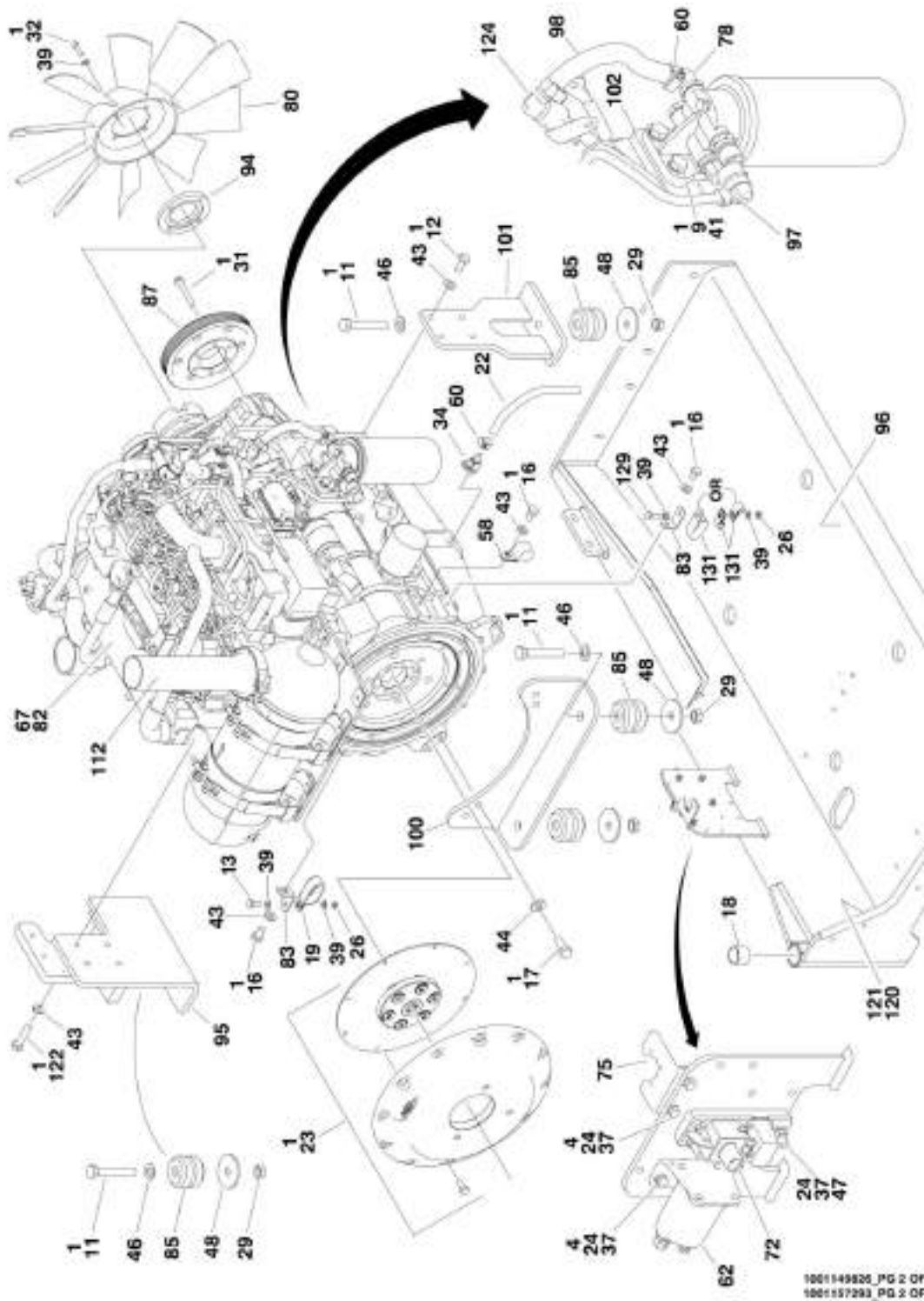
# SECTION 3 - ENGINE

FIGURE 3-13. DEUTZ T4I ENGINE ASSEMBLY - WITH COLD WEATHER PKG





# SECTION 3 - ENGINE



100149826\_PG 2 OF 2  
100157293\_PG 2 OF 2

## SECTION 3 - ENGINE

FIGURE 3-13. DEUTZ T4I ENGINE ASSEMBLY - WITH COLD WEATHER PKG

ITEM	PART NUMBER	QTY	DESCRIPTION	REV
	1001157293	Ref	DEUTZ T4I ENGINE ASSEMBLY - WITH COLD WEATHER PKG	M
1	0100011	AR	Compound, Locking	
2	0100020	AR	Sealant	
3	0641606	2	Bolt 3/8-18 x 3/4	
4		Ref	Bolt Options:	
4	0700610	22	Bolt M6 x 20 <b>(Prior to SN 0300190128)</b>	
4	0700612	22	Bolt M6 x 25 <b>(SN 0300190128 to Present)</b>	
5	0700815	2	Bolt M8 x 35	
6	0701013	2	Bolt M10 x 28	
7	0701015	6	Bolt M10 x 35	
8	0701016	2	Bolt M10 x 40	
9	0701017	2	Bolt M10 x 45	
10	0701019	1	Bolt M10 x 55	
11	0701627	4	Bolt M16 x 100	
12	0711214	4	Bolt M12 x 30 Grade 10.9	
13	0760810	5	Bolt M8 x 20	
14	0761008	2	Bolt M10 x 16	
15	0761012	6	Bolt M10 x 25	
16	0761210	3	Bolt M12 x 20	
17	0771414	4	Bolt M14 30 Grade 10.9	
18	0961951	2	Bushing	
19	1321716	1	Clamp	
20	2300041	13.2 qt /12.5L	Coolant, Anti-Freeze	
21	2720015	5 ft/1.5m	Hose	
22	2720340	1 ft/30.5m	Hose	
23	2902065	1	Pump Coupling Kit (See PUMP COUPLING KIT for Breakdown)	
24	3290607	23	Nut M6	
25	3290805	2	Nut M8	
26	3290807	5	Nut M8	
27	3291005	1	Nut M10	
28	3291007	10	Nut M10	
29	3291601	4	Nut M16	
30	3820032	9	Rivet	
31	5251022	6	Bolt M10 x 70	
32		Ref	Capscrew Options:	
32	4031910	4	Capscrew M8 x 30 <b>(Prior to SN 0300190128)</b>	
32	4031912	4	Capscrew M8 x 40 <b>(SN 0300190128 to Present)</b>	
33	4240099	AR	Tie-Strap (Not Shown)	
34	4640751	1	Valve, Oil Drain	
35	4711600	AR	Washer 3/8	
36	4811600	AR	Washer M5	
37	4811700	AR	Washer M6	
38	4811702	AR	Washer M6	
39	4811900	AR	Washer M8	
40	4811902	AR	Washer M8	
41	4812000	AR	Washer M10	
42	4812002	AR	Washer M10	
43	4812100	AR	Washer M12	
44	4812200	AR	Washer M14	

## SECTION 3 - ENGINE

ITEM	PART NUMBER	QTY	DESCRIPTION	REV
45	5241000	AR	Washer M10	
46	5241600	AR	Washer M16	
47	5271614	1	Capscrew M16 x 50	
48	7300435	AR	Washer	
49	8278020	1	Mount	
50	8305401	2	Nut 1/4	
51	8307109	2	Washer 1/4	
52	8310548	2	Screw 1/4 x 1/2	
53	8405007	2	Clamp	
54	8405104	4	Clamp	
55	8405201	8	Clamp	
56	8405204	1	Clamp	
57	8406109	2	Clamp	
58	8406303	1	Clip	
59	8410011	1	Clamp	
60	8410013	3	Clamp	
61	91563070	1	Coupling, Rubber	
62	1001111116	2	Clamp	
64	1001166393	1	Tank	
65	1001134488	1	Fitting, 90 NPT/Barbed	
66	1001135943	1	Coupling	
67	1001136079	9.6 qt /9.1L	Oil, Motor	
68	1001138827	1	Sensor	
69	1001136834	1	Cap	
70	1001138173	1	Support	
71	1001138175	1	Bracket	
72	1001138228	1	Module, Relay	
73	1001138248	5 ft/1.5m	Tubing	
74	1001138559	1	Fitting, 90 NPT	
75	1001139240	1	Bracket	
76	1001140564	1	Fitting, 90 NPT/Barbed	
77	1001141995	1	Fitting, Straight NPT/Barbed	
78	1001142501	1	Fitting, 90 NPT/Barbed	
79	1001143390	1	Indicator, Air Restriction	
80		Ref	Fan Options:	
80	1001147567	1	Fan ( <b>Prior to SN 0300190128</b> )	
80	1001177137	1	Fan ( <b>SN 0300190128 to Present</b> )	
81	1001147847	1	Filter, Air	
81	70023809	1	Element	
81	70024328	1	Elbow, Rubber	
81	70024329	1	Clamp, Mounting	
82	1001148075	1	Deutz T4i Engine (See Deutz T4i ENGINE COMPONENTS for Breakdown)	
83	1001148641	2	Bracket	
84	1001149407	1	Radiator	
85	1001149517	4	Mount, Motor	
86	1001149736	1	Shroud	
87	1001149746	1	Pulley	
88	1001150498	1	Tube	
89	1001150499	1	Hose	
90	1001150500	1	Hose	

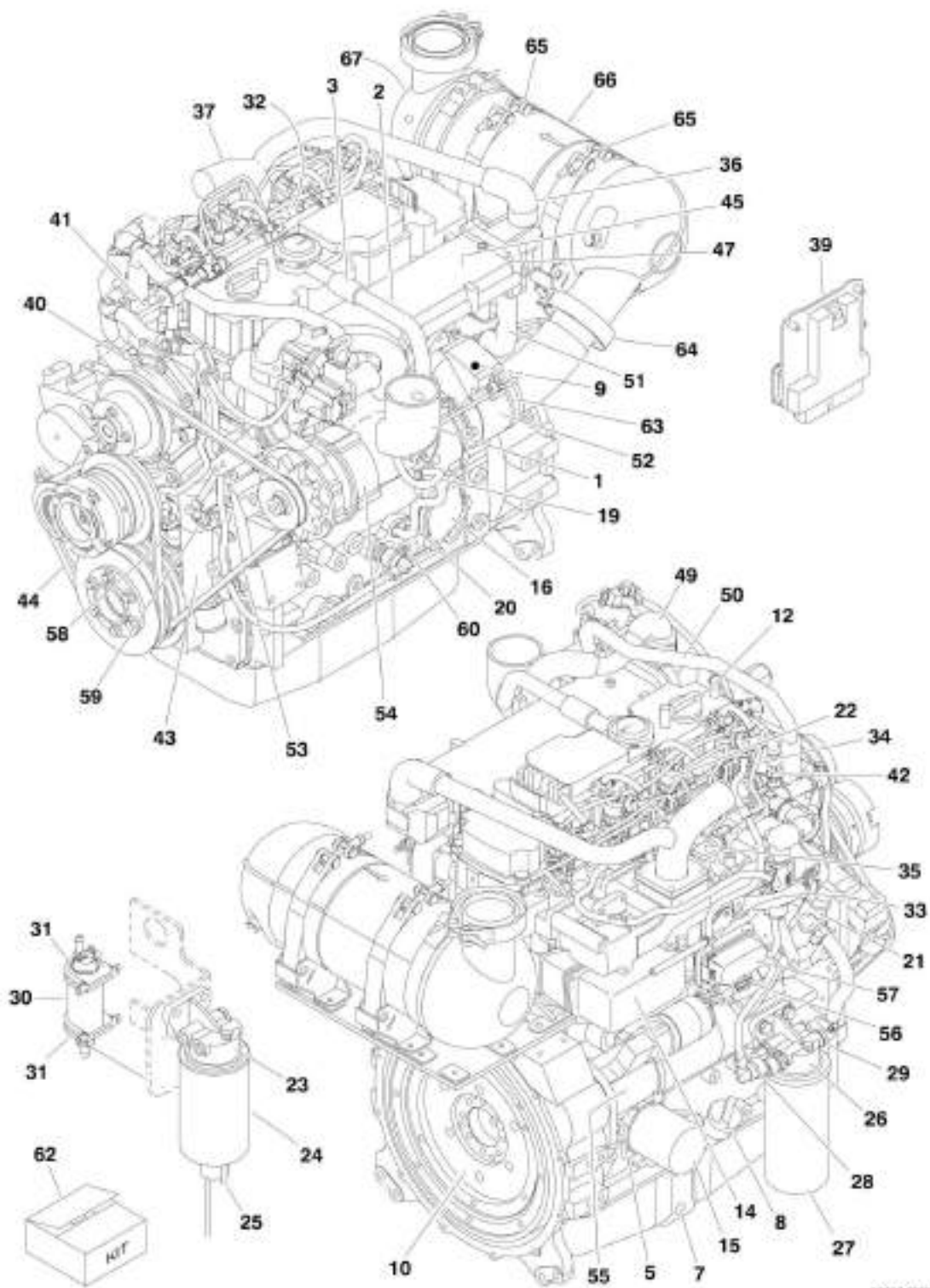
## SECTION 3 - ENGINE

ITEM	PART NUMBER	QTY	DESCRIPTION	REV
91	1001157300	1	Hose, Lower Radiator (Top Section)	
91	1001157301	1	Hose, Lower Radiator (Bottom Section)	
91	1001152112	1	Heater, Engine Block (Not Shown)	
91	1702942	1	Decal - Engine Block Heater (Not Shown)	
92	1001150505	1	Pipe	
93	1001150553	1	Hose	
94		Ref	Adapter Options:	
94	1001150900	1	Adapter ( <b>Prior to SN 0300190128</b> )	
94	1001177134	1	Adapter ( <b>SN 0300190128 to Present</b> )	
95	1001151491	1	Support	
96	1001151749	1	Tray	
97	1001152489	1	Fitting, 90 Barbed	
98	1001154405	8.5 in /21cm	Hose	
99	1001155023	1	Plate	
100	1001155496	1	Support	
101	1001160518	1	Support	
102	1001155498	1	Plate	
103	1001155525	1	Support	
104	1001155540	AR	Washer	
105	1001157862	1	Bracket	
106	1001155550	1	Plate	
107	1001155557	2	Plate	
108	1001155563	1	Seal	
109	1001155564	1	Bracket	
110	1001155565	1	Seal	
111	1001155566	1	Bracket	
112	1001155567	1	Pipe, Exhaust	
113	1001156034	1	Seal	
114	1001156035	1	Bracket	
115	1001156062	1	Bracket	
116	1001156091	1	Hose	
117	1001156112	1	Tube	
118	1001156644	2	Seal	
119	1001155728	1	Seal	
120	4060807	22 in /55cm	Flex-Trim	
121	0100081	AR	Adhesive	
122	0711218	4	Bolt M12 x 50 Grade 10.9	
123	1320022	4	Clamp	
124	1001170982	1	Fitting, 90 SAE/Barbed	
129	0760812	3	Bolt M8 x 25 ( <b>SN 0300190128 to Present</b> )	
130	1703162	2	Decal - Fan Blade ( <b>SN 0300190128 to Present</b> )	
131	1321716	1	Clamp ( <b>Prior to SN 0300190128</b> )	
131	8406110	2	Clip ( <b>SN 0300190128 to Present</b> )	



# SECTION 3 - ENGINE

## FIGURE 3-14. DEUTZ T4I ENGINE COMPONENTS



## SECTION 3 - ENGINE

### FIGURE 3-14. DEUTZ T4I ENGINE COMPONENTS

ITEM	PART NUMBER	QTY	DESCRIPTION	REV
	1001148075	Ref	DEUTZ T4I ENGINE COMPONENTS	D
1	70024497	1	Pipe, Intake	
1	70025680	1	Clamp	
2	70025111	1	Clamp	
2	70025128	1	Bolt	
2	70025116	1	Clamp	
2	See Note	NSS	Line, Breather (Includes Item 3) (Note: Not Available for Purchase)	
3	70025119	1	Sleeve, Rubber	
3	7002511	1	Clamp	
4	70002718	1	Seal, Rear Main (Not Shown)	
5	70025745	1	Dipstick	
5	70025755	1	Tube, Dipstick	
5	7020442	1	O-Seal	
6	70025123	24	Screw, Oil Pan (Not Shown)	
7	70025088	1	Plug	
8	7020465	1	Cap	
8	See Note	NSS	Tube, Fill (Note: Not Available for Purchase)	
8	70024471	1	Gasket (Tube to Engine Block)	
9	70025786	1	Plug	
10	70001870	1	Flywheel	
10	7024579	1	Gear, Rim	
11	70025789	1	Gasket, Head (Not Shown)	
11	70024481	1	Gasket, Valve Cover (Not Shown)	
12	7020465	1	Cap, Fill	
13	70025763	1	Pump, Oil (Not Shown)	
13	70025717	2	Tube, Adapter (Not Shown)	
13	70025718	4	O-Ring (Not Shown)	
13	70025714	2	Bushing, Dowel (Not Shown)	
14	70004275	1	Cooler, Oil	
14	70024495	1	Gasket	
15	7016331	1	Filter, Oil	
15	70025137	1	Bushing, Screw	
16	70025731	1	Cover	
16	70002813	1	Seal	
17	70025730	1	Pipe, Transfer (Not Shown - Located in Oil Pan)	
18	70025722	1	Line, Oil Suction (Not Shown - Located in Oil Pan)	
19	70024489	1	Line, Lube	
19	70025087	2	Screw	
19	70025105	4	Ring, Sealing	
20	See Note	NSS	Line, Lube Return (Note: Not Available for Purchase)	
20	70025132	1	O-Seal	
20	70025234	1	Flange, Upper	
20	70024509	1	Gasket, Upper Flange	
21	70024487	1	Pump, High Pressure	
21	70025152	1	O-Ring	
21	70004505	1	Valve, Overflow	
21	70004506	1	O-Ring	
21	70004507	1	O-Ring	
21	70004508	1	Valve, Volume Control	
21	70004509	1	O-Ring	

## SECTION 3 - ENGINE

ITEM	PART NUMBER	QTY	DESCRIPTION	REV
21	70004510	1	Gasket	
21	See Note	NSS	O-Seal (Between Pump and Block) (Note: Not Available for Purchase)	
21	70025729	1	Gear	
22	70024485	4	Injector, Fuel	
22	70025140	4	Washer, Sealing	
22	70025146	4	Clamp	
22	70025145	4	O-Seal	
22	70025154	4	Shoe, Clamping	
23	70024961	1	Head and Filter Assembly	
24	70025153	NLA	Filter (Use p/n 1001225430)	
25	70024513	1	Sensor with Cable	
25	70025239	1	Ring, Sealing	
26	70004511	1	Head and Filter Assembly	
27	70004512	NLA	Filter (Use p/n 1001225432)	
28	70024504	1	Sensor, Pressure	
28	70024920	1	O-Seal	
29	70004514	1	Fitting	
29	70004513	1	Ring, Sealing	
30	70024486	1	Pump, Fuel Supply	
31	70025144	2	Clamp	
32	70025151	1	Rail, Fuel	
32	70025235	1	Kit, Repair - Fuel Rail	
32	70025240	1	O-Ring	
32	70025534	1	Pipe, Pressure Pump to Fuel Rail	
32	70024498	1	Pipe, Fuel Rail to Cylinders 1 & 2	
32	70024499	1	Pipe, Fuel Rail to Cylinders 3 & 4	
33	70024501	1	Line, Fuel	
33	70025109	3	Clamp, Band	
33	70025686	3	Clamp, Pipe	
34	70025766	1	Pipe, Fuel Leakage	
34	70025756	2	Retainer for Fuel Leakage Pipe	
35	70024921	1	Sensor, Pressure	
35	70025120	1	O-Seal	
36	70025721	1	Hose, Elbow	
36	70025675	1	Clamp (Manifold Side)	
36	70025681	1	Clamp (Pipe Side)	
37	70025748	1	Pipe, Air Charge	
37	70025726	1	Gasket	
38	70025772	1	Manifold, Air Charge	
38	70024475	1	Gasket (Manifold to Head)	
39	70025210	1	Module, Engine Control	
40	70004515	1	Pump, Water	
40	70025713	1	Seal (RH Side Pump to Item 43)	
40	70004516	2	Ring, Sealing (For Smaller Plug)	
40	7016309	1	Ring, Sealing (For Larger Plug)	
41	70025741	1	Housing, Thermostat	
41	70024473	1	Thermostat	
41	7016309	1	Ring, Sealing (For Bottom Plug)	
41	70024493	1	Gasket (Housing to Head)	
42	70024918	1	Sender, Temperature	
43	70025762	1	Manifold, Coolant	

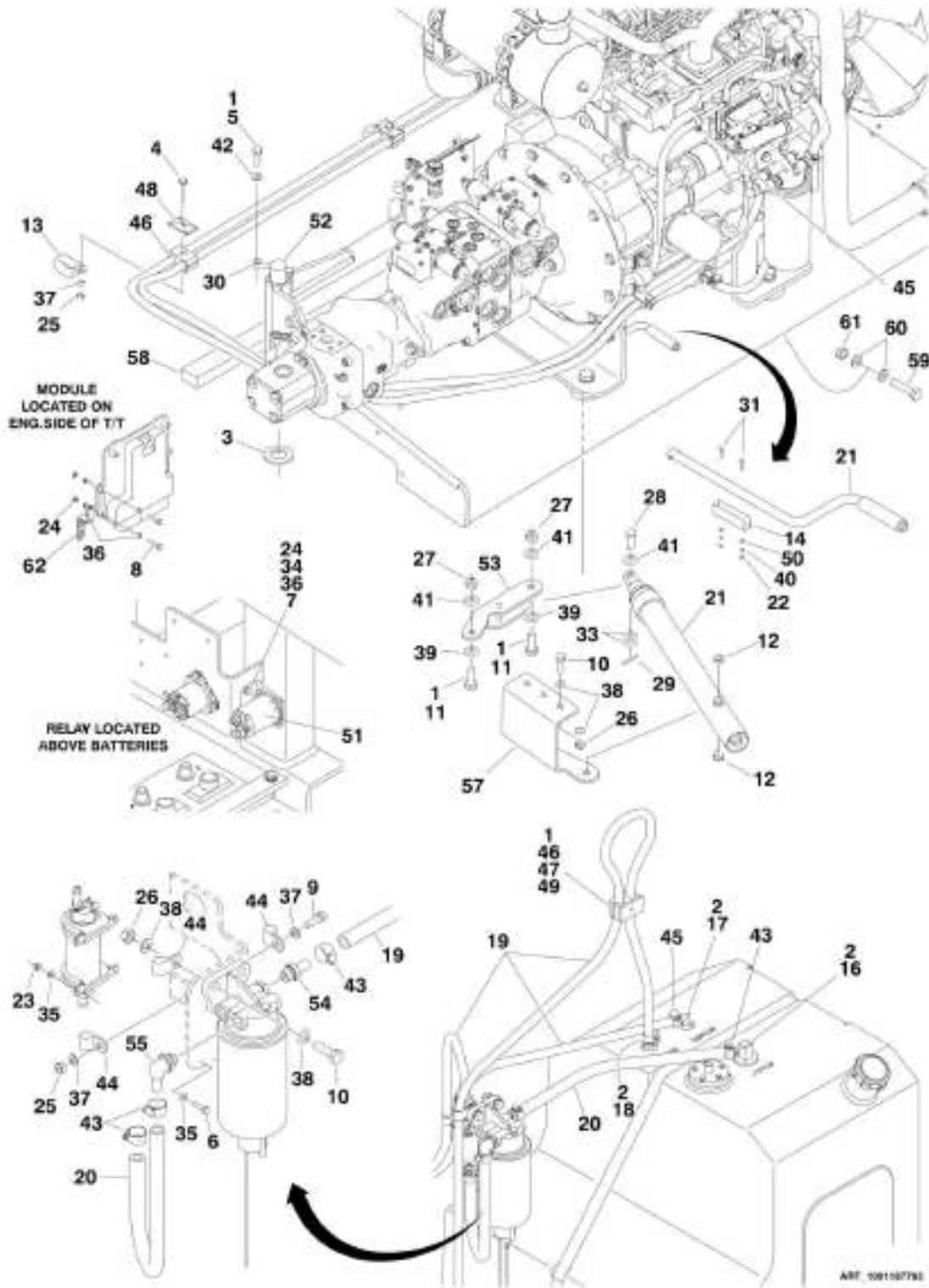


## SECTION 3 - ENGINE

ITEM	PART NUMBER	QTY	DESCRIPTION	REV
44	70004517	1	V-Belt	
44	See Note	NSS	Tensioner, Pulley (Note: Not Available for Purchase)	
45	70025723	1	EGR Manifold Assembly	
46	70025708	1	Module, EGR	
46	70025710	1	O-Seal	
46	70025709	1	O-Seal	
47	70025768	1	Valve, Shuttle	
48	70024482	1	Gasket, Exhaust Manifold to Head (Not Shown)	
49	See Note	NSS	Tube, Compensator (Note: Not Available for Purchase)	
49	70024500	2	Gasket	
50	70024496	1	Line, Water	
50	7020492	1	Ring, Sealing (For Plug in Line)	
50	70024478	1	Gasket (Water Line to EGR Valve)	
50	70025701	1	Sleeve, Rubber	
50	70025687	2	Clamp (For Sleeve)	
50	70025699	1	Clamp, Insulated	
51	70024479	1	Hose	
51	70025687	1	Clamp (Lower)	
51	70025773	1	Clamp (Upper)	
51	70025744	1	Fitting (at Lower End of Hose)	
51	70024469	1	O-Seal (For Fitting)	
52	70004518	1	Turbocharger	
52	70024480	1	Gasket	
53	70004519	1	V-Belt	
54	70025533	1	Generator	
54	70025149	1	Controller	
54	70025131	1	Fan	
54	70025150	1	Pulley	
54	70025141	1	Nut, Pulley	
55	70004520	1	Starter	
56	70025780	1	Relay	
57	70025783	1	Harness, Engine	
58	70024916	1	Tacho-Generator	
58	70024917	1	O-Seal	
59	70024503	1	Tacho-Generator	
59	70024917	1	O-Seal	
60	70024504	1	Switch, Pressure	
60	70024920	1	O-Seal	
61	70024474	4	Plug, Glow	
62	70025707	1	Gasket Kit	
63	70024512	1	Clamp	
63	70025788	1	Nut	
64	70025877	1	Clamp	
64	70025242	1	Gasket	
65	70025245	2	Bracket	
66	See Note	NSS	Muffler (Note: Not Available for Purchase)	
67	70025246	1	Cap, End	

# SECTION 3 - ENGINE

FIGURE 3-15. DEUTZ EPA FLEX T4I ENGINE INSTALLATION - NO COLD WEATHER PKG



## SECTION 3 - ENGINE

**FIGURE 3-15. DEUTZ EPA FLEX T4I ENGINE INSTALLATION - NO COLD WEATHER PKG**

ITEM	PART NUMBER	QTY	DESCRIPTION	REV
	1001187763	Ref	DEUTZ EPA FLEX T4i ENGINE INSTALLATION - NO COLD WEATHER PKG	A
1	0100011	AR	Compound, Locking	
2	0100020	AR	Sealant	
3	0440162	1	Bearing, Thrust	
4	0700818	3	Bolt M8 x 50	
5	0711015	1	Bolt M10 x 35 Grade 10.9	
6	0760408	4	Bolt M4 x 16	
7	0760610	2	Bolt M6 x 20	
8	0760613	4	Bolt M6 x 28	
9	0760812	1	Bolt M8 x 25	
10	0761015	5	Bolt M10 x 35	
11	0771416	2	Bolt M14 x 40 Grade 10.9	
12	0962051	2	Bearing, Flange	
13	1321716	3	Clamp	
14	1380147	1	Clip	
16	2180832	1	Fitting, Straight NPT/Barbed	
17	2220313	1	Fitting, 90 NPT/Barbed	
18	2221114	1	Fitting, Straight NPT/Barbed	
19	1001165035	42 in/13m	Hose	
20	2720615	3 ft/1m	Hose	
21	2840016	1	Jack with Handle	
21	7016374	1	Handle (Burr Manufacturing Brand)	
21	7024598	1	Handle (Hammerblow Corp Brand)	
21	7016322	1	Wiper (Burr Manufacturing Brand Only)	
22	3290301	2	Nut M3	
23	3290405	4	Nut M4	
24	3290607	6	Nut M6	
25	3290807	4	Nut M8	
26	3291007	5	Nut M10	
27	3331411	2	Nut M14	
28	3430816	1	Pin	
29	3450404	1	Pin, Cotter 1/8 x 1	
30	3841143	1	Keeper	
31	4010308	2	Screw M3 x16	
32	4240099	AR	Tie-Strap (Not Shown)	
33	4711800	2	Washer 1/2	
34	4791400	2	Washer 1/4	
35	4811400	8	Washer M4	
36	4811700	10	Washer M6	
37	4811900	5	Washer M8	
38	4812000	10	Washer M10	
39	4812200	4	Washer M14	
40	4871200	2	Washer M3	
41	4891800	1	Washer 1/2	
42	5241000	1	Washer M10	
43	8405006	4	Clamp	
44	8406101	3	Clip	
45	8410013	5	Clamp	
46	8750014	4	Clamp	

## SECTION 3 - ENGINE

ITEM	PART NUMBER	QTY	DESCRIPTION	REV
47	8750031	1	Plate	
48	8769128	3	Cover	
49	1001101580	1	Screw M8 x 30	
50	1001110544	2	Washer M3	
51	1001117308	2	Relay	
52	1001135196	1	Pin	
53	1001135497	1	Support	
54	1001141718	1	Fitting, Straight NPT/Barbed	
55	1001142501	1	Fitting, 90 NPT/Barbed	
57	1001155939	1	Plate	
58	1001156719	1	Seal	
59	0642220	1	Bolt 3/4-10 x 2-1/2	
60	4712200	2	Washer 3/4	
61	8310067	1	Nut 3/4-10	
62	1001159162	1	Bracket, Support	





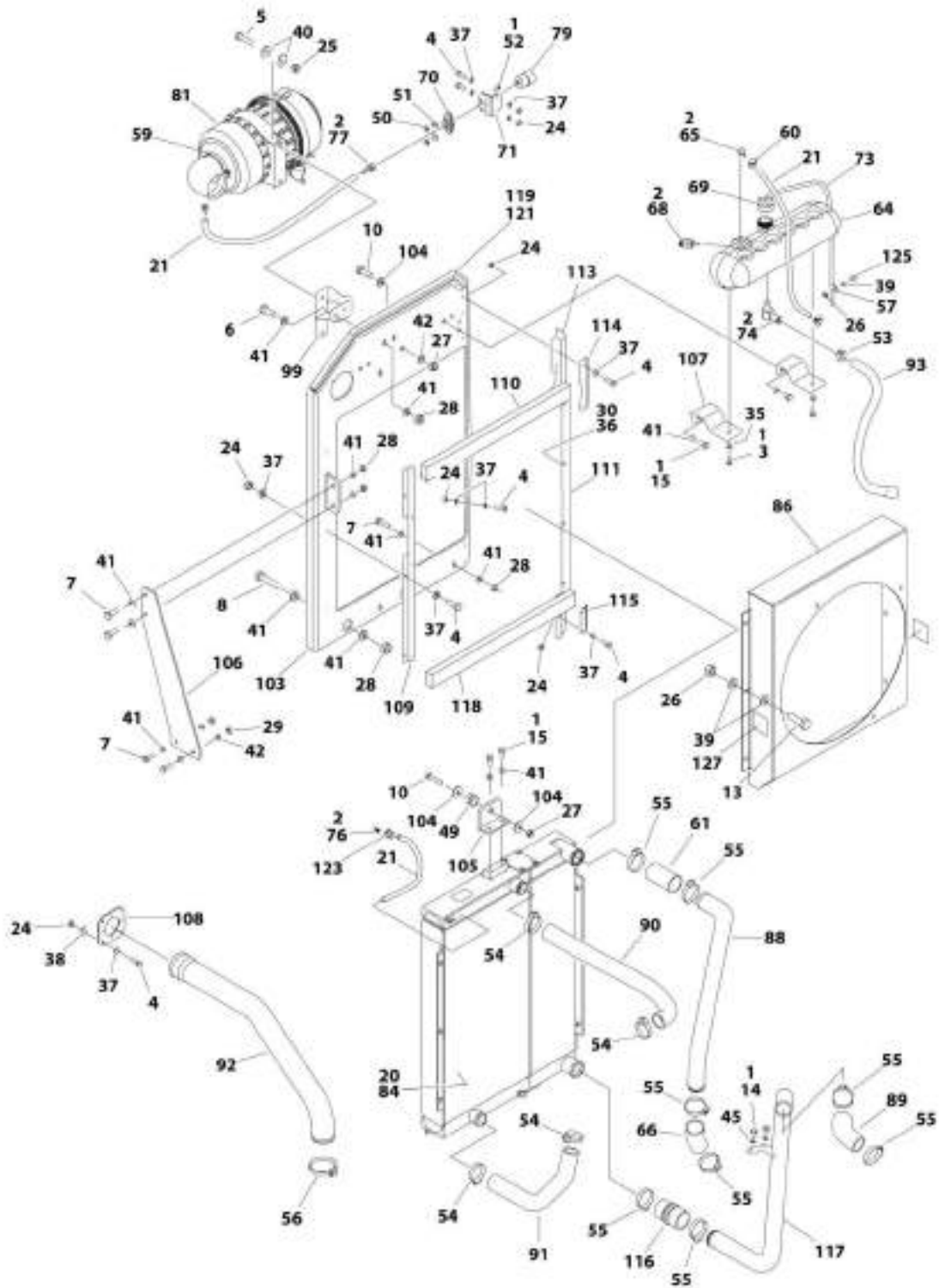
## SECTION 3 - ENGINE

**FIGURE 3-16. DEUTZ EPA FLEX T4i ENGINE/PUMP ASSEMBLY - NO COLD WEATHER PKG**

ITEM	PART NUMBER	QTY	DESCRIPTION	REV
	1001187762	Ref	DEUTZ EPA FLEX T4i ENGINE/PUMP ASSEMBLY - NO COLD WEATHER PKG	A
1	0100011	AR	Compound, Locking	
2	0641608	2	Bolt 3/8-18 x 1	
3	0841812	2	Bolt 1/2-13 x 1-1/2	
4	0700510	1	Bolt M5 x 20	
5	0760610	2	Bolt M6 x 20	
6	0761015	2	Bolt M10 x 35	
7	0761210	1	Bolt M12 x 20	
8	0761215	2	Bolt M12 x 35	
9	1320041	1	Clamp	
10	1320136	1	Clamp	
11	3020037	AR	Lubricant	
12	3290507	1	Nut M5	
13	3290607	2	Nut M6	
14	3291007	2	Nut M10	
15	3310401	3	Nut #4-40NC	
16	3790152	1	O-Ring	
17	3790155	1	O-Ring	
18	3910408	3	Screw #4 x 1/2	
19	4740171	2	Washer,	
20	4750400	3	Washer #4	
21	4811600	2	Washer M5	
22	4811700	2	Washer M6	
23	4812000	2	Washer M10	
24	4812100	1	Washer M12	
25	4891600	2	Washer 3/8	
26	4891800	2	Washer 1/2	
27	1001108616	1	Tandem Pump Assembly (See TANDEM PUMP ASSEMBLY for Breakdown)	
28	1001112927	1	Gear Pump Assembly (See GEAR PUMP ASSEMBLY for Breakdown)	
29	1001141304	1	Wire, Glow Plug Fuse	
30	1001149971	1	Harness, Engine (Not Shown - See ELECTRICAL SECTION for Breakdown)	
31	1001154142	1	Cable, Battery (Positive)	
32	1001154143	1	Cable, Battery (Negative)	
33	1001156001	1	Harness Can (Not Shown - See ELECTRICAL SECTION for Breakdown)	
34	1001156107	2	Holder, Cable	
35	1001156718	1	Seal (Not Shown - Located on Side of Radiator Mounting Plate)	
36	1001156719	1	Seal	
37	1001157073	1	Cable, Alternator Power	
38	1001168734	1	Wire, Glow Plug	
39	1001169892	1	Piston Pump Assembly (See PISTON PUMP ASSEMBLY for Breakdown)	

# SECTION 3 - ENGINE

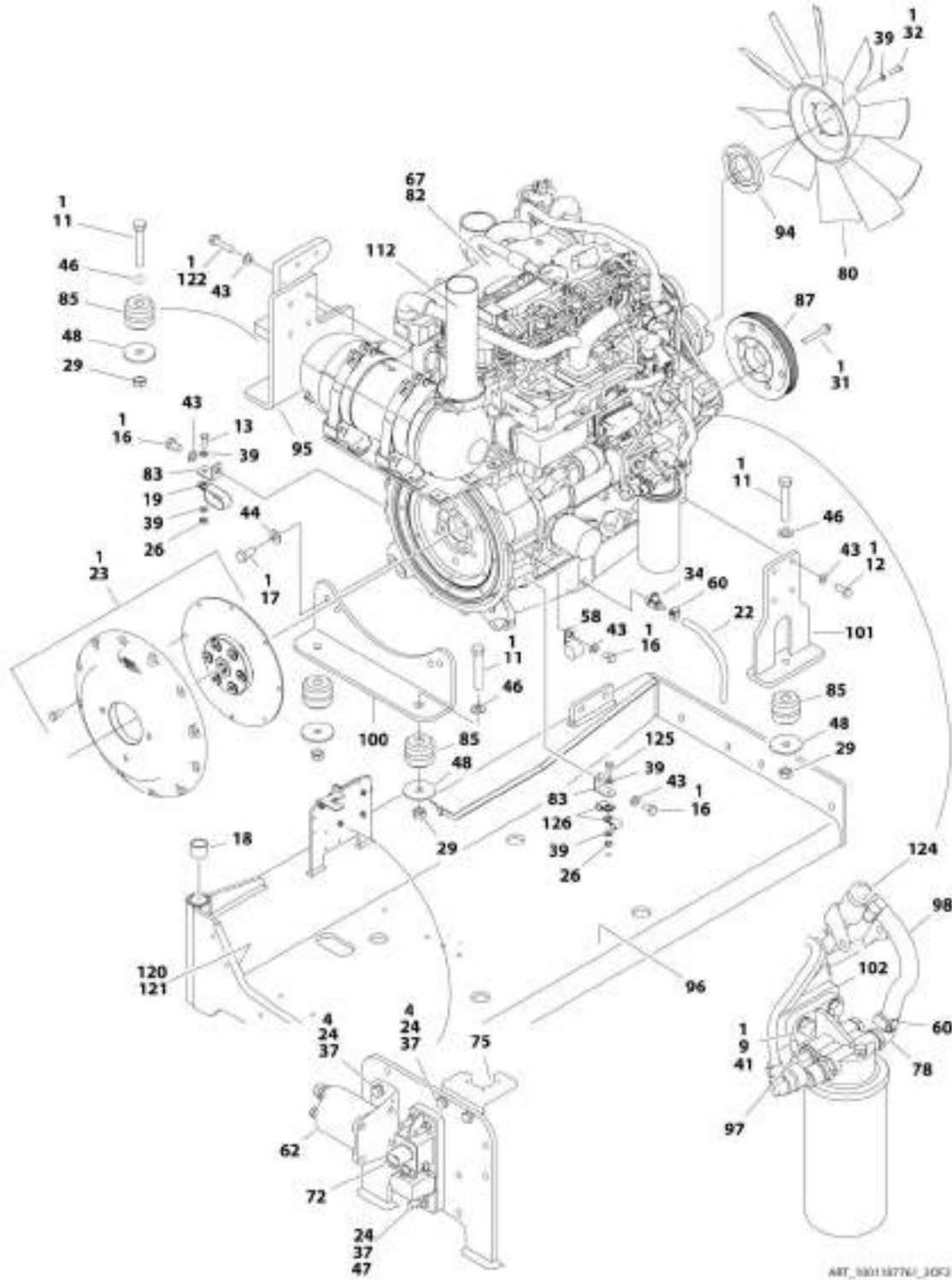
## FIGURE 3-17. DEUTZ EPA FLEX T4I ENGINE ASSEMBLY - NO COLD WEATHER PKG



ART\_1001187361\_10P2



# SECTION 3 - ENGINE



## SECTION 3 - ENGINE

FIGURE 3-17. DEUTZ EPA FLEX T4I ENGINE ASSEMBLY - NO COLD WEATHER PKG

ITEM	PART NUMBER	QTY	DESCRIPTION	REV
	1001187761	Ref	DEUTZ EPA FLEX T4i ENGINE ASSEMBLY - NO COLD WEATHER PKG	A
1	0100011	AR	Compound, Locking	
2	0100020	AR	Sealant	
3	0641606	2	Bolt 3/8-18 x 3/4	
4	0700612	22	Bolt M6 x 25	
5	0700815	2	Bolt M8 x 35	
6	0701013	2	Bolt M10 x 28	
7	0701015	6	Bolt M10 x 35	
8	0701016	2	Bolt M10 x 40	
9	0701017	2	Bolt M10 x 45	
10	0701019	1	Bolt M10 x 55	
11	0701627	4	Bolt M16 x 100	
12	0711214	4	Bolt M12 x 30 Grade 10.9	
13	0760810	5	Bolt M8 x 20	
14	0761008	2	Bolt M10 x 16	
15	0761012	6	Bolt M10 x 25	
16	0761210	3	Bolt M12 x 20	
17	0771414	4	Bolt M14 30 Grade 10.9	
18	0961951	2	Bushing	
19	1321716	1	Clamp	
20	2300004	13.2 qt /12.5L	Coolant, Anti-Freeze	
21	2720015	5 ft/1.5m	Hose	
22	2720340	1 ft/30.5m	Hose	
23	2902065	1	Pump Coupling Kit (See PUMP COUPLING KIT for Breakdown)	
24	3290607	23	Nut M6	
25	3290805	2	Nut M8	
26	3290807	5	Nut M8	
27	3291005	1	Nut M10	
28	3291007	10	Nut M10	
29	3291601	4	Nut M16	
30	3820032	9	Rivet	
31	5251022	6	Bolt M10 x 70	
32	4031912	4	Capscrew M8 x 40	
33	4240099	AR	Tie-Strap (Not Shown)	
34	4640751	1	Valve, Oil Drain	
35	4711600	2	Washer 3/8	
36	4811600	4	Washer M5	
37	4811700	41	Washer M6	
38	4811702	4	Washer M6	
39	4811900	17	Washer M8	
40	4811902	4	Washer M8	
41	4812000	30	Washer M10	
42	4812002	1	Washer M10	
43	4812100	11	Washer M12	
44	4812200	4	Washer M14	
45	5241000	2	Washer M10	
46	5241600	4	Washer M16	
47	5271614	1	Capscrew M16 x 50	

## SECTION 3 - ENGINE

ITEM	PART NUMBER	QTY	DESCRIPTION	REV
48	7300435	4	Washer	
49	8278020	1	Mount	
50	8305401	2	Nut 1/4	
51	8307109	2	Washer 1/4	
52	8310548	2	Screw 1/4 x 1/2	
53	8405007	2	Clamp	
54	8405104	4	Clamp	
55	8405201	8	Clamp	
56	8405204	1	Clamp	
57	8406109	2	Clamp	
58	8406303	1	Clip	
59	8410011	1	Clamp	
60	8410013	5	Clamp	
61	91563070	1	Coupling, Rubber	
62	1001117308	1	Relay, 200Amp	
64	1001166393	1	Tank	
65	1001134488	1	Fitting, 90 NPT/Barbed	
66	1001135943	1	Coupling	
67	1001136079	9.6 qt /9.1L	Oil, Motor	
68	1001138827	1	Sensor	
69	1001136834	1	Cap	
70	1001138173	1	Support	
71	1001138175	1	Bracket	
72	1001138228	1	Module, Relay	
73	1001138248	5 ft/1.5m	Tubing	
74	1001138559	1	Fitting, 90 NPT	
75	1001139240	1	Bracket	
76	1001140564	1	Fitting, 90 NPT/Barbed	
77	1001141995	1	Fitting, Straight NPT/Barbed	
78	1001142501	1	Fitting, 90 NPT/Barbed	
79	1001143390	1	Indicator, Air Restriction	
80	1001177137	1	Fan	
81	1001147847	1	Filter, Air	
81	70023809	1	Element	
81	70024328	1	Elbow, Rubber	
81	70024329	1	Clamp, Mounting	
82	1001187760	1	Deutz EPA Flex T4i Engine (See DEUTZ EPA FLEX T4i ENGINE COMPONENTS for Breakdown)	
83	1001148641	2	Bracket	
84	1001149407	1	Radiator	
85	1001149517	4	Mount, Motor	
86	1001149736	1	Shroud	
87	1001149746	1	Pulley	
88	1001150498	1	Tube	
89	1001150499	1	Hose	
90	1001150500	1	Hose	
91	1001150504	1	Hose	
92	1001150505	1	Pipe	
93	1001150553	1	Hose	
94	1001177134	1	Adapter	
95	1001151491	1	Support	

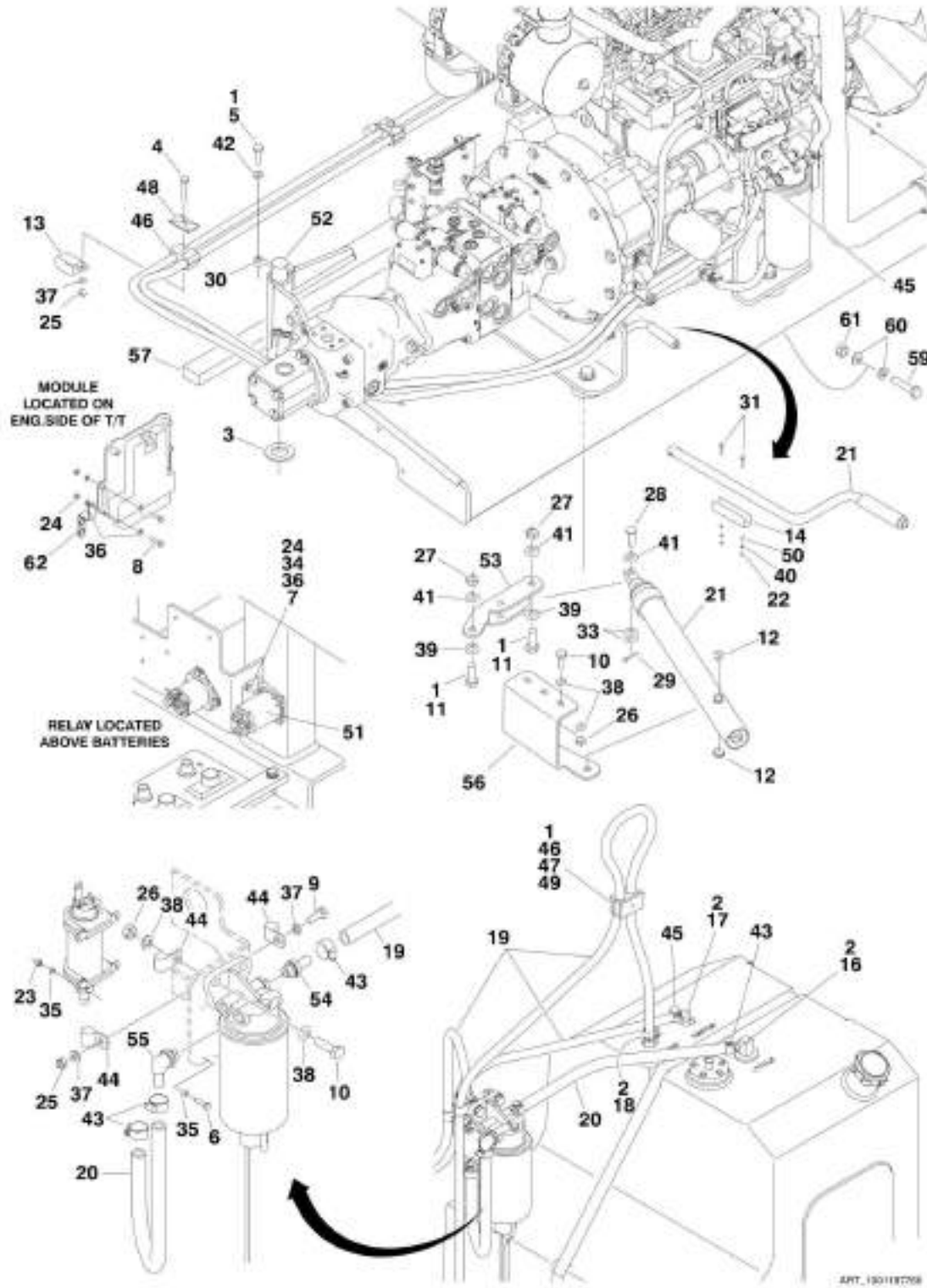
## SECTION 3 - ENGINE

ITEM	PART NUMBER	QTY	DESCRIPTION	REV
96	1001151749	1	Tray	
97	1001152489	1	Fitting, 90 Barbed	
98	1001154405	8.5 in /21cm	Hose	
99	1001155023	1	Plate	
100	1001155496	1	Support	
101	1001160518	1	Support	
102	1001155498	1	Plate	
103	1001155525	1	Support	
104	1001155540	2	Washer	
105	1001157862	1	Bracket	
106	1001155550	1	Plate	
107	1001155557	2	Plate	
108	1001155563	1	Seal	
109	1001155564	1	Bracket	
110	1001155565	1	Seal	
111	1001155566	1	Bracket	
112	1001155567	1	Pipe, Exhaust	
113	1001156034	1	Seal	
114	1001156035	1	Bracket	
115	1001156062	1	Bracket	
116	1001156091	1	Hose	
117	1001156112	1	Tube	
118	1001156644	2	Seal	
119	1001155728	1	Seal	
120	4060807	22 in /55cm	Flex-Trim	
121	0100081	AR	Adhesive	
122	0711218	4	Bolt M12 x 50 Grade 10.9	
123	1320022	4	Clamp	
124	1001170982	1	Fitting, 90 SAE/Barbed	
125	0760812	3	Bolt M8 x 25	
126	8406110	2	Clip	
127	1703162	2	Decal - Fan Blade	



# SECTION 3 - ENGINE

FIGURE 3-18. DEUTZ EPA FLEX T4I ENGINE INSTALLATION - WITH COLD WEATHER PKG



## SECTION 3 - ENGINE

**FIGURE 3-18. DEUTZ EPA FLEX T4I ENGINE INSTALLATION - WITH COLD WEATHER PKG**

ITEM	PART NUMBER	QTY	DESCRIPTION	REV
	1001187766	Ref	DEUTZ EPA FLEX T4i ENGINE INSTALLATION - WITH COLD WEATHER PKG	A
1	0100011	AR	Compound, Locking	
2	0100020	AR	Sealant	
3	0440162	1	Bearing, Thrust	
4	0700818	3	Bolt M8 x 50	
5	0711015	1	Bolt M10 x 35 Grade 10.9	
6	0760408	4	Bolt M4 x 16	
7	0760610	2	Bolt M6 x 20	
8	0760613	4	Bolt M6 x 28	
9	0760812	1	Bolt M8 x 25	
10	0761015	5	Bolt M10 x 35	
11	0771416	2	Bolt M14 x 40 Grade 10.9	
12	0962051	2	Bearing, Flange	
13	1321716	3	Clamp	
14	1380147	1	Clip	
16	2180832	1	Fitting, Straight NPT/Barbed	
17	2220313	1	Fitting, 90 NPT/Barbed	
18	2221114	1	Fitting, Straight NPT/Barbed	
19	1001165035	42 in/13m	Hose	
20	2720615	3 ft/1m	Hose	
21	2840016	1	Jack with Handle	
21	7016374	1	Handle (Burr Manufacturing Brand)	
21	7024598	1	Handle (Hammerblow Corp Brand)	
21	7016322	1	Wiper (Burr Manufacturing Brand Only)	
22	3290301	2	Nut M3	
23	3290405	4	Nut M4	
24	3290607	6	Nut M6	
25	3290807	4	Nut M8	
26	3291007	5	Nut M10	
27	3331411	2	Nut M14	
28	3430816	1	Pin	
29	3450404	1	Pin, Cotter 1/8 x 1	
30	3841143	1	Keeper	
31	4010308	2	Screw M3 x16	
32	4240099	AR	Tie-Strap (Not Shown)	
33	4711800	2	Washer 1/2	
34	4791400	2	Washer 1/4	
35	4811400	8	Washer M4	
36	4811700	10	Washer M6	
37	4811900	5	Washer M8	
38	4812000	10	Washer M10	
39	4812200	4	Washer M14	
40	4871200	2	Washer M3	
41	4891800	1	Washer 1/2	
42	5241000	1	Washer M10	
43	8405006	4	Clamp	
44	8406101	3	Clip	
45	8410013	5	Clamp	
46	8750014	4	Clamp	

## SECTION 3 - ENGINE

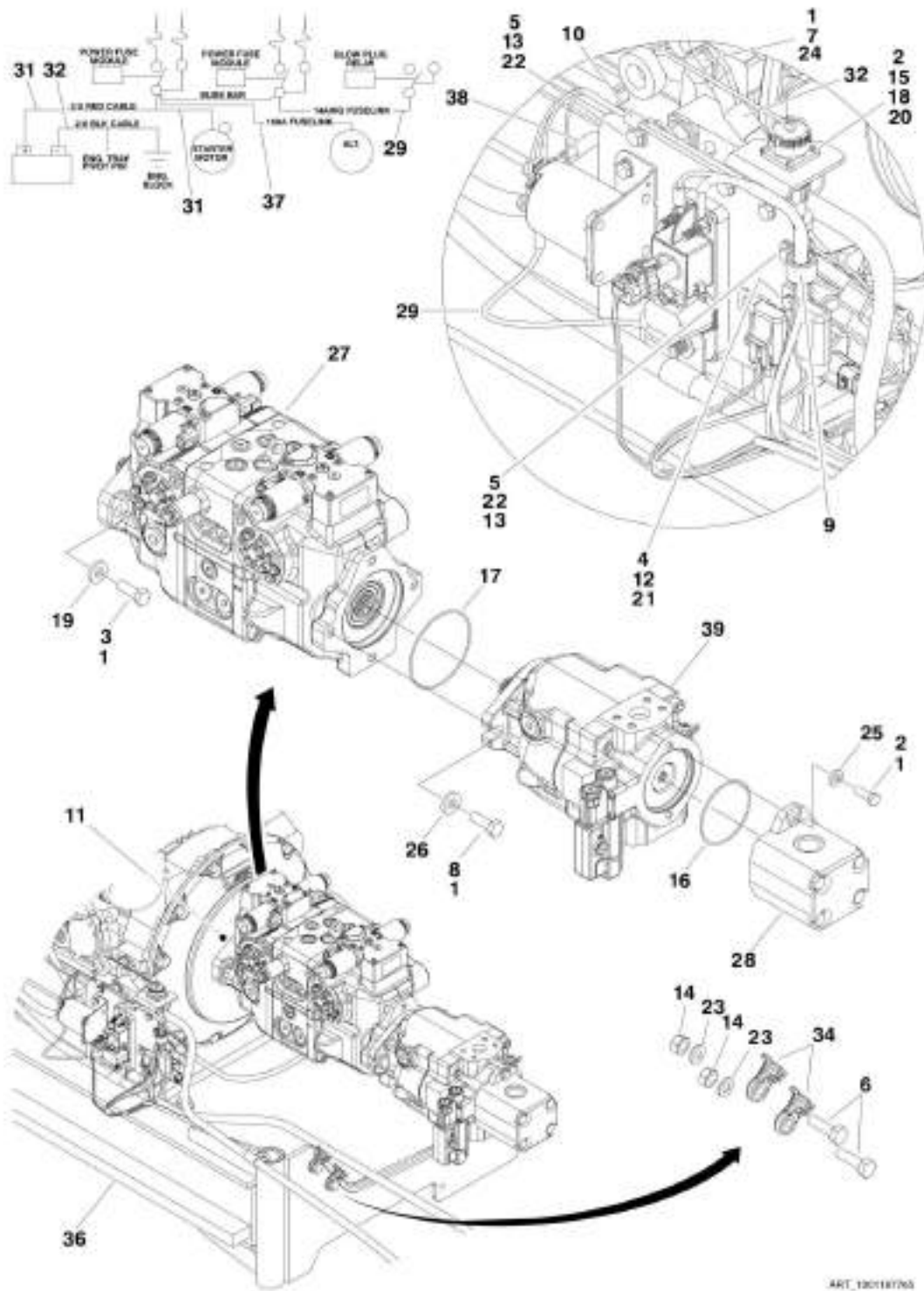
ITEM	PART NUMBER	QTY	DESCRIPTION	REV
47	8750031	1	Plate	
48	8769128	3	Cover	
49	1001101580	1	Screw M8 x 30	
50	1001110544	2	Washer M3	
51	1001117308	2	Relay	
52	1001135196	1	Pin	
53	1001135497	1	Support	
54	1001141718	1	Fitting, Straight NPT/Barbed	
55	1001142501	1	Fitting, 90 NPT/Barbed	
56	1001155939	1	Plate	
57	1001156719	1	Seal	
59	0642220	1	Bolt 3/4-10 x 2-1/2	
60	4712200	2	Washer 3/4	
61	8310067	1	Nut 3/4-10	
62	1001159162	1	Bracket, Support	





# SECTION 3 - ENGINE

FIGURE 3-19. DEUTZ EPA FLEX T41 ENGINE/PUMP ASSEMBLY - WITH COLD WEATHER PKG)



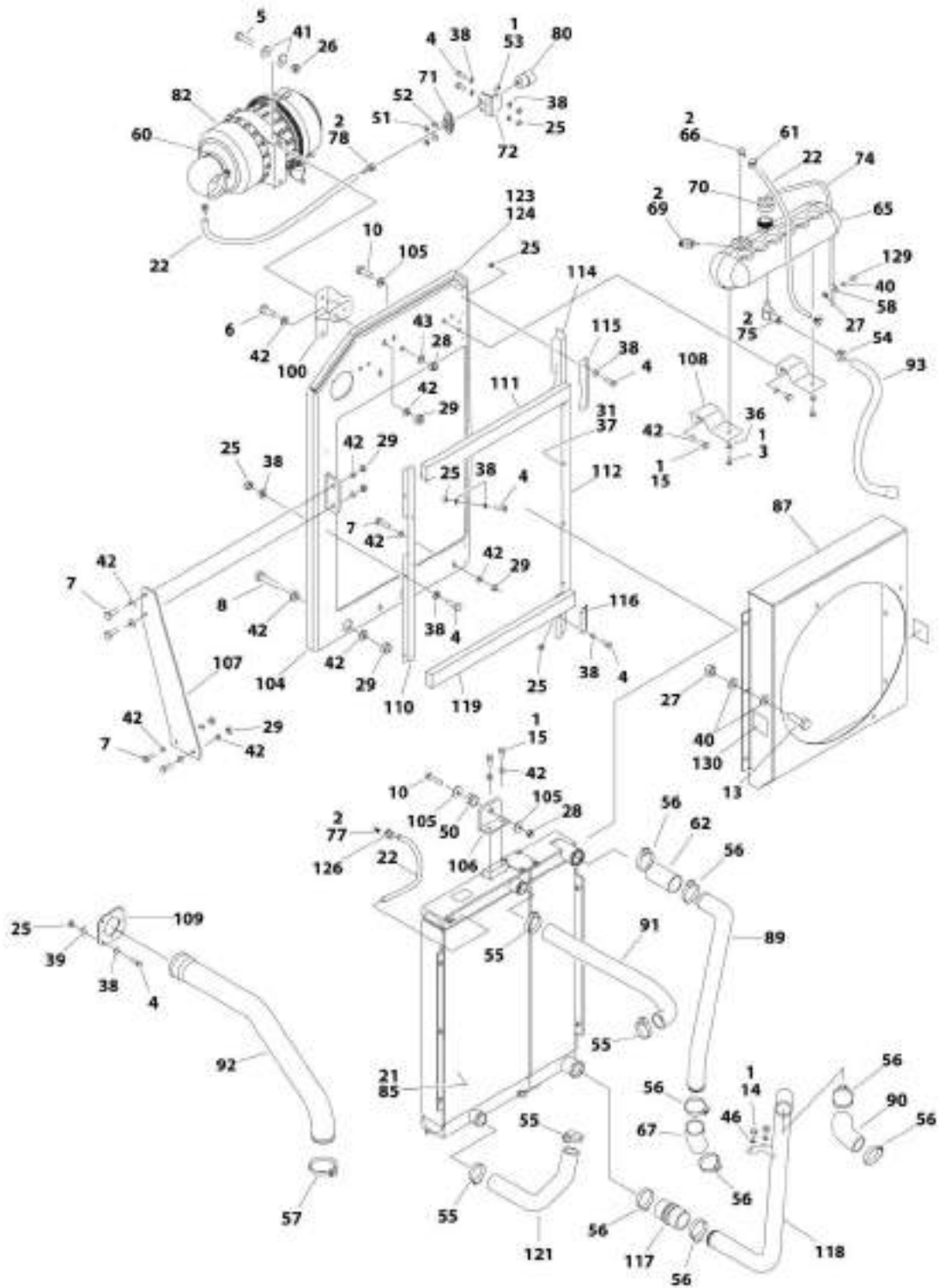
## SECTION 3 - ENGINE

**FIGURE 3-19. DEUTZ EPA FLEX T4I ENGINE/PUMP ASSEMBLY - WITH COLD WEATHER PKG)**

ITEM	PART NUMBER	QTY	DESCRIPTION	REV
	1001187765	Ref	DEUTZ EPA FLEX T4i ENGINE/PUMP ASSEMBLY - WITH COLD WEATHER PKG	A
1	0100011	AR	Compound, Locking	
2	0641608	2	Bolt 3/8-18 x 1	
3	0841812	2	Bolt 1/2-13 x 1-1/2	
4	0700510	1	Bolt M5 x 20	
5	0760610	2	Bolt M6 x 20	
6	0761015	2	Bolt M10 x 35	
7	0761210	1	Bolt M12 x 20	
8	0761215	2	Bolt M12 x 35	
9	1320041	1	Clamp	
10	1320136	1	Clamp	
11	3020037	AR	Lubricant	
12	3290507	1	Nut M5	
13	3290607	2	Nut M6	
14	3291007	2	Nut M10	
15	3310401	3	Nut #4	
16	3790152	1	O-Ring	
17	3790155	1	O-Ring	
18	3910408	3	Screw #4 x 1/2	
19	4740171	2	Washer,	
20	4750400	3	Washer #4	
21	4811600	2	Washer M5	
22	4811700	2	Washer M6	
23	4812000	2	Washer M10	
24	4812100	1	Washer M12	
25	4891600	2	Washer 3/8n	
26	4891800	2	Washer 1/2in	
27	1001108616	1	Tandem Pump Assembly (See TANDEM PUMP ASSEMBLY for Breakdown)	
28	1001112927	1	Gear Pump Assembly (See GEAR PUMP ASSEMBLY for Breakdown)	
29	1001141304	1	Wire, Glow Plug	
30	1001149971	1	Harness, Engine (Not Shown - See ELECTRICAL SECTION for Breakdown)	
31	1001154142	1	Cable, Battery (Positive)	
32	1001154143	1	Cable, Battery (Negative)	
33	1001156001	1	Harness Can (Not Shown - See ELECTRICAL SECTION for Breakdown)	
34	1001156107	2	Holder, Cable	
35	1001156718	1	Seal (Not Shown - Located on Side of Radiator Mounting Plate)	
36	1001156719	1	Seal	
37	1001157073	1	Cable, Alternator Power	
38	1001168734	1	Cable, Glow Plug	
39	1001169892	1	Piston Pump Assembly (See PISTON PUMP ASSEMBLY for Breakdown)	

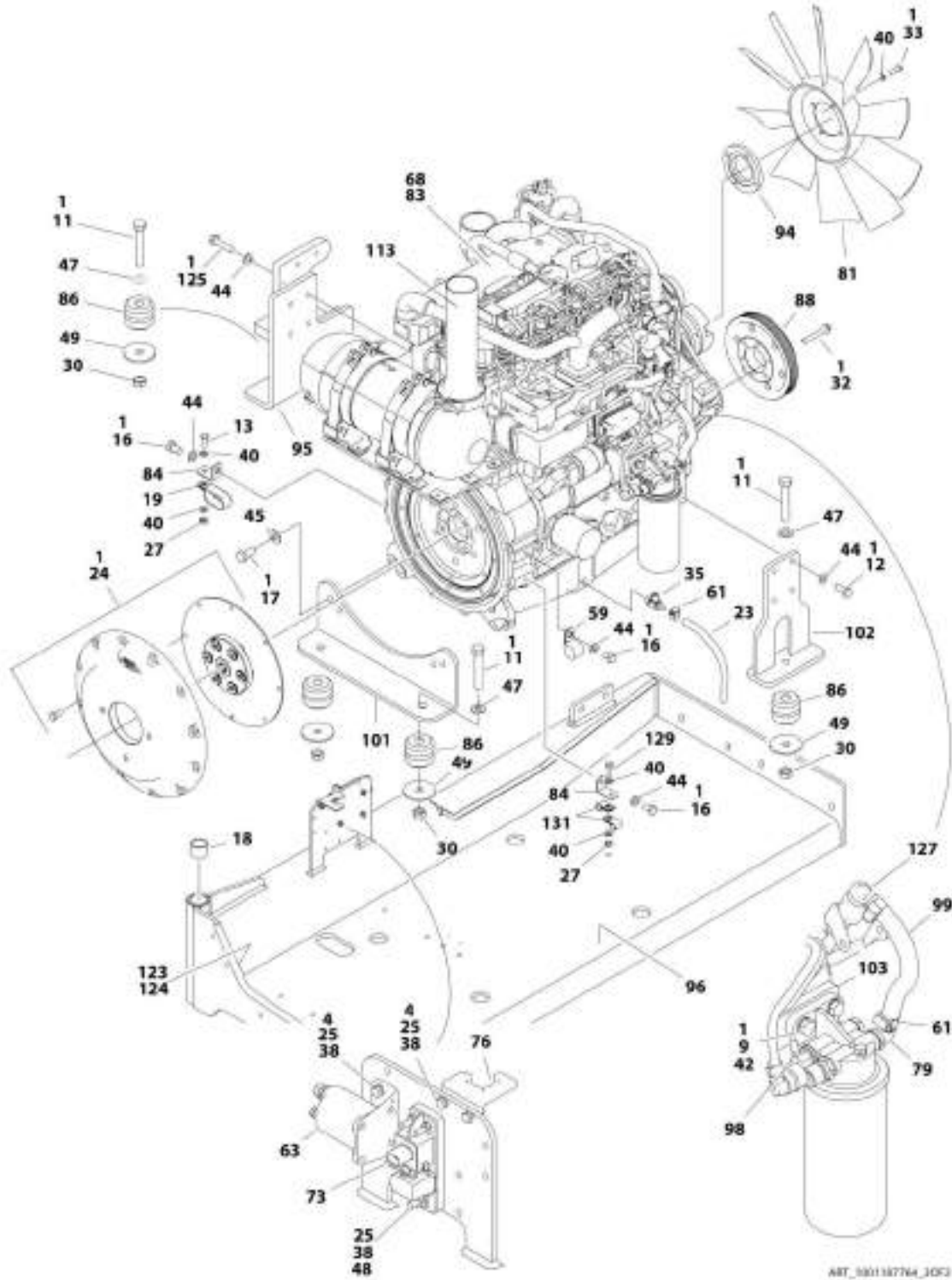
# SECTION 3 - ENGINE

## FIGURE 3-20. DEUTZ EPA FLEX T4I ENGINE ASSEMBLY - WITH COLD WEATHER PKG



ART\_10018376A\_10P2

# SECTION 3 - ENGINE



## SECTION 3 - ENGINE

FIGURE 3-20. DEUTZ EPA FLEX T4I ENGINE ASSEMBLY - WITH COLD WEATHER PKG

ITEM	PART NUMBER	QTY	DESCRIPTION	REV
	1001187764	Ref	DEUTZ EPA FLEX T4i ENGINE ASSEMBLY - WITH COLD WEATHER PKG	A
1	0100011	AR	Compound, Locking	
2	0100020	AR	Sealant	
3	0641606	2	Bolt 3/8-18 x 3/4	
4	0700612	22	Bolt M6 x 25	
5	0700815	2	Bolt M8 x 35	
6	0701013	2	Bolt M10 x 28	
7	0701015	6	Bolt M10 x 35	
8	0701016	2	Bolt M10 x 40	
9	0701017	2	Bolt M10 x 45	
10	0701019	1	Bolt M10 x 55	
11	0701627	4	Bolt M16 x 100	
12	0711214	4	Bolt M12 x 30 Grade 10.9	
13	0760810	5	Bolt M8 x 20	
14	0761008	2	Bolt M10 x 16	
15	0761012	6	Bolt M10 x 25	
16	0761210	3	Bolt M12 x 20	
17	0771414	4	Bolt M14 30 Grade 10.9	
18	0961951	2	Bushing	
19	1321716	1	Clamp	
20	1702942	1	Decal - Engine Block Heater (Not Shown)	
21	2300041	13.2 qt /12.5L	Coolant, Anti-Freeze	
22	2720015	5 ft/1.5m	Hose	
23	2720340	1 ft/30.5m	Hose	
24	2902065	1	Pump Coupling Kit (See PUMP COUPLING KIT for Breakdown)	
25	3290607	23	Nut M6	
26	3290805	2	Nut M8	
27	3290807	5	Nut M8	
28	3291005	1	Nut M10	
29	3291007	10	Nut M10	
30	3291601	4	Nut M16	
31	3820032	9	Rivet	
32	5251022	6	Bolt M10 x 70	
33	4031912	4	Capscrew M8 x 40	
34	4240099	AR	Tie-Strap (Not Shown)	
35	4640751	1	Valve, Oil Drain	
36	4711600	2	Washer 3/8	
37	4811600	4	Washer M5	
38	4811700	41	Washer M6	
39	4811702	4	Washer M6	
40	4811900	17	Washer M8	
41	4811902	4	Washer M8	
42	4812000	30	Washer M10	
43	4812002	1	Washer M10	
44	4812100	11	Washer M12	
45	4812200	4	Washer M14	
46	5241000	2	Washer M10	
47	5241600	4	Washer M16	

## SECTION 3 - ENGINE

ITEM	PART NUMBER	QTY	DESCRIPTION	REV
48	5271614	1	Capscrew M16 x 50	
49	7300435	4	Washer	
50	8278020	1	Mount	
51	8305401	2	Nut 1/4	
52	8307109	2	Washer 1/4	
53	8310548	2	Screw 1/4 x 1/2	
54	8405007	2	Clamp	
55	8405104	4	Clamp	
56	8405201	8	Clamp	
57	8405204	1	Clamp	
58	8406109	2	Clamp	
59	8406303	1	Clip	
60	8410011	1	Clamp	
61	8410013	5	Clamp	
62	91563070	1	Coupling, Rubber	
63	1001117308	1	Relay, 200Amp	
65	1001166393	1	Tank	
66	1001134488	1	Fitting, 90 NPT/Barbed	
67	1001135943	1	Coupling	
68	1001136172	9.6 qt /9.1L	Oil, Motor	
69	1001138827	1	Sensor	
70	1001136834	1	Cap	
71	1001138173	1	Support	
72	1001138175	1	Bracket	
73	1001138228	1	Module, Relay	
74	1001138248	5 ft/1.5m	Tubing	
75	1001138559	1	Fitting, 90 NPT	
76	1001139240	1	Bracket	
77	1001140564	1	Fitting, 90 NPT/Barbed	
78	1001141995	1	Fitting, Straight NPT/Barbed	
79	1001142501	1	Fitting, 90 NPT/Barbed	
80	1001143390	1	Indicator, Air Restriction	
81	1001177137	1	Fan	
82	1001147847	1	Filter, Air	
82	70023809	1	Element	
82	70024328	1	Elbow, Rubber	
82	70024329	1	Clamp, Mounting	
83	1001187760	1	Deutz EPA Flex T4i Engine (See DEUTZ EPA FLEX T4i ENGINE COMPONENTS for Breakdown)	
84	1001148641	2	Bracket	
85	1001149407	1	Radiator	
86	1001149517	4	Mount, Motor	
87	1001149736	1	Shroud	
88	1001149746	1	Pulley	
89	1001150498	1	Tube	
90	1001150499	1	Hose	
91	1001150500	1	Hose	
92	1001150505	1	Pipe	
93	1001150553	1	Hose	
94	1001177134	1	Adapter	
95	1001151491	1	Support	

## SECTION 3 - ENGINE

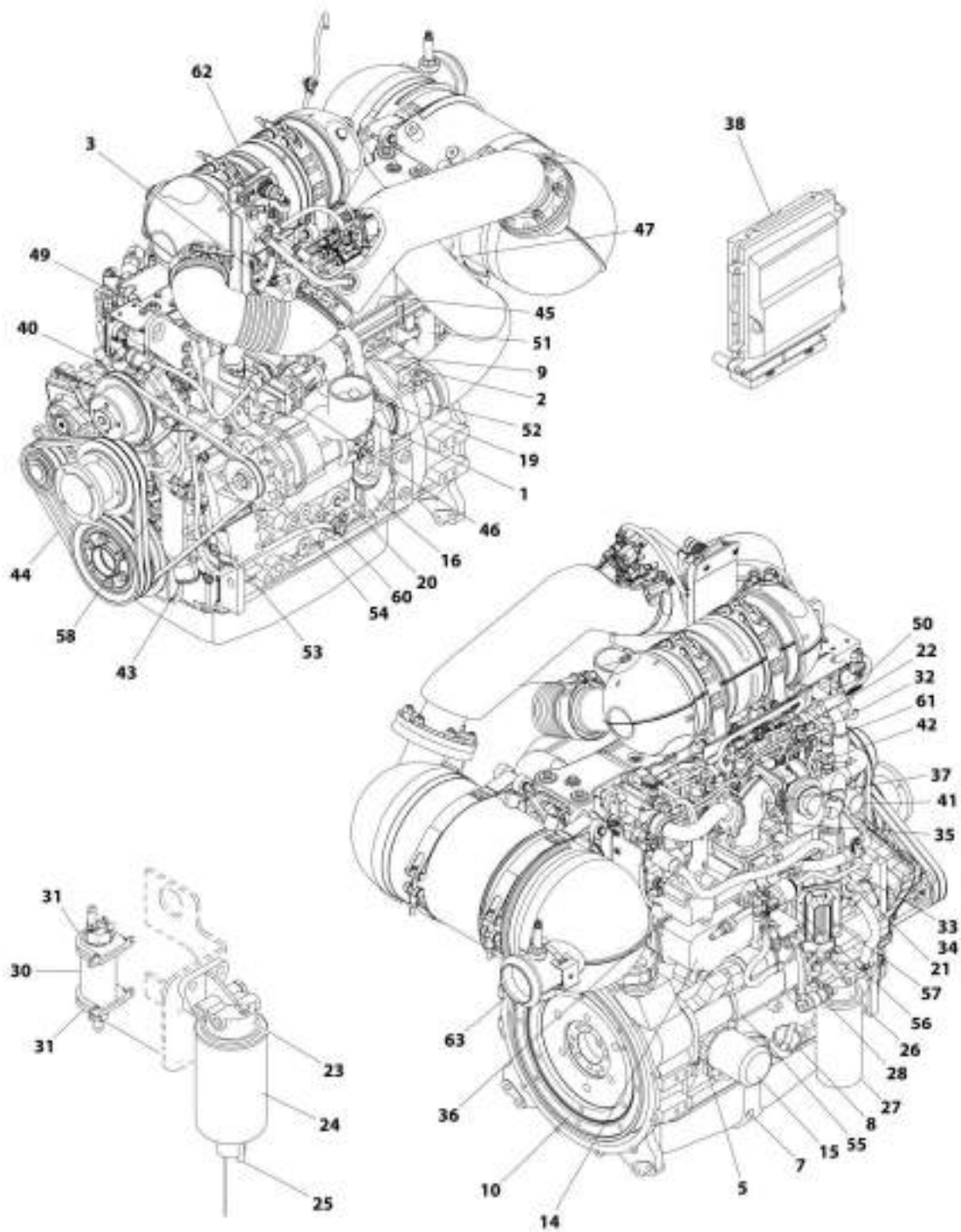
ITEM	PART NUMBER	QTY	DESCRIPTION	REV
96	1001151749	1	Tray	
97	1001152112	1	Heater, Engine Block (Not Shown)	
98	1001152489	1	Fitting, 90 Barbed	
99	1001154405	8.5 in /21cm	Hose	
100	1001155023	1	Plate	
101	1001155496	1	Support	
102	1001160518	1	Support	
103	1001155498	1	Plate	
104	1001155525	1	Support	
105	1001155540	2	Washer	
106	1001157862	1	Bracket	
107	1001155550	1	Plate	
108	1001155557	2	Plate	
109	1001155563	1	Seal	
110	1001155564	1	Bracket	
111	1001155565	1	Seal	
112	1001155566	1	Bracket	
113	1001155567	1	Pipe, Exhaust	
114	1001156034	1	Seal	
115	1001156035	1	Bracket	
116	1001156062	1	Bracket	
117	1001156091	1	Hose	
118	1001156112	1	Tube	
119	1001156644	2	Seal	
120	1001157300	1	Hose, Lower Radiator (Top Section)	
121	1001157301	1	Hose, Lower Radiator (Bottom Section)	
122	1001155728	1	Seal	
123	4060807	22 in /55cm	Flex-Trim	
124	0100081	AR	Adhesive	
125	0711218	4	Bolt M12 x 50 Grade 10.9	
126	1320022	4	Clamp	
127	1001170982	1	Fitting, 90 SAE/Barbed	
129	0760812	3	Bolt M8 x 25	
130	1703162	2	Decal - Fan Blade	
131	8406110	2	Clip	





# SECTION 3 - ENGINE

## FIGURE 3-21. DEUTZ EPA FLEX T4I ENGINE COMPONENTS



ART\_100187260

## SECTION 3 - ENGINE

**FIGURE 3-21. DEUTZ EPA FLEX T4I ENGINE COMPONENTS**

ITEM	PART NUMBER	QTY	DESCRIPTION	REV
	1001187760	Ref	DEUTZ EPA FLEX T4i ENGINE COMPONENTS	B
1	70024497	1	Pipe, Intake	
1	70025680	1	Clamp	
2	70025111	1	Clamp	
2	70025128	1	Bolt	
2	70025116	1	Clamp	
2	See Note	NSS	Line, Breather (Includes Item 3) (Note: Not Available for Purchase)	
3	70025119	1	Sleeve, Rubber	
3	7002511	1	Clamp	
4	70002718	1	Seal, Rear Main (Not Shown)	
5	70025745	1	Dipstick	
5	7020442	1	O-Seal	
5	70025755	1	Tube, Dipstick	
6	70025123	24	Screw, Oil Pan (Not Shown)	
7	70025088	1	Plug	
8	7020465	1	Cap	
8	70005487	1	Tube, Fill	
8	70024471	1	Gasket (Tube to Engine Block)	
9	70025786	1	Plug	
10	70001870	1	Flywheel	
10	7024579	1	Gear, Rim	
11	70024483	1	Gasket, Head (Not Shown)	
11	70024481	1	Gasket, Valve Cover (Not Shown)	
12	7020465	1	Cap, Fill (Not Shown - Located on top of Valve Cover)	
13	70025763	1	Pump, Oil (Not Shown)	
13	70025718	4	O-Ring (Not Shown)	
14	70024494	1	Cooler, Oil	
14	70024495	1	Gasket	
15	7016331	1	Filter, Oil	
15	70025137	1	Bushing, Screw	
16	70025731	1	Cover	
16	70002813	1	Seal	
17	70025730	1	Pipe, Transfer (Not Shown - Located in Oil Pan)	
18	70025722	1	Line, Oil Suction (Not Shown - Located in Oil Pan)	
19	70024489	1	Line, Lube	
19	70025085	2	Screw	
19	70025105	4	Ring, Sealing	
20	See Note	NSS	Line, Lube Return (Note: Not Available for Purchase)	
20	70025132	1	O-Seal	
20	70025234	1	Flange, Upper	
20	70024509	1	Gasket, Upper Flange	
21	70024487	1	Pump, High Pressure	
21	70025152	1	O-Ring	
21	70004505	1	Valve, Overflow	
21	70004506	1	O-Ring	
21	70004507	1	O-Ring	
21	70004508	1	Valve, Volume Control	
21	70004509	1	O-Ring	
21	70004510	1	Gasket	
21	See Note	NSS	O-Seal (Between Pump and Block) (Note: Not Available for	

## SECTION 3 - ENGINE

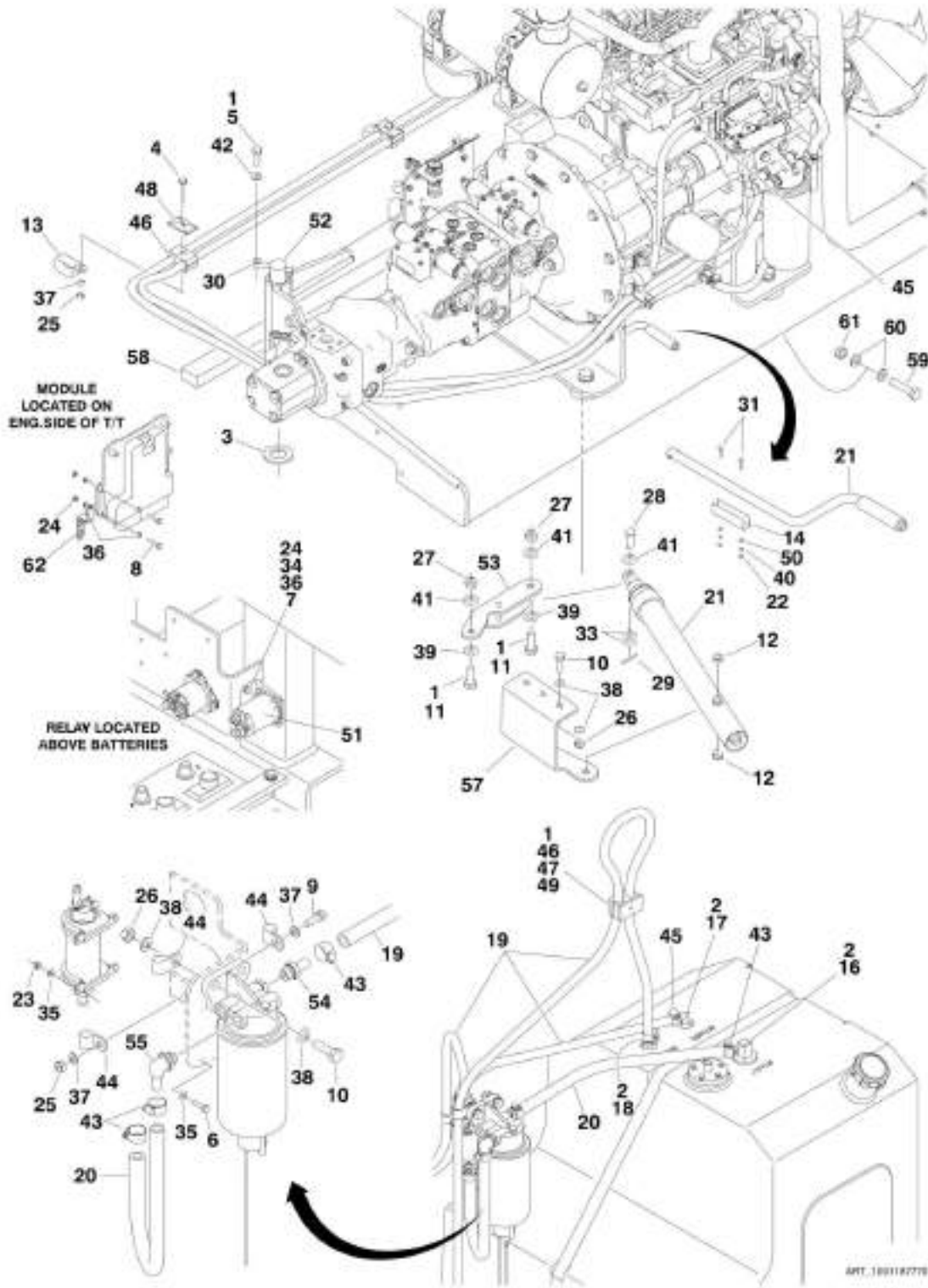
ITEM	PART NUMBER	QTY	DESCRIPTION	REV
			Purchase)	
21	70025729	1	Gear (Not Shown)	
22	70024485	4	Injector, Fuel	
22	70025140	4	Washer, Sealing	
22	70025146	4	Clamp	
22	70025145	4	O-Seal	
22	70025154	4	Shoe, Clamping	
23	70024961	1	Head and Filter Assembly (Includes Item 24 & 25)	
24	70025153	NLA	Filter (Use p/n 1001225430)	
25	70024513	1	Sensor with Cable	
25	70025239	1	Ring, Sealing	
26	70004511	1	Head and Filter Assembly	
27	70004512	NLA	Filter (Use p/n 1001225432)	
28	70024504	1	Sensor, Pressure	
28	70024920	1	O-Seal	
29	See Note	NSS	Connector (Note: Not Available for Purchase)	
29	70004513	1	Ring, Sealing	
30	1001226098	1	Pump, Fuel Supply	
31	70025144	2	Clamp	
32	70025151	1	Rail, Fuel	
32	70025235	1	Kit, Repair - Fuel Rail	
32	70025240	1	O-Ring	
32	70025534	1	Pipe, Pressure Pump to Fuel Rail	
32	70024498	1	Pipe, Fuel Rail to Cylinders 1 & 2	
32	70024499	1	Pipe, Fuel Rail to Cylinders 3 & 4	
33	70024501	1	Line, Fuel	
33	70025109	3	Clamp, Band	
33	70025686	3	Clamp, Pipe	
34	See Note	NSS	Pipe, Fuel Leakage (Note: Not Available for Purchase)	
34	70025686	2	Retainer for Fuel Leakage Pipe	
35	70024921	1	Sensor, Pressure	
35	70025120	1	O-Seal	
36	70025721	1	Manifold, Air Charge	
36	70025726	1	Gasket (Manifold to Head)	
36	70025675	1	Clamp, Band	
36	70025681	1	Clamp, Band	
36	70025748	1	Pipe, Air Charge	
37	70025772	1	Pipe, Air Charge	
37	70024475	1	Gasket (Intake Pipe)	
38	70025210	1	Module, Engine Control	
40	70005496	1	Pump, Water	
40	70005497	1	Seal (RH Side Pump to Item 43)	
40	70004516	2	Ring, Sealing (For Smaller Plug)	
41	70025741	1	Housing, Thermostat	
41	7016309	1	Ring, Sealing (For Bottom Plug)	
41	70024493	1	Gasket (Housing to Head)	
42	70024918	1	Sender, Temperature	
43	70025762	1	Manifold, Coolant	
43	70025747	1	Manifold	
43	70025111	4	Clamp, Band	
43	70025750	1	Line, Cooling Water	

## SECTION 3 - ENGINE

ITEM	PART NUMBER	QTY	DESCRIPTION	REV
43	70025699	1	Clamp, Pipe	
43	70025749	1	Hose	
44	70004517	1	V-Belt	
44	See Note	NSS	Tensioner, Pulley (Note: Not Available for Purchase)	
45	70025723	1	EGR Manifold Assembly	
46	70005189	1	Seal	
47	70025768	1	Valve, Shuttle	
48	70005511	1	Gasket, Exhaust Manifold to Head (Not Shown)	
49	70005500	1	Tube, Compensator	
49	70024500	2	Gasket	
50	70024496	1	Line, Water	
50	70024478	1	Gasket (Water Line to EGR Valve)	
50	70025701	1	Sleeve, Rubber	
50	70025687	2	Clamp (For Sleeve)	
50	70025699	1	Clamp, Insulated	
51	70024479	1	Hose	
51	70025687	1	Clamp (Lower)	
51	70025773	1	Clamp (Upper)	
51	70005499	1	Fitting (at Lower End of Hose)	
51	70024469	1	O-Seal (For Fitting)	
52	70004518	1	Turbocharger	
52	70024480	1	Gasket	
53	70004519	1	V-Belt	
54	70025533	1	Generator	
54	70025149	1	Controller	
54	70025131	1	Fan	
54	70025141	1	Nut, Pulley	
55	70004520	1	Starter	
56	70025780	1	Relay	
57	70005564	1	Harness, Engine	
58	70026210	1	Tacho-Generator	
58	70005191	1	O-Ring	
60	70024504	1	Switch, Pressure	
60	70024920	1	O-Seal	
61	70024474	4	Plug, Glow	
62	70025245	1	Bracket	
63	70025246	1	Outlet	

# SECTION 3 - ENGINE

## FIGURE 3-22. DEUTZ EU FLEX T4I ENGINE INSTALLATION - NO COLD WEATHER PKG



## SECTION 3 - ENGINE

**FIGURE 3-22. DEUTZ EU FLEX T4I ENGINE INSTALLATION - NO COLD WEATHER PKG**

ITEM	PART NUMBER	QTY	DESCRIPTION	REV
	1001187770	Ref	DEUTZ EU FLEX T4i ENGINE INSTALLATION - NO COLD WEATHER PKG	A
1	0100011	AR	Compound, Locking	
2	0100020	AR	Sealant	
3	0440162	1	Bearing, Thrust	
4	0700818	3	Bolt M8 x 50	
5	0711015	1	Bolt M10 x 35 Grade 10.9	
6	0760408	4	Bolt M4 x 16	
7	0760610	2	Bolt M6 x 20	
8	0760613	4	Bolt M6 x 28	
9	0760812	1	Bolt M8 x 25	
10	0761015	5	Bolt M10 x 35	
11	0771416	2	Bolt M14 x 40 Grade 10.9	
12	0962051	2	Bearing, Flange	
13	1321716	3	Clamp	
14	1380147	1	Clip	
16	2180832	1	Fitting, Straight NPT/Barbed	
17	2220313	1	Fitting, 90 NPT/Barbed	
18	2221114	1	Fitting, Straight NPT/Barbed	
19	1001165035	42 in/13m	Hose	
20	2720615	3 ft/1m	Hose	
21	2840016	1	Jack with Handle	
21	7016374	1	Handle (Burr Manufacturing Brand)	
21	7024598	1	Handle (Hammerblow Corp Brand)	
21	7016322	1	Wiper (Burr Manufacturing Brand Only)	
22	3290301	2	Nut M3	
23	3290405	4	Nut M4	
24	3290607	6	Nut M6	
25	3290807	4	Nut M8	
26	3291007	5	Nut M10	
27	3331411	2	Nut M14	
28	3430816	1	Pin	
29	3450404	1	Pin, Cotter 1/8 x 1	
30	3841143	1	Keeper	
31	4010308	2	Screw M3 x16	
32	4240099	AR	Tie-Strap (Not Shown)	
33	4711800	2	Washer 1/2	
34	4791400	2	Washer 1/4	
35	4811400	8	Washer M4	
36	4811700	10	Washer M6	
37	4811900	5	Washer M8	
38	4812000	10	Washer M10	
39	4812200	4	Washer M14	
40	4871200	2	Washer M3	
41	4891800	1	Washer 1/2	
42	5241000	1	Washer M10	
43	8405006	4	Clamp	
44	8406101	3	Clip	
45	8410013	5	Clamp	
46	8750014	4	Clamp	

## SECTION 3 - ENGINE

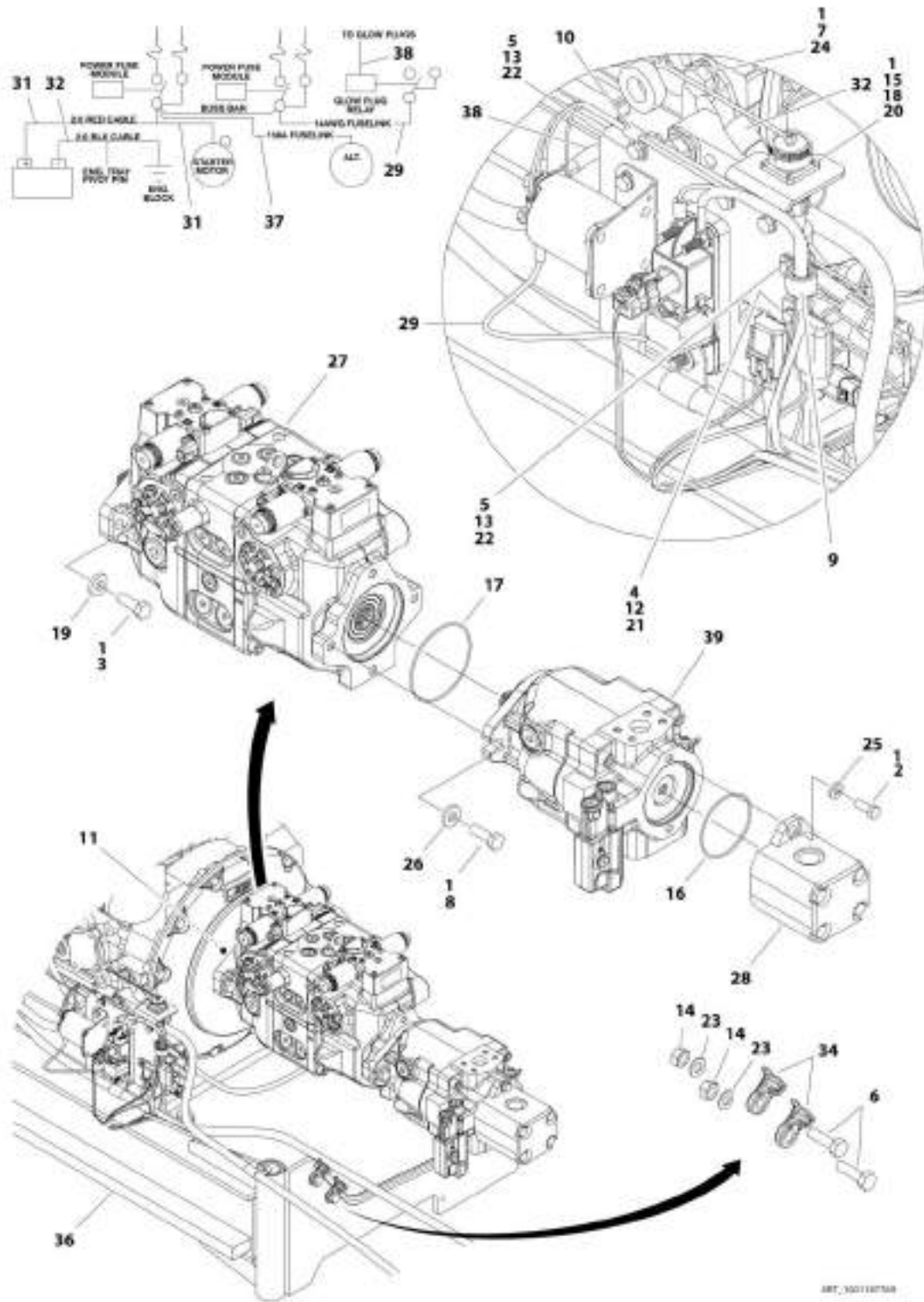
ITEM	PART NUMBER	QTY	DESCRIPTION	REV
47	8750031	1	Plate	
48	8769128	3	Cover	
49	1001101580	1	Screw M8 x 30	
50	1001110544	2	Washer M3	
51	1001117308	2	Relay	
52	1001135196	1	Pin	
53	1001135497	1	Support	
54	1001141718	1	Fitting, Straight NPT/Barbed	
55	1001142501	1	Fitting, 90 NPT/Barbed	
57	1001155939	1	Plate	
58	1001156719	1	Seal	
59	0642220	1	Bolt 3/4-10 x 2-1/2	
60	4712200	2	Washer 3/4	
61	8310067	1	Nut 3/4-10	
62	1001159162	1	Bracket, Support	





# SECTION 3 - ENGINE

FIGURE 3-23. DEUTZ EU FLEX T4I ENGINE/PUMP ASSEMBLY - NO COLD WEATHER PKG



ART. 501130750

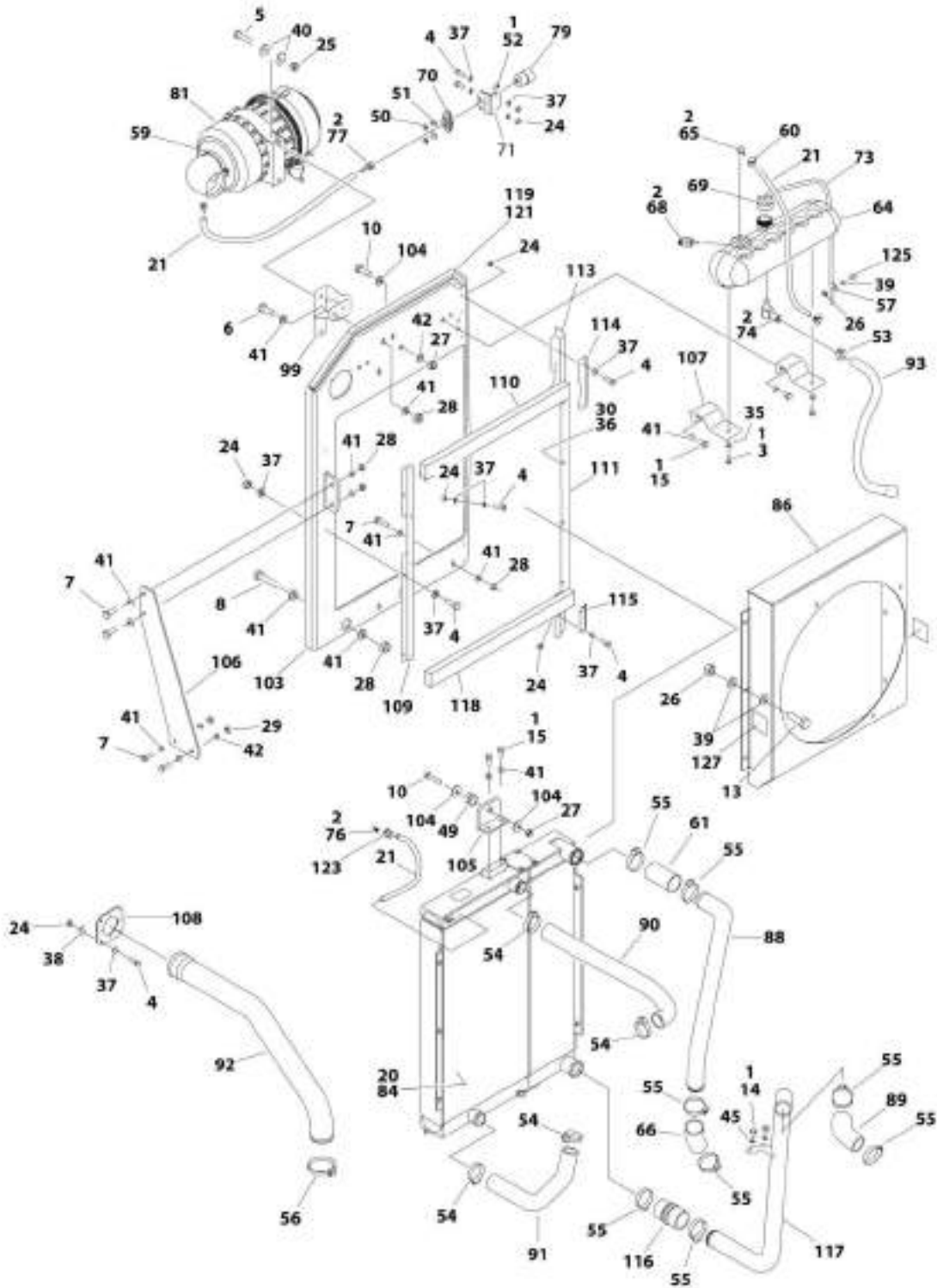
## SECTION 3 - ENGINE

**FIGURE 3-23. DEUTZ EU FLEX T4I ENGINE/PUMP ASSEMBLY - NO COLD WEATHER PKG**

ITEM	PART NUMBER	QTY	DESCRIPTION	REV
	1001187769	Ref	DEUTZ EU FLEX T4i ENGINE/PUMP ASSEMBLY - NO COLD WEATHER PKG	A
1	0100011	AR	Compound, Locking	
2	0641608	2	Bolt 3/8-18 x 1	
3	0841812	2	Bolt 1/2-13 x 1-1/2	
4	0700510	1	Bolt M5 x 20	
5	0760610	2	Bolt M6 x 20	
6	0761015	2	Bolt M10 x 35	
7	0761210	1	Bolt M12 x 20	
8	0761215	2	Bolt M12 x 35	
9	1320041	1	Clamp	
10	1320136	1	Clamp	
11	3020037	AR	Lubricant	
12	3290507	1	Nut M5	
13	3290607	2	Nut M6	
14	3291007	2	Nut M10	
15	3310401	3	Nut #4-40NC	
16	3790152	1	O-Ring	
17	3790155	1	O-Ring	
18	3910408	3	Screw #4 x 1/2	
19	4740171	2	Washer,	
20	4750400	3	Washer #4	
21	4811600	2	Washer M5	
22	4811700	2	Washer M6	
23	4812000	2	Washer M10	
24	4812100	1	Washer M12	
25	4891600	2	Washer 3/8	
26	4891800	2	Washer 1/2	
27	1001108616	1	Tandem Pump Assembly (See TANDEM PUMP ASSEMBLY for Breakdown)	
28	1001112927	1	Gear Pump Assembly (See GEAR PUMP ASSEMBLY for Breakdown)	
29	1001141304	1	Wire, Glow Plug Fuse	
30	1001149971	1	Harness, Engine (Not Shown - See ELECTRICAL SECTION for Breakdown)	
31	1001154142	1	Cable, Battery (Positive)	
32	1001154143	1	Cable, Battery (Negative)	
33	1001156001	1	Harness Can (Not Shown - See ELECTRICAL SECTION for Breakdown)	
34	1001156107	2	Holder, Cable	
35	1001156718	1	Seal (Not Shown - Located on Side of Radiator Mounting Plate)	
36	1001156719	1	Seal	
37	1001157073	1	Cable, Alternator Power	
38	1001168734	1	Wire, Glow Plug	
39	1001169892	1	Piston Pump Assembly (See PISTON PUMP ASSEMBLY for Breakdown)	

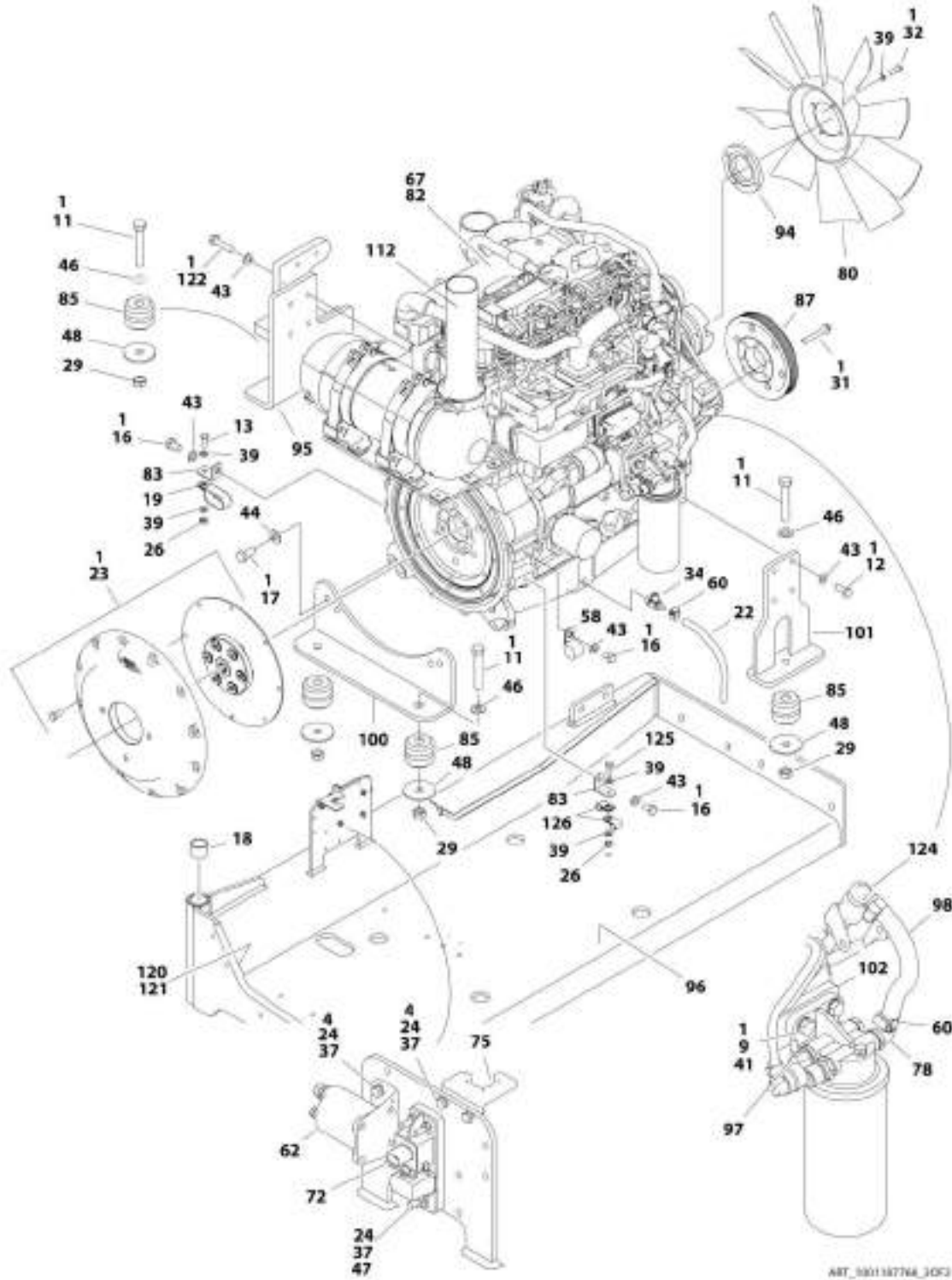
# SECTION 3 - ENGINE

FIGURE 3-24. DEUTZ EU FLEX T4I ENGINE ASSEMBLY - NO COLD WEATHER PKG



ART\_100118798\_10P2

# SECTION 3 - ENGINE



## SECTION 3 - ENGINE

FIGURE 3-24. DEUTZ EU FLEX T4I ENGINE ASSEMBLY - NO COLD WEATHER PKG

ITEM	PART NUMBER	QTY	DESCRIPTION	REV
	1001187768	Ref	DEUTZ EU FLEX T4i ENGINE ASSEMBLY - NO COLD WEATHER PKG	A
1	0100011	AR	Compound, Locking	
2	0100020	AR	Sealant	
3	0641606	2	Bolt 3/8-18 x 3/4	
4	0700612	22	Bolt M6 x 25	
5	0700815	2	Bolt M8 x 35	
6	0701013	2	Bolt M10 x 28	
7	0701015	6	Bolt M10 x 35	
8	0701016	2	Bolt M10 x 40	
9	0701017	2	Bolt M10 x 45	
10	0701019	1	Bolt M10 x 55	
11	0701627	4	Bolt M16 x 100	
12	0711214	4	Bolt M12 x 30 Grade 10.9	
13	0760810	5	Bolt M8 x 20	
14	0761008	2	Bolt M10 x 16	
15	0761012	6	Bolt M10 x 25	
16	0761210	3	Bolt M12 x 20	
17	0771414	4	Bolt M14 30 Grade 10.9	
18	0961951	2	Bushing	
19	1321716	1	Clamp	
20	2300004	13.2 qt /12.5L	Coolant, Anti-Freeze	
21	2720015	5 ft/1.5m	Hose	
22	2720340	1 ft/30.5m	Hose	
23	2902065	1	Pump Coupling Kit (See PUMP COUPLING KIT for Breakdown)	
24	3290607	23	Nut M6	
25	3290805	2	Nut M8	
26	3290807	5	Nut M8	
27	3291005	1	Nut M10	
28	3291007	10	Nut M10	
29	3291601	4	Nut M16	
30	3820032	9	Rivet	
31	5251022	6	Bolt M10 x 70	
32	4031912	4	Capscrew M8 x 40	
33	4240099	AR	Tie-Strap (Not Shown)	
34	4640751	1	Valve, Oil Drain	
35	4711600	2	Washer 3/8	
36	4811600	4	Washer M5	
37	4811700	41	Washer M6	
38	4811702	4	Washer M6	
39	4811900	17	Washer M8	
40	4811902	4	Washer M8	
41	4812000	30	Washer M10	
42	4812002	1	Washer M10	
43	4812100	11	Washer M12	
44	4812200	4	Washer M14	
45	5241000	2	Washer M10	
46	5241600	4	Washer M16	
47	5271614	1	Capscrew M16 x 50	

## SECTION 3 - ENGINE

ITEM	PART NUMBER	QTY	DESCRIPTION	REV
48	7300435	4	Washer	
49	8278020	1	Mount	
50	8305401	2	Nut 1/4	
51	8307109	2	Washer 1/4	
52	8310548	2	Screw 1/4 x 1/2	
53	8405007	2	Clamp	
54	8405104	4	Clamp	
55	8405201	8	Clamp	
56	8405204	1	Clamp	
57	8406109	2	Clamp	
58	8406303	1	Clip	
59	8410011	1	Clamp	
60	8410013	5	Clamp	
61	91563070	1	Coupling, Rubber	
62	1001117308	1	Relay, 200Amp	
64	1001166393	1	Tank	
65	1001134488	1	Fitting, 90 NPT/Barbed	
66	1001135943	1	Coupling	
67	1001136079	9.6 qt /9.1L	Oil, Motor	
68	1001138827	1	Sensor	
69	1001136834	1	Cap	
70	1001138173	1	Support	
71	1001138175	1	Bracket	
72	1001138228	1	Module, Relay	
73	1001138248	5 ft/1.5m	Tubing	
74	1001138559	1	Fitting, 90 NPT	
75	1001139240	1	Bracket	
76	1001140564	1	Fitting, 90 NPT/Barbed	
77	1001141995	1	Fitting, Straight NPT/Barbed	
78	1001142501	1	Fitting, 90 NPT/Barbed	
79	1001143390	1	Indicator, Air Restriction	
80	1001177137	1	Fan	
81	1001147847	1	Filter, Air	
81	70023809	1	Element	
81	70024328	1	Elbow, Rubber	
81	70024329	1	Clamp, Mounting	
82	1001187767	1	Deutz EU Flex T4i Engine (See DEUTZ EU FLEX T4i ENGINE COMPONENTS for Breakdown)	
83	1001148641	2	Bracket	
84	1001149407	1	Radiator	
85	1001149517	4	Mount, Motor	
86	1001149736	1	Shroud	
87	1001149746	1	Pulley	
88	1001150498	1	Tube	
89	1001150499	1	Hose	
90	1001150500	1	Hose	
91	1001150504	1	Hose	
92	1001150505	1	Pipe	
93	1001150553	1	Hose	
94	1001177134	1	Adapter	
95	1001151491	1	Support	

## SECTION 3 - ENGINE

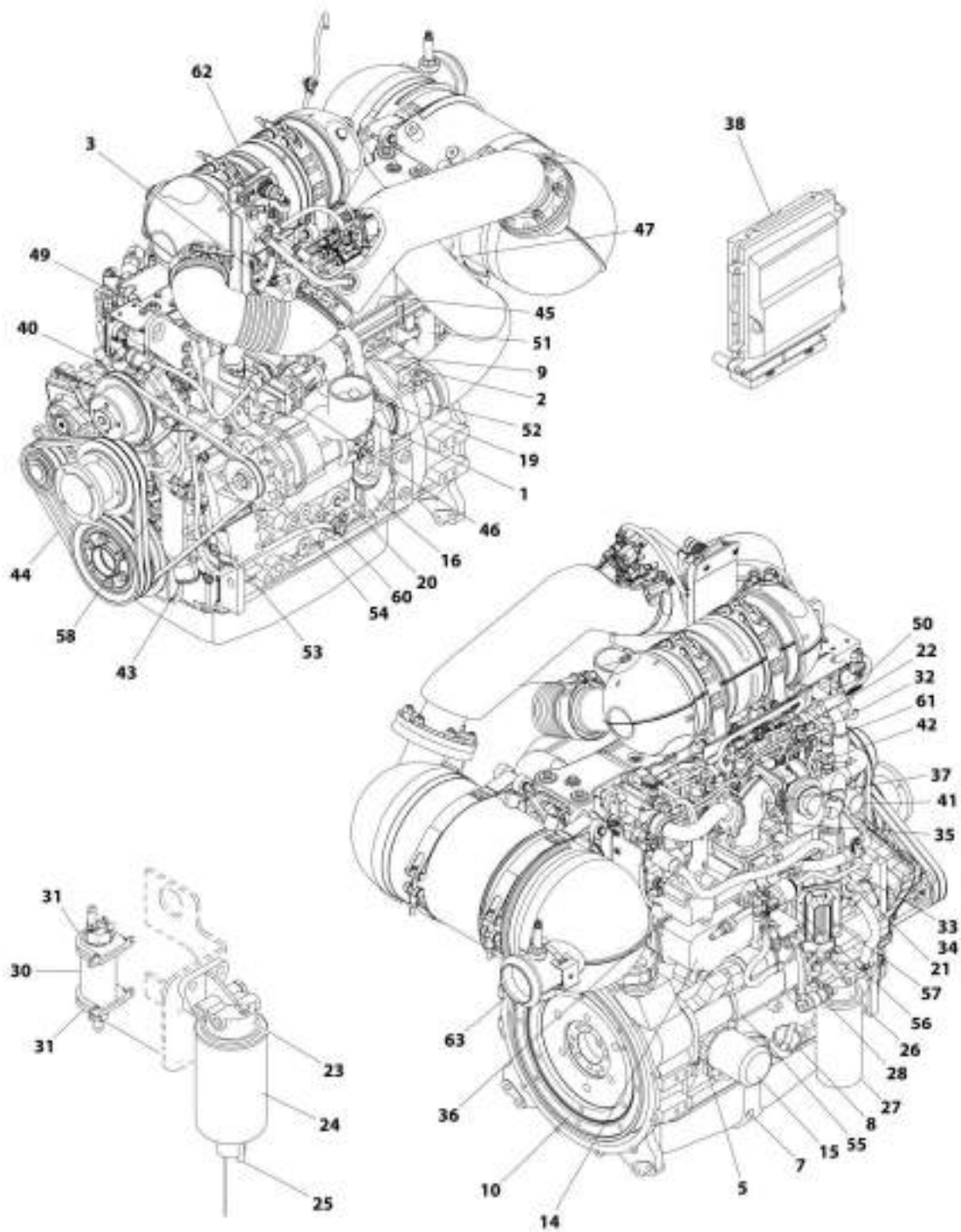
ITEM	PART NUMBER	QTY	DESCRIPTION	REV
96	1001151749	1	Tray	
97	1001152489	1	Fitting, 90 Barbed	
98	1001154405	8.5 in /21cm	Hose	
99	1001155023	1	Plate	
100	1001155496	1	Support	
101	1001160518	1	Support	
102	1001155498	1	Plate	
103	1001155525	1	Support	
104	1001155540	2	Washer	
105	1001157862	1	Bracket	
106	1001155550	1	Plate	
107	1001155557	2	Plate	
108	1001155563	1	Seal	
109	1001155564	1	Bracket	
110	1001155565	1	Seal	
111	1001155566	1	Bracket	
112	1001155567	1	Pipe, Exhaust	
113	1001156034	1	Seal	
114	1001156035	1	Bracket	
115	1001156062	1	Bracket	
116	1001156091	1	Hose	
117	1001156112	1	Tube	
118	1001156644	2	Seal	
119	1001155728	1	Seal	
120	4060807	22 in /55cm	Flex-Trim	
121	0100081	AR	Adhesive	
122	0711218	4	Bolt M12 x 50 Grade 10.9	
123	1320022	4	Clamp	
124	1001170982	1	Fitting, 90 SAE/Barbed	
125	0760812	3	Bolt M8 x 25	
126	8406110	2	Clip	
127	1703162	2	Decal - Fan Blade	





# SECTION 3 - ENGINE

## FIGURE 3-25. DEUTZ EU FLEX T4I ENGINE COMPONENTS



ART\_100187267

## SECTION 3 - ENGINE

### FIGURE 3-25. DEUTZ EU FLEX T4I ENGINE COMPONENTS

ITEM	PART NUMBER	QTY	DESCRIPTION	REV
	1001187767	Ref	DEUTZ EU FLEX T4I ENGINE COMPONENTS	B
1	70024497	1	Pipe, Intake	
1	70025680	1	Clamp	
2	70025111	1	Clamp	
2	70025128	1	Bolt	
2	70025116	1	Clamp	
2	See Note	NSS	Line, Breather (Includes Item 3) (Note: Not Available for Purchase)	
3	70025119	1	Sleeve, Rubber	
3	7002511	1	Clamp	
4	70002718	1	Seal, Rear Main (Not Shown)	
5	70025745	1	Dipstick	
5	7020442	1	O-Seal	
5	70025755	1	Tube, Dipstick	
6	70025123	24	Screw, Oil Pan (Not Shown)	
7	70025088	1	Plug	
8	7020465	1	Cap	
8	70005487	1	Tube, Fill	
8	70024471	1	Gasket (Tube to Engine Block)	
9	70025786	1	Plug	
10	70001870	1	Flywheel	
10	7024579	1	Gear, Rim	
11	70024483	1	Gasket, Head (Not Shown)	
11	70024481	1	Gasket, Valve Cover (Not Shown)	
12	7020465	1	Cap, Fill (Not Shown - Located on top of Valve Cover)	
13	70025763	1	Pump, Oil (Not Shown)	
13	70025718	4	O-Ring (Not Shown)	
14	70024494	1	Cooler, Oil	
14	70024495	1	Gasket	
15	7016331	1	Filter, Oil	
15	70025137	1	Bushing, Screw	
16	70025731	1	Cover	
16	70002813	1	Seal	
17	70025730	1	Pipe, Transfer (Not Shown - Located in Oil Pan)	
18	70025722	1	Line, Oil Suction (Not Shown - Located in Oil Pan)	
19	70024489	1	Line, Lube	
19	70025085	2	Screw	
19	70025105	4	Ring, Sealing	
20	See Note	NSS	Line, Lube Return (Note: Not Available for Purchase)	
20	70025132	1	O-Seal	
20	70025234	1	Flange, Upper	
20	70024509	1	Gasket, Upper Flange	
21	70024487	1	Pump, High Pressure	
21	70025152	1	O-Ring	
21	70004505	1	Valve, Overflow	
21	70004506	1	O-Ring	
21	70004507	1	O-Ring	
21	70004508	1	Valve, Volume Control	
21	70004509	1	O-Ring	
21	70004510	1	Gasket	
21	See Note	NSS	O-Seal (Between Pump and Block) (Note: Not Available for	

## SECTION 3 - ENGINE

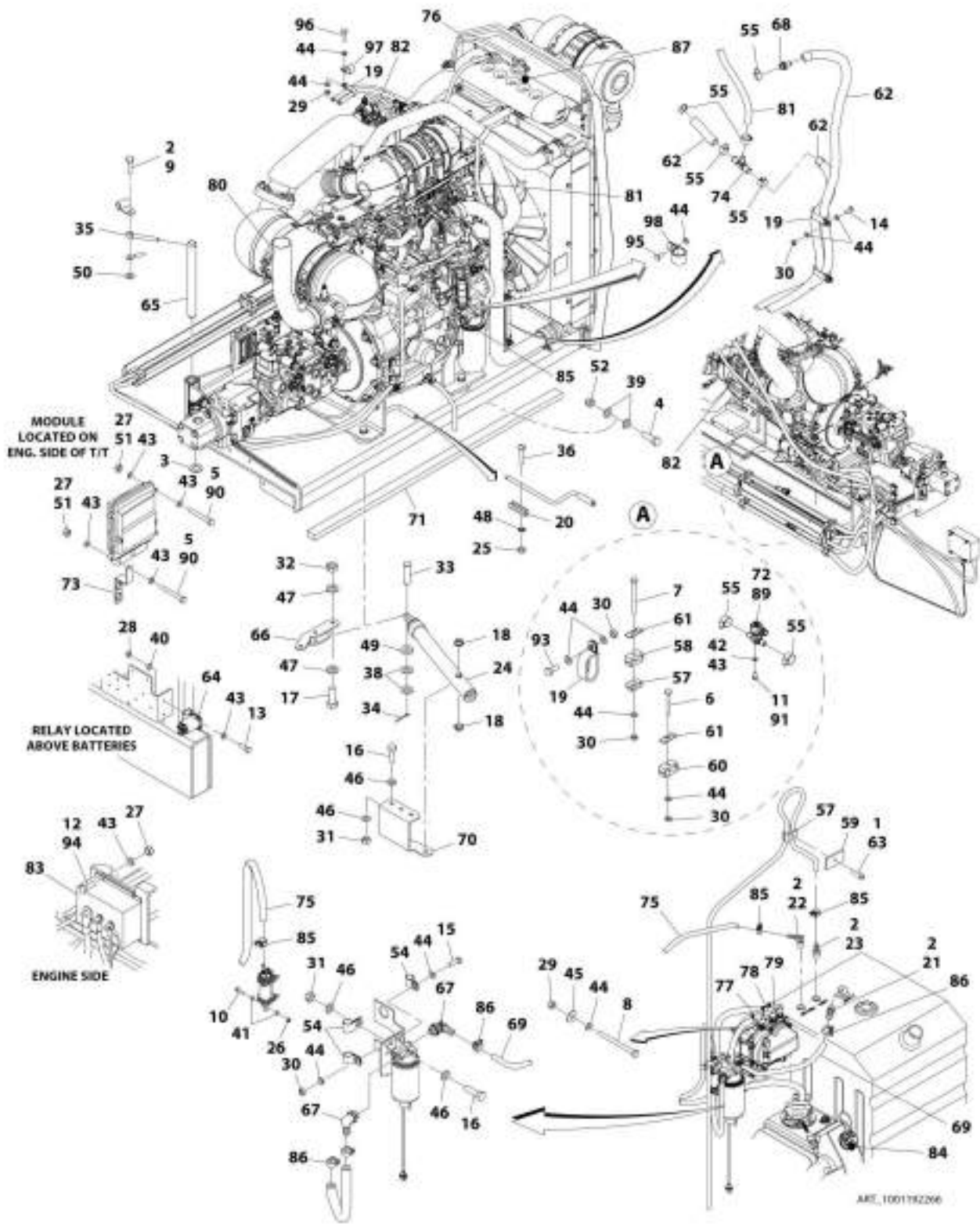
ITEM	PART NUMBER	QTY	DESCRIPTION	REV
			Purchase)	
21	70025729	1	Gear (Not Shown)	
22	70024485	4	Injector, Fuel	
22	70025140	4	Washer, Sealing	
22	70025146	4	Clamp	
22	70025145	4	O-Seal	
22	70025154	4	Shoe, Clamping	
23	70024961	1	Head and Filter Assembly (Includes Item 24 & 25)	
24	70025153	NLA	Filter (Use p/n 1001225430)	
25	70024513	1	Sensor with Cable	
25	70025239	1	Ring, Sealing	
26	70004511	1	Head and Filter Assembly	
27	70004512	NLA	Filter (Use p/n 1001225430)	
28	70024504	1	Sensor, Pressure	
28	70024920	1	O-Seal	
29	See Note	NSS	Connector (Note: Not Available for Purchase)	
29	70004513	1	Ring, Sealing	
30	1001226098	1	Pump, Fuel Supply	
31	70025144	2	Clamp	
32	70025151	1	Rail, Fuel	
32	70025235	1	Kit, Repair - Fuel Rail	
32	70025240	1	O-Ring	
32	70025534	1	Pipe, Pressure Pump to Fuel Rail	
32	70024498	1	Pipe, Fuel Rail to Cylinders 1 & 2	
32	70024499	1	Pipe, Fuel Rail to Cylinders 3 & 4	
33	70024501	1	Line, Fuel	
33	70025109	3	Clamp, Band	
33	70025686	3	Clamp, Pipe	
34	See Note	NSS	Pipe, Fuel Leakage (Note: Not Available for Purchase)	
34	70025686	2	Retainer for Fuel Leakage Pipe	
35	70024921	1	Sensor, Pressure	
35	70025120	1	O-Seal	
36	70025721	1	Manifold, Air Charge	
36	70025726	1	Gasket (Manifold to Head)	
36	70025675	1	Clamp, Band	
36	70025681	1	Clamp, Band	
36	70025748	1	Pipe, Air Charge	
37	70025772	1	Pipe, Air Charge	
37	70024475	1	Gasket (Intake Pipe)	
38	70025210	1	Module, Engine Control	
40	70005496	1	Pump, Water	
40	70005497	1	Seal (RH Side Pump to Item 43)	
40	70004516	2	Ring, Sealing (For Smaller Plug)	
41	70025741	1	Housing, Thermostat	
41	7016309	1	Ring, Sealing (For Bottom Plug)	
41	70024493	1	Gasket (Housing to Head)	
42	70024918	1	Sender, Temperature	
43	70025762	1	Manifold, Coolant	
43	70025747	1	Manifold	
43	70025111	4	Clamp, Band	
43	70025750	1	Line, Cooling Water	

## SECTION 3 - ENGINE

ITEM	PART NUMBER	QTY	DESCRIPTION	REV
43	70025699	1	Clamp, Pipe	
43	70025749	1	Hose	
44	70004517	1	V-Belt	
44	See Note	NSS	Tensioner, Pulley (Note: Not Available for Purchase)	
45	70025723	1	EGR Manifold Assembly	
46	70005189	1	Seal	
47	70025768	1	Valve, Shuttle	
48	70005511	1	Gasket, Exhaust Manifold to Head (Not Shown)	
49	70005500	1	Tube, Compensator	
49	70024500	2	Gasket	
50	70024496	1	Line, Water	
50	70024478	1	Gasket (Water Line to EGR Valve)	
50	70025701	1	Sleeve, Rubber	
50	70025687	2	Clamp (For Sleeve)	
50	70025699	1	Clamp, Insulated	
51	70024479	1	Hose	
51	70025687	1	Clamp (Lower)	
51	70025773	1	Clamp (Upper)	
51	70005499	1	Fitting (at Lower End of Hose)	
51	70024469	1	O-Seal (For Fitting)	
52	70004518	1	Turbocharger	
52	70024480	1	Gasket	
53	70004519	1	V-Belt	
54	70025533	1	Generator	
54	70025149	1	Controller	
54	70025131	1	Fan	
54	70025141	1	Nut, Pulley	
55	70004520	1	Starter	
56	70025780	1	Relay	
57	70005564	1	Harness, Engine	
58	70026210	1	Tacho-Generator	
58	70005191	1	O-Ring	
60	70024504	1	Switch, Pressure	
60	70024920	1	O-Seal	
61	70024474	4	Plug, Glow	
62	70025245	1	Bracket	
63	70025246	1	Outlet	

# SECTION 3 - ENGINE

## FIGURE 3-26. DEUTZ T4F ENGINE INSTALLATION - NO COLD WEATHER PKG



## SECTION 3 - ENGINE

**FIGURE 3-26. DEUTZ T4F ENGINE INSTALLATION - NO COLD WEATHER PKG**

ITEM	PART NUMBER	QTY	DESCRIPTION	REV
	1001192266	Ref	DEUTZ T4F ENGINE INSTALLATION - NO COLD WEATHER PKG	F
1	0100011	AR	Compound, Locking	
2	0100020	AR	Sealant	
3	0440162	1	Bearing, Thrust	
4	0642220	1	Bolt 3/4-10 x 2-1/2	
5	0700618	4	Bolt M6 x 50 <b>(Prior to SN 0300214298)</b>	
6	0700820	3	Bolt M8 x 60	
7	0700826	3	Bolt M8 x 90	
8	0700827	3	Bolt M8 x 100	
9	0711015	1	Bolt M10 x 35 Grade 10.9	
10	0760408	4	Bolt M4 x 16	
11	0760505	2	Bolt M5 x 10 <b>(Prior to SN 0300214298)</b>	
12	0760608	5	Bolt M6 x 16 <b>(Prior to SN 0300214298)</b>	
12	0760608	1	Bolt M6 x 16 <b>(SN 0300214298 to Present)</b>	
13	0760610	2	Bolt M6 x 20 <b>(Prior to SN 0300224866)</b>	
14	0760810	2	Bolt M8 x 20	
15	0760812	1	Bolt M8 x 25	
16	0761015	5	Bolt M10 x 35	
17	0771416	2	Bolt M14 x 40 Grade 10.9	
18	0962051	2	Bearing, Flange	
19	1321716	5	Clamp <b>(Prior to SN 0300214298)</b>	
19	1321716	6	Clamp <b>(SN 0300214298 to Present)</b>	
20	1380147	1	Clip	
21	2180832	1	Fitting, Straight NPT/Barbed	
22	2220313	1	Fitting, 90 NPT/Barbed	
23	2221114	1	Fitting, Straight NPT/Barbed	
24	2840016	1	Jack with Handle	
24	7016374	1	Handle (Burr Manufacturing Brand)	
24	7024598	1	Handle (Hammerblow Corp Brand)	
24	7016322	1	Wiper (Burr Manufacturing Brand Only)	
25	3290301	2	Nut M3	
26	3290405	4	Nut M4	
27	3290605	5	Nut M6 x 1 <b>(Prior to SN 0300214298)</b>	
27	3290605	9	Nut M6 x 1 <b>(SN 0300214298 to Present)</b>	
28	3290607	2	Nut M6 <b>(Prior to SN 0300224866)</b>	
29	3290805	5	Nut M8 X 1.25	
30	3290807	9	Nut M8 <b>(Prior to SN 0300214298)</b>	
30	3290807	12	Nut M8 <b>(SN 0300214298 to Present)</b>	
31	3291007	5	Nut M10	
32	3331411	2	Nut M14	
33	3430816	1	Pin	
34	3450404	1	Pin, Cotter 1/8 x 1	
35	3841143	1	Keeper	
36	4010308	2	Screw M3 x16	
37	4240099	AR	Tie-Strap (Not Shown)	
38	4711800	2	Washer 1/2	
39	4712200	2	Washer 3/4	
40	4791400	2	Washer 1/4 <b>(Prior to SN 0300224866)</b>	
41	4811400	8	Washer M4	
42	4811600	2	Washer M5 <b>(Prior to SN 0300214298)</b>	

## SECTION 3 - ENGINE

ITEM	PART NUMBER	QTY	DESCRIPTION	REV
43	4811700	8	Washer M6 (Prior to SN 0300214298)	
43	4811700	AR	Washer M6 (SN 0300214298 to Present)	
44	4811900	15	Washer M8 (Prior to SN 0300214298)	
44	4811900	26	Washer M8 (SN 0300214298 to Present)	
45	4811902	3	Washer M8	
46	4812000	10	Washer M10	
47	4812200	4	Washer M14	
48	4871200	2	Washer M3	
49	4891800	1	Washer 1/2	
50	5241000	1	Washer M10	
51	8305919	4	Nut M6 (Prior to SN 0300214298)	
52	8310067	1	Nut 3/4-10	
53	0700812	1	Bolt M8 x 25 (Not Shown) (SN 0300214298 to Present)	
54	8406101	3	Clip	
55	8410009	13	Clamp	
57	8750014	4	Clamp	
58	8750027	3	Clamp	
59	8750031	1	Plate	
60	8769127	3	Clamp	
61	77133137	6	Cover	
62	82033995	40 ft /12.2m	Hose	
63	1001101580	1	Screw M8 x 30	
64	1001117308	1	Relay (Prior to SN 0300224866)	
65	1001135196	1	Pin	
66	1001135497	1	Support	
67	1001142501	2	Fitting, 90 NPT/Barbed	
68	1001154262	2	Fitting, Adaptor	
69	1001154405	5 ft /1.5m	Hose	
70	1001155939	1	Plate	
71	1001156719	1	Seal	
72	1001157738	1	Valve, Coolant Control (Prior to SN 0300214298)	
73	1001159162	1	Bracket, Support	
74	1001162212	2	Fitting, Tee	
75	1001165035	40 ft /12.2m	Hose (Prior to SN 0300217700)	
75	1001165035	34.4 ft /10.5m	Hose (SN 0300217700 to Present)	
76	1001186580	1	Engine	
77	1001187516	1	Hose, Suction	
78	1001187517	1	Hose, Backflow	
79	1001187518	1	Hose, Pressure	
80	1001190475	1	Pipe, Exhaust	
81	1001193980	1	Hose, Coolant	
82	1001193981	1	Hose, Coolant (Prior to SN 0300214298)	
82	1001212825	1	Hose, Coolant (SN 0300214298 to Present)	
83	1001197571	1	140 Amp Isolator	
84	1001162986	6 gal /22.7L	Diesel Exhaust Fluid	
85	1001136975	5	Clamp	
86	1001175568	4	Clip	
87	1001103452	AR	Coolant	

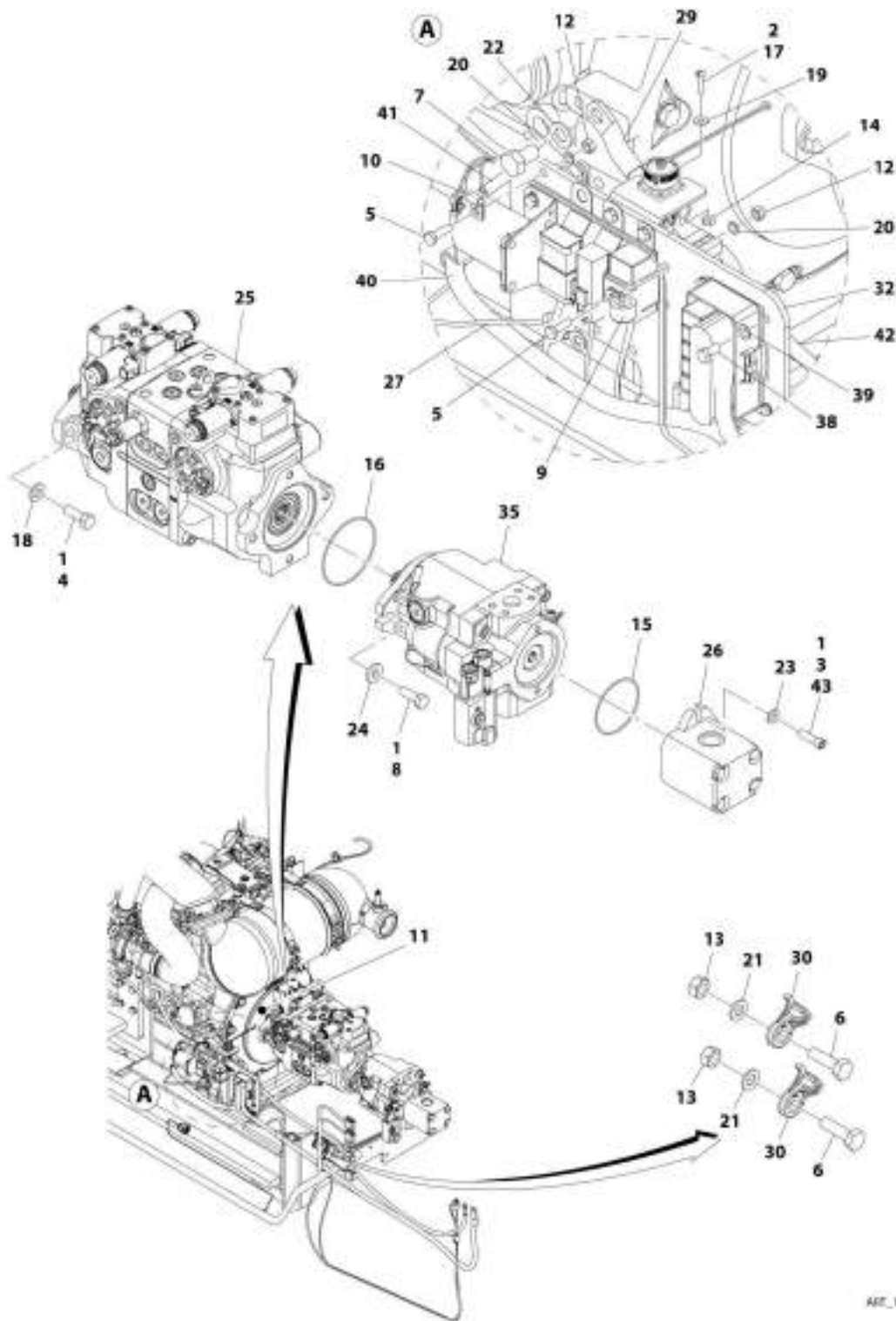


## SECTION 3 - ENGINE

ITEM	PART NUMBER	QTY	DESCRIPTION	REV
88	1001155823	1	Coupling (SN 0300214298 to Present)	
89	1001199670	1	Valve, Tank Coolant (SN 0300214298 to Present)	
90	0760613	4	Bolt M6 x 28 (SN 0300214298 to Present)	
91	0760606	4	Bolt M6 x 12 (SN 0300214298 to Present)	
93	0700810	3	Bolt M8 x 20 (SN 0300214298 to Present)	
94	4031708	4	Bolt M6 x 20 (SN 0300214298 to Present)	
95	0760807	1	Bolt M8 x 14 (SN 0300214298 to Present)	
96	0760814	1	Bolt M8 x 30 (SN 0300214298 to Present)	
97	8406201	3	Clip (SN 0300214298 through 0300217699)	
97	8406201	2	Clip (SN 0300217700 to Present)	
98	8406303	1	Clip (SN 0300217700 to Present)	
99	2750532	6.9 ft /2.1m	Hose (Not Shown) (SN 0300217700 to Present)	

# SECTION 3 - ENGINE

FIGURE 3-27. DEUTZ T4F ENGINE/PUMP ASSEMBLY - NO COLD WEATHER PKG



ART\_100190580

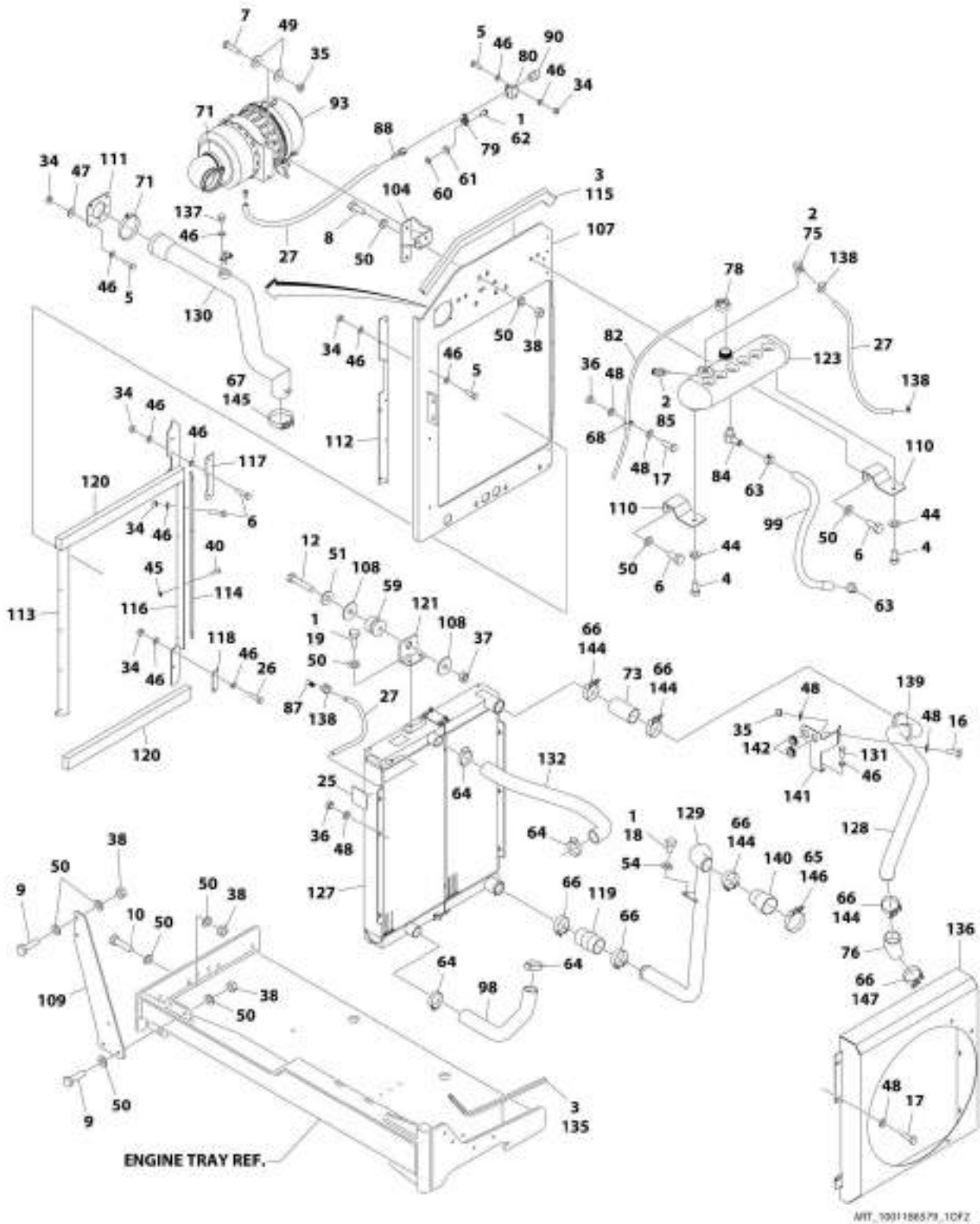
## SECTION 3 - ENGINE

**FIGURE 3-27. DEUTZ T4F ENGINE/PUMP ASSEMBLY - NO COLD WEATHER PKG**

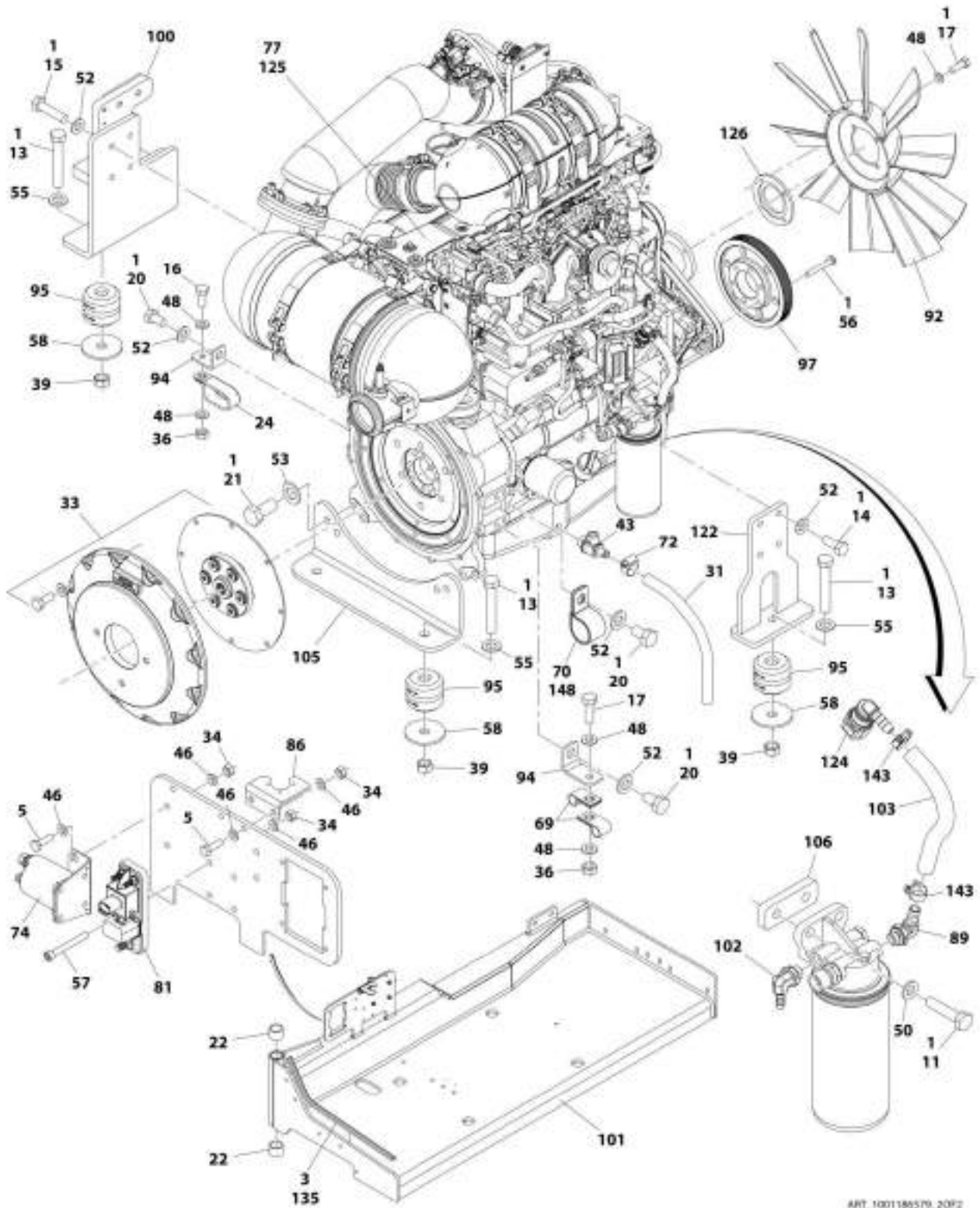
ITEM	PART NUMBER	QTY	DESCRIPTION	REV
	1001186580	Ref	DEUTZ T4F ENGINE/PUMP ASSEMBLY - NO COLD WEATHER PKG	D
1	0100011	AR	Compound, Locking	
2	0100035	AR	Compound, Locking	
3	0641608	2	Bolt 3/8-18 x 1 <b>(Prior to SN 0300214298)</b>	
4	0841812	2	Bolt 1/2-13 x 1-1/2	
5	0760610	2	Bolt M6 x 20	
6	0761015	2	Bolt M10 x 35	
7	0761210	1	Bolt M12 x 20	
8	0761215	2	Bolt M12 x 35	
9	1320041	1	Clamp	
10	1320136	1	Clamp	
11	3020037	AR	Lubricant	
12	3290607	2	Nut M6	
13	3291007	2	Nut M10	
14	3310401	3	Nut #4-40NC	
15	3790152	1	O-Ring	
16	3790155	1	O-Ring	
17	3910408	3	Screw #4 x 1/2	
18	4740171	2	Washer,	
19	4750400	3	Washer #4	
20	4811700	2	Washer M6	
21	4812000	2	Washer M10	
22	4812100	1	Washer M12	
23	4891600	2	Washer 3/8	
24	4891800	2	Washer 1/2	
25	1001108616	1	Tandem Pump Assembly (See TANDEM PUMP ASSEMBLY for Breakdown)	
26	1001112927	1	Gear Pump Assembly (See GEAR PUMP ASSEMBLY for Breakdown)	
27	1001141304	1	Wire, Glow Plug Fuse	
29	1001154143	1	Cable, Battery (Negative)	
30	1001156107	2	Holder, Cable	
31	1001156718	1	Seal (Not Shown - Located on Side of Radiator Mounting Plate)	
32	1001156719	1	Seal	
35	1001169892	1	Piston Pump Assembly (See PISTON PUMP ASSEMBLY for Breakdown)	
37	1001188922	1	Harness, Engine (Not Shown - See ELECTRICAL SECTION for Breakdown)	
38	0760508	4	Bolt M5 x 16	
39	4811600	4	Washer M5	
40	1001197443	1	Cable, Battery (Positive)	
41	1001197445	1	Wire, Glow Plug	
42	1001197783	1	Cable, Alternator Power	
43	3931620	2	Capscrew 3/8 x 1-1/4 <b>(SN 0300214298 to Present)</b>	

# SECTION 3 - ENGINE

## FIGURE 3-28. DEUTZ T4F ENGINE ASSEMBLY - NO COLD WEATHER PKG



# SECTION 3 - ENGINE



ART\_1001186579\_20F2

## SECTION 3 - ENGINE

FIGURE 3-28. DEUTZ T4F ENGINE ASSEMBLY - NO COLD WEATHER PKG

ITEM	PART NUMBER	QTY	DESCRIPTION	REV
	1001186579	Ref	DEUTZ T4F ENGINE ASSEMBLY - NO COLD WEATHER PKG	J
1	0100011	AR	Compound, Locking	
2	0100020	AR	Sealant	
3	0100081	AR	Adhesive	
4	0641606	2	Bolt 3/8-18 x 3/4	
5	0700610	13	Bolt M6 x 20	
6	0700612	7	Bolt M6 x 25	
7	0700815	2	Bolt M8 x 35	
8	0701013	2	Bolt M10 x 28	
9	0701015	6	Bolt M10 x 35	
10	0701016	2	Bolt M10 x 40	
11	0701017	2	Bolt M10 x 45	
12	0701019	1	Bolt M10 x 55	
13	0701627	4	Bolt M16 x 100	
14	0711214	4	Bolt M12 x 30 Grade 10.9	
15	0711218	4	Bolt M12 x 50 Grade 10.9	
16	0760810	6	Bolt M8 x 20	
17	0760812	7	Bolt M8 x 25	
18	0761008	1	Bolt M10 x 16	
19	0761012	6	Bolt M10 x 25	
20	0761210	3	Bolt M12 x 20	
21	0771414	4	Bolt M14 x 30 Grade 10.9	
21	0771415	4	Bolt M14 x 35 Grade 10.9	
22	0961951	2	Bushing	
24	1321716	1	Clamp	
25	1703162	2	Decal - Fan Blade	
26	0700612	2	Bolt M6 x 25	
26	0760614	2	Bolt M6 x 30	
27	2720015	5 ft/1.5m	Hose	
31	2720340	1 ft/30.5m	Hose <b>(Prior to SN 0300242692)</b>	
31	1001165035	1 ft/30.5m	Hose <b>(SN 0300242692 to Present)</b>	
33	2902065	1	Pump Coupling Kit (See PUMP COUPLING KIT for Breakdown)	
34	3290607	22	Nut M6	
35	3290805	3	Nut M8	
36	3290807	5	Nut M8	
37	3291005	1	Nut M10	
38	3291007	10	Nut M10	
39	3291601	4	Nut M16	
40	3820032	9	Rivet	
42	4240099	AR	Tie-Strap (Not Shown)	
43	4640751	1	Valve, Oil Drain	
44	4711600	2	Washer 3/8	
45	4811600	4	Washer M5	
46	4811700	43	Washer M6	
47	4811702	4	Washer M6	
48	4811900	19	Washer M8	
49	4811902	4	Washer M8	
50	4812000	30	Washer M10	
51	4812002	1	Washer M10	
52	4812100	11	Washer M12	

## SECTION 3 - ENGINE

ITEM	PART NUMBER	QTY	DESCRIPTION	REV
53	4812200	4	Washer M14	
54	5241000	1	Washer M10	
55	5241600	4	Washer M16	
56	5251022	6	Bolt M10 x 70	
57	5271614	1	Capscrew M16 x 50	
58	7300435	4	Washer	
59	8278020	1	Mount	
60	8305401	2	Nut 1/4	
61	8307109	2	Washer 1/4	
62	8310548	2	Screw 1/4 x 1/2	
63	8405007	2	Clamp	
64	8405104	4	Clamp	
65	8405213	1	Clamp <b>(Prior to SN 0300213776)</b>	
66	8410012	AR	Clamp	
67	8405306	1	Clamp <b>(Prior to SN 0300213776)</b>	
68	8406109	2	Clip	
69	8406110	2	Clip	
70	8406303	1	Clip <b>(Prior to SN 0300214298)</b>	
71	8410011	2	Clamp	
72	8410013	1	Clamp	
73	91563070	1	Coupling, Rubber	
74	1001117308	1	Relay, 200Amp	
75	1001134488	1	Fitting, 90 NPT/Barbed	
76	1001135943	1	Coupling	
77	1001136079	9.5 qt/ 8.9L	Oil, Motor	
78	1001136834	1	Cap	
79	1001138173	1	Support	
80	1001138175	1	Bracket	
81	1001138228	1	Module, Relay <b>(Prior to SN 0300213776)</b>	
82	1001138248	5 ft/1.5m	Tubing	
84	1001138559	1	Fitting, 90 NPT	
85	1001138827	1	Sensor	
86	1001139240	1	Bracket	
87	1001140564	1	Fitting, 90 NPT/Barbed	
88	1001141995	1	Fitting, Straight NPT/Barbed	
89	1001142501	1	Fitting, 90 NPT/Barbed	
90	1001143390	1	Indicator, Air Restriction	
92	1001147567	1	Fan	
93	1001147847	1	Filter, Air	
93	70023809	1	Element	
93	70024328	1	Elbow, Rubber	
93	70024329	1	Clamp, Mounting	
94	1001148641	2	Bracket	
95	1001149517	4	Mount, Motor	
97	1001149746	1	Pulley	
98	1001150504	1	Hose	
99	1001150553	1	Hose	
100	1001151491	1	Support	
101	1001151749	1	Tray	
102	1001152489	1	Fitting, 90 Barbed	
103	1001154405	8.5 in/	Hose	

## SECTION 3 - ENGINE

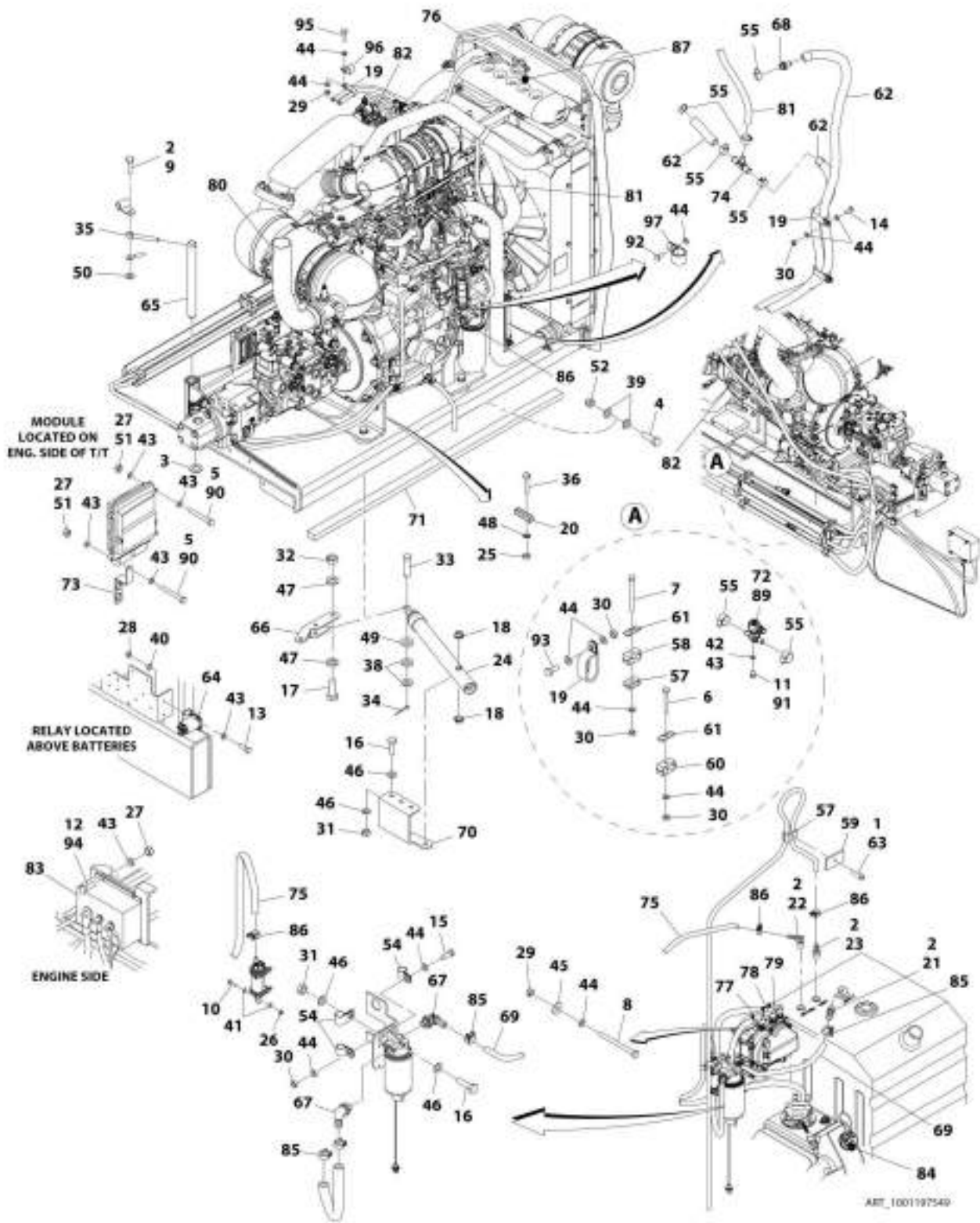
ITEM	PART NUMBER	QTY	DESCRIPTION	REV
		21cm		
104	1001155023	1	Plate	
105	1001155496	1	Support	
106	1001155498	1	Plate	
107	1001155525	1	Support	
108	1001155540	2	Washer	
109	1001155550	1	Plate <b>(Prior to SN 0300214298)</b>	
109	1001212817	1	Plate <b>(SN 0300214298 to Present)</b>	
110	1001155557	2	Plate	
111	1001155563	1	Seal	
112	1001155564	1	Bracket	
113	1001155565	1	Seal	
114	1001155566	1	Bracket	
115	1001155728	1	Seal	
116	1001156034	1	Seal	
117	1001156035	1	Bracket	
118	1001156062	1	Bracket	
119	1001156091	1	Hose	
120	1001156644	2	Seal	
121	1001157862	1	Bracket	
122	1001160518	1	Support	
123	1001166393	1	Tank	
124	1001170982	1	Fitting, 90 SAE/Barbed	
125	1001176371	1	Deutz T4F Engine (See DEUTZ T4F ENGINE COMPONENTS for Breakdown)	
126	1001197317	1	Spacer	
127	1001188162	1	Radiator	
128	1001189291	1	Pipe, Exhaust	
129	1001190418	1	Tube	
130	1001190467	1	Tube, Intake <b>(Prior to SN 0300214298)</b>	
130	1001212826	1	Tube, Intake <b>(SN 0300214298 to Present)</b>	
131	0760608	2	Bolt M6 x 16	
132	1001191122	1	Hose, Upper	
135	4060807	22 in/ 55cm	Flex-Trim	
136	1001192138	1	Shroud	
137	0760604	1	Bolt M6 x 8	
138	8405009	4	Clamp	
139	1001097588	1	Clip	
140	1001117244	1	Reducer	
141	1001193556	1	Support <b>(Prior to SN 0300214298)</b>	
141	1001212810	1	Support <b>(SN 0300214298 to Present)</b>	
142	1001193599	1	Grommet <b>(Prior to SN 0300214298)</b>	
142	1001193599	2	Grommet <b>(SN 0300214298 to Present)</b>	
143	1001175568	2	Clip	
144	1001208299	4	Clamp <b>(SN 0300213776 to Present)</b>	
145	1001208297	1	Clamp <b>(SN 0300213776 to Present)</b>	
146	8405211	1	Clamp <b>(SN 0300213776 to Present)</b>	
147	1001208298	1	Clamp <b>(SN 0300213776 to Present)</b>	
148	1001181899	1	Clamp <b>(SN 0300214298 to Present)</b>	





# SECTION 3 - ENGINE

## FIGURE 3-29. DEUTZ T4F ENGINE INSTALLATION - WITH COLD WEATHER PKG



## SECTION 3 - ENGINE

**FIGURE 3-29. DEUTZ T4F ENGINE INSTALLATION - WITH COLD WEATHER PKG**

ITEM	PART NUMBER	QTY	DESCRIPTION	REV
	1001197549	Ref	DEUTZ T4F ENGINE INSTALLATION - WITH COLD WEATHER PKG	F
1	0100011	AR	Compound, Locking	
2	0100020	AR	Sealant	
3	0440162	1	Bearing, Thrust	
4	0642220	1	Bolt 3/4-10 x 2-1/2	
5	0700618	4	Bolt M6 x 50 <b>(Prior to SN 0300214298)</b>	
6	0700820	3	Bolt M8 x 60	
7	0700826	3	Bolt M8 x 90	
8	0700827	3	Bolt M8 x 100	
9	0711015	1	Bolt M10 x 35 Grade 10.9	
10	0760408	4	Bolt M4 x 16	
11	0760505	2	Bolt M5 x 10 <b>(Prior to SN 0300214298)</b>	
12	0760608	5	Bolt M6 x 16 <b>(Prior to SN 0300214298)</b>	
12	0760608	1	Bolt M6 x 16 <b>(SN 0300214298 to Present)</b>	
13	0760610	2	Bolt M6 x 20 <b>(Prior to SN 0300224866)</b>	
14	0760810	2	Bolt M8 x 20	
15	0760812	1	Bolt M8 x 25	
16	0761015	5	Bolt M10 x 35	
17	0771416	2	Bolt M14 x 40 Grade 10.9	
18	0962051	2	Bearing, Flange	
19	1321716	5	Clamp <b>(Prior to SN 0300214298)</b>	
19	1321716	6	Clamp <b>(SN 0300214298 to Present)</b>	
20	1380147	1	Clip	
21	2180832	1	Fitting, Straight NPT/Barbed	
22	2220313	1	Fitting, 90 NPT/Barbed	
23	2221114	1	Fitting, Straight NPT/Barbed	
24	2840016	1	Jack with Handle	
24	7016374	1	Handle (Burr Manufacturing Brand)	
24	7024598	1	Handle (Hammerblow Corp Brand)	
24	7016322	1	Wiper (Burr Manufacturing Brand Only)	
25	3290301	2	Nut M3	
26	3290405	4	Nut M4	
27	3290605	5	Nut M6 x 1 <b>(Prior to SN 0300214298)</b>	
27	3290605	9	Nut M6 x 1 <b>(SN 0300214298 to Present)</b>	
28	3290607	2	Nut M6 <b>(Prior to SN 0300224866)</b>	
29	3290805	5	Nut M8 X 1.25	
30	3290807	9	Nut M8 <b>(Prior to SN 0300214298)</b>	
30	3290807	12	Nut M8 <b>(SN 0300214298 to Present)</b>	
31	3291007	5	Nut M10	
32	3331411	2	Nut M14	
33	3430816	1	Pin	
34	3450404	1	Pin, Cotter 1/8 x 1	
35	3841143	1	Keeper	
36	4010308	2	Screw M3 x16	
37	4240099	AR	Tie-Strap (Not Shown)	
38	4711800	2	Washer 1/2	
39	4712200	2	Washer 3/4	
40	4791400	2	Washer 1/4 <b>(Prior to SN 0300224866)</b>	
41	4811400	8	Washer M4	

## SECTION 3 - ENGINE

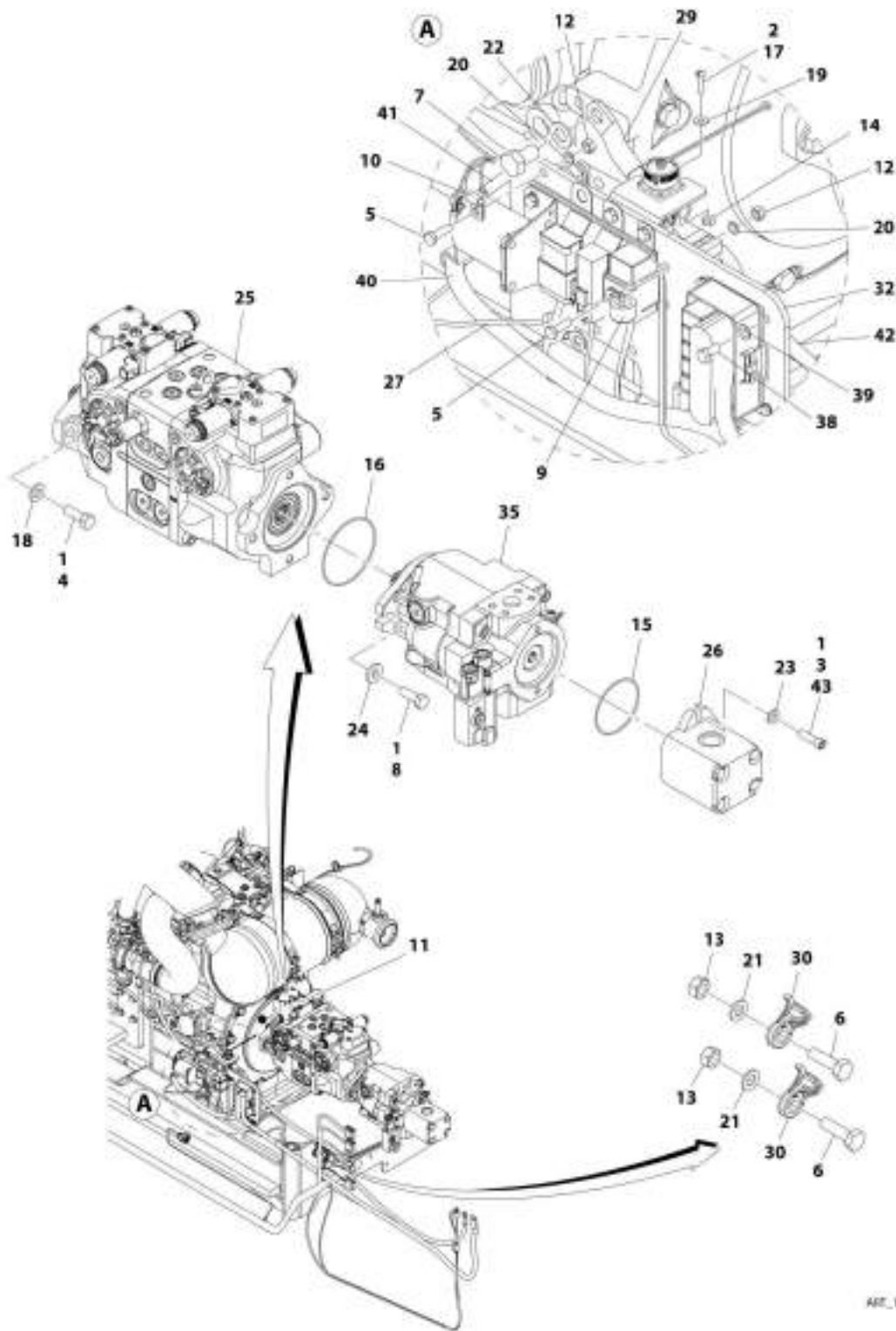
ITEM	PART NUMBER	QTY	DESCRIPTION	REV
42	4811600	2	Washer M5 (Prior to SN 0300214298)	
43	4811700	8	Washer M6 (Prior to SN 0300214298)	
43	4811700	AR	Washer M6 (SN 0300214298 to Present)	
44	4811900	15	Washer M8 (Prior to SN 0300214298)	
44	4811900	26	Washer M8 (SN 0300214298 to Present)	
45	4811902	3	Washer M8	
46	4812000	10	Washer M10	
47	4812200	4	Washer M14	
48	4871200	2	Washer M3	
49	4891800	1	Washer 1/2	
50	5241000	1	Washer M10	
51	8305919	4	Nut M6 (Prior to SN 0300214298)	
52	8310067	1	Nut 3/4-10	
54	8406101	3	Clip	
55	8410009	13	Clamp	
57	8750014	4	Clamp	
58	8750027	3	Clamp	
59	8750031	1	Plate	
60	8769127	3	Clamp	
61	77133137	6	Cover	
62	82033995	40 ft /12.2m	Hose	
63	1001101580	1	Screw M8 x 30	
64	1001117308	1	Relay (Prior to SN 0300224866)	
65	1001135196	1	Pin	
66	1001135497	1	Support	
67	1001142501	2	Fitting, 90 NPT/Barbed	
68	1001154262	2	Fitting, Adaptor	
69	1001154405	5 ft /1.5m	Hose	
70	1001155939	1	Plate	
71	1001156719	1	Seal	
72	1001157738	1	Valve, Coolant Control (Prior to SN 0300214298)	
73	1001159162	1	Bracket, Support	
74	1001162212	2	Fitting, Tee	
75	1001165035	40 ft /12.2m	Hose (Prior to SN 0300217700)	
75	1001165035	34.4 ft /10.5m	Hose (SN 0300217700 to Present)	
76	1001186580	1	Engine	
77	1001187516	1	Hose, Suction	
78	1001187517	1	Hose, Backflow	
79	1001187518	1	Hose, Pressure	
80	1001190475	1	Pipe, Exhaust	
81	1001193980	1	Hose, Coolant	
82	1001193981	1	Hose, Coolant (Prior to SN 0300214298)	
82	1001212825	1	Hose, Coolant (SN 0300214298 to Present)	
83	1001197571	1	140 Amp Isolator	
84	1001162986	6 gal /22.7L	Diesel Exhaust Fluid	
85	1001175568	4	Clip	
86	1001136975	5	Clamp	
87	1001198361	AR	Coolant	

## SECTION 3 - ENGINE

ITEM	PART NUMBER	QTY	DESCRIPTION	REV
88	1001155823	1	Coupling (SN 0300214298 to Present)	
89	1001199670	1	Valve, Tank Coolant (SN 0300214298 to Present)	
90	0760613	4	Bolt M6 x 28 (SN 0300214298 to Present)	
91	0760606	4	Bolt M6 x 12 (SN 0300214298 to Present)	
92	0760807	1	Bolt M8 x 14 (SN 0300214298 to Present)	
93	0700810	3	Bolt M8 x 20 (SN 0300214298 to Present)	
94	4031708	4	Bolt M6 x 20 (SN 0300214298 to Present)	
95	0760814	1	Bolt M8 x 30 (SN 0300214298 to Present)	
96	8406201	3	Clip (SN 0300214298 through 0300217699)	
96	8406201	2	Clip (SN 0300217700 to Present)	
97	8406303	1	Clip (SN 0300217700 to Present)	
98	2750532	6.9 ft /2.1m	Hose (Not Shown) (SN 0300217700 to Present)	

# SECTION 3 - ENGINE

## FIGURE 3-30. DEUTZ T4F ENGINE/PUMP ASSEMBLY - WITH COLD WEATHER PKG



REF. 1001192548

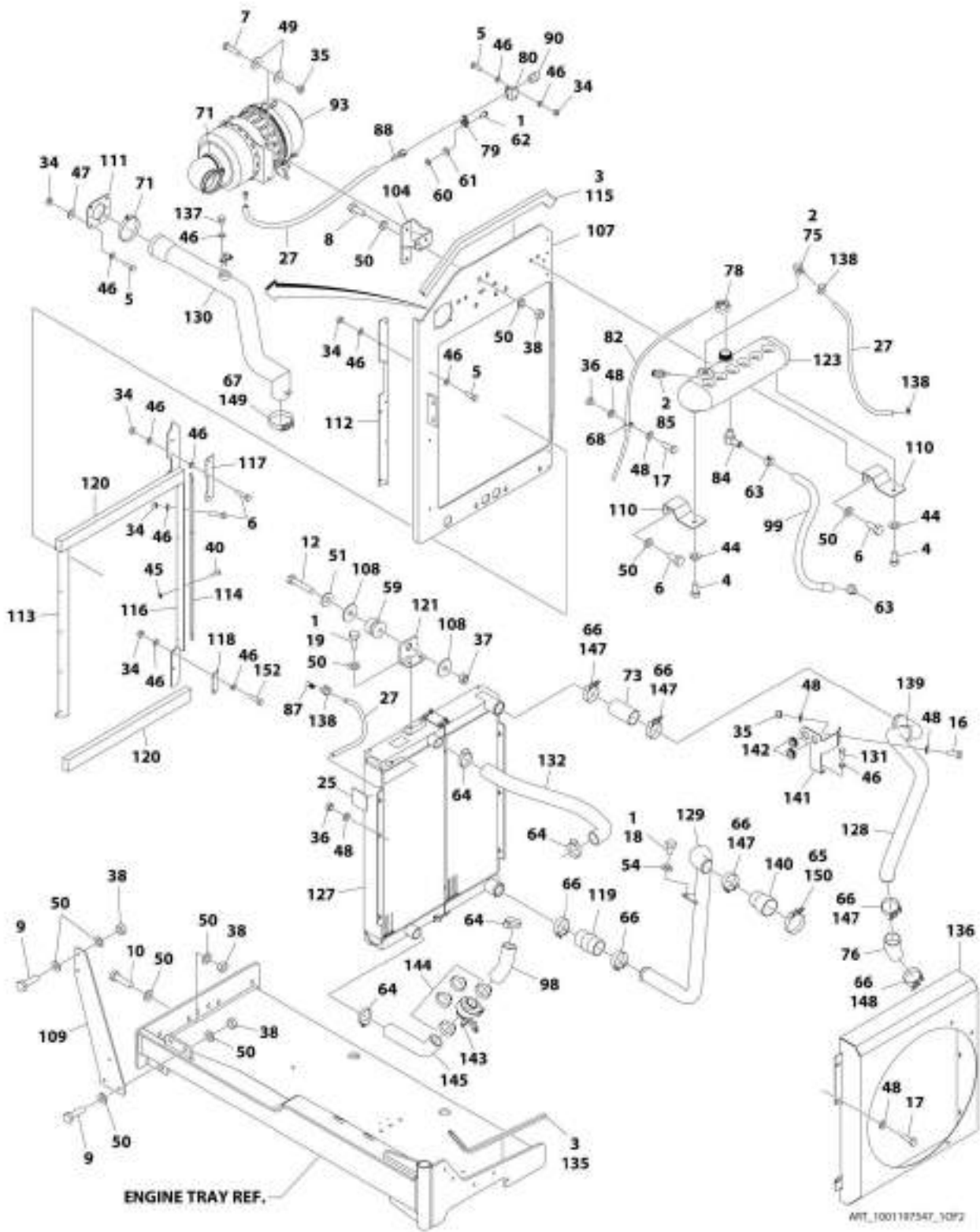
## SECTION 3 - ENGINE

**FIGURE 3-30. DEUTZ T4F ENGINE/PUMP ASSEMBLY - WITH COLD WEATHER PKG**

ITEM	PART NUMBER	QTY	DESCRIPTION	REV
	1001197548	Ref	DEUTZ T4F ENGINE/PUMP ASSEMBLY - WITH COLD WEATHER PKG	C
1	0100011	AR	Compound, Locking	
2	0100035	AR	Compound, Locking	
3	0641608	2	Bolt 3/8-18 x 1 <b>(Prior to SN 0300214298)</b>	
4	0841812	2	Bolt 1/2-13 x 1-1/2	
5	0760610	2	Bolt M6 x 20	
6	0761015	2	Bolt M10 x 35	
7	0761210	1	Bolt M12 x 20	
8	0761215	2	Bolt M12 x 35	
9	1320041	1	Clamp	
10	1320136	1	Clamp	
11	3020037	AR	Lubricant	
12	3290607	2	Nut M6	
13	3291007	2	Nut M10	
14	3310401	3	Nut #4-40NC	
15	3790152	1	O-Ring	
16	3790155	1	O-Ring	
17	3910408	3	Screw #4 x 1/2	
18	4740171	2	Washer,	
19	4750400	3	Washer #4	
20	4811700	2	Washer M6	
21	4812000	2	Washer M10	
22	4812100	1	Washer M12	
23	4891600	2	Washer 3/8	
24	4891800	2	Washer 1/2	
25	1001108616	1	Tandem Pump Assembly (See TANDEM PUMP ASSEMBLY for Breakdown)	
26	1001112927	1	Gear Pump Assembly (See GEAR PUMP ASSEMBLY for Breakdown)	
27	1001141304	1	Wire, Glow Plug Fuse	
29	1001154143	1	Cable, Battery (Negative)	
30	1001156107	2	Holder, Cable	
31	1001156718	1	Seal (Not Shown - Located on Side of Radiator Mounting Plate)	
32	1001156719	1	Seal	
35	1001169892	1	Piston Pump Assembly (See PISTON PUMP ASSEMBLY for Breakdown)	
37	1001188922	1	Harness, Engine (Not Shown - See ELECTRICAL SECTION for Breakdown)	
38	0760508	4	Bolt M5 x 16	
39	4811600	4	Washer M5	
40	1001197443	1	Cable, Battery (Positive)	
41	1001197445	1	Wire, Glow Plug	
42	1001197783	1	Cable, Alternator Power	
43	3931620	2	Capscrew 3/8 x 1-1/4 <b>(SN 0300214298 to Present)</b>	

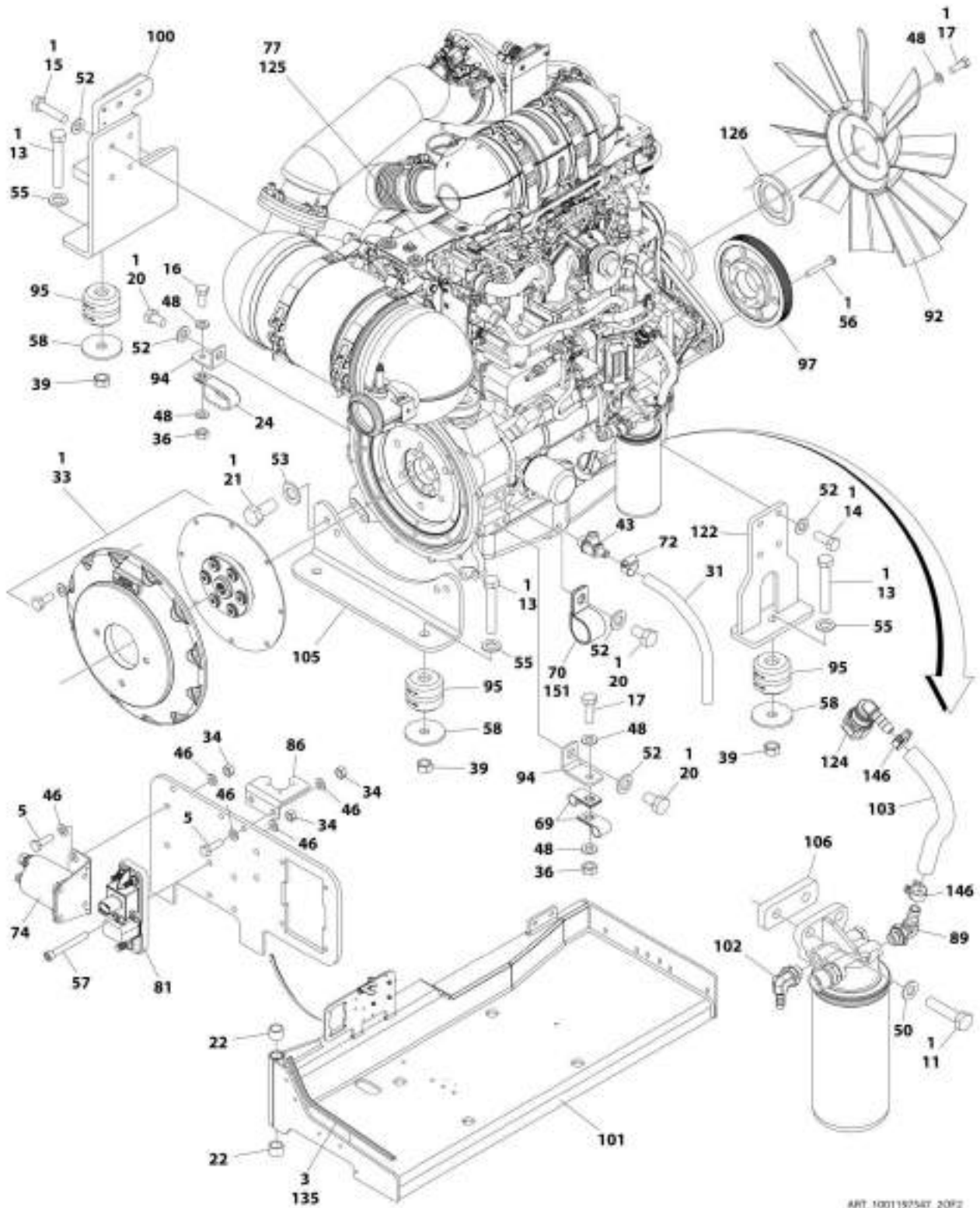
# SECTION 3 - ENGINE

FIGURE 3-31. DEUTZ T4F ENGINE ASSEMBLY - WITH COLD WEATHER PKG





# SECTION 3 - ENGINE



ART\_1001197547\_20F2

## SECTION 3 - ENGINE

FIGURE 3-31. DEUTZ T4F ENGINE ASSEMBLY - WITH COLD WEATHER PKG

ITEM	PART NUMBER	QTY	DESCRIPTION	REV
	1001197547	Ref	DEUTZ T4F ENGINE ASSEMBLY - WITH COLD WEATHER PKG	I
1	0100011	AR	Compound, Locking	
2	0100020	AR	Sealant	
3	0100081	AR	Adhesive	
4	0641606	2	Bolt 3/8-18 x 3/4	
5	0700610	13	Bolt M6 x 20	
6	0700612	7	Bolt M6 x 25	
7	0700815	2	Bolt M8 x 35	
8	0701013	2	Bolt M10 x 28	
9	0701015	6	Bolt M10 x 35	
10	0701016	2	Bolt M10 x 40	
11	0701017	2	Bolt M10 x 45	
12	0701019	1	Bolt M10 x 55	
13	0701627	4	Bolt M16 x 100	
14	0711214	4	Bolt M12 x 30 Grade 10.9	
15	0711218	4	Bolt M12 x 50 Grade 10.9	
16	0760810	6	Bolt M8 x 20	
17	0760812	7	Bolt M8 x 25	
18	0761008	1	Bolt M10 x 16	
19	0761012	6	Bolt M10 x 25	
20	0761210	3	Bolt M12 x 20	
21	0771414	4	Bolt M14 30 Grade 10.9	
22	0961951	2	Bushing	
24	1321716	1	Clamp	
25	1703162	2	Decal - Fan Blade	
27	2720015	5 ft/1.5m	Hose	
31	2720340	1 ft/30.5m	Hose (Prior to SN 0300242692)	
31	1001165035	1 ft/30.5m	Hose (SN 0300242692 to Present)	
33	2902065	1	Pump Coupling Kit (See PUMP COUPLING KIT for Breakdown)	
34	3290607	22	Nut M6	
35	3290805	3	Nut M8	
36	3290807	5	Nut M8	
37	3291005	1	Nut M10	
38	3291007	10	Nut M10	
39	3291601	4	Nut M16	
40	3820032	9	Rivet	
42	4240099	AR	Tie-Strap (Not Shown)	
43	4640751	1	Valve, Oil Drain	
44	4711600	2	Washer 3/8	
45	4811600	4	Washer M5	
46	4811700	43	Washer M6	
47	4811702	4	Washer M6	
48	4811900	19	Washer M8	
49	4811902	4	Washer M8	
50	4812000	30	Washer M10	
51	4812002	1	Washer M10	
52	4812100	11	Washer M12	
53	4812200	4	Washer M14	
54	5241000	1	Washer M10	
55	5241600	4	Washer M16	

## SECTION 3 - ENGINE

ITEM	PART NUMBER	QTY	DESCRIPTION	REV
56	5251022	6	Bolt M10 x 70	
57	5271614	1	Capscrew M16 x 50	
58	7300435	4	Washer	
59	8278020	1	Mount	
60	8305401	2	Nut 1/4	
61	8307109	2	Washer 1/4	
62	8310548	2	Screw 1/4 x 1/2	
63	8405007	2	Clamp	
64	8405104	4	Clamp	
65	8405213	1	Clamp (Prior to SN 0300213776)	
66	8410012	AR	Clamp	
67	8405306	1	Clamp (Prior to SN 0300213776)	
68	8406109	2	Clip	
69	8406110	2	Clip	
70	8406303	1	Clip (Prior to SN 0300214298)	
71	8410011	2	Clamp	
72	8410013	1	Clamp	
73	91563070	1	Coupling, Rubber	
74	1001117308	1	Relay, 200Amp	
75	1001134488	1	Fitting, 90 NPT/Barbed	
76	1001135943	1	Coupling	
77	1001136172	9.5 gal/ 8.9L	Oil, Motor	
78	1001136834	1	Cap	
79	1001138173	1	Support	
80	1001138175	1	Bracket	
81	1001138228	1	Module, Relay (Prior to SN 0300213776)	
82	1001138248	5 ft/1.5m	Tubing	
84	1001138559	1	Fitting, 90 NPT	
85	1001138827	1	Sensor	
86	1001139240	1	Bracket	
87	1001140564	1	Fitting, 90 NPT/Barbed	
88	1001141995	1	Fitting, Straight NPT/Barbed	
89	1001142501	1	Fitting, 90 NPT/Barbed	
90	1001143390	1	Indicator, Air Restriction	
92	1001147567	1	Fan	
93	1001147847	1	Filter, Air	
93	70023809	1	Element	
93	70024328	1	Elbow, Rubber	
93	70024329	1	Clamp, Mounting	
94	1001148641	2	Bracket	
95	1001149517	4	Mount, Motor	
97	1001149746	1	Pulley	
98	1001157300	1	Hose	
99	1001150553	1	Hose	
100	1001151491	1	Support	
101	1001151749	1	Tray	
102	1001152489	1	Fitting, 90 Barbed	
103	1001154405	8.5 in/ 21cm	Hose	
104	1001155023	1	Plate	
105	1001155496	1	Support	

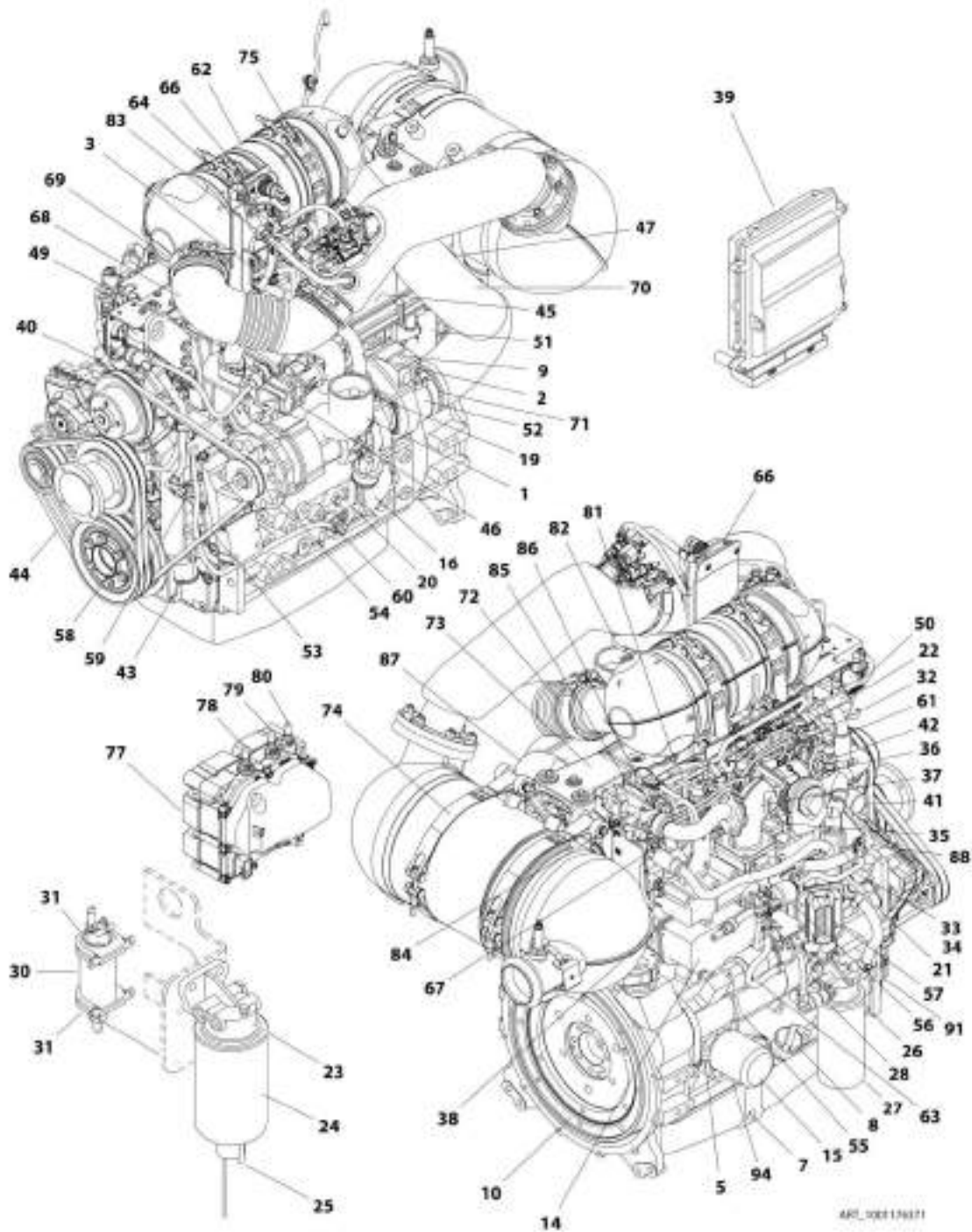
## SECTION 3 - ENGINE

ITEM	PART NUMBER	QTY	DESCRIPTION	REV
106	1001155498	1	Plate	
107	1001155525	1	Support	
108	1001155540	2	Washer	
109	1001155550	1	Plate <b>(Prior to SN 0300214298)</b>	
109	1001212817	1	Plate <b>(SN 0300214298 to Present)</b>	
110	1001155557	2	Plate	
111	1001155563	1	Seal	
112	1001155564	1	Bracket	
113	1001155565	1	Seal	
114	1001155566	1	Bracket	
115	1001155728	1	Seal	
116	1001156034	1	Seal	
117	1001156035	1	Bracket	
118	1001156062	1	Bracket	
119	1001156091	1	Hose	
120	1001156644	2	Seal	
121	1001157862	1	Bracket	
122	1001160518	1	Support	
123	1001166393	1	Tank	
124	1001170982	1	Fitting, 90 SAE/Barbed	
125	1001176371	1	Deutz T4F Engine (See DEUTZ T4F ENGINE COMPONENTS for Breakdown)	
126	1001197317	1	Spacer	
127	1001188162	1	Radiator	
128	1001189291	1	Pipe, Exhaust	
129	1001190418	1	Tube	
130	1001190467	1	Tube, Intake <b>(Prior to SN 0300214298)</b>	
130	1001212826	1	Tube, Intake <b>(SN 0300214298 to Present)</b>	
131	0760608	2	Bolt M6 x 16	
132	1001191122	1	Hose, Upper	
135	4060807	22 in/ 55cm	Flex-Trim	
136	1001192138	1	Shroud	
137	0760604	1	Bolt M6 x 8	
138	8405009	4	Clamp	
139	1001097588	1	Clip	
140	1001117244	1	Reducer	
141	1001193556	1	Support <b>(Prior to SN 0300214298)</b>	
141	1001212810	1	Support <b>(SN 0300214298 to Present)</b>	
142	1001193599	1	Grommet <b>(Prior to SN 0300214298)</b>	
142	1001193599	2	Grommet <b>(SN 0300214298 to Present)</b>	
143	1702942	1	Decal - Engine Block Heater <b>(Prior to SN 0300228229)</b>	
144	1001152112	1	Heater	
145	1001157301	1	Hose	
146	1001175568	2	Clip	
147	1001208299	4	Clamp <b>(SN 0300213776 to Present)</b>	
148	1001208298	1	Clamp <b>(SN 0300213776 to Present)</b>	
149	1001208297	1	Clamp <b>(SN 0300213776 to Present)</b>	
150	8405211	1	Clamp <b>(SN 0300213776 to Present)</b>	
151	1001181899	1	Clamp <b>(SN 0300214298 to Present)</b>	
152	0700612	2	Bolt M6 x 25	
152	0760614	2	Bolt M6 x 30	



# SECTION 3 - ENGINE

## FIGURE 3-32. DEUTZ T4F ENGINE COMPONENTS



## SECTION 3 - ENGINE

**FIGURE 3-32. DEUTZ T4F ENGINE COMPONENTS**

ITEM	PART NUMBER	QTY	DESCRIPTION	REV
	1001176371	Ref	DEUTZ T4F ENGINE COMPONENTS	G
1	70024497	1	Pipe, Intake	
1	70025680	1	Clamp	
2	70025111	1	Clamp	
2	70025128	1	Bolt	
2	70025116	1	Clamp	
2	See Note	NSS	Line, Breather (Includes Item 3) (Note: Not Available for Purchase)	
3	70025119	1	Sleeve, Rubber	
3	7002511	1	Clamp	
4	70002718	1	Seal, Rear Main (Not Shown)	
5	70025745	1	Dipstick	
5	7020442	1	O-Seal	
5	70025755	1	Tube, Dipstick	
6	70025123	24	Screw, Oil Pan (Not Shown)	
7	70025088	1	Plug	
8	7020465	1	Cap	
8	70005487	1	Tube, Fill	
8	70024471	1	Gasket (Tube to Engine Block)	
9	70025786	1	Plug	
10	70001870	1	Flywheel	
10	7024579	1	Gear, Rim	
11	70024483	1	Gasket, Head (Not Shown)	
11	70024481	1	Gasket, Valve Cover (Not Shown)	
12	7020465	1	Cap, Fill (Not Shown - Located on top of Valve Cover)	
13	70025763	1	Pump, Oil (Not Shown)	
13	70025718	4	O-Ring (Not Shown)	
14	70024494	1	Cooler, Oil	
14	70024495	1	Gasket	
15	7016331	1	Filter, Oil	
15	70025137	1	Bushing, Screw	
16	70025731	1	Cover	
16	70002813	1	Seal	
17	70025730	1	Pipe, Transfer (Not Shown - Located in Oil Pan)	
18	70025722	1	Line, Oil Suction (Not Shown - Located in Oil Pan)	
19	70024489	1	Line, Lube	
19	70025085	2	Screw	
19	70025105	4	Ring, Sealing	
20	See Note	NSS	Line, Lube Return (Note: Not Available for Purchase)	
20	70025132	1	O-Seal	
20	70005489	1	Flange, Upper	
20	70024509	1	Gasket, Upper Flange	
21	70024487	1	Pump, High Pressure	
21	70025152	1	O-Ring	
21	70004505	1	Valve, Overflow	
21	70004506	1	O-Ring	
21	70004507	1	O-Ring	
21	70004508	1	Valve, Volume Control	
21	70004509	1	O-Ring	
21	70004510	1	Gasket	
21	See Note	NSS	O-Seal (Between Pump and Block) (Note: Not Available for	

## SECTION 3 - ENGINE

ITEM	PART NUMBER	QTY	DESCRIPTION	REV
			Purchase)	
22	70024485	4	Injector, Fuel	
22	70025140	4	Washer, Sealing	
22	70025146	4	Clamp	
22	70025145	4	O-Seal	
22	70025154	4	Shoe, Clamping	
23	70024961	1	Head and Filter Assembly (Includes Item 24 & 25)	
24	70025153	NLA	Filter (Use p/n 1001225430)	
25	70024513	1	Sensor with Cable	
25	70025239	1	Ring, Sealing	
26	70004511	1	Head and Filter Assembly	
27	70004512	NLA	Filter (Use p/n 1001225432)	
28	70024504	1	Sensor, Pressure	
28	70024920	1	O-Seal	
29	See Note	NSS	Connector (Note: Not Available for Purchase) (Not Shown)	
29	70004513	1	Ring, Sealing (Not Shown)	
30	1001226098	1	Pump, Fuel Supply	
31	70025144	2	Clamp	
32	70025151	1	Rail, Fuel	
32	70025235	1	Kit, Repair - Fuel Rail	
32	70025240	1	O-Ring	
32	70025534	1	Pipe, Pressure Pump to Fuel Rail	
32	70024498	1	Pipe, Fuel Rail to Cylinders 1 & 2	
32	70024499	1	Pipe, Fuel Rail to Cylinders 3 & 4	
33	70024501	1	Line, Fuel	
33	70025109	3	Clamp, Band	
33	70025686	3	Clamp, Pipe	
34	See Note	NSS	Pipe, Fuel Leakage (Note: Not Available for Purchase)	
34	70025756	2	Retainer for Fuel Leakage Pipe	
35	70024507	1	Sensor, Pressure	
35	70025120	1	O-Seal	
36	70005492	1	Valve, Throttle	
36	70005493	1	Gasket	
37	70005491	1	Pipe, Air Charge	
37	70025726	1	Gasket	
38	70025772	1	Manifold, Air Charge	
38	70024475	1	Gasket (Manifold to Head)	
39	70005495	1	Module, Engine Control	
40	70005496	1	Pump, Water	
40	70005497	1	Seal (RH Side Pump to Item 43)	
40	70004516	2	Ring, Sealing (For Smaller Plug)	
41	70025741	1	Housing, Thermostat	
41	7016309	1	Ring, Sealing (For Bottom Plug)	
41	70024493	1	Gasket (Housing to Head)	
42	70024918	1	Sender, Temperature	
43	70025762	1	Manifold, Coolant	
44	70005498	1	V-Belt	
44	See Note	NSS	Tensioner, Pulley (Note: Not Available for Purchase)	
45	70005512	1	EGR Manifold Assembly	
46	70005513	1	Valve, Control	
46	70005514	1	O-Seal	



## SECTION 3 - ENGINE

ITEM	PART NUMBER	QTY	DESCRIPTION	REV
46	70005189	1	Seal	
47	70025768	1	Valve, Shuttle	
48	70005511	1	Gasket, Exhaust Manifold to Head (Not Shown)	
49	See Note	NSS	Tube, Compensator (Note: Not Available for Purchase)	
49	70024500	2	Gasket	
50	See Note	1	Line, Water (Note: Not Available for Purchase)	
50	7020492	1	Ring, Sealing (For Plug in Line)	
50	70024478	1	Gasket (Water Line to EGR Valve)	
50	70025701	1	Sleeve, Rubber	
50	70025687	2	Clamp (For Sleeve)	
50	70025699	1	Clamp, Insulated	
51	70024479	1	Hose	
51	70025687	1	Clamp (Lower)	
51	70025773	1	Clamp (Upper)	
51	70005499	1	Fitting (at Lower End of Hose)	
51	70024469	1	O-Seal (For Fitting)	
52	70005515	1	Turbocharger	
52	70024480	1	Gasket	
53	70005516	1	V-Belt	
54	70025533	1	Generator	
54	70025149	1	Controller	
54	70025131	1	Fan	
54	70025141	1	Nut, Pulley	
55	70004520	1	Starter	
56	70025780	1	Relay	
57	70005518	1	Harness, Engine	
58	70026210	1	Tacho-Generator	
58	70005191	1	O-Ring	
59	70026210	1	Tacho-Generator	
59	70005191	1	O-Ring	
60	70024504	1	Switch, Pressure	
60	70024920	1	O-Seal	
61	70024474	4	Plug, Glow	
62	70005519	1	Catalyst	
63	70005517	1	Electrical Line, Relay	
64	70005522	1	Sensor	
65	70005521	1	Interconnect Cable (Not Shown)	
66	70005523	1	Sensor, Pressure	
67	70005524	1	Sensor	
68	70005525	1	Pipe, Connecting	
68	70025242	1	Gasket	
69	70025877	2	Clamp	
70	70005526	1	Pipe, Connecting	
70	70025242	1	Gasket	
71	70005527	1	Clamp	
72	70025877	1	Clamp	
73	70005528	1	Bracket	
73	70005529	2	Strap	
73	70005530	4	Pin, Clevis	
73	70005531	8	Clip	
73	70005532	2	Pin	

## SECTION 3 - ENGINE

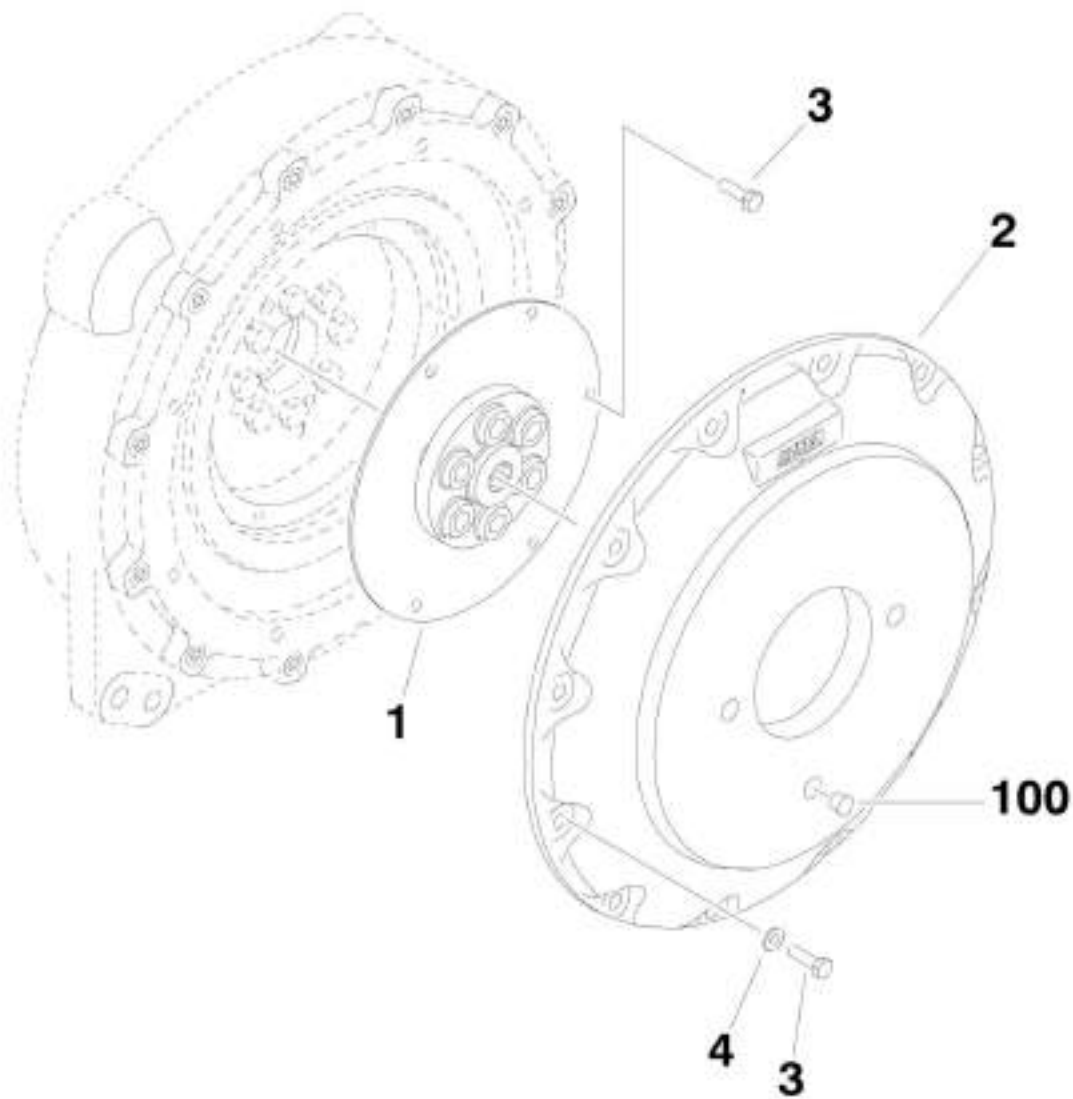
ITEM	PART NUMBER	QTY	DESCRIPTION	REV
73	70005535	1	Rubber, Mounting	
73	70005536	2	Washer	
74	70005537	1	Bracket	
74	70005538	2	Strap	
74	70005530	4	Pin, Clevis	
74	70005531	8	Clip	
74	70005535	2	Rubber, Mounting	
74	70005541	2	Stud	
74	70005542	2	Bracket	
74	70005536	4	Washer	
75	70005544	1	Unit, Metering	
75	70005545	1	Gasket	
76	70005546	1	Tube, Mixing (Not Shown)	
76	70005547	1	Pipe, Union (Not Shown)	
77	70005548	1	Pump, Def Supply (Includes Items 78-80)	
77	70005549	1	Filter, Def Supply Pump	
77	70005550	1	Cover, Def Supply Pump Filter	
78	70005551	1	Adapter, Def Supply Pump Filter Socket	
78	70005552	1	O-Seal	
79	70005553	1	Adapter, Def Supply Pump Filter Socket	
79	70005552	1	O-Seal	
80	70005554	1	Adapter, Def Supply Pump Filter Socket	
80	70005552	1	O-Seal	
81	70005555	1	Transmitter, Temperature	
82	70005556	1	Transmitter, Temperature	
83	70005557	1	Pipe	
83	70005558	1	Clip	
84	70005501	1	Tube, Venturi	
84	70024500	1	Gasket	
85	70005504	1	Sensor, Pressure	
85	70005505	2	Ring, Sealing	
85	70005502	1	Plate, Isolation	
85	70005503	1	Adapter	
86	70005506	1	Temperature, Transmitter	
86	70005507	1	O-Seal	
87	70005508	1	Elbow, Hose	
87	70005509	1	Clamp	
87	70025681	1	Clamp (Pipe Side)	
88	70025747	1	Manifold	
88	70025687	4	Clamp	
88	70025750	1	Line, Water	
88	70025699	1	Clamp	
88	70025749	1	Hose	
88	70025764	1	Plate, Support	
89	70025737	1	Wheel, Sensor (Not Shown - Located Under front Engine Cover)	
90	70025739	1	Gear, Idler (Not Shown - Located Under front Engine Cover)	
90	70025740	1	Shaft (Not Shown - Located Under front Engine Cover)	
91	70025752	1	Valve, Plunger	
91	70025753	1	Spring	
91	70005916	1	Seal	
91	70005917	1	Plug	

## SECTION 3 - ENGINE

ITEM	PART NUMBER	QTY	DESCRIPTION	REV
92	70025758	1	Connector (Not Shown - Located Under Front Engine Cover)	
92	70025704	1	Ring, Half-Moon	
93	70004280	1	Seal, Crankshaft (Not Shown - Located Under Front Engine Cover)	
94	70001181	1	Control Vale	
94	70124410	1	Spring	
94	70025082	1	Seal	
94	70124440	1	Plug	

# SECTION 3 - ENGINE

## FIGURE 3-33. PUMP COUPLING KIT



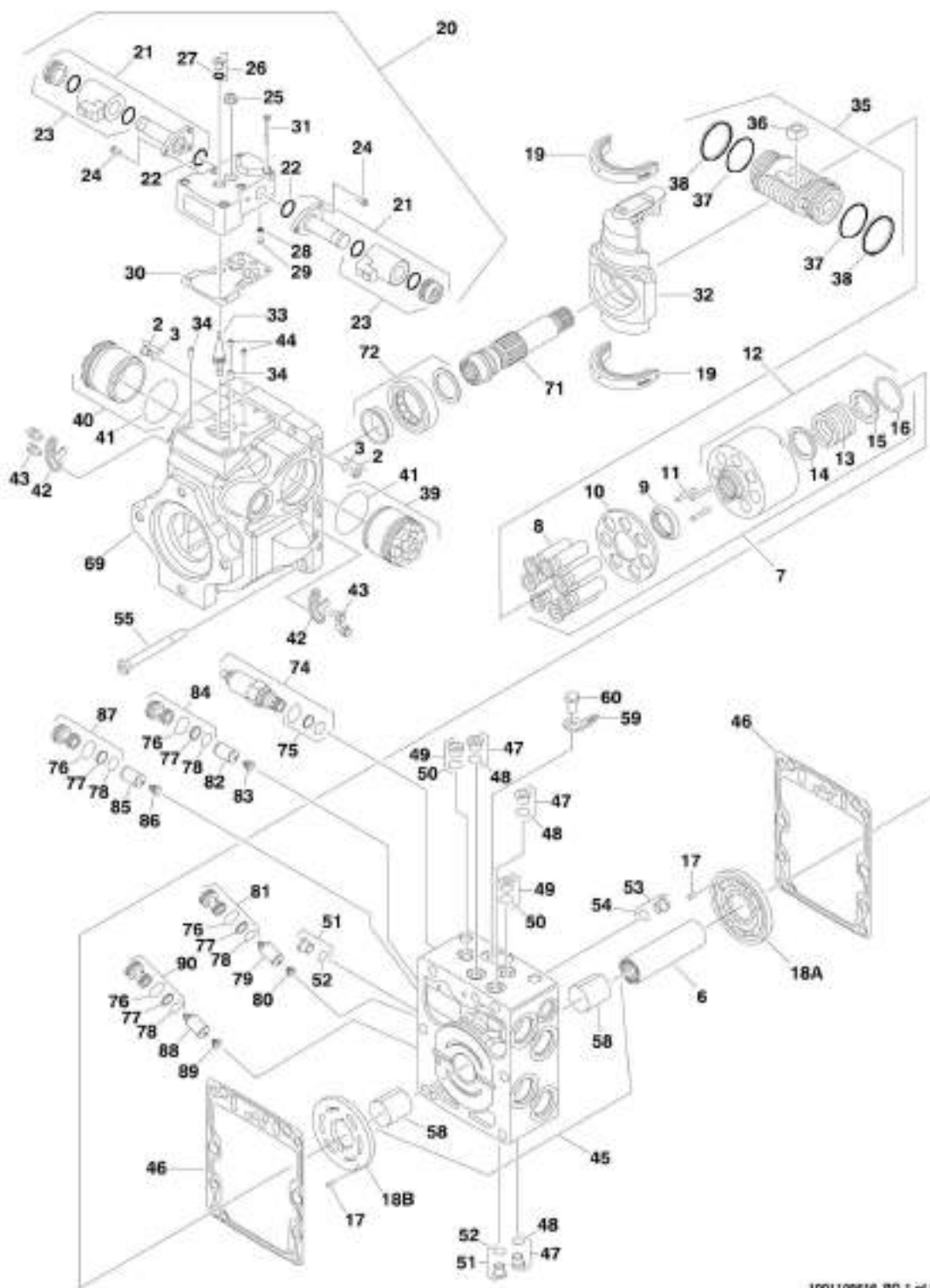
2902065

FIGURE 3-33. PUMP COUPLING KIT

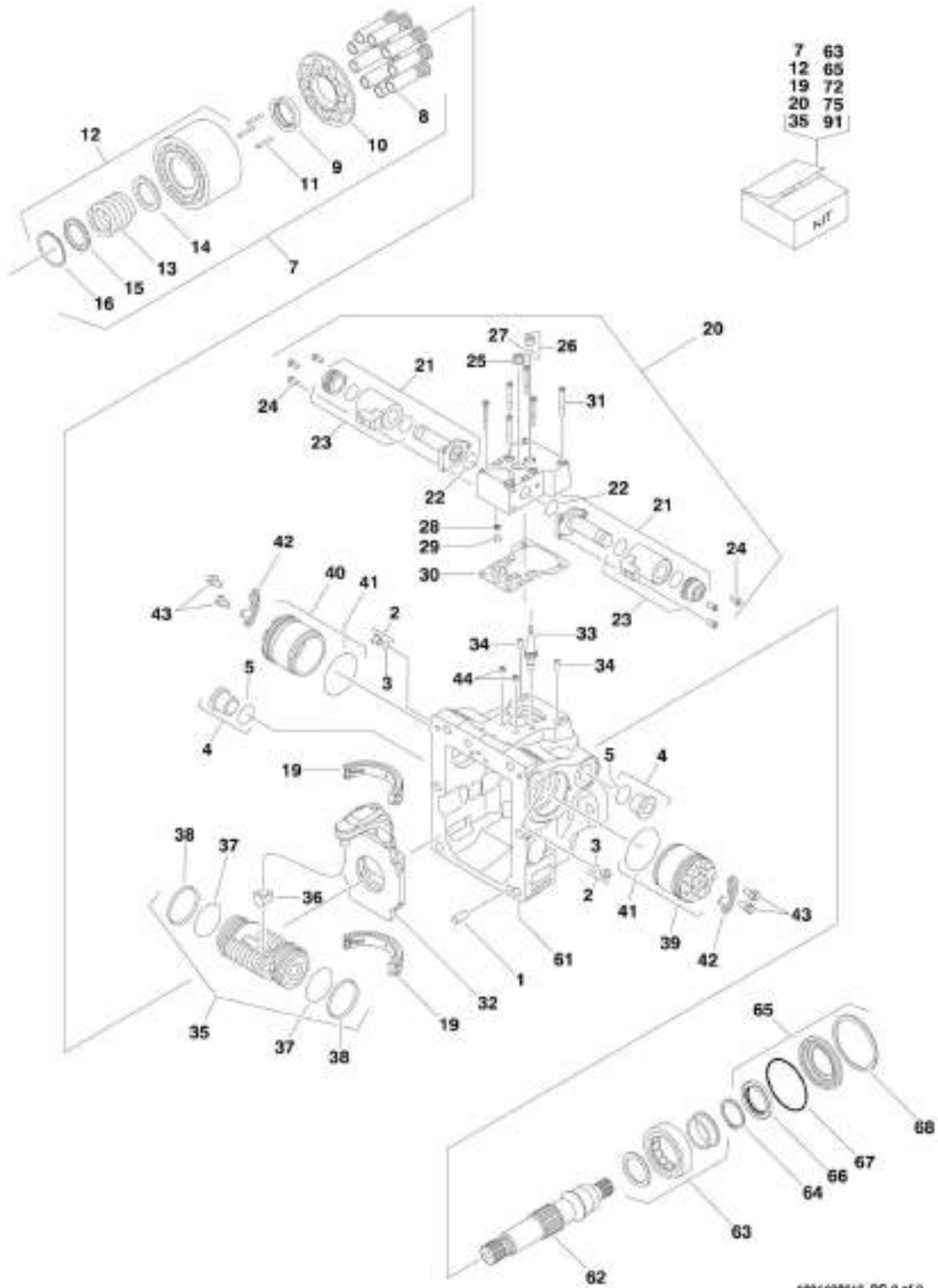
ITEM	PART NUMBER	QTY	DESCRIPTION	REV
	2902065	Ref	PUMP COUPLING KIT	K
1	70000793	1	Coupling, Hayes	
2	See Note	NSS	Plate, Pump Adapter (Note: Purchase p/n 2902065)	
3	See Note	NSS	Capscrew M10 Grade 10.9 (Note: Purchase p/n 2902065)	
4	4812000	12	Washer M10	
100	3520054	1	Plug (Note: Not part of kit. Must be purchased separately)	

# SECTION 3 - ENGINE

## FIGURE 3-34. TANDEM PUMP ASSEMBLY



# SECTION 3 - ENGINE



## SECTION 3 - ENGINE

### FIGURE 3-34. TANDEM PUMP ASSEMBLY

ITEM	PART NUMBER	QTY	DESCRIPTION	REV
	1001108616	Ref	TANDEM PUMP ASSEMBLY	D
1	70002132	4	Pin	
2	70002133	4	Plug Assembly (Includes Item 3)	
3	7007207	4	O-Ring (Part of Item 3)	
4	7007419	2	Plug Assembly (Includes Item 5)	
5	7007418	2	O-Ring (Part of Item 5)	
6	70002600	1	Coupling	
7	70002135	2	Kit, Cylinder Block (Each Kit Includes Qty 1 of Items 8-10 & 12-16 & Qty 3 of Item 11)	
8	70002136	2	Kit, Piston Assembly (Includes Qty 9 Piston Assemblies) (Part of Item 7)	
9	70002137	2	Guide, Slipper Retainer (Part of Item 7)	
10	70002138	2	Retainer, Slipper (Part of Item 7)	
11	7021275	6	Pin, Slipper Retainer Holddown (Part of Item 7)	
12	70002143	2	Cylinder Block Assembly (Includes Qty 1 of Item 13-16) (Part of Item 7)	
13	70002139	2	Spring (Part of Item 12)	
14	70002140	2	Washer (Part of Item 12)	
15	70002141	2	Washer (Part of Item 12)	
16	70002142	2	Ring, Retaining (Part of Item 12)	
17	7007446	2	Pin	
18A	70002601	1	Plate, CW Valve	
18B	70002602	1	Plate, CCW Valve	
19	70002145	2	Kit, Swashplate Bearing (Includes Qty 2 Bearings)	
20	70002618	2	Kit, EDC (Includes Items 21-31)	
21	70002619	4	Solenoid Valve Assembly (Includes Item 22 & 23) (Part of Item 20)	
22	70002148	4	O-Ring (2 Per EDC Assembly) (Part of Item 21)	
23	70002620	4	Kit, Coil Nut and Seals (2 Per EDC Assembly) (Part of Item 21)	
24	70002150	12	Screw (Part of Item 20)	
25	7022301	2	Nut, Seal (Part of Item 20)	
26	70002151	2	Plug Assembly (Part of Item 20) (Includes Item 27)	
27	7007207	2	O-Ring (Part of Item 26)	
28	70002134	2	Screen (Part of Item 20)	
29	70002153	2	Ring, Locking (Part of Item 20)	
30	70002154	2	Gasket, Control (Part of Item 20)	
31	70002156	12	Capscrew (Part of Item 20)	
32	70002152	2	Swashplate	
33	70002155	2	Link, Swashplate	
34	70002157	4	Pin, Dowel	
35	70002158	2	Servo Piston Assembly (Includes Items 36-38)	
36	70002159	2	Block, Slider (Part of Item 35)	
37	70002160	2	O-Ring (Part of Item 35)	
38	70002161	2	Ring, Piston (Part of Item 35)	
39	70002162	2	Cylinder, Servo	
40	70002162	2	Cylinder, Servo	
41	70002163	4	O-Ring	
42	70002164	4	Plate, Locking	
43	70002165	8	Screw	
44	70002604	4	Orifice	

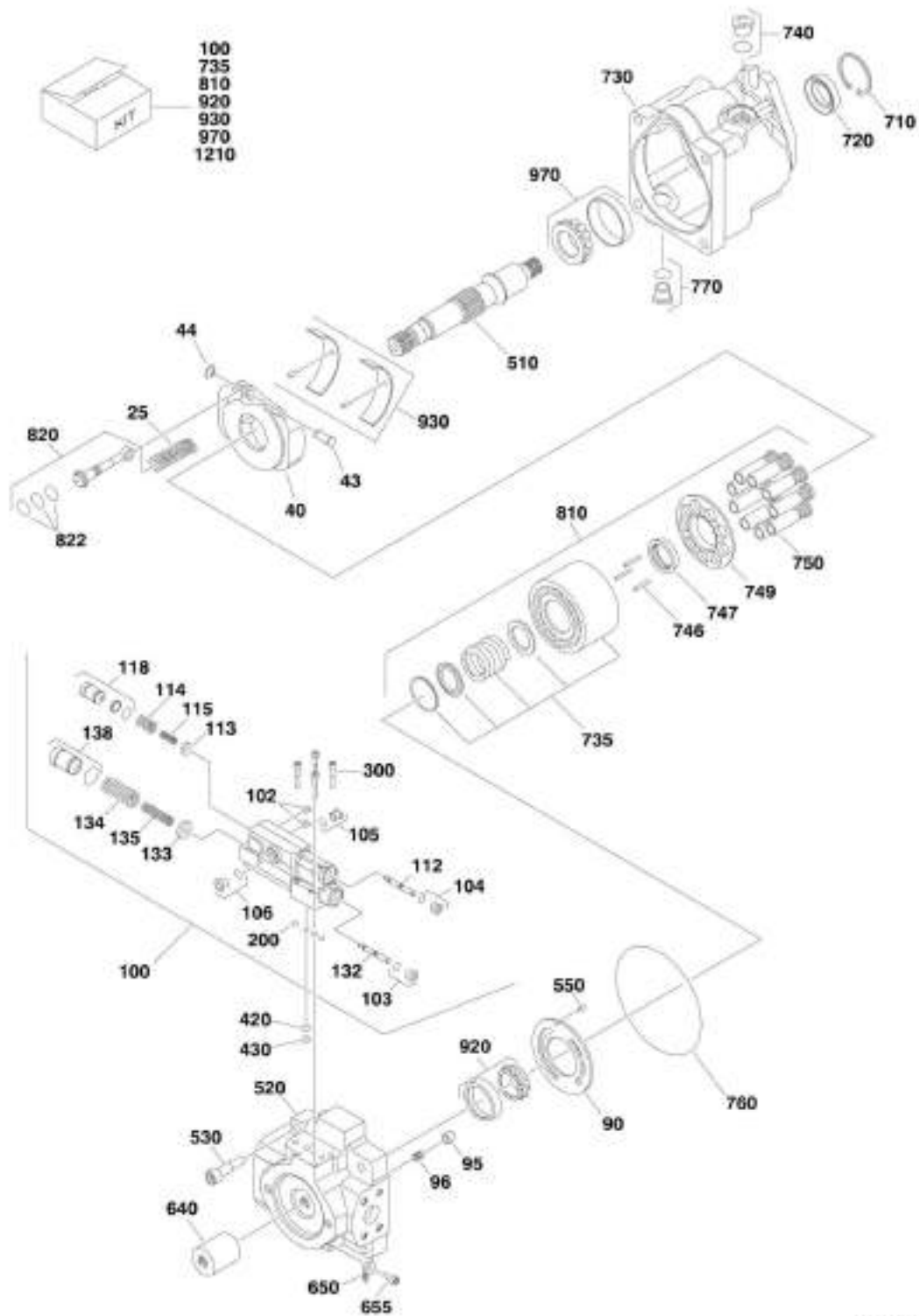


## SECTION 3 - ENGINE

ITEM	PART NUMBER	QTY	DESCRIPTION	REV
45	70002605	1	Center Section Assembly (Includes Item 58)	
46	70002168	2	Gasket, End Cap	
47	70001958	2	Plug Assembly (Includes Item 48)	
48	7021256	2	O-Ring (Part of Item 47)	
49	70001958	2	Plug Assembly (Includes Item 50)	
50	7021256	2	O-Ring (Part of Item 49)	
51	70001958	2	Plug Assembly (Includes Item 52)	
52	7021256	2	O-Ring (Part of Item 51)	
53	70001958	2	Plug Assembly (Includes Item 54)	
54	7021256	2	O-Ring (Part of Item 53)	
55	70002606	4	Capscrew	
58	70002607	2	Bearing, Journal (Part of Item 45)	
59	7022608	1	Bracket, Lifting	
60	70002609	1	Screw	
61	See Note	NSS	Housing (Note: Not Available for Purchase)	
62	70002175	1	Shaft	
63	70002610	1	Kit, Ball Bearing	
64	70007439	1	Ring, Retaining	
65	70002174	1	Kit, Shaft Seal (Includes Items 66-68) (Note: This is a universal kit and will contain extra pieces that are not used on this pump assembly.)	
66	70002177	1	Seal, Lip	
67	70002178	1	O-Ring	
68	70002179	1	Ring, Retaining	
69	See Note	1	Housing (Note: Not Available for Purchase)	
71	70002612	1	Shaft	
72	70002610	1	Kit, Ball Bearing	
74	70002621	1	High Pressure Relief Valve Cartridge Assembly (Includes Item 75 & 76)	
75	70002622	1	Kit, Seal - 70002621 Valve (Part of Item 74)	
76	7007415	1	O-Ring (Part of Item 79)	
77	7021293	1	Ring, Back-up (Part of Item 79)	
78	7022300	1	O-Ring (Part of Item 79)	
79	70002616	1	SCR Valve Assembly	
80	7024800	1	Spring	
81	7021265	1	Plug Assembly (Includes Qty 1 of Items 76-78)	
82	70002616	1	SCR Valve Assembly	
83	7024800	1	Spring	
84	7021265	1	Plug Assembly (Includes Qty 1 of Items 76-78)	
85	70002616	1	SCR Valve Assembly	
86	7024800	1	Spring	
87	70002617	1	Plug Assembly (Includes Qty 1 of Items 76-78)	
88	70002616	1	SCR Valve Assembly	
89	7024800	1	Spring	
90	7021265	1	Plug Assembly (Includes Qty 1 of Items 76-78)	
91	70002623	1	Kit, Overhaul Seal (Includes Items 3, 5, 22, 27, 30, 37, 38, 41, 46, 48, 50, 52, 54, 66, 67, 75, 76, 77 & 78)	

# SECTION 3 - ENGINE

## FIGURE 3-35. PISTON PUMP ASSEMBLY



1001160092

**SECTION 3 - ENGINE**

**FIGURE 3-35. PISTON PUMP ASSEMBLY**

ITEM	PART NUMBER	QTY	DESCRIPTION	REV
	1001169892	Ref	PISTON PUMP ASSEMBLY	D
25	70002580	1	Spring, Bias	
40	70004416	1	Swashplate Assembly	
43	70002582	1	Shaft	
44	70002583	1	Ring, Retaining	
90	70004417	1	Plate, Valve	
95	70001956	1	Poppet, Check Valve	
96	70001955	1	Spring	
100	70022286	1	Kit, Control (Includes Items 102 - 300)	
102	70023351	1	Setscrew	
103	70002133	1	Plug Assembly (Includes O-Ring)	
103	7007207	1	O-Ring	
104	70002133	1	Plug Assembly (Includes O-Ring)	
104	7007207	1	O-Ring	
105	70002133	1	Plug Assembly (Includes O-Ring)	
105	7007207	1	O-Ring	
106	70002133	1	Plug Assembly (Includes O-Ring)	
106	7007207	1	O-Ring	
112	70004418	1	Spool	
113	70023353	1	Guide, Spring LS	
114	70023354	1	Spring, Outer LS	
115	70023355	1	Spring, Inner LS	
118	70024039	1	Plug, Adjusting LS	
132	70023352	1	Spool, Control	
133	70023357	1	Guide, Spring PC	
134	70023358	1	Spring, Outer PC	
135	70023359	1	Spring, Inner PC	
138	70024040	1	Plug, Adjusting PC (Includes O-Ring)	
138	70023361	1	O-Ring	
200	70023362	4	Ring, Seal	
300	70023363	4	Capscrew	
420	7023377	1	Plug, Orifice	
430	70004419	1	Plug, Orifice	
510	70023364	1	Shaft	
520	70004420	1	Cap, End	
530	70002588	4	Capscrew	
550	7007446	1	Pin, Slotted	
640	70002589	1	Coupling	
650	7022340	1	Bracket, Lifting	
655	70002590	1	Capscrew	
710	7023962	1	Ring, Retaining	
720	70022287	1	Seal, Lip	
730	See Note	NSS	Housing (Note: Not Available for Purchase)	
735	70002596	1	Block, Cylinder	
740	7023964	1	Plug Assembly (Includes O-Ring)	
740	7007415	1	O-Ring	
746	7021275	3	Pin, Hold-down	
747	70002592	1	Guide, Slipper Retainer	
749	70002593	1	Retainer, Slipper	
750	70004422	9	Piston Assembly	

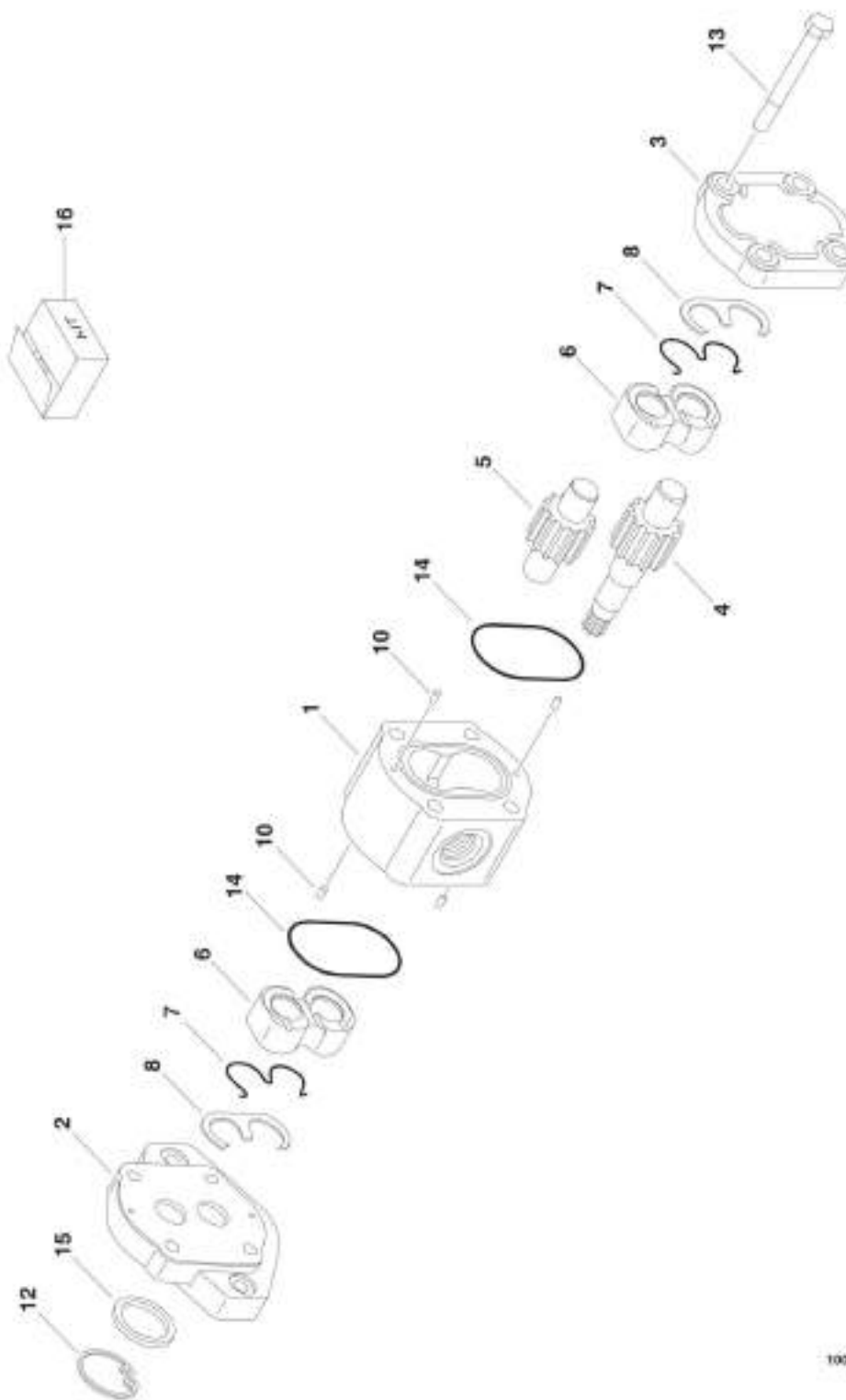
## SECTION 3 - ENGINE

ITEM	PART NUMBER	QTY	DESCRIPTION	REV
760	70002595	1	Seal, End Cap	
770	7023964	1	Plug, O-Ring (Includes O-Ring)	
770	7007415	1	O-Ring	
810	70004423	1	Kit, Cylinder Block (Includes Items 735, 746, 747, 749 & 750)	
820	70004424	1	Piston, Servo (Includes Item 822)	
822	70004425	3	Ring, Piston (Part of Item 820)	
920	70002585	1	Kit, Bearing - Rear (Includes Cup and Cone)	
930	70004426	1	Kit, Swashplate Bearing (Includes Qty 2 Bearings and Retainer Pins)	
970	70002578	1	Bearing Kit - Front (Includes Cup and Cone)	
1210	70002599	1	Kit, Complete Seal (Includes Items 200, 720, 760, 822 and Plug O-Rings)	



# SECTION 3 - ENGINE

## FIGURE 3-36. GEAR PUMP ASSEMBLY



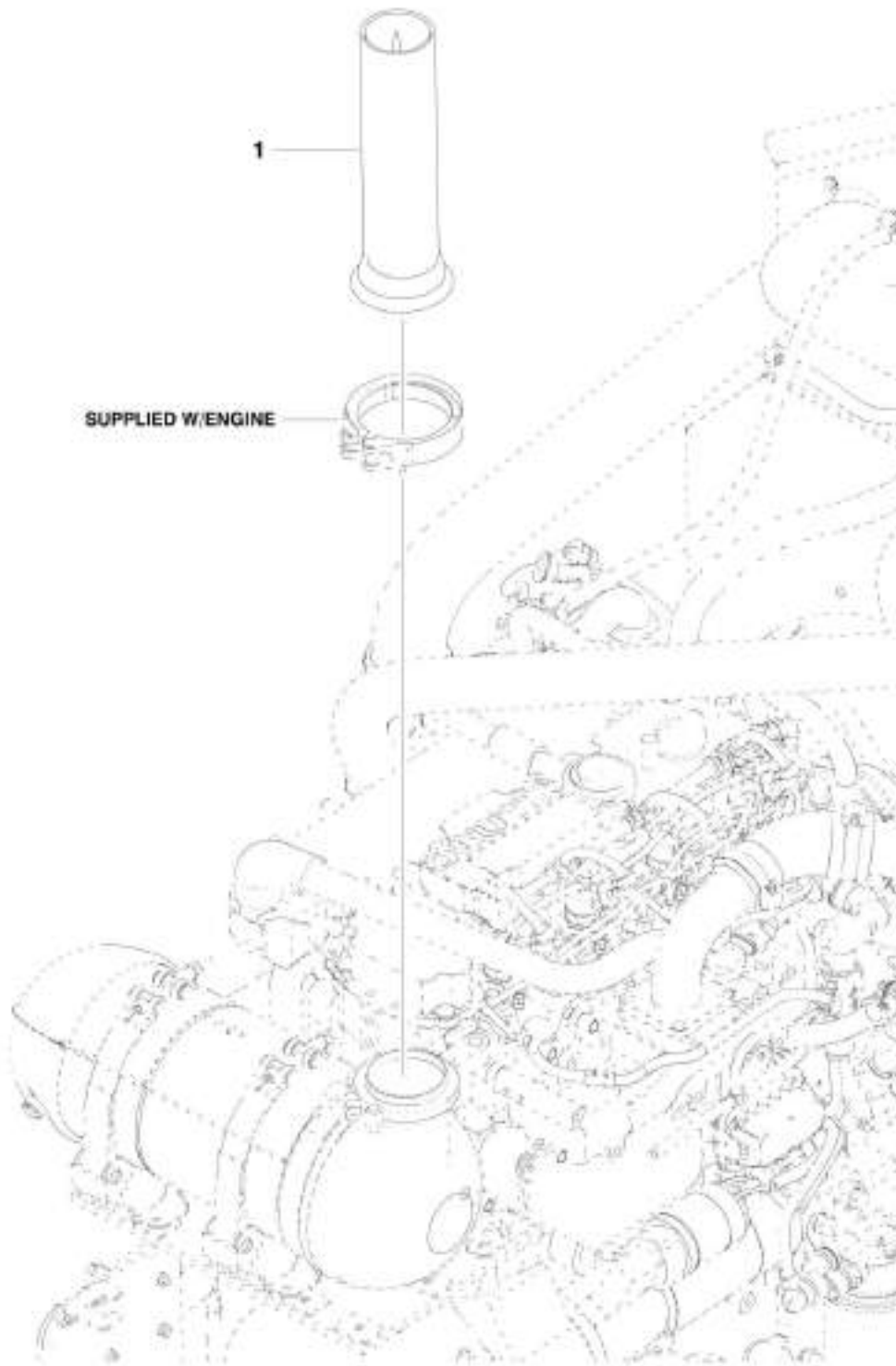
100112927

FIGURE 3-36. GEAR PUMP ASSEMBLY

ITEM	PART NUMBER	QTY	DESCRIPTION	REV
	1001112927	Ref	GEAR PUMP ASSEMBLY	A
1	See Note	NSS	Body (Use p/n 1001112927)	
2	See Note	NSS	Cover, Front (Use p/n 1001112927)	
3	See Note	NSS	Cover, Rear (Use p/n 1001112927)	
4	See Note	NSS	Shaft, Gear (Use p/n 1001112927)	
5	See Note	NSS	Gear, Idler (Use p/n 1001112927)	
6	See Note	NSS	Block, Bearing (Use p/n 1001112927)	
7	See Note	NSS	Ring, Anti-Extrusion (Use Item 16)	
8	See Note	NSS	Ring, Seal (Use Item 16)	
10	See Note	NSS	Pin, Dowel (Note: Purchase Locally)	
12	70002576	1	Ring, Retaining	
13	See Note	NSS	Capscrew (Note: Purchase Locally)	
14	See Note	NSS	O-Ring (Use Item 16)	
15	70002577	NLA	Seal, Lip (Use Item 16)	
16	7007489	1	Kit, Seal - 1001112927 Pump (Includes Items 7, 8, 14 & 15)	

## SECTION 3 - ENGINE

FIGURE 3-37. SPARK ARRESTOR INSTALLATION - DEUTZ T4I (OPTIONAL) (Prior to SN 0300251465)



1001155070



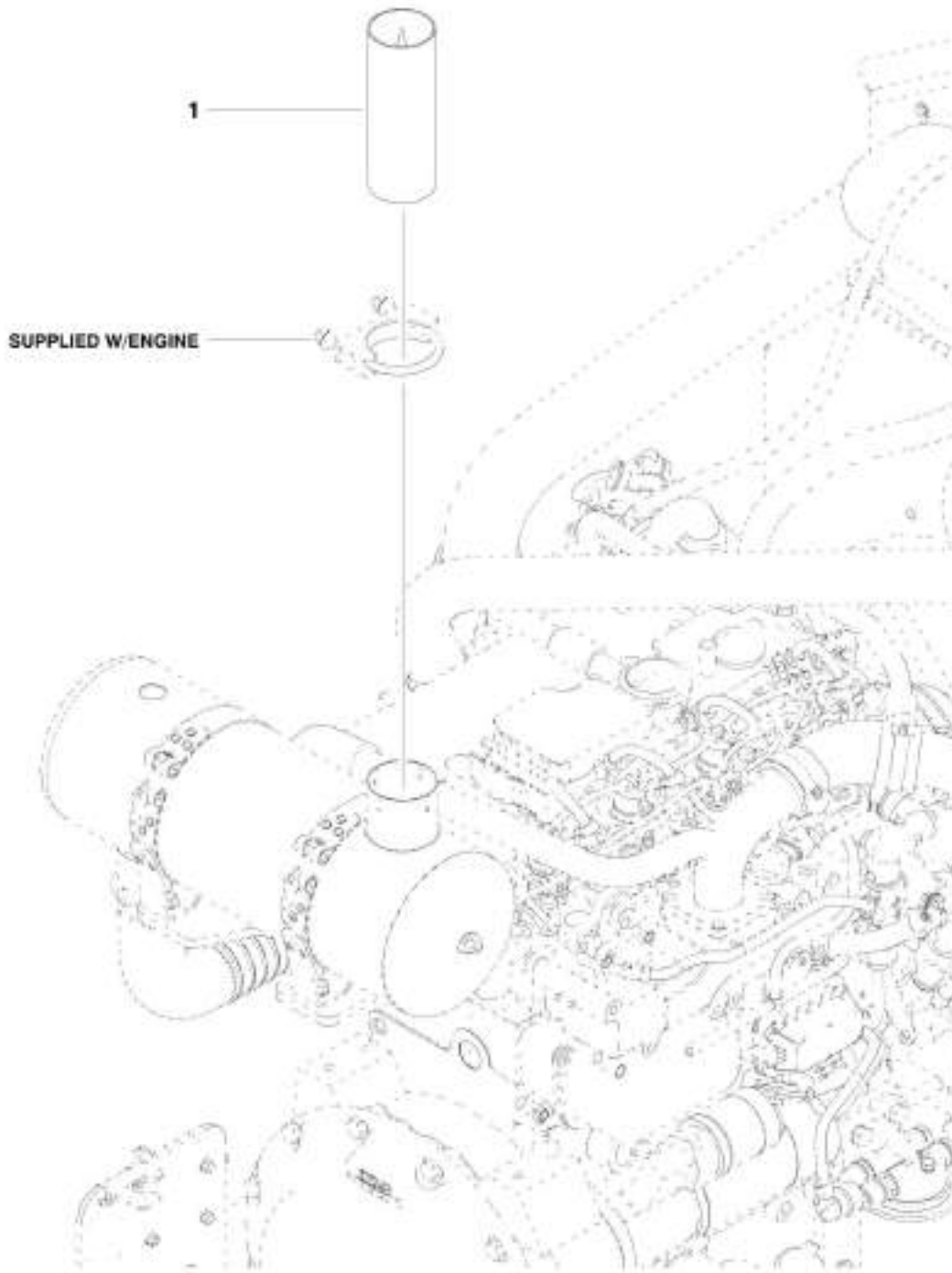
## SECTION 3 - ENGINE

**FIGURE 3-37. SPARK ARRESTOR INSTALLATION - DEUTZ T4I (OPTIONAL) (Prior to SN 0300251465)**

ITEM	PART NUMBER	QTY	DESCRIPTION	REV
1	1001155070 1001155962	Ref 1	SPARK ARRESTOR INSTALLATION - DEUTZ T4I (OPTIONAL) Arrestor, Spark	A

## SECTION 3 - ENGINE

FIGURE 3-38. SPARK ARRESTOR INSTALLATION - DEUTZ LRC (OPTIONAL)



1601158607

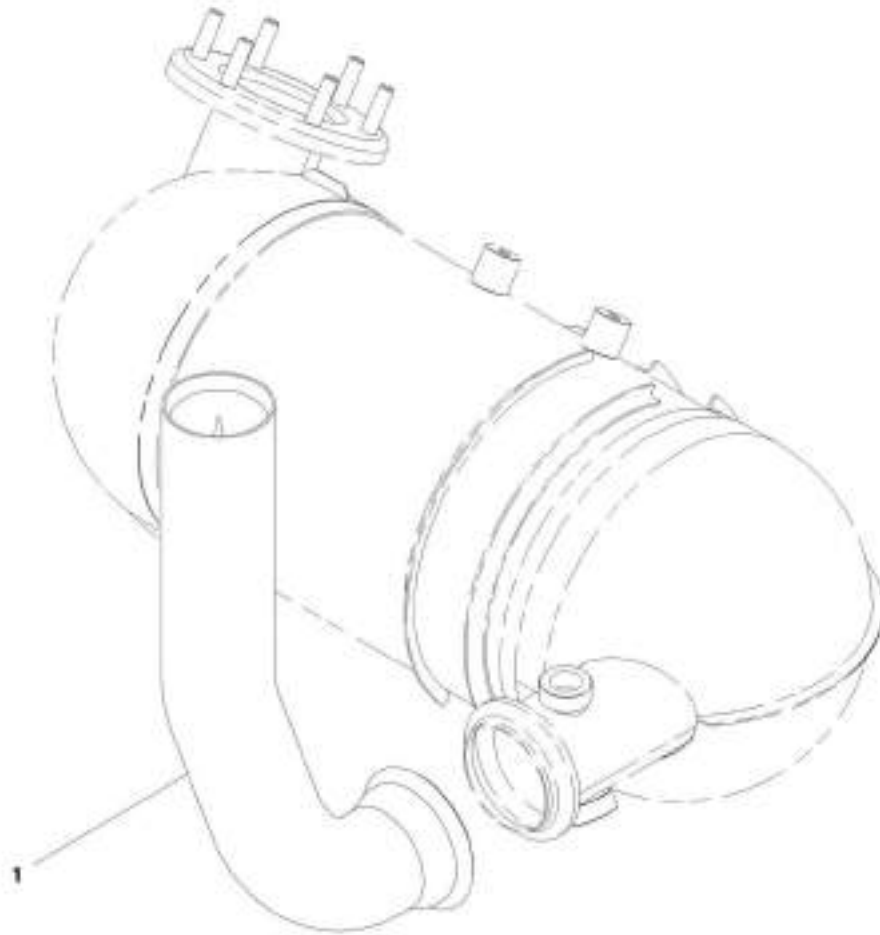
## SECTION 3 - ENGINE

**FIGURE 3-38. SPARK ARRESTOR INSTALLATION - DEUTZ LRC (OPTIONAL)**

ITEM	PART NUMBER	QTY	DESCRIPTION	REV
1	1001158607 1001158263	Ref 1	SPARK ARRESTOR INSTALLATION - DEUTZ LRC (OPTIONAL) Arrestor, Spark	B

## SECTION 3 - ENGINE

FIGURE 3-39. SPARK ARRESTOR INSTALLATION - DEUTZ T4F (OPTIONAL)



ART\_1001191290

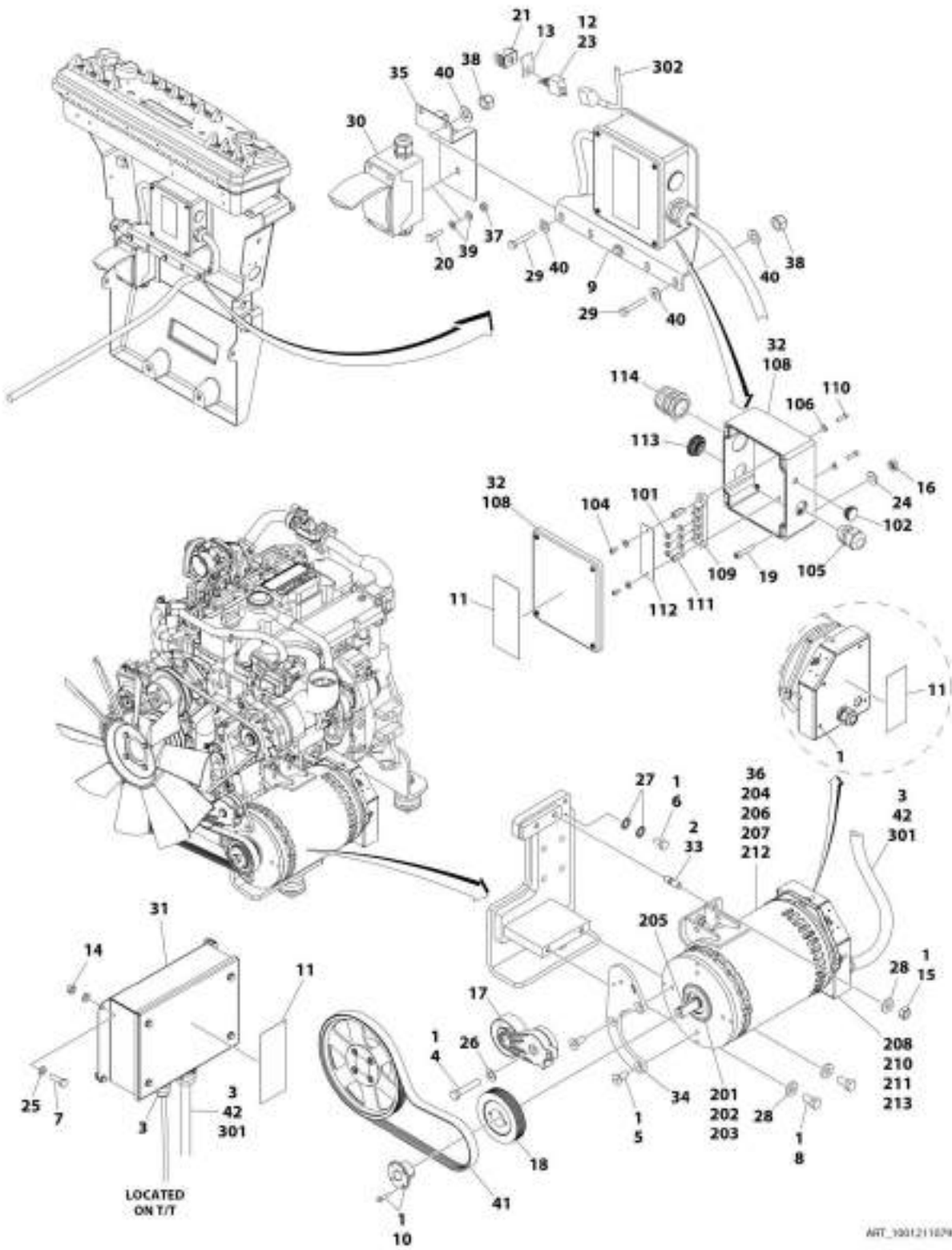
## SECTION 3 - ENGINE

**FIGURE 3-39. SPARK ARRESTOR INSTALLATION - DEUTZ T4F (OPTIONAL)**

ITEM	PART NUMBER	QTY	DESCRIPTION	REV
1	1001191390 1001191368	Ref 1	SPARK ARRESTOR INSTALLATION - DEUTZ T4F (OPTIONAL) Arrestor, Spark	A

# SECTION 3 - ENGINE

## FIGURE 3-40. 4000W GENERATOR INSTALLATION - 50HZ SPEC (OPTIONAL)



## SECTION 3 - ENGINE

**FIGURE 3-40. 4000W GENERATOR INSTALLATION - 50HZ SPEC (OPTIONAL)**

ITEM	PART NUMBER	QTY	DESCRIPTION	REV
	1001211079	Ref	4000W GENERATOR INSTALLATION - 50HZ SPEC (OPTIONAL)	A
		Ref	Note: See ELECTRICAL SECTION for Boom Cable Installation.	
1	0100011	AR	Compound, Locking	
2	0100019	AR	Compound, Locking	
3	0100048	AR	Grease, Dielectric	
4	0701018	1	Bolt M10 x 50	
5	0741607	3	Screw 3/8 x 0.88	
6	0760606	1	Bolt M6 x 12	
7	0760610	4	Bolt M6 x 20	
8	0761212	2	Bolt M12 x 25	
9	0902888	1	Bracket, Generator Junction Box	
10	0962520	1	Bushing, Taper	
11	1705489	3	Decal - Hazardous Voltage	
12	2820031	AR	Insulator, Heat Shrink	
13	3251102	1	Nameplate, Generator	
14	3290607	4	Nut M6	
15	3291201	2	Nut M10	
16	3311005	4	Nut #10	
17	3580317	1	Pulley, Belt Tensioner	
18	3580318	1	Pulley, Generator	
19	3931016	4	Screw 1/4 x 1	
20	4010408	2	Screw M4 x 16	
21	4060802	1	Guard, Switch	
22	4240018	AR	Strap, Tie (Not Shown)	
23	4360336	1	Switch, Toggle	
24	4751000	4	Washer #10	
25	4811700	8	Washer M6	
26	4812000	1	Washer M10	
27	4871700	2	Washer M6	
28	5241200	4	Washer M12	
29	0700819001	4	Bolt M8 x 55	
30	1001096612	1	Kit, Box and Breaker (See ELECTRICAL SECTION for Breakdown)	
31	1001138566	1	Box, Generator Control	
31	70006552	1	Capacitor	
31	70006553	1	Relay	
32	1001152458	1	Box, Junction Assembly (See Items 101-113 for Breakdown)	
33	1001155041	2	Stud	
34	1001155338	1	Bracket	
35	1001204650	1	Plate, Mounting	
36	1001206119	1	Generator, 4000W Assembly (See Items 200-213 for Breakdown)	
37	3290405001	2	Nut M4	
38	3290805001	4	Nut M8	
39	4811400001	4	Washer M4	
40	4811900001	8	Washer M8	
41	1001148059	1	Belt	
42	1001152532	1	Harness, Generator Cable (See ELECTRICAL SECTION for Breakdown)	
	1001152458	Ref	JUNCTION BOX ASSEMBLY	C
101	3311001	3	Nut #10	

## SECTION 3 - ENGINE

ITEM	PART NUMBER	QTY	DESCRIPTION	REV
102	1001155813	1	Plug, Hole Pluggit	
104	3900300	2	Screw, Spec, Cap	
105	4460425	1	Terminal, Strain Relief	
106	4711000	7	Washer #10	
108	1001152456	1	Box, Junction	
109	1001152530	1	Terminal, Block, 4 Pole	
110	3900267	2	Screw, Spec, Cap	
111	1001158008	2	Stand-Off, Female, Threaded	
112	1001158363	1	Plate, Cover, PVC	
113	1001152525	1	Plug	
114	4460426	1	Connector, Strain Relief	
	1001206119	Ref	4000W GENERATOR ASSEMBLY	
201	70003709	1	Ring, Retaining	
202	70003708	1	Ring, Retaining	
203	70001966	1	Bearing, Ball	
204	70004092	1	Endbell	
205	70004171	1	Key	
206	70004676	1	Rotor Assembly	
207	70005624	1	Stator, Generator 4000W	
208	70004678	1	Endbell	
210	70004680	1	Enclosure	
211	70004681	1	Cover, Enclosure	
212	70005624	1	Protector, Supplementary, Manual Reset	
213	70004683	1	Bushing, Strain Relief	
		Ref	ELECTRICAL DIAGRAM COMPONENTS	
301	1001156030	1	Generator Harness (See ELECTRICAL SECTION for Breakdown)	
302	4922641	1	Generator Switch Harness	
303	1001164091	1	Generator Ground Harness (Not Shown) (ANSI Export, CE and Japanese Specs)	
303	1001154121	1	Generator Ground Harness (Not Shown) (Australian Specs)	







## SECTION 3 - ENGINE

**FIGURE 3-41. 7500W SKYPOWER GENERATOR INSTALLATION - 60HZ (OPTIONAL)**

ITEM	PART NUMBER	QTY	DESCRIPTION	REV
	1001155066	Ref	7500W SKYPOWER GENERATOR INSTALLATION - 60HZ (OPTIONAL)	F
1	0100011	AR	Compound, Locking	
2	0100019	AR	Compound, Locking	
3	0100020	AR	Sealant, Pipe	
4	0100048	AR	Grease, Dielectric	
5	3311005	4	Nut #10	
6	0700818	3	Bolt M8 x 50	
7	0701018	1	Bolt M10 x 50	
8	0741607	3	Screw 3/8 x 7/8	
9	0760610	4	Bolt M6 x 20	
10	0761212	2	Bolt M12 x 25	
11	0860038	1	Box, Switch	
12	0861538	1	Box, Generator Control	
12	7024488	1	Card, Circuit - Generator Power (Not Shown)	
12	See Note	1	Fuse (Note: Not Available Purchase Locally)	
12	7024489	1	Card, Circuit - Control (Not Shown)	
12		Ref	Note: When replacing card, rocker switch on card must be set for required application.	
12	70000619	1	Circuit Card Harness	
12	77363232	1	Connector - 6 Position	
12	See Note	1	Connector - 3 Position (Note: Not Available for Purchase)	
13	1001157592	1	Junction Box Assembly (See Items 101-121 for Breakdown)	
14	0902888	1	Bracket, Generator Junction Box	
15	0962520	1	Bushing, Taper	
16	2820031	AR	Insulator, Heat Shrink	
17	3251102	1	Nameplate, Generator	
18	3290607	4	Nut M6	
19	3291201	2	Nut M10	
20	3290805	3	Nut M8	
21	3931016	4	Capscrew #10 x 1	
22	3580317	1	Tensioner, Belt with Pulley	
23	3910606	4	Screw #6 x 3/8	
24	3960422	1	Gasket, AC Receptacle	
25	4060802	1	Guard, Switch	
26	4240018	AR	Tie-Strap (Not Shown)	
27	4360336	1	Switch, Toggle	
28	4460071	1	Connector, Strain Relief	
29	4460346	1	Terminal, Receptacle	
30	4751000	4	Washer #10	
31	4811700	8	Washer M6	
32	4812000	1	Washer M10	
33	5241200	4	Washer M12	
34	1001150174	1	Pulley, Generator	
35	1001155041	2	Stud	
36	1001155338	1	Bracket	
37	1001155348	1	Generator, 7500W	
37	70001100	1	Rotor (Includes p/n 70001384 & 70000863) (Not Shown)	
37	70001384	1	Bearing, Shaft (Rear) (Not Shown)	
37	70000863	1	Fan, Generator (Not Shown)	

## SECTION 3 - ENGINE

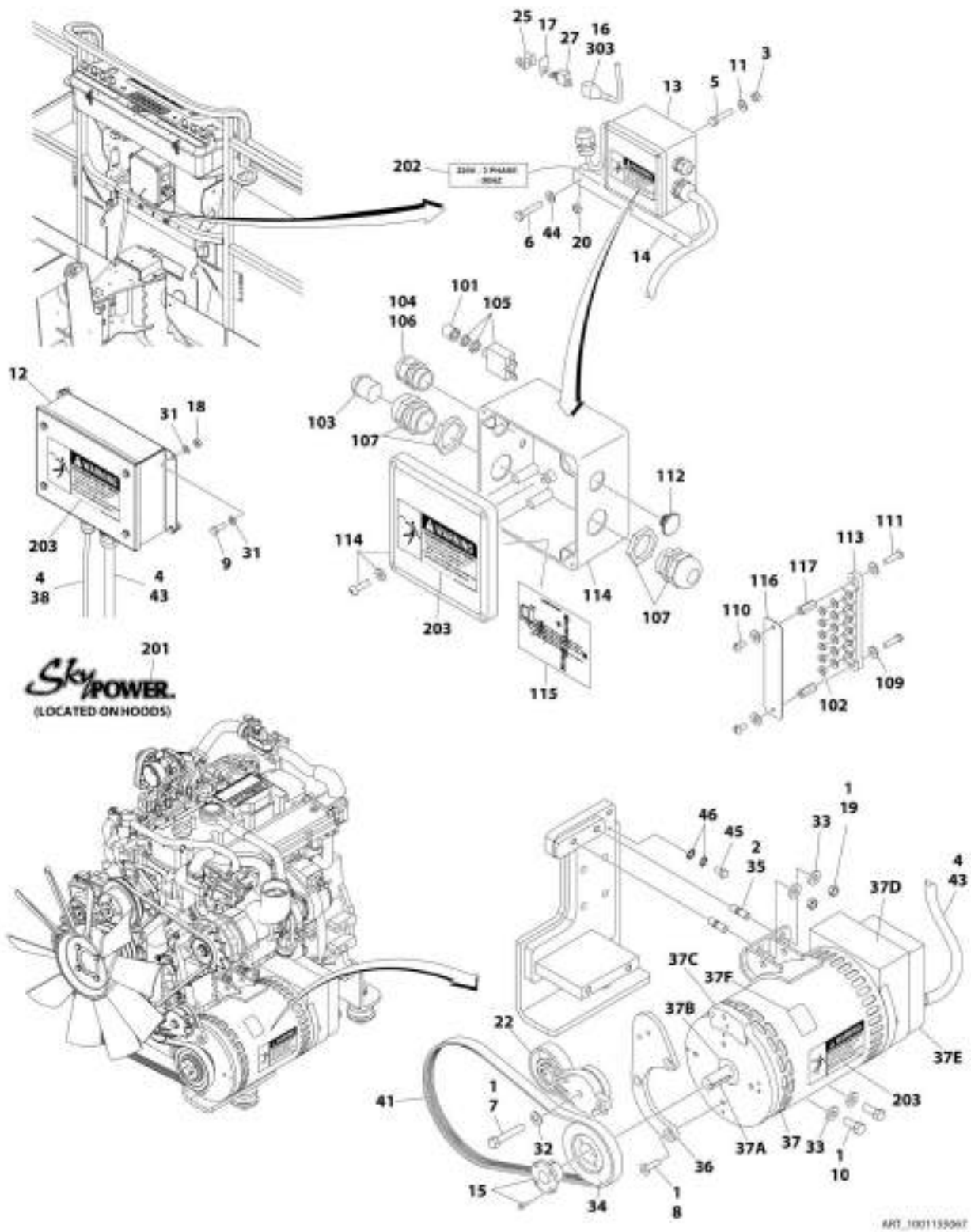
ITEM	PART NUMBER	QTY	DESCRIPTION	REV
37	70004093	1	Stator (Not Shown)	
37	70002297	2	Stud 1/4-20 x 12-7/8 (Not Shown)	
37	70003631	1	Brushholder Assembly (Not Shown)	
37A	70004099	1	Key	
37B	70001966	1	Bearing, Ball Radial (Located in Belt Tensioner Endbell)	
37B	70003709	1	Ring, Retaining (Small)	
37B	70003708	1	Ring, Retaining (Large)	
37C	70004092	1	Endbell, Belt Tensioner	
37D	70004094	1	Endbell, Brush Block	
37E	70004096	1	Shroud Assembly	
37E	7027799	1	Block, Connector - 6 Position (Not Shown)	
37E	70002460	6	Nut, Brass (Attaches p/n 7027799 to Cover) (Not Shown)	
37E	7024485	1	Breaker, Circuit 30Amp (Not Shown)	
37E	70001696	1	Boot, Breaker (Not Shown)	
37E	7026597	1	Connector with Leads (Not Shown)	
37E	7026626	1	Connector with Pins (Not Shown)	
37E	70004098	1	Clamp, Cable (Not Shown)	
37E	70004095	1	Plate, End Panel (Not Shown)	
37E	70004097	1	Insulator, End Panel (Not Shown)	
37E	70001974	1	Decal - Terminal Connections (Not Shown)	
37F	70001973	1	Decal - Warning Moving Parts	
38	1001156030	1	Generator Harness (See ELECTRICAL SECTION for Breakdown)	
40	1001110873	1	Shield, Receptacle Cover	
41	1001155303	1	Belt, Generator	
42	4460315	2	Terminal, Spade	
43	4922925	1	Generator Harness	
43	4460225	1	Plug, Male 6 Position (Plugs into Generator)	
43	See Note	NSS	Socket, Female (Use with 4460225)	
43	See Note	NSS	Seal, Plug (Use with 4460225)	
43	See Note	NSS	Seal, Interface (Use with 4460225)	
44	4811900	6	Washer M8	
45	0760606	1	Bolt M6 x 12	
46	4871700	2	Washer M6	
	1001157592	Ref	JUNCTION BOX ASSEMBLY	C
101	1060343	1.5 ft /0.5m	Cable, Electrical 10/4	
102	1001179154	2.5 ft /0.8m	Cable, Electrical 12/3	
103	1671092	1	Cover	
104	3300396	1	Cover, Fuse	
105	3311001	6	Nut #10	
106	4360070	1	Circuit Breaker - 15Amp	
108	4460425	1	Strain Relief, Terminal	
109	4460426	2	Connector, Strain Relief	
111	4460963	1	Connector	
112	4711000	10	Washer #10	
114	10702077	2	Screw #10 x 3/8	
115	10702082	2	Screw #10 x 3/4	
116	1001152525	1	Plug	
117	1001157520	1	Block, Terminal	
118	1001157521	1	Box, Junction	
119	1001157528	1	Decal - Wiring Schematic	

## SECTION 3 - ENGINE

ITEM	PART NUMBER	QTY	DESCRIPTION	REV
120	1001158007	1	Cover, PVC	D
121	1001158008	2	Stand-Off	
	0272435	Ref	DECAL INSTALLATION	
201	1705460	2	Decal - SkyPower	
202	1705374	1	Decal - 240V ( <b>Prior to SN 0300215293</b> )	
202	3251243	1	Decal - 120-60Hz ( <b>SN 0300223156 to Present</b> )	
203	1705375	1	Decal - 240V - 3 Phase	
204	1705387	3	Decal - Hazardous Voltage	
		Ref	ELECTRICAL DIAGRAM COMPONENTS	
303	4922641	1	Generator Switch Harness	

# SECTION 3 - ENGINE

## FIGURE 3-42. 7500W SKYPOWER GENERATOR INSTALLATION - 50HZ (OPTIONAL)



## SECTION 3 - ENGINE

**FIGURE 3-42. 7500W SKYPOWER GENERATOR INSTALLATION - 50HZ (OPTIONAL)**

ITEM	PART NUMBER	QTY	DESCRIPTION	REV
	1001155067	Ref	7500W SKYPOWER GENERATOR INSTALLATION - 50HZ (OPTIONAL)	J
1	0100011	AR	Compound, Locking	
2	0100019	AR	Compound, Locking	
3	3311005	4	Nut #10	
4	0100048	AR	Grease, Dielectric	
5	3931016	4	Capscrew #10 x 1	
6	0700818	3	Bolt M8 x 50	
7	0701018	1	Bolt M10 x 50	
8	0741607	3	Screw 3/8 x 7/8	
9	0760610	4	Bolt M6 x 20	
10	0761212	2	Bolt M12 x 25	
11	4751000	4	Washer #10	
12	0861572	1	Box, Generator Control	
12	7024488	1	Card, Circuit - Generator Power (Not Shown)	
12	See Note	1	Fuse (Note: Not Available Purchase Locally)	
12	7024489	1	Card, Circuit - Control (Not Shown)	
12		Ref	Note: When replacing card, rocker switch on card must be set for required application.	
12	70000619	1	Circuit Card Harness	
12	77363232	1	Connector - 6 Position	
12	See Note	NSS	Connector - 3 Position (Note: Not Available for Purchase)	
13	1001157525	1	Junction Box Assembly (See Items 101-117 for Breakdown)	
14	0902888	1	Bracket	
15	0962520	1	Bushing	
16	2820031	AR	Heat Shrink	
17	3251102	1	Nameplate, Generator	
18	3290607	4	Nut M6	
19	3291201	2	Nut M12	
20	3290805	3	Nut M8	
22	3580317	1	Tensioner, Belt with Pulley	
25	4060802	1	Guard, Switch	
26	4240018	AR	Tie-Strap (Not Shown)	
27	4360336	1	Switch, Toggle	
31	4811700	8	Washer M6	
32	4812000	1	Washer M10	
33	5241200	4	Washer M12	
34	3580318	1	Pulley, Generator	
35	1001155041	2	Stud	
36	1001155338	1	Bracket	
37	1001155348	1	Generator, 7500W	
37	70001100	1	Rotor (Includes p/n 70001384 & 70000863) (Not Shown)	
37	70001384	1	Bearing, Shaft (Rear) (Not Shown)	
37	70000863	1	Fan, Generator (Not Shown)	
37	70005651	1	Stator (Not Shown)	
37	70002297	2	Stud 1/4 x 12-7/8 (Not Shown)	
37	70003631	1	Brushholder Assembly (Not Shown)	
37A	70004171	1	Key	
37B	70001966	1	Bearing, Ball Radial (Located in Belt Tensioner Endbell)	
37B	70003709	1	Ring, Retaining (Small)	

## SECTION 3 - ENGINE

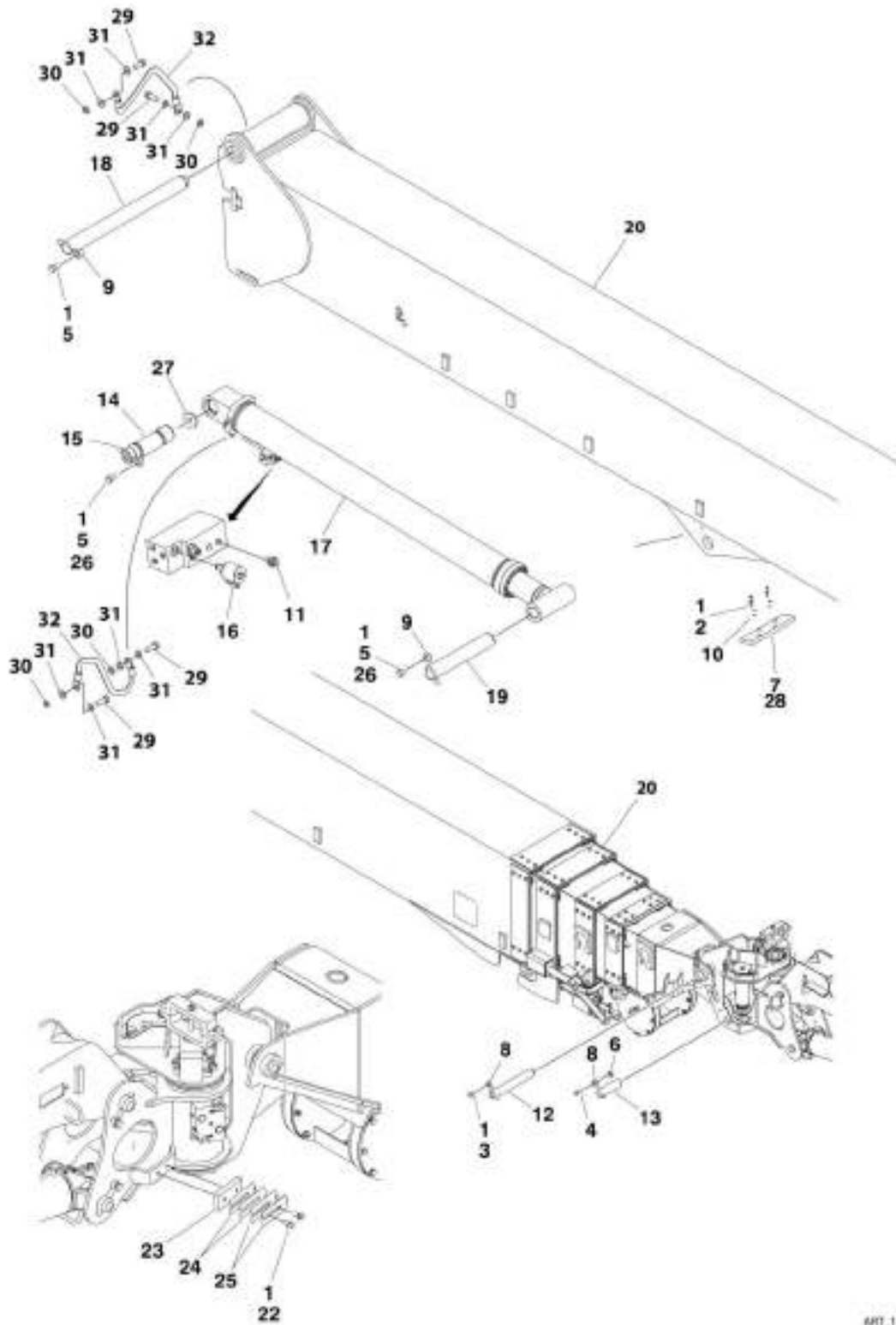
ITEM	PART NUMBER	QTY	DESCRIPTION	REV
37B	70003708	1	Ring, Retaining (Large)	
37C	70004092	1	Endbell, Belt Tensioner	
37D	70004094	1	Endbell, Brush Block	
37E	70004096	1	Shroud Assembly	
37E	7027799	1	Block, Connector - 6 Position (Not Shown)	
37E	70002460	6	Nut, Brass (Attaches p/n 7027799 to Cover) (Not Shown)	
37E	7024485	1	Breaker, Circuit 30Amp (Not Shown)	
37E	70001696	1	Boot, Breaker (Not Shown)	
37E	7026597	1	Connector with Leads (Not Shown)	
37E	7026626	1	Connector with Pins (Not Shown)	
37E	70004098	1	Clamp, Cable (Not Shown)	
37E	70005652	1	Plate, End Panel (Not Shown)	
37E	70004097	1	Insulator, End Panel (Not Shown)	
37E	70001974	1	Decal - Terminal Connections (Not Shown)	
37F	70001973	1	Decal - Warning Moving Parts	
38	1001156030	1	Generator Harness (See ELECTRICAL SECTION for Breakdown)	
41	1001148059	1	Belt, Generator	
43	4922925	1	Generator Harness	
43	4460225	1	Plug, Male 6 Position (Plugs into Generator)	
43	See Note	NSS	Socket, Female (Use with 4460225)	
43	See Note	NSS	Seal, Plug (Use with 4460225)	
43	See Note	NSS	Seal, Interface (Use with 4460225)	
44	4811900	6	Washer M8	
45	0760606	1	Bolt M6 x 12	
46	4871700	2	Washer M6	
	1001157525	Ref	JUNCTION BOX ASSEMBLY	B
101	3300396	1	Cover, Fuse	
102	3311001	6	Nut #10	
103	3520189	1	Plug (50Hz Spec Only)	
104	3520192	1	Plug	
105	4360070	1	Circuit Breaker - 15Amp	
106	4460425	1	Strain Relief, Terminal	
107	4460426	2	Connector, Strain Relief	
109	4711000	10	Washer #10	
110	10702077	2	Screw #10 x 3/8	
111	10702082	2	Screw #10 x 3/4	
112	1001152525	1	Plug	
113	1001157520	1	Block, Terminal	
114	1001157521	1	Box, Junction	
115	1001157528	1	Decal - Wiring Schematic	
116	1001158007	1	Cover, PVC	
117	1001158008	2	Stand-Off	
	0272589	Ref	DECAL INSTALLATION	A
201	1705460	2	Decal - SkyPower	
202	1705461	1	Decal - 240V - 3 Phase	
203	1705489	3	Decal - Hazardous Voltage	
		Ref	ELECTRICAL DIAGRAM COMPONENTS	
303	4922641	1	Generator Switch Harness	



**SECTION 4 - BOOM**

# SECTION 4 - BOOM

## FIGURE 4-1. BOOM INSTALLATION



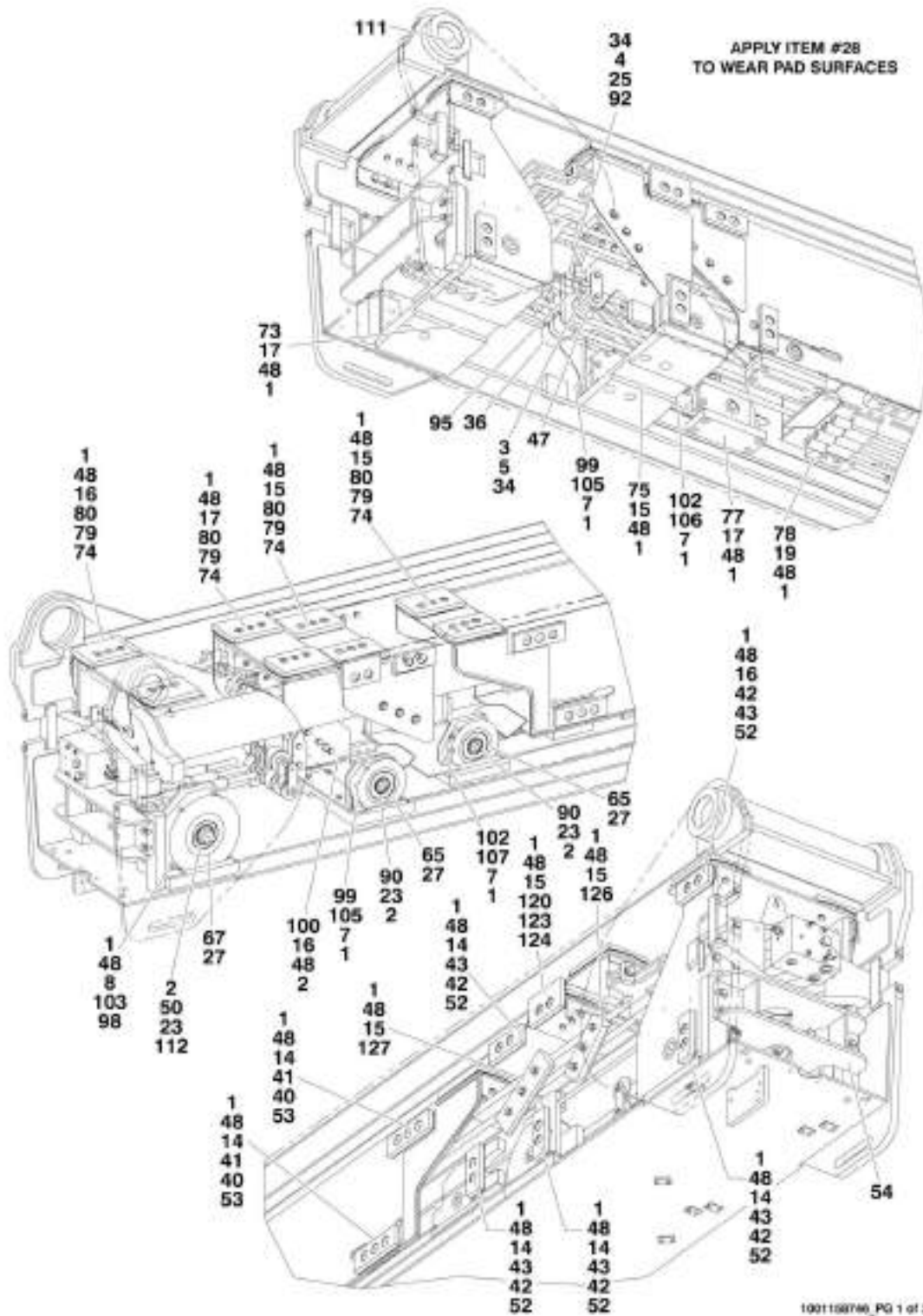
ART\_10015405

FIGURE 4-1. BOOM INSTALLATION

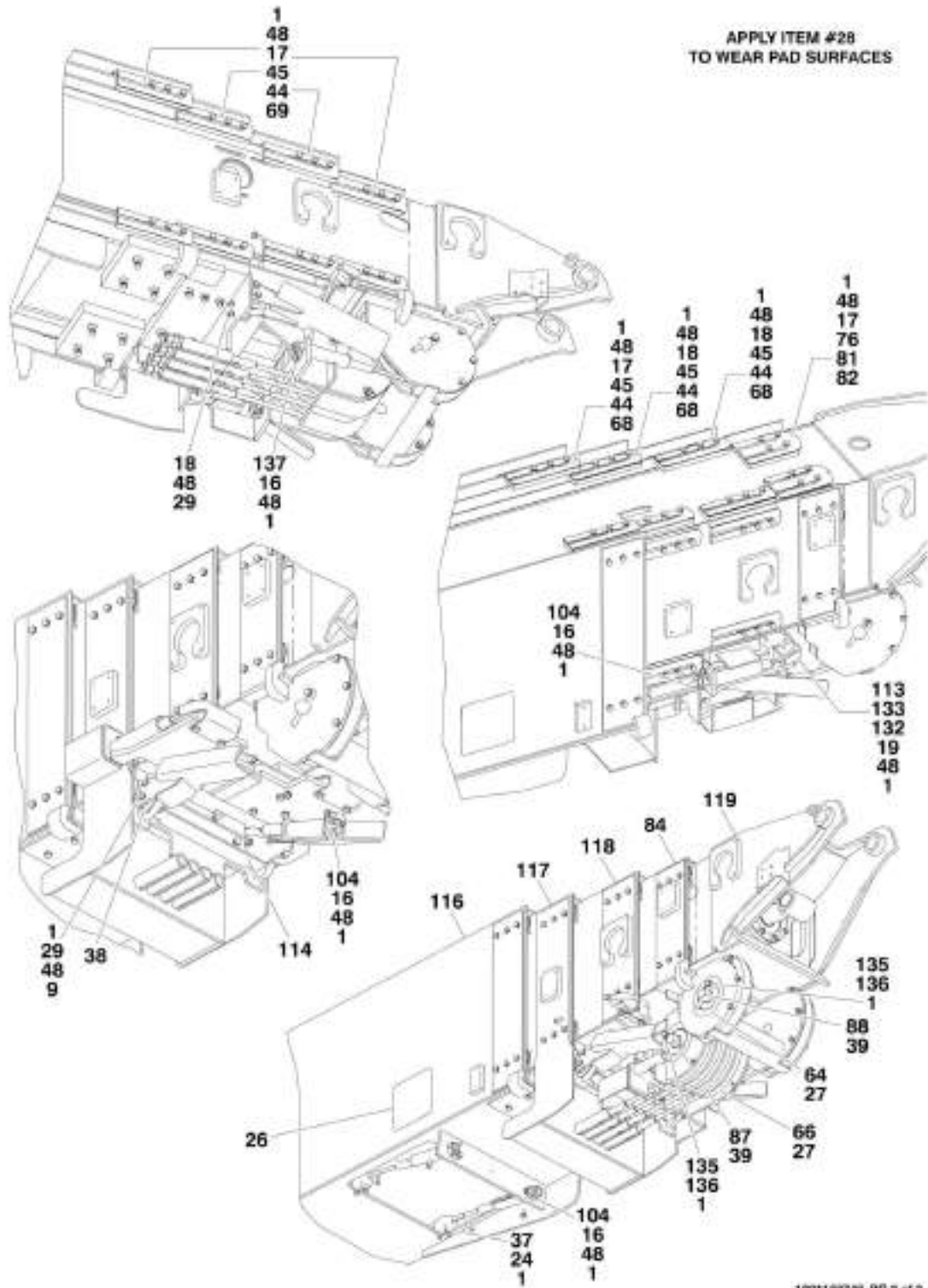
ITEM	PART NUMBER	QTY	DESCRIPTION	REV
	1001154085	Ref	BOOM INSTALLATION	N
1	0100011	AR	Compound, Locking	
2	0701014	4	Bolt <b>(Prior to SN 0300190128)</b>	
2	0771015001	8	Bolt M10 x 35 (Grade 10.9) <b>(SN 0300190128 to Present)</b>	
3	0701616	1	Bolt M16	
4	0701618	1	Bolt M16 X 50	
5	0762418	3	Bolt M24 X 50	
6	3291605	1	Nut M16	
7	1001168475	NLA	Pad (Use p/n 1001203653) <b>(Prior to SN 0300190128)</b>	
7	1001203653	1	Pad <b>(SN 0300190128 to Present)</b>	
8	3841258	2	Keeper, Pin	
9	3841356	2	Keeper, Pin	
10	1001172358	4	Washer M10 <b>(Prior to SN 0300190128)</b>	
10	5241000001	8	Washer, M10 <b>(SN 0300190128 to Present)</b>	
11	1001119614	1	Switch, Pressure Transducer	
12	1001119899	1	Pin	
13	1001119999	1	Pin	
14	1001146896	1	Pin	
15	1001146940	1	Keeper, Pin	
16	1001148972	1	Valve, Solenoid Cartridge	
16	70002401	1	Cartridge Less Coil	
16	7017496	1	Kit, Seal - 70002401 & 1001148972 Valve	
16	70003788	1	Coil	
17	1001158853	NLA	Boom Lift Cylinder Assembly (Use p/n 1001228072) (See CYLINDER SECTION for Breakdown) <b>(Prior to SN 0300239676)</b>	
17	1001228072	1	Boom Lift Cylinder Assembly (See CYLINDER SECTION for Breakdown) <b>(SN 0300239676 to Present)</b>	
18	1001156540	1	Pin <b>(Prior to SN 0300223410)</b>	
18	1001197969	1	Pin <b>(SN 0300223410 to Present)</b>	
19	1001156650	1	Pin	
20	1001158746	1	Boom Assembly (See BOOM ASSEMBLY for Breakdown)	
22		Ref	Screw Options:	
22	0811608	2	Screw 3/8-16 X 1 <b>(Prior to SN 0300190128)</b>	
22	0811610001	2	Screw 3/8-16 X 1 1/4 <b>(SN 0300190128 to Present)</b>	
23	1001118369	1	Pad	
24	91471226	1	Shim 16Ga	
25	91471227	3	Shim 11Ga	
26	0100071	AR	Compound, Locking	
27	1001180153	1	Washer, Thrust	
28	3020039	AR	Lubricant <b>(SN 0300190128 to Present)</b>	
29	0641608	4	Bolt 3/8-16 X 1	
29	0761015	4	Bolt M10 x 35	
30	3311602	4	Nut 3/8	
30	3291007	4	Nut M10	
31	4711600	4	Washer 3/8	
31	4812000	8	Washer M10	
32	1001212243	2	Cable, Ground Strap <b>(SN 0300216486 through 0300238869)</b>	
32	1001217007	2	Cable, Ground Strap <b>(SN 0300238870 to Present)</b>	

# SECTION 4 - BOOM

## FIGURE 4-2. BOOM ASSEMBLY

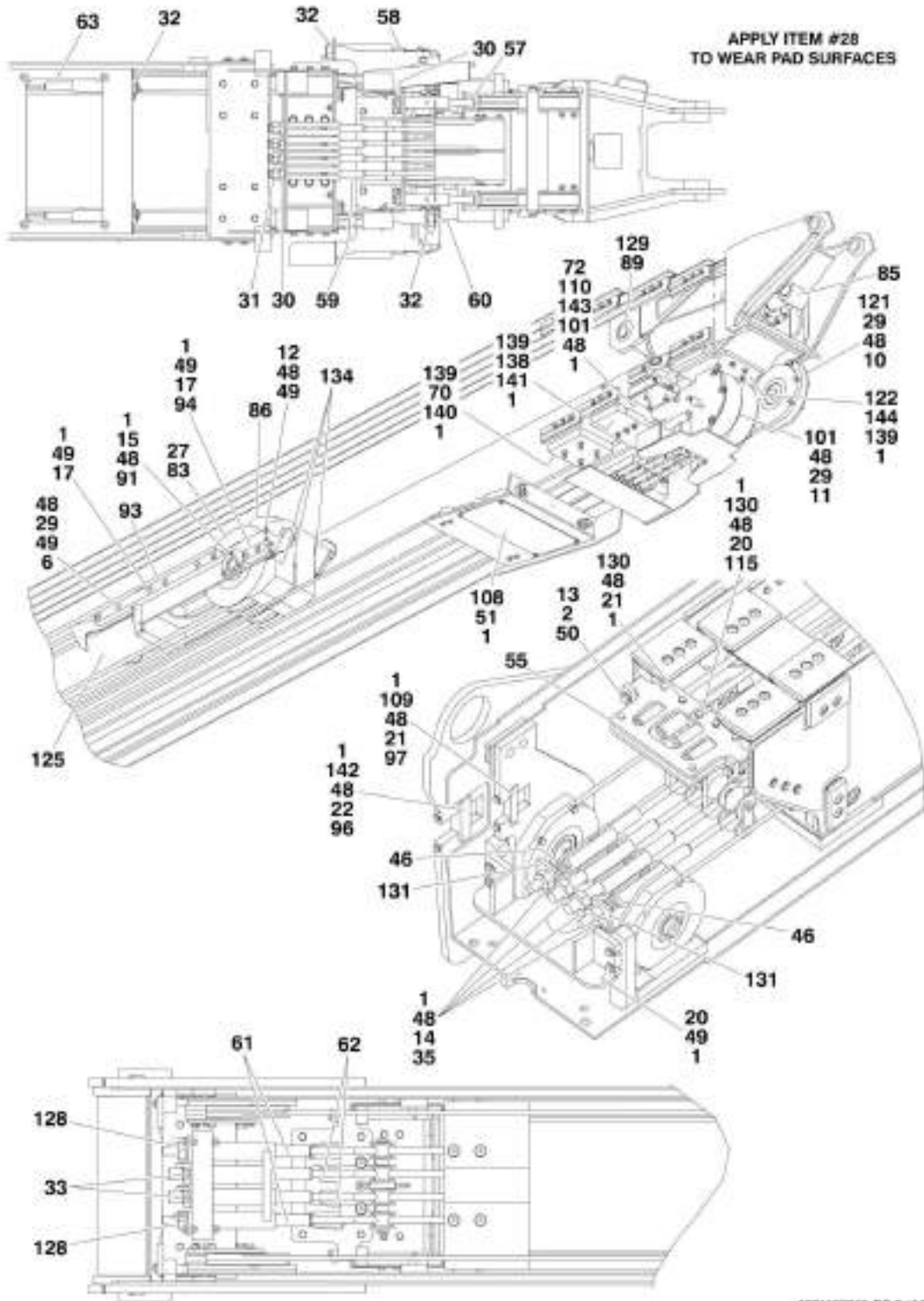


# SECTION 4 - BOOM



1001150748\_PG 2 of 3

# SECTION 4 - BOOM



1001188746\_PG 3 of 3

FIGURE 4-2. BOOM ASSEMBLY

ITEM	PART NUMBER	QTY	DESCRIPTION	REV
	1001158746	Ref	BOOM ASSEMBLY	L
1	0100011	AR	Compound, Locking	
2	0100019	AR	Compound, Locking	
3	0363066	2	Bar, Stabilizer	
4	0641644	1	Bolt 3/8-16 X 5-1/2	
5	0641688	2	Bolt 3/8-16 X 11	
6	0701017	4	Bolt M10 x 45	
7	0701018	10	Bolt M10 x 50	
8	0701021	6	Bolt M10 X 65	
9	0701022001	4	Bolt M10 X 70	
10	0701024001	6	Bolt M10 X 80	
11	0701039	3	Bolt M10 X 220	
12	0701047	4	Bolt M10 X 300	
13	0701628	2	Bolt M16 X 110	
14	0761009	24	Bolt M10 X 18	
15	0761011001	27	Bolt M10 X 22	
16	0761012001	32	Bolt M10 x 25	
17	0761014001	74	Bolt M10 X 30	
18	0761015001	16	Bolt M10 x 35	
19	0761016001	8	Bolt M10 X 40	
20	0761018001	5	Bolt M10 X 50	
21	0761020	6	Bolt M10 X 60	
22	0761027	4	Bolt M10 X 100	
23	0761616	6	Bolt M16 X 40	
24	0811607001	4	Screw 3/8-16 X 7/8	
25	0962447	2	Bearing, Flanged	
26	1671033	1	Cover	
27	3020039	AR	Lubricant	
28	3020042	AR	Lubricant	
29	3291005001	25	Nut M10	
30	3292201	6	Nut M22	
31	3292205	4	Nut M22	
32	3292701	6	Nut, M27	
33	3293301	2	Nut, M33	
34	3311605	3	Nut 3/8	
35	3573444	4	Plate, Lock	
36	3580306	8	Pulley	
37	3580341	2	Deflector	
38	3580342	2	Deflector	
39	3841203	3	Keeper, Pin	
40	4070863	4	Shim 11Ga	
41	4070864	4	Shim 18Ga	
42	4070897	10	Shim .05	
43	4070898	10	Shim .12	
44	4071028	22	Shim 16Ga	
45	4071029	22	Shim 11Ga	
46	4160197	2	Spring, Proximity Switch	
47	4568423	8	Tube, Spacer	
48	1001172358	AR	Washer M10	
49	4812002	AR	Washer M10	

## SECTION 4 - BOOM

ITEM	PART NUMBER	QTY	DESCRIPTION	REV
50	4812300	AR	Washer M16	
51	5251210001	4	Bolt M12 x 20	
52	1001123044	10	Pad, Wear	
53	1001136583	4	Pad, Wear	
54	1001151117	1	Mount, Switch/Adjuster	
55	1001151124	1	Support, Extend Rope	
57	1001153433	2	Rope, Section 5 Extend	
58	1001153437	2	Rope, Section 5 Retract	
59	1001153443	4	Rope, Section 4 Extend	
60	1001153450	2	Rope, Section 4 Retract	
61	1001153452	2	Rope, Section 3 Extend	
62	1001153453	2	Rope, Section 3 Extend	
63	1001153465	2	Rope, Section 3 Retract	
64	1001153760	2	Sheave	B
64	1001153692	2	Bearing, Bronze (1 Per Assembly)	
64	1001153710	2	Bearing, Composite (1 Per Assembly)	
65	1001153797	4	Sheave	B
65	1001153786	4	Bearing, Bronze (1 Per Assembly)	
65	1001153785	4	Bearing, Composite (1 Per Assembly)	
66	1001153817	4	Sheave	B
66	1001153815	4	Bearing, Bronze (1 Per Assembly)	
66	1001153816	4	Bearing, Composite (1 Per Assembly)	
66	1001154247	4	Ring, Retaining (1 Per Assembly)	
67	1001153846	2	Sheave	B
67	1001153828	2	Bearing, Bronze (1 Per Assembly)	
67	1001153827	2	Bearing, Composite (1 Per Assembly)	
68	1001154086	6	Pad	
69	1001154087	16	Pad	
70	1001154088	2	Pad	
72	1001154091	2	Pad	
73	1001154092	1	Pad	
74	1001154093	8	Pad	
75	1001154094	1	Pad	
76	1001154095	2	Pad	
77	1001154097	2	Pad	
78	1001154099	2	Pad	
79	1001154232	8	Shim 18Ga	
80	1001154233	8	Shim 11Ga	
81	1001154234	2	Shim 18Ga	
82	1001154235	2	Shim 11Ga	
83	1001154260	4	Sheave	C
83	1001154306	4	Bearing, Bronze (1 Per Assembly)	
83	1001154304	4	Bearing, Composite (1 Per Assembly)	
83	1001154294	4	Ring, Retaining (1 Per Assembly)	
84	1001155523	1	Boom, Section 4	
85	1001155834	NLA	Jib Level (Slave) Cylinder Assembly (Use p/n 1001228064) (See CYLINDER SECTION for Breakdown) <b>(Prior to SN 0300239676)</b>	
85	1001228064	1	Jib Level (Slave) Cylinder Assembly (See CYLINDER SECTION for Breakdown) <b>(SN 0300239676 to Present)</b>	
86	1001155900	2	Block, Rope Retainer	
87	1001156549	1	Pin	
88	1001156562	2	Pin	



## SECTION 4 - BOOM

ITEM	PART NUMBER	QTY	DESCRIPTION	REV
89	1001156565	1	Pin	
90	1001156613	4	Bushing, Sheave	
91	1001157097	1	Pin	
92	1001157412	1	Plate	
93	1001157453	2	Pad, Wear	
94	1001157454	2	Pad, Wear	
95	1001157459	2	Plate, Spacer	
96		Ref	Block, Trunnion Keeper Options:	
96	1001157871	NLA	Block, Trunnion Keeper (Use p/n 1001177591) <b>(Prior to SN 0300187375)</b>	
96	1001177591	2	Block, Trunnion Keeper <b>(SN 0300187375 to Present)</b>	
97	1001157872	2	Block, Trunnion Keeper	
98	1001157873	2	Block, Cable Retainer	
99	1001157874	2	Block, Rope Retainer	
100	1001157875	2	Block, Cable Keeper	
101	1001157876	2	Block, Rope Retainer	
102	1001157878	2	Block, Rope Retainer	
103	1001157879	2	Plate, Sheave	
104	1001157880	6	Plate, Keeper	
105	1001157881	2	Plate, Sheave	
106	1001157882	1	Plate, Sheave	
107	1001157883	1	Plate, heave	
108	1001157884	1	Panel, Adjuster	
109	1001157885	4	Shim, Trunnion Block	
110	1001157886	2	Shim, Wear Pad	
111	1001157887	2	Bearing, Boom Pivot	
112	1001157888	2	Socket, Sheave	
113	1001157889	2	Shield, Sheave	
114	1001158355	1	Bracket, Rope Adjustment	
115	1001158517	1	Pad, Wear	
116	1001158757	1	Boom, Section 1	
117	1001158771	1	Boom, Section 2	
118	1001158772	1	Boom, Section 3	
119	1001158774	1	Boom, Section 5	
120	1001159061	2	Pad, Wear	
121	1001159167	2	Block, Rope Retainer	
122	1001159168	1	Pad, Wear	
123	1001159169	2	Shim 18Ga	
124	1001159170	2	Shim 11Ga	
125		Ref	Boom Telescope Cylinder Assembly Options: (See CYLINDER SECTION for Breakdown)	
125	1001159235	NLA	Boom Telescope Cylinder Assembly (Use p/n 1001228082) <b>(Prior to SN 0300190128)</b>	
125	1001178592	NLA	Boom Telescope Cylinder Assembly (Use p/n 1001228082) <b>(SN 0300190128 through 0300244677)</b>	
125	1001228082	1	Boom Telescope Cylinder Assembly <b>(SN 0300244678 to Present)</b>	
126	1001159245	2	Pad, Wear	
127	1001159875	2	Pad, Wear	
128	1001160138	2	Nut M24	
129	1001160589	1	Capscrew M12 X 20	
130	1001160743	3	Disc, Rope Spacer	

## SECTION 4 - BOOM

ITEM	PART NUMBER	QTY	DESCRIPTION	REV
131	1001160744	2	Block, Switch Adjuster	
132	1001160989	2	Sheave, Deflector	
133	1001160990	2	Sheave, Deflector	
134	1001163429	3	Plate, Spacer	
135	0761212001	3	Bolt M12 X 25	
136	4812100001	3	Washer M12	
137	1001167497	2	Plate, Keeper	
138	1001169679	1	Pad, Wear	
139	5241000001	AR	Washer M10	
140	0771016001	8	Bolt M10 x 40 Grade 10.9	
141	0771014001	6	Bolt M10 X 30 Grade 10.9	
142	1001173662	2	Shim	
143	0771018001	6	Bolt M10 X 50 Grade 10.9	
144	0771012001	22	Bolt M10 X 25 Grade 10.9	



# SECTION 4 - BOOM

## FIGURE 4-3. JIB INSTALLATION

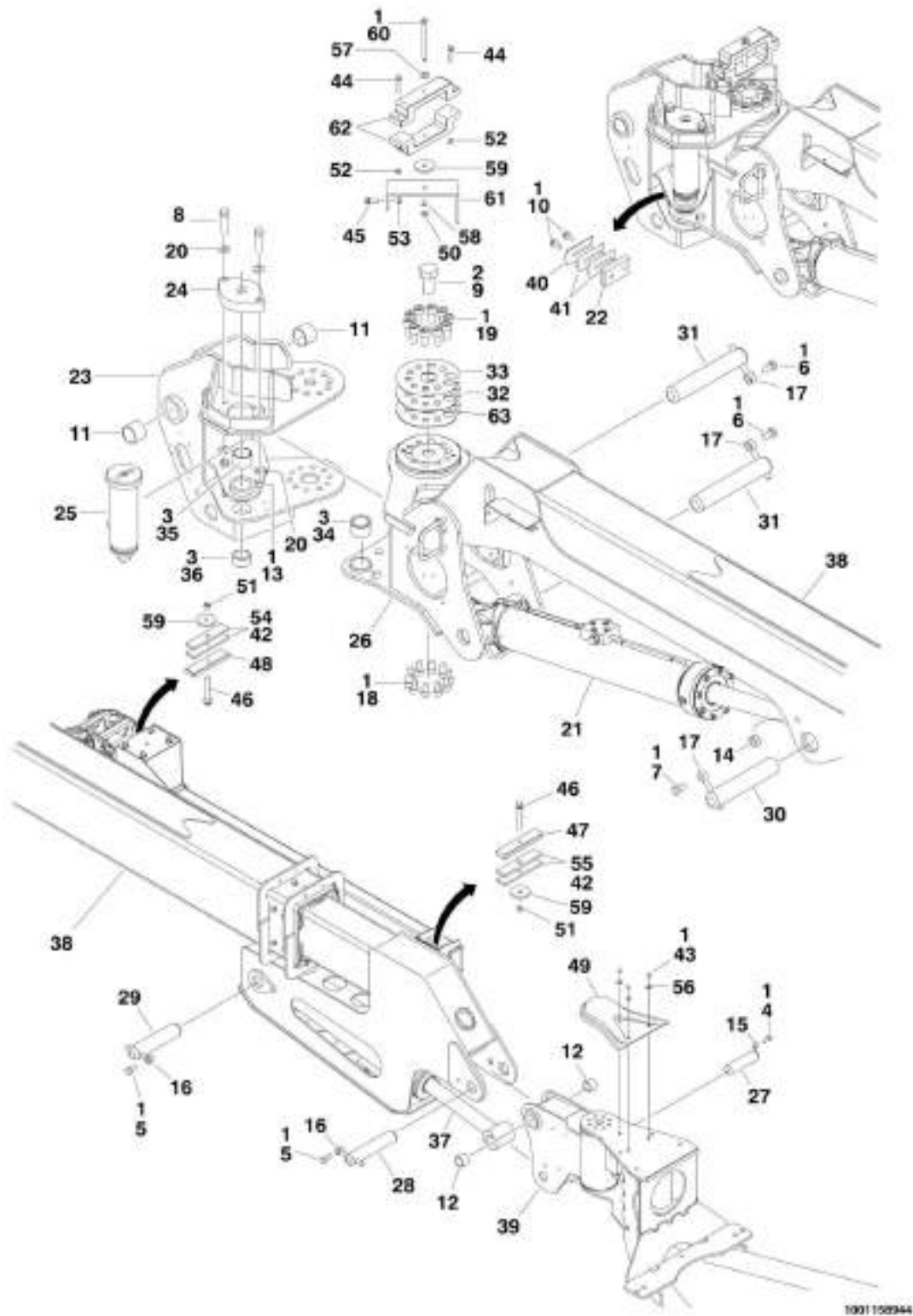


FIGURE 4-3. JIB INSTALLATION

ITEM	PART NUMBER	QTY	DESCRIPTION	REV
	1001158944	Ref	JIB INSTALLATION	K
1	0100011	AR	Compound, Locking	
2	0100019	AR	Compound, Locking	
3	0100063	AR	Compound, Locking	
4	0641606001	1	Bolt 3/8-16 X 3/4	
5	0641808001	2	Bolt 1/2-13 X 1	
6	0642010001	2	Bolt 5/8-11-11 X 1-1/4	
7	0642014001	1	Bolt 5/8-11 X 1-3/4	
8	0682022001	2	Bolt, 5/8-11 X 2-3/4	
9	0683020001	1	Bolt 1-1/4 X 2-1/2	
10	0811608001	2	Screw 3/8-16 X 1	
11	0961950	2	Bearing, Composite	
12	0962181	2	Bushing, Composite	
13	3272001001	2	Nut 5/8-11	
14	3312001001	1	Nut 5/8-11	
15	3841143	1	Keeper	
16	3841203	2	Keeper	
17	3841258	3	Keeper	
18	3932016	10	Capscrew 5/8-11 X 1	
19	3932224	10	Capscrew 3/4 X 1-1/2	
20	1001172356	4	Washer 5/8	
21	1001140104	NLA	Jib Lift Cylinder Assembly (Use p/n 1001228058) (See CYLINDER SECTION for Breakdown) <b>(Prior to SN 0300239676)</b>	
21	1001228058	1	Jib Lift Cylinder Assembly (See CYLINDER SECTION for Breakdown) <b>(SN 0300239676 to Present)</b>	
22	1001118369	1	Pad, Wear	
23	1001118564	1	Pivot, Jib	
24	1001119042	1	Cap	
25	1001119313	NLA	Jib Lock Cylinder Assembly (Use p/n 1001228046) (See CYLINDER SECTION for Breakdown) <b>(Prior to SN 0300239170)</b>	
25	1001228046	1	Jib Lock Cylinder Assembly (See CYLINDER SECTION for Breakdown) <b>(SN 0300239170 to Present)</b>	
26	1001170638	1	Jib Rotator Assembly (See JIB ROTATOR ASSEMBLY for Breakdown) <b>(Prior to SN 0300199535)</b>	
26	1001181063	1	Jib Rotator Assembly (See JIB ROTATOR ASSEMBLY for Breakdown) <b>(SN 0300199535 to Present)</b>	
27	1001119985	1	Pin	
28	1001119990	1	Pin	
29	1001119991	1	Pin	
30	1001119998	1	Pin	
31	1001120000	2	Pin	
32	1001120014	1	Shim 11Ga	
33	1001120015	1	Shim 18Ga	
34	1001120037	1	Bearing	
35	1001120038	1	Bearing	
36	1001120039	1	Bearing	
37	1001139999	NLA	Platform Level (Slave) Cylinder Assembly (Use p/n 1001228057) (See CYLINDER SECTION for Breakdown) <b>(Prior to SN 0300239170)</b>	
37	1001228057	1	Platform Level (Slave) Cylinder Assembly (See CYLINDER SECTION for Breakdown) <b>(SN 0300239170 to Present)</b>	
38	1001158923	1	Jib Assembly (See JIB ASSEMBLY for Breakdown)	

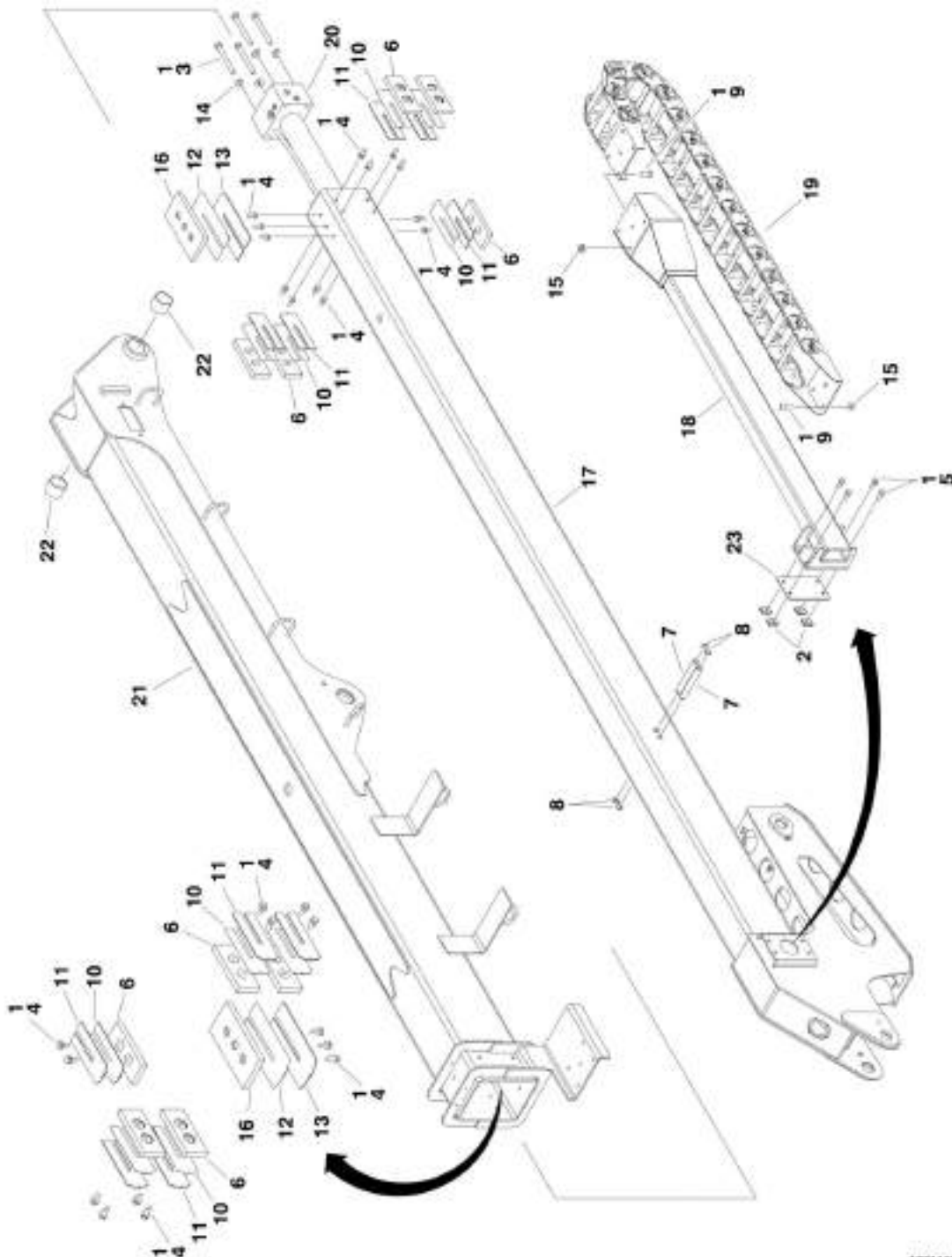
## SECTION 4 - BOOM

ITEM	PART NUMBER	QTY	DESCRIPTION	REV
39	1001156512	1	Platform Rotator Assembly (See PLATFORM ROTATOR ASSEMBLY for Breakdown) <b>(Prior to SN 0300199535)</b>	
39	1001181062	1	Platform Rotator Assembly (See PLATFORM ROTATOR ASSEMBLY for Breakdown) <b>(SN 0300199535 to Present)</b>	
40	91471226	1	Shim 16Ga	
41	91471227	2	Shim 20Ga	
42	0100081	AR	Adhesive	
43	1001173623	3	Screw 5/16-18 X 1/2 <b>(Prior to SN 0300224866)</b>	
44	0791516001	2	Screw 5/16-18 X 2	
45	0791609001	2	Screw 3/8-16 X 1-1/8	
46	0791622001	2	Screw 3/8 -16X 2-3/4	
47	1320294	1	Clamp, Bar	
48	1320298	1	Clamp, Hose	
49	1670964	1	Cover <b>(Prior to SN 0300224866)</b>	
50	3271601001	1	Nut 3/8	
51	1001173663	2	Nut 3/8	
52	3311508001	2	Nut 5/16-18	
53	3311608001	2	Nut 3/8-16	
54	3340939	2	Pad, Rubber	
55	3340942	2	Pad, Rubber	
56	4711500001	3	Washer 5/16 <b>(Prior to SN 0300224866)</b>	
57	4711800001	1	Washer 1/2	
58	1001173666	1	Washer	
59	4891600001	AR	Washer 3/8	
60	1001173680	1	Setscrew 1/2-13 X 3/8	
61	1001120209	1	Bracket, Guide Block	
62	1001120257	2	Pad	
63	1001225266	1	Shim <b>(SN 0300228229 to Present)</b>	



# SECTION 4 - BOOM

## FIGURE 4-4. JIB ASSEMBLY



1001158923



## SECTION 4 - BOOM

### FIGURE 4-4. JIB ASSEMBLY

ITEM	PART NUMBER	QTY	DESCRIPTION	REV
	1001158923	Ref	JIB ASSEMBLY	P
1	0100011	AR	Compound, Locking	
2	88662523	4	Nut, Retainer	
3	0681836001	4	Bolt 1/2-13 X 4-1/2	
4	0811607001	26	Bolt 3/8-16 X 7/8	
5	0811608001	4	Bolt 3/8-16 X 1	
6	3340881	10	Pad, Wear	
7	3423161	2	Pin	
8	3760351	4	Ring, Retaining	
9	1001173763	8	Screw M10 X 25	
10	4070897	10	Shim 18Ga	
11	4070898	10	Shim 11Ga	
12	4071039	2	Shim 18Ga	
13	4071040	2	Shim 11Ga	
14	4891800001	4	Washer, 1/2	
15	5261012	8	Nut M10 Grade 10.9	
16	1001129961	2	Pad, Wear	
17	1001158933	1	Boom, Fly	
18	1001158993	1	Tube, Push	
19	1001158992	1	Power Track Assembly	D
19	70004409	AR	Repair Section	
19	70004410	2	Mounting Feet Kit	
20	1001158991	1	Jib Telescope Cylinder Assembly (See CYLINDER SECTION for Breakdown)	
21	1001158925	1	Boom, Base	
22	0961950	2	Bearing	
23	1001119710	1	Shim .125	



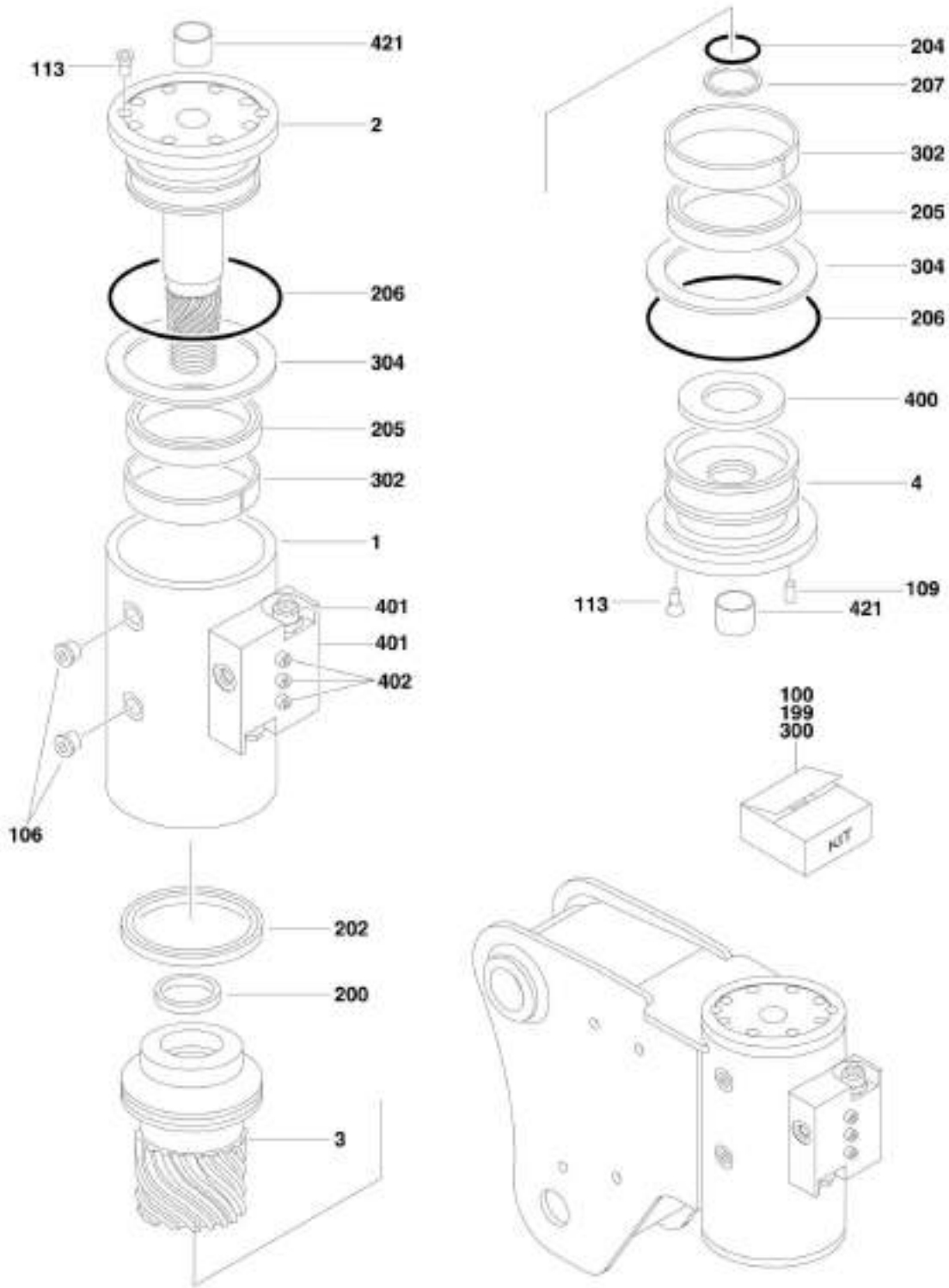
## SECTION 4 - BOOM

**FIGURE 4-5. PLATFORM ROTATOR ASSEMBLY (Prior to SN 0300199535)**

ITEM	PART NUMBER	QTY	DESCRIPTION	REV
	1001156512	Ref	PLATFORM ROTATOR ASSEMBLY (Prior to SN 0300199535)	E
1	See Note	NSS	Housing/Ring Gear (Note: Purchase Complete Assembly)	
2	7017162	1	Shaft	
3	7017163	1	Piston	
4	7017164	1	Cap	
100	7017142	1	Hardware Kit (Includes Items 106-109)	
106	See Note	NSS	Plug (Note: Use p/n 7017142)	
109	See Note	NSS	Pin, Dowel (Note: Use p/n 7017142)	
113	70001697	6	Screw 1/4-20 x 3/8	
199	7017158	1	Seal Kit - Standard (Includes Items 200-207)	
199	70000342	1	Seal Kit - Low Temperature (Includes Items 200-207)	
200	See Note	NSS	T-Seal (Note: Use p/n 7017158)	
202	See Note	NSS	T-Seal (Note: Use p/n 7017158)	
204	See Note	NSS	O-Ring (Note: Use p/n 7017158)	
205	See Note	NSS	Seal (Note: Use p/n 7017158)	
206	See Note	NSS	O-Ring (Note: Use p/n 7017158)	
207	See Note	NSS	Ring, Back-up (Note: Use p/n 7017158)	
300	7017159	1	Bearing Kit (Includes Item 302-304)	
302	See Note	NSS	Bearing (Note: Use p/n 7017159)	
304	See Note	NSS	Washer, Thrust (Note: Use p/n 7017159)	
400	70004402	1	Tube, Stop	
401	7017183	1	Valve, Control	
401	7017193	2	Cartridge, Valve	
401	See Note	NSS	Seal Kit - 7017193 Cartridge (Note: Use p/n 7017193)	
402	See Note	NSS	Capscrew 1/4-20 x 1-1/2 Grade 8 (Note: Purchase Locally)	
421	7017195	2	Bushing	

# SECTION 4 - BOOM

FIGURE 4-6. PLATFORM ROTATOR ASSEMBLY (SN 0300199535 to Present)



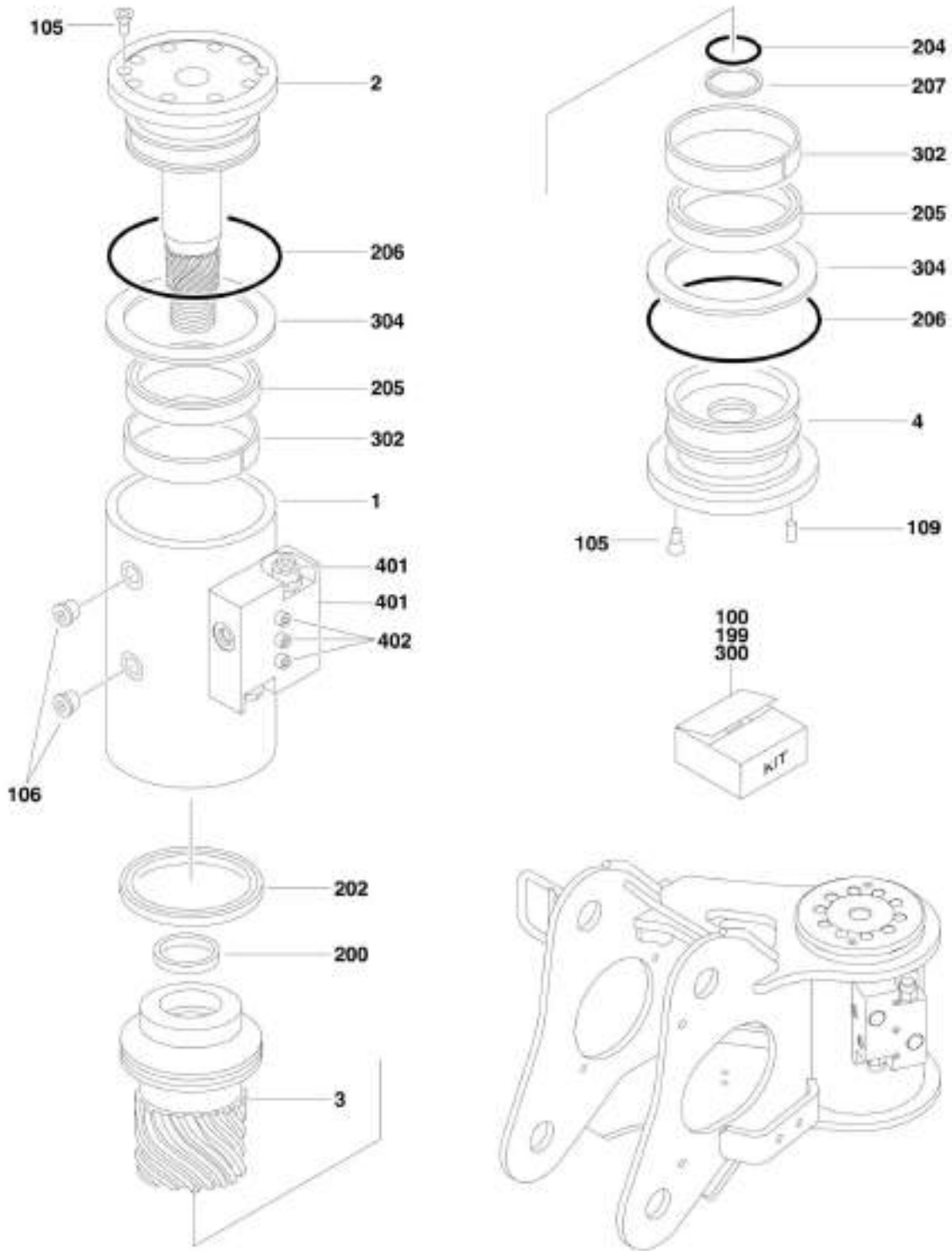
## SECTION 4 - BOOM

**FIGURE 4-6. PLATFORM ROTATOR ASSEMBLY (SN 0300199535 to Present)**

ITEM	PART NUMBER	QTY	DESCRIPTION	REV
	1001181062	Ref	PLATFORM ROTATOR ASSEMBLY (SN 0300199535 to Present)	A
1	See Note	NSS	Housing/Ring Gear (Note: Purchase Complete Assembly)	
2	7017162	1	Shaft	
3	7017163	1	Piston	
4	7017164	1	Cap	
100	7017142	1	Hardware Kit (Includes Items 106-109)	
106	See Note	NSS	Plug (Note: Use p/n 7017142)	
109	See Note	NSS	Pin, Dowel (Note: Use p/n 7017142)	
113	70001697	6	Screw 1/4-20 x 3/8	
199	70000342	1	Seal Kit - Low Temperature (Includes Items 200-207)	
200	See Note	NSS	T-Seal (Note: Use p/n 70000342)	
202	See Note	NSS	T-Seal (Note: Use p/n 70000342)	
204	See Note	NSS	O-Ring (Note: Use p/n 770000342)	
205	See Note	NSS	Seal (Note: Use p/n 70000342)	
206	See Note	NSS	O-Ring (Note: Use p/n 70000342)	
207	See Note	1	Ring, Back-up (Note: Use p/n 70000342)	
300	7017159	1	Bearing Kit (Includes Item 302-304)	
302	See Note	NSS	Bearing (Note: Use p/n 7017159)	
304	See Note	NSS	Washer, Thrust (Note: Use p/n 7017159)	
400	70004402	1	Tube, Stop	
401	7017183	1	Valve, Control	
401	7017193	2	Cartridge, Valve	
401	See Note	NSS	Seal Kit - 7017193 Cartridge (Note: Use p/n 7017193)	
402	See Note	NSS	Capscrew 1/4-20 x 1-1/2 Grade 8 (Note: Purchase Locally)	
421	7017195	2	Bushing	

# SECTION 4 - BOOM

FIGURE 4-7. JIB ROTATOR ASSEMBLY (Prior to SN 0300199535)



1001179038

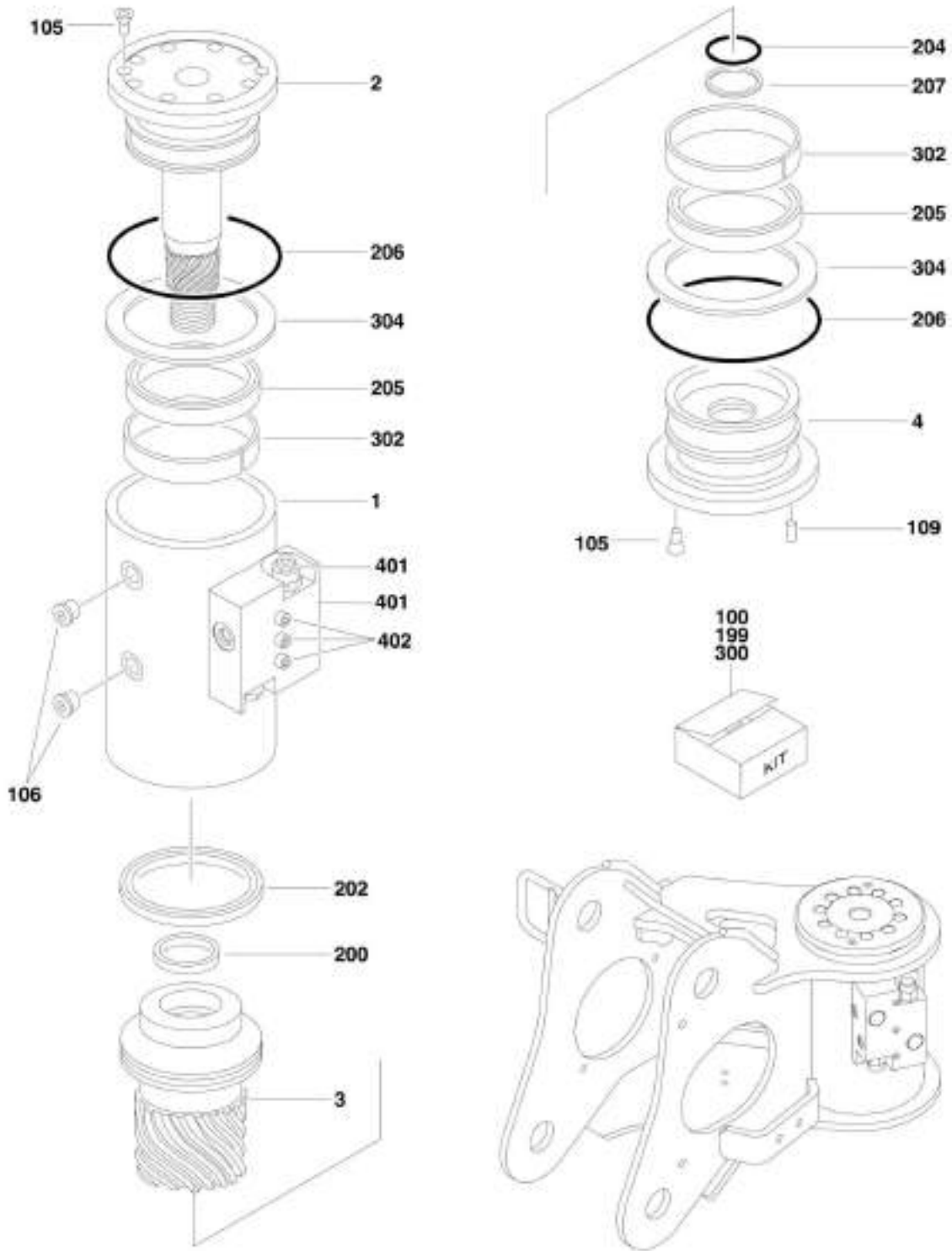
## SECTION 4 - BOOM

**FIGURE 4-7. JIB ROTATOR ASSEMBLY (Prior to SN 0300199535)**

ITEM	PART NUMBER	QTY	DESCRIPTION	REV
	1001170638	Ref	JIB ROTATOR ASSEMBLY (Prior to SN 0300199535)	E
1	See Note	NSS	Housing/Ring Gear (Note: Purchase Complete Assembly)	
2	70002853	1	Shaft	
3	70002854	1	Piston	
4	70002855	1	Cap	
5	70004403	1	Nut	
100	70002858	1	Hardware Kit (Includes Items 105-109)	
105	See Note	NSS	Screw (Note: Use p/n 70002858)	
106	See Note	NSS	Plug (Note: Use p/n 70002858)	
109	See Note	NSS	Setscrew (Note: Use p/n 70002858)	
199	70002856	1	Seal Kit (Includes Items 200-207)	
200	See Note	NSS	T-Seal (Note: Use p/n 70002856)	
202	See Note	NSS	T-Seal (Note: Use p/n 70002856)	
204	See Note	NSS	O-Ring (Note: Use p/n 70002856)	
205	See Note	NSS	Seal (Note: Use p/n 70002856)	
206	See Note	NSS	O-Ring (Note: Use p/n 70002856)	
207	See Note	1	Ring, Back-up (Note: Use p/n 70002856)	
300	70002857	1	Bearing Kit (Includes Items 302-304)	
302	See Note	NSS	Bearing (Note: Use p/n 70002857)	
304	See Note	NSS	Washer, Thrust (Note: Use p/n 70002857)	
401	70002859	1	Valve, Control	
401	See Note	NSS	Cartridge, Valve (Note: Use p/n 70002859)	
401	See Note	NSS	Seal Kit - Cartridge (Note: Use p/n 70002859)	
402	See Note	NSS	Capscrew 1/4-20 x 1-1/2 Grade 8 (Note: Purchase Locally)	

# SECTION 4 - BOOM

FIGURE 4-8. JIB ROTATOR ASSEMBLY (SN 0300199535 to Present)



ART\_100181203



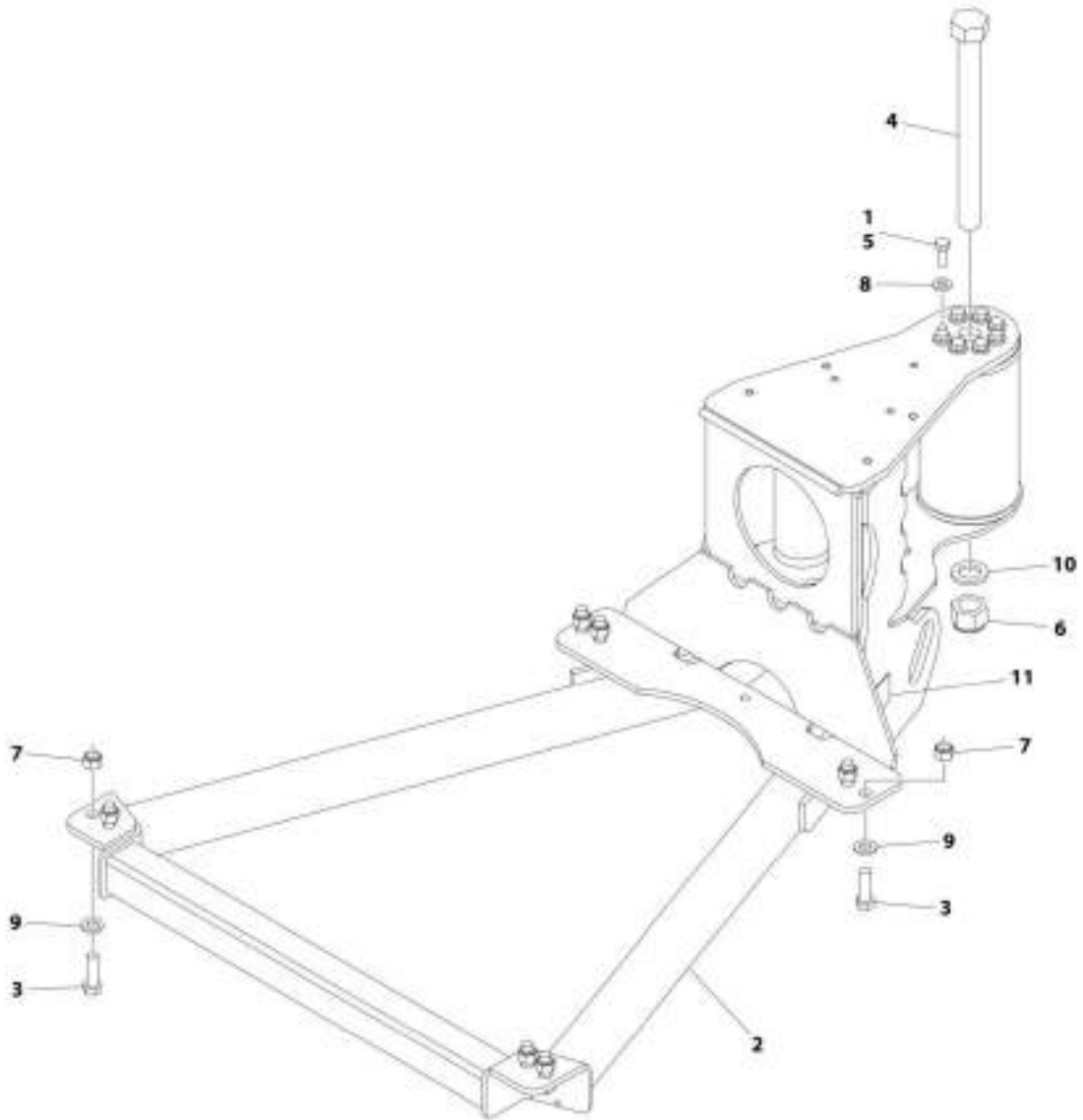
## SECTION 4 - BOOM

**FIGURE 4-8. JIB ROTATOR ASSEMBLY (SN 0300199535 to Present)**

ITEM	PART NUMBER	QTY	DESCRIPTION	REV
	1001181063	Ref	JIB ROTATOR ASSEMBLY (SN 0300199535 to Present)	A
1	See Note	NSS	Housing/Ring Gear (Note: Purchase Complete Assembly)	
2	70002853	1	Shaft	
3	70002854	1	Piston	
4	70002855	1	Cap	
5	70004403	1	Nut	
100	70002858	1	Hardware Kit (Includes Items 105-109)	
105	See Note	NSS	Screw (Note: Use p/n 70002858)	
106	See Note	NSS	Plug (Note: Use p/n 70002858)	
109	See Note	NSS	Setscrew (Note: Use p/n 70002858)	
199	70005170	1	Seal Kit - Low Temperature (Includes Items 200-207)	
200	See Note	NSS	T-Seal (Note: Use p/n 70005170)	
202	See Note	NSS	T-Seal (Note: Use p/n 70005170)	
204	See Note	NSS	O-Ring (Note: Use p/n 70005170)	
205	See Note	NSS	Seal (Note: Use p/n 70005170)	
206	See Note	NSS	O-Ring (Note: Use p/n 70005170)	
207	See Note	NSS	Ring, Back-up (Note: Use p/n 70005170)	
300	70002857	1	Bearing Kit (Includes Items 302-304)	
302	See Note	NSS	Bearing (Note: Use p/n 70002857)	
304	See Note	2	Washer, Thrust (Note: Use p/n 70002857)	
401	70002859	1	Valve, Control	
401	See Note	NSS	Cartridge, Valve (Note: Use p/n 70002859)	
401	See Note	NSS	Seal Kit - Cartridge (Note: Use p/n 70002859)	
402	See Note	NSS	Capscrew 1/4-20 x 1-1/2 Grade 8 (Note: Purchase Locally)	

# SECTION 4 - BOOM

FIGURE 4-9. PLATFORM SUPPORT INSTALLATION - NO LSS



AWT\_3001174238

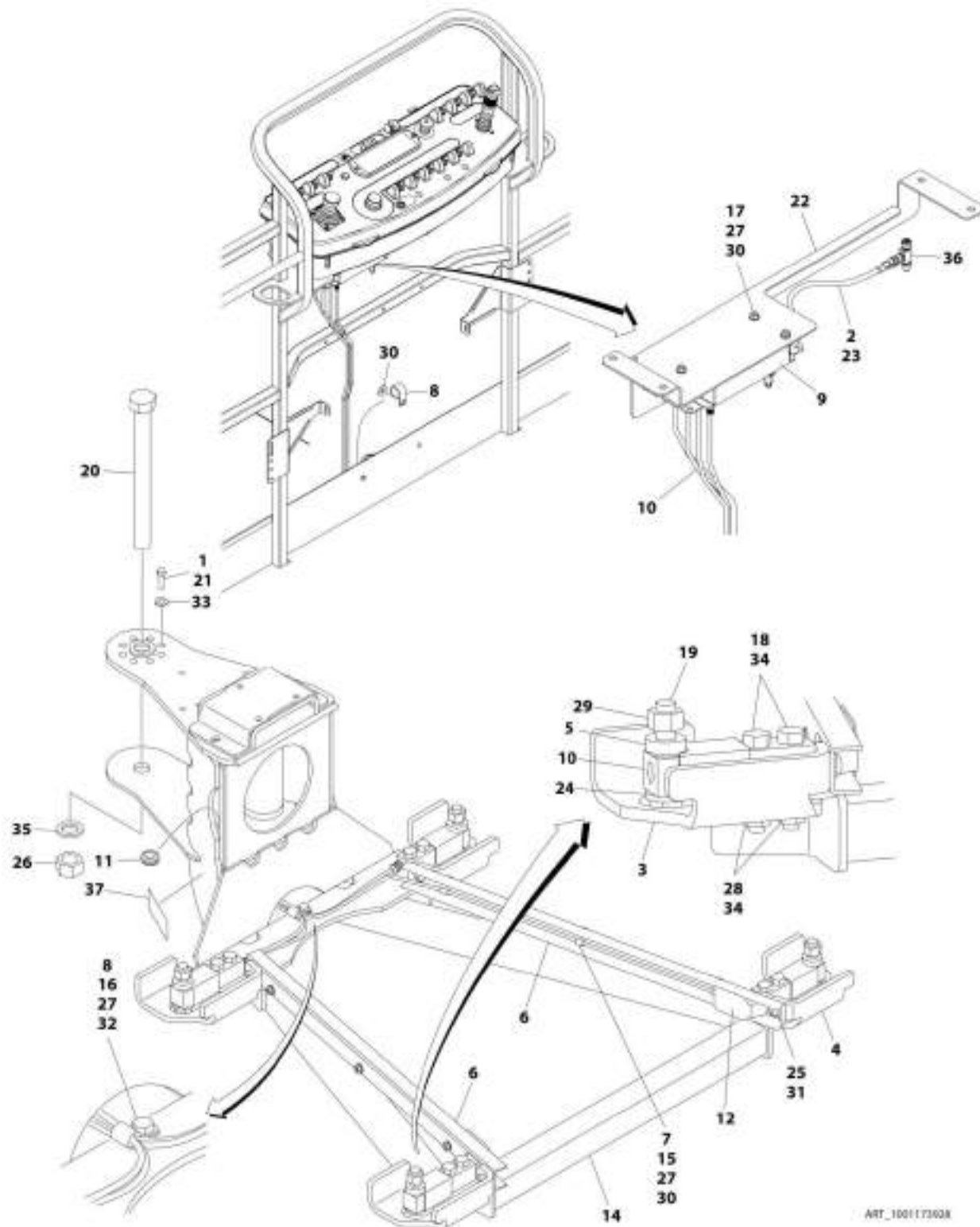
## SECTION 4 - BOOM

**FIGURE 4-9. PLATFORM SUPPORT INSTALLATION - NO LSS**

ITEM	PART NUMBER	QTY	DESCRIPTION	REV
		Ref	USAGE CHART: ANSI, ANSI EXPORT, CHINA, CSA AND JAPANESE SPECS	
	1001174038	Ref	PLATFORM SUPPORT INSTALLATION	C
1	0100011	AR	Compound, Locking	
2	4846573	1	Support	
3	0641812001	8	Bolt 1/2 x 1-1/2	
3	0761216001	8	Bolt M12 x 40	
4	0642684001	1	Bolt 1 x 10-1/2	
5	0681608001	8	Bolt 3/8-16 x 1 Grade 8	
6	1001174040		Nut 1-8	
7	3311805001	8	Nut 1/2-13	
7	3291205001	8	Nut M12	
8	4891600001	8	Washer 3/8	
9	4891800001	8	Washer 1/2	
9	5241200001	8	Washer M12	
10	4892600001	1	Washer 1	
11	1001216630	2	Decal - Tie Down/No Lift <b>(SN 0300223836 to Present)</b>	

# SECTION 4 - BOOM

FIGURE 4-10. PLATFORM SUPPORT INSTALLATION - WITH 4 CELL LSS



ART\_1001173028

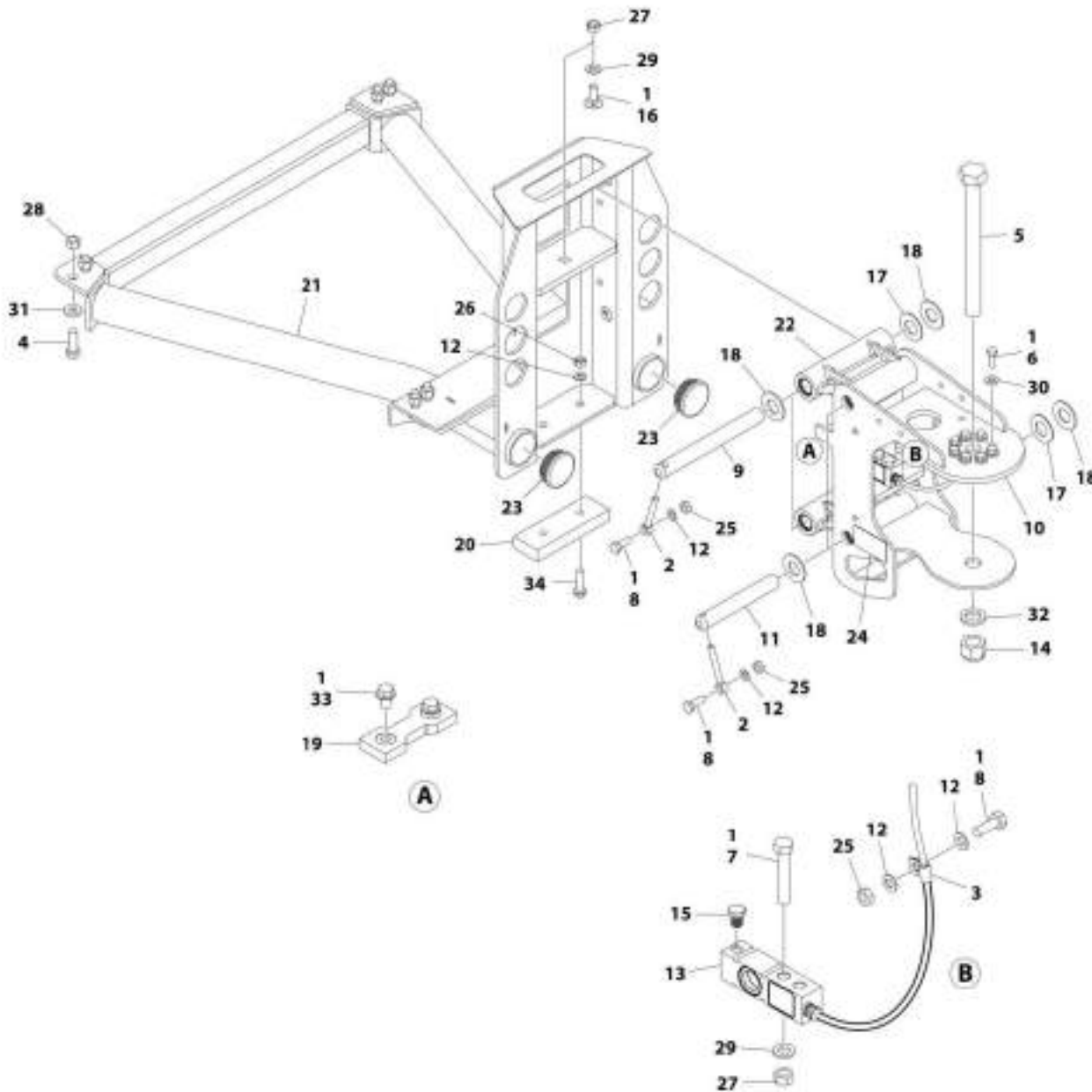
## SECTION 4 - BOOM

**FIGURE 4-10. PLATFORM SUPPORT INSTALLATION - WITH 4 CELL LSS**

ITEM	PART NUMBER	QTY	DESCRIPTION	REV
	1001173928	Ref	PLATFORM SUPPORT INSTALLATION - WITH 4 CELL LSS	C
1	0100011	AR	Compound, Locking	
2	0100048	AR	Grease, Dielectric	
3	0902919	2	Bracket, Cell Guard	
4	0902920	2	Bracket, Cell Guard	
5	0962450	4	Bushing, Spacer	
6	1271538	2	Channel	
7	1320136	6	Clamp	
8	1320224	2	Clamp	
9	1600387	1	Module, Control - LSS (Note: Re-calibration Required when Replaced)	
10	2420202	4	Cell, Load (Includes Cable)	
11	2540038	1	Grommet	
12	4061054	2	Shield	
13	4240033	AR	Tie-Strap (Not Shown)	
14	4846573	1	Support, Platform	
15	0641405001	6	Bolt 1/4 x 5/8	
16	0641407001	1	Bolt 1/4 x 7/8	
17	0641416001	3	Bolt 1/4 x 2	
18	0641822001	8	Bolt 1/2 x 2-3/4	
19	0642024001	4	Bolt 5/8 x 3	
20	0642684001	1	Bolt 1 x 10-1/2	
21	0681608001	8	Bolt 3/8 x 1 Grade 8	
22	1001113483	1	Bracket, Module Mount	
23	1001120608	1	LSS Harness	
23	1001120631	1	Connector, M12 Male Cordset	
23	4460836	1	Connector - 12 Position (Black) (J2)	
23	4460944	3	Socket, Female	
23	4460466	9	Plug, Terminal	
23	4460933	1	Connector - 12 Position (Grey) (J1)	
23	4460465	2	Socket, Female	
23	4460466	10	Plug, Terminal	
24	1001172356	4	Washer 5/8	
25	1001173846	4	Screw 3/8 x 3/4	
26	1001174040	1	Nut 1	
27	3311405001	10	Nut 1/4	
28	3311805001	8	Nut 1/2	
29	3312005001	4	Nut 5/8	
30	4711400001	13	Washer 1/4	
31	4711600001	4	Washer 3/8	
32	4751400001	1	Washer 1/4	
33	4891600001	8	Washer 3/8	
34	4891800001	8	Washer 1/2	
35	4892600001	1	Washer 1	
36	1001108122	1	Connector, M12 Tee Adapter	
37	1001216630	2	Decal - Tie Down/No Lift	

# SECTION 4 - BOOM

## FIGURE 4-11. PLATFORM SUPPORT INSTALLATION - WITH 1 CELL LSS



ART\_1001219006

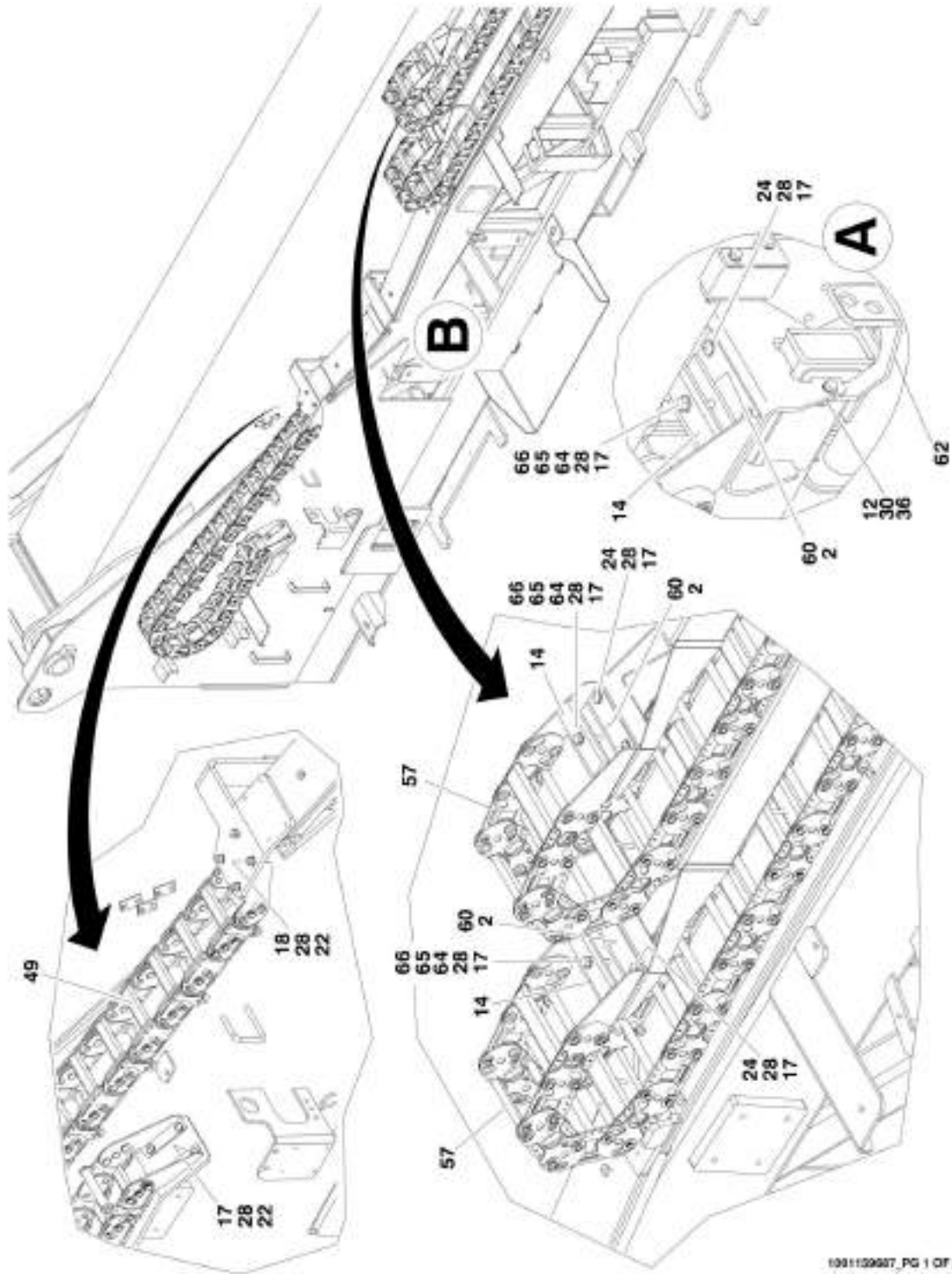
## SECTION 4 - BOOM

**FIGURE 4-11. PLATFORM SUPPORT INSTALLATION - WITH 1 CELL LSS**

ITEM	PART NUMBER	QTY	DESCRIPTION	REV
	1001219996	Ref	PLATFORM SUPPORT INSTALLATION - WITH 1 CELL LSS	C
1	0100011	AR	Compound, Locking	
2	3841143	4	Keeper	
3	91203039	1	Clamp	
4	0641812001	8	Bolt 1/2 x 1-1/2	
4	0761216001	8	Bolt M12 x 40	
5	0642684001	1	Bolt 1 x 10-1/2	
6	0681608001	8	Bolt 3/8 x 1 Grade 8	
7	0711222001	2	Bolt M12 x 70 Grade 10.9	
8	0761014001	5	Bolt M10 x 30	
9	1001167565	2	Pin	
10	1001167567	1	Support, Rotary Side	
11	1001168402	2	Pin	
12	1001172358	8	Washer M10	
13	1001172663	1	Gauge, Load Sensing	
14	1001174040	1	Nut 1	
15	1001188622	1	Screw	
16	1001188844	1	Bolt M12 x 35	
17	1001189001	4	Bearing	
18	1001189002	8	Bearing	
19	1001190985	1	Wear Pad	
20	1001200491	1	Plate	
21	1001200494	1	Support	
22	1001201351	2	Link, LSS Assembly	
22	1001187382	4	Bearing	
22	1001187383	4	Seal	
23	1001204725	2	Plug	
24	1001216630	2	Decal - Tie Down/No Lift	
25	3291001001	5	Nut M10	
26	3291005001	2	Nut M10	
27	3291201001	3	Nut M12	
28	3311805001	8	Nut 1/2	
28	3291205001	8	Nut M12	
29	4812100001	3	Washer M12	
30	4891600001	8	Washer 3/8	
31	4891800001	8	Washer 1/2	
31	5241200001	8	Washer M12	
32	4892600001	1	Washer 1	
33	5251008001	2	Bolt M10 x 16	
34	5251016001	2	Bolt M10 x 40	

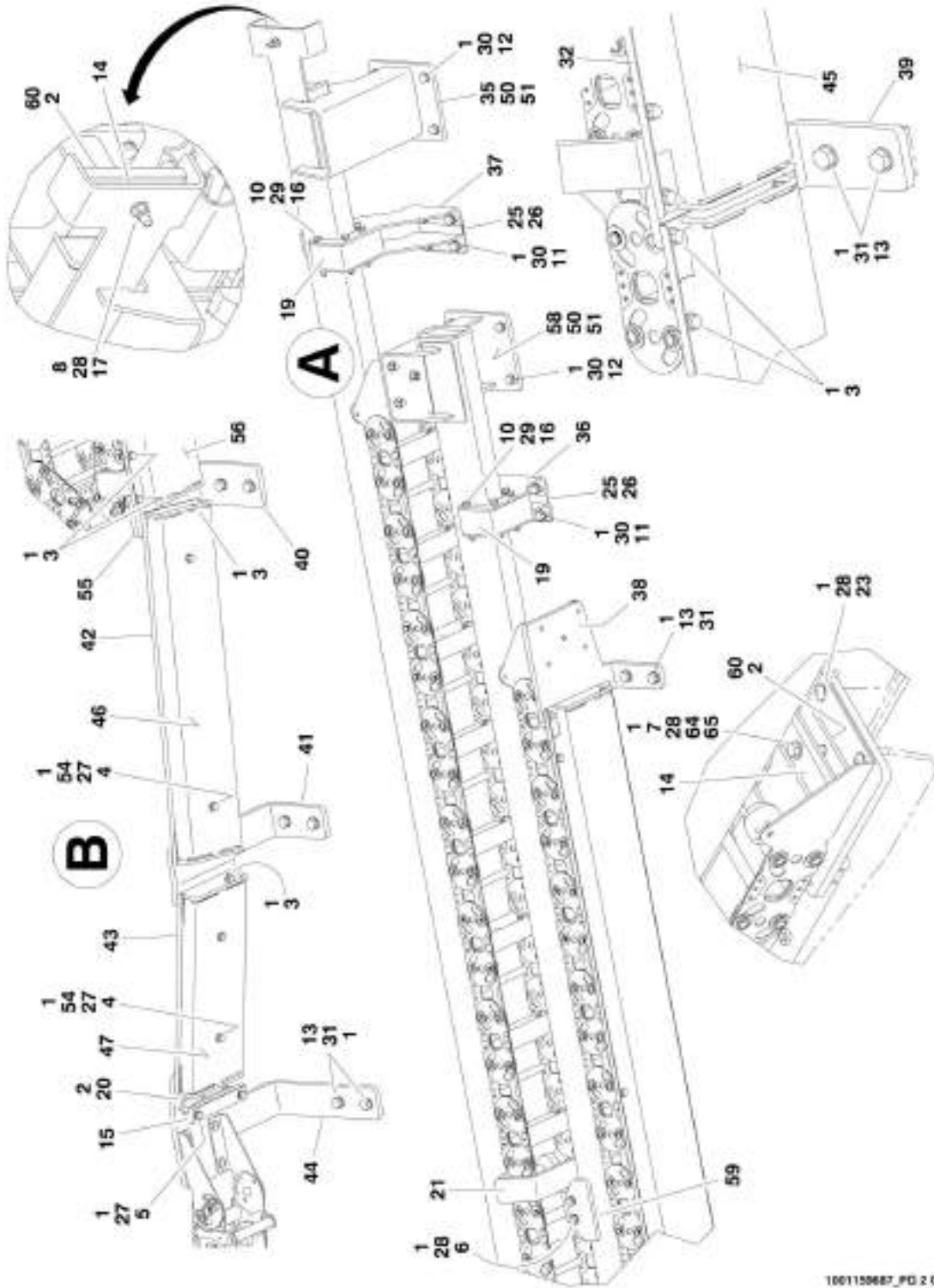
# SECTION 4 - BOOM

## FIGURE 4-12. POWER TRACK INSTALLATION - BOOM





# SECTION 4 - BOOM



1001159687\_PG 2 CP 2

# SECTION 4 - BOOM

## FIGURE 4-12. POWER TRACK INSTALLATION - BOOM

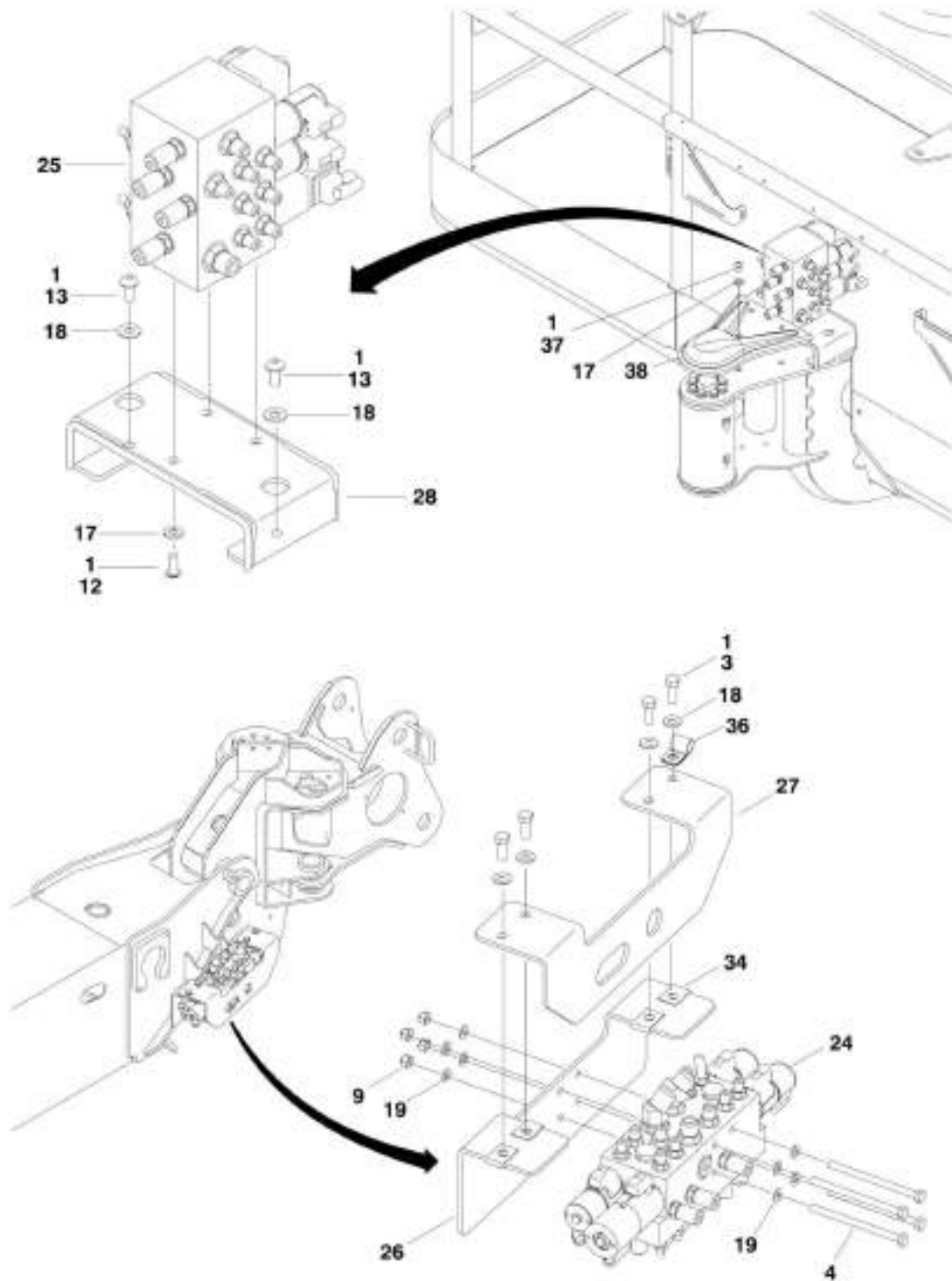
ITEM	PART NUMBER	QTY	DESCRIPTION	REV
	1001159687	Ref	POWER TRACK INSTALLATION - BOOM	L
1	0100011	AR	Compound, Locking	
2	0100019	AR	Compound, Locking	
3	0791504001	66	Screw 5/16-18 X 1/2	
4	0641516001	4	Bolt 5/16-18 X 2	
5	0641520001	2	Bolt 5/16-18 X 2-1/2	
6	0641607001	10	Bolt 3/8-16 X 7/8	
7	0641620001	2	Bolt 3/8-16 X 2-1/2 <b>(Prior to SN 0300201356)</b>	
7	0641626001	2	Bolt, 3/8-16 x 3-1/4 <b>(SN 0300201356 to Present)</b>	
8	0641622001	1	Bolt 3/8-16 X 2-3/4	
10	0700823001	12	Bolt M8 X 75	
11	0761012001	8	Bolt M10 x 25	
12	0761014001	10	Bolt M10 X 30	
13	0761214001	18	Bolt M12 X 30	
14	1001162869	1	Plate, Clamp	
15	1320295	1	Clamp, Bar	
16	3290805001	12	Nut M8	
17	1001173663	17	Nut 3/8-16	
18	3311605001	4	Nut 3/8-16	
19	3340925	2	Pad	
20	3340940	2	Pad	
21		Ref	Plate, Support Options:	
21	3573016	NLA	Plate, Support (Use p/n 1001175817) <b>(Prior to SN 0300190128)</b>	
21	1001175817	5	Plate, Support <b>(SN 0300190128 to Present)</b>	
22	3900232001	8	Screw 3/8-16 X 1-1/4 Lg	
23	1001173846	2	Screw 3/8-16 x 3/4	
24	3900316001	6	Screw 3/8-16 X 1	
25	4071021	AR	Shim 16Ga	
26	4071022	AR	Shim 11Ga	
27	4711500001	AR	Washer 5/16	
28	4711600001	AR	Washer 3/8	
29	4811900001	AR	Washer M8	
30	1001172358	AR	Washer M10	
31	4812100001	AR	Washer M12	
32	4846423	5	Cover	
35	1001154751	1	Tube, Push (Upper)	
36	1001154768	2	Plate, Mounting	
37	1001154769	2	Plate, Mounting	
38		Ref	Bracket, Support Options:	
	1001154815	NLA	Bracket, Support (Use p/n 1001154815) <b>(Prior to SN 0300199131)</b>	
	1001180825	1	Bracket, Support <b>(SN 0300199131 to Present)</b>	
39	1001154816	5	Bracket, Support	
40	1001154817	1	Bracket, Support	
41	1001154818	1	Bracket, Support	
42	1001154824	1	Support, Power Track	
43	1001154825	1	Support, Power Track	
44	1001154826	1	Bracket, Support	
45	1001154869	5	Cover	
46	1001154871	1	Cover	

## SECTION 4 - BOOM

ITEM	PART NUMBER	QTY	DESCRIPTION	REV
47	1001154872	1	Cover	
49	1001155142	1	Power Track Assembly	
49	70004454	1	Section, 6 Link Repair	
49	70004455	1	Mounting Feet Kit	
50	1001156103	AR	Shim 16Ga	
51	1001156104	AR	Shim 11Ga	
54	1001157665	4	Tube, Spacer	
55	1001154823	1	Support, Power Track	
56	1001154870	1	Cover	
57	1001162745	Ref	Power Track Assembly	
57	70004649	2	Repair Section	
57	70004650	2	Mounting Feet Kit	
58	1001159255	1	Tube, Push (Lower)	
59	0100040	AR	Adhesive	
60	1001167907	10	Pad, Rubber	
61	9141453	AR	Shim	
62	1001182134	1	Bracket, Bulkhead	
63	3291005001	2	Locknut, M10 x 1.5	
64	1001180947	4	Plate, Clamp	
65	1001180816	4	Clamp, Powertrack hoses	
66	0641628001	6	Bolt 3/8-16 x 3 1/2	

# SECTION 4 - BOOM

## FIGURE 4-13. VALVES INSTALLATION - BOOM (WITHOUT LSS)



1001197799\_PG 3 OF 3

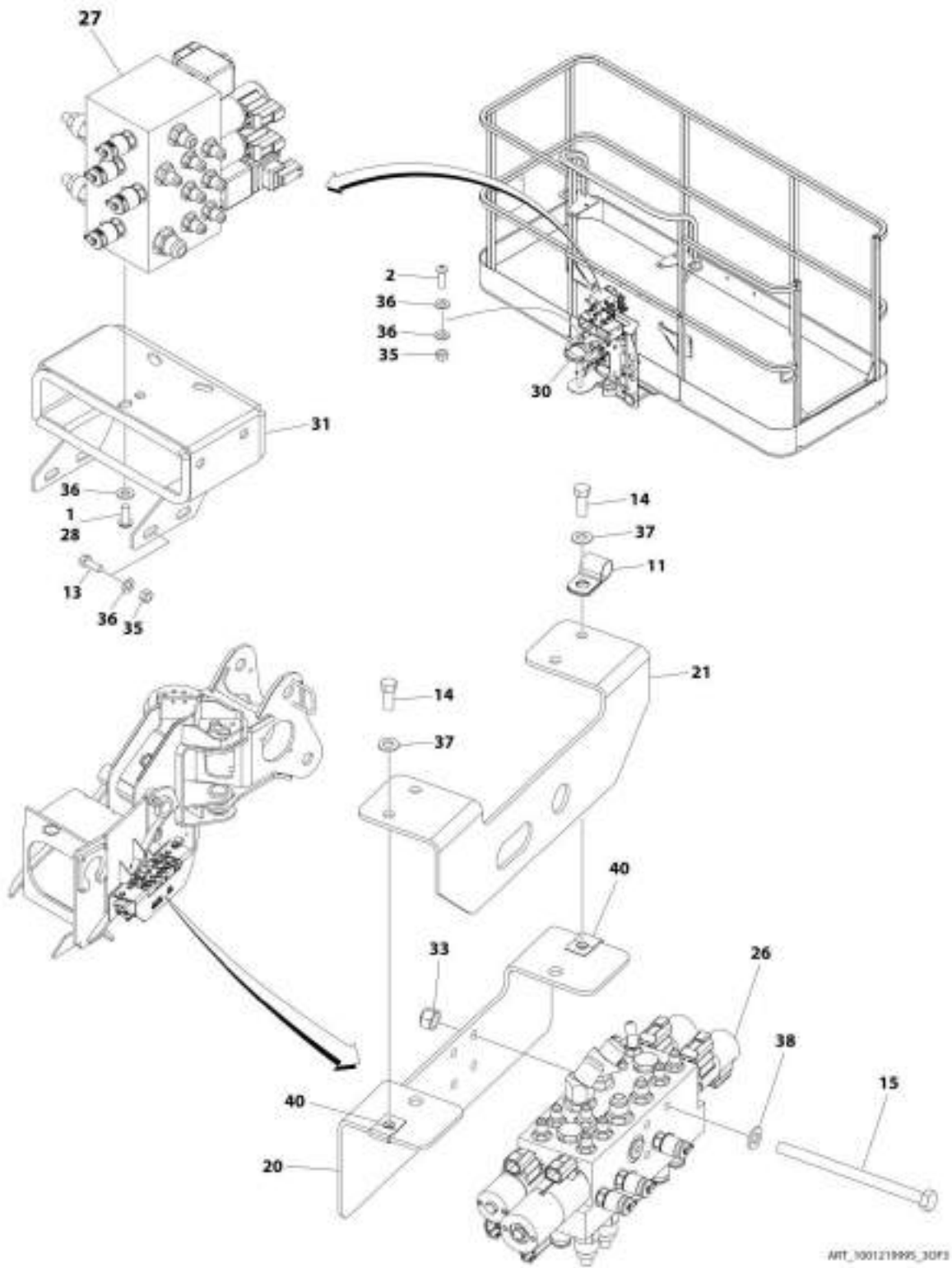
## SECTION 4 - BOOM

**FIGURE 4-13. VALVES INSTALLATION - BOOM (WITHOUT LSS)**

ITEM	PART NUMBER	QTY	DESCRIPTION	REV
	1001157706	Ref	VALVES INSTALLATION - BOOM (WITHOUT LSS)	M
1	0100011	AR	Compound, Locking	
3	0641608001	4	Bolt 1/2-13 x 1	
4	0700829001	4	Bolt M8 x 120	
9	3290805001	4	Nut M8	
12	1001173845	3	Screw 5/16-18 x 3/4	
13	1001173846	2	Screw 3/8-16 x 3/4	
13	1001238236	2	Screw 3/8-16 x 7/8	
17	4711500001	AR	Washer 5/16	
18	4711600001	6	Washer 3/8	
19	4811900001	8	Washer M8	
24	1001168283	1	Jib Valve Assembly (See JIB VALVE ASSEMBLY for Breakdown)	
25	1001168284	1	Platform Valve Assembly (See PLATFORM VALVE ASSEMBLY for Breakdown)	
26	1001119703	1	Plate	
27	1001119704	1	Plate	
28	1001119706	1	Mount	
34	88662523	4	Nut, Retainer	
36	8406105	1	Clip <b>(SN 0300223156 to Present)</b>	
37	1001173623	3	Bolt 5/16 x 1/2 <b>(SN 0300224866 to Present)</b>	
38	1670964	1	Cover <b>(SN 0300224866 to Present)</b>	

# SECTION 4 - BOOM

## FIGURE 4-14. VALVES INSTALLATION - BOOM (WITH LSS)



## SECTION 4 - BOOM

**FIGURE 4-14. VALVES INSTALLATION - BOOM (WITH LSS)**

ITEM	PART NUMBER	QTY	DESCRIPTION	REV
	1001219995	Ref	VALVES INSTALLATION - BOOM (WITH LSS)	B
1	0100011	AR	Compound, Locking	
2	0630468	2	Screw 5/16 x 1	
11	8406105	1	Clip	
13	0641507001	4	Bolt 5/16 x 7/8	
14	0641608001	4	Bolt 1/2-13 x 1	
15	0700829001	4	Bolt M8 x 120	
20	1001119703	1	Plate	
21	1001119704	1	Plate	
26	1001168283	1	Jib Valve Assembly (See JIB VALVE ASSEMBLY for Breakdown)	
27	1001168284	1	Platform Valve Assembly (See PLATFORM VALVE ASSEMBLY for Breakdown)	
28	1001173845	3	Screw 5/16-18 x 3/4	
30	1001207969	1	Cover	
31	1001208994	1	Mount	
33	3290805001	4	Nut M8	
35	3311505001	6	Nut 5/16	
36	4711500001	15	Washer 5/16	
37	4711600001	4	Washer 3/8	
38	4811900001	8	Washer M8	
40	88662523	4	Nut, Retainer	



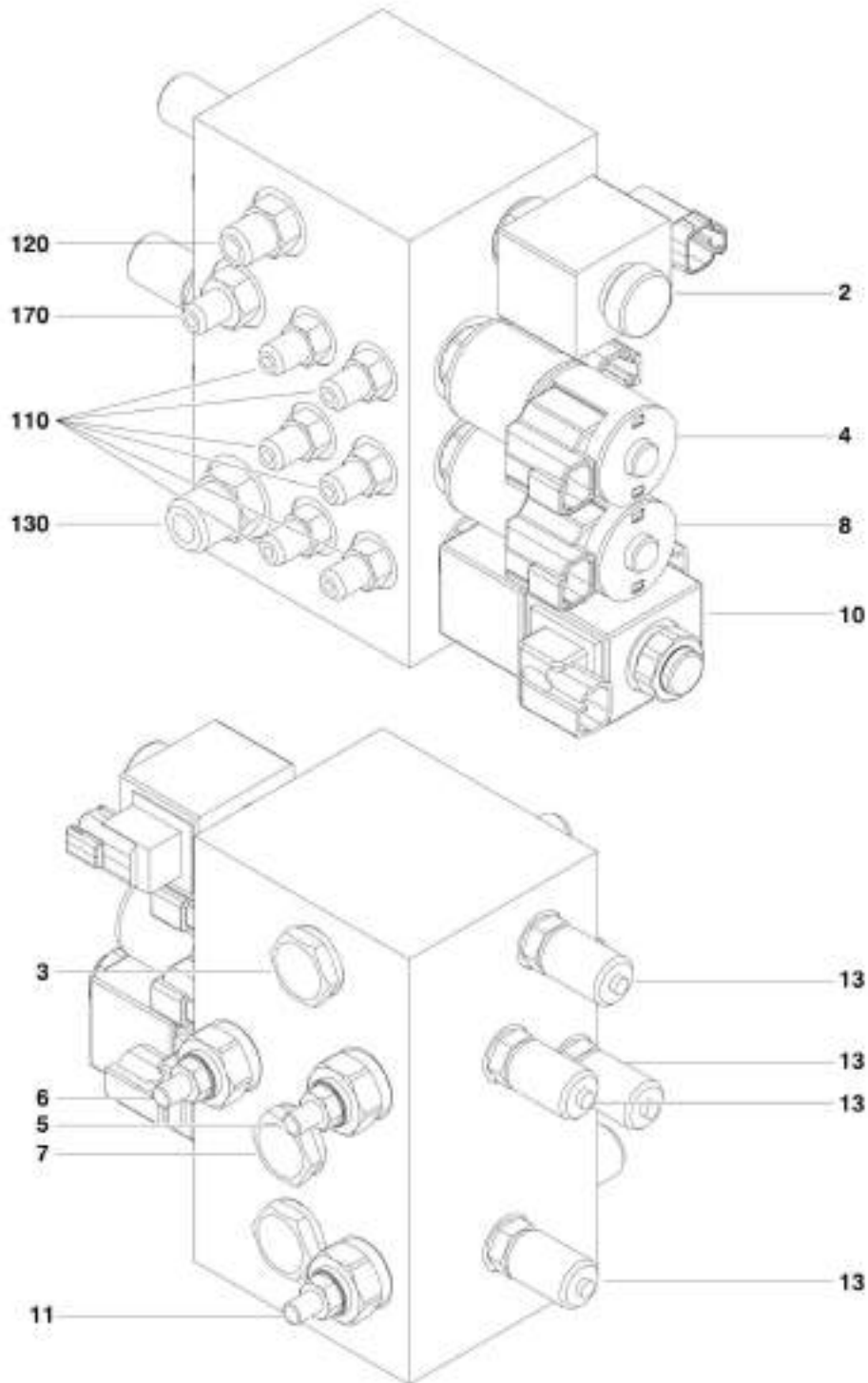


FIGURE 4-15. JIB VALVE ASSEMBLY

ITEM	PART NUMBER	QTY	DESCRIPTION	REV
	1001168283	Ref	JIB VALVE ASSEMBLY	B
2	70003017	1	Valve, Solenoid (Inlet)	
2	70004055	1	Kit, Seal - Valve	
2	70022147	1	Coil	
2	70004051	1	Nut, Coil	
3	7023922	1	Valve, Solenoid (Level Up/Down)	
3	7017402	1	Kit, Seal - Valve	
3	7024885	2	Coil	
3	7022390	1	Nut, Coil	
3	70003023	1	Spacer, Coil	
4	70003019	1	Valve, Relief	
4	70004052	1	Kit, Seal - Valve	
5	70003019	1	Valve, Relief	
5	70004052	1	Kit, Seal - Valve	
6	70003022	1	Valve, Solenoid (Tele In/Out)	
6	7012903	1	Kit, Seal - Valve	
6	7024883	2	Coil	
6	70003024	1	Spacer, Coil	
6	70003019	1	Valve, Relief	
7	70003019	1	Valve, Relief	
7	70004052	1	Kit, Seal - Valve	
8	70003019	1	Valve, Relief	
8	70004052	1	Kit, Seal - Valve	
9	70003020	1	Valve, Flow Control	
9	70004052	1	Kit, Seal - Valve	
10	7024899	1	Valve, Solenoid (Swing Left/Right)	
10	7017402	1	Kit, Seal - Valve	
10	7024885	2	Coil	
10	7022390	1	Nut, Coil	
10	70003023	1	Spacer, Coil	
11	70003021	1	Valve, Flow Control	
11	70004052	1	Kit, Seal - Valve	
12	7023922	1	Valve, Solenoid (Lift Up/Down)	
12	7017402	1	Kit, Seal - Valve	
12	7024885	2	Coil	
12	7022390	1	Nut, Coil	
12	70003023	1	Spacer, Coil	
13	70003019	1	Valve, Relief	
13	70004052	1	Kit, Seal - Valve	
14	70003019	1	Valve, Relief	
14	70004052	1	Kit, Seal - Valve	
17	2221086	7	Valve, Check, Pressure	
110	2220415	2	Fitting, Straight JIC/ORB	
120	2220371	1	Fitting, Straight JIC/ORB	
130	2220373	1	Fitting, Straight JIC/ORB	
140	2221050	1	Fitting, 45 JIC/ORB	
141	2220950	1	Fitting, 45 JIC/ORB	
142	2220502	2	Fitting, 45 JIC/ORB	
150	2220415	4	Fitting, Straight JIC/ORB	
160	2220582	1	Fitting, Straight JIC/ORB	

# SECTION 4 - BOOM

## FIGURE 4-16. PLATFORM VALVE ASSEMBLY



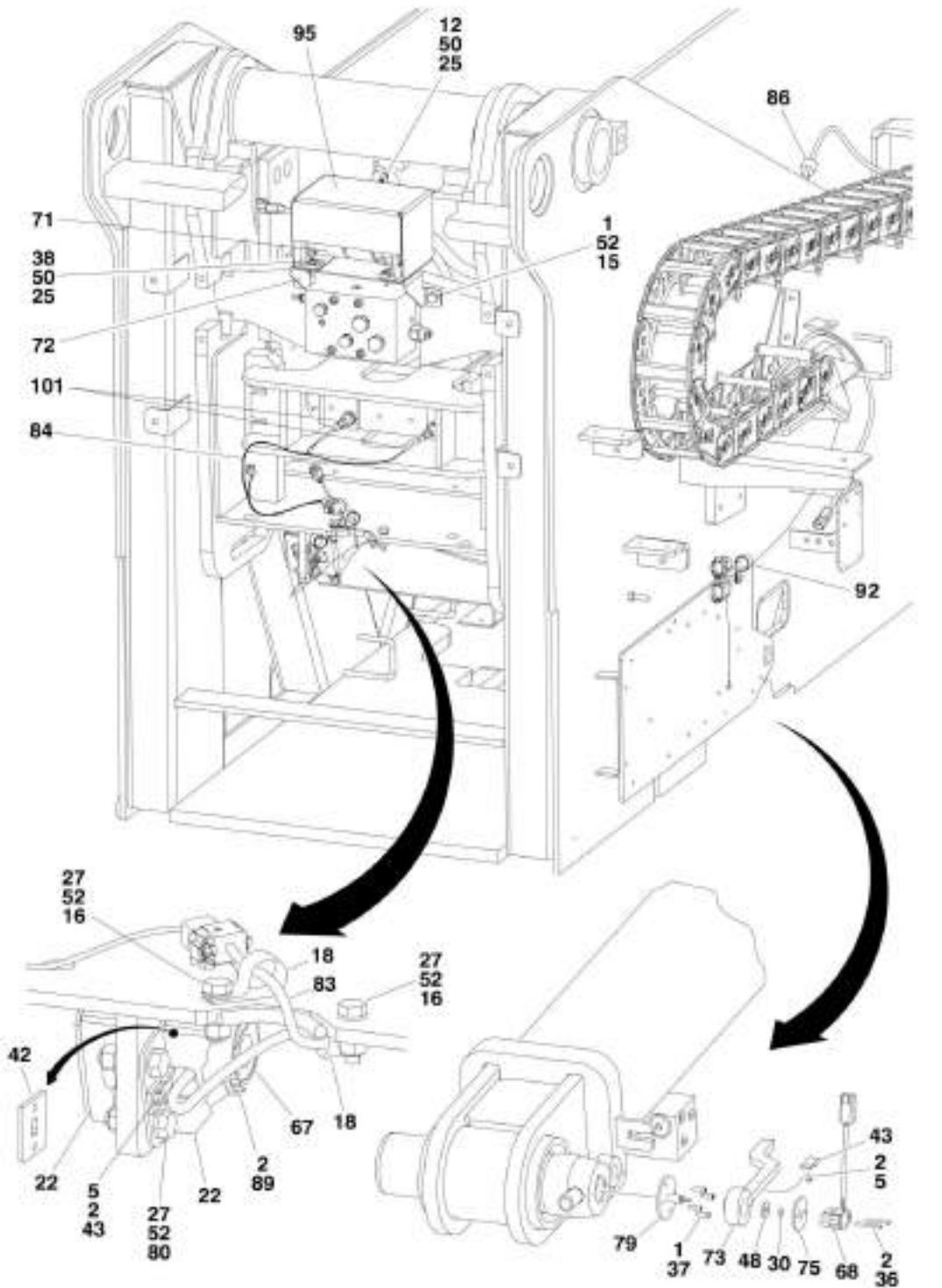
1001168284

FIGURE 4-16. PLATFORM VALVE ASSEMBLY

ITEM	PART NUMBER	QTY	DESCRIPTION	REV
	1001168284	Ref	PLATFORM VALVE ASSEMBLY	B
2	70004457	1	Valve, Solenoid (Inlet)	
2	70004050	1	Seal Kit - Valve	
2	70003026	1	Coil	
2	70004051	1	Nut, Coil	
3	70003021	1	Valve, Flow Control	
3	70004052	1	Seal Kit - Valve	
4	7024899	1	Valve, Solenoid (Level Up/Down)	
4	7017402	1	Seal Kit - Valve	
4	7024885	2	Coil	
4	7022390	1	Nut, Coil	
4	70003023	1	Spacer, Coil	
5	70003019	1	Valve, Relief	
5	70004052	1	Seal Kit - Valve	
6	70003019	1	Valve, Relief	
6	70004052	1	Seal Kit - Valve	
7	70003027	1	Valve, Flow Control	
7	70004052	1	Seal Kit - Valve	
8	7024899	1	Valve, Solenoid (Rotate Left/Right)	
8	7017402	1	Seal Kit - Valve	
8	7024885	2	Coil	
8	7022390	1	Nut, Coil	
8	70003023	1	Spacer, Coil	
10	70003028	1	Valve, Solenoid (Jib Lock In/Out)	
10	70004053	1	Seal Kit - Valve	
10	70003026	2	Coil	
10	70004051	1	Nut, Coil	
11	70003019	1	Valve, Relief	
11	70004052	1	Seal Kit - Valve	
13	2221086	4	Valve, Check, Pressure	
110	2220415	6	Fitting, Straight JIC/ORB	
120	2220371	1	Fitting, Straight JIC/ORB	
130	2220373	1	Fitting, Straight JIC/ORB	
170	2220582	1	Fitting, Straight JIC/ORB	

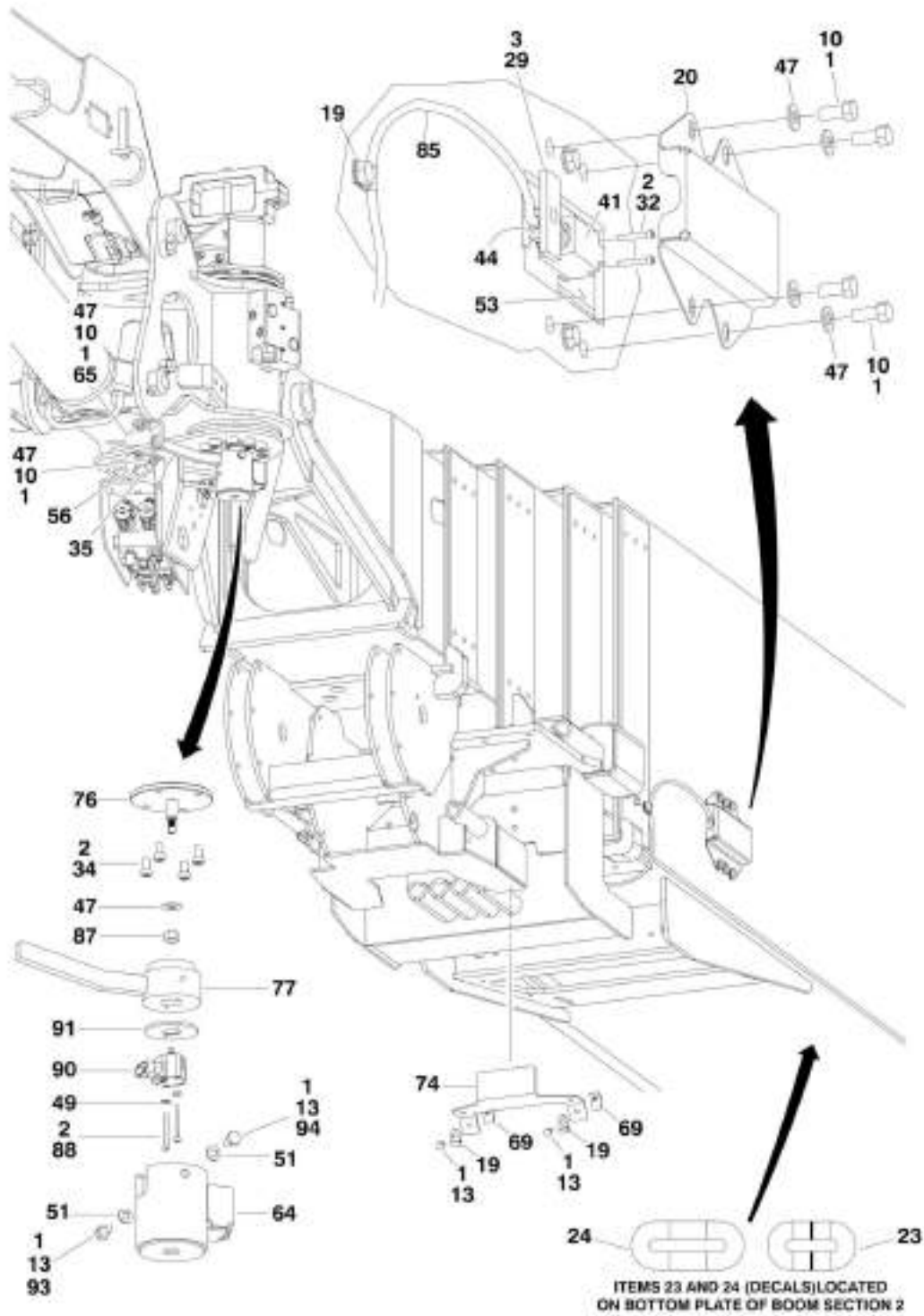
# SECTION 4 - BOOM

## FIGURE 4-17. BOOM SENSORS AND SWITCHES INSTALLATION



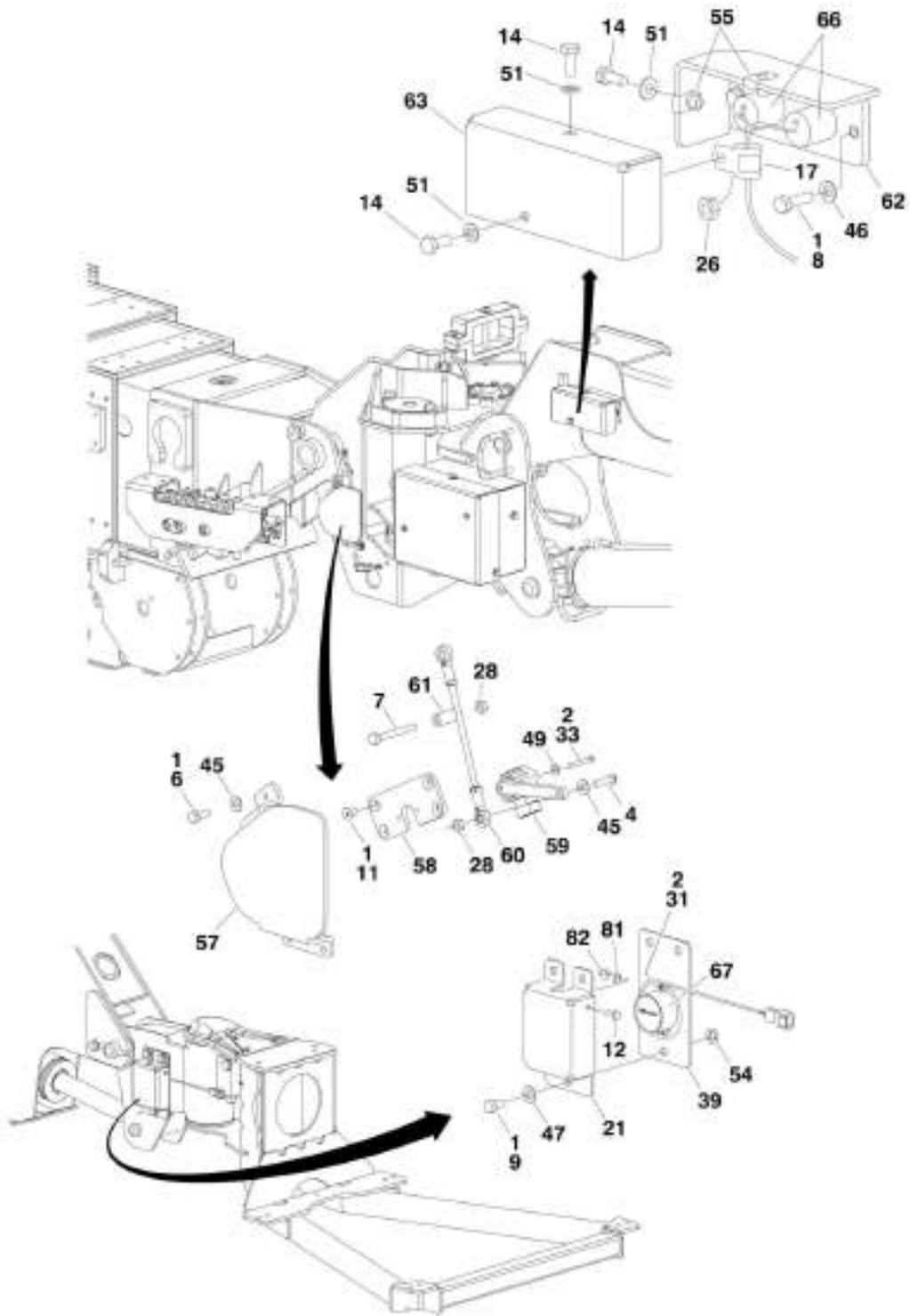
1001188446\_PG 1 OF 3

# SECTION 4 - BOOM



1001155440\_PG 2 OF 3

# SECTION 4 - BOOM



1001125440\_PG 3 OF 3

## SECTION 4 - BOOM

### FIGURE 4-17. BOOM SENSORS AND SWITCHES INSTALLATION

ITEM	PART NUMBER	QTY	DESCRIPTION	REV
	1001155440	Ref	BOOM SENSORS AND SWITCHES INSTALLATIONS	L
1	0100011	AR	Compound, Locking	
2	0100035	AR	Compound, Locking	
3	0100081	AR	Adhesive	
4	0630457	1	Screw 1/4-20 X 1	
5	0760405	3	Bolt M4 X 10	
6		Ref	Bolt Options:	
6	0641406	4	Bolt 1/4-20 x 3/4 <b>(Prior to SN 0300193480)</b>	
6	0641406001	4	Bolt 1/4-20 x 3/4 <b>(SN 0300193480 to Present)</b>	
7		Ref	Bolt Options:	
7	0641418	1	Bolt 1/4-20 x 2-1/4 <b>(Prior to SN 0300193480)</b>	
7	0641418001	1	Bolt 1/4-20 x 2-1/4 <b>(SN 0300193480 to Present)</b>	
8	0641509	2	Bolt 5/16-18 X 1-1/8	
9		Ref	Bolt Options:	
9	0641605	6	Bolt 3/8-16 x 5/8 <b>(Prior to SN 0300193480)</b>	
9	0641605001	6	Bolt 3/8-16 x 5/8 <b>(SN 0300193480 to Present)</b>	
10		Ref	Bolt Options:	
10	0641607	10	Bolt 3/8-16 x 7/8 <b>(Prior to SN 0300193480)</b>	
10	0641607001	10	Bolt 3/8-16 x 7/8 <b>(SN 0300193480 to Present)</b>	
11		Ref	Screw Options:	
11	0741404	4	Screw 1/4-20 X 1/2 <b>(Prior to SN 0300193480)</b>	
11	1001177609	4	Screw 1/4-20 X 1/2 <b>(SN 0300193480 to Present)</b>	
12		Ref	Bolt Options:	
12	0760608	3	Bolt M6 X 16 <b>(Prior to SN 0300193480)</b>	
12	0760608001	3	Bolt M6 X 16 <b>(SN 0300193480 to Present)</b>	
13		Ref	Bolt Options:	
13	0760808	4	Bolt M8 X 16 <b>(Prior to SN 0300193480)</b>	
13	0760808001	4	Bolt M8 X 16 <b>(SN 0300193480 to Present)</b>	
14		Ref	Bolt Options:	
14	0760810	4	Bolt M8 x 20 <b>(Prior to SN 0300193480)</b>	
14	0760810001	4	Bolt M8 x 20 <b>(SN 0300193480 to Present)</b>	
15	0761010	2	Bolt M10 X 20	
16	0761015	2	Bolt M10 x 35	
17	1320061	2	Clamp, Hose	
18	1320130	3	Clamp, Hose	
19	1320301	3	Clamp, Cable	
20	1671031	1	Cover	
21	1671044	2	Cover	
22	1001167262	2	Plate	
23	1705366	1	Decal - Boom Length (500lb Cap)	
24	1705367	1	Decal - Boom Length (1000lb Cap)	
25	3290605	6	Nut, M6 X 1	
26		Ref	Nut Options:	
26	3290805	2	Nut M8 X 1.25 <b>(Prior to SN 0300193480)</b>	
26	3290805001	2	Nut M8 X 1.25 <b>(SN 0300193480 to Present)</b>	
27	3291005	5	Nut M10 X 1.5	
28		Ref	Nut Options:	
28	3311405	3	Nut 1/4-20 <b>(Prior to SN 0300193480)</b>	
28	3311405001	3	Nut 1/4-20 <b>(SN 0300193480 to Present)</b>	
29	3340941	1	Pad	

## SECTION 4 - BOOM

ITEM	PART NUMBER	QTY	DESCRIPTION	REV
30	3760383	1	Ring	
31	3930606	6	Capscrew #6 X 3/8	
32	3930816	2	Capscrew #8-32 x 1	
33	3930820	2	Capscrew #8-32 X 1-1/4	
34	3931508	4	Capscrew 5/16-18 x 1/2	
35	4000008	1	Proximity Sensor Assembly (Note: Control System must be recalibrated when Switch is replaced.)	
35	4461076	1	Connector - 4 Position	
35	4460917	4	Pin, Male	
36	4031512	2	Capscrew M4 x 40	
37	4031707	4	Capscrew M6 x 16	
38	4031709	4	Capscrew M6 X 25	
39	4341158	2	Mount, Sensor	
41	4360578	1	Limit Switch Assembly (Note: Control System must be recalibrated when Switch is replaced.)	
42	4460234	2	Mount, Cable Tie	
43	4460914	3	Terminal, Base	
44	4460968	1	Connector, Strain Relief	
45		Ref	Washer Options:	
45	4711400	AR	Washer 1/4 <b>(Prior to SN 0300193480)</b>	
45	4711400001	AR	Washer 1/4 <b>(SN 0300193480 to Present)</b>	
46	4711500	2	Washer, 5/16	
47		Ref	Washer Options:	
47	4711600	AR	Washer 3/8 <b>(Prior to SN 0300193480)</b>	
47	4711600001	AR	Washer 3/8 <b>(SN 0300193480 to Present)</b>	
48	4711800	1	Washer 1/2	
49	4750800	4	Washer, #8	
50	4811700	10	Washer M6	
51		Ref	Washer Options:	
51	4811900	AR	Washer M8 <b>(Prior to SN 0300193480)</b>	
51	4811900001	AR	Washer M8 <b>(SN 0300193480 to Present)</b>	
52	4812000	12	Washer M10	
53	4846484	1	Mount, Switch	
54	8310070	6	Pushnut, 3/8	
55	1001118274	2	Nut, Tinnerman M8	
56	1001118373	1	Bracket	
57	1001118930	1	Cover	
58	1001118931	1	Mount	
59	1001118971	1	Sensor, Angle (Note: Control System must be recalibrated when Switch is replaced.)	
60	1001119033	1	Link, Sensor	
61	1001119137	1	Sleeve, Spacer	
62	1001120028	1	Mount, Sensor	
63	1001120048	1	Cover	
64		Ref	Cover Options:	
64	1001120049	NLA	Cover (Use p/n 1001179510) <b>(Prior to SN 0300193480)</b>	
64	1001179510	1	Cover <b>(SN 0300193480 to Present)</b>	
65	1001120084	1	Bracket	
66	1001120104	2	Proximity Sensor Assembly (Note: Control System must be recalibrated when Switch is replaced.)	
66	4460932	1	Connector - 4 Position	
66	4460464	4	Socket, Female	

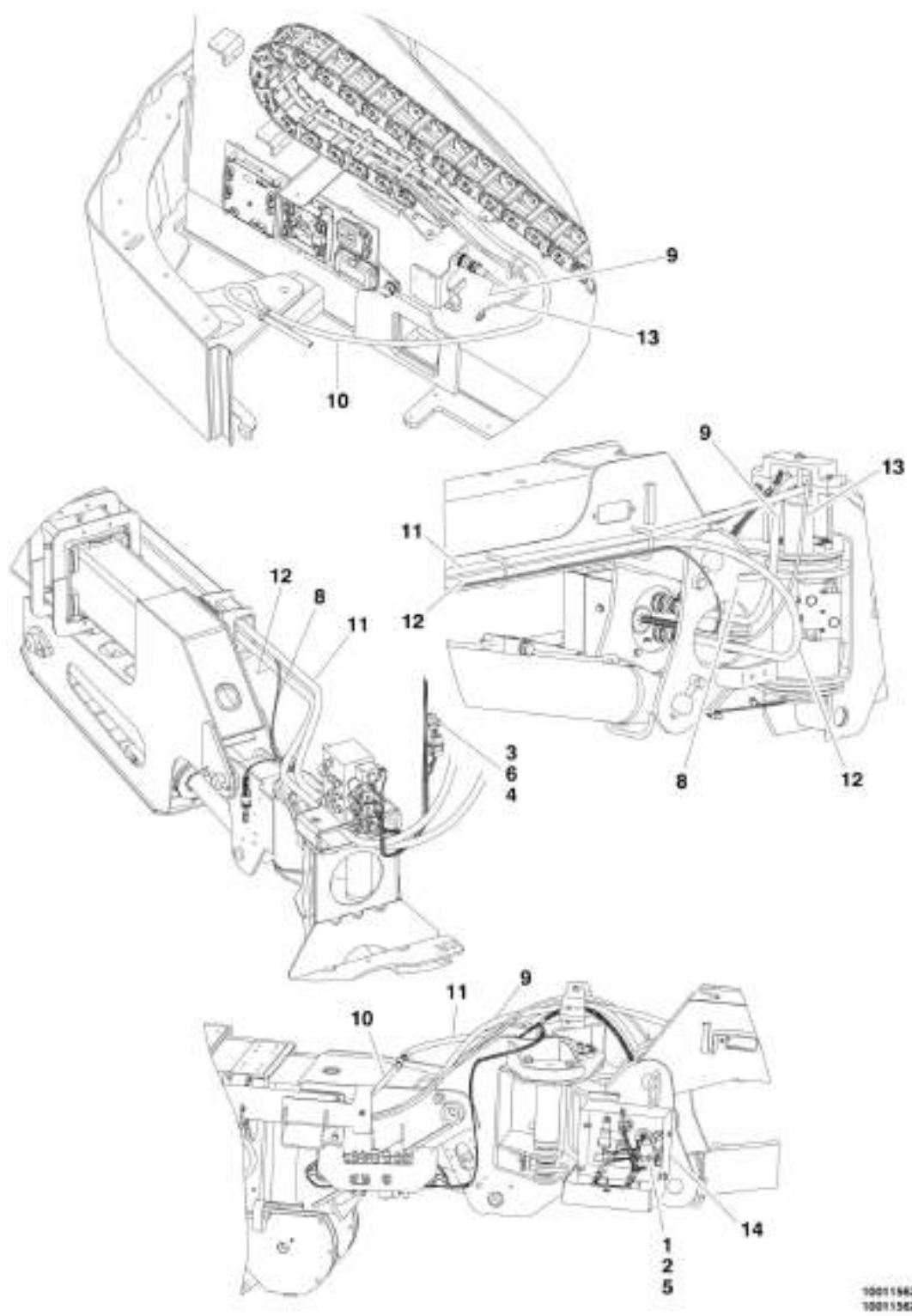


## SECTION 4 - BOOM

ITEM	PART NUMBER	QTY	DESCRIPTION	REV
67	1001147479	4	Angle Sensor Switch Assembly (Note: Control System must be recalibrated when Switch is replaced.)	
67	4460910	1	Connector - 3 Position	
67	4460917	3	Pin, Male	
67	4460913	1	Lock, Wedge	
68	1001146963	1	BEI Angle Sensor Assembly (Note: Control System must be recalibrated when Switch is replaced.)	
68	4460899	1	Connector - 6 Position	
68	4460464	6	Socket, Female	
69	1001149160	2	Nut, Tinnerman M8	
71	1001150999	1	Boom Length Sensor Assembly (Note: Control System must be recalibrated when Switch is replaced.)	
71	4460536	1	Receptacle, Female - 3 Position	
71	4460464	1	Pin, Male	
72	1001151000	1	Mount, Switch	
73	1001155262	1	Link, Angle Sensor (Note: Control System must be recalibrated when Switch is replaced.)	
74	1001155835	1	Plate	
75	1001155836	1	Adapter, Sensor	
76	1001135483	1	Pin	
77	1001120076	1	Mount, Sensor	
79	1001156778	1	Pin	
80	0761016	3	Bolt M10 X 40	
81	3290601	2	Nut M6	
82	3290606	2	Nut M6	
83	1001158015	1	Cable, Sensor (See ELECTRICAL SECTION for Breakdown) <b>(Prior to SN 0300224828)</b>	
84	1001158411	1	Harness, Base Boom (See ELECTRICAL SECTION for Breakdown) <b>(Prior to SN 0300224828)</b>	
84	1001215949	1	Harness, Base Boom (See ELECTRICAL SECTION for Breakdown) <b>(SN 0300224828 to Present)</b>	
85	1001159363	1	Cable, Transport Switch (See ELECTRICAL SECTION for Breakdown)	
86	1321385	3	Clamp	
87	3281601	1	Nut 3/8-16	
88	3930824	2	Capscrew #8 X 1-1/2	
89	4031205	6	Capscrew M3 X 10	
90	1001135479	1	Sensor, Angle (Note: Control System must be recalibrated when Switch is replaced.)	
91	1001135484	1	Adapter, Sensor	
92	0760612	1	Bolt, M6 x 25	
93	1321293	1	Clamp, Cable	
94	0791505001	2	Screw, 5/16-18NC x 5/8	
95	1001216790	1	Cover <b>(SN 0300224828 to Present)</b>	
101	1001196517	2	Cable, Sensor <b>(SN 0300224828 to Present)</b>	
101	1001097051	2	Connector - 4 Position	
101	1001116695	6	Socket, Female	
101	4460518	2	Plug, Socket	

# SECTION 4 - BOOM

FIGURE 4-18. BOOM CABLES - ANSI, ANSI EXPORT, CHINA, CSA AND JAPANESE SPECS



1001156216  
1001156217

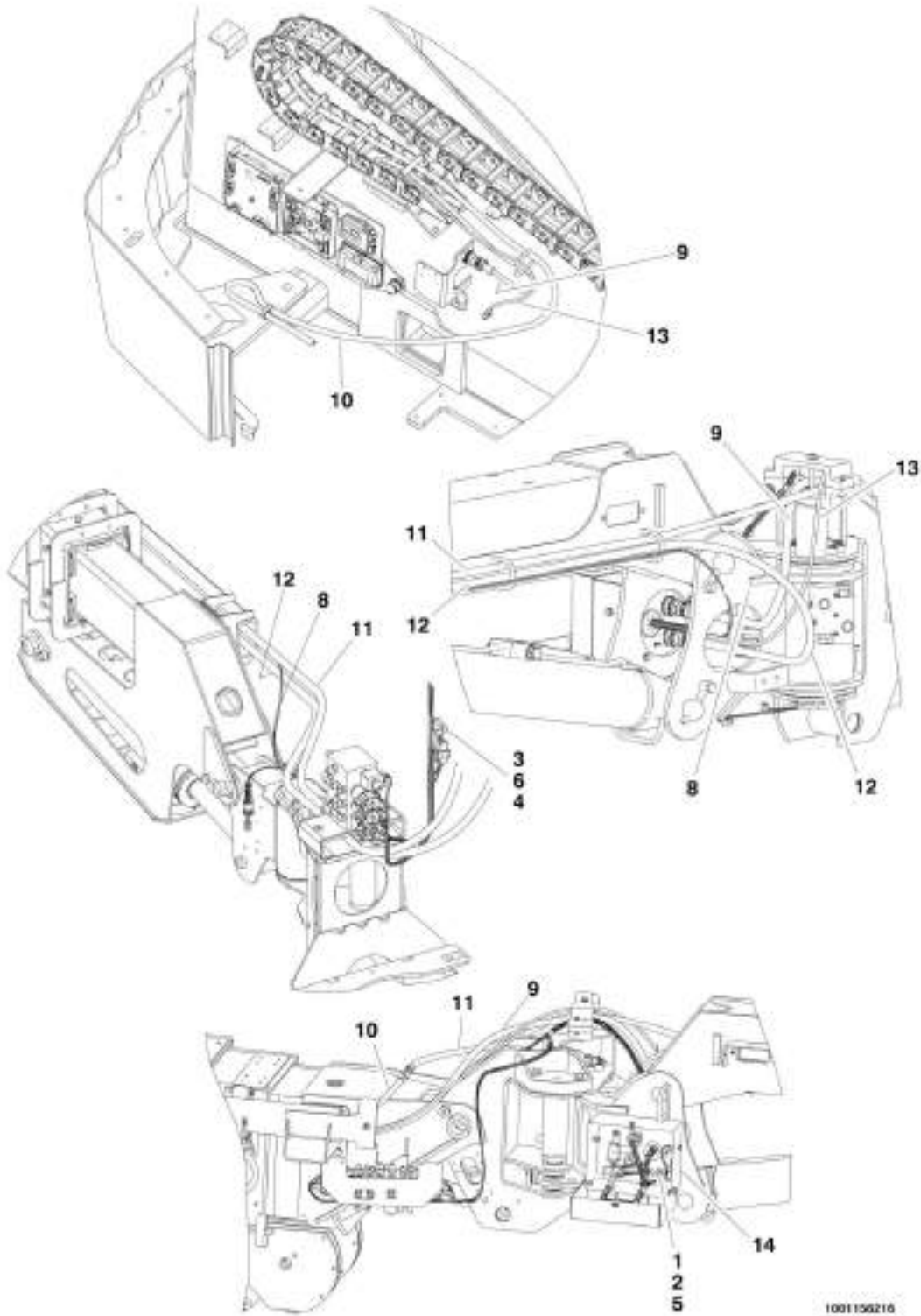
## SECTION 4 - BOOM

**FIGURE 4-18. BOOM CABLES - ANSI, ANSI EXPORT, CHINA, CSA AND JAPANESE SPECS**

ITEM	PART NUMBER	QTY	DESCRIPTION	REV
	1001156216	Ref	BOOM CABLES INSTALLATION (ANSI, ANSI EXPORT, CHINA, CSA AND JAPANESE SPECS)	D
1	0100011	AR	Compound, Locking	
2		Ref	Bolt Options:	
2	0641608	2	Bolt 3/8-16 x 1 ( <b>Prior to SN 0300194497</b> )	
2	0641608001	2	Bolt 3/8-16 x 1 ( <b>SN 0300194497 to Present</b> )	
3		Ref	Bolt Options:	
3	0700818	1	Bolt M8 x 50 ( <b>Prior to SN 0300194497</b> )	
3	0700818001	1	Bolt M8 x 50 ( <b>SN 0300194497 to Present</b> )	
4		Ref	Nut Options:	
4	3290805	1	Nut M8 ( <b>Prior to SN 0300194497</b> )	
4	3290805001	1	Nut M8 ( <b>SN 0300194497 to Present</b> )	
5		Ref	Washer Options:	
5	4711600	2	Washer 3/8 ( <b>Prior to SN 0300194497</b> )	
5	4711600001	2	Washer 3/8 ( <b>SN 0300194497 to Present</b> )	
6		Ref	Washer Options:	
6	4811900	2	Washer M8 ( <b>Prior to SN 0300194497</b> )	
6	4811900001	2	Washer M8 ( <b>SN 0300194497 to Present</b> )	
8	1001149977	1	Harness, Platform Valve (See ELECTRICAL SECTION for Breakdown)	
9	1001156893	1	Cable, Main Boom Control (See ELECTRICAL SECTION for Breakdown)	
10	1001156894	1	Cable, Main Boom AC (See ELECTRICAL SECTION for Breakdown)	
11	1001156896	1	Cable, Jib AC (See ELECTRICAL SECTION for Breakdown)	
12	1001156897	1	Cable, Jib Control (See ELECTRICAL SECTION for Breakdown)	
13	1001158207	1	Cable, Main Boom 16/4 (See ELECTRICAL SECTION for Breakdown)	
14	1001159621	1	Box, Jib Enclosure (See BOX - JIB ENCLOSURE for Breakdown)	

# SECTION 4 - BOOM

## FIGURE 4-19. BOOM CABLES (AUSTRALIAN AND CE SPECS)



1001156216  
1001196217

## SECTION 4 - BOOM

**FIGURE 4-19. BOOM CABLES (AUSTRALIAN AND CE SPECS)**

ITEM	PART NUMBER	QTY	DESCRIPTION	REV
	1001156217	Ref	BOOM CABLES INSTALLATION (AUSTRALIAN CE AND CHINA SPECS)	D
1	0100011	AR	Compound, Locking	
2		Ref	Bolt Options:	
2	0641608	2	Bolt 3/8-16 x 1 ( <b>Prior to SN 0300194497</b> )	
2	0641608001	2	Bolt 3/8-16 x 1 ( <b>SN 0300194497 to Present</b> )	
3		Ref	Bolt Options:	
3	0700818	1	Bolt M8 x 50 ( <b>Prior to SN 0300194497</b> )	
3	0700818001	1	Bolt M8 x 50 ( <b>SN 0300194497 to Present</b> )	
4		Ref	Nut Options:	
4	3290805	1	Nut M8 ( <b>Prior to SN 0300194497</b> )	
4	3290805001	1	Nut M8 ( <b>SN 0300194497 to Present</b> )	
5		Ref	Washer Options:	
5	4711600	2	Washer 3/8 ( <b>Prior to SN 0300194497</b> )	
5	4711600001	2	Washer 3/8 ( <b>SN 0300194497 to Present</b> )	
6		Ref	Washer Options:	
6	4811900	2	Washer M8 ( <b>Prior to SN 0300194497</b> )	
6	4811900001	2	Washer M8 ( <b>SN 0300194497 to Present</b> )	
8	1001149977	1	Harness, Platform Valve (See ELECTRICAL SECTION for Breakdown)	
9	1001156893	1	Cable, Main Boom Control (See ELECTRICAL SECTION for Breakdown)	
10	1001157636	1	Cable, Main Boom AC (See ELECTRICAL SECTION for Breakdown)	
11	1001157637	1	Cable, Jib AC (See ELECTRICAL SECTION for Breakdown)	
12	1001156897	1	Cable, Jib Control (See ELECTRICAL SECTION for Breakdown)	
13	1001158207	1	Cable, Main Boom 16/4 (See ELECTRICAL SECTION for Breakdown)	
14	1001159621	1	Box, Jib Enclosure (See BOX - JIB ENCLOSURE for Breakdown)	

# SECTION 4 - BOOM

## FIGURE 4-20. BOOM CABLES - SKYPOWER

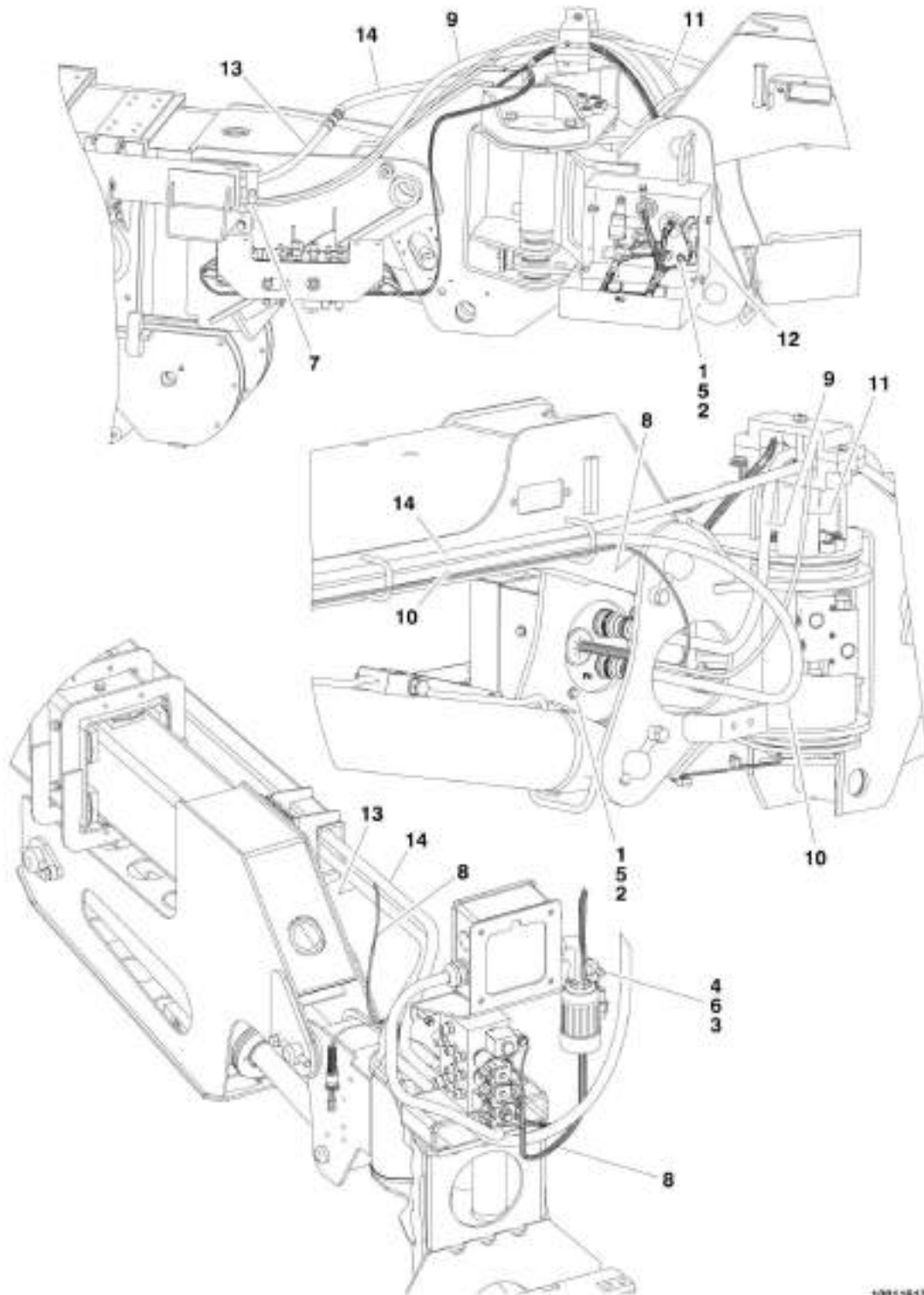
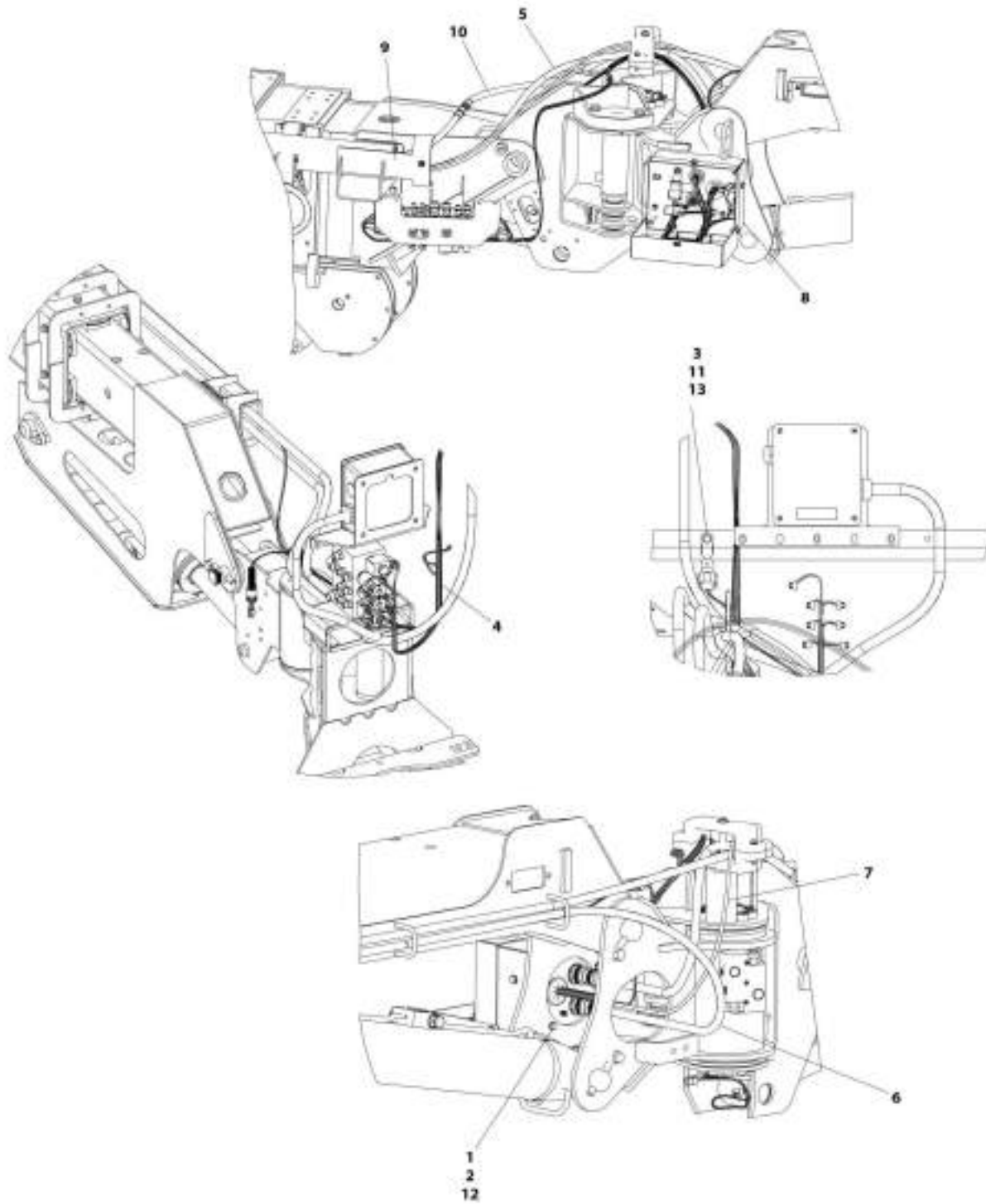


FIGURE 4-20. BOOM CABLES - SKYPOWER

ITEM	PART NUMBER	QTY	DESCRIPTION	REV
	1001161729	Ref	BOOM CABLES INSTALLATION - SKYPOWER	D
1	0100011	AR	Compound, Locking	
2		Ref	Bolt Options:	
2	0641608	2	Bolt 3/8-16 x 1 <b>(Prior to SN 0300194497)</b>	
2	0641608001	2	Bolt 3/8-16 x 1 <b>(SN 0300194497 to Present)</b>	
3		Ref	Bolt Options:	
3	0700818	1	Bolt M8 x 50 <b>(Prior to SN 0300194497)</b>	
3	0700818001	1	Bolt M8 x 50 <b>(SN 0300194497 to Present)</b>	
4		Ref	Nut Options:	
4	3290805	1	Nut M8 <b>(Prior to SN 0300194497)</b>	
4	3290805001	1	Nut M8 <b>(SN 0300194497 to Present)</b>	
5		Ref	Washer Options:	
5	4711600	2	Washer 3/8 <b>(Prior to SN 0300194497)</b>	
5	4711600001	2	Washer 3/8 <b>(SN 0300194497 to Present)</b>	
6		Ref	Washer Options:	
6	4811900	2	Washer M8 <b>(Prior to SN 0300194497)</b>	
6	4811900001	2	Washer M8 <b>(SN 0300194497 to Present)</b>	
7	86621230	1	Clamp <b>(Prior to SN 0300194497)</b>	
8	1001149977	1	Harness, Platform Valve (See ELECTRICAL SECTION for Breakdown)	
9	1001156893	1	Cable, Main Boom Control (See ELECTRICAL SECTION for Breakdown)	
10	1001156897	1	Cable, Jib Control (See ELECTRICAL SECTION for Breakdown)	
11	1001158207	1	Cable, Main Boom 16/4 (See ELECTRICAL SECTION for Breakdown)	
12	1001159621	1	Box, Jib Enclosure (See BOX - JIB ENCLOSURE for Breakdown)	
13	1001161730	1	Cable, Main Boom Generator Power (See ELECTRICAL SECTION for Breakdown) <b>(Prior to SN 0300228529)</b>	
13	1001226287	1	Cable, Main Boom Generator Power (See ELECTRICAL SECTION for Breakdown) <b>(SN 0300228529 to Present)</b>	
14	1001161731	1	Cable, Jib Generator Power (See ELECTRICAL SECTION for Breakdown) <b>(Prior to SN 0300228529)</b>	
14	1001226288	1	Cable, Jib Generator Power (See ELECTRICAL SECTION for Breakdown) <b>(SN 0300228529 to Present)</b>	

## SECTION 4 - BOOM

FIGURE 4-21. BOOM CABLES INSTALLATION - 4000W 50HZ GENERATOR (ANSI EXPORT, AUSTRALIAN, CE, CHINA AND JAPANESE SPECS)



ART\_1001211129



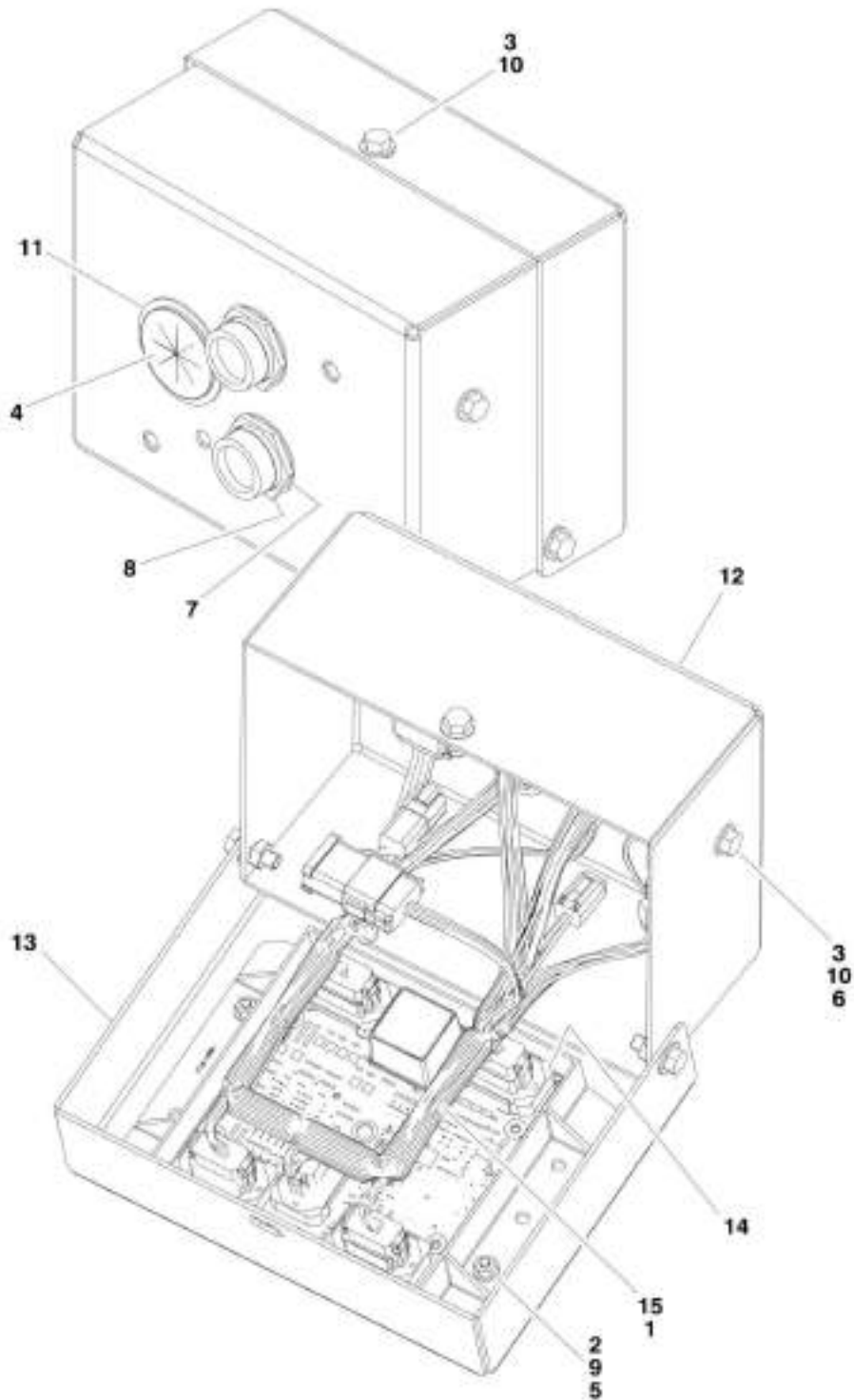
## SECTION 4 - BOOM

**FIGURE 4-21. BOOM CABLES INSTALLATION - 4000W 50HZ GENERATOR (ANSI EXPORT, AUSTRALIAN, CE, CHINA AND JAPANESE SPECS)**

ITEM	PART NUMBER	QTY	DESCRIPTION	REV
	1001211129	Ref	BOOM CABLES INSTALLATION - 4000W 50HZ GENERATOR (ANSI EXPORT, AUSTRALIAN, CE, CHINA AND JAPANESE SPECS)	A
1	0100011	AR	Compound, Locking	
2	0641608001	2	Bolt 3/8 x 1	
3	0700818001	1	Bolt M8 x 50	
4	1001149977	1	Harness, Platform Valve (See ELECTRICAL SECTION for Breakdown)	
5	1001156893	1	Cable, Main Boom Control (See ELECTRICAL SECTION for Breakdown)	
6	1001156897	1	Cable, Jib Control (See ELECTRICAL SECTION for Breakdown)	
7	1001158207	1	Cable, Main Boom 16/4 (See ELECTRICAL SECTION for Breakdown)	
8	1001159621	1	Box, Jib Enclosure (See BOX - JIB ENCLOSURE for Breakdown)	
9	1001211130	1	Cable, Main Boom AC (See ELECTRICAL SECTION for Breakdown)	
10	1001211131	1	Cable, Jib AC (See ELECTRICAL SECTION for Breakdown)	
11	3290805001	1	Nut M8	
12	4711600001	2	Washer 3/8	
13	4811900001	2	Washer M8	

# SECTION 4 - BOOM

## FIGURE 4-22. JIB ENCLOSURE BOX ASSEMBLY



1001199621

FIGURE 4-22. JIB ENCLOSURE BOX ASSEMBLY

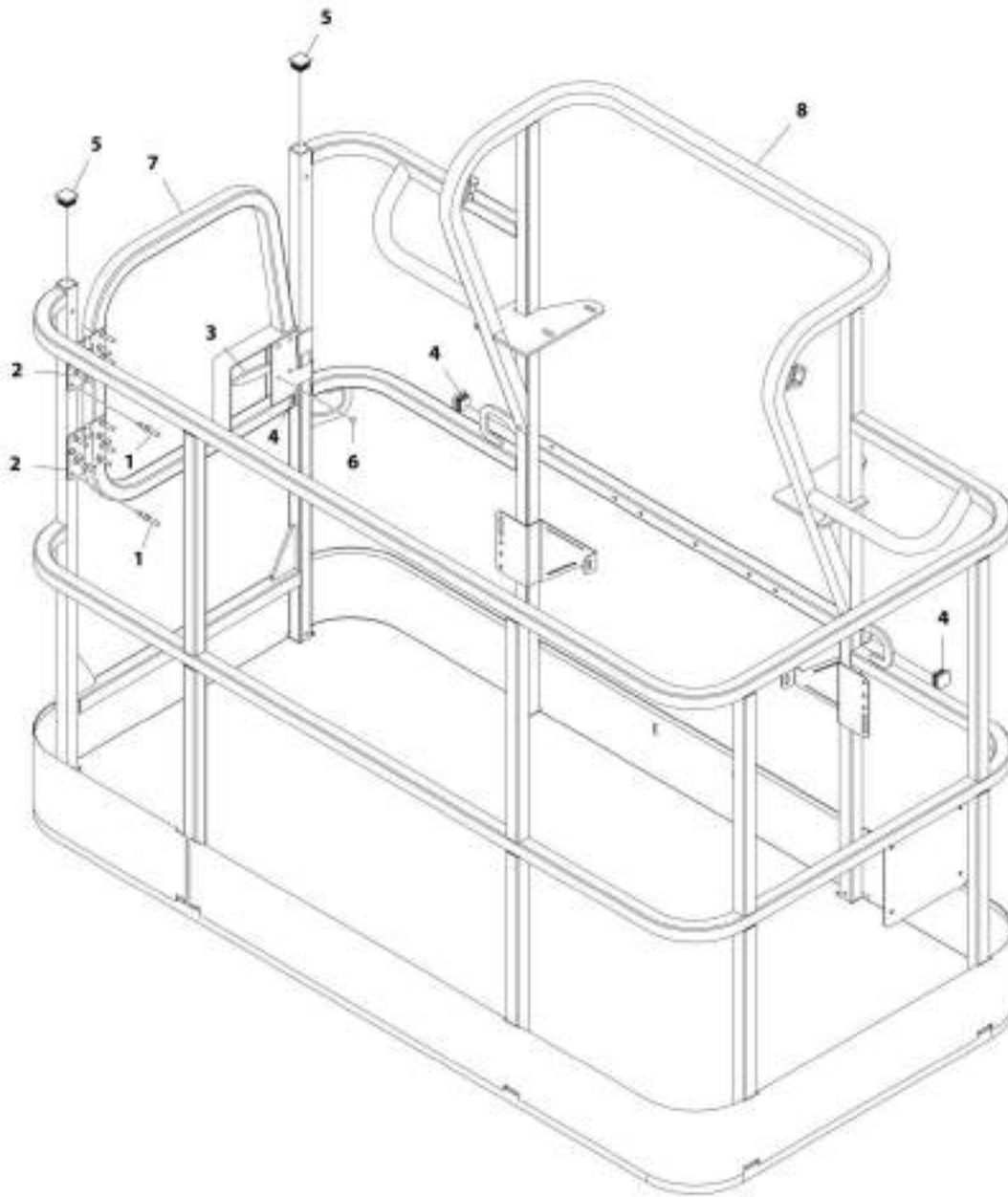
ITEM	PART NUMBER	QTY	DESCRIPTION	REV
	1001159621	Ref	JIB ENCLOSURE BOX ASSEMBLY	C
1	0100048	AR	Compound, Silicone	
2		Ref	Bolt Options:	
2	0641406	2	Bolt 1/4-20 x 3/4 <b>(Prior to SN 0300194497)</b>	
2	0641406001	2	Bolt 1/4-20 x 3/4 <b>(SN 0300194497 to Present)</b>	
3		Ref	Bolt Options:	
3	0641608	5	Bolt 3/8-16 x 1 <b>(Prior to SN 0300194497)</b>	
3	0641608001	5	Bolt 3/8-16 x 1 <b>(SN 0300194497 to Present)</b>	
4	2540045	1	Grommet	
5		Ref	Nut Options:	
	3311405	2	Nut 1/4-20 <b>(Prior to SN 0300194497)</b>	
	3311405001	2	Nut 1/4-20 <b>(SN 0300194497 to Present)</b>	
6		Ref	Nut Options:	
	3311605	2	Nut 3/8-16 <b>(Prior to SN 0300194497)</b>	
	3311605001	2	Nut 3/8-16 <b>(SN 0300194497 to Present)</b>	
7	4460470	2	Nut, Terminal	
8	4460471	2	Washer, Terminal	
9		Ref	Washer Options 1/4:	
	4711400	4	Washer <b>(Prior to SN 300194497)</b>	
	4711400001	4	Washer <b>(SN 0300194497 to Present)</b>	
10		Ref	Washer Options 3/8:	
	4711600	7	Washer <b>(Prior to SN 0300194497)</b>	
	4711600001	7	Washer <b>(SN 0300194497 to Present)</b>	
11	1001119211	1	Washer	
12	1001119214	1	Box	
13	1001119215	1	Cover	
14	1001119262	1	Module, Jib Control (Note: Control System Must Be Recalibrated When Controller is Replaced.)	
15	1001149978	1	Harness - Jib Valve (See ELECTRICAL SECTION for Breakdown)	



**SECTION 5 - PLATFORM**

## SECTION 5 - PLATFORM

FIGURE 5-1. PLATFORM ASSEMBLY - 36IN X 6FT (91.5CM X 1.83M) WITH SWING GATE



ARE\_1001180384

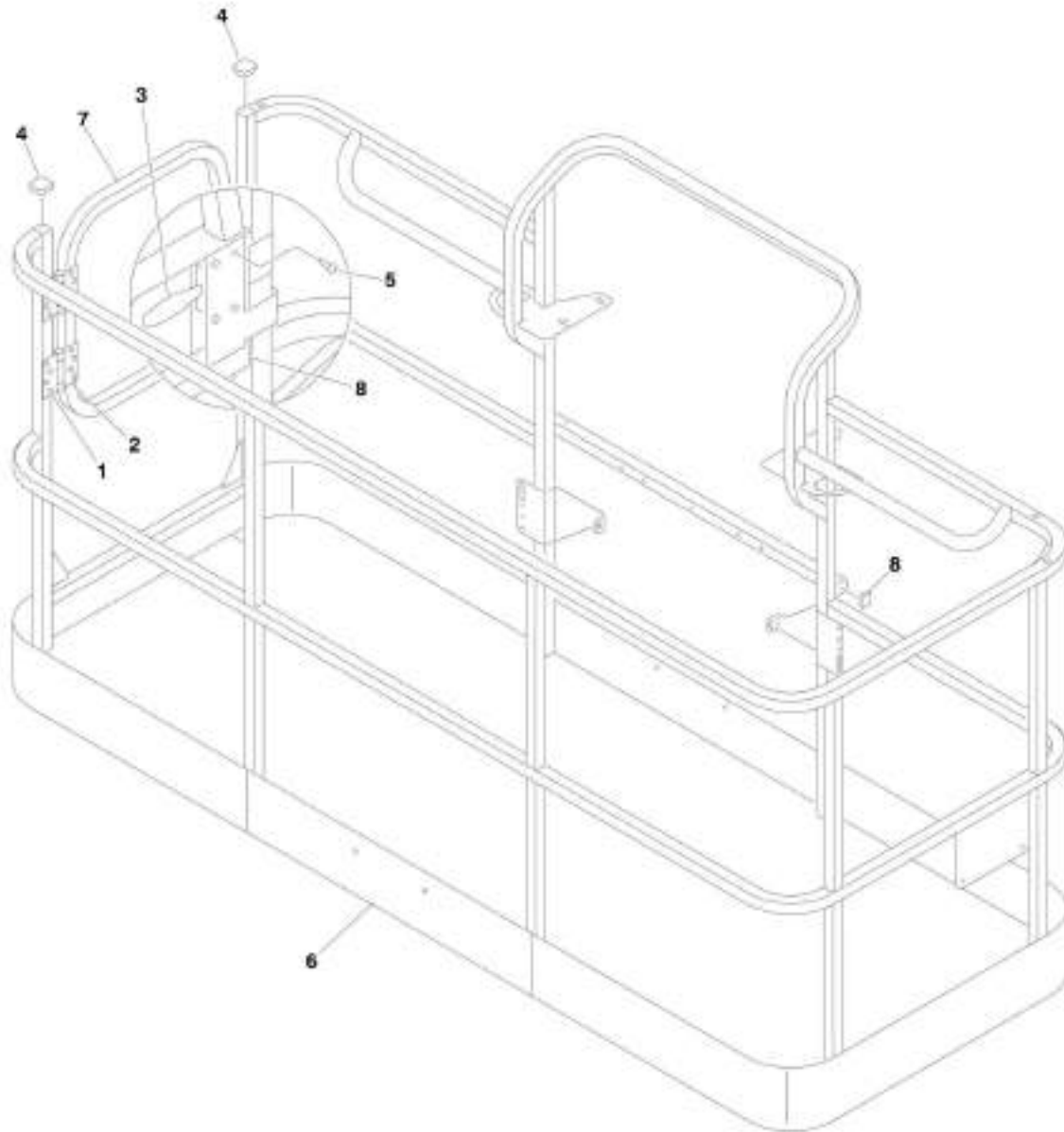
## SECTION 5 - PLATFORM

**FIGURE 5-1. PLATFORM ASSEMBLY - 36IN X 6FT (91.5CM X 1.83M) WITH SWING GATE**

ITEM	PART NUMBER	QTY	DESCRIPTION	REV
	1001186384	Ref	PLATFORM ASSEMBLY - 36IN X 6FT (91.5CM X 1.83M) WITH SWING GATE	C
	See Note	Ref	Note: Platform and Mesh must be ordered separately for Platforms with Mesh. See SPECIAL OPTIONS SECTION for Mesh Installations.	
	See Note	Ref	Note: Replacement Decals Must be Ordered Separately - See DECALS SECTION.	
1	2080040	16	Fastener, Huck	
2	2600281	2	Hinge	
3	2940074	1	Latch	
4	3520072	3	Plug	
5	3520198	2	Plug	
6	3820020	4	Rivet	
7	1001144629	1	Gate	
8	See Note	1	Platform (Note: Not Available - Purchase Platform Assembly)	

# SECTION 5 - PLATFORM

FIGURE 5-2. PLATFORM ASSEMBLY - SIDE GATE ENTRY (Prior to SN 0300201023)



1001144023



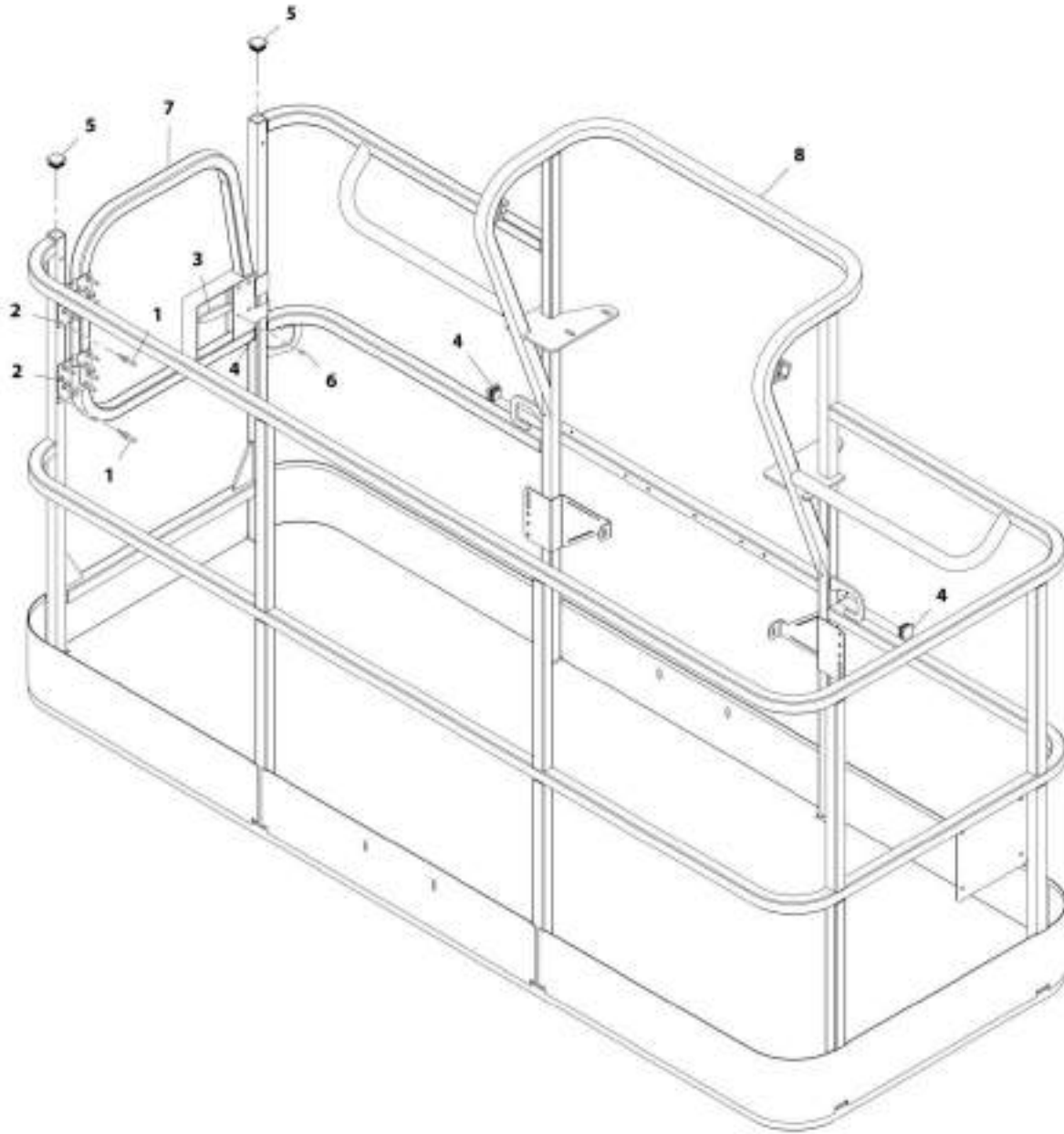
## SECTION 5 - PLATFORM

**FIGURE 5-2. PLATFORM ASSEMBLY - SIDE GATE ENTRY (Prior to SN 0300201023)**

ITEM	PART NUMBER	QTY	DESCRIPTION	REV
		Ref	Note: Replacement Decals Must be Ordered Separately - See DECAL SECTION.	
	1001144023	Ref	PLATFORM ASSEMBLY - SIDE GATE ENTRY (3FT X 8FT/.91M X 2.44M) <b>(Prior to SN 0300201023)</b>	C
1	2080040	16	Fastener	
2	2600281	2	Hinge	
3	2940074	1	Latch	
4	3520198	2	Plug	
5	3820020	4	Rivet	
6	See Note	NSS	Platform Weldment (Note: Not Available - Purchase Platform Assembly)	
7	1001144629	1	Gate	
8	3520072	3	Plug	

# SECTION 5 - PLATFORM

FIGURE 5-3. PLATFORM ASSEMBLY - SIDE GATE ENTRY (SN 0300201023 to Present)



ART\_100180383

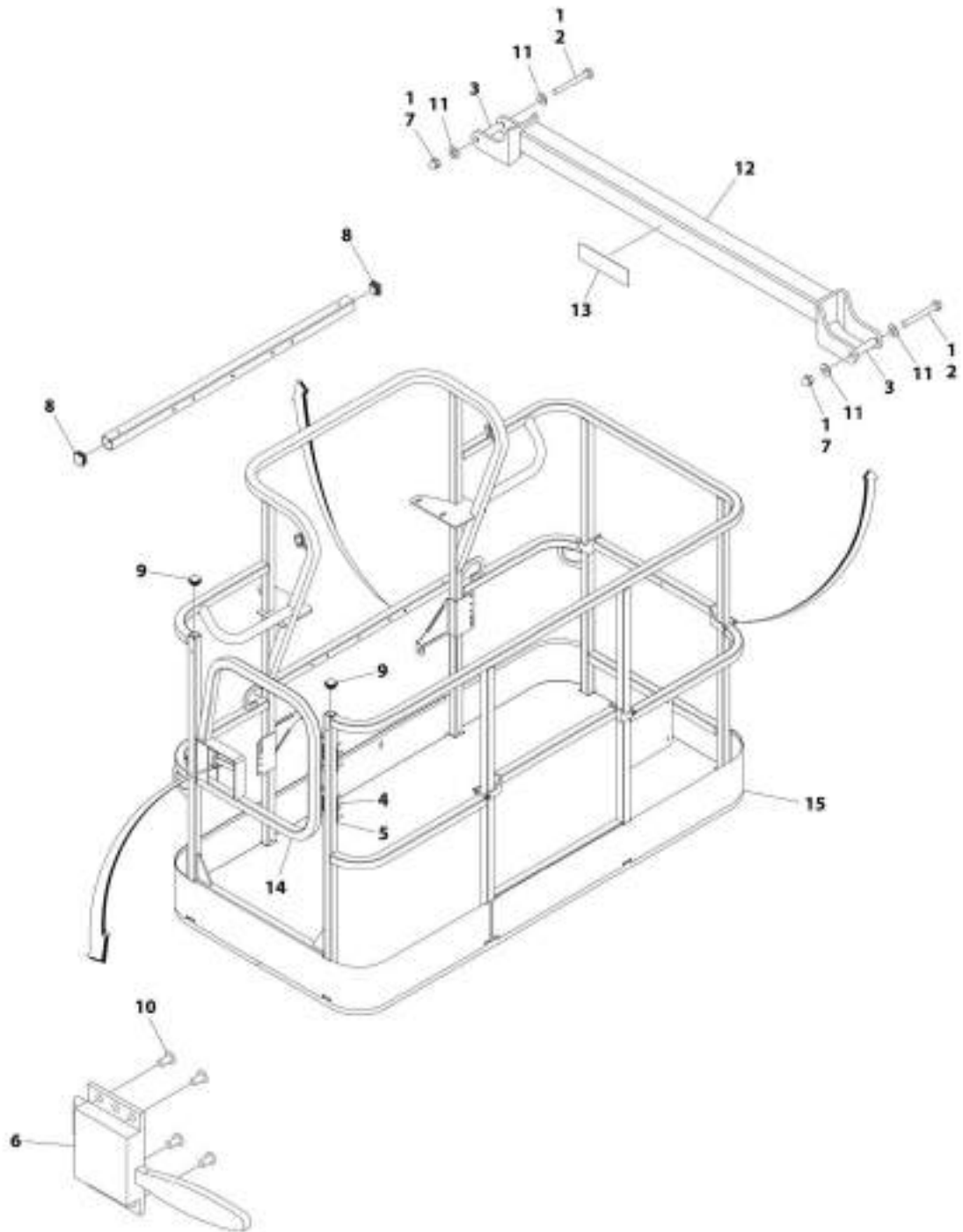
## SECTION 5 - PLATFORM

**FIGURE 5-3. PLATFORM ASSEMBLY - SIDE GATE ENTRY (SN 0300201023 to Present)**

ITEM	PART NUMBER	QTY	DESCRIPTION	REV
		Ref	Note: Replacement Decals Must be Ordered Separately - See DECAL SECTION.	
	1001186383	Ref	PLATFORM ASSEMBLY - SIDE GATE ENTRY (3FT X 8FT/.91M X 2.44M) <b>(SN 0300201023 to Present)</b>	D
1	2080040	16	Fastener	
2	2600281	2	Hinge	
3	2940074	1	Latch	
4	3520072	3	Plug	
5	3520198	2	Plug	
6	3820020	4	Rivet	
7	1001144629	1	Gate	
8	See Note	NSS	Platform Weldment (Note: Not Available - Purchase Platform Assembly)	

# SECTION 5 - PLATFORM

## FIGURE 5-4. PLATFORM ASSEMBLY - SIDE GATE/DROP BAR TRI-ENTRY



AHT\_1001228376

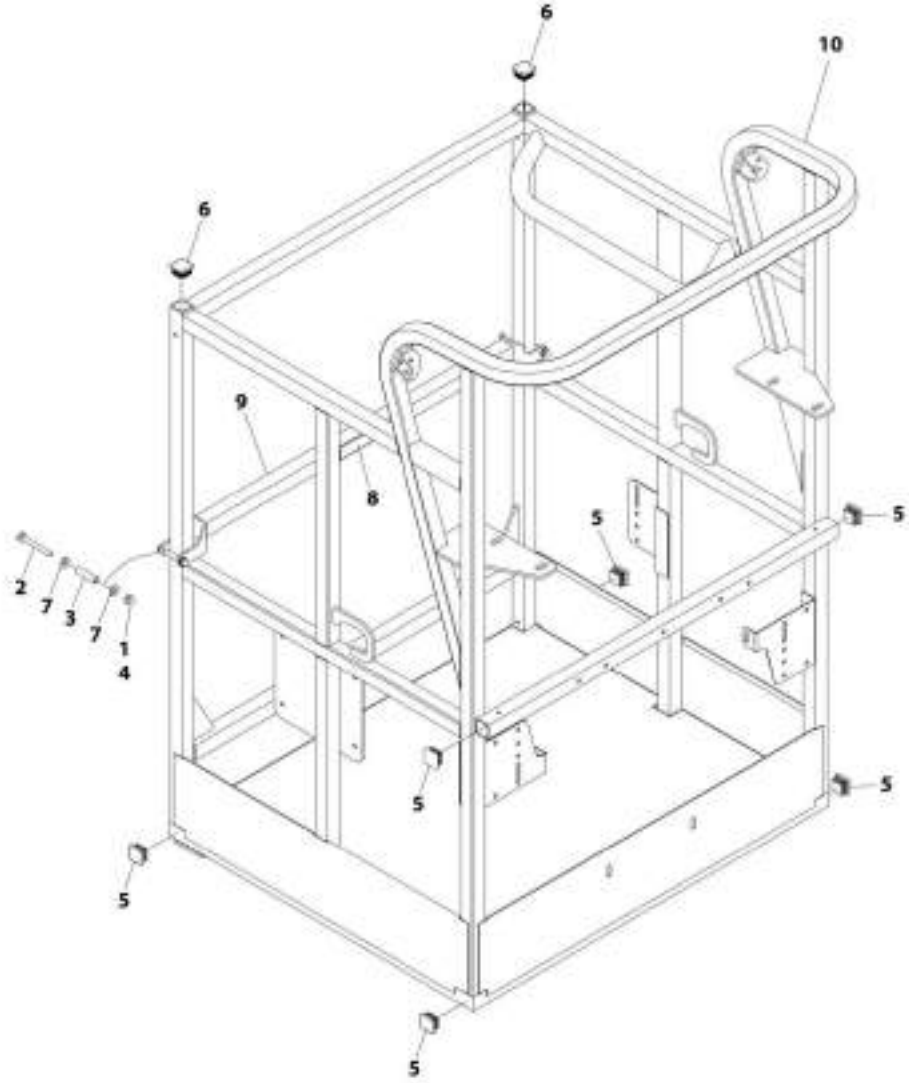
## SECTION 5 - PLATFORM

**FIGURE 5-4. PLATFORM ASSEMBLY - SIDE GATE/DROP BAR TRI-ENTRY**

ITEM	PART NUMBER	QTY	DESCRIPTION	REV
	1001228376	Ref	PLATFORM ASSEMBLY - SIDE GATE/DROP BAR TRI-ENTRY (3FT x 6FT/.91M x 1.83 M)	A
		Ref	Note: Replacement Decals Must be Ordered Separately - See DECAL SECTION.	
1	0100011	AR	Compound, Locking	
2	0641418	4	Bolt 1/4 x 2-1/4	
3	0961845	4	Bushing	
4	2080040	16	Fastener	
5	2600281	2	Hinge	
6	2940074	1	Latch	
7	3300151	4	Nut, Acorn	
8	3520072	3	Plug	
9	3520198	2	Plug	
10	3820020	4	Rivet	
11	4711400	8	Washer 1/4	
12	1001138494	2	Bar, Drop	
13	1001140429	2	Decal - Drop Bar	
14	1001144629	1	Gate	
15	See Note	NSS	Platform, Weldment (Note: Not Available - Purchase Platform Assembly)	

**SECTION 5 - PLATFORM**

**FIGURE 5-5. PLATFORM ASSEMBLY - DROP BAR ENTRY**



ART\_1001228215

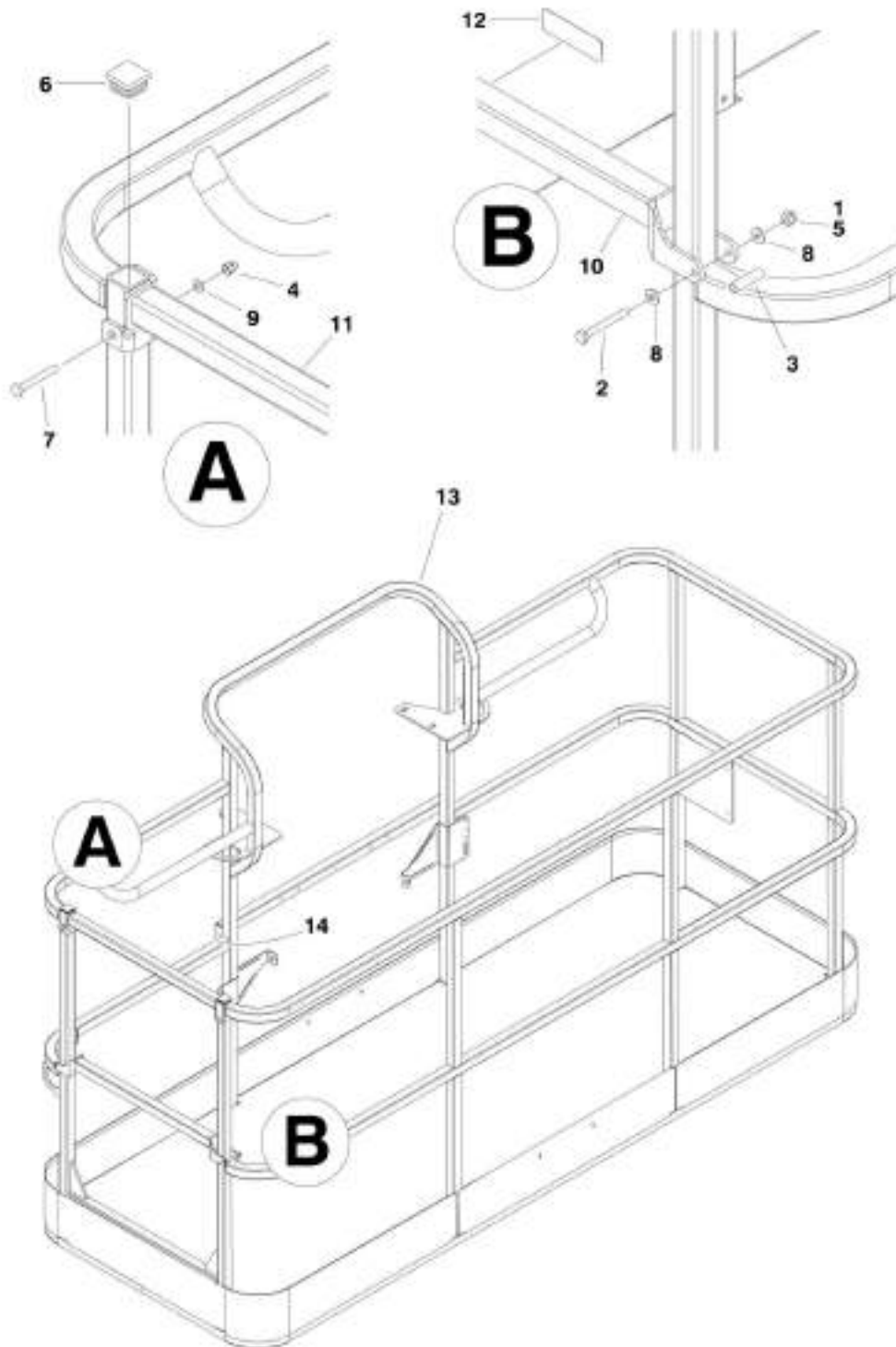
## SECTION 5 - PLATFORM

**FIGURE 5-5. PLATFORM ASSEMBLY - DROP BAR ENTRY**

ITEM	PART NUMBER	QTY	DESCRIPTION	REV
	1001228215	Ref	PLATFORM ASSEMBLY - DROP BAR ENTRY (30IN x 3FT/76.2CM x .91M)	A
		Ref	Note: Replacement Decals Must be Ordered Separately - See DECAL SECTION.	
1	0100011	AR	Compound, Locking	
2	0641418	2	Bolt 1/4 x 2-1/4	
3	0961845	2	Bushing	
4	3300151	2	Nut, Acorn	
5	3520072	6	Plug	
6	3520198	2	Plug	
7	4711400	4	Washer 1/4	
8	1001140429	1	Decal - Drop Bar	
9	1001226872	1	Bar, Drop	
10	See Note	NSS	Platform, Weldment (Note: Not Available - Purchase Platform Assembly)	

# SECTION 5 - PLATFORM

FIGURE 5-6. PLATFORM ASSEMBLY - DROP BAR ENTRY (Prior to SN 0300201023)



1001144022



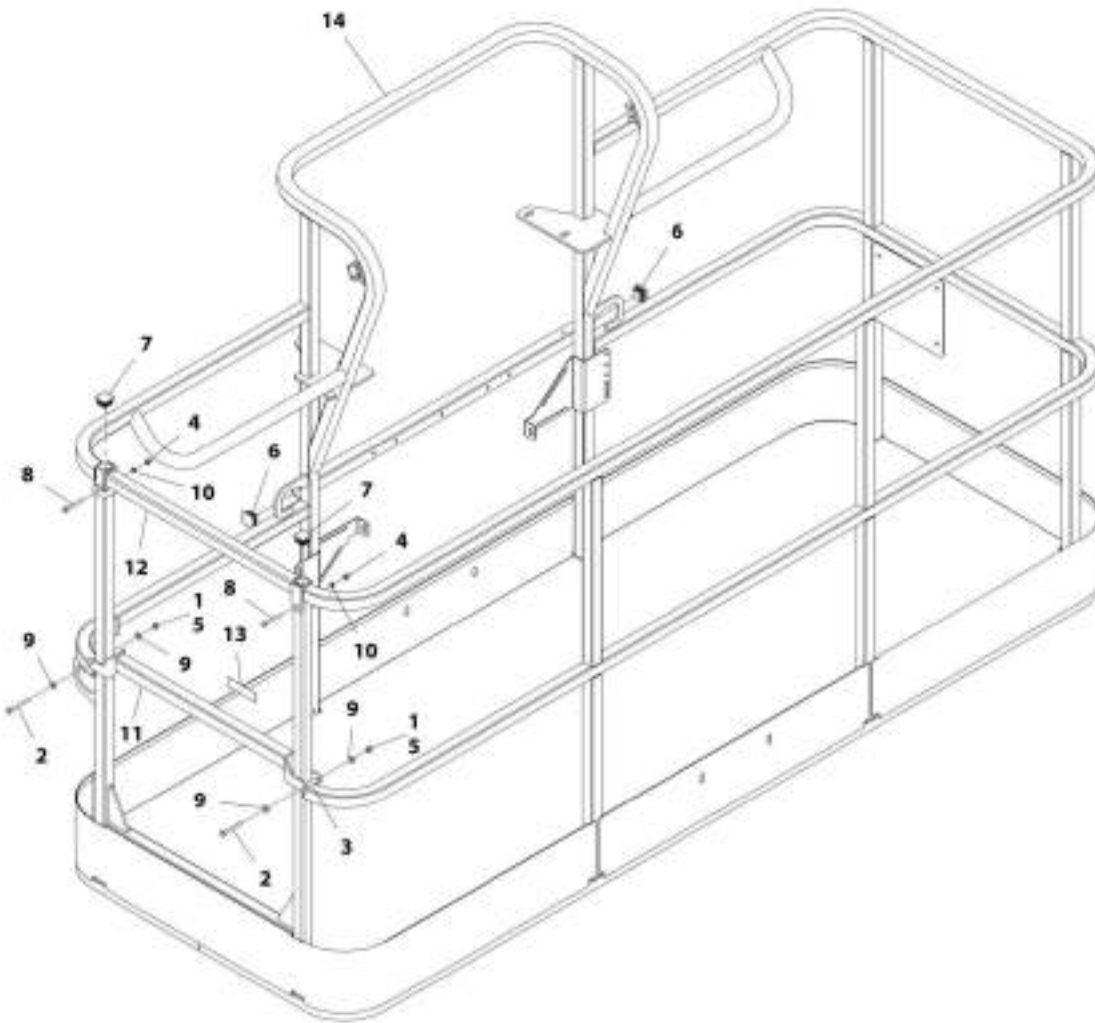
## SECTION 5 - PLATFORM

**FIGURE 5-6. PLATFORM ASSEMBLY - DROP BAR ENTRY (Prior to SN 0300201023)**

ITEM	PART NUMBER	QTY	DESCRIPTION	REV
		Ref	Note: Replacement Decals Must be Ordered Separately - See DECAL SECTION.	
	1001144022	Ref	PLATFORM ASSEMBLY - DROP BAR ENTRY (3FT X 8FT/.91M X 2.44M) <b>(Prior to SN 0300201023)</b>	C
1	0100011	AR	Compound, Locking	
2	0641418	2	Bolt 1/4-20 x 2-1/4	
3	0961845	2	Bushing	
4	3290606	2	Nut M6	
5	3300151	2	Nut, Acorn	
6	3520198	2	Plug	
7	4010618	2	Screw M6 x 50	
8	4711400	4	Washer 1/4	
9	4811700	2	Washer M6	
10	1001138494	1	Bar, Drop	
11	1001138514	1	Rail (Top)	
12	1001140429	1	Decal - Drop-Bar	
13	See Note	NSS	Platform Weldment (Note: Not Available - Purchase Platform Assembly)	
14	3520072	2	Plug	

# SECTION 5 - PLATFORM

FIGURE 5-7. PLATFORM ASSEMBLY - DROP BAR ENTRY (SN 0300201023 to Present)



AWT\_1001100382

## SECTION 5 - PLATFORM

**FIGURE 5-7. PLATFORM ASSEMBLY - DROP BAR ENTRY (SN 0300201023 to Present)**

ITEM	PART NUMBER	QTY	DESCRIPTION	REV
		Ref	Note: Replacement Decals Must be Ordered Separately - See DECAL SECTION.	
	1001186382	Ref	PLATFORM ASSEMBLY - DROP BAR ENTRY (3FT X 8FT/.91M X 2.44M) <b>(SN 0300201023 to Present)</b>	C
1	0100011	AR	Compound, Locking	
2	0641418	2	Bolt 1/4-20 x 2-1/4	
3	0961845	2	Bushing	
4	3290606	2	Nut M6	
5	3300151	2	Nut, Acorn	
6	3520072	2	Plug	
7	3520198	2	Plug	
8	4010618	2	Screw M6 x 50	
9	4711400	4	Washer 1/4	
10	4811700	2	Washer M6	
11	1001138494	1	Bar, Drop	
12	1001138514	1	Rail (Top)	
13	1001140429	1	Decal - Drop-Bar	
14	See Note	NSS	Platform Weldment (Note: Not Available - Purchase Platform Assembly)	



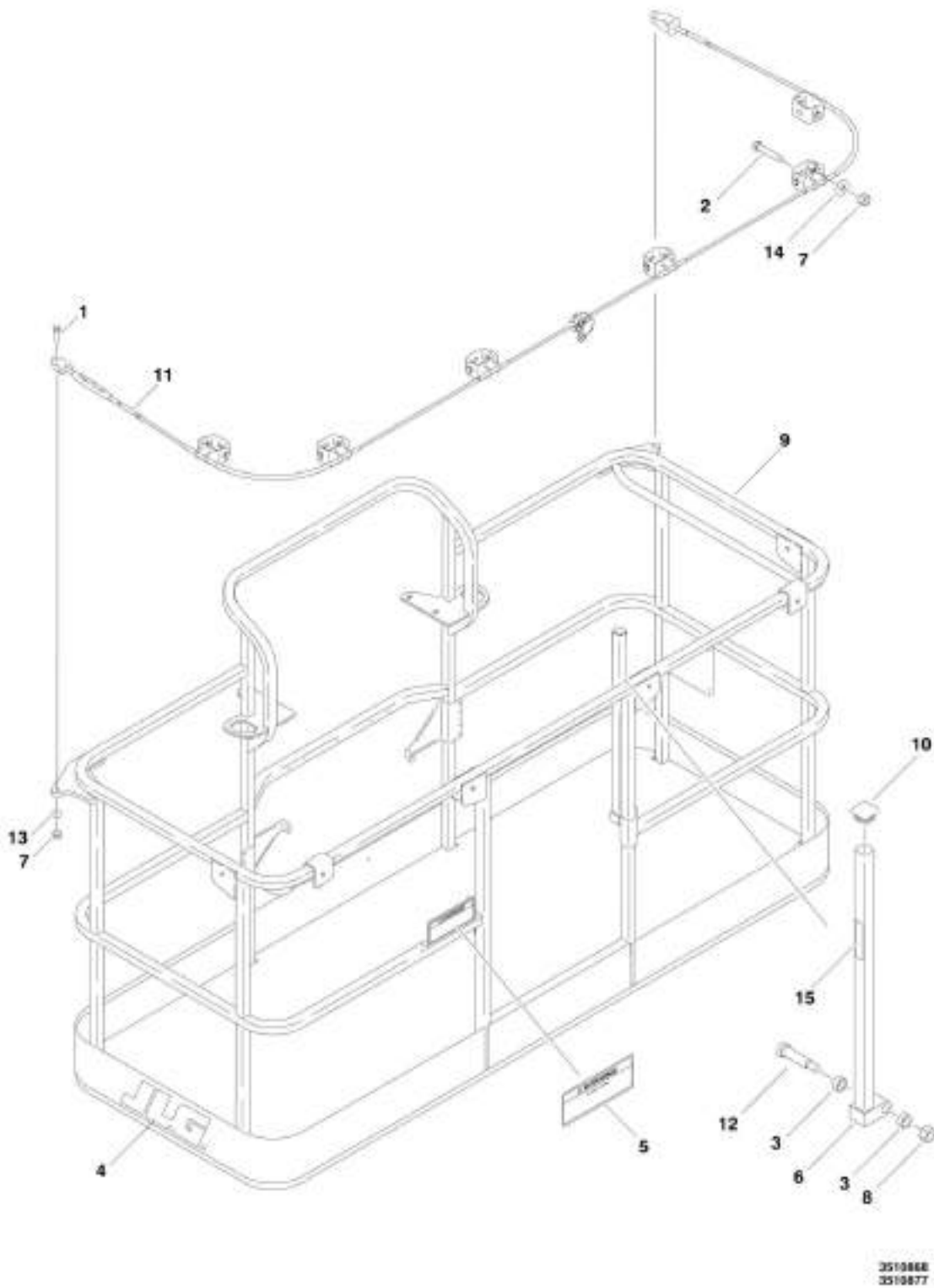
## SECTION 5 - PLATFORM

**FIGURE 5-8. PLATFORM ASSEMBLY - DROP BAR TRI-ENTRY**

ITEM	PART NUMBER	QTY	DESCRIPTION	REV
	1001228377	Ref	PLATFORM ASSEMBLY - DROP BAR TRI-ENTRY (3FT x 6FT/.91M x 1.83 M)	A
		Ref	Note: Replacement Decals Must be Ordered Separately - See DECAL SECTION.	
1	0100011	AR	Compound, Locking	
2	0641418	6	Bolt 1/4 x 2-1/4	
3	0961845	6	Bushing	
4	3290606	2	Nut M6	
5	3300151	6	Nut 1/4	
6	3520072	2	Plug	
7	3520198	2	Plug	
8	4010618	2	Screw M6 x 50	
9	4711400	12	Washer 1/4	
10	4811700	2	Washer M6	
11	1001138494	3	Bar, Drop	
12	1001138514	1	Rail (Top)	
13	1001140429	3	Decal - Drop Bar	
14	See Note	NSS	Platform, Weldment (Note: Not Available - Purchase Platform Assembly)	

# SECTION 5 - PLATFORM

FIGURE 5-9. PLATFORM ASSEMBLY - FALL ARREST - ANSI SPEC (Prior to SN 0300201023)



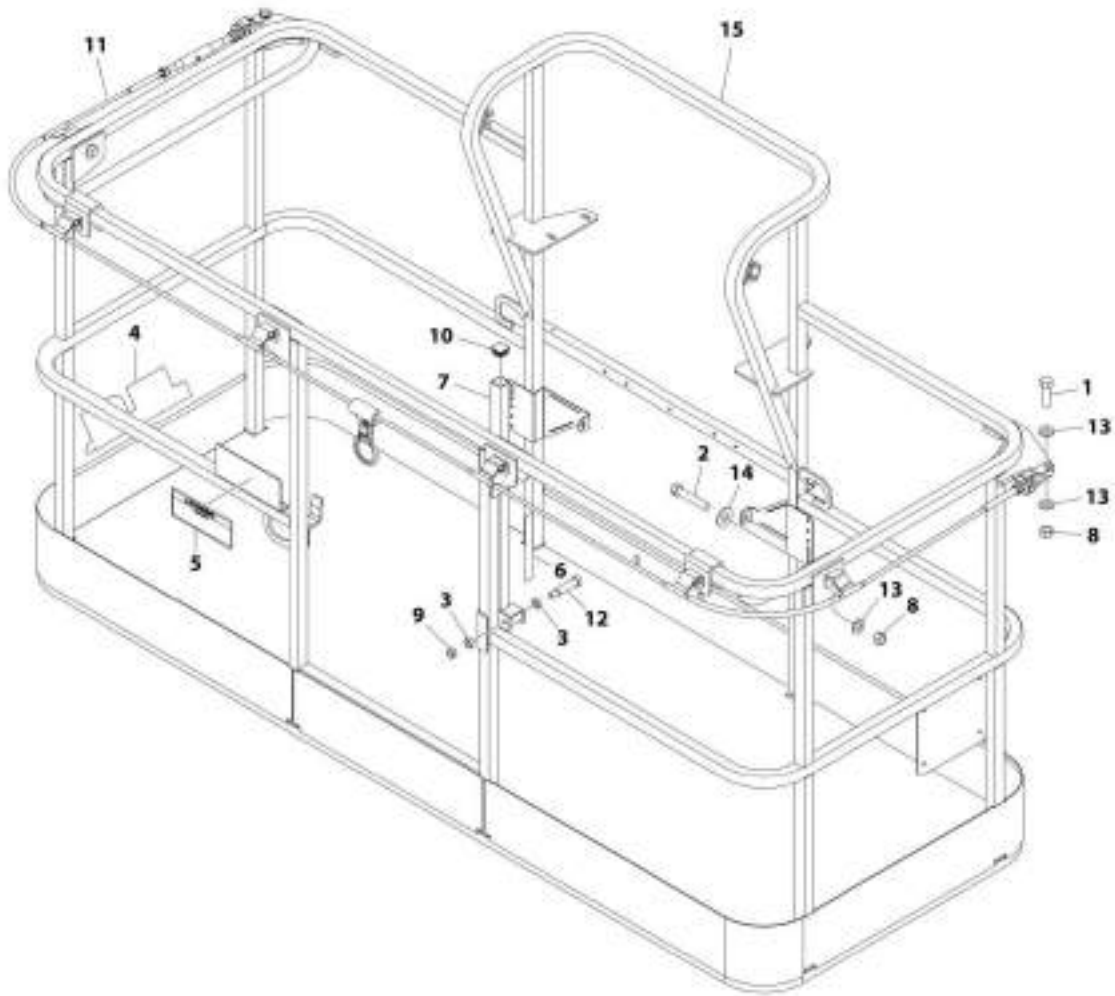
## SECTION 5 - PLATFORM

**FIGURE 5-9. PLATFORM ASSEMBLY - FALL ARREST - ANSI SPEC (Prior to SN 0300201023)**

ITEM	PART NUMBER	QTY	DESCRIPTION	REV
		Ref	Note: Standard decals must be ordered separately - See DECAL SECTION.	
	3510868	Ref	PLATFORM ASSEMBLY - FALL ARREST OPTIONS:	
		Ref	Platform Assembly - Fall Arrest (3ft x 8ft/.91m x 2.44m) (ANSI Spec) <b>(Prior to SN 0300187375)</b>	F
	1001144596	Ref	Platform Assembly - Fall Arrest (3ft x 8ft/.91m x 2.44m) (ANSI Spec) <b>(SN 0300187375 through 0300201022)</b>	D
1	0681814	2	Bolt 1/2-13 x 1-3/4 Grade 8	
2	0681822	6	Bolt 1/2-13 x 2-3/4 Grade 8	
3	0962270	2	Bearing	
4	1702773	1	Decal - JLG	
5	1705014	1	Decal - Safety	
6	2410014	1	Gate	
7	3271805	8	Nut 1/2-13 Grade 8	
8	3311605	1	Nut 3/8-16	
9	See Note	NSS	Platform Weldment (Note: Not Available - Purchase Platform Assembly)	
10	3520072	1	Plug	
11	3890040	1	Cable	
12	3900054	1	Bolt 1/2-13 x 1-3/4	
13	4711800	2	Washer 1/2	
14	4751800	6	Washer 1/2	
15	1706385	1	Decal - Drop Bar	

# SECTION 5 - PLATFORM

FIGURE 5-10. PLATFORM ASSEMBLY - FALL ARREST - ANSI SPEC (SN 0300201023 to Present)



ART\_1801186334



## SECTION 5 - PLATFORM

**FIGURE 5-10. PLATFORM ASSEMBLY - FALL ARREST - ANSI SPEC (SN 0300201023 to Present)**

ITEM	PART NUMBER	QTY	DESCRIPTION	REV
		Ref	Note: Standard decals must be ordered separately - See DECAL SECTION.	
	1001186334	Ref	PLATFORM ASSEMBLY - FALL ARREST (3ft x 8ft/.91m x 2.44m) (ANSI Spec) <b>(SN 0300201023 to Present)</b>	D
1	0681814	2	Bolt 1/2-13 x 1-3/4 Grade 8	
2	0681822	6	Bolt 1/2-13 x 2-3/4 Grade 8	
3	0962270	2	Bearing	
4	1702773	1	Decal - JLG	
5	1705014	1	Decal - Safety	
6	1706385	1	Decal - Drop Bar	
7	2410014	1	Gate	
8	3271805	8	Nut 1/2-13 Grade 8	
9	3311605	1	Nut 3/8-16	
10	3520072	1	Plug	
11	3890040	1	Cable <b>(Prior to SN 0300215913)</b>	
11	1001203656	1	Cable <b>(SN 0300215913 to Present)</b>	
12	3900054	1	Bolt 1/2-13 x 1-3/4	
13	4711800	2	Washer 1/2 <b>(Prior to SN 0300215913)</b>	
13	4711800	10	Washer 1/2 <b>(SN 0300215913 to Present)</b>	
14	4751800	6	Washer 1/2	
15	See Note	NSS	Platform Weldment	



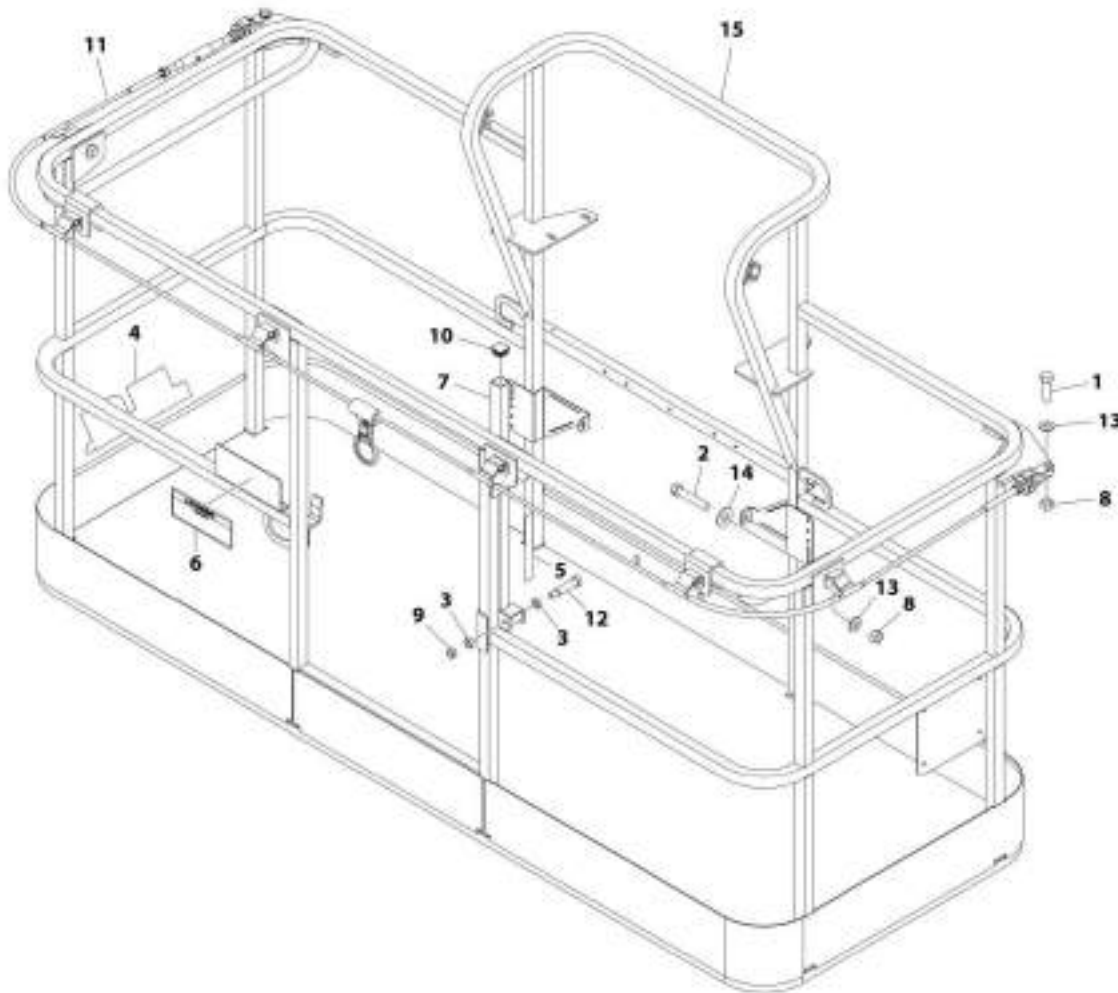
## SECTION 5 - PLATFORM

**FIGURE 5-11. PLATFORM ASSEMBLY - FALL ARREST - AUSTRALIAN AND CE SPECS (Prior to SN 0300201023)**

ITEM	PART NUMBER	QTY	DESCRIPTION	REV
		Ref	Note: Standard decals must be ordered separately - See DECAL SECTION.	
		Ref	PLATFORM ASSEMBLY - FALL ARREST (3FT X 8FT/.91M X 2.44M) (AUSTRALIAN AND CE SPECS)	
	3510877	Ref	Platform Assembly - Fall Arrest (3ft x 8ft/.91m x 2.44m) (Australian and CE Specs) <b>(Prior to SN 0300187375)</b>	E
	1001175535	Ref	Platform Assembly - Fall Arrest (3ft x 8ft/.91m x 2.44m) (Australian and CE Specs) <b>(SN 0300187375 through 0300201022)</b>	B
1	0681814	2	Bolt 1/2-13 x 1-3/4 Grade 8	
2	0681822	6	Bolt 1/2-13 x 2-3/4 Grade 8	
3	0962270	2	Bearing	
4	1702773	1	Decal - JLG	
5	1706501	1	Decal - Safety	
6	2410014	1	Gate	
7	3271805	8	Nut 1/2-13 Grade 8	
8	3311605	1	Nut 3/8-16	
9	See Note	NSS	Platform Weldment (Note: Not Available - Purchase Platform Assembly)	
10	3520072	1	Plug	
11	3890040	1	Cable	
12	3900054	1	Bolt 1/2-13 x 1-3/4	
13	4711800	2	Washer 1/2	
14	4751800	6	Washer 1/2	
15	1706493	1	Decal - Drop Bar	

# SECTION 5 - PLATFORM

FIGURE 5-12. PLATFORM ASSEMBLY - FALL ARREST - AUSTRALIAN AND CE SPECS (SN 0300201023 to Present)



ART\_1801186389

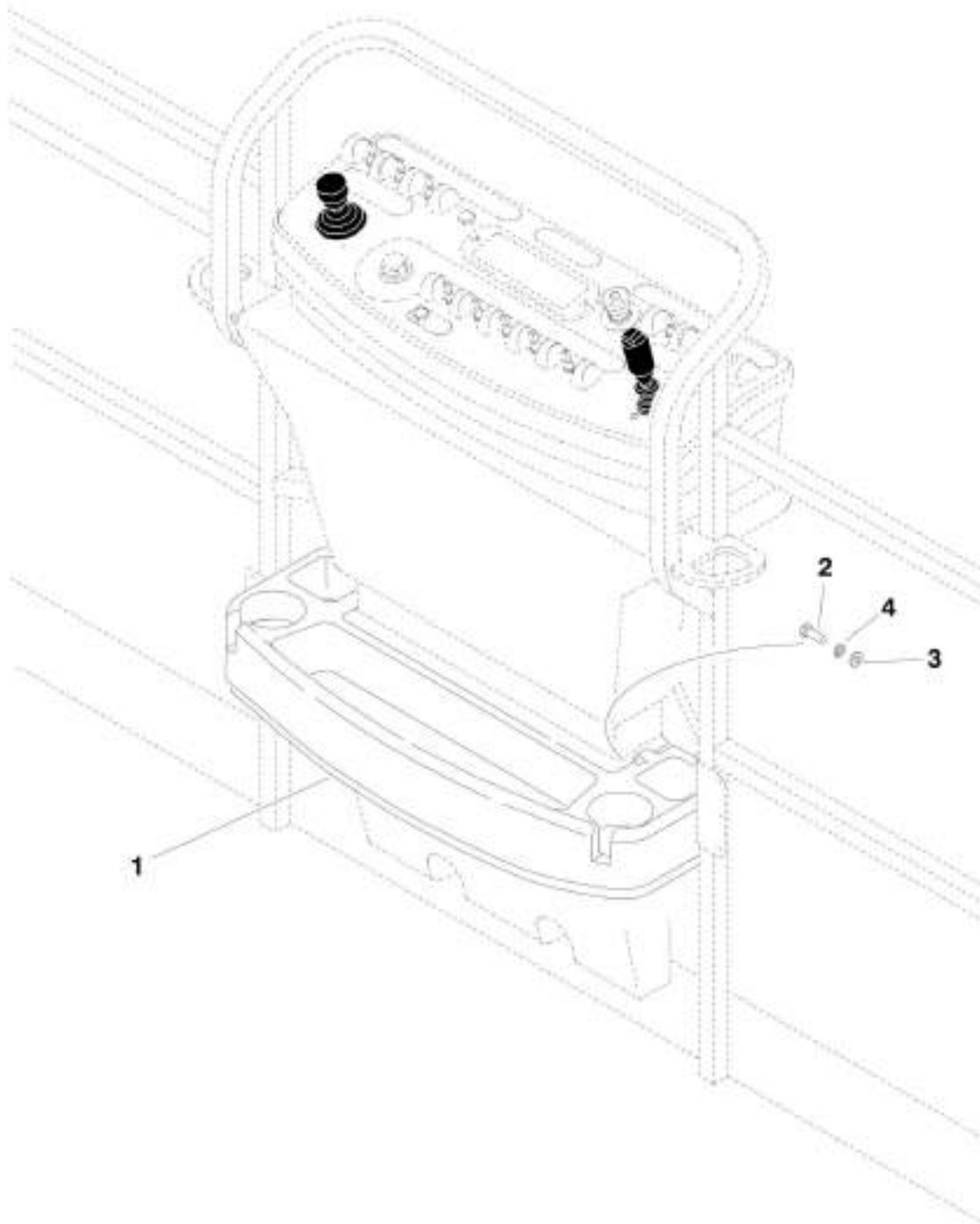
## SECTION 5 - PLATFORM

**FIGURE 5-12. PLATFORM ASSEMBLY - FALL ARREST - AUSTRALIAN AND CE SPECS (SN 0300201023 to Present)**

ITEM	PART NUMBER	QTY	DESCRIPTION	REV
		Ref	Note: Standard decals must be ordered separately - See DECAL SECTION.	
	1001186389	Ref	PLATFORM ASSEMBLY - FALL ARREST (3ft x 8ft/.91m x 2.44m) (AUSTRALIAN AND CE SPECS) <b>(SN 0300201023 to Present)</b>	D
1	0681814	2	Bolt 1/2-13 x 1-3/4 Grade 8	
2	0681822	6	Bolt 1/2-13 x 2-3/4 Grade 8	
3	0962270	2	Bearing	
4	1702773	1	Decal - JLG	
5	1706493	1	Decal - Drop Bar	
6	1706501	1	Decal - Safety	
7	2410014	1	Gate	
8	3271805	8	Nut 1/2-13 Grade 8	
9	3311605	1	Nut 3/8-16	
10	3520072	1	Plug	
11	3890040	1	Cable <b>(Prior to SN 0300214298)</b>	
11	1001203656	1	Cable <b>(SN 0300214298 to Present)</b>	
12	3900054	1	Bolt 1/2-13 x 1-3/4	
13	4711800	2	Washer 1/2 <b>(Prior to SN 0300214298)</b>	
13	4711800	8	Washer 1/2 <b>(SN 0300214298 to Present)</b>	
14	4751800	6	Washer 1/2	
15	See Note	NSS	Platform Weldment	

# SECTION 5 - PLATFORM

## FIGURE 5-13. TRAY INSTALLATION



1580012

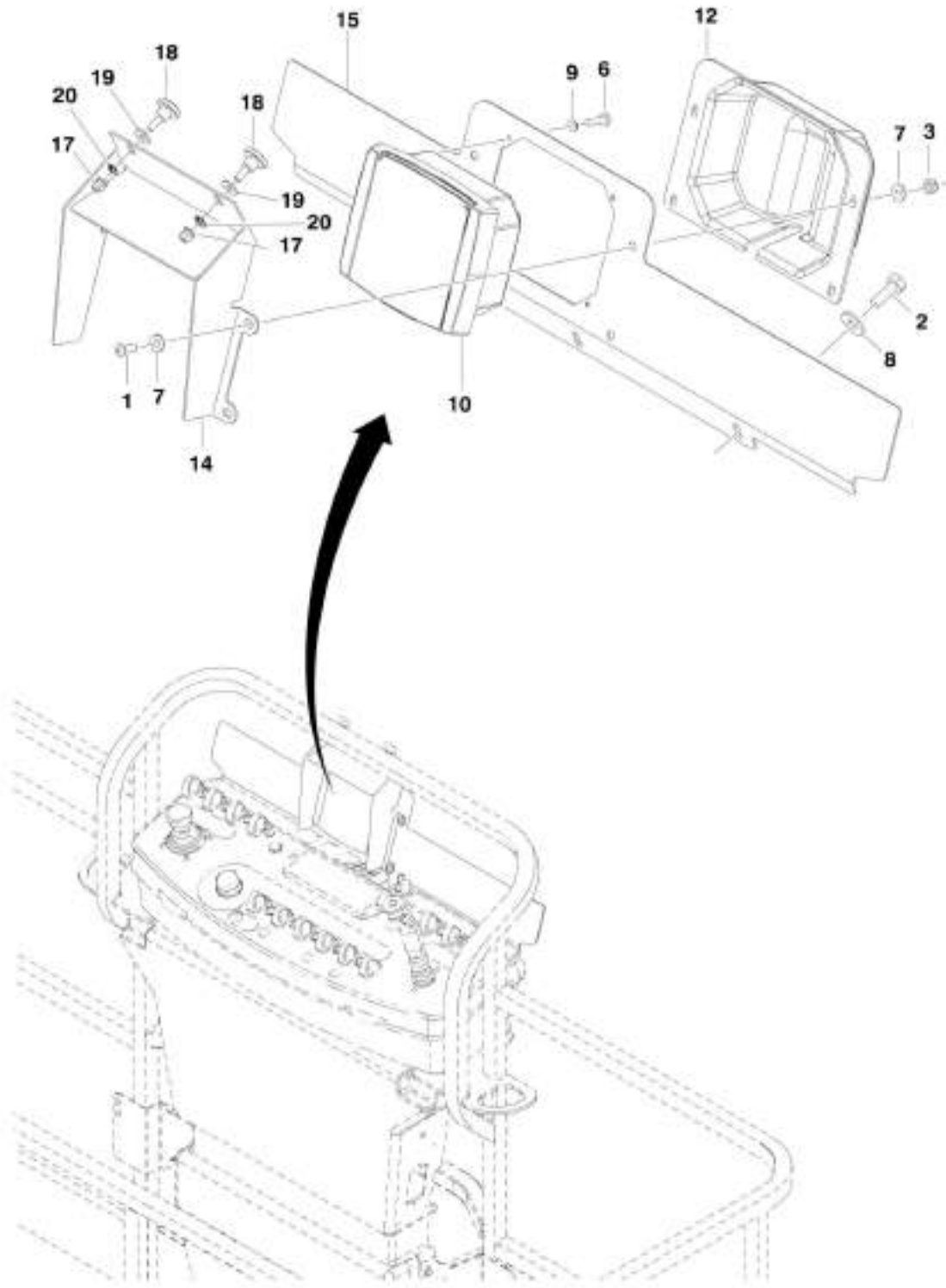
## SECTION 5 - PLATFORM

### FIGURE 5-13. TRAY INSTALLATION

ITEM	PART NUMBER	QTY	DESCRIPTION	REV
		Ref	TRAY INSTALLATION	
1	1580012	1	Tray, Storage (Center)	
2	0641406	2	Bolt 1/4-20 x 3/4	
3	4751400	2	Washer 1/4	
4	4761400	2	Washer 1/4	

# SECTION 5 - PLATFORM

FIGURE 5-14. LCD DISPLAY INSTALLATION (Prior to SN 0300201023)



1001150999



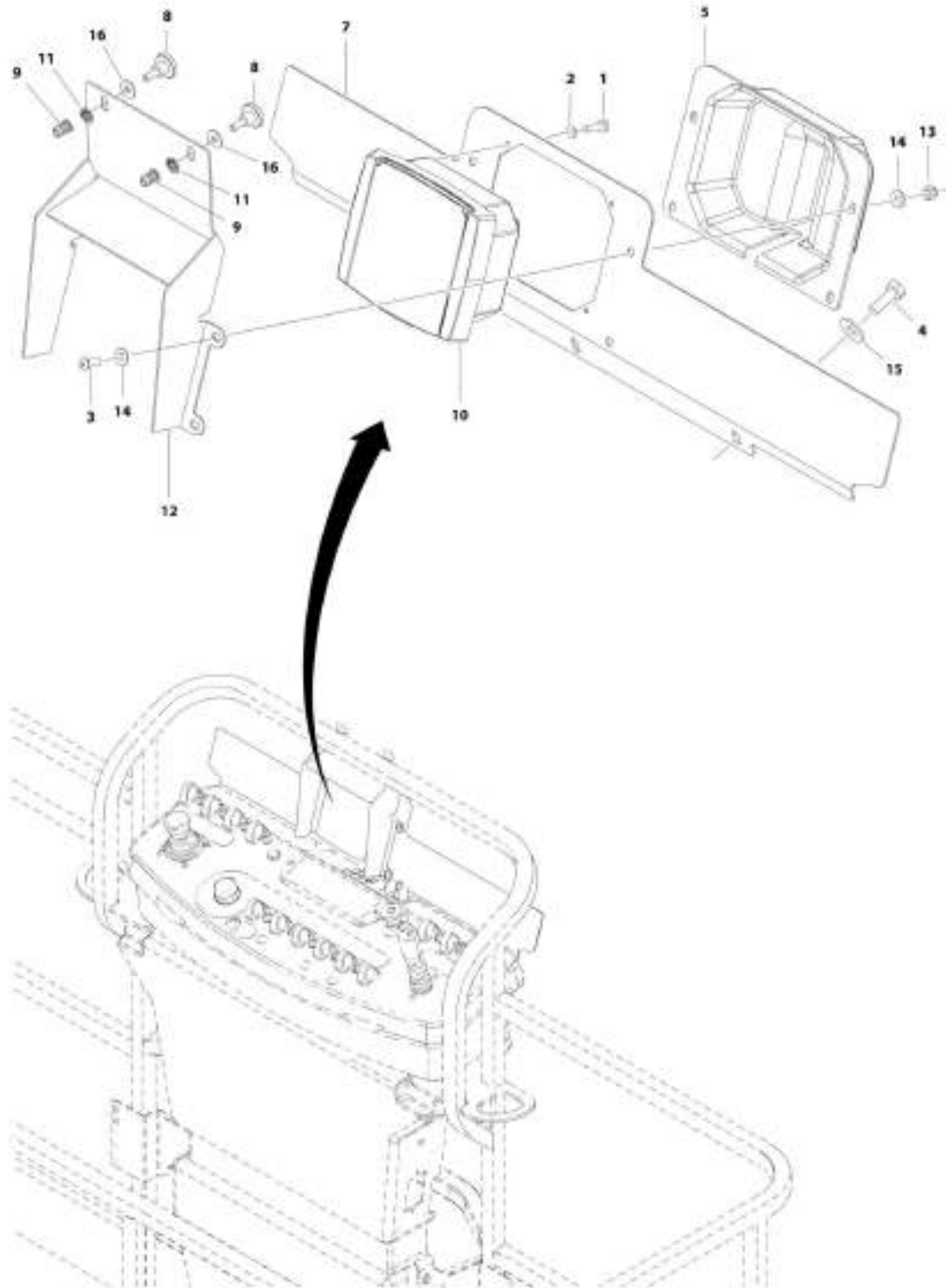
## SECTION 5 - PLATFORM

**FIGURE 5-14. LCD DISPLAY INSTALLATION (Prior to SN 0300201023)**

ITEM	PART NUMBER	QTY	DESCRIPTION	REV
	1001158999	Ref	LCD DISPLAY INSTALLATION (Prior to SN 0300201023)	H
1	0630448001	4	Screw 1/4-20 X 3/4	
2	0641406001	3	Bolt 1/4-20 X 3/4	
3	3300449001	4	Nut 1/4-20 Grade 8	
6	4010408	4	Screw M4 x 16	
7	4711400001	8	Washer 1/4	
8	4751400001	3	Washer 1/4	
9	4831400	4	Washer M4	
10		Ref	LCD Display Assembly Options:	
10	1001121837	1	LCD Display Assembly (Prior to SN 0300189775)	
10	1001176778	1	LCD Display Assembly (SN 0300189775 through 0300201022)	
10		Ref	Decal - Platform Display Options:	
10	1001126300	1	Decal - Platform Display (Prior to SN 0300189775)	
10	1001176783	1	Decal - Platform Display (SN 0300189775 through 0300201022)	
10	70003533	1	AR Film	
10	70003534	1	Cover	
10	70003535	1	Hinge	
10	70003536	AR	Screw, Hinge	
12	1001122242	1	Cover (Rear)	
13	1001125293	1	Harness, LCD Display (Not Shown - See ELECTRICAL SECTION for Breakdown)	
14	1001159000	1	Visor	
15	1001159001	1	Bracket, Mounting	
17	1001176636	2	Rivnut M6	
18	1001173609	2	Screw M6 X 16	
19	4811702001	2	Washer, 6mm	
20	1001177635	2	Pushnut, M6	

# SECTION 5 - PLATFORM

FIGURE 5-15. LCD DISPLAY INSTALLATION (SN 0300201023 through 0300249008)



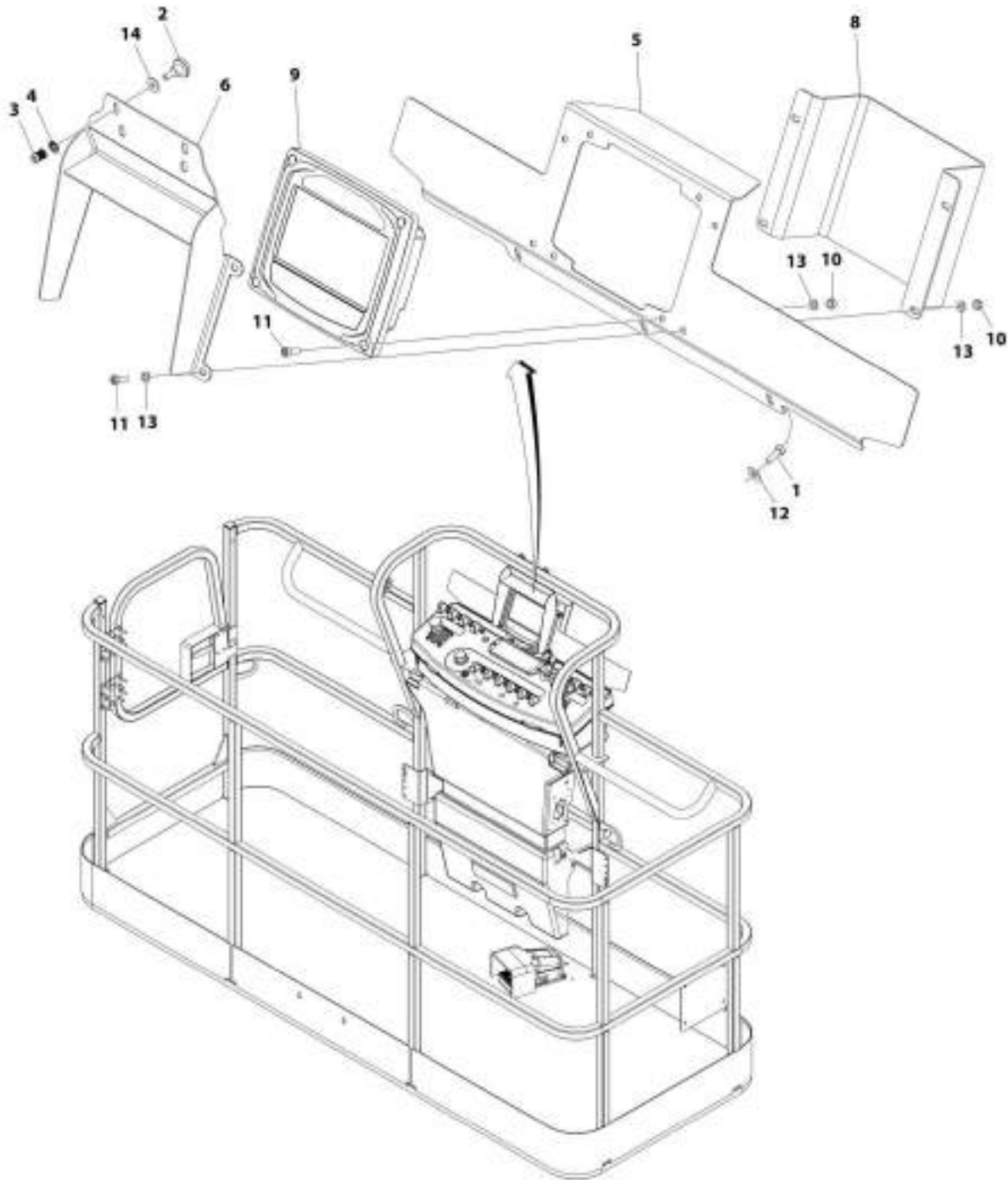
## SECTION 5 - PLATFORM

**FIGURE 5-15. LCD DISPLAY INSTALLATION (SN 0300201023 through 0300249008)**

ITEM	PART NUMBER	QTY	DESCRIPTION	REV
	1001190656	Ref	LCD DISPLAY INSTALLATION (SN 0300201023 through <b>0300249008</b> )	B
1	4010408	4	Screw M4 x 16	
9	4831400	4	Washer M4	
3	0630448001	4	Screw 1/4 X 3/4	
4	0641406001	3	Bolt 1/4 X 3/4	
5	1001122242	1	Cover (Rear)	
6	1001125293	1	Harness, LCD Display (Not Shown - See ELECTRICAL SECTION for Breakdown)	
7	1001159001	1	Bracket, Mounting	
8	1001173609	2	Screw M6 X 16	
9	1001176636	2	Rivnut M6	
10	1001176778	1	LCD Display Assembly	
10	1001176783	1	Decal - Platform Display	
10	70003533	1	AR Film	
10	70003534	1	Cover	
10	70003535	1	Hinge	
10	70003536	AR	Screw, Hinge	
11	1001177635	2	Pushnut, M6	
12	1001190658	1	Visor	
13	3300449001	4	Nut 1/4 Grade 8	
14	4711400001	8	Washer 1/4	
15	4751400001	3	Washer 1/4	
16	4811702001	2	Washer, M6	

# SECTION 5 - PLATFORM

FIGURE 5-16. LCD DISPLAY INSTALLATION (SN 0300249009 to Present)



ART\_1001215375

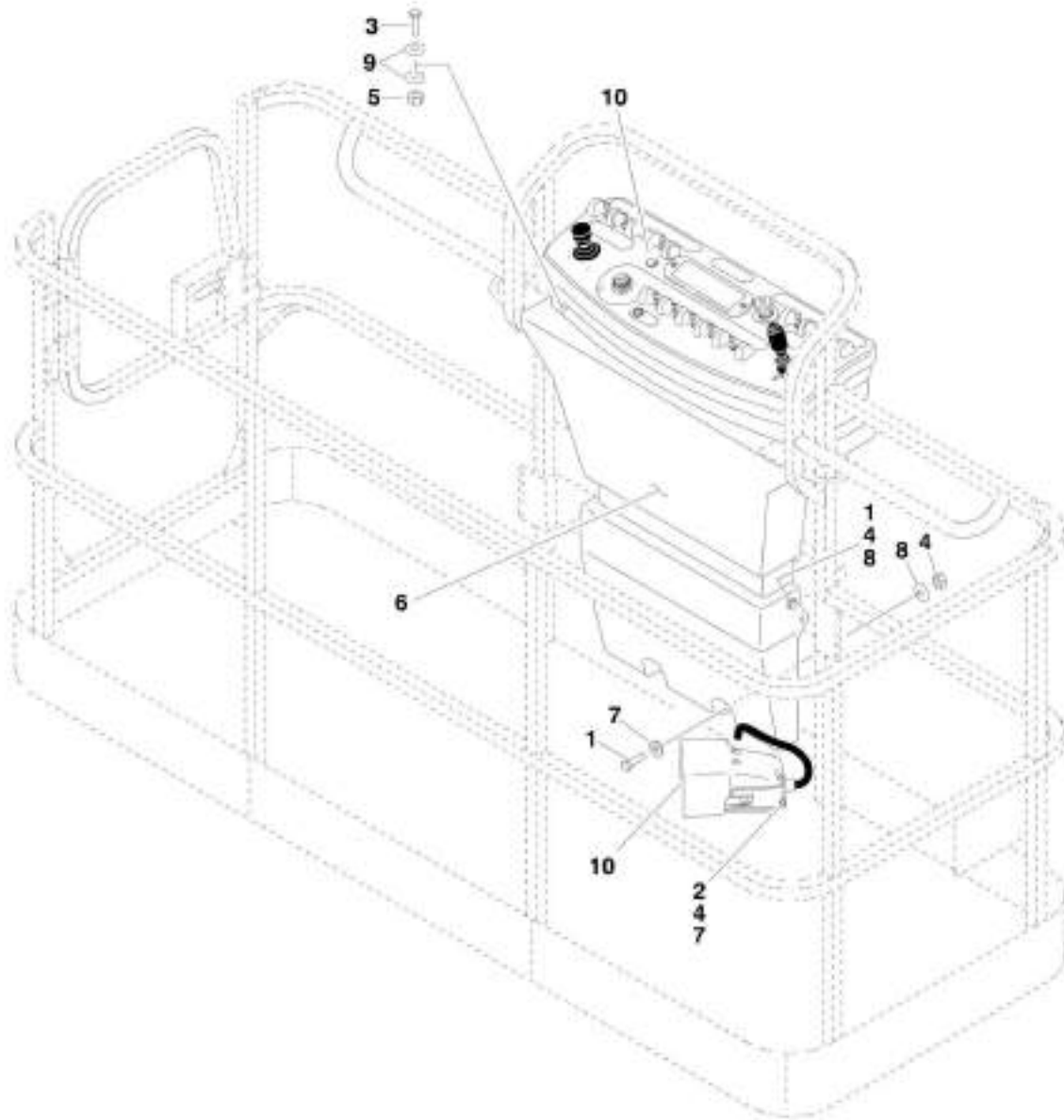
## SECTION 5 - PLATFORM

**FIGURE 5-16. LCD DISPLAY INSTALLATION (SN 0300249009 to Present)**

ITEM	PART NUMBER	QTY	DESCRIPTION	REV
	1001215375	Ref	LCD DISPLAY INSTALLATION	A
1	0641406001	3	Bolt 1/4 x 3/4	
2	1001173609	2	Screw, Thumb M6 x 16	
3	1001176636	2	Rivet, Nut M6	
4	1001177635	2	Nut M6	
5	1001215379	1	Bracket, Mounting	
6	1001215380	1	Bracket, Visor	
7	1001220482	1	Harness, LCD Display (Not Shown - See ELECTRICAL SECTION for Breakdown)	
8	1001228976	1	Cover	
9	1001229485	1	Electrical Assembly	
9	1001220955	1	Gauge, LCD Display	
9	1001176582	1	Decal - Platform Display	
9	1001180491	4	Screw #10	
9	1001229922	1	Screen Protector, LCD Display	
10	3290605001	8	Nut M6	
11	4031708001	8	Bolt M6 x 20	
12	4751400001	3	Washer 1/4	
13	4811700001	12	Washer M6	
14	4811702001	2	Washer M6	

# SECTION 5 - PLATFORM

FIGURE 5-17. PLATFORM CONTROLS INSTALLATION - WITHOUT SKYGUARD



1001156813

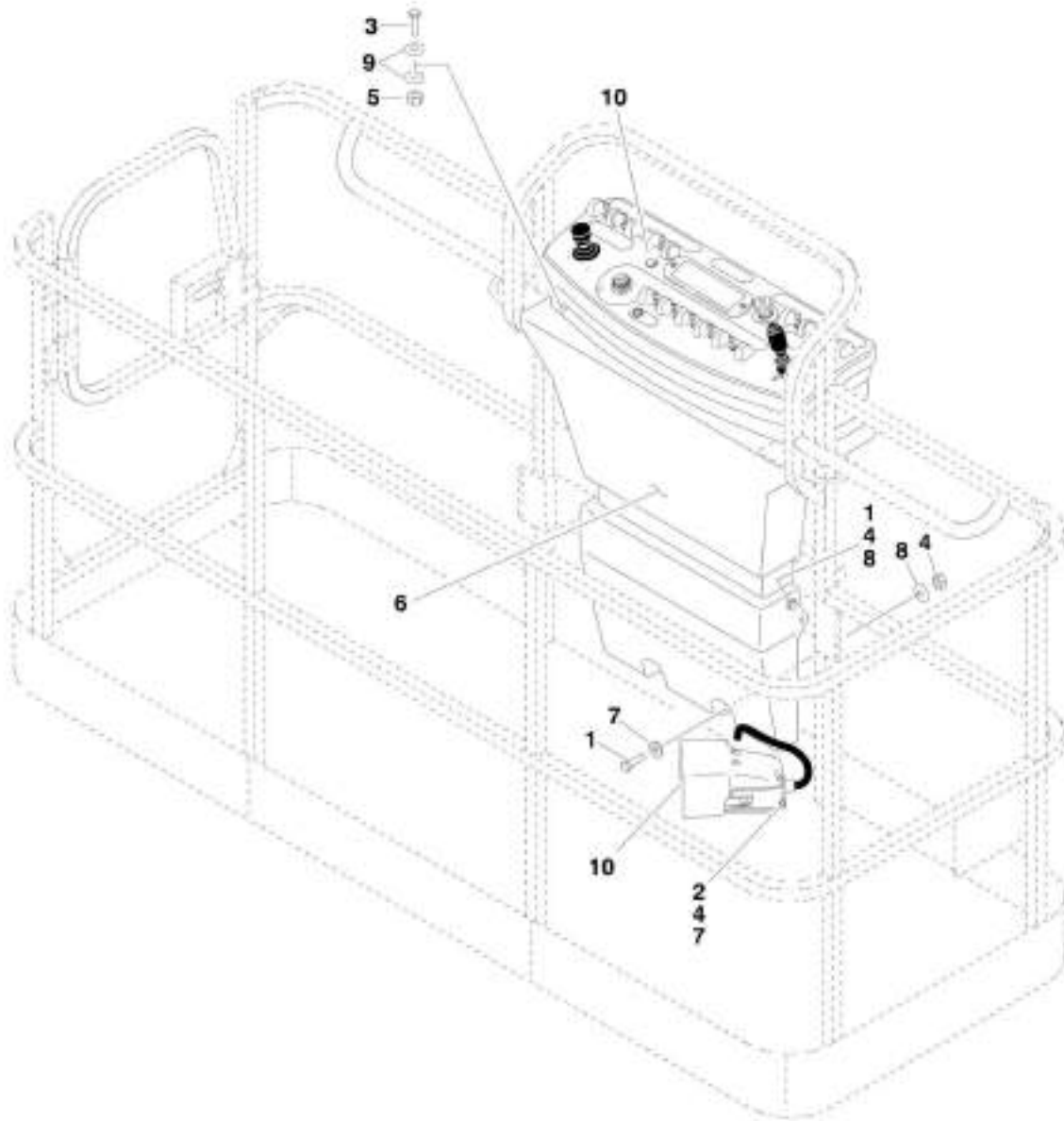
## SECTION 5 - PLATFORM

**FIGURE 5-17. PLATFORM CONTROLS INSTALLATION - WITHOUT SKYGUARD**

ITEM	PART NUMBER	QTY	DESCRIPTION	REV
	1001156813	Ref	PLATFORM CONTROLS INSTALLATION - WITHOUT SKYGUARD	C
1	0760610	4	Bolt M6 x 20	
2	0760612	4	Bolt M6 x 25	
3	0761015	4	Bolt M10 x 35	
4	3290605	8	Locknut M6	
5	3291005	4	Locknut M10	
6	3380434	1	Panel, Molded	
7	4740362	6	Washer, Fender	
8	4811702	6	Flatwasher M6	
9	4812000	8	Flatwasher M10	
10	1001156786	1	Platform Console Assembly Without SkyGuard (See PLATFORM CONSOLE ASSEMBLY - WITHOUT SKYGUARD for Breakdown) <b>(Prior to SN 0300212338)</b>	
10	1001200817	1	Platform Console Assembly Without SkyGuard (See PLATFORM CONSOLE ASSEMBLY - WITHOUT SKYGUARD for Breakdown) <b>(SN 0300212338 through 0300218317)</b>	
10	1001202551	1	Platform Console Assembly Without SkyGuard (See PLATFORM CONSOLE ASSEMBLY - WITHOUT SKYGUARD for Breakdown) <b>(SN 0300218318 to Present)</b>	

# SECTION 5 - PLATFORM

FIGURE 5-18. PLATFORM CONTROLS INSTALLATION - WITH SKYGUARD (Prior to SN 0300234077)



ART\_1201190128



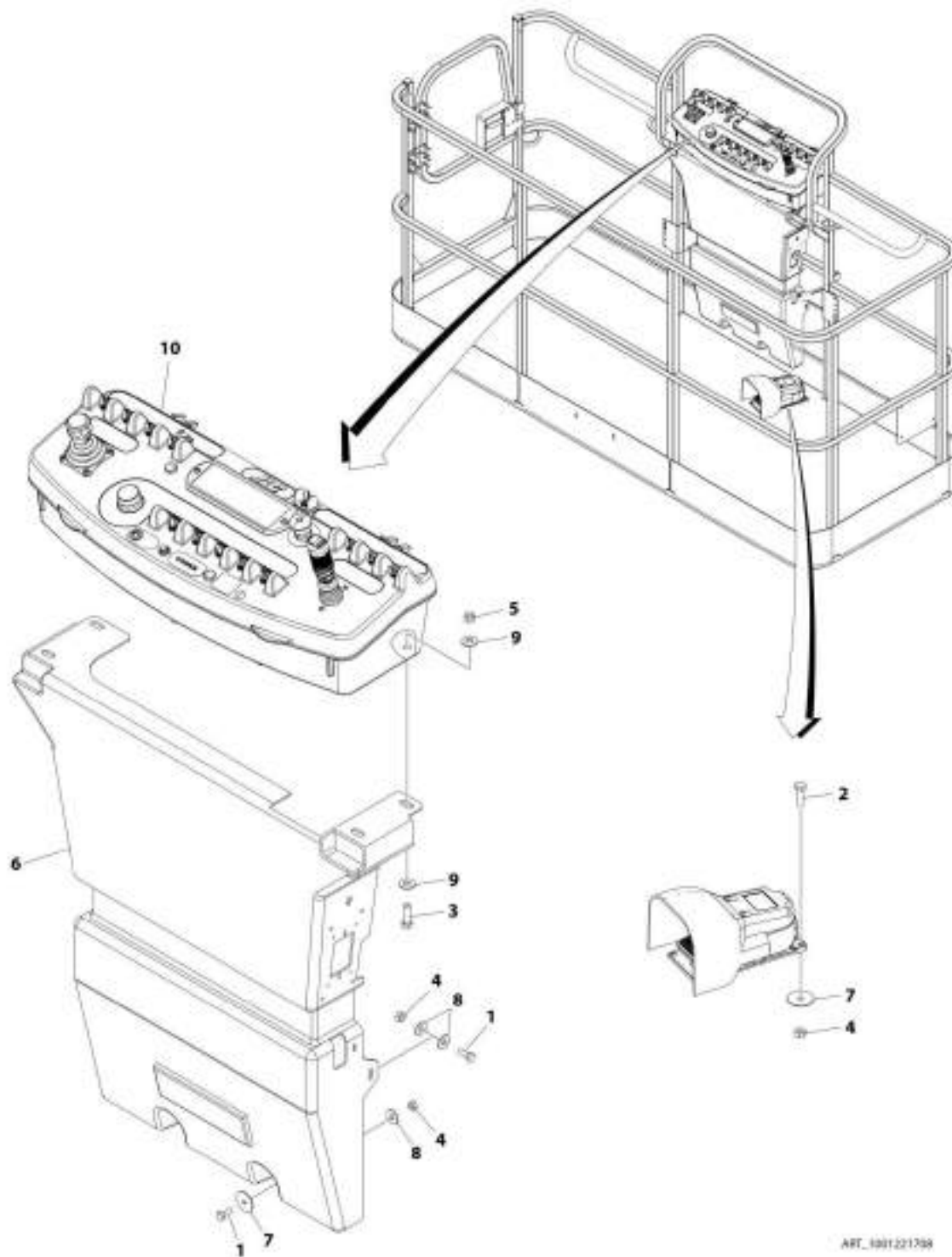
## SECTION 5 - PLATFORM

**FIGURE 5-18. PLATFORM CONTROLS INSTALLATION - WITH SKYGUARD (Prior to SN 0300234077)**

ITEM	PART NUMBER	QTY	DESCRIPTION	REV
	1001190109	Ref	PLATFORM CONTROLS INSTALLATION - WITH SKYGUARD <b>(Prior to SN 0300234077)</b>	D
1	0760610	4	Bolt M6 x 20	
2	0760612	4	Bolt M6 x 25	
3	0761015	4	Bolt M10 x 35	
4	3290605	8	Locknut M6	
5	3291005	4	Locknut M10	
6	3380434	1	Panel, Molded	
7	4740362	6	Washer, Fender	
8	4811702	6	Flatwasher M6	
9	4812000	8	Flatwasher M10	
10	1001190096	1	Platform Console Assembly - With SkyGuard (See PLATFORM CONSOLE ASSEMBLY - WITH SKYGUARD for Breakdown) <b>(Prior to SN 0300212338)</b>	
10	1001200818	1	Platform Console Assembly - With SkyGuard (See PLATFORM CONSOLE ASSEMBLY - WITH SKYGUARD for Breakdown) <b>(SN 0300212338 through 0300218317)</b>	
10	1001202486	1	Platform Console Assembly - With SkyGuard (See PLATFORM CONSOLE ASSEMBLY - WITH SKYGUARD for Breakdown) <b>(SN 0300218318 to Present)</b>	

# SECTION 5 - PLATFORM

FIGURE 5-19. PLATFORM CONTROLS INSTALLATION - WITH SKYGUARD (SN 0300234077 to Present)



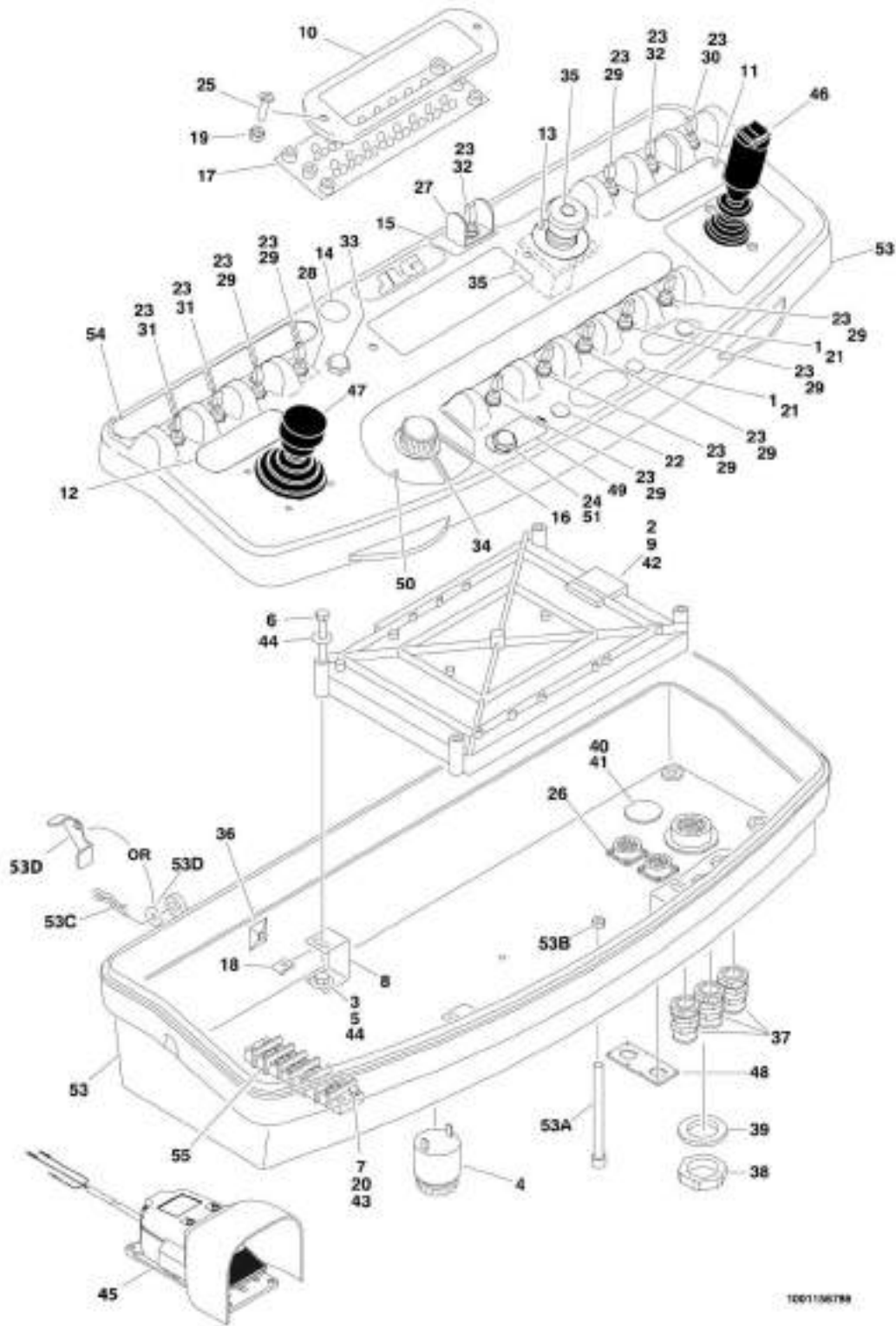
## SECTION 5 - PLATFORM

**FIGURE 5-19. PLATFORM CONTROLS INSTALLATION - WITH SKYGUARD (SN 0300234077 to Present)**

ITEM	PART NUMBER	QTY	DESCRIPTION	REV
	1001221708	Ref	PLATFORM CONTROLS INSTALLATION - WITH SKYGUARD (SN <b>0300234077 to Present</b> )	B
1	0760610	4	Bolt M6 x 20	
2	0760612	4	Bolt M6 x 25	
3	0761015	4	Bolt M10 x 35	
4	3290605	8	Locknut M6	
5	3291005	4	Locknut M10	
6	3380434	1	Panel, Molded	
7	4740362	6	Washer, Fender	
8	4811702	6	Flatwasher M6	
9	4812000	8	Flatwasher M10	
9	4812002	8	Flatwasher M10	
10	1001219993	1	Platform Console Assembly - With SkyGuard (See PLATFORM CONSOLE ASSEMBLY - WITH SKYGUARD for Breakdown)	

# SECTION 5 - PLATFORM

FIGURE 5-20. PLATFORM CONSOLE ASSEMBLY - WITHOUT SKYGUARD (Prior to SN 0300212338)



1001136788

## SECTION 5 - PLATFORM

**FIGURE 5-20. PLATFORM CONSOLE ASSEMBLY - WITHOUT SKYGUARD (Prior to SN 0300212338)**

ITEM	PART NUMBER	QTY	DESCRIPTION	REV
	1001156786	Ref	PLATFORM CONSOLE ASSEMBLY - WITHOUT SKYGUARD <b>(Prior to SN 0300212338)</b>	G
1	0100009	AR	Sealant	
2	0100048	AR	Grease, Dielectric	
3	0100081	AR	Adhesive	
4	0140011	1	Alarm	
5	0641404	4	Bolt 1/4-20 x 1/2	
6	0641414	4	Bolt 1/4-20 x 1-3/4	
7	3931012	2	Bolt #10-24 x 3/4	
8	1001172760	4	Bracket	
9	1600343	1	Module, Control (Note: Control System needs recalibrated when replaced)	
10	1671176	1	Cover	
11	1702565	1	Decal - Drive and Steer	
12	1702566	1	Decal - Lift and Swing	
13	1704260	1	Decal - EMS	
14	1705132	1	Decal - Control ADE	
15	1706741	1	Decal - Boom Control Select	
16	2560136	1	Handle, Knob	
17	2920154	1	Panel, LED	
18	3300353	4	Nut, Tinnerman	
19	3300408	2	Locknut	
20	3311005	2	Nut #10-24	
21	3520026	2	Plug	
22	3520027	1	Plug	
23	3790012	13	O-Ring	
24	3790015	1	O-Ring	
25	3900183	2	Screw #10-24 X 1-1/4	
26	3900349	8	Capscrew M2.5	
27	4060906	1	Guard, Switch	
28	4071074	1	Shim	
29	4360328	8	Switch, Toggle	
30	4360330	1	Switch, Toggle	
31	4360331	2	Switch, Toggle	
32	4360336	2	Switch, Toggle	
33	4360387	1	Switch, Push Button	
34	4360407	1	Switch, Flow Control	
35	4360475	1	Switch, Emergency Stop	
35	7020175	1	Cap, Red	
35	7020176	1	Contact Block	
36	4460234	3	Mount, Tie-Strap	
37	4460428	3	Connector, Strain Relief	
38	4460470	1	Nut, Terminal	
39	4460471	1	Washer, Terminal	
40	4460496	1	Washer, Terminal	
41	4460497	1	Nut, Terminal	
42	4460905	5	Plug, Terminal	
43	4751000	2	Washer #10	
44	4751400	8	Washer 1/4	
45	1001117174	1	Footswitch Assembly (See FOOTSWITCH ASSEMBLY for	

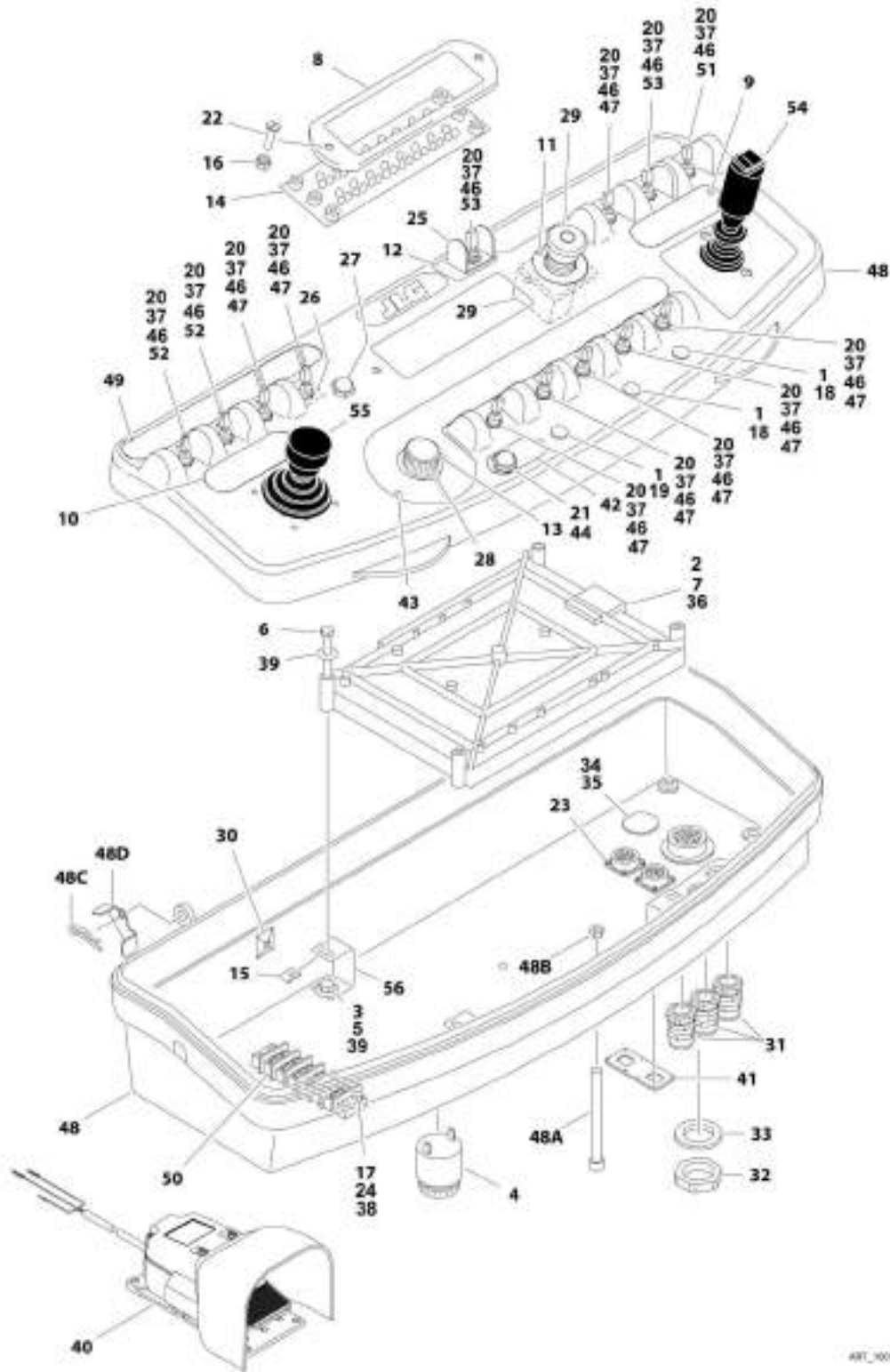
## SECTION 5 - PLATFORM

ITEM	PART NUMBER	QTY	DESCRIPTION	REV
46	1001118416	NLA	Breakdown) Drive and Steer Controller Assembly (See DRIVE AND STEER CONTROLLER ASSEMBLY for Breakdown) (Use p/n 1001166538) <b>(Prior to SN 0300188926)</b>	
46	1001166538	NLA	Drive and Steer Controller Assembly (Note: Use p/n 1001212415) (See DRIVE AND STEER CONTROLLER ASSEMBLY for Breakdown) <b>(SN 0300188926 through 0300212337)</b>	
47	1001118417	NLA	Lift and Swing Controller Assembly (See LIFT AND SWING CONTROLLER ASSEMBLY for Breakdown) (Note: Use p/n 1001129555 as Replacement) <b>(Prior to SN 0300188926)</b>	
47	1001166539	NLA	Lift and Swing Controller Assembly (See LIFT AND SWING CONTROLLER ASSEMBLY for Breakdown) (Note: Use p/n 1001129555 as Replacement) <b>(SN 0300188926 through 0300212337)</b>	
48	1001120338	1	Mount, Connector	
49	1001125194	1	Decal - Jib Stow	
50	1001125195	1	Decal - Function Speed	
51	1001137364	1	Lamp, Indicator	
52	1001149976	1	Harness, Console Box (Not Shown - See ELECTRICAL SECTION for Breakdown)	
53	1001156781	1	Box Assembly	B
53A	0630568	1	Capscrew 3/8-16 x 4-1/2	
53B	3311601	1	Nut 3/8-16	
53C	3470003	2	Pin	
53D	4711500	2	Washer 5/16 <b>(Prior to SN 0300210455)</b>	
53D	1001200575	2	Bracket, Stop <b>(SN 0300210455 through 0300212337)</b>	
54	1001156926	1	Decal - Horn	
55	1001157292	1	Bussbar	



# SECTION 5 - PLATFORM

FIGURE 5-21. PLATFORM CONSOLE ASSEMBLY - WITHOUT SKYGUARD (SN 0300212338 through 0300218317)



ART\_0012811



## SECTION 5 - PLATFORM

**FIGURE 5-21. PLATFORM CONSOLE ASSEMBLY - WITHOUT SKYGUARD (SN 0300212338 through 0300218317)**

ITEM	PART NUMBER	QTY	DESCRIPTION	REV
	1001200817	Ref	PLATFORM CONSOLE ASSEMBLY - WITHOUT SKYGUARD (SN 0300212338 through 0300218317)	B
1	0100009	AR	Sealant	
2	0100048	AR	Grease, Dielectric	
3	0100081	AR	Adhesive	
4	0140011	1	Alarm	
5	0641404	4	Bolt 1/4-20 x 1/2	
6	0641414	4	Bolt 1/4-20 x 1-3/4	
7	1600343	1	Module, Control (Note: Control System needs recalibrated when replaced)	
8	1671176	1	Cover	
9	1702565	1	Decal - Drive and Steer	
10	1702566	1	Decal - Lift and Swing	
11	1704260	1	Decal - EMS	
12	1706741	1	Decal - Boom Control Select	
13	2560136	1	Handle, Knob	
14	2920154	1	Panel, LED	
15	3300353	4	Nut, Tinnerman	
16	3300408	2	Locknut	
17	3311005	2	Nut #10-24	
18	3520026	2	Plug	
19	3520027	1	Plug	
20	3790012	13	O-Ring	
21	3790015	1	O-Ring	
22	3900183	2	Screw #10-24 X 1-1/4	
23	3900349	8	Capscrew M2.5	
24	3931012	2	Bolt #10-24 x 3/4	
25	4060906	1	Guard, Switch	
26	4071074	1	Shim	
27	4360387	1	Switch, Push Button	
28	4360407	1	Switch, Flow Control	
29	4360475	1	Switch, Emergency Stop	
29	7020175	1	Cap, Red	
29	7020176	1	Contact Block	
30	4460234	3	Mount, Tie-Strap	
31	4460428	3	Connector, Strain Relief	
32	4460470	1	Nut, Terminal	
33	4460471	1	Washer, Terminal	
34	4460496	1	Washer, Terminal	
35	4460497	1	Nut, Terminal	
36	4460905	5	Plug, Terminal	
37	4740397	13	Spacer	
38	4751000	2	Washer #10	
39	4751400	8	Washer 1/4	
40	1001117174	1	Footswitch Assembly (See FOOTSWITCH ASSEMBLY for Breakdown)	
41	1001120338	1	Mount, Connector	
42	1001125194	1	Decal - Jib Stow	
43	1001125195	1	Decal - Function Speed	

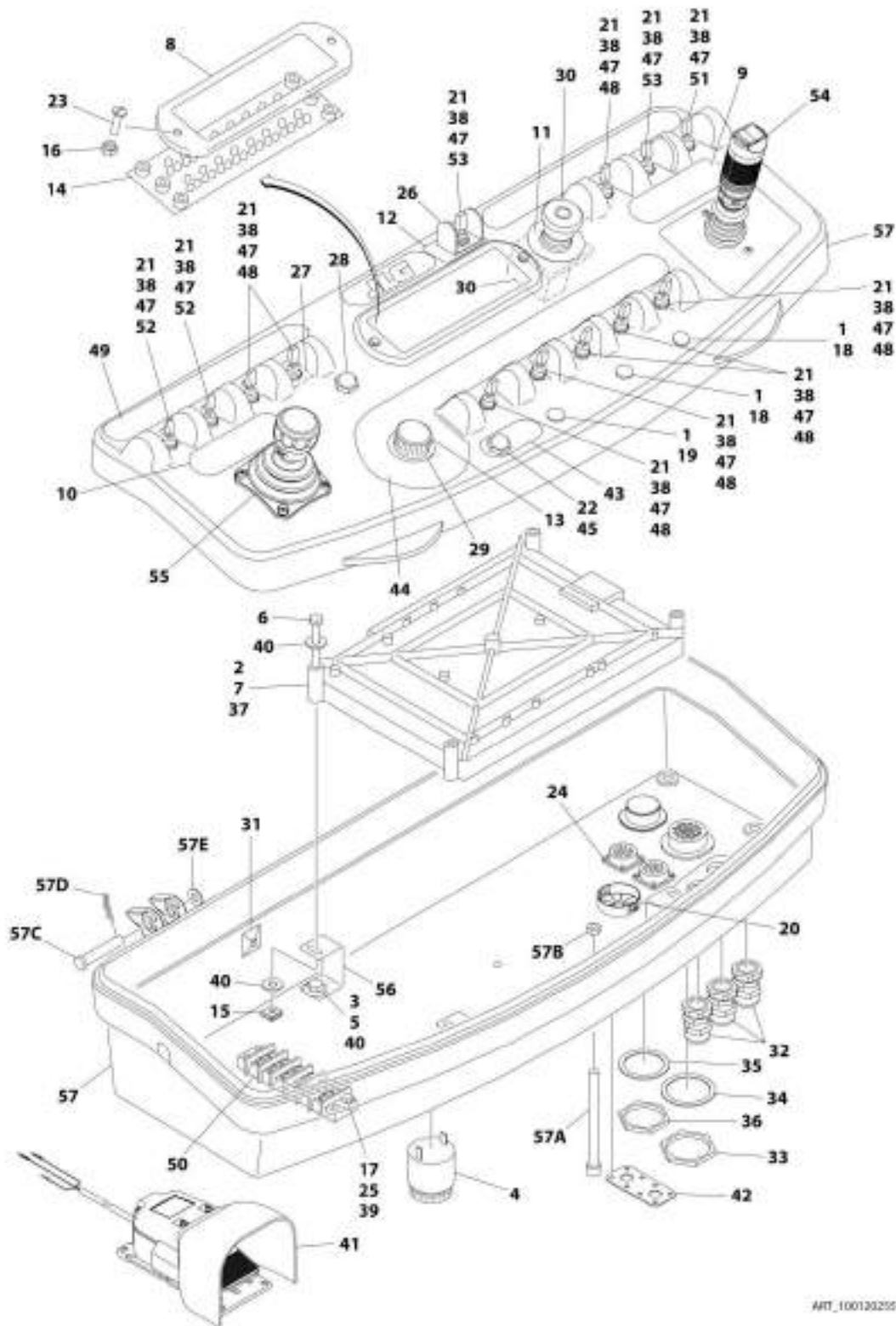
## SECTION 5 - PLATFORM

ITEM	PART NUMBER	QTY	DESCRIPTION	REV
44	1001137364	1	Lamp, Indicator	B
45	1001149976	1	Harness, Console Box (Not Shown - See ELECTRICAL SECTION for Breakdown)	
46	1001155044	13	Nut 15/32-32	
47	1001155045	8	Switch, Toggle	
48	1001156781	1	Box Assembly	
48A	0630568	1	Capscrew 3/8-16 x 4-1/2	
48B	3311601	1	Nut 3/8-16	
48C	3470003	2	Pin	
48D	1001200575	2	Bracket, Stop	
49	1001156926	1	Decal - Horn	
50	1001157292	1	Bussbar	
51	1001159256	1	Switch, Toggle	
52	1001161709	2	Switch, Toggle	
53	1001161710	2	Switch, Toggle	
54	1001166538	NLA	Drive and Steer Controller Assembly (See DRIVE AND STEER CONTROLLER ASSEMBLY for Breakdown) (Note: Use p/n 1001212415)	
55	1001166539	NLA	Lift and Swing Controller Assembly (See LIFT AND SWING CONTROLLER ASSEMBLY for Breakdown) (Note: Use p/n 1001129555 as Replacement)	
56	1001172760	4	Bracket	



# SECTION 5 - PLATFORM

FIGURE 5-22. PLATFORM CONSOLE ASSEMBLY - WITHOUT SKYGUARD (SN 0300218318 to Present)



ART\_1001002051

## SECTION 5 - PLATFORM

**FIGURE 5-22. PLATFORM CONSOLE ASSEMBLY - WITHOUT SKYGUARD (SN 0300218318 to Present)**

ITEM	PART NUMBER	QTY	DESCRIPTION	REV
	1001202551	Ref	PLATFORM CONSOLE ASSEMBLY - WITHOUT SKYGUARD (SN 0300218318 to Present)	B
1	0100009	AR	Sealant	
2	0100048	AR	Grease, Dielectric	
3	0100081	AR	Adhesive	
4	0140011	1	Alarm	
5	0641404	4	Bolt 1/4 x 1/2	
6	0641414	4	Bolt 1/4 x 1-3/4	
7	1600343	1	Module, Control (Note: Control System needs recalibrated when replaced)	
8	1671176	1	Cover	
9	1702565	1	Decal - Drive and Steer	
10	1702566	1	Decal - Lift and Swing	
11	1704260	1	Decal - EMS	
12	1706741	1	Decal - Boom Control Select	
13	2560136	1	Handle, Knob	
14	2920154	1	Panel, LED	
15	3300353	4	Nut, Tinnerman	
16	3300408	2	Nut	
17	3311005	2	Nut #10	
18	3520026	2	Plug	
19	3520027	1	Plug	
20	3520035	1	Plug, Cap	
21	3790012	13	O-Ring	
22	3790015	1	O-Ring	
23	3900183	2	Screw #10 x 1-1/4	
24	3900349	8	Capscrew M2.5	
25	3931012	2	Bolt #10 x 3/4	
26	4060906	1	Guard, Switch	
27	4071074	1	Shim	
28	4360387	1	Switch, Push Button	
29	4360407	1	Switch, Flow Control	
30	4360475	1	Switch, Emergency Stop	
30	7020175	1	Cap, Red	
30	7020176	1	Contact Block	
31	4460234	3	Mount, Tie-Strap	
32	4460428	3	Connector, Strain Relief	
33	4460470	1	Nut, Terminal	
34	4460471	1	Washer, Terminal	
35	4460496	1	Washer, Terminal	
36	4460497	1	Nut, Terminal	
37	4460905	5	Plug, Terminal	
38	4740397	13	Spacer	
39	4751000	2	Washer #10	
40	4751400	8	Washer 1/4	
41	1001117174	1	Footswitch Assembly (See FOOTSWITCH ASSEMBLY for Breakdown)	
42	1001120338	1	Mount, Connector	
43	1001125194	1	Decal - Jib Stow	

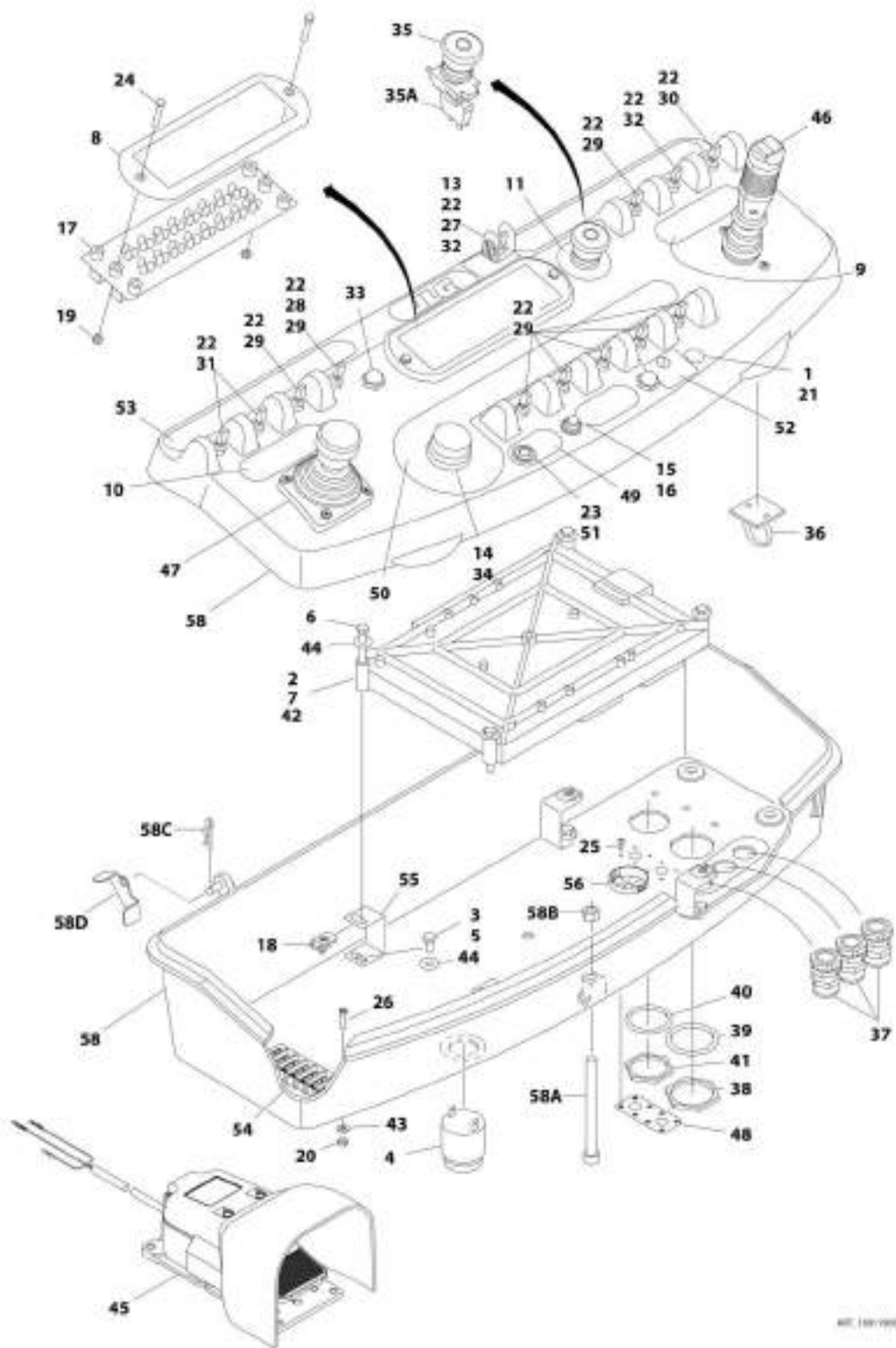
## SECTION 5 - PLATFORM

ITEM	PART NUMBER	QTY	DESCRIPTION	REV
44	1001125195	1	Decal - Function Speed	
45	1001137364	1	Lamp, Indicator	
46	1001149976	1	Harness, Console Box (Not Shown - See ELECTRICAL SECTION for Breakdown)	
47	1001155044	13	Nut 15/32	
48	1001155045	8	Switch, Toggle	
49	1001156926	1	Decal - Horn	
50	1001157292	1	Bussbar	
51	1001159256	1	Switch, Toggle	
52	1001161709	2	Switch, Toggle	
53	1001161710	2	Switch, Toggle	
54	1001166538	NLA	Drive and Steer Controller Assembly (See DRIVE AND STEER CONTROLLER ASSEMBLY for Breakdown) (Note: Use p/n 1001212415)	
55	1001166539	NLA	Lift and Swing Controller Assembly (See LIFT AND SWING CONTROLLER ASSEMBLY for Breakdown) (Note: Use p/n 1001129555 as Replacement)	
56	1001172760	4	Bracket	
57	1001201889	1	Box, Console Assembly	
57A	0630568	1	Capscrew 3/8 x 4-1/2	
57B	3311601	1	Nut 3/8	
57C	3430616	2	Pin	
57D	3470003	2	Pin	
57E	4711600	2	Washer 3/8	



# SECTION 5 - PLATFORM

FIGURE 5-23. PLATFORM CONSOLE ASSEMBLY - WITH SKYGUARD (Prior to SN 0300212338)





## SECTION 5 - PLATFORM

**FIGURE 5-23. PLATFORM CONSOLE ASSEMBLY - WITH SKYGUARD (Prior to SN 0300212338)**

ITEM	PART NUMBER	QTY	DESCRIPTION	REV
	1001190096	Ref	PLATFORM CONSOLE ASSEMBLY - WITH SKYGUARD (Prior to SN 0300212338)	D
1	0100009	AR	Sealant	
2	0100048	AR	Grease, Dielectric	
3	0100081	AR	Adhesive	
4	0140011	1	Alarm	
5	0641404	4	Bolt 1/4-20 x 1/2	
6	0641414	4	Bolt 1/4-20 x 1-3/4	
7	1600343	1	Module, Control (Note: Control System needs recalibrated when replaced)	
8	1671176	1	Cover	
9	1702565	1	Decal - Drive and Steer	
10	1702566	1	Decal - Lift and Swing	
11	1704260	1	Decal - EMS	
12	1705132	1	Decal - Control ADE	
13	1706741	1	Decal - Boom Control Select	
14	2560136	1	Handle, Knob	
15	2920028	1	Lamp, Indicator	
16	2920029	1	Bulb	
17	2920154	1	Panel, LED	
18	3300353	4	Nut, Tinnerman	
19	3300408	2	Locknut	
20	3311005	2	Nut #10-24	
21	3520026	1	Plug	
22	3790012	13	O-Ring	
23	3790015	1	O-Ring	
24	3900183	2	Screw #10-24 X 1-1/4	
25	3900349	8	Capscrew M2.5	
26	3931012	2	Bolt #10-24 x 3/4	
27	4060906	1	Guard, Switch	
28	4071074	1	Shim	
29	4360328	8	Switch, Toggle	
30	4360330	1	Switch, Toggle	
31	4360331	2	Switch, Toggle	
32	4360336	2	Switch, Toggle	
33	4360387	2	Switch, Push Button	
34	4360407	1	Switch, Flow Control	
35	4360475	1	Switch, Emergency Stop	
35	7020175	1	Cap, Red	
35A	7020176	1	Contact Block	
36	4460234	3	Mount, Tie-Strap	
37	4460428	3	Connector, Strain Relief	
38	4460470	1	Nut, Terminal	
39	4460471	1	Washer, Terminal	
40	4460496	1	Washer, Terminal	
41	4460497	1	Nut, Terminal	
42	4460905	5	Plug, Terminal	
43	4751000	2	Washer #10	
44	4751400	8	Washer 1/4	
45	1001117174	1	Footswitch Assembly (See FOOTSWITCH ASSEMBLY for	

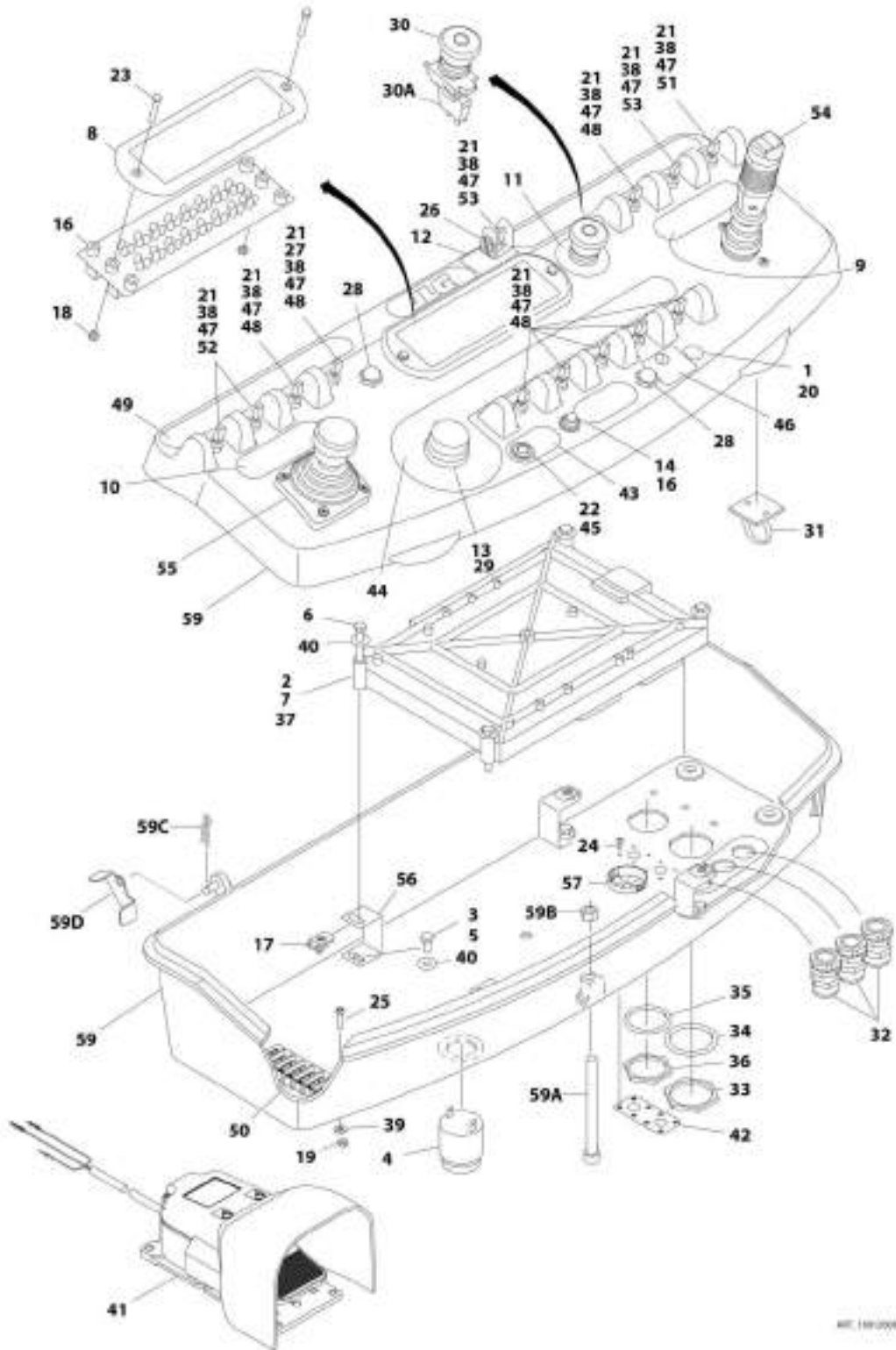
## SECTION 5 - PLATFORM

ITEM	PART NUMBER	QTY	DESCRIPTION	REV
46	1001118416	NLA	Breakdown) Drive and Steer Controller Assembly (See DRIVE AND STEER CONTROLLER ASSEMBLY for Breakdown) (Note: Use p/n 1001212415)	
47	1001118417	NLA	Lift and Swing Controller Assembly (See LIFT AND SWING CONTROLLER ASSEMBLY for Breakdown) (Note: Use p/n 1001129555 as Replacement)	
48	1001120338	1	Mount, Connector	
49	1001125194	1	Decal - Jib Stow	
50	1001125195	1	Decal - Function Speed	
51	1001137364	1	Lamp, Indicator	
52	1001144433	1	Decal - No Weight SkyGuard	
53	1001156926	1	Decal - Horn	
54	1001157292	1	Bussbar	
55	1001172760	4	Bracket	
56	1001185281	1	Plug	
57	1001186229	1	Harness, Console Box (Not Shown - See ELECTRICAL SECTION for Breakdown)	
58	1001190104	1	Box Assembly	
58A	0630568	1	Capscrew 3/8-16 x 4-1/2	
58B	3311601	1	Nut 3/8-16	
58C	3470003	2	Pin	
58D	1001200575	2	Bracket, Stop	



# SECTION 5 - PLATFORM

FIGURE 5-24. PLATFORM CONSOLE ASSEMBLY - WITH SKYGUARD (SN 0300212338 through 0300218317)



REV. 1/2009/01

## SECTION 5 - PLATFORM

**FIGURE 5-24. PLATFORM CONSOLE ASSEMBLY - WITH SKYGUARD (SN 0300212338 through 0300218317)**

ITEM	PART NUMBER	QTY	DESCRIPTION	REV
	1001200818	Ref	PLATFORM CONSOLE ASSEMBLY - WITH SKYGUARD (SN 0300212338 through 0300218317)	B
1	0100009	AR	Sealant	
2	0100048	AR	Grease, Dielectric	
3	0100081	AR	Adhesive	
4	0140011	1	Alarm	
5	0641404	4	Bolt 1/4-20 x 1/2	
6	0641414	4	Bolt 1/4-20 x 1-3/4	
7	1600343	1	Module, Control (Note: Control System needs recalibrated when replaced)	
8	1671176	1	Cover	
9	1702565	1	Decal - Drive and Steer	
10	1702566	1	Decal - Lift and Swing	
11	1704260	1	Decal - EMS	
12	1706741	1	Decal - Boom Control Select	
13	2560136	1	Handle, Knob	
14	2920028	1	Lamp, Indicator	
15	2920029	1	Bulb	
16	2920154	1	Panel, LED	
17	3300353	4	Nut, Tinnerman	
18	3300408	2	Locknut	
19	3311005	2	Nut #10-24	
20	3520026	1	Plug	
21	3790012	13	O-Ring	
22	3790015	1	O-Ring	
23	3900183	2	Screw #10-24 X 1-1/4	
24	3900349	8	Capscrew M2.5	
25	3931012	2	Bolt #10-24 x 3/4	
26	4060906	1	Guard, Switch	
27	4071074	1	Shim	
28	4360387	2	Switch, Push Button	
29	4360407	1	Switch, Flow Control	
30	4360475	1	Switch, Emergency Stop	
30	7020175	1	Cap, Red	
30A	7020176	1	Contact Block	
31	4460234	3	Mount, Tie-Strap	
32	4460428	3	Connector, Strain Relief	
33	4460470	1	Nut, Terminal	
34	4460471	1	Washer, Terminal	
35	4460496	1	Washer, Terminal	
36	4460497	1	Nut, Terminal	
37	4460905	5	Plug, Terminal	
38	4740397	13	Spacer	
39	4751000	2	Washer #10	
40	4751400	8	Washer 1/4	
41	1001117174	1	Footswitch Assembly (See FOOTSWITCH ASSEMBLY for Breakdown)	
42	1001120338	1	Mount, Connector	
43	1001125194	1	Decal - Jib Stow	

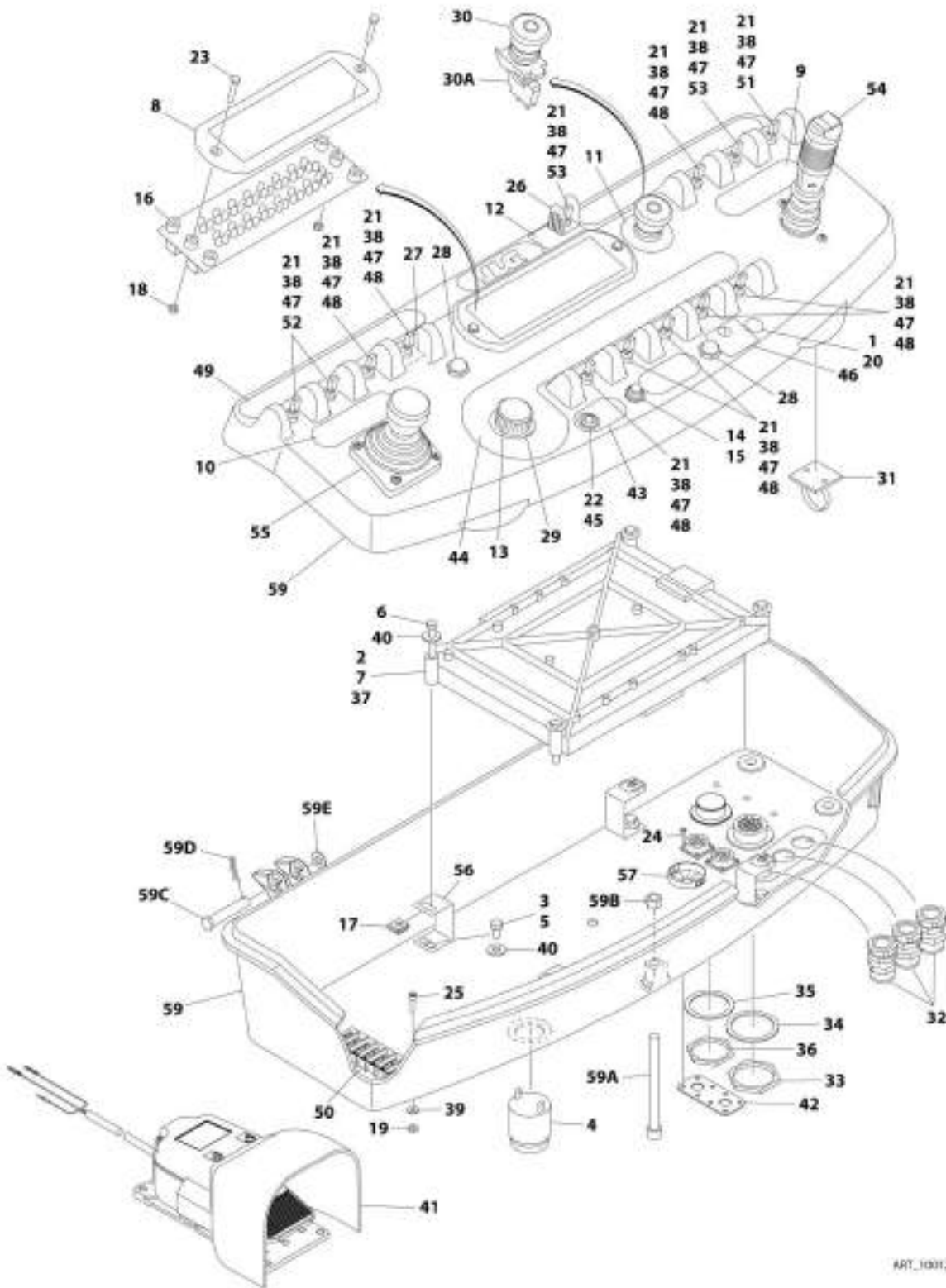
## SECTION 5 - PLATFORM

ITEM	PART NUMBER	QTY	DESCRIPTION	REV
44	1001125195	1	Decal - Function Speed	
45	1001137364	1	Lamp, Indicator	
46	1001144433	1	Decal - No Weight SkyGuard	
47	1001155044	13	Nut 15/32-32	
48	1001155045	8	Switch, Toggle	
49	1001156926	1	Decal - Horn	
50	1001157292	1	Bussbar	
51	1001159256	1	Switch, Toggle	
52	1001161709	2	Switch, Toggle	
53	1001161710	2	Switch, Toggle	
54	1001166538	NLA	Drive and Steer Controller Assembly (See DRIVE AND STEER CONTROLLER ASSEMBLY for Breakdown) (Note: Use p/n 1001212415)	
55	1001166539	NLA	Lift and Swing Controller Assembly (See LIFT AND SWING CONTROLLER ASSEMBLY for Breakdown) (Note: Use p/n 1001129555 as Replacement)	
56	1001172760	4	Bracket	
57	1001185281	1	Plug	
58	1001186229	1	Harness, Console Box (Not Shown - See ELECTRICAL SECTION for Breakdown)	
59	1001190104	1	Box Assembly	
59A	0630568	1	Capscrew 3/8-16 x 4-1/2	
59B	3311601	1	Nut 3/8-16	
59C	3470003	2	Pin	
59D	1001200575	2	Bracket, Stop	



# SECTION 5 - PLATFORM

FIGURE 5-25. PLATFORM CONSOLE ASSEMBLY - WITH SKYGUARD (SN 0300218318 through 0300234076)



ART\_1001302496



## SECTION 5 - PLATFORM

**FIGURE 5-25. PLATFORM CONSOLE ASSEMBLY - WITH SKYGUARD (SN 0300218318 through 0300234076)**

ITEM	PART NUMBER	QTY	DESCRIPTION	REV
	1001202486	Ref	PLATFORM CONSOLE ASSEMBLY - WITH SKYGUARD (SN 0300218318 through 0300234076)	C
1	0100009	AR	Sealant	
2	0100048	AR	Grease, Dielectric	
3	0100081	AR	Adhesive	
3	0100035	AR	Compound, Locking	
4	0140011	1	Alarm	
5	0641404	4	Bolt 1/4 x 1/2	
6	0641414	4	Bolt 1/4 x 1-3/4	
7	1600343	1	Module, Control (Note: Control System needs recalibrated when replaced)	
8	1671176	1	Cover	
9	1702565	1	Decal - Drive and Steer	
10	1702566	1	Decal - Lift and Swing	
11	1704260	1	Decal - EMS	
12	1706741	1	Decal - Boom Control Select	
13	2560136	1	Handle, Knob	
14	2920028	1	Light, Indicator	
15	2920029	1	Lamp, Bulb	
16	2920154	1	Panel, LED	
17	3300353	4	Nut, Tinnerman	
18	3300408	2	Nut	
19	3311005	2	Nut #10	
20	3520026	2	Plug	
21	3790012	13	O-Ring	
22	3790015	1	O-Ring	
23	3900183	2	Screw #10 x 1-1/4	
24	3900349	8	Capscrew M2.5	
25	3931012	2	Bolt #10 x 3/4	
26	4060906	1	Guard, Switch	
27	4071074	1	Shim	
28	4360387	1	Switch, Push Button	
29	4360407	1	Switch, Flow Control	
30	4360475	1	Switch, Emergency Stop	
30	7020175	1	Cap, Red	
30A	7020176	1	Contact Block	
31	4460234	3	Mount, Tie-Strap	
32	4460428	3	Connector, Strain Relief	
33	4460470	1	Nut, Terminal	
34	4460471	1	Washer, Terminal	
35	4460496	1	Washer, Terminal	
36	4460497	1	Nut, Terminal	
37	4460905	5	Plug, Terminal	
38	4740397	13	Spacer	
39	4751000	2	Washer #10	
40	4751400	8	Washer 1/4	
41	1001117174	1	Footswitch Assembly (See FOOTSWITCH ASSEMBLY for Breakdown)	
42	1001120338	1	Mount, Connector	

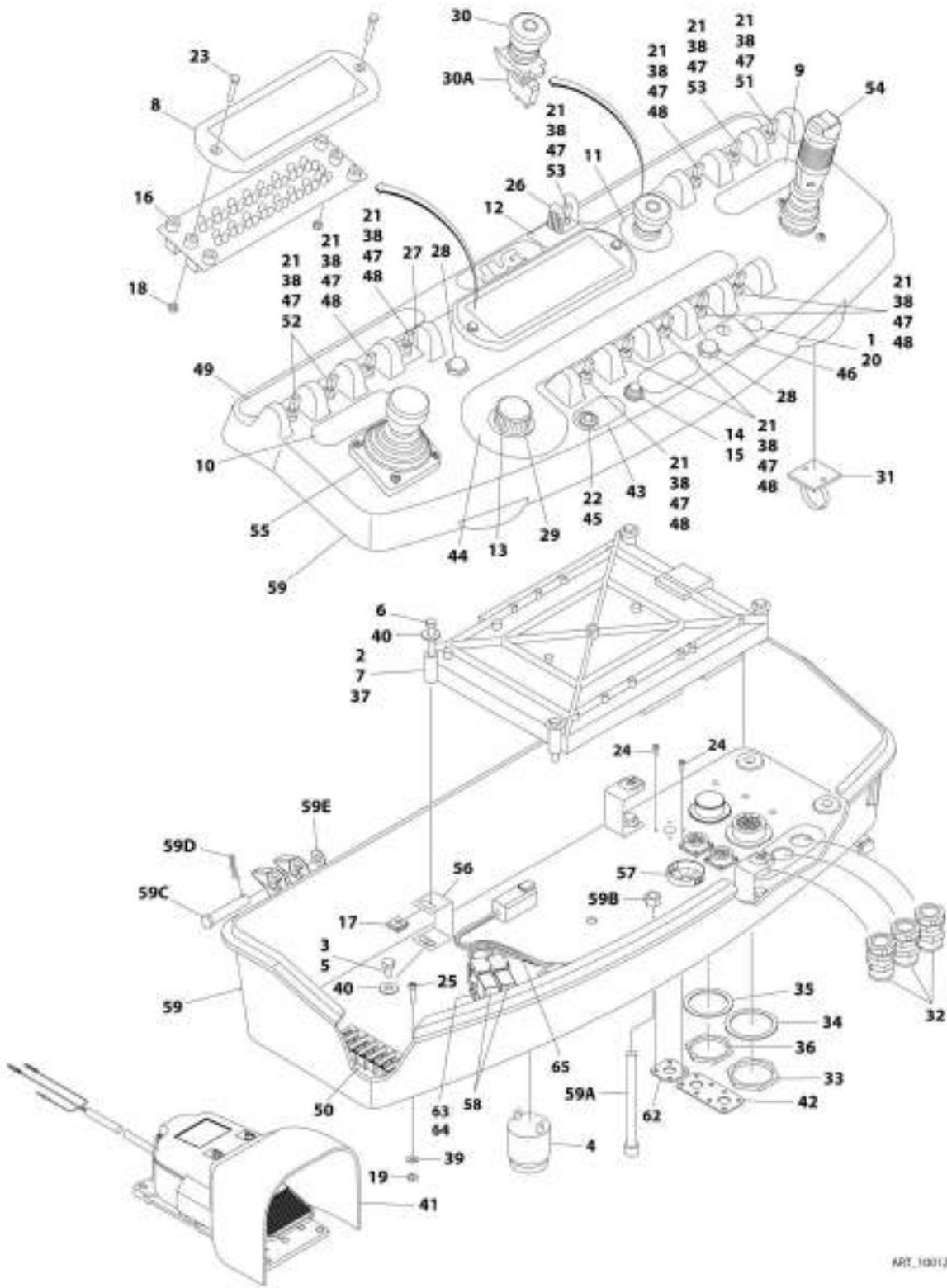
## SECTION 5 - PLATFORM

ITEM	PART NUMBER	QTY	DESCRIPTION	REV
43	1001125194	1	Decal - Jib Stow	
44	1001125195	1	Decal - Function Speed	
45	1001137364	1	Lamp, Indicator	
46	1001144433	1	Decal - No Weight SkyGuard	
47	1001155044	13	Nut 15/32	
48	1001155045	8	Switch, Toggle	
49	1001156926	1	Decal - Horn	
50	1001157292	1	Bussbar	
51	1001159256	1	Switch, Toggle	
52	1001161709	2	Switch, Toggle	
53	1001161710	2	Switch, Toggle	
54	1001166538	NLA	Drive and Steer Controller Assembly (See DRIVE AND STEER CONTROLLER ASSEMBLY for Breakdown) (Note: Use p/n 1001212415)	
55	1001166539	NLA	Lift and Swing Controller Assembly (See LIFT AND SWING CONTROLLER ASSEMBLY for Breakdown) (Note: Use p/n 1001129555 as Replacement)	
56	1001172760	4	Bracket	
57	1001185281	1	Plug, Bushing	
58	1001186229	1	Harness, Console Box (Not Shown - See ELECTRICAL SECTION for Breakdown)	
59	1001201889	1	Box, Console Assembly	
59A	0630568	1	Capscrew 3/8 x 4-1/2	
59B	3311601	1	Nut 3/8	
59C	3430616	2	Pin	
59D	3470003	2	Pin	
59E	4711600	2	Washer 3/8	



# SECTION 5 - PLATFORM

FIGURE 5-26. PLATFORM CONSOLE ASSEMBLY - WITH SKYGUARD (SN 0300234077 to Present)



ART\_1001218883

## SECTION 5 - PLATFORM

**FIGURE 5-26. PLATFORM CONSOLE ASSEMBLY - WITH SKYGUARD (SN 0300234077 to Present)**

ITEM	PART NUMBER	QTY	DESCRIPTION	REV
	1001219993	Ref	PLATFORM CONSOLE ASSEMBLY - WITH SKYGUARD (SN 0300234077 to Present)	B
1	0100009	AR	Sealant	
2	0100048	AR	Grease, Dielectric	
3	0100035	AR	Compound, Locking	
4	0140011	1	Alarm	
5	0641404	4	Bolt 1/4 x 1/2	
6	0641414	4	Bolt 1/4 x 1-3/4	
7	1600343	1	Module, Control (Note: Control System needs recalibrated when replaced)	
8	1671176	1	Cover	
9	1702565	1	Decal - Drive and Steer	
10	1702566	1	Decal - Lift and Swing	
11	1704260	1	Decal - EMS	
12	1706741	1	Decal - Boom Control Select	
13	2560136	1	Handle, Knob	
14	2920028	1	Light, Indicator	
15	2920029	1	Lamp, Bulb	
16	2920154	1	Panel, LED	
17	3300353	4	Nut, Tinnerman	
18	3300408	2	Nut	
19	3311005	2	Nut #10	
20	3520026	1	Plug	
21	3790012	13	O-Ring	
22	3790015	1	O-Ring	
23	3900183	2	Screw #10 x 1-1/4	
24	3900349	12	Capscrew M2.5	
25	3931012	2	Bolt #10 x 3/4	
26	4060906	1	Guard, Switch	
27	4071074	1	Shim	
28	4360387	2	Switch, Push Button	
29	4360407	1	Switch, Flow Control	
30	4360475	1	Switch, Emergency Stop	
30	7020175	1	Cap, Red	
30A	7020176	1	Contact Block	
31	4460234	3	Mount, Tie-Strap	
32	4460428	3	Connector, Strain Relief	
33	4460470	1	Nut, Terminal	
34	4460471	1	Washer, Terminal	
35	4460496	1	Washer, Terminal	
36	4460497	1	Nut, Terminal	
37	4460905	5	Plug, Terminal	
38	4740397	13	Spacer	
39	4751000	2	Washer #10	
40	4751400	8	Washer 1/4	
41	1001117174	1	Footswitch Assembly (See FOOTSWITCH ASSEMBLY for Breakdown)	
42	1001120338	1	Mount, Connector	
43	1001125194	1	Decal - Jib Stow	
44	1001125195	1	Decal - Function Speed	

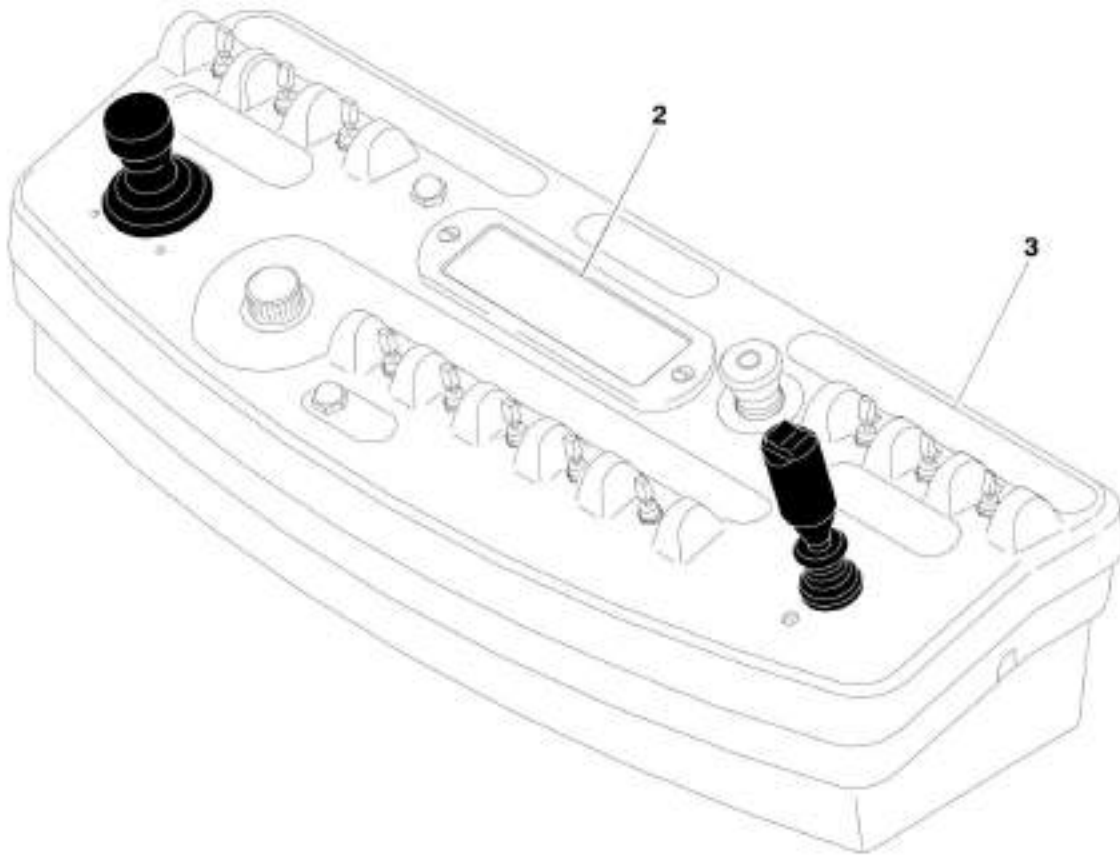
## SECTION 5 - PLATFORM

ITEM	PART NUMBER	QTY	DESCRIPTION	REV
45	1001137364	1	Lamp, Indicator	
46	1001144433	1	Decal - No Weight SkyGuard	
47	1001155044	13	Nut 15/32	
48	1001155045	8	Switch, Toggle	
49	1001156926	1	Decal - Horn	
50	1001157292	1	Bussbar	
51	1001159256	1	Switch, Toggle	
52	1001161709	2	Switch, Toggle	
53	1001161710	2	Switch, Toggle	
54	1001166538	NLA	Drive and Steer Controller Assembly (See DRIVE AND STEER CONTROLLER ASSEMBLY for Breakdown) (Note: Use p/n 1001212415)	
55	1001166539	NLA	Lift and Swing Controller Assembly (See LIFT AND SWING CONTROLLER ASSEMBLY for Breakdown) (Note: Use p/n 1001129555 as Replacement)	
56	1001172760	4	Bracket	
57	1001185281	1	Plug, Bushing	
58	1001186431	2	Relay	
59	1001201889	1	Box, Console Assembly	
59A	0630568	1	Capscrew 3/8 x 4-1/2	
59B	3311601	1	Nut 3/8	
59C	3430616	2	Pin	
59D	3470003	2	Pin	
59E	4711600	2	Washer 3/8	
61	1001220868	1	Harness, Console Box (Not Shown - See ELECTRICAL SECTION for Breakdown)	
62	1001220929	1	Connector	
63	4240032	1	Tie-Strap	
64	4460488	1	Base, Mounting	
65	1001225580	1	Harness, Platform Interface (Not Shown - See ELECTRICAL SECTION for Breakdown)	



## SECTION 5 - PLATFORM

FIGURE 5-27. DECAL AND LIGHT PANEL



100112182E\_PG 2 OF 2



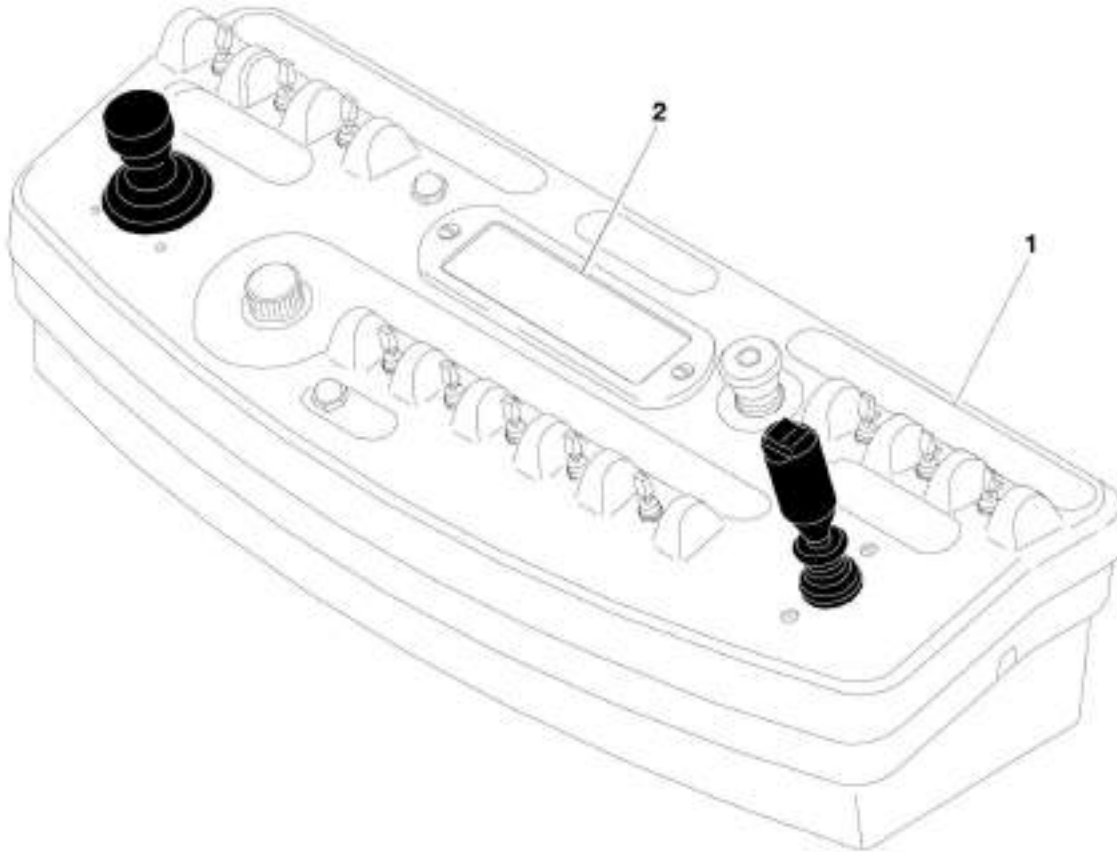
## SECTION 5 - PLATFORM

**FIGURE 5-27. DECAL AND LIGHT PANEL**

ITEM	PART NUMBER	QTY	DESCRIPTION	REV
	1001121826	Ref	CONSOLE DECAL AND LIGHT PANEL INSTALLATION - ANSI EXPORT (LRC) AND CHINA SPECS	A
	1001121826	Ref	CONSOLE DECAL AND LIGHT PANEL INSTALLATION - ANSI, CSA AND JAPANESE SPECS <b>(Prior to SN 0300210987)</b>	A
2	1001122384	1	Decal - Display	
3	1001122611	1	Decal - Stop	

## SECTION 5 - PLATFORM

FIGURE 5-28. DECAL AND LIGHT PANEL



1001121027\_PG 2 OF 2

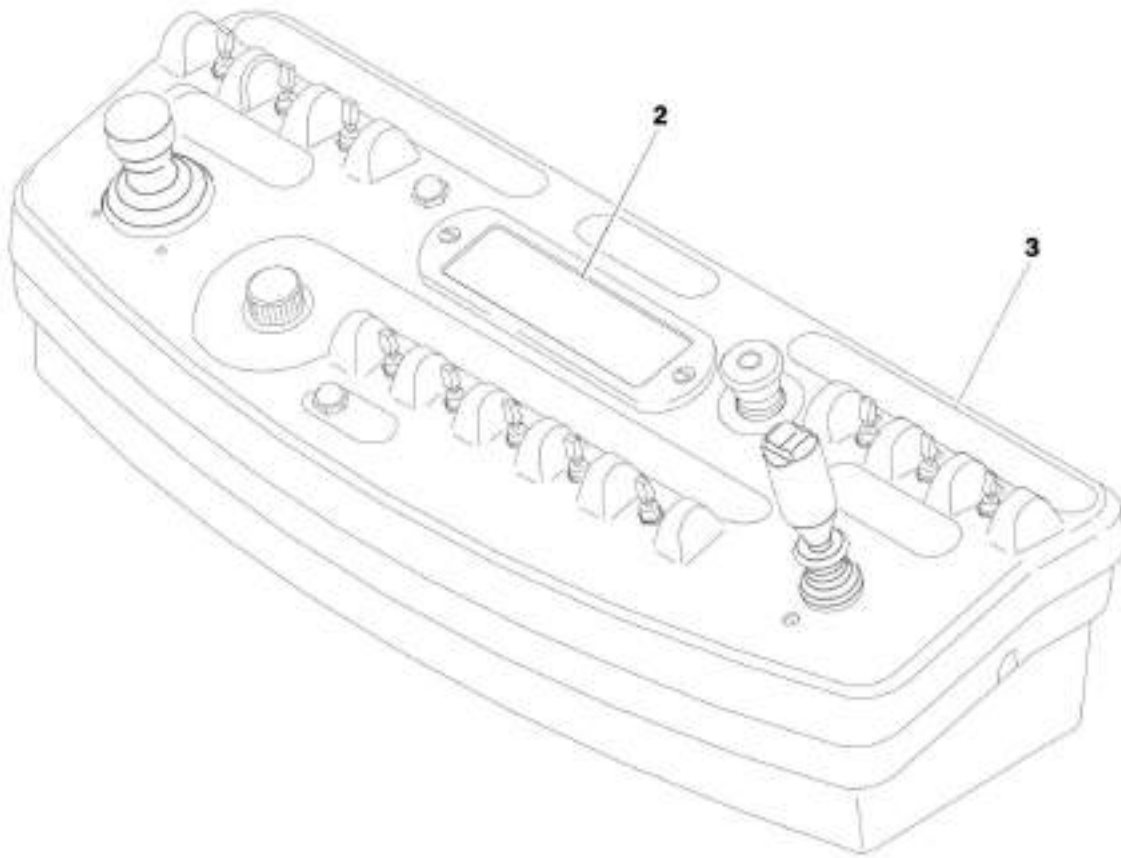
## SECTION 5 - PLATFORM

**FIGURE 5-28. DECAL AND LIGHT PANEL**

ITEM	PART NUMBER	QTY	DESCRIPTION	REV
	1001121827	Ref	CONSOLE DECAL AND LIGHT PANEL INSTALLATION - CE (LRC) AND AUSTRALIAN SPECS	A
	1001121827	Ref	CONSOLE DECAL AND LIGHT PANEL INSTALLATION - CE SPECS <b>(Prior to SN 0300210987)</b>	A
1	1705974	1	Decal - Stop	
2	1705973	1	Decal - Display	

## SECTION 5 - PLATFORM

FIGURE 5-29. DECAL AND LIGHT PANEL



ARC\_00110001\_0001

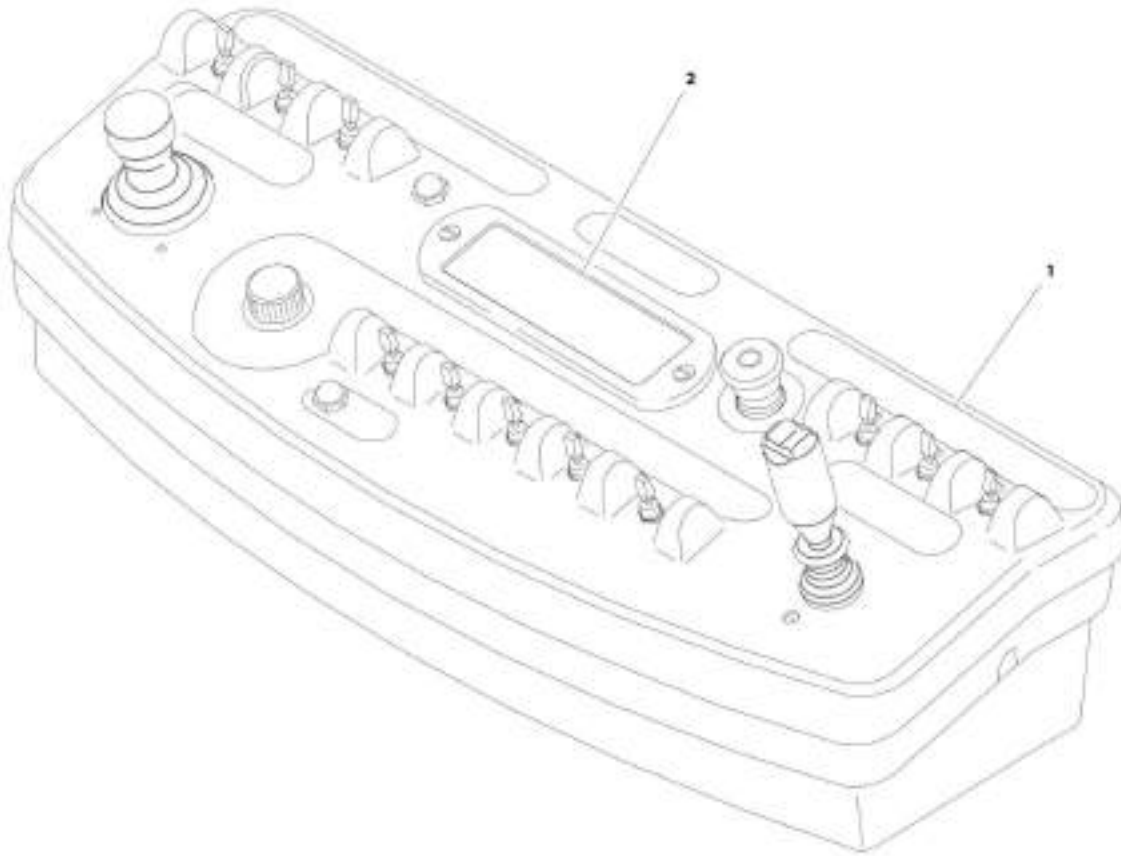
## SECTION 5 - PLATFORM

### FIGURE 5-29. DECAL AND LIGHT PANEL

ITEM	PART NUMBER	QTY	DESCRIPTION	REV
	1001198867	Ref	CONSOLE DECAL AND LIGHT PANEL INSTALLATION - ANSI, ANSI EXPORT (HRC), CSA AND JAPANESE SPECS ( <b>SN 0300210987 to Present</b> )	A
2	1001122384	1	Decal - Display	
3	1001122611	1	Decal - Stop	

## SECTION 5 - PLATFORM

FIGURE 5-30. DECAL AND LIGHT PANEL



ARC 08111808\_003

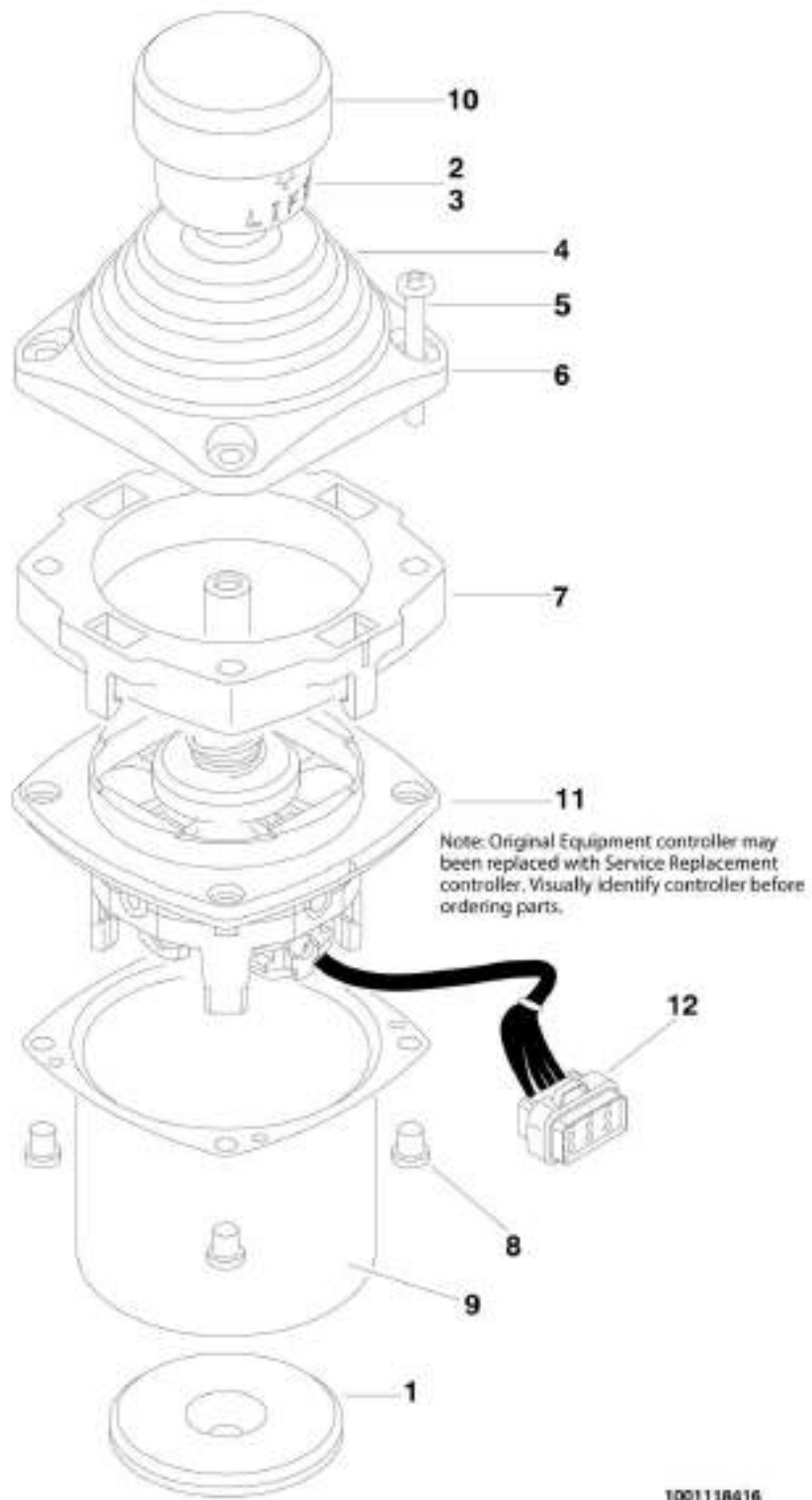
## SECTION 5 - PLATFORM

**FIGURE 5-30. DECAL AND LIGHT PANEL**

ITEM	PART NUMBER	QTY	DESCRIPTION	REV
	1001198868	Ref	CONSOLE DECAL AND LIGHT PANEL INSTALLATION - CE SPECS (SN 0300210987 to Present)	A
1	1705174	1	Decal - Stop	
2	1705973	1	Decal - Display	

## SECTION 5 - PLATFORM

FIGURE 5-31. LIFT AND SWING CONTROLLER ASSEMBLY (Prior to SN 0300188926)





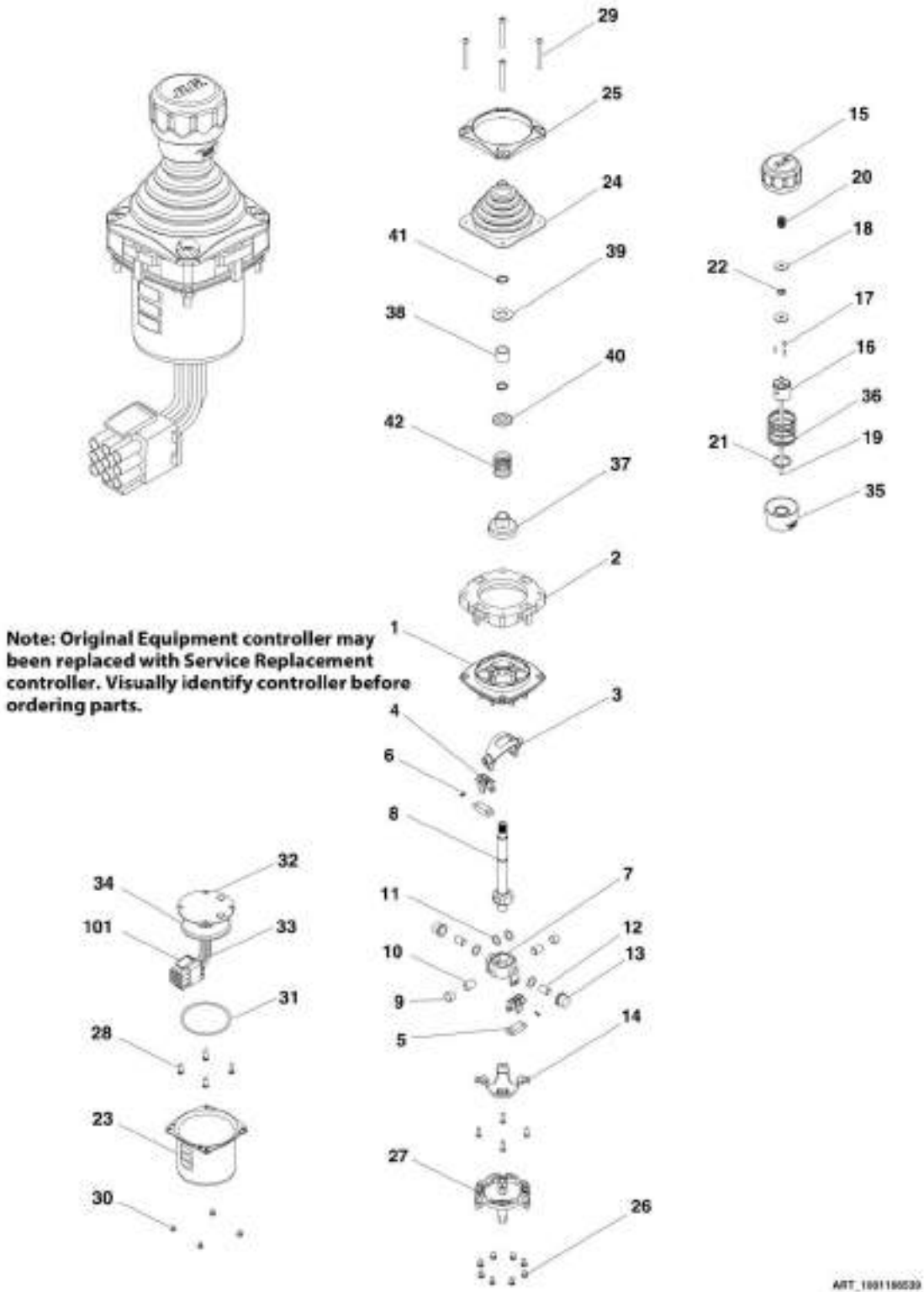
## SECTION 5 - PLATFORM

**FIGURE 5-31. LIFT AND SWING CONTROLLER ASSEMBLY (Prior to SN 0300188926)**

ITEM	PART NUMBER	QTY	DESCRIPTION	REV
		Ref	Note: Original Equipment controller may have been replaced with Service Replacement controller. Visually identify controller before ordering parts.	
	1001118417	Ref	<b>CONTROLLER ASSEMBLY (Prior to SN 0300188926)</b>	E
		Ref	Note: Use p/n 1001129555 as replacement.	
1	70002730	1	Gasket	
2	7003928	1	Spring	
3	7022808	1	Cap, Lift	
4	70002731	1	Boot	
5	70002732	4	Screw	
6	7022815	1	Bezel	
7	70002733	1	Adapter	
8	70002734	4	Screw	
9	70002735	1	Can, Enclosure	
10	70002906	1	Cap	
11	See Note	NSS	Mechanical Assembly (Note: Purchase Kit p/n 1001129555)	
12	7022819	1	Connector - 8 Position	
12	4460871	6	Socket, Female	

# SECTION 5 - PLATFORM

FIGURE 5-32. CONTROLLER ASSEMBLY (LIFT AND SWING) (SN 0300188926 to Present)



ART. 1001180030

## SECTION 5 - PLATFORM

**FIGURE 5-32. CONTROLLER ASSEMBLY (LIFT AND SWING) (SN 0300188926 to Present)**

ITEM	PART NUMBER	QTY	DESCRIPTION	REV
		Ref	Note: Original Equipment controller may have been replaced with Service Replacement controller. Visually identify controller before ordering parts.	
	1001166539	Ref	<b>CONTROLLER ASSEMBLY - LIFT AND SWING (SN 0300188926 to Present)</b>	D
		Ref	Note: Use p/n 1001129555 as replacement.	
1	See Note	NSS	Main Cast Body (Note: Not Available - Purchase Complete Assembly)	
2	70004752	1	Adapter	
3	See Note	NSS	Pivot Arm, Plastic (Note: Not Available - Purchase Complete Assembly)	
4	See Note	NSS	Holder, Magnet (Note: Not Available - Purchase Complete Assembly)	
5	See Note	NSS	Arc, Magnet (Note: Not Available - Purchase Complete Assembly)	
6	See Note	NSS	Screw (Note: Not Available for Purchase)	
7	See Note	NSS	Pivot Arm, Cast (Note: Not Available - Purchase Complete Assembly)	
8	See Note	NSS	Shaft, Main (Note: Not Available - Purchase Complete Assembly)	
9	See Note	NSS	Bearing (Note: Not Available - Purchase Complete Assembly)	
10	See Note	NSS	Pin (Note: Not Available - Purchase Complete Assembly)	
11	See Note	NSS	Shim (Note: Not Available - Purchase Complete Assembly)	
12	See Note	NSS	Pin (Note: Not Available - Purchase Complete Assembly)	
13	See Note	NSS	Bearing (Note: Not Available - Purchase Complete Assembly)	
14	See Note	NSS	Dome, Centering (Note: Not Available - Purchase Complete Assembly)	
15	70004753	1	Cap	
16	70004754	1	Insert, Cap	
17	70004755	3	Pin	
18	70004756	2	Washer	
19	70004757	1	Pin, Centering	
20	70004758	1	Spring	
21	70004759	1	Ring, Retaining	
22	70004760	1	E-Ring	
23	70004761	1	Can, Enclosure	
24	70004762	1	Boot	
25	70004763	1	Bezel	
26	See Note	NSS	Screw (Note: Not Available for Purchase)	
27	See Note	NSS	Base Mounting (Note: Not Available - Purchase Complete Assembly)	
28	See Note	NSS	Screw (Note: Not Available for Purchase)	
29	70004764	4	Screw	
30	70004765	4	Screw	
31	70004766	1	O-Ring	
32	See Note	NSS	Plate (Note: Not Available - Purchase Complete Assembly)	
33	See Note	NSS	Harness (Note: Not Available - Purchase Complete Assembly)	
34	70004767	1	Grommet, Rubber	
35	70004768	1	Housing	
36	70004769	1	Spring	
37	70004770	1	Stopper	
38	70004771	1	Spacer	
39	70004772	1	Washer	
40	70004773	1	Disc	

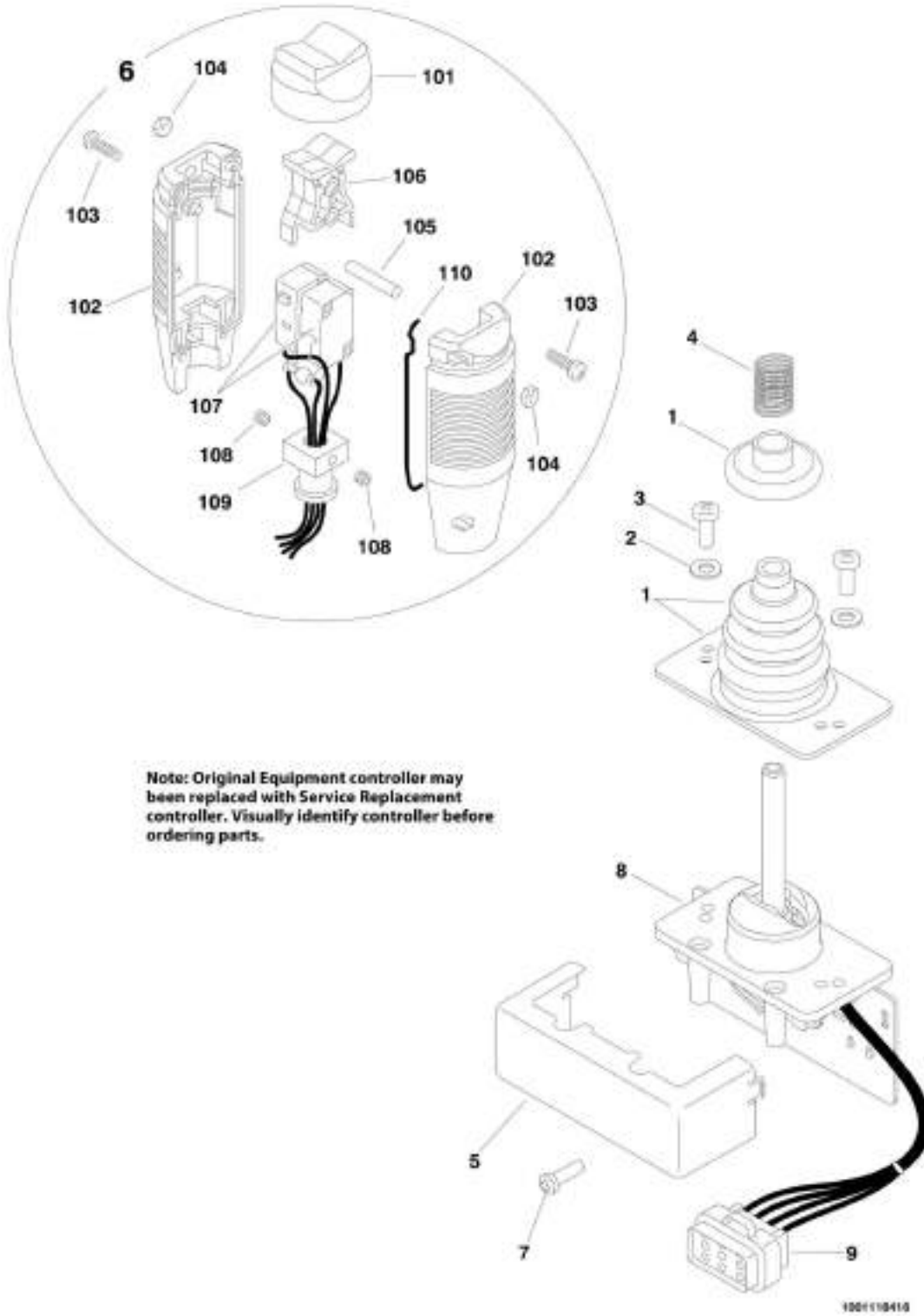
## SECTION 5 - PLATFORM

ITEM	PART NUMBER	QTY	DESCRIPTION	REV
41	70004774	2	Ring, Retaining	
42	70004775	1	Spring	
101	4460265	1	Connector - 9 Position	
101	4460226	6	Socket, Female	



# SECTION 5 - PLATFORM

FIGURE 5-33. DRIVE AND STEER CONTROLLER ASSEMBLY (Prior to SN 0300188926)



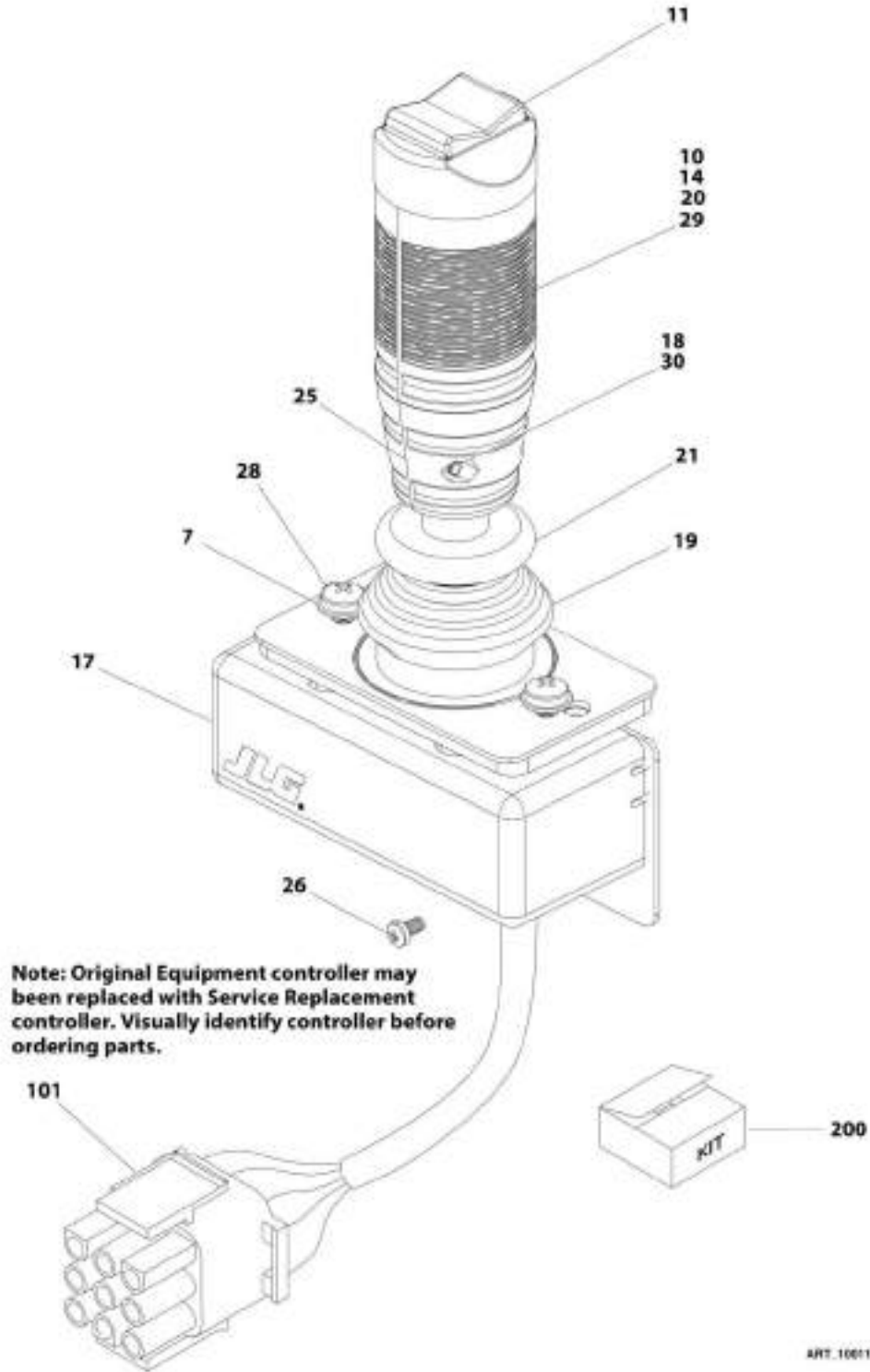
## SECTION 5 - PLATFORM

**FIGURE 5-33. DRIVE AND STEER CONTROLLER ASSEMBLY (Prior to SN 0300188926)**

ITEM	PART NUMBER	QTY	DESCRIPTION	REV
		Ref	Note: Original Equipment controller may have been replaced with Service Replacement controller. Visually identify controller before ordering parts.	
	1001118416	Ref	<b>DRIVE AND STEER CONTROLLER ASSEMBLY (Prior to SN 0300188926)</b>	D
		Ref	Note: Use p/n 1001212415 as replacement.	
1	70002724	1	Boot and Control Lock Assembly	
2	7003941	2	Washer	
3	70002725	2	Screw	
4	7019162	1	Spring	
5	70002726	1	Enclosure	
6	70002727	1	Handle Assembly (See Items 101-110 for Breakdown)	
7	70002728	1	Screw	
8	See Note	NSS	Mechanical Assembly (Note: Use p/n 1001212415)	
9	7022825	1	Connector - 8 Position	
9	4460871	7	Socket, Female	
	70002727	Ref	<b>HANDLE ASSEMBLY</b>	
101	7003972	1	Boot, Switch	
102	7003973	2	Half, Handle	
103	7003980	4	Screw	
104	7019167	4	Nut	
105	7019164	1	Axle	
106	7019165	1	Rocker	
107	70002729	1	Wiring Assembly	
107	7003982	2	Switch, Micro	
108	7003983	2	Setscrew	
109	7019194	1	Coupling	
110	7003989	2	Gasket	

# SECTION 5 - PLATFORM

FIGURE 5-34. CONTROLLER ASSEMBLY (DRIVE AND STEER) (SN 0300188926 to Present)





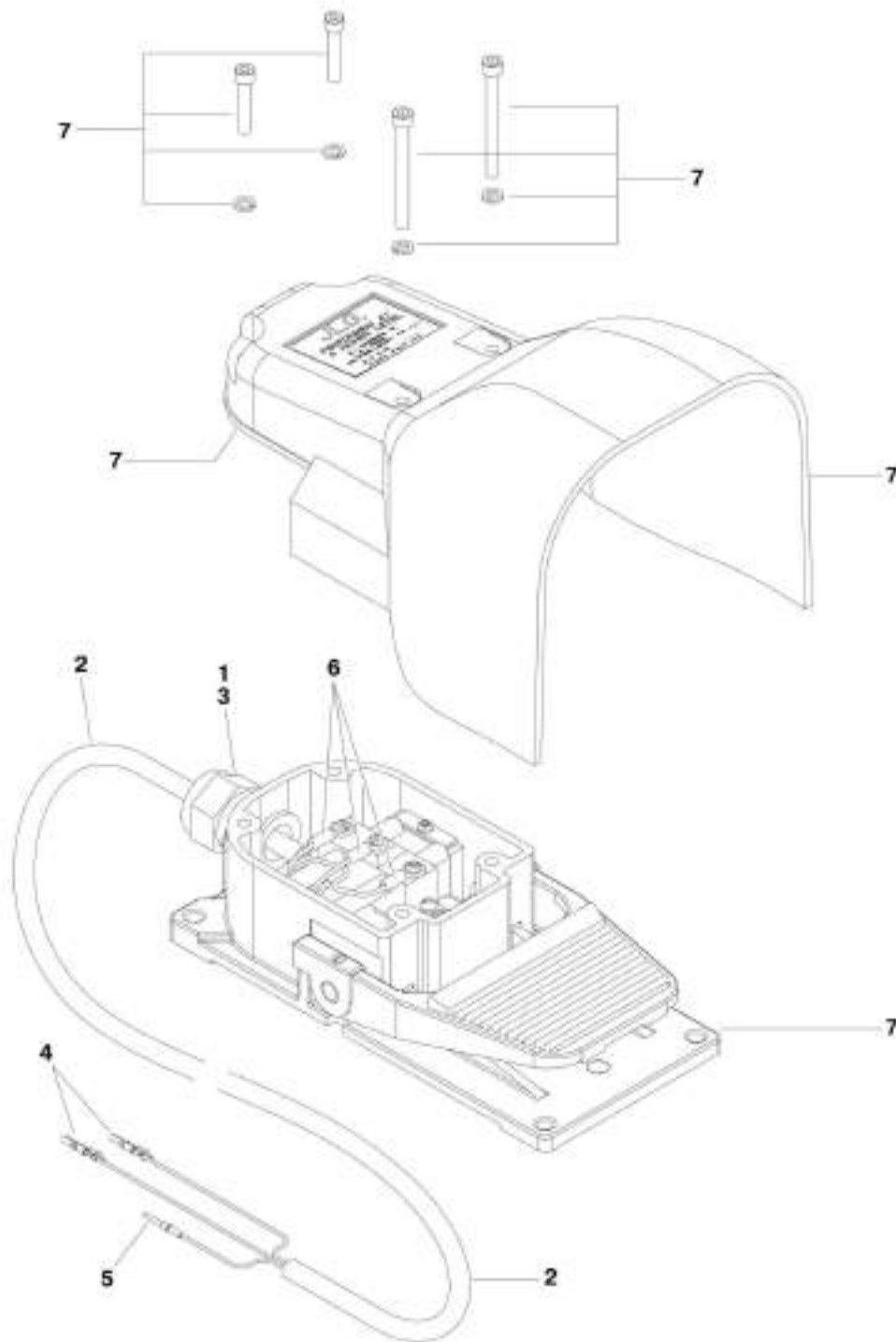
## SECTION 5 - PLATFORM

**FIGURE 5-34. CONTROLLER ASSEMBLY (DRIVE AND STEER) (SN 0300188926 to Present)**

ITEM	PART NUMBER	QTY	DESCRIPTION	REV
		Ref	Note: Original Equipment controller may have been replaced with Service Replacement controller. Visually identify controller before ordering parts.	
	1001166538	Ref	<b>CONTROLLER ASSEMBLY - DRIVE AND STEER (SN 0300188926 to Present)</b>	G
		Ref	Note: Use p/n 1001212415 Kit as Replacement.	
7	70004738	2	Washer	
10	70004739	1	Roller	
11	70004740	1	Boot, Switch	
14	70004741	2	Half, Handle	
17	70004742	1	Enclosure	
18	70004743	4	Nut	
19	70004744	NLA	Boot, Controller (Use Item 200)	
20	70004745	NLA	Tube, Locking (Use Item 200)	
21	70004746	NLA	Disc, Locking (Use Item 200)	
25	70004747	2	Seal, Rope	
26	70004748	1	Screw, M3 x 6mm	
28	70004749	2	Screw, M5 x 20mm	
29	70004750	1	Pin, Dowel	
30	70004751	4	Screw, M3 x 16mm	
101	4460265	1	Connector - 9 Position	
101	4460226	7	Socket, Female	
200	70005230	1	Boot Kit (Includes Items 19-21)	

# SECTION 5 - PLATFORM

## FIGURE 5-35. FOOTSWITCH ASSEMBLY



100117174

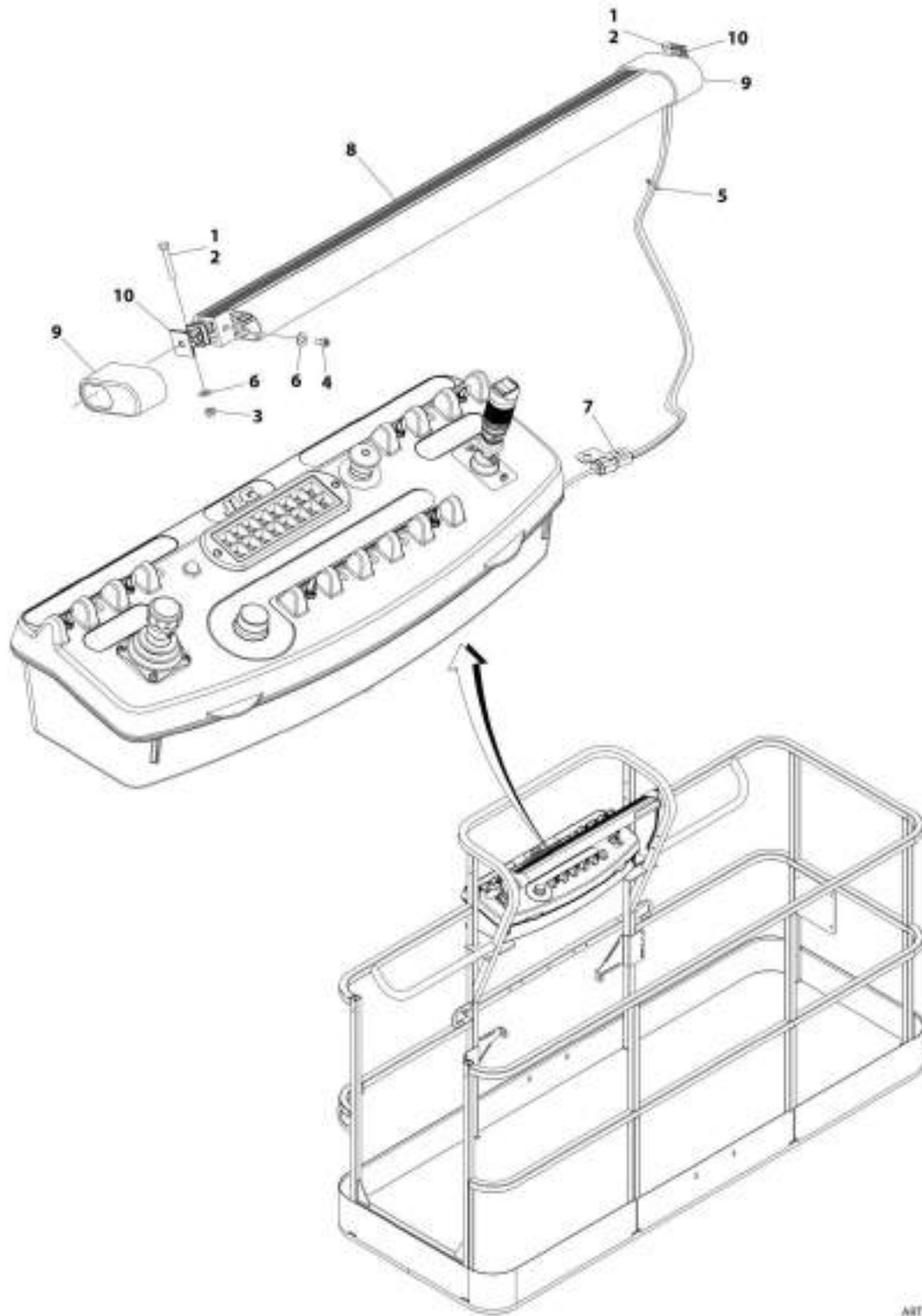
## SECTION 5 - PLATFORM

### FIGURE 5-35. FOOTSWITCH ASSEMBLY

ITEM	PART NUMBER	QTY	DESCRIPTION	REV
	1001117174	Ref	FOOTSWITCH ASSEMBLY	B
1	0100020	AR	Sealant	
2	1060918	7.5 ft /2.3m	Cable, Electrical - 18/3	
3	4460071	1	Connector, Strain Relief	
4	4460226	2	Socket, Female	
5	4460464	1	Pin, Male	
6	1001098122	3	Terminal	
7	1001117172	1	Footswitch	
7	70002902	1	Switch, 20A	
7	70002903	1	Gasket	
7	70002904	1	Kit, Replacement Bolt	
7	70002905	1	Cover	

# SECTION 5 - PLATFORM

FIGURE 5-36. SKYGUARD SYSTEM INSTALLATION (SN 0300201023 to Present)



ART\_100197508

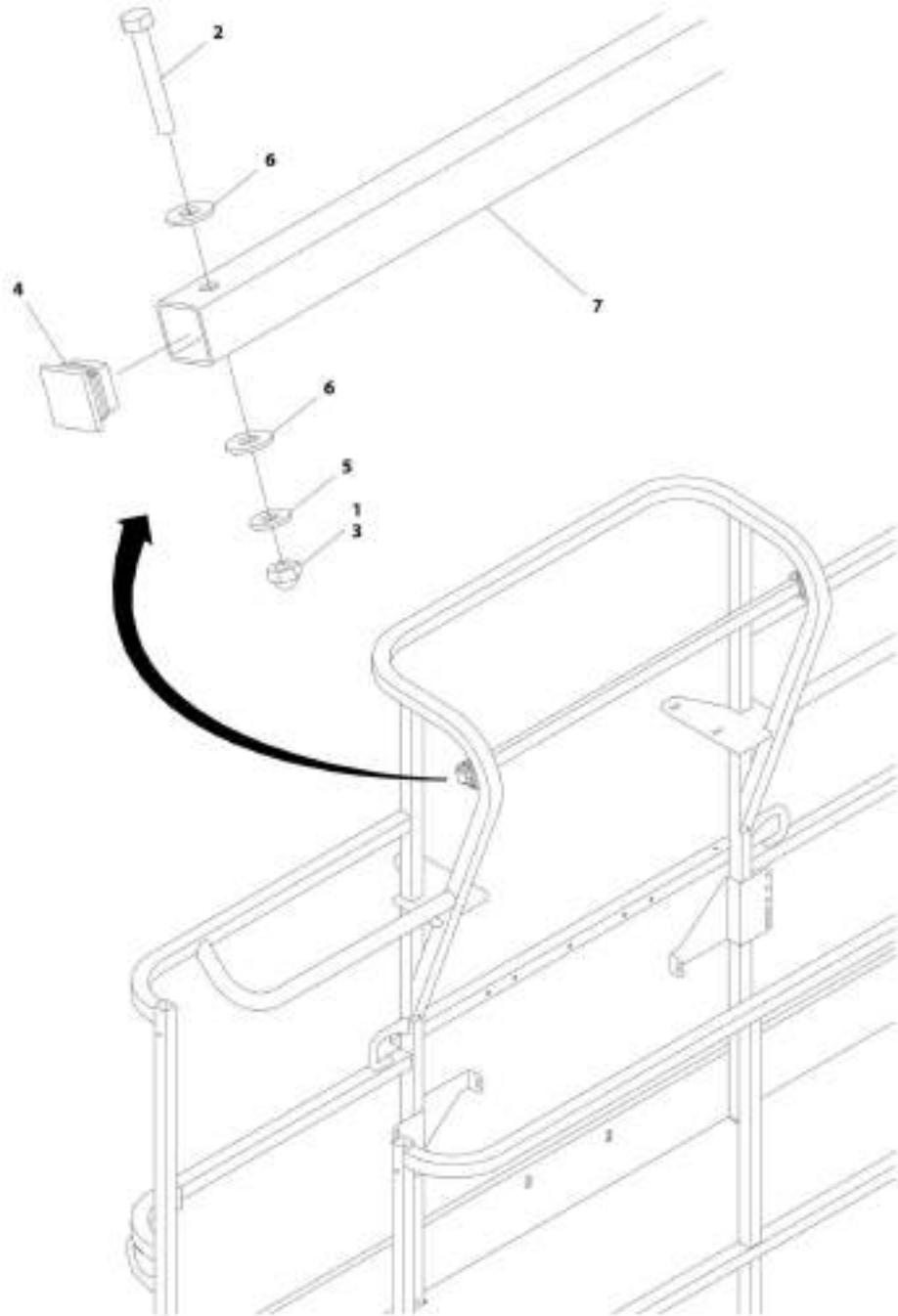
## SECTION 5 - PLATFORM

**FIGURE 5-36. SKYGUARD SYSTEM INSTALLATION (SN 0300201023 to Present)**

ITEM	PART NUMBER	QTY	DESCRIPTION	REV
	1001187508	Ref	SKYGUARD SYSTEM INSTALLATION (SN 0300201023 to Present)	C
1	0100011	AR	Compound, Locking	
2	0641414	2	Bolt, 1/4-20 x 1-3/4	
3	3300430	2	Nut, Acorn 1/4-20	
4	3931424	2	Capscrew, 1/4 x 1-1/2	
4	3931408	2	Capscrew, 1/4 x 1/2	
5	4240033	AR	Tie-Strap	
6	4711400	AR	Washer, 1/4	
7	1001120328	1	Mount	
8	1001137673	1	Switch, SkyGuard Assembly	
9	1001186517	2	Cover, Platform Sensor	
10	1001188889	2	Support, Block (Prior to SN 0300243487)	
10	1001209664	2	Support, Block (SN 0300243487 to Present)	

# SECTION 5 - PLATFORM

## FIGURE 5-37. CROSS RAIL INSTALLATION



AVT\_1801182139

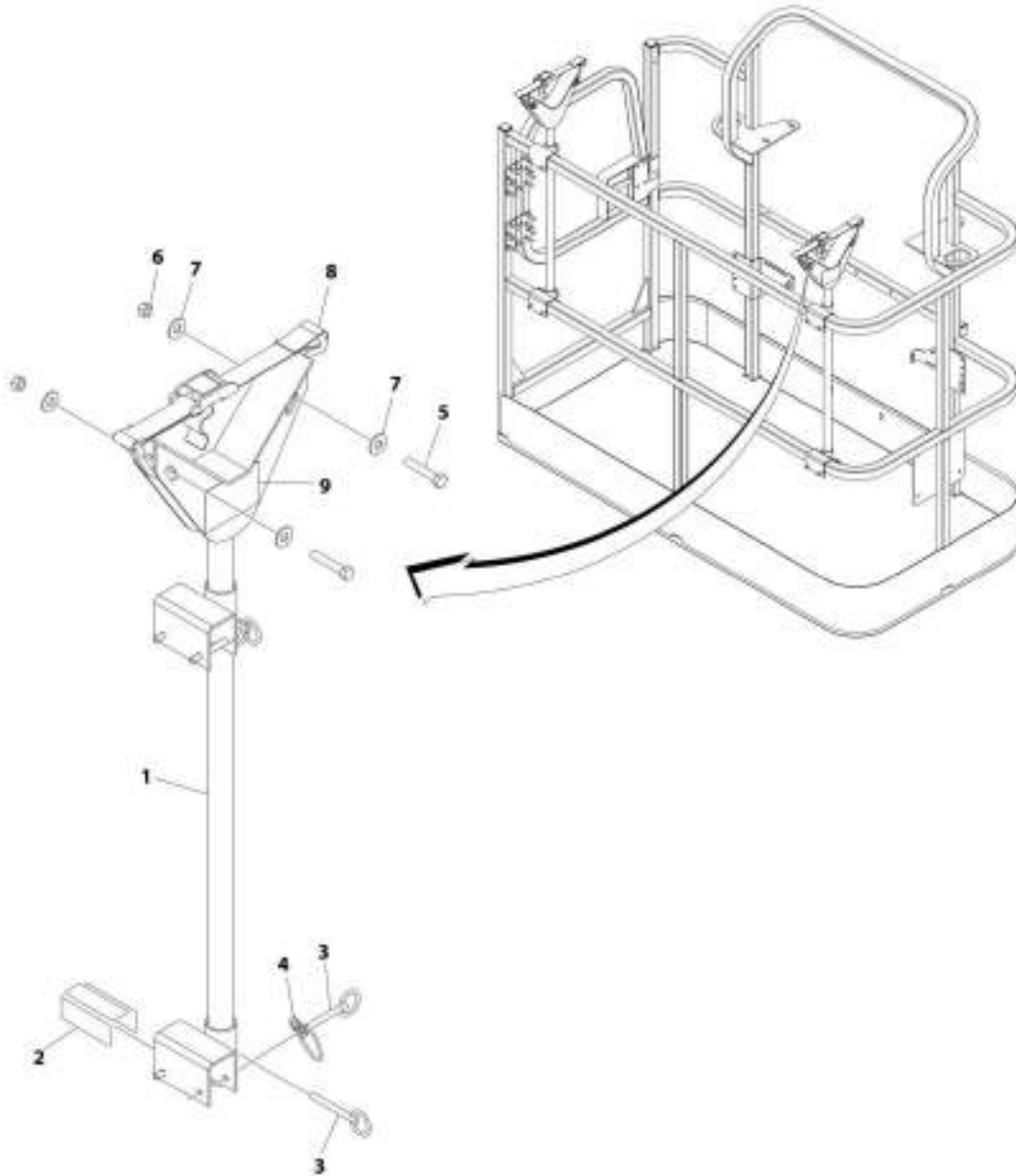
## SECTION 5 - PLATFORM

### FIGURE 5-37. CROSS RAIL INSTALLATION

ITEM	PART NUMBER	QTY	DESCRIPTION	REV
	1001182138	Ref	CROSS RAIL INSTALLATION	A
1	0100071	AR	Compound, Locking	
2	0641414	2	Bolt 1/4 X 1-3/4	
3	3300430	2	Nut 1/4	
4	3520182	2	Plug	
5	4711400	2	Washer 1/4	
6	4751400	4	Washer 1/4	
7	1001191708	1	Bar	

# SECTION 5 - PLATFORM

FIGURE 5-38. PIPE RACK INSTALLATION (ANSI AND CSA SPECS)



ART 0257728



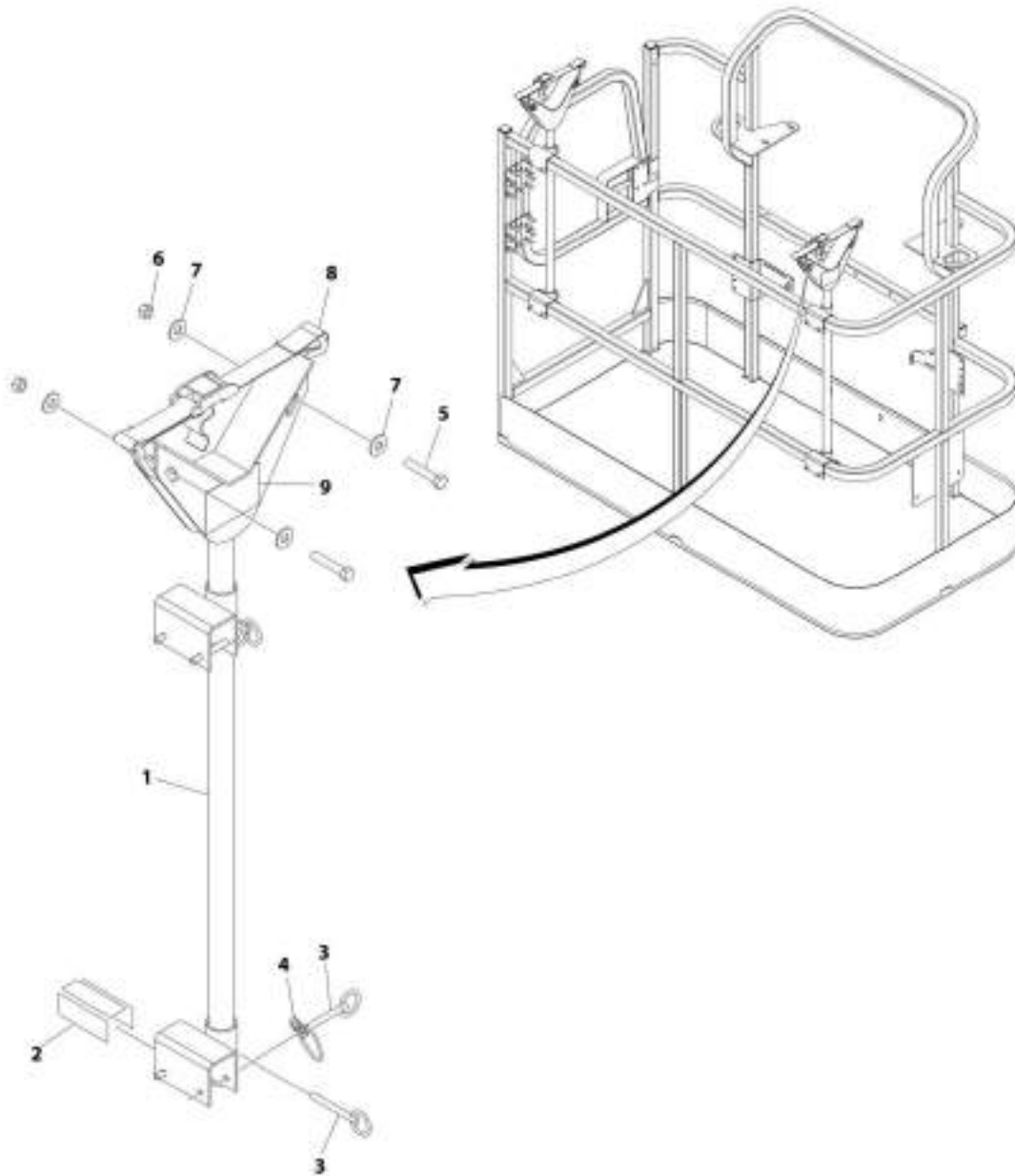
## SECTION 5 - PLATFORM

**FIGURE 5-38. PIPE RACK INSTALLATION (ANSI AND CSA SPECS)**

ITEM	PART NUMBER	QTY	DESCRIPTION	REV
	0257728	Ref	PIPE RACK INSTALLATION (ANSI AND CSA SPECS)	2/C
1	4845582	2	Rack, Pipe	
2	4420062	AR	Tape	
3	3422661	10	Pin	
4	1060379	4	Lanyard	
5	0641514	4	Bolt 5/16 x 1-3/4	
6	3311505	4	Nut 5/16	
7	4751500	8	Washer 5/16	
8	0480100	2	Tie-Down	
9	1703683	2	Decal - Capacity	

# SECTION 5 - PLATFORM

## FIGURE 5-39. PIPE RACK INSTALLATION (AUSTRALIAN SPEC)



ART 0270661

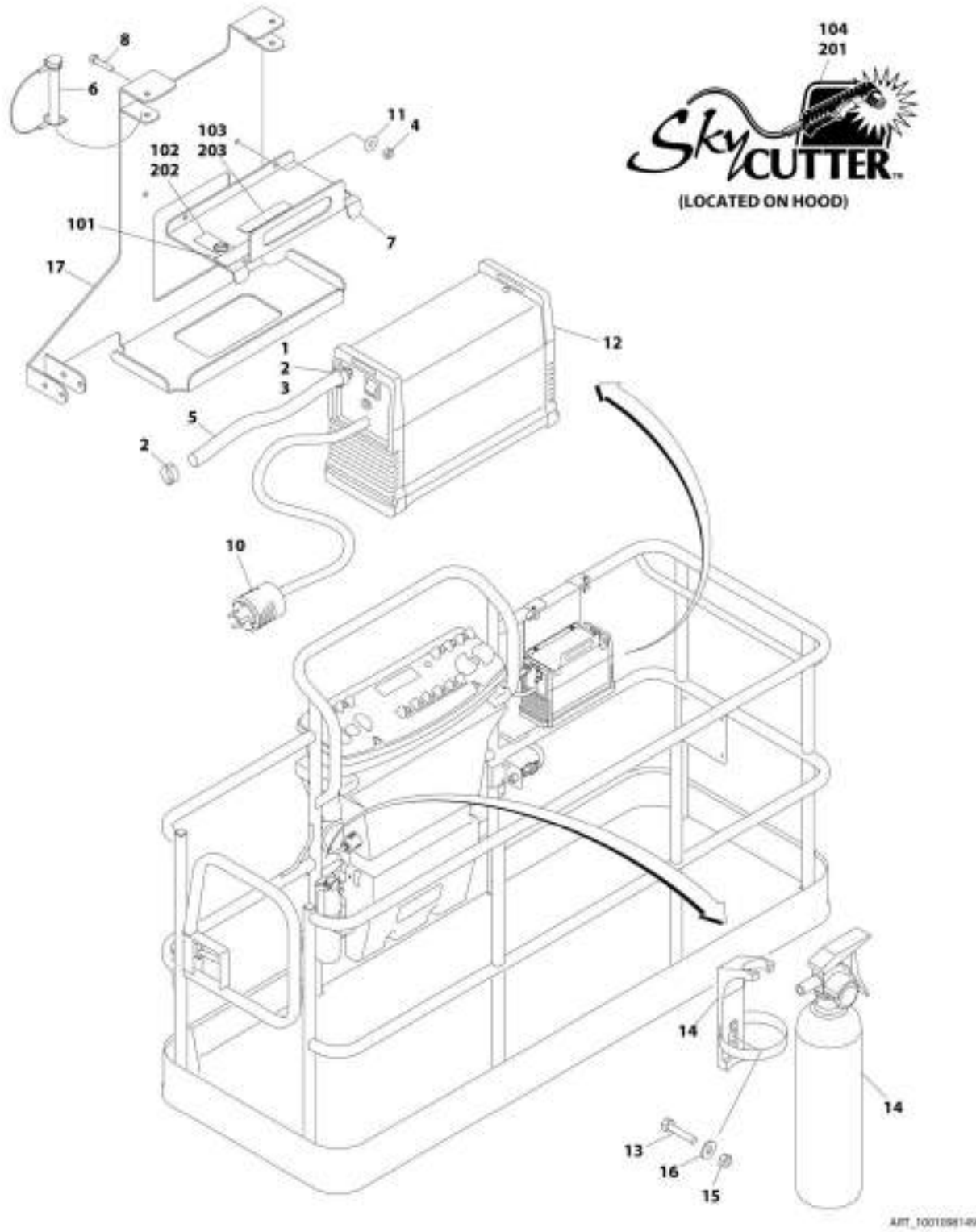
## SECTION 5 - PLATFORM

**FIGURE 5-39. PIPE RACK INSTALLATION (AUSTRALIAN SPEC)**

ITEM	PART NUMBER	QTY	DESCRIPTION	REV
	0274661	Ref	PIPE RACK INSTALLATION (AUSTRALIAN SPEC)	1/A
1	4845582	2	Rack, Pipe	
2	4420062	AR	Tape	
3	3422661	10	Pin	
4	1060379	4	Lanyard	
5	0641514	4	Bolt 5/16 x 1-3/4	
6	3311505	4	Nut 5/16	
7	4751500	8	Washer 5/16	
8	0480100	2	Tie-Down	
9	1706510	2	Decal - Capacity	

# SECTION 5 - PLATFORM

## FIGURE 5-40. SKYCUTTER INSTALLATION



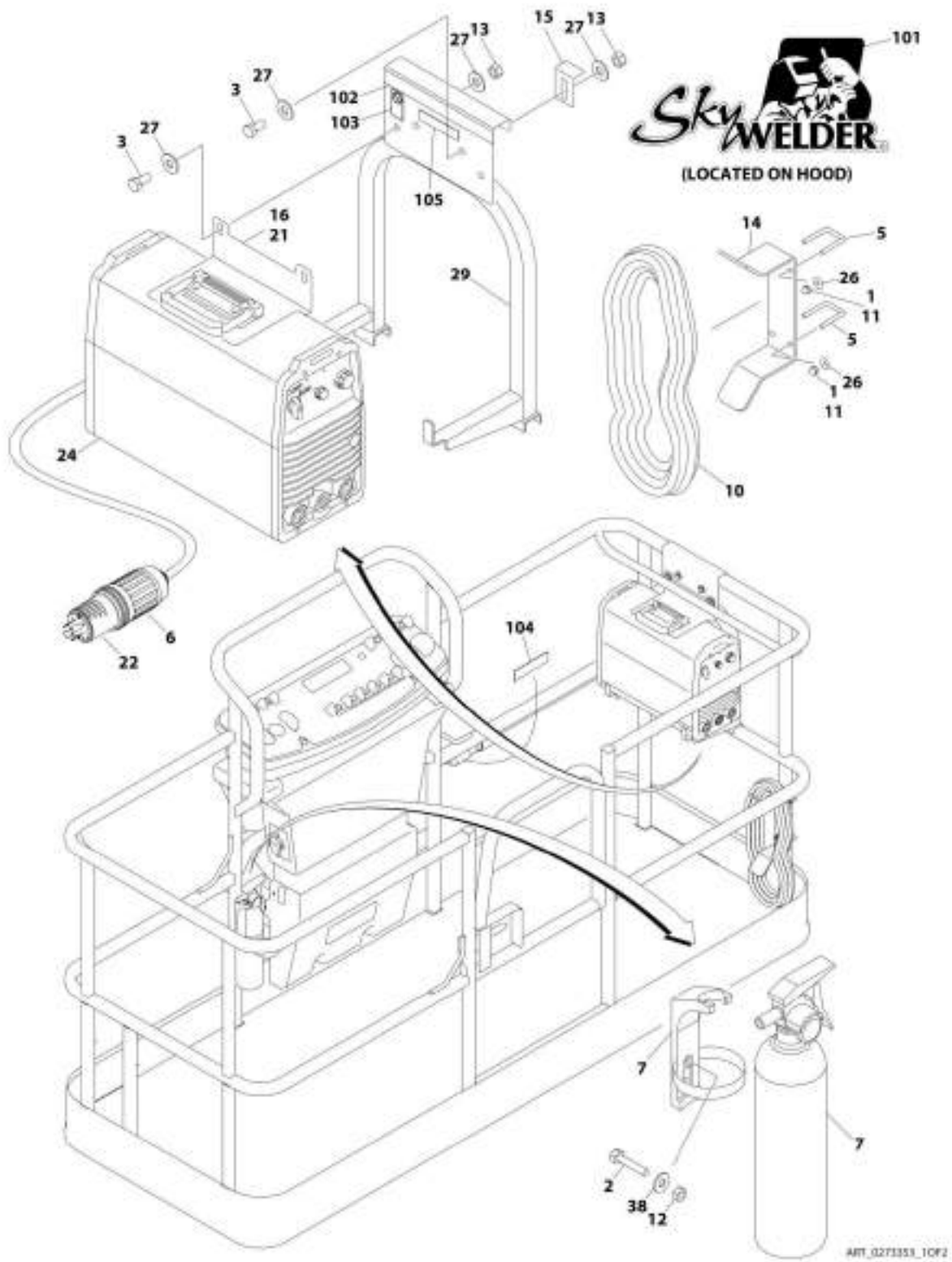
## SECTION 5 - PLATFORM

### FIGURE 5-40. SKYCUTTER INSTALLATION

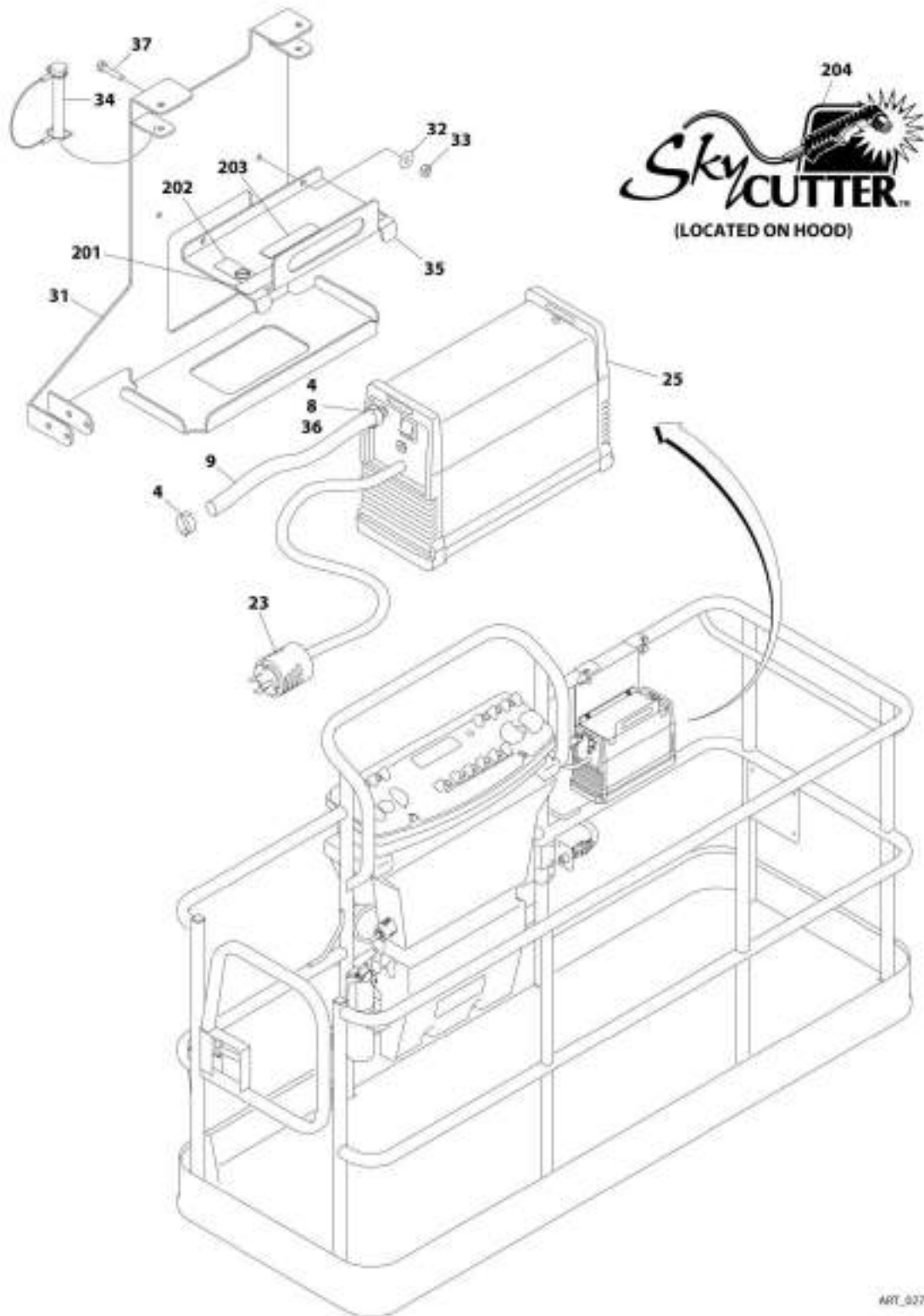
ITEM	PART NUMBER	QTY	DESCRIPTION	REV
	1001098149	Ref	SKYCUTTER INSTALLATION	D
		Ref	Note: ANSI, ANSI Export, CSA and Japanese Specs Only.	
		Ref	Note: When replacing platform on machines with SkyCutter option, new bracket p/n 1001145405 must be purchased to accommodate SkyCutter components.	
1	0100020	AR	Sealant	
2	1320177	2	Clamp, Hose	
3	2180832	1	Fitting, NPT/Barbed	
4	3290605	2	Nut M6	
5	2720160	3 ft /.9m	Hose	
6	3421453	3	Pin	
7	3576799	1	Plate, Hold-Down	
8	4010608	2	Screw M6 x 16	
10	4460971	1	Plug, Twistlock	
11	4811700	2	Washer M6	
12	1001098012	1	Plasma Cutter Assembly (See PLASMA CUTTER ASSEMBLY for Breakdown)	
13	0630518	2	Screw #10 x 3/4	
14	2030010	1	Extinguisher, Fire	
15	3311005	2	Nut #10	
16	4751000	2	Washer #10	
17	1001145405	1	Support	
	0272599	Ref	SKYCUTTER DECAL INSTALLATION (ANSI, ANSI EXPORT AND CSA SPECS)	B
101	1702868	1	Decal - No Hands	
102	1705305	1	Decal - Weld Lead	
103	1705466	NLA	Decal - Weight (Use p/n 1001228988) <b>(Prior to SN 0300233352)</b>	
103	1001228988	1	Decal - Weight <b>(SN 0300233352 to Present)</b>	
104	1705490	2	Decal - SkyCutter	
	0272607	Ref	SKYCUTTER DECAL INSTALLATION (JAPANESE SPECS)	B
201	1705490	2	Decal - SkyCutter	
202	1705305	1	Decal - Weld Lead	
203	1705466	NLA	Decal - Weight (Use p/n 1001228988) <b>(Prior to SN 0300233352)</b>	
203	1001228988	1	Decal - Weight <b>(SN 0300233352 to Present)</b>	

# SECTION 5 - PLATFORM

## FIGURE 5-41. SKYWELDER/SKYCUTTER COMBO INSTALLATION (60HZ)



# SECTION 5 - PLATFORM



ART\_0270061\_20F3

# SECTION 5 - PLATFORM

FIGURE 5-41. SKYWELDER/SKYCUTTER COMBO INSTALLATION (60HZ)

ITEM	PART NUMBER	QTY	DESCRIPTION	REV
	0273353	Ref	SKYWELDER/SKYCUTTER COMBO INSTALLATION (60HZ)	G
		Ref	Note: ANSI, ANSI Export, CSA and Japanese Spec Only.	
1	0100011	AR	Compound, Locking	
2	0630518	2	Screw #10 x 3/4	
3	0641606	4	Bolt 3/8 x 3/4	
4	1320177	2	Clamp	
5	1320302	2	Clamp	
6	1671093	1	Cover, Plug	
7	2030010	1	Extinguisher, Fire	
8	2180832	1	Fitting, Barbed/NPT	
9	2720160	4.5 ft /1.4m	Hose	
10	2902217	1	Weld Leads Kit	
11	3300151	4	Nut 1/4	
12	3311005	2	Nut #10	
13	3311605	4	Nut 3/8	
14	3573400	1	Bracket	
15	3577121	2	Angle	
16	3573642	1	Plate	
20	4240099	AR	Tie-Strap (Not Shown)	
21	4420037	2.4 ft / .7m	Tape	
22	4460962	1	Plug, Twist Lock	
23	4460971	1	Plug, Twist Lock	
24	4530028	1	Welder Assembly (See WELDER ASSEMBLY for Breakdown)	
25	1001098012	1	Plasma Cutter Assembly (See PLASMA CUTTER ASSEMBLY for Breakdown)	
26	4751400	4	Washer 1/4	
27	4751600	8	Washer 3/8	
29	4846627	1	Support	
31	1001145405	1	Bracket	
32	4811700	2	Washer M6	
33	3290605	2	Nut M6	
34	3421453	3	Pin	
35	3576799	1	Plate, Hold-Down	
36	0100020	1	Sealant	
37	4010608	2	Screw M6 x 16	
38	4751000	2	Washer #10	
	0272448	Ref	SKYWELDER DECAL INSTALLATION	B
101	1705355	2	Decal - SkyWelder	
102	1702868	1	Decal - No Hands	
103	1705305	1	Decal - Weld Leads	
104	1705375	1	Decal - 240V - 3 Phase - 60Hz	
105	1705466	NLA	Decal - Weight (Use p/n 1001228988) (Prior to SN 0300233352)	
105	1001228988	1	Decal - Weight (SN 0300233352 to Present)	
	0272599	Ref	SKYCUTTER DECAL INSTALLATION	B
201	1702868	1	Decal - No Hands	
202	1705305	1	Decal - Weld Leads	
203	1705466	NLA	Decal - Weight (Use p/n 1001228988) (Prior to SN 0300233352)	
203	1001228988	1	Decal - Weight (SN 0300233352 to Present)	
204	1705490	2	Decal - SkyCutter	







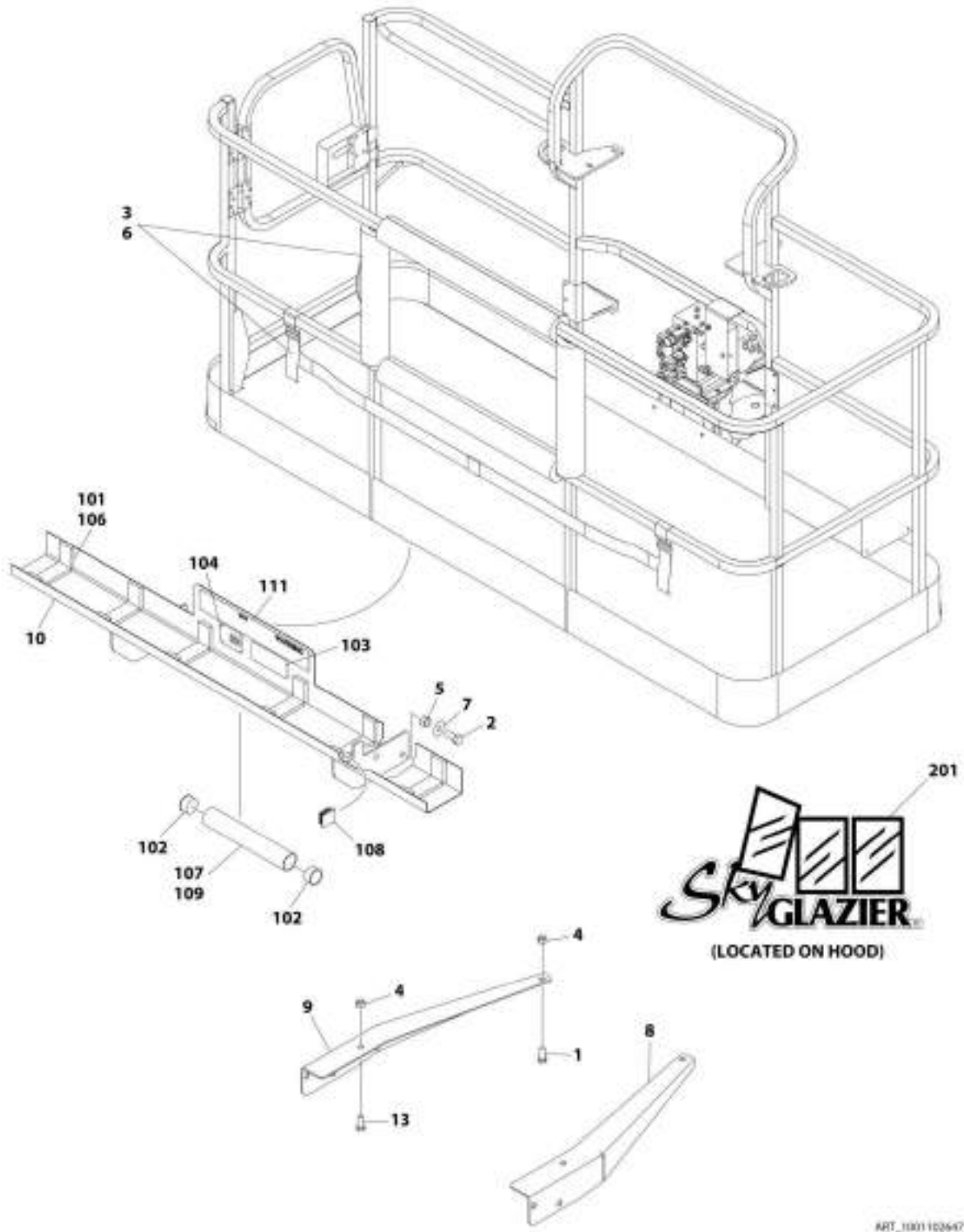
## SECTION 5 - PLATFORM

**FIGURE 5-42. SKYGLAZIER INSTALLATION (ANSI, AUSTRALIAN AND CSA SPECS)**

ITEM	PART NUMBER	QTY	DESCRIPTION	REV
	1001101422	Ref	SKYGLAZIER INSTALLATION (ANSI AND CSA SPECS)	C
	1001101422	Ref	SKYGLAZIER INSTALLATION (AUSTRALIAN SPECS) (Prior to SN 0300221070)	C
1	0642012	2	Bolt 5/8 x 1-1/2	
2	0642212	4	Bolt 3/4 x 1-1/2	
3	2902212	1	Bumpers and Strap Kit	
3	0940102	1	Bumper Only	
3	4240149	1	Strap Only	
4	3312005	4	Nut 5/8	
5	3312205	4	Nut 3/4	
6	4420014	AR	Tape	
7	4712000	6	Washer 5/8	
8	4712200	8	Washer 3/4	
9	1001099366	1	Support	
10	1001099367	1	Support	
11	1001101421	1	Tray Assembly (See Items 101-111 for Breakdown)	
14	8310129	2	Bolt 3/4 x 2-1/2	
	1001101421	Ref	TRAY ASSEMBLY	E
101	0100081	AR	Adhesive	
102	1120555	2	Cap, Tube	
103	1701509	1	Decal - Manual	
104	See Note	NSS	Nameplate - Serial Number (Note: Not Available for Purchase)	
106	3340956	1	Pad Kit	
107	3460334	1	Tube	
108	3520071	2	Plug	
109	4420066	AR	Tape, Double Sided	
111	1001163131	2	Decal - Glazier Capacity	
	0272418	Ref	SKYGLAZIER DECAL INSTALLATION	4
201	1705358	2	Decal - SkyGlazier	

# SECTION 5 - PLATFORM

FIGURE 5-43. SKYGLAZIER INSTALLATION - WITH 4 CELL LSS (AUSTRALIAN SPECS) (SN 0300221070 to Present)



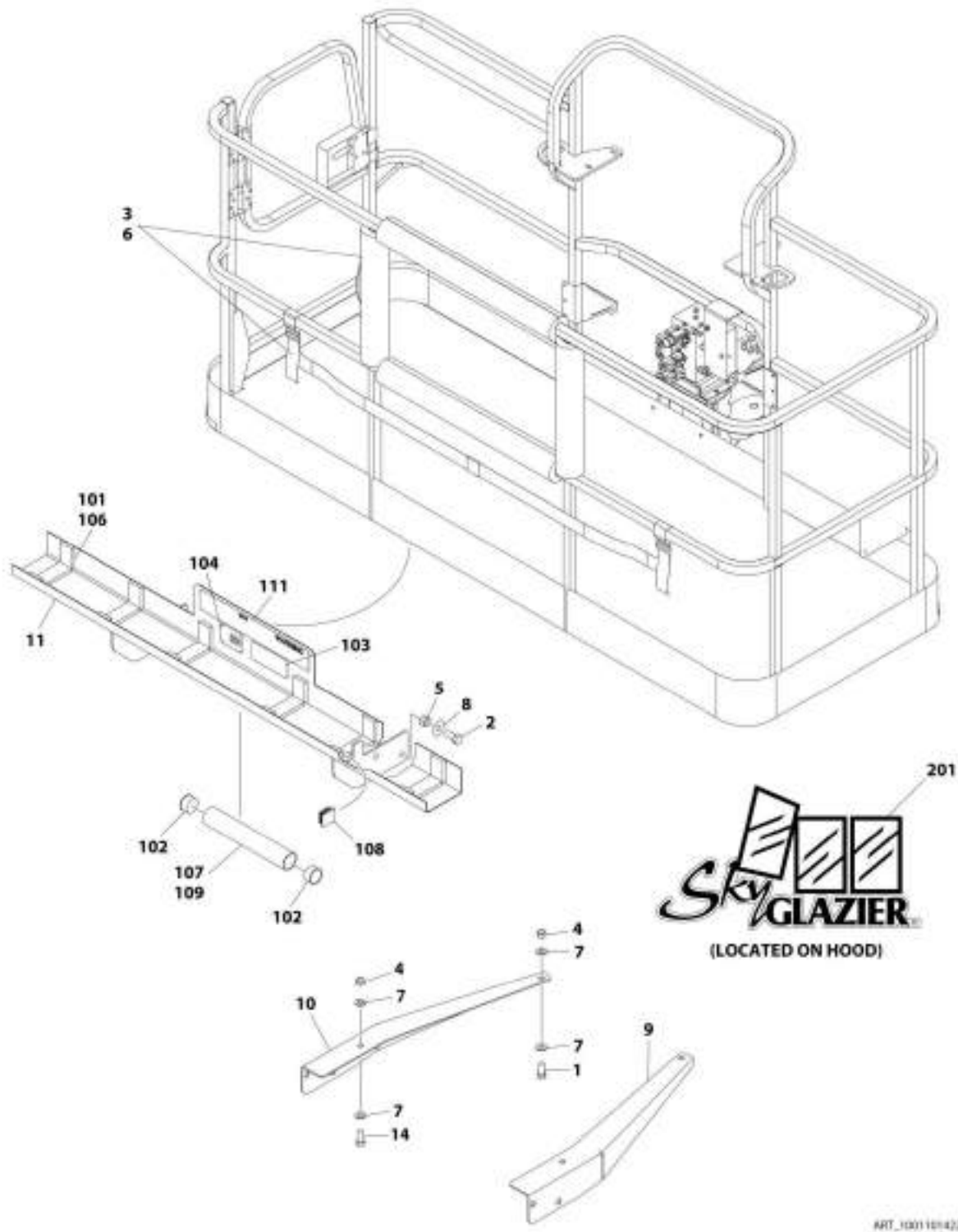
## SECTION 5 - PLATFORM

**FIGURE 5-43. SKYGLAZIER INSTALLATION - WITH 4 CELL LSS (AUSTRALIAN SPECS) (SN 0300221070 to Present)**

ITEM	PART NUMBER	QTY	DESCRIPTION	REV
	1001102647	Ref	SKYGLAZIER INSTALLATION - WITH 4 CELL LSS (AUSTRALIAN SPECS) (SN 0300221070 to Present)	C
1	0642026	2	Bolt 5/8 x 3-1/4	
2	0642212	4	Bolt 3/4 x 1-1/2	
3	2902212	1	Bumpers and Strap Kit	
3	0940102	1	Bumper Only	
3	4240149	1	Strap Only	
4	3312005	4	Nut 5/8	
5	3312205	4	Nut 3/4	
6	4420014	AR	Tape	
7	4712200	8	Washer 3/4	
8	1001099366	1	Support	
9	1001099367	1	Support	
10	1001101421	1	Tray Assembly (See Items 101-111 for Breakdown)	
13	8310230	2	Bolt 5/8 x 4	
	1001101421	Ref	TRAY ASSEMBLY	E
101	0100081	AR	Adhesive	
102	1120555	2	Cap, Tube	
103	1701509	1	Decal - Manual	
104	See Note	NSS	Nameplate - Serial Number (Note: Not Available for Purchase)	
106	3340956	1	Pad Kit	
107	3460334	1	Tube	
108	3520071	2	Plug	
109	4420066	AR	Tape, Double Sided	
111	1001163131	2	Decal - Glazier Capacity	
	0272418	Ref	SKYGLAZIER DECAL INSTALLATION	4
201	1705358	2	Decal - SkyGlazier	

# SECTION 5 - PLATFORM

FIGURE 5-44. SKYGLAZIER INSTALLATION - WITH 1 CELL LSS (AUSTRALIAN SPECS)



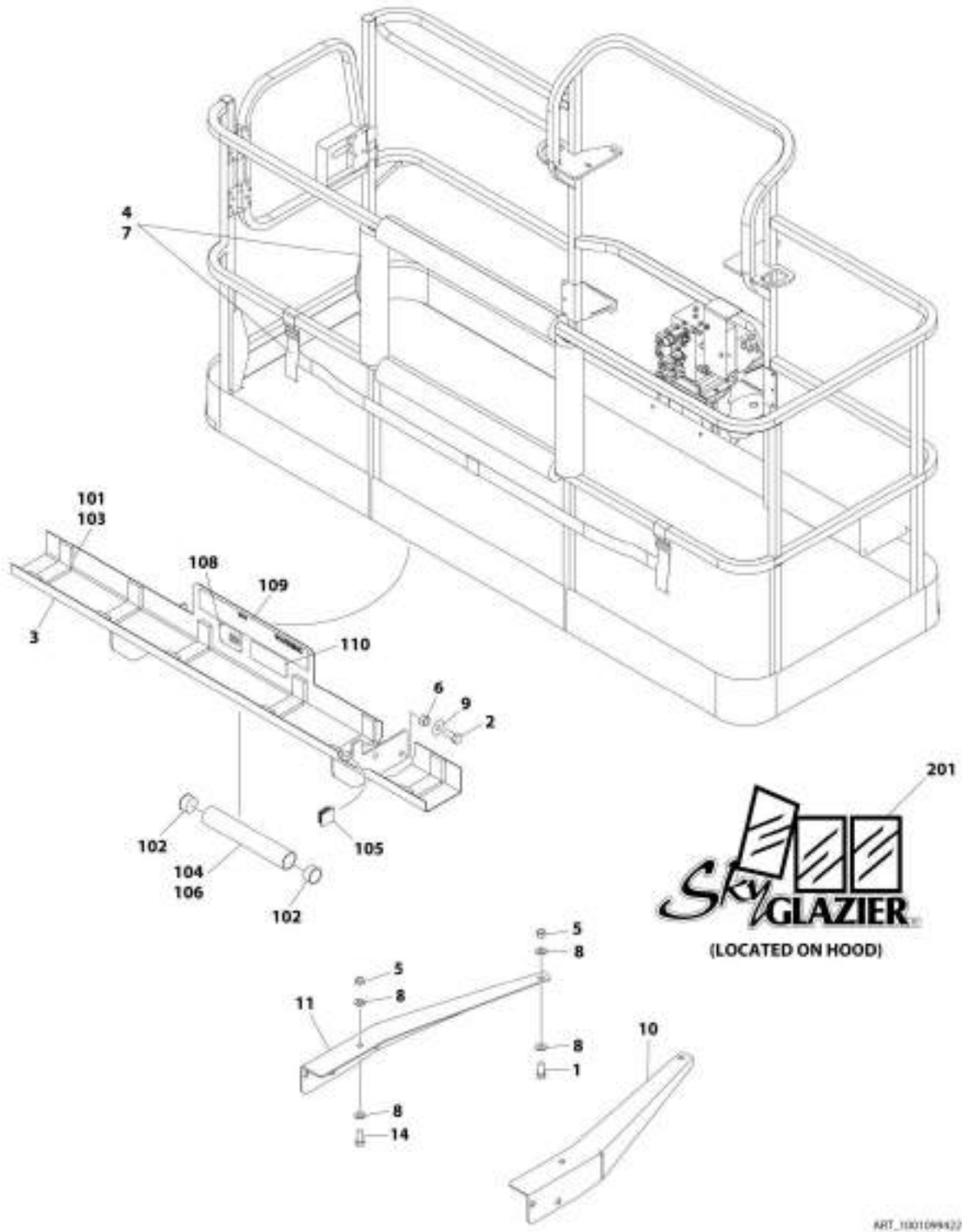
## SECTION 5 - PLATFORM

**FIGURE 5-44. SKYGLAZIER INSTALLATION - WITH 1 CELL LSS (AUSTRALIAN SPECS)**

ITEM	PART NUMBER	QTY	DESCRIPTION	REV
	1001101422	Ref	SKYGLAZIER INSTALLATION - WITH 1 CELL LSS (AUSTRALIAN SPECS)	C
1	0642012	2	Bolt 5/8 x 1-1/2	
2	0642212	4	Bolt 3/4 x 1-1/2	
3	2902212	1	Bumpers and Strap Kit	
3	0940102	1	Bumper Only	
3	4240149	1	Strap Only	
4	3312005	4	Nut 5/8	
5	3312205	4	Nut 3/4	
6	4420014	AR	Tape	
7	4712000	6	Washer 5/8	
8	4712200	8	Washer 3/4	
9	1001099366	1	Support	
10	1001099367	1	Support	
11	1001101421	1	Tray Assembly (See Items 101-111 for Breakdown)	
14	8310129	2	Bolt 3/4 x 2-1/2	
	1001101421	Ref	TRAY ASSEMBLY	E
101	0100081	AR	Adhesive	
102	1120555	2	Cap, Tube	
103	1701509	1	Decal - Manual	
104	See Note	NSS	Nameplate - Serial Number (Note: Not Available for Purchase)	
106	3340956	1	Pad Kit	
107	3460334	1	Tube	
108	3520071	2	Plug	
109	4420066	AR	Tape, Double Sided	
111	1001163131	2	Decal - Glazier Capacity	
	0272418	Ref	SKYGLAZIER DECAL INSTALLATION	4
201	1705358	2	Decal - SkyGlazier	

# SECTION 5 - PLATFORM

## FIGURE 5-45. SKYGLAZIER INSTALLATION (BRAZIL SPECS)





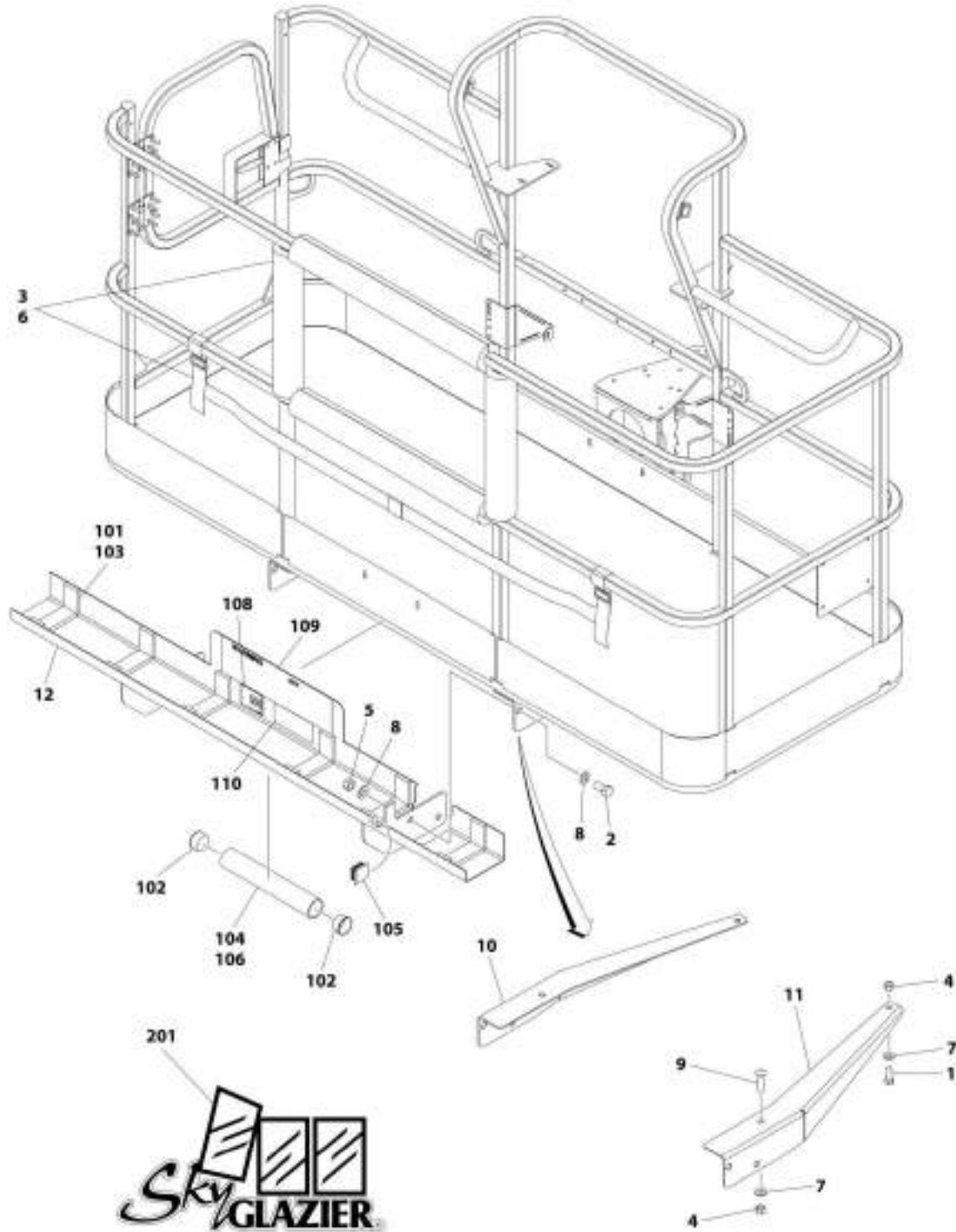
## SECTION 5 - PLATFORM

**FIGURE 5-45. SKYGLAZIER INSTALLATION (BRAZIL SPECS)**

ITEM	PART NUMBER	QTY	DESCRIPTION	REV
	1001099422	Ref	SKYGLAZIER INSTALLATION (BRAZIL SPECS)	C
1	0642012	2	Bolt 5/8 x 1-1/2	
2	0642212	4	Bolt 3/4 x 1-1/2	
3	0272951	1	Tray Assembly (See Items 101-110 for Breakdown)	
4	2902212	1	Bumpers and Strap Kit	
4	0940102	1	Bumper Only	
4	4240149	1	Strap Only	
5	3312005	4	Nut 5/8	
6	3312205	4	Nut 3/4	
7	4420014	AR	Tape	
8	4712000	6	Washer 5/8	
9	4712200	8	Washer 3/4	
10	1001099366	1	Support	
11	1001099367	1	Support	
14	8310129	2	Bolt 5/8 x 2-1/2	
	0272951	Ref	TRAY ASSEMBLY	E
101	0100081	AR	Adhesive	
102	1120555	2	Cap, Tube	
103	3340956	1	Pad Kit	
104	3460334	1	Tube	
105	3520071	2	Plug	
106	4420066	AR	Tape, Double Sided	
108	See Note	NSS	Nameplate - Serial Number (Note: Not Available for Purchase)	
109	1001163297	2	Decal - Glazier Capacity	
110	1701509	1	Decal - Manual	
	0272418	Ref	SKYGLAZIER DECAL INSTALLATION	4
201	1705358	2	Decal - SkyGlazier	

# SECTION 5 - PLATFORM

FIGURE 5-46. SKYGLAZIER INSTALLATION (DANISH SPECS)



ART\_1001238462

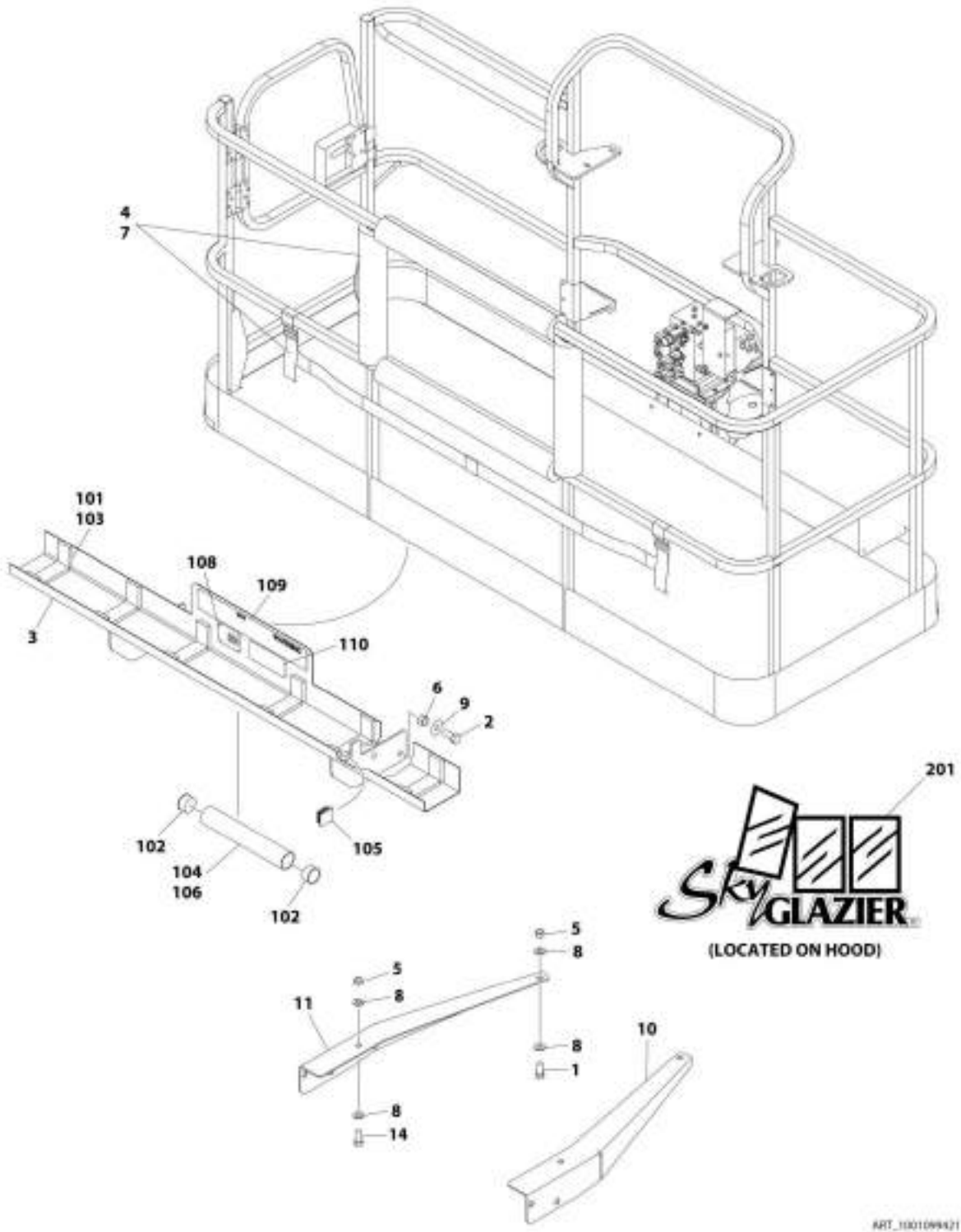
## SECTION 5 - PLATFORM

**FIGURE 5-46. SKYGLAZIER INSTALLATION (DANISH SPECS)**

ITEM	PART NUMBER	QTY	DESCRIPTION	REV
	1001238462	Ref	SKYGLAZIER INSTALLATION (DANISH SPECS)	A
1	0642012	2	Bolt 5/8 x 1-1/2	
2	0642212	4	Bolt 3/4 x 1-1/2	
3	2902212	1	Bumpers and Strap Kit	
3	0940102	1	Bumper Only	
3	4240149	1	Strap Only	
4	3312005	4	Nut 5/8	
5	3312205	4	Nut 3/4	
6	4420014	AR	Tape	
7	4712000	6	Washer 5/8	
8	4712200	8	Washer 3/4	
9	8310129	2	Bolt 5/8 x 2-1/2	
10	1001099366	1	Support	
11	1001099367	1	Support	
12	1001238423	1	Tray Assembly (See Items 101-110 for Breakdown)	
	1001238423	Ref	TRAY ASSEMBLY	A
101	0100081	AR	Adhesive	
102	1120555	2	Cap, Tube	
103	3340956	1	Pad Kit	
104	3460334	1	Tube	
105	3520071	2	Plug	
106	4420066	AR	Tape, Double Sided	
108	See Note	NSS	Nameplate - Serial Number (Note: Not Available for Purchase)	
109	1001237705	2	Decal - Glazier Capacity	
110	1701509	1	Decal - Manual	
	0272418	Ref	SKYGLAZIER DECAL INSTALLATION	4
201	1705358	2	Decal - SkyGlazier	

# SECTION 5 - PLATFORM

FIGURE 5-47. SKYGLAZIER INSTALLATION (LATIN AMERICAN SPECS)



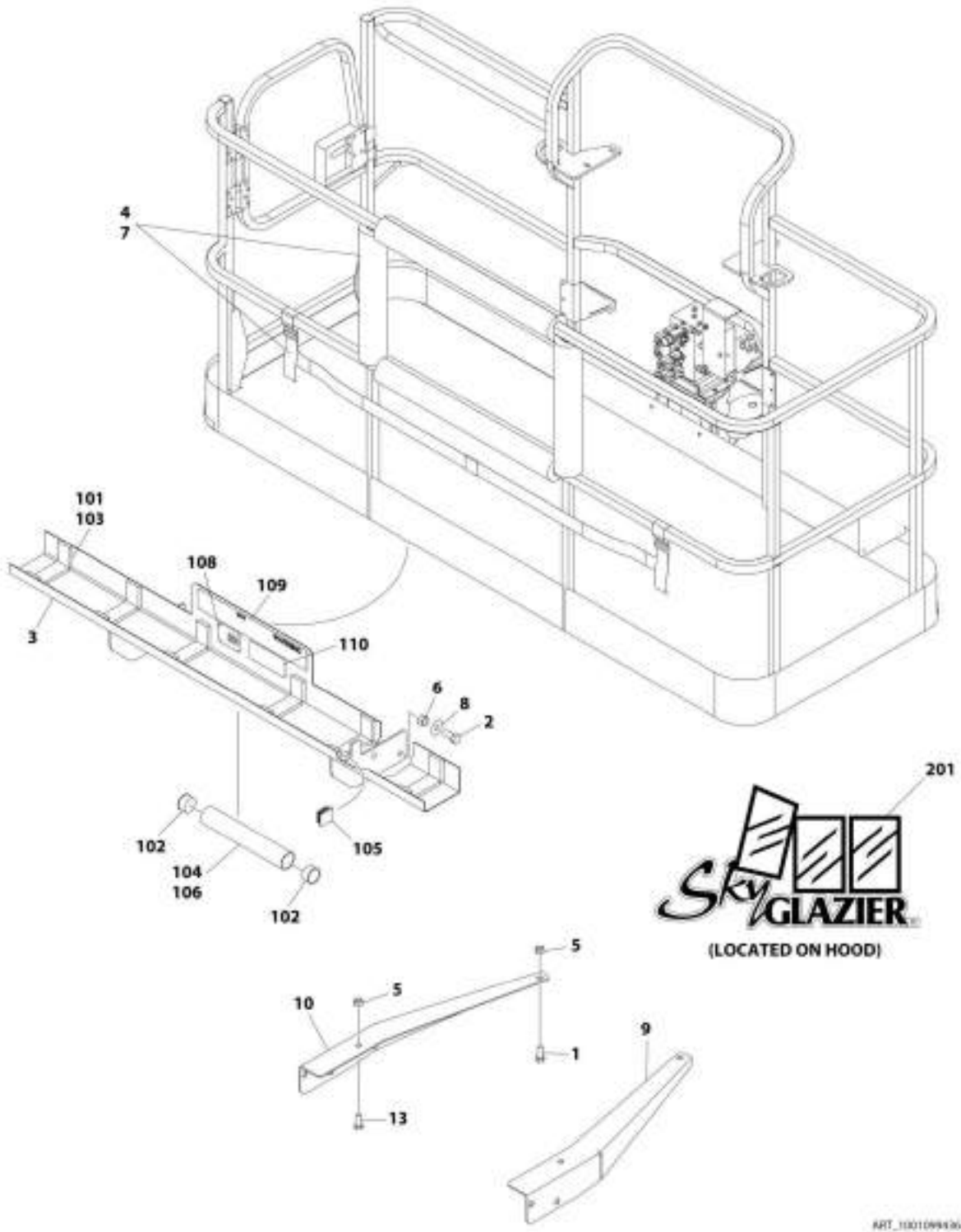
## SECTION 5 - PLATFORM

**FIGURE 5-47. SKYGLAZIER INSTALLATION (LATIN AMERICAN SPECS)**

ITEM	PART NUMBER	QTY	DESCRIPTION	REV
	1001099421	Ref	SKYGLAZIER INSTALLATION (LATIN AMERICAN SPECS)	C
1	0642012	2	Bolt 5/8 x 1-1/2	
2	0642212	4	Bolt 3/4 x 1-1/2	
3	0272948	1	Tray Assembly (See Items 101-110 for Breakdown)	
4	2902212	1	Bumpers and Strap Kit	
4	0940102	1	Bumper Only	
4	4240149	1	Strap Only	
5	3312005	4	Nut 5/8	
6	3312205	4	Nut 3/4	
7	4420014	AR	Tape	
8	4712000	6	Washer 5/8	
9	4712200	8	Washer 3/4	
10	1001099366	1	Support	
11	1001099367	1	Support	
14	8310129	2	Bolt 5/8 x 2.5	
	0272948	Ref	TRAY ASSEMBLY	E
101	0100081	AR	Adhesive	
102	1120555	2	Cap, Tube	
103	3340956	1	Pad Kit	
104	3460334	1	Tube	
105	3520071	2	Plug	
106	4420066	AR	Tape, Double Sided	
108	See Note	NSS	Nameplate - Serial Number (Note: Not Available for Purchase)	
109	1001163296	2	Decal - Glazier Capacity	
110	1701509	1	Decal - Manual	
	0272418	Ref	SKYGLAZIER DECAL INSTALLATION	4
201	1705358	2	Decal - SkyGlazier	

# SECTION 5 - PLATFORM

FIGURE 5-48. SKYGLAZIER INSTALLATION - WITH 4 CELL LSS (ENGLISH/FRENCH SPECS)



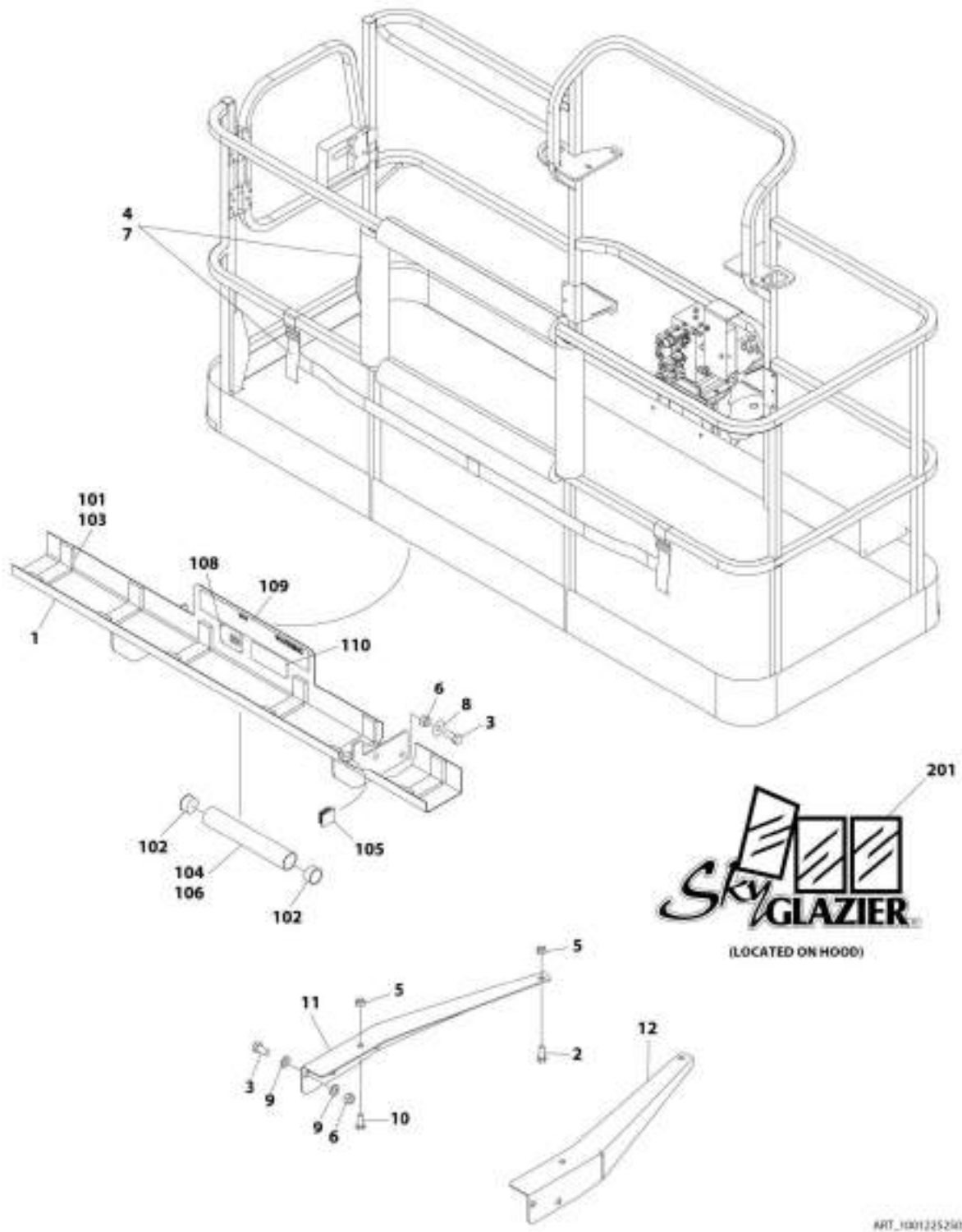
## SECTION 5 - PLATFORM

**FIGURE 5-48. SKYGLAZIER INSTALLATION - WITH 4 CELL LSS (ENGLISH/FRENCH SPECS)**

ITEM	PART NUMBER	QTY	DESCRIPTION	REV
	1001099436	Ref	SKYGLAZIER INSTALLATION - WITH 4 CELL LSS (ENGLISH/FRENCH SPECS)	D
1	0642026	2	Bolt 5/8 x 3-1/4	
2	0642212	4	Bolt 3/4 x 1-1/2	
3	0272949	1	Tray Assembly (See Items 101-110 for Breakdown)	
4	2902212	1	Bumpers and Strap Kit	
4	0940102	1	Bumper Only	
4	4240149	1	Strap Only	
5	3312005	4	Nut 5/8	
6	3312205	4	Nut 3/4	
7	4420014	AR	Tape	
8	4712200	8	Washer 3/4	
9	1001099366	1	Support	
10	1001099367	1	Support	
13	8310230	2	Bolt 5/8 x 4	
	0272949	Ref	TRAY ASSEMBLY	D
101	0100081	AR	Adhesive	
102	1120555	2	Cap, Tube	
103	3340956	1	Pad Kit	
104	3460334	1	Tube	
105	3520071	2	Plug	
106	4420066	AR	Tape, Double Sided	
108	See Note	NSS	Nameplate - Serial Number (Note: Not Available for Purchase)	
109	1001163293	2	Decal - Glazier Capacity	
110	1701509	1	Decal - Manual	
	0272418	Ref	SKYGLAZIER DECAL INSTALLATION	4
201	1705358	2	Decal - SkyGlazier	

# SECTION 5 - PLATFORM

FIGURE 5-49. SKYGLAZIER INSTALLATION - WITH 1 CELL LSS (ENGLISH/FRENCH SPECS)





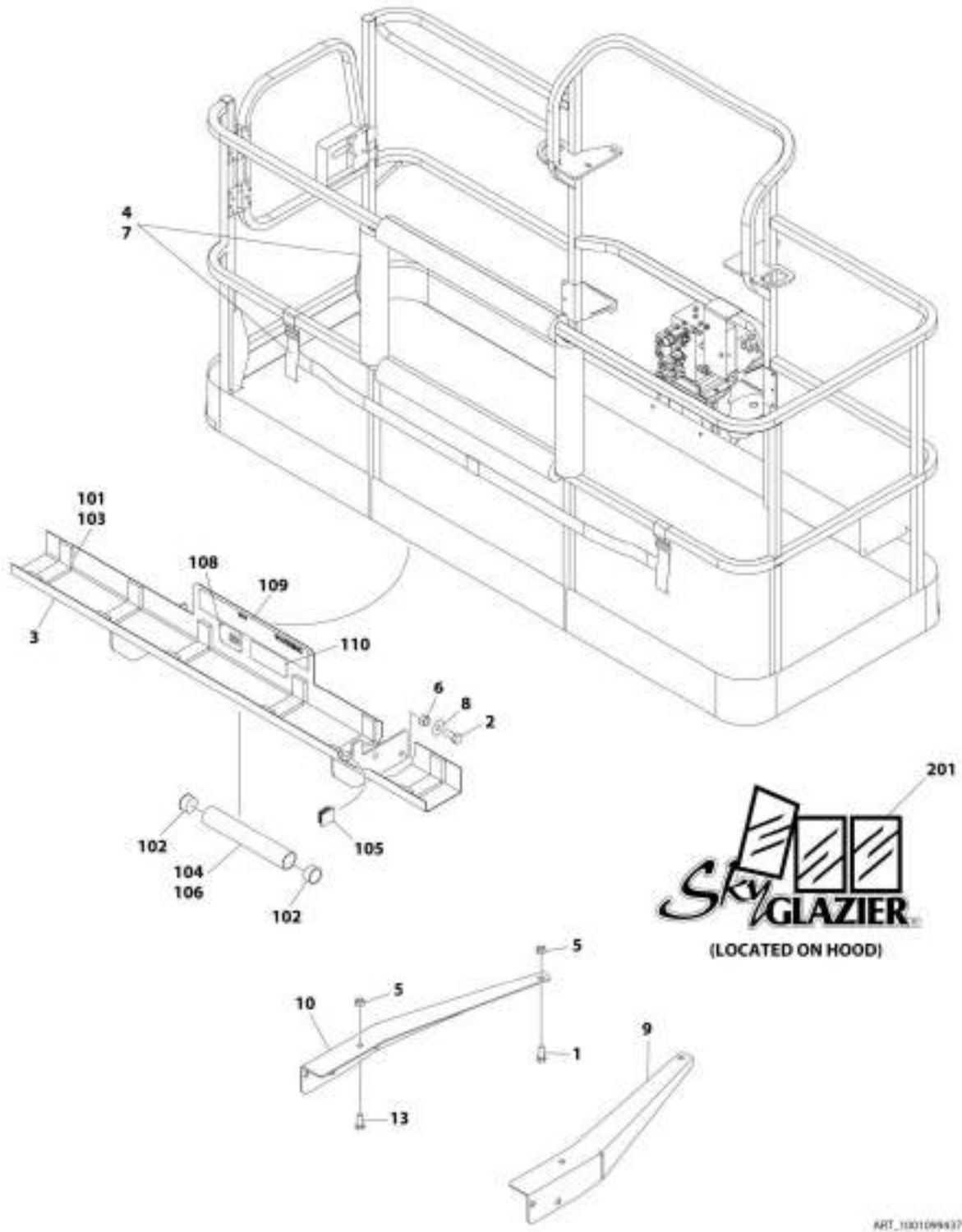
## SECTION 5 - PLATFORM

**FIGURE 5-49. SKYGLAZIER INSTALLATION - WITH 1 CELL LSS (ENGLISH/FRENCH SPECS)**

ITEM	PART NUMBER	QTY	DESCRIPTION	REV
	1001225250	Ref	SKYGLAZIER INSTALLATION - WITH 1 CELL LSS (ENGLISH/FRENCH SPECS)	A
1	0272949	1	Tray Assembly (See Items 101-110 for Breakdown)	
2	0642012	2	Bolt 5/8 x 1-1/2	
3	0642212	4	Bolt 3/4 x 1-1/2	
4	2902212	1	Bumpers and Strap Kit	
4	0940102	1	Bumper Only	
4	4240149	1	Strap Only	
5	3312005	4	Nut 5/8	
6	3312205	4	Nut 3/4	
7	4420014	AR	Tape	
8	4712000	6	Washer 5/8	
9	4712200	8	Washer 3/4	
10	8310129	2	Bolt 5/8 x 2-1/2	
11	1001099366	1	Support	
12	1001099367	1	Support	
	0272949	Ref	TRAY ASSEMBLY	D
101	0100081	AR	Adhesive	
102	1120555	2	Cap, Tube	
103	3340956	1	Pad Kit	
104	3460334	1	Tube	
105	3520071	2	Plug	
106	4420066	AR	Tape, Double Sided	
108	See Note	NSS	Nameplate - Serial Number (Note: Not Available for Purchase)	
109	1001163293	2	Decal - Glazier Capacity	
110	1701509	1	Decal - Manual	
	0272418	Ref	SKYGLAZIER DECAL INSTALLATION	4
201	1705358	2	Decal - SkyGlazier	

# SECTION 5 - PLATFORM

FIGURE 5-50. SKYGLAZIER INSTALLATION - WITH 4 CELL LSS (GERMAN SPECS)



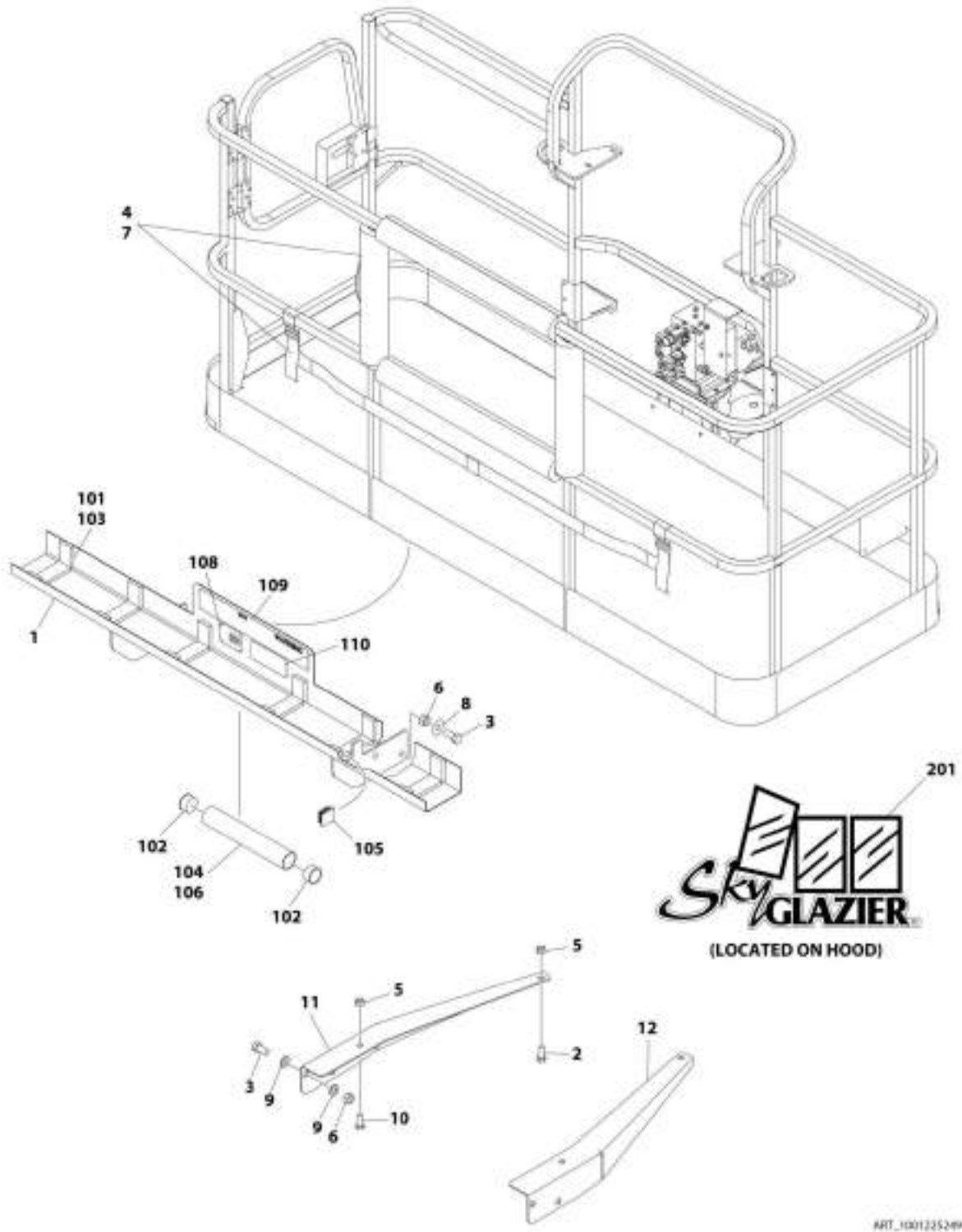
## SECTION 5 - PLATFORM

**FIGURE 5-50. SKYGLAZIER INSTALLATION - WITH 4 CELL LSS (GERMAN SPECS)**

ITEM	PART NUMBER	QTY	DESCRIPTION	REV
	1001099437	Ref	SKYGLAZIER INSTALLATION - WITH 4 CELL LSS (GERMAN SPECS)	D
1	0642026	2	Bolt 5/8 x 3-1/4	
2	0642212	4	Bolt 3/4 x 1-1/2	
3	0272950	1	Tray Assembly (See Items 101-110 for Breakdown)	
4	2902212	1	Bumpers and Strap Kit	
4	0940102	1	Bumper Only	
4	4240149	1	Strap Only	
5	3312005	4	Nut 5/8	
6	3312205	4	Nut 3/4	
7	4420014	AR	Tape	
8	4712200	8	Washer 3/4	
9	1001099366	1	Support	
10	1001099367	1	Support	
13	8310230	2	Bolt 5/8 x 4	
	0272950	Ref	TRAY ASSEMBLY	D
101	0100081	AR	Adhesive	
102	1120555	2	Cap, Tube	
103	3340956	1	Pad Kit	
104	3460334	1	Tube	
105	3520071	2	Plug	
106	4420066	AR	Tape, Double Sided	
108	See Note	NSS	Nameplate - Serial Number (Note: Not Available for Purchase)	
109	1001163298	2	Decal - Glazier Capacity	
110	1701509	1	Decal - Manual	
	0272418	Ref	SKYGLAZIER DECAL INSTALLATION	4
201	1705358	2	Decal - SkyGlazier	

# SECTION 5 - PLATFORM

FIGURE 5-51. SKYGLAZIER INSTALLATION - WITH 1 CELL LSS (GERMAN SPECS)



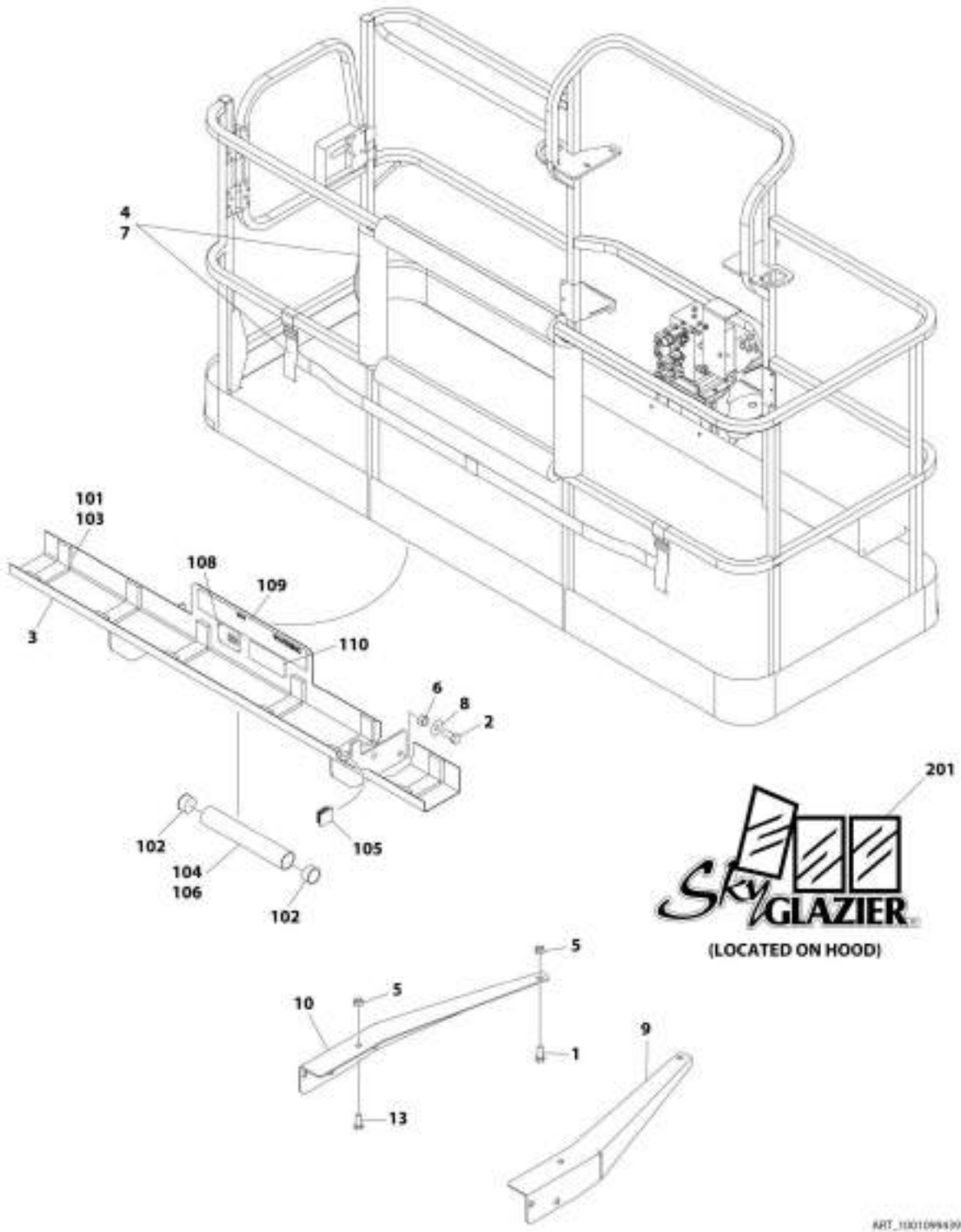
## SECTION 5 - PLATFORM

**FIGURE 5-51. SKYGLAZIER INSTALLATION - WITH 1 CELL LSS (GERMAN SPECS)**

ITEM	PART NUMBER	QTY	DESCRIPTION	REV
	1001225249	Ref	SKYGLAZIER INSTALLATION - WITH 1 CELL LSS (GERMAN SPECS)	A
1	0272950	1	Tray Assembly (See Items 101-110 for Breakdown)	
2	0642012	2	Bolt 5/8 x 1-1/2	
3	0642212	4	Bolt 3/4 x 1-1/2	
4	2902212	1	Bumpers and Strap Kit	
4	0940102	1	Bumper Only	
4	4240149	1	Strap Only	
5	3312005	4	Nut 5/8	
6	3312205	4	Nut 3/4	
7	4420014	AR	Tape	
8	4712000	6	Washer 5/8	
9	4712200	4	Washer 3/4	
10	8310129	2	Bolt 5/8 x 2-1/2	
11	1001099366	1	Support	
12	1001099367	1	Support	
	0272950	Ref	TRAY ASSEMBLY	D
101	0100081	AR	Adhesive	
102	1120555	2	Cap, Tube	
103	3340956	1	Pad Kit	
104	3460334	1	Tube	
105	3520071	2	Plug	
106	4420066	AR	Tape, Double Sided	
108	See Note	NSS	Nameplate - Serial Number (Note: Not Available for Purchase)	
109	1001163298	2	Decal - Glazier Capacity	
110	1701509	1	Decal - Manual	
	0272418	Ref	SKYGLAZIER DECAL INSTALLATION	4
201	1705358	2	Decal - SkyGlazier	

# SECTION 5 - PLATFORM

FIGURE 5-52. SKYGLAZIER INSTALLATION - WITH 4 CELL LSS (ITALIAN SPECS)



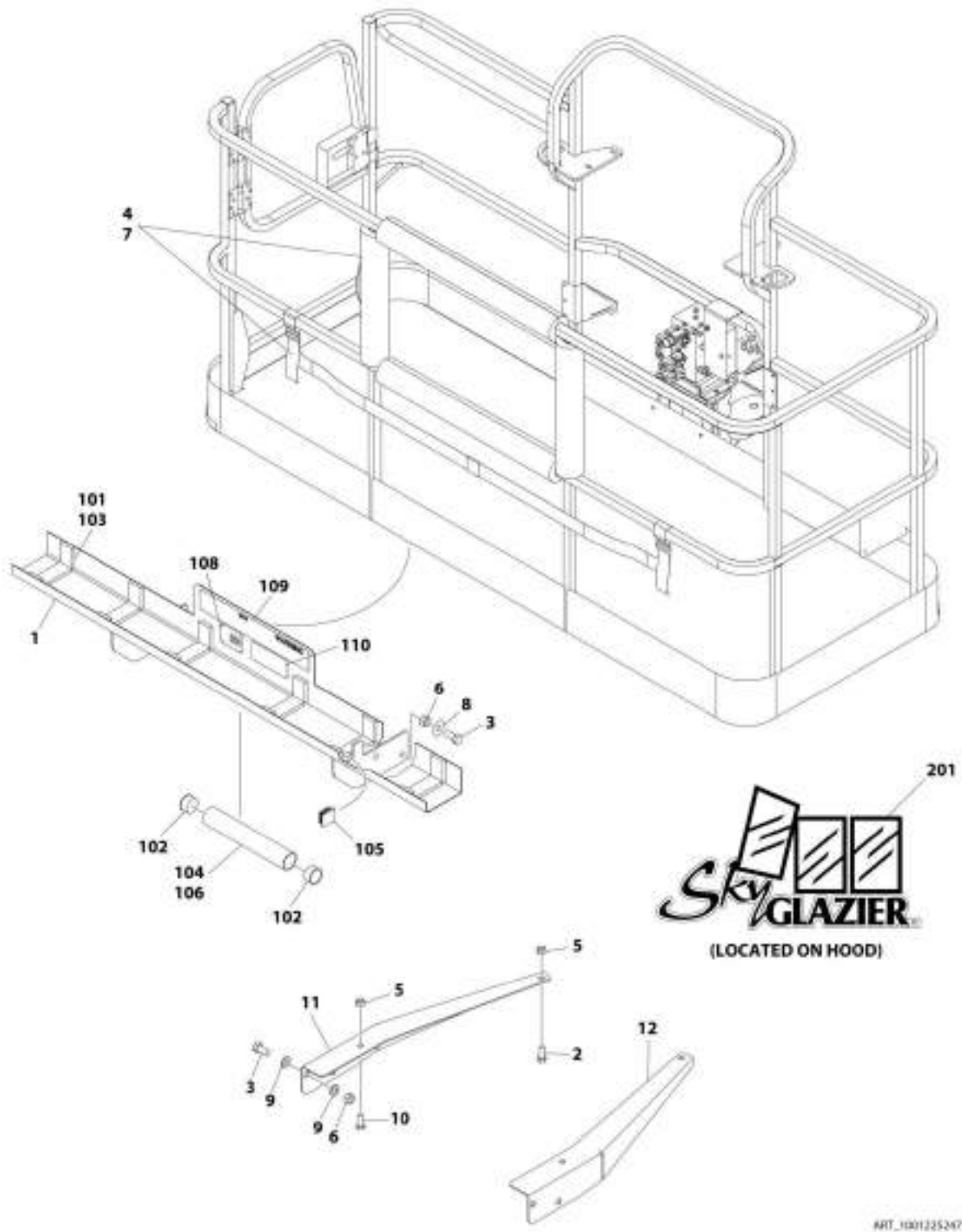
## SECTION 5 - PLATFORM

**FIGURE 5-52. SKYGLAZIER INSTALLATION - WITH 4 CELL LSS (ITALIAN SPECS)**

ITEM	PART NUMBER	QTY	DESCRIPTION	REV
	1001099439	Ref	SKYGLAZIER INSTALLATION - WITH 4 CELL LSS (ITALIAN SPECS)	D
1	0642026	2	Bolt 5/8 x 3-1/4	
2	0642212	4	Bolt 3/4 x 1-1/2	
3	0272952	1	Tray Assembly (See Items 101-110 for Breakdown)	
4	2902212	1	Bumpers and Strap Kit	
4	0940102	1	Bumper Only	
4	4240149	1	Strap Only	
5	3312005	4	Nut 5/8	
6	3312205	4	Nut 3/4	
7	4420014	AR	Tape	
8	4712200	8	Washer 3/4	
9	1001099366	1	Support	
10	1001099367	1	Support	
13	8310230	2	Bolt 5/8 x 4	
	0272952	Ref	TRAY ASSEMBLY	D
101	0100081	AR	Adhesive	
102	1120555	2	Cap, Tube	
103	3340956	1	Pad Kit	
104	3460334	1	Tube	
105	3520071	2	Plug	
106	4420066	AR	Tape, Double Sided	
108	See Note	NSS	Nameplate - Serial Number (Note: Not Available for Purchase)	
109	1001163287	2	Decal - Glazier Capacity	
110	1701509	1	Decal - Manual	
	0272418	Ref	SKYGLAZIER DECAL INSTALLATION	4
201	1705358	2	Decal - SkyGlazier	

# SECTION 5 - PLATFORM

FIGURE 5-53. SKYGLAZIER INSTALLATION - WITH 1 CELL LSS (ITALIAN SPECS)





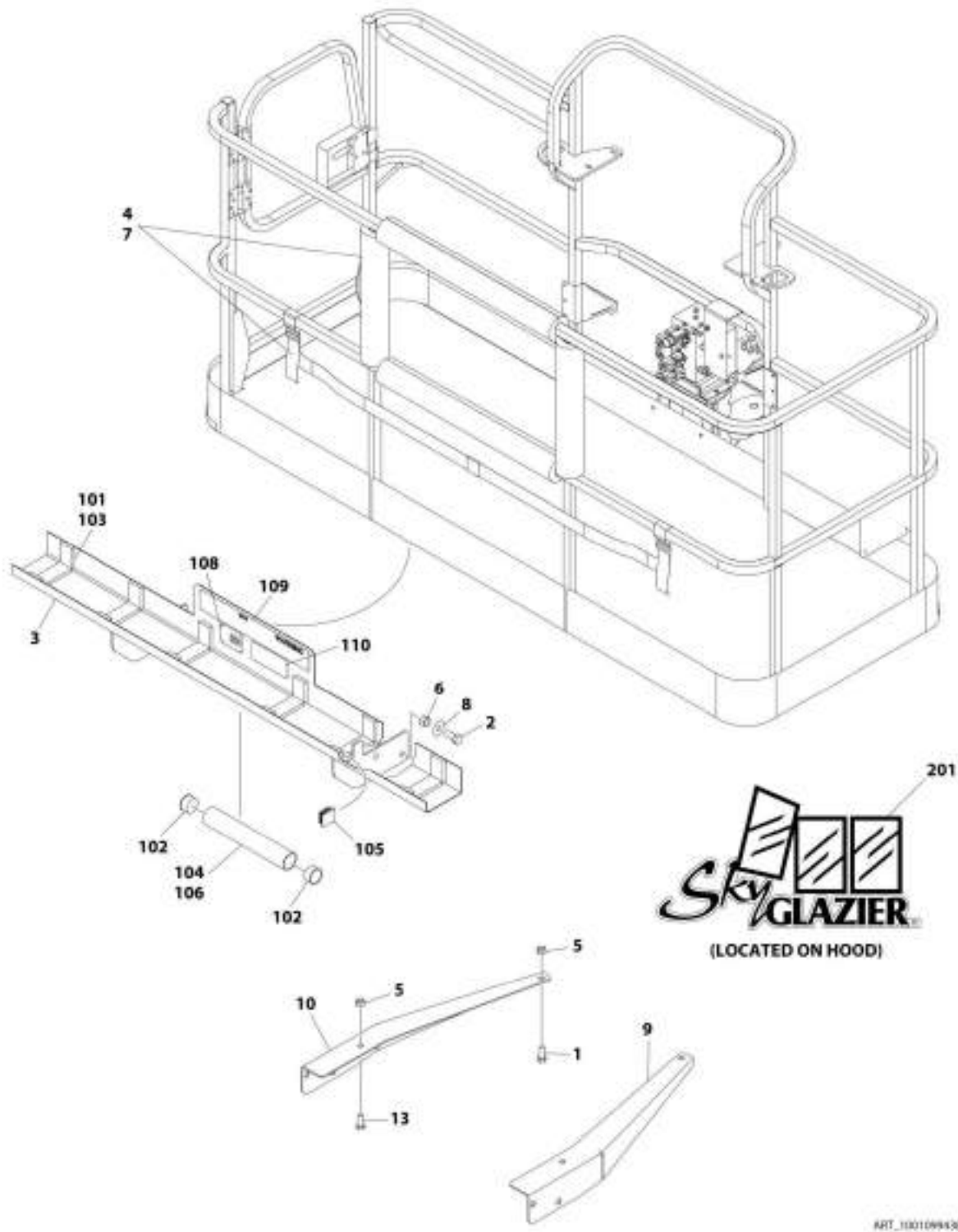
## SECTION 5 - PLATFORM

**FIGURE 5-53. SKYGLAZIER INSTALLATION - WITH 1 CELL LSS (ITALIAN SPECS)**

ITEM	PART NUMBER	QTY	DESCRIPTION	REV
	1001225247	Ref	SKYGLAZIER INSTALLATION - WITH 1 CELL LSS (ITALIAN SPECS)	A
1	0272952	1	Tray Assembly (See Items 101-110 for Breakdown)	
2	0642012	2	Bolt 5/8 x 1-1/2	
3	0642212	4	Bolt 3/4 x 1-1/2	
4	2902212	1	Bumpers and Strap Kit	
4	0940102	1	Bumper Only	
4	4240149	1	Strap Only	
5	3312005	4	Nut 5/8	
6	3312205	4	Nut 3/4	
7	4420014	AR	Tape	
8	4712000	6	Washer 5/8	
9	4712200	8	Washer 3/4	
10	8310129	2	Bolt 5/8 x 2-1/2	
11	1001099366	1	Support	
12	1001099367	1	Support	
	0272952	Ref	TRAY ASSEMBLY	D
101	0100081	AR	Adhesive	
102	1120555	2	Cap, Tube	
103	3340956	1	Pad Kit	
104	3460334	1	Tube	
105	3520071	2	Plug	
106	4420066	AR	Tape, Double Sided	
108	See Note	NSS	Nameplate - Serial Number (Note: Not Available for Purchase)	
109	1001163287	2	Decal - Glazier Capacity	
110	1701509	1	Decal - Manual	
	0272418	Ref	SKYGLAZIER DECAL INSTALLATION	4
201	1705358	2	Decal - SkyGlazier	

# SECTION 5 - PLATFORM

FIGURE 5-54. SKYGLAZIER INSTALLATION - WITH 4 CELL LSS (PORTUGUESE SPECS)



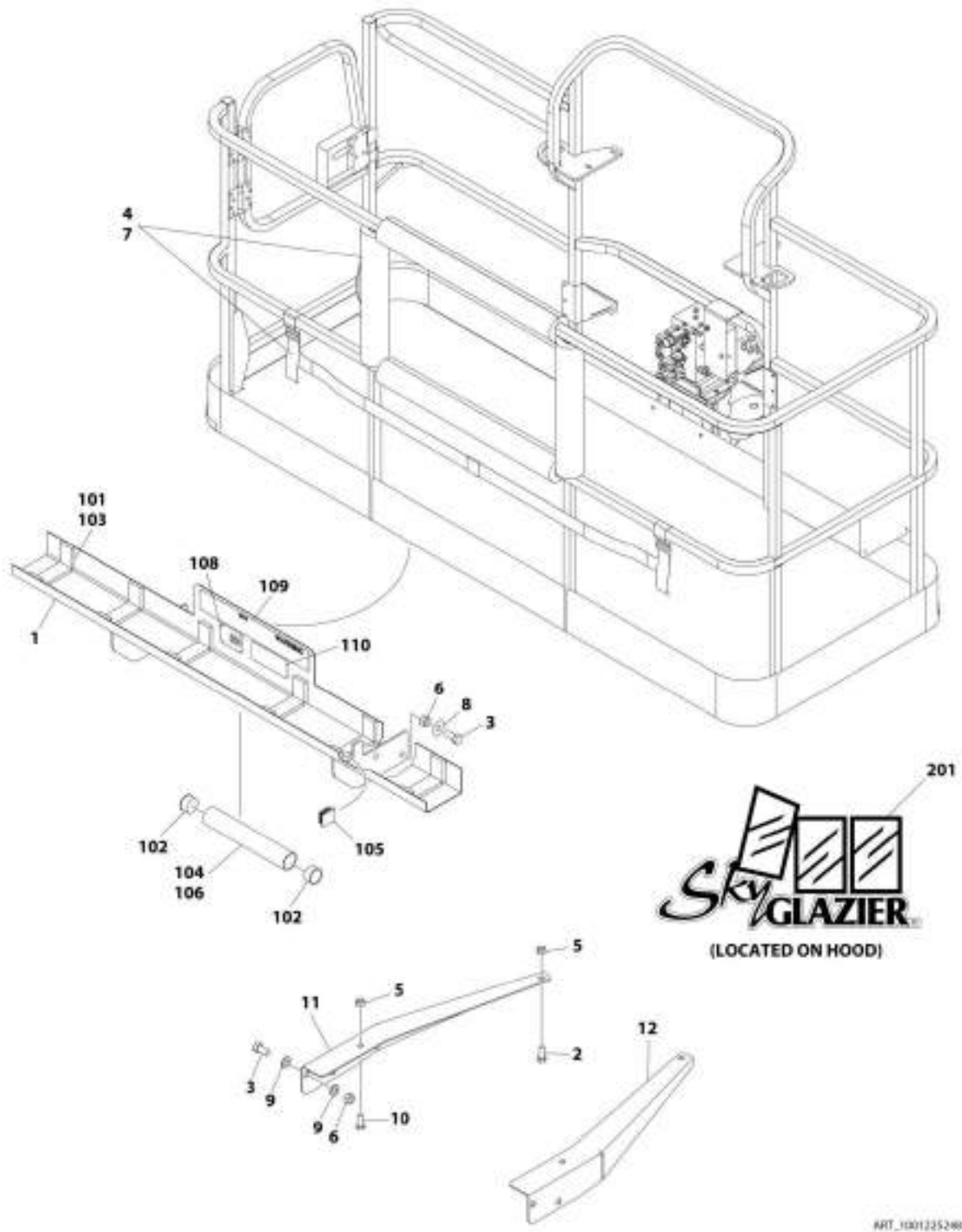
## SECTION 5 - PLATFORM

**FIGURE 5-54. SKYGLAZIER INSTALLATION - WITH 4 CELL LSS (PORTUGUESE SPECS)**

ITEM	PART NUMBER	QTY	DESCRIPTION	REV
	1001099438	Ref	SKYGLAZIER INSTALLATION - WITH 4 CELL LSS (PORTUGUESE SPECS)	D
1	0642026	1	Bolt 5/8 x 3-1/4	
2	0642212	1	Bolt 3/4 x 1-1/2	
3	0273406	1	Tray Assembly (See Items 101-110 for Breakdown)	
4	2902212	1	Bumpers and Strap Kit	
4	0940102	1	Bumper Only	
4	4240149	1	Strap Only	
5	3312005	1	Nut 5/8	
6	3312205	1	Nut 3/4	
7	4420014	1	Tape	
8	4712200	1	Washer 3/4	
9	1001099366	1	Support	
10	1001099367	1	Support	
13	8310230	1	Bolt 5/8 x 4	
	0273406	Ref	TRAY ASSEMBLY	D
101	0100081	1	Adhesive	
102	1120555	1	Cap, Tube	
103	3340956	1	Pad Kit	
104	3460334	1	Tube	
105	3520071	1	Plug	
106	4420066	1	Tape, Double Sided	
108	See Note	NSS	Nameplate - Serial Number (Note: Not Available for Purchase)	
109	1001163289	1	Decal - Glazier Capacity	
110	1701509	1	Decal - Manual	
	0272418	Ref	SKYGLAZIER DECAL INSTALLATION	4
201	1705358	1	Decal - SkyGlazier	

# SECTION 5 - PLATFORM

FIGURE 5-55. SKYGLAZIER INSTALLATION - WITH 1 CELL LSS (PORTUGUESE SPECS)



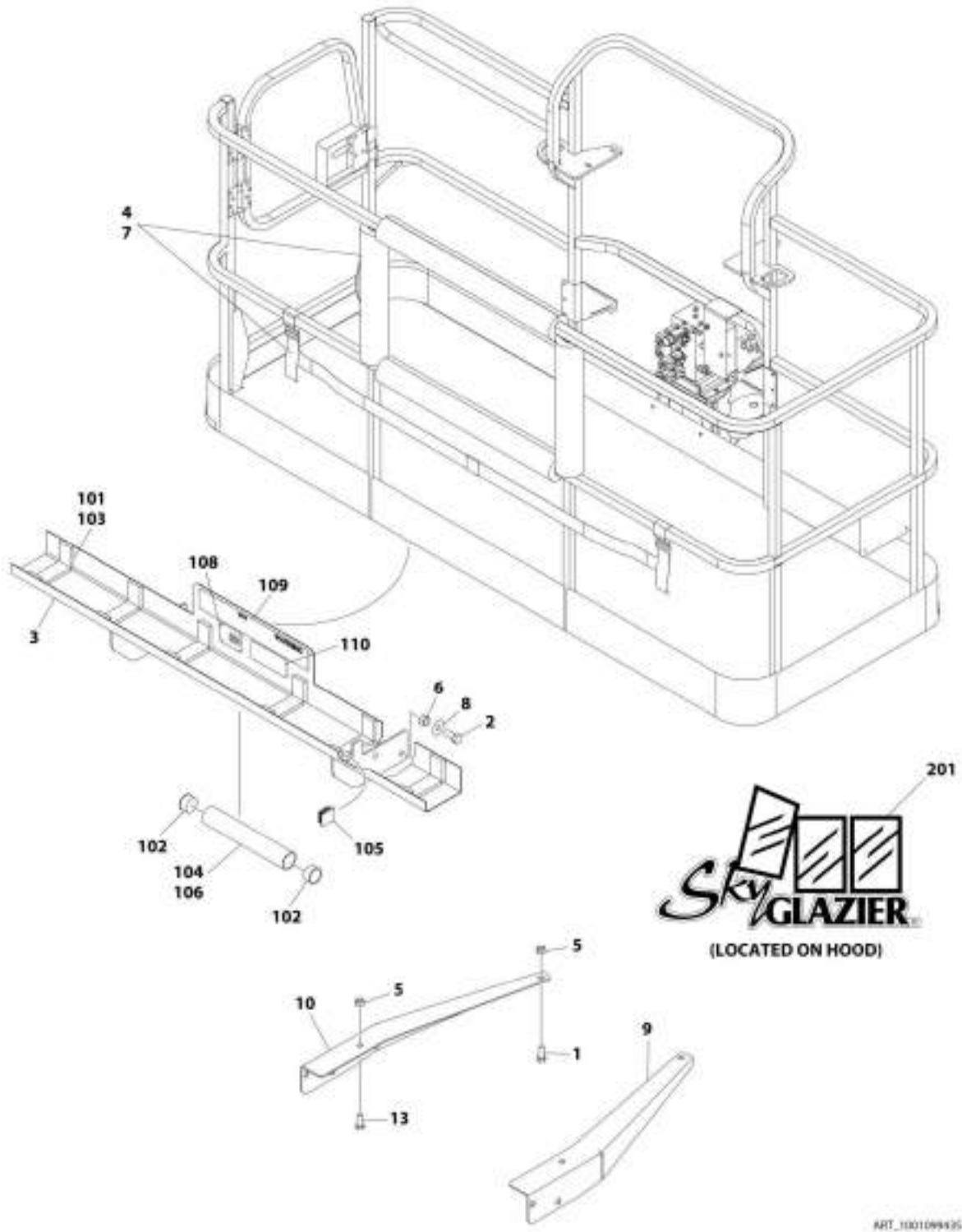
## SECTION 5 - PLATFORM

**FIGURE 5-55. SKYGLAZIER INSTALLATION - WITH 1 CELL LSS (PORTUGUESE SPECS)**

ITEM	PART NUMBER	QTY	DESCRIPTION	REV
	1001225248	Ref	SKYGLAZIER INSTALLATION - WITH 1 CELL LSS (PORTUGUESE SPECS)	A
1	0273406	1	Tray Assembly (See Items 101-110 for Breakdown)	
2	0642012	2	Bolt 5/8 x 1-1/2	
3	0642212	4	Bolt 3/4 x 1-1/2	
4	2902212	1	Bumpers and Strap Kit	
4	0940102	1	Bumper Only	
4	4240149	1	Strap Only	
5	3312005	4	Nut 5/8	
6	3312205	4	Nut 3/4	
7	4420014	AR	Tape	
8	4712000	6	Washer 5/8	
9	4712200	8	Washer 3/4	
10	8310129	2	Bolt 5/8 x 2-1/2	
11	1001099366	1	Support	
12	1001099367	1	Support	
	0273406	Ref	TRAY ASSEMBLY	D
101	0100081	1	Adhesive	
102	1120555	1	Cap, Tube	
103	3340956	1	Pad Kit	
104	3460334	1	Tube	
105	3520071	1	Plug	
106	4420066	1	Tape, Double Sided	
108	See Note	NSS	Nameplate - Serial Number (Note: Not Available for Purchase)	
109	1001163289	1	Decal - Glazier Capacity	
110	1701509	1	Decal - Manual	
	0272418	Ref	SKYGLAZIER DECAL INSTALLATION	4
201	1705358	1	Decal - SkyGlazier	

# SECTION 5 - PLATFORM

FIGURE 5-56. SKYGLAZIER INSTALLATION - WITH 4 CELL LSS (SPANISH SPECS)



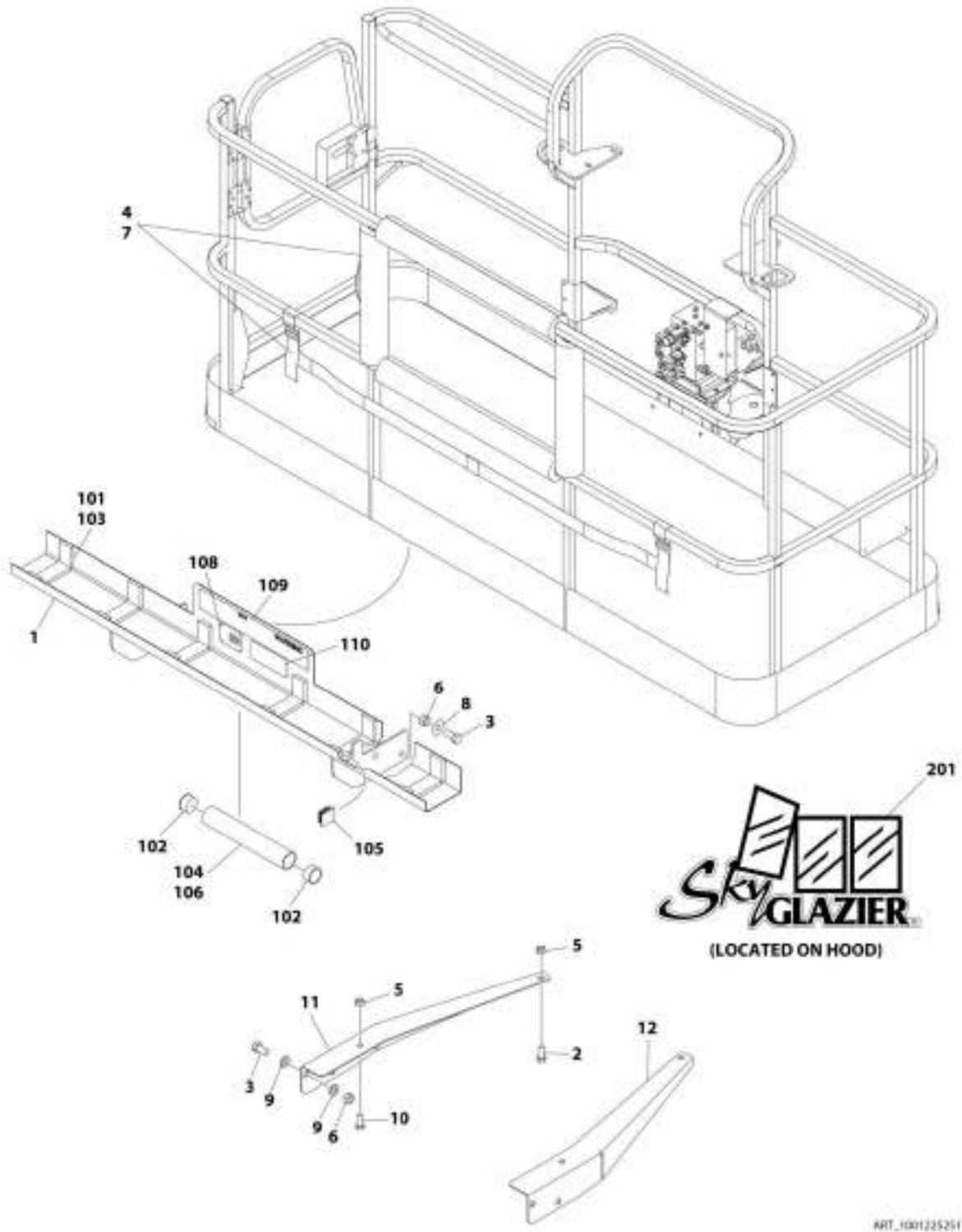
## SECTION 5 - PLATFORM

**FIGURE 5-56. SKYGLAZIER INSTALLATION - WITH 4 CELL LSS (SPANISH SPECS)**

ITEM	PART NUMBER	QTY	DESCRIPTION	REV
	1001099435	Ref	SKYGLAZIER INSTALLATION - WITH 4 CELL LSS (SPANISH SPECS)	D
1	0642026	2	Bolt 5/8 x 3-1/4	
2	0642212	4	Bolt 3/4 x 1-1/2	
3	0273405	1	Tray Assembly (See Items 101-110 for Breakdown)	
4	2902212	1	Bumpers and Strap Kit	
4	0940102	1	Bumper Only	
4	4240149	1	Strap Only	
5	3312005	4	Nut 5/8	
6	3312205	4	Nut 3/4	
7	4420014	AR	Tape	
8	4712200	8	Washer 3/4	
9	1001099366	1	Support	
10	1001099367	1	Support	
13	8310230	2	Bolt 5/8 x 4	
	0273405	Ref	TRAY ASSEMBLY	D
101	0100081	AR	Adhesive	
102	1120555	2	Cap, Tube	
103	3340956	1	Pad Kit	
104	3460334	1	Tube	
105	3520071	2	Plug	
106	4420066	AR	Tape, Double Sided	
108	See Note	NSS	Nameplate - Serial Number (Note: Not Available for Purchase)	
109	1001163288	2	Decal - Glazier Capacity	
110	1701509	1	Decal - Manual	
	0272418	Ref	SKYGLAZIER DECAL INSTALLATION	4
201	1705358	2	Decal - SkyGlazier	

# SECTION 5 - PLATFORM

FIGURE 5-57. SKYGLAZIER INSTALLATION - WITH 1 CELL LSS (SPANISH SPECS)





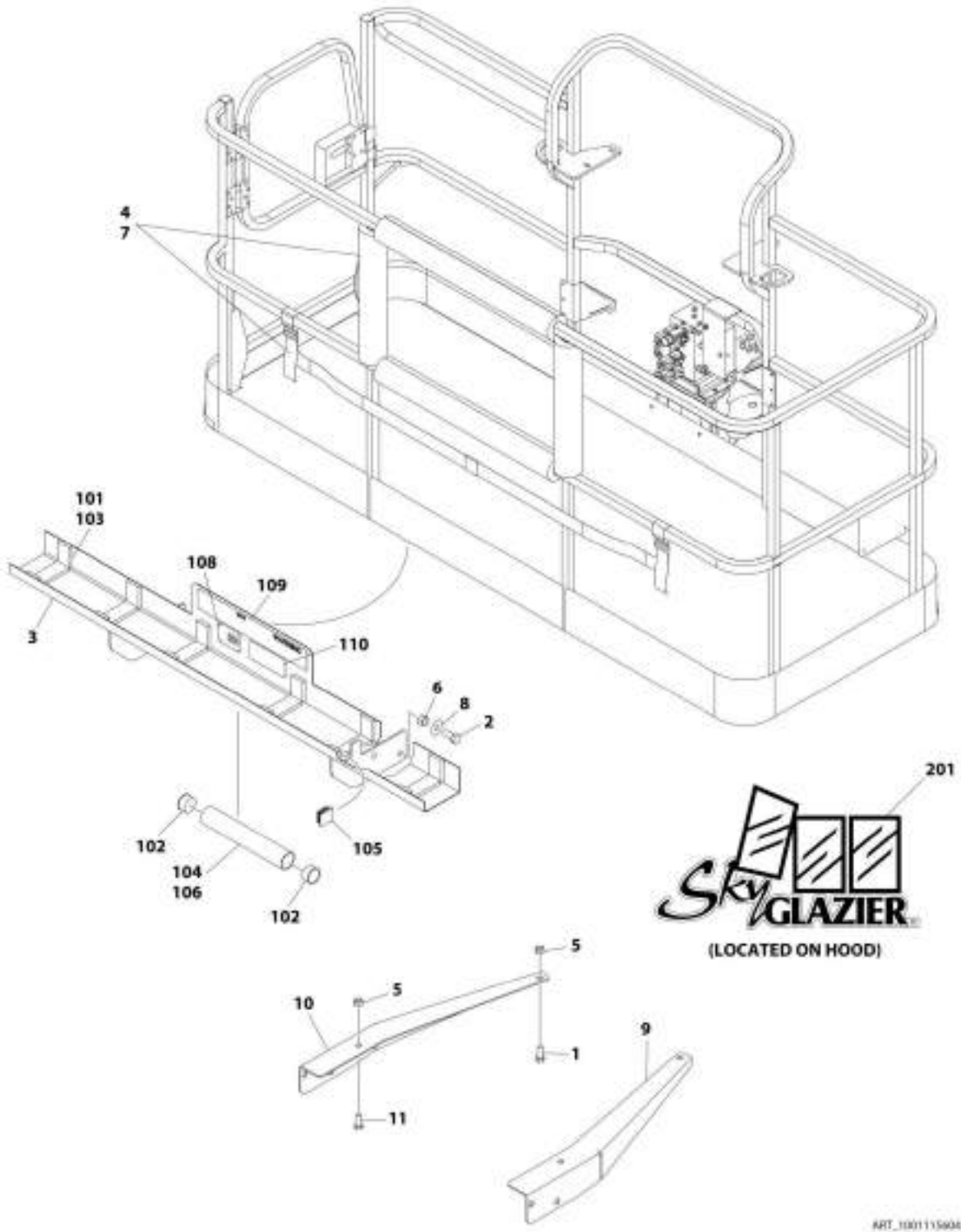
## SECTION 5 - PLATFORM

**FIGURE 5-57. SKYGLAZIER INSTALLATION - WITH 1 CELL LSS (SPANISH SPECS)**

ITEM	PART NUMBER	QTY	DESCRIPTION	REV
	1001225251	Ref	SKYGLAZIER INSTALLATION - WITH 1 CELL LSS (SPANISH SPECS)	A
1	0273405	1	Tray Assembly (See Items 101-110 for Breakdown)	
2	0642012	2	Bolt 5/8 x 1-1/2	
3	0642212	4	Bolt 3/4 x 1-1/2	
4	2902212	1	Bumpers and Strap Kit	
4	0940102	1	Bumper Only	
4	4240149	1	Strap Only	
5	3312005	4	Nut 5/8	
6	3312205	4	Nut 3/4	
7	4420014	AR	Tape	
8	4712000	6	Washer 5/8	
9	4712200	8	Washer 3/4	
10	8310129	2	Bolt 5/8 x 2-1/2	
11	1001099366	1	Support	
12	1001099367	1	Support	
	0273405	Ref	TRAY ASSEMBLY	D
101	0100081	AR	Adhesive	
102	1120555	2	Cap, Tube	
103	3340956	1	Pad Kit	
104	3460334	1	Tube	
105	3520071	2	Plug	
106	4420066	AR	Tape, Double Sided	
108	See Note	NSS	Nameplate - Serial Number (Note: Not Available for Purchase)	
109	1001163288	2	Decal - Glazier Capacity	
110	1701509	1	Decal - Manual	
	0272418	Ref	SKYGLAZIER DECAL INSTALLATION	4
201	1705358	2	Decal - SkyGlazier	

# SECTION 5 - PLATFORM

FIGURE 5-58. SKYGLAZIER INSTALLATION - WITH 4 CELL LSS (SWEDISH SPECS)



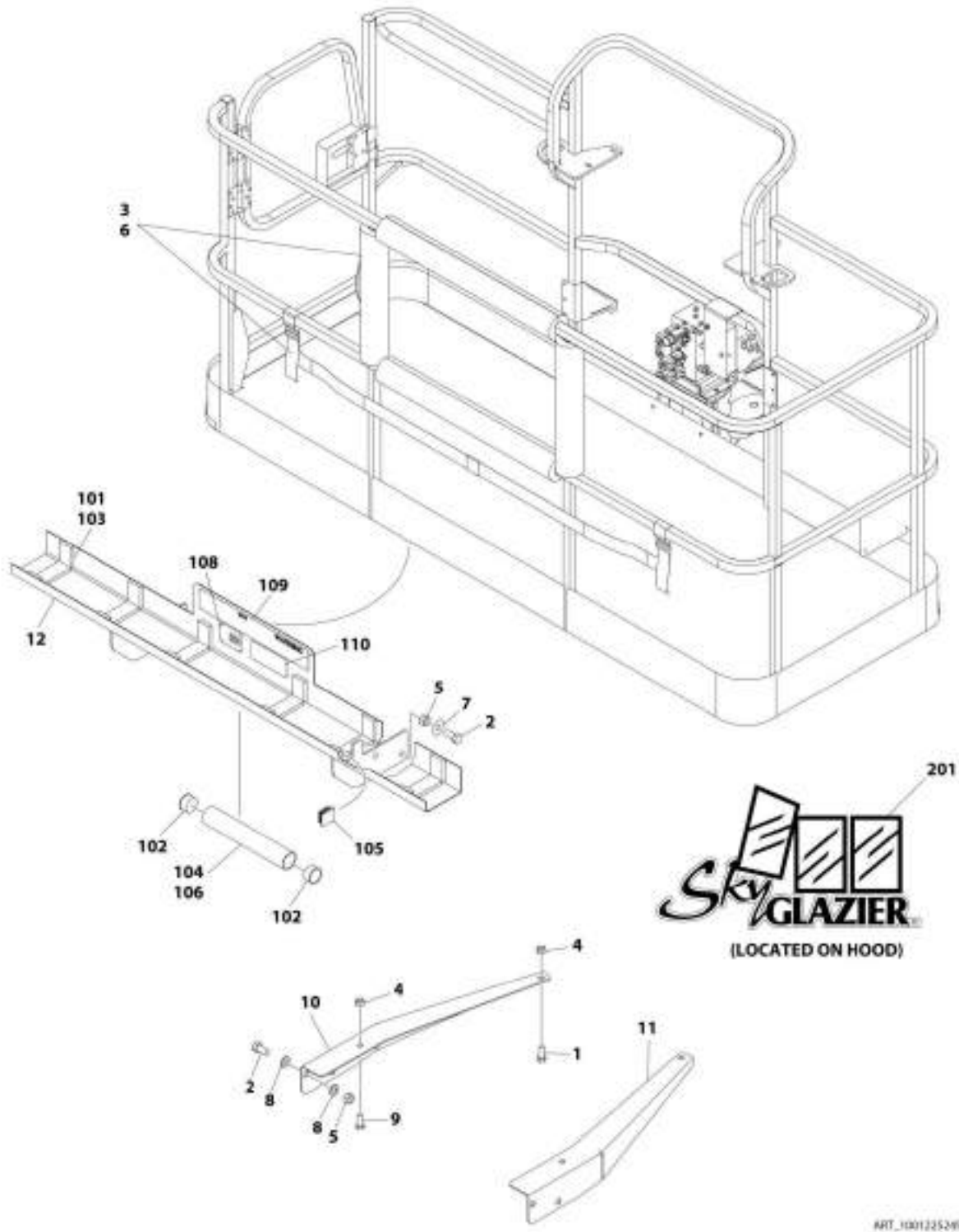
## SECTION 5 - PLATFORM

**FIGURE 5-58. SKYGLAZIER INSTALLATION - WITH 4 CELL LSS (SWEDISH SPECS)**

ITEM	PART NUMBER	QTY	DESCRIPTION	REV
	1001115604	Ref	SKYGLAZIER INSTALLATION - WITH 4 CELL LSS (SWEDISH SPECS)	C
1	0642026	2	Bolt 5/8 x 3-1/4	
2	0642212	4	Bolt 3/4 x 1-1/2	
3	1001115603	1	Tray Assembly (See Items 101-110 for Breakdown)	
4	2902212	1	Bumpers and Strap Kit	
4	0940102	1	Bumper Only	
4	4240149	1	Strap Only	
5	3312005	4	Nut 5/8	
6	3312205	4	Nut 3/4	
7	4420014	AR	Tape	
8	4712200	8	Washer 3/4	
9	1001099366	1	Support	
10	1001099367	1	Support	
11	8310230	2	Bolt 5/8 x 4	
	1001115603	Ref	TRAY ASSEMBLY	C
101	0100081	AR	Adhesive	
102	1120555	2	Cap, Tube	
103	3340956	1	Pad Kit	
104	3460334	1	Tube	
105	3520071	2	Plug	
106	4420066	AR	Tape, Double Sided	
108	See Note	NSS	Nameplate - Serial Number (Note: Not Available for Purchase)	
109	1001163292	2	Decal - Glazier Capacity	
110	1701509	1	Decal - Manual	
	0272418	Ref	SKYGLAZIER DECAL INSTALLATION	4
201	1705358	2	Decal - SkyGlazier	

# SECTION 5 - PLATFORM

FIGURE 5-59. SKYGLAZIER INSTALLATION - WITH 1 CELL LSS (SWEDISH SPECS)



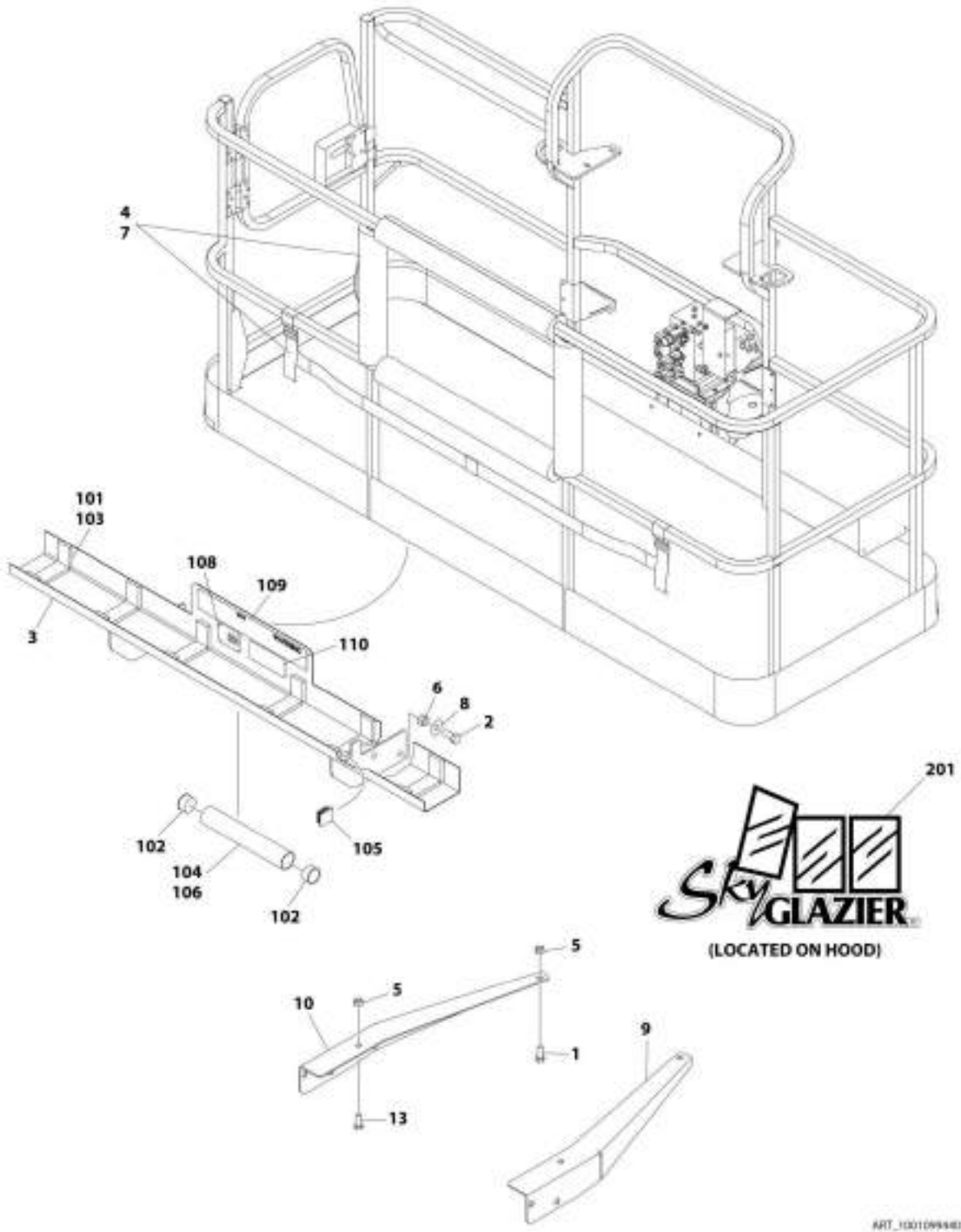
## SECTION 5 - PLATFORM

**FIGURE 5-59. SKYGLAZIER INSTALLATION - WITH 1 CELL LSS (SWEDISH SPECS)**

ITEM	PART NUMBER	QTY	DESCRIPTION	REV
	1001225245	Ref	SKYGLAZIER INSTALLATION - WITH 1 CELL LSS (SWEDISH SPECS)	A
1	0642012	2	Bolt 5/8 x 1-1/2	
2	0642212	4	Bolt 3/4 x 1-1/2	
3	2902212	1	Bumpers and Strap Kit	
3	0940102	1	Bumper Only	
3	4240149	1	Strap Only	
4	3312005	4	Nut 5/8	
5	3312205	4	Nut 3/4	
6	4420014	AR	Tape	
7	4712000	6	Washer 5/8	
8	4712200	8	Washer 3/4	
9	8310129	2	Bolt 5/8 x 2-1/2	
10	1001099366	1	Support	
11	1001099367	1	Support	
12	1001115603	1	Tray Assembly (See Items 101-110 for Breakdown)	
	1001115603	Ref	TRAY ASSEMBLY	C
101	0100081	AR	Adhesive	
102	1120555	2	Cap, Tube	
103	3340956	1	Pad Kit	
104	3460334	1	Tube	
105	3520071	2	Plug	
106	4420066	AR	Tape, Double Sided	
108	See Note	NSS	Nameplate - Serial Number (Note: Not Available for Purchase)	
109	1001163292	2	Decal - Glazier Capacity	
110	1701509	1	Decal - Manual	
	0272418	Ref	SKYGLAZIER DECAL INSTALLATION	4
201	1705358	2	Decal - SkyGlazier	

# SECTION 5 - PLATFORM

FIGURE 5-60. SKYGLAZIER INSTALLATION - WITH 4 CELL LSS (UK SPECS)



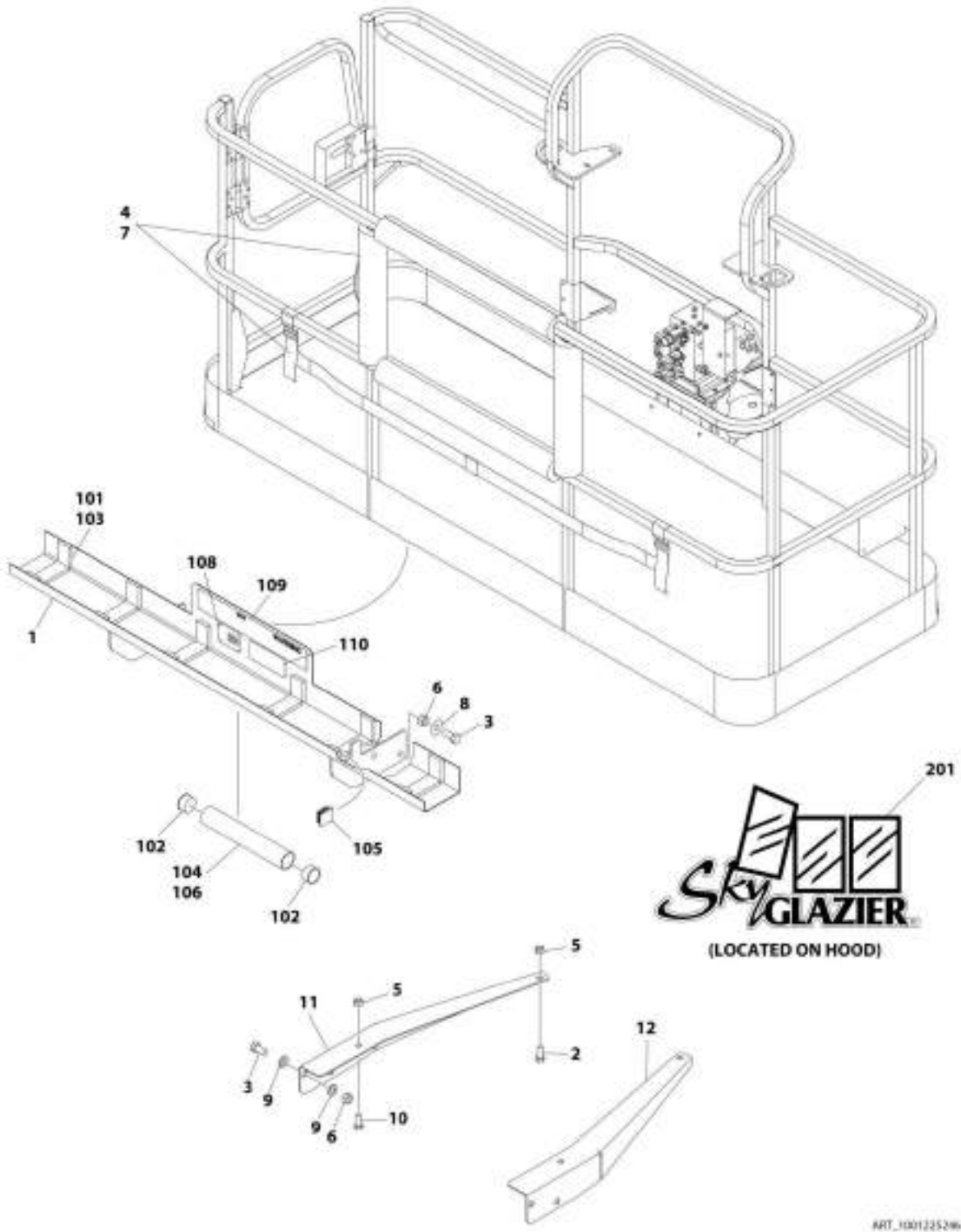
## SECTION 5 - PLATFORM

**FIGURE 5-60. SKYGLAZIER INSTALLATION - WITH 4 CELL LSS (UK SPECS)**

ITEM	PART NUMBER	QTY	DESCRIPTION	REV
	1001099440	Ref	SKYGLAZIER INSTALLATION - WITH 4 CELL LSS (UK SPECS)	D
1	0642026	2	Bolt 5/8 x 3-1/4	
2	0642212	4	Bolt 3/4 x 1-1/2	
3	0273404	1	Tray Assembly (See Items 101-110 for Breakdown)	
4	2902212	1	Bumpers and Strap Kit	
4	0940102	1	Bumper Only	
4	4240149	1	Strap Only	
5	3312005	4	Nut 5/8	
6	3312205	4	Nut 3/4	
7	4420014	AR	Tape	
8	4712200	8	Washer 3/4	
9	1001099366	1	Support	
10	1001099367	1	Support	
13	8310230	2	Bolt 5/8 x 4	
	0273404	Ref	TRAY ASSEMBLY	D
101	0100081	AR	Adhesive	
102	1120555	2	Cap, Tube	
103	3340956	1	Pad Kit	
104	3460334	1	Tube	
105	3520071	2	Plug	
106	4420066	AR	Tape, Double Sided	
108	See Note	NSS	Nameplate - Serial Number (Note: Not Available for Purchase)	
109	1001163295	2	Decal - Glazier Capacity	
110	1701509	1	Decal - Manual	
	0272418	Ref	SKYGLAZIER DECAL INSTALLATION	4
201	1705358	2	Decal - SkyGlazier	

# SECTION 5 - PLATFORM

FIGURE 5-61. SKYGLAZIER INSTALLATION - WITH 1 CELL LSS (UK SPECS)





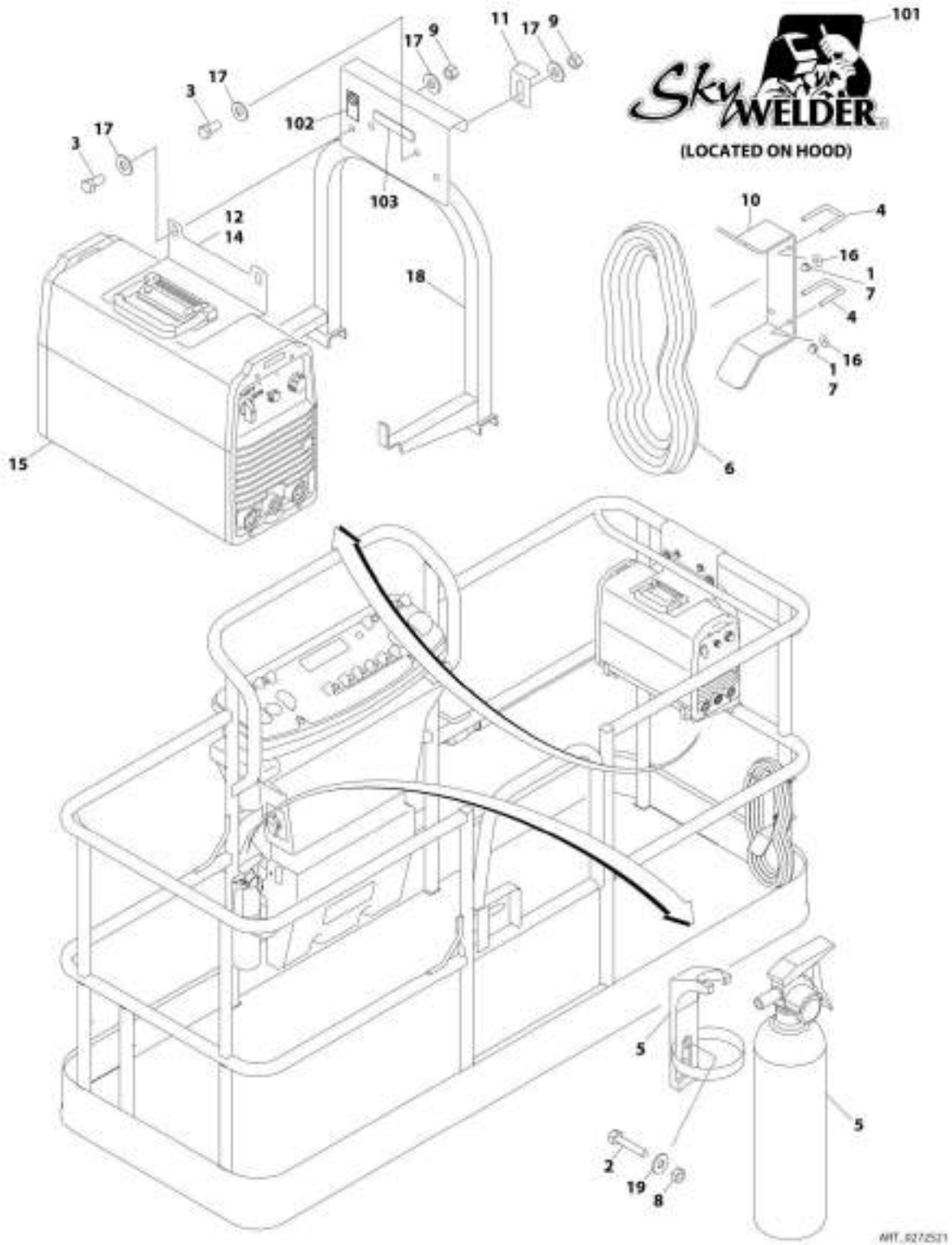
## SECTION 5 - PLATFORM

**FIGURE 5-61. SKYGLAZIER INSTALLATION - WITH 1 CELL LSS (UK SPECS)**

ITEM	PART NUMBER	QTY	DESCRIPTION	REV
	1001225246	Ref	SKYGLAZIER INSTALLATION - WITH 1 CELL LSS (UK SPECS)	A
1	0273404	1	Tray Assembly (See Items 101-110 for Breakdown)	
2	0642012	2	Bolt 5/8 x 1-1/2	
3	0642212	4	Bolt 3/4 x 1-1/2	
4	2902212	1	Bumpers and Strap Kit	
4	0940102	1	Bumper Only	
4	4240149	1	Strap Only	
5	3312005	4	Nut 5/8	
6	3312205	4	Nut 3/4	
7	4420014	AR	Tape	
8	4712000	6	Washer 5/8	
9	4712200	8	Washer 3/4	
10	8310129	2	Bolt 5/8 x 2-1/2	
11	1001099366	1	Support	
12	1001099367	1	Support	
	0273404	Ref	TRAY ASSEMBLY	D
101	0100081	AR	Adhesive	
102	1120555	2	Cap, Tube	
103	3340956	1	Pad Kit	
104	3460334	1	Tube	
105	3520071	2	Plug	
106	4420066	AR	Tape, Double Sided	
108	See Note	NSS	Nameplate - Serial Number (Note: Not Available for Purchase)	
109	1001163295	2	Decal - Glazier Capacity	
110	1701509	1	Decal - Manual	
	0272418	Ref	SKYGLAZIER DECAL INSTALLATION	4
201	1705358	2	Decal - SkyGlazier	

# SECTION 5 - PLATFORM

## FIGURE 5-62. SKYWELDER INSTALLATION (50HZ)



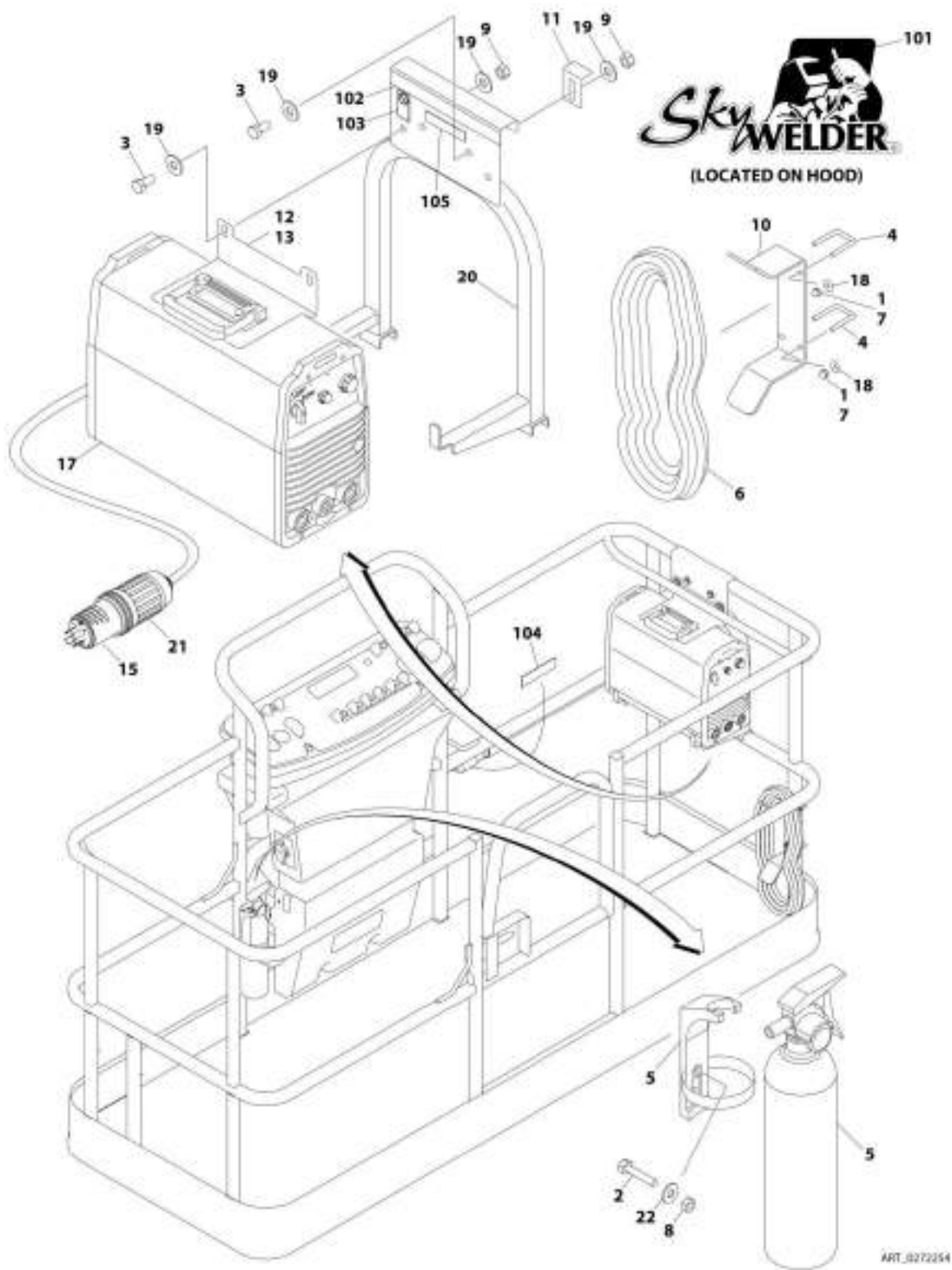
## SECTION 5 - PLATFORM

**FIGURE 5-62. SKYWELDER INSTALLATION (50HZ)**

ITEM	PART NUMBER	QTY	DESCRIPTION	REV
	0272521	Ref	SKYWELDER INSTALLATION (50HZ)	F
		Ref	Note: Australian, CE, Chinese and Japanese Specs Only.	
1	0100011	AR	Compound, Locking	
2	0630518	2	Screw #10 x 3/4	
3	0641606	4	Bolt 3/8 x 3/4	
4	1320302	2	U-Clamp	
5	2030010	1	Extinguisher, Fire	
6	2902217	1	Weld Leads Kit	
7	3300151	4	Nut 1/4	
8	3311005	2	Nut #10	
9	3311605	4	Nut 3/8	
10	3573400	1	Bracket	
11	3577121	2	Angle	
12	3573642	1	Plate	
13	4240099	AR	Tie-Strap (Not Shown)	
14	4420037	AR	Tape	
15	4530028	1	Welder Assembly (See WELDER ASSEMBLY for Breakdown)	
16	4751400	4	Washer 1/4	
17	4751600	8	Washer 3/8	
18	4846627	1	Support	
19	4751000	2	Washer #10	
	0272588	Ref	SKYWELDER DECAL INSTALLATION	B
101	1705355	2	Decal - SkyWelder	
102	1705305	1	Decal - Weld Lead	
103	1705466	NLA	Decal - Weight (Use p/n 1001228988) <b>(Prior to SN 0300233352)</b>	
103	1001228988	1	Decal - Weight <b>(SN 0300233352 to Present)</b>	

# SECTION 5 - PLATFORM

## FIGURE 5-63. SKYWELDER INSTALLATION (60HZ)



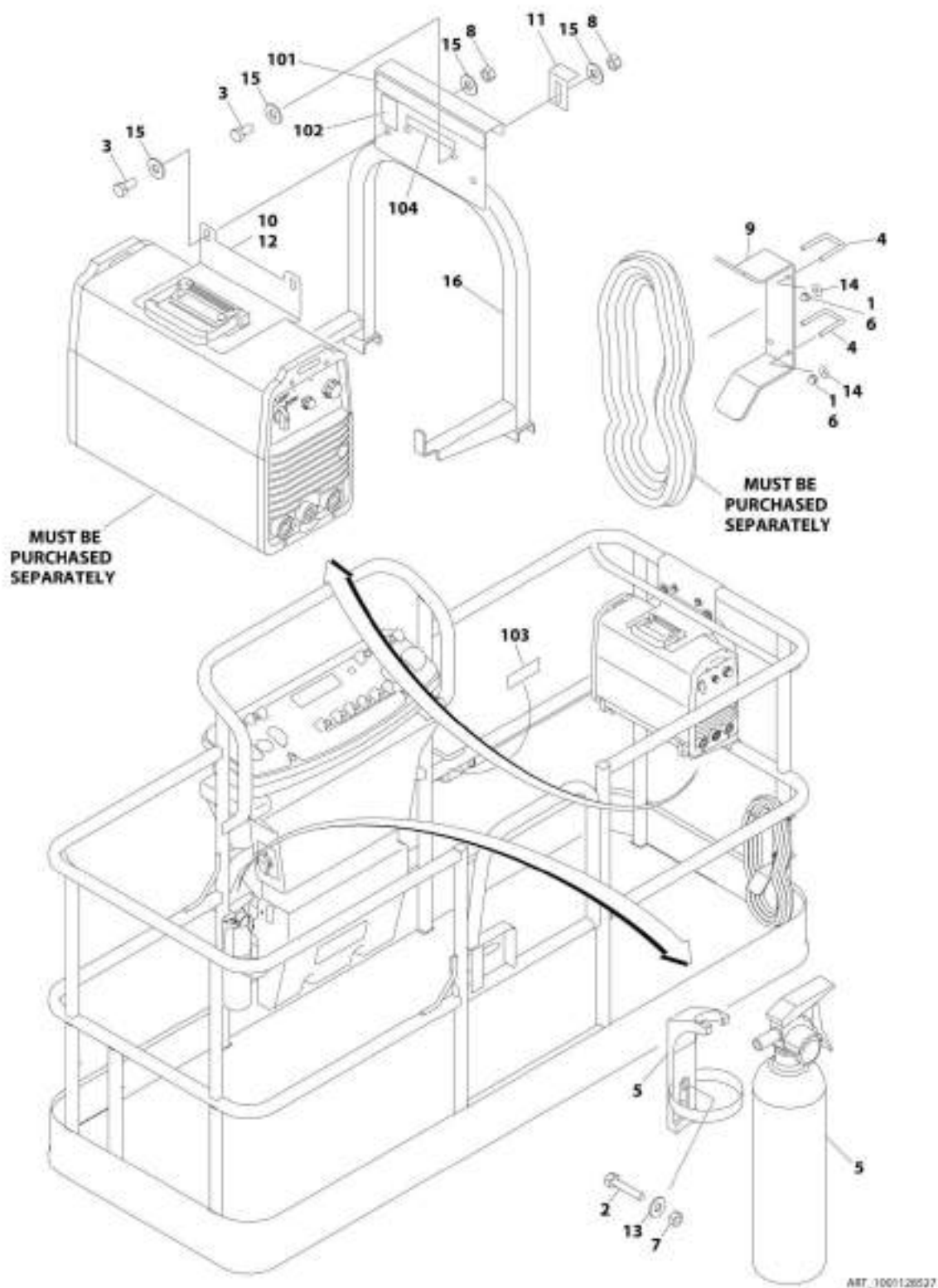
## SECTION 5 - PLATFORM

**FIGURE 5-63. SKYWELDER INSTALLATION (60HZ)**

ITEM	PART NUMBER	QTY	DESCRIPTION	REV
	0272254	Ref	SKYWELDER INSTALLATION (60HZ)	I
		Ref	Note: ANSI, ANSI Export and CSA Specs Only.	
1	0100011	AR	Compound, Locking	
2	0630518	2	Screw #10 x 3/4	
3	0641606	4	Bolt 3/8 x 3/4	
4	1320302	2	U-Clamp	
5	2030010	1	Extinguisher, Fire	
6	2902217	1	Weld Leads Kit	
7	3300151	4	Nut 1/4	
8	3311005	2	Nut #10	
9	3311605	4	Nut 3/8	
10	3573400	1	Bracket	
11	3577121	2	Angle	
12	3573642	1	Plate	
13	4420037	AR	Tape	
14	4240099	AR	Tie-Strap (Not Shown)	
15	4460962	1	Plug, Male Twistlock	
17	4530028	1	Welder Assembly (See WELDER ASSEMBLY for Breakdown)	
18	4751400	4	Washer 1/4	
19	4751600	8	Washer 3/8	
20	4846627	1	Support	
21	1671093	1	Cover, Plug	
22	4751000	2	Washer #10	
	0272448	Ref	SKYWELDER DECAL INSTALLATION	B
101	1705355	2	Decal - SkyWelder	
102	1702868	1	Decal - No Hands	
103	1705305	1	Decal - Weld Lead	
104	1705375	1	Decal - 240V - 3 Phase - 60Hz	
105	1705466	NLA	Decal - Weight (Use p/n 1001228988) <b>(Prior to SN 0300233352)</b>	
105	1001228988	1	Decal - Weight <b>(SN 0300233352 to Present)</b>	

# SECTION 5 - PLATFORM

## FIGURE 5-64. SKYWELDER PREP PACKAGE (60HZ)



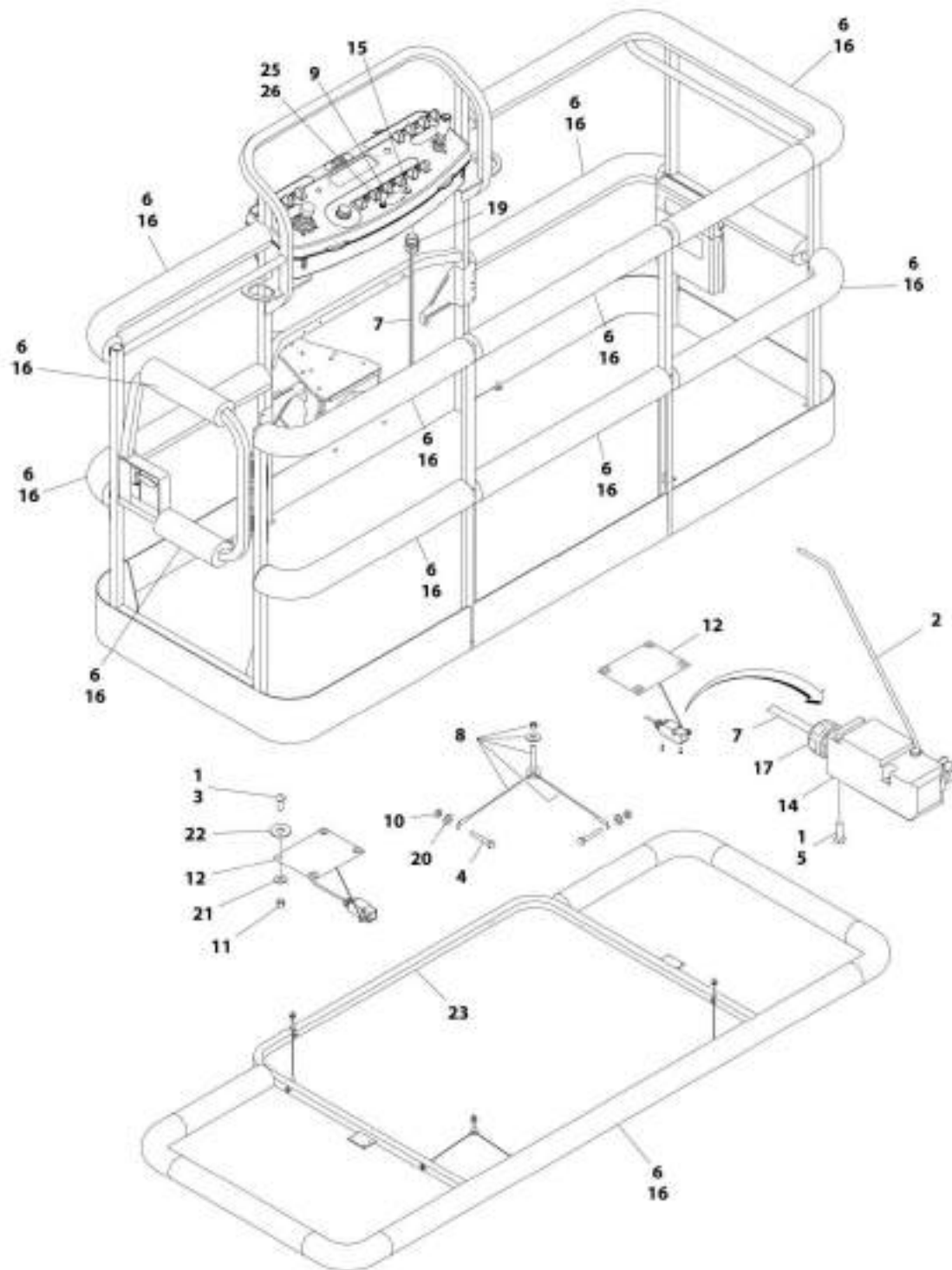
## SECTION 5 - PLATFORM

**FIGURE 5-64. SKYWELDER PREP PACKAGE (60HZ)**

ITEM	PART NUMBER	QTY	DESCRIPTION	REV
	1001128527	Ref	SKYWELDER PREP PACKAGE (60HZ)	B
		Ref	Note: ANSI, ANSI Export and CSA Specs Only.	
1	0100011	AR	Compound, Locking	
2	0630518	2	Screw #10 x 3/4	
3	0641606	4	Bolt 3/8 x 3/4	
4	1320302	2	U-Clamp	
5	2030010	1	Extinguisher, Fire	
6	3300151	4	Nut 1/4	
7	3311005	2	Nut #10	
8	3311605	4	Nut 3/8	
9	3573400	1	Bracket	
10	3573642	1	Plate	
11	3577121	2	Angle	
12	4420037	AR	Tape	
13	4751000	2	Washer #10	
14	4751400	4	Washer 1/4	
15	4751600	8	Washer 3/8	
16	4846627	1	Support	
	1001128556	Ref	SKYWELDER DECAL INSTALLATION	B
101	1702868	1	Decal - No Hands	
102	1705305	1	Decal - Weld Lead	
103	1705375	1	Decal - 240V - 3 Phase - 60Hz	
104	1705466	NLA	Decal - Weight (Use p/n 1001228988) <b>(Prior to SN 0300233352)</b>	
104	1001228988	1	Decal - Weight <b>(SN 0300233352 to Present)</b>	

# SECTION 5 - PLATFORM

FIGURE 5-65. SOFT TOUCH INSTALLATION - 8FT (2.4M) PLATFORM (OPTIONAL)



AWT\_8072437



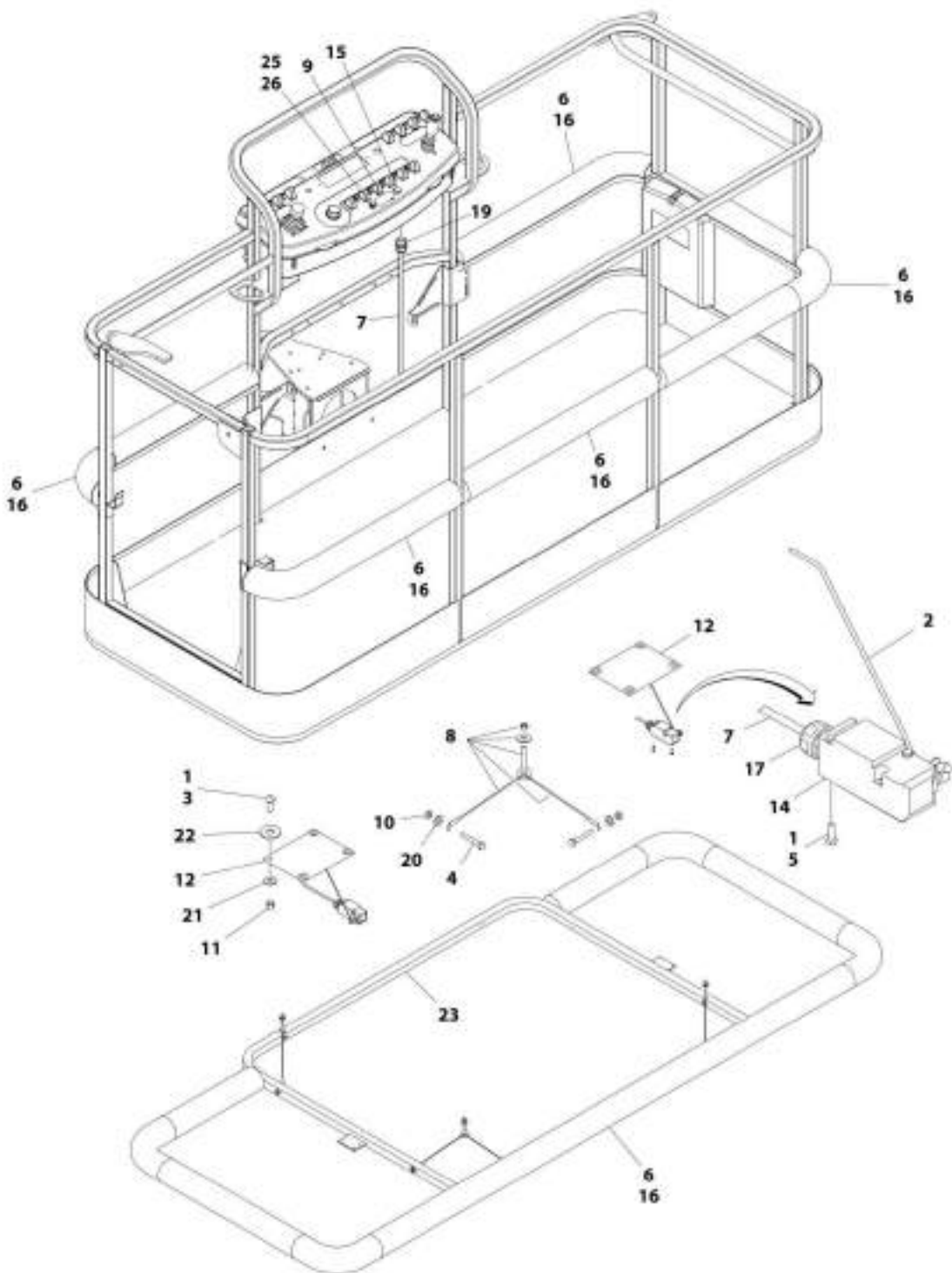
## SECTION 5 - PLATFORM

**FIGURE 5-65. SOFT TOUCH INSTALLATION - 8FT (2.4M) PLATFORM (OPTIONAL)**

ITEM	PART NUMBER	QTY	DESCRIPTION	REV
	0272427	Ref	SOFT TOUCH INSTALLATION - 8FT (2.4M) PLATFORM (OPTIONAL)	G
1	0100011	AR	Compound, Locking	
2	0200048	2	Arm, Switch	
3	0630462	8	Bolt	
4	0641414	8	Bolt 1/4 x 1-3/4	
5	0721005	4	Bolt #10 x 5/8	
6	0940103	1	Bumper Kit (Includes Corners and Enough Straight Material for One Platform)	
6	0940092	12	Bumper (Corner)	
6	0940094	AR	Bumper (12ft Length)	
7	1060341	23 ft /7m	Cable, Electrical - 16/2	
8	1060903	4	Wire Rope and Eyebolt Assembly	
9	1702938	1	Decal - Soft Touch Override	
10	3311401	8	Nut 1/4	
11	3311501	8	Nut 5/16	
12	3574091	2	Plate, Switch Strike	
13	4240099	7	Tie-Strap (Not Shown)	
14	4360057	2	Switch, Limit	
15	4360387	1	Switch, Push Button	
16	4420068	AR	Tape, Adhesive	
16	1001197017	AR	Tie-Strap	
17	4460049	2	Connector, Strain Relief	
18	4460234	7	Tie-Strap (Not Shown)	
19	4460425	1	Connector, Strain Relief	
20	4751400	8	Washer 1/4	
21	4751500	12	Washer 5/16	
22	4751800	8	Washer 1/2	
23	4846673	1	Rail, Soft Touch	
25	2920028	1	Light, Indicator	
26	2920029	1	Bulb, Light	

# SECTION 5 - PLATFORM

FIGURE 5-66. SOFT TOUCH INSTALLATION - 8FT (2.4M) FALL ARREST PLATFORM (OPTIONAL)



ART\_027206

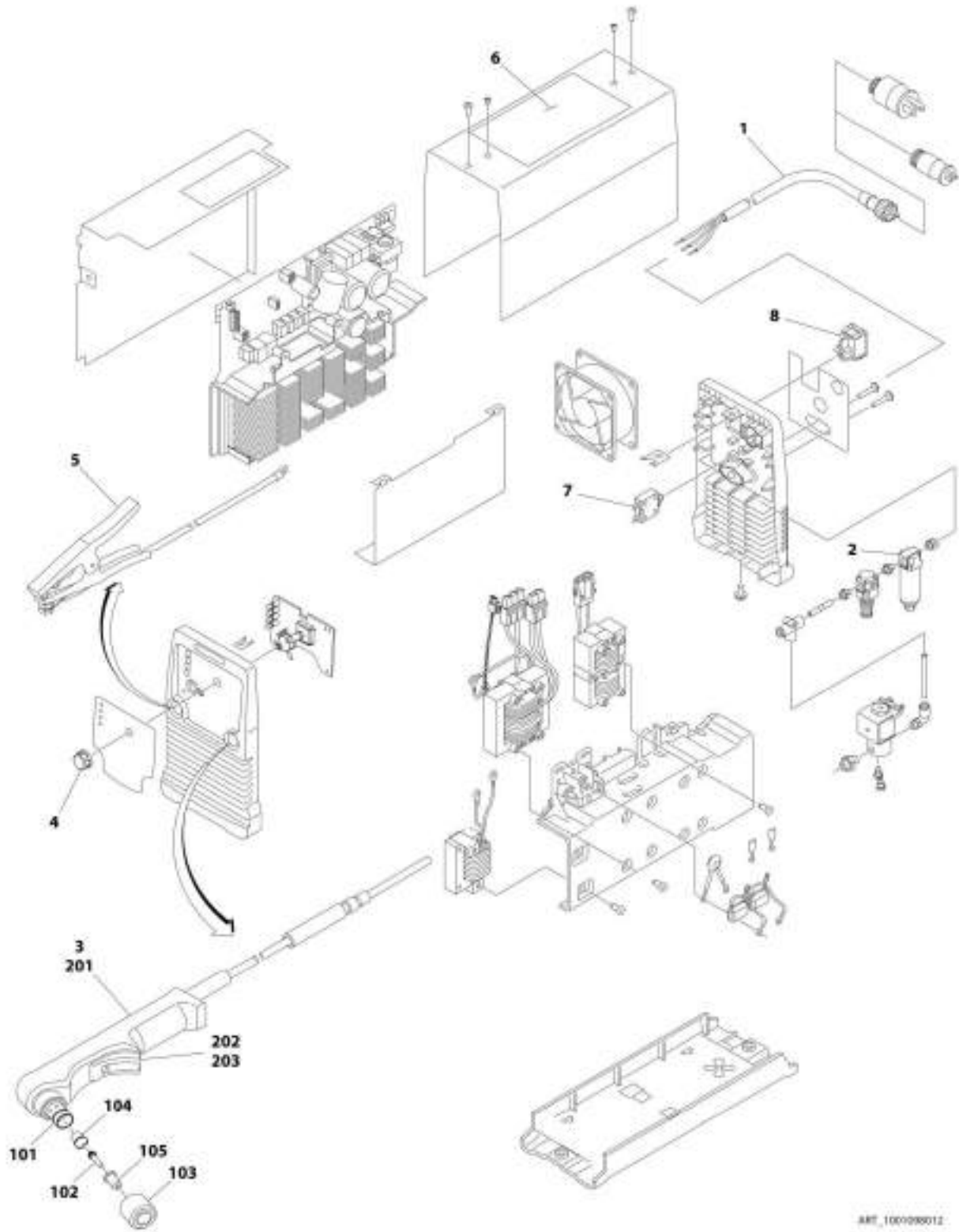
## SECTION 5 - PLATFORM

**FIGURE 5-66. SOFT TOUCH INSTALLATION - 8FT (2.4M) FALL ARREST PLATFORM (OPTIONAL)**

ITEM	PART NUMBER	QTY	DESCRIPTION	REV
	0273706	Ref	SOFT TOUCH INSTALLATION - 8FT (2.4M) FALL ARREST PLATFORM (OPTIONAL)	D
1	0100011	AR	Compound, Locking	
2	0200048	2	Arm, Switch	
3	0630462	8	Bolt	
4	0641414	8	Bolt 1/4 x 1-3/4	
5	0721005	4	Bolt #10 x 5/8	
6	0940133	1	Bumper Kit (Includes Corners and Enough Straight Material for One Platform)	
6	0940092	8	Bumper (Corner)	
6	0940094	AR	Bumper (12ft Length)	
7	1060341	23 ft/7m	Cable, Electrical - 16/2	
8	1060903	4	Wire Rope and Eyebolt Assembly	
9	1702938	1	Decal - Soft Touch Override	
10	3311401	8	Nut 1/4	
11	3311501	8	Nut 5/16	
12	3574091	2	Plate, Switch Strike	
13	4240099	7	Tie-Strap (Not Shown)	
14	4360057	2	Switch, Limit	
15	4360387	1	Switch, Push Button	
16	4420068	AR	Tape, Adhesive	
16	1001197017	AR	Tie-Strap	
17	4460049	2	Connector, Strain Relief	
18	4460234	7	Tie-Strap (Not Shown)	
19	4460425	1	Connector, Strain Relief	
20	4751400	8	Washer 1/4	
21	4751500	12	Washer 5/16	
22	4751800	8	Washer 1/2	
23	4846673	1	Rail, Soft Touch	
25	2920028	1	Light, Indicator	
26	2920029	1	Bulb, Light	

# SECTION 5 - PLATFORM

## FIGURE 5-67. PLASMA CUTTER ASSEMBLY



ART 100088012

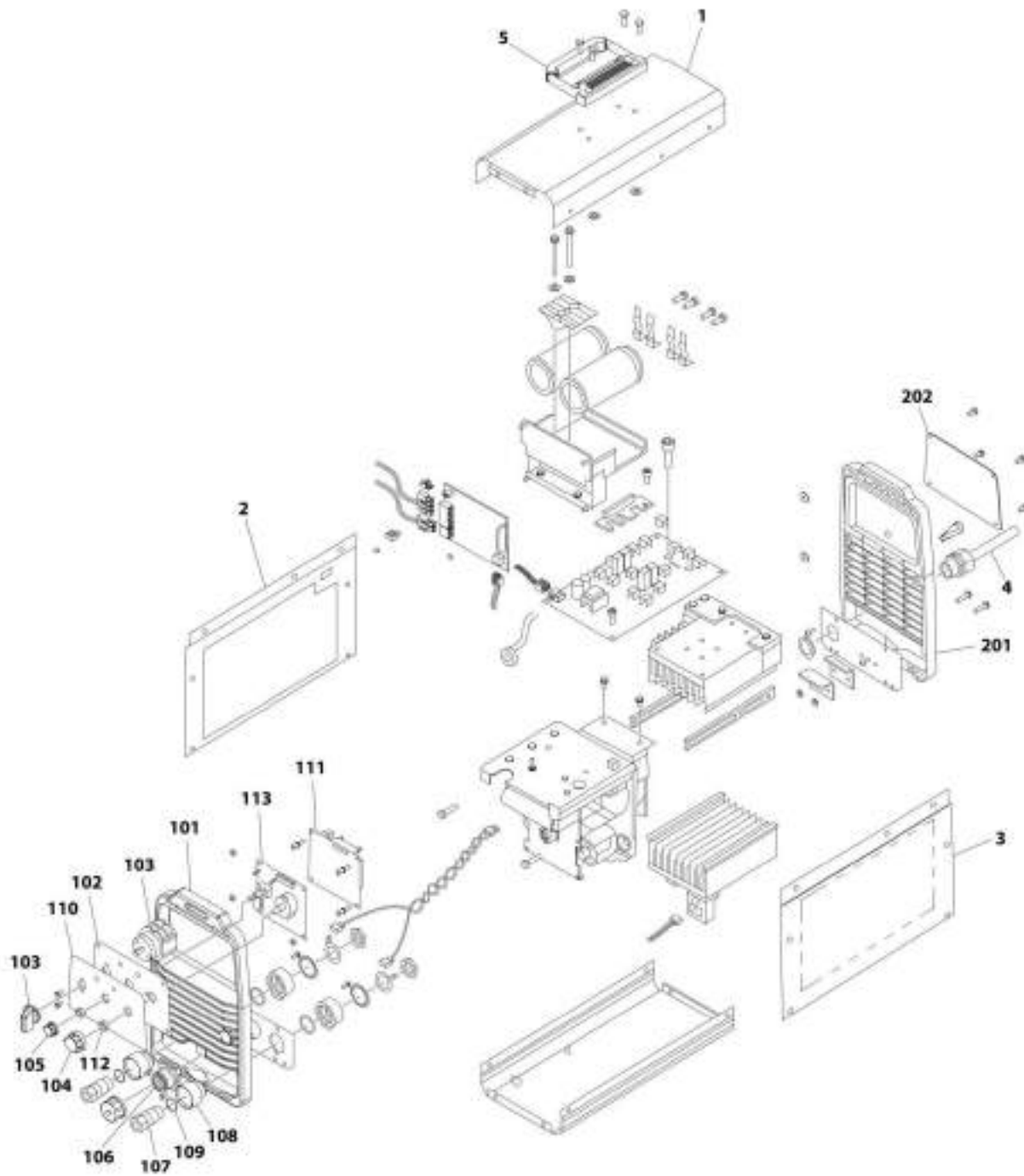
## SECTION 5 - PLATFORM

### FIGURE 5-67. PLASMA CUTTER ASSEMBLY

ITEM	PART NUMBER	QTY	DESCRIPTION	REV
	1001098012	Ref	PLASMA CUTTER ASSEMBLY	A
		Ref	Note: For Other Components, contact your Miller Welder Dealer.	
1	70001424	1	Cable, Power	
1	70001425	1	Decal - Voltage Warning	
2	70001427	1	Filter, Regulator	
3	70001428	1	Torch Assembly (See Items 101-203 for Breakdown)	
4	7024471	1	Knob	
5	70001429	1	Clamp with Cable	
6	70001430	1	Decal - Caution	
7	70001431	1	Breaker, Circuit	
8	70001432	1	Switch, Rocker	
	70001428	Ref	TORCH ASSEMBLY	
101	7024530	1	O-Ring	
102	7024531	1	Electrode	
103	7024532	1	Cup, Retaining	
104	7024533	1	Swirl Ring	
105	7024534	1	Tip	
201	7024535	1	Handle, Torch	
202	7024536	1	Handle, Torch	
203	7024537	1	Trigger	

# SECTION 5 - PLATFORM

## FIGURE 5-68. WELDER ASSEMBLY



A0T\_453002B

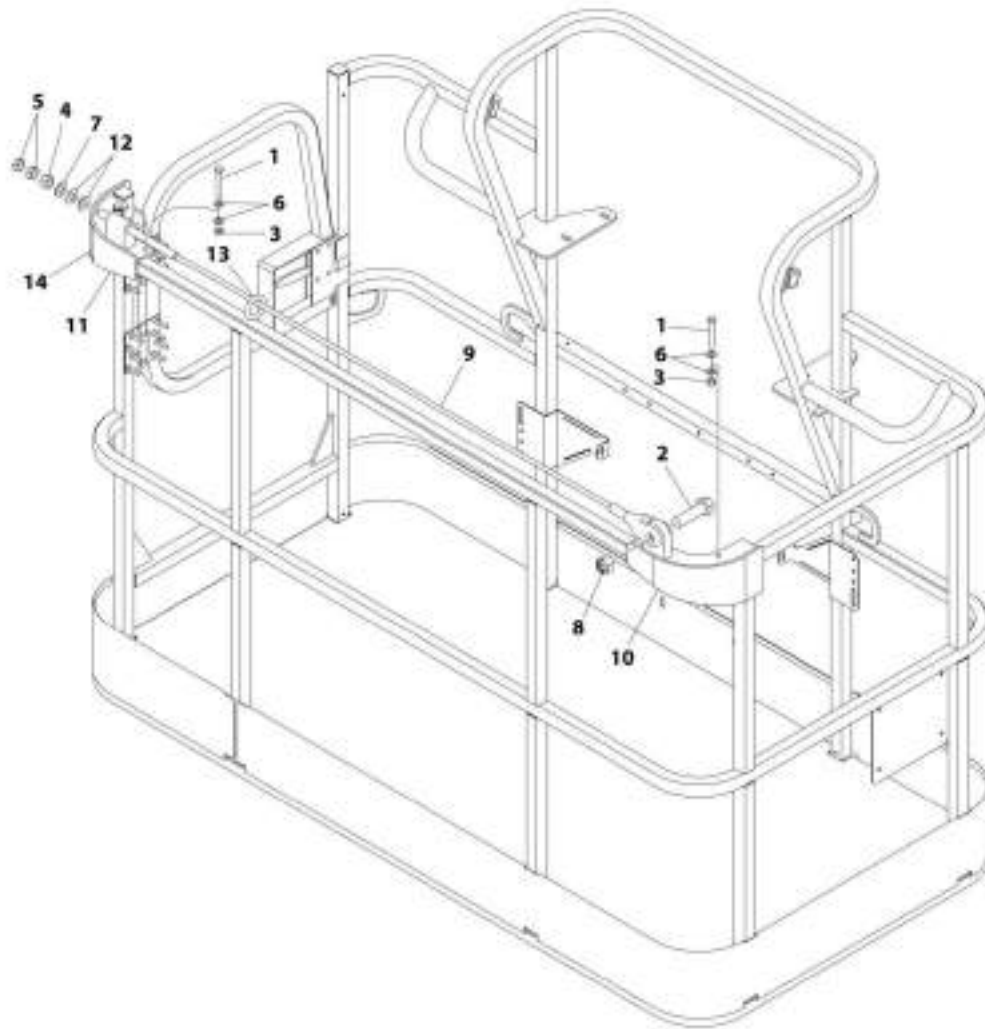
## SECTION 5 - PLATFORM

### FIGURE 5-68. WELDER ASSEMBLY

ITEM	PART NUMBER	QTY	DESCRIPTION	REV
	4530028	Ref	WELDER ASSEMBLY	B
		Ref	Note: For Other Components, contact your Miller Welder Dealer.	
1	7027773	1	Cover, Top	
1	7027774	1	Decal - Static Precautionary Warning	
2	See Note	NSS	Panel, LH Side (Note: Part of Item 1. Purchase Item 1)	
3	See Note	NSS	Panel, RH Side (Note: Part of Item 1. Purchase Item 1)	
4	7024467	1	Cable, Power	
4	7027775	1	Decal - Electrical Shock Warning (Not Shown)	
5	7027776	1	Handle, Carrying	
101	7024462	1	Panel, Front	
102	7024463	1	Panel, Console	
103	7024469	1	Switch with Lead	
104	7024470	1	Knob	
105	7024471	1	Knob	
106	7024472	1	Receptacle with Leads and Plugs	
107	7024473	2	Receptacle, Twistlock Female	
108	7024474	2	Insulator	
109	7024475	2	O-Ring	
110	7027777	1	Nameplate	
111	7027779	1	Circuit Card Assembly (Process Control)	
112	7024478	2	Nut	
113	7027778	1	Circuit Card Assembly (Operator Interface)	
201	7024462	1	Panel, Rear	
202	7027780	1	Panel, Cover	

# SECTION 5 - PLATFORM

FIGURE 5-69. FALL ARREST INSTALLATION (BOLT - ON) (6FT/1.82M PLATFORM)



ART\_1001230747



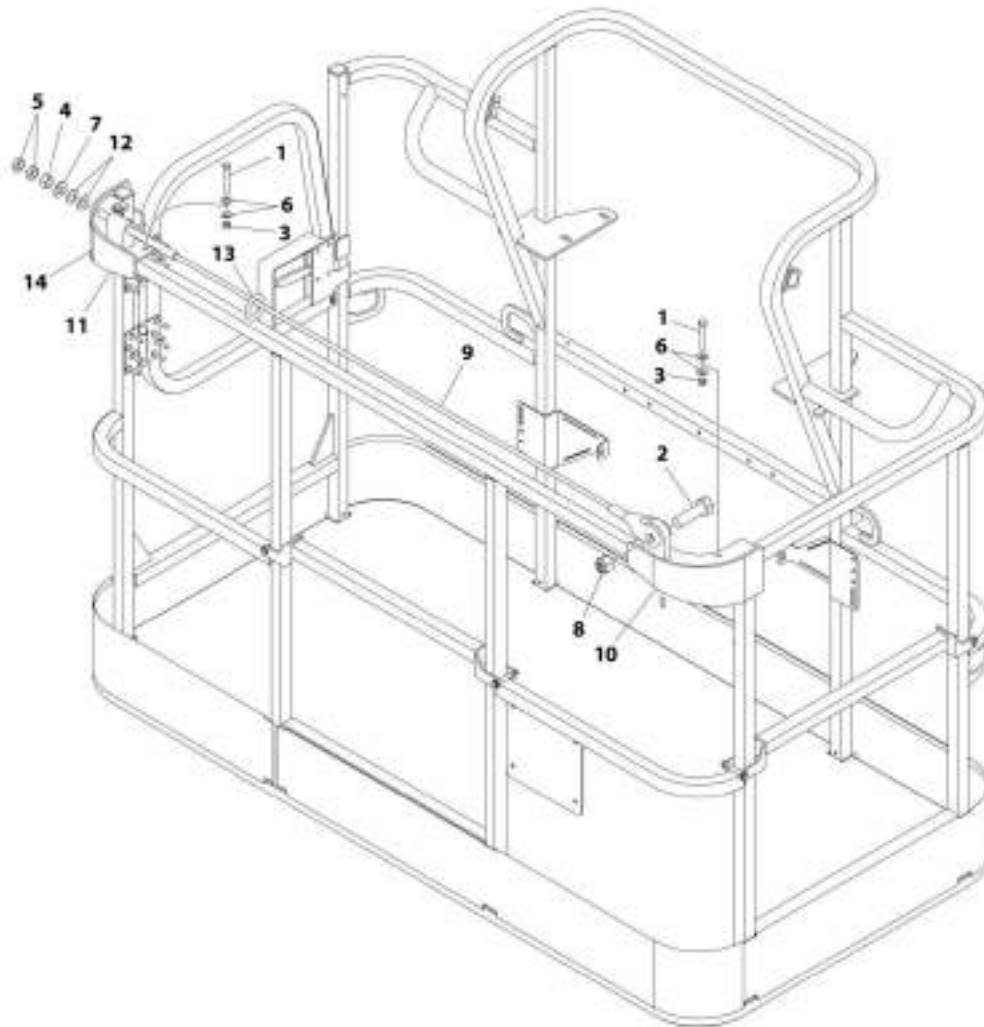
## SECTION 5 - PLATFORM

**FIGURE 5-69. FALL ARREST INSTALLATION (BOLT - ON) (6FT/1.82M PLATFORM)**

ITEM	PART NUMBER	QTY	DESCRIPTION	REV
	1001236747	Ref	FALL ARREST INSTALLATION (BOLT - ON) 6FT/1.82M PLATFORM	A
1	0681620	6	Bolt 3/8 x 2-1/2	
2	0682424	1	Bolt 7/8 x 3	
3	3271605	6	Nut 3/8	
4	3272001	1	Nut 5/8	
5	3312002	2	Nut 5/8	
6	4711600	12	Washer 3/8	
7	4712000	1	Washer 5/8	
8	88521214	1	Nut 7/8	
9	1001231950	1	Rope	
10	1001232010	1	Bracket (RH)	
11	1001232011	1	Bracket (LH)	
12	1001236891	2	Washer	
13	1001236895	1	Ring	
14	1001238263	1	Decal - Warning Falling Hazard	

## SECTION 5 - PLATFORM

FIGURE 5-70. FALL ARREST INSTALLATION (BOLT-ON) (6FT/1.82M TRI-ENTRY PLATFORM)



ART\_1001238463

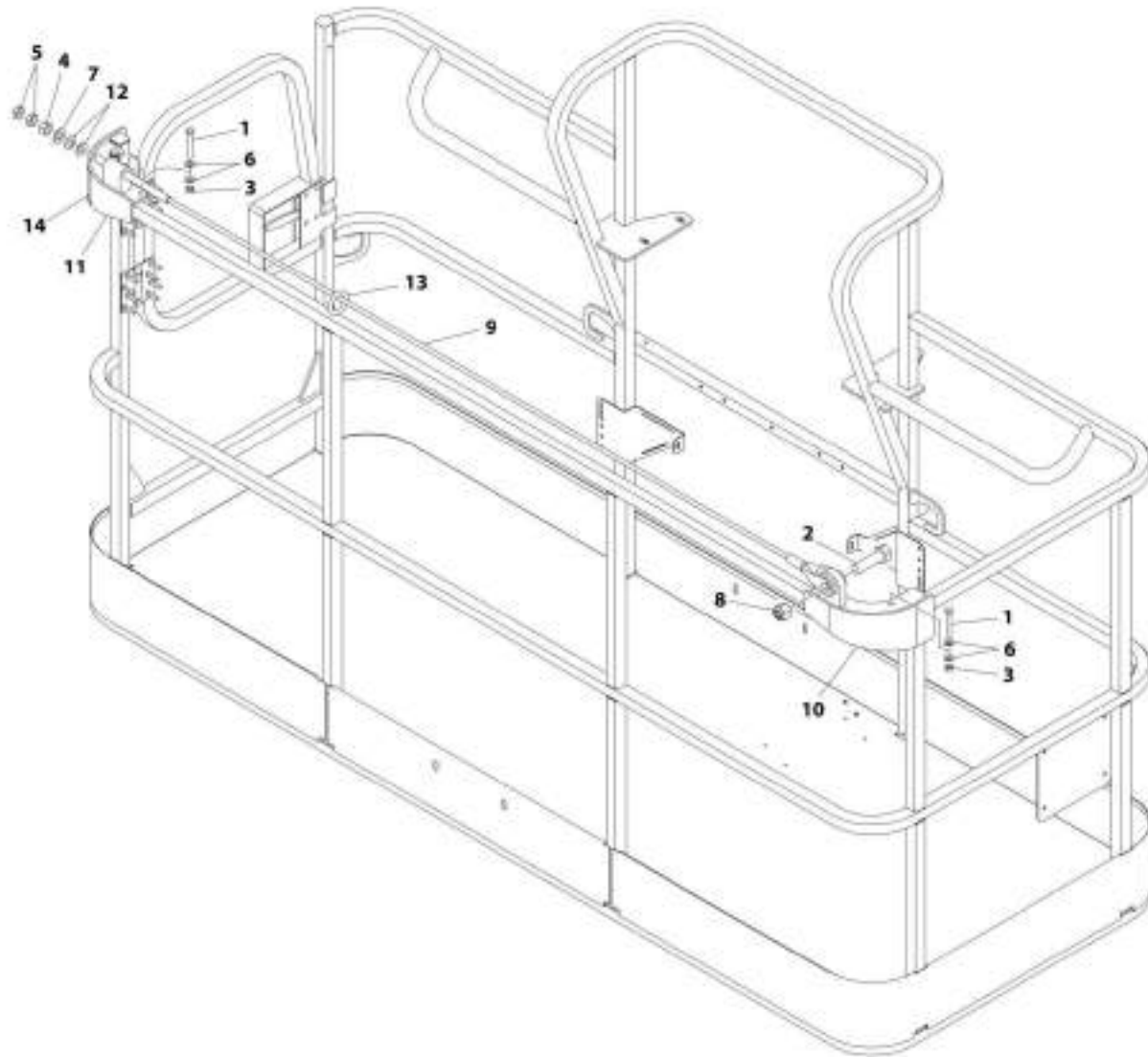
## SECTION 5 - PLATFORM

**FIGURE 5-70. FALL ARREST INSTALLATION (BOLT-ON) (6FT/1.82M TRI-ENTRY PLATFORM)**

ITEM	PART NUMBER	QTY	DESCRIPTION	REV
	1001238463	Ref	FALL ARREST INSTALLATION (BOLT - ON) 6FT/1.82M PLATFORM	B
1	0681620	6	Bolt 3/8 x 2-1/2	
2	0682424	1	Bolt 7/8 x 3	
3	3271605	6	Nut 3/8	
4	3272001	1	Nut 5/8	
5	3312002	2	Nut 5/8	
6	4711600	12	Washer 3/8	
7	4712000	1	Washer 5/8	
8	88521214	1	Nut 7/8	
9	1001231950	1	Rope	
10	1001232010	1	Bracket (RH)	
11	1001232011	1	Bracket (LH)	
12	1001236891	2	Washer	
13	1001236895	1	Ring	
14	1001238263	1	Decal - Warning Falling Hazard	

# SECTION 5 - PLATFORM

FIGURE 5-71. FALL ARREST INSTALLATION (BOLT - ON) (8FT/2.4M PLATFORM)



ART\_1001236748

## SECTION 5 - PLATFORM

**FIGURE 5-71. FALL ARREST INSTALLATION (BOLT - ON) (8FT/2.4M PLATFORM)**

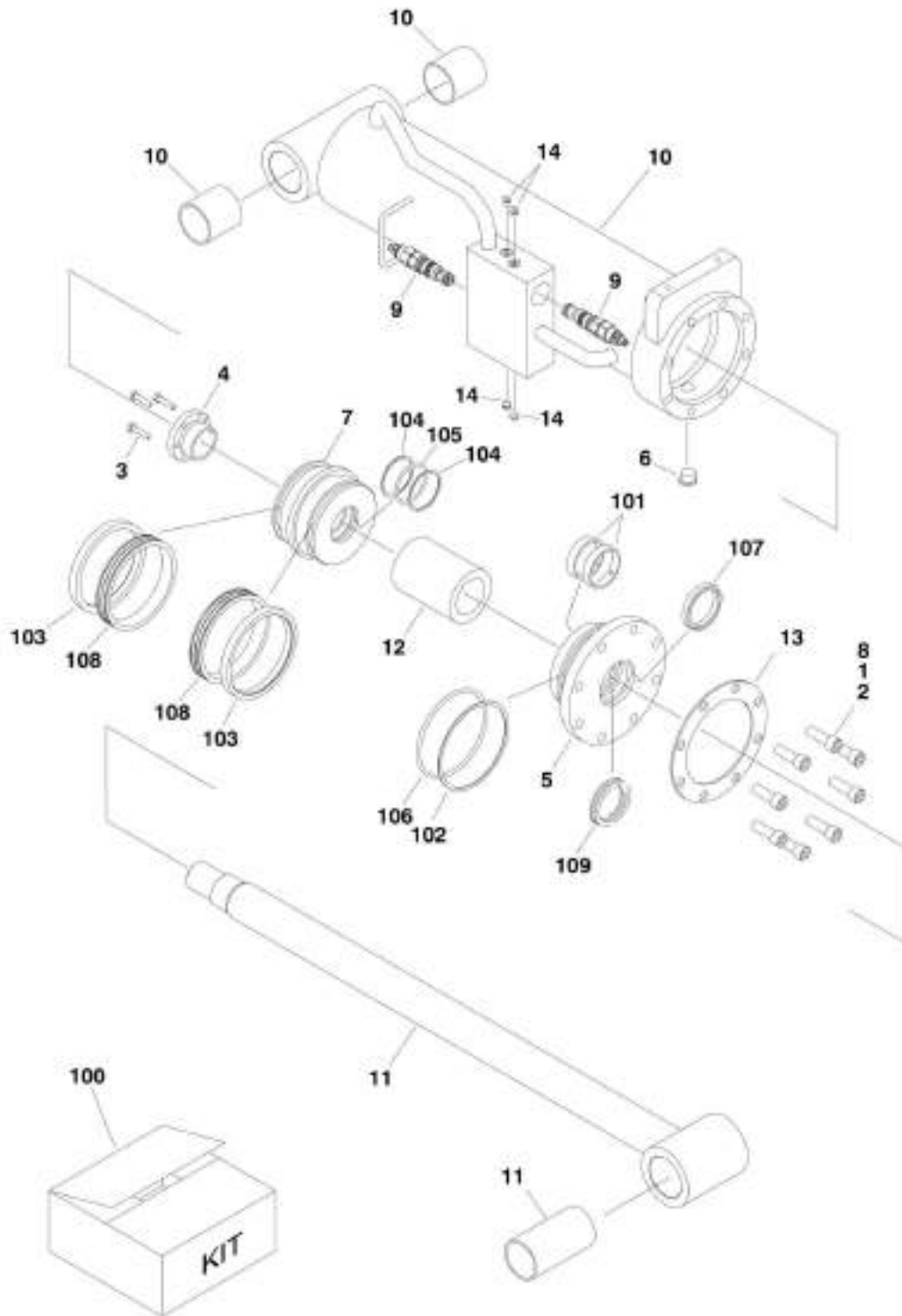
ITEM	PART NUMBER	QTY	DESCRIPTION	REV
	1001236746	Ref	FALL ARREST INSTALLATION (BOLT - ON) 8FT/2.4M PLATFORM	A
1	0681620	6	Bolt 3/8 x 2-1/2	
2	0682424	1	Bolt 7/8 x 3	
3	3271605	6	Nut 3/8	
4	3272001	1	Nut 5/8	
5	3312002	2	Nut 5/8	
6	4711600	12	Washer 3/8	
7	4712000	1	Washer 5/8	
8	88521214	1	Nut 7/8	
9	1001231949	1	Rope	
10	1001232010	1	Bracket (RH)	
11	1001232011	1	Bracket (LH)	
12	1001236891	2	Washer	
13	1001236895	1	Ring	
14	1001238263	1	Decal - Warning Falling Hazard	



**SECTION 6 - CYLINDER**

# SECTION 6 - CYLINDER

FIGURE 6-1. AXLE EXTEND CYLINDER ASSEMBLY (Prior to SN 0300239676)



1001156048



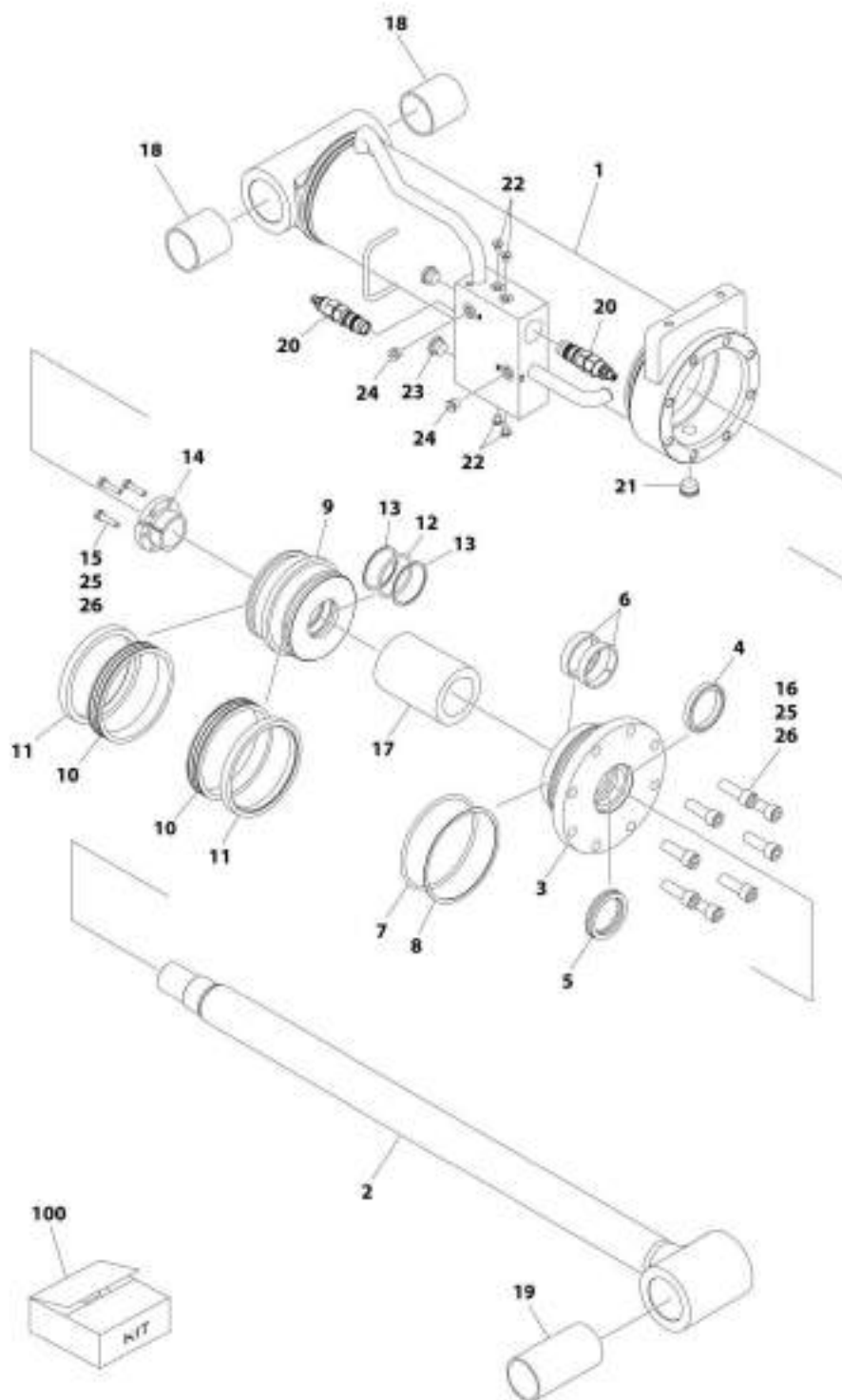
## SECTION 6 - CYLINDER

**FIGURE 6-1. AXLE EXTEND CYLINDER ASSEMBLY (Prior to SN 0300239676)**

ITEM	PART NUMBER	QTY	DESCRIPTION	REV
	1001156648	Ref	AXLE EXTEND CYLINDER ASSEMBLY (Prior to SN 0300239676) Note: Original Cylinder May Have Been Replaced with Service Replacement. Identify PN Stamped on Cylinder Before Ordering Parts.	E
		Ref		
1	0100011	AR	Compound, Locking	
2	0100038	AR	Primer, Locking	
3	0630535	3	Bolt 1/4 x 1-1/8	
4	0961896	1	Bushing, Tapered	
5	1683062	1	Head	
6	2220886	3	Plug	
7	3480269	1	Piston	
8	3931824	8	Capscrew 1/2 X 1-1/2	
9	1001156016	2	Valve, Counterbalance	
9	7011376	2	Seal Kit - 1001156016 Valve	
10	1001156923	1	Barrel	
10	0962561	2	Bushing	
11	1001157037	1	Rod	
11	1001157080	2	Bushing	
12	1001157041	1	Tube, Spacer	
13	3760371	1	Ring, Washer	
14	2220881	4	Plug	
100	2902087	1	Seal Kit - Cylinder (Includes Item 101-109)	
101	See Note	NSS	Ring, Wear (Note: Use Item 100)	
102	See Note	NSS	Ring, Back-up (Note: Use Item 100)	
103	See Note	NSS	Ring, Lock (Note: Use Item 100)	
104	See Note	NSS	Ring, Back-up (Note: Use Item 100)	
105	See Note	NSS	O-Ring (Note: Use Item 100)	
106	See Note	NSS	O-Ring (Note: Use Item 100)	
107	See Note	NSS	Seal, Wiper (Note: Use Item 100)	
108	See Note	NSS	Seal (Note: Use Item 100)	
109	See Note	NSS	Seal (Note: Use Item 100)	

# SECTION 6 - CYLINDER

FIGURE 6-2. AXLE EXTEND CYLINDER ASSEMBLY (SN 0300239676 to Present)



ART\_100120066

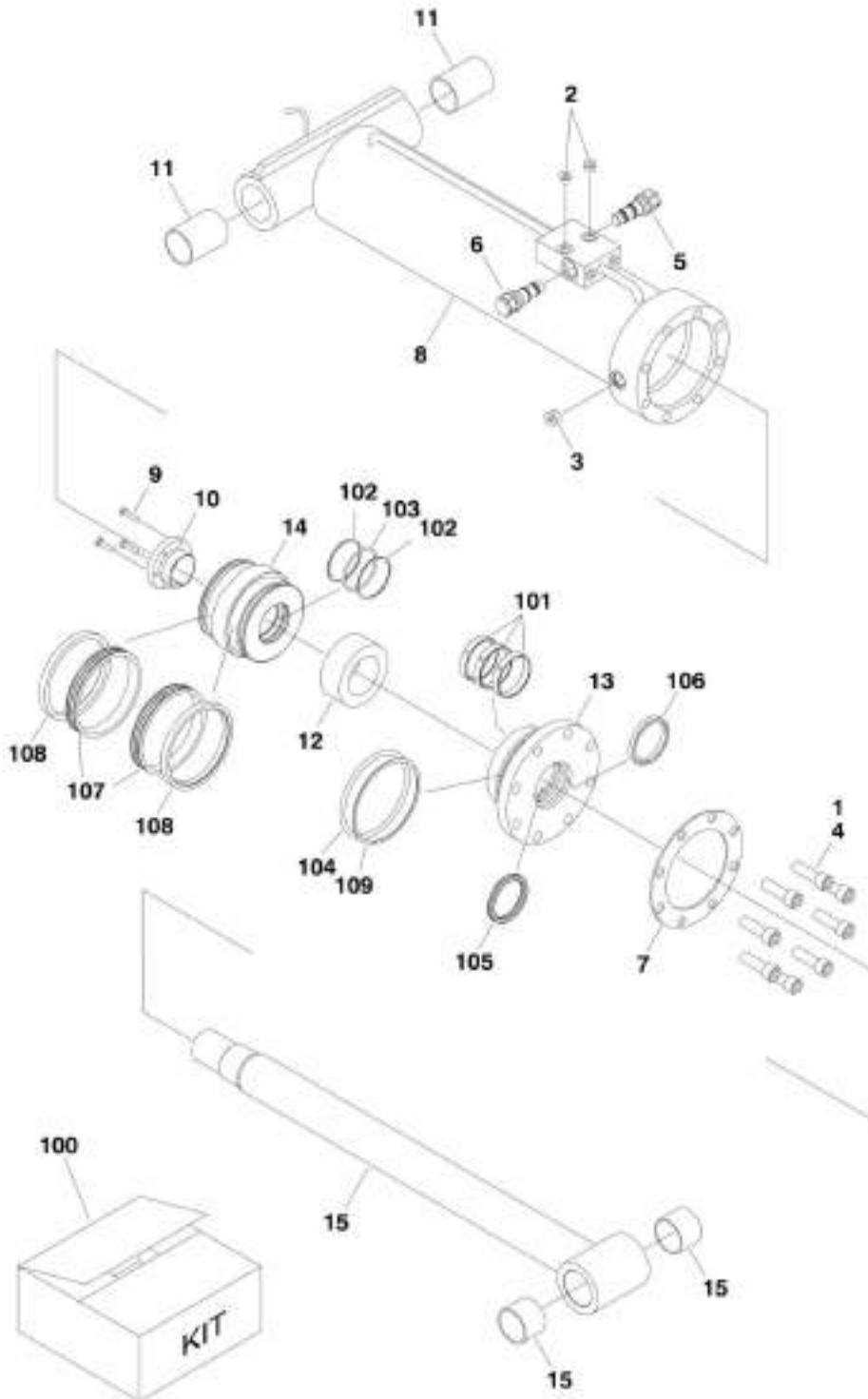
## SECTION 6 - CYLINDER

**FIGURE 6-2. AXLE EXTEND CYLINDER ASSEMBLY (SN 0300239676 to Present)**

ITEM	PART NUMBER	QTY	DESCRIPTION	REV
	1001228066	Ref	<b>AXLE EXTEND CYLINDER ASSEMBLY (SN 0300239676 to Present)</b>	C
		Ref	Note: Original Cylinder May Have Been Replaced with Service Replacement. Identify PN Stamped on Cylinder Before Ordering Parts.	
1	See Note	NSS	Barrel Weldment (Note: Not Available for Purchase)	
2	70006475	1	Rod Weldment	
3	70006474	1	Head	
4	See Note	NSS	Wiper, Rod (Note: Use Item 100)	
5	See Note	NSS	Seal (Note: Use Item 100)	
6	See Note	NSS	Ring, Wear (Note: Use Item 100)	
7	See Note	NSS	O-Ring (Note: Use Item 100)	
8	See Note	NSS	Ring, Back-up (Note: Use Item 100)	
9	70006473	1	Piston	
10	See Note	NSS	Seal (Note: Use Item 100)	
11	See Note	NSS	Ring, Lock (Note: Use Item 100)	
12	See Note	NSS	O-Ring (Note: Use Item 100)	
13	See Note	NSS	Ring, Back-up (Note: Use Item 100)	
14	0961896	1	Bushing, Tapered	
15	0630535	3	Bolt 1/4 x 1-1/8	
16	3931824	8	Capscrew 1/2 x 1-1/2	
17	70006472	1	Tube, Spacer	
18	0962561	2	Bushing	
19	1001157080	1	Bushing	
20	1001156016	2	Valve (Counterbalance)	
20	7011376	2	Kit, Seal - 1001156016 Valve	
21	2220886	1	Plug	
22	2220881	4	Plug	
23	2220886	2	Plug	
24	2220883	AR	Plug, O-Ring	
25	0100011	AR	Compound, Locking	
26	0100038	AR	Primer, Locking	
100	2902087	1	Kit, Seal (Includes Items 4-8 & 10-13)	

# SECTION 6 - CYLINDER

FIGURE 6-3. LEVEL CYLINDER ASSEMBLY - JIB SLAVE (Prior to SN 0300239676)



1001155834

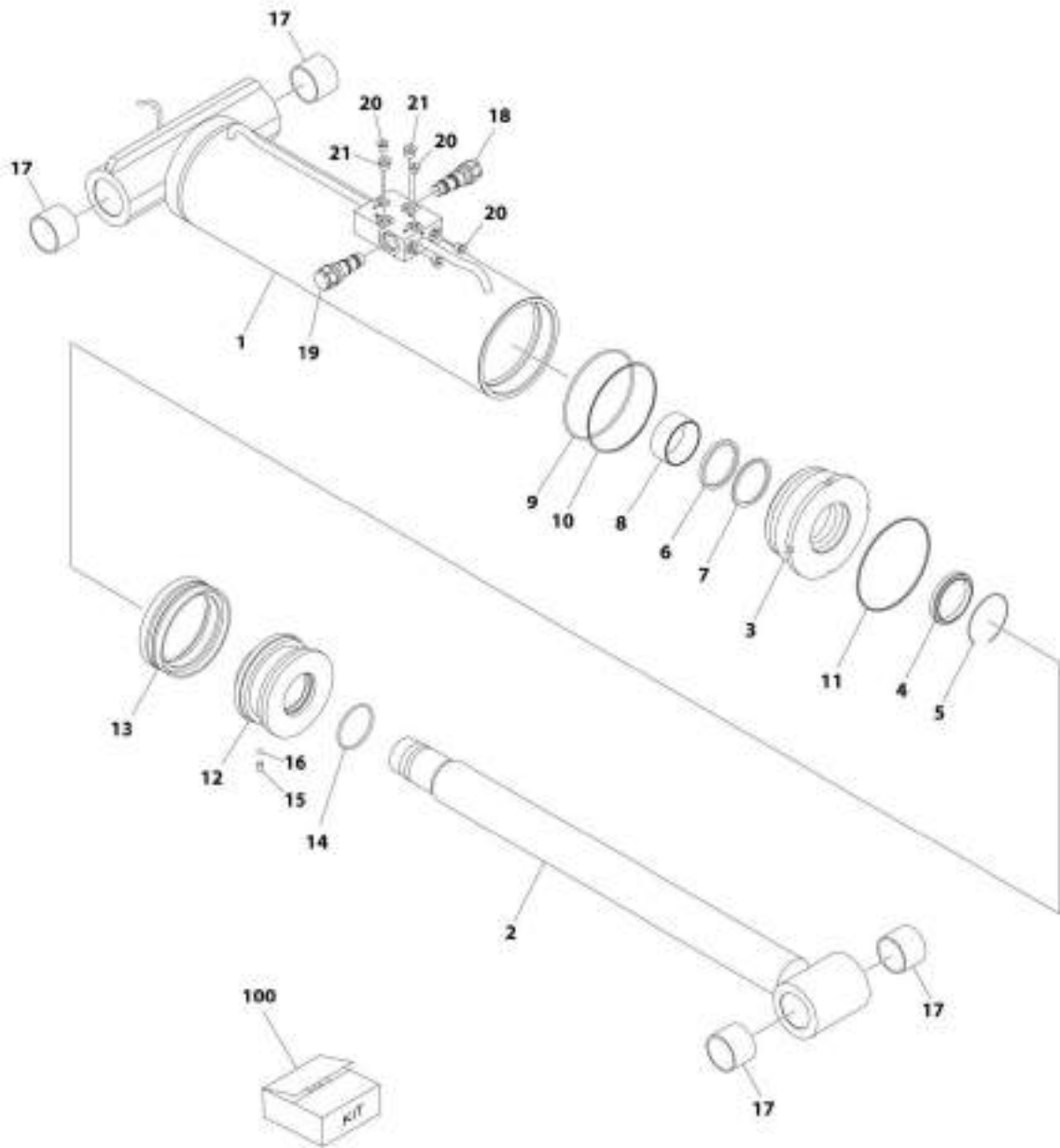
## SECTION 6 - CYLINDER

**FIGURE 6-3. LEVEL CYLINDER ASSEMBLY - JIB SLAVE (Prior to SN 0300239676)**

ITEM	PART NUMBER	QTY	DESCRIPTION	REV
	1001155834	Ref	LEVEL CYLINDER ASSEMBLY - JIB SLAVE (Prior to SN <b>0300239676</b> ) Note: Original Cylinder May Have Been Replaced with Service Replacement. Identify PN Stamped on Cylinder Before Ordering Parts.	C
		Ref		
1	0100011	AR	Compound, Locking	
2	2220885	2	Plug	
3	2220886	1	Plug	
4	3932032	8	Capscrew 5/8 X 2	
5	4640999	1	Valve, Counterbalance Non-Vented	
5	2900792	1	Seal Kit - 4640999 Valve	
6	4641248	1	Valve, Counterbalance Non-Vented	
6	70004186	1	Seal Kit - 4641248 Valve	
7	1001118177	1	Ring, Washer	
8	1001155692	1	Barrel	
9	0630535	3	Bolt 1/4 x 1-1/8	
10	0961897	1	Bushing, Tapered	
11	1001156551	2	Bearing	
12	4566667	1	Tube, Spacer	
13	1001118148	1	Head	
14	1001118149	1	Piston	
15	1001155818	1	Rod	
15	0961950	2	Bushing	
100	1001139994	1	Seal Kit - Cylinder (Includes Items 101-109)	
101	See Note	NSS	Ring, Wear (Note: Use Item 100)	
102	See Note	NSS	Ring, Back-up (Note: Use Item 100)	
103	See Note	NSS	O-Ring (Note: Use Item 100)	
104	See Note	NSS	O-Ring (Note: Use Item 100)	
105	See Note	NSS	Seal, Rod (Note: Use Item 100)	
106	See Note	NSS	Seal, Wiper (Note: Use Item 100)	
107	See Note	NSS	Seal (Note: Use Item 100)	
108	See Note	NSS	Ring, Lock (Note: Use Item 100)	
109	See Note	NSS	Ring, Back-up (Note: Use Item 100)	

# SECTION 6 - CYLINDER

FIGURE 6-4. LEVEL CYLINDER ASSEMBLY - JIB SLAVE (SN 0300239676 to Present)



ART\_1001229064

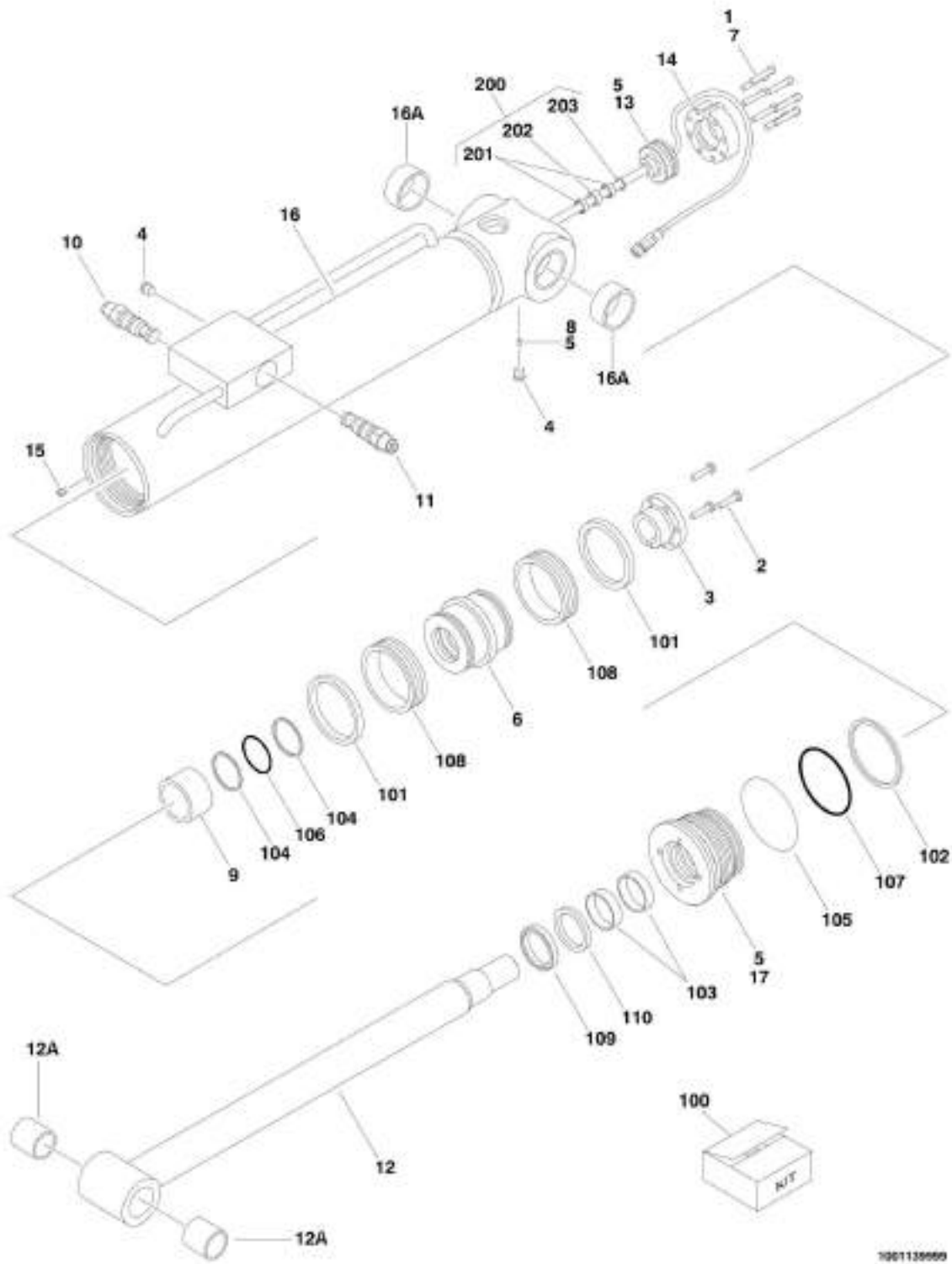
## SECTION 6 - CYLINDER

**FIGURE 6-4. LEVEL CYLINDER ASSEMBLY - JIB SLAVE (SN 0300239676 to Present)**

ITEM	PART NUMBER	QTY	DESCRIPTION	REV
	1001228064	Ref	LEVEL CYLINDER ASSEMBLY - JIB SLAVE	C
		Ref	Note: Original Cylinder May Have Been Replaced with Service Replacement. Identify PN Stamped on Cylinder Before Ordering Parts.	
1	See Note	NSS	Barrel Weldment (Note: Not Available for Purchase)	
2	70006634	1	Rod Weldment	
3	70006635	1	Head	
4	See Note	NSS	Wiper, Rod (Note: Use Item 100)	
5	70050795	1	Retainer	
6	See Note	NSS	Seal, Rod (Note: Use Item 100)	
7	See Note	NSS	Ring, Back-up (Note: Use Item 100)	
8	See Note	NSS	Ring, Wear (Note: Use Item 100)	
9	See Note	NSS	O-Ring (Note: Use Item 100)	
10	See Note	NSS	Ring, Back-up (Note: Use Item 100)	
11	See Note	NSS	O-Ring (Note: Use Item 100)	
12	70006637	1	Piston	
13	See Note	NSS	Seal, Piston (Note: Use Item 100)	
14	See Note	NSS	O-Ring (Note: Use Item 100)	
15	70006596	1	Setscrew M8 x 12	
16	70022564	1	Ball, Steel	
17	0961950	4	Bushing	
18	4640999	1	Valve, Counterbalance Non-Vented	
18	2900792	1	Seal Kit - 4640999 Valve	
19	4641248	1	Valve, Counterbalance Non-Vented	
19	70004186	1	Seal Kit - 4641248 Valve	
20	2220883	4	Plug	
21	2220885	2	Plug	
100	2900792	1	Seal Kit (Includes Items 4-11, 13 & 14)	

# SECTION 6 - CYLINDER

FIGURE 6-5. LEVEL CYLINDER ASSEMBLY - PLATFORM SLAVE (Prior to SN 0300239170)



1001139999



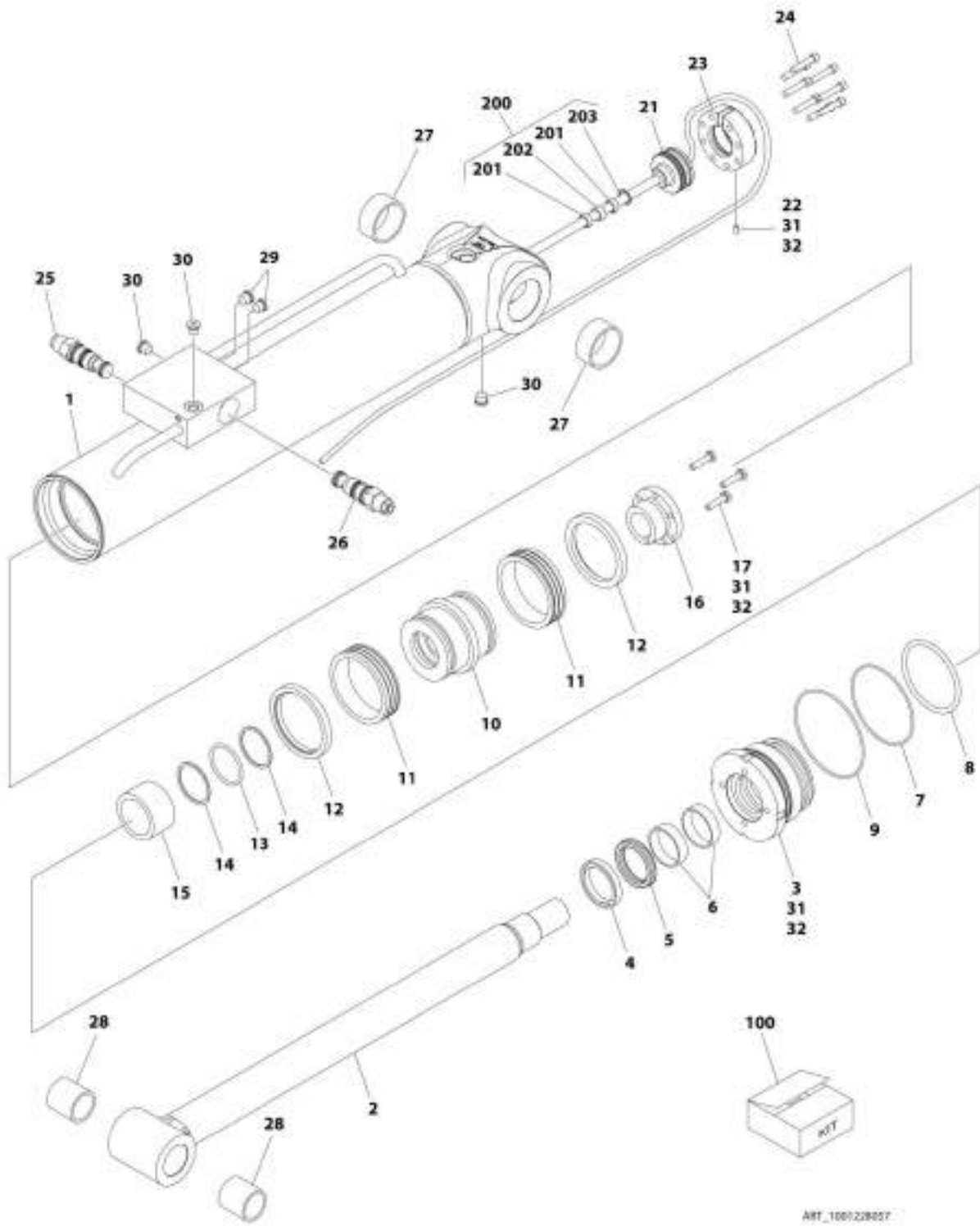
## SECTION 6 - CYLINDER

**FIGURE 6-5. LEVEL CYLINDER ASSEMBLY - PLATFORM SLAVE (Prior to SN 0300239170)**

ITEM	PART NUMBER	QTY	DESCRIPTION	REV
	1001139999	Ref	LEVEL CYLINDER ASSEMBLY - PLATFORM SLAVE	D
		Ref	Note: Original Cylinder May Have Been Replaced with Service Replacement. Identify PN Stamped on Cylinder Before Ordering Parts.	
1	0100011	AR	Compound, Locking	
2	0630535	3	Capscrew 1/4 x 1-1/8	
3	0961902	1	Bushing, Tapered	
4	2220883	2	Plug	
5	3020039	AR	Lubricant	
6	3480233	1	Piston	
7	3931420	8	Capscrew 1/4 x 1-1/4	
8	3951003	1	Setscrew #10 x 3/8	
9	4567434	1	Spacer	
10	4640489	1	Cartridge, Counterbalance Valve	
10	2900770	1	Seal Kit - 4640489 Cartridge Valve	
11	4641260	1	Cartridge, Counterbalance Valve	
11	2900770	1	Seal Kit - 4641260 Cartridge Valve	
12	1001117984	1	Rod	
12A	0962006	2	Bushing	
13	1001117990	1	Sensor, Cylinder Length	
14	1001118070	1	Cap, Retainer	
15	1001125137	1	Screw #8	
16	1001129920	1	Barrel	
16A	1001117969	2	Bushing	
17	1001129921	1	Head	
100	1001139995	1	Seal Kit - Cylinder (Includes Items 101-110):	
101	See Note	NSS	Ring, Lock (Note: Use Item 100)	
102	See Note	NSS	Ring, Back-Up (Note: Use Item 100)	
103	See Note	NSS	Ring, Wear (Note: Use Item 100)	
104	See Note	NSS	Ring, Back-Up (Note: Use Item 100)	
105	See Note	NSS	O-Ring (Note: Use Item 100)	
106	See Note	NSS	O-Ring (Note: Use Item 100)	
107	See Note	NSS	O-Ring (Note: Use Item 100)	
108	See Note	NSS	Seal (Note: Use Item 100)	
109	See Note	NSS	Wiper, Rod (Note: Use Item 100)	
110	See Note	NSS	Seal (Note: Use Item 100)	
200	1001119105	1	Sensor Magnet Kit (Includes Items 201-203)	
201	1001117994	2	Sleeve, Spacer	
202	1001118066	1	Magnet, Sensor	
203	1001118069	1	Ring, Internal Retaining	

# SECTION 6 - CYLINDER

FIGURE 6-6. LEVEL CYLINDER ASSEMBLY - PLATFORM SLAVE (SN 0300239170 to Present)



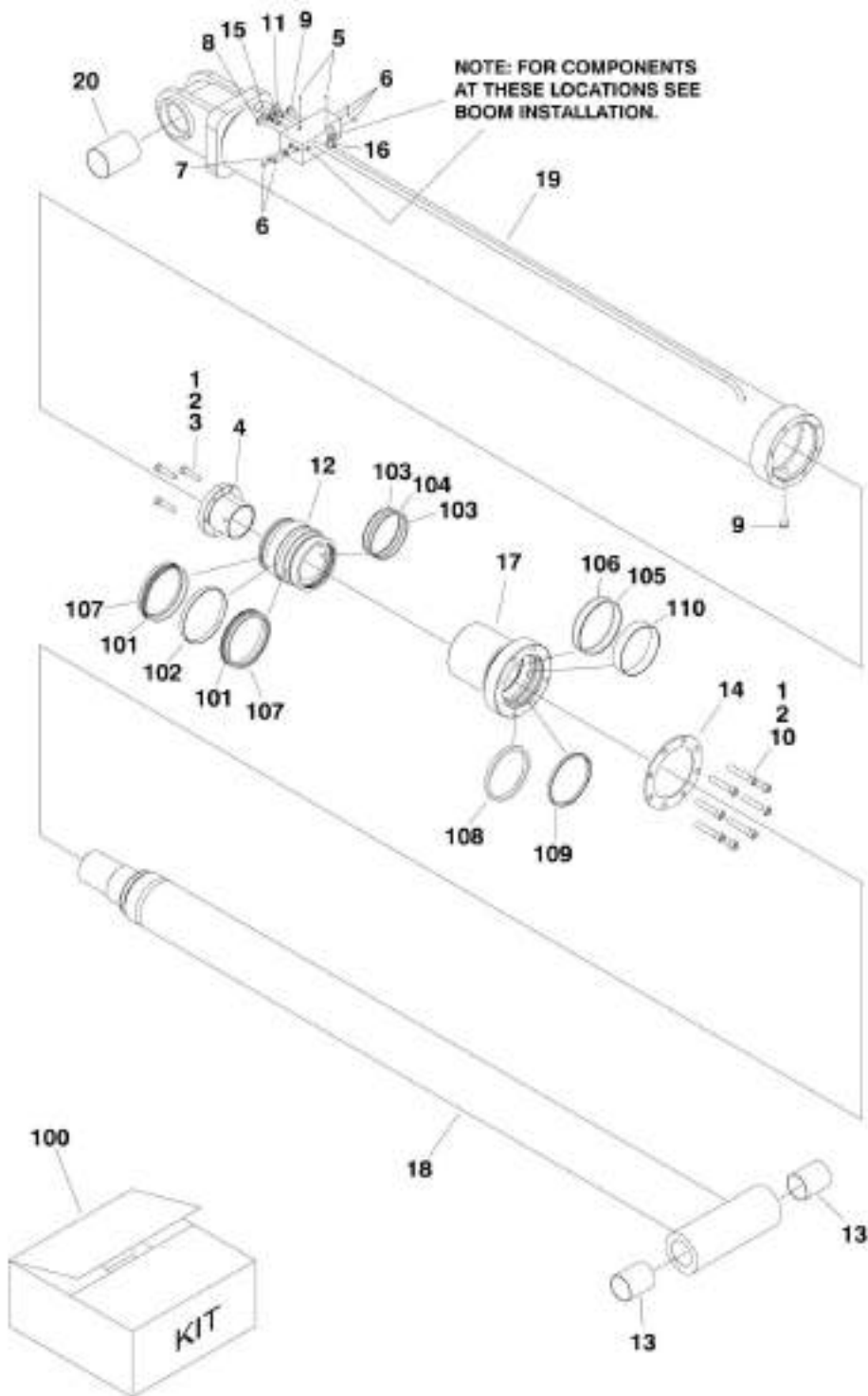
## SECTION 6 - CYLINDER

**FIGURE 6-6. LEVEL CYLINDER ASSEMBLY - PLATFORM SLAVE (SN 0300239170 to Present)**

ITEM	PART NUMBER	QTY	DESCRIPTION	REV
	1001228057	Ref	<b>LEVEL CYLINDER ASSEMBLY - PLATFORM SLAVE (SN 0300239170 to Present)</b>	C
		Ref	Note: Original Cylinder May Have Been Replaced with Service Replacement. Identify PN Stamped on Cylinder Before Ordering Parts.	
1	See Note	NSS	Barrel Weldment (Note: Not Available for Purchase)	
2	70006519	1	Rod Weldment	
3	70006518	1	Head	
4	See Note	NSS	Wiper, Rod (Note: Use Item 100)	
5	See Note	NSS	Seal, Rod (Note: Use Item 100)	
6	See Note	NSS	Ring, Wear (Note: Use Item 100)	
7	See Note	NSS	O-Ring (Note: Use Item 100)	
8	See Note	NSS	Ring, Back-up (Note: Use Item 100)	
9	See Note	NSS	O-Ring (Note: Use Item 100)	
10	70006517	1	Piston	
11	See Note	NSS	Ring, Lock (Note: Use Item 100)	
12	See Note	NSS	Ring, Guide (Note: Use Item 100)	
13	See Note	NSS	O-Ring (Note: Use Item 100)	
14	See Note	NSS	Ring, Back-up (Note: Use Item 100)	
15	70006516	1	Spacer	
16	0961902	1	Bushing, Tapered	
17	0630535	3	Capscrew 1/4 x 1-1/8	
21	1001117990	1	Sensor, Cylinder Length	
22	70006464	1	Setscrew M5	
23	70006463	1	Cap, Retainer	
24	3931420	8	Capscrew 1/4 x 1-1/4	
25	4640489	1	Cartridge, Counterbalance Valve	
25	See Note	NSS	Seal Kit - 4640489 Cartridge Valve (1 Per Valve) (Note: Not Available for Purchase)	
26	4641260	1	Cartridge, Counterbalance Valve	
26	2900770	1	Seal Kit - 4641260 Cartridge Valve (1 Per Valve)	
27	1001117969	2	Bushing	
28	0962006	2	Bushing	
29	2220883	2	Plug, O-Ring	
30	2220883	3	Plug, O-Ring	
31	0100011	AR	Compound, Locking	
32	0100038	AR	Primer, Locking	
100	1001139995	1	Seal Kit (Includes Items 4-9 & 11-14)	
200	1001119105	1	Sensor Magnet Kit (Includes Items 201-203)	
201	1001117994	2	Sleeve, Spacer	
202	1001118066	1	Magnet, Sensor	
203	1001118069	1	Ring, Internal Retaining	

# SECTION 6 - CYLINDER

FIGURE 6-7. LIFT CYLINDER ASSEMBLY - BOOM (Prior to SN 0300239676)



1001150053

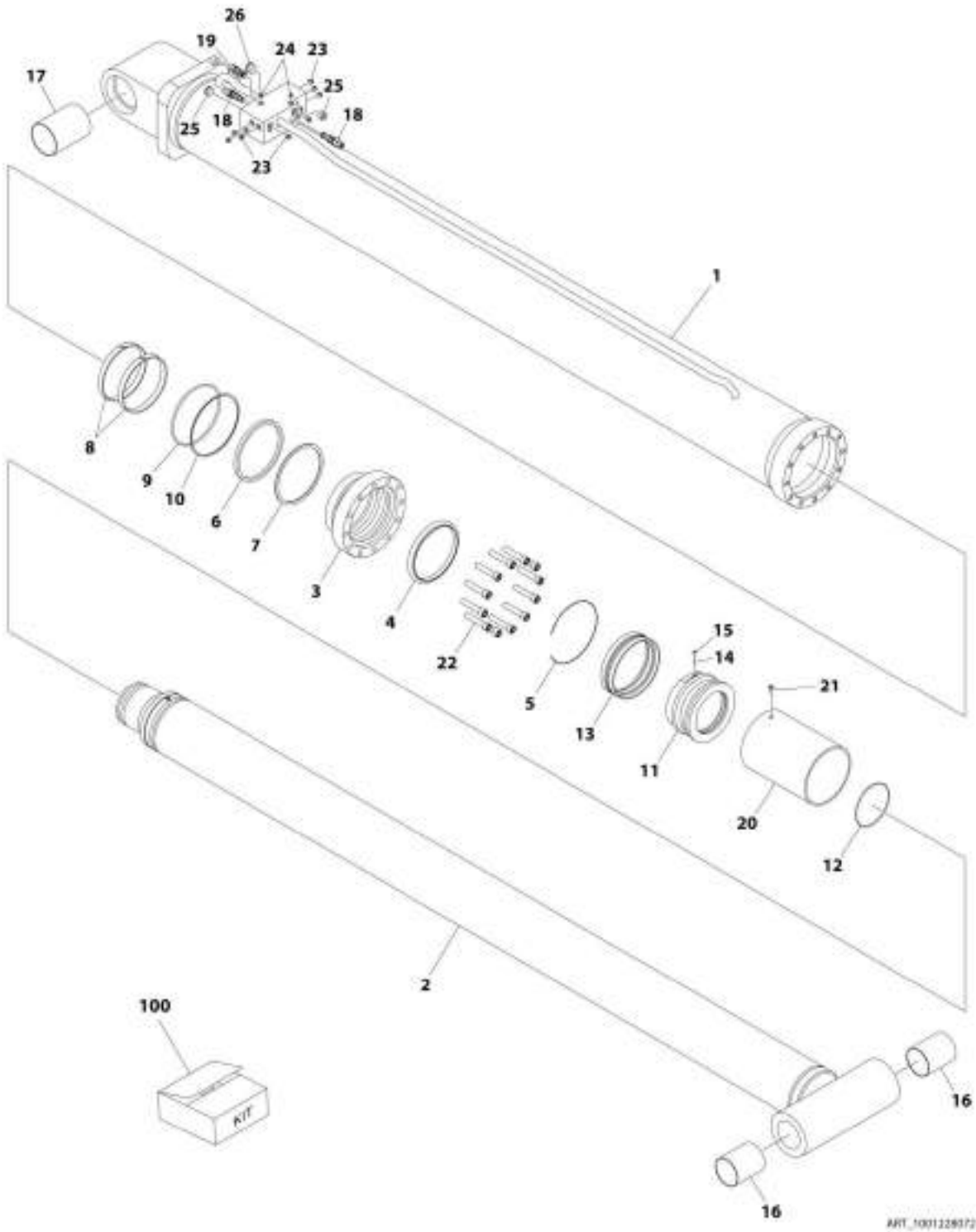
## SECTION 6 - CYLINDER

**FIGURE 6-7. LIFT CYLINDER ASSEMBLY - BOOM (Prior to SN 0300239676)**

ITEM	PART NUMBER	QTY	DESCRIPTION	REV
	1001158853	Ref	LIFT CYLINDER ASSEMBLY - BOOM (Prior to SN 0300239676)	H
		Ref	Note: Original Cylinder May Have Been Replaced with Service Replacement. Identify PN Stamped on Cylinder Before Ordering Parts.	
1	0100011	AR	Compound, Locking	
2	0100038	AR	Primer	
3	0682023	3	Bolt 5/8 X 2-7/8 Grade 8	
4	0962562	1	Bushing	
5	2220881	3	Plug	
6	2220883	6	Plug	
7	2220885	1	Plug	
8	2220887	2	Plug	
9	2220888	2	Plug	
10	3932264	8	Capscrew 3/4 X 4	
11	4641285	1	Valve, Shuttle	
11	7011311	1	Seal Kit - 4641285 Cartridge	
12	1001150917	1	Piston	
13	1001150942	2	Bushing	
14	1001151503	1	Ring, Washer	
15	1001156016	2	Valve, Counterbalance	
15	7011376	1	Seal Kit - 1001156016 Cartridge	
16	1001156033	1	Valve, Counterbalance (Prior to SN 0300190128)	
16	7024574	1	Seal Kit - 1001156033 Cartridge	
17	1001158741	1	Head	
18	1001158895	1	Rod	
19	1001159199	1	Barrel	
20	1001150887	1	Bearing	
100	1001160169	1	Seal Kit - Cylinder (Includes Items 101-110)	
101	See Note	NSS	Seal (Note: Use Item 100)	
102	See Note	NSS	Ring, Wear (Note: Use Item 100)	
103	See Note	NSS	Ring, Back-up (Note: Use Item 100)	
104	See Note	NSS	O-Ring (Note: Use Item 100)	
105	See Note	NSS	Ring, Back-up (Note: Use Item 100)	
106	See Note	NSS	O-Ring (Note: Use Item 100)	
107	See Note	NSS	Ring, Lock (Note: Use Item 100)	
108	See Note	NSS	Seal, Rod (Note: Use Item 100)	
109	See Note	NSS	Seal, Wiper (Note: Use Item 100)	
110	See Note	NSS	Ring, Wear (Note: Use Item 100)	

# SECTION 6 - CYLINDER

FIGURE 6-8. LIFT CYLINDER ASSEMBLY - BOOM (SN 0300239676 to Present)



## SECTION 6 - CYLINDER

**FIGURE 6-8. LIFT CYLINDER ASSEMBLY - BOOM (SN 0300239676 to Present)**

ITEM	PART NUMBER	QTY	DESCRIPTION	REV
	1001228072	Ref	LIFT CYLINDER ASSEMBLY - BOOM (SN 0300239676 to Present)	B
		Ref	Note: Original Cylinder May Have Been Replaced with Service Replacement. Identify PN Stamped on Cylinder Before Ordering Parts.	
1	See Note	NSS	Barrel Weldment (Note: Not Available for Purchase)	
2	70006624	1	Rod Weldment	
3	70006625	1	Head	
4	See Note	NSS	Wiper (Note: Use Item 100)	
5	70006626	1	Retainer	
6	See Note	NSS	Seal, Rod (Note: Use Item 100)	
7	See Note	NSS	Ring, Back-up (Note: Use Item 100)	
8	See Note	NSS	Ring, Wear (Note: Use Item 100)	
9	See Note	NSS	O-Ring (Note: Use Item 100)	
10	See Note	NSS	Ring, Back-up (Note: Use Item 100)	
11	70006627	1	Piston	
12	See Note	NSS	O-Ring (Note: Use Item 100)	
13	See Note	NSS	Seal, Piston (Note: Use Item 100)	
14	70006628	1	Ball, Steel	
15	70006629	1	Setscrew	
16	1001150942	2	Bushing	
17	1001150887	1	Bushing	
18	1001156016	2	Valve, Counterbalance	
18	7011376	1	Seal Kit - 1001156016 Cartridge	
19	4641285	1	Valve, Shuttle	
19	7011311	1	Seal Kit - 4641285 Cartridge	
20	70006630	1	Spacer	
21	70006631	1	Capscrew M8 x 16	
22	70006632	12	Capscrew M16 x 80	
23	2220883	9	Plug	
24	2220881	2	Plug	
25	2220887	2	Plug	
26	2220888	1	Plug	
100	70006633	1	Seal Kit (Includes Items 4, 6-10, 12 & 13)	





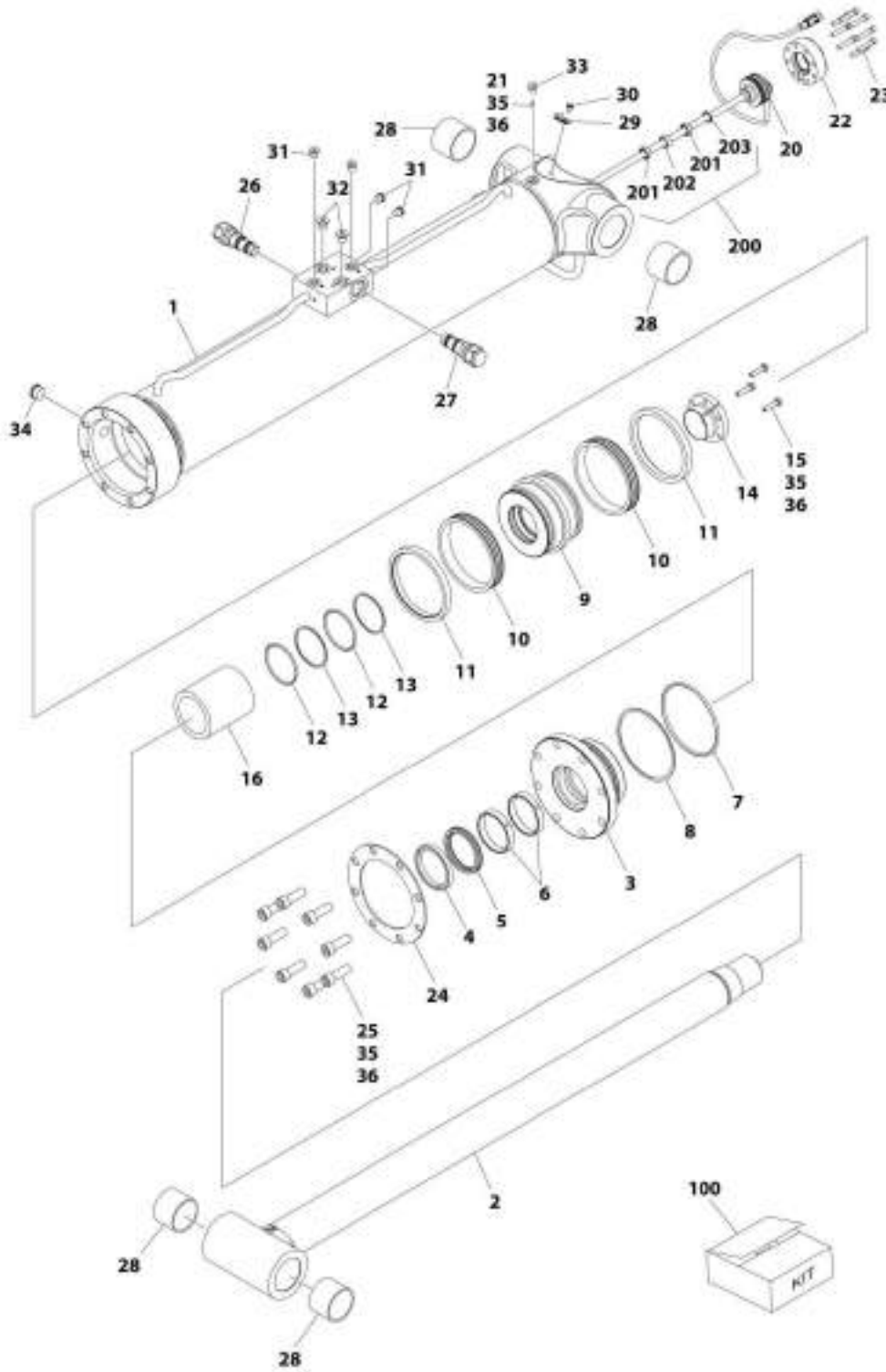
## SECTION 6 - CYLINDER

**FIGURE 6-9. LIFT CYLINDER ASSEMBLY - JIB (Prior to SN 0300239676)**

ITEM	PART NUMBER	QTY	DESCRIPTION	REV
	1001140104	Ref	LIFT CYLINDER ASSEMBLY - JIB (Prior to SN 0300239676)	D
		Ref	Note: Original Cylinder May Have Been Replaced with Service Replacement. Identify PN Stamped on Cylinder Before Ordering Parts.	
1	0100011	AR	Compound, Locking	
2	0630535	3	Capscrew 1/4 x 1-1/8	
3	0791003	1	Screw #10 x 3/8	
4	0961897	1	Bushing, Tapered	
5	1320136	1	Clamp, Cable	
6	1683063	1	Head	
7	2220883	1	Plug, O-Ring	
8	2220885	2	Plug, O-Ring	
9	2220886	1	Plug, O-Ring	
10	3020039	AR	Lubricant	
11	3480282	1	Piston	
12	3760371	1	Ring, Washer	
13	3931420	8	Capscrew 1/4 x 1-1/4	
14	3931824	8	Capscrew 1/2 X 1-1/2	
15	3951003	1	Setscrew #10 x 3/8	
16	4100099	1	Spacer	
17	4640999	1	Cartridge, Holding Valve (Non Vented)	
17	2900792	1	Seal Kit - 4640999 Cartridge Valve	
18	4641248	1	Cartridge, Counterbalance Valve (Non Vented)	
18	70004186	1	Seal Kit - 4641248 Cartridge Valve	
19	1001117991	1	Sensor, Cylinder Length	
20	1001118070	1	Cap, Retainer	
21	1001118084	1	Barrel	
21A	0961950	2	Bushing	
22	1001118086	1	Rod	
22A	0961950	2	Bushing	
100	1001139996	1	Seal Kit - Cylinder (Includes Items 101-109)	
101	See Note	NSS	Ring, Wear (Note: Use Item 100)	
102	See Note	NSS	Ring, Back-Up (Note: Use Item 100)	
103	See Note	NSS	Ring, Lock (Note: Use Item 100)	
104	See Note	NSS	Ring, Back-Up (Note: Use Item 100)	
105	See Note	NSS	O-Ring (Note: Use Item 100)	
106	See Note	NSS	O-Ring (Note: Use Item 100)	
107	See Note	NSS	Seal (Note: Use Item 100)	
108	See Note	NSS	Wiper, Rod (Note: Use Item 100)	
109	See Note	NSS	Seal (Note: Use Item 100)	
200	1001119105	1	Sensor Magnet Kit (Includes Items 201-203)	
201	1001117994	2	Sleeve, Spacer	
202	1001118066	1	Magnet, Sensor	
203	1001118069	1	Ring, Internal Retaining	

# SECTION 6 - CYLINDER

FIGURE 6-10. LIFT CYLINDER ASSEMBLY - JIB (SN 0300239676 to Present)



WIT\_100122805A

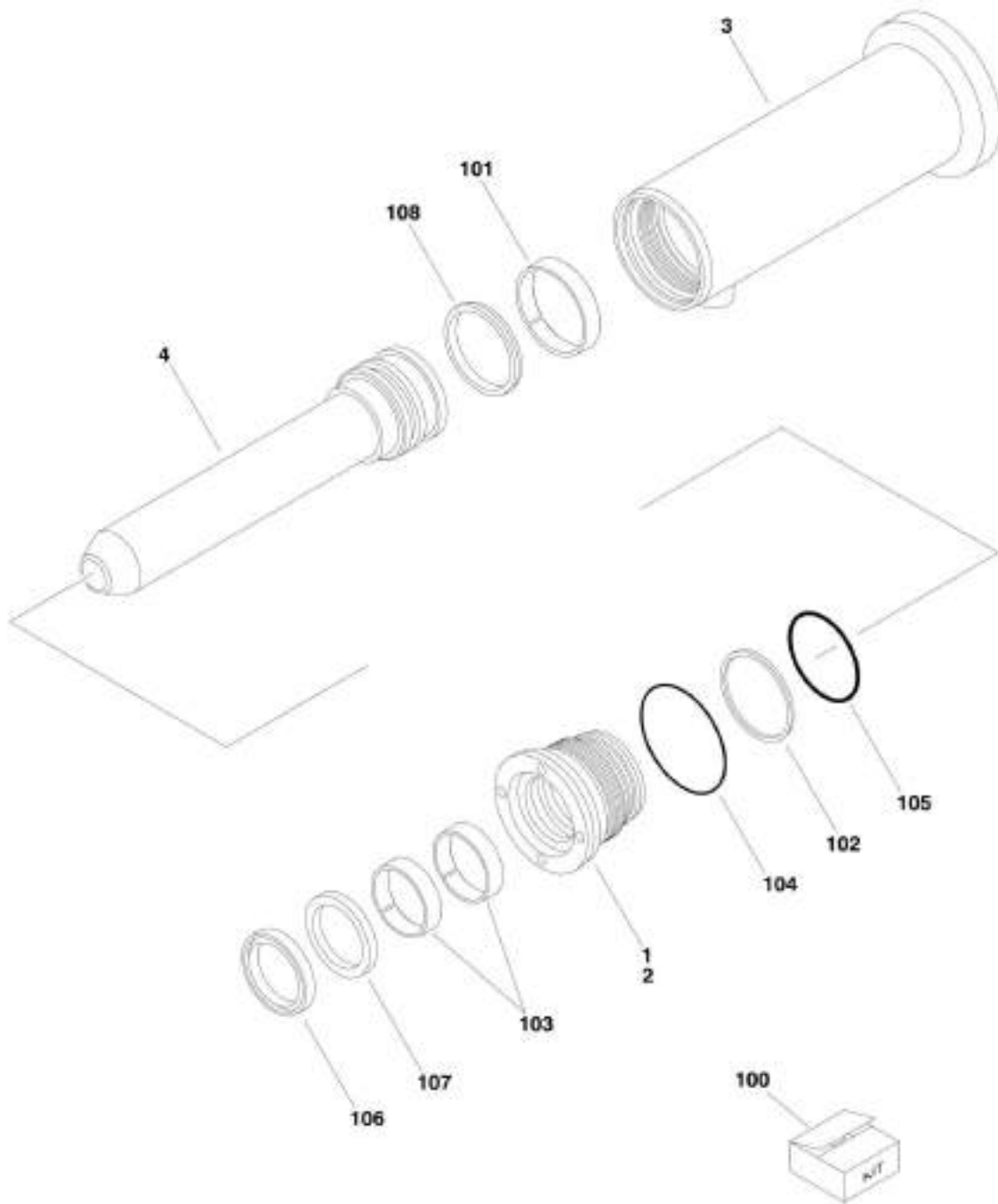
## SECTION 6 - CYLINDER

**FIGURE 6-10. LIFT CYLINDER ASSEMBLY - JIB (SN 0300239676 to Present)**

ITEM	PART NUMBER	QTY	DESCRIPTION	REV
	1001228058	Ref	LIFT CYLINDER ASSEMBLY - JIB (SN 0300239676 to Present)	D
		Ref	Note: Original Cylinder May Have Been Replaced with Service Replacement. Identify PN Stamped on Cylinder Before Ordering Parts.	
1	See Note	NSS	Barrel Weldment (Note: Not Available for Purchase)	
2	70006468	1	Rod Weldment	
3	70006467	1	Head	
4	See Note	NSS	Wiper (Note: Use Item 100)	
5	See Note	NSS	Seal, Rod (Note: Use Item 100)	
6	See Note	NSS	Ring, Wear (Note: Use Item 100)	
7	See Note	NSS	O-Ring (Note: Use Item 100)	
8	See Note	NSS	Ring, Back-up (Note: Use Item 100)	
9	70006466	1	Piston	
10	See Note	NSS	Ring, Lock (Note: Use Item 100)	
11	See Note	NSS	Ring, Guide (Note: Use Item 100)	
12	See Note	NSS	O-Ring (Note: Use Item 100)	
13	See Note	NSS	Ring, Back-up (Note: Use Item 100)	
14	0961897	1	Bushing, Tapered	
15	0630535	3	Capscrew 1/4 x 1-1/8	
16	70006465	1	Spacer	
20	1001117991	1	Sensor, Cylinder Length	
21	70006464	1	Setscrew M5	
22	70006463	1	Cap, Retainer	
23	3931420	1	Capscrew 1/4 x 1-1/4	
24	3760371	1	Ring, Washer	
25	3931824	8	Capscrew 1/2 x 1-1/2	
26	4641248	1	Cartridge, Counterbalance Valve (Non Vented)	
26	See Note	NSS	Seal Kit - 4641248 Cartridge Valve (Note: Not Available for Purchase)	
27	4640999	1	Cartridge, Holding Valve (Non Vented)	
27	2900792	1	Seal Kit - 4640999 Cartridge Valve	
28	0961950	2	Bushing	
29	1320136	1	Clamp, Cable	
30	70006462	1	Bolt M5	
31	2220883	2	Plug, O-Ring	
32	2220885	2	Plug, O-Ring	
33	2220883	3	Plug, O-Ring	
34	2220886	AR	Plug, O-Ring	
35	0100011	AR	Compound, Locking	
36	0100038	AR	Primer, Locking	
100	1001139996	1	Seal Kit (Includes Items 4-8 & 10-13)	
200	1001119105	1	Sensor Magnet Kit (Includes Items 201-203)	
201	1001117994	2	Sleeve, Spacer	
202	1001118066	1	Magnet, Sensor	
203	1001118069	1	Ring, Internal Retaining	

# SECTION 6 - CYLINDER

FIGURE 6-11. LOCK CYLINDER ASSEMBLY - JIB (Prior to SN 0300239170)



100118213

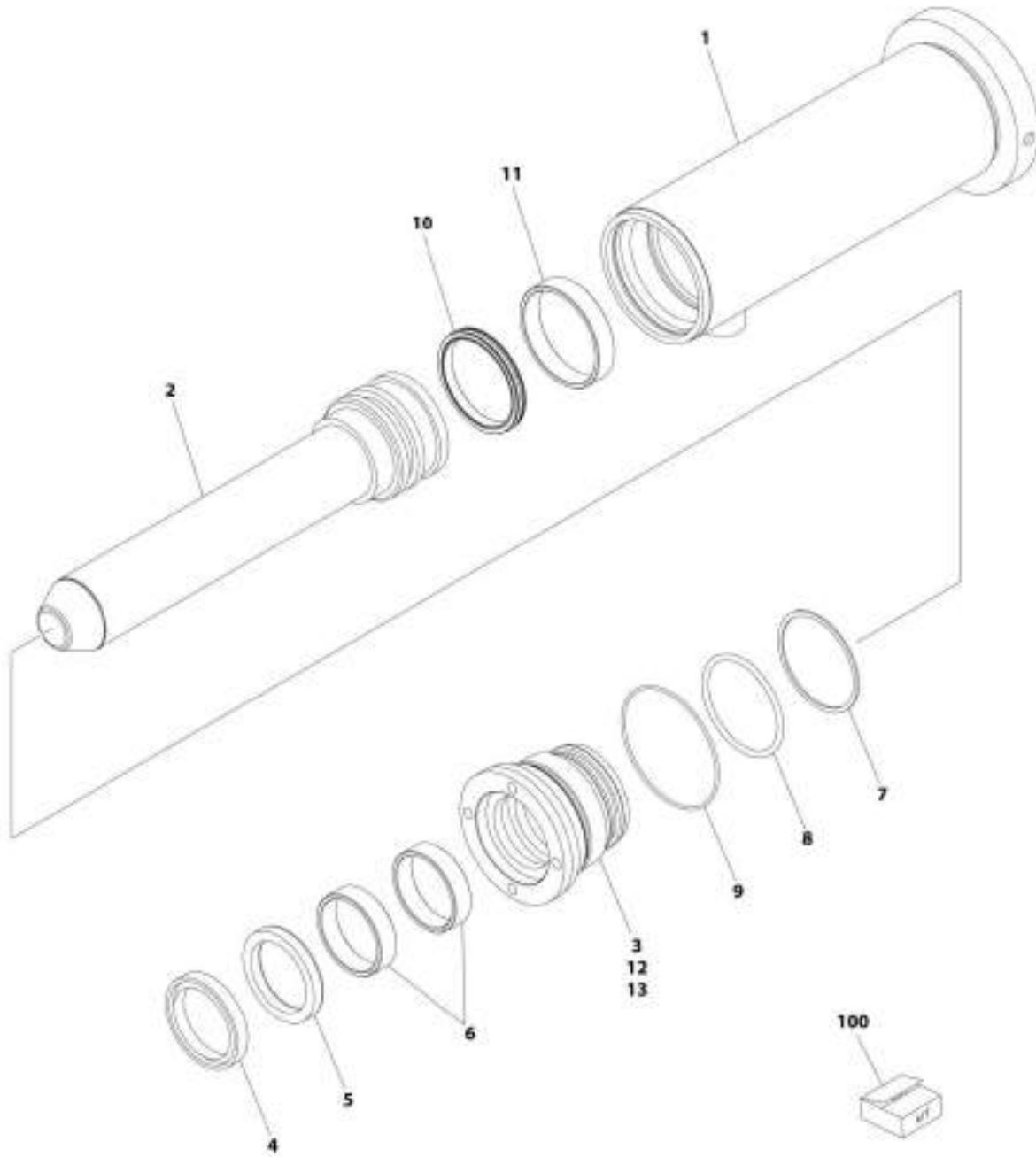
## SECTION 6 - CYLINDER

**FIGURE 6-11. LOCK CYLINDER ASSEMBLY - JIB (Prior to SN 0300239170)**

ITEM	PART NUMBER	QTY	DESCRIPTION	REV
	1001119313	Ref	LOCK CYLINDER ASSEMBLY - JIB	C
1	2570008	1	Head	
2	3020043	AR	Lubricant	
3	1001119314	1	Barrel	
4	1001119318	1	Rod	
100	1001119452	1	Seal Kit - Cylinder (Includes Items 101-108)	
101	See Note	NSS	Ring, Wear (Note: Use Item 100)	
102	See Note	NSS	Ring, Back-up (Note: Use Item 100)	
103	See Note	NSS	Ring, Wear (Note: Use Item 100)	
104	See Note	NSS	O-Ring (Note: Use Item 100)	
105	See Note	NSS	O-Ring (Note: Use Item 100)	
106	See Note	NSS	Wiper, Rod (Note: Use Item 100)	
107	See Note	NSS	Seal (Note: Use Item 100)	
108	See Note	NSS	Seal (Note: Use Item 100)	

# SECTION 6 - CYLINDER

FIGURE 6-12. LOCK CYLINDER ASSEMBLY - JIB (SN 0300239170 to Present)



ART\_1001228046

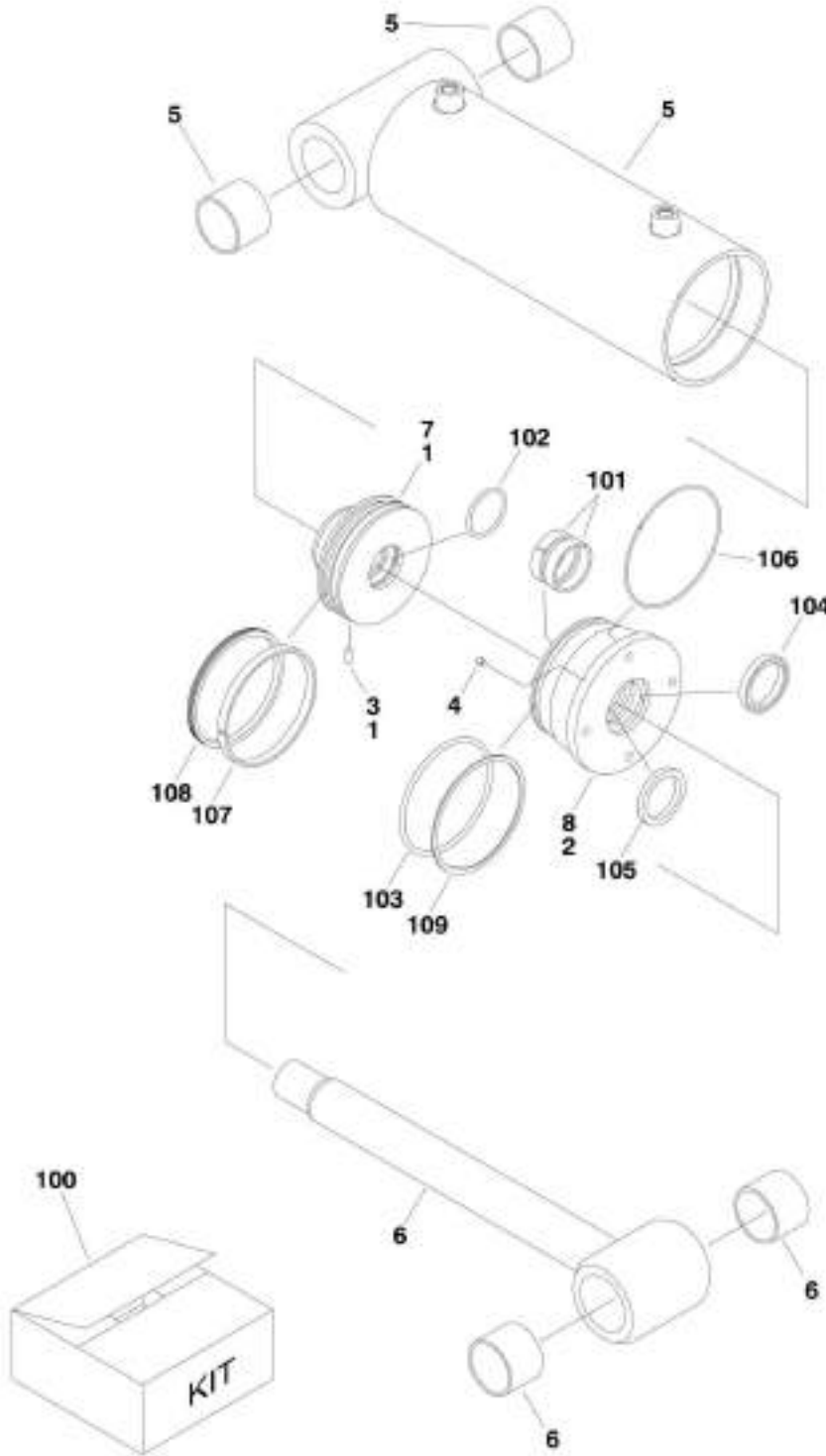
## SECTION 6 - CYLINDER

**FIGURE 6-12. LOCK CYLINDER ASSEMBLY - JIB (SN 0300239170 to Present)**

ITEM	PART NUMBER	QTY	DESCRIPTION	REV
	1001228046	Ref	LOCK CYLINDER ASSEMBLY - JIB	B
1	See Note	NSS	Barrel (Note: Not Available for Purchase)	
2	70006449	1	Rod	
3	70006448	1	Head	
4	See Note	NSS	Wiper, Rod (Note: Use Item 100)	
5	See Note	NSS	Seal (Note: Use Item 100)	
6	See Note	NSS	Ring, Wear (Note: Use Item 100)	
7	See Note	NSS	O-Ring (Note: Use Item 100)	
8	See Note	NSS	Ring, Back-up (Note: Use Item 100)	
9	See Note	NSS	O-Ring (Note: Use Item 100)	
10	See Note	NSS	Seal (Note: Use Item 100)	
11	See Note	NSS	Ring, Wear (Note: Use Item 100)	
12	0100011	AR	Compound, Locking	
13	0100038	AR	Primer	
100	1001119452	1	Seal Kit - Cylinder (Includes Items 4-11)	

# SECTION 6 - CYLINDER

FIGURE 6-13. STEER CYLINDER ASSEMBLY (Prior to SN 0300239676)



1801155966



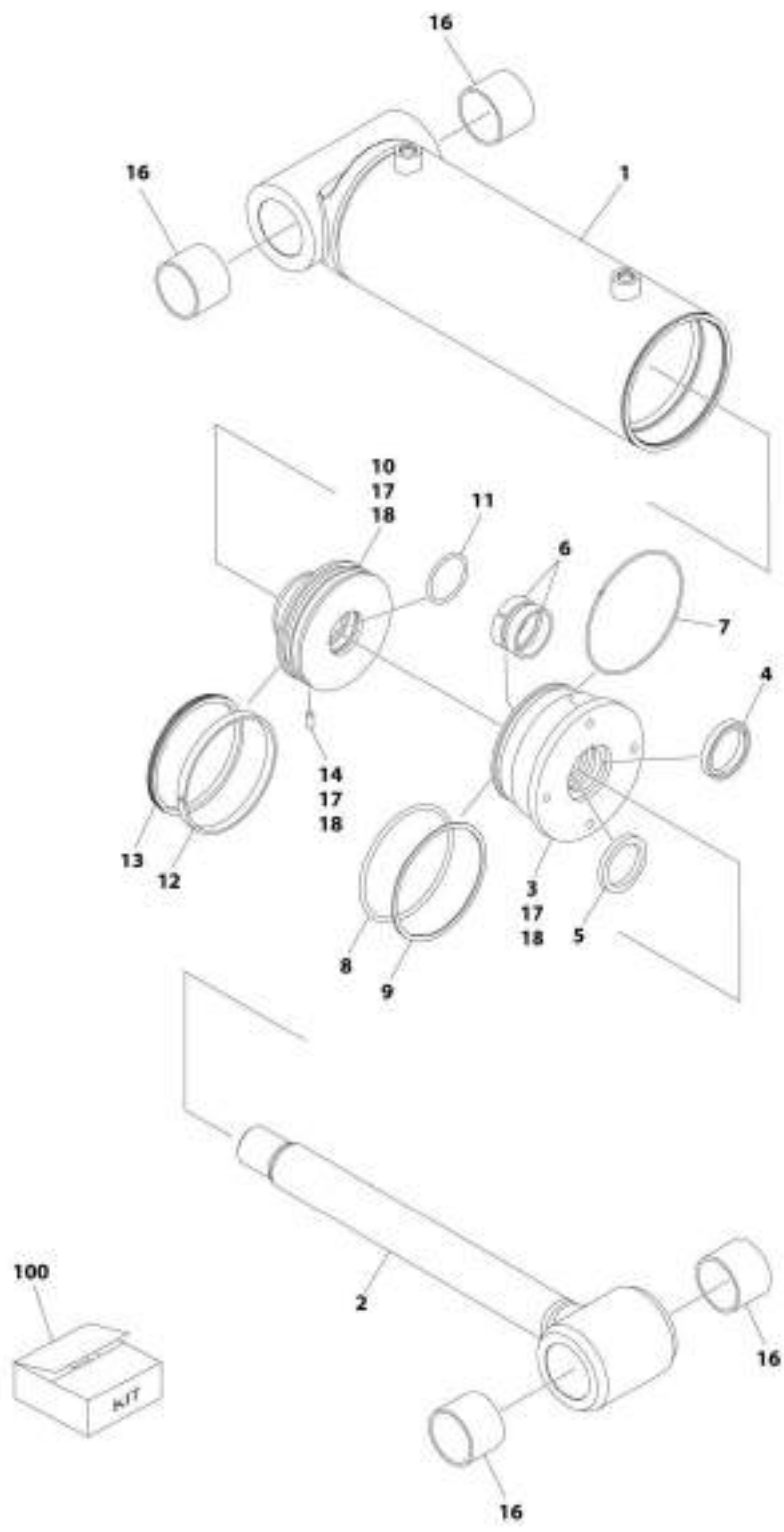
## SECTION 6 - CYLINDER

**FIGURE 6-13. STEER CYLINDER ASSEMBLY (Prior to SN 0300239676)**

ITEM	PART NUMBER	QTY	DESCRIPTION	REV
	1001155986	Ref	STEER CYLINDER ASSEMBLY (Prior to SN 0300239676) Note: Original Cylinder May Have Been Replaced with Service Replacement. Identify PN Stamped on Cylinder Before Ordering Parts.	E
		Ref		
1	0100071	AR	Compound, Locking	
2	3020043	AR	Lubricant	
3	3951405	1	Setscrew 1/4 x 5/8	
4	1001125137	1	Screw #8	
5	1001155987	1	Barrel	
5	0961950	2	Bushing	
6	1001155992	1	Rod	
6	0961950	2	Bushing	
7	1001155998	1	Piston	
8	1001155999	1	Head	
100	1001157958	1	Seal Kit - Cylinder (Includes Items 101-109)	
101	See Note	NSS	Ring, Wear (Note: Use Item 100)	
102	See Note	NSS	O-Ring (Note: Use Item 100)	
103	See Note	NSS	O-Ring (Note: Use Item 100)	
104	See Note	NSS	Seal, Wiper (Note: Use Item 100)	
105	See Note	NSS	Seal (Note: Use Item 100)	
106	See Note	NSS	O-Ring (Note: Use Item 100)	
107	See Note	NSS	Ring, Wear (Note: Use Item 100)	
108	See Note	NSS	Seal (Note: Use Item 100)	
109	See Note	NSS	Ring, Backup (Note: Use Item 100)	

# SECTION 6 - CYLINDER

FIGURE 6-14. STEER CYLINDER ASSEMBLY (SN 0300239676 to Present)



ALT\_1001228005

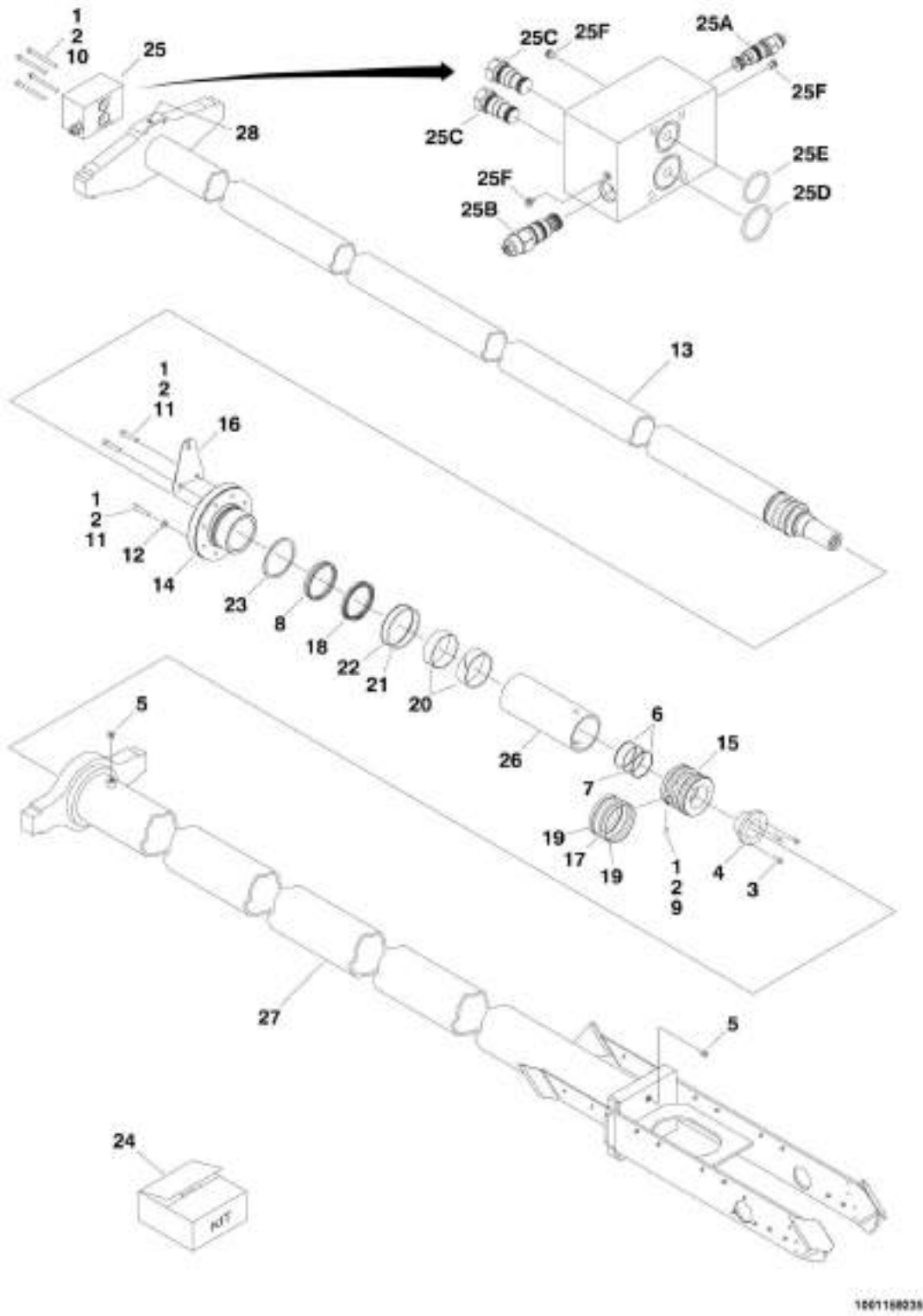
## SECTION 6 - CYLINDER

**FIGURE 6-14. STEER CYLINDER ASSEMBLY (SN 0300239676 to Present)**

ITEM	PART NUMBER	QTY	DESCRIPTION	REV
	1001228065	Ref	<b>STEER CYLINDER ASSEMBLY (SN 0300239676 to Present)</b> Note: Original Cylinder May Have Been Replaced with Service Replacement. Identify PN Stamped on Cylinder Before Ordering Parts.	B
		Ref		
1	See Note	NSS	Barrel Weldment (Note: Not Available for Purchase)	
2	70006471	1	Rod	
3	70006470	1	Head	
4	See Note	NSS	Seal, Wiper (Note: Use Item 100)	
5	See Note	NSS	Seal (Note: Use Item 100)	
6	See Note	NSS	Ring, Wear (Note: Use Item 100)	
7	See Note	NSS	O-Ring (Note: Use Item 100)	
8	See Note	NSS	O-Ring (Note: Use Item 100)	
9	See Note	NSS	Ring, Wear (Note: Use Item 100)	
10	70005878	1	Piston	
11	See Note	NSS	O-Ring (Note: Use Item 100)	
12	See Note	NSS	Ring, Wear (Note: Use Item 100)	
13	See Note	NSS	Seal (Note: Use Item 100)	
14	3951405	1	Setscrew 1/4 x 5/8	
16	0961950	4	Bushing	
17	0100011	AR	Compound, Locking	
18	0100038	1	Lubricant	
100	1001157958	1	Kit, Seal (Includes Items 4-9 & 11-13)	

# SECTION 6 - CYLINDER

FIGURE 6-15. TELESCOPE CYLINDER ASSEMBLY - BOOM



1001168235

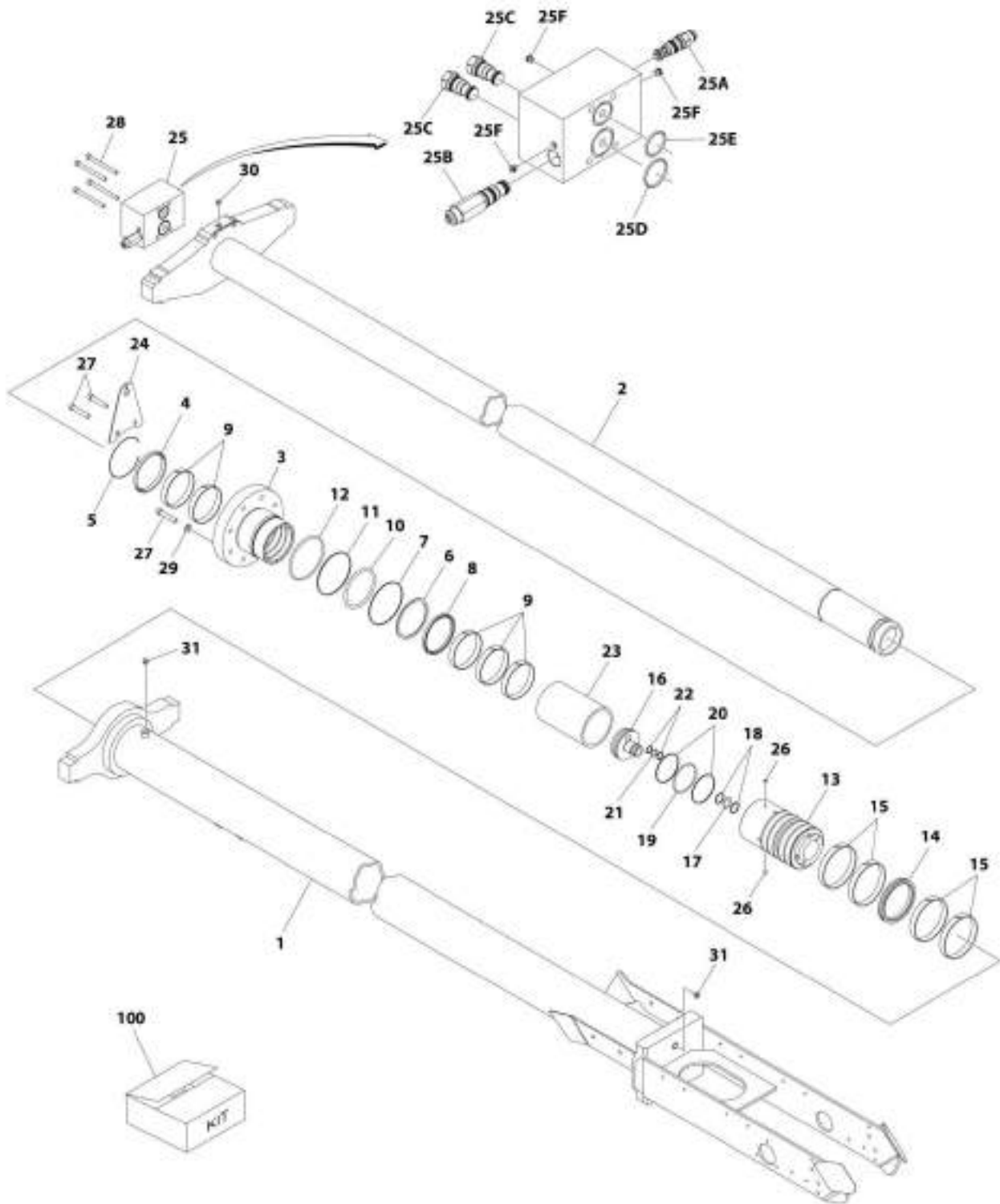
## SECTION 6 - CYLINDER

### FIGURE 6-15. TELESCOPE CYLINDER ASSEMBLY - BOOM

ITEM	PART NUMBER	QTY	DESCRIPTION	REV
		Ref	TELESCOPE CYLINDER ASSEMBLY - BOOM	
	1001159235	Ref	Boom Telescope Cylinder Assembly ( <b>Prior to SN 0300190128</b> )	H
	1001178592	Ref	Boom Telescope Cylinder Assembly ( <b>SN 0300190128 through 0300244677</b> )	E
		Ref	Note: Original Cylinder May Have Been Replaced with Service Replacement. Identify PN Stamped on Cylinder Before Ordering Parts.	
1	0100011	AR	Compound, Locking	
2	0100038	AR	Primer	
3	0630536	3	Capscrew	
4	0961898	1	Bushing, Tapered	
5	2220885	2	Plug	
6	See Note	NSS	Ring, Backup (Note: Use p/n 1001155213)	
7	See Note	NSS	Ring, Washer (Note: Use p/n 1001155213)	
8	See Note	NSS	Seal, Wiper (Note: Use p/n 1001155213)	
9	4032007	1	Capscrew M10 X 16	
10	5272025	4	Capscrew M10 X 120	
11	5272116	8	Capscrew M12 X 60	
12	5241200	6	Washer M12	
13		Ref	Rod Options:	
13	1001150967	1	Rod ( <b>Prior to SN 0300190128</b> )	
13	1001178591	1	Rod ( <b>SN 0300190128 to Present</b> )	
14	1001151001	1	Head	
15	1001151003	1	Piston	
16	1001155157	1	Bracket	
17	See Note	NSS	Seal (Note: Use Item 24)	
18	See Note	NSS	Seal, Rod (Note: Use Item 24)	
19	See Note	NSS	Ring, Wear (Note: Use Item 24)	
20	See Note	NSS	Ring, Wear (Note: Use Item 24)	
21	See Note	NSS	O-Ring (Note: Use Item 24)	
22	See Note	NSS	Ring, Back-up (Note: Use Item 24)	
23	See Note	NSS	Ring, Retaining (Note: Use Item 24)	
24	1001155213	1	Seal Kit - Cylinder (Includes Items 6-8 & 17-23)	
25	1001155378	1	Valve	D
25A	70004404	1	Cartridge, Counterbalance	
25A	2900770	1	Seal Kit - 70004404 Cartridge	
25B	1001182256	1	Cartridge, Counterbalance	
25B	7011367	1	Seal Kit - 1001182256 Cartridge	
25C	70004406	2	Cartridge, Check	
25C	2900770	2	Seal Kit - 70004406 Cartridge	
25D	70004407	1	O-Ring	
25E	70004408	1	O-Ring	
25F	70003031	3	Plug	
26	1001159231	1	Tube, Spacer	
27	1001159234	1	Barrel	
28	2220883	1	Plug ( <b>SN 0300193480 to Present</b> )	

# SECTION 6 - CYLINDER

FIGURE 6-16. TELESCOPE CYLINDER ASSEMBLY - BOOM (SN 0300244678 to Present)



ART\_301238042

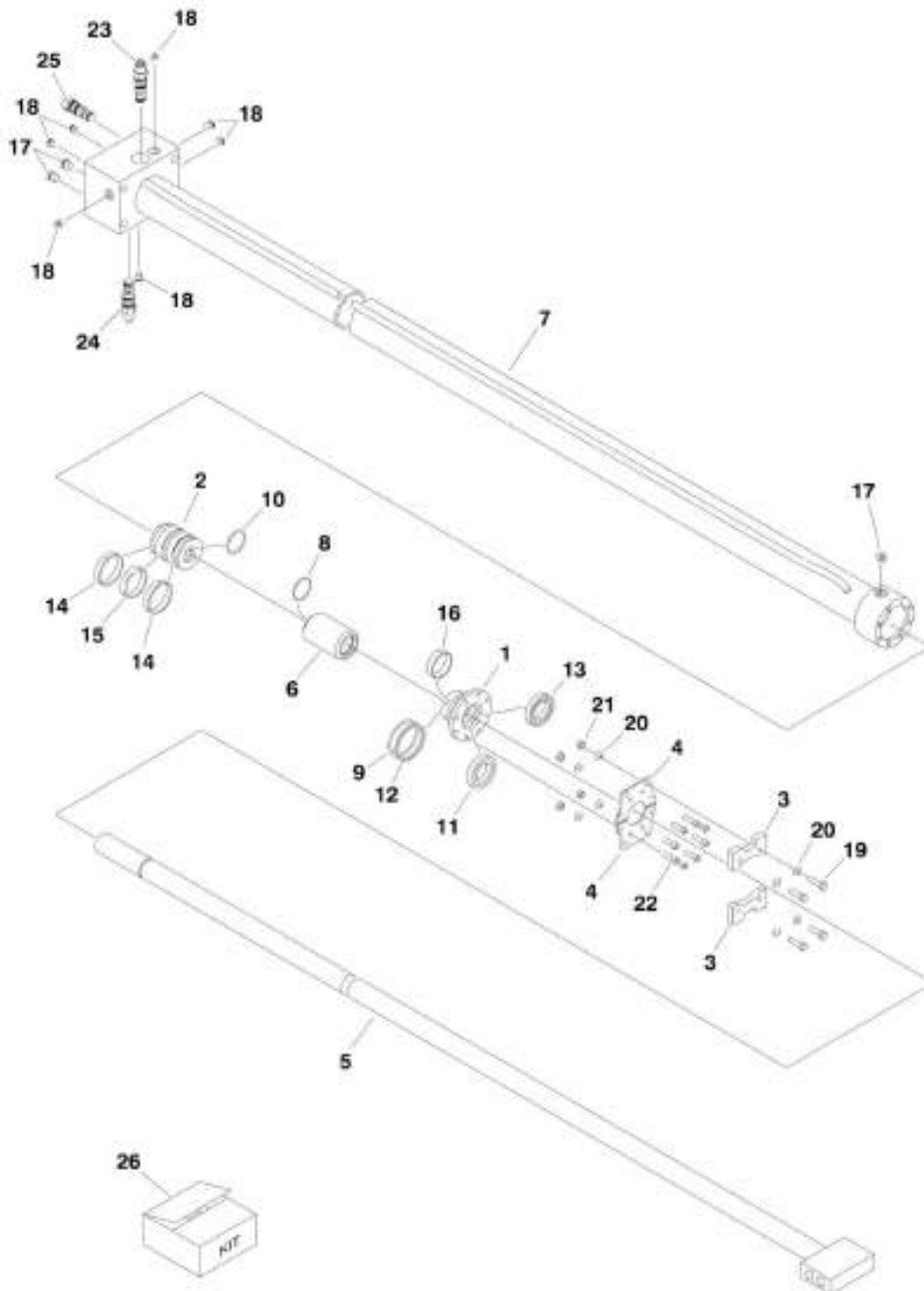
## SECTION 6 - CYLINDER

**FIGURE 6-16. TELESCOPE CYLINDER ASSEMBLY - BOOM (SN 0300244678 to Present)**

ITEM	PART NUMBER	QTY	DESCRIPTION	REV
	1001228082	Ref	TELESCOPE CYLINDER ASSEMBLY - BOOM	C
		Ref	Note: Original Cylinder May Have Been Replaced with Service Replacement. Identify PN Stamped on Cylinder Before Ordering Parts.	
1	See Note	NSS	Barrel Weldment (Note: Not Available for Purchase)	
2	70006834	1	Rod Weldment	
3	70006835	1	Head	
4	See Note	NSS	Wiper (Note: Use Item 100)	
5	70006836	1	Ring, Retaining	
6	See Note	NSS	Seal, Rod (Note: Use Item 100)	
7	See Note	NSS	Ring, Back-up (Note: Use Item 100)	
8	See Note	NSS	Ring, Buffer (Note: Use Item 100)	
9	See Note	NSS	Ring, Wear (Note: Use Item 100)	
10	See Note	NSS	O-Ring (Note: Use Item 100)	
11	See Note	NSS	Ring, Back-up (Note: Use Item 100)	
12	See Note	NSS	O-Ring (Note: Use Item 100)	
13	70006837	1	Piston	
14	See Note	NSS	Seal, Piston (Note: Use Item 100)	
15	See Note	NSS	Ring, Wear (Note: Use Item 100)	
16	70006838	1	End, Rod	
17	See Note	NSS	O-Ring (Note: Use Item 100)	
18	See Note	NSS	Ring, Back-up (Note: Use Item 100)	
19	See Note	NSS	O-Ring (Note: Use Item 100)	
20	See Note	NSS	Ring, Back-up (Note: Use Item 100)	
21	See Note	NSS	O-Ring (Note: Use Item 100)	
22	See Note	NSS	Ring, Back-up (Note: Use Item 100)	
23	70006839	1	Spacer	
24	70006840	1	Bracket	
25	1001155378	1	Valve	D
25A	70004404	1	Cartridge, Counterbalance	
25A	2900770	1	Seal Kit - 70004404 Cartridge	
25B	1001182256	1	Cartridge, Counterbalance	
25B	7011367	1	Seal Kit - 1001182256 Cartridge	
25C	70004406	2	Cartridge, Check	
25C	2900770	2	Seal Kit - 70004406 Cartridge	
25D	70004407	1	O-Ring	
25E	70004408	1	O-Ring	
25F	70003031	3	Plug	
26	3951405	2	Setscrew	
27	70005882	8	Plug	
28	70006841	4	Bolt	
29	70005883	6	Washer	
30	2220883	1	Plug	
31	2220885	2	Plug	
100	70006842	1	Seal Kit - Cylinder (Includes Items 4, 6-12, 14, 15 & 17-22)	

# SECTION 6 - CYLINDER

## FIGURE 6-17. TELESCOPE CYLINDER ASSEMBLY - JIB



1001158001



## SECTION 6 - CYLINDER

**FIGURE 6-17. TELESCOPE CYLINDER ASSEMBLY - JIB**

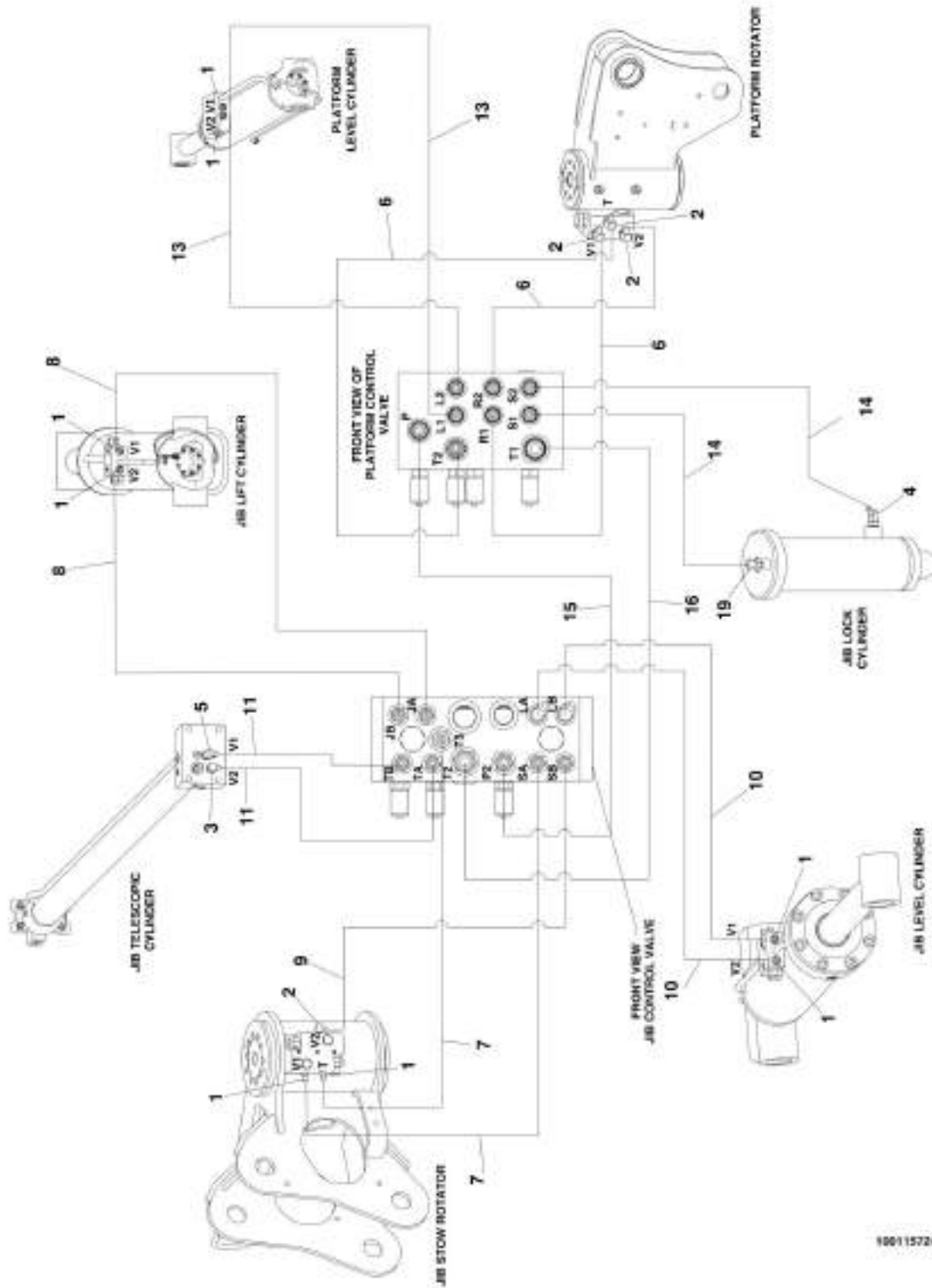
ITEM	PART NUMBER	QTY	DESCRIPTION	REV
	1001158991	Ref	TELESCOPE CYLINDER ASSEMBLY - JIB	D
1	70003050	1	Head	
2	70003046	1	Piston	
2	0100011	AR	Compound, Locking	
3	70003047	2	Pad, Wear	
4	70004498	2	Support, Pad	
5	70004497	1	Rod	
6	70004496	1	Spacer	
7	70004495	1	Barrel	
8	See Note	NSS	O-Ring (Note: Use Item 26)	
9	See Note	NSS	O-Ring (Note: Use Item 26)	
10	See Note	NSS	O-Ring (Note: Use Item 26)	
11	See Note	NSS	Seal (Note: Use Item 26)	
12	See Note	NSS	Ring, Back-up (Note: Use Item 26)	
13	See Note	NSS	Wiper (Note: Use Item 26)	
14	See Note	NSS	Ring, Wear (Note: Use Item 26)	
15	See Note	NSS	Seal (Note: Use Item 26)	
16	See Note	1	Ring, Wear (Note: Use Item 26)	
17	See Note	NSS	Plug #6 (Note: Not Available for Purchase)	
18	See Note	NSS	Plug #4 (Note: Not Available for Purchase)	
19	0641510	4	Bolt 5/16 x 1-1/4	
20	4711500	8	Washer 5/16	
21	3311505	4	Nut 5/16	
22	3931516	8	Capscrew 5/16 x 1	
22	0100011	AR	Compound, Locking	
23	4640771	1	Valve, Cartridge	
23	2900770	1	Seal Kit - 4640771 Valve	
24	70003045	1	Valve, Cartridge	
24	2900770	1	Seal Kit- 70003045 Valve	
25	10837580	1	Valve, Cartridge	
25	7010543	1	Seal Kit - 10837580 Valve	
26	70004499	1	Seal Kit - Cylinder (Includes Items 8-16)	



**SECTION 7 - HYDRAULIC**

# SECTION 7 - HYDRAULIC

## FIGURE 7-1. BOOM AND JIB HYDRAULIC DIAGRAM



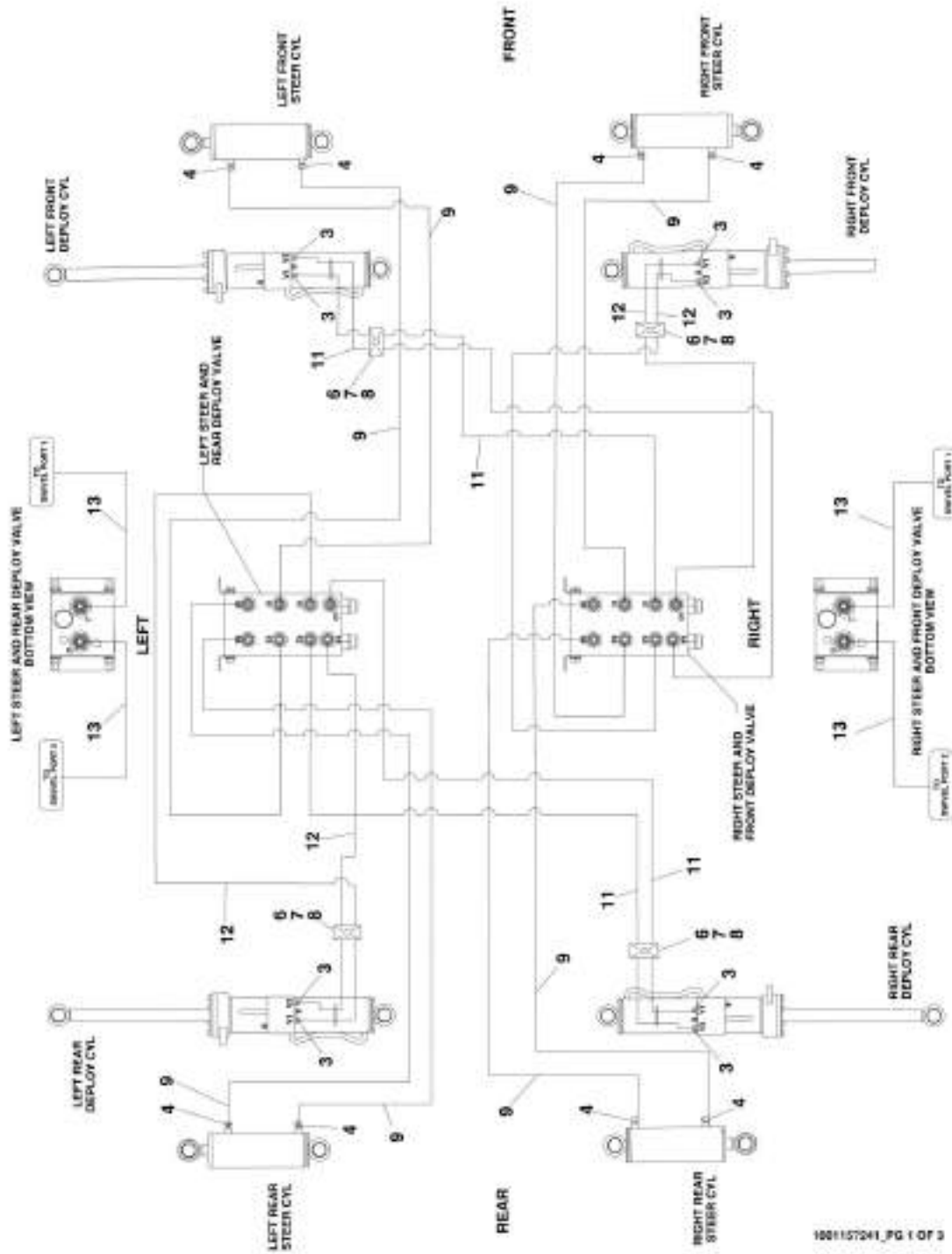
## SECTION 7 - HYDRAULIC

**FIGURE 7-1. BOOM AND JIB HYDRAULIC DIAGRAM**

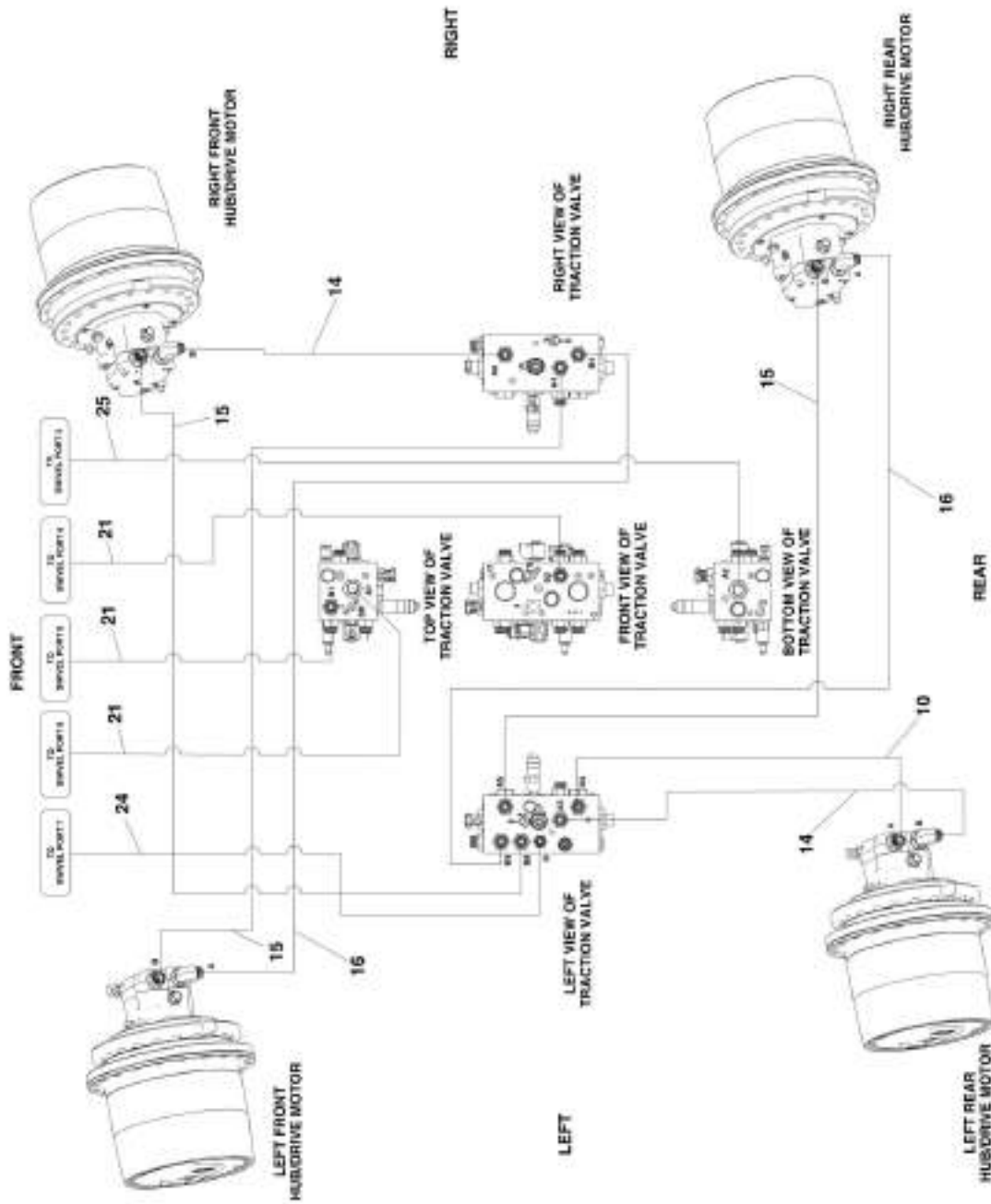
ITEM	PART NUMBER	QTY	DESCRIPTION	REV
	1001157243	Ref	HYDRAULIC DIAGRAM - BOOM AND JIB	C
1	2220415	8	Fitting, Straight JIC/ORB	
2	2220466	4	Fitting, 90 JIC/ORB	
3	2220472	1	Fitting, 90 JIC/ORB	
4	2221040	1	Fitting, 45 JIC/ORB	
5	1001160955	1	Fitting, 90 JIC/ORB	
6	1001161626	3	Hose	
7	1001161627	2	Hose	
8	1001161628	2	Hose	
9	1001161629	1	Hose	
10	1001161630	2	Hose	
11	1001161631	2	Hose	
13	1001161633	2	Hose	
14	1001161634	2	Hose	
15	1001161635	1	Hose	
16	1001161636	1	Hose	
17	4240018	2	Tie-Strap (Not Shown)	
18	4240155	15	Strap, Cinch (Not Shown)	
19	2220582	1	Fitting, Straight JIC/ORB	

# SECTION 7 - HYDRAULIC

## FIGURE 7-2. CHASSIS HYDRAULIC DIAGRAM

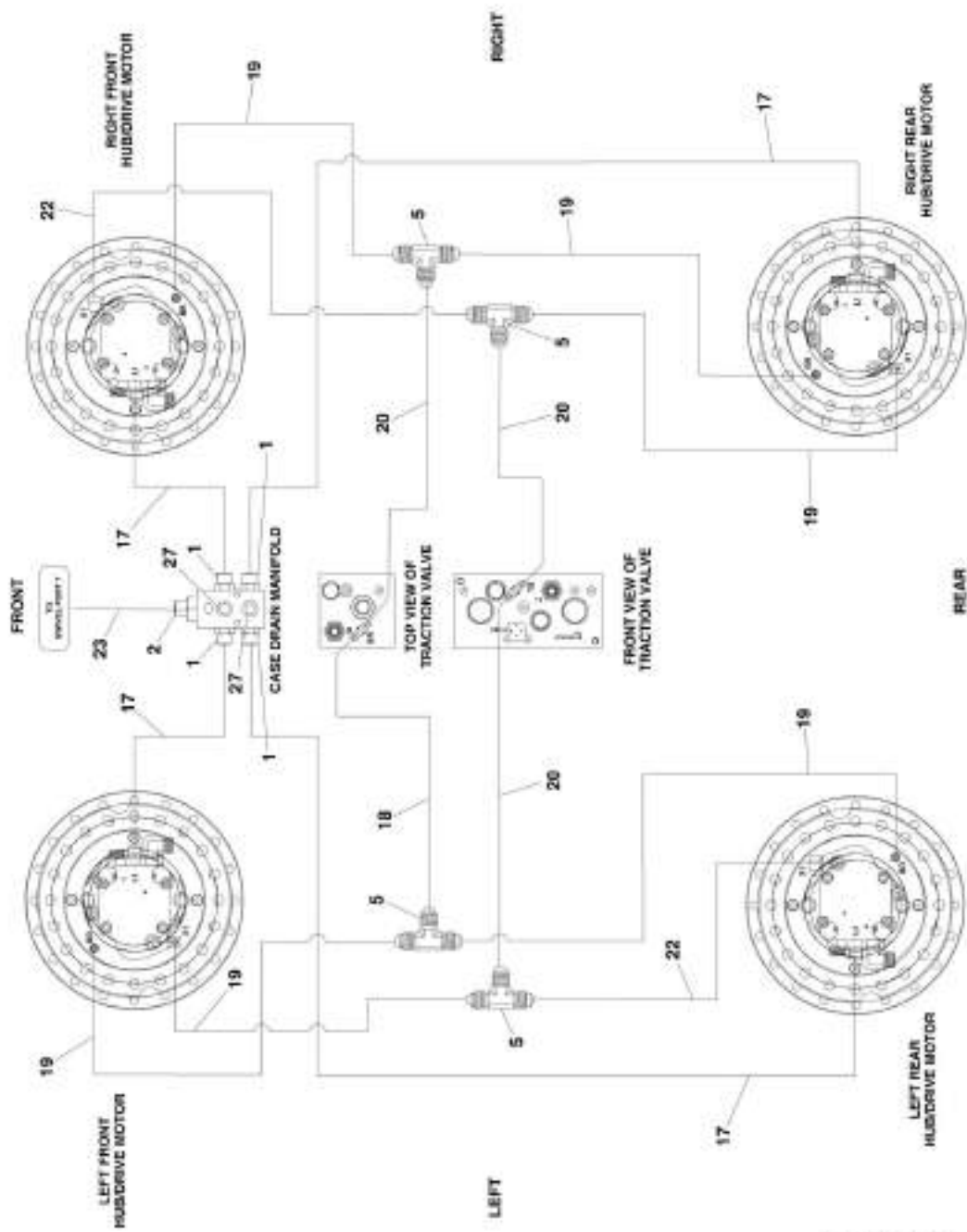


# SECTION 7 - HYDRAULIC



1001167341\_PG 2 OF 3

# SECTION 7 - HYDRAULIC



1001157241\_PG 3 OF 3



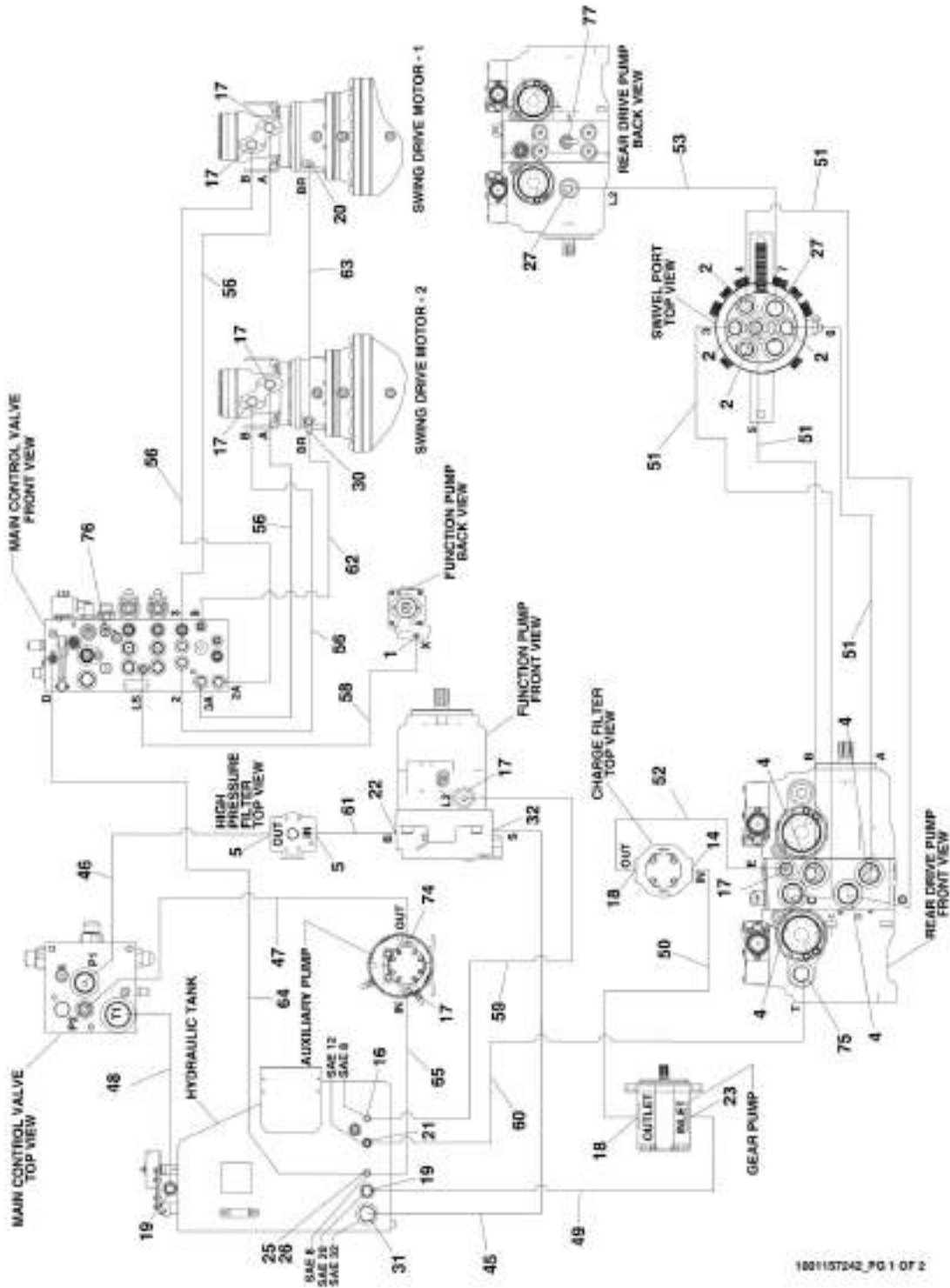
## SECTION 7 - HYDRAULIC

### FIGURE 7-2. CHASSIS HYDRAULIC DIAGRAM

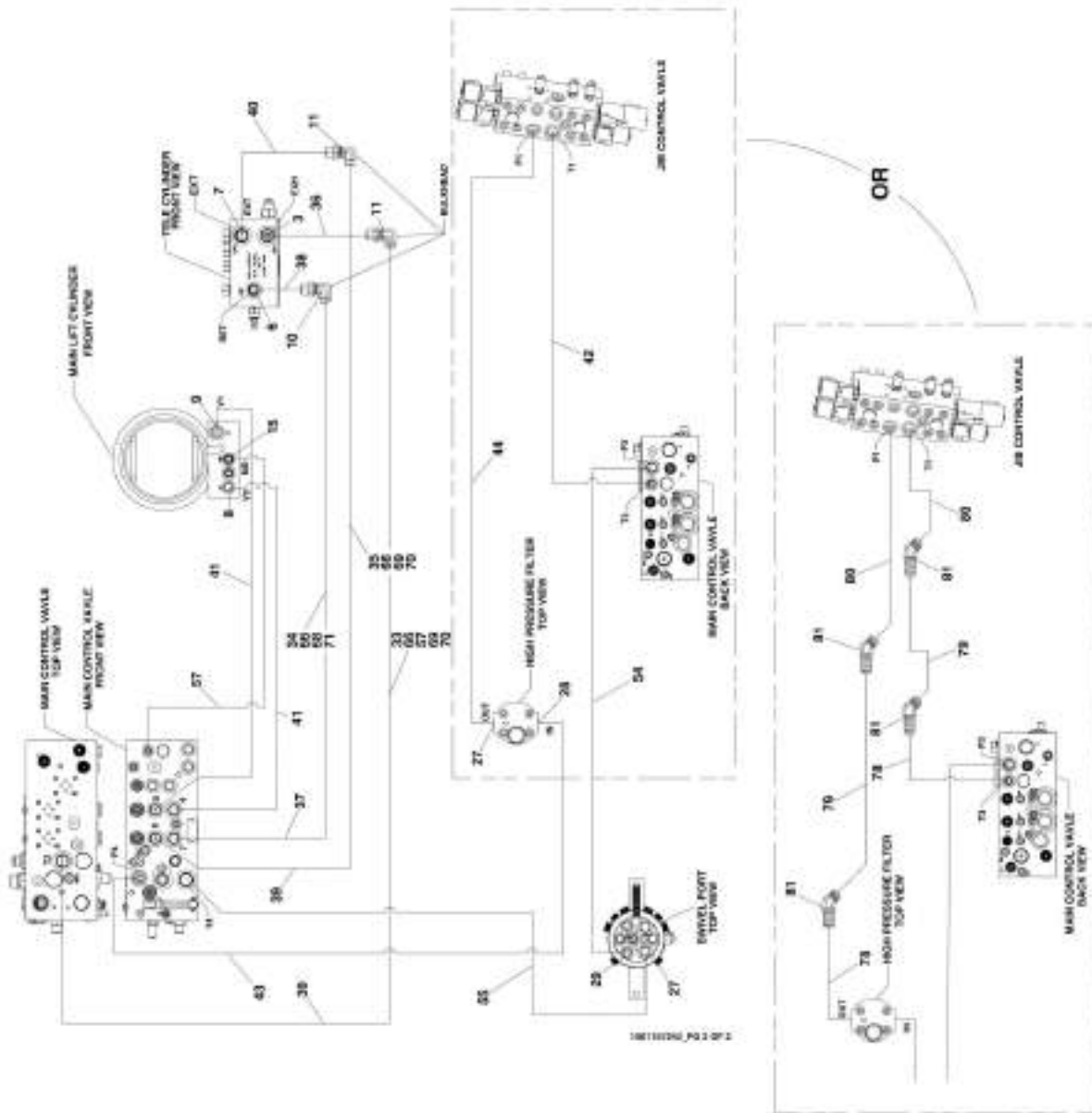
ITEM	PART NUMBER	QTY	DESCRIPTION	REV
	1001157241	Ref	CHASSIS HYDRAULIC DIAGRAM	D
1	2110808	4	Fitting, Straight ORFS/ORB	
2	2110812	1	Fitting, Straight ORFS/ORB	
3	2220372	8	Fitting, Straight JIC/ORB	
4	2220473	8	Fitting, 90 JIC/ORB	
5	2220504	4	Fitting, Tee JIC/JIC/JIC	
6	8769122	4	Clamp Set	
7	8769128	4	Cover	
8		Ref	Bolt Options:	
8	0641510	NLA	Bolt 5/16-18 x 1-1/4 (Use p/n 0641511001) <b>(Prior to SN 0300193480)</b>	
8	0641511001	4	Bolt 5/16-18 x 1-3/8 <b>(SN 0300193480 to Present)</b>	
9	1001161269	8	Hose	
10	1001161270	1	Hose	
11	1001161271	4	Hose	
12	1001161272	4	Hose	
13	1001161273	4	Hose	
14	1001161274	2	Hose	
15	1001161275	3	Hose	
16	1001161276	2	Hose	
17	1001161277	4	Hose	
18	1001161278	1	Hose	
19	1001161279	6	Hose	
20	1001161280	3	Hose	
21	1001161281	3	Hose	
22	1001161282	2	Hose	
23	1001161283	1	Hose	
24	1001161289	1	Hose	
25	1001161290	1	Hose	
26	4240018	18	Tie-Strap (Not Shown)	
27	2220235	2	Fitting, O-Ring	

# SECTION 7 - HYDRAULIC

## FIGURE 7-3. TURNTABLE HYDRAULIC DIAGRAM



# SECTION 7 - HYDRAULIC



# SECTION 7 - HYDRAULIC

## FIGURE 7-3. TURNTABLE HYDRAULIC DIAGRAM

ITEM	PART NUMBER	QTY	DESCRIPTION	REV
	1001157242	Ref	HYDRAULIC DIAGRAM - TURNTABLE	H
1	2110404	1	Fitting, Straight ORFS/ORB	
2	2111010	4	Fitting, Straight ORFS/ORB	
3	2111012	1	Fitting, Straight ORFS/ORB	
4	2111016	4	Fitting, Straight ORFS/ORB	
5	2111620	2	Fitting, Straight ORFS/ORB	
6	2130810	1	Fitting, 90 ORFS/ORB	
7	2131012	1	Fitting, 90 ORFS/ORB	
8	2151010	1	Fitting, 45 ORFS/ORB	
9	2151012	1	Fitting, 45 ORFS/ORB	
10	2171208	1	Fitting, 90 ORFS/ORFS	
11	2171210	2	Fitting, 90 ORFS/ORFS	
14	2220366	1	Fitting, 90 JIC/ORB	
15	2220603	1	Fitting, Straight JIC/ORB	
16	2220373	1	Fitting, Straight JIC/ORB	
17	2220374	7	Fitting, Straight JIC/ORB	
18	2220375	2	Fitting, Straight JIC/ORB	
19	2220380	2	Fitting, Straight JIC/ORB	
20	2220415	1	Fitting, Straight JIC/ORB	
21	2220451	1	Fitting, Straight JIC/ORB	
22	2220478	1	Kit, Split Flange	
23	2220479	1	Fitting, Straight JIC/ORB	
25	2220602	1	Fitting, Tee JIC/ORB/JIC	
26	2220618	1	Fitting, Straight JIC/FSJIC	
27	2220865	4	Fitting, Straight JIC/ORB	
28	2220906	1	Fitting, 90 JIC/ORB	
29	2220947	1	Fitting, Straight JIC/ORB	
30	2221034	1	Fitting, Tee JIC/ORB/JIC	
31	88662013	1	Fitting, Straight JIC/ORB	
32	1001110604	1	Kit, Split Flange	
33	1001158817	1	Pipe, Low Pressure	
34	1001158818	1	Pipe, High Pressure	
35	1001158819	1	Pipe, High Pressure	
36	1001161609	1	Hose	
37	1001161610	1	Hose	
38	1001161611	1	Hose	
39	1001161612	2	Hose	
40	1001161613	1	Hose	
41	1001161614	2	Hose	
42	1001161615	1	Hose (Prior to SN 0300199131)	
43	1001161616	1	Hose	
44	1001161617	1	Hose (Prior to SN 0300199131)	
45	1001161618	1	Hose	
46	1001161619	1	Hose	
47	1001161620	1	Hose	
48	1001161621	1	Hose	
49	1001161622	1	Hose	
50	1001161623	1	Hose	
51	1001161624	4	Hose	
52	1001161625	1	Hose	

## SECTION 7 - HYDRAULIC

ITEM	PART NUMBER	QTY	DESCRIPTION	REV
53	1001161637	1	Hose	
54	1001161638	1	Hose	
55	1001161639	1	Hose	
56	1001161640	4	Hose	
57	1001161641	1	Hose	
58	1001161642	1	Hose	
59	1001161643	1	Hose	
60	1001161644	1	Hose	
61	1001161645	1	Hose	
62	1001161646	1	Hose	
63	1001161647	1	Hose	
64	1001161837	1	Hose	
65	1001161869	1	Hose	
66		Ref	Bolt Options:	
66	0641412	17	Bolt 1/4-20 x 1-1/2 <b>(Prior to SN 0300193480)</b>	
66	0641412001	17	Bolt 1/4-20 x 1-1/2 <b>(SN 0300193480 to Present)</b>	
67		Ref	Bolt Options:	
67	0641413	3	Bolt 1/4-20 X 1-5/8 <b>(Prior to SN 0300193480)</b>	
67	0641413001	3	Bolt 1/4-20 X 1-5/8 <b>(SN 0300193480 to Present)</b>	
68	8769146	3	Cover	
69	8769153	7	Cover	
70	8769154	7	Clamp Set	
71	8769199	3	Clamp Set	
72	4240018	AR	Tie-Strap (Not Shown)	
73	4240155	1	Strap, Cinch (Not Shown)	
74	2220500	1	Fitting, 45 S JIC/ORB	
75	2220578	1	Fitting, 90 S JIC/ORB	
76	1001119455	1	Valve, Oil Sampling	
77	77133089	1	Mini-Check	
78	1001184111	2	Hose	
79	1001184112	2	Hose	
80	1001184113	2	Hose	
81	2230035	4	Fitting, BH 45, JIC/JIC	

## SECTION 7 - HYDRAULIC

FIGURE 7-4. HYDRAULIC DIAGRAM LIST

ITEM	PART NUMBER	QTY	DESCRIPTION	REV
		Ref	Note: Diagrams are available from JLG Service/Parts Department.	
	1001157243	Ref	Hydraulic Diagram - Boom and Jib	
	1001157241	Ref	Hydraulic Diagram - Chassis	
	1001157243	Ref	Hydraulic Diagram - Turntable	
	1001149709	Ref	Hydraulic Schematic	

**SECTION 8 - ELECTRICAL**

## SECTION 8 - ELECTRICAL

**FIGURE 8-1. ELECTRICAL DIAGRAM LIST**

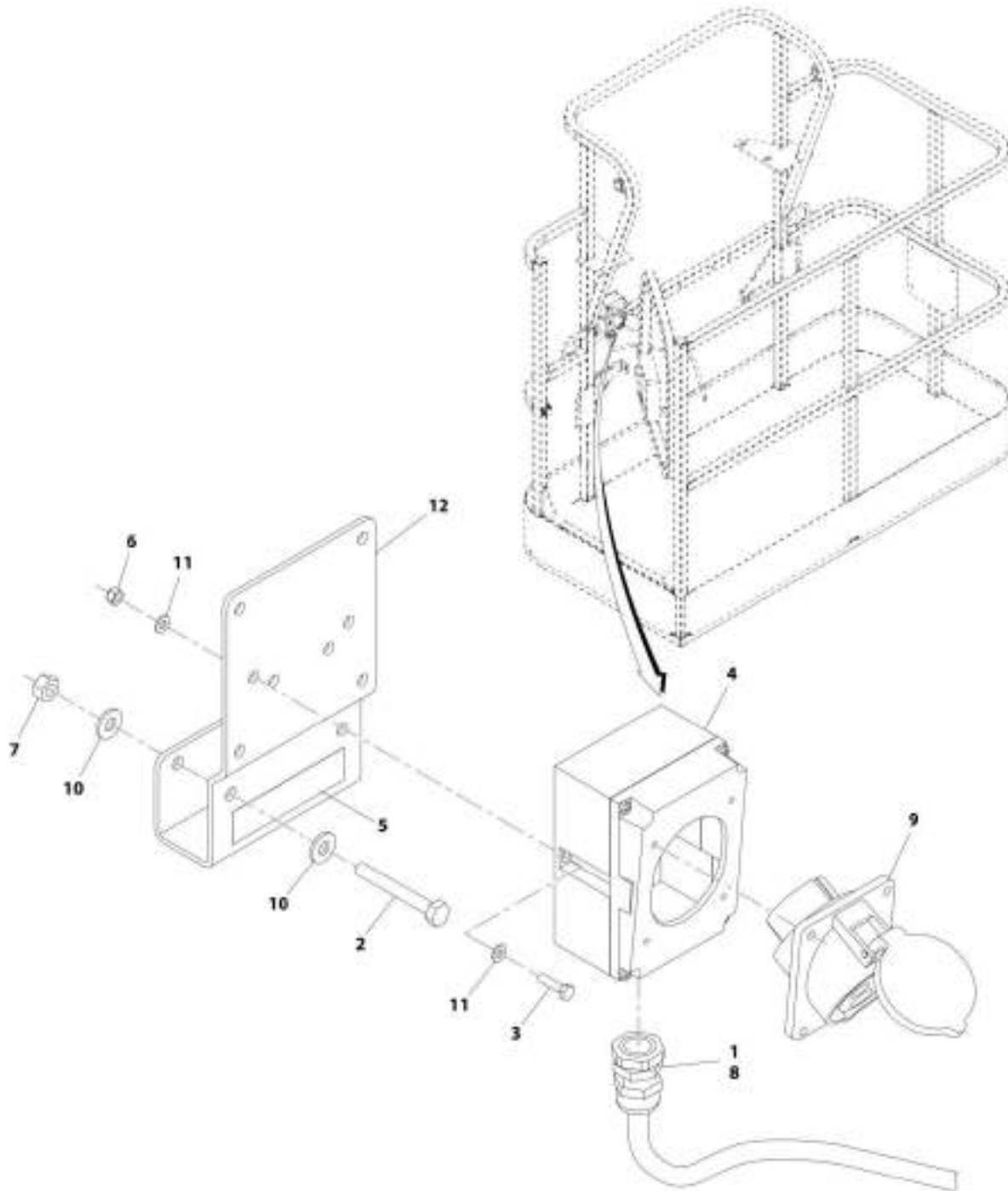
ITEM	PART NUMBER	QTY	DESCRIPTION	REV
		Ref	Note: Diagrams are available from JLG Service/Parts Departments.	
	1001102417	Ref	CLEARSKY TELEMATICS ELECTRICAL SCHEMATIC	
	1001205405	Ref	GENERATOR ELECTRICAL DIAGRAM - 4000W (ANSI Export, CE, China and Japanese Specs)	
	1001205406	Ref	GENERATOR ELECTRICAL DIAGRAM - 4000W (Australian Specs)	
	1001205407	Ref	GENERATOR ELECTRICAL DIAGRAM - 4000W (CE/UK Specs)	
	1001156083	Ref	GENERATOR ELECTRICAL DIAGRAM - 7500W	
	4933218	Ref	SOFT-TOUCH PLATFORM ELECTRICAL DIAGRAM	
	1001145974	Ref	STANDARD ELECTRICAL SCHEMATIC	





## SECTION 8 - ELECTRICAL

FIGURE 8-2. AC BOX AT PLATFORM INSTALLATION - 110V IEC 60309 YELLOW WITHOUT 4000W GENERATOR (CE SPECS)



ART\_100194201

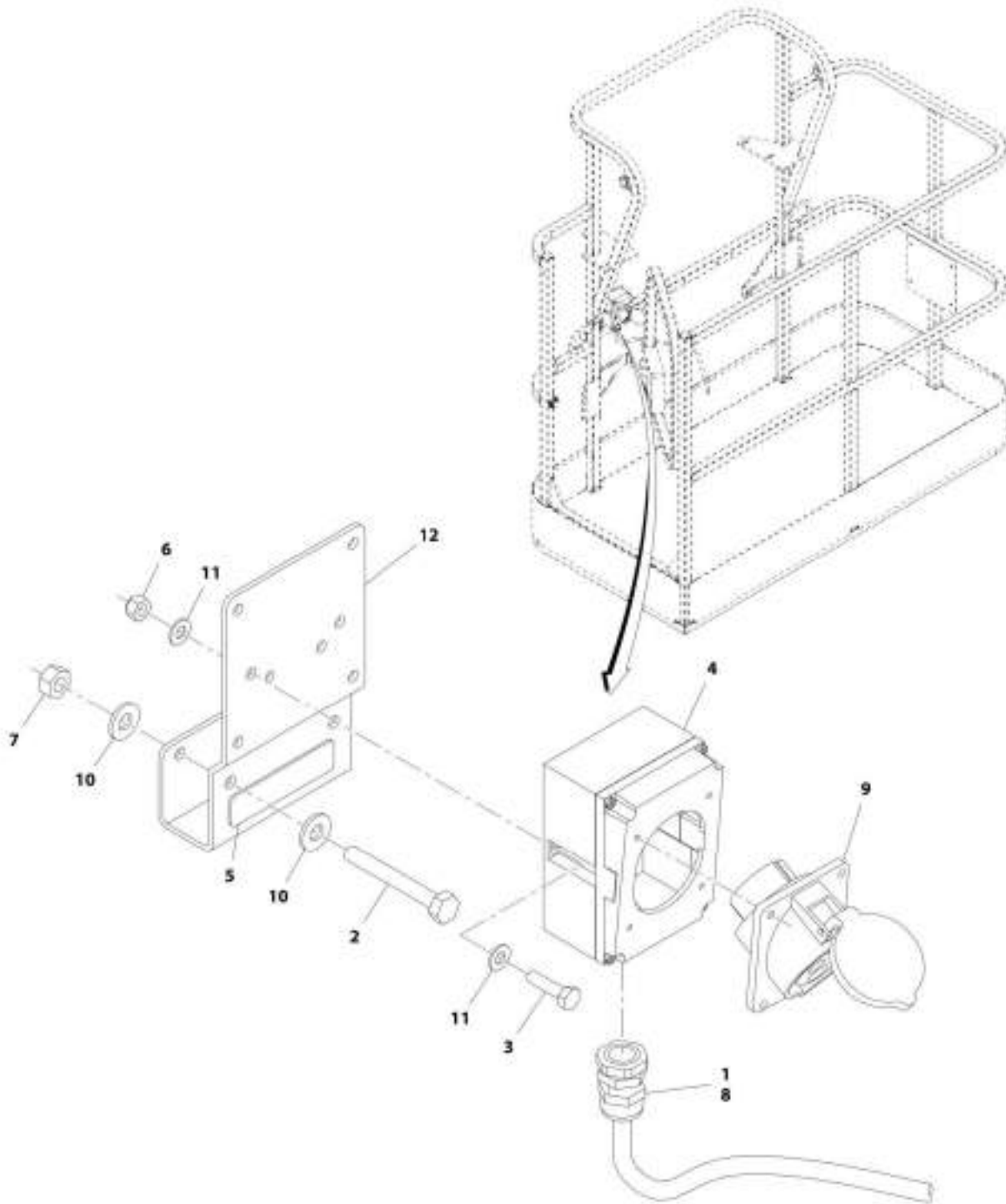
## SECTION 8 - ELECTRICAL

**FIGURE 8-2. AC BOX AT PLATFORM INSTALLATION - 110V IEC 60309 YELLOW WITHOUT 4000W GENERATOR (CE SPECS)**

ITEM	PART NUMBER	QTY	DESCRIPTION	REV
	1001194203	Ref	AC BOX AT PLATFORM INSTALLATION - 110V IEC 60309 YELLOW WITHOUT 4000W GENERATOR (CE SPECS)	B
1	0100020	AR	Sealant, Pipe	
2	0641416	2	Bolt 1/4 x 2	
3	0700408	2	Bolt M4 x 16	
4	0861781	1	Box, Switch	
5	1705325	1	Decal - 110V	
6	3290405	2	Nut M4	
7	3311405	2	Nut 1/4	
8	4460968	1	Connector, Strain Relief	
9	4461198	1	Receptacle	
10	4711400	4	Washer 1/4	
11	4811400	4	Washer M4	
12	1001193018	1	Bracket, AC Receptacle	

## SECTION 8 - ELECTRICAL

FIGURE 8-3. AC BOX AT PLATFORM INSTALLATION - 220V IEC 60309 BLUE WITHOUT 4000W GENERATOR (CE SPECS)



ART\_1001184204

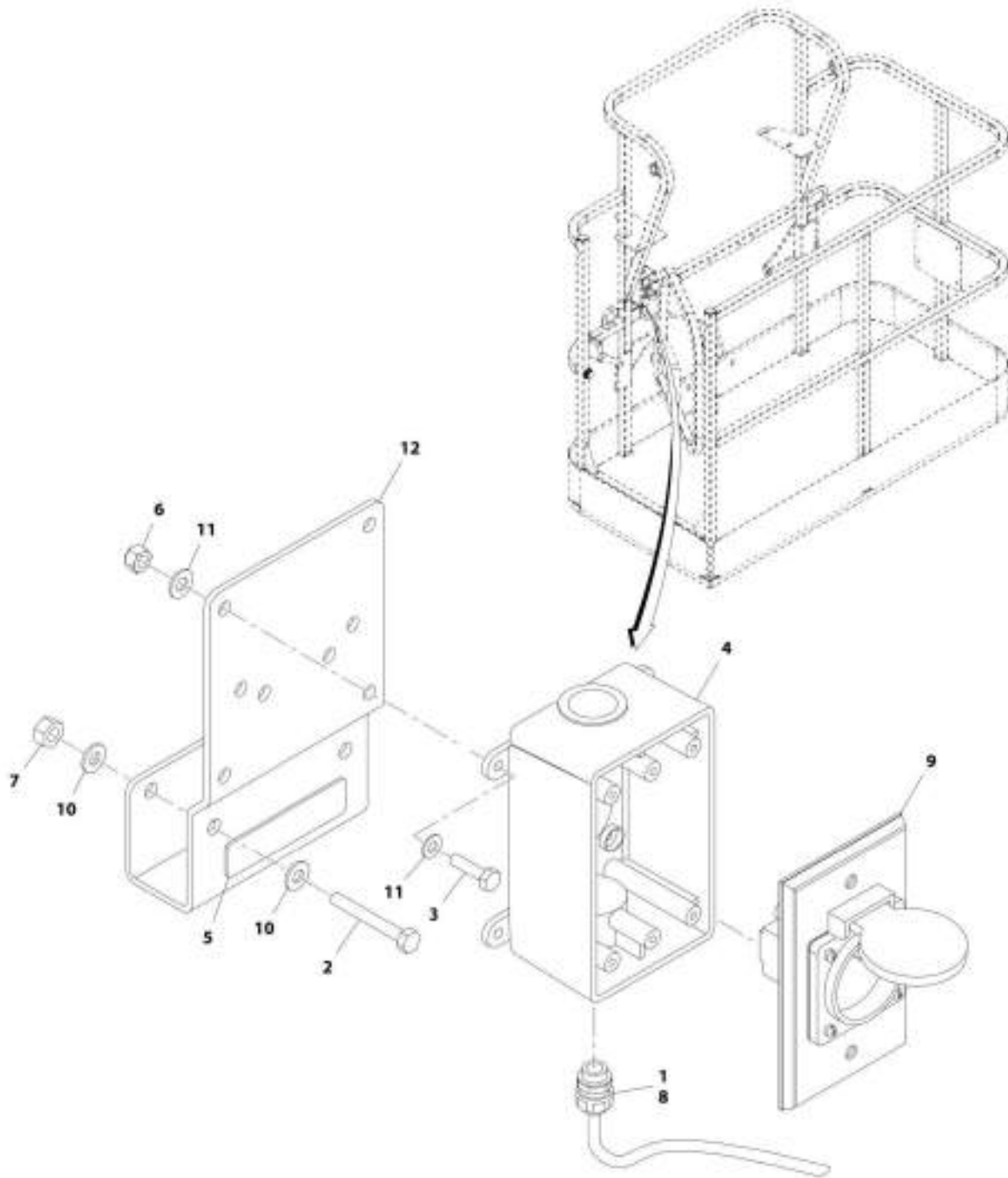
## SECTION 8 - ELECTRICAL

**FIGURE 8-3. AC BOX AT PLATFORM INSTALLATION - 220V IEC 60309 BLUE WITHOUT 4000W GENERATOR (CE SPECS)**

ITEM	PART NUMBER	QTY	DESCRIPTION	REV
	1001194204	Ref	AC BOX AT PLATFORM INSTALLATION - 220V IEC 60309 BLUE WITHOUT 4000W GENERATOR (CE SPECS)	B
1	0100020	AR	Sealant, Pipe	
2	0641416	2	Bolt 1/4 x 2	
3	0700408	2	Bolt M4 x 16	
4	0861781	1	Box, Switch	
5	3251242	1	Decal - 240V-50Hz	
6	3290405	2	Nut M4	
7	3311405	2	Nut 1/4	
8	4460968	1	Connector, Strain Relief	
9	4461201	1	Receptacle	
10	4711400	4	Washer 1/4	
11	4811400	4	Washer M4	
12	1001193018	1	Bracket, AC Receptacle	

## SECTION 8 - ELECTRICAL

FIGURE 8-4. AC BOX AT PLATFORM INSTALLATION - 220V CEE7 POST GROUND (2X4 BOX)  
WITHOUT 4000W GENERATOR (CE SPECS)



AWT\_1001194197

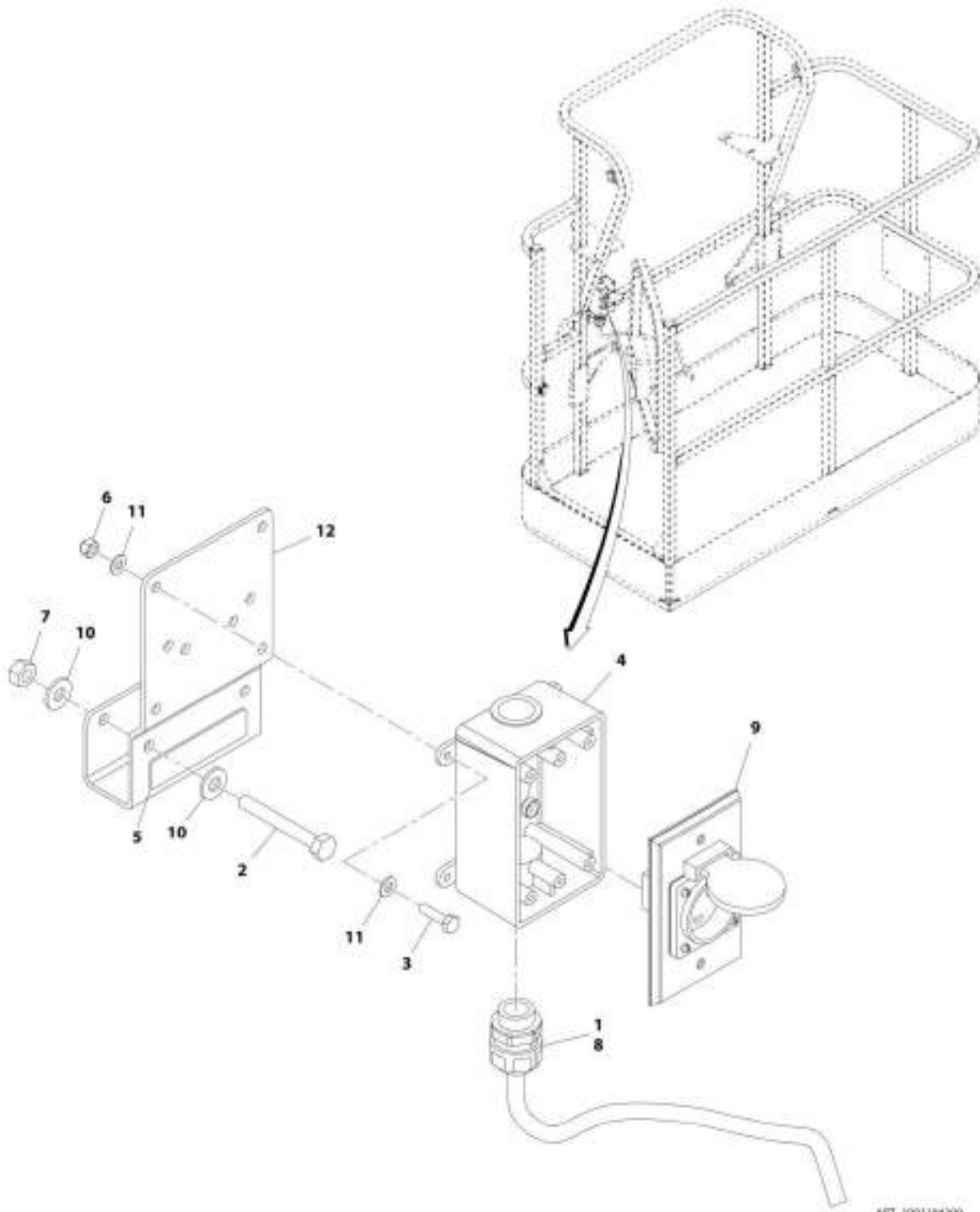
## SECTION 8 - ELECTRICAL

**FIGURE 8-4. AC BOX AT PLATFORM INSTALLATION - 220V CEE7 POST GROUND (2X4 BOX)  
WITHOUT 4000W GENERATOR (CE SPECS)**

ITEM	PART NUMBER	QTY	DESCRIPTION	REV
	1001194197	Ref	AC BOX AT PLATFORM INSTALLATION - 220V CEE7 POST GROUND (2X4 BOX) WITHOUT 4000W GENERATOR (CE SPECS)	B
1	0100020	AR	Sealant, Pipe	
2	0641416	2	Bolt 1/4 x 2	
3	0700408	4	Bolt M4 x 16	
4	0861731	1	Box, Switch	
5	3251242	1	Decal - 240V-50Hz	
6	3290405	4	Nut M4	
7	3311405	2	Nut 1/4	
8	4460662	1	Connector, Strain Relief	
9	4461244	1	Receptacle	
10	4711400	4	Washer 1/4	
11	4811400	8	Washer M4	
12	1001193018	1	Bracket, AC Receptacle	
13	4460806	2	Terminal, Fork	
14	1001205958	1	Terminal	

## SECTION 8 - ELECTRICAL

FIGURE 8-5. AC BOX AT PLATFORM INSTALLATION - 220V AFSINT 107 KEYED GROUND (2X4 BOX)  
WITHOUT 4000W GENERATOR (CE SPECS)



ART\_1001194200



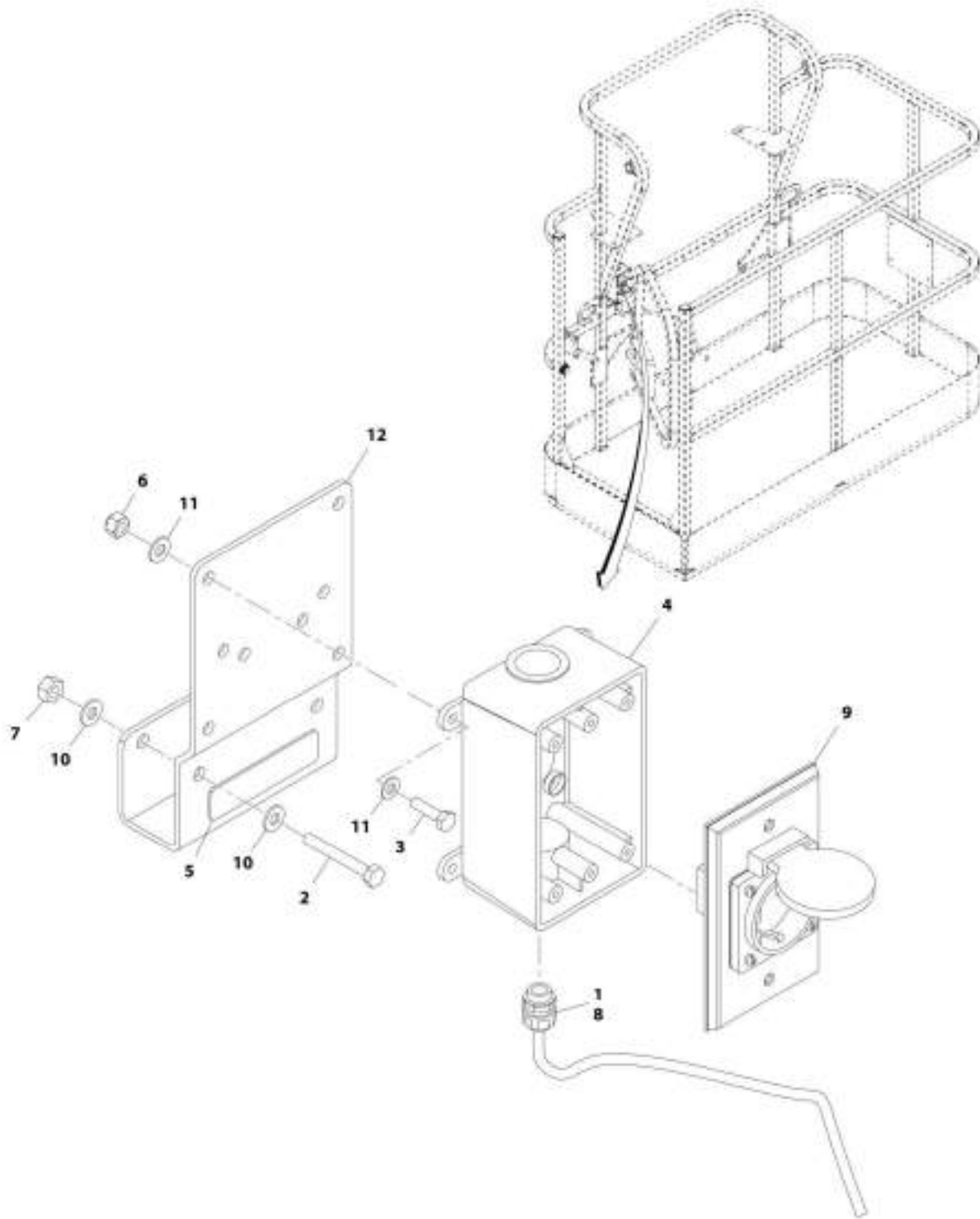
## SECTION 8 - ELECTRICAL

**FIGURE 8-5. AC BOX AT PLATFORM INSTALLATION - 220V AFSINT 107 KEYED GROUND (2X4 BOX)  
WITHOUT 4000W GENERATOR (CE SPECS)**

ITEM	PART NUMBER	QTY	DESCRIPTION	REV
	1001194200	Ref	AC BOX AT PLATFORM INSTALLATION - 220V AFSINT 107 KEYED GROUND (2X4 BOX) WITHOUT 4000W GENERATOR (CE SPECS)	B
1	0100020	AR	Sealant, Pipe	
2	0641416	2	Bolt 1/4 x 2	
3	0700408	4	Bolt M4 x 16	
4	0861731	1	Box, Switch	
5	3251242	1	Decal - 240V-50Hz	
6	3290405	4	Nut M4	
7	3311405	2	Nut 1/4	
8	4460662	1	Connector, Strain Relief	
9	4461246	1	Receptacle	
10	4711400	4	Washer 1/4	
11	4811400	8	Washer M4	
12	1001193018	1	Bracket, AC Receptacle	
13	1001205958	3	Terminal	

# SECTION 8 - ELECTRICAL

FIGURE 8-6. AC BOX AT PLATFORM INSTALLATION - 220V CEE7 SIDE GROUND (2X4 BOX)  
WITHOUT 4000W GENERATOR (CE SPECS)



ART\_1001194106

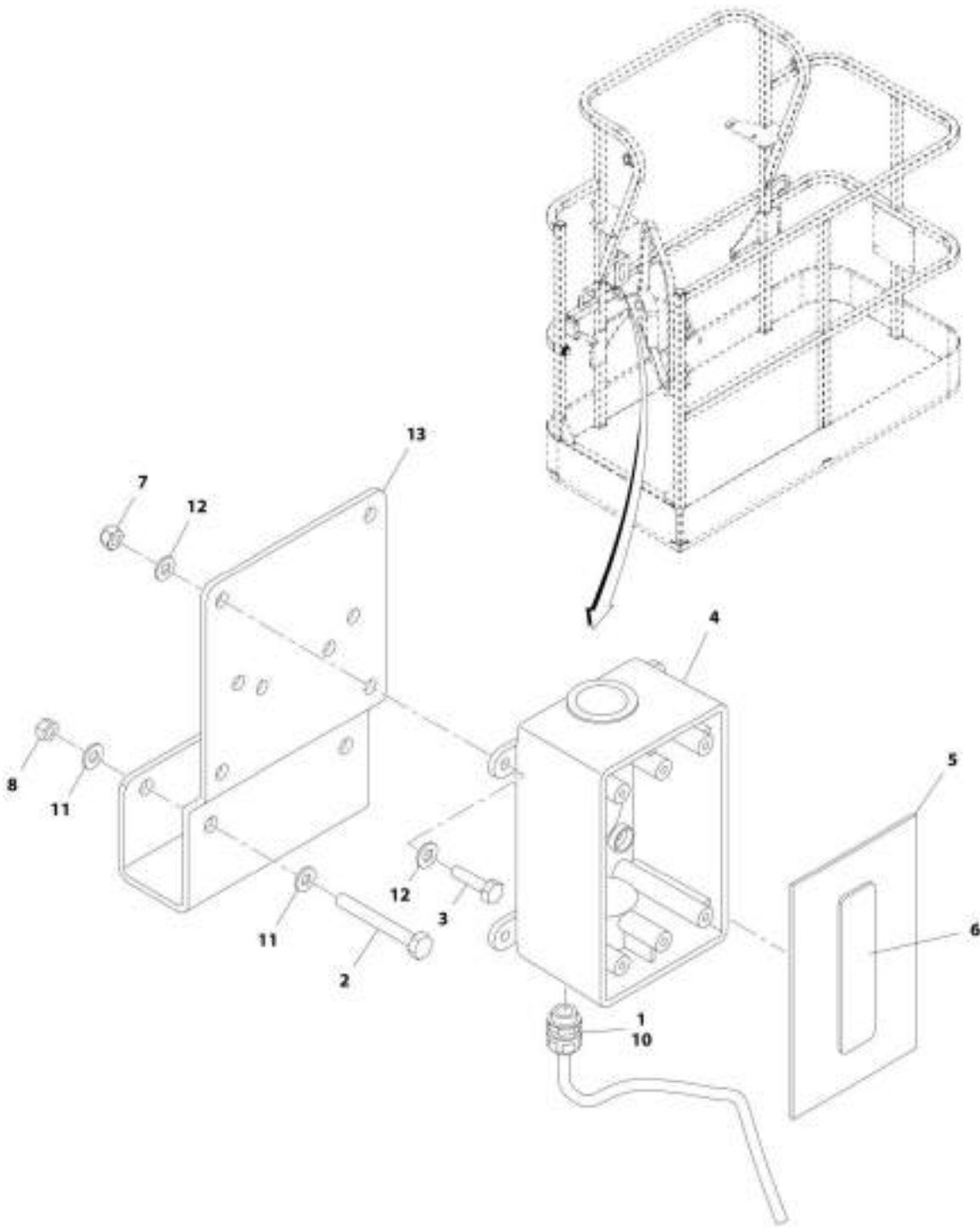
## SECTION 8 - ELECTRICAL

**FIGURE 8-6. AC BOX AT PLATFORM INSTALLATION - 220V CEE7 SIDE GROUND (2X4 BOX)  
WITHOUT 4000W GENERATOR (CE SPECS)**

ITEM	PART NUMBER	QTY	DESCRIPTION	REV
	1001194198	Ref	AC BOX AT PLATFORM INSTALLATION - 220V CEE7 SIDE GROUND (2X4 BOX) WITHOUT 4000W GENERATOR (CE SPECS)	B
1	0100020	AR	Sealant, Pipe	
2	0641416	2	Bolt 1/4 x 2	
3	0700408	4	Bolt M4 x 16	
4	0861731	1	Box, Switch	
5	3251242	1	Decal - 240V-50Hz	
6	3290405	4	Nut M4	
7	3311405	2	Nut 1/4	
8	4460662	1	Connector, Strain Relief	
9	4461245	1	Receptacle	
10	4711400	4	Washer 1/4	
11	4811400	8	Washer M4	
12	1001193018	1	Bracket, AC Receptacle	
13	4460806	2	Terminal, Fork	
14	1001205958	1	Terminal	

## SECTION 8 - ELECTRICAL

FIGURE 8-7. AC BOX AT PLATFORM INSTALLATION - BOX WITH COVER (2X4 BOX) WITH 4000W GENERATOR (ANSI EXPORT, AUSTRALIAN AND CE SPECS)



ART\_1001104301

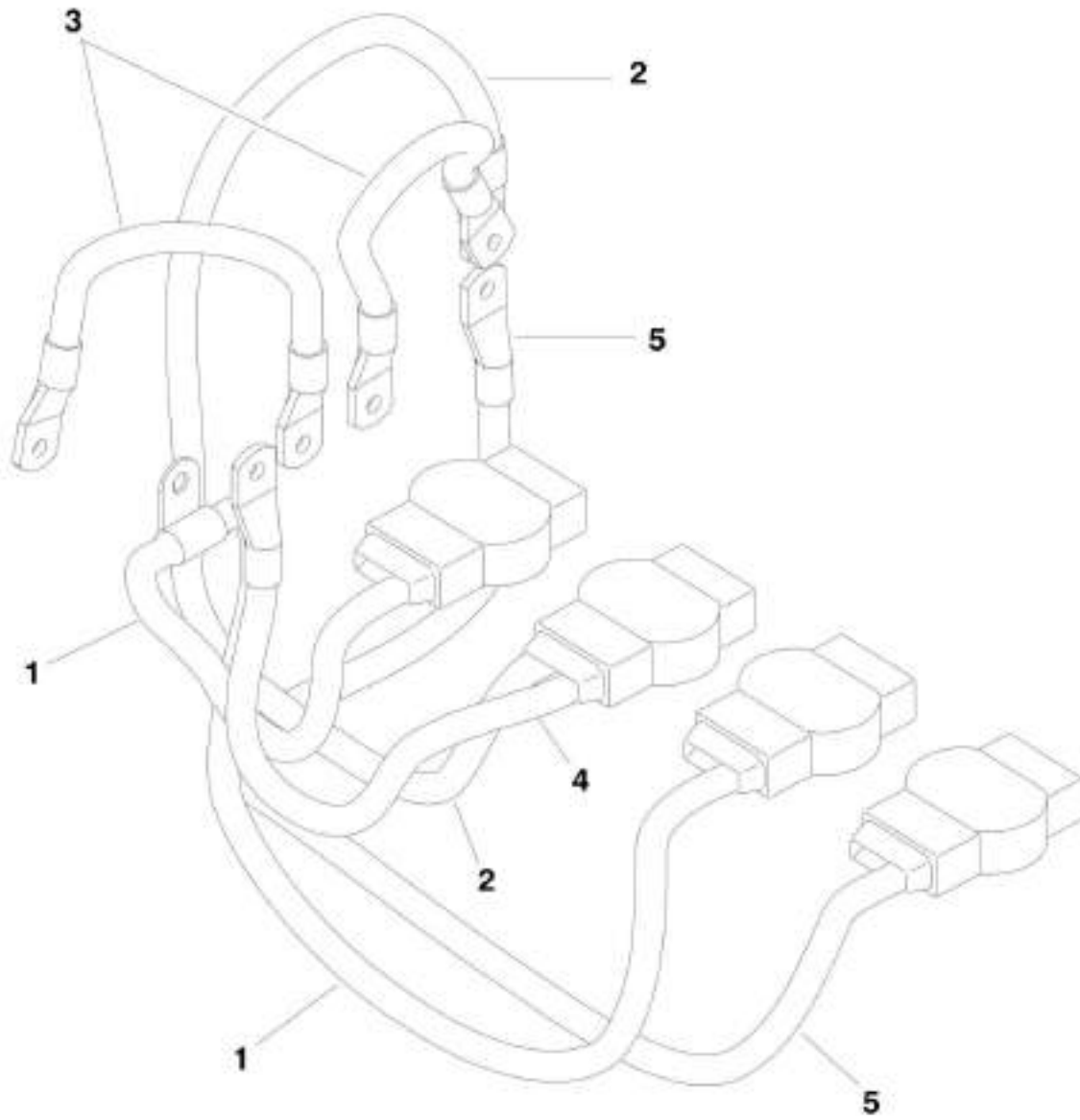
## SECTION 8 - ELECTRICAL

**FIGURE 8-7. AC BOX AT PLATFORM INSTALLATION - BOX WITH COVER (2X4 BOX) WITH 4000W GENERATOR (ANSI EXPORT, AUSTRALIAN AND CE SPECS)**

ITEM	PART NUMBER	QTY	DESCRIPTION	REV
	1001194365	Ref	AC BOX AT PLATFORM INSTALLATION - BOX WITH COVER (2X4 BOX) WITH 4000W GENERATOR (ANSI EXPORT, AUSTRALIAN AND CE SPECS)	A
1	0100020	AR	Sealant, Pipe	
2	0641416	2	Bolt 1/4 x 2	
3	0700408	4	Bolt M4 x 16	
4	0861731	1	Box, Switch	
5	1670603	1	Cover	
6	3251242	1	Decal - 240V-50Hz	
7	3290405	4	Nut M4	
8	3311405	2	Nut 1/4	
9	4460384	3	Terminal (Not Shown)	
10	4460662	1	Connector, Strain Relief	
11	4711400	4	Washer 1/4	
12	4811400	8	Washer M4	
13	1001193018	1	Bracket, AC Receptacle	

# SECTION 8 - ELECTRICAL

## FIGURE 8-8. BATTERY CABLE KIT - DEUTZ T4I ENGINES



1001158922

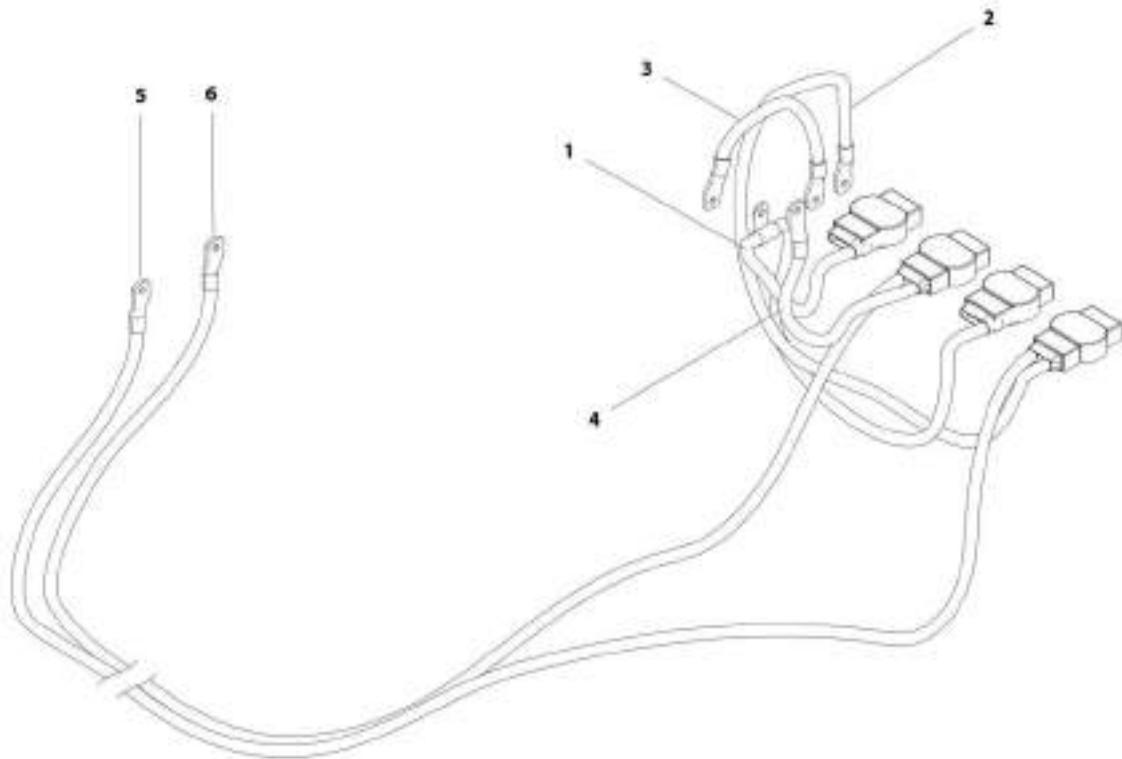
## SECTION 8 - ELECTRICAL

### FIGURE 8-8. BATTERY CABLE KIT - DEUTZ T4I ENGINES

ITEM	PART NUMBER	QTY	DESCRIPTION	REV
	1001158922	Ref	BATTERY CABLE KIT - DEUTZ T4I ENGINES	B
1	7027096	1	Cable, Negative Battery	
2	7027097	1	Cable, Positive Battery	
3	7027098	2	Cable, Battery	
4	7027099	1	Cable, Battery	
5	70009000	1	Cable, Battery	

# SECTION 8 - ELECTRICAL

## FIGURE 8-9. BATTERY CABLE KIT - DEUTZ T4F ENGINES



ART\_1001107442



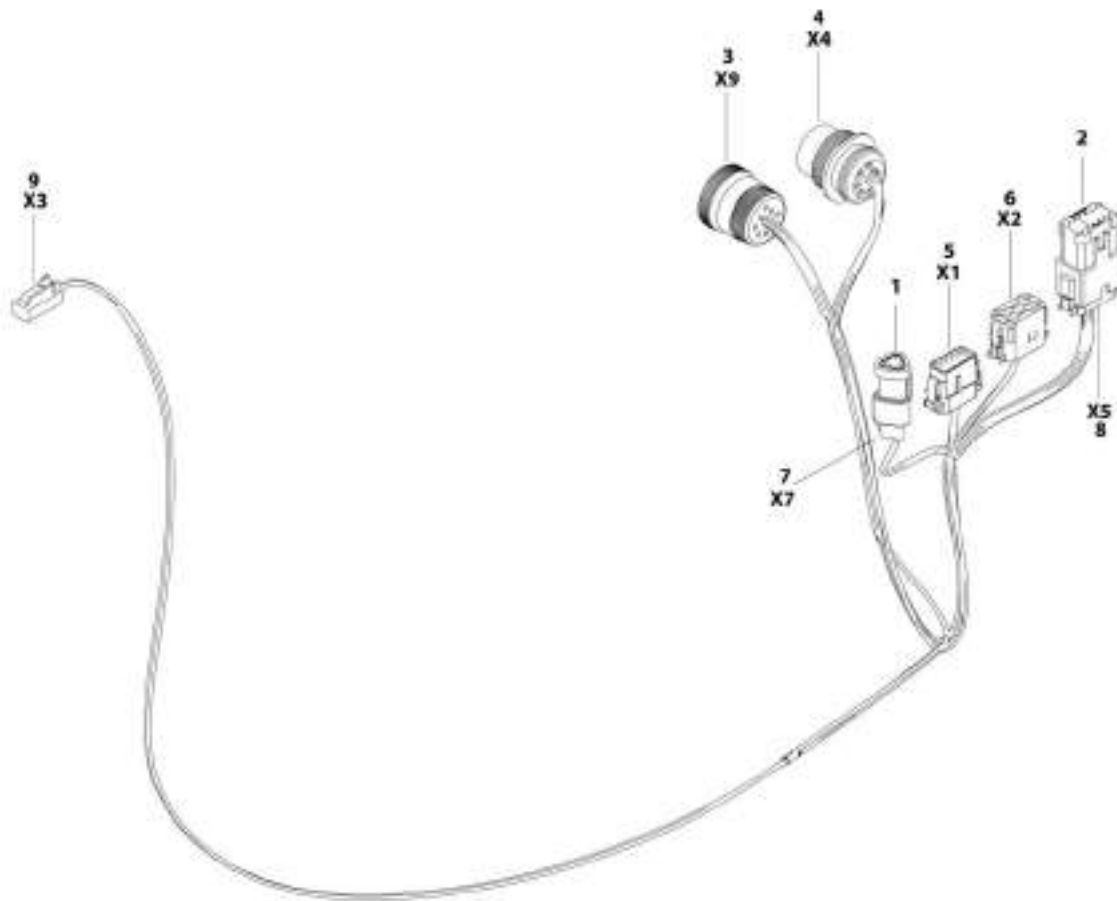
## SECTION 8 - ELECTRICAL

### FIGURE 8-9. BATTERY CABLE KIT - DEUTZ T4F ENGINES

ITEM	PART NUMBER	QTY	DESCRIPTION	REV
	1001197442	Ref	BATTERY CABLE KIT - DEUTZ T4F ENGINES	B
1	70009012	1	Cable, Negative Battery	
2	70009013	1	Cable, Positive Battery	
3	70009014	1	Cable, Battery	
4	70009015	1	Cable, Battery	
5	70009016	1	Cable, Battery	
6	70009017	1	Cable, Battery	

# SECTION 8 - ELECTRICAL

## FIGURE 8-10. BEACON CONTROL HARNESS



ART\_100142736

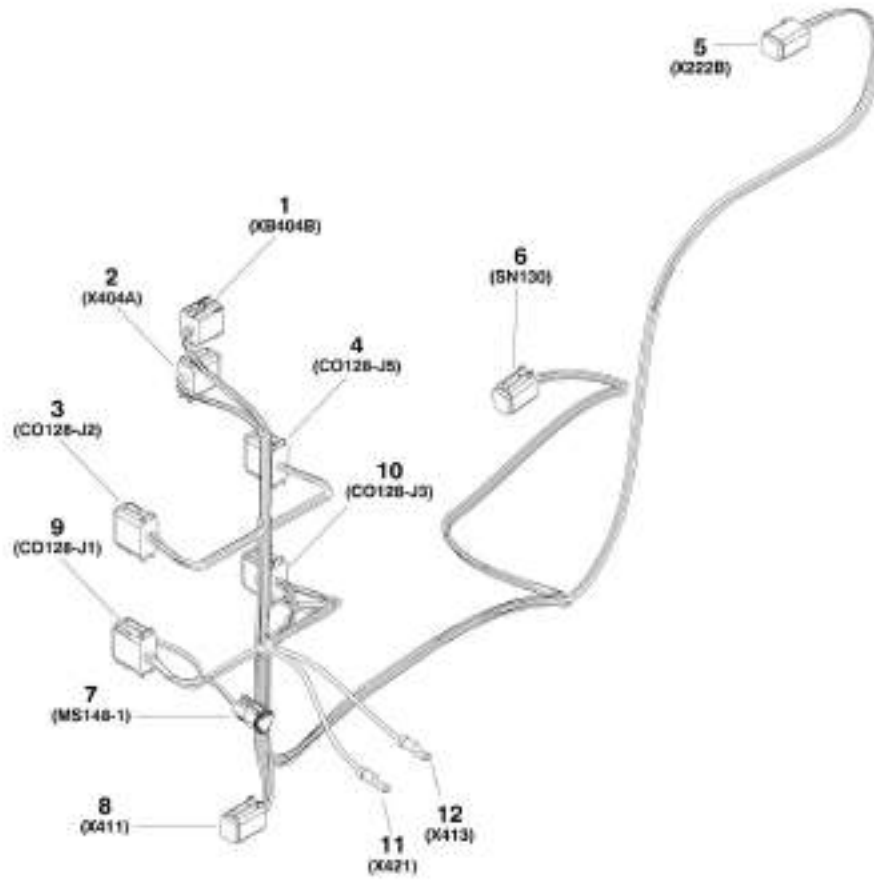
## SECTION 8 - ELECTRICAL

### FIGURE 8-10. BEACON CONTROL HARNESS

ITEM	PART NUMBER	QTY	DESCRIPTION	REV
	1001142736	Ref	BEACON CONTROL HARNESS	F
1	4461070	1	Connector - 3 Position	
2	1001119020	1	Connector, Bussbar	
3	1001112796	1	Connector - 9 Position	
3	4460465	6	Socket, Female	
3	4460466	3	Plug, Socket	
4	1001112612	1	Connector - 9 Position	
4	4460464	6	Pin, Male	
4	4460466	3	Plug, Socket	
5	1001116808	1	Connector - 12 Position	
5	4460928	3	Socket, Female	
5	4460518	9	Plug, Socket	
6	1001116774	1	Connector - 12 Position	
6	4460928	3	Socket, Female	
6	4460518	9	Plug, Socket	
7	4461095	1	Connector - 3 Position	
7	4460465	3	Socket, Female	
8	4460933	1	Connector - 12 Position	
8	4460465	12	Socket, Female	
9	4460891	1	Connector - 2 Position	
9	4460465	2	Socket, Female	

# SECTION 8 - ELECTRICAL

## FIGURE 8-11. BLAM HARNESS



1001149279

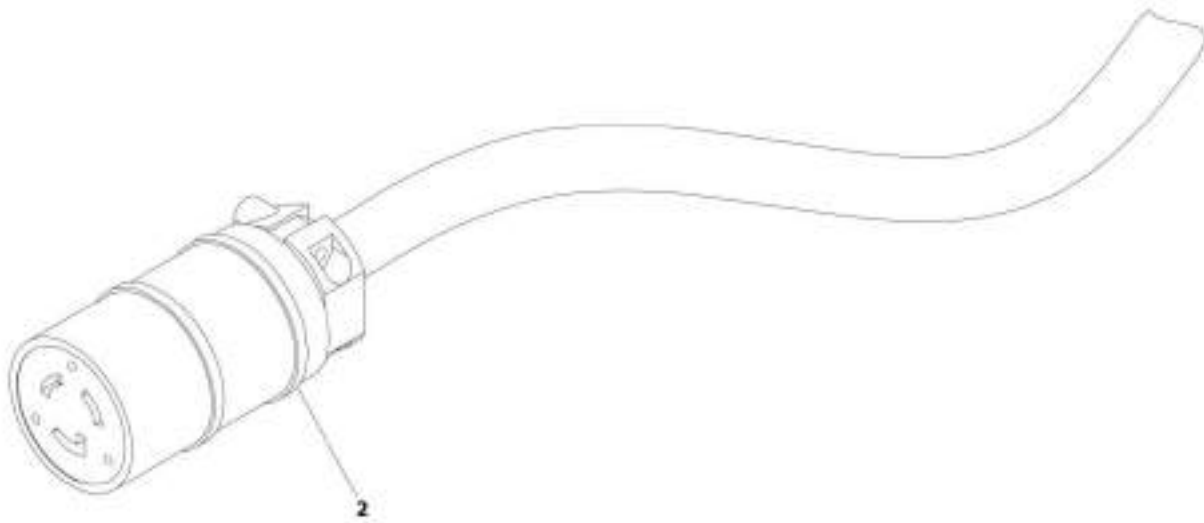
## SECTION 8 - ELECTRICAL

### FIGURE 8-11. BLAM HARNESS

ITEM	PART NUMBER	QTY	DESCRIPTION	REV
	1001149979	Ref	BLAM HARNESS	B
1	4460851	1	Connector - 8 Position	
1	4460465	7	Socket, Female	
1	4460466	1	Plug, Socket	
2	4460930	1	Connector - 8 Position	
2	4460465	6	Socket, Female	
2	4460466	2	Plug, Socket	
3	4460836	1	Connector - 12 Position	
3	4460465	6	Socket, Female	
3	4460466	6	Plug, Socket	
4	4460935	1	Connector - 12 Position	
4	4460465	4	Socket, Female	
4	4460466	8	Plug, Socket	
5	4460894	1	Connector - 6 Position	
5	4460465	5	Socket, Female	
5	4460466	1	Plug, Socket	
6	4460894	1	Connector - 6 Position	
6	4460465	6	Socket, Female	
7	1001116812	1	Connector - 3 Position	
7	4460944	2	Socket, Female	
7	4460466	1	Plug, Socket	
8	4460894	1	Connector - 6 Position	
8	4460465	4	Socket, Female	
8	4460942	2	Socket, Female	
9	4460933	1	Connector - 12 Position	
9	4460465	6	Socket, Female	
9	4460942	2	Socket, Female	
9	4460466	4	Plug, Socket	
10	4460934	1	Connector - 12 Position	
10	4460465	11	Socket, Female	
10	4460466	1	Plug, Socket	
11	4460703	1	Terminal, Ring	
12	4460670	1	Terminal, Ring	

## SECTION 8 - ELECTRICAL

FIGURE 8-12. BOOM AC CABLE - ANSI, ANSI EXPORT, CSA AND JAPANESE SPECS



ART\_1001156894

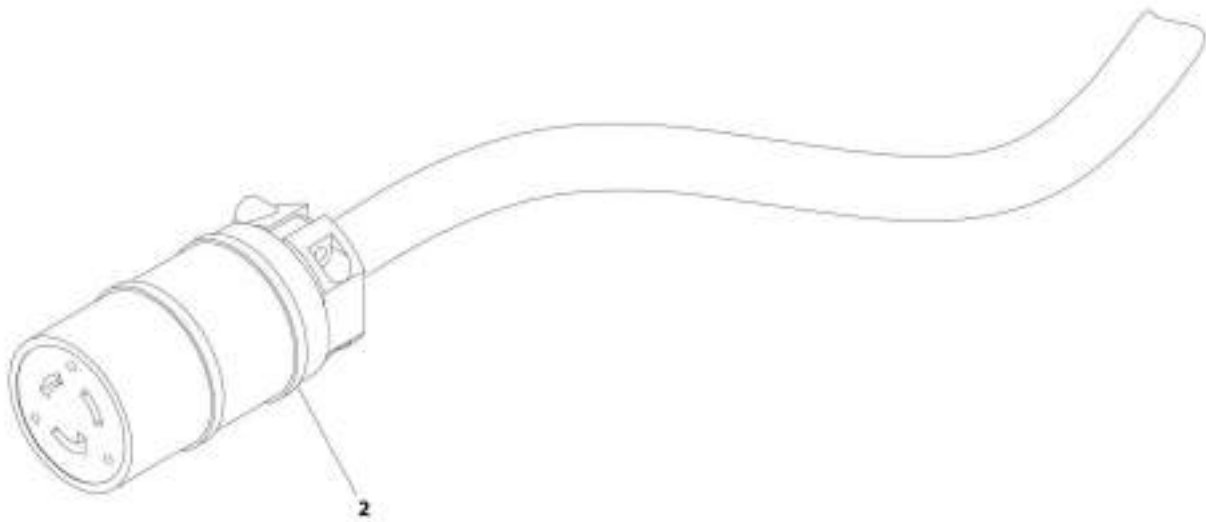
## SECTION 8 - ELECTRICAL

**FIGURE 8-12. BOOM AC CABLE - ANSI, ANSI EXPORT, CSA AND JAPANESE SPECS**

ITEM	PART NUMBER	QTY	DESCRIPTION	REV
	1001156894	Ref	BOOM AC CABLE - ANSI, ANSI EXPORT, CSA AND JAPANESE SPECS	A
2	4460134	1	Receptacle	

## SECTION 8 - ELECTRICAL

FIGURE 8-13. BOOM AC CABLE - AUSTRALIAN AND CE SPECS



ART\_1001132436



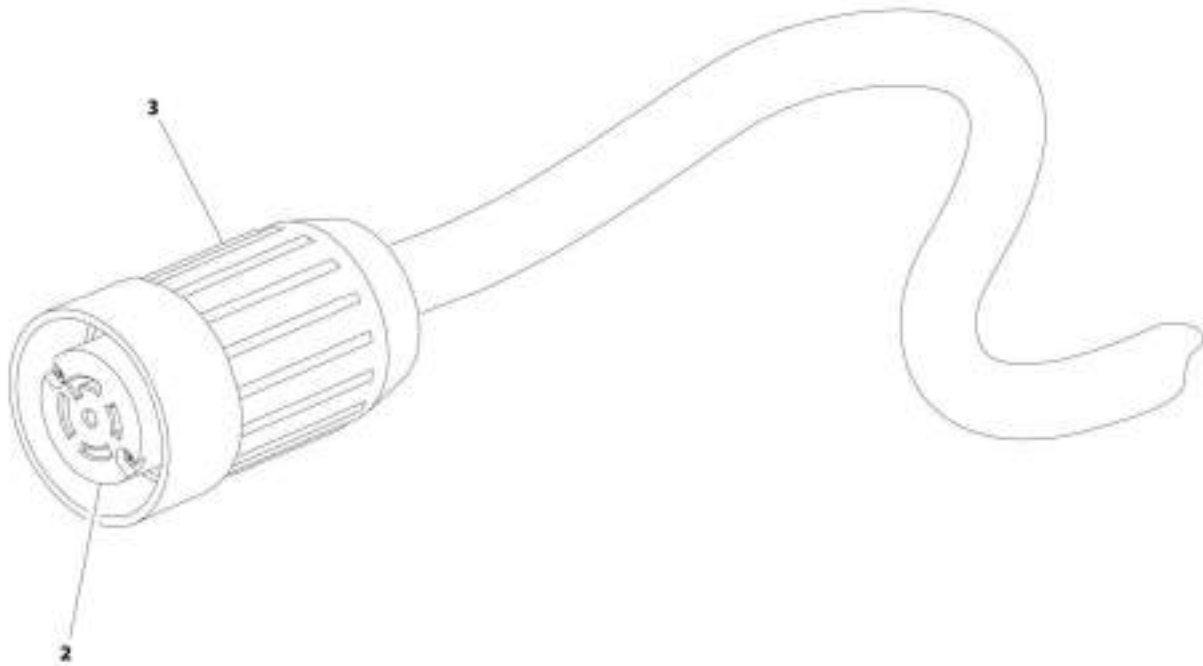
## SECTION 8 - ELECTRICAL

**FIGURE 8-13. BOOM AC CABLE - AUSTRALIAN AND CE SPECS**

ITEM	PART NUMBER	QTY	DESCRIPTION	REV
2	1001157636 4460134	Ref 1	BOOM AC CABLE - AUSTRALIAN AND CE SPECS Receptacle	A

## SECTION 8 - ELECTRICAL

FIGURE 8-14. BOOM AC CABLE - SKYPOWER (Prior to SN 0300228529)



ART\_5931141750

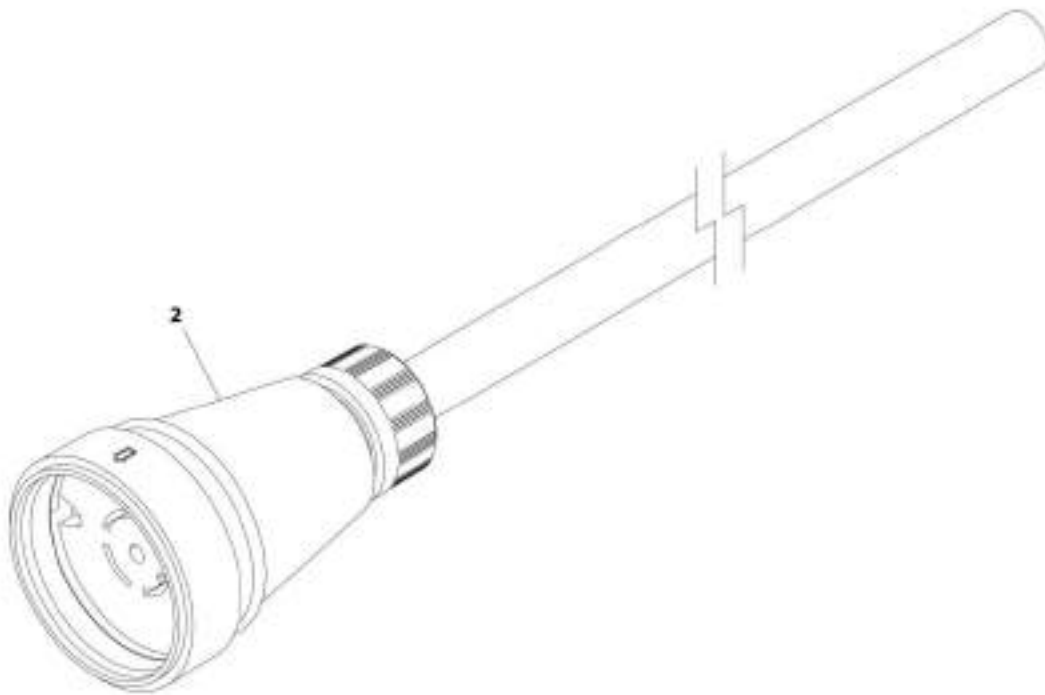
## SECTION 8 - ELECTRICAL

**FIGURE 8-14. BOOM AC CABLE - SKYPOWER (Prior to SN 0300228529)**

ITEM	PART NUMBER	QTY	DESCRIPTION	REV
	1001161730	Ref	BOOM AC CABLE - SKYPOWER (Prior to SN 0300228529)	B
2	4460960	1	Receptacle	
3	1671092	1	Cover	

## SECTION 8 - ELECTRICAL

FIGURE 8-15. BOOM AC CABLE - SKYPOWER (SN 0300228529 to Present)



ART\_18501226187

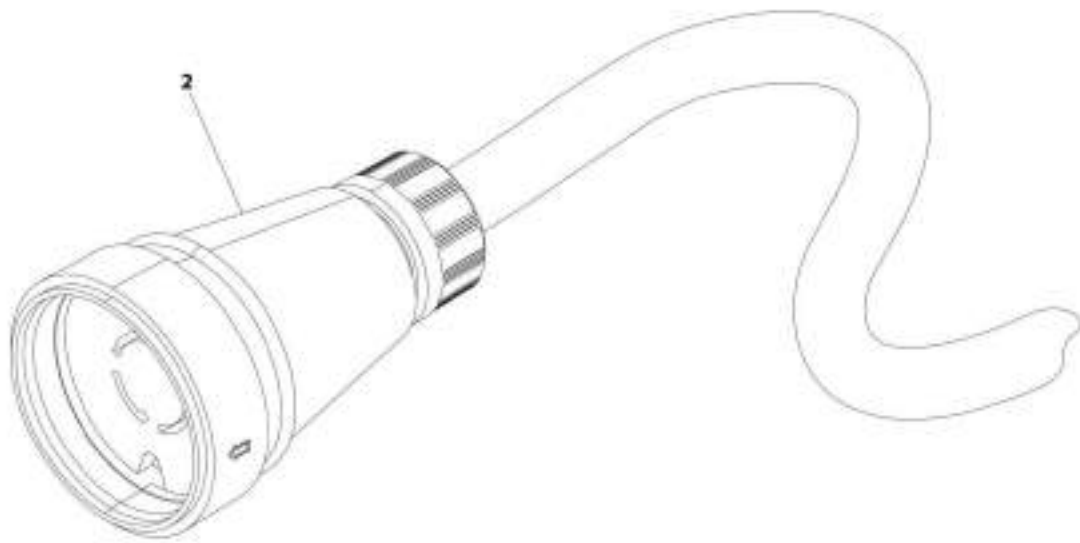
## SECTION 8 - ELECTRICAL

**FIGURE 8-15. BOOM AC CABLE - SKYPOWER (SN 0300228529 to Present)**

ITEM	PART NUMBER	QTY	DESCRIPTION	REV
2	1001226287	Ref	BOOM AC CABLE - SKYPOWER (SN 0300228529 to Present) Receptacle	A
	1001218623	1		

## SECTION 8 - ELECTRICAL

FIGURE 8-16. BOOM AC CABLE - MAIN BOOM WITH 4000W 50HZ GENERATOR (ANSI EXPORT, AUSTRALIAN, CE AND JAPANESE SPECS)



ART\_1001211136

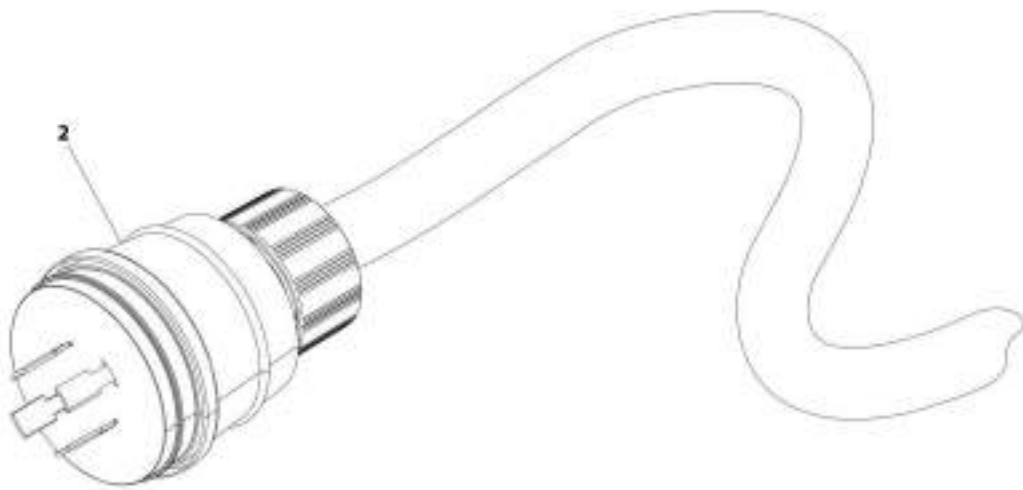
## SECTION 8 - ELECTRICAL

**FIGURE 8-16. BOOM AC CABLE - MAIN BOOM WITH 4000W 50HZ GENERATOR (ANSI EXPORT, AUSTRALIAN, CE AND JAPANESE SPECS)**

ITEM	PART NUMBER	QTY	DESCRIPTION	REV
	1001211130	Ref	BOOM AC CABLE - MAIN BOOM WITH 4000W 50HZ GENERATOR (ANSI EXPORT, AUSTRALIAN, CE AND JAPANESE SPECS)	A
2	1001211315	1	Receptacle	

## SECTION 8 - ELECTRICAL

FIGURE 8-17. BOOM AC CABLE - JIB BOOM WITH 4000W 50HZ GENERATOR (ANSI EXPORT, AUSTRALIAN, CE AND JAPANESE SPECS)



ART\_1001211131



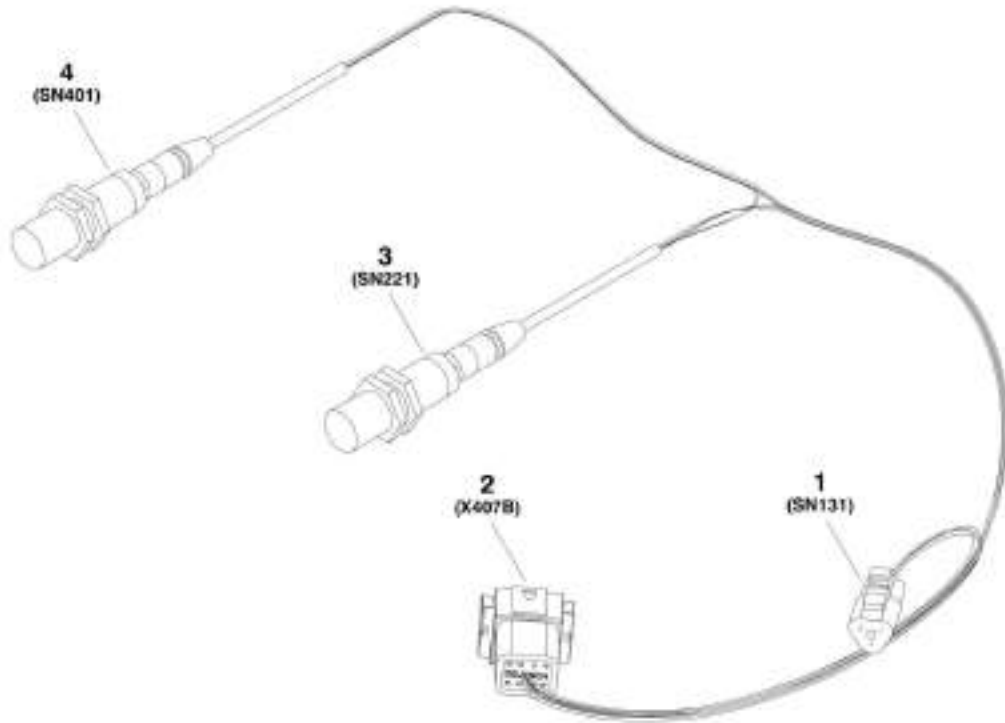
## SECTION 8 - ELECTRICAL

**FIGURE 8-17. BOOM AC CABLE - JIB BOOM WITH 4000W 50HZ GENERATOR (ANSI EXPORT, AUSTRALIAN, CE AND JAPANESE SPECS)**

ITEM	PART NUMBER	QTY	DESCRIPTION	REV
	1001211131	Ref	BOOM AC CABLE - JIB BOOM WITH 4000W 50HZ GENERATOR (ANSI EXPORT, AUSTRALIAN, CE AND JAPANESE SPECS)	A
2	1001211314	1	Receptacle	

## SECTION 8 - ELECTRICAL

FIGURE 8-18. BOOM HARNESS (Prior to SN 0300224828)



1001156411

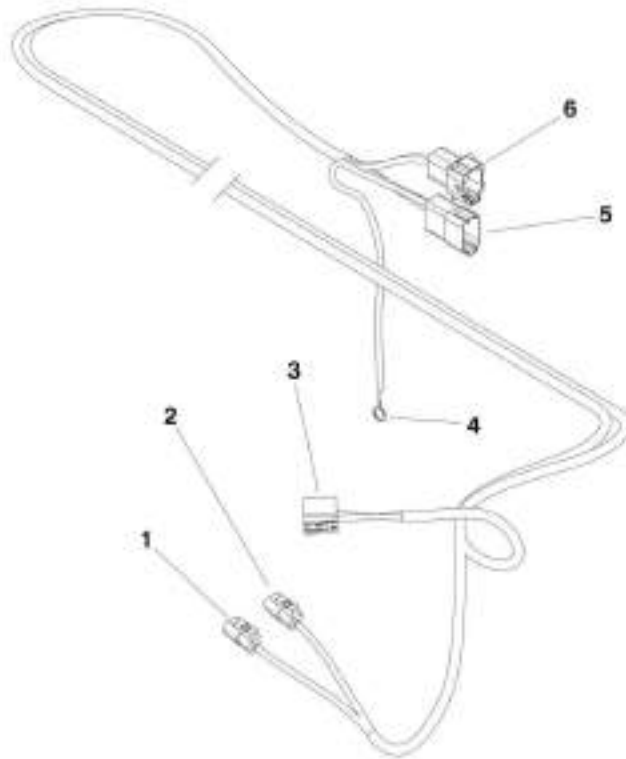
## SECTION 8 - ELECTRICAL

**FIGURE 8-18. BOOM HARNESS (Prior to SN 0300224828)**

ITEM	PART NUMBER	QTY	DESCRIPTION	REV
	1001158411	Ref	BOOM HARNESS (Prior to SN 0300224828)	E
1	4460539	1	Connector - 3 Position	
1	4460465	3	Socket, Female	
2	1001116813	1	Connector - 8 Position	
2	4460464	8	Pin, Male	
3	4360527	1	Switch, Proximity with Harness	
4	4360527	1	Switch, Proximity with Harness	

## SECTION 8 - ELECTRICAL

FIGURE 8-19. BOOM SENSOR HARNESS (Prior to SN 0300224828)



100159010

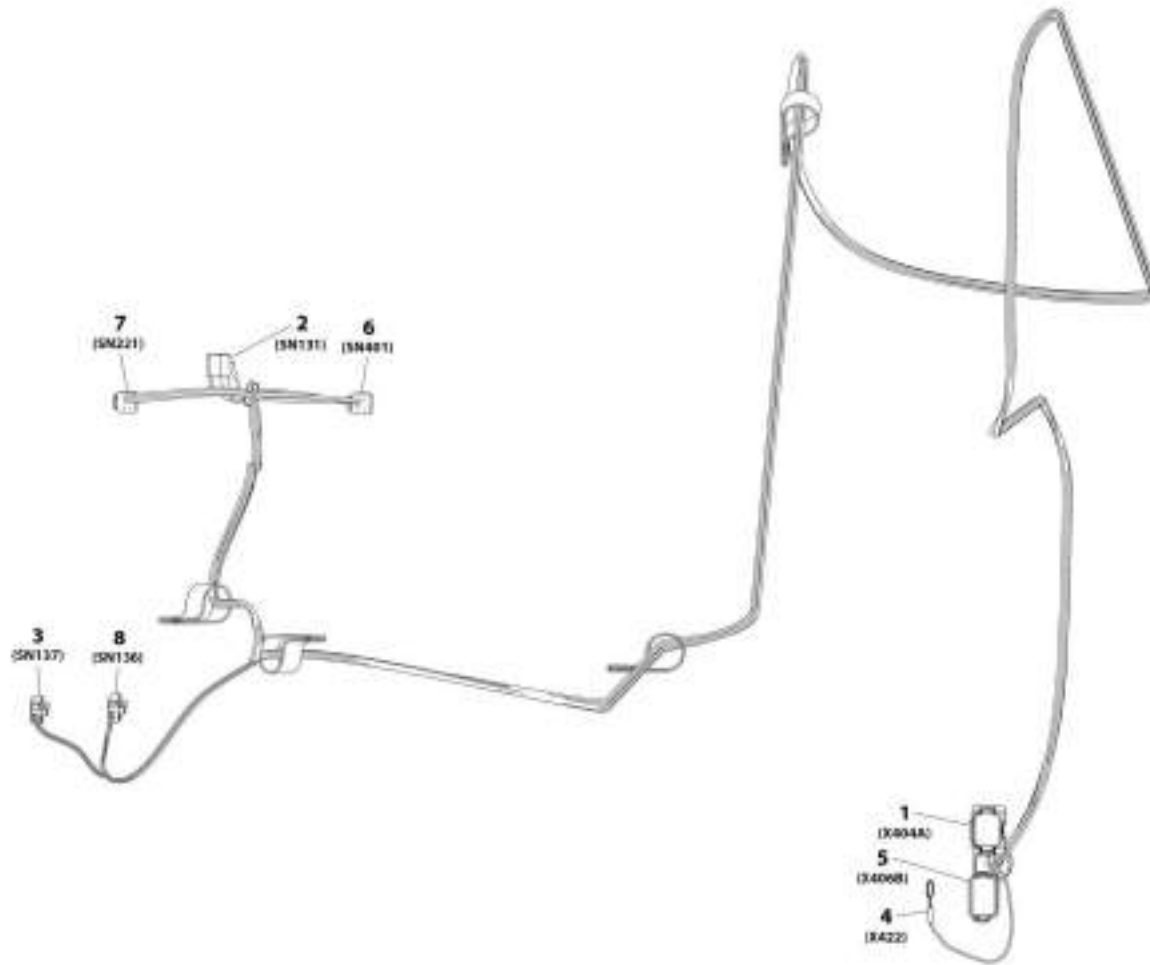
## SECTION 8 - ELECTRICAL

**FIGURE 8-19. BOOM SENSOR HARNESS (Prior to SN 0300224828)**

ITEM	PART NUMBER	QTY	DESCRIPTION	REV
	1001158015	Ref	BOOM SENSOR HARNESS (Prior to SN 0300224868)	F
1	4460911	1	Connector - 3 Position	
1	4460918	3	Socket, Female	
2	4460911	1	Connector - 3 Position	
2	4460918	3	Socket, Female	
3	4460851	1	Connector - 8 Position	
3	4460465	8	Socket, Female	
4	4460703	1	Ring, Terminal	
5	4460931	1	Connector - 8 Position	
5	4460464	8	Pin, Male	
6	1001116813	1	Connector - 8 Position	
6	4460464	8	Pin, Male	

# SECTION 8 - ELECTRICAL

FIGURE 8-20. BOOM SENSOR HARNESS (SN 0300224828 to Present)



ART\_1001215949

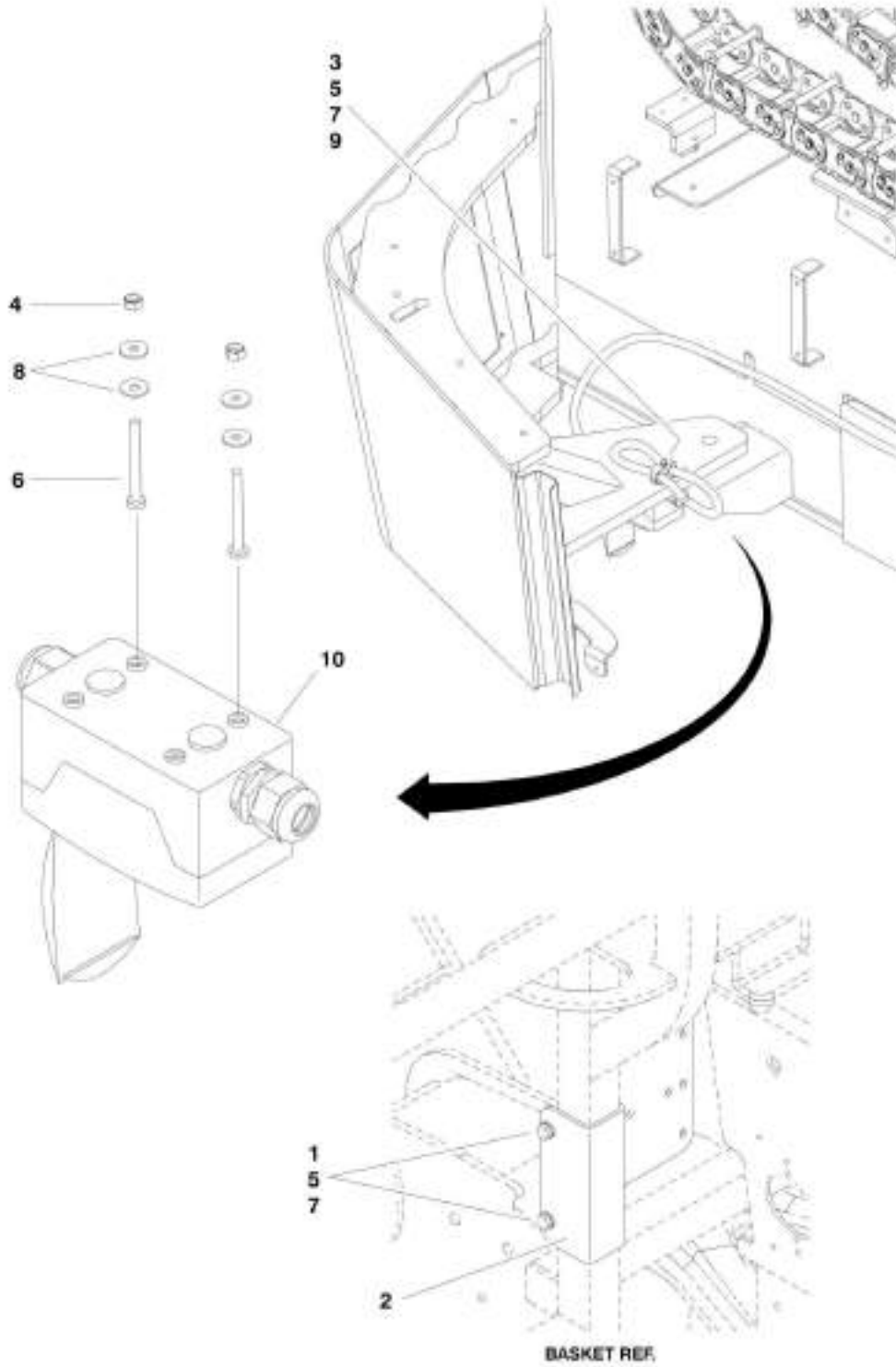
## SECTION 8 - ELECTRICAL

**FIGURE 8-20. BOOM SENSOR HARNESS (SN 0300224828 to Present)**

ITEM	PART NUMBER	QTY	DESCRIPTION	REV
	1001215949	Ref	BOOM SENSOR HARNESS (SN 0300224828 to Present)	A
1	1001116813	1	Connector - 8 Position	
1	4460464	8	Pin, Male	
2	4460539	1	Connector - 3 Position	
2	4460465	3	Socket, Female	
3	4460911	1	Connector - 3 Position	
3	1001126008	3	Socket, Female	
3	4460912	1	Wedge, Locking	
4	4460703	1	Ring, Terminal	
5	4460931	1	Connector - 8 Position	
5	4460464	6	Pin, Male	
5	4460466	2	Seal, Plug	
6	4461077	1	Connector - 4 Position	
6	1001126008	3	Socket, Female	
7	4461077	1	Connector - 4 Position	
7	1001126008	3	Socket, Female	
8	4460911	1	Connector - 3 Position	
8	1001126008	3	Socket, Female	
8	4460912	1	Wedge, Locking	

# SECTION 8 - ELECTRICAL

FIGURE 8-21. BREAKER BOX ASSEMBLY - AC CABLE (CE SPEC)



100116221



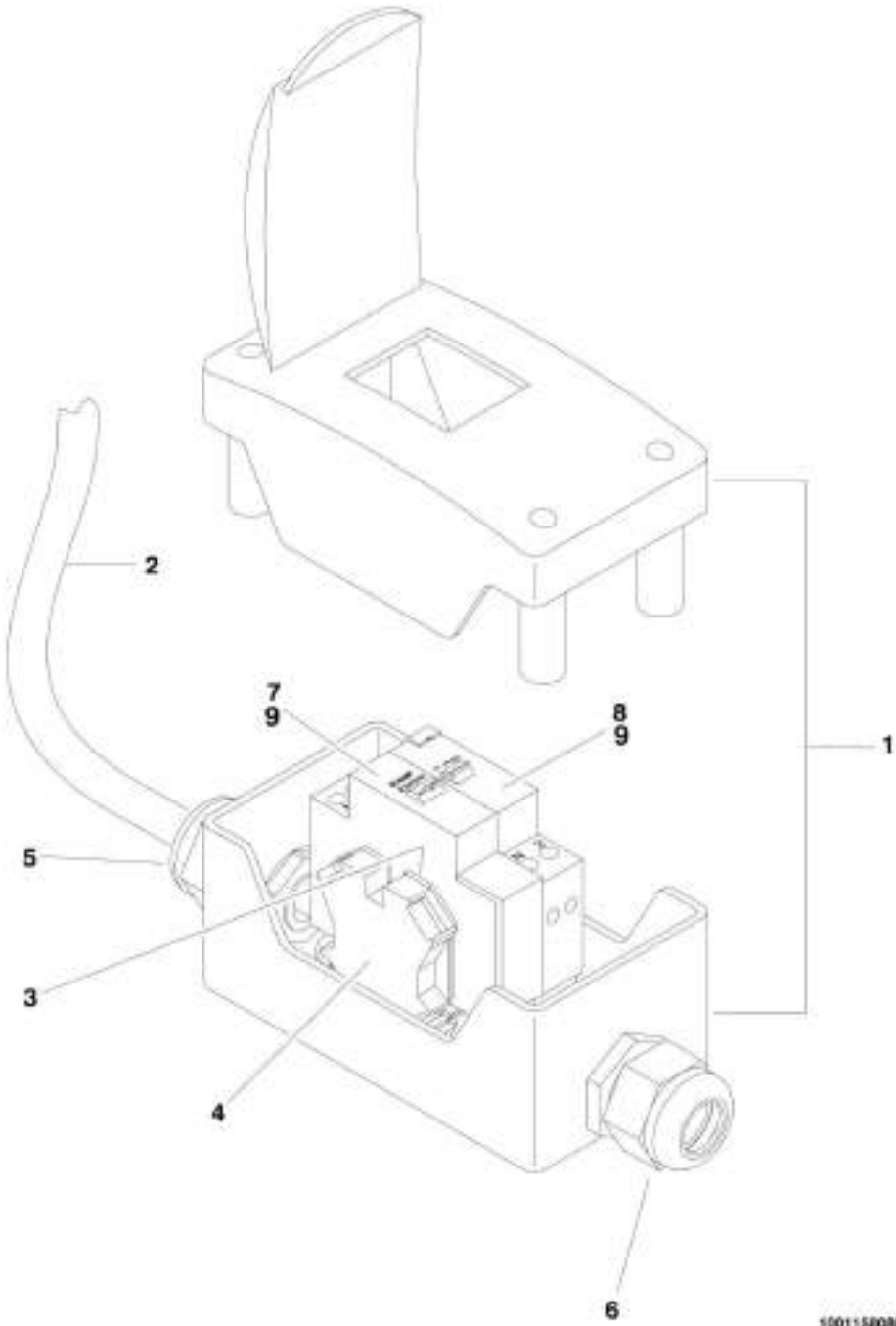
## SECTION 8 - ELECTRICAL

**FIGURE 8-21. BREAKER BOX ASSEMBLY - AC CABLE (CE SPEC)**

ITEM	PART NUMBER	QTY	DESCRIPTION	REV
	1001156221	Ref	BREAKER BOX ASSEMBLY - AC CABLE (CE SPEC)	B
1	0700618	2	Bolt M6 x 50 <b>(Prior to SN 0300235248)</b>	
2	0903484	1	Bracket <b>(Prior to SN 0300235248)</b>	
3	1320146	1	Clamp	
4	3290405	2	Locknut M4	
5	3290605	AR	Locknut M6	
6	4010416	2	Screw, M4 x 40	
7	4811700	AR	Washer, M6	
8	1001091102	4	Washer, M4	
9	1001096653	1	Bolt M6 x 70	
10	1001158080	1	Kit, Breaker Box (See KIT - BREAKER BOX for Breakdown)	

**SECTION 8 - ELECTRICAL**

**FIGURE 8-22. BREAKER BOX KIT - AC CABLE**



1001150080

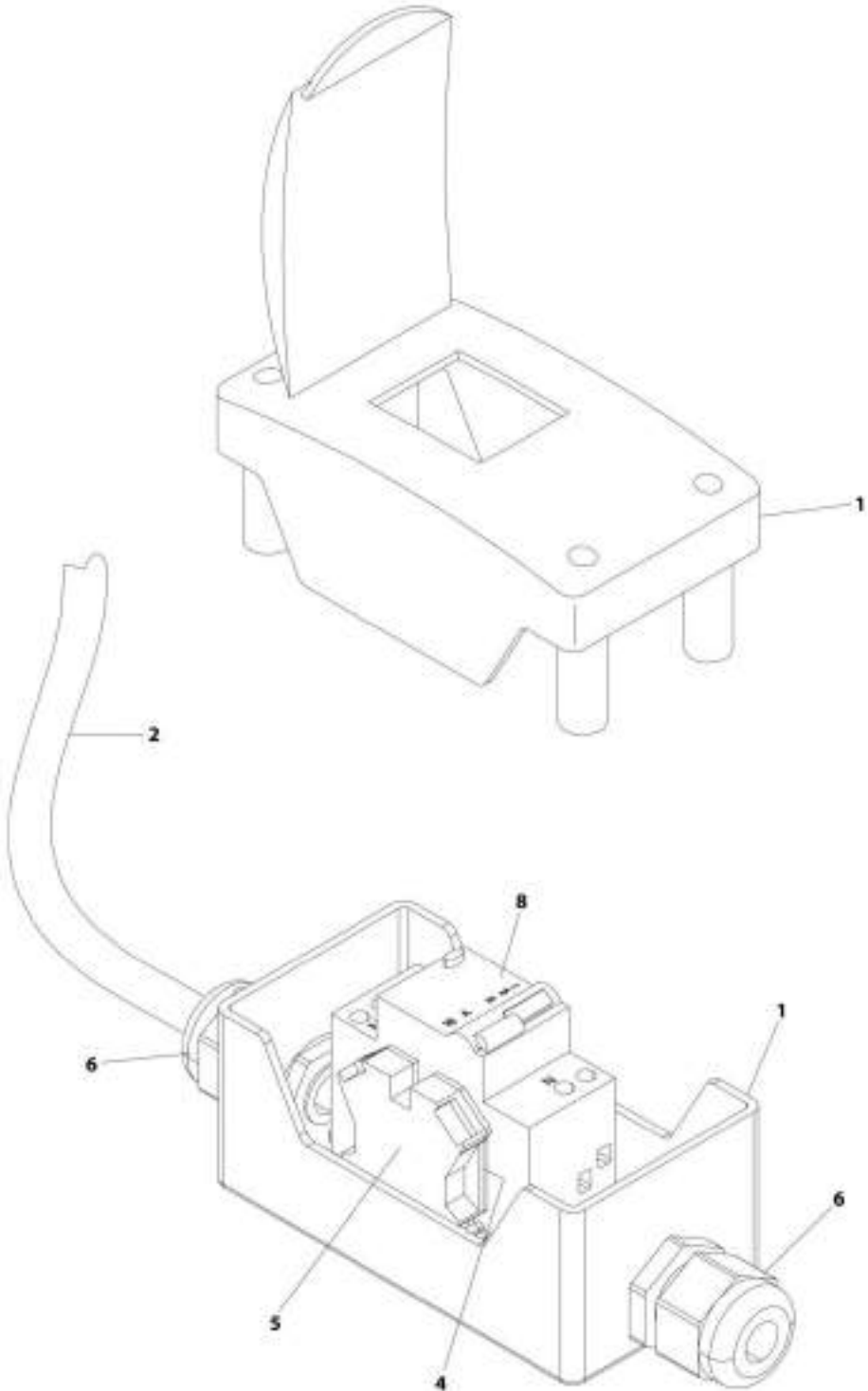
## SECTION 8 - ELECTRICAL

**FIGURE 8-22. BREAKER BOX KIT - AC CABLE**

ITEM	PART NUMBER	QTY	DESCRIPTION	REV
	1001158080	Ref	BREAKER BOX KIT - AC CABLE	B
1	0861880	1	Box	
2	1060908	39 in/1m	Cable, 12/3	
3	4460956	1	Barrier, Terminal	
4	4460957	1	Block, Terminal	
5	1001097150	1	Connector, Strain Relief	
6	1001101191	1	Connector, Strain Relief	
7	1001109475	NLA	Breaker 16Amp (Use p/n 1001181045) <b>(Prior to SN 0300204784)</b>	
8	1001109482	NLA	Breaker 30mA (Use p/n 1001181045) <b>(Prior to SN 0300204784)</b>	
9	1001181045	1	Breaker, Double 30mA/16Amp <b>(SN 0300204784 to Present)</b>	

**SECTION 8 - ELECTRICAL**

**FIGURE 8-23. BREAKER BOX KIT - 4000W 50HZ GENERATOR**



ART\_100106611

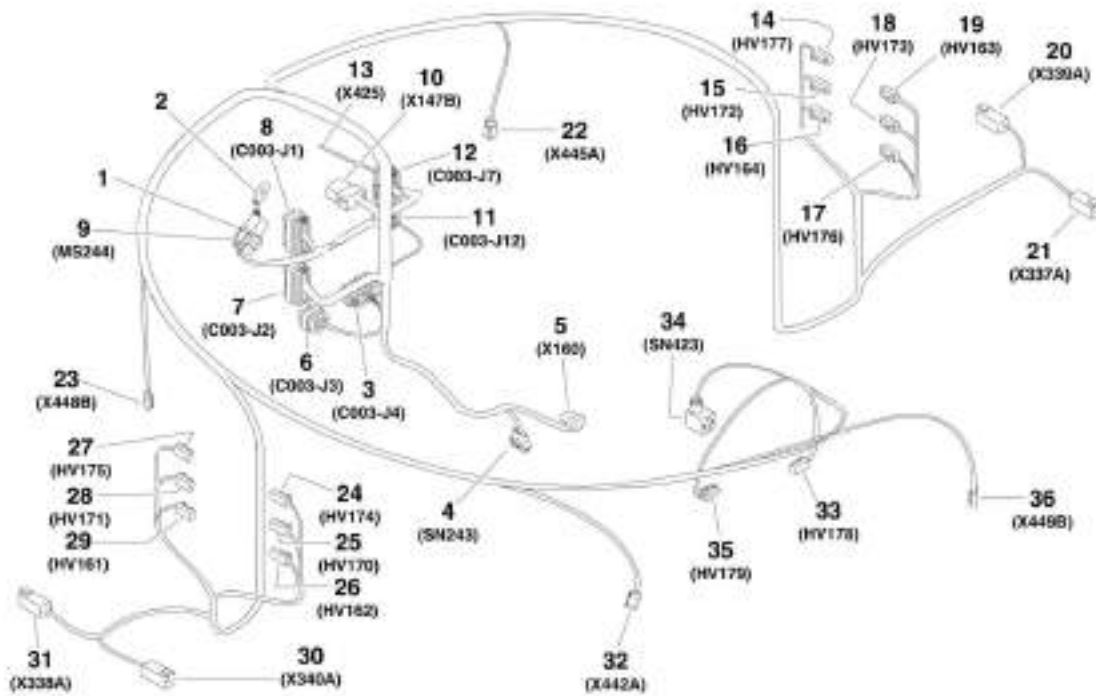
## SECTION 8 - ELECTRICAL

**FIGURE 8-23. BREAKER BOX KIT - 4000W 50HZ GENERATOR**

ITEM	PART NUMBER	QTY	DESCRIPTION	REV
	1001096612	Ref	BREAKER BOX KIT - 4000W 50HZ GENERATOR	C
1	0861880	1	Box	
2	1060908	4.5 ft /1.4m	Cable, 12/3	
4	4460956	1	Barrier, Terminal	
5	4460957	1	Block, Terminal	
6	1001097150	2	Connector, Strain Relief	
8	1001181045	1	Breaker, Double 30mAmp/16Amp	

# SECTION 8 - ELECTRICAL

## FIGURE 8-24. CHASSIS HARNESS



1001148875

## SECTION 8 - ELECTRICAL

### FIGURE 8-24. CHASSIS HARNESS

ITEM	PART NUMBER	QTY	DESCRIPTION	REV
	1001149975	Ref	CHASSIS HARNESS	H
1	4460852	1	Connector - 8 Position	
2	1001155743	1	Holder	
3	4460876	1	Connector - 35 Position	
3	4460871	4	Socket, Female	
3	4460905	31	Seal, Plug	
4	1001117064	NLA	Connector - 6 Position (Use p/n 1001230931) <b>(Prior to SN 0300237554)</b>	
4	1001230931	1	Connector - 6 Position <b>(SN 0300237554 to Present)</b>	
4	91554014	NLA	Terminal (Use p/n 1001116748) <b>(Prior to SN 0300237554)</b>	
4	1001116748	6	Terminal <b>(SN 0300237554 to Present)</b>	
5	4460761	1	Connector - 4 Position	
5	4460227	4	Pin, Male	
6	4460872	1	Connector - 14 Position	
6	4460871	5	Socket, Female	
6	4460905	9	Seal, Plug	
7	4460875	1	Connector - 35 Position	
7	4460871	21	Socket, Female	
7	4460905	14	Seal, Plug	
8	4460874	1	Connector - 35 Position	
8	4460871	10	Socket, Female	
8	4460905	25	Seal, Plug	
9	4460851	1	Connector - 8 Position	
9	4460465	7	Socket, Female	
9	4460466	1	Seal, Plug	
10	4460950	1	Connector - 12 Position	
10	4460943	3	Pin, Male (Gold)	
10	4460464	3	Pin, Male	
10	4460466	6	Seal, Plug	
11	1001113961	1	Connector - 8 Position	
11	4460871	1	Socket, Female	
11	4460905	7	Seal, Plug	
12	4460873	1	Connector - 35 Position	
12	4460871	22	Socket, Female	
12	4460905	13	Seal, Plug	
13	4461271	1	Connector - 1 Position	
14	4460891	1	Connector - 2 Position	
14	4460465	2	Socket, Female	
15	4460891	1	Connector - 2 Position	
15	4460465	2	Socket, Female	
16	4460891	1	Connector - 2 Position	
16	4460465	2	Socket, Female	
17	4460891	1	Connector - 2 Position	
17	4460465	2	Socket, Female	
18	4460891	1	Connector - 2 Position	
18	4460465	2	Socket, Female	
19	4460891	1	Connector - 2 Position	
19	4460465	2	Socket, Female	
20	4460899	1	Connector - 6 Position	
20	4460464	4	Pin, Male	

## SECTION 8 - ELECTRICAL

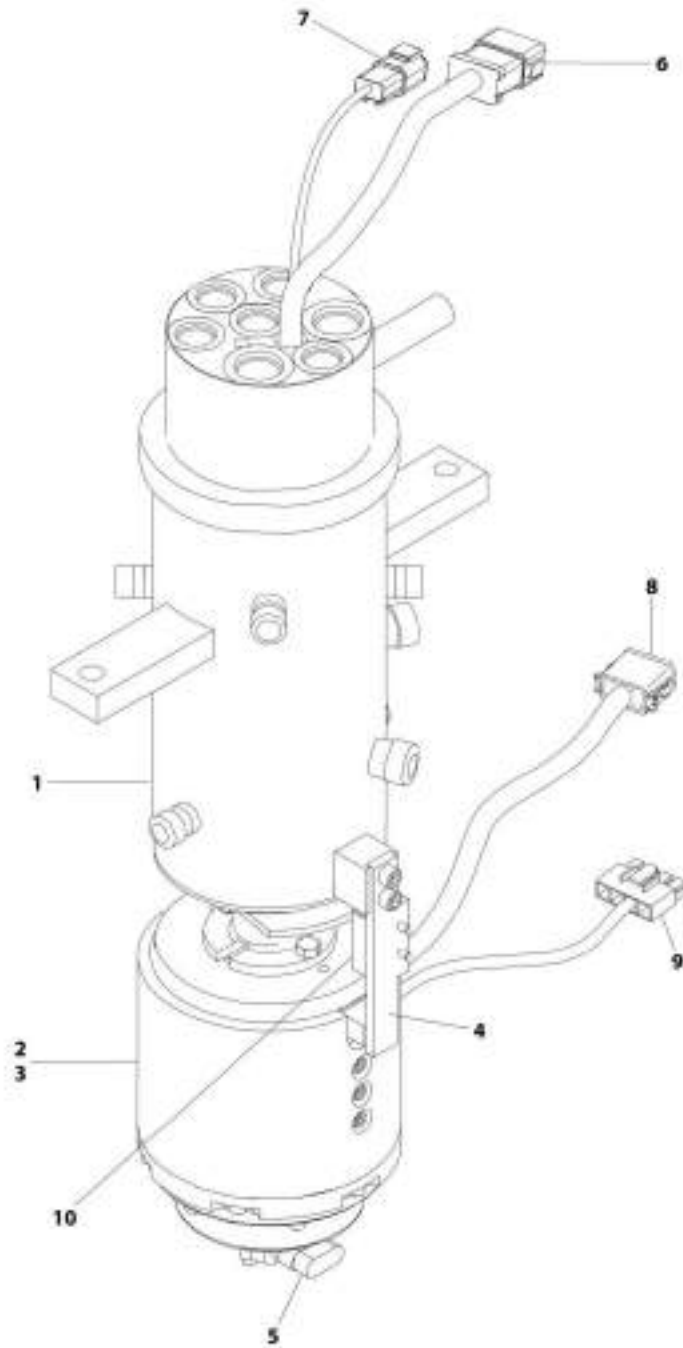
ITEM	PART NUMBER	QTY	DESCRIPTION	REV
20	4460466	2	Plug, Seal	
21	4460899	1	Connector - 6 Position	
21	4460464	4	Pin, Male	
21	4460466	2	Plug, Seal	
22	4460911	1	Connector - 3 Position	
23	4460911	1	Connector - 3 Position	
24	4460891	1	Connector - 2 Position	
24	4460465	2	Socket, Female	
25	4460891	1	Connector - 2 Position	
25	4460465	2	Socket, Female	
26	4460891	1	Connector - 2 Position	
26	4460465	2	Socket, Female	
27	4460891	1	Connector - 2 Position	
27	4460465	2	Socket, Female	
28	4460891	1	Connector - 2 Position	
28	4460465	2	Socket, Female	
29	4460891	1	Connector - 2 Position	
29	4460465	2	Socket, Female	
30	4460899	1	Connector - 6 Position	
30	4460464	4	Pin, Male	
30	4460466	2	Plug, Seal	
31	4460899	1	Connector - 6 Position	
31	4460464	4	Pin, Male	
31	4460466	2	Plug, Seal	
32	4460911	1	Connector - 3 Position	
33	4460891	1	Connector - 2 Position	
33	4460465	2	Socket, Female	
34	4460880	1	Connector - 3 Position	
35	4460891	1	Connector - 2 Position	
35	4460465	2	Socket, Female	
36	4460911	1	Connector - 3 Position	





# SECTION 8 - ELECTRICAL

## FIGURE 8-25. COUPLING/COLLECTOR RING HARNESS AND COMPONENTS



ART\_1001146078

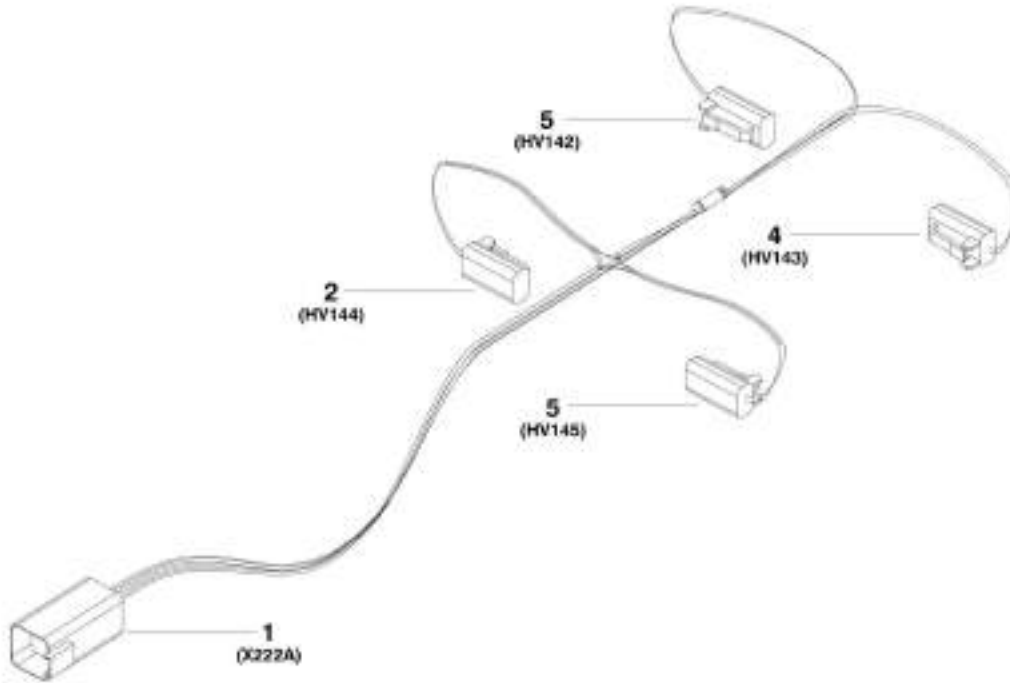
## SECTION 8 - ELECTRICAL

**FIGURE 8-25. COUPLING/COLLECTOR RING HARNESS AND COMPONENTS**

ITEM	PART NUMBER	QTY	DESCRIPTION	REV
	1001146978	Ref	COUPLING/COLLECTOR RING HARNESS AND COMPONENTS	G
1	70004324	1	Coupling	
1	70004325	1	Kit, Seal - Coupling	
2	70003485	1	Contactora, Circuit (Does not include connectors or pins)	
3	0100048	AR	Grease, Silicone (Apply to Contactora Connector)	
4	70003484	1	Arm	
5	1001133759	1	Sensor	
6	4460837	1	Connector - 12 Position	
6	4460943	3	Pin, Male (Gold)	
6	4640464	3	Pin, Male	
6	4460466	6	Seal, Plug	
7	4461017	1	Connector - 2 Position	
7	4460508	2	Pin, Male	
8	4460836	1	Connector - 12 Position	
8	4460944	5	Socket, Female (Gold)	
8	4640465	3	Socket, Female	
8	4460466	4	Seal, Plug	
9	4460878	1	Connector - 4 Position	
9	4460887	2	Terminal	
10	7026031	1	Switch, Proximity	

# SECTION 8 - ELECTRICAL

## FIGURE 8-26. DRIVE PUMP HARNESS



1001140079

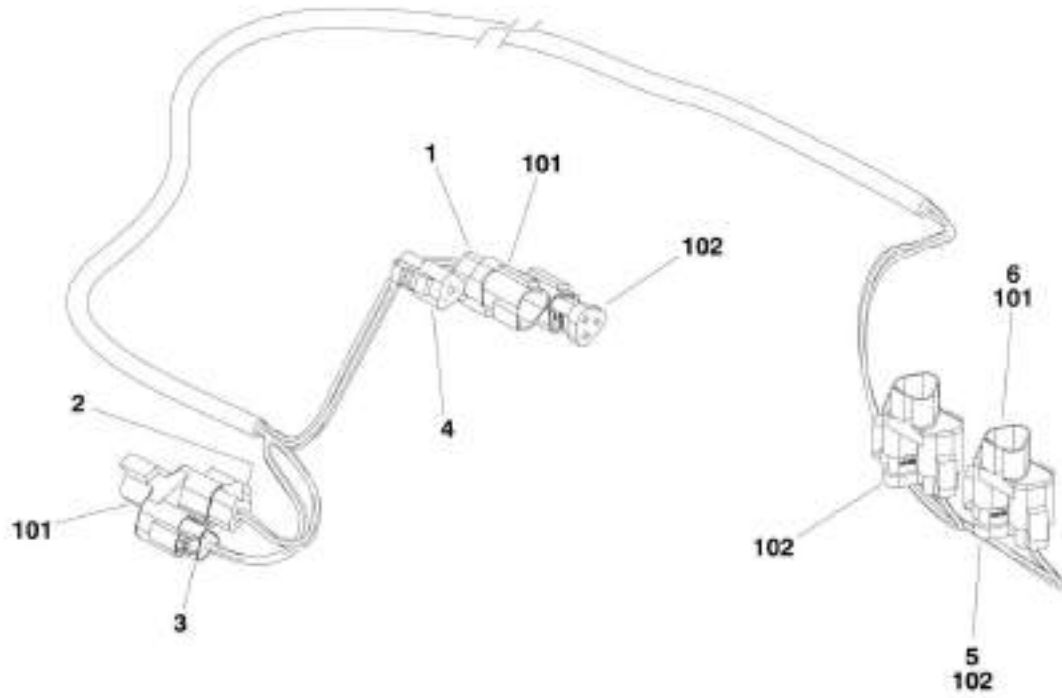
## SECTION 8 - ELECTRICAL

### FIGURE 8-26. DRIVE PUMP HARNESS

ITEM	PART NUMBER	QTY	DESCRIPTION	REV
	1001149970	Ref	DRIVE PUMP HARNESS	B
1	4460899	1	Connector - 6 Position	
1	4460464	5	Pin, Male	
1	4460466	1	Plug, Seal	
2	4460891	1	Connector - 2 Position	
2	4460465	2	Socket, Female	
3	4460891	1	Connector - 2 Position	
3	4460465	2	Socket, Female	
4	4460891	1	Connector - 2 Position	
4	4460465	2	Socket, Female	
5	4460891	1	Connector - 2 Position	
5	4460465	2	Socket, Female	

# SECTION 8 - ELECTRICAL

## FIGURE 8-27. ENGINE CAN HARNESS



1001150001

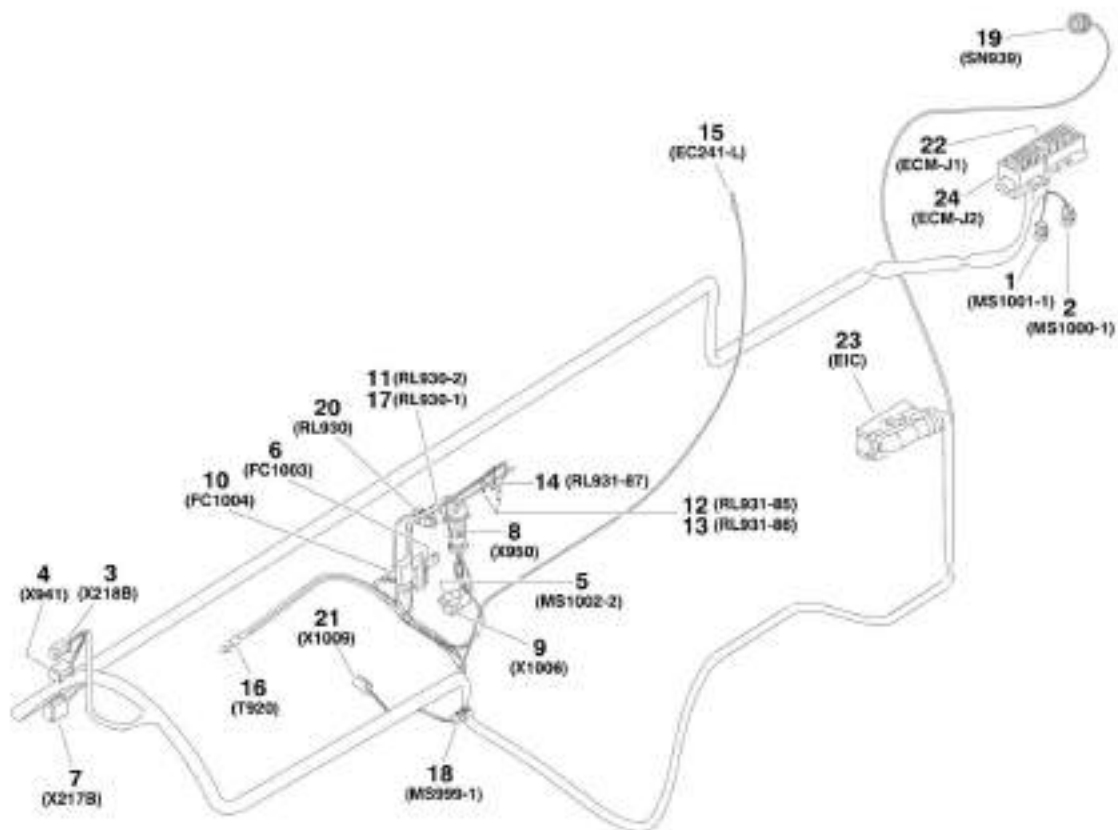
## SECTION 8 - ELECTRICAL

### FIGURE 8-27. ENGINE CAN HARNESS

ITEM	PART NUMBER	QTY	DESCRIPTION	REV
	1001156001	Ref	ENGINE CAN HARNESS	B
1	1001116812	1	Connector - 3 Position	
1	4460944	3	Socket, Female	
2	4460539	1	Connector - 3 Position	
2	4460944	3	Socket, Female	
3	1001116812	1	Connector - 3 Position	
3	4460944	3	Socket, Female	
4	4460539	1	Connector - 3 Position	
4	4460944	3	Socket, Female	
5	4460539	1	Connector - 3 Position	
5	4460944	3	Socket, Female	
6	4460539	1	Connector - 3 Position	
6	4460944	3	Socket, Female	
101	4460945	4	Connector, Tee	
102	1001116815	3	Connector - 3 Position	

# SECTION 8 - ELECTRICAL

## FIGURE 8-28. ENGINE HARNESS - DEUTZ T4I ENGINES



1001148671



## SECTION 8 - ELECTRICAL

### FIGURE 8-28. ENGINE HARNESS - DEUTZ T4I ENGINES

ITEM	PART NUMBER	QTY	DESCRIPTION	REV
	1001149971	Ref	ENGINE HARNESS - DEUTZ T4I ENGINES	F
1	1001116812	1	Connector - 3 Position	
1	4460944	2	Socket, Female	
1	4460466	1	Plug, Socket	
2	1001116812	1	Connector - 3 Position	
2	4460944	2	Socket, Female	
2	4460466	1	Plug, Socket	
3	4460894	1	Connector - 6 Position	
3	4460944	3	Socket, Female	
3	4460466	3	Plug, Socket	
4	4460884	1	Connector - 4 Position <b>(Prior to SN 0300224868)</b>	
4	1001220379	1	Connector - 4 Position <b>(SN 0300224828 to Present)</b>	
4	4460942	2	Socket, Female	
4	4460465	2	Socket, Female	
4	4460932	1	Connector - 4 Position <b>(SN 0300204250 to Present)</b>	
4	4460466	4	Plug, Socket <b>(SN 0300204250 to Present)</b>	
5	4460539	1	Connector - 3 Position	
5	4460944	2	Socket, Female	
5	4460466	1	Plug, Socket	
6	1001119412	1	Fuseholder	
6	See Note	NSS	Fuse 5A (Note: Purchase Locally)	
6	1001116732	1	Terminal	
6	1001128128	1	Plug, Socket	
7	4460930	1	Connector, Female - 8 Position	
7	4460944	1	Socket, Female	
7	4460466	7	Plug, Seal	
8	2902443	1	Kit, Receptacle	
8	4461071	8	Socket, Female	
8	4461072	1	Connector	
8	4461043	1	Cap, Dust	
8	4461074	1	Shell, Back	
9	4460536	1	Connector - 3 Position	
9	4460943	2	Pin, Male	
9	4460466	1	Plug, Socket	
10	1001117023	1	Fuseholder	
10	See Note	NSS	Fuse 10A (Note: Purchase Locally)	
10	1001116732	1	Terminal	
10	1001128128	1	Plug, Socket	
11	1001117106	1	Ring, Terminal	
12	4460247	1	Ring, Terminal	
13	4460247	1	Ring, Terminal	
14	4460703	1	Ring, Terminal	
15	4460042	1	Ring, Terminal	
16	8220115	1	Ring, Terminal	
17	4460043	1	Ring, Terminal	
18	1001116812	1	Connector - 3 Position	
18	4460944	3	Socket, Female	
19	1001133714	1	Connector - 4 Position	
19	1001133715	3	Socket, Female	
20	1001116952	1	Connector - 2 Position	

## SECTION 8 - ELECTRICAL

ITEM	PART NUMBER	QTY	DESCRIPTION	REV
20	4460465	1	Socket, Female	
20	4460466	1	Seal, Plug	
21	4460891	1	Connector, Male - 2 Position	
21	4460465	2	Socket, Female	
21	4460897	1	Connector, Female - 2 Position	
21	4460464	2	Pin, Male	
21	See Note	NSS	Resistor 1.5ohm (Note: Not Available for Purchase)	
21	1001156692	AR	Heat Shrink	
22	1001133956	1	Connector - 94 Position	
22	1001126352	6	Terminal 13-17Ga	
22	1001126384	21	Terminal 18-20Ga	
22	1001126351	2	Terminal 15-18Ga	
22	1001126357	2	Plug, Socket	
22	1001126356	63	Plug, Socket	
23	1001126362	1	Connector - 62 Position	
23	1001126365	2	Terminal 17-20Ga	
23	1001126363	35	Terminal 17-20Ga (Gold)	
23	1001126391	21	Plug, Socket	
23	4461008	4	Plug, Socket	
24	1001133957	1	Connector - 60 Position	
24	1001126351	13	Terminal 15-18Ga	
24	1001126384	17	Terminal 18-20Ga	
24	1001126357	11	Plug, Socket	
24	1001126356	19	Plug, Socket	





## SECTION 8 - ELECTRICAL

### FIGURE 8-29. ENGINE HARNESS - DEUTZ T4F ENGINES

ITEM	PART NUMBER	QTY	DESCRIPTION	REV
	1001188922	Ref	ENGINE HARNESS - DEUTZ T4F ENGINES	I
1	4460892	1	Buss Bar - 6 Position	
2	4460945	2	Connector, Tee <b>(Prior to SN 0300215913)</b>	
3	4461070	3	Connector, Terminating - 3 Position	
4	8229242	2	Fuse, 5 Amp	
5	8229244	1	Fuse, 15 Amp	
6	8229247	1	Fuse, 25 Amp	
7	1001095704	5	Relay	
8	1001120328	2	Mount	
9	1001125677	1	Connector, Bussbar	
10	1001190921	1	Seal	
11	1001197719	1	Resistor 620ohm	
12	4460984	1	Receptacle, Female - 8 Position <b>(SN 0300215913 to Present)</b>	
13	1001155743	1	Mount <b>(SN 0300215913 to Present)</b>	
14	1001187882	1	Cover, Connector <b>(SN 0300215913 through 0300221069)</b>	
14	1001216318	1	Cover, Connector <b>(SN 0300221070 to Present)</b>	
101	1001167615	1	Connector - 91 Position	
101	1001166551	6	Terminal	
101	1001167621	20	Terminal	
101	1001167622	65	Plug, Terminal	
101	1001126353	6	Seal	
102	1001167625	1	Connector - 105 Position	
102	1001166555	13	Terminal	
102	1001167621	50	Terminal	
102	1001167622	36	Plug, Terminal	
102	1001167623	6	Seal	
103	4461095	3	Connector - 3 Position	
103	4460944	4	Socket, Female	
103	4460465	2	Socket, Female	
103	4460466	3	Plug, Terminal	
104	4460930	2	Connector - 8 Position	
104	4460465	10	Socket, Female	
104	4460466	6	Plug, Terminal	
105	4460539	2	Plug, Male - 3 Position <b>(Prior to SN 0300215913)</b>	
105	4460944	4	Socket, Female <b>(Prior to SN 0300215913)</b>	
105	4460466	2	Plug, Terminal <b>(Prior to SN 0300215913)</b>	
106	1001116812	3	Plug, Male - 3 Position <b>(Prior to SN 0300215913)</b>	
106	4460944	6	Socket, Female <b>(Prior to SN 0300215913)</b>	
106	4460466	3	Plug, Terminal <b>(Prior to SN 0300215913)</b>	
107	1001116815	1	Plug, Male - 3 Position <b>(Prior to SN 0300215913)</b>	
108	1001167620	1	Connector - 4 Position	
108	1001176004	2	Socket, Female	
108	1001167624	2	Plug, Terminal	
108	1001176002	2	Seal	
109	2400066	1	Fuseholder with Leads	
110	1001117107	1	Terminal, Ring	
111	8220045	1	Terminal, Ring	
112	4460894	2	Plug, Male - 6 Position	
112	4460465	7	Socket, Female	
112	4460944	2	Socket, Female	

## SECTION 8 - ELECTRICAL

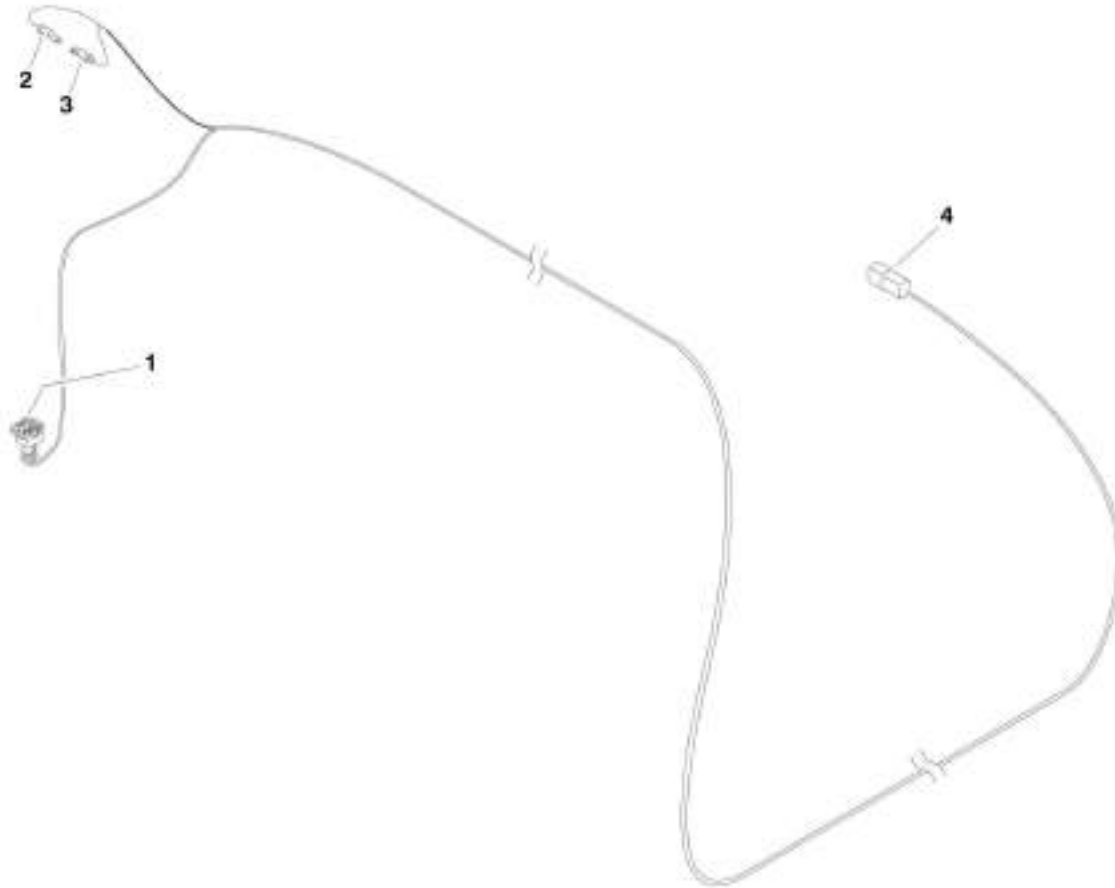
ITEM	PART NUMBER	QTY	DESCRIPTION	REV
112	4460942	1	Socket, Female	
112	4460466	2	Plug, Socket	
113	4460884	1	Plug, Male - 4 Position	
113	4460465	2	Socket, Female	
113	4460942	2	Socket, Female	
114	4460934	1	Plug, Male - 12 Position	
114	4460942	2	Socket, Female	
114	4460465	8	Socket, Female	
114	4460466	2	Plug, Socket	
115	4460935	1	Plug, Male - 12 Position	
115	1001157890	6	Socket, Female	
115	4460465	2	Socket, Female	
115	4460944	2	Socket, Female	
115	4460466	2	Plug, Socket	
116	1001117108	1	Ring, Terminal	
117	1001118282	1	Connector - 5 Position	
117	1001116734	2	Terminal	
117	1001116733	2	Terminal	
117	1001128128	1	Plug, Socket	
118	4460933	1	Plug, Male - 12 Position	
118	4460944	12	Socket, Female	
119	4460247	1	Terminal, Ring	
120	4460703	1	Terminal, Ring	
121	4460042	1	Terminal, Ring	
122	4460247	1	Terminal, Ring	
123	1001126362	1	Connector - 62 Position	
123	1001166556	30	Socket, Female	
123	1001166774	10	Socket, Female	
123	1001166541	2	Socket, Female	
123	1001166543	2	Socket, Female	
123	1001126391	16	Plug, Terminal	
123	4461008	2	Plug, Terminal	
123	1001166701	30	Seal, Terminal	
123	1001126393	10	Seal, Terminal	
123	4461006	2	Seal, Terminal (Blue)	
123	4461054	2	Seal, Terminal (White)	
124	2902443	1	Kit, Receptacle	
124	4461071	8	Socket, Female	
124	4461072	1	Connector	
124	4461043	1	Cap, Dust	
124	4461074	1	Shell, Back	
125	1001184846	1	Plug, Male - 10 Position	
125	4460509	10	Socket, Female	
126	1001167616	1	Main Fuse Box Assembly	
126	1001116725	6	Socket, Female	
126	8220097	19	Terminal	
126	8220098	7	Terminal	
126	4460748	13	Plug, Terminal	
126	80963067	6	Seal (Blue)	
126	1001175265	12	Seal, Terminal	
126	4460458	14	Seal, Terminal	

## SECTION 8 - ELECTRICAL

ITEM	PART NUMBER	QTY	DESCRIPTION	REV
127	8229245	2	Fuse, 30 Amp	
128	1001126487	3	Connector - 2 Position	
128	1001167634	4	Socket, Female	
128	1001167635	2	Socket, Female	
128	1001126485	3	Seal, Terminal	
129	1001167629	1	Connector - 4 Position	
129	1001167630	4	Socket, Female	
129	1001126485	4	Seal, Terminal	
130	1001126245	1	Plug, Male - 2 Position	
130	1001126008	2	Socket, Female	
131	1001167633	1	Connector - 3 Position	
131	1001133715	3	Socket, Female	
131	1001135650	3	Seal, Terminal	
132	1001167631	1	Connector - 4 Position	
132	1001167630	4	Socket, Female	
132	1001126485	4	Seal, Terminal	
133	1001133714	1	Connector - 4 Position	
133	1001133715	3	Socket, Female	
133	1001135650	3	Seal, Terminal	

# SECTION 8 - ELECTRICAL

FIGURE 8-30. FUEL PUMP AND WIF HARNESS (Prior to SN 0300237158)



1001198138



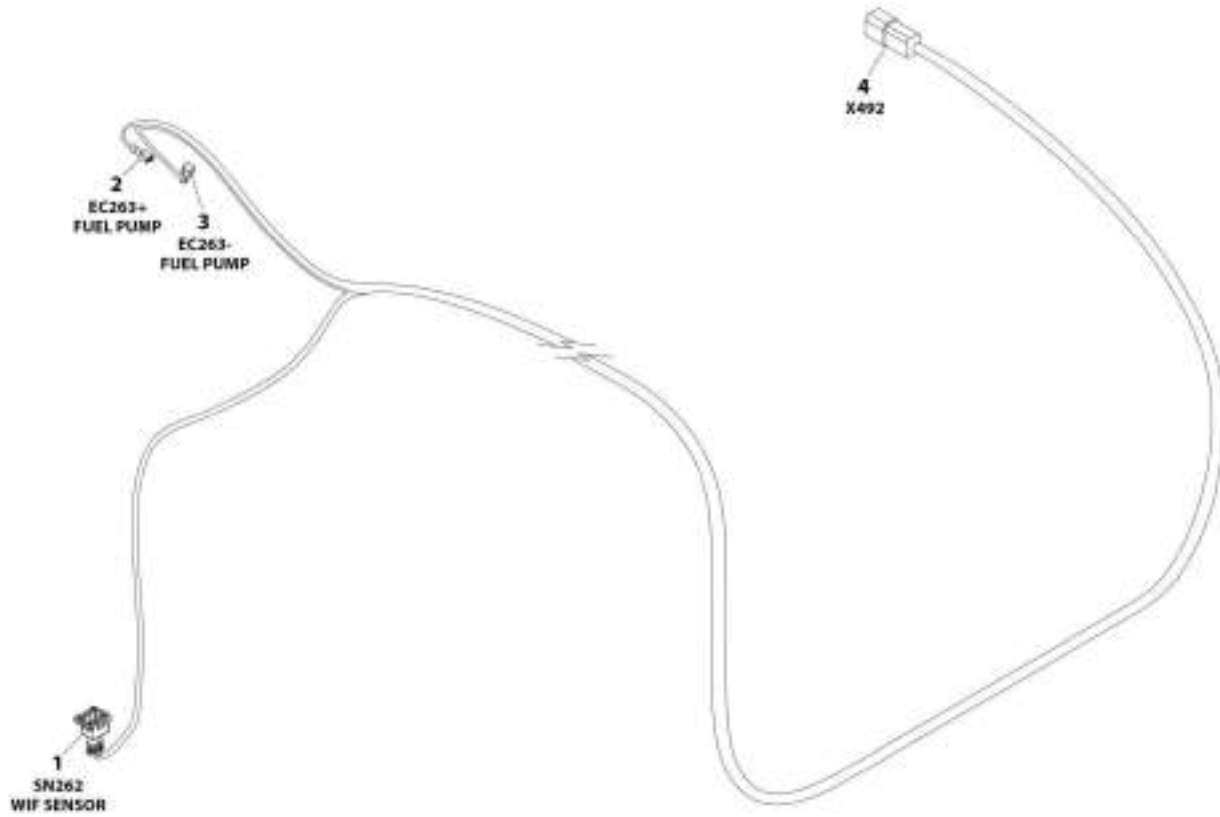
## SECTION 8 - ELECTRICAL

**FIGURE 8-30. FUEL PUMP AND WIF HARNESS (Prior to SN 0300237158)**

ITEM	PART NUMBER	QTY	DESCRIPTION	REV
	1001156135	Ref	FUEL PUMP AND WIF HARNESS (Prior to SN 0300237158)	D
1	1001116983	1	Connector - 2 Position	
1	4461060	2	Pin, Male	
2	4460042	1	Terminal, Ring	
3	4460042	1	Terminal, Ring	
4	4460932	1	Connector - 4 Position	
4	4460464	2	Pin, Male 16-18 GA	
4	4460941	2	Pin, Male 14-16GA	

# SECTION 8 - ELECTRICAL

FIGURE 8-31. FUEL PUMP AND WIF HARNESS (SN 0300237158 to Present)



ARC\_1001211885

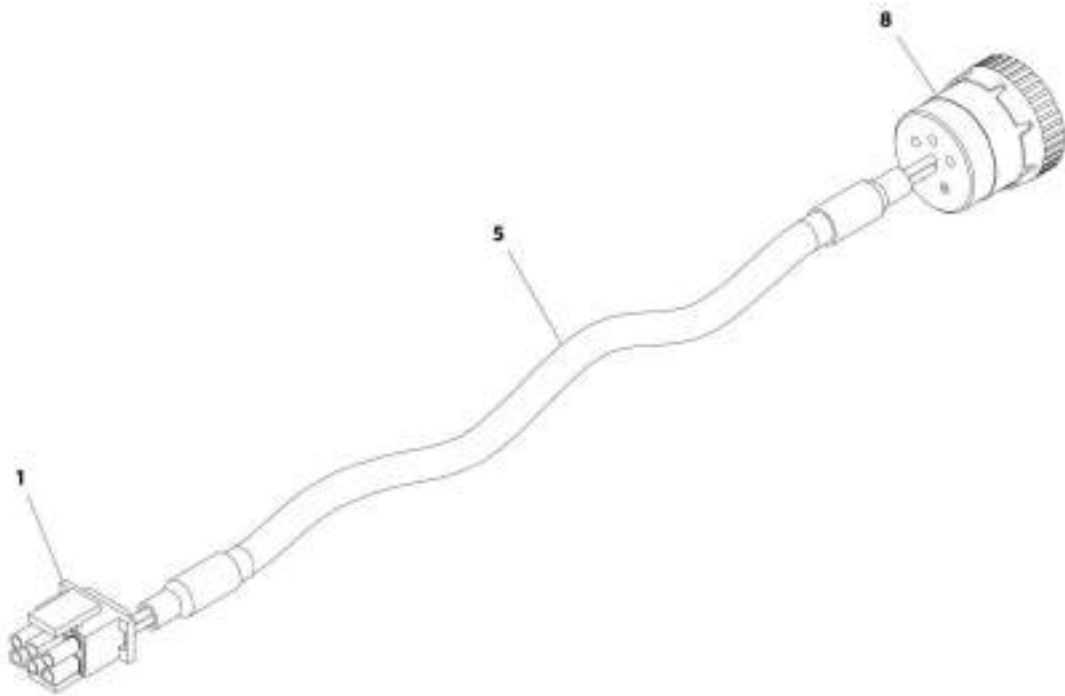
## SECTION 8 - ELECTRICAL

**FIGURE 8-31. FUEL PUMP AND WIF HARNESS (SN 0300237158 to Present)**

ITEM	PART NUMBER	QTY	DESCRIPTION	REV
	1001211885	Ref	FUEL PUMP AND WIF HARNESS (SN 0300237158 to Present)	A
1	1001116983	1	Connector - 2 Position	
1	4461060	2	Pin, Male	
2	8220051	1	Terminal, Ring	
3	8220051	1	Terminal, Ring	
4	4460932	1	Connector - 4 Position	
4	4460464	2	Pin, Male	
4	4460941	2	Pin, Male	

## SECTION 8 - ELECTRICAL

FIGURE 8-32. GENERATOR HARNESS - 4000W GENERATOR



ART\_1000152832

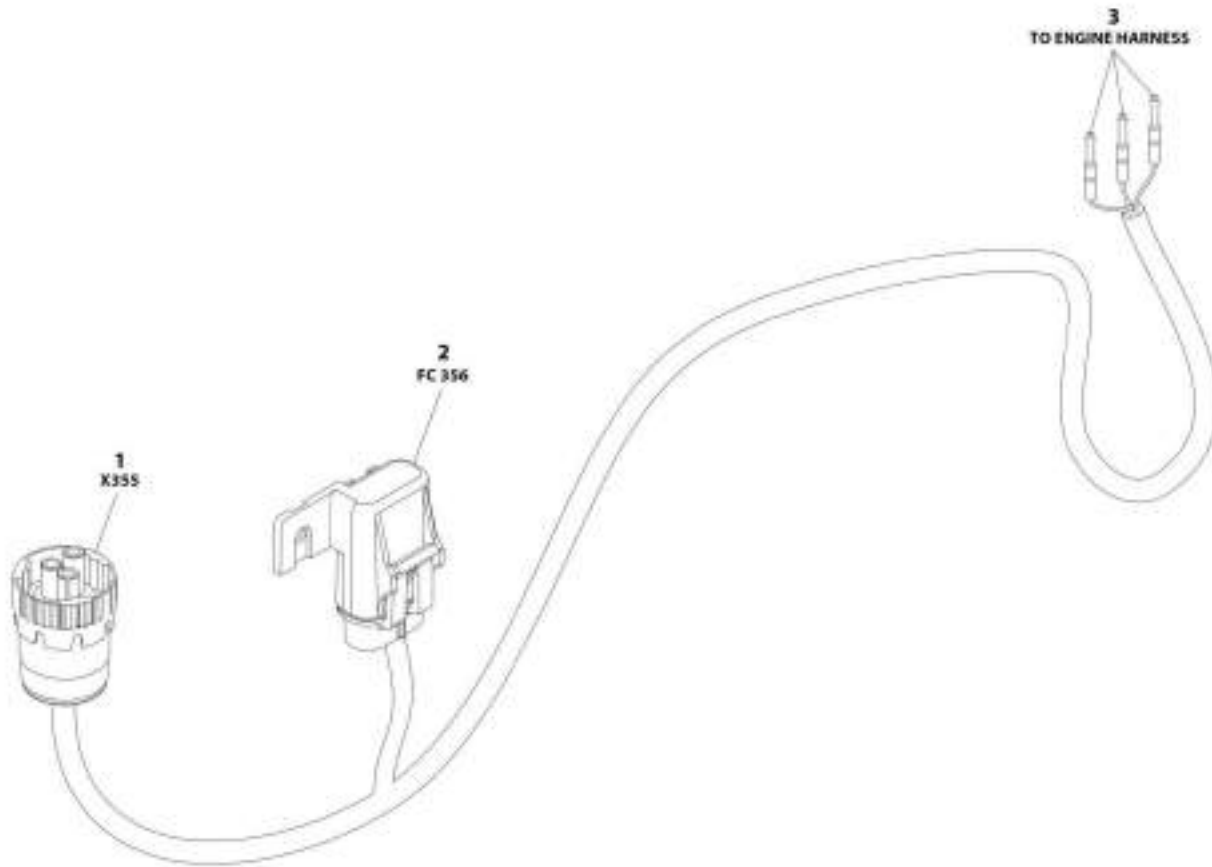
## SECTION 8 - ELECTRICAL

### FIGURE 8-32. GENERATOR HARNESS - 4000W GENERATOR

ITEM	PART NUMBER	QTY	DESCRIPTION	REV
	1001152532	Ref	GENERATOR HARNESS - 4000W GENERATOR	A
1	4460225	1	Connector - 6 Position	
1	4460268	2	Socket, Female	
1	4460807	1	Seal, Plug	
1	4460808	1	Seal, Plug	
5	1060341	13 ft/4m	Cable, 16/2	
8	77363233	1	Connector - 6 Position	
8	4460465	2	Socket, Female	

## SECTION 8 - ELECTRICAL

FIGURE 8-33. GENERATOR ENABLE HARNESS - 7500W GENERATOR



AFT\_100115400

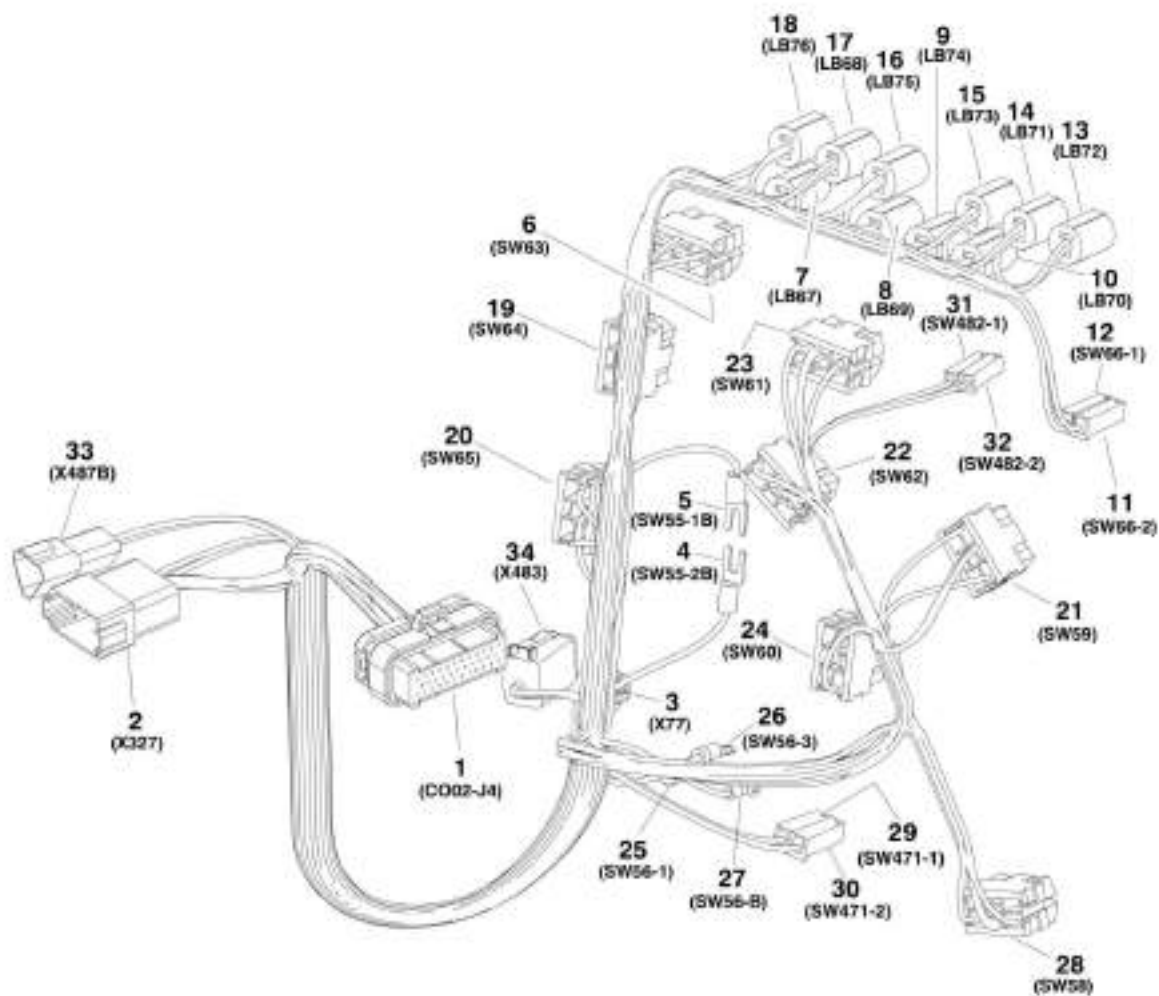
## SECTION 8 - ELECTRICAL

**FIGURE 8-33. GENERATOR ENABLE HARNESS - 7500W GENERATOR**

ITEM	PART NUMBER	QTY	DESCRIPTION	REV
	1001156030	Ref	GENERATOR ENABLE HARNESS - 7500W GENERATOR	B
1	4460967	1	Connector - 3 Position	
1	4460465	3	Socket, Female	
2	1001119412	1	Connector, Metri-Pack with 5Amp Fuse	
2	1001116733	2	Terminal	
3	4460465	3	Socket, Female	

# SECTION 8 - ELECTRICAL

## FIGURE 8-34. GROUND CONTROL PANEL HARNESS



1001149973



## SECTION 8 - ELECTRICAL

### FIGURE 8-34. GROUND CONTROL PANEL HARNESS

ITEM	PART NUMBER	QTY	DESCRIPTION	REV
	1001149973	Ref	GROUND CONTROL PANEL HARNESS	F
1	4460876	1	Connector - 35 Position	
1	4460871	29	Socket, Female	
1	4460905	6	Plug	
2	4460970	1	Connector - 12 Position	
2	4460464	10	Pin, Male	
2	4460466	2	Plug, Socket	
3	4460868	1	Connector - 6 Position	
3	4460877	4	Socket, Female	
4	4460144	1	Terminal	
5	4460144	1	Terminal	
6	4460418	1	Connector - 3 Position	
6	1001159186	2	Terminal	
6	8220099	2	Terminal	
7	4120035	1	Socket, Light	
7	4460634	2	Terminal	
8	4120035	1	Socket, Light	
8	4460634	2	Terminal	
9	4120035	1	Socket, Light	
9	4460634	2	Terminal	
10	4120035	1	Socket, Light	
10	4460634	2	Terminal	
11	4460260	1	Connector - 1 Position	
11	4460259	2	Terminal	
12	4460260	1	Connector - 1 Position	
12	4460259	2	Terminal	
13	4120035	1	Socket, Light	
13	4460634	2	Terminal	
14	4120035	1	Socket, Light	
14	4460634	2	Terminal	
15	4120035	1	Socket, Light	
15	4460634	2	Terminal	
16	4120035	1	Socket, Light	
16	4460634	2	Terminal	
17	4120035	1	Socket, Light	
17	4460634	2	Terminal	
18	4120035	1	Socket, Light	
18	4460634	2	Terminal	
19	4460418	1	Connector - 3 Position	
19	1001159186	2	Terminal	
19	8220099	2	Terminal	
20	4460418	1	Connector - 3 Position	
20	1001159186	2	Terminal	
20	8220099	2	Terminal	
21	4460418	1	Connector - 3 Position	
21	1001159186	2	Terminal	
21	8220099	2	Terminal	
22	4460418	1	Connector - 3 Position	
22	1001159186	2	Terminal	
22	8220099	2	Terminal	

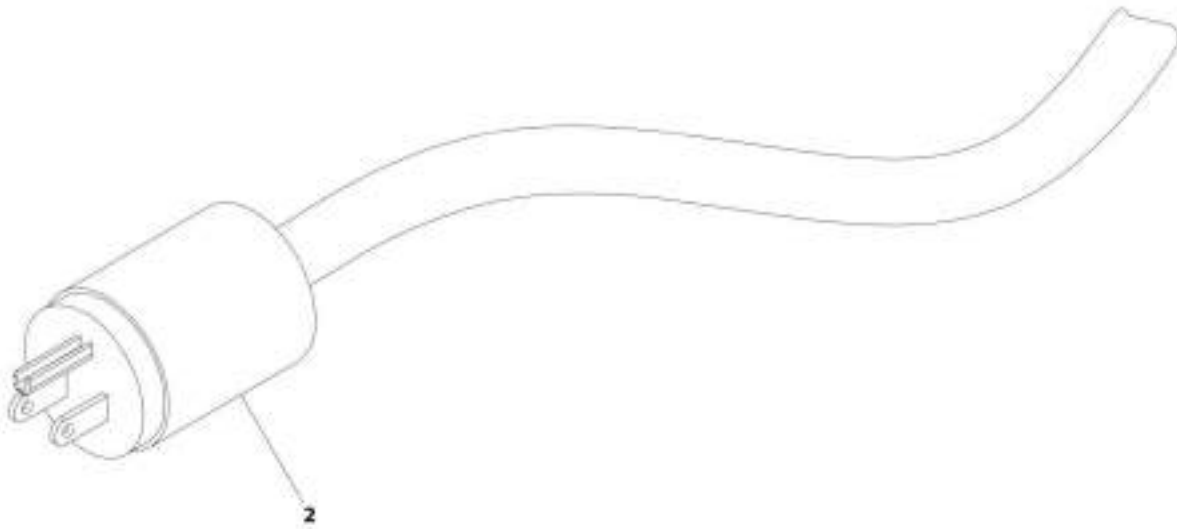
## SECTION 8 - ELECTRICAL

ITEM	PART NUMBER	QTY	DESCRIPTION	REV
23	4460418	1	Connector - 3 Position	
23	1001159186	2	Terminal	
23	8220099	2	Terminal	
24	4460418	1	Connector - 3 Position	
24	1001159186	2	Terminal	
24	8220099	2	Terminal	
25	4460313	1	Ring, Terminal	
26	4460042	1	Ring, Terminal	
27	4460042	1	Ring, Terminal	
28	4460418	1	Connector - 3 Position	
28	1001159186	2	Terminal	
28	8220099	2	Terminal	
29	4460260	1	Connector - 1 Position <b>(SN 0300201023 to Present)</b>	
30	4460260	1	Connector - 1 Position <b>(SN 0300201023 to Present)</b>	
31	4460260	1	Connector - 1 Position <b>(SN 0300201023 to Present)</b>	
32	4460260	1	Connector - 1 Position <b>(SN 0300201023 to Present)</b>	
33	4460536	1	Connector - 3 Position <b>(SN 0300210987 to Present)</b>	
33	4460464	2	Pin, Male <b>(SN 0300210987 to Present)</b>	
33	4460466	1	Seal, Plug <b>(SN 0300210987 to Present)</b>	
34	4460894	1	Connector - 6 Position <b>(SN 0300210987 to Present)</b>	
34	4460465	4	Socket, Female <b>(SN 0300210987 to Present)</b>	



## SECTION 8 - ELECTRICAL

FIGURE 8-35. JIB AC CABLE - ANSI, ANSI EXPORT, CSA AND JAPANESE SPECS



AKT\_100156896

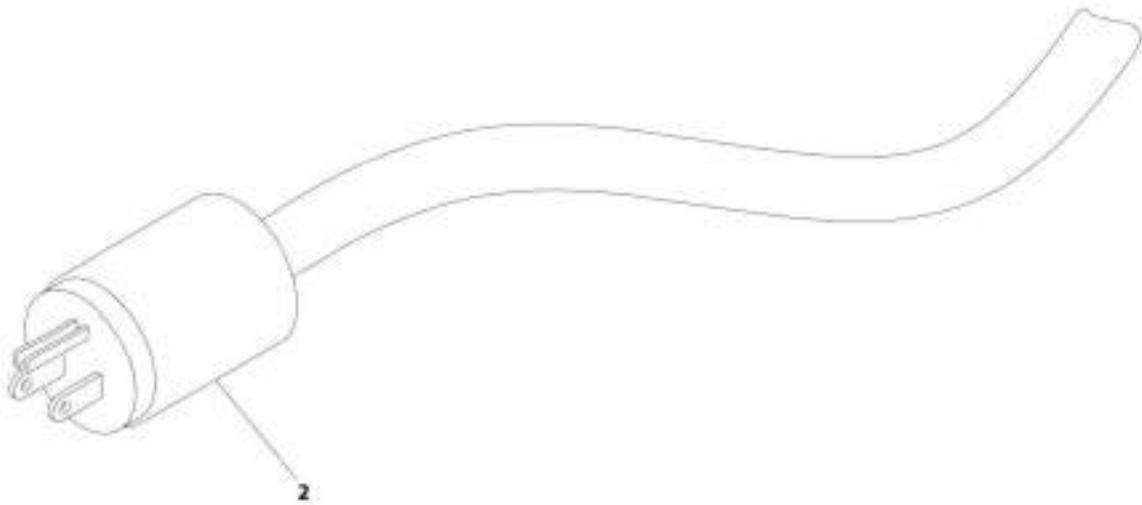
## SECTION 8 - ELECTRICAL

**FIGURE 8-35. JIB AC CABLE - ANSI, ANSI EXPORT, CSA AND JAPANESE SPECS**

ITEM	PART NUMBER	QTY	DESCRIPTION	REV
	1001156896	Ref	JIB AC CABLE - ANSI, ANSI EXPORT, CSA AND JAPANESE SPECS	A
2	4460205	1	Plug	

## SECTION 8 - ELECTRICAL

FIGURE 8-36. JIB AC CABLE - AUSTRALIAN AND CE SPECS



ART\_1001337637

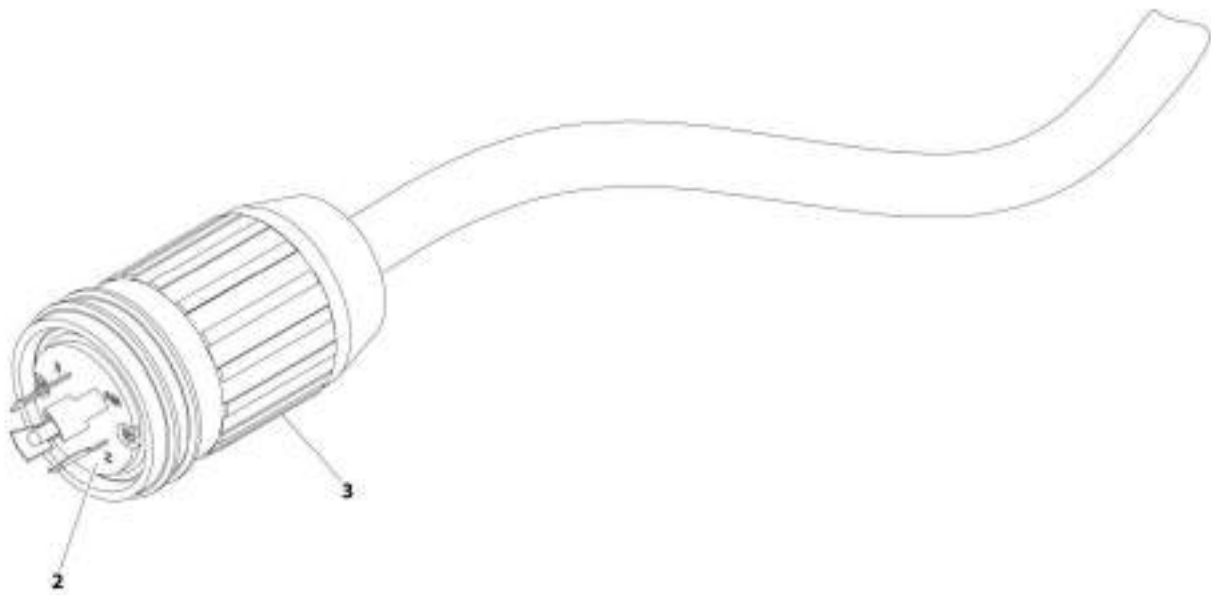
## SECTION 8 - ELECTRICAL

**FIGURE 8-36. JIB AC CABLE - AUSTRALIAN AND CE SPECS**

ITEM	PART NUMBER	QTY	DESCRIPTION	REV
2	1001157637 4460205	Ref 1	JIB AC CABLE - AUSTRALIAN AND CE SPECS Plug	A

## SECTION 8 - ELECTRICAL

FIGURE 8-37. JIB AC CABLE - SKYPOWER (Prior to SN 0300228529)



ART. 1301161731



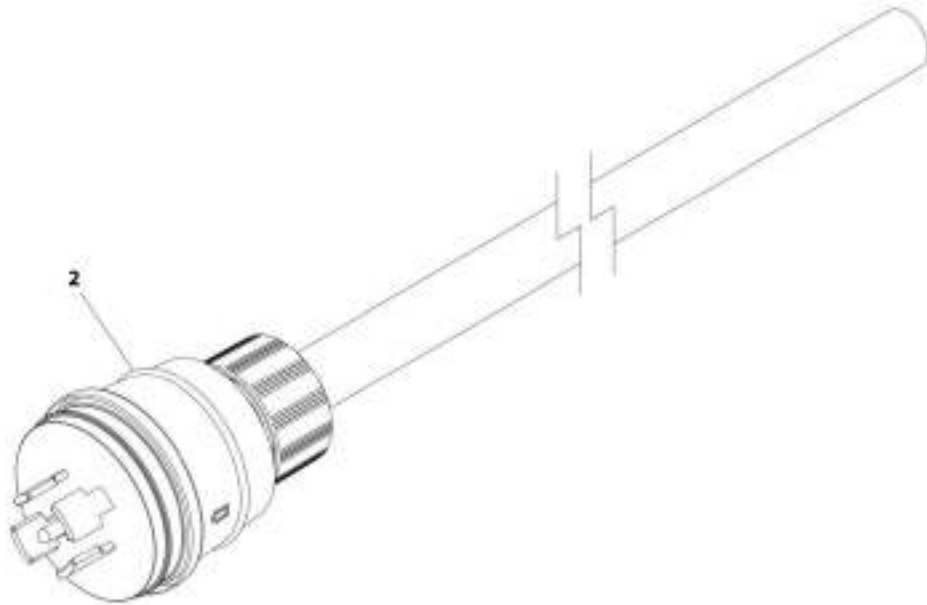
## SECTION 8 - ELECTRICAL

**FIGURE 8-37. JIB AC CABLE - SKYPOWER (Prior to SN 0300228529)**

ITEM	PART NUMBER	QTY	DESCRIPTION	REV
	1001161731	Ref	JIB AC CABLE - SKYPOWER (Prior to SN 0300228529)	B
2	4460959	1	Plug	
3	1671093	1	Cover	

## SECTION 8 - ELECTRICAL

FIGURE 8-38. JIB AC CABLE - SKYPOWER (SN 0300228529 to Present)



ART\_1001226388

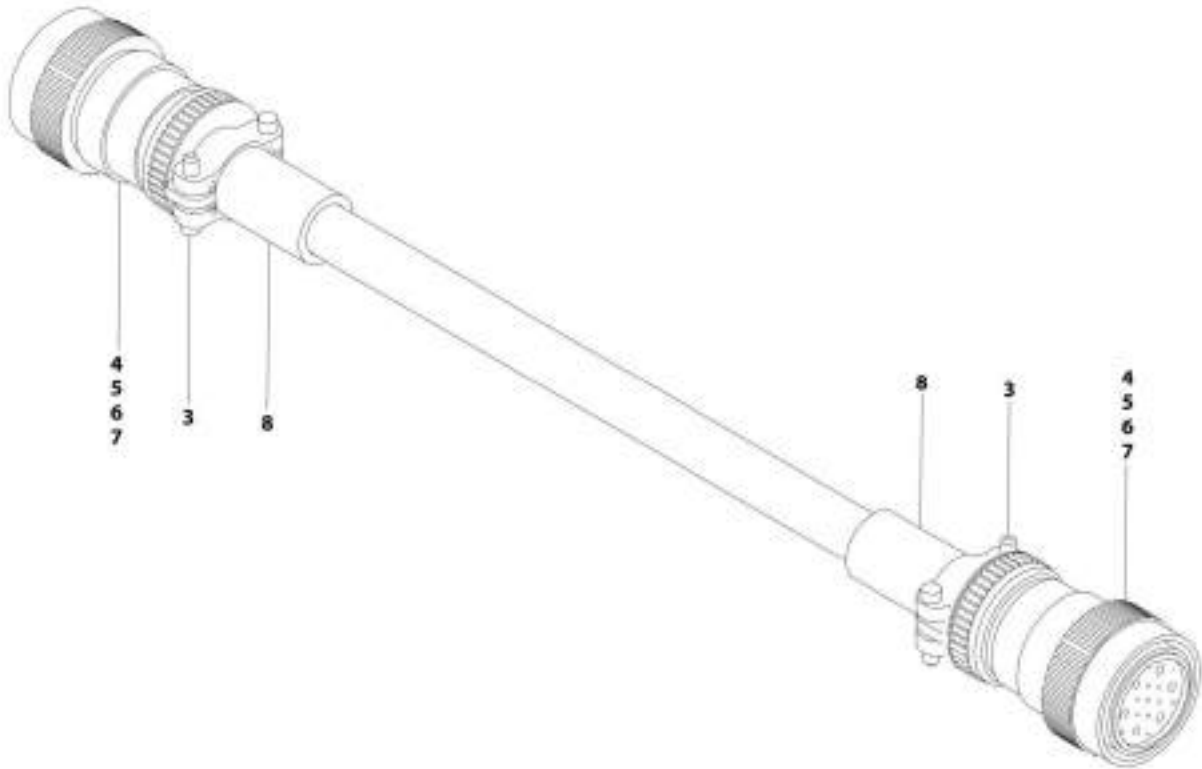
## SECTION 8 - ELECTRICAL

**FIGURE 8-38. JIB AC CABLE - SKYPOWER (SN 0300228529 to Present)**

ITEM	PART NUMBER	QTY	DESCRIPTION	REV
2	1001226288 1001218622	Ref 1	JIB AC CABLE - SKYPOWER (SN 0300228529 to Present) Plug	A

# SECTION 8 - ELECTRICAL

## FIGURE 8-39. JIB CONTROL CABLE



ART.1001156897

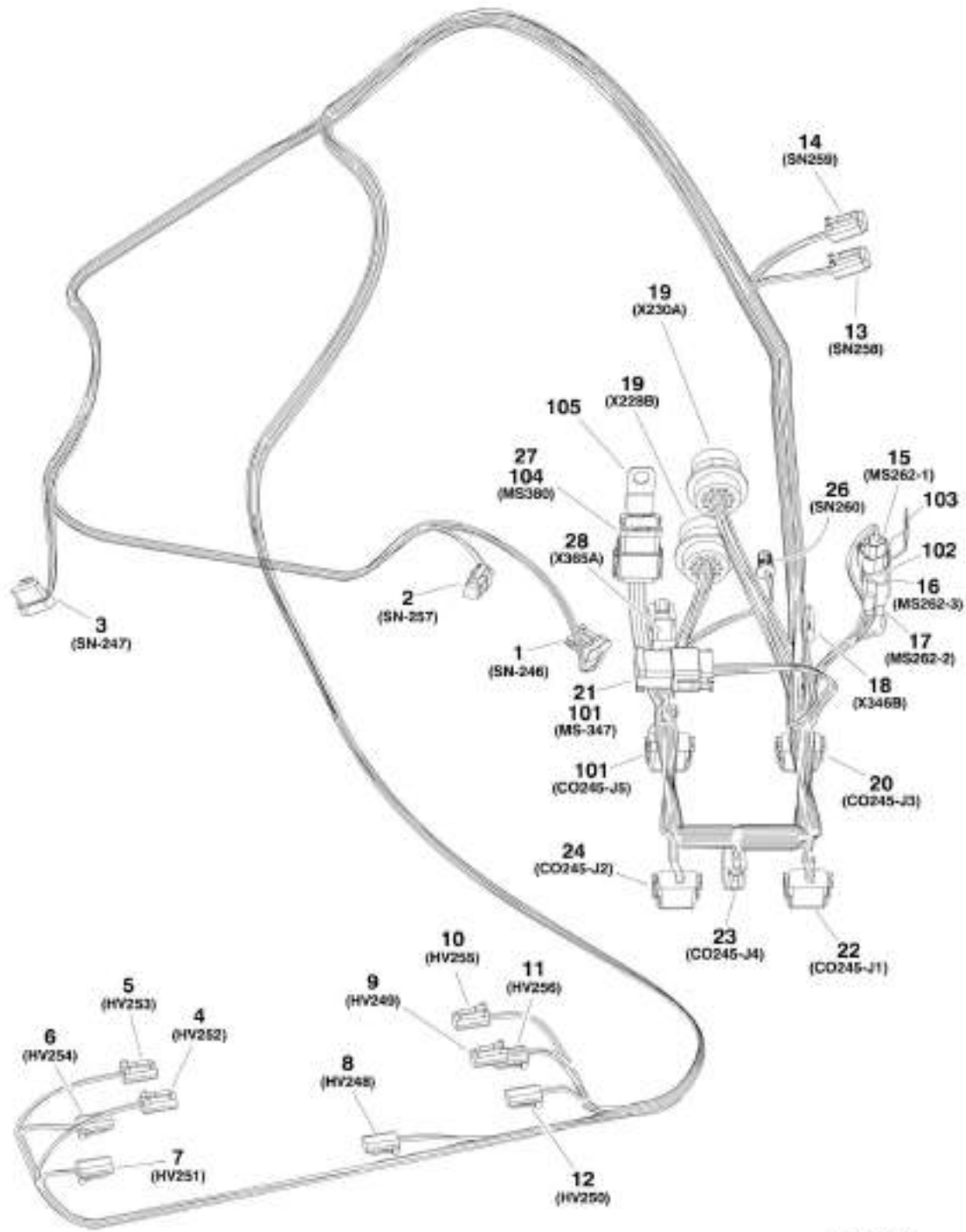
## SECTION 8 - ELECTRICAL

### FIGURE 8-39. JIB CONTROL CABLE

ITEM	PART NUMBER	QTY	DESCRIPTION	REV
	1001156897	Ref	JIB CONTROL CABLE	C
3	4460473	2	Clamp	
4	4460509	8	Socket, Female	
5	4460865	2	Connector - 19 Position	
6	4460465	20	Socket, Female	
7	4460466	10	Plug, Socket	
8	1001226400	2	Insulator, Heat Shrink	

# SECTION 8 - ELECTRICAL

## FIGURE 8-40. JIB VALVE HARNESS



1001148970

## SECTION 8 - ELECTRICAL

### FIGURE 8-40. JIB VALVE HARNESS

ITEM	PART NUMBER	QTY	DESCRIPTION	REV
	1001149978	Ref	JIB VALVE HARNESS	G
1	1001117064	1	Connector - 6 Position	
1	91554014	6	Terminal	
2	4461077	1	Connector - 4 Position	
2	1001116694	4	Socket, Female	
3	1001117064	NLA	Connector - 6 Position (Use p/n 1001230931) <b>(Prior to SN 0300237554)</b>	
3	1001230931	1	Connector - 6 Position <b>(SN 0300237554 to Present)</b>	
3	91554014	NLA	Terminal (Use p/n 1001116748) <b>(Prior to SN 0300237554)</b>	
3	1001116748	6	Terminal <b>(SN 0300237554 to Present)</b>	
4	4460891	1	Connector - 2 Position	
4	4460465	2	Socket, Female	
5	4460891	1	Connector - 2 Position	
5	4460465	2	Socket, Female	
6	4460891	1	Connector - 2 Position	
6	4460465	2	Socket, Female	
7	4460891	1	Connector - 2 Position	
7	4460465	2	Socket, Female	
8	4460891	1	Connector - 2 Position	
8	4460465	2	Socket, Female	
9	4460891	1	Connector - 2 Position	
9	4460465	2	Socket, Female	
10	4460891	1	Connector - 2 Position	
10	4460465	2	Socket, Female	
11	4460891	1	Connector - 2 Position	
11	4460465	2	Socket, Female	
12	4460891	1	Connector - 2 Position	
12	4460465	2	Socket, Female	
13	4460884	1	Connector - 4 Position	
13	4460465	4	Socket, Female	
14	4460884	1	Connector - 4 Position	
14	4460465	4	Socket, Female	
15	1001116812	1	Connector - 4 Position	
15	4460944	4	Socket, Female	
16	1001116812	1	Connector - 4 Position	
16	4460944	4	Socket, Female	
17	4460539		Connector - 4 Position	
17	4460944	4	Socket, Female	
18	4460884	1	Connector - 4 Position	
18	4460465	4	Socket, Female	
19	4460866	19	Connector - 19 Position	
19	4460508	4	Pin, Male	
19	4460464	11	Pin, Male	
19	4460466	4	Plug, Socket	
20	4460935	1	Connector - 12 Position	
20	4460465	12	Socket, Female	
21	4460836	1	Connector - 12 Position	
21	4460465	10	Socket, Female	
21	4460466	2	Plug, Socket	
22	4460933	1	Connector - 12 Position	

## SECTION 8 - ELECTRICAL

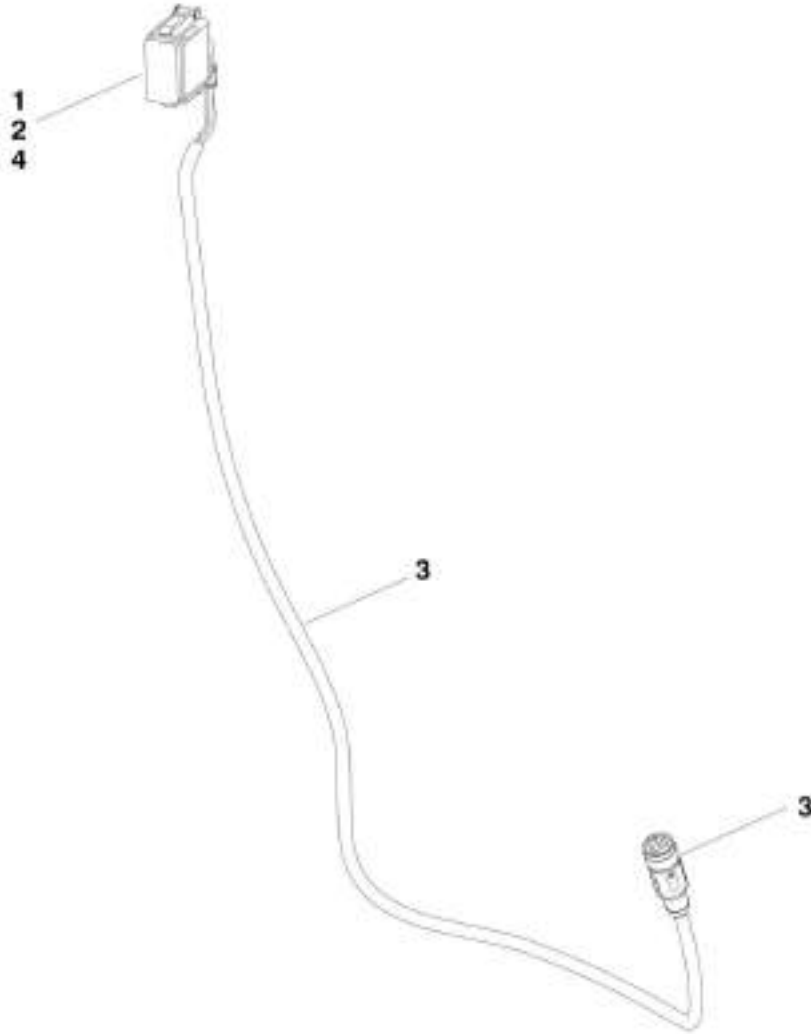
ITEM	PART NUMBER	QTY	DESCRIPTION	REV
22	4460465	4	Socket, Female	
22	4460944	3	Socket, Female	
22	4460942	2	Socket, Female	
22	4460466	3	Plug, Socket	
23	4460930	1	Connector - 8 Position	
23	4460465	4	Socket, Female	
23	4460944	3	Socket, Female	
23	4460466	1	Plug, Socket	
24	4460836	1	Connector - 12 Position	
24	4460465	11	Socket, Female	
24	4460466	3	Plug, Socket	
25	4460935	1	Connector - 12 Position	
25	4460465	7	Socket, Female	
25	4460466	5	Plug, Socket	
26	1001120055	1	Connector - 5 Position	
26	4460944	3	Socket, Female	
27	4460933	1	Connector - 12 Position	
27	4460465	2	Socket, Female	
27	1001157890	8	Socket, Female	
27	4460942	2	Socket, Female	
28	4460932	1	Connector - 4 Position	
28	4460464	3	Pin, Male	
28	4460466	1	Plug, Socket	
29	4460866	19	Connector - 19 Position	
29	4460508	4	Pin, Male	
29	4460464	11	Pin, Male	
29	4460466	4	Plug, Socket	
101	4460837	1	Connector, Housing	
102	4460945	1	Connector, 3 Way	
103	1001120328	1	Mount, Connector	
104	1001125677	1	Connector, Bussbar	
105	1001157028	1	Holder, Connector	





## SECTION 8 - ELECTRICAL

FIGURE 8-41. LCD DISPLAY HARNESS (Prior to SN 0300249009)



100125293

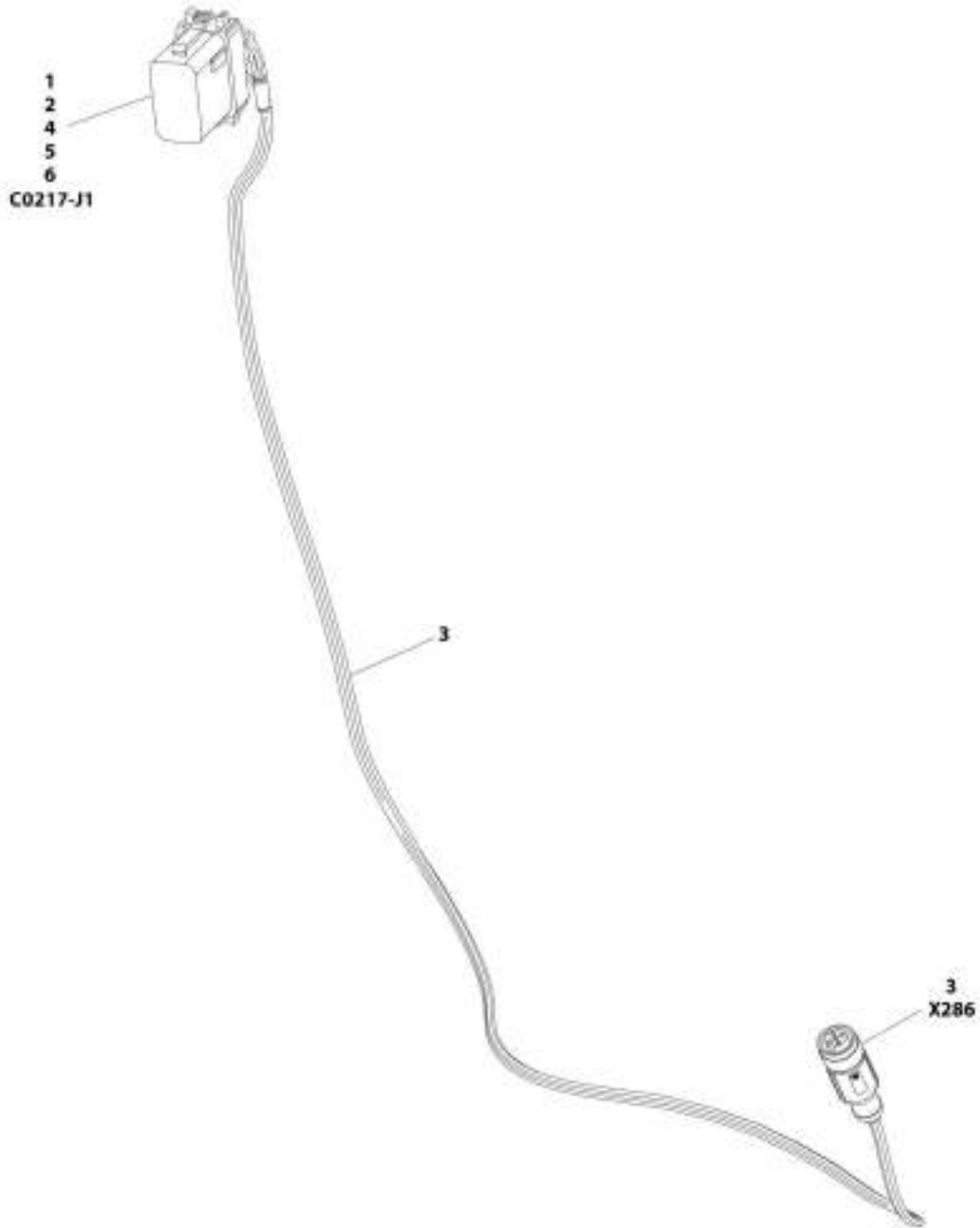
## SECTION 8 - ELECTRICAL

**FIGURE 8-41. LCD DISPLAY HARNESS (Prior to SN 0300249009)**

ITEM	PART NUMBER	QTY	DESCRIPTION	REV
	1001125293	Ref	LCD DISPLAY HARNESS	C
1	4460465	3	Socket, Female	
2	4460944	2	Socket, Female (Gold)	
3	1001125295	1	Connector with Cable	
4	4460933	1	Connector - 12 Position	

# SECTION 8 - ELECTRICAL

FIGURE 8-42. LCD DISPLAY HARNESS (SN 0300249009 to Present)



ART\_1001220402

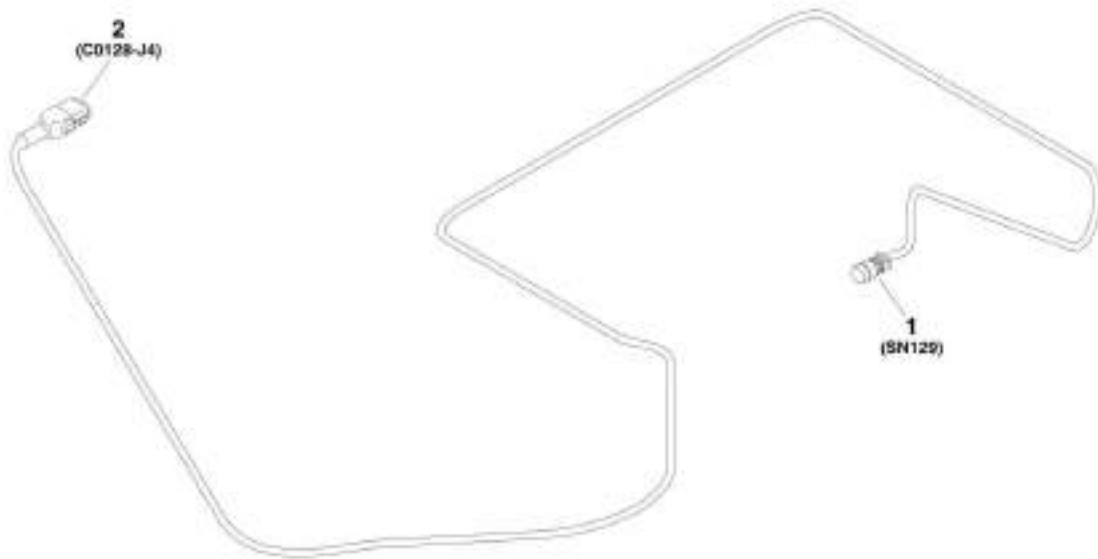
## SECTION 8 - ELECTRICAL

**FIGURE 8-42. LCD DISPLAY HARNESS (SN 0300249009 to Present)**

ITEM	PART NUMBER	QTY	DESCRIPTION	REV
	1001220482	Ref	LCD DISPLAY HARNESS	A
1	4460465	3	Socket, Female	
2	4460944	2	Socket, Female (Gold)	
3	1001125295	1	Connector with Cable	
4	1001176333	1	Connector - 12 Position	
5	4460466	13	Plug, Seal	
6	2820171	3	Tube, Heat Shrink	

# SECTION 8 - ELECTRICAL

## FIGURE 8-43. LOAD SENSOR CABLE



1001157646

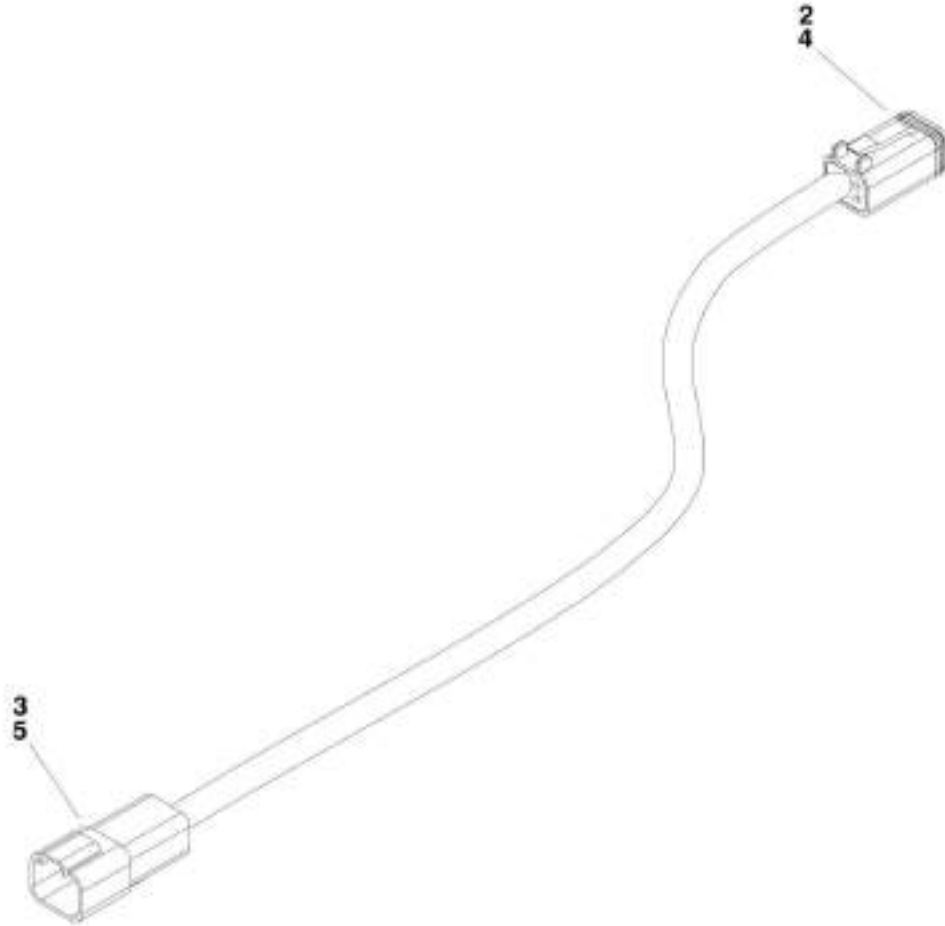
## SECTION 8 - ELECTRICAL

### FIGURE 8-43. LOAD SENSOR CABLE

ITEM	PART NUMBER	QTY	DESCRIPTION	REV
	1001157646	Ref	LOAD SENSOR CABLE	A
1	1001157649	1	Connector - 6 Position	
1	1001157723	2	Terminal	
2	4460930	1	Connector - 8 Position	
2	4460465	2	Socket, Female	
2	4460944	3	Socket, Female	
2	4460466	3	Plug, Socket	
2	0840062	1	Boot	

# SECTION 8 - ELECTRICAL

## FIGURE 8-44. MAIN BOOM 16/4 CABLE



1001158207



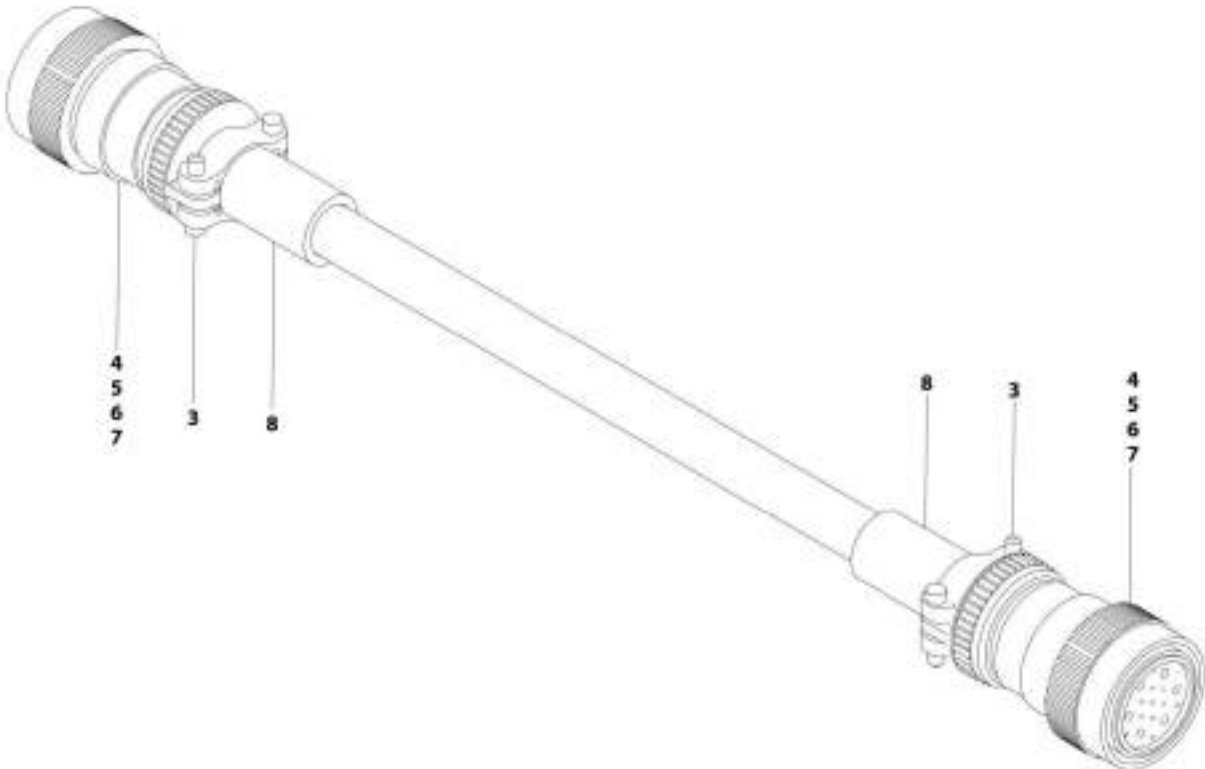
## SECTION 8 - ELECTRICAL

### FIGURE 8-44. MAIN BOOM 16/4 CABLE

ITEM	PART NUMBER	QTY	DESCRIPTION	REV
	1001158207	Ref	MAIN BOOM 16/4 CABLE	B
2	4460884	1	Connector - 4 Position	
3	4460932	1	Connector - 4 Position	
4	4460465	4	Socket, Female	
5	4460464	4	Pin, Male	

**SECTION 8 - ELECTRICAL**

**FIGURE 8-45. MAIN BOOM CONTROL CABLE**



ART\_100116689

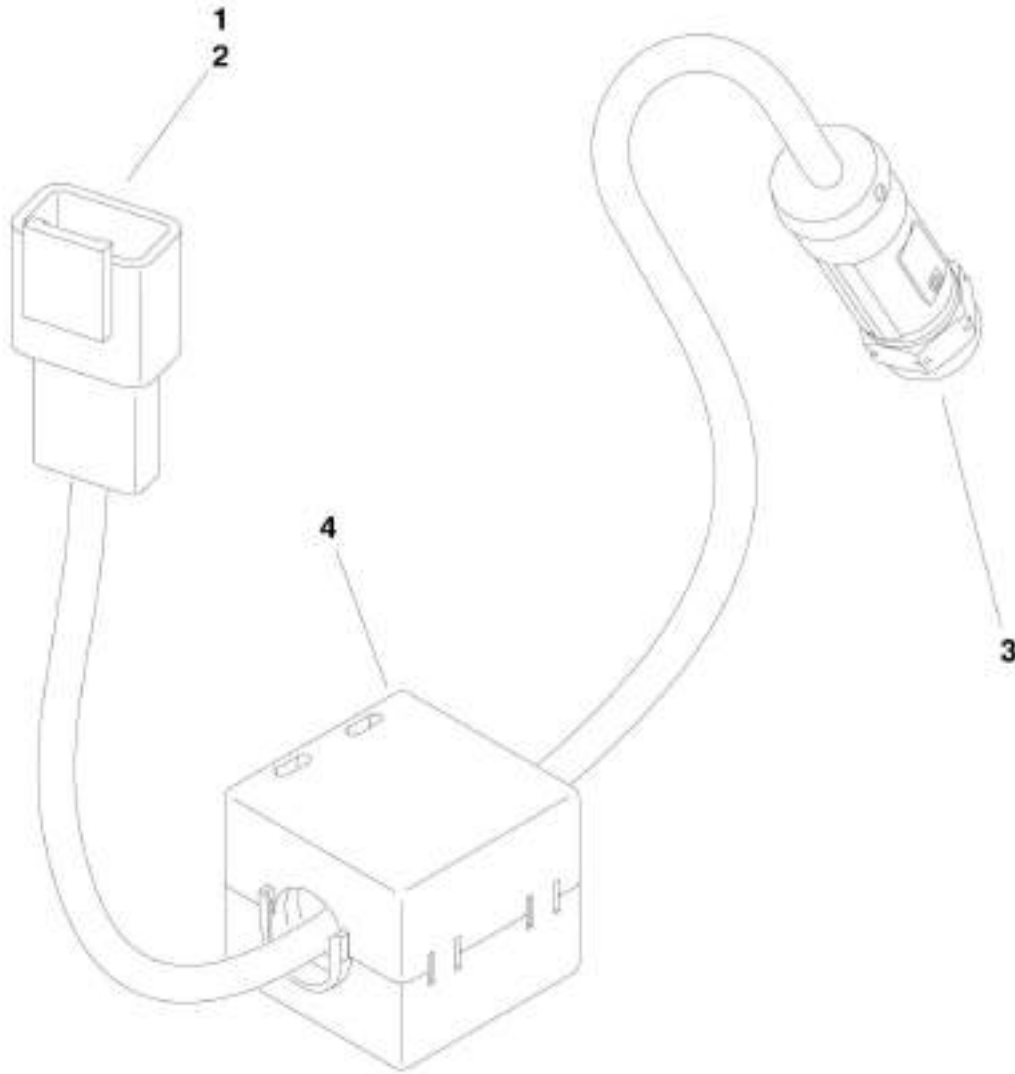
## SECTION 8 - ELECTRICAL

### FIGURE 8-45. MAIN BOOM CONTROL CABLE

ITEM	PART NUMBER	QTY	DESCRIPTION	REV
	1001156893	Ref	MAIN BOOM CONTROL CABLE	C
3	4460473	2	Clamp	
4	4460509	8	Socket, Female	
5	4460865	2	Connector - 19 Position	
6	4460465	20	Socket, Female	
7	4460466	10	Plug, Socket	
8	1001226400	2	Insulator, Heat Shrink	

## SECTION 8 - ELECTRICAL

FIGURE 8-46. MTS CONNECTION CABLE



1001163631

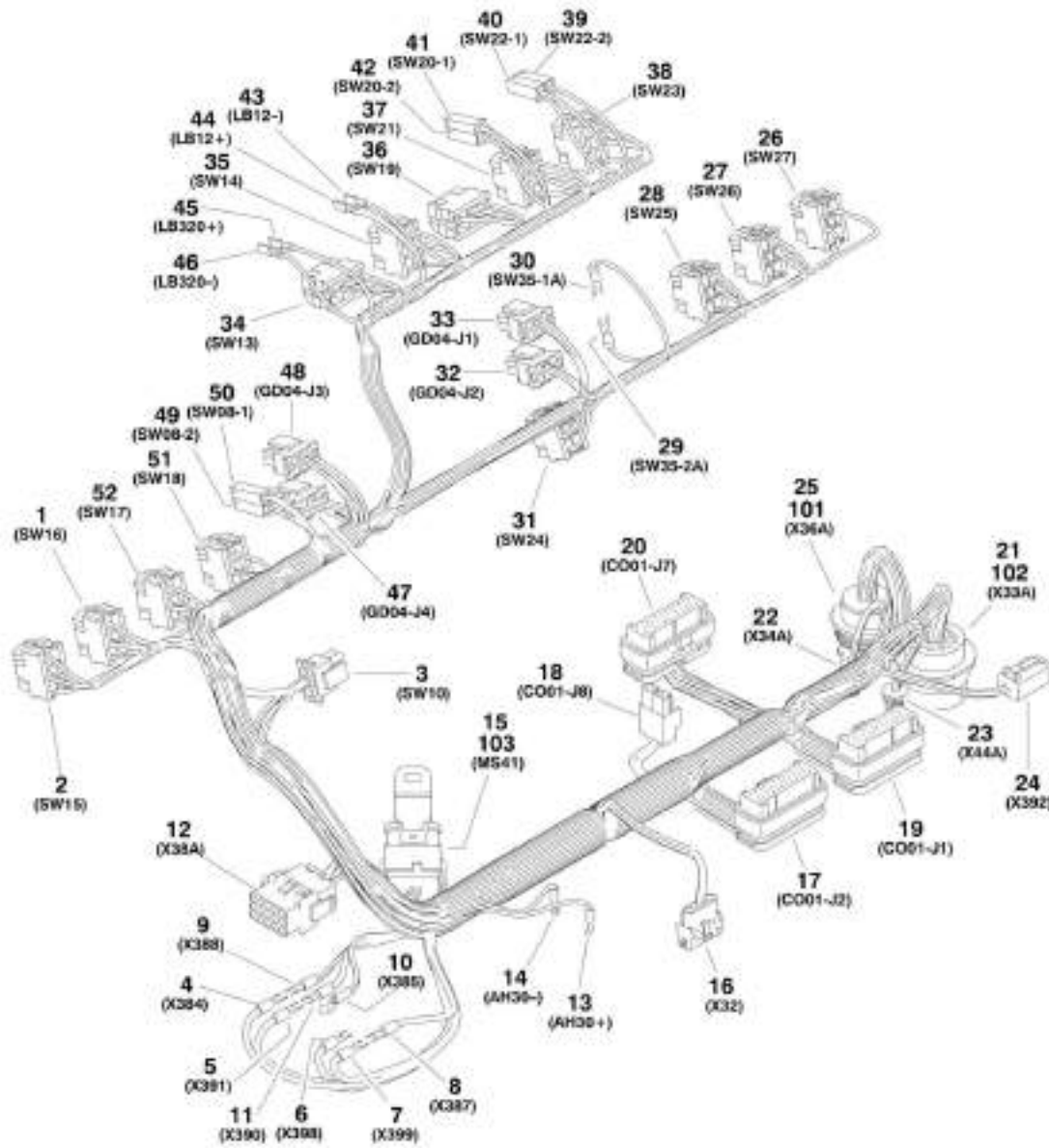
## SECTION 8 - ELECTRICAL

### FIGURE 8-46. MTS CONNECTION CABLE

ITEM	PART NUMBER	QTY	DESCRIPTION	REV
	1001163631	Ref	MTS CONNECTION CABLE	B
1	4460910	1	Connector - 3 Position	
2	4460929	3	Pin, Male	
3	See Note	NSS	Sensor with Cable (Note: Purchase p/n 1001163631)	
4	1001102594	1	Ferrite, LMI	

# SECTION 8 - ELECTRICAL

## FIGURE 8-47. PLATFORM CONSOLE HARNESS - WITHOUT SKYGUARD



1001148976

## SECTION 8 - ELECTRICAL

**FIGURE 8-47. PLATFORM CONSOLE HARNESS - WITHOUT SKYGUARD**

ITEM	PART NUMBER	QTY	DESCRIPTION	REV
	1001149976	Ref	PLATFORM CONSOLE HARNESS - WITHOUT SKYGUARD	C
1	4460418	1	Connector - 6 Position	
1	1001159186	2	Terminal	
1	8220099	2	Terminal	
2	4460418	1	Connector - 6 Position	
2	1001159186	2	Terminal	
2	8220099	2	Terminal	
3	4460225	1	Connector - 6 Position	
3	4460227	4	Pin, Male	
3	4460267	2	Pin, Male	
4	4460315	1	Terminal, Spade	
5	4460315	1	Terminal, Spade	
6	4460315	1	Terminal, Spade	
7	4460315	1	Terminal, Spade	
8	4460315	1	Terminal, Spade	
9	4460315	1	Terminal, Spade	
10	8220007	1	Terminal, Ring	
11	4460315	1	Terminal, Spade	
12	4460434	1	Connector - 8 Position	
12	4460227	7	Pin, Male	
12	4460267	1	Pin, Male	
13	1001098122	1	Terminal, Ring	
14	1001098122	1	Terminal, Ring	
15	4460933	1	Connector - 12 Position	
15	4460465	12	Socket, Female	
16	4460761	1	Connector - 4 Position	
16	4460227	4	Pin, Male	
17	4460876	1	Connector - 35 Position	
17	4460871	33	Socket, Female	
17	4460905	2	Plug, Socket	
18	4460879	1	Connector - 2 Position	
18	4460887	2	Terminal	
19	4460874	1	Connector - 35 Position	
19	4460871	33	Socket, Female	
19	4460905	2	Plug, Socket	
20	4460873	1	Connector - 35 Position	
20	4460871	23	Socket, Female	
20	4460905	12	Plug, Socket	
21	4460866	1	Connector - 19 Position	
21	4460943	3	Pin, Male	
21	4460508	4	Pin, Male	
21	4460464	8	Pin, Male	
21	4460466	4	Plug, Socket	
22	1001120055	1	Connector - 5 Position with Cable	
23	1001120055	1	Connector - 5 Position with Cable	
24	4460884	1	Connector - 4 Position	
24	4460465	4	Socket, Female	
25	4460925	1	Connector - 21 Position	
25	1001126011	19	Pin, Male	
25	4460518	2	Plug, Socket	

## SECTION 8 - ELECTRICAL

ITEM	PART NUMBER	QTY	DESCRIPTION	REV
26	4460418	1	Connector - 6 Position	
26	1001159186	2	Terminal	
27	4460418	1	Connector - 6 Position	
27	1001159186	1	Terminal	
27	8220099	2	Terminal	
28	4460418	1	Connector - 6 Position	
28	1001159186	2	Terminal	
28	8220099	2	Terminal	
29	4460183	1	Terminal, Spade	
30	4460183	1	Terminal, Spade	
31	4460418	1	Connector - 6 Position	
31	1001159186	1	Terminal	
31	8220099	2	Terminal	
32	4460225	1	Connector - 6 Position	
32	4460226	4	Socket, Female	
33	4460225	1	Connector - 6 Position	
33	4460226	4	Socket, Female	
33	4460268	1	Socket, Female	
34	4460418	1	Connector - 6 Position	
34	1001159186	2	Terminal	
34	8220099	2	Terminal	
35	4460418	1	Connector - 6 Position	
35	1001159186	2	Terminal	
35	8220099	2	Terminal	
36	4460418	1	Connector - 6 Position	
36	1001159186	2	Terminal	
36	8220099	2	Terminal	
37	4460418	1	Connector - 6 Position	
37	1001159186	2	Terminal	
37	8220099	2	Terminal	
38	4460418	1	Connector - 6 Position	
38	1001159186	2	Terminal	
38	8220099	2	Terminal	
39	4460260	1	Connector - 1 Position	
39	4460259	1	Terminal	
40	4460260	1	Connector - 1 Position	
40	4460259	1	Terminal	
41	4460260	1	Connector - 1 Position	
41	4460259	1	Terminal	
42	4460260	1	Connector - 1 Position	
42	4460259	1	Terminal	
43	4460016	2	Terminal	
44	4460016	1	Terminal	
45	4460016	1	Terminal	
46	4460016	1	Terminal	
47	4460225	1	Connector - 6 Position	
47	4460226	6	Socket, Female	
48	4460225	1	Connector - 6 Position	
48	4460226	6	Socket, Female	
49	4460260	1	Connector - 1 Position	
49	4460259	1	Terminal	

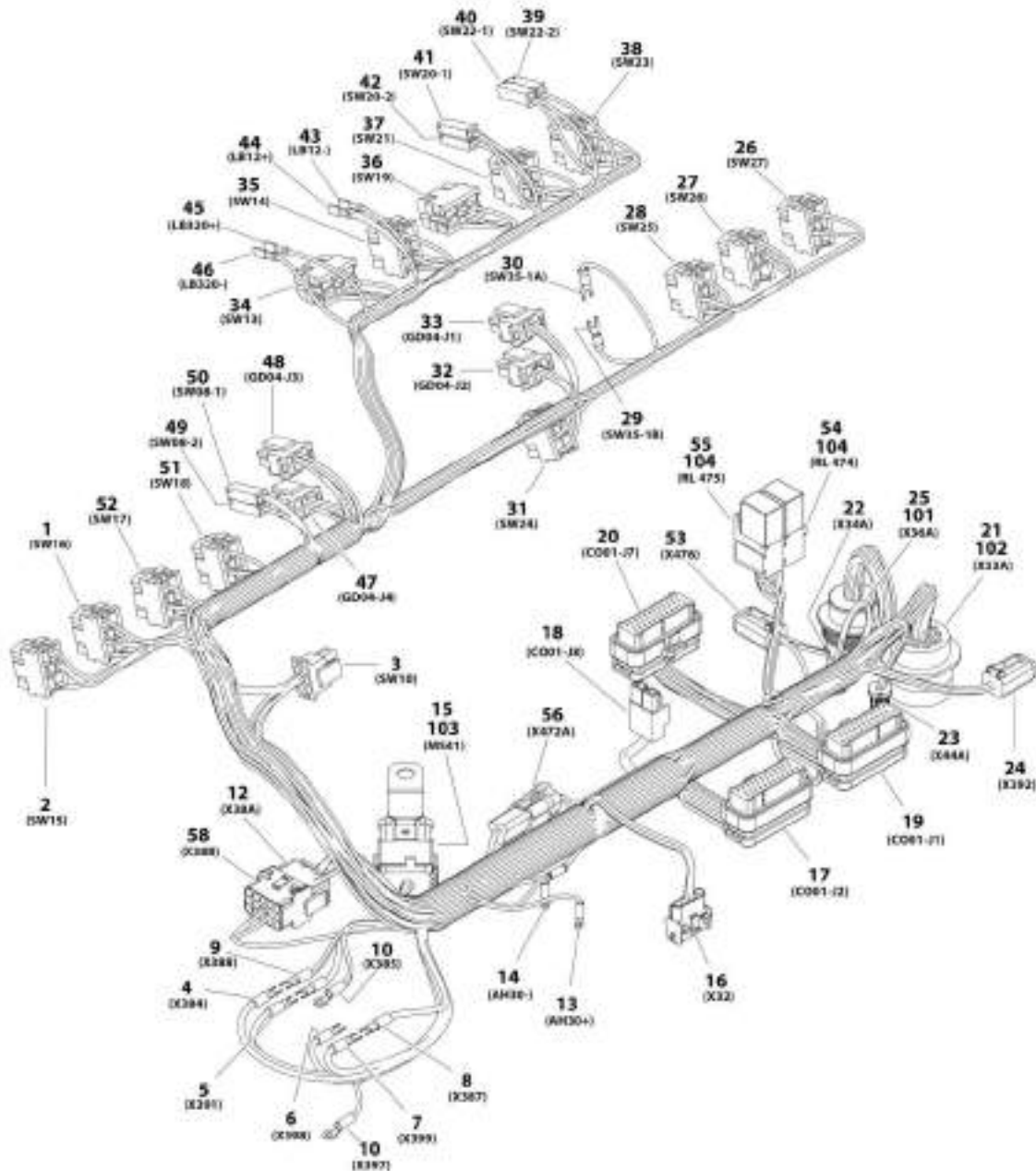


## SECTION 8 - ELECTRICAL

ITEM	PART NUMBER	QTY	DESCRIPTION	REV
50	4460260	1	Connector - 1 Position	
50	4460259	1	Terminal	
51	4460418	1	Connector - 6 Position	
51	1001159186	2	Terminal	
51	8220099	2	Terminal	
52	4460418	1	Connector - 6 Position	
52	1001159186	2	Terminal	
52	8220099	2	Terminal	
		Ref	ADDITIONAL COMPONENTS (NOT INCLUDED WITH PLATFORM HARNESS)	
101	4460496	1	Washer, Washer	
101	4460497	1	Nut, Terminal	
102	4460471	1	Washer, Washer	
102	4460470	1	Nut, Terminal	
103	1001119020	1	Bussbar	
103	1001120328	1	Clip, Mounting	

# SECTION 8 - ELECTRICAL

FIGURE 8-48. PLATFORM CONSOLE HARNESS - WITH SKYGUARD (Prior to SN 0300234077)



KFT\_1001186228

## SECTION 8 - ELECTRICAL

**FIGURE 8-48. PLATFORM CONSOLE HARNESS - WITH SKYGUARD (Prior to SN 0300234077)**

ITEM	PART NUMBER	QTY	DESCRIPTION	REV
	1001186229	Ref	PLATFORM CONSOLE HARNESS - WITH SKYGUARD (Prior to SN 0300234077)	C
1	4460418	1	Connector - 6 Position	
1	1001159186	2	Terminal	
1	8220099	2	Terminal	
2	4460418	1	Connector - 6 Position	
2	1001159186	2	Terminal	
2	8220099	2	Terminal	
3	4460225	1	Connector - 6 Position	
3	4460227	4	Pin, Male	
3	4460267	2	Pin, Male	
4	4460315	1	Terminal, Spade	
5	4460315	1	Terminal, Spade	
6	4460315	1	Terminal, Spade	
7	4460315	1	Terminal, Spade	
8	4460315	1	Terminal, Spade	
9	4460315	1	Terminal, Spade	
10	8220007	2	Terminal, Ring	
11	4460315	1	Terminal, Spade	
12	4460434	1	Connector - 8 Position	
12	4460227	7	Pin, Male	
12	4460267	1	Pin, Male	
13	1001098122	1	Terminal, Ring	
14	1001098122	1	Terminal, Ring	
15	4460933	1	Connector - 12 Position	
15	4460465	12	Socket, Female	
16	4460761	1	Connector - 4 Position	
16	4460227	4	Pin, Male	
17	4460876	1	Connector - 35 Position	
17	4460871	33	Socket, Female	
17	4460905	2	Plug, Socket	
18	4460879	1	Connector - 2 Position	
18	4460887	2	Terminal	
19	4460874	1	Connector - 35 Position	
19	4460871	33	Socket, Female	
19	4460905	2	Plug, Socket	
20	4460873	1	Connector - 35 Position	
20	4460871	22	Socket, Female	
20	4460905	13	Plug, Socket	
21	4460866	1	Connector - 19 Position	
21	4460943	3	Pin, Male	
21	4460508	4	Pin, Male	
21	4460464	8	Pin, Male	
21	4460466	4	Plug, Socket	
22	1001120055	1	Connector - 5 Position with Cable	
23	1001120055	1	Connector - 5 Position with Cable	
24	4460884	1	Connector - 4 Position	
24	4460465	4	Socket, Female	
25	4460925	1	Connector - 21 Position	
25	1001126011	19	Pin, Male	

## SECTION 8 - ELECTRICAL

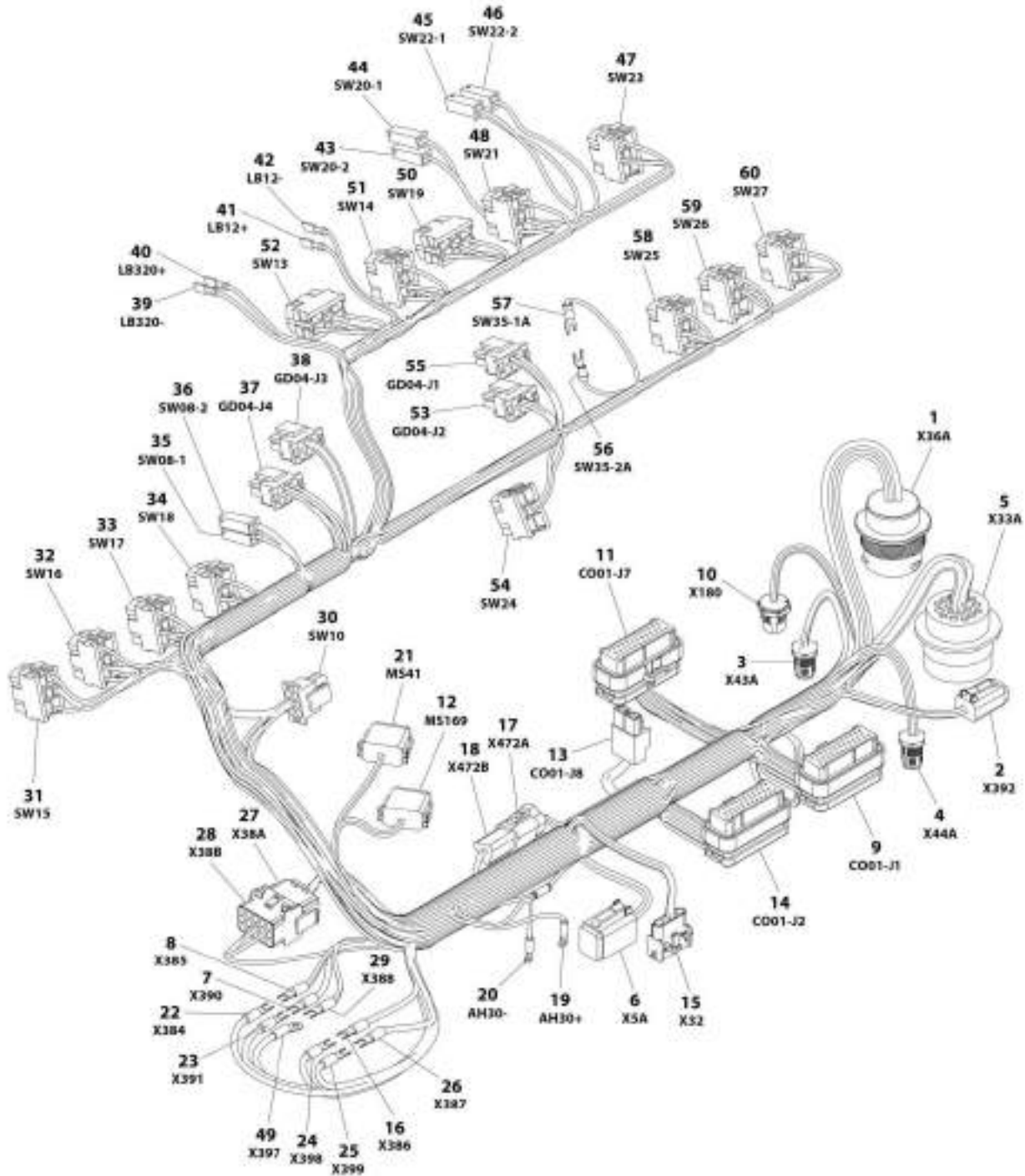
ITEM	PART NUMBER	QTY	DESCRIPTION	REV
25	4460518	2	Plug, Socket	
26	4460418	1	Connector - 6 Position	
26	1001159186	2	Terminal	
27	4460418	1	Connector - 6 Position	
27	1001159186	1	Terminal	
27	8220099	2	Terminal	
28	4460418	1	Connector - 6 Position	
28	1001159186	2	Terminal	
28	8220099	2	Terminal	
29	4460183	1	Terminal, Spade	
30	4460183	1	Terminal, Spade	
31	4460418	1	Connector - 6 Position	
31	1001159186	1	Terminal	
31	8220099	2	Terminal	
32	4460225	1	Connector - 6 Position	
32	4460226	4	Socket, Female	
33	4460225	1	Connector - 6 Position	
33	4460226	4	Socket, Female	
33	4460268	1	Socket, Female	
34	4460418	1	Connector - 6 Position	
34	1001159186	2	Terminal	
34	8220099	2	Terminal	
35	4460418	1	Connector - 6 Position	
35	1001159186	2	Terminal	
35	8220099	2	Terminal	
36	4460418	1	Connector - 6 Position	
36	1001159186	2	Terminal	
36	8220099	2	Terminal	
37	4460418	1	Connector - 6 Position	
37	1001159186	2	Terminal	
37	8220099	2	Terminal	
38	4460418	1	Connector - 6 Position	
38	1001159186	2	Terminal	
38	8220099	2	Terminal	
39	4460260	1	Connector - 1 Position	
39	4460259	1	Terminal	
40	4460260	1	Connector - 1 Position	
40	4460259	1	Terminal	
41	4460260	1	Connector - 1 Position	
41	4460259	1	Terminal	
42	4460260	1	Connector - 1 Position	
42	4460259	1	Terminal	
43	4460016	2	Terminal	
44	4460016	1	Terminal	
45	4460016	1	Terminal	
46	4460016	1	Terminal	
47	4460225	1	Connector - 6 Position	
47	4460226	6	Socket, Female	
48	4460225	1	Connector - 6 Position	
48	4460226	6	Socket, Female	
49	4460260	1	Connector - 1 Position	

## SECTION 8 - ELECTRICAL

ITEM	PART NUMBER	QTY	DESCRIPTION	REV
49	4460259	1	Terminal	
50	4460260	1	Connector - 1 Position	
50	4460259	1	Terminal	
51	4460418	1	Connector - 6 Position	
51	1001159186	2	Terminal	
51	8220099	2	Terminal	
52	4460418	1	Connector - 6 Position	
52	1001159186	2	Terminal	
52	8220099	2	Terminal	
53	4460884	1	Connector - 4 Position	
53	4460465	4	Socket, Female	
54	1001186432	1	Holder, Micro Relay	
54	1001116720	3	Terminal	
54	1001118388	2	Terminal	
55	1001186432	1	Holder, Micro Relay	
55	1001116720	2	Terminal	
55	1001118388	4	Terminal	
56	4460539	1	Plug, Male - 3 Position	
56	4460944	3	Socket, Female	
57	4460536	1	Receptacle, Female - 3 Position	
57	4460943	3	Pin, Male	
58	4460708	1	Connector - 15 Position	
58	4460226	3	Socket, Female	
		Ref	ADDITIONAL COMPONENTS (NOT INCLUDED WITH PLATFORM HARNESS)	
101	4460496	1	Washer, Washer	
101	4460497	1	Nut, Terminal	
102	4460471	1	Washer, Washer	
102	4460470	1	Nut, Terminal	
103	1001119020	1	Bussbar	
103	1001120328	1	Clip, Mounting	
104	1001186431	2	Relay, 35Amp	

# SECTION 8 - ELECTRICAL

FIGURE 8-49. PLATFORM CONSOLE HARNESS - WITH SKYGUARD (SN 0300234077 to Present)



ART\_1901238866

## SECTION 8 - ELECTRICAL

**FIGURE 8-49. PLATFORM CONSOLE HARNESS - WITH SKYGUARD (SN 0300234077 to Present)**

ITEM	PART NUMBER	QTY	DESCRIPTION	REV
	1001220868	Ref	PLATFORM CONSOLE HARNESS - WITH SKYGUARD (SN <b>0300234077 to Present</b> )	D
1	4460925	1	Connector - 21 Position	
1	1001126011	20	Pin, Male	
1	4460518	1	Plug, Socket	
2	4460884	1	Connector - 4 Position	
2	4460465	4	Socket, Female	
3	1001120055	1	Connector - 5 Position with Cable	
4	1001120055	1	Connector - 5 Position with Cable	
5	4460866	1	Connector - 19 Position	
5	4460943	3	Pin, Male	
5	4460508	4	Pin, Male	
5	4460464	8	Pin, Male	
5	4460466	4	Plug, Socket	
6	4460894	1	Connector - 6 Position	
6	4460465	5	Socket, Female	
6	4460466	1	Seal, Plug	
7	4460315	1	Terminal, Spade	
8	4460315	1	Terminal, Spade	
9	4460874	1	Connector - 35 Position	
9	4460871	34	Socket, Female	
9	4460905	1	Plug, Socket	
10	10011213447	1	Connector - 5 Position with Cable	
11	4460873	1	Connector - 35 Position	
11	4460871	25	Socket, Female	
11	4460905	10	Plug, Socket	
12	4460933	1	Connector - 12 Position	
12	4460465	8	Socket, Female	
12	4460466	4	Seal, Plug	
13	4460879	1	Connector - 2 Position	
13	4460887	2	Terminal	
14	4460876	1	Connector - 35 Position	
14	4460871	33	Socket, Female	
14	4460905	2	Plug, Socket	
15	4460761	1	Connector - 4 Position	
15	4460227	4	Pin, Male	
16	4460314	1	Terminal, Spade	
17	4460539	1	Plug, Male - 3 Position	
17	4460944	3	Socket, Female	
18	4460536	1	Receptacle, Female - 3 Position	
18	4460943	3	Pin, Male	
19	1001098122	1	Terminal, Ring	
20	1001098122	1	Terminal, Ring	
21	4460933	1	Connector - 12 Position	
21	4460465	12	Socket, Female	
22	4460315	1	Terminal, Spade	
23	4460315	1	Terminal, Spade	
24	4460315	1	Terminal, Spade	
25	4460315	1	Terminal, Spade	
26	4460315	1	Terminal, Spade	

## SECTION 8 - ELECTRICAL

ITEM	PART NUMBER	QTY	DESCRIPTION	REV
27	4460434	1	Connector - 15 Position	
27	4460227	12	Pin, Male	
28	4460708	1	Connector - 15 Position	
28	4460226	2	Socket, Female	
29	4460315	1	Terminal, Spade	
30	4460225	1	Connector - 6 Position	
30	4460227	5	Pin, Male	
30	4460267	1	Pin, Male	
31	4460418	1	Connector - 6 Position	
31	1001159186	2	Terminal	
31	4460419	2	Terminal	
32	4460418	1	Connector - 6 Position	
32	1001159186	2	Terminal	
32	4460419	2	Terminal	
33	4460418	1	Connector - 6 Position	
33	1001159186	2	Terminal	
33	4460419	2	Terminal	
34	4460418	1	Connector - 6 Position	
34	1001159186	2	Terminal	
34	4460419	2	Terminal	
35	4460260	1	Connector - 1 Position	
35	4460259	1	Terminal	
36	4460260	1	Connector - 1 Position	
36	4460259	1	Terminal	
37	4460225	1	Connector - 6 Position	
37	4460226	6	Socket, Female	
38	4460225	1	Connector - 6 Position	
38	4460226	6	Socket, Female	
39	4460016	1	Terminal	
40	4460016	1	Terminal	
41	4460016	1	Terminal	
42	4460016	1	Terminal	
43	4460260	1	Connector - 1 Position	
43	4460259	1	Terminal	
44	4460260	1	Connector - 1 Position	
44	4460259	1	Terminal	
45	4460260	1	Connector - 1 Position	
45	4460259	1	Terminal	
46	4460260	1	Connector - 1 Position	
46	4460259	1	Terminal	
47	4460418	1	Connector - 6 Position	
47	1001159186	2	Terminal	
47	4460419	2	Terminal	
48	4460418	1	Connector - 6 Position	
48	1001159186	2	Terminal	
48	4460419	2	Terminal	
49	8220007	1	Terminal, Ring	
50	4460418	1	Connector - 6 Position	
50	1001159186	2	Terminal	
50	4460419	2	Terminal	
51	4460418	1	Connector - 6 Position	

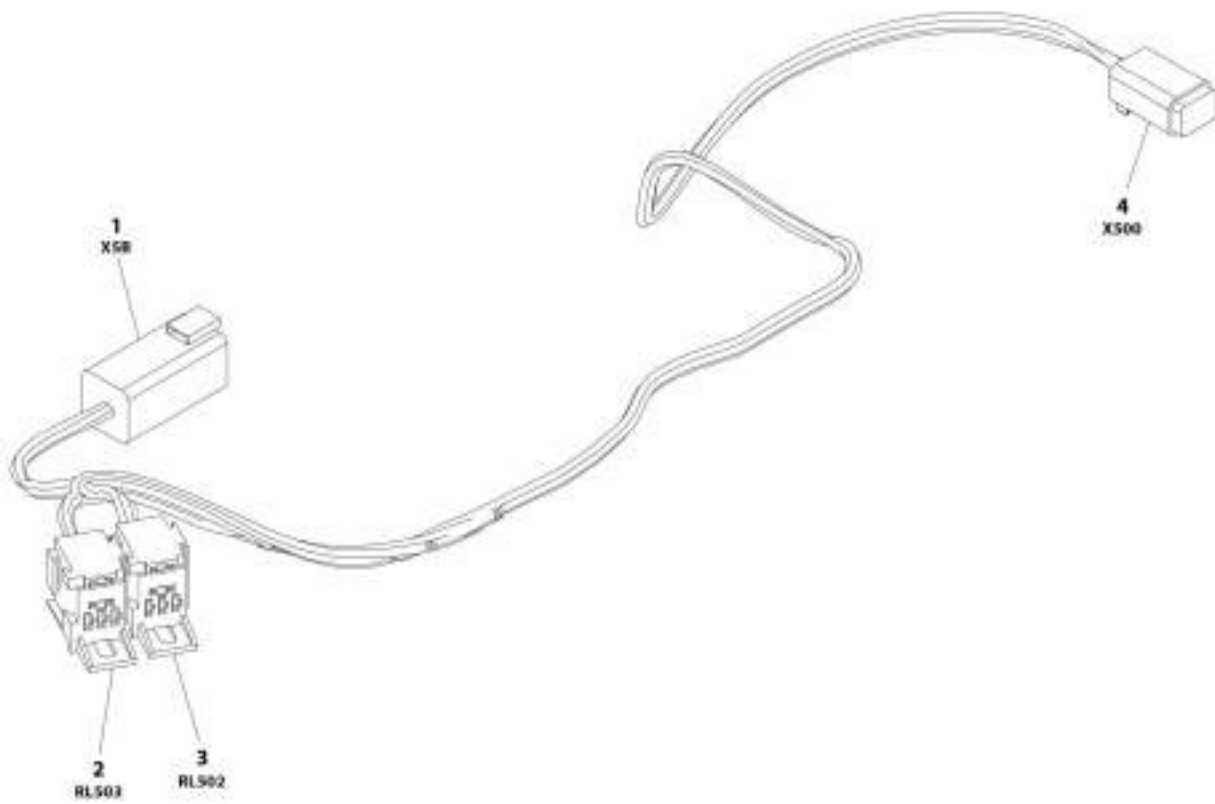


## SECTION 8 - ELECTRICAL

ITEM	PART NUMBER	QTY	DESCRIPTION	REV
51	1001159186	2	Terminal	
51	4460419	2	Terminal	
52	4460418	1	Connector - 6 Position	
52	1001159186	2	Terminal	
52	4460419	2	Terminal	
53	4460225	1	Connector - 6 Position	
53	4460226	4	Socket, Female	
54	4460418	1	Connector - 6 Position	
54	1001159186	1	Terminal	
54	4460419	2	Terminal	
55	4460225	1	Connector - 6 Position	
55	4460226	4	Socket, Female	
55	4460268	1	Socket, Female	
56	4460183	1	Terminal, Spade	
57	4460183	1	Terminal, Spade	
58	4460418	1	Connector - 6 Position	
58	1001159186	2	Terminal	
58	4460419	2	Terminal	
59	4460418	1	Connector - 6 Position	
59	1001159186	1	Terminal	
59	4460419	2	Terminal	
60	4460418	1	Connector - 6 Position	
60	1001159186	2	Terminal	

# SECTION 8 - ELECTRICAL

## FIGURE 8-50. PLATFORM INTERFACE HARNESS



AIT\_1001225580

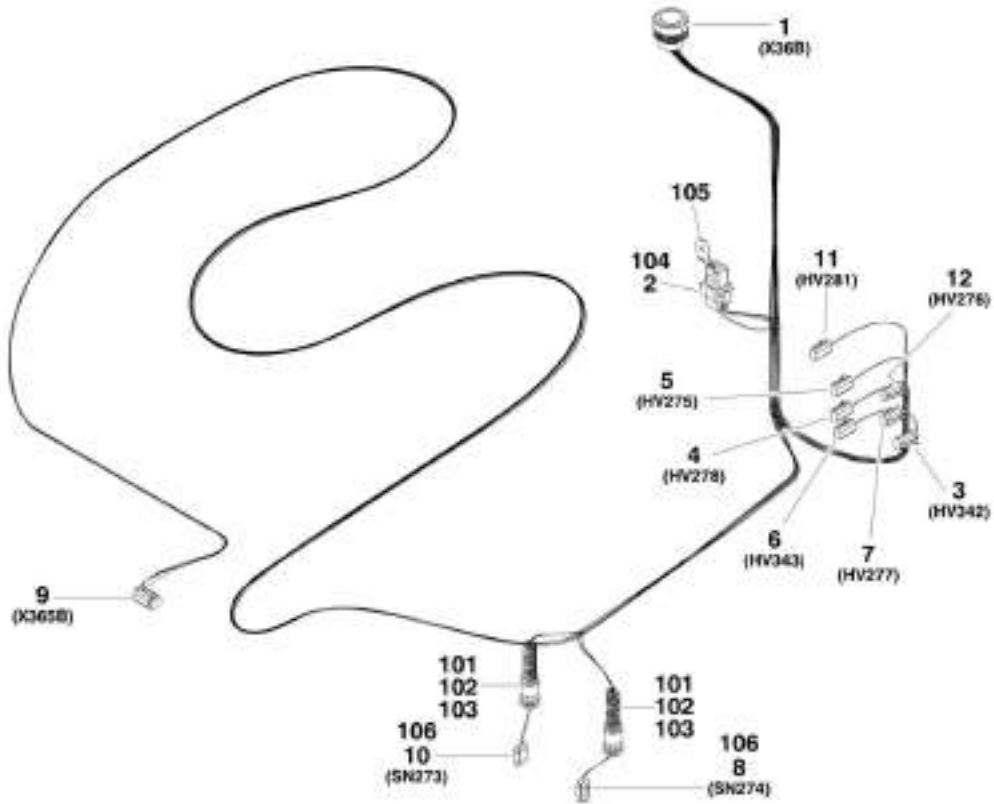
## SECTION 8 - ELECTRICAL

**FIGURE 8-50. PLATFORM INTERFACE HARNESS**

ITEM	PART NUMBER	QTY	DESCRIPTION	REV
	1001225580	Ref	PLATFORM INTERFACE HARNESS	C
1	4460899	1	Connector, Female - 6 Position	
1	4460464	4	Pin, Male	
1	4460466	2	Seal, Plug	
2	1001186432	1	Holder, Micro Relay	
2	1001116720	2	Terminal	
2	1001118388	2	Terminal	
3	1001186432	1	Holder, Micro Relay	
3	1001116720	2	Terminal	
3	1001118388	2	Terminal	
4	4460884	1	Connector - 3 Position	
4	4460465	4	Socket, Female	

# SECTION 8 - ELECTRICAL

## FIGURE 8-51. PLATFORM VALVE HARNESS



1001148977

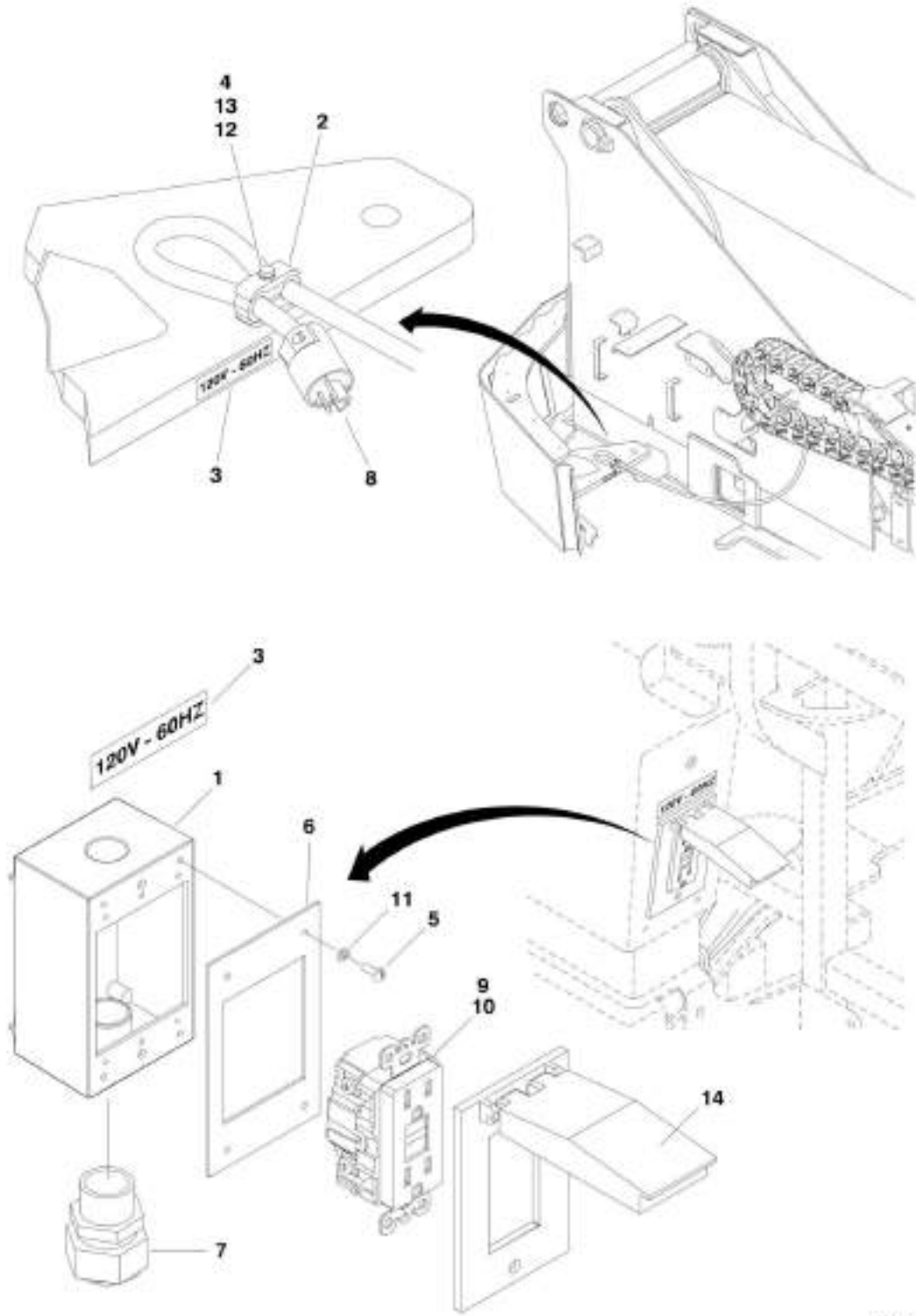
## SECTION 8 - ELECTRICAL

### FIGURE 8-51. PLATFORM VALVE HARNESS

ITEM	PART NUMBER	QTY	DESCRIPTION	REV
	1001149977	Ref	PLATFORM VALVE HARNESS	E
1	4460926	1	Connector - 21 Position	
1	1001126008	20	Socket, Female	
1	4460518	1	Plug, Socket	
2	4460458	1	Connector - 8 Position	
2	4460465	3	Socket, Female	
2	4460466	1	Plug, Socket	
3	4460891	1	Connector - 2 Position	
3	4460465	2	Socket, Female	
4	4460891	1	Connector - 2 Position	
4	4460465	2	Socket, Female	
5	4460891	1	Connector - 2 Position	
5	4460465	2	Socket, Female	
6	4460891	1	Connector - 2 Position	
6	4460465	2	Socket, Female	
7	4460891	1	Connector - 2 Position	
7	4460465	2	Socket, Female	
8	4460911	1	Connector - 3 Position	
8	1001126008	3	Socket, Female	
9	4460884	1	Connector - 3 Position	
9	4460465	3	Socket, Female	
10	4460911	1	Connector - 3 Position	
10	1001126008	3	Socket, Female	
11	4460891	1	Connector - 2 Position	
11	4460465	2	Socket, Female	
12	4460891	1	Connector - 2 Position	
12	4460465	2	Socket, Female	
101	1560010	2	Conduit	
102	1560011	2	Connector, Conduit	
103	1560012	2	Nut, Conduit	
104	4460852	1	Connector - 8 Position	
105	1001155743	1	Clip, Mounting	
106	4460912	2	Wedge, Locking	

# SECTION 8 - ELECTRICAL

FIGURE 8-52. RECEPTACLE AND CLAMP INSTALLATION - 110V - ANSI SPEC



1001156219

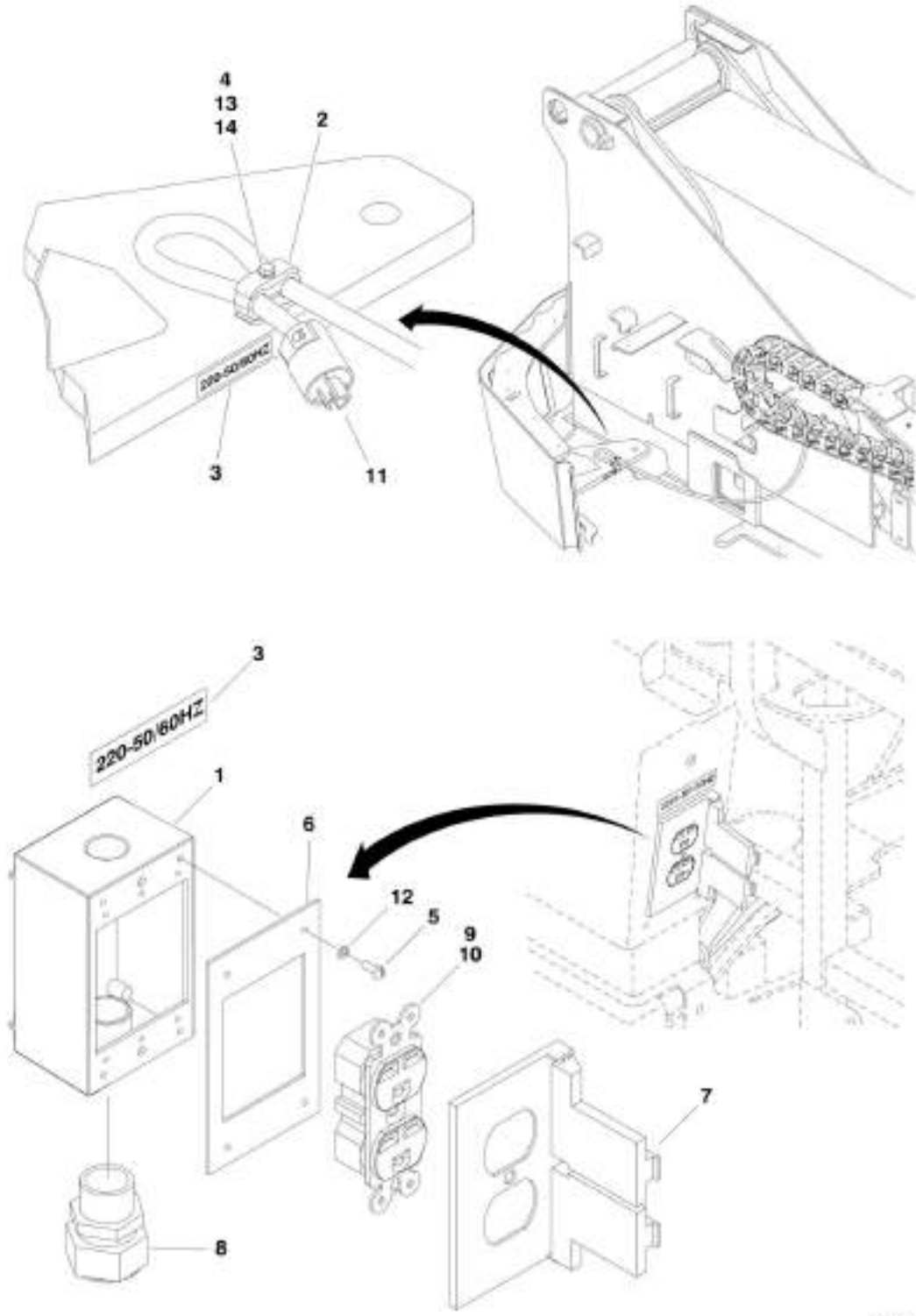
## SECTION 8 - ELECTRICAL

**FIGURE 8-52. RECEPTACLE AND CLAMP INSTALLATION - 110V - ANSI SPEC**

ITEM	PART NUMBER	QTY	DESCRIPTION	REV
	1001156219	Ref	RECEPTACLE AND CLAMP INSTALLATION - 110V - ANSI SPEC	A
1	0860038	1	Box, Switch	
2	1320146	1	Clamp	
3	3251243	2	Decal - 120V-60HZ	
4	3290605	1	Locknut M6	
5	3910606	4	Screw #6-32 x 3/8	
6	3960422	1	Gasket, Receptacle Cover	
7	4460051	1	Connector, Strain Relief	
8	4460205	1	Plug	
9	4460315	3	Terminal, Spade	
10	4460346	1	Receptacle, GFI	
11	4760600	4	Lockwasher, #6	
12	4811700	2	Flatwasher M6	
13	1001096653	1	Bolt M6 x 70	
14	1001110873	1	Cover, Receptacle Box	

# SECTION 8 - ELECTRICAL

FIGURE 8-53. RECEPTACLE AND CLAMP INSTALLATION - 220V - ANSI SPEC



1001198224



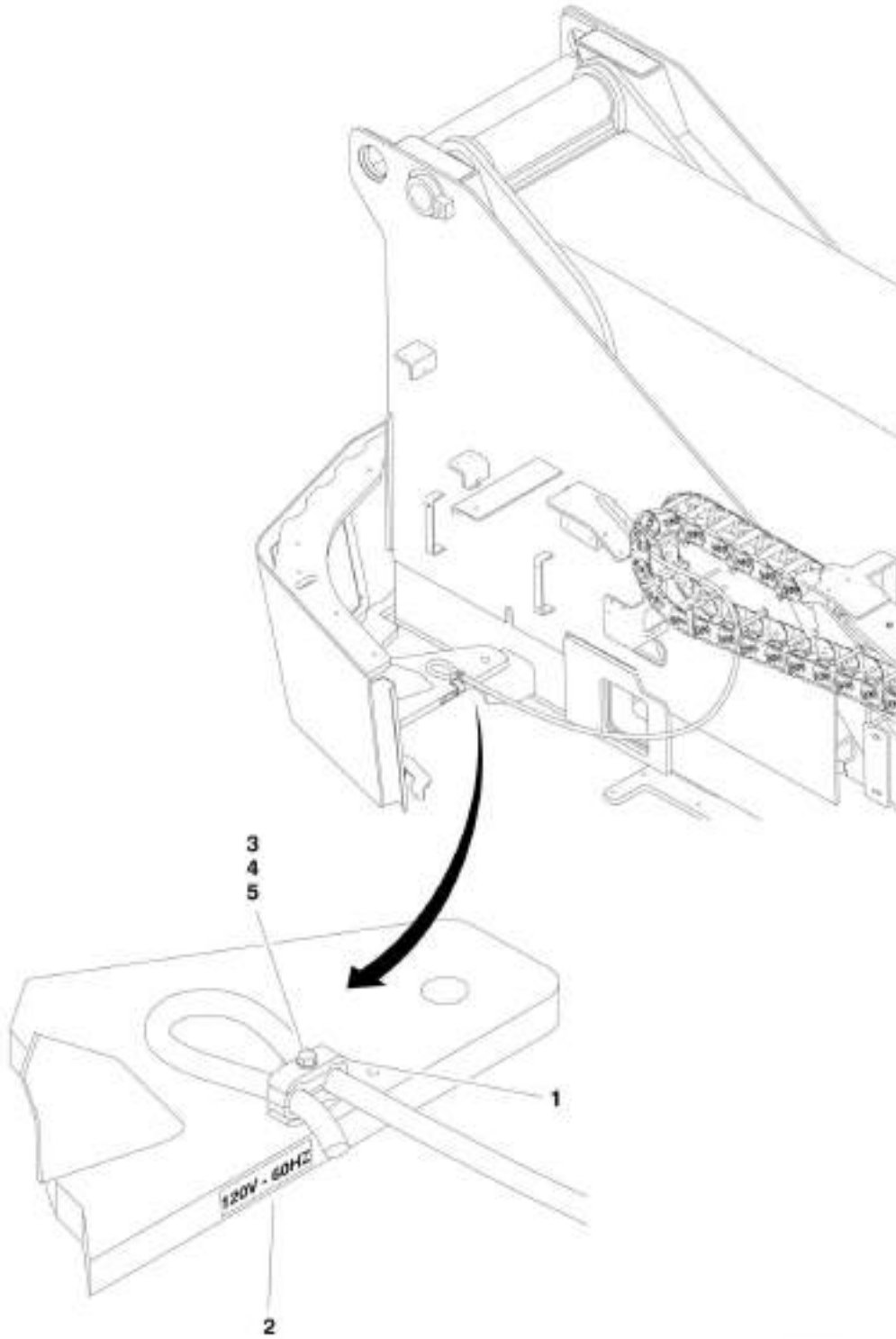
## SECTION 8 - ELECTRICAL

**FIGURE 8-53. RECEPTACLE AND CLAMP INSTALLATION - 220V - ANSI SPEC**

ITEM	PART NUMBER	QTY	DESCRIPTION	REV
	1001156224	Ref	RECEPTACLE AND CLAMP INSTALLATION - 220V - ANSI SPEC	A
1	0860038	1	Box, Switch	
2	1320146	1	Clamp	
3	3252507	2	Decal - 220V-50/60Hz	
4	3290605	1	Locknut M6	
5	3910606	4	Screw #6-32 x 3/8	
6	3960422	1	Gasket, Receptacle Cover	
7	4060092	1	Cover, Receptacle Box	
8	4460051	1	Connector, Strain Relief	
9	4460125	1	Receptacle	
10	4460315	3	Terminal, Spade	
11	4460709	1	Plug	
12	4760600	4	Lockwasher, #6	
13	4811700	2	Flatwasher M6	
14	1001096653	1	Bolt M6 x 70	

# SECTION 8 - ELECTRICAL

FIGURE 8-54. RECEPTACLE AND CLAMP INSTALLATION - SUPPLIED LOCALLY



1001156218

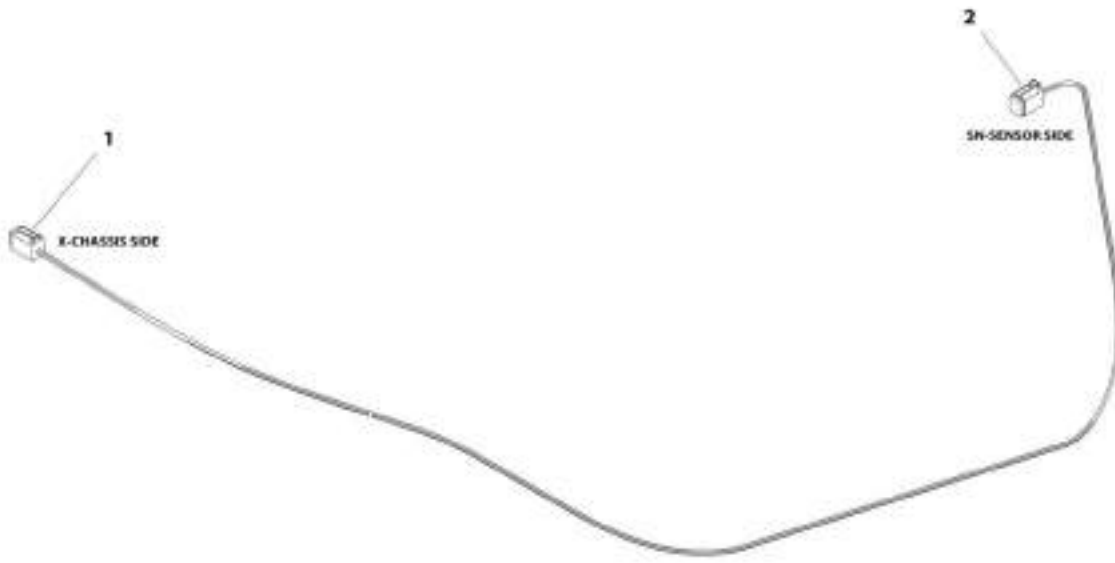
## SECTION 8 - ELECTRICAL

**FIGURE 8-54. RECEPTACLE AND CLAMP INSTALLATION - SUPPLIED LOCALLY**

ITEM	PART NUMBER	QTY	DESCRIPTION	REV
	1001156218	Ref	RECEPTACLE AND CLAMP INSTALLATION - SUPPLIED LOCALLY	A
1	1320146	1	Clamp	
2	3251243	1	Decal - 120V-60HZ	
3	3290605	1	Locknut M6	
4	4811700	2	Flatwasher M6	
5	1001096653	1	Bolt M6 x 70	

# SECTION 8 - ELECTRICAL

## FIGURE 8-55. STEER HARNESS



ART\_1001151417

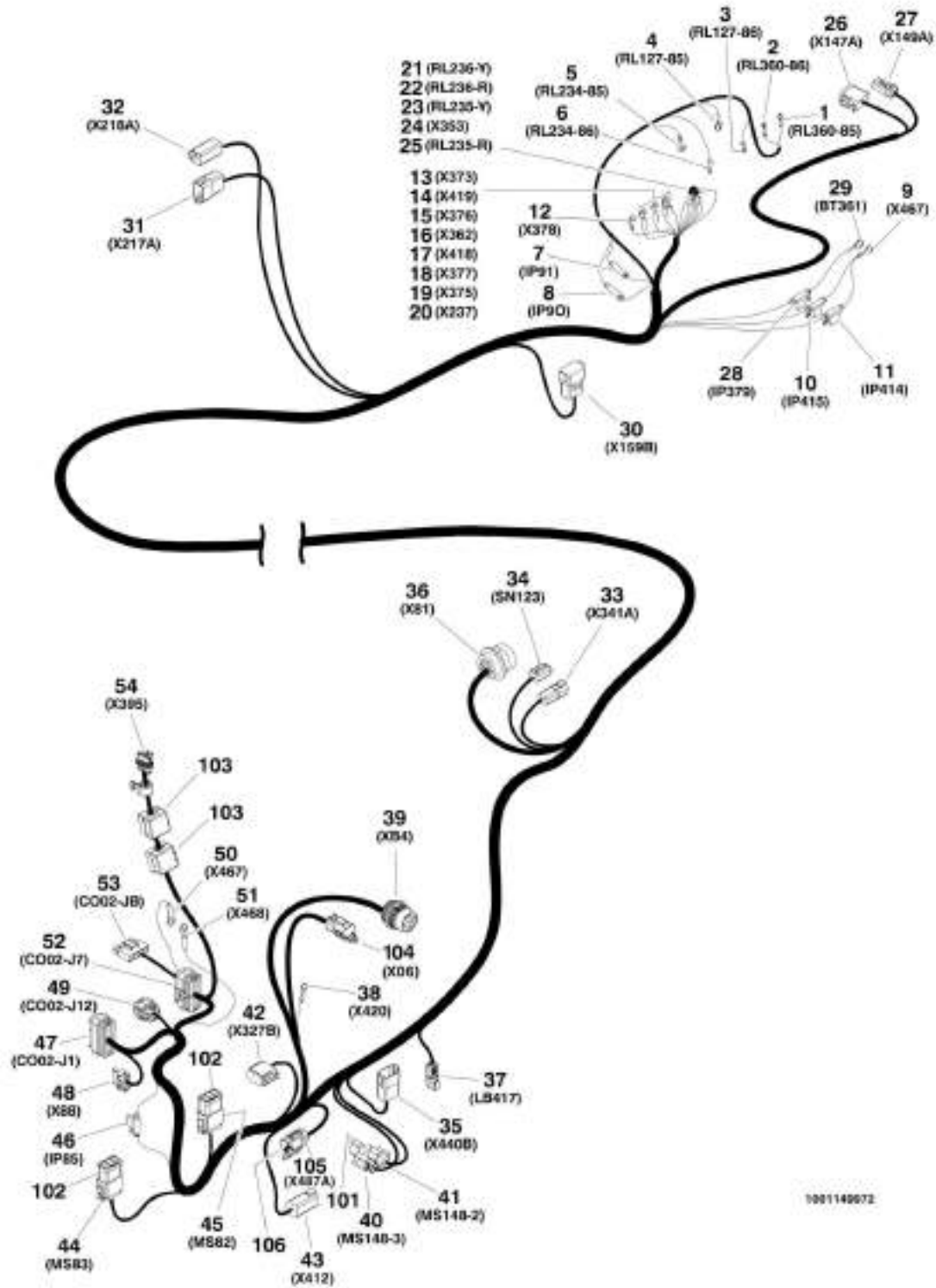
# SECTION 8 - ELECTRICAL

## FIGURE 8-55. STEER HARNESS

ITEM	PART NUMBER	QTY	DESCRIPTION	REV
	1001155817	Ref	STEER HARNESS	B
1	4460894	1	Connector - 6 Position	
1	4460465	4	Socket, Female	
1	4460466	2	Seal, Plug	
2	4460894	1	Connector - 6 Position	
2	4460465	3	Socket, Female	
2	4460466	3	Seal, Plug	

# SECTION 8 - ELECTRICAL

## FIGURE 8-56. TURNTABLE HARNESS



1001140072

## SECTION 8 - ELECTRICAL

### FIGURE 8-56. TURNTABLE HARNESS

ITEM	PART NUMBER	QTY	DESCRIPTION	REV
	1001149972	Ref	TURNTABLE HARNESS	K
1	4460247	1	Ring, Terminal	
2	4460247	1	Ring, Terminal	
3	4460247	1	Ring, Terminal	
4	4460703	1	Ring, Terminal	
5	4460670	1	Ring, Terminal	
6	4460042	1	Ring, Terminal	
7	IN4004	1	Diode 6A	
8	IN4004	1	Diode 6A	
9	4460019	1	Ring, Terminal	
10	2400066	1	Fuseholder with Leads	
11	2400066	1	Fuseholder with Leads	
12	4460019	1	Ring, Terminal	
13	4460256	1	Ring, Terminal	
14	4460256	1	Ring, Terminal	
15	4460019	1	Ring, Terminal	
16	4460256	1	Ring, Terminal	
17	4460019	1	Ring, Terminal	
18	4460019	1	Ring, Terminal	
19	4460256	1	Ring, Terminal	
20	4460256	1	Ring, Terminal	
21	1001117106	1	Ring, Terminal	
22	4460312	1	Ring, Terminal	
23	1001117106	1	Ring, Terminal	
24	4460043	1	Ring, Terminal	
25	4460312	1	Ring, Terminal	
26	4460836	1	Connector - 12 Position	
26	4460466	8	Plug, Socket	
26	4460465	1	Socket, Female	
26	4460944	3	Socket, Female	
27	4461018	1	Connector - 2 Position	
27	4460509	2	Socket, Female	
28	2400066	1	Fuseholder with Leads	
29	4460019	1	Ring, Terminal	
30	4460950	1	Connector, Female - 12 Position	
30	4460464	9	Pin, Male	
30	4460466	3	Plug, Socket	
31	4460950	1	Connector, Female - 12 Position	
31	4460464	11	Pin, Male	
31	4460466	1	Plug, Socket	
32	4460899	1	Connector, Female - 6 Position	
32	4460464	3	Pin, Male	
32	4460943	3	Pin, Male (Gold)	
33	4460932	1	Connector - 4 Position	
33	4460464	4	Pin, Male	
34	4460884	4	Connector - 4 Position	
34	4460465	3	Socket, Female	
34	4460466	1	Plug, Socket	
35	4460931	1	Connector - 8 Position	
35	4460464	8	Pin, Male	

## SECTION 8 - ELECTRICAL

ITEM	PART NUMBER	QTY	DESCRIPTION	REV
36	4460866	1	Connector - 19 Pin	
36	4460464	8	Pin, Male Deutsch 16 Ga	
36	4460508	4	Pin, Male Deutsch 12 Ga	
36	4460943	3	Pin, Male 16 Ga (Gold)	
36	4460466	4	Plug, Socket	
37	4460897	4	Connector - 2 Position	
37	4460464	8	Pin, Male	
38	4460670	1	Ring, Terminal	
39	1001112617	1	Connector - 9 Position	
39	4460464	3	Pin, Male	
39	4460943	3	Pin, Male (Gold)	
39	4460466	3	Plug, Socket	
40	1001116812	1	Connector - 3 Position	
40	4460465	3	Socket, Female	
41	4460539	2	Connector - 3 Position	
41	4460465	3	Socket, Female	
42	4460933	1	Connector - 12 Position	
42	4460465	AR	Socket, Female	
42	4460466	1	Plug, Socket	
43	4460899	3	Connector, Female - 6 Position	
43	4460464	1	Pin, Male	
44	4460933	6	Connector - 12 Position	
44	4460465	1	Socket, Female	
44	4460466	9	Plug, Socket	
45	4460933	3	Connector - 12 Position	
45	4460644	11	Socket, Female	
45	4460466	1	Plug, Socket	
46	2400066	1	Fuseholder with Leads	
47	4460874	1	Connector - 35 Position	
47	4460871	18	Socket, Female	
47	4460905	17	Plug	
48	4460761	1	Connector - 4 Position	
48	4460267	4	Pin, Male	
49	1001113961	1	Connector - 8 Position	
49	4460871	AR	Socket, Female	
49	4460905	4	Plug	
50	1001128127	1	Ring, Terminal	
51	1001128127	1	Ring, Terminal	
52	4460873	1	Connector - 35 Position	
52	4460871	29	Socket, Female	
52	4460466	6	Plug, Socket	
53	4460878	1	Connector - 4 Position	
53	4460887	3	Terminal	
54	1001103012	1	Connector - 4 Position	
54	101107854	4	Terminal	
101	4460945	1	Connector - 3 Way Tee	
102	1001119020	2	Connector, Bussbar	
103	1001102594	2	Connector - LMI Harness	
104	4460884	1	Connector - 4 Position (SN 0300207793 to Present)	
104	4460465	4	Socket, Female (SN 0300207793 to Present)	
104	1001192401	1	Cap, Dust (SN 0300207793 to Present)	

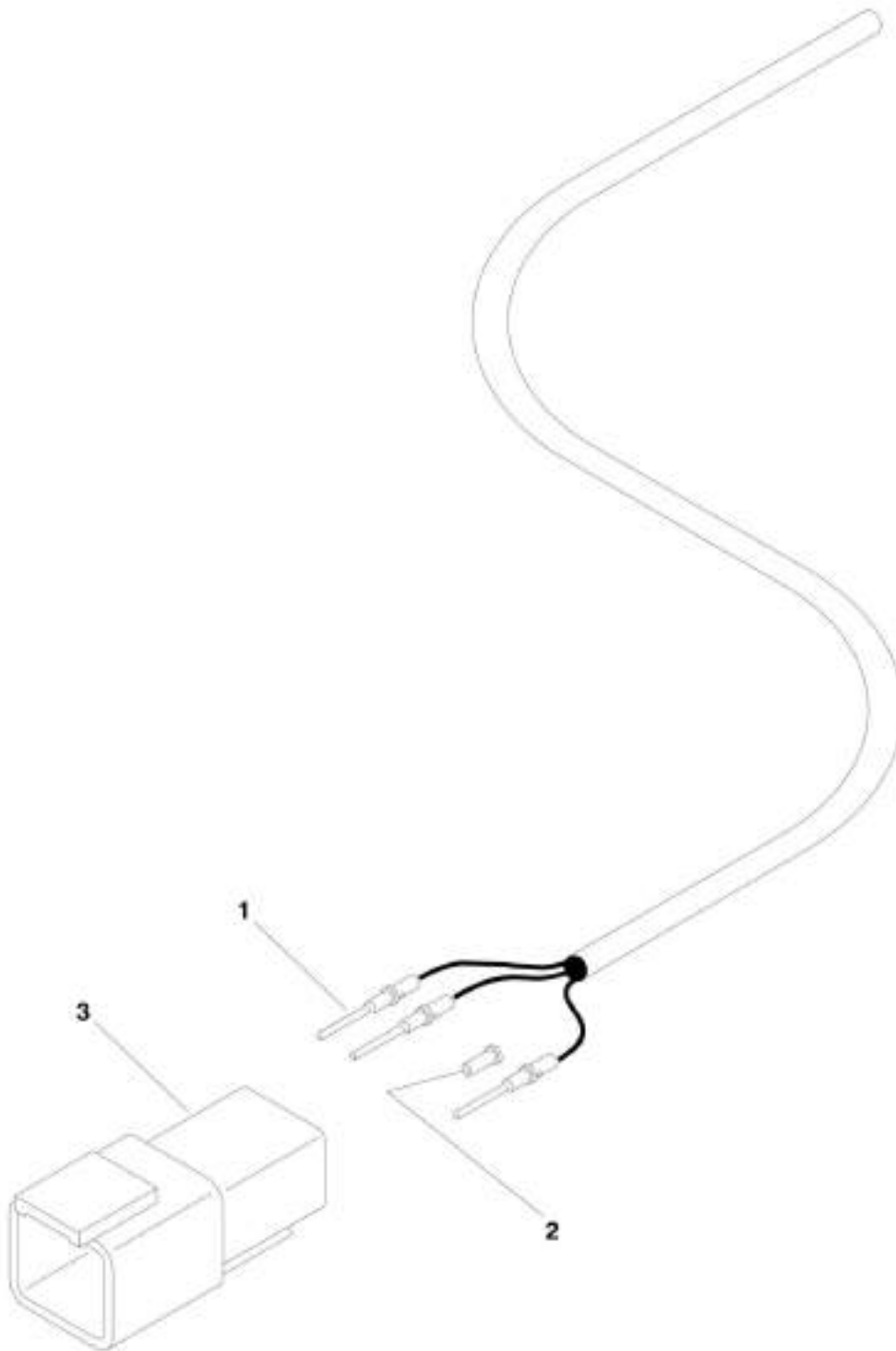


## SECTION 8 - ELECTRICAL

ITEM	PART NUMBER	QTY	DESCRIPTION	REV
105	4460539	1	Connector - 3 Position (SN 0300210987 to Present)	
105	4460465	2	Socket, Female (SN 0300210987 to Present)	
105	4460466	1	Plug, Socket (SN 0300210987 to Present)	
106	1001144296	1	Cap (SN 0300210987 to Present)	

# SECTION 8 - ELECTRICAL

## FIGURE 8-57. TRANSPORT SWITCH HARNESS



1001150363

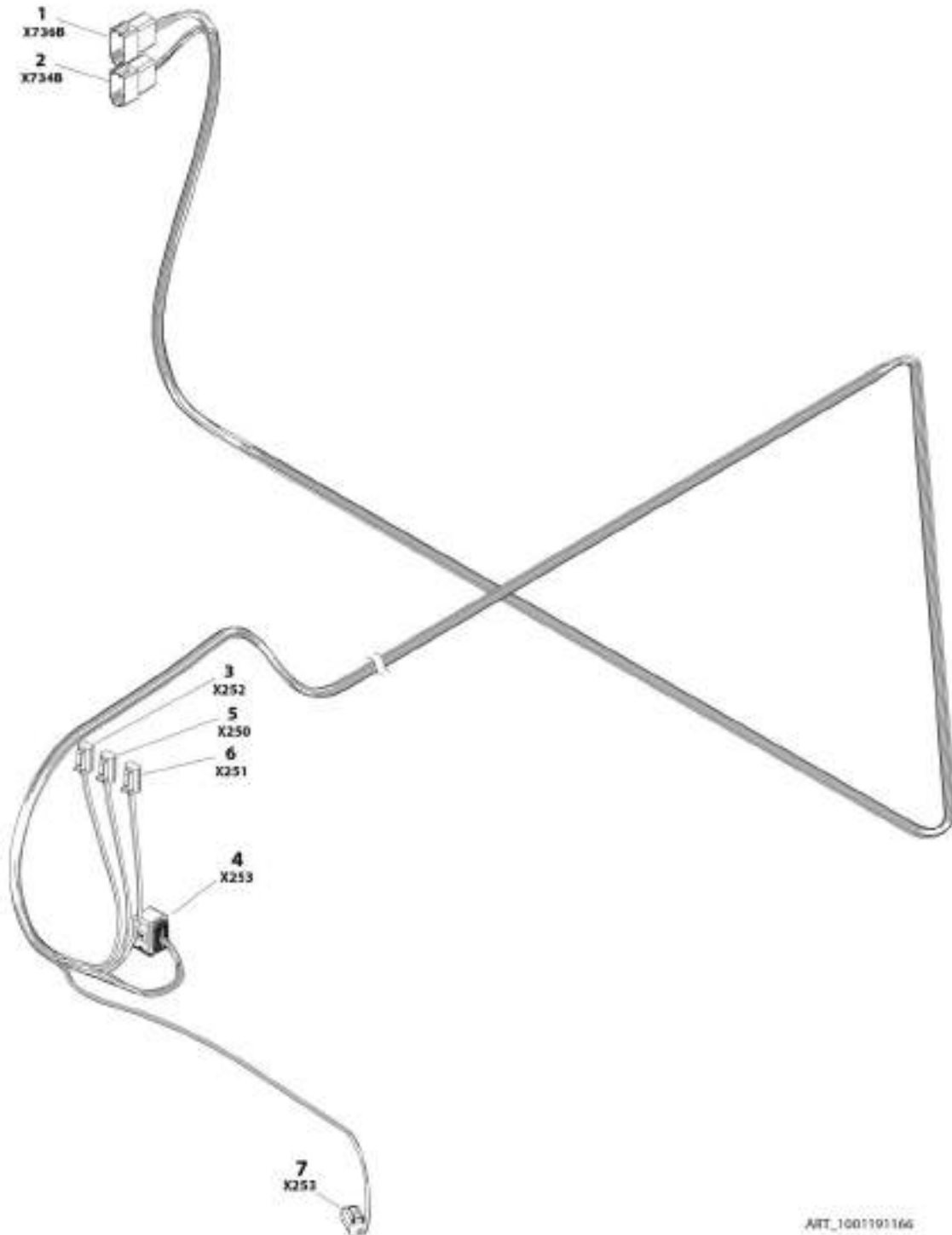
## SECTION 8 - ELECTRICAL

### FIGURE 8-57. TRANSPORT SWITCH HARNESS

ITEM	PART NUMBER	QTY	DESCRIPTION	REV
	1001159363	Ref	TRANSPORT CABLE HARNESS	B
1	4460464	3	Pin, Male	
2	4460466	1	Plug, Socket	
3	4460932	1	Connector - 4 Position	

# SECTION 8 - ELECTRICAL

## FIGURE 8-58. UREA TANK HARNESS



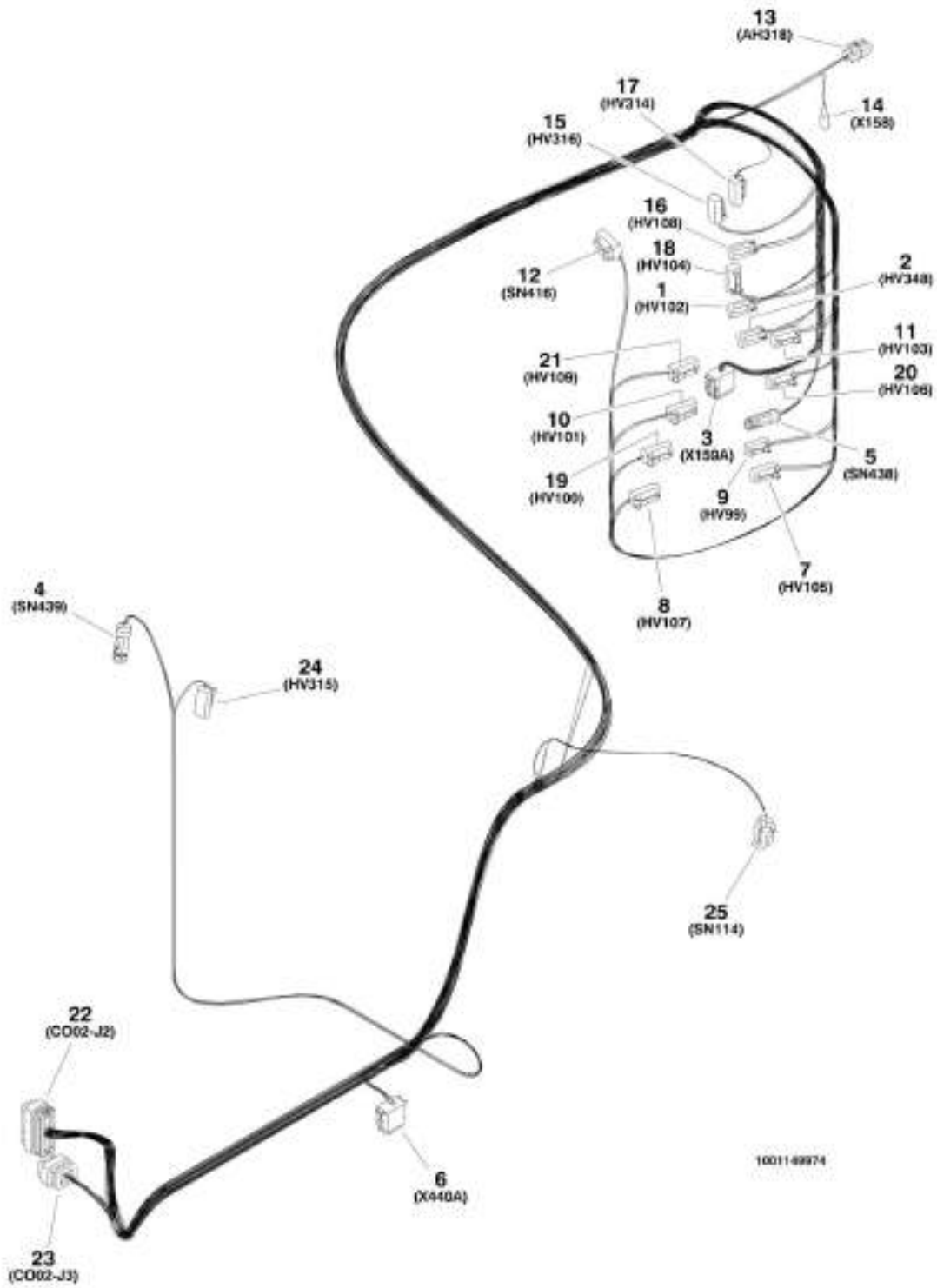
## SECTION 8 - ELECTRICAL

### FIGURE 8-58. UREA TANK HARNESS

ITEM	PART NUMBER	QTY	DESCRIPTION	REV
	1001191166	Ref	UREA TANK HARNESS	C
1	4460982	1	Connector - 12 Position	
1	1001157891	6	Pin, Male	
1	4460464	2	Pin, Male	
1	4460943	2	Pin, Male (Gold)	
1	4460466	2	Seal, Plug	
2	1001152742	1	Connector - 12 Position	
2	4460941	2	Pin, Male 14-16GA	
2	4460464	8	Pin, Male	
2	4460466	2	Plug, Socket	
3	4460891	1	Connector - 2 Position	
3	4460942	2	Socket, Female	
4	1001165194	1	Connector - 12 Position	
4	1001166556	8	Socket, Female	
4	1001166774	2	Socket, Female	
4	1001126391	2	Seal, Plug	
5	4460891	1	Connector - 2 Position	
5	4460942	2	Socket, Female	
6	4460891	1	Connector - 2 Position	
6	4460942	2	Socket, Female	
7	4460884	1	Connector - 4 Position	
7	4460944	2	Socket, Female	
7	4460465	2	Socket, Female	

# SECTION 8 - ELECTRICAL

FIGURE 8-59. VALVE BANK HARNESS (Prior to SN 0300201023)



## SECTION 8 - ELECTRICAL

**FIGURE 8-59. VALVE BANK HARNESS (Prior to SN 0300201023)**

ITEM	PART NUMBER	QTY	DESCRIPTION	REV
	1001149974	Ref	VALVE BANK HARNESS (Prior to SN 0300201023)	D
1	4460891	1	Connector - 2 Position	
1	4460465	2	Socket, Female	
2	4460891	1	Connector - 2 Position	
2	4460465	2	Socket, Female	
3	4460836	1	Connector - 12 Position	
3	4460465	9	Socket, Female	
3	4460466	3	Plug, Socket	
4	1001163747	1	Connector - 4 Position (Includes Cable)	
5	1001163747	1	Connector - 4 Position (Includes Cable)	
6	4460930	1	Connector - 8 Position	
6	4460465	8	Socket, Female	
7	4460891	1	Connector - 2 Position	
7	4460465	2	Socket, Female	
8	4460891	1	Connector - 2 Position	
8	4460465	2	Socket, Female	
9	4460891	1	Connector - 2 Position	
9	4460465	2	Socket, Female	
10	4460891	1	Connector - 2 Position	
10	4460465	2	Socket, Female	
11	4460891	1	Connector - 2 Position	
11	4460465	2	Socket, Female	
12	4460891	1	Connector - 2 Position	
12	4460465	2	Socket, Female	
13	4460539	1	Connector - 3 Position	
13	4460465	3	Socket, Female	
14	8220068	1	Connector - 1 Position	
15	4460891	1	Connector - 2 Position	
15	4460465	2	Socket, Female	
16	4460891	1	Connector - 2 Position	
16	4460465	2	Socket, Female	
17	4460891	1	Connector - 2 Position	
17	4460465	2	Socket, Female	
18	4460891	1	Connector - 2 Position	
18	4460465	2	Socket, Female	
19	4460891	1	Connector - 2 Position	
19	4460465	2	Socket, Female	
20	4460891	1	Connector - 2 Position	
20	4460465	2	Socket, Female	
21	4460891	1	Connector - 2 Position	
21	4460465	2	Socket, Female	
22	4460875	1	Connector - 35 Position	
22	4460871	28	Socket, Female	
22	4460905	7	Plug	
23	4460872	1	Connector - 14 Position	
23	4460871	8	Socket, Female	
23	4460905	6	Plug	
24	4460891	1	Connector - 2 Position	
24	4460465	2	Socket, Female	
25	4460843	1	Connector - 2 Position	

## SECTION 8 - ELECTRICAL

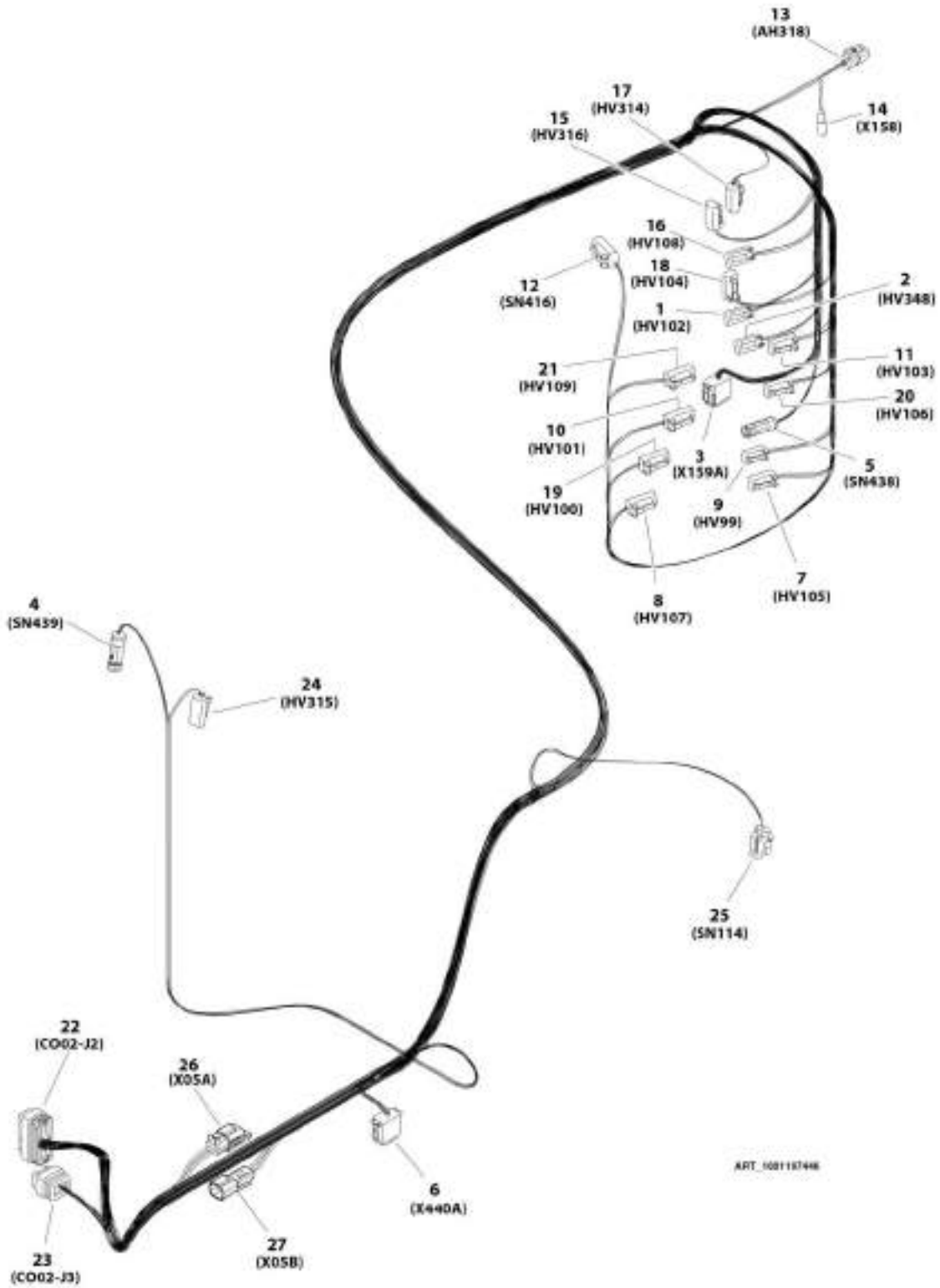
ITEM	PART NUMBER	QTY	DESCRIPTION	REV
25	91554014	2	Socket, Female	





# SECTION 8 - ELECTRICAL

FIGURE 8-60. VALVE BANK HARNESS (SN 0300201023 to Present)



## SECTION 8 - ELECTRICAL

**FIGURE 8-60. VALVE BANK HARNESS (SN 0300201023 to Present)**

ITEM	PART NUMBER	QTY	DESCRIPTION	REV
	1001197446	Ref	VALVE BANK HARNESS (SN 0300201023 to Present)	B
1	4460891	1	Connector - 2 Position	
1	4460465	2	Socket, Female	
2	4460891	1	Connector - 2 Position	
2	4460465	2	Socket, Female	
3	4460836	1	Connector - 12 Position	
3	4460465	9	Socket, Female	
3	4460466	3	Plug, Socket	
4	1001163747	1	Connector - 4 Position (Includes Cable)	
5	1001163747	1	Connector - 4 Position (Includes Cable)	
6	4460930	1	Connector - 8 Position	
6	4460465	8	Socket, Female	
7	4460891	1	Connector - 2 Position	
7	4460465	2	Socket, Female	
8	4460891	1	Connector - 2 Position	
8	4460465	2	Socket, Female	
9	4460891	1	Connector - 2 Position	
9	4460465	2	Socket, Female	
10	4460891	1	Connector - 2 Position	
10	4460465	2	Socket, Female	
11	4460891	1	Connector - 2 Position	
11	4460465	2	Socket, Female	
12	4460891	1	Connector - 2 Position	
12	4460465	2	Socket, Female	
13	4460539	1	Connector - 3 Position	
13	4460465	3	Socket, Female	
14	8220068	1	Connector - 1 Position	
15	4460891	1	Connector - 2 Position	
15	4460465	2	Socket, Female	
16	4460891	1	Connector - 2 Position	
16	4460465	2	Socket, Female	
17	4460891	1	Connector - 2 Position	
17	4460465	2	Socket, Female	
18	4460891	1	Connector - 2 Position	
18	4460465	2	Socket, Female	
19	4460891	1	Connector - 2 Position	
19	4460465	2	Socket, Female	
20	4460891	1	Connector - 2 Position	
20	4460465	2	Socket, Female	
21	4460891	1	Connector - 2 Position	
21	4460465	2	Socket, Female	
22	4460875	1	Connector - 35 Position	
22	4460871	28	Socket, Female	
22	4460905	7	Plug	
23	4460872	1	Connector - 14 Position	
23	4460871	8	Socket, Female	
23	4460905	6	Plug	
24	4460891	1	Connector - 2 Position	
24	4460465	2	Socket, Female	
25	4460843	1	Connector - 2 Position	

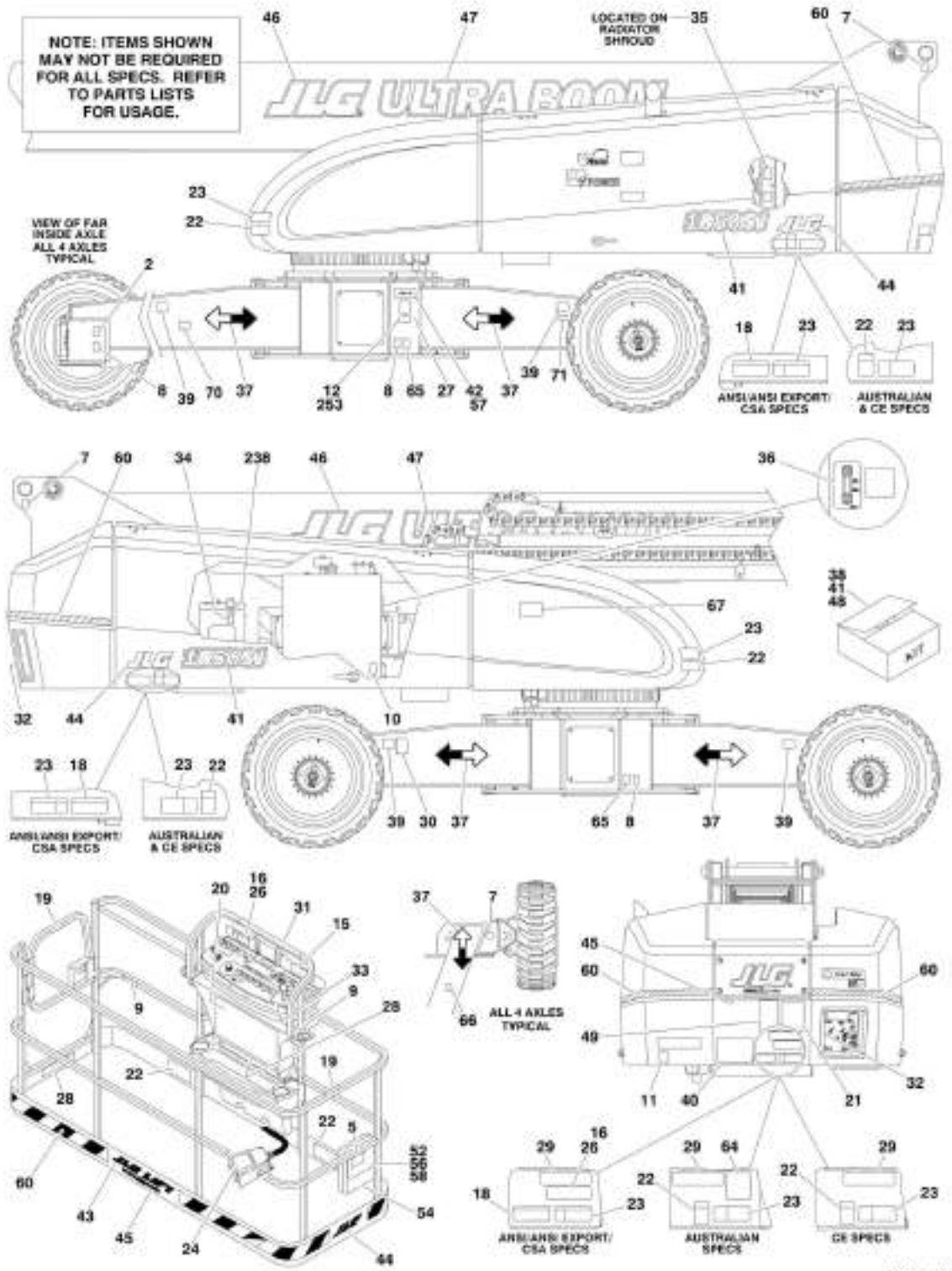
## SECTION 8 - ELECTRICAL

ITEM	PART NUMBER	QTY	DESCRIPTION	REV
25	91554014	2	Socket, Female	
26	4460891	1	Connector - 2 Position	
26	4460465	2	Socket, Female	
27	4460891	1	Connector - 2 Position	
27	4460464	2	Pin, Male	

**SECTION 9 - DECALS**

# SECTION 9 - DECALS

## FIGURE 9-1. DECAL INSTALLATION - ANSI SPEC



## SECTION 9 - DECALS

**FIGURE 9-1. DECAL INSTALLATION - ANSI SPEC**

ITEM	PART NUMBER	QTY	DESCRIPTION	REV
	1001159242	Ref	DECAL INSTALLATION - REFERENCE CHART	J
	1001160456	Ref	Decal Installation - ANSI Spec	I
2	1701499	4	Decal, No Lift	
5	1701509	1	Decal, Manual	
7	1703811	4	Decal, Lift	
8	1703814	6	Decal, Tie Down	
9	1704277	3	Decal, Lanyard Attach	
10	1704412	1	Decal, Hydraulic Oil Chart	
12	1705514	1	Decal, CSA	
15	1705337	1	Decal, Tip-Over <b>(Prior to SN 0300240699)</b>	
18	1703953	3	Decal, Warning Crushing (Rotate)	
19	1702868	2	Decal, No Hands	
20	1703797	1	Decal, Warning/Danger <b>(Prior to SN 0300240699)</b>	
20	1001231315	1	Decal, Warning/Danger <b>(SN 0300240699 to Present)</b>	
21	1705336	1	Decal, Warning Inspection	
22	1703804	4	Decal, Warning Crushing	
23	1703805	5	Decal, Danger Electrocution	
24	3252347	1	Decal, Footswitch	
26	1705492	AR	Decal, Tip-Over Hazard	
27	See Note	NSS	Decal, Bar Code	
28	1001125175	2	Decal, 500 Lbs Capacity	
29	1001125176	1	Decal, 500 Lbs Capacity	
30	1001131269	1	Decal, Patent	
31	1001163536	1	Decal, Legend	
32	1705868	1	Decal, Legend	
33	1705351	1	Decal, Drive/Steer Instruction	
34	1701505	2	Decal, Fuel	
35	1704972	1	Decal, Warning Explosion/fire	
36	1705511	1	Decal, Oil Level	
37	1001160445	8	Decal, Arrow	
38		Ref	Kit, Decal Max Tire Load (See DECAL INSTALLATION - OPTIONS)	
39	1001159855	4	Decal, Max Tire Load	
40		Ref	Decal, Lift Diagram (See DECAL INSTALLATION - OPTIONS)	
41		Ref	Kit, Decal Model Designation (See DECAL INSTALLATION - OPTIONS)	
42	See Note	NSS	Nameplate, Serial Number	
43		Ref	Decal, JLG Lift (See DECAL INSTALLATION - OPTIONS)	
44		Ref	Decal, JLG (See DECAL INSTALLATION - OPTIONS)	
45		Ref	Decal, WWW.JLG.COM (See DECAL INSTALLATION - OPTIONS)	
46		Ref	Decal, JLG (See DECAL INSTALLATION - OPTIONS)	
47		Ref	Decal, Ultra Boom (See DECAL INSTALLATION - OPTIONS)	
49		Ref	Decal, Daily Check List (See DECAL INSTALLATION - OPTIONS)	
52	0641406	4	Bolt 1/4-20 x 3/4	
54	91403230	1	Box, Manual Storage	
56	3311405	4	Nut 1/4-20	
57	3820001	2	Rivet	
58	4751400	4	Washer 1/4	

## SECTION 9 - DECALS

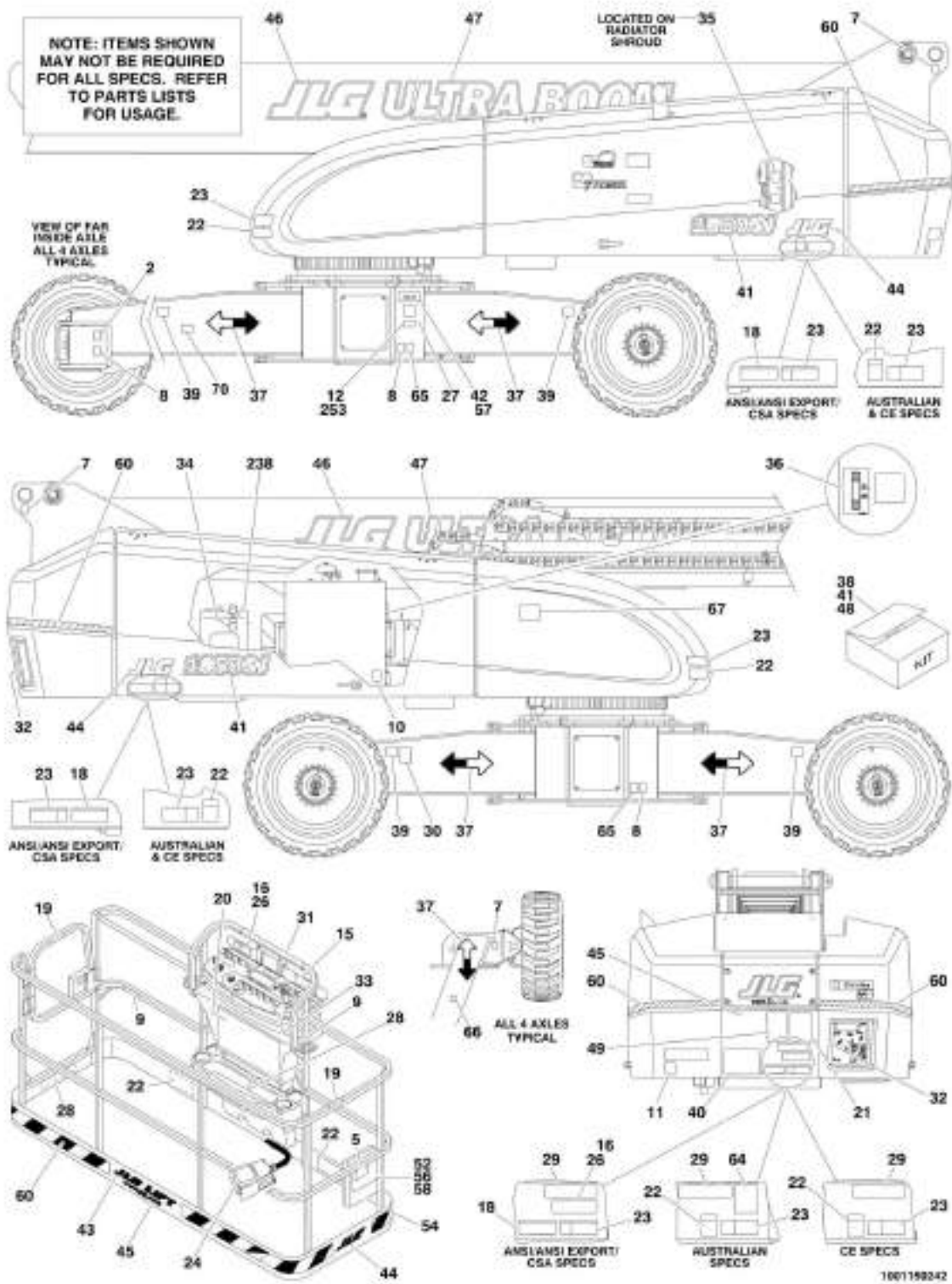
ITEM	PART NUMBER	QTY	DESCRIPTION	REV
60		Ref	Tape, Warning Stripes (See DECAL INSTALLATION - OPTIONS)	
65	1701499	2	Decal, No Lift	
66	1701691	4	Decal, No Step	
67	1001178165	1	Decal, Jump Start, Dual Battery	
70	1001223055	1	Decal - Yearly Inspection ( <b>SN 0300235248 to Present</b> )	
71	1001223453	1	Decal - ICES ( <b>SN 0300243487 to Present</b> )	





# SECTION 9 - DECALS

## FIGURE 9-2. DECAL INSTALLATION - ANSI EXPORT SPEC



## SECTION 9 - DECALS

**FIGURE 9-2. DECAL INSTALLATION - ANSI EXPORT SPEC**

ITEM	PART NUMBER	QTY	DESCRIPTION	REV
	1001159242	Ref	DECAL INSTALLATION - REFERENCE CHART	J
	1001160460	Ref	Decal Installation - ANSI Export Specs (Dual Language - English and Spanish)	H
2	1701499	4	Decal, No Lift	
5	1701509	1	Decal, Manual	
7	1703811	4	Decal, Lift	
8	1703814	6	Decal, Tie Down	
9	1704277	3	Decal, Lanyard Attach	
10	1704412	1	Decal, Hydraulic Oil Chart	
15	1705909	1	Decal, Tip-Over <b>(Prior to SN 0300240699)</b>	
16	1705915	AR	Decal, Warning Tip Over	
18	1703941	3	Decal, Warning/Crushing	
19	1704001	2	Decal, No Hands	
20	1703923	1	Decal, Warning/Danger <b>(Prior to SN 0300240699)</b>	
20	1001231318	1	Decal, Warning/Danger <b>(SN 0300240699 to Present)</b>	
21	1705917	1	Decal, Warning Inspection	
22	1703947	4	Decal, Crushing	
23	1703935	5	Decal, Electrocution	
24	1703983	1	Decal, Footswitch	
27	See Note	NSS	Decal, Bar Code	
28	1001125189	1	Decal, 500 Lbs Capacity	
29	1001125190	1	Decal, 500 Lbs Capacity	
31	1001163536	1	Decal, Legend	
32	1705868	1	Decal, Legend	
33	1705910	1	Decal, Drive/Steer Instructions	
34	1701505	2	Decal, Fuel	
35	1706063	1	Decal, Warning Explosion/Fire	
36	1705511	1	Decal, Oil Level	
37	1001160445	8	Decal, Arrow	
38		Ref	Kit, Decal Max Tire Load (See DECAL INSTALLATION - OPTIONS)	
39	1001159855	4	Decal, Max Tire Load	
40		Ref	Decal, Lift Diagram (See DECAL INSTALLATION - OPTIONS)	
41		Ref	Kit, Decal Model Designation (See DECAL INSTALLATION - OPTIONS)	
42	See Note	NSS	Nameplate, Serial Number	
43		Ref	Decal, JLG Lift (See DECAL INSTALLATION - OPTIONS)	
44		Ref	Decal, JLG (See DECAL INSTALLATION - OPTIONS)	
45		Ref	Decal, WWW.JLG.COM (See DECAL INSTALLATION - OPTIONS)	
46		Ref	Decal, JLG (See DECAL INSTALLATION - OPTIONS)	
47		Ref	Decal, Ultra Boom (See DECAL INSTALLATION - OPTIONS)	
49		Ref	Decal, Daily Check List (See DECAL INSTALLATION - OPTIONS)	
52	0641406	4	Bolt 1/4-20 x 3/4	
54	91403230	1	Box, Manual Storage	
56	3311405	4	Nut 1/4-20	
57	3820001	2	Rivet	
58	4751400	4	Washer 1/4	
60		Ref	Tape, Warning Stripes (See DECALS - OPTIONS)	
65	1701499	2	Decal, No Lift	

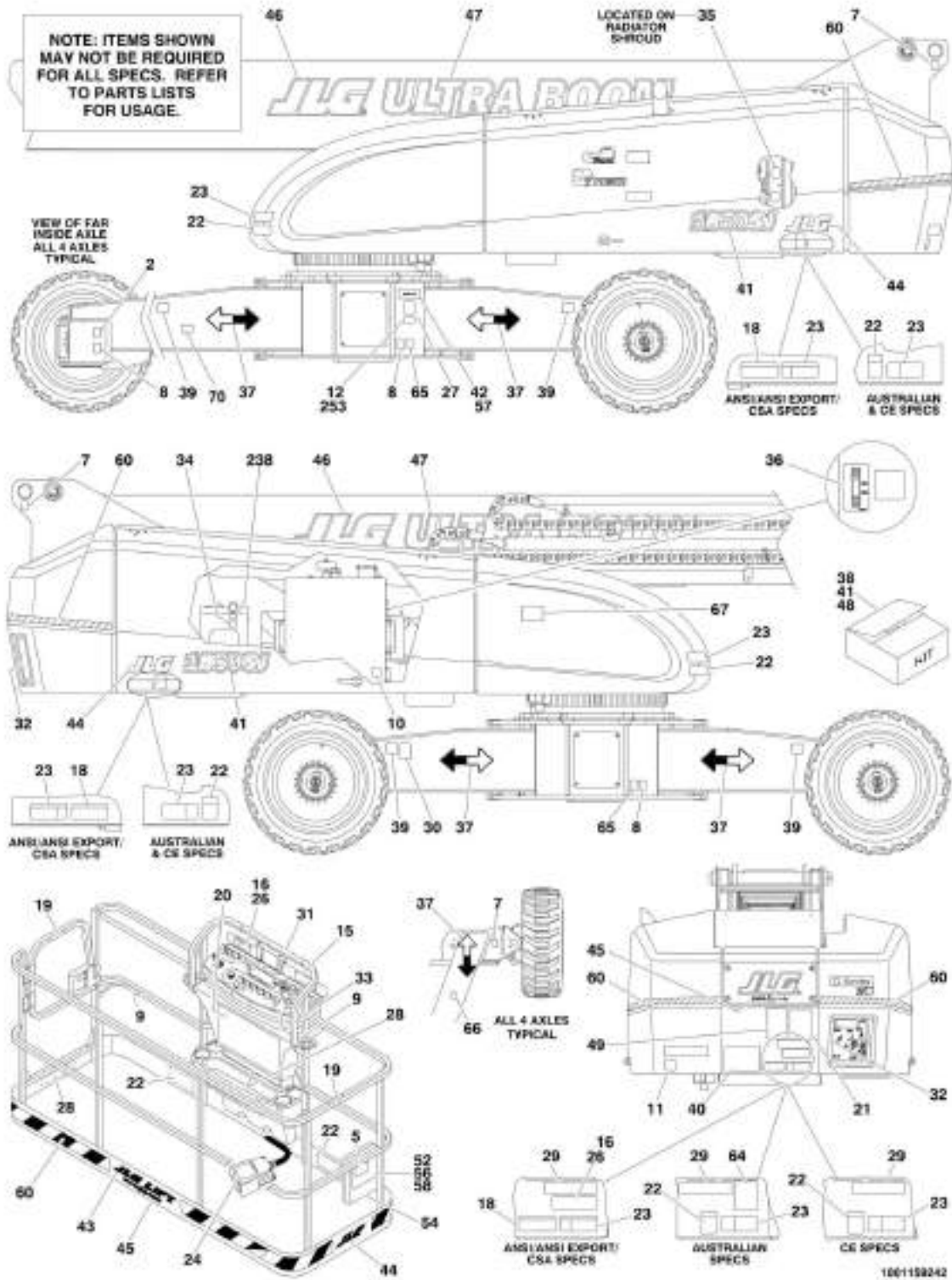
## SECTION 9 - DECALS

ITEM	PART NUMBER	QTY	DESCRIPTION	REV
66	1701691	4	Decal, No Step	
67	1001178165	1	Decal, Jump Start, Dual Battery	
70	1001224049	1	Decal - Yearly Inspection <b>(SN 0300235248 to Present)</b>	



# SECTION 9 - DECALS

## FIGURE 9-3. DECAL INSTALLATION - AUSTRALIAN SPEC



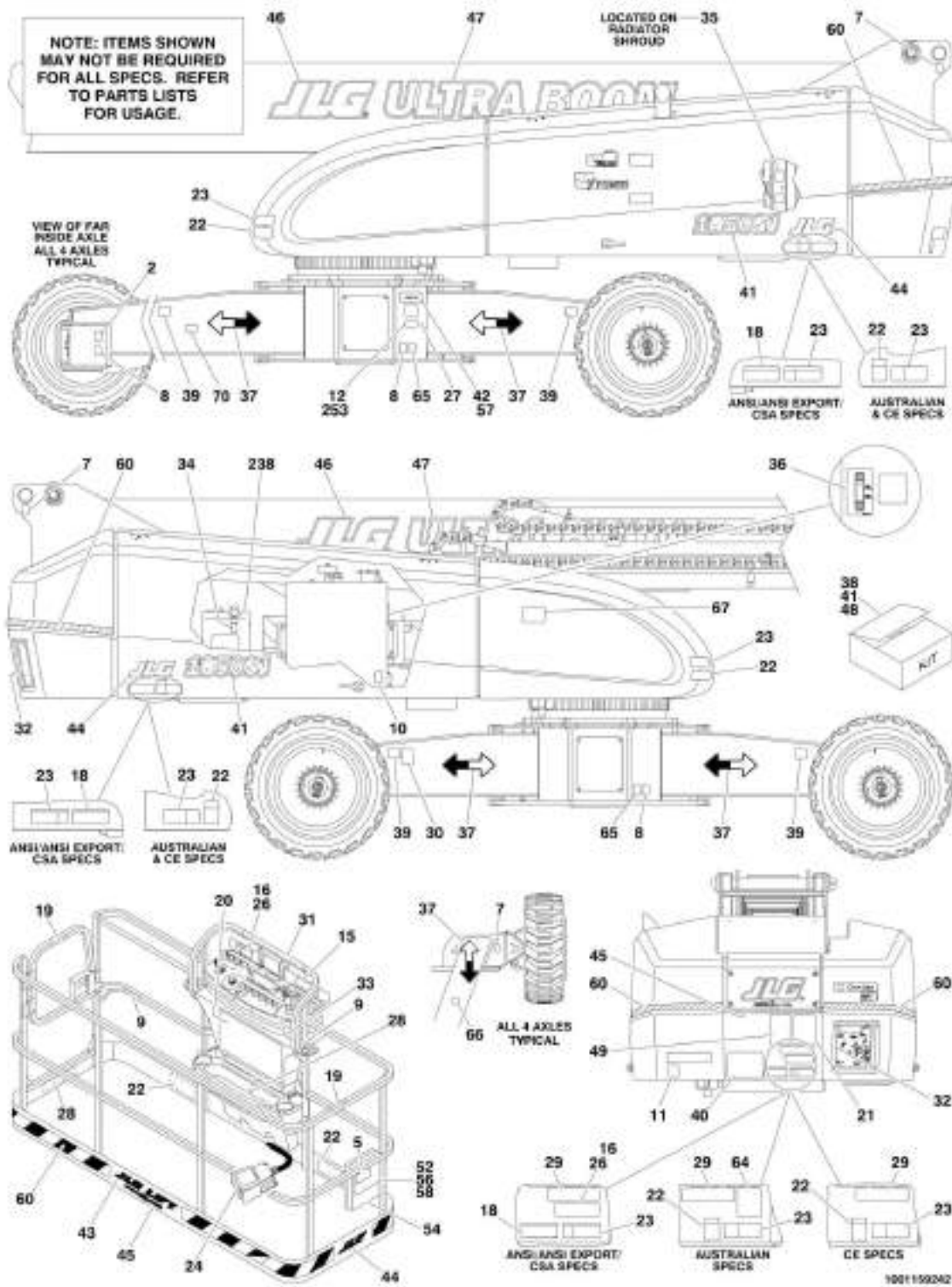
## SECTION 9 - DECALS

### FIGURE 9-3. DECAL INSTALLATION - AUSTRALIAN SPEC

ITEM	PART NUMBER	QTY	DESCRIPTION	REV
	1001159242	Ref	DECAL INSTALLATION - REFERENCE CHART	J
	1001160464	Ref	Decal Installation - Australian Spec	G
2	1701499	4	Decal, No Lift	
5	1701509	1	Decal, Manual	
7	1703811	4	Decal, Lift	
8	1703814	6	Decal, Tie Down	
9	1704277	3	Decal, Lanyard Attach	
10	1704412	1	Decal, Hydraulic Oil Chart	
11		Ref	Decal, Sound Power Level Options:	
11	1705980	1	Decal, Sound Power Level <b>(Prior to SN 0300198309)</b>	
11	1001187411	1	Decal, Sound Power Level <b>(SN 0300198309 to Present)</b>	
20	1705921	1	Decal, Tipping/Electrocution	
21	1705822	1	Decal, Safety Manual	
22	1701518	7	Decal, Crushing	
23	1705961	5	Decal, Electrocution	
24	1705828	1	Decal, Footswitch	
27	See Note	NSS	Decal, Bar Code	
28	1001125177	1	Decal, 500 Lbs Capacity	
29	1001125178	1	Decal, 500 Lbs Capacity	
34	1701505	2	Decal, Fuel	
35	1706098	1	Decal, Warning Explosion/Fire	
36	1705511	1	Decal, Oil Level	
37	1001160445	8	Decal, Arrow	
38		Ref	Kit, Decal Max Tire Load (See DECAL INSTALLATION - OPTIONS)	
39	1001159855	4	Decal, Max Tire Load	
40		Ref	Decal, Lift Diagram (See DECAL INSTALLATION - OPTIONS)	
41		Ref	Kit, Decal Model Designation (See DECAL INSTALLATION - OPTIONS)	
42	See Note	NSS	Nameplate, Serial Number	
43		Ref	Decal , JLG Lift (See DECAL INSTALLATION - OPTIONS)	
44		Ref	Decal, JLG (See DECAL INSTALLATION - OPTIONS)	
45		Ref	Decal, WWW.JLG.COM (See DECAL INSTALLATION - OPTIONS)	
46		Ref	Decal, JLG (See DECAL INSTALLATION - OPTIONS)	
47		Ref	Decal, Ultra Boom (See DECAL INSTALLATION - OPTIONS)	
49		Ref	Decal, Daily Check List (See DECAL INSTALLATION - OPTIONS)	
52	0641406	4	Bolt 1/4-20 x 3/4	
54	91403230	1	Box, Manual Storage	
56	3311405	4	Nut 1/4-20	
57	3820001	2	Rivet	
58	4751400	4	Washer 1/4	
60		Ref	Tape, Warning Stripes (See DECAL INSTALLATION - OPTIONS)	
64	1001112551	1	Decal, Emergency Controls (Aus)	
65	1701499	2	Decal, No Lift	
66	1701691	4	Decal, No Step	
67	1001178165	1	Decal, Jump Start, Dual Battery	

# SECTION 9 - DECALS

## FIGURE 9-4. DECAL INSTALLATION - BRAZIL SPEC





## SECTION 9 - DECALS

**FIGURE 9-4. DECAL INSTALLATION - BRAZIL SPEC**

ITEM	PART NUMBER	QTY	DESCRIPTION	REV
	1001159242	Ref	DECAL INSTALLATION - REFERENCE CHART	J
	1001160459	Ref	Decal Installation - Brazil Specs (Dual Language - English and Portuguese)	H
2	1701499	4	Decal, No Lift	
5	1701509	1	Decal, Manual	
7	1703811	4	Decal, Lift	
8	1703814	6	Decal, Tie Down	
9	1704277	3	Decal, Lanyard Attach	
10	1704412	1	Decal, Hydraulic Oil Chart	
15	1705904	1	Decal, Tip-Over <b>(Prior to SN 0300240699)</b>	
16	1705906	AR	Decal, Tip-Over Hazard	
18	1705903	3	Decal, Warning - Crushing	
19	1705967	2	Decal, No Hands	
20	1705895	1	Decal, Danger/Warning <b>(Prior to SN 0300240699)</b>	
20	1001231319	1	Decal, Danger/Warning <b>(SN 0300240699 to Present)</b>	
21	1705898	1	Decal, Danger/Warning	
22	1705898	4	Decal, Warning/Crushing	
23	1705897	5	Decal, Danger/Electrocution	
24	1705902	1	Decal, Footswitch	
27	See Note	NSS	Decal, Bar Code	
28	1001125187	1	Decal, 500 Lbs Capacity	
29	10011251788	1	Decal, 500 Lbs Capacity	
31	1001163536	1	Decal, Legend	
32	1705868	1	Decal, Legend	
33	1705905	1	Decal, Drive/Steer Instructions	
34	1701505	2	Decal, Fuel	
35	1706059	1	Decal, Warning Explosion/Fire	
36	1705511	1	Decal, Oil Level	
37	1001160445	8	Decal, Arrow	
38		Ref	Kit, Decal Max Tire Load (See DECAL INSTALLATION - OPTIONS)	
39	1001159855	4	Decal, Max Tire Load	
40		Ref	Decal, Lift Diagram (See DECAL INSTALLATION - OPTIONS)	
41		Ref	Kit, Decal Model Designation (See DECAL INSTALLATION - OPTIONS)	
42	See Note	NSS	Nameplate, Serial Number	
43		Ref	Decal, JLG Lift (See DECAL INSTALLATION - OPTIONS)	
44		Ref	Decal, JLG (See DECAL INSTALLATION - OPTIONS)	
45		Ref	Decal, WWW.JLG.COM (See DECAL INSTALLATION - OPTIONS)	
46		Ref	Decal, JLG (See DECAL INSTALLATION - OPTIONS)	
47		Ref	Decal, Ultra Boom (See DECAL INSTALLATION - OPTIONS)	
49		Ref	Decal, Daily Check List (See DECAL INSTALLATION - OPTIONS)	
52	0641406	4	Bolt 1/4-20 x 3/4	
54	91403230	1	Box, Manual Storage	
56	3311405	4	Nut 1/4-20	
57	3820001	2	Rivet	
58	4751400	4	Washer 1/4	
60		Ref	Tape, Warning Stripes (See DECALS - OPTIONS)	
65	1701499	2	Decal, No Lift	

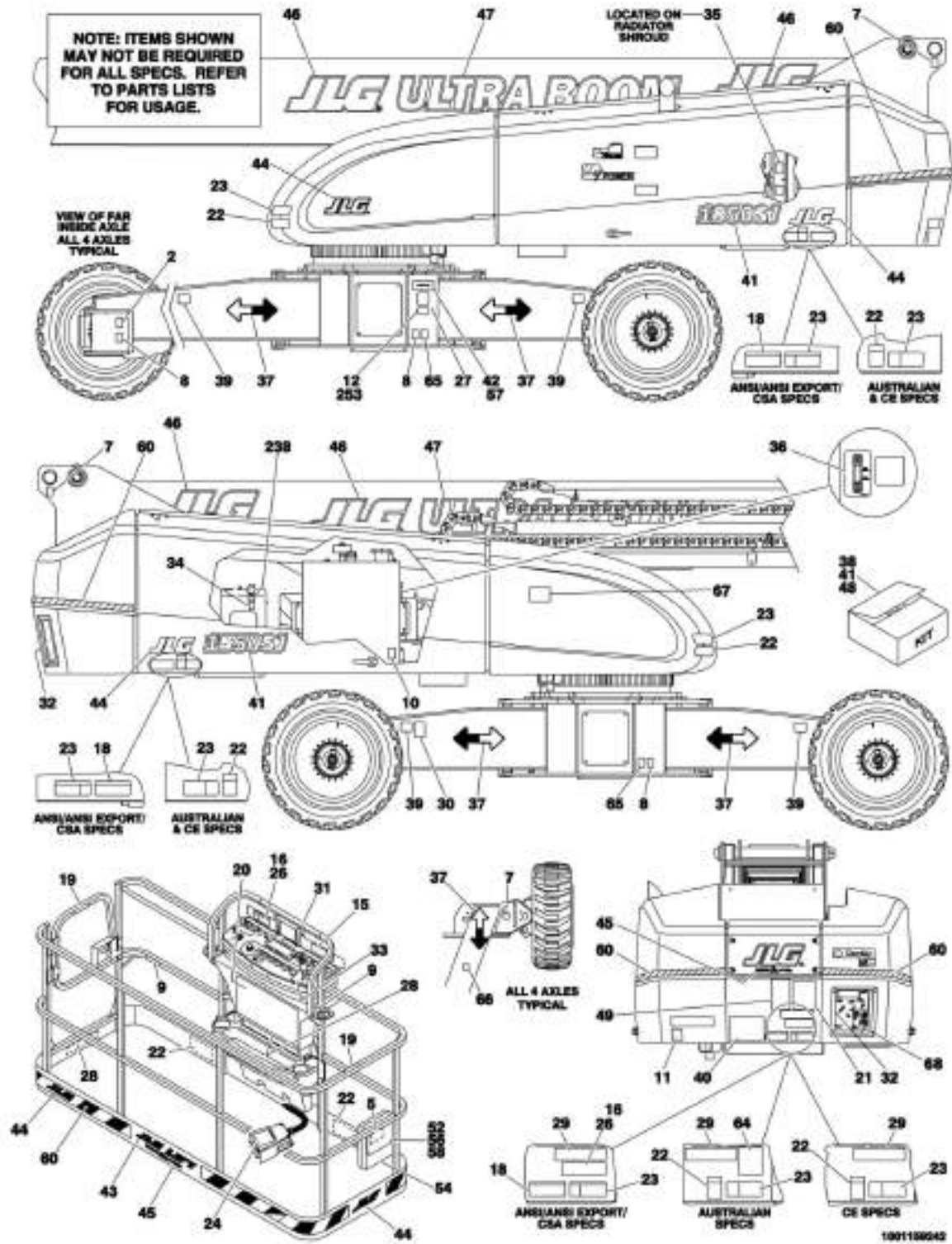
## SECTION 9 - DECALS

ITEM	PART NUMBER	QTY	DESCRIPTION	REV
66	1701691	4	Decal, No Step	
67	1001178165	1	Decal, Jump Start, Dual Battery	
70	1001224052	1	Decal - Yearly Inspection <b>(SN 0300235248 to Present)</b>	



# SECTION 9 - DECALS

## FIGURE 9-5. DECAL INSTALLATION - CE SPEC



## SECTION 9 - DECALS

**FIGURE 9-5. DECAL INSTALLATION - CE SPEC**

ITEM	PART NUMBER	QTY	DESCRIPTION	REV
	1001159242	Ref	DECAL INSTALLATION - REFERENCE CHART <b>(Prior to SN 0300201070)</b>	H
	1001218001	Ref	DECAL INSTALLATION - REFERENCE CHART <b>(SN 0300201070 to Present)</b>	B
	1001160462	Ref	Decal Installation - CE Specs	G
2	1701499	4	Decal, No Lift	
5	1701509	1	Decal, Manual	
7	1703811	4	Decal, Lift	
8	1703814	6	Decal, Tie Down	
9	1704277	3	Decal, Lanyard Attach	
10	1704412	1	Decal, Hydraulic Oil Chart	
11		Ref	Decal, Sound Power Level Options:	
11	1705980	1	Decal, Sound Power Level <b>(Prior to SN 0300198309)</b>	
11	1001187411	1	Decal, Sound Power Level <b>(SN 0300198309 to Present)</b>	
20	1705921	1	Decal, Tipping/Electrocution	
21	1705822	1	Decal, Safety Manual	
22	1701518	7	Decal, Crushing	
23	1705961	5	Decal, Electrocution	
24	1705828	1	Decal, Footswitch	
27	See Note	NSS	Decal, Bar Code	
28	1001125177	1	Decal, 500 Lbs Capacity	
29	1001125178	1	Decal, 500 Lbs Capacity	
34	1701505	2	Decal, Fuel	
35	1706098	1	Decal, Warning Explosion/Fire	
36	1705511	1	Decal, Oil Level	
37	1001160445	8	Decal, Arrow	
38		Ref	Kit, Decal Max Tire Load (See DECAL INSTALLATION - OPTIONS)	
39	1001159855	4	Decal, Max Tire Load	
40		Ref	Decal, Lift Diagram (See DECAL INSTALLATION - OPTIONS)	
41		Ref	Kit, Decal Model Designation (See DECAL INSTALLATION - OPTIONS)	
42	See Note	NSS	Nameplate, Serial Number	
43		Ref	Decal, JLG Lift (See DECAL INSTALLATION - OPTIONS) <b>(Prior to SN 0300201070)</b>	
44	1702773	3	Decal, JLG	
45		Ref	Decal, WWW.JLG.COM (See DECAL INSTALLATION - OPTIONS) <b>(Prior to SN 0300201070)</b>	
46	1705864	2	Decal, JLG	
47		Ref	Decal, Ultra Boom (See DECAL INSTALLATION - OPTIONS) <b>(Prior to SN 0300201070)</b>	
49		Ref	Decal, Daily Check List (See DECAL INSTALLATION - OPTIONS)	
52	0641406	4	Bolt 1/4-20 x 3/4	
54	91403230	1	Box, Manual Storage	
56	3311405	4	Nut 1/4-20	
57	3820001	2	Rivet	
58	4751400	4	Washer 1/4	
60		Ref	Tape, Warning Stripes (See DECAL INSTALLATION - OPTIONS)	
65	1701499	2	Decal, No Lift	
66	1701691	4	Decal, No Step	

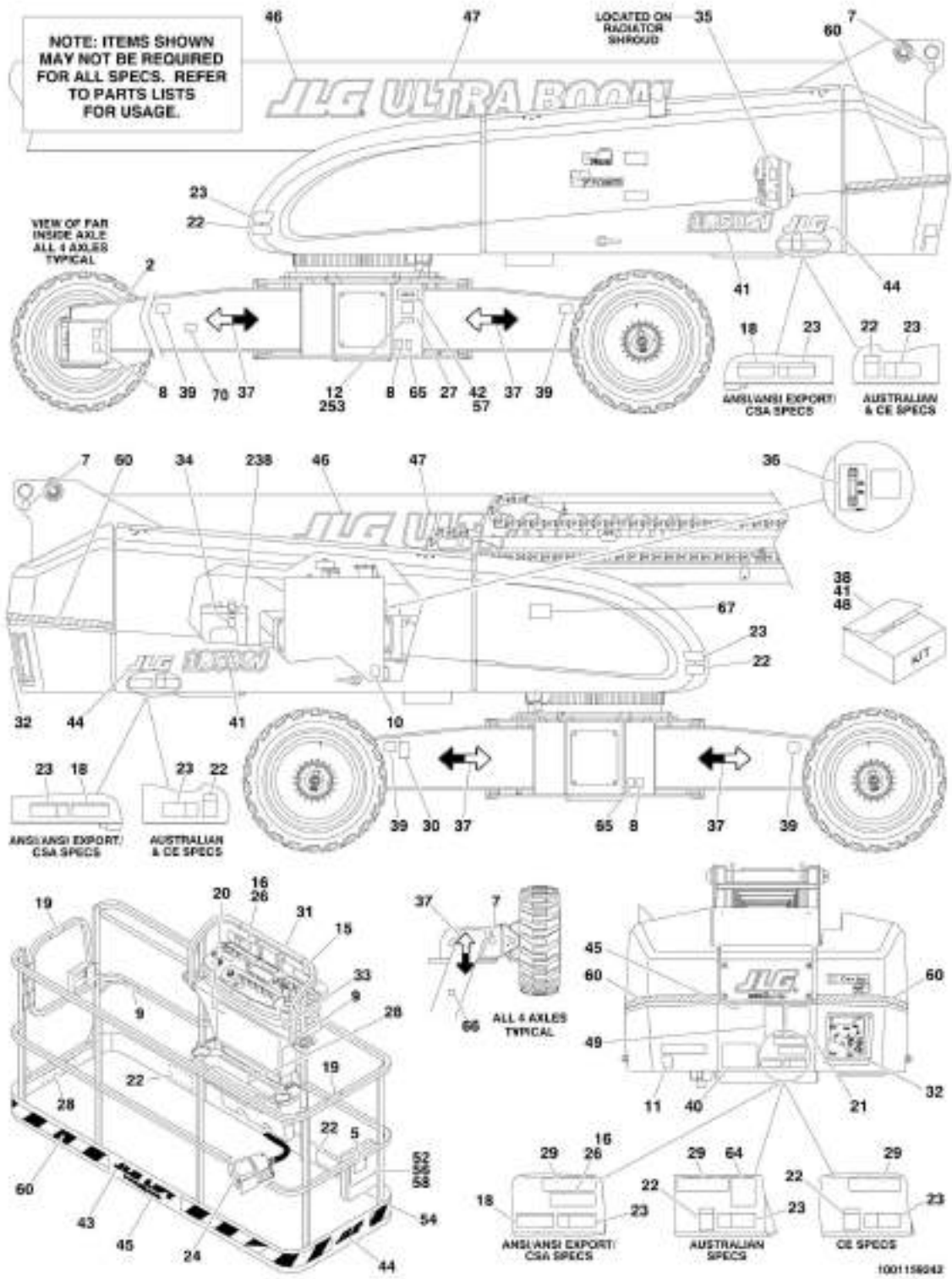
## SECTION 9 - DECALS

ITEM	PART NUMBER	QTY	DESCRIPTION	REV
67	1001178165	1	Decal, Jump Start, Dual Battery	
68	1001189882	NLA	Decal - MSSO (Use p/n 1001197408) <b>(SN 0300201023 through 0300212075)</b>	
68	1001197408	1	Decal - MSSO <b>(SN 0300212076 to Present)</b>	



# SECTION 9 - DECALS

## FIGURE 9-6. DECAL INSTALLATION - CHINESE SPEC





## SECTION 9 - DECALS

### FIGURE 9-6. DECAL INSTALLATION - CHINESE SPEC

ITEM	PART NUMBER	QTY	DESCRIPTION	REV
	1001159242	Ref	DECAL INSTALLATION - REFERENCE CHART	J
	1001160458	Ref	Decal Installation - Chinese Specs (Dual Language - English and Chinese)	H
2	1701499	4	Decal, No Lift	
5	1701509	1	Decal, Manual	
7	1703811	4	Decal, Lift	
8	1703814	6	Decal, Tie Down	
9	1704277	3	Decal, Lanyard Attach	
10	1704412	1	Decal, Hydraulic Oil Chart	
15	1001117034	1	Decal, Tip-over ( <b>Prior to SN 0300240699</b> )	
16	1001117035	AR	Decal, Warning Tip Over	
18	1703943	3	Decal, Warning/Crushing	
19	1001116846	2	Decal, No Hands	
20	1703925	1	Decal, Warning/Danger ( <b>Prior to SN 0300240699</b> )	
20	1001231321	1	Decal, Warning/Danger ( <b>SN 0300240699 to Present</b> )	
21	1001116849	1	Decal, Warning Inspection	
22	1703949	4	Decal, Crushing	
23	1001116851	5	Decal, Electrocution	
24	1703982	1	Decal, Footswitch	
27	See Note	NSS	Decal, Bar Code	
28	1001125179	1	Decal, 500 Lbs Capacity	
29	1001125180	1	Decal, 500 Lbs Capacity	
31	1001163536	1	Decal, Legend	
32	1705868	1	Decal, Legend	
33	1705430	1	Decal, Drive/Steer Instructions	
34	1701505	2	Decal, Fuel	
35	1706060	1	Decal, Warning Explosion/Fire	
36	1705511	1	Decal, Oil Level	
37	1001160445	8	Decal, Arrow	
38		Ref	Kit, Decal Max Tire Load (See DECAL INSTALLATION - OPTIONS)	
39	1001159855	4	Decal, Max Tire Load	
40		Ref	Decal, Lift Diagram (See DECAL INSTALLATION - OPTIONS)	
41		Ref	Kit, Decal Model Designation (See DECAL INSTALLATION - OPTIONS)	
42	See Note	NSS	Nameplate, Serial Number	
43		Ref	Decal, JLG Lift (See DECAL INSTALLATION - OPTIONS)	
44		Ref	Decal, JLG (See DECAL INSTALLATION - OPTIONS)	
45		Ref	Decal, WWW.JLG.COM (See DECAL INSTALLATION - OPTIONS)	
46		Ref	Decal, JLG (See DECAL INSTALLATION - OPTIONS)	
47		Ref	Decal, Ultra Boom (See DECAL INSTALLATION - OPTIONS)	
49		Ref	Decal, Daily Check List (See DECAL INSTALLATION - OPTIONS)	
52	0641406	4	Bolt 1/4-20 x 3/4	
54	91403230	1	Box, Manual Storage	
56	3311405	4	Nut 1/4-20	
57	3820001	2	Rivet	
58	4751400	4	Washer 1/4	
60		Ref	Tape, Warning Stripes (See DECAL INSTALLATION - OPTIONS)	

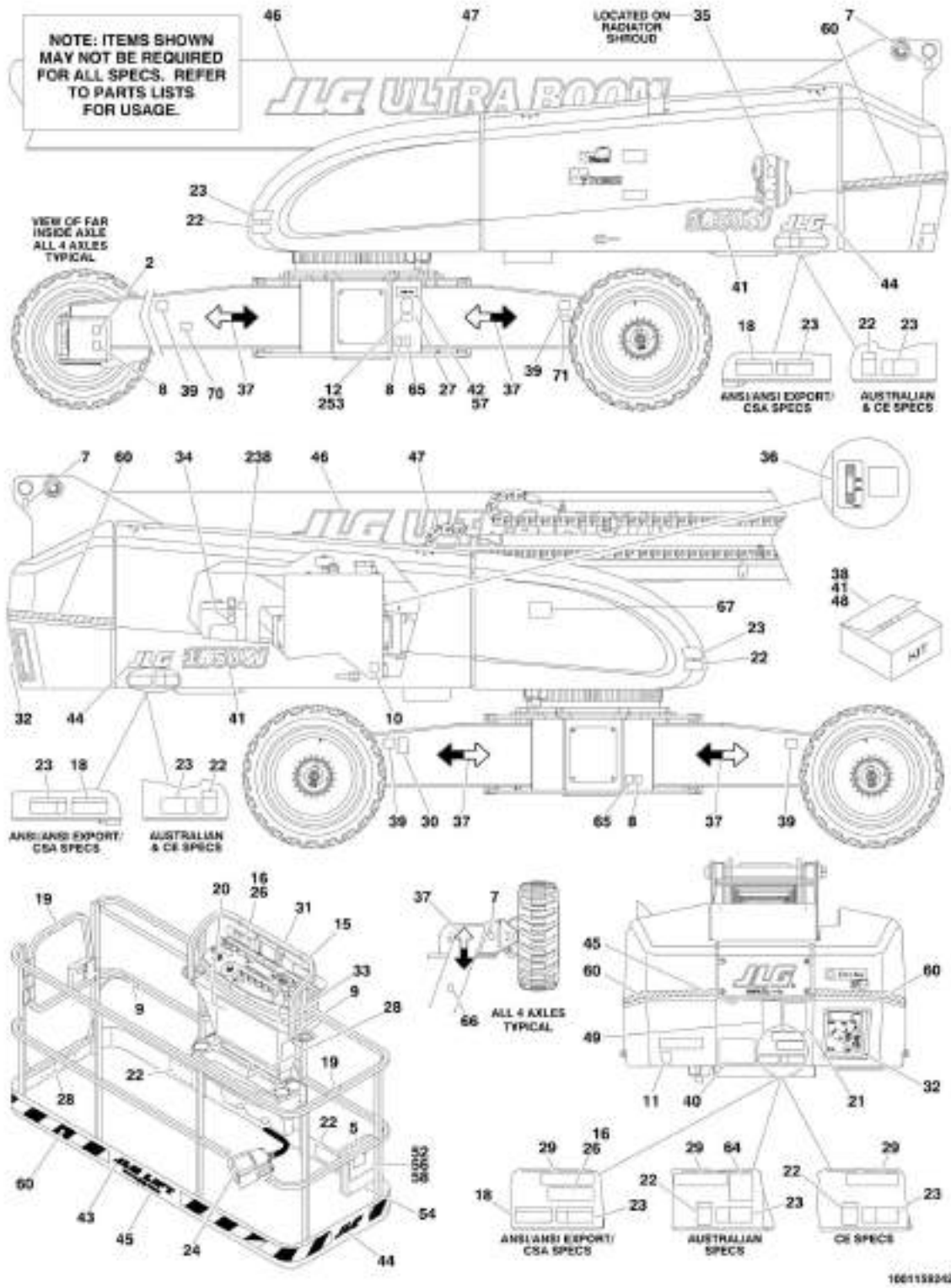
## SECTION 9 - DECALS

ITEM	PART NUMBER	QTY	DESCRIPTION	REV
65	1701499	2	Decal, No Lift	
66	1701691	4	Decal, No Step	
67	1001178165	1	Decal, Jump Start, Dual Battery	
70	1001224050	1	Decal - Yearly Inspection <b>(SN 0300235248 to Present)</b>	



# SECTION 9 - DECALS

## FIGURE 9-7. DECAL INSTALLATION - CSA SPEC



## SECTION 9 - DECALS

**FIGURE 9-7. DECAL INSTALLATION - CSA SPEC**

ITEM	PART NUMBER	QTY	DESCRIPTION	REV
	1001159242	Ref	DECAL INSTALLATION - REFERENCE CHART	J
	1001160461	Ref	Decal Installation - CSA Spec (Dual Language - English and French)	I
2	1701499	4	Decal, No Lift	
5	1701509	1	Decal, Manual	
7	1703811	4	Decal, Lift	
8	1703814	6	Decal, Tie Down	
9	1704277	3	Decal, Lanyard Attach	
10	1704412	1	Decal, Hydraulic Oil Chart	
12	1705514	1	Decal, CSA	
15	1705341	1	Decal, Tip-Over <b>(Prior to SN 0300240699)</b>	
16	1705505	AR	Decal, Tip-Over Hazard	
18	1703942	3	Decal, Warning/Crushing	
19	1704000	2	Decal, No Hands	
20	1703924	1	Decal, Warning/Danger <b>(Prior to SN 0300240699)</b>	
20	1001231316	1	Decal, Warning/Danger <b>(SN 0300240699 to Present)</b>	
21	1705347	1	Decal, Warning Inspection	
22	1703948	4	Decal, Warning Crushing	
23	1703936	5	Decal, Danger Electrocutation	
24	1703984	1	Decal, Footswitch	
27	See Note	NSS	Decal, Bar Code	
28	1001125181	2	Decal, 500 Lbs Capacity	
29	1001125182	1	Decal, 500 Lbs Capacity	
30	1001131269	1	Decal, Patent	
31	1001163536	1	Decal, Legend	
32	1705868	1	Decal, Legend	
33	1705429	1	Decal, Drive/Steer Instruction	
34	1701505	2	Decal, Fuel	
35	1706064	1	Decal, Warning Explosion/fire	
36	1705511	1	Decal, Oil Level	
37	1001160445	8	Decal, Arrow	
38		Ref	Kit, Decal Max Tire Load (See DECAL INSTALLATION - OPTIONS)	
39	1001159855	4	Decal, Max Tire Load	
40		Ref	Decal, Lift Diagram (See DECAL INSTALLATION - OPTIONS)	
41		Ref	Kit, Decal Model Designation (See DECAL INSTALLATION - OPTIONS)	
42	See Note	NSS	Nameplate, Serial Number	
43		Ref	Decal , JLG Lift (See DECAL INSTALLATION - OPTIONS)	
44		Ref	Decal, JLG (See DECAL INSTALLATION - OPTIONS)	
45		Ref	Decal, WWW.JLG.COM (See DECAL INSTALLATION - OPTIONS)	
46		Ref	Decal, JLG (See DECAL INSTALLATION - OPTIONS)	
47		Ref	Decal, Ultra Boom (See DECAL INSTALLATION - OPTIONS)	
49		Ref	Decal, Daily Check List (See DECAL INSTALLATION - OPTIONS)	
52	0641406	4	Bolt 1/4-20 x 3/4	
54	91403230	1	Box, Manual Storage	
56	3311405	4	Nut 1/4-20	
57	3820001	2	Rivet	
58	4751400	4	Washer 1/4	

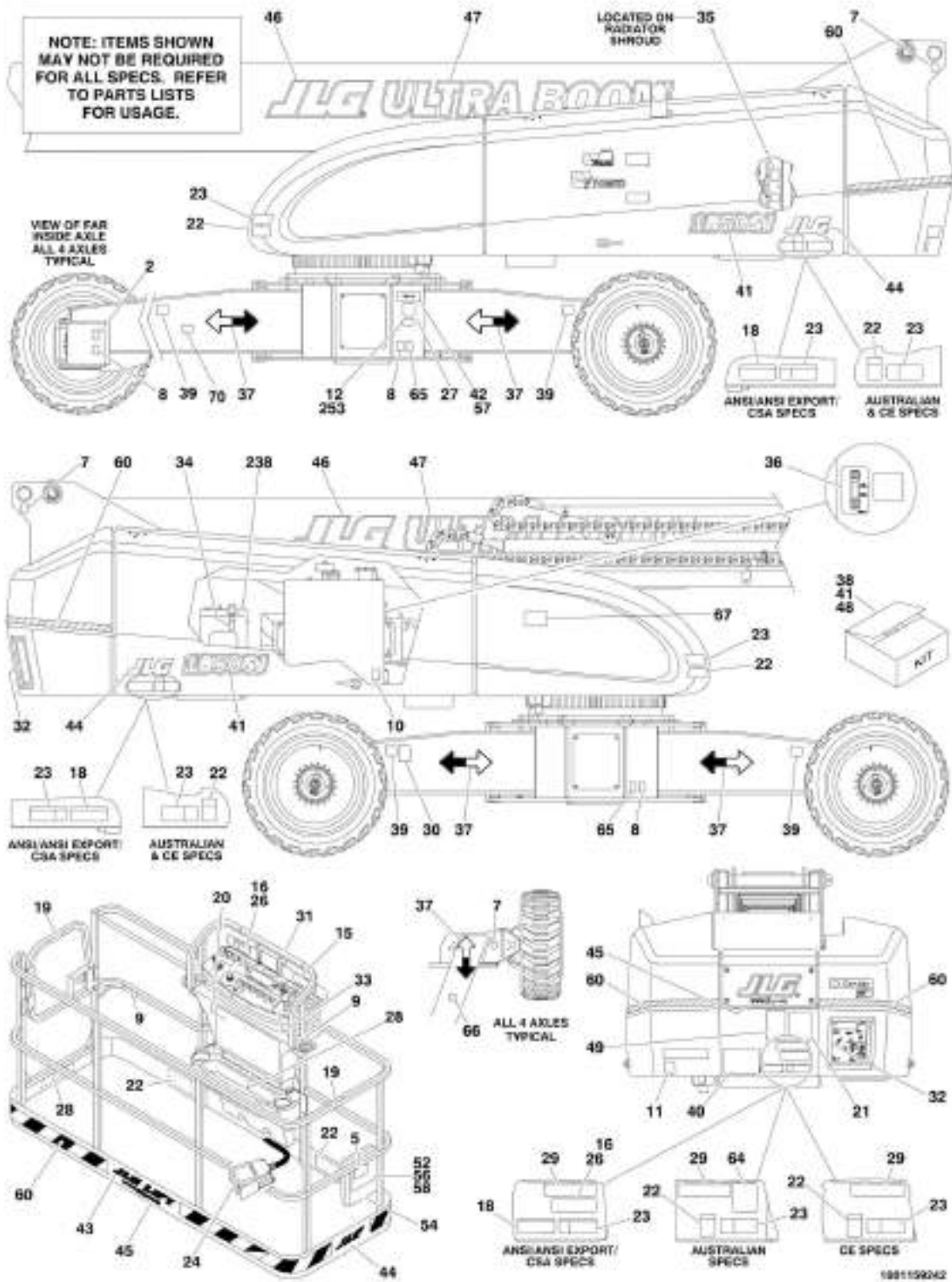
## SECTION 9 - DECALS

ITEM	PART NUMBER	QTY	DESCRIPTION	REV
60		Ref	Tape, Warning Stripes (See DECAL INSTALLATION - OPTIONS)	
65	1701499	2	Decal, No Lift	
66	1701691	4	Decal, No Step	
67	1001178165	1	Decal, Jump Start, Dual Battery	
70	1001223971	1	Decal - Yearly Inspection <b>(SN 0300235248 to Present)</b>	
71	1001223453	1	Decal - ICES <b>(SN 0300243487 to Present)</b>	



# SECTION 9 - DECALS

## FIGURE 9-8. DECAL INSTALLATION - JAPANESE SPEC





## SECTION 9 - DECALS

**FIGURE 9-8. DECAL INSTALLATION - JAPANESE SPEC**

ITEM	PART NUMBER	QTY	DESCRIPTION	REV
	1001159242	Ref	DECAL INSTALLATION - REFERENCE CHART	J
	1001160463	Ref	Decal Installation - Japanese Specs (Dual Language - English and Japanese)	H
2	1701499	4	Decal, No Lift	
5	1701509	1	Decal, Manual	
7	1703811	4	Decal, Lift	
8	1703814	6	Decal, Tie Down	
9	1704277	3	Decal, Lanyard Attach	
10	1704412	1	Decal, Hydraulic Oil Chart	
15	1705338	1	Decal, Tip-Over <b>(Prior to SN 0300240699)</b>	
16	1705493	AR	Decal, Warning Tip Over	
18	1703944	3	Decal, Warning/Crushing	
20	1703926	1	Decal, Warning/Danger <b>(Prior to SN 0300240699)</b>	
20	1001231320	1	Decal, Warning/Danger <b>(SN 0300240699 to Present)</b>	
21	1705344	1	Decal, Warning Inspection	
22	1703950	4	Decal, Crushing	
23	1703938	5	Decal, Electrocution	
24	1703980	1	Decal, Footswitch	
27	See Note	NSS	Decal, Bar Code	
28	1001125183	1	Decal, 500 Lbs Capacity	
29	1001125184	1	Decal, 500 Lbs Capacity	
31	1001163536	1	Decal, Legend	
32	1705868	1	Decal, Legend	
33	1705426	1	Decal, Drive/Steer Instructions	
34	1701505	2	Decal, Fuel	
35	1704972	1	Decal, Warning Explosion/fire	
36	1705511	1	Decal, Oil Level	
37	1001160445	8	Decal, Arrow	
38		Ref	Kit, Decal Max Tire Load (See DECAL INSTALLATION - OPTIONS)	
39	1001159855	4	Decal, Max Tire Load	
40		Ref	Decal, Lift Diagram (See DECAL INSTALLATION - OPTIONS)	
41		Ref	Kit, Decal Model Designation (See DECAL INSTALLATION - OPTIONS)	
42	See Note	NSS	Nameplate, Serial Number	
43		Ref	Decal , JLG Lift (See DECAL INSTALLATION - OPTIONS)	
44		Ref	Decal, JLG (See DECAL INSTALLATION - OPTIONS)	
45		Ref	Decal, WWW.JLG.COM (See DECAL INSTALLATION - OPTIONS)	
46		Ref	Decal, JLG (See DECAL INSTALLATION - OPTIONS)	
47		Ref	Decal, Ultra Boom (See DECAL INSTALLATION - OPTIONS)	
49		Ref	Decal, Daily Check List (See DECAL INSTALLATION - OPTIONS)	
52	0641406	4	Bolt 1/4-20 x 3/4	
54	91403230	1	Box, Manual Storage	
56	3311405	4	Nut 1/4-20	
57	3820001	2	Rivet	
58	4751400	4	Washer 1/4	
60		Ref	Tape, Warning Stripes (See DECAL INSTALLATION - OPTIONS)	
65	1701499	2	Decal, No Lift	

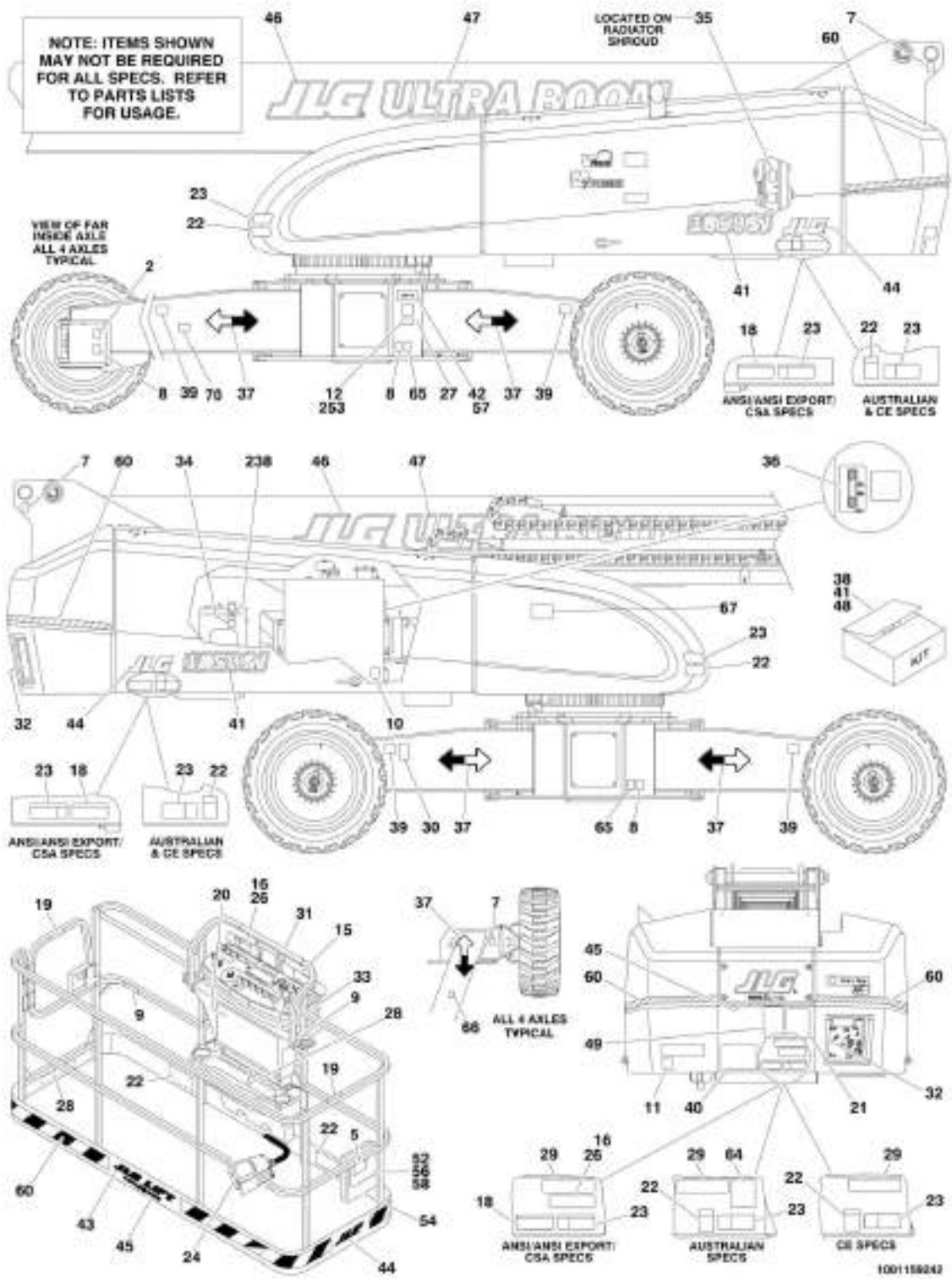
## SECTION 9 - DECALS

ITEM	PART NUMBER	QTY	DESCRIPTION	REV
66	1701691	4	Decal, No Step	
67	1001178165	1	Decal, Jump Start, Dual Battery	
70	1001224053	1	Decal - Yearly Inspection ( <b>SN 0300235248 to Present</b> )	



# SECTION 9 - DECALS

## FIGURE 9-9. DECAL INSTALLATION - KOREAN SPEC



## SECTION 9 - DECALS

**FIGURE 9-9. DECAL INSTALLATION - KOREAN SPEC**

ITEM	PART NUMBER	QTY	DESCRIPTION	REV
	1001159242	Ref	DECAL INSTALLATION - REFERENCE CHART	J
	1001160457	Ref	Decal Installation - Korean Specs (Dual Language - English and Korean)	H
2	1701499	4	Decal, No Lift	
5	1701509	1	Decal, Manual	
7	1703811	4	Decal, Lift	
8	1703814	6	Decal, Tie Down	
9	1704277	3	Decal, Lanyard Attach	
10	1704412	1	Decal, Hydraulic Oil Chart	
15	1705339	1	Decal, Tip-Over <b>(Prior to SN 0300240699)</b>	
16	1705503	AR	Decal, Warning Tip Over	
18	1703945	3	Decal, Warning/Crushing	
19	1705969	2	Decal, No Hands	
20	1703927	1	Decal, Warning/Danger <b>(Prior to SN 0300240699)</b>	
20	1001231317	1	Decal, Warning/Danger <b>(SN 0300240699 to Present)</b>	
21	1705345	1	Decal, Warning Inspection	
22	1703951	4	Decal, Crushing	
23	1703939	5	Decal, Electrocution	
24	1703981	1	Decal, Footswitch	
27	See Note	NSS	Decal, Bar Code	
28	1001125185	1	Decal, 500 Lbs Capacity	
29	1001125186	1	Decal, 500 Lbs Capacity	
31	1001163536	1	Decal, Legend	
32	1705868	1	Decal, Legend	
33	1705427	1	Decal, Drive/Steer Instructions	
34	1701505	2	Decal, Fuel	
35	1706061	1	Decal, Warning Explosion/Fire	
36	1705511	1	Decal, Oil Level	
37	1001160445	8	Decal, Arrow	
38		Ref	Kit, Decal Max Tire Load (See DECAL INSTALLATION - OPTIONS)	
39	1001159855	4	Decal, Max Tire Load	
40		Ref	Decal, Lift Diagram (See DECAL INSTALLATION - OPTIONS)	
41		Ref	Kit, Decal Model Designation (See DECAL INSTALLATION - OPTIONS)	
42	See Note	NSS	Nameplate, Serial Number	
43		Ref	Decal , JLG Lift (See DECAL INSTALLATION - OPTIONS)	
44		Ref	Decal, JLG (See DECAL INSTALLATION - OPTIONS)	
45		Ref	Decal, WWW.JLG.COM (See DECAL INSTALLATION - OPTIONS)	
46		Ref	Decal, JLG (See DECAL INSTALLATION - OPTIONS)	
47		Ref	Decal, Ultra Boom (See DECAL INSTALLATION - OPTIONS)	
49		Ref	Decal, Daily Check List (See DECAL INSTALLATION - OPTIONS)	
52	0641406	4	Bolt 1/4-20 x 3/4	
54	91403230	1	Box, Manual Storage	
56	3311405	4	Nut 1/4-20	
57	3820001	2	Rivet	
58	4751400	4	Washer 1/4	
60		Ref	Tape, Warning Stripes (See DECAL INSTALLATION - OPTIONS)	

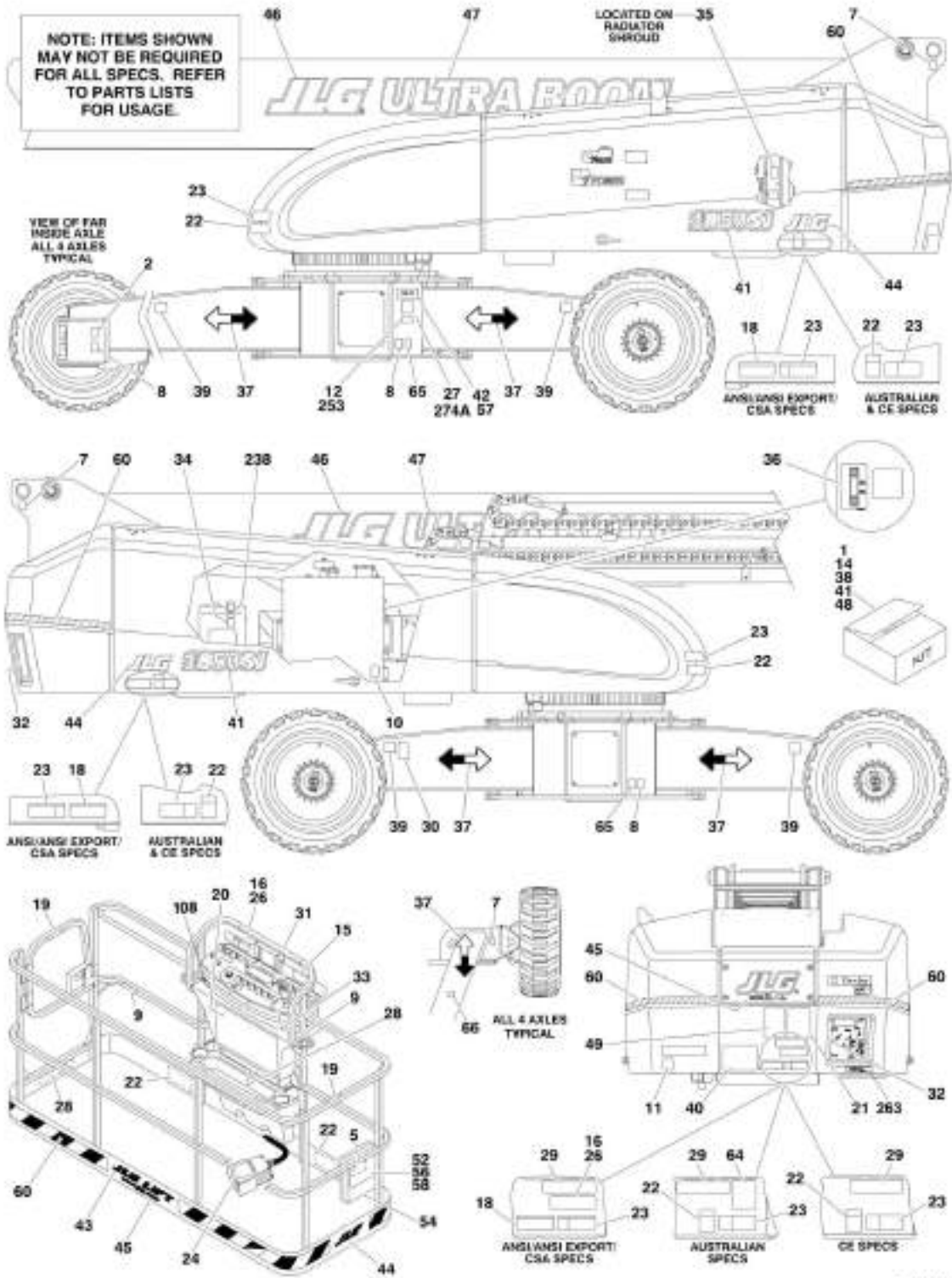
## SECTION 9 - DECALS

ITEM	PART NUMBER	QTY	DESCRIPTION	REV
65	1701499	2	Decal, No Lift	
66	1701691	4	Decal, No Step	
67	1001178165	1	Decal, Jump Start, Dual Battery	
70	1001224048	1	Decal - Yearly Inspection <b>(SN 0300235248 to Present)</b>	



# SECTION 9 - DECALS

## FIGURE 9-10. DECAL INSTALLATION - OPTIONS



1901150242



## SECTION 9 - DECALS

**FIGURE 9-10. DECAL INSTALLATION - OPTIONS**

ITEM	PART NUMBER	QTY	DESCRIPTION	REV
	1001159242	Ref	DECAL INSTALLATION - REFERENCE CHART	J
	1001154100	Ref	Decal Installation - Options	
38	1001160443	1	Kit, Decal Max Tire Load (BOM #146)	
39	1001159855	4	Decal, Max Tire Load	
40	1001159983	1	Decal, Lift Diagram (BOM #151)	
41	1001159981	1	Kit, Decal Model Designation (BOM #145)	
41	1001159980	2	Decal, 1850SJ	
43	1702774	1	Decal, JLG Lift	
44	1702773	3	Decal, JLG	
45	1704885	1	Decal, WWW.JLG.COM	
46	1705864	2	Decal, JLG	
47	1705865	2	Decal, Ultra Boom	
48	1001116025	1	Kit, JLG Decal (Includes items 43-47) (BOM #215)	
49	1001125209	1	Decal, Daily Check List (Danish Language) (BOM #173)	
49	1001125203	1	Decal, Daily Check List (Dutch Language) (BOM #173)	
49	1001125196	1	Decal, Daily Check List (English Language) (BOM #173)	
49	1001125198	1	Decal, Daily Check List (English and Chinese Languages) (BOM #173)	
49	1001125201	1	Decal, Daily Check List (English and French Languages) (BOM #173)	
49	1001125202	1	Decal, Daily Check List (English and Japanese Languages) (BOM #173)	
49	1001125197	1	Decal, Daily Check List (English and Korean Languages) (BOM #173)	
49	1001125199	1	Decal, Daily Check List (English and Spanish Languages) (BOM #173)	
49	1001125207	1	Decal, Daily Check List (Finnish Languages) (BOM #173)	
49	1001125204	1	Decal, Daily Check List (French Languages) (BOM #173)	
49	1001125211	1	Decal, Daily Check List (German Languages) (BOM #173)	
49	1001125205	1	Decal, Daily Check List (Italian Languages) (BOM #173)	
49	1001125210	1	Decal, Daily Check List (Norwegian Languages) (BOM #173)	
49	1001125212	1	Decal, Daily Check List (Polish Language) (BOM #173)	
49	1001125200	1	Decal, Daily Check List (Portuguese Language) (BOM #173)	
49	1001125206	1	Decal, Daily Check List (Spanish Languages) (BOM #173)	
49	1001125208	1	Decal, Daily Check List (Swedish Languages) (BOM #173)	
60	4420051	20 ft/6m	Tape, Warning Stripes (BOM #120)	
108	1001231801	1	Decal - Warning Prop 65 Diesel (ANSI Specs) <b>(SN 0300243487 to Present)</b>	
238	1001125387	1	Decal, Ultra Low Sulfur Fuel (ANSI and CSA Specs)	
238	1001139654	1	Decal, Ultra Low Sulfur Fuel (ANSI Export, Australian, CE and Japanese Specs)	
253	1001143852	1	Decal, LRC EPA (ANSI Export, China and Australian Specs Only)	
263	1001197408	1	Decal - MSSO <b>(SN 0300212076 to Present)</b>	
274	1001214029	1	Decal - EAC Installation (CIS and Russia Specs)	
274A	1001173703	1	Decal - EAC	



## **SECTION 10 - RECOMMENDED SERVICE PARTS STOCK**

## **SECTION 10 - RECOMMENDED SERVICE PARTS STOCK**

# SECTION 10 - RECOMMENDED SERVICE PARTS STOCK

## FIGURE 10-1. MODEL 1850SJ STANDARD PARTS

ITEM	PART NUMBER	QTY	DESCRIPTION	REV
		Ref	Note: The following list will service one machine (built to current production per date on the front cover) with emergency repair parts which can be installed in the field. Parts from the list should be replaced when inventory is depleted to keep service parts stock supplied. For further information, contact your JLG dealer or the JLG Industries Parts Department.	
		Ref	STANDARD PARTS	
	70002386	1	Coil	
	70004460	1	Coil	
	70004463	1	Coil	
	70004588	1	Coil	
	70004595	1	Coil	
	70004599	1	Coil	
	70002097	12	Element, Filter	
	1001108617	12	Element, Filter	
	1001158412	12	Element, Filter	
	70004150	12	Tank Filter/ Breather Kit	
	3740067	1	Relay	
	1001174871	1	Fuse, Power Module	
	4360328	1	Switch, Toggle	
	4360475	1	Switch, Mushroom	
	4360476	1	Contact, Switch Block	
	4360274	1	Switch, Push Button	
	2860030	1	Key, Replacement	
	1001117308	1	Relay	
	1001095704	1	Relay	
	1001186431	1	Relay	
	1001138228	1	Module, Relay	
	70023809	12	Element, Air Cleaner	
	70003788	1	Coil	
	7016331	12	Filter, Oil	
	1001225430	12	Filter, Fuel	
	1001225432	12	Filter, Fuel	
	70004409	1	Jib Power Track Repair Section	
	70004454	1	Boom Power Track Repair Section	
	70022147	1	Coil	
	7024885	1	Coil	
	7024883	1	Coil	
	70003026	1	Coil	
	4360330	1	Switch, Toggle	
	4360331	1	Switch, Toggle	
	4360336	1	Switch, Toggle	
	4360387	1	Switch, Push Button	
	4360407	1	Switch, Flow Control	
	1001129555	1	Controller, Lift and Swing	
	1001212415	1	Controller, Drive and Steer	
	IN4004	2	Diode 6A	



## SECTION 10 - RECOMMENDED SERVICE PARTS STOCK

FIGURE 10-2. MODEL 1850SJ VARIABLE PARTS

ITEM	PART NUMBER	QTY	DESCRIPTION	REV
		Ref	Note: The following list will service one machine (built to current production per date on the front cover) with emergency repair parts which can be installed in the field. Parts from the list should be replaced when inventory is depleted to keep service parts stock supplied. For further information, contact your JLG dealer or the JLG Industries Parts Department.	
		Ref	VARIABLE PARTS	
	1001157084	1	Sensor	
	1001146963	1	Sensor	
	1001151895	1	Sensor, Tilt	
	4360469	1	Switch, Key (ANSI, ANSI Export, Australian and CSA Specs)	
	4360470	1	Switch, Key (CE Specs)	
	1001227960	1	Module, Ground Control	
	1001119509	1	Module, Ground Control	
	70025210	1	Module, Engine Control	
	1001119614	1	Switch, Pressure Transducer	
	4000008	1	Switch, Proximity	
	4360578	1	Switch, Limit	
	1001118971	1	Sensor	
	1001120104	1	Switch, Proximity	
	1001147479	1	Sensor	
	1001135479	1	Sensor	
	1001119262	1	Module, Ground Control	
	2940074	1	Latch, Platform (Platform with Gate)	
	1600343	1	Module, Platform Control	
	1001117174	1	Footswitch	
	1001117991	1	Sensor	
	1001117990	1	Sensor	
	1001181045	1	Breaker, Circuit (CE Spec machines with AC to Platform)	
	1001137673	1	Switch, SkyGuard (CE Specs Machines)	

**SECTION 11 - SPECIAL OPTIONS**

## SECTION 11 - SPECIAL OPTIONS

FIGURE 11-1. SPECIAL OPTIONS

ITEM	PART NUMBER	QTY	DESCRIPTION	REV
		Ref	Note: This list is to accommodate machines ordered with special equipment. Options may not be applicable to all models. For more specific parts information contact JLG Parts Department.	
		Ref	MISCELLANEOUS SPECIAL OPTIONS	
	1001156330	Ref	Airline Installation	
	1001202401	Ref	Air Intake Shut-off Valve (Deutz HRC Engines) (ANSI and CSA Specs)	
	1001210030	Ref	Beacon Installation Kit - Red	
	1001158180	Ref	Bellows Installations - Boom Cylinders	
	1001158014	Ref	Bellows Installations - Chassis Cylinders	
	1001206793	Ref	Belt and Fan Shield Kit - Deutz T4I Engine	
	1001206795	Ref	Belt and Fan Shield Kit - Deutz T4F Engine	
	1001187504	Ref	Boom Hose Kit - Lower	
	1001187503	Ref	Boom Hose Kit - Upper <b>(Prior to SN 0300199131)</b>	
	1001187505	Ref	Boom Hose Kit - Upper <b>(SN 0300199131 to Present)</b>	
	1001208900	Ref	Boom Rest Replacement Kit	
	1001187507	Ref	Boom Wear Pad Kit (ANSI Specs)	
	1001160266	Ref	Boom Wipers Installation - Boom Only	
	1001156271	Ref	Boom Wipers Installation - Jib Only	
	1001187506	Ref	Boom Wire Rope Kit (ANSI Specs)	
	0256789	Ref	Camera Mounting Installation	
	1001232149	Ref	Capping Service Kit (Used to cap Turntable Harness unused connector RL 360-85 and RL 360-86)	
		Ref	ClearSky (Telematics) Installations (Dealer Installed)	
	1001234099	Ref	ClearSky Telematics Kit (Dealer Installed) (CE Specs)	
		Ref	ClearSky (Telematics) (Factory Installed)	
	1001158009	Ref	ClearSky (Telematics) Installation (Factory Installed) (ANSI Spec) Note: Refer to Manual Supplement p/n 3128499 for available replacement parts. <b>(Prior to SN 0300234078)</b>	
	1001158013	Ref	ClearSky (Telematics) Installation (Factory Installed) (Australian Specs Only) Note: Refer to Manual Supplement p/n 3128499 for available replacement parts. <b>(Prior to SN 0300234078)</b>	
	1001158010	Ref	ClearSky (Telematics) Installation (Factory Installed) (CSA Specs) Note: Refer to Manual Supplement p/n 3128499 for available replacement parts. <b>(Prior to SN 0300234078)</b>	
	1001158011	Ref	ClearSky (Telematics) Installation (Factory Installed) (Brazil and New Zealand Specs Only) Note: Refer to Manual Supplement p/n 3128499 for available replacement parts. <b>(Prior to SN 0300234078)</b>	
	1001227456	Ref	Canbus Connection (ANSI and CSA Specs) <b>(SN 0300235248 to Present)</b>	
	1001228958	Ref	Canbus Connection (ANSI Export and CE Specs) <b>(SN 0300240304 to Present)</b>	
	1001229107	Ref	3-Wire Connection (ANSI and CSA Specs) <b>(SN 0300234078 to Present)</b>	
	1001233237	Ref	3-Wire Connection (ANSI Export and CE Specs) <b>(SN 0300240304 to Present)</b>	
	1001157607	Ref	Cold Weather/Cold Weather Plus Package <b>(Prior to SN 0300244409)</b>	
	1001180171	Ref	Cold Weather/Cold Weather Plus Package <b>(SN 0300244409 to Present)</b>	
	1001233047	Ref	Crankcase Breather Heater Kit - Deutz T4F Engine	



## SECTION 11 - SPECIAL OPTIONS

ITEM	PART NUMBER	QTY	DESCRIPTION	REV
	1001216361	Ref	Cribbing Enable Installation	
	1001104651	Ref	Decal Kit- Master (All Specs) <b>(Prior to SN 0300189818)</b>	
	1001190165	Ref	Decal Kit- Master (All Specs) <b>(SN 03000189818 to Present)</b>	
	2902307	Ref	Decal Kit - Country Spec (ANSI Spec) <b>(Prior to SN 0300240699)</b>	
	1001232172	Ref	Decal Kit - Country Spec (ANSI Spec) <b>(SN 0300240699 to Present)</b>	
	2902311	Ref	Decal Kit - Country Spec (ANSI Export Spec) <b>(Prior to SN 0300240699)</b>	
	1001232175	Ref	Decal Kit - Country Spec (ANSI Export Spec) <b>(SN 0300240699 to Present)</b>	
	2902329	Ref	Decal Kit- Country Spec (Australian Spec)	
	2902312	Ref	Decal Kit- Country Spec (Brazil Spec) <b>(Prior to SN 0300240699)</b>	
	1001232176	Ref	Decal Kit- Country Spec (Brazil Spec) <b>(SN 0300240699 to Present)</b>	
	2902329	Ref	Decal Kit - Country Spec (CE Spec)	
	2902309	Ref	Decal Kit - Country Spec (Chinese Spec) <b>(Prior to SN 0300240699)</b>	
	1001232178	Ref	Decal Kit - Country Spec (Chinese Spec) <b>(SN 0300240699 to Present)</b>	
	2902322	Ref	Decal Kit - Country Spec (CSA Spec) <b>(Prior to SN 0300240699)</b>	
	1001232173	Ref	Decal Kit - Country Spec (CSA Spec) <b>(SN 0300240699 to Present)</b>	
	2902308	Ref	Decal Kit - Country Spec (Japanese Spec) <b>(Prior to SN 0300240699)</b>	
	1001232177	Ref	Decal Kit - Country Spec (Japanese Spec) <b>(SN 0300240699 to Present)</b>	
	2902310	Ref	Decal Kit - Country Spec (Korean Spec) <b>(Prior to SN 0300240699)</b>	
	1001232174	Ref	Decal Kit - Country Spec (Korean Spec) <b>(SN 0300240699 to Present)</b>	
	1001193647	Ref	Decal Kit - Machine	
	1001187772	Ref	Decal Kit - Platform (ANSI Specs)	
	1001187771	Ref	Decal Kit - Platform Box (ANSI Specs)	
	1001224040	Ref	Decal - Blueline	
	1001160444	Ref	Decal - ClearSky	
	1001222191	Ref	Decal - Herc Rentals	
	1001160467	Ref	Decal - Hertz Rentals	
	1001225287	Ref	Decal - Hertz Rentals (Canada)	
	1001160473	Ref	Decal - Leavitt Rentals	
	1001160468	Ref	Decal - NES Rentals	
	1702962	Ref	Decal - Proposition 65 (ANSI Specs)	
	1001200067	Ref	Decal - Quick Reference (Danish) (Lomax Rentals)	
	1001200065	Ref	Decal - Quick Reference (Dutch) (Lomax Rentals)	
	1001203634	Ref	Decal - Quick Reference (English) (Lomax Rentals)	
	1001200064	Ref	Decal - Quick Reference (French) (Lomax Rentals)	
	1001200066	Ref	Decal - Quick Reference (German) (Lomax Rentals)	
	1001200071	Ref	Decal - Quick Reference (Norwegian) (Lomax Rentals)	
	1001200070	Ref	Decal - Quick Reference (Spanish) (Lomax Rentals)	
	1001200069	Ref	Decal - Quick Reference (Swedish) (Lomax Rentals)	
	1001218716	Ref	Decal - Riwal	
	0272599	Ref	Decal - SkyCutter (ANSI, ANSI Export and CSA Specs)	
	0272607	Ref	Decal - SkyCutter (Japanese Specs)	
	0272418	Ref	Decal - SkyGlazier	
	1001141300	Ref	Decal - SkyGuard Override	

## SECTION 11 - SPECIAL OPTIONS

ITEM	PART NUMBER	QTY	DESCRIPTION	REV
	1001141302	Ref	Decal - SkyGuard Soft Touch Override	
	0272435	Ref	Decal - SkyPower (60Hz)	
	0272589	Ref	Decal - SkyPower (50Hz)	
	0272448	Ref	Decal - SkyWelder (60Hz)	
	0272588	Ref	Decal - SkyWelder (50Hz)	
	1001160466	Ref	Decal - Sunbelt Rentals <b>(Prior to SN 0300205976)</b>	
	1001199817	Ref	Decal - Sunbelt Rentals <b>(SN 0300205976 to Present)</b>	
	1001236998	Ref	Decal - Synergy Equipment Installation	
	1001235298	Ref	Decal - Thompson Cat Rental	
	1001160465	Ref	Decal - United Rentals	
	4420051	Ref	Decal - Warning Stripes	
	1001233763	Ref	Deutz Breather Heater Installation (ANSI, ANSI Export (HRC), CE, CSA and Japanese Specs)	
	1001226098	Ref	Deutz Fuel Pump Kit Installation	
	1001148902	Ref	Electrical Connector Kit - Amp/Tyco Electrical Connectors	
	1001148903	Ref	Electrical Connector Kit - Deutsch DT Electrical Connectors	
	1001148904	Ref	Electrical Connector Kit - Deutsch HD Electrical Connectors	
	1001148905	Ref	Electrical Connector Kit - Packard Electrical Connectors	
	1001148906	Ref	Electrical Connector Kit - Various Electrical Connectors	
	1001235962	Ref	Engine Coolant Strainer Kit	
	1001237883	Ref	Fall Arrest Bolt on Kit (6FT x 1.83M) (ANSI, ANSI Export, China, CSA, and Japanese Specs) (Fits Platform p/ns1001228376)	
	1001237882	Ref	Fall Arrest Bolt on Kit (8FT x 2.44M) (ANSI, ANSI Export, China, CSA, and Japanese Specs) (Fits Platform p/ns 1001186383 & 1001144023)	
	1001201670	Ref	Fan and Belt Guard Installation - Deutz T4I Engine <b>(Prior to SN 0300251465)</b>	
	1001155069	Ref	Fan Guard Installation - Deutz LRC Engine	
	1001197775	Ref	Fan Guard Installation - Deutz HRC Engine	
	1001182236	NLA	Filter Combined Kit – Deutz T4I Engine (Use p/n 1001225639) (Hydraulic/Air and Fuel/Engine Oil)	
	1001225639	Ref	Filter Combined Kit – Deutz T4I Engine (Hydraulic/Air and Fuel/Engine Oil)	
	1001139099	Ref	Fire Extinguisher Installation	
	1001136079	Ref	Fluid - Engine Oil without Cold Weather Package	
	1001136172	Ref	Fluid - Engine Oil with Cold Weather Package	
	2300004	Ref	Fluid - Engine Coolant without Cold Weather Package	
	2300041	Ref	Fluid - Engine Coolant with Cold Weather Package	
	3020039	Ref	Fluid - Lubricant for Axle and Boom	
	3020008	Ref	Fluid - Lubricant for Drive Hub	
	0100048	Ref	Fluid - Lubricant for Electrical Connectors	
	3020037	Ref	Fluid - Lubricant for Pump Coupling	
	2300014	Ref	Fluid - Hydraulic Fluid - Mobil 424	
	2300016	Ref	Fluid - Hydraulic Fluid - Mobil DTE 13	
	2300029	Ref	Fluid - Hydraulic Fluid - Mobil EAL Envirosyn H46	
	2300039	Ref	Fluid - Hydraulic Fluid - Exxon Univis (Cold Climate)	
	2300019	Ref	Fluid - Hydraulic Fluid - Qunintolubric 888-46	
	1001117294	Ref	Footswitch Shield (ANSI, ANSI Export and CSA Specs)	
	1001191395	Ref	Fuel Cap Cover - Lockable (Green) (Note: p/n 1001102157 must be Purchase Separately)	
	1001202749	Ref	Fuel Cap Cover - Lockable (Black) (Note: p/n 1001102157 must be Purchase Separately)	
	1001230650	Ref	Fuel Filter/Water Separator Kit	

## SECTION 11 - SPECIAL OPTIONS

ITEM	PART NUMBER	QTY	DESCRIPTION	REV
	1001227913	Ref	Fuel Filter/Water Separator Installation	
	1001219745	Ref	Ground Strap Kit	
	1001239640	Ref	Hose Kit - Jib Valve	
	1001239638	Ref	Hose Kit - Platform Valve	
	1001241422	Ref	Hostile Environment Kit	
	1001189223	Ref	Jib Angle Sensor Cover Kit	
	1001148971	Ref	Lanyard (Bolt-On) Installation Kit	
	1001230625	Ref	LCD Display Kit (Low Rail)	
	1001230626	Ref	LCD Display Kit (High Rail)	
	1001158083	Ref	Lights Installation - Chassis Illumination Lights	
	1001202453	Ref	Lights Installation - Headlights and Taillights	
	1001120466	Ref	Lights Installation - Platform Work Lights <b>(Prior to SN 0300223746)</b>	
	1001220136	Ref	Lights Installation - Platform Work Lights <b>(SN 0300223746 to Present)</b>	
	1001120467	Ref	Lights Installation - Platform Floodlights <b>(Prior to SN 0300223746)</b>	
	1001220137	Ref	Lights Installation - Platform Floodlights <b>(SN 0300223746 to Present)</b>	
	1001183407	Ref	Low Temperature Cutout Installation (Russian Specs) <b>(Prior to SN 0300244707)</b>	
	1001236951	Ref	Low Temperature Cutout Installation (Russian Specs) <b>(SN 0300244707 to Present)</b>	
	1001237930	Ref	Main Control Valve Kit	
	1001155064	Ref	Oil Cooler Installation - Deutz LRC Engines	
	1001194835	Ref	Oil Cooler Installation - Deutz HRC Engines	
	1001134626	Ref	Platform Console Cover Installation (Factory Installed) <b>(Prior to SN 0300201023)</b>	
	1001197436	Ref	Platform Console Cover Installation <b>(SN 0300190457 to Present)</b>	
	1001205178	Ref	Platform Console Cover Add-on Kit	
	1580013	Ref	Platform Corner Storage Tray	
	1001142504	Ref	Platform Entry Kit - Drop Bar (Replaces Swing Gate with Drop Bar)	
	1001142505	Ref	Platform Entry Kit - Swing Gate (Replaces Drop Bar with Swing Gate)	
	1001138773	Ref	Platform Mesh to Mid Rail Installation - 36in X 6ft (91.5cm x 1.83m) (ANSI, ANSI Export and Australian Specs)	
	0273145	Ref	Platform Mesh to Top Rail Installation - 36in X 6ft (91.5cm x 1.83m) (ANSI, ANSI Export and CSA Specs)	
	1001149730	Ref	Platform Mid Rail Repair Kit	
	0272725	Ref	Platform Rail Extensions Installation (8ft Platform)	
	1001159121	Ref	Plug and Receptacle at Platform Installation (110V GFCI) (ANSI, ANSI Export, China, CSA and Japanese Specs)	
	1001161667	Ref	Plug and Receptacle at Platform Installation (110V IEC 60309 Yellow) (CE Spec)	
	1001161668	Ref	Plug and Receptacle at Platform Installation (220V IEC 60309 Blue) (CE Spec)	
	1001161245	Ref	Plug and Receptacle at Platform Installation (220V CEE7 Post Ground - 70x70 Box) (CE Spec) <b>(Prior to SN 0300202470)</b>	
	1001161246	Ref	Plug and Receptacle at Platform Installation (220V CEE7 Side Ground - 70x70 Box) (CE Spec) <b>(Prior to SN 0300202470)</b>	
	1001161242	Ref	Plug and Receptacle at Platform Installation (220V CEE7 Post Ground - 2x4 Box) (CE Spec)	
	1001161243	Ref	Plug and Receptacle at Platform Installation (220V CEE7 Side Ground - 2x4 Box) (CE Spec)	
	1001161244	Ref	Plug and Receptacle at Platform Installation (220V AFSINT107 - 2x4 Box) (CE Spec)	

## SECTION 11 - SPECIAL OPTIONS

ITEM	PART NUMBER	QTY	DESCRIPTION	REV
	1001209059	Ref	Platform Work Surface	
	1001099138	Ref	Sky Accessory - SkyGlazier Installation (CE Spec - Portuguese Language Decals with LSS) Note: See JLG 3124242 Accessories Manual	
	1001158073	Ref	SkyGuard Installation Optional (Blue) Beacon Light Kit <b>(Prior to SN 0300217096)</b>	
	1001206884	Ref	SkyGuard Blue Beacon Installation Kit <b>(SN 0300217096 to Present)</b>	
	1001158159	NLA	SkyGuard Installation Kit (Note: Use p/n 1001206825) <b>(Prior to SN 0300217096)</b>	
	1001206825	Ref	SkyGuard Installation Kit - Complete <b>(SN 0300217096 to Present)</b>	
	1001197016	Ref	SkyGuard Installation Platform Sensor Kit	
	1001137672	Ref	SkyGuard Installation Platform Sensor Kit	
	1001137440	1	Platform Sensor Harness	
	1001186431	2	Relay	
	1001226202	Ref	SkyGuard Installation Kit (Old Style Platform)	
	1001226203	Ref	SkyGuard Installation Kit (New Style Platform)	
	1001176372	Ref	SkyGuard Plug Removal Kit	
	1001210031	Ref	SkyGuard Complete Kit - Red	
	1001231235	Ref	SkyWelder Locking Bracket Installation	
		Ref	Telematic Installation (Customer Supplied)	
	1001228363	Ref	Telematic - Herc	
	1001195610	Ref	Telematics - United Rentals Installation M6	
	1001214463	Ref	Telematics - United Rentals Installation M8	
	1001228590	Ref	Telematic Canbus Installation (Customer Supplied)	
	1001228964	Ref	Telematics Retrofit Harness Kit (Machines with UGM)	
	1001193630	Ref	Turntable Bearing Kit	
	2901443	1	Tools - Analyzer Kit	
	1001162227	Ref	Tools - Boom Cable Adjustment Tools Installation	
	1001162216	1	Tools - Socket 32mm	
	1001162217	1	Tools - Socket 41mm	
	1001162218	1	Tools - Socket 55mm	
	1001137005	1	Tools - Cable Kit, Software (Not Shown)	
	7002821	Ref	Tools - Crimper, Wire	
	7002823	Ref	Tools - Pin Extractor - Universal (For Electrical Connectors with Pins and Sockets)	
	4460467	1	Tools - Pin Extractor - 16-18 Gauge (For Removal of Pin/Sockets from Deutsch Connectors)	
	4460510	1	Tools - Pin Extractor - 12-14 Gauge (For Removal of Pin/Sockets from Deutsch Connectors)	
	7016654	Ref	Tools - Screwdriver, Magnetic	
	7002822	Ref	Tools - Screwdriver, Pontimeter	
	7004275	Ref	Tools - Seal Tool 1in (For Cylinders)	
	7004276	Ref	Tools - Seal Tool 1-1/2in (For Cylinders)	
	7002828	Ref	Tools - Stripper, Wire	
	4921850	1	Tools - Throttle Service Harness	
	70004185	1	Tools - Torque Multiplier	
	7016655	1	Tools - Wire Rope Sheave Gauge	
	1001232037	Ref	White Noise Alarm	
	1001232038	Ref	White Noise Ambient Alarm	

**PART NUMBER INDEX**

# PART NUMBER INDEX

0100009....425, 429, 433, 437, 441, 445, 449	0259666 ..... 117	0641414 ... 425, 429, 433, 437, 441, 445, 449, 473, 475, 533, 535	0681822.... 403, 405, 407, 409
0100011.... 15, 17, 19, 21, 33, 35, 51, 55, 57, 77, 79, 83, 145, 146, 147, 151, 152, 153, 157, 158, 159, 167, 171, 174, 179, 183, 186, 195, 199, 202, 207, 211, 214, 223, 227, 230, 235, 239, 242, 251, 255, 258, 267, 271, 274, 279, 283, 286, 315, 319, 323, 327, 331, 337, 341, 351, 353, 355, 358, 361, 363, 371, 375, 377, 379, 381, 393, 395, 397, 399, 401, 473, 484, 527, 529, 531, 533, 535, 549, 551, 553, 557, 559, 561, 565, 567, 571, 575, 577, 581	0259667 ..... 119	0641416 ... 599, 601, 603, 605, 607, 609	0681836001..... 341
0100019.... 19, 21, 67, 71, 315, 319, 323, 331, 337, 358	0272254 ..... 529	0641418 ... 371, 393, 395, 397, 399, 401	0682022001..... 337
0100020..... 79, 167, 174, 179, 186, 195, 202, 207, 214, 223, 230, 235, 242, 251, 258, 267, 274, 279, 286, 319, 471, 481, 484, 599, 601, 603, 605, 607, 609	0272418 ... 487, 489, 491, 493, 495, 497, 499, 501, 503, 505, 507, 509, 511, 513, 515, 517, 519, 521, 523, 525, 781	0641418001 ..... 371	0682023..... 561
0100035... 19, 93, 97, 101, 105, 171, 183, 199, 211, 271, 283, 371, 445, 449	0272427 ..... 533	0641422 ..... 33	0682220..... 71
0100038.... 549, 551, 559, 561, 567, 571, 575, 577	0272435 ..... 321, 782	0641504 ..... 41	0682424.... 541, 543, 545
0100040..... 359	0272448 .... 484, 529, 782	0641507001 ..... 363	0683020001..... 337
0100048.... 315, 319, 323, 353, 383, 425, 429, 433, 437, 441, 445, 449, 647, 782	0272521 ..... 527	0641605 ..... 371	0700408.... 599, 601, 603, 605, 607, 609
0100063..... 337	0272588 ..... 527, 782	0641605001 ..... 371	0700510.... 171, 183, 199, 211, 227, 239, 255
0100071 15, 17, 327, 475, 573	0272589 ..... 324, 782	0641606 ... 174, 186, 202, 214, 230, 242, 258, 274, 286, 484, 527, 529, 531	0700610... 87, 94, 97, 101, 105, 174, 186, 202, 214, 274, 286
0100081.... 176, 188, 204, 216, 232, 244, 260, 274, 286, 338, 371, 425, 429, 433, 437, 441, 445, 487, 489, 491, 493, 495, 497, 499, 501, 503, 505, 507, 509, 511, 513, 515, 517, 519, 521, 523, 525	0272599 .... 481, 484, 781	0641606001 ..... 337	0700615.... 135, 137, 139, 141
0140011.... 425, 429, 433, 437, 441, 445, 449	0272607 ..... 481, 781	0641607 ..... 371	0700616.... 146, 152, 158, 159
0140043..... 131	0272725 ..... 783	0641608 ... 171, 183, 199, 211, 227, 239, 255, 271, 283, 327, 375, 377, 379, 383	0700618 93, 97, 101, 105, 267, 279, 637
0200048..... 533, 535	0272948 ..... 497	0641608001 .... 361, 363, 375, 377, 379, 381, 383	0700620..... 129
0236768..... 87	0272949 ..... 499, 501	0641620001 ..... 358	0700810..... 269, 281
0256789..... 780	0272950 ..... 503, 505	0641622001 ..... 358	0700812..... 268
0257728..... 477	0272951 ..... 493	0641626001 ..... 358	0700815.... 174, 186, 202, 214, 230, 242, 258, 274, 286
	0272952 ..... 507, 509	0641628001 ..... 359	0700826..... 267, 279
	0273145 ..... 783	0641644 ..... 331	0700827..... 267, 279
	0273353 ..... 484	0641688 ..... 331	0700829001..... 361, 363
	0273404 ..... 523, 525	0641808001 ..... 337	0701013.... 174, 186, 202, 214, 230, 242, 258, 274, 286
	0273405 ..... 515, 517	0641812001 ..... 351, 355	0701014..... 327
	0273406 ..... 511, 513	0641822001 ..... 353	0701015... 79, 81, 83, 145, 151, 157, 174, 186, 202, 214, 230, 242, 258, 274, 286
	0273706 ..... 535	0642010001 ..... 337	0701016.... 174, 186, 202, 214, 230, 242, 258, 274, 286
	0274661 ..... 479	0642012 ... 487, 491, 493, 495, 497, 501, 505, 509, 513, 517, 521, 525	0701017... 79, 81, 83, 174, 186, 202, 214, 230, 242, 258, 274, 286, 331
	0363066 ..... 331	0642024001 ..... 353	0701018 71, 87, 315, 319, 323, 331
	0400020 ..... 87	0642026 ... 489, 499, 503, 507, 511, 515, 519, 523	0701019.... 174, 186, 202, 214, 230, 242, 258, 274, 286
	0440162 ... 167, 179, 195, 207, 223, 235, 251, 267, 279	0642212 ... 487, 489, 491, 493, 495, 497, 499, 501, 503, 505, 507, 509, 511, 513, 515, 517, 519, 521, 523, 525	0701020..... 151, 157
	0440273 ..... 15, 17	0642220 ... 168, 180, 196, 208, 224, 236, 252, 267, 279	0701021..... 331
	0480100 ..... 477, 479	0642684001 .... 351, 353, 355	0701022001..... 331
	0630448001 ..... 413, 415	0681620 .... 541, 543, 545	
	0630457 ..... 371	0681814 ... 403, 405, 407, 409	
	0630462 ..... 533, 535		
	0630468 ..... 363		
	0630518 ... 481, 484, 527, 529, 531		
	0630535 ... 549, 551, 553, 557, 559, 565, 567		
	0630536 ..... 577		
	0630568 ... 426, 430, 434, 438, 442, 446, 450		
	0630615001 ..... 145, 151, 157		
	0641404 ... 425, 429, 433, 437, 441, 445, 449		
	0641405001 ..... 353		
	0641406 ... 371, 383, 411, 739, 743, 747, 749, 753, 757, 761, 765, 769		
	0641406001 ..... 371, 383, 413, 415, 417		
	0641407001 ..... 353		
	0641408 ... 146, 152, 158, 159		
	0641412 ..... 593		
	0641412001 ..... 593		
	0641413 ..... 593		
	0641413001 ..... 593		

# PART NUMBER INDEX

0701024001 .....	331	179, 186, 195, 204,	0771018001.....	334	1001091102 .....	133, 637
0701039 .....	331	207, 216, 223, 232,	0771414.....	174, 186, 202,	1001095136 .....	145, 151,
0701047 .....	331	235, 244, 251, 260,		214, 230, 242, 258,	157	
0701220 .....	81, 83	267, 274, 279, 286		274, 286	1001095704 .....	657, 776
0701224 .....	77	0760812001.....	0771415.....	174, 186, 274	1001096612 .....	315, 641
0701420001 .....	15, 17	146, 151,	0771416.....	167, 179, 195,	1001096653. 33, 35, 637,	
0701422001 .....	19	157		207, 223, 235, 251,	715, 717, 719	
0701616 .....	327	0760814 .....	0791003.....	267, 279	1001097051 .....	373
0701618 .....	327	269, 281	0791504001.....		1001097150 .....	639, 641
0701619001 .....	29, 31	0760815 93, 97, 101, 105	0791505001.....	358	1001097587 .....	67
0701627 ...	174, 186, 202,	0760815001.....	0791516001.....	373	1001097588 .....	276, 288
214, 230, 242, 258,		19	0791609001.....	338	1001098012 .....	481, 484,
274, 286		0761008 ...	0791622001.....	338	537	
0701628 .....	331	174, 186, 202,	0791622001.....	338	1001098122 .....	471, 699,
0711015 ...	167, 179, 195,	214, 230, 242, 258,	0811607001.....	331, 341	703, 707	
207, 223, 235, 251,		274, 286	0811608.....	327	1001098149 .....	481
267, 279		0711214 ...	0811608001.....	337, 341	1001099125 .....	109, 111,
0711214 ...	174, 186, 202,	214, 230, 242, 258,	0811610001.....	327	113, 115	
214, 230, 242, 258,		274, 286	0840062.....	691	1001099138 .....	784
274, 286		0711218 ...	0841812.....	171, 183, 199,	1001099366 .....	487, 489,
0711218 ...	176, 188, 204,	216, 232, 244, 260,		211, 227, 239, 255,	491, 493, 495, 497,	
216, 232, 244, 260,		274, 286		271, 283	499, 501, 503, 505,	
274, 286		0711222001 .....	0860038.....	319, 715, 717	507, 509, 511, 513,	
0711222001 .....	355	0761014 93, 97, 101, 105	0861538.....	319	515, 517, 519, 521,	
0712426 ....	145, 151, 157	0761014001.....	0861572.....	323	523, 525	
0712435 .....	67	358	0861731.....	603, 605, 607,	1001099367 .....	487, 489,
0721005 .....	533, 535	0761015 ...		609	491, 493, 495, 497,	
0731007 .....	79, 81, 83	167, 171, 179,	0861781.....	599, 601	499, 501, 503, 505,	
0741404 .....	371	183, 195, 199, 207,	0861880.....	639, 641	507, 509, 511, 513,	
0741607 ....	315, 319, 323	211, 223, 227, 235,	0902888.....	315, 319, 323	515, 517, 519, 521,	
0760405 .....	371	239, 251, 255, 267,	0902919.....	353	523, 525	
0760408 ...	133, 167, 179,	271, 279, 283, 327,	0902920.....	353	1001099421 .....	497
195, 207, 223, 235,		371, 419, 421, 423	0903484.....	637	1001099422 .....	493
251, 267, 279		0761015001... 15, 17, 331	0940049.....	145, 151, 157	1001099435 .....	515
0760505 .....	267, 279	0761016 .....	0940092.....	533, 535	1001099436 .....	499
0760508 .....	271, 283	373	0940094.....	533, 535	1001099437 .....	503
0760604 .....	276, 288	0761016001.. 15, 17, 158,	0940102.....	487, 489, 491,	1001099438 .....	511
0760606 ...	269, 281, 315,	331		493, 495, 497, 499,	1001099439 .....	507
320, 324		0761018 .....	0961896.....	549, 551	1001099440 .....	523
0760608 ...	267, 276, 279,	145	0961897.....	553, 565, 567	1001101191 .....	639
288, 371		0761020 .....	0961898.....	577	1001101421 .....	487, 489,
0760608001 .....	371	331	0961902.....	557, 559	491	
0760610 ...	167, 171, 179,	0761027 .....	0961950.....	337, 341, 553,	1001101422 .....	487, 491
183, 195, 199, 207,		331		555, 565, 567, 573, 575	1001101580 .....	168, 180,
211, 223, 227, 235,		0761210 ...	0961951.....	174, 186, 202,	196, 208, 224, 236,	
239, 251, 255, 267,		171, 174, 183,		214, 230, 242, 258,	252, 268, 280	
271, 279, 283, 315,		186, 199, 202, 211,	0962006.....	274, 286	1001102417 .....	596
319, 323, 419, 421, 423		214, 227, 230, 239,	0962051.....	167, 179, 195,	1001102594 .....	697, 724
076061293, 97, 101, 105,		242, 255, 258, 271,		207, 223, 235, 251,	1001102647 .....	489
129, 146, 152, 158,		274, 283, 286	0962181.....	267, 279	1001103012 .....	724
373, 419, 421, 423		0761212 ...	0962181.....	337	1001103452 .....	174, 186,
0760613 ...	167, 179, 195,	315, 319, 323	0962270.....	403, 405, 407,	268	
207, 223, 235, 251,		0761212001.....		409	1001104651 .....	781
269, 281		334	0962423.....	19	1001106736 .....	129
076061493, 97, 101, 105,		0761214 .....	0962447.....	331	1001108122 .....	353
177, 189, 274, 288		21, 145, 151,	0962450.....	353	1001108579 .....	79
0760807 .....	269, 281	157	0962520.....	315, 319, 323	1001108616 .....	171, 183,
0760808 .....	371	0761216 .....	0962561.....	549, 551	199, 211, 227, 239,	
0760808001 19, 145, 151,		77, 145, 151,	0962562.....	561	255, 271, 283, 300	
157, 371		157			1001109048 .....	79, 81, 83
0760810 ...	174, 186, 202,	0761216001.....			1001109475 .....	639
214, 230, 242, 258,		351, 355			1001109482 .....	639
267, 274, 279, 286, 371		0761218001.....			1001109503 .....	109, 113
0760810001 . 94, 98, 102,		33, 35, 43,			1001110059 .....	79
106, 145, 151, 157, 371		45, 47, 49			1001110544 .....	168, 180,
0760812 ...	33, 35, 93, 97,	0761222 .....			196, 208, 224, 236, 252	
101, 105, 167, 174,		151, 157				
		0761616 .....				
		331				
		0762018001.....				
		21				
		0762418 .....				
		327				
		0762418001.....				
		15, 17				
		0771012001.....				
		334				
		0771014001.....				
		334				
		0771015001.....				
		327				
		0771016001.....				
		334				

# PART NUMBER INDEX

1001110604.....592	1001118069 ..... 557, 559, 565, 567	1001120084 ..... 372	1001126011..... 699, 703, 707
1001110853.....145, 151, 157	1001118070 ..... 557, 565	1001120104 ..... 372, 778	1001126245..... 659
1001110873.....320, 715	1001118084 ..... 565	1001120209 ..... 338	1001126300..... 413
1001111116.....175, 187, 203, 215	1001118086 ..... 565	1001120257 ..... 338	1001126351..... 654
1001112551 ..... 747	1001118148 ..... 553	1001120328 ..... 129, 473, 657, 684, 701, 705	1001126352..... 654
1001112612 ..... 615	1001118149 ..... 553	1001120338 ..... 426, 429, 433, 438, 441, 445, 449	1001126353..... 657
1001112617 ..... 724	1001118177 ..... 553	1001120466 ..... 783	1001126356..... 654
1001112757 ..... 129	1001118274 ... 33, 35, 94, 97, 101, 105, 145, 151, 157, 372	1001120467 ..... 783	1001126357..... 654
1001112796..... 615	1001118282 ..... 658	1001120608 ..... 353	1001126362..... 654, 658
1001112927 ..... 171, 183, 199, 211, 227, 239, 255, 271, 283, 307	1001118369 ..... 327, 337	1001120631 ..... 353	1001126363..... 654
1001113483 ..... 353	1001118373 ..... 372	10011213447 ..... 707	1001126365..... 654
1001113961 ..... 643, 724	1001118388 ..... 705, 711	1001121826 ..... 121, 453	1001126384..... 654
1001115603..... 519, 521	1001118416 ..... 426, 438, 467	1001121827 ..... 123, 455	1001126391..... 654, 658, 729
1001115604..... 519	1001118417 ..... 426, 438, 461	1001121837 ..... 413	1001126393..... 658
1001116025 ..... 773	1001118564 ..... 337	1001122242 ..... 413, 415	1001126485..... 659
1001116694 ..... 683	1001118878 ... 43, 45, 47, 49	1001122383 ..... 121	1001126487..... 659
1001116695 ..... 373	1001118930 ..... 372	1001122384 ..... 453, 457	1001128127..... 724
1001116720 ..... 705, 711	1001118931 ..... 372	1001122611 ..... 453, 457	1001128128..... 653, 658
1001116725 ..... 658	1001118971 ..... 372, 778	1001123044 ..... 332	1001128527..... 531
1001116732 ..... 653	1001119020 ..... 615, 701, 705, 724	1001125137 ..... 557, 573	1001128556..... 531
1001116733 ..... 658, 667	1001119033 ..... 372	1001125175 ..... 739	1001129555..... 776
1001116734 ..... 658	1001119042 ..... 337	1001125176 ..... 739	1001129920..... 557
1001116748 ..... 643, 683	1001119105 ..... 557, 559, 565, 567	1001125177 ..... 747, 753	1001129921..... 557
1001116774 ..... 615	1001119137 ..... 372	1001125178 ..... 747, 753	1001129961..... 341
1001116808 ..... 615	1001119211 ..... 383	10011251788 ..... 749	1001131269..... 739, 761
1001116812 ..... 617, 651, 653, 657, 683, 724	1001119214 ..... 383	1001125179 ..... 757	1001133714..... 653, 659
1001116813 ..... 631, 633, 635	1001119215 ..... 383	1001125180 ..... 757	1001133715..... 653, 659
1001116815 ..... 651, 657	1001119262 ..... 383, 778	1001125181 ..... 761	1001133759..... 647
1001116846 ..... 757	1001119313 ..... 337, 569	1001125182 ..... 761	1001133956..... 654
1001116849 ..... 757	1001119318 ..... 569	1001125183 ..... 765	1001133957..... 654
1001116851 ..... 757	1001119412 ..... 653, 667	1001125184 ..... 765	1001134488..... 175, 187, 203, 215, 231, 243, 259, 275, 287
1001116952 ..... 653	1001119452 ..... 569, 571	1001125185 ..... 769	1001134626..... 783
1001116983 ..... 661, 663	1001119455 ..... 593	1001125186 ..... 769	1001135027.. 93, 97, 101, 105, 171, 183, 211
1001117023 ..... 653	1001119509 ..... 129, 778	1001125187 ..... 749	1001135196..... 168, 180, 196, 208, 224, 236, 252, 268, 280
1001117034 ..... 757	1001119614 ..... 327, 778	1001125189 ..... 743	1001135479..... 373, 778
1001117035 ..... 757	1001119703 ..... 361, 363	1001125190 ..... 743	1001135483..... 373
1001117064 ..... 643, 683	1001119704 ..... 361, 363	1001125194 ..... 426, 429, 433, 438, 441, 446, 449	1001135484..... 373
1001117106 ..... 657	1001119706 ..... 361	1001125195 ..... 426, 429, 434, 438, 442, 446, 449	1001135497..... 168, 180, 196, 208, 224, 236, 252, 268, 280
1001117108 ..... 658	1001119710 ..... 341	1001125196 ..... 773	1001135650..... 659
1001117172 ..... 471	1001119727 ..... 175, 187	1001125197 ..... 773	1001135943..... 175, 187, 203, 215, 231, 243, 259, 275, 287
1001117174 ..... 425, 429, 433, 437, 441, 445, 449, 471, 778	1001119899 ..... 327	1001125198 ..... 773	1001136079..... 175, 203, 215, 231, 259, 275, 782
1001117244 ..... 276, 288	1001119985 ..... 337	1001125199 ..... 773	1001136172..... 187, 243, 287, 782
1001117294 ..... 782	1001119990 ..... 337	1001125200 ..... 773	1001136583..... 332
1001117308 ..... 168, 175, 180, 187, 196, 208, 224, 231, 236, 243, 252, 259, 268, 275, 280, 287, 776	1001119998 ..... 337	1001125201 ..... 773	1001136834..... 175, 187, 203, 215, 231, 243, 259, 275, 287
1001117969 ..... 557, 559	1001119999 ..... 327	1001125202 ..... 773	1001136975..... 268, 280
1001117984 ..... 557	1001120000 .. 15, 17, 337	1001125203 ..... 773	1001137005..... 784
1001117990 ..... 557, 559, 778	1001120014 ..... 337	1001125204 ..... 773	1001137364..... 426, 430, 434, 438, 442, 446, 450
1001117991 ..... 565, 567, 778	1001120015 ..... 337	1001125205 ..... 773	1001137440..... 784
1001117994 ..... 557, 559, 565, 567	1001120028 ..... 372	1001125206 ..... 773	1001137672..... 784
1001118066 ..... 557, 559, 565, 567	1001120037 ..... 337	1001125207 ..... 773	1001137673..... 473, 778
	1001120038 ..... 337	1001125208 ..... 773	
	1001120039 ..... 337	1001125209 ..... 773	
	1001120048 ..... 372	1001125210 ..... 773	
	1001120049 ..... 372	1001125211 ..... 773	
	1001120055 ..... 684, 699, 703, 707	1001125212 ..... 773	
	1001120076 ..... 373	1001125293 ..... 413, 415, 687	
		1001125295 ..... 687, 689	
		1001125387 ..... 773	
		1001125677 ..... 657, 684	
		1001126008 ..... 635, 659, 713	



## PART NUMBER INDEX

1001138173..... 175, 187, 203, 215, 231, 243, 259, 275, 287	1001144433..... 438, 442, 446, 450	1001149975.....43, 45, 47, 49, 643	1001153453..... 332
1001138175..... 175, 187, 203, 215, 231, 243, 259, 275, 287	1001144596..... 403	1001149976.....426, 430, 434, 699	1001153465..... 332
1001138228..... 175, 187, 203, 215, 231, 243, 259, 275, 287, 776	1001144629..... 387, 389, 391, 393	1001149977.....375, 377, 379, 381, 713	1001153692..... 332
1001138248..... 175, 187, 203, 215, 231, 243, 259, 275, 287	1001145405..... 481, 484	1001149978.....383, 683	1001153710..... 332
1001138494..... 393, 397, 399, 401	1001145974..... 596	1001149979..93, 97, 101, 105, 617	1001153760..... 332
1001138514..... 397, 399, 401	1001146896..... 327	1001150162....43, 45, 47, 49	1001153785..... 332
1001138559..... 175, 187, 203, 215, 231, 243, 259, 275, 287	1001146940..... 327	1001150174..... 319	1001153786..... 332
1001138566..... 315	1001146963. 19, 373, 778	1001150498..... 176, 188, 203, 215, 231, 243, 259	1001153828..... 332
1001138773..... 783	1001146978..... 77, 647	1001150499..... 176, 188, 203, 215, 231, 243, 259	1001153846..... 332
1001138827..... 175, 187, 203, 215, 231, 243, 259, 275, 287	1001147479..... 373, 778	1001150500..... 176, 188, 203, 215, 231, 243, 259	1001153979..... 332
1001139099..... 782	1001147567..... 175, 187, 203, 215, 275, 287	1001150504..... 176, 204, 231, 259, 275	1001153815..... 332
1001139240..... 175, 187, 203, 215, 231, 243, 259, 275, 287	1001147616..... 29	1001150505..... 176, 188, 204, 216, 231, 243, 259	1001153816..... 332
1001139654..... 773	1001147617..... 29	1001150553..... 176, 188, 204, 216, 231, 243, 259, 275, 287	1001153827..... 332
1001139994..... 553	1001147618..... 29	1001150725..... 71	1001153981..... 71
1001139995..... 557, 559	1001147847..... 175, 187, 203, 215, 231, 243, 259, 275, 287	1001150887..... 561, 563	1001153983..... 71
1001139996..... 565, 567	1001147879.... 79, 81, 83, 85	1001150900..... 176, 188, 204, 216	1001153984..... 71, 73
1001139999..... 337, 557	1001148059..... 315, 324	1001150917..... 561	1001154005..... 79
1001140104..... 337, 565	1001148075..... 203, 215, 219	1001150942..... 561, 563	1001154006..... 79
1001140429..... 393, 395, 397, 399, 401	1001148076..... 176, 187, 191	1001150967..... 577	1001154030..... 131
1001140564..... 175, 187, 203, 215, 231, 243, 259, 275, 287	1001148641..... 176, 188, 203, 215, 231, 243, 259, 275, 287	1001150999..... 373	1001154034..... 87
1001141300..... 781	1001148902..... 782	1001151000..... 373	1001154035..... 87
1001141302..... 782	1001148903..... 782	1001151001..... 577	1001154085..... 327
1001141304..... 171, 183, 199, 227, 239, 255, 271, 283	1001148904..... 782	1001151003..... 577	1001154086..... 332
1001141718..... 168, 180, 196, 208, 224, 236, 252	1001148905..... 782	1001151117..... 332	1001154087..... 332
1001141995..... 175, 187, 203, 215, 231, 243, 259, 275, 287	1001148906..... 782	1001151124..... 332	1001154088..... 332
1001142501..... 168, 175, 180, 187, 196, 203, 208, 215, 224, 231, 236, 243, 252, 259, 268, 275, 280, 287	1001148971..... 783	1001151393..... 117, 119	1001154091..... 332
1001142504..... 783	1001148972..... 327	1001151432..... 176, 188	1001154092..... 332
1001142505..... 783	1001149160..... 145, 151, 157, 373	1001151491..... 176, 188, 204, 216, 231, 243, 259, 275, 287	1001154093..... 332
1001142683..... 135, 137, 139, 141	1001149407..... 176, 188, 203, 215, 231, 243, 259	1001151503..... 561	1001154094..... 332
1001142736..... 135, 137, 139, 141, 615	1001149517..... 176, 188, 203, 215, 231, 243, 259, 275, 287	1001151749..... 176, 188, 204, 216, 232, 244, 260, 275, 287	1001154095..... 332
1001143390..... 175, 187, 203, 215, 231, 243, 259, 275, 287	1001149709..... 594	1001151761..... 176, 188	1001154097..... 332
1001143852..... 773	1001149711..... 29	1001151895..93, 97, 101, 105, 778	1001154099..... 332
1001144022..... 397	1001149730..... 783	1001152112..... 188, 216, 244, 288	1001154100..... 773
1001144023..... 389	1001149736..... 176, 188, 203, 215, 231, 243, 259	1001152456..... 316	1001154119..... 69
1001144296..... 725	1001149746..... 176, 188, 203, 215, 231, 243, 259, 275, 287	1001152458..... 315	1001154121..... 316
	1001149823..... 67	1001152489..... 176, 188, 204, 216, 232, 244, 260, 275, 287	1001154142.... 171, 183, 199, 211, 227, 239, 255
	1001149826..... 202	1001152525..... 316, 320, 324	1001154143.... 171, 183, 199, 211, 227, 239, 255, 271, 283
	1001149867..... 174	1001152530..... 316	1001154144..... 87
	1001149921..... 21, 25	1001152532..... 315, 665	1001154145..... 87
	1001149970..93, 97, 101, 105, 649	1001152742..... 729	1001154192..... 77
	1001149971..... 171, 183, 199, 211, 227, 239, 255, 653	1001153433..... 332	1001154232..... 332
	1001149972..93, 97, 101, 105, 723	1001153437..... 332	1001154233..... 332
	1001149973..93, 97, 101, 105, 669	1001153443..... 332	1001154234..... 332
	1001149974..... 93, 731	1001153450..... 332	1001154235..... 332
		1001153452..... 332	1001154247..... 332
			1001154260..... 332
			1001154262.... 268, 280
			1001154294..... 332
			1001154304..... 332
			1001154306..... 332
			1001154377..... 71
			1001154405.... 167, 176, 179, 188, 204, 216, 232, 244, 260, 268, 275, 280, 287
			1001154512..... 93, 109
			1001154513..... 109
			1001154697..... 199
			1001154699..... 195
			1001154706..... 171
			1001154707..... 167

# PART NUMBER INDEX

1001154751.....358	1001155550..... 176, 188, 204, 216, 232, 244, 260, 276, 288	1001156001..... 171, 183, 199, 211, 227, 239, 255, 651	1001156692..... 654
1001154759.....21			1001156718..... 171, 183, 199, 211, 227, 239, 255, 271, 283
1001154768.....358	1001155557..... 176, 188, 204, 216, 232, 244, 260, 276, 288	1001156016..... 549, 551, 561, 563	1001156719..... 168, 171, 180, 183, 196, 199, 208, 211, 224, 227, 236, 239, 252, 255, 268, 271, 280, 283
1001154769.....358			1001156778..... 19, 373
1001154772.....21	1001155561..... 51	1001156030..... 316, 320, 324, 667	1001156781..... 426, 430
1001154815.....358	1001155563..... 176, 188, 204, 216, 232, 244, 260, 276, 288	1001156033..... 561	1001156785..... 19
1001154816.....358		1001156034..... 176, 188, 204, 216, 232, 244, 260, 276, 288	1001156786..... 419, 425
1001154817.....358	1001155564..... 176, 188, 204, 216, 232, 244, 260, 276, 288	1001156035..... 176, 188, 204, 216, 232, 244, 260, 276, 288	1001156813..... 419
1001154818.....358		1001156062..... 176, 188, 204, 216, 232, 244, 260, 276, 288	1001156815..... 19
1001154823.....359	1001155566..... 176, 188, 204, 216, 232, 244, 260, 276, 288	1001156083..... 596	1001156859..... 93, 97, 101, 105, 129
1001154824.....358		1001156091..... 176, 188, 204, 216, 232, 244, 260, 276, 288	1001156860..... 129
1001154825.....358	1001155565..... 176, 188, 204, 216, 232, 244, 260, 276, 288	1001156103..... 359	1001156862..... 15
1001154826.....358		1001156104..... 359	1001156863..... 15
1001154869.....358	1001155567..... 204, 216, 232, 244, 260	1001156107..... 93, 97, 101, 105, 171, 183, 199, 211, 227, 239, 255, 271, 283	1001156867..... 51
1001154870.....359	1001155584..... 146, 147, 152, 153, 158, 159	1001156112..... 176, 188, 204, 216, 232, 244, 260	1001156893..... 375, 377, 379, 381, 695
1001154871.....358	1001155591..... 145, 151, 157	1001156135..... 93, 97, 101, 105, 661	1001156894..... 375, 619
1001154872.....359	1001155619..... 15	1001156216..... 375	1001156896..... 375, 673
1001155023..... 176, 188, 204, 216, 232, 244, 260, 276, 287	1001155690..... 15	1001156217..... 377	1001156897..... 375, 377, 379, 381, 681
1001155041..... 315, 319, 323	1001155692..... 553	1001156218..... 719	1001156923..... 549
1001155044..... 430, 434, 442, 446, 450	1001155728..... 176, 188, 204, 216, 232, 244, 260, 276, 288	1001156219..... 715	1001156926..... 426, 430, 434, 438, 442, 446, 450
1001155045..... 430, 434, 442, 446, 450	1001155734..... 145, 151, 157	1001156221..... 637	1001156991..... 19
1001155064..... 783	1001155743..... 643, 657, 713	1001156224..... 717	1001156996..... 19
1001155066..... 319	1001155813..... 316	1001156232..... 109	1001157000..... 145
1001155067..... 323	1001155817..... 19, 721	1001156242..... 145, 151, 157	1001157007..... 15, 17
1001155069..... 782	1001155818..... 553	1001156271..... 780	1001157028..... 684
1001155070..... 309	1001155823..... 269, 281	1001156330..... 780	1001157031..... 133
1001155133..... 15, 17	1001155832..... 145, 151, 157	1001156347..... 146, 147, 152, 153, 158, 159	1001157037..... 549
1001155142..... 359	1001155834..... 332, 553	1001156456..... 145, 151, 157	1001157041..... 549
1001155157..... 577	1001155835..... 373	1001156457..... 145, 151, 157	1001157073..... 171, 183, 199, 211, 227, 239, 255
1001155213..... 577	1001155836..... 19, 373	1001156464..... 15	1001157080..... 549, 551
1001155262..... 373	1001155880..... 145, 151, 157	1001156512..... 338, 343	1001157084..... 15, 17, 778
1001155303..... 320	1001155900..... 332	1001156520..... 145, 151, 157	1001157097..... 333
1001155338..... 315, 319, 323	1001155902..... 145, 151, 157	1001156522..... 43, 93	1001157198..... 33, 37
1001155348..... 319, 323	1001155908..... 145, 151, 157	1001156540..... 327	1001157207..... 33, 35, 41
1001155363..... 15, 17	1001155909..... 145, 151, 157	1001156549..... 332	1001157216..... 29
1001155378..... 577, 579	1001155918..... 145, 152, 157	1001156551..... 553	1001157217..... 145, 151, 157
1001155437..... 146, 152, 158	1001155919..... 145	1001156552..... 332	1001157218..... 146, 151, 158
1001155438..... 145, 146, 151, 152, 157, 158	1001155939..... 168, 180, 196, 208, 224, 236, 252, 268, 280	1001156562..... 332	1001157219..... 146
1001155440..... 371	1001155962..... 309	1001156565..... 333	1001157223..... 146
1001155454..... 147, 153, 159	1001155967..... 94, 97, 101, 105	1001156606..... 19	1001157224..... 146, 151, 158
1001155456..... 145, 146, 151, 152, 157, 159	1001155986..... 19, 573	1001156613..... 333	1001157241..... 589, 594
1001155496..... 176, 188, 204, 216, 232, 244, 260, 276, 287	1001155987..... 573	1001156644..... 176, 188, 204, 216, 232, 244, 260, 276, 288	1001157242..... 592
1001155498..... 176, 188, 204, 216, 232, 244, 260, 276, 288	1001155992..... 573	1001156648..... 15, 17, 549	1001157243..... 585, 594
1001155523..... 332	1001155998..... 573	1001156650..... 327	1001157292..... 426, 430, 434, 438, 442, 446, 450
1001155525..... 176, 188, 204, 216, 232, 244, 260, 276, 288	1001155999..... 573	1001156678..... 19	1001157293..... 214
1001155527..... 161		1001156679..... 19	1001157294..... 211
1001155540..... 176, 188, 204, 216, 232, 244, 260, 276, 288			1001157295..... 207

## PART NUMBER INDEX

1001157453 ..... 333	1001158080..... 637, 639	1001159652..... 146, 152,	1001161290 ..... 589
1001157454 ..... 333	1001158083..... 783	158	1001161470 ..... 163
1001157459 ..... 333	1001158159..... 784	1001159653..... 146, 152,	1001161488 ..... 161
1001157466 ..... 15	1001158180..... 780	158	1001161609 ..... 592
1001157467 ..... 29	1001158207..... 375, 377,	1001159687 ..... 358	1001161610 ..... 592
1001157520 ..... 320, 324	379, 381, 693	1001159855..... 739, 743,	1001161611 ..... 592
1001157521 ..... 320, 324	1001158262..... 176, 189	747, 749, 753, 757,	1001161612 ..... 592
1001157525 ..... 323, 324	1001158263..... 311	761, 765, 769, 773	1001161613 ..... 592
1001157528 ..... 320, 324	1001158289..... 176, 188	1001159875..... 333	1001161614 ..... 592
1001157592 ..... 319, 320	1001158355..... 333	1001159980..... 773	1001161615 ..... 592
1001157607 ..... 780	1001158363..... 316	1001159981..... 773	1001161616 ..... 592
1001157636 ..... 377, 621	1001158406..... 55, 57, 59	1001159983..... 773	1001161617 ..... 592
1001157637 ..... 377, 675	1001158411..... 373, 631	1001160138..... 333	1001161618 ..... 592
1001157646 .. 94, 97, 102,	1001158412... 55, 57, 776	1001160169..... 561	1001161619 ..... 592
105, 691	1001158517..... 333	1001160266..... 780	1001161620 ..... 592
1001157649 ..... 691	1001158529..... 186	1001160443..... 773	1001161621 ..... 592
1001157665 ..... 359	1001158530..... 183	1001160444..... 781	1001161622 ..... 592
1001157670 ..... 51	1001158531..... 179	1001160445..... 739, 743,	1001161623 ..... 592
1001157706 .. 33, 55, 361	1001158607..... 311	747, 749, 753, 757,	1001161624 ..... 592
1001157723 ..... 691	1001158741..... 561	761, 765, 769	1001161625 ..... 592
1001157730 ..... 146, 151,	1001158746..... 327, 331	1001160456..... 739	1001161626 ..... 585
158	1001158757..... 333	1001160457..... 769	1001161627 ..... 585
1001157731 ..... 146, 152,	1001158771..... 333	1001160458..... 757	1001161628 ..... 585
158	1001158772..... 333	1001160459..... 749	1001161629 ..... 585
1001157732 ..... 146, 152	1001158774..... 333	1001160460..... 743	1001161630 ..... 585
1001157738 ..... 268, 280	1001158817..... 592	1001160461..... 761	1001161631 ..... 585
1001157849 ..... 21	1001158818..... 592	1001160462..... 753	1001161633 ..... 585
1001157850 ..... 21	1001158819..... 592	1001160463..... 765	1001161634 ..... 585
1001157862 ..... 176, 188,	1001158853..... 327, 561	1001160464..... 747	1001161635 ..... 585
204, 216, 232, 244,	1001158895..... 561	1001160465..... 782	1001161636 ..... 585
260, 276, 288	1001158922. 93, 102, 611	1001160466..... 782	1001161637 ..... 593
1001157871 ..... 333	1001158923..... 337, 341	1001160467..... 781	1001161638 ..... 593
1001157872 ..... 333	1001158925..... 341	1001160468..... 781	1001161639 ..... 593
1001157873 ..... 333	1001158933..... 341	1001160473..... 781	1001161640 ..... 593
1001157874 ..... 333	1001158944..... 337	1001160505..... 146, 147,	1001161641 ..... 593
1001157875 ..... 333	1001158991..... 341, 581	152, 153, 158, 159	1001161642 ..... 593
1001157876 ..... 333	1001158992..... 341	1001160518..... 176, 188,	1001161643 ..... 593
1001157878 ..... 333	1001158993..... 341	204, 216, 232, 244,	1001161644 ..... 593
1001157879 ..... 333	1001158999..... 413	260, 276, 288	1001161645 ..... 593
1001157880 ..... 333	1001159000..... 413	1001160589..... 333	1001161646 ..... 593
1001157881 ..... 333	1001159001..... 413, 415	1001160743..... 333	1001161647 ..... 593
1001157882 ..... 333	1001159061..... 333	1001160744..... 334	1001161667 ..... 783
1001157883 ..... 333	1001159121..... 783	1001160955..... 585	1001161668 ..... 783
1001157884 ..... 333	1001159162..... 129, 168,	1001160989..... 334	1001161709 ..... 430, 434,
1001157885 ..... 333	180, 196, 208, 224,	1001160990..... 334	442, 446, 450
1001157886 ..... 333	236, 252, 268, 280	1001161232..... 55, 57	1001161710 ..... 430, 434,
1001157887 ..... 333	1001159167..... 333	1001161242..... 783	442, 446, 450
1001157888 ..... 333	1001159168..... 333	1001161243..... 783	1001161729 ..... 379
1001157889 ..... 333	1001159169..... 333	1001161244..... 783	1001161730 ..... 379, 623
1001157890 ..... 658, 684	1001159170..... 333	1001161245..... 783	1001161731 ..... 379, 677
1001157891 ..... 729	1001159186..... 669, 670,	1001161246..... 783	1001161837 ..... 593
1001157906 ..... 146, 152,	699, 700, 701, 703,	1001161269..... 589	1001161869 ..... 593
158	704, 705, 708, 709	1001161270..... 589	1001162212 ..... 268, 280
1001157907 ..... 146, 152,	1001159199..... 561	1001161271..... 589	1001162216 ..... 784
158	1001159231..... 577	1001161272..... 589	1001162217 ..... 784
1001157958 ..... 573, 575	1001159234..... 577	1001161273..... 589	1001162218 ..... 784
1001158007 ..... 321, 324	1001159235..... 333, 577	1001161274..... 589	1001162227 ..... 784
1001158008 ..... 316, 321,	1001159242..... 739, 743,	1001161275..... 589	1001162745 ..... 359
324	747, 749, 753, 757,	1001161276..... 589	1001162869 ..... 358
1001158009 ..... 780	761, 765, 769, 773	1001161277..... 589	1001162986 ..... 268, 280
1001158010 ..... 780	1001159245..... 333	1001161278..... 589	1001163131 ..... 487, 489,
1001158011 ..... 780	1001159255..... 359	1001161279..... 589	491
1001158013 ..... 780	1001159256..... 430, 434,	1001161280..... 589	1001163287 ..... 507, 509
1001158014 ..... 780	442, 446, 450	1001161281..... 589	1001163288 ..... 515, 517
1001158015 ..... 373, 633	1001159363..... 373, 727	1001161282..... 589	1001163289 ..... 511, 513
1001158017 ..... 15, 17	1001159621..... 375, 377,	1001161283..... 589	1001163292 ..... 519, 521
1001158073 ..... 784	379, 381, 383	1001161289..... 589	1001163293 ..... 499, 501

# PART NUMBER INDEX

1001163295.....523, 525	1001169081 ..... 145, 152, 158	1001177134 ..... 176, 188, 204, 216, 231, 243, 259	1001187505.....780
1001163296.....497	1001169085 ..... 133, 141	1001177137 ..... 175, 187, 203, 215, 231, 243, 259	1001187506.....780
1001163297 .....493	1001169679 ..... 334	1001177591 ..... 333	1001187507.....780
1001163298.....503, 505	1001169892 ..... 171, 183, 199, 211, 227, 239, 255, 271, 283, 303	1001177609 ..... 371	1001187508.....473
1001163429.....334	1001170638 ..... 337, 347	1001177635 ..... 413, 415, 417	1001187516.....268, 280
1001163536.....739, 743, 749, 757, 761, 765, 769	1001170982 ..... 176, 189, 204, 216, 232, 244, 260, 276, 288	1001178165 ..... 740, 744, 747, 750, 754, 758, 762, 766, 770	1001187517.....268, 280
1001163631..94, 97, 102, 106, 697	1001171482 ..... 111, 115	1001178591 ..... 577	1001187518.....268, 280
1001163747 .....731, 735	1001172356 . 29, 31, 337, 353	1001178592 ..... 333, 577	1001187744..94, 98, 102, 106
1001164056.....87	1001172358 . 15, 17, 145, 147, 152, 153, 158, 159, 161, 163, 327, 331, 355, 358	1001179154 ..... 320	1001187760.....231, 243, 247
1001164091 .....316	1001172663 ..... 355	1001179196 ..... 135	1001187761.....230
1001164354 .....33, 35, 43, 45, 47, 49	1001172760 ..... 425, 430, 434, 438, 442, 446, 450	1001179510 ..... 372	1001187762.....227
1001164726..93, 98, 102, 106	1001172781 ..... 152, 158	1001180096 ..... 113	1001187763.....223
1001164965.....83	1001173609 ..... 413, 415, 417	1001180153 ..... 327	1001187764.....242
1001164968.....83	1001173623 ..... 338, 361	1001180171 ..... 780	1001187765.....239
1001165035 .....167, 168, 174, 179, 180, 186, 195, 207, 223, 235, 251, 268, 274, 280, 286	1001173662 ..... 334	1001180491 ..... 417	1001187766.....235
1001165194.....729	1001173663 ..... 338, 358	1001180816 ..... 359	1001187767.....259, 263
1001165306.....146, 152, 158	1001173666 ..... 338	1001180825 ..... 358	1001187768.....258
1001166393.....175, 187, 203, 215, 231, 243, 259, 276, 288	1001173680 ..... 338	1001180947 ..... 359	1001187769.....255
1001166538.....426, 430, 434, 442, 446, 450, 469	1001173703 ..... 773	1001181045 ..... 639, 641, 778	1001187770.....251
1001166539.....426, 430, 434, 442, 446, 450, 463	1001173763 ..... 341	1001181062 ..... 338, 345	1001187771.....781
1001166541 .....658	1001173845 ..... 361, 363	1001181063 ..... 337, 349	1001187772.....781
1001166543 .....658	1001173846 . 55, 57, 353, 358, 361	1001181899 ..... 276, 288	1001187882.....657
1001166551 .....657	1001173928 ..... 353	1001182134 ..... 359	1001188162.....276, 288
1001166555 .....657	1001174038 ..... 351	1001182138 ..... 475	1001188459.....31
1001166556.....658, 729	1001174040 ..... 351, 353, 355	1001182236 ..... 782	1001188461.....31
1001166701 .....658	1001174345 ..... 19	1001182256 ..... 577, 579	1001188462.....31
1001166774.....658, 729	1001174514 ..... 152, 158	1001183003 ..... 152, 158	1001188491.....81, 83
1001167262.....371	1001174516 ..... 152, 158	1001183022 ..... 151, 158	1001188622.....355
1001167497 .....334	1001174520 ..... 152, 158	1001183047 ..... 152, 158	1001188844.....355
1001167565 .....355	1001174569 ..... 151	1001183407 ..... 783	1001188889.....473
1001167567 .....355	1001174596 ..... 151, 158	1001184070 ..... 102, 113	1001188922.....271, 283, 657
1001167615 .....657	1001174597 ..... 151, 158	1001184702 ..... 47, 101	1001189001.....355
1001167616 .....658	1001174795 ..... 83	1001184846 ..... 658	1001189002.....355
1001167620.....657	1001174871 . 93, 98, 102, 106, 776	1001185281 ..... 438, 442, 446, 450	1001189008.....81, 83
1001167621 .....657	1001175201 ..... 83	1001186229 ..... 438, 442, 446, 703	1001189009.....158
1001167622 .....657	1001175265 ..... 658	1001186334 ..... 405	1001189159.....83
1001167623 .....657	1001175535 ..... 407	1001186342 ..... 168, 180	1001189178.....135
1001167624 .....657	1001175568 ..... 268, 276, 280, 288	1001186382 ..... 399	1001189223.....783
1001167625 .....657	1001175817 ..... 358	1001186383 ..... 391	1001189291.....276, 288
1001167629 .....659	1001176002 ..... 657	1001186384 ..... 387	1001189882.....754
1001167630.....659	1001176004 ..... 657	1001186389 ..... 409	1001190032.....163
1001167631 .....659	1001176333 ..... 689	1001186431 ..... 450, 705, 776, 784	1001190096.....421, 437
1001167633 .....659	1001176371 ..... 276, 288, 291	1001186432 ..... 705, 711	1001190104.....438, 442
1001167634 .....659	1001176372 ..... 784	1001186433 ..... 705, 711	1001190109.....421
1001167635 .....659	1001176469 ..... 113, 115	1001186517 ..... 473	1001190165.....781
1001167907 .....359	1001176582 ..... 417	1001186579 ..... 274	1001190418.....276, 288
1001168272 .....83	1001176636 ..... 413, 415, 417	1001186580 ..... 268, 271, 280	1001190467.....276, 288
1001168283 .....361, 363, 365	1001176778 ..... 413, 415	1001187382 ..... 355	1001190475.....268, 280
1001168284.....361, 363, 367	1001176783 ..... 413, 415	1001187383 ..... 355	1001190656.....415
1001168402.....355		1001187411 ..... 747, 753	1001190658.....415
1001168475 .....327		1001187503 ..... 780	1001190921.....657
1001168734.....171, 183, 199, 227, 239, 255		1001187504 ..... 780	1001190927.....161, 163

## PART NUMBER INDEX

1001192401 ..... 724	1001200494..... 355	1001215379..... 417	1001226288 ..... 379, 679
1001193018 ..... 599, 601, 603, 605, 607, 609	1001200575..... 426, 430, 438, 442	1001215380..... 417	1001226400 ..... 681, 695
1001193556 ..... 276, 288	1001200817..... 419, 429	1001215949..... 373, 635	1001226872 ..... 395
1001193599 ..... 276, 288	1001200818..... 421, 441	1001216318..... 657	1001227456 ..... 780
1001193630 ..... 784	1001200910..... 137	1001216361..... 781	1001227704 ..... 129
1001193647 ..... 781	1001201351..... 355	1001216630..... 351, 353, 355	1001227710 ..... 157
1001193980 ..... 268, 280	1001201670..... 782	1001216790..... 373	1001227913 ..... 783
1001193981 ..... 268, 280	1001201889..... 434, 446, 450	1001217007..... 327	1001227960 ..... 129, 778
1001194197 ..... 603	1001202401..... 780	1001218001..... 753	1001228046 ..... 337, 571
1001194198 ..... 607	1001202453..... 783	1001218622..... 679	1001228057 ..... 337, 559
1001194200 ..... 605	1001202486..... 421, 445	1001218623..... 625	1001228058 ..... 337, 567
1001194203 ..... 599	1001202551..... 419, 433	1001218716..... 781	1001228064 ..... 332, 555
1001194204 ..... 601	1001202749..... 782	1001218716..... 781	1001228065 ..... 19, 575
1001194365 ..... 609	1001203634..... 781	1001219110..... 33, 35, 39	1001228066 ..... 17, 551
1001194835 ..... 783	1001203653..... 327	1001219745..... 783	1001228072 ..... 327, 563
1001195541 ..... 17	1001203656..... 405, 409	1001219993..... 423, 449	1001228082 ..... 333, 579
1001195610 ..... 784	1001204650..... 315	1001219995... 35, 57, 363	1001228215 ..... 395
1001196517 ..... 373	1001204725..... 355	1001219996..... 355	1001228363 ..... 784
1001196553 ..... 157	1001205178..... 783	1001220136..... 783	1001228376 ..... 393
1001196806 ..... 83	1001205405..... 596	1001220137 ..... 783	1001228377 ..... 401
1001197016 ..... 784	1001205406..... 596	1001220379..... 653	1001228590 ..... 784
1001197017 ..... 533, 535	1001205407..... 596	1001220482..... 417, 689	1001228958 ..... 780
1001197067 ..... 139	1001205958..... 603, 605, 607	1001220868..... 450, 707	1001228964 ..... 784
1001197317 ..... 276, 288	1001205962..... 137	1001220929..... 450	1001228976 ..... 417
1001197408 ..... 754, 773	1001206119..... 315, 316	1001220955..... 417	1001228988 ..... 481, 484, 527, 529, 531
1001197436 ..... 783	1001206793..... 780	1001221708..... 423	1001229107 ..... 780
1001197442 98, 106, 613	1001206795..... 780	1001222191 ..... 781	1001229485 ..... 417
1001197443 ..... 271, 283	1001206825..... 784	10012223055..... 740	1001229922 ..... 417
1001197445 ..... 271, 283	1001206884..... 784	1001223167.. 94, 98, 102, 106	1001230625 ..... 783
1001197446 . 93, 98, 101, 105, 735	1001207004..... 141	1001223168.. 94, 98, 102, 106	1001230626 ..... 783
1001197547 ..... 286	1001207310..... 139	1001223169.. 94, 98, 102, 106	1001230650 ..... 782
1001197548 ..... 283	1001207969..... 363	1001223170.. 94, 98, 102, 106	1001230931 ..... 643, 683
1001197549 ..... 279	1001208297..... 177, 189, 276, 288	1001223453..... 740, 762	1001231235 ..... 784
1001197553 ..... 17	1001208298..... 177, 189, 276, 288	1001223971 ..... 762	1001231315 ..... 739
1001197554 ..... 17	1001208299..... 177, 189, 276, 288	1001224040..... 781	1001231316 ..... 761
1001197555 ..... 17	1001208900..... 780	1001224048..... 770	1001231317 ..... 769
1001197556 ..... 17	1001208994..... 363	1001224049..... 744	1001231318 ..... 743
1001197571 ..... 268, 280	1001209059..... 784	1001224050..... 758	1001231319 ..... 749
1001197719 ..... 657	1001209664..... 473	1001224052..... 750	1001231320 ..... 765
1001197775 ..... 782	1001209874..... 141	1001224053..... 766	1001231321 ..... 757
1001197783 ..... 271, 283	1001210030..... 780	1001224066..... 87, 91	1001231801 ..... 773
1001197969 ..... 327	1001210031..... 784	1001225245..... 521	1001231949 ..... 545
1001198361 ..... 186, 280	1001211079..... 315	1001225246..... 525	1001231950 ..... 541, 543
1001198619 ..... 45, 97	1001211129..... 381	1001225247..... 509	1001232010 ..... 541, 543, 545
1001198624 ..... 49, 105	1001211130..... 381, 627	1001225248..... 513	1001232011 ..... 541, 543, 545
1001198625 ..... 98, 111	1001211131..... 381, 629	1001225249..... 505	1001232037 ..... 784
1001198626 ..... 106, 115	1001211314..... 629	1001225250..... 501	1001232038 ..... 784
1001198627 ..... 111	1001211315..... 627	1001225251..... 517	1001232149 ..... 780
1001198628 ..... 115	1001211885.. 93, 97, 101, 105, 663	1001225266..... 338	1001232172 ..... 781
1001198682 ..... 111	1001212243..... 327	1001225279.. 94, 98, 102, 106	1001232173 ..... 781
1001198683 ..... 115	1001212415..... 776	1001225287 ..... 781	1001232174 ..... 781
1001198687 ..... 125, 457	1001212810..... 276, 288	1001225430..... 776	1001232175 ..... 781
1001198688 ..... 127, 459	1001212817..... 176, 188, 276, 288	1001225432..... 776	1001232176 ..... 781
1001198867 ..... 125, 457	1001212825..... 268, 280	1001225580..... 450, 711	1001232177 ..... 781
1001198868 ..... 127, 459	1001212826..... 276, 288	1001225639..... 782	1001232178 ..... 781
1001198869 ..... 125	1001214029..... 773	1001225676..... 83	1001233047 ..... 780
1001198870 ..... 127	1001214463..... 784	1001225677 ..... 83	1001233763 ..... 782
1001199670 ..... 269, 281	1001215319..... 83	1001226098..... 248, 264, 292, 782	1001234099 ..... 780
1001199817 ..... 782	1001215375..... 417	1001226202..... 784	1001234548 .... 55, 57, 63
1001200064 ..... 781		1001226203..... 784	1001235298 ..... 782
1001200065 ..... 781		1001226287 ..... 379, 625	1001235962 ..... 782
1001200066 ..... 781			1001236746 ..... 545
1001200067 ..... 781			1001236747 ..... 541
1001200069 ..... 781			
1001200070 ..... 781			
1001200071 ..... 781			
1001200491 ..... 355			

# PART NUMBER INDEX

1001236891.....541, 543, 545	242, 251, 258, 267, 274, 279, 286	1703811 ... 739, 743, 747, 749, 753, 757, 761, 765, 769	1705375.....321, 484, 529, 531
1001236895.....541, 543, 545	1380147 ... 167, 179, 195, 207, 223, 235, 251, 267, 279	1703814 ... 739, 743, 747, 749, 753, 757, 761, 765, 769	1705387.....321
1001236951.....783	1560010 ..... 713	1703923 ..... 743	1705426.....765
1001236998.....782	1560011 ..... 713	1703924 ..... 761	1705427.....769
1001237705.....495	1560012 ..... 713	1703925 ..... 757	1705429.....761
1001237882.....782	1580012 ..... 411	1703926 ..... 765	1705430.....757
1001237883.....782	1580013 ..... 783	1703927 ..... 769	1705460.....321, 324
1001237930.....783	1600343 ... 425, 429, 433, 437, 441, 445, 449, 778	1703935 ..... 743	1705461.....324
1001238236...55, 57, 361	1600387 ..... 353	1703936 ..... 761	1705466....481, 484, 527, 529, 531
1001238263.....541, 543, 545	1670603 ..... 609	1703938 ..... 765	1705489.....315, 324
1001238423.....495	1670829 ... 109, 111, 113, 115	1703939 ..... 769	1705490.....481, 484
1001238462.....495	1670964 ..... 338, 361	1703941 ..... 743	1705492.....739
1001238463.....543	1671031 ..... 371	1703942 ..... 761	1705493.....765
1001239638.....783	1671033 ..... 331	1703943 ..... 757	1705503.....769
1001239640.....783	1671040 ..... 19	1703944 ..... 765	1705505.....761
1001241422.....783	1671044 ..... 371	1703945 ..... 769	1705511....739, 743, 747, 749, 753, 757, 761, 765, 769
101107854.....724	1671092 ..... 320, 623	1703947 ..... 743	1705514.....739, 761
1060341 ..... 533, 535, 665	1671093 ... 484, 529, 677	1703948 ..... 761	1705822.....747, 753
1060343.....320	1671176 ... 425, 429, 433, 437, 441, 445, 449	1703949 ..... 757	1705828.....747, 753
1060379.....477, 479	1683062 ..... 549	1703950 ..... 765	1705864.....753, 773
1060903.....533, 535	1683063 ..... 565	1703951 ..... 769	1705865.....773
1060908.....639, 641	1701499 ... 739, 740, 743, 747, 749, 753, 757, 758, 761, 762, 765, 769, 770	1703953 ..... 739	1705868....739, 743, 749, 757, 761, 765, 769
1060918.....471	1701505 ... 167, 179, 195, 207, 739, 743, 747, 749, 753, 757, 761, 765, 769	1703980 ..... 765	1705895.....749
10702077.....320, 324	1701509 ... 487, 489, 491, 493, 495, 497, 499, 501, 503, 505, 507, 509, 511, 513, 515, 517, 519, 521, 523, 525	1703981 ..... 769	1705897.....749
10702082.....320, 324	501, 503, 505, 507, 509, 511, 513, 515, 517, 519, 521, 523, 525, 739, 743, 747, 749, 753, 757, 761, 765, 769	1703982 ..... 757	1705898.....749
10837489.....64	1701518 ..... 747, 753	1703983 ..... 743	1705902.....749
10837580.....581	1701691 ... 740, 744, 747, 750, 753, 758, 762, 766, 770	1703984 ..... 761	1705903.....749
1120487.....79	1702565 ... 425, 429, 433, 437, 441, 445, 449	1704000 ..... 761	1705904.....749
1120549.....19	1702566 ... 425, 429, 433, 437, 441, 445, 449	1704001 ..... 743	1705905.....749
1120555....487, 489, 491, 493, 495, 497, 499, 501, 503, 505, 507, 509, 511, 513, 515, 517, 519, 521, 523, 525	1702773 ... 403, 405, 407, 409, 753, 773	1704260 ... 425, 429, 433, 437, 441, 445, 449	1705906.....749
1260017.....69	1702774 ..... 773	1704277 ... 739, 743, 747, 749, 753, 757, 761, 765, 769	1705909.....743
1271538.....353	1702868 ... 481, 484, 529, 531, 739	1704412 ... 739, 743, 747, 749, 753, 757, 761, 765, 769	1705910.....743
1320022.....83, 176, 188, 204, 216, 232, 244, 260	1702938 ..... 533, 535	1704885 ..... 773	1705915.....743
1320041 93, 97, 101, 105, 171, 183, 199, 211, 227, 239, 255, 271, 283	1702942 ... 188, 216, 242, 288	1704972 ..... 739, 765	1705917.....743
1320061.....371	1702962 ..... 781	1705014 ..... 403, 405	1705921.....747, 753
1320130.....371	1703162 ... 177, 189, 204, 216, 232, 244, 260, 274, 286	1705017 ..... 425, 437	1705961.....747, 753
1320136....171, 183, 199, 211, 227, 239, 255, 271, 283, 353, 565, 567	1703683 ..... 477	1705174 ..... 459	1705967.....749
1320146....637, 715, 717, 719	1703797 ..... 739	1705305 ... 481, 484, 527, 529, 531	1705969.....769
1320177.....481, 484	1703804 ..... 739	1705325 ..... 599	1705973.....455, 459
1320224.....353	1703805 ..... 739	1705336 ..... 739	1705974.....123, 455
1320263.....133		1705337 ..... 739	1705980.....747, 753
1320294.....338		1705338 ..... 765	1706059.....749
1320295.....358		1705339 ..... 769	1706060.....757
1320298.....338		1705341 ..... 761	1706061.....769
1320301.....371		1705344 ..... 765	1706063.....743
1320302....484, 527, 529, 531		1705345 ..... 769	1706064.....761
1321293.....373		1705347 ..... 761	1706098.....747, 753
1321385.....373		1705351 ..... 739	1706385.....403, 405
1321716....167, 174, 177, 179, 186, 189, 195, 202, 204, 207, 214, 216, 223, 230, 235,		1705355 .... 484, 527, 529	1706493.....407, 409
		1705358 ... 487, 489, 491, 493, 495, 497, 499, 501, 503, 505, 507, 509, 511, 513, 515, 517, 519, 521, 523, 525	1706501.....407, 409
		1705366 ..... 371	1706510.....479
		1705367 ..... 371	1706741....425, 429, 433, 437, 441, 445, 449
		1705374 ..... 321	2030010....481, 484, 527, 529, 531
			2080040....387, 389, 391, 393
			2080091.....19
			2110404.....592
			2110406.....60, 64
			2110808.....21, 589

# PART NUMBER INDEX

2110810 ... 37, 39, 41, 60, 64	2220950 ..... 365	2902217 ..... 484, 527, 529	3290606 ... 373, 397, 399, 401
2110812 ..... 589	2221034 ..... 592	2902307 ..... 781	3290607 . 33, 35, 87, 135, 137, 139, 141, 167, 171, 174, 179, 183, 186, 195, 199, 202, 207, 211, 214, 223, 227, 230, 235, 239, 242, 251, 255, 258, 267, 271, 274, 279, 283, 286, 315, 319, 323
2111010 ..... 60, 64, 592	2221040 ..... 585	2902308 ..... 781	329080594, 98, 102, 106, 146, 151, 157, 174, 186, 202, 214, 230, 242, 258, 267, 274, 279, 286, 319, 323, 371, 375, 377, 379
2111012 ... 21, 37, 39, 60, 64, 592	2221050 ..... 365	2902309 ..... 781	3290805001 19, 315, 358, 361, 363, 371, 375, 377, 379, 381
2111016 ..... 37, 39, 592	2221086 ... 37, 39, 41, 60, 64, 365, 367	2902310 ..... 781	329080793, 97, 101, 105, 167, 174, 179, 186, 195, 202, 207, 214, 223, 230, 235, 242, 251, 258, 267, 274, 279, 286
2111620 ..... 592	2221114 ... 167, 179, 195, 207, 223, 235, 251, 267, 279	2902311 ..... 781	3291001 ..... 83
2120217 ..... 55, 57	2230035 ..... 593	2902312 ..... 781	3291001001 ..... 355
2130810 ..... 592	2300004 ... 174, 202, 230, 258, 782	2902322 ..... 781	3291005 . 71, 81, 83, 145, 174, 186, 202, 214, 230, 242, 258, 274, 286, 371, 419, 421, 423
2131012 ..... 21, 592	2300014 ..... 782	2902329 ..... 781	3291005001 ..... 151, 158, 161, 163, 331, 355, 359
2131616 ..... 60, 64	2300016 ..... 782	2902443 ..... 653, 658	3291007 ... 79, 81, 83, 87, 93, 97, 101, 105, 146, 151, 157, 167, 171, 174, 179, 183, 186, 195, 199, 202, 207, 211, 214, 223, 227, 230, 235, 239, 242, 251, 255, 258, 267, 271, 274, 279, 283, 286, 327
2151010 ..... 592	2300019 ..... 782	2920028 ... 437, 441, 445, 449, 533, 535	3291201 .... 315, 319, 323
2151012 ..... 592	2300029 ..... 782	2920029 ... 437, 441, 445, 449, 533, 535	3291201001 ..... 355
2160002 ..... 67	2300039 ..... 782	2920129 . 93, 97, 101, 105	3291205 . 77, 81, 83, 151, 157
2171208 ..... 592	2300041 ... 186, 214, 242, 782	2920154 ... 425, 429, 433, 437, 441, 445, 449	3291205001 ... 33, 35, 43, 45, 47, 49, 351, 355
2180344 ..... 67	2400066 ... 657, 723, 724	2920161 ..... 133	3291214001 ..... 19
2180832 ... 167, 179, 195, 207, 223, 235, 251, 267, 279, 481, 484	2410014 ... 403, 405, 407, 409	2940074 ... 387, 389, 391, 393, 778	3291407001 ..... 15, 17
2200222 ..... 79	2420202 ..... 353	2940173 ... 146, 152, 153, 158, 159	3291601 ... 174, 186, 202, 214, 230, 242, 258, 274, 286
2220235 ..... 589	2540020 ..... 137	3020008 ..... 21, 782	3291601 ... 174, 186, 202, 214, 230, 242, 258, 274, 286
2220313 ... 167, 179, 195, 207, 223, 235, 251, 267, 279	2540038 ..... 353	3020037 ... 171, 183, 199, 211, 227, 239, 255, 271, 283, 782	3291605 ..... 327
2220366 ..... 592	2540045 ..... 383	3020039 15, 17, 327, 331, 557, 565, 782	3291605 ..... 327
2220371 . 41, 60, 64, 365, 367	2560136 ... 425, 429, 433, 437, 441, 445, 449	3020042 ..... 331	3291605 ..... 327
2220372 ..... 589	2560187 ... 146, 152, 153, 158, 159	3020043 ..... 569, 573	3291605 ..... 327
2220373 60, 64, 365, 367, 592	2570008 ..... 569	3160339 ..... 21, 23	3291605 ..... 327
2220374 ..... 592	2600281 ... 387, 389, 391, 393	3251102 ... 315, 319, 323	3291605 ..... 327
2220375 ..... 592	2720015 ... 174, 186, 202, 214, 230, 242, 258, 274, 286	3251242 ... 601, 603, 605, 607, 609	3291605 ..... 327
2220380 ..... 592	2720160 ..... 481, 484	3251243 ... 321, 715, 719	3291605 ..... 327
2220415 ... 21, 37, 39, 60, 64, 365, 367, 585, 592	2720340 ... 174, 186, 202, 214, 230, 242, 258, 274, 286	3252347 ..... 739	3291605 ..... 327
2220451 ..... 592	2750532 ... 168, 180, 269, 281	3252507 ..... 717	3291605 ..... 327
2220466 ..... 585	2751032 ..... 67	3252507 ..... 717	3291605 ..... 327
2220472 ..... 21, 585	2760105 ... 109, 111, 113, 115	3271501 ... 145, 151, 157	3291605 ..... 327
2220473 ..... 589	2820031 ... 315, 319, 323	3271601001 ..... 338	3291605 ..... 327
2220478 ..... 592	2820171 ..... 689	3271605 ... 541, 543, 545	3291605 ..... 327
2220479 ..... 592	2840016 ... 167, 179, 195, 207, 223, 235, 251, 267, 279	3271805 ... 403, 405, 407, 409	3291605 ..... 327
2220500 ..... 593	2860030 ... 117, 119, 776	3272001 ... 541, 543, 545	3291605 ..... 327
2220502 ..... 365	2900770 ... 557, 559, 577, 579, 581	3272001001 ..... 337	3291605 ..... 327
2220504 ..... 589	2900792 ... 553, 555, 565, 567	3281601 ..... 373	3291605 ..... 327
2220578 ..... 593	2901443 ..... 784	3290301 ... 167, 179, 195, 207, 223, 235, 251, 267, 279	3291605 ..... 327
2220582 60, 64, 365, 367, 585	2902065 ... 174, 186, 202, 214, 230, 242, 258, 274, 286, 297	3290405 ... 133, 167, 179, 195, 207, 223, 235, 251, 267, 279, 599, 601, 603, 605, 607, 609, 637	3291605 ..... 327
2220602 ..... 592	2902087 ..... 549, 551	3290405001 ..... 315	3291605 ..... 327
2220603 ..... 592	2902212 ... 487, 489, 491, 493, 495, 497, 499, 501, 503, 505, 507, 509, 511, 513, 515, 517, 519, 521, 523, 525	3290505 ... 109, 111, 113, 115	3291605 ..... 327
2220618 ..... 592		3290507 ... 171, 183, 199, 211, 227, 239, 255	3291605 ..... 327
2220861 ..... 37, 39		3290601 ... 146, 152, 153, 158, 159, 373	3291605 ..... 327
2220865 ..... 60, 64, 592		3290605 ... 43, 45, 47, 49, 93, 97, 101, 105, 129, 131, 146, 152, 158, 267, 279, 371, 419, 421, 423, 481, 484, 637, 715, 717, 719	3291605 ..... 327
2220881 ... 39, 549, 551, 561, 563		3290605001 ..... 417	3291605 ..... 327
2220883 ... 39, 551, 555, 557, 559, 561, 563, 565, 567, 577, 579			3291605 ..... 327
2220885 ... 39, 553, 555, 561, 565, 567, 577, 579			3291605 ..... 327
2220886 ... 549, 551, 553, 565, 567			3291605 ..... 327
2220887 ..... 561, 563			3291605 ..... 327
2220888 ..... 561, 563			3291605 ..... 327
2220906 ..... 592			3291605 ..... 327
2220947 ..... 60, 64, 592			3291605 ..... 327

# PART NUMBER INDEX

3300408.....425, 429, 433, 437, 441, 445, 449	3421453 ..... 481, 484	3760351 ..... 341	3931620.... 171, 183, 271, 283
3300430.....473, 475	3421563 ..... 69	3760371 .... 549, 565, 567	3931824.... 549, 551, 565, 567
3300449001 ..... 413, 415	3421565 ..... 69	3760383 ..... 19, 372	3932016..... 337
3300464001 ..... 19	3422661 ..... 477, 479	3790012 ... 425, 429, 433, 437, 441, 445, 449	3932032..... 553
3310401 .... 171, 183, 199, 211, 227, 239, 255, 271, 283	3422912 ..... 15, 17	3790015 ... 425, 429, 433, 437, 441, 445, 449	3932224..... 337
3311001 ..... 315, 320, 324	3423161 ..... 341	3790152 ... 171, 183, 199, 211, 227, 239, 255, 271, 283	3932264..... 561
3311005.... 135, 137, 139, 141, 315, 319, 323, 425, 429, 433, 437, 441, 445, 449, 481, 484, 527, 529, 531	3430616 .... 434, 446, 450	3790155 ... 171, 183, 199, 211, 227, 239, 255, 271, 283	3951003..... 557, 565
3311401 ..... 533, 535	3430816 ... 167, 179, 195, 207, 223, 235, 251, 267, 279	3820001 ... 739, 743, 747, 749, 753, 757, 761, 765, 769	3951405.... 573, 575, 579
3311405..... 33, 371, 383, 599, 601, 603, 605, 607, 609, 739, 743, 747, 749, 753, 757, 761, 765, 769	3450404... 167, 179, 195, 207, 223, 235, 251, 267, 279	3820020 ... 387, 389, 391, 393	3952020..... 71
3311405001 ..... 353, 371, 383	3451214 ..... 19	3820032 ... 174, 186, 202, 214, 230, 242, 258, 274, 286	3960422.... 319, 715, 717
3311501 ..... 533, 535	3460334 ... 487, 489, 491, 493, 495, 497, 499, 501, 503, 505, 507, 509, 511, 513, 515, 517, 519, 521, 523, 525	3841143 ... 167, 179, 195, 207, 223, 235, 251, 267, 279, 337, 355	3960525..... 79, 81, 83
3311505.... 477, 479, 581	3470003 ... 426, 430, 434, 438, 442, 446, 450	3841203 ..... 331, 337	3960551..... 19
3311505001 ..... 363	3480233 ..... 557	3841258 . 15, 17, 19, 327, 337	3980006..... 87
3311508001 ..... 338	3480269 ..... 549	3841356 ..... 15, 17, 327	4000008..... 372, 778
3311601.. 79, 94, 97, 101, 105, 426, 430, 434, 438, 442, 446, 450	3480282 ..... 565	3890040 ... 403, 405, 407, 409	4010308.... 167, 179, 195, 207, 223, 235, 251, 267, 279
3311602 ..... 327	3510868 ..... 403	3900054 ... 403, 405, 407, 409	4010408.... 315, 413, 415
3311605.... 331, 383, 403, 405, 407, 409, 484, 527, 529, 531	3510877 ..... 407	3900183 ... 425, 429, 433, 437, 441, 445, 449	4010416..... 637
3311605001 ..... 358, 383	3520026 ... 425, 429, 433, 437, 441, 445, 449	3900232001 ..... 358	4010608..... 481, 484
3311608001 ..... 338	3520027 ... 425, 429, 433	3900267 ..... 316	4010618.... 397, 399, 401
3311805001 ..... 351, 353, 355	3520032 ... 146, 152, 153, 158, 159	3900300 ..... 316	4031205..... 373
3312001001 ..... 337	3520035 ..... 433	3900316 ..... 55, 57	4031512..... 19, 372
3312002..... 71, 541, 543, 545	3520054 ..... 297	3900330 ..... 358	4031707..... 19, 372
3312005.... 487, 489, 491, 493, 495, 497, 499, 501, 503, 505, 507, 509, 511, 513, 515, 517, 519, 521, 523, 525	3520071 ... 487, 489, 491, 493, 495, 497, 499, 501, 503, 505, 507, 509, 511, 513, 515, 517, 519, 521, 523, 525	3900349 ... 425, 429, 433, 437, 441, 445, 449	4031708..... 269, 281
3312005001 ..... 353	3520072 ... 387, 389, 391, 393, 395, 397, 399, 401, 403, 405, 407, 409	3900363 ... 146, 152, 153, 158, 159	4031708001..... 417
3312205.... 487, 489, 491, 493, 495, 497, 499, 501, 503, 505, 507, 509, 511, 513, 515, 517, 519, 521, 523, 525	3520173 ... 146, 147, 152, 153, 158, 159	3900393001 .... 145, 152, 158	4031709..... 372
3322201 ..... 77	3520182 ..... 475	3910408 ... 171, 183, 199, 211, 227, 239, 255, 271, 283	4031910.... 174, 186, 202, 214
3331411 .... 167, 179, 195, 207, 223, 235, 251, 267, 279	3520189 ..... 324	3910606 .... 319, 715, 717	4031912.... 174, 186, 202, 214, 230, 242, 258
3340881 ..... 341	3520192 ..... 324	3910804 ..... 117, 119	4032007..... 577
3340925 ..... 358	3520198 ... 387, 389, 391, 393, 395, 397, 399, 401	3911010 ..... 137	4032311001..... 19
3340939 ..... 338	3573016 ..... 358	3930606 ..... 372	4060092..... 717
3340940 ..... 358	3573400 ... 484, 527, 529, 531	3930816 ..... 372	4060802.... 315, 319, 323
3340941 ..... 371	3573444 ..... 331	3930820 ..... 372	4060807.... 176, 188, 204, 216, 232, 244, 260, 276, 288
3340942 ..... 338	3573642 ... 484, 527, 529, 531	3930824 ..... 373	4060865..... 133
3340956.... 487, 489, 491, 493, 495, 497, 499, 501, 503, 505, 507, 509, 511, 513, 515, 517, 519, 521, 523, 525	3574091 ..... 533, 535	3931012 ... 425, 429, 433, 437, 441, 445, 449	4060906.... 109, 111, 113, 115, 425, 429, 433, 437, 441, 445, 449
3380434.... 419, 421, 423	3576799 ..... 481, 484	3931016 .... 315, 319, 323	4061054..... 353
	3577121 ... 484, 527, 529, 531	3931408 ..... 473	4070863..... 331
	3580306 ..... 331	3931420 ... 557, 559, 565, 567	4070864..... 331
	3580317 ... 315, 319, 323	3931424 ..... 473	4070897..... 331, 341
	3580318 ..... 315, 323	3931508 ..... 372	4070898..... 331, 341
	3580341 ..... 331	3931516 ..... 581	4071021..... 358
	3580342 ..... 331		4071022..... 358
	3600465 ..... 87, 89		4071028..... 331
	3740067 . 87, 94, 97, 101, 105, 776		4071029..... 331
	3760170 ..... 69		4071039..... 341
			4071040..... 341
			4071074.... 425, 429, 433, 437, 441, 445, 449
			4100099..... 565
			4120035..... 669
			4160197..... 331
			4240018.... 315, 319, 323, 585, 589, 593
			4240032..... 450
			4240033..... 353, 473
			4240099.... 167, 174, 179, 186, 195, 202, 207, 214, 223, 230, 235,



## PART NUMBER INDEX

242, 251, 258, 267, 274, 279, 286, 484, 527, 529, 533, 535 4240149 ... 487, 489, 491, 493, 495, 497, 499, 501, 503, 505, 507, 509, 511, 513, 515, 517, 519, 521, 523, 525 4240155 ..... 585, 593 4341158 ..... 372 4360057 ..... 533, 535 4360070 ..... 320, 324 4360274 ... 109, 111, 113, 115, 776 4360328 ... 109, 111, 113, 115, 425, 437, 776 4360330 .... 425, 437, 776 4360331 .... 425, 437, 776 4360336 ... 315, 319, 323, 425, 437, 776 4360387 ... 111, 113, 115, 425, 429, 433, 437, 441, 445, 449, 533, 535, 776 4360407 ... 425, 429, 433, 437, 441, 445, 449, 776 4360469 ..... 117, 778 4360470 ..... 119, 778 4360475 ... 109, 111, 113, 115, 425, 429, 433, 437, 441, 445, 449, 776 4360476 ... 109, 111, 113, 115, 776 4360527 ..... 631 4360578 ..... 372, 778 4420014 ... 487, 489, 491, 493, 495, 497, 499, 501, 503, 505, 507, 509, 511, 513, 515, 517, 519, 521, 523, 525 4420037 ... 484, 527, 529, 531 4420038 ..... 87 4420051 ..... 773, 782 4420062 ..... 477, 479 4420066 ... 487, 489, 491, 493, 495, 497, 499, 501, 503, 505, 507, 509, 511, 513, 515, 517, 519, 521, 523, 525 4420068 ..... 533, 535 4460016 .... 700, 704, 708 4460019 ..... 723 4460042 ... 653, 658, 661, 670, 723 4460043 ..... 653, 723 4460049 ..... 533, 535 4460051 ..... 715, 717 4460071 ..... 319, 471 4460125 ..... 717 4460134 ..... 619, 621 4460144 ..... 669 4460183 .... 700, 704, 709 4460205 .... 673, 675, 715 4460225 ... 320, 324, 665, 699, 700, 703, 704, 708, 709 4460226 ... 464, 469, 471, 700, 704, 705, 708, 709 4460227 ... 643, 699, 703, 707, 708 4460234 ... 372, 425, 429, 433, 437, 441, 445, 449, 533, 535 4460247 .... 653, 658, 723 4460256 ..... 723 4460259 ... 669, 700, 701, 704, 705, 708 4460260 ... 669, 670, 700, 701, 704, 705, 708 4460265 ..... 464, 469 4460267 ... 699, 703, 708, 724 4460268 ... 665, 700, 704, 709 4460312 ..... 723 4460313 ..... 670 4460314 ..... 707 4460315 ... 320, 699, 703, 707, 708, 715, 717 4460346 ..... 319, 715 4460384 ..... 609 4460418 ... 669, 670, 699, 700, 701, 703, 704, 705, 708, 709 4460419 ..... 708, 709 4460425 ... 316, 320, 324, 533, 535 4460426 .... 316, 320, 324 4460428 ... 425, 429, 433, 437, 441, 445, 449 4460434 .... 699, 703, 708 4460458 ..... 658, 713 4460464 .... 19, 139, 372, 373, 471, 615, 631, 633, 635, 643, 644, 649, 654, 661, 663, 669, 670, 683, 684, 693, 699, 703, 707, 711, 723, 724, 727, 729, 736 4460465 ... 133, 353, 615, 617, 631, 633, 635, 643, 644, 649, 653, 654, 657, 658, 665, 667, 670, 681, 683, 684, 687, 689, 691, 693, 695, 699, 703, 705, 707, 711, 713, 721, 723, 724, 725, 729, 731, 735, 736 4460466 ... 353, 615, 617, 635, 643, 644, 647, 649, 653, 654, 657, 658, 669, 670, 681, 683, 684, 689, 691, 695, 699, 703, 707, 711, 713, 721, 723, 724, 725, 727, 729, 731, 735 4460467 ..... 784 4460470 94, 98, 102, 106, 383, 425, 429, 433, 437, 441, 445, 449, 701, 705 4460471 94, 98, 102, 106, 383, 425, 429, 433, 437, 441, 445, 449, 701, 705 4460473 ..... 681, 695 4460488 ..... 450 4460496 93, 97, 101, 105, 425, 429, 433, 437, 441, 445, 449, 701, 705 4460497 93, 97, 101, 105, 425, 429, 433, 437, 441, 445, 449, 701, 705 4460508 .... 647, 683, 684, 699, 703, 707, 724 4460509 .... 658, 681, 695, 723 4460510 ..... 784 4460518 .... 373, 615, 699, 704, 707, 713 4460536 .... 131, 373, 653, 670, 705, 707 4460539 .... 631, 635, 651, 653, 657, 683, 705, 707, 724, 725, 731, 735 4460634 ..... 669 4460644 ..... 724 4460662 .... 603, 605, 607, 609 4460670 .... 617, 723, 724 4460703 .... 617, 633, 635, 653, 658, 723 4460708 ..... 705, 708 4460709 ..... 717 4460748 ..... 658 4460761 .... 643, 699, 703, 707, 724 4460806 ..... 603, 607 4460807 ..... 665 4460808 ..... 665 4460836 .... 353, 617, 647, 683, 684, 723, 731, 735 4460837 ..... 647, 684 4460843 ..... 731, 735 4460851 .... 617, 633, 643 4460852 ..... 643, 713 4460865 ..... 681, 695 4460866 .... 683, 684, 699, 703, 707, 724 4460868 ..... 669 4460871 .... 461, 467, 643, 669, 699, 703, 707, 724, 731, 735 4460872 .... 643, 731, 735 4460873 .... 643, 699, 703, 707, 724 4460874 .... 643, 699, 703, 707, 724 4460875 .... 643, 731, 735 4460876 .... 643, 669, 699, 703, 707 4460877 ..... 669 4460878 ..... 647, 724 4460879 .... 699, 703, 707 4460880 ..... 644 4460884 ... 653, 658, 683, 693, 699, 703, 705, 707, 711, 713, 723, 724, 729 4460887 ... 647, 699, 703, 707, 724 4460891 ... 133, 615, 643, 644, 649, 654, 683, 713, 729, 731, 735, 736 4460892 ..... 657 4460894 ... 617, 653, 657, 670, 707, 721 4460897 .... 139, 654, 724 4460899 .... 19, 373, 643, 644, 649, 711, 723, 724 4460905 ... 425, 429, 433, 437, 441, 445, 449, 643, 669, 699, 703, 707, 724, 731, 735 4460910 .15, 17, 373, 697 4460911 ... 633, 635, 644, 713 4460912 ..... 635, 713 4460913 ..... 373 4460914 ..... 19, 372 4460917 .15, 17, 372, 373 4460918 ..... 633 4460925 .... 699, 703, 707 4460926 ..... 713 4460928 ..... 615 4460929 ..... 697 4460930 ... 617, 653, 657, 684, 691, 731, 735 4460931 .... 633, 635, 723 4460932 ... 372, 653, 661, 663, 684, 693, 723, 727 4460933 ... 353, 615, 617, 658, 683, 684, 687, 699, 703, 707, 724 4460934 ..... 617, 658 4460935 ... 617, 658, 683, 684 4460941 .... 661, 663, 729 4460942 ... 617, 653, 658, 684, 729 4460943 ... 131, 135, 137, 141, 643, 647, 653, 699, 703, 705, 707, 723, 724, 729 4460944 ... 353, 617, 647, 651, 653, 657, 658, 683, 684, 687, 689, 691, 705, 707, 723, 729 4460945 ... 651, 657, 684, 724 4460950 ..... 643, 723 4460956 ..... 639, 641 4460957 ..... 639, 641 4460959 ..... 677 4460960 ..... 623 4460962 ..... 484, 529 4460963 ..... 320 4460967 ..... 667 4460968 .... 372, 599, 601 4460970 ..... 669 4460971 ..... 481, 484 4460982 ..... 729
--

# PART NUMBER INDEX

4460984.....657	4711800001 ..... 338	105, 129, 131, 135,	242, 251, 258, 268,
4461006.....658	4712000... 487, 491, 493,	137, 139, 141, 146,	275, 280, 286
4461008.....654, 658	495, 497, 501, 505,	152, 158, 167, 171,	4812200001..... 15, 17, 19
4461017.....647	509, 513, 517, 521,	174, 179, 183, 186,	4812300.....332
4461018.....723	525, 541, 543, 545	195, 199, 202, 207,	4831400.....413, 415
4461043.....653, 658	4712200... 168, 180, 196,	211, 214, 223, 227,	4845582.....477, 479
4461054.....658	208, 224, 236, 252,	230, 235, 239, 242,	4846423.....358
4461060.....661, 663	267, 279, 487, 489,	251, 255, 258, 268,	4846484.....372
4461070.....615, 657	491, 493, 495, 497,	271, 274, 280, 283,	4846573.....351, 353
4461071.....653, 658	499, 501, 503, 505,	286, 315, 319, 323,	4846627....484, 527, 529,
4461072.....653, 658	507, 509, 511, 513,	372, 397, 399,401, 481,	531
4461074.....653, 658	515, 517, 519, 521,	484, 637, 715, 717, 719	4846673.....533, 535
4461076.....372	523, 525	4811700001 ..... 417	4871200.... 167, 179, 195,
4461077.....635, 683	4740057 ..... 71	481170294, 97, 101, 105,	207, 223, 235, 251,
4461095.....615, 657	4740171 ... 171, 183, 199,	174, 187, 202, 214,	268, 280
4461198.....599	211, 227, 239, 255,	230, 242, 258, 274,	4871700....315, 320, 324
4461201.....601	271, 283	286, 419, 421, 423,	4891600....171, 183, 199,
4461244.....603	4740229 ..... 15, 17, 19	4811702001 ..... 413, 415,	211, 227, 239, 255,
4461245.....607	4740362 .... 419, 421, 423	417	271, 283
4461246.....605	4740397 ... 429, 433, 441,	481190093, 97, 101, 105,	4891600001.....338, 351,
4461271.....643	445, 449	146, 152, 153, 157,	353, 355
4530028....484, 527, 529,	4740505 ..... 19	158, 159, 167, 174,	4891800.... 167, 171, 179,
539	4740572 .... 145, 151, 157	179, 187, 195, 202,	183, 195, 199, 207,
4566667.....553	4750400... 171, 183, 199,	207, 214, 223, 230,	211, 223, 227, 235,
4567434.....557	211, 227, 239, 255,	235, 242, 251, 258,	239, 251, 255, 268,
4568423.....331	271, 283	268, 274, 280, 286,	271, 280, 283
4640464.....647	4750800 ..... 372	320, 324, 372, 375,	4891800001.....341, 351,
4640465.....647	4751000. 79, 81, 83, 315,	377, 379	353, 355
4640489.....557, 559	319, 323, 425, 429,	4811900001 ... 19, 33, 35,	4892600001.....351, 353,
4640751.... 174, 186, 202,	433, 437, 441, 445,	315, 358, 361, 363,	355
214, 230, 242, 258,	449, 481, 484, 527,	372, 375, 377, 379, 381	4921850.....784
274, 286	529, 531	4811902 ... 175, 187, 202,	4922160.94, 98, 102, 106
4640771.....581	4751400 .... 64, 411, 425,	214, 230, 242, 258,	4922641....316, 321, 324
4640999....553, 555, 565,	429, 433, 437, 441,	268, 274, 280, 286	4922925.....320, 324
567	445, 449, 475, 484,	4811902001 .94, 98, 102,	4933218.....596
4641155.....33, 35	527, 529, 531, 533,	106, 145, 152, 158	5241000.... 167, 175, 179,
4641248....553, 555, 565,	535, 739, 743, 747,	4812000 ... 33, 35, 55, 57,	187, 195, 203, 207,
567	749, 753, 757, 761,	71, 79, 81, 83, 87, 93,	215, 223, 230, 235,
4641260.....557, 559	765, 769	97, 101, 105, 146, 152,	242, 251, 258, 268,
4641285.....561, 563	4751400001 ..... 353, 413,	158, 167, 171, 175,	275, 280, 286
4711000.... 135, 137, 139,	415, 417	179, 183, 187, 195,	5241000001.....327, 334
141, 316, 320, 324	4751500... 477, 479, 533,	199, 202, 207, 211,	5241200.....21, 315, 319,
4711400....33, 146, 152,	535	214, 223, 227, 230,	323, 577
153, 158, 159, 372,	4751600... 484, 527, 529,	235, 239, 242, 251,	5241200001.....351, 355
383, 393, 395, 397,	531	255, 258, 268, 271,	5241600.... 175, 187, 203,
399, 401, 473, 475,	4751800... 403, 405, 407,	274, 280, 283, 286,	215, 230, 242, 258,
599, 601, 603, 605,	409, 533, 535	297, 315, 319, 323,	275, 286
607, 609	4755000001 ..... 19	327, 372, 419, 421, 423	5242000001.....21
4711400001 .....353, 372,	4760600 ..... 715, 717	4812002 .79, 81, 83, 175,	5242400.....67, 145, 151,
383, 413, 415	4761400 ..... 411	187, 202, 214, 230,	157
4711500.... 145, 151, 157,	4761600 ..... 87	242, 258, 274, 286,	5251008001.....355
372, 426, 581	4791400. 87, 94, 97, 101,	331, 423	5251016001.....355
4711500001 .....338, 358,	105, 167, 179, 195,	4812002001 ..... 145, 152,	5251022....174, 186, 202,
361, 363	207, 223, 235, 251,	158	214, 230, 242, 258,
471160079, 87, 174, 186,	267, 279	481210081, 83, 145, 171,	275, 287
202, 214, 230, 242,	4811400... 167, 179, 195,	175, 183, 187, 199,	5251210001.....51, 332
258, 274, 286, 327,	207, 223, 235, 251,	202, 211, 214, 227,	5261012.....341
372, 375, 377, 379,	267, 279, 599, 601,	230, 239, 242, 255,	5261200..... 152, 157
383, 434, 446, 450,	603, 605, 607, 609	258, 271, 274, 283, 286	5271614.... 175, 187, 203,
541, 543, 545	4811400001 ..... 315	4812100001 ... 33, 35, 43,	215, 230, 243, 258,
4711600001 ..55, 57, 353,	4811600 ... 171, 174, 183,	45, 47, 49, 152, 158,	275, 287
358, 361, 363, 372,	186, 199, 202, 211,	334, 355, 358	5272025.....577
375, 377, 379, 381, 383	214, 227, 230, 239,	4812102 ..... 77	5272116.....577
4711800.....19, 167, 179,	242, 255, 258, 267,	4812200 ... 167, 175, 179,	6611172.94, 98, 101, 105
195, 207, 223, 235,	271, 274, 280, 283, 286	187, 195, 202, 207,	70000342.....343, 345
251, 267, 279, 372,	4811700 ... 33, 35, 43, 45,	214, 223, 230, 235,	70000619.....319, 323
403, 405, 407, 409	47, 49, 87, 93, 97, 101,		70000781.....64

## PART NUMBER INDEX

70000793 .....	297	70002154 .....	300	70002733 .....	461	70004185 .....	784
70000803 .....	37, 39	70002155 .....	300	70002734 .....	461	70004186 ..	553, 555, 565
70000804 .....	39	70002156 .....	300	70002735 .....	461	70004275 .....	191, 219
70000805 .....	39	70002157 .....	300	70002758 .....	60, 64	70004280 .....	295
70000852 .....	23	70002158 .....	300	70002759 .....	60, 64	70004324 .....	647
70000853 .....	23	70002159 .....	300	70002813 ..	191, 219, 247, 263, 291	70004325 .....	647
70000854 .....	23	70002160 .....	300	70002838 .....	85	70004328 .....	55
70000855 .....	23	70002161 .....	300	70002853 .....	347, 349	70004363 .....	25
70000856 .....	23	70002162 .....	300	70002854 .....	347, 349	70004383 .....	37, 39
70000857 .....	23	70002163 .....	300	70002855 .....	347, 349	70004384 .....	37, 39
70000858 .....	23	70002164 .....	300	70002856 .....	347	70004385 .....	37
70000859 .....	23	70002165 .....	300	70002857 .....	347, 349	70004386 .....	37, 39
70000860 .....	23	70002168 .....	301	70002858 .....	347, 349	70004402 .....	343, 345
70000861 .....	23	70002174 .....	301	70002859 .....	347, 349	70004403 .....	347, 349
70000862 .....	23	70002175 .....	301	70002902 .....	471	70004404 .....	577, 579
70000863 .....	319, 323	70002177 .....	301	70002903 .....	471	70004406 .....	577, 579
70000998 .....	89	70002178 .....	301	70002904 .....	471	70004407 .....	577, 579
70000999 .....	89	70002179 .....	301	70002905 .....	471	70004408 .....	577, 579
70001000 .....	89	70002231 .....	55, 57	70002906 .....	461	70004409 .....	341, 776
70001001 .....	89	70002297 .....	320, 323	70002906 .....	461	70004410 .....	341
70001100 .....	319, 323	70002386 .....	37, 39, 776	70002962 .....	64	70004411 .....	85
70001181 .....	295	70002401 .....	327	70002978 .....	37	70004412 .....	85
70001384 .....	319, 323	70002460 .....	320, 324	70003017 .....	365	70004413 .....	79
70001424 .....	537	70002576 .....	307	70003019 .....	365, 367	70004416 .....	303
70001425 .....	537	70002577 .....	307	70003020 .....	365	70004417 .....	303
70001427 .....	537	70002578 .....	304	70003021 .....	365, 367	70004418 .....	303
70001428 .....	537	70002580 .....	303	70003022 .....	365	70004419 .....	303
70001429 .....	537	70002582 .....	303	70003023 .....	365, 367	70004420 .....	303
70001430 .....	537	70002583 .....	303	70003024 .....	365	70004422 .....	303
70001431 .....	537	70002585 .....	304	70003026 .....	367, 776	70004423 .....	304
70001432 .....	537	70002588 .....	303	70003027 .....	367	70004424 .....	304
70001499 .....	55, 57	70002589 .....	303	70003028 .....	367	70004425 .....	304
70001696 .....	320, 324	70002590 .....	303	70003031 .....	577, 579	70004426 .....	304
70001697 .....	343, 345	70002592 .....	303	70003045 .....	581	70004429 .....	25
70001870 ..	191, 219, 247, 263, 291	70002593 .....	303	70003046 .....	581	70004430 .....	25
70001955 .....	303	70002595 .....	304	70003047 .....	581	70004431 .....	25
70001956 .....	303	70002596 .....	303	70003050 .....	581	70004432 .....	25
70001958 .....	301	70002599 .....	304	70003408 .....	37, 39	70004433 .....	25
70001966 ..	316, 320, 323	70002600 .....	300	70003484 .....	647	70004434 .....	25
70001973 .....	320, 324	70002601 .....	300	70003485 .....	647	70004435 .....	25
70001974 .....	320, 324	70002602 .....	300	70003533 .....	413, 415	70004436 .....	25
70002028 .....	25	70002604 .....	300	70003534 .....	413, 415	70004437 .....	25
70002031 .....	25	70002605 .....	301	70003535 .....	413, 415	70004438 .....	25
70002032 .....	25	70002606 .....	301	70003536 .....	413, 415	70004439 .....	25
70002036 .....	25	70002607 .....	301	70003628 .....	23	70004440 .....	25
70002052 .....	25	70002609 .....	301	70003631 .....	320, 323	70004441 .....	25
70002057 .....	25, 73	70002610 .....	301	70003708 ..	316, 320, 324	70004442 .....	25
70002097 .....	55, 57, 776	70002612 .....	301	70003709 ..	316, 320, 323	70004443 .....	25
70002132 .....	300	70002616 .....	301	70003788 .....	327, 776	70004444 .....	25
70002133 .....	300, 303	70002617 .....	301	70004017 .....	37, 39	70004445 .....	25
70002134 .....	300	70002618 .....	300	70004050 .....	367	70004446 .....	25
70002135 .....	300	70002619 .....	300	70004051 .....	365, 367	70004447 .....	25
70002136 .....	300	70002620 .....	300	70004052 .....	59, 63, 365, 367	70004448 .....	25
70002137 .....	300	70002621 .....	301	70004053 .....	59, 63, 367	70004449 .....	26
70002138 .....	300	70002622 .....	301	70004055 ..	41, 59, 63, 365	70004450 .....	26
70002139 .....	300	70002623 .....	301	70004055 ..	41, 59, 63, 365	70004451 .....	26
70002140 .....	300	70002718 ..	191, 219, 247, 263, 291	70004092 ..	316, 320, 324	70004452 .....	26
70002141 .....	300	70002724 .....	467	70004093 .....	320	70004453 .....	26
70002142 .....	300	70002725 .....	467	70004094 .....	320, 324	70004454 .....	359, 776
70002143 .....	300	70002726 .....	467	70004095 .....	320	70004455 .....	359
70002145 .....	300	70002727 .....	467	70004096 .....	320, 324	70004457 .....	367
70002148 .....	300	70002728 .....	467	70004097 .....	320, 324	70004459 .....	41, 59, 63
70002150 .....	300	70002728 .....	467	70004098 .....	320, 324	70004460 ..	41, 59, 63, 776
70002151 .....	300	70002729 .....	467	70004099 .....	320	70004461 .....	41
70002152 .....	300	70002730 .....	461	70004150 .....	85, 776	70004462 .....	41
70002153 .....	300	70002731 .....	461	70004164 .....	41	70004463 .....	41, 63, 776
		70002732 .....	461	70004171 .....	316, 323	70004464 .....	41

# PART NUMBER INDEX

70004465.....	41	70004585.....	59, 63	70004764.....	463	70005548.....	294
70004466.....	73	70004586.....	59, 63	70004765.....	463	70005549.....	294
70004467.....	73	70004587.....	59, 63	70004766.....	463	70005550.....	294
70004468.....	73	70004588.....	59, 63, 776	70004767.....	463	70005551.....	294
70004469.....	73	70004589.....	59, 63	70004768.....	463	70005552.....	294
70004470.....	73	70004590.....	59, 63	70004769.....	463	70005553.....	294
70004471.....	73	70004591.....	59, 63	70004770.....	463	70005554.....	294
70004472.....	73	70004592.....	59, 63	70004771.....	463	70005555.....	294
70004473.....	73	70004593.....	59, 63	70004772.....	463	70005556.....	294
70004474.....	73	70004594.....	59, 63	70004773.....	463	70005557.....	294
70004475.....	73	70004595.....	59, 63, 776	70004774.....	464	70005558.....	294
70004476.....	73	70004598.....	59, 63	70004775.....	464	70005564.....	249, 265
70004477.....	73	70004599.....	59, 63, 776	70005170.....	349	70005565.....	81, 83
70004478.....	73	70004600.....	59, 63	70005189 ..	249, 265, 293	70005624.....	316
70004479.....	73	70004601.....	59, 63	70005191 ..	249, 265, 293	70005651.....	323
70004480.....	73	70004602.....	59, 63	70005230.....	469	70005652.....	324
70004481.....	73	70004603.....	59	70005487 ..	247, 263, 291	70005878.....	575
70004482.....	73	70004604.....	59, 63	70005489.....	291	70005882.....	579
70004483.....	73	70004605.....	59, 63	70005491.....	292	70005883.....	579
70004484.....	73	70004606.....	59, 63	70005492.....	292	70005916.....	294
70004485.....	73	70004607.....	59, 63	70005493.....	292	70005917.....	294
70004486.....	73	70004608.....	59, 63	70005495.....	292	70005954.....	60
70004487.....	73	70004609.....	59, 63	70005496 ..	248, 264, 292	70005955.....	60
70004488.....	74	70004610.....	59, 63	70005497 ..	248, 264, 292	70005956.....	60
70004489.....	74	70004611.....	59, 63	70005498.....	292	70005957.....	60
70004490.....	74	70004612.....	59, 63	70005499 ..	249, 265, 293	70005958.....	64
70004491.....	73	70004613.....	60, 64	70005500.....	249, 265	70005961.....	64
70004492.....	74	70004614.....	60, 64	70005501.....	294	70006448.....	571
70004493.....	74	70004615.....	60, 64	70005502.....	294	70006449.....	571
70004494.....	74	70004616.....	60, 64	70005503.....	294	70006462.....	567
70004495.....	581	70004617.....	60, 64	70005504.....	294	70006463.....	559, 567
70004496.....	581	70004618.....	64	70005505.....	294	70006464.....	559, 567
70004497.....	581	70004619.....	64	70005506.....	294	70006465.....	567
70004498.....	581	70004649.....	359	70005507.....	294	70006466.....	567
70004499.....	581	70004650.....	359	70005508.....	294	70006467.....	567
70004505..	191, 219, 247, 263, 291	70004668.....	60, 64	70005509.....	294	70006468.....	567
70004506..	191, 219, 247, 263, 291	70004676.....	316	70005511 ..	249, 265, 293	70006470.....	575
70004507..	191, 219, 247, 263, 291	70004678.....	316	70005512.....	292	70006471.....	575
70004508..	191, 219, 247, 263, 291	70004680.....	316	70005513.....	292	70006472.....	551
70004509..	191, 219, 247, 263, 291	70004681.....	316	70005514.....	292	70006473.....	551
70004510..	192, 220, 247, 263, 291	70004683.....	316	70005515.....	293	70006474.....	551
70004511..	192, 220, 248, 264, 292	70004738.....	469	70005516.....	293	70006475.....	551
70004512..	192, 220, 248, 264, 292	70004739.....	469	70005517.....	293	70006516.....	559
70004513..	192, 220, 248, 264, 292	70004740.....	469	70005518.....	293	70006517.....	559
70004514.....	192, 220	70004741.....	469	70005519.....	293	70006518.....	559
70004515.....	192, 220	70004742.....	469	70005521.....	293	70006519.....	559
70004516..	192, 220, 248, 264, 292	70004743.....	469	70005522.....	293	70006552.....	315
70004517..	193, 221, 249, 265	70004744.....	469	70005523.....	293	70006553.....	315
70004518..	193, 221, 249, 265	70004745.....	469	70005524.....	293	70006596.....	555
70004519..	193, 221, 249, 265	70004746.....	469	70005525.....	293	70006624.....	563
70004520..	193, 221, 249, 265, 293	70004747.....	469	70005526.....	293	70006625.....	563
70004583.....	59, 63	70004748.....	469	70005527.....	293	70006626.....	563
70004584.....	59, 63	70004749.....	469	70005528.....	293	70006627.....	563
		70004750.....	469	70005529.....	293	70006628.....	563
		70004751.....	469	70005530.....	293, 294	70006629.....	563
		70004752.....	463	70005531.....	293, 294	70006630.....	563
		70004753.....	463	70005532.....	293	70006631.....	563
		70004754.....	463	70005535.....	294	70006632.....	563
		70004755.....	463	70005536.....	294	70006633.....	563
		70004756.....	463	70005537.....	294	70006634.....	555
		70004757.....	463	70005538.....	294	70006635.....	555
		70004758.....	463	70005541.....	294	70006637.....	555
		70004759.....	463	70005542.....	294	70006834.....	579
		70004760.....	463	70005544.....	294	70006835.....	579
		70004761.....	463	70005545.....	294	70006836.....	579
		70004762.....	463	70005546.....	294	70006837.....	579
		70004763.....	463	70005547.....	294	70006838.....	579

## PART NUMBER INDEX

70006839 .....	579	70024485 .	192, 220, 248, 264, 292	70025128..	191, 219, 247, 263, 291	70025717 .....	191, 219
70006840 .....	579	70024486 .....	192, 220	70025131..	193, 221, 249, 265, 293	70025718 .	191, 219, 247, 263, 291
70006841 .....	579	70024487 .	191, 219, 247, 263, 291	70025132..	191, 219, 247, 263, 291	70025721 .	192, 220, 248, 264
70006842 .....	579	70024489 .	191, 219, 247, 263, 291	70025137..	191, 219, 247, 263, 291	70025722 .	191, 219, 247, 263, 291
70007439 .....	301	70024493 .	192, 220, 248, 264, 292	70025140..	192, 220, 248, 264, 292	70025723 .	193, 221, 249, 265
70009000 .....	611	70024494 ..	247, 263, 291	70025141 ..	193, 221, 249, 265, 293	70025726 .	192, 220, 248, 264, 292
70009012 .....	613	70024495 .	191, 219, 247, 263, 291	70025144 .	192, 220, 248, 264, 292	70025729 .	192, 220, 248, 264
70009013 .....	613	70024496 .	193, 221, 249, 265	70025145..	192, 220, 248, 264, 292	70025730 .	191, 219, 247, 263, 291
70009014 .....	613	70024497 .	191, 219, 247, 263, 291	70025146..	192, 220, 248, 264, 292	70025731 .	191, 219, 247, 263, 291
70009015 .....	613	70024498 .	192, 220, 248, 264, 292	70025149..	193, 221, 249, 265, 293	70025737 .....	294
70009016 .....	613	70024499 .	192, 220, 248, 264, 292	70025150.....	193, 221	70025739 .....	294
70009017 .....	613	70024500 .	193, 221, 249, 265, 293, 294	70025151..	192, 220, 248, 264, 292	70025740 .....	294
70022147 .....	365, 776	70024501 .	192, 220, 248, 264, 292	70025152.....	193, 221	70025741 .	192, 220, 248, 264, 292
70022286 .....	303	70024503 .....	193, 221	70025152..	191, 219, 247, 263, 291	70025744 .....	193, 221
70022287 .....	303	70024504 .	192, 193, 220, 221, 248, 249, 264, 265, 292, 293	70025153..	192, 220, 248, 264, 292	70025745 .	191, 219, 247, 263, 291
70022564 .....	555	70024507 .....	292	70025154..	192, 220, 248, 264, 292	70025747 ..	248, 264, 294
70023351 .....	303	70024509 .	191, 219, 247, 263, 291	70025154..	192, 220, 248, 264, 292	70025748 .	192, 220, 248, 264
70023352 .....	303	70024512 .....	221	70025210..	192, 220, 248, 264, 778	70025749 ..	249, 265, 294
70023353 .....	303	70024513 .	192, 220, 248, 264, 292	70025234..	191, 219, 247, 263	70025750 ..	248, 264, 294
70023354 .....	303	70024916 .....	193, 221	70025235..	192, 220, 248, 264, 292	70025752 .....	294
70023355 .....	303	70024917 .....	193, 221	70025239..	192, 220, 248, 264, 292	70025753 .....	294
70023357 .....	303	70024918 .	192, 220, 248, 264, 292	70025240..	192, 220, 248, 264, 292	70025755 .	191, 219, 247, 263, 291
70023358 .....	303	70024920 .	192, 193, 220, 221, 248, 249, 264, 265, 292, 293	70025242.....	221, 293	70025756 ..	192, 220, 292
70023359 .....	303	70024921 .	192, 220, 248, 264	70025245...221,	249, 265	70025758 .....	295
70023361 .....	303	70024921 .	192, 220, 248, 264	70025246...221,	249, 265	70025762 .	192, 220, 248, 264, 292
70023362 .....	303	70024961 .	192, 220, 248, 264, 292	70025533..	193, 221, 249, 265, 293	70025763 .	191, 219, 247, 263, 291
70023363 .....	303	70025082 .....	295	70025534..	192, 220, 248, 264, 292	70025764 .....	294
70023364 .....	303	70025085 ..	247, 263, 291	70025675..	192, 220, 248, 264	70025766 .....	192, 220
70023592 .....	175	70025087 .....	191, 219	70025675..	192, 220, 248, 264	70025768 .	193, 221, 249, 265, 293
70023593 .....	175	70025088 .	191, 219, 247, 263, 291	70025680..	191, 219, 247, 263, 291	70025772 .	192, 220, 248, 264, 292
70023809 .	175, 187, 203, 215, 231, 243, 259, 275, 287, 776	70025105 .	191, 219, 247, 263, 291	70025681..	192, 220, 248, 264, 294	70025773 .	193, 221, 249, 265, 293
70023859 .....	59, 63	70025109 .	192, 220, 248, 264, 292	70025686..	192, 220, 248, 264, 292	70025780 .	193, 221, 249, 265, 293
70023860 .....	59, 63	70025111 ...	191, 219, 247, 263, 291	70025687..	193, 221, 249, 265, 293, 294	70025772 .	192, 220, 248, 264, 292
70023862 .....	59, 63	70025111 .	191, 219, 247, 248, 263, 264, 291	70025699 .	193, 221, 249, 265, 293, 294	70025773 .	193, 221, 249, 265, 293
70023866 .....	63	70025116 .	191, 219, 247, 263, 291	70025701..	193, 221, 249, 265, 293	70025780 .	193, 221, 249, 265, 293
70023867 .....	63	70025119 .	191, 219, 247, 263, 291	70025704.....	295	70025783 .....	193, 221
70023872 .....	175	70025120 .	192, 220, 248, 264, 292	70025707.....	193, 221	70025786 .	191, 219, 247, 263, 291
70024039 .....	303	70025123 .	191, 219, 247, 263, 291	70025708.....	193, 221	70025788 .....	221
70024040 .....	303			70025709.....	193, 221	70025789 .....	191, 219
70024328 .	175, 187, 203, 215, 231, 243, 259, 275, 287			70025710.....	193, 221	70025877 .....	221, 293
70024329 .	175, 187, 203, 215, 231, 243, 259, 275, 287			70025713.....	192, 220	70026210 ..	249, 265, 293
70024469 .	193, 221, 249, 265, 293			70025714.....	191, 219	7002821 .....	784
70024471 .	191, 219, 247, 263, 291					7002822 .....	784
70024473 .....	192, 220					7002823 .....	784
70024474 .	193, 221, 249, 265, 293					7002828 .....	784
70024475 .	192, 220, 248, 264, 292					7003928 .....	461
70024478 .	193, 221, 249, 265, 293					7003941 .....	467
70024479 .	193, 221, 249, 265, 293					7003972 .....	467
70024480 .	193, 221, 249, 265, 293					7003973 .....	467
70024481 .	191, 219, 247, 263, 291					7003980 .....	467
70024482 .....	193, 221					7003982 .....	467
70024483 ..	247, 263, 291						

# PART NUMBER INDEX

7003983.....467	7020175 ... 109, 111, 113,	7024598 ... 167, 179, 195,	8310129....487, 491, 493,
7003989.....467	115, 425, 429, 433,	207, 223, 235, 251,	495, 497, 501, 505,
7004275.....784	437, 441, 445, 449	267, 279	509, 513, 517, 521, 525
7004276.....784	7020176 ... 109, 111, 113,	7024800 ..... 301	8310230....489, 499, 503,
70050795.....555	115, 425, 429, 433,	7024865 ..... 23	507, 511, 515, 519, 523
7007207.....300, 303	437, 441, 445, 449	7024867 ..... 23	8310548....175, 187, 203,
7007415.....301, 303, 304	7020442 ... 191, 219, 247,	7024868 ..... 23	215, 231, 243, 259,
7007418.....300	263, 291	7024883 ..... 365, 776	275, 287
7007419.....300	7020465 ... 191, 219, 247,	7024885 .... 365, 367, 776	8310643.....145
7007420.....23	263, 291	7024899 ..... 365, 367	8310643001..... 152, 158
7007437.....23	7020492 ... 193, 221, 293	7026031 ..... 647	8310686.93, 97, 101, 105
7007438.....23	7021249 ..... 23	7026597 ..... 320, 324	8405006.....83, 167, 180,
7007439.....23	7021256 ..... 301	7026626 ..... 320, 324	195, 207, 223, 235, 251
7007446.....23, 300, 303	7021265 ..... 301	7027096 ..... 611	8405007....175, 187, 203,
7007489.....307	7021275 ..... 23, 300, 303	7027097 ..... 611	215, 231, 243, 259,
7010543.....37, 39, 581	7021293 ..... 301	7027098 ..... 611	275, 287
7010639.....89	7021375 ..... 41, 59, 63	7027099 ..... 611	8405009.....276, 288
7010640.....89	7021625 ..... 37, 39	7027740 ..... 23	8405104....175, 187, 203,
7010924.....89	7022300 ..... 301	7027773 ..... 539	215, 231, 243, 259,
7011043.....89	7022301 ..... 300	7027774 ..... 539	275, 287
7011044.....89	7022311 ..... 23	7027775 ..... 539	8405201....175, 187, 203,
7011048.....89	7022314 ..... 23	7027776 ..... 539	215, 231, 243, 259
7011311.....561, 563	7022321 ..... 23	7027777 ..... 539	8405204....175, 187, 203,
7011367.....577, 579	7022340 ..... 303	7027778 ..... 539	215, 231, 243, 259
7011376....549, 551, 561,	7022368 ..... 23	7027779 ..... 539	8405211.....276, 288
563	7022371 ..... 23	7027780 ..... 539	8405213.....275, 287
70124410.....295	7022390 ..... 365, 367	7027799 ..... 320, 324	8405306.....275, 287
70124440.....295	7022399 ..... 37, 39	7028909 ... 135, 137, 141	8406101....168, 180, 195,
7012773.....41, 59, 63	7022608 ..... 301	7300435 ... 175, 187, 203,	207, 223, 235, 251,
7012903.....365	7022808 ..... 461	215, 231, 243, 259,	268, 280
7012941.....37, 39	7022815 ..... 461	275, 287	8406105.....361, 363
7012973.....37, 39	7022819 ..... 461	77133089 ..... 593	8406109....175, 187, 203,
7012998.....37, 39	7022825 ..... 467	77133137 ..... 268, 280	215, 231, 243, 259,
7016272.....133	7023377 ..... 303	77363232 ..... 319, 323	275, 287
7016309....192, 220, 248,	7023821 ..... 59, 64	77363233 ..... 665	8406110....177, 189, 204,
264, 292	70239191 ..... 64	80604017 ..... 135	216, 232, 244, 260,
7016314.....79	7023922 ..... 365	80963067 ..... 658	275, 287
7016319.....133	7023962 ..... 303	82033995 ..... 268, 280	840620193, 97, 101, 105,
7016322....167, 179, 195,	7023964 ..... 303, 304	8220007 ... 699, 703, 708	269, 281
207, 223, 235, 251,	7024441 ..... 85	8220045 ..... 657	8406303....175, 187, 203,
267, 279	7024462 ..... 539	8220051 ..... 663	215, 231, 243, 259,
7016331 ... 191, 219, 247,	7024463 ..... 539	8220068 ..... 731, 735	269, 275, 281, 287
263, 291, 776	7024467 ..... 539	8220097 ..... 658	8410009.....268, 280
7016374....167, 179, 195,	7024469 ..... 539	8220098 ..... 658	8410011....175, 187, 203,
207, 223, 235, 251,	7024470 ..... 539	8220099 ... 669, 670, 699,	215, 231, 243, 259,
267, 279	7024471 ..... 537, 539	700, 701, 703, 704, 705	275, 287
7016654.....784	7024472 ..... 539	8220115 ..... 653	8410012....177, 189, 275,
7016655.....784	7024473 ..... 539	8229242 ..... 657	287
7017142.....343, 345	7024474 ..... 539	8229244 ..... 657	8410013....168, 175, 180,
7017158.....343	7024475 ..... 539	8229245 ..... 659	187, 195, 203, 207,
7017159.....343, 345	7024478 ..... 539	8229247 ..... 657	215, 223, 231, 235,
7017162.....343, 345	7024485 ..... 320, 324	8278020 ... 175, 187, 203,	243, 251, 259, 275, 287
7017163.....343, 345	7024488 ..... 319, 323	215, 231, 243, 259,	86621230.....379
7017164.....343, 345	7024489 ..... 319, 323	275, 287	8750014....168, 180, 195,
7017183.....343, 345	7024530 ..... 537	8305401 ... 175, 187, 203,	207, 223, 235, 251,
7017193.....343, 345	7024531 ..... 537	215, 231, 243, 259,	268, 280
7017195.....343, 345	7024532 ..... 537	275, 287	8750027.....268, 280
7017402.....365, 367	7024533 ..... 537	8305919 ..... 268, 280	8750031....168, 180, 196,
7017493.....37, 39	7024534 ..... 537	8307109 ... 175, 187, 203,	208, 224, 236, 252,
7017496.....327	7024535 ..... 537	215, 231, 243, 259,	268, 280
7018942.....60, 64	7024536 ..... 537	275, 287	8769122.....589
7019162.....467	7024537 ..... 537	8310067 ... 168, 180, 196,	8769127.....268, 280
7019164.....467	7024574 ..... 561	208, 224, 236, 252,	8769128....168, 180, 196,
7019165.....467	7024579 ... 191, 219, 247,	268, 280	208, 224, 236, 252, 589
7019167.....467	263, 291	8310070 ..... 372	8769146.....593
7019194.....467			8769153.....593
			8769154.....593

## PART NUMBER INDEX

8769199 .....	593	88662523 ..	341, 361, 363	9141453.....	359	91563070.	175, 187, 203,
88261128 .....	55, 57	91203039 .....	355	91471226.....	327, 338	215, 231, 243, 259,	
88521214 ..	541, 543, 545	91403230 .	739, 743, 747,	91471227.....	327, 338	275, 287	
88662013 .....	592	749, 753, 757, 761,		91554014..	643, 683, 732,	IN4004 .....	723, 776
88662070 .....	60, 64	765, 769		736			



3121620



An Oshkosh Corporation Company

**Corporate Office**  
**JLG Industries, Inc.**  
**1 JLG Drive**  
**McConnellsburg, PA 17233-9533 USA**  
**☎ (717) 485-5161 (Corporate)**  
**☎ (877) 554-5438 (Customer Support)**  
**☎ (717) 485-6417**

**Visit our website for JLG Worldwide Locations.**  
**[www.jlg.com](http://www.jlg.com)**