



---

# Illustrated Parts Manual

**Models**  
**E450A/**  
**E450AJ**  
**M450AJ**

SN 0300189898  
through 0300208529  
Includes SN 0300185900  
and 0300186011

P/N  
3121649

April 28, 2017

**ANSI**

**CE**



An Oshkosh Corporation Company



## **REVISION LOG**

July 3, 2014 - Original Issue Of Manual (Edited to B/M 1001164636 Revision C)

March 24, 2015 - Revised Manual (Edited to B/M 1001164636 Revision L)

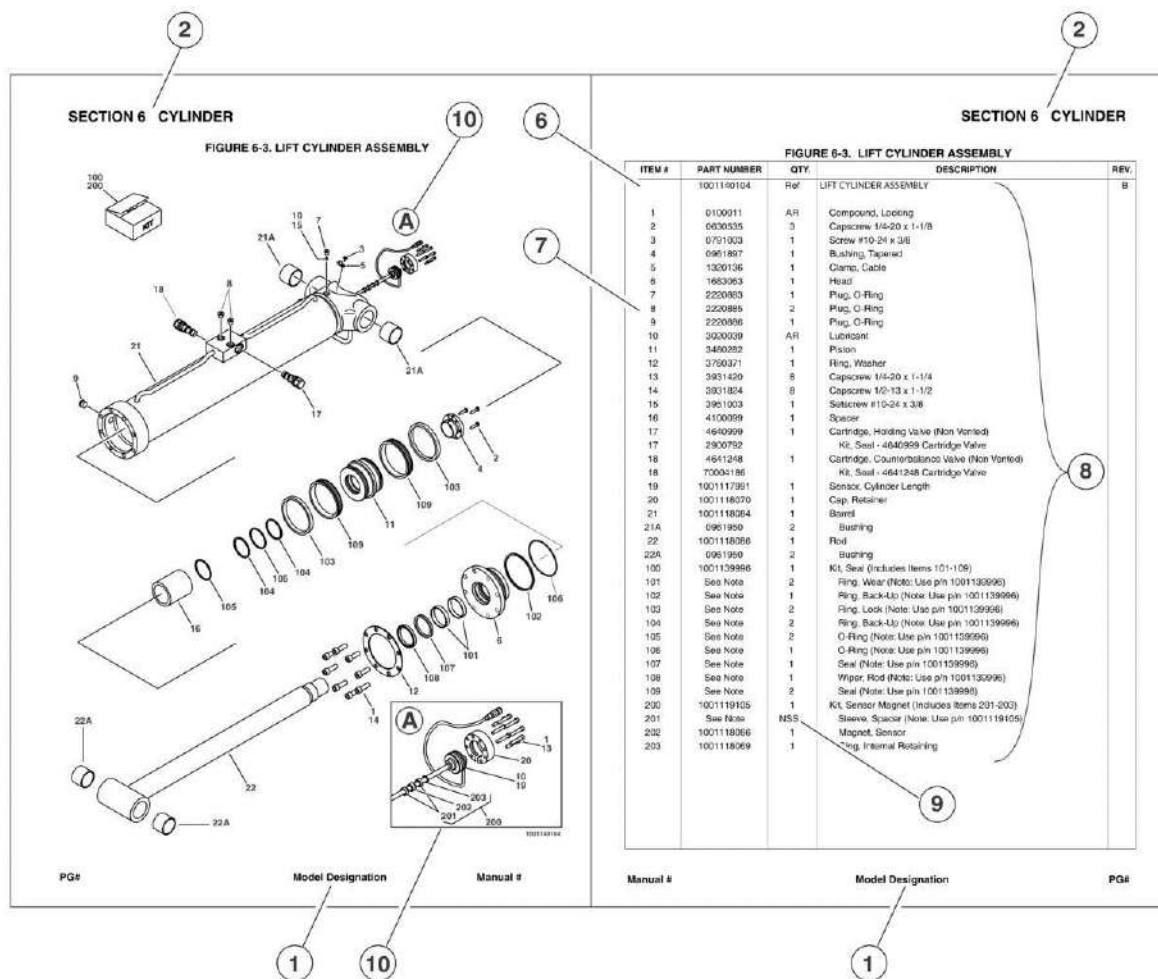
July 6, 2015 - Revised Manual (Edited to B/M 1001164636 Revision L)

October 30, 2015 - Revised Manual (Edited to B/M 1001164636 Revision L)

April 29, 2016 - Revised Manual (Edited to B/M 1001164636 Revision L)

April 28, 2017 - Revised Manual

# GENERAL INFORMATION



## 1) MACHINE IDENTIFICATION

Machines are identified by model and in some cases a combination of models, serial number (SN) or regional standard (i.e ANSI, CE, CSA). Components may also be identified by SN or manufacturer. Common components that may be identified by these characteristics are engines and hydraulic components.

## 2) PARTS MANUAL ORGANIZATION

Product information in this manual is organized under section titles. Frame, Cylinder, Hydraulic and Electrical are a few examples. Each section is organized by figure and page number. The information within the figure is then organized by item number, part number, description and corresponding illustration(s).

## 3) TABLE OF CONTENTS

A table of contents is found toward the beginning of the manual. Figure number, description and page number are provided for quick reference to the page containing the related information.

## 4) RECOMMENDED SPARE PARTS

The Recommended Spare Parts, located near the end of the manual, reference most frequently used maintenance parts.

## 5) PART NUMBER INDEX

A numerical index listing all part numbers and the corresponding page number(s) appears at the back of the manual.

## GENERAL INFORMATION

### 6) NON-SERVICED PARTS

In some instances, it is necessary to display non-serviced parts, assemblies or installations. In the case of assemblies and installations there will be a Ref in the Qty column. In case of parts that are not available for service within assemblies or components, there will be a NSS (Not Sold Separately) or NLA (No Longer Available) listed in the Qty. column of the manual.

### 7) PARTS LIST ITEM NUMBERS

Numbers shown in the item# column correspond to numbers used in the associated illustration (s). Item numbers which are missing from the sequence in the parts list are not used on that page

### 8) INDENTED PARTS DESCRIPTION

An indented part description is included in the item under which it is indented.

### 9) ABBREVIATION AND SYMBOLS

AC.....	.. Alternating Current	LCD.....	.. Liquid Crystal Display
ADE.....	..Advanced Design Electronics	LED.....	.. Light Emitting Diodes
ANSI.....	..American National Standards Institute	LH.....	.. Left Hand
AR.....	..As Required	LSS.....	..Load Sensing System
ASSY.....	.. Assembly	M(m).....	.. Metric/Meter
AUX.....	..Auxiliary	MM (mm).....	..Milimeter
AWG.....	..American WireGauge	mA.....	.. Miliamps
B/M.....	..Bill of Material	NLA.....	..No Longer Available
CE.....	..European Conformity	NPT.....	.. National Pipe Threads
CCW.....	..Counter Clockwise	NSS.....	..Not Sold Separately
cm.....	..Centimeter	OD.....	..Outside Diameter
CW.....	..Clockwise	ORB.....	.. O-Ring Boss
CSA.....	..Canadian Standards Association	ORFS.....	.. O-Ring Face Seal
CYL.....	..Cylinder	OZ (oz).....	..Ounces
DIA.....	..Diameter	PG.....	..Page
DC.....	..Direct Current	P/N.....	..Part Number
EMS.....	..Emergency Stop	qt.....	..Quarts
ENG.....	..Engine	QTY.....	..Quantity
FT (ft).....	..Feet	REF.....	..Reference
GA(Ga).....	..Gauge	REV.....	..Revision Level
HYD.....	..Hydraulic	RH.....	.. Right Hand
HZ.....	..Hertz	SAE.....	.. Society of Automotive Engineers
ID.....	..Inside Diameter	SN.....	..Serial Number
in.....	..inches	SPEC(S).....	..Specifications
ISO.....	..International Organization for Standards	T/T.....	..Turntable
JIC.....	..Joint Industry Council	UGM.....	..Universal Ground Module
KG.....	..Kilogram	V.....	..Volts
L.....	..Liter	W.....	..Watts
LB.....	..Pounds	#.....	.. Number

### 10) ILLUSTRATION REFERENCE LETTERS

When necessary, illustrations may contain reference letters that are intended to track information (i. e. hoses, harnesses) from one point to another or to track visual enlargement of components to show details that may be located in another area on the illustration.

*Note: Due to continuous product improvements, JLG Industries, Inc. reserves the right to make specification changes without prior notification. Contact JLG Industries, Inc. for updated information.*



# TABLE OF CONTENTS

SECTION 1 - FRAME.....	13
FIGURE 1-1. STEERING INSTALLATION .....	14
FIGURE 1-2. HUB - SPINDLE ASSEMBLY - RH .....	16
FIGURE 1-3. HUB - SPINDLE ASSEMBLY - LH.....	18
FIGURE 1-4. WHEEL DRIVE - E450A/E450AJ.....	20
FIGURE 1-5. WHEEL DRIVE - E450A/E450AJ - UL LISTED.....	24
FIGURE 1-6. WHEEL DRIVE - M450AJ.....	28
FIGURE 1-7. HUB - DRIVE ASSEMBLY .....	32
FIGURE 1-8. DRIVE MOTOR ASSEMBLY .....	36
FIGURE 1-9. TIRE AND WHEEL - IN240/55-17.5 PNEUMATIC.....	38
FIGURE 1-10. TIRE AND WHEEL - IN240/55 - 17.5 FOAM FILL .....	40
FIGURE 1-11. TIRE AND WHEEL - IN240/55-17.5 PNEUMATIC NON MARKING .....	42
FIGURE 1-12. TIRE AND WHEEL - 26 X 7 X 20 - SOLID NON MARKING .....	44
FIGURE 1-13. TIRE AND WHEEL - IN240/55-17.5 FOAM FILL NON MARKING.....	46
FIGURE 1-14. TIRE AND WHEEL - IN240/55-17.5 PNEUMATIC NON MARKING TS.....	48
FIGURE 1-15. WHEEL COVER INSTALLATION - IN240/55-17.5 TIRES ONLY .....	50
FIGURE 1-16. MOTOR/PUMP/TANK INSTALLATION - E450A/E450AJ.....	52
FIGURE 1-17. MOTOR/PUMP/TANK INSTALLATION - E450A/E450AJ - UL LISTED.....	54
FIGURE 1-18. MOTOR/PUMP/TANK INSTALLATION - M450AJ .....	56
FIGURE 1-19. MOTOR/PUMP ASSEMBLY .....	58
FIGURE 1-20. HYDRAULIC TANK ASSEMBLY - E450A/E450AJ .....	60
FIGURE 1-21. HYDRAULIC TANK ASSEMBLY - M450AJ .....	62
FIGURE 1-22. VALVE INSTALLATION - FRAME MOUNTED - E450A .....	64
FIGURE 1-23. VALVE INSTALLATION - FRAME MOUNTED - E450AJ.....	66
FIGURE 1-24. VALVE INSTALLATION - FRAME MOUNTED - M450AJ.....	68
FIGURE 1-25. BRAKE/STEER VALVE ASSEMBLY .....	70
FIGURE 1-26. BATTERY BOX INSTALLATION (ALL SPECS EXCEPT CE AND AUSTRALIAN SPECS) .....	72
FIGURE 1-27. BATTERY BOX INSTALLATION - AGM BATTERIES (ALL SPECS EXCEPT CE AND AUSTRALIAN SPECS) ...	74
FIGURE 1-28. BATTERY BOX INSTALLATION - CE AND AUSTRALIAN SPECS .....	76
FIGURE 1-29. BATTERY BOX INSTALLATION - AGM BATTERIES (CE AND AUSTRALIAN SPECS) .....	78
FIGURE 1-30. BATTERY CHARGER INSTALLATION - E450A/E450AJ (ALL SPECS EXCEPED CE AND AUSTRALIAN SPECS) .....	80
FIGURE 1-31. BATTERY CHARGER INSTALLATION - E450A/E450AJ (AUSTRALIAN SPEC) .....	82
FIGURE 1-32. BATTERY CHARGER INSTALLATION - E450A/E450AJ (ANSI EXPORT AND CE SPECS).....	84
FIGURE 1-33. BATTERY CHARGER INSTALLATION - M450AJ (ALL SPECS EXCEPTED CE, AUSTRALIAN AND UL SPECS) .....	86
FIGURE 1-34. BATTERY CHARGER INSTALLATION - M450AJ (AUSTRALIAN SPEC) .....	88
FIGURE 1-35. BATTERY CHARGER INSTALLATION - M450AJ (ANSI EXPORT AND CE SPECS).....	90
FIGURE 1-36. INVERTER INSTALLATION - E450A/E450AJ.....	92
FIGURE 1-37. FRAME COVER INSTALLATION - M450AJ.....	94
FIGURE 1-38. FRAME COVER INSTALLATION - E450A/E450AJ.....	96
SECTION 2 - TURNTABLE .....	99
FIGURE 2-1. VALVE INSTALLATION - TURNTABLE MOUNTED - E450A.....	100
FIGURE 2-2. VALVE INSTALLATION - TURNTABLE MOUNTED - E450AJ.....	102
FIGURE 2-3. VALVE INSTALLATION - TURNTABLE MOUNTED - M450AJ .....	104
FIGURE 2-4. MAIN CONTROL VALVE ASSEMBLY.....	106
FIGURE 2-5. RELEVELING VALVE ASSEMBLY.....	110
FIGURE 2-6. JIB VALVE ASSEMBLY .....	112
FIGURE 2-7. MOTION ALARM INSTALLATION.....	114
FIGURE 2-8. TURNTABLE BEARING AND SWING DRIVE INSTALLATION.....	116
FIGURE 2-9. SWING MOTOR ASSEMBLY .....	118
FIGURE 2-10. SWING BEARING ASSEMBLY .....	120
FIGURE 2-11. REMOTE BEARING LUBE INSTALLATION - OPTIONAL.....	122
FIGURE 2-12. DRIVE ORIENTATION INSTALLATION .....	124
FIGURE 2-13. FUEL TANK AND BATTERY INSTALLATION - M450AJ.....	126
FIGURE 2-14. GROUND CONTROL BOX ASSEMBLY - E450A .....	128
FIGURE 2-15. GROUND CONTROL BOX ASSEMBLY - E450A - CE SPEC (SN 0300189898 through 0300200789) .....	130
FIGURE 2-16. GROUND CONTROL BOX ASSEMBLY - E450A - CE SPEC (SN 0300200790 through 0300208529) .....	132
FIGURE 2-17. GROUND CONTROL BOX ASSEMBLY - E450AJ/M450AJ .....	134
FIGURE 2-18. GROUND CONTROL BOX ASSEMBLY - E450AJ/M450AJ - CE SPEC (SN 0300189898 through 0300200789).....	136
FIGURE 2-19. GROUND CONTROL BOX ASSEMBLY - E450AJ/M450AJ - CE SPEC (SN 0300200790 through 0300208529).....	138
FIGURE 2-20. MOTOR CONTROLS INSTALLATION - M450AJ .....	140
FIGURE 2-21. STROBE LIGHT INSTALLATION (AMBER) - OPTIONAL.....	142

# TABLE OF CONTENTS

FIGURE 2-22. STROBE LIGHT INSTALLATION - UL LISTED - OPTIONAL .....	144
FIGURE 2-23. STROBE LIGHT ASSEMBLY .....	146
FIGURE 2-24. BEACON LIGHT INSTALLATION - BLUE (SN 0300189898 through 0300200789) .....	148
FIGURE 2-25. BEACON LIGHT INSTALLATION - BLUE (SN 0300200790 through 0300208529) .....	150
FIGURE 2-26. HOOD INSTALLATION - E450A/E450AJ .....	152
FIGURE 2-27. HOOD INSTALLATION - M450AJ .....	154
SECTION 3 - ENGINE .....	157
FIGURE 3-1. KUBOTA MOTOR/GENERATOR INSTALLATION - M450AJ .....	158
FIGURE 3-2. KUBOTA MOTOR/GENERATOR ASSEMBLY - M450AJ .....	160
FIGURE 3-3. KUBOTA MOTOR/GENERATOR COMPONENTS .....	162
SECTION 4 - BOOM .....	165
FIGURE 4-1. BOOM AND CYLINDERS INSTALLATION - E450A .....	166
FIGURE 4-2. BOOM AND CYLINDERS INSTALLATION - E450AJ/M450AJ .....	168
FIGURE 4-3. MAIN BOOM ASSEMBLY - E450A .....	172
FIGURE 4-4. MAIN BOOM ASSEMBLY - E450AJ/M450AJ .....	174
FIGURE 4-5. JIB INSTALLATION .....	176
FIGURE 4-6. ROTATOR ASSEMBLY - E450A .....	178
FIGURE 4-7. ROTATOR ASSEMBLY - E450AJ/M450AJ .....	180
FIGURE 4-8. PLATFORM SUPPORT WITHOUT LOAD SENSING .....	182
FIGURE 4-9. PLATFORM SUPPORT INSTALLATION - WITH LSS - E450AJ/M450AJ .....	184
FIGURE 4-10. PLATFORM SUPPORT INSTALLATION - WITH LSS - E450A .....	188
FIGURE 4-11. CABLES AND CLAMPS INSTALLATION - E450A .....	192
FIGURE 4-12. CABLES AND CLAMPS INSTALLATION - E450AJ/M450AJ .....	194
FIGURE 4-13. BOOM LIMIT SWITCHES INSTALLATION .....	196
SECTION 5 - PLATFORM .....	199
FIGURE 5-1. PLATFORM ASSEMBLY - 4FT/1.22M - SIDE GATE ENTRY (SN 0300189898 through 0300200789) .....	200
FIGURE 5-2. PLATFORM ASSEMBLY - 4FT/1.22M - SIDE GATE ENTRY (SN 0300200790 through 0300208529) .....	202
FIGURE 5-3. PLATFORM ASSEMBLY - 5FT/1.52M - SIDE GATE ENTRY (SN 0300189898 through 0300200789) .....	204
FIGURE 5-4. PLATFORM ASSEMBLY - 5FT/1.52M - SIDE GATE ENTRY (SN 0300200790 through 0300208529) .....	206
FIGURE 5-5. PLATFORM ASSEMBLY - 5FT/1.52M - SIDE GATE ENTRY - WITH STOP (SN 0300189898 through 0300195136) .....	208
FIGURE 5-6. PLATFORM ASSEMBLY - 6FT/1.83M - SIDE GATE ENTRY (SN 0300195137 through 0300200789) .....	210
FIGURE 5-7. PLATFORM ASSEMBLY - 6FT/1.83M - SIDE GATE ENTRY (SN 0300200790 through 0300208529) .....	212
FIGURE 5-8. PLATFORM ASSEMBLY - 4FT/1.22M - DROP BAR ENTRY (SN 0300189898 through 0300200789) .....	214
FIGURE 5-9. PLATFORM ASSEMBLY - 4FT/1.22M - DROP BAR ENTRY (SN 0300200790 through 0300208529) .....	216
FIGURE 5-10. PLATFORM ASSEMBLY - 5FT/1.52M - DROP BAR ENTRY (SN 0300189898 through 0300200789) .....	218
FIGURE 5-11. PLATFORM ASSEMBLY - 5FT/1.52M - DROP BAR ENTRY (SN 0300200790 through 0300208529) .....	220
FIGURE 5-12. PLATFORM ASSEMBLY - 6FT/1.83M - DROP BAR ENTRY (SN 0300189898 through 0300200789) .....	222
FIGURE 5-13. PLATFORM ASSEMBLY - 6FT/1.83M - DROP BAR ENTRY (SN 0300200790 through 0300208529) .....	224
FIGURE 5-14. PLATFORM ASSEMBLY - 5FT/1.52M - FALL ARREST (ANSI EXPORT SPEC) (SN 0300189898 through 0300200789) .....	226
FIGURE 5-15. PLATFORM ASSEMBLY - 5FT/1.52M - FALL ARREST (ANSI EXPORT SPEC) (SN 0300200790 through 0300208529) .....	228
FIGURE 5-16. PLATFORM ASSEMBLY - 6FT/1.83M - FALL ARREST (SN 0300189898 through 0300200789) .....	230
FIGURE 5-17. PLATFORM ASSEMBLY - 6FT/1.83M - FALL ARREST (SN 0300200790 through 0300208529) .....	232
FIGURE 5-18. TRAY ASSEMBLY .....	234
FIGURE 5-19. PLATFORM CONSOLE AND FOOTSWITCH INSTALLATION .....	236
FIGURE 5-20. PLATFORM CONSOLE AND FOOTSWITCH INSTALLATION - UL LISTED .....	238
FIGURE 5-21. PLATFORM CONSOLE AND FOOTSWITCH INSTALLATION - WITH SKYGUARD (SN 0300200790 through 0300208529) .....	240
FIGURE 5-22. PLATFORM CONSOLE ASSEMBLY .....	242
FIGURE 5-23. PLATFORM CONSOLE ASSEMBLY - UL LISTED .....	246
FIGURE 5-24. PLATFORM CONSOLE ASSEMBLY - WITH SKYGUARD (SN 0300200790 through 0300208529) .....	250
FIGURE 5-25. LIGHT PANEL DECAL INSTALLATION .....	254
FIGURE 5-26. JIB SWITCH INSTALLATION - E450AJ/M450AJ .....	256
FIGURE 5-27. SEALED ENCLOSURES - UL LISTED .....	258
FIGURE 5-28. CONTROLLER ASSEMBLY - DRIVE AND STEER .....	260
FIGURE 5-29. CONTROLLER ASSEMBLY - LIFT AND SWING .....	262
FIGURE 5-30. FOOTSWITCH ASSEMBLY .....	264
FIGURE 5-31. MOTOR CONTROLS INSTALLATION - M450AJ .....	266
FIGURE 5-32. SKYGUARD SYSTEM INSTALLATION (SN 0300189898 through 0300200789) .....	268



# TABLE OF CONTENTS

FIGURE 5-33. SKYGUARD SYSTEM INSTALLATION (SN 0300200790 through 0300208529).....	270
FIGURE 5-34. CROSS RAIL INSTALLATION.....	272
FIGURE 5-35. PIPE RACK INSTALLATION .....	274
SECTION 6 - CYLINDER.....	277
FIGURE 6-1. JIB CYLINDER ASSEMBLY - E450AJ/M450AJ.....	278
FIGURE 6-2. LIFT CYLINDER ASSEMBLY - LOWER - E450A.....	280
FIGURE 6-3. LIFT CYLINDER ASSEMBLY - LOWER - E450AJ/M450AJ .....	282
FIGURE 6-4. LIFT CYLINDER ASSEMBLY - MID - E450A.....	284
FIGURE 6-5. LIFT CYLINDER ASSEMBLY - MID - E450AJ/M450AJ.....	286
FIGURE 6-6. LIFT CYLINDER ASSEMBLY - UPPER - E450A.....	288
FIGURE 6-7. LIFT CYLINDER ASSEMBLY - UPPER - E450AJ/M450AJ .....	290
FIGURE 6-8. MASTER CYLINDER ASSEMBLY - E450A.....	292
FIGURE 6-9. MASTER CYLINDER ASSEMBLY - E450AJ/M450AJ .....	294
FIGURE 6-10. LEVEL (PLATFORM SLAVE) CYLINDER ASSEMBLY - E450A .....	296
FIGURE 6-11. LEVEL (PLATFORM SLAVE) CYLINDER ASSEMBLY - E450AJ/M450AJ .....	298
FIGURE 6-12. STEER CYLINDER ASSEMBLY.....	300
FIGURE 6-13. TELESCOPE CYLINDER ASSEMBLY - E450A .....	302
FIGURE 6-14. TELESCOPE CYLINDER ASSEMBLY - E450AJ/M450AJ .....	304
FIGURE 6-15. COUNTERBALANCE VALVE ASSEMBLY.....	306
SECTION 7 - HYDRAULIC .....	309
FIGURE 7-1. HYDRAULIC DIAGRAM - E450A.....	310
FIGURE 7-2. HYDRAULIC DIAGRAM - E450AJ.....	314
FIGURE 7-3. HYDRAULIC DIAGRAM - M450AJ .....	318
FIGURE 7-4. HYDRAULIC DIAGRAM LIST .....	322
SECTION 8 - ELECTRICAL .....	323
FIGURE 8-1. ELECTRICAL DIAGRAM LIST.....	324
FIGURE 8-2. AC PLUGS AND SOCKETS INSTALLATION - CEE7 POST GROUND - 2 X 4 BOX (CE SPEC).....	326
FIGURE 8-3. AC PLUGS AND SOCKETS INSTALLATION - CEE7 SIDE GROUND - 2 X 4 BOX (CE SPEC) .....	328
FIGURE 8-4. AC PLUGS AND SOCKETS INSTALLATION - AFSINT 107-2-01 KEYED GROUND - 2 X 4 BOX (CE SPEC).....	330
FIGURE 8-5. AC PLUGS AND SOCKETS INSTALLATION - IEC 60309 YELLOW (CE SPEC).....	332
FIGURE 8-6. AC PLUGS AND SOCKETS INSTALLATION - IEC 60309 BLUE (CE SPEC) .....	334
FIGURE 8-7. AC PLUGS AND SOCKETS INSTALLATION - CEE7 POST GROUND (CE SPEC).....	336
FIGURE 8-8. AC PLUGS AND SOCKETS INSTALLATION - CEE 7 SIDE GROUND (CE SPEC) .....	338
FIGURE 8-9. ANALYZER HARNESS ASSEMBLY.....	340
FIGURE 8-10. BATTERY CHARGER ASSEMBLY .....	342
FIGURE 8-11. BATTERY CHARGER HARNESS (SN 0300189898 through 0300196080) .....	344
FIGURE 8-12. BATTERY CHARGER INDICATOR HARNESS - CE SPEC (SN 0300200790 through 0300208529).....	346
FIGURE 8-13. BEACON LIGHT HARNESS (BLUE BEACON ONLY).....	348
FIGURE 8-14. BOOM LIMIT SWITCH HARNESS - LOWER .....	350
FIGURE 8-15. BOOM LIMIT SWITCH HARNESS - UPPER.....	352
FIGURE 8-16. BREAKER BOX KIT WITH TWO BREAKERS - CE SPEC.....	354
FIGURE 8-17. BREAKER BOX KIT WITH THREE BREAKERS - CE SPEC .....	356
FIGURE 8-18. CHARGER CORD PLUG INSTALLATION - 220V - CEE7 POST GROUND (CE SPEC).....	358
FIGURE 8-19. CHARGER CORD PLUG INSTALLATION - 220V - CEE7 SIDE GROUND (CE SPEC) .....	360
FIGURE 8-20. CHARGER CORD PLUG INSTALLATION - 220V - AFSINT 107 KEYED GROUND (CE SPEC) .....	362
FIGURE 8-21. CHARGER CORD PLUG INSTALLATION - 110V - IEC 60309 - YELLOW (CE SPEC).....	364
FIGURE 8-22. CHARGER CORD PLUG INSTALLATION - 220V - IEC 60309 - BLUE (CE SPEC) .....	366
FIGURE 8-23. CONTACTOR CABLE KIT - E450A/E450AJ.....	368
FIGURE 8-24. CONTACTOR CABLE KIT - M450AJ.....	370
FIGURE 8-25. CONTACTOR PLATE ASSEMBLY AND HARNESSES .....	372
FIGURE 8-26. CONTACTOR PLATE ASSEMBLY AND HARNESSES - UL LISTED .....	374
FIGURE 8-27. CONTACTOR PLATE KIT - E450A/E450AJ - UL/EE.....	376
FIGURE 8-28. DRIVE ORIENTATION HARNESS .....	378
FIGURE 8-29. DRIVE ORIENTATION SWITCH HARNESS ASSEMBLY .....	380
FIGURE 8-30. GENERATOR HARNESS TO GROUND CONTROL BOX .....	382
FIGURE 8-31. GROUND CONTROL CAN HARNESS ASSEMBLY.....	384
FIGURE 8-32. GROUND CONTROL FUNCTION SWITCH HARNESS ASSEMBLY.....	386
FIGURE 8-33. GROUND CONTROL FUNCTION SWITCH HARNESS ASSEMBLY - CE SPEC (SN 0300189898 through 0300200789) .....	388
FIGURE 8-34. GROUND CONTROL FUNCTION SWITCH HARNESS ASSEMBLY - CE SPEC (SN 0300200790 through 0300208529) .....	390

# TABLE OF CONTENTS

FIGURE 8-35. GROUND CONTROL VALVE HARNESS ASSEMBLY .....	392
FIGURE 8-36. HORN/BEACON HARNESS ASSEMBLY .....	394
FIGURE 8-37. INDICATOR LAMP HARNESS ASSEMBLY .....	396
FIGURE 8-38. INDICATOR LAMP HARNESS ASSEMBLY - WITH SKYGUARD .....	398
FIGURE 8-39. INVERTER HARNESS (SN 0300189898 through 0300193792) .....	400
FIGURE 8-40. INVERTER HARNESS (SN 0300193793 through 0300208529) .....	402
FIGURE 8-41. JIB HARNESS - AJ MODELS ONLY .....	404
FIGURE 8-42. LED REMOTE HARNESS .....	406
FIGURE 8-43. LOWER BOOM 110V HARNESS ASSEMBLY .....	408
FIGURE 8-44. LOWER BOOM 220V HARNESS ASSEMBLY - CE SPEC .....	410
FIGURE 8-45. MAIN BOOM HARNESS ASSEMBLY .....	412
FIGURE 8-46. MAIN BOOM 110V HARNESS ASSEMBLY .....	414
FIGURE 8-47. MAIN BOOM 220V HARNESS ASSEMBLY - CE SPEC .....	416
FIGURE 8-48. MAIN BOOM HARNESS ASSEMBLY - E450AJ/M450AJ .....	418
FIGURE 8-49. MOTOR/STEER/BRAKE HARNESS - M450AJ .....	420
FIGURE 8-50. PLATFORM CAN BUS HARNESS ASSEMBLY .....	422
FIGURE 8-51. PLATFORM FUNCTION SWITCH HARNESS ASSEMBLY .....	424
FIGURE 8-52. PLATFORM FUNCTION SWITCH HARNESS ASSEMBLY - WITH SKYGUARD .....	426
FIGURE 8-53. PLUG AND RECEPTACLE INSTALLATION - SUPPLIED LOCALLY .....	428
FIGURE 8-54. PLUG AND RECEPTACLE INSTALLATION - 110V - ANSI SPEC .....	430
FIGURE 8-55. PLUG AND RECEPTACLE 110V INSTALLATION - IEC 60309 - YELLOW (CE SPEC) .....	432
FIGURE 8-56. PLUG AND RECEPTACLE 220V INSTALLATION - IEC 60309 - BLUE (CE SPEC) .....	434
FIGURE 8-57. PLUG AND RECEPTACLE 220V INSTALLATION - CEE7 POST GROUND - 70MM X 70MM BOX (CE SPEC) .....	436
FIGURE 8-58. PLUG AND RECEPTACLE 220V INSTALLATION - CEE7 SIDE GROUND - 70MM X 70MM BOX (CE SPEC) .....	438
FIGURE 8-59. PLUG AND RECEPTACLE 220V INSTALLATION - ANSI SPEC .....	440
FIGURE 8-60. PLUG AND RECEPTACLE 220V INSTALLATION - CEE7 SIDE GROUND - 2 X 4 BOX (CE SPEC) .....	442
FIGURE 8-61. PLUG AND RECEPTACLE 220V INSTALLATION - CEE7 POST GROUND - 2 X 4 BOX (CE SPEC) .....	444
FIGURE 8-62. PLUG AND RECEPTACLE 220V INSTALLATION - AFSINT 107 KEYED GROUND - 2 X 4 BOX (CE SPEC) .....	446
FIGURE 8-63. POSI-TRACK MODULE CAN HARNESS ASSEMBLY .....	448
FIGURE 8-64. SKYGUARD PLATFORM SENSOR HARNESS (SN 0300189898 through 0300200789) .....	450
FIGURE 8-65. SKYGUARD PLATFORM SENSOR HARNESS (SN 0300200790 through 0300208529) .....	452
FIGURE 8-66. SKYGUARD CAN HARNESS (SN 0300200790 through 0300208529) .....	454
FIGURE 8-67. STEER BRAKE HARNESS - E450A/E450AJ .....	456
FIGURE 8-68. STROBE LIGHT HARNESS .....	458
FIGURE 8-69. STROBE LIGHT - AMBER - HARNESS .....	460
FIGURE 8-70. TOWER BOOM HARNESS ASSEMBLY - E450A/E450AJ/M450AJ .....	462
FIGURE 8-71. TURNTABLE/FRAME HARNESS ASSEMBLY .....	464
SECTION 9 - DECALS .....	467
FIGURE 9-1. DECAL INSTALLATION - JLG LOGO .....	468
FIGURE 9-2. DECAL INSTALLATION - ANSI SPEC - M450AJ .....	470
FIGURE 9-3. DECAL INSTALLATION - ANSI SPEC - E450A/E450AJ .....	472
FIGURE 9-4. DECAL INSTALLATION - AUSTRALIAN SPEC - M450AJ .....	474
FIGURE 9-5. DECAL INSTALLATION - CE SPEC - M450AJ (SN 0300189898 through 0300200789) .....	476
FIGURE 9-6. DECAL INSTALLATION - CE SPEC - M450AJ (SN 0300200790 through 0300208529) .....	478
FIGURE 9-7. DECAL INSTALLATION - AUSTRALIAN SPEC - E450AJ .....	480
FIGURE 9-8. DECAL INSTALLATION - CE SPEC - E450AJ (SN 0300189898 through 0300200789) .....	482
FIGURE 9-9. DECAL INSTALLATION - CE SPEC - E450AJ (SN 0300200790 through 0300208529) .....	484
FIGURE 9-10. DECAL INSTALLATION - JAPANESE SPEC - M450AJ .....	486
FIGURE 9-11. DECAL INSTALLATION - JAPANESE SPEC - E450A/E450AJ .....	488
FIGURE 9-12. DECAL INSTALLATION - KOREAN SPEC - M450AJ .....	490
FIGURE 9-13. DECAL INSTALLATION - KOREAN SPEC - E450A/E450AJ .....	492
FIGURE 9-14. DECAL INSTALLATION - SPANISH/ENGLISH SPECS - M450AJ .....	494
FIGURE 9-15. DECAL INSTALLATION - SPANISH/ENGLISH SPECS - E450A/E450AJ .....	496
FIGURE 9-16. DECAL INSTALLATION - FRENCH/ENGLISH SPECS - M450AJ .....	498
FIGURE 9-17. DECAL INSTALLATION - FRENCH/ENGLISH SPECS - E450A/E450AJ .....	500
FIGURE 9-18. DECAL INSTALLATION - CHINESE/ENGLISH SPEC - M450AJ .....	502
FIGURE 9-19. DECAL INSTALLATION - CHINESE/ENGLISH SPEC - E450A/E450AJ .....	504
FIGURE 9-20. DECAL INSTALLATION - SPANISH/PORTUGUESE SPECS - M450AJ .....	506
FIGURE 9-21. DECAL INSTALLATION - SPANISH/PORTUGUESE SPECS - E450A/E450AJ .....	508
SECTION 10 - RECOMMENDED SERVICE PARTS STOCK .....	511
FIGURE 10-1. RECOMMENDED SERVICE PARTS STOCK .....	512
SECTION 11 - SPECIAL OPTIONS .....	513

# TABLE OF CONTENTS

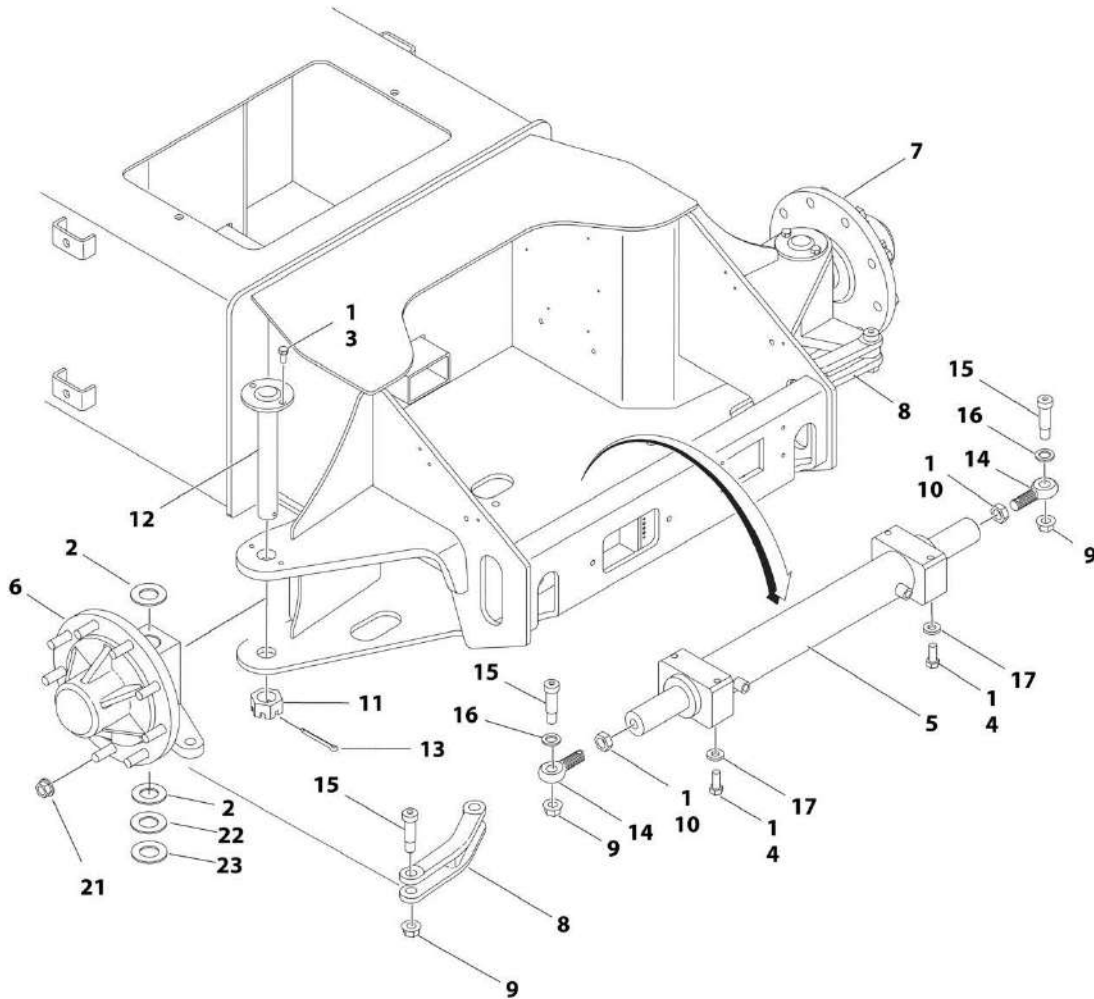
FIGURE 11-1. SPECIAL OPTIONS.....	514
PART NUMBER INDEX .....	517



**SECTION 1 - FRAME**

# SECTION 1 - FRAME

## FIGURE 1-1. STEERING INSTALLATION



ART\_1001166414

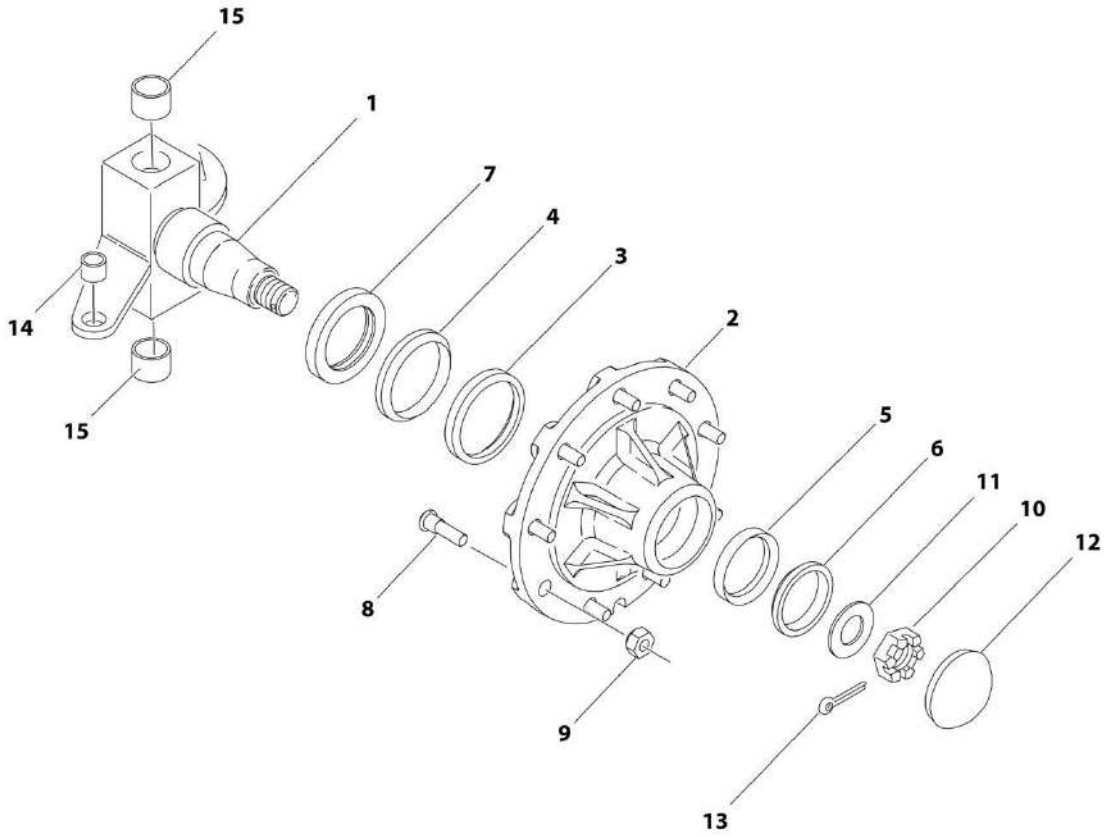
# SECTION 1 - FRAME

## FIGURE 1-1. STEERING INSTALLATION

ITEM	PART NUMBER	QTY	DESCRIPTION	REV
	1001166414	Ref	STEERING INSTALLATION	D
1	0100011	AR	Locking Compound	
2	0440162	4	Bearing, Thrust	
3	0641606	4	Bolt, 3/8-16 x 3/4	
4	0681810	4	Bolt, 1/2-13 x 1-1/4, Grade 8	
5	1683591	1	Steering Cylinder (See CYLINDER SECTION for Breakdown)	
6	2780241	1	Spindle, Hub Assembly RH (See HUB - SPINDLE ASSEMBLY RH for Breakdown)	
7	2780242	1	Spindle, Hub Assembly LH (See HUB - SPINDLE ASSEMBLY LH for Breakdown)	
8	1001153021	2	Link, Steering, Mach	
9	3312008	4	Nut, 5/8-11, Serrated	
10	3322202	2	Nut, Jam	
11	3323003	2	Nut, 1-1/4-12, Castle	
12	3422692	2	Pin, King	
13	3450810	2	Pin, Cotter	
14	3841517	2	End, Tie Rod	
15	3900109	4	Screw, Shoulder	
16	4740156	2	Washer, Thrust	
17	4891800	4	Washer, 1/2	
21	3300426	18	Lugnut, 5/8-18UNF	
22	1001151395	AR	Shim, .048 (SN 0300196080 through 0300208529)	
23	1001151428	AR	Shim, .036 (SN 0300196080 through 0300208529)	

# SECTION 1 - FRAME

## FIGURE 1-2. HUB - SPINDLE ASSEMBLY - RH



ART\_2780241



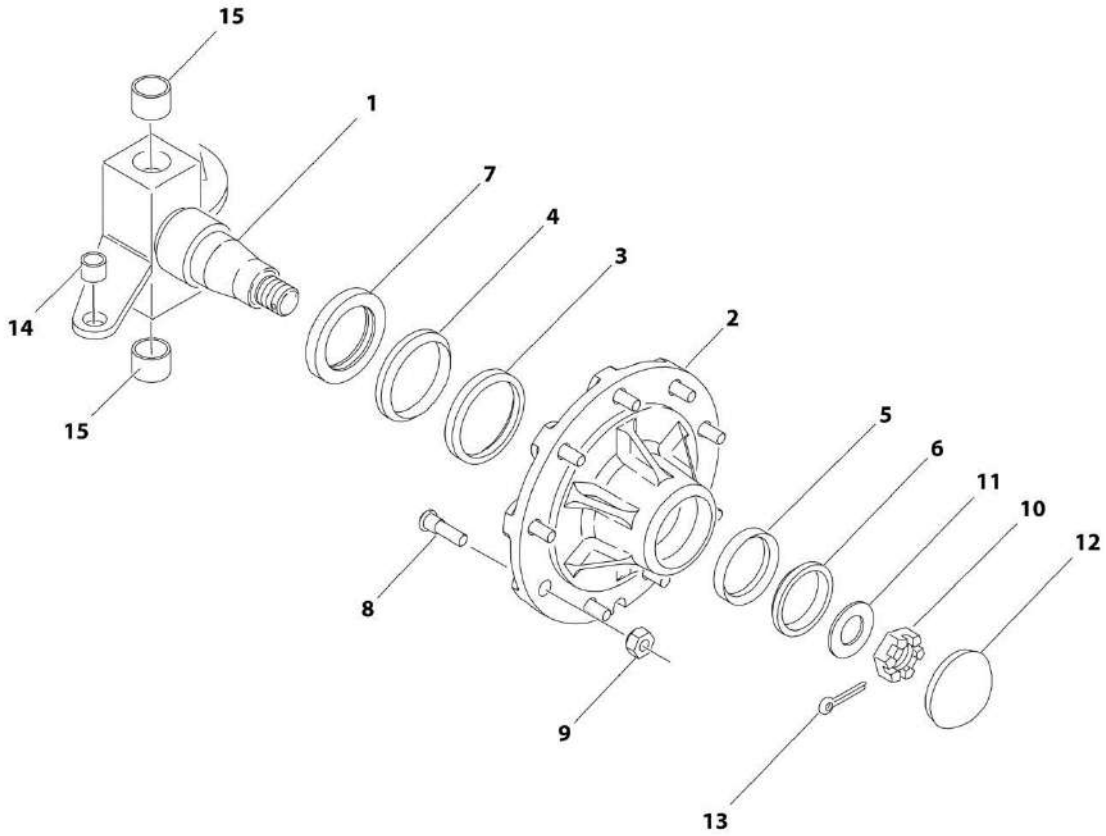
## SECTION 1 - FRAME

**FIGURE 1-2. HUB - SPINDLE ASSEMBLY - RH**

ITEM	PART NUMBER	QTY	DESCRIPTION	REV
	2780241	Ref	HUB - SPINDLE ASSEMBLY - RH	C
1	4130351	1	Spindle RH	
2	7020035	1	Hub	
3	7020036	1	Cup, Bearing - Inner	
4	7020037	1	Cone, Bearing - Inner	
5	7020038	1	Cup, Bearing - Outer	
6	7020039	1	Cone, Bearing - Outer	
7	7020040	1	Seal	
8	7020041	9	Stud, Wheel	
9	7020042	9	Lugnut	
10	7020054	1	Lugnut	
11	7020055	1	Washer, Spindle	
12	7020137	1	Dust Cap	
13	7020140	1	Pin, Cotter	
14	0962140	1	Bushing	
15	0961951	2	Bushing	

# SECTION 1 - FRAME

## FIGURE 1-3. HUB - SPINDLE ASSEMBLY - LH



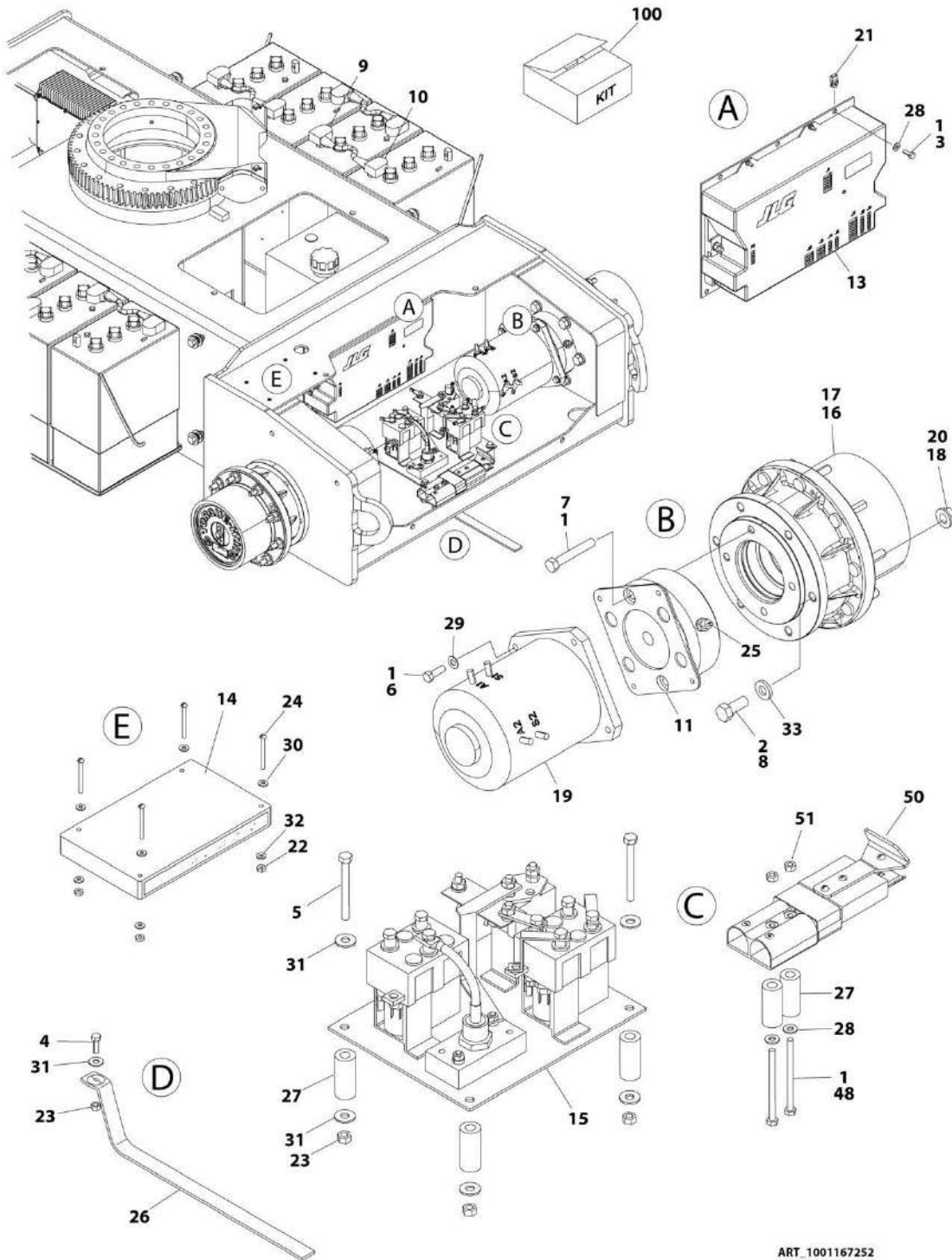
ART\_2780242

FIGURE 1-3. HUB - SPINDLE ASSEMBLY - LH

ITEM	PART NUMBER	QTY	DESCRIPTION	REV
	2780242	Ref	HUB - SPINDLE ASSEMBLY - LH	C
1	4130350	1	Spindle, LH	
2	7020035	1	Hub	
3	7020036	1	Cup, Bearing - Inner	
4	7020037	1	Cone, Bearing - Inner	
5	7020038	1	Cup, Bearing - Outer	
6	7020039	1	Cone, Bearing - Outer	
7	7020040	1	Seal	
8	7020041	1	Stud, Wheel	
9	7020042	1	Lugnut	
10	7020054	1	Nut, Castle	
11	7020055	1	Washer, Spindle	
12	7020137	1	Dust Cap	
13	7020140	1	Pin, Cotter	
14	0962140	1	Bushing	
15	0961951	2	Bushing	

# SECTION 1 - FRAME

## FIGURE 1-4. WHEEL DRIVE - E450A/E450AJ



ART\_1001167252

# SECTION 1 - FRAME

## FIGURE 1-4. WHEEL DRIVE - E450A/E450AJ

ITEM	PART NUMBER	QTY	DESCRIPTION	REV
	1001167252	Ref	WHEEL DRIVE - E450A/E450AJ	F
1	0100011	AR	Compound, Locking	
2	0100019	AR	Compound, Locking	
3	0641406	5	Bolt, 1/4-20 x 3/4	
4	0641508	1	Bolt, 5/16-18 x 1	
5	0641524	4	Bolt, 5/16-18 x 3	
6	0641609	8	Bolt, 3/8-16 x 1-1/8	
7	0641826	4	Bolt, 1/2-13 x 3-1/4	
8	0682014	12	Bolt, 5/8-11 x 1-3/4, Grade 8	
9	0840031	8	Boot, Terminal d Shaped	
10	0840032	8	Boot, Terminal b Shaped	
11	0920113	2	Brake	
11	See Note	NSS	Ring, Sensor (Note: Use p/n 0920113)	
11	7007977	2	Ring, Bearing Retaining (Large) (1 per Assembly)	
11	7011716	2	Ring, Bearing Retaining (Small) (1 per Assembly)	
11	7007913	4	Bolt	
11	7011757	2	Complete Repair Kit (Includes Case and Oil Seals, O-Rings, Back-up Rings, Stator and Rotor Discs, Return Plate, Springs, Bearing and Brake to Hub Gasket (1 per Assembly)	
11	2900768	2	Bearing Kit (1 per Assembly)	
11	7007900	2	Seal, Oil - Front (1 per Assembly)	
11	7007933	2	Gasket, Brake to Hub (1 per Assembly)	
11	70002408	2	Gasket, Brake to Motor (1 per Assembly) (Not Included in Repair Kit)	
13	1600292	1	Controller, Power Module	
14	1600293	1	Module, Positrac/Tilt (Note: Re-calibration Required when Replaced)	
15	1600294	1	Controller, Contactor Panel (See ELECTRICAL SECTION for Breakdown)	
16	2780282	2	Drive Hub Assembly (See DRIVE HUB ASSEMBLY for Breakdown)	
17	3020008	1.5 l	Lubricant, Mobilube HD 80W-90	
18	3020037	AR	Lube, Coupling Grease	
19	3160237	2	Motor, Drive (See DRIVE MOTOR ASSEMBLY for Breakdown)	
20	3300426	18	Nut, 5/8-18UNF	
21	3300454	5	Nut, 1/4-20	
22	3310601	4	Nut, #6-32	
23	3311505	5	Nut, Lock, 5/16-18	
24	3910628	4	Screw, #6-32 x 1-3/4	
25	3990105	2	Sensor, Speed	
26	4240084	1	Strap, Anti-Static	
27	4568114	6	Spacer, Tube	
28	4711400	7	Washer, 1/4	
29	4711600	8	Washer, 3/8	
30	4750600	8	Washer, #6	
31	4751500	10	Washer, 5/16	
32	4760600	4	Washer, Lock, #6	
33	4892000	12	Washer, 5/8	
43	4922103	1	Harness, Battery (Not Shown - See ELECTRICAL SECTION for Breakdown) (SN 0300189898 through 0300196080)	
48	0641430	2	Bolt, 1/4-20 x 3-3/4	

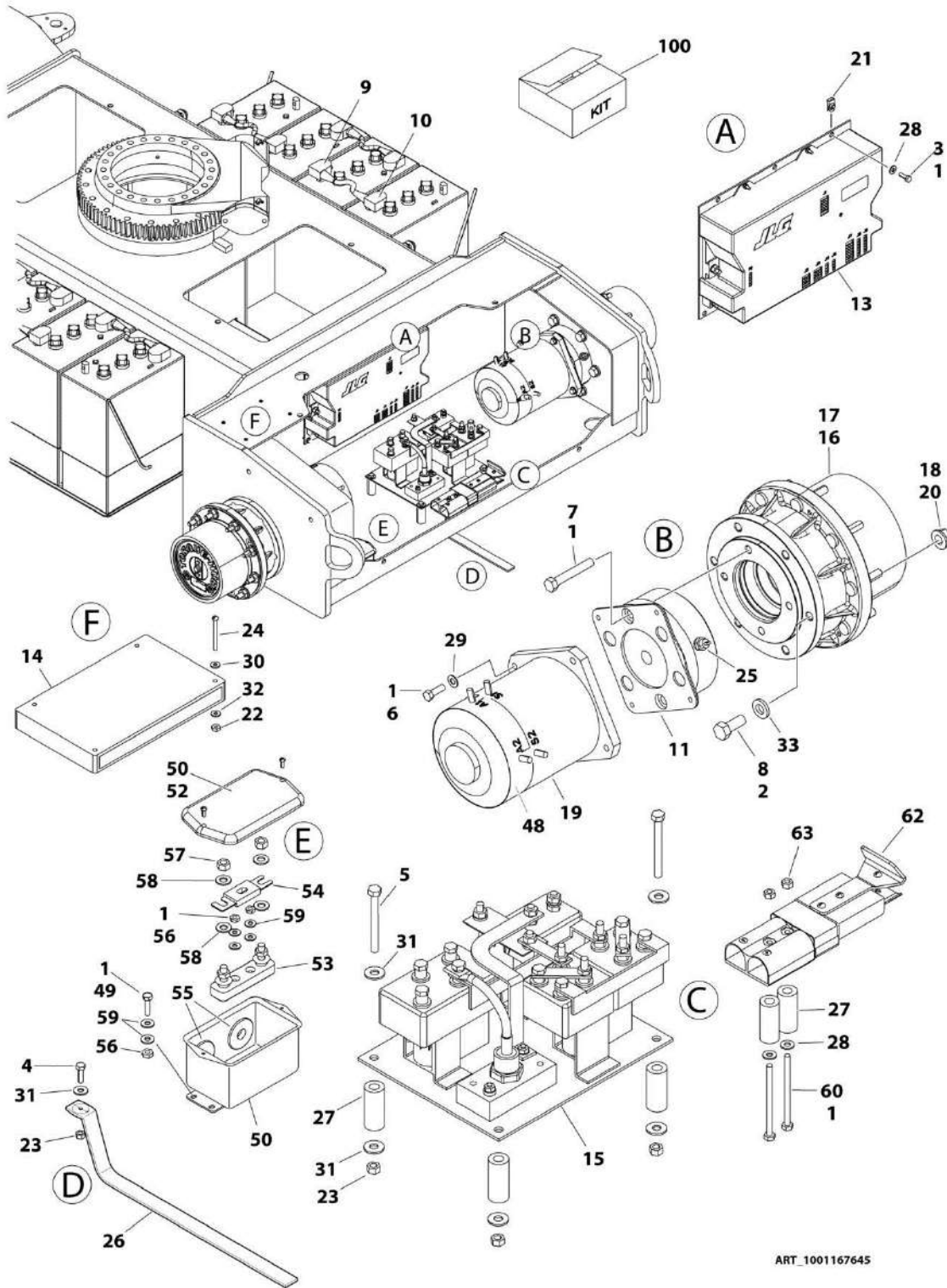
## SECTION 1 - FRAME

ITEM	PART NUMBER	QTY	DESCRIPTION	REV
50	1320172	1	Handle, Pull	
51	3311401	2	Nut, 1/4-20	
100	1001176310	1	Cable, Kit (See ELECTRICAL SECTION for Breakdown)	



# SECTION 1 - FRAME

FIGURE 1-5. WHEEL DRIVE - E450A/E450AJ - UL LISTED



ART 1001167645



## SECTION 1 - FRAME

**FIGURE 1-5. WHEEL DRIVE - E450A/E450AJ - UL LISTED**

ITEM	PART NUMBER	QTY	DESCRIPTION	REV
	1001167645	Ref	WHEEL DRIVE - E450A/E450AJ - UL LISTED	F
1	0100011	AR	Locking Compound	
2	0100019	AR	Locking Compound	
3	0641406	5	Bolt, 1/4-20 x 3/4	
4	0641508	1	Bolt, 5/16-18 x 1	
5	0641524	4	Bolt, 5/16-18 x 3	
6	0641609	8	Bolt, 3/8-16 x 1-1/8	
7	0641826	4	Bolt, 1/2-13 x 3-1/4	
8	0682014	12	Bolt , 5/8-11 x 1-3/4, Grade 8	
9	0840031	8	Boot, Terminal d Shaped	
10	0840032	8	Boot, Terminal b Shaped	
11	0920113	2	Brake, Multi-Disc	
11	See Note	NSS	Ring, Sensor (Note: Use p/n 0920113)	
11	7007977	2	Ring, Bearing Retaining (Large) (1 per Assembly)	
11	7011716	2	Ring, Bearing Retaining (Small) (1 per Assembly)	
11	7007913	4	Bolt	
11	7011757	2	Complete Repair Kit (Includes Case and Oil Seals, O-Rings, Back-up Rings, Stator and Rotor Discs, Return Plate, Springs, Bearing and Brake to Hub Gasket (1 per Assembly)	
11	2900768	2	Bearing Kit (1 per Assembly)	
11	7007900	2	Seal, Oil - Front (1 per Assembly)	
11	7007933	2	Gasket, Brake to Hub (1 per Assembly)	
11	70002408	2	Gasket, Brake to Motor (1 per Assembly) (Not Included in Repair Kit)	
13	1600292	1	Controller, Power Module	
14	1600293	1	Module, Positrac/Tilt (Note: Re-calibration Required when Replaced)	
15	1600300	1	Controller, UL Contactor Panel (See ELECTRICAL SECTION for Breakdown)	
16	2780282	2	Drive Hub Assembly (See DRIVE HUB ASSEMBLY for Breakdown)	
17	3020008	1.5 l	Lubricant, Mobilube HD 80W-90	
18	3020037	AR	Lube, Coupling Grease	
19	3160237	2	Motor, Drive (See DRIVE MOTOR ASSEMBLY for Breakdown)	
20	3300426	18	Nut, Flange, 5/8-18UNF	
21	3300454	5	Nut, 1/4-20	
22	3310601	4	Nut, #6-32	
23	3311505	5	Nut, Lock, 5/16-18	
24	3910628	4	Screw, #6-32 x 1-3/4	
25	3990105	2	Speed Sensor, Assembly	
26	4240084	1	Strap, Anti-Static	
27	4568114	6	Tube, Spacer	
28	4711400	7	Washer, 1/4	
29	4711600	8	Washer, 3/8	
30	4750600	8	Washer, #6	
31	4751500	10	Washer, 5/16	
32	4760600	4	Washer, Lock, #6	
33	4892000	12	Washer, 5/8	
43	4922103	1	Harness, Battery Charger (Not Shown - See ELECTRICAL SECTION for Breakdown) (SN 0300189898 through 0300196080)	
48	0340047	2	Band, Motor	

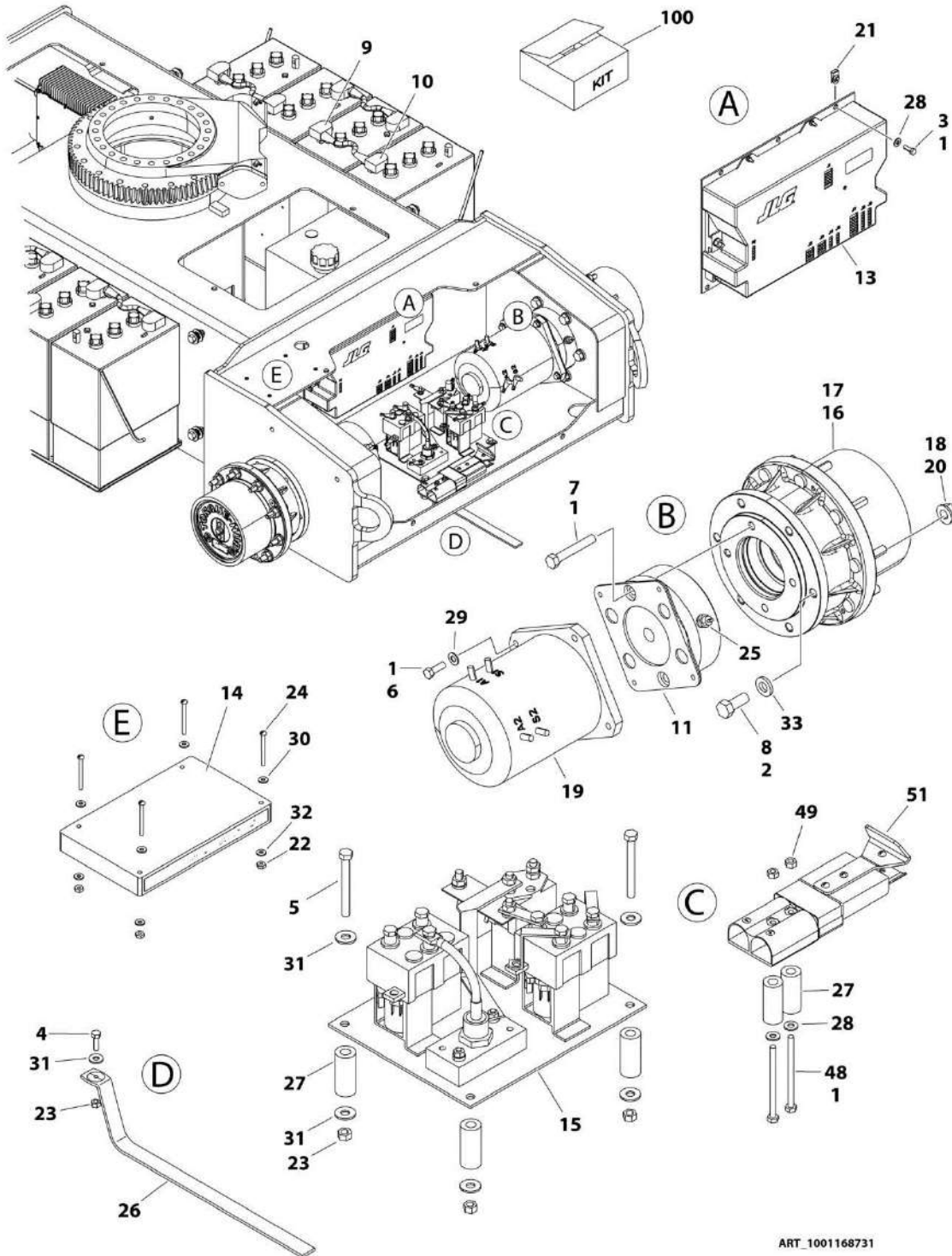
## SECTION 1 - FRAME

ITEM	PART NUMBER	QTY	DESCRIPTION	REV
49	0721006	4	Bolt, #10-24 x .750	
50	0861375	1	Cover	
52	1704712	1	Decal, 300Amp Fuse	
53	2400044	1	Fuse, Mounting Block	
54	2400062	1	Fuse, 300Amp	
55	2540037	2	Grommet	
56	3311001	6	Nut, #10-24	
57	3311501	2	Nut, 5/16-18	
58	4711500	4	Washer, 5/16	
59	4751000	12	Washer, #10	
60	0641430	2	Bolt, 1/4-20 x 3-3/4	
62	1320172	1	Handle, Pull	
63	3311401	2	Nut, 1/4-20	
100	1001176309	1	Cable, Kit (See ELECTRICAL SECTION for Breakdown)	



# SECTION 1 - FRAME

## FIGURE 1-6. WHEEL DRIVE - M450AJ



ART\_1001168731

# SECTION 1 - FRAME

## FIGURE 1-6. WHEEL DRIVE - M450AJ

ITEM	PART NUMBER	QTY	DESCRIPTION	REV
	1001168731	Ref	WHEEL DRIVE - M450AJ	E
1	0100011	AR	Locking Compound	
2	0100019	AR	Locking Compound	
3	0641406	5	Bolt, 1/4-20 x 3/4	
4	0641508	1	Bolt, 5/16-18 x 1	
5	0641524	4	Bolt, 5/16-18 x 3	
6	0641609	8	Bolt, 3/8-16 x 1-1/8	
7	0641826	4	Bolt, 1/2-13 x 3-1/4	
8	0682012	12	Bolt, 5/8-11 x 1-1/2, Grade 8	
9	0840031	8	Boot, Terminal d Shaped	
10	0840032	8	Boot, Terminal b Shaped	
11	0920113	2	Brake, Multi-Disc	
11	See Note	NSS	Ring, Sensor (Note: Use p/n 0920113)	
11	7007977	2	Ring, Bearing Retaining (Large) (1 per Assembly)	
11	7011716	2	Ring, Bearing Retaining (Small) (1 per Assembly)	
11	7007913	4	Bolt	
11	7011757	2	Complete Repair Kit (Includes Case and Oil Seals, O-Rings, Back-up Rings, Stator and Rotor Discs, Return Plate, Springs, Bearing and Brake to Hub Gasket (1 per Assembly)	
11	2900768	2	Bearing Kit (1 per Assembly)	
11	7007900	2	Seal, Oil - Front (1 per Assembly)	
11	7007933	2	Gasket, Brake to Hub (1 per Assembly)	
11	70002408	2	Gasket, Brake to Motor (1 per Assembly) (Not Included in Repair Kit)	
13	1600292	1	Controller, Power Module	
14	1600293	1	Module, Positrac/Tilt (Note: Re-calibration Required when Replaced)	
15	1600294	1	Contactora, Dual Motor Panel (See ELECTRICAL SECTION for Breakdown)	
16	2780282	2	Drive Hub Assembly (See DRIVE HUB ASSEMBLY for Breakdown)	
17	3020008	1.5 l	Lubricant, Mobilube HD 80W-90	
18	3020037	AR	Lube, Coupling Grease	
19	3160237	2	Motor (See DRIVE MOTOR ASSEMBLY for Breakdown)	
20	3300426	18	Nut, Flange, 5/8-18UNF	
21	3300454	5	Nut, 1/4-20	
22	3310601	4	Nut, #6-32	
23	3311505	5	Nut, Lock, 5/16-18	
24	3910624	4	Screw, 6-32 x 1-1/2	
25	3990105	2	Speed Sensor, Assembly	
26	4240084	1	Strap, Anti-Static	
27	4568114	6	Tube, Spacer	
28	4711400	7	Washer, 1/4	
29	4711600	8	Washer, 3/8	
30	4750600	8	Washer, #6	
31	4751500	10	Washer, 5/16	
32	4760600	4	Washer, Lock, #6	
33	4892000	12	Washer, 5/8	
43	4922103	1	Harness, Battery Charger (Not Shown - See ELECTRICAL SECTION for Breakdown) (SN 0300189898 through 0300196080)	
48	0641430	2	Bolt, 1/4-20 x 3-3/4	

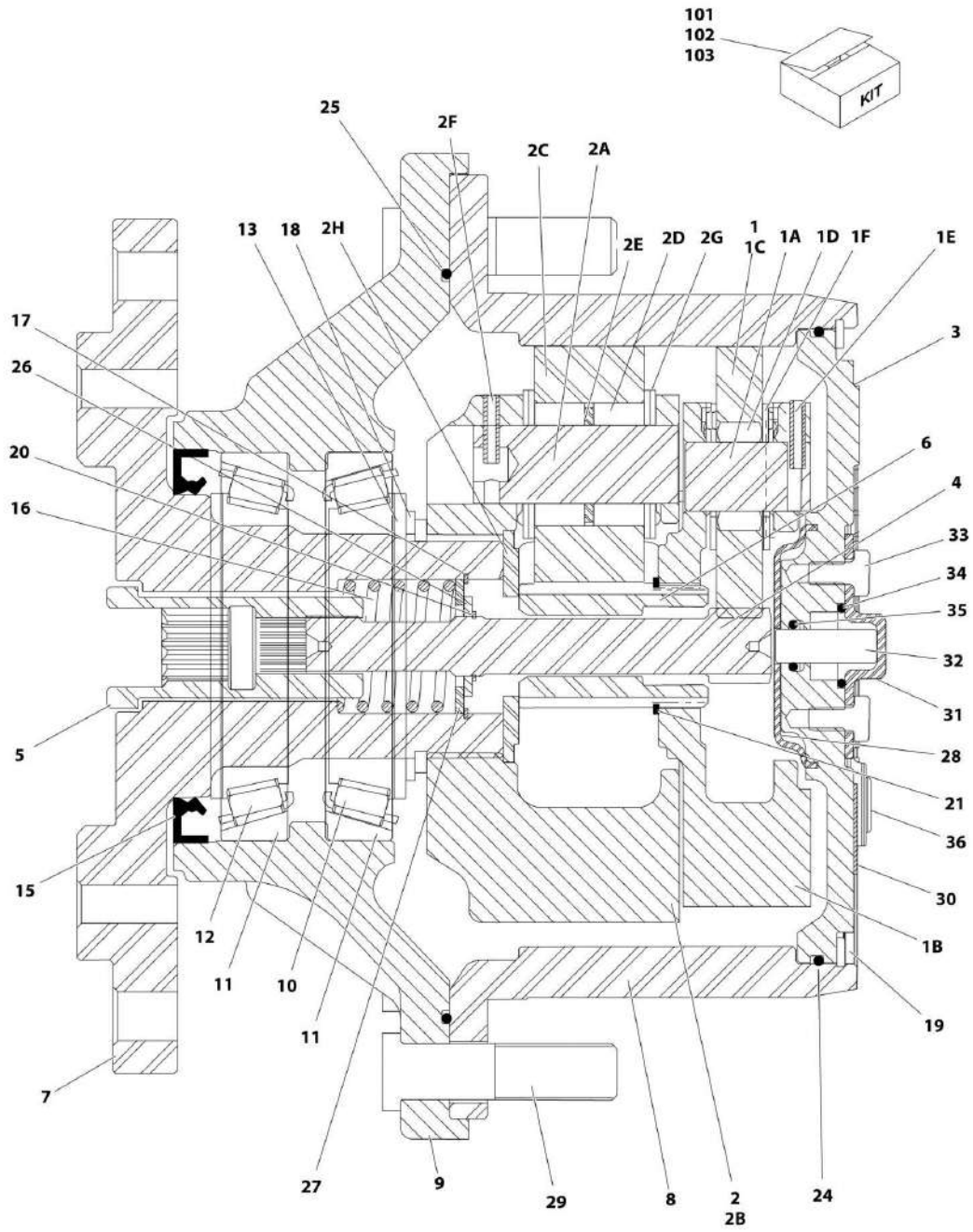
## SECTION 1 - FRAME

ITEM	PART NUMBER	QTY	DESCRIPTION	REV
49	3311401	2	Nut, 1/4-20	
51	1320172	1	Handle, Pull	
100	1001176311	1	Cable, Kit (See ELECTRICAL SECTION for Breakdown)	



# SECTION 1 - FRAME

## FIGURE 1-7. HUB - DRIVE ASSEMBLY



ART 2780282



FIGURE 1-7. HUB - DRIVE ASSEMBLY

ITEM	PART NUMBER	QTY	DESCRIPTION	REV
	2780282	Ref	HUB - DRIVE ASSEMBLY	A
1	70001366	1	Carrier, Sub Assembly	
1A	See Note	NSS	Shaft, Planet (Note: Use Item 1)	
1B	See Note	NSS	Carrier (Note: Use Item 1)	
1C	See Note	NSS	Gear, Planet (Note: Use Item 1)	
1D	See Note	NSS	Bearing, Needle (Note: Use Item 1)	
1E	See Note	NSS	Pin, Roll (Note: Use Item 1)	
1F	See Note	NSS	Washer, Thrust (Note: Use Item 1)	
2	70001367	1	Carrier, Input	
2A	See Note	NSS	Shaft, Planet (Note: Use Item 2)	
2B	See Note	NSS	Carrier (Note: Use Item 2)	
2C	See Note	NSS	Gear, Planet (Note: Use Item 2)	
2D	See Note	NSS	Bearing, Needle (Note: Use Item 2)	
2E	See Note	NSS	Spacer, Thrust (Note: Use Item 2)	
2F	See Note	NSS	Pin, Roll (Note: Use Item 2)	
2G	See Note	NSS	Washer, Thrust (Note: Use Item 2)	
2H	See Note	NSS	Washer, Thrust (Note: Use Item 2)	
3	70001368	1	Cover	
4	70001369	1	Shaft, Input	
5	70001370	1	Coupling	
6	70001371	1	Shaft, Sun Gear	
7	70001372	1	Spindle	
8	70001373	1	Gear, Ring	
9	See Note	NSS	Housing (Note: Use p/n 2780282)	
10	See Note	NSS	Bearing, Tapered-Cone (Note: Use Item 101)	
11	See Note	NSS	Bearing, Tapered-Cup (Note: Use Item 101)	
12	See Note	NSS	Bearing, Tapered-Cone (Note: Use Item 101)	
13	7017009	1	Washer, Thrust	
15	See Note	NSS	Seal, Lip (Note: Use Item 102)	
16	70001374	1	Spring	
17	70001375	1	Ring, Retaining (Internal)	
18	See Note	NSS	Ring, Retaining (External) (Note: Use Item 102)	
19	7024738	1	Ring, Retaining (Internal)	
20	70001376	1	Ring, Retaining (External)	
21	70001377	1	Ring, Retaining (External)	
22	7000281	4	Screw (Not Shown - ID Plate Screws)	
23	7017022	3	Bolt, Flathead (Not Shown - Located on front of hub)	
24	See Note	NSS	O-Ring (Note: Use Item 102)	
25	See Note	NSS	O-Ring (Note: Use Item 102)	
26	70001378	1	Spacer, Thrust	
27	70001379	1	Washer, Thrust	
28	7024741	1	Spacer, Thrust	
29	7007640	9	Stub, Wheel	
30	See Note	NSS	Flange, Plate (Note: Use Item 103)	
31	See Note	NSS	Cap, Disengage (Note: Use Item 103)	
32	See Note	NSS	Pin, Dowel (Note: Use Item 103)	
33	See Note	NSS	Bolt (Note: Use Item 103)	
34	See Note	NSS	O-Ring (Note: Use Item 103)	
35	See Note	NSS	O-Ring (Note: Use Item 103)	
36	See Note	NSS	Plug (Note: Use Item 103)	

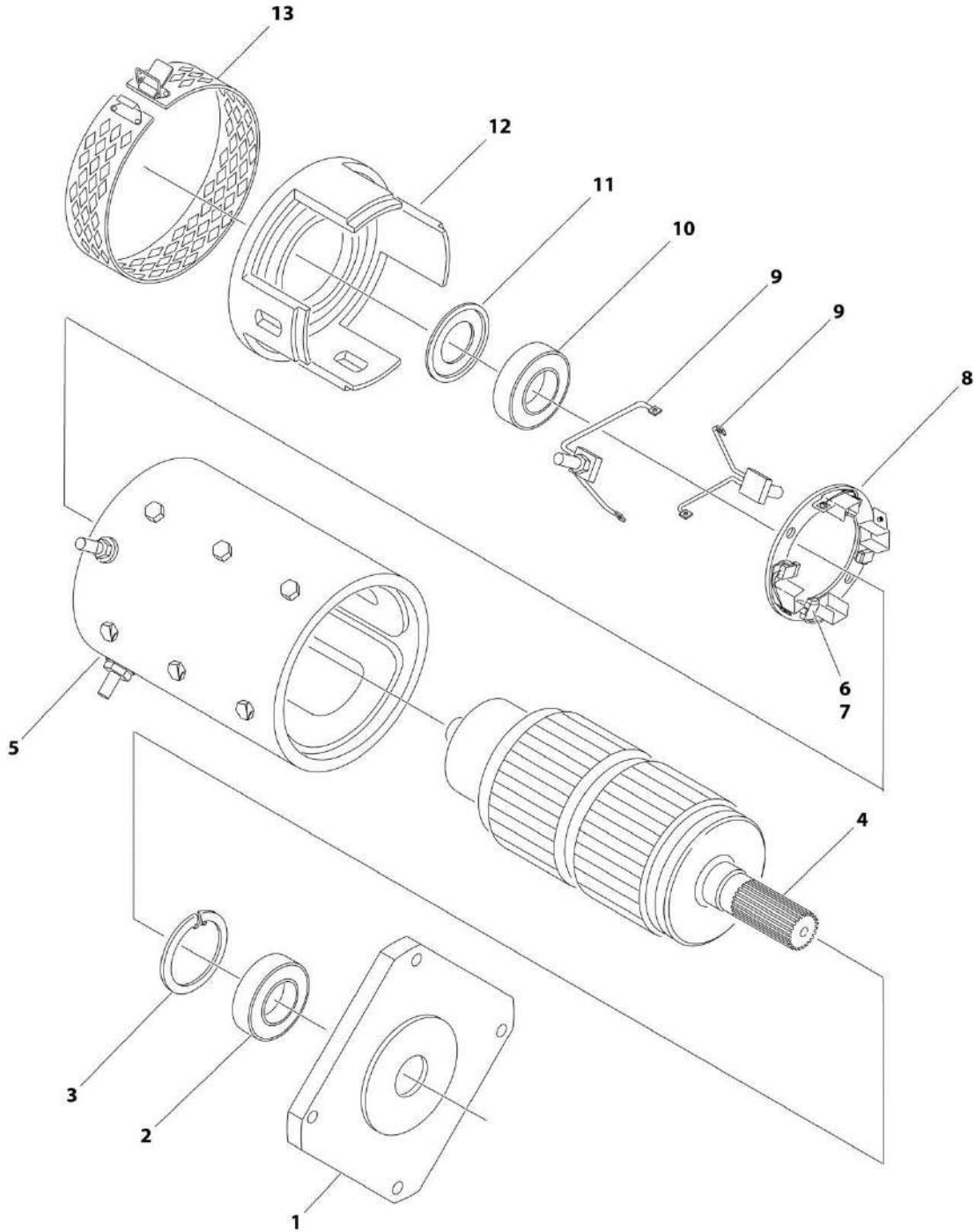
## SECTION 1 - FRAME

ITEM	PART NUMBER	QTY	DESCRIPTION	REV
101	7017007	1	Bearing Kit - Planet Gear (Includes Items 10-12)	
102	70001380	1	Seal Kit - Planet Gear (Includes Items 15, 18, 24 & 25)	
103	70001368	1	Cap/Disengage Kit (Includes Items 30-36)	



# SECTION 1 - FRAME

## FIGURE 1-8. DRIVE MOTOR ASSEMBLY



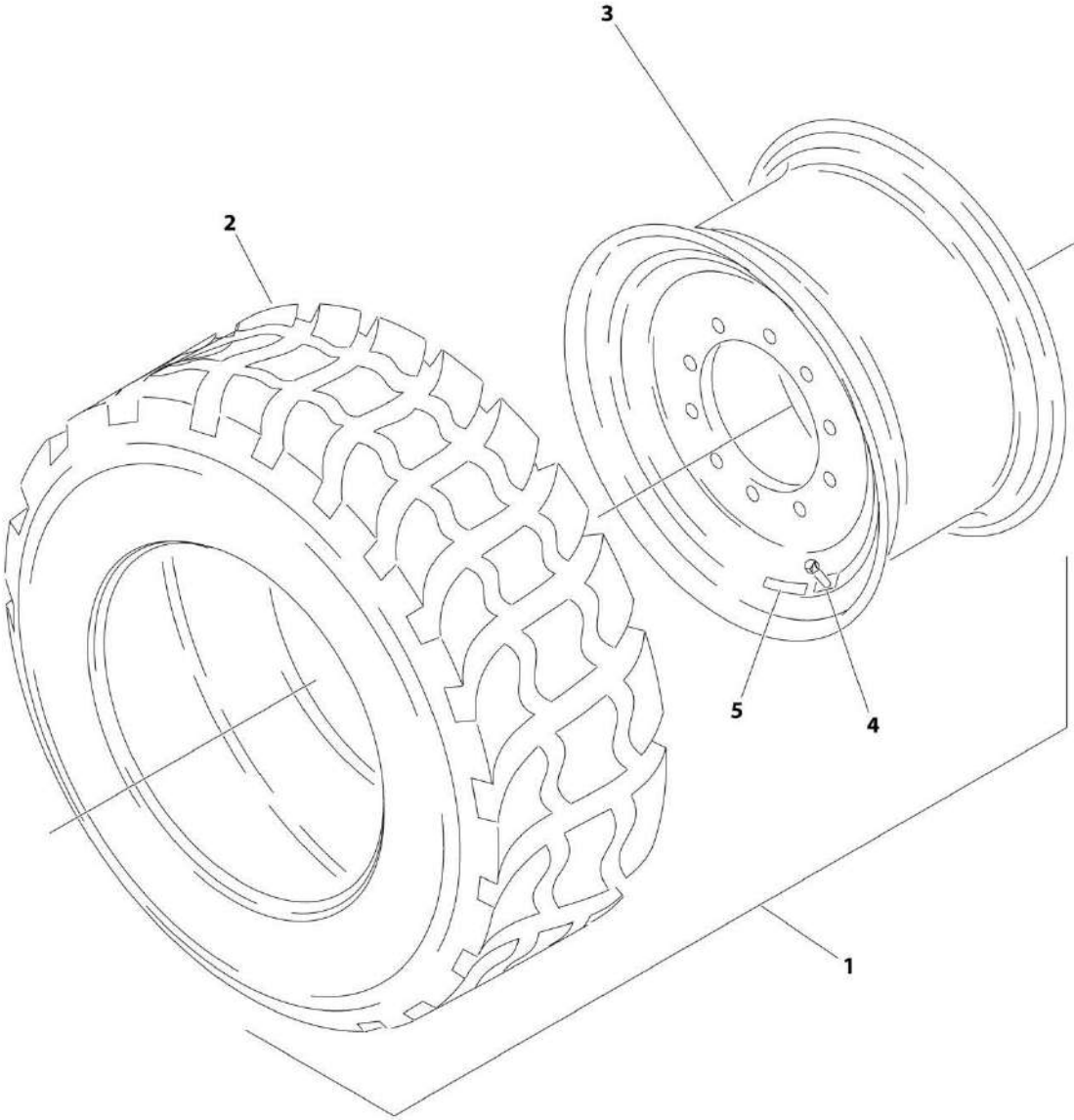
ART\_3160237

FIGURE 1-8. DRIVE MOTOR ASSEMBLY

ITEM	PART NUMBER	QTY	DESCRIPTION	REV
	3160237	Ref	DRIVE MOTOR ASSEMBLY	F
1	7020184	1	Plate, Drive End	
2	7012545	1	Bearing	
3	7020185	1	Ring, Retaining	
4	See Note	NSS	Armature (Note: Use p/n 3160237)	
5	See Note	NSS	Frame and Field Assembly (Note: Use p/n 3160237)	
6	7012548	4	Spring, Brush	
7	7020149	4	Brush	
8	7020150	1	Holder, Brush	
9	7020151	2	Brush Lead Assembly Kit	
10	7012545	1	Bearing	
11	7012549	1	Washer	
12	7020189	1	End, Commutator	
13	7019609	1	Headband Assembly	

**SECTION 1 - FRAME**

**FIGURE 1-9. TIRE AND WHEEL - IN240/55-17.5 PNEUMATIC**



ART\_0258995

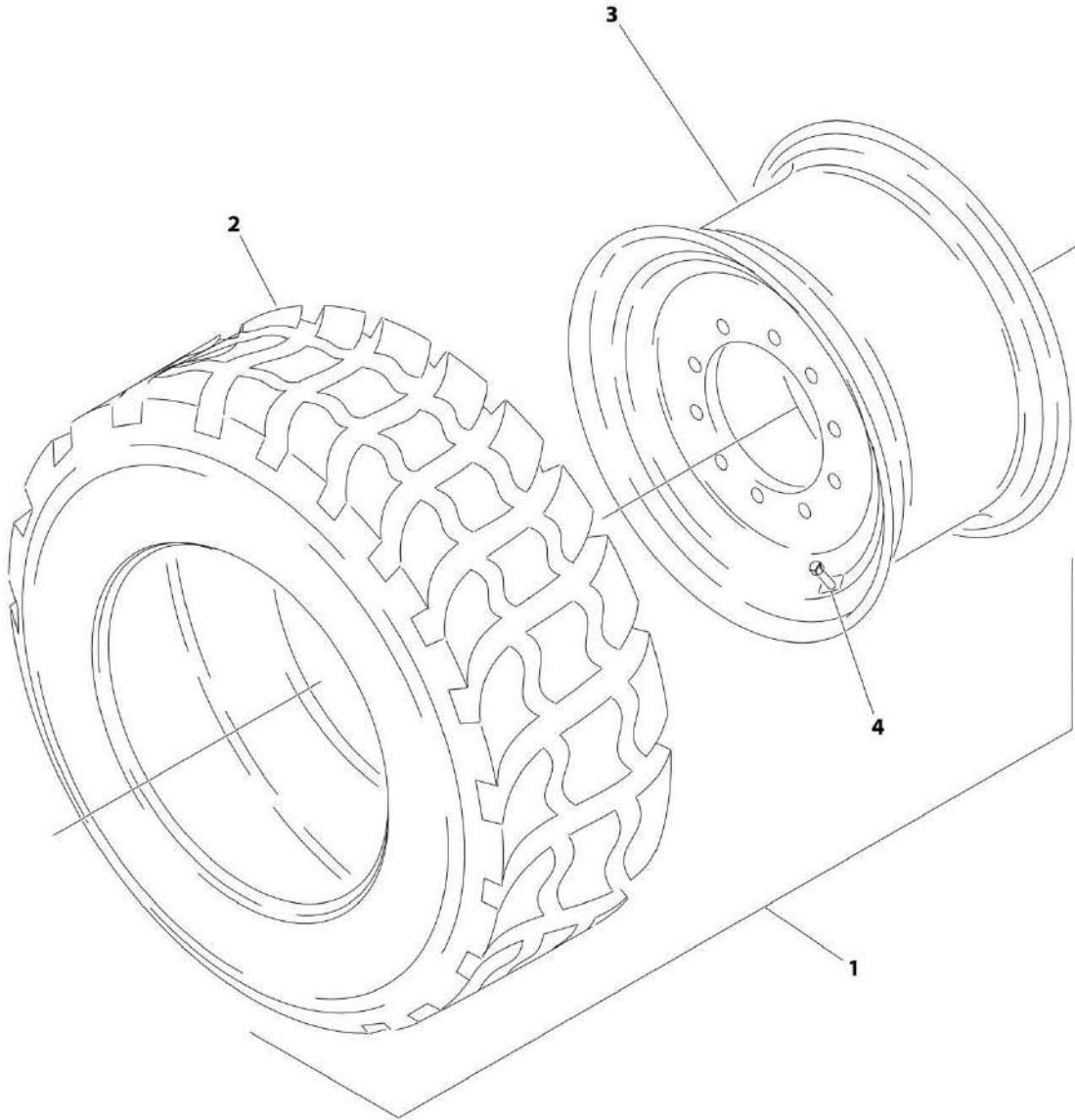
## SECTION 1 - FRAME

### FIGURE 1-9. TIRE AND WHEEL - IN240/55-17.5 PNEUMATIC

ITEM	PART NUMBER	QTY	DESCRIPTION	REV
	0258995	Ref	TIRE AND WHEEL - IN240/55-17.5 PNEUMATIC	1
1	0258688	4	Tire Assembly	2
2	4520209	1	Tire, OTR, IN240/55-17.5 Pneumatic	
3	4860191	1	Rim, Wheel	
4	4641167	1	Valve, Stem	
5	1702740	1	Decal - Tire Pressure	

# SECTION 1 - FRAME

FIGURE 1-10. TIRE AND WHEEL - IN240/55 - 17.5 FOAM FILL



ART\_0258996



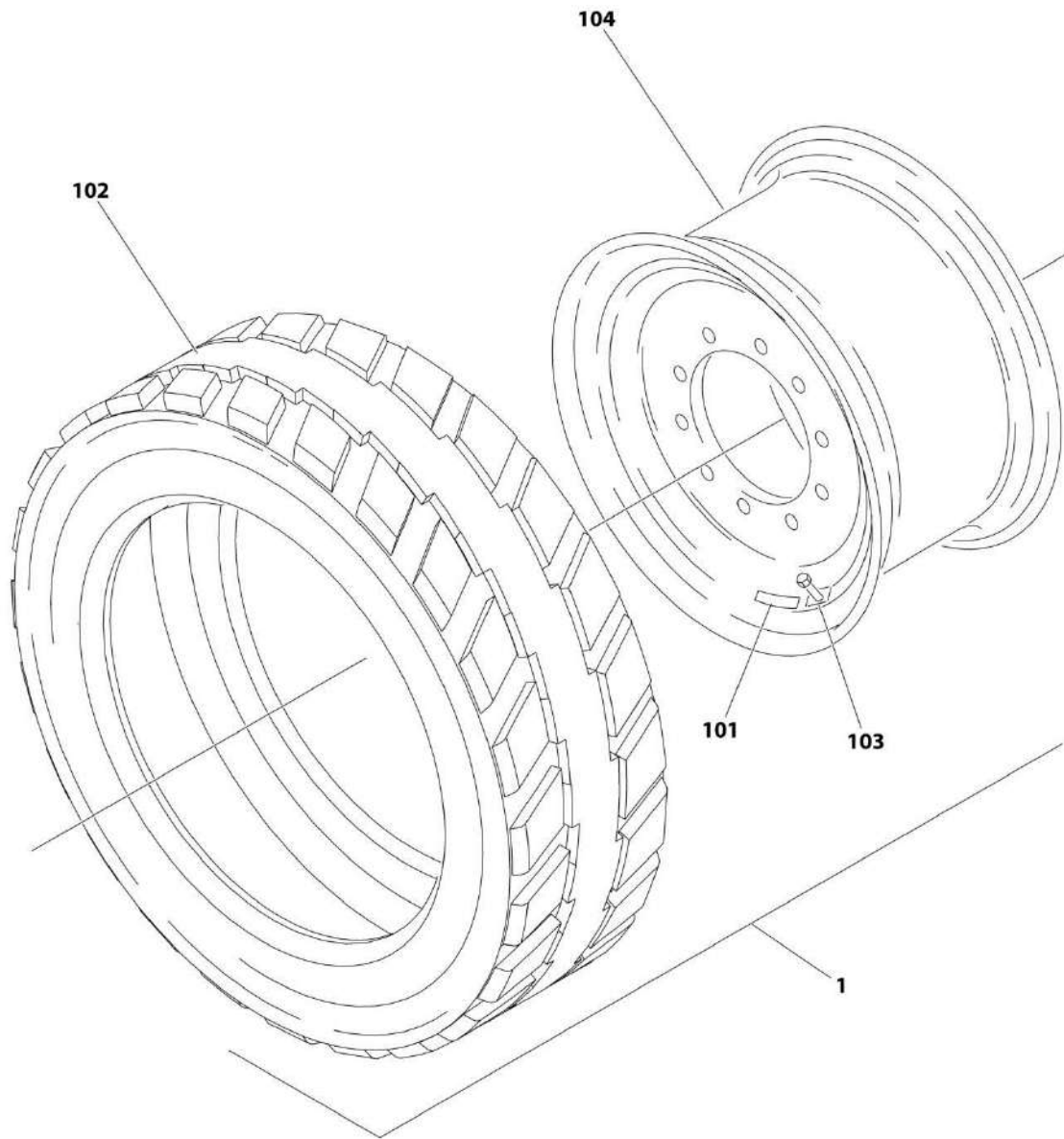
## SECTION 1 - FRAME

**FIGURE 1-10. TIRE AND WHEEL - IN240/55 - 17.5 FOAM FILL**

ITEM	PART NUMBER	QTY	DESCRIPTION	REV
1	0258996	Ref	TIRE AND WHEEL - IN240/55 - 17.5 FOAM FILL	1
	0258997	4	Tire Assembly	D
	See Note	Ref	Note: Assemblies may require ballast/foam filling to manufacture's specifications prior to installing on a machine. Refer to Operation and Safety or Service and Maintenance Manuals. Purchase Individual tire and/or rim only if able to foam fill tire and wheel assembly, otherwise, purchase complete assembly	
2	4520209	1	Tire, OTR, IN240/55-17.5	
3	4860191	1	Rim, Wheel	
4	4641122	1	Valve, Stem	

# SECTION 1 - FRAME

FIGURE 1-11. TIRE AND WHEEL - IN240/55-17.5 PNEUMATIC NON MARKING



ART\_0273683

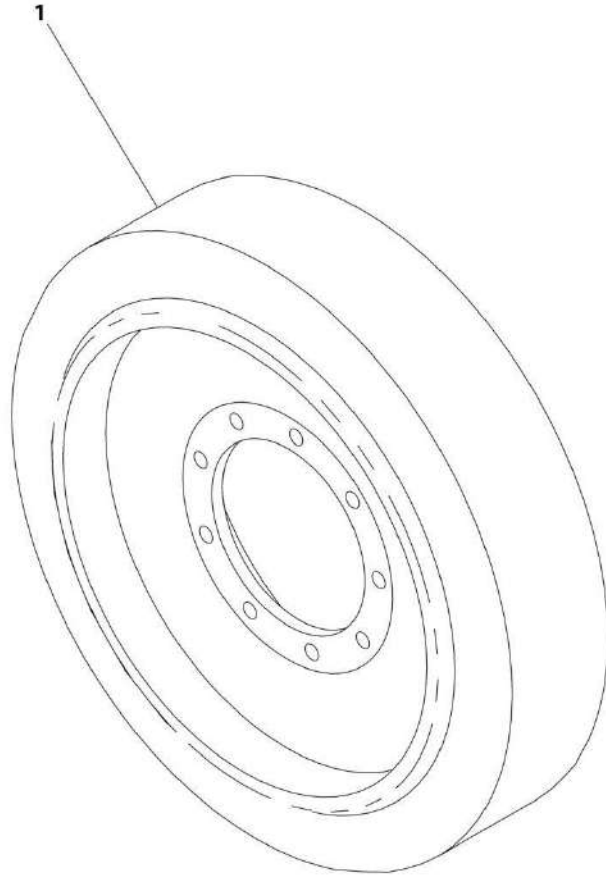
## SECTION 1 - FRAME

**FIGURE 1-11. TIRE AND WHEEL - IN240/55-17.5 PNEUMATIC NON MARKING**

ITEM	PART NUMBER	QTY	DESCRIPTION	REV
	0273683	Ref	TIRE AND WHEEL - IN240/55-17.5 PNEUMATIC NON MARKING	A
		Ref	Note: Assemblies may require ballast/foam filling to manufacturer's specifications prior to installing on a machine. Refer to Operation and Safety or Service and Maintenance Manuals. Purchase individual tire and/or rim only if able to foam fill tire and wheel assembly, otherwise, purchase complete assembly.	
1	4520279	4	Tire Assembly	A
101	1702740	1	Decal - Tire Pressure	
102	4520269	1	Tire, OTR, IN240/55-17.5 Non Marking	
103	4641167	1	Valve, Stem	
104	4860191	1	Rim, Wheel	

## SECTION 1 - FRAME

FIGURE 1-12. TIRE AND WHEEL - 26 X 7 X 20 - SOLID NON MARKING



ART\_0270037

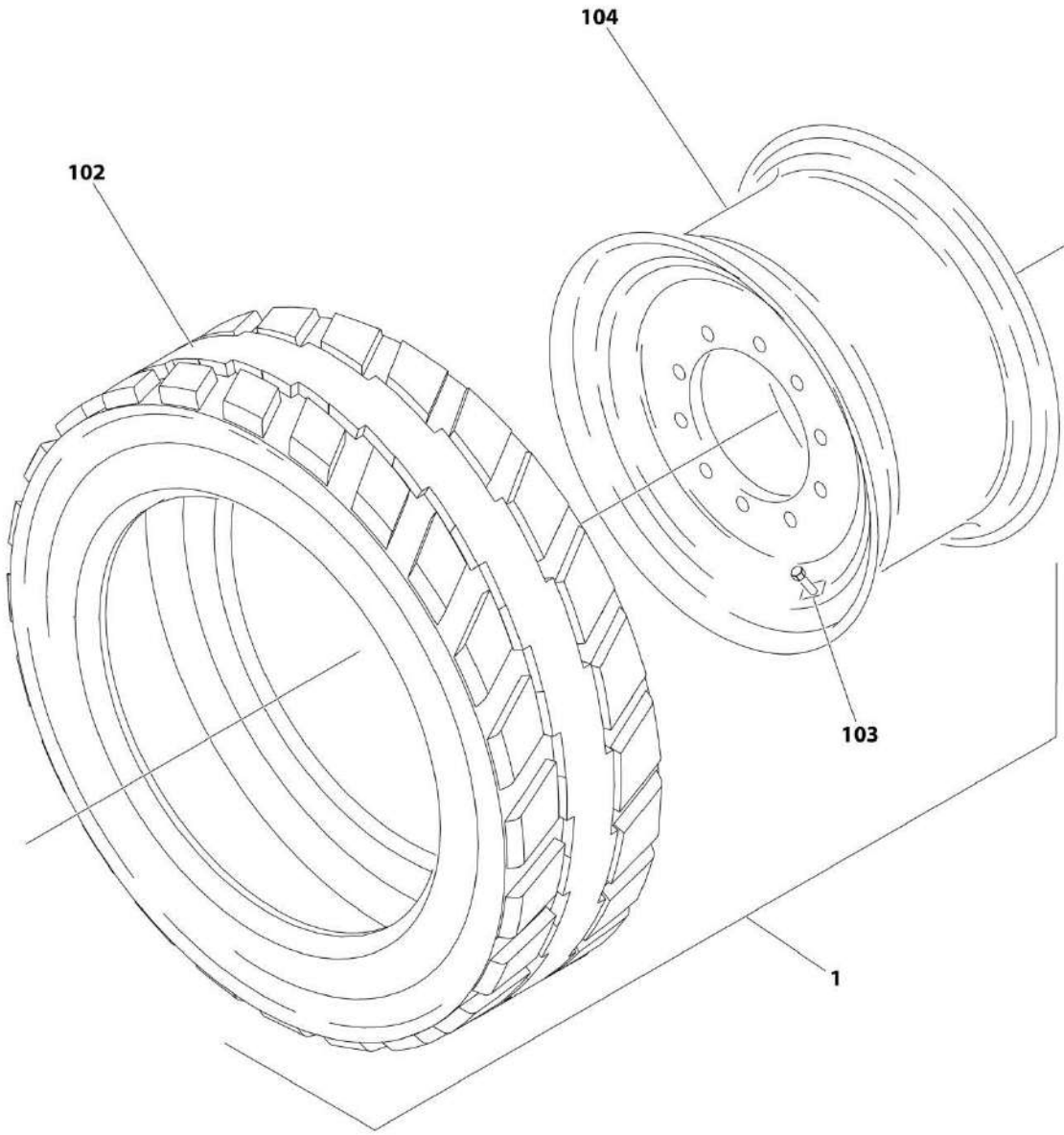
**SECTION 1 - FRAME**

**FIGURE 1-12. TIRE AND WHEEL - 26 X 7 X 20 - SOLID NON MARKING**

ITEM	PART NUMBER	QTY	DESCRIPTION	REV
1	0270037 See Note 1001110775	Ref Ref 4	TIRE AND WHEEL - 26 x 7 x 20 - SOLID NON MARKING Note: Must replace Tire and Wheel Assemblies in pairs per axle. Tire Assembly	2  B

**SECTION 1 - FRAME**

**FIGURE 1-13. TIRE AND WHEEL - IN240/55-17.5 FOAM FILL NON MARKING**



ART\_0273684

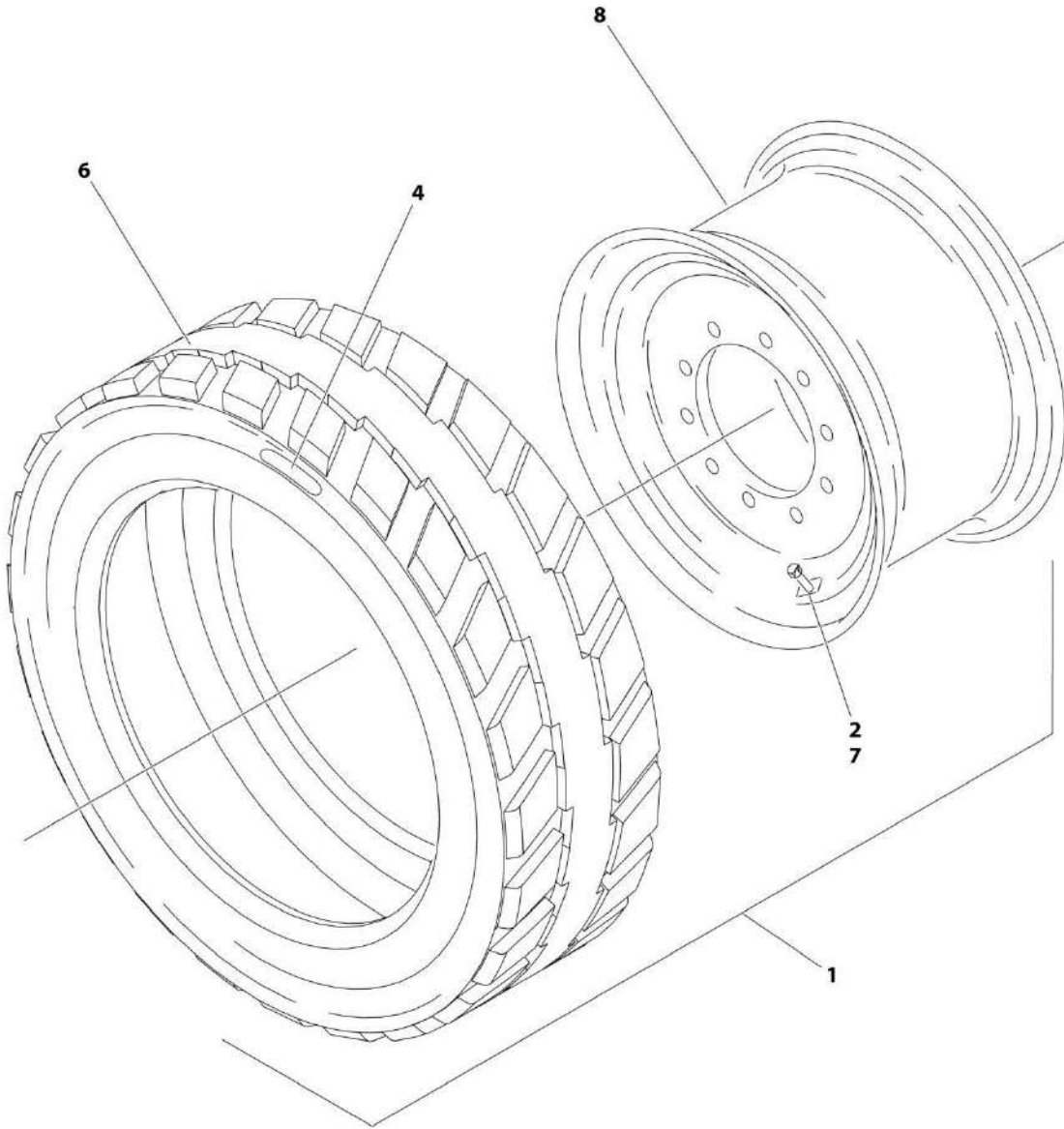
**SECTION 1 - FRAME**

**FIGURE 1-13. TIRE AND WHEEL - IN240/55-17.5 FOAM FILL NON MARKING**

ITEM	PART NUMBER	QTY	DESCRIPTION	REV
	0273684	Ref	TIRE AND WHEEL - IN240/55-17.5 FOAM FILL NON MARKING	A
		Ref	Note: Assemblies may require ballast/foam filling to manufacturer's specifications prior to installing on a machine. Refer to Operation and Safety or Service and Maintenance Manuals. Purchase individual tire and/or rim only if able to foam fill tire and wheel assembly, otherwise, purchase complete assembly.	
1	0273468	4	Tire Assembly	F
102	4520269	1	Tire, OTR, IN240/55-17.5 Foam Filled Non Marking	
103	4641122	1	Valve, Stem	
104	4860191	1	Rim, Wheel	

# SECTION 1 - FRAME

FIGURE 1-14. TIRE AND WHEEL - IN240/55-17.5 PNEUMATIC NON MARKING TS



ART\_0273686



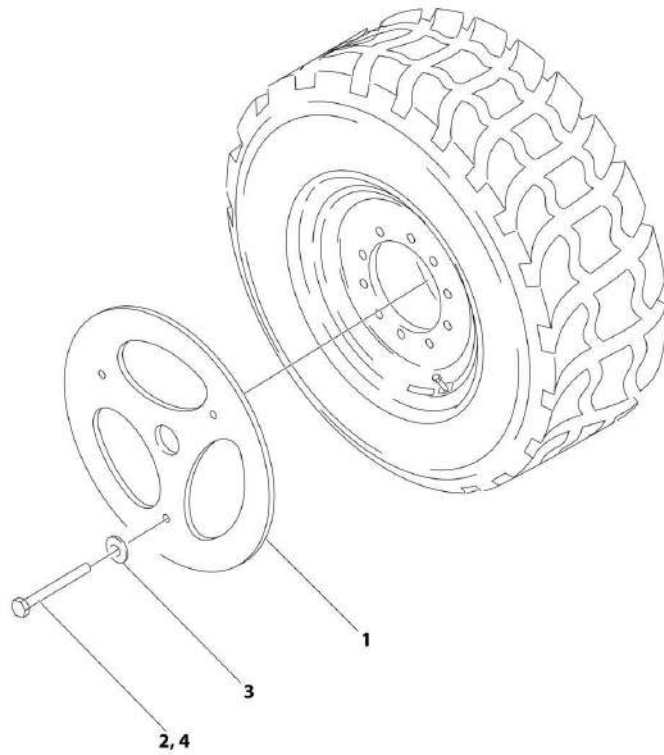
## SECTION 1 - FRAME

**FIGURE 1-14. TIRE AND WHEEL - IN240/55-17.5 PNEUMATIC NON MARKING TS**

ITEM	PART NUMBER	QTY	DESCRIPTION	REV
	0273686	Ref	TIRE AND WHEEL - IN240/55-17.5 PNEUMATIC NON MARKING TS	A
1	4520282	1	Tire Assembly	A
2	1120552	1	Cap, Valve Stem (Green)	
3	1300019	AR	Sealant, Tire (Not Shown)	
4	1702740	1	Decal - Tire Pressure	
5	1705364	1	Decal - Tire Sealant (Not Shown)	
6	4520269	1	Tire, OTR, IN240/55-17.5 Pneumatic Non Marking	
7	4641167	1	Valve, Stem	
8	4860191	1	Rim, Stem	

## SECTION 1 - FRAME

FIGURE 1-15. WHEEL COVER INSTALLATION - IN240/55-17.5 TIRES ONLY



ART. 0259302

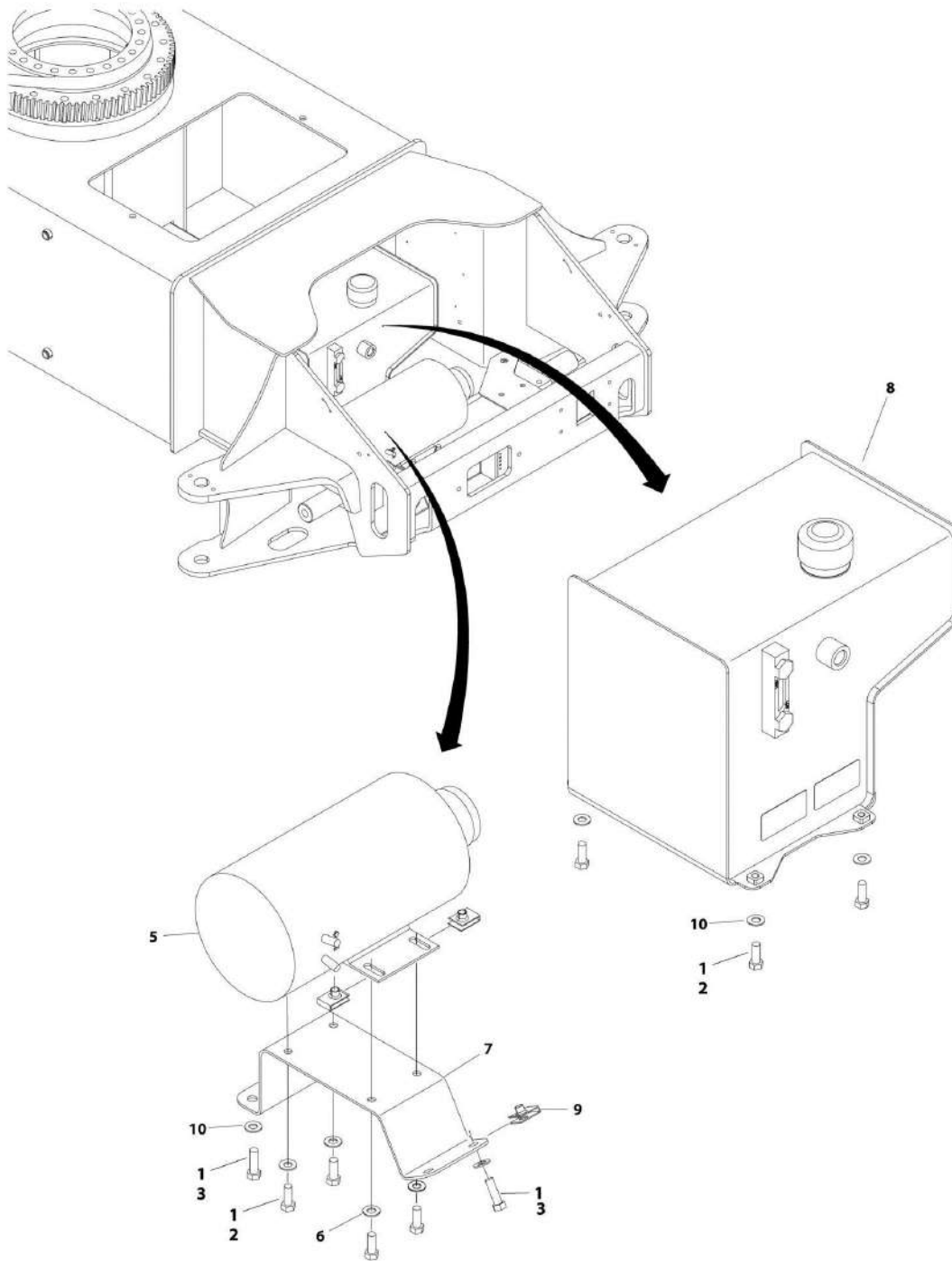
## SECTION 1 - FRAME

**FIGURE 1-15. WHEEL COVER INSTALLATION - IN240/55-17.5 TIRES ONLY**

ITEM	PART NUMBER	QTY	DESCRIPTION	REV
	0259302	Ref	WHEEL COVER INSTALLATION - IN240/55-17.5 TIRES ONLY	1
1	1670887	4	Cover, Wheel	
2	0641542	12	Bolt, 5/16-18 x 5-1/4	
3	4711500	12	Washer, 5/16	
4	0100011	AR	Compound, Locking	

# SECTION 1 - FRAME

## FIGURE 1-16. MOTOR/PUMP/TANK INSTALLATION - E450A/E450AJ



ART\_1001166417

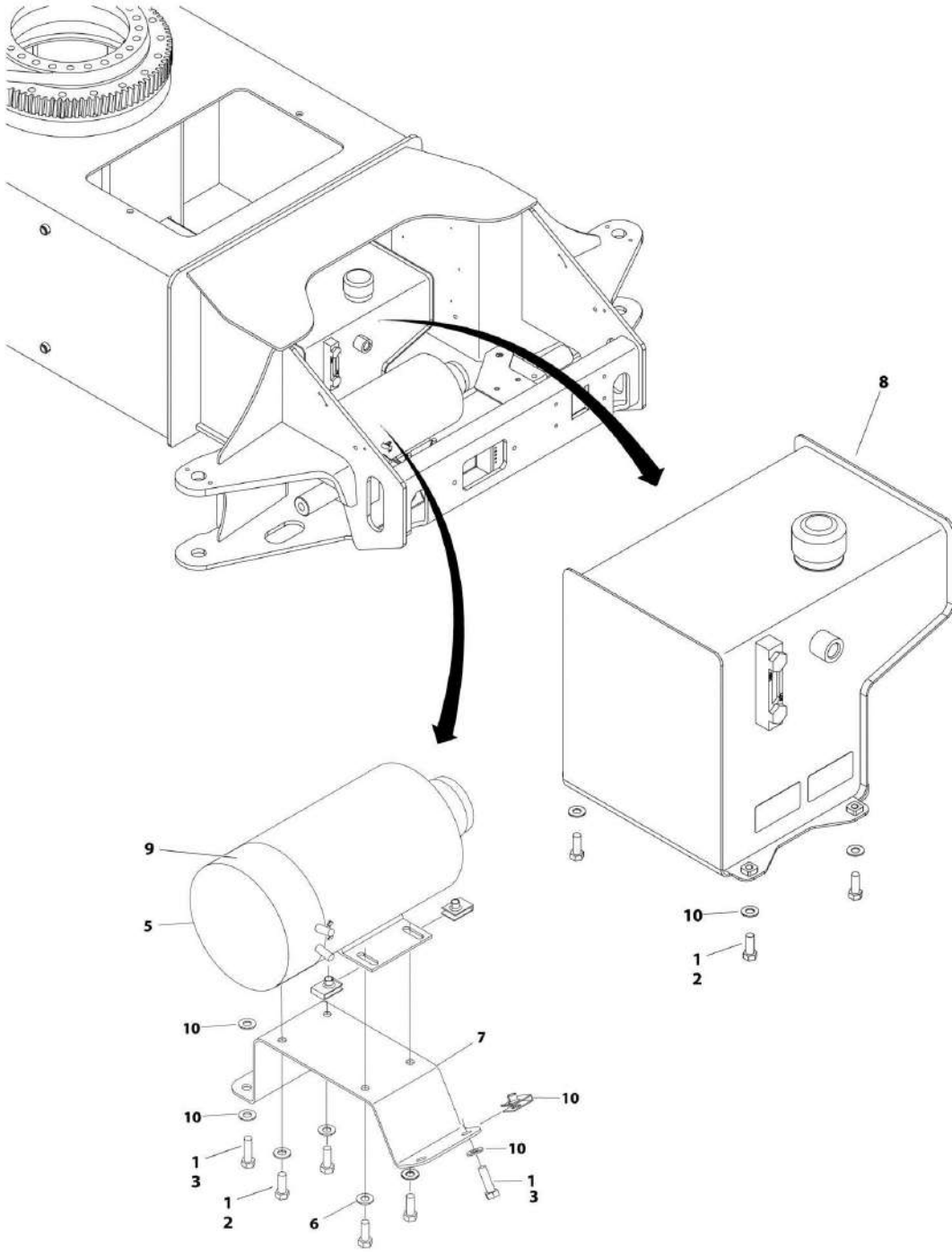
## SECTION 1 - FRAME

**FIGURE 1-16. MOTOR/PUMP/TANK INSTALLATION - E450A/E450AJ**

ITEM	PART NUMBER	QTY	DESCRIPTION	REV
	1001166417	Ref	MOTOR/PUMP/TANK INSTALLATION - E450A/E450AJ	F
1	0100011	AR	Compound, Locking	
2	0641608	8	Bolt, 3/8-16 x 1	
3	0641610	4	Bolt, 3/8-16 x 1-1/4	
5	3600289	1	Motor/Pump Assembly (See MOTOR/PUMP ASSEMBLY for Breakdown)	
6	4711600	4	Washer, 3/8	
7	1001166419	1	Plate, Mounting	
8	1001171213	1	Tank, Hydraulic (See HYDRAULIC TANK ASSEMBLY for Breakdown)	
9	88662523	8	Nut, Tinnerman	
10	4711600	8	Washer, 3/8 (SN 0300189898 through 0300195630)	
10	4891600	8	Washer, 3/8 Hardened (SN 0300195631 through 0300208529)	

# SECTION 1 - FRAME

FIGURE 1-17. MOTOR/PUMP/TANK INSTALLATION - E450A/E450AJ - UL LISTED



ART\_1001167487

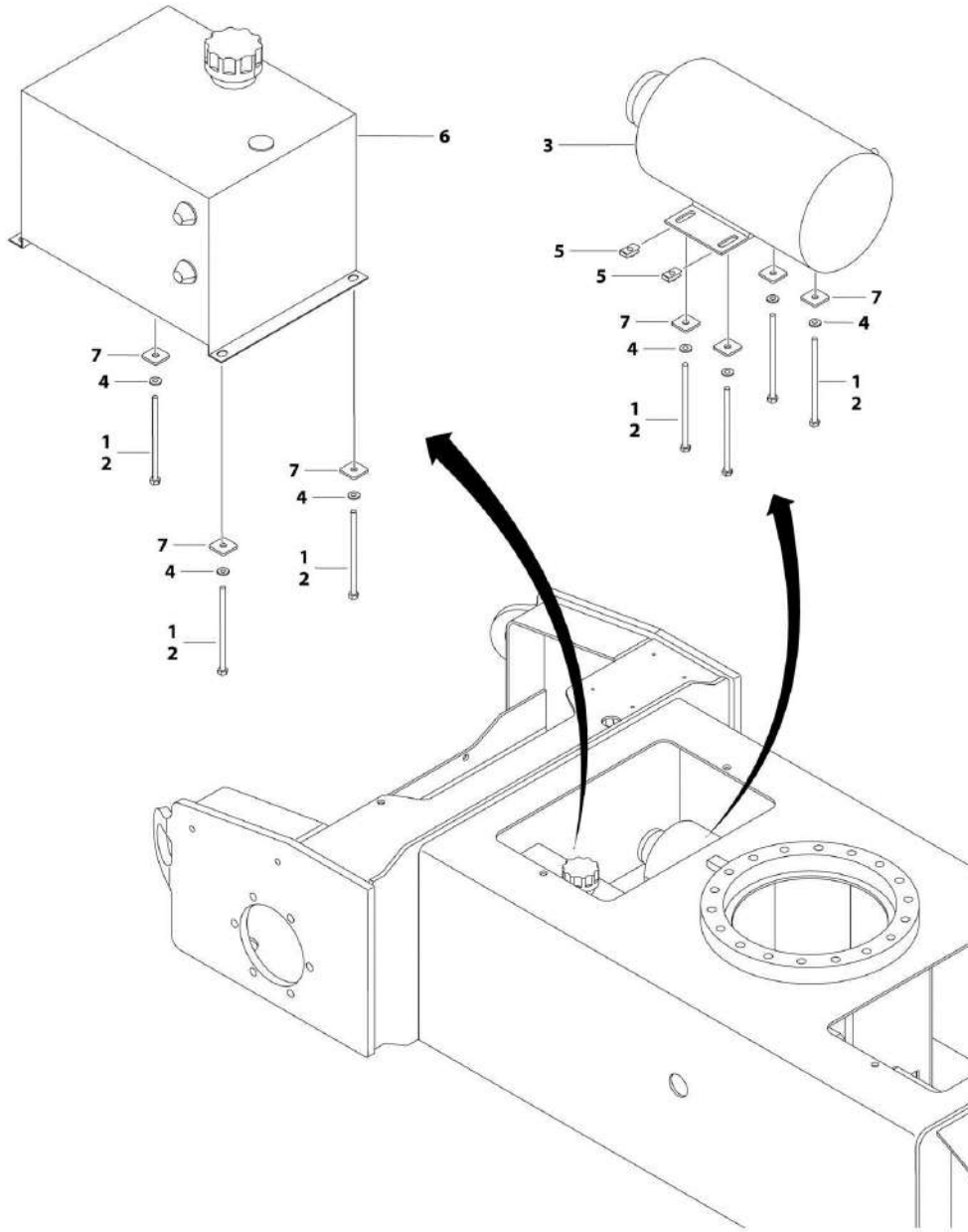
## SECTION 1 - FRAME

**FIGURE 1-17. MOTOR/PUMP/TANK INSTALLATION - E450A/E450AJ - UL LISTED**

ITEM	PART NUMBER	QTY	DESCRIPTION	REV
	1001167487	Ref	MOTOR/PUMP/TANK INSTALLATION - E450A/E450AJ - UL LISTED	F
1	0100011	AR	Compound, Locking	
2	0641608	8	Bolt, 3/8-16 x 1	
3	0641610	4	Bolt, 3/8-16 x 1-1/4	
5	3600289	1	Motor/Pump Assembly (See MOTOR/PUMP ASSEMBLY for Breakdown)	
6	4751600	4	Washer, 3/8	
7	1001166419	1	Plate, Mounting	
8	1001171213	1	Tank Hydraulic (See HYDRAULIC TANK ASSEMBLY for Breakdown)	
9	0340048	1	Band, Motor	
10	88662523	8	Nut, Tinnerman	
11	4751600	8	Washer, 3/8 (SN 0300189898 through 0300195630)	
11	4891600	8	Washer, 3/8 Hardened (SN 0300195631 through 0300208529)	

# SECTION 1 - FRAME

## FIGURE 1-18. MOTOR/PUMP/TANK INSTALLATION - M450AJ



ART\_1001167363



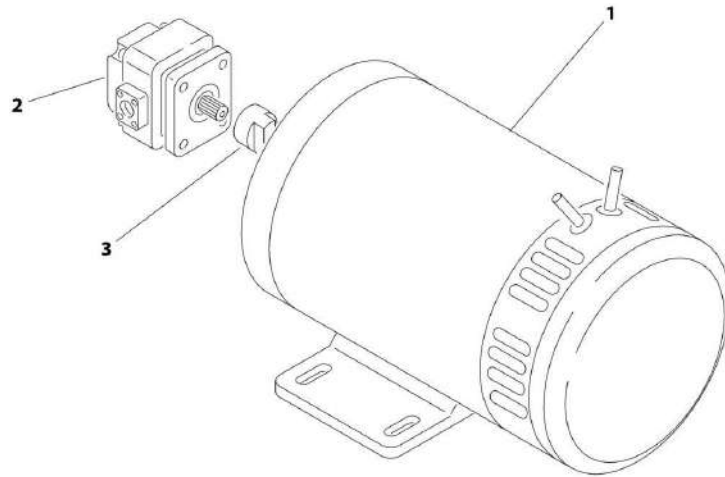
## SECTION 1 - FRAME

### FIGURE 1-18. MOTOR/PUMP/TANK INSTALLATION - M450AJ

ITEM	PART NUMBER	QTY	DESCRIPTION	REV
	1001167363	Ref	MOTOR/PUMP/TANK INSTALLATION - M450AJ	B
1	0100011	AR	Compound, Locking	
2	0641440	7	Bolt, 1/4-20 x 5	
3	3600289	1	Motor/Pump Assembly (See MOTOR/PUMP ASSEMBLY for Breakdown)	
4	4711400	7	Washer, 1/4	
5	3300454	4	Nut, 1/4-20	
6	1001171214	1	Tank, Hydraulic (See HYDRAULIC TANK ASSEMBLY for Breakdown)	
7	1001167291	7	Washer	

# SECTION 1 - FRAME

## FIGURE 1-19. MOTOR/PUMP ASSEMBLY



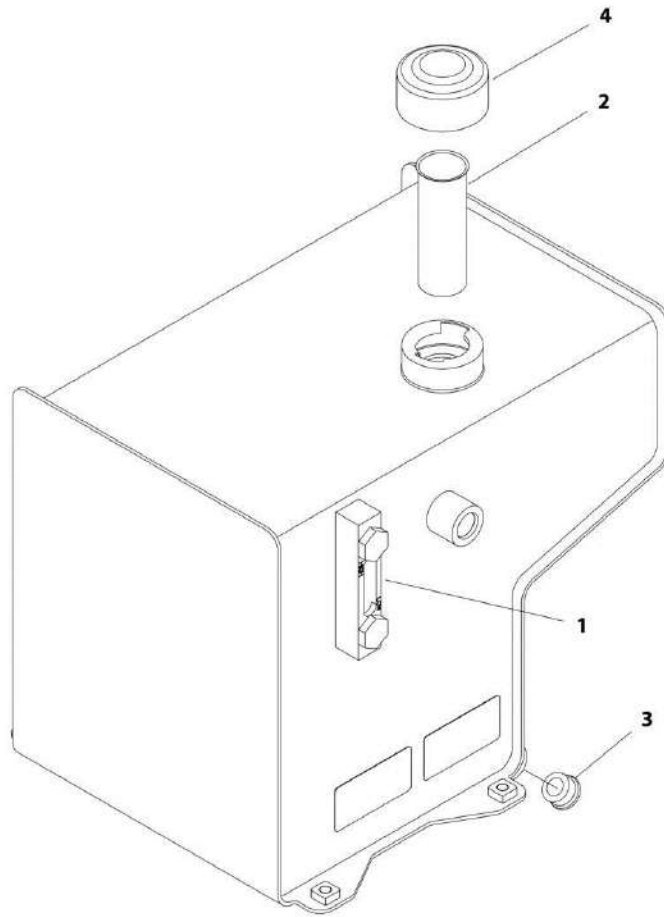
ART\_3600289

FIGURE 1-19. MOTOR/PUMP ASSEMBLY

ITEM	PART NUMBER	QTY	DESCRIPTION	REV
	3600289	Ref	MOTOR/PUMP ASSEMBLY	A
1	7021318	1	Motor Assembly	
1	7021361	1	Brush Kit	
1	70003171	1	Spring, Brush	
1	70001961	1	Seal, Oil	
2	7021319	1	Pump Assembly	
2	7021377	1	Seal Kit	
3	7021367	NLA	Coupling (Use p/n 70002523)	

# SECTION 1 - FRAME

FIGURE 1-20. HYDRAULIC TANK ASSEMBLY - E450A/E450AJ



ART\_1001171213

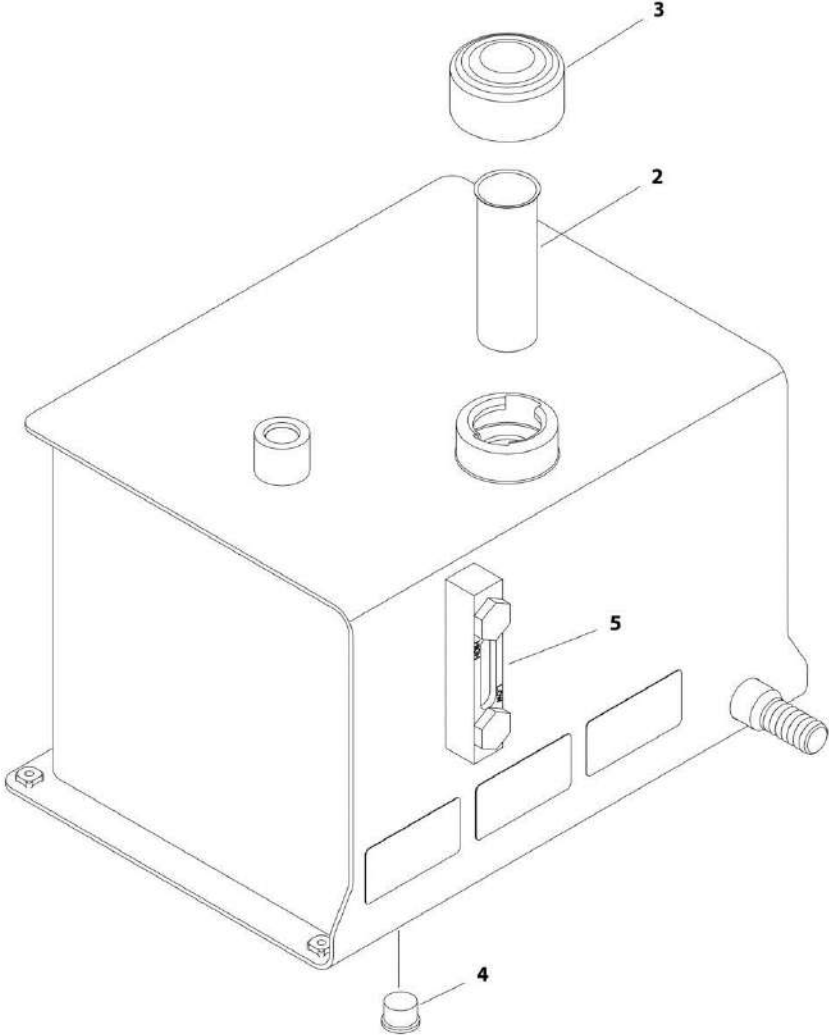
**SECTION 1 - FRAME**

**FIGURE 1-20. HYDRAULIC TANK ASSEMBLY - E450A/E450AJ**

<b>ITEM</b>	<b>PART NUMBER</b>	<b>QTY</b>	<b>DESCRIPTION</b>	<b>REV</b>
	1001171213	Ref	HYDRAULIC TANK ASSEMBLY - E450A/E450AJ	B
1	70005101	1	Gauge, Sight	
2	7024445	1	Strainer	
3	70002112	1	Plug	
4	7024444	1	Cap, Breather	

**SECTION 1 - FRAME**

**FIGURE 1-21. HYDRAULIC TANK ASSEMBLY - M450AJ**



ART\_1001171214

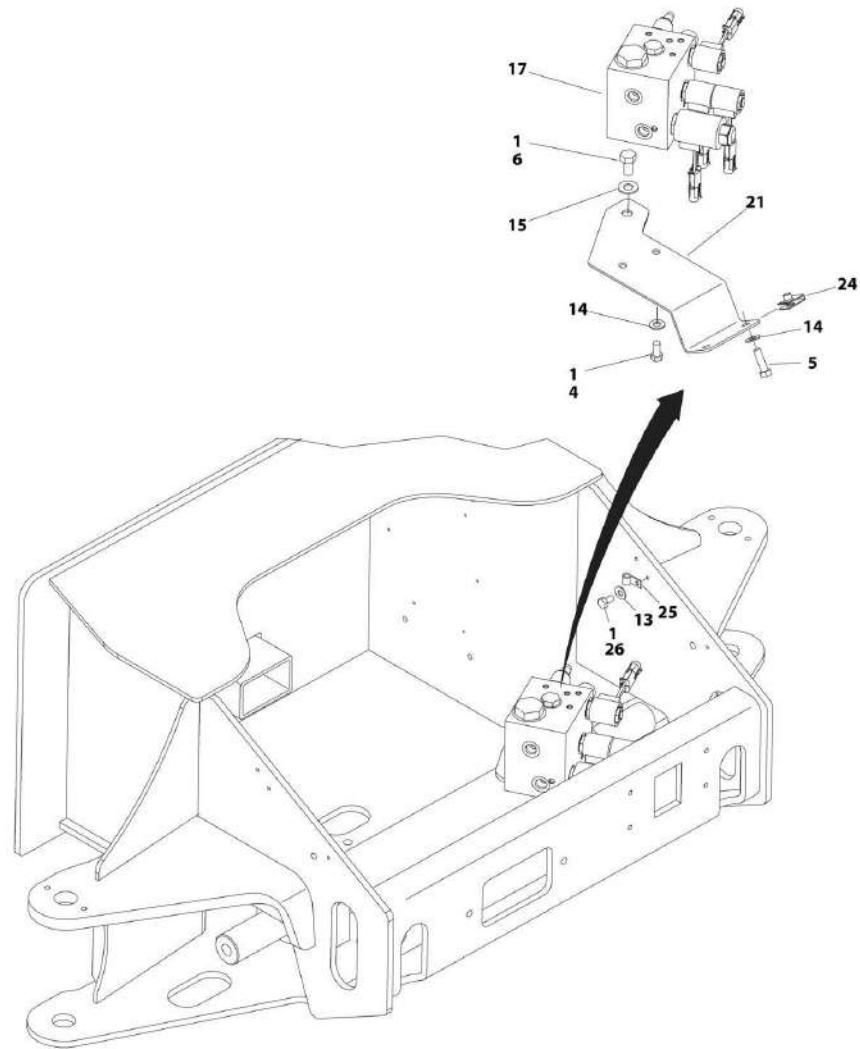
## SECTION 1 - FRAME

### FIGURE 1-21. HYDRAULIC TANK ASSEMBLY - M450AJ

ITEM	PART NUMBER	QTY	DESCRIPTION	REV
	1001171214	Ref	HYDRAULIC TANK ASSEMBLY - M450AJ	B
2	7024445	1	Strainer	
3	7024444	1	Cap, Breather	
4	70002112	1	Plug	
5	70005101	1	Gauge, Sight	

# SECTION 1 - FRAME

FIGURE 1-22. VALVE INSTALLATION - FRAME MOUNTED - E450A



ART\_1001166438\_10F2



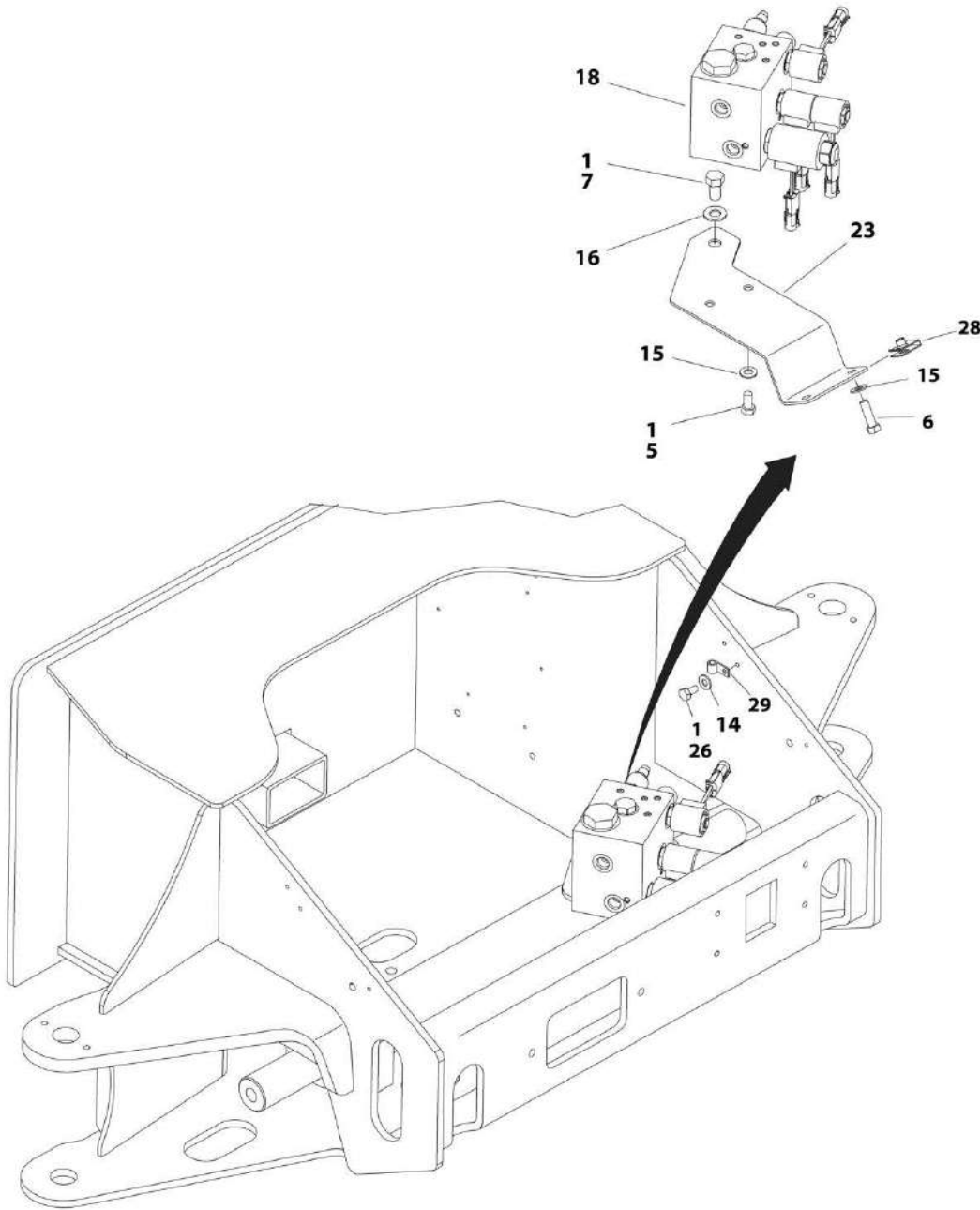
## SECTION 1 - FRAME

**FIGURE 1-22. VALVE INSTALLATION - FRAME MOUNTED - E450A**

ITEM	PART NUMBER	QTY	DESCRIPTION	REV
	1001166438	Ref	VALVE INSTALLATION - FRAME MOUNTED - E450A	F
1	0100011	AR	Compound, Locking	
4	0641606	6	Bolt, 3/8-16 x 3/4	
5	0641610	2	Bolt, 3/8-16 x 1-1/4	
6	0641807	1	Bolt, 1/2-13 x 7/8	
12	3311605	2	Nut, Lock, 3/8-16	
13	4711400	1	Washer, 1/4	
14	4711600	4	Washer, 3/8	
15	4711800	1	Washer, 1/2	
17	1001097506	1	Brake/Steer Control Valve Assembly (See BRAKE/STEER VALVE ASSEMBLY for Breakdown)	
21	1001166420	1	Bracket, Mounting	
22	1001170991	1	Harness Assembly - Brake/Steer Control Valve (Not Shown - See ELECTRICAL SECTION for Breakdown)	
24	88662523	2	Nut, Tinnerman	
25	1320040	1	Clamp	
26	0641404	1	Bolt, 1/4-20 x 1/2	
27	4240032	1	Tie, Strap (Not Shown)	

# SECTION 1 - FRAME

FIGURE 1-23. VALVE INSTALLATION - FRAME MOUNTED - E450AJ



ART\_1001166439\_Pg 1 of 2

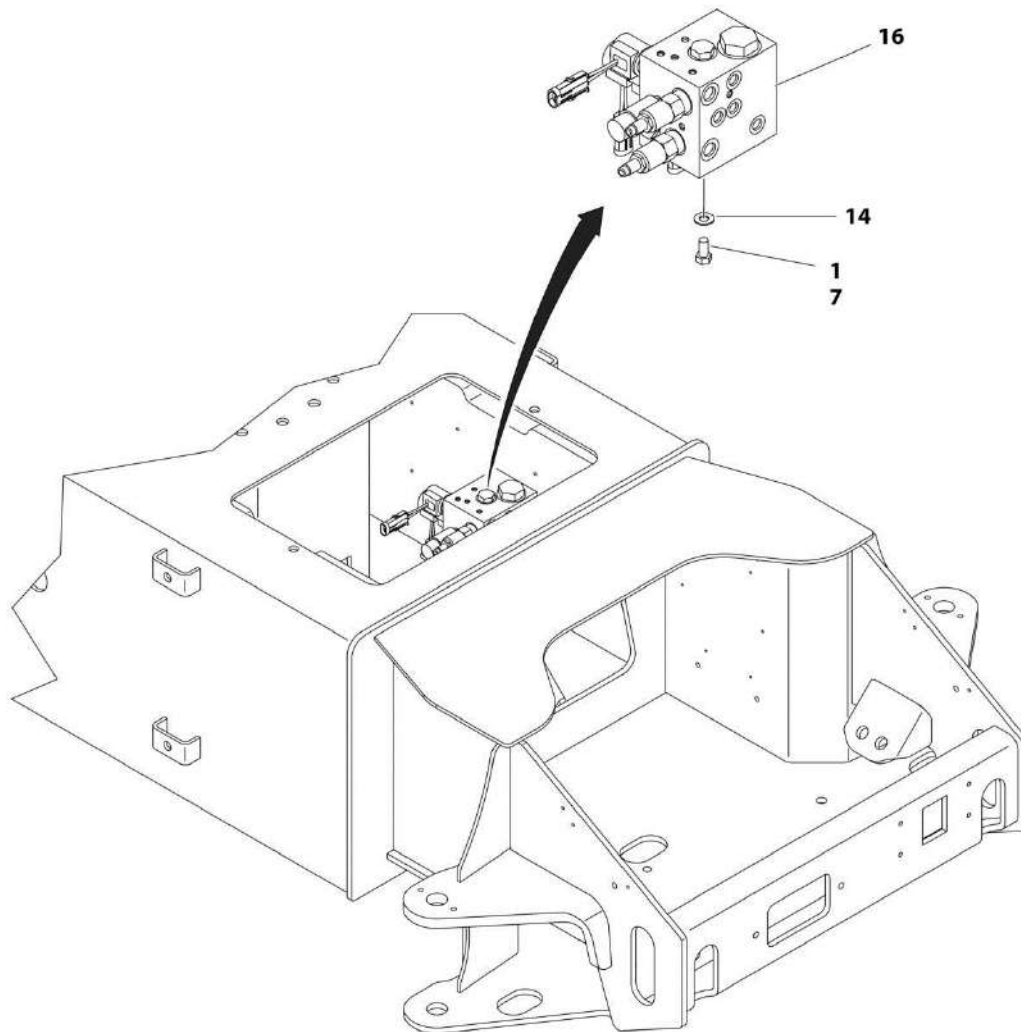
## SECTION 1 - FRAME

**FIGURE 1-23. VALVE INSTALLATION - FRAME MOUNTED - E450AJ**

ITEM	PART NUMBER	QTY	DESCRIPTION	REV
	1001166439	Ref	VALVE INSTALLATION - FRAME MOUNTED - E450AJ	F
1	0100011	AR	Compound, Locking	
5	0641606	2	Bolt, 3/8-16 x 3/4	
6	0641610	2	Bolt, 3/8-16 x 1-1/4	
7	0641807	1	Bolt, 1/2-13 x 7/8	
14	4711400	1	Washer, 1/4	
15	4711600	4	Washer, 3/8	
16	4711800	1	Washer, 1/2	
18	1001097506	1	Brake/Steer Control Valve Assembly (See BRAKE/STEER VALVE ASSEMBLY for Breakdown)	
23	1001166420	1	Bracket, Mounting	
24	1001170991	1	Harness Assembly - Brake/Steer Control Valve (Not Shown - See ELECTRICAL SECTION for Breakdown)	
26	0641404	1	Bolt, 1/4-20 x 1/2	
27	4240032	1	Tie-Strap (Not Shown)	
28	88662523	2	Nut, Tinnerman	
29	1320040	1	Clamp	

# SECTION 1 - FRAME

FIGURE 1-24. VALVE INSTALLATION - FRAME MOUNTED - M450AJ



ART\_1001167360\_10F2

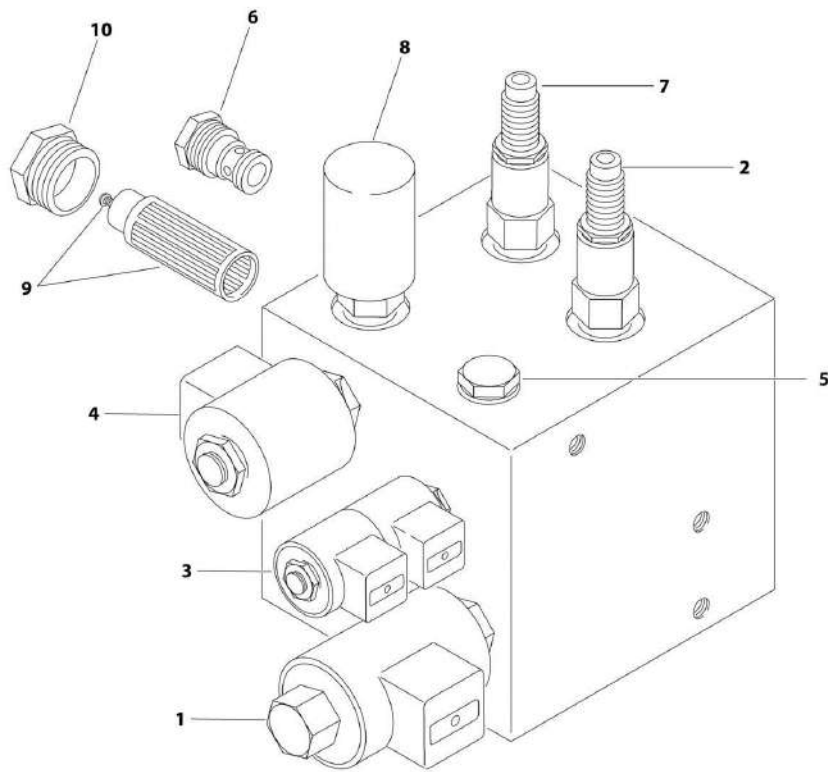
## SECTION 1 - FRAME

**FIGURE 1-24. VALVE INSTALLATION - FRAME MOUNTED - M450AJ**

ITEM	PART NUMBER	QTY	DESCRIPTION	REV
	1001167360	Ref	VALVE INSTALLATION - FRAME MOUNTED - M450AJ	C
1	0100011	AR	Compound, Locking	
7	0641606	6	Bolt, 3/8-16 x 3/4	
14	4711600	6	Washer, 3/8	
16	1001097506	1	Brake/Steer Control Valve Assembly (See BRAKE/STEER VALVE ASSEMBLY for Breakdown)	
20	1001171115	1	Harness Assembly - Brake/Steer Control Valve (Not Shown - See ELECTRICAL SECTION for Breakdown)	

# SECTION 1 - FRAME

## FIGURE 1-25. BRAKE/STEER VALVE ASSEMBLY



ART\_1001097506

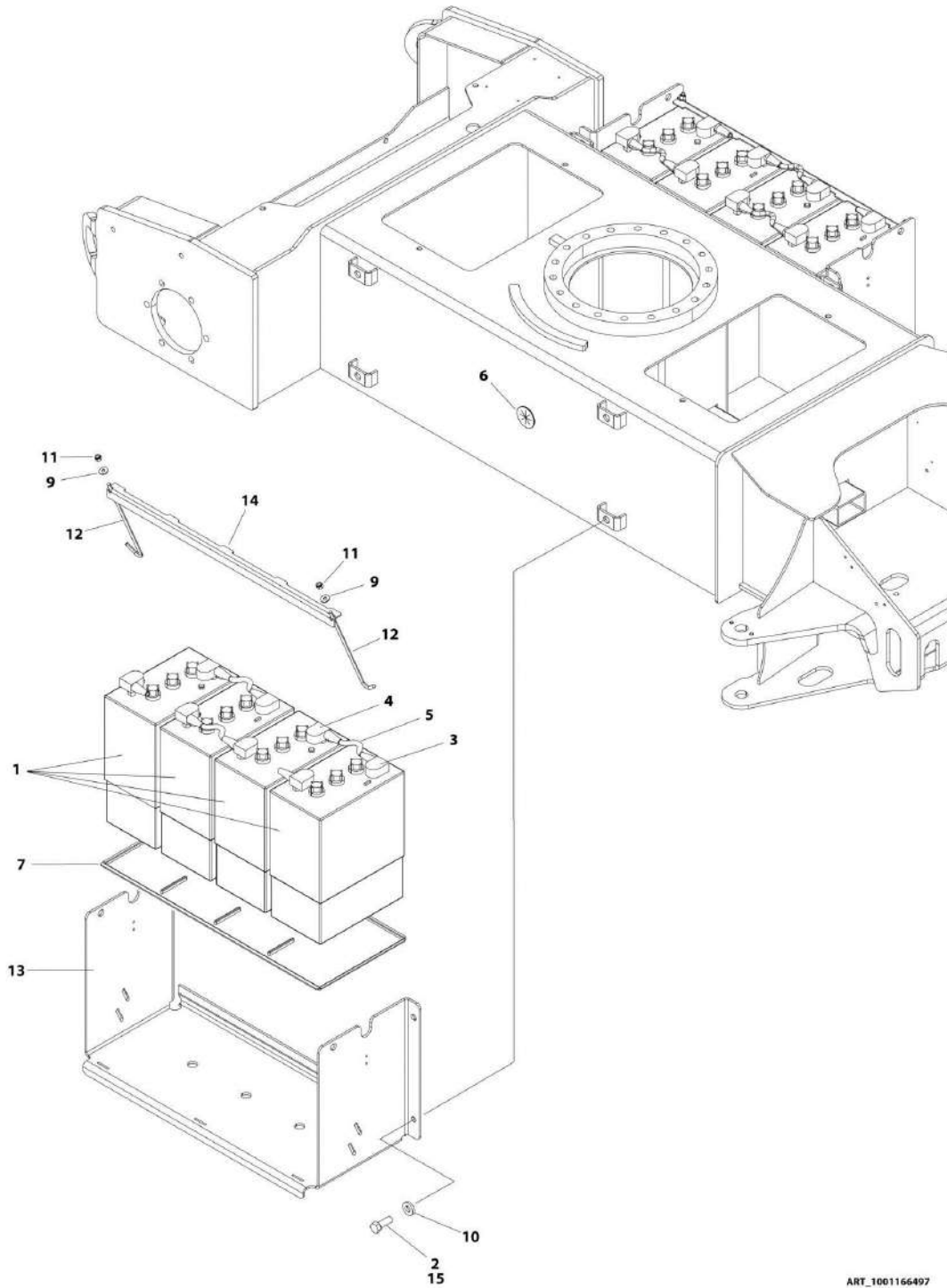
## SECTION 1 - FRAME

### FIGURE 1-25. BRAKE/STEER VALVE ASSEMBLY

ITEM	PART NUMBER	QTY	DESCRIPTION	REV
	1001097506	Ref	BRAKE/STEER VALVE ASSEMBLY	F
1	7021611	1	Cartridge, Proportional without Coil (Flow Control)	
1	7012518	1	Seal Kit - 7021611 Cartridge	
1	7021618	1	Coil	
2	7021659	1	Cartridge, Relief (Main)	
2	7012972	1	Seal Kit - 7021659	
3	7017433	1	Cartridge, without Coil (Steer)	
3	7017402	1	Seal Kit - 7017433 Cartridge	
3	7021609	2	Coil	
4	7012941	1	Cartridge, without Coil (Brake Release)	
4	7010543	1	Seal Kit - 7012941 Cartridge	
4	7021609	1	Coil	
5	7022391	1	Cartridge, Check	
5	7012967	1	Seal Kit - 7022391 Cartridge	
6	7010542	1	Cartridge, Shuttle	
6	7010543	1	Seal Kit - 7010542 Cartridge	
7	7017488	1	Cartridge, Relief (Steer)	
7	7012998	1	Seal Kit - 7017488 Cartridge	
8	7021619	1	Switch, Pressure	
9	7021616	1	Cartridge, Filter	
10	7024832	1	Plug	

# SECTION 1 - FRAME

FIGURE 1-26. BATTERY BOX INSTALLATION (ALL SPECS EXCEPT CE AND AUSTRALIAN SPECS)



ART\_1001166407



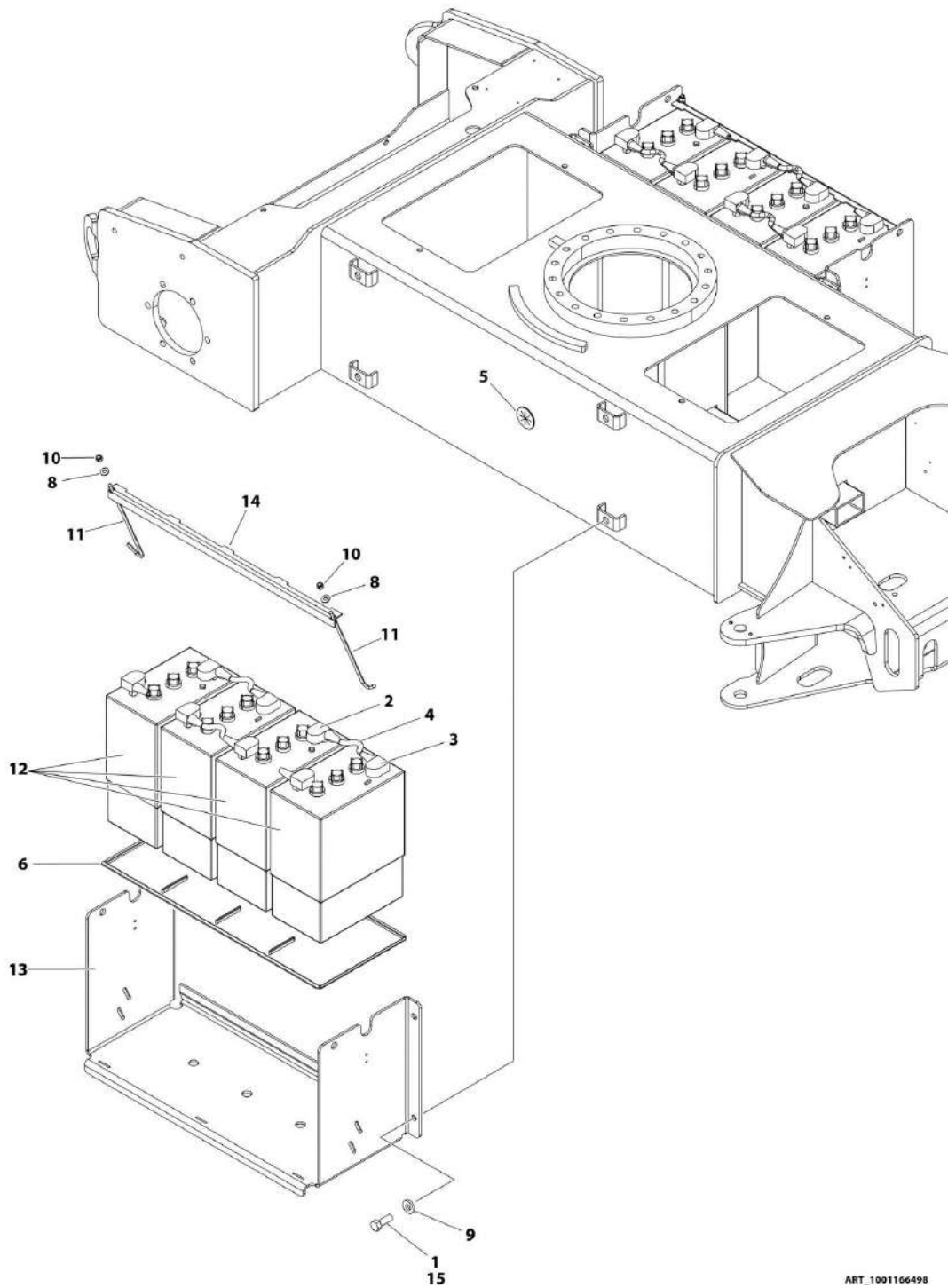
## SECTION 1 - FRAME

**FIGURE 1-26. BATTERY BOX INSTALLATION (ALL SPECS EXCEPT CE AND AUSTRALIAN SPECS)**

ITEM	PART NUMBER	QTY	DESCRIPTION	REV
	1001166497	Ref	BATTERY BOX INSTALLATION (ALL SPECS EXCEPT CE AND AUSTRALIAN SPECS)	C
1	0400055	8	Battery (Wet)	
1	7016177	8	Battery (Dry)	
2	0641811	8	Bolt, 1/2-13 x 1-3/8	
3	0840031	8	Boot, Terminal d Shaped <b>(SN 0300189898 through 030196080)</b>	
4	0840032	8	Boot, Terminal b Shaped <b>(SN 0300189898 through 030196080)</b>	
5	1060092	6	Cable, Battery <b>(SN 0300189898 through 030196080)</b>	
6	2540045	2	Grommet	
7	3000003	2	Liner, Battery Box	
9	4751500	4	Washer, 5/16	
10	4891800	8	Washer, 1/2 Hardened	
11	88521205	4	Nut, Lock, 5/16-18	
12	1001093382	4	Bolt, J-Bolt	
13	1001166495	2	Tray, Battery	
14	1001166496	2	Battery Hold Down	
15	0100011	AR	Compound, Locking	

# SECTION 1 - FRAME

FIGURE 1-27. BATTERY BOX INSTALLATION - AGM BATTERIES (ALL SPECS EXCEPT CE AND AUSTRALIAN SPECS)



ART\_1001166498

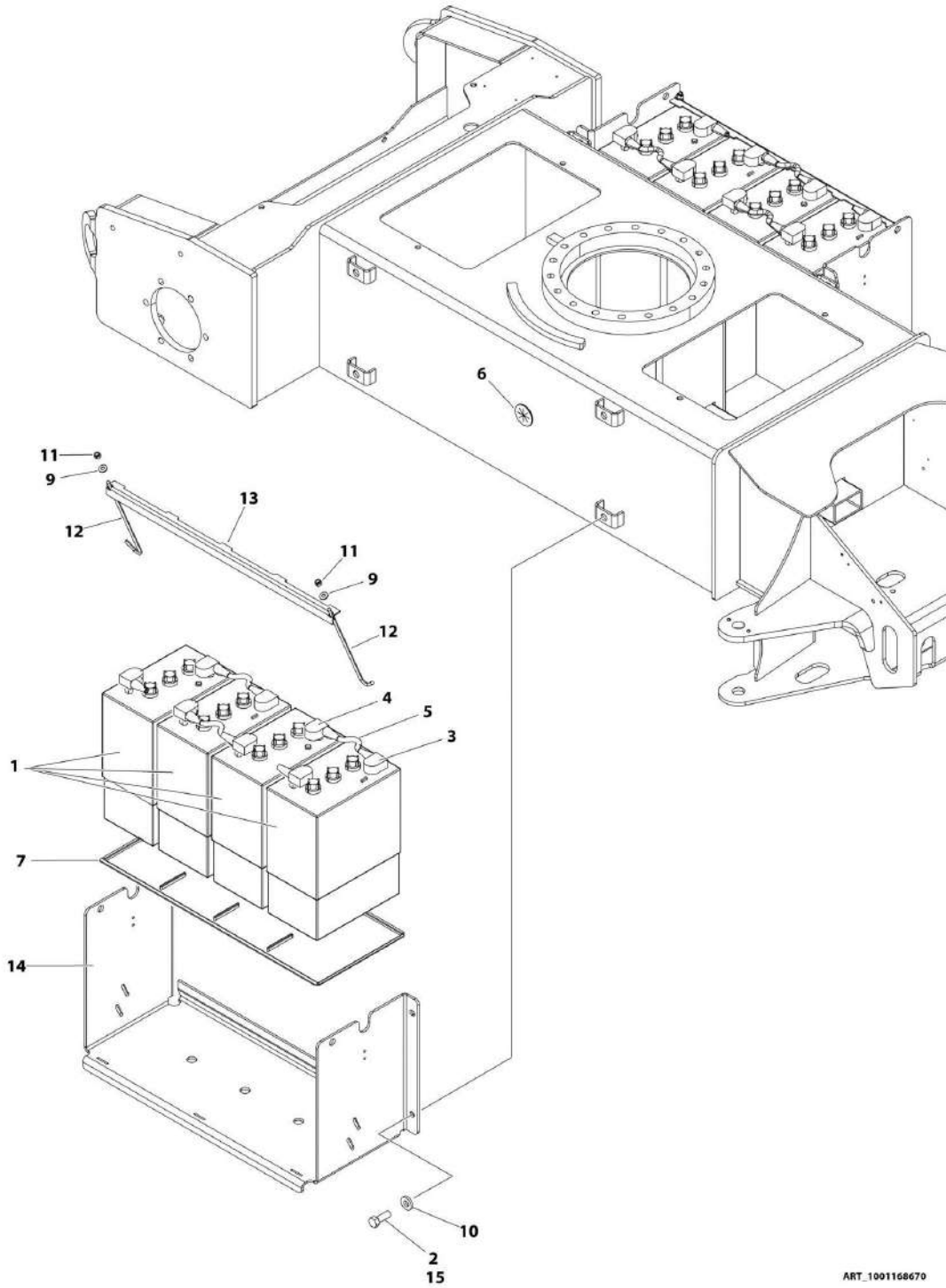
## SECTION 1 - FRAME

**FIGURE 1-27. BATTERY BOX INSTALLATION - AGM BATTERIES (ALL SPECS EXCEPT CE AND AUSTRALIAN SPECS)**

ITEM	PART NUMBER	QTY	DESCRIPTION	REV
	1001166498	Ref	BATTERY BOX INSTALLATION - AGM BATTERIES (ALL SPECS EXCEPT CE AND AUSTRALIAN SPECS)	C
1	0641811	8	Bolt, 1/2-13 x 1-3/8	
2	0840031	8	Boot, Terminal d Shaped <b>(SN 0300189898 through 030196080)</b>	
3	0840032	8	Boot, Terminal b Shaped <b>(SN 0300189898 through 030196080)</b>	
4	1060092	6	Cable, Battery <b>(SN 0300189898 through 030196080)</b>	
5	2540045	2	Grommet	
6	3000003	2	Liner, Battery Box	
8	4751500	4	Washer, 5/16	
9	4891800	8	Washer, 1/2 Hardened	
10	88521205	4	Nut, Lock, 5/16-18	
11	1001093382	4	Bolt, J-Bolt	
12	1001114782	8	Battery (Wet) (AGM Batteries)	
13	1001166495	2	Tray, Battery	
14	1001166496	2	Battery Hold Down	
15	0100011	AR	Compound, Locking	

# SECTION 1 - FRAME

## FIGURE 1-28. BATTERY BOX INSTALLATION - CE AND AUSTRALIAN SPECS



ART\_1001168670

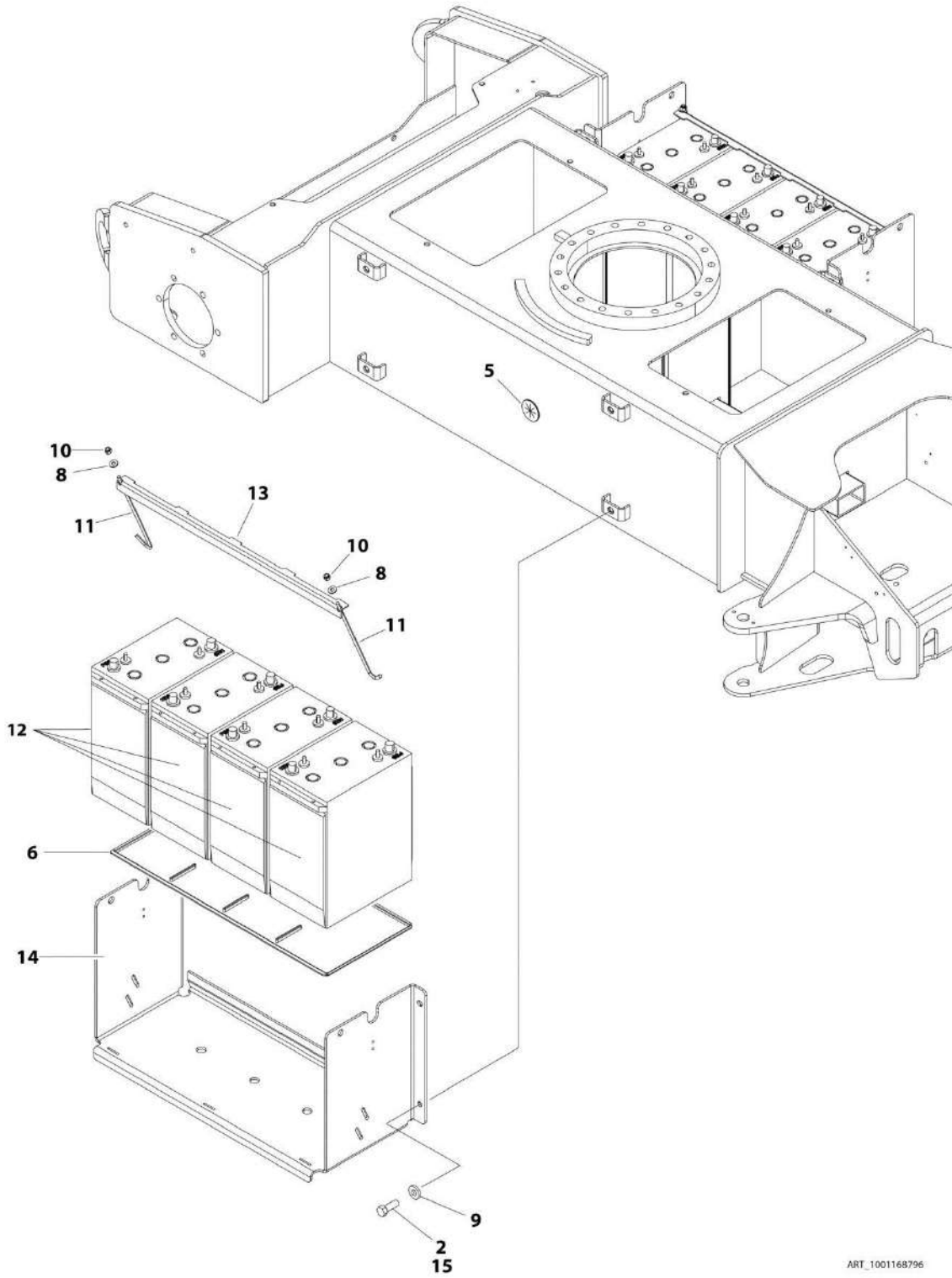
## SECTION 1 - FRAME

**FIGURE 1-28. BATTERY BOX INSTALLATION - CE AND AUSTRALIAN SPECS**

ITEM	PART NUMBER	QTY	DESCRIPTION	REV
	1001168670	Ref	BATTERY BOX INSTALLATION - CE AND AUSTRALIAN SPECS	C
1	0400055	8	Battery (Wet)	
1	7016177	8	Battery (Dry)	
2	0641811	8	Bolt, 1/2-13 x 1-3/8	
3	0840031	8	Boot, Terminal d Shaped <b>(SN 0300189898 through 0300196080)</b>	
4	0840032	8	Boot, Terminal b Shaped <b>(SN 0300189898 through 0300196080)</b>	
5	1060092	6	Cable, Battery <b>(SN 0300189898 through 0300196080)</b>	
6	2540045	2	Grommet	
7	3000003	2	Liner, Battery Box	
9	4751500	4	Washer, 5/16	
10	4891800	8	Washer, 1/2 Hardened	
11	88521205	4	Nut, Lock, 5/16-18	
12	1001093382	4	Bolt, J-Bolt	
13	1001166496	2	Battery Hold Down	
14	1001168800	2	Tray, Battery	
15	0100011	AR	Compound, Locking	

# SECTION 1 - FRAME

FIGURE 1-29. BATTERY BOX INSTALLATION - AGM BATTERIES (CE AND AUSTRALIAN SPECS)



ART\_1001168796

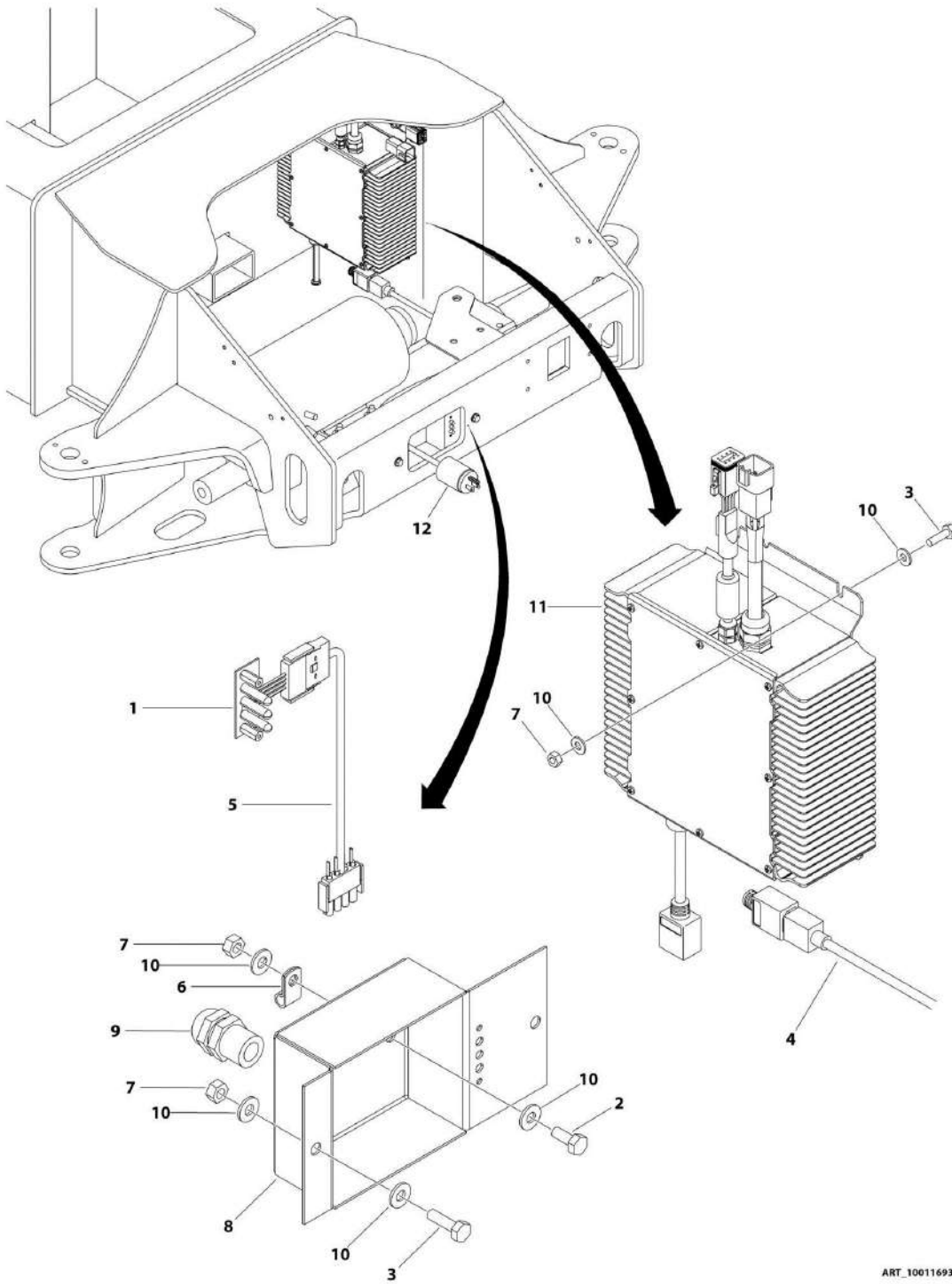
## SECTION 1 - FRAME

**FIGURE 1-29. BATTERY BOX INSTALLATION - AGM BATTERIES (CE AND AUSTRALIAN SPECS)**

ITEM	PART NUMBER	QTY	DESCRIPTION	REV
	1001168796	Ref	BATTERY BOX INSTALLATION - AGM BATTERIES (CE AND AUSTRALIAN SPECS)	C
1	0641811	8	Bolt, 1/2-13 x 1-3/8	
5	2540045	2	Grommet	
6	3000003	2	Liner, Battery Box	
8	4751500	4	Washer, 5/16	
9	4891800	8	Washer, 1/2 Hardened	
10	88521205	4	Nut, Lock, 5/16-18	
11	1001093382	4	Bolt, J-Bolt	
12	1001114782	8	Battery (Wet) (AGM Batteries)	
13	1001166496	2	Battery Hold Down	
14	1001168800	2	Tray Battery	
15	0100011	AR	Compound, Locking	

# SECTION 1 - FRAME

FIGURE 1-30. BATTERY CHARGER INSTALLATION - E450A/E450AJ (ALL SPECS EXCEPED CE AND AUSTRALIAN SPECS)



ART\_100116939



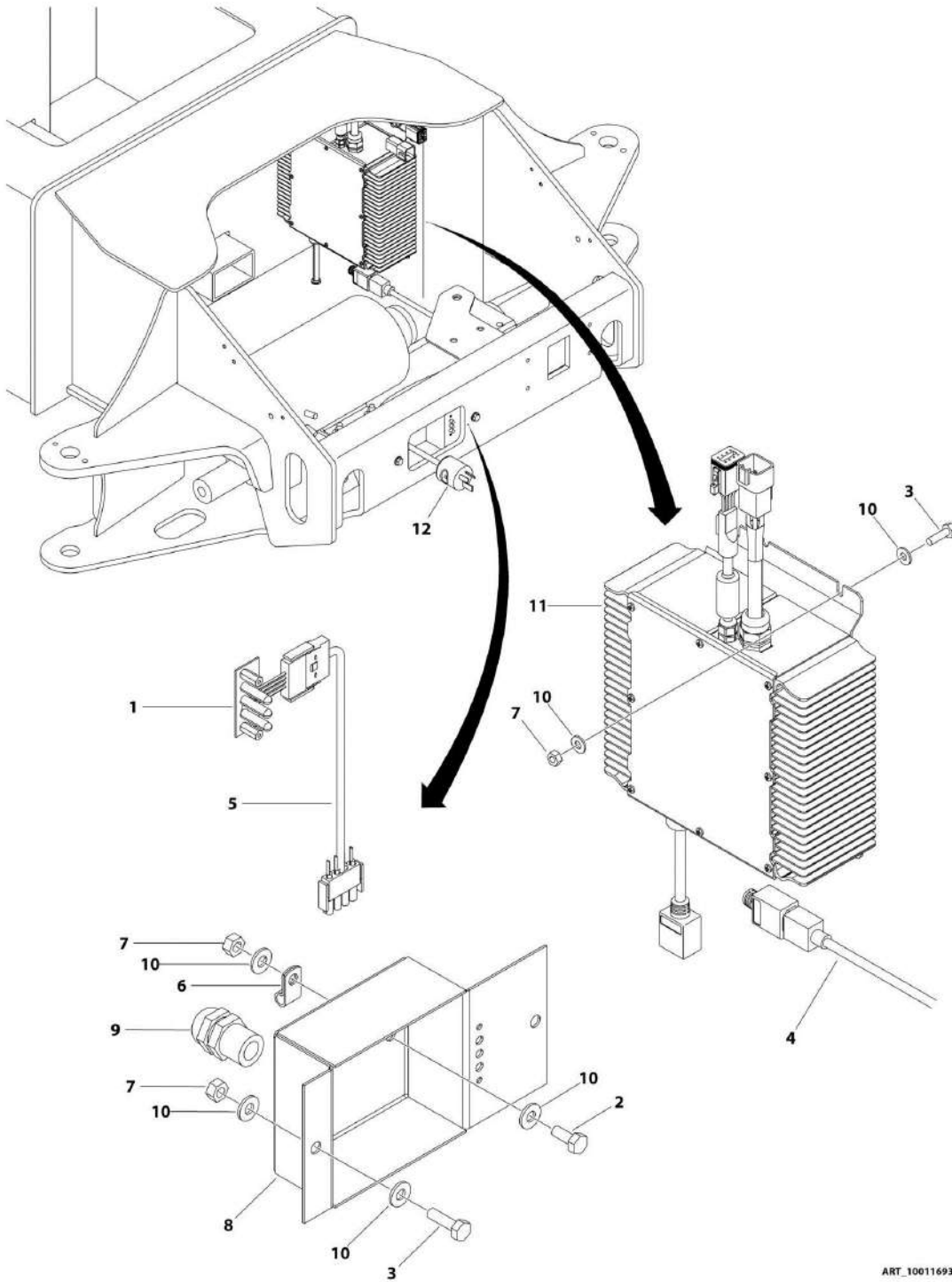
## SECTION 1 - FRAME

**FIGURE 1-30. BATTERY CHARGER INSTALLATION - E450A/E450AJ (ALL SPECS EXCEPED CE AND AUSTRALIAN SPECS)**

ITEM	PART NUMBER	QTY	DESCRIPTION	REV
	1001166939	Ref	BATTERY CHARGER INSTALLATION - E450A/E450AJ (ALL SPECS EXCEPED CE AND AUSTRALIAN SPECS)	B
1	0610131	1	Charger LED Assembly	
2	0641405	1	Bolt, 1/4-20 x 5/8	
3	0641407	6	Bolt, 1/4-20 x 7/8	
4	1060689	1	AC Cord	
5	1060778	1	LED, Remote Lead (See ELECTRICAL SECTION for Breakdown)	
6	1320136	1	Clamp	
7	3311405	7	Nut, Lock, 1/4-20	
8	3571834	1	Plate, Panel	
9	4460428	1	Connector, Strain Relief	
10	4711400	14	Washer, 1/4	
11	1001103105	1	Battery Charger Assembly (See ELECTRICAL SECTION for Breakdown)	
12	4460138	1	Plug, AC	

# SECTION 1 - FRAME

FIGURE 1-31. BATTERY CHARGER INSTALLATION - E450A/E450AJ (AUSTRALIAN SPEC)



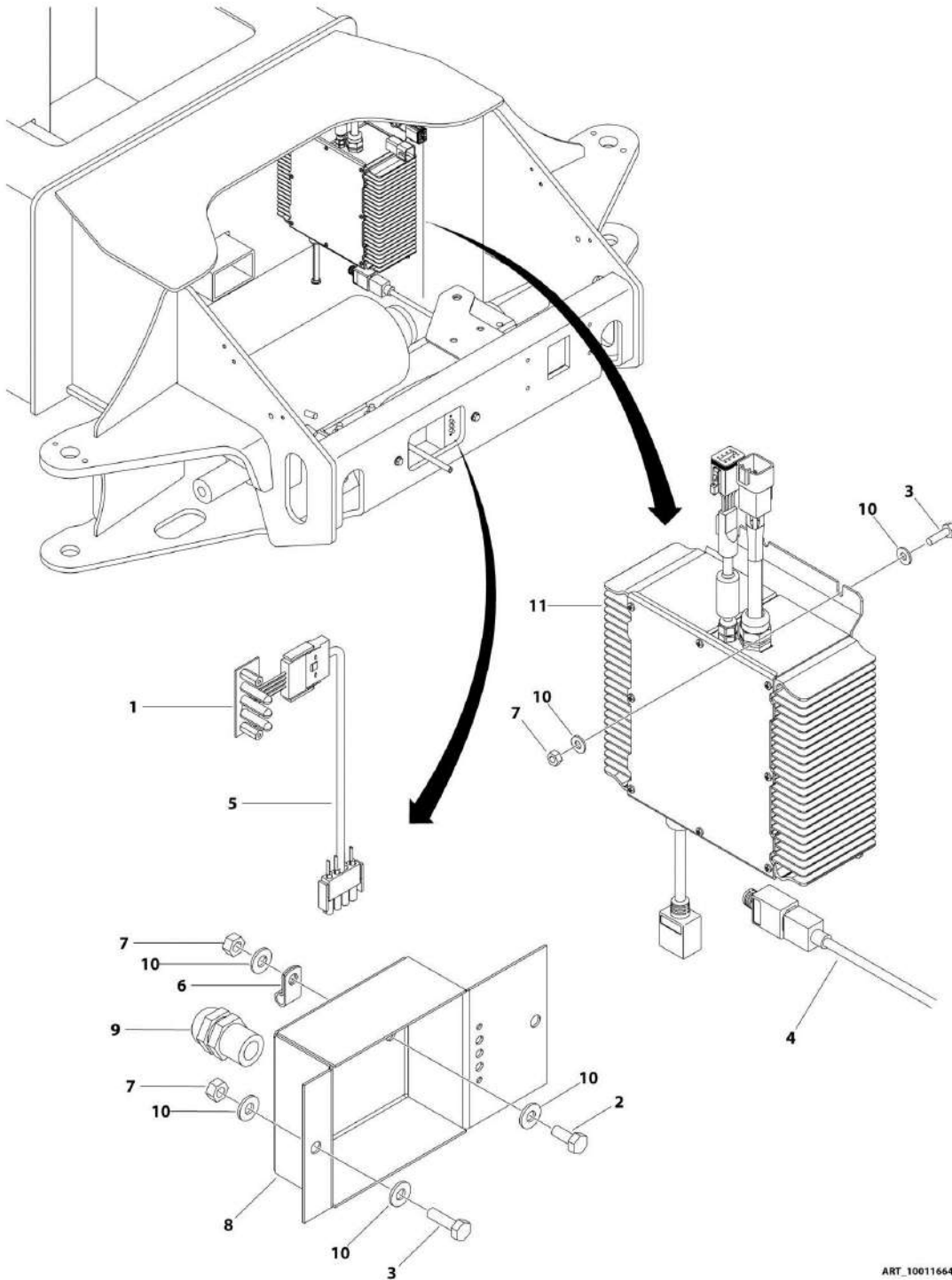
## SECTION 1 - FRAME

**FIGURE 1-31. BATTERY CHARGER INSTALLATION - E450A/E450AJ (AUSTRALIAN SPEC)**

ITEM	PART NUMBER	QTY	DESCRIPTION	REV
	1001166938	Ref	BATTERY CHARGER INSTALLATION - E450A/E450AJ (AUSTRALIAN SPEC)	B
1	0610131	1	Charger LED Assembly	
2	0641405	1	Bolt, 1/4-20 x 5/8	
3	0641407	6	Bolt, 1/4-20 x 7/8	
4	1060689	1	AC Cord	
5	1060778	1	LED, Remote Lead (See ELECTRICAL SECTION for Breakdown)	
6	1320136	1	Clamp	
7	3311405	7	Nut, Lock, 1/4-20	
8	3571834	1	Plate, Panel	
9	4460428	1	Connector, Strain Relief	
10	4711400	14	Washer, 1/4	
11	1001103105	1	Battery Charger Assembly (See ELECTRICAL SECTION for Breakdown)	
12	4460805	1	Plug, AC	

# SECTION 1 - FRAME

FIGURE 1-32. BATTERY CHARGER INSTALLATION - E450A/E450AJ (ANSI EXPORT AND CE SPECS)



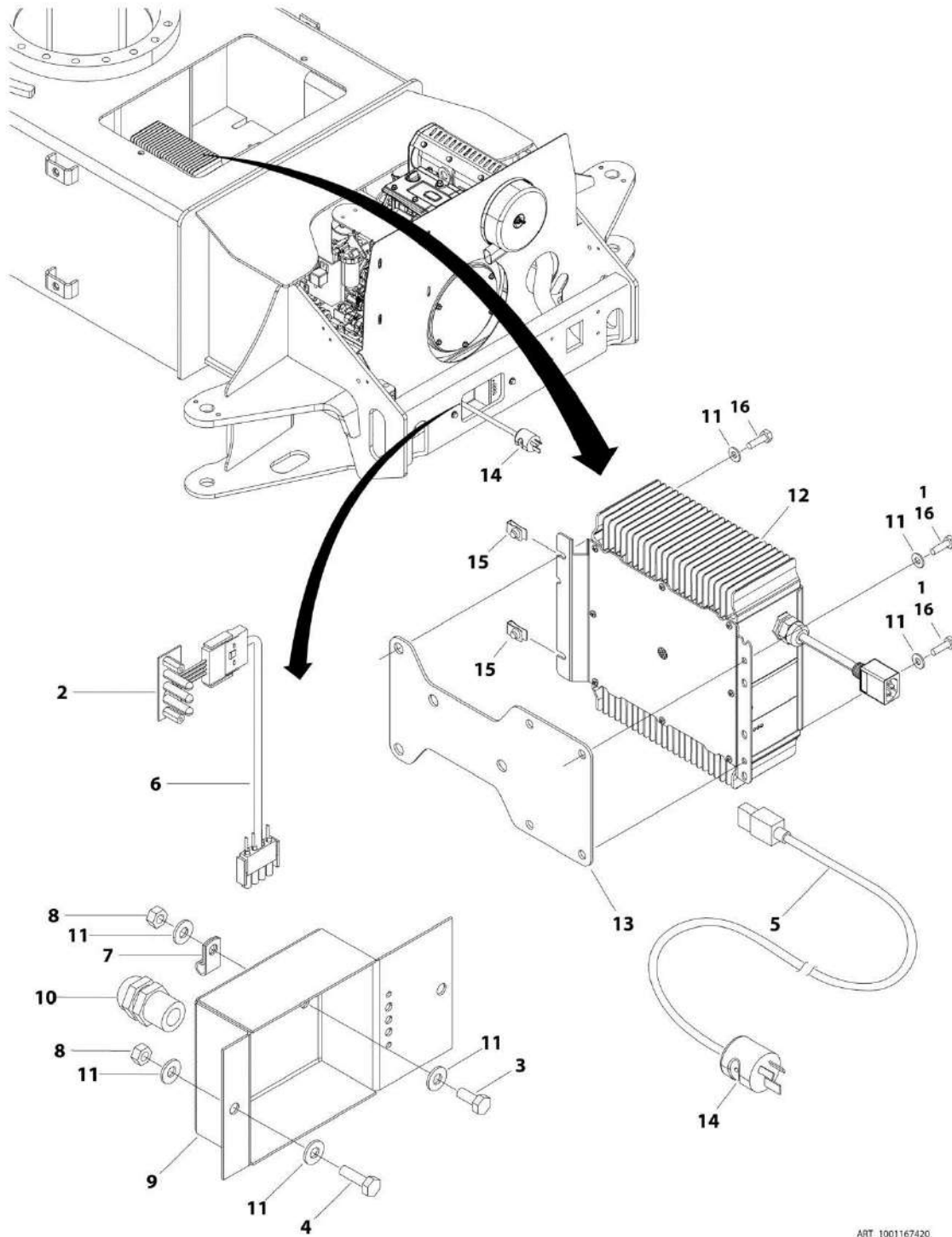
## SECTION 1 - FRAME

**FIGURE 1-32. BATTERY CHARGER INSTALLATION - E450A/E450AJ (ANSI EXPORT AND CE SPECS)**

ITEM	PART NUMBER	QTY	DESCRIPTION	REV
	1001166444	Ref	BATTERY CHARGER INSTALLATION - E450A/E450AJ (ANSI EXPORT AND CE SPECS)	B
	See Note	Ref	Note: AC Plug Supplied Locally.	
1	0610131	1	Charger LED Assembly	
2	0641405	1	Bolt, 1/4-20 x 5/8	
3	0641407	6	Bolt, 1/4-20 x 7/8	
4	1060689	1	AC Cord (Note: For Plug Options See ELECTRICAL SECTION)	
5	1060778	1	LED, Remote Harness (See ELECTRICAL SECTION for Breakdown)	
6	1320136	1	Clamp	
7	3311405	7	Nut, Lock, 1/4-20	
8	3571834	1	Plate, Panel	
9	4460428	1	Connector, Strain Relief	
10	4711400	14	Washer, 1/4	
11	1001103105	1	Battery Charger Assembly (See ELECTRICAL SECTION for Breakdown)	

# SECTION 1 - FRAME

FIGURE 1-33. BATTERY CHARGER INSTALLATION - M450AJ (ALL SPECS EXCEPTED CE, AUSTRALIAN AND UL SPECS)



ART\_1001167420

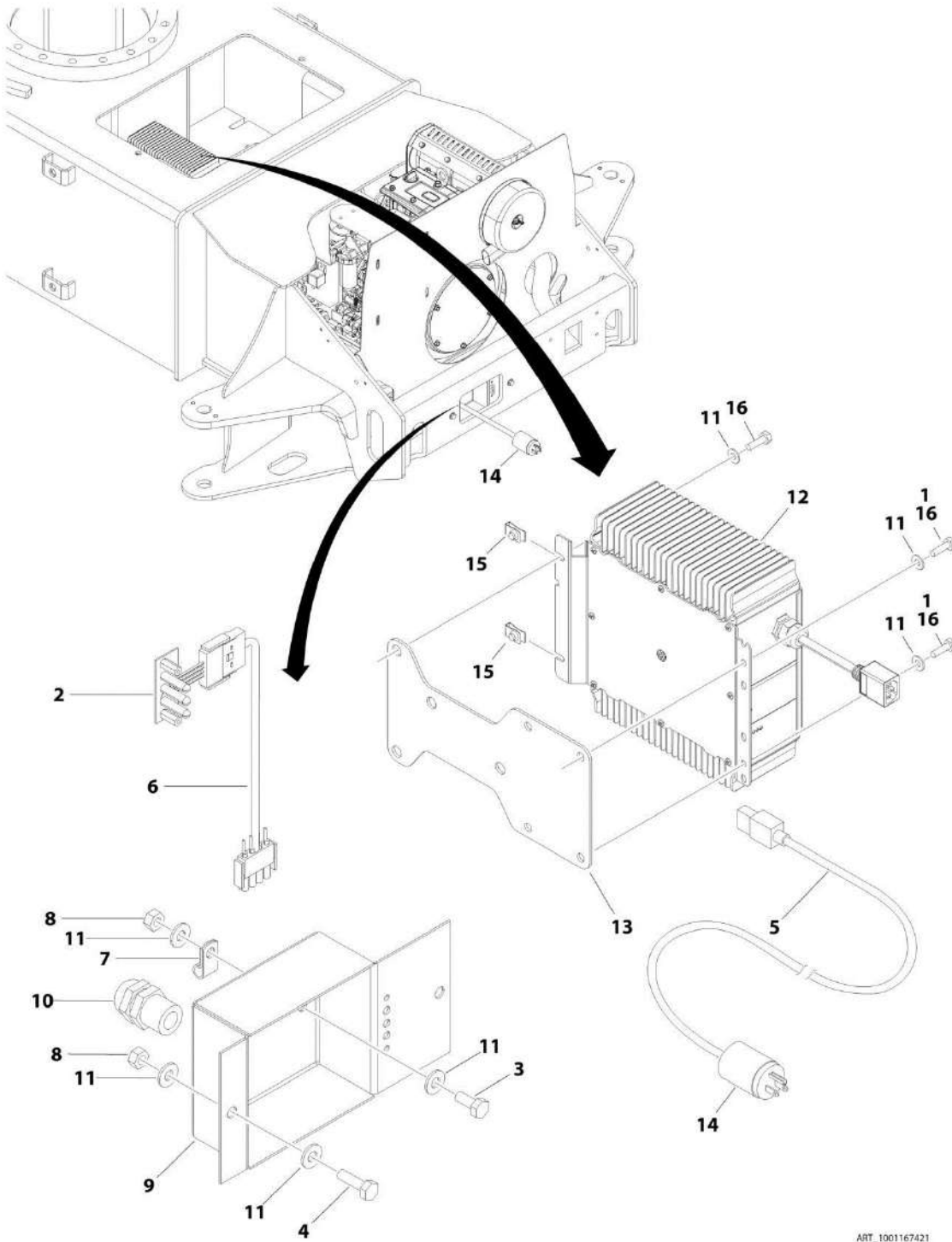
## SECTION 1 - FRAME

**FIGURE 1-33. BATTERY CHARGER INSTALLATION - M450AJ (ALL SPECS EXCEPTED CE, AUSTRALIAN AND UL SPECS)**

ITEM	PART NUMBER	QTY	DESCRIPTION	REV
	1001167420	Ref	BATTERY CHARGER INSTALLATION - M450AJ (ALL SPECS EXCEPTED CE, AUSTRALIAN AND UL SPECS)	D
1	0100011	AR	Compound, Locking <b>(SN 0300189898 through 0300196448)</b>	
2	0610131	1	Charger LED Assembly	
3	0641405	1	Bolt, 1/4-20 x 5/8	
4	0641407	AR	Bolt, 1/4-20 x 7/8	
5	1060689	1	AC Cord	
6	1060778	1	LED, Remote Lead (See ELECTRICAL SECTION for Breakdown)	
7	1320136	1	Clamp	
8	3311405	3	Nut, Lock, 1/4-20	
9	3571834	1	Plate, Panel	
10	4460428	1	Connector, Strain Relief	
11	4711400	AR	Washer, 1/4	
12	1001103105	1	Battery Charger Assembly (See ELECTRICAL SECTION for Breakdown)	
13	1001167303	1	Bracket, Valve Mount <b>(SN 0300189898 through 0300196448)</b>	
14	4460805	1	AC Plug	
15	3300454	AR	Nut 1/4-20	
16	0641405	4	Bolt, 1/4-20 x 5/8 <b>(SN 0300189898 through 0300195447)</b>	
16	0641406	4	Bolt, 1/4-20 x 3/4 <b>(SN 0300196448 through 0300208529)</b>	

# SECTION 1 - FRAME

FIGURE 1-34. BATTERY CHARGER INSTALLATION - M450AJ (AUSTRALIAN SPEC)



ART\_1001167421



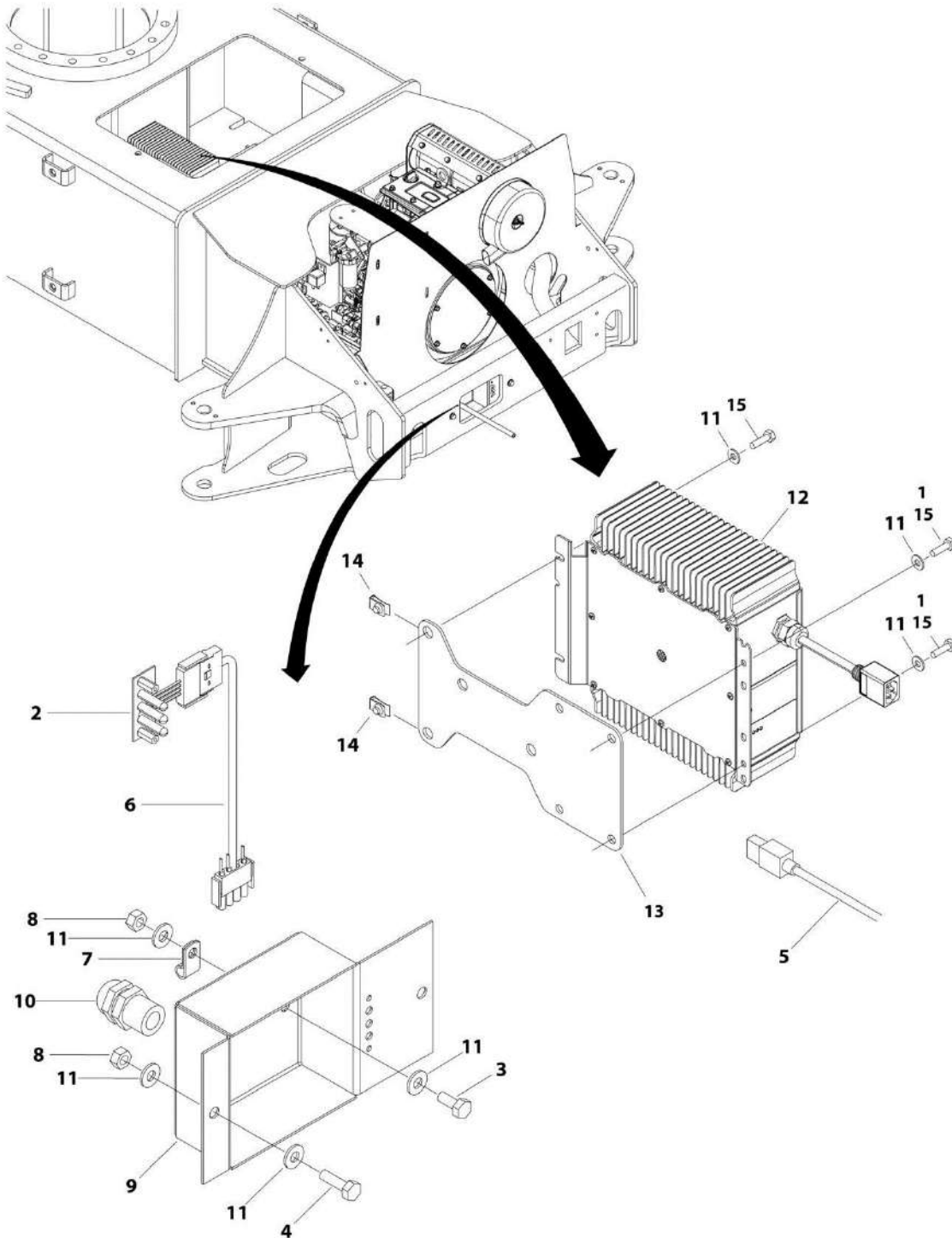
## SECTION 1 - FRAME

**FIGURE 1-34. BATTERY CHARGER INSTALLATION - M450AJ (AUSTRALIAN SPEC)**

ITEM	PART NUMBER	QTY	DESCRIPTION	REV
	1001167421	Ref	BATTERY CHARGER INSTALLATION - M450AJ (AUSTRALIAN SPEC)	D
1	0100011	AR	Compound, Locking <b>(SN 0300189898 through 0300195448)</b>	
2	0610131	1	Charger LED Assembly	
3	0641405	1	Bolt, 1/4-20 x 5/8	
4	0641407	AR	Bolt, 1/4-20 x 7/8	
5	1060689	1	AC Cord	
6	1060778	1	LED, Remote Lead (See ELECTRICAL SECTION for Breakdown)	
7	1320136	1	Clamp	
8	3311405	3	Nut, Lock, 1/4-20	
9	3571834	1	Plate, Panel	
10	4460428	1	Connector, Strain Relief	
11	4711400	AR	Washer, 1/4	
12	1001103105	1	Battery Charger Assembly (See ELECTRICAL SECTION for Breakdown)	
13	1001167303	1	Bracket, Valve Mount <b>(SN 0300189898 through 0300195448)</b>	
14	4460138	1	AC Plug	
15	3300454	AR	Nut, 1/4-20	
16	0641405	4	Bolt, 1/4-20 x 5/8 <b>(SN 0300189898 through 0300195447)</b>	
16	0641406	4	Bolt, 1/4-20 x 3/4 <b>(Including 0300195448)</b>	

# SECTION 1 - FRAME

FIGURE 1-35. BATTERY CHARGER INSTALLATION - M450AJ (ANSI EXPORT AND CE SPECS)



ART\_1001167419

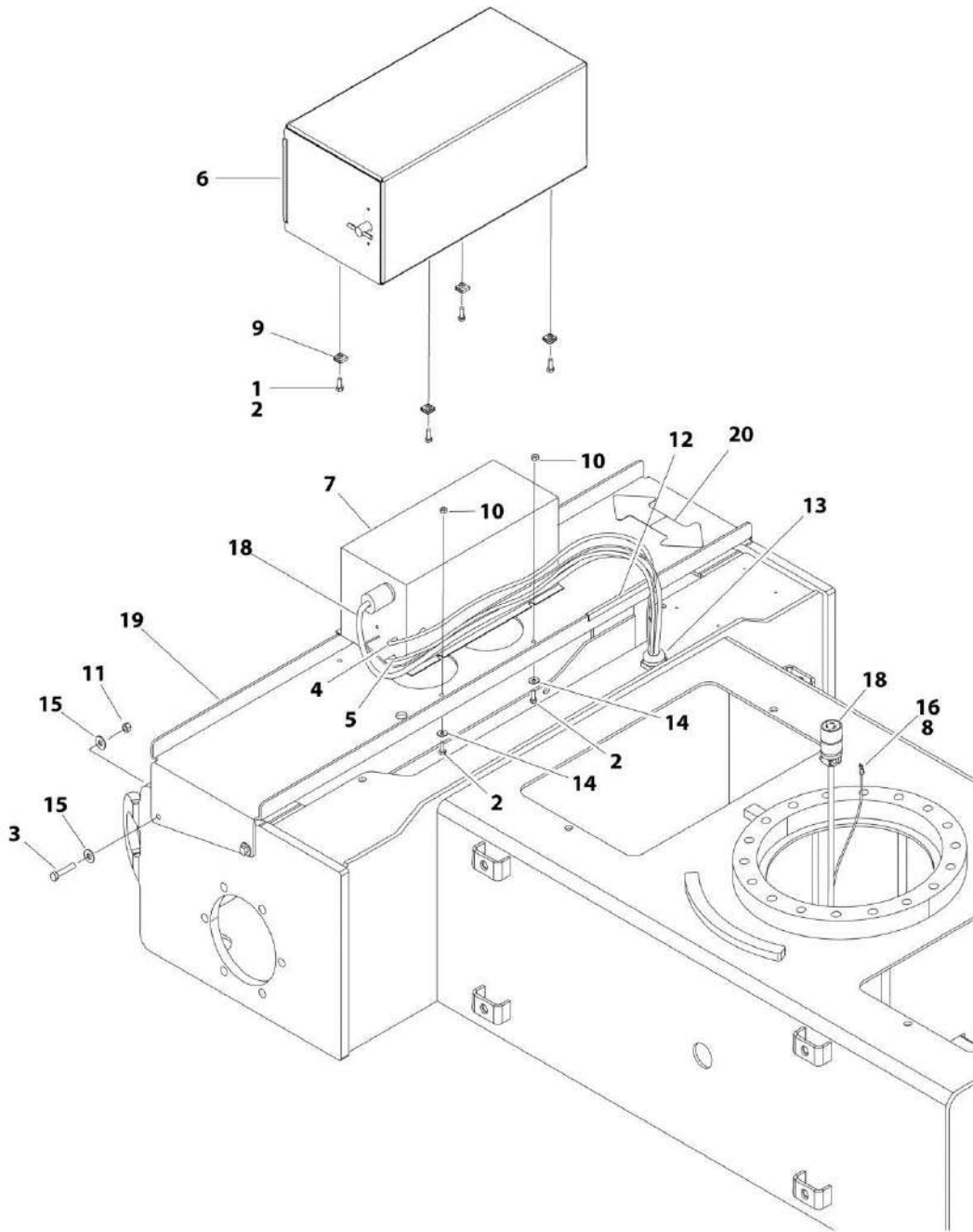
## SECTION 1 - FRAME

**FIGURE 1-35. BATTERY CHARGER INSTALLATION - M450AJ (ANSI EXPORT AND CE SPECS)**

ITEM	PART NUMBER	QTY	DESCRIPTION	REV
	1001167419	Ref	BATTERY CHARGER INSTALLATION - M450AJ (ANSI EXPORT AND CE SPECS)	D
	See Note	Ref	Note: AC Plug Supplied Locally.	
1	0100011	1	Compound, Locking <b>(SN 0300189898 through 0300195448)</b>	
2	0610131	1	Charger LED Assembly	
3	0641405	1	Bolt, 1/4-20 x 5/8	
4	0641407	AR	Bolt, 1/4-20 x 7/8	
5	1060689	1	AC Cord	
6	1060778	1	LED, Remote Lead (See ELECTRICAL SECTION for Breakdown)	
7	1320136	1	Clamp	
8	3311405	3	Nut, Lock, 1/4-20	
9	3571834	1	Plate, Panel	
10	4460428	1	Connector, Strain Relief	
11	4711400	AR	Washer, 1/4	
12	1001103105	1	Battery Charger Assembly (See ELECTRICAL SECTION for Breakdown)	
13	1001167303	1	Bracket, Valve Mount <b>(SN 0300189898 through 0300195448)</b>	
14	3300454	AR	Nut 1/4-20	
15	0641405	4	Bolt, 1/4-20 x 5/8 <b>(SN 0300189898 through 0300195447)</b>	
15	0641406	4	Bolt, 1/4-20 x 3/4 <b>(SN 0300195448 through 0300208529)</b>	

# SECTION 1 - FRAME

## FIGURE 1-36. INVERTER INSTALLATION - E450A/E450AJ



ART\_1001167024

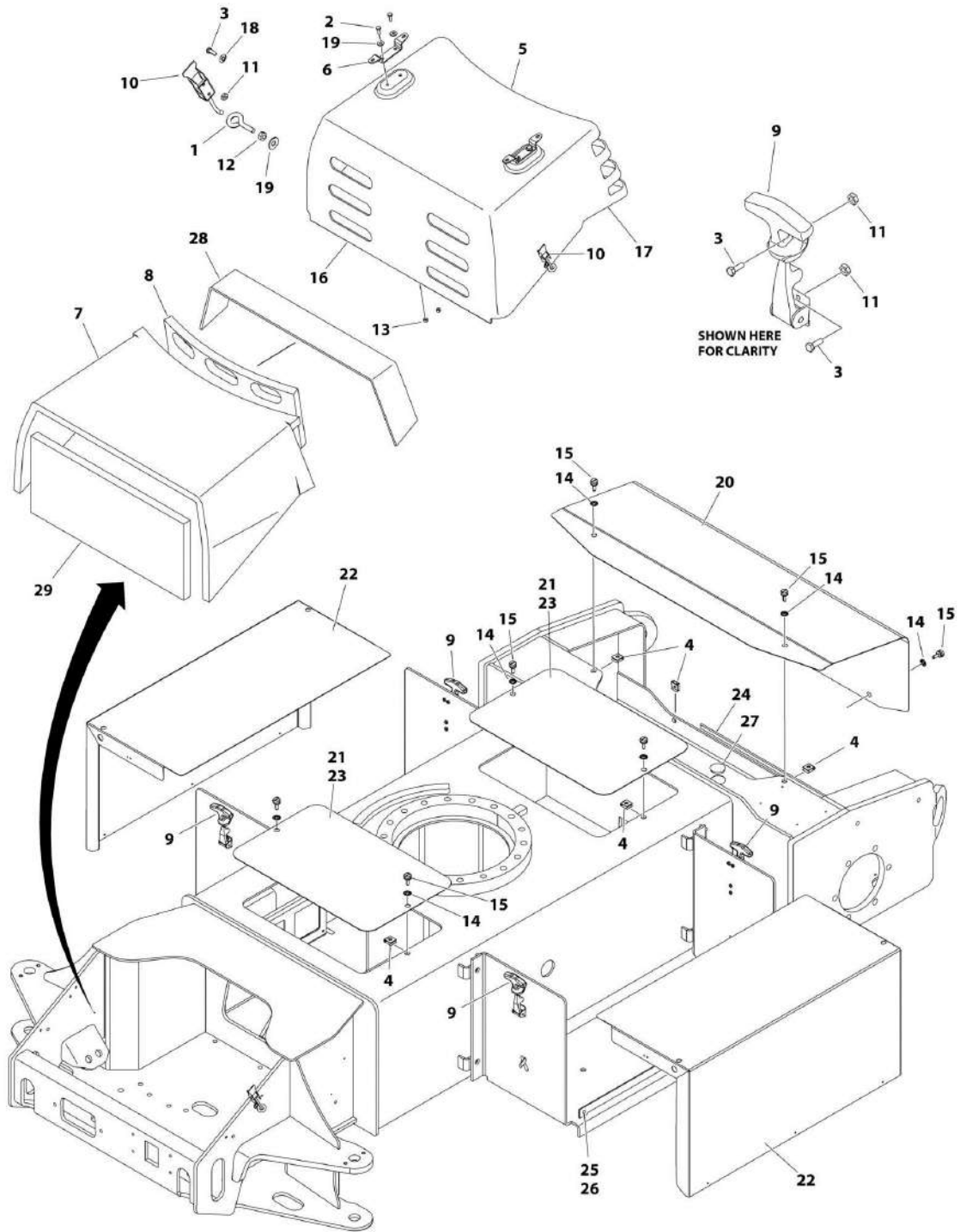
# SECTION 1 - FRAME

**FIGURE 1-36. INVERTER INSTALLATION - E450A/E450AJ**

ITEM	PART NUMBER	QTY	DESCRIPTION	REV
	1001167024	Ref	INVERTER INSTALLATION - E450A/E450AJ	C
1	0100011	AR	Compound, Locking	
2	0641406	8	Bolt, 1/4-20 x 3/4	
3	0641614	4	Bolt, 3/8-16 x 1-3/4	
4	1060801	1	Cable, Battery	
5	1060802	1	Cable, Ground	
6	1670953	1	Cover	
7	2460037	1	Inverter	
8	2820035	10 ft/3.1m	Insulate, Tubing	
9	3300353	4	Nut, Tinnerman	
10	3311405	4	Nut, Lock, 1/4-20	
11	3311605	4	Nut, Lock, 3/8-16	
12	4060805	6 in /150mm	Shield, Flex Trim	
13	4460426	1	Connector, Strain Relief	
14	4751400	4	Washer, 1/4	
15	4751600	8	Washer, 3/8	
16	4460078	1	Terminal	
18	4922390	1	Harness, Inverter (See ELECTRICAL SECTION for Breakdown) <b>(SN 0300189898 through 0300193792)</b>	
18	1001182296	1	Harness, Inverter (See ELECTRICAL SECTION for Breakdown) <b>(SN 0300193793 through 0300208529)</b>	
19	1001167014	1	Bracket	
20	1701642	1	Decal - Arrow <b>(SN 0300193793 through 0300208529)</b>	

# SECTION 1 - FRAME

## FIGURE 1-37. FRAME COVER INSTALLATION - M450AJ



ART\_1001166328

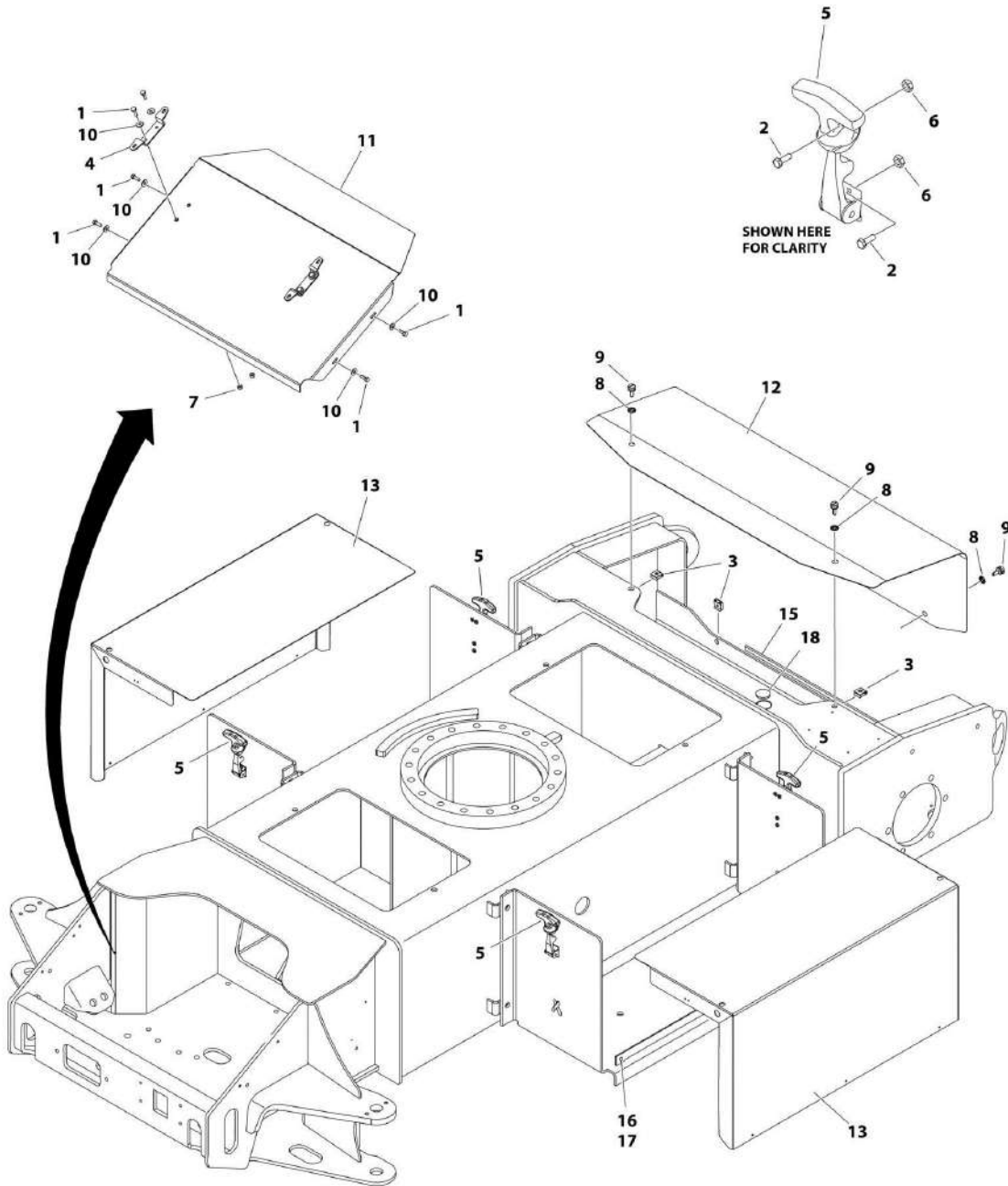
# SECTION 1 - FRAME

## FIGURE 1-37. FRAME COVER INSTALLATION - M450AJ

ITEM	PART NUMBER	QTY	DESCRIPTION	REV
	1001166328	Ref	FRAME COVER INSTALLATION - M450AJ	F
1	0630440	2	Eyebolt	
2	0641406	4	Bolt, 1/4-20 x 3/4	
3	0721004	20	Bolt, #10-24 x .500	
4	1380138	8	Clip, Receptacle	
5	1670880	1	Cover	
6	2700093	2	Hook	
7	2820105	1	Insulation, Acoustical Foam	
8	2820106	1	Insulation, Acoustic Foam	
9	2940095	4	Latch	
10	2940115	2	Latch	
11	3311005	20	Nut, Lock, #10-24	
12	3311401	2	Nut, 1/4-20	
13	3311405	4	Nut, Lock, 1/4-20	
14	3760308	8	Retainer	
15	3900174	8	Screw, Special (SN 0300189898 through 0300195136)	
15	1001112496	8	Screw, Special (SN 0300195137 through 0300208529)	
16	3960389	2.5 ft /0.76m	Seal	
17	4060804	6.5 ft /1.9m	Flex Trim	
18	4751000	4	Washer, 10	
19	4751400	6	Washer, 1/4	
20	1001166330	1	Axle Cover	
21	1001166377	2	Frame Cover	
22	1001166493	2	Battery Cover	
23	3960417	12 ft /3.66m	Seal	
24	3960447	11 ft /3.35m	Seal	
25	3820019	6	Rivet	
26	1001175025	2	Brace, Battery Tray	
27	3520035	1	Plug, Cap	
28	1001182709	1	Insulation, Acoustical Foam	
29	2820110	1	Insulation, Acoustical Foam	

# SECTION 1 - FRAME

## FIGURE 1-38. FRAME COVER INSTALLATION - E450A/E450AJ



ART\_1001166327



## SECTION 1 - FRAME

**FIGURE 1-38. FRAME COVER INSTALLATION - E450A/E450AJ**

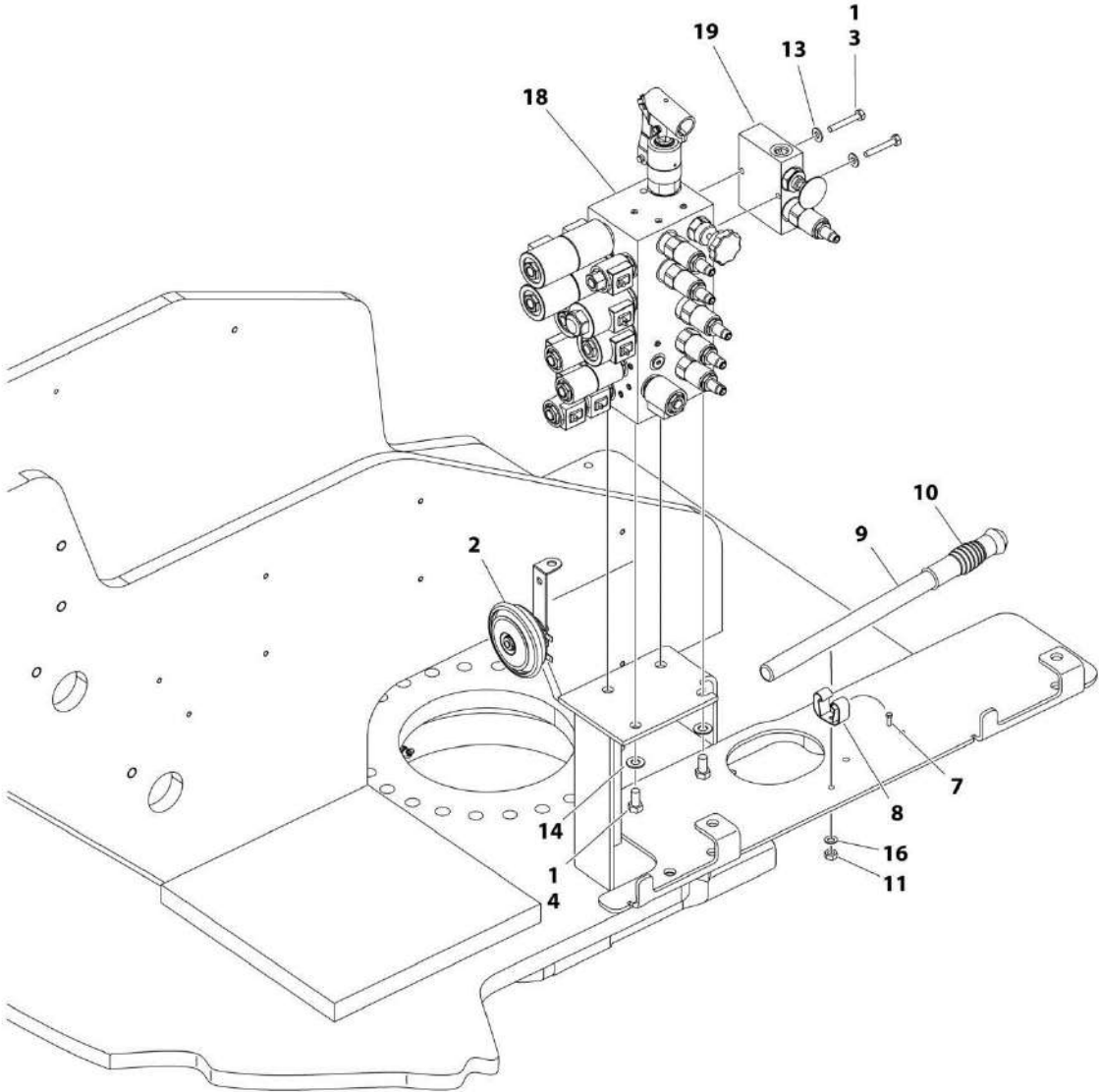
ITEM	PART NUMBER	QTY	DESCRIPTION	REV
	1001166327	Ref	FRAME COVER INSTALLATION - E450A/E450AJ	E
1	0641406	8	Bolt, 1/4-20 x 3/4	
2	0721004	16	Bolt, #10-24 x .500	
3	1380138	4	Clip, Receptacle	
4	2700093	2	Hook	
5	2940095	4	Latch	
6	3311005	16	Nut, Lock, #10-24	
7	3311405	4	Nut, Lock, 1/4-20	
8	3760308	4	Retainer	
9	3900174	4	Screw, Special <b>(SN 0300189898 through 0300195136)</b>	
9	1001112496	4	Screw, Special <b>(SN 0300195137 through 0300208529)</b>	
10	4751400	8	Washer, 1/4	
11	1001166321	1	Cover	
12	1001166330	1	Axle Cover	
13	1001166493	2	Battery Cover	
15	3960447	11 ft /3.35m	Seal	
16	3820019	6	Rivet	
17	1001175025	2	Brace, Battery Tray	
18	3520035	1	Plug, Cap	



**SECTION 2 - TURNTABLE**

# SECTION 2 - TURNTABLE

FIGURE 2-1. VALVE INSTALLATION - TURNTABLE MOUNTED - E450A



ART\_1001166438\_20F2

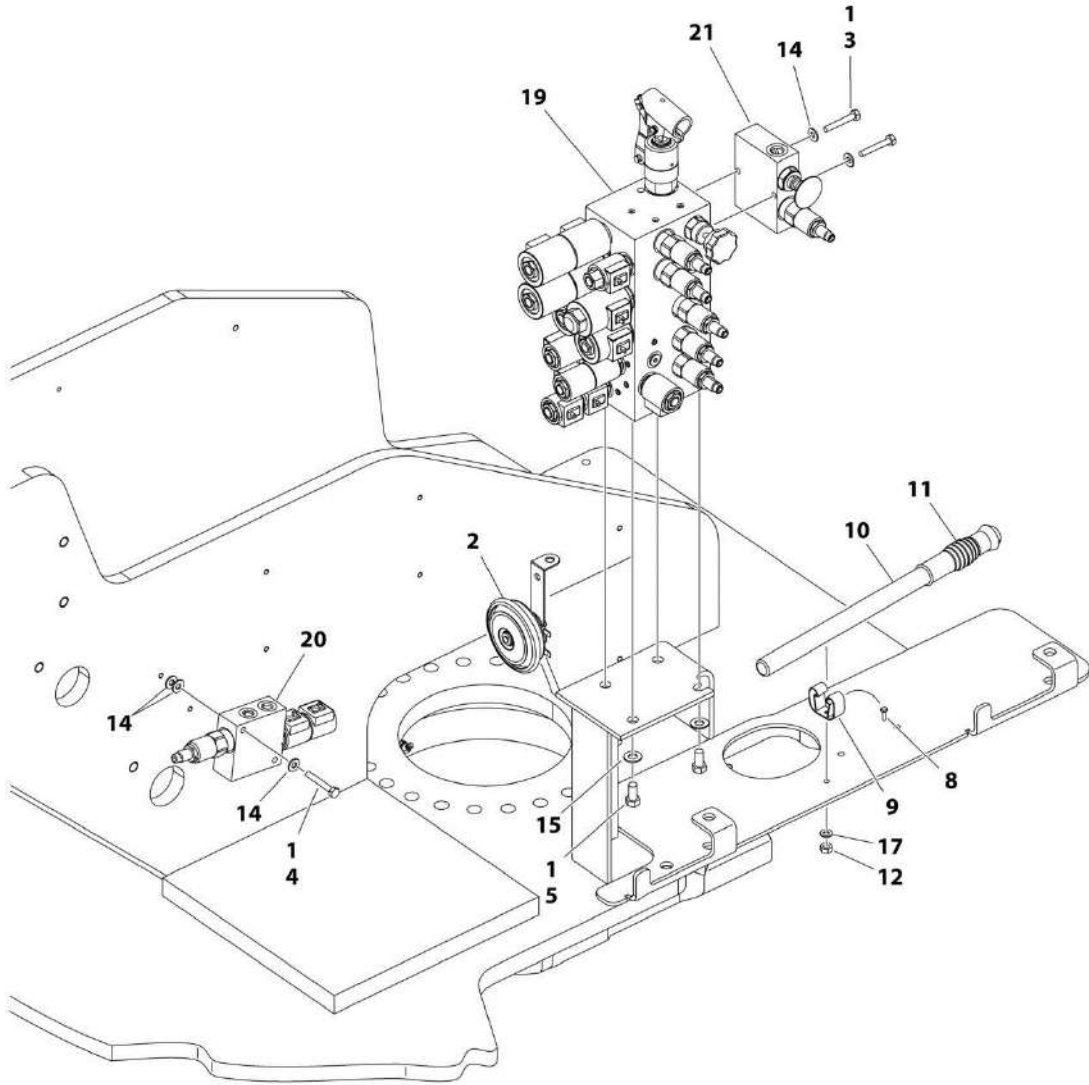
# SECTION 2 - TURNTABLE

**FIGURE 2-1. VALVE INSTALLATION - TURNTABLE MOUNTED - E450A**

ITEM	PART NUMBER	QTY	DESCRIPTION	REV
	1001166438	Ref	VALVE INSTALLATION - TURNTABLE MOUNTED - E450A	F
1	0100011	AR	Compound, Locking	
2	0140028	1	Horn	
3	0641413	2	Bolt, 1/4-20 x 1-5/8	
4	0641606	4	Bolt, 3/8-16 x 3/4	
7	0720804	1	Bolt, #8-32 x .500	
8	1380136	1	Clip	
9	2560122	1	Handle	
10	2560123	1	Handle, Grip	
11	3310805	1	Nut, Lock, #8-32	
13	4711400	2	Washer, 1/4	
14	4711600	4	Washer, 3/8	
16	4750800	1	Washer, 8	
18	1001097507	1	Main Control Valve Assembly (See MAIN CONTROL VALVE ASSEMBLY for Breakdown)	
19	1001097777	1	Releveling Valve Assembly (See RELEVELING VALVE ASSEMBLY for Breakdown)	

# SECTION 2 - TURNTABLE

## FIGURE 2-2. VALVE INSTALLATION - TURNTABLE MOUNTED - E450AJ



ART\_1001166439\_2OF2

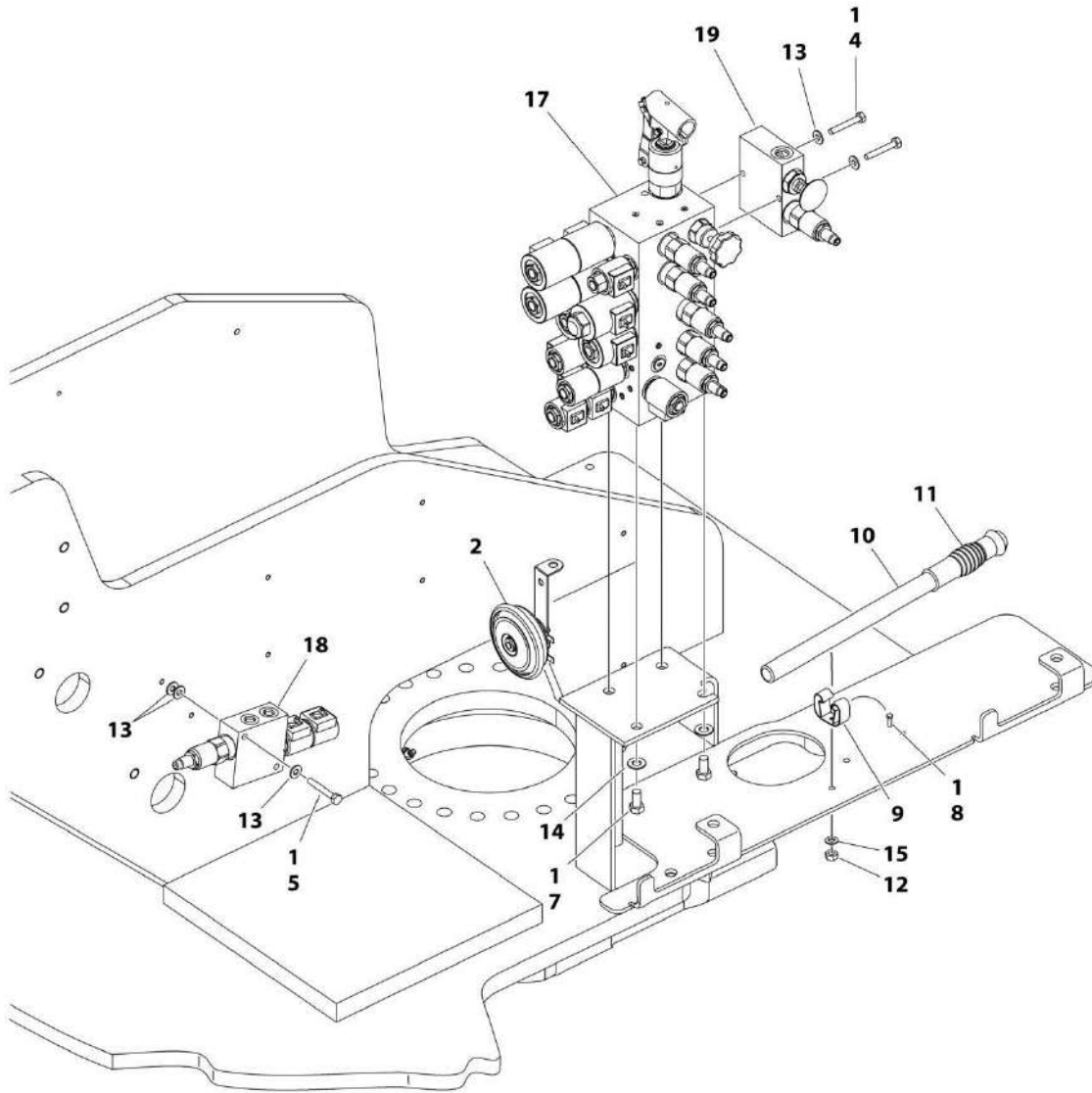
# SECTION 2 - TURNTABLE

**FIGURE 2-2. VALVE INSTALLATION - TURNTABLE MOUNTED - E450AJ**

ITEM	PART NUMBER	QTY	DESCRIPTION	REV
	1001166439	Ref	VALVE INSTALLATION - TURNTABLE MOUNTED - E450AJ	F
1	0100011	AR	Compound, Locking	
2	0140028	1	Alarm, Horn	
3	0641413	2	Bolt, 1/4-20 x 1-5/8	
4	0641414	2	Bolt, 1/4-20 x 1-3/4	
5	0641606	4	Bolt, 3/8-16 x 3/4	
8	0720804	1	Bolt, #8-32 x 1/2	
9	1380136	1	Clip	
10	2560122	1	Handle	
11	2560123	1	Handle, Grip	
12	3310805	1	Nut, Lock, #8-32	
14	4711400	8	Washer, 1/4	
15	4711600	4	Washer, 3/8	
17	4750800	1	Washer, 8	
19	1001097507	1	Main Control Valve Assembly (See MAIN CONTROL VALVE ASSEMBLY for Breakdown)	
20	1001097775	1	Jib Valve Assembly (See JIB VALVE ASSEMBLY for Breakdown)	
21	1001097777	1	Releveling Valve Assembly (See RELEVELING VALVE ASSEMBLY for Breakdown)	

# SECTION 2 - TURNTABLE

## FIGURE 2-3. VALVE INSTALLATION - TURNTABLE MOUNTED - M450AJ



ART\_1001167360\_20F2



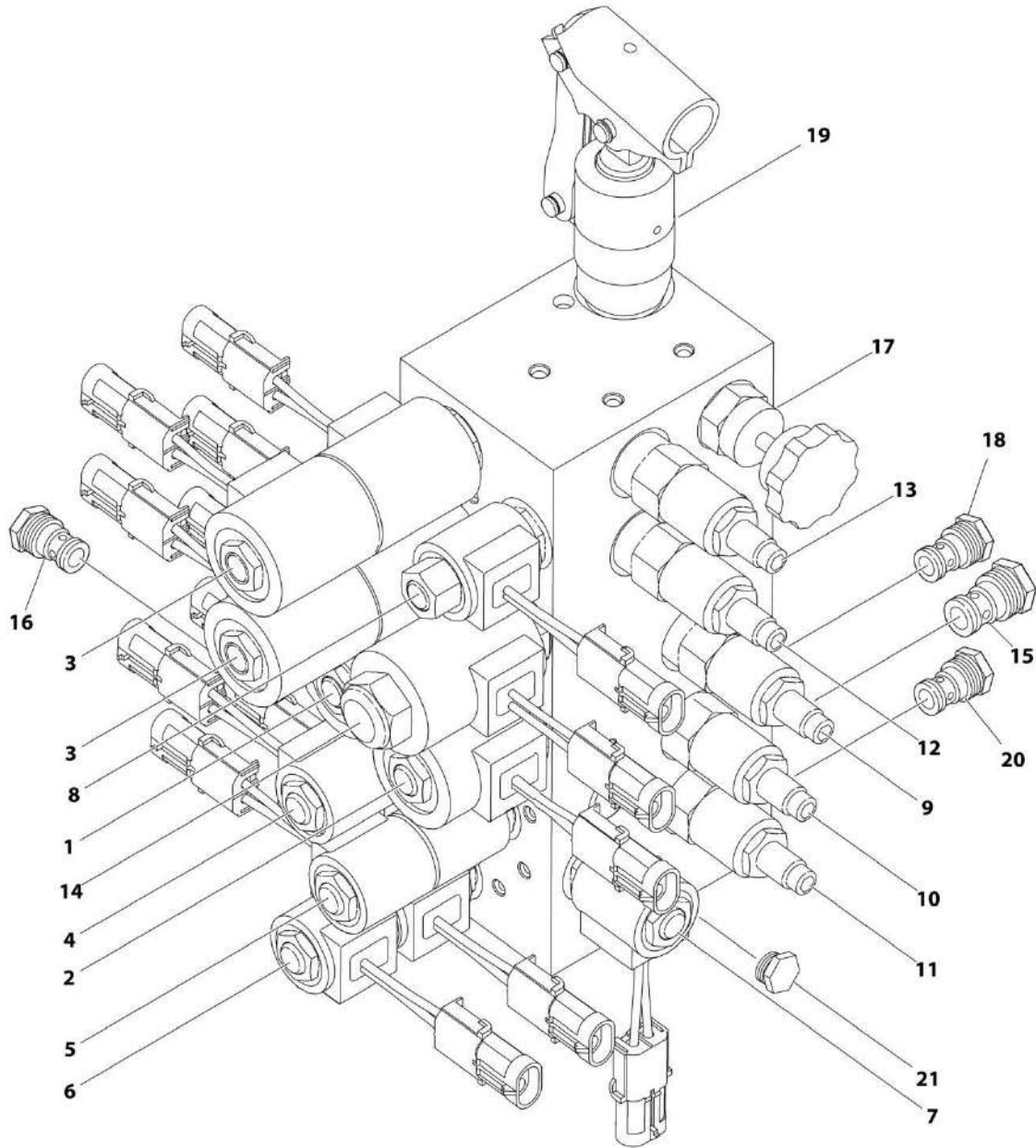
## SECTION 2 - TURNTABLE

**FIGURE 2-3. VALVE INSTALLATION - TURNTABLE MOUNTED - M450AJ**

ITEM	PART NUMBER	QTY	DESCRIPTION	REV
	1001167360	Ref	VALVE INSTALLATION - TURNTABLE MOUNTED - M450AJ	C
1	0100011	AR	Compound, Locking	
2	0140028	1	Alarm, Horn	
4	0641413	2	Bolt, 1/4-20 x 1-5/8	
5	0641414	2	Bolt, 1/4-20 x 3/4	
7	0641606	4	Bolt, 3/8-16 x 3/4	
8	0720804	1	Bolt, #8-32 x 1/2	
9	1380136	1	Clip	
10	2560122	1	Handle	
11	2560123	1	Grip, Handle	
12	3310805	1	Nut, Lock, #8-32	
13	4711400	8	Washer, 1/4	
14	4711600	4	Washer, 3/8	
15	4750800	1	Washer, #8	
17	1001097507	1	Main Control Valve Assembly (See MAIN CONTROL VALVE ASSEMBLY for Breakdown)	
18	1001097775	1	Jib Valve Assembly (See JIB VALVE ASSEMBLY for Breakdown)	
19	1001097777	1	Releveling Valve Assembly (See RELEVELING VALVE ASSEMBLY for Breakdown)	

# SECTION 2 - TURNTABLE

## FIGURE 2-4. MAIN CONTROL VALVE ASSEMBLY



ART\_1001097507

## SECTION 2 - TURNTABLE

### FIGURE 2-4. MAIN CONTROL VALVE ASSEMBLY

ITEM	PART NUMBER	QTY	DESCRIPTION	REV
	1001097507	Ref	MAIN CONTROL VALVE ASSEMBLY	D
1	7022394	1	Cartridge without Coil (Telescope In)	
1	7012518	1	Seal Kit - 7022394 Cartridge	
1	7021610	1	Coil	
2	7012995	1	Cartridge without Coil (Telescope Out)	
2	7012518	1	Seal Kit - 7012995 Cartridge	
2	7021610	1	Coil	
3	7021603	2	Cartridge without Coil (Lower and Upper Lift)	
3	7012903	1	Seal Kit - 7021603 Cartridge	
3	7021610	1	Coil (2 Per Valve)	
4	7017452	1	Cartridge without Coil (Platform Level)	
4	7017402	1	Seal Kit - 7017452 Cartridge	
4	7011609	2	Coil	
5	7017452	1	Cartridge without Coil (Rotator)	
5	7017402	1	Seal Kit - 7017452 Cartridge	
5	7011609	2	Coil	
6	7017433	1	Cartridge without Coil (Swing)	
6	7017402	1	Seal Kit - 7017433 Cartridge	
6	7021609	2	Coil	
7	7021604	1	Cartridge without Coil (Swing Restrictor)	
7	7012953	1	Seal Kit - 7021604 Cartridge	
7	7021609	1	Coil	
8	7017410	1	Cartridge without Coil (Bypass Unloading)	
8	7012998	1	Seal Kit - 7017410 Cartridge	
8	7021609	1	Coil	
9	7017418	1	Cartridge (Telescope)	
9	7012998	1	Seal Kit - 7017418 Cartridge	
10	7017421	1	Cartridge (Platform Level Backward Piston End)	
10	7012998	1	Seal Kit - 7017421 Cartridge	
11	7017418	1	Cartridge (Platform Level Forward Rod End)	
11	7012998	1	Seal Kit - 7017418 Cartridge	
12	70001876	1	Cartridge (Lower Lift Down)	
12	7012998	1	Seal Kit - 70001876 Cartridge	
13	70002806	1	Cartridge (Upper Lift Down)	
13	7012998	1	Seal Kit - 70002806 Cartridge	
14	7021611	1	Cartridge without Coil (Flow Regulator)	
14	7012518	1	Seal Kit - 7021611 Cartridge	
14	7021618	1	Coil	
15	7012914	1	Cartridge (Platform Level Piston Side)	
15	7021653	1	Seal Kit - 7012914 Cartridge	
16	7012914	1	Cartridge (Platform Level Rod Side)	
16	7021653	1	Seal Kit - 7012914 Cartridge	
17	7012947	1	Cartridge (Emergency Descent)	
17	7012518	1	Seal Kit - 7012947 Cartridge	
17	7012961	1	Knob	
18	10837580	1	Cartridge (Telescope)	
18	7010543	1	Seal Kit - 10837580 Cartridge	
19	70004019	1	Pump, Manual	
19	7017496	1	Seal Kit - 70004019 Pump	
20	7012975	1	Valve, Check	

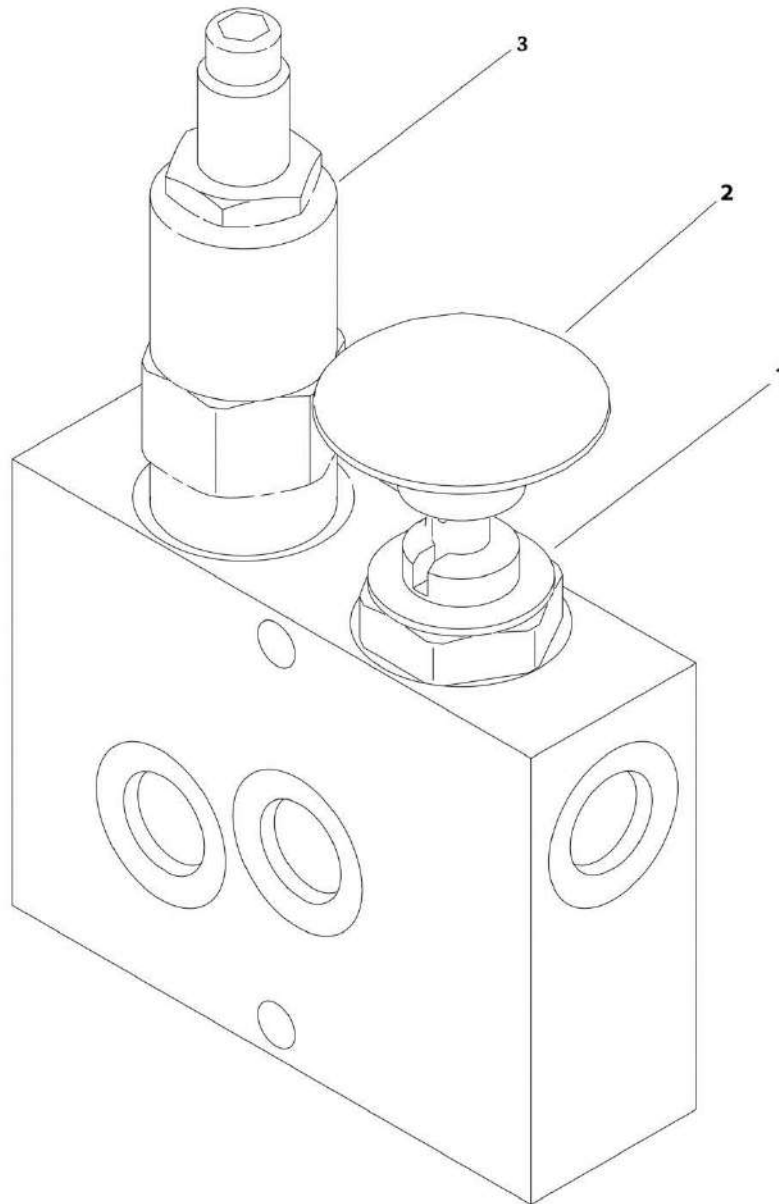
## SECTION 2 - TURNTABLE

ITEM	PART NUMBER	QTY	DESCRIPTION	REV
20	7012540	1	Seal Kit - 7012975 Cartridge	
21	70000381	1	Cartridge, Plug	
22	7017406	4	Plug (Not Shown)	



## SECTION 2 - TURNTABLE

FIGURE 2-5. RELEVELING VALVE ASSEMBLY



ART\_1001097777

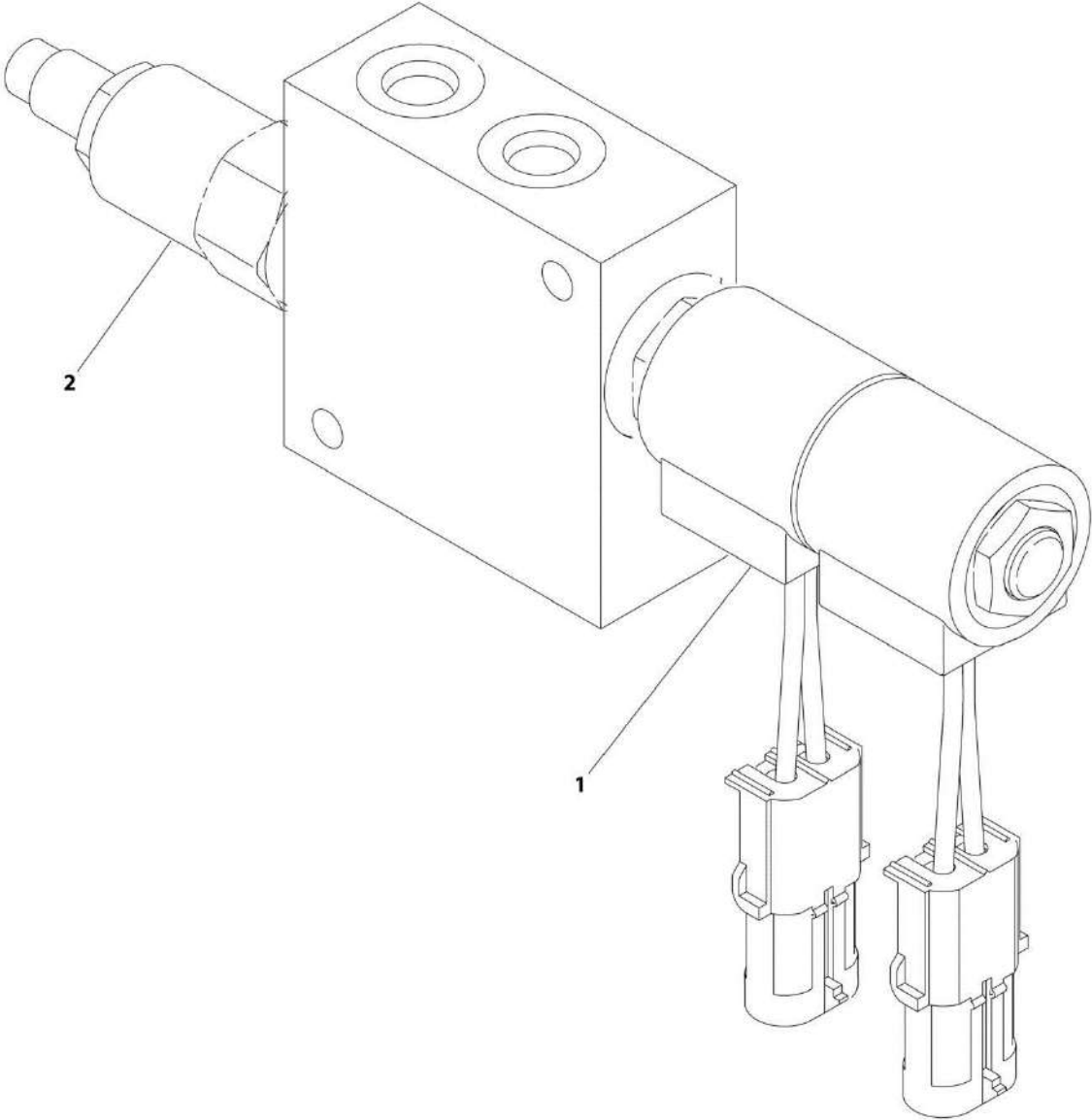
**SECTION 2 - TURNTABLE**

**FIGURE 2-5. RELEVELING VALVE ASSEMBLY**

<b>ITEM</b>	<b>PART NUMBER</b>	<b>QTY</b>	<b>DESCRIPTION</b>	<b>REV</b>
	1001097777	Ref	RELEVELING VALVE ASSEMBLY	A
1	7017466	1	Cartridge	
1	7017496	1	Seal Kit - 7017466 Cartridge	
2	7012959	1	Knob	
3	7024891	1	Cartridge	
3	7012953	1	Seal Kit - 7024891 Cartridge	

**SECTION 2 - TURNTABLE**

**FIGURE 2-6. JIB VALVE ASSEMBLY**



ART\_1001097775



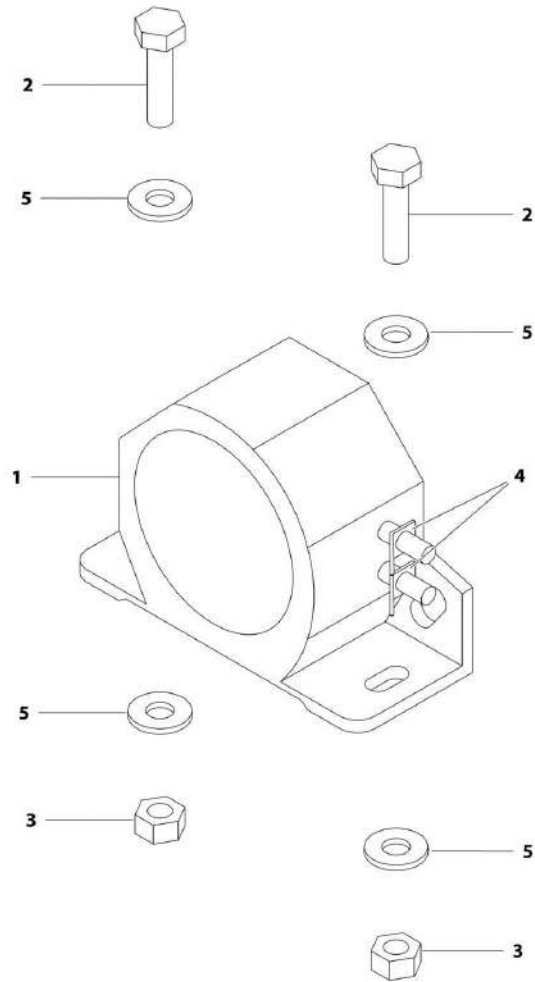
**SECTION 2 - TURNTABLE**

**FIGURE 2-6. JIB VALVE ASSEMBLY**

<b>ITEM</b>	<b>PART NUMBER</b>	<b>QTY</b>	<b>DESCRIPTION</b>	<b>REV</b>
	1001097775	Ref	JIB VALVE ASSEMBLY	C
1	7017452	1	Cartridge without Coil	
1	7017402	1	Seal Kit - 7017452 Cartridge	
1	7021609	2	Coil	
2	70002807	1	Cartridge, Relief Valve	
2	7021653	1	Seal Kit - 70002807 Cartridge	

## SECTION 2 - TURNTABLE

FIGURE 2-7. MOTION ALARM INSTALLATION



ART\_1001166437

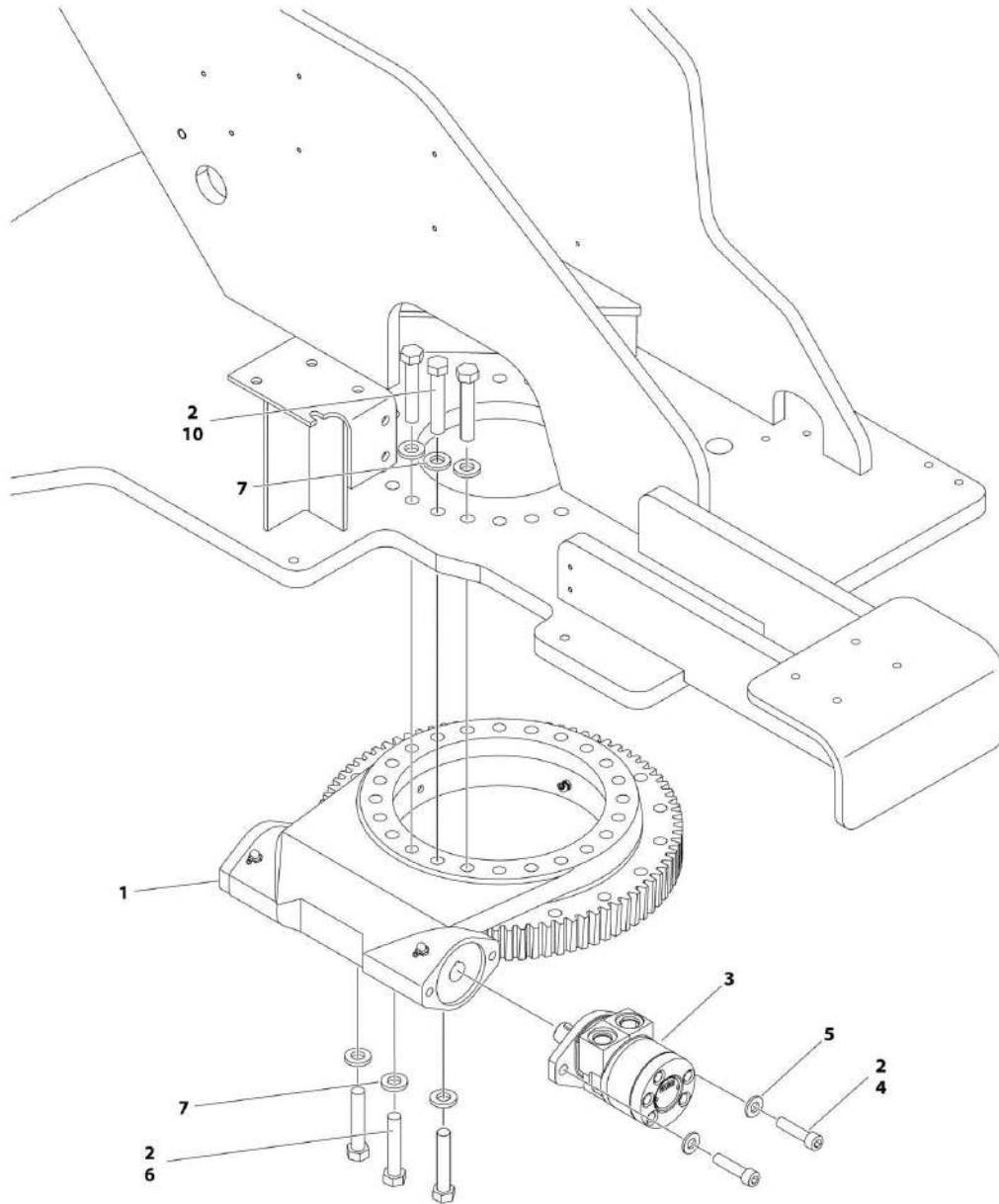
**SECTION 2 - TURNTABLE**

**FIGURE 2-7. MOTION ALARM INSTALLATION**

<b>ITEM</b>	<b>PART NUMBER</b>	<b>QTY</b>	<b>DESCRIPTION</b>	<b>REV</b>
	1001166437	Ref	MOTION ALARM INSTALLATION	A
1	0140031	1	Alarm, Motion	
2	0641408	2	Bolt, 1/4-20 x 1	
3	3311405	2	Nut, Lock, 1/4-20	
4	4460685	2	Terminal, Stud Mounted Tab	
5	4711400	4	Washer, 1/4	

## SECTION 2 - TURNTABLE

FIGURE 2-8. TURNTABLE BEARING AND SWING DRIVE INSTALLATION



ART\_1001166395

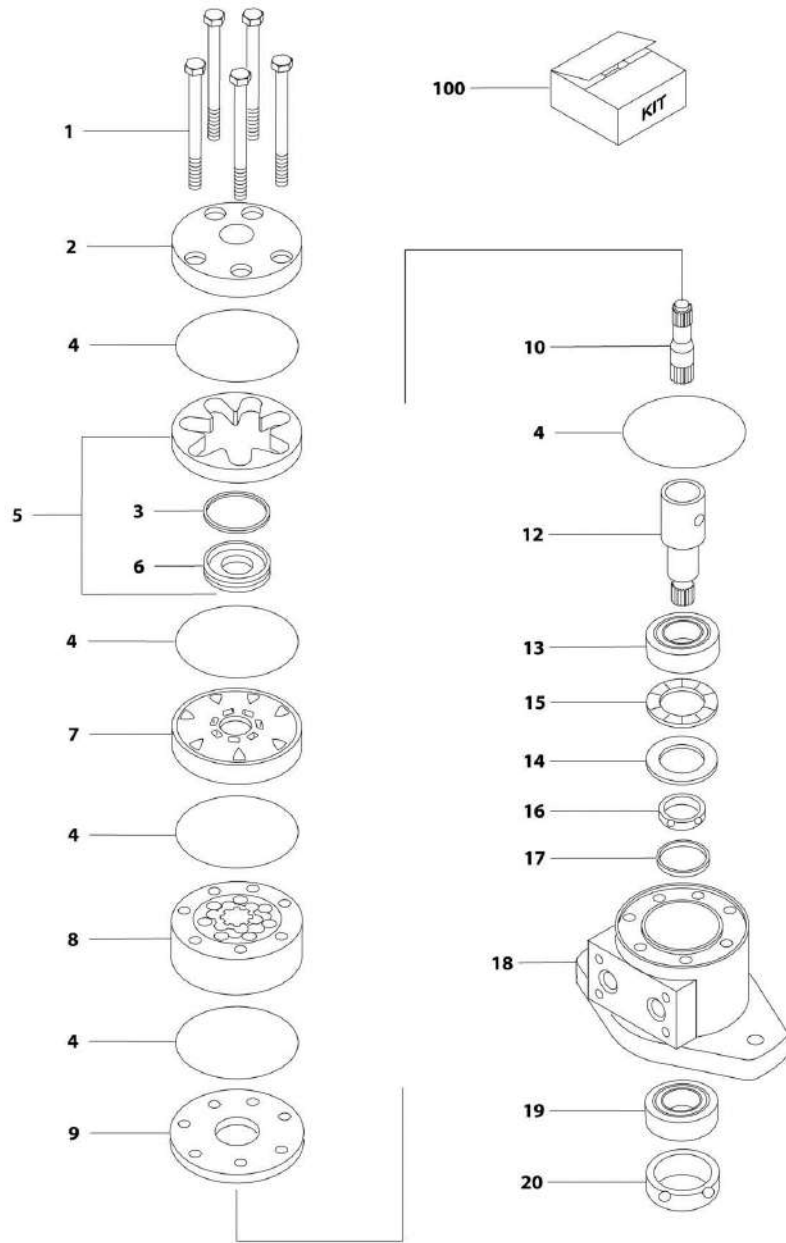
## SECTION 2 - TURNTABLE

**FIGURE 2-8. TURNTABLE BEARING AND SWING DRIVE INSTALLATION**

ITEM	PART NUMBER	QTY	DESCRIPTION	REV
	1001166395	Ref	TURNTABLE BEARING AND SWING DRIVE INSTALLATION	B
1	1001153017	1	Turntable Bearing and Worm Gear Assembly (See SWING BEARING ASSEMBLY for Breakdown)	
2	0100019	AR	Compound, Locking	
3	1001104850	1	Swing Motor Assembly (See SWING MOTOR ASSEMBLY for Breakdown)	
4	3931832	2	Bolt, Allen Head, 1/2-13 x 2	
5	4740171	2	Washer	
6	0682026	18	Bolt, 5/8-11 x 3-1/4, Grade 8	
7	4892000	41	Washer, 5/8	
9	3020029	AR	Lube, Bearing Grease	
10	0682028	23	Bolt, 5/8-11 x 3-1/2, Grade 8	

# SECTION 2 - TURNTABLE

## FIGURE 2-9. SWING MOTOR ASSEMBLY



ART\_1001104850

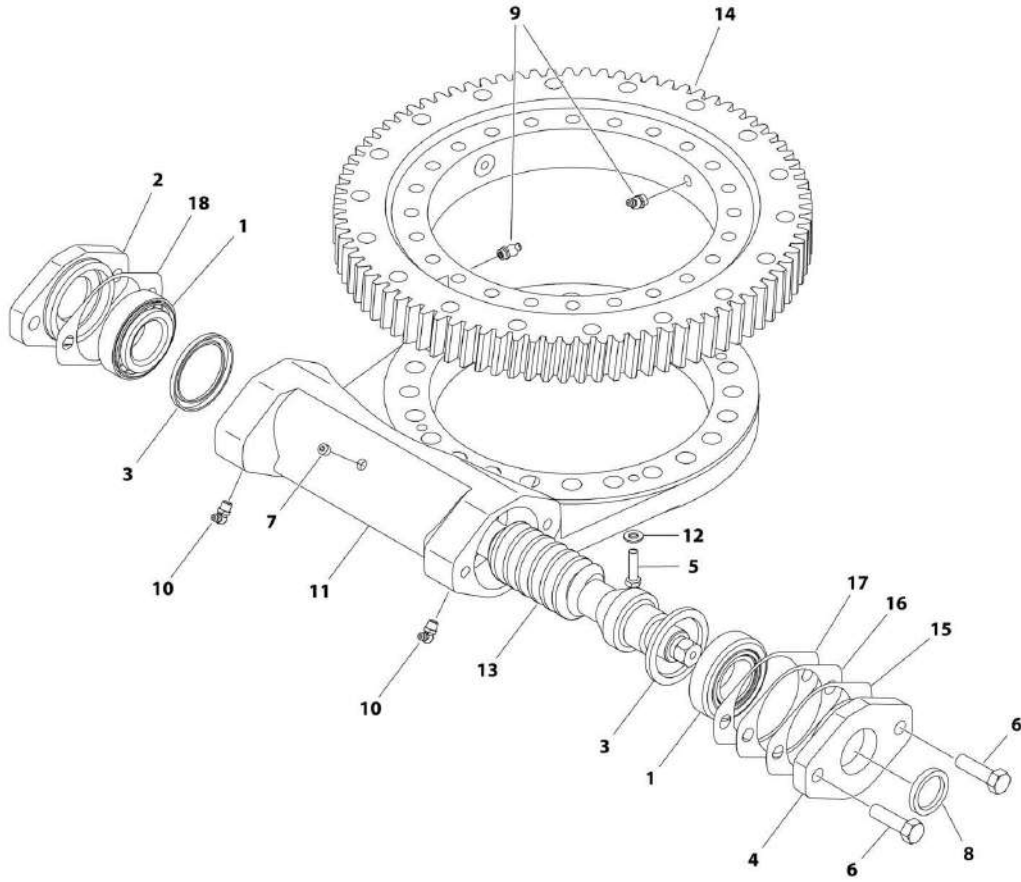
**SECTION 2 - TURNTABLE**

**FIGURE 2-9. SWING MOTOR ASSEMBLY**

ITEM	PART NUMBER	QTY	DESCRIPTION	REV
	1001104850	Ref	SWING MOTOR ASSEMBLY	A
1	See Note	5	Bolt (Note: Not Available for Purchase)	
2	7004035	1	Cover, End	
3	7023318	1	Seal, Commutator	
4	7004036	5	O-Ring	
5	7024453	1	Commutator and Ring Assembly	
6	See Note	NSS	Ring (Note: Use p/n 7024453)	
7	7024379	1	Manifold	
8	70002206	1	Rotor Set	
9	7024380	1	Plate, Ware	
10	70002207	1	Link, Drive	
12	70000088	1	Shaft, Coupling	
12A	70000089	1	Key, Woodruff	
13	7024381	1	Bearing, Inner	
14	7004043	1	Washer, Thrust	
15	7004044	1	Bearing, Thrust	
16	7004049	1	Seal, Inner	
17	7004045	1	Ring, Back-up	
18	See Note	NSS	Housing (Note: Use p/n 1001104850)	
19	7024390	1	Bearing, Outer	
20	7004047	1	Seal	
100	7024389	1	Seal Kit (Includes Items 3, 4, 16, 17 & 20)	

# SECTION 2 - TURNTABLE

## FIGURE 2-10. SWING BEARING ASSEMBLY



ART\_1001153017



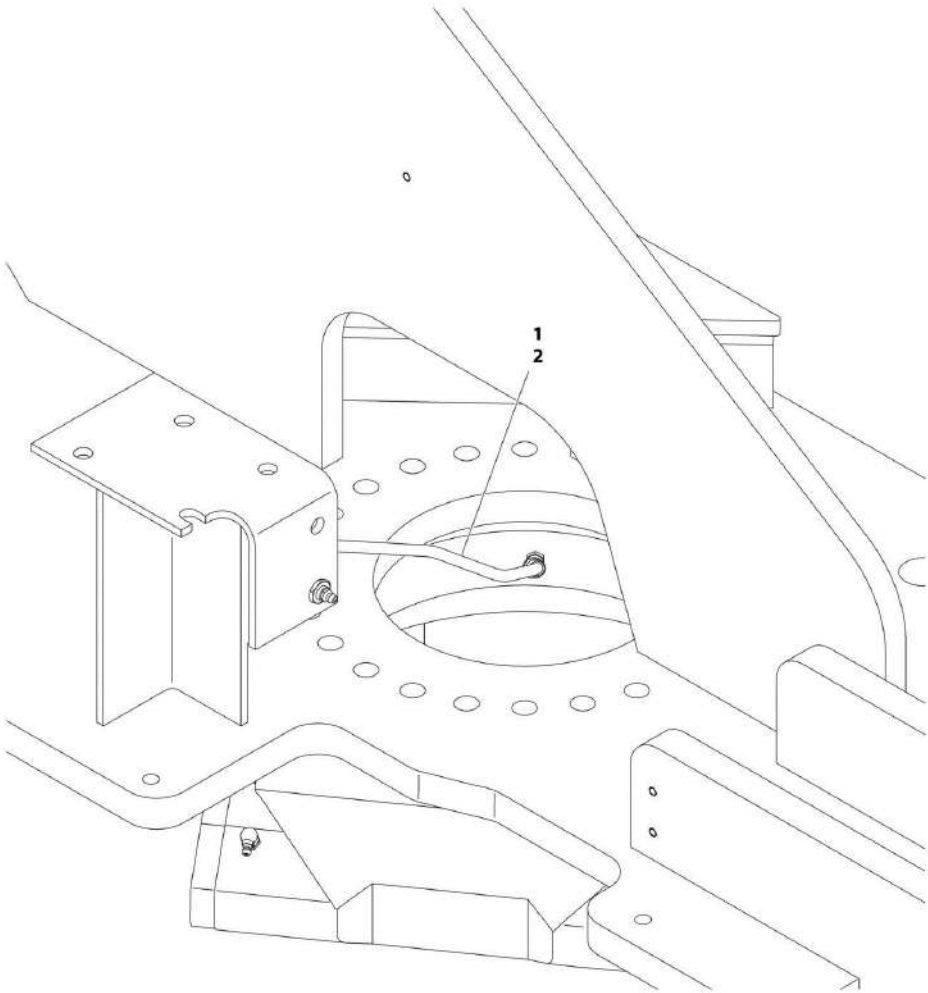
**SECTION 2 - TURNTABLE**

**FIGURE 2-10. SWING BEARING ASSEMBLY**

ITEM	PART NUMBER	QTY	DESCRIPTION	REV
	1001153017	Ref	SWING BEARING ASSEMBLY	B
1	7026042	2	Bearing, Cup	
1	7026043	2	Bearing, Cone	
2	7027356	1	Adapter, Motor	
3	7027361	2	Seal	
4	7027354	1	Cap, End	
5	0641510	2	Bolt, 5/16-18 x 1-1/4	
6	0641812	2	Bolt, 1/2-13 x 1-1/2	
7	70000865	1	Plug	
8	7027360	1	Seal	
9	7027359	2	Fitting, Grease - Straight	
9	2160003	2	Fitting, Grease - 45	
10	7027358	2	Fitting, Grease - 90	
11	See Note	NSS	Housing (Note: Not Sold Separate - Use 1001153017)	
12	4891500	1	Washer, 5/16	
13	7027363	1	Gear, Worm	
14	70004159	1	Ring Gear	
15	7027352	AR	Gasket (.010 - Brown)	
16	7027351	AR	Gasket (.0075 - Clear)	
17	7027350	AR	Gasket (.005 - Blue)	
18	7027353	1	Gasket (.020 - Yellow)	

**SECTION 2 - TURNTABLE**

**FIGURE 2-11. REMOTE BEARING LUBE INSTALLATION - OPTIONAL**



ART\_1001166341

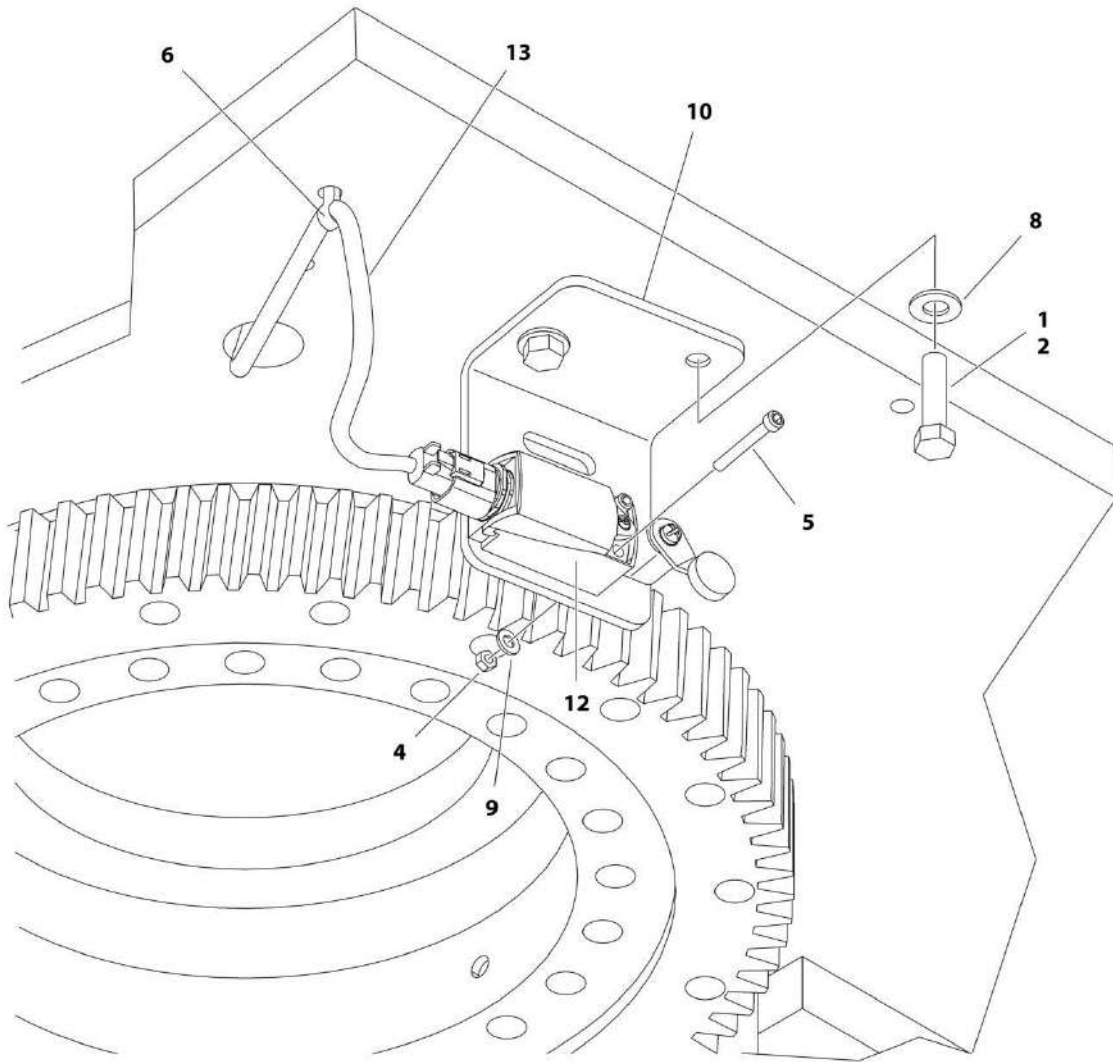
**SECTION 2 - TURNTABLE**

**FIGURE 2-11. REMOTE BEARING LUBE INSTALLATION - OPTIONAL**

<b>ITEM</b>	<b>PART NUMBER</b>	<b>QTY</b>	<b>DESCRIPTION</b>	<b>REV</b>
	1001166341	Ref	REMOTE BEARING LUBE INSTALLATION - OPTIONAL	B
1	1001157058	1	Hose, Remote Grease Line	
2	0100011	AR	Compound, Locking	

# SECTION 2 - TURNTABLE

## FIGURE 2-12. DRIVE ORIENTATION INSTALLATION



ART\_1001166440

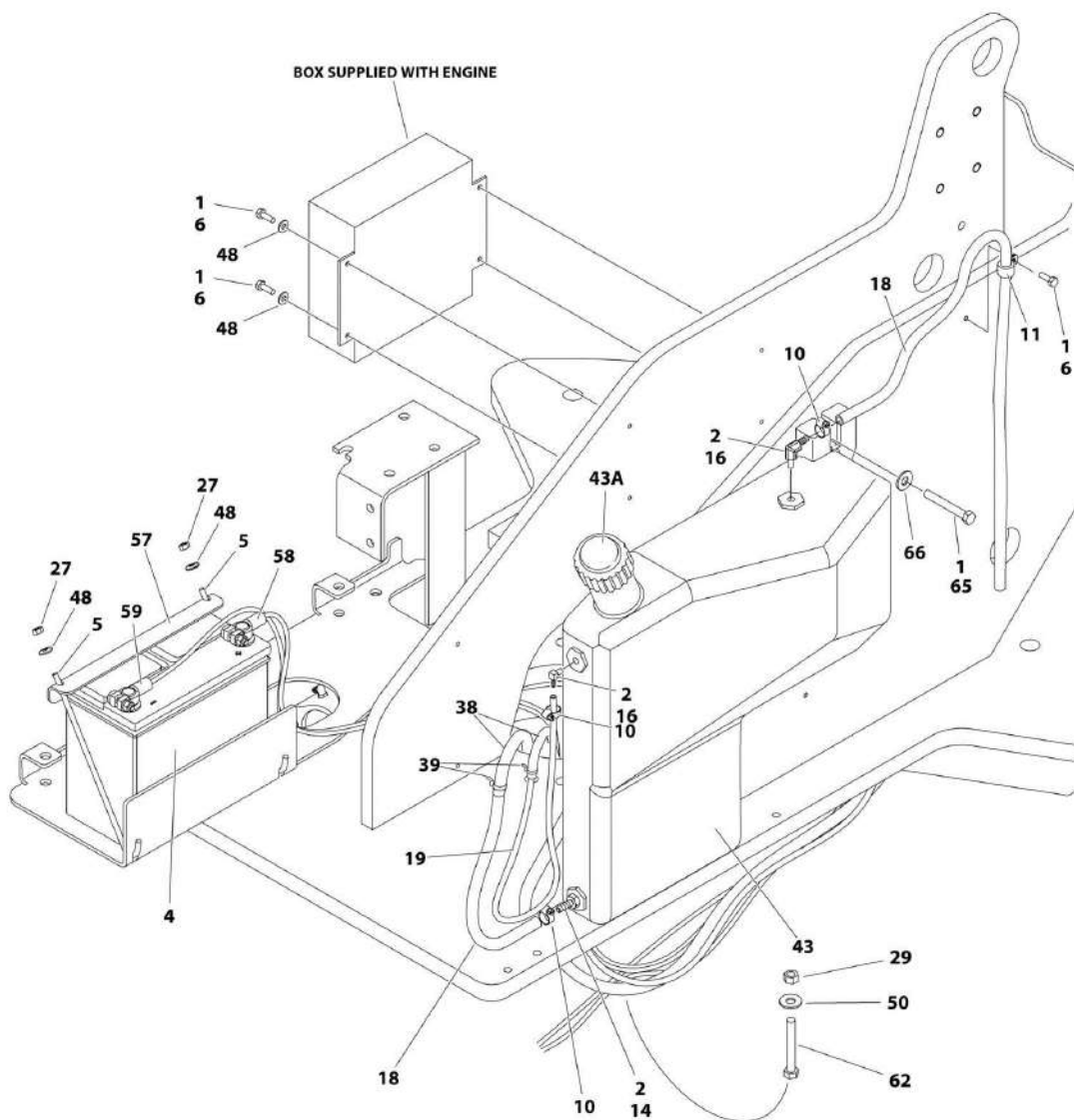
**SECTION 2 - TURNTABLE**

**FIGURE 2-12. DRIVE ORIENTATION INSTALLATION**

ITEM	PART NUMBER	QTY	DESCRIPTION	REV
	1001166440	Ref	DRIVE ORIENTATION INSTALLATION	B
1	0100011	AR	Compound, Locking	
2	0641608	2	Bolt, 3/8-16 x 1	
4	3310805	2	Nut, Lock, #8-32	
5	3930824	2	Bolt, Allen Head, #8-32 x 1-1/2	
6	4240175	1	Tie, Strap	
8	4711600	2	Washer, 3/8	
9	4750800	2	Washer, #8	
10	1001171298	1	Bracket, Mounting	
12	1001116232	1	Switch, Limit	
13	1001116522	1	Harness, Drive Orientation (See ELECTRICAL SECTION for Breakdown)	

# SECTION 2 - TURNTABLE

## FIGURE 2-13. FUEL TANK AND BATTERY INSTALLATION - M450AJ



ART\_1001167599\_10F4

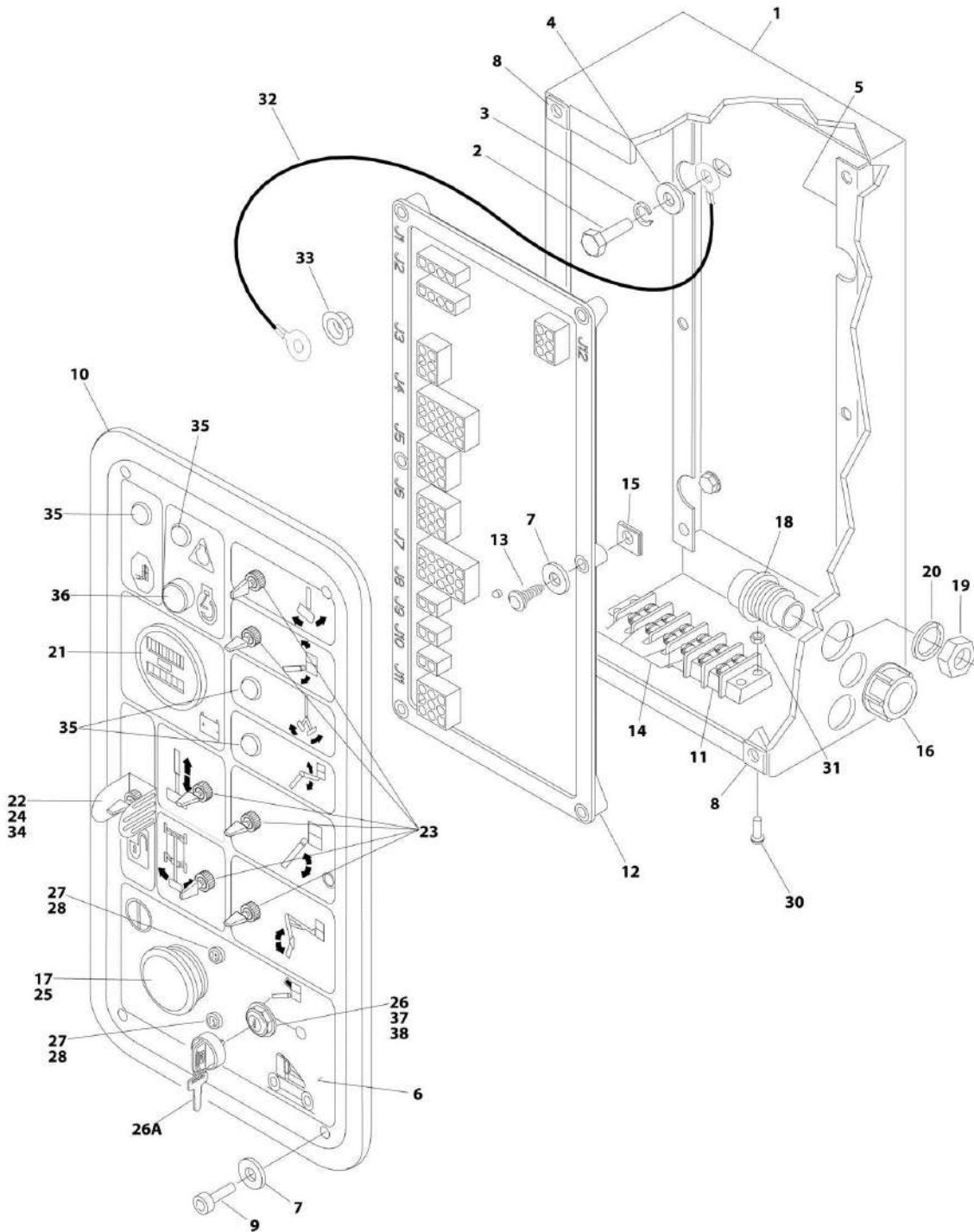
## SECTION 2 - TURNTABLE

**FIGURE 2-13. FUEL TANK AND BATTERY INSTALLATION - M450AJ**

ITEM	PART NUMBER	QTY	DESCRIPTION	REV
	1001167699	Ref	FUEL TANK AND BATTERY INSTALLATION - M450AJ	C
1	0100011	AR	Compound, Locking	
2	0100020	AR	Sealant	
4	0400201	1	Battery	
5	0630552	2	Bolt, Battery Hold Down	
6	0641406	6	Bolt, 1/4-20 x 3/4	
10	1320022	3	Clamp	
11	1320041	1	Clamp	
14	2180348	1	Fitting, Straight, NPT - Barb	
16	2221046	1	Fitting, 90, NPT - Barb	
17	2221047	1	Fitting, 90, NPT - Barb	
18	2720058	16 ft/4.9m	Hose	
19	2720271	10 ft/3m	Hose	
27	3311405	2	Nut, Lock, 1/4-20	
29	3311605	1	Nut, Lock, 3/8-16	
38	4100026	6 ft/1.8m	Sleeve, Hose	
39	4240033	AR	Tie, Wire	
43	4400417	1	Tank, Fuel	
43A	7020179	1	Cap, Fuel (Standard)	
43A	1120487	1	Cap, Lockable (Optional)	
48	4711400	6	Washer, 1/4	
50	4751600	2	Washer, 3/8	
57	1001165977	1	Mount, Battery	
58	1001168004	1	Cable, Battery (+)	
59	1001168005	1	Cable, Battery (-)	
62	0641622	1	Bolt, 3/8-16 x 2-3/4	
65	0641518	1	Bolt, 5/16-18 x 2-1/4	
66	1001167291	1	Washer, Special	

# SECTION 2 - TURNTABLE

## FIGURE 2-14. GROUND CONTROL BOX ASSEMBLY - E450A



ART\_1810136



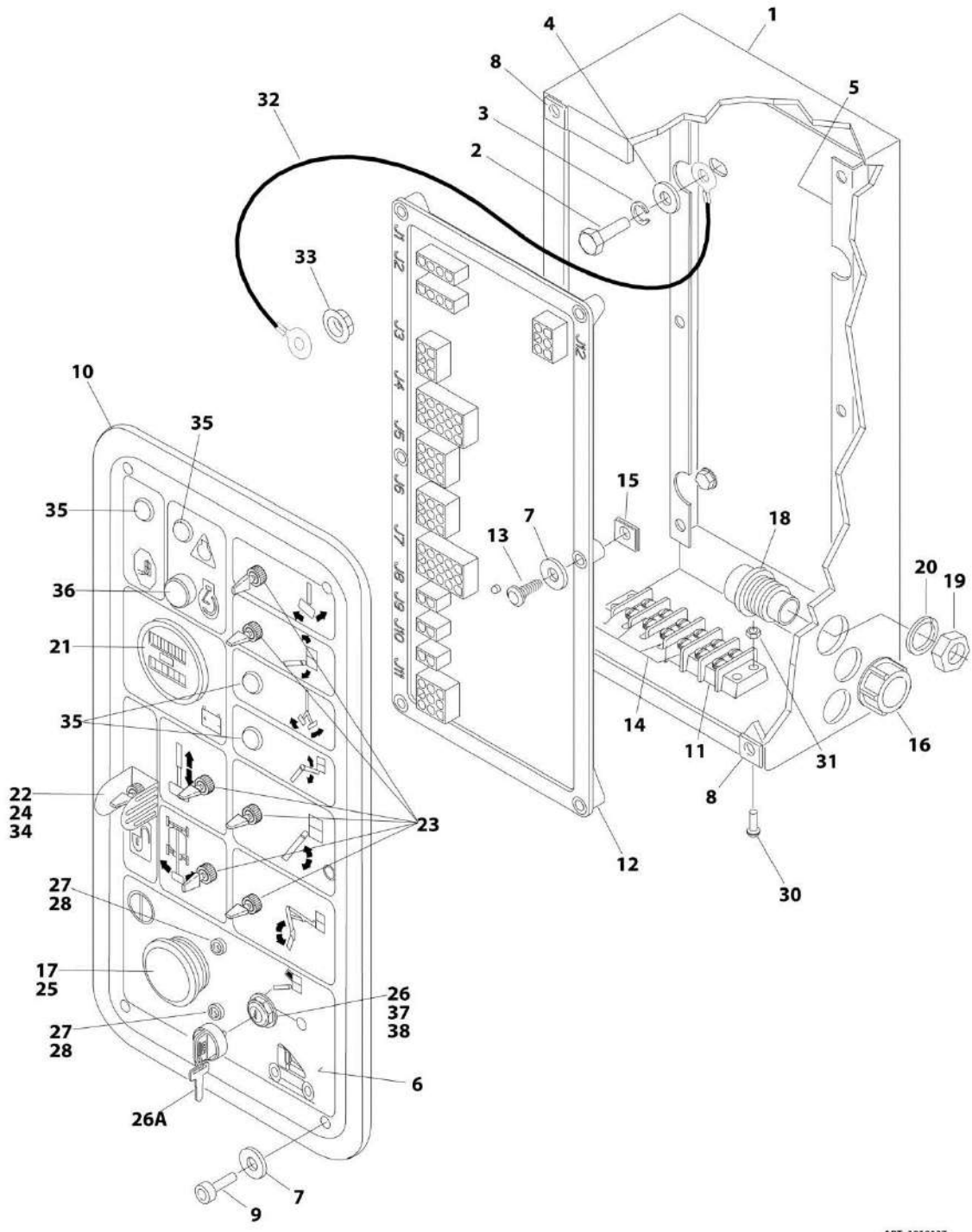
## SECTION 2 - TURNTABLE

**FIGURE 2-14. GROUND CONTROL BOX ASSEMBLY - E450A**

ITEM	PART NUMBER	QTY	DESCRIPTION	REV
	1810136	Ref	GROUND CONTROL BOX ASSEMBLY - E450A	D
1	0861152	1	Box Weldment	
2	0641605	4	Bolt, 3/8-16 x 5/8	
3	4761600	4	Washer, Lock, 3/8	
4	4751600	4	Washer, 3/8	
5	0902406	1	Bracket, Module Mounting	
6	1706938	1	Nameplate	
7	4740120	12	Washer	
8	3300365	6	Nut, Retainer	
9	0630518	6	Screw #10-24 x 3/4	
10	3960438	50 in /1.26m	Seal	
11	4460007	1	Strip, Terminal - 6 Position	
12	1001109497	1	Module (Note: Re-calibration Required when Replaced)	
13	0750808	6	Screw, #8 x 1	
14	4460264	3	Buss, Terminal	
15	3300188	6	Nut, Tinnerman	
16	4460425	1	Connector, Strain Relief	
17	4360476	1	Block, Contact	
18	4460495	1	Connector - 14 Position	
19	4460497	1	Nut, Conduit	
20	4460496	1	Washer, Lock	
21	2420106	1	Gauge, Hourmeter and Battery Capacity	
22	4740397	7	Spacer	
23	4360328	6	Switch, Toggle	
24	4060802	1	Guard, Switch	
25	4360475	1	Switch, Emergency Stop	
25	7020175	1	Cap, Mushroom Head	
25	7020176	1	Block, Contact	
26	4360469	1	Keyswitch	
26A	2860030	AR	Key, Replacement (Set of 2)	
27	4360070	2	Breaker, Circuit - 15Amp	
28	3300396	2	Nut, Special	
29	4933388	1	Wiring Diagram (Not Shown - See ELECTRICAL SECTION for Breakdown)	
30	0721005	2	Screw, #10-24 x 5/8	
31	3311005	2	Nut, Lock, #10-24	
32	1060584	1	Cable, Lanyard	
33	3311011	1	Nut, Push #10	
34	4360330	1	Switch, Toggle	
35	3520028	4	Plug, Hole, 1/2	
36	3520026	1	Plug, Hole, 5/8	
37	1001151393	1	Shim, Nylon	
38	3910804	6	Screw, #8-32 x 1/4	

# SECTION 2 - TURNTABLE

FIGURE 2-15. GROUND CONTROL BOX ASSEMBLY - E450A - CE SPEC (SN 0300189898 through 0300200789)



ART\_1810137

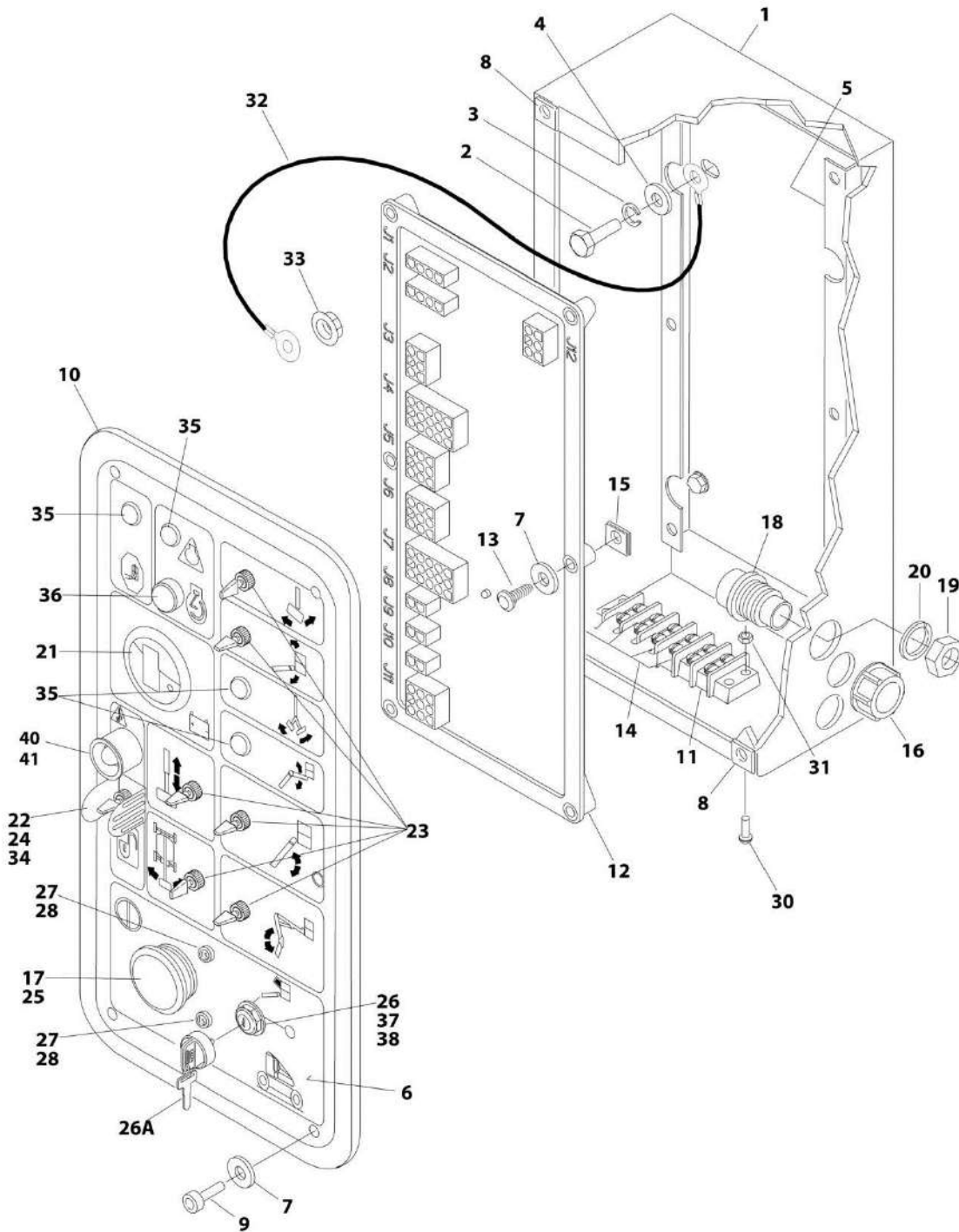
## SECTION 2 - TURNTABLE

**FIGURE 2-15. GROUND CONTROL BOX ASSEMBLY - E450A - CE SPEC (SN 0300189898 through 0300200789)**

ITEM	PART NUMBER	QTY	DESCRIPTION	REV
	1810137	Ref	<b>GROUND CONTROL BOX ASSEMBLY - E450A - CE SPEC (SN 0300189898 through 0300200789)</b>	D
1	0861152	1	Box, Weldment	
2	0641605	4	Bolt, 3/8-16 x 5/8	
3	4761600	4	Washer, Lock, 3/8	
4	4751600	4	Washer, 3/8	
5	0902406	1	Bracket, Module Mounting	
6	1706938	1	Nameplate	
7	4740120	12	Washer	
8	3300365	6	Nut, Retainer	
9	0630518	6	Screw, #10-24 x 3/4	
10	3960438	50 in /1.26m	Seal	
11	4460007	1	Strip, Terminal - 6 Position	
12	1001109497	1	Module (Note: Re-calibration Required when Replaced)	
13	0750808	6	Screw, #8 x 1	
14	4460264	3	Buss, Terminal	
15	3300188	6	Nut, Tinnerman	
16	4460425	1	Connector, Strain Relief	
17	4360476	1	Block, Contact	
18	4460495	1	Connector - 14 Position	
19	4460497	1	Nut, Conduit	
20	4460496	1	Washer, Lock	
21	2420106	1	Gauge, Hourmeter/Battery Capacity	
22	4740397	7	Spacer	
23	4360328	6	Switch, Toggle	
24	4060802	1	Guard, Switch	
25	4360475	1	Switch, Emergency Stop	
25	7020175	1	Cap, Mushroom Head	
25	7020176	1	Block, Contact	
26	4360470	1	Keyswitch	
26A	2860030	AR	Key, Replacement (Set of 2)	
27	4360070	2	Breaker, Circuit - 15Amp	
28	3300396	2	Nut, Special	
29	4933388	1	Wiring Diagram (Not Shown - See ELECTRICAL SECTION for Breakdown)	
30	0721005	2	Screw, #10-24 x 5/8	
31	3311005	2	Nut, Lock, #10-24	
32	1060584	1	Cable, Lanyard	
33	3311011	1	Nut, Push, #10	
34	4360330	1	Switch, Toggle	
35	3520028	4	Plug, Hole - 1/2	
36	3520026	1	Plug, Hole - 5/8	
37	1001151393	1	Shim - 0.063	
38	3910804	6	Screw, #8-32 x 1/4	

## SECTION 2 - TURNTABLE

FIGURE 2-16. GROUND CONTROL BOX ASSEMBLY - E450A - CE SPEC (SN 0300200790 through 0300208529)



ART. 1001188028

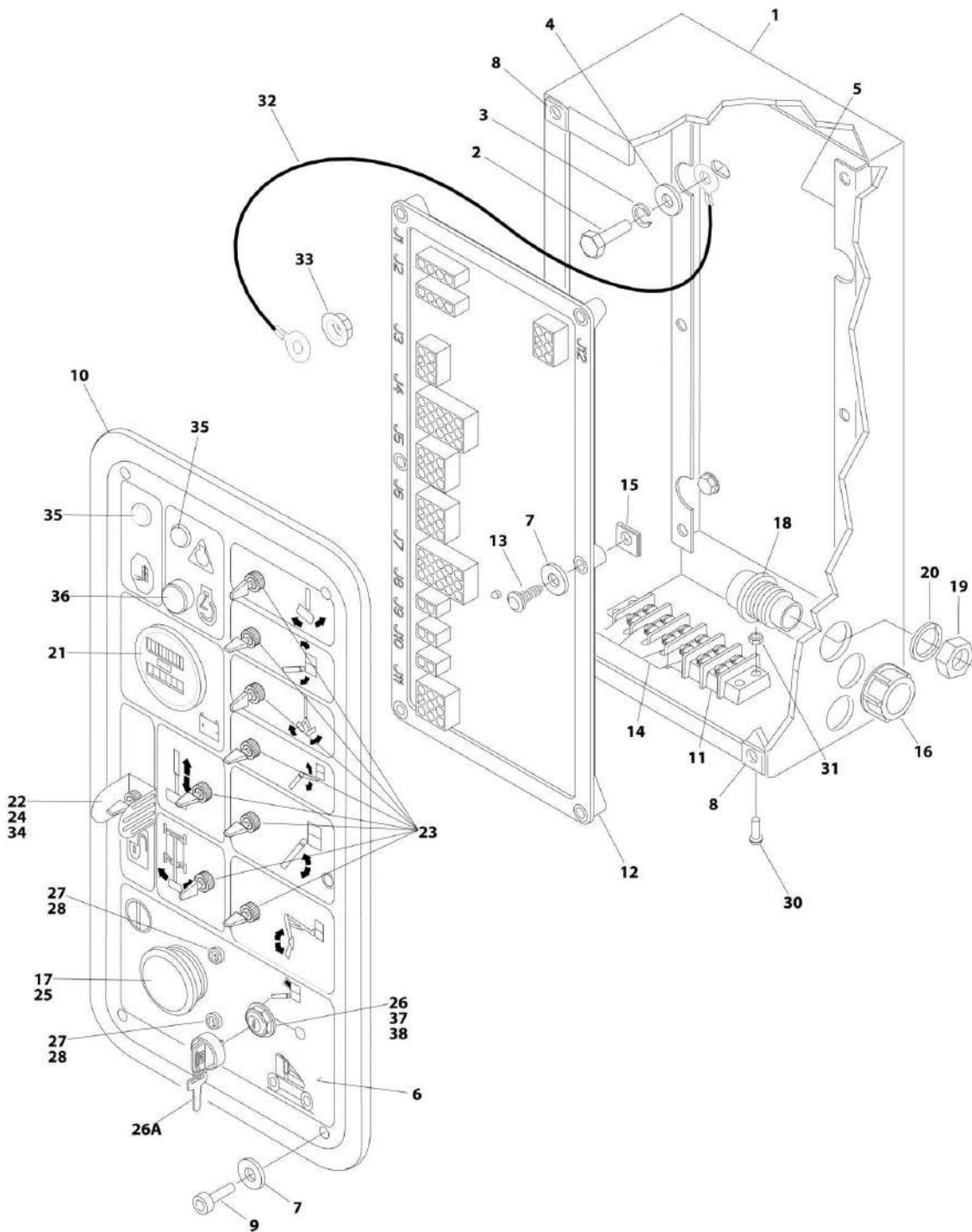
## SECTION 2 - TURNTABLE

**FIGURE 2-16. GROUND CONTROL BOX ASSEMBLY - E450A - CE SPEC (SN 0300200790 through 0300208529)**

ITEM	PART NUMBER	QTY	DESCRIPTION	REV
	1001188028	Ref	<b>GROUND CONTROL BOX ASSEMBLY - E450A - CE SPEC (SN 0300200790 through 0300208529)</b>	B
1	0861152	1	Box, Weldment	
2	0641605	4	Bolt, 3/8-16 x 5/8	
3	4761600	4	Washer, Lock, 3/8	
4	4751600	4	Washer, 3/8	
5	0902406	1	Bracket, Module Mounting	
6	1001196786	1	Nameplate	
7	4740120	12	Washer	
8	3300365	6	Nut, Retainer	
9	0630518	6	Screw, #10-24 x 3/4	
10	3960438	50 in /1.26m	Seal	
11	4460007	1	Strip, Terminal - 6 Position	
12	1001109497	1	Module (Note: Re-calibration Required when Replaced)	
13	0750808	6	Screw, #8 x 1	
14	4460264	3	Buss, Terminal	
15	3300188	6	Nut, Tinnerman	
16	4460425	1	Connector, Strain Relief	
17	4360476	1	Block, Contact	
18	4460495	1	Connector - 14 Position	
19	4460497	1	Nut, Conduit	
20	4460496	1	Washer, Lock	
21	1001109503	1	Gauge, Indicator	
22	4740397	7	Spacer	
23	4360328	6	Switch, Toggle	
24	4060802	1	Guard, Switch	
25	4360475	1	Switch, Emergency Stop	
25	7020175	1	Cap, Mushroom Head	
25	7020176	1	Block, Contact	
26	4360469	1	Keyswitch	
26A	2860030	AR	Key, Replacement (Set of 2)	
27	4360070	2	Breaker, Circuit - 15Amp	
28	3300396	2	Nut, Special	
29	1001189765	1	Wiring Diagram (Not Shown - See ELECTRICAL SECTION for Breakdown)	
30	0721005	2	Screw, #10-24 x 5/8	
31	3311005	2	Nut, Lock, #10-24	
32	1060584	1	Cable, Lanyard	
33	3311011	1	Nut, Push, #10	
34	4360330	1	Switch, Toggle	
35	3520028	4	Plug, Hole - 1/2	
36	3520026	1	Plug, Hole - 5/8	
37	1001151393	1	Shim - 0.063	
38	3910804	6	Screw, #8-32 x 1/4	
40	4360387	1	Switch, Push Button	
41	1001176469	1	Shroud, Push Button Switch	

# SECTION 2 - TURNTABLE

## FIGURE 2-17. GROUND CONTROL BOX ASSEMBLY - E450AJ/M450AJ



ART\_1810138

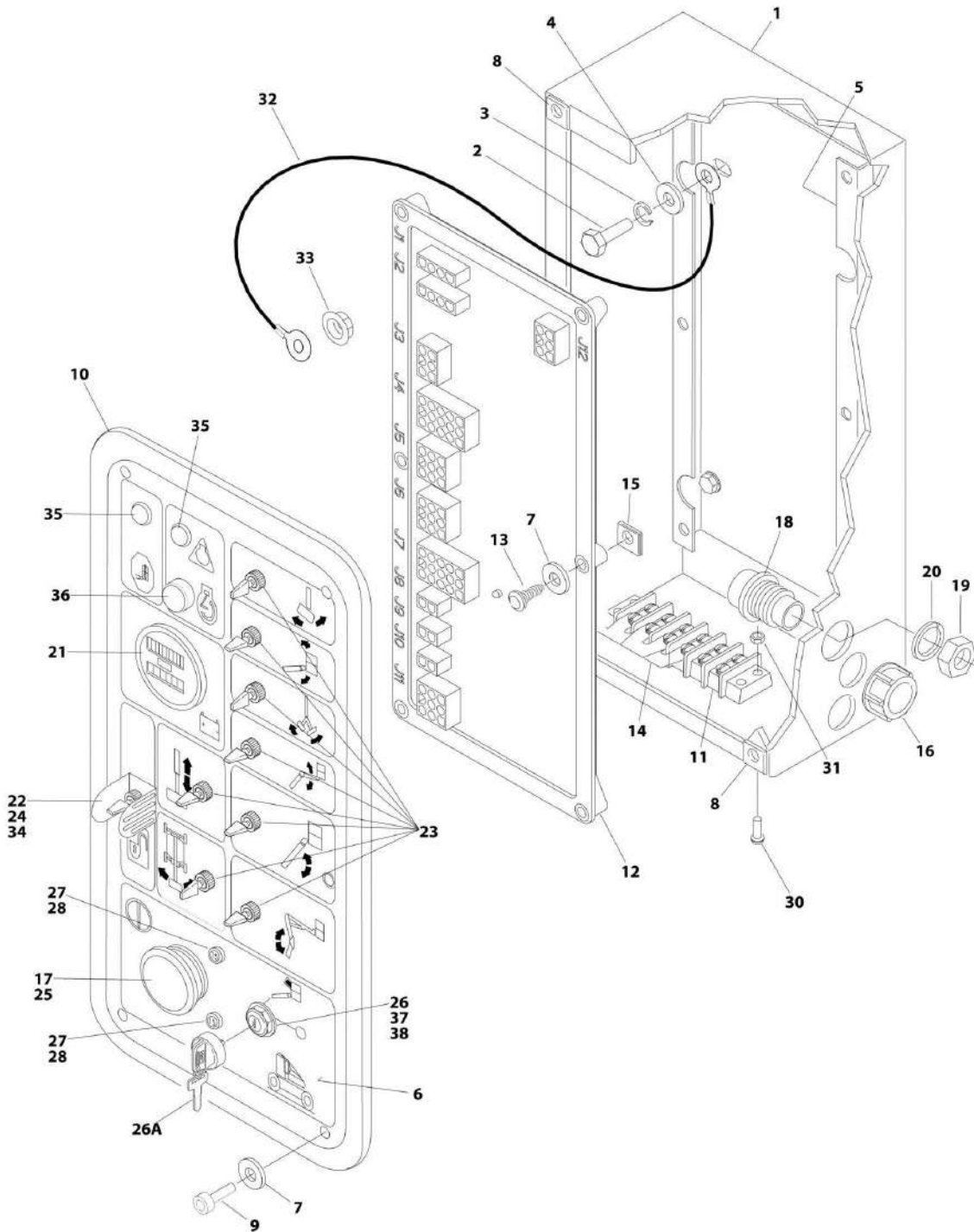
## SECTION 2 - TURNTABLE

**FIGURE 2-17. GROUND CONTROL BOX ASSEMBLY - E450AJ/M450AJ**

ITEM	PART NUMBER	QTY	DESCRIPTION	REV
	1810138	Ref	GROUND CONTROL BOX ASSEMBLY - E450AJ/M450AJ	D
1	0861152	1	Box, Weldment	
2	0641605	4	Bolt, 3/8-16 x 5/8	
3	4761600	4	Washer, Lock, 3/8	
4	4751600	4	Washer, 3/8	
5	0902406	1	Bracket, Module Mounting	
6	1706938	1	Nameplate	
7	4740120	12	Washer	
8	3300365	6	Nut, Retainer	
9	0630518	6	Screw, #10-24 x 3/4	
10	3960438	50 in /1.26m	Seal	
11	4460007	1	Strip, Terminal - 6 Position	
12	1001109497	1	Module (Note: Re-calibration Required when Replaced)	
13	0750808	6	Screw, #8 x 1	
14	4460264	3	Buss, Terminal	
15	3300188	6	Nut, Tinnerman	
16	4460425	1	Connector, Strain Relief	
17	4360476	1	Block, Contact	
18	4460495	1	Connector - 14 Position	
19	4460497	1	Nut, Conduit	
20	4460496	1	Washer, Lock	
21	2420106	1	Gauge, Hourmeter/Battery Capacity	
22	4740397	9	Spacer	
23	4360328	8	Switch, Toggle	
24	4060802	1	Guard, Switch	
25	4360475	1	Switch, Emergency Stop	
25	7020175	1	Cap, Mushroom Head	
25	7020176	1	Block, Contact	
26	4360469	1	Keyswitch	
26A	2860030	AR	Key, Replacement (Set of 2)	
27	4360070	2	Breaker, Circuit - 15Amp	
28	3300396	2	Nut, Special	
29	4933388	1	Wiring Diagram (Not Shown - See ELECTRICAL SECTION for Breakdown)	
30	0721005	2	Screw, #10-24 x 3/4	
31	3311005	2	Nut, Lock, #10-24	
32	1060584	1	Cable, Lanyard	
33	3311011	1	Nut, Push, #10	
34	4360330	1	Switch, Toggle	
35	3520028	2	Plug, Hole - 1/2	
36	3520026	1	Plug, Hole - 5/8	
37	1001151393	1	Shim - 0.063	
38	3910804	6	Screw, #8-32 x 1/4	

## SECTION 2 - TURNTABLE

FIGURE 2-18. GROUND CONTROL BOX ASSEMBLY - E450AJ/M450AJ - CE SPEC (SN 0300189898 through 0300200789)



ART\_1810139



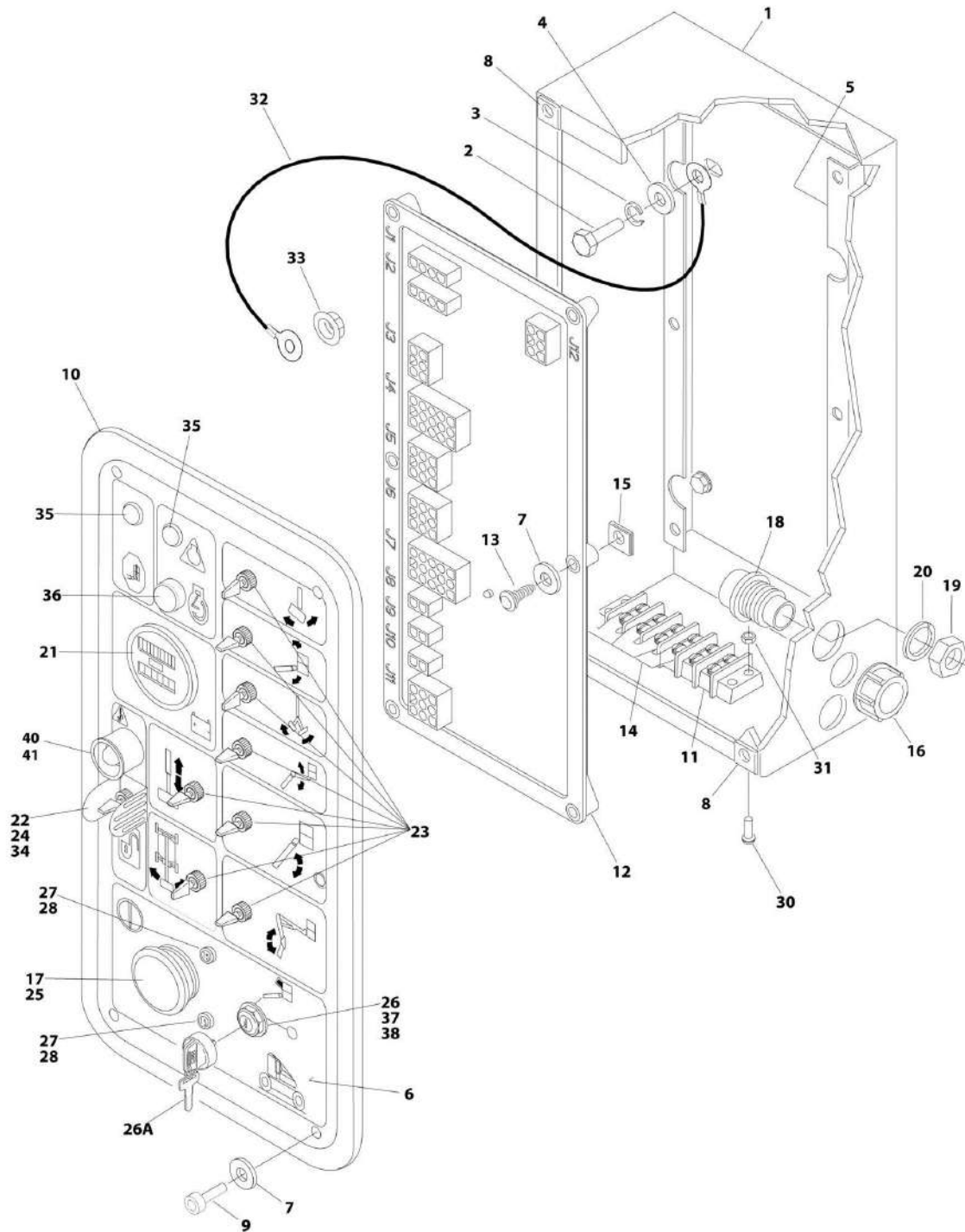
## SECTION 2 - TURNTABLE

**FIGURE 2-18. GROUND CONTROL BOX ASSEMBLY - E450AJ/M450AJ - CE SPEC (SN 0300189898 through 0300200789)**

ITEM	PART NUMBER	QTY	DESCRIPTION	REV
	1810139	Ref	GROUND CONTROL BOX ASSEMBLY - E450AJ/M450AJ - CE SPEC (SN 0300189898 through 0300200789)	D
1	0861152	1	Box, Weldment	
2	0641605	4	Bolt, 3/8-16 x 5/8	
3	4761600	4	Washer, Lock, 3/8	
4	4751600	4	Washer, 3/8	
5	0902406	1	Bracket, Module Mounting	
6	1706938	1	Nameplate	
7	4740120	12	Washer	
8	3300365	6	Nut, Retainer	
9	0630518	6	Screw, #10-24 x 3/4	
10	3960438	50 in /1.26m	Seal	
11	4460007	1	Strip, Terminal - 6 Position	
12	1001109497	1	Module (Note: Re-calibration Required when Replaced)	
13	0750808	6	Screw, #8 x 1	
14	4460264	3	Buss, Terminal	
15	3300188	6	Nut, Tinnerman	
16	4460425	1	Connector, Strain Relief	
17	4360476	1	Block, Contact	
18	4460495	1	Connector - 14 Position	
19	4460497	1	Nut, Conduit	
20	4460496	1	Washer, Lock	
21	2420106	1	Gauge, Hourmeter/Battery Capacity	
22	4740397	9	Spacer	
23	4360328	8	Switch, Toggle	
24	4060802	1	Guard, Switch	
25	4360475	1	Switch, Emergency Stop	
25	7020175	1	Cap, Mushroom Head	
25	7020176	1	Block, Contact	
26	4360470	1	Keyswitch	
26A	2860030	1	Key, Replacement (Set of 2)	
27	4360070	2	Breaker, Circuit - 15Amp	
28	3300396	2	Nut, Special	
29	4933388	1	Wiring Diagram (Not Shown - See ELECTRICAL SECTION for Breakdown)	
30	0721005	2	Screw, #10-24 x 3/4	
31	3311005	2	Nut, Lock, #10-24	
32	1060584	1	Cable, Lanyard	
33	3311011	1	Nut, Push, #10	
34	4360330	1	Switch, Toggle	
35	3520028	2	Plug, Hole - 1/2	
36	3520026	1	Plug, Hole - 5/8	
37	1001151393	1	Shim - 0.063	
38	3910804	6	Screw, #8-32 x 1/4	

## SECTION 2 - TURNTABLE

FIGURE 2-19. GROUND CONTROL BOX ASSEMBLY - E450AJ/M450AJ - CE SPEC (SN 0300200790 through 0300208529)



ART\_1001188029

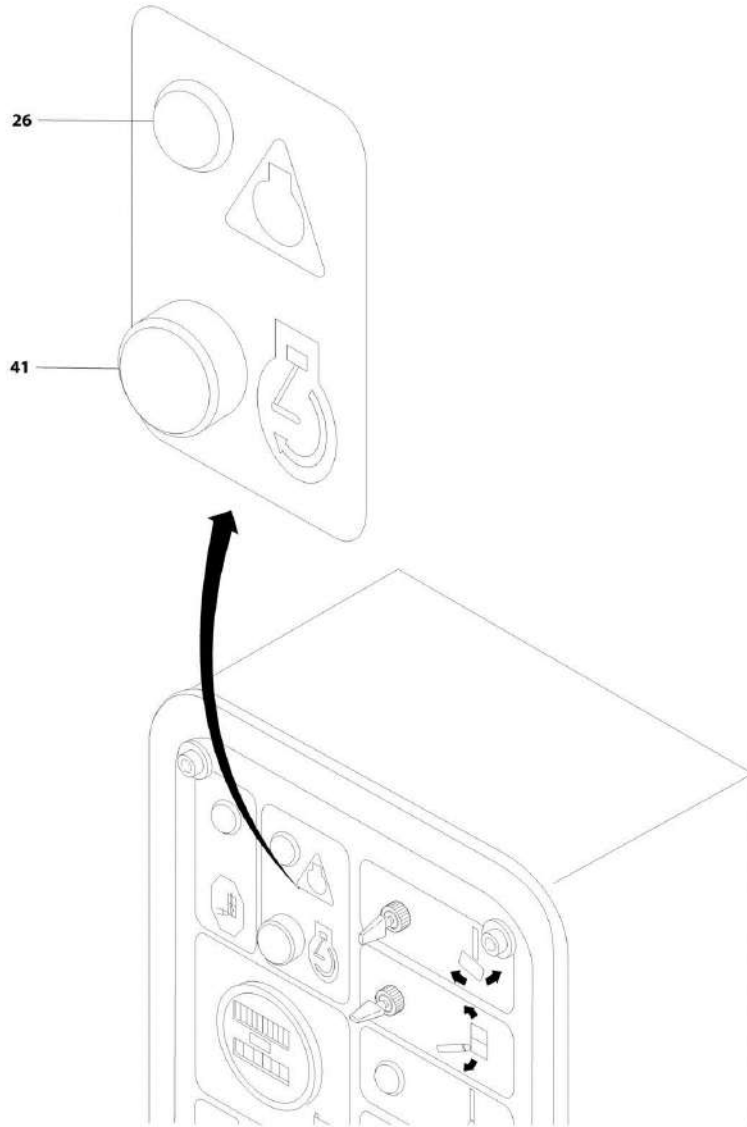
## SECTION 2 - TURNTABLE

**FIGURE 2-19. GROUND CONTROL BOX ASSEMBLY - E450AJ/M450AJ - CE SPEC (SN 0300200790 through 0300208529)**

ITEM	PART NUMBER	QTY	DESCRIPTION	REV
	1001188029	Ref	GROUND CONTROL BOX ASSEMBLY - E450AJ/M450AJ - CE SPEC (SN 0300200790 through 0300208529)	B
1	0861152	1	Box, Weldment	
2	0641605	4	Bolt, 3/8-16 x 5/8	
3	4761600	4	Washer, Lock, 3/8	
4	4751600	4	Washer, 3/8	
5	0902406	1	Bracket, Module Mounting	
6	1001196786	1	Nameplate	
7	4740120	12	Washer	
8	3300365	6	Nut, Retainer	
9	0630518	6	Screw, #10-24 x 3/4	
10	3960438	50 in /1.26m	Seal	
11	4460007	1	Strip, Terminal - 6 Position	
12	1001109497	1	Module (Note: Re-calibration Required when Replaced)	
13	0750808	6	Screw, #8 x 1	
14	4460264	3	Buss, Terminal	
15	3300188	6	Nut, Tinnerman	
16	4460425	1	Connector, Strain Relief	
17	4360476	1	Block, Contact	
18	4460495	1	Connector - 14 Position	
19	4460497	1	Nut, Conduit	
20	4460496	1	Washer, Lock	
21	1001109503	1	Gauge, Indicator	
22	4740397	9	Spacer	
23	4360328	8	Switch, Toggle	
24	4060802	1	Guard, Switch	
25	4360475	1	Switch, Emergency Stop	
25	7020175	1	Cap, Mushroom Head	
25	7020176	1	Block, Contact	
26	4360469	1	Keypad	
26A	2860030	1	Key, Replacement (Set of 2)	
27	4360070	2	Breaker, Circuit - 15Amp	
28	3300396	2	Nut, Special	
29	1001189765	1	Wiring Diagram (Not Shown - See ELECTRICAL SECTION for Breakdown)	
30	0721005	2	Screw, #10-24 x 3/4	
31	3311005	2	Nut, Lock, #10-24	
32	1060584	1	Cable, Lanyard	
33	3311011	1	Nut, Push, #10	
34	4360330	1	Switch, Toggle	
35	3520028	3	Plug, Hole - 1/2	
36	3520026	1	Plug, Hole - 5/8	
37	1001151393	1	Shim - 0.063	
38	3910804	6	Screw, #8-32 x 1/4	
40	4360387	1	Switch, Push Button	
41	1001176469	1	Shroud, Push Button Switch	

## SECTION 2 - TURNTABLE

FIGURE 2-20. MOTOR CONTROLS INSTALLATION - M450AJ



ART\_1001167699\_20F4

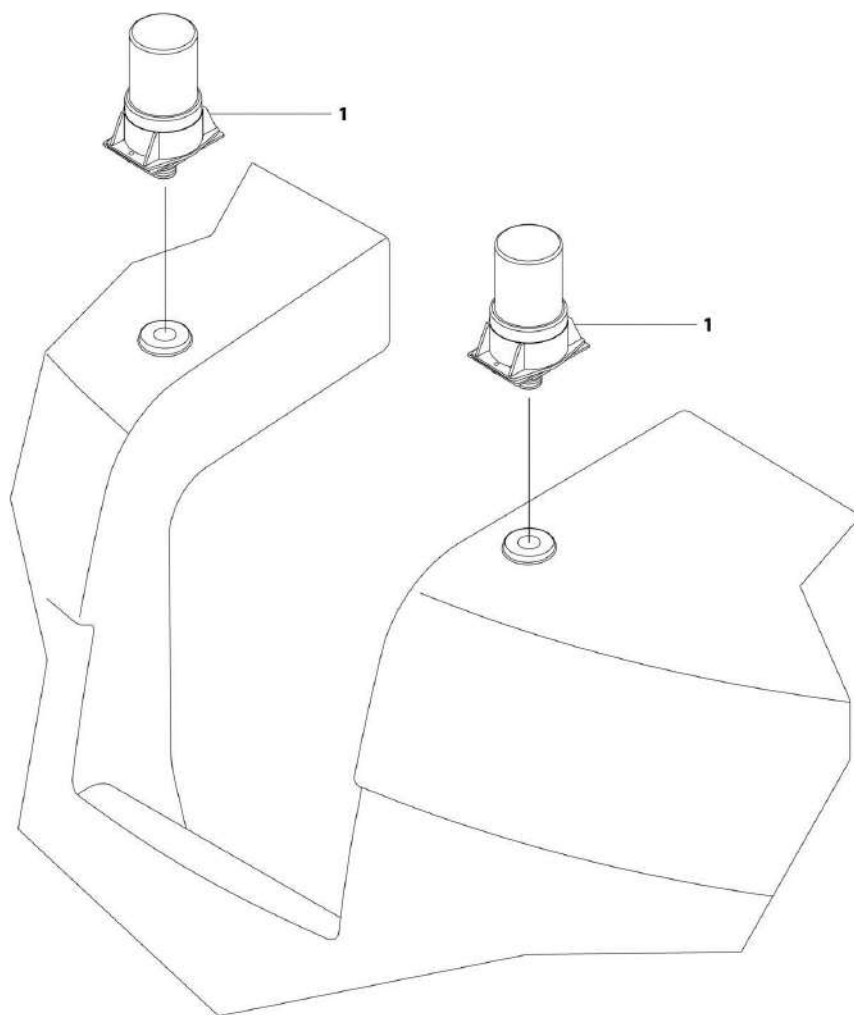
**SECTION 2 - TURNTABLE**

**FIGURE 2-20. MOTOR CONTROLS INSTALLATION - M450AJ**

<b>ITEM</b>	<b>PART NUMBER</b>	<b>QTY</b>	<b>DESCRIPTION</b>	<b>REV</b>
	1001167699	Ref	MOTOR CONTROLS INSTALLATION - M450AJ	C
26	2920151	1	Led (Red)	
41	4360274	1	Switch, Push Button	
54	4922319	1	Harness, Generator (Not Shown - See ELECTRICAL SECTION for Breakdown)	

## SECTION 2 - TURNTABLE

FIGURE 2-21. STROBE LIGHT INSTALLATION (AMBER) - OPTIONAL



ART\_1001149955

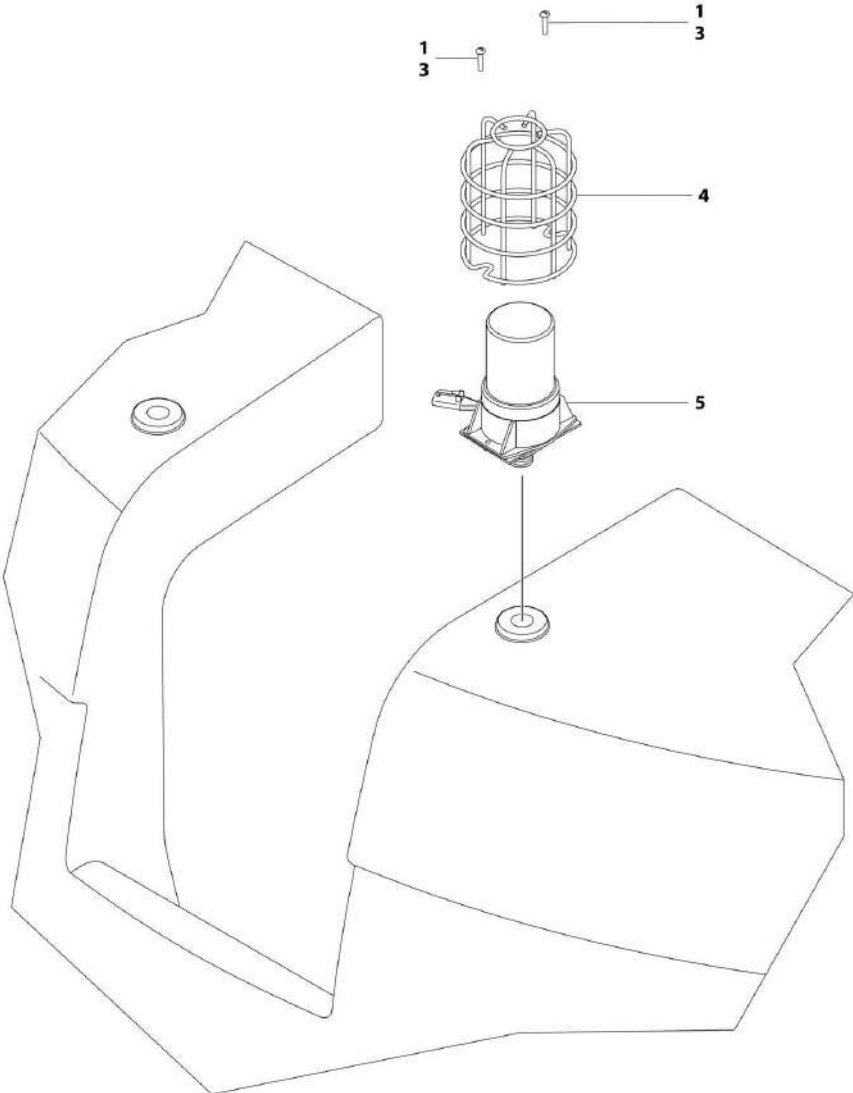
**SECTION 2 - TURNTABLE**

**FIGURE 2-21. STROBE LIGHT INSTALLATION (AMBER) - OPTIONAL**

<b>ITEM</b>	<b>PART NUMBER</b>	<b>QTY</b>	<b>DESCRIPTION</b>	<b>REV</b>
	1001149955	Ref	STROBE LIGHT INSTALLATION (AMBER) - OPTIONAL Note: If machine is equipped with BLUE Strobe Light, See SPECIAL OPTIONS SECTION SkyGuard Kit.	A
		Ref		
1	1001150406	1	Strobe Light Assembly (See STROBE LIGHT ASSEMBLY for Breakdown)	
2	1001149818	1	Harness, Strobe Light (Not Shown - See ELECTRICAL SECTION for Breakdown)	

**SECTION 2 - TURNTABLE**

**FIGURE 2-22. STROBE LIGHT INSTALLATION - UL LISTED - OPTIONAL**



ART\_1001158612



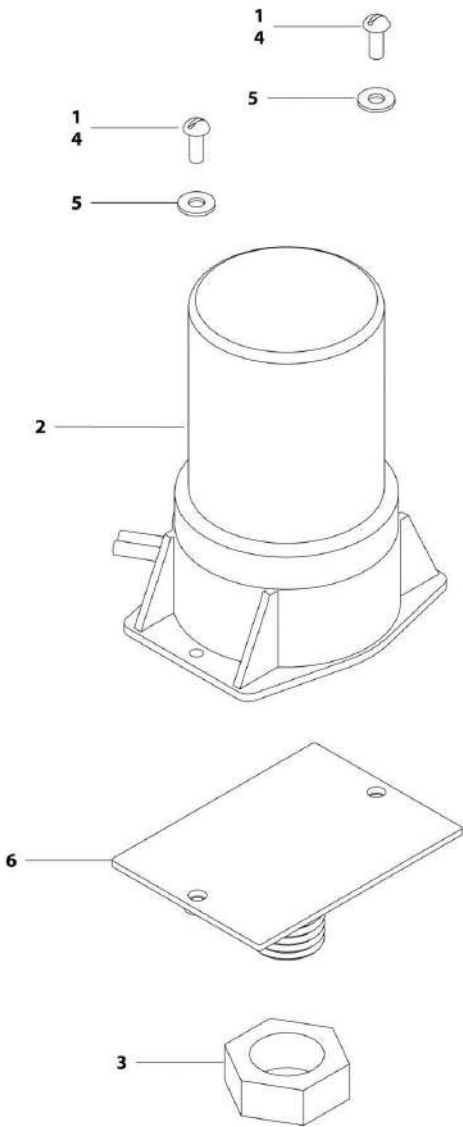
## SECTION 2 - TURNTABLE

**FIGURE 2-22. STROBE LIGHT INSTALLATION - UL LISTED - OPTIONAL**

ITEM	PART NUMBER	QTY	DESCRIPTION	REV
	1001158612	Ref	STROBE LIGHT INSTALLATION - UL LISTED - OPTIONAL Note: If machine is equipped with BLUE Strobe Light, See SPECIAL OPTIONS SECTION SkyGuard Kit.	A
		Ref		
1	0100035	AR	Compound, Locking	
2	1001149818	1	Harness, Strobe Light (Not Shown - See ELECTRICAL SECTION for Breakdown)	
3	3900128	2	Screw #10-32 x 7/8	
4	4060865	1	Guard	
5	1001150406	1	Strobe Light Assembly (See STROBE LIGHT ASSEMBLY for Breakdown)	

**SECTION 2 - TURNTABLE**

**FIGURE 2-23. STROBE LIGHT ASSEMBLY**



ART\_1001150406

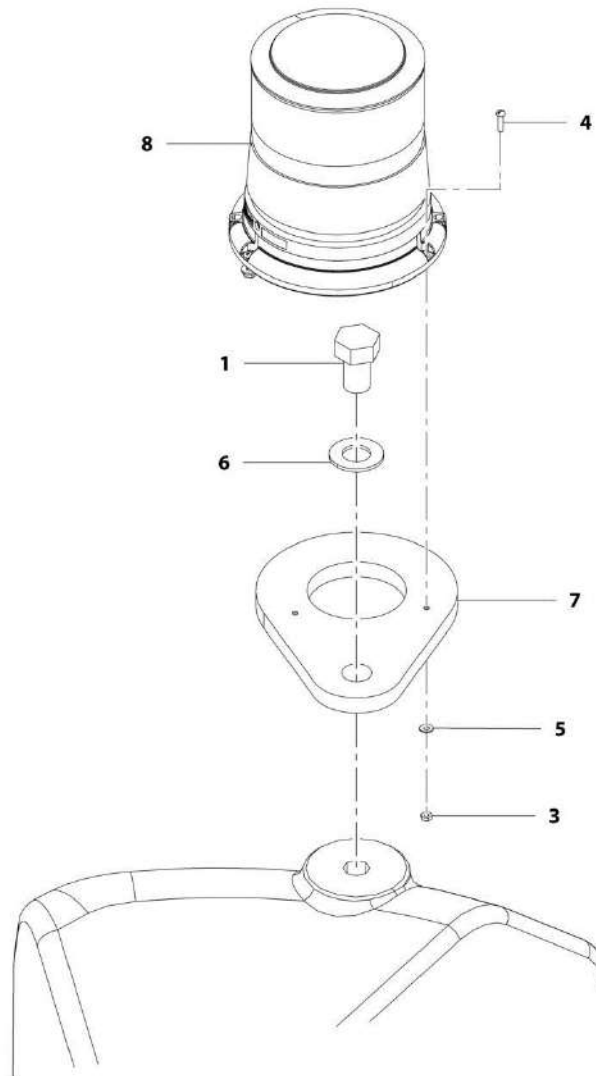
**SECTION 2 - TURNTABLE**

**FIGURE 2-23. STROBE LIGHT ASSEMBLY**

ITEM	PART NUMBER	QTY	DESCRIPTION	REV
	1001150406	Ref	STROBE LIGHT ASSEMBLY (AMBER)	B
		Ref	Note: If machine is equipped with BLUE Strobe Light, See SPECIAL OPTIONS SECTION SkyGuard Kit.	
1	0100035	AR	Compound, Locking	
2	2920161	1	Strobe Light/Harness Assembly (See ELECTRICAL SECTION for Breakdown)	
3	3312602	1	Nut, Jam 1-8	
4	3900085	2	Screw #10-32 x 1/2	
5	4751000	2	Washer, #10	
6	1001149994	1	Plate, Mounting	

## SECTION 2 - TURNTABLE

FIGURE 2-24. BEACON LIGHT INSTALLATION - BLUE (SN 0300189898 through 0300200789)



ART\_1001149564

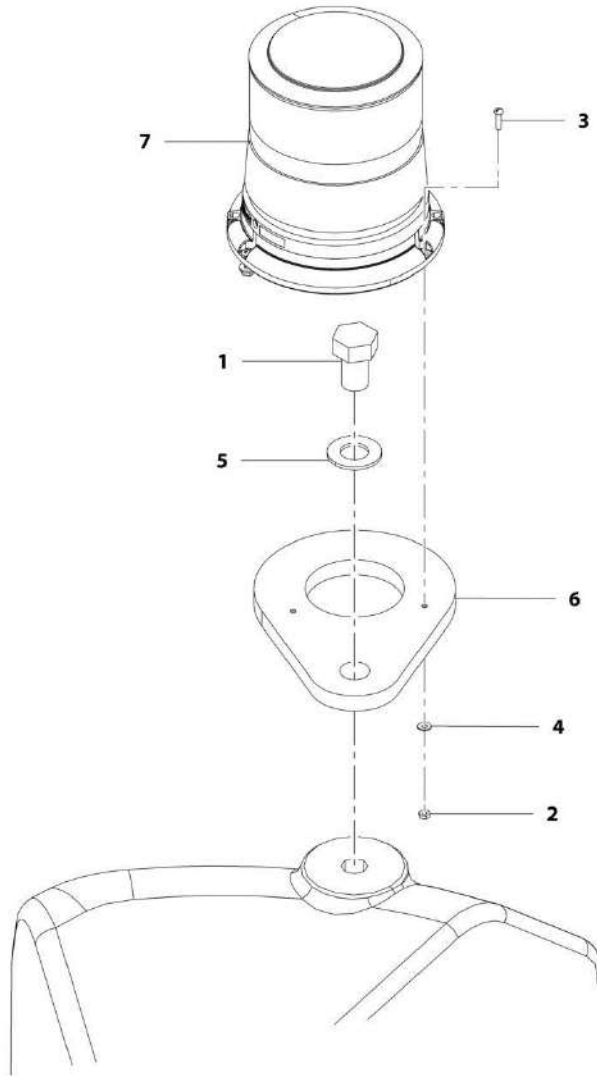
## SECTION 2 - TURNTABLE

**FIGURE 2-24. BEACON LIGHT INSTALLATION - BLUE (SN 0300189898 through 0300200789)**

ITEM	PART NUMBER	QTY	DESCRIPTION	REV
	1001149564	Ref	BEACON LIGHT INSTALLATION - BLUE (SN 0300189898 through 0300200789)	A
1	0642612	1	Bolt, ,1-8 x 1-1/2	
3	3311005	3	Nut, Lock #10-24	
4	3911012	3	Screw, 10-24 x 3/4	
5	4711000	3	Washer, #10	
6	4712600	1	Washer, 1	
7	1001142694	1	Bracket	
8	1001143431	1	Light, Beacon	
8	7028909	1	Connector - 2 Position	
8	4460943	1	Pin, Male	
9	1001149570	1	Beacon Harness (Not Shown - See ELECTRICAL SECTION for Breakdown)	
10	4240033	8	Tie-Strap (Not Shown)	
11	4460488	8	Base, Terminal Mounting (Not Shown)	

## SECTION 2 - TURNTABLE

FIGURE 2-25. BEACON LIGHT INSTALLATION - BLUE (SN 0300200790 through 0300208529)



ART\_1001189194

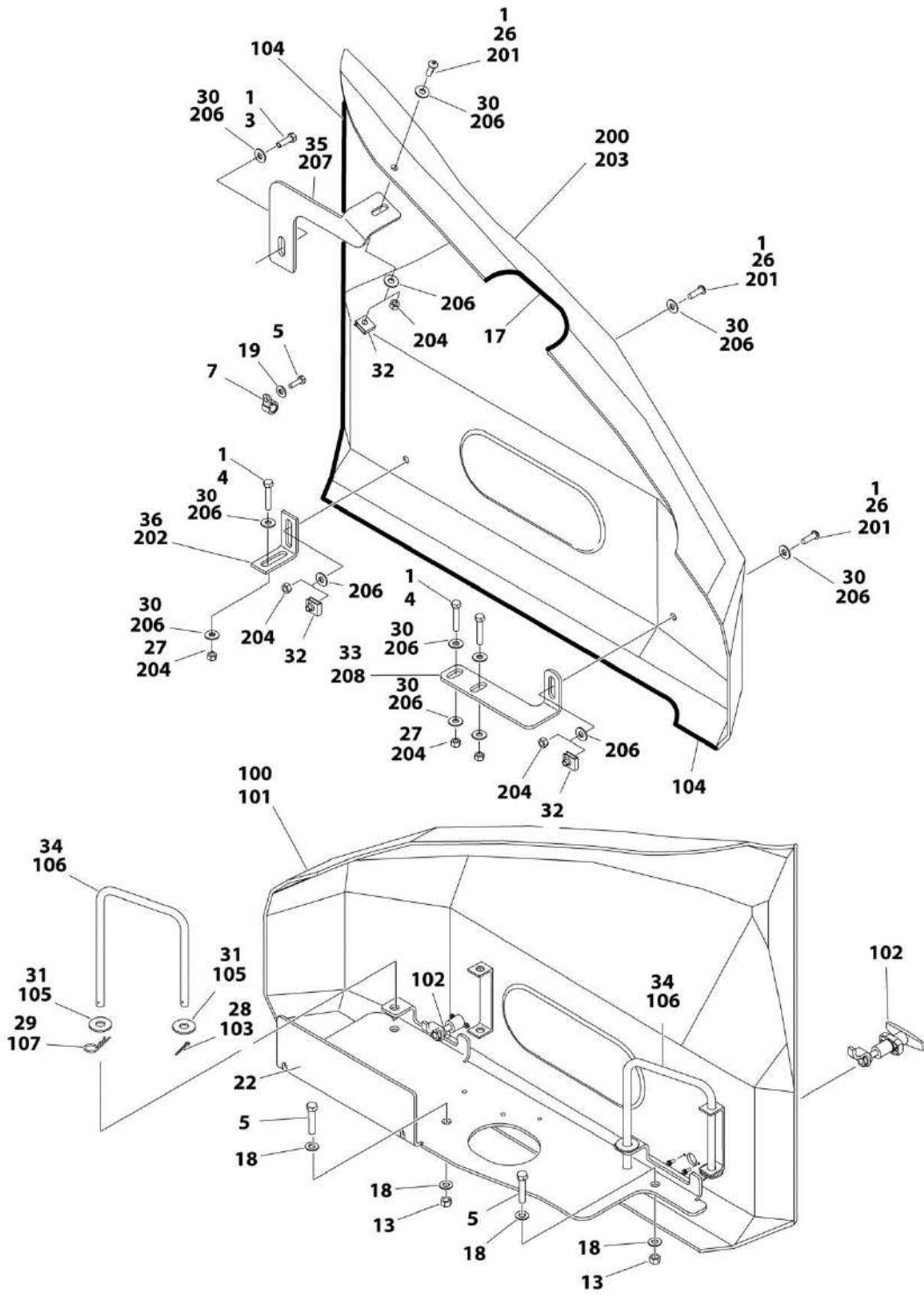
**SECTION 2 - TURNTABLE**

**FIGURE 2-25. BEACON LIGHT INSTALLATION - BLUE (SN 0300200790 through 0300208529)**

ITEM	PART NUMBER	QTY	DESCRIPTION	REV
	1001189194	Ref	BEACON LIGHT INSTALLATION - BLUE (SN 0300200790 through 0300208529)	A
1	0642612	1	Bolt, ,1-8 X 1-1/2	
2	3311005	3	Nut, Lock #10-24	
3	3911012	3	Screw, 10-24 X 3/4	
4	4711000	3	Washer, #10	
5	4712600	1	Washer, 1	
6	1001142694	1	Bracket	
7	1001143431	1	Light, Beacon	
7	7028909	1	Connector - 2 Position	
7	4460943	1	Pin, Male	
8	1001149570	1	Beacon Harness (Not Shown - See ELECTRICAL SECTION for Breakdown)	

# SECTION 2 - TURNTABLE

## FIGURE 2-26. HOOD INSTALLATION - E450A/E450AJ



ART\_1001166738



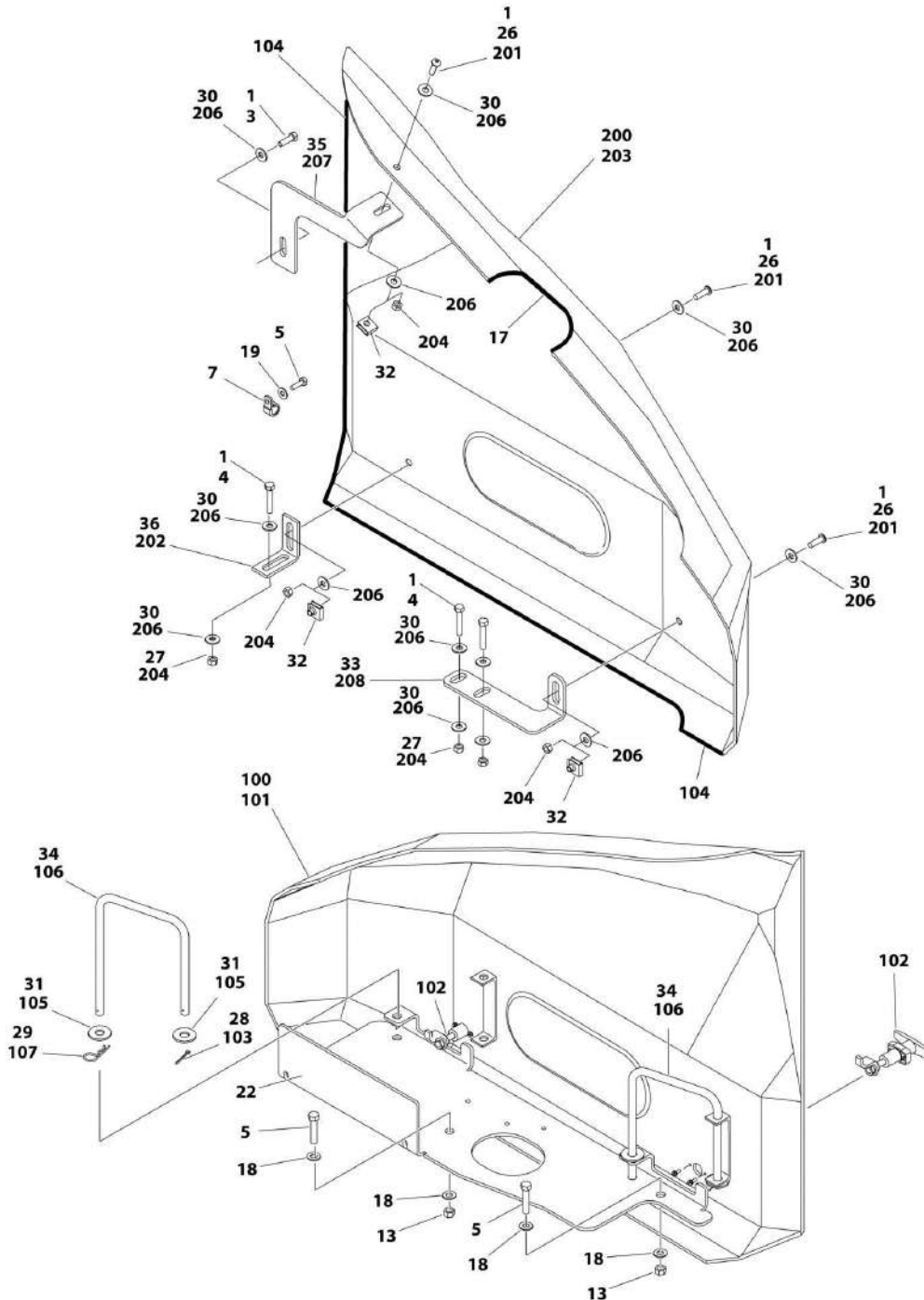
**SECTION 2 - TURNTABLE**

**FIGURE 2-26. HOOD INSTALLATION - E450A/E450AJ**

ITEM	PART NUMBER	QTY	DESCRIPTION	REV
	1001166738	Ref	HOOD INSTALLATION - E450A/E450AJ	D
1	0100011	AR	Compound, Locking	
3	0641508	1	Bolt, 5/16-18 x 1	
4	0641514	3	Bolt, 5/16-18 x 1-3/4	
5	0641614	2	Bolt, 3/8-16 x 1-3/4	
7	1320041	1	Clamp	
13	3311601	2	Nut, 3/8-16	
15	0641407	1	Bolt, 1/4-20 x 7/8	
17	4060805	8 in/0.20m	Shield, Flex Trim (SN 0300189898 through 0300199190)	
18	4711600	4	Washer, 3/8	
19	4751400	1	Washer, 1/4	
22	1001165963	1	Plate, Tray	
26	88261024	3	Screw, 5/16-18 x 1	
27	3311501	3	Nut, 5/16-18 (SN 0300199191 through 0300208529)	
28	3420156	2	Pin, Cotter (SN 0300199191 through 0300208529)	
29	3450304	2	Pin, Cotter (SN 0300199191 through 0300208529)	
30	4751500	10	Washer, 5/16 (SN 0300199191 through 0300208529)	
31	4751800	2	Washer, 1/2 (SN 0300199191 through 0300208529)	
32	88662530	3	Nut, Tinnerman (SN 0300199191 through 0300208529)	
33	1001165981	1	Mount, Hood - Lower (SN 0300199191 through 0300208529)	
34	1001165985	2	Mount, Hood Swing (SN 0300199191 through 0300208529)	
35	1001182725	1	Mount, Hood (SN 0300199191 through 0300208529)	
36	1001183212	1	Bracket, Hood Mount (SN 0300199191 through 0300208529)	
100	1001176417	1	LH Side Hood Kit (Includes Items 101-107)	B
	See Note	Ref	Note: Replacement Decals Must be Ordered Separately - See DECAL SECTION.	
101	See Note	1	Hood, LH (Note: Use Item 100)	
102	2940071	2	Latch	
103	3420156	2	Pin, Cotter (SN 0300189898 through 0300199190)	
104	3960453	AR	Seal, Door	
105	4751800	2	Washer, 1/2 (SN 0300189898 through 0300199190)	
106	1001165985	2	Mount, Hood Swing (SN 0300189898 through 0300199190)	
107	3450304	2	Pin, Cotter (SN 0300189898 through 0300199190)	
200	1001176441	1	RH Side Hood Kit (Includes Items 201-208)	B
	See Note	Ref	Note: Replacement Decals Must be Ordered Separately - See DECAL SECTION.	
201	0630468	3	Bolt, 5/16-18 x 1 (SN 0300189898 through 0300199190)	
202	0901923	1	Bracket, Hood Mount (SN 0300189898 through 0300199190)	
203	See Note	1	Hood, RH (Use Item 200)	
204	3311501	6	Nut, 5/16-18 (SN 0300189898 through 0300199190)	
205	3960453	AR	Seal, Door	
206	4751500	14	Washer, 5/16 (SN 0300189898 through 0300199190)	
207	1001165980	1	Mount, Hood (SN 0300189898 through 0300199190)	
208	1001165981	1	Mount, Hood - Lower (SN 0300189898 through 0300199190)	

# SECTION 2 - TURNTABLE

## FIGURE 2-27. HOOD INSTALLATION - M450AJ



ART.1001166250

## SECTION 2 - TURNTABLE

### FIGURE 2-27. HOOD INSTALLATION - M450AJ

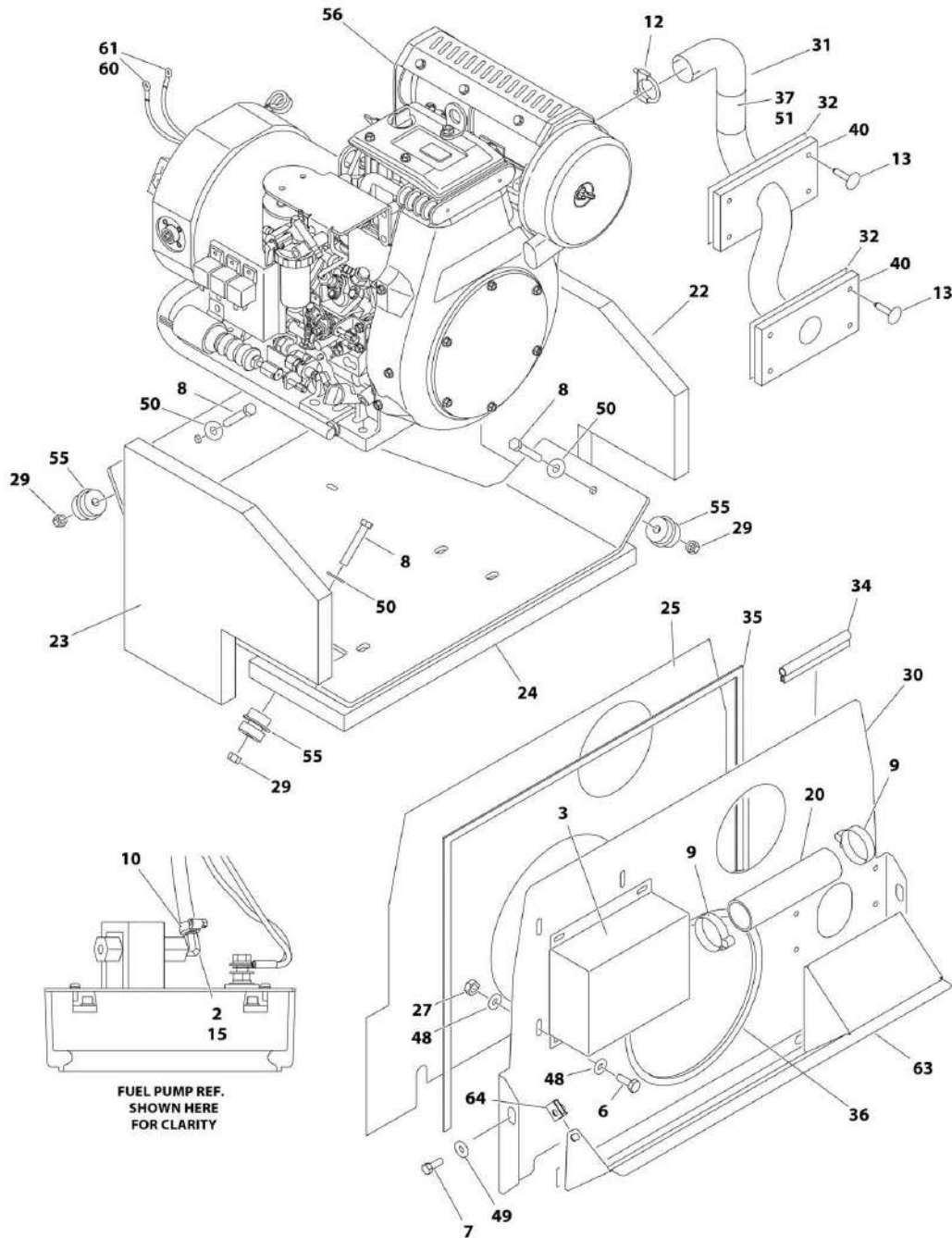
ITEM	PART NUMBER	QTY	DESCRIPTION	REV
	1001166250	Ref	HOOD INSTALLATION - M450AJ	D
1	0100011	AR	Compound, Locking	
3	0641508	1	Bolt, 5/16-18 x 1	
4	0641514	3	Bolt, 5/16-18 x 1-3/4	
5	0641614	2	Bolt, 3/8-16 x 1-3/4	
7	1320041	1	Clamp	
13	3311601	2	Nut, 3/8-16	
15	0641407	1	Bolt, 1/4-20 x 7/8	
17	4060805	8 in/0.20m	Shield, Flex Trim (SN 0300189898 through 0300199190)	
18	4711600	4	Washer, 3/8	
19	4751400	1	Washer, 1/4	
22	1001165962	1	Plate, Tray	
26	88261024	3	Screw, 5/16-18 x 1	
27	3311501	3	Nut, 5/16-18 (SN 0300199191 through 0300208529)	
28	3420156	2	Pin, Cotter (SN 0300199191 through 0300208529)	
29	3450304	2	Pin, Cotter (SN 0300199191 through 0300208529)	
30	4751500	10	Washer, 5/16 (SN 0300199191 through 0300208529)	
31	4751800	2	Washer, 1/2 (SN 0300199191 through 0300208529)	
32	88662530	3	Nut, Tinnerman (SN 0300199191 through 0300208529)	
33	1001165981	1	Mount, Hood - Lower (SN 0300199191 through 0300208529)	
34	1001165985	2	Mount, Hood Swing (SN 0300199191 through 0300208529)	
35	1001182725	1	Mount, Hood (SN 0300199191 through 0300208529)	
36	1001183212	1	Bracket, Hood Mount (SN 0300199191 through 0300208529)	
100	1001176417	1	LH Hood Kit (Includes Items 101-107)	B
	See Note	Ref	Note: Replacement Decals Must be Ordered Separately - See DECAL SECTION.	
101	See Note	1	Hood, LH (Note: Use Item 100)	
102	2940071	2	Latch	
103	3420156	2	Pin, Cotter (SN 0300189898 through 0300199190)	
104	3960453	AR	Seal, Door	
105	4751800	2	Washer, 1/2 (SN 0300189898 through 0300199190)	
106	1001165985	2	Mount, Hood Swing (SN 0300189898 through 0300199190)	
107	3450304	2	Pin, Cotter (SN 0300189898 through 0300199190)	
200	1001176441	1	RH, Side Hood Kit (Includes Items 201-208)	B
	See Note	Ref	Note: Replacement Decals Must be Ordered Separately - See DECAL SECTION.	
201	0630468	3	Bolt, 5/16-18 x 1 (SN 0300189898 through 0300199190)	
202	0901923	1	Bracket, Hood Mount (SN 0300189898 through 0300199190)	
203	See Note	1	Hood, RH (Note: Use Item 200)	
204	3311501	6	Nut, 5/16-18 (SN 0300189898 through 0300199190)	
205	3960453	AR	Seal, Door	
206	4751500	14	Washer, 5/16 (SN 0300189898 through 0300199190)	
207	1001165980	1	Mount, Hood (SN 0300189898 through 0300199190)	
208	1001165981	1	Mount, Hood - Lower (SN 0300189898 through 0300199190)	



**SECTION 3 - ENGINE**

# SECTION 3 - ENGINE

## FIGURE 3-1. KUBOTA MOTOR/GENERATOR INSTALLATION - M450AJ



ART\_1001167699\_30F4

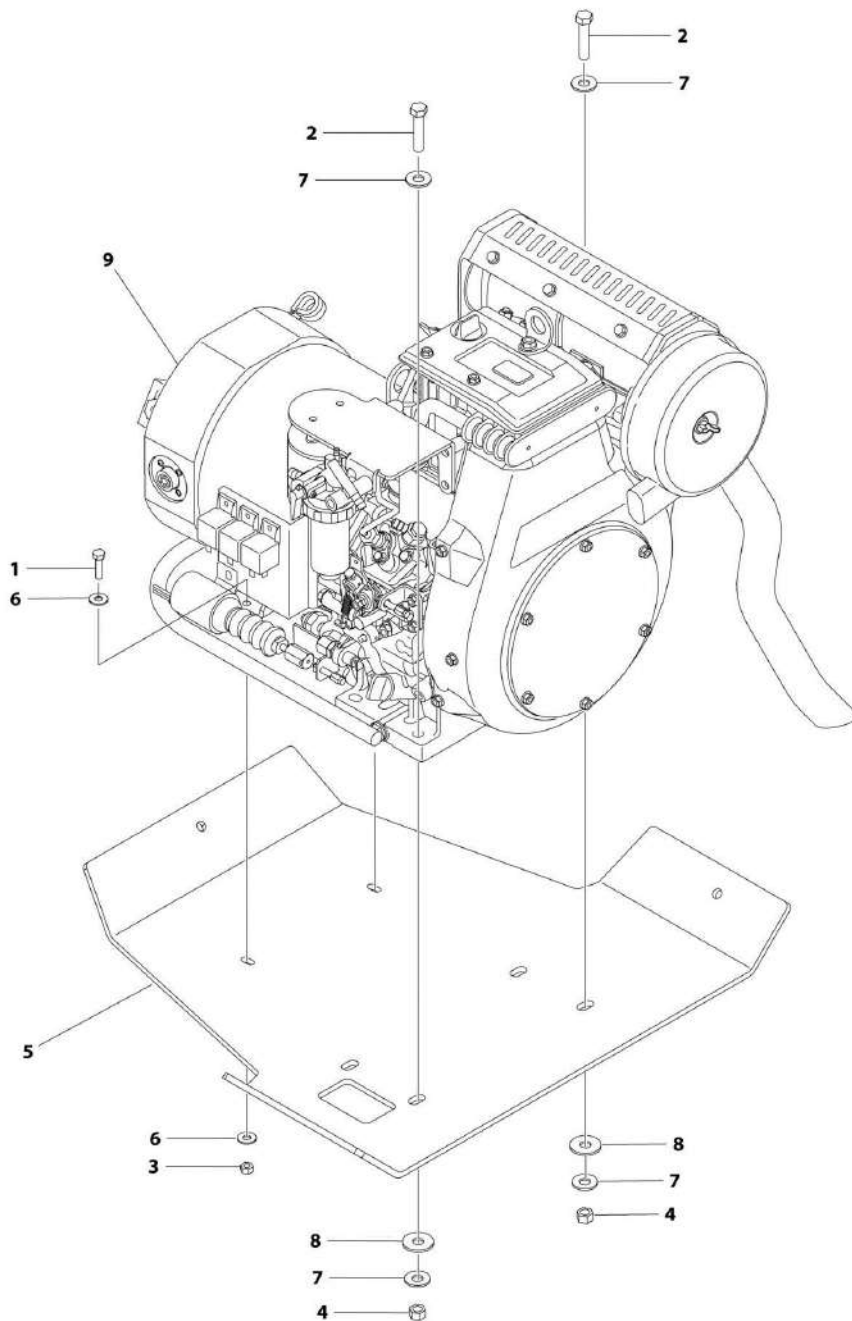
## SECTION 3 - ENGINE

**FIGURE 3-1. KUBOTA MOTOR/GENERATOR INSTALLATION - M450AJ**

ITEM	PART NUMBER	QTY	DESCRIPTION	REV
	1001167699	Ref	KUBOTA MOTOR/GENERATOR INSTALLATION - M450AJ	C
2	0100020	AR	Sealant	
3	0259481	1	Plenum Box Assembly	
6	0641406	8	Bolt, 1/4-20 x 3/4	
7	0641510	2	Bolt, 5/16-18 x 1-1/4	
8	0641618	3	Bolt, 3/8-16 x 2-1/4	
9	1320012	2	Clamp	
10	1320022	2	Clamp	
12	1320135	1	Clamp	
13	1380164	8	Clip, Panel Retainer	
15	2220805	1	Fitting, NPT Coupling 90	
20	2720559	1	Hose	
22	2820112	1	Insulation, Right Side	
23	2820116	1	Insulation, Left Side	
24	2820117	1	Foam	
25	2820218	1	Insulation, Acoustic Barrier	
27	3311405	4	Nut, Lock, ,1/4-20	
29	3311605	3	Nut, Lock, 3/8-16	
30	3380602	1	Shield, Heat	
31	3460457	1	Pipe, Exhaust	
32	3575961	2	Plate, Exhaust Mount	
34	3960389	8 ft /2.44m	Seal	
35	3960417	2.3 ft /0.70m	Seal	
36	3960418	3 ft /0.91m	Seal	
37	4100025	1.8 ft /0.54	Sleeve, Fiberglass	
40	4341072	2	Support, Exhaust Mount	
48	4711400	12	Washer, 1/4	
49	4751500	2	Washer, 5/16	
50	4751600	3	Washer, 3/8	
51	4920385	7.3 in /2.23m	Wire, Safety	
55	1001125248	3	Mount, Engine	
56	1001159361	1	Kubota Engine Assembly (See KUBOTA ENGINE ASSEMBLY for Breakdown)	
60	1060755	1	Cable, Battery (Includes Terminal Boot) (- Generator)	
61	1060754	1	Cable, Battery (Includes Terminal Boot) (+ Generator)	
63	1001181081	1	Shield, Heat	
64	88662530	2	Nut, Tinnerman	

# SECTION 3 - ENGINE

## FIGURE 3-2. KUBOTA MOTOR/GENERATOR ASSEMBLY - M450AJ



ART\_1001159361



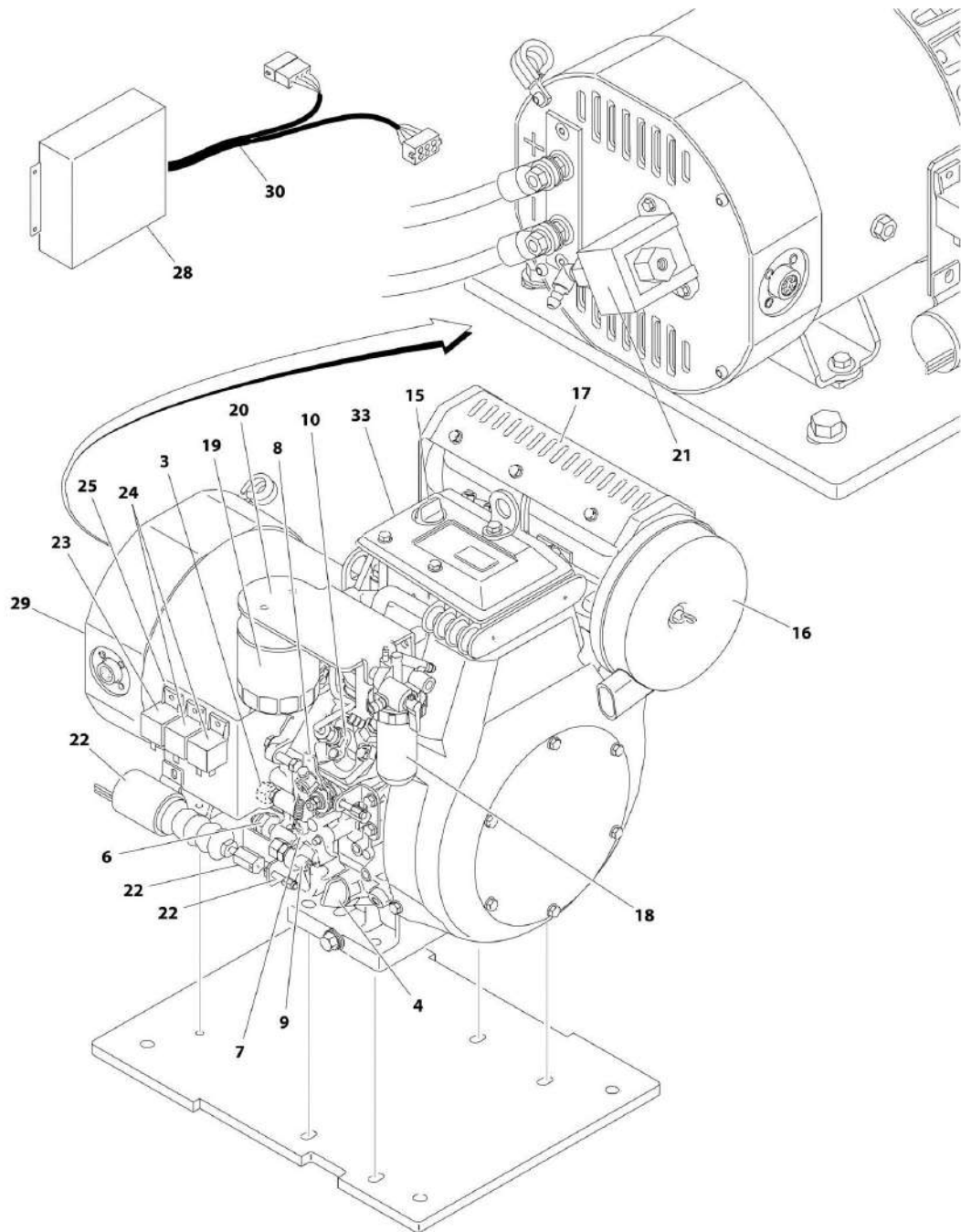
## SECTION 3 - ENGINE

**FIGURE 3-2. KUBOTA MOTOR/GENERATOR ASSEMBLY - M450AJ**

ITEM	PART NUMBER	QTY	DESCRIPTION	REV
	1001159361	Ref	KUBOTA MOTOR/GENERATOR ASSEMBLY - M450AJ	C
1	0641409	2	Bolt, 1/4-20 x 1-1/8	
2	0641614	4	Bolt, 3/8-16 x 1-3/4	
3	3311405	2	Nut, Lock, 1/4-20	
4	3311605	4	Nut, Lock, 3/8-16	
5	3575952	1	Plate, Base	
6	4891400	4	Washer, 1/4 Hardened	
7	4891600	8	Washer, 3/8 Hardened	
8	4761600	4	Washer, Lock 3/8 <b>(SN 0300189898 through 0300201128)</b>	
9	1001159355	1	Kubota Engine/Generator Assembly (See KUBOTA ENGINE/GENERATOR COMPONENTS for Breakdown)	

# SECTION 3 - ENGINE

## FIGURE 3-3. KUBOTA MOTOR/GENERATOR COMPONENTS



ART\_1001159355

## SECTION 3 - ENGINE

### FIGURE 3-3. KUBOTA MOTOR/GENERATOR COMPONENTS

ITEM	PART NUMBER	QTY	DESCRIPTION	REV
	1001159355	Ref	KUBOTA MOTOR/GENERATOR COMPONENTS	A
1	70000290	1	Glow Plug (Not Shown)	
1	70000291	1	Harness, Glow Plug (Not Shown)	
2	70000292	1	Screen, Oil Sump (Includes O-Ring)	
3	70000293	1	Cap, Oil Filler (Includes O-Ring)	
4	70000294	1	Dipstick	
5	70000295	1	Pump, Oil Rotor (Not Shown - Located beside Item 6)	
5	70000296	1	O-Ring Oil Rotor Pump (Not Shown)	
6	70000297	1	Switch, Oil	
7	70000298	1	Lever, Governor	
7	70000299	1	Pin, Governor Lever	
7	70000300	1	Spring, Governor Lever	
8	70000301	1	Spring, Idling	
8	70000304	1	Lever, Spring Control	
8	70000305	1	Spring, Stop (Speed Control Lever)	
9	70000302	1	Valve, Fuel Limit (Not Shown)	
9	70000303	1	Gasket, Fuel Limit (Not Shown)	
10	70000306	1	Pump, Injection	
10	70000307	1	Kit, Pump Adjustment Shim	
11	70000308	1	Flywheel/Ring Gear Assembly (Not Shown - Located Behind Front Cover)	
11	70000309	1	Ring Gear (Not Shown)	
11	70001121	1	Stator, Engine (Not Shown - Located Behind Flywheel) (Includes Coil and Grommet)	
12	70003557	1	Regulator, Voltage (Not Shown - Located on Opposite Side of Engine)	
13	70000310	1	Starter (Not Shown - Located on Opposite of Engine)	
14	70000311	1	Solenoid, Starter (Not Shown - Located on Opposite Side of Engine)	
15	70002244	1	Cap, Oil Filler (Includes O-Ring)	
16	70000312	1	Air Filter Assembly	
16	70000313	1	Element, Air Cleaner	
16	70000314	1	Gasket, Air Cleaner	
17	70000315	1	Muffler Assembly	
17	70000316	1	Gasket, Muffler	
18	70000317	1	Inline Fuel Check Valve Assembly	
18	70000967	1	Fuel Filter Assembly	
18	70000318	1	Element, Fuel Filter	
19	70000319	1	Element, Oil Filter	
19	70001144	1	Head, Oil Filter Head (Note: Does Not Include Element)	
20	70002544	1	Bracket, Oil Filter Mount	
21	70000320	1	Pump, Fuel	
22	70000321	1	Solenoid, Fuel	
22	70003618	1	Adapter, Solenoid	
22	70003619	1	Screw	
23	70000322	1	Relay	
24	70000323	2	Relay	
25	70002083	1	Bracket, Solenoid/Relay	
26	70000324	1	Sensor, Speed (Not Shown - Located Inside Front Cover)	
26	70004265	1	Bracket, Speed Sensor (Not Show - Located Inside Front Cover)	

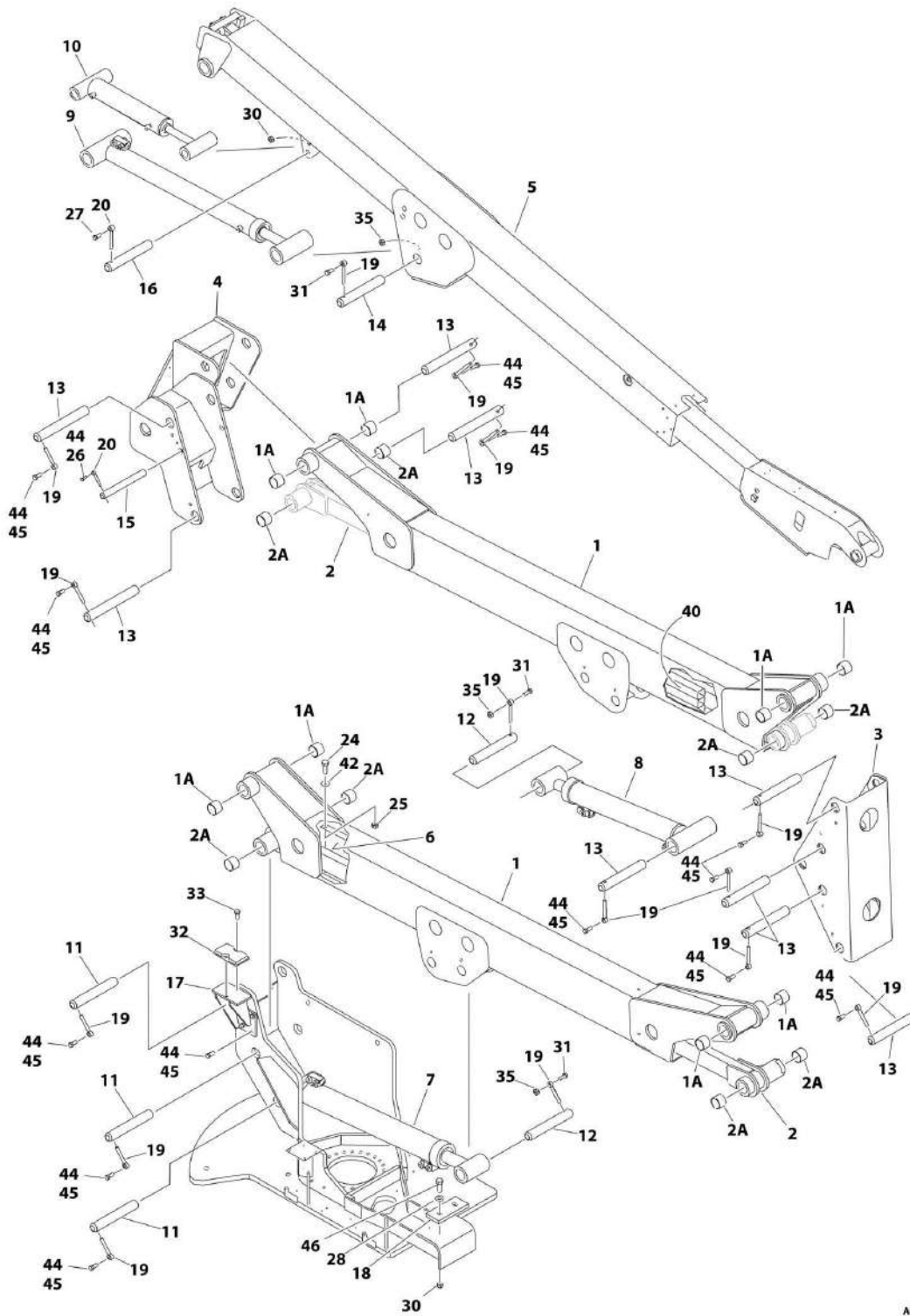
## SECTION 3 - ENGINE

ITEM	PART NUMBER	QTY	DESCRIPTION	REV
27	70000325	1	Sensor, Oil Temperature (Not Shown - Located on Opposite Side of Engine Base)	
28	70000326	1	Module, Engine Control	
29	70000327	1	Alternator	
29	70000382	1	Stator, Alternator	
29	70004394	1	Lead, Field Terminal Block Diode	
30	70000328	1	Harness, Generator	
31	70000329	1	Fuse 15Amp (Not Shown)	
32	70000330	1	Fuse 20Amp (Not Shown)	
33	70002543	1	Engine, Kubota (Without Generator)	
34	70000289	1	Regulator, Voltage (Not Shown - Located on Opposite Side of Engine)	

**SECTION 4 - BOOM**

# SECTION 4 - BOOM

## FIGURE 4-1. BOOM AND CYLINDERS INSTALLATION - E450A



ART\_0258691

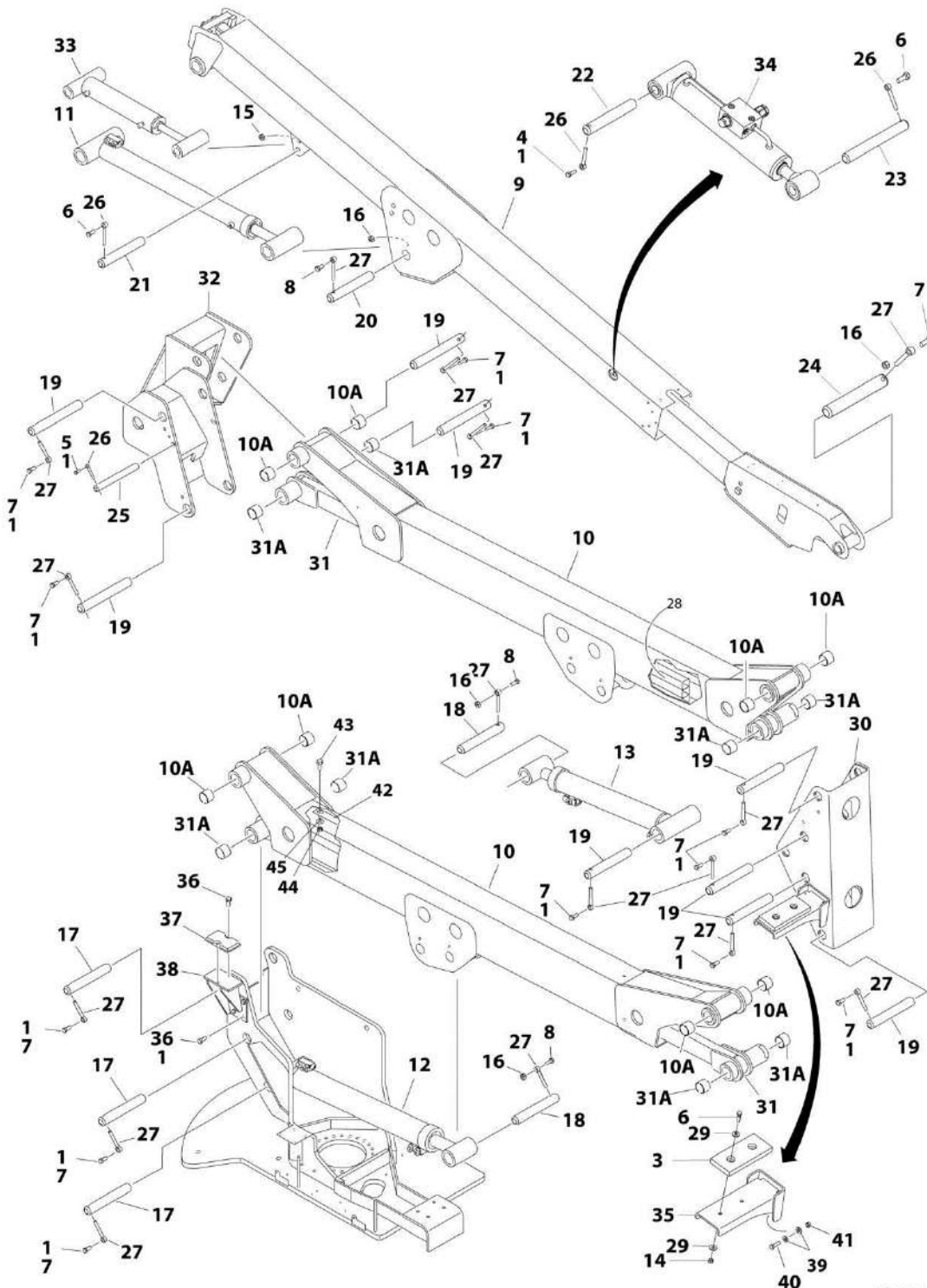
## SECTION 4 - BOOM

**FIGURE 4-1. BOOM AND CYLINDERS INSTALLATION - E450A**

ITEM	PART NUMBER	QTY	DESCRIPTION	REV
	0258691	Ref	BOOM AND CYLINDERS INSTALLATION - E450A	F
1	0801264	2	Boom Assembly - Tower	
1A	0961950	8	Bushing	
2	4846307	2	Level Link	
2A	0961950	8	Bushing	
3	4844427	1	Upright Weldment - Lower	
4	4844304	1	Upright Weldment - Upper	
5	0801169	1	Boom Assembly - Main (See MAIN BOON ASSEMBLY - E450A for Breakdown)	
6	3537045	1	Hose Guard Plate	
7	1684492	1	Lift Cylinder Assembly - Lower (See CYLINDER SECTION for Breakdown)	
8	1684493	1	Lift Cylinder Assembly - Mid (See CYLINDER SECTION for Breakdown)	
9	1684061	1	Lift Cylinder Assembly - Upper (See CYLINDER SECTION for Breakdown)	
10	1001140597	1	Master Cylinder Assembly (See CYLINDER SECTION for Breakdown)	
11	3422175	3	Pin	
12	3422176	2	Pin	
13	3422177	9	Pin	
14	3422178	1	Pin	
15	3422179	1	Pin	
16	3422180	1	Pin	
17	4844467	1	Boom Rest Weldment	
18	0561076	1	Block, Boom Rest	
19	3841203	15	Keeper, Pin - 1/2	
20	3841143	2	Keeper, Pin - 3/8	
24	0641506	4	Bolt, 5/16-18 x 3/4	
25	3311505	4	Nut, Lock, 5/16-18	
26	0641608	1	Bolt, 3/8-16 x 1	
27	0641610	1	Bolt, 3/8-16 x 1-1/4	
28	4751600	4	Washer, 3/8	
30	3311605	3	Nut, Lock, 3/8-16	
31	0641812	3	Bolt, 1/2-13 x 1-1/2	
32	0940048	1	Bumper	
33	0641806	5	Bolt, 1/2-13 x 3/4	
35	3311805	3	Nut, Lock, 1/2-13	
40	4566356	1	Tube	
42	4751500	4	Washer, 5/16	
44	0100011	AR	Compound, Locking	
45	0641810	12	Bolt, 1/2-13 x 1-1/4	
46	0641608	2	Bolt, 3/8-16 x 1 (SN 0300189898 through 0300194573)	
46	0641614	2	Bolt, 3/6-16 x 1-3/4 (SN 0300194574 through 0300208529)	

# SECTION 4 - BOOM

## FIGURE 4-2. BOOM AND CYLINDERS INSTALLATION - E450AJ/M450AJ



ART\_1001168673



## SECTION 4 - BOOM

**FIGURE 4-2. BOOM AND CYLINDERS INSTALLATION - E450AJ/M450AJ**

ITEM	PART NUMBER	QTY	DESCRIPTION	REV
	1001168673	Ref	BOOM AND CYLINDERS INSTALLATION - E450AJ/M450AJ	E
1	0100011	AR	Compound, Locking	
3	0561076	1	Block, Boom Rest	
4	0641607	1	Bolt, 3/8-16 x 7/8	
5	0641608	1	Bolt, 3/8-16 x 1	
6	0641610	4	Bolt, 3/8-16 x 1-1/4	
7	0641810	13	Bolt, 1/2-13 x 1-1/4	
8	0641812	3	Bolt, 1/2-13 x 1-1/2	
9	0801197	1	Boom Assembly - Main (See MAIN BOOM ASSEMBLY - E450AJ/M450AJ for Breakdown)	
10	0801264	2	Boom Assembly - Tower	
10A	0961950	8	Bushing	
11	1683945	1	Lift Cylinder Assembly - Upper (See CYLINDER SECTION for Breakdown)	
12	1684451	1	Lift Cylinder Assembly - Lower (See CYLINDER SECTION for Breakdown)	
13	1684452	1	Lift Cylinder Assembly - Mid (See CYLINDER SECTION for Breakdown)	
14	3311601	2	Nut, 3/8-16	
15	3311605	1	Nut, Lock, 3/8-16	
16	3311805	4	Nut, Lock, 1/2-13	
17	3422175	3	Pin	
18	3422176	2	Pin	
19	3422177	9	Pin	
20	3422178	1	Pin	
21	3422582	1	Pin	
22	3422669	1	Pin	
23	3422792	1	Pin	
24	3422793	1	Pin	
25	3422806	1	Pin	
26	3841143	4	Keeper, 3/8	
27	3841203	16	Keeper, 1/2	
28	4566356	1	Tube	
29	4751600	4	Washer, 3/8 (Not Shown - Located on Platform Support)	
30	4844427	1	Upright Weldment - Lower	
31	4846307	2	Level Link	
31A	0961950	8	Bushing	
32	4846026	1	Upright Weldment - Upper	
33	1001140278	1	Master Cylinder Assembly (See CYLINDER SECTION for Breakdown)	
34	1001140279	1	Platform Level Cylinder (See CYLINDER SECTION for Breakdown)	
35	1001177483	1	Support, Boom Rest	
36	0641806	5	Bolt, 1/2-13 x 3/4	
37	0940048	1	Bumper	
38	4844467	1	Boom Rest Weldment	
39	4891600	8	Washer, 3/8	
40	0681610	4	Bolt, 3/8-16 x 1-1/4 (Grade 8)	
41	3271605	4	Nut, Lock 3/8-16 (Grade 8)	
42	3537045	1	Plate	
43	0641506	4	Bolt, 5/16-18 x 3/4	

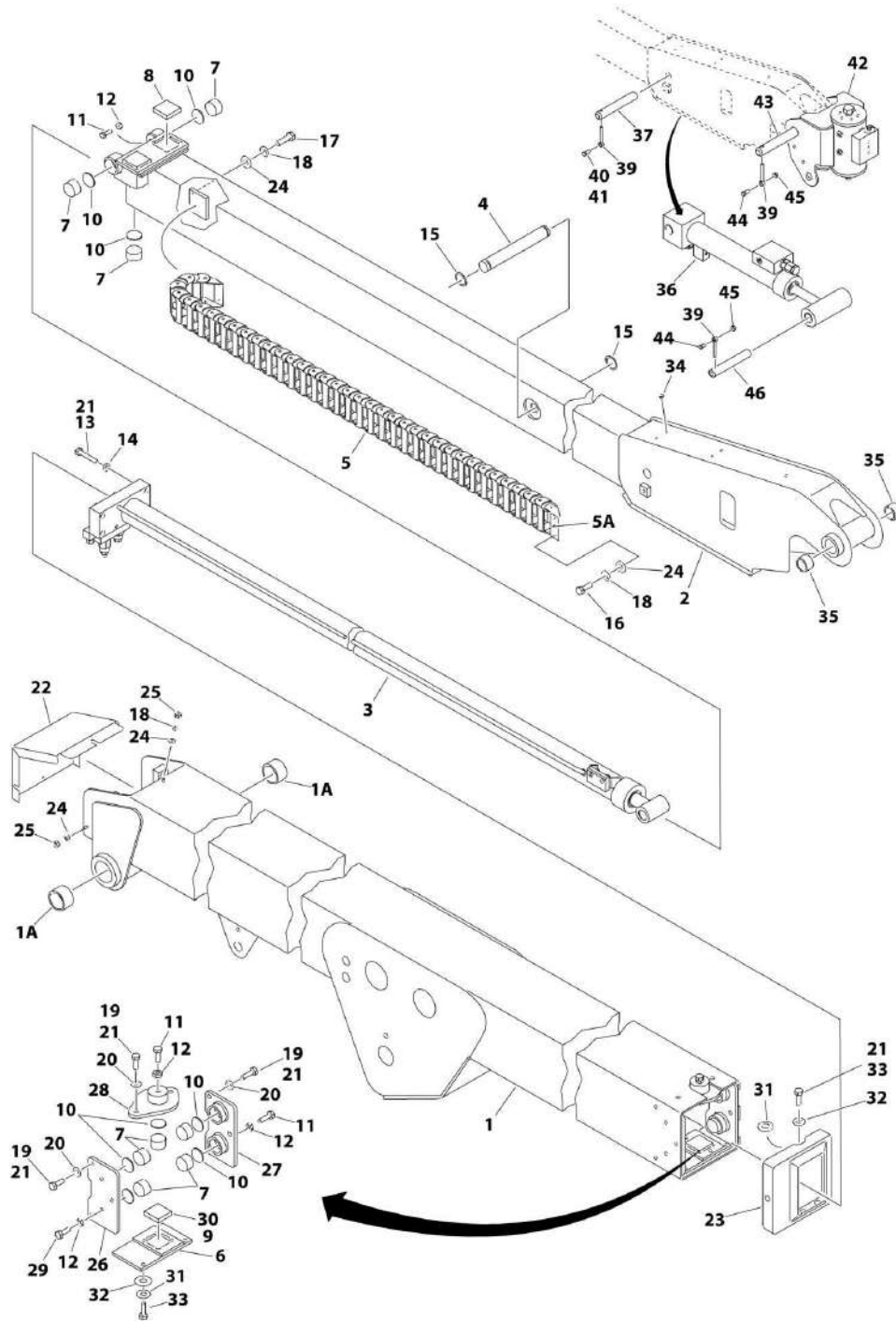
## SECTION 4 - BOOM

ITEM	PART NUMBER	QTY	DESCRIPTION	REV
44	3311505	4	Nut, Lock 5/16-18	
45	4751500	4	Washer, 5/16	



# SECTION 4 - BOOM

## FIGURE 4-3. MAIN BOOM ASSEMBLY - E450A



ART\_0801169

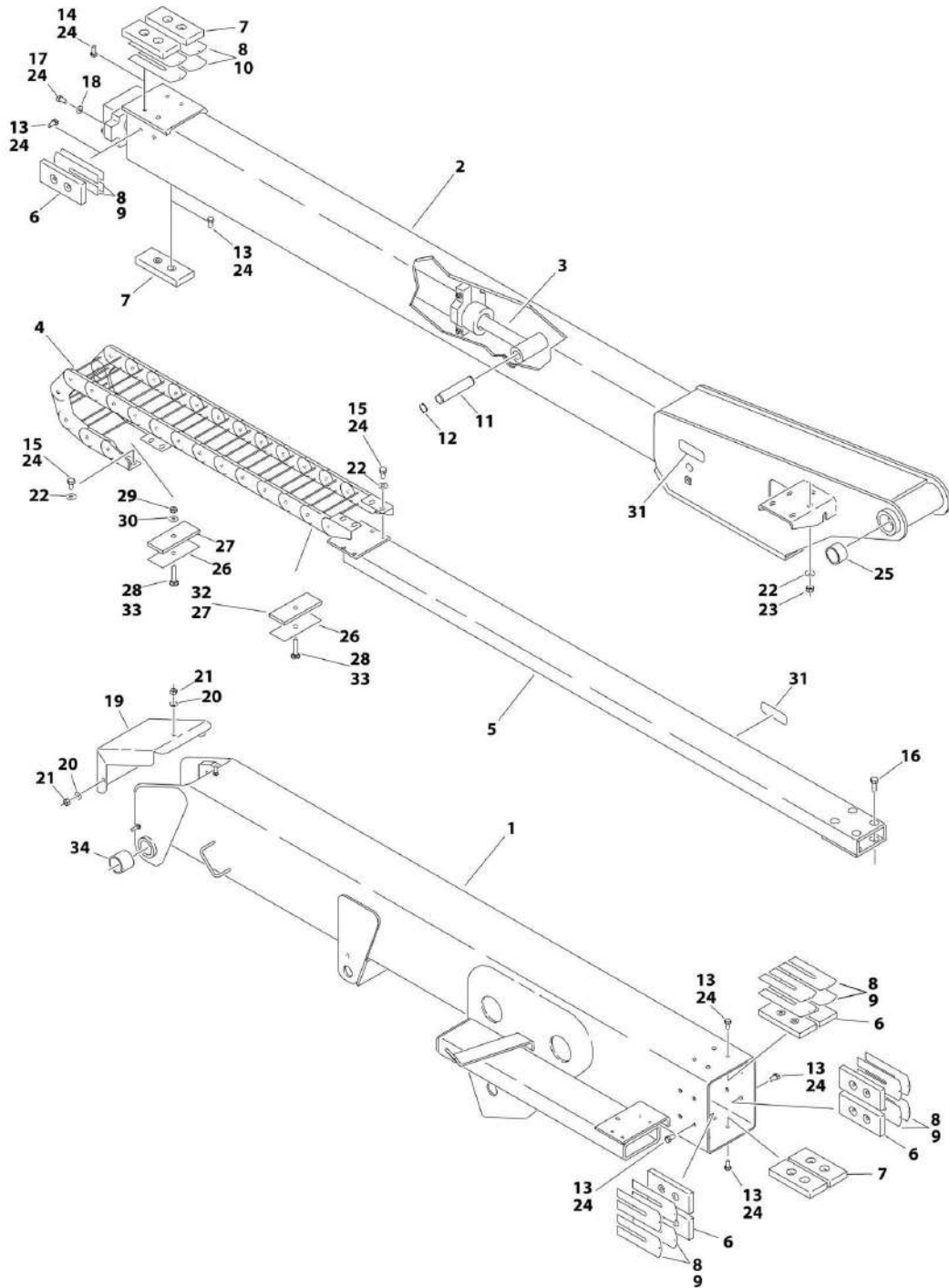
## SECTION 4 - BOOM

### FIGURE 4-3. MAIN BOOM ASSEMBLY - E450A

ITEM	PART NUMBER	QTY	DESCRIPTION	REV
	0801169	Ref	MAIN BOOM ASSEMBLY - E450A	D
1	0801261	1	Base Weldment	
1A	0961950	2	Bushing	
2	0801154	1	Fly Weldment	
3	1001151414	1	Telescope Cylinder Assembly (See CYLINDER SECTION for Breakdown)	
4	3422901	1	Pin	
5	1180302	1	Powertrack Assembly	
5	7019698	1	Link, Repair	
5A	7019699	1	Feet, Mounting	
6	4844579	1	Holder, Ware Pad	
7	3340663	8	Pad, Ware	
8	3340820	2	Pad, Ware	
9	3340682	1	Pad, Wear	
10	1760160	8	Disc	
11	0630487	6	Bolt, Special 3/8-16 x 1-3/8	
12	3311602	8	Nut, Jam, 3/8-16	
13	0641818	4	Bolt, 1/2-13 x 2-1/4	
14	4761800	4	Washer, Lock, 1/2	
15	3760115	2	Snap, Ring	
16	0641405	2	Bolt, 1/4-20 x 5/8	
17	0641404	2	Bolt, 1/4-20 x 1/2	
18	4761400	7	Washer, Lock, 1/4	
19	0641606	7	Bolt, 3/8-16 x 3/4	
20	4761600	7	Washer, Lock, 3/8	
21	0100011	AR	Compound, Locking	
22	1670679	1	Cover, Boom	
23	1670698	1	Cover, Boom	
24	4751400	7	Washer, 1/4	
25	3311401	3	Nut, 1/4-20	
26	1220038	1	Holder, Ware Pad	
27	1220039	1	Holder, Ware Pad	
28	1220040	1	Holder, Ware Pad	
29	0630399	2	Bolt, Special, 3/8-16 x 2-1/4	
30	0100009	AR	Silicone	
31	4740413	5	Washer, Spacer	
32	4751600	5	Washer, 3/8	
33	0641608	5	Bolt, 3/8-16 x 1	
34	3520034	4	Plug, Hole	
35	0961951	2	Bearing	
36	1001140598	1	Cylinder Assembly (See CYLINDER SECTION for Breakdown)	
37	3422181	1	Shaft, Pin	
39	3841143	3	Keeper, 3/8	
40	0641607	1	Bolt, 3/8-16 x 7/8	
41	0100011	AR	Compound, Locking	
42	0060052	1	Rotator Assembly (See ROTATOR ASSEMBLY for Breakdown)	
43	3422709	1	Shaft, Pin	
44	0641608	2	Bolt, 3/8-16 x 1	
45	3311605	2	Nut, Lock, 3/8-16	
46	3422180	1	Shaft, Pin	

# SECTION 4 - BOOM

## FIGURE 4-4. MAIN BOOM ASSEMBLY - E450AJ/M450AJ



ART\_0801197

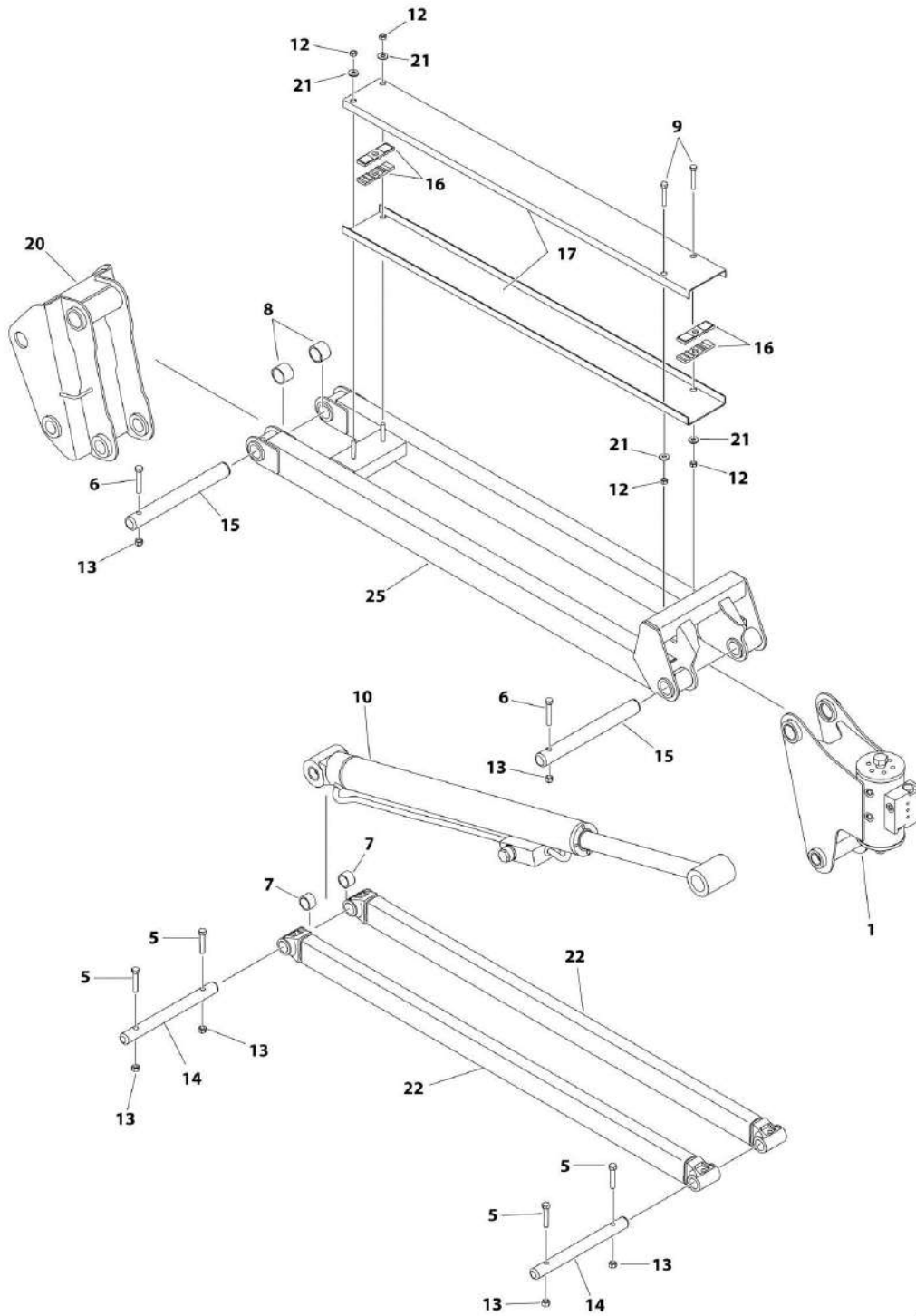
## SECTION 4 - BOOM

**FIGURE 4-4. MAIN BOOM ASSEMBLY - E450AJ/M450AJ**

ITEM	PART NUMBER	QTY	DESCRIPTION	REV
	0801197	Ref	MAIN BOOM ASSEMBLY - E450AJ/M450AJ	J
1	0801260	1	Base, Weldment	
2	0801192	1	Fly, Weldment	
3	1001151368	1	Telescope Cylinder Assembly (See CYLINDER SECTION for Breakdown)	
4	1001099833	1	Powertrack Assembly	
4	70001996	1	Repair Section (Includes 4 links, 10 pins, 10 washers, 10 snap rings, 2 rod carriers and 4 self-tapping screws)	
4	70001998	1	Bracket Kit (Includes 2 left and 2 right mounting feet, 4 center pins, 4 center pin snap rings, 8 pins for bracket lockout, 8 washers and 8 snap rings)	
5	4846033	1	Pushtube, Weldment	
6	3340881	8	Pad, Ware	
7	3340837	5	Pad, Ware	
8	4070897	10	Shim, 18 Gauge	
9	4070898	8	Shim, 11 Gauge	
10	4070982	2	Shim, 16 Gauge	
11	3422804	1	Pin	
12	3760115	2	Ring, Snap	
13	0641606	22	Bolt, 3/8-16 x 3/4	
14	0641607	4	Bolt, 3/8-16 x 7/8	
15	0641605	8	Bolt, 3/8-16 x 5/8	
16	0641608	4	Bolt, 3/8-16 x 1	
17	0641818	4	Bolt, 1/2-13 x 2-1/4	
18	4761800	4	Washer, Lock, 1/2	
19	1670679	1	Cover, Boom	
20	4761400	3	Washer, Lock, 1/4	
21	3311401	3	Nut, 1/4-20	
22	4711600	12	Washer, 3/8	
23	3311605	4	Nut, Lock, 3/8-16	
24	0100011	AR	Compound, Locking	
25	0961948	2	Bearing	
26	1001106757	3	Plate, Clamp	
27	3340939	2	Pad, Rubber	
28	0630401	2	Bolt, Carriage, 5/16-18 x 2	
29	3311505	2	Nut, Lock 5/16-18	
30	4711500	2	Washer, 5/16	
31	4060804	15 in /38cm	Flex-Trim	
32	0100081	AR	Adhesive	
33	1001119228	1	Push Nut, M8	
34	0961950	2	Bushing	

# SECTION 4 - BOOM

## FIGURE 4-5. JIB INSTALLATION



ART\_0270400

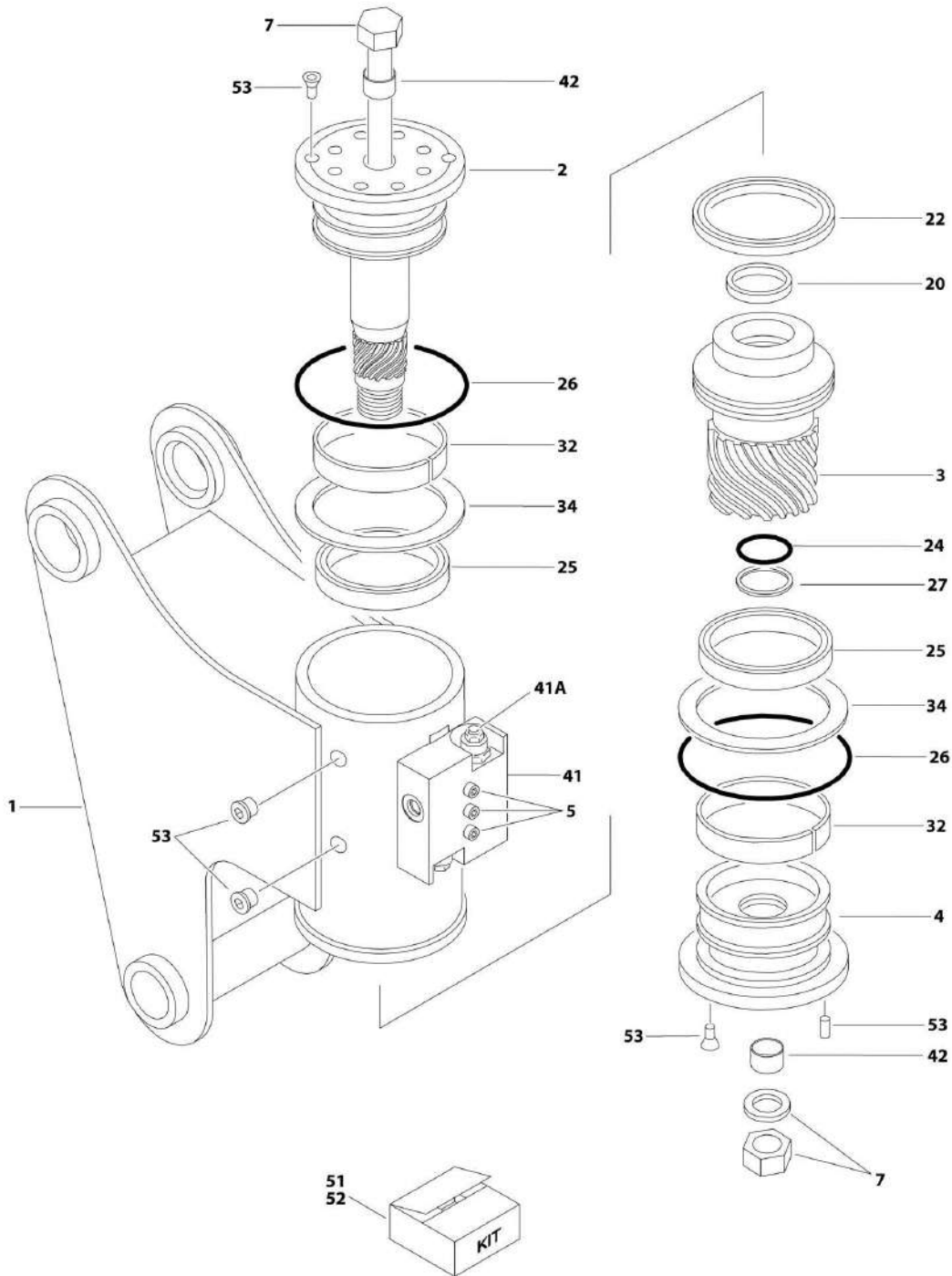


FIGURE 4-5. JIB INSTALLATION

ITEM	PART NUMBER	QTY	DESCRIPTION	REV
	0270400	Ref	JIB INSTALLATION	F
1	0060044	1	Rotator Assembly (See ROTATOR ASSEMBLY for Breakdown)	
5	0641616	4	Bolt, 3/8-16 x 2	
6	0641618	2	Bolt, 3/8-16 x 2-1/4	
7	0962292	2	Bushing	
8	0961951	2	Bushing	
9	0641516	2	Bolt, 5/16-18 x 2	
10	1001140280	1	Jib Cylinder Assembly (See CYLINDER SECTION for Breakdown)	
12	3311501	4	Nut, 5/16-18	
13	3311605	6	Nut, Lock, 3/8-16	
14	3422791	2	Pin	
15	3422794	2	Pin	
16	3340860	4	Pad, Rubber	
17	3572551	2	Channel, Hose Carrier	
20	4845925	1	Pivot	
21	4751500	4	Washer, 5/16	
22	1001094670	2	Link - Lower	
25	4846278	1	Link - Upper	

# SECTION 4 - BOOM

## FIGURE 4-6. ROTATOR ASSEMBLY - E450A



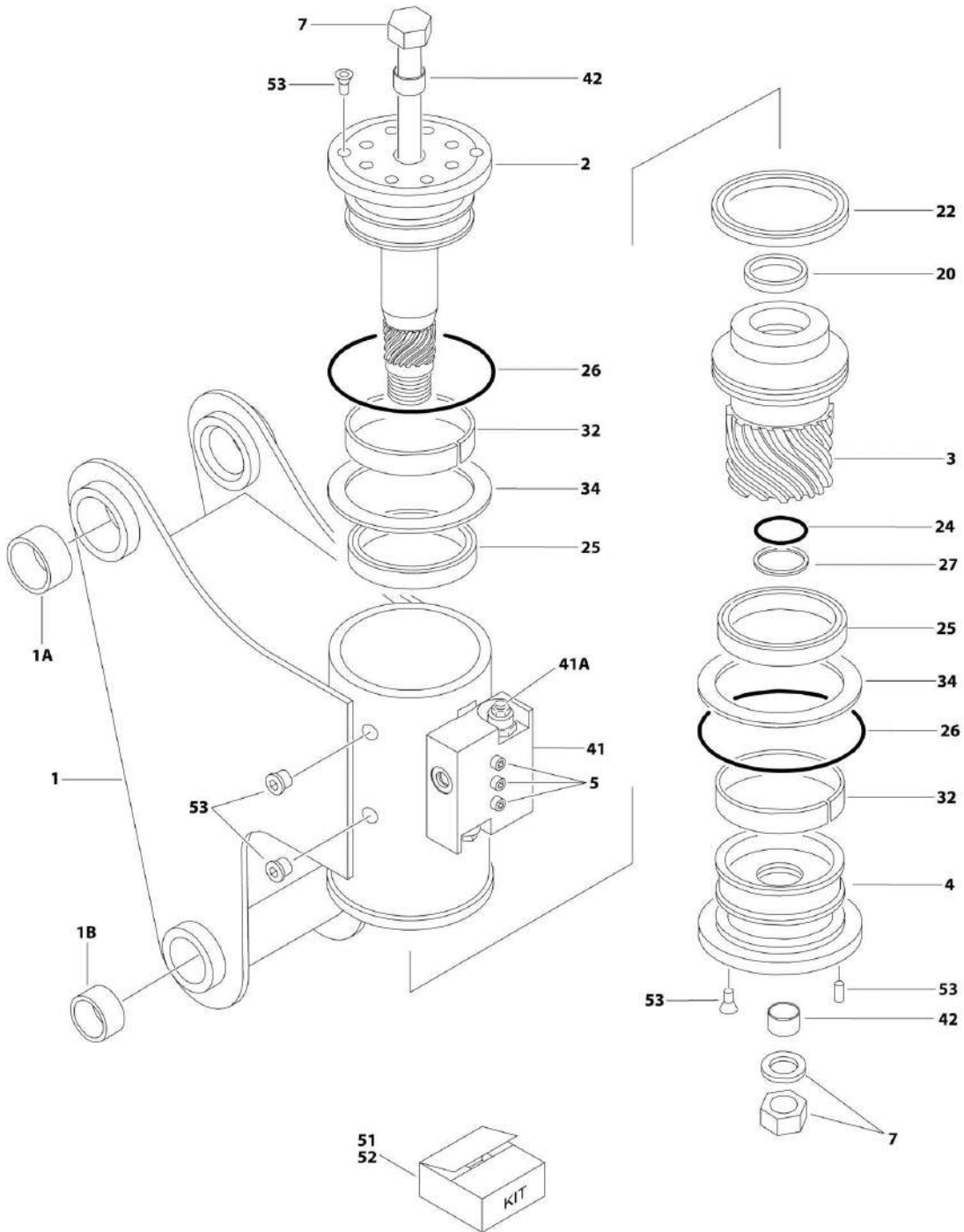
ART\_0060052

FIGURE 4-6. ROTATOR ASSEMBLY - E450A

ITEM	PART NUMBER	QTY	DESCRIPTION	REV
	0060052	Ref	ROTATOR ASSEMBLY - E450A	F
1	See Note	1	Case/Bracket Weldment (Note: Not Available - Purchase Complete Assembly)	
2	7017120	1	Shaft (Rotator with Helac Control #26409)	
2	7017196	1	Shaft (Rotator with Helac Control #26966)	
3	7017121	1	Piston Sleeve (Rotator with Helac Control #26409)	
3	7027900	1	Piston Sleeve (Rotator with Helac Control #26966)	
4	7017153	1	Cap, End (Rotator with Helac Control #26409)	
4	7027901	1	Cap, End (Rotator with Helac Control #26966)	
5	See Note	3	Capscrew, 1/4-20 x 1-1/2, Grade 8 (Note: Not Available - Purchase Locally)	
7	7017126	1	Tie Rod Assembly	
20	See Note	NSS	Seal, Rod (Note: Use Items 52)	
22	See Note	NSS	Seal, Piston (Note: Use Item 52)	
24	See Note	NSS	Seal, Cap (Note: Use Item 52)	
25	See Note	NSS	Packing, Bearing (Note: Use Item 52)	
26	See Note	NSS	Seal (Note: Use Item 52)	
27	See Note	NSS	Ring, Back-up Cap (Note: Use Item 52)	
32	See Note	NSS	Bearing, Shaft (Note: Use Item 51)	
34	See Note	2	Washer, Thrust (Note: Use Item 51)	
41	7017172	1	Counterbalance Valve Assembly (Helac p/n 24327, 26553 or 26554 Stamped Beside Mounting Screws)	
41A	7011323	2	Valve, Cartridge (Helac p/n 24327 Valve)	
41A	2900770	2	Seal Kit - 7011323 Cartridge ( 1 Per Assembly)	
41A	7017192	2	Valve Cartridge (Helac p/n 26553 or 26554) (No Seal Kit Available)	
42	See Note	2	Bushing, Shaft (Note: Not Available for Purchase)	
51	7017122	1	Bearing Kit (Includes Items 32-34)	
52	7017127	1	Seal Kit - Standard (Includes Items 20, 22, 24, 25, 26 & 27)	
52	70000341	1	Seal Kit - Low Temperature (Includes Items 20, 22, 24, 25, 26 & 27)	
53	7017123	1	Hardware Kit	

# SECTION 4 - BOOM

## FIGURE 4-7. ROTATOR ASSEMBLY - E450AJ/M450AJ



ART\_0050044

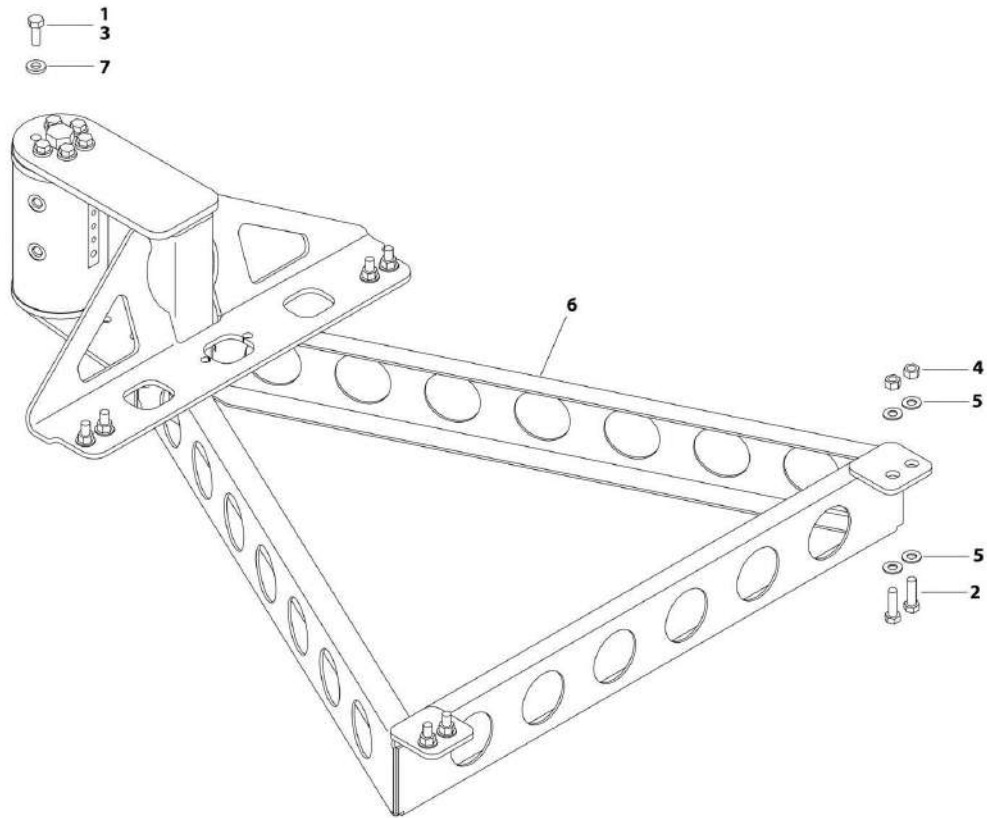
## SECTION 4 - BOOM

### FIGURE 4-7. ROTATOR ASSEMBLY - E450AJ/M450AJ

ITEM	PART NUMBER	QTY	DESCRIPTION	REV
	0060044	Ref	ROTATOR ASSEMBLY - E450AJ/M450AJ	D
1	See Note	1	Case/Bracket Weldment (Note: Not Available - Purchase Complete Assembly)	
1A	0962257	2	Bushing	
1B	0961947	2	Bushing	
2	7017120	1	Shaft (Rotator with Helac Control #25928)	
2	7017196	1	Shaft (Rotator with Helac Control #26962)	
3	7017121	1	Piston Sleeve (Rotator with Helac Control #25928)	
3	7027900	1	Piston Sleeve (Rotator with Helac Control #26962)	
4	See Note	NSS	Cap, End (Rotator with Helac Control #25928) (Note: Use p/n 0060044)	
4	7027901	1	Cap, End (Rotator with Helac Control #26962)	
5	See Note	3	Capscrew, 1/4-20 x 1-1/2, Grade 8 (Note: Not Available - Purchase Locally)	
7	7017126	1	Tie Rod Assembly	
20	See Note	NSS	Seal, Rod (Note: Use Item 52)	
22	See Note	NSS	Seal, Piston (Note: Use Item 52)	
24	See Note	NSS	Seal, Cap (Note: Use Item 52)	
25	See Note	NSS	Packing, Bearing (Note: Use Item 52)	
26	See Note	NSS	Seal (Note: Use Item 52)	
27	See Note	NSS	Ring, Back-up Cap (Note: Use Item 52)	
32	See Note	NSS	Bearing, Shaft (Note: Use Item 51)	
34	See Note	2	Washer, Thrust (Note: Use Item 51)	
41	7017172	1	Counterbalance Valve Assembly (Helac p/n 24327, 26553 or 26554 Stamped Beside Mounting Screws)	
41A	7011323	2	Valve, Cartridge (Helac p/n 24327 Valve)	
41A	2900770	2	Seal Kit - 7011323 Cartridge (1 Per Assembly)	
41A	7017192	2	Valve Cartridge (Helac p/n 26553 or 26554) (No Seal Kit Available)	
42	70004323	1	Bushing, Shaft	
51	7017122	1	Bearing Kit (Includes Items 32-34)	
52	7017127	1	Seal Kit - Standard (Includes Items 20, 22, 24, 25, 26 & 27)	
52	70000341	1	Seal Kit - Low Temperature (Includes Items 20, 22, 24, 25, 26 & 27)	
53	7017123	1	Hardware Kit	

# SECTION 4 - BOOM

## FIGURE 4-8. PLATFORM SUPPORT WITHOUT LOAD SENSING



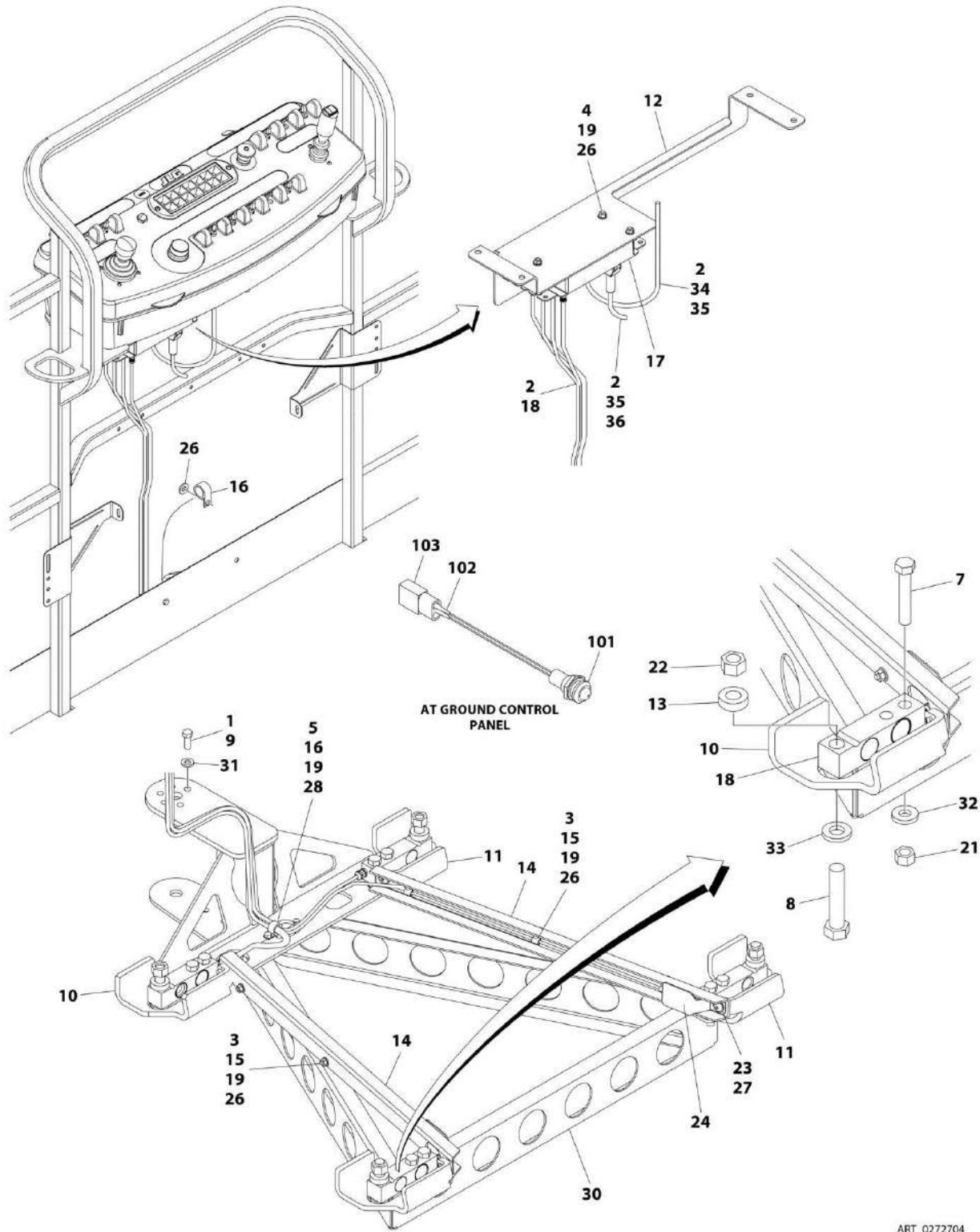
ART\_0272976

FIGURE 4-8. PLATFORM SUPPORT WITHOUT LOAD SENSING

ITEM	PART NUMBER	QTY	DESCRIPTION	REV
	0272976	Ref	PLATFORM SUPPORT WITHOUT LOAD SENSING	A
1	0100001	AR	Compound, Locking	
2	0641610	8	Bolt, 3/8-16 x 1-1/4	
3	0681608	6	Bolt, 3/8-16 x 1, Grade 8	
4	3311605	8	Nut, Lock, 3/8-16	
5	4711600	16	Washer, 3/8	
6	4846608	1	Support, Weldment (Without Load Sensing)	
6	See Note	1	Support, Weldment (With Load Sensing) (Note: See Note Above)	
7	4891600	6	Washer, 3/8	

# SECTION 4 - BOOM

## FIGURE 4-9. PLATFORM SUPPORT INSTALLATION - WITH LSS - E450AJ/M450AJ



ART\_0272704



## SECTION 4 - BOOM

**FIGURE 4-9. PLATFORM SUPPORT INSTALLATION - WITH LSS - E450AJ/M450AJ**

ITEM	PART NUMBER	QTY	DESCRIPTION	REV
	0272704	Ref	PLATFORM SUPPORT INSTALLATION - WITH LSS - E450AJ/M450AJ	K
1	0100011	AR	Compound, Locking	
2	0100048	AR	Grease, Dielectric	
3	0641405	6	Bolt 1/4 x 5/8	
4	0641416	3	Bolt 1/4 x 2	
5	0641407	1	Bolt 1/4 x 7/8	
7	0641822	8	Bolt 1/2 x 2-3/4	
8	0642024	4	Bolt 5/8 x 3	
9	0681608	6	Bolt 3/8 x 1	
10	0902919	2	Bracket, Cell Guard	
11	0902920	2	Bracket, Cell Guard	
12	1001113483	1	Bracket, Module Mounting	
13	0962450	4	Bushing, Spacer	
14	1271538	2	Channel	
15	1320136	6	Clamp	
16	1320224	2	Clamp	
17	1600387	1	Electronic Interface Module (Note: Re-calibration Required when Replaced)	
18	2420202	4	Load Cell Assembly	
19	3311405	10	Nut 1/4	
21	3311805	8	Nut 1/2	
22	3312005	4	Nut 5/8	
23	3900283	4	Screw 3/8 x 3/4	
24	4061054	2	Shield	
25	4240033	AR	Tie-Strap (Not Shown)	
26	4711400	13	Washer 1/4	
27	4711600	4	Washer 3/8	
28	4751400	1	Washer 1/4	
30	4846608	1	Platform Support	
31	4891600	6	Washer 3/8	
32	4891800	8	Washer 1/2	
33	4892000	4	Washer 5/8	
34	4922916	1	Harness, LSS System	
34	4460933	1	Connector - 12 Position (Grey) (J1)	
34	4460465	3	Socket, Female	
34	4460466	9	Plug, Terminal	
34	0840055	1	Boot	
34	4460313	3	Terminal, Ring	
35	4933289	1	EIM Load Cell to Platform Console Box Wiring (See Separate Breakdown in ELECTRICAL SECTION)	
36	4922917	1	Harness, Analyzer	
36	4460836	1	Connector - 12 Position (Black) (J2)	
36	4460465	4	Socket, Female	
36	4460466	8	Plug, Terminal	
36	0840055	1	Boot	
36	4460761	1	Connector - 4 Position	
36	4460227	4	Pin, Male	
	0273104	Ref	INDICATOR LIGHT INSTALLATION (LSS)	
101	2920151	1	Light (Located on Ground Control Box)	A/1

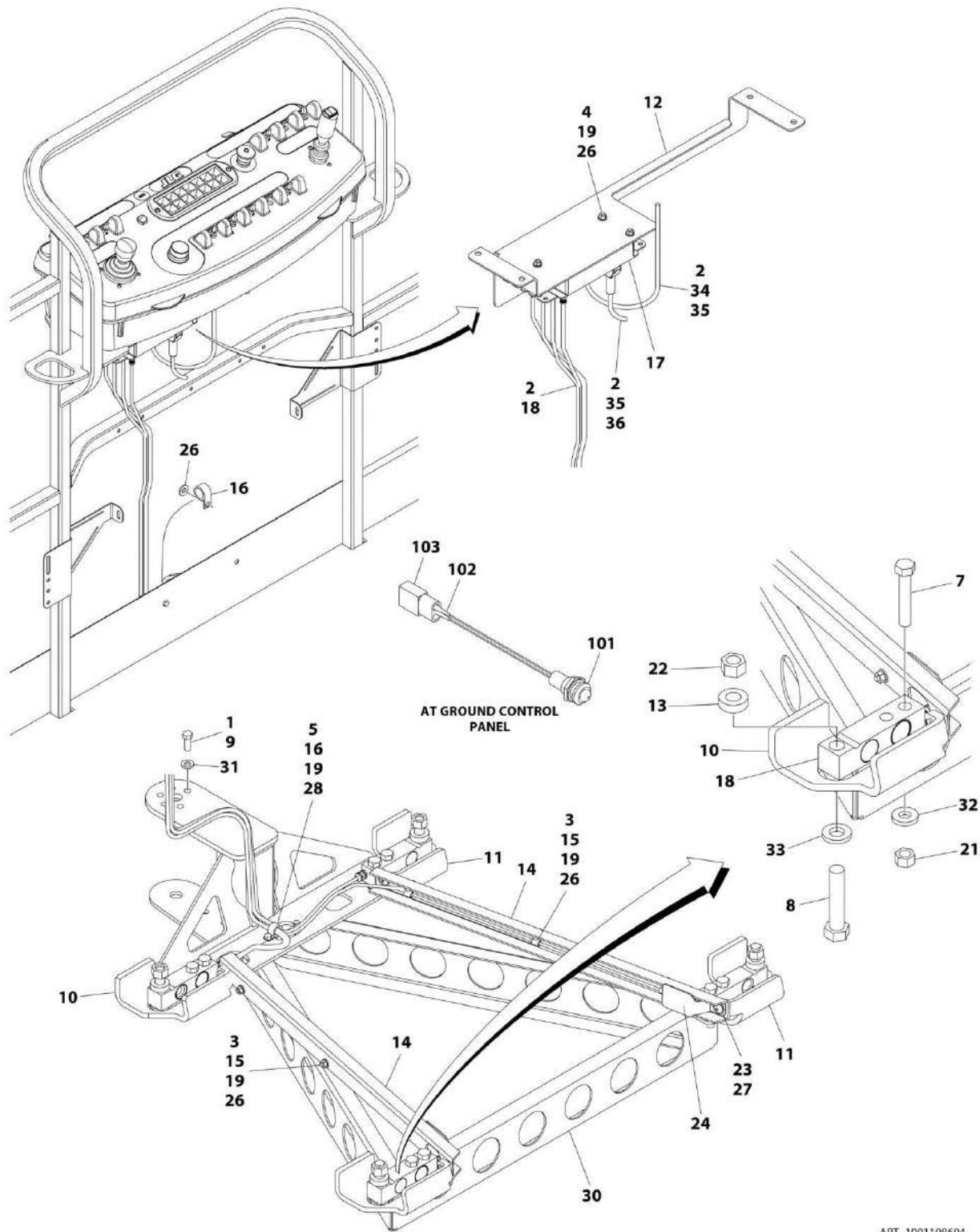
## SECTION 4 - BOOM

ITEM	PART NUMBER	QTY	DESCRIPTION	REV
102	4460226	2	Socket, Female	
103	4460424	1	Connector - 2 Position	
104	4922926	1	Harness, Indicator Lamp (Not Shown - Located at Ground Control Box)	
104	4460320	1	Plug, Male - 2 Position	
104	4460227	2	Pin, Male	
104	4460042	1	Terminal, Ring	
104	4460313	1	Terminal, Ring	
104	4460265	1	Connector - 9 Position	
104	4460226	3	Socket, Female	



# SECTION 4 - BOOM

## FIGURE 4-10. PLATFORM SUPPORT INSTALLATION - WITH LSS - E450A



ART\_1001108604

## SECTION 4 - BOOM

**FIGURE 4-10. PLATFORM SUPPORT INSTALLATION - WITH LSS - E450A**

ITEM	PART NUMBER	QTY	DESCRIPTION	REV
	1001108604	Ref	PLATFORM SUPPORT INSTALLATION - WITH LSS - E450A	C
1	0100011	AR	Compound, Locking	
2	0100048	AR	Grease, Dielectric	
3	0641405	6	Bolt 1/4 x 5/8	
4	0641416	3	Bolt 1/4 x 2	
5	0641407	1	Bolt 1/4 x 7/8	
7	0641822	8	Bolt 1/2 x 2-3/4	
8	0642024	4	Bolt 5/8 x 3	
9	0681608	6	Bolt 3/8 x 1	
10	0902919	2	Bracket, Cell Guard	
11	0902920	2	Bracket, Cell Guard	
12	1001113483	1	Bracket, Module Mounting	
13	0962450	4	Bushing, Spacer	
14	1271538	2	Channel	
15	1320136	6	Clamp	
16	1320224	2	Clamp	
17	1600387	1	Electronic Interface Module (Note: Re-calibration Required when Replaced)	
18	2420202	4	Load Cell Assembly	
19	3311405	10	Nut 1/4	
21	3311805	8	Nut 1/2	
22	3312005	4	Nut 5/8	
23	3900283	4	Screw 3/8 x 3/4	
24	4061054	2	Shield	
25	4240033	AR	Tie-Strap (Not Shown)	
26	4711400	13	Washer 1/4	
27	4711600	4	Washer 3/8	
28	4751400	1	Washer 1/4	
30	4846608	1	Platform Support	
31	4891600	6	Washer 3/8	
32	4891800	8	Washer 1/2	
33	4892000	4	Washer 5/8	
34	4922916	1	Harness, LSS System	
34	4460933	1	Connector - 12 Position (Grey) (J1)	
34	4460465	3	Socket, Female	
34	4460466	9	Plug, Terminal	
34	0840055	1	Boot	
34	4460313	3	Terminal, Ring	
35	4933289	1	EIM Load Cell to Platform Console Box Wiring (See Separate Breakdown in ELECTRICAL SECTION)	
36	4922917	1	Harness, Analyzer	
36	4460836	1	Connector - 12 Position (Black) (J2)	
36	4460465	4	Socket, Female	
36	4460466	8	Plug, Terminal	
36	0840055	1	Boot	
36	4460761	1	Connector - 4 Position	
36	4460227	4	Pin, Male	
37	4460225	1	Plug, Male - 6 Position (Not Shown - Located in Platform Console Box (J8))	
	0273104	Ref	INDICATOR LIGHT INSTALLATION (LSS)	A/1

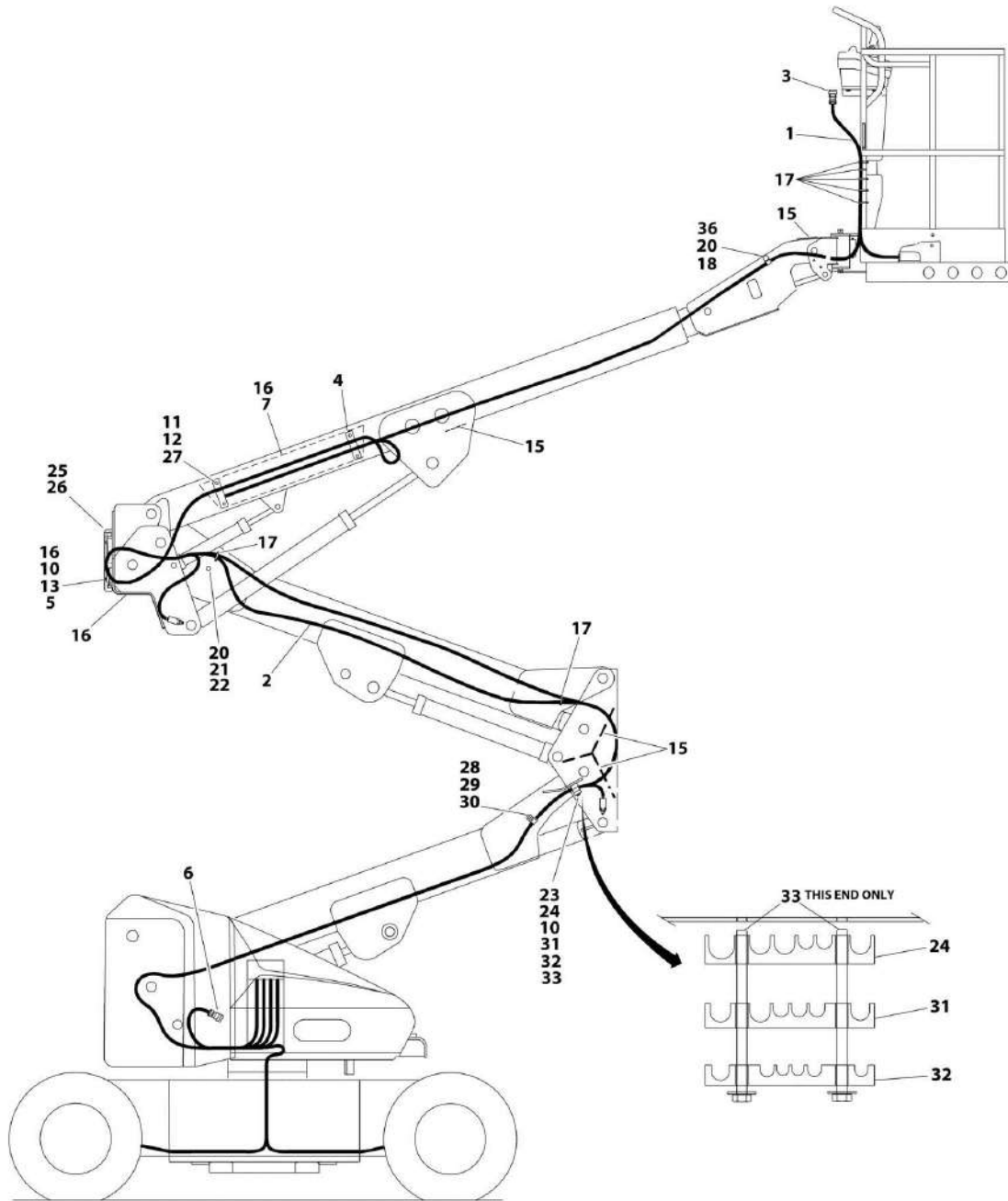
## SECTION 4 - BOOM

ITEM	PART NUMBER	QTY	DESCRIPTION	REV
101	2920151	1	Light (Located on Ground Control Box)	
102	4460226	2	Socket, Female	
103	4460424	1	Connector - 2 Position	
104	4922926	1	Harness, Indicator Lamp (Not Shown - Located at Ground Control Box)	
104	4460320	1	Plug, Male - 2 Position	
104	4460227	2	Pin, Male	
104	4460042	1	Terminal, Ring	
104	4460313	1	Terminal, Ring	
104	4460265	1	Connector - 9 Position	
104	4460226	3	Socket, Female	



# SECTION 4 - BOOM

## FIGURE 4-11. CABLES AND CLAMPS INSTALLATION - E450A



ART\_0257735



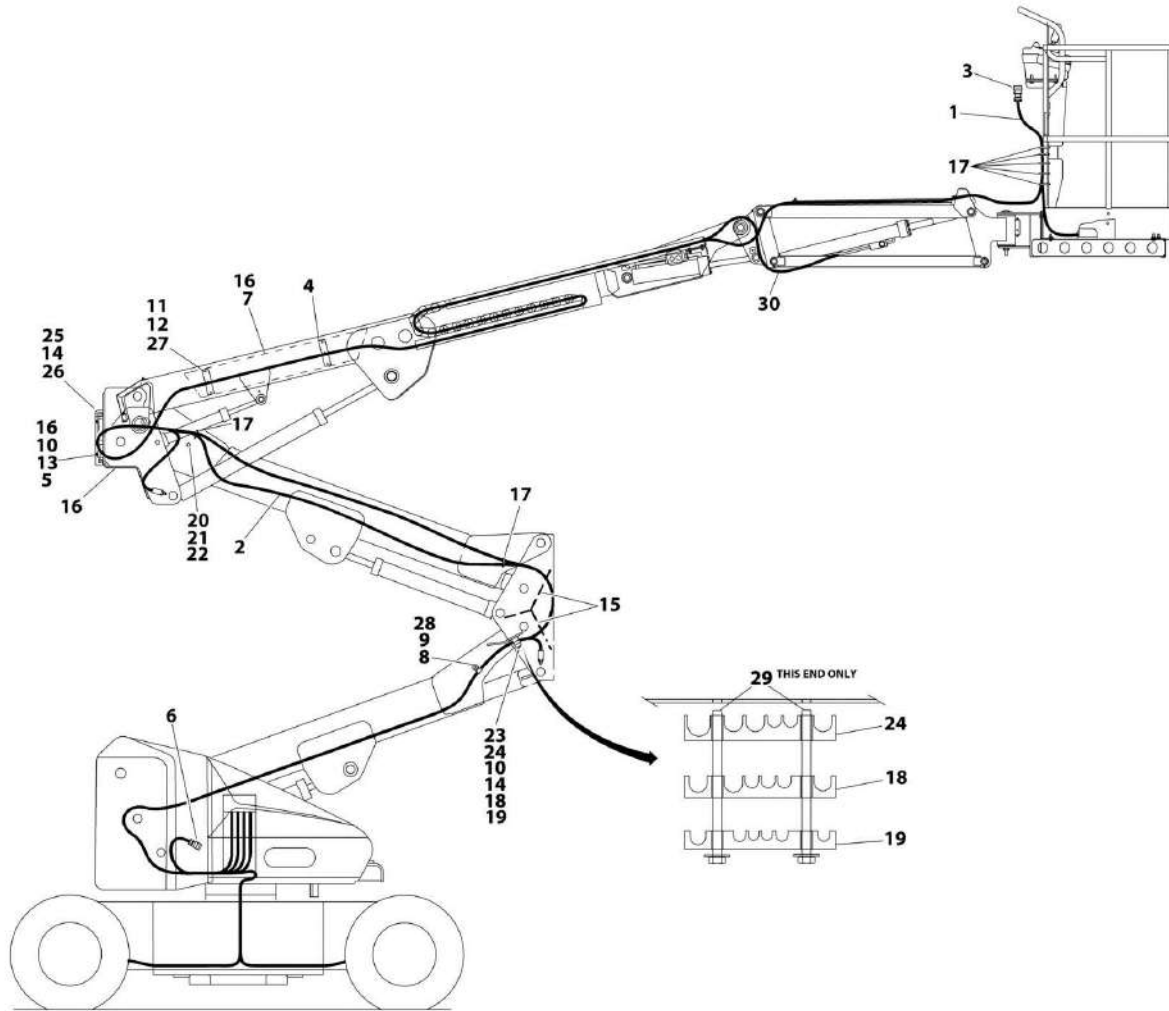
## SECTION 4 - BOOM

**FIGURE 4-11. CABLES AND CLAMPS INSTALLATION - E450A**

ITEM	PART NUMBER	QTY	DESCRIPTION	REV
	0257735	Ref	CABLES AND CLAMPS INSTALLATION - E450A	I
1	4922178	1	Harness Assembly - Upper Boom (See ELECTRICAL SECTION for Breakdown)	
2	4922179	1	Harness Assembly - Lower Boom (See ELECTRICAL SECTION for Breakdown)	
3	4460754	1	Connector	
4	1320260	2	Block, Hose Clamp	
5	0561317	1	Block, Hose Clamp	
6	4460753	1	Connector	
7	3536999	1	Shield	
10	4751500	5	Washer, 5/16	
11	4751400	12	Washer, 1/4	
12	3311401	6	Nut, 1/4-20	
13	0641514	3	Bolt, 5/16-18 x 1-3/4	
14	0100011	AR	Compound, Locking (Not Shown)	
15	4060805	4	Trim, Flex	
16	4060808	8	Trim, Flex	
17	4240099	26	Tie, Strap	
18	0641516	1	Bolt, 5/16-18 x 2	
20	3311505	2	Nut, Lock, 5/16-18	
21	4566243	1	Roller	
22	0641560	1	Bolt, 5/16-18 x 7-1/2	
23	4300140	2	Stud, 5/16-18 x 3-5/8	
24	0561384	1	Block, Hose Clamp	
25	1670697	1	Cover, Hose	
26	0630467	4	Capscrew, Button 5-16-18 x 1/2	
27	3300151	6	Nut, 1/4-20	
28	1320043	1	Clamp, Cable	
29	0641410	1	Bolt, 1/4-20 x 1-1/4	
30	3311405	1	Nut, Lock, 1/4-20	
31	0561385	1	Block, Hose Clamp	
32	0561386	1	Block, Hose Clamp	
33	0100019	1	Compound, Locking	
36	0561424	1	Block, Hose Clamp	

# SECTION 4 - BOOM

## FIGURE 4-12. CABLES AND CLAMPS INSTALLATION - E450AJ/M450AJ



ART\_0259367

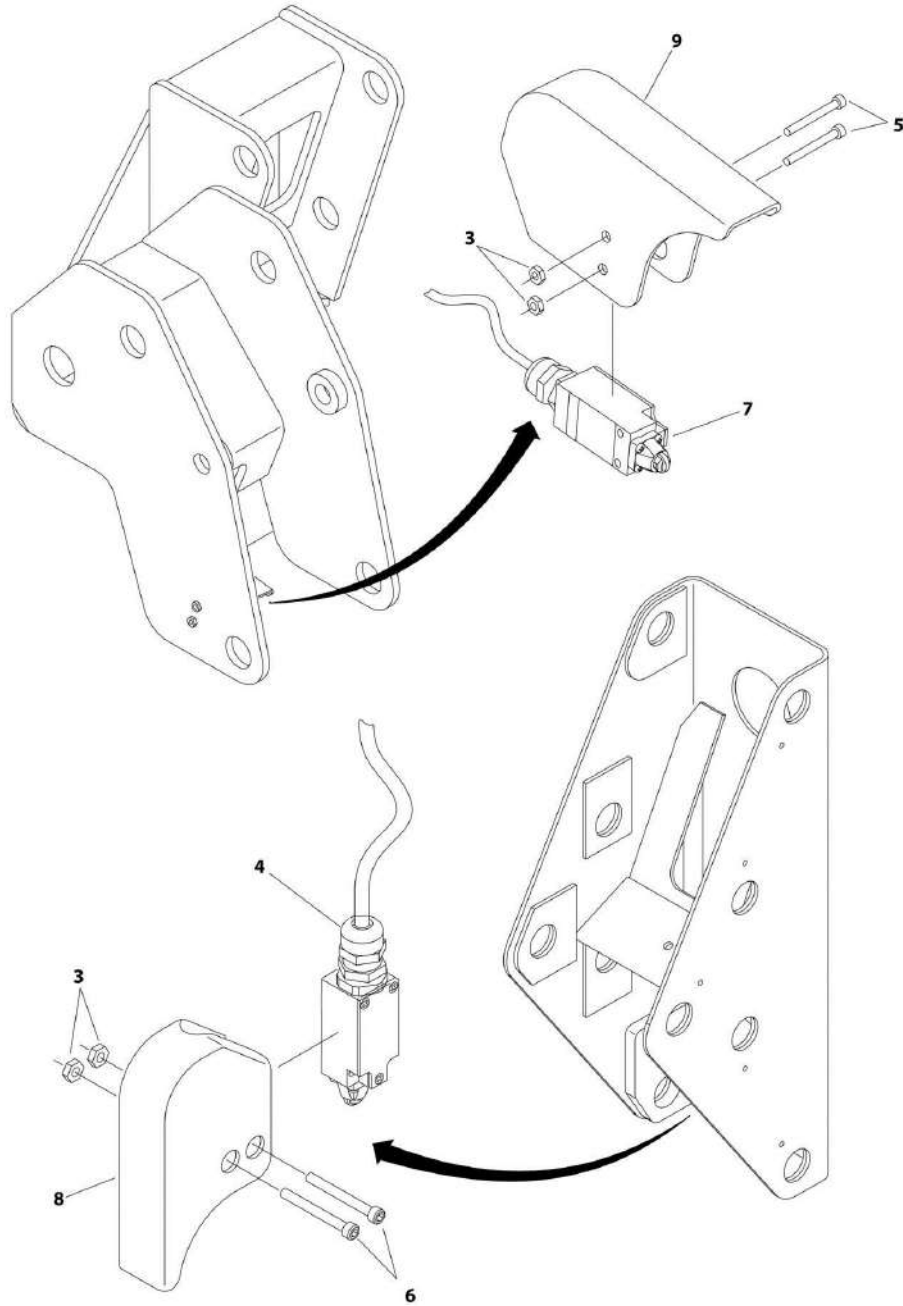
## SECTION 4 - BOOM

**FIGURE 4-12. CABLES AND CLAMPS INSTALLATION - E450AJ/M450AJ**

ITEM	PART NUMBER	QTY	DESCRIPTION	REV
	0259367	Ref	CABLES AND CLAMPS INSTALLATION - E450AJ/M450AJ	F
1	4922552	1	Harness Assembly - Upper Boom (See ELECTRICAL SECTION for Breakdown)	
2	4922179	1	Harness Assembly - Lower Boom (See ELECTRICAL SECTION for Breakdown)	
3	4460754	1	Connector	
4	1320260	2	Block, Hose Clamp	
5	0561317	1	Block, Hose Clamp	
6	4460753	1	Connector	
7	3571462	1	Shield	
8	0641410	1	Bolt, 1/4-20 x 1-1/4	
9	3311405	1	Nut, Lock, 1/4-20	
10	4751500	5	Washer, 5/16	
11	4751400	12	Washer, 1/4	
12	3311401	6	Nut, 1/4-20	
13	0641514	3	Bolt, 5/16-18 x 1-3/4	
14	0100011	AR	Compound, Locking	
15	4060805	1	Trim, 1/4	
16	4060808	8	Trim, 1/2	
17	4240099	26	Tie-Strap	
18	0561385	1	Block, Hose Clamp	
19	0561386	1	Block, Hose Clamp	
20	3311505	1	Nut, Lock, 5/16-18	
21	4566243	1	Roller	
22	0641560	1	Bolt, 5/16-18 x 7-1/2	
23	4300140	2	Stud, Weld, 5/16-18 x 3-5/8	
24	0561384	1	Block, Hose Clamp	
25	1670697	1	Cover, Hose	
26	0630467	4	Capscrew, Button, 5-16-18 x 1/2	
27	3300151	6	Nut, Acorn, 1/4-20	
28	1320043	1	Clamp, Cable	
29	0100019	AR	Compound, Locking	
30	4100067	1	Sleeve	

# SECTION 4 - BOOM

## FIGURE 4-13. BOOM LIMIT SWITCHES INSTALLATION



ART\_0271493

FIGURE 4-13. BOOM LIMIT SWITCHES INSTALLATION

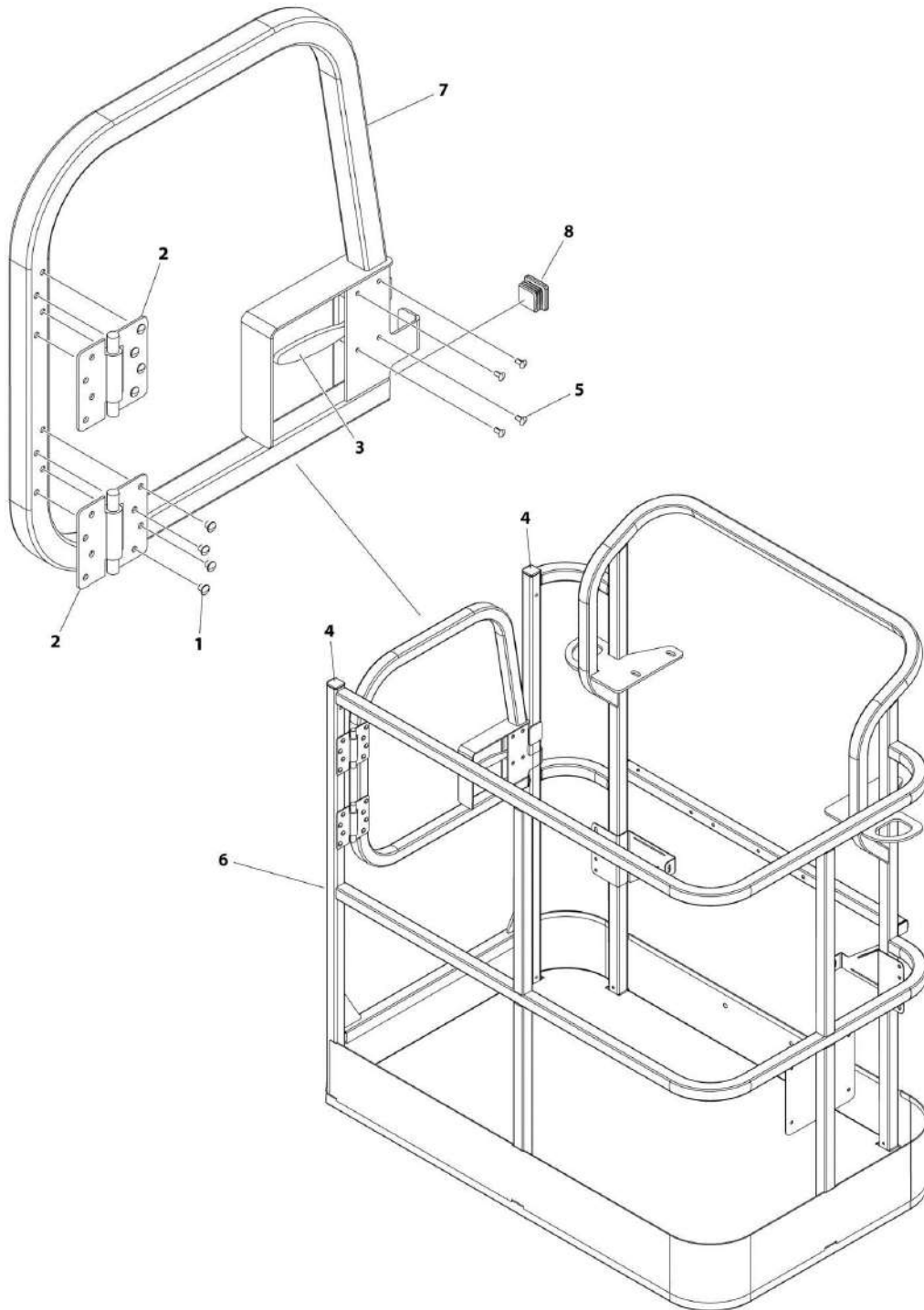
ITEM	PART NUMBER	QTY	DESCRIPTION	REV
	0271493	Ref	BOOM LIMIT SWITCHES INSTALLATION	2
3	3311005	4	Nut, Lock, #10-24	
4	4922614	1	Limit Switch Harness - Lower (Includes Limit Switch) (See ELECTRICAL SECTION for Breakdown)	
5	3931028	2	Screw, #10-24 x 1-3/4	
6	3900104	2	Screw, Fillister Head, #10-24 x 2-1/4	
7	4922613	1	Limit Switch Harness - Upper (Includes Limit Switch) (See ELECTRICAL SECTION for Breakdown)	
8	1670832	1	Cover, Switch - Lower	
9	1670833	1	Cover, Switch - Upper	



**SECTION 5 - PLATFORM**

# SECTION 5 - PLATFORM

FIGURE 5-1. PLATFORM ASSEMBLY - 4FT/1.22M - SIDE GATE ENTRY (SN 0300189898 through 0300200789)



ART. 1001144027



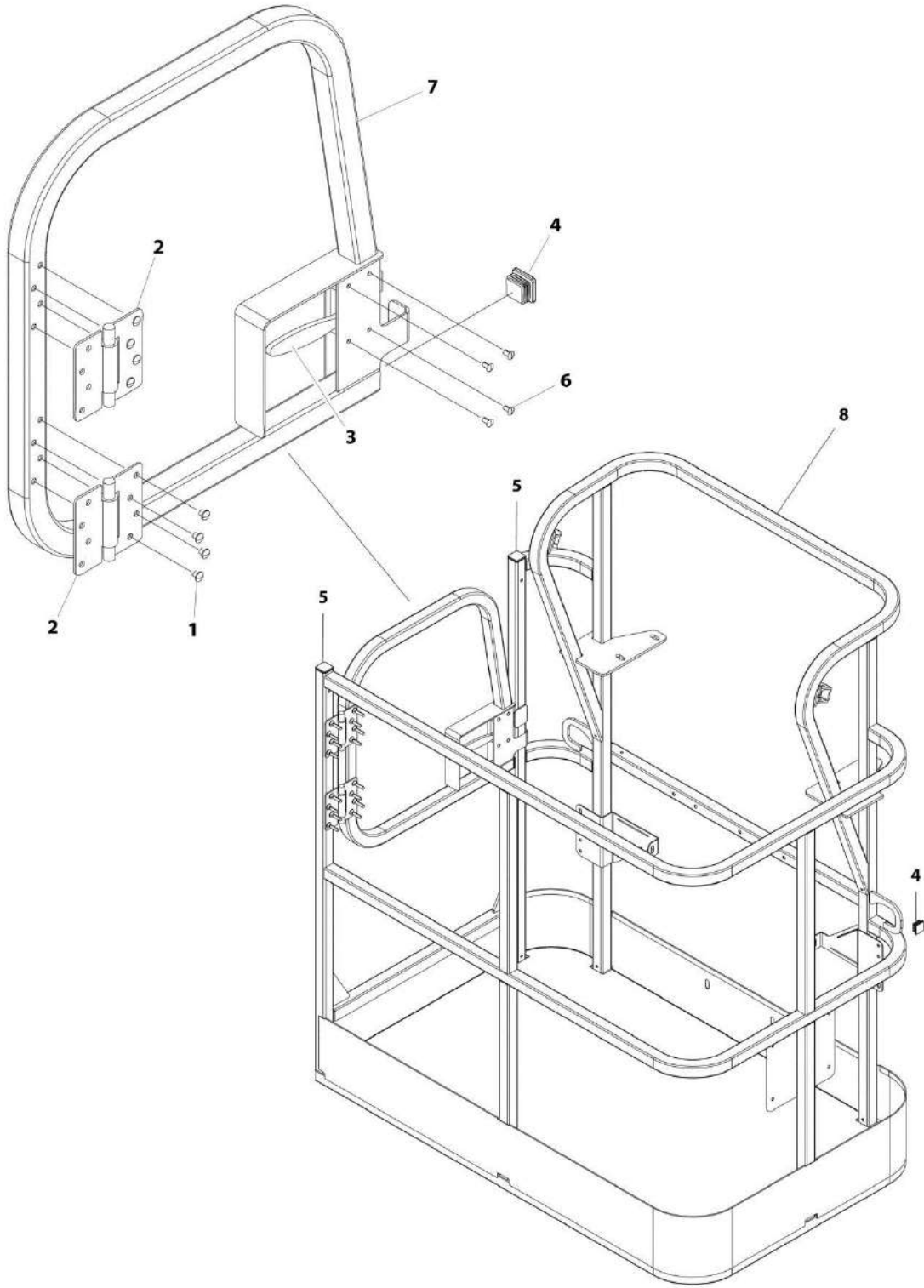
## SECTION 5 - PLATFORM

**FIGURE 5-1. PLATFORM ASSEMBLY - 4FT/1.22M - SIDE GATE ENTRY (SN 0300189898 through 0300200789)**

ITEM	PART NUMBER	QTY	DESCRIPTION	REV
	1001144027	Ref	PLATFORM ASSEMBLY - 4ft/1.22m - SIDE GATE ENTRY (SN <b>0300189898 through 0300200789</b> )	D
		Ref	Note: Platform and Mesh must be ordered separately for Platforms with Mesh. See SPECTIAL OPTIONS SECTION for Mesh Installations.	
		Ref	Note: Replacement Decals Must be Ordered Separately - See DECALS SECTION.	
1	2080040	16	Fastener, Huck	
2	2600281	2	Hinge, Self-Closing	
3	2940074	1	Latch	
4	3520198	2	Plug, Cap	
5	3820020	4	Rivet	
6	See Note	1	Platform, Weldment (Note: Not Available - Purchase Platform Assembly)	
7	1001144629	1	Gate, Weldment	
8	3520072	3	Plug, Cap	

# SECTION 5 - PLATFORM

FIGURE 5-2. PLATFORM ASSEMBLY - 4FT/1.22M - SIDE GATE ENTRY (SN 0300200790 through 0300208529)



ART\_1001186387

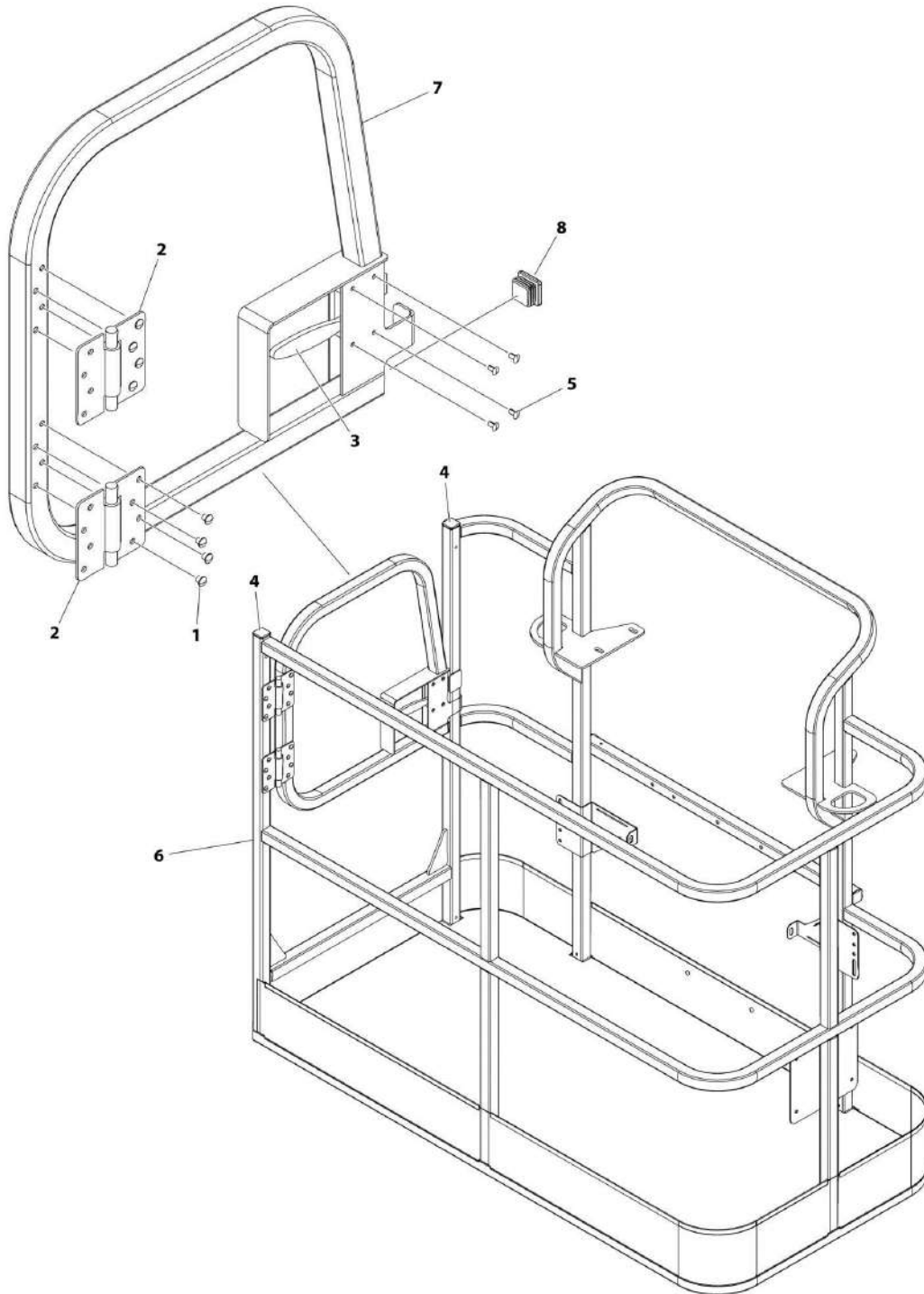
## SECTION 5 - PLATFORM

**FIGURE 5-2. PLATFORM ASSEMBLY - 4FT/1.22M - SIDE GATE ENTRY (SN 0300200790 through 0300208529)**

ITEM	PART NUMBER	QTY	DESCRIPTION	REV
	1001186387	Ref	PLATFORM ASSEMBLY - 4FT/1.22M - SIDE GATE ENTRY (SN <b>0300200790 through 0300208529</b> )	B
		Ref	Note: Platform and Mesh must be ordered separately for Platforms with Mesh. See SPECTIAL OPTIONS SECTION for Mesh Installations.	
		Ref	Note: Replacement Decals Must be Ordered Separately - See DECALS SECTION.	
1	2080040	16	Fastener, Huck	
2	2600281	2	Hinge, Self-Closing	
3	2940074	1	Latch	
4	3520072	3	Plug, Cap	
5	3520198	2	Plug, Cap	
6	3820020	4	Rivet	
7	1001144629	1	Gate, Weldment	
8	See Note	1	Platform, Weldment (Note: Not Available - Purchase Platform Assembly)	

# SECTION 5 - PLATFORM

FIGURE 5-3. PLATFORM ASSEMBLY - 5FT/1.52M - SIDE GATE ENTRY (SN 0300189898 through 0300200789)



ART\_1001144026

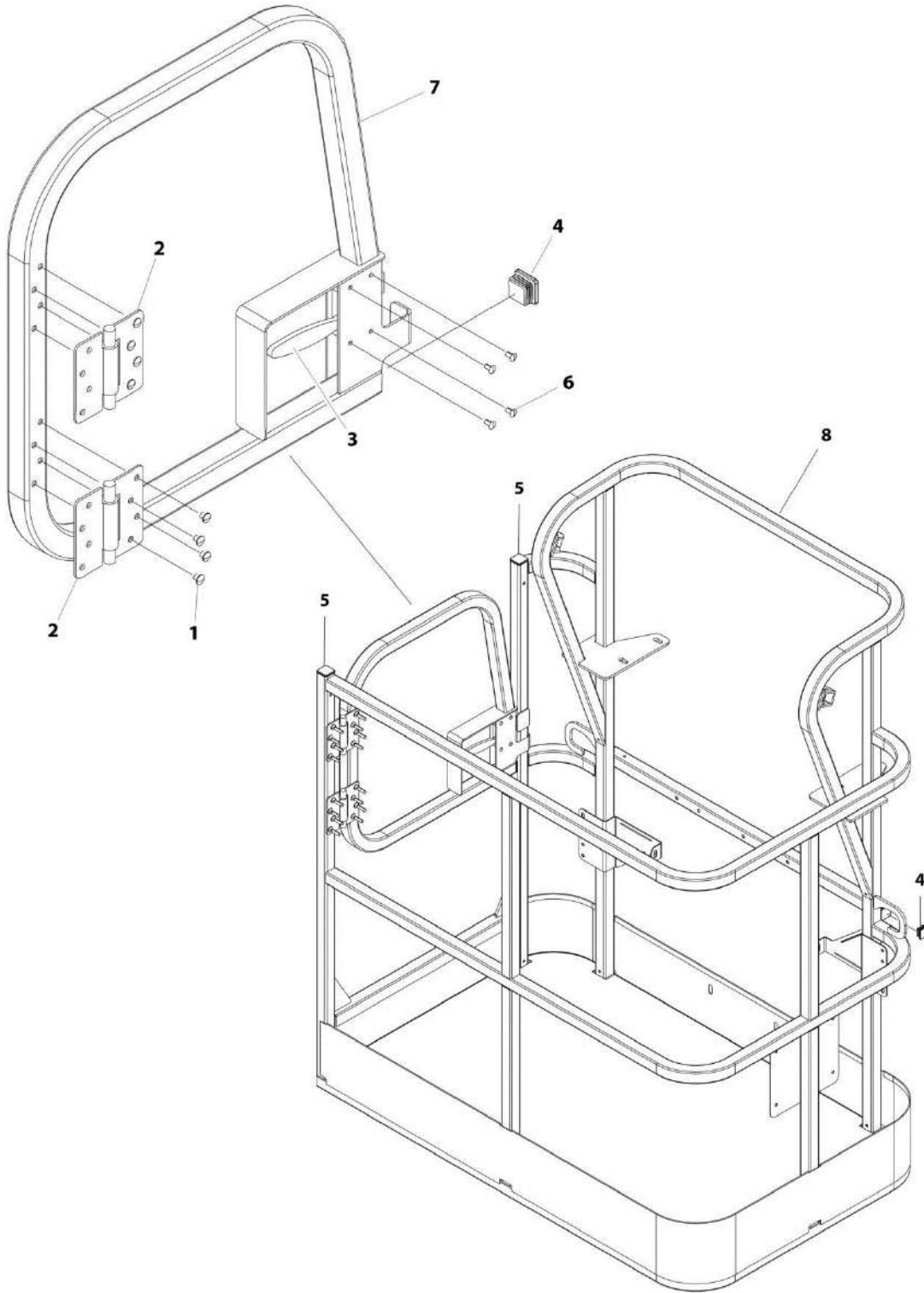
## SECTION 5 - PLATFORM

**FIGURE 5-3. PLATFORM ASSEMBLY - 5FT/1.52M - SIDE GATE ENTRY (SN 0300189898 through 0300200789)**

ITEM	PART NUMBER	QTY	DESCRIPTION	REV
	1001144026	Ref	PLATFORM ASSEMBLY - 5FT/1.52M - SIDE GATE ENTRY (SN <b>0300189898 through 0300200789</b> )	D
		Ref	Note: Platform and Mesh must be ordered separately for Platforms with Mesh. See SPECTIAL OPTIONS SECTION for Mesh Installations.	
		Ref	Note: Replacement Decals Must be Ordered Separately - See DECALS SECTION.	
1	2080040	16	Fastener, Huck	
2	2600281	2	Hinge, Self-Closing	
3	2940074	1	Latch	
4	3520198	2	Plug, Cap	
5	3820020	4	Rivet	
6	See Note	1	Platform, Weldment (Note: Not Available - Purchase Platform Assembly)	
7	1001144629	1	Gate, Weldment	
8	3520072	3	Plug, Cap	

# SECTION 5 - PLATFORM

FIGURE 5-4. PLATFORM ASSEMBLY - 5FT/1.52M - SIDE GATE ENTRY (SN 0300200790 through 0300208529)



ART\_1001186386

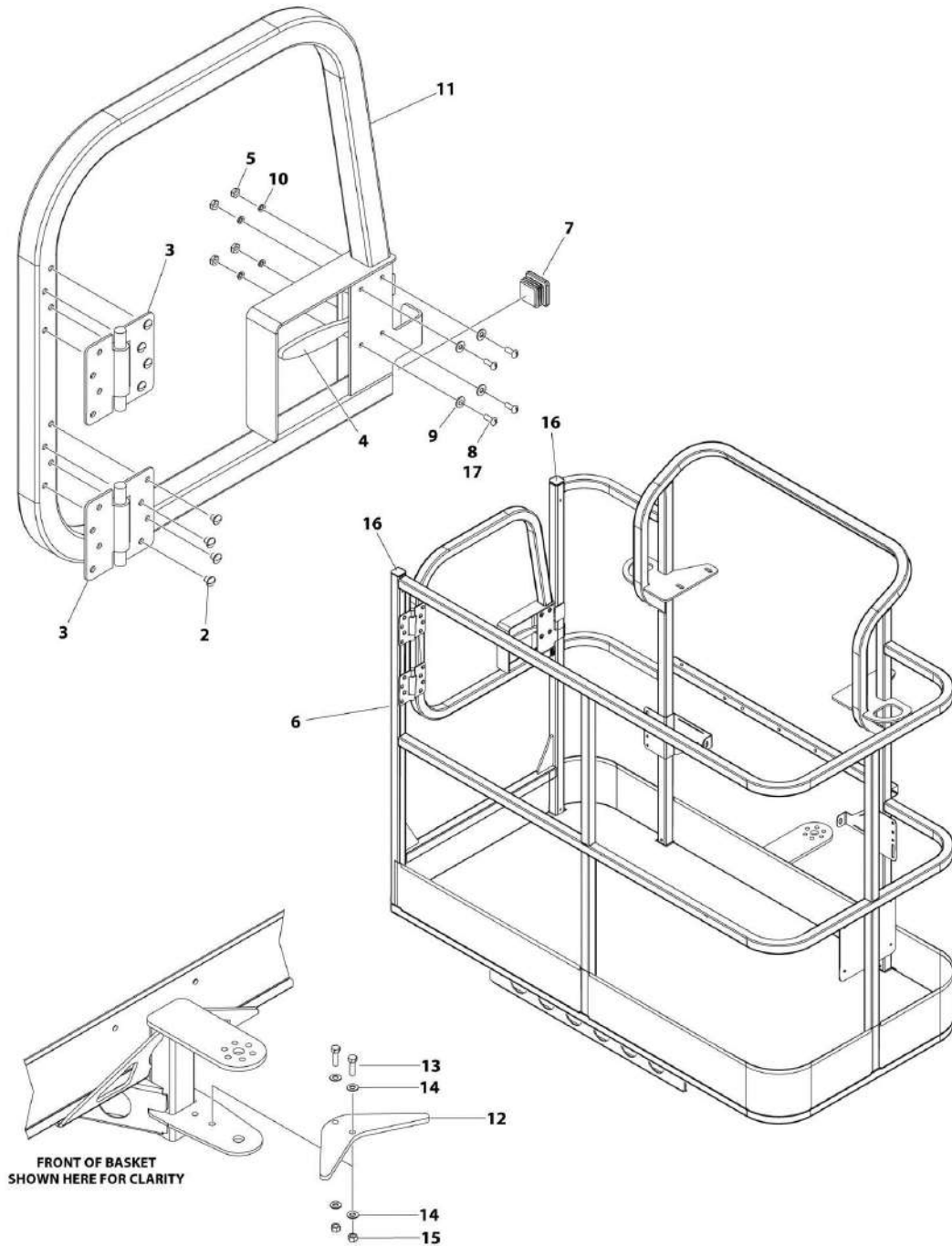
## SECTION 5 - PLATFORM

**FIGURE 5-4. PLATFORM ASSEMBLY - 5FT/1.52M - SIDE GATE ENTRY (SN 0300200790 through 0300208529)**

ITEM	PART NUMBER	QTY	DESCRIPTION	REV
	1001186386	Ref	PLATFORM ASSEMBLY - 5FT/1.52M - SIDE GATE ENTRY (SN <b>0300200790 through 0300208529</b> )	B
		Ref	Note: Platform and Mesh must be ordered separately for Platforms with Mesh. See SPECIAL OPTIONS SECTION for Mesh Installations.	
		Ref	Note: Replacement Decals Must be Ordered Separately - See DECALS SECTION.	
1	2080040	16	Fastener, Huck	
2	2600281	2	Hinge, Self-Closing	
3	2940074	1	Latch	
4	3520072	3	Plug, Cap	
5	3520198	2	Plug, Cap	
6	3820020	4	Rivet	
7	1001144629	1	Gate, Weldment	
8	See Note	1	Platform, Weldment (Note: Not Available - Purchase Platform Assembly)	

# SECTION 5 - PLATFORM

FIGURE 5-5. PLATFORM ASSEMBLY - 5FT/1.52M - SIDE GATE ENTRY - WITH STOP (SN 0300189898 through 0300195136)



ART\_3510844



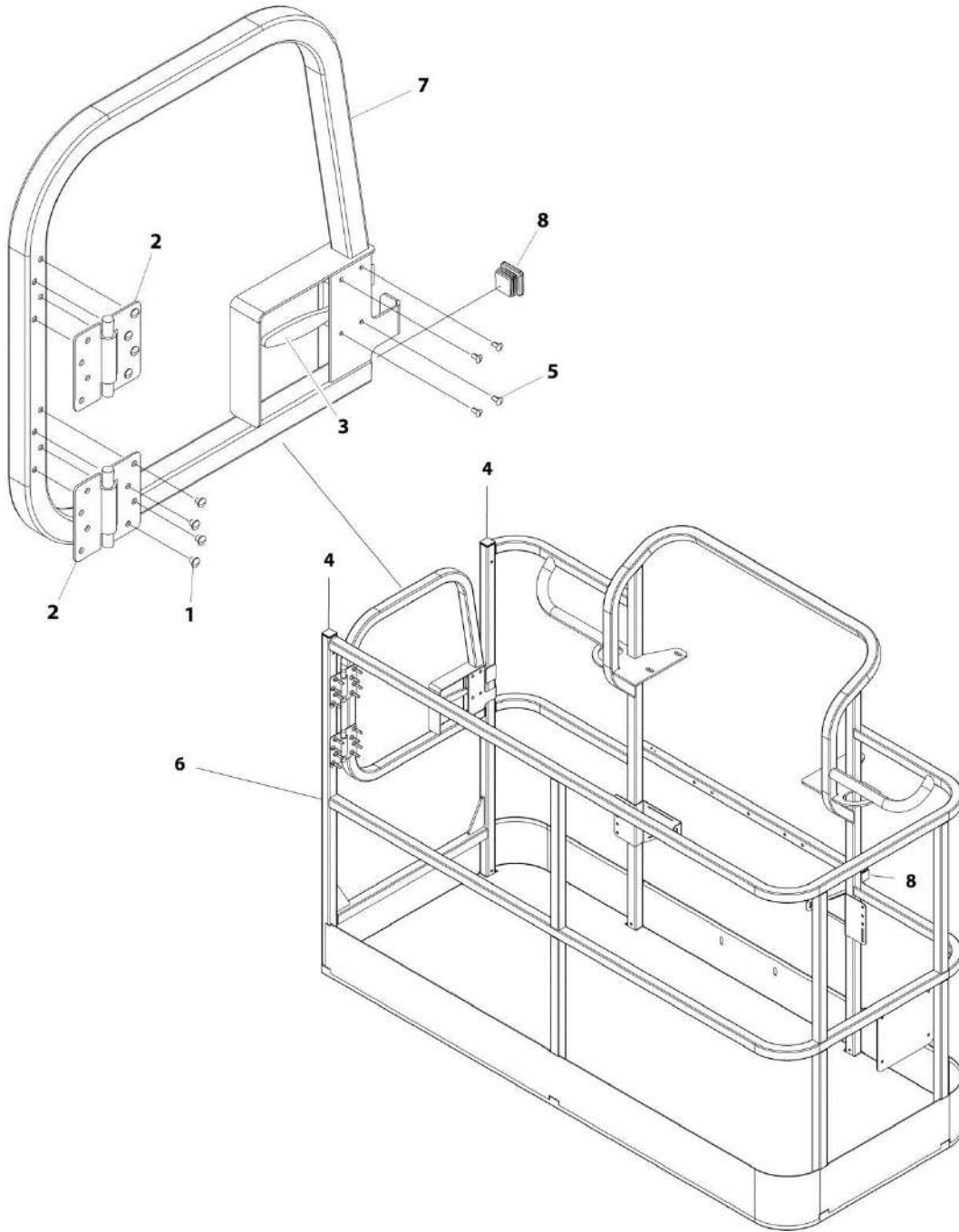
## SECTION 5 - PLATFORM

**FIGURE 5-5. PLATFORM ASSEMBLY - 5FT/1.52M - SIDE GATE ENTRY - WITH STOP (SN 0300189898 through 0300195136)**

ITEM	PART NUMBER	QTY	DESCRIPTION	REV
	3510844	Ref	PLATFORM ASSEMBLY - 5FT/1.52M - SIDE GATE ENTRY - WITH STOP (SN 0300189898 through 0300195136)	F
		Ref	Note: Platform and Mesh must be ordered separately for Platforms with Mesh. See SPECTIAL OPTIONS SECTION for Mesh Installations.	
		Ref	Note: Replacement Decals Must be Ordered Separately - See DECAL SECTION.	
2	2080040	16	Fastener, Huck	
3	2600281	2	Hinge, Self-Closing	
4	2940074	1	Latch	
5	3311001	4	Nut #10-24	
6	See Note	1	Platform Weldment (Note: Not Available - Purchase Platform Assembly)	
7	1001144630	1	Cap-Plug	
8	3911008	4	Screw #10-24 x 1	
9	4751000	4	Washer, #10	
10	4761000	4	Washer, Locking #10	
11	1001144629	1	Gate Weldment	
12	3572413	1	Stop	
13	0641610	2	Bolt 3/8-16 x 1-1/4	
14	4711600	4	Washer, 3/8	
15	3311605	2	Nut, Lock, 3/8-16	
16	3520198	2	Cap-Plug	
17	0100011	AR	Compound, Locking	

# SECTION 5 - PLATFORM

FIGURE 5-6. PLATFORM ASSEMBLY - 6FT/1.83M - SIDE GATE ENTRY (SN 0300195137 through 0300200789)



ART\_1001144025

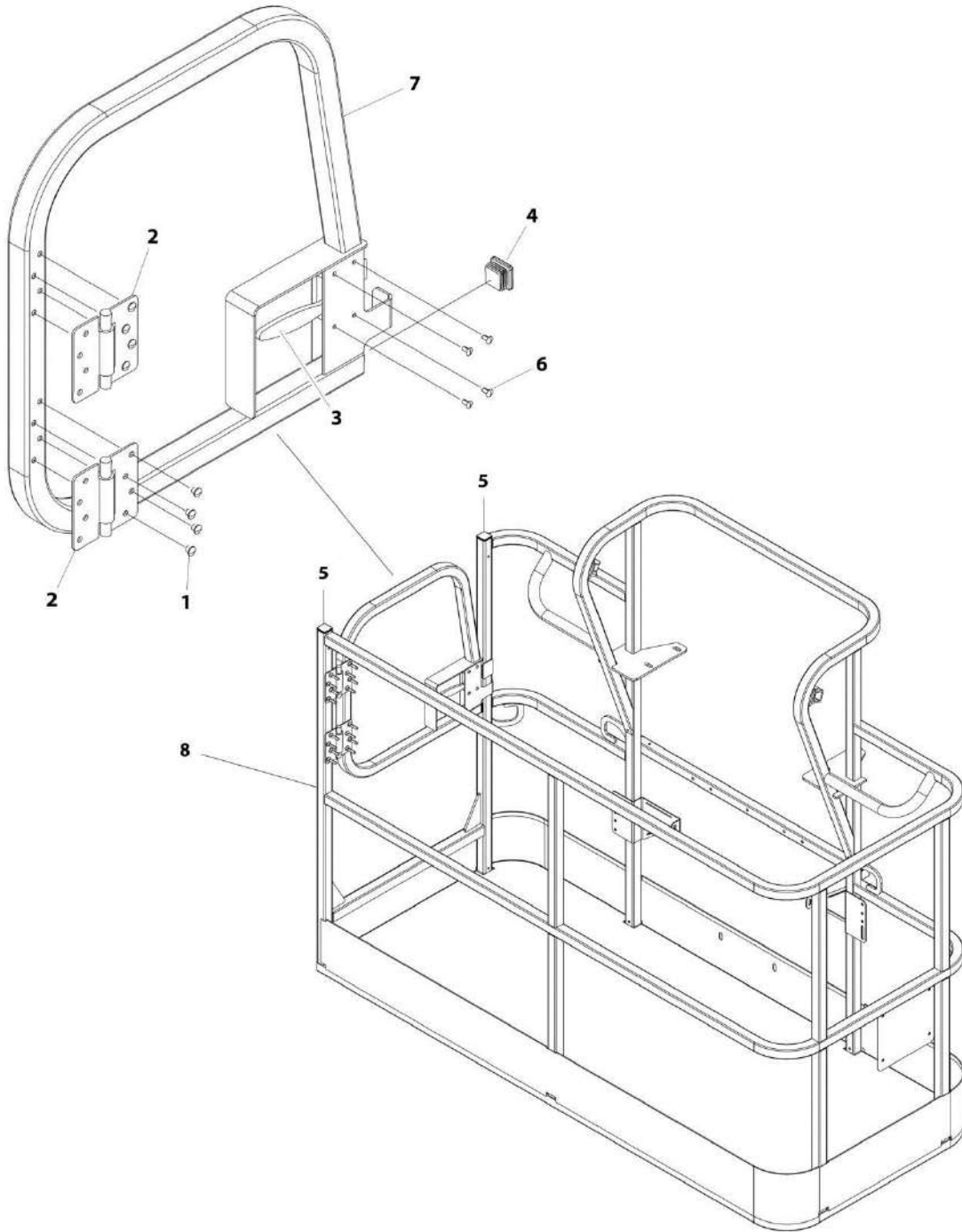
## SECTION 5 - PLATFORM

**FIGURE 5-6. PLATFORM ASSEMBLY - 6FT/1.83M - SIDE GATE ENTRY (SN 0300195137 through 0300200789)**

ITEM	PART NUMBER	QTY	DESCRIPTION	REV
	1001144025	Ref	PLATFORM ASSEMBLY - 6FT/1.83M - SIDE GATE ENTRY (SN <b>0300195137 through 0300200789</b> )	D
		Ref	Note: Platform and Mesh must be ordered separately for Platforms with Mesh. See SPECTIAL OPTIONS SECTION for Mesh Installations.	
		Ref	Note: Replacement Decals Must be Ordered Separately - See DECALS SECTION.	
1	2080040	16	Fastener, Huck	
2	2600281	2	Hinge, Self-Closing	
3	2940074	1	Latch	
4	3520198	2	Plug, Cap	
5	3820020	4	Rivet	
6	See Note	1	Platform, Weldment (Note: Not Available - Purchase Platform Assembly)	
7	1001144629	1	Gate, Weldment	
8	3520072	3	Cap, Plug	

# SECTION 5 - PLATFORM

FIGURE 5-7. PLATFORM ASSEMBLY - 6FT/1.83M - SIDE GATE ENTRY (SN 0300200790 through 0300208529)



ART\_1001186385

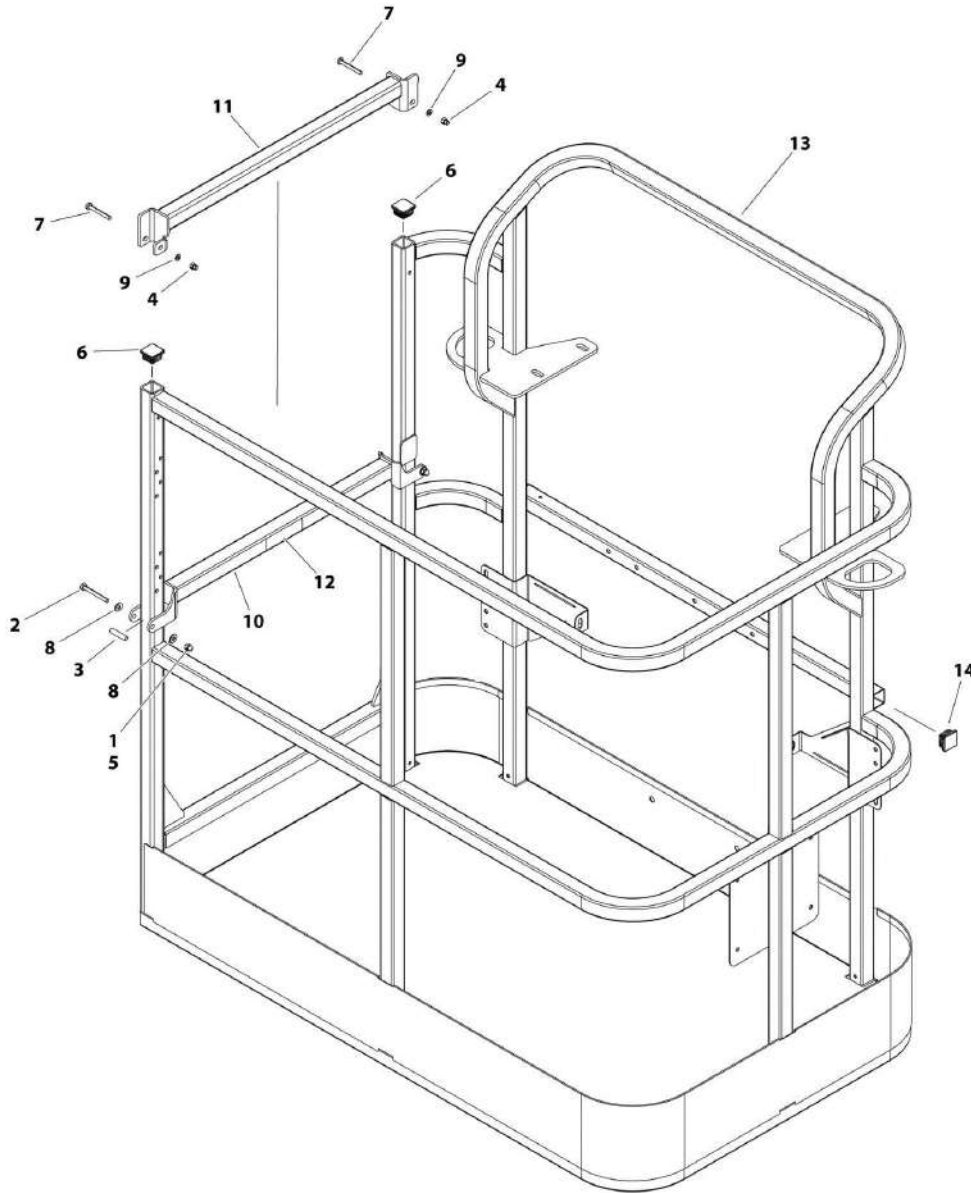
## SECTION 5 - PLATFORM

**FIGURE 5-7. PLATFORM ASSEMBLY - 6FT/1.83M - SIDE GATE ENTRY (SN 0300200790 through 0300208529)**

ITEM	PART NUMBER	QTY	DESCRIPTION	REV
	1001186385	Ref	PLATFORM ASSEMBLY - 6FT/1.83M - SIDE GATE ENTRY (SN <b>0300200790 through 0300208529</b> )	B
		Ref	Note: Platform and Mesh must be ordered separately for Platforms with Mesh. See SPECTIAL OPTIONS SECTION for Mesh Installations.	
		Ref	Note: Replacement Decals Must be Ordered Separately - See DECALS SECTION.	
1	2080040	16	Fastener, Huck	
2	2600281	2	Hinge, Self-Closing	
3	2940074	1	Latch	
4	3520072	3	Cap, Plug	
5	3520198	2	Plug, Cap	
6	3820020	4	Rivet	
7	1001144629	1	Gate, Weldment	
8	See Note	1	Platform, Weldment (Note: Not Available - Purchase Platform Assembly)	

# SECTION 5 - PLATFORM

FIGURE 5-8. PLATFORM ASSEMBLY - 4FT/1.22M - DROP BAR ENTRY (SN 0300189898 through 0300200789)



ART\_1001144018

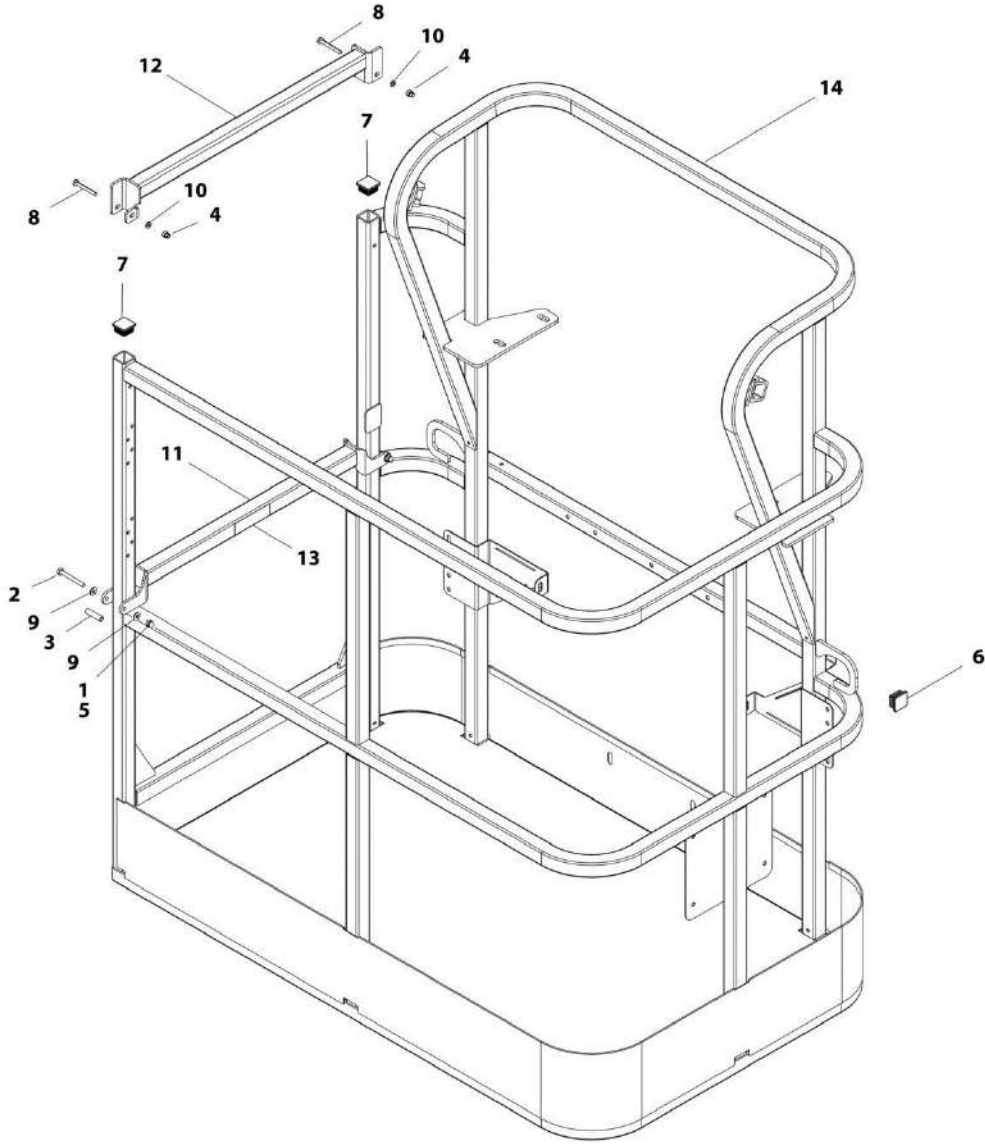
## SECTION 5 - PLATFORM

**FIGURE 5-8. PLATFORM ASSEMBLY - 4FT/1.22M - DROP BAR ENTRY (SN 0300189898 through 0300200789)**

ITEM	PART NUMBER	QTY	DESCRIPTION	REV
	1001144018	Ref	PLATFORM ASSEMBLY - 4FT/1.22M - DROP BAR ENTRY ( <b>SN 0300189898 through 0300200789</b> )	D
		Ref	Note: Replacement Decals Must be Ordered Separately - See DECALS SECTION.	
1	0100011	AR	Compound, Locking	
2	0641418	2	Bolt, 1/4-20 x 2-1/4	
3	0961845	2	Bushing	
4	3290606	2	Nut, M6	
5	3300151	2	Nut, Acorn, 1/4-20	
6	3520198	2	Plug, Cap	
7	4010618	2	Screw, M6 x 50	
8	4711400	4	Washer, 1/4	
9	4811700	2	Washer, M6	
10	1001138494	1	Bar, Drop	
11	1001138514	1	Rail - Top	
12	1001140429	1	Decal - Drop Bar	
13	See Note	1	Platform, Weldment (Note: Not Available - Purchase Platform Assembly)	
14	3520072	2	Plug, Cap	

# SECTION 5 - PLATFORM

FIGURE 5-9. PLATFORM ASSEMBLY - 4FT/1.22M - DROP BAR ENTRY (SN 0300200790 through 0300208529)



ART\_1001186375



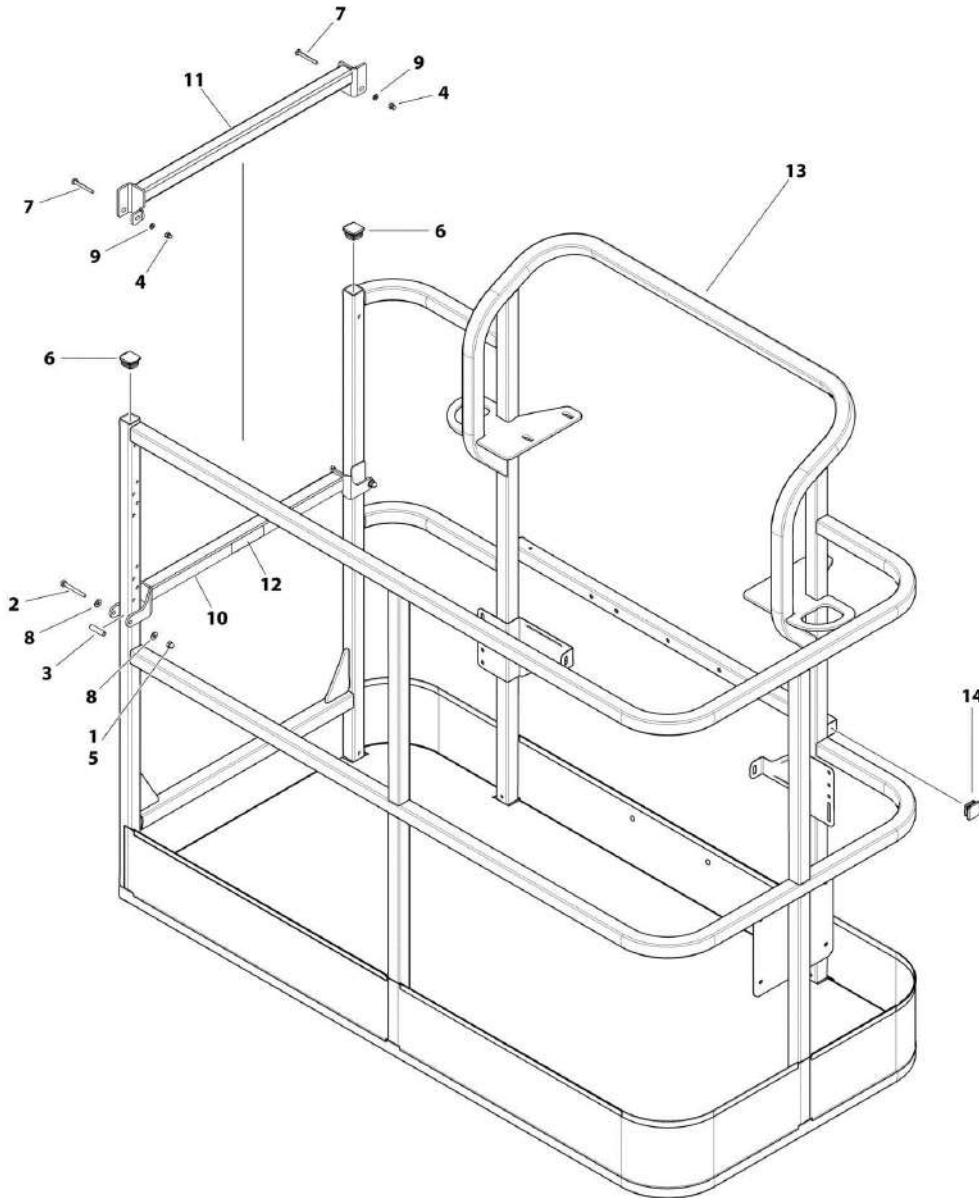
## SECTION 5 - PLATFORM

**FIGURE 5-9. PLATFORM ASSEMBLY - 4FT/1.22M - DROP BAR ENTRY (SN 0300200790 through 0300208529)**

ITEM	PART NUMBER	QTY	DESCRIPTION	REV
	1001186375	Ref	PLATFORM ASSEMBLY - 4FT/1.22M - DROP BAR ENTRY (SN <b>0300200790 through 0300208529</b> )	B
		Ref	Note: Replacement Decals Must be Ordered Separately - See DECALS SECTION.	
1	0100011	AR	Compound, Locking	
2	0641418	2	Bolt, 1/4-20 x 2-1/4	
3	0961845	2	Bushing	
4	3290606	2	Nut, M6	
5	3300151	2	Nut, Acorn, 1/4-20	
6	3520072	2	Plug, Cap	
7	3520198	2	Plug, Cap	
8	4010618	2	Screw, M6 x 50	
9	4711400	4	Washer, 1/4	
10	4811700	2	Washer, M6	
11	1001138494	1	Bar, Drop	
12	1001138514	1	Rail - Top	
13	1001140429	1	Decal - Drop Bar	
14	See Note	1	Platform, Weldment (Note: Not Available - Purchase Platform Assembly)	

# SECTION 5 - PLATFORM

FIGURE 5-10. PLATFORM ASSEMBLY - 5FT/1.52M - DROP BAR ENTRY (SN 0300189898 through 0300200789)



ART\_1001144019

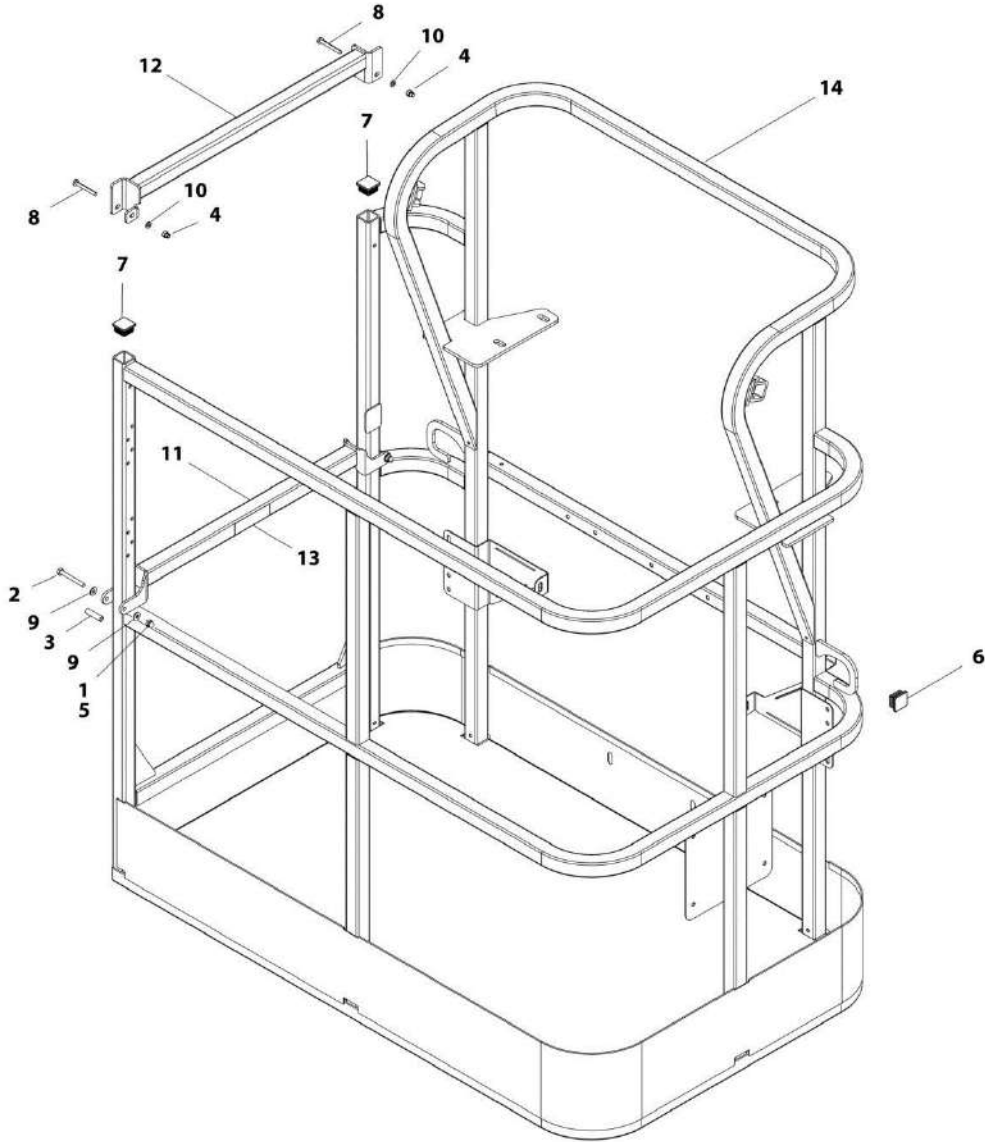
## SECTION 5 - PLATFORM

**FIGURE 5-10. PLATFORM ASSEMBLY - 5FT/1.52M - DROP BAR ENTRY (SN 0300189898 through 0300200789)**

ITEM	PART NUMBER	QTY	DESCRIPTION	REV
	1001144019	Ref	<b>PLATFORM ASSEMBLY - 5FT/1.52M - DROP BAR ENTRY (SN 0300189898 through 0300200789)</b> Note: Replacement Decals Must be Ordered Separately - See DECALS SECTION.	D
		Ref		
1	0100011	AR	Compound, Locking	
2	0641418	2	Bolt, 1/4-20 x 2-1/4	
3	0961845	2	Bushing	
4	3290606	2	Nut, M6	
5	3300151	2	Nut, Acorn, 1/4-20	
6	3520198	2	Plug, Cap	
7	4010618	2	Screw, M6 x 50	
8	4711400	4	Washer, 1/4	
9	4811700	2	Washer, M6	
10	1001138494	1	Bar, Drop	
11	1001138514	1	Rail - Top	
12	1001140429	1	Decal - Drop Bar	
13	See Note	1	Platform, Weldment (Note: Not Available - Purchase Platform Assembly)	
14	3520072	2	Plug, Cap	

# SECTION 5 - PLATFORM

FIGURE 5-11. PLATFORM ASSEMBLY - 5FT/1.52M - DROP BAR ENTRY (SN 0300200790 through 0300208529)



ART\_1001186377

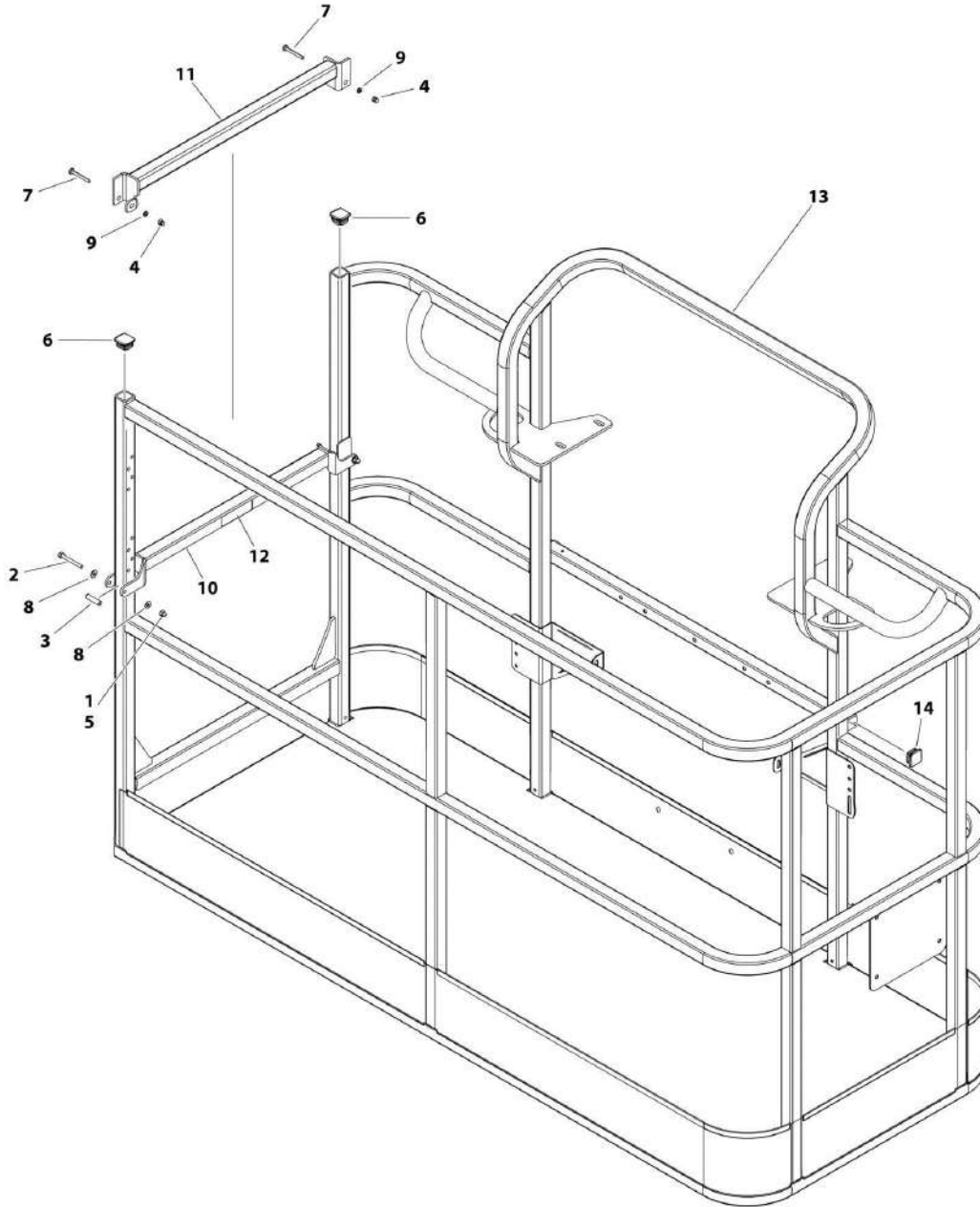
## SECTION 5 - PLATFORM

**FIGURE 5-11. PLATFORM ASSEMBLY - 5FT/1.52M - DROP BAR ENTRY (SN 0300200790 through 0300208529)**

ITEM	PART NUMBER	QTY	DESCRIPTION	REV
	1001186377	Ref	PLATFORM ASSEMBLY - 5FT/1.52M - DROP BAR ENTRY ( <b>SN 0300200790 through 0300208529</b> )	B
		Ref	Note: Replacement Decals Must be Ordered Separately - See DECALS SECTION.	
1	0100011	AR	Compound, Locking	
2	0641418	2	Bolt, 1/4-20 x 2-1/4	
3	0961845	2	Bushing	
4	3290606	2	Nut, M6	
5	3300151	2	Nut, Acorn, 1/4-20	
6	3520072	2	Plug, Cap	
7	3520198	2	Plug, Cap	
8	4010618	2	Screw, M6 x 50	
9	4711400	4	Washer, 1/4	
10	4811700	2	Washer, M6	
11	1001138494	1	Bar, Drop	
12	1001138514	1	Rail - Top	
13	1001140429	1	Decal - Drop Bar	
14	See Note	1	Platform, Weldment (Note: Not Available - Purchase Platform Assembly)	

# SECTION 5 - PLATFORM

FIGURE 5-12. PLATFORM ASSEMBLY - 6FT/1.83M - DROP BAR ENTRY (SN 0300189898 through 0300200789)



ART\_1001144020

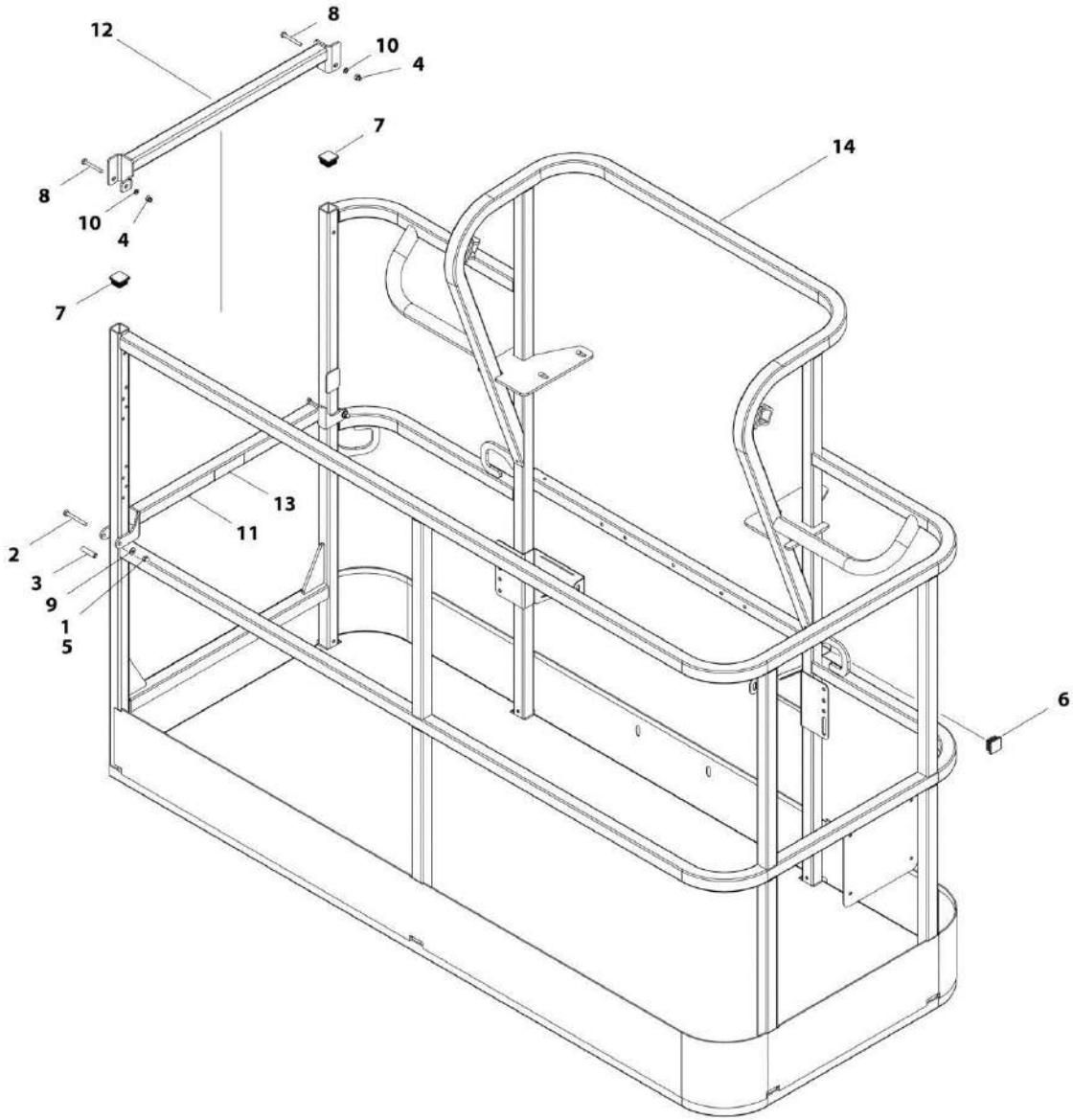
## SECTION 5 - PLATFORM

**FIGURE 5-12. PLATFORM ASSEMBLY - 6FT/1.83M - DROP BAR ENTRY (SN 0300189898 through 0300200789)**

ITEM	PART NUMBER	QTY	DESCRIPTION	REV
	1001144020	Ref	PLATFORM ASSEMBLY - 6FT/1.83M - DROP BAR ENTRY (SN <b>0300189898 through 0300200789</b> ) Note: Replacement Decals Must be Ordered Separately - See DECALS SECTION.	D
		Ref		
1	0100011	AR	Compound, Locking	
2	0641418	2	Bolt, 1/4-20 x 2-1/4	
3	0961845	2	Bushing	
4	3290606	2	Nut, M6	
5	3300151	2	Nut, Acorn, 1/4-20	
6	3520198	2	Plug, Cap	
7	4010618	2	Screw, M6 x 50	
8	4711400	4	Washer, 1/4	
9	4811700	2	Washer, M6	
10	1001138494	1	Bar, Drop	
11	1001138514	1	Rail - Top	
12	1001140429	1	Decal - Drop Bar	
13	See Note	1	Platform, Weldment (Note: Not Available - Purchase Platform Assembly)	
14	3520072	2	Plug, Cap	

# SECTION 5 - PLATFORM

FIGURE 5-13. PLATFORM ASSEMBLY - 6FT/1.83M - DROP BAR ENTRY (SN 0300200790 through 0300208529)



ART\_1001186378



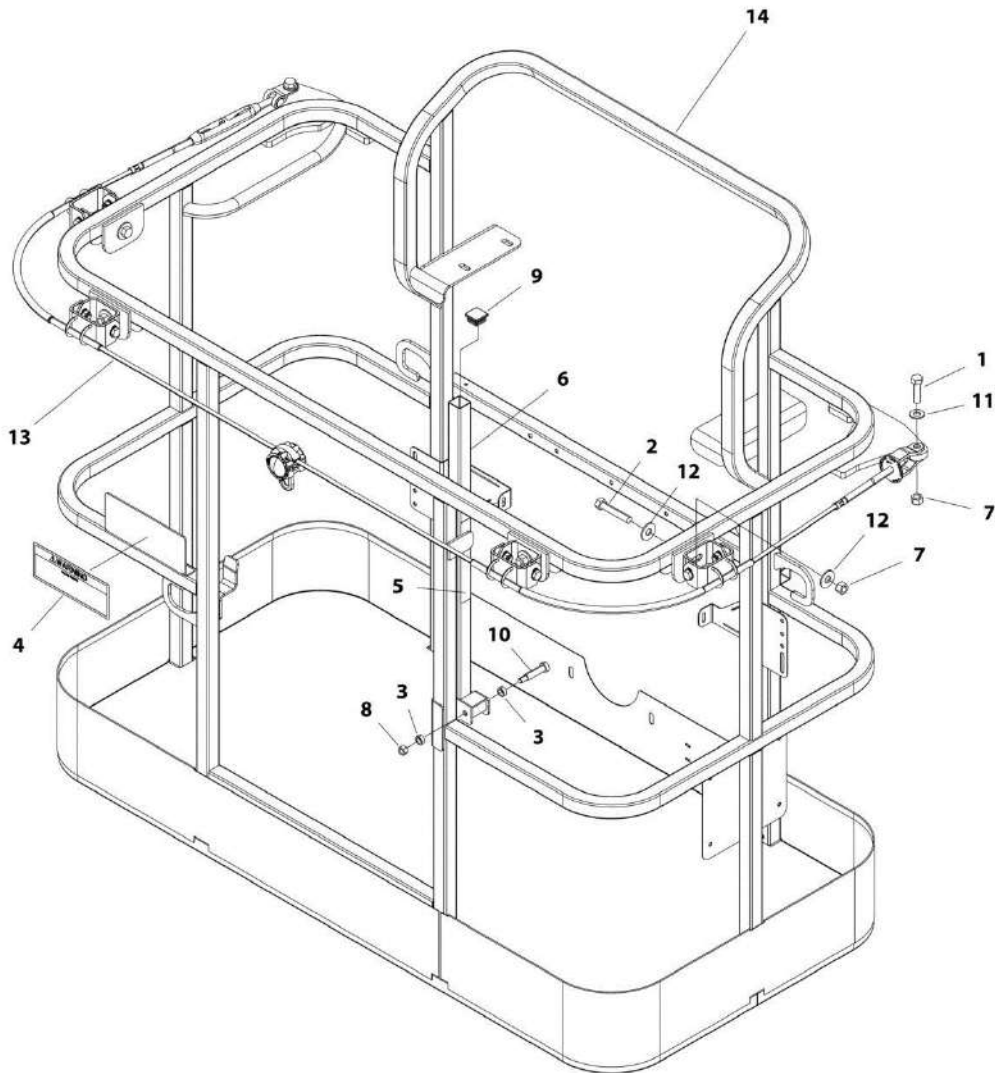
## SECTION 5 - PLATFORM

**FIGURE 5-13. PLATFORM ASSEMBLY - 6FT/1.83M - DROP BAR ENTRY (SN 0300200790 through 0300208529)**

ITEM	PART NUMBER	QTY	DESCRIPTION	REV
	1001186378	Ref	PLATFORM ASSEMBLY - 6FT/1.83M - DROP BAR ENTRY ( <b>SN 0300200790 through 0300208529</b> )	B
		Ref	Note: Replacement Decals Must be Ordered Separately - See DECALS SECTION.	
1	0100011	AR	Compound, Locking	
2	0641418	2	Bolt, 1/4-20 x 2-1/4	
3	0961845	2	Bushing	
4	3290606	2	Nut, M6	
5	3300151	2	Nut, Acorn, 1/4-20	
6	3520072	2	Plug, Cap	
7	3520198	2	Plug, Cap	
8	4010618	2	Screw, M6 x 50	
9	4711400	4	Washer, 1/4	
10	4811700	2	Washer, M6	
11	1001138494	1	Bar, Drop	
12	1001138514	1	Rail - Top	
13	1001140429	1	Decal - Drop Bar	
14	See Note	1	Platform, Weldment (Note: Not Available - Purchase Platform Assembly)	

# SECTION 5 - PLATFORM

FIGURE 5-14. PLATFORM ASSEMBLY - 5FT/1.52M - FALL ARREST (ANSI EXPORT SPEC) (SN 0300189898 through 0300200789)



ART\_1001144598

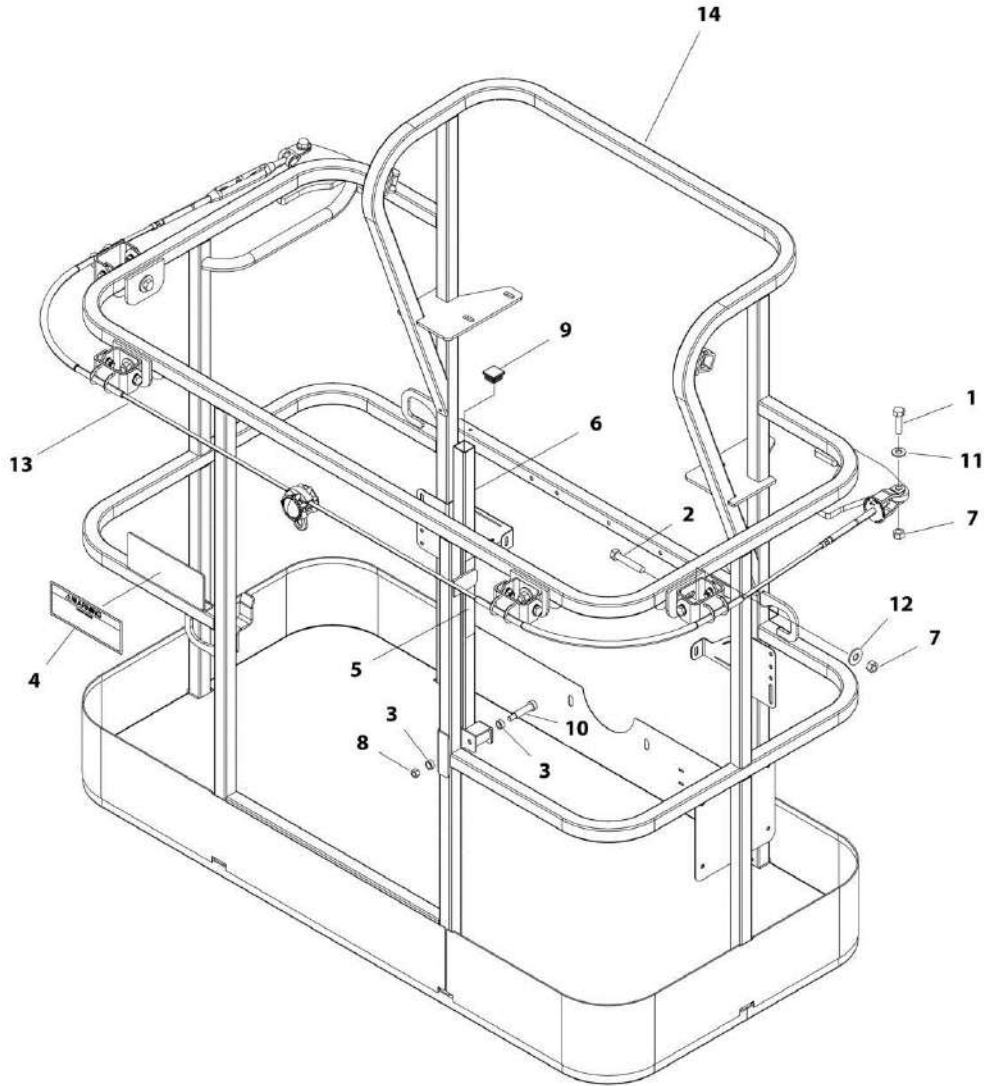
## SECTION 5 - PLATFORM

**FIGURE 5-14. PLATFORM ASSEMBLY - 5FT/1.52M - FALL ARREST (ANSI EXPORT SPEC) (SN 0300189898 through 0300200789)**

ITEM	PART NUMBER	QTY	DESCRIPTION	REV
	1001144598	Ref	PLATFORM ASSEMBLY - 5FT/1.52M - FALL ARREST (ANSI EXPORT SPEC) (SN 0300189898 through 0300200789)	D
	See Note	Ref	Note: Fall Arrest Not Available on CE Spec Platform Assembly.	
		Ref	Note: Replacement Decals Must be Ordered Separately - See DECALS SECTION	
1	0681814	2	Bolt, 1/2-13 x 1-3/4, Grade 8	
2	0681822	4	Bolt, 1/2-13 x 2-3/4, Grade 8	
3	0962270	2	Bearing	
4	1705014	1	Decal - Safety	
5	1706385	1	Decal - Drop Bar	
6	2410014	1	Gate, Weldment	
7	3271805	6	Nut, Lock, 1/2-13	
8	3311605	1	Nut, Lock, 3/8-16	
9	3520072	1	Plug, Cap	
10	3900054	1	Bolt, 1/2-13 x 1-3/4	
11	4711800	2	Washer, 1/2	
12	4751800	8	Washer, 1/2	
13	1001112943	1	Lanyard	
14	See Note	1	Platform, Weldment (Note: Not Available - Purchase Platform Assembly)	

# SECTION 5 - PLATFORM

FIGURE 5-15. PLATFORM ASSEMBLY - 5FT/1.52M - FALL ARREST (ANSI EXPORT SPEC) (SN 0300200790 through 0300208529)



ART\_1001186388

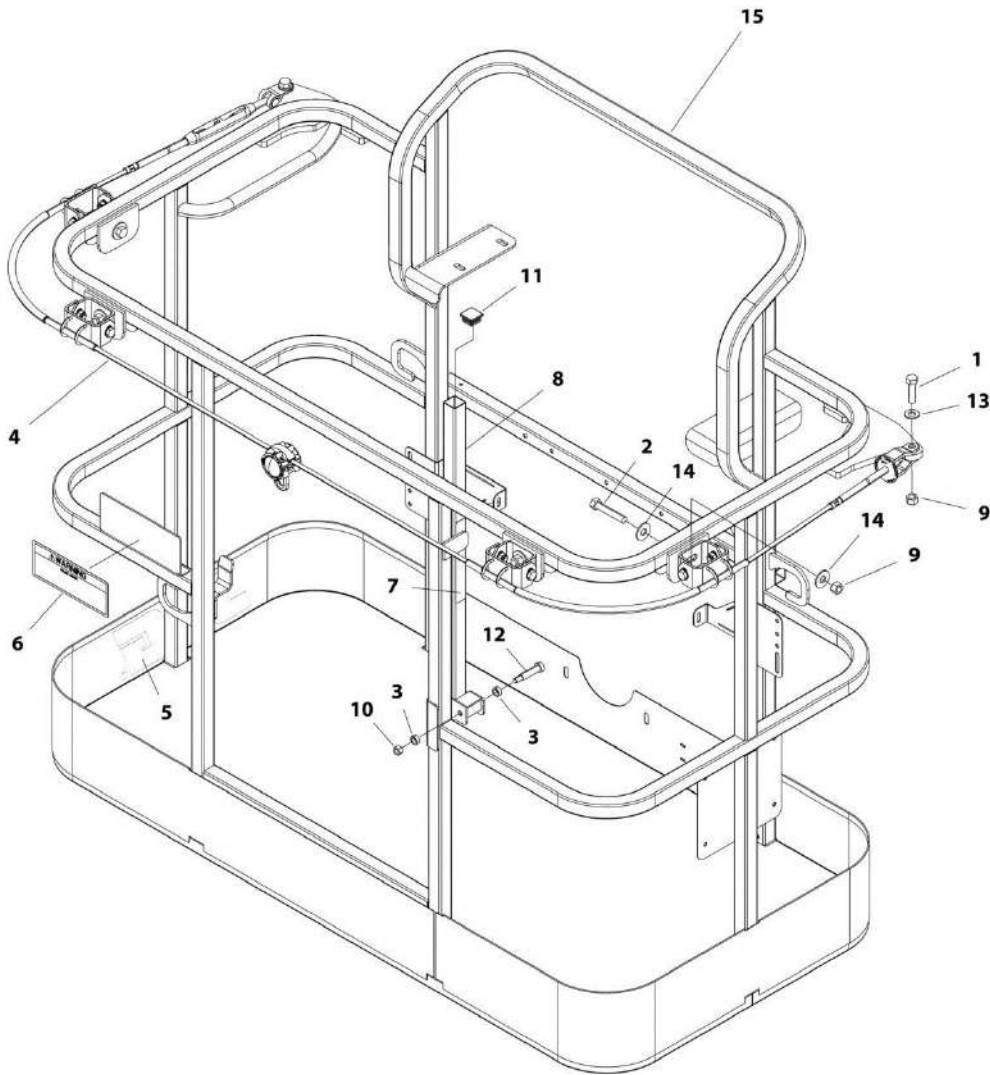
## SECTION 5 - PLATFORM

**FIGURE 5-15. PLATFORM ASSEMBLY - 5FT/1.52M - FALL ARREST (ANSI EXPORT SPEC) (SN 0300200790 through 0300208529)**

ITEM	PART NUMBER	QTY	DESCRIPTION	REV
	1001186388	Ref	PLATFORM ASSEMBLY - 5FT/1.52M - FALL ARREST (ANSI EXPORT SPEC) (SN 0300200790 through 0300208529)	B
	See Note	Ref	Note: Fall Arrest Not Available on CE Spec Platform Assembly.	
		Ref	Note: Replacement Decals Must be Ordered Separately - See DECALS SECTION.	
1	0681814	2	Bolt, 1/2-13 x 1-3/4, Grade 8	
2	0681822	4	Bolt, 1/2-13 x 2-3/4, Grade 8	
3	0962270	2	Bearing	
4	1705014	1	Decal - Safety	
5	1706385	1	Decal - Drop Bar	
6	2410014	1	Gate, Weldment	
7	3271805	6	Nut, Lock, 1/2-13	
8	3311605	1	Nut, Lock, 3/8-16	
9	3520072	1	Plug, Cap	
10	3900054	1	Bolt, 1/2-13 x 1-3/4	
11	4711800	2	Washer, 1/2	
12	4751800	8	Washer, 1/2	
13	1001112943	1	Lanyard	
14	See Note	1	Platform, Weldment (Note: Not Available - Purchase Platform Assembly)	

# SECTION 5 - PLATFORM

FIGURE 5-16. PLATFORM ASSEMBLY - 6FT/1.83M - FALL ARREST (SN 0300189898 through 0300200789)



ART\_1001144597

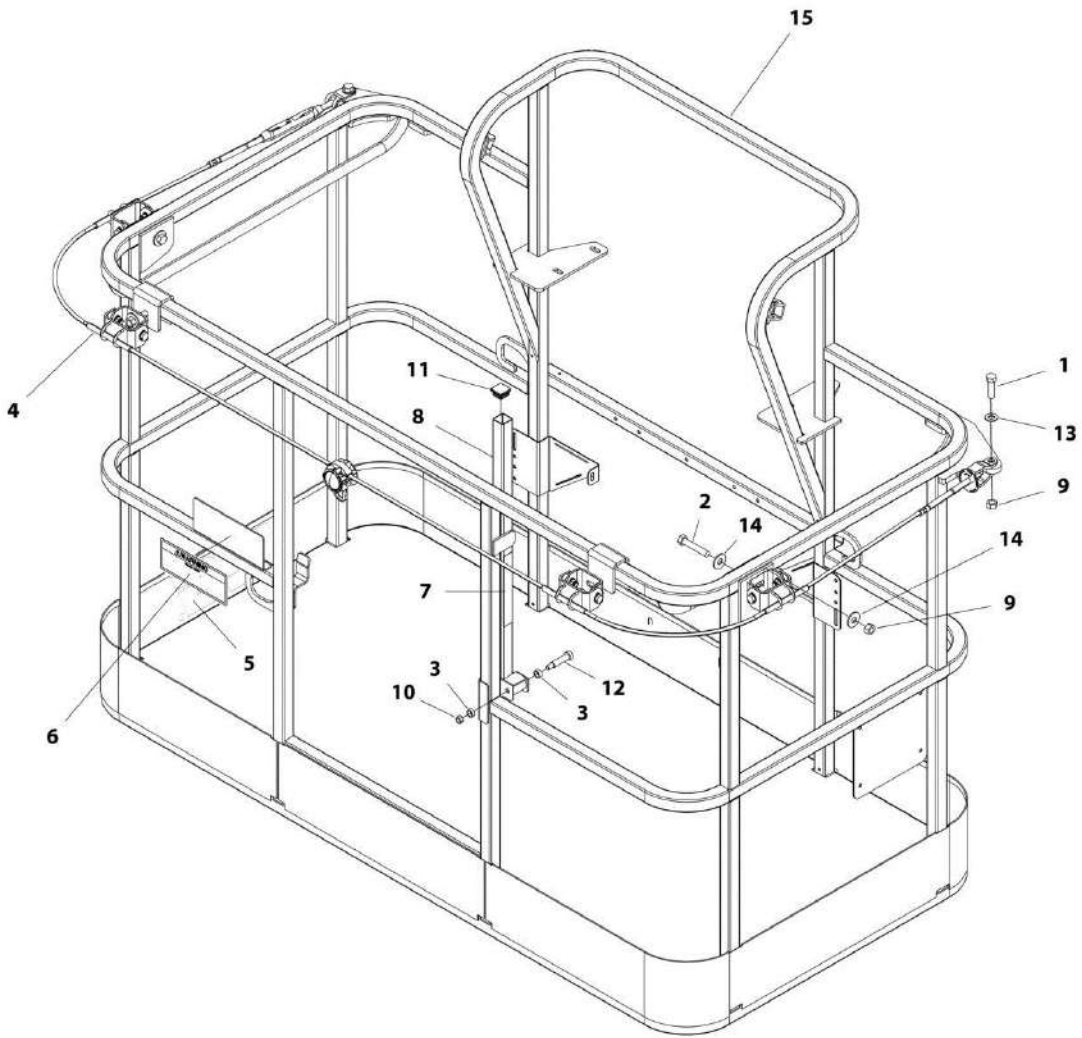
## SECTION 5 - PLATFORM

**FIGURE 5-16. PLATFORM ASSEMBLY - 6FT/1.83M - FALL ARREST (SN 0300189898 through 0300200789)**

ITEM	PART NUMBER	QTY	DESCRIPTION	REV
	1001144597	Ref	PLATFORM ASSEMBLY - 6FT/1.83M - FALL ARREST ( <b>SN 0300189898 through 0300200789</b> )	D
	See Note	Ref	Note: Fall Arrest Not Available on CE Spec Platform Assembly.	
		Ref	Note: Replacement Decals Must be Ordered Separately - See DECALS SECTION.	
1	0681814	2	Bolt, 1/2-13 x 1-3/4, Grade 8	
2	0681822	4	Bolt, 1/2-13 x 2-3/4, Grade 8	
3	0962270	2	Bearing	
4	1060919	1	Cable, Fall Arrest	
5	1702773	1	Decal - JLG	
6	1705014	1	Decal - Safety	
7	1706385	1	Decal - Drop Bar	
8	2410014	1	Gate, Weldment	
9	3271805	6	Nut, Lock, 1/2-13	
10	3311605	1	Nut, Lock, 3/8-16	
11	3520072	1	Plug, Cap	
12	3900054	1	Bolt, 1/2-13 x 1-3/4	
13	4711800	2	Washer, 1/2	
14	4751800	8	Washer, 1/2	
15	See Note	1	Platform, Weldment (Note: Not Available - Purchase Platform Assembly)	

# SECTION 5 - PLATFORM

FIGURE 5-17. PLATFORM ASSEMBLY - 6FT/1.83M - FALL ARREST (SN 0300200790 through 0300208529)



ART\_1001186333



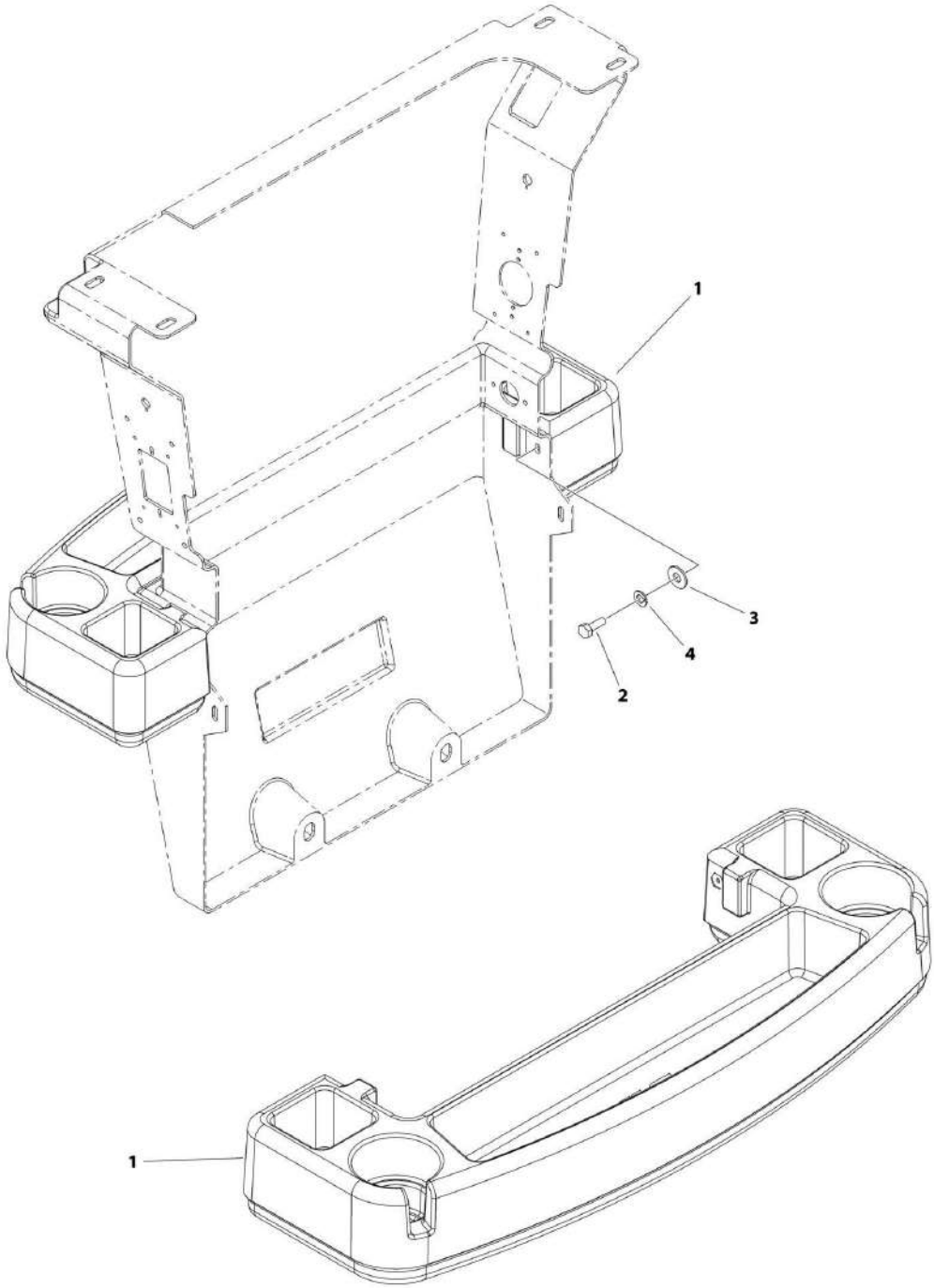
## SECTION 5 - PLATFORM

**FIGURE 5-17. PLATFORM ASSEMBLY - 6FT/1.83M - FALL ARREST (SN 0300200790 through 0300208529)**

ITEM	PART NUMBER	QTY	DESCRIPTION	REV
	1001186333	Ref	PLATFORM ASSEMBLY - 6FT/1.83M - FALL ARREST ( <b>SN 0300200790 through 0300208529</b> )	B
	See Note	Ref	Note: Fall Arrest Not Available on CE Spec Platform Assembly.	
		Ref	Note: Replacement Decals Must be Ordered Separately - See DECALS SECTION.	
1	0681814	2	Bolt, 1/2-13 x 1-3/4, Grade 8	
2	0681822	4	Bolt, 1/2-13 x 2-3/4, Grade 8	
3	0962270	2	Bearing	
4	1060919	1	Cable, Fall Arrest	
5	1702773	1	Decal - JLG	
6	1705014	1	Decal - Safety	
7	1706385	1	Decal - Drop Bar	
8	2410014	1	Gate, Weldment	
9	3271805	6	Nut, Lock, 1/2-13	
10	3311605	1	Nut, Lock, 3/8-16	
11	3520072	1	Plug, Cap	
12	3900054	1	Bolt, 1/2-13 x 1-3/4	
13	4711800	2	Washer, 1/2	
14	4751800	8	Washer, 1/2	
15	See Note	1	Platform, Weldment (Note: Not Available - Purchase Platform Assembly)	

**SECTION 5 - PLATFORM**

**FIGURE 5-18. TRAY ASSEMBLY**



ART\_1580012

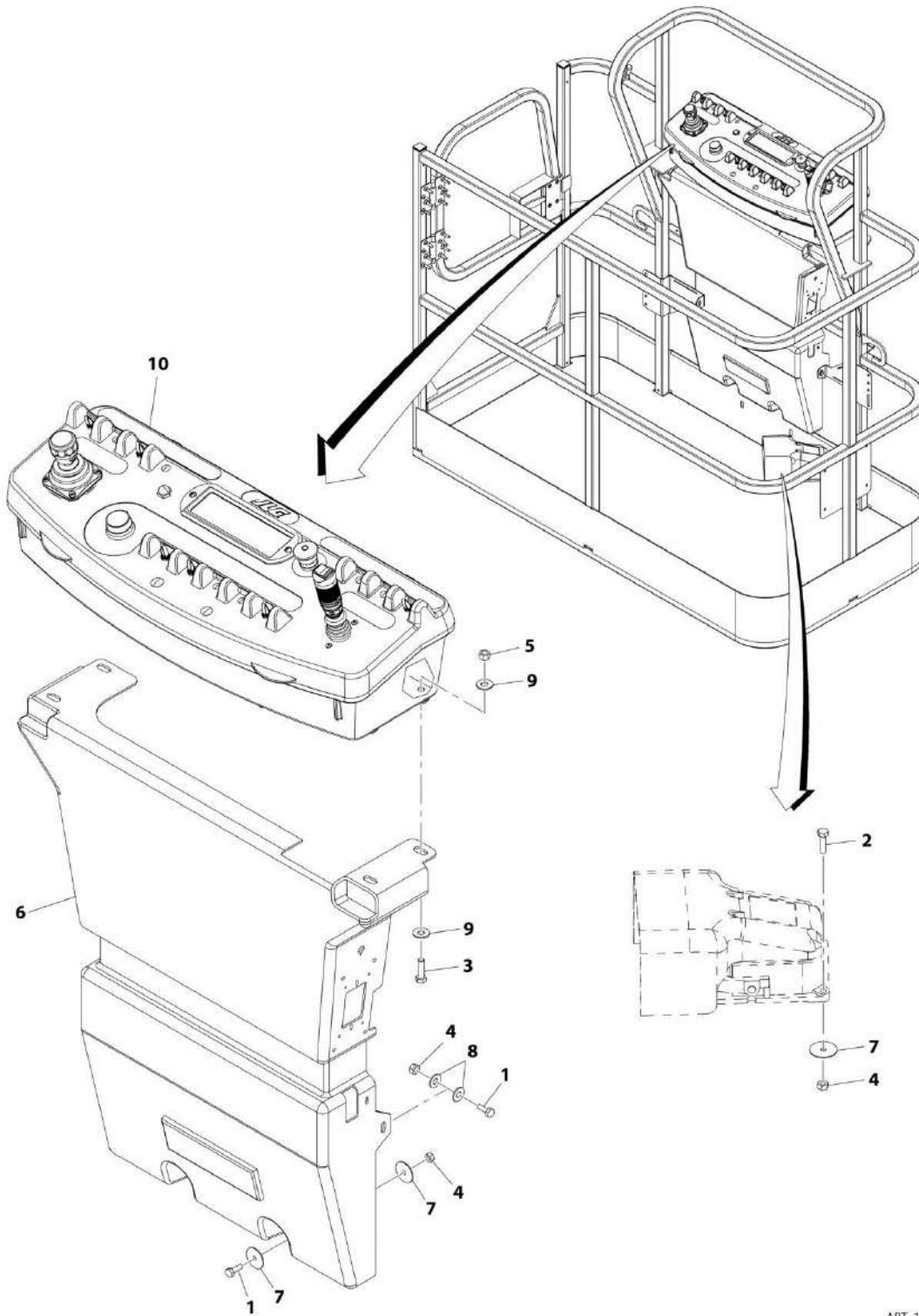
## SECTION 5 - PLATFORM

### FIGURE 5-18. TRAY ASSEMBLY

ITEM	PART NUMBER	QTY	DESCRIPTION	REV
	1580012	Ref	TRAY ASSEMBLY	C
1	See Note	NSS	Tray, Storage - Center (Note: Use p/n 1580012)	
2	0641406	2	Bolt, 1/4-20 x 3/4	
3	4751400	2	Washer, 1/4	
4	4761400	2	Washer, Locking, 1/4	

# SECTION 5 - PLATFORM

## FIGURE 5-19. PLATFORM CONSOLE AND FOOTSWITCH INSTALLATION



ART\_1001146082

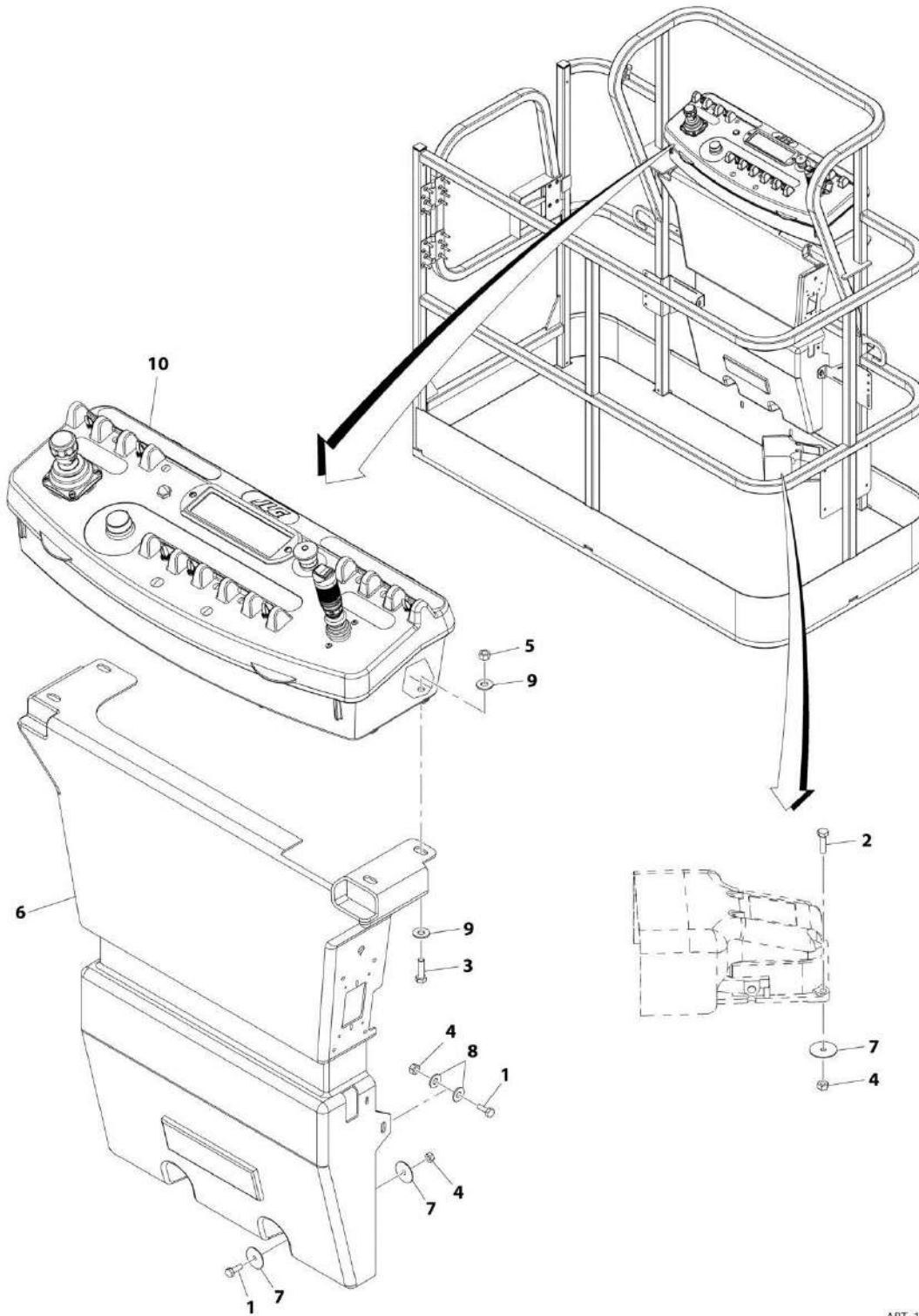
## SECTION 5 - PLATFORM

**FIGURE 5-19. PLATFORM CONSOLE AND FOOTSWITCH INSTALLATION**

ITEM	PART NUMBER	QTY	DESCRIPTION	REV
	1001146082	Ref	PLATFORM CONSOLE AND FOOTSWITCH INSTALLATION	B
1	0641406	4	Bolt, 1/4-20 x 3/4	
2	0641408	3	Bolt, 1/4-20 x 1	
3	0641610	4	Bolt, 3/8-16 x 1-1/4	
4	3311405	7	Nut, Lock, 1/4-20	
5	3311605	4	Nut, Lock, 3/8-16	
6	3380434	1	Panel, Pedestal	
7	4740362	7	Washer, 1/4	
8	4751400	4	Washer, 1/4	
9	4751600	8	Washer, 3/8	
10	1001175617	1	Platform Console Assembly (See PLATFORM CONSOLE ASSEMBLY for Breakdown)	

# SECTION 5 - PLATFORM

FIGURE 5-20. PLATFORM CONSOLE AND FOOTSWITCH INSTALLATION - UL LISTED



ART\_1001145800

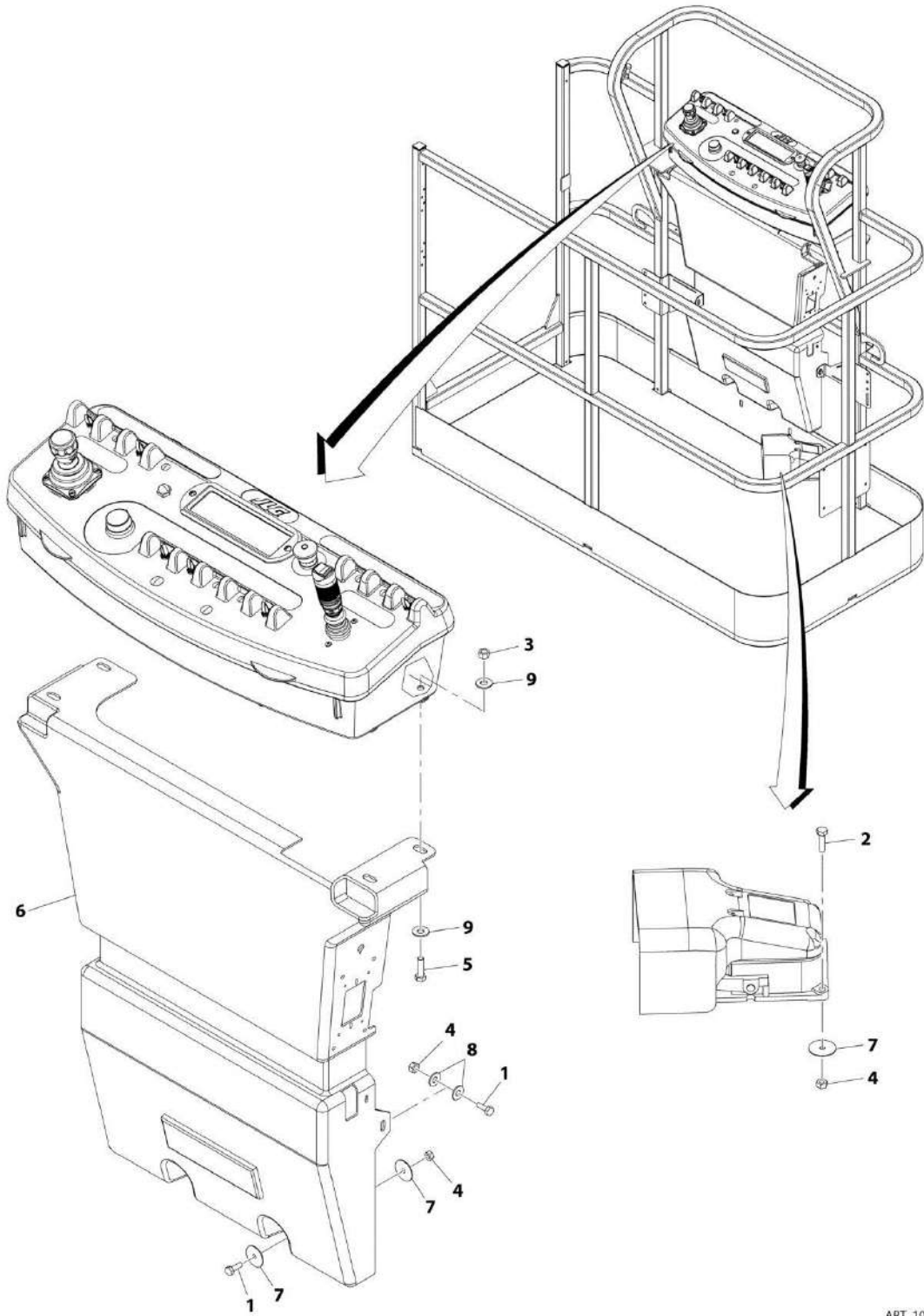
## SECTION 5 - PLATFORM

**FIGURE 5-20. PLATFORM CONSOLE AND FOOTSWITCH INSTALLATION - UL LISTED**

ITEM	PART NUMBER	QTY	DESCRIPTION	REV
	1001145800	Ref	PLATFORM CONSOLE AND FOOTSWITCH INSTALLATION - UL LISTED	B
1	0641406	4	Bolt, 1/4-20 x 3/4	
2	0641408	3	Bolt, 1/4-20 x 1	
3	0641610	4	Bolt, 3/8-16 x 1-1/4	
4	3311405	7	Nut, Lock, 1/4-20	
5	3311605	4	Nut, Lock, 3/8-16	
6	3380434	1	Panel, Pedestal	
7	4740362	7	Washer, 1/4	
8	4751400	4	Washer, 1/4	
9	4751600	8	Washer, 3/8	
10	1001175619	1	Platform Console Assembly - UL (See PLATFORM CONSOLE ASSEMBLY - UL for Breakdown)	

# SECTION 5 - PLATFORM

FIGURE 5-21. PLATFORM CONSOLE AND FOOTSWITCH INSTALLATION - WITH SKYGUARD (SN 0300200790 through 0300208529)



ART\_1001189118



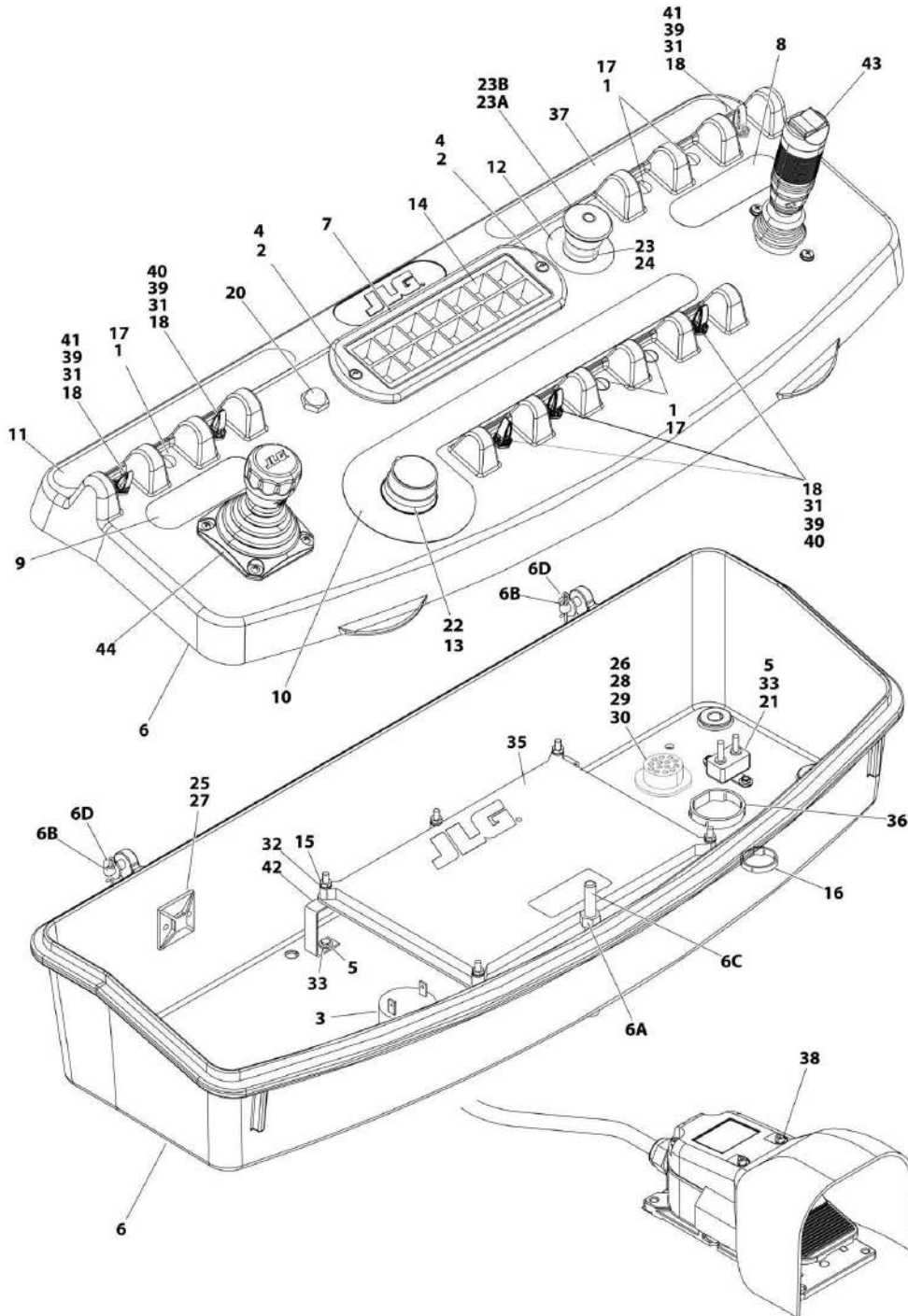
## SECTION 5 - PLATFORM

**FIGURE 5-21. PLATFORM CONSOLE AND FOOTSWITCH INSTALLATION - WITH SKYGUARD (SN 0300200790 through 0300208529)**

ITEM	PART NUMBER	QTY	DESCRIPTION	REV
	1001189118	Ref	PLATFORM CONSOLE AND FOOTSWITCH INSTALLATION - WITH SKYGUARD (SN 0300200790 through 0300208529)	A
1	0641406	4	Bolt, 1/4-20 x 3/4	
2	0641408	3	Bolt, 1/4-20 x 1	
3	0641610	4	Bolt, 3/8-16 x 1-1/4	
4	3311405	7	Nut, Lock, 1/4-20	
5	3311605	4	Nut, Lock, 3/8-16	
6	3380434	1	Panel, Pedestal	
7	4740362	7	Washer, 1/4	
8	4751400	4	Washer, 1/4	
9	4751600	8	Washer, 3/8	
10	1001189117	1	Platform Console Assembly - SKYGUARD (See PLATFORM CONSOLE ASSEMBLY - SKYGUARD for Breakdown)	

# SECTION 5 - PLATFORM

## FIGURE 5-22. PLATFORM CONSOLE ASSEMBLY



ART\_1001175617

## SECTION 5 - PLATFORM

### FIGURE 5-22. PLATFORM CONSOLE ASSEMBLY

ITEM	PART NUMBER	QTY	DESCRIPTION	REV
	1001175617	Ref	PLATFORM CONSOLE ASSEMBLY	B
1	0100009	AR	Sealant	
2	0100035	AR	Compound, Locking	
3	0140011	1	Alarm	
4	0630464	2	Bolt, #10-24 x 1/2	
5	0720804	6	Bolt, #8-32 x 1/2	
6	0861537	1	Console Box Assembly	
6A	3311601	1	Nut, 3/8-16	
6B	3470003	2	Pin, Cotter	
6C	0630568	1	Capscrew, 3/8-16 x 4-1/2	
6D	4711500	2	Washer, 5/16	
7	1670829	1	Bezel	
8	1702565	1	Decal - Drive and Steer	
9	1702566	1	Decal - Lift and Swing	
10	1702567	1	Decal - Function Speed	
11	1704240	1	Decal - Horn	
12	1704260	1	Decal - EMS	
13	2560136	1	Handle, Knob	
14	2760105	1	Fixture, Light	
15	3310601	6	Nut, #6-32	
16	3520030	1	Plug, Hole	
17	3520054	5	Plug, Hole	
18	3790012	6	O-Ring	
19	4240032	AR	Tie-Strap (Not Shown)	
20	4360387	1	Switch, Push Button	
21	4360448	1	Breaker, Circuit - 10Amp	
22	4360462	1	Switch, Potentiometer	
23	4360475	1	Switch, Emergency Stop	
23A	7020175	1	Cap, Mushroom with Sealing Ring	
23B	7020176	1	Block, Contact	
24	4360476	1	Block, Contact	
25	4460234	3	Mount, Tie-Strap	
26	4460428	1	Connector, Strain Relief	
27	4460488	1	Base, Terminal Mounting	
28	4460496	1	Washer, Lock, Terminal	
29	4460497	1	Nut, Terminal	
30	4460752	1	Connector - 14 Position	
31	4740397	6	Spacer	
32	4750600	6	Washer, #6	
33	4750800	6	Washer, #8	
34	4933060	1	Platform Console Wiring Diagram (Not Shown - See ELECTRICAL SECTION for Breakdown)	
35	1001109498	1	Module, PC (Note: Re-calibration Required when Replaced)	
36	1001110435	1	Plug, D-Shaped	
37	1001132175	1	Decal - Stop - Generator	
38	1001136889	1	Footswitch Assembly (See FOOTSWITCH ASSEMBLY for Breakdown)	
39	1001155044	6	Nut, 15/32-32	
40	1001155045	4	Switch, Toggle	
41	1001159256	2	Switch, Toggle	

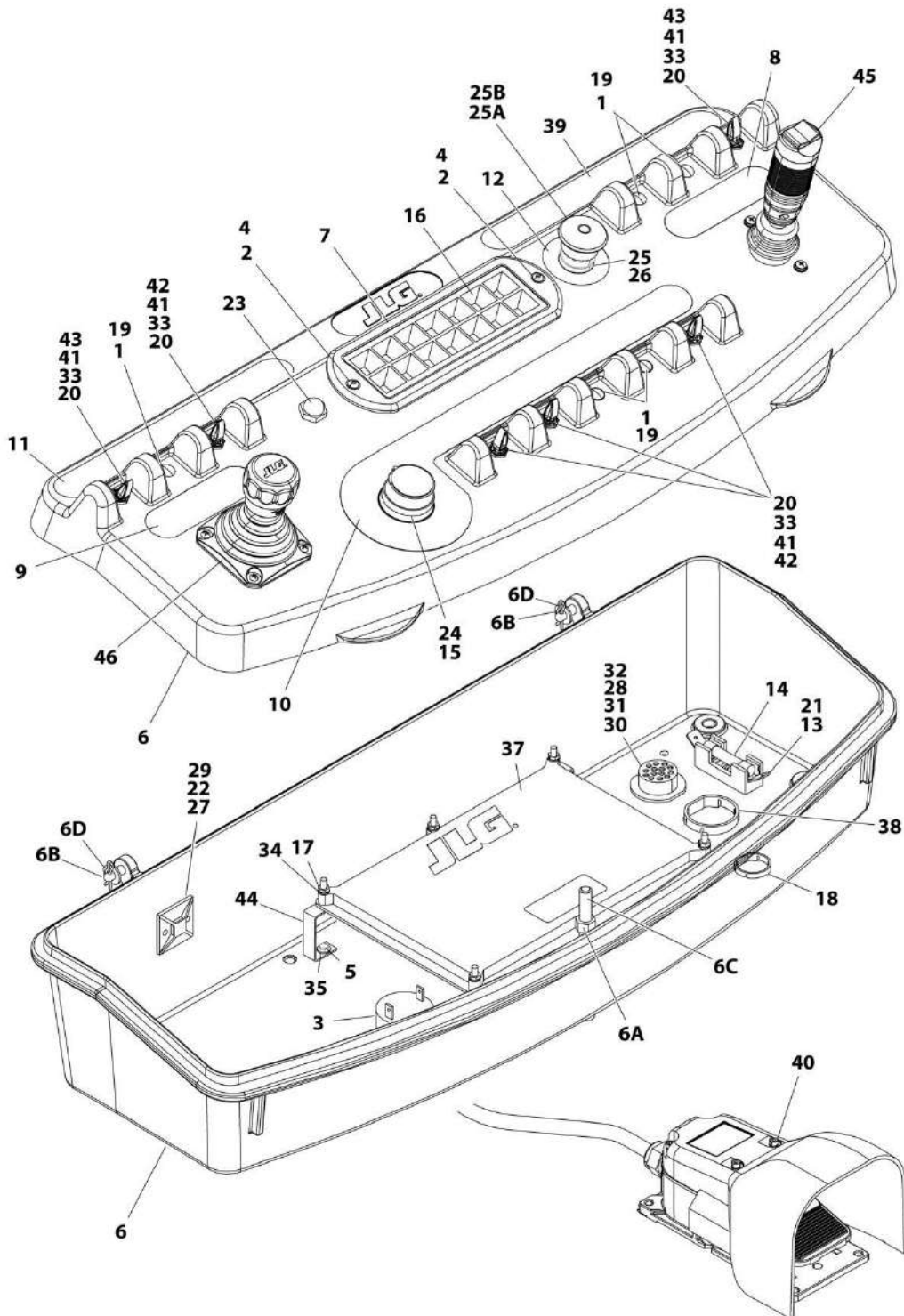
## SECTION 5 - PLATFORM

ITEM	PART NUMBER	QTY	DESCRIPTION	REV
42	1001175597	2	Bracket, Module	
43	1001178132	1	Controller Assembly - Drive and Steer (See CONTROLLER ASSEMBLY - DRIVE AND STEER for Breakdown)	
44	1001178139	1	Controller Assembly - Lift and Swing (See CONTROLLER ASSEMBLY LIFT AND SWING for Breakdown)	



# SECTION 5 - PLATFORM

## FIGURE 5-23. PLATFORM CONSOLE ASSEMBLY - UL LISTED



ART\_1001175619

## SECTION 5 - PLATFORM

**FIGURE 5-23. PLATFORM CONSOLE ASSEMBLY - UL LISTED**

ITEM	PART NUMBER	QTY	DESCRIPTION	REV
	1001175619	Ref	PLATFORM CONSOLE ASSEMBLY - UL LISTED	B
1	0100009	AR	Sealant	
2	0100035	AR	Compound, Locking	
3	0140011	1	Alarm	
4	0630464	2	Bolt, #10-24 x 1/2	
5	0720804	4	Bolt, #8-32 x 1/2	
6	0861537	1	Console Box Assembly	
6A	3311601	1	Nut, 3/8-16	
6B	3470003	2	Pin, Cotter	
6C	0630568	1	Capscrew, 3/8-16 x 4-1/2	
6D	4711500	2	Washer, 5/16	
7	1670829	1	Bezel	
8	1702565	1	Decal - Drive and Steer	
9	1702566	1	Decal - Lift and Swing	
10	1702567	1	Decal - Function Speed	
11	1704240	1	Decal, Horn	
12	1704260	1	Decal - EMS	
13	2400067	1	Holder, Fuse	
14	2400068	1	Fuse - 10Amp	
15	2560136	1	Handle, Knob	
16	2760105	1	Fixture, Light	
17	3310601	6	Nut, #6-32	
18	3520030	1	Plug, Hole	
19	3520054	5	Plug, Hole	
20	3790012	6	O-Ring	
21	3910808	1	Screw, #8-32 x 1/2	
22	4240032	AR	Tie-Strap (Not Shown)	
23	4360387	1	Switch, Push Button	
24	4360462	1	Switch, Potentiometer	
25	4360475	1	Switch, Emergency Stop	
25A	7020175	1	Cap, Mushroom with Sealing Ring	
25B	7020176	1	Block, Contact	
26	4360476	1	Block, Contact	
27	4460234	3	Mount, Tie-Strap	
28	4460428	1	Connector, Strain Relief	
29	4460488	1	Base, Terminal Mounting	
30	4460496	1	Washer, Lock, Terminal	
31	4460497	1	Nut, Terminal	
32	4460752	1	Connector - 14 Position	
33	4740397	6	Spacer	
34	4750600	6	Washer, #6	
35	4750800	4	Washer, #8	
36	4933181	1	Platform Console Wiring Diagram (Not Shown - See ELECTRICAL SECTION for Breakdown)	
37	1001109498	1	Module, PC (Note: Re-calibration Required when Replaced)	
38	1001110435	1	Plug, D-Shaped	
39	1001132175	1	Decal - Stop - Generator	
40	1001136889	1	Footswitch Assembly (See FOOTSWITCH ASSEMBLY for Breakdown)	
41	1001155044	6	Nut, 15/32-32	

## SECTION 5 - PLATFORM

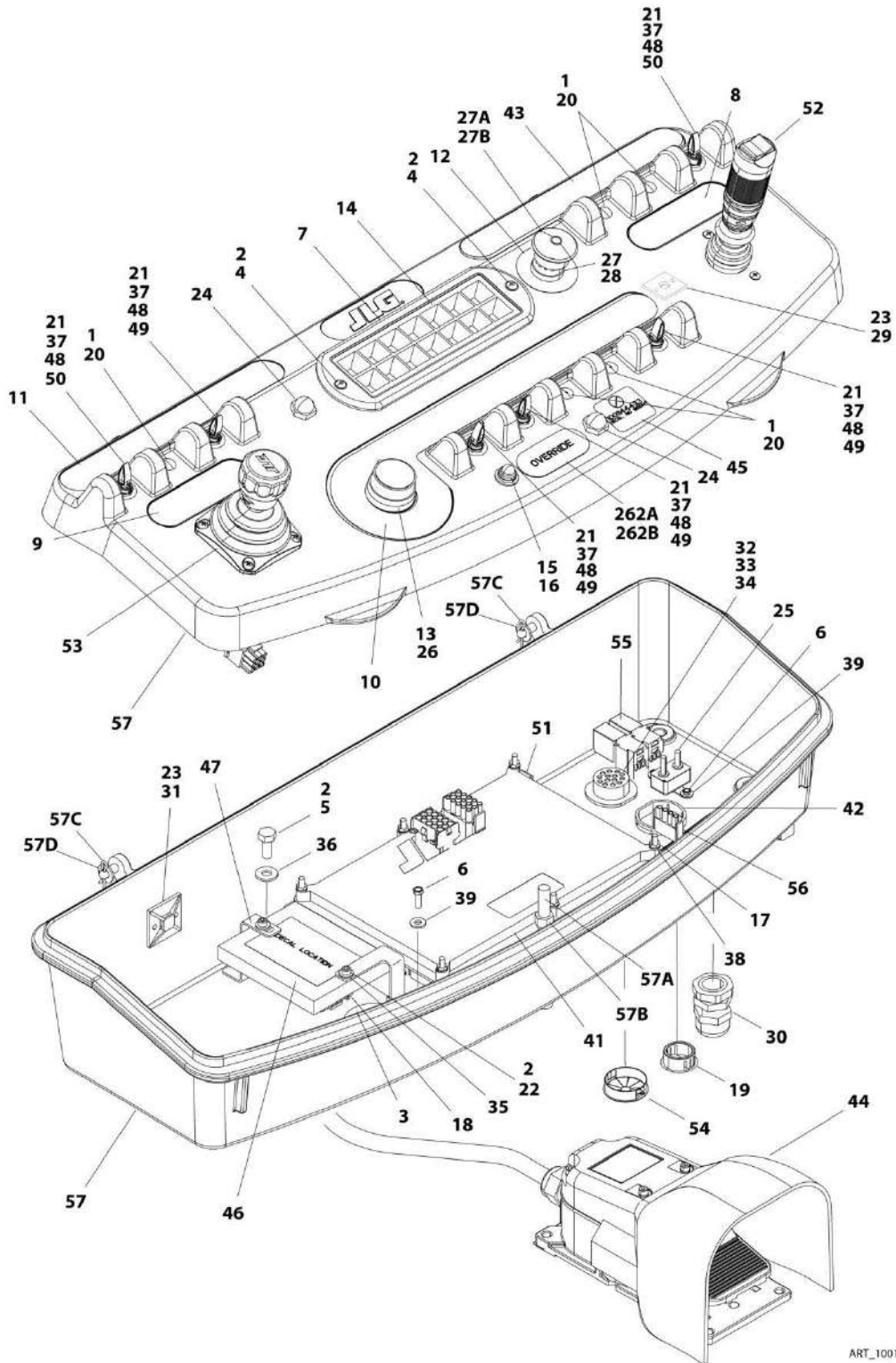
ITEM	PART NUMBER	QTY	DESCRIPTION	REV
42	1001155045	4	Switch, Toggle	
43	1001159256	2	Switch, Toggle	
44	1001175597	2	Bracket, Module	
45	1001178132	1	Controller Assembly - Drive and Steer (See CONTROLLER ASSEMBLY - DRIVE AND STEER for Breakdown)	
46	1001178139	1	Controller Assembly - Lift and Swing (See CONTROL ASSEMBLY - LIFT AND SWING for Breakdown)	





# SECTION 5 - PLATFORM

FIGURE 5-24. PLATFORM CONSOLE ASSEMBLY - WITH SKYGUARD (SN 0300200790 through 0300208529)



ART\_1001189117

## SECTION 5 - PLATFORM

**FIGURE 5-24. PLATFORM CONSOLE ASSEMBLY - WITH SKYGUARD (SN 0300200790 through 0300208529)**

ITEM	PART NUMBER	QTY	DESCRIPTION	REV
	1001189117	Ref	PLATFORM CONSOLE ASSEMBLY - WITH SKYGUARD (SN 0300200790 through 0300208529)	A
1	0100009	AR	Sealant	
2	0100035	AR	Compound, Locking	
3	0140011	1	Alarm	
4	0630464	2	Bolt, #10-24 x 1/2	
5	0641405	2	Bolt, 1/4-20 x 5/8	
6	0720804	6	Bolt, #8-32 x 1/2	
7	1670829	1	Bezel	
8	1702565	1	Decal - Drive and Steer	
9	1702566	1	Decal - Lift and Swing	
10	1702567	1	Decal - Function Speed	
11	1704240	1	Decal, Horn	
12	1704260	1	Decal - EMS	
13	2560136	1	Handle, Knob	
14	2760105	1	Fixture, Light	
15	2920028	1	Light, Indicator	
16	2920029	1	Bulb	
17	3310601	6	Nut, #6-32	
18	3311005	2	Nut, Lock, #10-24	
19	3520030	1	Plug, Hole	
20	3520054	5	Plug, Hole	
21	3790012	6	O-Ring	
22	3931016	2	Capscrew, #10-24 x 1	
23	4240032	AR	Tie-Strap	
24	4360387	2	Switch, Push Button	
25	4360448	1	Breaker, Circuit 10Amp	
26	4360462	1	Switch, Potentiometer	
27	4360475	1	Switch, Emergency Stop	
27A	7020175	1	Cap, Mushroom with Sealing Ring	
27B	7020176	1	Block, Contact	
28	4360476	1	Block, Contact	
29	4460234	3	Mount, Tie-Strap	
30	4460428	1	Connector, Strain Relief	
31	4460488	1	Base, Terminal Mounting	
32	4460496	1	Washer, Lock, Terminal	
33	4460497	1	Nut, Terminal	
34	4460752	1	Connector - 14 Position	
35	4711000	4	Washer, #10	
36	4711400	2	Washer, 1/4	
37	4740397	6	Spacer	
38	4750600	6	Washer, #6	
39	4750800	6	Washer, #8	
40	4933105	1	Platform Console Wiring Diagram (Not Shown - See ELECTRICAL SECTION for Breakdown)	
41	1001109498	1	Module, PC (Note: Re-calibration Required when Replaced)	
42	1001110435	1	Plug, D-Shaped	
43	1001132175	1	Decal - Stop - Generator	
44	1001136889	1	Footswitch Assembly (See FOOTSWITCH ASSEMBLY for	

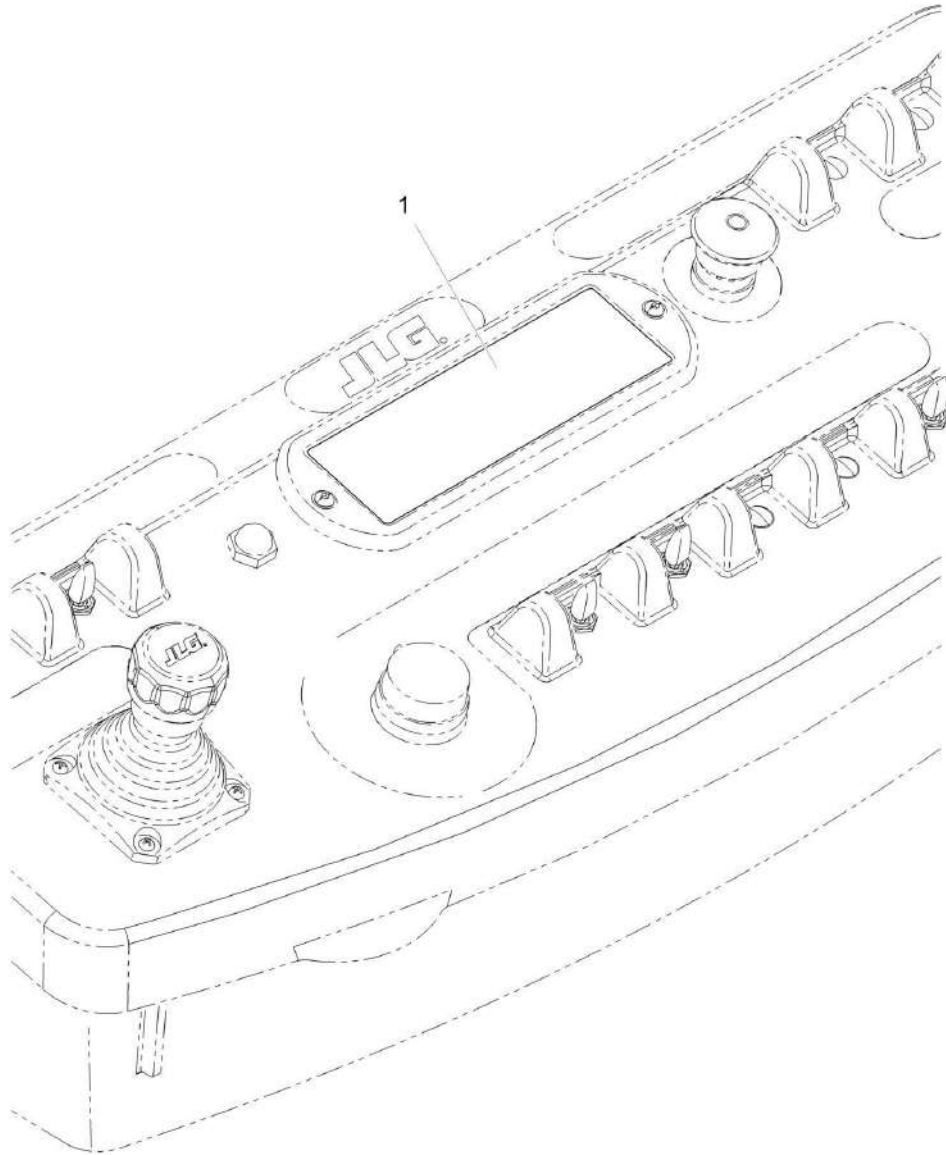
## SECTION 5 - PLATFORM

ITEM	PART NUMBER	QTY	DESCRIPTION	REV
			Breakdown)	
45	1001144433	1	Decal - No Weight - SkyGuard	
46	1001149571	1	Module, Beacon Control	
47	1001151817	2	Bracket	
48	1001155044	6	Nut, 15/32-32	
49	1001155045	4	Switch, Toggle	
50	1001159256	2	Switch, Toggle	
51	1001175597	2	Bracket	
52	1001178132	1	Controller Assembly - Drive and Steer (See CONTROLLER ASSEMBLY - DRIVE AND STEER for Breakdown)	
53	1001178139	1	Controller Assembly - Lift and Swing (See CONTROLLER ASSEMBLY LIFT AND SWING for Breakdown)	
54	1001185281	1	Plug	
55	1001189074	1	Harness, SkyGuard (See ELECTRICAL SECTION for Breakdown)	
56	1001189076	1	Harness, SkyGuard Can (See ELECTRICAL SECTION for Breakdown)	
57	1001189116	1	Console Box Assembly	
57A	0630568	1	Capscrew, 3/8-16 x 4-1/2	
57B	3311601	1	Nut, 3/8-16	
57C	3470003	2	Pin, Cotter	
57D	4711500	2	Washer, 5/16	
262A	1001141300	1	Decal - SkyGuard Override	
262B	1001141302	1	Decal - SkyGuard, Soft Touch Override	



# SECTION 5 - PLATFORM

## FIGURE 5-25. LIGHT PANEL DECAL INSTALLATION



ART\_0273089

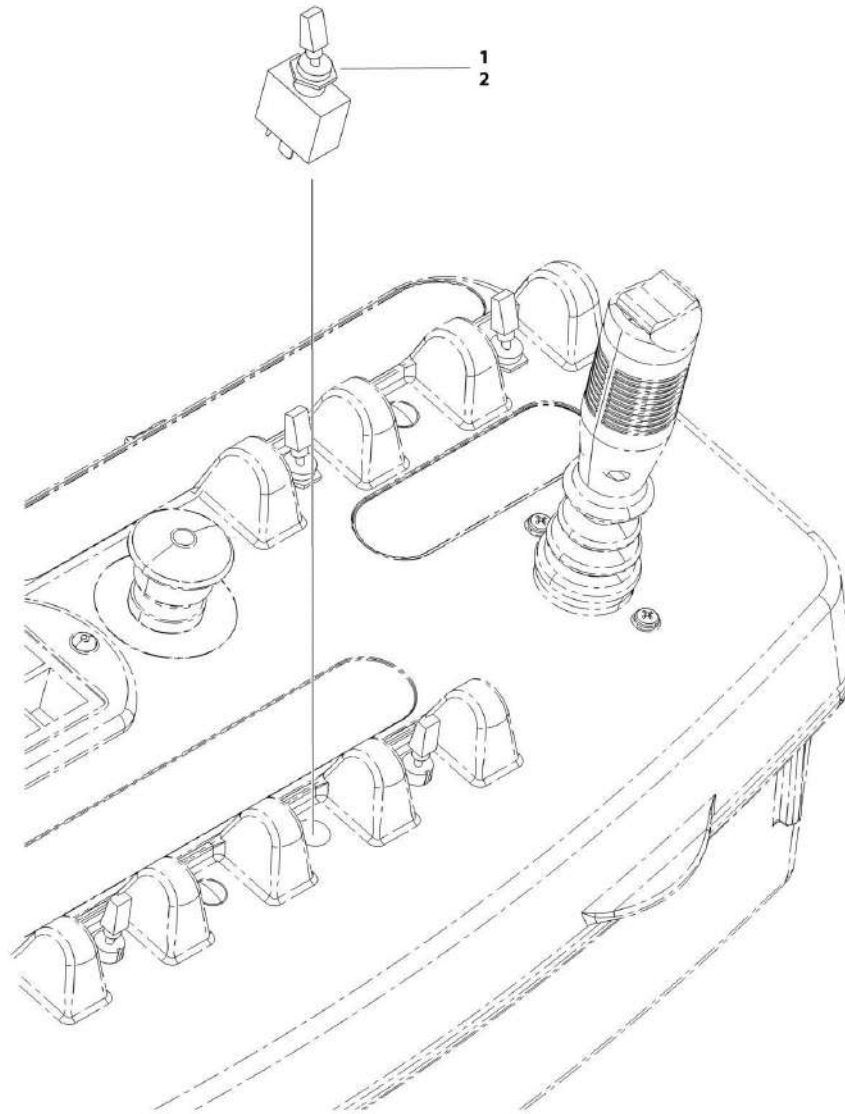
## SECTION 5 - PLATFORM

**FIGURE 5-25. LIGHT PANEL DECAL INSTALLATION**

ITEM	PART NUMBER	QTY	DESCRIPTION	REV
1	0273089 1001110226	Ref 1	LIGHT PANEL DECAL INSTALLATION Decal - Light Display	B

# SECTION 5 - PLATFORM

FIGURE 5-26. JIB SWITCH INSTALLATION - E450AJ/M450AJ



ART\_0259102



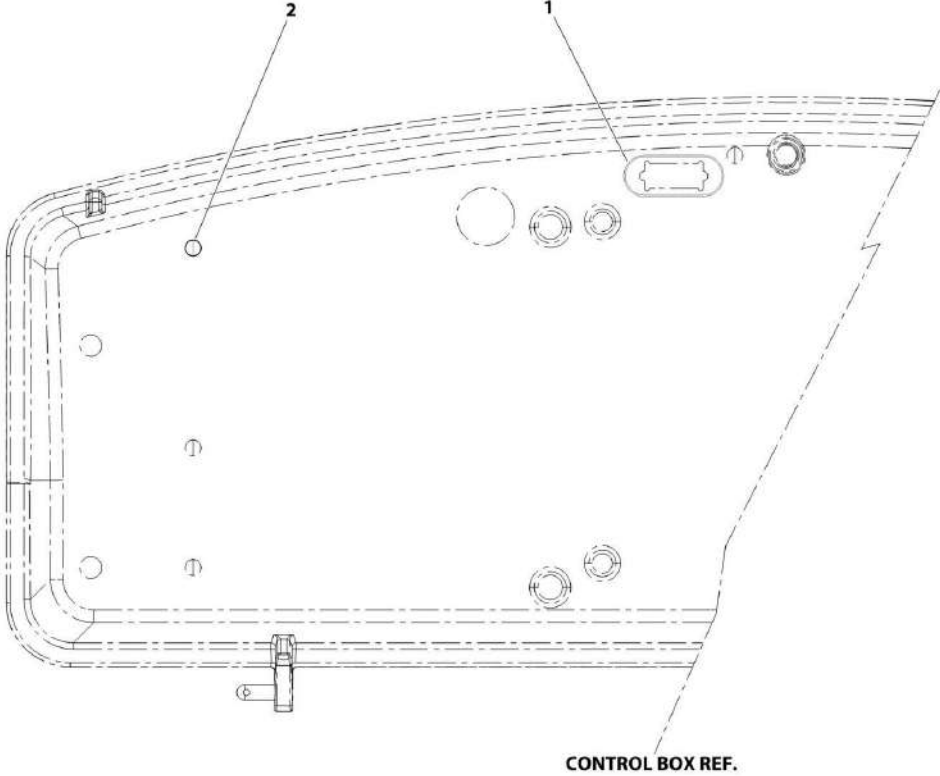
## SECTION 5 - PLATFORM

**FIGURE 5-26. JIB SWITCH INSTALLATION - E450AJ/M450AJ**

ITEM	PART NUMBER	QTY	DESCRIPTION	REV
	0259102	Ref	JIB SWITCH INSTALLATION - E450AJ/M450AJ	2
1	4360328	1	Switch, Toggle	
2	3790012	1	O-Ring	
3	4922294	1	Harness, Jib Function (Not Shown - See ELECTRICAL SECTION for Breakdown)	
4	4240032	AR	Tie-Strap (Not Shown)	

**SECTION 5 - PLATFORM**

**FIGURE 5-27. SEALED ENCLOSURES - UL LISTED**



ART\_0272111

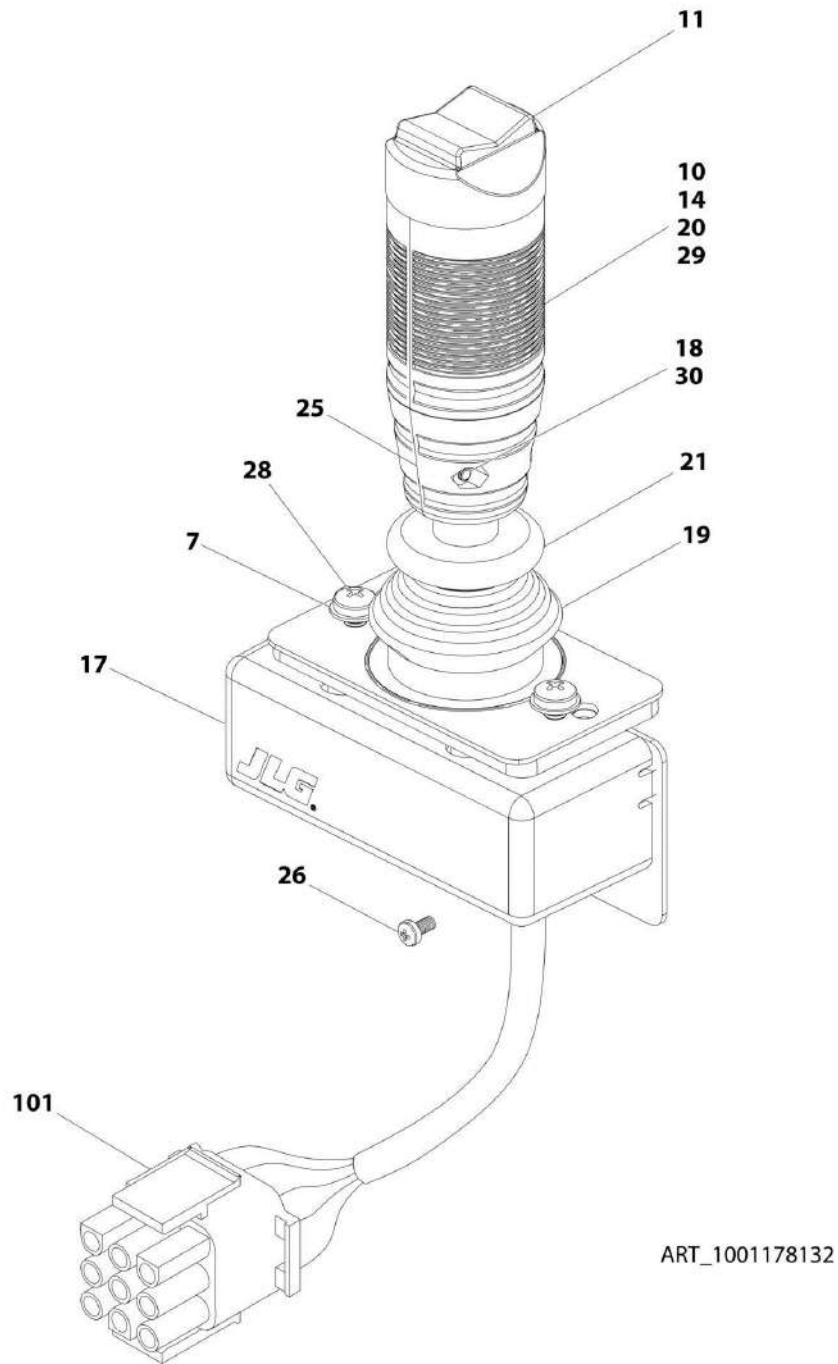
## SECTION 5 - PLATFORM

**FIGURE 5-27. SEALED ENCLOSURES - UL LISTED**

ITEM	PART NUMBER	QTY	DESCRIPTION	REV
	0272111	Ref	SEALED ENCLOSURES - UL LISTED	B
1	0100009	AR	Sealant (Seal Around Analyzer Port)	
2	3520173	8	Plug (Located in Bottom of Console Box)	

# SECTION 5 - PLATFORM

FIGURE 5-28. CONTROLLER ASSEMBLY - DRIVE AND STEER



ART\_1001178132

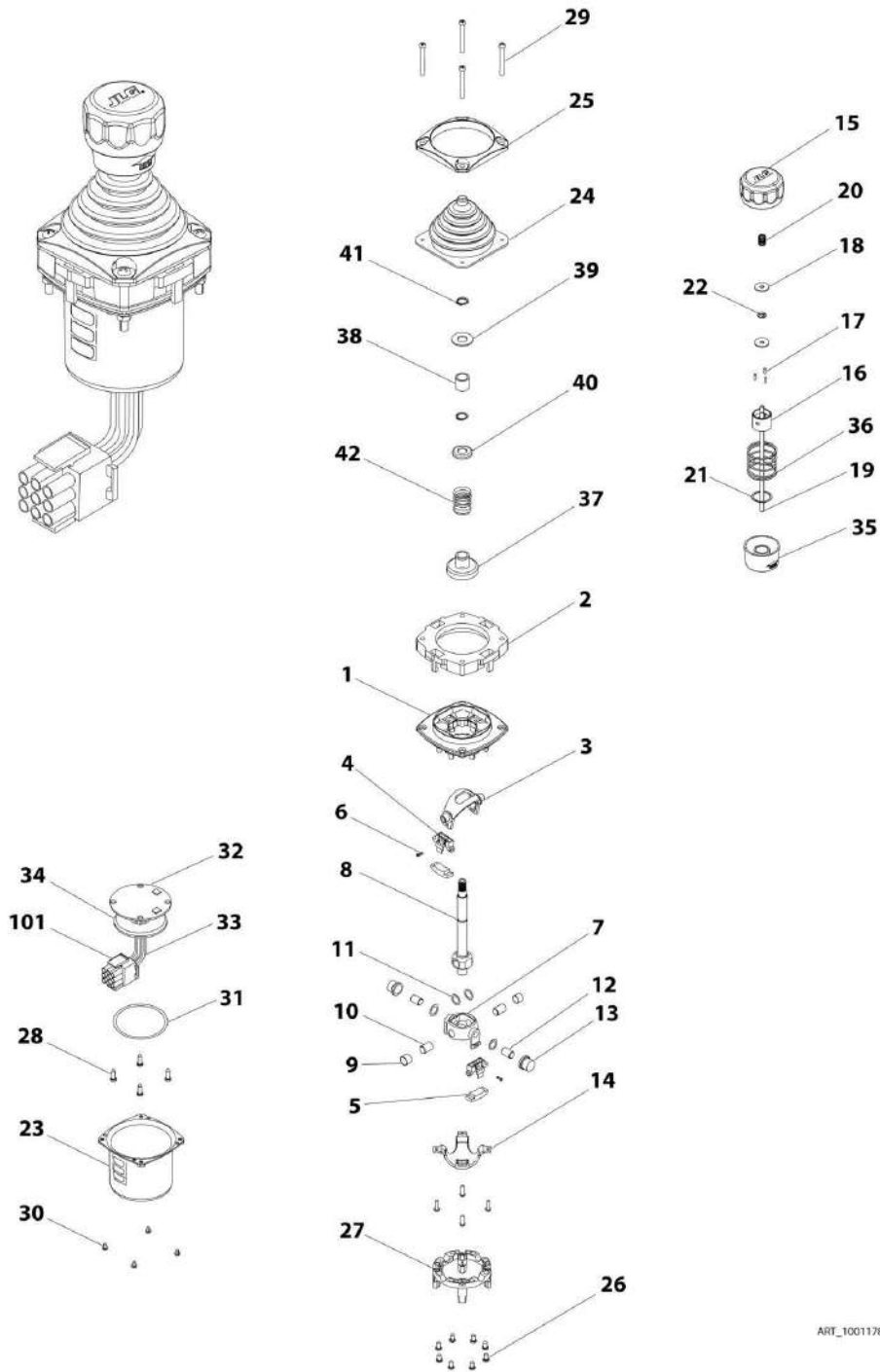
## SECTION 5 - PLATFORM

**FIGURE 5-28. CONTROLLER ASSEMBLY - DRIVE AND STEER**

ITEM	PART NUMBER	QTY	DESCRIPTION	REV
	1001178132	Ref	CONTROLLER ASSEMBLY - DRIVE AND STEER	E
7	70004738	2	Washer	
10	70004739	1	Roller	
11	70004740	1	Boot, Switch	
14	70004741	2	Half, Handle	
17	70004742	1	Enclosure	
18	70004743	4	Nut	
19	70004744	NLA	Boot, Controller (Use p/n 70005230 Boot/Base Assembly)	
20	70004745	NLA	Tube, Locking (Use p/n 70005230 Boot/Base Assembly)	
21	70004746	NLA	Disc, Locking (Use p/n 70005230 Boot/Base Assembly)	
25	70004747	2	Seal, Rope	
26	70004748	1	Screw, M3 x 9mm	
28	70004749	2	Screw, M5 x 20mm	
29	70004750	1	Pin, Dowel	
30	70004751	4	Screw, M3 x 16mm	
101	4460265	1	Connector - 9 Position	
101	4460226	7	Socket, Female	

# SECTION 5 - PLATFORM

## FIGURE 5-29. CONTROLLER ASSEMBLY - LIFT AND SWING



ART\_1001178139

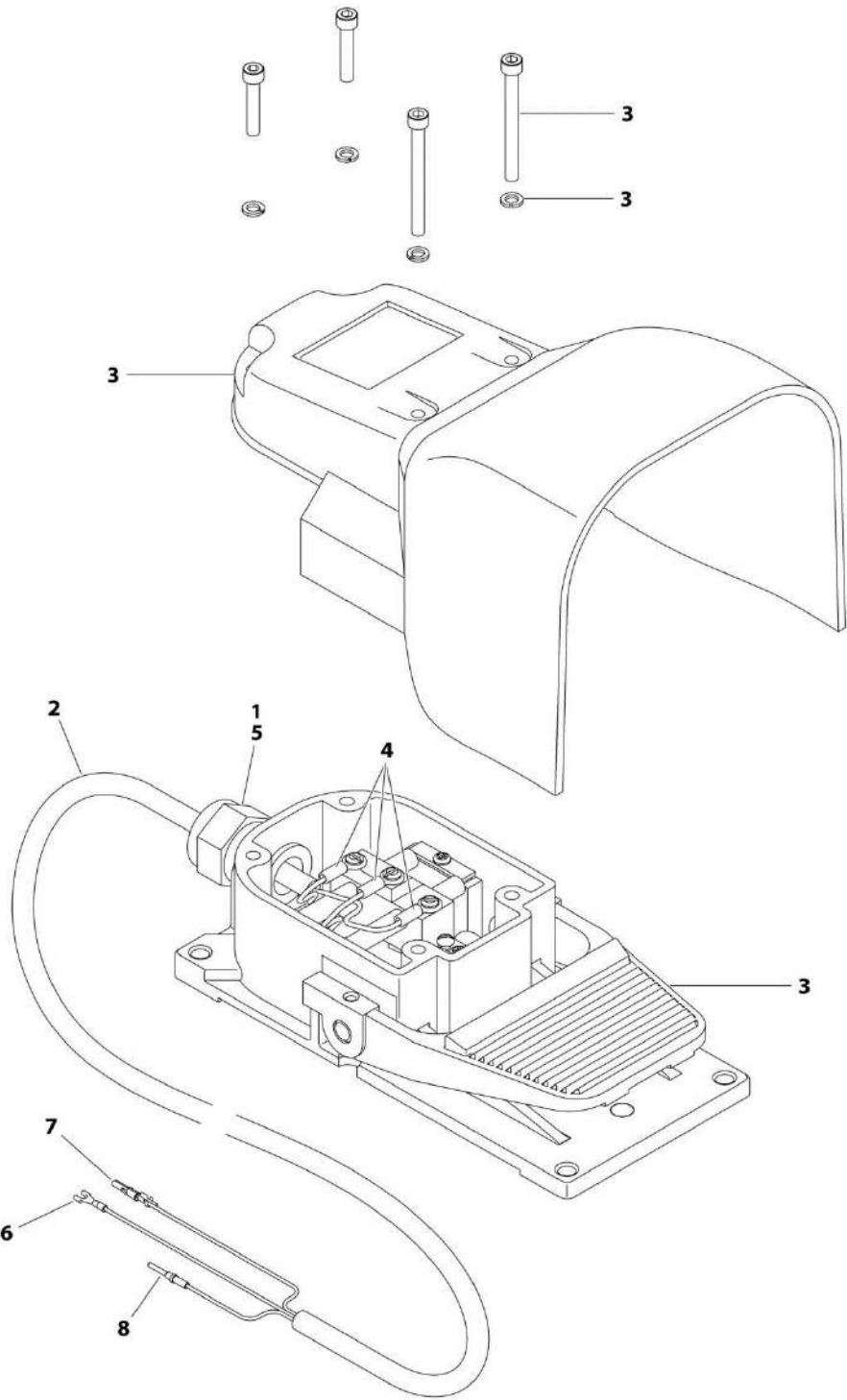
## SECTION 5 - PLATFORM

**FIGURE 5-29. CONTROLLER ASSEMBLY - LIFT AND SWING**

ITEM	PART NUMBER	QTY	DESCRIPTION	REV
	1001178139	Ref	CONTROLLER ASSEMBLY - LIFT AND SWING	D
1	See Note	NSS	Main Cast Body (Note: Not Available - Purchase Complete Assembly)	
2	70004752	1	Adapter	
3	See Note	NSS	Pivot Arm, Plastic (Note: Not Available - Purchase Complete Assembly)	
4	See Note	NSS	Holder, Magnet (Note: Not Available - Purchase Complete Assembly)	
5	See Note	NSS	Arc, Magnet (Note: Not Available - Purchase Complete Assembly)	
6	See Note	2	Screw (Note: Not Available for Purchase)	
7	See Note	NSS	Pivot Arm, Cast (Note: Not Available - Purchase Complete Assembly)	
8	See Note	NSS	Shaft, Main (Note: Not Available - Purchase Complete Assembly)	
9	See Note	NSS	Bearing (Note: Not Available - Purchase Complete Assembly)	
10	See Note	NSS	Pin (Note: Not Available - Purchase Complete Assembly)	
11	See Note	NSS	Shim (Note: Not Available - Purchase Complete Assembly)	
12	See Note	NSS	Pin (Note: Not Available - Purchase Complete Assembly)	
13	See Note	NSS	Bearing (Note: Not Available - Purchase Complete Assembly)	
14	See Note	NSS	Dome, Centering (Note: Not Available - Purchase Complete Assembly)	
15	70004753	1	Cap	
16	70004754	1	Insert, Cap	
17	70004755	3	Pin	
18	70004756	2	Washer	
19	70004757	1	Pin, Centering	
20	70004758	1	Spring	
21	70004759	1	Ring, Retaining	
22	70004760	1	E-Ring	
23	70004761	1	Can, Enclosure	
24	70004762	1	Boot	
25	70004763	1	Bezel	
26	See Note	8	Screw (Note: Not Available for Purchase)	
27	See Note	NSS	Base Mounting (Note: Not Available - Purchase Complete Assembly)	
28	See Note	4	Screw (Note: Not Available for Purchase)	
29	70004764	4	Screw	
30	70004765	4	Screw	
31	70004766	1	O-Ring	
32	See Note	NSS	Plate (Note: Not Available - Purchase Complete Assembly)	
33	See Note	NSS	Harness (Note: Not Available - Purchase Complete Assembly)	
34	70004767	1	Grommet, Rubber	
35	70004768	1	Housing	
36	70004769	1	Spring	
37	70004770	1	Stopper	
38	70004771	1	Spacer	
39	70004772	1	Washer	
40	70004773	1	Disc	
41	70004774	2	Ring, Retaining	
42	70004775	1	Spring	
101	4460265	1	Connector - 9 Position	
101	4460226	6	Socket, Female	

**SECTION 5 - PLATFORM**

**FIGURE 5-30. FOOTSWITCH ASSEMBLY**



ART\_1001136889



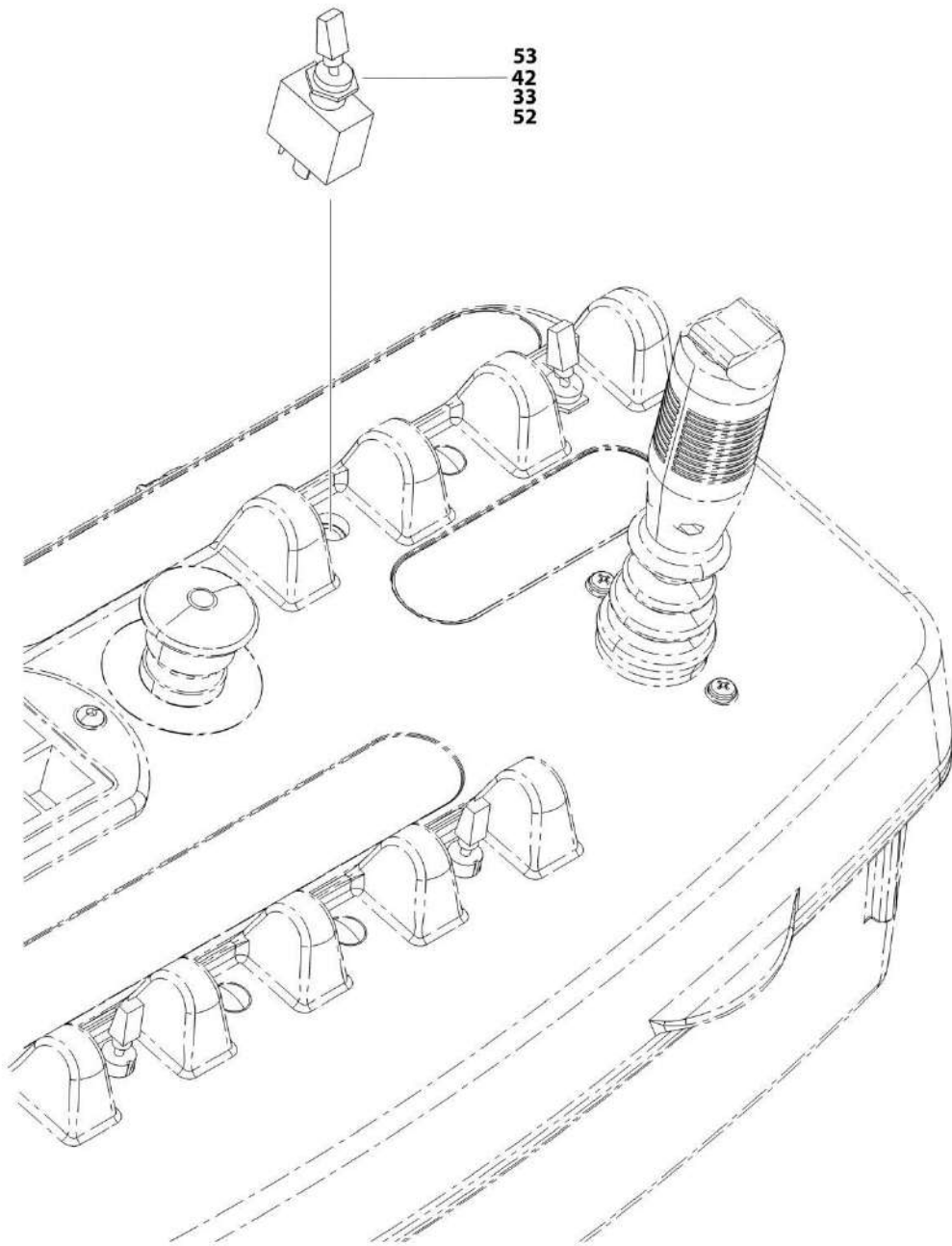
## SECTION 5 - PLATFORM

### FIGURE 5-30. FOOTSWITCH ASSEMBLY

ITEM	PART NUMBER	QTY	DESCRIPTION	REV
	1001136889	Ref	FOOTSWITCH ASSEMBLY	A
1	0100020	AR	Sealant	
2	1060330	1	Cable, Electrical - 16/3	
3	1001117172	1	Footswitch	
3	70002902	1	Switch, 20Amp	
3	70002903	1	Gasket	
3	70002905	1	Cover	
3	70002904	1	Kit, Replacement Bolt	
4	4460042	3	Terminal	
5	4460071	1	Connector, Strain Relief	
6	4460183	1	Terminal	
7	4460226	1	Socket, Female	
8	4460464	1	Pin, Male	

# SECTION 5 - PLATFORM

## FIGURE 5-31. MOTOR CONTROLS INSTALLATION - M450AJ



ART\_1001167699\_40F4

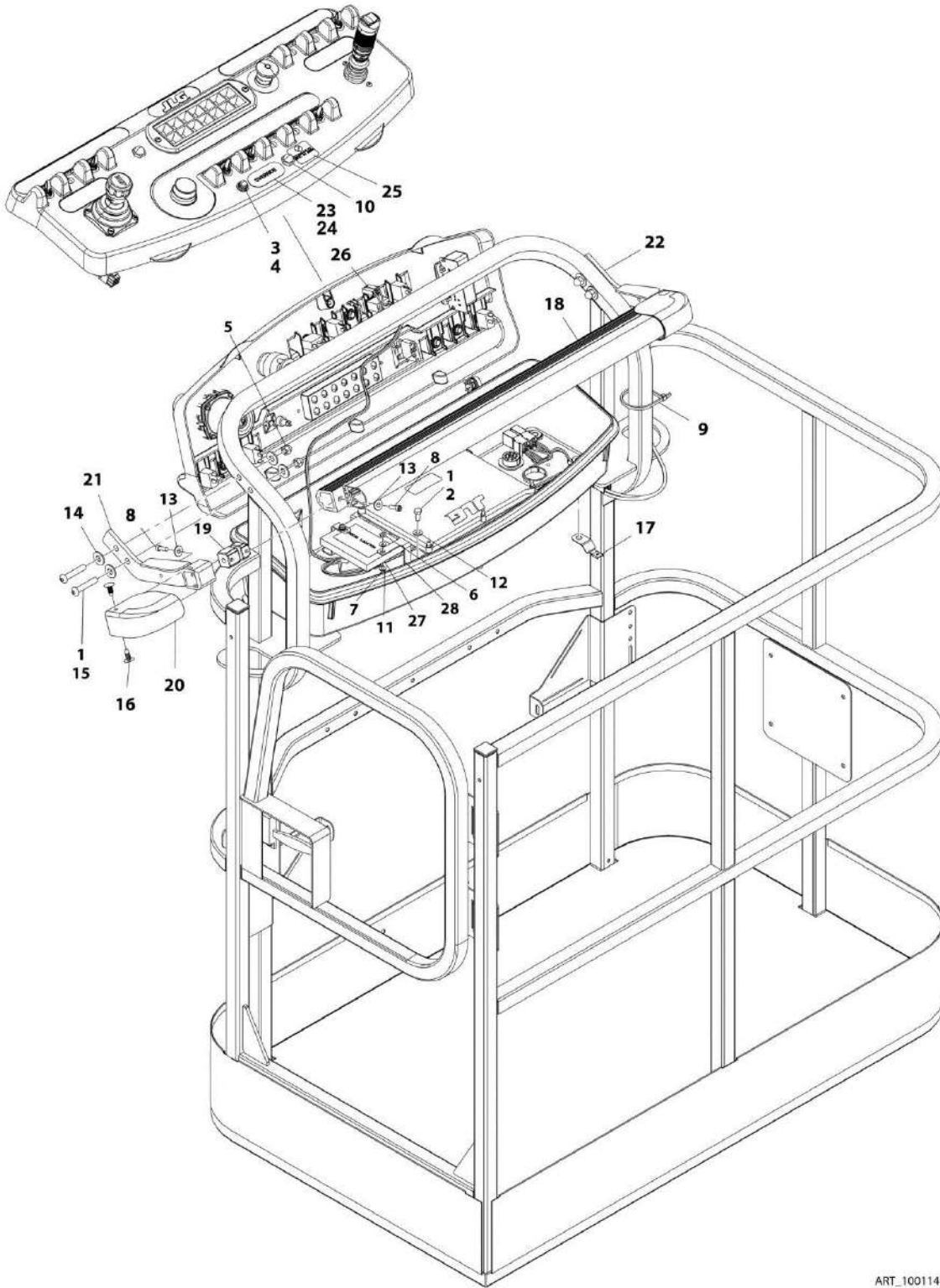
## SECTION 5 - PLATFORM

### FIGURE 5-31. MOTOR CONTROLS INSTALLATION - M450AJ

ITEM	PART NUMBER	QTY	DESCRIPTION	REV
	1001167699	Ref	MOTOR CONTROLS INSTALLATION - M450AJ	C
33	3790012	1	O-Ring	
42	4360336	1	Switch, Toggle	
52	4922222	1	Harness (Not Shown)	
52	4460464	1	Pin, Male	
53	4922223	1	Harness (Not Shown)	
53	4460464	1	Pin, Male	

# SECTION 5 - PLATFORM

FIGURE 5-32. SKYGUARD SYSTEM INSTALLATION (SN 0300189898 through 0300200789)



ART\_1001149563

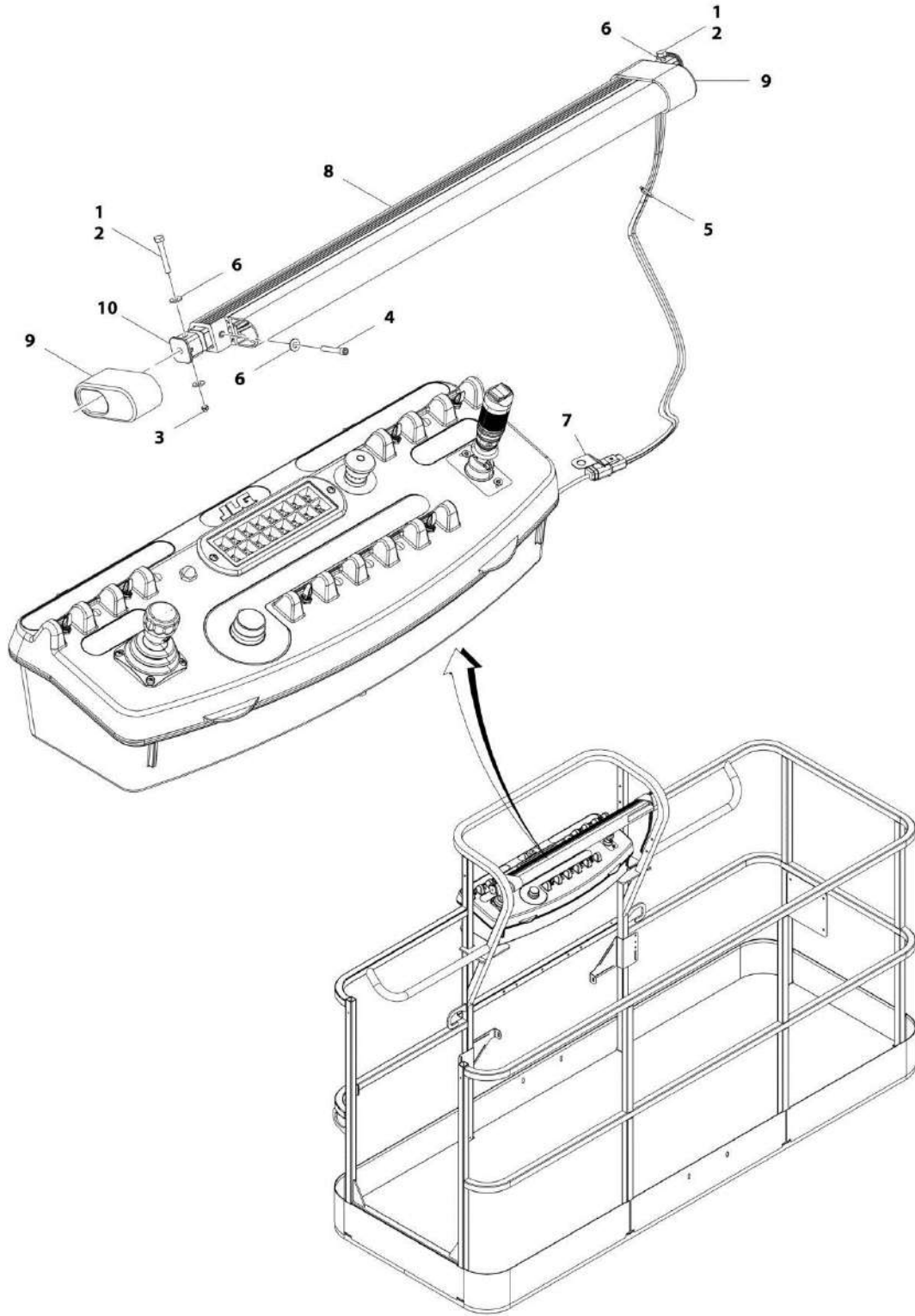
## SECTION 5 - PLATFORM

**FIGURE 5-32. SKYGUARD SYSTEM INSTALLATION (SN 0300189898 through 0300200789)**

ITEM	PART NUMBER	QTY	DESCRIPTION	REV
	1001149563	Ref	SKYGUARD SYSTEM INSTALLATION (SN 0300189898 through 0300200789)	A
1	0100011	AR	Compound, Locking	
2	0641405	2	Bolt, 1/4-20 x 5/8	
3	2920028	1	Light, Indicator	
4	2920029	1	Bulb	
5	3300472	4	Nut, Acorn 3/8-16	
6	3311005	2	Nut, Lock #10-24	
7	3931016	2	Capscrew, #10-24 x 1	
8	3931412	4	Capscrew, 1/4-20 x 3/4	
9	4240033	8	Tie-Strap	
10	4360387	1	Switch, Push Button	
11	4711000	4	Washer, #10	
12	4711400	2	Washer, 1/4	
13	4751400	4	Washer, 1/4	
14	4751600	8	Washer, 3/8	
15	88261039	4	Screw, 3/8-16 x 2	
16	1001109786	4	Fastener	
17	1001120328	1	Mount	
18	1001137673	1	Switch, SkyGuard Assembly	
19	1001137681	2	Support, SkyGuard Switch	
20	1001137897	2	Cover, SkyGuard	
21	1001140223	1	Bracket, Left	
22	1001140224	1	Bracket, Right	
23	1001141300	1	Decal - SkyGuard Override	
24	1001141302	1	Decal - SkyGuard/Soft Touch Override	
25	1001144433	1	Decal - No Weight SkyGuard	
26	1001149569	1	Harness, SkyGuard Platform Sensor (See ELECTRICAL SECTION for Breakdown)	
27	1001149571	1	Module, SkyGuard Control	
28	1001151817	2	Bracket	

# SECTION 5 - PLATFORM

FIGURE 5-33. SKYGUARD SYSTEM INSTALLATION (SN 0300200790 through 0300208529)



ART\_1001187508

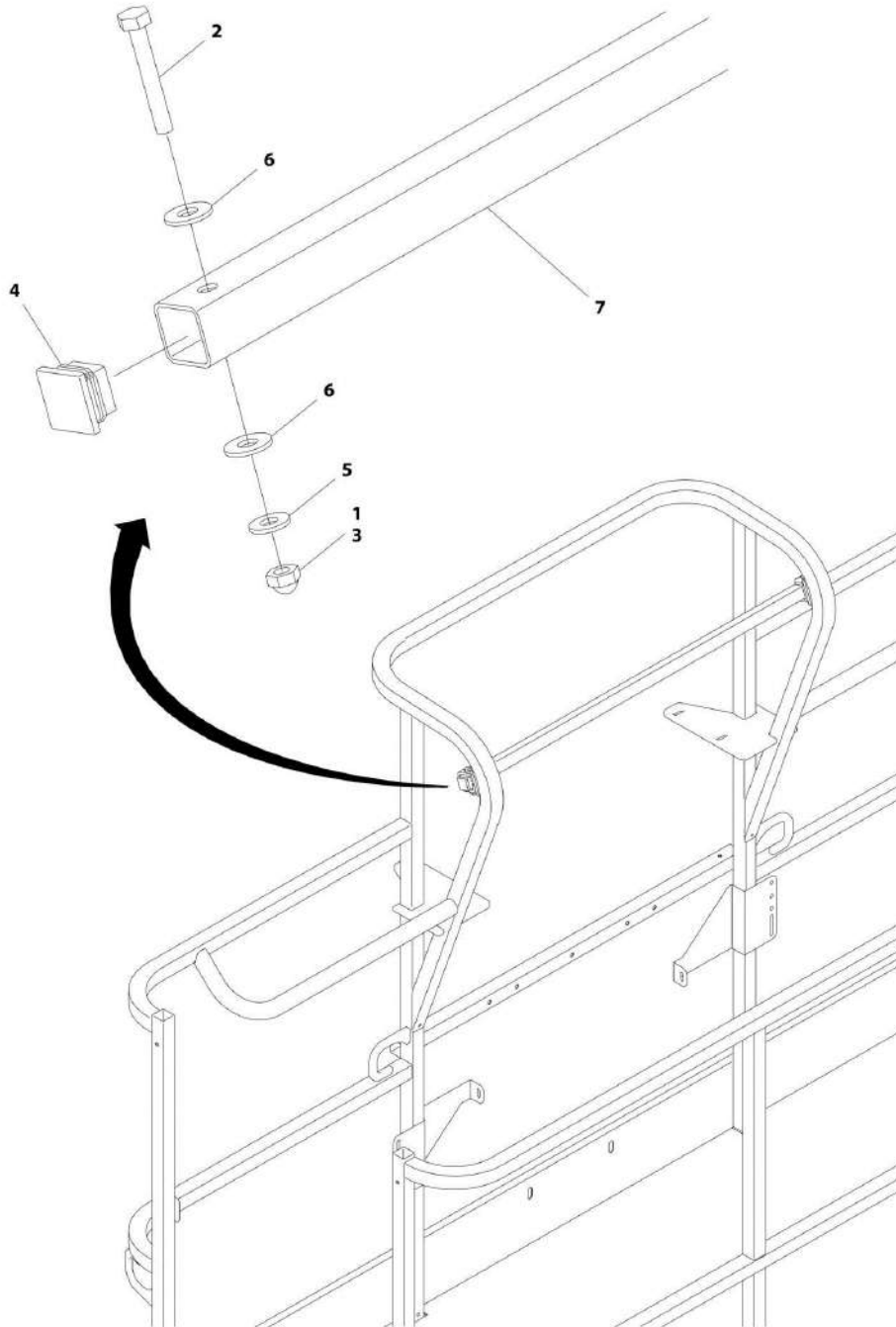
## SECTION 5 - PLATFORM

**FIGURE 5-33. SKYGUARD SYSTEM INSTALLATION (SN 0300200790 through 0300208529)**

ITEM	PART NUMBER	QTY	DESCRIPTION	REV
	1001187508	Ref	SKYGUARD SYSTEM INSTALLATION (SN 0300200790 through 0300208529)	A
1	0100011	AR	Compound, Locking	
2	0641414	2	Bolt, 1/4-20 x 1-3/4	
3	3300430	2	Nut, Acorn 1/4-20	
4	3931424	2	Capscrew, 1/4-20 x 1-1/2	
5	4240033	1	Tie-Strap	
6	4711400	6	Washer, 1/4	
7	1001120328	1	Mount	
8	1001137673	1	Switch, SkyGuard Assembly	
9	1001186517	2	Cover, Platform Sensor	
10	1001188889	2	Support, Shear Block	

# SECTION 5 - PLATFORM

## FIGURE 5-34. CROSS RAIL INSTALLATION



ART\_1001182138



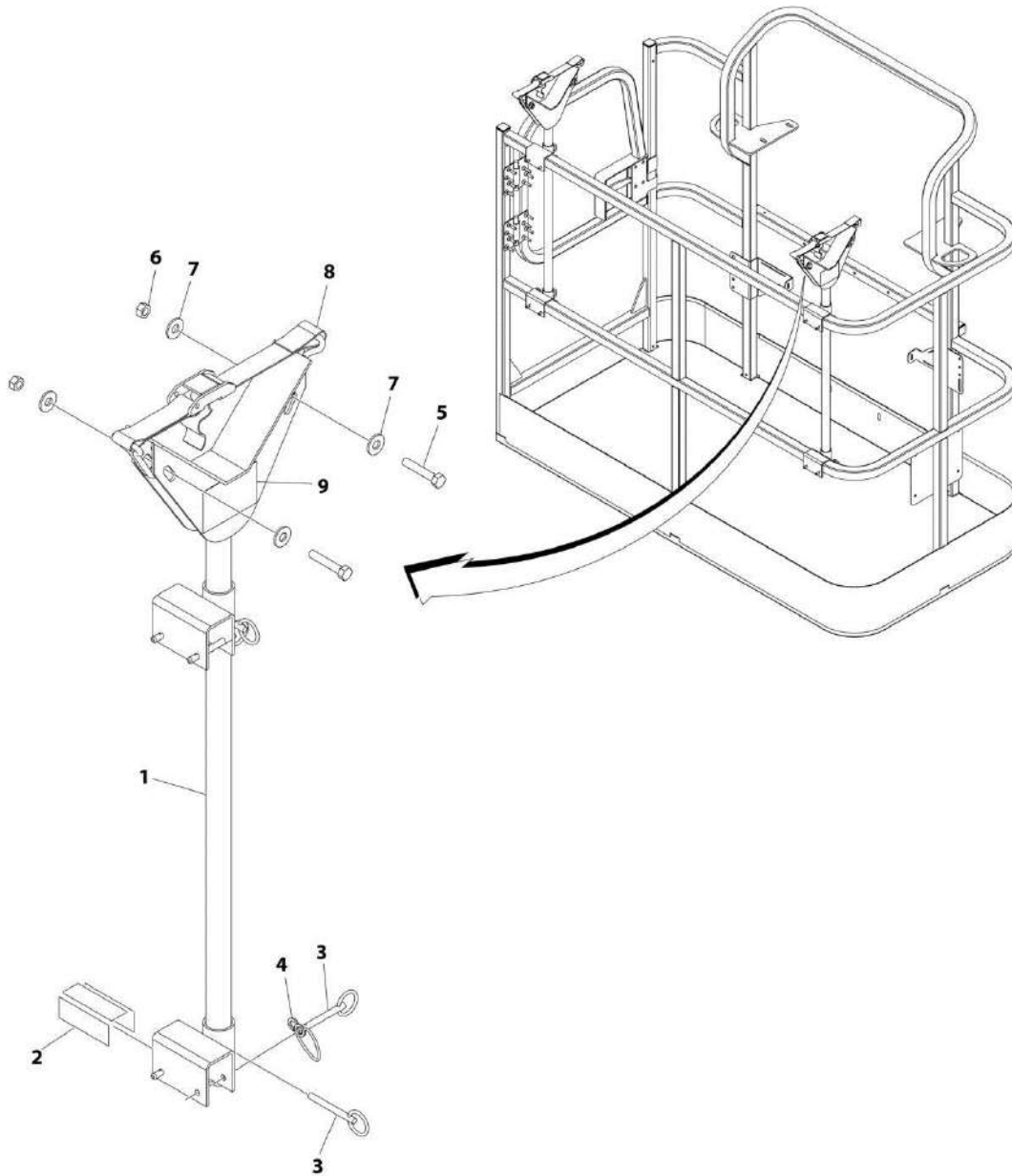
## SECTION 5 - PLATFORM

### FIGURE 5-34. CROSS RAIL INSTALLATION

ITEM	PART NUMBER	QTY	DESCRIPTION	REV
	1001182138	Ref	CROSS RAIL INSTALLATION	A
1	0100071	AR	Compound, Locking	
2	0641414	2	Bolt 1/4 x 1-3/4	
3	3300430	2	Nut 1/4	
4	3520182	2	Plug	
5	4711400	2	Washer 1/4	
6	4751400	4	Washer 1/4	
7	1001191708	1	Bar	

# SECTION 5 - PLATFORM

## FIGURE 5-35. PIPE RACK INSTALLATION



ART\_0257728

## SECTION 5 - PLATFORM

### FIGURE 5-35. PIPE RACK INSTALLATION

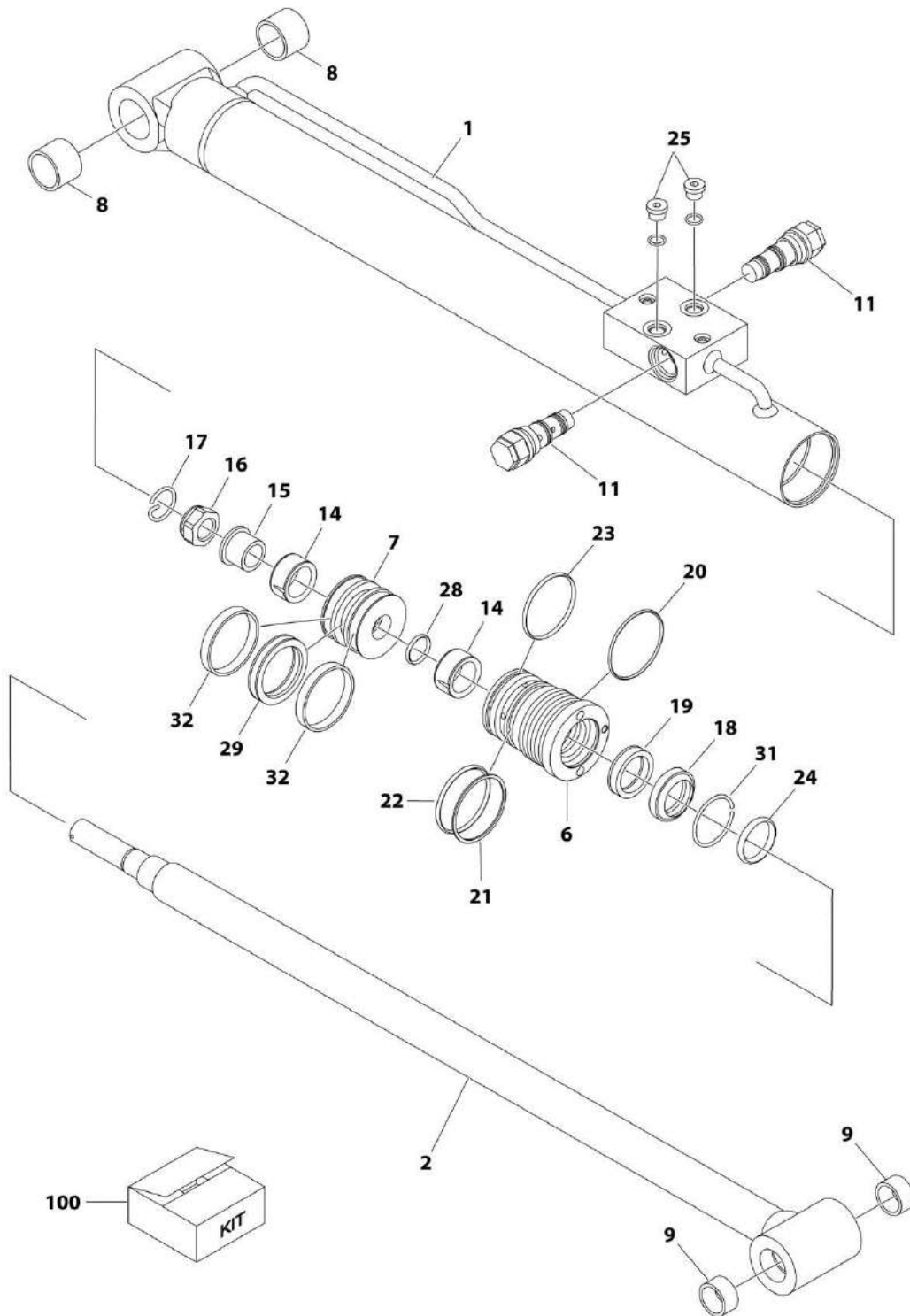
ITEM	PART NUMBER	QTY	DESCRIPTION	REV
	0257728	Ref	<b>PIPE RACK INSTALLATION</b>	2/C
1	4845582	2	Rack, Pipe	
2	4420062	AR	Tape	
3	3422661	10	Pin	
4	1060379	4	Lanyard	
5	0641514	4	Bolt 5/16 x 1-3/4	
6	3311505	4	Nut 5/16	
7	4751500	8	Washer 5/16	
8	0480100	2	Tie-Down	
9	1703683	2	Decal - Capacity	



**SECTION 6 - CYLINDER**

# SECTION 6 - CYLINDER

## FIGURE 6-1. JIB CYLINDER ASSEMBLY - E450AJ/M450AJ



ART\_1001140280

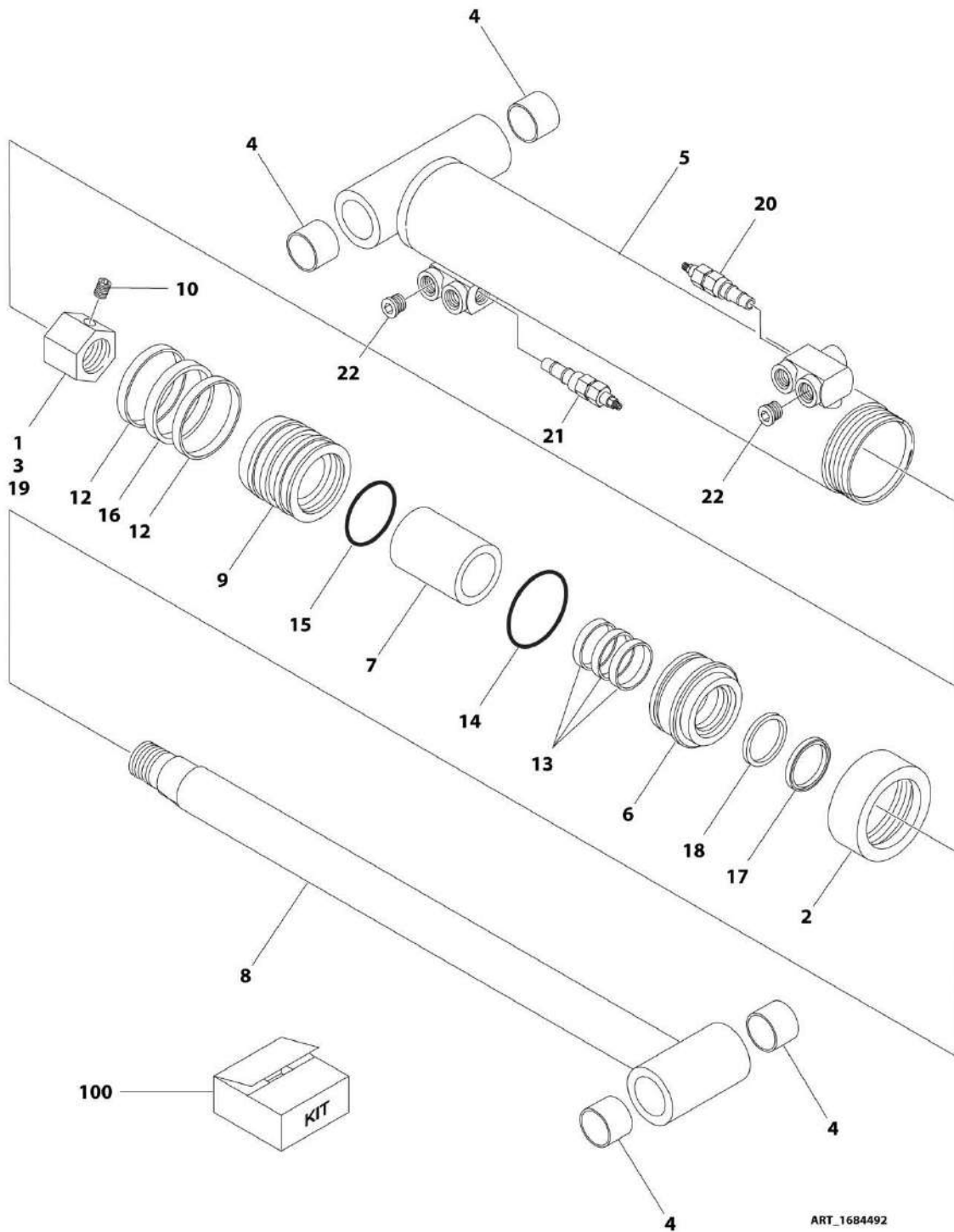
## SECTION 6 - CYLINDER

**FIGURE 6-1. JIB CYLINDER ASSEMBLY - E450AJ/M450AJ**

ITEM	PART NUMBER	QTY	DESCRIPTION	REV
	1001140280	Ref	JIB CYLINDER ASSEMBLY - E450AJ/M450AJ	A
		Ref	Note: For Jib Cylinder with Manual Descent Valve See SPECIAL OPTIONS.	
1	70003863	1	Barrel, Weldment	
2	70003864	1	Rod, Weldment	
6	7026088	1	Head	
7	70003833	1	Piston	
8	0961951	2	Bushing	
9	0961947	2	Bushing	
11	4640509	2	Cartridge, Counterbalance Valve	
11	2900792	2	Seal Kit - 4640509	
14	7026090	2	Bushing	
15	7026091	1	Sleeve	
16	7026092	1	Nut	
17	70002223	1	Retainer	
18	See Note	NSS	Wiper, Rod (Note: Use Item 100)	
19	See Note	NSS	Seal, Rod (Note: Use Item 100)	
20	See Note	NSS	O-Ring (Note: Use Item 100)	
21	See Note	NSS	Ring, Back-up (Note: Use Item 100)	
22	See Note	NSS	O-Ring (Note: Use Item 100)	
23	See Note	NSS	O-Ring (Note: Use Item 100)	
24	7026068	1	O-Ring	
25	7024844	2	Plug	
28	See Note	NSS	O-Ring (Note: Use Item 100)	
29	See Note	NSS	Seal, Piston (Note: Use Item 100)	
31	70002220	1	Ring, Retaining	
32	See Note	NSS	Ring, Wear (Note: Use Item 100)	
100	70003836	1	Seal Kit (Includes Items 18-23, 28, 29 & 32)	

# SECTION 6 - CYLINDER

## FIGURE 6-2. LIFT CYLINDER ASSEMBLY - LOWER - E450A





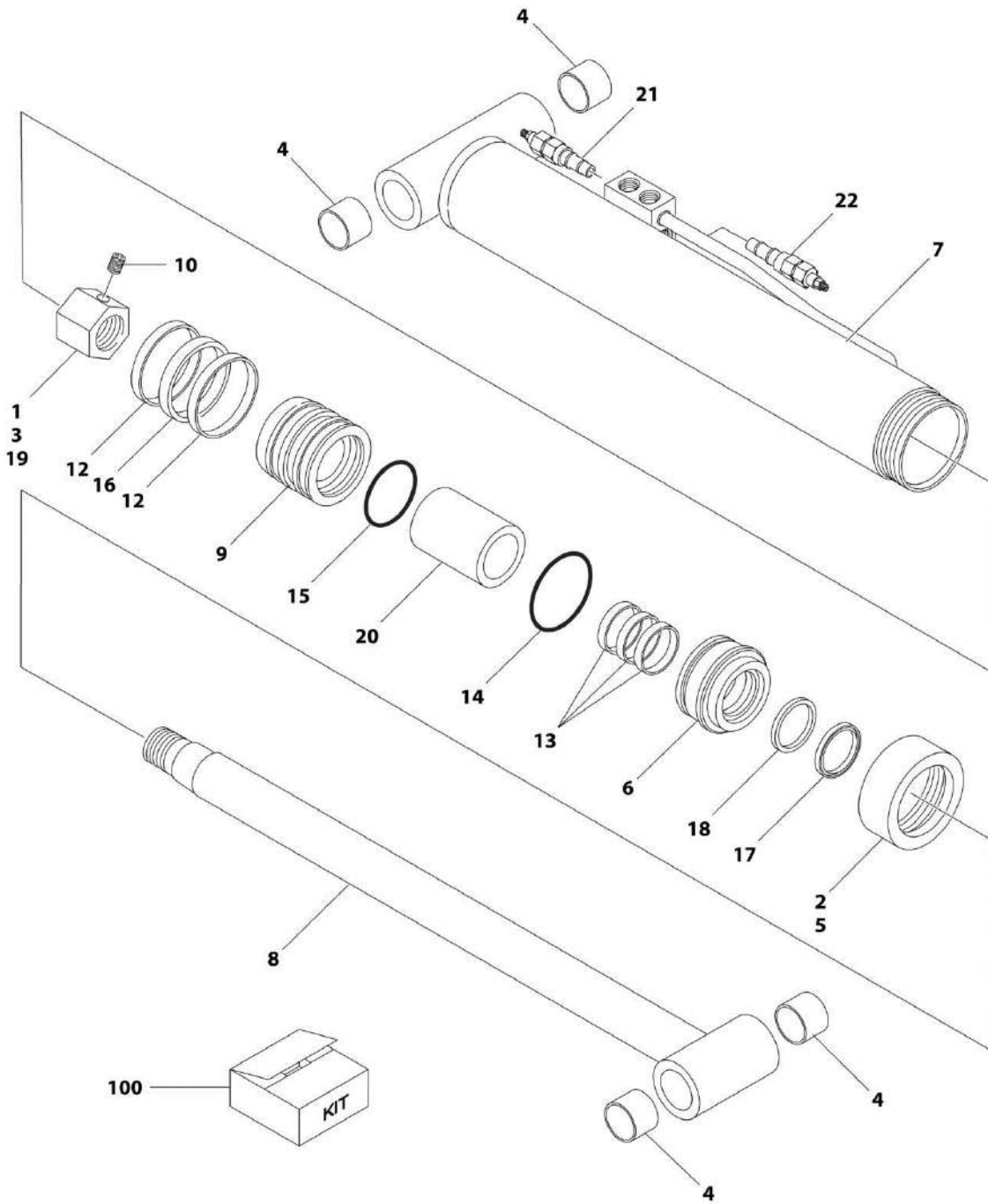
## SECTION 6 - CYLINDER

**FIGURE 6-2. LIFT CYLINDER ASSEMBLY - LOWER - E450A**

ITEM	PART NUMBER	QTY	DESCRIPTION	REV
	1684492	Ref	LIFT CYLINDER ASSEMBLY - LOWER - E450A	B
1	0100011	AR	Compound, Locking	
2	0100035	AR	Compound, Locking	
3	0100038	AR	Primer, Locking	
4	0961950	4	Bushing	
5	1684055	1	Barrel, Weldment	
5A	1120093	1	Retainer	
6	1683710	1	Head	
7	4566432	1	Spacer	
8	1683941	1	Rod, Weldment	
9	3480241	1	Piston	
10	3900170	1	Setscrew	
12	See Note	NSS	Ring, Wear (Note: Use Item 100)	
13	See Note	NSS	Ring, Wear (Note: Use Item 100)	
14	See Note	NSS	O-Ring (Note: Use Item 100)	
15	See Note	NSS	O-Ring (Note: Use Item 100)	
16	See Note	NSS	Seal, Piston (Note: Use Item 100)	
17	See Note	NSS	Wiper, Rod (Note: Use Item 100)	
18	See Note	NSS	Seal, Rod (Note: Use Item 100)	
19	3300281	1	Nut	
20	4640634	1	Cartridge, Holding Valve	
20	2900770	1	Seal Kit - 4640634 Valve	
21	4641386	1	Cartridge, Holding Valve	
21	7011376	1	Seal Kit - 4641386 Valve	
22	2220885	2	Plug	
100	2901806	1	Seal Kit (Includes Items 12-18)	

# SECTION 6 - CYLINDER

## FIGURE 6-3. LIFT CYLINDER ASSEMBLY - LOWER - E450AJ/M450AJ



ART\_1684451

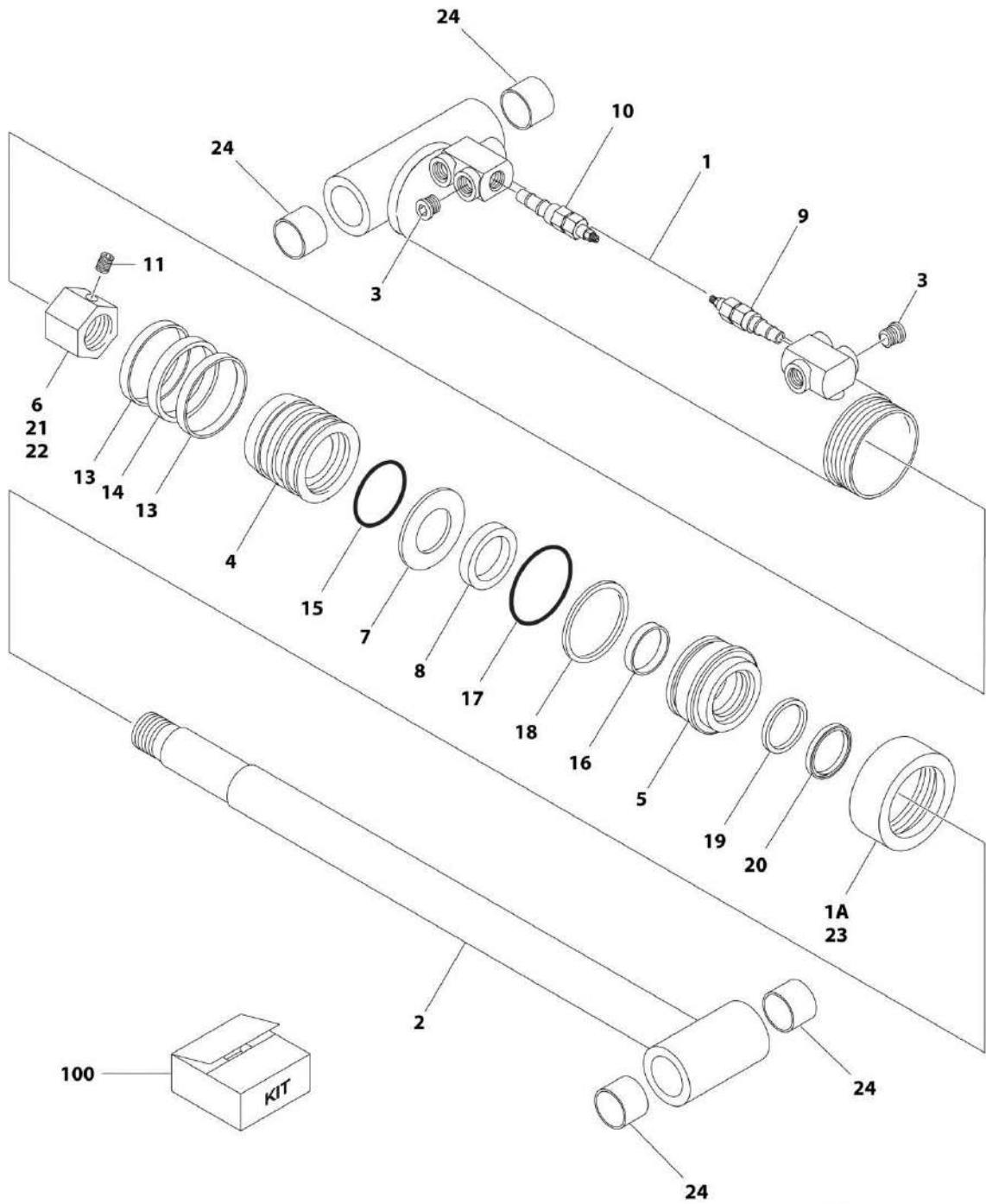
## SECTION 6 - CYLINDER

**FIGURE 6-3. LIFT CYLINDER ASSEMBLY - LOWER - E450AJ/M450AJ**

ITEM	PART NUMBER	QTY	DESCRIPTION	REV
	1684451	Ref	LIFT CYLINDER ASSEMBLY - LOWER - E450AJ/M450AJ	D
1	0100011	AR	Compound, Locking	
2	0100035	1	Compound, Locking	
4	0961950	4	Bushing	
5	1120094	1	Retainer	
6	1683710	1	Head	
7	1683940	1	Barrel, Weldment	
8	1683941	1	Rod, Weldment	
9	3480241	1	Piston	
10	3900170	1	Setscrew	
12	See Note	NSS	Ring, Wear (Note: Use Item 100)	
13	See Note	NSS	Ring, Wear (Note: Use Item 100)	
14	See Note	NSS	O-Ring (Note: Use Item 100)	
15	See Note	NSS	O-Ring (Note: Use Item 100)	
16	See Note	NSS	Seal, Piston (Note: Use Item 100)	
17	See Note	NSS	Wiper, Rod (Note: Use Item 100)	
18	See Note	1	Seal, Rod	
19	3300281	1	Nut	
20	4566432	1	Spacer	
21	4640634	1	Cartridge, Holding Valve	
21	2900770	1	Seal Kit - 4640634 Valve	
22	4641386	1	Cartridge, Holding Valve	
22	7011376	1	Seal Kit - 4641386 Valve	
23	0100038	1	Primer, Locking	
100	2901806	1	Seal Kit (Includes Items 12-18)	

# SECTION 6 - CYLINDER

## FIGURE 6-4. LIFT CYLINDER ASSEMBLY - MID - E450A



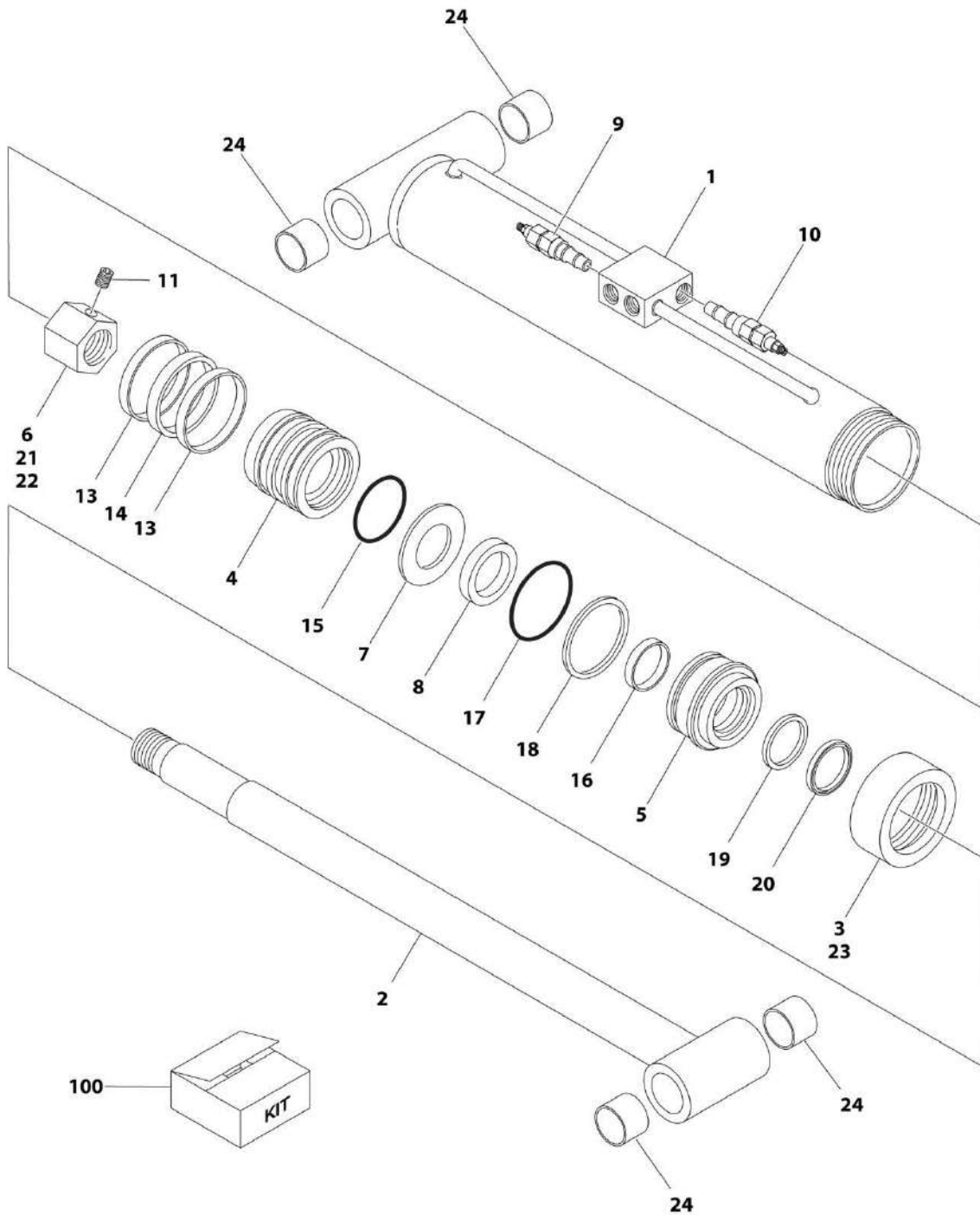
## SECTION 6 - CYLINDER

**FIGURE 6-4. LIFT CYLINDER ASSEMBLY - MID - E450A**

ITEM	PART NUMBER	QTY	DESCRIPTION	REV
	1684493	Ref	LIFT CYLINDER ASSEMBLY - MID - E450A	B
1	1684056	1	Barrel, Weldment	
1A	1120305	1	Retainer	
2	1683944	1	Rod, Weldment	
3	2220885	2	Plug	
4	3480242	1	Piston	
5	1683712	1	Head	
6	3300281	1	Nut	
7	4740207	1	Washer	
8	4566435	1	Spacer	
9	4640634	1	Cartridge, Holding Valve	
9	2900770	1	Seal Kit - 4640634 Valve	
10	4641386	1	Cartridge, Holding Valve	
10	7011376	1	Seal Kit - 4641386 Valve	
11	3900170	1	Setscrew	
13	See Note	NSS	Ring, Wear (Note: Use Item 100)	
14	See Note	NSS	Seal, Piston (Note: Use Item 100)	
15	See Note	NSS	O-Ring (Note: Use Item 100)	
16	See Note	NSS	Ring, Wear (Note: Use Item 100)	
17	See Note	NSS	O-Ring (Note: Use Item 100)	
18	See Note	NSS	Ring, Back-up (Note: Use Item 100)	
19	See Note	NSS	Seal, Rod (Note: Use Item 100)	
20	See Note	NSS	Wiper, Rod (Note: Use Item 100)	
21	0100011	AR	Compound, Locking	
22	0100038	AR	Primer, Locking	
23	0100035	AR	Compound, Locking	
24	0961950	4	Bushing	
100	2901805	1	Seal Kit (Includes Items 13-20)	

# SECTION 6 - CYLINDER

## FIGURE 6-5. LIFT CYLINDER ASSEMBLY - MID - E450AJ/M450AJ



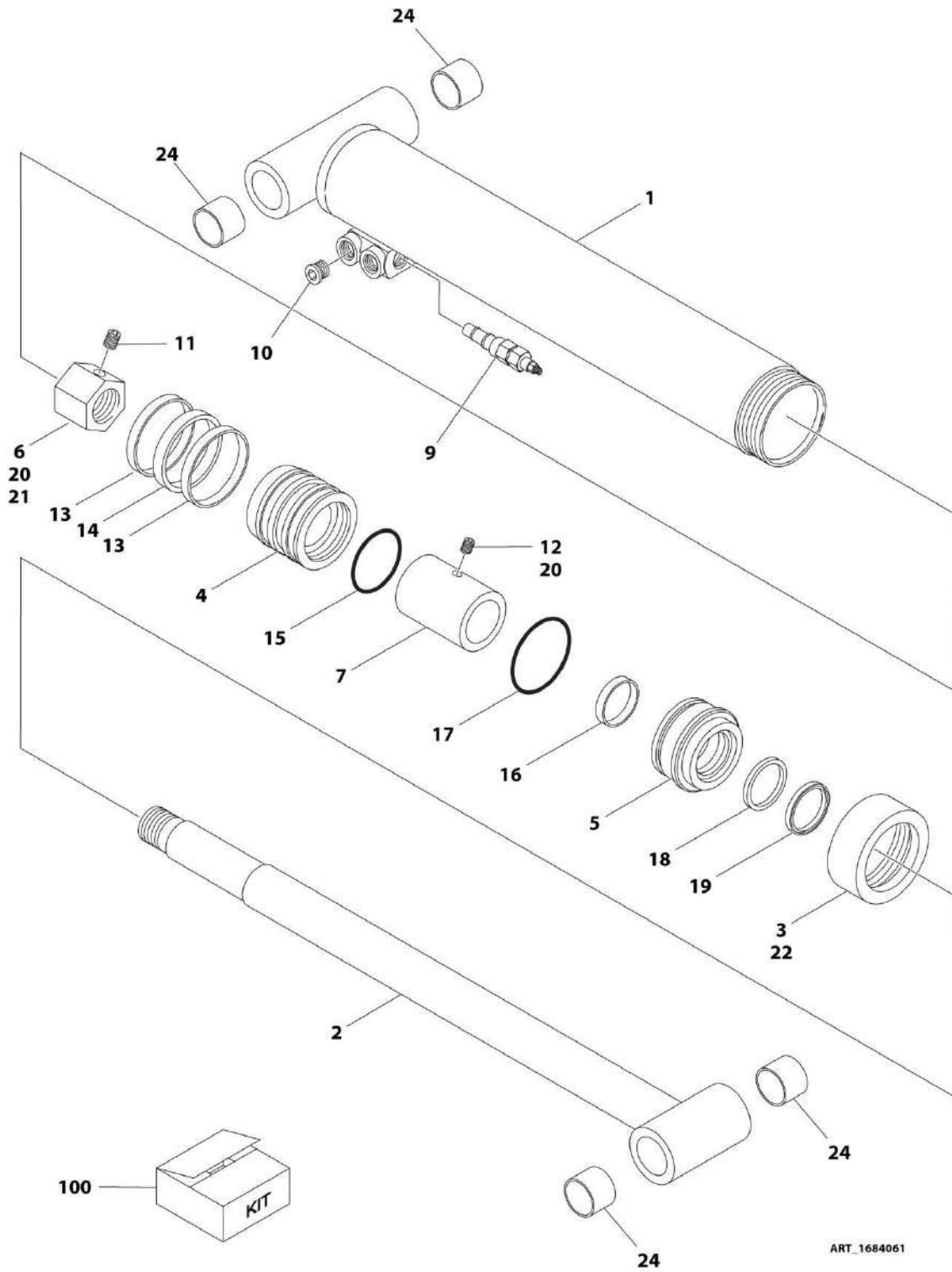
## SECTION 6 - CYLINDER

**FIGURE 6-5. LIFT CYLINDER ASSEMBLY - MID - E450AJ/M450AJ**

ITEM	PART NUMBER	QTY	DESCRIPTION	REV
	1684452	Ref	LIFT CYLINDER ASSEMBLY - MID - E450AJ/M450AJ	C
1	1683943	1	Barrel, Weldment	
2	1683944	1	Rod, Weldment	
3	1120305	1	Retainer	
4	3480242	1	Piston	
5	1683712	1	Head	
6	3300281	1	Nut	
7	4740207	1	Washer	
8	4566435	1	Spacer	
9	4640634	1	Cartridge, Holding Valve	
9	2900770	1	Seal Kit - 4640634 Valve	
10	4641386	1	Cartridge, Holding Valve	
10	7011376	1	Seal Kit - 4641386 Valve	
11	3900170	1	Setscrew	
13	See Note	NSS	Ring, Wear (Note: Use Item 100)	
14	See Note	NSS	Seal, Piston (Note: Use Item 100)	
15	See Note	NSS	O-Ring (Note: Use Item 100)	
16	See Note	NSS	Ring, Wear (Note: Use Item 100)	
17	See Note	NSS	O-Ring (Note: Use Item 100)	
18	See Note	NSS	Ring, Back-up (Note: Use Item 100)	
19	See Note	NSS	Seal, Rod (Note: Use Item 100)	
20	See Note	NSS	Wiper, Rod (Note: Use Item 100)	
21	0100011	AR	Compound, Locking	
22	0100038	AR	Primer, Locking	
23	0100035	1	Compound, Locking	
24	0961950	4	Bushing	
100	2901805	1	Seal Kit (Includes Items 13-20)	

# SECTION 6 - CYLINDER

## FIGURE 6-6. LIFT CYLINDER ASSEMBLY - UPPER - E450A





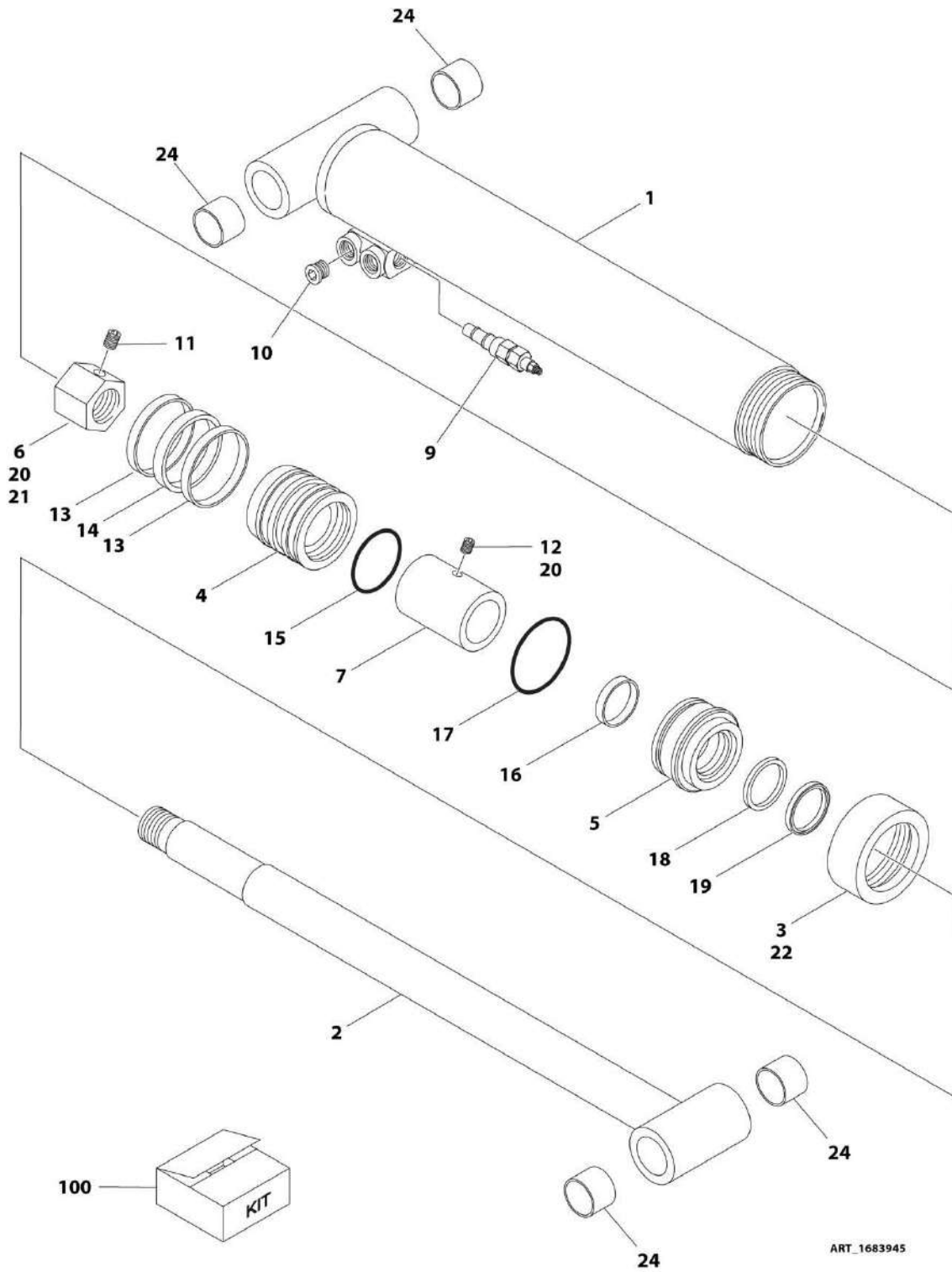
## SECTION 6 - CYLINDER

**FIGURE 6-6. LIFT CYLINDER ASSEMBLY - UPPER - E450A**

ITEM	PART NUMBER	QTY	DESCRIPTION	REV
	1684061	Ref	LIFT CYLINDER ASSEMBLY - UPPER - E450AJ	5
1	1684060	1	Barrel, Weldment	
2	1684059	1	Rod, Weldment	
3	1120108	1	Retainer	
4	3480240	1	Piston	
5	1683709	1	Head	
6	3300315	1	Nut	
7	4567177	1	Spacer	
9	4640936	1	Cartridge, Valve	
9	2900770	1	Seal, Kit - 4640936 Valve	
10	2220885	4	Plug	
11	3900170	1	Setscrew	
12	3951402	1	Setscrew	
13	See Note	NSS	Ring, Wear (Note: Use Item 100)	
14	See Note	NSS	Seal, Piston (Note: Use Item 100)	
15	See Note	NSS	O-Ring (Note: Use Item 100)	
16	See Note	NSS	Ring, Wear (Note: Use Item 100)	
17	See Note	NSS	O-Ring (Note: Use Item 100)	
18	See Note	NSS	Seal, Rod (Note: Use Item 100)	
19	See Note	NSS	Wiper, Rod (Note: Use Item 100)	
20	0100011	AR	Compound, Locking	
21	0100038	AR	Primer, Locking	
22	0100035	AR	Compound, Locking	
24	0961950	4	Bushing	
100	2901804	1	Seal Kit (Includes Items 13-19)	

# SECTION 6 - CYLINDER

## FIGURE 6-7. LIFT CYLINDER ASSEMBLY - UPPER - E450AJ/M450AJ



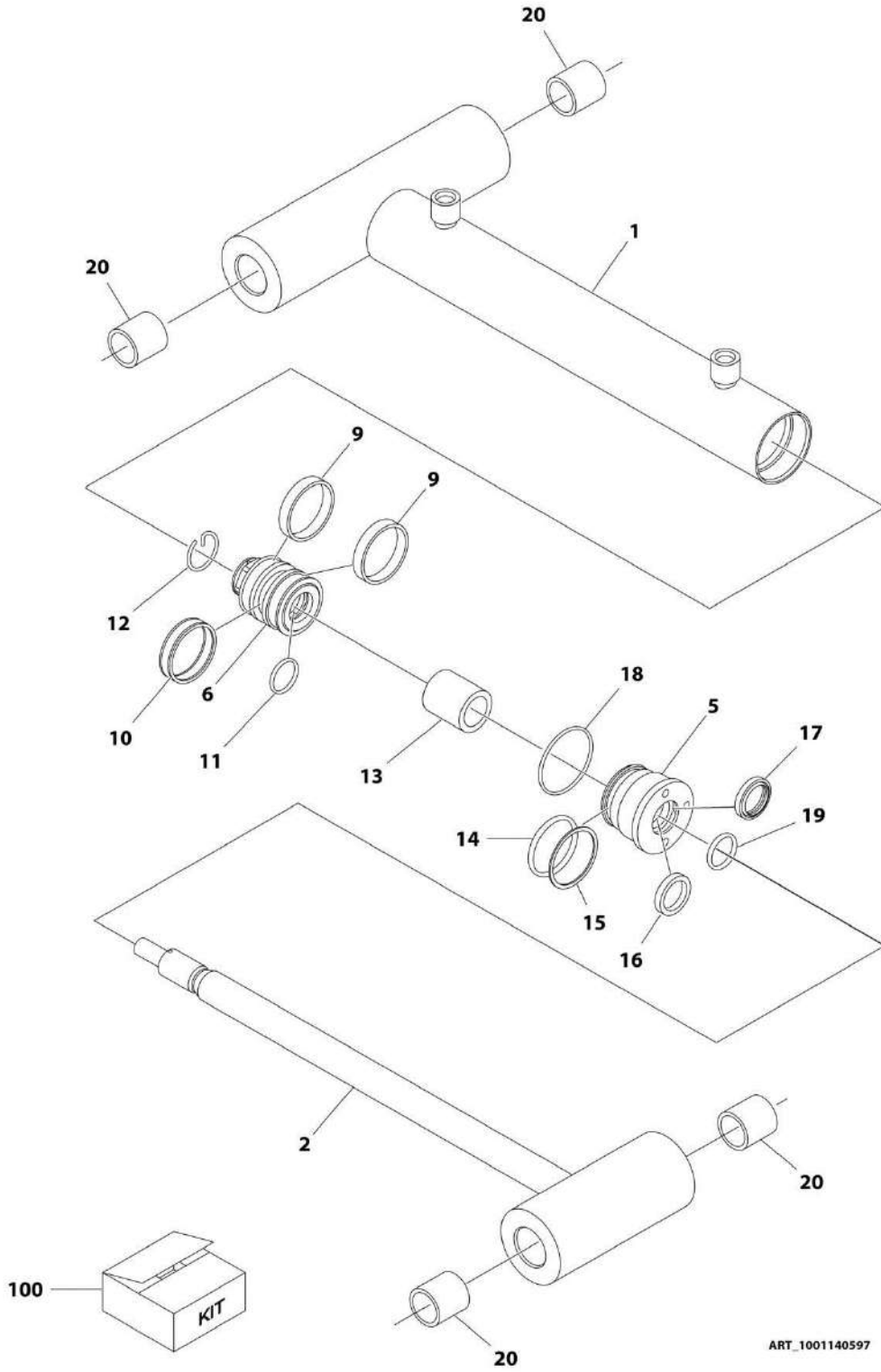
## SECTION 6 - CYLINDER

**FIGURE 6-7. LIFT CYLINDER ASSEMBLY - UPPER - E450AJ/M450AJ**

ITEM	PART NUMBER	QTY	DESCRIPTION	REV
	1683945	Ref	LIFT CYLINDER ASSEMBLY - UPPER - E450AJ/M450AJ	4
1	1683946	1	Barrel, Weldment	
2	1683947	1	Rod, Weldment	
3	1120108	1	Retainer	
4	3480240	1	Piston	
5	1683709	1	Head	
6	3300279	1	Nut	
7	4567908	1	Spacer	
9	4640936	1	Cartridge, Holding Valve	
9	2900770	1	Seal Kit - 4640936 Valve	
10	2220885	4	Plug	
11	3900170	1	Setscrew	
12	3900142	1	Setscrew	
13	See Note	NSS	Ring, Wear (Note: Use Item 100)	
14	See Note	NSS	Seal, Piston (Note: Use Item 100)	
15	See Note	NSS	O-Ring (Note: Use Item 100)	
16	See Note	NSS	Ring, Wear (Note: Use Item 100)	
17	See Note	NSS	O-Ring (Note: Use Item 100)	
18	See Note	NSS	Seal, Rod (Note: Use Item 100)	
19	See Note	1	Wiper, Rod	
20	0100011	AR	Compound, Locking	
21	0100038	AR	Primer, Locking	
22	0100035	AR	Compound, Locking	
24	0961950	2	Bushing	
100	2901804	1	Seal Kit (Includes Items 13-19)	

# SECTION 6 - CYLINDER

## FIGURE 6-8. MASTER CYLINDER ASSEMBLY - E450A



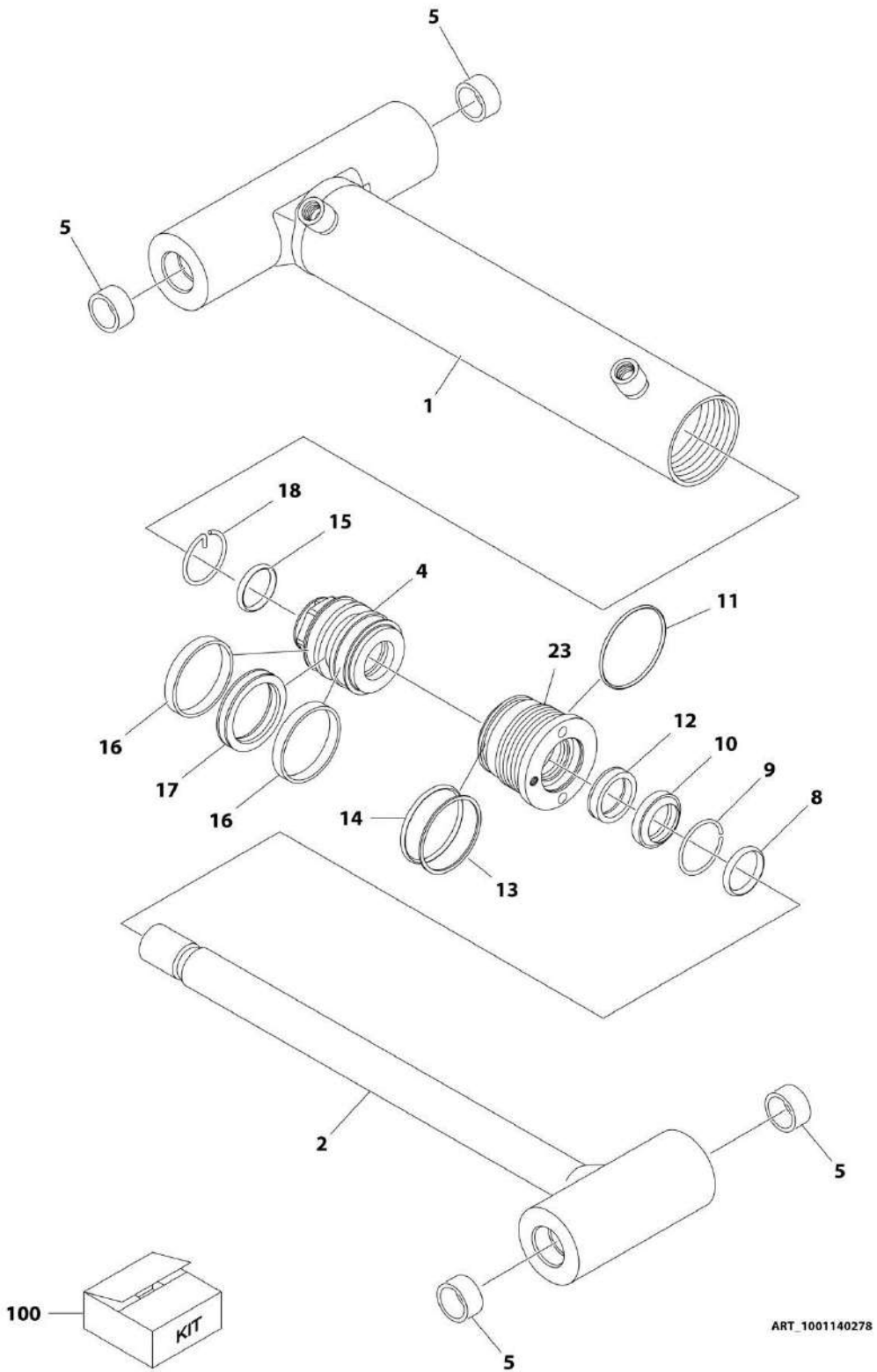
## SECTION 6 - CYLINDER

**FIGURE 6-8. MASTER CYLINDER ASSEMBLY - E450A**

ITEM	PART NUMBER	QTY	DESCRIPTION	REV
	1001140597	Ref	MASTER CYLINDER ASSEMBLY - E450A	A
1	70004144	1	Barrel, Weldment	
2	70004145	1	Rod, Weldment	
5	70000739	1	Head	
6	70004141	1	Piston	
9	See Note	NSS	Ring, Wear (Note: Use Item 100)	
10	See Note	NSS	Seal, Piston (Note: Use Item 100)	
11	70023094	1	O-Ring	
12	70004142	1	Retainer	
13	70004143	1	Spacer	
14	See Note	NSS	O-Ring (Note: Use Item 100)	
15	See Note	NSS	Ring, Back-up (Note: Use Item 100)	
16	See Note	NSS	Seal, Rod (Note: Use Item 100)	
17	See Note	NSS	Wiper, Rod (Note: Use Item 100)	
18	See Note	NSS	O-Ring (Note: Use Item 100)	
19	See Note	NSS	O-Ring (Note: Use Item 100)	
20	0962356	4	Bushing	
100	70004130	1	Seal Kit (Includes Items 9-10 & 14-19)	

# SECTION 6 - CYLINDER

## FIGURE 6-9. MASTER CYLINDER ASSEMBLY - E450AJ/M450AJ



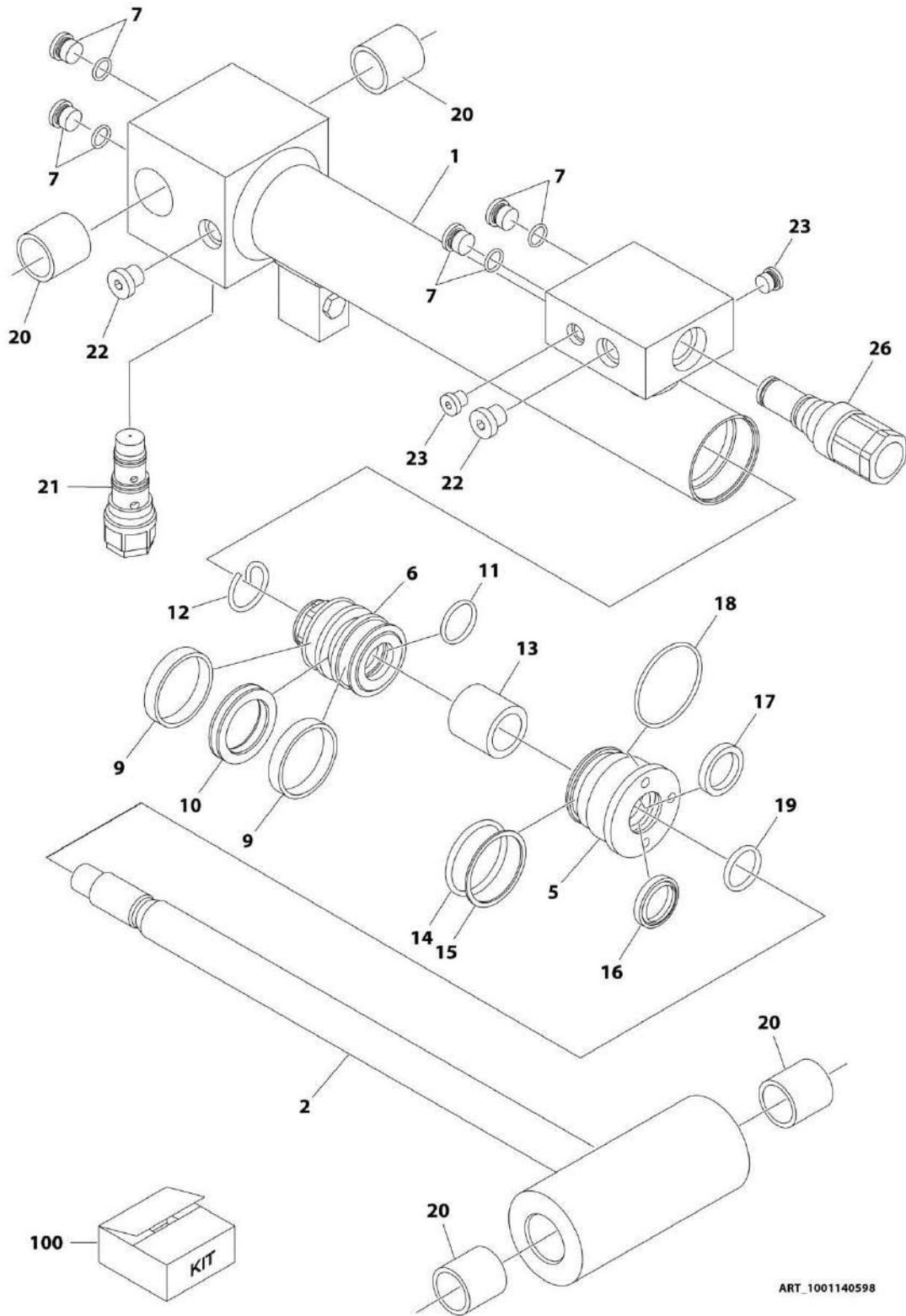
## SECTION 6 - CYLINDER

**FIGURE 6-9. MASTER CYLINDER ASSEMBLY - E450AJ/M450AJ**

ITEM	PART NUMBER	QTY	DESCRIPTION	REV
	1001140278	Ref	MASTER CYLINDER ASSEMBLY - E450AJ/M450AJ	A
1	70003843	1	Barrel, Weldment	
2	70003844	1	Rod, Weldment	
4	70003819	1	Piston	
5	0961951	4	Bushing	
8	7026084	1	O-Ring	
9	70002217	1	Ring, Retaining	
10	See Note	NSS	Wiper, Rod (Note: Use Item 100)	
11	See Note	NSS	O-Ring (Note: Use Item 100)	
12	See Note	NSS	Seal, Rod (Note: Use Item 100)	
13	See Note	NSS	Ring, Back-up (Note: Use Item 100)	
14	See Note	NSS	O-Ring (Note: Use Item 100)	
15	See Note	NSS	O-Ring (Note: Use Item 100)	
16	See Note	NSS	Ring, Wear (Note: Use Item 100)	
17	See Note	NSS	Seal, Piston (Note: Use Item 100)	
18	70002216	1	Retainer	
23	7026082	1	Head	
100	70003845	1	Seal Kit (Includes Items 10-17)	

# SECTION 6 - CYLINDER

## FIGURE 6-10. LEVEL (PLATFORM SLAVE) CYLINDER ASSEMBLY - E450A





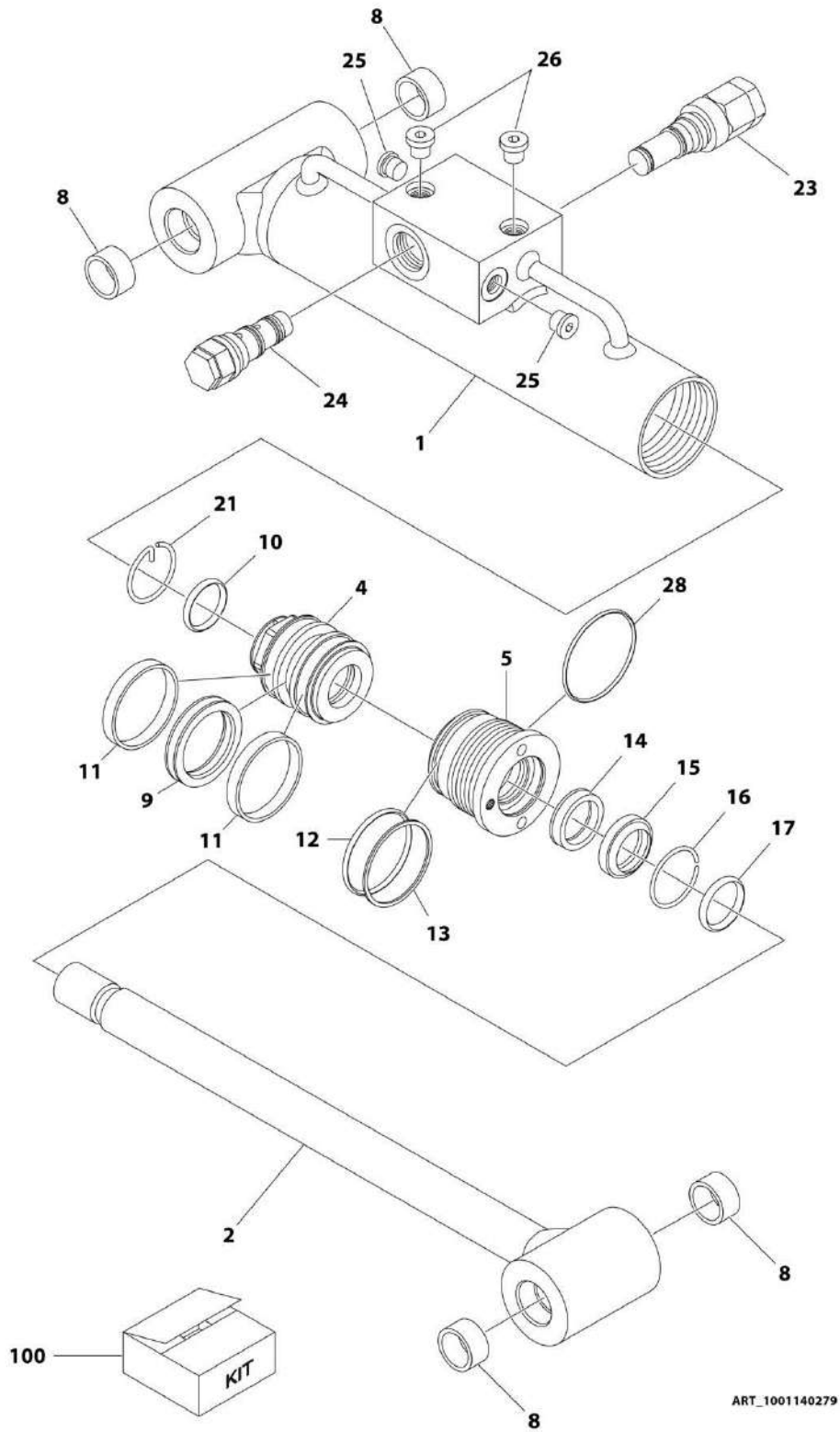
## SECTION 6 - CYLINDER

**FIGURE 6-10. LEVEL (PLATFORM SLAVE) CYLINDER ASSEMBLY - E450A**

ITEM	PART NUMBER	QTY	DESCRIPTION	REV
	1001140598	Ref	LEVEL (PLATFORM SLAVE) CYLINDER ASSEMBLY - E450A	A
1	70004146	1	Barrel, Weldment	
2	70004147	1	Rod, Weldment	
5	70000739	1	Head	
6	70004141	1	Piston	
7	See Note	4	Plug (Note: Not Available for Purchase)	
9	See Note	NSS	Ring, Wear (Note: Use Item 100)	
10	See Note	NSS	Seal, Piston (Note: Use Item 100)	
11	70023094	NSS	O-Ring (Note: Use Item 100)	
12	70004142	1	Retainer	
13	70004143	1	Spacer	
14	See Note	NSS	O-Ring (Note: Use Item 100)	
15	See Note	NSS	Ring, Back-up (Note: Use Item 100)	
16	See Note	NSS	Wiper, Rod (Note: Use Item 100)	
17	See Note	NSS	Seal, Rod (Note: Use Item 100)	
18	See Note	NSS	O-Ring (Note: Use Item 100)	
19	70000740	1	O-Ring	
20	0962356	4	Bushing	
21	4640509	1	Cartridge, Counterbalance Valve	
21	2900792	1	Seal Kit - 4640509 Valve	
22	70024262	2	Plug	
23	See Note	2	Plug (Note: Not Available for Purchase)	
26	4640932	1	Cartridge, Counterbalance Valve	
26	7011112	1	Seal Kit - 4640932 Valve	
100	70004131	1	Seal Kit (Includes Items 9-11 & 14-18)	

# SECTION 6 - CYLINDER

## FIGURE 6-11. LEVEL (PLATFORM SLAVE) CYLINDER ASSEMBLY - E450AJ/M450AJ



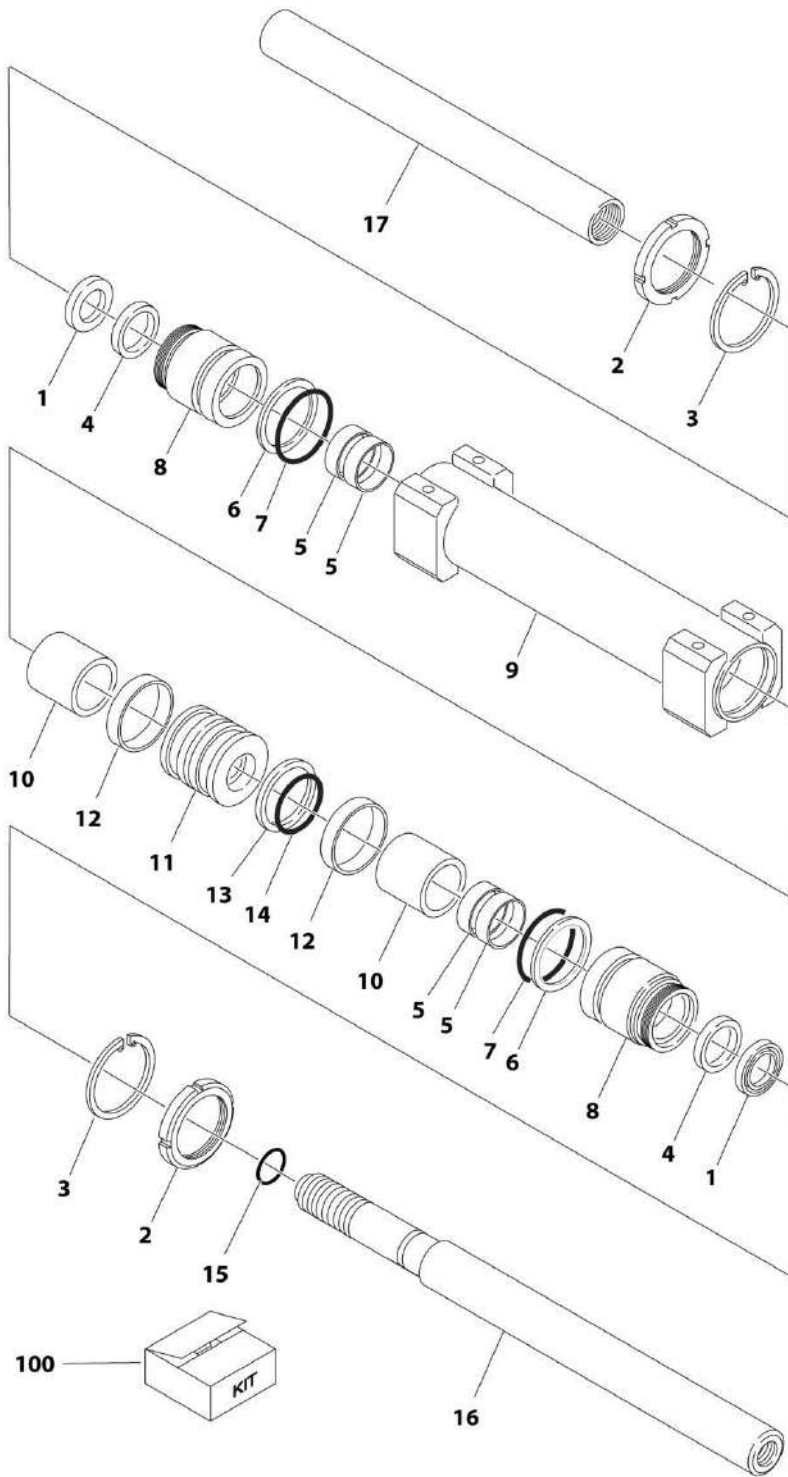
## SECTION 6 - CYLINDER

**FIGURE 6-11. LEVEL (PLATFORM SLAVE) CYLINDER ASSEMBLY - E450AJ/M450AJ**

ITEM	PART NUMBER	QTY	DESCRIPTION	REV
	1001140279	Ref	LEVEL (PLATFORM SLAVE) CYLINDER ASSEMBLY - E450AJ/M450AJ	A
1	70003846	1	Barrel, Weldment	
2	70003847	1	Rod, Weldment	
4	70003819	1	Piston	
5	7026082	1	Head	
8	0961951	4	Bushing	
9	See Note	NSS	Seal, Piston (Note: Use Item 100)	
10	See Note	NSS	O-Ring (Note: Use Item 100)	
11	See Note	NSS	Ring, Wear (Note: Use Item 100)	
12	See Note	NSS	O-Ring (Note: Use Item 100)	
13	See Note	NSS	Ring, Back-up (Note: Use Item 100)	
14	See Note	NSS	Seal, Rod (Note: Use Item 100)	
15	See Note	NSS	Wiper, Rod (Note: Use Item 100)	
16	70002217	1	Ring, Retaining	
17	7026084	1	O-Ring	
21	70002216	1	Retainer	
23	4640932	1	Cartridge, Counterbalance Valve	
23	7011112	1	Seal Kit - 4640932 Valve	
24	4641086	1	Cartridge, Counterbalance Valve	
24	2900792	1	Seal Kit - 4641086 Valve	
25	7024844	2	Plug	
26	See Note	2	Plug (Note: Not Available for Purchase)	
28	See Note	NSS	O-Ring (Note: Use Item 100)	
100	70003845	1	Seal Kit (Includes Items 9-15 & 28)	

# SECTION 6 - CYLINDER

## FIGURE 6-12. STEER CYLINDER ASSEMBLY



ART\_1683591

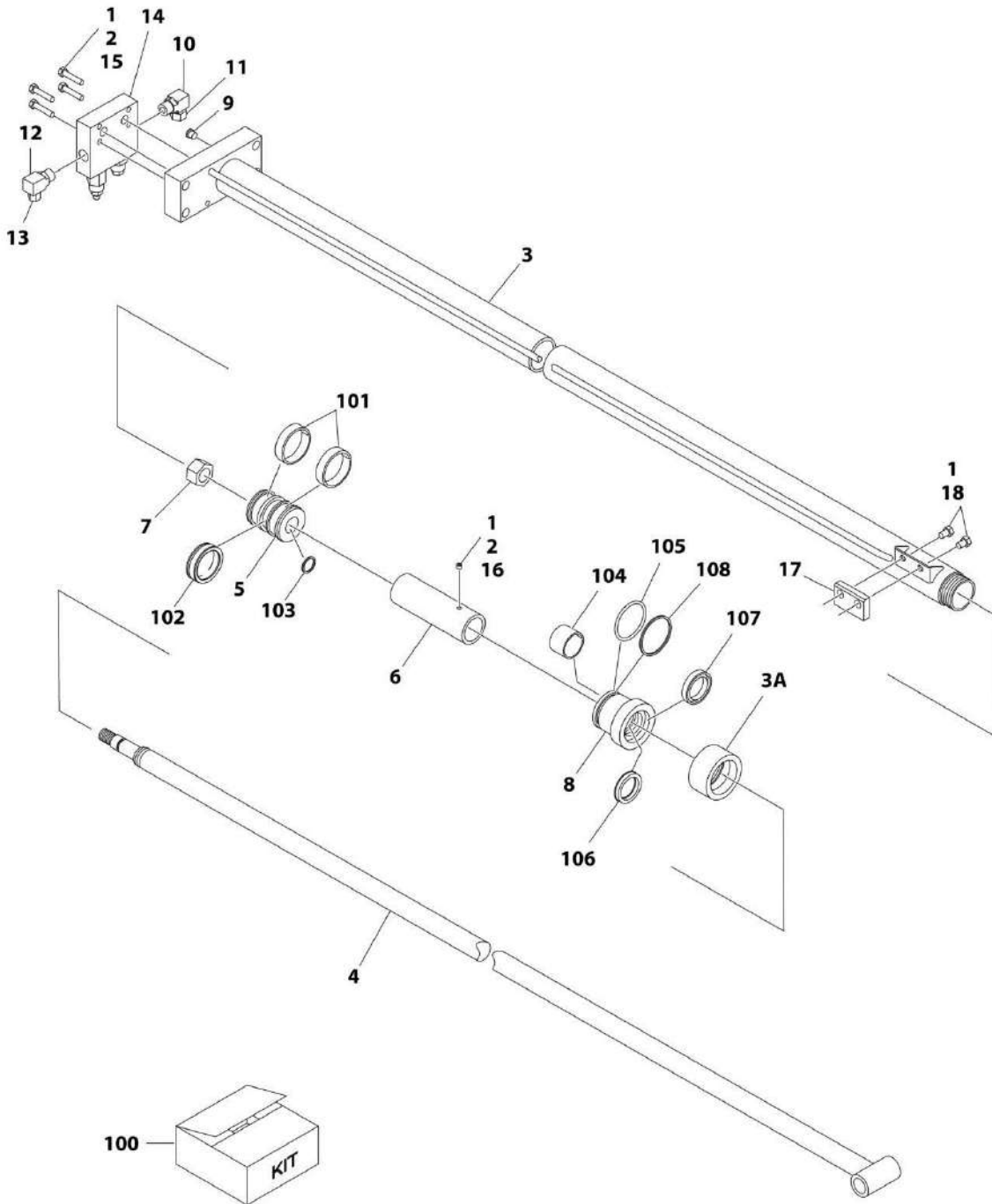
## SECTION 6 - CYLINDER

**FIGURE 6-12. STEER CYLINDER ASSEMBLY**

ITEM	PART NUMBER	QTY	DESCRIPTION	REV
	1683591	Ref	STEER CYLINDER ASSEMBLY	B
1	See Note	NSS	Wiper (Note: Use Item 100)	
2	7001630	2	Nut, Spanner	
3	7017247	2	Ring, Retaining	
4	See Note	NSS	Seal, Lip (Note: Use Item 100)	
5	See Note	NSS	Ring, Wear (Note: Use Item 100)	
6	See Note	NSS	Ring, Back-up (Note: Use Item 100)	
7	See Note	NSS	O-Ring (Note: Use Item 100)	
8	7017248	2	Guide	
9	70003341	1	Barrel, Weldment	
10	7017249	2	Tube	
11	7017250	1	Piston	
12	See Note	NSS	Ring, Wear (Note: Use Item 100)	
13	See Note	NSS	Seal (Note: Use Item 100)	
14	See Note	NSS	O-Ring (Note: Use Item 100)	
15	See Note	NSS	O-Ring (Note: Use Item 100)	
16	7017251	1	Rod - Male End	
17	7017252	1	Rod - Female End	
100	7017246	1	Seal Kit (Includes Items 1, 4-7 & 12-15)	

# SECTION 6 - CYLINDER

## FIGURE 6-13. TELESCOPE CYLINDER ASSEMBLY - E450A



ART\_1001151414

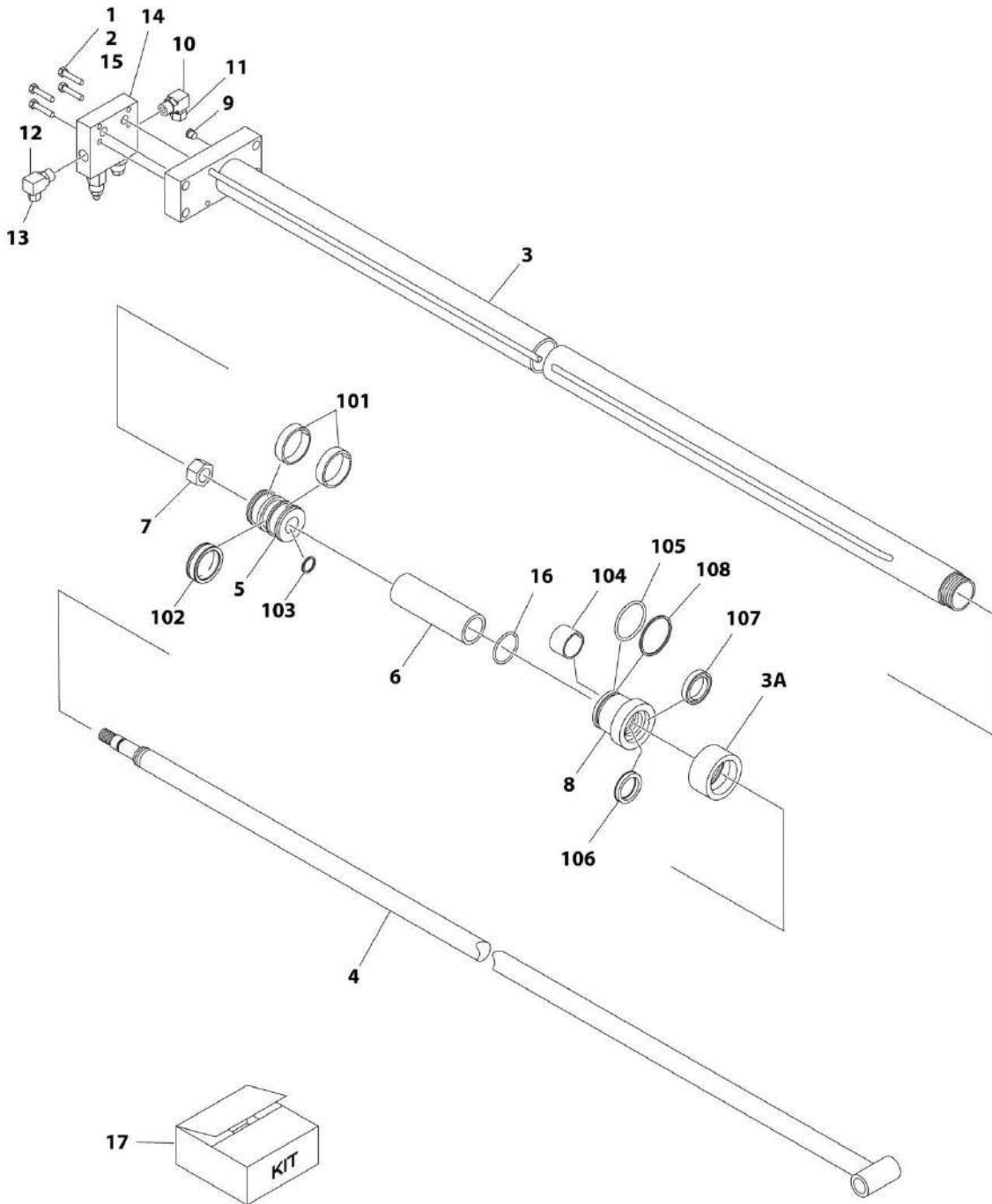
## SECTION 6 - CYLINDER

### FIGURE 6-13. TELESCOPE CYLINDER ASSEMBLY - E450A

ITEM	PART NUMBER	QTY	DESCRIPTION	REV
	1001151414	Ref	TELESCOPE CYLINDER ASSEMBLY - E450A	B
1	0100011	AR	Compound, Locking	
2	0100038	AR	Primer, Locking	
3	1001151413	1	Barrel, Weldment	
3A	1120110	1	Cap, End	
4	1683706	1	Rod, Weldment	
5	3480239	1	Piston	
6	4567704	1	Spacer	
7	3322205	1	Nut, Lock, 3/4-16	
8	1683584	1	Head	
9	2220883	1	Plug	
10	2220596	1	Fitting, 90 JIC/ORB	
11	2220517	1	Fitting, Cap	
12	2220628	1	Fitting, 90 JIC/ORB	
13	2220516	1	Fitting, Cap	
14	4640807	1	Counterbalance Valve Assembly (See COUNTERBALANCE VALVE ASSEMBLY for Breakdown)	
15	0641512	4	Bolt, 5/16-18 x 1-1/2	
16	3951402	1	Setscrew 1/4-20 x 1/4	
17	3340679	1	Pad, Wear	
18	0641604	2	Bolt, 3/8-16 x 1/2	
100	1001152230	1	Seal Kit (Includes Items 101-108)	
101	See Note	NSS	Ring, Wear (Note: Use Item 100)	
102	See Note	NSS	Seal, Cap (Note: Use Item 100)	
103	See Note	NSS	O-Ring (Note: Use Item 100)	
104	See Note	NSS	Ring, Wear (Note: Use Item 100)	
105	See Note	NSS	O-Ring (Note: Use Item 100)	
106	See Note	NSS	Seal, Rod (Note: Use Item 100)	
107	See Note	NSS	Wiper, Rod (Note: Use Item 100)	
108	See Note	NSS	Ring, Back-up (Note: Use Item 100)	

# SECTION 6 - CYLINDER

## FIGURE 6-14. TELESCOPE CYLINDER ASSEMBLY - E450AJ/M450AJ



ART\_1001151368



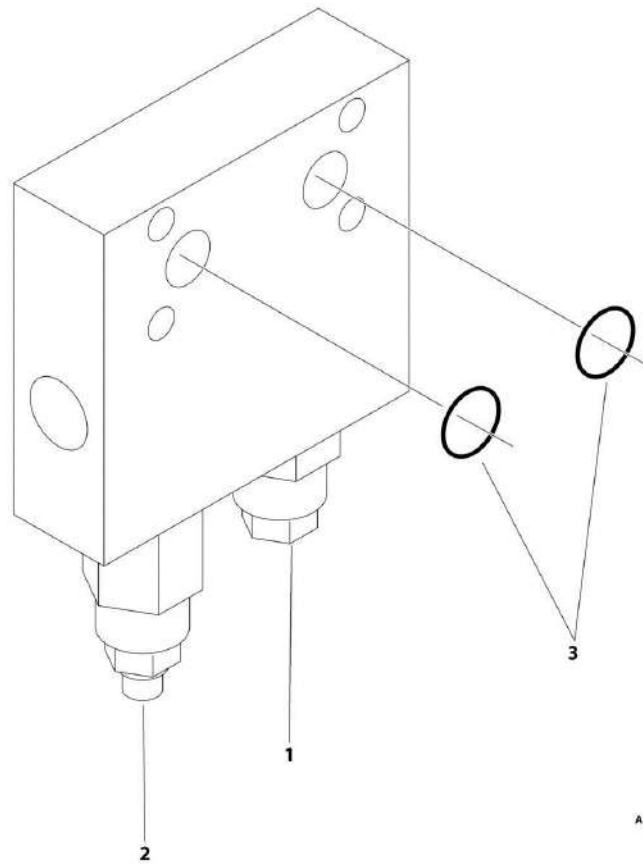
## SECTION 6 - CYLINDER

**FIGURE 6-14. TELESCOPE CYLINDER ASSEMBLY - E450AJ/M450AJ**

ITEM	PART NUMBER	QTY	DESCRIPTION	REV
	1001151368	Ref	TELESCOPE CYLINDER ASSEMBLY - E450AJ/M450AJ	C
1	0100011	AR	Compound, Locking	
2	0100038	AR	Primer, Locking	
3	1001151386	1	Barrel, Weldment	
3A	1120110	1	Cap, End	
4	1683802	1	Rod, Weldment	
5	3480239	1	Piston	
6	4566027	1	Spacer	
7	3322205	1	Nut, Lock, 3/4-16	
8	1683584	1	Head	
9	2220883	1	Plug	
10	2220596	1	Fitting, 90 JIC/ORB	
11	2220517	1	Fitting, Cap	
12	2220628	1	Fitting, 90 JIC/ORB	
13	2220516	1	Fitting, Cap	
14	4640807	1	Counterbalance Valve Assembly (See COUNTERBALANCE VALVE ASSEMBLY for Breakdown)	
15	0641512	4	Bolt, 5/16-18 x 1-1/2	
16	See Note	NSS	O-Ring (Note: Use Item 100)	
17	1001152230	1	Seal Kit (Includes Items 16 & 101-108)	
101	See Note	NSS	Ring, Wear (Note: Use Item 100)	
102	See Note	NSS	Seal, Cap (Note: Use Item 100)	
103	See Note	NSS	O-Ring (Note: Use Item 100)	
104	See Note	NSS	Ring, Wear (Note: Use Item 100)	
105	See Note	NSS	O-Ring (Note: Use Item 100)	
106	See Note	NSS	Seal, Rod (Note: Use Item 100)	
107	See Note	NSS	Wiper, Rod (Note: Use Item 100)	
108	See Note	NSS	Ring, Back-up (Note: Use Item 100)	

# SECTION 6 - CYLINDER

## FIGURE 6-15. COUNTERBALANCE VALVE ASSEMBLY



ART\_4640807

## SECTION 6 - CYLINDER

### FIGURE 6-15. COUNTERBALANCE VALVE ASSEMBLY

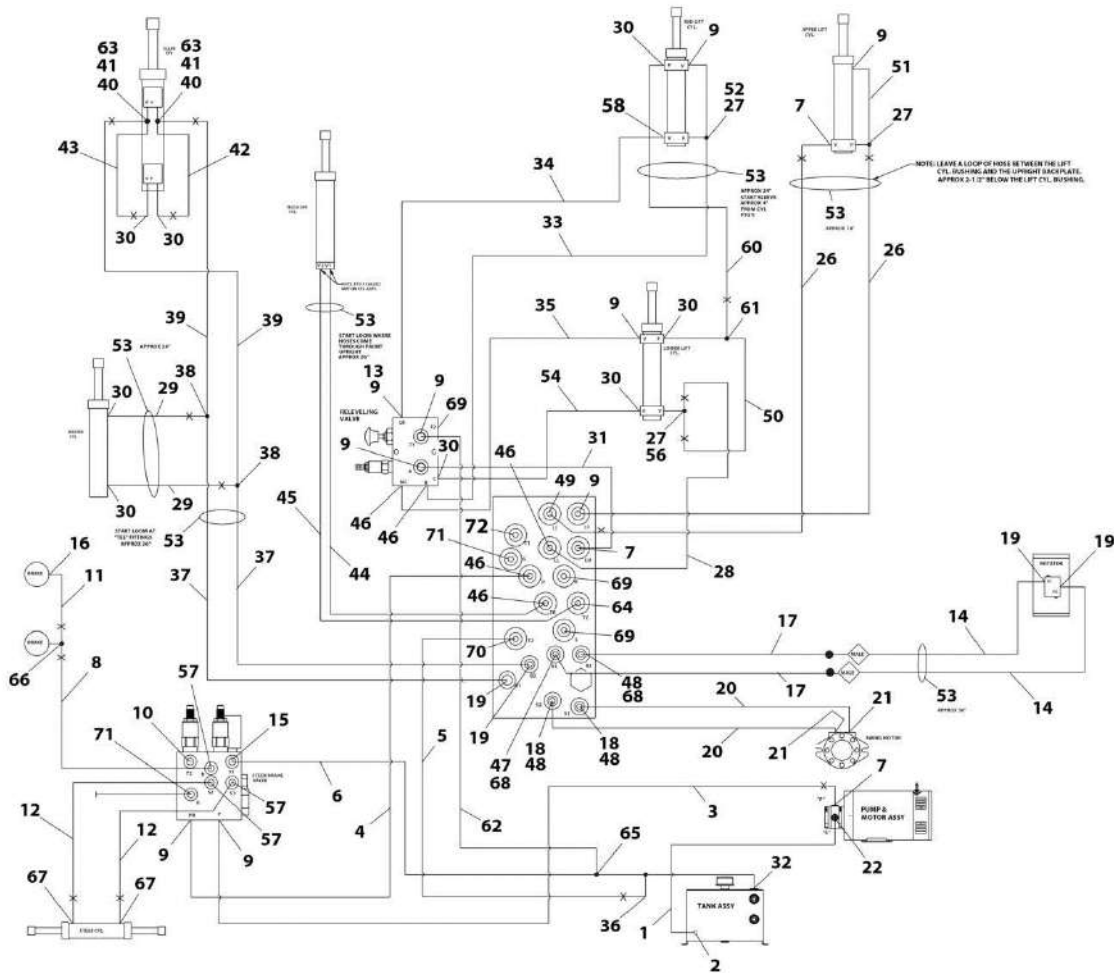
ITEM	PART NUMBER	QTY	DESCRIPTION	REV
	4640807	Ref	COUNTERBALANCE VALVE ASSEMBLY	D
1	4640771	1	Cartridge, Counterbalance	
1	2900770	1	Seal Kit - 4640771 Cartridge	
2	4640709	1	Cartridge, Vented Counterbalance	
2	2900770	1	Seal Kit - 4640709 Cartridge	
3	3790113	2	O-Ring (Between Valve and Cylinder Block)	



**SECTION 7 - HYDRAULIC**

# SECTION 7 - HYDRAULIC

## FIGURE 7-1. HYDRAULIC DIAGRAM - E450A



ART\_1001169635

## SECTION 7 - HYDRAULIC

### FIGURE 7-1. HYDRAULIC DIAGRAM - E450A

ITEM	PART NUMBER	QTY	DESCRIPTION	REV
	1001169635	Ref	HYDRAULIC DIAGRAM - E450A	F
1	2753973	1	Hose	
2	2220498	1	Fitting, 45 JIC/ORB	
3	1001152635	1	Hose	
4	2750915	1	Hose	
5	1001177666	1	Hose	
6	2752467	1	Hose	
7	2220371	3	Fitting, Straight, JIC/ORB	
8	2752589	1	Hose	
9	2220473	9	Fitting, 90 JIC/ORB	
10	2220885	1	Plug	
11	1001109687	1	Hose	
12	2752453	2	Hose	
13	2220507	1	Fitting, 90 JIC/JIC	
14	2753326	2	Hose (SN 0300189898 through 0300201788)	
14	1001185825	2	Hose (SN 0300201789 through 0300208529)	
15	2220371	1	Fitting, Straight, JIC/ORB	
16	2220466	1	Fitting, 90 JIC/ORB	
17	2752795	2	Hose (SN 0300189898 through 0300201788)	
17	1001185713	2	Hose (SN 0300201789 through 0300208529)	
18	2220415	2	Fitting, Straight JIC/ORB	
19	2220502	4	Fitting, 45 JIC/ORB	
20	2752459	2	Hose	
21	2221033	2	Fitting, Straight JIC/ORB	
22	2220593	1	Fitting, Straight JIC/ORB	
26	2753050	2	Hose	
27	2220899	3	Fitting, Tee JIC/ORB/JIC	
28	2752620	1	Hose	
29	2752580	2	Hose	
30	2220472	8	Fitting, 90 JIC/ORB	
31	2750910	1	Hose	
32	2220999	1	Fitting, Tee JIC/ORB/JIC	
33	2751127	1	Hose	
34	2751126	1	Hose	
35	2752475	1	Hose	
36	2220386	1	Fitting, 90 JIC/JIC	
37	2752585	2	Hose	
38	2220504	2	Fitting, Tee JIC/JIC/JIC	
39	2752572	2	Hose	
40	2220727	2	Fitting, Reducer ORB	
41	2220684	2	Fitting, Tee NPT/JIC/JIC	
42	2752435	1	Hose	
43	2752573	1	Hose	
44	2750996	1	Hose	
45	2751508	1	Hose	
46	2220501	5	Fitting, 45 JIC/ORB	
47	2220502	2	Fitting, 45 JIC/ORB	
48	2220677	2	Fitting, 45 JIC/JIC	
49	2221147	1	Fitting, 90 JIC/ORB	
50	2752581	1	Hose	

## SECTION 7 - HYDRAULIC

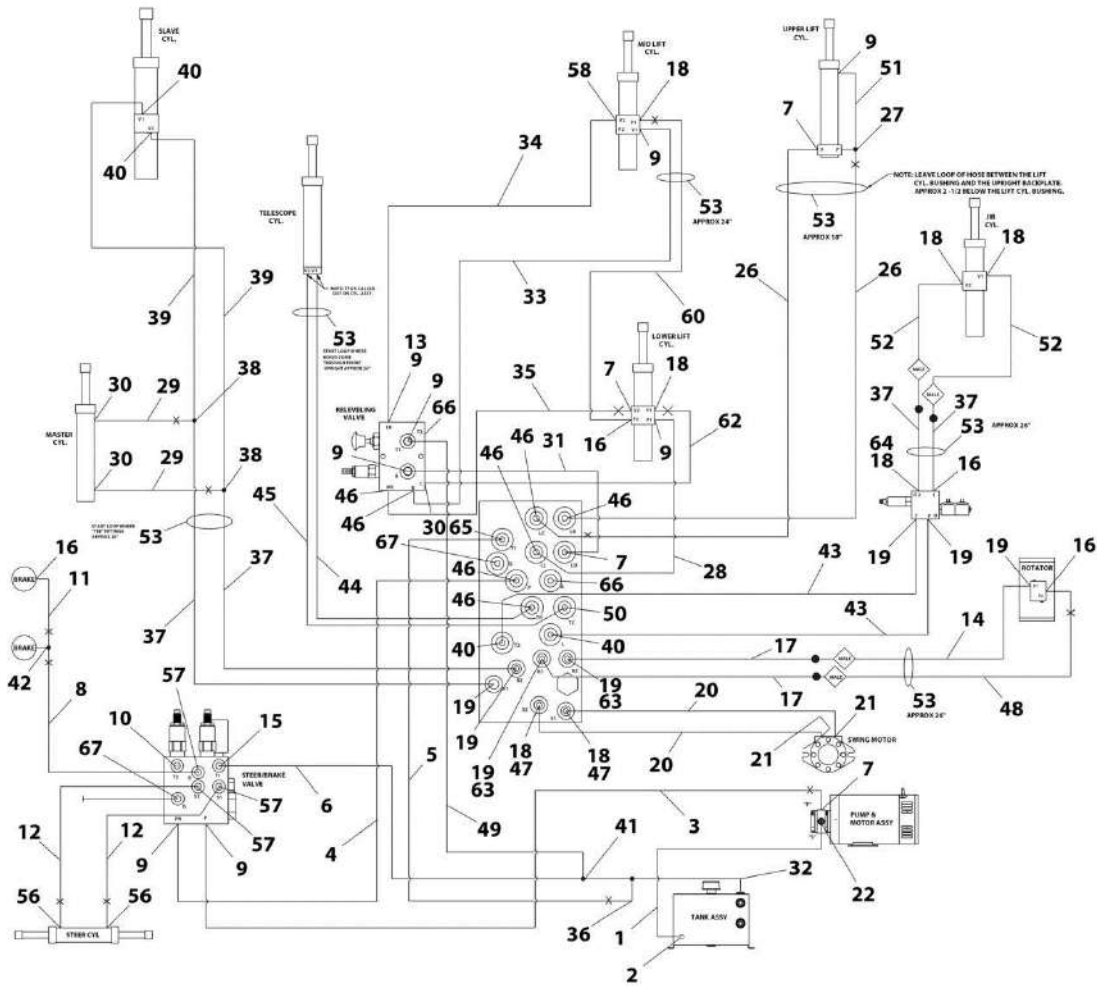
ITEM	PART NUMBER	QTY	DESCRIPTION	REV
51	4566188	1	Tube	
52	4566623	1	Tube	
53	4100026	13.7 ft /4.2m	Nylon, Sleeve	
54	2752983	1	Hose	
55	1702124	1	Hose, Tag (Not Shown)	
56	2220609	1	Fitting, Straight JIC/JIC	
57	2220415	3	Fitting, Straight JIC/ORB	
58	2220473	1	Fitting, 90 JIC/ORB	
60	2752440	1	Hose	
61	2220605	1	Fitting, Tee JIC/JIC/JIC	
62	2750915	1	Hose	
63	0100020	AR	Sealant	
64	2220600	1	Fitting, Straight JIC/ORB	
65	2221054	1	Fitting, Tee JIC/JIC/JIC	
66	2220711	1	Fitting, Tee JIC/ORB/JIC	
67	2220582	2	Fitting, Straight JIC/ORB	
68	2220909	2	Fitting, Restrictor	
69	2220237	3	Plug, ORB	
70	1001136881	1	Fitting, 45 JIC/ORB	
71	2221086	2	Fitting, Nipple	
72	2220239	1	Plug, ORB	





# SECTION 7 - HYDRAULIC

## FIGURE 7-2. HYDRAULIC DIAGRAM - E450AJ



ART\_1001169637

## SECTION 7 - HYDRAULIC

### FIGURE 7-2. HYDRAULIC DIAGRAM - E450AJ

ITEM	PART NUMBER	QTY	DESCRIPTION	REV
	1001169637	Ref	HYDRAULIC DIAGRAM - E450AJ	F
1	2753973	1	Hose	
2	2220498	1	Fitting, 45 JIC/ORB	
3	1001152635	1	Hose	
4	2750915	1	Hose	
5	1001177666	1	Hose	
6	2752467	1	Hose	
7	2220371	4	Fitting, Straight JIC/ORB	
8	2752589	1	Hose	
9	2220473	8	Fitting, 90 JIC/ORB	
10	2220885	1	Plug	
11	1001109687	1	Hose	
12	2752453	2	Hose	
13	2220507	1	Fitting, 90 JIC/JIC	
14	2753304	1	Hose (SN 0300189898 through 0300201788)	
14	2753638	1	Hose (SN 0300201789 through 0300208529)	
15	2220371	1	Fitting, Straight JIC/ORB	
16	2220466	4	Fitting, 90 JIC/ORB	
17	2752795	2	Hose (SN 0300189898 through 0300201788)	
17	1001185713	2	Hose (SN 0300201789 through 0300208529)	
18	2220415	7	Fitting, Straight JIC/ORB	
19	2220502	7	Fitting, 45 JIC/ORB	
20	2752459	2	Hose	
21	2221033	2	Fitting, Straight JIC/ORB	
22	2220593	1	Fitting, Straight JIC/ORB	
26	2753050	2	Hose	
27	2220899	1	Fitting, Tee JIC/ORB/JIC	
28	2752466	1	Hose	
29	2752437	2	Hose	
30	2220472	3	Fitting, 90 JIC/ORB	
31	2750910	1	Hose	
32	2220999	1	Fitting, Tee JIC/ORB/JIC	
33	2753301	1	Hose	
34	2751009	1	Hose	
35	2752611	1	Hose	
36	2220386	1	Fitting, 90 JIC/JIC	
37	2752585	4	Hose	
38	2220504	2	Fitting, Tee JIC/JIC/JIC	
39	2753302	2	Hose	
40	2220582	4	Fitting, Straight JIC/ORB	
41	2221054	1	Fitting, Tee JIC/JIC/JIC	
42	2220711	1	Fitting, Tee JIC/ORB/JIC	
43	2752430	2	Hose	
44	2750996	1	Hose	
45	2751508	1	Hose	
46	2220501	7	Fitting, 45 JIC/ORB	
47	2220677	2	Fitting, 45 JIC/JIC	
48	2753305	1	Hose (SN 0300189898 through 0300201788)	
48	1001185826	1	Hose (SN 0300201789 through 0300208529)	
49	2750915	1	Hose	

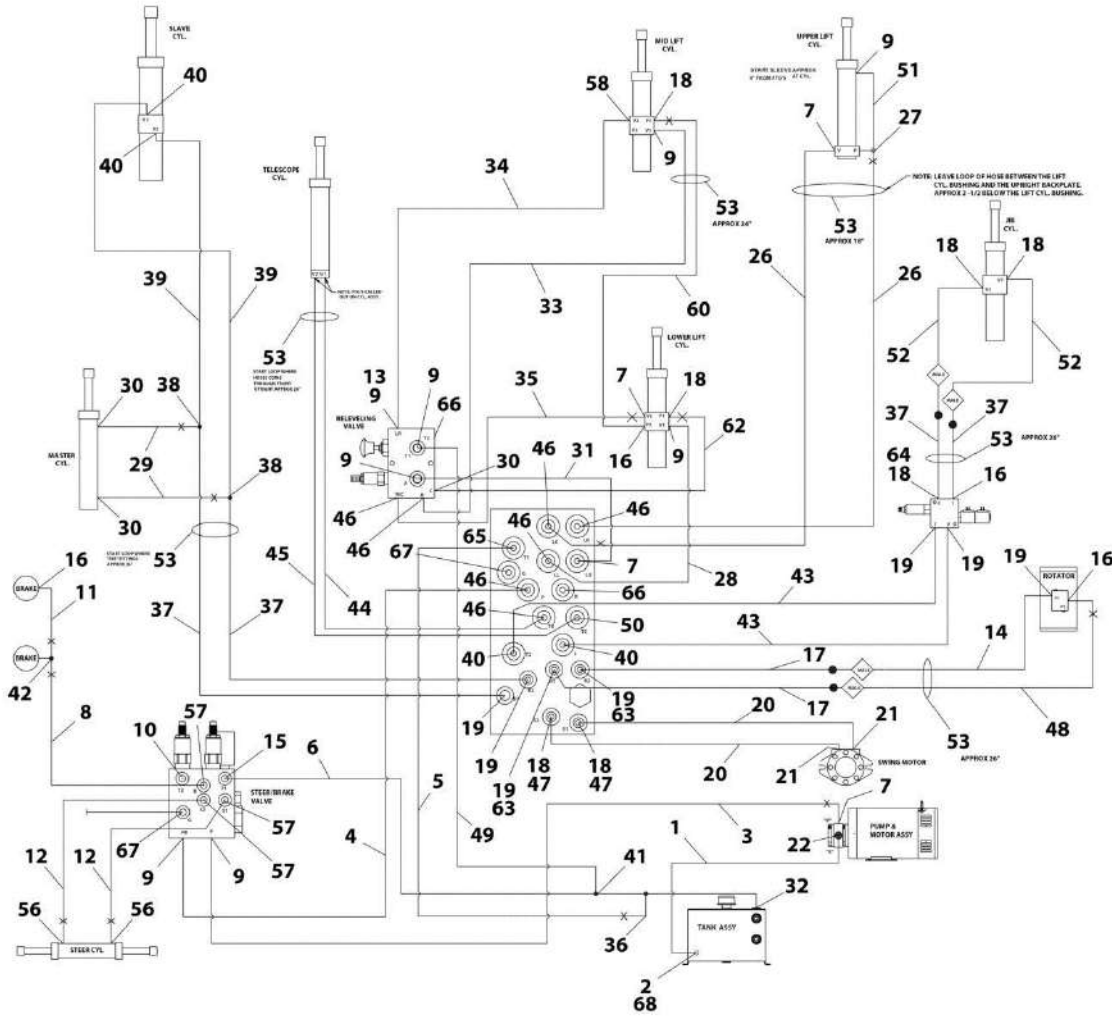
## SECTION 7 - HYDRAULIC

ITEM	PART NUMBER	QTY	DESCRIPTION	REV
50	2220600	1	Fitting, Straight JIC/ORB	
51	4567946	1	Tube	
52	2753303	2	Hose	
53	4100026	12.2 ft /3.7m	Nylon, Sleeve	
55	1702124	1	Hose, Tag (Not Shown)	
56	2220582	2	Fitting, Straight JIC/ORB	
57	2220415	3	Fitting, Straight JIC/ORB	
58	2220473	1	Fitting, 90 JIC/ORB	
60	2751414	1	Hose	
62	2752600	1	Hose	
63	2220909	2	Fitting, Restrictor	
64	2220654	1	Fitting, 90 JIC/JIC	
65	2220499	1	Fitting, 45 JIC/ORB	
66	2220237	2	Plug, ORB	
67	2221086	2	Fitting, Nipple	



# SECTION 7 - HYDRAULIC

## FIGURE 7-3. HYDRAULIC DIAGRAM - M450AJ



ART\_1001169639

## SECTION 7 - HYDRAULIC

### FIGURE 7-3. HYDRAULIC DIAGRAM - M450AJ

ITEM	PART NUMBER	QTY	DESCRIPTION	REV
	1001169639	Ref	HYDRAULIC DIAGRAM - M450AJ	D
1	2752675	1	Hose	
2	1320033	1	Clamp	
3	2752486	1	Hose	
4	2752466	1	Hose	
5	2752519	1	Hose	
6	2752462	1	Hose	
7	2220371	4	Fitting, Straight JIC/ORB	
8	2753010	1	Hose	
9	2220473	8	Fitting, 90 JIC/ORB	
10	2220885	1	Plug	
11	1001109687	1	Hose	
12	2752574	2	Hose	
13	2220507	1	Fitting, 90 JIC/JIC	
14	2753304	1	Hose (SN 0300189898 through 0300201788)	
14	2753638	1	Hose (SN 0300201789 through 0300208529)	
15	2220371	1	Fitting, Straight JIC/ORB	
16	2220466	4	Fitting, 90 JIC/ORB	
17	2752795	2	Hose (SN 0300189898 through 0300201788)	
17	1001185713	2	Hose (SN 0300201789 through 0300208529)	
18	2220415	7	Fitting, Straight JIC/ORB	
19	2220502	7	Fitting, 45 JIC/ORB	
20	2752459	2	Hose	
21	2221033	2	Fitting, Straight JIC/ORB	
22	2220593	1	Fitting, Straight JIC/ORB	
26	2753050	2	Hose	
27	2220899	1	Fitting, Tee JIC/ORB/JIC	
28	2752466	1	Hose	
29	2752437	2	Hose	
30	2220472	3	Fitting, 90 JIC/ORB	
31	2750910	1	Hose	
32	2220999	1	Fitting, Tee JIC/ORB/JIC	
33	2753301	1	Hose	
34	2751009	1	Hose	
35	2752611	1	Hose	
36	2220386	1	Fitting, 90 JIC/JIC	
37	2752585	4	Hose	
38	2220504	2	Fitting, Tee JIC/JIC/JIC	
39	2753302	2	Hose	
40	2220582	4	Fitting, Straight JIC/ORB	
41	2221054	1	Fitting, Tee JIC/JIC/JIC	
42	2220711	1	Fitting, Tee JIC/ORB/JIC	
43	2752430	2	Hose	
44	2750996	1	Hose	
45	2751508	1	Hose	
46	2220501	7	Fitting, 45 JIC/ORB	
47	2220677	2	Fitting, 45 JIC/JIC	
48	2753305	1	Hose (SN 0300189898 through 0300201788)	
48	1001185826	1	Hose (SN 0300201789 through 0300208529)	
49	2752466	1	Hose	

## SECTION 7 - HYDRAULIC

ITEM	PART NUMBER	QTY	DESCRIPTION	REV
50	2220600	1	Fitting, Straight JIC/ORB	
51	4567946	1	Tube	
52	2753303	2	Hose	
53	4100026	12.2 ft /3.7m	Nylon, Sleeve	
55	1702124	1	Hose, Tag (Not Shown)	
56	2220582	2	Fitting, Straight JIC/ORB	
57	2220415	3	Fitting, Straight JIC/ORB	
58	2220473	1	Fitting, 90 JIC/ORB	
60	2751414	1	Hose	
62	2752600	1	Hose	
63	2220909	2	Fitting, Restrictor	
64	2220654	1	Fitting, 90 JIC/JIC	
65	2220499	1	Fitting, 45 JIC/ORB	
66	2220237	2	Plug, ORB	
67	2221086	2	Fitting, Nipple	
68	4061032	1	Shield, Hose	





## SECTION 7 - HYDRAULIC

FIGURE 7-4. HYDRAULIC DIAGRAM LIST

ITEM	PART NUMBER	QTY	DESCRIPTION	REV
		Ref	Note: Diagrams are available from JLG Service/Parts Department.	
	1001169635	Ref	Hydraulic Diagram - E450A	
	1001169637	Ref	Hydraulic Diagram - E450AJ	
	1001169639	Ref	Hydraulic Diagram - M450AJ	
	2792505	Ref	Hydraulic, Schematic	

**SECTION 8 - ELECTRICAL**

## SECTION 8 - ELECTRICAL

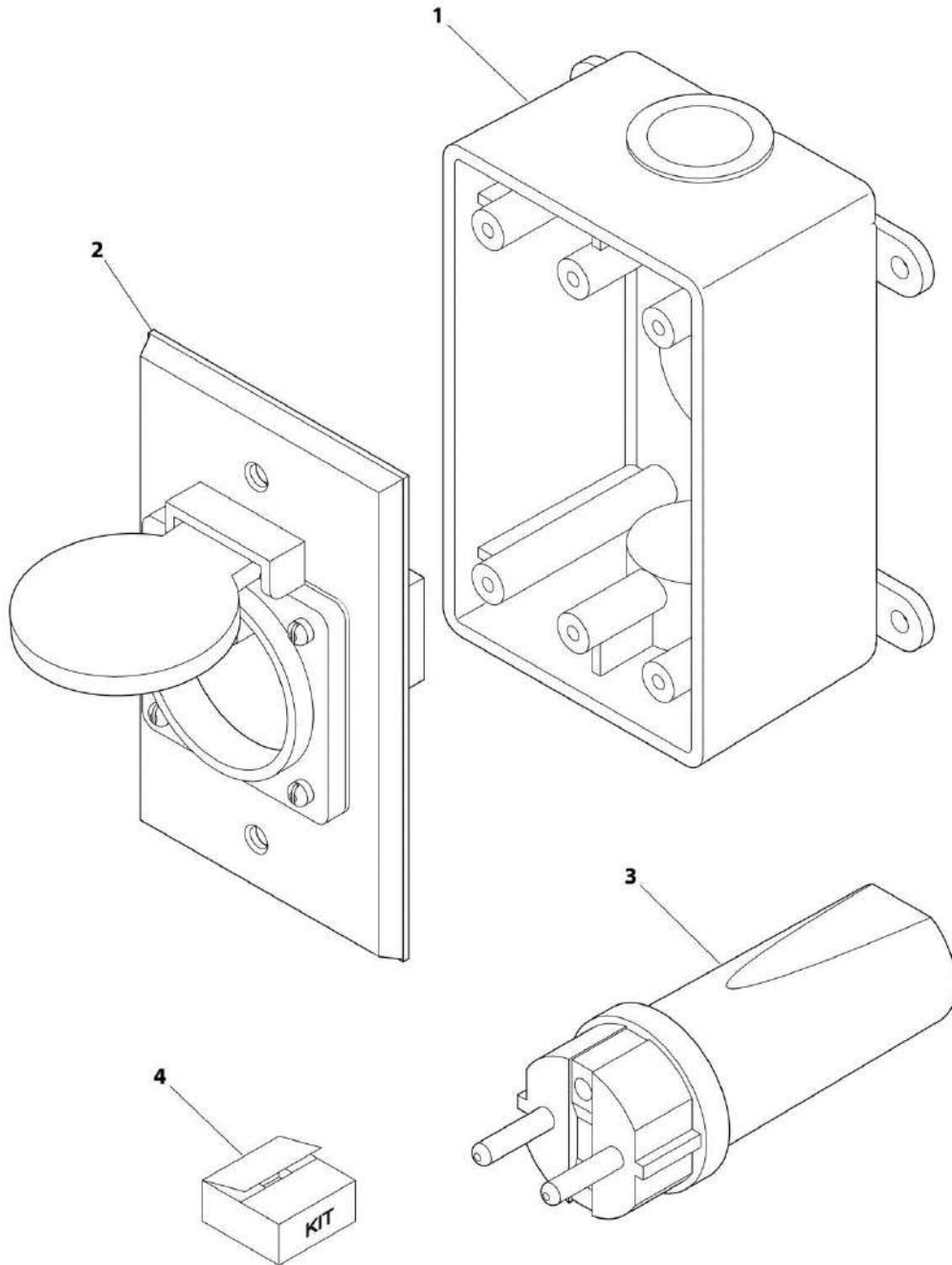
FIGURE 8-1. ELECTRICAL DIAGRAM LIST

ITEM	PART NUMBER	QTY	DESCRIPTION	REV
		Ref	Note: For Information, Refer to Service Manual or Contact JLG Customer Service Department.	
	1870227	Ref	ELECTRICAL SCHEMATIC	
	4933388	Ref	GROUND CONTROL BOX WIRING DIAGRAM - ALL SPECS (SN 0300189898 through 0300200789 ALL SPEC EXCEPT CE, SN 0300189898 through 0300200789 CE SPEC)	C/2
	4923625	Ref	GROUND CONTROL FUNCTION SWITCH HARNESS ASSEMBLY	
	4922367	Ref	GROUND CONTROL VALVE HARNESS ASSEMBLY	
	4922104	Ref	TURNTABLE/FRAME HARNESS ASSEMBLY	
	4922263	Ref	POSI-TRACK MODULE CAN HARNESS ASSEMBLY	
	4922117	Ref	GROUND CONTROL CAN HARNESS ASSEMBLY	
	1001189765	Ref	GROUND CONTROL BOX WIRING DIAGRAM - CE SPEC (SN 0300200790 through 0300208529)	B
	1001187373	Ref	GROUND CONTROL FUNCTION SWITCH HARNESS ASSEMBLY - CE SPEC	
	4922367	Ref	GROUND CONTROL VALVE HARNESS ASSEMBLY	
	4922104	Ref	TURNTABLE/FRAME HARNESS ASSEMBLY	
	4922263	Ref	POSI-TRACK MODULE CAN HARNESS ASSEMBLY	
	4922117	Ref	GROUND CONTROL CAN HARNESS ASSEMBLY	
	1001190300	Ref	BATTERY CHARGER INDICATOR HARNESS - CE SPEC	
	4933060	Ref	PLATFORM ELECTRICAL DIAGRAM	M/7
	1001109860	Ref	INDICATOR LAMP HARNESS ASSEMBLY	
	4922060	Ref	PLATFORM FUNCTION SWITCH HARNESS ASSEMBLY	
	4922071	Ref	PLATFORM CAN BUS HARNESS ASSEMBLY	
	4922160	Ref	ANALYZER HARNESS ASSEMBLY	
	1001116368	Ref	DRIVE ORIENTATION HARNESS ASSEMBLY	
	4933181	Ref	PLATFORM ELECTRICAL DIAGRAM - UL LISTED	H/5
	1001109860	Ref	INDICATOR LAMP HARNESS ASSEMBLY	
	4922060	Ref	PLATFORM FUNCTION SWITCH HARNESS ASSEMBLY	
	4922071	Ref	PLATFORM CAN BUS HARNESS ASSEMBLY	
	4922160	Ref	ANALYZER HARNESS ASSEMBLY	
	1001116368	Ref	DRIVE ORIENTATION HARNESS ASSEMBLY	
	4933105	Ref	PLATFORM ELECTRICAL DIAGRAM - WITH SKYGUARD	J
	4922074	Ref	INDICATOR LAMP HARNESS ASSEMBLY - WITH SKYGUARD	
	4922303	Ref	PLATFORM FUNCTION SWITCH HARNESS ASSEMBLY - WITH SKYGUARD	
	4922071	Ref	PLATFORM CAN BUS HARNESS ASSEMBLY	
	4922160	Ref	ANALYZER HARNESS ASSEMBLY	
	4922307	Ref	JUMPER HARNESS	
	1001116368	Ref	DRIVE ORIENTATION HARNESS ASSEMBLY	
	1001189074	Ref	SKYGUARD HARNESS	
	1001189076	Ref	SKYGUARD CAN HARNESS	
	1001149563	Ref	SKYGUARD SENSOR WIRING DIAGRAM	



# SECTION 8 - ELECTRICAL

FIGURE 8-2. AC PLUGS AND SOCKETS INSTALLATION - CEE7 POST GROUND - 2 X 4 BOX (CE SPEC)



ART. 0275452

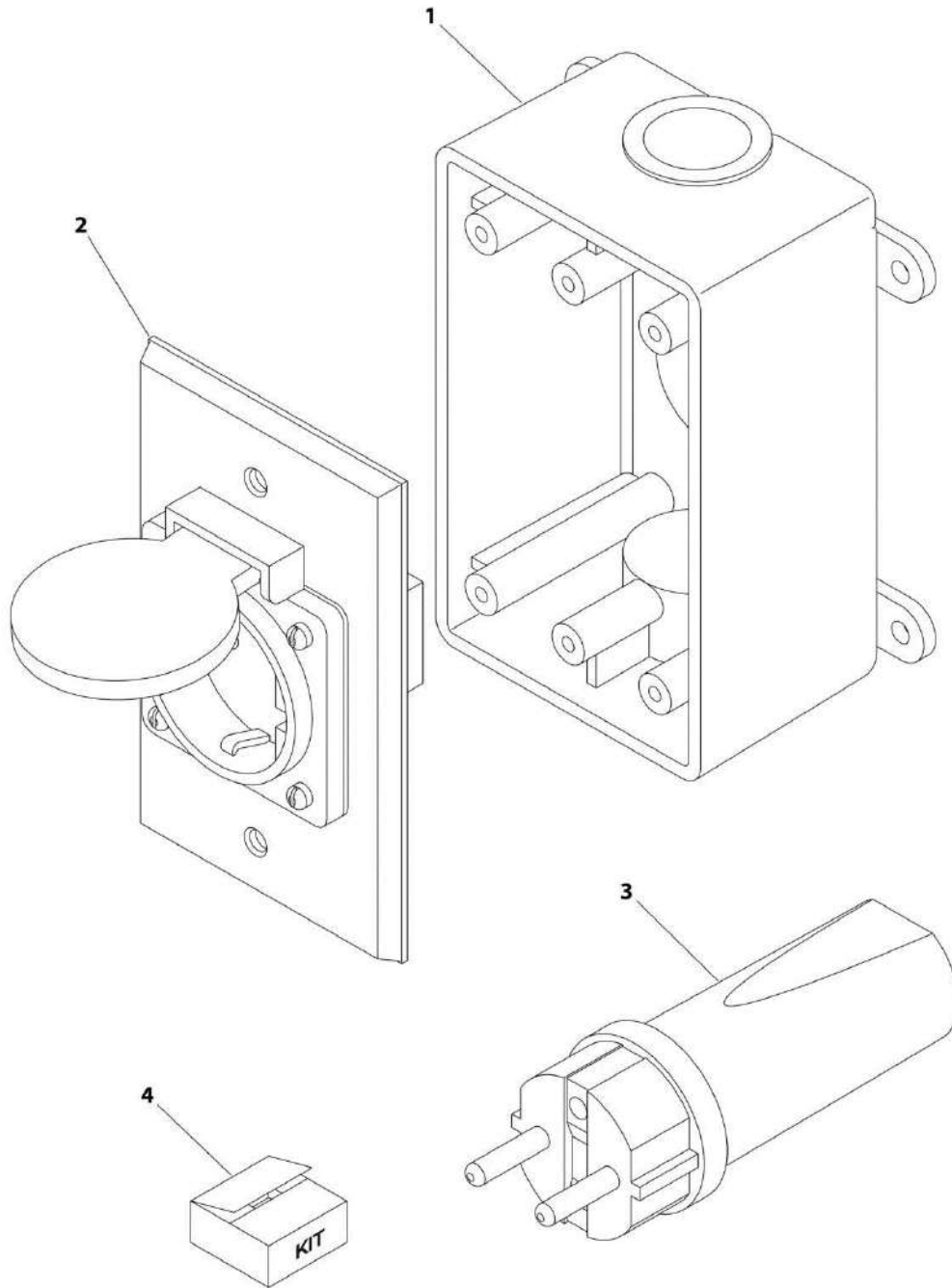
## SECTION 8 - ELECTRICAL

**FIGURE 8-2. AC PLUGS AND SOCKETS INSTALLATION - CEE7 POST GROUND - 2 X 4 BOX (CE SPEC)**

ITEM	PART NUMBER	QTY	DESCRIPTION	REV
	0275452	Ref	AC PLUGS AND SOCKETS INSTALLATION - CEE7 POST GROUND - 2 X 4 BOX (CE SPEC)	1
1	0861731	1	Box, Switch	
2	4461244	1	Receptacle	
3	4461202	1	Plug, Male	
4	1001100345	1	Plug and Socket Kit (Includes Items 1-3 and Female Plug p/n 4461206)	

# SECTION 8 - ELECTRICAL

FIGURE 8-3. AC PLUGS AND SOCKETS INSTALLATION - CEE7 SIDE GROUND - 2 X 4 BOX (CE SPEC)



ART\_0275453



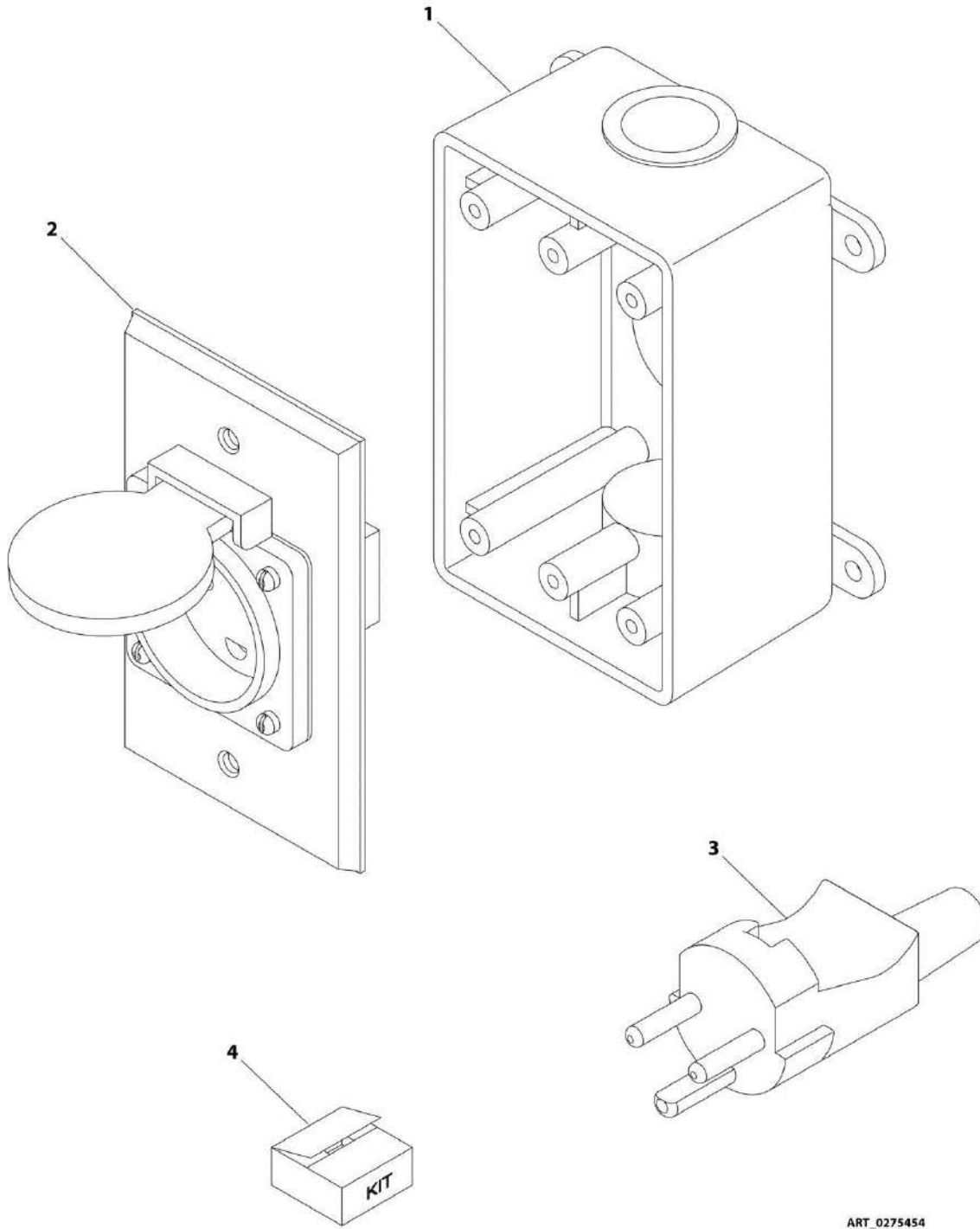
## SECTION 8 - ELECTRICAL

**FIGURE 8-3. AC PLUGS AND SOCKETS INSTALLATION - CEE7 SIDE GROUND - 2 X 4 BOX (CE SPEC)**

ITEM	PART NUMBER	QTY	DESCRIPTION	REV
	0275453	Ref	AC PLUGS AND SOCKETS INSTALLATION - CEE7 SIDE GROUND - 2 X 4 BOX (CE SPEC)	1
1	0861731	1	Box, Switch	
2	4461245	1	Receptacle	
3	4461205	1	Plug, Male	
4	1001100347	1	Plug and Socket Kit (Includes Items 1-3 and Female Plug p/n 4461206)	

# SECTION 8 - ELECTRICAL

FIGURE 8-4. AC PLUGS AND SOCKETS INSTALLATION - AFSINT 107-2-01 KEYED GROUND - 2 X 4 BOX (CE SPEC)



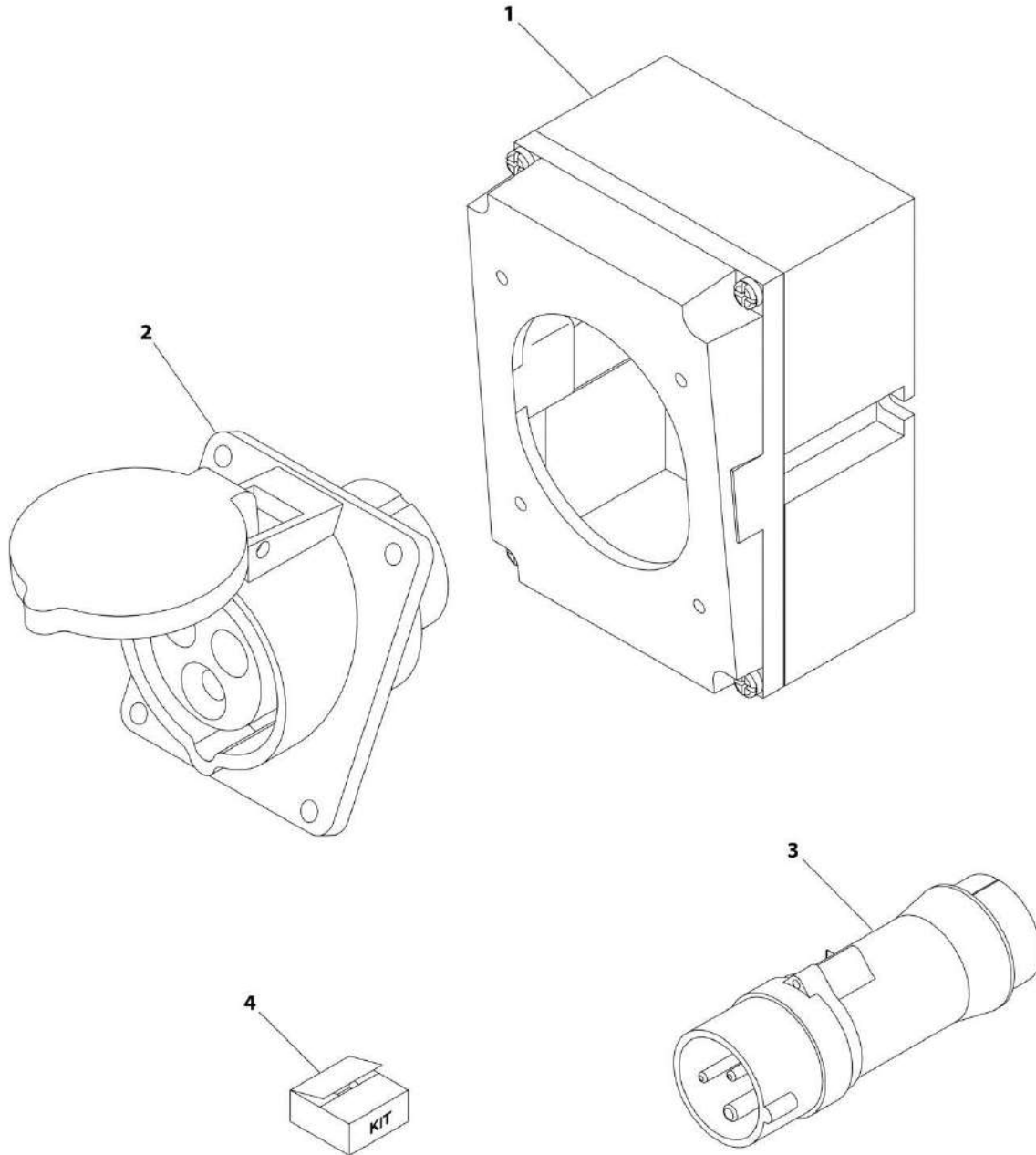
## SECTION 8 - ELECTRICAL

**FIGURE 8-4. AC PLUGS AND SOCKETS INSTALLATION - AFSINT 107-2-01 KEYED GROUND - 2 X 4 BOX (CE SPEC)**

ITEM	PART NUMBER	QTY	DESCRIPTION	REV
	0275454	Ref	AC PLUGS AND SOCKETS INSTALLATION - AFSINT 107-2-01 KEYED GROUND - 2 X 4 BOX (CE SPEC)	1
1	0861731	1	Box, Switch	
2	4461246	1	Receptacle	
3	4461249	1	Plug, Male	
4	1001100346	1	Plug and Socket Kit (Includes Items 1-3 and Female Plug p/n 4461250)	

# SECTION 8 - ELECTRICAL

FIGURE 8-5. AC PLUGS AND SOCKETS INSTALLATION - IEC 60309 YELLOW (CE SPEC)



ART\_0275216

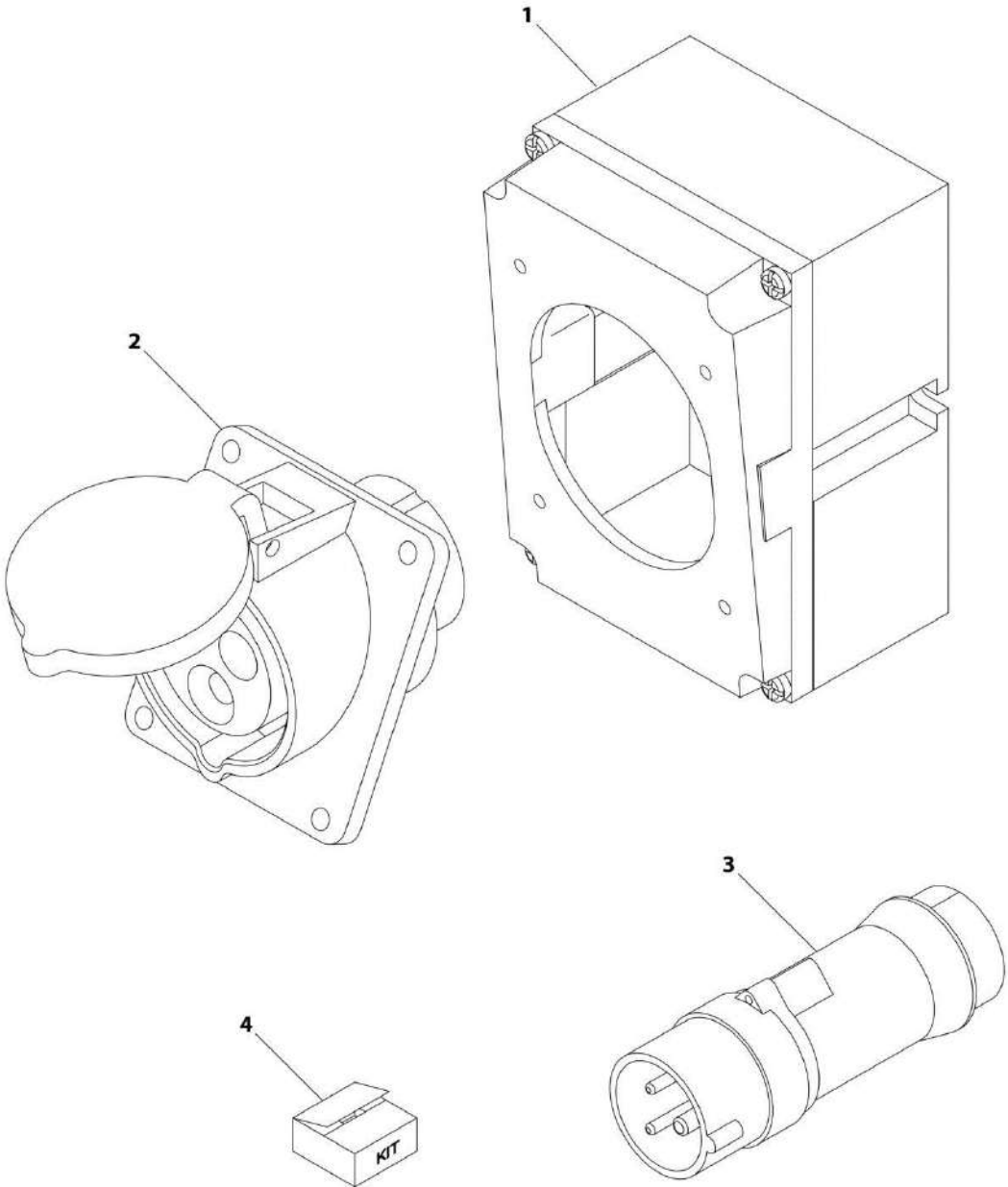
## SECTION 8 - ELECTRICAL

**FIGURE 8-5. AC PLUGS AND SOCKETS INSTALLATION - IEC 60309 YELLOW (CE SPEC)**

ITEM	PART NUMBER	QTY	DESCRIPTION	REV
	0275216	Ref	AC PLUGS AND SOCKETS INSTALLATION - IEC 60309 YELLOW (CE SPEC)	1
1	0861781	1	Box, Switch	
2	4461198	1	Receptacle	
3	4461196	1	Plug, Male	
4	1001100341	1	Plug and Socket Kit (Includes Items 1-3 and Female Plug p/n 4461197)	

**SECTION 8 - ELECTRICAL**

**FIGURE 8-6. AC PLUGS AND SOCKETS INSTALLATION - IEC 60309 BLUE (CE SPEC)**



ART. 0275217

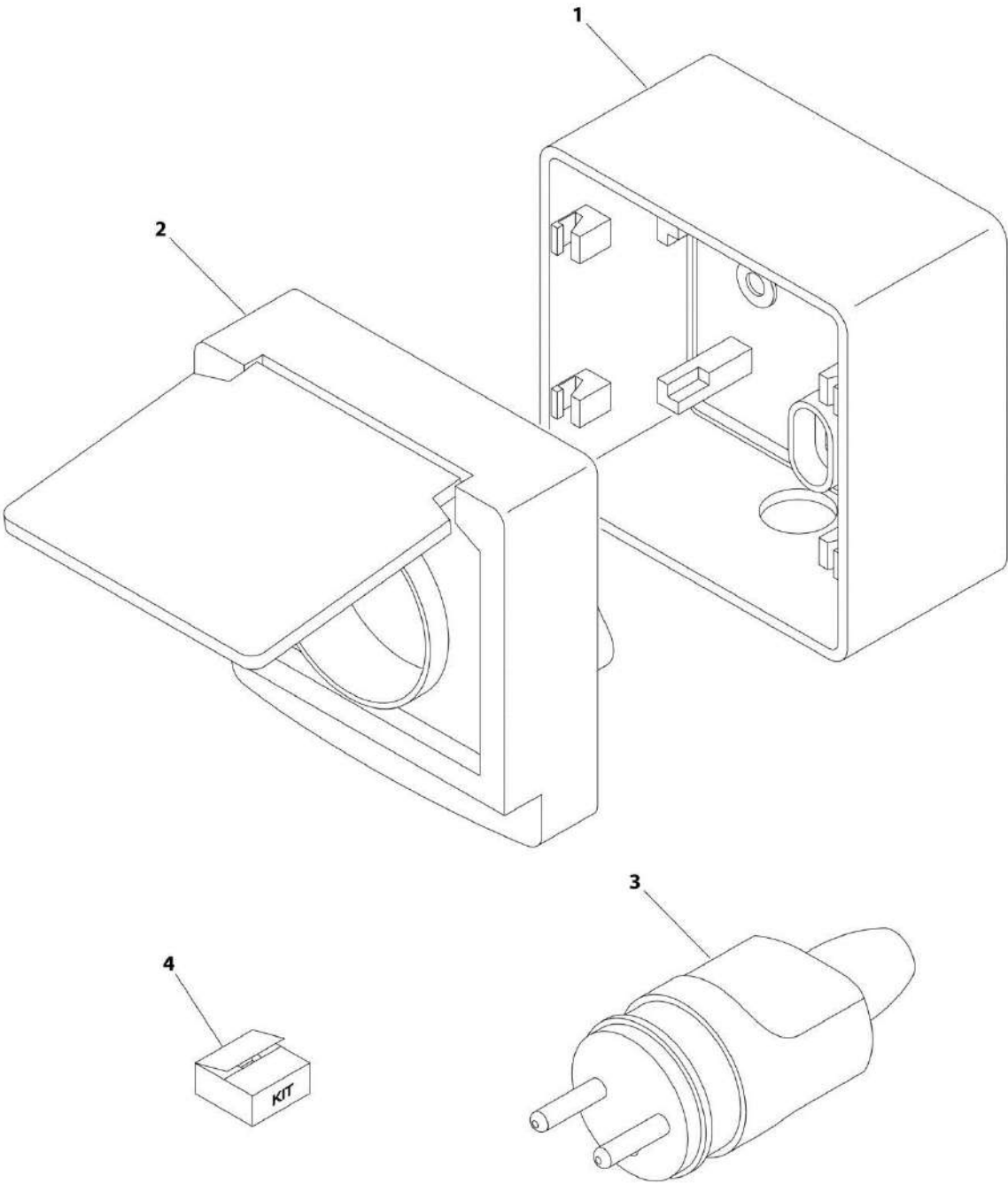
## SECTION 8 - ELECTRICAL

**FIGURE 8-6. AC PLUGS AND SOCKETS INSTALLATION - IEC 60309 BLUE (CE SPEC)**

ITEM	PART NUMBER	QTY	DESCRIPTION	REV
	0275217	Ref	AC PLUGS AND SOCKETS INSTALLATION - IEC 60309 BLUE (CE SPEC)	1
1	0861781	1	Box, Switch	
2	4461201	1	Receptacle	
3	4461199	1	Plug, Male	
	1001100342	1	Plug and Socket Kit (Includes Items 1-3 and Female Plug p/n 4461200)	

**SECTION 8 - ELECTRICAL**

**FIGURE 8-7. AC PLUGS AND SOCKETS INSTALLATION - CEE7 POST GROUND (CE SPEC)**



ART\_0275218



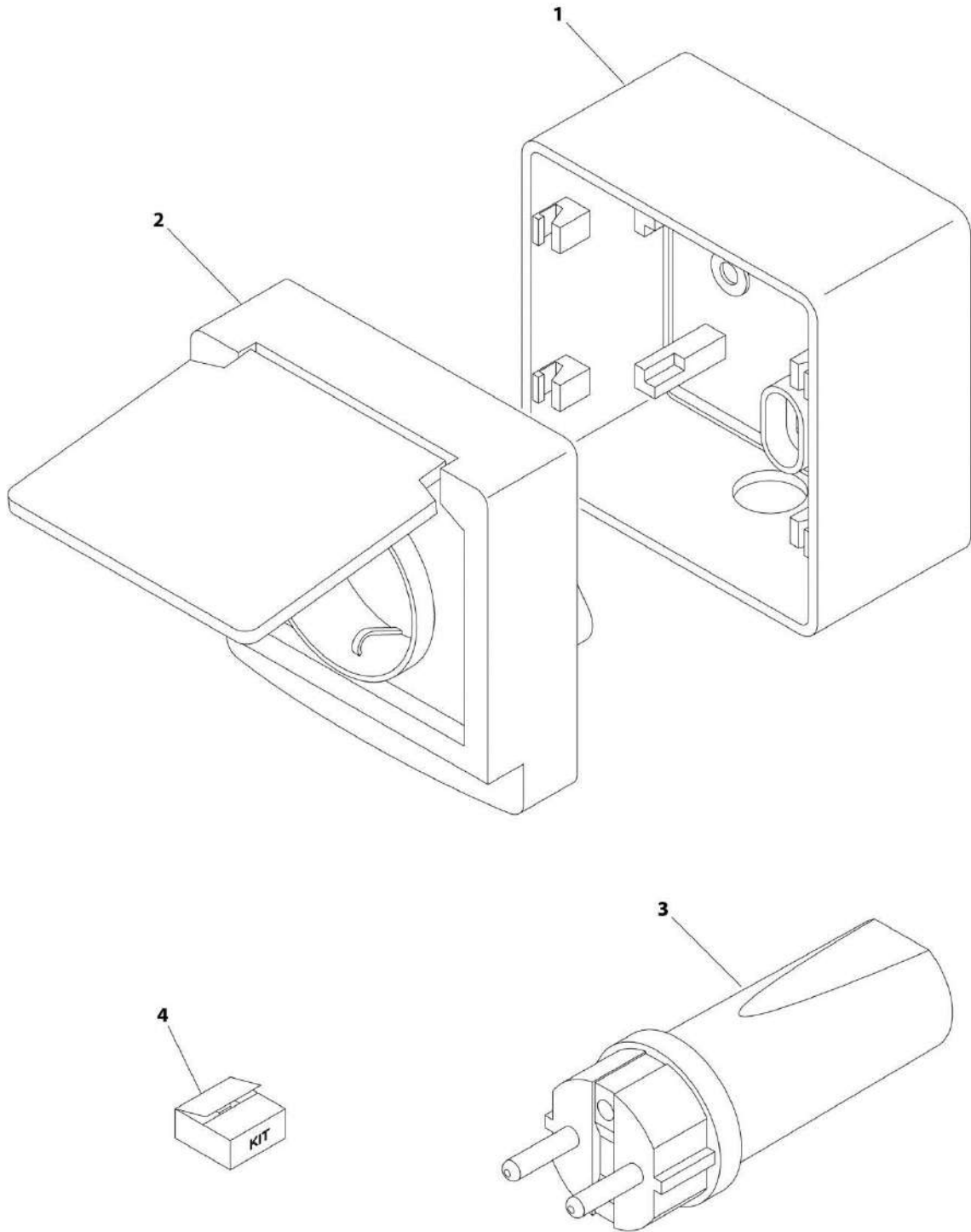
## SECTION 8 - ELECTRICAL

**FIGURE 8-7. AC PLUGS AND SOCKETS INSTALLATION - CEE7 POST GROUND (CE SPEC)**

ITEM	PART NUMBER	QTY	DESCRIPTION	REV
	0275218	Ref	AC PLUGS AND SOCKETS INSTALLATION - CEE7 POST GROUND (CE SPEC)	B
1	1001141967	1	Box, Switch	
2	1001141968	1	Receptacle	
3	4461202	1	Plug, Male	
4	1001141971	1	Plug and Socket Kit (Includes Items 1-3 and Female Plug p/n 4461206)	

# SECTION 8 - ELECTRICAL

FIGURE 8-8. AC PLUGS AND SOCKETS INSTALLATION - CEE 7 SIDE GROUND (CE SPEC)



ART\_0275219

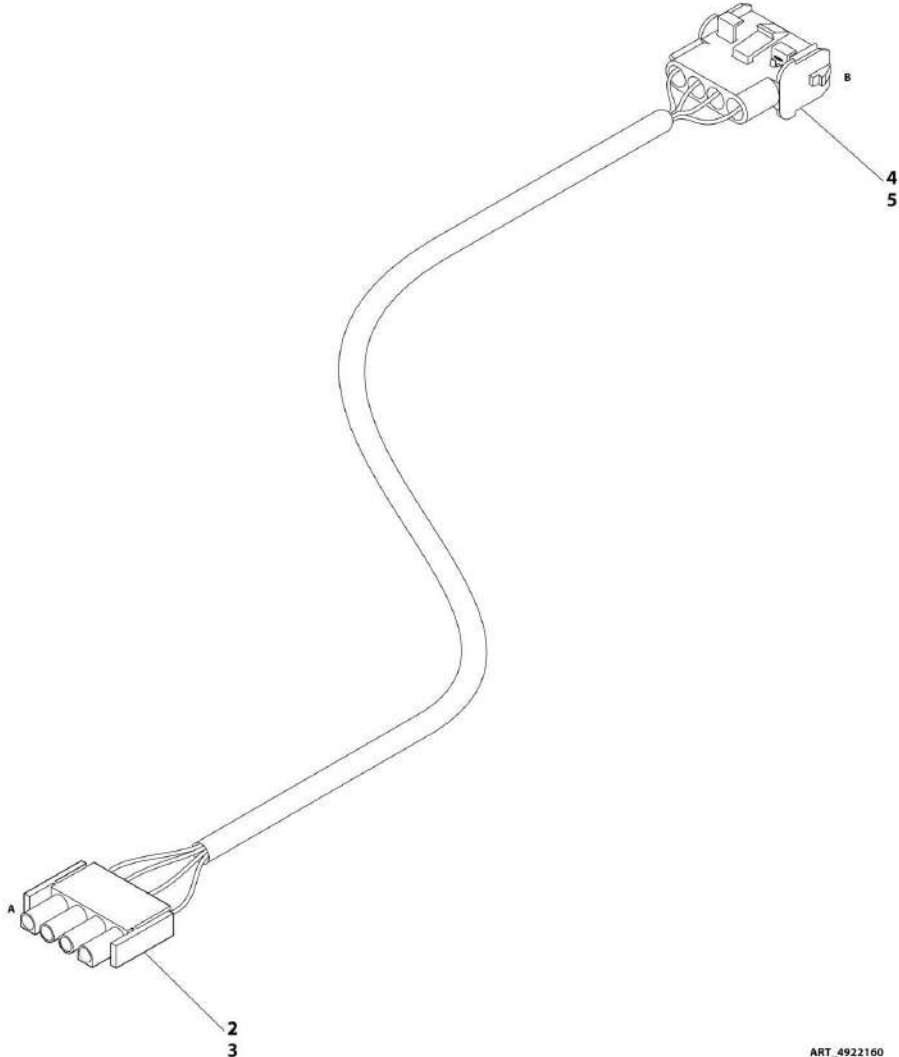
## SECTION 8 - ELECTRICAL

**FIGURE 8-8. AC PLUGS AND SOCKETS INSTALLATION - CEE 7 SIDE GROUND (CE SPEC)**

ITEM	PART NUMBER	QTY	DESCRIPTION	REV
	0275219	Ref	AC PLUGS AND SOCKETS INSTALLATION - CEE 7 SIDE GROUND (CE SPEC)	B
1	1001141967	1	Box, Switch	
2	1001141969	1	Receptacle	
3	4461205	1	Plug, Male	
4	1001141970	1	Plug and Socket Kit (Includes Items 1-3 and Female Plug p/n 4461206)	

**SECTION 8 - ELECTRICAL**

**FIGURE 8-9. ANALYZER HARNESS ASSEMBLY**



ART\_4922160

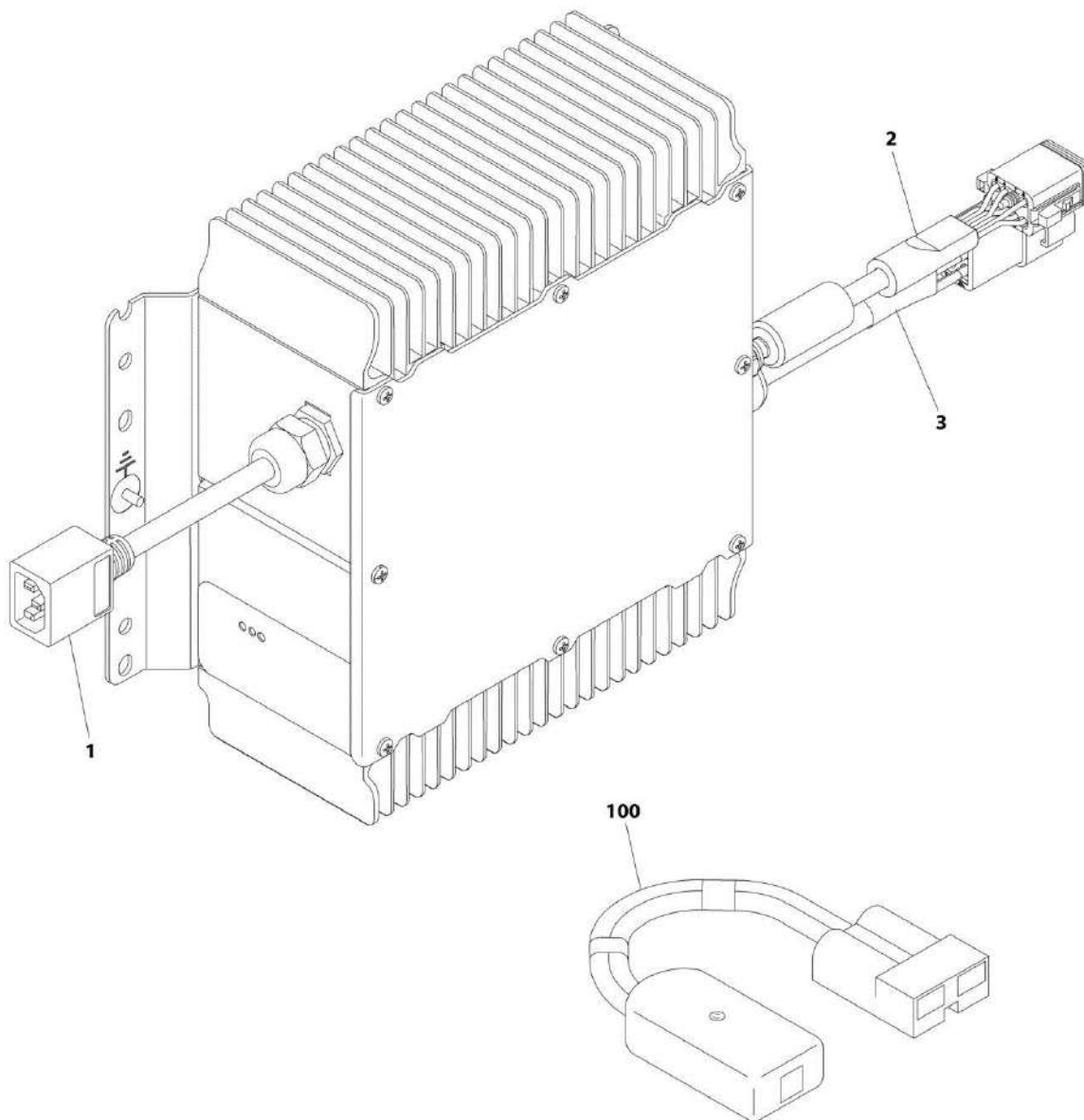
## SECTION 8 - ELECTRICAL

### FIGURE 8-9. ANALYZER HARNESS ASSEMBLY

ITEM	PART NUMBER	QTY	DESCRIPTION	REV
	4922160	Ref	ANALYZER HARNESS ASSEMBLY	3/C
2	4460321	1	Connector - 4 Position	
3	4460226	4	Socket, Female	
4	4460761	1	Connector, Female - 4 Position	
5	4460227	4	Pin, Male	

# SECTION 8 - ELECTRICAL

## FIGURE 8-10. BATTERY CHARGER ASSEMBLY



ART\_1001103105

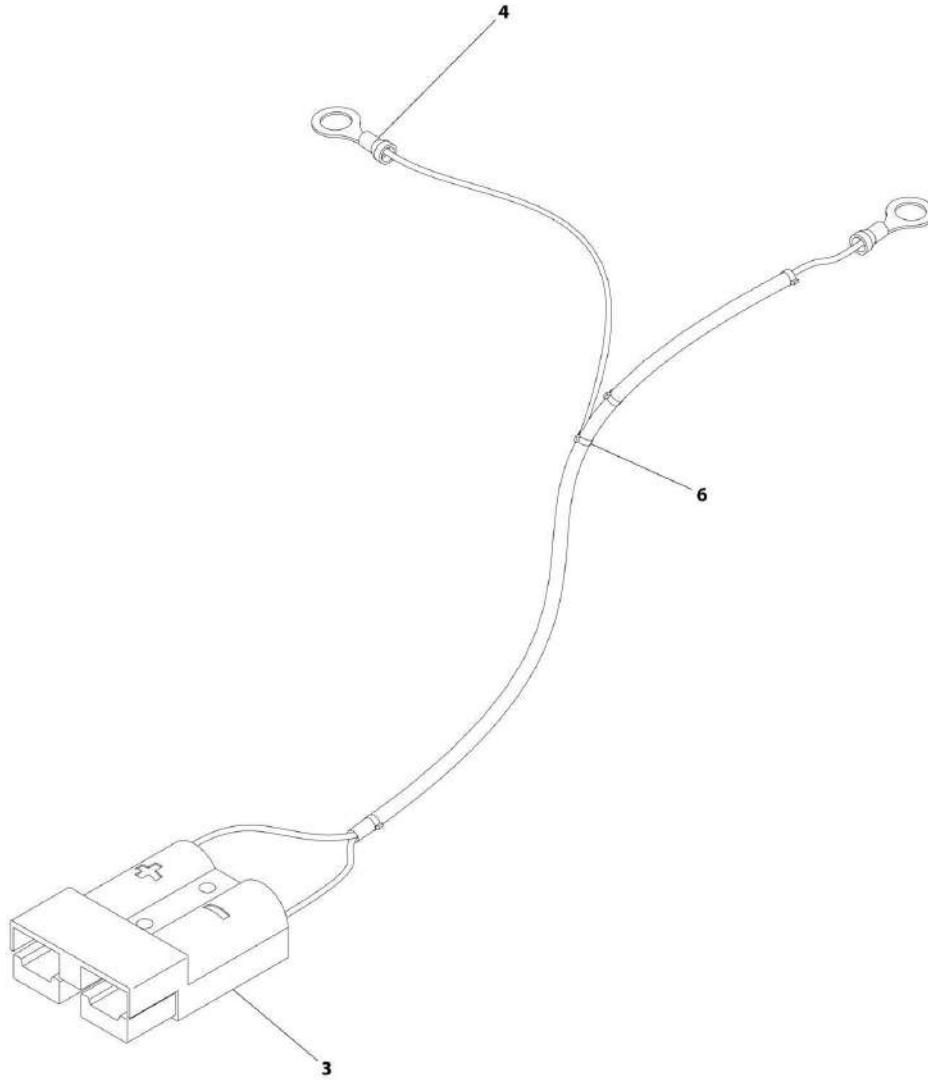
## SECTION 8 - ELECTRICAL

**FIGURE 8-10. BATTERY CHARGER ASSEMBLY**

ITEM	PART NUMBER	QTY	DESCRIPTION	REV
	1001103105	1	BATTERY CHARGER ASSEMBLY	D
1	See Note	1	Harness, Battery Charger AC Plug (Note: Not Available for Purchase)	
1	See Note	1	Connector, Plug (Note: Not Available for Purchase)	
2	See Note	1	Harness, Battery Charger Signal (Note: Not Available for Purchase)	
2	4460930	1	Connector - 8 Position	
2	4460464	7	Socket, Female	
3	See Note	1	Harness, Battery Charger Power (Note: Not Available - Purchase Complete Charger)	
3	1001116811	1	Connector - 4 Position	
3	4460508	4	Pin, Male	
100	2915230	1	BATTERY CHARGER REPROGRAM CONTROLLER KIT (Includes Controller, Software and Instructions)	

## SECTION 8 - ELECTRICAL

FIGURE 8-11. BATTERY CHARGER HARNESS (SN 0300189898 through 0300196080)



ART\_4922103



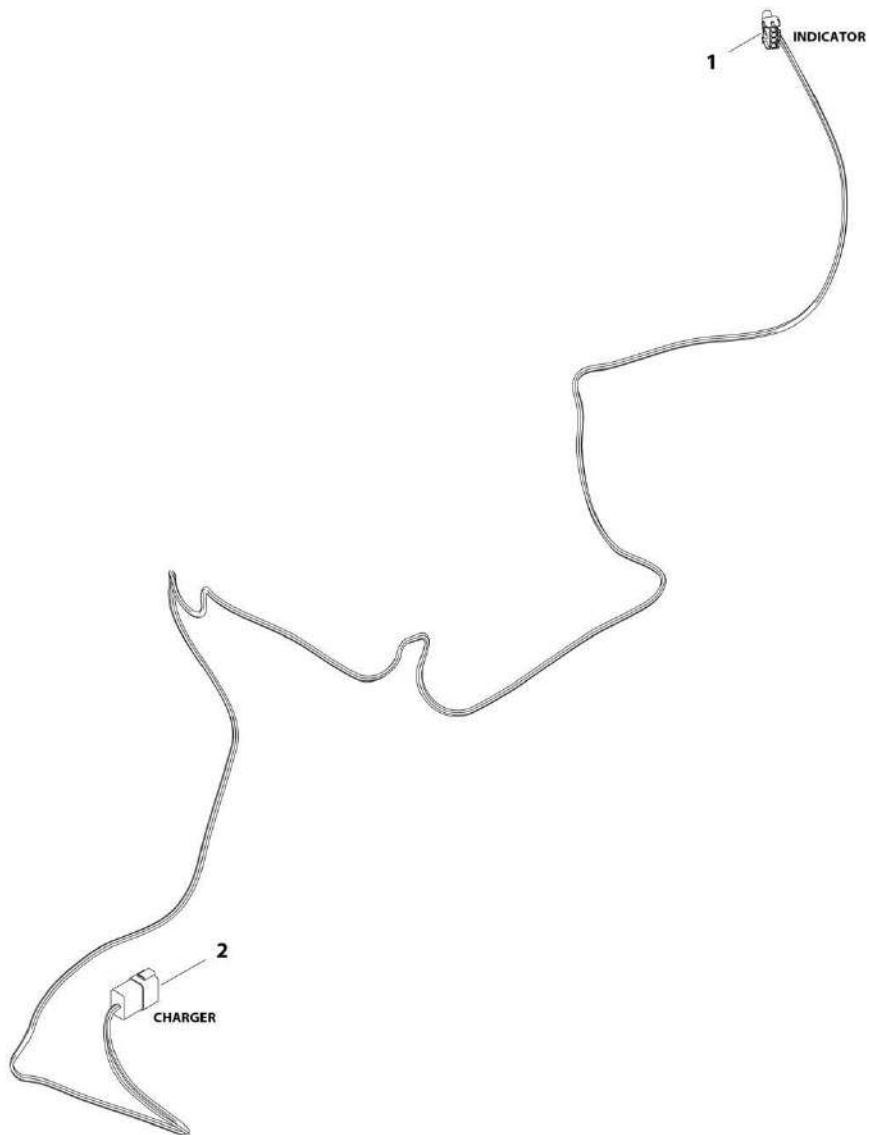
## SECTION 8 - ELECTRICAL

**FIGURE 8-11. BATTERY CHARGER HARNESS (SN 0300189898 through 0300196080)**

ITEM	PART NUMBER	QTY	DESCRIPTION	REV
	4922103	Ref	BATTERY CHARGER HARNESS (SN 0300189898 through 0300196080)	A
3	4460444	1	Connector, Anderson	
4	4460738	2	Terminal	
6	4240033	4	Tie-Strap	

## SECTION 8 - ELECTRICAL

FIGURE 8-12. BATTERY CHARGER INDICATOR HARNESS - CE SPEC (SN 0300200790 through 0300208529)



ART\_1001190300

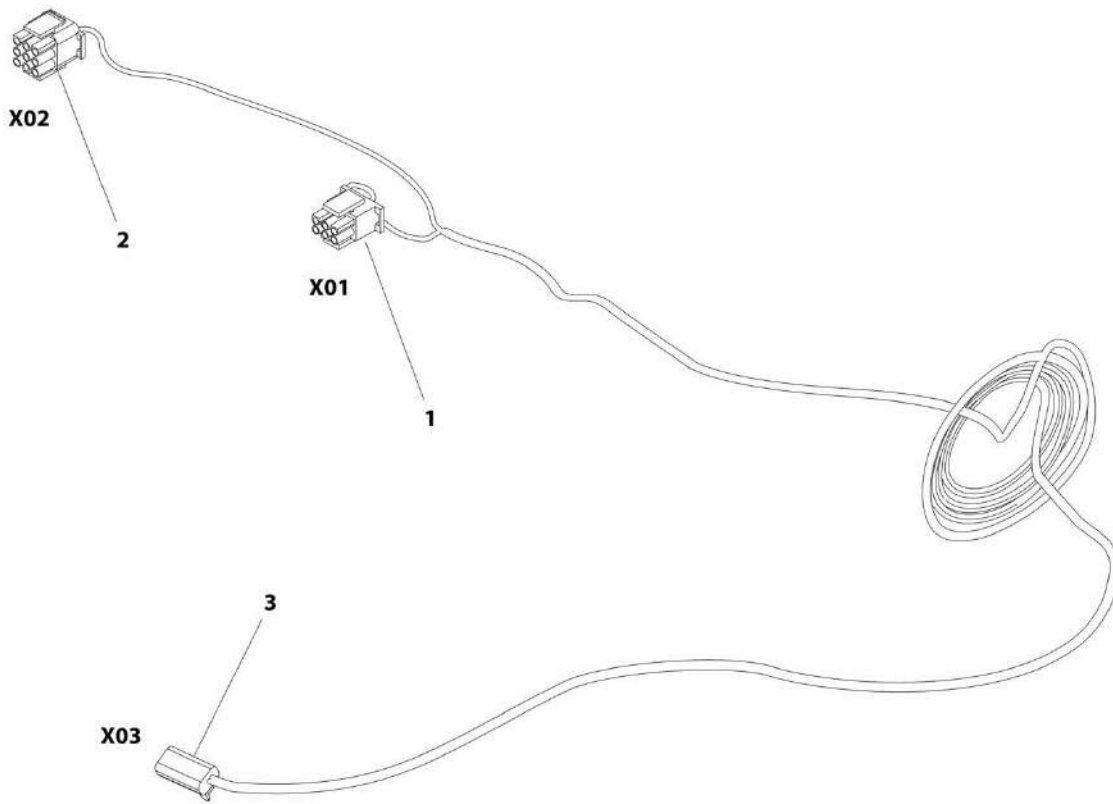
## SECTION 8 - ELECTRICAL

**FIGURE 8-12. BATTERY CHARGER INDICATOR HARNESS - CE SPEC (SN 0300200790 through 0300208529)**

ITEM	PART NUMBER	QTY	DESCRIPTION	REV
	1001190300	Ref	BATTERY CHARGER INDICATOR HARNESS - CE SPEC (SN <b>0300200790 through 0300208529</b> )	A
1	4460761	1	Connector - 4 Position	
1	4460226	4	Pin, Male	
2	4460931	1	Connector - 8 Position	
2	4460464	4	Pin, Male	
2	4460466	4	Plug, Seal	

# SECTION 8 - ELECTRICAL

FIGURE 8-13. BEACON LIGHT HARNESS (BLUE BEACON ONLY)



ART\_1001149570

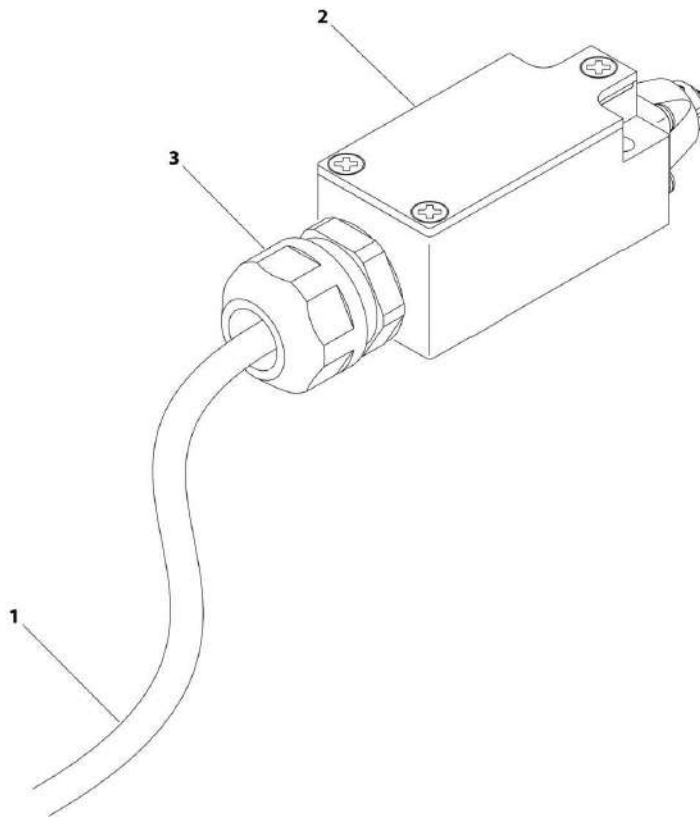
## SECTION 8 - ELECTRICAL

**FIGURE 8-13. BEACON LIGHT HARNESS (BLUE BEACON ONLY)**

ITEM	PART NUMBER	QTY	DESCRIPTION	REV
	1001149570	Ref	BEACON LIGHT HARNESS (BLUE BEACON ONLY)	B
1	4460225	1	Plug, Male - 6 Position	
1	4460267	1	Pin, Male	
2	4460265	1	Plug, Male - 9 Position	
2	4460268	1	Socket, Female	
3	4460891	1	Plug, Male - 2 Position	
3	4460465	2	Socket, Female	

## SECTION 8 - ELECTRICAL

FIGURE 8-14. BOOM LIMIT SWITCH HARNESS - LOWER



ART\_4922614

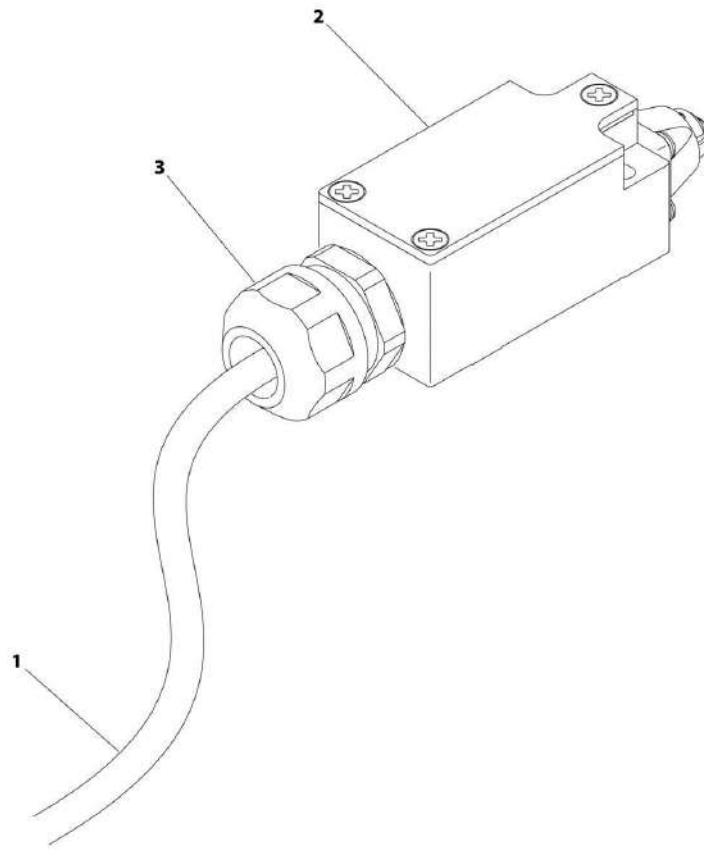
## SECTION 8 - ELECTRICAL

### FIGURE 8-14. BOOM LIMIT SWITCH HARNESS - LOWER

ITEM	PART NUMBER	QTY	DESCRIPTION	REV
1	4922614	Ref	BOOM LIMIT SWITCH HARNESS - LOWER	B
	1060341	19 ft /5.8m	Cable, Electrical - 16/2	
2	4360548	1	Switch, Limit	
3	4460968	1	Connector, Strain Relief	

# SECTION 8 - ELECTRICAL

FIGURE 8-15. BOOM LIMIT SWITCH HARNESS - UPPER



ART\_4922613



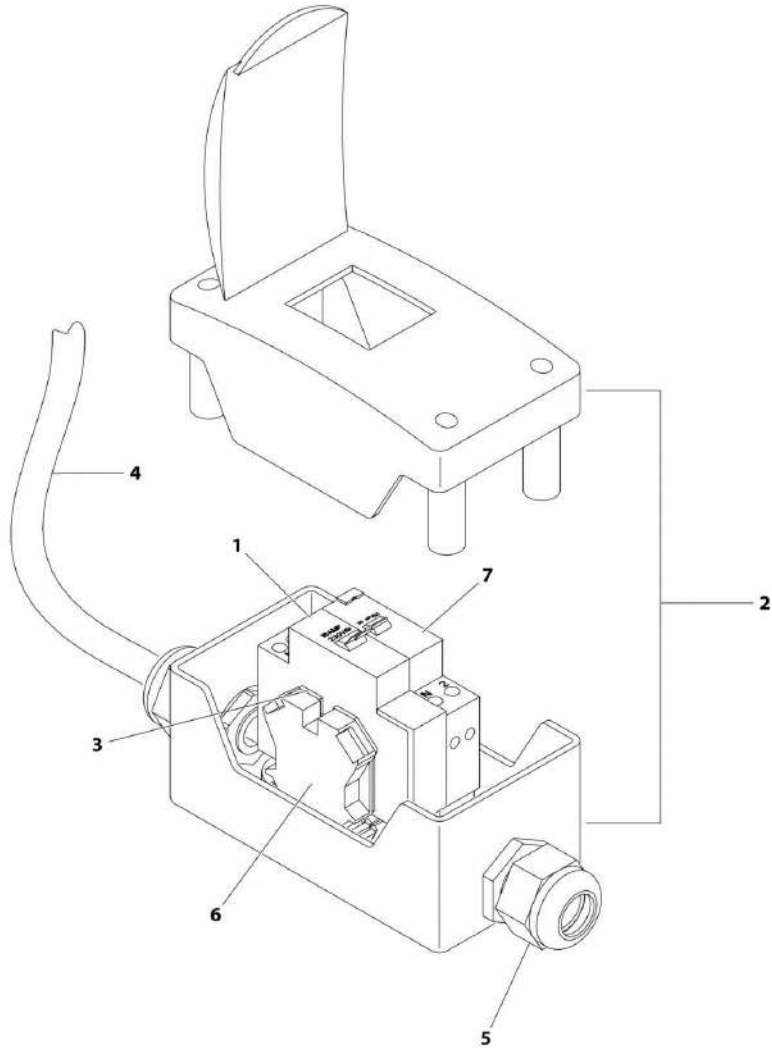
## SECTION 8 - ELECTRICAL

### FIGURE 8-15. BOOM LIMIT SWITCH HARNESS - UPPER

ITEM	PART NUMBER	QTY	DESCRIPTION	REV
1	4922613	Ref	BOOM LIMIT SWITCH HARNESS - UPPER	B
	1060341	34 ft /10.3m	Cable, Electrical - 16/2	
2	4360548	1	Switch, Limit	
3	4460968	1	Connector, Strain Relief	

**SECTION 8 - ELECTRICAL**

**FIGURE 8-16. BREAKER BOX KIT WITH TWO BREAKERS - CE SPEC**



ART\_2902549

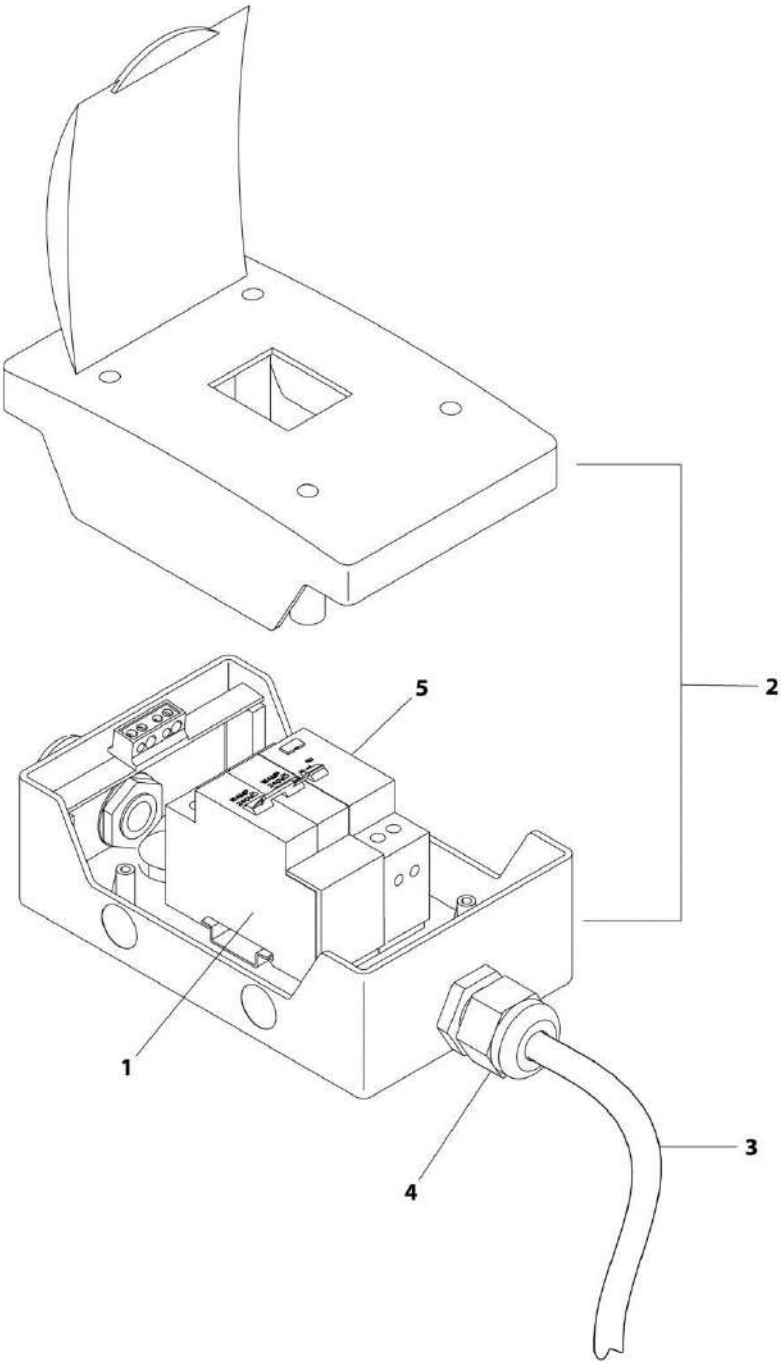
## SECTION 8 - ELECTRICAL

**FIGURE 8-16. BREAKER BOX KIT WITH TWO BREAKERS - CE SPEC**

ITEM	PART NUMBER	QTY	DESCRIPTION	REV
	2902549	Ref	BREAKER BOX KIT WITH TWO BREAKERS - CE SPEC	D
1	1001181045	1	Breaker, 16Amp	
2	0861880	1	Box	
3	4460956	1	Barrier, Terminal	
4	1060908	6 ft/1.8m	Cable, 12/3	
5	1001097150	2	Connector, Strain Relief	
6	4460957	1	Block, Terminal	
7	1001181046	1	Breaker, 30mA	

**SECTION 8 - ELECTRICAL**

**FIGURE 8-17. BREAKER BOX KIT WITH THREE BREAKERS - CE SPEC**



ART\_1001152485

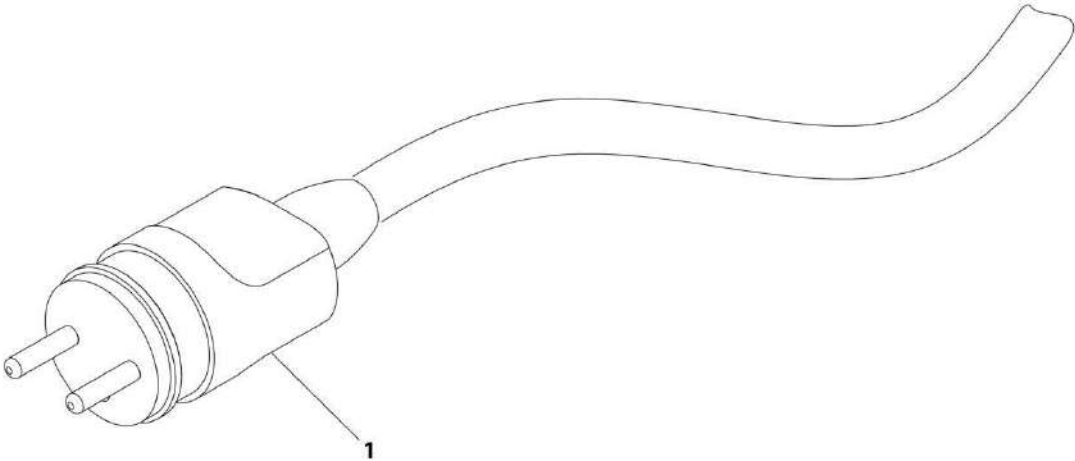
## SECTION 8 - ELECTRICAL

**FIGURE 8-17. BREAKER BOX KIT WITH THREE BREAKERS - CE SPEC**

ITEM	PART NUMBER	QTY	DESCRIPTION	REV
	1001152485	Ref	BREAKER BOX KIT WITH THREE BREAKERS - CE SPEC	B
1	1001189172	1	Breaker, 16Amp (Double)	
2	1001152483	1	Box	
3	1060908	6 ft/1.8m	Cable, 12/3	
4	1001097150	2	Connector, Strain Relief	
5	1001189171	1	Breaker, 30mA	

**SECTION 8 - ELECTRICAL**

**FIGURE 8-18. CHARGER CORD PLUG INSTALLATION - 220V - CEE7 POST GROUND (CE SPEC)**



ART\_0275663

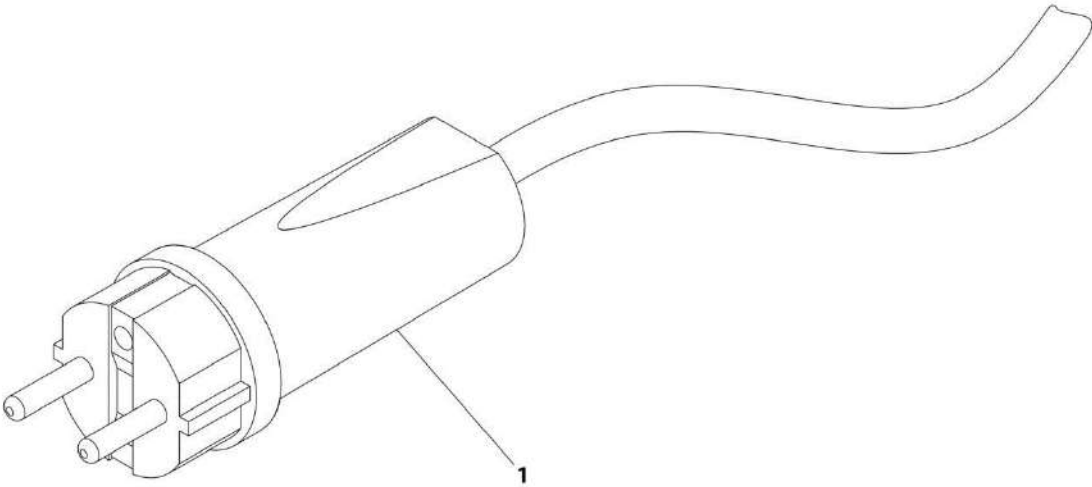
## SECTION 8 - ELECTRICAL

**FIGURE 8-18. CHARGER CORD PLUG INSTALLATION - 220V - CEE7 POST GROUND (CE SPEC)**

ITEM	PART NUMBER	QTY	DESCRIPTION	REV
	0275663	Ref	CHARGER CORD PLUG INSTALLATION - 220V - CEE7 POST GROUND (CE SPEC)	A
1	4461202	1	Plug	

**SECTION 8 - ELECTRICAL**

**FIGURE 8-19. CHARGER CORD PLUG INSTALLATION - 220V - CEE7 SIDE GROUND (CE SPEC)**



ART\_0275664



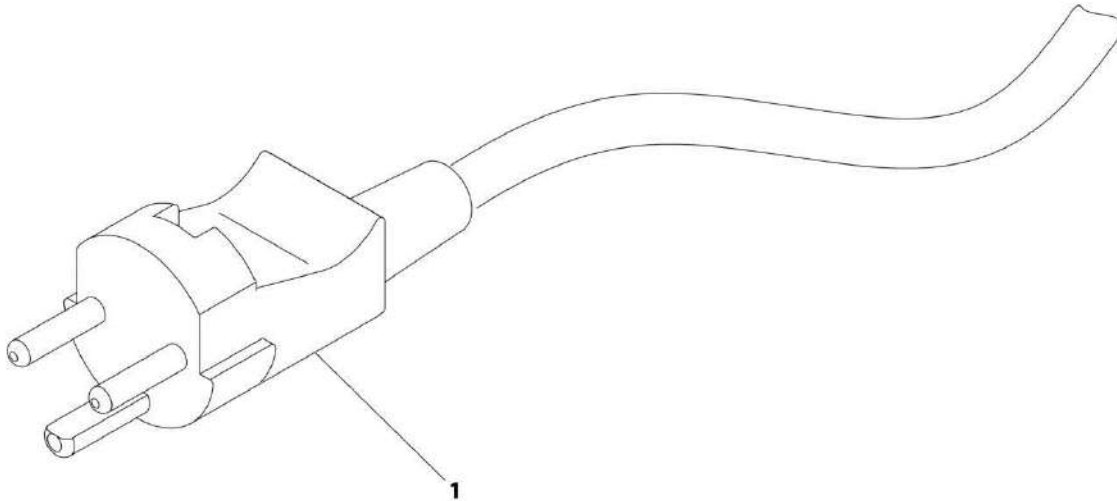
## SECTION 8 - ELECTRICAL

**FIGURE 8-19. CHARGER CORD PLUG INSTALLATION - 220V - CEE7 SIDE GROUND (CE SPEC)**

ITEM	PART NUMBER	QTY	DESCRIPTION	REV
	0275664	Ref	CHARGER CORD PLUG INSTALLATION - 220V - CEE7 SIDE GROUND (CE SPEC)	A
1	4461205	1	Plug	

## SECTION 8 - ELECTRICAL

FIGURE 8-20. CHARGER CORD PLUG INSTALLATION - 220V - AFSINT 107 KEYED GROUND (CE SPEC)



ART. 0275665

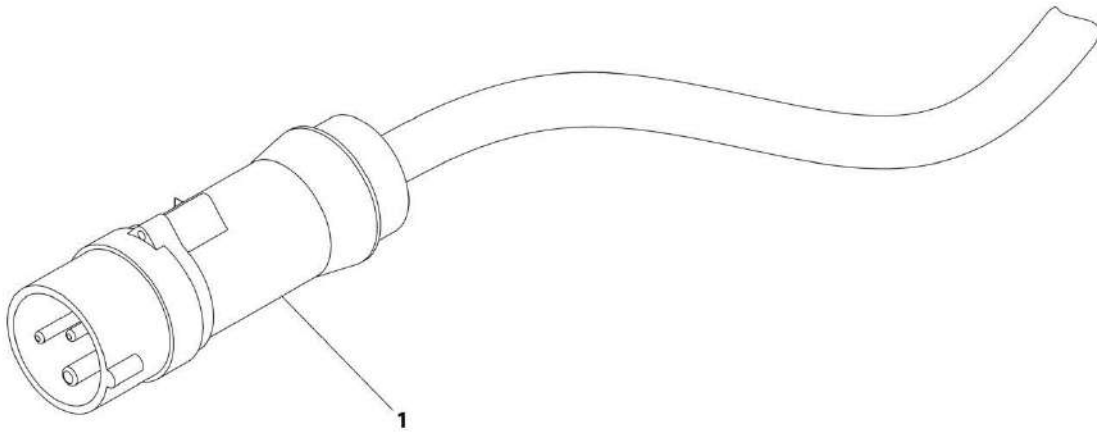
## SECTION 8 - ELECTRICAL

**FIGURE 8-20. CHARGER CORD PLUG INSTALLATION - 220V - AFSINT 107 KEYED GROUND (CE SPEC)**

ITEM	PART NUMBER	QTY	DESCRIPTION	REV
	0275665	Ref	CHARGER CORD PLUG INSTALLATION - 220V - AFSINT 107 KEYED GROUND (CE SPEC)	A
1	4461249	1	Plug	

## SECTION 8 - ELECTRICAL

FIGURE 8-21. CHARGER CORD PLUG INSTALLATION - 110V - IEC 60309 - YELLOW (CE SPEC)



ART\_0275666

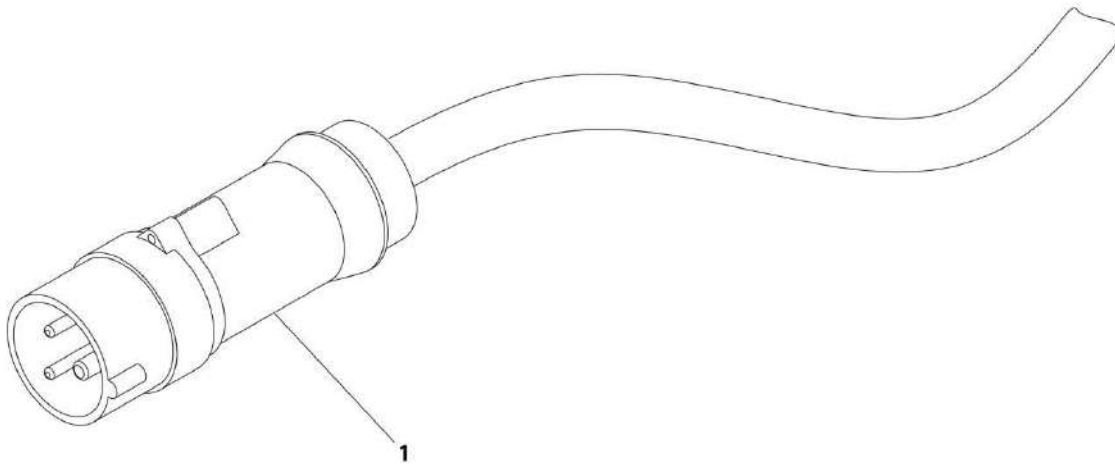
## SECTION 8 - ELECTRICAL

**FIGURE 8-21. CHARGER CORD PLUG INSTALLATION - 110V - IEC 60309 - YELLOW (CE SPEC)**

ITEM	PART NUMBER	QTY	DESCRIPTION	REV
	0275666	Ref	CHARGER CORD PLUG INSTALLATION - 110V - IEC 60309 - YELLOW (CE SPEC)	A
1	4461196	1	Plug	

## SECTION 8 - ELECTRICAL

FIGURE 8-22. CHARGER CORD PLUG INSTALLATION - 220V - IEC 60309 - BLUE (CE SPEC)



ART\_0275667

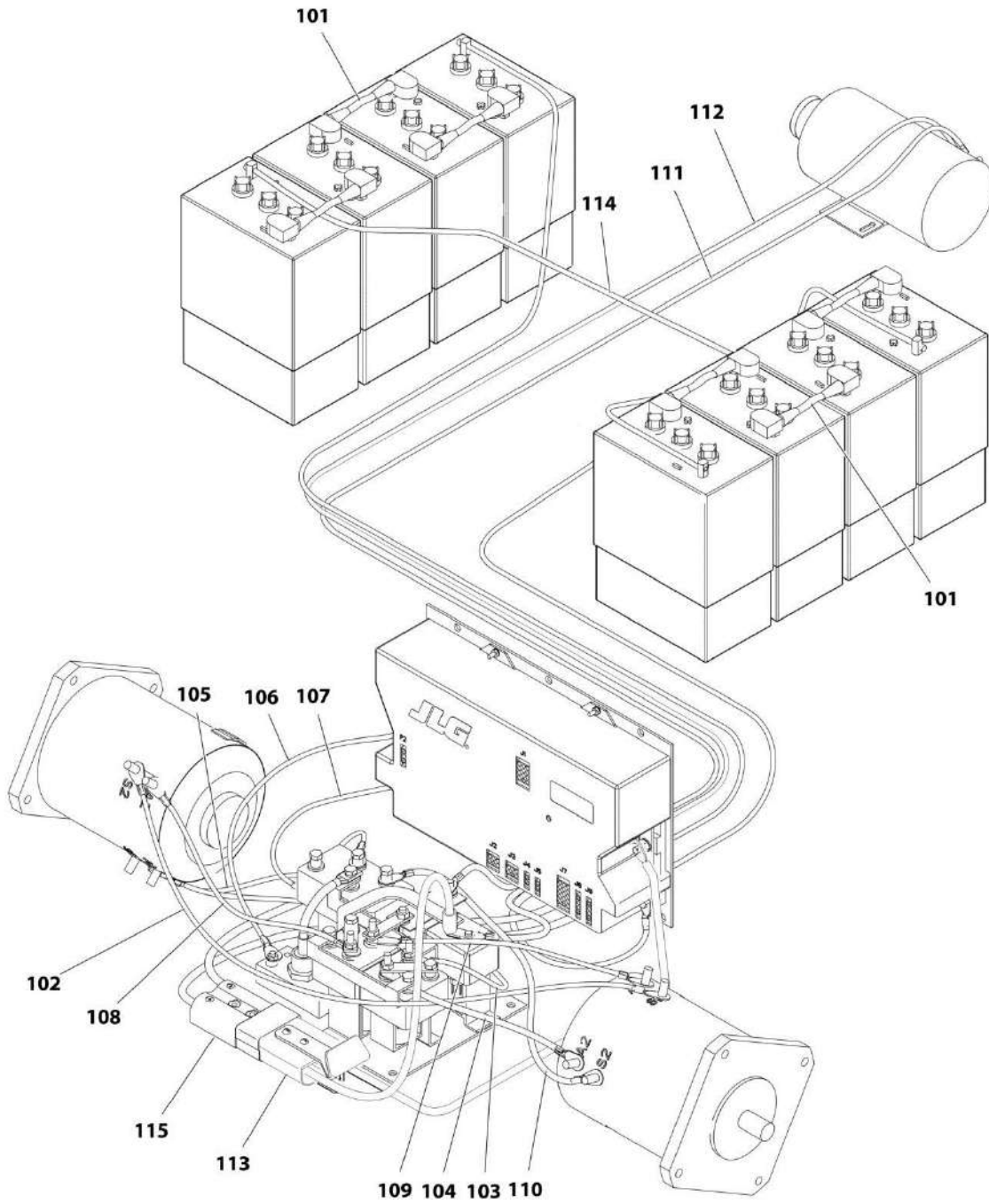
## SECTION 8 - ELECTRICAL

**FIGURE 8-22. CHARGER CORD PLUG INSTALLATION - 220V - IEC 60309 - BLUE (CE SPEC)**

ITEM	PART NUMBER	QTY	DESCRIPTION	REV
	0275667	Ref	CHARGER CORD PLUG INSTALLATION - 220V - IEC 60309 - BLUE (CE SPEC)	A
1	4461199	1	Plug	

# SECTION 8 - ELECTRICAL

## FIGURE 8-23. CONTACTOR CABLE KIT - E450A/E450AJ



ART\_1001176310



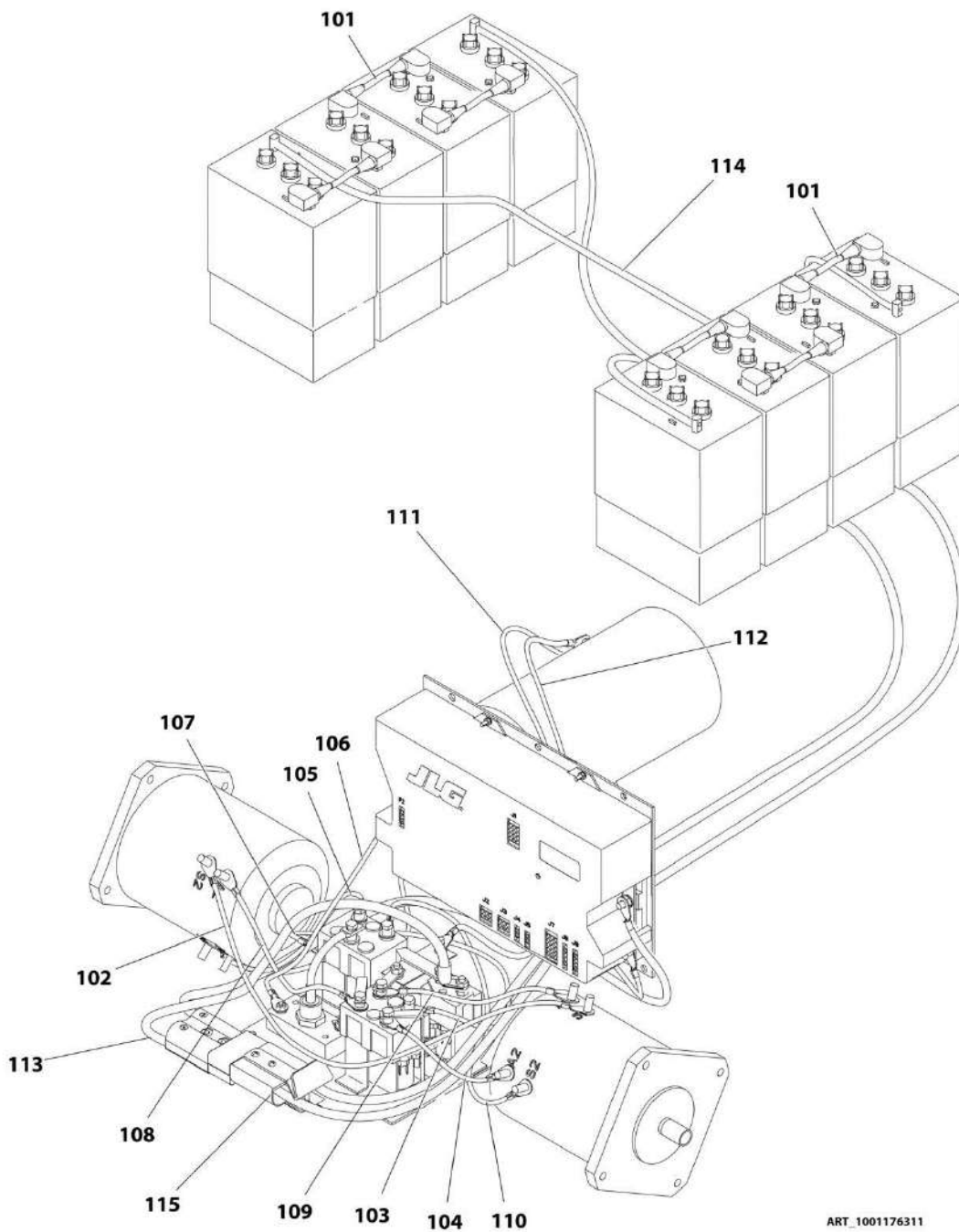
## SECTION 8 - ELECTRICAL

**FIGURE 8-23. CONTACTOR CABLE KIT - E450A/E450AJ**

ITEM	PART NUMBER	QTY	DESCRIPTION	REV
	1001176310	Ref	CONTACTOR CABLE KIT - E450A/E450AJ	A
101	1060092	6	Cable, Battery	
102	1060717	1	Cable, Electrical (Motor B S2 to Motor A S1)	
103	1060718	1	Cable, Electrical (Motor B A1 to Contactor Plate MB2)	
104	1060719	1	Cable, Electrical (Motor A A2 to Contactor Plate MA2)	
105	1001171290	1	Cable, Electrical (Motor B S1 to Contactor Plate SA1)	
106	1060721	1	Cable, Electrical (Power Module A to Contactor Plate B+)	
107	1060722	1	Cable, Electrical (Power Module B+ to Contactor Plate A)	
108	1060723	1	Cable, Electrical (Motor B A2 to Contactor Plate MB1)	
109	1060724	1	Cable, Electrical (Motor A A1 to Contactor Plate MA1)	
110	1001171289	1	Cable, Electrical (Motor A S2 to Contactor Plate SB1)	
111	1001167433	1	Cable, Electrical (Contactor Plate P2 to Hydraulic Pump Motor +)	
112	1001167434	1	Cable, Electrical (Power Module to Hydraulic Pump Motor -)	
113	1060810	1	Cable, Electrical (Contactor Plate to Battery Connector)	
114	1060811	1	Cable, Electrical (Battery to Battery)	
115	1060809	1	Cable, Electrical (Battery Connector to Batteries)	

# SECTION 8 - ELECTRICAL

## FIGURE 8-24. CONTACTOR CABLE KIT - M450AJ



ART\_1001176311

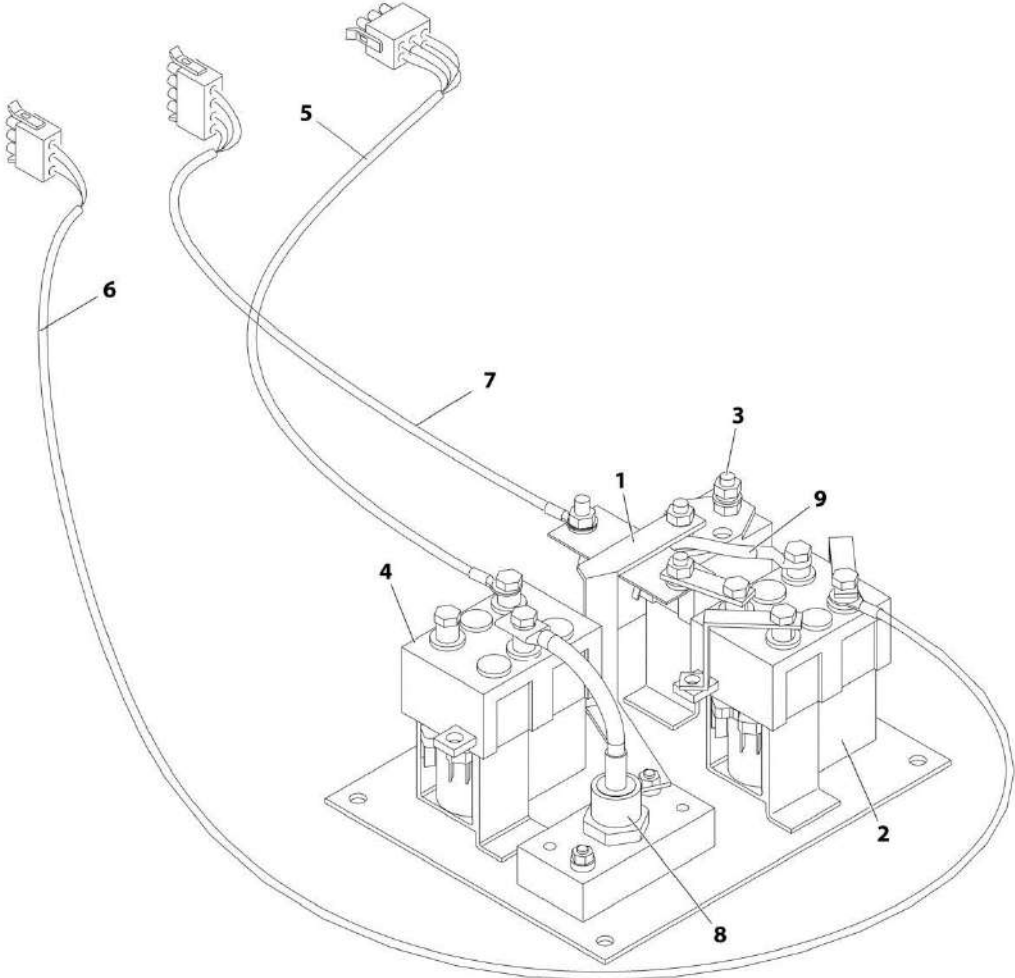
## SECTION 8 - ELECTRICAL

**FIGURE 8-24. CONTACTOR CABLE KIT - M450AJ**

ITEM	PART NUMBER	QTY	DESCRIPTION	REV
	1001176311	Ref	CONTACTOR CABLE KIT - M450AJ	A
101	1060092	6	Cable, Battery	
102	1060717	1	Cable, Electrical (Motor B S2 to Motor A S1)	
103	1060718	1	Cable, Electrical (Motor B A1 to Contactor Plate MB2)	
104	1060719	1	Cable, Electrical (Motor A A2 to Contactor Plate MA2)	
105	1001171290	1	Cable, Electrical (Motor B S1 to Contactor Plate SA1)	
106	1060721	1	Cable, Electrical (Power Module A to Contactor Plate B+)	
107	1060722	1	Cable, Electrical (Power Module B+ to Contactor Plate A)	
108	1060723	1	Cable, Electrical (Motor B A2 to Contactor Plate MB1)	
109	1060724	1	Cable, Electrical (Motor A A1 to Contactor Plate MA1)	
110	1001171289	1	Cable, Electrical (Motor A S2 to Contactor Plate SB1)	
111	1060728	1	Cable, Electrical (Contactor Plate P2 to Hydraulic Pump Motor +)	
112	1001171293	1	Cable, Electrical (Power Module to Hydraulic Pump Motor -)	
113	1060810	1	Cable, Electrical (Contactor Plate to Battery Connector)	
114	1060811	1	Cable, Electrical (Battery to Battery)	
115	1060809	1	Cable, Electrical (Battery connector to Batteries)	

**SECTION 8 - ELECTRICAL**

**FIGURE 8-25. CONTACTOR PLATE ASSEMBLY AND HARNESSSES**



ART\_1600294

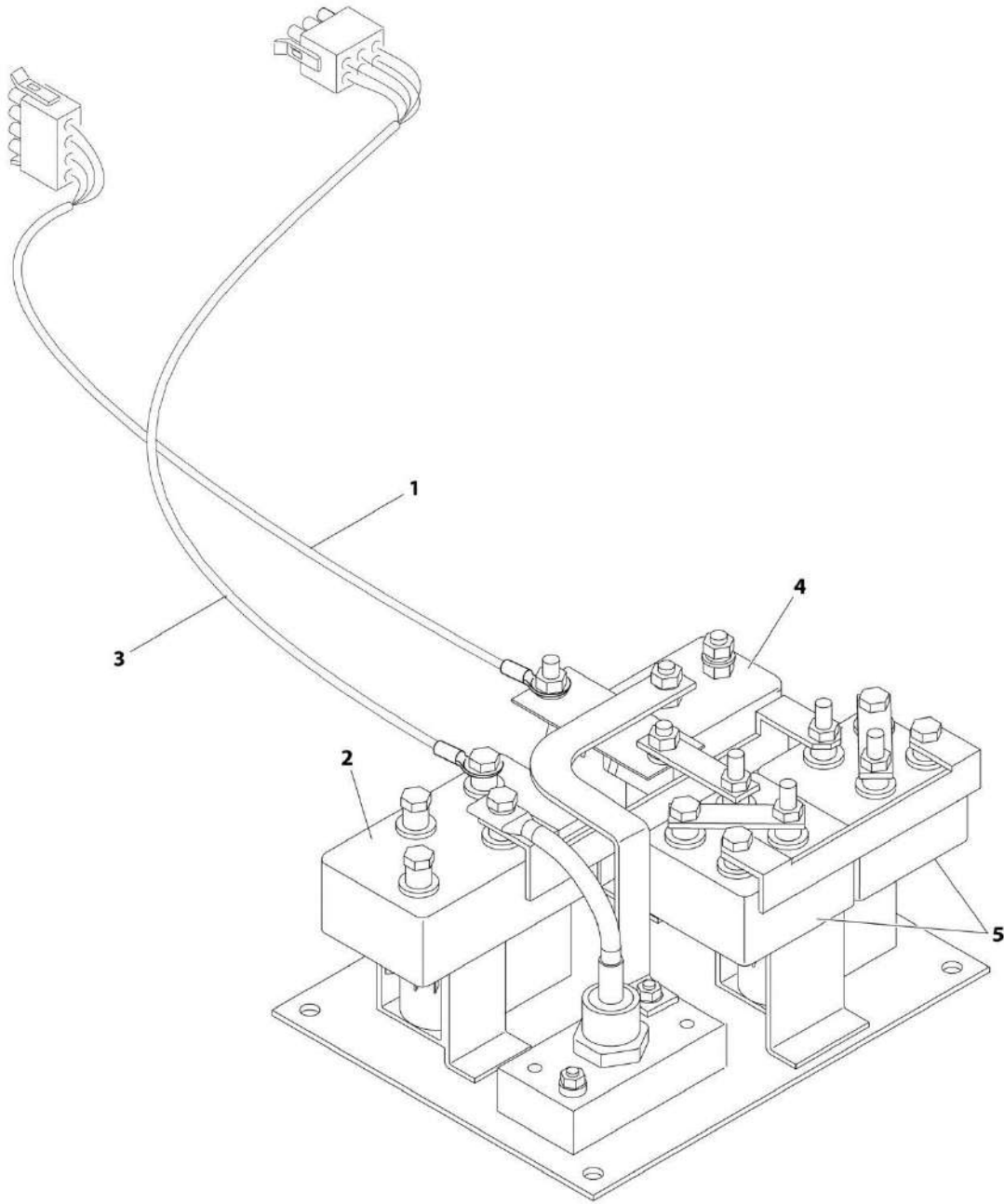
## SECTION 8 - ELECTRICAL

**FIGURE 8-25. CONTACTOR PLATE ASSEMBLY AND HARNESSSES**

ITEM	PART NUMBER	QTY	DESCRIPTION	REV
	1600294	Ref	CONTACTOR PLATE ASSEMBLY AND HARNESSSES	E
1	70001052	1	Harness, Shunt/Bus Bar Assembly	
2	7022000	1	Contactor (Posi-Track)	
3	7022001	1	Contactor (Main)	
4	7022002	1	Contactor (Forward/Reverse)	
5	7022003	1	Harness, Contactor	
5	4460225	1	Connector - 3 Position	
5	4460226	6	Socket, Female	
6	7022004	1	Harness, Posi-Track Contactor	
6	4460326	1	Connector - 3 Position	
6	4460227	3	Pin, Male	
7	7022005	1	Harness, Shunt	
7	4460321	1	Connector - 4 Position	
7	4460227	4	Pin, Male	
8	7022011	1	Diode, Power	
9	7022012	1	Cable, Power	

# SECTION 8 - ELECTRICAL

FIGURE 8-26. CONTACTOR PLATE ASSEMBLY AND HARNESSSES - UL LISTED



ART\_1600300

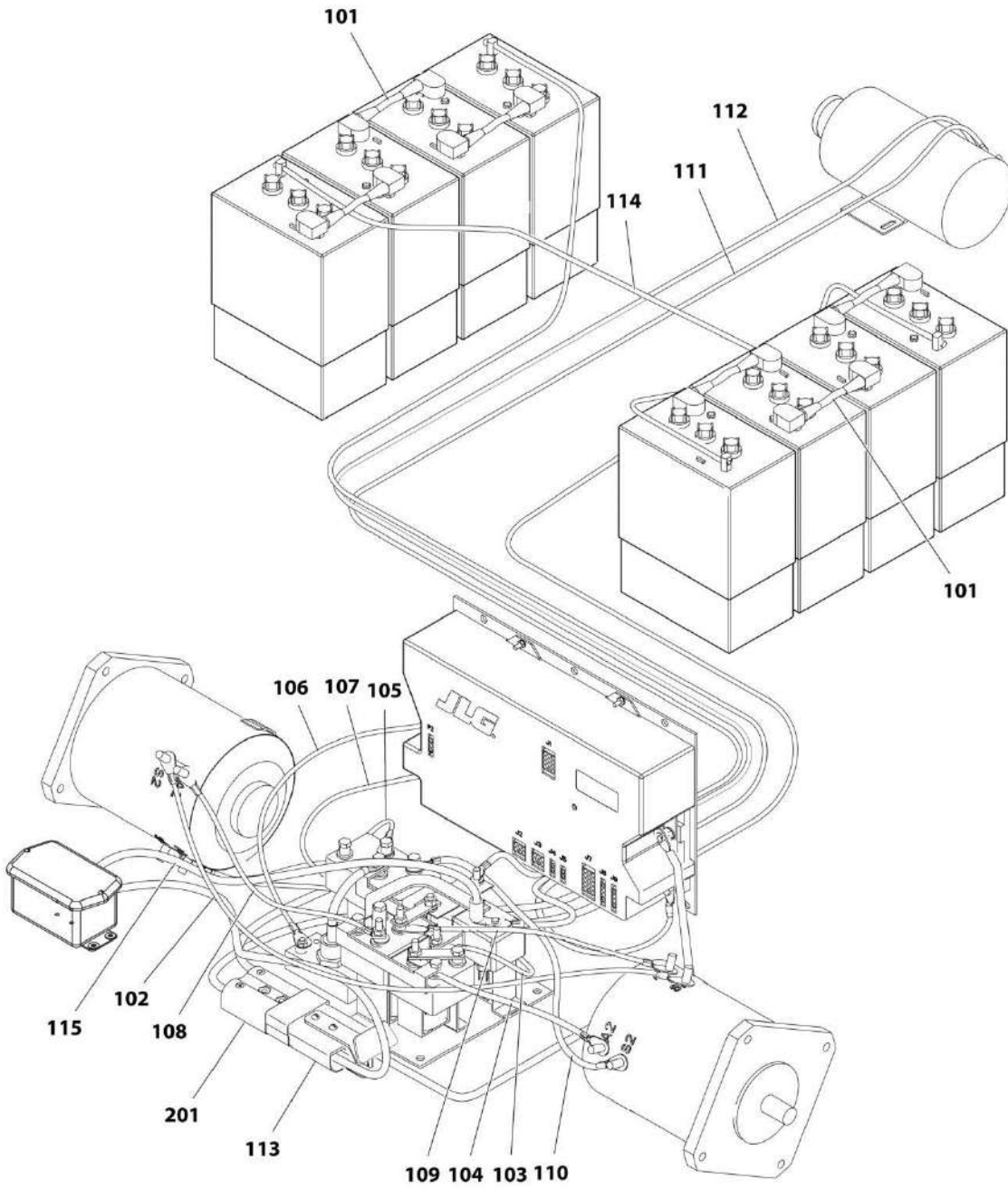
## SECTION 8 - ELECTRICAL

**FIGURE 8-26. CONTACTOR PLATE ASSEMBLY AND HARNESSSES - UL LISTED**

ITEM	PART NUMBER	QTY	DESCRIPTION	REV
	1600300	Ref	CONTACTOR PLATE ASSEMBLY AND HARNESSSES - UL LISTED	
1	7022005	1	Harness, Shunt	
1	4460321	1	Connector - 4 Position	
1	4460227	4	Pin, Male	
2	7022007	1	Contactor, (Forward/Reverse)	
3	7022008	1	Harness, Contactor	
3	4460225	1	Connector - 6 Position	
3	4460226	6	Socket, Female	
4	7022009	1	Contactor (Main)	
5	7022010	2	Contactor (Posi-Track)	

# SECTION 8 - ELECTRICAL

## FIGURE 8-27. CONTACTOR PLATE KIT - E450A/E450AJ - UL/EE



ART\_1001176309



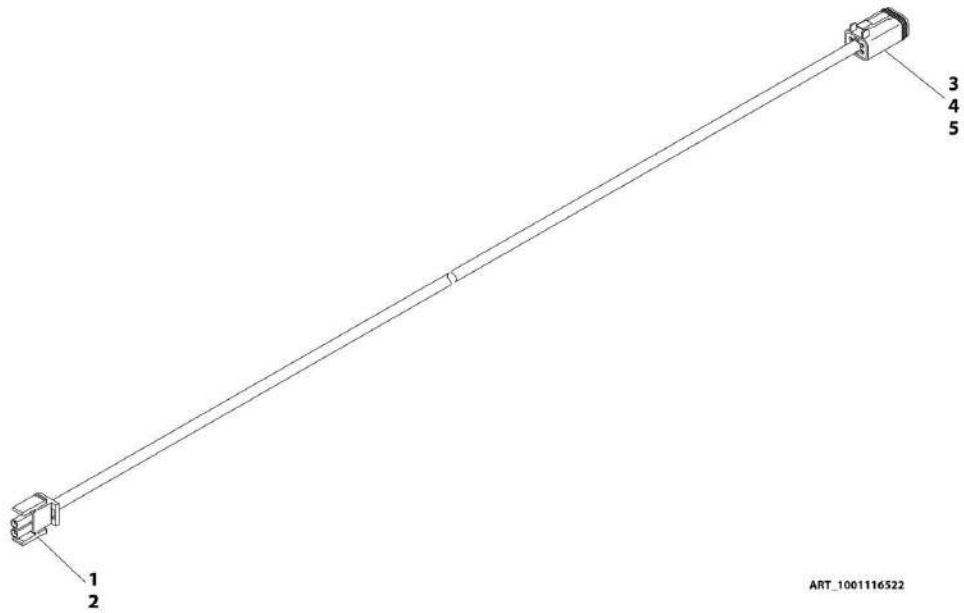
## SECTION 8 - ELECTRICAL

**FIGURE 8-27. CONTACTOR PLATE KIT - E450A/E450AJ - UL/EE**

ITEM	PART NUMBER	QTY	DESCRIPTION	REV
	1001176309	Ref	CONTACTOR PLATE KIT - E450A/E450AJ - UL/EE	A
101	1060092	6	Cable, Battery	
102	1060835	1	Cable, Electrical (Motor B S2 to Motor A S1)	
103	1060836	1	Cable, Electrical (Motor B A1 to Contactor Plate MB2)	
104	1060837	1	Cable, Electrical (Motor A A2 to Contactor Plate MA2)	
105	1001167426	1	Cable, Electrical (Motor B S1 to Contactor Plate SA1)	
106	1060839	1	Cable, Electrical (Power Module A to Contactor Plate)	
107	1060840	1	Cable, Electrical (Power Module B+ to Contactor Plate)	
108	1060841	1	Cable, Electrical (Motor B A2 to Contactor Plate MB1)	
109	1060842	1	Cable, Electrical (Motor A A1 to Contactor Plate MA1)	
110	1001167431	1	Cable, Electrical (Motor A S2 to Contactor Plate SB1)	
111	1001171292	1	Cable, Electrical (Contactor Plate P2 to Hydraulic Pump Motor +)	
112	1001171291	1	Cable, Electrical (Power Module to Hydraulic Pump Motor -)	
113	1060810	1	Cable, Electrical (Power Module to Batteries)	
114	1060811	1	Cable, Electrical (Battery to Battery)	
115	1060847	1	Cable, Electrical (Jumper, Fuse)	
201	1060809	1	Cable, Battery	

# SECTION 8 - ELECTRICAL

## FIGURE 8-28. DRIVE ORIENTATION HARNESS



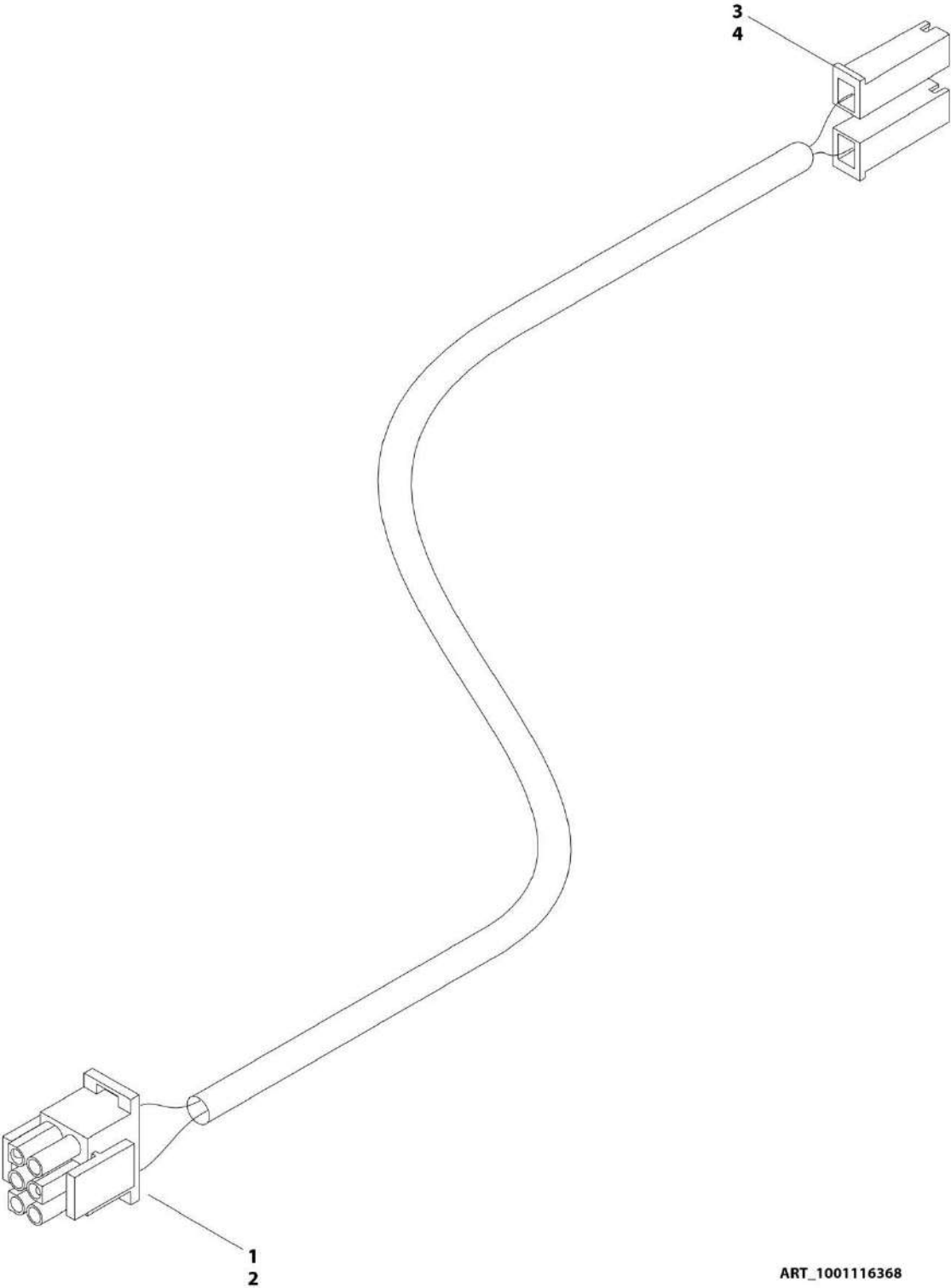
## SECTION 8 - ELECTRICAL

### FIGURE 8-28. DRIVE ORIENTATION HARNESS

ITEM	PART NUMBER	QTY	DESCRIPTION	REV
	1001116522	Ref	DRIVE ORIENTATION HARNESS	B
1	4460227	2	Pin, Male	
2	4460320	1	Connector - 2 Position	
3	4460465	2	Socket, Female	
4	4460466	2	Seal	
5	4460884	1	Connector - 4 Position	

**SECTION 8 - ELECTRICAL**

**FIGURE 8-29. DRIVE ORIENTATION SWITCH HARNESS ASSEMBLY**



ART\_100116368

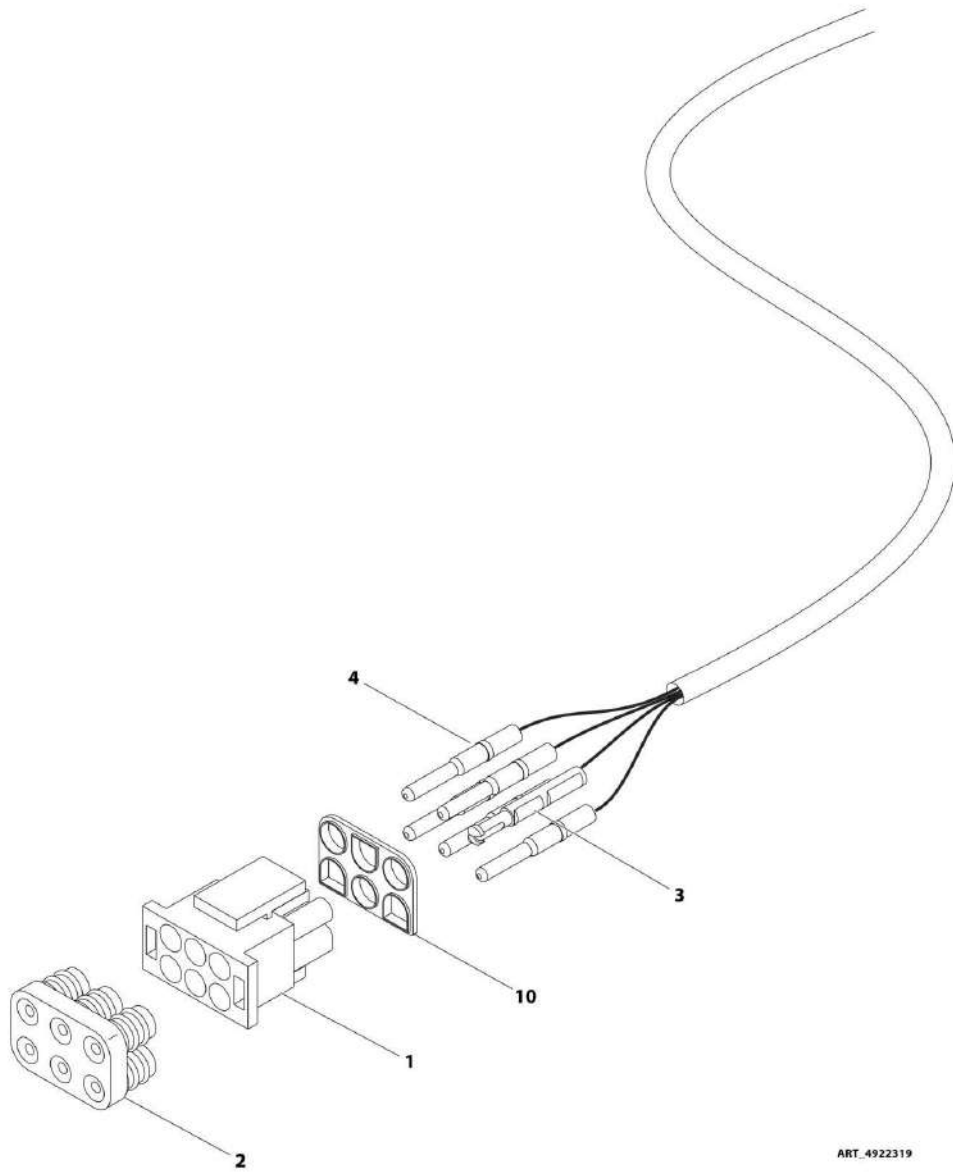
## SECTION 8 - ELECTRICAL

**FIGURE 8-29. DRIVE ORIENTATION SWITCH HARNESS ASSEMBLY**

ITEM	PART NUMBER	QTY	DESCRIPTION	REV
	1001116368	Ref	DRIVE ORIENTATION SWITCH HARNESS ASSEMBLY	A
1	4460225	1	Connector - 6 Position	
2	4460227	2	Socket, Female	
3	4460259	2	Terminal	
4	4460260	2	Terminal Housing	

# SECTION 8 - ELECTRICAL

## FIGURE 8-30. GENERATOR HARNESS TO GROUND CONTROL BOX



ART\_4922319

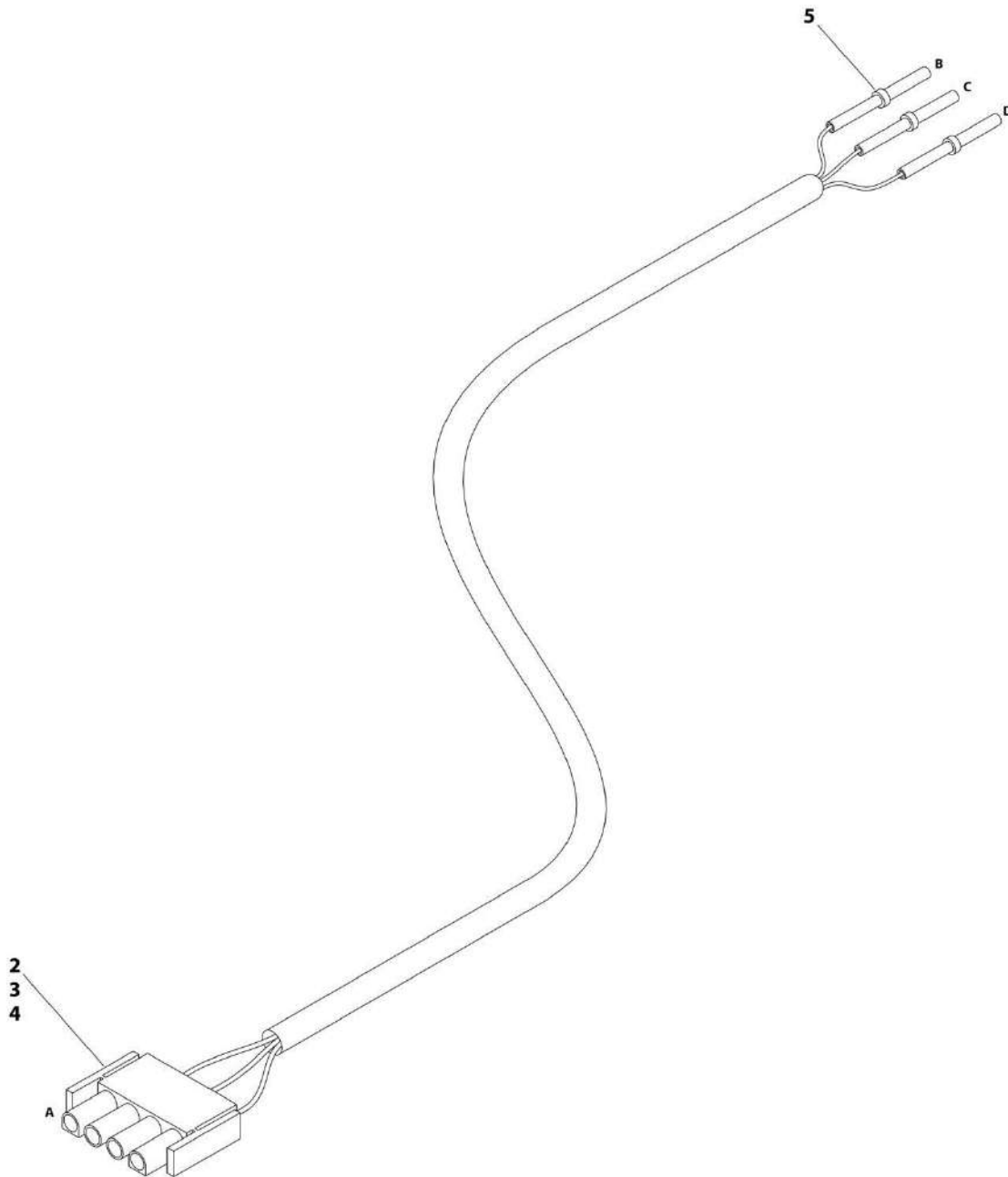
## SECTION 8 - ELECTRICAL

**FIGURE 8-30. GENERATOR HARNESS TO GROUND CONTROL BOX**

ITEM	PART NUMBER	QTY	DESCRIPTION	REV
	4922319	Ref	GENERATOR HARNESS TO GROUND CONTROL BOX	1/A
1	4460225	1	Connector - 6 Position	
2	4460807	1	Seal, Terminal	
3	4460809	1	Pin, Terminal	
4	4460267	5	Pin, Terminal	
10	4460808	1	Terminal, Seal	

# SECTION 8 - ELECTRICAL

FIGURE 8-31. GROUND CONTROL CAN HARNESS ASSEMBLY



ART\_4922117



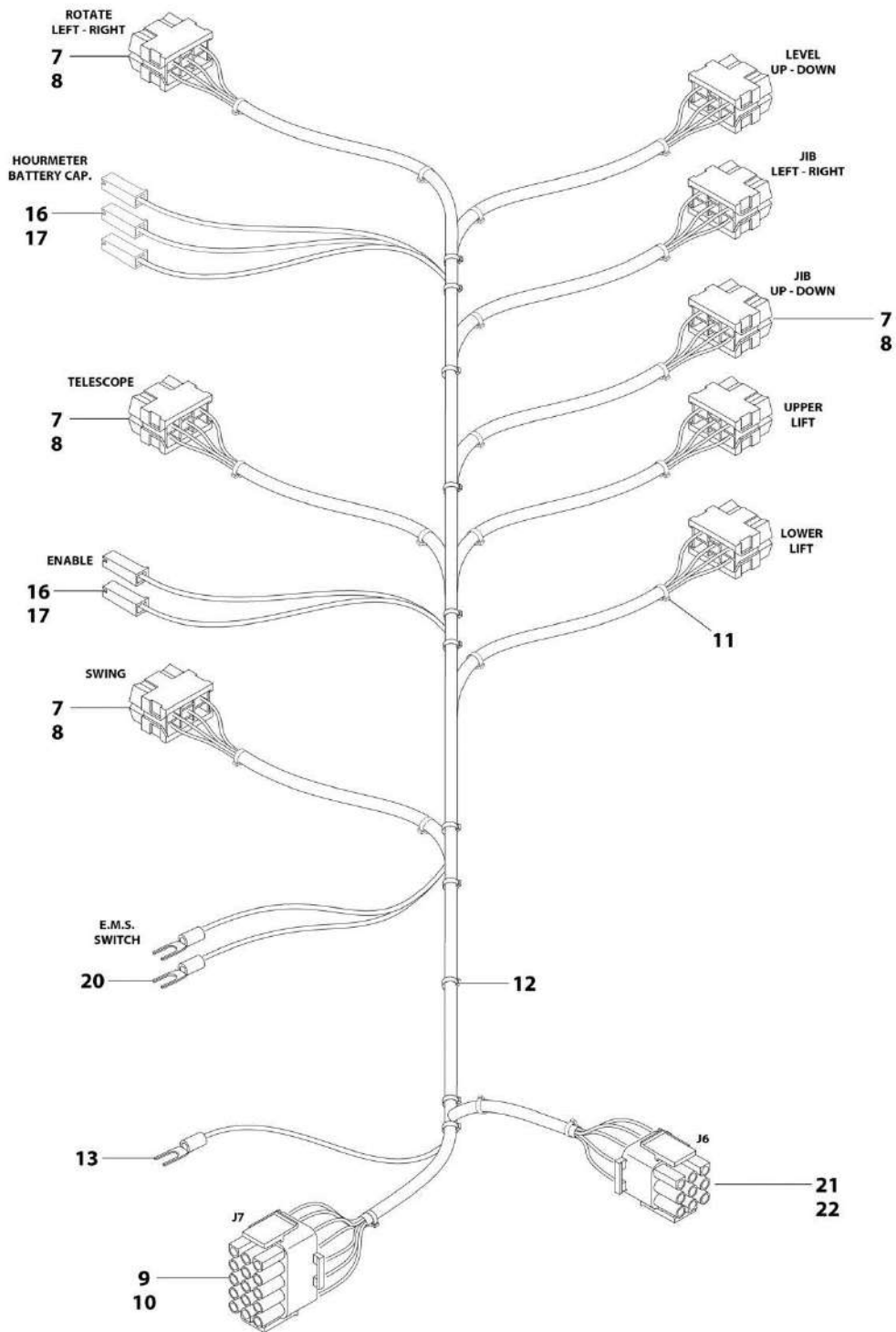
## SECTION 8 - ELECTRICAL

### FIGURE 8-31. GROUND CONTROL CAN HARNESS ASSEMBLY

ITEM	PART NUMBER	QTY	DESCRIPTION	REV
	4922117	Ref	GROUND CONTROL CAN HARNESS ASSEMBLY	3/B
2	4460321	1	Connector - 4 Position	
3	4460227	2	Pin, Male	
4	4460267	1	Pin, Male	
5	4460465	3	Socket, Female	

# SECTION 8 - ELECTRICAL

## FIGURE 8-32. GROUND CONTROL FUNCTION SWITCH HARNESS ASSEMBLY



ART\_4923625

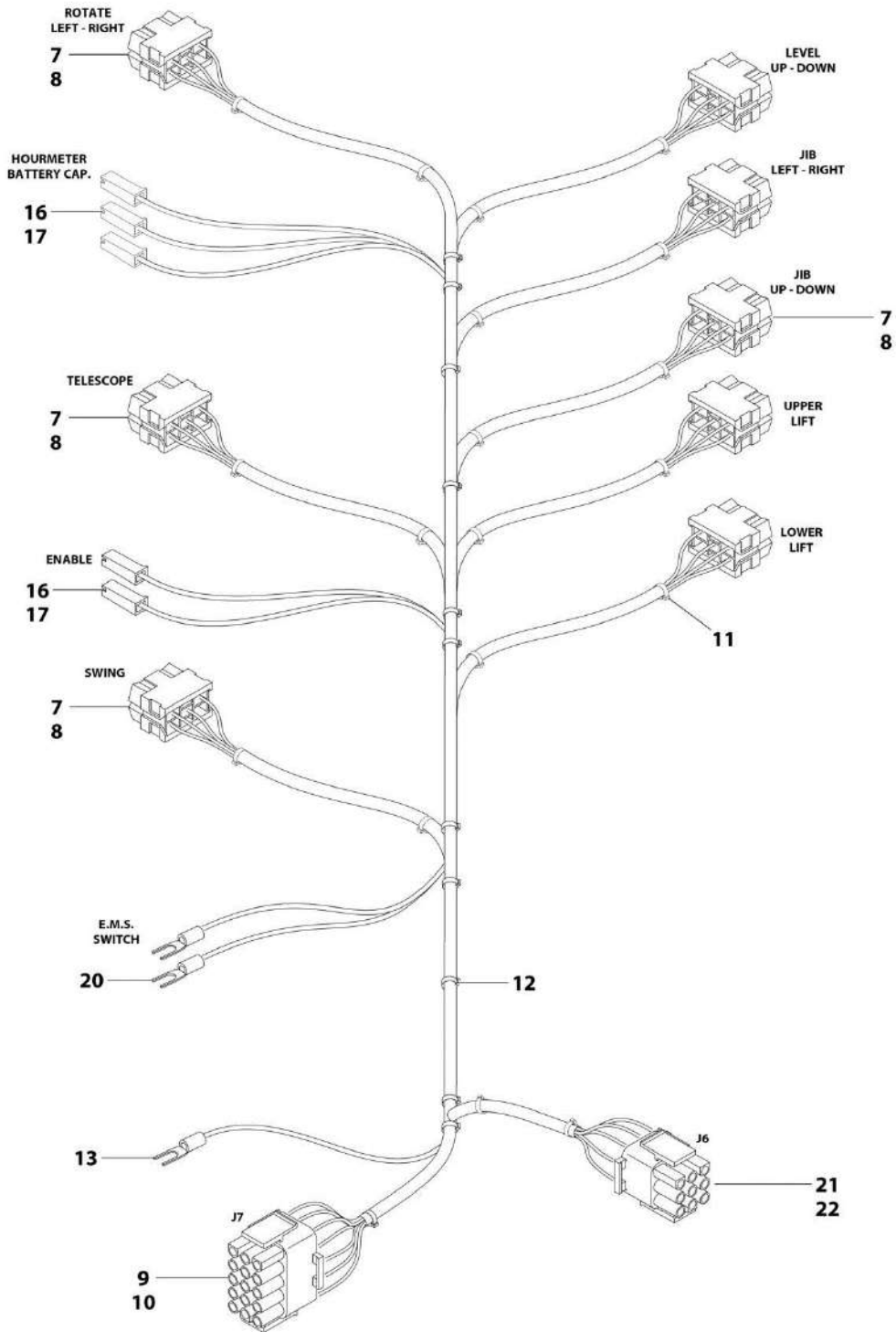
## SECTION 8 - ELECTRICAL

### FIGURE 8-32. GROUND CONTROL FUNCTION SWITCH HARNESS ASSEMBLY

ITEM	PART NUMBER	QTY	DESCRIPTION	REV
	4923625	Ref	GROUND CONTROL FUNCTION SWITCH HARNESS ASSEMBLY	1/D
7	4460418	8	Connector - 6 Position	
8	4460419	24	Terminal, Female	
9	4460434	1	Connector - 15 Position	
10	4460226	15	Socket, Female	
11	4240032	AR	Tie-Strap	
12	4240033	AR	Tie-Strap	
13	4460145	1	Terminal	
16	4460259	5	Terminal	
17	4460260	5	Terminal, Housing	
20	4460183	2	Terminal	
21	4460265	1	Connector - 9 Position	
22	4460227	2	Pin, Male	

# SECTION 8 - ELECTRICAL

FIGURE 8-33. GROUND CONTROL FUNCTION SWITCH HARNESS ASSEMBLY - CE SPEC (SN 0300189898 through 0300200789)



ART\_4923625

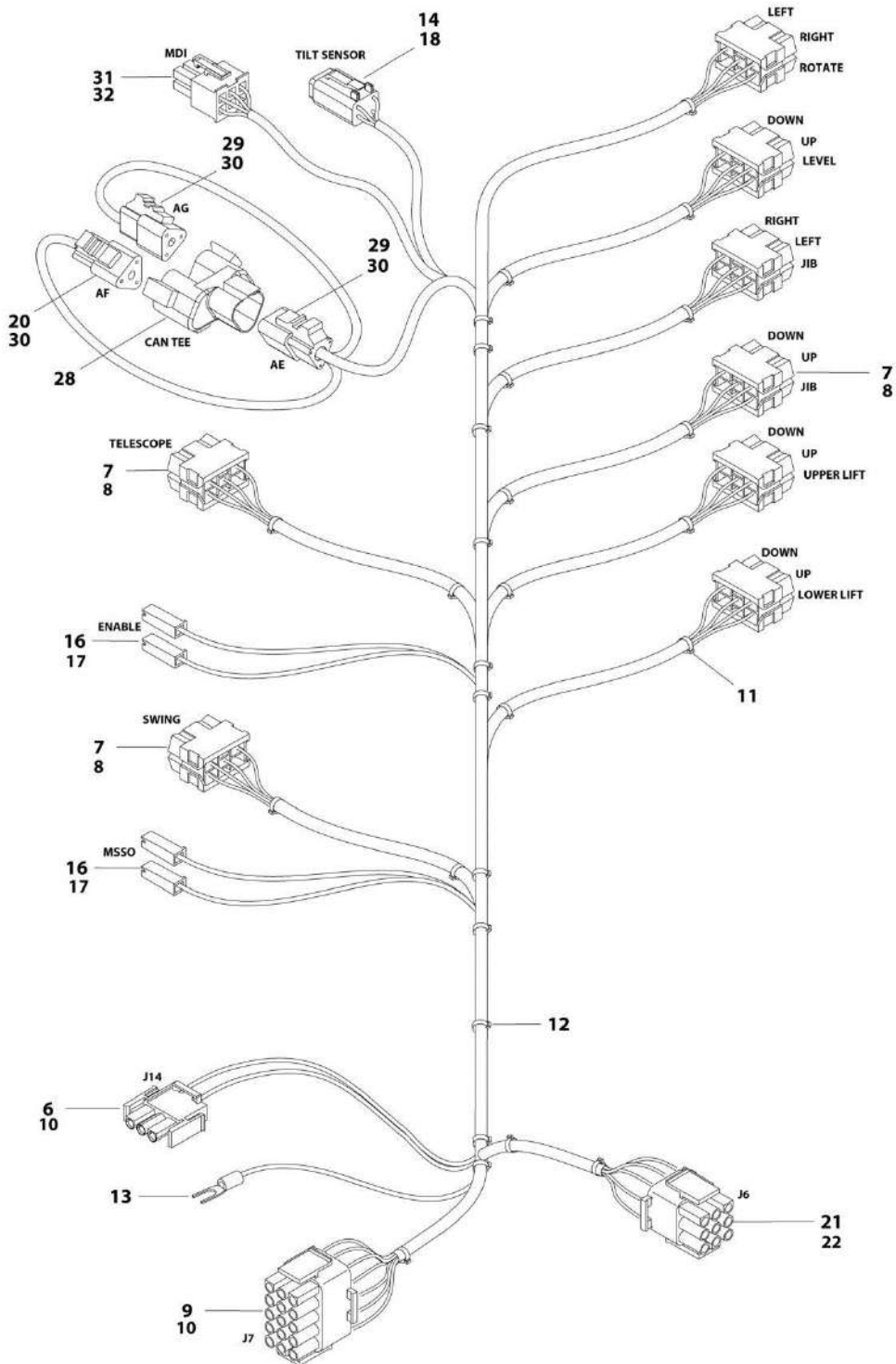
## SECTION 8 - ELECTRICAL

**FIGURE 8-33. GROUND CONTROL FUNCTION SWITCH HARNESS ASSEMBLY - CE SPEC (SN 0300189898 through 0300200789)**

ITEM	PART NUMBER	QTY	DESCRIPTION	REV
	4923625	Ref	GROUND CONTROL FUNCTION SWITCH HARNESS ASSEMBLY - CE SPEC (SN 0300189898 through 0300200789)	1/D
7	4460418	8	Connector - 6 Position	
8	4460419	24	Terminal, Female	
9	4460434	1	Connector - 15 Position	
10	4460226	15	Socket, Female	
11	4240032	AR	Tie-Strap	
12	4240033	AR	Tie-Strap	
13	4460145	1	Terminal	
16	4460259	5	Terminal	
17	4460260	5	Terminal, Housing	
20	4460183	2	Terminal	
21	4460265	1	Connector - 9 Position	
22	4460227	2	Pin, Male	

# SECTION 8 - ELECTRICAL

**FIGURE 8-34. GROUND CONTROL FUNCTION SWITCH HARNESS ASSEMBLY - CE SPEC (SN 0300200790 through 0300208529)**



ART\_1001187373

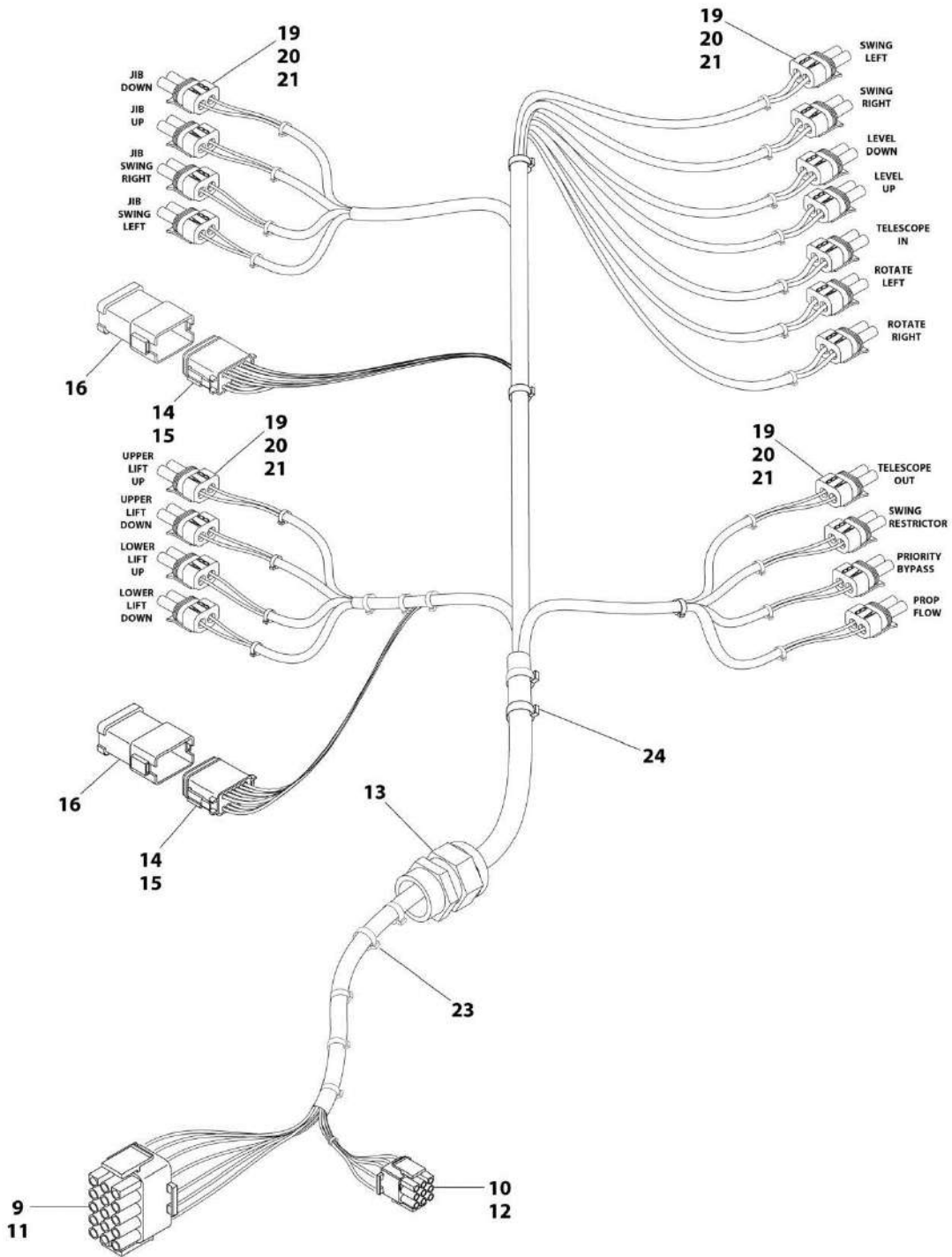
## SECTION 8 - ELECTRICAL

**FIGURE 8-34. GROUND CONTROL FUNCTION SWITCH HARNESS ASSEMBLY - CE SPEC (SN 0300200790 through 0300208529)**

ITEM	PART NUMBER	QTY	DESCRIPTION	REV
	1001187373	Ref	GROUND CONTROL FUNCTION SWITCH HARNESS ASSEMBLY - CE SPEC (SN 0300200790 through 0300208529)	A
6	4460326	1	Connector - 3 Position	
7	4460418	8	Connector - 6 Position	
8	4460419	24	Terminal, Female	
9	4460434	1	Connector - 15 Position	
10	4460226	17	Socket, Female	
11	4240032	AR	Tie-Strap	
12	4240033	AR	Tie-Strap	
13	4460145	1	Terminal	
14	4460884	1	Connector - 4 Position	
16	4460259	4	Terminal	
17	4460260	4	Terminal, Housing	
18	4460465	4	Socket, Female	
20	4460539	1	Connector - 3 Position	
21	4460265	1	Connector - 9 Position	
22	4460227	6	Pin, Male	
26	3990010	1	Diode	
28	4460945	1	Receptacle, 3 Way Tee	
29	1001116812	2	Connector - 3 Position	
30	4460944	6	Socket, Female (Gold)	
31	4460868	1	Connector - 6 Position	
32	4460877	6	Terminal	

# SECTION 8 - ELECTRICAL

## FIGURE 8-35. GROUND CONTROL VALVE HARNESS ASSEMBLY



ART 4922367



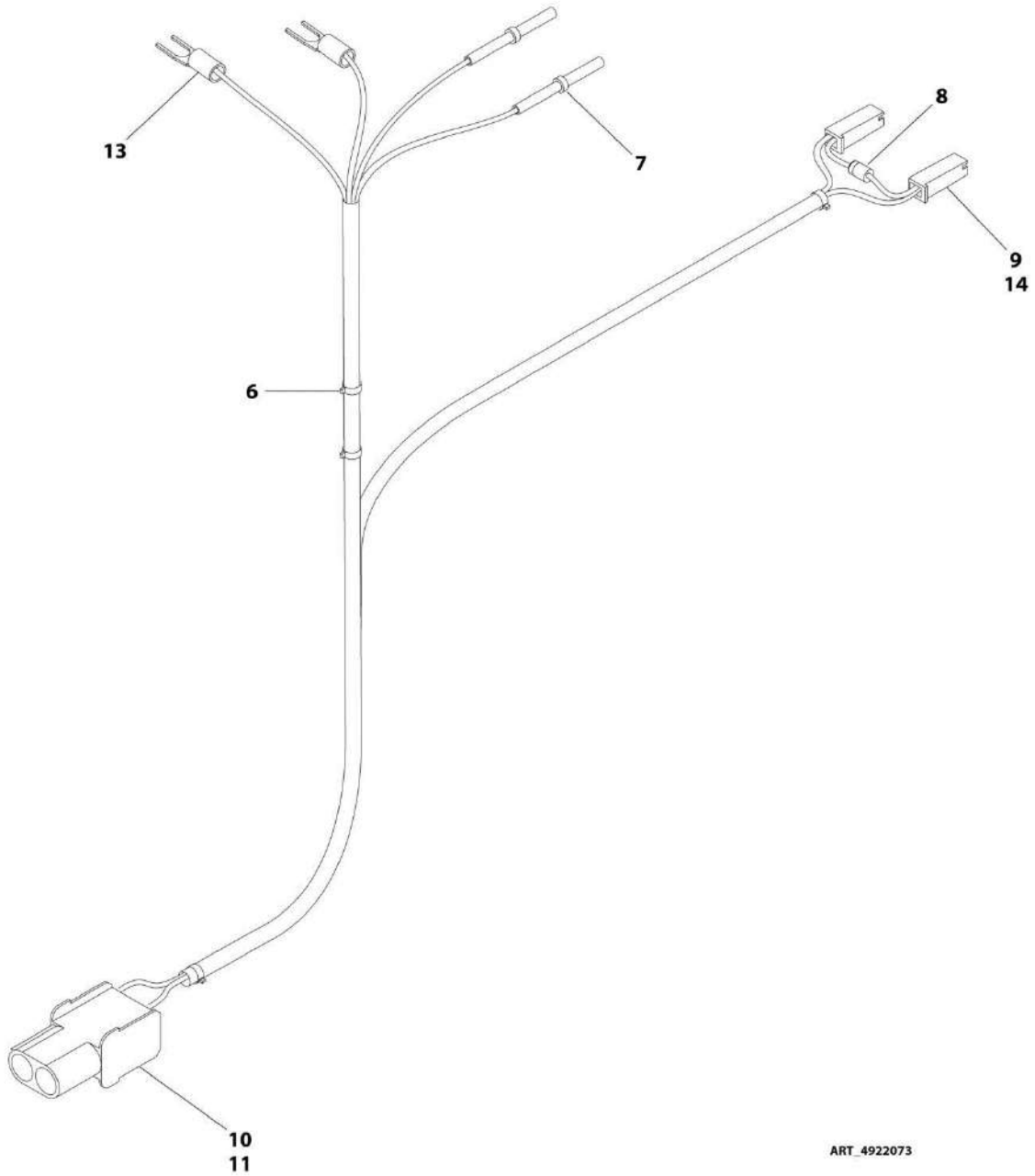
## SECTION 8 - ELECTRICAL

### FIGURE 8-35. GROUND CONTROL VALVE HARNESS ASSEMBLY

ITEM	PART NUMBER	QTY	DESCRIPTION	REV
	4922367	Ref	GROUND CONTROL VALVE HARNESS ASSEMBLY	E
9	4460434	1	Connector - 15 Position	
10	4460265	1	Connector - 9 Position	
11	4460227	14	Pin, Male	
12	4460226	6	Socket, Female	
13	4460425	1	Connector, Strain Relief	
14	4460465	22	Pin, Terminal	
15	4460836	2	Connector, 12 Position	
16	4460837	2	Housing, Terminal - 12 Position	
19	4460458	38	Seal	
20	4460742	19	Connector - 2 Position	
21	4460743	38	Terminal, Female	
23	4240032	32	Tie-Strap	
24	4240033	7	Tie-Strap	

# SECTION 8 - ELECTRICAL

## FIGURE 8-36. HORN/BEACON HARNESS ASSEMBLY



ART. 4922073

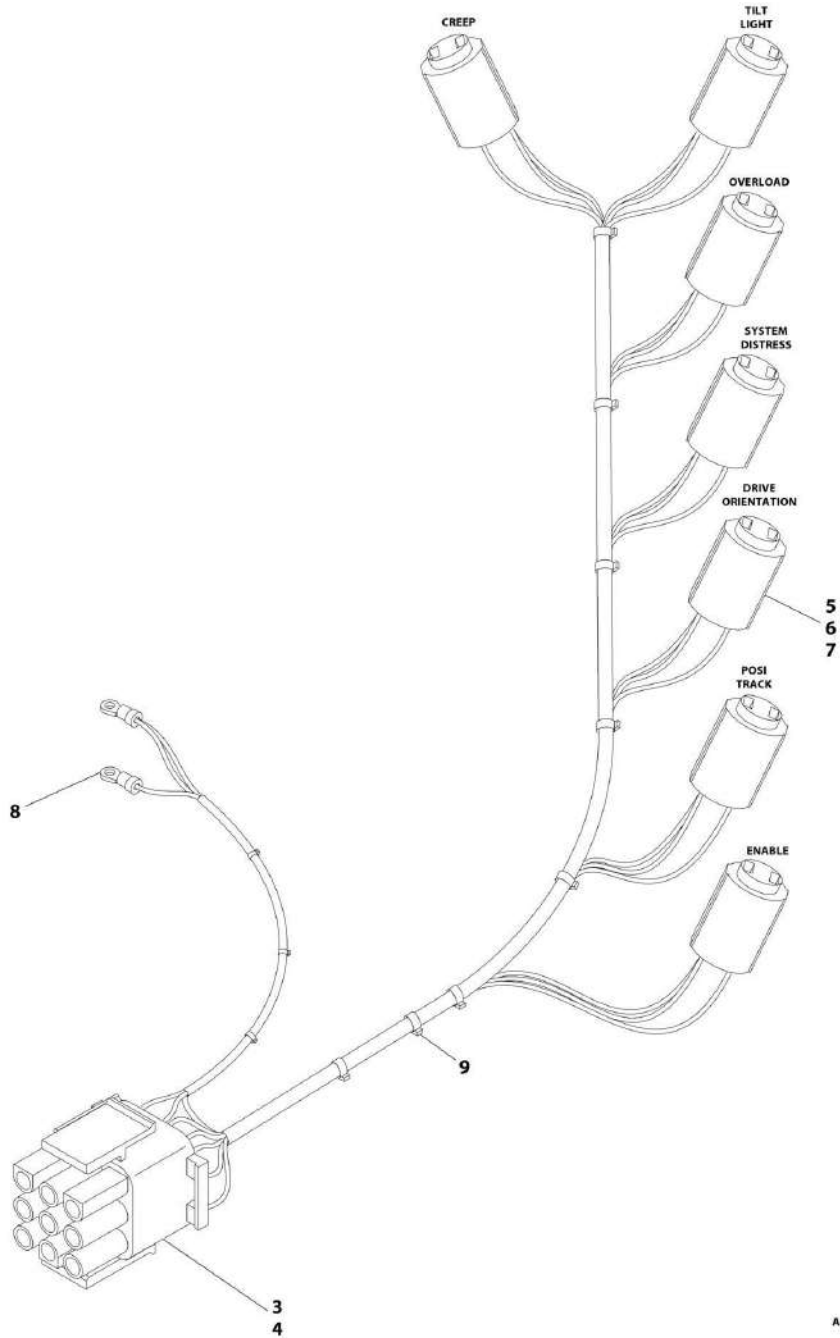
## SECTION 8 - ELECTRICAL

### FIGURE 8-36. HORN/BEACON HARNESS ASSEMBLY

ITEM	PART NUMBER	QTY	DESCRIPTION	REV
	4922073	Ref	HORN/BEACON HARNESS ASSEMBLY	5/E
6	4240032	4	Tie-Strap	
7	4460465	2	Socket, Female	
8	3990001	1	Diode	
9	4460259	2	Terminal	
10	4460268	2	Socket, Female	
11	4460424	1	Connector, 2 Position	
13	4460145	2	Terminal	
14	4460260	2	Terminal, Housing	

# SECTION 8 - ELECTRICAL

## FIGURE 8-37. INDICATOR LAMP HARNESS ASSEMBLY



ART\_1001109860

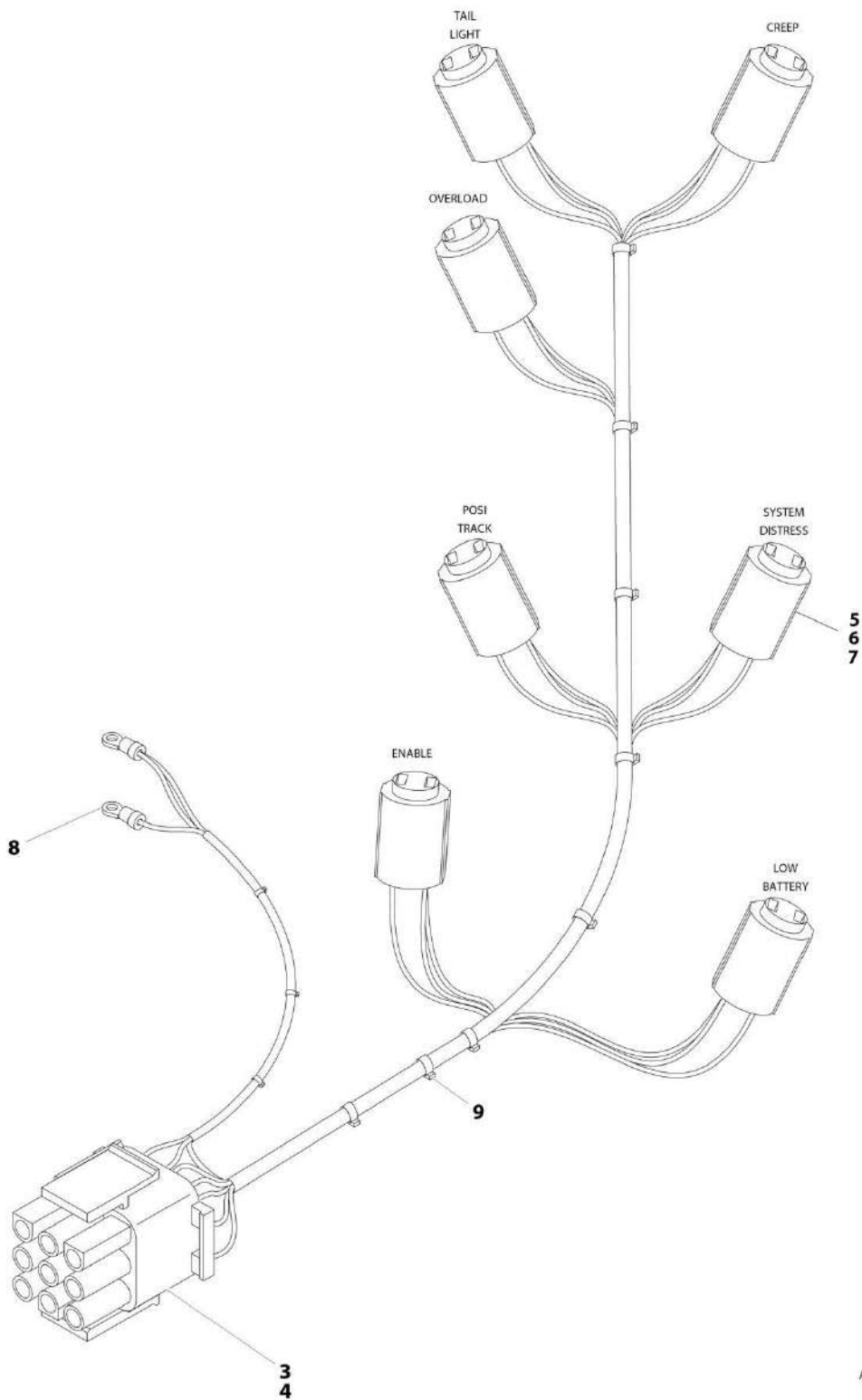
## SECTION 8 - ELECTRICAL

### FIGURE 8-37. INDICATOR LAMP HARNESS ASSEMBLY

ITEM	PART NUMBER	QTY	DESCRIPTION	REV
	1001109860	Ref	INDICATOR LAMP HARNESS ASSEMBLY	B
3	4460265	1	Connector - 9 Position	
4	4460227	8	Pin, Male	
5	4120035	6	Socket, Lamp	
6	4460634	7	Socket (Single Wire)	
7	4460635	5	Socket (Two Wire)	
8	4460042	2	Ring, Terminal	
9	4240032	AR	Tie-Strap	

# SECTION 8 - ELECTRICAL

## FIGURE 8-38. INDICATOR LAMP HARNESS ASSEMBLY - WITH SKYGUARD



ART\_4922074

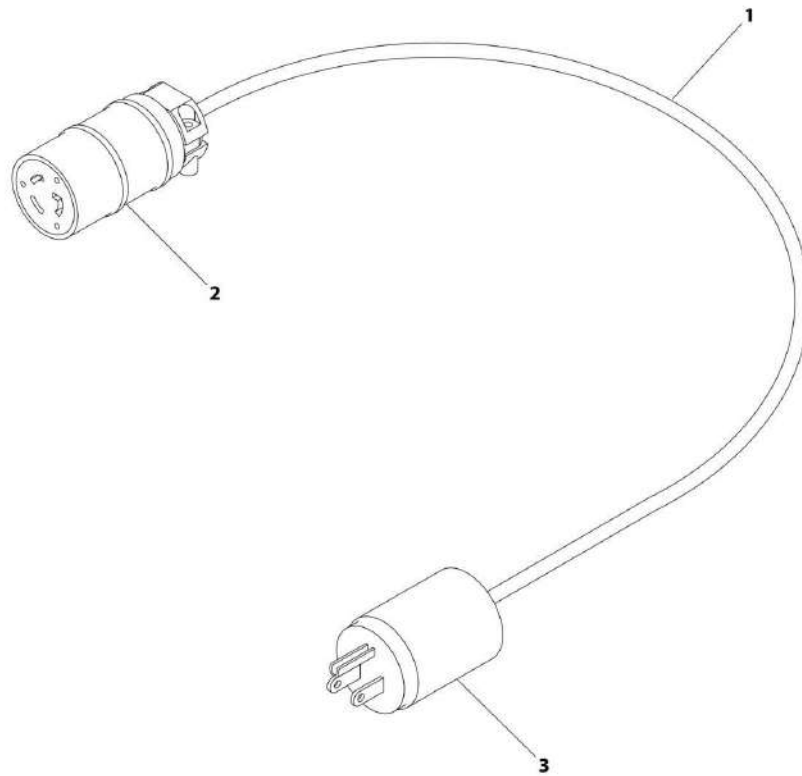
## SECTION 8 - ELECTRICAL

**FIGURE 8-38. INDICATOR LAMP HARNESS ASSEMBLY - WITH SKYGUARD**

ITEM	PART NUMBER	QTY	DESCRIPTION	REV
	4922074	Ref	INDICATOR LAMP HARNESS ASSEMBLY - WITH SKYGUARD	H/4
3	4460265	1	Connector - 9 Position	
4	4460227	8	Pin, Male	
5	4120035	6	Socket, Lamp	
6	4460634	7	Socket (Single Wire)	
7	4460635	5	Socket (Two Wire)	
8	4460042	2	Ring, Terminal	
9	4240032	AR	Tie-Strap	

## SECTION 8 - ELECTRICAL

FIGURE 8-39. INVERTER HARNESS (SN 0300189898 through 0300193792)



ART\_4922390



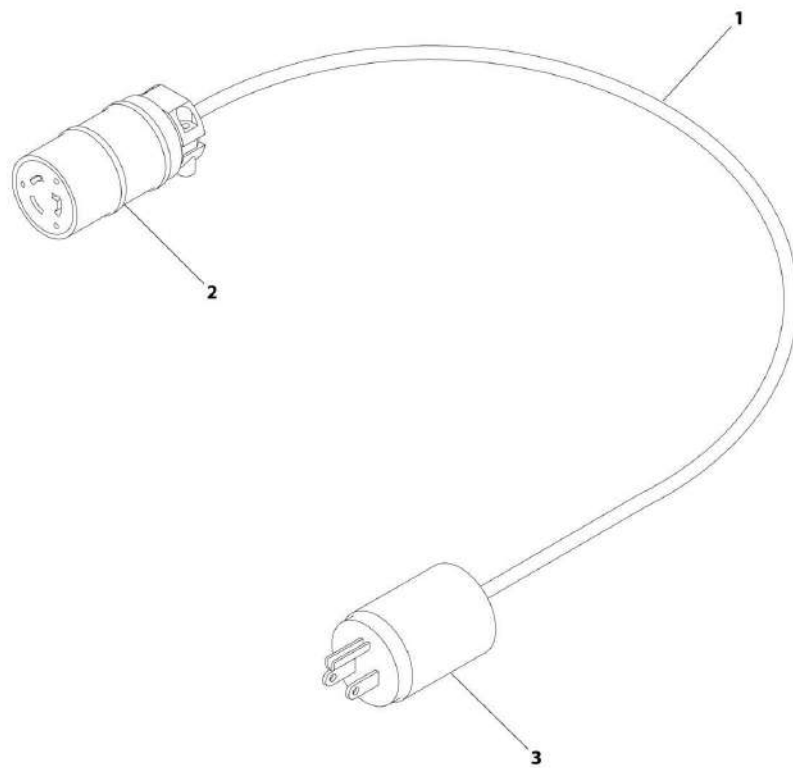
## SECTION 8 - ELECTRICAL

**FIGURE 8-39. INVERTER HARNESS (SN 0300189898 through 0300193792)**

ITEM	PART NUMBER	QTY	DESCRIPTION	REV
	4922390	Ref	INVERTER HARNESS (SN 0300189898 through 0300193792)	B
1	1060494	6 ft/1.9m	Cable, Electrical 12/3	
2	4460134	1	Connector, Female	
3	4460138	1	Plug, Connector	

## SECTION 8 - ELECTRICAL

FIGURE 8-40. INVERTER HARNESS (SN 0300193793 through 0300208529)



ART\_1001182296

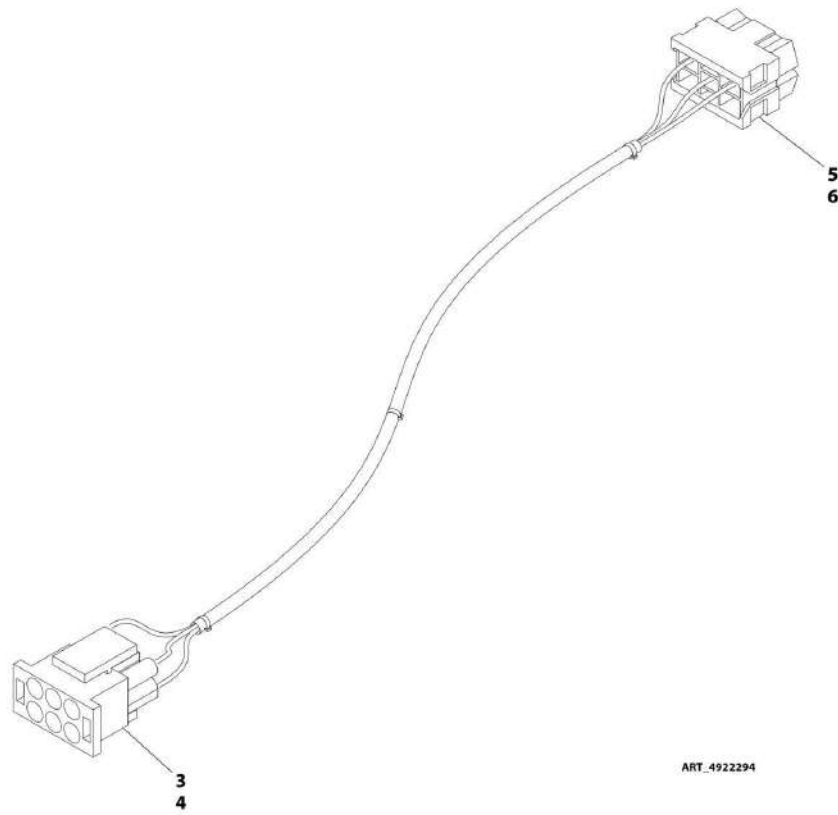
## SECTION 8 - ELECTRICAL

**FIGURE 8-40. INVERTER HARNESS (SN 0300193793 through 0300208529)**

ITEM	PART NUMBER	QTY	DESCRIPTION	REV
1	1001182296 1060494	Ref 115 in /292cm	INVERTER HARNESS (SN 0300193793 through 0300208529) Cable, Electrical 12/3	A
2	4460134	1	Connector, Female	
3	4460138	1	Plug, Connector	

# SECTION 8 - ELECTRICAL

## FIGURE 8-41. JIB HARNESS - AJ MODELS ONLY



ART\_4922294

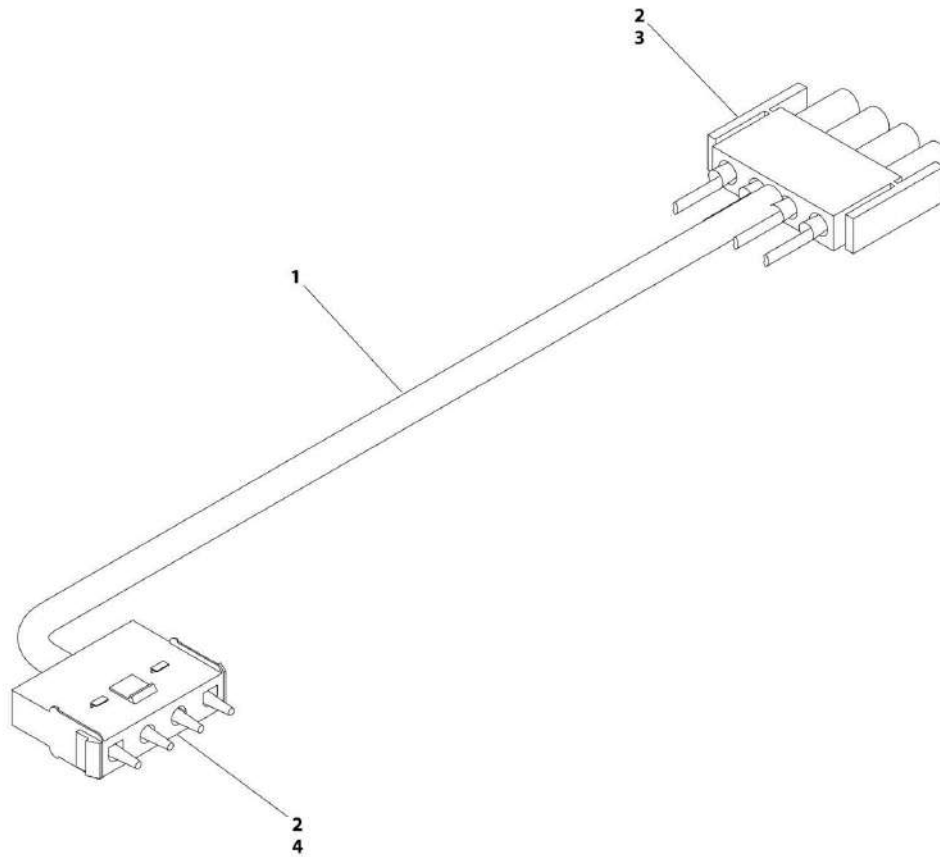
## SECTION 8 - ELECTRICAL

### FIGURE 8-41. JIB HARNESS - AJ MODELS ONLY

ITEM	PART NUMBER	QTY	DESCRIPTION	REV
	4922294	Ref	JIB HARNESS - AJ MODELS ONLY	1/B
3	4460225	1	Connector - 6 Position	
4	4460227	3	Pin, Male	
5	4460418	1	Connector, Female	
6	4460419	3	Terminal	

# SECTION 8 - ELECTRICAL

## FIGURE 8-42. LED REMOTE HARNESS



ART\_1060778

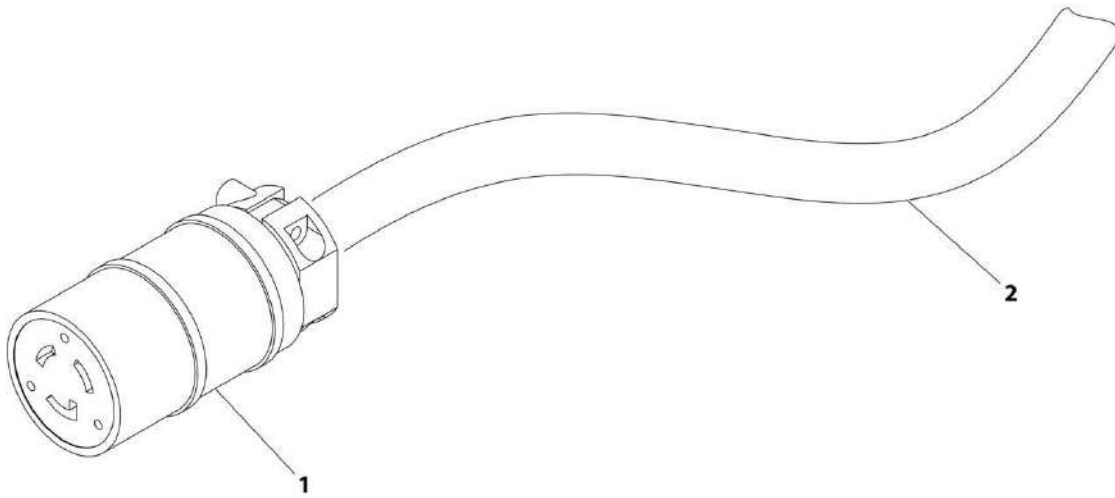
## SECTION 8 - ELECTRICAL

### FIGURE 8-42. LED REMOTE HARNESS

ITEM	PART NUMBER	QTY	DESCRIPTION	REV
	1060778	Ref	LED REMOTE HARNESS	A
1	1060779	4 ft/1.2m	Cable, Electrical 4-18	
2	4460226	8	Socket, Female	
3	4460321	1	Connector - 4 Position	
4	4460761	1	Connector - 4 Position	

## SECTION 8 - ELECTRICAL

FIGURE 8-43. LOWER BOOM 110V HARNESS ASSEMBLY



ART\_4922607



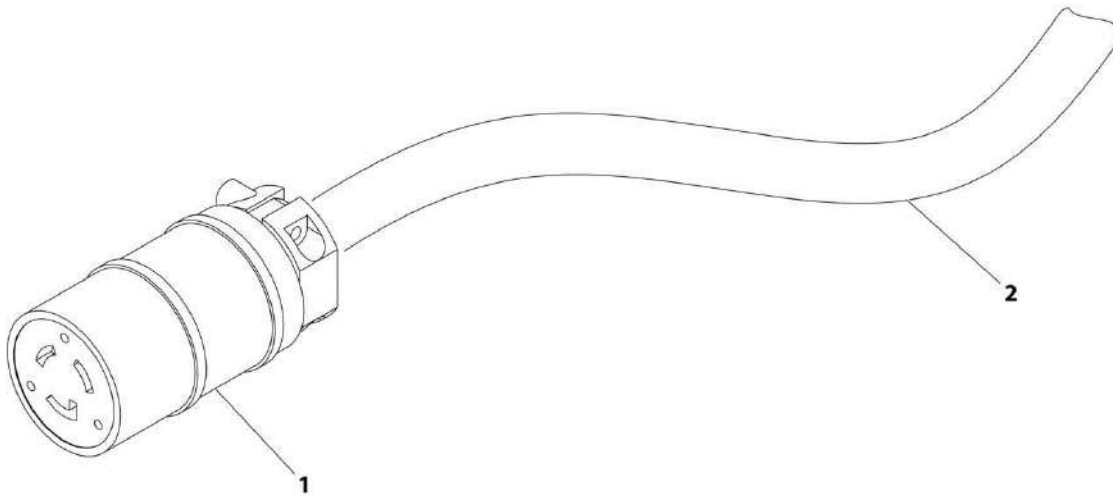
## SECTION 8 - ELECTRICAL

### FIGURE 8-43. LOWER BOOM 110V HARNESS ASSEMBLY

ITEM	PART NUMBER	QTY	DESCRIPTION	REV
	4922607	Ref	LOWER BOOM 110V HARNESS ASSEMBLY	1
1	4460134	1	Connector, Female	
2	1060494	37 ft /11.3m	Electrical Cable, 12/3	

## SECTION 8 - ELECTRICAL

FIGURE 8-44. LOWER BOOM 220V HARNESS ASSEMBLY - CE SPEC



ART\_4922609

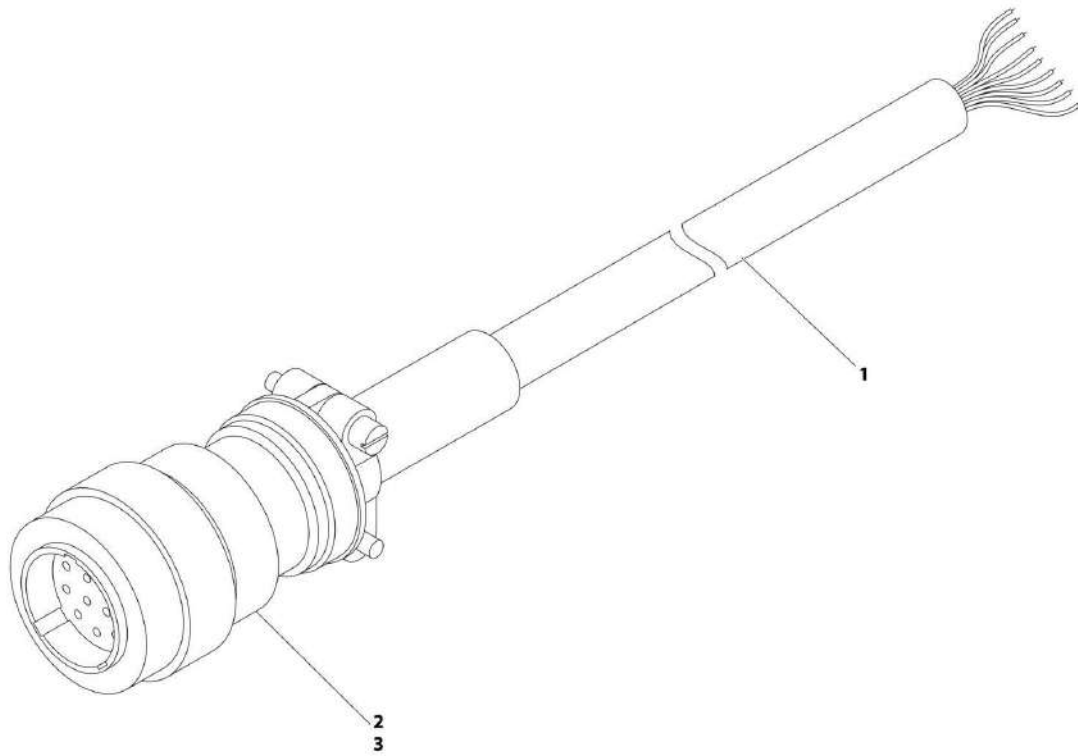
## SECTION 8 - ELECTRICAL

**FIGURE 8-44. LOWER BOOM 220V HARNESS ASSEMBLY - CE SPEC**

ITEM	PART NUMBER	QTY	DESCRIPTION	REV
	4922609	Ref	LOWER BOOM 220V HARNESS ASSEMBLY - CE SPEC	1
1	4460710	1	Connector, Female	
2	1060461	37 ft /11.3m	Electrical Cable, 12/3	

# SECTION 8 - ELECTRICAL

## FIGURE 8-45. MAIN BOOM HARNESS ASSEMBLY



ART\_4922178

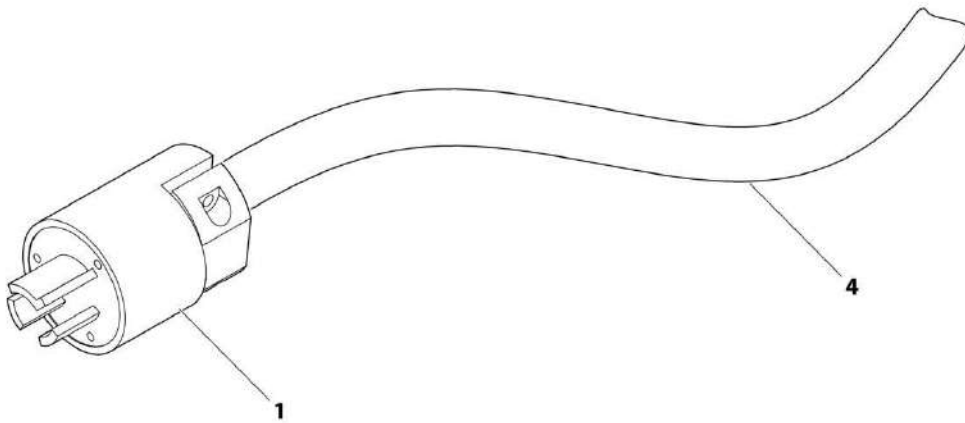
## SECTION 8 - ELECTRICAL

### FIGURE 8-45. MAIN BOOM HARNESS ASSEMBLY

ITEM	PART NUMBER	QTY	DESCRIPTION	REV
1	4922178	Ref	MAIN BOOM HARNESS ASSEMBLY - E450A	3/D
	1060677	26.5 ft /8.0m	Cable, Electrical	
2	4460465	28	Socket, Female	
3	4460754	1	Connector - 14 Position	

## SECTION 8 - ELECTRICAL

FIGURE 8-46. MAIN BOOM 110V HARNESS ASSEMBLY



ART\_4922608

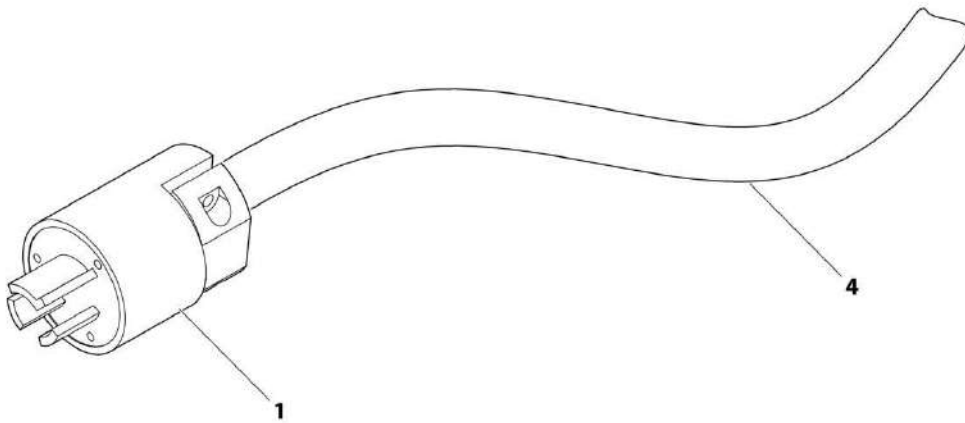
## SECTION 8 - ELECTRICAL

### FIGURE 8-46. MAIN BOOM 110V HARNESS ASSEMBLY

ITEM	PART NUMBER	QTY	DESCRIPTION	REV
	4922608	Ref	MAIN BOOM 110V HARNESS ASSEMBLY	2
1	4460205	1	Plug, Male	
4	1060494	27.2 ft /8.3m	Electrical Cable, 12/3	

## SECTION 8 - ELECTRICAL

FIGURE 8-47. MAIN BOOM 220V HARNESS ASSEMBLY - CE SPEC



ART\_4922610



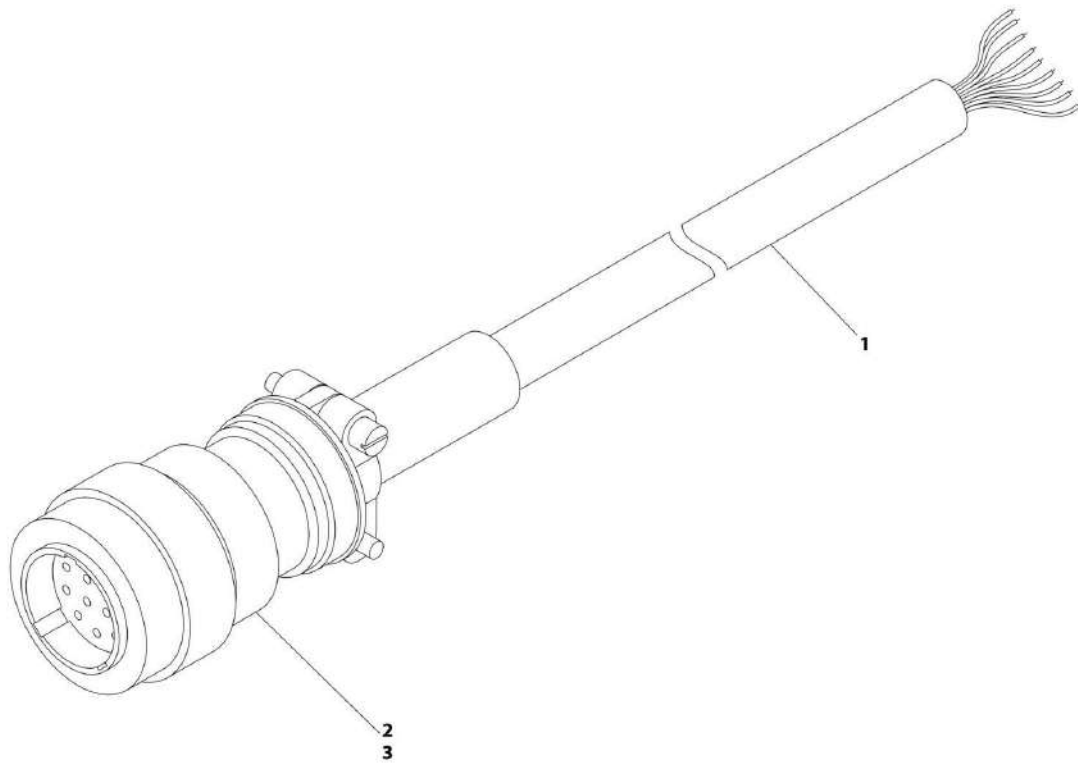
## SECTION 8 - ELECTRICAL

**FIGURE 8-47. MAIN BOOM 220V HARNESS ASSEMBLY - CE SPEC**

ITEM	PART NUMBER	QTY	DESCRIPTION	REV
	4922610	Ref	MAIN BOOM 220V HARNESS ASSEMBLY - CE SPEC	1
1	4460709	1	Plug, Male	
4	1060461	28 ft/8.5m	Electrical Cable, 12/3	

## SECTION 8 - ELECTRICAL

FIGURE 8-48. MAIN BOOM HARNESS ASSEMBLY - E450AJ/M450AJ



ART\_4922552

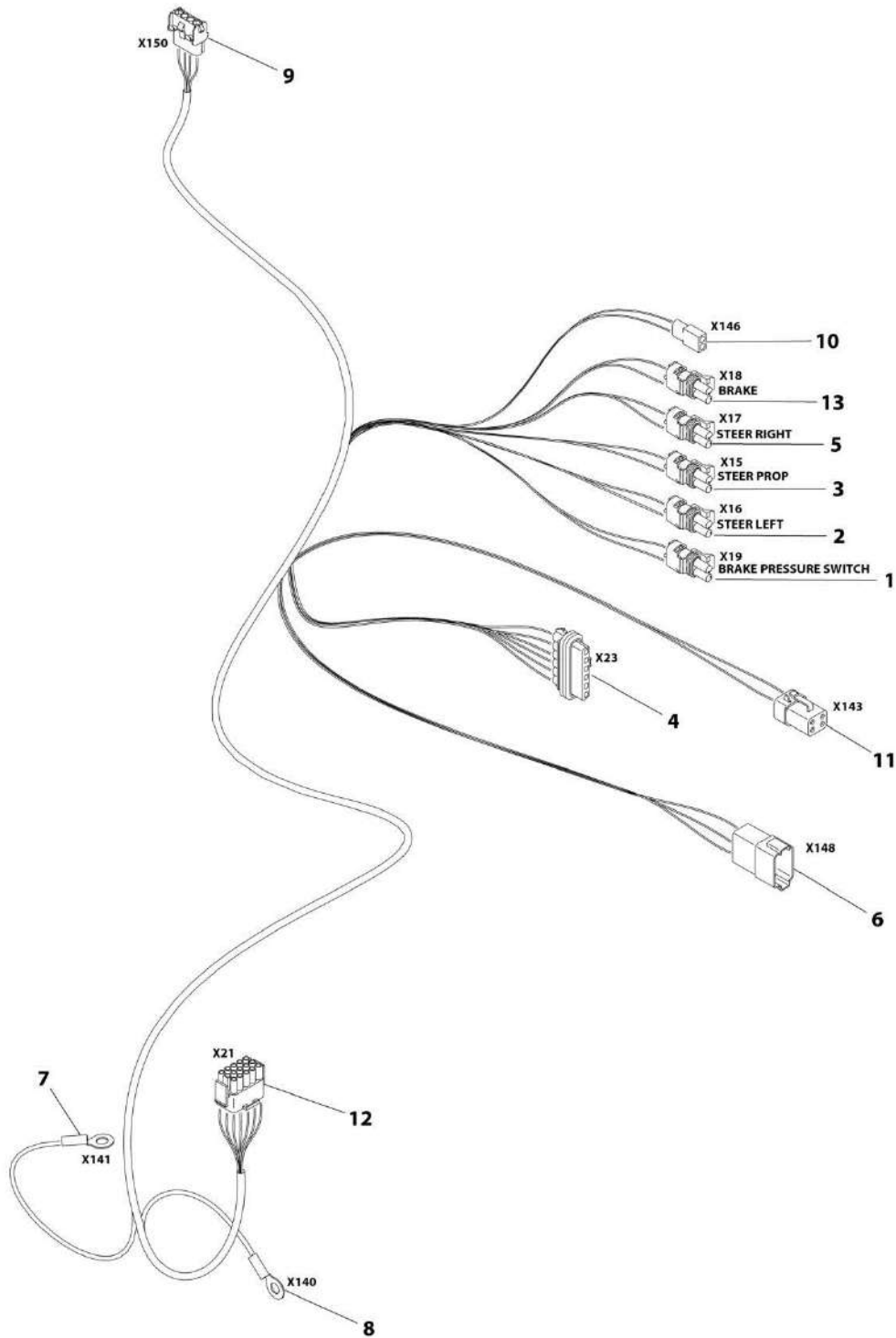
## SECTION 8 - ELECTRICAL

**FIGURE 8-48. MAIN BOOM HARNESS ASSEMBLY - E450AJ/M450AJ**

ITEM	PART NUMBER	QTY	DESCRIPTION	REV
	4922552	Ref	MAIN BOOM HARNESS ASSEMBLY - E450AJ/M450AJ	1
1	1060677	28 ft/8.5m	Cable, Electrical	
2	4460465	28	Socket, Female	
3	4460754	1	Connector - 14 Position	

# SECTION 8 - ELECTRICAL

## FIGURE 8-49. MOTOR/STEER/BRAKE HARNESS - M450AJ



ART\_1001171115

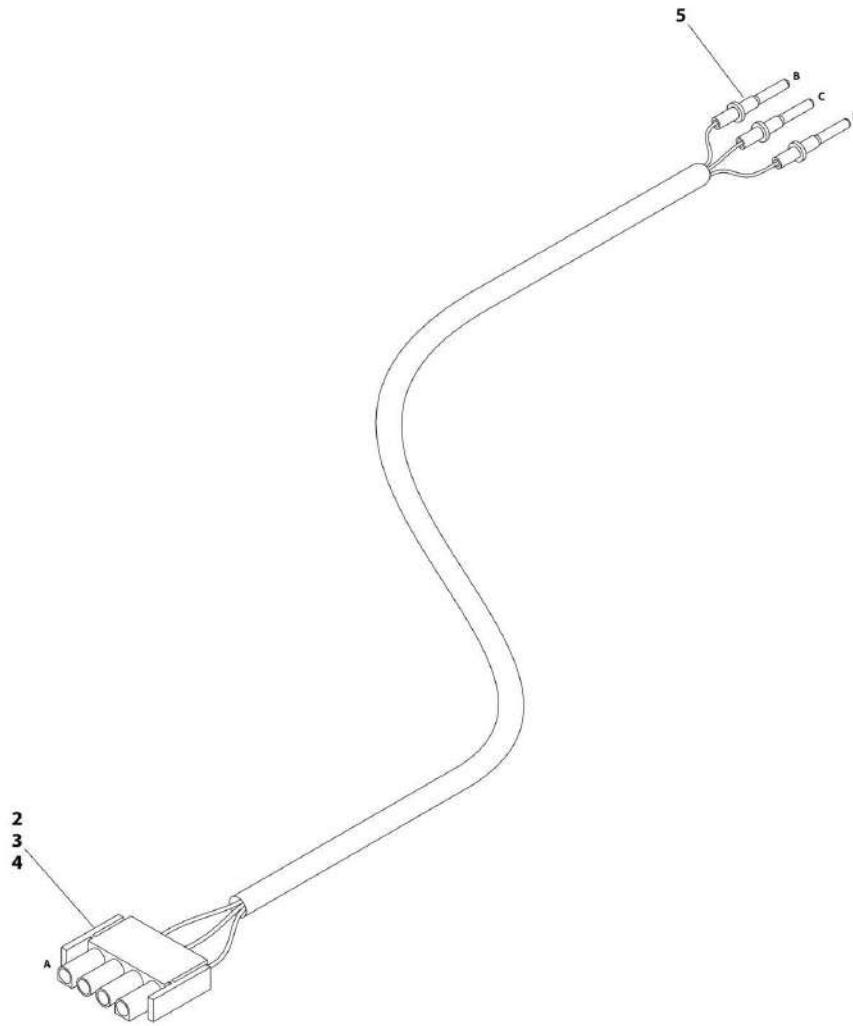
## SECTION 8 - ELECTRICAL

### FIGURE 8-49. MOTOR/STEER/BRAKE HARNESS - M450AJ

ITEM	PART NUMBER	QTY	DESCRIPTION	REV
	1001171115	Ref	MOTOR/STEER/BRAKE HARNESS - M450AJ	A
1	4460742	1	Connector - 2 Position	
1	4460743	2	Terminal, Female	
1	4460458	2	Seal	
2	4460742	1	Connector - 2 Position	
2	4460743	2	Terminal, Female	
2	4460458	2	Seal	
3	4460742	1	Connector - 2 Position	
3	4460743	2	Terminal, Female	
3	4460458	2	Seal	
4	4460744	1	Connector- 6 Position	
4	4460749	1	Cap, Shell	
4	4460750	1	Bar, Buss - 6 Position	
4	4460745	1	Lock, Secondary	
4	4460751	1	Clip, Mounting	
4	4460746	5	Socket, Female	
4	4460748	1	Plug, Seal	
4	4460458	5	Seal	
5	4460742	1	Connector - 2 Position	
5	4460743	2	Terminal, Female	
5	4460458	2	Seal	
6	4460931	1	Connector- 8 Position	
6	4460464	6	Socket, Female	
6	4460466	2	Plug, Seal	
7	4460738	1	Ring, Terminal	
8	4460738	1	Ring, Terminal	
9	4460761	1	Connector - 4 Position	
10	4460424	1	Connector - 2 Position	
10	4460227	2	Pin, Male	
11	1001116810	1	Connector - 4 Position	
11	4460509	2	Socket, Female	
11	4460466	2	Plug, Seal	
12	4460434	1	Connector - 15 Position	
12	4460226	7	Pin, Male	
13	4460742	1	Connector - 2 Position	
13	4460743	2	Terminal, Female	
13	4460458	2	Seal	

# SECTION 8 - ELECTRICAL

## FIGURE 8-50. PLATFORM CAN BUS HARNESS ASSEMBLY



ART\_4922071

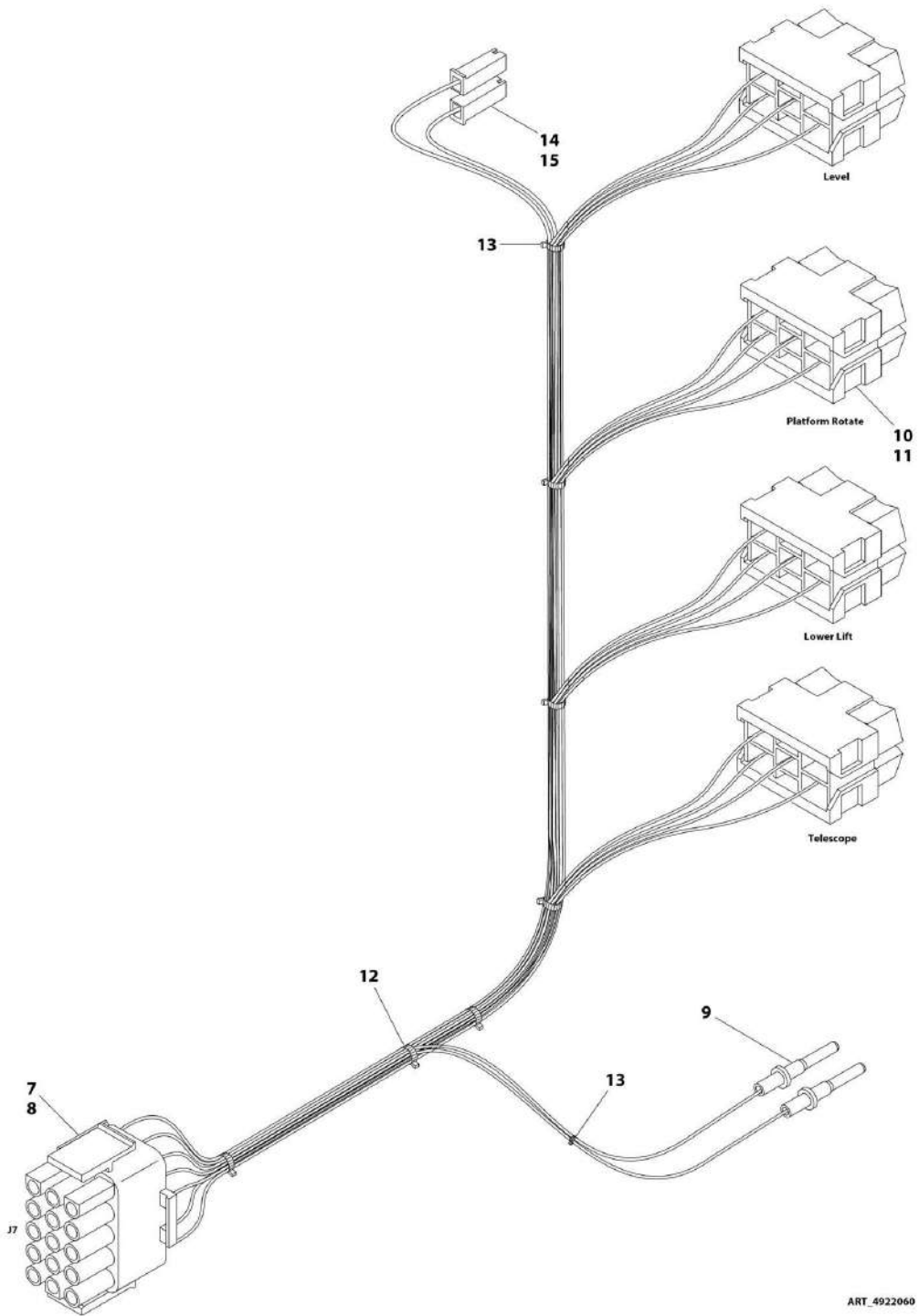
## SECTION 8 - ELECTRICAL

### FIGURE 8-50. PLATFORM CAN BUS HARNESS ASSEMBLY

ITEM	PART NUMBER	QTY	DESCRIPTION	REV
	4922071	Ref	PLATFORM CAN BUS HARNESS ASSEMBLY	2/B
2	4460321	1	Connector - 4 Position	
3	4460227	2	Pin, Male	
4	4460267	1	Pin, Male	
5	4460464	3	Pin, Male	

# SECTION 8 - ELECTRICAL

## FIGURE 8-51. PLATFORM FUNCTION SWITCH HARNESS ASSEMBLY





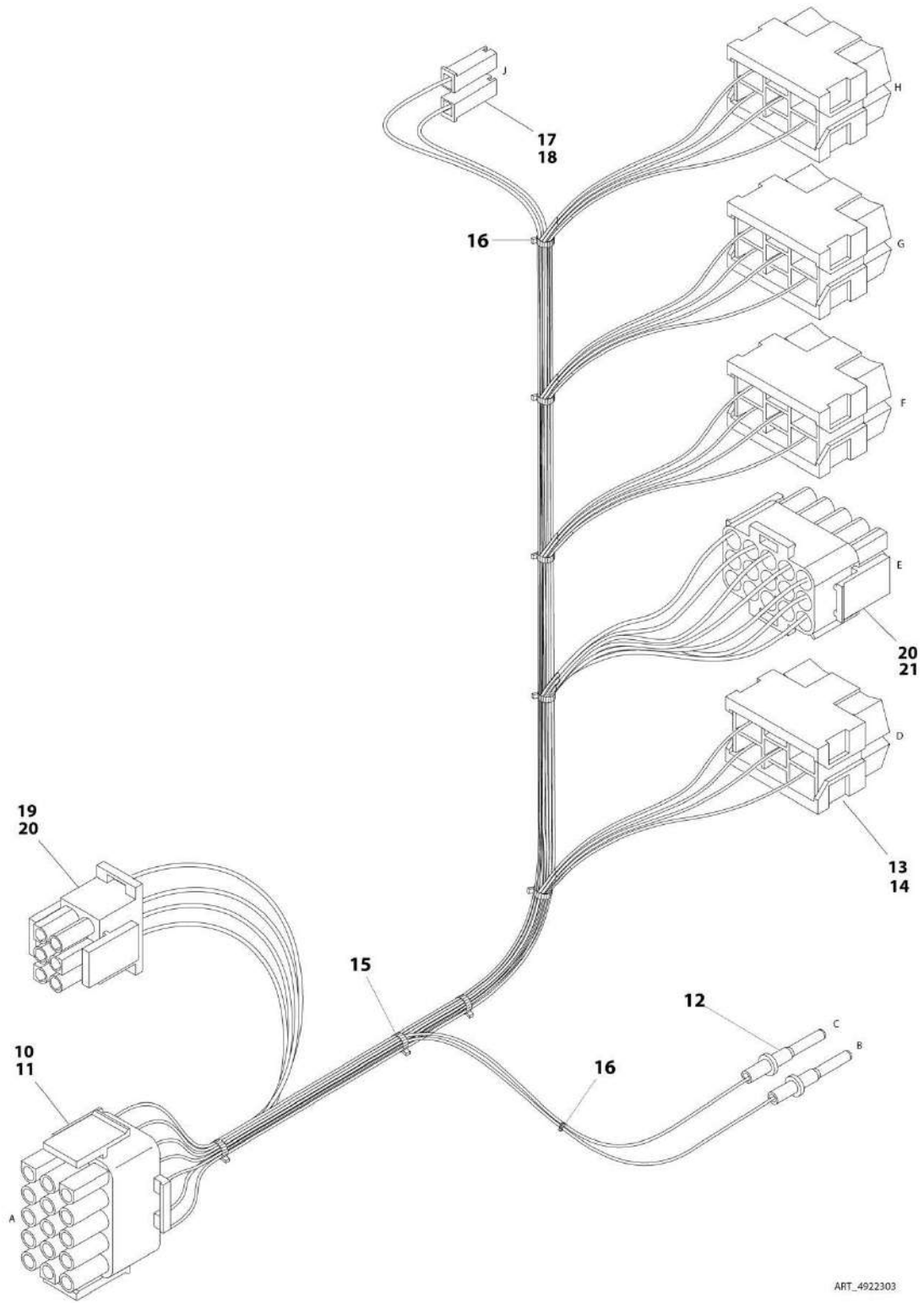
## SECTION 8 - ELECTRICAL

### FIGURE 8-51. PLATFORM FUNCTION SWITCH HARNESS ASSEMBLY

ITEM	PART NUMBER	QTY	DESCRIPTION	REV
	4922060	Ref	PLATFORM FUNCTION SWITCH HARNESS ASSEMBLY	2/D
7	4460434	1	Connector - 15 Position	
8	4460226	12	Pin, Male	
9	4460464	2	Pin, Male	
10	4460418	4	Connector, Female	
11	4460419	12	Terminal	
12	4240033	6	Tie-Strap	
13	4240032	14	Tie-Strap	
14	4460259	1	Terminal	
15	4460260	1	Terminal Housing	

# SECTION 8 - ELECTRICAL

## FIGURE 8-52. PLATFORM FUNCTION SWITCH HARNESS ASSEMBLY - WITH SKYGUARD



ART\_4922303

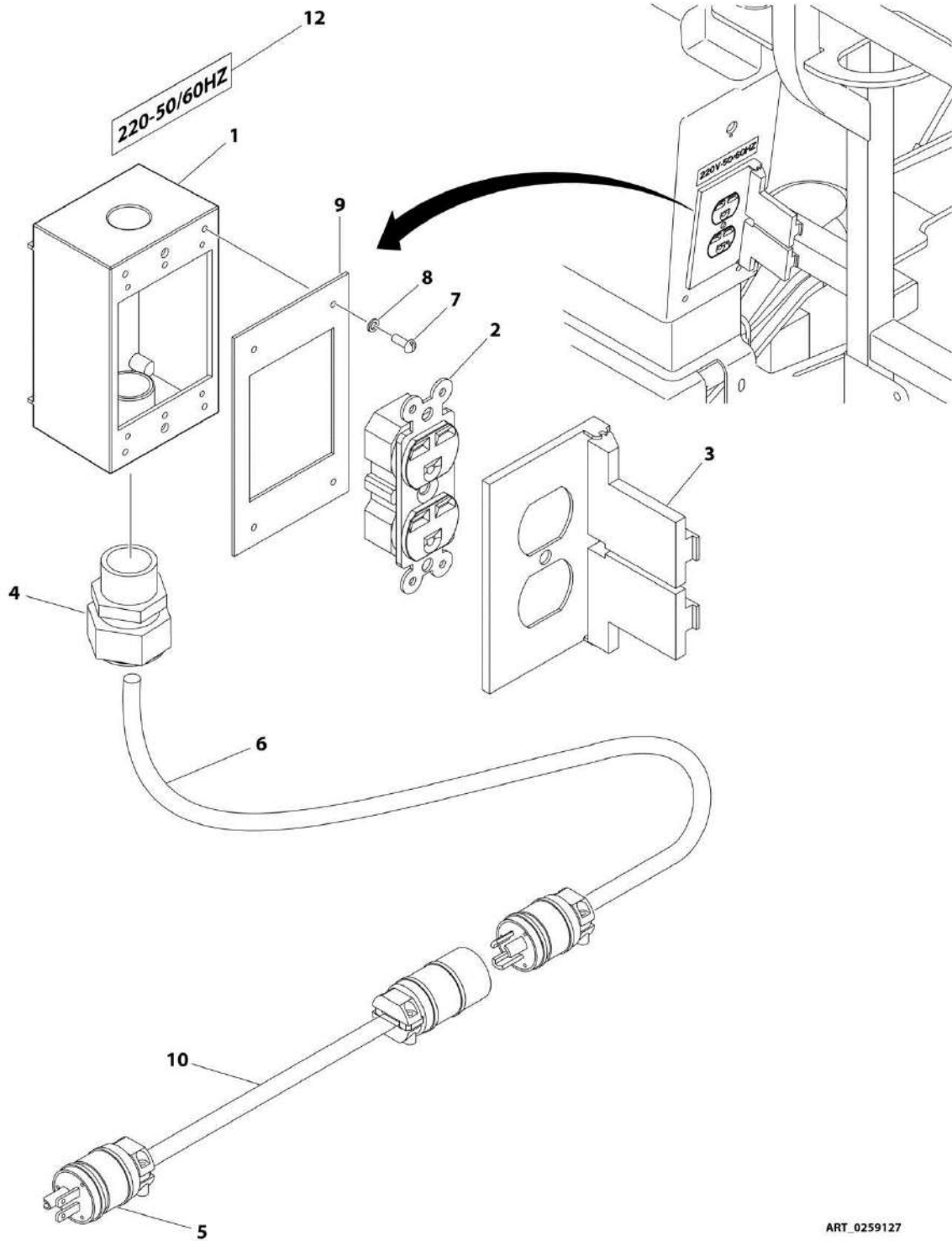
## SECTION 8 - ELECTRICAL

**FIGURE 8-52. PLATFORM FUNCTION SWITCH HARNESS ASSEMBLY - WITH SKYGUARD**

ITEM	PART NUMBER	QTY	DESCRIPTION	REV
	4922303	Ref	PLATFORM FUNCTION SWITCH HARNESS ASSEMBLY - WITH SKYGUARD	5/E
10	4460434	1	Connector - 15 Position	
11	4460226	12	Pin, Male	
12	4460464	2	Pin, Male	
13	4460418	4	Connector, Female	
14	4460419	12	Terminal	
15	4240033	AR	Tie-Strap	
16	4240032	AR	Tie-Strap	
17	4460259	1	Terminal	
18	4460260	1	Terminal Housing	
19	4460225	1	Connector - 6 Position	
20	4460227	10	Socket, Female	
21	4460343	1	Connector - 12 Position	

# SECTION 8 - ELECTRICAL

## FIGURE 8-53. PLUG AND RECEPTACLE INSTALLATION - SUPPLIED LOCALLY



ART\_0259127

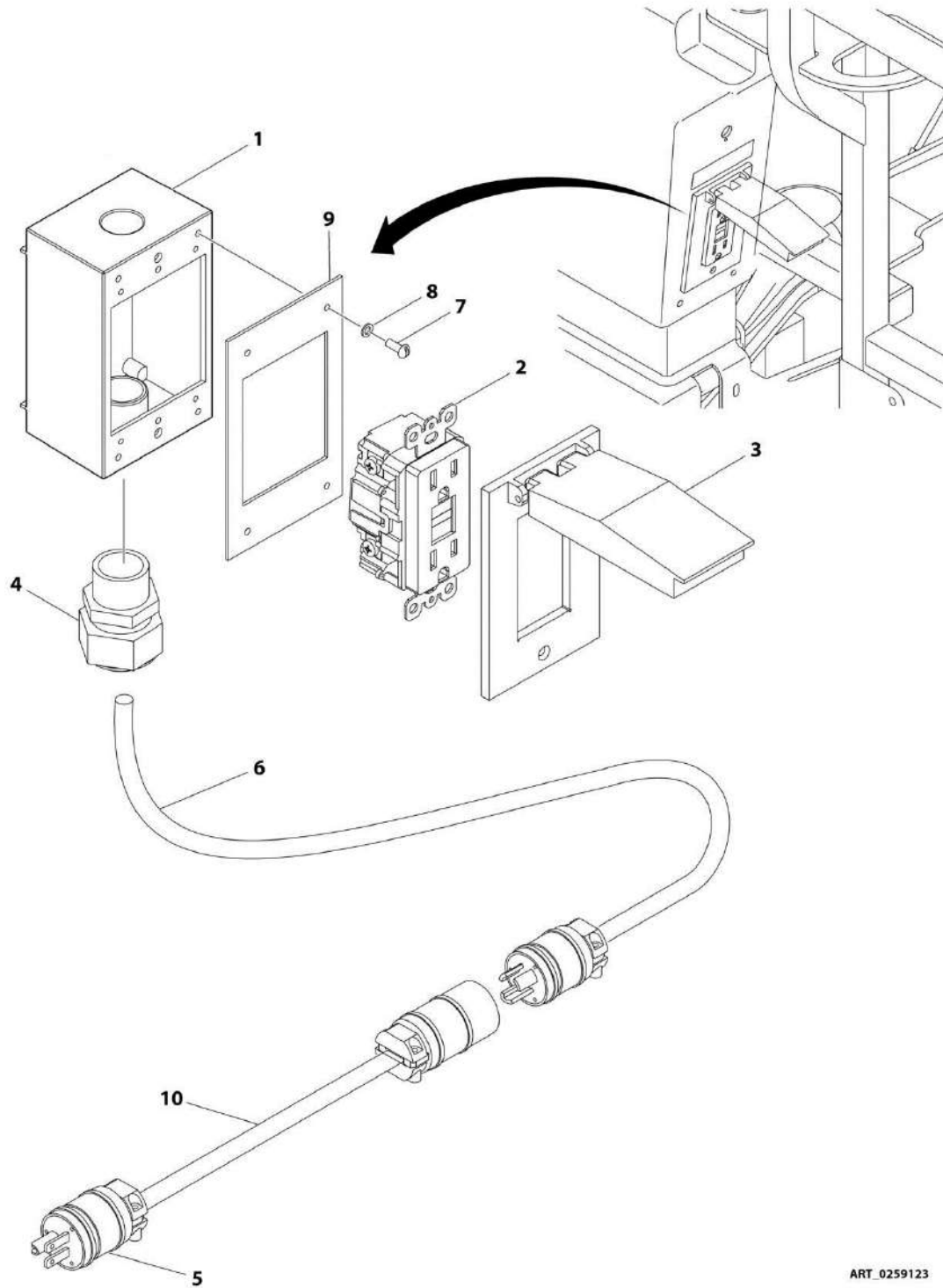
## SECTION 8 - ELECTRICAL

**FIGURE 8-53. PLUG AND RECEPTACLE INSTALLATION - SUPPLIED LOCALLY**

ITEM	PART NUMBER	QTY	DESCRIPTION	REV
	0259127	Ref	PLUG AND RECEPTACLE INSTALLATION - SUPPLIED LOCALLY	2
1	See Note	1	Box, Switch (Note: Supplied Locally)	
2	See Note	1	Receptacle (Note: Supplied Locally)	
3	See Note	1	Shield, Cover (Note: Supplied Locally)	
4	See Note	1	Connector, Strain Relief (Note: Supplied Locally)	
5	See Note	1	Plug, Male (Note: Supplied Locally)	
6	4922610	1	Main Boom 220V Harness Assembly - CE Spec (See MAIN BOOM 220V HARNESS ASSEMBLY - CE SPEC for Breakdown)	
7	See Note	4	Screw, Self-tapping, #6-32 x 5/8 (Note: Supplied Locally)	
8	See Note	4	Washer, #6 (Note: Supplied Locally)	
9	See Note	1	Gasket (Note: Supplied Locally)	
10	4922609	1	Lower Boom 220V Harness Assembly - CE Spec (See LOWER BOOM 220V HARNESS ASSEMBLY - CE SPEC for Breakdown)	
12	See Note	1	Decal - 220V-50/60Hz (Note: Supplied Locally)	

# SECTION 8 - ELECTRICAL

FIGURE 8-54. PLUG AND RECEPTACLE INSTALLATION - 110V - ANSI SPEC



ART\_0259123

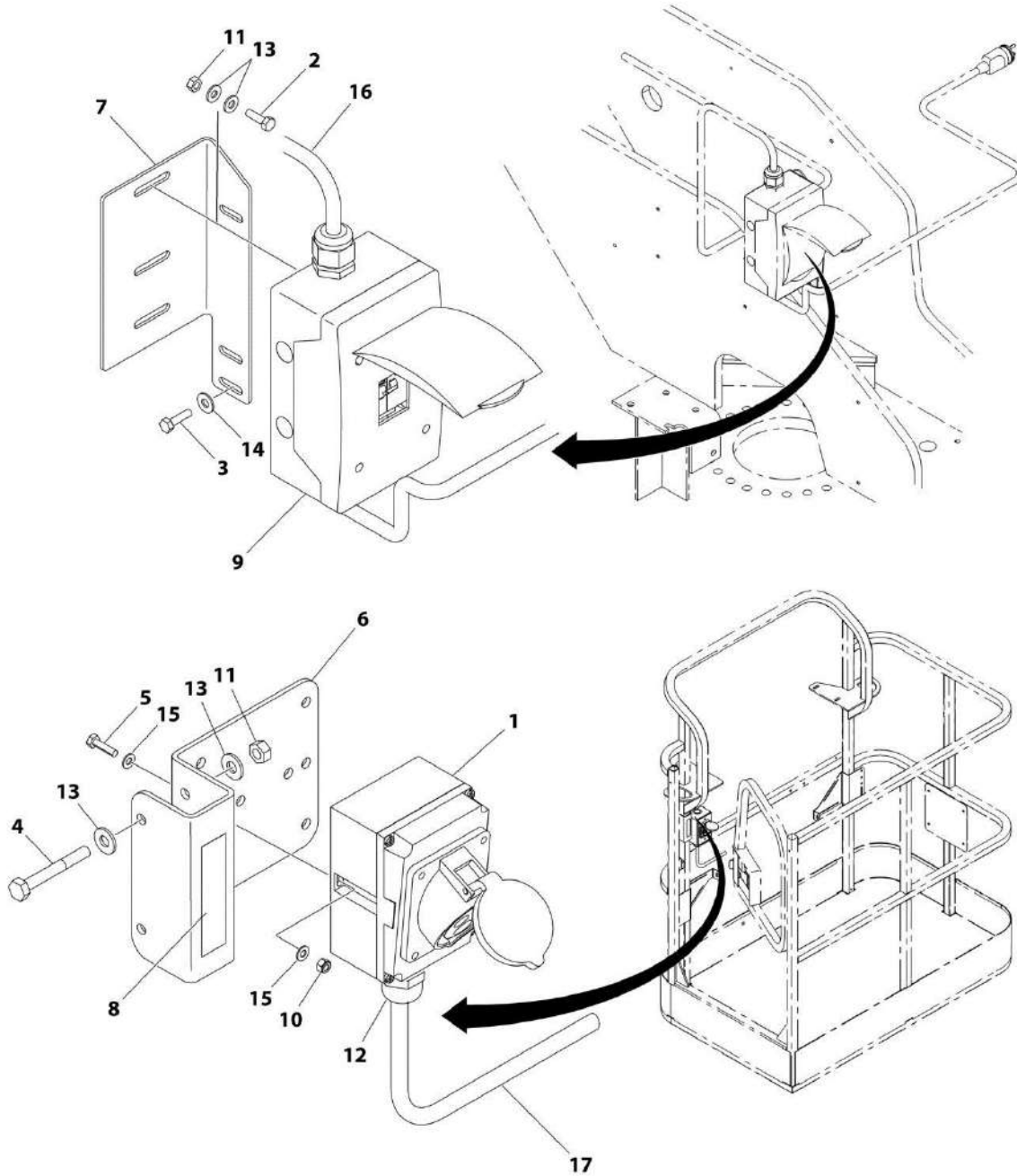
## SECTION 8 - ELECTRICAL

**FIGURE 8-54. PLUG AND RECEPTACLE INSTALLATION - 110V - ANSI SPEC**

ITEM	PART NUMBER	QTY	DESCRIPTION	REV
	0259123	Ref	PLUG AND RECEPTACLE INSTALLATION - 110V - ANSI SPEC	5
1	0860038	1	Box, Switch	
2	4460346	1	Receptacle	
3	1001110873	1	Shield, Cover	
4	4460071	1	Connector, Strain Relief	
5	4460205	1	Plug, Male	
6	4922608	1	Main Boom 110V Harness Assembly (See MAIN BOOM 110V HARNESS ASSEMBLY for Breakdown)	
7	3910610	4	Screw, Self-tapping, #6-32 x 5/8	
8	4760600	4	Washer, #6	
9	3960422	1	Gasket	
10	4922607	1	Lower Boom 110V Harness Assembly (See LOWER BOOM 110V HARNESS ASSEMBLY for Breakdown)	

# SECTION 8 - ELECTRICAL

FIGURE 8-55. PLUG AND RECEPTACLE 110V INSTALLATION - IEC 60309 - YELLOW (CE SPEC)



ART\_1001166263



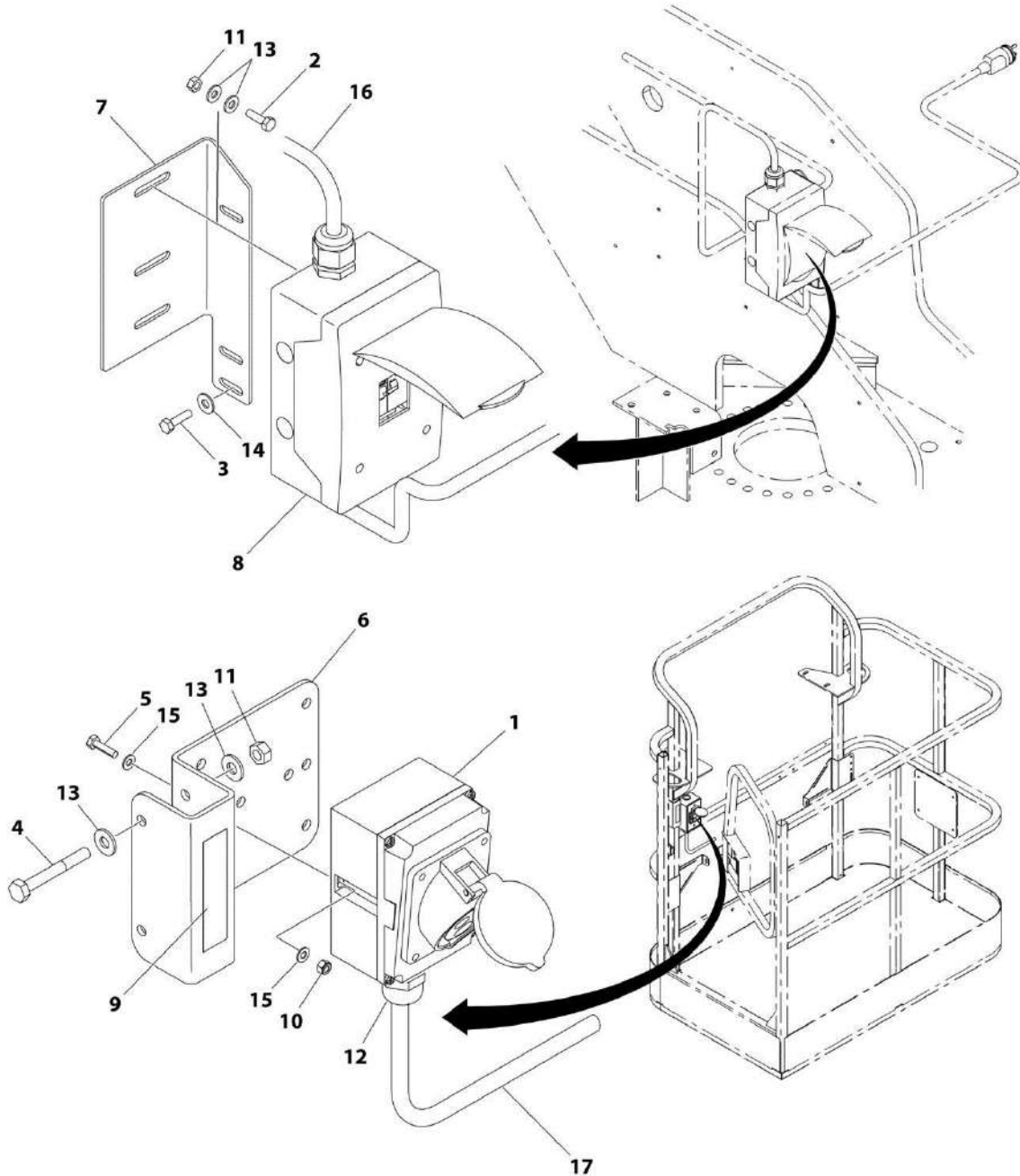
## SECTION 8 - ELECTRICAL

**FIGURE 8-55. PLUG AND RECEPTACLE 110V INSTALLATION - IEC 60309 - YELLOW (CE SPEC)**

ITEM	PART NUMBER	QTY	DESCRIPTION	REV
	1001166263	Ref	PLUG AND RECEPTACLE 110V INSTALLATION - IEC 60309 - YELLOW (CE SPEC)	C
1	0275216	1	AC Plugs and Sockets Installation - CE Spec (See AC PLUGS AND SOCKETS INSTALLATION - CE SPEC for Breakdown)	
2	0641407	2	Bolt, 1/4-20 x 7/8	
3	0641408	2	Bolt, 1/4-20 x 1	
4	0641416	2	Bolt, 1/4-20 x 2	
5	0700408	2	Bolt, M4 x 16	
6	0903484	1	Bracket <b>(SN 0300189898 through 0300200789)</b>	
6	1001193018	1	Bracket <b>(SN 0300200790 through 0300208529)</b>	
7	1001178491	1	Bracket	
8	1705325	2	Decal - 120V - 50 Hz	
9	2902549	1	Breaker Box Kit with Two Breakers - CE Spec (See BREAKER BOX KIT WITH TWO BREAKERS CE SPEC for Breakdown)	
10	3290405	2	Nut, Lock, M4 x 0.7	
11	3311405	4	Nut, Lock, 1/4-20	
12	4460968	1	Connector, Strain Relief	
13	4711400	8	Washer, 1/4	
14	4751400	2	Washer, 1/4	
15	4811400	4	Washer, 4mm	
16	4922609	1	Lower Boom 220V Harness Assembly - CE Spec (See LOWER BOOM 220V HARNESS ASSEMBLY - CE SPEC for Breakdown)	
17	4922610	1	Main Boom 220V Harness Assembly - CE Spec (See MAIN BOOM 220V HARNESS ASSEMBLY - CE SPEC for Breakdown)	

# SECTION 8 - ELECTRICAL

FIGURE 8-56. PLUG AND RECEPTACLE 220V INSTALLATION - IEC 60309 - BLUE (CE SPEC)



ART\_1001166260

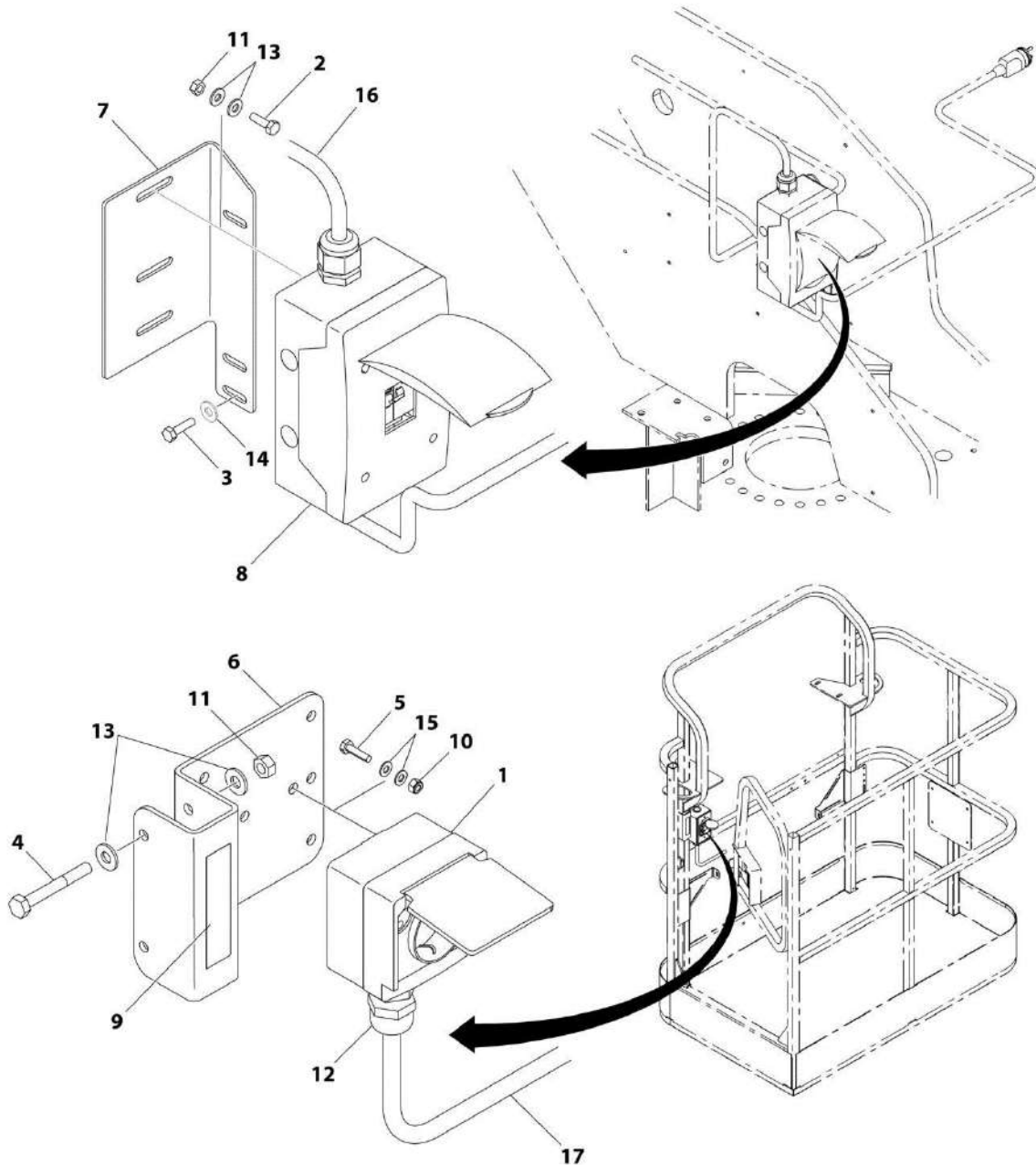
## SECTION 8 - ELECTRICAL

**FIGURE 8-56. PLUG AND RECEPTACLE 220V INSTALLATION - IEC 60309 - BLUE (CE SPEC)**

ITEM	PART NUMBER	QTY	DESCRIPTION	REV
	1001166260	Ref	PLUG AND RECEPTACLE 220V INSTALLATION - IEC 60309 - BLUE (CE SPEC)	C
1	0275217	1	AC Plugs and Sockets Installation - CE Spec (See AC PLUGS AND SOCKETS INSTALLATION - CE SPEC for Breakdown)	
2	0641407	2	Bolt, 1/4-20 x 7/8	
3	0641408	2	Bolt, 1/4-20 x 1	
4	0641416	2	Bolt, 1/4-20 x 2	
5	0700408	2	Bolt, M4 x 16	
6	0903484	1	Bracket (SN 0300189898 through 0300200789)	
6	1001193018	1	Bracket (SN 0300200790 through 0300208529)	
7	1001178491	1	Bracket	
8	2902549	1	Breaker Box Kit with Two Breakers - CE Spec (See BREAKER BOX KIT WITH TWO BREAKERS - CE SPEC for Breakdown)	
9	3252507	2	Decal - 220V - 50/60 Hz	
10	3290405	2	Nut, Lock, M4 x 0.7	
11	3311405	4	Nut, Lock, 1/4-20	
12	4460968	1	Connector, Strain Relief	
13	4711400	8	Washer, 1/4	
14	4751400	2	Washer, 1/4	
15	4811400	4	Washer, 4mm	
16	4922609	1	Lower Boom 220V Harness Assembly - CE Spec (See LOWER BOOM 220V HARNESS ASSEMBLY - CE SPEC for Breakdown)	
17	4922610	1	Main Boom 220V Harness Assembly - CE Spec (See MAIN BOOM 220V HARNESS ASSEMBLY - CE SPEC for Breakdown)	

# SECTION 8 - ELECTRICAL

FIGURE 8-57. PLUG AND RECEPTACLE 220V INSTALLATION - CEE7 POST GROUND - 70MM X 70MM BOX (CE SPEC)



ART\_1001166261

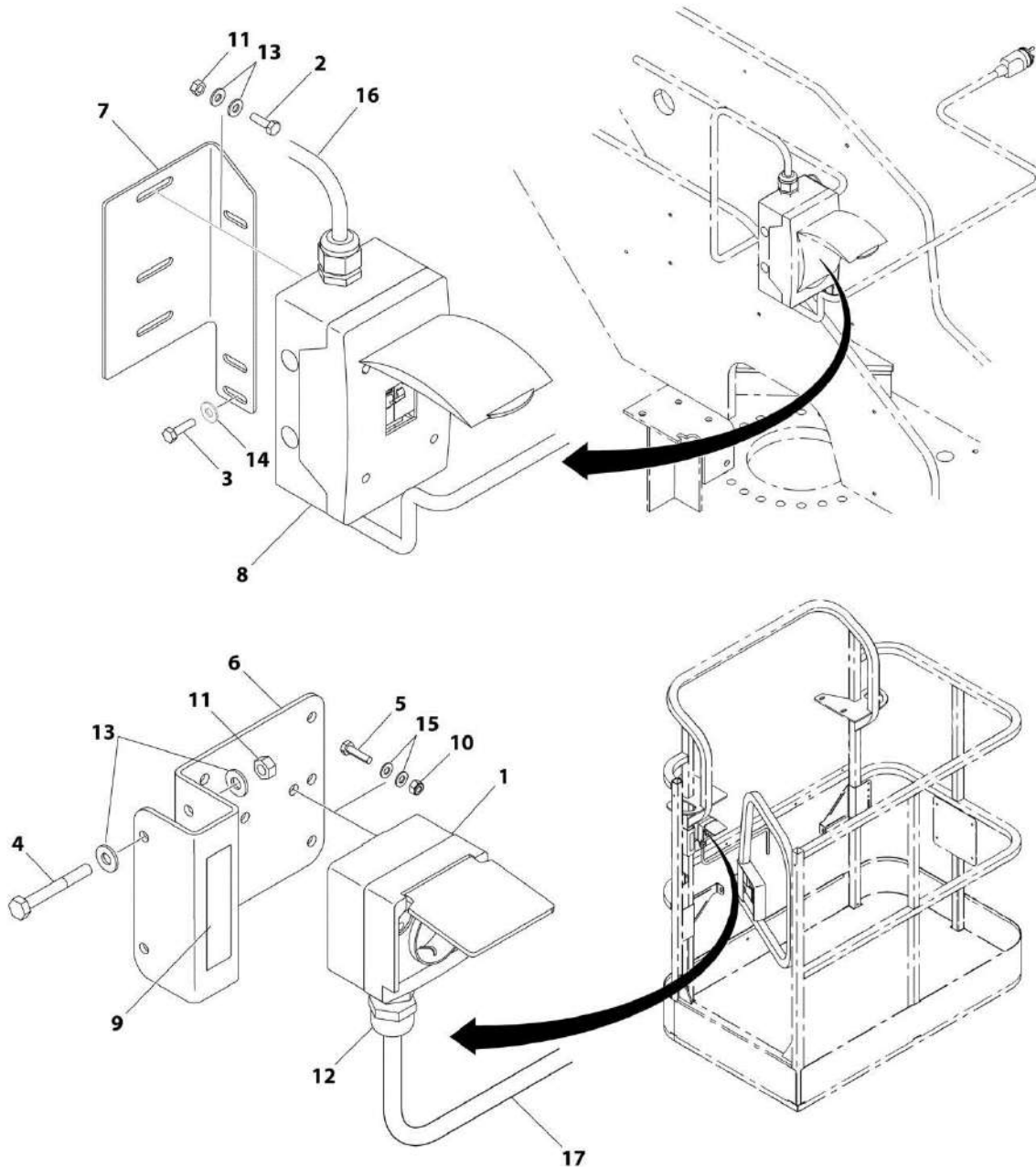
## SECTION 8 - ELECTRICAL

**FIGURE 8-57. PLUG AND RECEPTACLE 220V INSTALLATION - CEE7 POST GROUND - 70MM X 70MM BOX (CE SPEC)**

ITEM	PART NUMBER	QTY	DESCRIPTION	REV
	1001166261	Ref	PLUG AND RECEPTACLE 220V INSTALLATION - CEE7 POST GROUND - 70MM X 70MM BOX (CE SPEC)	C
1	0275218	1	AC Plugs and Sockets Installation - CE Spec (See AC PLUGS AND SOCKETS INSTALLATION - CE SPEC for Breakdown)	
2	0641407	2	Bolt, 1/4-20 x 7/8	
3	0641408	2	Bolt, 1/4-20 x 1	
4	0641416	2	Bolt, 1/4-20 x 2	
5	0700408	2	Bolt, M4 x 16	
6	0903484	1	Bracket (SN 0300189898 through 0300200789)	
6	1001193018	1	Bracket (SN 0300200790 through 0300208529)	
7	1001178491	1	Bracket	
8	2902549	1	Breaker Box Kit with Two Breakers - CE Spec (See BREAKER BOX KIT WITH TWO BREAKERS CE Spec for Breakdown)	
9	3252507	2	Decal - 220V - 50/60 Hz	
10	3290405	2	Nut, Lock, M4 x 0.7	
11	3311405	4	Nut, Lock, 1/4-20	
12	4460968	1	Connector, Strain Relief	
13	4711400	8	Washer, 1/4	
14	4751400	2	Washer, 1/4	
15	4811400	4	Washer, 4mm	
16	4922609	1	Lower Boom 220V Harness Assembly - CE Spec (See LOWER BOOM 220V HARNESS ASSEMBLY - CE SPEC for Breakdown)	
17	4922610	1	Main Boom 220V Harness Assembly - CE Spec (See MAIN BOOM 220V HARNESS ASSEMBLY - CE SPEC for Breakdown)	

## SECTION 8 - ELECTRICAL

FIGURE 8-58. PLUG AND RECEPTACLE 220V INSTALLATION - CEE7 SIDE GROUND - 70MM X 70MM BOX (CE SPEC)



ART\_1001166262

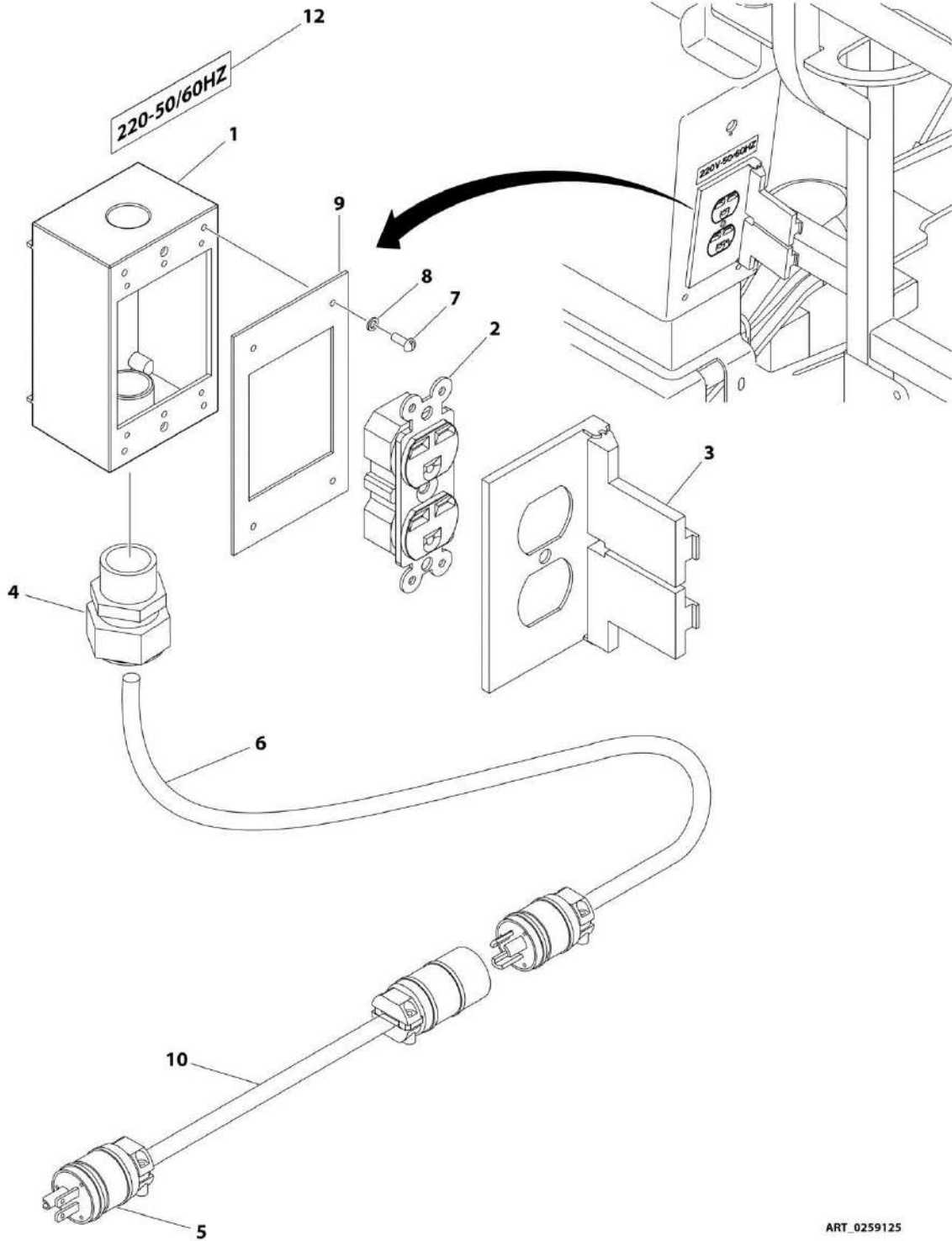
## SECTION 8 - ELECTRICAL

**FIGURE 8-58. PLUG AND RECEPTACLE 220V INSTALLATION - CEE7 SIDE GROUND - 70MM X 70MM BOX (CE SPEC)**

ITEM	PART NUMBER	QTY	DESCRIPTION	REV
	1001166262	Ref	PLUG AND RECEPTACLE 220V INSTALLATION - CEE7 SIDE GROUND - 70MM X 70MM BOX (CE SPEC)	C
1	0275219	1	AC Plugs and Sockets Installation - CE Spec (See AC PLUGS AND SOCKETS INSTALLATION - CE SPEC for Breakdown)	
2	0641407	2	Bolt, 1/4-20 x 7/8	
3	0641408	2	Bolt, 1/4-20 x 1	
4	0641416	2	Bolt, 1/4-20 x 2	
5	0700408	2	Bolt, M4 x 16	
6	0903484	1	Bracket <b>(SN 0300189898 through 0300200789)</b>	
6	1001193018	1	Bracket <b>(SN 0300200790 through 0300208529)</b>	
7	1001178491	1	Bracket	
8	1001152485	1	Breaker Box Kit with Three Breakers - CE Spec (See BREAKER BOX KIT WITH THREE BREAKERS - CE SPEC for Breakdown)	
9	3252507	2	Decal - 220V - 50/60 Hz	
10	3290405	2	Nut, Lock, M4 x 0.7	
11	3311405	4	Nut, Lock, 1/4-20	
12	4460968	1	Connector, Strain Relief	
13	4711400	8	Washer, 1/4	
14	4751400	2	Washer, 1/4	
15	4811400	4	Washer, 4mm	
16	4922609	1	Lower Boom 220V Harness Assembly - CE Spec (See LOWER BOOM 220V HARNESS ASSEMBLY - CE SPEC for Breakdown)	
17	4922610	1	Main Boom 220V Harness Assembly - CE Spec (See MAIN BOOM 220V HARNESS ASSEMBLY - CE SPEC for Breakdown)	

# SECTION 8 - ELECTRICAL

## FIGURE 8-59. PLUG AND RECEPTACLE 220V INSTALLATION - ANSI SPEC



ART\_0259125



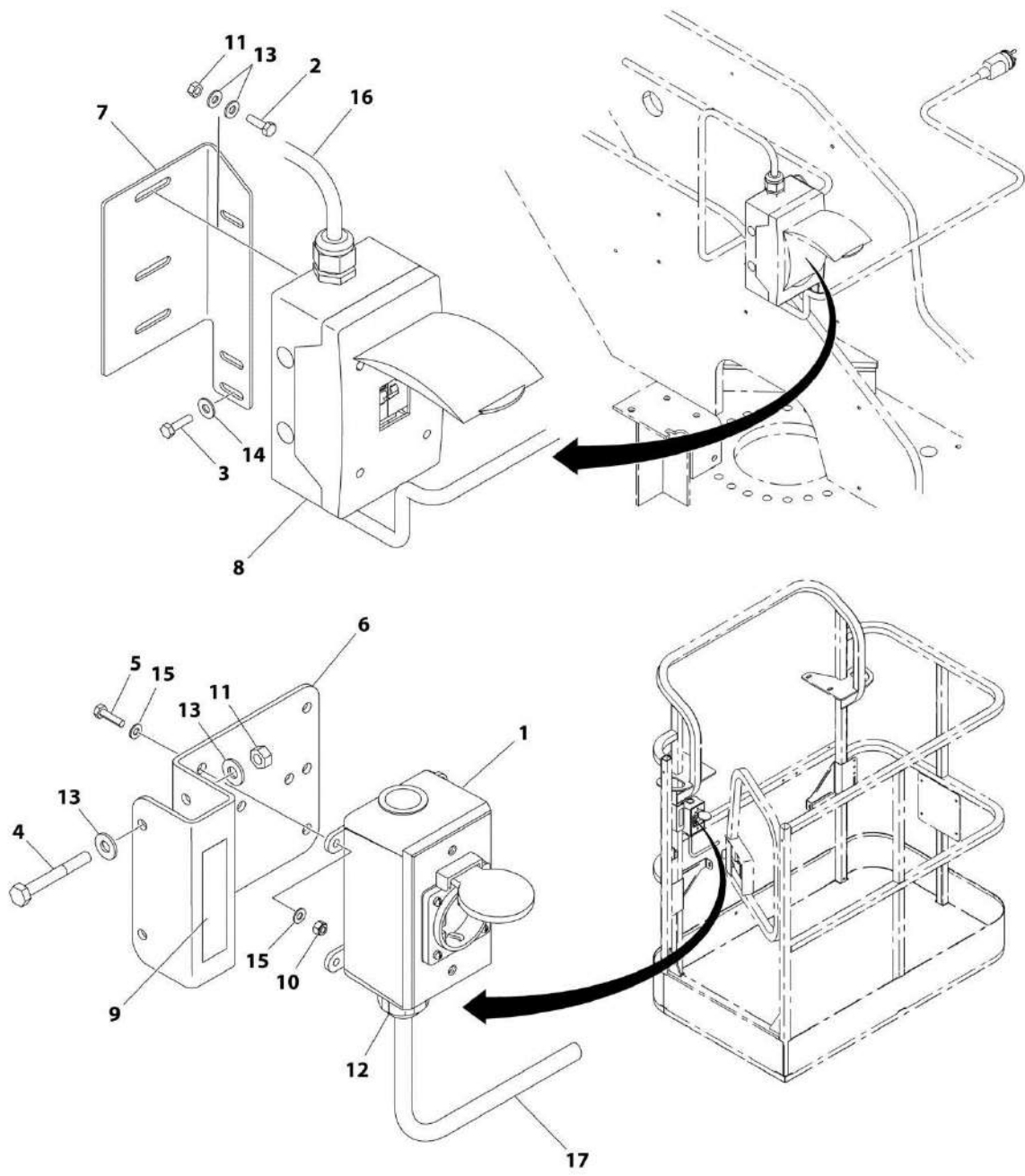
## SECTION 8 - ELECTRICAL

**FIGURE 8-59. PLUG AND RECEPTACLE 220V INSTALLATION - ANSI SPEC**

ITEM	PART NUMBER	QTY	DESCRIPTION	REV
	0259125	Ref	PLUG AND RECEPTACLE 220V INSTALLATION - ANSI SPEC	4
1	0860038	1	Box, Switch	
2	4460125	1	Receptacle	
3	4060092	1	Shield, Cover	
4	4460071	1	Connector, Strain Relief	
5	4460233	1	Plug, Male	
6	4922608	1	Main Boom 110V Harness Assembly (See MAIN BOOM 110V HARNESS ASSEMBLY for Breakdown)	
7	3910610	4	Screw, Self-tapping, #6-32 x 5/8	
8	4760600	4	Washer, #6	
9	3960422	1	Gasket	
10	4922607	1	Lower Boom 110V Harness Assembly (See LOWER BOOM 110V HARNESS ASSEMBLY for Breakdown)	
12	3252507	1	Decal - 220V-50/60 Hz	

# SECTION 8 - ELECTRICAL

FIGURE 8-60. PLUG AND RECEPTACLE 220 INSTALLATION - CEE7 SIDE GROUND - 2 X 4 BOX (CE SPEC)



ART\_1001166258

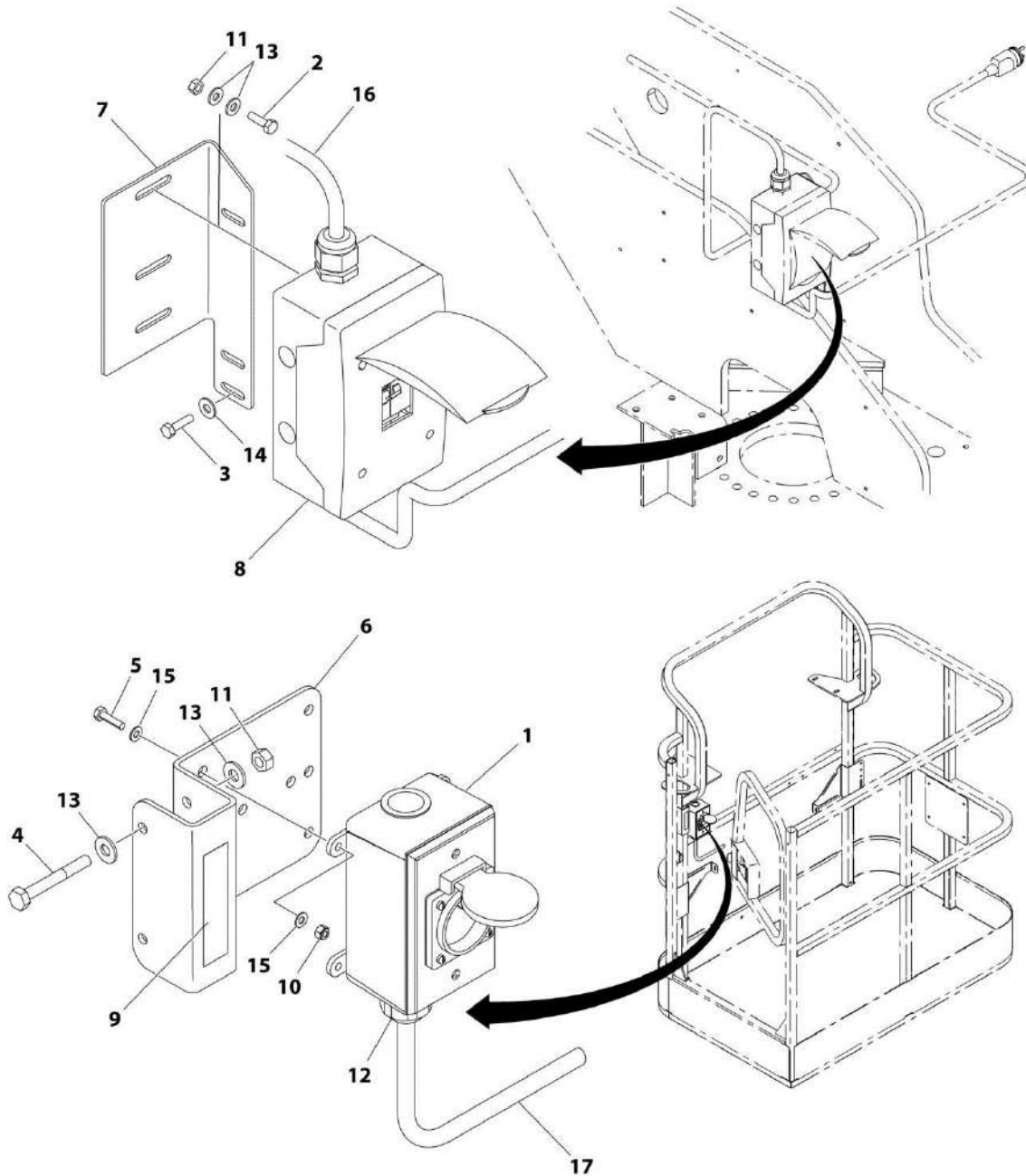
## SECTION 8 - ELECTRICAL

**FIGURE 8-60. PLUG AND RECEPTACLE 220 INSTALLATION - CEE7 SIDE GROUND - 2 X 4 BOX (CE SPEC)**

ITEM	PART NUMBER	QTY	DESCRIPTION	REV
	1001166258	Ref	PLUG AND RECEPTACLE 220 INSTALLATION - CEE7 SIDE GROUND - 2 X 4 BOX (CE SPEC)	C
1	0275453	1	AC Plugs and Sockets Installation - CE Spec (See AC PLUGS AND SOCKETS INSTALLATION - CE SPEC for Breakdown)	
2	0641407	2	Bolt, 1/4-20 x 7/8	
3	0641408	2	Bolt, 1/4-20 x 1	
4	0641416	2	Bolt, 1/4-20 x 2	
5	0700408	4	Bolt, M4 x 16	
6	0903484	1	Bracket (SN 0300189898 through 0300200789)	
6	1001193018	1	Bracket (SN 0300200790 through 0300208529)	
7	1001178491	1	Bracket	
8	1001152485	1	Breaker Box Kit with Three Breakers - CE Spec (See BREAKER BOX KIT WITH THREE BREAKERS - CE SPEC for Breakdown)	
9	3252507	2	Decal - 220V - 50/60 Hz	
10	3290405	4	Nut, Lock, M4 x 0.7	
11	3311405	4	Nut, Lock, 1/4-20	
12	4460662	1	Connector, Strain Relief	
13	4711400	8	Washer, 1/4	
14	4751400	2	Washer, 1/4	
15	4811400	8	Washer, 4mm	
16	4922609	1	Lower Boom 220V Harness Assembly - CE Spec (See LOWER BOOM 220V HARNESS ASSEMBLY - CE SPEC for Breakdown)	
17	4922610	1	Main Boom 220V Harness Assembly - CE Spec (See MAIN BOOM 220V HARNESS ASSEMBLY - CE SPEC for Breakdown)	

# SECTION 8 - ELECTRICAL

FIGURE 8-61. PLUG AND RECEPTACLE 220V INSTALLATION - CEE7 POST GROUND - 2 X 4 BOX (CE SPEC)



ART\_1001166251

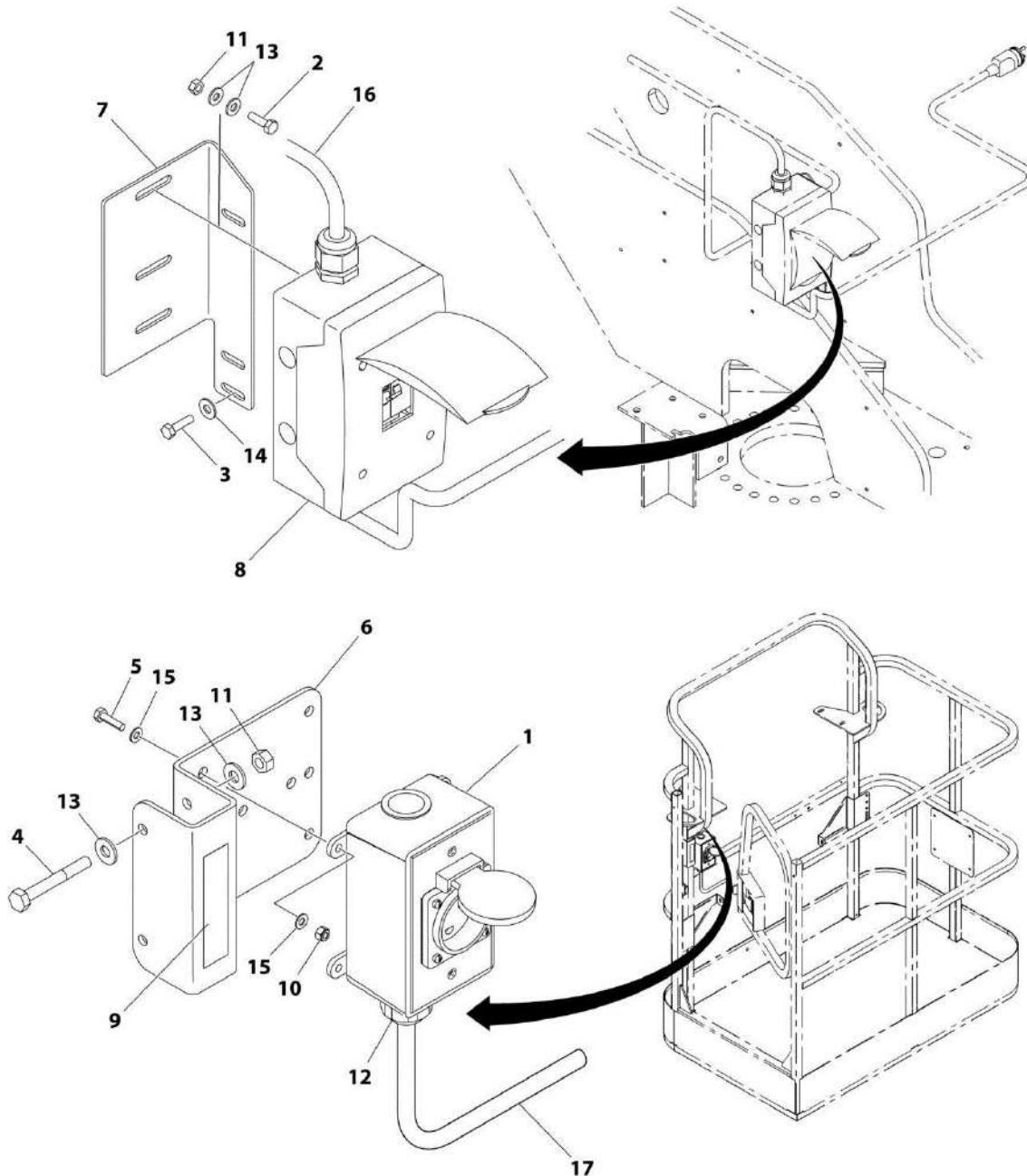
## SECTION 8 - ELECTRICAL

**FIGURE 8-61. PLUG AND RECEPTACLE 220V INSTALLATION - CEE7 POST GROUND - 2 X 4 BOX  
(CE SPEC)**

ITEM	PART NUMBER	QTY	DESCRIPTION	REV
	1001166251	Ref	PLUG AND RECEPTACLE 220V INSTALLATION - CEE7 POST GROUND - 2 X 4 BOX (CE SPEC)	C
1	0275452	1	AC Plugs and Sockets Installation - CE Spec (See AC PLUGS AND SOCKETS INSTALLATION - CE SPEC for Breakdown)	
2	0641407	2	Bolt, 1/4-20 x 7/8	
3	0641408	2	Bolt, 1/4-20 x 1	
4	0641416	2	Bolt, 1/4-20 x 2	
5	0700408	4	Bolt, M4 x 16	
6	0903484	1	Bracket (SN 0300189898 through 0300200789)	
6	1001193018	1	Bracket (SN 0300200790 through 0300208529)	
7	1001178491	1	Bracket	
8	2902549	1	Breaker Box Kit with Two Breakers - CE Spec (See BREAKER BOX KIT WITH TWO BREAKERS CE SPEC for Breakdown)	
9	3252507	2	Decal - 220V - 50/60Hz	
10	3290405	4	Nut, Lock, M4 x 0.7	
11	3311405	4	Nut, Lock, 1/4-20	
12	4460662	1	Connector, Strain Relief	
13	4711400	8	Washer, 1/4	
14	4751400	2	Washer, 1/4	
15	4811400	8	Washer, 4mm	
16	4922609	1	Lower Boom 220V Harness Assembly - CE Spec (See LOWER BOOM 220V HARNESS ASSEMBLY - CE SPEC for Breakdown)	
17	4922610	1	Main Boom 220V Harness Assembly - CE Spec (See MAIN BOOM 220V HARNESS ASSEMBLY - CE SPEC for Breakdown)	

# SECTION 8 - ELECTRICAL

FIGURE 8-62. PLUG AND RECEPTACLE 220V INSTALLATION - AFSINT 107 KEYED GROUND - 2 X 4 BOX (CE SPEC)



ART\_1001166259

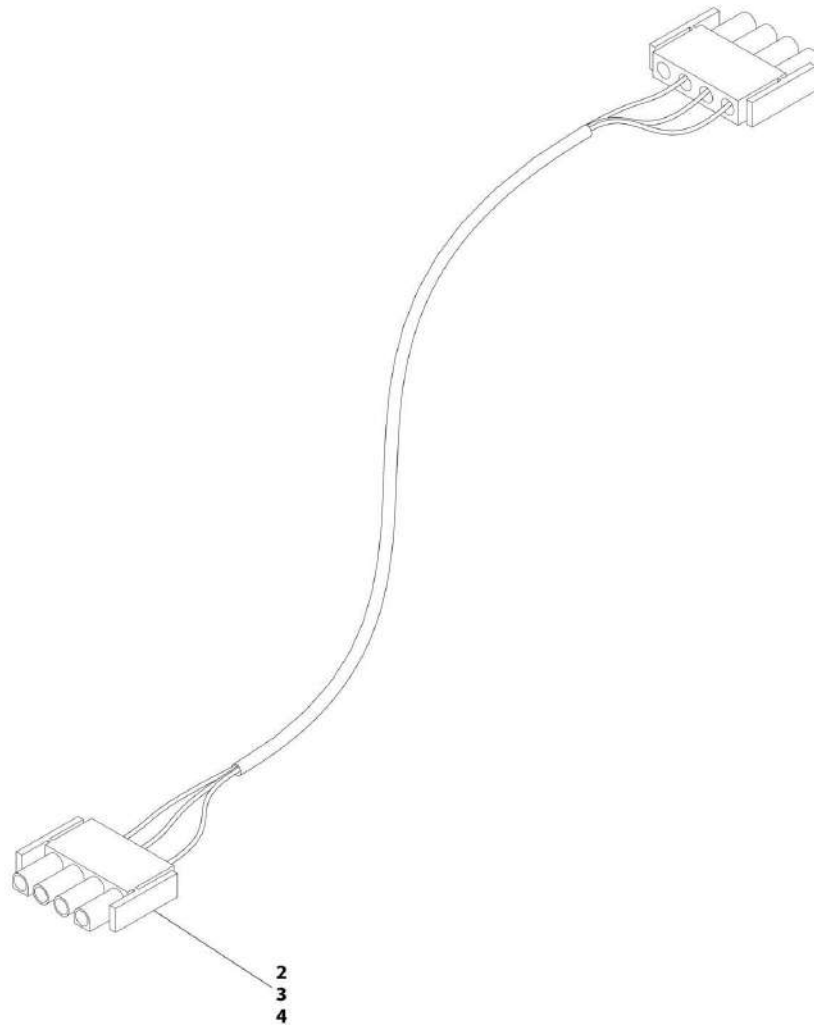
## SECTION 8 - ELECTRICAL

**FIGURE 8-62. PLUG AND RECEPTACLE 220V INSTALLATION - AFSINT 107 KEYED GROUND - 2 X 4 BOX (CE SPEC)**

ITEM	PART NUMBER	QTY	DESCRIPTION	REV
	1001166259	Ref	PLUG AND RECEPTACLE 220V INSTALLATION - AFSINT 107 KEYED GROUND - 2 X 4 BOX (CE SPEC)	B
1	0275454	1	AC Plugs and Sockets Installation - CE Spec (See AC PLUGS AND SOCKETS INSTALLATION - CE SPEC for Breakdown)	
2	0641407	2	Bolt, 1/4-20 x 7/8	
3	0641408	2	Bolt, 1/4-20- x 1	
4	0641416	2	Bolt, 1/4-20 x 2	
5	0700408	4	Bolt, M4 x 16	
6	0903484	1	Bracket (SN 0300189898 through 0300200789)	
6	1001193018	1	Bracket (SN 0300200790 through 0300208529)	
7	1001178491	1	Bracket	
8	2902549	1	Breaker Box Kit with Two Breakers - CE Spec (See BREAKER BOX KIT WITH TWO BREAKERS - CE SPEC for Breakdown)	
9	3252507	2	Decal - 220V - 50/60 Hz	
10	3290405	4	Nut, Lock, M4 x 0.7	
11	3311405	4	Nut, Lock, 1/4-20	
12	4460662	1	Connector, Strain Relief	
13	4711400	8	Washer, 1/4	
14	4751400	2	Washer, 1/4	
15	4811400	8	Washer, 4mm	
16	4922609	1	Lower Boom 220V Harness Assembly - CE Spec (See LOWER BOOM 220V HARNESS ASSEMBLY - CE SPEC for Breakdown)	
17	4922610	1	Main Boom 220V Harness Assembly - CE Spec (See MAIN BOOM 220V HARNESS ASSEMBLY - CE SPEC for Breakdown)	

# SECTION 8 - ELECTRICAL

FIGURE 8-63. POSI-TRACK MODULE CAN HARNESS ASSEMBLY



ART\_4922263



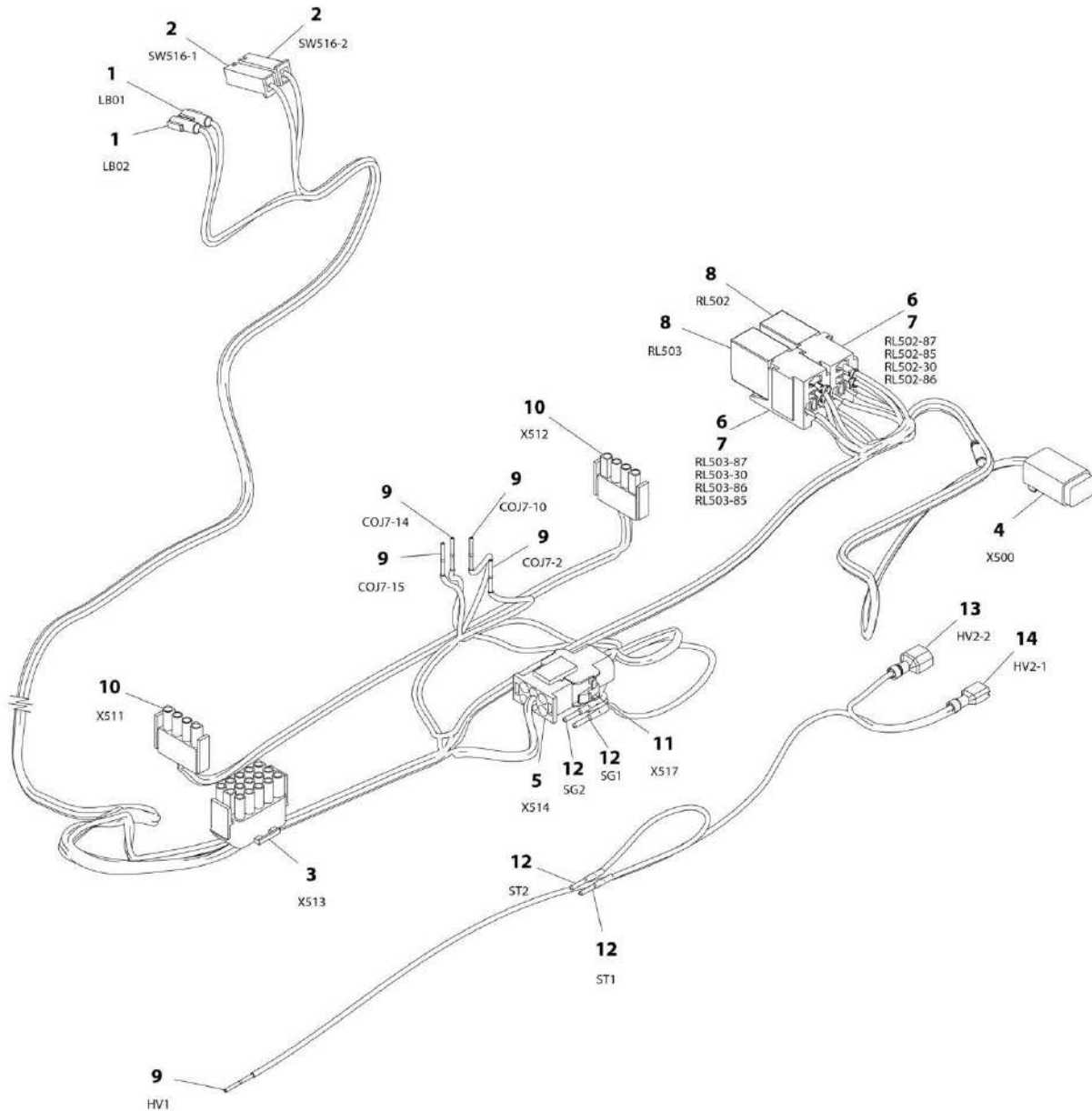
## SECTION 8 - ELECTRICAL

**FIGURE 8-63. POSI-TRACK MODULE CAN HARNESS ASSEMBLY**

ITEM	PART NUMBER	QTY	DESCRIPTION	REV
	4922263	Ref	POSI-TRACK MODULE CAN HARNESS ASSEMBLY	2/A
2	4460321	2	Connector - 4 Position	
3	4460227	4	Pin, Male	
4	4460267	2	Pin, Male	

# SECTION 8 - ELECTRICAL

FIGURE 8-64. SKYGUARD PLATFORM SENSOR HARNESS (SN 0300189898 through 0300200789)



ART\_1001149569

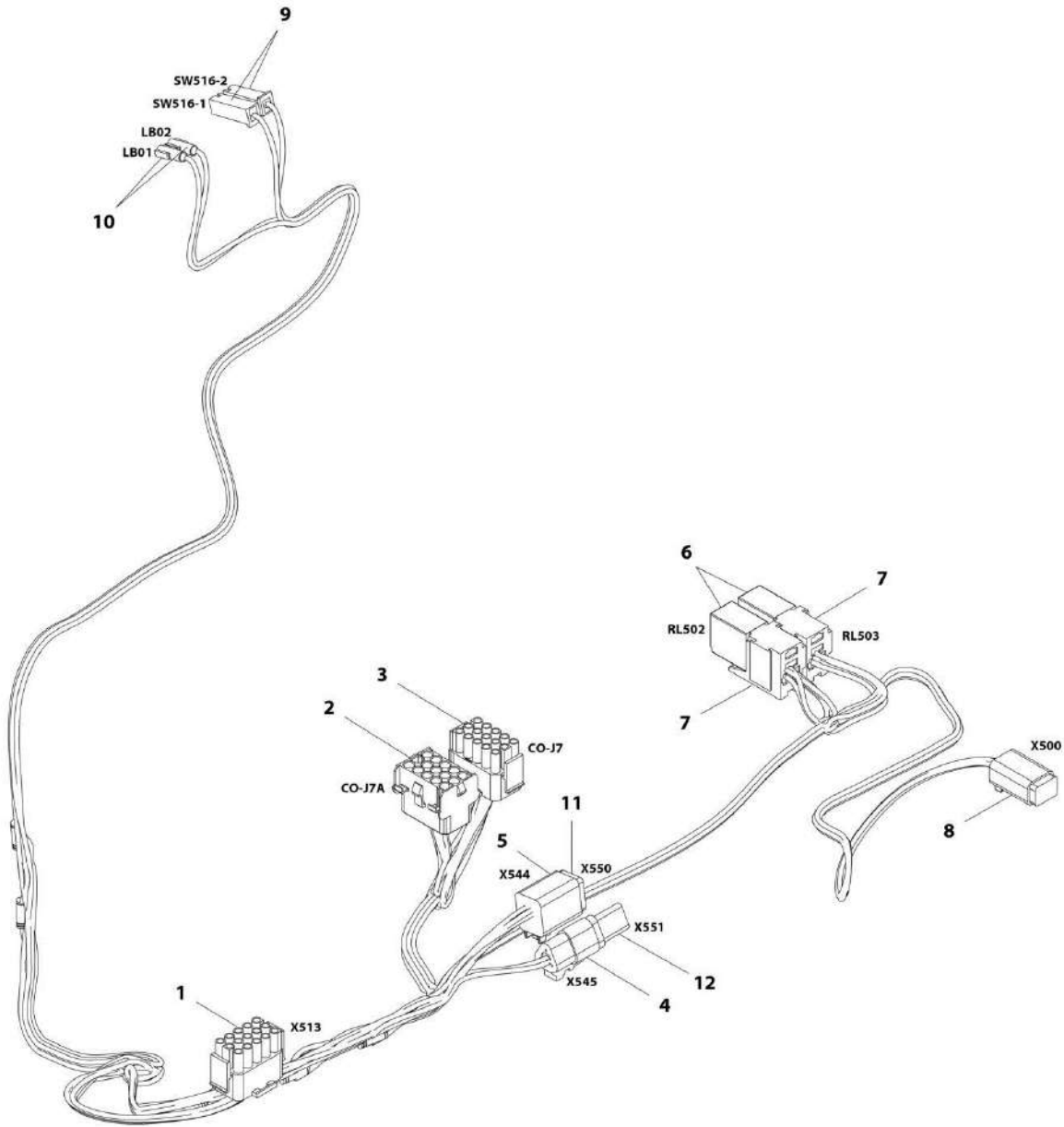
## SECTION 8 - ELECTRICAL

**FIGURE 8-64. SKYGUARD PLATFORM SENSOR HARNESS (SN 0300189898 through 0300200789)**

ITEM	PART NUMBER	QTY	DESCRIPTION	REV
	1001149569	Ref	SKYGUARD PLATFORM SENSOR HARNESS (SN 0300189898 through 0300200789)	A
1	1001117093	2	Connector, Push On	
2	4460260	2	Housing, Terminal	
2	4460259	2	Terminal	
3	4460434	1	Connector - 15 Position	
3	4460268	8	Socket, Female	
4	4460884	1	Plug, Male - 4 Position	
5	4460225	1	Plug, Male - 6 Position	
6	1001116720	4	Terminal	
7	1001118388	4	Terminal	
8	70004016	2	Relay	
9	4460268	5	Socket, Female	
10	4460321	2	Connector - 4 Position	
11	4460224	1	Connector - 6 Position	
11	4460267	6	Pin, Male	
12	4460267	4	Pin, Male	
13	8220050	1	Terminal	
14	8220051	1	Terminal	

# SECTION 8 - ELECTRICAL

FIGURE 8-65. SKYGUARD PLATFORM SENSOR HARNESS (SN 0300200790 through 0300208529)



ART\_1001189074

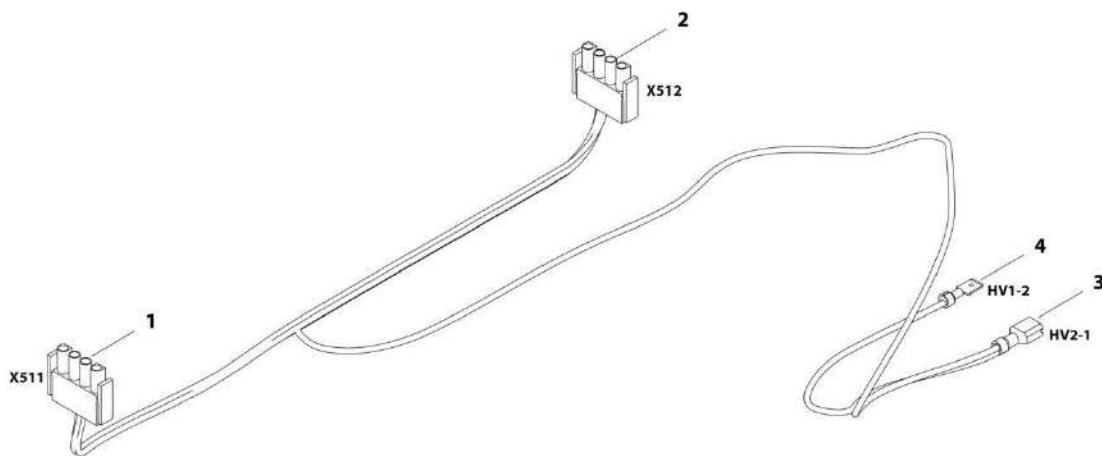
## SECTION 8 - ELECTRICAL

**FIGURE 8-65. SKYGUARD PLATFORM SENSOR HARNESS (SN 0300200790 through 0300208529)**

ITEM	PART NUMBER	QTY	DESCRIPTION	REV
	1001189074	Ref	SKYGUARD PLATFORM SENSOR HARNESS (SN 0300200790 through 0300208529)	C
1	4460434	1	Connector - 15 Position	
1	4460268	8	Socket, Female	
2	4460708	1	Connector - 15 Position	
2	4460227	14	Pin, Male	
3	4460434	1	Connector - 15 Position	
3	4460226	15	Socket, Female	
4	4460539	1	Connector - 3 Position	
4	4460465	3	Socket, Female	
5	4460894	1	Connector - 6 Position	
5	4460465	6	Socket, Female	
6	1001186432	2	Holder, Relay	
6	1001116720	4	Terminal	
6	1001118388	8	Terminal	
7	1001186432	2	Holder, Relay	
7	1001118388	4	Terminal	
7	1001116720	6	Terminal	
8	4460884	1	Connector - 4 Position	
8	4460932	1	Connector - 4 Position	
8	4460944	4	Socket, Female (Gold)	
9	4460260	2	Terminal, Housing	
9	4460259	2	Terminal	
10	1001117093	2	Connector	
11	4460899	1	Connector - 6 Position	
11	4460464	6	Pin, Male	
12	4460536	1	Connector - 3 Position	
12	4460464	3	Pin, Male	

# SECTION 8 - ELECTRICAL

FIGURE 8-66. SKYGUARD CAN HARNESS (SN 0300200790 through 0300208529)



ART\_1001189076

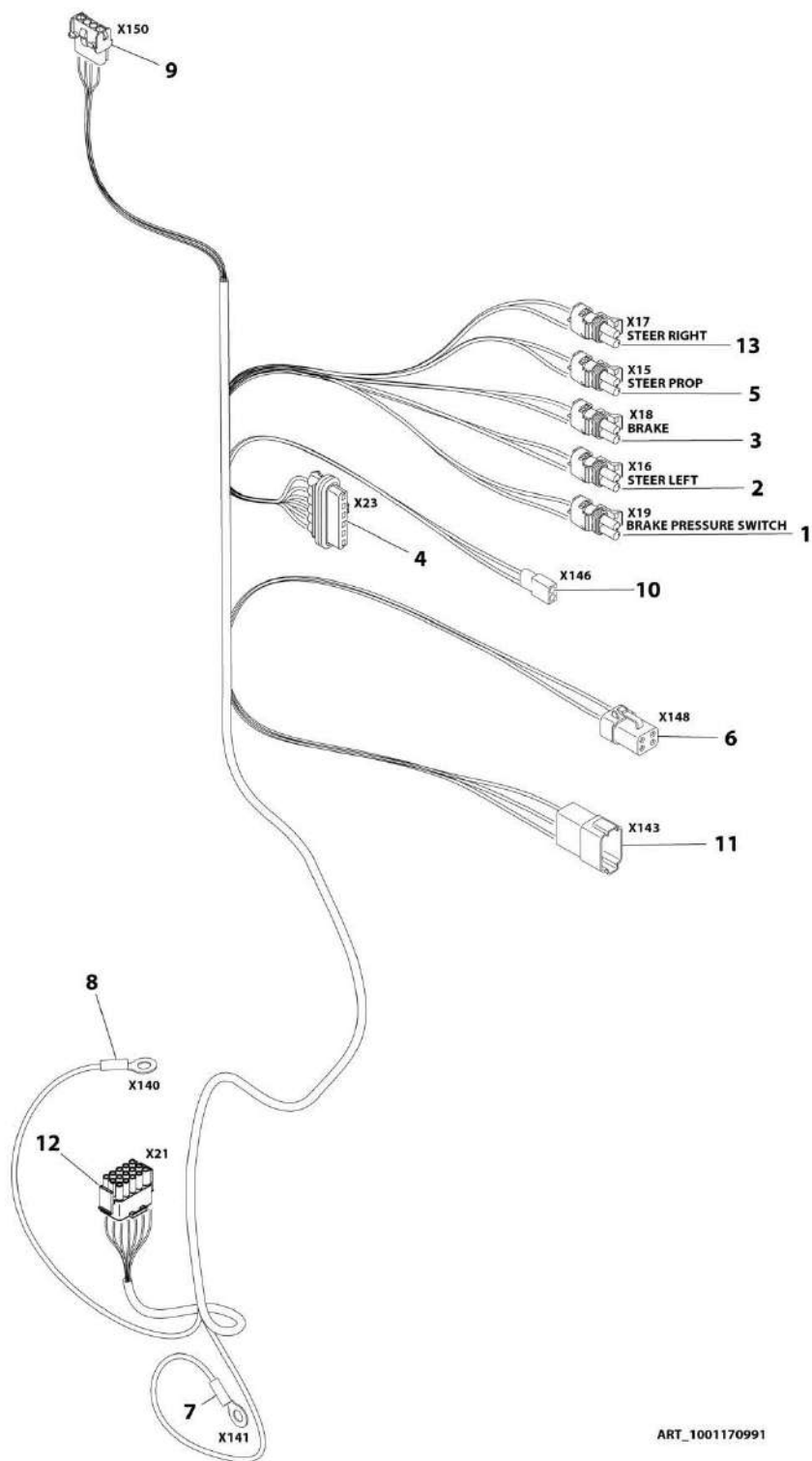
## SECTION 8 - ELECTRICAL

**FIGURE 8-66. SKYGUARD CAN HARNESS (SN 0300200790 through 0300208529)**

ITEM	PART NUMBER	QTY	DESCRIPTION	REV
	1001189076	Ref	SKYGUARD CAN HARNESS (SN 0300200790 through <b>0300208529</b> )	D
1	4460321	1	Connector - 4 Position	
1	4460267	3	Pin, Male	
2	4460321	1	Connector - 4 Position	
2	4460267	4	Pin, Male	
3	8220051	1	Terminal	
4	4461002	1	Terminal	

# SECTION 8 - ELECTRICAL

## FIGURE 8-67. STEER BRAKE HARNESS - E450A/E450AJ





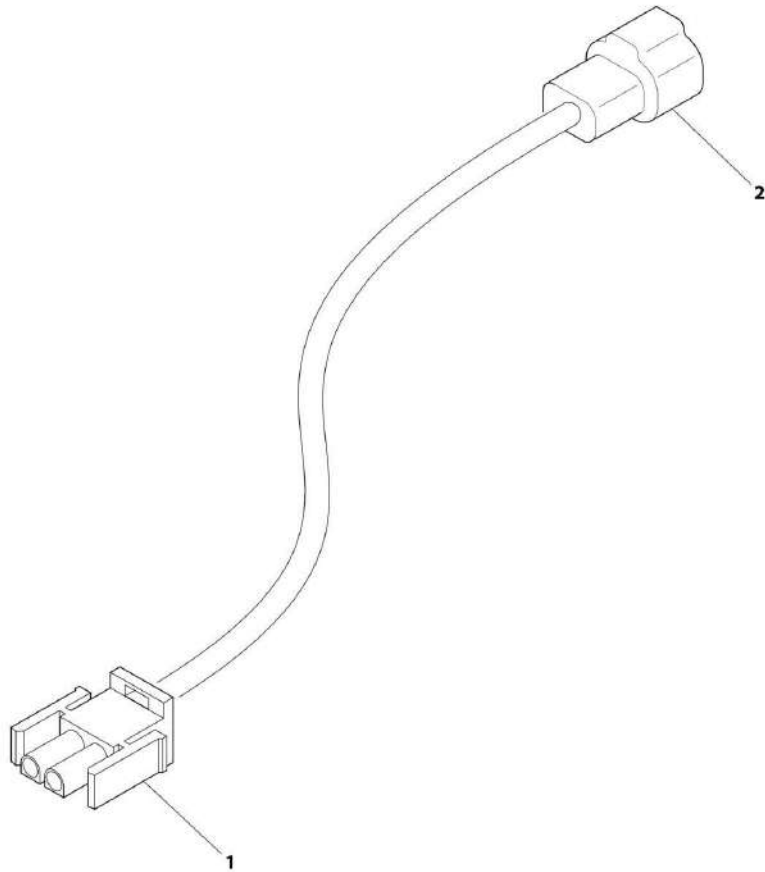
## SECTION 8 - ELECTRICAL

**FIGURE 8-67. STEER BRAKE HARNESS - E450A/E450AJ**

ITEM	PART NUMBER	QTY	DESCRIPTION	REV
	1001170991	Ref	STEER/BRAKE HARNESS - E450A/E450AJ	A
1	4460742	1	Connector - 2 Position	
1	4460743	2	Terminal, Female	
1	4460458	2	Seal	
2	4460742	1	Connector - 2 Position	
2	4460743	2	Terminal, Female	
2	4460458	2	Seal	
3	4460742	1	Connector - 2 Position	
3	4460743	2	Terminal, Female	
3	4460458	2	Seal	
4	4460744	1	Connector - 6 Position	
4	4460749	1	Cap, Shell	
4	4460750	1	Bar, Buss - 6 Position	
4	4460745	1	Lock, Secondary	
4	4460751	1	Clip, Mounting	
4	4460746	5	Socket, Female	
4	4460458	5	Seal	
4	4460748	1	Plug, Terminal	
5	4460742	1	Connector - 2 Position	
5	4460743	2	Terminal, Female	
5	4460458	2	Seal	
6	4460931	1	Connector - 8 Position	
6	4460464	6	Pin, Male	
6	4460466	2	Plug, Seal	
7	4460738	1	Ring, Terminal	
8	4460738	1	Ring, Terminal	
9	4460761	1	Connector - 4 Position	
9	4460227	4	Pin, Male	
10	4460424	1	Connector - 2 Position	
10	4460227	2	Pin, Male	
11	1001116810	1	Connector - 4 Position	
11	4460509	2	Socket, Female	
11	4460466	2	Plug, Seal	
12	4460434	1	Connector - 15 Position	
12	4460226	7	Pin, Male	
13	4460742	1	Connector - 2 Position	
13	4460743	2	Terminal, Female	
13	4460458	2	Seal	

# SECTION 8 - ELECTRICAL

## FIGURE 8-68. STROBE LIGHT HARNESS



ART\_1001149818

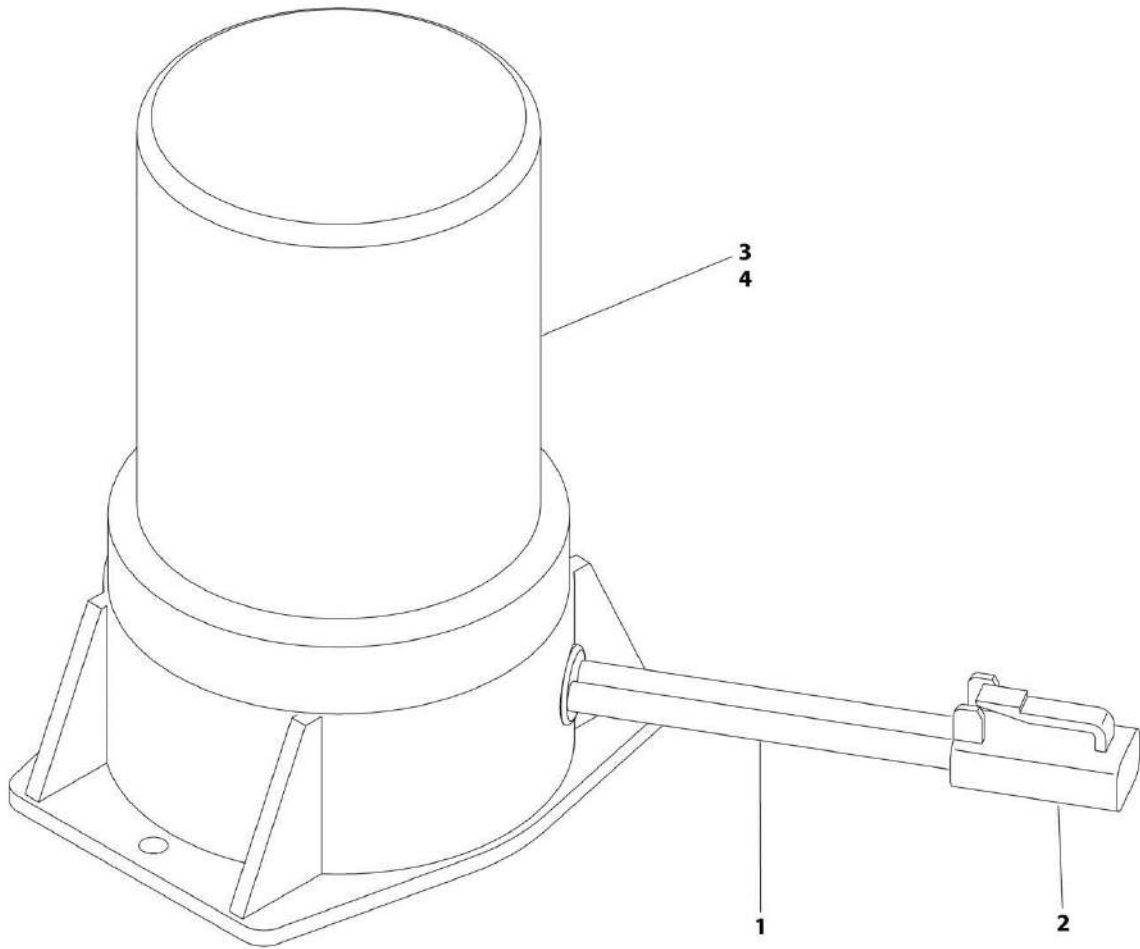
## SECTION 8 - ELECTRICAL

### FIGURE 8-68. STROBE LIGHT HARNESS

ITEM	PART NUMBER	QTY	DESCRIPTION	REV
	1001149818	Ref	STROBE LIGHT HARNESS	B
1	4460320	1	Connector, 2 Position	
1	4460267	2	Pin, Male	
2	4460897	1	Connector, Female - 2 Position	
2	4460464	2	Pin, Male	

# SECTION 8 - ELECTRICAL

## FIGURE 8-69. STROBE LIGHT - AMBER - HARNESS



ART\_2920161

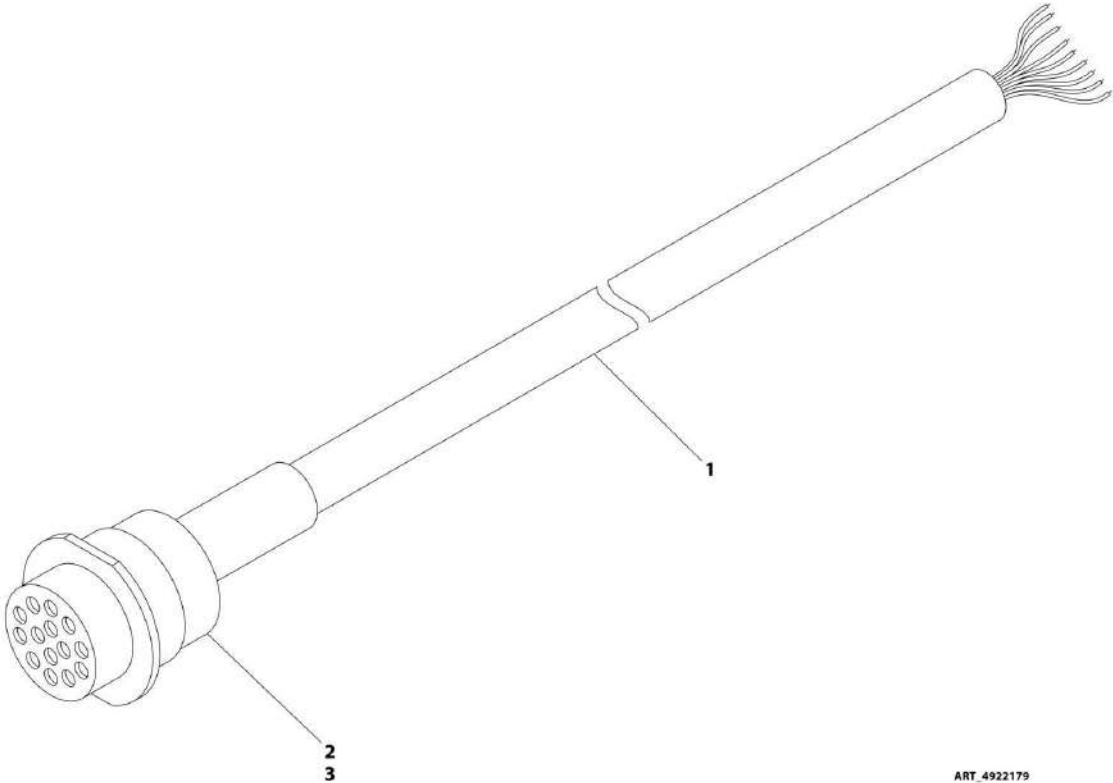
## SECTION 8 - ELECTRICAL

### FIGURE 8-69. STROBE LIGHT - AMBER - HARNESS

ITEM	PART NUMBER	QTY	DESCRIPTION	REV
	2920161	Ref	STROBE LIGHT - AMBER - HARNESS	C
1	See Note	NSS	Harness (Note: Use p/n 2920161)	
2	4460891	1	Connector - 2 Position	
2	4460465	2	Socket, Female	
3	7016319	1	Bulb, Replacement	
4	7016272	1	Lens, Replacement	

**SECTION 8 - ELECTRICAL**

**FIGURE 8-70. TOWER BOOM HARNESS ASSEMBLY - E450A/E450AJ/M450AJ**



ART\_4922179

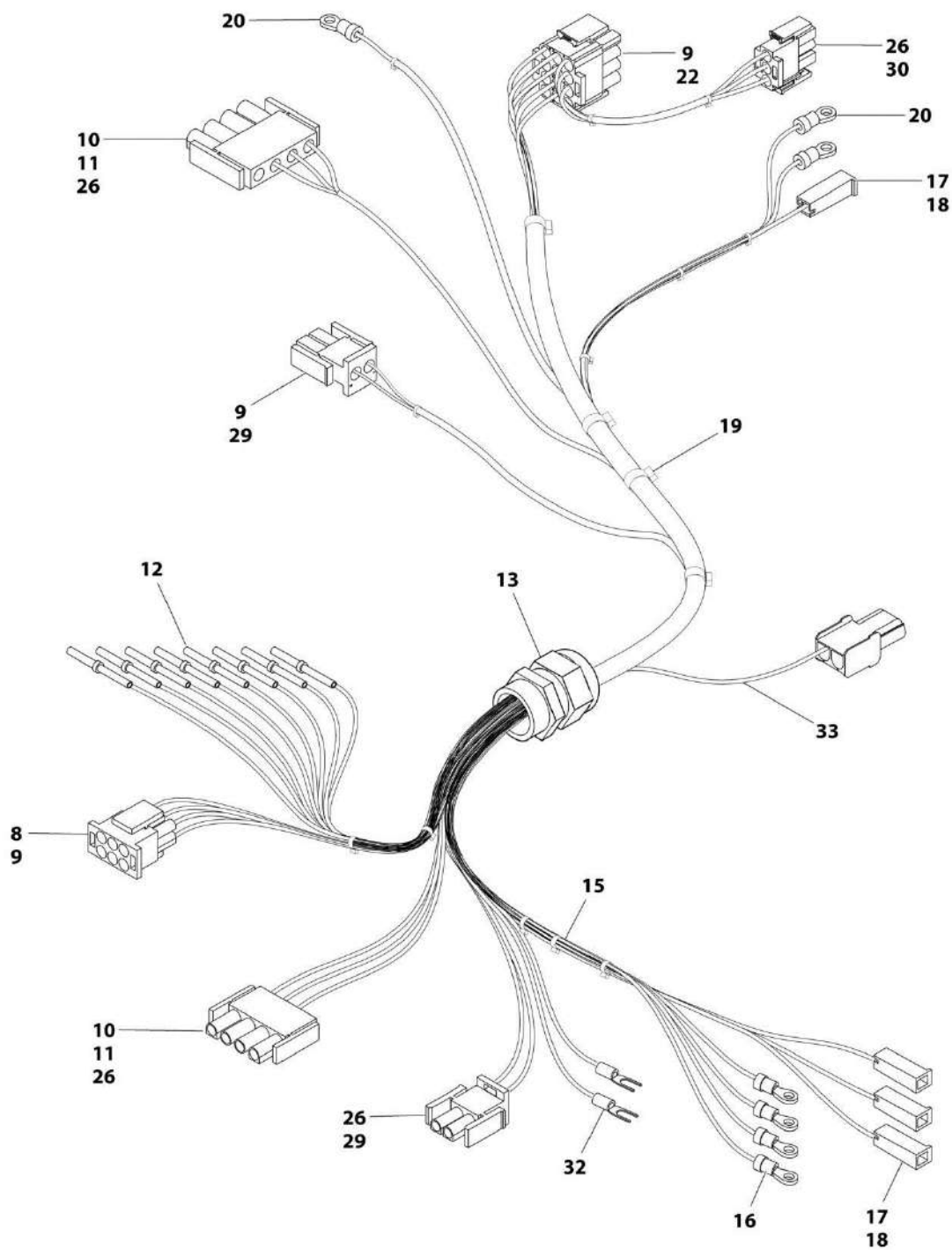
## SECTION 8 - ELECTRICAL

**FIGURE 8-70. TOWER BOOM HARNESS ASSEMBLY - E450A/E450AJ/M450AJ**

ITEM	PART NUMBER	QTY	DESCRIPTION	REV
1	4922179 1060677	Ref 35.5 ft /10.8m	TOWER BOOM HARNESS ASSEMBLY - E450A/E450AJ/M450AJ Cable, Electrical	3/D
2	4460464	28	Pin, Male	
3	4460752	1	Connector - 14 Position	

# SECTION 8 - ELECTRICAL

## FIGURE 8-71. TURNTABLE/FRAME HARNESS ASSEMBLY



ART\_4922104



## SECTION 8 - ELECTRICAL

### FIGURE 8-71. TURNTABLE/FRAME HARNESS ASSEMBLY

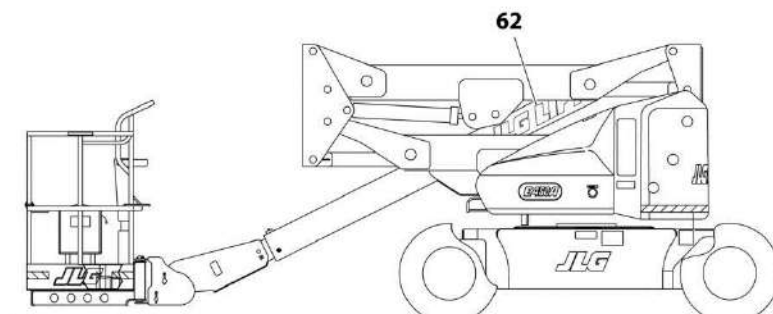
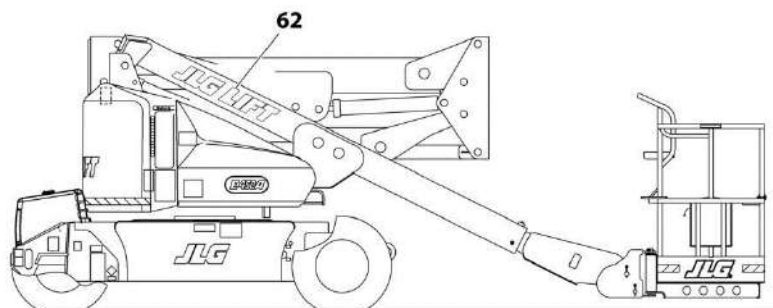
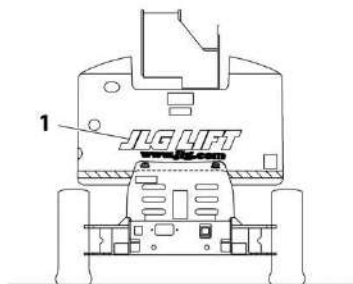
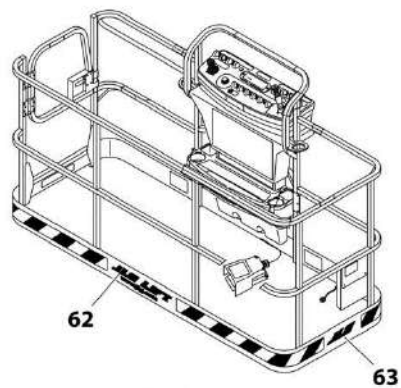
ITEM	PART NUMBER	QTY	DESCRIPTION	REV
	4922104	Ref	TURNTABLE/FRAME HARNESS ASSEMBLY	7/G
8	4460225	1	Connector - 6 Position	
9	4460268	17	Socket, Female	
10	4460321	2	Connector - 4 Position	
11	4460227	2	Pin, Male	
12	4460465	8	Socket, Female	
13	4460425	1	Connector, Strain Relief	
14	4460315	1	Terminal, Spade	
15	4240032	12	Tie-Strap	
16	4460042	4	Ring, Terminal	
17	4460259	4	Terminal	
18	4460260	4	Terminal, Housing	
19	4240033	4	Tie-Strap	
20	4460738	3	Ring, Terminal	
22	4460343	1	Connector, 12 Position	
26	4460267	11	Pin, Male	
29	4460320	2	Connector, 2 Position	
30	4460326	1	Connector, 3 Position	
32	4460145	1	Terminal	
33	4922073	1	Horn/Beacon Harness Assembly (See HORN/BEACON HARNESS ASSEMBLY for Breakdown)	



**SECTION 9 - DECALS**

# SECTION 9 - DECALS

## FIGURE 9-1. DECAL INSTALLATION - JLG LOGO



ART\_0270273

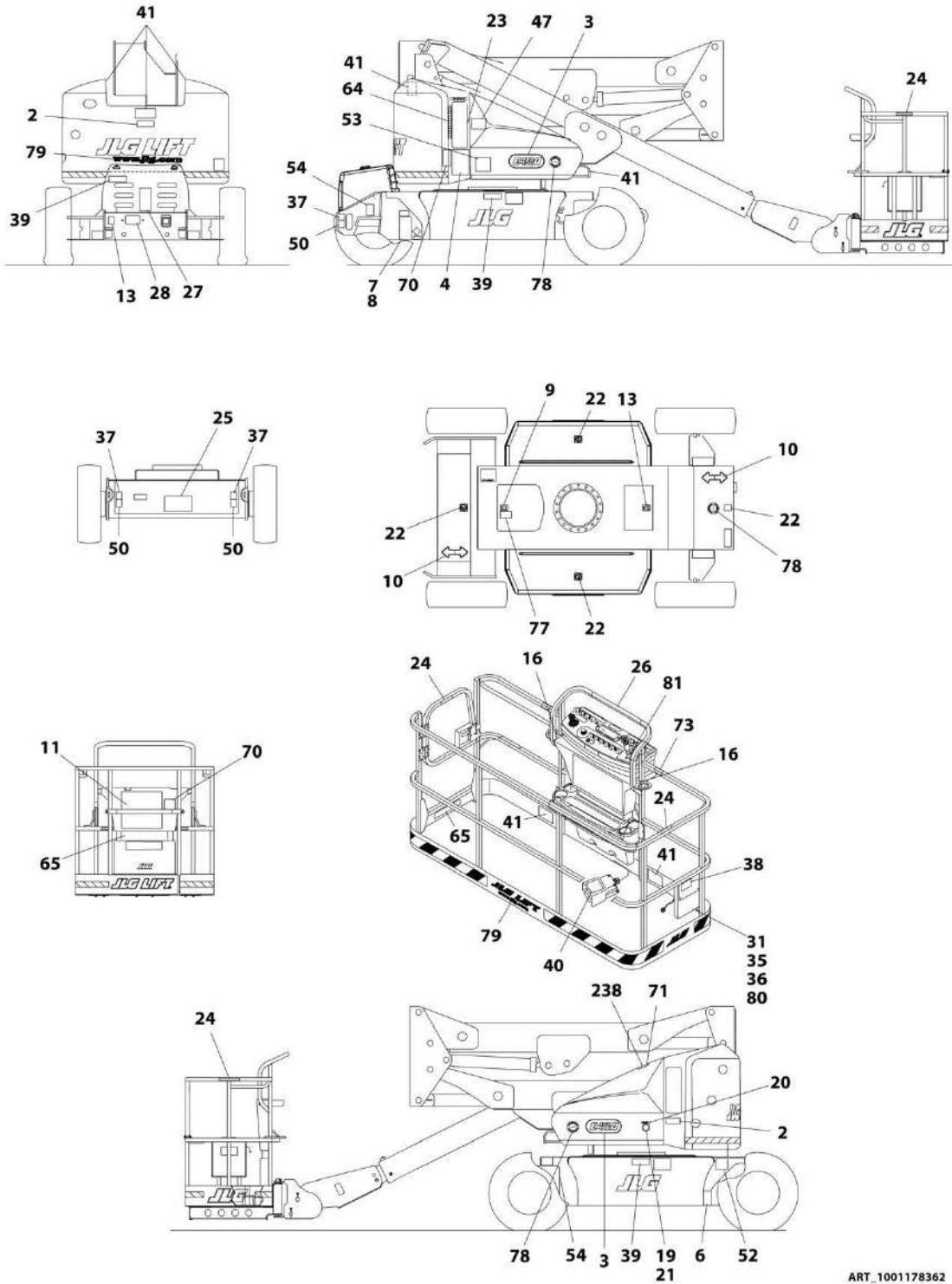
## SECTION 9 - DECALS

### FIGURE 9-1. DECAL INSTALLATION - JLG LOGO

ITEM	PART NUMBER	QTY	DESCRIPTION	REV
	0270273	Ref	DECAL INSTALLATION - JLG LOGO	3
1	1702860	1	Decal - JLG Lift	
62	1702774	3	Decal - JLG Lift	
63	1702773	1	Decal - JLG	

# SECTION 9 - DECALS

## FIGURE 9-2. DECAL INSTALLATION - ANSI SPEC - M450AJ



ART\_1001178362

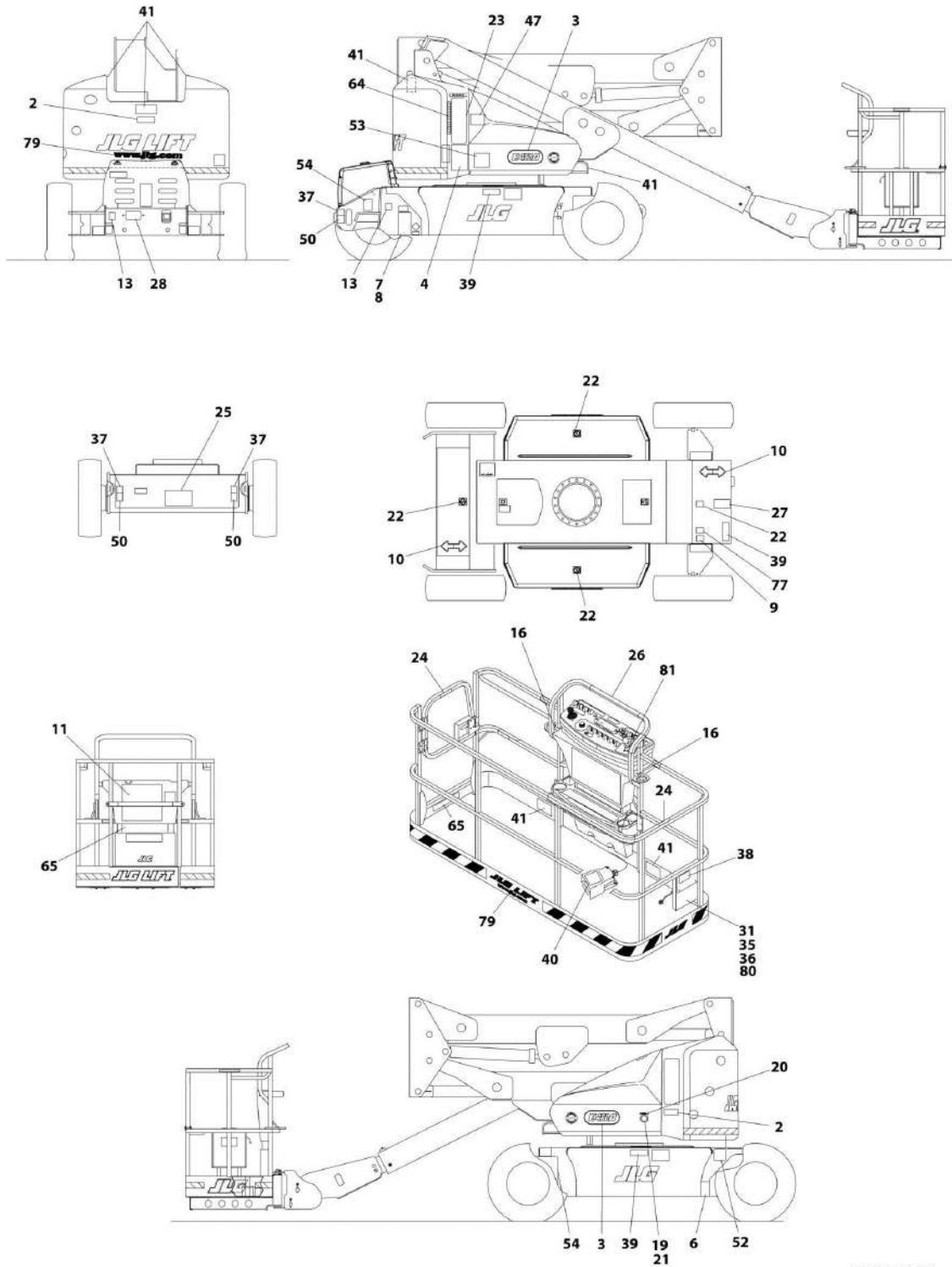
## SECTION 9 - DECALS

**FIGURE 9-2. DECAL INSTALLATION - ANSI SPEC - M450AJ**

ITEM	PART NUMBER	QTY	DESCRIPTION	REV
	1001178362	Ref	DECAL INSTALLATION - ANSI SPEC - M450AJ	B
2	1703805	2	Decal - Electrocutation	
3	1704790	2	Decal - Model Designation	
4	1703798	1	Decal - Crushing	
6	1001131269	1	Decal - Patent	
7	See Note	1	Nameplate - Serial Number (Note: Not Available for Purchase)	
8	3820001	2	Rivet	
9	1701504	1	Decal - Hydraulic Oil	
10	1701642	2	Decal - Arrow	
11	1703797	1	Decal - Caution/Danger	
13	1701644	2	Decal - Charger	
16	1704277	2	Decal - Attach Lanyard	
19	0961127	1	Bushing, Snap	
20	3251243	1	Nameplate 120V-60Hz	
21	0100010	AR	Adhesive	
22	1701691	4	Decal - No Step	
23	1001104864	1	Decal - Manual Descent	
24	1702868	2	Decal - No Hands	
25	1001173577	1	Decal - Cable Routing	
26	1704253	1	Decal - Key Platform	
27	1704446	1	Decal - Charger	
28	1704431	1	Decal - Battery Charger LED Indicator	
31	0860520	1	Box, Manual Storage	
35	4751400	4	Washer, 1/4	
36	3311405	4	Nut, 1/4-20	
37	1701500	4	Decal - Lift	
38	1701509	1	Decal - Manual	
39	1703813	3	Decal - Danger	
40	3252347	1	Nameplate - Footswitch	
41	1703804	6	Decal - Crushing Hazard	
47	1702265	1	Decal	
50	1702300	4	Decal - Tie Down	
52	See Note	1	Decal - Bar Code (Note: Not Available for Purchase)	
53	1001121814	1	Decal - 500 LBS Max Capacity	
54	1704445	4	Decal - Tire Load	
64	1706950	1	Decal - Key Main Terminal Box	
65	1001121801	2	Decal - 500 LBS Max Capacity	
70	1704286	2	Decal - Generator Danger	
71	1701505	1	Decal - Fuel	
73	1702962	1	Decal - Fuel Warning	
77	1704412	1	Decal - Oil Type	
78	1001121510	3	Decal - Hybrid	
79	1704885	2	Decal - Website	
80	0641406	4	Bolt, 1/4-20 x 3/4	
81	1705351	1	Decal - Drive/Steer Instruction	
238	1001108923	1	Decal - Ultra Low Sulfur Fuel	

# SECTION 9 - DECALS

FIGURE 9-3. DECAL INSTALLATION - ANSI SPEC - E450A/E450AJ



ART\_1001178364



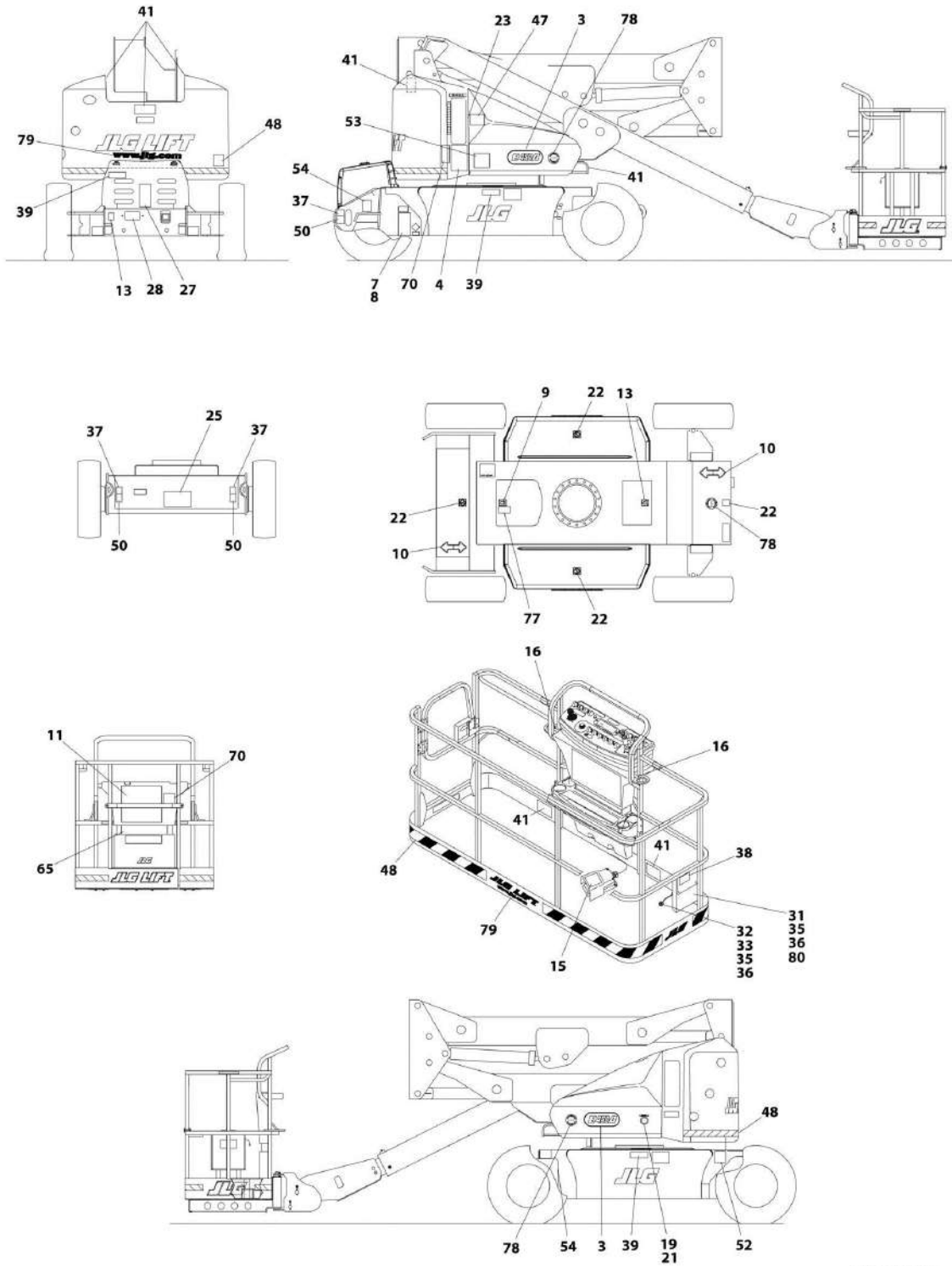
## SECTION 9 - DECALS

**FIGURE 9-3. DECAL INSTALLATION - ANSI SPEC - E450A/E450AJ**

ITEM	PART NUMBER	QTY	DESCRIPTION	REV
	1001178364	Ref	DECAL INSTALLATION - ANSI SPEC - E450A/E450AJ	B
2	1703805	2	Decal - Electrocution	
3	1704787	2	Decal - Model Designation (E450A)	
3	1704789	2	Decal - Model Designation (E450AJ)	
4	1703798	1	Decal - Crushing	
6	1001131269	1	Decal - Patent	
7	See Note	1	Nameplate - Serial Number (Note: Not Available for Purchase)	
8	3820001	2	Rivet	
9	1701504	1	Decal - Hydraulic Oil	
10	1701642	2	Decal - Arrow	
11	1703797	1	Decal - Caution/Danger	
13	1701644	2	Decal - Charger	
16	1704277	2	Decal - Attach Lanyard	
19	0961127	1	Bushing, Snap	
20	3251243	1	Nameplate 120V-60Hz	
21	0100010	AR	Adhesive	
22	1701691	4	Decal - No Step	
23	1001104864	1	Decal - Manual Descent	
24	1702868	2	Decal - No Hands	
25	1001173577	1	Decal - Cable Routing	
26	1704253	1	Decal - Key Platform	
27	1704446	1	Decal - Charger	
28	1704431	1	Decal - Battery Charger LED Indicator	
31	0860520	1	Box, Manual Storage	
35	4751400	4	Washer, 1/4	
36	3311405	4	Nut, 1/4-20	
37	1701500	4	Decal - Lift	
38	1701509	1	Decal - Manual	
39	1703813	3	Decal - Danger	
40	3252347	1	Nameplate - Footswitch	
41	1703804	6	Decal - Crushing Hazard	
47	1702265	1	Decal	
50	1702300	4	Decal - Tie Down	
52	See Note	1	Decal - Bar Code (Note: Not Available for Purchase)	
53	1001121814	1	Decal - 500 LBS Max Capacity	
54	1703488	4	Decal - Tire Load (E450A)	
54	1704445	4	Decal - Tire load (E450AJ)	
64	1706950	1	Decal - Key Main Terminal Box	
65	1001121801	2	Decal - 500 LBS Max Capacity	
77	1704412	1	Decal - Oil Type	
79	1704885	2	Decal - Website	
80	0641406	4	Bolt, 1/4-20 x 3/4	
81	1705351	1	Decal - Drive/Steer Instruction	

# SECTION 9 - DECALS

## FIGURE 9-4. DECAL INSTALLATION - AUSTRALIAN SPEC - M450AJ



ART\_1001178377

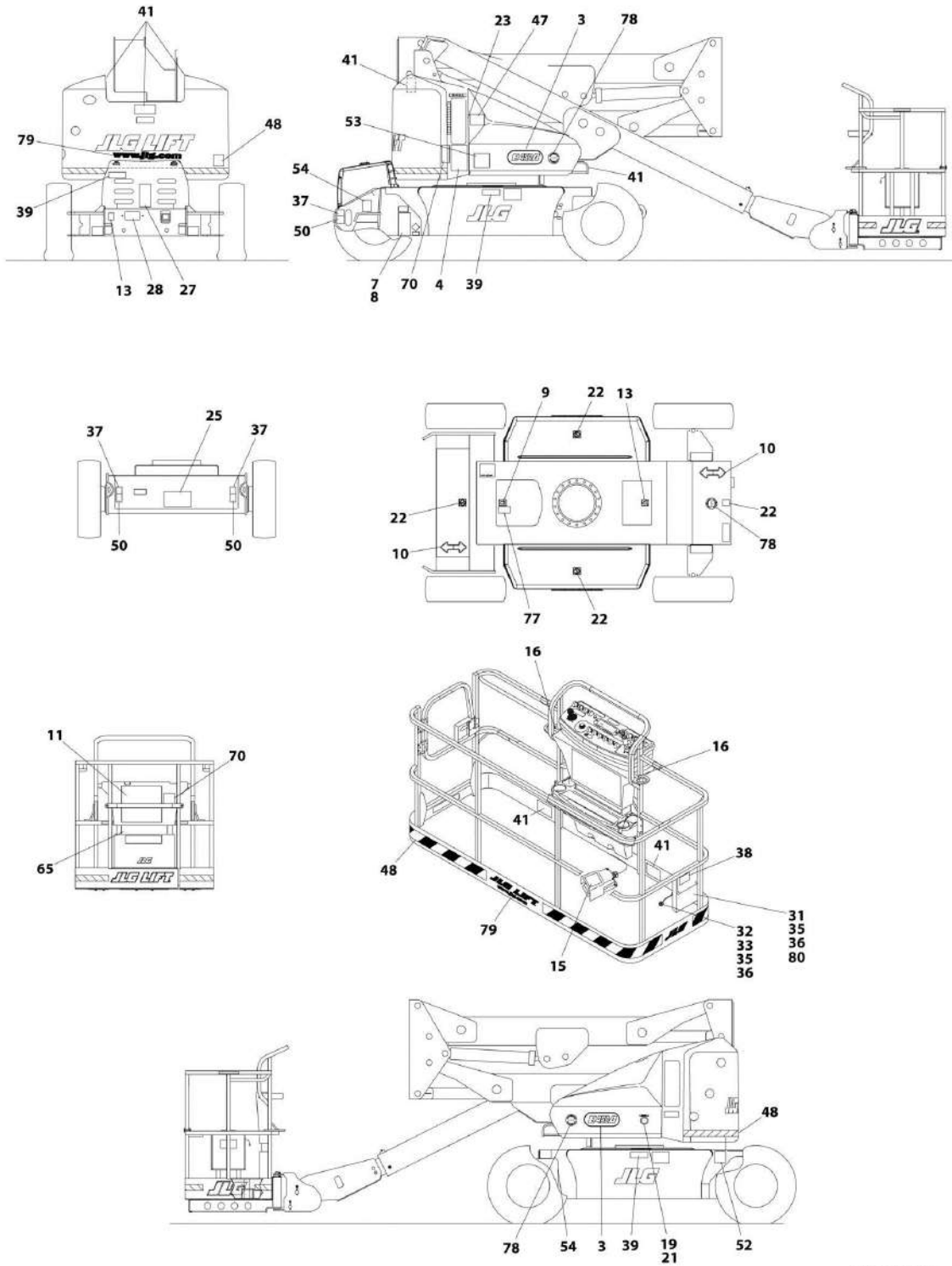
## SECTION 9 - DECALS

**FIGURE 9-4. DECAL INSTALLATION - AUSTRALIAN SPEC - M450AJ**

ITEM	PART NUMBER	QTY	DESCRIPTION	REV
	1001178377	Ref	DECAL INSTALLATION - AUSTRALIAN SPEC - M450AJ	B
3	1704790	2	Decal - Model Designation	
4	1705822	1	Decal - Danger/Caution	
7	See Note	1	Nameplate - Serial Number (Note: Not Available for Purchase)	
8	3820001	2	Rivet	
9	1701504	1	Decal - Hydraulic Oil	
10	1701642	2	Decal - Arrow	
11	1705921	1	Decal - Danger/Caution	
13	1701644	2	Decal - Charger	
15	1705828	1	Decal - Footswitch	
16	1704277	2	Decal - Attach Lanyard	
19	0961127	1	Bushing, Snap	
21	0100010	AR	Adhesive	
22	1701691	4	Decal - No Step	
23	1001104864	1	Decal - Manual Descent	
25	1001173577	1	Decal - Cable Routing	
27	1706378	1	Decal - Charging Instructions	
28	1704431	1	Decal - Battery Charger LED Indicator	
31	0860520	1	Box, Manual Storage	
32	1060279	1	Lanyard <b>(SN 0300189898 through 0300196413)</b>	
33	0641408	1	Bolt, 1/4-20 x 1 <b>(SN 0300189898 through 0300196413)</b>	
35	4751400	AR	Washer, 1/4	
36	3311405	AR	Nut, 1/4-20	
37	1703811	4	Decal - Lift	
38	1701509	1	Decal - Manual	
39	1705670	2	Decal - Warning Explosion	
41	1701518	6	Decal - Crushing Hazard	
47	1705977	1	Decal - Upright Level Over-Ride	
48	4420051	17.4 ft /5.3m	Tape, Warning Stripes	
50	1703814	4	Decal - Tie Down	
52	See Note	1	Decal - Bar Code (Note: Not Available for Purchase)	
53	1705978	1	Decal - Capacity	
54	1704445	4	Decal - Tire Load	
65	1705978	1	Decal - Capacity	
70	1001093687	2	Decal - Generator Danger	
77	1704412	1	Decal - Oil Type	
78	1001121510	3	Decal - Hybrid	
79	1704885	2	Decal - Website	
80	0641406	4	Bolt, 1/4-20 x 3/4	

# SECTION 9 - DECALS

FIGURE 9-5. DECAL INSTALLATION - CE SPEC - M450AJ (SN 0300189898 through 0300200789)



ART\_1001178377

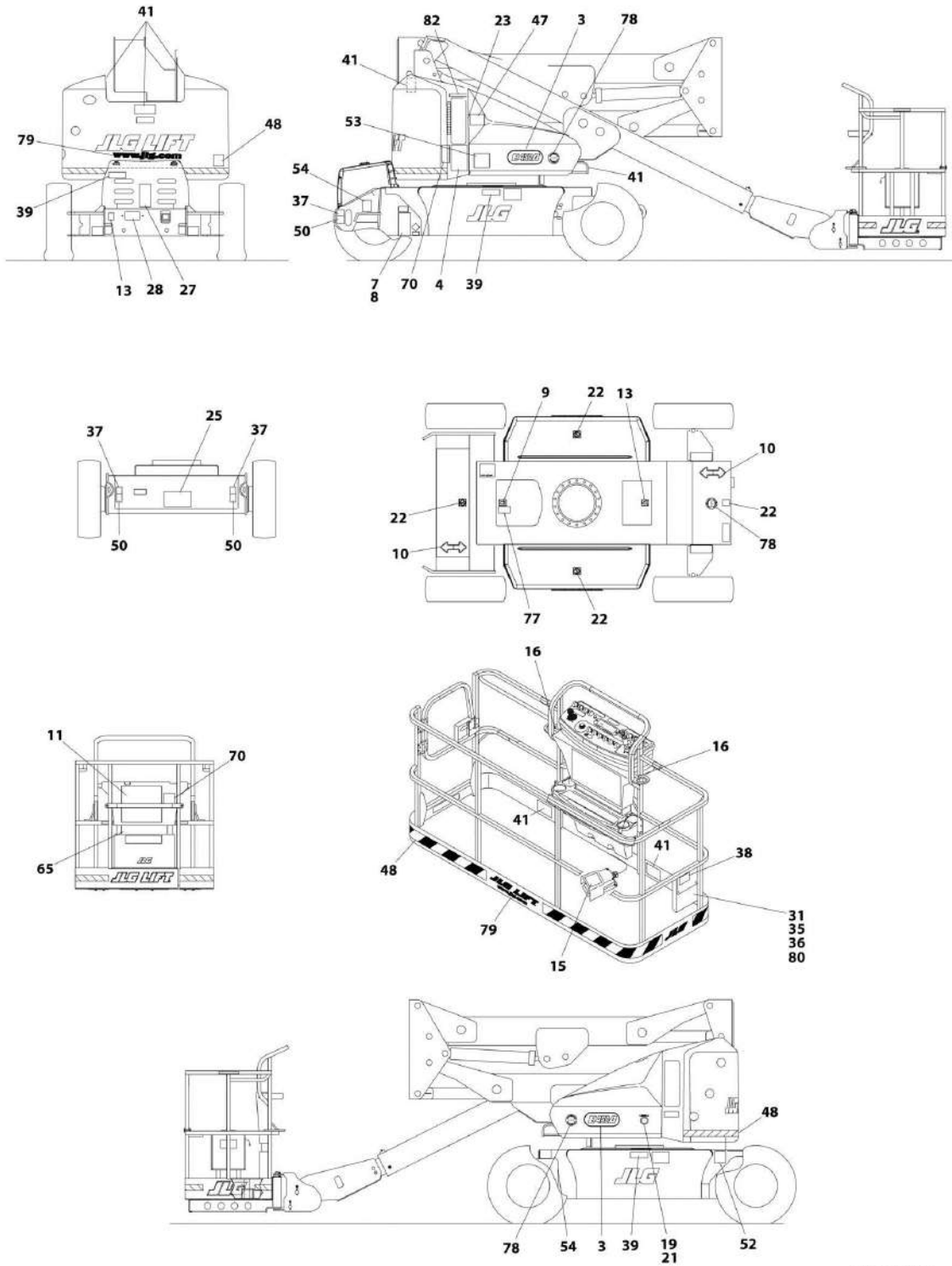
## SECTION 9 - DECALS

**FIGURE 9-5. DECAL INSTALLATION - CE SPEC - M450AJ (SN 0300189898 through 0300200789)**

ITEM	PART NUMBER	QTY	DESCRIPTION	REV
	1001178377	Ref	<b>DECAL INSTALLATION - CE SPEC - M450AJ (SN 0300189898 through 0300200789)</b>	B
3	1704790	2	Decal - Model Designation	
4	1705822	1	Decal - Danger/Caution	
7	See Note	1	Nameplate - Serial Number (Note: Not Available for Purchase)	
8	3820001	2	Rivet	
9	1701504	1	Decal - Hydraulic Oil	
10	1701642	2	Decal - Arrow	
11	1705921	1	Decal - Danger/Caution	
13	1701644	2	Decal - Charger	
15	1705828	1	Decal - Footswitch	
16	1704277	2	Decal - Attach Lanyard	
19	0961127	1	Bushing, Snap	
21	0100010	AR	Adhesive	
22	1701691	4	Decal - No Step	
23	1001104864	1	Decal - Manual Descent	
25	1001173577	1	Decal - Cable Routing	
27	1706378	1	Decal - Charging Instructions	
28	1704431	1	Decal - Battery Charger LED Indicator	
31	0860520	1	Box, Manual Storage	
32	1060279	1	Lanyard <b>(SN 0300189898 through 0300196413)</b>	
33	0641408	1	Bolt 1/4-20 x 1 <b>(SN 0300189898 through 0300196413)</b>	
35	4751400	AR	Washer, 1/4	
36	3311405	AR	Nut, 1/4-20	
37	1703811	4	Decal - Lift	
38	1701509	1	Decal - Manual	
39	1705670	2	Decal - Warning Explosion	
41	1701518	6	Decal - Crushing Hazard	
47	1705977	1	Decal - Upright Level Over-Ride	
48	4420051	17.4 ft /5.3m	Tape, Warning Stripes	
50	1703814	4	Decal - Tie Down	
52	See Note	1	Decal - Bar Code (Note: Not Available for Purchase)	
53	1705978	1	Decal - Capacity	
54	1704445	4	Decal - Tire Load	
65	1705978	1	Decal - Capacity	
70	1001093687	2	Decal - Generator Danger	
77	1704412	1	Decal - Oil Type	
78	1001121510	3	Decal - Hybrid	
79	1704885	2	Decal - Website	
80	0641406	4	Bolt 1/4-20 x 3/4	

# SECTION 9 - DECALS

FIGURE 9-6. DECAL INSTALLATION - CE SPEC - M450AJ (SN 0300200790 through 0300208529)



ART\_1001196004

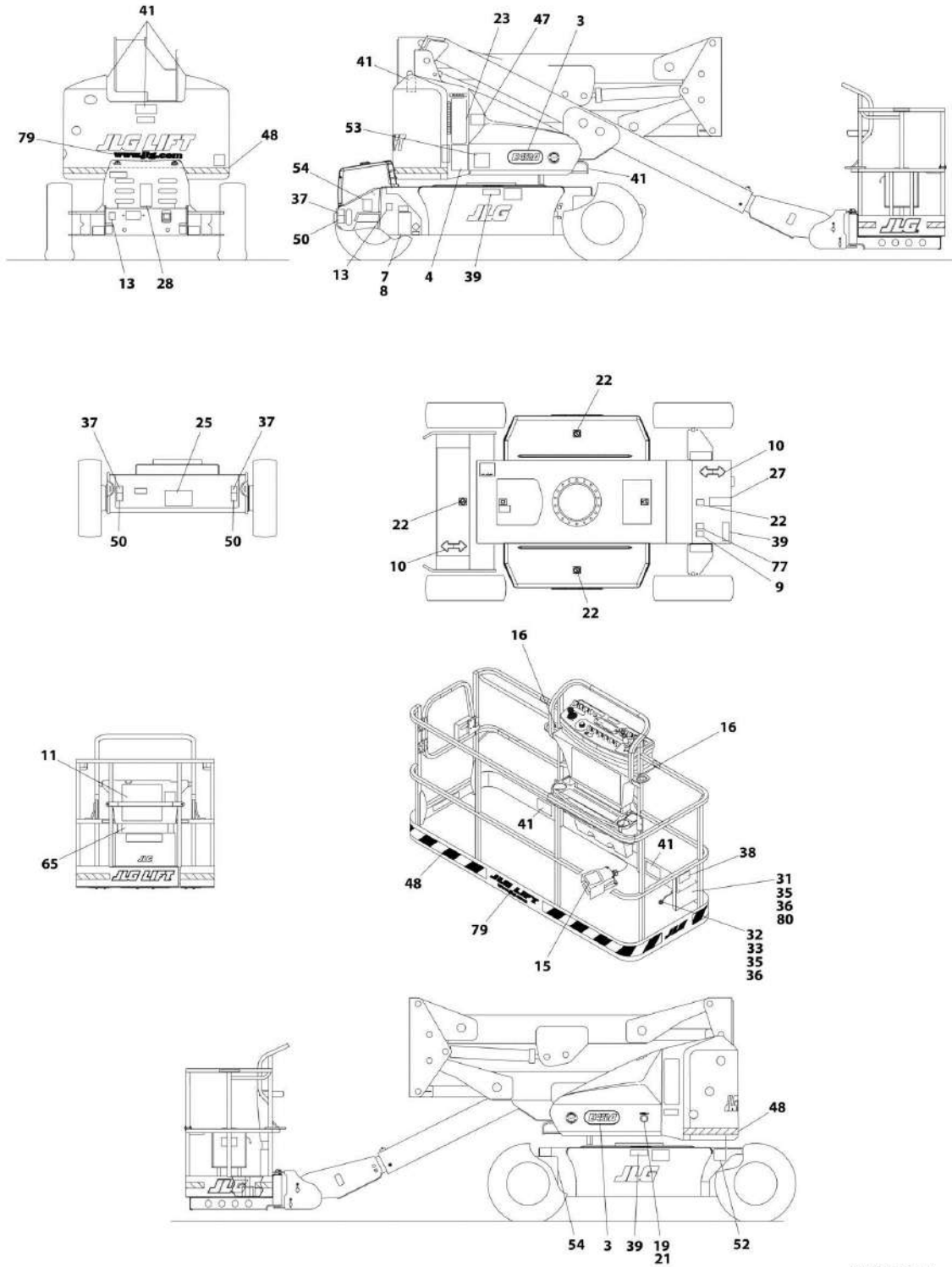
## SECTION 9 - DECALS

**FIGURE 9-6. DECAL INSTALLATION - CE SPEC - M450AJ (SN 0300200790 through 0300208529)**

ITEM	PART NUMBER	QTY	DESCRIPTION	REV
	1001190004	Ref	<b>DECAL INSTALLATION - CE SPEC - M450AJ (SN 0300200790 through 0300208529)</b>	A
3	1704790	2	Decal - Model Designation	
4	1705822	1	Decal - Danger/Caution	
7	See Note	1	Nameplate - Serial Number (Note: Not Available for Purchase)	
8	3820001	2	Rivet	
9	1701504	1	Decal - Hydraulic Oil	
10	1701642	2	Decal - Arrow	
11	1705921	1	Decal - Danger/Caution	
13	1701644	2	Decal - Charger	
15	1705828	1	Decal - Footswitch	
16	1704277	2	Decal - Attach Lanyard	
19	0961127	1	Bushing, Snap	
21	0100010	AR	Adhesive	
22	1701691	4	Decal - No Step	
23	1001104864	1	Decal - Manual Descent	
25	1001173577	1	Decal - Cable Routing	
27	1706378	1	Decal - Charging Instructions	
28	1704431	1	Decal - Battery Charger LED Indicator	
31	0860520	1	Box, Manual Storage	
35	4751400	4	Washer, 1/4	
36	3311405	4	Nut, 1/4-20	
37	1703811	4	Decal - Lift	
38	1701509	1	Decal - Manual	
39	1705670	2	Decal - Warning Explosion	
41	1701518	6	Decal - Crushing Hazard	
47	1705977	1	Decal - Upright Level Over-Ride	
48	4420051	17.4 ft /5.3m	Tape, Warning Stripes	
50	1703814	4	Decal - Tie Down	
52	See Note	1	Decal - Bar Code (Note: Not Available for Purchase)	
53	1705978	1	Decal - Capacity	
54	1704445	4	Decal - Tire Load	
65	1705978	1	Decal - Capacity	
70	1001093687	2	Decal - Generator Danger	
77	1704412	1	Decal - Oil Type	
78	1001121510	3	Decal - Hybrid	
79	1704885	2	Decal - Website	
80	0641406	4	Bolt, 1/4-20 x 3/4	
82	1001189882	1	Decal - MSSO Instructions	

# SECTION 9 - DECALS

## FIGURE 9-7. DECAL INSTALLATION - AUSTRALIAN SPEC - E450AJ



ART\_1001178378



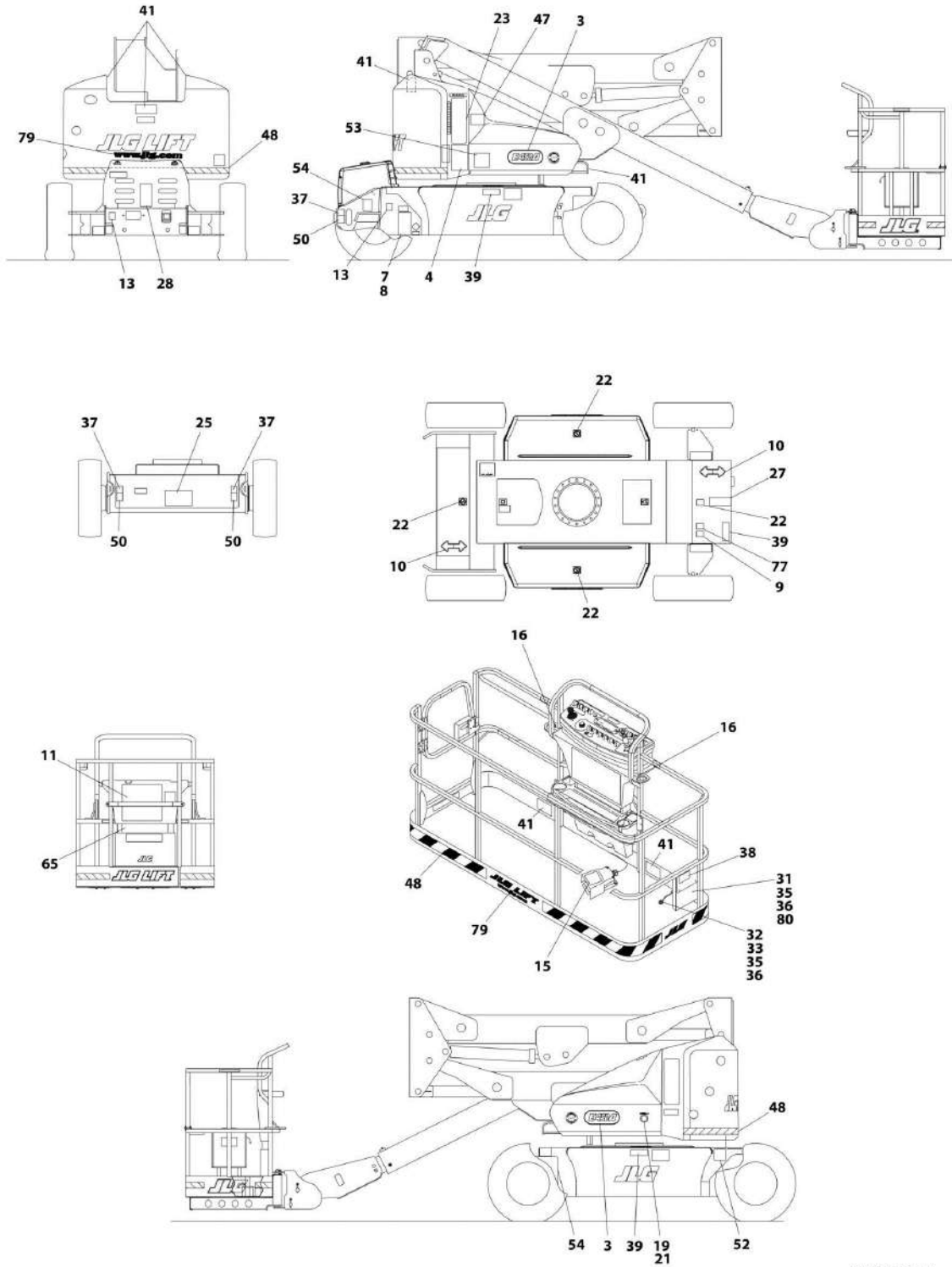
## SECTION 9 - DECALS

**FIGURE 9-7. DECAL INSTALLATION - AUSTRALIAN SPEC - E450AJ**

ITEM	PART NUMBER	QTY	DESCRIPTION	REV
	1001178378	Ref	DECAL INSTALLATION - AUSTRALIAN SPEC - E450AJ	B
3	1704789	2	Decal - Model Designation	
4	1705822	1	Decal - Danger/Caution	
7	See Note	1	Nameplate - Serial Number (Note: Not Available for Purchase)	
8	3820001	2	Rivet	
9	1701504	1	Decal - Hydraulic Oil	
10	1701642	2	Decal - Arrow	
11	1705921	1	Decal - Danger/Caution	
13	1701644	2	Decal - Charger	
15	1705828	1	Decal - Footswitch	
16	1704277	2	Decal - Attach Lanyard	
19	0961127	1	Bushing, Snap	
21	0100010	AR	Adhesive	
22	1701691	4	Decal - No Step	
23	1001104864	1	Decal - Manual Descent	
25	1001173577	1	Decal - Cable Routing	
27	1706378	1	Decal - Charging Instructions	
28	1704431	1	Decal - Battery Charger LED Indicator	
31	0860520	1	Box, Manual Storage	
32	1060279	1	Lanyard <b>(SN 0300189898 through 0300196413)</b>	
33	0641408	1	Bolt, 1/4-20 x 1 <b>(SN 0300189898 through 0300196413)</b>	
35	4751400	AR	Washer, 1/4	
36	3311405	AR	Nut, 1/4-20	
37	1703811	4	Decal - Lift	
38	1701509	1	Decal - Manual	
39	1705670	2	Decal - Explosion Warning	
41	1701518	6	Decal - Crushing Hazard	
47	1705977	1	Decal - Upright Level Over-Ride	
48	4420051	17.4 ft /5.3m	Tape, Warning Stripes	
50	1703814	4	Decal - Tie Down	
52	See Note	1	Decal - Bar Code (Note: Not Available for Purchase)	
53	1705978	1	Decal - Capacity	
54	1704445	4	Decal - Tire Load	
65	1705978	1	Decal - Capacity	
77	1704412	1	Decal - Oil Type	
79	1704885	2	Decal - Website	
80	0641406	4	Bolt, 1/4-20 x 3/4	

# SECTION 9 - DECALS

FIGURE 9-8. DECAL INSTALLATION - CE SPEC - E450AJ (SN 0300189898 through 0300200789)



ART\_1001178378

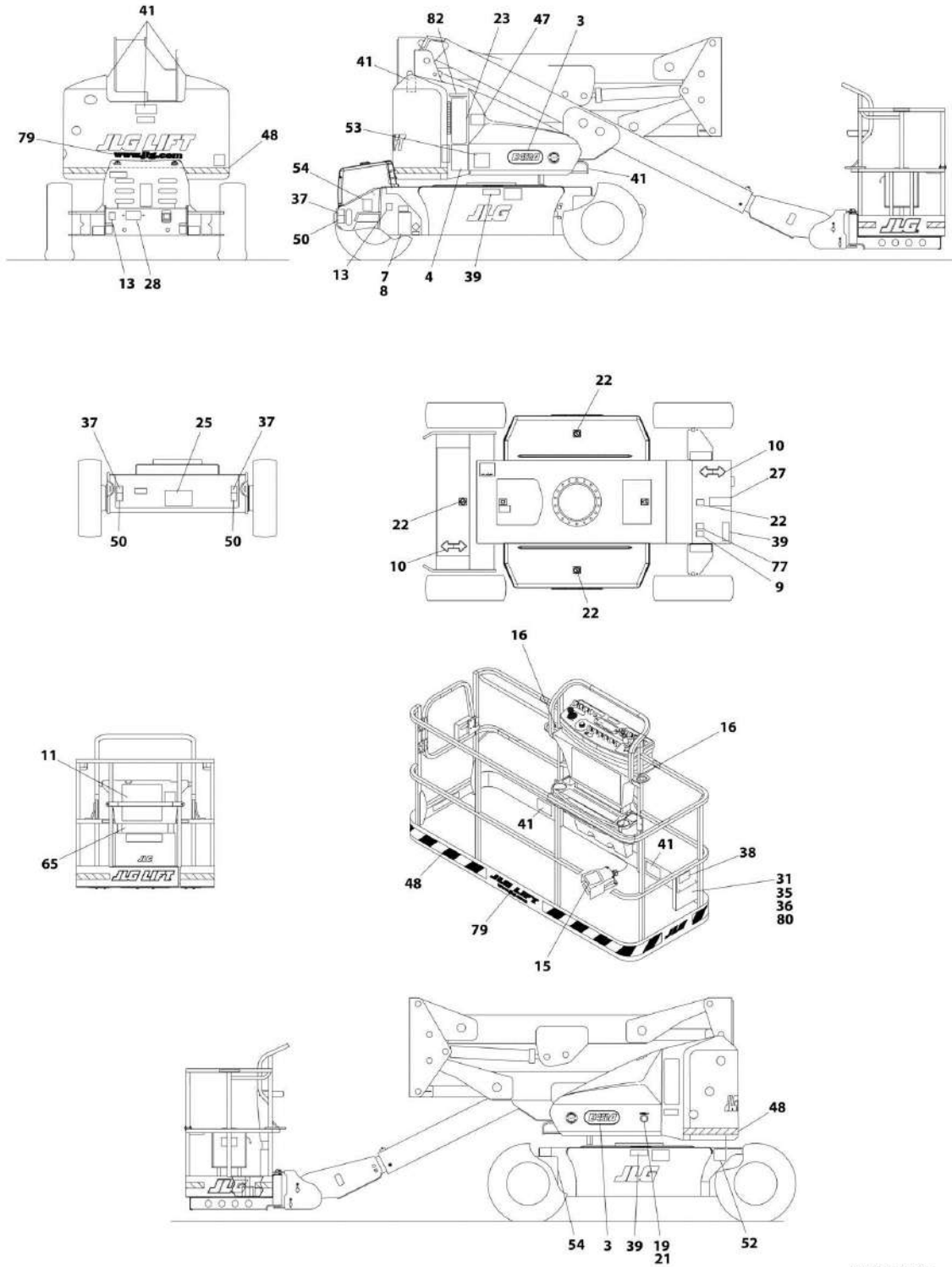
## SECTION 9 - DECALS

**FIGURE 9-8. DECAL INSTALLATION - CE SPEC - E450AJ (SN 0300189898 through 0300200789)**

ITEM	PART NUMBER	QTY	DESCRIPTION	REV
	1001178378	Ref	<b>DECAL INSTALLATION - CE SPEC - E450AJ (SN 0300189898 through 0300200789)</b>	B
3	1704789	2	Decal - Model Designation	
4	1705822	1	Decal - Danger/Caution	
7	See Note	1	Nameplate - Serial Number (Note: Not Available for Purchase)	
8	3820001	2	Rivet	
9	1701504	1	Decal - Hydraulic Oil	
10	1701642	2	Decal - Arrow	
11	1705921	1	Decal - Danger/Caution	
13	1701644	2	Decal - Charger	
15	1705828	1	Decal - Footswitch	
16	1704277	2	Decal - Attach Lanyard	
19	0961127	1	Bushing, Snap	
21	0100010	AR	Adhesive	
22	1701691	4	Decal - No Step	
23	1001104864	1	Decal - Manual Descent	
25	1001173577	1	Decal - Cable Routing	
27	1706378	1	Decal - Charging Instructions	
28	1704431	1	Decal - Battery Charger LED Indicator	
31	0860520	1	Box, Manual Storage	
32	1060279	1	Lanyard <b>(SN 0300189898 through 0300196413)</b>	
33	0641408	1	Bolt, 1/4-20 x 1 <b>(SN 0300189898 through 0300196413)</b>	
35	4751400	AR	Washer, 1/4	
36	3311405	AR	Nut, 1/4-20	
37	1703811	4	Decal - Lift	
38	1701509	1	Decal - Manual	
39	1705670	2	Decal - Explosion Warning	
41	1701518	6	Decal - Crushing Hazard	
47	1705977	1	Decal - Upright Level Over-Ride	
48	4420051	17.4 ft /5.3m	Tape, Warning Stripes	
50	1703814	4	Decal - Tie Down	
52	See Note	1	Decal - Bar Code (Note: Not Available for Purchase)	
53	1705978	1	Decal - Capacity	
54	1704445	4	Decal - Tire Load	
65	1705978	1	Decal - Capacity	
77	1704412	1	Decal - Oil Type	
79	1704885	2	Decal - Website	
80	0641406	4	Bolt, 1/4-20 x 3/4	

# SECTION 9 - DECALS

FIGURE 9-9. DECAL INSTALLATION - CE SPEC - E450AJ (SN 0300200790 through 0300208529)



ART\_1001190003

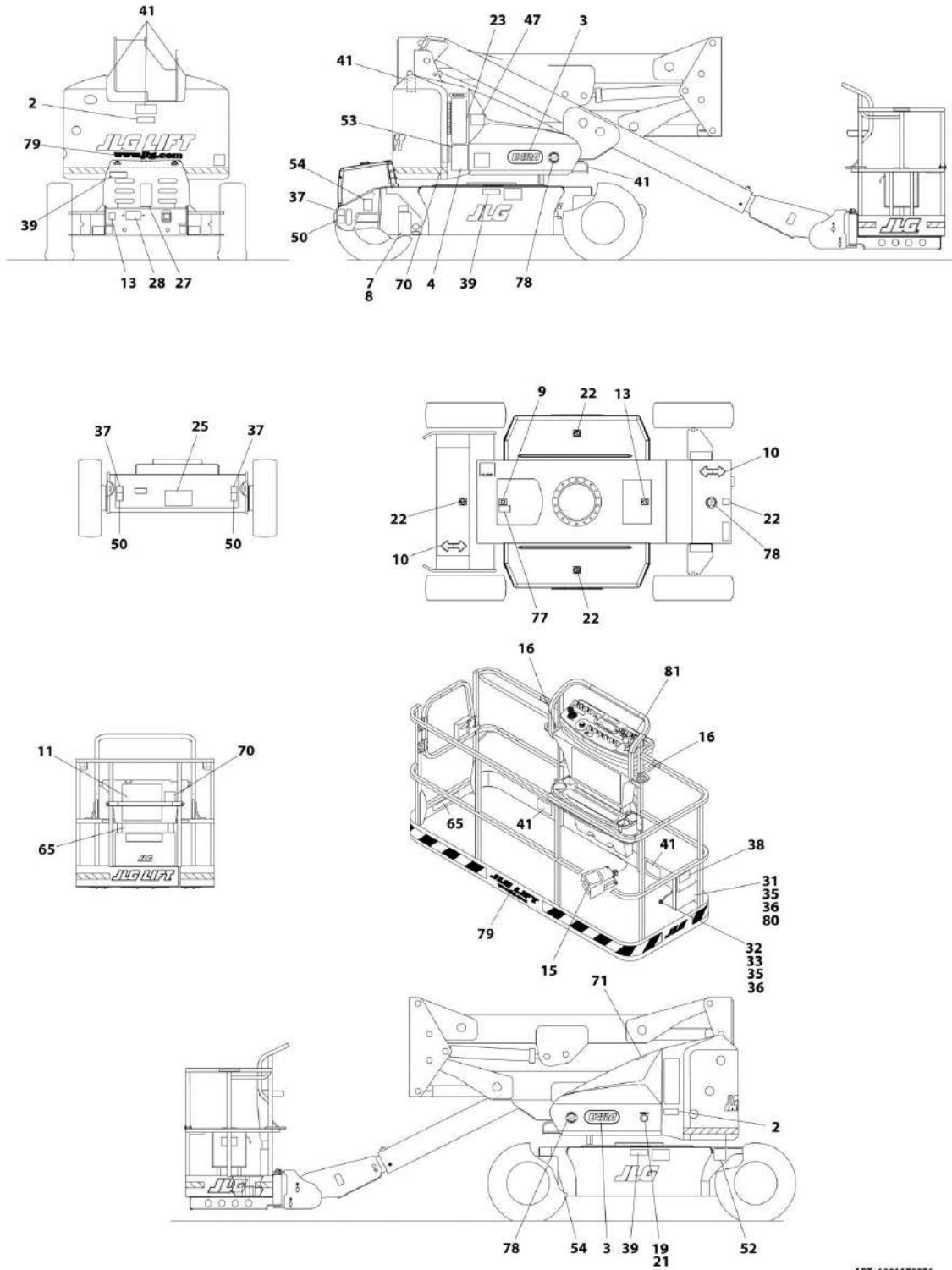
## SECTION 9 - DECALS

**FIGURE 9-9. DECAL INSTALLATION - CE SPEC - E450AJ (SN 0300200790 through 0300208529)**

ITEM	PART NUMBER	QTY	DESCRIPTION	REV
	1001190003	Ref	<b>DECAL INSTALLATION - CE SPEC - E450AJ (SN 0300200790 through 0300208529)</b>	B
3	1704789	2	Decal - Model Designation	
4	1705822	1	Decal - Danger/Caution	
7	See Note	1	Nameplate - Serial Number (Note: Not Available for Purchase)	
8	3820001	2	Rivet	
9	1701504	1	Decal - Hydraulic Oil	
10	1701642	2	Decal - Arrow	
11	1705921	1	Decal - Danger/Caution	
13	1701644	2	Decal - Charger	
15	1705828	1	Decal - Footswitch	
16	1704277	2	Decal - Attach Lanyard	
19	0961127	1	Bushing, Snap	
21	0100010	AR	Adhesive	
22	1701691	4	Decal - No Step	
23	1001104864	1	Decal - Manual Descent	
25	1001173577	1	Decal - Cable Routing	
27	1706378	1	Decal - Charging Instructions	
28	1704431	1	Decal - Battery Charger LED Indicator	
31	0860520	1	Box, Manual Storage	
35	4751400	4	Washer, 1/4	
36	3311405	4	Nut, 1/4-20	
37	1703811	4	Decal - Lift	
38	1701509	1	Decal - Manual	
39	1705670	2	Decal - Explosion Warning	
41	1701518	6	Decal - Crushing Hazard	
47	1705977	1	Decal - Upright Level Over-Ride	
48	4420051	17.4 ft /5.3m	Tape, Warning Stripes	
50	1703814	4	Decal - Tie Down	
52	See Note	1	Decal - Bar Code (Note: Not Available for Purchase)	
53	1705978	1	Decal - Capacity	
54	1704445	4	Decal - Tire Load	
65	1705978	1	Decal - Capacity	
77	1704412	1	Decal - Oil Type	
79	1704885	2	Decal - Website	
80	0641406	4	Bolt, 1/4-20 x 3/4	
82	1001189882	1	Decal - MSSO Instructions	

# SECTION 9 - DECALS

FIGURE 9-10. DECAL INSTALLATION - JAPANESE SPEC - M450AJ



ART\_1001178371

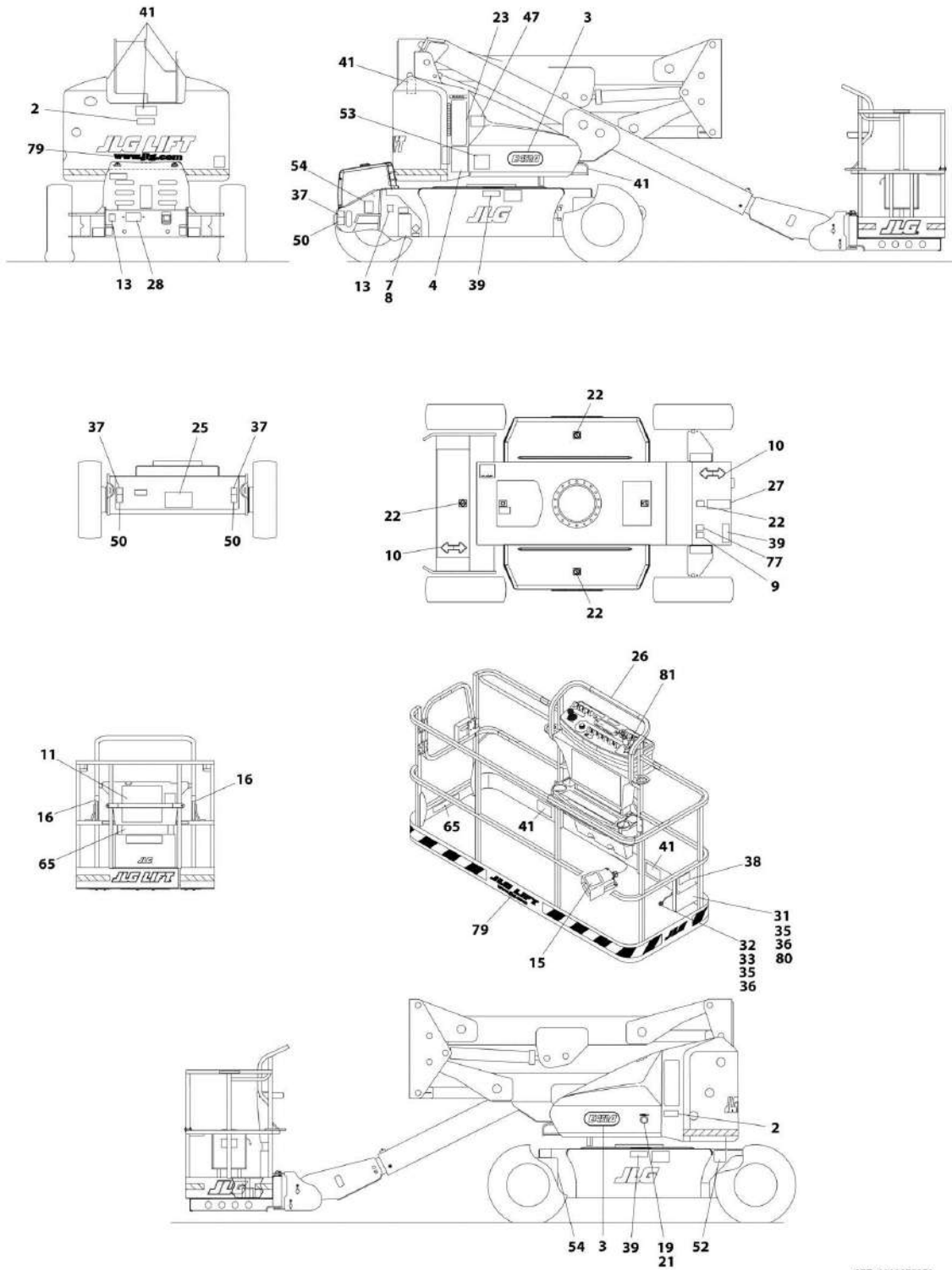
## SECTION 9 - DECALS

**FIGURE 9-10. DECAL INSTALLATION - JAPANESE SPEC - M450AJ**

ITEM	PART NUMBER	QTY	DESCRIPTION	REV
	1001178371	Ref	DECAL INSTALLATION - JAPANESE SPEC - M450AJ	B
2	1703938	2	Decal - Electrocutation	
3	1704790	2	Decal - Model Designation	
4	1703932	1	Decal - Danger/Caution	
7	See Note	1	Nameplate - Serial Number (Note: Not Available for Purchase)	
8	3820001	2	Rivet	
9	1701504	1	Decal - Hydraulic Oil	
10	1701642	2	Decal - Arrow	
11	1703926	1	Decal - Caution/Danger	
13	1701644	2	Decal - Charger	
15	1703980	1	Decal - Footswitch	
16	1704277	2	Decal - Attach Lanyard	
19	0961127	1	Bushing, Snap	
21	0100010	AR	Adhesive	
22	1701691	4	Decal - No Step	
23	1001104864	1	Decal - Manual Descent	
25	1001173577	1	Decal - Cable Routing	
27	1704417	1	Decal - Charger	
28	1704431	1	Decal - Battery Charger LED Indicator	
31	0860520	1	Box, Manual Storage	
32	1060279	1	Lanyard (SN 0300189898 through 0300196413)	
33	0641408	1	Bolt, 1/4-20 x 1 (SN 0300189898 through 0300196413)	
35	4751400	AR	Washer, 1/4	
36	3311405	AR	Nut, Lock, 1/4-20	
37	1701500	4	Decal - Lift	
38	1701509	1	Decal - Manual	
39	1704342	3	Decal - Explosion Warning	
41	1703950	6	Decal - Crushing Hazard	
47	1702271	1	Decal	
50	1702300	4	Decal - Tie Down	
52	See Note	1	Decal - Bar Code (Note: Not Available for Purchase)	
53	1001121821	1	Decal - 500 LBS. Max Capacity	
54	1704445	4	Decal - Tire Load	
65	1001121808	2	Decal - 500 LBS. Max Capacity	
70	1001093687	2	Decal - Generator Danger	
71	1701505	1	Decal - Fuel	
77	1704412	1	Decal - Oil Type	
78	1001121510	3	Decal - Hybrid	
79	1704885	2	Decal - Website	
80	0641406	4	Bolt, 1/4-20 x 3/4	
81	1705426	1	Decal - Drive/Steer Instruction	

# SECTION 9 - DECALS

FIGURE 9-11. DECAL INSTALLATION - JAPANESE SPEC - E450A/E450AJ



ART\_1001178372



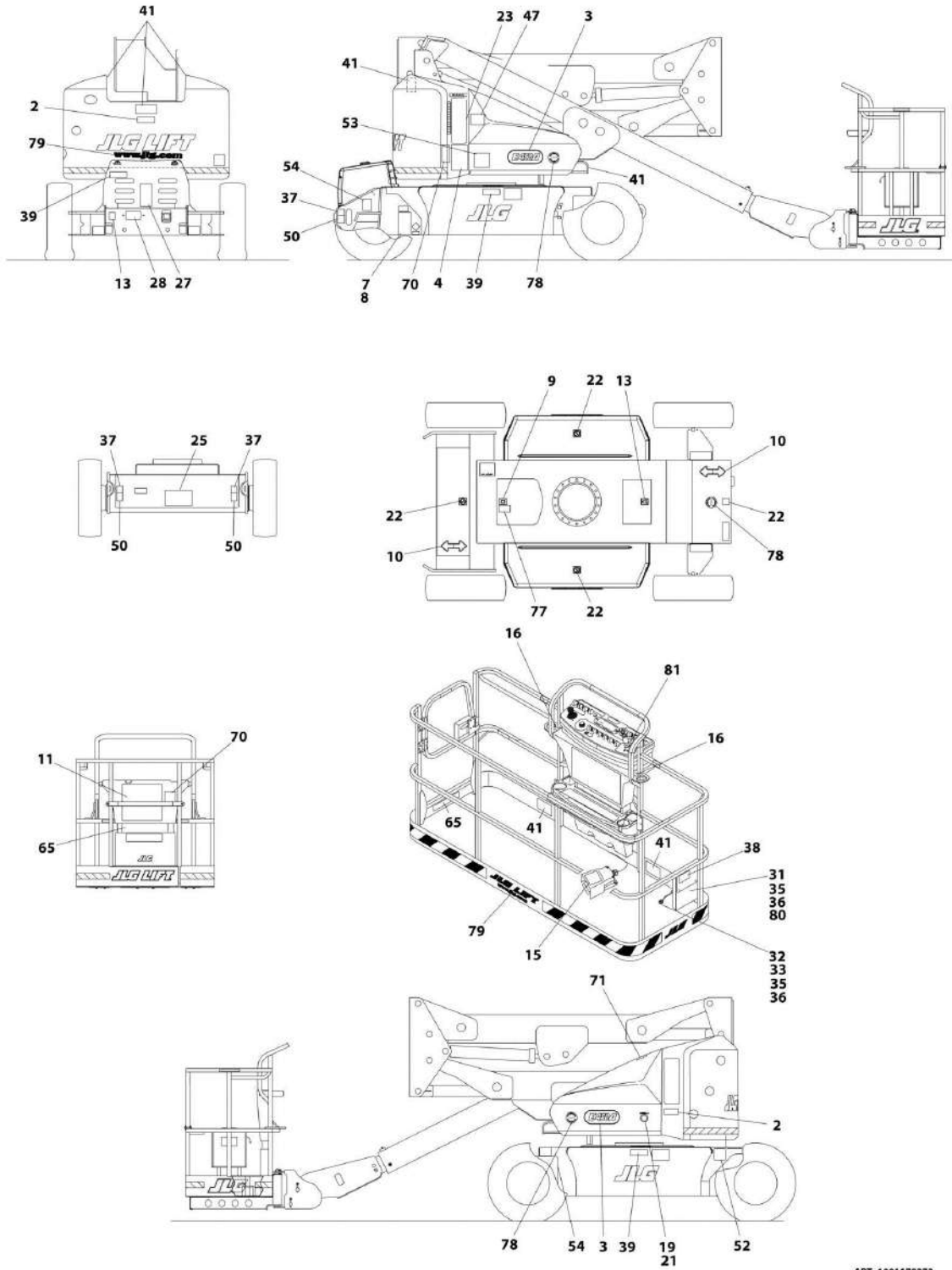
## SECTION 9 - DECALS

**FIGURE 9-11. DECAL INSTALLATION - JAPANESE SPEC - E450A/E450AJ**

ITEM	PART NUMBER	QTY	DESCRIPTION	REV
	1001178372	Ref	DECAL INSTALLATION - JAPANESE SPEC - E450A/E450AJ	B
2	1703938	2	Decal - Electrocution	
3	1704787	2	Decal - Model Designation (E450A)	
3	1704789	2	Decal - Model Designation (E450AJ)	
4	1703932	1	Decal - Danger/Caution	
7	See Note	1	Nameplate - Serial Number (Note: Not Available for Purchase)	
8	3820001	2	Rivet	
9	1701504	1	Decal - Hydraulic Oil	
10	1701642	2	Decal - Arrow	
11	1703926	1	Decal - Caution/Danger	
13	1701644	2	Decal - Charger	
15	1703980	1	Decal - Footswitch	
16	1704277	2	Decal - Attach Lanyard	
19	0961127	1	Bushing, Snap	
21	0100010	AR	Adhesive	
22	1701691	4	Decal - No Step	
23	1001104864	1	Decal - Manual Descent	
25	1001173577	1	Decal - Cable Routing	
26	1704253	1	Decal - Key Platform	
27	1704417	1	Decal - Charger	
28	1704431	1	Decal - Battery Charger LED Indicator	
31	0860520	1	Box, Manual Storage	
32	1060279	1	Lanyard <b>(SN 0300189898 through 0300196413)</b>	
33	0641408	1	Bolt, 1/4-20 x 1 <b>(SN 0300189898 through 0300196413)</b>	
35	4751400	AR	Washer, 1/4	
36	3311405	AR	Nut, Lock, 1/4-20	
37	1701500	4	Decal - Lift	
38	1701509	1	Decal - Manual	
39	1704342	3	Decal - Explosion Warning	
41	1703950	6	Decal - Crushing Hazard	
47	1702271	1	Decal	
50	1702300	4	Decal - Tie Down	
52	See Note	1	Decal - Bar Code (Note: Not Available for Purchase)	
53	1001121821	1	Decal - 500 LBS. Max Capacity	
54	1703488	4	Decal - Tire Load (E450A)	
54	1704445	4	Decal - Tire Load (E450AJ)	
65	1001121808	2	Decal - 500 LBS. Max Capacity	
77	1704412	1	Decal - Oil Type	
79	1704885	2	Decal - Website	
80	0641406	4	Bolt, 1/4-20 x 3/4	
81	1705426	1	Decal - Drive/Steer Instruction	

# SECTION 9 - DECALS

## FIGURE 9-12. DECAL INSTALLATION - KOREAN SPEC - M450AJ



ART\_1001178373

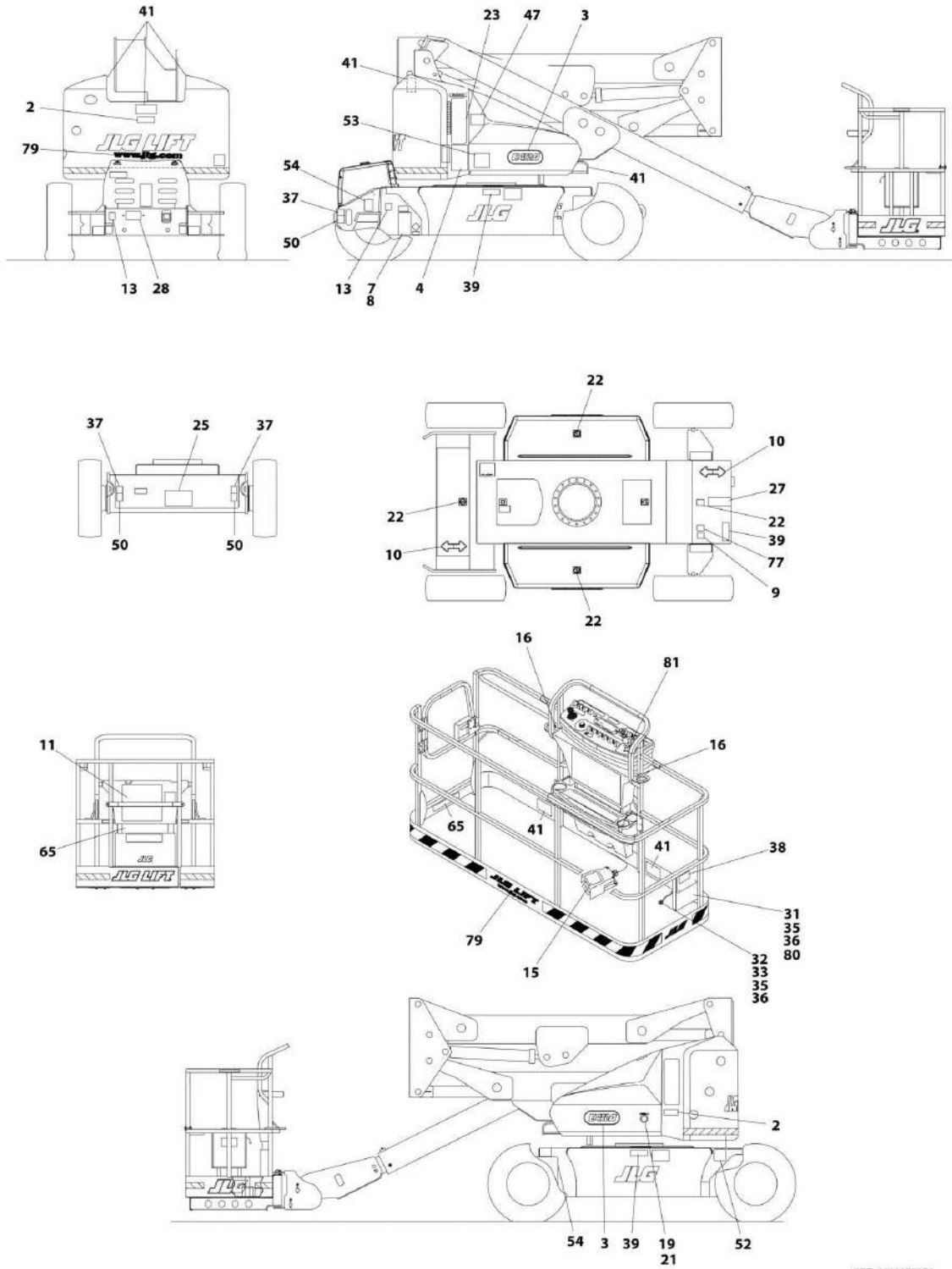
## SECTION 9 - DECALS

**FIGURE 9-12. DECAL INSTALLATION - KOREAN SPEC - M450AJ**

ITEM	PART NUMBER	QTY	DESCRIPTION	REV
	1001178373	Ref	DECAL INSTALLATION - KOREAN SPEC - M450AJ	B
2	1703939	2	Decal - Electrocutation	
3	1704790	2	Decal - Model Designation	
4	1703933	1	Decal - Danger/Caution	
7	See Note	1	Nameplate - Serial Number (Note: Not Available for Purchase)	
8	3820001	2	Rivet	
9	1701504	1	Decal - Hydraulic Oil	
10	1701642	2	Decal - Arrow	
11	1703927	1	Decal - Caution/Danger	
13	1701644	2	Decal - Charger	
15	1703981	1	Decal - Footswitch	
16	1704277	2	Decal - Attach Lanyard	
19	0961127	1	Bushing, Snap	
21	0100010	AR	Adhesive	
22	1701691	4	Decal - No Step	
23	1001104864	1	Decal - Manual Descent	
25	1001173577	1	Decal - Cable Routing	
27	1704418	1	Decal - Charger	
28	1704431	1	Decal - Battery Charger LED Indicator	
31	0860520	1	Box, Manual Storage	
32	1060279	1	Lanyard (SN 0300189898 through 0300196413)	
33	0641408	1	Bolt, 1/4-20 x 1 (SN 0300189898 through 0300196413)	
35	4751400	AR	Washer, 1/4	
36	3311405	AR	Nut, Lock, 1/4-20	
37	1701500	4	Decal - Lift	
38	1701509	1	Decal - Manual	
39	1704343	3	Decal - Explosion Warning	
41	1703951	6	Decal - Crushing Hazard	
47	1703987	1	Decal - Upright Level Override	
50	1702300	4	Decal - Tie Down	
52	See Note	1	Decal - Bar Code (Note: Not Available for Purchase)	
53	1001121921	1	Decal - 500 LBS. Max Capacity	
54	1704445	4	Decal - Tire Load	
65	1001121918	2	Decal - 500 LBS. Max Capacity	
70	1001093687	2	Decal - Generator Danger	
71	1701505	1	Decal - Fuel	
77	1704412	1	Decal - Oil Type	
78	1001121510	3	Decal - Hybrid	
79	1704885	2	Decal - Website	
80	0641406	4	Bolt, 1/4-20 x 3/4	
81	1705427	1	Decal - Drive/Steer Instruction	

# SECTION 9 - DECALS

FIGURE 9-13. DECAL INSTALLATION - KOREAN SPEC - E450A/E450AJ



ART\_1001178374

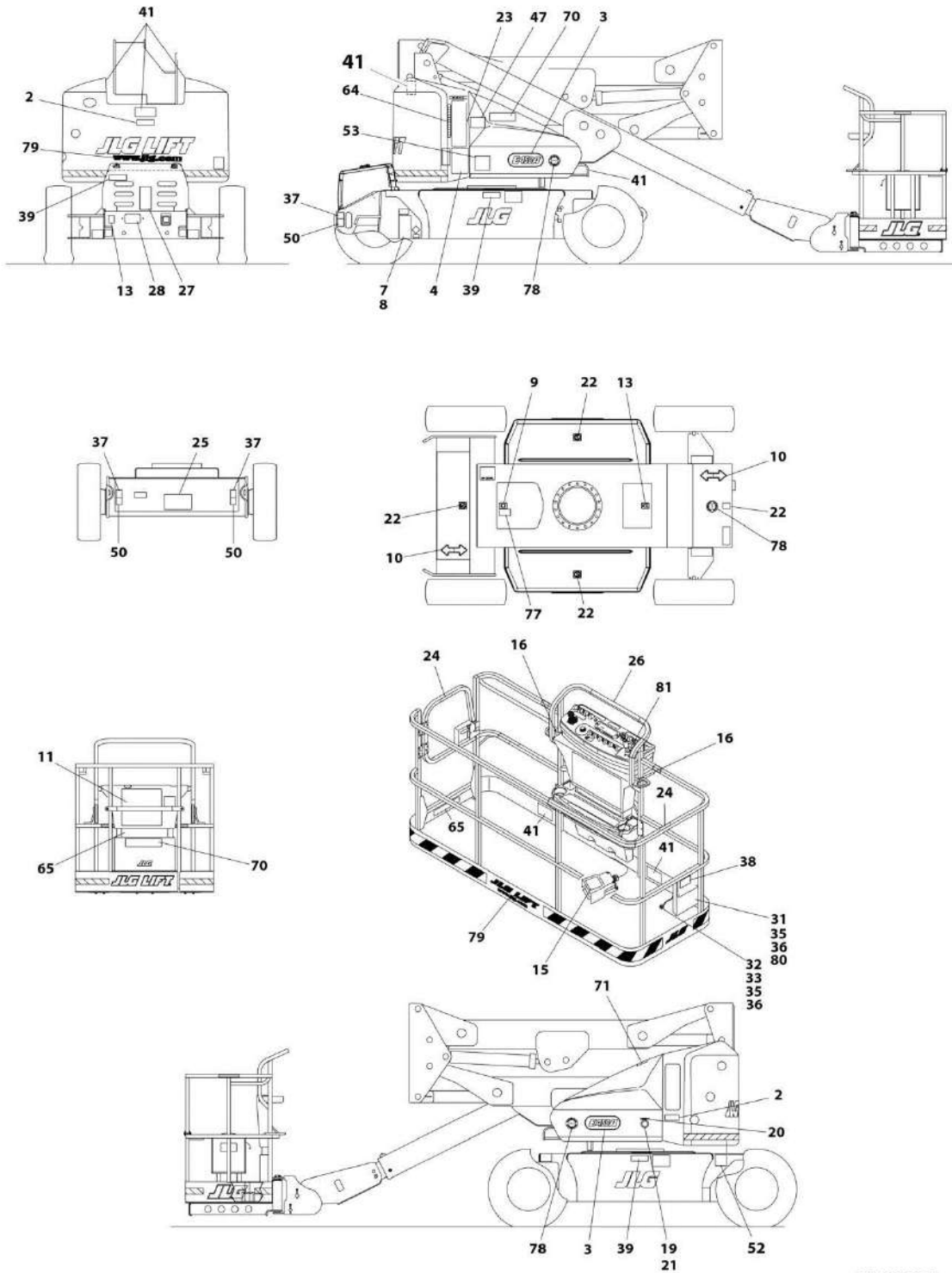
## SECTION 9 - DECALS

**FIGURE 9-13. DECAL INSTALLATION - KOREAN SPEC - E450A/E450AJ**

ITEM	PART NUMBER	QTY	DESCRIPTION	REV
	1001178374	Ref	DECAL INSTALLATION - KOREAN SPEC - E450A/E450AJ	B
2	1703939	2	Decal - Electrocution	
3	1704787	2	Decal - Model Designation (E450A)	
3	1704789	2	Decal - Model Designation (E450AJ)	
4	1703933	1	Decal - Danger/Caution	
7	See Note	1	Nameplate - Serial Number (Note: Not Available for Purchase)	
8	3820001	2	Rivet	
9	1701504	1	Decal - Hydraulic Oil	
10	1701642	2	Decal - Arrow	
11	1703927	1	Decal - Caution/Danger	
13	1701644	2	Decal - Charger	
15	1703981	1	Decal - Footswitch	
16	1704277	2	Decal - Attach Lanyard	
19	0961127	1	Bushing, Snap	
21	0100010	AR	Adhesive	
22	1701691	4	Decal - No Step	
23	1001104864	1	Decal - Manual Descent	
25	1001173577	1	Decal - Cable Routing	
27	1704418	1	Decal - Charger	
28	1704431	1	Decal - Battery Charger LED Indicator	
31	0860520	1	Box, Manual Storage	
32	1060279	1	Lanyard <b>(SN 0300189898 through 0300196413)</b>	
33	0641408	1	Bolt, 1/4-20 x 1 <b>(SN 0300189898 through 0300196413)</b>	
35	4751400	AR	Washer, 1/4	
36	3311405	AR	Nut, Lock, 1/4-20	
37	1701500	4	Decal - Lift	
38	1701509	1	Decal - Manual	
39	1704343	3	Decal - Explosion Warning	
41	1703951	6	Decal - Crushing Hazard	
47	1703987	1	Decal - Upright Level Override	
50	1702300	4	Decal - Tie Down	
52	See Note	1	Decal - Bar Code (Note: Not Available for Purchase)	
53	1001121921	1	Decal - 500 LBS. Max Capacity	
54	1703488	4	Decal - Tire Load (E450A)	
54	1704445	4	Decal - Tire Load (E450AJ)	
65	1001121918	2	Decal - 500 LBS. Max Capacity	
77	1704412	1	Decal - Oil Type	
79	1704885	2	Decal - Website	
80	0641406	4	Bolt, 1/4-20 x 3/4	
81	1705427	1	Decal - Drive/Steer Instruction	

# SECTION 9 - DECALS

FIGURE 9-14. DECAL INSTALLATION - SPANISH/ENGLISH SPECS - M450AJ



ART\_1001178367

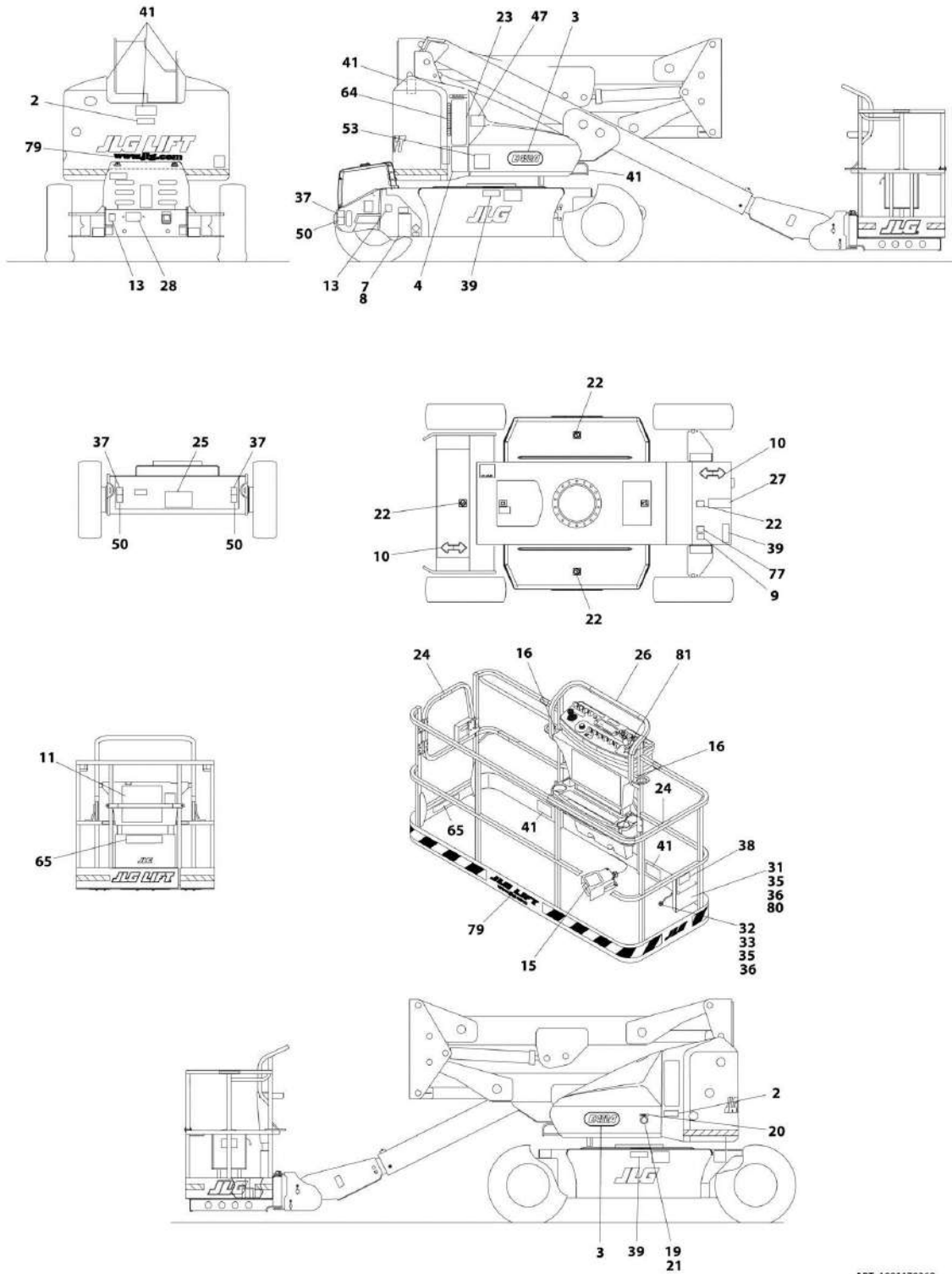
## SECTION 9 - DECALS

**FIGURE 9-14. DECAL INSTALLATION - SPANISH/ENGLISH SPECS - M450AJ**

ITEM	PART NUMBER	QTY	DESCRIPTION	REV
	1001178367	Ref	DECAL INSTALLATION - SPANISH/ENGLISH SPECS - M450AJ	B
2	1703935	2	Decal - Electrocutation	
3	1704790	2	Decal - Model Designation	
4	1703929	1	Decal - Danger/Caution	
7	See Note	1	Nameplate - Serial Number (Note: Not Available for Purchase)	
8	3820001	2	Rivet	
9	1701504	1	Decal - Hydraulic Oil	
10	1701642	2	Decal - Arrow	
11	1703923	1	Decal - Caution/Danger	
13	1701644	2	Decal - Charger	
15	1703983	1	Decal - Footswitch	
16	1704277	2	Decal - Attach Lanyard	
19	0961127	1	Bushing, Snap	
20	3251243	1	Nameplate - 120V/60Hz	
21	0100010	AR	Adhesive	
22	1701691	4	Decal - No Step	
23	1001104864	1	Decal - Manual Descent	
24	1704001	2	Decal - No Hands	
25	1001173577	1	Decal - Cable Routing	
26	1704253	1	Decal - Key Platform	
27	1704454	1	Decal - Charger	
28	1704431	1	Decal - Battery Charger LED Indicator	
31	0860520	1	Box, Manual Storage	
32	1060279	1	Lanyard <b>(SN 0300189898 through 0300196413)</b>	
33	0641408	1	Bolt, 1/4-20 x 1 <b>(SN 0300189898 through 0300196413)</b>	
35	4751400	AR	Washer, 1/4	
36	3311405	AR	Nut, Lock, 1/4-20	
37	1701500	4	Decal - Lift	
38	1701509	1	Decal - Manual	
39	1704339	3	Decal - Explosion Warning	
41	1703947	6	Decal - Crushing Hazard	
47	1702265	1	Decal - Boom Sequence	
50	1702300	4	Decal - Tie Down	
52	See Note	1	Decal - Bar Code (Note: Not Available for Purchase)	
53	1001121818	1	Decal - 500 LBS. Max Capacity	
64	1706950	1	Decal - Key, Main Terminal Box	
65	1001121805	2	Decal - 500 LBS. Max Capacity	
70	1704371	2	Decal - Generator Danger	
71	1701505	1	Decal - Fuel	
77	1704412	1	Decal - Oil Type	
78	1001121510	3	Decal - Hybrid	
79	1704885	2	Decal - Website	
80	0641406	4	Bolt, 1/4-20 x 3/4	
81	1705910	1	Decal - Drive/Steer Instruction	

# SECTION 9 - DECALS

FIGURE 9-15. DECAL INSTALLATION - SPANISH/ENGLISH SPECS - E450A/E450AJ



ART. 1001178368



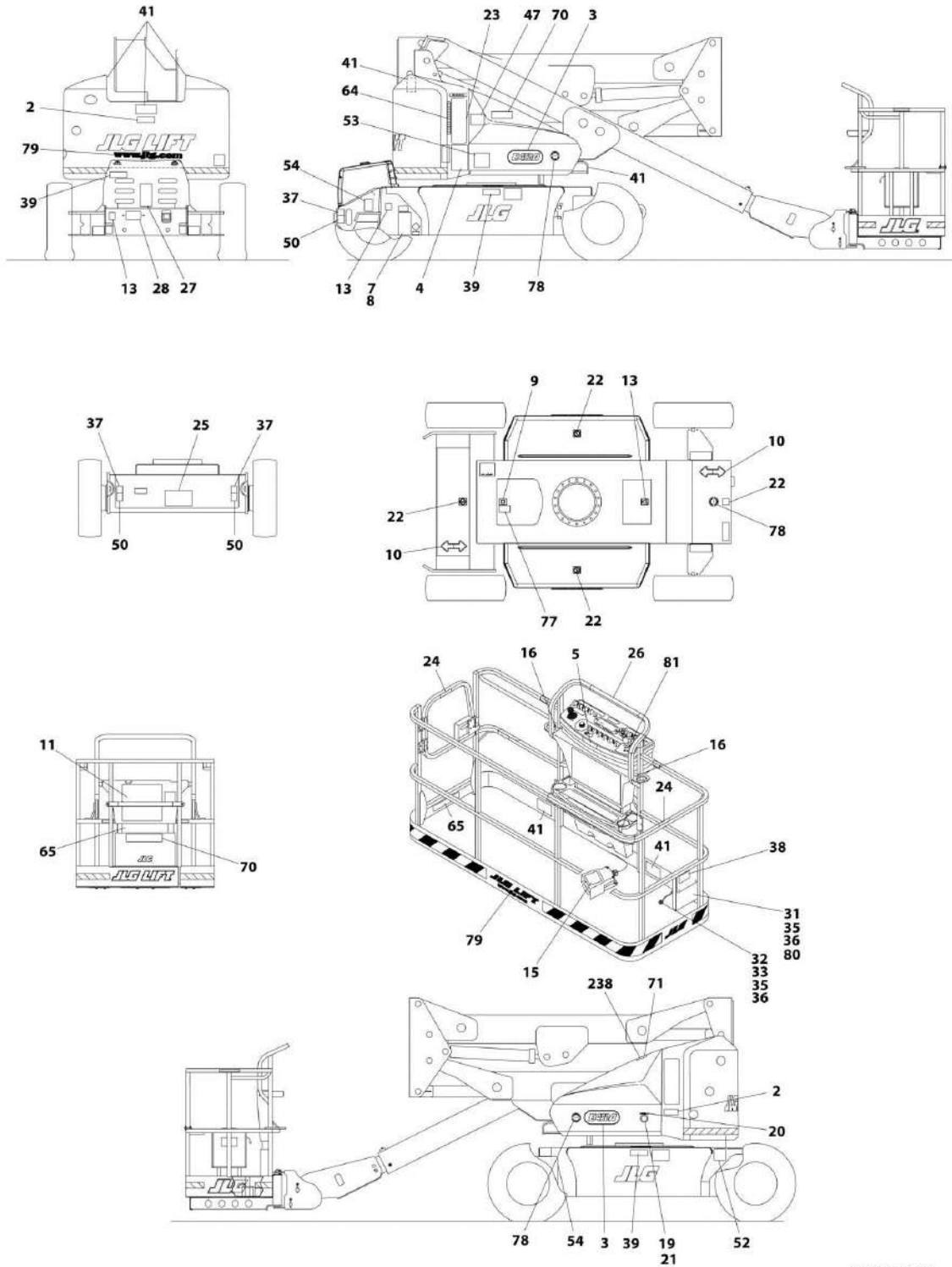
## SECTION 9 - DECALS

**FIGURE 9-15. DECAL INSTALLATION - SPANISH/ENGLISH SPECS - E450A/E450AJ**

ITEM	PART NUMBER	QTY	DESCRIPTION	REV
	1001178368	Ref	DECAL INSTALLATION - SPANISH/ENGLISH SPECS - E450A/E450AJ	B
2	1703935	2	Decal - Electrocutation	
3	1704787	2	Decal - Model Designation (E450A)	
3	1704789	2	Decal - Model Designation (E450AJ)	
4	1703929	1	Decal - Danger/Caution	
7	See Note	1	Nameplate - Serial Number (Note: Not Available for Purchase)	
8	3820001	2	Rivet	
9	1701504	1	Decal - Hydraulic Oil	
10	1701642	2	Decal - Arrow	
11	1703923	1	Decal - Caution/Danger	
13	1701644	2	Decal - Charger	
15	1703983	1	Decal - Footswitch	
16	1704277	2	Decal - Attach Lanyard	
19	0961127	1	Bushing, Snap	
20	3251243	1	Nameplate - 120V/60Hz	
21	0100010	AR	Adhesive	
22	1701691	4	Decal - No Step	
23	1001104864	1	Decal - Manual Descent	
24	1704001	2	Decal - No Hands	
25	1001173577	1	Decal - Cable Routing	
26	1704253	1	Decal - Key Platform	
27	1704454	1	Decal - Charger	
28	1704431	1	Decal - Battery Charger LED Indicator	
31	0860520	1	Box, Manual Storage	
32	1060279	1	Lanyard <b>(SN 0300189898 through 0300196413)</b>	
33	0641408	1	Bolt, 1/4-20 x 1 <b>(SN 0300189898 through 0300196413)</b>	
35	4751400	AR	Washer, 1/4	
36	3311405	AR	Nut, Lock, 1/4-20	
37	1701500	4	Decal - Lift	
38	1701509	1	Decal - Manual	
39	1704339	3	Decal - Explosion Warning	
41	1703947	6	Decal - Crushing Hazard	
47	1702265	1	Decal - Boom Sequence	
50	1702300	4	Decal - Tie Down	
52	See Note	1	Decal - Bar Code (Note: Not Available for Purchase)	
53	1001121818	1	Decal - 500 LBS. Max Capacity	
64	1706950	1	Decal - Key, Main Terminal Box	
65	1001121805	2	Decal - 500 LBS. Max Capacity	
77	1704412	1	Decal - Oil Type	
79	1704885	2	Decal - Website	
80	0641406	4	Bolt, 1/4-20 x 3/4	
81	1705910	1	Decal - Drive/Steer Instruction	

# SECTION 9 - DECALS

FIGURE 9-16. DECAL INSTALLATION - FRENCH/ENGLISH SPECS - M450AJ



ART\_1001178365

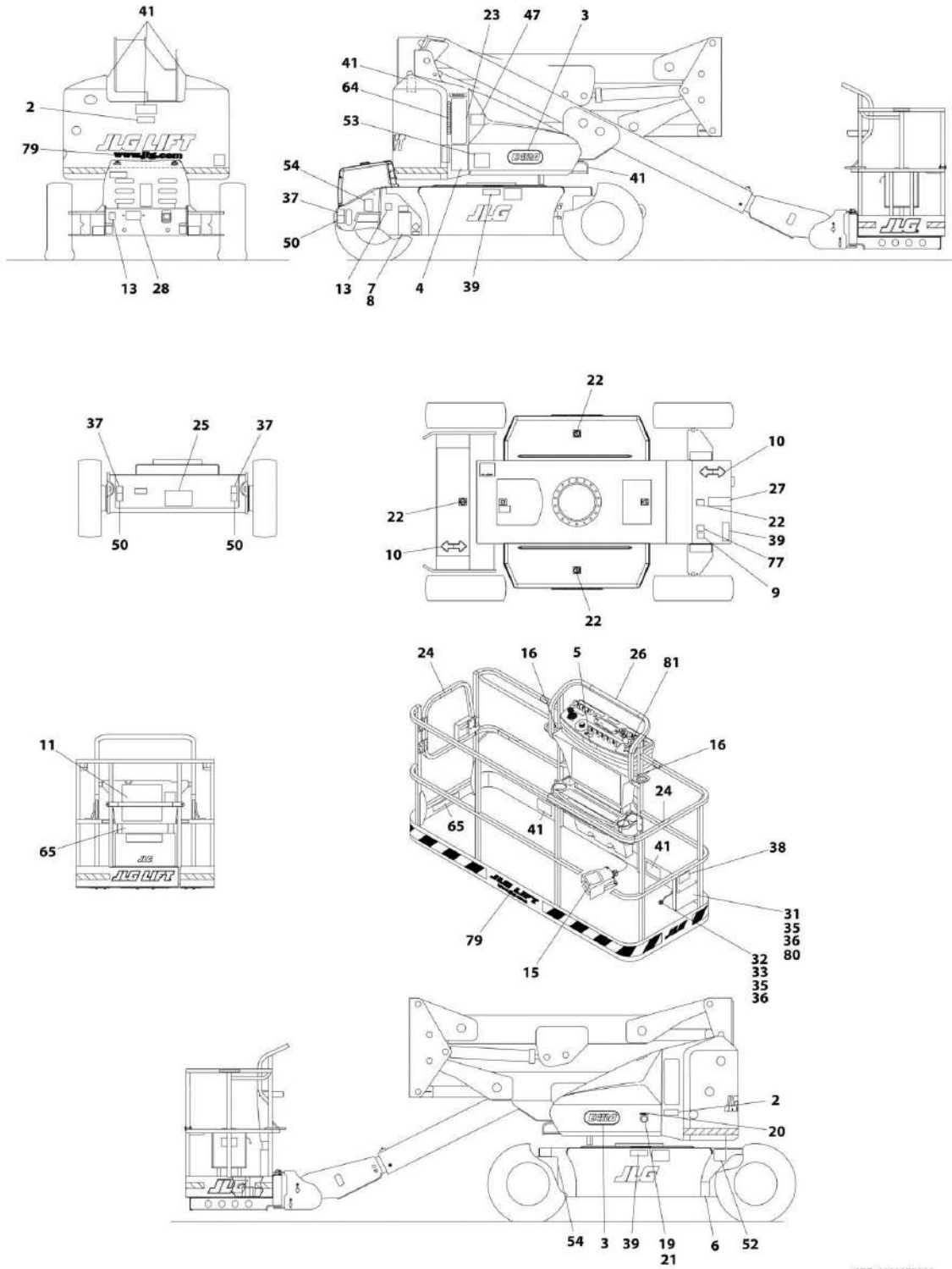
## SECTION 9 - DECALS

**FIGURE 9-16. DECAL INSTALLATION - FRENCH/ENGLISH SPECS - M450AJ**

ITEM	PART NUMBER	QTY	DESCRIPTION	REV
	1001178365	Ref	DECAL INSTALLATION - FRENCH/ENGLISH SPECS - M450AJ	B
2	1703936	2	Decal - Electrocutation	
3	1704790	2	Decal - Model Designation	
4	1703930	1	Decal - Danger/Caution	
5	1705514	1	Decal - CSA	
7	See Note	1	Nameplate - Serial Number (Note: Not Available for Purchase)	
8	3820001	2	Rivet	
9	1701504	1	Decal - Hydraulic Oil	
10	1701642	2	Decal - Arrow	
11	1703924	1	Decal - Caution/Danger	
13	1701644	2	Decal - Charger	
15	1703984	1	Decal - Footswitch	
16	1704277	2	Decal - Attach Lanyard	
19	0961127	1	Bushing, Snap	
20	3251243	1	Nameplate - 120V/60Hz	
21	0100010	AR	Adhesive	
22	1701691	4	Decal - No Step	
23	1001104864	1	Decal - Manual Descent	
24	1704000	2	Decal - No Hands	
25	1001173577	1	Decal - Cable Routing	
26	1704253	1	Decal - Key Platform	
27	1704452	1	Decal - Charger	
28	1704431	1	Decal - Battery Charger LED Indicator	
31	0860520	1	Box, Manual Storage	
32	1060279	1	Lanyard <b>(SN 0300189898 through 0300196413)</b>	
33	0641408	1	Bolt, 1/4-20 x 1 <b>(SN 0300189898 through 0300196413)</b>	
35	4751400	AR	Washer, 1/4	
36	3311405	AR	Nut, Lock, 1/4-20	
37	1701500	4	Decal - Lift	
38	1701509	1	Decal - Manual	
39	1704340	3	Decal - Explosion Warning	
41	1703948	6	Decal - Crushing Hazard	
47	1702265	1	Decal - Boom Sequence	
50	1702300	4	Decal - Tie Down	
52	See Note	1	Decal - Bar Code (Note: Not Available for Purchase)	
53	1001121816	1	Decal - 500 LBS. Max Capacity	
54	1704445	4	Decal - Tire Load	
64	1706950	1	Decal - Key, Main Terminal Box	
65	1001121803	2	Decal - 500 LBS. Max Capacity	
70	1001093687	2	Decal - Generator Danger	
71	1701505	1	Decal - Fuel	
77	1704412	1	Decal - Oil Type	
78	1001121510	3	Decal - Hybrid	
79	1704885	2	Decal - Website	
80	0641406	4	Bolt, 1/4-20 x 3/4	
81	1705429	1	Decal - Drive/Steer Instruction	
238	1001108923	1	Decal - Ultra Low Sulfur Fuel	

# SECTION 9 - DECALS

FIGURE 9-17. DECAL INSTALLATION - FRENCH/ENGLISH SPECS - E450A/E450AJ



ART\_1001178366

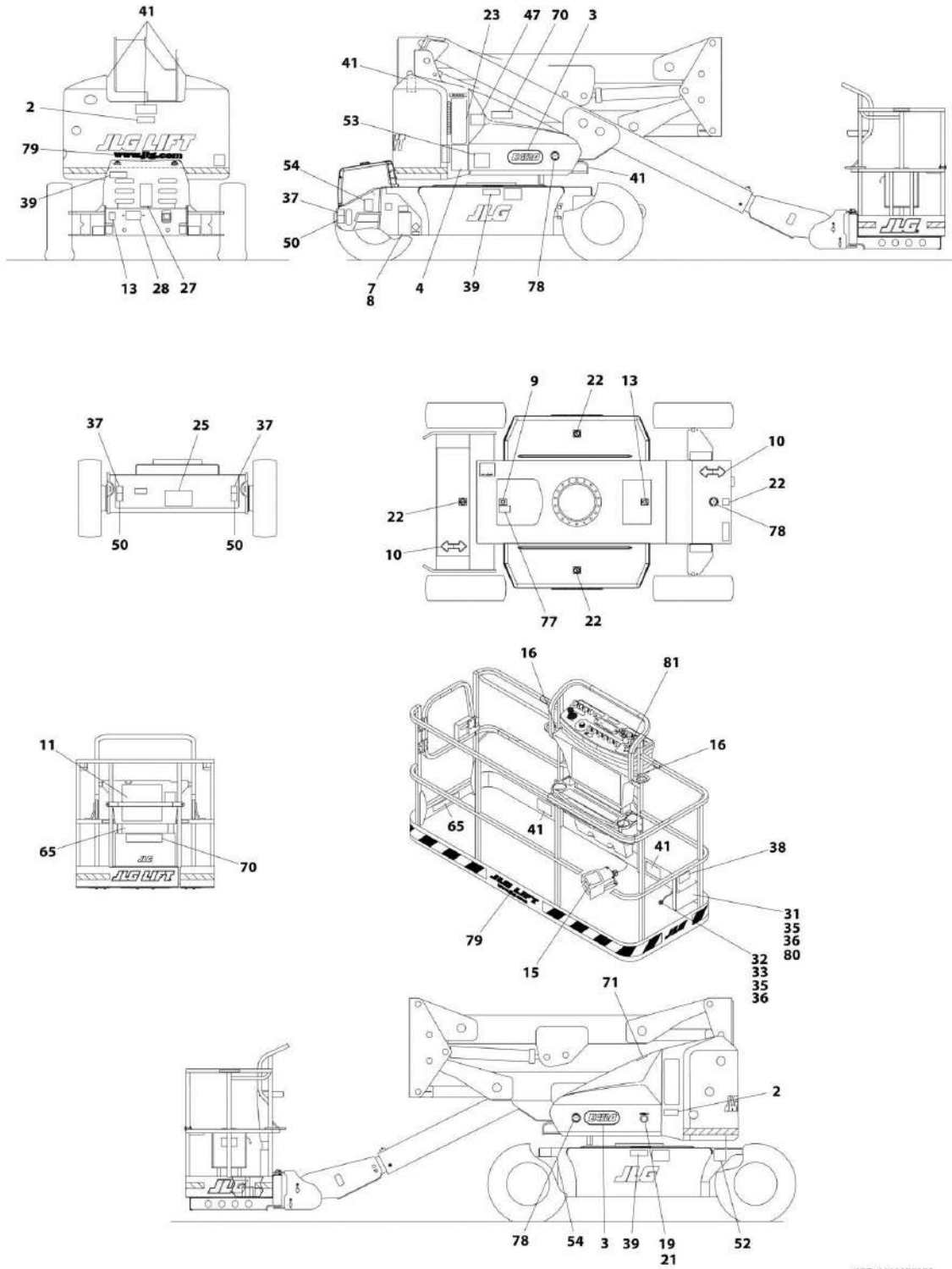
## SECTION 9 - DECALS

**FIGURE 9-17. DECAL INSTALLATION - FRENCH/ENGLISH SPECS - E450A/E450AJ**

ITEM	PART NUMBER	QTY	DESCRIPTION	REV
	1001178366	Ref	DECAL INSTALLATION - FRENCH/ENGLISH SPECS - E450A/E450AJ	B
2	1703936	2	Decal - Electrocutation	
3	1704787	2	Decal - Model Designation (E450A)	
3	1704789	2	Decal - Model Designation (E450AJ)	
4	1703930	1	Decal - Danger/Caution	
5	1705514	1	Decal - CSA	
6	1700584	1	Decal - Patent	
7	See Note	1	Nameplate - Serial Number (Note: Not Available for Purchase)	
8	3820001	2	Rivet	
9	1701504	1	Decal - Hydraulic Oil	
10	1701642	2	Decal - Arrow	
11	1703924	1	Decal - Caution/Danger	
13	1701644	2	Decal - Charger	
15	1703984	1	Decal - Footswitch	
16	1704277	2	Decal - Attach Lanyard	
19	0961127	1	Bushing, Snap	
20	3251243	1	Nameplate - 120V/60Hz	
21	0100010	AR	Adhesive	
22	1701691	4	Decal - No Step	
23	1001104864	1	Decal - Manual Descent	
24	1704000	2	Decal - No Hands	
25	1001173577	1	Decal - Cable Routing	
26	1704253	1	Decal - Key Platform	
27	1704452	1	Decal - Charger	
28	1704431	1	Decal - Battery Charger LED Indicator	
31	0860520	1	Box, Manual Storage	
32	1060279	1	Lanyard <b>(SN 0300189898 through 0300196413)</b>	
33	0641408	1	Bolt, 1/4-20 x 1 <b>(SN 0300189898 through 0300196413)</b>	
35	4751400	AR	Washer, 1/4	
36	3311405	AR	Nut, Lock, 1/4-20	
37	1701500	4	Decal - Lift	
38	1701509	1	Decal - Manual	
39	1704340	3	Decal - Explosion Warning	
41	1703948	6	Decal - Crushing Hazard	
47	1702265	1	Decal - Boom Sequence	
50	1702300	4	Decal - Tie Down	
52	See Note	1	Decal - Bar Code (Note: Not Available for Purchase)	
53	1001121816	1	Decal - 500 LBS. Max Capacity	
54	1703488	1	Decal - Tire Load (E450A)	
54	1704445	4	Decal - Tire Load (E450AJ)	
64	1706950	1	Decal - Key, Main Terminal Box	
65	1001121803	2	Decal - 500 LBS. Max Capacity	
77	1704412	1	Decal - Oil Type	
79	1704885	2	Decal - Website	
80	0641406	4	Bolt, 1/4-20 x 3/4	
81	1705429	1	Decal - Drive/Steer Instruction	

# SECTION 9 - DECALS

FIGURE 9-18. DECAL INSTALLATION - CHINESE/ENGLISH SPEC - M450AJ



ART\_1001178375

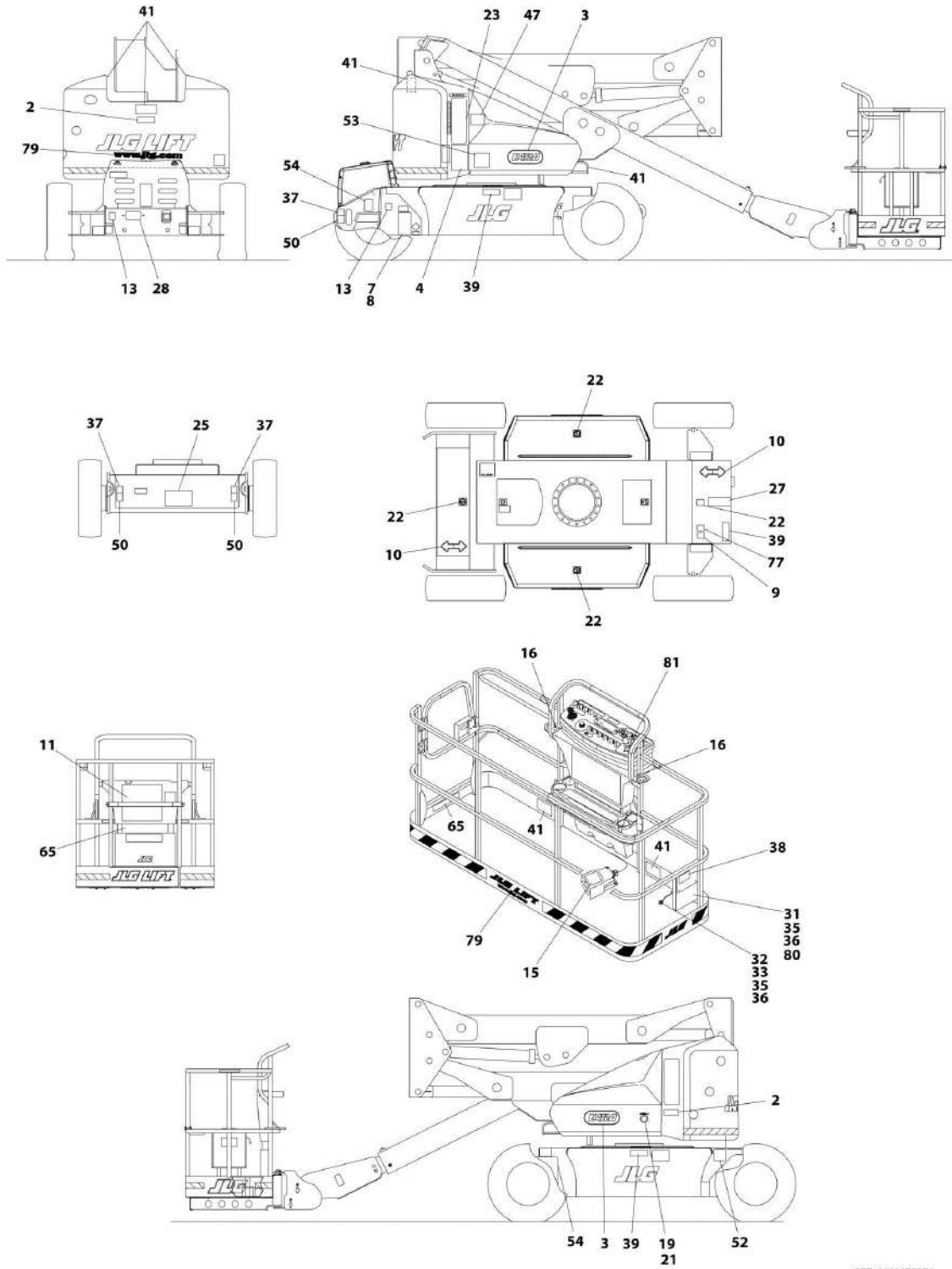
## SECTION 9 - DECALS

**FIGURE 9-18. DECAL INSTALLATION - CHINESE/ENGLISH SPEC - M450AJ**

ITEM	PART NUMBER	QTY	DESCRIPTION	REV
	1001178375	Ref	DECAL INSTALLATION - CHINESE/ENGLISH SPEC - M450AJ	B
2	1703937	2	Decal - Electrocutation	
3	1704790	2	Decal - Model Designation	
4	1703931	1	Decal - Danger/Caution	
7	See Note	1	Nameplate - Serial Number (Note: Not Available for Purchase)	
8	3820001	2	Rivet	
9	1701504	1	Decal - Hydraulic Oil	
10	1701642	2	Decal - Arrow	
11	1703925	1	Decal - Caution/Danger	
13	1701644	2	Decal - Charger	
15	1703982	1	Decal - Footswitch	
16	1704277	2	Decal - Attach Lanyard	
19	0961127	1	Bushing, Snap	
21	0100010	AR	Adhesive	
22	1701691	4	Decal - No Step	
23	1001104864	1	Decal - Manual Descent	
25	1001173577	1	Decal - Cable Routing	
27	1704419	1	Decal - Charger	
28	1704431	1	Decal - Battery Charger LED Indicator	
31	0860520	1	Box, Manual Storage	
32	1060279	1	Lanyard <b>(SN 0300189898 through 0300196413)</b>	
33	0641408	1	Bolt, 1/4-20 x 1 <b>(SN 0300189898 through 0300196413)</b>	
35	4751400	AR	Washer, 1/4	
36	3311405	AR	Nut, Lock, 1/4-20	
37	1701500	4	Decal - Lift	
38	1701509	1	Decal - Manual	
39	1704344	3	Decal - Explosion Warning	
41	1703949	6	Decal - Crushing Hazard	
47	1703988	1	Decal - Upright Level Override	
50	1702300	4	Decal - Tie Down	
52	See Note	1	Decal - Bar Code (Note: Not Available for Purchase)	
53	1001121823	1	Decal - 500 LBS. Max Capacity	
54	1704445	4	Decal - Tire Load	
65	1001121810	2	Decal - 500 LBS. Max Capacity	
70	1001093687	2	Decal - Generator Danger	
71	1701505	1	Decal - Fuel	
77	1704412	1	Decal - Oil Type	
78	1001121510	3	Decal - Hybrid	
79	1704885	2	Decal - Website	
80	0641406	4	Bolt, 1/4-20 x 3/4	
81	1705430	1	Decal - Drive/Steer Instruction	

# SECTION 9 - DECALS

FIGURE 9-19. DECAL INSTALLATION - CHINESE/ENGLISH SPEC - E450A/E450AJ



ART\_1001178376



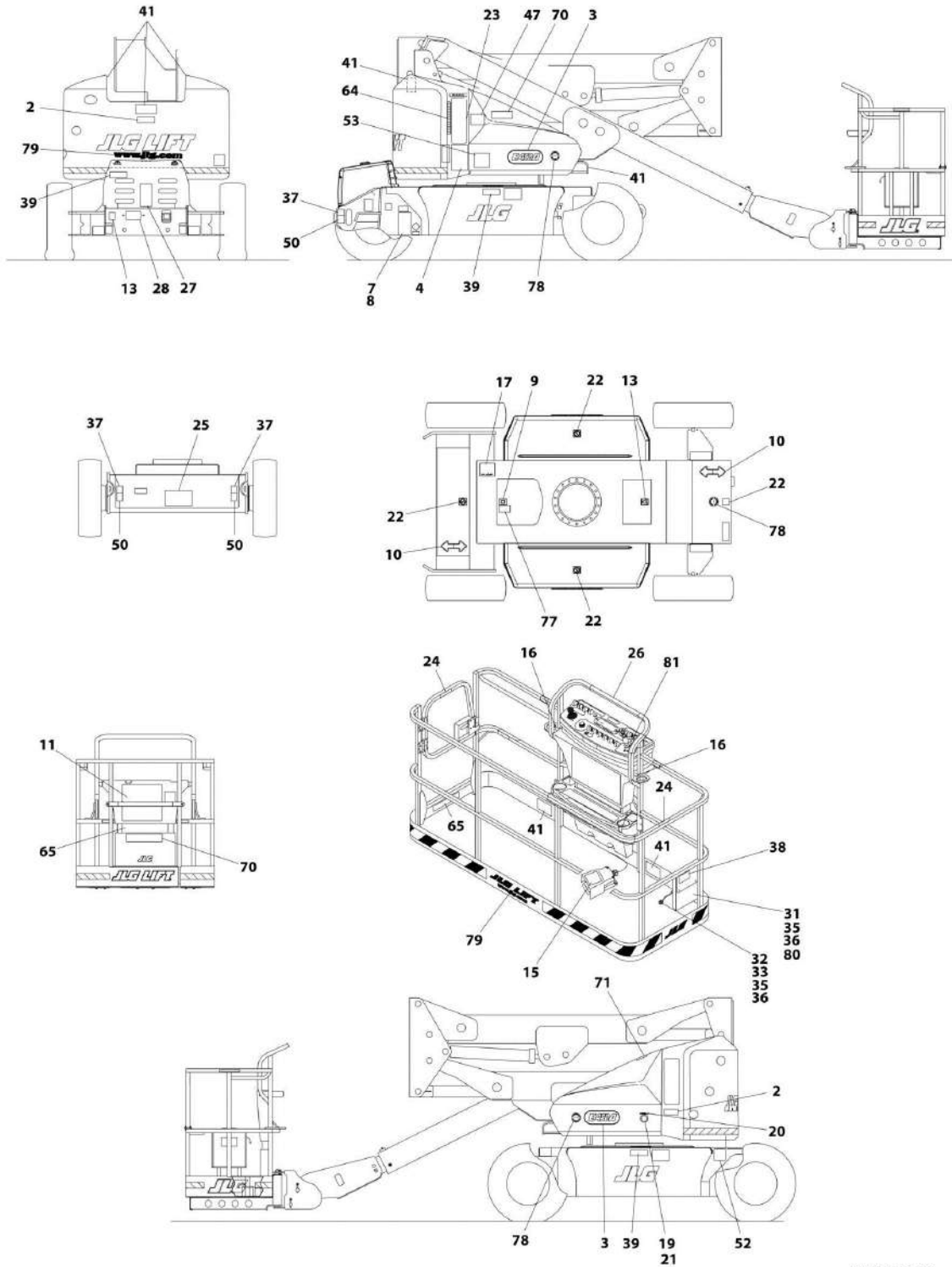
## SECTION 9 - DECALS

**FIGURE 9-19. DECAL INSTALLATION - CHINESE/ENGLISH SPEC - E450A/E450AJ**

ITEM	PART NUMBER	QTY	DESCRIPTION	REV
	1001178376	Ref	DECAL INSTALLATION - CHINESE/ENGLISH SPEC - E450A/E450AJ	B
2	1703937	2	Decal - Electrocutation	
3	1704787	2	Decal - Model Designation (E450A)	
3	1704789	2	Decal - Model Designation (E450AJ)	
4	1703931	1	Decal - Danger/Caution	
7	See Note	1	Nameplate - Serial Number (Note: Not Available for Purchase)	
8	3820001	2	Rivet	
9	1701504	1	Decal - Hydraulic Oil	
10	1701642	2	Decal - Arrow	
11	1703925	1	Decal - Caution/Danger	
13	1701644	2	Decal - Charger	
15	1703982	1	Decal - Footswitch	
16	1704277	2	Decal - Attach Lanyard	
19	0961127	1	Bushing, Snap	
21	0100010	AR	Adhesive	
22	1701691	4	Decal - No Step	
23	1001104864	1	Decal - Manual Descent	
25	1001173577	1	Decal - Cable Routing	
27	1704419	1	Decal - Charger	
28	1704431	1	Decal - Battery Charger LED Indicator	
31	0860520	1	Box, Manual Storage	
32	1060279	1	Lanyard <b>(SN 0300189898 through 0300196413)</b>	
33	0641408	1	Bolt, 1/4-20 x 1 <b>(SN 0300189898 through 0300196413)</b>	
35	4751400	AR	Washer, 1/4	
36	3311405	AR	Nut, Lock, 1/4-20	
37	1701500	4	Decal - Lift	
38	1701509	1	Decal - Manual	
39	1704344	3	Decal - Explosion Warning	
41	1703949	6	Decal - Crushing Hazard	
47	1703988	1	Decal - Upright Level Override	
50	1702300	4	Decal - Tie Down	
52	See Note	1	Decal - Bar Code (Note: Not Available for Purchase)	
53	1001121823	1	Decal - 500 LBS. Max Capacity	
54	1703488	4	Decal - Tire Load (E450A)	
54	1704445	4	Decal - Tire Load (E450AJ)	
65	1001121810	2	Decal - 500 LBS. Max Capacity	
77	1704412	1	Decal - Oil Type	
79	1704885	2	Decal - Website	
80	0641406	4	Bolt, 1/4-20 x 3/4	
81	1705430	1	Decal - Drive/Steer Instruction	

# SECTION 9 - DECALS

FIGURE 9-20. DECAL INSTALLATION - SPANISH/PORTUGUESE SPECS - M450AJ



ART\_1001178369

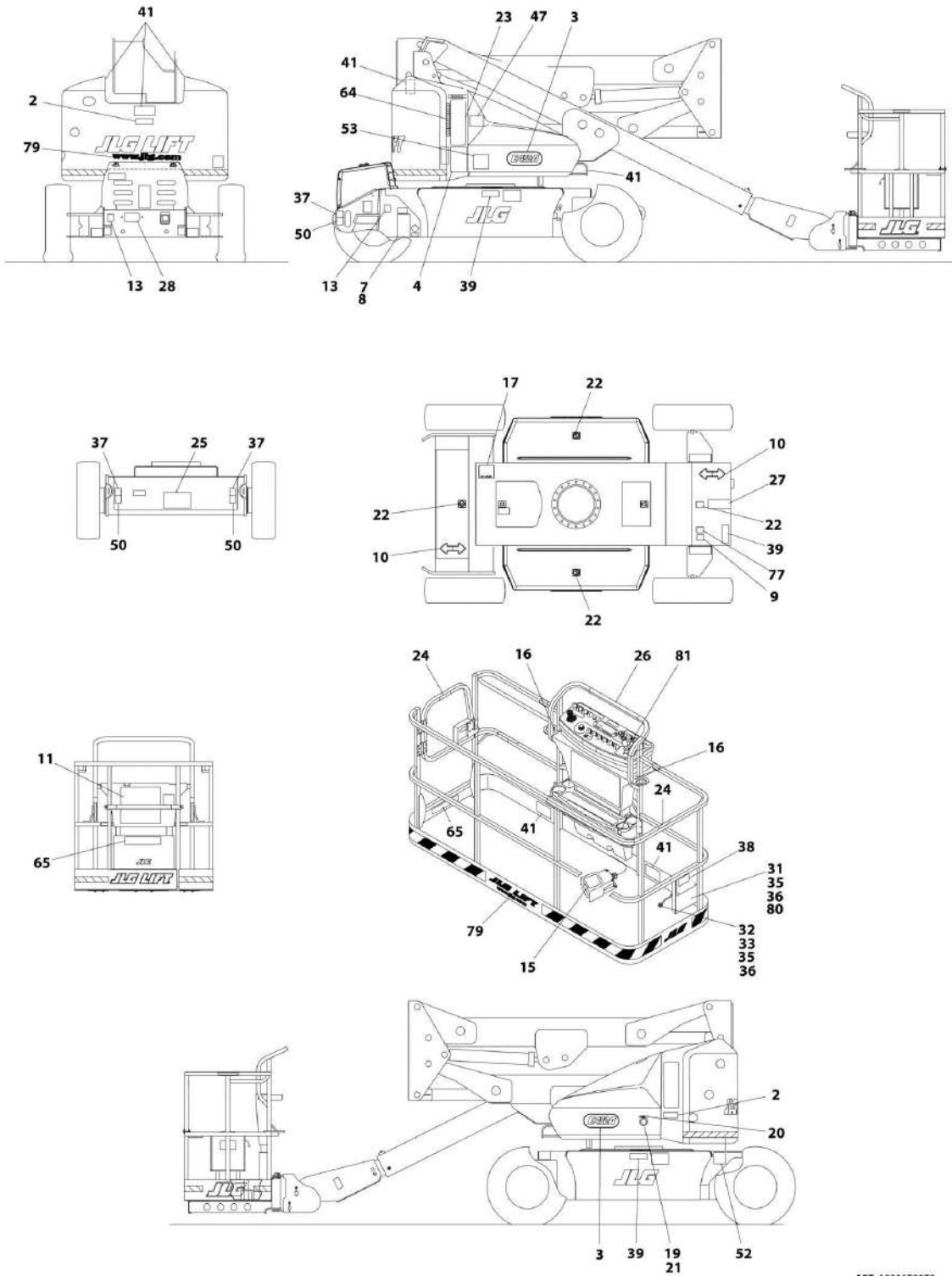
## SECTION 9 - DECALS

**FIGURE 9-20. DECAL INSTALLATION - SPANISH/PORTUGUESE SPECS - M450AJ**

ITEM	PART NUMBER	QTY	DESCRIPTION	REV
	1001178369	Ref	DECAL INSTALLATION - SPANISH/PORTUGUESE SPECS - M450AJ	B
2	1703940	2	Decal - Electrocutation	
3	1704790	2	Decal - Model Designation	
4	1703934	1	Decal - Danger/Caution	
7	See Note	1	Nameplate - Serial Number (Note: Not Available for Purchase)	
8	3820001	2	Rivet	
9	1701504	1	Decal - Hydraulic Oil	
10	1701642	2	Decal - Arrow	
11	1703928	1	Decal - Caution/Danger	
13	1701644	2	Decal - Charger	
15	1703985	1	Decal - Footswitch	
16	1704277	2	Decal - Attach Lanyard	
17	1704008	1	Decal - Inspection	
19	0961127	1	Bushing, Snap	
20	3251243	1	Nameplate - 120V/60Hz	
21	0100010	AR	Adhesive	
22	1701691	4	Decal - No Step	
23	1001104864	1	Decal - Manual Descent	
24	1704002	2	Decal - No Hands	
25	1001173577	1	Decal - Cable Routing	
26	1704253	1	Decal - Key Platform	
27	1704453	1	Decal - Charger	
28	1704431	1	Decal - Battery Charger LED Indicator	
31	0860520	1	Box, Manual Storage	
32	1060279	1	Lanyard <b>(SN 0300189898 through 0300196413)</b>	
33	0641408	1	Bolt, 1/4-20 x 1 <b>(SN 0300189898 through 0300196413)</b>	
35	4751400	AR	Washer, 1/4	
36	3311405	AR	Nut, Lock, 1/4-20	
37	1701500	4	Decal - Lift	
38	1701509	1	Decal - Manual	
39	1704341	3	Decal - Explosion Warning	
41	1703952	6	Decal - Crushing Hazard	
47	1703991	1	Decal - Boon Sequence	
50	1702300	4	Decal - Tie Down	
52	See Note	1	Decal - Bar Code (Note: Not Available for Purchase)	
53	1001121923	1	Decal - 500 LBS. Max Capacity	
64	1706950	1	Decal - Key, Main Terminal Box	
65	1001121920	2	Decal - 500 LBS. Max Capacity	
70	1001093687	2	Decal - Generator Danger	
71	1701505	1	Decal - Fuel	
77	1704412	1	Decal - Oil Type	
78	1001121510	3	Decal - Hybrid	
79	1704885	2	Decal - Website	
80	0641406	4	Bolt, 1/4-20 x 3/4	
81	1001113680	1	Decal - Drive/Steer Instruction	

# SECTION 9 - DECALS

FIGURE 9-21. DECAL INSTALLATION - SPANISH/PORTUGUESE SPECS - E450A/E450AJ



ART. 1001178370

## SECTION 9 - DECALS

**FIGURE 9-21. DECAL INSTALLATION - SPANISH/PORTUGUESE SPECS - E450A/E450AJ**

ITEM	PART NUMBER	QTY	DESCRIPTION	REV
	1001178370	Ref	DECAL INSTALLATION - SPANISH/PORTUGUESE SPECS - E450A/E450AJ	B
2	1703940	2	Decal - Electrocutation	
3	1704787	2	Decal - Model Designation (E450A)	
3	1704789	2	Decal - Model Designation (E450AJ)	
4	1703934	1	Decal - Danger/Caution	
7	See Note	1	Nameplate - Serial Number (Note: Not Available for Purchase)	
8	3820001	2	Rivet	
9	1701504	1	Decal - Hydraulic Oil	
10	1701642	1	Decal - Arrow	
11	1703928	1	Decal - Caution/Danger	
13	1701644	2	Decal - Charger	
15	1703985	1	Decal - Footswitch	
16	1704277	2	Decal - Footswitch	
17	1704008	1	Decal - Inspection	
19	0961127	1	Bushing, Snap	
20	3251243	1	Nameplate - 120V/60Hz	
21	0100010	AR	Adhesive	
22	1701691	4	Decal - No Step	
23	1001104864	1	Decal - Manual Descent	
24	1704002	2	Decal - No Hands	
25	1001173577	1	Decal - Cable Routing	
26	1704253	1	Decal - Key Platform	
27	1704453	1	Decal - Charger	
28	1704431	1	Decal - Battery Charger LED Indicator	
31	0860520	1	Box, Manual Storage	
32	1060279	1	Lanyard <b>(SN 0300189898 through 0300196413)</b>	
33	0641408	1	Bolt, 1/4-20 x 1 <b>(SN 0300189898 through 0300196413)</b>	
35	4751400	AR	Washer, 1/4	
36	3311405	AR	Nut, Lock, 1/4-20	
37	1701500	4	Decal - Lift	
38	1701509	1	Decal - Manual	
39	1704341	3	Decal - Explosion Warning	
41	1703952	6	Decal - Crushing Hazard	
47	1703991	1	Decal - Boom Sequence	
50	1702300	4	Decal - Tie Down	
52	See Note	1	Decal - Bar Code (Note: Not Available for Purchase)	
53	1001121923	1	Decal - 500 LBS. Max Capacity	
64	1706950	1	Decal - Key, Main Terminal Box	
65	1001121920	2	Decal - 500 LBS. Max Capacity	
77	1704412	1	Decal - Oil Type	
79	1704885	2	Decal - Website	
80	0641406	4	Bolt, 1/4-20 x 3/4	
81	1001113680	1	Decal - Drive/Steer Instruction	



## **SECTION 10 - RECOMMENDED SERVICE PARTS STOCK**

## **SECTION 10 - RECOMMENDED SERVICE PARTS STOCK**

# SECTION 10 - RECOMMENDED SERVICE PARTS STOCK

FIGURE 10-1. RECOMMENDED SERVICE PARTS STOCK

ITEM	PART NUMBER	QTY	DESCRIPTION	REV
		Ref	Note: The following list will service one machine (built to current production per date on the front cover) with emergency repair parts which can be installed in the field. Parts from the list should be replaced when inventory is depleted to keep service parts stock supplied. For further information, contact your JLG dealer or the JLG Industries Parts Department.	
		Ref	STANDARD PARTS	
	4360070	1	Breaker, Circuit	
	4360448	1	Breaker, Circuit	
	7021618	1	Coil	
	7021609	1	Coil	
	7021610	1	Coil	
	1001178132	1	Controller (Drive and Steer)	
	1001178139	1	Controller (Lift and Swing)	
	4360476	1	Contact, Switch	
	3990001	2	Diode	
	7021616	4	Filter Cartridge	
	2860030	1	Key Replacement	
	2940074	1	Latch	
	4360328	1	Switch, Toggle	
	4360330	1	Switch, Toggle	
	4360475	1	Switch, Emergency	
	4360469	1	Switch, Key (ANSI Spec)	
	4360470	1	Switch, Key (CE Spec)	
	4360387	1	Switch, Push Button	
		Ref	VARIABLE PARTS	
	1001181045	1	Breaker 16Amp (CE Spec with 2 Breakers Box)	
	1001181046	1	Breaker 30mA (CE Spec with Breaker Box)	
	70000313	1	Element, Air Cleaner (M450AJ Only)	
	70000318	1	Element, Fuel Filter (M450AJ Only)	
	70000319	1	Element, Oil Filter (M450AJ Only)	
	2400062	1	Fuse 300Amp (UL Listed)	
	2400068	1	Fuse 10Amp (UL Listed)	
	70000329	1	Fuse 15Amp (M450AJ Only)	
	70000330	1	Fuse 20Amp (M450AJ Only)	
	70000326	1	Module (Engine Control)	
	1600292	1	Module (Frame Power)	
	1001109497	1	Module (Ground Control)	
	1600387	1	Module (LSS System)	
	1001109498	1	Module (Platform Control)	
	1600293	1	Module (Posi-Trac)	
	1001149571	1	Module, SkyGuard (Beacon Control)	
	7019698	1	Power Track - 1 Link	
	70001996	1	Power Track - 2ft Section	
	70001998	1	Power Track - Bracket Kit	
	4360548	1	Switch, Limit	
	4360274	1	Switch, Push Button (M450AJ Only)	
	4360336	1	Switch, Toggle (M450AJ Only)	



**SECTION 11 - SPECIAL OPTIONS**

# SECTION 11 - SPECIAL OPTIONS

## FIGURE 11-1. SPECIAL OPTIONS

ITEM	PART NUMBER	QTY	DESCRIPTION	REV
		Ref	MISCELLANEOUS SPECIAL OPTIONS	
		Ref	Note: This list is to accommodate machines ordered with special equipment. Options may not be applicable to all models. For more specific parts information contact JLG Parts Department.	
	0259877	Ref	Airline Installation - 1/2in (E450A Model)	
	0275650	Ref	Airline Installation - 1/2in (E/M450AJ Models)	
	1001195304	Ref	Console Cover	
		Ref	Cylinder Bellows Installations	
	0259397	Ref	Cylinder Bellows Installations (E450A)	
	0271251	Ref	Cylinder Bellows Installations (E/M450AJ)	
	0460110	2	Bellows - Platform Level and Master Cylinders (E450A)	
	0460194	2	Bellows - Platform Level and Master Cylinders (E/M450AJ)	
	0460115	1	Bellows - Main Lift Cylinder	
	0460113	1	Bellows - Mid Lift Cylinder	
	0460114	1	Bellows - Tower Lift Cylinder	
	0460196	1	Bellows - Jib Cylinder (E/M450AJ)	
	1320037	6	Clamp	
		Ref	Decal Installations	
	1001155155	Ref	Decal - Boels Rentals	
	0274530	Ref	Decal - Head and Engquist Equipment Installation	
	1001128915	Ref	Decal - Hertz Rentals Installation	
	1703175	Ref	Decal - Lanyard Attach (GM K-1 Spec)	
	0274250	Ref	Decal - National Equipment Services (NES)	
	1702868	Ref	Decal - No Hands (English) (ANSI Spec) (Used with Platform Padding or Mesh to Top Rail)	
	1704000	Ref	Decal - No Hands (English & French) (CSA Spec) (Used with Platform Padding or Mesh to Top Rail)	
	1705968	Ref	Decal - No Hands (English/Simplified Chinese) (ANSI Export Spec) (Used with Platform Padding or Mesh to Top Rail)	
	1001116846	Ref	Decal - No Hands (English and Traditional Chinese) (ANSI Export Spec) (Used with Platform Padding or Mesh to Top Rail on Side Entry Platforms)	
	1001196716	Ref	Decal - Blueline	
	1001141300	Ref	Decal - SkyGuard Override	
	1001141302	Ref	Decal - SkyGuard/Soft Touch Override	
	0271108	Ref	Decal - Sunbelt Rentals Installation	
	1001151116	Ref	Decal - Titan Rentals	
	0270433	Ref	UL Listed Machines Decal Installation	
	0271898	Ref	Decal - United Rentals Installations	
	1001141474	Ref	Decal - Volvo Rents Installation	
	0259550	Ref	Decal - Warning Stripes Installation	
	1001108727	Ref	Decal Kit - Platform	
	1001119566	Ref	Decal Kit - Platform Console	
	1001197877	Ref	Decal Kit - Sunbelt Rentals	
	1001198648	Ref	Decal Kit - (E/M 450A)	
		Ref	Electrical Connector Kits	
	1001148902	Ref	Amp Connector Kit	
	1001148903	Ref	Deutsch DT Connector Kit	
	1001148904	Ref	Deutsch HD Connector Kit	
	1001148905	Ref	Packard Connector Kit	

## SECTION 11 - SPECIAL OPTIONS

ITEM	PART NUMBER	QTY	DESCRIPTION	REV
	1001148906	Ref	Various Connector Kit	
	1001166284	Ref	Headlight and Tail Lights Installation	
	1001198660	Ref	Hose Kit - Boom (E/M 450A)	
		Ref	Hydraulic Fluids	
	2300028	Ref	Hydraulic Fluid - Mobil DTE 10 Excel 15	
	2300027	Ref	Hydraulic Fluid - Mobil EAL 224H - Biodegradable	
	0273104	Ref	Indicator Light Installation (Green) (LSS)	
	1001151286	Ref	Jib Cylinder with Manual Descent Valve Kit	
	1001189162	1	Low Temperature Cutout Installation (Russian Specs)	
	1001222307	Ref	LSS Override Kit	
	0257728	Ref	Pipe Rack	
		Ref	Platform Mesh To Mid Rail Installations	
	1001140318	Ref	30in X 4ft (76cm x 1.22m)	
	1001140315	Ref	30in X 5ft (76cm x 1.52m)	
	1001145985	Ref	30in x 6 ft (76cm x 1.83m)	
		Ref	Platform Mesh Top Rail Installations	
	0273147	Ref	30in X 4ft (76cm x 1.22m)	
	0273146	Ref	30in X 5ft (76cm x 1.52m)	
		Ref	Platform Padding Installation	
	0273381	Ref	30in X 4ft (76cm x 1.22m)	
	0273382	Ref	30in X 5ft (76cm x 1.52m)	
	0275698	Ref	30in x 6 ft (76cm x 1.83m)	
		Ref	Platform Top Rail Extension Installation	
	1001103617	Ref	30in X 4ft (76cm x 1.22m)	
	1001103558	Ref	30in X 5ft (76cm x 1.52m)	
	0259338	Ref	Platform Worklights Installation	
	0271301	Ref	Platform Worklight Installation (UL Listed)	
	1001149561	Ref	SkyGuard Kit	
	1001176372	Ref	SkyGuard Removal Kit	
	1001194881	Ref	Soft-Touch Installation (30in X 5ft (76cm x 1.52m)	
	0274323	Ref	Soft-Touch Installation (30in x 6 ft (76cm x 1.83m)	
		Ref	Strobe Light Installations (Amber)	
	1001152965	Ref	Strobe Light Installation (Amber) Platform Mounted	
	1001154231	Ref	Strobe Light Installation (Amber) Platform/Ground Mounted	



**PART NUMBER INDEX**

# PART NUMBER INDEX

0060044.....177, 181	0272976.....183	241, 471, 473, 475,	0642612.....149, 151
0060052.....173, 179	0273089.....255	477, 479, 481, 483,	0681608.....183, 185, 189
0100001.....183	0273104....185, 189, 515	485, 487, 489, 491,	0681610.....169
0100009....173, 243, 247,	0273146.....515	493, 495, 497, 499,	0681810.....15
251, 259	0273147.....515	501, 503, 505, 507, 509	0681814....227, 229, 231,
0100010....471, 473, 475,	0273381.....515	0641407 ... 81, 83, 85, 87,	233
477, 479, 481, 483,	0273382.....515	89, 91, 153, 155, 185,	0681822....227, 229, 231,
485, 487, 489, 491,	0273468.....47	189, 433, 435, 437,	233
493, 495, 497, 499,	0273683.....43	439, 443, 445, 447	0682012.....29
501, 503, 505, 507, 509	0273684.....47	0641408 ... 115, 237, 239,	0682014.....21, 25
0100011....15, 21, 25, 29,	0273686.....49	241, 433, 435, 437,	0682026.....117
51, 53, 55, 57, 65, 67,	0274250.....514	439, 443, 445, 447,	0682028.....117
69, 73, 75, 77, 79, 87,	0274323.....515	475, 477, 481, 483,	0700408....433, 435, 437,
89, 91, 93, 101, 103,	0274530.....514	487, 489, 491, 493,	439, 443, 445, 447
105, 123, 125, 127,	0275216.....333, 433	495, 497, 499, 501,	0720804....101, 103, 105,
153, 155, 167, 169,	0275217.....335, 435	503, 505, 507, 509	243, 247, 251
173, 175, 185, 189,	0275218.....337, 437	0641409 .....161	0721004.....95, 97
193, 195, 209, 215,	0275219.....339, 439	0641410 .....193, 195	0721005....129, 131, 133,
217, 219, 221, 223,	0275452.....327, 445	0641413 ....101, 103, 105	135, 137, 139
225, 269, 271, 281,	0275453.....329, 443	0641414 ... 103, 105, 271,	0721006.....26
283, 285, 287, 289,	0275454.....331, 447	273	0750808....129, 131, 133,
291, 303, 305	0275650.....514	0641416 ... 185, 189, 433,	135, 137, 139
0100019...21, 25, 29, 117,	0275663.....359	435, 437, 439, 443,	0801154.....173
193, 195	0275664.....361	445, 447	0801169.....167, 173
0100020....127, 159, 265,	0275665.....363	0641418 ... 215, 217, 219,	0801192.....175
312	0275666.....365	221, 223, 225	0801197.....169, 175
0100035....145, 147, 243,	0275667.....367	0641430 .....21, 26, 29	0801260.....175
247, 251, 281, 283,	0275698.....515	0641440 .....57	0801261.....173
285, 287, 289, 291	0340047.....25	0641506 .....167, 169	0801264.....167, 169
0100038....281, 283, 285,	0340048.....55	0641508 .21, 25, 29, 153,	0840031....21, 25, 29, 73,
287, 289, 291, 303, 305	0400055.....73, 77	155	75, 77
0100048.....185, 189	0400201.....127	0641510 .....121, 159	0840032....21, 25, 29, 73,
0100071.....273	0440162.....15	0641512 .....303, 305	75, 77
0100081.....175	0460110.....514	0641514 ... 153, 155, 193,	0840055.....185, 189
0140011....243, 247, 251	0460113.....514	195, 275	0860038.....431, 441
0140028....101, 103, 105	0460114.....514	0641516 .....177, 193	0860520....471, 473, 475,
0140031.....115	0460115.....514	0641518 .....127	477, 479, 481, 483,
0257728.....275, 515	0460194.....514	0641524 .....21, 25, 29	485, 487, 489, 491,
0257735.....193	0460196.....514	0641542 .....51	493, 495, 497, 499,
0258688.....39	0480100.....275	0641560 .....193, 195	501, 503, 505, 507, 509
0258691.....167	0561076.....167, 169	0641604 .....303	0861152....129, 131, 133,
0258995.....39	0561317.....193, 195	0641605 ... 129, 131, 133,	135, 137, 139
0258996.....41	0561384.....193, 195	135, 137, 139, 175	0861375.....26
0258997.....41	0561385.....193, 195	0641606 ... 15, 65, 67, 69,	0861537.....243, 247
0259102.....257	0561386.....193, 195	101, 103, 105, 173, 175	0861731....327, 329, 331
0259123.....431	0561424.....193	0641607 ....169, 173, 175	0861781.....333, 335
0259125.....441	0610131 ... 81, 83, 85, 87,	0641608 53, 55, 125, 167,	0861880.....355
0259127.....429	89, 91	169, 173, 175	0901923.....153, 155
0259302.....51	0630399.....173	0641609 .....21, 25, 29	0902406....129, 131, 133,
0259338.....515	0630401.....175	0641610 ... 53, 55, 65, 67,	135, 137, 139
0259367.....195	0630440.....95	167, 169, 183, 209,	0902919.....185, 189
0259397.....514	0630464 ... 243, 247, 251	237, 239, 241	0902920.....185, 189
0259481.....159	0630467 .....193, 195	0641614 ....93, 153, 155,	0903484....433, 435, 437,
0259550.....514	0630468 .....153, 155	161, 167	439, 443, 445, 447
0259877.....514	0630487 .....173	0641616 .....177	0920113.....21, 25, 29
0270037.....45	0630518 ... 129, 131, 133,	0641618 .....159, 177	0940048.....167, 169
0270273.....469	135, 137, 139	0641622 .....127	0961127....471, 473, 475,
0270400.....177	0630552 .....127	0641806 .....167, 169	477, 479, 481, 483,
0270433.....514	0630568 ... 243, 247, 252	0641807 .....65, 67	485, 487, 489, 491,
0271108.....514	0641404 .....65, 67, 173	0641810 .....167, 169	493, 495, 497, 499,
0271251.....514	0641405 ... 81, 83, 85, 87,	0641811 ....73, 75, 77, 79	501, 503, 505, 507, 509
0271301.....515	89, 91, 173, 185, 189,	0641812 ....121, 167, 169	0961845....215, 217, 219,
0271493.....197	251, 269	0641818 .....173, 175	221, 223, 225
0271898.....514	0641406 ... 21, 25, 29, 87,	0641822 .....185, 189	0961947.....181, 279
0272111.....259	89, 91, 93, 95, 97, 127,	0641826 .....21, 25, 29	0961948.....175
0272704.....185	159, 235, 237, 239,	0642024 .....185, 189	

## PART NUMBER INDEX

0961950 ... 167, 169, 173, 175, 281, 283, 285, 287, 289, 291	1001116232..... 125	1001142694..... 149, 151	1001165962 ..... 155
0961951 17, 19, 173, 177, 279, 295, 299	1001116368..... 324, 381	1001143431..... 149, 151	1001165963 ..... 153
0962140 ..... 17, 19	1001116522..... 125, 379	1001144018..... 215	1001165977 ..... 127
0962257 ..... 181	1001116720..... 451, 453	1001144019..... 219	1001165980 ..... 153, 155
0962270 ... 227, 229, 231, 233	1001116810..... 421, 457	1001144020..... 223	1001165981 ..... 153, 155
0962292 ..... 177	1001116811..... 343	1001144025..... 211	1001165985 ..... 153, 155
0962356 ..... 293, 297	1001116812..... 391	1001144026..... 205	1001166250 ..... 155
0962450 ..... 185, 189	1001116846..... 514	1001144027..... 201	1001166251 ..... 445
1001093382 ... 73, 75, 77, 79	1001117093..... 451, 453	1001144433..... 252, 269	1001166258 ..... 443
1001093687 .... 475, 477, 479, 487, 491, 499, 503, 507	1001117172..... 265	1001144597..... 231	1001166259 ..... 447
1001094670 ..... 177	1001118388..... 451, 453	1001144598..... 227	1001166260 ..... 435
1001097150 ..... 355, 357	1001119228..... 175	1001144629..... 201, 203, 205, 207, 209, 211, 213	1001166261 ..... 437
1001097506 ... 65, 67, 69, 71	1001119566..... 514	1001144630..... 209	1001166262 ..... 439
1001097507 .... 101, 103, 105, 107	1001120328..... 269, 271	1001145800..... 239	1001166263 ..... 433
1001097775 .... 103, 105, 113	1001121510..... 471, 475, 477, 479, 487, 491, 495, 499, 503, 507	1001145985..... 515	1001166284 ..... 515
1001097777 .... 101, 103, 105, 111	1001121801..... 471, 473	1001146082..... 237	1001166321 ..... 97
1001099833 ..... 175	1001121803..... 499, 501	1001148902..... 514	1001166327 ..... 97
1001100341 ..... 333	1001121805..... 495, 497	1001148903..... 514	1001166328 ..... 95
1001100342 ..... 335	1001121808..... 487, 489	1001148904..... 514	1001166330 ..... 95, 97
1001100345 ..... 327	1001121810..... 503, 505	1001148905..... 514	1001166341 ..... 123
1001100346 ..... 331	1001121814..... 471, 473	1001148906..... 515	1001166377 ..... 95
1001100347 ..... 329	1001121816..... 499, 501	1001149561..... 515	1001166395 ..... 117
1001103105 ... 81, 83, 85, 87, 89, 91, 343	1001121818..... 495, 497	1001149563..... 269, 324	1001166414 ..... 15
1001103558 ..... 515	1001121821..... 487, 489	1001149564..... 149	1001166417 ..... 53
1001103617 ..... 515	1001121823..... 503, 505	1001149569..... 269, 451	1001166419 ..... 53, 55
1001104850 ..... 117, 119	1001121823..... 503, 505	1001149570..... 149, 151, 349	1001166420 ..... 65, 67
1001104864 .... 471, 473, 475, 477, 479, 481, 483, 485, 487, 489, 491, 493, 495, 497, 499, 501, 503, 505, 507, 509	1001121918..... 491, 493	1001149571..... 252, 269, 512	1001166437 ..... 115
1001106757 ..... 175	1001121920..... 507, 509	1001149818..... 143, 145, 459	1001166438 ..... 65, 101
1001108604 ..... 189	1001121921..... 491, 493	1001149955..... 143	1001166439 ..... 67, 103
1001108727 ..... 514	1001121923..... 507, 509	1001149994..... 147	1001166440 ..... 125
1001108923 ..... 471, 499	1001125248..... 159	1001150406..... 143, 145, 147	1001166444 ..... 85
1001109497 .... 129, 131, 133, 135, 137, 139, 512	1001128915..... 514	1001151116..... 514	1001166493 ..... 95, 97
1001109498 .... 243, 247, 251, 512	1001131269..... 471, 473	1001151286..... 515	1001166495 ..... 73, 75
1001109503 ..... 133, 139	1001132175..... 243, 247, 251	1001151368..... 175, 305	1001166496 ... 73, 75, 77, 79
1001109687 .... 311, 315, 319	1001136881..... 312	1001151386..... 305	1001166497 ..... 73
1001109786 ..... 269	1001136889..... 243, 247, 251, 265	1001151393..... 129, 131, 133, 135, 137, 139	1001166498 ..... 75
1001109860 ..... 324, 397	1001137673..... 269, 271	1001151395..... 15	1001166738 ..... 153
1001110226 ..... 255	1001137681..... 269	1001151413..... 303	1001166938 ..... 83
1001110435 .... 243, 247, 251	1001137897..... 269	1001151414..... 173, 303	1001166939 ..... 81
1001110775 ..... 45	1001138494..... 215, 217, 219, 221, 223, 225	1001151428..... 15	1001167014 ..... 93
1001110873 ..... 431	1001138514..... 215, 217, 219, 221, 223, 225	1001151817..... 252, 269	1001167252 ..... 21
1001112496 ..... 95, 97	1001140223..... 269	1001151413..... 303	1001167291 ..... 57, 127
1001112943 ..... 227, 229	1001140224..... 269	1001151514..... 173, 303	1001167303 ... 87, 89, 91
1001113483 ..... 185, 189	1001140278..... 169, 295	1001151428..... 15	1001167360 ..... 69, 105
1001113680 ..... 507, 509	1001140279..... 169, 299	1001151817..... 252, 269	1001167363 ..... 57
1001114782 ..... 75, 79	1001140280..... 177, 279	1001152230..... 303, 305	1001167419 ..... 91
	1001140315..... 515	1001152483..... 357	1001167420 ..... 87
	1001140318..... 515	1001152485..... 357, 439, 443	1001167421 ..... 89
	1001140429..... 215, 217, 219, 221, 223, 225	1001152635..... 311, 315	1001167426 ..... 377
	1001140597..... 167, 293	1001152965..... 515	1001167431 ..... 377
	1001140598..... 173, 297	1001153017..... 117, 121	1001167433 ..... 369
	1001141300..... 252, 269, 514	1001153021..... 15	1001167434 ..... 369
	1001141302..... 252, 269, 514	1001154231..... 515	1001167487 ..... 55
	1001141474..... 514	1001155044..... 243, 247, 252	1001167645 ..... 25
	1001141967..... 337, 339	1001155045..... 243, 248, 252	1001167699 .... 127, 141, 159, 267
	1001141968..... 337	1001155155..... 514	1001168004 ..... 127
	1001141969..... 339	1001157058..... 123	1001168005 ..... 127
	1001141970..... 339	1001158612..... 145	1001168670 ..... 77
	1001141971..... 337	1001159256..... 243, 248, 252	1001168673 ..... 169
		1001159355..... 161, 163	1001168731 ..... 29
		1001159361..... 159, 161	1001168796 ..... 79
			1001168800 ..... 77, 79
			1001169635 ..... 311, 322
			1001169637 ..... 315, 322

# PART NUMBER INDEX

1001169639.....319, 322	1001186375.....217	1060754.....159	1683706.....303
1001170991...65, 67, 457	1001186377.....221	1060755.....159	1683709.....289, 291
1001171115.....69, 421	1001186378.....225	1060778... 81, 83, 85, 87, 89, 91, 407	1683710.....281, 283
1001171213.....53, 55, 61	1001186385.....213	1060779.....407	1683712.....285, 287
1001171214.....57, 63	1001186386.....207	1060801.....93	1683802.....305
1001171289.....369, 371	1001186387.....203	1060802.....93	1683940.....283
1001171290.....369, 371	1001186388.....229	1060809... 369, 371, 377	1683941.....281, 283
1001171291.....377	1001186432.....453	1060810... 369, 371, 377	1683943.....287
1001171292.....377	1001186517.....271	1060811... 369, 371, 377	1683944.....285, 287
1001171293.....371	1001187373.....324, 391	1060835.....377	1683945.....169, 291
1001171298.....125	1001187508.....271	1060836.....377	1683946.....291
1001173577.....471, 473, 475, 477, 479, 481, 483, 485, 487, 489, 491, 493, 495, 497, 499, 501, 503, 505, 507, 509	1001188028.....133	1060837.....377	1683947.....291
1001175025.....95, 97	1001188029.....139	1060839.....377	1684055.....281
1001175597.....244, 248, 252	1001188889.....271	1060840.....377	1684056.....285
1001175617.....237, 243	1001189074.... 252, 324, 453	1060841.....377	1684059.....289
1001175619.....239, 247	1001189076.... 252, 324, 455	1060842.....377	1684060.....289
1001176309.....26, 377	1001189116.....252	1060847.....377	1684061.....167, 289
1001176310.....22, 369	1001189117.....241, 251	1060908.....355, 357	1684451.....169, 283
1001176311.....30, 371	1001189118.....241	1060919.....231, 233	1684452.....169, 287
1001176372.....515	1001189162.....515	10837580.....107	1684492.....167, 281
1001176417.....153, 155	1001189171.....357	1120093.....281	1684493.....167, 285
1001176441.....153, 155	1001189172.....357	1120094.....283	1700584.....501
1001176469.....133, 139	1001189194.....151	1120108.....289, 291	1701500.... 471, 473, 487, 489, 491, 493, 495, 497, 499, 501, 503, 505, 507, 509
1001177483.....169	1001189765.... 133, 139, 324	1120110.....303, 305	1701504.... 471, 473, 475, 477, 479, 481, 483, 485, 487, 489, 491, 493, 495, 497, 499, 501, 503, 505, 507, 509
1001177666.....311, 315	1001189882.....479, 485	1120305.....285, 287	1701505.... 471, 487, 491, 495, 499, 503, 507
1001178132.....244, 248, 252, 261, 512	1001190003.....485	1120487.....127	1701509.... 471, 473, 475, 477, 479, 481, 483, 485, 487, 489, 491, 493, 495, 497, 499, 501, 503, 505, 507, 509
1001178139.....244, 248, 252, 263, 512	1001190004.....479	1120552.....49	1701518.... 475, 477, 479, 481, 483, 485
1001178362.....471	1001190300.... 324, 347	1180302.....173	1701642.....93, 471, 473, 475, 477, 479, 481, 483, 485, 487, 489, 491, 493, 495, 497, 499, 501, 503, 505, 507, 509
1001178364.....473	1001190708.....273	1220038.....173	1701644.... 471, 473, 475, 477, 479, 481, 483, 485, 487, 489, 491, 493, 495, 497, 499, 501, 503, 505, 507, 509
1001178365.....499	1001193018.... 433, 435, 437, 439, 443, 445, 447	1220039.....173	1702124.... 312, 316, 320
1001178366.....501	1001194881.....515	1220040.....173	1702265.... 471, 473, 495, 497, 499, 501
1001178367.....495	1001195304.....514	1271538.....185, 189	1702271.....487, 489
1001178368.....497	1001196716.....514	1300019.....49	1702300.... 471, 473, 487, 489, 491, 493, 495, 497, 499, 501, 503, 505, 507, 509
1001178369.....507	1001196786.... 133, 139	1320012.....159	1702565.... 243, 247, 251
1001178370.....509	1001197877.....514	1320022.....127, 159	1702566.... 243, 247, 251
1001178371.....487	1001198648.....514	1320033.....319	1702567.... 243, 247, 251
1001178372.....489	1001198660.....515	1320037.....514	
1001178373.....491	1001222307.....515	1320040.....65, 67	
1001178374.....493	1060092... 73, 75, 77, 369, 371, 377	1320041... 127, 153, 155	
1001178375.....503	1060279... 475, 477, 481, 483, 487, 489, 491, 493, 495, 497, 499, 501, 503, 505, 507, 509	1320043.....193, 195	
1001178376.....505	1060330.....265	1320044.....193, 195	
1001178377.....475, 477	1060341.....351, 353	1380136... 101, 103, 105	
1001178378.....481, 483	1060379.....275	1380138.....95, 97	
1001178491.... 433, 435, 437, 439, 443, 445, 447	1060461.....411, 417	1380164.....159	
1001181045.....355, 512	1060494... 401, 403, 409, 415	1580012.....235	
1001181046.....355, 512	1060584... 129, 131, 133, 135, 137, 139	1600292.. 21, 25, 29, 512	
1001181081.....159	1060677... 413, 419, 463	1600293.. 21, 25, 29, 512	
1001182138.....273	1060689... 81, 83, 85, 87, 89, 91	1600294.....21, 29, 373	
1001182296.....93, 403	1060717.....369, 371	1600300.....25, 375	
1001182709.....95	1060718.....369, 371	1600387... 185, 189, 512	
1001182725.....153, 155	1060719.....369, 371	1670679.....173, 175	
1001183212.....153, 155	1060721.....369, 371	1670697.....193, 195	
1001185281.....252	1060722.....369, 371	1670698.....173	
1001185713.... 311, 315, 319	1060723.....369, 371	1670829... 243, 247, 251	
1001185825.....311	1060724.....369, 371	1670832.....197	
1001185826.... 315, 319	1060728.....371	1670833.....197	
1001186333.....233		1670880.....95	
		1670887.....51	
		1670953.....93	
		1683584.....303, 305	
		1683591.....15, 301	



# PART NUMBER INDEX

1702740 ..... 39, 43, 49	1704339 ..... 495, 497	1706378.....475, 477, 479, 481, 483, 485	2400068 ..... 247, 512
1702773 .... 231, 233, 469	1704340 ..... 499, 501	1706385....227, 229, 231, 233	2410014 ... 227, 229, 231, 233
1702774 ..... 469	1704341 ..... 507, 509	1706938....129, 131, 135, 137	2420106 ... 129, 131, 135, 137
1702860 ..... 469	1704342 ..... 487, 489	1706950....471, 473, 495, 497, 499, 501, 507, 509	2420202 ..... 185, 189
1702868 .... 471, 473, 514	1704343 ..... 491, 493	1760160.....173	2460037 ..... 93
1702962 ..... 471	1704344 ..... 503, 505	1810136.....129	2540037 ..... 26
1703175 ..... 514	1704371 ..... 495	1810137.....131	2540045 .... 73, 75, 77, 79
1703488 ... 473, 489, 493, 501, 505	1704412 ... 471, 473, 475, 477, 479, 481, 483, 485, 487, 489, 491, 493, 495, 497, 499, 501, 503, 505, 507, 509	1810138.....135	2560122 .... 101, 103, 105
1703683 ..... 275	1704417 ..... 487, 489	1810139.....137	2560123 .... 101, 103, 105
1703797 ..... 471, 473	1704418 ..... 491, 493	1870227 ..... 324	2560136 .... 243, 247, 251
1703798 ..... 471, 473	1704419 ..... 503, 505	2080040....201, 203, 205, 207, 209, 211, 213	2600281 ... 201, 203, 205, 207, 209, 211, 213
1703804 ..... 471, 473	1704431 ... 471, 473, 475, 477, 479, 481, 483, 485, 487, 489, 491, 493, 495, 497, 499, 501, 503, 505, 507, 509	2160003.....121	2700093 ..... 95, 97
1703805 ..... 471, 473	1704445 ... 471, 473, 475, 477, 479, 481, 483, 485, 487, 489, 491, 493, 495, 497, 499, 501, 503, 505, 507, 509	2180348.....127	2720058 ..... 127
1703811 ... 475, 477, 479, 481, 483, 485	1704446 ..... 471, 473	2220237....312, 316, 320	2720271 ..... 127
1703813 ..... 471, 473	1704452 ..... 499, 501	2220239.....312	2720559 ..... 159
1703814 ... 475, 477, 479, 481, 483, 485	1704453 ..... 507, 509	2220371.....311, 315, 319	2750910 .... 311, 315, 319
1703923 ..... 495, 497	1704454 ..... 495, 497	2220386....311, 315, 319	2750915 .... 311, 312, 315
1703924 ..... 499, 501	1704712 ..... 26	2220415....311, 312, 315, 316, 319, 320	2750996 .... 311, 315, 319
1703925 ..... 503, 505	1704787 ... 473, 489, 493, 497, 501, 505, 509	2220466....311, 315, 319	2751009 ..... 315, 319
1703926 ..... 487, 489	1704789 ... 473, 481, 483, 485, 489, 493, 497, 501, 505, 509	2220472....311, 315, 319	2751126 ..... 311
1703927 ..... 491, 493	1704790 ... 471, 475, 477, 479, 487, 491, 495, 499, 503, 507	2220473....311, 312, 315, 316, 319, 320	2751127 ..... 311
1703928 ..... 507, 509	1704885 ... 471, 473, 475, 477, 479, 481, 483, 485, 487, 489, 491, 493, 495, 497, 499, 501, 503, 505, 507, 509	2220498.....311, 315	2751414 ..... 316, 320
1703929 ..... 495, 497	1705014 ... 227, 229, 231, 233	2220499.....316, 320	2751508 .... 311, 315, 319
1703930 ..... 499, 501	1705325 ..... 433	2220501....311, 315, 319	2752430 ..... 315, 319
1703931 ..... 503, 505	1705351 ..... 471, 473	2220502....311, 315, 319	2752435 ..... 311
1703932 ..... 487, 489	1705364 ..... 49	2220504....311, 315, 319	2752437 ..... 315, 319
1703933 ..... 491, 493	1705426 ..... 487, 489	2220507....311, 315, 319	2752440 ..... 312
1703934 ..... 507, 509	1705427 ..... 491, 493	2220516.....303, 305	2752453 ..... 311, 315
1703935 ..... 495, 497	1705429 ..... 499, 501	2220517.....303, 305	2752459 .... 311, 315, 319
1703936 ..... 499, 501	1705430 ..... 503, 505	2220518.....312, 315, 316, 319, 320	2752462 ..... 319
1703937 ..... 503, 505	1705514 ..... 499, 501	2220593....311, 315, 319	2752466 ..... 315, 319
1703938 ..... 487, 489	1705670 ... 475, 477, 479, 481, 483, 485	2220596.....303, 305	2752467 ..... 311, 315
1703939 ..... 491, 493	1705822 ... 475, 477, 479, 481, 483, 485	2220600....312, 316, 320	2752475 ..... 311
1703940 ..... 507, 509	1705828 ... 475, 477, 479, 481, 483, 485	2220605.....312	2752486 ..... 319
1703947 ..... 495, 497	1705910 ..... 495, 497	2220609.....312	2752519 ..... 319
1703948 ..... 499, 501	1705921 ... 475, 477, 479, 481, 483, 485	2220628.....303, 305	2752572 ..... 311
1703949 ..... 503, 505	1705968 ..... 514	2220654.....316, 320	2752573 ..... 311
1703950 ..... 487, 489	1705977 ... 475, 477, 479, 481, 483, 485	2220677....311, 315, 319	2752574 ..... 319
1703951 ..... 491, 493	1705978 ... 475, 477, 479, 481, 483, 485	2220684.....311	2752580 ..... 311
1703952 ..... 507, 509		2220711....312, 315, 319	2752581 ..... 311
1703980 ..... 487, 489		2220727 ..... 311	2752585 .... 311, 315, 319
1703981 ..... 491, 493		2220805.....159	2752589 ..... 311, 315
1703982 ..... 503, 505		2220883.....303, 305	2752600 ..... 316, 320
1703983 ..... 495, 497		2220885....281, 285, 289, 291, 311, 315, 319	2752611 ..... 315, 319
1703984 ..... 499, 501		2220899....311, 315, 319	2752620 ..... 311
1703985 ..... 507, 509		2220909....312, 316, 320	2752675 ..... 319
1703987 ..... 491, 493		2220999....311, 315, 319	2752795 .... 311, 315, 319
1703988 ..... 503, 505		2221033....311, 315, 319	2752983 ..... 312
1703991 ..... 507, 509		2221046.....127	2753010 ..... 319
1704000 .... 499, 501, 514		2221047.....127	2753050 ... 311, 315, 319
1704001 ..... 495, 497		2221054....312, 315, 319	2753301 ..... 315, 319
1704002 ..... 507, 509		2221086....312, 316, 320	2753302 ..... 315, 319
1704008 ..... 507, 509		2221147 ..... 311	2753303 ..... 316, 320
1704240 .... 243, 247, 251		2300027.....515	2753304 ..... 315, 319
1704253 ... 471, 473, 489, 495, 497, 499, 501, 507, 509		2300028.....515	2753305 ..... 315, 319
1704260 .... 243, 247, 251		2400044.....26	2753326 ..... 311
1704277 ... 471, 473, 475, 477, 479, 481, 483, 485, 487, 489, 491, 493, 495, 497, 499, 501, 503, 505, 507, 509		2400062.....26, 512	2753638 ..... 315, 319
1704286 ..... 471		2400067.....247	2753973 ..... 311, 315
			2760105 ... 243, 247, 251
			2780241 ..... 15, 17
			2780242 ..... 15, 19
			2780282 .... 21, 25, 29, 33
			2792505 ..... 322
			2820035 ..... 93

# PART NUMBER INDEX

2820105.....95	3310805 ... 101, 103, 105, 125	3422794 ..... 177	3900283..... 185, 189
2820106.....95	3311001 ..... 26, 209	3422804 ..... 175	3910610.....431, 441
2820110.....95	3311005 95, 97, 129, 131, 133, 135, 137, 139,	3422806 ..... 169	3910624.....29
2820112.....159	149, 151, 197, 251, 269	3422901 ..... 173	3910628.....21, 25
2820116.....159	3311011 ... 129, 131, 133, 135, 137, 139	3450304 ..... 153, 155	3910804.... 129, 131, 133, 135, 137, 139
2820117.....159	3311401 ... 22, 26, 30, 95, 173, 175, 193, 195	3450810 ..... 15	3910808.....247
2820218.....159	3311405 ... 81, 83, 85, 87, 89, 91, 93, 95, 97, 115, 127, 159, 161, 185, 189, 193, 195, 237, 239, 241, 433, 435, 437, 439, 443, 445, 447, 471, 473, 475, 477, 479, 481, 483, 485, 487, 489, 491, 493, 495, 497, 499, 501, 503, 505, 507, 509	3460457 ..... 159	3911008.....209
2860030.... 129, 131, 133, 135, 137, 139, 512	3311501 .... 26, 153, 155, 177	3470003 .... 243, 247, 252	3911012..... 149, 151
2900768.....21, 25, 29	3311505. 21, 25, 29, 167, 170, 175, 193, 195, 275	3480239 ..... 303, 305	3930824..... 125
2900770.... 179, 181, 281, 283, 285, 287, 289, 291, 307	3311601 ... 153, 155, 169, 243, 247, 252	3480240 ..... 289, 291	3931016..... 251, 269
2900792.... 279, 297, 299	3311602 ..... 173	3480241 ..... 281, 283	3931028.....197
2901804.....289, 291	3311605 65, 93, 127, 159, 161, 167, 169, 173, 175, 177, 183, 209, 227, 229, 231, 233, 237, 239, 241	3480242 ..... 285, 287	3931412.....269
2901805.....285, 287	3311805 ... 167, 169, 185, 189	3510844 ..... 209	3931424.....271
2901806.....281, 283	3312005 ..... 185, 189	3520026 ... 129, 131, 133, 135, 137, 139	3931832.....117
2902549.... 355, 433, 435, 437, 445, 447	3312008 ..... 15	3520028 ... 129, 131, 133, 135, 137, 139	3951402.....289, 303
2915230.....343	3322202 ..... 15	3520030 .... 243, 247, 251	3960389..... 95, 159
2920028.....251, 269	3322205 ..... 303, 305	3520034 ..... 173	3960417..... 95, 159
2920029.....251, 269	3323003 ..... 15	3520035 ..... 95, 97	3960418.....159
2920151.... 141, 185, 190	3340663 ..... 173	3520054 .... 243, 247, 251	3960422..... 431, 441
2920161.....147, 461	3340679 ..... 303	3520072 ... 201, 203, 205, 207, 211, 213, 215, 217, 219, 221, 223, 225, 227, 229, 231, 233	3960438.... 129, 131, 133, 135, 137, 139
2940071 ..... 153, 155	3340682 ..... 173	3520173 ..... 259	3960447..... 95, 97
2940074.... 201, 203, 205, 207, 209, 211, 213, 512	3340820 ..... 173	3520182 ..... 273	3960453..... 153, 155
2940095.....95, 97	3340837 ..... 175	3520198 ... 201, 203, 205, 207, 209, 211, 213, 215, 217, 219, 221, 223, 225	3990001.....395, 512
2940115.....95	3340860 ..... 177	3520198 ... 201, 203, 205, 207, 209, 211, 213, 215, 217, 219, 221, 223, 225	3990010.....391
3000003.... 73, 75, 77, 79	3340881 ..... 175	3536999 ..... 193	3990105.....21, 25, 29
3020008.....21, 25, 29	3340939 ..... 175	3537045 ..... 167, 169	4010618.... 215, 217, 219, 221, 223, 225
3020029..... 117	3380434 .... 237, 239, 241	3571462 ..... 195	4060092.....441
3020037.....21, 25, 29	3380602 ..... 159	3571834 ... 81, 83, 85, 87, 89, 91	4060802.... 129, 131, 133, 135, 137, 139
3160237.... 21, 25, 29, 37	3420156 ..... 153, 155	3572413 ..... 209	4060804..... 95, 175
3251243.... 471, 473, 495, 497, 499, 501, 507, 509	3422175 ..... 167, 169	3572551 ..... 177	4060805..... 93, 153, 155, 193, 195
3252347.....471, 473	3422176 ..... 167, 169	3575952 ..... 161	4060808..... 193, 195
3252507.... 435, 437, 439, 441, 443, 445, 447	3422177 ..... 167, 169	3575961 ..... 159	4060865.....145
3271605.....169	3422178 ..... 167, 169	3600289 .... 53, 55, 57, 59	4061032..... 320
3271805.... 227, 229, 231, 233	3422179 ..... 167	3760115 ..... 173, 175	4061054..... 185, 189
3290405.... 433, 435, 437, 439, 443, 445, 447	3422180 ..... 167, 173	3760308 ..... 95, 97	4070897.....175
3290606.... 215, 217, 219, 221, 223, 225	3422181 ..... 173	3790012 ... 243, 247, 251, 257, 267	4070898.....175
3300151 .... 193, 195, 215, 217, 219, 221, 223, 225	3422582 ..... 169	3790113 ..... 307	4070982.....175
3300188.... 129, 131, 133, 135, 137, 139	3422661 ..... 275	3820001 ... 471, 473, 475, 477, 479, 481, 483, 485, 487, 489, 491, 493, 495, 497, 499, 501, 503, 505, 507, 509	4100025..... 159
3300279.....291	3422669 ..... 169	3820019 ..... 95, 97	4100026.... 127, 312, 316, 320
3300281.... 281, 283, 285, 287	3422692 ..... 15	3820020 ... 201, 203, 205, 207, 211, 213	4100067..... 195
3300315.....289	3422709 ..... 173	3841143 .... 167, 169, 173	4120035.....397, 399
3300353.....93	3422791 ..... 177	3841203 ..... 167, 169	4130350..... 19
3300365.... 129, 131, 133, 135, 137, 139	3422792 ..... 169	3841517 ..... 15	4130351..... 17
3300396.... 129, 131, 133, 135, 137, 139	3422793 ..... 169	3900054 ... 227, 229, 231, 233	4240032 65, 67, 243, 247, 251, 257, 387, 389, 391, 393, 395, 397, 399, 425, 427, 465
3300426.... 15, 21, 25, 29		3900085 ..... 147	4240033.... 127, 149, 185, 189, 269, 271, 345, 387, 389, 391, 393, 425, 427, 465
3300430.....271, 273		3900104 ..... 197	4240084.....21, 25, 29
3300454.... 21, 25, 29, 57, 87, 89, 91		3900109 ..... 15	4240099..... 193, 195
3300472.....269		3900128 ..... 145	4240175..... 125
3310601..21, 25, 29, 243, 247, 251		3900142 ..... 291	4300140..... 193, 195
		3900170 ... 281, 283, 285, 287, 289, 291	4341072.....159
		3900174 ..... 95, 97	4360070.... 129, 131, 133, 135, 137, 139, 512
			4360274..... 141, 512
			4360328.... 129, 131, 133, 135, 137, 139, 257, 512

## PART NUMBER INDEX

4360330 ... 129, 131, 133, 135, 137, 139, 512	4460313 ... 185, 186, 189, 190	4460751 ..... 421, 457	4640936 ..... 289, 291
4360336 ..... 267, 512	4460315 ..... 465	4460752 ..... 243, 247, 251, 463	4641086 ..... 299
4360387 ... 133, 139, 243, 247, 251, 269, 512	4460320 ... 186, 190, 379, 459, 465	4460753 ..... 193, 195	4641122 ..... 41, 47
4360448 .... 243, 251, 512	4460321 ... 341, 373, 375, 385, 407, 423, 449, 451, 455, 465	4460754 ..... 193, 195, 413, 419	4641167 ..... 39, 43, 49
4360462 .... 243, 247, 251	4460326 .... 373, 391, 465	4460761 .... 185, 189, 341, 347, 407, 421, 457	4641386 ... 281, 283, 285, 287
4360469 ... 129, 133, 135, 139, 512	4460343 ..... 427, 465	4460805 ..... 83, 87	4711000 ... 149, 151, 251, 269
4360470 .... 131, 137, 512	4460346 ..... 431	4460807 ..... 383	4711400 ... 21, 25, 29, 57, 65, 67, 81, 83, 85, 87, 89, 91, 101, 103, 105, 115, 127, 159, 185, 189, 215, 217, 219, 221, 223, 225, 251, 269, 271, 273, 433, 435, 437, 439, 443, 445, 447
4360475 ... 129, 131, 133, 135, 137, 139, 243, 247, 251, 512	4460418 ... 387, 389, 391, 405, 425, 427	4460808 ..... 383	4711500 26, 51, 175, 243, 247, 252
4360476 ... 129, 131, 133, 135, 137, 139, 243, 247, 251, 512	4460419 ... 387, 389, 391, 405, 425, 427	4460809 ..... 383	4711600 ... 21, 25, 29, 53, 65, 67, 69, 101, 103, 105, 125, 153, 155, 175, 183, 185, 189, 209
4360548 .... 351, 353, 512	4460424 ... 186, 190, 395, 421, 457	4460836 ..... 185, 189, 393	471800 65, 67, 227, 229, 231, 233
4400417 ..... 127	4460425 ... 129, 131, 133, 135, 137, 139, 393, 465	4460837 ..... 393	4712600 ..... 149, 151
4420051 ... 475, 477, 479, 481, 483, 485	4460426 ..... 93	4460868 ..... 391	4740120 ... 129, 131, 133, 135, 137, 139
4420062 ..... 275	4460428 ... 81, 83, 85, 87, 89, 91, 243, 247, 251	4460877 ..... 391	4740156 ..... 15
4460007 ... 129, 131, 133, 135, 137, 139	4460434 ... 387, 389, 391, 393, 421, 425, 427, 451, 453, 457	4460884 ..... 379, 391, 451, 453	4740171 ..... 117
4460042 ... 186, 190, 265, 397, 399, 465	4460444 ..... 345	4460891 ..... 349, 461	4740207 ..... 285, 287
4460071 .... 265, 431, 441	4460458 ... 393, 421, 457	4460894 ..... 453	4740362 .... 237, 239, 241
4460078 ..... 93	4460464 ... 265, 267, 343, 347, 421, 423, 425, 427, 453, 457, 459, 463	4460897 ..... 459	4740397 ... 129, 131, 133, 135, 137, 139, 243, 247, 251
4460125 ..... 441	4460465 ... 185, 189, 349, 379, 385, 391, 393, 395, 413, 419, 453, 461, 465	4460899 ..... 453	4740413 ..... 173
4460134 .... 401, 403, 409	4460466 ... 185, 189, 347, 379, 421, 457	4460930 ..... 343	4750600 . 21, 25, 29, 243, 247, 251
4460138 81, 89, 401, 403	4460488 ... 149, 243, 247, 251	4460931 ..... 347, 421, 457	4750800 ... 101, 103, 105, 125, 243, 247, 251
4460145 ... 387, 389, 391, 395, 465	4460495 ... 129, 131, 133, 135, 137, 139	4460932 ..... 453	4751000 . 26, 95, 147, 209
4460183 .... 265, 387, 389	4460496 ... 129, 131, 133, 135, 137, 139, 243, 247, 251	4460933 ..... 185, 189	4751400 . 93, 95, 97, 153, 155, 173, 185, 189, 193, 195, 235, 237, 239, 241, 269, 273, 433, 435, 437, 439, 443, 445, 447, 471, 473, 475, 477, 479, 481, 483, 485, 487, 489, 491, 493, 495, 497, 499, 501, 503, 505, 507, 509
4460205 ..... 415, 431	4460497 ... 129, 131, 133, 135, 137, 139, 243, 247, 251	4460943 ..... 149, 151	4751500 ... 21, 25, 29, 73, 75, 77, 79, 153, 155, 159, 167, 170, 177, 193, 195, 275
4460224 ..... 451	4460508 ..... 343	4460944 ..... 391, 453	4751600 55, 93, 127, 129, 131, 133, 135, 137, 139, 159, 167, 169, 173, 237, 239, 241, 269
4460225 ... 189, 349, 373, 375, 381, 383, 405, 427, 451, 465	4460509 ..... 421, 457	4460945 ..... 391	4751800 ... 153, 155, 227, 229, 231, 233
4460226 ... 186, 190, 261, 263, 265, 341, 347, 373, 375, 387, 389, 391, 393, 407, 421, 425, 427, 453, 457	4460536 ..... 453	4460956 ..... 355	4760600 . 21, 25, 29, 431, 441
4460227 ... 185, 186, 189, 190, 341, 373, 375, 379, 381, 385, 387, 389, 391, 393, 397, 399, 405, 421, 423, 427, 449, 453, 457, 465	4460539 ..... 391, 453	4460957 ..... 355	4761000 ..... 209
4460233 ..... 441	4460634 ..... 397, 399	4460968 ... 351, 353, 433, 435, 437, 439	4761400 .... 173, 175, 235
4460234 .... 243, 247, 251	4460635 ..... 397, 399	4461002 ..... 455	
4460259 ... 381, 387, 389, 391, 395, 425, 427, 451, 453, 465	4460662 .... 443, 445, 447	4461196 ..... 333, 365	
4460260 ... 381, 387, 389, 391, 395, 425, 427, 451, 453, 465	4460685 ..... 115	4461198 ..... 333	
4460264 ... 129, 131, 133, 135, 137, 139	4460708 ..... 453	4461199 ..... 335, 367	
4460265 ... 186, 190, 261, 263, 349, 387, 389, 391, 393, 397, 399	4460709 ..... 417	4461201 ..... 335	
4460267 ... 349, 383, 385, 423, 449, 451, 455, 459, 465	4460710 ..... 411	4461202 ..... 327, 337, 359	
4460268 ... 349, 395, 451, 453, 465	4460738 ... 345, 421, 457, 465	4461205 ..... 329, 339, 361	
	4460742 .... 393, 421, 457	4461244 ..... 327	
	4460743 .... 393, 421, 457	4461245 ..... 329	
	4460744 ..... 421, 457	4461246 ..... 331	
	4460745 ..... 421, 457	4461249 ..... 331, 363	
	4460746 ..... 421, 457	4520209 ..... 39, 41	
	4460748 ..... 421, 457	4520269 ..... 43, 47, 49	
	4460749 ..... 421, 457	4520279 ..... 43	
	4460750 ..... 421, 457	4520282 ..... 49	
		4566027 ..... 305	
		4566188 ..... 312	
		4566243 ..... 193, 195	
		4566356 ..... 167, 169	
		4566432 ..... 281, 283	
		4566435 ..... 285, 287	
		4566623 ..... 312	
		4567177 ..... 289	
		4567704 ..... 303	
		4567908 ..... 291	
		4567946 ..... 316, 320	
		4568114 ..... 21, 25, 29	
		4640509 ..... 279, 297	
		4640634 ..... 281, 283, 285, 287	
		4640709 ..... 307	
		4640771 ..... 307	
		4640807 ..... 303, 305, 307	
		4640932 ..... 297, 299	

# PART NUMBER INDEX

4761600.....129, 131, 133, 135, 137, 139, 161, 173	4933388... 129, 131, 135, 137, 324	70001377..... 33	70004748.....261
4761800..... 173, 175	70000088..... 119	70001378..... 33	70004749.....261
4811400.....433, 435, 437, 439, 443, 445, 447	70000089..... 119	70001379..... 33	70004750.....261
4811700.....215, 217, 219, 221, 223, 225	70000289..... 164	70001380..... 34	70004751.....261
4844304..... 167	70000290..... 163	70001876..... 107	70004752.....263
4844427..... 167, 169	70000291..... 163	70001961..... 59	70004753.....263
4844467..... 167, 169	70000292..... 163	70001996..... 175, 512	70004754.....263
4844579..... 173	70000293..... 163	70001998..... 175, 512	70004755.....263
4845582.....275	70000294..... 163	70002083..... 163	70004756.....263
4845925..... 177	70000295..... 163	70002112..... 61, 63	70004757.....263
4846026..... 169	70000296..... 163	70002206..... 119	70004758.....263
4846033..... 175	70000297..... 163	70002207..... 119	70004759.....263
4846278..... 177	70000298..... 163	70002216..... 295, 299	70004760.....263
4846307..... 167, 169	70000299..... 163	70002217..... 295, 299	70004761.....263
4846608..... 183, 185, 189	70000300..... 163	70002220..... 279	70004762.....263
4860191....39, 41, 43, 47, 49	70000301..... 163	70002223..... 279	70004763.....263
4891400..... 161	70000302..... 163	70002244..... 163	70004764.....263
4891500..... 121	70000303..... 163	70002408..... 21, 25, 29	70004765.....263
489160053, 55, 161, 169, 183, 185, 189	70000304..... 163	70002543..... 164	70004766.....263
4891800.... 15, 73, 75, 77, 79, 185, 189	70000305..... 163	70002544..... 163	70004767.....263
4892000..21, 25, 29, 117, 185, 189	70000306..... 163	70002806..... 107	70004768.....263
4920385..... 159	70000307..... 163	70002807..... 113	70004769.....263
4922060..... 324, 425	70000308..... 163	7000281..... 33	70004770.....263
4922071..... 324, 423	70000309..... 163	70002902..... 265	70004771.....263
4922073.....395, 465	70000310..... 163	70002903..... 265	70004772.....263
4922074..... 324, 399	70000311..... 163	70002904..... 265	70004773.....263
4922103... 21, 25, 29, 345	70000312..... 163	70002905..... 265	70004774.....263
4922104..... 324, 465	70000313..... 163, 512	70003171..... 59	70004775.....263
4922117..... 324, 385	70000314..... 163	70003341..... 301	70005101..... 61, 63
4922160..... 324, 341	70000315..... 163	70003557..... 163	7001630..... 301
4922178..... 193, 413	70000316..... 163	70003618..... 163	70023094..... 293, 297
4922179..... 193, 195, 463	70000317..... 163	70003619..... 163	70024262..... 297
4922222..... 267	70000318..... 163, 512	70003819..... 295, 299	7004035..... 119
4922223..... 267	70000319..... 163, 512	70003833..... 279	7004036..... 119
4922263..... 324, 449	70000320..... 163	70003836..... 279	7004043..... 119
4922294..... 257, 405	70000321..... 163	70003843..... 295	7004044..... 119
4922303..... 324, 427	70000322..... 163	70003844..... 295	7004045..... 119
4922307..... 324	70000323..... 163	70003845..... 295, 299	7004047..... 119
4922319..... 141, 383	70000324..... 163	70003846..... 299	7004049..... 119
4922367..... 324, 393	70000325..... 164	70003847..... 299	7007640..... 33
4922390..... 93, 401	70000326..... 164, 512	70003863..... 279	7007900..... 21, 25, 29
4922552..... 195, 419	70000327..... 164	70003864..... 279	7007913..... 21, 25, 29
4922607.....409, 431, 441	70000328..... 164	70004016..... 451	7007933..... 21, 25, 29
4922608.....415, 431, 441	70000329..... 164, 512	70004019..... 107	7007977..... 21, 25, 29
4922609....411, 429, 433, 435, 437, 439, 443, 445, 447	70000330..... 164, 512	70004130..... 293	7010542..... 71
4922610....417, 429, 433, 435, 437, 439, 443, 445, 447	70000331..... 179, 181	70004131..... 297	7010543..... 71, 107
4922613..... 197, 353	70000341..... 179, 181	70004141..... 293, 297	7011112..... 297, 299
4922614..... 197, 351	70000381..... 108	70004142..... 293, 297	7011323..... 179, 181
4922916..... 185, 189	70000382..... 164	70004143..... 293, 297	7011376.... 281, 283, 285, 287
4922917..... 185, 189	70000739..... 293, 297	70004144..... 293	7011609..... 107
4922926..... 186, 190	70000740..... 297	70004145..... 293	7011716..... 21, 25, 29
4923625..... 324, 387, 389	70000865..... 121	70004146..... 297	7011757..... 21, 25, 29
4933060..... 243, 324	70000967..... 163	70004147..... 297	7012518..... 71, 107
4933105..... 251, 324	70001052..... 373	70004159..... 121	7012540..... 108
4933181..... 247, 324	70001121..... 163	70004265..... 163	7012545..... 37
4933289..... 185, 189	70001144..... 163	70004323..... 181	7012548..... 37
	70001366..... 33	70004394..... 164	7012549..... 37
	70001367..... 33	70004738..... 261	7012549..... 37
	70001368..... 33, 34	70004739..... 261	7012903..... 107
	70001369..... 33	70004740..... 261	7012914..... 107
	70001370..... 33	70004741..... 261	7012941..... 71
	70001371..... 33	70004742..... 261	7012947..... 107
	70001372..... 33	70004743..... 261	7012953..... 107, 111
	70001373..... 33	70004744..... 261	7012959..... 111
	70001374..... 33	70004745..... 261	7012961..... 107
	70001375..... 33	70004746..... 261	7012967..... 71
	70001376..... 33	70004747..... 261	7012972..... 71

## PART NUMBER INDEX

7012975 .....	107	7017496 .....	107, 111	7021604 .....	107	7024832 .....	71
7012995 .....	107	7019609 .....	37	7021609 .....	71, 107, 113, 512	7024844 .....	279, 299
7012998 .....	71, 107	7019698 .....	173, 512	7021610 .....	107, 512	7024891 .....	111
7016177 .....	73, 77	7019699 .....	173	7021611 .....	71, 107	7026042 .....	121
7016272 .....	461	7020035 .....	17, 19	7021616 .....	71, 512	7026043 .....	121
7016319 .....	461	7020036 .....	17, 19	7021618 .....	71, 107, 512	7026068 .....	279
7017007 .....	34	7020037 .....	17, 19	7021619 .....	71	7026082 .....	295, 299
7017009 .....	33	7020038 .....	17, 19	7021653 .....	107, 113	7026088 .....	279
7017022 .....	33	7020039 .....	17, 19	7021659 .....	71	7026090 .....	279
7017120 .....	179, 181	7020040 .....	17, 19	7022000 .....	373	7026091 .....	279
7017121 .....	179, 181	7020041 .....	17, 19	7022001 .....	373	7026092 .....	279
7017122 .....	179, 181	7020042 .....	17, 19	7022002 .....	373	7027350 .....	121
7017123 .....	179, 181	7020054 .....	17, 19	7022003 .....	373	7027351 .....	121
7017126 .....	179, 181	7020055 .....	17, 19	7022004 .....	373	7027352 .....	121
7017127 .....	179, 181	7020137 .....	17, 19	7022005 .....	373, 375	7027353 .....	121
7017153 .....	179	7020140 .....	17, 19	7022007 .....	375	7027354 .....	121
7017172 .....	179, 181	7020149 .....	37	7022008 .....	375	7027356 .....	121
7017192 .....	179, 181	7020150 .....	37	7022009 .....	375	7027358 .....	121
7017196 .....	179, 181	7020151 .....	37	7022010 .....	375	7027359 .....	121
7017246 .....	301	7020175 ...	129, 131, 133, 135, 137, 139, 243, 247, 251	7022011 .....	373	7027360 .....	121
7017247 .....	301	7020176 ...	129, 131, 133, 135, 137, 139, 243, 247, 251	7022012 .....	373	7027361 .....	121
7017248 .....	301	7020179 .....	127	7022391 .....	71	7027363 .....	121
7017249 .....	301	7020184 .....	37	7022394 .....	107	7027900 .....	179, 181
7017250 .....	301	7020185 .....	37	7023318 .....	119	7027901 .....	179, 181
7017251 .....	301	7020189 .....	37	7024379 .....	119	7028909 .....	149, 151
7017252 .....	301	7021318 .....	59	7024380 .....	119	8220050 .....	451
7017402 .....	71, 107, 113	7021319 .....	59	7024381 .....	119	8220051 .....	451, 455
7017406 .....	108	7021361 .....	59	7024389 .....	119	88261024 .....	153, 155
7017410 .....	107	7021367 .....	59	7024390 .....	119	88261039 .....	269
7017418 .....	107	7021377 .....	59	7024444 .....	61, 63	88521205 ..	73, 75, 77, 79
7017421 .....	107	7021603 .....	107	7024445 .....	61, 63	88662523 ..	53, 55, 65, 67
7017433 .....	71, 107			7024453 .....	119	88662530 ..	153, 155, 159
7017452 .....	107, 113			7024738 .....	33		
7017466 .....	111			7024741 .....	33		
7017488 .....	71						



31201649



An Oshkosh Corporation Company

Corporate Office  
JLG Industries, Inc.  
1 JLG Drive  
McConnellsburg, PA 17233-9533  
USA

+1-717-485-5161 (Corporate)  
+1-877-554-5438 (Customer Support Toll Free)  
+1-717-485-6417

### JLG Worldwide Locations

JLG Industries  
358 Park Road  
Regents Park  
NSW 2143  
Sydney 2143  
Australia  
+6 (12) 87186300  
+6 (12) 65813058  
Email: techservicesaus@jlg.com

JLG Ground Support Oude  
Bunders 1034  
Breitwaterstraat 12A  
3630 Maasmechelen  
Belgium  
+32 (0)89 84 82 26  
Email: emeaservice@jlg.com

JLG Latino Americana LTDA  
Rua Antonia Martins Luiz, 580  
Distrito Industrial Joao Narezzi  
Indaiatuba-SP 13347-404  
Brasil  
+55 (19) 3936 7664 (Parts)  
+55 (19) 3936 9049 (Service)  
Email: comercialpecas@jlg.com  
Email: servicios@jlg.com

Oshkosh-JLG (Tianjin)  
Equipment Technology LTD  
Shanghai Branch  
No 465 Xiao Nan Road  
Feng Xian District  
Shanghai 201204  
China  
+86 (21) 800 819 0050  
Email: servicios@jlg.com

JLG Industries Dubai  
Jafza View  
PO Box 262728, LB 19  
20th Floor, Office 05  
Jebel Ali, Dubai  
+971 (0) 4 884 1131  
+971 (0) 4 884 7683  
Email: emeaservice@jlg.com

JLG France SAS  
Z.I. Guillaume Mon Amy  
30204 Fauillet  
47400 Tonniens  
France  
+33 (0) 553 84 85 86  
+33 (0) 553 84 85 74  
Email: pieces@jlg.com

JLG Deutschland GmbH  
Max Planck Str. 21  
27721 Ritterhude-Ihlpohl  
Germany  
+49 (0) 421 69350-0  
+49 (0) 421 69350-45  
Email: german-parts@jlg.com

JLG Equipment Services Ltd.  
Rm 1107 Landmark North  
39 Lung Sum Avenue  
Sheung Shui N. T.  
Hong Kong  
+(852) 2639 5783  
+(852) 2639 5797

JLG Industries (Italia) S. R. L.  
Via Po, 22  
IT-20010 Pregnana Milanese (MI)  
Italy  
+39 (0) 2 9359 5210  
+39 (0) 2 9359 5211  
Email: ricambi@jlg.com

JLG EMEA B.V.  
Polaris Avenue 63  
2132 JH Hoofdorf  
The Netherlands  
+31 (0) 23 565 5665  
Email: emeaservice@jlg.com

JLG NZ Access Equipment & Services  
2B Fisher Crescent  
Mt Wellington 1060  
Auckland, New Zealand  
+6 (12) 87186300  
+6 (12) 65813058  
Email: techservicesaus@jlg.com

JLG Industries  
Vahutinskoe shosse 24b  
Khimki,  
Moscow Region 141400  
Russia Federation  
+7 (499) 922 06 99  
+7 (499) 922 06 99

Oshkosh-JLG Singapore  
Technology Equipment P te Ltd.  
35 Tuas Avenue 2  
Jurong Industrial Estate  
Singapore 639454  
+65 6591 9030  
+65 6591 9045  
Email: SEA@jlg.com

JLG Iberica S. L.  
Trapadella, 2  
Pol. Ind. Castellbisbal Sur  
08755 Castellbisbal  
Barcelona  
Spain  
+34 (0) 93 772 47 00  
+34 (0) 93 77 117 62  
Email: parts\_iberica@jlg.com

JLG Sverige AB  
Enkopingsvagen 150  
17627 Jarfalla  
Sweden  
+46 (0) 8 506 595 00  
+46 (0) 8 506 595 27  
Email: nordicsupport@jlg.com

JLG Industries (UK) Ltd.  
Bentley House  
Bentley Avenue  
Middleton, Greater Manchester  
M24 2GP  
United Kingdom  
+44 (0) 161 654 1000  
+44 (0) 161 654 1003  
Email: ukparts@jlg.com

www.jlg.com