



Illustrated Parts Manual

Models
E600/E600J
E600JP
M600/M600J
M600JP

SN 0300219271 to Present
Including SN 0300218866
through 0300218868

P/N
3121712

July 31, 2018 - Rev J

ANSI

CE



AS/NZS



An Oshkosh Corporation Company

REVISION LOG

May 12, 2016 - A - Original Issue Of Manual (Revised to B/M 0010564 Revision AN)

August 12, 2016 - B - Revised Manual (Edited to B/M 0010564 Revision AR)

October 21, 2016 - C - Revised Manual (Edited to B/M 0010564 Revision AR)

January 31, 2017 - D - Revised Manual (Edited to B/M 0010564 Revision AV)

April 28, 2017 - E - Revised Manual (Edited to B/M 0010564 Revision AY)

July 31, 2017 - F - Revised Manual (Edited to B/M 0010564 Revision BB)

November 10, 2017 - G - Revised Manual (Edited to B/M 0010564 Revision BB)

January 10, 2018 - H - Revised Manual (Edited to B/M 0010564 Revision BC)

April 20, 2018 - I - Revised Manual (Edited to B/M 0010564 Revision BH)

July 31, 2018 - J - Revised Manual (Edited to B/M 0010564 Revision BI)

GENERAL INFORMATION

SECTION 6 CYLINDER

FIGURE 6-3. LIFT CYLINDER ASSEMBLY

PG# Model Designation Manual #

SECTION 6 CYLINDER

FIGURE 6-3. LIFT CYLINDER ASSEMBLY

ITEM #	PART NUMBER	QTY	DESCRIPTION	REV.
	1001140104		LIFT CYLINDER ASSEMBLY	B
1	0100011	AR	Compound Locking	
2	0430535	3	Cap screw 1/4-20 x 1-1/8	
3	0701005	1	Screw #10-24 x 3/8	
4	0901897	1	Bushing, Tapped	
5	1300136	1	Clamp, Cable	
6	1653063	1	Head	
7	2200893	1	Plug, O-Ring	
8	2200888	2	Plug, O-Ring	
9	2200896	1	Plug, O-Ring	
10	3000039	AR	Lubricant	
11	3490292	1	Platen	
12	3700371	1	Ring, Washer	
13	3931420	8	Cap screw 1/4-20 x 1-1/4	
14	3931824	8	Cap screw 1/2-13 x 1-1/2	
15	3951903	1	Subscrew #10-24 x 3/8	
16	4100099	1	Spacer	
17	4640996	1	Cartridge, Holding Valve (Non Vented)	
17	2300732		Kit, Seal - 4640999 Cartridge Valve	
18	4641248	1	Cartridge, Counterbalance Valve (Non Vented)	
18	4641248		Kit, Seal - 4641249 Cartridge Valve	
19	70004180	1	Sensor, Cylinder Length	
19	100117991	1	Cap, Retainer	
20	100118070	1	Barrel	
21	100118054	1	Bushing	
21A	0901950	2	Flod	
22	100118096	1	Bushing	
22A	0901950	2	Kit, Seal (includes items 101-109)	
100	1001139996	1	Ring, Wear (Note: Use pin 1001139996)	
101	See Note	2	Ring, Back-Up (Note: Use pin 1001139996)	
102	See Note	1	Ring, Lock (Note: Use pin 1001139996)	
103	See Note	2	Ring, Back-Up (Note: Use pin 1001139996)	
104	See Note	2	O-Ring (Note: Use pin 1001139996)	
105	See Note	2	O-Ring (Note: Use pin 1001139996)	
106	See Note	1	Seal (Note: Use pin 1001139996)	
107	See Note	1	Wiper, Rod (Note: Use pin 1001139996)	
108	See Note	1	Seal (Note: Use pin 1001139996)	
109	See Note	2	Kit, Sensor Magnet (includes items 201-203)	
200	100118108	1	Sleeve, Spacer (Note: Use pin 100118108)	
201	See Note	NSS	Magnet, Sensor	
202	100118096	1	Ring, Internal Retaining	
203	100118096	1		

Manual # Model Designation PG#

1) MACHINE IDENTIFICATION

Machines are identified by model and in some cases a combination of models, serial number (SN) or regional standard (i.e. ANSI, CE, CSA). Components may also be identified by SN or manufacturer. Common components that may be identified by these characteristics are engines and hydraulic components.

2) PARTS MANUAL ORGANIZATION

Product information in this manual is organized under section titles. Frame, Cylinder, Hydraulic and Electrical are a few examples. Each section is organized by figure and page number. The information within the Figure is then organized by item number, part number, description and corresponding illustration (s).

3) TABLE OF CONTENTS

A table of contents is found toward the beginning of the manual. Figure number, description and page number are provided for quick reference to the page containing the related information.

4) RECOMMENDED SPARE PARTS

The Recommended Spare Parts, located near the end of the manual, reference most frequently used maintenance parts.

5) PART NUMBER INDEX

A numerical index listing all part numbers and the corresponding page number(s) appears at the back of the manual.

GENERAL INFORMATION

6) NON-SERVICED PARTS

In some instances, it is necessary to display non-serviced parts, assemblies or installations. In the case of assemblies and installations there will be a Ref in the Qty column. In case of parts that are not available for service within assemblies or components, there will be a NSS (Not Sold Separately) or NLA (No Longer Available) listed in the Qty. column of the manual.

7) PARTS LIST ITEM NUMBERS

Numbers shown in the item# column correspond to numbers used in the associated illustration (s). Item numbers which are missing from the sequence in the parts list are not used on that page

8) INDENTED PARTS DESCRIPTION

An indented part description is included in the item under which it is indented.

9) ABB REVIATION AND SYMBOLS

AC.....	..Alternating Current	LCD.....	..Liquid Crystal Display
ADE.....	..Advanced Design Electronics	LED.....	..Light Emitting Diodes
ANSI.....	..American National Standards Institute	LH.....	..Left Hand
AR.....	..As Required	LSS.....	..Load Sensing System
ASSY.....	..Assembly	M(m).....	..Metric/Meter
AUX.....	..Auxiliary	MM (mm).....	..Milimeter
AWG.....	..American WireGauge	mA.....	..Miliamps
B/M.....	..Bill of Material	NLA.....	..No Longer Available
CE.....	..European Conformity	NPT.....	..National Pipe Threads
CCW.....	..Counter Clockwise	NSS.....	..Not So Id Separately
cm.....	..Centimeter	OD.....	..Outside Diameter
CW.....	..Clockwise	ORB.....	..O-Ring Boss
CSA.....	..Canadian Standards Association	ORFS.....	..O-Ring Face Seal
CYL.....	..Cylinder	OZ (oz).....	..Ounces
DIA.....	..Diameter	PG.....	..Page
DC.....	..Direct Current	P/N.....	..Part Number
EMS.....	..Emergency Stop	qt.....	..Quarts
ENG.....	..Engine	QTY.....	..Quantity
FT(ft).....	..Feet	REF.....	..Reference
GA(Ga).....	..Gauge	REV.....	..Revision Level
HYD.....	..Hydraulic	RH.....	..Right Hand
Hz.....	..Hertz	SAE.....	..Society of A utomotive Engineers
ID.....	..Inside Diameter	SN.....	..Serial Number
in.....	..inches	SPEC(S).....	..Specifications
ISO.....	..International Organization for Standards	T/T.....	..Turntable
JIC.....	..Joint Industry Council	UGM.....	..Universal Ground Module
KG.....	..Kilogram	V.....	..Volts
L.....	..Liter	W.....	..Watts
LB.....	..Pounds	#.....	..Number

10) ILLUSTRATION REFERENCE LETTERS

When necessary, illustrations may contain reference letters that are intended to track information (i. e. hoses, harnesses) from one point to another or to track visual enlargement of components to show details that may be located in another area on the illustration.

Note: Due to continuous product improvements, JLG Industries, Inc. reserves the right to make specification changes without prior notification. Contact JLG Industries, Inc. for updated information.

TABLE OF CONTENTS

SECTION 1 - FRAME.....	13
FIGURE 1-1. AXLE INSTALLATION - FIXED (2WD)	14
FIGURE 1-2. AXLE INSTALLATION - FIXED (4WD)	16
FIGURE 1-3. AXLE INSTALLATION - OSCILLATING WITHOUT TOW PACKAGE (2WD)	18
FIGURE 1-4. AXLE INSTALLATION - OSCILLATING WITHOUT TOW PACKAGE (2WD) (CE SPECS).....	20
FIGURE 1-5. AXLE INSTALLATION - OSCILLATING WITH TOW PACKAGE (2WD).....	22
FIGURE 1-6. AXLE INSTALLATION - OSCILLATING WITH TOW PACKAGE (2WD) (CE SPECS)	24
FIGURE 1-7. AXLE INSTALLATION - OSCILLATING (4WD)	26
FIGURE 1-8. AXLE INSTALLATION - OSCILLATING (4WD) (CE SPECS).....	28
FIGURE 1-9. STEER INSTALLATION - WITHOUT TOW PACKAGE (2WD/2WS)	30
FIGURE 1-10. STEER INSTALLATION - WITH TOW PACKAGE (2WD/2WS).....	32
FIGURE 1-11. STEER INSTALLATION - (4WD/2WS)	34
FIGURE 1-12. STEER INSTALLATION - (4WD/2WS) (E600JP/M600JP)	38
FIGURE 1-13. HUB ASSEMBLY - RH.....	42
FIGURE 1-14. HUB ASSEMBLY - LH	44
FIGURE 1-15. AXLE LOCKOUT VALVE ASSEMBLY	46
FIGURE 1-16. DRIVE VALVE ASSEMBLY (4WD ONLY)	48
FIGURE 1-17. WHEEL DRIVE INSTALLATION (NON UL SPECS)	50
FIGURE 1-18. WHEEL DRIVE INSTALLATION (UL SPECS).....	52
FIGURE 1-19. TIRE AND WHEEL INSTALLATION - 36/14LL X 22.5 PNEUMATIC NON-MARKING	56
FIGURE 1-20. TIRE AND WHEEL INSTALLATION - 36/14LL X 22.5 FOAM-FILLED NON-MARKING	58
FIGURE 1-21. DRIVE MOTOR ASSEMBLY	60
FIGURE 1-22. DRIVE HUB ASSEMBLY (REAR).....	62
FIGURE 1-23. DRIVE MOTOR ASSEMBLY (4WD FRONT).....	66
FIGURE 1-24. AC DRIVE ELECTRICAL PLATE ASSEMBLY (NON UL SPECS)	68
FIGURE 1-25. AC DRIVE ELECTRICAL PLATE ASSEMBLY (UL SPECS)	70
FIGURE 1-26. DRIVE MODULE PLATE ASSEMBLY	72
FIGURE 1-27. FRAME SHIELDS INSTALLATION.....	74
FIGURE 1-28. TOW PACKAGE INSTALLATION WITHOUT NATO EYE	76
FIGURE 1-29. TOW PACKAGE INSTALLATION WITH NATO EYE	78
SECTION 2 - TURNTABLE	81
FIGURE 2-1. VALVE INSTALLATION - WITHOUT LSS OR WITH 4 CELL LSS (E600/E600J/M600/M600J).....	82
FIGURE 2-2. VALVE INSTALLATION - WITH 1 CELL LSS (E600/E600J/M600/M600J).....	84
FIGURE 2-3. VALVE INSTALLATION - WITHOUT LSS OR WITH 4 CELL LSS (E600JP/M600JP)	86
FIGURE 2-4. VALVE INSTALLATION - WITH 1 CELL LSS (E600JP/M600JP)	88
FIGURE 2-5. MAIN CONTROL VALVE ASSEMBLY	90
FIGURE 2-6. SWING DRIVE INSTALLATION	94
FIGURE 2-7. SWING MOTOR ASSEMBLY	96
FIGURE 2-8. TURNTABLE BEARING, STOP AND LUBE INSTALLATION.....	100
FIGURE 2-9. TURNTABLE LOCK INSTALLATION.....	102
FIGURE 2-10. DRIVE ORIENTATION INSTALLATION	104
FIGURE 2-11. HYDRAULIC TANK AND PUMP/MOTOR INSTALLATION	106
FIGURE 2-12. HYDRAULIC TANK AND PUMP/MOTOR INSTALLATION (UL SPECS)	108
FIGURE 2-13. FUEL TANK AND MODULE INSTALLATION (M600/M600J/M600JP ONLY)	110
FIGURE 2-14. FUEL TANK AND MODULE INSTALLATION - WITH AGM BATTERY (M600/M600J/M600JP ONLY)	112
FIGURE 2-15. PUMP ASSEMBLY	114
FIGURE 2-16. ELECTRICITY MOTOR ASSEMBLY	116
FIGURE 2-17. DELTA-Q BATTERY CHARGER INSTALLATION - 110V/60HZ (ANSI SPECS).....	118
FIGURE 2-18. DELTA-Q BATTERY CHARGER INSTALLATION - 120-240V/50-60HZ (ANSI AND ANSI EXPORT SPECS)....	120
FIGURE 2-19. DELTA-Q BATTERY CHARGER INSTALLATION - 250V/50HZ (ANSI EXPORT AND AUSTRALIAN SPECS) ..	122
FIGURE 2-20. DELTA-Q BATTERY CHARGER INSTALLATION - 120-240V/50-60HZ (CE SPECS).....	124
FIGURE 2-21. DELTA-Q BATTERY CHARGER INSTALLATION - 100V/50-60HZ (JAPANESE SPECS)	126
FIGURE 2-22. DELTA-Q BATTERY CHARGER INSTALLATION - 120-230V/45-65HZ (48 VOLT) (ALL SPECS).....	128
FIGURE 2-23. BATTERY BOX INSTALLATION - STANDARD BATTERIES.....	130
FIGURE 2-24. BATTERY BOX INSTALLATION - AGM BATTERIES	132
FIGURE 2-25. BATTERY BOX INSTALLATION (UL SPECS)	134
FIGURE 2-26. GROUND CONTROL PANEL INSTALLATION (E600/M600).....	136
FIGURE 2-27. GROUND CONTROL PANEL INSTALLATION (E600J/M600J)	138
FIGURE 2-28. GROUND CONTROL PANEL INSTALLATION (E600JP/M600JP).....	140
FIGURE 2-29. GROUND CONTROL PANEL INSTALLATION (E600/M600) (CE SPECS)	142
FIGURE 2-30. GROUND CONTROL PANEL INSTALLATION (E600J/M600J) (CE SPECS).....	144
FIGURE 2-31. GROUND CONTROL PANEL INSTALLATION (E600JP/M600JP) (CE SPECS)	146
FIGURE 2-32. GROUND CONTROL ELECTRICAL SYSTEM INSTALLATION	148

TABLE OF CONTENTS

FIGURE 2-33. MOTOR CONTROLS INSTALLATION - STANDARD BATTERIES (M600/M600J/M600JP)	150
FIGURE 2-34. MOTOR CONTROLS INSTALLATION - AGM BATTERIES (M600/M600J/M600JP)	152
FIGURE 2-35. LIMIT SWITCH INSTALLATION	154
FIGURE 2-36. ALARM INSTALLATION	156
FIGURE 2-37. STROBE LIGHT INSTALLATION (AMBER) (OPTIONAL)	158
FIGURE 2-38. INVERTER INSTALLATION - 110V (OPTIONAL)	160
FIGURE 2-39. BEACON LIGHT INSTALLATION - BLUE	162
FIGURE 2-40. BEACON LIGHT INSTALLATION - RED	164
FIGURE 2-41. HOODS INSTALLATION	166
FIGURE 2-42. NOISE REDUCTION INSTALLATION - WITH STANDARD BATTERIES (M600/M600J/M600JP ONLY)	168
FIGURE 2-43. NOISE REDUCTION INSTALLATION - WITH AGM BATTERIES (M600/M600J/M600JP ONLY)	170
SECTION 3 - ENGINE	173
FIGURE 3-1. MOTOR AND GENERATOR INSTALLATION - WITH STANDARD BATTERIES (M600/M600J/M600JP ONLY)	174
FIGURE 3-2. MOTOR AND GENERATOR INSTALLATION - WITH AGM BATTERIES (M600/M600J/M600JP ONLY)	176
FIGURE 3-3. KUBOTA ENGINE ASSEMBLY (M600/M600J/M600JP ONLY)	178
FIGURE 3-4. KUBOTA ENGINE COMPONENTS (M600/M600J/M600JP ONLY)	180
SECTION 4 - BOOM	183
FIGURE 4-1. BOOM INSTALLATION (E600/M600)	184
FIGURE 4-2. BOOM INSTALLATION (E600J/M600J)	188
FIGURE 4-3. BOOM INSTALLATION (E600JP/M600JP)	192
FIGURE 4-4. MAIN BOOM ASSEMBLY (E600/M600)	196
FIGURE 4-5. MAIN BOOM ASSEMBLY (E600J/M600J)	198
FIGURE 4-6. MAIN BOOM ASSEMBLY (E600JP/M600JP)	200
FIGURE 4-7. POWER TRACK ASSEMBLY (E600/M600)	202
FIGURE 4-8. POWER TRACK ASSEMBLY (E600J/E600JP/M600J/M600JP)	204
FIGURE 4-9. ROTATOR ASSEMBLY (E600/M600)	206
FIGURE 4-10. ROTATOR ASSEMBLY (E600J/M600J) (SN 0300219271 through 0300221080)	208
FIGURE 4-11. ROTATOR ASSEMBLY (E600J/M600J) (SN 0300221081 through 0300232627)	210
FIGURE 4-12. ROTATOR ASSEMBLY (E600J/M600J) (SN 0300232628 to Present)	212
FIGURE 4-13. ROTATOR ASSEMBLY - PLATFORM ROTATE (E600JP/M600JP)	214
FIGURE 4-14. ROTATOR ASSEMBLY - SIDE SWING ROTATE (E600JP/M600JP)	216
FIGURE 4-15. PLATFORM SUPPORT INSTALLATION - WITHOUT LSS	218
FIGURE 4-16. PLATFORM SUPPORT INSTALLATION - WITH 4 CELL LSS	220
FIGURE 4-17. PLATFORM SUPPORT INSTALLATION - WITH 1 CELL LSS	222
FIGURE 4-18. ROTATOR VALVE INSTALLATION - WITHOUT LSS OR WITH 4 CELL LSS (E600/E600J/M600/M600J)	224
FIGURE 4-19. ROTATOR VALVE INSTALLATION - WITH 1 CELL LSS (E600/E600J/M600/M600J)	226
FIGURE 4-20. ROTATOR VALVE INSTALLATION - WITHOUT LSS OR WITH 4 CELL LSS (E600JP/M600JP)	228
FIGURE 4-21. ROTATOR VALVE INSTALLATION - WITH 1 CELL LSS (E600JP/M600JP)	230
FIGURE 4-22. ROTATOR VALVE ASSEMBLY (E600/E600J/M600/M600J)	232
FIGURE 4-23. ROTATOR VALVE ASSEMBLY (E600JP/M600JP)	234
FIGURE 4-24. BOOM LIMIT SWITCH INSTALLATION (E600/M600) (CE SPEC ONLY)	236
FIGURE 4-25. BOOM LIMIT SWITCH INSTALLATION (E600J/E600JP/M600J/M600JP) (CE SPEC ONLY)	238
SECTION 5 - PLATFORM	241
FIGURE 5-1. PLATFORM ASSEMBLY - 30IN X 4FT (76CM X 1.22M) - SIDE GATE ENTRY	242
FIGURE 5-2. PLATFORM ASSEMBLY - 30IN X 6FT (76CM X 1.83M) - SIDE GATE ENTRY	244
FIGURE 5-3. PLATFORM ASSEMBLY - 36IN X 8FT (91.5CM X 2.44M) WITH SWING GATE	246
FIGURE 5-4. PLATFORM ASSEMBLY - 30IN X 4FT (76CM X 1.22M) - WITH DROP BAR	248
FIGURE 5-5. PLATFORM ASSEMBLY - 30IN X 6FT (76CM X 1.83M) - WITH DROP BAR	250
FIGURE 5-6. PLATFORM ASSEMBLY - 30IN X 3FT (76CM X 91.5CM) - WITH DROP BAR (SN 0300247115 to Present)	252
FIGURE 5-7. PLATFORM ASSEMBLY - 3F X 6FT (91.5CM X 1.83M) - TRI-ENTRY - SWING GATE (SN 0300243800 to Present)	254
FIGURE 5-8. PLATFORM ASSEMBLY - 3F X 6FT (91.5CM X 1.83M) - TRI-ENTRY - DROP BAR (SN 0300243800 to Present)	256
FIGURE 5-9. PLATFORM COMPONENTS INSTALLATION - 30IN X 6FT (0.9M X 1.83M) (FALL ARREST PLATFORM)	258
FIGURE 5-10. PLATFORM COMPONENTS INSTALLATION - 30IN X 8FT (0.9M X 2.44M) (FALL ARREST PLATFORM)	260
FIGURE 5-11. 2WD PLATFORM CONSOLE BOX INSTALLATION - WITHOUT LSS OR WITH 4 CELL LSS - WITHOUT SKYGUARD (E600/M600)	262
FIGURE 5-12. 2WD PLATFORM CONSOLE BOX INSTALLATION - WITHOUT LSS OR WITH 4 CELL LSS - WITHOUT SKYGUARD (UL SPECS) (E600)	264
FIGURE 5-13. 2WD PLATFORM CONSOLE BOX INSTALLATION - WITHOUT LSS OR WITH 4 CELL LSS - WITH SKYGUARD (UL SPECS) (E600J/E600JP)	266

TABLE OF CONTENTS

FIGURE 5-14. 4WD PLATFORM CONSOLE BOX INSTALLATION - WITHOUT LSS OR WITH 4 CELL LSS - WITHOUT SKYGUARD (NON UL SPECS) (E600/M600).....	268
FIGURE 5-15. 4WD PLATFORM CONSOLE BOX INSTALLATION - WITHOUT LSS OR WITH 4 CELL LSS - WITHOUT SKYGUARD (UL SPECS) (E600).....	270
FIGURE 5-16. 4WD PLATFORM CONSOLE BOX INSTALLATION - WITHOUT LSS OR WITH 4 CELL LSS - WITH SKYGUARD (UL SPECS) (E600J/E600JP).....	272
FIGURE 5-17. 2WD PLATFORM CONSOLE BOX INSTALLATION - WITHOUT LSS OR WITH 4 CELL LSS - WITHOUT SKYGUARD (NON UL SPECS) (E600J/E600JP/M600J/M600JP).....	274
FIGURE 5-18. 4WD PLATFORM CONSOLE BOX INSTALLATION - WITHOUT LSS OR WITH 4 CELL LSS - WITHOUT SKYGUARD (NON UL SPECS) (E600J/E600JP/M600J/M600JP).....	276
FIGURE 5-19. 2WD PLATFORM CONSOLE BOX INSTALLATION - WITHOUT LSS OR WITH 4 CELL LSS - WITH SKYGUARD (NON UL SPECS) (E600/M600).....	278
FIGURE 5-20. 4WD PLATFORM CONSOLE BOX INSTALLATION - WITHOUT LSS OR WITH 4 CELL LSS - WITH SKYGUARD (NON UL SPECS) (E600/M600).....	280
FIGURE 5-21. 2WD PLATFORM CONSOLE BOX INSTALLATION - WITHOUT LSS OR WITH 4 CELL LSS - WITH SKYGUARD (NON UL SPECS) (E600J/E600JP/M600J/M600JP).....	282
FIGURE 5-22. 2WD PLATFORM CONSOLE BOX INSTALLATION - WITH 1 CELL LSS - WITH SKYGUARD (NON UL SPECS) (E600J/E600JP/M600J/M600JP).....	284
FIGURE 5-23. 4WD PLATFORM CONSOLE BOX INSTALLATION - WITHOUT LSS OR WITH 4 CELL LSS - WITH SKYGUARD (NON UL SPECS) (E600J/E600JP/M600J/M600JP).....	286
FIGURE 5-24. 4WD PLATFORM CONSOLE BOX INSTALLATION - WITH 1 CELL LSS - WITH SKYGUARD (NON UL SPECS) (E600J/E600JP/M600J/M600JP).....	288
FIGURE 5-25. 2WD PLATFORM CONSOLE BOX ASSEMBLY - WITHOUT LSS OR WITH 4 CELL LSS - WITHOUT SKYGUARD (NON UL SPECS) (E600/M600).....	290
FIGURE 5-26. 2WD PLATFORM CONSOLE BOX ASSEMBLY - WITHOUT LSS OR WITH 4 CELL LSS - WITHOUT SKYGUARD (UL SPECS) (E600).....	294
FIGURE 5-27. 2WD PLATFORM CONSOLE BOX ASSEMBLY - WITHOUT LSS OR WITH 4 CELL LSS - WITH SKYGUARD (UL SPECS) (E600J/E600JP).....	298
FIGURE 5-28. 4WD PLATFORM CONSOLE BOX ASSEMBLY - WITHOUT LSS OR WITH 4 CELL LSS - WITHOUT SKYGUARD (NON UL SPECS) (E600/M600).....	302
FIGURE 5-29. 4WD PLATFORM CONSOLE BOX ASSEMBLY - WITHOUT LSS OR WITH 4 CELL LSS - WITHOUT SKYGUARD (UL SPECS) (E600).....	306
FIGURE 5-30. 4WD PLATFORM CONSOLE BOX ASSEMBLY - WITHOUT LSS OR WITH 4 CELL LSS - WITH SKYGUARD (UL SPECS) (E600J/E600JP).....	310
FIGURE 5-31. 2WD PLATFORM CONSOLE BOX ASSEMBLY - WITHOUT LSS OR WITH 4 CELL LSS - WITHOUT SKYGUARD (NON UL SPECS) (E600J/E600JP/M600J/M600JP).....	314
FIGURE 5-32. 4WD PLATFORM CONSOLE BOX ASSEMBLY - WITHOUT LSS OR WITH 4 CELL LSS - WITHOUT SKYGUARD (NON UL SPECS) (E600J/E600JP/M600J/M600JP).....	318
FIGURE 5-33. 2WD PLATFORM CONSOLE BOX ASSEMBLY - WITHOUT LSS OR WITH 4 CELL LSS - WITH SKYGUARD (NON UL SPECS) (E600/M600).....	322
FIGURE 5-34. 4WD PLATFORM CONSOLE BOX ASSEMBLY - WITHOUT LSS OR WITH 4 CELL LSS - WITH SKYGUARD (NON UL SPECS) (E600/M600).....	326
FIGURE 5-35. 2WD PLATFORM CONSOLE BOX ASSEMBLY - WITHOUT LSS OR WITH 4 CELL LSS - WITH SKYGUARD (NON UL SPECS) (E600J/E600JP/M600J/M600JP).....	330
FIGURE 5-36. 2WD PLATFORM CONSOLE BOX ASSEMBLY - WITH 1 CELL LSS - WITH SKYGUARD (NON UL SPECS) (E600J/E600JP/M600J/M600JP).....	334
FIGURE 5-37. 4WD PLATFORM CONSOLE BOX ASSEMBLY - WITHOUT LSS OR WITH 4 CELL LSS - WITH SKYGUARD (NON UL SPECS) (E600J/E600JP/M600J/M600JP).....	338
FIGURE 5-38. 4WD PLATFORM CONSOLE BOX ASSEMBLY - WITH 1 CELL LSS - WITH SKYGUARD (NON UL SPECS) (E600J/E600JP/M600J/M600JP).....	342
FIGURE 5-39. CONTROLLER ASSEMBLY - DRIVE AND STEER.....	346
FIGURE 5-40. CONTROLLER ASSEMBLY - LIFT AND SWING.....	348
FIGURE 5-41. FOOTSWITCH ASSEMBLY.....	352
FIGURE 5-42. MOTOR CONTROLS INSTALLATION - STANDARD BATTERIES (M600/M600J/M600JP).....	354
FIGURE 5-43. MOTOR CONTROLS INSTALLATION - AGM BATTERIES (M600/M600J/M600JP).....	356
FIGURE 5-44. JIB ROTATE SWITCH (E600JP/M600JP).....	358
FIGURE 5-45. TRAY ASSEMBLY.....	360
FIGURE 5-46. SOFT TOUCH INSTALLATION (SIDE ENTRY PLATFORM) (OPTIONAL).....	362
FIGURE 5-47. SOFT TOUCH INSTALLATION - WITH FALL ARREST (SIDE ENTRY PLATFORM) (OPTIONAL).....	364
FIGURE 5-48. SKYGLAZIER SYSTEM INSTALLATION.....	366
FIGURE 5-49. CROSS RAIL INSTALLATION.....	368
FIGURE 5-50. SKYGLAZIER INSTALLATION (ANSI AND CSA SPECS).....	370
FIGURE 5-51. SKYGLAZIER INSTALLATION (ANSI EXPORT SPECS) (SPANISH/PORTUGUESE).....	372
FIGURE 5-52. SKYGLAZIER INSTALLATION (ANSI EXPORT SPECS) (ENGLISH/SPANISH).....	374
SECTION 6 - CYLINDERS.....	377

TABLE OF CONTENTS

FIGURE 6-1. AXLE LOCKOUT CYLINDER ASSEMBLY	378
FIGURE 6-2. LEVEL (PLATFORM SLAVE) CYLINDER ASSEMBLY (E600/M600)	380
FIGURE 6-3. LEVEL (PLATFORM SLAVE) CYLINDER ASSEMBLY (E600J/E600JP/M600J/M600JP)	382
FIGURE 6-4. LIFT CYLINDER ASSEMBLY - JIB (E600J/E600JP/M600J/M600JP)	384
FIGURE 6-5. LIFT CYLINDER ASSEMBLY - MAIN (Prior to SN 0300239696)	386
FIGURE 6-6. LIFT CYLINDER ASSEMBLY - MAIN (SN 0300239696 to Present)	388
FIGURE 6-7. MASTER CYLINDER ASSEMBLY (E600/M600)	390
FIGURE 6-8. MASTER CYLINDER ASSEMBLY (E600J/E600JP/M600J/M600JP)	392
FIGURE 6-9. STEER CYLINDER ASSEMBLY	394
FIGURE 6-10. TELESCOPE CYLINDER ASSEMBLY (E600/M600)	396
FIGURE 6-11. TELESCOPE CYLINDER ASSEMBLY (E600J/E600JP/M600J/M600JP) (Prior to SN 0300244725)	398
FIGURE 6-12. TELESCOPE CYLINDER ASSEMBLY (E600J/E600JP/M600J/M600JP) (SN 0300244725 to Present)	400
SECTION 7 - HYDRAULIC	403
FIGURE 7-1. 4WD HYDRAULIC DIAGRAM	404
FIGURE 7-2. OSCILLATING AXLE HYDRAULIC DIAGRAM (ALL SPECS EXCEPT CE SPECS)	406
FIGURE 7-3. OSCILLATING AXLE HYDRAULIC DIAGRAM (CE SPECS)	408
FIGURE 7-4. STANDARD HYDRAULIC DIAGRAM (E600/M600)	410
FIGURE 7-5. STANDARD HYDRAULIC DIAGRAM (E600J/M600J)	414
FIGURE 7-6. STANDARD HYDRAULIC DIAGRAM (E600JP/M600JP)	418
FIGURE 7-7. HYDRAULIC DIAGRAM LIST	422
SECTION 8 - ELECTRICAL	423
FIGURE 8-1. ELECTRICAL DIAGRAM LIST	424
FIGURE 8-2. AC BOX AT PLATFORM - LOCALLY SUPPLIED COMPONENTS	426
FIGURE 8-3. AC BOX AT PLATFORM INSTALLATION - 110V - ANSI, ANSI EXPORT AND CSA SPECS	428
FIGURE 8-4. AC BOX AT PLATFORM INSTALLATION - 220V - ANSI, ANSI EXPORT AND CSA SPECS	430
FIGURE 8-5. AC BOX AT PLATFORM INSTALLATION - 220V CEE7 POST GROUND WITH 2IN X 4IN BOX (CE SPEC) (SN 0300219271 through 0300223838)	432
FIGURE 8-6. AC BOX AT PLATFORM INSTALLATION - 220V CEE7 POST GROUND WITH 2IN X 4IN BOX (CE SPEC) (SN 0300223839 to Present)	434
FIGURE 8-7. AC BOX AT PLATFORM INSTALLATION - 220V CEE7 SIDE GROUND WITH 2IN X 4IN BOX (CE SPEC) (SN 0300219271 through 0300223838)	436
FIGURE 8-8. AC BOX AT PLATFORM INSTALLATION - 220V CEE7 SIDE GROUND WITH 2IN X 4IN BOX (CE SPEC) (SN 0300223839 to Present)	438
FIGURE 8-9. AC BOX AT PLATFORM INSTALLATION - 220V AFSINT 107 KEYED GROUND WITH 2IN X 4IN BOX (CE SPEC) (SN 0300219271 through 0300223838)	440
FIGURE 8-10. AC BOX AT PLATFORM INSTALLATION - 220V AFSINT 107 KEYED GROUND WITH 2IN X 4IN BOX (SN 0300223839 to Present)	442
FIGURE 8-11. AC BOX AT PLATFORM INSTALLATION - 110V IEC YELLOW (CE SPEC) (SN 0300219271 through 0300223838)	444
FIGURE 8-12. AC BOX AT PLATFORM INSTALLATION - 110V IEC YELLOW (CE SPEC) (SN 0300223839 to Present)	446
FIGURE 8-13. AC BOX AT PLATFORM INSTALLATION - 220V IEC BLUE (CE SPEC) (SN 0300219271 through 0300223838)	448
FIGURE 8-14. AC BOX AT PLATFORM INSTALLATION - 220V IEC BLUE (CE SPEC) (SN 0300223839 to Present)	450
FIGURE 8-15. BATTERY BOX CABLE ASSEMBLY (RH SIDE BOX) (STANDARD BATTERIES)	452
FIGURE 8-16. BATTERY BOX CABLE ASSEMBLY (LH SIDE BOX) (STANDARD BATTERIES)	454
FIGURE 8-17. BATTERY BOX CABLE ASSEMBLY (AGM BATTERIES)	456
FIGURE 8-18. BATTERY CHARGER ASSEMBLY	458
FIGURE 8-19. BEACON LIGHT HARNESS (AMBER BEACON ONLY)	460
FIGURE 8-20. BEACON LIGHT HARNESS (BLUE BEACON ONLY)	462
FIGURE 8-21. BOOM TRANSPORT HARNESS (CE SPECS ONLY)	464
FIGURE 8-22. BREAKER BOX KIT WITH ONE BREAKER - CE SPEC	466
FIGURE 8-23. BREAKER BOX KIT WITH TWO BREAKERS - CE SPEC	468
FIGURE 8-24. CABLES AND CLAMPS INSTALLATION (E600/M600) (ALL SPECS EXCEPT AUSTRALIAN AND CE SPECS)	470
FIGURE 8-25. CABLES AND CLAMPS INSTALLATION (E600J/M600J) (ALL SPECS EXCEPT AUSTRALIAN AND CE SPECS)	472
FIGURE 8-26. CABLES AND CLAMPS INSTALLATION (E600JP/M600JP) (ALL SPECS EXCEPT AUSTRALIAN AND CE SPECS)	474
FIGURE 8-27. CABLES AND CLAMPS INSTALLATION (E600/M600) (AUSTRALIAN SPECS AND CE SPECS)	476
FIGURE 8-28. CABLES AND CLAMPS INSTALLATION (E600J/M600J) (AUSTRALIAN SPECS AND CE SPECS)	478
FIGURE 8-29. CABLES AND CLAMPS INSTALLATION (E600JP/M600JP) (AUSTRALIAN SPECS AND CE SPECS)	480
FIGURE 8-30. CABLES AND CLAMPS INSTALLATION (E600JP/M600JP) (AUSTRALIAN SPECS AND CE SPECS)	482
FIGURE 8-31. CHARGER CONNECT HARNESS	484

TABLE OF CONTENTS

FIGURE 8-32. CHARGER CORD PLUG INSTALLATION - 110V - IEC 60309 - YELLOW (CE SPEC).....	486
FIGURE 8-33. CHARGER CORD PLUG INSTALLATION - 220V - AFSINT 107 KEYED GROUND (CE SPEC)	488
FIGURE 8-34. CHARGER CORD PLUG INSTALLATION - 220V - CEE7 POST GROUND (CE SPEC).....	490
FIGURE 8-35. CHARGER CORD PLUG INSTALLATION - 220V - CEE7 SIDE GROUND (CE SPEC)	492
FIGURE 8-36. CHARGER CORD PLUG INSTALLATION - 220V - IEC 60309 - BLUE (CE SPEC)	494
FIGURE 8-37. DRIVE CABLE KIT (NON UL SPECS).....	496
FIGURE 8-38. DRIVE CABLE KIT (UL SPECS).....	498
FIGURE 8-39. GENERATOR HARNESS	500
FIGURE 8-40. GROUND CONTROL HARNESS	502
FIGURE 8-41. INVERTER HARNESS.....	504
FIGURE 8-42. INVERTER IGNITION HARNESS.....	506
FIGURE 8-43. LED REMOTE HARNESS	508
FIGURE 8-44. LIMIT SWITCH CABLE	510
FIGURE 8-45. LOWER BOOM CABLE	512
FIGURE 8-46. LOWER VALVE HARNESS.....	514
FIGURE 8-47. PLATFORM CONSOLE HARNESS - WITHOUT LSS OR WITH 4 CELL LSS	516
FIGURE 8-48. PLATFORM CONSOLE HARNESS - WITH 1 CELL LSS.....	518
FIGURE 8-49. RECEPTACLE BOX KIT - 220V CEE7 POST GROUND 2IN X 4IN BOX (CE SPEC).....	520
FIGURE 8-50. RECEPTACLE BOX KIT - 220V CEE7 SIDE GROUND 2IN X 4IN BOX (CE SPEC).....	522
FIGURE 8-51. RECEPTACLE BOX KIT - 220V AFSINT 107 (CE SPEC).....	524
FIGURE 8-52. RECEPTACLE BOX KIT - 110V IEC YELLOW (CE SPEC).....	526
FIGURE 8-53. RECEPTACLE BOX KIT - 220V IEC BLUE (CE SPEC)	528
FIGURE 8-54. SKYGUARD HARNESS - WITHOUT LSS OR WITH 4 CELL LSS.....	530
FIGURE 8-55. SKYGUARD HARNESS - WITH 1 CELL LSS.....	532
FIGURE 8-56. STEERING SENSOR HARNESS	534
FIGURE 8-57. TRACTION HARNESS	536
FIGURE 8-58. TRACTION TO TURNTABLE HARNESS	540
FIGURE 8-59. TURNTABLE HARNESS	542
FIGURE 8-60. UPPER BOOM CABLE (E600/M600)	546
FIGURE 8-61. UPPER BOOM CABLE (E600J/M600J).....	548
FIGURE 8-62. UPPER BOOM CABLE (E600JP/M600JP).....	550
FIGURE 8-63. UPPER VALVE HARNESS.....	552
SECTION 9 - DECALS.....	555
FIGURE 9-1. DECAL INSTALLATION - ANSI AND ANSI EXPORT SPECS	556
FIGURE 9-2. DECAL INSTALLATION - AUSTRALIAN AND CE SPECS	560
FIGURE 9-3. DECAL INSTALLATION - CHINESE/ENGLISH SPECS.....	562
FIGURE 9-4. DECAL INSTALLATION - FRENCH/ENGLISH SPECS.....	564
FIGURE 9-5. DECAL INSTALLATION - JAPANESE SPECS.....	568
FIGURE 9-6. DECAL INSTALLATION - KOREAN SPECS	570
FIGURE 9-7. DECAL INSTALLATION - SPANISH/ENGLISH SPECS	572
FIGURE 9-8. DECAL INSTALLATION - SPANISH/PORTUGUESE SPECS.....	574
FIGURE 9-9. DECAL INSTALLATION - OPTIONS	576
FIGURE 9-10. TOW BAR DECAL INSTALLATION (ANSI SPECS)	580
FIGURE 9-11. TOW BAR DECAL INSTALLATION (SPANISH/ENGLISH SPECS)	582
FIGURE 9-12. TOW BAR DECAL INSTALLATION (SPANISH/ENGLISH SPECS)	584
SECTION 10 - RECOMMENDED SERVICE PARTS STOCK	587
FIGURE 10-1. RECOMMENDED SERVICE PARTS STOCK	588
SECTION 11 - SPECIAL OPTIONS.....	591
FIGURE 11-1. SPECIAL OPTIONS LIST	592
PART NUMBER INDEX	595

SECTION 1 - FRAME

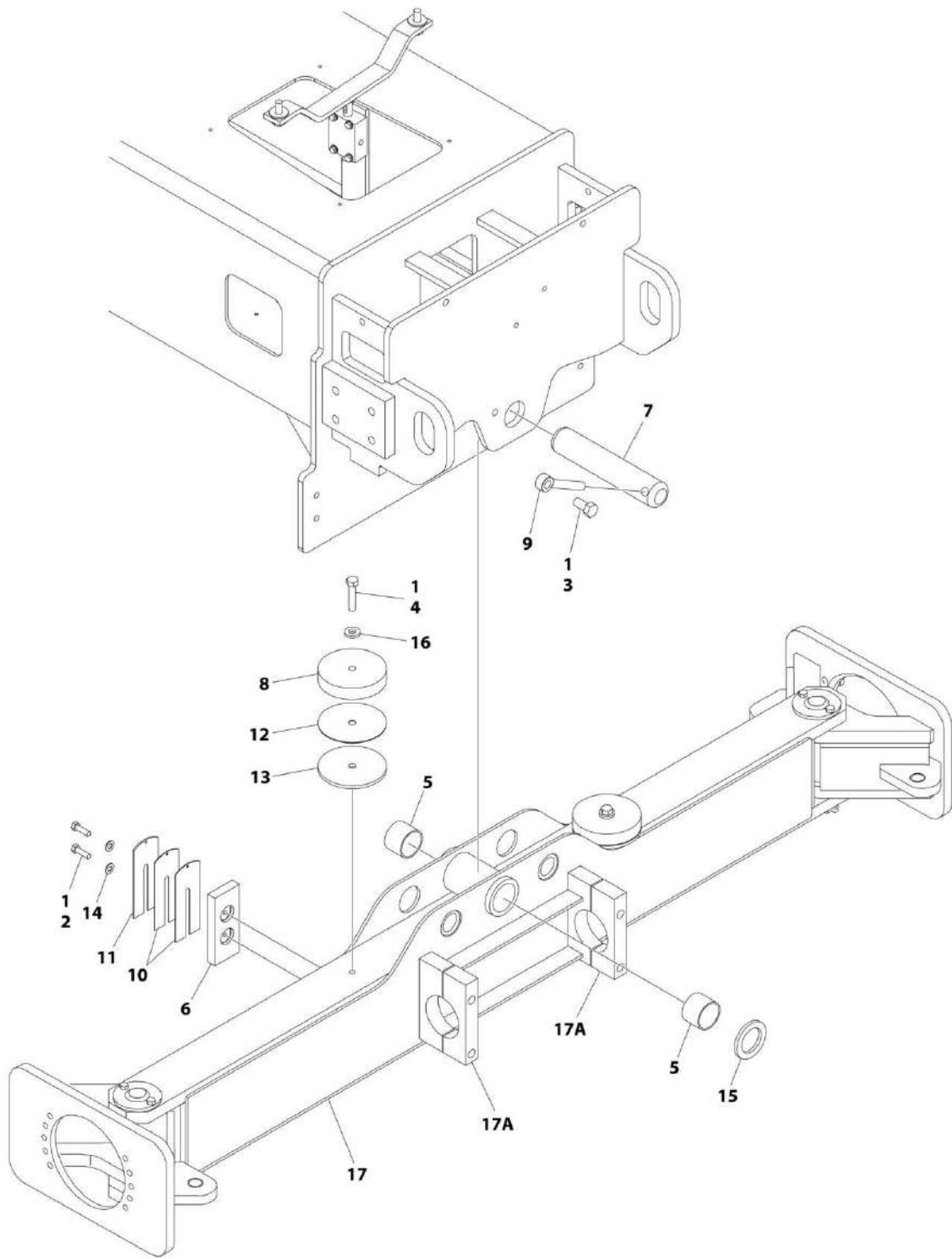
SECTION 1 - FRAME

FIGURE 1-1. AXLE INSTALLATION - FIXED (2WD)

ITEM	PART NUMBER	QTY	DESCRIPTION	REV
	1001174522	Ref	AXLE INSTALLATION - FIXED (2WD)	C
1	0100011	AR	Compound, Locking	
2	0641610	4	Bolt 3/8 x 1-1/4	
3	0642010	1	Bolt 5/8 x 1-1/4	
4	0681818	2	Bolt 1/2 x 2-1/4 Grade 8	
4	0641818	2	Bolt 1/2 x 2-1/4	
5	0961950	2	Bushing	
6	3340837	2	Pad, Wear	
7	3422592	1	Pin, Axle Pivot	
8	3539877	2	Plate, Stop	
9	3841258	1	Keeper, Pin	
10	4070897	2	Shim #18Ga	
11	4070898	2	Shim #11Ga	
12	4070944	2	Shim #16Ga	
13	4070945	2	Shim 1/4	
14	4711600	4	Washer 3/8	
15	4740158	1	Thrustwasher	
16	4891800	2	Washer 1/2	
17	1001174461	1	Axle Weldment	
17A	1001175158	2	Steer Cylinder Mounting Block Assembly	

SECTION 1 - FRAME

FIGURE 1-2. AXLE INSTALLATION - FIXED (4WD)



ART_1001174523

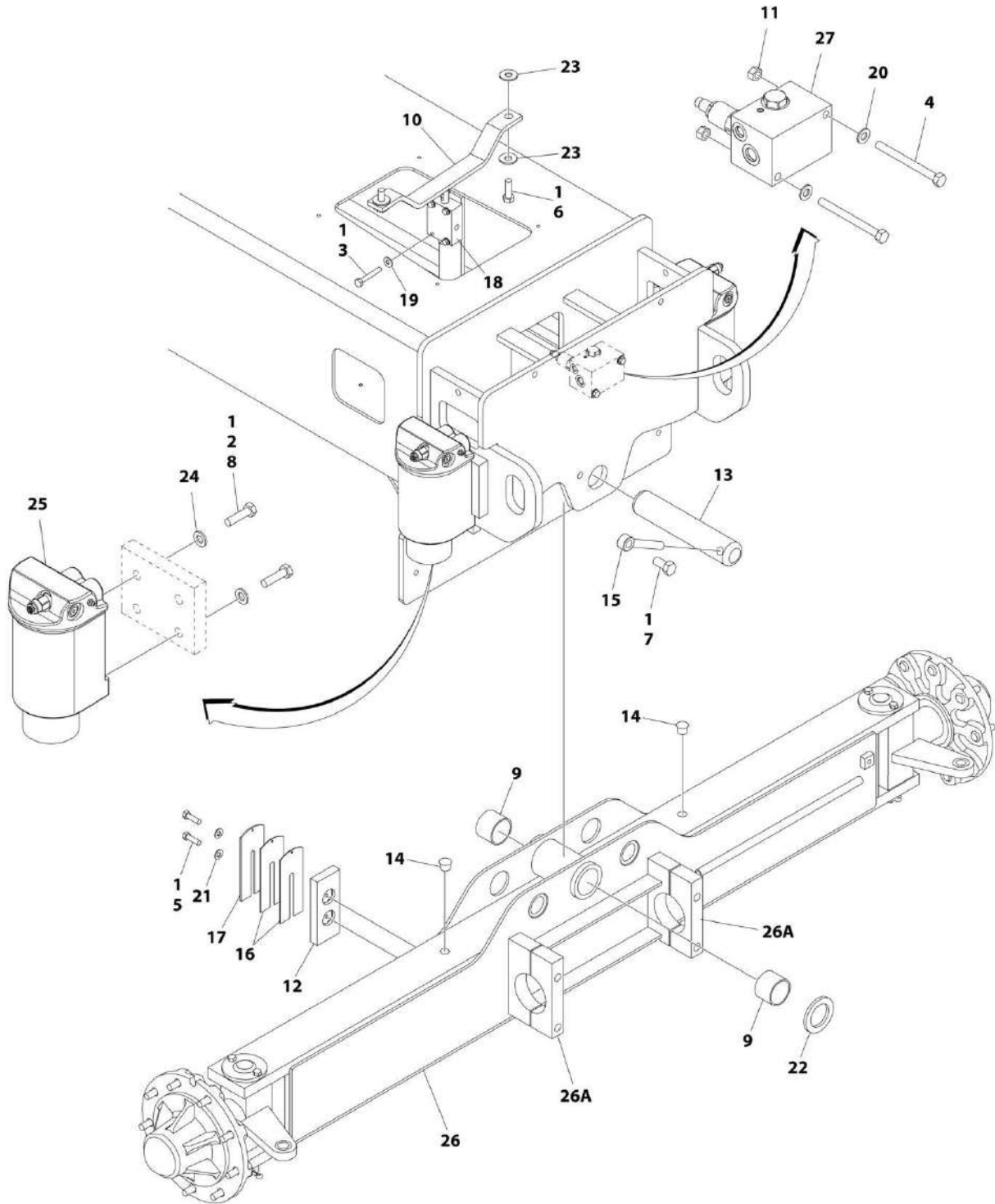
SECTION 1 - FRAME

FIGURE 1-2. AXLE INSTALLATION - FIXED (4WD)

ITEM	PART NUMBER	QTY	DESCRIPTION	REV
	1001174523	Ref	AXLE INSTALLATION - FIXED (4WD)	C
1	0100011	AR	Compound, Locking	
2	0641610	4	Bolt 3/8 x 1-1/4	
3	0642010	1	Bolt 5/8 x 1-1/4	
4	0681818	2	Bolt 1/2 x 2-1/4 Grade 8	
4	0641818	2	Bolt 1/2 x 2-1/4	
5	0961950	2	Bushing	
6	3340837	2	Pad, Wear	
7	3422592	1	Pin, Axle Pivot	
8	3539877	2	Plate, Stop	
9	3841258	1	Keeper, Pin	
10	4070897	2	Shim #18Ga	
11	4070898	2	Shim #11Ga	
12	4070944	2	Shim #16Ga	
13	4070945	2	Shim 1/4	
14	4711600	4	Washer 3/8	
15	4740158	1	Thrustwasher	
16	4891800	2	Washer 1/2	
17	1001174792	1	Axle Weldment	
17A	1001175158	2	Steer Cylinder Mounting Block Assembly	

SECTION 1 - FRAME

FIGURE 1-3. AXLE INSTALLATION - OSCILLATING WITHOUT TOW PACKAGE (2WD)



ART_1001173384

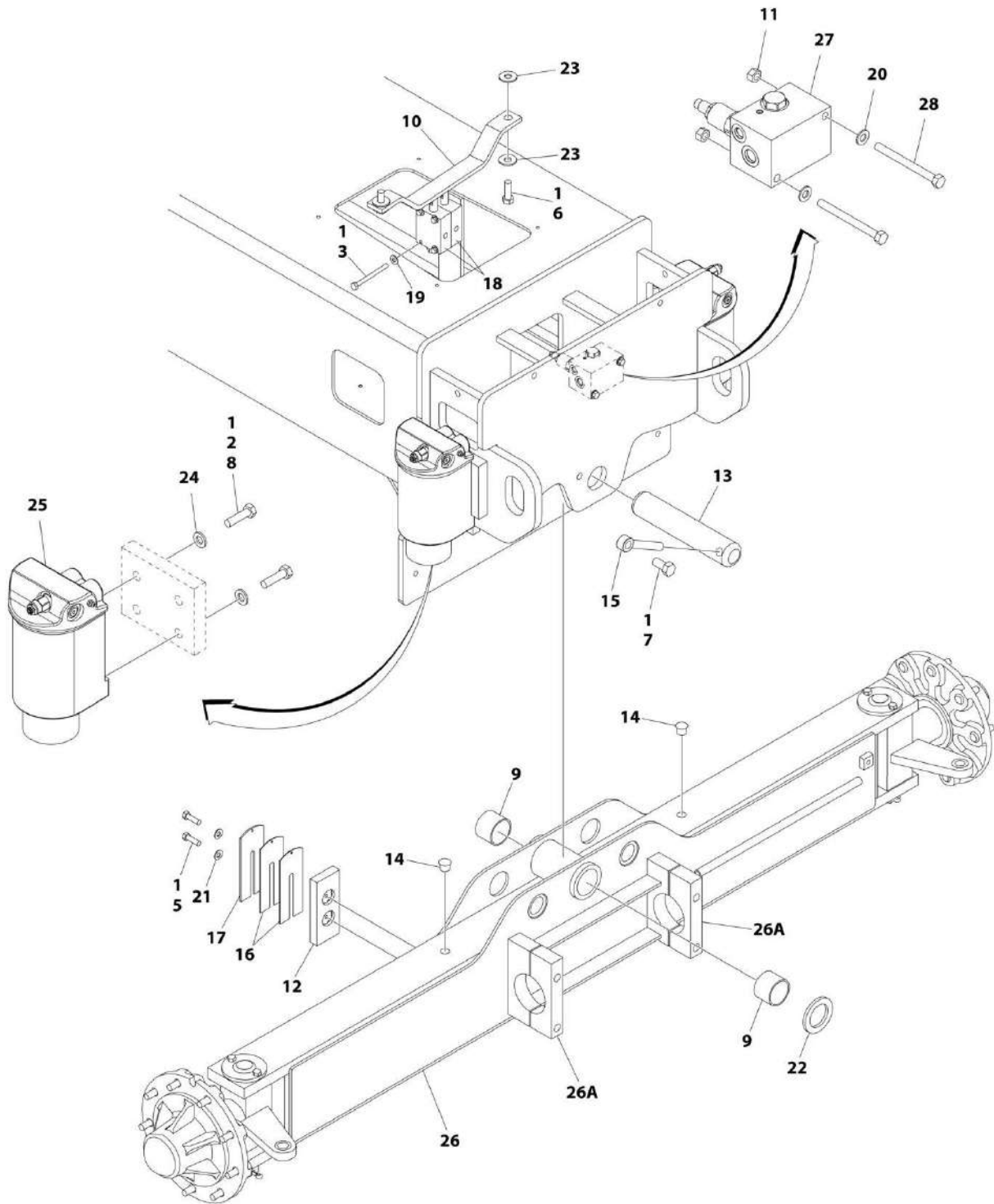
SECTION 1 - FRAME

FIGURE 1-3. AXLE INSTALLATION - OSCILLATING WITHOUT TOW PACKAGE (2WD)

ITEM	PART NUMBER	QTY	DESCRIPTION	REV
	1001173384	Ref	AXLE INSTALLATION - OSCILLATING WITHOUT TOW PACKAGE (2WD)	D
1	0100011	AR	Compound, Locking	
2	0100038	AR	Primer, Locking	
3	0641414	4	Bolt 1/4 x 1-3/4	
4	0641528	2	Bolt 5/16 x 3-1/2	
5	0641610	4	Bolt 3/8 x 1-1/4	
6	0641812	2	Bolt 1/2 x 1-1/2	
7	0642010	1	Bolt 5/8 x 1-1/4	
8	0701217	8	Bolt M12 x 45	
9	0961950	2	Bushing	
10	1100120	1	Cam, Lockout	
11	3311501	2	Nut 5/16	
12	3340837	2	Pad, Wear	
13	3422592	1	Pin, Axle Pivot	
14	3520054	2	Plug, Hole	
15	3841258	1	Keeper, Pin	
16	4070897	4	Shim #18Ga	
17	4070898	2	Shim #11Ga	
18	4640871	1	Lockout Valve Assembly	
19	4711400	4	Washer 1/4	
20	4711500	2	Washer 5/16	
21	4711600	4	Washer 3/8	
22	4740158	1	Thrustwasher	
23	4751800	4	Washer 1/2	
24	5241200	8	Washer M12	
25	1001163580	2	Lockout Cylinder Assembly (See CYLINDER SECTION for Breakdown)	
26	1001174461	1	Axle Weldment	
26A	1001175158	2	Steer Cylinder Mounting Block Assembly	
27	1001182136	1	Valve, Axle Lockout (See AXLE LOCKOUT VALVE ASSEMBLY for Breakdown)	

SECTION 1 - FRAME

FIGURE 1-4. AXLE INSTALLATION - OSCILLATING WITHOUT TOW PACKAGE (2WD) (CE SPECS)



ART_1001174525

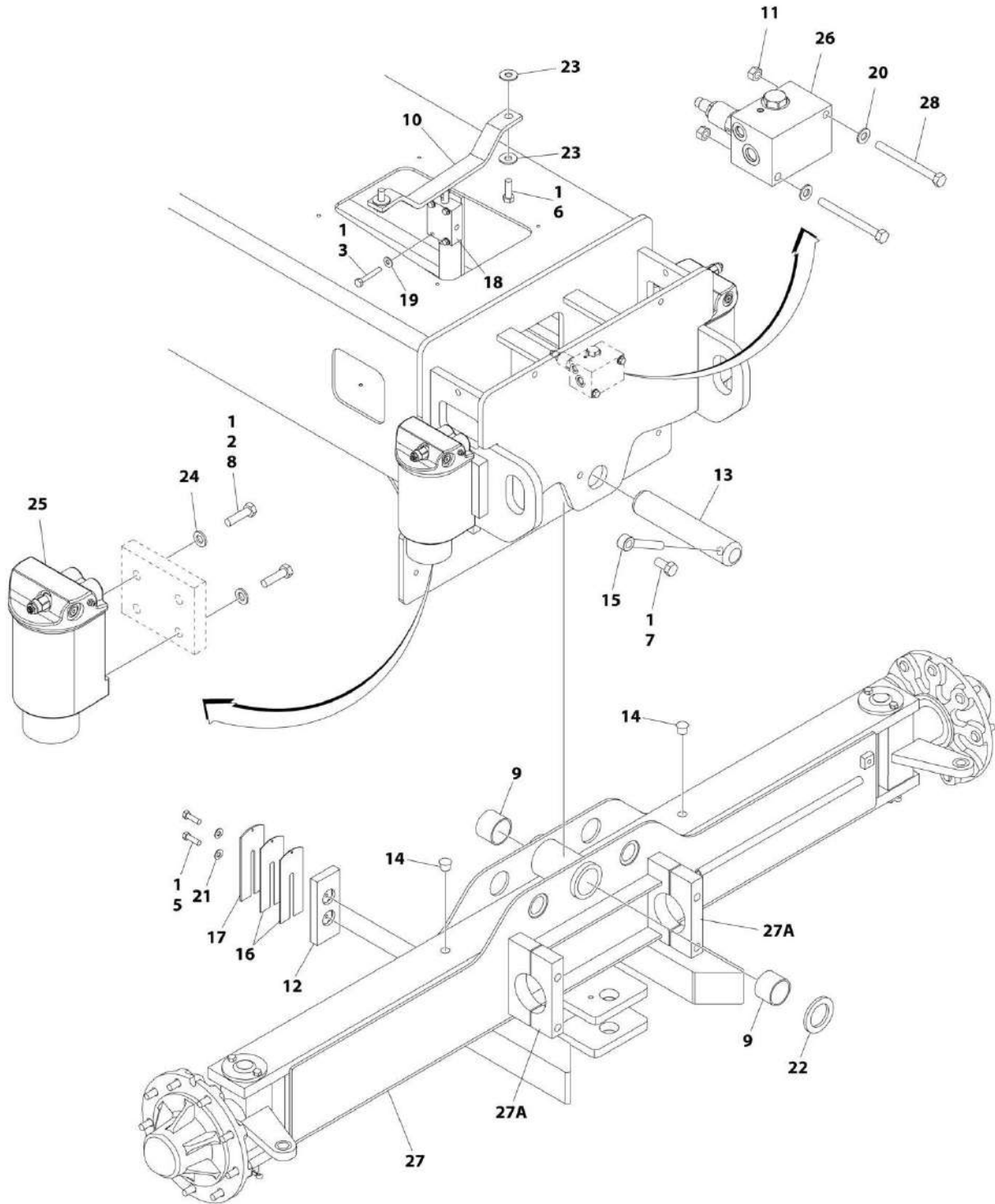
SECTION 1 - FRAME

FIGURE 1-4. AXLE INSTALLATION - OSCILLATING WITHOUT TOW PACKAGE (2WD) (CE SPECS)

ITEM	PART NUMBER	QTY	DESCRIPTION	REV
	1001174525	Ref	AXLE INSTALLATION - OSCILLATING WITHOUT TOW PACKAGE (2WD) (CE SPECS)	C
1	0100011	AR	Compound, Locking	
2	0100038	AR	Primer, Locking	
3	0641424	4	Bolt 1/4 x 3	
5	0641610	4	Bolt 3/8 x 1-1/4	
6	0641812	2	Bolt 1/2 x 1-1/2	
7	0642010	1	Bolt 5/8 x 1-1/4	
8	0701217	8	Bolt M12 x 45	
9	0961950	2	Bushing	
10	1100124	1	Cam, Lockout	
11	3311501	2	Nut 5/16	
12	3340837	2	Pad, Wear	
13	3422592	1	Pin, Axle Pivot	
14	3520054	2	Plug, Hole	
15	3841258	1	Keeper, Pin	
16	4070897	4	Shim #18Ga	
17	4070898	2	Shim #11Ga	
18	4640871	2	Lockout Valve Assembly	
19	4711400	4	Washer 1/4	
20	4711500	2	Washer 5/16	
21	4711600	4	Washer 3/8	
22	4740158	1	Thrustwasher	
23	4751800	4	Washer 1/2	
24	5241200	8	Washer M12	
25	1001163580	2	Lockout Cylinder Assembly (See CYLINDER SECTION for Breakdown)	
26	1001174461	1	Axle Weldment	
26A	1001175158	2	Steer Cylinder Mounting Block Assembly	
27	1001182136	1	Valve, Axle Lockout (See AXLE LOCKOUT VALVE ASSEMBLY for Breakdown)	
28	0641528	2	Bolt 5/16 x 3-1/2	

SECTION 1 - FRAME

FIGURE 1-5. AXLE INSTALLATION - OSCILLATING WITH TOW PACKAGE (2WD)



ART_1001174524

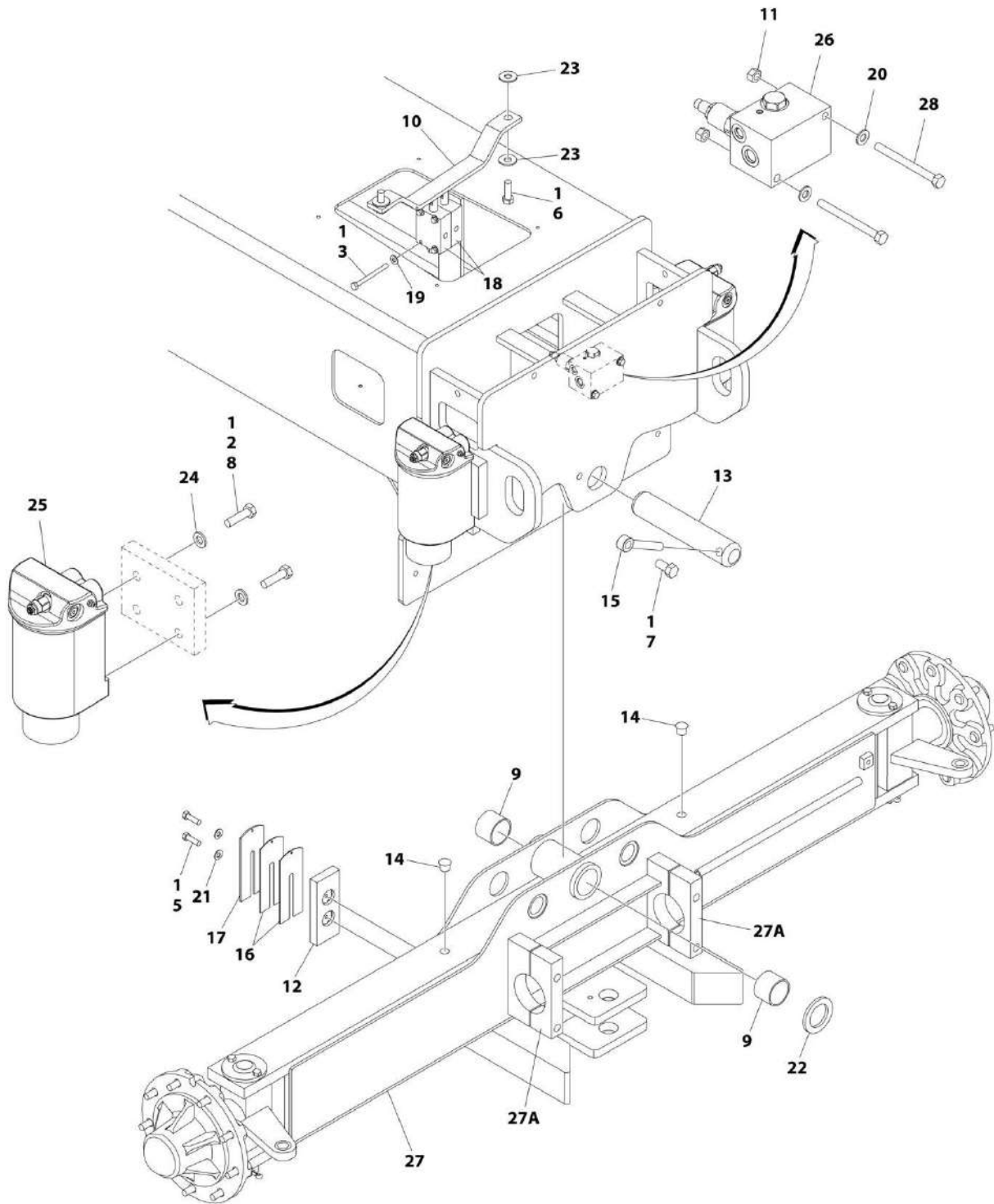
SECTION 1 - FRAME

FIGURE 1-5. AXLE INSTALLATION - OSCILLATING WITH TOW PACKAGE (2WD)

ITEM	PART NUMBER	QTY	DESCRIPTION	REV
	1001174524	Ref	AXLE INSTALLATION - OSCILLATING WITH TOW PACKAGE (2WD)	C
1	0100011	AR	Compound, Locking	
2	0100038	AR	Primer, Locking	
3	0641414	4	Bolt 1/4 x 1-3/4	
5	0641610	4	Bolt 3/8 x 1-1/4	
6	0641812	2	Bolt 1/2 x 1-1/2	
7	0642010	1	Bolt 5/8 x 1-1/4	
8	0701217	8	Bolt M12 x 45	
9	0961950	2	Bushing	
10	1100120	1	Cam, Lockout	
11	3311501	2	Nut 5/16	
12	3340837	2	Pad, Wear	
13	3422592	1	Pin, Axle Pivot	
14	3520054	2	Plug, Hole	
15	3841258	1	Keeper, Pin	
16	4070897	4	Shim #18Ga	
17	4070898	2	Shim #11Ga	
18	4640871	1	Lockout Valve Assembly	
19	4711400	4	Washer 1/4	
20	4711500	2	Washer 5/16	
21	4711600	4	Washer 3/8	
22	4740158	1	Thrustwasher	
23	4751800	4	Washer 1/2	
24	5241200	8	Washer M12	
25	1001163580	2	Lockout Cylinder Assembly (See CYLINDER SECTION for Breakdown)	
26	1001182136	1	Valve, Axle Lockout (See AXLE LOCKOUT VALVE ASSEMBLY for Breakdown)	
27	1001182707	1	Axle Weldment	
27A	1001175158	2	Steer Cylinder Mounting Block Assembly	
28	0641528	2	Bolt 5/16 x 3-1/2	

SECTION 1 - FRAME

FIGURE 1-6. AXLE INSTALLATION - OSCILLATING WITH TOW PACKAGE (2WD) (CE SPECS)



ART_1001174528

SECTION 1 - FRAME

FIGURE 1-6. AXLE INSTALLATION - OSCILLATING WITH TOW PACKAGE (2WD) (CE SPECS)

ITEM	PART NUMBER	QTY	DESCRIPTION	REV
	1001174528	Ref	AXLE INSTALLATION - OSCILLATING WITH TOW PACKAGE (2WD) (CE SPECS)	C
1	0100011	AR	Compound, Locking	
2	0100038	AR	Primer, Locking	
3	0641424	4	Bolt 1/4 x 3	
5	0641610	4	Bolt 3/8 x 1-1/4	
6	0641812	2	Bolt 1/2 x 1-1/2	
7	0642010	1	Bolt 5/8 x 1-1/4	
8	0701217	8	Bolt M12 x 45	
9	0961950	2	Bushing	
10	1100124	1	Cam, Lockout	
11	3311501	2	Nut 5/16	
12	3340837	2	Pad, Wear	
13	3422592	1	Pin, Axle Pivot	
14	3520054	2	Plug, Hole	
15	3841258	1	Keeper, Pin	
16	4070897	4	Shim #18Ga	
17	4070898	2	Shim #11Ga	
18	4640871	2	Lockout Valve Assembly	
19	4711400	4	Washer 1/4	
20	4711500	2	Washer 5/16	
21	4711600	4	Washer 3/8	
22	4740158	1	Thrustwasher	
23	4751800	4	Washer 1/2	
24	5241200	8	Washer M12	
25	1001163580	2	Lockout Cylinder Assembly (See CYLINDER SECTION for Breakdown)	
26	1001182136	1	Valve, Axle Lockout (See AXLE LOCKOUT VALVE ASSEMBLY for Breakdown)	
27	1001182707	1	Axle Weldment	
27A	1001175158	2	Steer Cylinder Mounting Block Assembly	
28	0641528	2	Bolt 5/16 x 3-1/2	

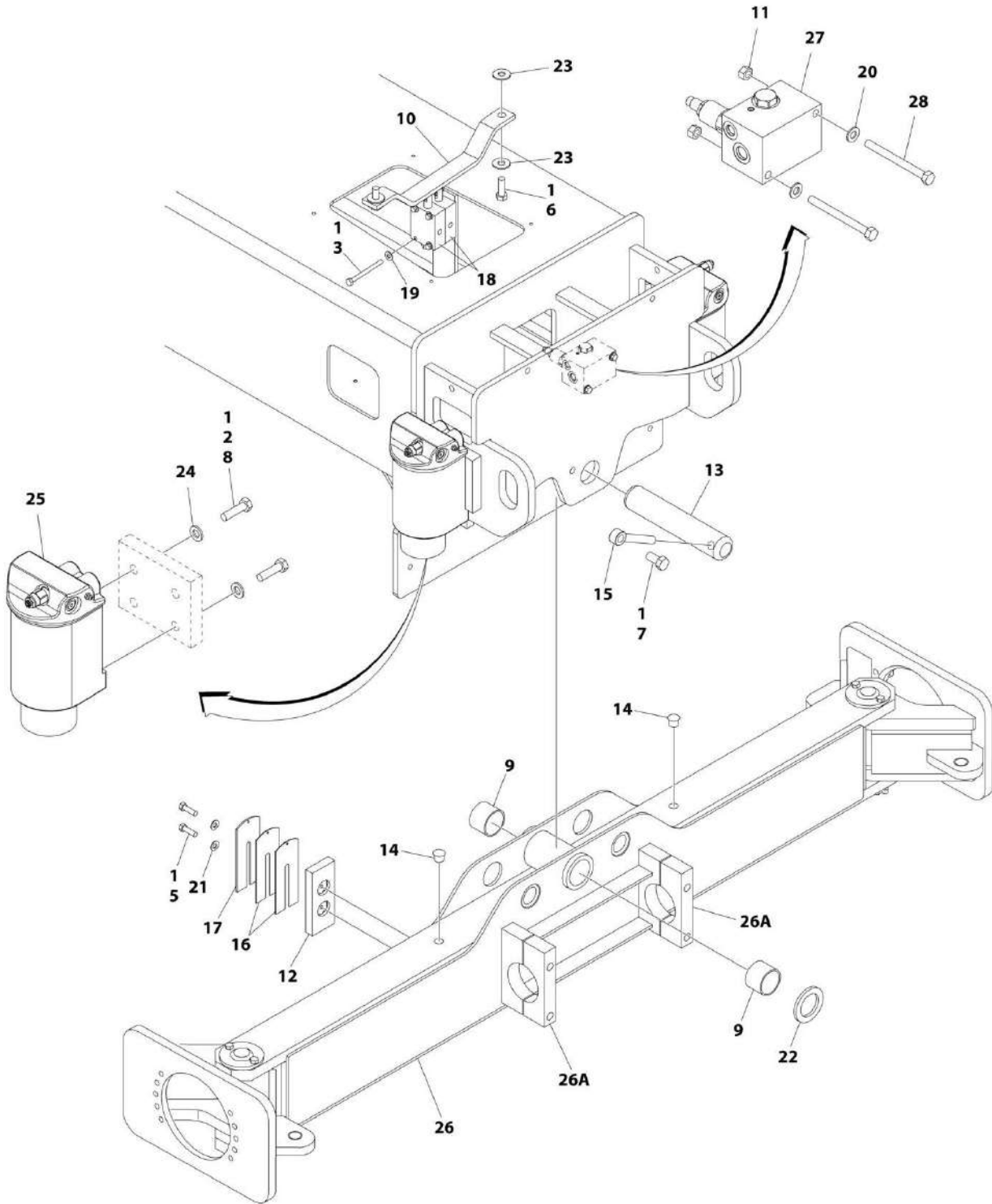
SECTION 1 - FRAME

FIGURE 1-7. AXLE INSTALLATION - OSCILLATING (4WD)

ITEM	PART NUMBER	QTY	DESCRIPTION	REV
	1001174492	Ref	AXLE INSTALLATION - OSCILLATING (4WD)	C
1	0100011	AR	Compound, Locking	
2	0100038	AR	Primer, Locking	
3	0641414	4	Bolt 1/4 x 1-3/4	
5	0641610	4	Bolt 3/8 x 1-1/4	
6	0641812	2	Bolt 1/2 x 1-1/2	
7	0642010	1	Bolt 5/8 x 1-1/4	
8	0701217	8	Bolt M12 x 45	
9	0961950	2	Bushing	
10	1100120	1	Cam, Lockout	
11	3311501	2	Nut 5/16	
12	3340837	2	Pad, Wear	
13	3422592	1	Pin, Axle Pivot	
14	3520054	2	Plug, Hole	
15	3841258	1	Keeper, Pin	
16	4070897	4	Shim #18Ga	
17	4070898	2	Shim #11Ga	
18	4640871	1	Lockout Valve Assembly	
19	4711400	4	Washer 1/4	
20	4711500	2	Washer 5/16	
21	4711600	4	Washer 3/8	
22	4740158	1	Thrustwasher	
23	4751800	4	Washer 1/2	
24	5241200	8	Washer M12	
25	1001163580	2	Lockout Cylinder Assembly (See CYLINDER SECTION for Breakdown)	
26	1001174792	1	Axle Weldment	
26A	1001175158	2	Steer Cylinder Mounting Block Assembly	
27	1001182136	1	Valve, Axle Lockout (See AXLE LOCKOUT VALVE ASSEMBLY for Breakdown)	
28	0641528	2	Bolt 5/16 x 3-1/2	

SECTION 1 - FRAME

FIGURE 1-8. AXLE INSTALLATION - OSCILLATING (4WD) (CE SPECS)



ART_1001174527

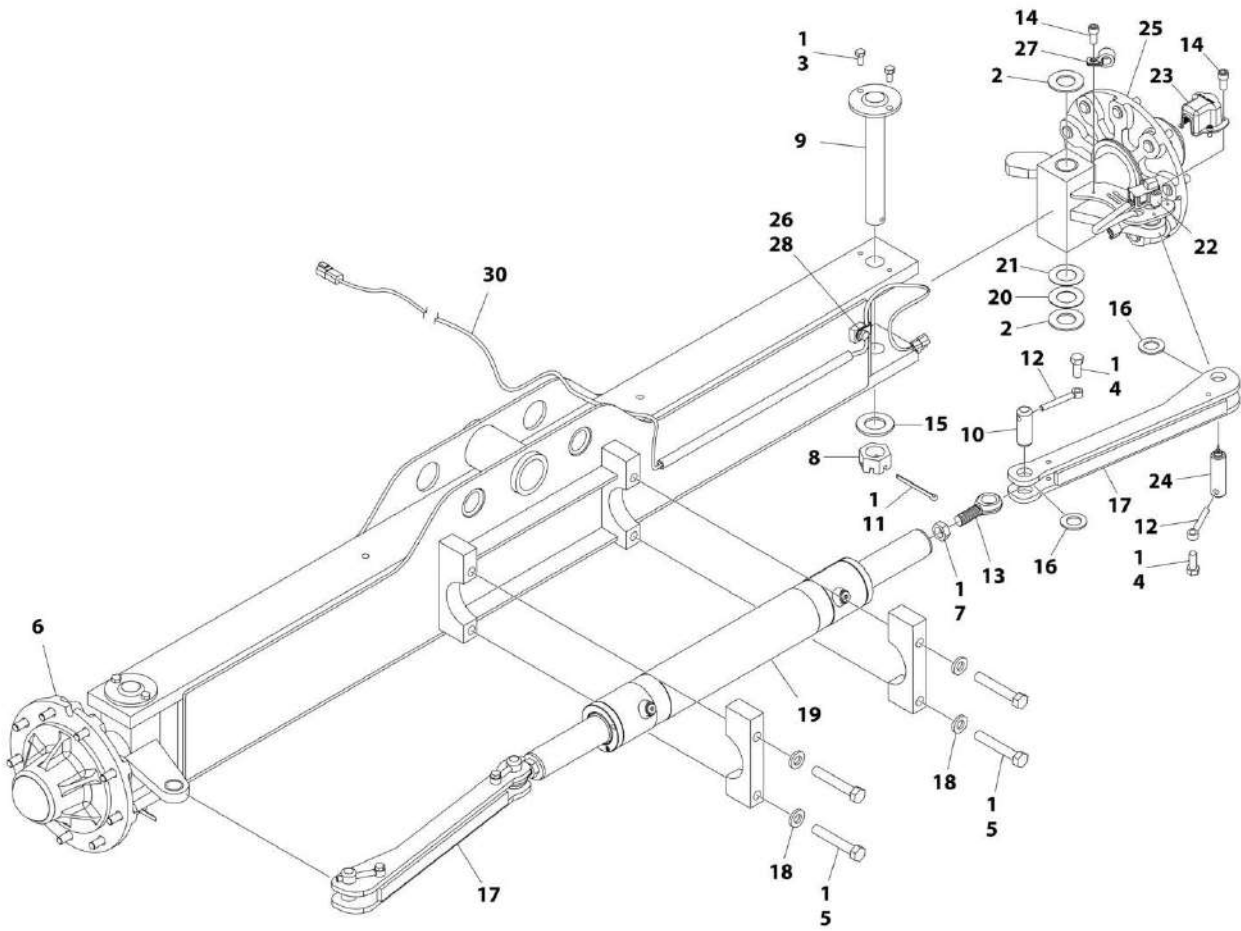
SECTION 1 - FRAME

FIGURE 1-8. AXLE INSTALLATION - OSCILLATING (4WD) (CE SPECS)

ITEM	PART NUMBER	QTY	DESCRIPTION	REV
	1001174527	Ref	AXLE INSTALLATION - OSCILLATING (4WD) (CE SPECS)	C
1	0100011	AR	Compound, Locking	
2	0100038	AR	Primer, Locking	
3	0641424	4	Bolt 1/4 x 3	
5	0641610	4	Bolt 3/8 x 1-1/4	
6	0641812	2	Bolt 1/2 x 1-1/2	
7	0642010	1	Bolt 5/8 x 1-1/4	
8	0701217	8	Bolt M12 x 45	
9	0961950	2	Bushing	
10	1100124	1	Cam, Lockout	
11	3311501	2	Nut 5/16	
12	3340837	2	Pad, Wear	
13	3422592	1	Pin, Axle Pivot	
14	3520054	2	Plug, Hole	
15	3841258	1	Keeper, Pin	
16	4070897	4	Shim #18Ga	
17	4070898	2	Shim #11Ga	
18	4640871	2	Lockout Valve Assembly	
19	4711400	4	Washer 1/4	
20	4711500	2	Washer 5/16	
21	4711600	4	Washer 3/8	
22	4740158	1	Thrustwasher	
23	4751800	4	Washer 1/2	
24	5241200	8	Washer M12	
25	1001163580	2	Lockout Cylinder Assembly (See CYLINDER SECTION for Breakdown)	
26	1001174792	1	Axle Weldment	
26A	1001175158	2	Steer Cylinder Mounting Block Assembly	
27	1001182136	1	Valve, Axle Lockout (See AXLE LOCKOUT VALVE ASSEMBLY for Breakdown)	
28	0641528	2	Bolt 5/16 x 3-1/2	

SECTION 1 - FRAME

FIGURE 1-9. STEER INSTALLATION - WITHOUT TOW PACKAGE (2WD/2WS)



ART_1001180934

SECTION 1 - FRAME

FIGURE 1-9. STEER INSTALLATION - WITHOUT TOW PACKAGE (2WD/2WS)

ITEM	PART NUMBER	QTY	DESCRIPTION	REV
	1001180934	Ref	STEER INSTALLATION - WITHOUT TOW PACKAGE (2WD/2WS)	C
1	0100011	AR	Compound, Locking	
2	0440162	4	Thrustwasher	
3	0641606	4	Bolt 3/8 x 3/4	
4	0641607	4	Bolt 3/8 x 7/8	
5	0642030	4	Bolt 5/8 x 3-3/4	
6	2780245	1	Hub/Spindle Assembly (RH) (See HUB ASSEMBLY - RH for Breakdown)	
7	3322202	2	Nut 3/4	
8	3323003	2	Nut 1-1/4	
9	3422692	2	Kingpin	
10	3422817	3	Pin	
11	3450812	2	Pin, Cotter 1/4 x 3	
12	3841143	4	Keeper, Pin	
13	3841443	2	Rod-End	
14	3931408	4	Capscrew 1/4 x 1/2	
15	4713000	2	Washer 1-1/4	
16	4740111	4	Thrustwasher	
17	4846076	2	Tie-Rod	
18	4892000	4	Washer 5/8	
19	1001140281	1	Steer Cylinder Assembly (See CYLINDER SECTION for Breakdown)	
20	1001151395	AR	Shim .048	
21	1001151428	AR	Shim .036	
22	1001161117	1	Switch, Rotary Angle Sensor	
23	1001169423	1	Cover	
24	1001180908	1	Pin	
25	1001180912	1	Hub/Spindle Assembly (LH) (See HUB ASSEMBLY - LH for Breakdown)	
26	0641604	1	Bolt 3/8 x 1/2	
27	1320041	1	Clamp (SN 0300219271 through 0300224945)	
27	1320043	1	Clamp (SN 0300224946 to Present)	
28	1320263	1	Clamp	
29	4240032	2	Tie-Strap (Not Shown)	
30	1001195835	1	Harness, Steering (See ELECTRICAL SECTION for Breakdown)	

SECTION 1 - FRAME

FIGURE 1-10. STEER INSTALLATION - WITH TOW PACKAGE (2WD/2WS)

ITEM	PART NUMBER	QTY	DESCRIPTION	REV
	1001180936	Ref	STEER INSTALLATION - WITH TOW PACKAGE (2WD/2WS)	C
1	0100011	AR	Compound, Locking	
2	0100019	AR	Compound, Locking	
3	0440162	4	Thrustwasher	
4	0641606	4	Bolt 3/8 x 3/4	
5	0641607	4	Bolt 3/8 x 7/8	
6	0641608	1	Bolt 3/8 x 1	
7	0642030	4	Bolt 5/8 x 3-3/4	
8	0962292	4	Bearing	
9	0962348	1	Bearing	
10	2780245	1	Hub/Spindle Assembly (RH) (See HUB ASSEMBLY - RH for Breakdown)	
11	3322202	2	Nut 3/4	
12	3323003	2	Nut 1-1/4	
13	3422692	2	Kingpin	
14	3422817	3	Pin	
15	3422848	1	Pin, Hitch	
16	3450812	2	Pin, Cotter 1/4 x 3	
17	3572490	1	Plate, Tow Bar Pivot	
18	3841143	5	Keeper, Pin	
19	3841443	2	Rod-End	
20	3900295	1	Bolt 1 x 3	
21	3900296	1	Bolt 1 x 4-1/2	
22	3931408	4	Capscrew 1/4 x 1/2	
23	4713000	2	Washer 1-1/4	
24	4740111	9	Thrustwasher	
25	4740155	2	Thrustwasher	
26	4846076	1	Tie-Rod (Left Side)	
27	4846292	1	Tie-Rod (Right Side)	
28	4846294	1	Link, Tow Bar	
29	4892000	4	Washer 5/8	
30	1001140281	1	Steer Cylinder Assembly (See CYLINDER SECTION for Breakdown)	
31	1001151395	AR	Shim .048	
32	1001151428	AR	Shim .036	
33	1001161117	1	Switch, Rotary Angle Sensor	
34	1001169423	1	Cover	
35	1001180908	1	Pin	
36	1001180912	1	Hub/Spindle Assembly (LH) (See HUB ASSEMBLY - LH for Breakdown)	
37	0641604	1	Bolt 3/8 x 1/2	
38	1320041	1	Clamp (SN 0300219271 through 0300224945)	
38	1320043	1	Clamp (SN 0300224946 to Present)	
39	1320263	1	Clamp	
40	4240032	2	Tie-Strap (Not Shown)	
41	1001195835	1	Harness, Steering (See ELECTRICAL SECTION for Breakdown)	

SECTION 1 - FRAME

FIGURE 1-11. STEER INSTALLATION - (4WD/2WS)

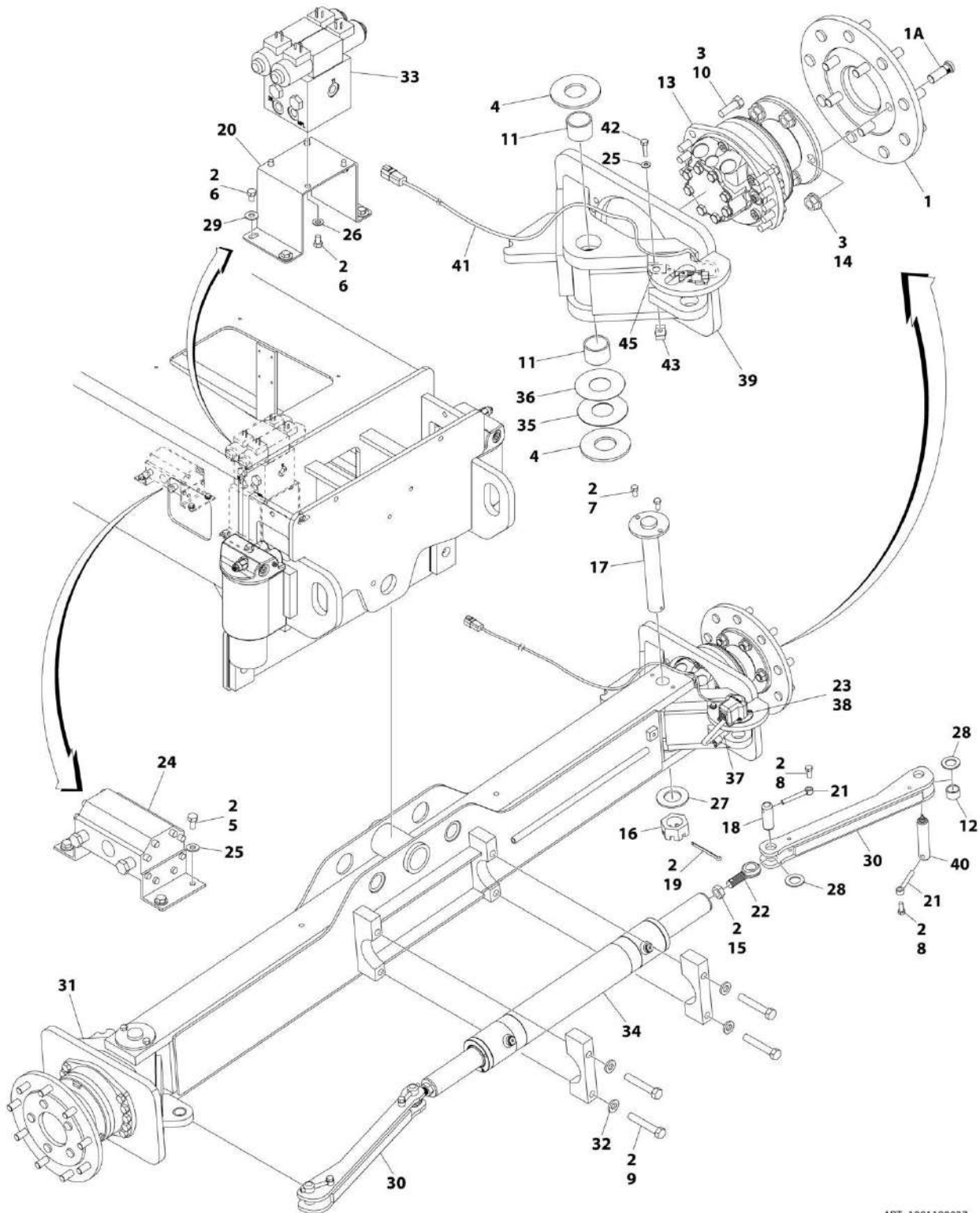
ITEM	PART NUMBER	QTY	DESCRIPTION	REV
	1001180935	Ref	STEER INSTALLATION - (4WD/2WS)	C
1	0080233	2	Drive Adapter Assembly	
1A	4300145	28	Stud, Wheel (14 Per Assembly)	
2	0100011	AR	Compound, Locking	
3	0100019	AR	Compound, Locking	
4	0440161	4	Thrustwasher	
5	0641404	4	Bolt 1/4 x 1/2	
6	0641504	8	Bolt 5/16 x 1/2	
7	0641606	4	Bolt 3/8 x 3/4	
8	0641607	4	Bolt 3/8 x 7/8	
9	0642030	4	Bolt 5/8 x 3-3/4	
10	0681812	20	Bolt 1/2 x 3-1/4 Grade 8	
11	0961948	4	Bushing	
12	0962292	2	Bearing	
13	3160251	2	Drive Motor Assembly (See DRIVE MOTOR ASSEMBLY (4WD FRONT) for Breakdown)	
14	3300426	10	Nut 5/8	
15	3322202	2	Nut 3/4	
16	3323403	2	Nut, Slotted Castle 1-1/2-12	
17	3422817	3	Pin	
18	3422819	2	Kingpin	
19	3450812	2	Pin, Cotter 1/4 x 3	
20	3572328	1	Plate, Mounting	
21	3841143	4	Keeper, Pin	
22	3841443	2	Rod-End	
23	3931408	3	Capscrew 1/4 x 1/2	
24	4641148	1	Flow Divider Assembly	
24	See Note	NSS	Seal Kit - 4641148 Valve (Note: Not Available for Purchase)	
25	4711400	5	Washer 1/4	
26	4711500	4	Washer 5/16	
27	4713400	2	Washer 1-1/2	
28	4740111	4	Thrustwasher	
29	4751500	4	Washer 5/16	
30	4846135	1	Spindle	
31	4846141	2	Tie-Rod	
32	4892000	4	Washer 5/8	
34	1001092586	1	Valve Assembly - Drive (See DRIVE VALVE ASSEMBLY for Breakdown)	
35	1001140281	1	Steer Cylinder Assembly (See CYLINDER SECTION for Breakdown)	
36	1001156428	AR	Shim .120	
37	1001156429	AR	Shim .060	
38	1001156430	AR	Shim .030	
39	1001161117	1	Switch, Rotary Angle Sensor	
40	1001169423	1	Cover	
41	1001180902	1	Spindle	
42	1001180904	1	Pin, Steer Sensor	
43	1001195835	1	Harness, Steering (See ELECTRICAL SECTION for Breakdown)	
44	0641409	1	Bolt 1/4 x 1-1/8	
45	3300454	1	Nut 1/4	

SECTION 1 - FRAME

ITEM	PART NUMBER	QTY	DESCRIPTION	REV
46	4240033	AR	Tie-Strap (Not Shown)	
47	1001141581	1	Mount	

SECTION 1 - FRAME

FIGURE 1-12. STEER INSTALLATION - (4WD/2WS) (E600JP/M600JP)



ART_1001180937

SECTION 1 - FRAME

FIGURE 1-12. STEER INSTALLATION - (4WD/2WS) (E600JP/M600JP)

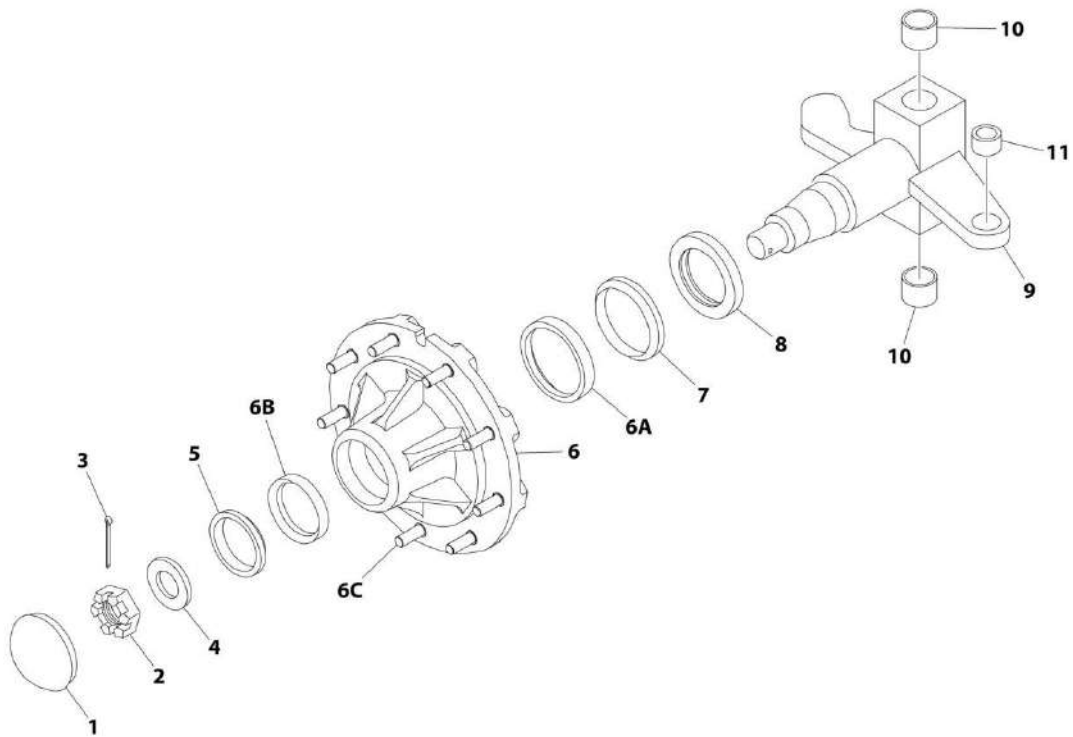
ITEM	PART NUMBER	QTY	DESCRIPTION	REV
	1001180937	Ref	STEER INSTALLATION - (4WD/2WS) (E600JP/M600JP)	C
1	0080233	2	Drive Adapter Assembly	
1A	4300145	28	Stud, Wheel (14 Per Assembly)	
2	0100011	AR	Compound, Locking	
3	0100019	AR	Compound, Locking	
4	0440161	4	Thrustwasher	
5	0641404	4	Bolt 1/4 x 1/2	
6	0641504	8	Bolt 5/16 x 1/2	
7	0641606	4	Bolt 3/8 x 3/4	
8	0641607	4	Bolt 3/8 x 7/8	
9	0642030	4	Bolt 5/8 x 3-3/4	
10	0681812	20	Bolt 1/2 x 3-1/4 Grade 8	
11	0961948	4	Bushing	
12	0962292	2	Bearing	
13	3160251	2	Drive Motor Assembly (See DRIVE MOTOR ASSEMBLY (4WD FRONT) for Breakdown)	
14	3300426	10	Nut 5/8	
15	3322202	2	Nut 3/4	
16	3323003	2	Nut, Slotted Castle 1-1/4-12	
17	3422819	2	Kingpin	
18	3422817	3	Pin	
19	3450812	2	Pin, Cotter 1/4 x 3	
20	3572328	1	Plate, Mounting	
21	3841143	4	Keeper, Pin	
22	3841443	2	Rod-End	
23	3931408	3	Capscrew 1/4 x 1/2	
24	4641148	1	Flow Divider Assembly	
24	See Note	NSS	Seal Kit - 4641148 Valve (Note: Not Available for Purchase)	
25	4711400	5	Washer 1/4	
26	4711500	4	Washer 5/16	
27	4713000	2	Washer 1-1/4	
28	4740111	4	Thrustwasher	
29	4751500	4	Washer 5/16	
30	4846141	2	Tie-Rod	
31	4846350	1	Spindle (Right Side)	
32	4892000	4	Washer 5/8	
33	1001092586	1	Valve Assembly - Drive (See DRIVE VALVE ASSEMBLY for Breakdown)	
34	1001140281	1	Steer Cylinder Assembly (See CYLINDER SECTION for Breakdown)	
35	1001156429	AR	Shim .060	
36	1001156430	AR	Shim .030	
37	1001161117	1	Switch, Rotary Angle Sensor	
38	1001169423	1	Cover	
39	1001183584	1	Spindle (Left Side)	
40	1001180904	1	Pin, Steer Sensor	
41	1001195835	1	Harness, Steering (See ELECTRICAL SECTION for Breakdown)	
42	0641409	1	Bolt 1/4 x 1-1/8	
43	3300454	1	Nut 1/4	
44	4240033	AR	Tie-Strap (Not Shown)	

SECTION 1 - FRAME

ITEM	PART NUMBER	QTY	DESCRIPTION	REV
45	1001141581	1	Mount	

SECTION 1 - FRAME

FIGURE 1-13. HUB ASSEMBLY - RH



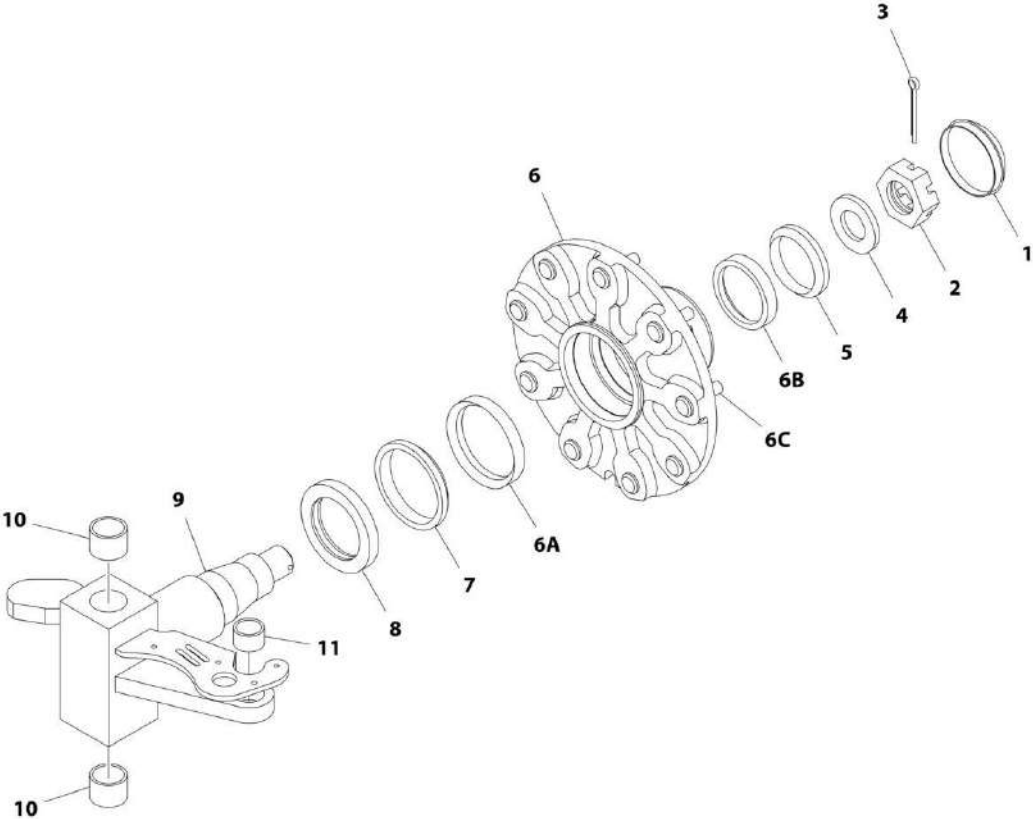
ART_2780245

FIGURE 1-13. HUB ASSEMBLY - RH

ITEM	PART NUMBER	QTY	DESCRIPTION	REV
	2780245	Ref	HUB ASSEMBLY - RH	C
1	7020137	1	Cap, Dust	
2	7020054	1	Nut, Castle	
3	7020140	1	Pin, Cotter	
4	7020055	1	Washer, Spindle	
5	7020039	1	Cone, Bearing - Outer	
6	7020035	1	Hub	
6A	7020036	1	Cup, Bearing - Inner	
6B	7020038	1	Cup, Bearing - Outer	
6C	7020041	9	Stud, Wheel	
7	7020037	1	Cone, Bearing - Inner	
8	7020040	1	Seal	
9	7020251	1	Spindle Assembly	
10	0961951	2	Bushing	
11	0962292	1	Bearing	

SECTION 1 - FRAME

FIGURE 1-14. HUB ASSEMBLY - LH



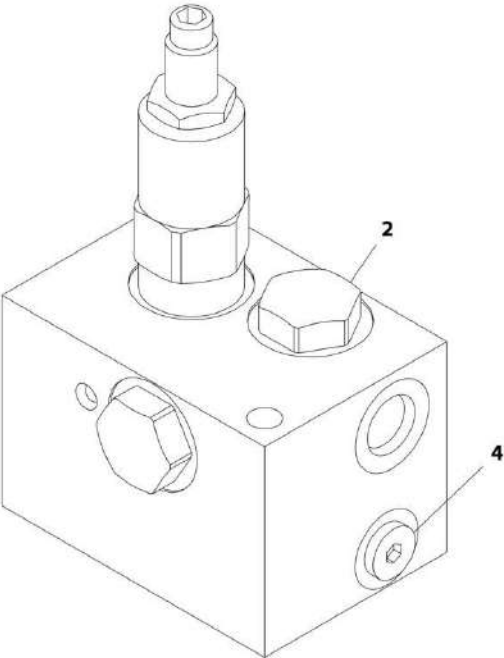
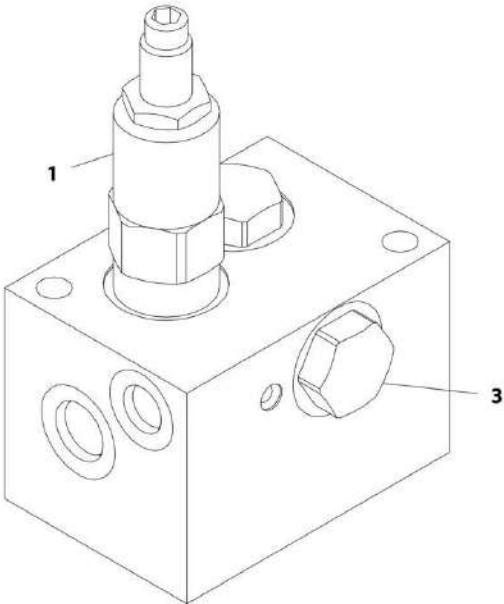
ART_1001180912

FIGURE 1-14. HUB ASSEMBLY - LH

ITEM	PART NUMBER	QTY	DESCRIPTION	REV
	1001180912	Ref	HUB ASSEMBLY - LH	B
1	7020137	1	Cap, Dust	
2	7020054	1	Nut, Castle	
3	3450406	1	Pin, Cotter	
4	7020055	1	Washer, Spindle	
5	7020039	1	Cone, Bearing - Outer	
6	70002434	1	Hub	
6A	7020036	2	Cup, Bearing - Inner	
6B	7020038	2	Cup, Bearing - Outer	
6C	7020041	9	Stud, Wheel	
7	7020037	1	Cone, Bearing - Inner	
8	7020040	1	Seal	
9	70005649	1	Spindle Assembly	
10	0961951	2	Bushing	
11	0962292	1	Bearing	

SECTION 1 - FRAME

FIGURE 1-15. AXLE LOCKOUT VALVE ASSEMBLY



ART_1001182136

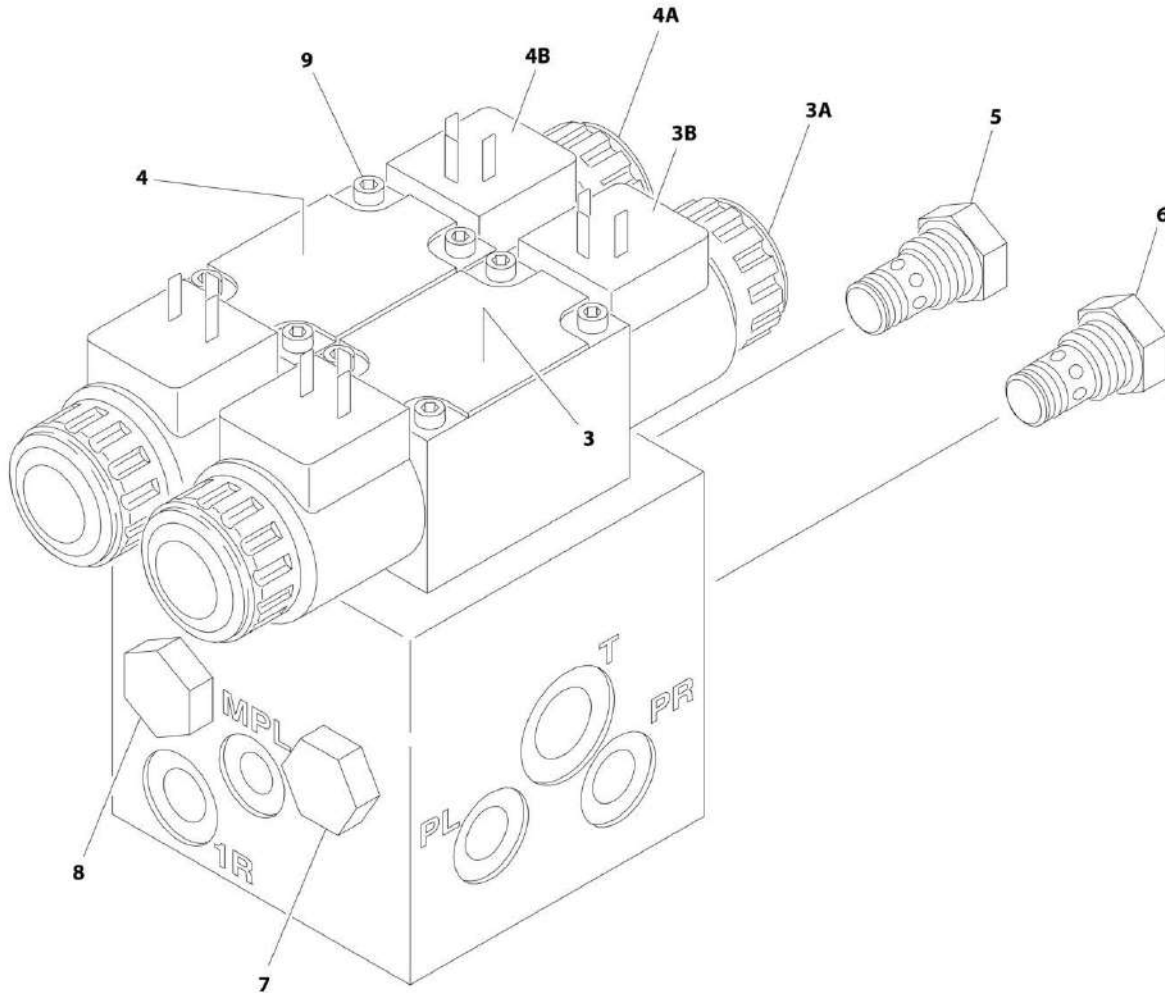
FIGURE 1-15. AXLE LOCKOUT VALVE ASSEMBLY

ITEM	PART NUMBER	QTY	DESCRIPTION	REV
	1001182136	Ref	AXLE LOCKOUT VALVE ASSEMBLY	C
1	70004388	1	Cartridge	
1	7021653	1	Seal Kit - 70004388 Cartridge	
2	7012955	1	Cartridge	
2	7012967	1	Seal Kit - 7012955 Cartridge	
3	7023976	1	Cartridge	
3	7012967	1	Seal Kit - 7023976 Cartridge	
4	2220883	1	Plug	

SECTION 1 - FRAME

FIGURE 1-16. DRIVE VALVE ASSEMBLY (4WD ONLY)

**NOTE: TORQUE ITEM #9
TO 60 IN/LBS.**



ART_1001092586

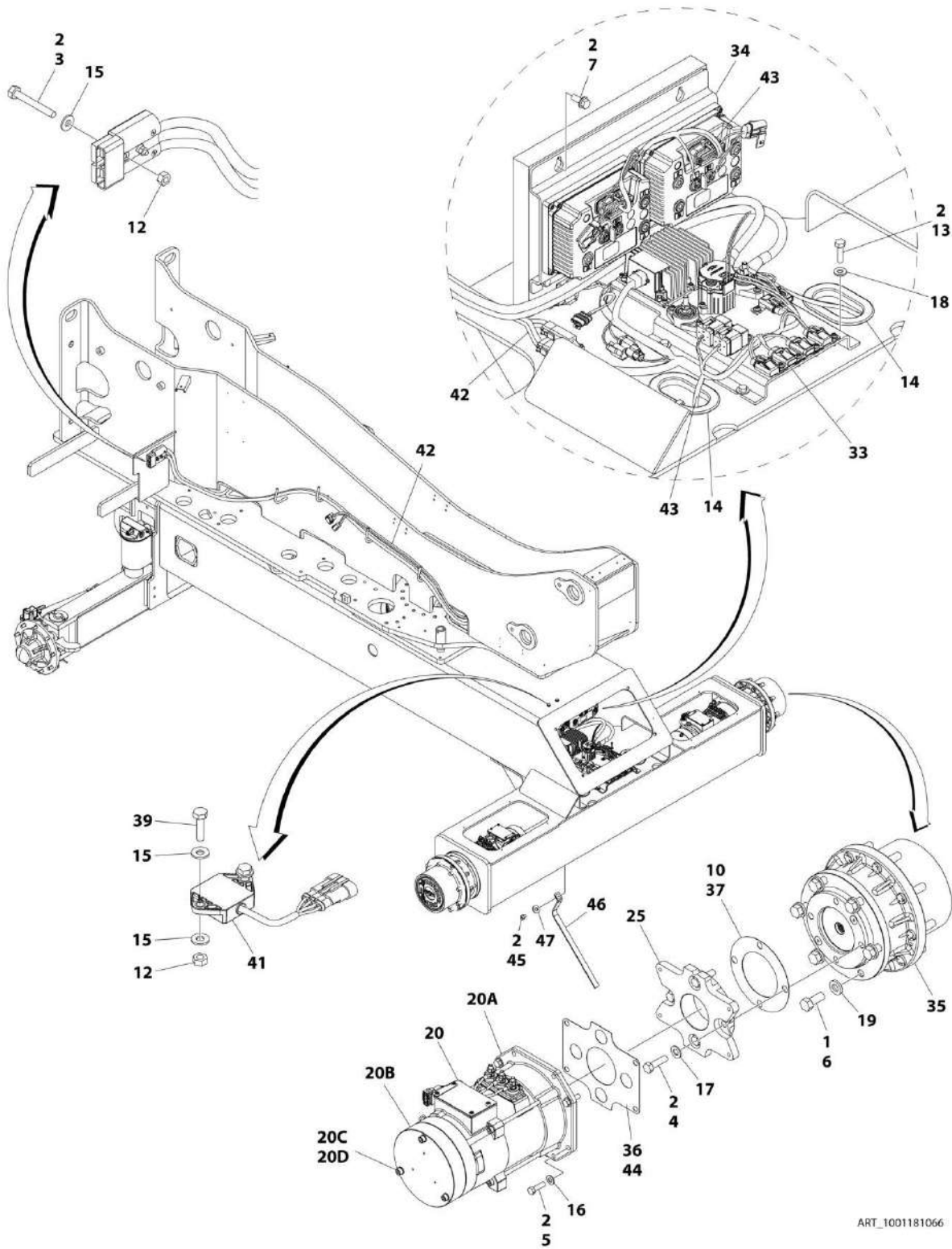
SECTION 1 - FRAME

FIGURE 1-16. DRIVE VALVE ASSEMBLY (4WD ONLY)

ITEM	PART NUMBER	QTY	DESCRIPTION	REV
	1001092586	Ref	DRIVE VALVE ASSEMBLY (4WD ONLY)	A
3	70001422	1	Control Valve Assembly	
3	7012773	1	Seal Kit - 70001422 Valve	
3A	7021375	2	Nut	
3B	70002947	2	Coil	
4	70001422	1	Control Valve Assembly	
4	7012773	1	Seal Kit - 70001422 Valve	
4A	7021375	2	Nut	
4B	70002947	2	Coil	
5	7012969	1	Cartridge, Check	
5	7012540	1	Seal Kit - 7012969 Valve	
6	7012969	1	Cartridge, Check	
6	7012540	1	Seal Kit - 7012969 Valve	
7	7012969	1	Cartridge, Check	
7	7012540	1	Seal Kit - 7012969 Valve	
8	7012969	1	Cartridge, Check	
8	7012540	1	Seal Kit - 7012969 Valve	
9	7018942	8	Capscrew #10 x 2	

SECTION 1 - FRAME

FIGURE 1-17. WHEEL DRIVE INSTALLATION (NON UL SPECS)



ART_1001181066

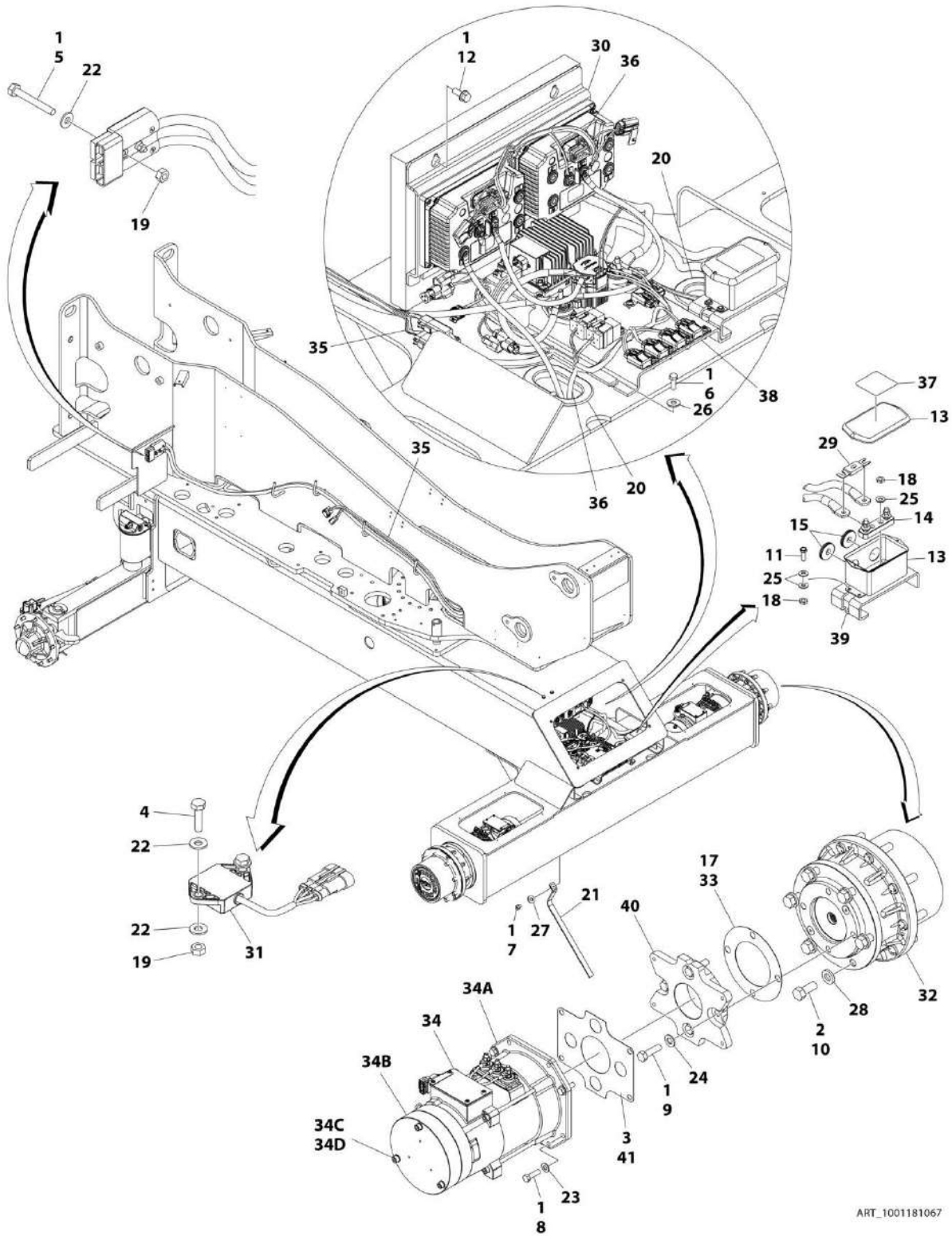
SECTION 1 - FRAME

FIGURE 1-17. WHEEL DRIVE INSTALLATION (NON UL SPECS)

ITEM	PART NUMBER	QTY	DESCRIPTION	REV
	1001181066	Ref	WHEEL DRIVE INSTALLATION (NON UL SPECS)	I
1	0100019	AR	Compound, Locking	
2	0100011	AR	Compound, Locking	
3	0641416	4	Bolt 1/4 x 2	
4	0641814	8	Bolt 1/2 x 1-3/4	
5	0641610	8	Bolt 3/8 x 1-1/4	
6	0682012	12	Bolt 5/8 x 1-1/2 Grade 8	
7	0791506	4	Screw 5/16 x 3/4	
9	3020008	AR	Lubricant, Mobilube HD 80W-90 (Not Shown)	
10	3020037	AR	Lube, Coupling Grease	
12	3311401	6	Nut 1/4	
13	0641506	4	Bolt 5/16 x 3/4	
14	4060808	20.5 in /52cm	Flex-Trim	
15	4711400	8	Washer 1/4	
16	4751600	8	Washer 3/8	
17	4711800	8	Washer 1/2	
18	4751500	4	Washer 5/16	
19	4892000	12	Washer 5/8	
20	1001184855	2	Drive Motor/Brake Assembly (See DRIVE MOTOR ASSEMBLY for Breakdown)	
20A	1001184206	2	Drive Motor Assembly (See DRIVE MOTOR ASSEMBLY for Breakdown)	
20B	1001184853	2	Drive Brake Assembly	
20C	4031920	3	Capscrew M8 x 80	
20D	4811900	3	Washer M8	
25	1001178921	2	Plate, Motor Adapter (SN 0300219271 through 0300226266)	
25	1001219722	2	Plate, Motor Adapter (SN 0300226267 to Present)	
33	1001180654	1	AC Drive Electrical Plate Assembly (See AC DRIVE ELECTRICAL PLATE ASSEMBLY (NON UL SPECS) for Breakdown)	
34	1001180780	1	Drive Module Plate Assembly (See DRIVE MODULE PLATE ASSEMBLY for Breakdown)	
35	1001182494	2	Drive Hub Assembly (See DRIVE HUB ASSEMBLY for Breakdown)	
36	1001182959	2	Seal, Motor (SN 0300219271 through 0300226266)	
36	1001220271	2	Seal, Motor (SN 0300226267 to Present)	
37	1001182960	2	Seal, Hub	
39	0641408	2	Bolt 1/4 x 1	
41	1001181325	1	Sensor, Dual Axle (Prior to SN 0300243585)	
41	1001219601	1	Sensor, Dual Axle (SN 0300243585 to Present)	
42	1001195836	1	Harness, Traction to Turntable (See ELECTRICAL SECTION for Breakdown)	
43	1001195867	1	Harness, Traction (See ELECTRICAL SECTION for Breakdown)	
44	0100020	AR	Sealant, Pipe (SN 0300226267 to Present)	
45	0641604	1	Bolt 3/8 x 1/2 (SN 0300226267 to Present)	
46	4240084	1	Strap, Anti-Static (SN 0300226267 to Present)	
47	4751600	1	Washer 3/8 (SN 0300226267 to Present)	
100	1001196485	1	Drive Cable Kit (Not Shown - See ELECTRICAL SECTION for Breakdown)	

SECTION 1 - FRAME

FIGURE 1-18. WHEEL DRIVE INSTALLATION (UL SPECS)



SECTION 1 - FRAME

FIGURE 1-18. WHEEL DRIVE INSTALLATION (UL SPECS)

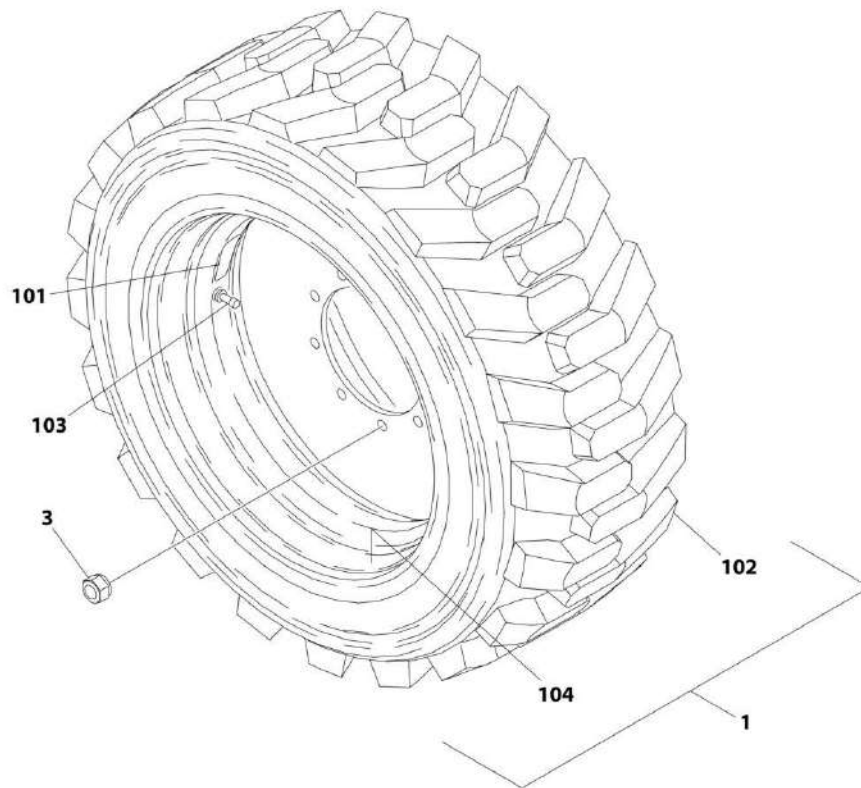
ITEM	PART NUMBER	QTY	DESCRIPTION	REV
	1001181067	Ref	WHEEL DRIVE INSTALLATION (UL SPECS)	C
1	0100011	AR	Compound, Locking	
2	0100019	AR	Compound, Locking	
3	0100020	AR	Sealant, Pipe	
4	0641408	2	Bolt 1/4 x 1	
5	0641416	4	Bolt 1/4 x 2	
6	0641507	4	Bolt 5/16 x 7/8	
7	0641604	1	Bolt 3/8 x 1/2	
8	0641610	8	Bolt 3/8 x 1-1/4	
9	0641814	8	Bolt 1/2 x 1-3/4	
10	0682012	12	Bolt 5/8 x 1-1/2 Grade 8	
11	0721005	4	Screw #10 x 5/8	
12	0791506	4	Screw 5/16 x 3/4	
13	0861375	1	Box	
14	2400044	1	Fuse, Mounting Block	
15	2540037	2	Grommet	
16	3020008	AR	Lubricant, Mobilube HD 80W-90 (Not Shown)	
17	3020037	AR	Lube, Coupling Grease	
18	3311001	6	Nut #10	
19	3311401	6	Nut 1/4	
20	4060808	20.5 in/ 52cm	Flex-Trim	
21	4240084	1	Strap, Anti-Static	
22	4711400	8	Washer 1/4	
23	4751600	8	Washer 3/8	
24	4711800	8	Washer 1/2	
25	4751000	10	Washer #10	
26	4751500	4	Washer 5/16	
27	4751600	1	Washer 3/8	
28	4892000	12	Washer 5/8	
29	1001170365	1	Fuse, 400 Amp	
30	1001180780	1	Drive Module Plate Assembly (See DRIVE MODULE PLATE ASSEMBLY for Breakdown)	
31	1001181325	1	Sensor, Dual Axle (Prior to SN 0300241366)	
31	1001219601	1	Sensor, Dual Axle (SN 0300241366 to Present)	
32	1001182494	2	Drive Hub Assembly (See DRIVE HUB ASSEMBLY for Breakdown)	
33	1001182960	2	Seal, Hub	
34	1001184855	2	Drive Motor/Brake Assembly (See DRIVE MOTOR ASSEMBLY for Breakdown)	
34A	1001184206	2	Drive Motor Assembly (See DRIVE MOTOR ASSEMBLY for Breakdown)	
34B	1001184853	2	Drive Brake Assembly	
34C	4031920	3	Capscrew M8 x 80	
34D	4811900	3	Washer M8	
35	1001195836	1	Harness, Traction to Turntable (See ELECTRICAL SECTION for Breakdown)	
36	1001195867	1	Harness, Traction (See ELECTRICAL SECTION for Breakdown)	
37	1001213626	1	Decal - Fuse, 400 Amp	
38	1001214669	1	AC Drive Electrical Plate Assembly (See AC DRIVE ELECTRICAL PLATE ASSEMBLY (UL SPECS) for Breakdown)	

SECTION 1 - FRAME

ITEM	PART NUMBER	QTY	DESCRIPTION	REV
39	1001214804	1	Bracket	
40	1001219722	2	Plate, Motor Adapter	
41	1001220271	2	Seal, Motor	
100	1001214800	1	Drive Cable Kit (Not Shown - See ELECTRICAL SECTION for Breakdown)	

SECTION 1 - FRAME

FIGURE 1-19. TIRE AND WHEEL INSTALLATION - 36/14LL X 22.5 PNEUMATIC NON-MARKING



ART_0272695

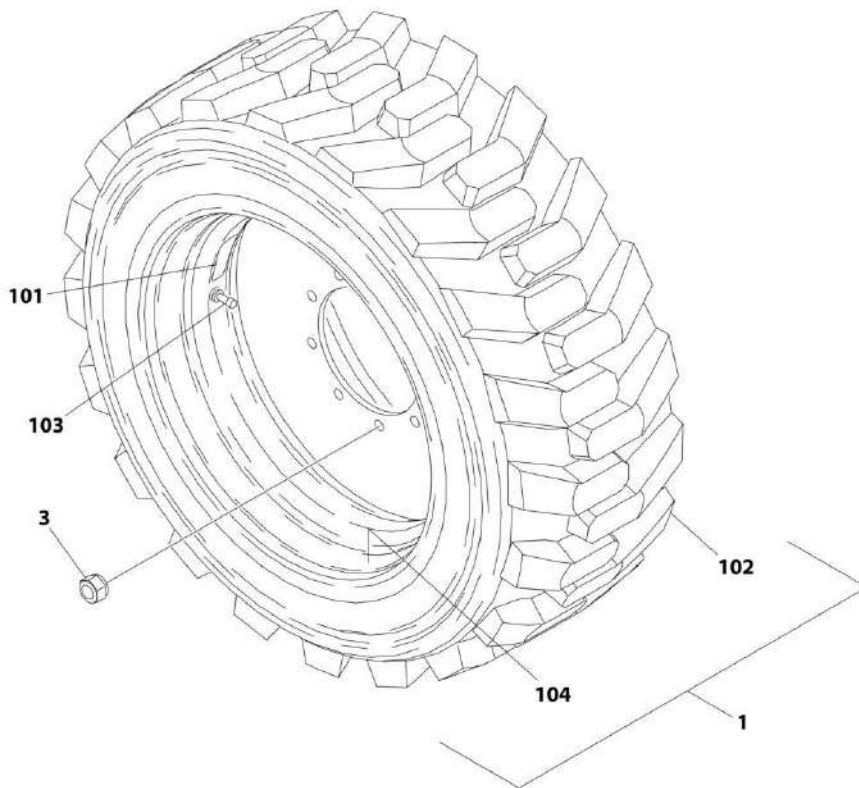
SECTION 1 - FRAME

FIGURE 1-19. TIRE AND WHEEL INSTALLATION - 36/14LL X 22.5 PNEUMATIC NON-MARKING

ITEM	PART NUMBER	QTY	DESCRIPTION	REV
	0272695	Ref	TIRE AND WHEEL INSTALLATION - 36/14LL X 22.5 PNEUMATIC NON-MARKING	B
1	0272690	2	Tire and Wheel Assembly - 36/14LL x 22.5 Pneumatic Non-Marking (Right Side)	C
1	0272691	2	Tire and Wheel Assembly - 36/14LL x 22.5 Pneumatic Non-Marking (Left Side)	C
3	3300426	36	Nut 5/8	
101	1702698	1	Decal - 55PSI/4BAR	
102	4520264	1	Tire, Replacement (36/14LL x 22.5)	
103	4640113	1	Valve, Air	
104	4860212	1	Rim, Wheel	

SECTION 1 - FRAME

FIGURE 1-20. TIRE AND WHEEL INSTALLATION - 36/14LL X 22.5 FOAM-FILLED NON-MARKING



ART_0272694

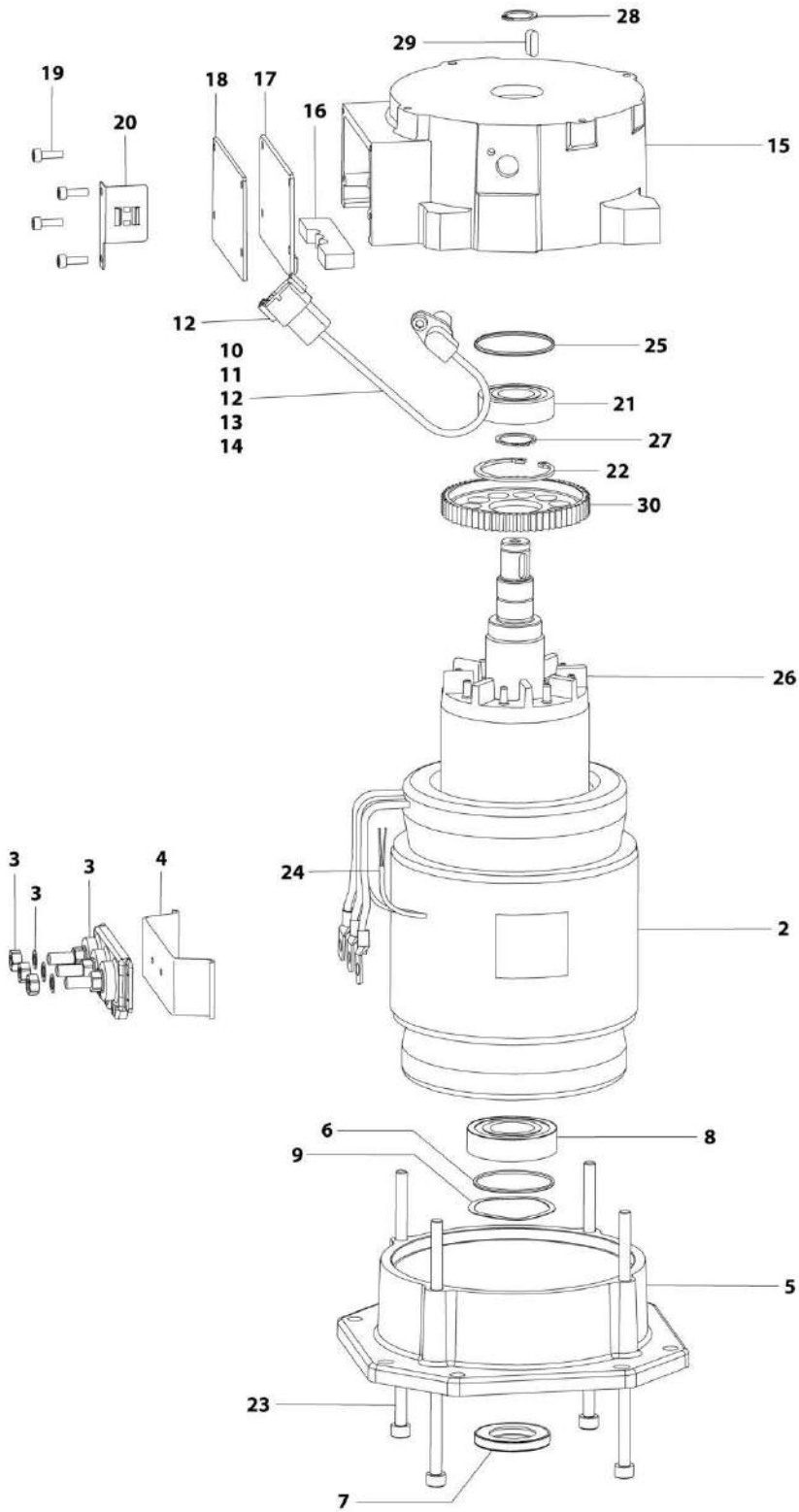
SECTION 1 - FRAME

FIGURE 1-20. TIRE AND WHEEL INSTALLATION - 36/14LL X 22.5 FOAM-FILLED NON-MARKING

ITEM	PART NUMBER	QTY	DESCRIPTION	REV
	0272694	Ref	TIRE AND WHEEL INSTALLATION - 36/14LL X 22.5 FOAM-FILLED NON-MARKING	B
		Ref	Note: Assemblies may require ballast/foam filling to manufacturer's specifications prior to installing on a machine. Refer to Operation and Safety or Service and Maintenance Manuals. Purchase individual tire and/or rim only if able to foam fill tire and wheel assembly, otherwise, purchase complete assembly.	
1	0272692	2	36/14LL x 22.5 Foam-Filled Non-Marking (Right Side)	D
1	0272693	2	36/14LL x 22.5 Foam-Filled Non-Marking (Left Side)	D
3	3300426	36	Nut 5/8	
101	1702698	1	Decal - 55PSI/4BAR (Pneumatic Only)	
102	4520264	1	Tire, Replacement (36/14LL x 22.5)	
103	4641122	1	Valve, Air	
104	4860212	1	Rim, Wheel	

SECTION 1 - FRAME

FIGURE 1-21. DRIVE MOTOR ASSEMBLY



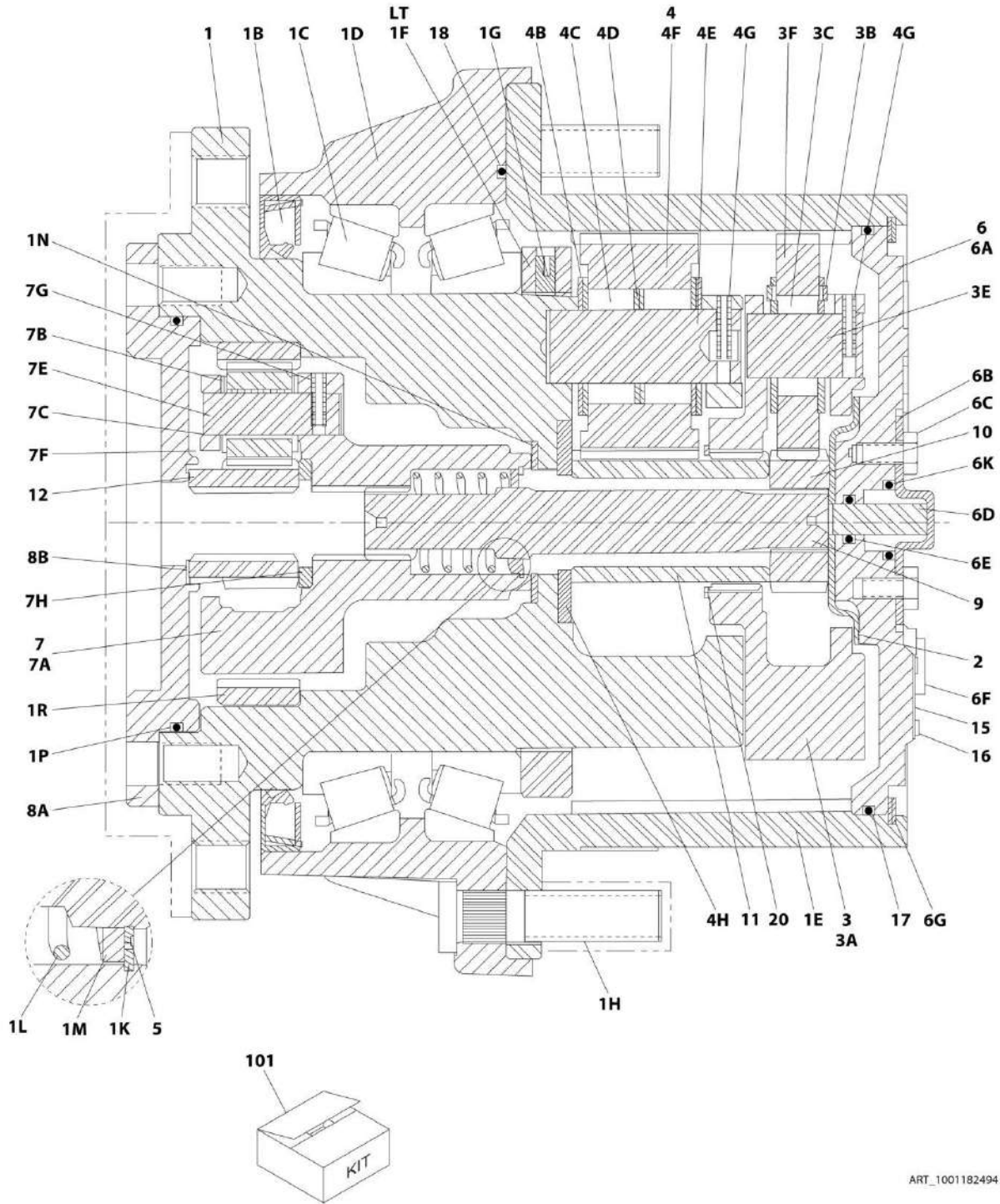
ART_1001184206

FIGURE 1-21. DRIVE MOTOR ASSEMBLY

ITEM	PART NUMBER	QTY	DESCRIPTION	REV
	1001184206	Ref	DRIVE MOTOR ASSEMBLY	F
2	70005385	1	Stator	
3	70005685	1	Board, Terminal	
3	70005387	3	Nut M8	
3	70005388	3	Washer M8	
3	70005390	2	Screw M5 x 14	
4	70005389	1	Base, Terminal	
5	70005391	1	Plate, Drive End	
6	70004811	1	O-Ring	
7	70005392	1	Seal, Shaft	
8	70004809	1	Bearing	
9	70005393	1	Washer, Wavy	
10	70005394	1	Sensor (Includes Items 11-14)	
11	70005395	1	Screw M8 x 16	
12	70005397	1	Connector	
13	70005396	1	Wedge	
14	4460516	4	Pin, Male	
15	70005686	1	Shield, End	
16	70005687	1	Seal	
17	70005400	1	Seal	
18	70005401	1	Cover	
19	70005402	4	Screw M5 x 16	
20	70005403	1	Plate, Retaining	
21	70005404	1	Bearing	
22	70005405	1	Clip, Retainer	
23	70005406	4	Screw M8 x 180	
24	70005407	1	Temperature, Sensor	
25	70005408	1	O-Ring	
26	70005688	1	Rotor	
27	70004820	1	Clip, Retainer	
28	70005410	1	Clip, Retainer	
29	70005689	1	Key	
30	70005412	1	Gear	

SECTION 1 - FRAME

FIGURE 1-22. DRIVE HUB ASSEMBLY (REAR)



ART_1001182494

FIGURE 1-22. DRIVE HUB ASSEMBLY (REAR)

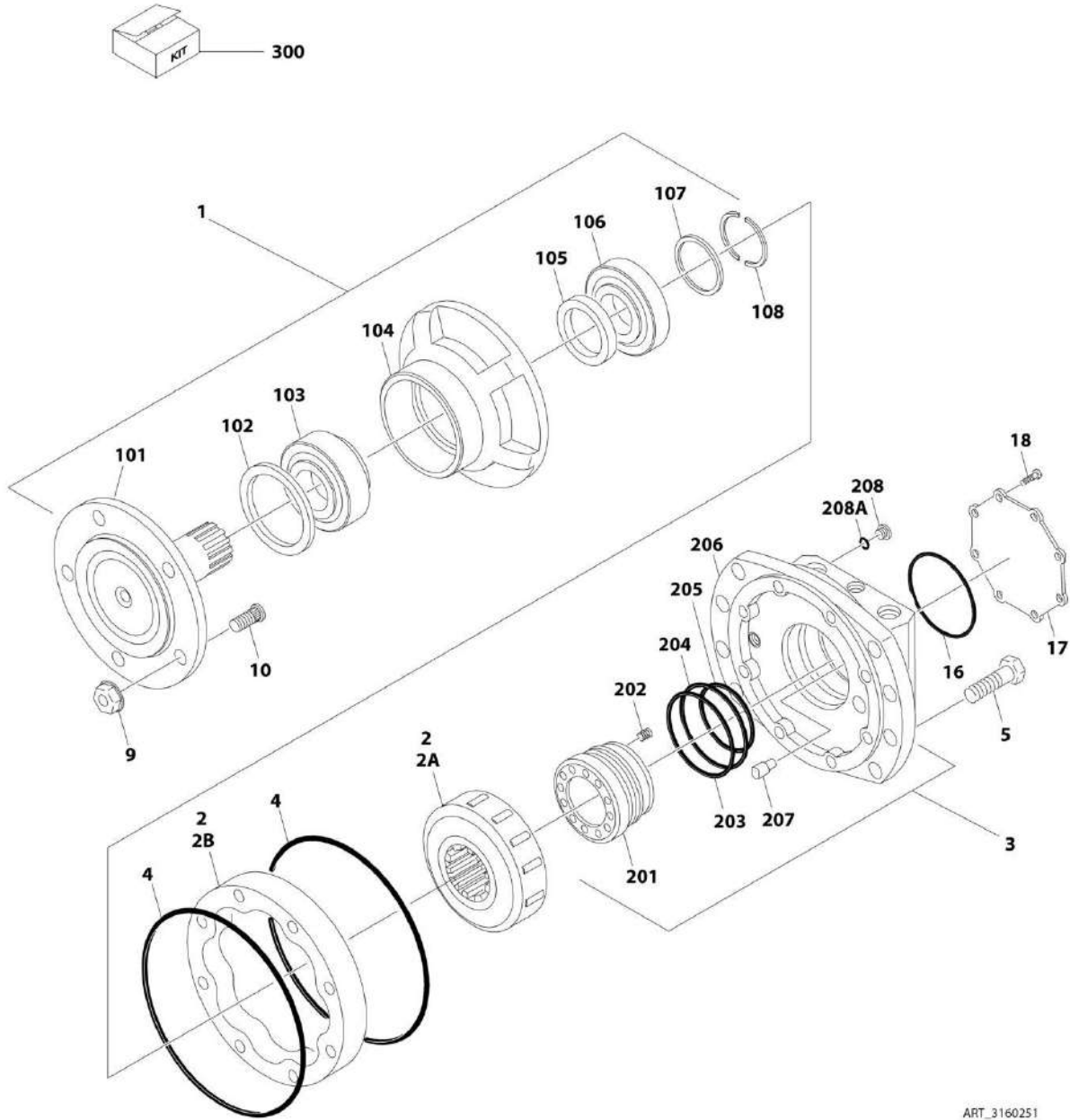
ITEM	PART NUMBER	QTY	DESCRIPTION	REV
	1001182494	Ref	DRIVE HUB ASSEMBLY (REAR)	E
1	70005610	1	Spindle, Sub Assembly	
1B	70001119	1	Seal, Lip	
1C	7024735	2	Bearing, Tapered	
1D	See Note	NSS	Housing (Note: Not Available for Purchase)	
1E	7024730	1	Gear, Ring	
1F	70003000	1	Nut, Bearing	
1G	70002996	2	Screw	
1H	7007640	9	Stud	
1K	70005613	1	Ring, Retaining (Internal)	
1L	7024124	1	Spring	
1M	7024129	1	Thrustwasher	
1N	7001922	1	Thrustwasher	
1P	70005614	1	O-Ring	
1R	See Note	NSS	Gear, Ring Blank (Note: Not Available for Purchase)	
2	7024741	1	Spacer, Thrust	
3	70005604	1	Carrier, Sub Assembly	
3A	See Note	NSS	Carrier (Note: Not Available for Purchase)	
3B	7024127	6	Thrustwasher	
3C	7024733	42	Bearing, Needle	
3E	7024724	3	Shaft, Planet	
3F	See Note	NSS	Gear, Planet (Note: Not Available for Purchase)	
4	70002983	1	Planet Gear Sub Assembly	
4B	7024740	12	Thrustwasher	
4C	7024734	84	Bearing, Needle	
4D	7024736	3	Spacer, Thrust	
4E	7024726	3	Shaft, Planet	
4F	70002983	1	Gear, Planet	
4G	7001913	3	Pin, Roll	
4H	7024742	1	Thrustwasher	
4F	See Note	NSS	Gear, Planet (Note: Not Available for Purchase)	
5	7017027	1	Ring, Retaining (External)	
6	70001368	1	Cover Gear Sub Assembly	
6A	See Note	NSS	Flange, Plate/Cover (Note: Use Item 6)	
6B	7017093	1	Cap, Disengage	
6C	7000216	2	Bolt 1/4 x 1/2	
6D	7024739	1	Pin, Dowel	
6E	7017095	1	O-Ring	
6F	7017072	2	Plug	
6G	7024738	1	Ring, Retaining (Internal)	
6K	See Note	NSS	O-Ring (Note: Not Available for Purchase)	
7	70005605	1	Carrier, Sub Assembly	
7A	See Note	NSS	Carrier (Note: Not Available for Purchase)	
7B	See Note	NSS	Thrustwasher	
7C	See Note	NSS	Bushing (Note: Not Available for Purchase)	
7E	See Note	NSS	Shaft, Planet (Note: Not Available for Purchase)	
7F	See Note	NSS	Gear, Planet (Note: Not Available for Purchase)	
7G	7010474	3	Pin, Roll	
7H	7017020	1	Thrustwasher	
8A	70005611	1	Adapter, Mounting	

SECTION 1 - FRAME

ITEM	PART NUMBER	QTY	DESCRIPTION	REV
8B	7007642	1	Thrustwasher	
9	70005606	1	Shaft, Input	
10	70005607	1	Gear, Sun	
11	70005609	1	Gear, Sun	
12	70005608	1	Gear, Sun	
15	See Note	NSS	Plate, ID (Note: Not Available for Purchase)	
16	See Note	NSS	Rivet (Note: Not Available for Purchase)	
17	7024134	1	O-Ring	
18	70002997	1	O-Ring	
19	7017022	5	Bolt (Not Shown)	
20	70005612	1	Ring, Retaining (External)	
101	7024744	1	Seal Kit (Includes Items 1B, 1F, 1G, 17, 18 & 19)	

SECTION 1 - FRAME

FIGURE 1-23. DRIVE MOTOR ASSEMBLY (4WD FRONT)



ART_3160251

SECTION 1 - FRAME

FIGURE 1-23. DRIVE MOTOR ASSEMBLY (4WD FRONT)

ITEM	PART NUMBER	QTY	DESCRIPTION	REV
	3160251	Ref	DRIVE MOTOR ASSEMBLY (4WD FRONT)	B
1	See Note	NSS	Housing Assembly (Front) (Note: Not Available - Use p/n 3160251 for complete replacement. See 101-108 for available components)	
2	7023866	1	Rotary Group Assembly	
2A	7023869	1	Rotary Group HD without Cam	
2B	7023870	1	Cam	
3	See Note	NSS	Housing Assembly (Rear) (Note: Not Available - Use p/n 3160251 for complete replacement. See 201-208A for available components)	
4	See Note	NSS	Seal, Square (Note: Use Item 300)	
5	7023876	6	Screw, Cap	
9	7023806	5	Lugnut	
10	7023807	5	Stud	
16	See Note	NSS	Seal, Square (Note: Use Item 300)	
17	7024007	1	Plate, Rear Cover	
18	7023868	8	Screw, Cap	
		Ref	HOUSING ASSEMBLY (FRONT)	
101	7022586	1	Shaft	
102	See Note	NSS	Seal, Face (Note: Use Item 300)	
103	7022587	1	Bearing, Front	
104	See Note	NSS	Casting, Front (Note: Use p/n 3160251)	
105	See Note	NSS	Seal, Shaft (Note: Use Item 300)	
106	7022588	1	Bearing, Rear	
107		Ref	Washer Options:	
107	See Note	NSS	Washer (1.50mm) (Note: Not Available for Purchase)	
107	See Note	NSS	Washer (1.65mm) (Note: Not Available for Purchase)	
107	See Note	NSS	Washer (1.85mm) (Note: Not Available for Purchase)	
107	See Note	NSS	Washer (2.00mm) (Note: Not Available for Purchase)	
107	See Note	NSS	Washer (2.15mm) (Note: Not Available for Purchase)	
107	See Note	NSS	Washer (2.35mm) (Note: Not Available for Purchase)	
108	7022589	1	Ring, Split	
		Ref	HOUSING ASSEMBLY (REAR)	
201	7023871	1	Ring, Distributor	
202	7023872	9	Spring	
203	See Note	NSS	Seal (Note: Use Item 300)	
204	See Note	NSS	Seal (Note: Use Item 300)	
205	See Note	NSS	Seal (Note: Use Item 300)	
206	See Note	NSS	Housing, Rear (Note: Use p/n 3160251)	
207	See Note	NSS	Pin, Stop (Note: Not Available for Purchase)	
208	7022591	1	Plug	
208A	See Note	NSS	O-Ring (Note: Not Available - Purchase Locally)	
		Ref	KIT OPTIONS:	
300	7023801	1	Seal Kit (Includes Items 4, 16, 102, 105 & 203-205)	

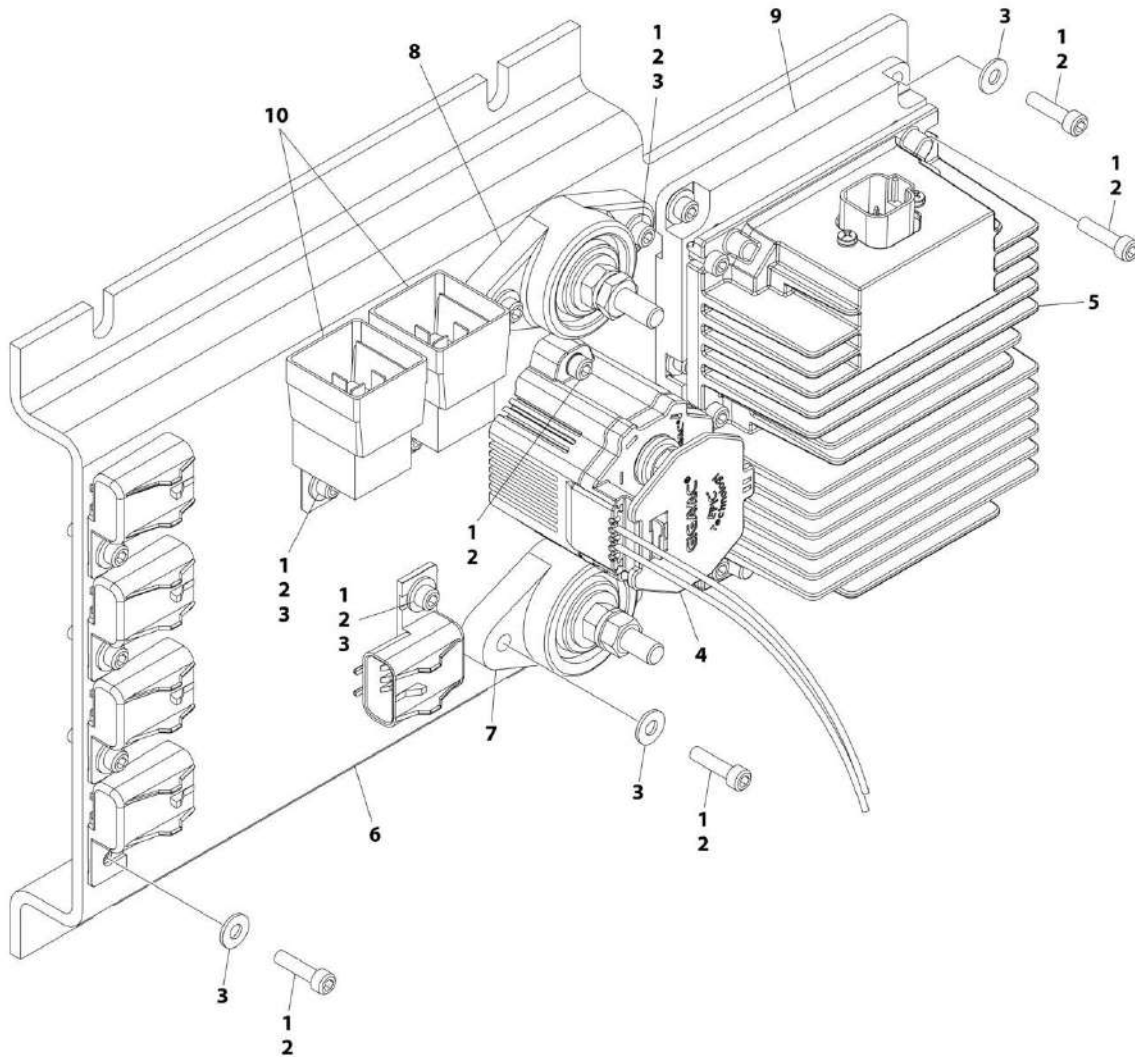
SECTION 1 - FRAME

FIGURE 1-24. AC DRIVE ELECTRICAL PLATE ASSEMBLY (NON UL SPECS)

ITEM	PART NUMBER	QTY	DESCRIPTION	REV
	1001180654	Ref	AC DRIVE ELECTRICAL PLATE ASSEMBLY (NON UL SPECS)	C
1	0100035	AR	Compound, Locking	
4	3740080	2	Relay	
5	3931012	19	Capscrew #10 x 3/4	
6	4711000	11	Washer #10	
8	1001170367	1	Relay	
10	1001174447	1	Converter	
11	1001180653	1	Plate, Mounting	
13	1001186860	1	Stud, Power Distribution	
14	1001212359	1	Stud, Power Distribution (Red)	

SECTION 1 - FRAME

FIGURE 1-25. AC DRIVE ELECTRICAL PLATE ASSEMBLY (UL SPECS)



ART_1001214669

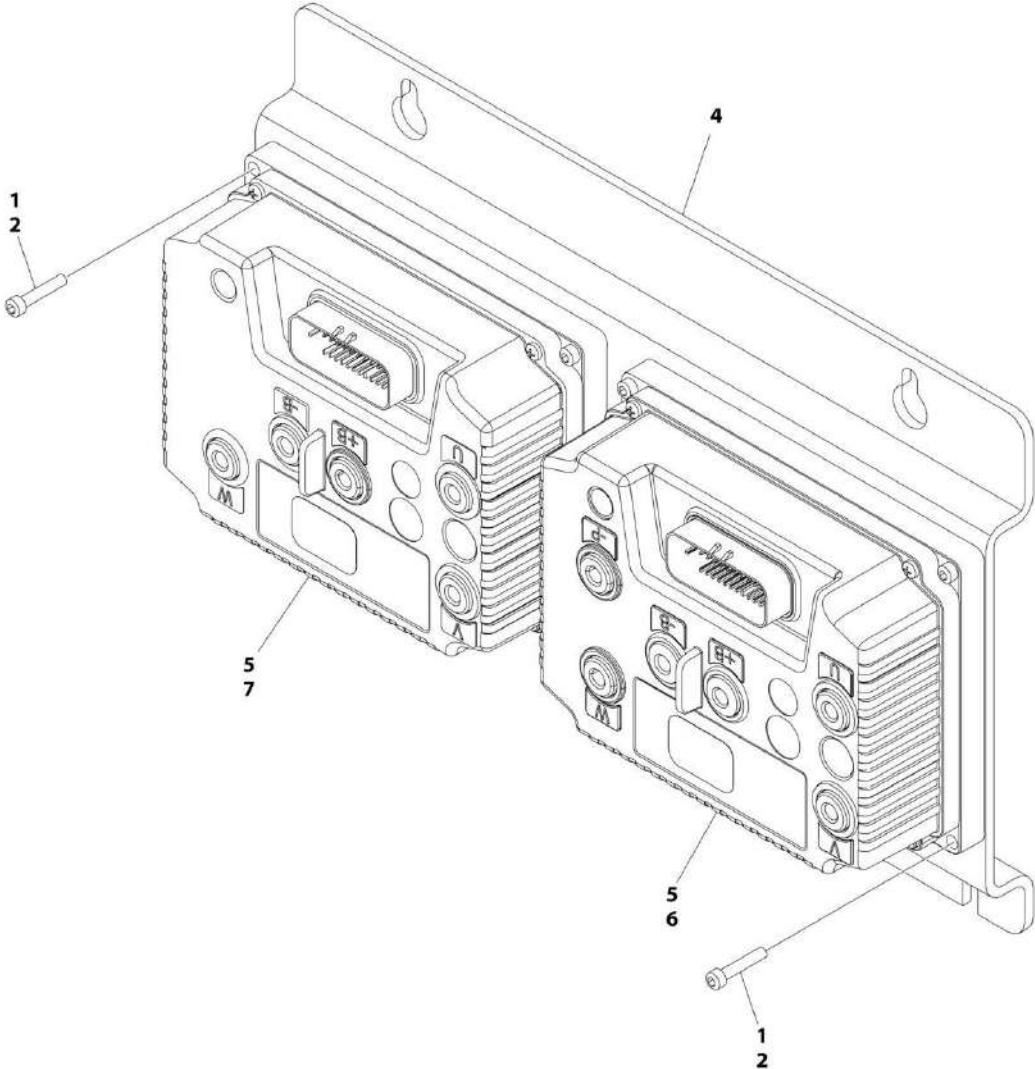
SECTION 1 - FRAME

FIGURE 1-25. AC DRIVE ELECTRICAL PLATE ASSEMBLY (UL SPECS)

ITEM	PART NUMBER	QTY	DESCRIPTION	REV
	1001214669	Ref	AC DRIVE ELECTRICAL PLATE ASSEMBLY (UL SPECS)	A
1	0100035	AR	Compound, Locking	
2	3931012	25	Capscrew #10 x 3/4	
3	4711000	17	Washer #10	
4	1001170367	1	Relay	
5	1001174447	1	Converter	
6	1001180653	1	Plate, Mounting	
7	1001186860	1	Stud, Power Distribution	
8	1001212359	1	Stud, Power Distribution (Red)	
9	1001212450	1	Insulate, Converter	
10	1001214667	2	Relay	

SECTION 1 - FRAME

FIGURE 1-26. DRIVE MODULE PLATE ASSEMBLY



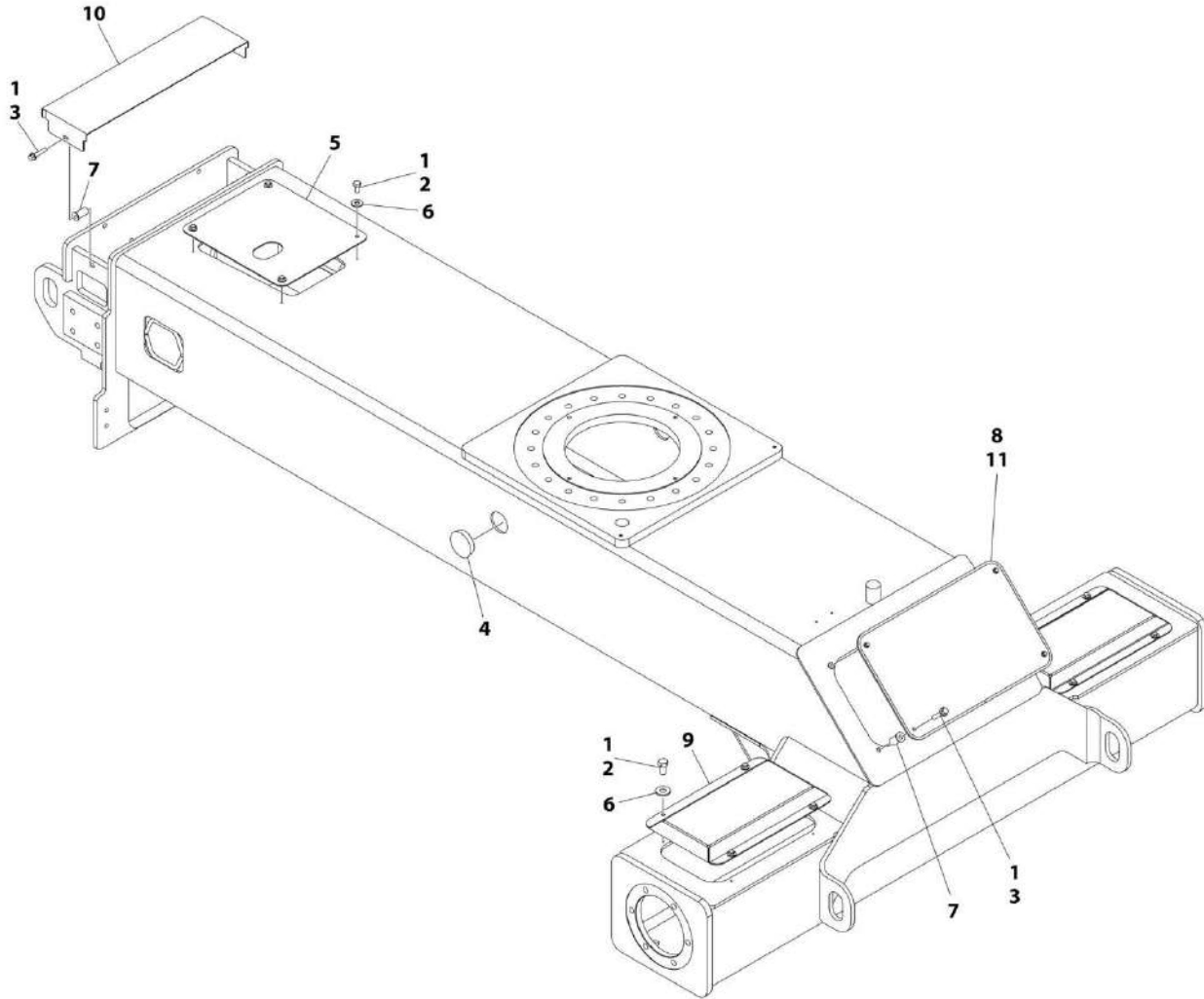
ART_1001180780

FIGURE 1-26. DRIVE MODULE PLATE ASSEMBLY

ITEM	PART NUMBER	QTY	DESCRIPTION	REV
	1001180780	Ref	DRIVE MODULE PLATE ASSEMBLY	C
1	0100035	AR	Compound, Locking	
2	3931016	8	Capscrew #10 x 1	
4	1001180779	1	Plate, Mounting	
5	0100083	AR	Grease	
6	1001178339	1	Module, Drive	
7	1001192212	1	Module, Drive	

SECTION 1 - FRAME

FIGURE 1-27. FRAME SHIELDS INSTALLATION



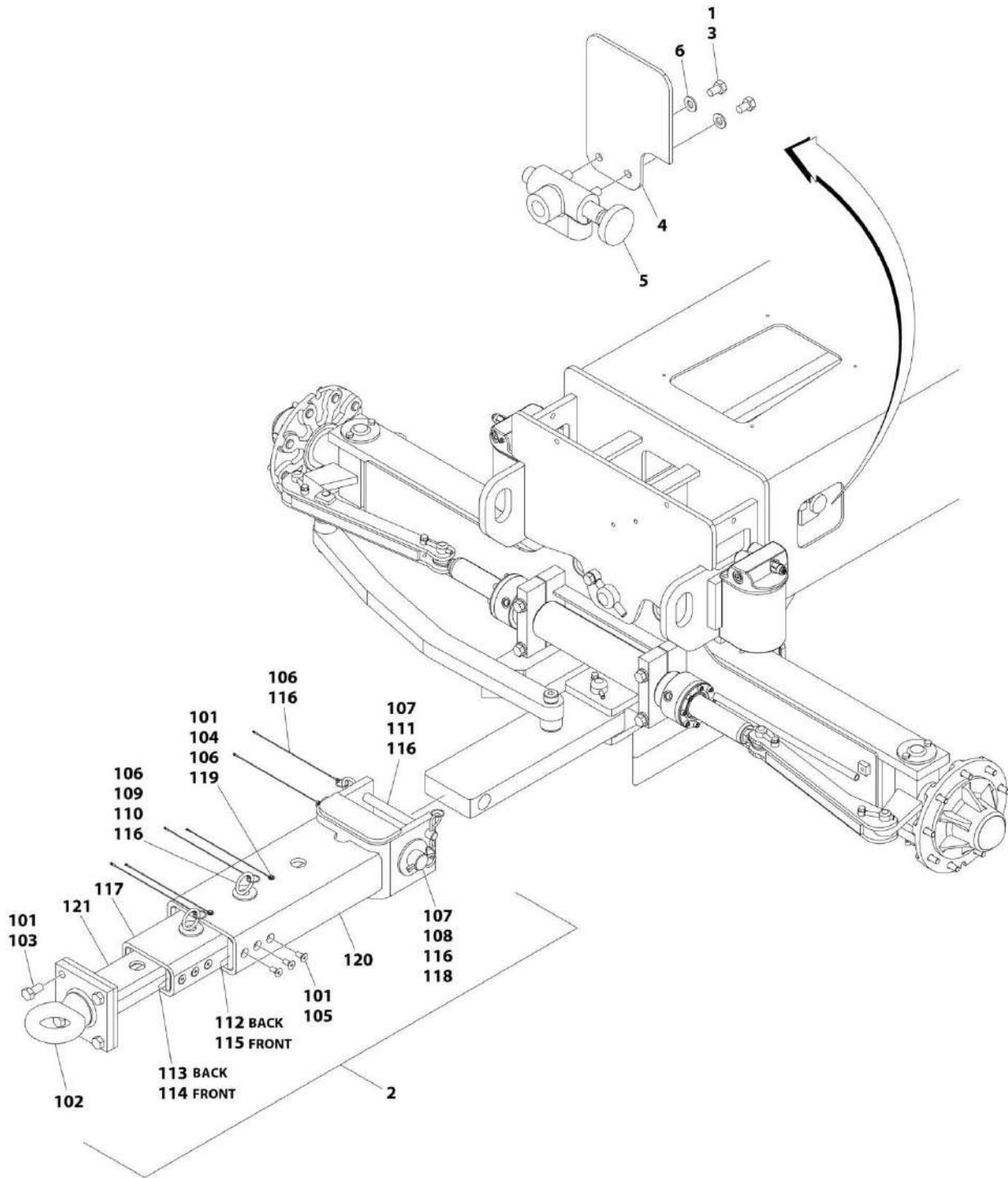
ART_1001181065

FIGURE 1-27. FRAME SHIELDS INSTALLATION

ITEM	PART NUMBER	QTY	DESCRIPTION	REV
	1001181065	Ref	FRAME SHIELDS INSTALLATION	C
1	0100011	AR	Compound, Locking	
2	0641505	12	Bolt 5/16 x 5/8	
3	0791410	8	Screw 1/4 x 1-1/4	
4	3520064	2	Plug	
5	1001194312	1	Cover, Front Frame	
6	4751500	12	Washer 5/16	
7	8580420	8	Nut, Well	
8	1001172293	1	Cover, Rear Frame	
9	1001180652	2	Cover, Axle	
10	1001181924	1	Cover, Front Frame	
11	4060804	5.5 ft/ 1.7m	Flex-Trim (SN 0300224946 to Present)	

SECTION 1 - FRAME

FIGURE 1-28. TOW PACKAGE INSTALLATION WITHOUT NATO EYE



ART_0270527

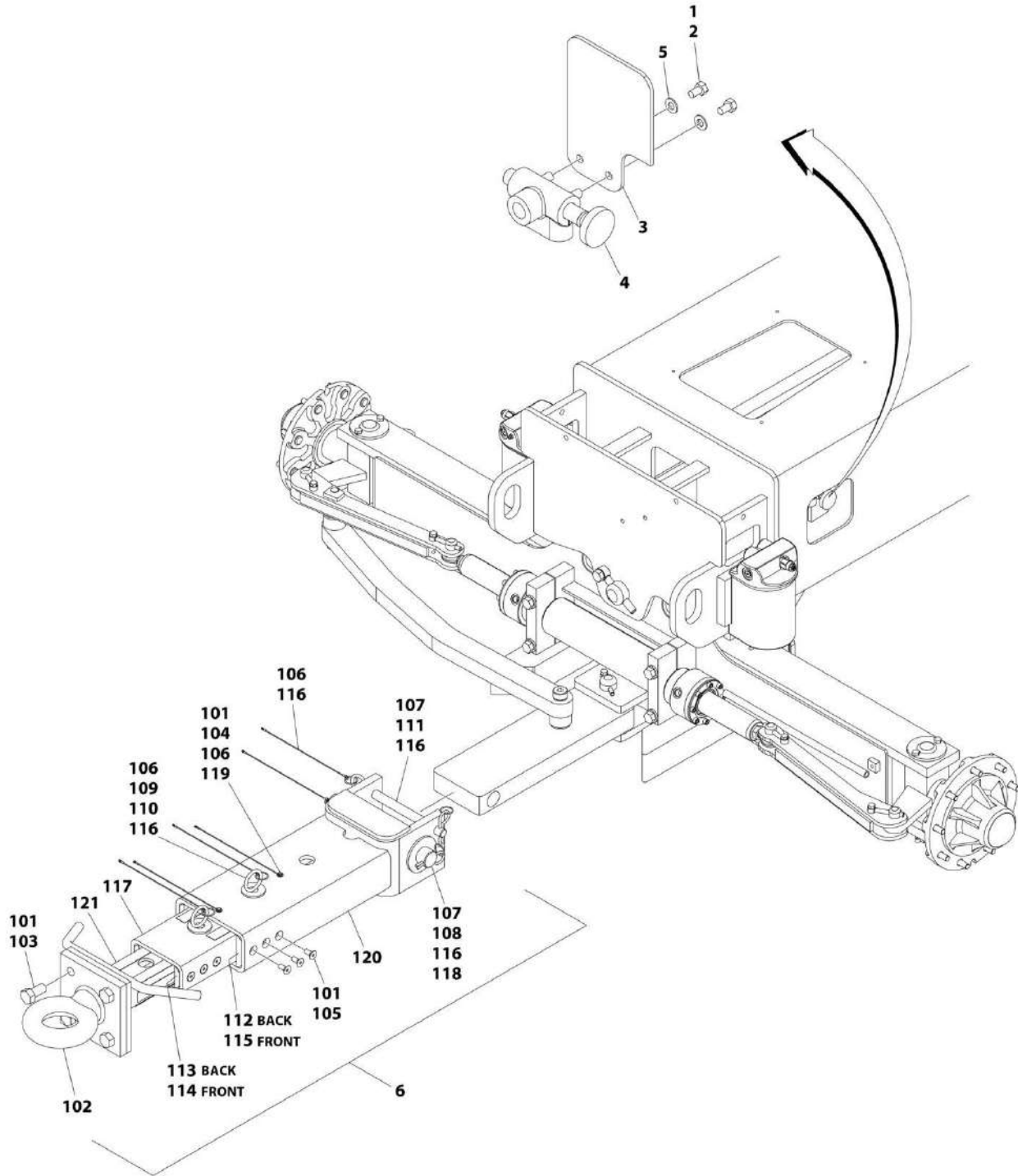
SECTION 1 - FRAME

FIGURE 1-28. TOW PACKAGE INSTALLATION WITHOUT NATO EYE

ITEM	PART NUMBER	QTY	DESCRIPTION	REV
	0270527	Ref	TOW PACKAGE INSTALLATION WITHOUT NATO EYE	C
1	0100011	AR	Compound, Locking	
2	0270528	1	Tow Bar Assembly (See Items 101-121 for Breakdown)	
3	0641504	2	Bolt 5/16 x 1/2	
4	3572506	1	Plate, Valve Mounting	
5	4640261	1	Valve, Tow	
6	4711500	2	Washer 5/16	
	0270528	Ref	TOW BAR ASSEMBLY	A
101	0100011	AR	Compound, Locking	
102	0362910	1	Pintle, Draw Eye	
103	0642010	4	Bolt 5/8 x 1-1/4	
104	0721004	2	Screw, Hex Machine	
105	0741607	24	Screw 3/8 x 7/8	
106	1060584	6	Cable, Lanyard	
107	3420372	2	Pin, Cotter	
108	3420447	1	Pin, Towing	
109	3421565	2	Pin, Snap	
110	3422841	2	Pin	
111	3422847	1	Pin	
112	3572009	2	Plate, Slide Stop	
113	3572010	2	Plate, Slide Stop	
114	3572011	2	Plate, Slide Stop	
115	3572012	2	Plate, Slide Stop	
116	3760170	8	Ring, Split	
117	4568133	1	Tube, Tow Bar	
118	4740036	1	Washer	
119	4751000	2	Washer #10	
120	4846295	1	Tow Bar Attach Weldment	
121	4846296	1	Pintle Attach Weldment	

SECTION 1 - FRAME

FIGURE 1-29. TOW PACKAGE INSTALLATION WITH NATO EYE



ART_1001191471

SECTION 1 - FRAME

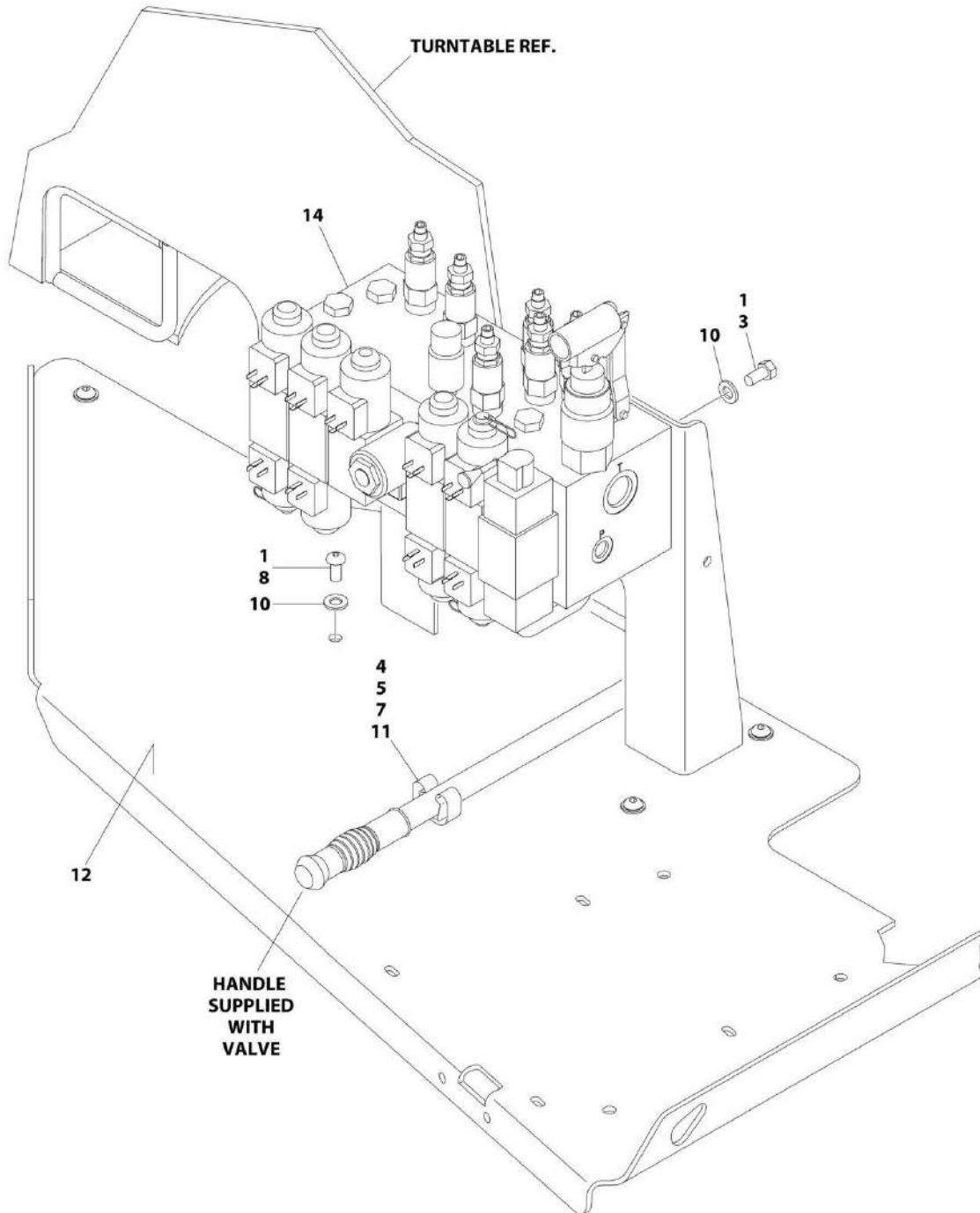
FIGURE 1-29. TOW PACKAGE INSTALLATION WITH NATO EYE

ITEM	PART NUMBER	QTY	DESCRIPTION	REV
	1001191471	Ref	TOW PACKAGE INSTALLATION WITH NATO EYE	B
1	0100011	AR	Compound, Locking	
2	0641504	2	Bolt 5/16 x 1/2	
3	3572506	1	Plate, Valve Mounting	
4	4640261	1	Valve, Tow	
5	4711500	2	Washer 5/16	
6	1001191469	1	Tow Bar Assembly (See Items 101-121 for Breakdown)	
	1001191469	Ref	TOW BAR ASSEMBLY	A
101	0100011	AR	Compound, Locking	
102	1001191463	1	Pintle, Nato Eye	
103	0682212	4	Bolt 3/4 x 1-1/2	
104	0721004	2	Screw, Hex Machine	
105	0741607	24	Screw 3/8 x 7/8	
106	1060584	6	Cable, Lanyard	
107	3420372	2	Pin, Cotter	
108	3420447	1	Pin, Towing	
109	3421565	2	Pin, Snap	
110	3422841	2	Pin	
111	3422847	1	Pin	
112	3572009	2	Plate, Slide Stop	
113	3572010	2	Plate, Slide Stop	
114	3572011	2	Plate, Slide Stop	
115	3572012	2	Plate, Slide Stop	
116	3760170	8	Ring, Split	
117	4568133	1	Tube, Tow Bar	
118	4740036	1	Washer	
119	4751000	2	Washer #10	
120	1001191489	1	Tow Bar Attach Weldment	
121	1001191493	1	Pintle Attach Weldment	

SECTION 2 - TURNTABLE

SECTION 2 - TURNTABLE

FIGURE 2-1. VALVE INSTALLATION - WITHOUT LSS OR WITH 4 CELL LSS
(E600/E600J/M600/M600J)



ART_1001177858_10F2

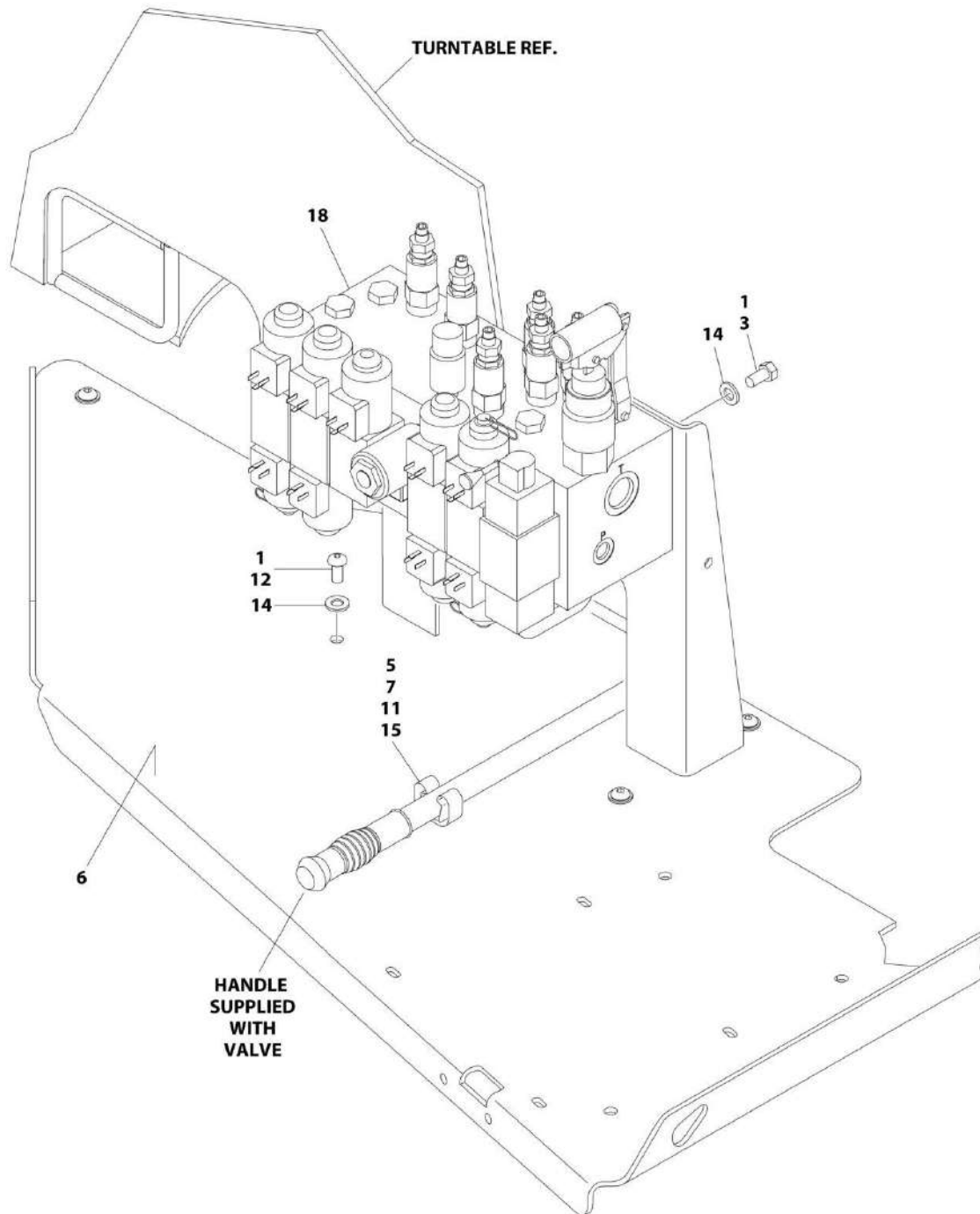
SECTION 2 - TURNTABLE

**FIGURE 2-1. VALVE INSTALLATION - WITHOUT LSS OR WITH 4 CELL LSS
(E600/E600J/M600/M600J)**

ITEM	PART NUMBER	QTY	DESCRIPTION	REV
	1001177858	Ref	VALVE INSTALLATION - WITHOUT LSS OR WITH 4 CELL LSS (E600/E600J/M600/M600J)	A
1	0100011	AR	Compound, Locking	
3	0641606	4	Bolt 3/8 x 3/4	
4	0741005	2	Bolt #10 x 5/8	
5	1380136	2	Clip	
7	3311005	2	Nut #10	
8	3900283	7	Screw, Button Head	
10	4711600	11	Washer 3/8	
11	4751000	4	Washer #10	
12	4846183	1	Tray Weldment	
14	1001092566	1	Main Control Valve Assembly (See MAIN CONTROL VALVE ASSEMBLY for Breakdown)	

SECTION 2 - TURNTABLE

FIGURE 2-2. VALVE INSTALLATION - WITH 1 CELL LSS (E600/E600J/M600/M600J)



ART_1001219640_10F2

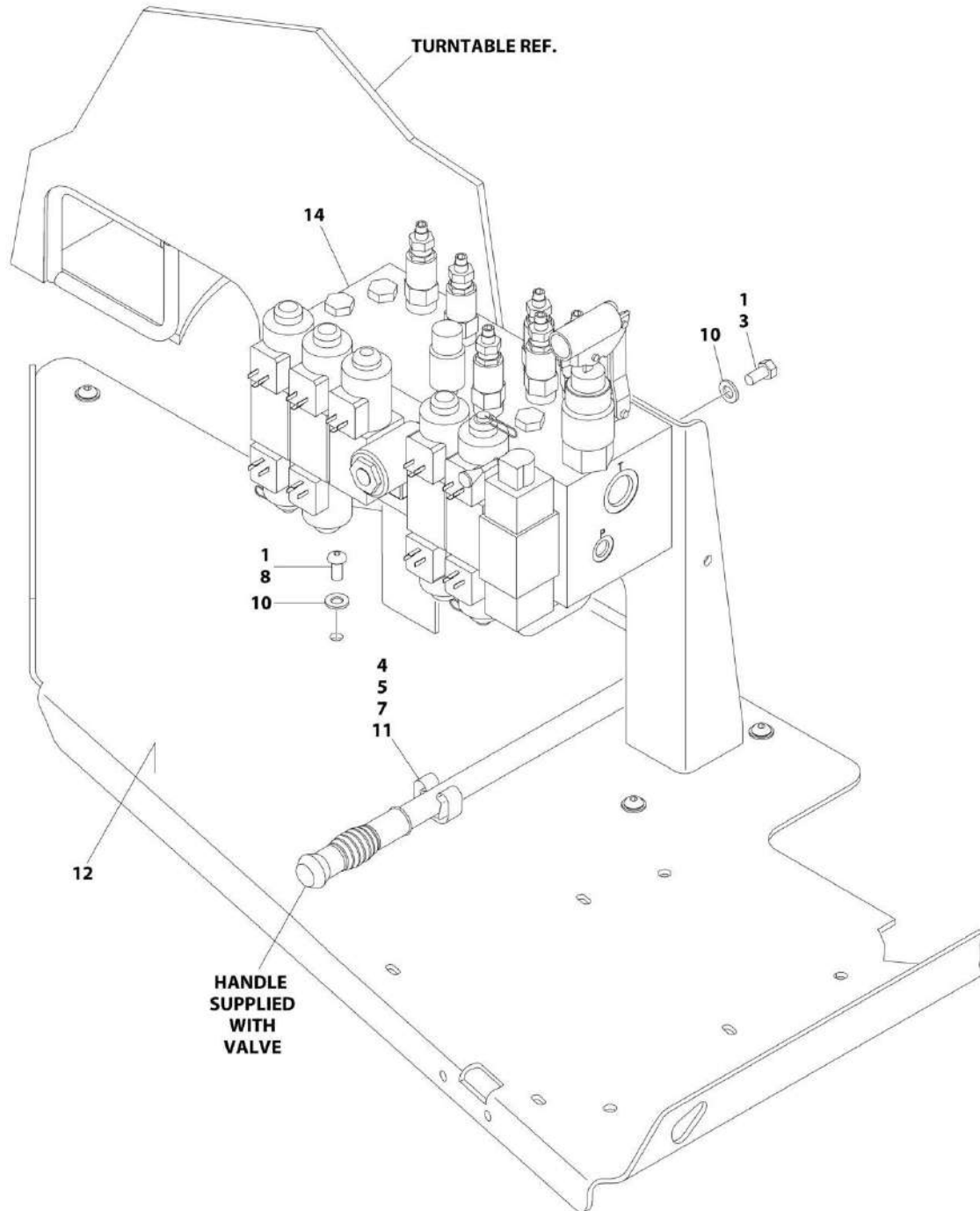
SECTION 2 - TURNTABLE

FIGURE 2-2. VALVE INSTALLATION - WITH 1 CELL LSS (E600/E600J/M600/M600J)

ITEM	PART NUMBER	QTY	DESCRIPTION	REV
	1001219640	Ref	VALVE INSTALLATION - WITH 1 CELL LSS (E600/E600J/M600/M600J)	C
1	0100011	AR	Compound, Locking	
3	0641606	4	Bolt 3/8 x 3/4	
5	0741005	2	Bolt #10 x 5/8	
6	4846183	1	Tray Weldment	
7	1380136	2	Clip	
11	3311005	2	Nut #10	
12	3900283	7	Screw, Button Head	
14	4711600	11	Washer 3/8	
15	4751000	4	Washer #10	
18	1001092566	1	Main Control Valve Assembly (See MAIN CONTROL VALVE ASSEMBLY for Breakdown)	

SECTION 2 - TURNTABLE

FIGURE 2-3. VALVE INSTALLATION - WITHOUT LSS OR WITH 4 CELL LSS (E600JP/M600JP)



ART_1001177860_10F2

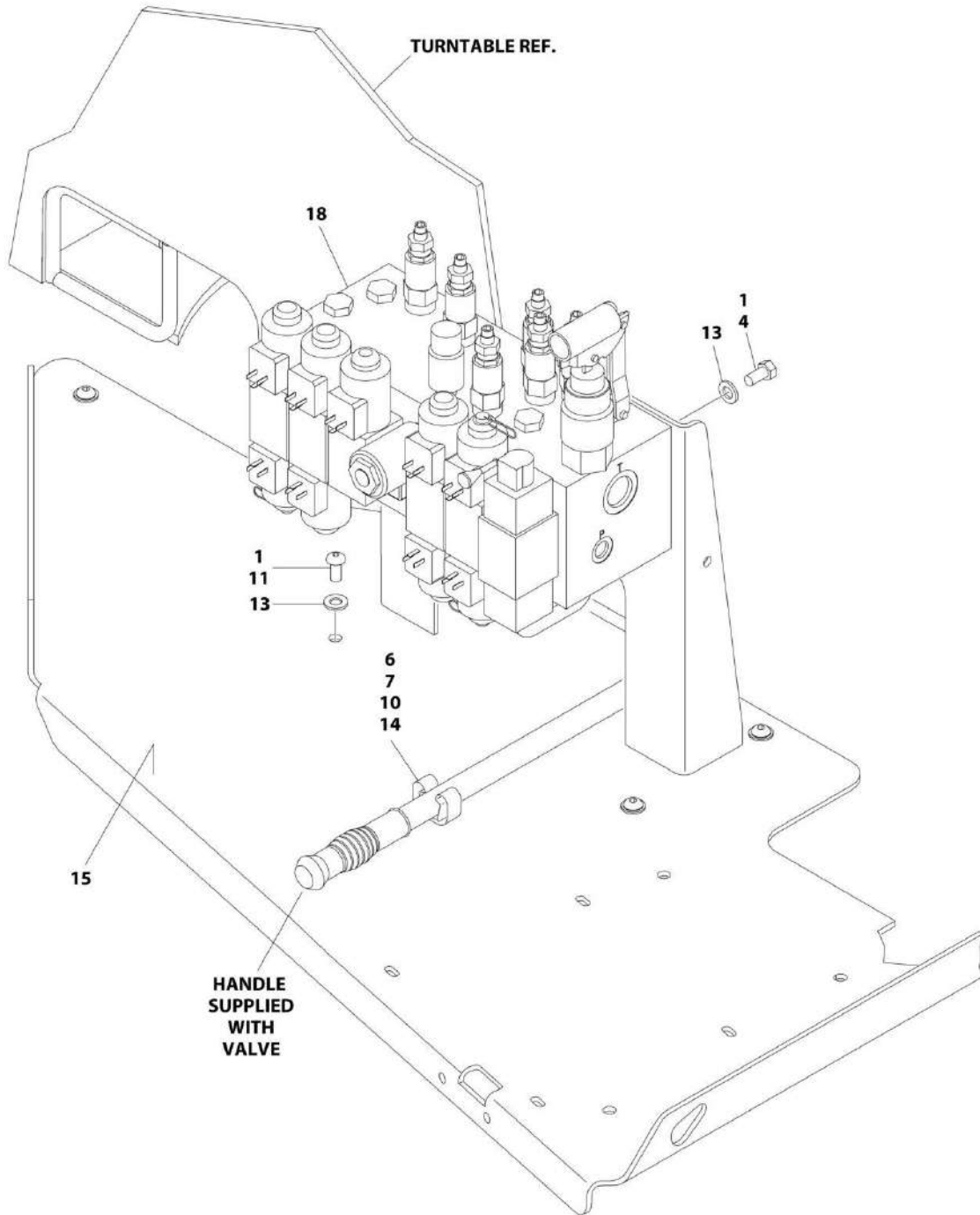
SECTION 2 - TURNTABLE

FIGURE 2-3. VALVE INSTALLATION - WITHOUT LSS OR WITH 4 CELL LSS (E600JP/M600JP)

ITEM	PART NUMBER	QTY	DESCRIPTION	REV
	1001177860	Ref	VALVE INSTALLATION - WITHOUT LSS OR WITH 4 CELL LSS (E600JP/M600JP)	A
1	0100011	AR	Compound, Locking	
3	0641606	4	Bolt 3/8 x 3/4	
4	0741005	2	Bolt #10 x 5/8	
5	1380136	2	Clip	
7	3311005	2	Nut #10	
8	3900283	7	Screw, Button Head	
10	4711600	11	Washer 3/8	
11	4751000	4	Washer #10	
12	4846183	1	Tray Weldment	
14	1001092566	1	Main Control Valve Assembly (See MAIN CONTROL VALVE ASSEMBLY for Breakdown)	

SECTION 2 - TURNTABLE

FIGURE 2-4. VALVE INSTALLATION - WITH 1 CELL LSS (E600JP/M600JP)



ART_1001219641_10F2

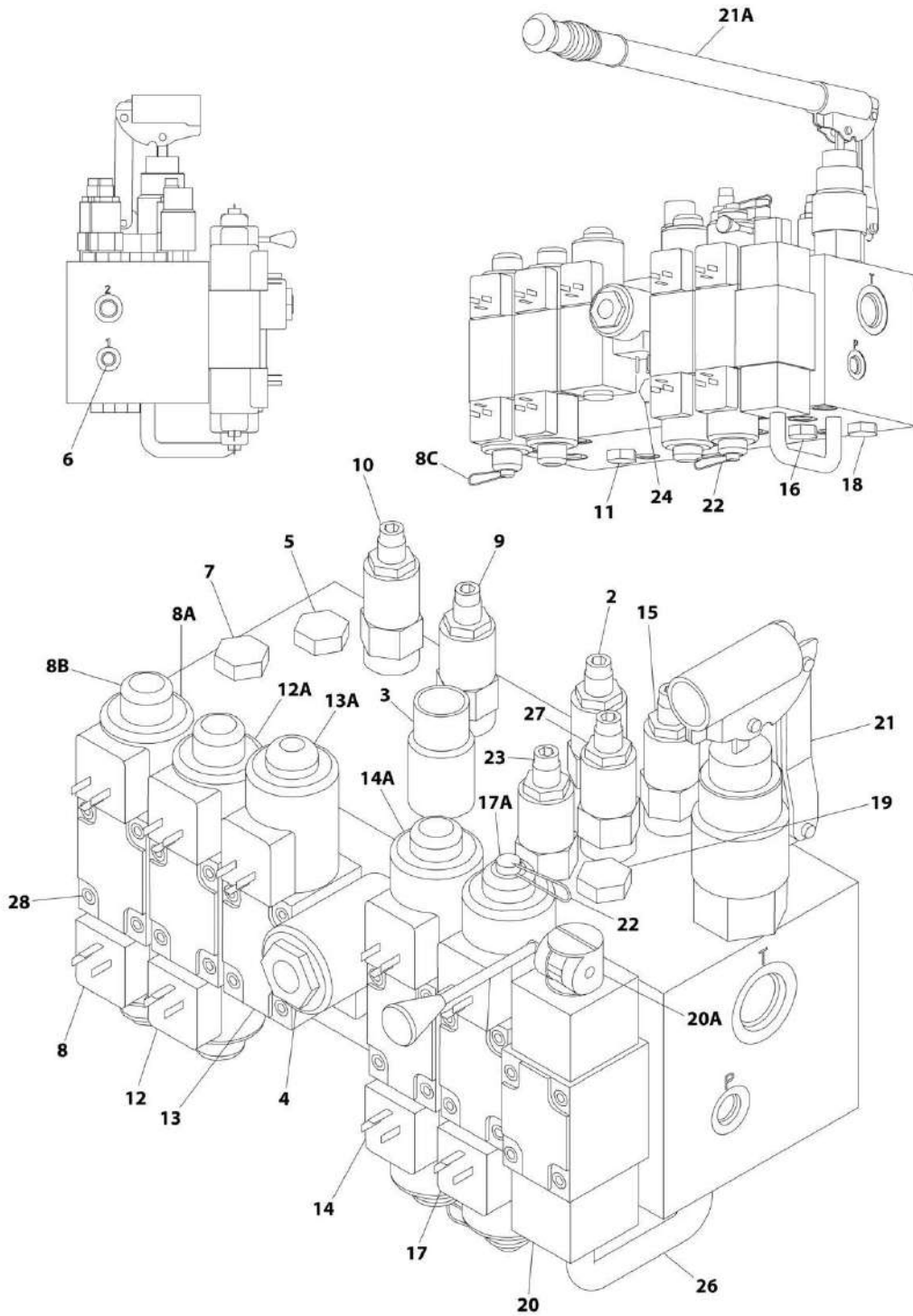
SECTION 2 - TURNTABLE

FIGURE 2-4. VALVE INSTALLATION - WITH 1 CELL LSS (E600JP/M600JP)

ITEM	PART NUMBER	QTY	DESCRIPTION	REV
	1001219641	Ref	VALVE INSTALLATION - WITH 1 CELL LSS (E600JP/M600JP)	C
1	0100011	AR	Compound, Locking	
4	0641606	4	Bolt 3/8 x 3/4	
6	0741005	2	Bolt #10 x 5/8	
7	1380136	2	Clip	
10	3311005	2	Nut #10	
11	3900283	7	Screw, Button Head	
13	4711600	11	Washer 3/8	
14	4751000	4	Washer #10	
15	4846183	1	Tray Weldment	
18	1001092566	1	Main Control Valve Assembly (See MAIN CONTROL VALVE ASSEMBLY for Breakdown)	

SECTION 2 - TURNTABLE

FIGURE 2-5. MAIN CONTROL VALVE ASSEMBLY



ART_1001092566

SECTION 2 - TURNTABLE

FIGURE 2-5. MAIN CONTROL VALVE ASSEMBLY

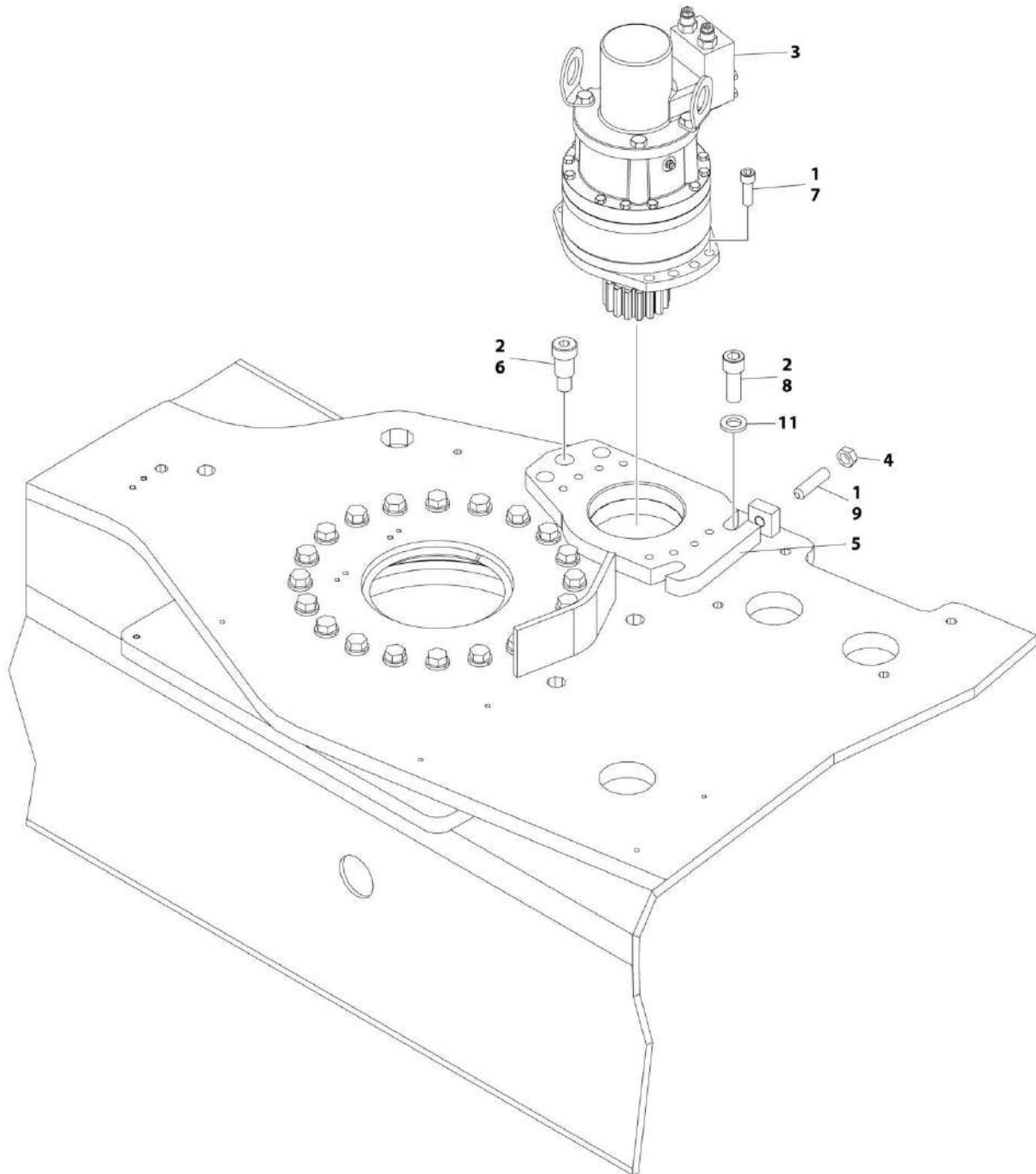
ITEM	PART NUMBER	QTY	DESCRIPTION	REV
	1001092566	Ref	MAIN CONTROL VALVE ASSEMBLY	G
2	7012912	1	Cartridge, Relief (Main)	
2	7012998	1	Seal Kit - 7012912 Cartridge	
3	7021619	1	Cartridge, Pressure Switch (Brake)	
4	70005337	1	Cartridge without Coil (Brake)	
4	7010543	1	Seal Kit - 70005337 Cartridge	
4	7012944	1	Coil	
5	7012975	1	Cartridge, Check (Telescope Out)	
5	7012967	1	Seal Kit - 7012975 Cartridge	
6	7018900	1	Orifice	
7	7022391	1	Cartridge, Check (Telescope In)	
7	7012967	1	Seal Kit - 7022391 Cartridge	
8	70001440	1	Control Valve Assembly (Telescope)	
8	7012773	1	Seal Kit	
8A	70002947	2	Coil	
8B	7021375	1	Nut	
8B	70003525	1	Nut	
8C	70003526	1	Lanyard	
9	7012912	1	Cartridge, Relief (Flow Control)	
9	7012998	1	Seal Kit - 7012912 Cartridge	
10	7012912	1	Cartridge, Relief (Steer)	
10	7012998	1	Seal Kit - 7012912 Cartridge	
11	10837580	1	Cartridge, Load Shuttle (Steer)	
11	7010543	1	Seal Kit - 10837580 Cartridge	
12	70001342	1	Control Valve Assembly (Steer)	
12	7012773	1	Seal Kit	
12A	70002947	1	Coil	
12A	7021375	2	Nut	
13	7022521	1	Control Valve Assembly (Flow Control)	
13	7012773	1	Seal Kit	
13A	7018991	1	Coil	
13A	7021375	1	Nut	
14	7024991	1	Control Valve Assembly (Lift)	
14	7012773	1	Seal Kit	
14A	7018991	2	Coil	
14A	7021375	2	Nut	
15	7012912	1	Cartridge, Relief (Swing)	
15	7012998	1	Seal Kit - 7012912 Cartridge	
16	10837580	1	Cartridge, Load Shuttle (Swing)	
16	7010543	1	Seal Kit - 10837580 Cartridge	
17	70005374	1	Control Valve Assembly (Swing)	
17		Ref	Seal Kit Options:	
17	70004461	2	Seal Kit	
17	7018945	4	Seal Kit	
17A	7018991	2	Coil	
17A	70003525	2	Nut	
17A	70003526	2	Lanyard	
18	4641129	1	Cartridge, Check (Swing)	
18	7012967	1	Seal Kit - 4641129 Cartridge	
19	4641129	1	Cartridge, Check (Swing)	

SECTION 2 - TURNTABLE

ITEM	PART NUMBER	QTY	DESCRIPTION	REV
19	7012967	1	Seal Kit - 4641129 Cartridge	
20	7024022	Ref	Control Valve Assembly (Manual Descent)	
20	7024024	1	Seal Kit	
20A	7024023	1	Handle	
21	7023208	1	Pump Assembly	
21	7023209	1	Seal Kit	
21A	7023210	1	Handle, Pump with Grip	
22	7012799	3	Lanyard	
23	7012912	1	Cartridge, Relief (Lift Down)	
23	7012998	1	Seal Kit - 7012912 Cartridge	
24	4641129	1	Cartridge, Check (Brake)	
24	7012967	1	Seal Kit - 4641129 Cartridge	
26	70000435	Ref	Hose	
26	7018904	1	Fitting, Elbow	
27	7012912	1	Cartridge, Relief (Lift Up)	
27	7012998	1	Seal Kit - 7012912 Cartridge	
28	7018942	24	Capscrew #10 x 2	

SECTION 2 - TURNTABLE

FIGURE 2-6. SWING DRIVE INSTALLATION



ART_0270752

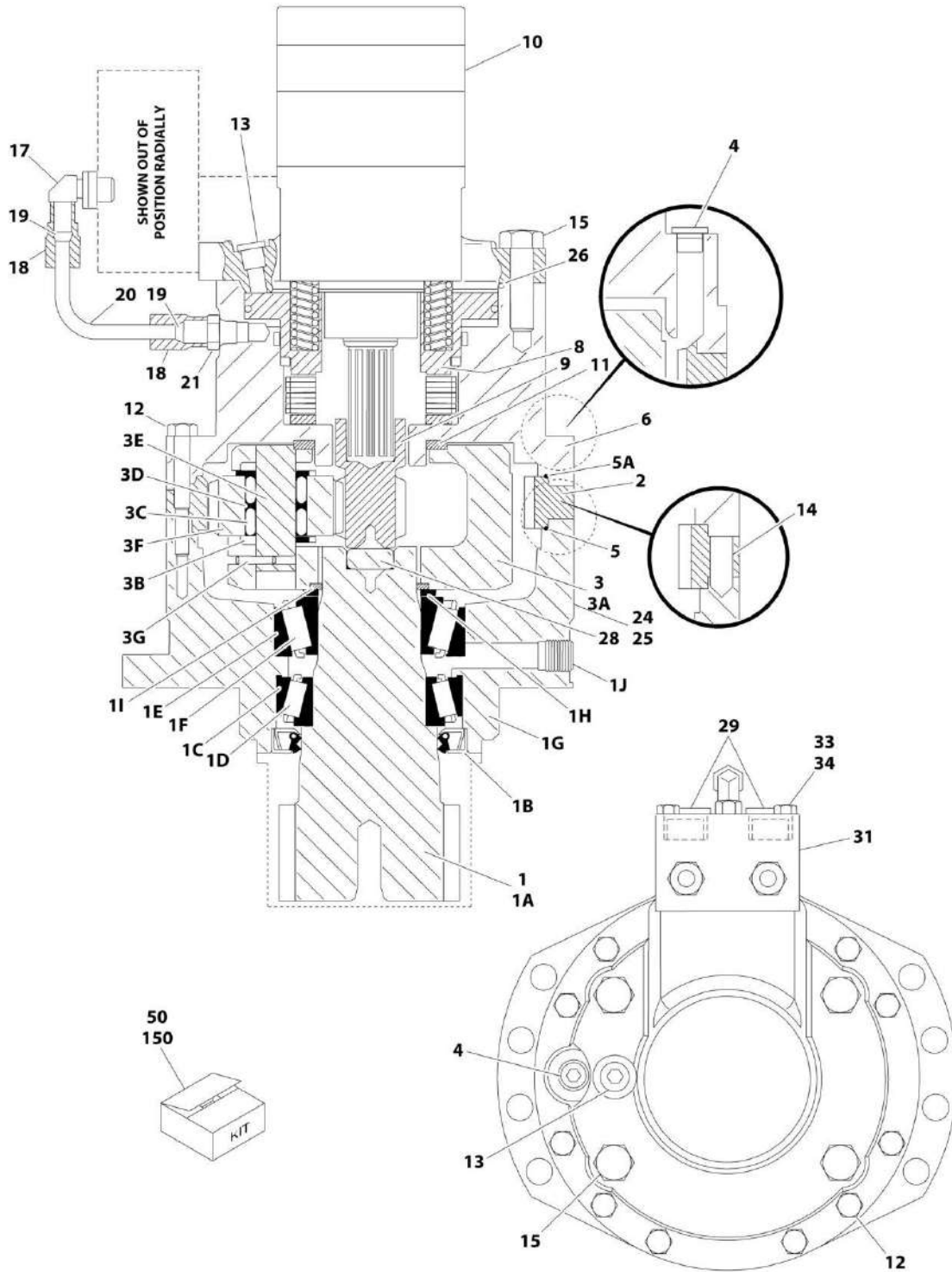
SECTION 2 - TURNTABLE

FIGURE 2-6. SWING DRIVE INSTALLATION

ITEM	PART NUMBER	QTY	DESCRIPTION	REV
	0270752	Ref	SWING DRIVE INSTALLATION	C
1	0100011	AR	Compound, Locking	
2	0100019	AR	Compound, Locking	
3	3160257	1	Swing Motor Assembly (See SWING MOTOR ASSEMBLY for Breakdown)	
4	3312002	1	Nut 5/8	
5	3572628	1	Plate, Mounting	
6	3900293	1	Screw, Shoulder	
7	3931824	8	Capscrew 1/2 x 1-1/2 Grade 8	
8	3932232	4	Bolt 3/4 x 2 Grade 8	
9	3952020	1	Setscrew 5/8 x 2-1/2	
10	4071009	1	Shim (Not Shown - Used on setting gear backlash)	
11	4892200	4	Washer 3/4	

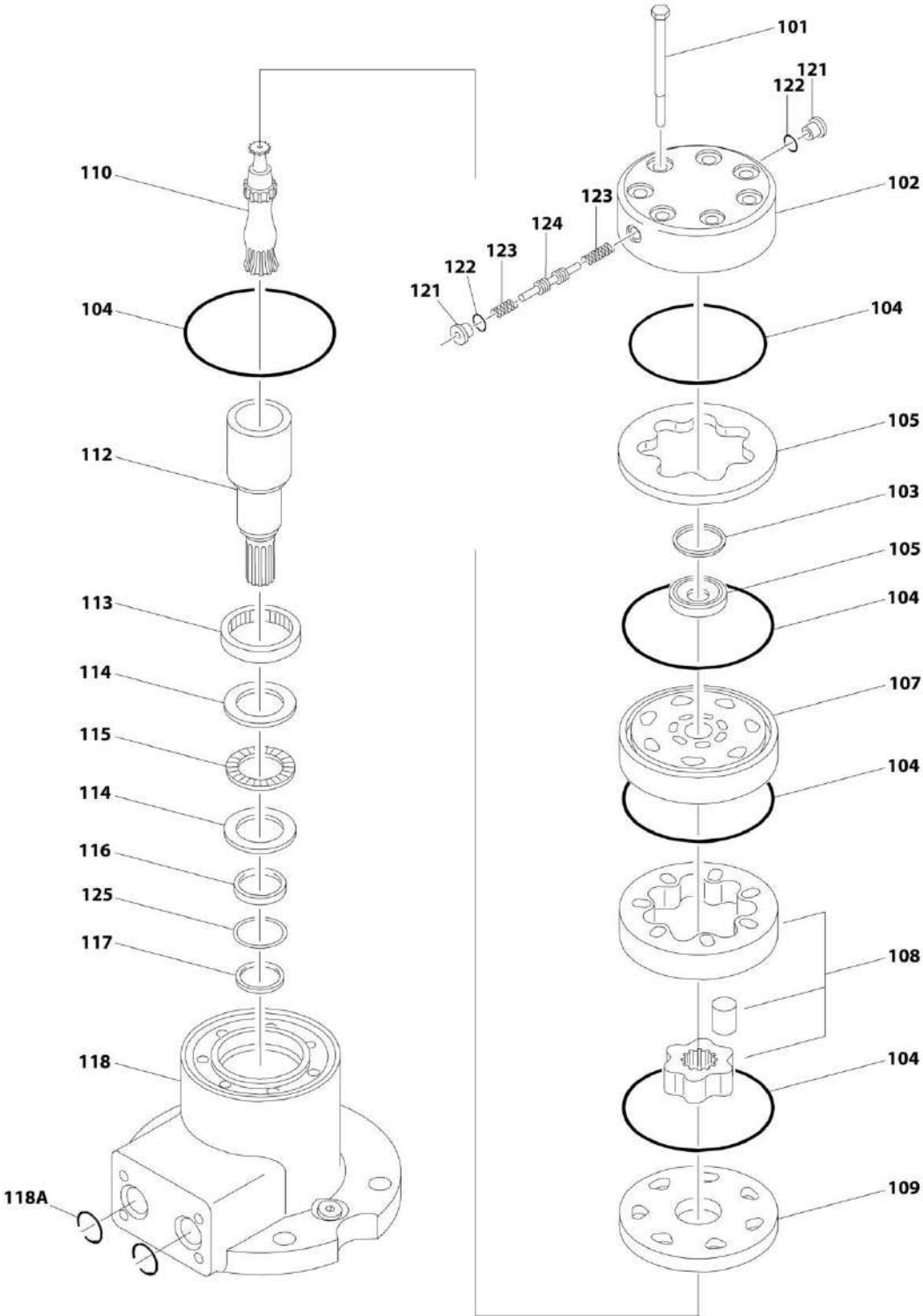
SECTION 2 - TURNTABLE

FIGURE 2-7. SWING MOTOR ASSEMBLY



ART_3160257_10F2

SECTION 2 - TURNTABLE



ART_3160257_20F2

SECTION 2 - TURNTABLE

FIGURE 2-7. SWING MOTOR ASSEMBLY

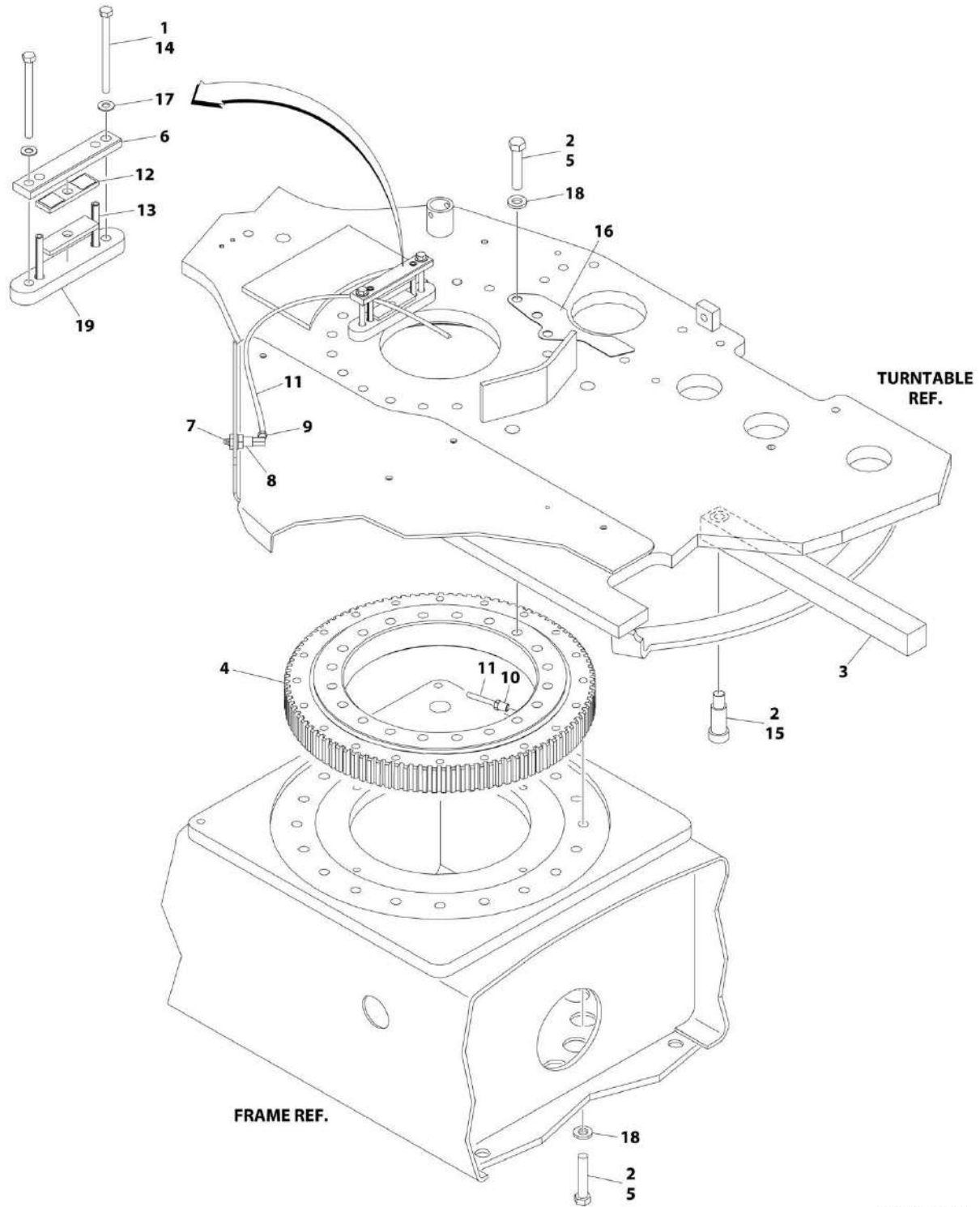
ITEM	PART NUMBER	QTY	DESCRIPTION	REV
	3160257	Ref	SWING MOTOR ASSEMBLY	C
1	See Note	NSS	Housing Assembly (Note: Use p/n 3160257)	
1A	7017069	1	Shaft, Output	
1B	See Note	NSS	Seal, Lip (Note: Use Item 50)	
1C	7000255	1	Bearing, Tapered-Cup	
1D	7000256	1	Bearing, Tapered-Cone	
1E	7000257	1	Bearing, Tapered-Cup	
1F	7000258	1	Bearing, Tapered-Cone	
1G	7017071	1	Housing	
1H	7007633	1	Thrustwasher	
1I	See Note	NSS	Ring, Retaining (Note: Use Item 50)	
1J	7017072	1	Plug, Pipe (With O-Ring)	
2	7000203	1	Gear, Ring	
3	See Note	NSS	Carrier Assembly (Note: Not Available - Purchase Individual Components)	
3A	7017074	1	Carrier	
3B	7001908	6	Thrustwasher, Tanged	
3C	7007637	96	Bearing, Needle	
3D	7000263	3	Spacer, Thrust	
3E	7017073	3	Shaft, Planet	
3F	7017075	3	Gear, Planet	
3G	7001913	3	Pin, Roll	
4	7017023	1	Plug, Pipe (With O-Ring)	
5	See Note	NSS	O-Ring (Special) (Note: Use Item 50)	
5A	See Note	NSS	O-Ring (White) (Note: Use Item 50)	
6	7017077	1	Hub, Brake	
8	7017079	1	Brake, Input	
8	7024199	1	Friction Disc Kit	
8	7024700	1	Spring Kit	
8	7024701	1	Brake Seal Kit	
9	7017076	1	Gear, Sun	
10	7017088	1	Motor, Hydraulic (See Items 101-150 for Breakdown)	
11	See Note	NSS	Thrustwasher (Note: Use Item 50)	
12	See Note	NSS	Bolt (Note: Use Item 50)	
13	7017082	1	Plug, Pipe (With O-Ring)	
14	7017080	4	Pin, Dowel	
15	7024136	4	Bolt	
17	7017085	1	Elbow	
18	7017083	2	Nut, Tube	
19	7017084	2	Tube, Female	
20	7017087	1	Tubing	
21	7017086	1	Connector, Straight	
24	See Note	NSS	Plate, ID (Note: Not Available for Purchase)	
25	7000281	2	Screw, Drive	
26	See Note	NSS	O-Ring (Note: Use Item 50)	
28	7017078	1	Spacer, Input	
29	7001926	2	Plug, Pipe (With O-Ring)	
31	4640741	1	Valve, Motor Control	
33	See Note	NSS	Washer, Flat (Note: Use Item 50)	
34	7024135	4	Bolt	

SECTION 2 - TURNTABLE

ITEM	PART NUMBER	QTY	DESCRIPTION	REV
50	7024136	1	Seal Kit (Includes Items 1B, 11, 5, 5A, 11, 12, 15, 26 & 33)	B
	7017088	Ref	HYDRAULIC MOTOR ASSEMBLY	
101	7024382	7	Bolt	
102	7004035	1	Cover, End	
103	See Note	NSS	Seal, Commutator (Note: Use Item 150)	
104	See Note	NSS	Seal, Ring (Note: Use Item 150)	
105	7024378	1	Commutator and Ring Assembly	
107	7024379	1	Manifold	
108	7024383	1	Rotor Set	
108	See Note	NSS	Rotor (Note: Use p/n 7024383)	
108	See Note	NSS	Stator (Note: Use p/n 7024383)	
108	See Note	NSS	Vane (Note: Use p/n 7024383)	
109	7024380	1	Plate, Wear	
110	7024384	1	Link, Drive	
112	7024386	1	Shaft, Coupling	
113	7024381	1	Bushing, Bronze	
114	7004043	2	Thrustwasher	
115	7004044	1	Bearing, Thrust	
116	See Note	NSS	Seal, Inner (Note: Use Item 150)	
117	See Note	NSS	Washer, Back-up (Note: Use Item 150)	
118	7024385	1	Housing	
118A	See Note	NSS	O-Ring (Note: Use Item 150)	
121	7010795	2	Plug	
122	7024387	2	O-Ring	
123	7024388	2	Spring	
124	7017088	1	Valve (Note: Not Available for Purchase)	
125	See Note	NSS	Washer, Back-up (Note: Use Item 150)	
150	7024389	1	Seal Kit (Includes Items 103, 104, 116, 117, 118A & 125)	

SECTION 2 - TURNTABLE

FIGURE 2-8. TURNTABLE BEARING, STOP AND LUBE INSTALLATION



ART_1001175087

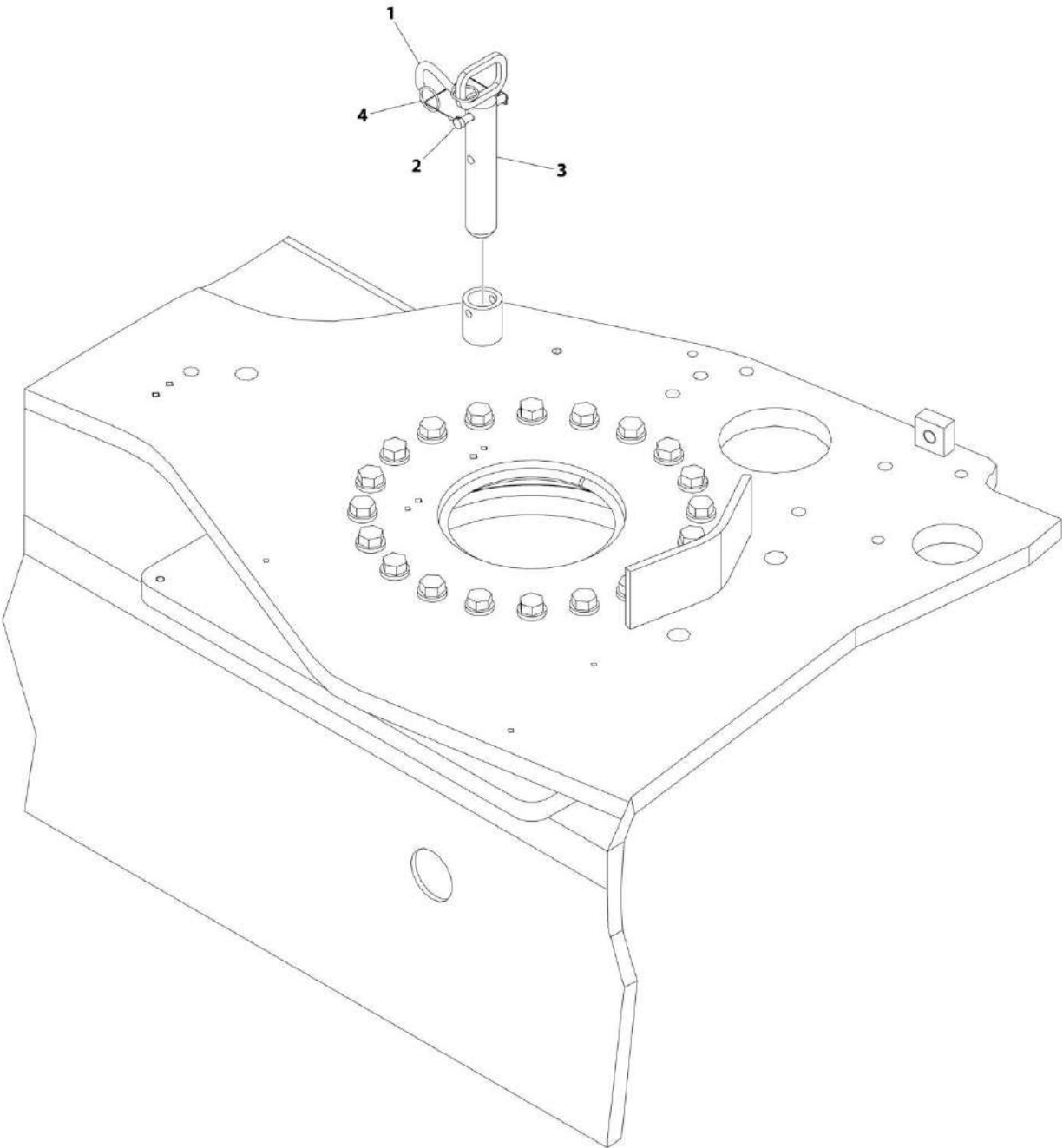
SECTION 2 - TURNTABLE

FIGURE 2-8. TURNTABLE BEARING, STOP AND LUBE INSTALLATION

ITEM	PART NUMBER	QTY	DESCRIPTION	REV
	1001175087	Ref	TURNTABLE BEARING, STOP AND LUBE INSTALLATION	B
1	0100011	AR	Compound, Locking	
2	0100019	AR	Compound, Locking	
3	0259849	1	Stop, Turntable	
4	0440240	1	Bearing, Turntable	
5	0682026	40	Bolt 5/8 x 3-1/4 Grade 8	
6	1320271	1	Bar, Clamp	
7	2160002	1	Fitting, Grease	
8	2180344	1	Fitting, Bulkhead	
9	2220063	1	Fitting, Adapter	
10	2220273	1	Fitting, Reducer	
11	2751095	1	Hose	
12	3340860	2	Pad, Rubber	
13	3441260	2	Rollpin	
14	3900262	2	Capscrew 3/8 x 4-3/4	
15	3900284	1	Screw, Shoulder	
16	4071010	1	Shim	
17	4711600	2	Washer 3/8	
18	4892000	40	Washer 5/8	
19	1001175088	1	Clamp, Hose Protector	

SECTION 2 - TURNTABLE

FIGURE 2-9. TURNTABLE LOCK INSTALLATION



ART_0239585

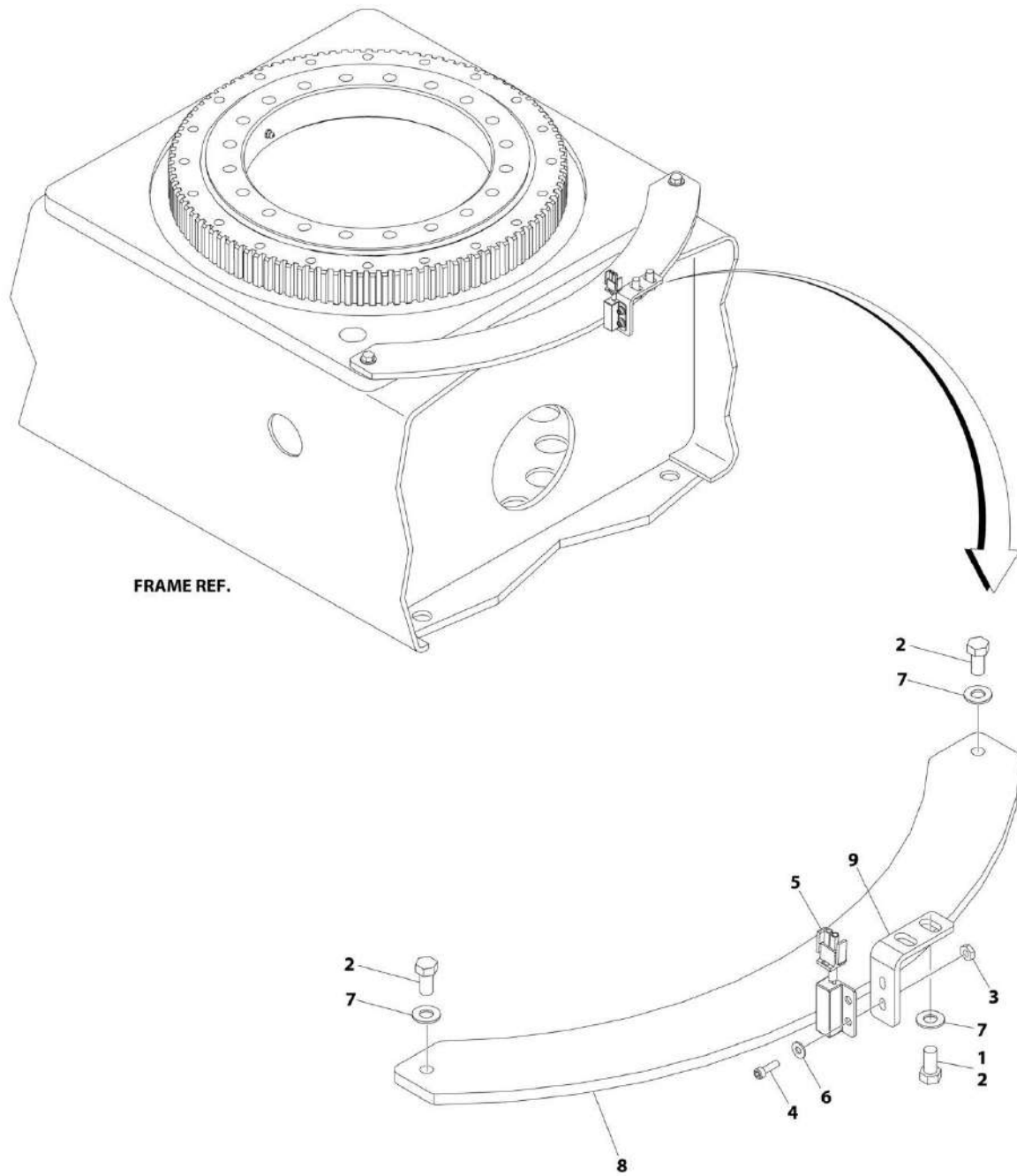
SECTION 2 - TURNTABLE

FIGURE 2-9. TURNTABLE LOCK INSTALLATION

ITEM	PART NUMBER	QTY	DESCRIPTION	REV
	0239585	Ref	TURNTABLE LOCK INSTALLATION	C
1	1260017	9 in/23cm	Chain	
2	3421565	1	Pin, Snap	
3	3421627	1	Pin Weldment	
4	3760170	2	Ring, Quick Release	

SECTION 2 - TURNTABLE

FIGURE 2-10. DRIVE ORIENTATION INSTALLATION



ART_1001200255

SECTION 2 - TURNTABLE

FIGURE 2-10. DRIVE ORIENTATION INSTALLATION

ITEM	PART NUMBER	QTY	DESCRIPTION	REV
	1001200255	Ref	DRIVE ORIENTATION INSTALLATION	A
1	0100011	AR	Compound, Locking	
2	0641606	4	Bolt 3/8 x 3/4	
3	3311005	2	Nut #10	
4	3931010	2	Capscrew #10 x 5/8	
5	4360517	1	Switch, Proximity	
6	4711000	2	Washer #10	
7	4711600	4	Washer 3/8	
8	1001116031	1	Cam	
9	1001116106	1	Bracket, Switch Mounting	

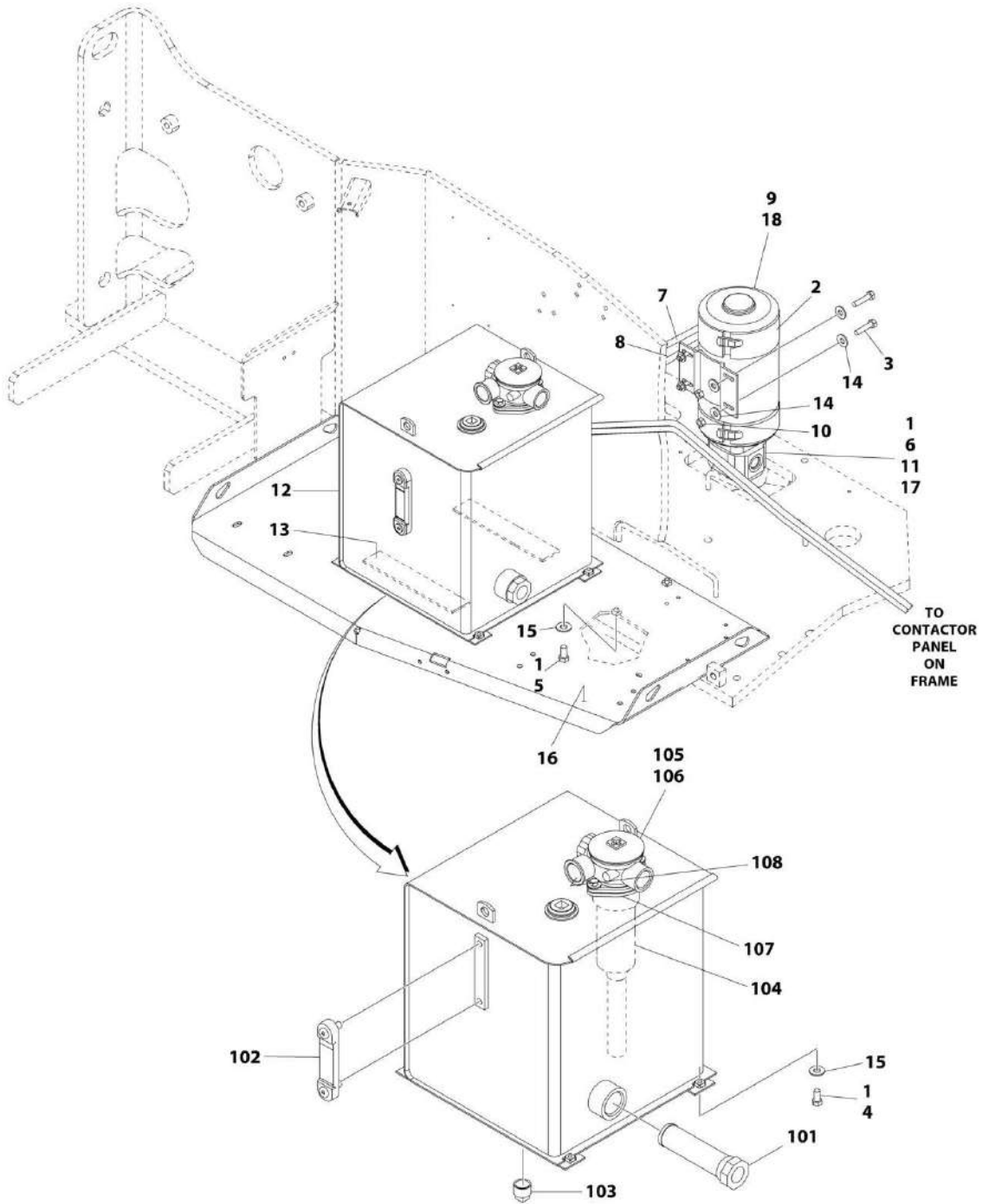
SECTION 2 - TURNTABLE

FIGURE 2-11. HYDRAULIC TANK AND PUMP/MOTOR INSTALLATION

ITEM	PART NUMBER	QTY	DESCRIPTION	REV
	1001174891	Ref	HYDRAULIC TANK AND PUMP/MOTOR INSTALLATION	E
1	0100011	AR	Compound, Locking	
2	0641511	4	Bolt 5/16 x 1-3/8	
3	0641606	4	Bolt 3/8 x 3/4	
4	0641614	7	Bolt 3/8 x 1-3/4	
5	0700812	2	Bolt M8 x 25	
6	1060794	1	Cable, Electrical (SN 0300219271 through 0300224945)	
7	1060795	1	Cable, Electrical (SN 0300219271 through 0300224945)	
8	3160252	1	Electricity Motor Assembly (See ELECTRICITY MOTOR ASSEMBLY for Breakdown)	A
9	3311505	4	Nut 5/16	
10	3600310	1	Pump Assembly (See PUMP ASSEMBLY for Breakdown)	
11	4400455	1	Tank Assembly - Hydraulic (See Items 101-108 for Breakdown)	
12	4420038	30 in /76cm	Tape, Rubber	
13	4751500	8	Washer 5/16	
14	4751600	11	Washer 3/8	
15	4846178	1	Tray Weldment	
16	4891500	2	Washer 5/16	
17	3020037	AR	Grease, Coupling	
	4400455	Ref	HYDRAULIC TANK ASSEMBLY	E
101	7026121	1	Strainer, Suction	
102	7024441	1	Gauge, Level Indicator	
103	7024446	1	Plug, Magnetic	
104	7023268	1	Filter with Pressure Switch	
104	7023224	1	Element, Filter	
105	7023268	1	Breather with Pressure Switch	
105	7023269	1	Element, Breather	
106	7023306	1	Seal, Cover Plate	
107	7023347	1	Gasket	
108	7023270	1	Gauge, Indicator	

SECTION 2 - TURNTABLE

FIGURE 2-12. HYDRAULIC TANK AND PUMP/MOTOR INSTALLATION (UL SPECS)



ART_1001175539

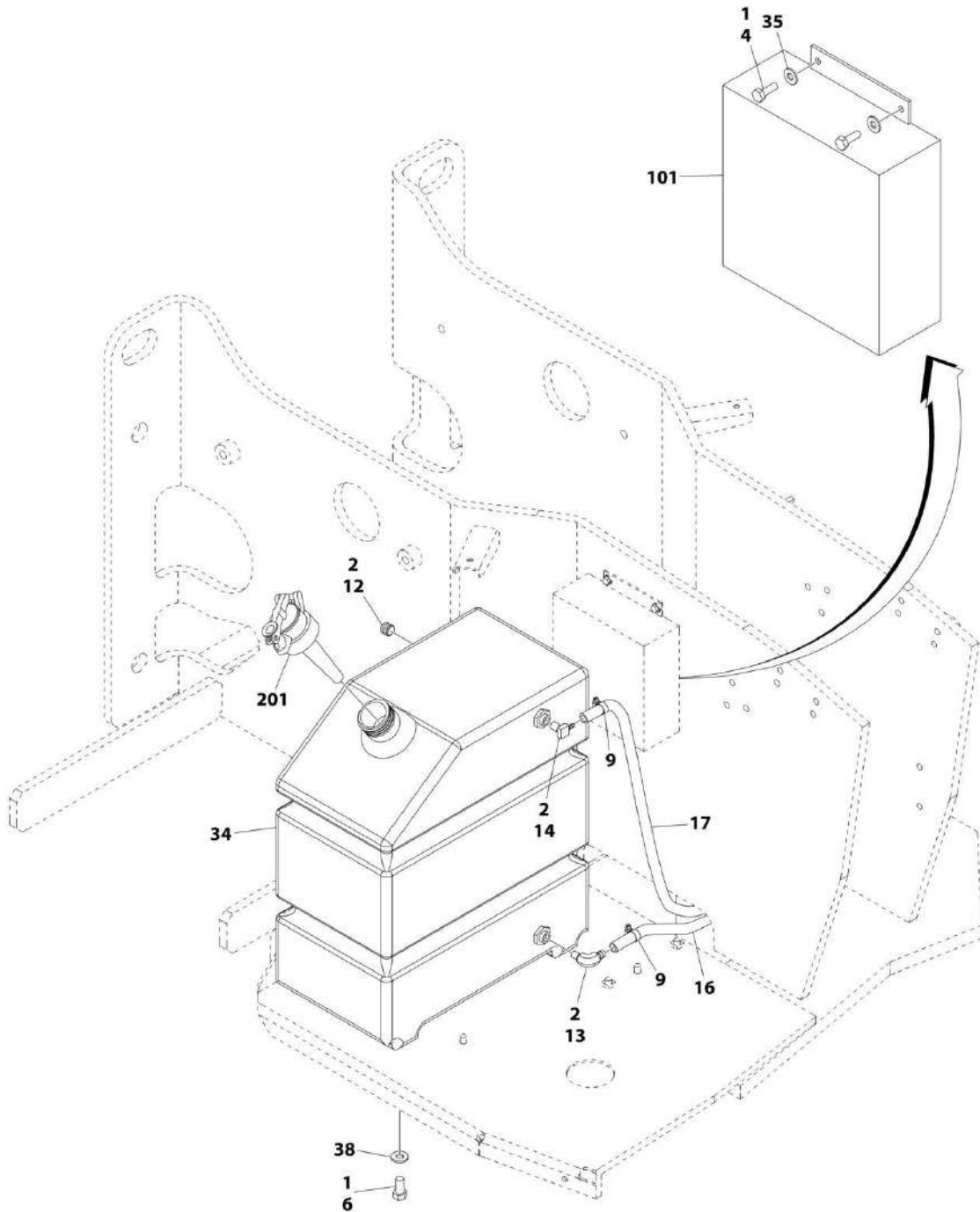
SECTION 2 - TURNTABLE

FIGURE 2-12. HYDRAULIC TANK AND PUMP/MOTOR INSTALLATION (UL SPECS)

ITEM	PART NUMBER	QTY	DESCRIPTION	REV
	1001175539	Ref	HYDRAULIC TANK AND PUMP/MOTOR INSTALLATION (UL SPECS)	E
1	0100011	AR	Compound, Locking	
2	0340049	1	Pump Motor Band Kit	
3	0641511	4	Bolt 5/16 x 1-3/8	
4	0641606	4	Bolt 3/8 x 3/4	
5	0641614	7	Bolt 3/8 x 1-3/4	
6	0700812	2	Bolt M8 x 25	
7	1060794	1	Cable, Electrical (SN 0300219271 through 0300224945)	
8	1060795	1	Cable, Electrical (SN 0300219271 through 0300224945)	
9	3160252	1	Electricity Motor Assembly (See ELECTRICITY MOTOR ASSEMBLY for Breakdown)	A
10	3311505	4	Nut 5/16	
11	3600310	1	Pump Assembly (See PUMP ASSEMBLY for Breakdown)	
12	4400455	1	Tank Assembly - Hydraulic (See Items 101-108 for Breakdown)	
13	4420038	30 in /76cm	Tape, Rubber	
14	4751500	8	Washer 5/16	
15	4751600	11	Washer 3/8	
16	4846178	1	Tray Weldment	
17	4891500	2	Washer 5/16	
18	3020037	AR	Grease, Coupling	
	4400455	Ref	HYDRAULIC TANK ASSEMBLY	E
101	7026121	1	Strainer, Suction	
102	7024441	1	Gauge, Level Indicator	
103	7024446	1	Plug, Magnetic	
104	7023268	1	Filter with Pressure Switch	
104	7023224	1	Element, Filter	
105	7023268	1	Breather with Pressure Switch	
105	7023269	1	Element, Breather	
106	7023306	1	Seal, Cover Plate	
107	7023347	1	Gasket	
108	7023270	1	Gauge, Indicator	

SECTION 2 - TURNTABLE

FIGURE 2-13. FUEL TANK AND MODULE INSTALLATION (M600/M600J/M600JP ONLY)



ART_1001199313_1OF5

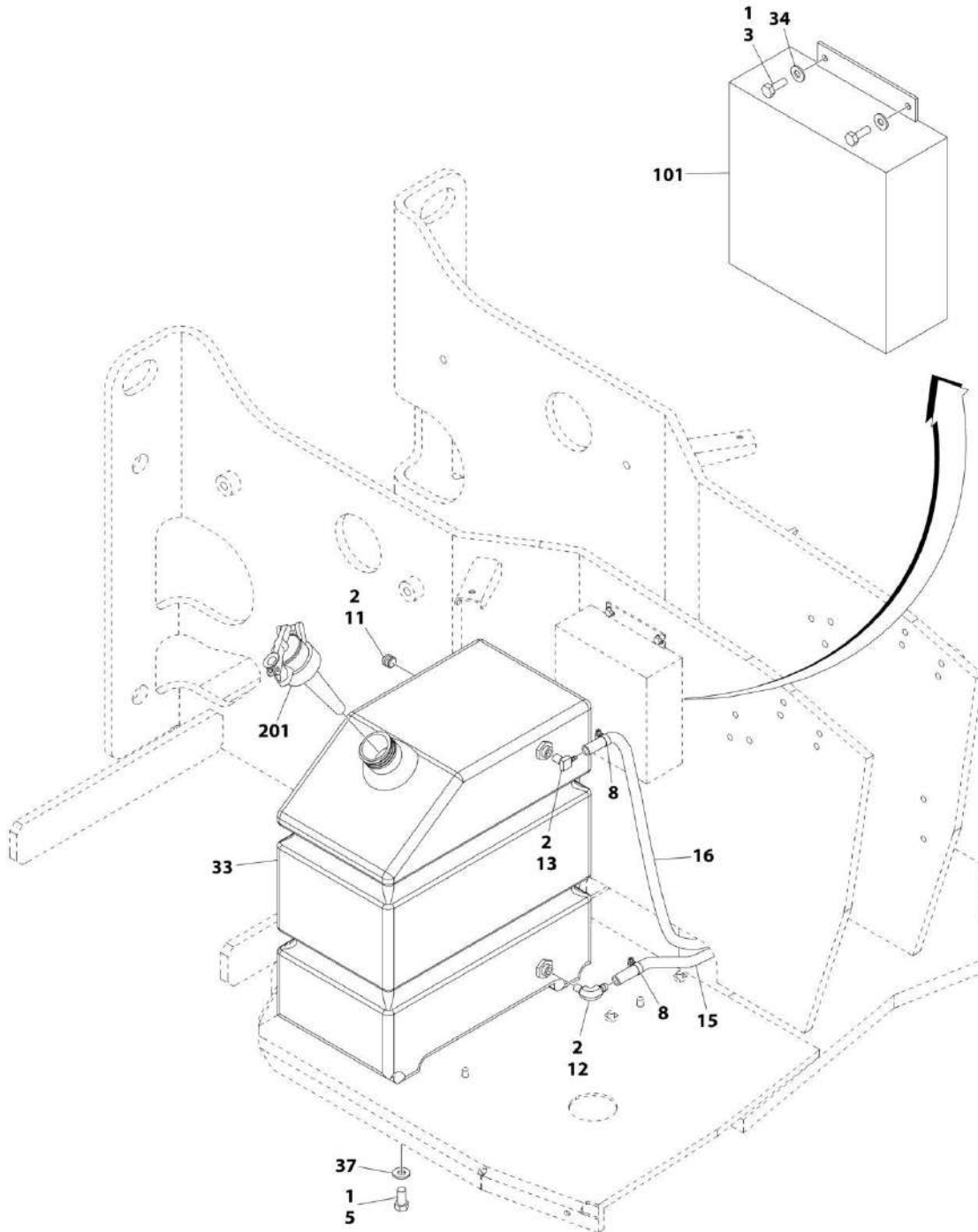
SECTION 2 - TURNTABLE

FIGURE 2-13. FUEL TANK AND MODULE INSTALLATION (M600/M600J/M600JP ONLY)

ITEM	PART NUMBER	QTY	DESCRIPTION	REV
	1001199313	Ref	FUEL TANK AND MODULE INSTALLATION (M600/M600J/M600JP ONLY)	E
1	0100011	AR	Compound, Locking	
2	0100020	AR	Sealant, Pipe	
4	0641406	4	Bolt 1/4 x 3/4	
6	0641606	4	Bolt 3/8 x 3/4	
9	1320022	2	Clamp, Hose	
12	2200222	2	Plug, Pipe	
13	2221046	1	Fitting, Elbow Barbed	
14	2221047	1	Fitting, Elbow Barbed	
16	2720058	AR	Hose, Fuel Line	
17	2720271	AR	Hose, Fuel Line	
34	4400430	1	Tank, Molded (Includes Non-Locking Cap - See Item 201)	
35	4711400	4	Washer 1/4	
38	4751600	4	Washer 3/8	
101	70000326	1	Module, Contactor (Kubota Engine)	
101	70000328	1	Harness, Module (Not Shown)	
		Ref	FUEL TANK CAP OPTIONS: (M600/M600J/M600JP ONLY)	
201		Ref	Cap Options:	
201	7020257	1	Non-Locking Cap (Supplied with Tank)	
201	7016649	1	Seal, Cap	
201	1120484	1	Locking Cap - Gas Machines (SN 0300219271 through 0300221081)	
201	1120487	1	Locking Cap - Diesel Machines (SN 0300219271 through 0300221081)	

SECTION 2 - TURNTABLE

FIGURE 2-14. FUEL TANK AND MODULE INSTALLATION - WITH AGM BATTERY
(M600/M600J/M600JP ONLY)



ART_1001207674_10F5

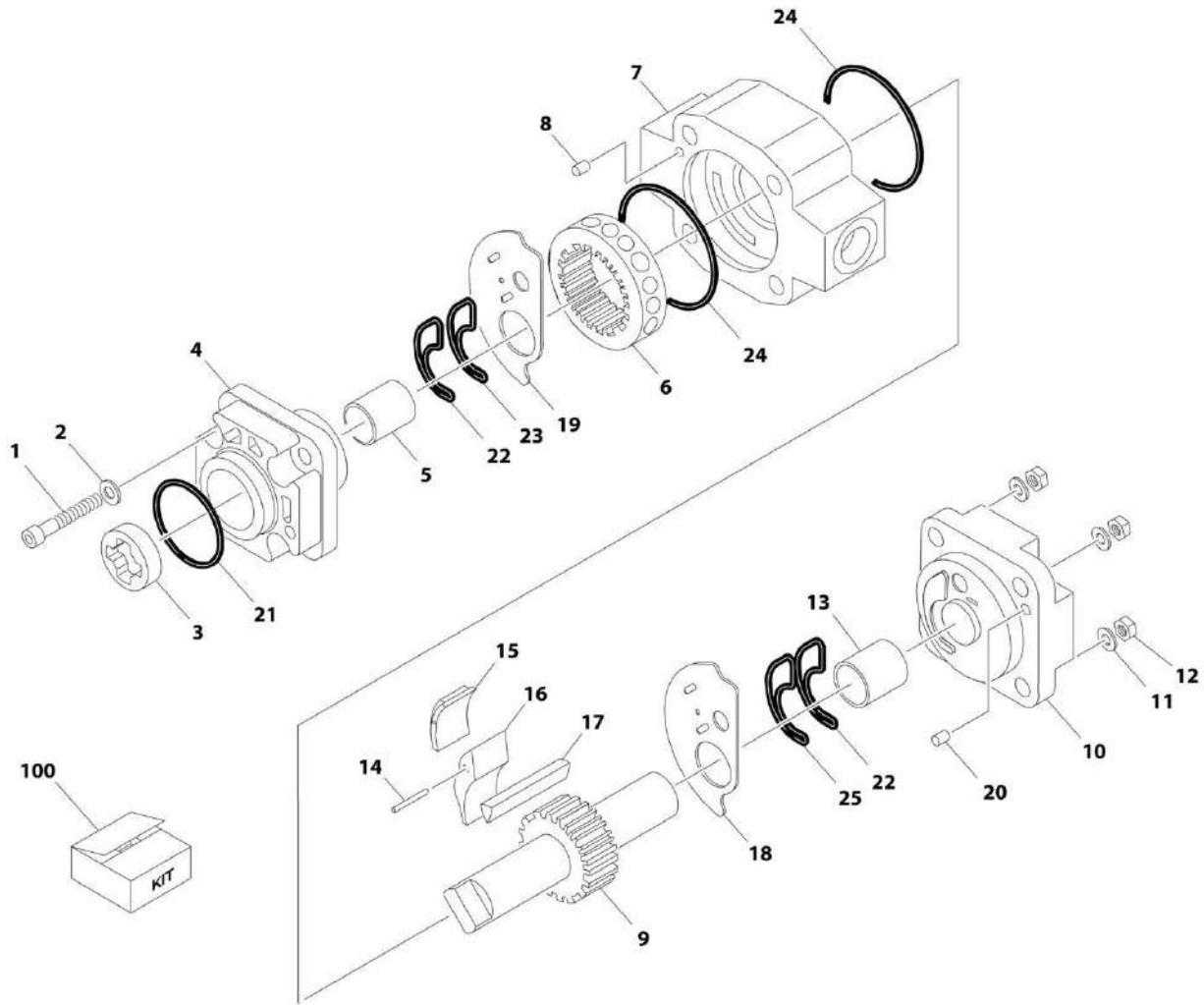
SECTION 2 - TURNTABLE

**FIGURE 2-14. FUEL TANK AND MODULE INSTALLATION - WITH AGM BATTERY
(M600/M600J/M600JP ONLY)**

ITEM	PART NUMBER	QTY	DESCRIPTION	REV
	1001207674	Ref	FUEL TANK AND MODULE INSTALLATION - WITH AGM BATTERY (M600/M600J/M600JP ONLY)	D
1	0100011	AR	Compound, Locking	
2	0100020	AR	Sealant, Pipe	
3	0641406	4	Bolt 1/4 x 3/4	
5	0641606	4	Bolt 3/8 x 3/4	
8	1320022	2	Clamp, Hose	
11	2200222	2	Plug, Pipe	
12	2221046	1	Fitting, Elbow Barbed	
13	2221047	1	Fitting, Elbow Barbed	
15	2720058	AR	Hose, Fuel Line	
16	2720271	AR	Hose, Fuel Line	
33	4400430	1	Tank, Molded (Includes Non-Locking Cap - See Item 201)	
34	4711400	4	Washer 1/4	
37	4751600	4	Washer 3/8	
101	70000326	1	Module, Contactor (Kubota Engine)	
101	70000328	1	Harness, Module (Not Shown)	
		Ref	FUEL TANK CAP OPTIONS: (M600/M600J/M600JP ONLY)	
201		Ref	Cap Options:	
201	7020257	1	Non-Locking Cap (Supplied with Tank)	
201	7016649	1	Seal, Cap	
201	1120484	1	Locking Cap - Gas Machines (SN 0300219271 through 0300221081)	
201	1120487	1	Locking Cap - Diesel Machines (SN 0300219271 through 0300221081)	

SECTION 2 - TURNTABLE

FIGURE 2-15. PUMP ASSEMBLY



ART_3600310

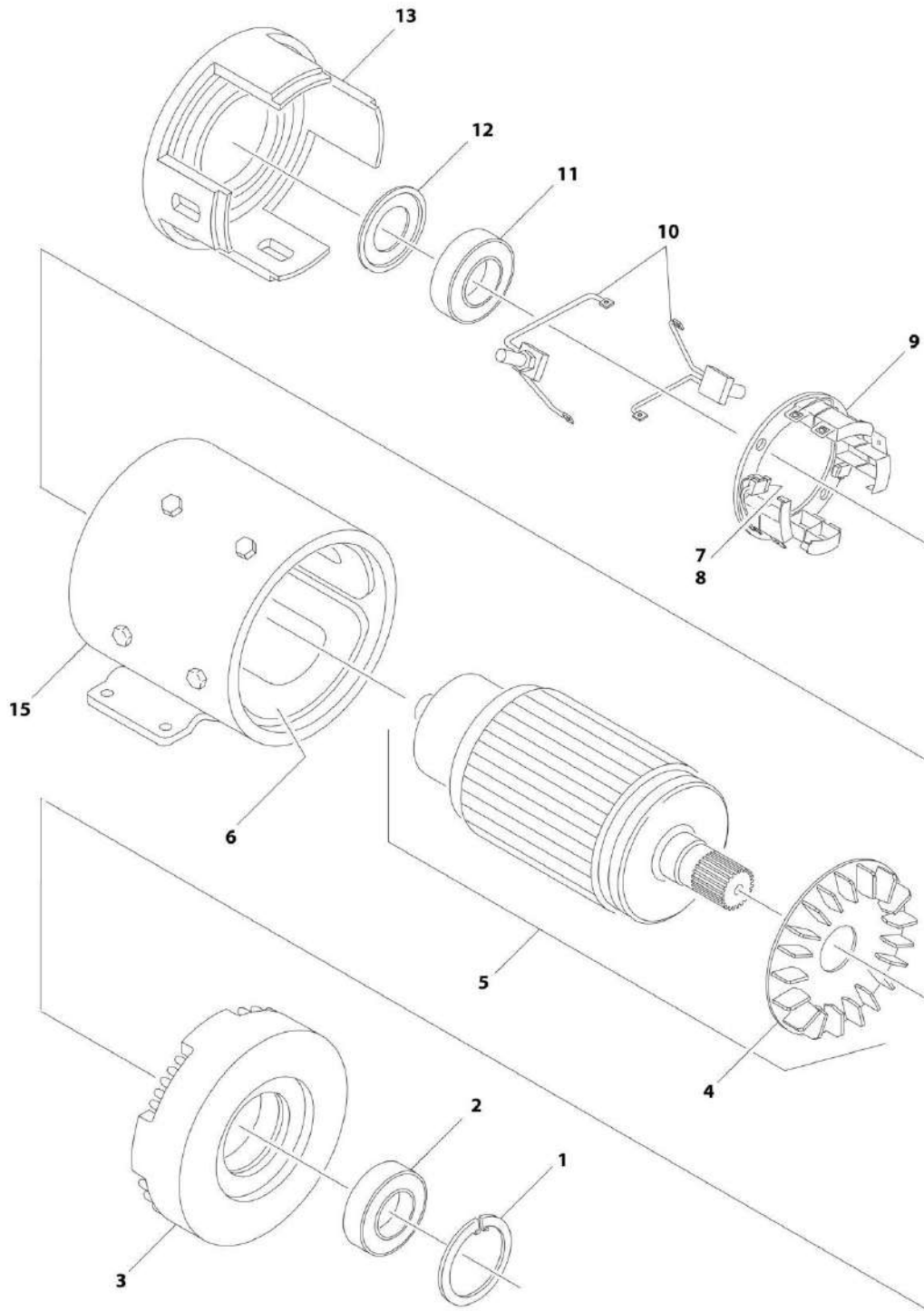
SECTION 2 - TURNTABLE

FIGURE 2-15. PUMP ASSEMBLY

ITEM	PART NUMBER	QTY	DESCRIPTION	REV
	3600310	Ref	PUMP ASSEMBLY	A
1	See Note	NSS	Bolt (Note: Use p/n 3600310)	
2	See Note	NSS	Washer (Note: Use p/n 3600310)	
3	See Note	NSS	Coupling (Note: Use p/n 3600310)	
4	See Note	NSS	Cap, End (Note: Use p/n 3600310)	
5	See Note	NSS	Spacer (Note: Use p/n 3600310)	
6	See Note	NSS	Gear (Note: Use p/n 3600310)	
7	See Note	NSS	Housing (Note: Use p/n 3600310)	
8	See Note	NSS	Pin, Dowel (Note: Use p/n 3600310)	
9	See Note	NSS	Shaft (Note: Use p/n 3600310)	
10	See Note	NSS	Head (Note: Use p/n 3600310)	
11	See Note	NSS	Washer (Note: Use p/n 3600310)	
12	See Note	NSS	Nut (Note: Use p/n 3600310)	
13	See Note	NSS	Spacer (Note: Use p/n 3600310)	
14	See Note	NSS	Pin (Note: Use p/n 3600310)	
15	See Note	NSS	Pad, Wear (Note: Use p/n 3600310)	
16	See Note	NSS	Cam (Note: Use p/n 3600310)	
17	See Note	NSS	Bar (Note: Use p/n 3600310)	
18	See Note	NSS	Plate (Note: Use p/n 3600310)	
19	See Note	NSS	Plate (Note: Use p/n 3600310)	
20	See Note	NSS	Pin, Dowel (Note: Use p/n 3600310)	
21	See Note	NSS	O-Ring (Note: Use Item 100)	
22	See Note	NSS	Ring, Thrust (Note: Use Item 100)	
23	See Note	NSS	Seal (Note: Use Item 100)	
24	See Note	NSS	O-Ring (Note: Use Item 100)	
25	See Note	NSS	Seal (Note: Use Item 100)	
100	7024056	1	Seal Kit (Includes Items 21-25)	

SECTION 2 - TURNTABLE

FIGURE 2-16. ELECTRICITY MOTOR ASSEMBLY



ART_3160252

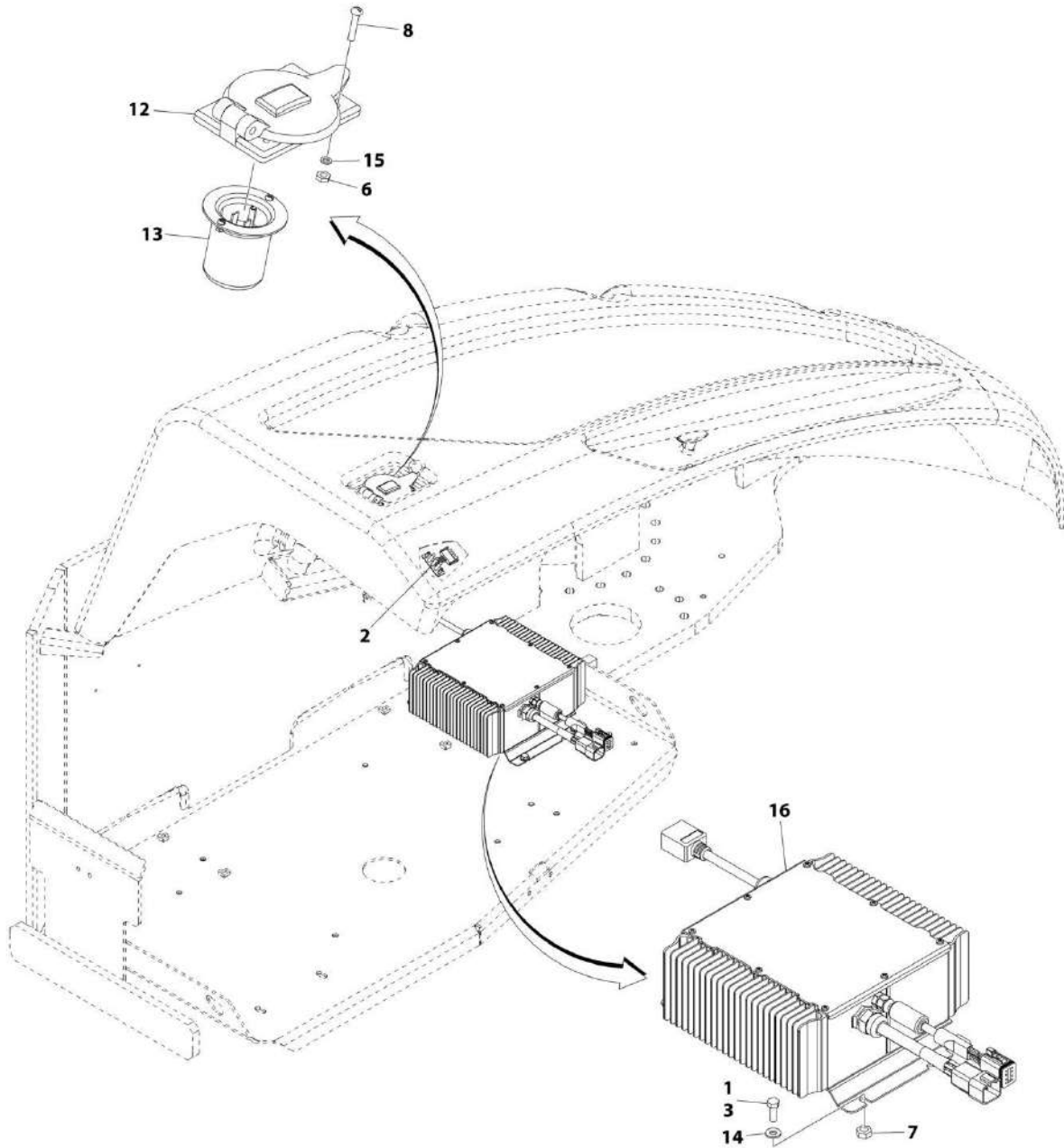
SECTION 2 - TURNTABLE

FIGURE 2-16. ELECTRICITY MOTOR ASSEMBLY

ITEM	PART NUMBER	QTY	DESCRIPTION	REV
	3160252	Ref	ELECTRICITY MOTOR ASSEMBLY	A
1	7020291	1	Ring, Retaining	
2	7020292	1	Bearing (Front Endhead)	
3	7020293	1	Endhead, Front	
4	7020294	1	Fan (Part of Item 5)	
5	7020295	1	Armature and Fan Assembly (Includes Item 4)	
6	7020296	1	Field Coil Kit	
7	7012548	4	Spring, Brush	
8	7020297	4	Brush	
9	7020298	1	Holder, Brush	
10	7020299	1	Brush Lead Kit	
11	7012545	1	Bearing (Rear Endhead)	
12	7012549	1	Washer, Wavy	
13	7023200	1	Endhead, Rear	
15	See Note	NSS	Housing (Note: Use p/n 3160252)	

SECTION 2 - TURNTABLE

FIGURE 2-17. DELTA-Q BATTERY CHARGER INSTALLATION - 110V/60HZ (ANSI SPECS)



ART_1001125780

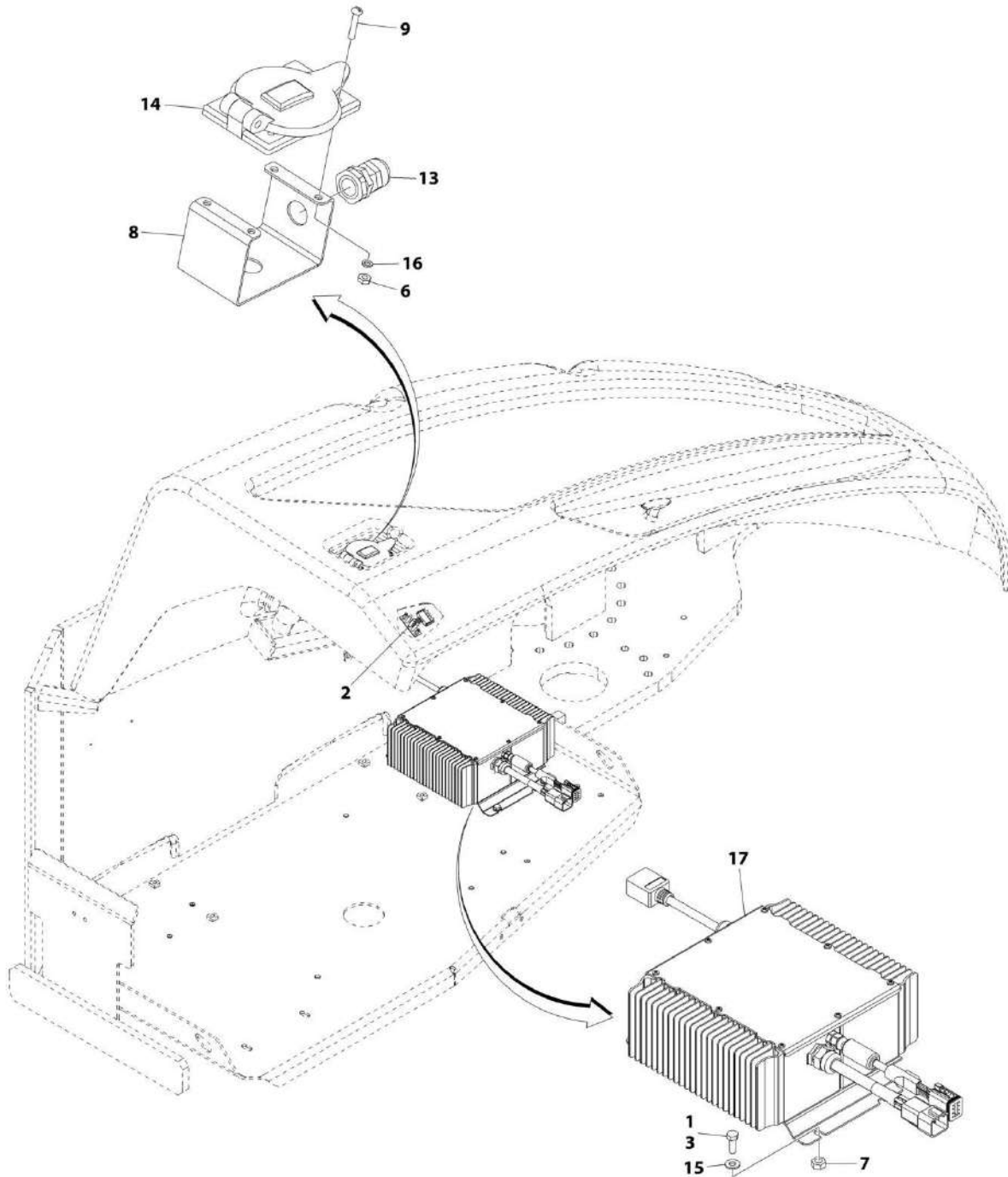
SECTION 2 - TURNTABLE

FIGURE 2-17. DELTA-Q BATTERY CHARGER INSTALLATION - 110V/60HZ (ANSI SPECS)

ITEM	PART NUMBER	QTY	DESCRIPTION	REV
	1001125780	Ref	DELTA-Q BATTERY CHARGER INSTALLATION - 110V/60HZ (ANSI SPECS)	F
1	0100011	AR	Compound, Locking	
2	0610131	1	Charger LED Assembly	
3	0641406	4	Bolt 1/4 x 3/4	
5	1060813	1	Cable, LED (Not Shown - See ELECTRICAL SECTION for Breakdown)	
6	3311001	4	Nut #10	
7	3311408	4	Nut 1/4	
8	3911016	4	Screw #10 x 1	
9	4240032	2	Tie-Strap (Not Shown)	
10	4240033	AR	Tie-Strap (Not Shown)	
11	4460234	2	Mount, Tie-Strap (Not Shown)	
12	4460802	1	Cover, Terminal	
13	4460803	1	Terminal, Plug	
14	4711400	4	Washer 1/4	
15	4761000	4	Washer #10	
16	1001103105	1	Battery Charger Assembly (See ELECTRICAL SECTION for Breakdown)	
17	1001113045	1	Battery Charger Harness (Not Shown - See ELECTRICAL SECTION for Breakdown) (SN 0300219271 through 0300224945)	
19	1001126185	1	AC Cord Cable (Not Shown)	

SECTION 2 - TURNTABLE

FIGURE 2-18. DELTA-Q BATTERY CHARGER INSTALLATION - 120-240V/50-60HZ (ANSI AND ANSI EXPORT SPECS)



ART_1001125779

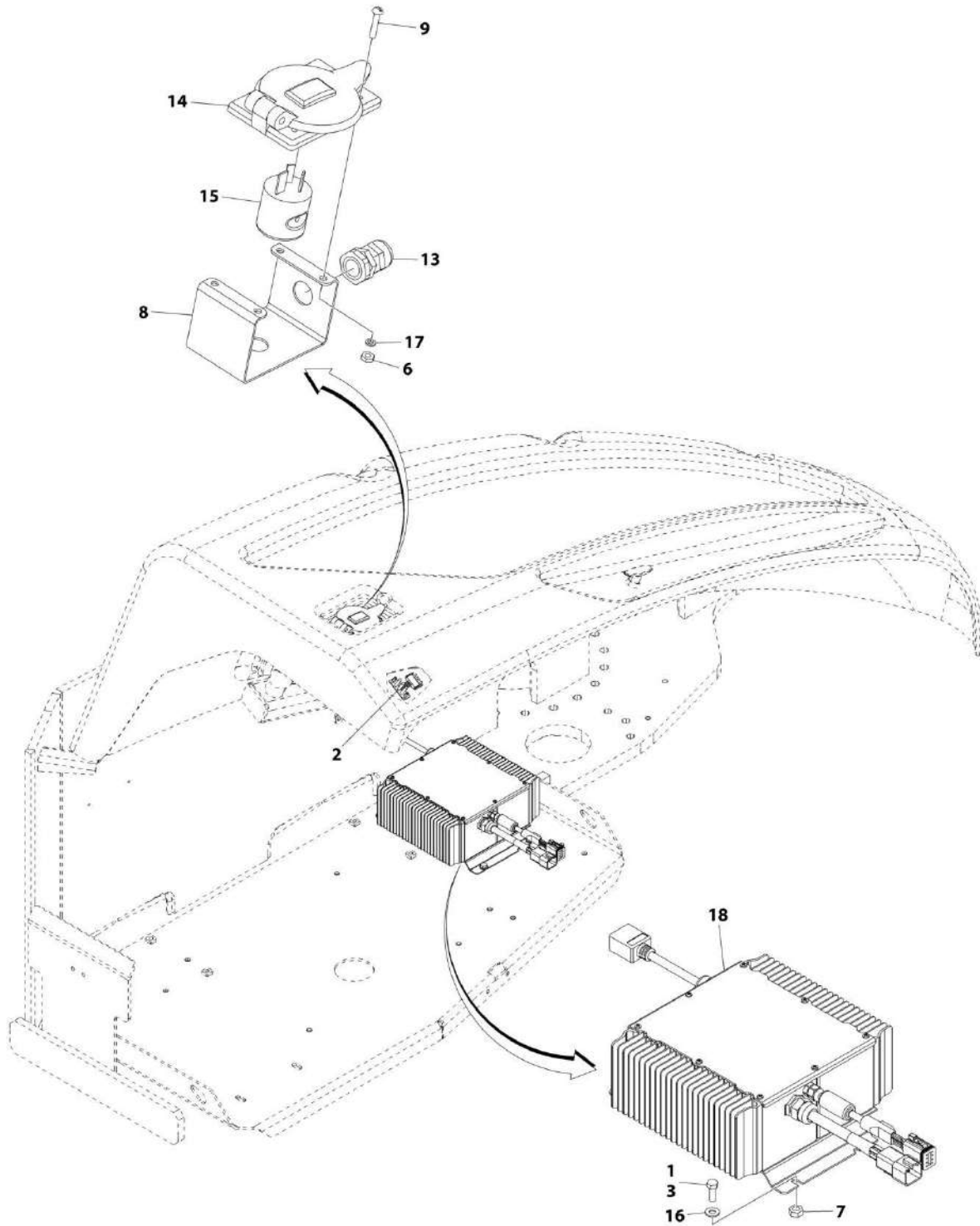
SECTION 2 - TURNTABLE

FIGURE 2-18. DELTA-Q BATTERY CHARGER INSTALLATION - 120-240V/50-60HZ (ANSI AND ANSI EXPORT SPECS)

ITEM	PART NUMBER	QTY	DESCRIPTION	REV
	1001125779	Ref	DELTA-Q BATTERY CHARGER INSTALLATION - 120-240V/50-60HZ (ANSI AND ANSI EXPORT SPECS)	F
1	0100011	AR	Compound, Locking	
2	0610131	1	Charger LED Assembly	
3	0641406	4	Bolt 1/4 x 3/4	
5	1060813	1	Cable, LED (Not Shown - See ELECTRICAL SECTION for Breakdown)	
6	3311001	4	Nut #10	
7	3311408	4	Nut 1/4	
8	3571584	1	Plate, Mounting	
9	3911016	4	Screw #10 x 1	
10	4240032	2	Tie-Strap (Not Shown)	
11	4240033	AR	Tie-Strap (Not Shown)	
12	4460234	2	Mount, Tie-Strap (Not Shown)	
13	4460428	1	Connector, Strain Relief	
14	4460802	1	Cover, Terminal	
15	4711400	4	Washer 1/4	
16	4761000	4	Washer #10	
17	1001103105	1	Battery Charger Assembly (See ELECTRICAL SECTION for Breakdown)	
18	1001113045	1	Battery Charger Harness (Not Shown - See ELECTRICAL SECTION for Breakdown) (SN 0300219271 through 0300224945)	
20	1001126185	1	AC Cord Cable (Not Shown)	

SECTION 2 - TURNTABLE

FIGURE 2-19. DELTA-Q BATTERY CHARGER INSTALLATION - 250V/50HZ (ANSI EXPORT AND AUSTRALIAN SPECS)



ART_1001125781

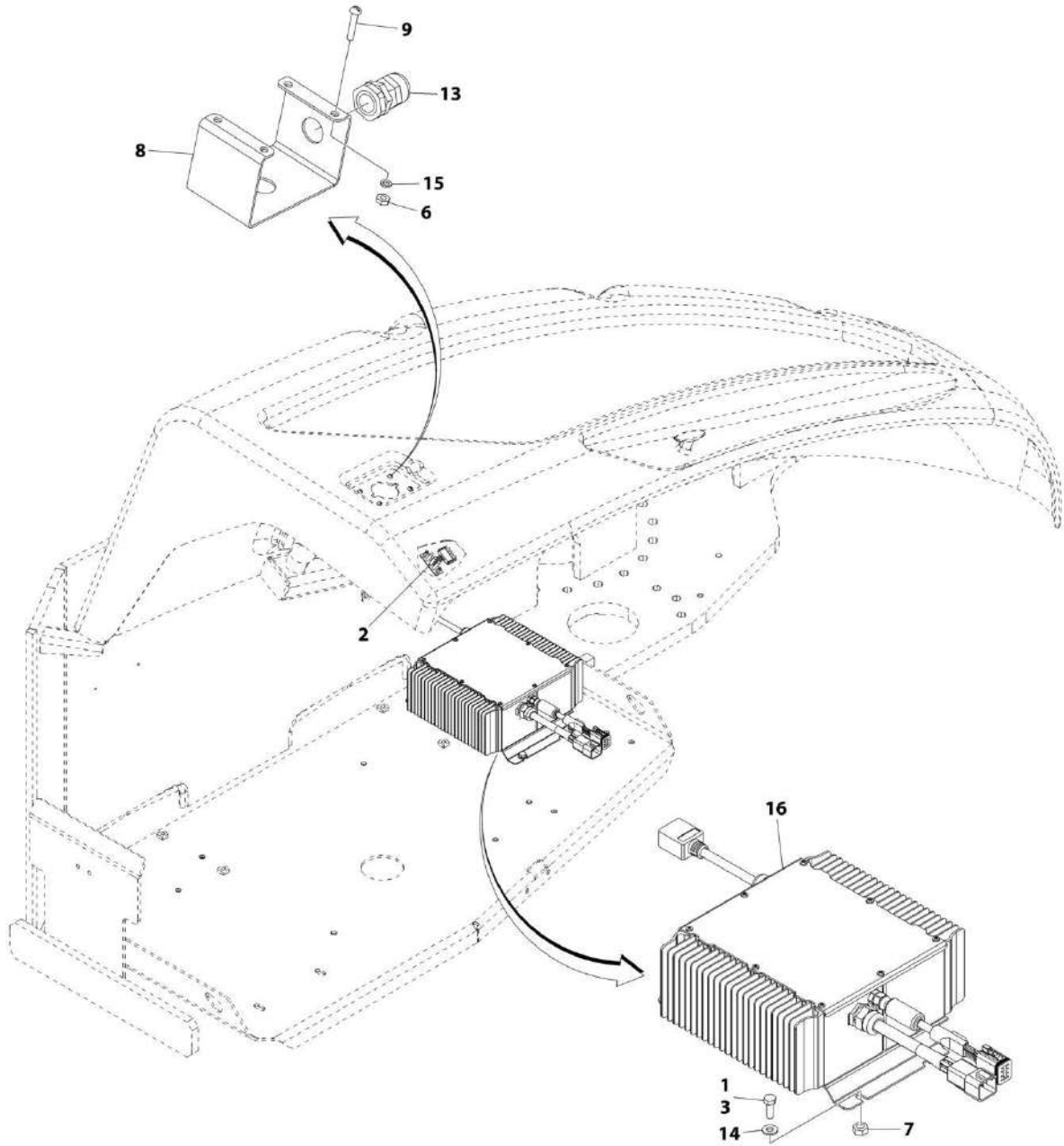
SECTION 2 - TURNTABLE

FIGURE 2-19. DELTA-Q BATTERY CHARGER INSTALLATION - 250V/50HZ (ANSI EXPORT AND AUSTRALIAN SPECS)

ITEM	PART NUMBER	QTY	DESCRIPTION	REV
	1001125781	Ref	DELTA-Q BATTERY CHARGER INSTALLATION - 250V/50HZ (ANSI EXPORT AND AUSTRALIAN SPECS)	F
1	0100011	AR	Compound, Locking	
2	0610131	1	Charger LED Assembly	
3	0641406	4	Bolt 1/4 x 3/4	
5	1060813	1	Cable, LED (Not Shown - See ELECTRICAL SECTION for Breakdown)	
6	3311001	4	Nut #10	
7	3311408	4	Nut 1/4	
8	3571584	1	Plate, Mounting	
9	3911016	4	Screw #10 x 1	
10	4240032	2	Tie-Strap (Not Shown)	
11	4240033	AR	Tie-Strap (Not Shown)	
12	4460234	2	Mount, Tie-Strap (Not Shown)	
13	4460428	1	Connector, Strain Relief	
14	4460802	1	Cover, Terminal	
15	4460805	1	Terminal, Plug	
16	4711400	4	Washer 1/4	
17	4761000	4	Washer #10	
18	1001103105	1	Battery Charger Assembly (See ELECTRICAL SECTION for Breakdown)	
19	1001113045	1	Battery Charger Harness (Not Shown - See ELECTRICAL SECTION for Breakdown) (SN 0300219271 through 0300224945)	
21	1001126185	1	AC Cord Cable (Not Shown)	

SECTION 2 - TURNTABLE

FIGURE 2-20. DELTA-Q BATTERY CHARGER INSTALLATION - 120-240V/50-60HZ (CE SPECS)



ART_1001125778

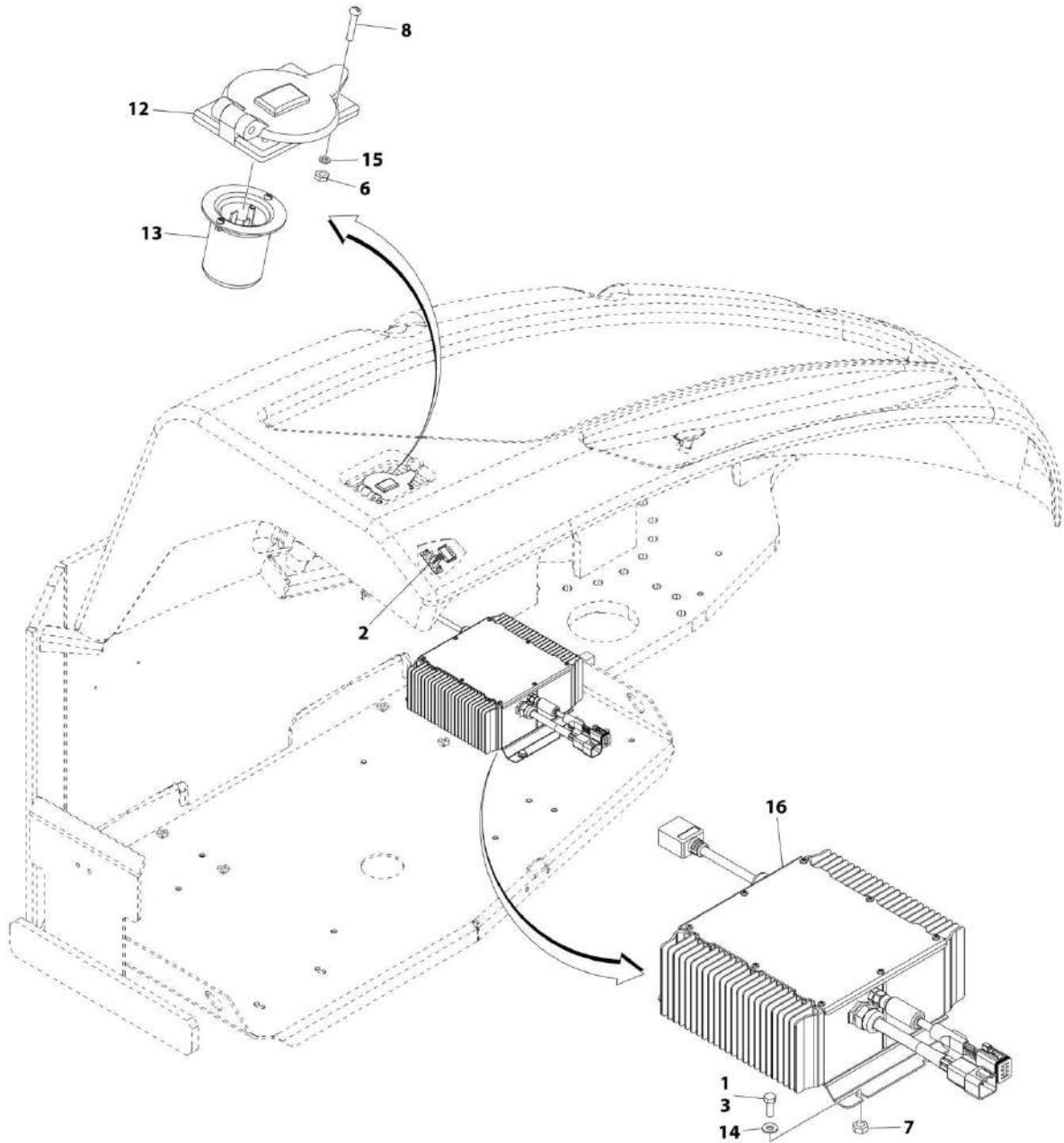
SECTION 2 - TURNTABLE

FIGURE 2-20. DELTA-Q BATTERY CHARGER INSTALLATION - 120-240V/50-60HZ (CE SPECS)

ITEM	PART NUMBER	QTY	DESCRIPTION	REV
	1001125778	Ref	DELTA-Q BATTERY CHARGER INSTALLATION - 120-240V/50-60HZ (CE SPECS)	F
1	0100011	AR	Compound, Locking	
2	0610131	1	Charger LED Assembly	
3	0641406	4	Bolt 1/4 x 3/4	
5	1060813	1	Cable, LED (Not Shown - See ELECTRICAL SECTION for Breakdown)	
6	3311001	4	Nut #10	
7	3311408	4	Nut 1/4	
8	3571584	1	Plate, Mounting	
9	3911016	4	Screw #10 x 1	
10	4240032	2	Tie-Strap (Not Shown)	
11	4240033	AR	Tie-Strap (Not Shown)	
12	4460234	2	Mount, Tie-Strap (Not Shown)	
13	4460428	1	Connector, Strain Relief	
14	4711400	4	Washer 1/4	
15	4761000	4	Washer #10	
16	1001103105	1	Battery Charger Assembly (See ELECTRICAL SECTION for Breakdown)	
17	1001113045	1	Battery Charger Harness (Not Shown - See ELECTRICAL SECTION for Breakdown) (SN 0300219271 through 0300224945)	
19	1001126185	1	AC Cord Cable (Not Shown)	

SECTION 2 - TURNTABLE

FIGURE 2-21. DELTA-Q BATTERY CHARGER INSTALLATION - 100V/50-60HZ (JAPANESE SPECS)



ART_1001125780

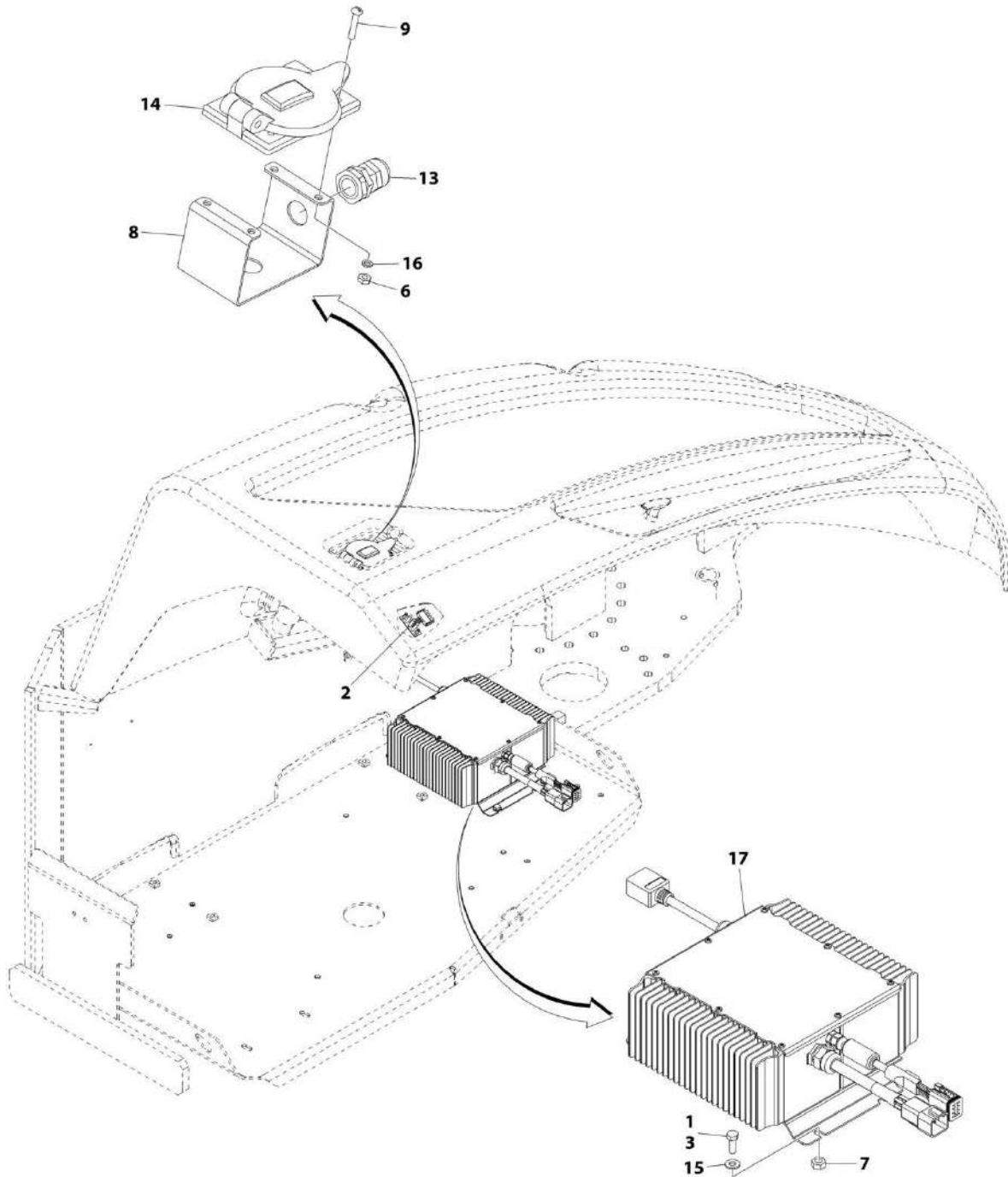
SECTION 2 - TURNTABLE

FIGURE 2-21. DELTA-Q BATTERY CHARGER INSTALLATION - 100V/50-60HZ (JAPANESE SPECS)

ITEM	PART NUMBER	QTY	DESCRIPTION	REV
	1001125780	Ref	DELTA-Q BATTERY CHARGER INSTALLATION - 100V/50-60HZ (JAPANESE SPECS)	F
1	0100011	AR	Compound, Locking	
2	0610131	1	Charger LED Assembly	
3	0641406	4	Bolt 1/4 x 3/4	
5	1060813	1	Cable, LED (Not Shown - See ELECTRICAL SECTION for Breakdown)	
6	3311001	4	Nut #10	
7	3311408	4	Nut 1/4	
8	3911016	4	Screw #10 x 1	
9	4240032	2	Tie-Strap (Not Shown)	
10	4240033	AR	Tie-Strap (Not Shown)	
11	4460234	2	Mount, Tie-Strap (Not Shown)	
12	4460802	1	Cover, Terminal	
13	4460803	1	Terminal, Plug	
14	4711400	4	Washer 1/4	
15	4761000	4	Washer #10	
16	1001103105	1	Battery Charger Assembly (See ELECTRICAL SECTION for Breakdown)	
17	1001113045	1	Battery Charger Harness (Not Shown - See ELECTRICAL SECTION for Breakdown) (SN 0300219271 through 0300224945)	
19	1001126185	1	AC Cord Cable (Not Shown)	

SECTION 2 - TURNTABLE

FIGURE 2-22. DELTA-Q BATTERY CHARGER INSTALLATION - 120-230V/45-65HZ (48 VOLT) (ALL SPECS)



ART_1001162843

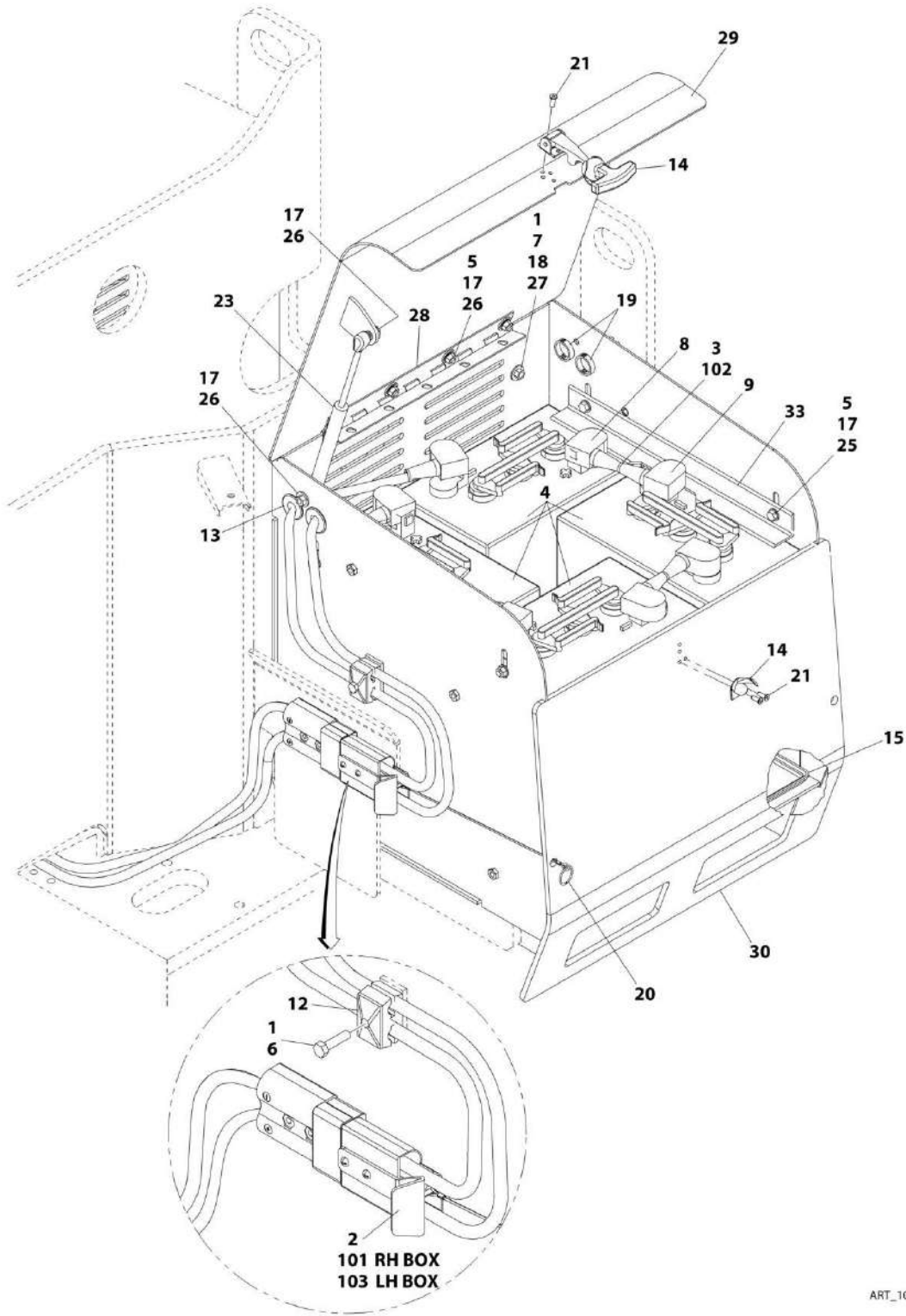
SECTION 2 - TURNTABLE

FIGURE 2-22. DELTA-Q BATTERY CHARGER INSTALLATION - 120-230V/45-65HZ (48 VOLT) (ALL SPECS)

ITEM	PART NUMBER	QTY	DESCRIPTION	REV
	1001162843	Ref	DELTA-Q BATTERY CHARGER INSTALLATION - 120-230V/45-65HZ (48 VOLT) (ALL SPECS)	F
1	0100011	AR	Compound, Locking	
2	0610131	1	Charger LED Assembly	
3	0641406	4	Bolt 1/4 x 3/4	
5	1060813	1	Cable, LED (Not Shown - See ELECTRICAL SECTION for Breakdown)	
6	3311001	4	Nut #10	
7	3311408	4	Nut 1/4	
8	3571584	1	Plate, Mounting	
9	3911016	4	Screw #10 x 1	
10	4240032	2	Tie-Strap (Not Shown)	
11	4240033	AR	Tie-Strap (Not Shown)	
12	4460234	2	Mount, Tie-Strap (Not Shown)	
13	4460428	1	Connector, Strain Relief	
14	4460802	1	Cover, Terminal	
15	4711400	4	Washer 1/4	
16	4761000	4	Washer #10	
17	1001103105	1	Battery Charger Assembly (See ELECTRICAL SECTION for Breakdown)	
18	1001113045	1	Battery Charger Harness (Not Shown - See ELECTRICAL SECTION for Breakdown) (SN 0300219271 through 0300224945)	
20	1001126185	1	AC Cord Cable (Not Shown)	

SECTION 2 - TURNTABLE

FIGURE 2-23. BATTERY BOX INSTALLATION - STANDARD BATTERIES



ART_1001183373

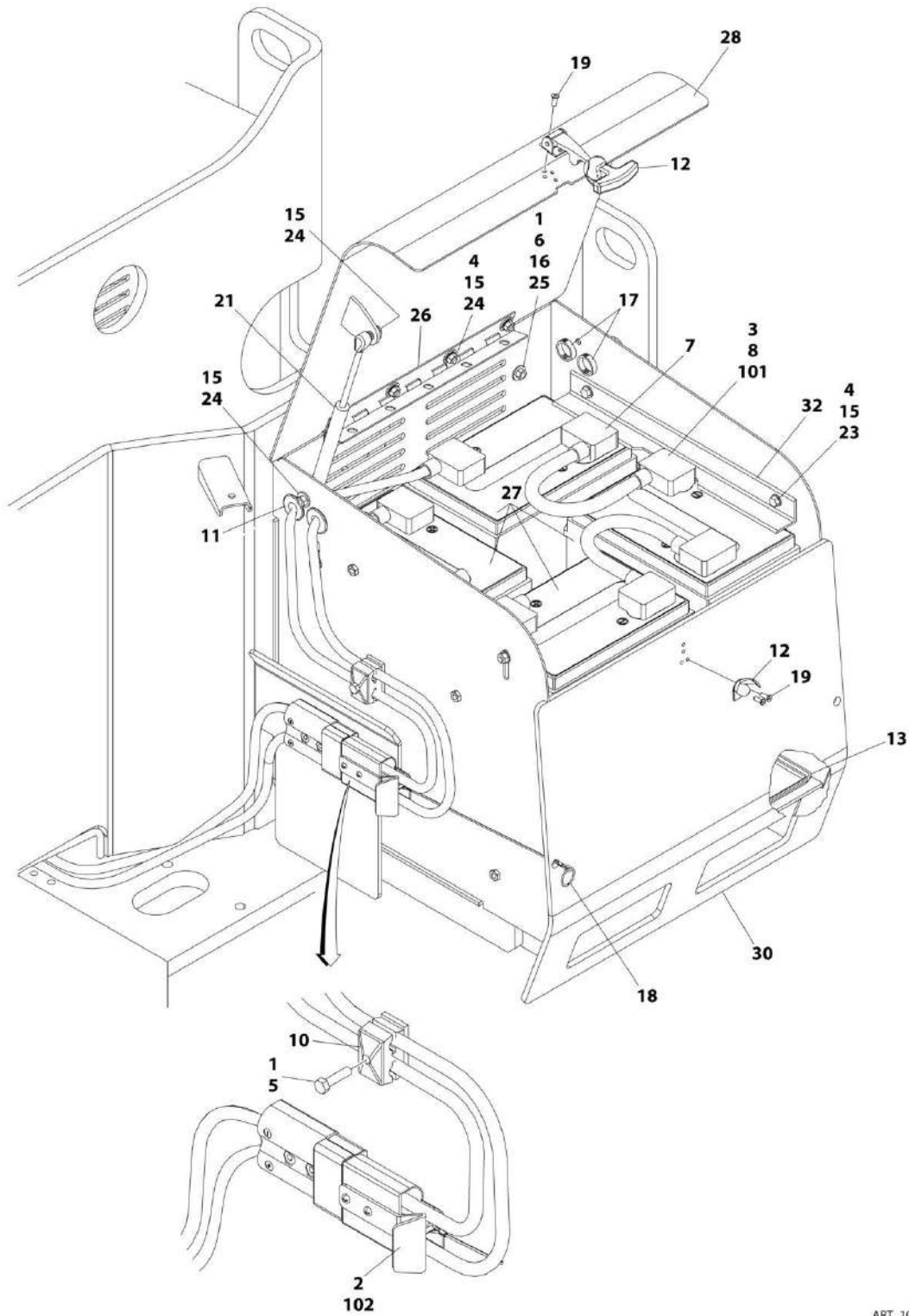
SECTION 2 - TURNTABLE

FIGURE 2-23. BATTERY BOX INSTALLATION - STANDARD BATTERIES

ITEM	PART NUMBER	QTY	DESCRIPTION	REV
	1001183373	Ref	BATTERY BOX INSTALLATION - STANDARD BATTERIES	C
1	0100011	AR	Compound, Locking	
2	0100048	AR	Grease, Dielectric	
3	0100051	AR	Grease, Battery Terminal	
4	0400202	8	Battery	
5	0641506	26	Bolt 5/16 x 3/4	
6	0641510	2	Bolt 5/16 x 1-1/4	
7	0641820	4	Bolt 1/2 x 2-1/2	
8	0840031	8	Boot, Terminal (d Shaped)	
9	0840032	8	Boot, Terminal (b Shaped)	
12	1320159	2	Clamp	
13	2540020	4	Grommet	
14	2940095	2	Latch	
15	3000014	2	Liner, Battery Box	
17	3311505	30	Nut 5/16	
18	3311801	4	Nut 1/2	
19	3520031	4	Plug, Hole	
20	3760170	2	Ring, Split	
21	3820017	8	Rivet	
23	4160185	2	Spring, Gas (Prior to SN 0200244725)	
23	1001233560	2	Spring, Gas (SN 0200244725 to Present)	
25	4711500	16	Washer 5/16	
26	4751500	40	Washer 5/16	
27	4751800	8	Washer 1/2	
28	1001096148	2	Hinge	
29	1001172260	2	Lid, Battery Box	
30	1001172876	2	Box, Battery	
31	1001176711	1	Sensor, Temperature (Not Shown - Located in LH Side Battery Box)	
33	1001179842	4	Angle, Hold-Down	
100	1001205056	1	Battery Cable Kit (Includes Items 101-103)	
101	1060803	1	Cable Assembly - Battery Box Internal (RH Side) (See ELECTRICAL SECTION for Breakdown)	
102	1060848	6	Cable, Battery (Terminal to Terminal)	
103	1001194037	1	Cable Assembly - Battery Box Internal (LH Side) (See ELECTRICAL SECTION for Breakdown)	

SECTION 2 - TURNTABLE

FIGURE 2-24. BATTERY BOX INSTALLATION - AGM BATTERIES



ART_1001183375

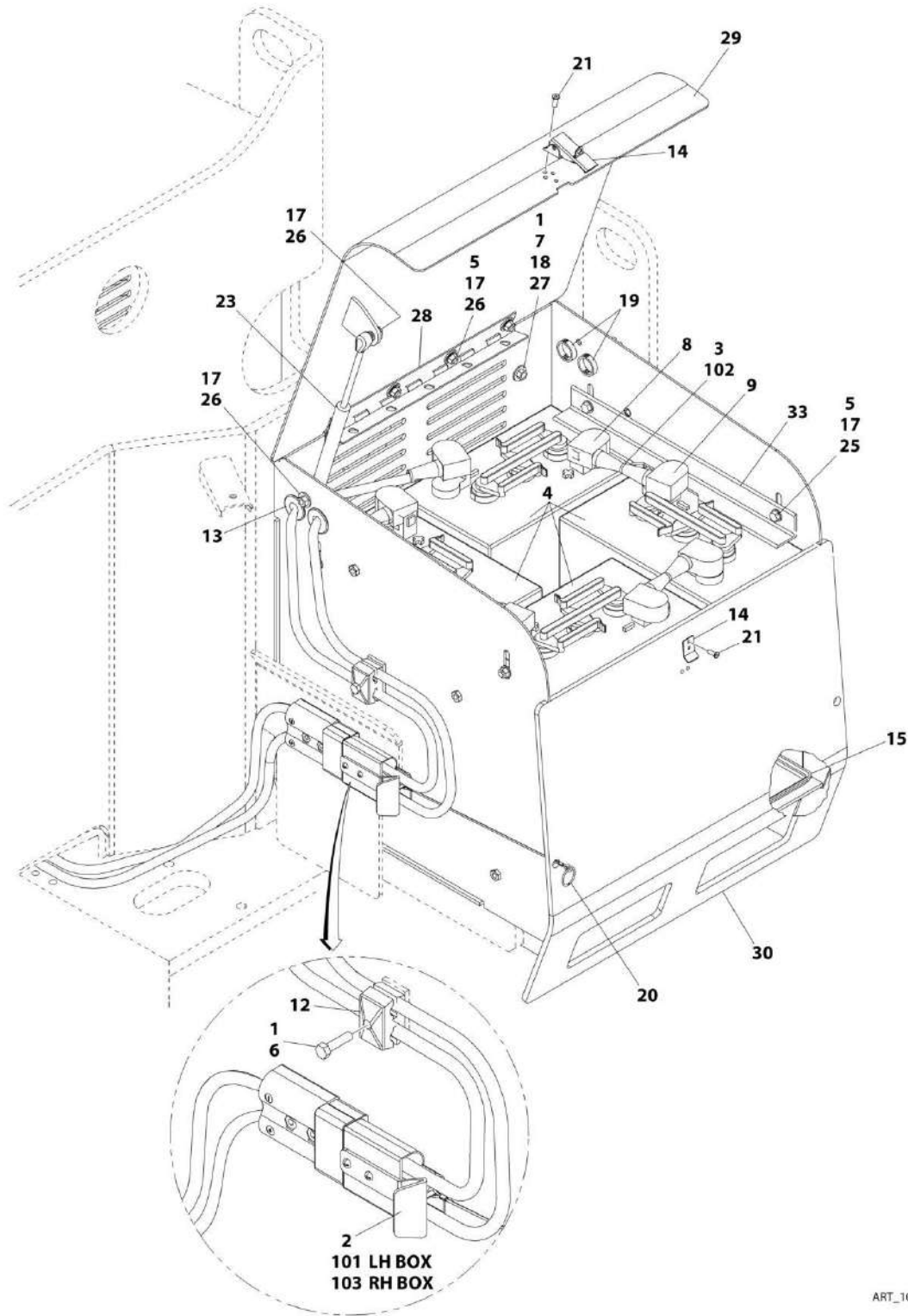
SECTION 2 - TURNTABLE

FIGURE 2-24. BATTERY BOX INSTALLATION - AGM BATTERIES

ITEM	PART NUMBER	QTY	DESCRIPTION	REV
	1001183375	Ref	BATTERY BOX INSTALLATION - AGM BATTERIES	D
1	0100011	AR	Compound, Locking	
2	0100048	AR	Grease, Dielectric	
3	0100051	AR	Grease, Battery Terminal	
4	0641506	26	Bolt 5/16 x 3/4	
5	0641510	2	Bolt 5/16 x 1-1/4	
6	0641820	4	Bolt 1/2 x 2-1/2	
7	0840048	8	Boot, Terminal (d Shaped)	
8	0840049	8	Boot, Terminal (b Shaped)	
10	1320159	2	Clamp	
11	2540020	4	Grommet	
12	2940095	2	Latch	
13	3000014	2	Liner, Battery Box	
15	3311505	30	Nut 5/16	
16	3311801	4	Nut 1/2	
17	3520031	4	Plug, Hole	
18	3760170	2	Ring, Split	
19	3820017	8	Rivet	
21	4160185	2	Spring, Gas (Prior to SN 0200244725)	
21	1001233560	2	Spring, Gas (SN 0200244725 to Present)	
23	4711500	16	Washer 5/16	
24	4751500	40	Washer 5/16	
25	4751800	8	Washer 1/2	
26	1001096148	2	Hinge	
27	1001102534	8	Battery (Prior to SN 0300239198)	
27	1001228392	8	Battery (SN 0300239198 to Present)	
28	1001172260	2	Lid, Battery Box	
30	1001172876	2	Box, Battery	
31	1001176711	1	Sensor, Temperature (Not Shown - Located in LH Side Battery Box)	
32	1001179842	4	Angle, Hold-Down	
100	1001205067	1	Battery Cable Kit (Includes Items 101-102) (Prior to SN 0300239198)	
100	1001228858	1	Battery Cable Kit (Includes Items 101-102) (SN 0300239198 to Present)	
101	1060884	6	Cable, Battery (Terminal to Terminal) (Prior to SN 0300239198)	
101	1001228395	6	Cable, Battery (Terminal to Terminal) (SN 0300239198 to Present)	
102	1001194212	2	Cable Assembly - Battery Box Internal (See ELECTRICAL SECTION for Breakdown) (Prior to SN 0300239198)	
102	1001228857	2	Cable Assembly - Battery Box Internal (See ELECTRICAL SECTION for Breakdown) (SN 0300239198 to Present)	

SECTION 2 - TURNTABLE

FIGURE 2-25. BATTERY BOX INSTALLATION (UL SPECS)



ART_1001183374

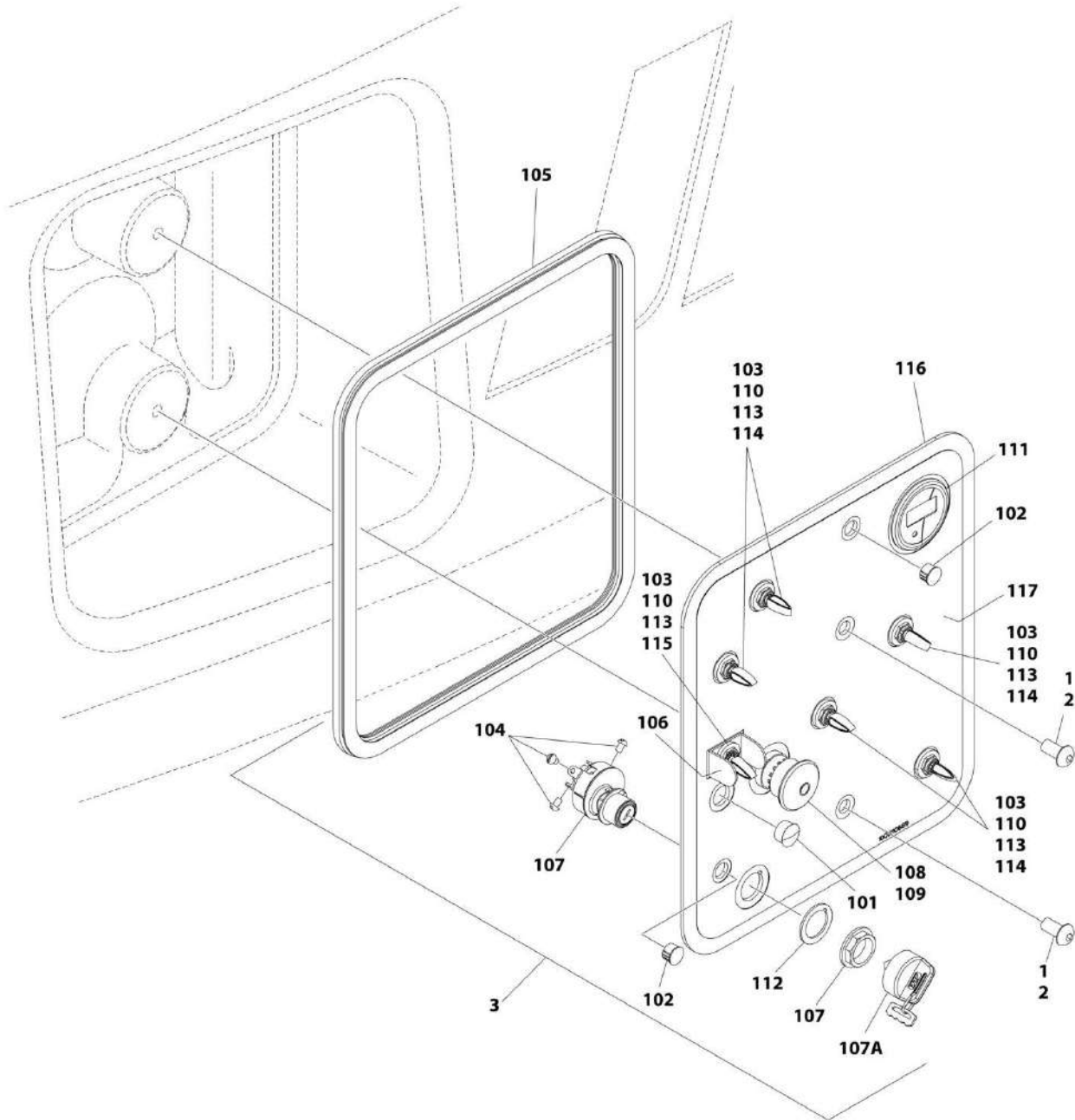
SECTION 2 - TURNTABLE

FIGURE 2-25. BATTERY BOX INSTALLATION (UL SPECS)

ITEM	PART NUMBER	QTY	DESCRIPTION	REV
	1001183374	Ref	BATTERY BOX INSTALLATION (UL SPECS)	C
1	0100011	AR	Compound, Locking	
2	0100048	AR	Grease, Dielectric	
3	0100051	AR	Grease, Battery Terminal	
4	0400202	8	Battery	
5	0641506	26	Bolt 5/16 x 3/4	
6	0641510	2	Bolt 5/16 x 1-1/4	
7	0641820	4	Bolt 1/2 x 2-1/2	
8	0840031	8	Boot, Terminal (d Shaped)	
9	0840032	8	Boot, Terminal (b Shaped)	
12	1320159	2	Clamp	
13	2540020	4	Grommet	
14	2940130	2	Latch (Lockable)	
15	3000014	2	Liner, Battery Box	
17	3311505	30	Nut 5/16	
18	3311801	4	Nut 1/2	
19	3520031	4	Plug, Hole	
20	3760170	2	Ring, Split	
21	3820017	8	Rivet	
23	4160185	2	Spring, Gas (Prior to SN 0200744725)	
23	1001233560	2	Spring, Gas (SN 0200744725 to Present)	
25	4711500	16	Washer 5/16	
26	4751500	40	Washer 5/16	
27	4751800	8	Washer 1/2	
28	1001096148	2	Hinge	
29	1001172260	2	Lid, Battery Box	
30	1001172876	2	Box, Battery	
31	1001176711	1	Sensor, Temperature (Not Shown - Located in LH Side Battery Box)	
33	1001179842	4	Angle, Hold-Down	
100	1001205056	1	Battery Cable Kit (Includes Items 101-103)	
101	1060803	1	Cable Assembly - Battery Box Internal (LH Side) (See ELECTRICAL SECTION for Breakdown)	
102	1060848	6	Cable, Battery (Terminal to Terminal)	
103	1001194037	1	Cable Assembly - Battery Box Internal (RH Side) (See ELECTRICAL SECTION for Breakdown)	

SECTION 2 - TURNTABLE

FIGURE 2-26. GROUND CONTROL PANEL INSTALLATION (E600/M600)



ART_1001203817

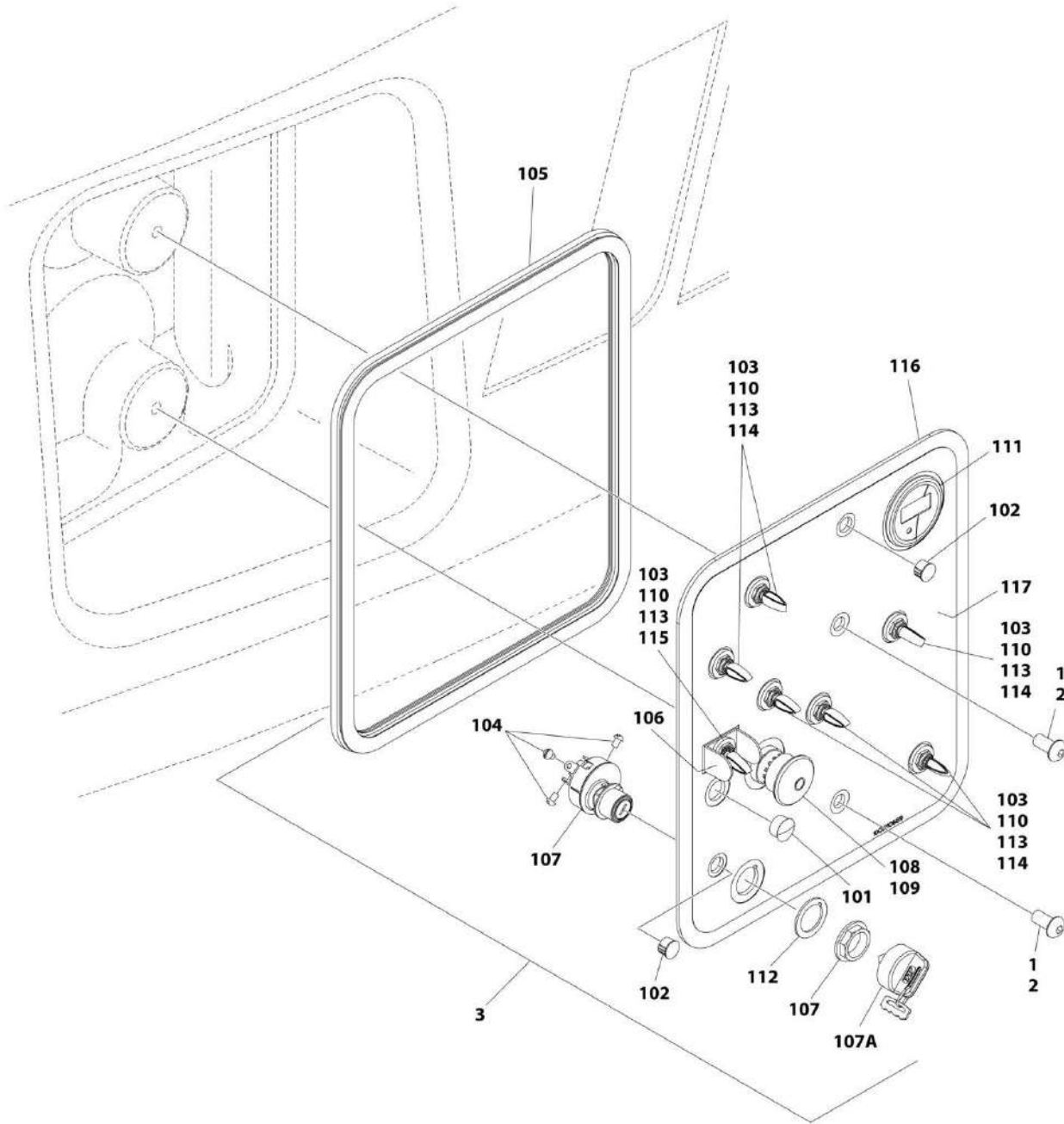
SECTION 2 - TURNTABLE

FIGURE 2-26. GROUND CONTROL PANEL INSTALLATION (E600/M600)

ITEM	PART NUMBER	QTY	DESCRIPTION	REV
	1001203817	Ref	GROUND CONTROL PANEL INSTALLATION (E600/M600)	A
1	0100011	AR	Compound, Locking	
2	3900283	2	Screw, Button Head	
3	1001203822	1	Ground Control Panel Assembly (See Items 101-117 for Breakdown)	
	1001203822	Ref	GROUND CONTROL PANEL ASSEMBLY	C
101	3520026	1	Plug, Hole	
102	3520028	2	Plug, Hole	
103	3790012	6	O-Ring	
104	3910804	6	Screw #8 x 1/2	
105	3960447	51 in/1.3m	Seal	
106	4060906	1	Guard, Switch	
107	4360469	1	Keyswitch	
107A	2860030	1	Key, Replacement	
108	4360475	1	Switch, Emergency Stop	
108	7020175	1	Mushroom Head	
108	7020176	1	Block, Contact	
109	4360476	1	Block, Contact	
110	4740397	AR	Spacer, Washer	
111	1001109503	1	Gauge, Indicator	
112	1001151393	1	Shim, Nylon .063	
113	1001155044	6	Nut 15/32 UNS-2B	
114	1001155045	5	Switch, Toggle	
115	1001159256	1	Switch, Toggle	
116	1001188058	1	Plate, Ground Control	
117	1001210689	1	Decal - Control Panel	

SECTION 2 - TURNTABLE

FIGURE 2-27. GROUND CONTROL PANEL INSTALLATION (E600J/M600J)



ART_1001203816

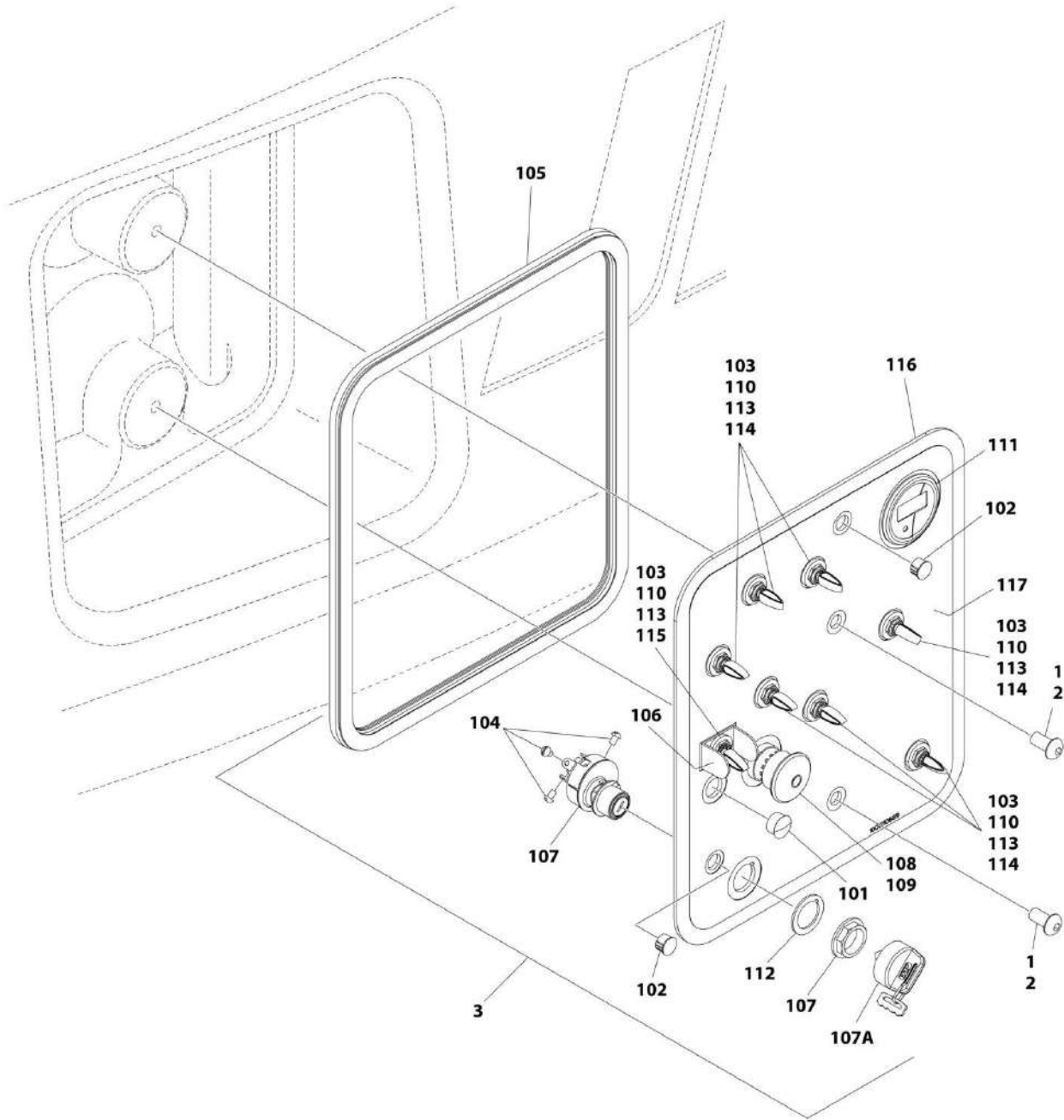
SECTION 2 - TURNTABLE

FIGURE 2-27. GROUND CONTROL PANEL INSTALLATION (E600J/M600J)

ITEM	PART NUMBER	QTY	DESCRIPTION	REV
	1001203816	Ref	GROUND CONTROL PANEL INSTALLATION (E600J/M600J)	A
1	0100011	AR	Compound, Locking	
2	3900283	2	Screw, Button Head	
3	1001203823	1	Ground Control Panel Assembly (See Items 101-117 for Breakdown)	
	1001203823	Ref	GROUND CONTROL PANEL ASSEMBLY	C
101	3520026	1	Plug, Hole	
102	3520028	2	Plug, Hole	
103	3790012	7	O-Ring	
104	3910804	6	Screw #8 x 1/2	
105	3960447	51 in/1.3m	Seal	
106	4060906	1	Guard, Switch	
107	4360469	1	Keyswitch	
107A	2860030	1	Key, Replacement	
108	4360475	1	Switch, Emergency Stop	
108	7020175	1	Mushroom Head	
108	7020176	1	Block, Contact	
109	4360476	1	Block, Contact	
110	4740397	AR	Spacer, Washer	
111	1001109503	1	Gauge, Indicator	
112	1001151393	1	Shim, Nylon .063	
113	1001155044	7	Nut 15/32 UNS-2B	
114	1001155045	6	Switch, Toggle	
115	1001159256	1	Switch, Toggle	
116	1001188058	1	Plate, Ground Control	
117	1001210690	1	Decal - Control Panel	

SECTION 2 - TURNTABLE

FIGURE 2-28. GROUND CONTROL PANEL INSTALLATION (E600JP/M600JP)



ART_1001203815

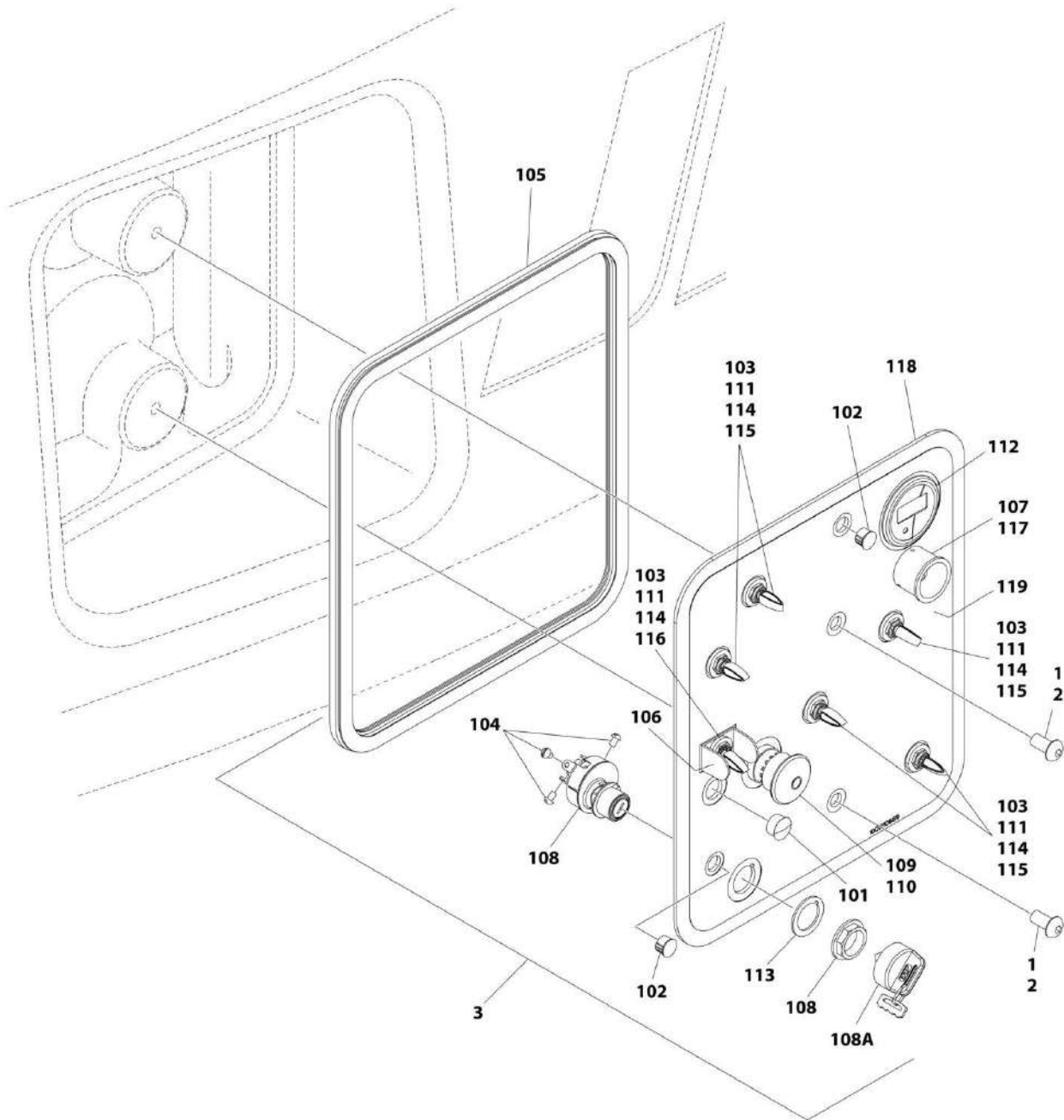
SECTION 2 - TURNTABLE

FIGURE 2-28. GROUND CONTROL PANEL INSTALLATION (E600JP/M600JP)

ITEM	PART NUMBER	QTY	DESCRIPTION	REV
	1001203815	Ref	GROUND CONTROL PANEL INSTALLATION (E600JP/M600JP)	A
1	0100011	AR	Compound, Locking	
2	3900283	2	Screw, Button Head	
3	1001203824	1	Ground Control Panel Assembly (See Items 101-117 for Breakdown)	
	1001203824	Ref	GROUND CONTROL PANEL ASSEMBLY	C
101	3520026	1	Plug, Hole	
102	3520028	2	Plug, Hole	
103	3790012	8	O-Ring	
104	3910804	6	Screw #8 x 1/2	
105	3960447	51 in/1.3m	Seal	
106	4060906	1	Guard, Switch	
107	4360469	1	Keyswitch	
107A	2860030	1	Key, Replacement	
108	4360475	1	Switch, Emergency Stop	
108	7020175	1	Mushroom Head	
108	7020176	1	Block, Contact	
109	4360476	1	Block, Contact	
110	4740397	AR	Spacer, Washer	
111	1001109503	1	Gauge, Indicator	
112	1001151393	1	Shim, Nylon .063	
113	1001155044	8	Nut 15/32 UNS-2B	
114	1001155045	7	Switch, Toggle	
115	1001159256	1	Switch, Toggle	
116	1001188058	1	Plate, Ground Control	
117	1001210691	1	Decal - Control Panel	

SECTION 2 - TURNTABLE

FIGURE 2-29. GROUND CONTROL PANEL INSTALLATION (E600/M600) (CE SPECS)



ART_1001203813

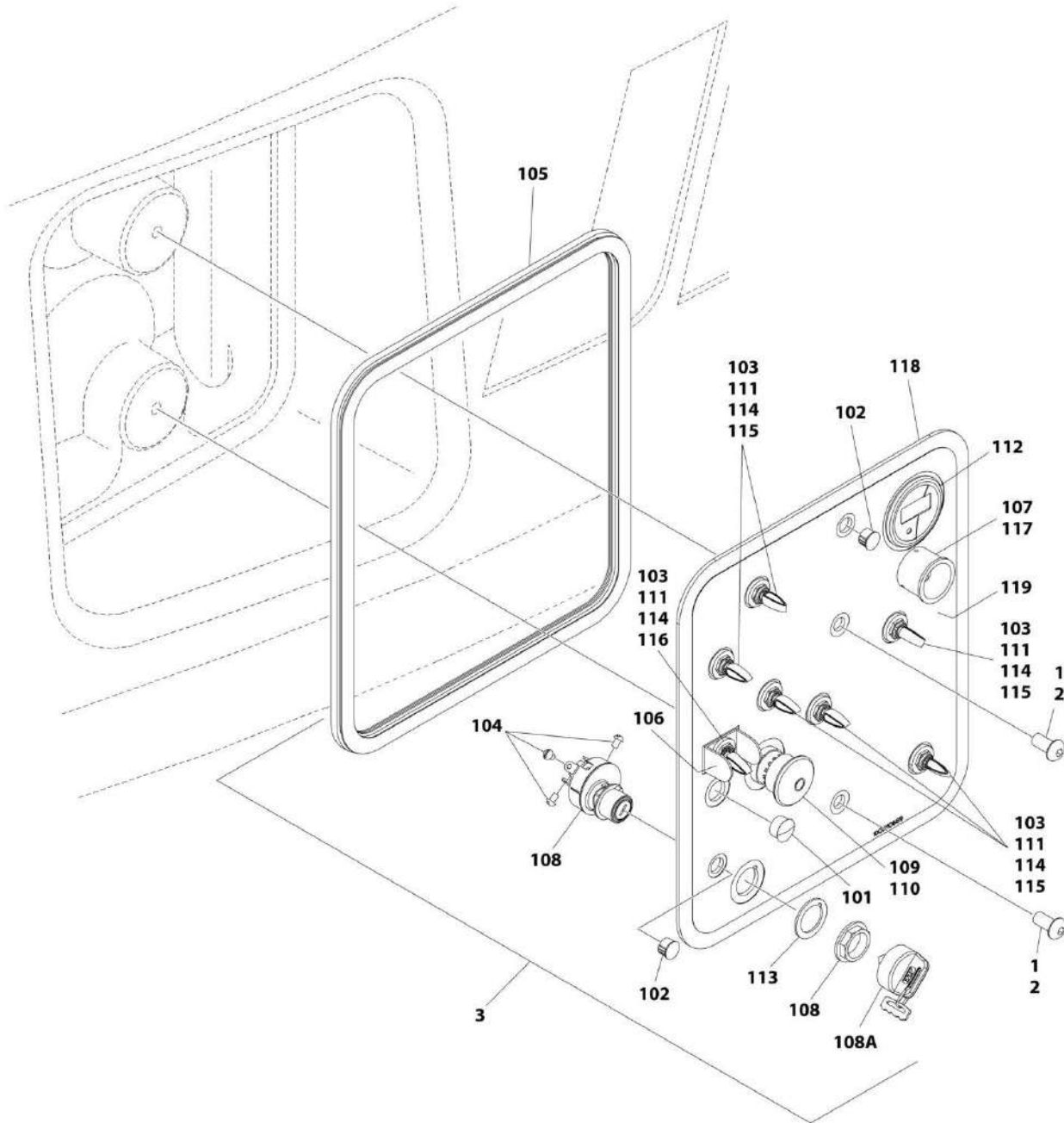
SECTION 2 - TURNTABLE

FIGURE 2-29. GROUND CONTROL PANEL INSTALLATION (E600/M600) (CE SPECS)

ITEM	PART NUMBER	QTY	DESCRIPTION	REV
	1001203813	Ref	GROUND CONTROL PANEL INSTALLATION (E600/M600) (CE SPECS)	A
1	0100011	AR	Compound, Locking	
2	3900283	2	Screw, Button Head	
3	1001203818	1	Ground Control Panel Assembly (See Items 101-119 for Breakdown)	
	1001203818	Ref	GROUND CONTROL PANEL ASSEMBLY	B
101	3520026	1	Plug, Hole	
102	3520028	2	Plug, Hole	
103	3790012	6	O-Ring	
104	3910804	6	Screw #8 x 1/2	
105	3960447	51 in/1.3m	Seal	
106	4060906	1	Guard, Switch	
107	4360387	1	Switch, Push Button	
108	4360469	1	Keyswitch	
108A	2860030	1	Key, Replacement	
109	4360475	1	Switch, Emergency Stop	
109	7020175	1	Mushroom Head	
109	7020176	1	Block, Contact	
110	4360476	1	Block, Contact	
111	4740397	AR	Spacer, Washer	
112	1001109503	1	Gauge, Indicator	
113	1001151393	1	Shim, Nylon .063	
114	1001155044	6	Nut 15/32 UNS-2B	
115	1001155045	5	Switch, Toggle	
116	1001159256	1	Switch, Toggle	
117	1001176469	1	Shroud	
118	1001188058	1	Plate, Ground Control	
119	1001204030	1	Decal - Control Panel	

SECTION 2 - TURNTABLE

FIGURE 2-30. GROUND CONTROL PANEL INSTALLATION (E600J/M600J) (CE SPECS)



ART_T001203B14

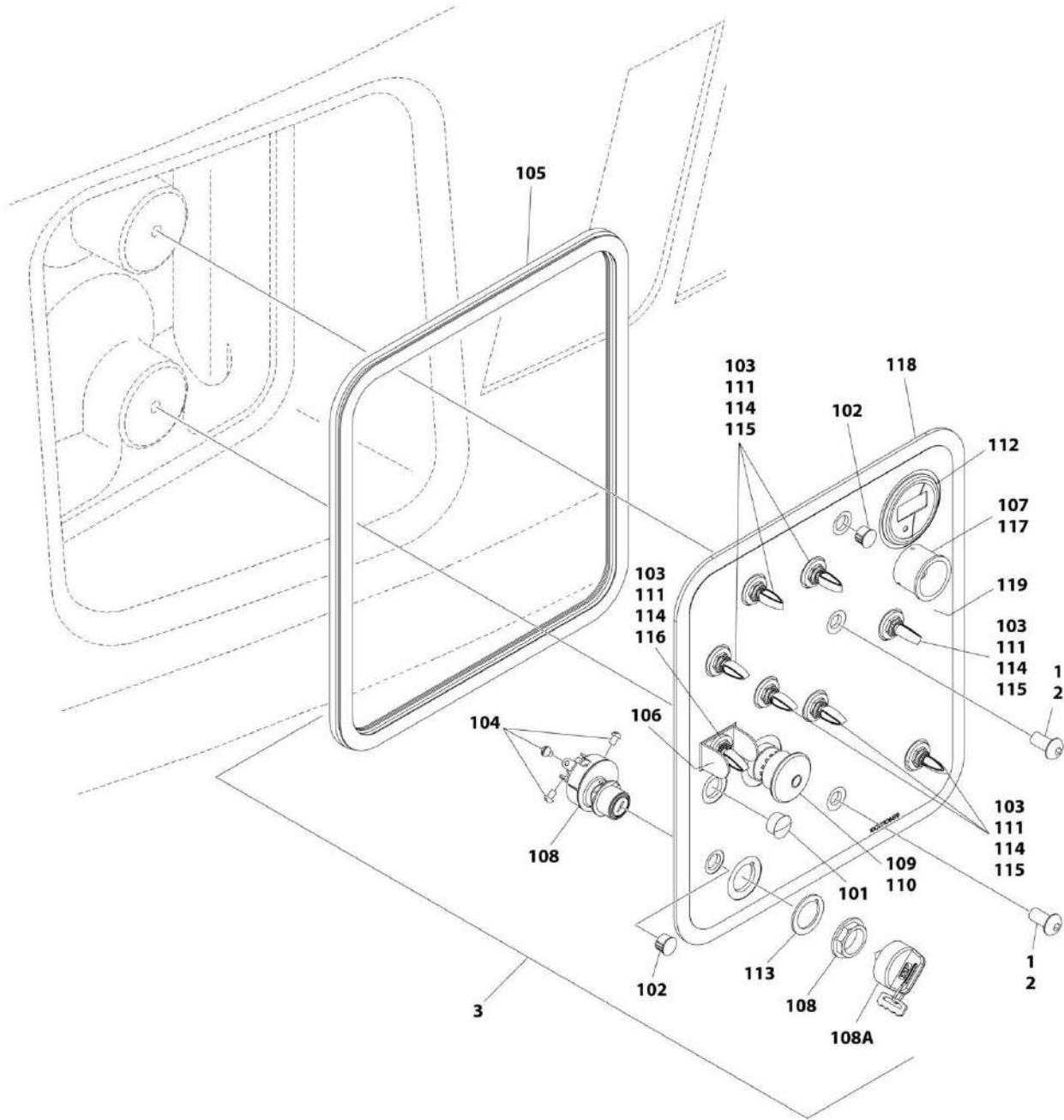
SECTION 2 - TURNTABLE

FIGURE 2-30. GROUND CONTROL PANEL INSTALLATION (E600J/M600J) (CE SPECS)

ITEM	PART NUMBER	QTY	DESCRIPTION	REV
	1001203814	Ref	GROUND CONTROL PANEL INSTALLATION (E600J/M600J) (CE SPECS)	A
1	0100011	AR	Compound, Locking	
2	3900283	2	Screw, Button Head	
3	1001203820	1	Ground Control Panel Assembly (See Items 101-119 for Breakdown)	
	1001203820	Ref	GROUND CONTROL PANEL ASSEMBLY	B
101	3520026	1	Plug, Hole	
102	3520028	2	Plug, Hole	
103	3790012	7	O-Ring	
104	3910804	6	Screw #8 x 1/2	
105	3960447	51 in/1.3m	Seal	
106	4060906	1	Guard, Switch	
107	4360387	1	Switch, Push Button	
108	4360469	1	Keyswitch	
108A	2860030	1	Key, Replacement	
109	4360475	1	Switch, Emergency Stop	
109	7020175	1	Mushroom Head	
109	7020176	1	Block, Contact	
110	4360476	1	Block, Contact	
111	4740397	AR	Spacer, Washer	
112	1001109503	1	Gauge, Indicator	
113	1001151393	1	Shim, Nylon .063	
114	1001155044	7	Nut 15/32 UNS-2B	
115	1001155045	6	Switch, Toggle	
116	1001159256	1	Switch, Toggle	
117	1001176469	1	Shroud	
118	1001188058	1	Plate, Ground Control	
119	1001204038	1	Decal - Control Panel	

SECTION 2 - TURNTABLE

FIGURE 2-31. GROUND CONTROL PANEL INSTALLATION (E600JP/M600JP) (CE SPECS)



ART_1001197207

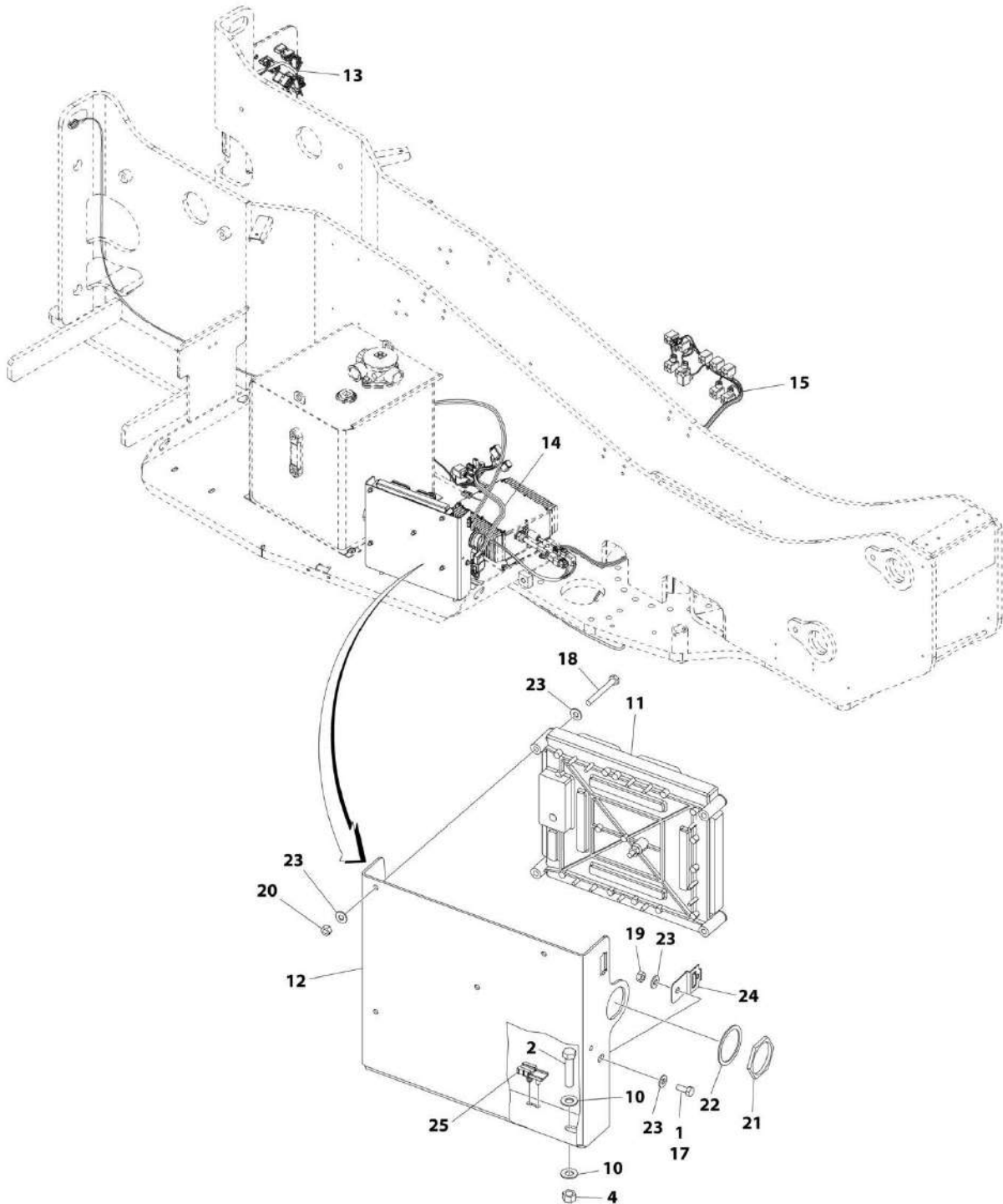
SECTION 2 - TURNTABLE

FIGURE 2-31. GROUND CONTROL PANEL INSTALLATION (E600JP/M600JP) (CE SPECS)

ITEM	PART NUMBER	QTY	DESCRIPTION	REV
	1001197207	Ref	GROUND CONTROL PANEL INSTALLATION (E600JP/M600JP) (CE SPECS)	A
1	0100011	AR	Compound, Locking	
2	3900283	2	Screw, Button Head	
3	1001197206	1	Ground Control Panel Assembly (See Items 101-119 for Breakdown)	
	1001197206	Ref	GROUND CONTROL PANEL ASSEMBLY	B
101	3520026	1	Plug, Hole	
102	3520028	2	Plug, Hole	
103	3790012	8	O-Ring	
104	3910804	6	Screw #8 x 1/2	
105	3960447	51 in/1.3m	Seal	
106	4060906	1	Guard, Switch	
107	4360387	1	Switch, Push Button	
108	4360469	1	Keypad	
108A	2860030	1	Key, Replacement	
109	4360475	1	Switch, Emergency Stop	
109	7020175	1	Mushroom Head	
109	7020176	1	Block, Contact	
110	4360476	1	Block, Contact	
111	4740397	AR	Spacer, Washer	
112	1001109503	1	Gauge, Indicator	
113	1001151393	1	Shim, Nylon .063	
114	1001155044	8	Nut 15/32 UNS-2B	
115	1001155045	7	Switch, Toggle	
116	1001159256	1	Switch, Toggle	
117	1001176469	1	Shroud	
118	1001188058	1	Plate, Ground Control	
119	1001204039	1	Decal - Control Panel	

SECTION 2 - TURNTABLE

FIGURE 2-32. GROUND CONTROL ELECTRICAL SYSTEM INSTALLATION



ART_1001180032

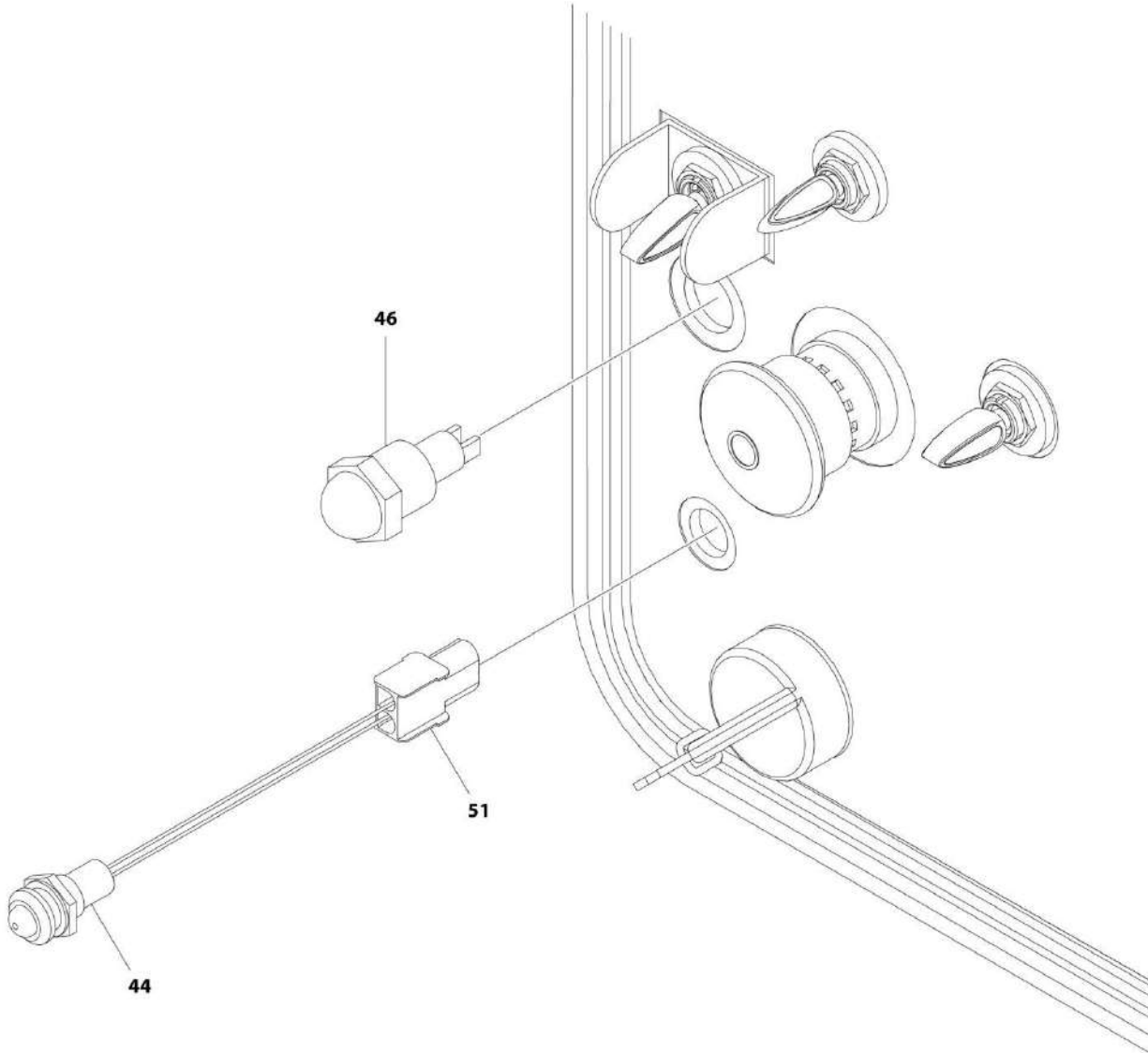
SECTION 2 - TURNTABLE

FIGURE 2-32. GROUND CONTROL ELECTRICAL SYSTEM INSTALLATION

ITEM	PART NUMBER	QTY	DESCRIPTION	REV
	1001180032	Ref	GROUND CONTROL ELECTRICAL SYSTEM INSTALLATION	C
1	0100011	AR	Compound, Locking	
2	0641614	2	Bolt 3/8 x 1-3/4	
4	3311605	2	Nut 3/8	
10	4711600	4	Washer 3/8	
11	1001182700	1	Module, Ground (Note: Re-calibration Required when Replaced)	
12	1001183229	1	Plate, Base	
13	1001182477	1	Harness, Ground Control (See ELECTRICAL SECTION for Breakdown)	
14	1001182479	1	Harness, Turntable (See ELECTRICAL SECTION for Breakdown)	
15	1001182480	1	Harness, Lower Valve (See ELECTRICAL SECTION for Breakdown)	
17	0641405	1	Bolt 1/4 x 5/8	
18	0641418	5	Bolt 1/4 x 2-1/4	
19	3311401	1	Nut 1/4	
20	3311405	5	Nut 1/4	
21	4460470	1	Nut, Terminal	
22	4460471	1	Washer, Terminal	
23	4711400	12	Washer 1/4	
24	1001153749	1	Clip	
25	1001173387	1	Clip, Connector Mount	

SECTION 2 - TURNTABLE

FIGURE 2-33. MOTOR CONTROLS INSTALLATION - STANDARD BATTERIES (M600/M600J/M600JP)



ART_1001199313_20F5

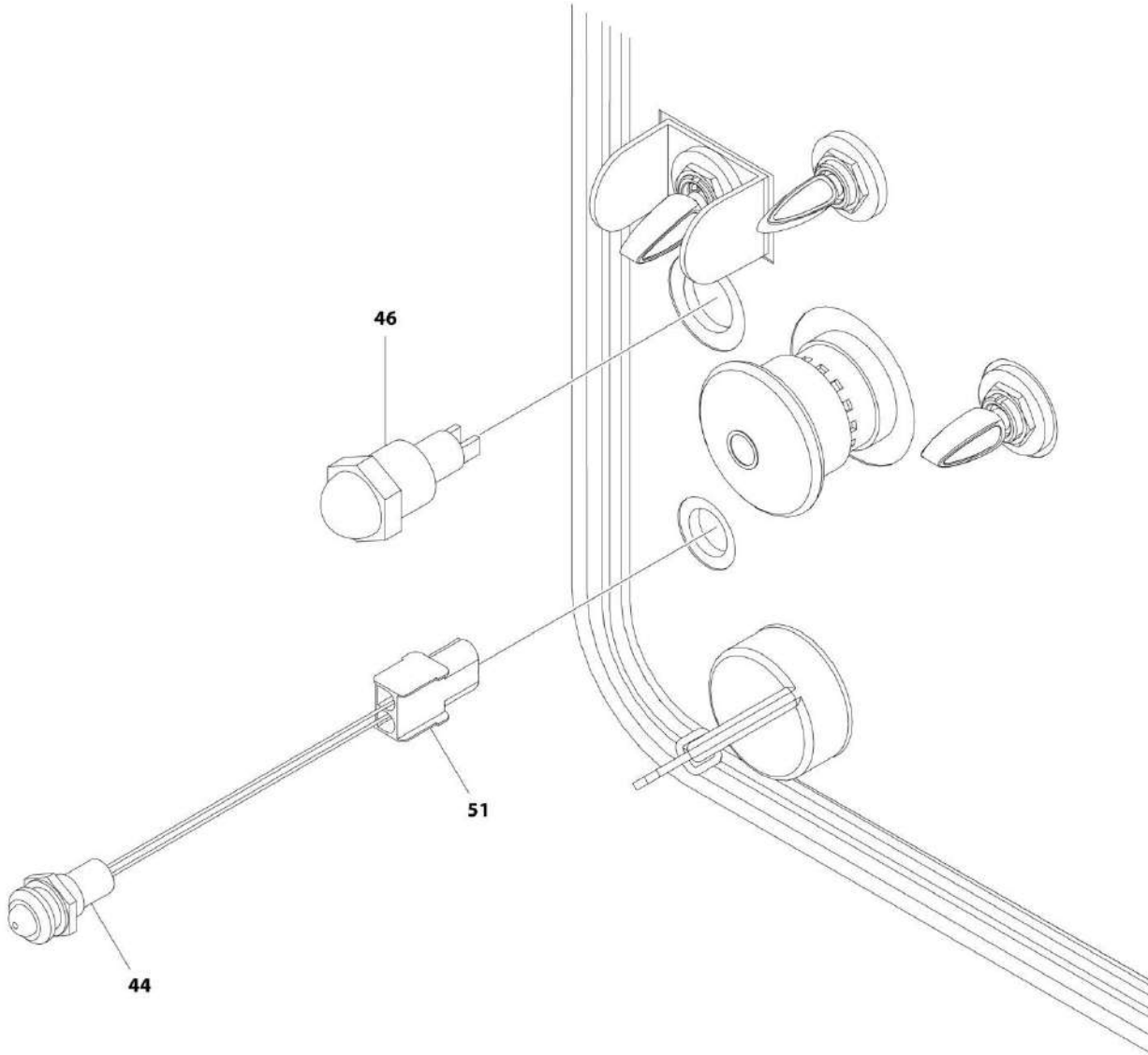
SECTION 2 - TURNTABLE

FIGURE 2-33. MOTOR CONTROLS INSTALLATION - STANDARD BATTERIES (M600/M600J/M600JP)

ITEM	PART NUMBER	QTY	DESCRIPTION	REV
	1001199313	Ref	MOTOR CONTROLS INSTALLATION - STANDARD BATTERIES (M600/M600J/M600JP)	E
44	2920151	1	Light	
46	4360274	1	Switch, Push Button	
51	4460424	1	Connector - 2 Position	
51	4460226	2	Socket, Female	

SECTION 2 - TURNTABLE

FIGURE 2-34. MOTOR CONTROLS INSTALLATION - AGM BATTERIES (M600/M600J/M600JP)



ART_1001207674_20F5

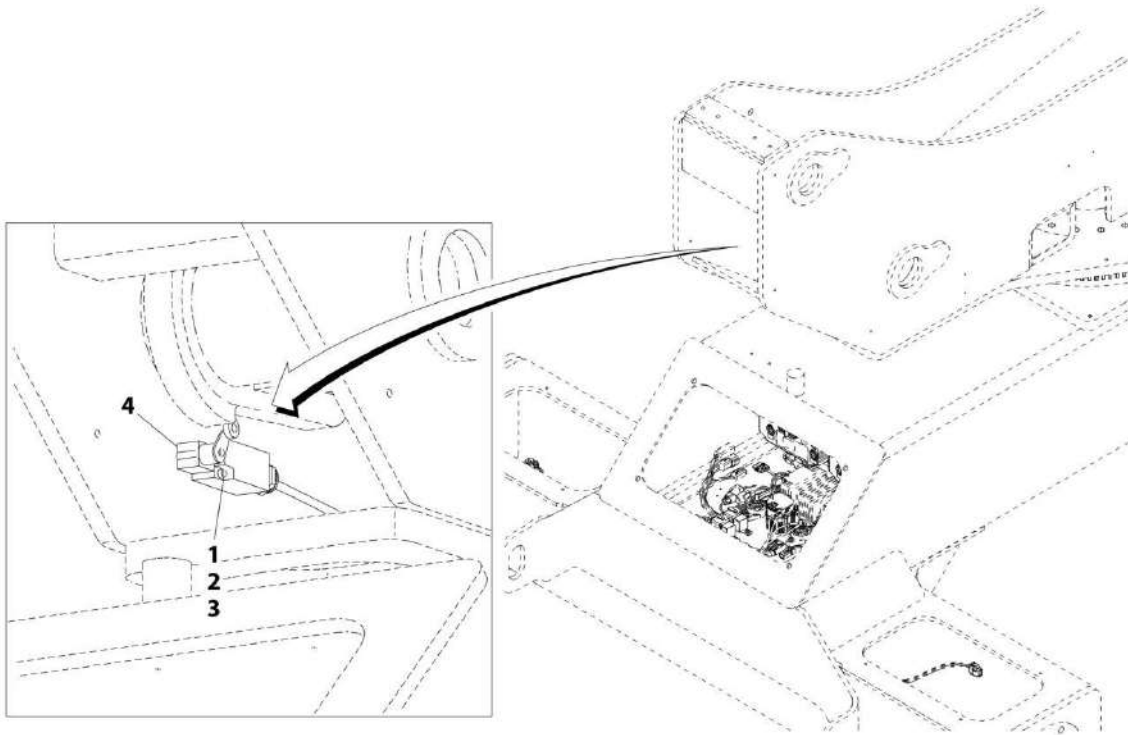
SECTION 2 - TURNTABLE

FIGURE 2-34. MOTOR CONTROLS INSTALLATION - AGM BATTERIES (M600/M600J/M600JP)

ITEM	PART NUMBER	QTY	DESCRIPTION	REV
	1001207674	Ref	MOTOR CONTROLS INSTALLATION - AGM BATTERIES (M600/M600J/M600JP)	D
44	2920151	1	Light	
46	4360274	1	Switch, Push Button	
51	4460424	1	Connector - 2 Position	
51	4460226	2	Socket, Female	

SECTION 2 - TURNTABLE

FIGURE 2-35. LIMIT SWITCH INSTALLATION



ART_1001200254

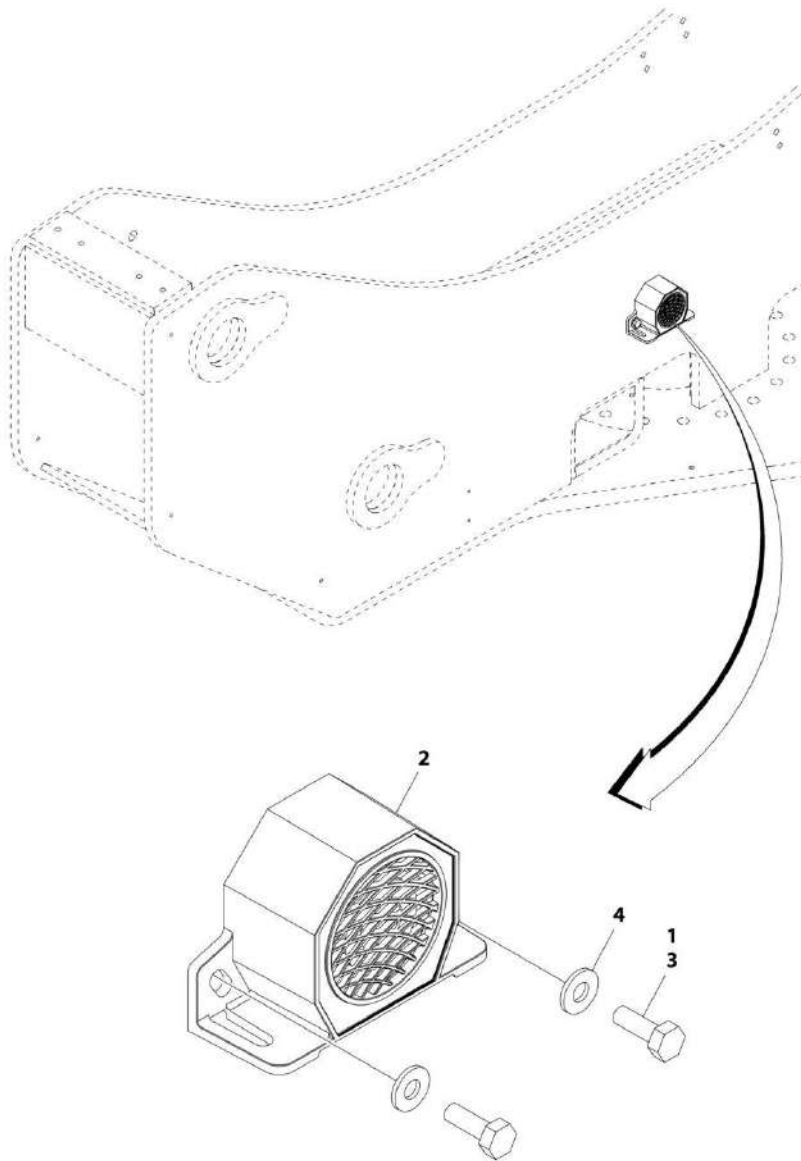
SECTION 2 - TURNTABLE

FIGURE 2-35. LIMIT SWITCH INSTALLATION

ITEM	PART NUMBER	QTY	DESCRIPTION	REV
	1001200254	Ref	LIMIT SWITCH INSTALLATION	A
1	3310805	2	Nut #8	
2	3930828	2	Capscrew #8 x 1-3/4	
3	4750800	2	Washer #8	
4	1001200173	1	Switch, Limit (See ELECTRICAL SECTION for Breakdown)	

SECTION 2 - TURNTABLE

FIGURE 2-36. ALARM INSTALLATION



ART_1001183368

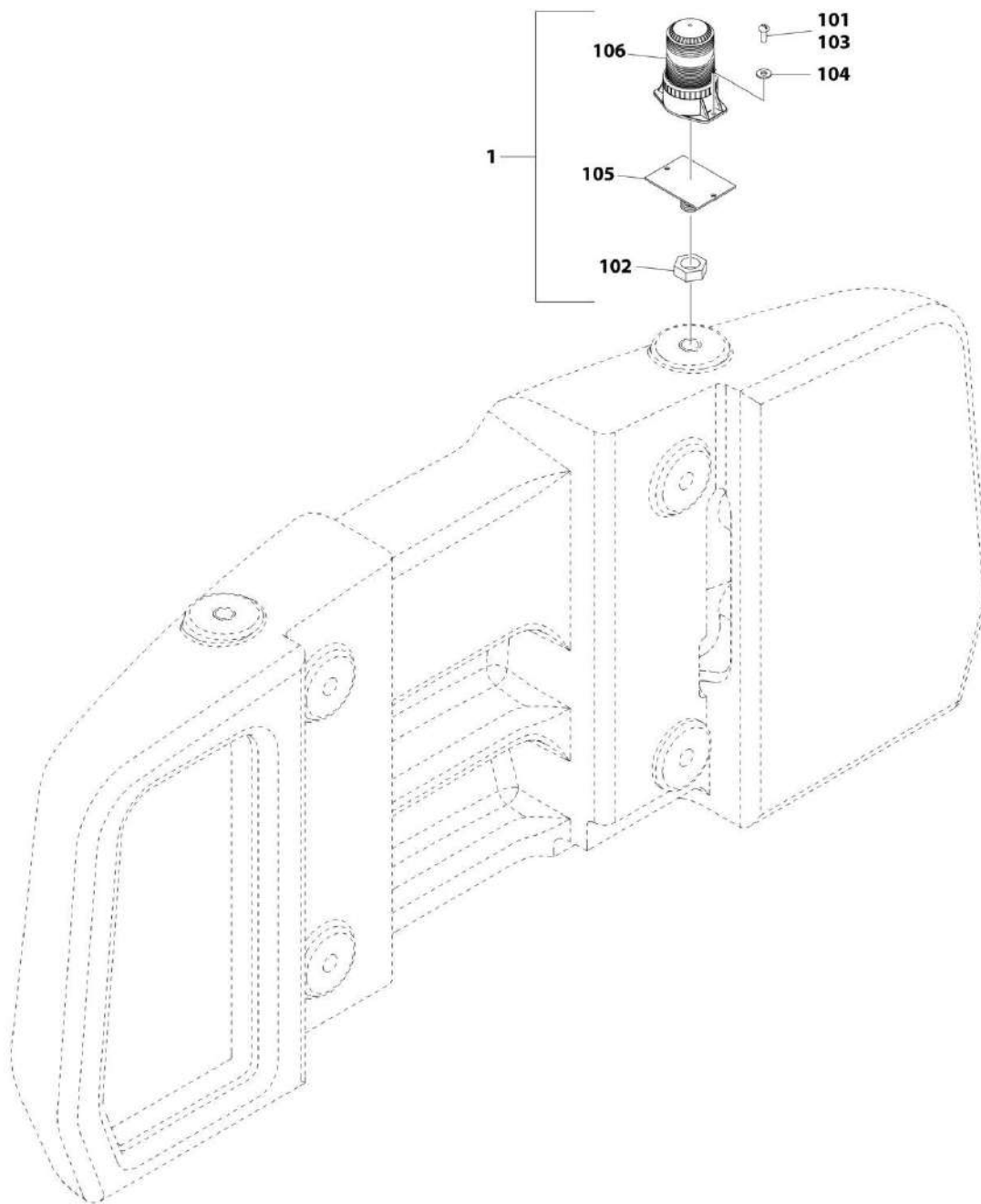
SECTION 2 - TURNTABLE

FIGURE 2-36. ALARM INSTALLATION

ITEM	PART NUMBER	QTY	DESCRIPTION	REV
	1001183368	Ref	ALARM INSTALLATION	A
1	0100011	AR	Compound, Locking	
2	0140043	1	Alarm, Motion/Descent/Horn	
3	0641406	2	Bolt 1/4 x 3/4	
4	4711400	2	Washer 1/4	

SECTION 2 - TURNTABLE

FIGURE 2-37. STROBE LIGHT INSTALLATION (AMBER) (OPTIONAL)



ART_1001214093

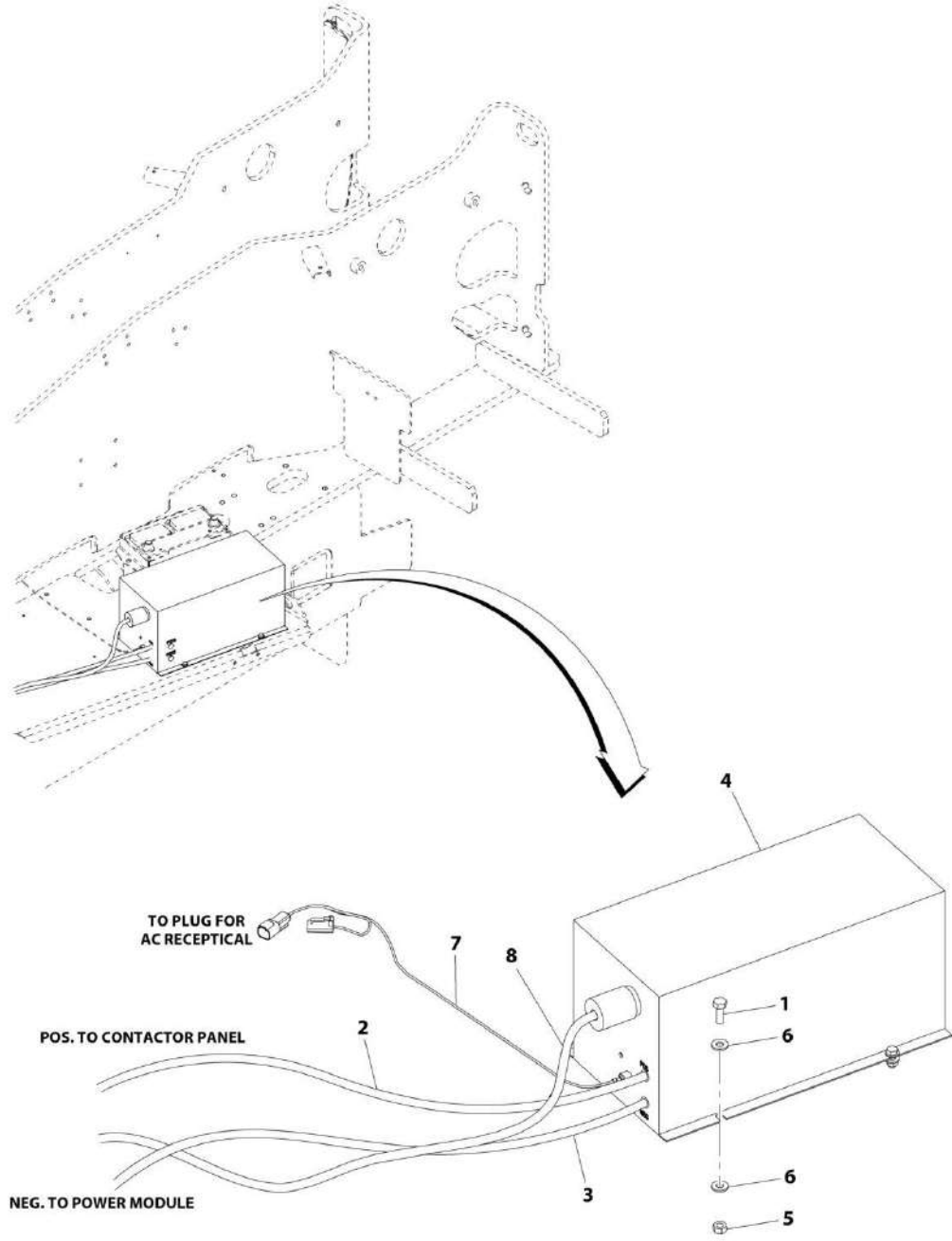
SECTION 2 - TURNTABLE

FIGURE 2-37. STROBE LIGHT INSTALLATION (AMBER) (OPTIONAL)

ITEM	PART NUMBER	QTY	DESCRIPTION	REV
	1001214093	Ref	STROBE LIGHT INSTALLATION (AMBER) (OPTIONAL)	A
1	1001191140	1	Strobe Light Assembly (See Items 101-106 for Breakdown)	
2	1001198866	1	Beacon Light Harness (Amber) (Not Shown - See ELECTRICAL SECTION for Breakdown)	
	1001191140	Ref	STROBE LIGHT ASSEMBLY	A
101	0100035	AR	Compound, Locking	
102	3312602	1	Nut 1-8	
103	3900085	2	Screw #10 x 1/2	
104	4751000	2	Washer #10	
105	1001149994	1	Plate, Mounting	
106	1001191139	1	Light, Strobe (Amber)	
106	4460891	1	Connector - 2 Position	
106	4460465	2	Pin, Male	

SECTION 2 - TURNTABLE

FIGURE 2-38. INVERTER INSTALLATION - 110V (OPTIONAL)



ART_1001196190

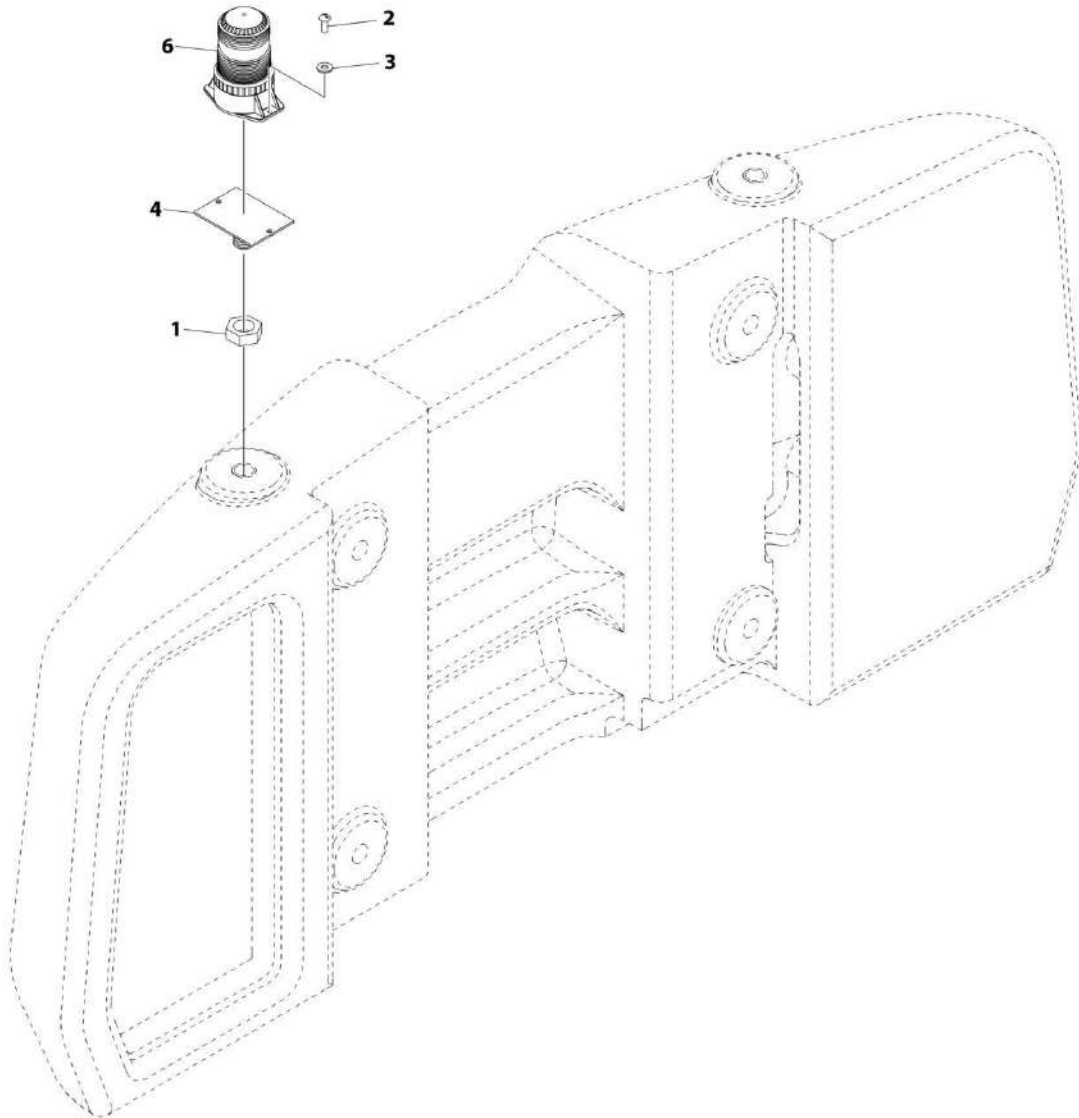
SECTION 2 - TURNTABLE

FIGURE 2-38. INVERTER INSTALLATION - 110V (OPTIONAL)

ITEM	PART NUMBER	QTY	DESCRIPTION	REV
	1001196190	Ref	INVERTER INSTALLATION - 110V (OPTIONAL)	B
1	0641406	4	Bolt 1/4 x 3/4	
2	1060827	1	Cable, Electrical (+)	
3	1060828	1	Cable, Electrical (-)	
4	2460037	1	Inverter Assembly	
5	3311405	4	Nut 1/4	
6	4711400	8	Washer 1/4	
7	1001192293	1	Harness, Inverter Ignition (See ELECTRICAL SECTION for Breakdown)	
8	4922390	1	Harness, Inverter (See ELECTRICAL SECTION for Breakdown) (SN 0300224946 to Present)	

SECTION 2 - TURNTABLE

FIGURE 2-39. BEACON LIGHT INSTALLATION - BLUE



ART_1001209702

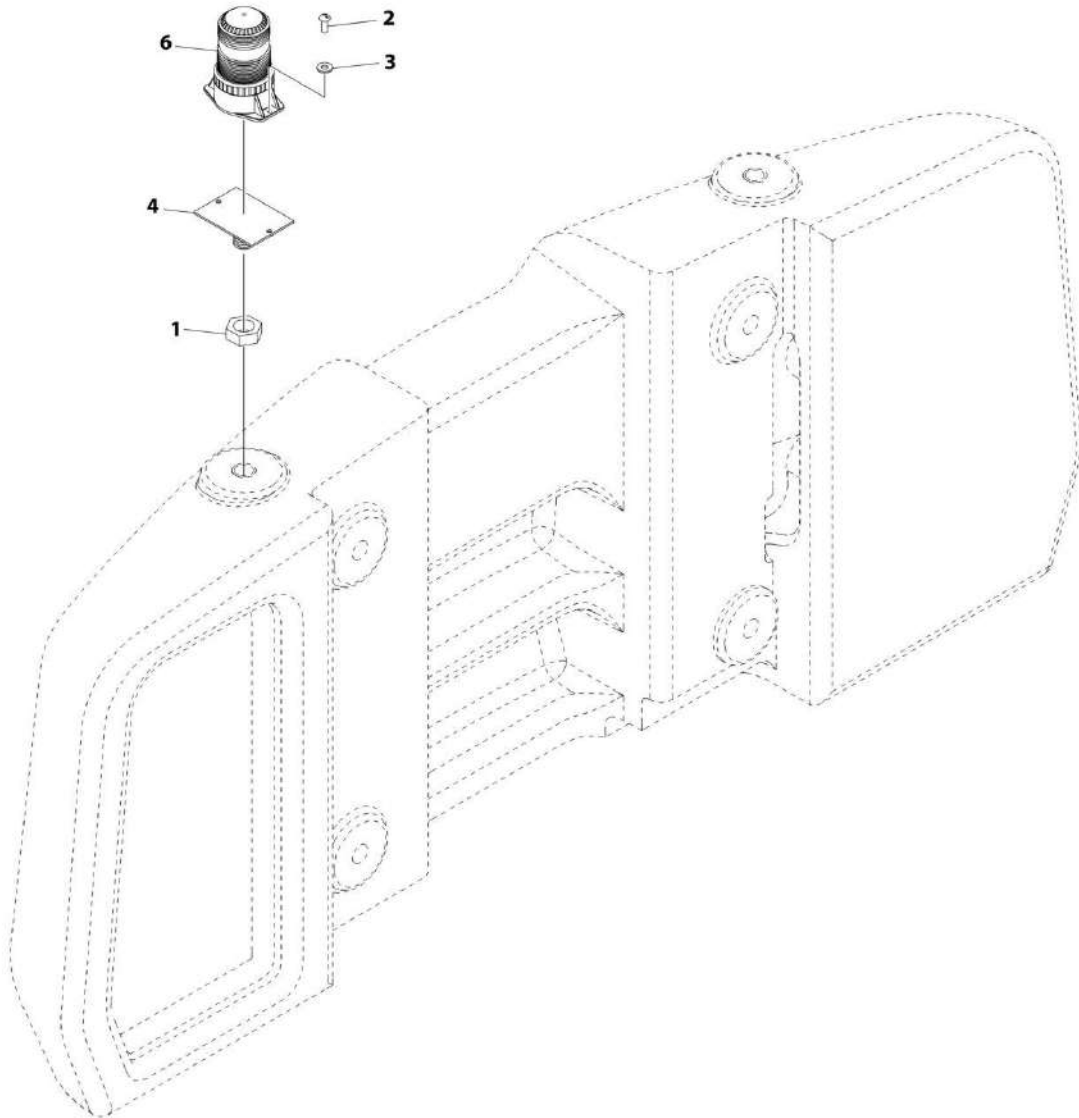
SECTION 2 - TURNTABLE

FIGURE 2-39. BEACON LIGHT INSTALLATION - BLUE

ITEM	PART NUMBER	QTY	DESCRIPTION	REV
	1001209702	Ref	BEACON LIGHT INSTALLATION - BLUE	B
	1001217005	Ref	BEACON LIGHT KIT - BLUE	B
1	3312602	1	Nut 1-8	
2	3900085	2	Screw #10 x 1/2	
3	4751000	2	Washer #10	
4	1001149994	1	Plate, Mounting	
6	1001200910	1	Light, Beacon	
6	4460897	1	Connector - 2 Position	
6	4460943	2	Pin, Male	

SECTION 2 - TURNTABLE

FIGURE 2-40. BEACON LIGHT INSTALLATION - RED



ART_1001209701

SECTION 2 - TURNTABLE

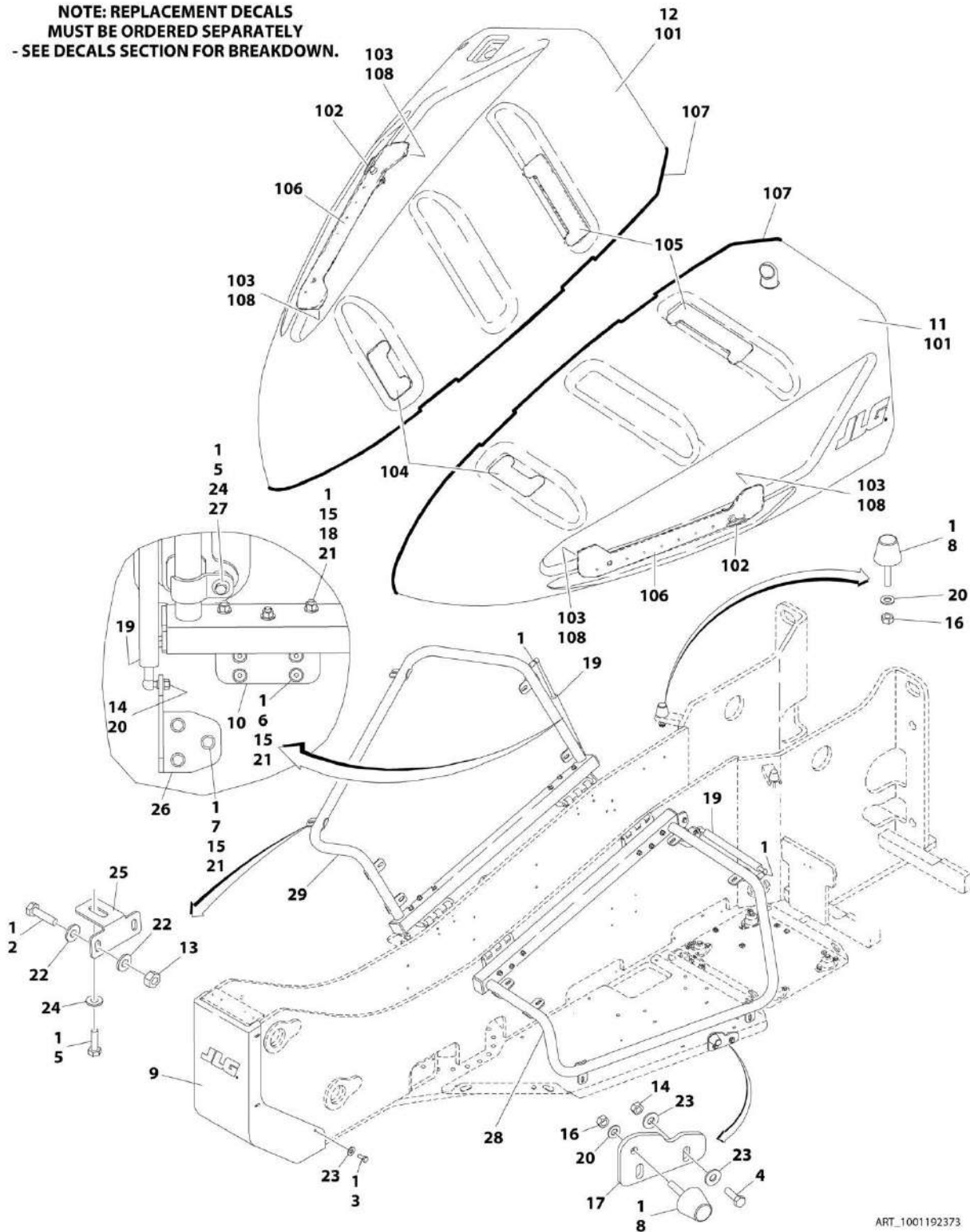
FIGURE 2-40. BEACON LIGHT INSTALLATION - RED

ITEM	PART NUMBER	QTY	DESCRIPTION	REV
	1001209701	Ref	BEACON LIGHT INSTALLATION - RED	A
1	3312602	1	Nut 1-8	
2	3900085	2	Screw #10 x 1/2	
3	4751000	2	Washer #10	
4	1001149994	1	Plate, Mounting	
6	1001207004	1	Light, Beacon	
6	4460897	1	Receptacle, Female - 2 Position	
6	4460943	2	Pin, Male	

SECTION 2 - TURNTABLE

FIGURE 2-41. HOODS INSTALLATION

NOTE: REPLACEMENT DECALS
MUST BE ORDERED SEPARATELY
- SEE DECALS SECTION FOR BREAKDOWN.



ART_1001192373

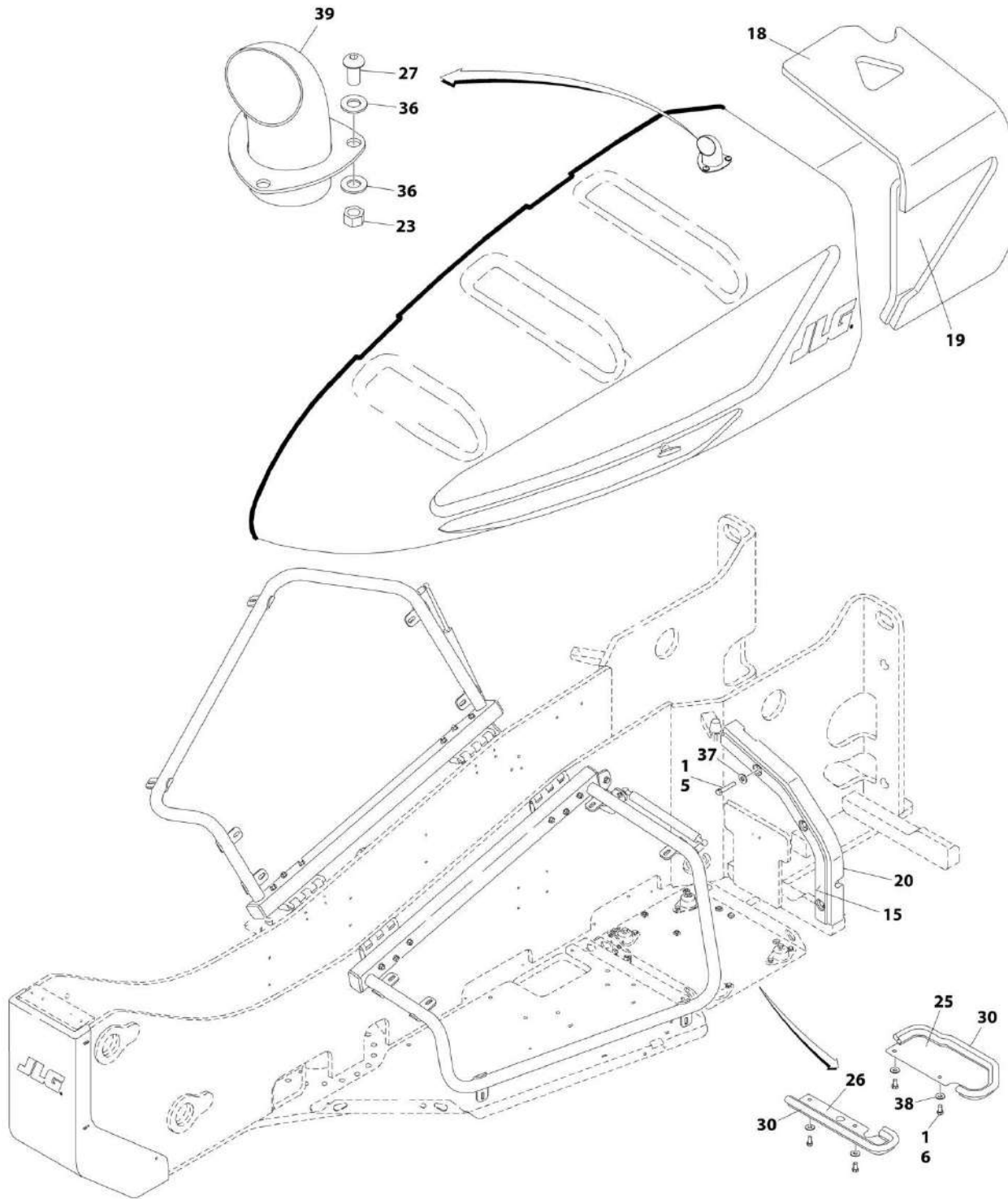
SECTION 2 - TURNTABLE

FIGURE 2-41. HOODS INSTALLATION

ITEM	PART NUMBER	QTY	DESCRIPTION	REV
	1001192373	Ref	HOODS INSTALLATION	A
1	0100011	AR	Compound, Locking	
2	0641407	8	Bolt 1/4 x 7/8	
3	0641506	6	Bolt 5/16 x 3/4	
4	0641508	4	Bolt 5/16 x 1	
5	0641606	12	Bolt 3/8 x 3/4	
6	0641610	16	Bolt 3/8 x 1-1/4	
7	0641612	6	Bolt 3/8 x 1-1/2	
8	0940088	4	Bumper	
9	1670930	1	Cover, End	
10	2600262	4	Hinge, Offset	
11	2680468	1	Hood Assembly - Right Side (See Items 101-108 for Breakdown)	
12	2680477	1	Hood Assembly - Left Side (See Items 101-108 for Breakdown)	
13	3311401	8	Nut 1/4	
14	3311505	6	Nut 5/16	
15	3311601	34	Nut 3/8	
16	3321501	4	Nut 5/16	
17	3572063	2	Plate, Latch	
18	3900232	12	Screw 3/8 x 1-1/4	
19	4160194	2	Spring, Gas	
20	4711500	6	Washer 5/16	
21	4711600	68	Washer 3/8	
22	4751400	16	Washer 1/4	
23	4751500	14	Washer 5/16	
24	4751600	12	Washer 3/8	
25	1001174542	4	Bracket, Clamp	
26	1001175575	2	Plate, Gas Spring	
27	1001175596	8	Clamp	
28	1001191596	1	Support, Hood - Right Side	
29	1001191597	1	Support, Hood - Left Side	
		Ref	HOOD ASSEMBLIES	
	2680468	Ref	Right Side	E
	2680477	Ref	Left Side	E
		Ref	Note: Replacement Decals Must Be Ordered Separately - See DECALS SECTION.	
101	See Note	NSS	Hood, Molded (Note: Purchase Item #11 or #12 as Complete Assembly)	
102		Ref	Latch (1 Per Assembly) Options:	
102	2940124	2	Non-Lockable	
102	7027859	2	Lockable	
103	3340877	12	Pad, Rubber (6 Per Assembly)	
104	3571856	2	Plate, Front Support (1 Per Assembly)	
105	3571857	2	Plate, Rear Support (1 Per Assembly)	
106	3571858	2	Plate, Handle (1 Per Assembly)	
107	3960464	146 ft /44.5m	Seal (73ft/22.5m Per Assembly)	
108	0100081	AR	Loctite #454	

SECTION 2 - TURNTABLE

FIGURE 2-42. NOISE REDUCTION INSTALLATION - WITH STANDARD BATTERIES
(M600/M600J/M600JP ONLY)



ART_1001199313_30F5

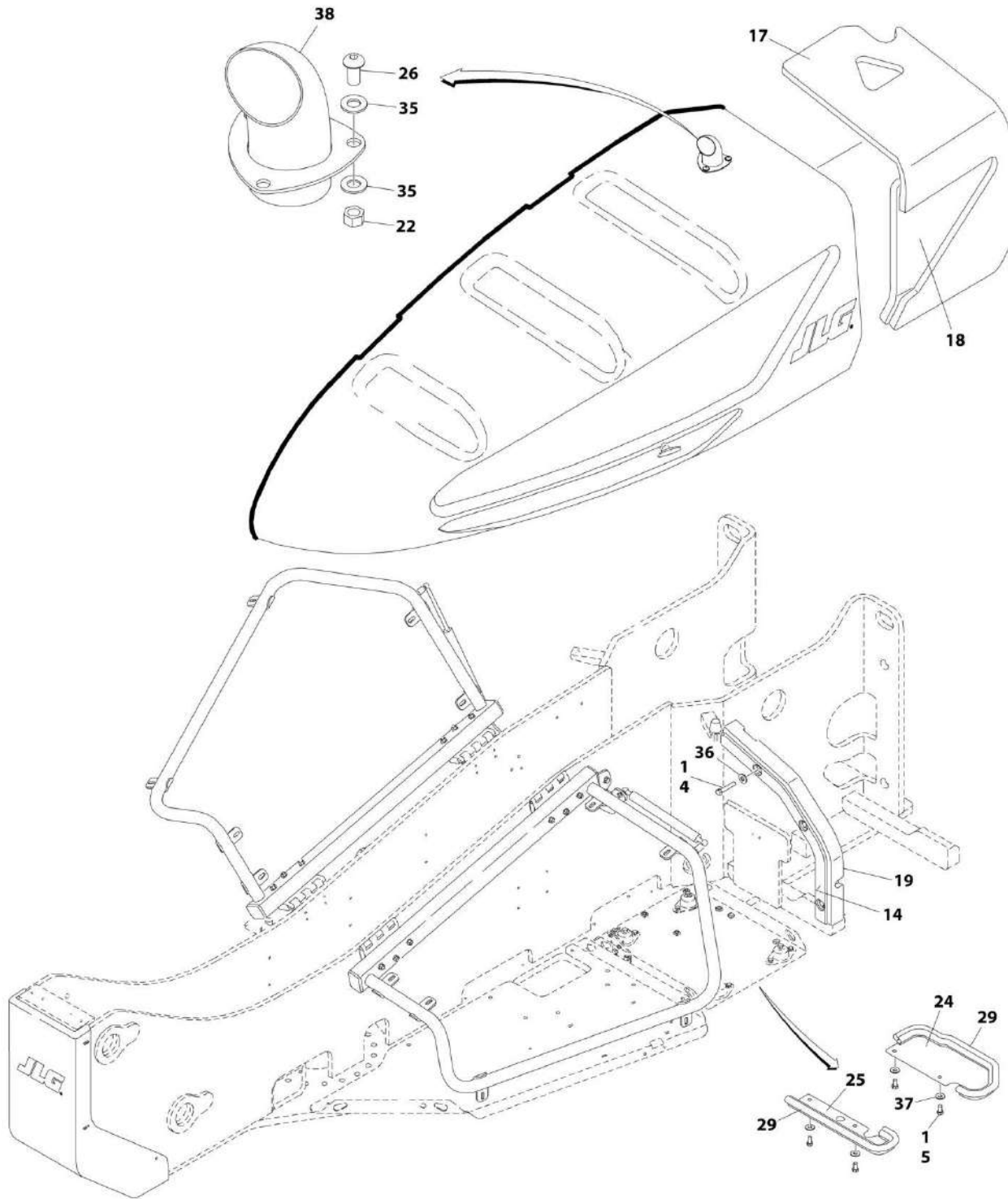
SECTION 2 - TURNTABLE

**FIGURE 2-42. NOISE REDUCTION INSTALLATION - WITH STANDARD BATTERIES
(M600/M600J/M600JP ONLY)**

ITEM	PART NUMBER	QTY	DESCRIPTION	REV
	1001199313	Ref	NOISE REDUCTION INSTALLATION - WITH STANDARD BATTERIES (M600/M600J/M600JP ONLY)	E
1	0100011	AR	Compound, Locking	
5	0641514	3	Bolt 5/16 x 1-3/4	
6	0641606	4	Bolt 3/8 x 3/4	
15	2680482	1	Trim, Hood	
18	2820122	1	Insulation	
19	2820123	1	Insulation	
20	2820126	1	Insulator	
23	3311605	3	Nut 3/8	
25	3572348	1	Plate, Cover	
26	3572349	1	Plate, Cover	
27	3900283	3	Screw, Button Head	
30	3960464	4 ft/ 1.2m	Seal	
36	4711600	6	Washer 3/8	
37	4751500	3	Washer 5/16	
38	4751600	4	Washer 3/8	
39	4846210	1	Exhaust Tube Weldment	

SECTION 2 - TURNTABLE

FIGURE 2-43. NOISE REDUCTION INSTALLATION - WITH AGM BATTERIES (M600/M600J/M600JP ONLY)



ART_1001207674_30F5

SECTION 2 - TURNTABLE

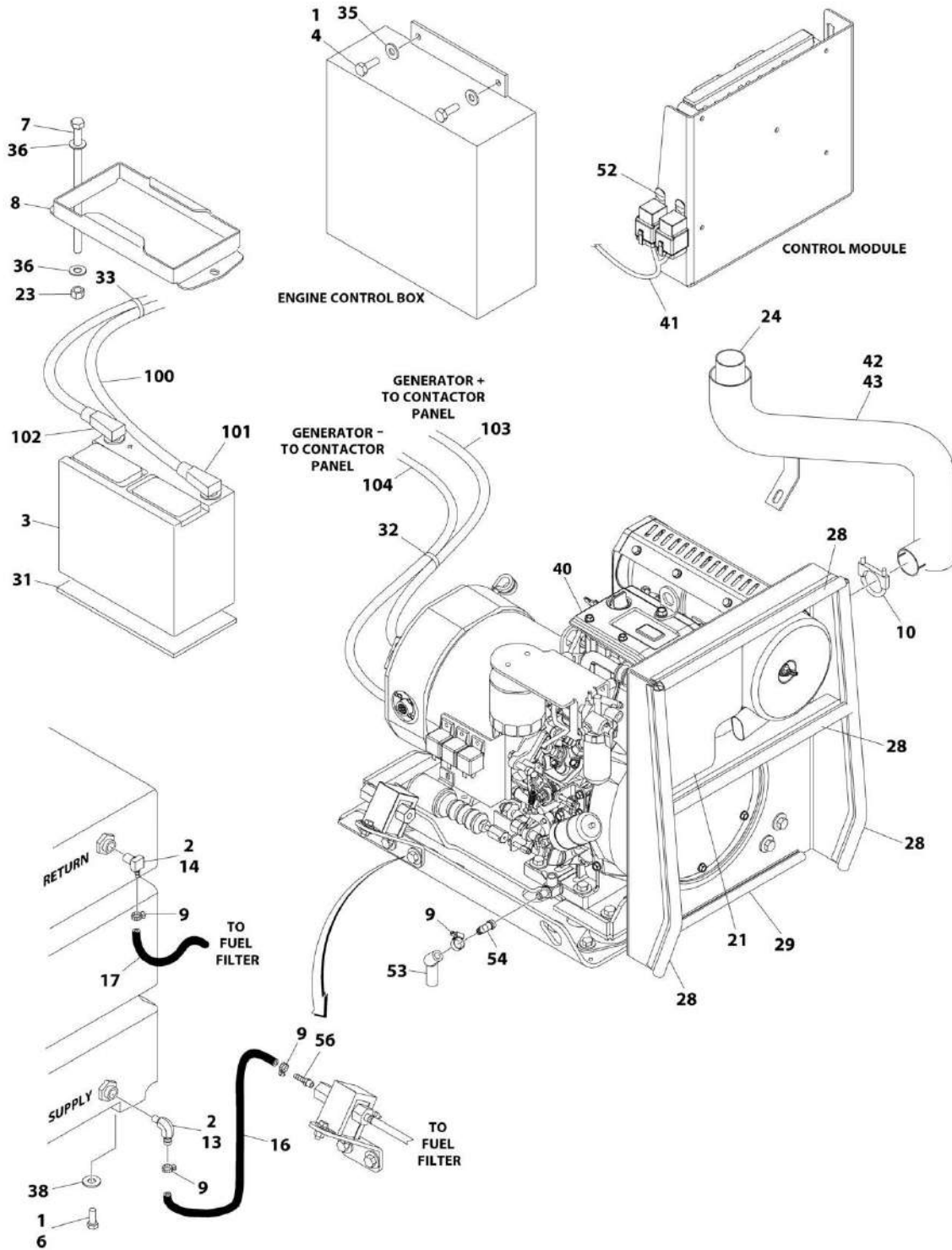
FIGURE 2-43. NOISE REDUCTION INSTALLATION - WITH AGM BATTERIES (M600/M600J/M600JP ONLY)

ITEM	PART NUMBER	QTY	DESCRIPTION	REV
	1001207674	Ref	NOISE REDUCTION INSTALLATION - WITH AGM BATTERIES (M600/M600J/M600JP ONLY)	D
1	0100011	AR	Compound, Locking	
4	0641514	3	Bolt 5/16 x 1-3/4	
5	0641606	4	Bolt 3/8 x 3/4	
14	2680482	1	Trim, Hood	
17	2820122	1	Insulation	
18	2820123	1	Insulation	
19	2820126	1	Insulator	
22	3311605	3	Nut 3/8	
24	3572348	1	Plate, Cover	
25	3572349	1	Plate, Cover	
26	3900283	3	Screw, Button Head	
29	3960464	4 ft/1.2m	Seal	
35	4711600	6	Washer 3/8	
36	4751500	3	Washer 5/16	
37	4751600	4	Washer 3/8	
38	4846210	1	Exhaust Tube Weldment	

SECTION 3 - ENGINE

SECTION 3 - ENGINE

FIGURE 3-1. MOTOR AND GENERATOR INSTALLATION - WITH STANDARD BATTERIES (M600/M600J/M600JP ONLY)



ART_1001199313_4OF5

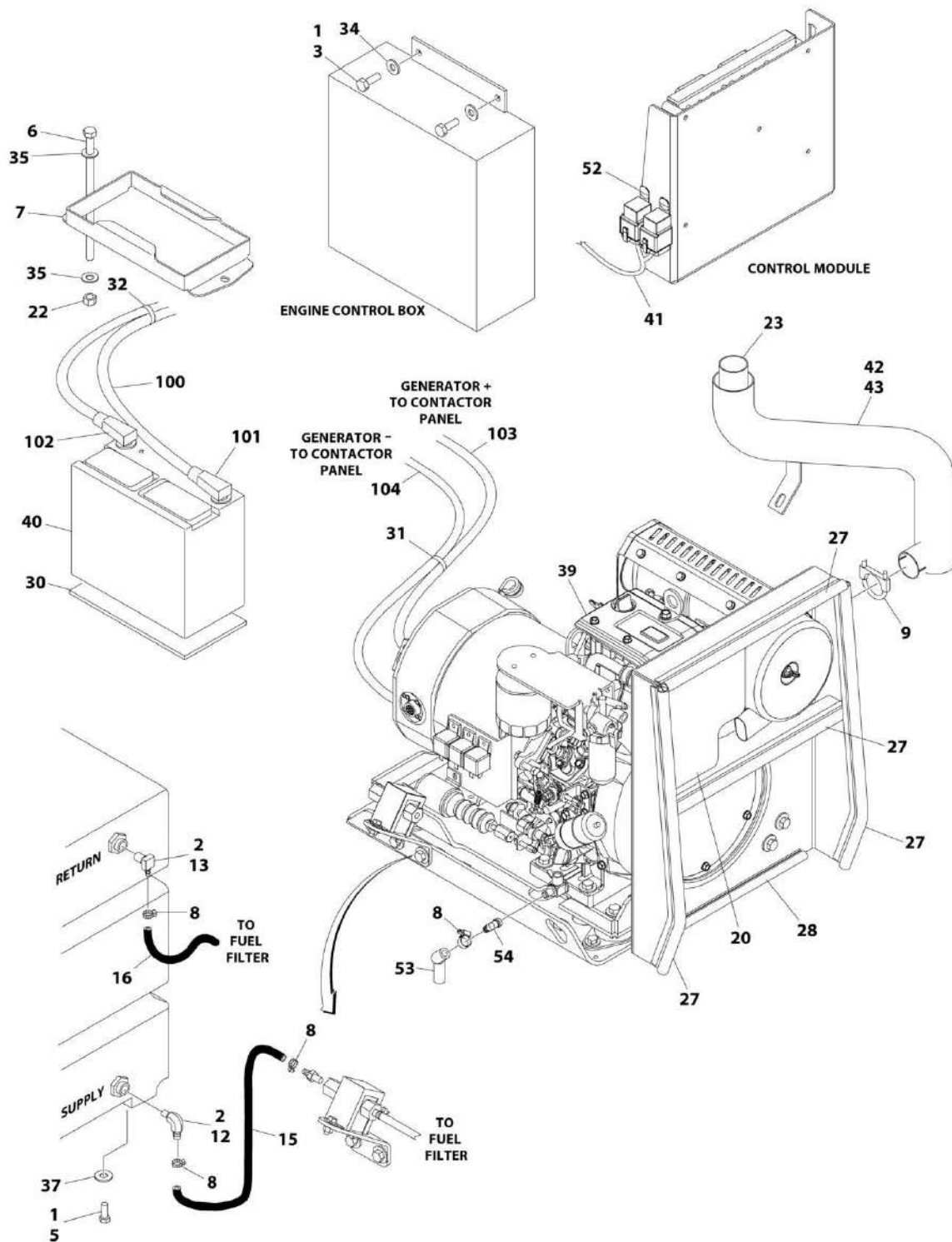
SECTION 3 - ENGINE

**FIGURE 3-1. MOTOR AND GENERATOR INSTALLATION - WITH STANDARD BATTERIES
(M600/M600J/M600JP ONLY)**

ITEM	PART NUMBER	QTY	DESCRIPTION	REV
	1001199313	Ref	MOTOR AND GENERATOR INSTALLATION - WITH STANDARD BATTERIES (M600/M600J/M600JP ONLY)	E
1	0100011	AR	Locking, Compound	
2	0100020	AR	Sealant, Pipe	
3	0400201	1	Battery, Standard	
4	0641406	4	Bolt 1/4 x 3/4	
6	0641606	4	Bolt 3/8 x 3/4	
7	0641660	2	Bolt 3/8 x 7-1/2	
8	0902659	1	Bracket, Battery Hold-Down	
9	1320022	4	Clamp, Hose	
10	1320135	1	Clamp, Muffler	
11	1701505	1	Decal - Diesel Fuel (Not Shown - Located on Hood)	
12	2200222	2	Plug, Pipe (Not Shown - Fuel Tank)	
13	2221046	1	Fitting, Elbow Barbed	
14	2221047	1	Fitting, Elbow Barbed	
16	2720058	3.5 ft/ 1.1m	Hose, Fuel Line	
17	2720271	5.5 ft/ 1.8m	Hose, Fuel Line	
21	2820232	1	Insulation, Noise Reduction	
23	3311605	2	Nut 3/8	
24	3460492	1	Tube, Exhaust	
28	3960389	5.6 ft/ 1.8m	Seal, Rubber	
29	3960418	1.1 ft/ 0.3m	Seal, Rubber	
31	3980035	1	Seat, Battery	
32	4240018	AR	Tie-Strap	
33	4240178	1	Strap, Cable Tie	
35	4711400	4	Washer 1/4	
36	4711600	4	Washer 3/8	
38	4751600	4	Washer 3/8	
40	1001159357	1	Engine, Kubota Assembly (See KUBOTA ENGINE ASSEMBLY for Breakdown)	
41	1001199409	1	Harness, Generator (See ELECTRICAL SECTION for Breakdown)	
42	1001208628	1	Sleeve	
43	4920385	8.5 in/ 21.6cm	Wire, Safety	
52	1001109786	2	Fastener (SN 0300219271 through 0300224945)	
52	1380158	2	Clip (SN 0300224946 to Present)	
53	1001165035	3.5 in/ 8.89cm	Hose (SN 0300227959 to Present)	
54	1001221386	1	Adapter (SN 0300227959 to Present)	
56	2220794	1	Fitting, Straight Barbed (SN 0300236102 to Present)	
100	1001200381	1	Battery Cable Kit	
101	1060819	1	Cable, Battery (Battery - to Ground)	
102	1060820	1	Cable, Battery (Battery + to Starter)	
103	1001202373	1	Cable, Battery (Generator + to Contactor Panel)	
104	1001202374	1	Cable, Battery (Generator - to Contactor Panel)	

SECTION 3 - ENGINE

FIGURE 3-2. MOTOR AND GENERATOR INSTALLATION - WITH AGM BATTERIES (M600/M600J/M600JP ONLY)



ART_1001207674_4OF5

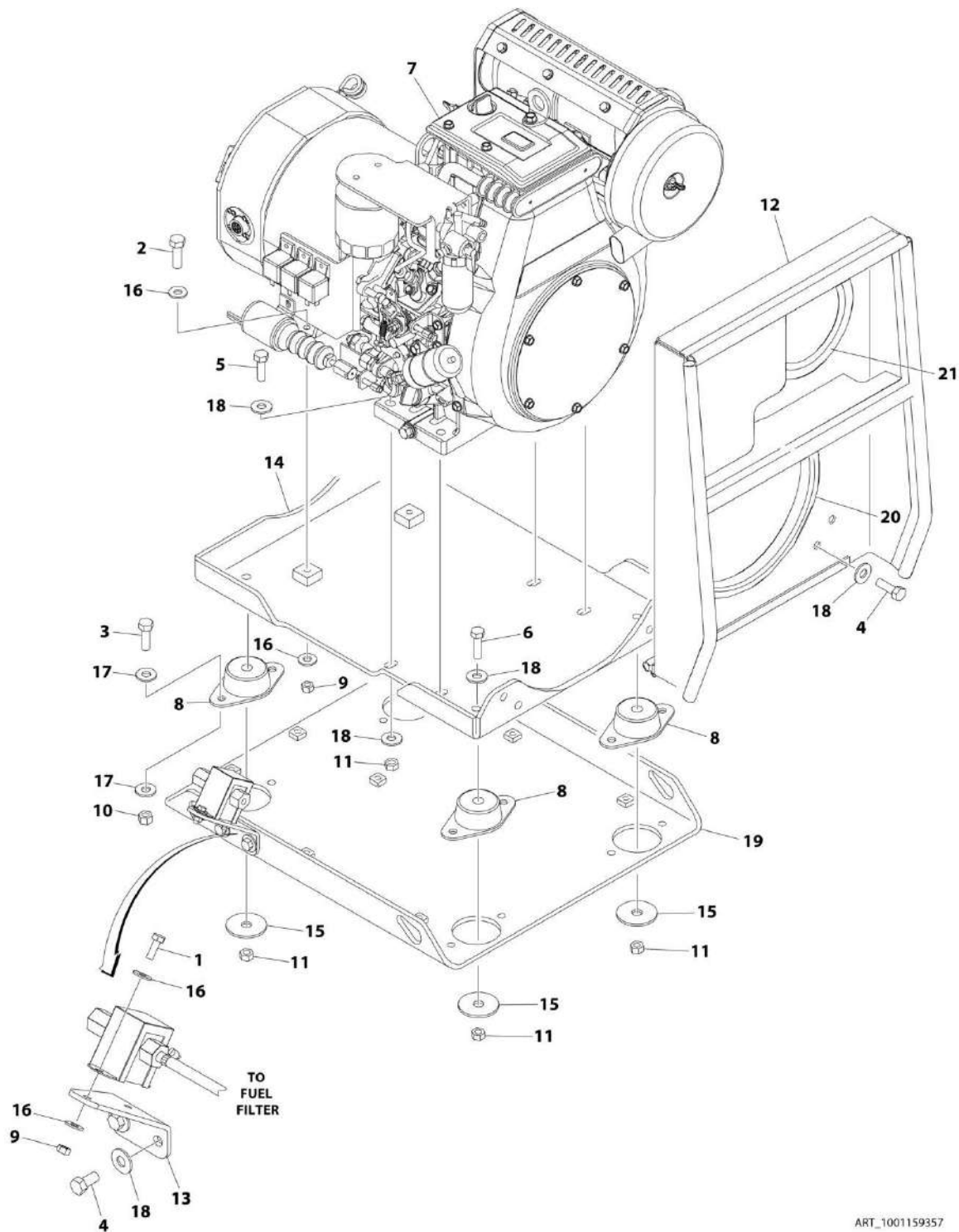
SECTION 3 - ENGINE

**FIGURE 3-2. MOTOR AND GENERATOR INSTALLATION - WITH AGM BATTERIES
(M600/M600J/M600JP ONLY)**

ITEM	PART NUMBER	QTY	DESCRIPTION	REV
	1001207674	Ref	MOTOR AND GENERATOR INSTALLATION - WITH AGM BATTERIES (M600/M600J/M600JP ONLY)	D
1	0100011	AR	Locking, Compound	
2	0100020	AR	Sealant, Pipe	
3	0641406	4	Bolt 1/4 x 3/4	
5	0641606	4	Bolt 3/8 x 3/4	
6	0641660	2	Bolt 3/8 x 7-1/2	
7	0902659	1	Bracket, Battery Hold-Down	
8	1320022	4	Clamp, Hose	
9	1320135	1	Clamp, Muffler	
10	1701505	1	Decal - Diesel Fuel (Not Shown - Located on Hood)	
11	2200222	2	Plug, Pipe (Not Shown - Fuel Tank)	
12	2221046	1	Fitting, Elbow Barbed	
13	2221047	1	Fitting, Elbow Barbed	
15	2720058	3.5 ft/ 1.1m	Hose, Fuel Line	
16	2720271	5.5 ft/ 1.8m	Hose, Fuel Line	
20	2820232	1	Insulation, Noise Reduction	
22	3311605	2	Nut 3/8	
23	3460492	1	Tube, Exhaust	
27	3960389	5.6 ft/ 1.8m	Seal, Rubber	
28	3960418	1.1 ft/ 0.3m	Seal, Rubber	
30	3980035	1	Seat, Battery	
31	4240018	AR	Tie-Strap	
32	4240178	1	Strap, Cable Tie	
34	4711400	4	Washer 1/4	
35	4711600	4	Washer 3/8	
37	4751600	4	Washer 3/8	
39	1001159357	1	Engine, Kubota Assembly (See KUBOTA ENGINE ASSEMBLY for Breakdown)	
40	1001196117	1	Battery, AGM	
41	1001199409	1	Harness, Generator (See ELECTRICAL SECTION for Breakdown)	
42	1001208628	1	Sleeve	
43	4920385	8.5 in/ 21.6cm	Wire, Safety	
52	1001109786	2	Fastener (SN 0300219271 through 0300224945)	
52	1380158	2	Clip (SN 0300224946 to Present)	
53	1001165035	3.5 in/ 8.89cm	Hose (SN 0300227959 to Present)	
54	1001221386	1	Adapter (SN 0300227959 to Present)	
100	1001200381	1	Battery Cable Kit	
101	1060819	1	Cable, Battery (Battery - to Ground)	
102	1060820	1	Cable, Battery (Battery + to Starter)	
103	1001202373	1	Cable, Battery (Generator + to Contactor Panel)	
104	1001202374	1	Cable, Battery (Generator - to Contactor Panel)	

SECTION 3 - ENGINE

FIGURE 3-3. KUBOTA ENGINE ASSEMBLY (M600/M600J/M600JP ONLY)



ART_1001159357

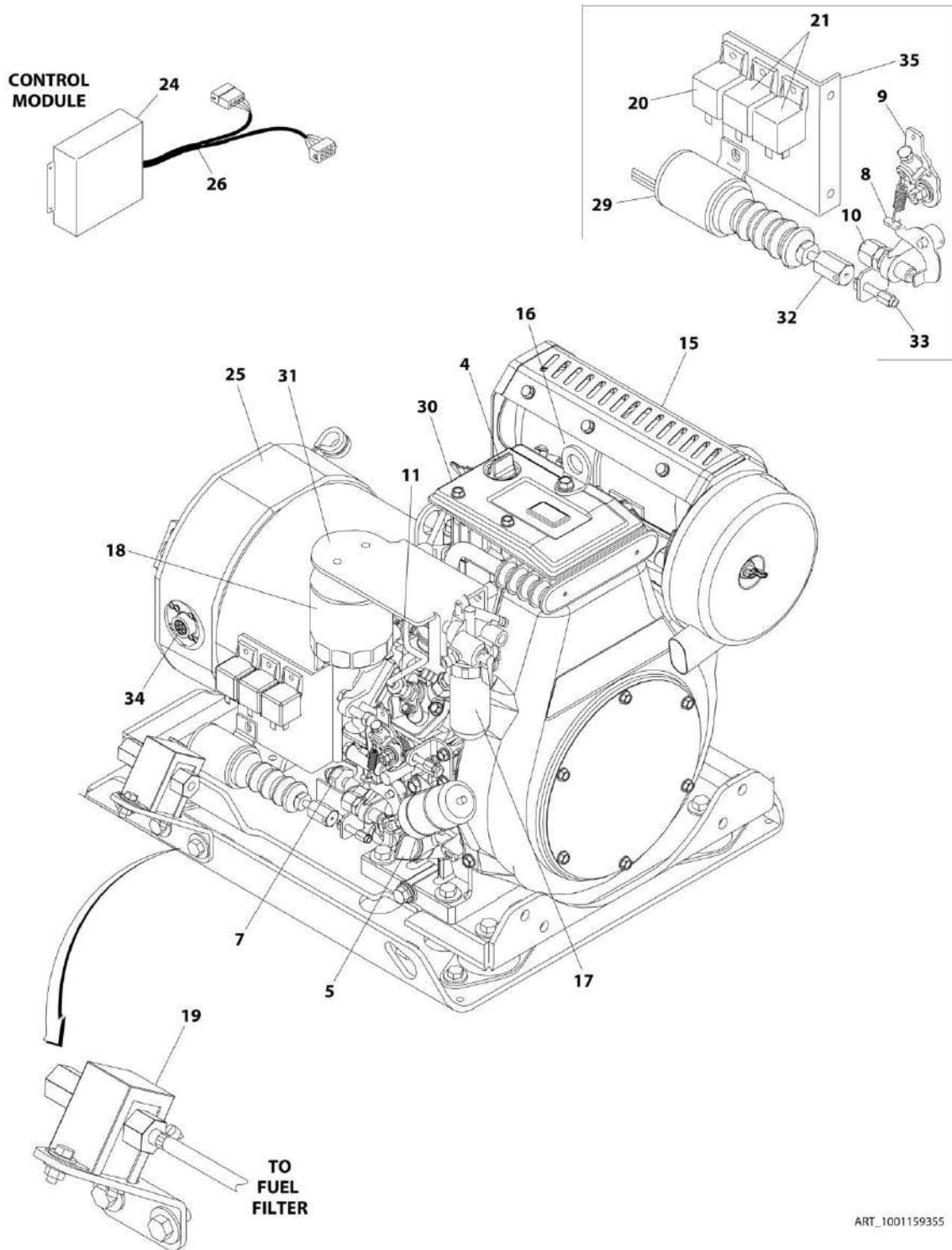
SECTION 3 - ENGINE

FIGURE 3-3. KUBOTA ENGINE ASSEMBLY (M600/M600J/M600JP ONLY)

ITEM	PART NUMBER	QTY	DESCRIPTION	REV
	1001159357	Ref	KUBOTA ENGINE ASSEMBLY (M600/M600J/M600JP ONLY)	C
1	0641406	2	Bolt 1/4 x 3/4	
2	0641408	2	Bolt 1/4 x 1	
3	0641508	8	Bolt 5/16 x 1	
4	0641606	6	Bolt 3/8 x 3/4	
5	0641614	4	Bolt 3/8 x 1-3/4	
6	0641618	4	Bolt 3/8 x 2-1/4	
7	1001159355	1	Engine, Kubota (See KUBOTA ENGINE COMPONENTS for Breakdown)	
8	3200425	4	Mount, Motor	
9	3311405	4	Nut 1/4	
10	3311505	8	Nut 5/16	
11	3311605	8	Nut 3/8	
12	3380620	1	Engine, Baffle	
13	4341107	1	Plate, Fuel Pump Mounting	
14	4341109	1	Plate, Engine Mounting	
15	4740274	4	Washer, Snubbing	
16	4751400	8	Washer 1/4	
17	4751500	16	Washer 5/16	
18	4751600	18	Washer 3/8	
19	4846188	1	Tray	
20	3960389	18 in /46cm	Seal	
21	3960418	28 in /71cm	Seal	

SECTION 3 - ENGINE

FIGURE 3-4. KUBOTA ENGINE COMPONENTS (M600/M600J/M600JP ONLY)



ART_1001159355

SECTION 3 - ENGINE

FIGURE 3-4. KUBOTA ENGINE COMPONENTS (M600/M600J/M600JP ONLY)

ITEM	PART NUMBER	QTY	DESCRIPTION	REV
	1001159355	Ref	KUBOTA ENGINE COMPONENTS (M600/M600J/M600JP ONLY)	A
1	70000289	1	Regulator, Voltage (Not Shown - Located on Opposite Side of Engine)	
2	70000290	1	Glow Plug (Not Shown)	
2	70000291	1	Harness, Glow Plug (Not Shown)	
3	70000292	1	Screen, Oil Sump (Not Shown) (Includes O-Ring)	
4	70002244	1	Cap, Oil Filler (Shown - Top of Engine)	
4	70000293	1	Cap, Oil Filler (Not Shown - Located on Opposite Side of Engine)	
5	70000294	1	Gauge, Oil	
6	70000295	1	Pump, Oil Rotor (Not Shown - Located Beside Item 7)	
6	70000296	1	O-Ring, Oil Rotor Pump (Not Shown)	
7	70000297	1	Switch, Oil	
8	70000298	1	Lever, Governor	
8	70000299	1	Pin, Governor Lever	
8	70000300	1	Spring, Governor Lever	
9	70000301	1	Spring, Idling (Not Shown)	
9	70000304	1	Lever, Spring Control	
9	70000305	1	Spring, Stop (Speed Control Lever)	
10	70000302	1	Valve, Fuel Limit	
10	70000303	1	Gasket, Fuel Limit Valve	
11	70000306	1	Pump, Injection	
11	70000307	1	Kit, Pump Adjustment Shim	
12	70000308	1	Flywheel/Ring Gear Assembly (Not Shown - Located Behind Front Cover)	
12	70000309	1	Ring Gear (Not Shown)	
12	70001121	1	Stator, Starter (Not Shown - Located Behind Flywheel)	
13	70000310	1	Starter (Not Shown - Located on Opposite Side of Engine)	
14	70000311	1	Solenoid, Starter (Not Shown - Located on Opposite Side of Engine)	
15	70000312	1	Air Cleaner Assembly	
15	70000313	1	Element, Air Cleaner	
15	70000314	1	Gasket, Air Cleaner	
16	70000315	1	Muffler Assembly	
16	70000316	1	Gasket, Muffler	
17	70000317	1	Inline Fuel Check Valve Assembly	
17	70000967	1	Fuel Filter Assembly	
17	70000318	1	Element, Fuel Filter	
18	70000319	1	Element, Oil Filter	
18	70001144	1	Head, Oil Filter Element (Note: Does not Include Lube Element)	
19	70000320	1	Pump, Fuel	
20	70000322	1	Relay	
21	70000323	2	Relay	
22	70000324	1	Sensor, Speed (Not Shown - Located Behind Front Cover)	
22	70004265	1	Bracket, Speed Sensor (Not Shown - Located Behind Front Cover)	
23	70000325	1	Sensor, Oil Temperature (Not Shown - Located on Opposite Side of Engine at Base)	
24	70000326	1	Module, Engine Control	
24	70005169	1	Harness, Analyzer	
25	70000327	1	Alternator	
25	70000382	1	Stator, Alternator	

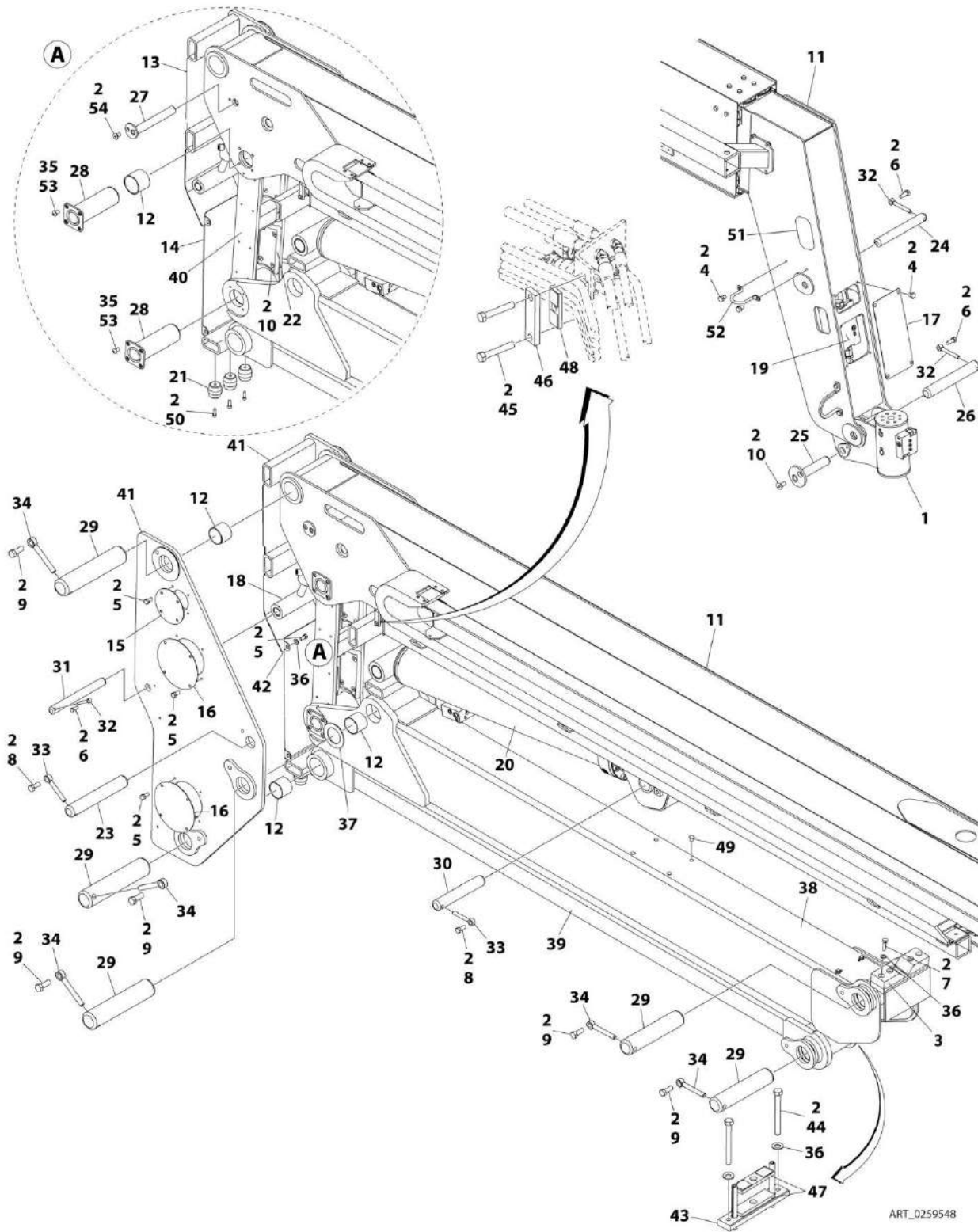
SECTION 3 - ENGINE

ITEM	PART NUMBER	QTY	DESCRIPTION	REV
25	70004954	4	Screw, Countersunk (Attaches Alternator to Engine)	
26	70000328	1	Harness, Engine	
27	70000329	1	Fuse 15Amp (Not Shown)	
28	70000330	1	Fuse 20Amp (Not Shown)	
29	70000321	1	Solenoid, Fuel	
30	70002543	1	Engine (Without Generator)	
31	70002544	1	Bracket, Oil Filter	
32	70003618	1	Adapter, Solenoid Cable	
33	70003619	1	Screw	
34	70005192	1	Receptacle, Female - 7 Position	
34	70005193	7	Socket, Female	
35	70002083	1	Bracket, Relay	

SECTION 4 - BOOM

SECTION 4 - BOOM

FIGURE 4-1. BOOM INSTALLATION (E600/M600)



SECTION 4 - BOOM

FIGURE 4-1. BOOM INSTALLATION (E600/M600)

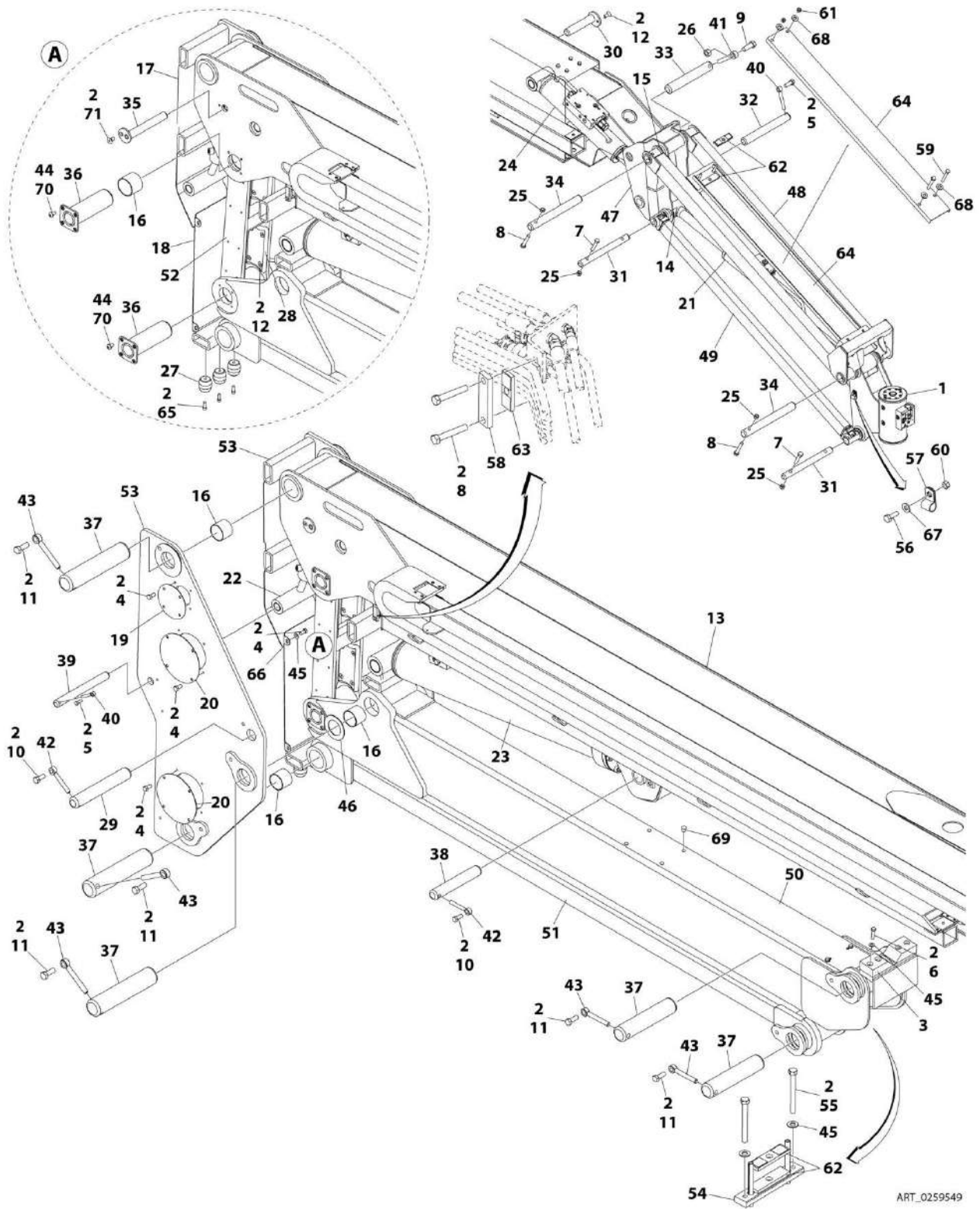
ITEM	PART NUMBER	QTY	DESCRIPTION	REV
	0259548	Ref	BOOM INSTALLATION (E600/M600)	H
1	0060049	1	Platform Rotator Assembly (See ROTATOR ASSEMBLY (E600/M600) for Breakdown)	
2	0100011	AR	Compound, Locking	
3	0561380	2	Block, Boom Rest	
4	0641604	8	Bolt 3/8 x 1/2	
5	0641606	32	Bolt 3/8 x 3/4	
6	0641608	3	Bolt 3/8 x 1	
7	0641612	4	Bolt 3/8 x 1-1/2	
8	0642012	2	Bolt 5/8 x 1-1/2	
9	0642216	5	Bolt 3/4 x 2	
10	0741607	17	Screw 3/8 x 7/8	
11	0801200	1	Main Boom Assembly (See MAIN BOOM ASSEMBLY (E600/M600) for Breakdown)	
12	0962297	12	Bushing	
13	1670911	1	Cover, Upright Upper	
14	1670912	1	Cover, Upright Lower	
15	1670913	2	Cover, Pin	
16	1670928	4	Cover, Pin	
17	1670960	1	Cover, Fly Nose	
18	1683865	1	Master Cylinder Assembly (See CYLINDER SECTION for Breakdown)	
19	1683867	1	Platform Level Cylinder Assembly (See CYLINDER SECTION for Breakdown)	
20	1683876	NLA	Lift Cylinder Assembly (Use p/n 1001228014) (See CYLINDER SECTION for Breakdown) (Prior to SN 0300239696)	
20	1001228014	1	Lift Cylinder Assembly (See CYLINDER SECTION for Breakdown) (SN 0300239696 to Present)	
21	4160187	3	Spring, Rubber	
22	3340873	4	Pad, Hose Guide	
23	3422568	1	Pin	
24	3422578	1	Pin	
25	3422885	1	Pin	
26	3422582	1	Pin	
27	3422808	1	Pin	
28	3422811	2	Pin	
29	3422830	5	Pin	
30	3422833	1	Pin	
31	3422834	1	Pin	
32	3841143	3	Keeper, Pin 3/8	
33	3841258	2	Keeper, Pin 5/8	
34	3841287	5	Keeper, Pin 3/4	
35	3900280	8	Screw 3/8 x 5/8	
36	4711600	14	Washer 3/8	
37	4740492	2	Thrustwasher	
38	4846066	1	Tower Boom Weldment	
39	4846067	1	Tower Link Weldment	
40	4846074	1	Upright Link Weldment	
41	4846075	1	Upright Weldment	
42	3960418	10 in /25cm	Seal	

SECTION 4 - BOOM

ITEM	PART NUMBER	QTY	DESCRIPTION	REV
43	0362929	1	Clamp, Bar	
44	0630539	2	Capscrew 3/8 x 2-1/4	
45	0641618	2	Bolt 3/8 x 2-1/4	
46	1320277	1	Clamp, Hose	
47	3340860	2	Pad, Rubber	
48	3340861	2	Pad, Rubber	
49	3520034	4	Plug	
50	3931616	3	Bolt 3/8 x 2	
51	4060805	14 in /36cm	Flex-Trim	
52	3841340	2	Rod, Hose Loop	
53	0100019	AR	Compound, Locking	
54	0741606	1	Bolt 3/8 x 3/4	

SECTION 4 - BOOM

FIGURE 4-2. BOOM INSTALLATION (E600J/M600J)



SECTION 4 - BOOM

FIGURE 4-2. BOOM INSTALLATION (E600J/M600J)

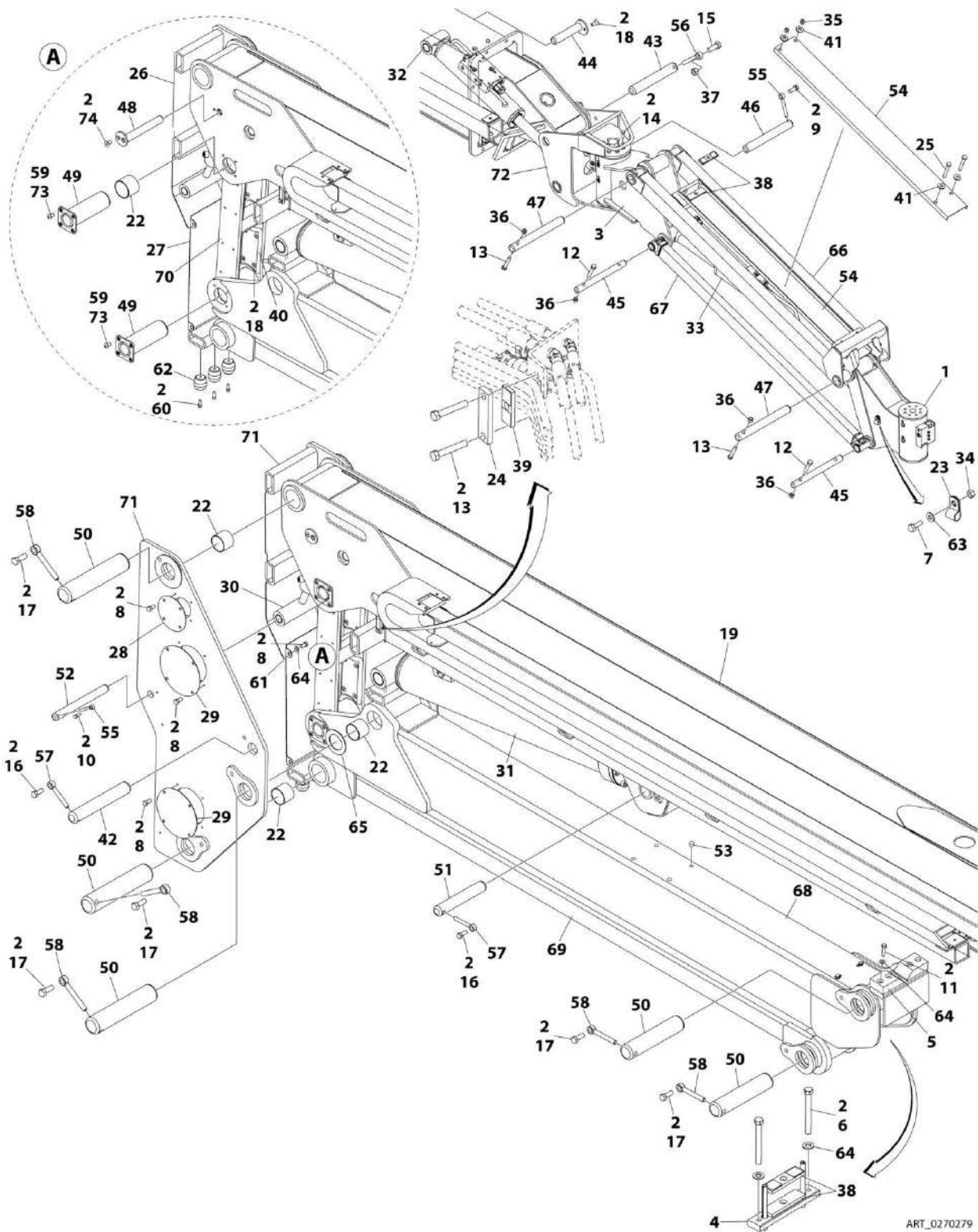
ITEM	PART NUMBER	QTY	DESCRIPTION	REV
	0259549	Ref	BOOM INSTALLATION (E600J/M600J)	N
1	0060096	NLA	Platform Rotator Assembly (See ROTATOR ASSEMBLY (E600J/M600J) for Breakdown) (Use p/n 1001165302) (SN 0300219271 through 0300221080)	
1	1001165302	1	Platform Rotator Assembly (See ROTATOR ASSEMBLY (E600J/M600J) for Breakdown) (SN 0300221081 through 0300232627)	
1	1001217779	1	Platform Rotator Assembly (See ROTATOR ASSEMBLY (E600J/M600J) for Breakdown) (SN 0300232628 to Present)	
2	0100011	AR	Compound, Locking	
3	0561380	2	Block, Boom Rest	
4	0641606	32	Bolt 3/8 x 3/4	
5	0641608	2	Bolt 3/8 x 1	
6	0641612	4	Bolt 3/8 x 1-1/2	
7	0641616	4	Bolt 3/8 x 2	
8	0641618	4	Bolt 3/8 x 2-1/4	
9	0641811	1	Bolt 1/2 x 1-3/8	
10	0642012	2	Bolt 5/8 x 1-1/2	
11	0642216	5	Bolt 3/4 x 2	
12	0741607	17	Screw 3/8 x 7/8	
13	0801207	1	Main Boom Assembly (See MAIN BOOM ASSEMBLY (E600J/M600J) for Breakdown)	
14	0962292	2	Bushing	
15	0961951	2	Bushing	
16	0962297	12	Bushing	
17	1670911	1	Cover, Upright Upper	
18	1670912	1	Cover, Upright Lower	
19	1670913	2	Cover, Pin	
20	1670928	4	Cover, Pin	
21	1001140282	1	Jib Cylinder Assembly (See CYLINDER SECTION for Breakdown)	
22	1683866	1	Master Cylinder Assembly (See CYLINDER SECTION for Breakdown)	
23	1683876	NLA	Lift Cylinder Assembly (Use p/n 1001228014) (See CYLINDER SECTION for Breakdown) (Prior to SN 0300239696)	
23	1001228014	1	Lift Cylinder Assembly (See CYLINDER SECTION for Breakdown) (SN 0300239696 to Present)	
24	1001140596	1	Level Cylinder Assembly (See CYLINDER SECTION for Breakdown)	
25	3311605	6	Nut 3/8	
26	3311805	1	Nut 1/2	
27	4160187	3	Spring, Rubber	
28	3340873	4	Pad, Hose Guide	
29	3422568	1	Pin	
30	3422583	1	Pin	
31	3422791	2	Pin	
32	3422792	1	Pin	
33	3422793	1	Pin	
34	3422794	2	Pin	
35	3422808	1	Pin	
36	3422811	2	Pin	
37	3422830	5	Pin	
38	3422833	1	Pin	

SECTION 4 - BOOM

ITEM	PART NUMBER	QTY	DESCRIPTION	REV
39	3422834	1	Pin	
40	3841143	2	Keeper, Pin 3/8	
41	3841203	1	Keeper, Pin 1/2	
42	3841258	2	Keeper, Pin 5/8	
43	3841287	5	Keeper, Pin 3/4	
44	3900280	8	Screw 3/8 x 5/8	
45	4711600	14	Washer 3/8	
46	4740492	2	Thrustwasher	
47	4845925	1	Pivot Weldment	
48	4846278	1	Link, Jib (Top)	
49	1001094670	2	Link, Jib (Bottom)	
50	4846066	1	Tower Boom Weldment	
51	4846067	1	Tower Link Weldment	
52	4846074	1	Upright Link Weldment	
53	4846075	1	Upright Weldment	
54	0362929	1	Clamp, Bar	
55	0630539	2	Capscrew 3/8 x 2-1/4	
56	0641406	2	Bolt 1/4 x 3/4	
57	1320070	2	Clamp, Cable	
58	1320277	1	Clamp, Hose	
59	0641518	2	Bolt 5/16 x 2-1/4	
60	3311405	2	Nut 1/4	
61	3311501	4	Nut 5/16	
62	3340860	6	Pad, Rubber	
63	3340861	2	Pad, Rubber	
64	3572551	2	Channel, Hose Carrier	
65	3931616	3	Bolt 3/8 x 2	
66	3960418	10 in/ 25cm	Seal	
67	4711400	2	Washer 1/4	
68	4751500	6	Washer 5/16	
69	3520034	4	Plug, Hole	
70	0100019	AR	Compound, Locking	
71	0741606	1	Bolt 3/8 x 3/4	

SECTION 4 - BOOM

FIGURE 4-3. BOOM INSTALLATION (E600JP/M600JP)



ART_0270279

SECTION 4 - BOOM

FIGURE 4-3. BOOM INSTALLATION (E600JP/M600JP)

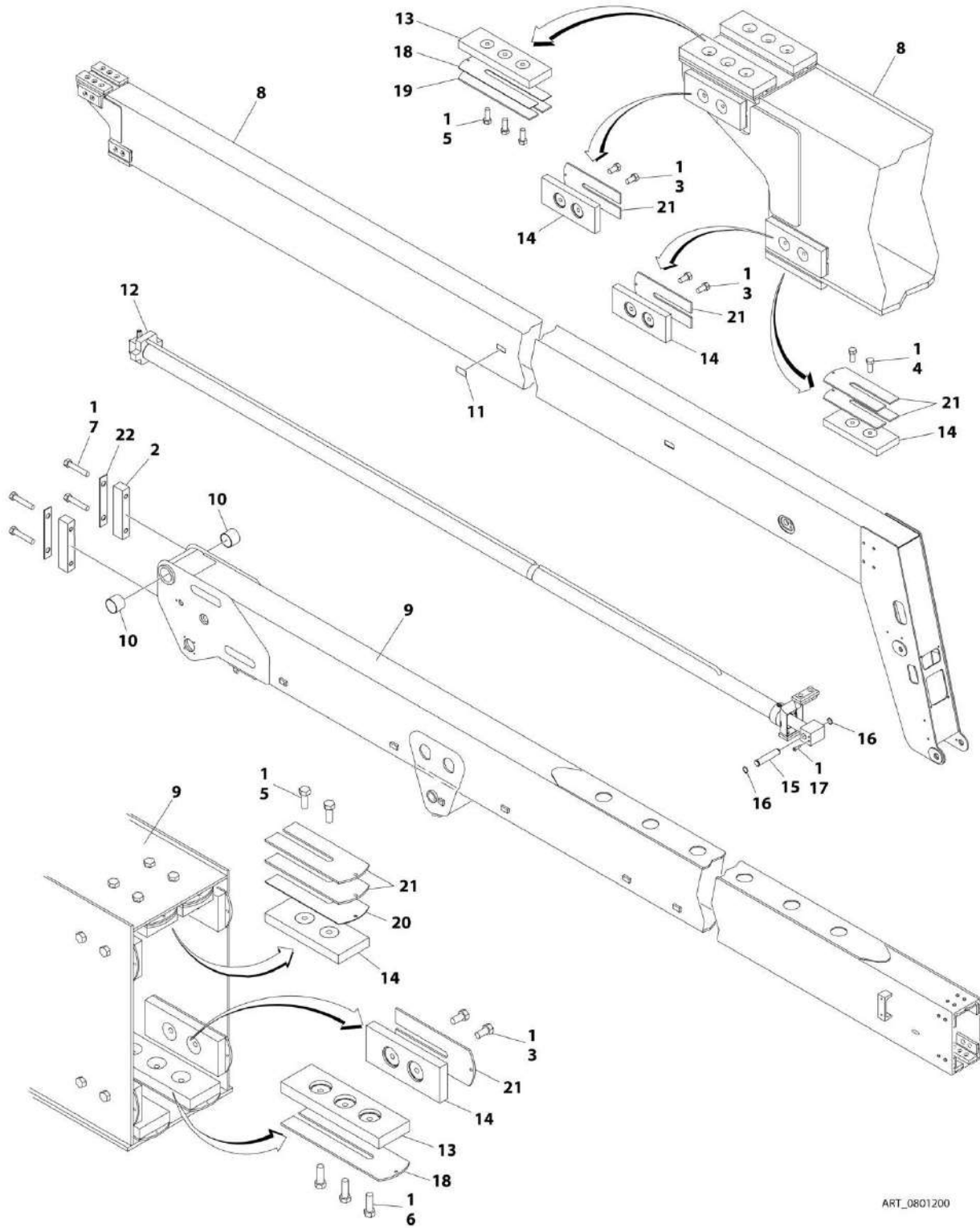
ITEM	PART NUMBER	QTY	DESCRIPTION	REV
	0270279	Ref	BOOM INSTALLATION (E600JP/M600JP)	L
1	0060056	1	Platform Rotator Assembly (See ROTATOR ASSEMBLY - PLATFORM ROTATE (E600JP/M600JP) for Breakdown)	
2	0100011	AR	Compound, Locking	
3	0060057	1	Platform Rotator Assembly (See ROTATOR ASSEMBLY - SIDE SWING ROTATE (E600JP/M600JP) for Breakdown) (Note: Includes Items 20 & 21)	
4	0362929	1	Clamp, Bar	
5	0561380	2	Block, Boom Rest	
6	0630539	2	Capscrew 3/8 x 2-1/4	
7	0641406	2	Bolt 1/4 x 3/4	
8	0641606	32	Bolt 3/8 x 3/4	
9	0641607	1	Bolt 3/8 x 7/8	
10	0641608	1	Bolt 3/8 x 1	
11	0641612	4	Bolt 3/8 x 1-1/2	
12	0641616	4	Bolt 3/8 x 2	
13	0641618	4	Bolt 3/8 x 2-1/4	
14	0641810	8	Bolt 1/2 x 1-1/4	
15	0641812	1	Bolt 1/2 x 1-1/2	
16	0642012	2	Bolt 5/8 x 1-1/2	
17	0642216	5	Bolt 3/4 x 2	
18	0741607	17	Screw 3/8 x 7/8	
19	0801239	1	Main Boom Assembly (See MAIN BOOM ASSEMBLY (E600JP/M600JP) for Breakdown)	
22	0962297	12	Bushing	
23	1320070	2	Clamp, Cable	
24	1320277	1	Clamp, Hose	
25	0641518	2	Bolt 5/16 x 2-1/4	
26	1670911	1	Cover, Upright Upper	
27	1670912	1	Cover, Upright Lower	
28	1670913	2	Cover, Pin	
29	1670928	4	Cover, Pin	
30	1683866	1	Master Cylinder Assembly (See CYLINDER SECTION for Breakdown)	
31	1683876	NLA	Lift Cylinder Assembly (Use p/n 1001228014) (See CYLINDER SECTION for Breakdown) (Prior to SN 0300239696)	
31	1001228014	1	Lift Cylinder Assembly (See CYLINDER SECTION for Breakdown) (SN 0300239696 to Present)	
32	1001140596	1	Level Cylinder Assembly (See CYLINDER SECTION for Breakdown)	
33	1001140282	1	Jib Cylinder Assembly (See CYLINDER SECTION for Breakdown)	
34	3311405	2	Nut 1/4	
35	3311501	4	Nut 5/16	
36	3311605	6	Nut 3/8	
37	3311805	1	Nut 1/2	
38	3340860	6	Pad, Rubber	
39	3340861	2	Pad, Rubber	
40	3340873	4	Pad, Hose Guide	
41	4751500	6	Washer 5/16	
42	3422568	1	Pin	
43	3422576	1	Pin	

SECTION 4 - BOOM

ITEM	PART NUMBER	QTY	DESCRIPTION	REV
44	3422583	1	Pin	
45	3422791	2	Pin	
46	3422792	1	Pin	
47	3422794	2	Pin	
48	3422808	1	Pin	
49	3422811	2	Pin	
50	3422830	5	Pin	
51	3422833	1	Pin	
52	3422834	1	Pin	
53	3520034	4	Plug, Hole	
54	3572551	2	Channel, Hose Carrier	
55	3841143	2	Keeper, Pin 3/8	
56	3841203	1	Keeper, Pin 1/2	
57	3841258	2	Keeper, Pin 5/8	
58	3841287	5	Keeper, Pin 3/4	
59	3900280	8	Screw 3/8 x 5/8	
60	3931616	3	Bolt 3/8 x 2	
61	3960418	10 in /53cm	Seal	
62	4160187	3	Spring, Rubber	
63	4711400	2	Washer 1/4	
64	4711600	14	Washer 3/8	
65	4740492	2	Thrustwasher	
66	4846278	1	Link, Jib (Top)	
67	1001094670	2	Link, Jib (Bottom)	
68	4846066	1	Tower Boom Weldment	
69	4846067	1	Tower Link Weldment	
70	4846074	1	Upright Link Weldment	
71	4846075	1	Upright Weldment	
72	4846258	1	Pivot Weldment	
73	0100019	AR	Compound, Locking	
74	0741606	1	Bolt 3/8 x 3/4	

SECTION 4 - BOOM

FIGURE 4-4. MAIN BOOM ASSEMBLY (E600/M600)



ART_0801200

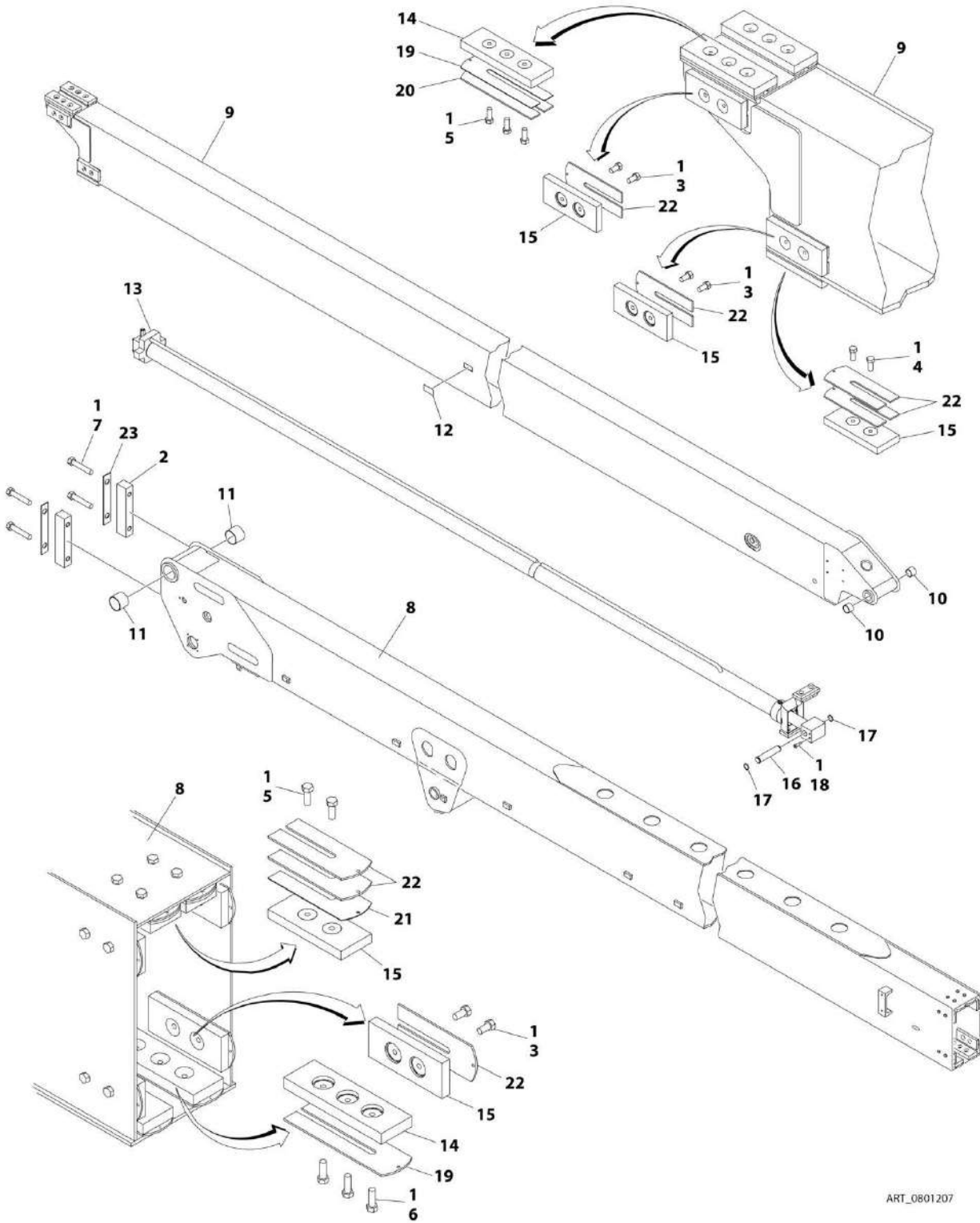
SECTION 4 - BOOM

FIGURE 4-4. MAIN BOOM ASSEMBLY (E600/M600)

ITEM	PART NUMBER	QTY	DESCRIPTION	REV
	0801200	Ref	MAIN BOOM ASSEMBLY (E600/M600)	C
1	0100011	AR	Compound, Locking	
2	0561185	2	Block, Telescope Attach	
3	0641606	16	Bolt 3/8 x 3/4	
4	0641607	4	Bolt 3/8 x 7/8	
5	0641608	10	Bolt 3/8 x 1	
6	0641609	6	Bolt 3/8 x 1-1/8	
7	0641616	4	Bolt 3/8 x 2	
8	0801202	1	Fly Boom Weldment	
9	0801599	1	Base Boom Weldment	
10	0962297	2	Bearing	
11	1670836	6	Cover, Boom	
12	1684009	1	Telescope Cylinder Assembly (See CYLINDER SECTION for Breakdown)	
13	3340871	4	Pad	
14	3340881	12	Pad	
15	3422457	1	Pin	
16	3760133	2	Ring, Retaining	
17	3900259	4	Screw, Shoulder	
18	4070863	4	Shim #11Ga	
19	4070864	2	Shim #18Ga	
20	4070897	2	Shim #18Ga	
21	4070898	16	Shim #11Ga	
22	4070929	2	Shim #16Ga	

SECTION 4 - BOOM

FIGURE 4-5. MAIN BOOM ASSEMBLY (E600J/M600J)



ART_0801207

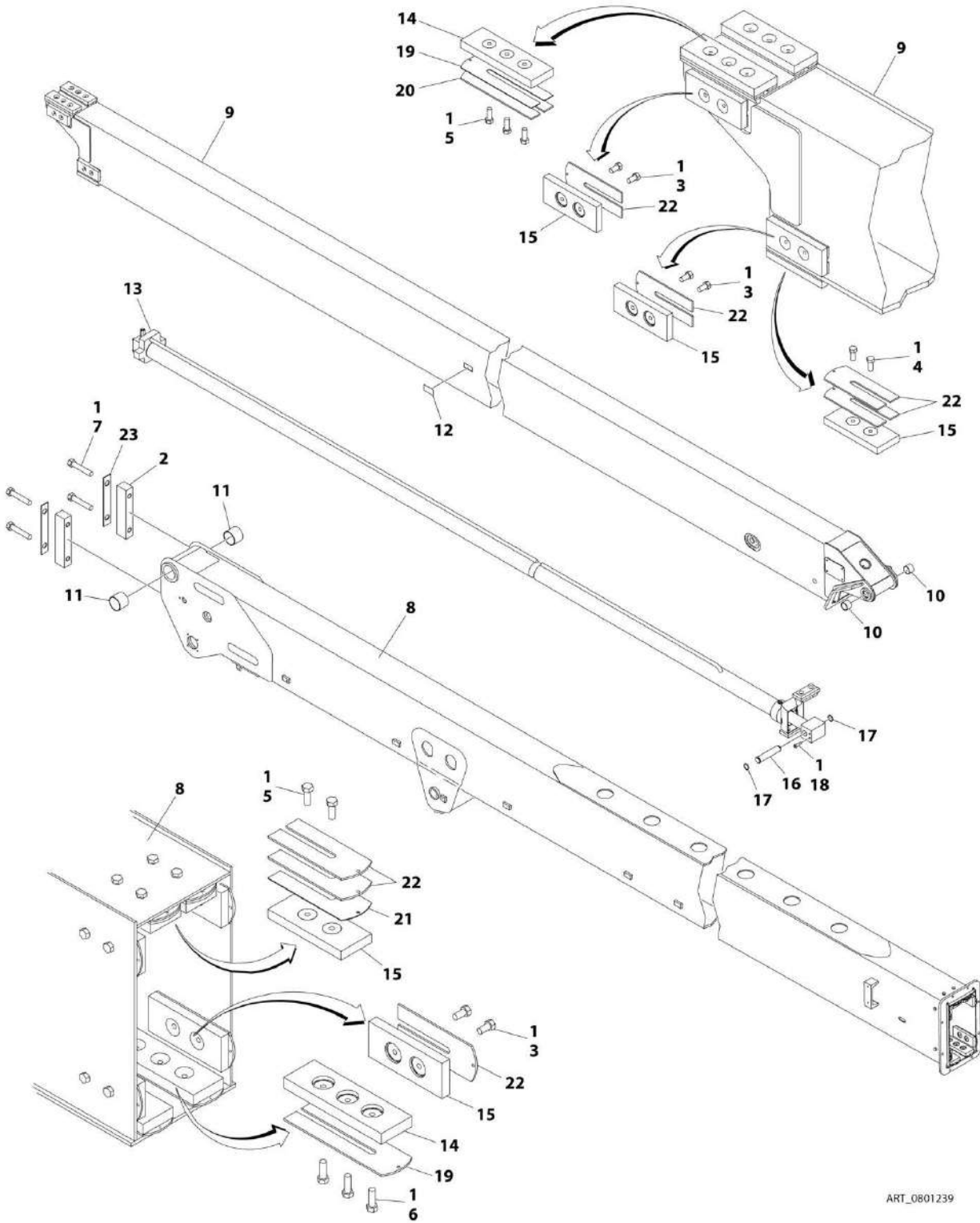
SECTION 4 - BOOM

FIGURE 4-5. MAIN BOOM ASSEMBLY (E600J/M600J)

ITEM	PART NUMBER	QTY	DESCRIPTION	REV
	0801207	Ref	MAIN BOOM ASSEMBLY (E600J/M600J)	F
1	0100011	AR	Compound, Locking	
2	0561185	2	Block, Telescope Attach	
3	0641606	16	Bolt 3/8 x 3/4	
4	0641607	4	Bolt 3/8 x 7/8	
5	0641608	10	Bolt 3/8 x 1	
6	0641609	6	Bolt 3/8 x 1-1/8	
7	0641616	4	Bolt 3/8 x 2	
8	0801606	1	Base Boom Weldment	
9	0801582	1	Fly Boom Weldment	
10	0961948	2	Bearing	
11	0962297	2	Bearing	
12	1670836	6	Cover, Boom	
13	1684010	NLA	Telescope Cylinder Assembly (use p/n 1001228017) (See CYLINDER SECTION for Breakdown)	
13	1001228017	1	Telescope Cylinder Assembly (See CYLINDER SECTION for Breakdown)	
14	3340871	4	Pad	
15	3340881	12	Pad	
16	3422457	1	Pin	
17	3760133	2	Ring, Retaining	
18	3900259	4	Screw, Shoulder	
19	4070863	4	Shim #11Ga	
20	4070864	2	Shim #18Ga	
21	4070897	2	Shim #18Ga	
22	4070898	16	Shim #11Ga	
23	4070929	2	Shim #16Ga	

SECTION 4 - BOOM

FIGURE 4-6. MAIN BOOM ASSEMBLY (E600JP/M600JP)



ART_0801239

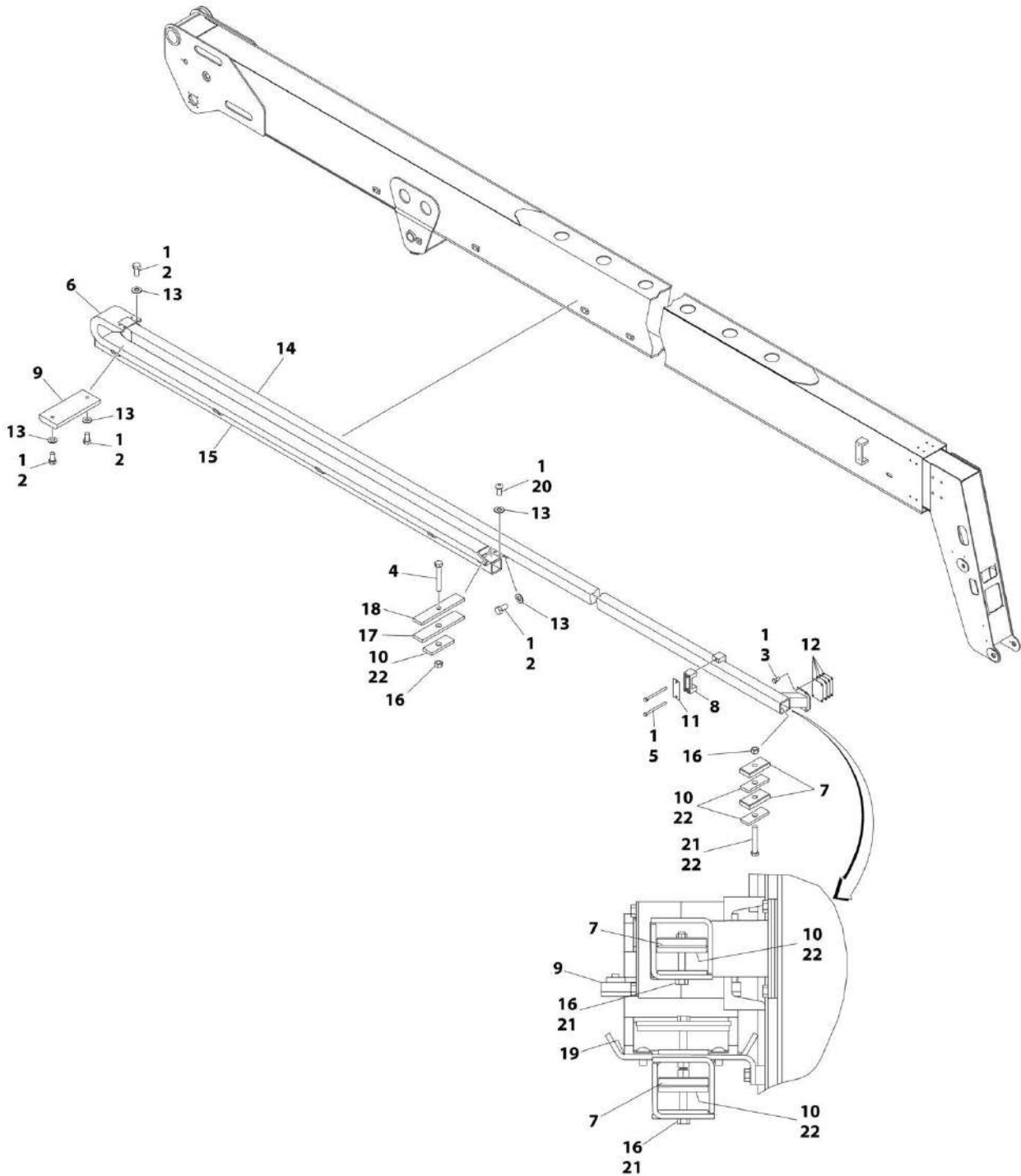
SECTION 4 - BOOM

FIGURE 4-6. MAIN BOOM ASSEMBLY (E600JP/M600JP)

ITEM	PART NUMBER	QTY	DESCRIPTION	REV
	0801239	Ref	MAIN BOOM ASSEMBLY (E600JP/M600JP)	F
1	0100011	AR	Compound, Locking	
2	0561185	2	Block, Telescope Attach	
3	0641606	16	Bolt 3/8 x 3/4	
4	0641607	4	Bolt 3/8 x 7/8	
5	0641608	10	Bolt 3/8 x 1	
6	0641609	6	Bolt 3/8 x 1-1/8	
7	0641616	4	Bolt 3/8 x 2	
8	0801611	1	Base Boom Weldment	
9	0801583	1	Fly Boom Weldment	
10	0961948	2	Bearing	
11	0962297	2	Bearing	
12	1670836	6	Cover, Boom	
13	1684010	NLA	Telescope Cylinder Assembly (use p/n 1001228017) (See CYLINDER SECTION for Breakdown)	
13	1001228017	1	Telescope Cylinder Assembly (See CYLINDER SECTION for Breakdown)	
14	3340871	4	Pad	
15	3340881	12	Pad	
16	3422457	1	Pin	
17	3760133	2	Ring, Retaining	
18	3900259	4	Screw, Shoulder	
19	4070863	4	Shim #11Ga	
20	4070864	2	Shim #18Ga	
21	4070897	2	Shim #18Ga	
22	4070898	16	Shim #11Ga	
23	4070929	2	Shim #16Ga	

SECTION 4 - BOOM

FIGURE 4-7. POWER TRACK ASSEMBLY (E600/M600)



ART_0259838

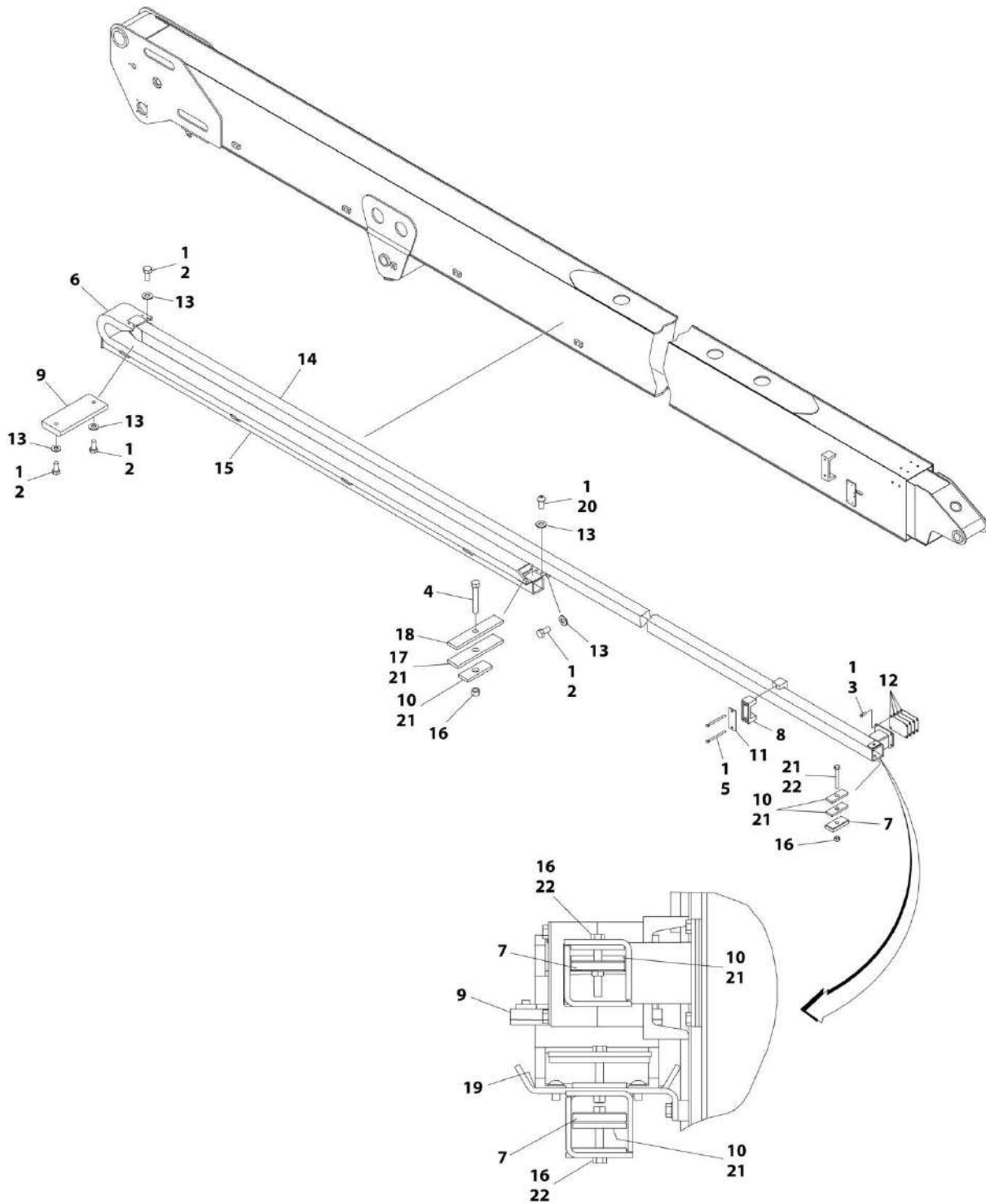
SECTION 4 - BOOM

FIGURE 4-7. POWER TRACK ASSEMBLY (E600/M600)

ITEM	PART NUMBER	QTY	DESCRIPTION	REV
	0259838	Ref	POWER TRACK ASSEMBLY (E600/M600)	E
1	0100011	AR	Compound, Locking	
2	0641606	16	Bolt 3/8 x 3/4	
3	0641611	4	Bolt 3/8 x 1-3/8	
4	0641620	1	Bolt 3/8 x 2-1/2	
5	0641640	2	Bolt 3/8 x 5	
6	1180357	1	Powertrack	
6	7020265	4	Link (Inner)	
6	7020264	12	Link (Outer)	
6	7020262	6	Ring, Retaining	
6	7020260	4	Foot, Mounting	
6	7020261	6	Pin (Center)	
6	7026182	2	Roller, Poly	
6	7026170	2	Bar, Aluminum	
7	1320288	2	Clamp, Hose	
8	3340764	2	Pad, Push Tube	
9	3340787	1	Pad, Wear	
10	3340941	5	Pad, Rubber	
11	3538758	1	Plate, Backing	
12	4070969	AR	Shim	
13	4711600	20	Washer 3/8	
14	4846164	1	Tube, Push	
15	4846166	1	Support	
16	3311605	3	Nut 3/8	
17	3340939	1	Pad, Rubber	
18	3572448	1	Plate, Clamp	
19	3340896	2	Pad, Rubber	
20	3900283	4	Screw, Button Head	
21	0641622	2	Bolt 3/8 x 2-3/4	
22	0100081	AR	Loctite #454	

SECTION 4 - BOOM

FIGURE 4-8. POWER TRACK ASSEMBLY (E600J/E600JP/M600J/M600JP)



ART_0259837

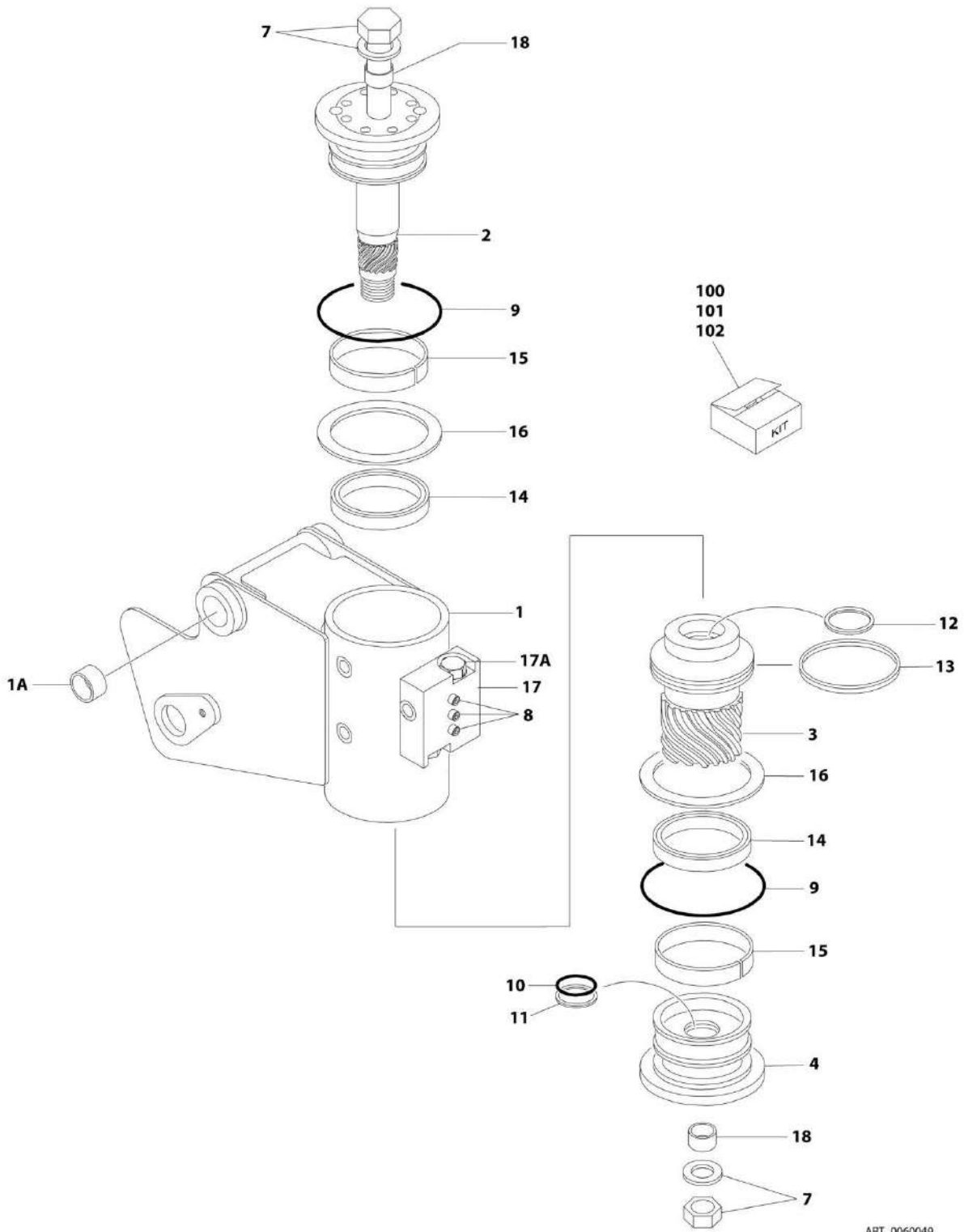
SECTION 4 - BOOM

FIGURE 4-8. POWER TRACK ASSEMBLY (E600J/E600JP/M600J/M600JP)

ITEM	PART NUMBER	QTY	DESCRIPTION	REV
	0259837	Ref	POWER TRACK ASSEMBLY (E600J/E600JP/M600J/M600JP)	G
1	0100011	AR	Compound, Locking	
2	0641606	14	Bolt 3/8 x 3/4	
3	0641608	4	Bolt 3/8 x 1	
4	0641620	1	Bolt 3/8 x 2-1/2	
5	0641640	2	Bolt 3/8 x 5	
6	1180356	1	Powertrack	
6	7020266	4	Bar (Top Plastic)	
6	7020265	4	Link (Inner)	
6	7020264	12	Link (Outer)	
6	7020262	6	Ring, Retaining	
6	7020260	4	Foot, Mounting	
6	7020261	6	Pin (Center)	
6	7026182	2	Roller, Poly	
6	7026170	2	Bar, Aluminum	
7	1320288	2	Clamp, Hose	
8	3340764	2	Pad, Push Tube	
9	3340787	1	Pad, Wear	
10	3340941	5	Pad, Rubber	
11	3538758	1	Plate, Backing	
12	4070969	AR	Shim	
13	4711600	18	Washer 3/8	
14	4846163	1	Tube, Push	
15	4846165	1	Support	
16	3311605	3	Nut 3/8	
17	3340939	1	Pad, Rubber	
18	3572448	1	Plate, Clamp	
19	3340896	2	Pad, Rubber	
20	3900283	4	Screw, Button Head	
21	0100081	AR	Loctite #454	
22	0641622	2	Bolt 3/8 x 2-3/4	

SECTION 4 - BOOM

FIGURE 4-9. ROTATOR ASSEMBLY (E600/M600)



ART_0060049

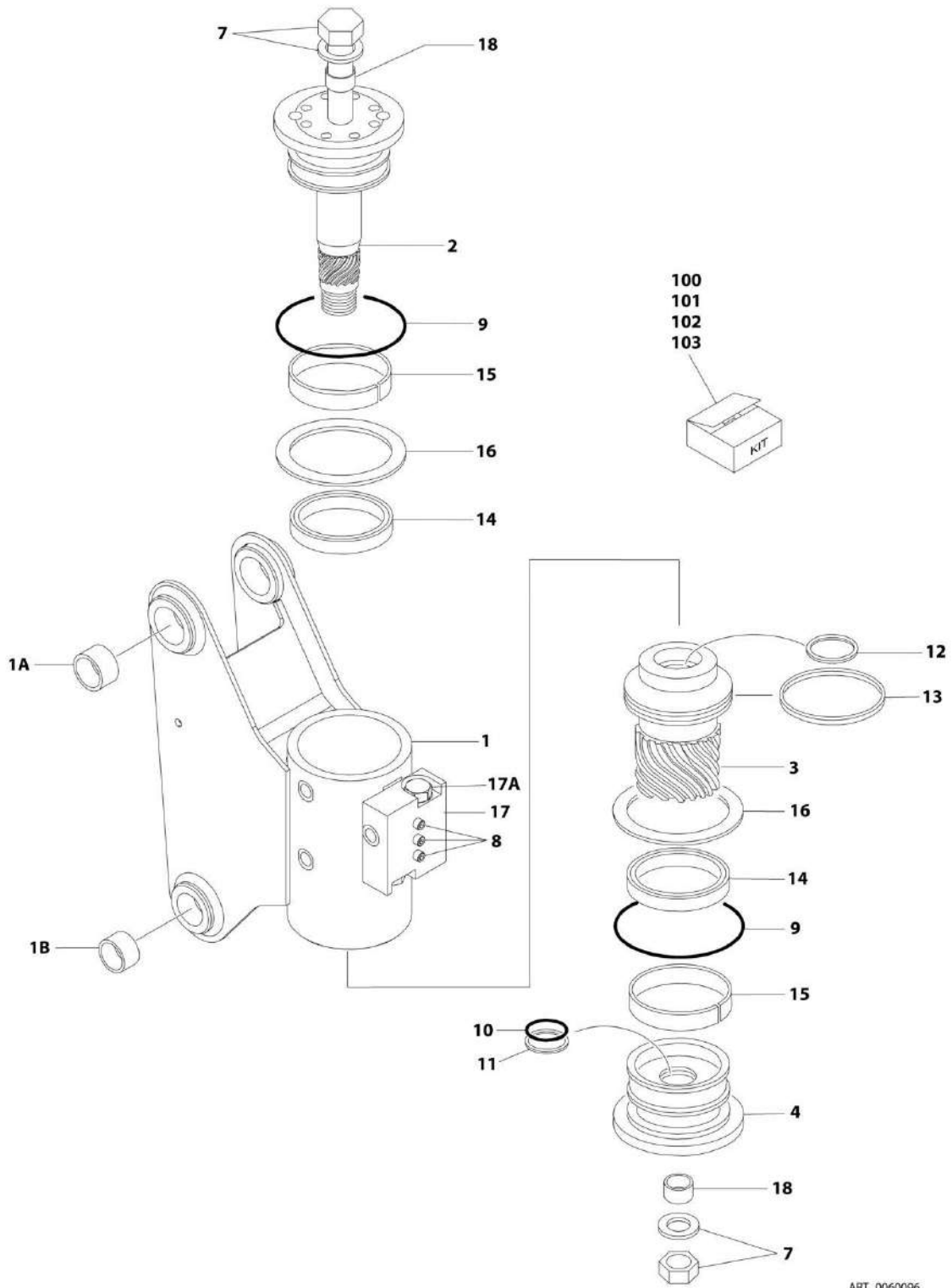
SECTION 4 - BOOM

FIGURE 4-9. ROTATOR ASSEMBLY (E600/M600)

ITEM	PART NUMBER	QTY	DESCRIPTION	REV
	0060049	Ref	ROTATOR ASSEMBLY (E600/M600)	D
1	See Note	NSS	Case/Bracket Weldment (Note: Not Available - Purchase Complete Assembly)	
1A	0961951	2	Bushing (Top)	
2	7017162	1	Shaft	
3	7017163	1	Sleeve, Piston	
4	7017164	1	Cap, End	
7	0642684	1	Bolt 1-8 x 10-1/2	
7	4892600	2	Washer	
7	3272605	1	Nut 1-8	
8	See Note	NSS	Capscrew 1/4 x 1-1/2 Grade 8 (Note: Not Available - Purchase Locally)	
9	See Note	NSS	O-Ring (Note: Use Item 100)	
10	See Note	NSS	O-Ring (Note: Use Item 100)	
11	See Note	NSS	Ring, Back-up Cap (Note: Use Item 100)	
12	See Note	NSS	Seal, Rod (Note: Use Item 100)	
13	See Note	NSS	Seal, Piston (Note: Use Item 100)	
14	See Note	NSS	Seal, Cap (Note: Use Item 100)	
15	See Note	NSS	Guide, Wear (Note: Use Item 101)	
16	See Note	NSS	Thrustwasher (Note: Use Item 101)	
17		Ref	Counterbalance Valve Assembly Options:	
17	7017172	1	Helac p/n 24327 Stamped beside Mounting Screws	
17	7017172	1	Helac p/n 26553 or 26554 Stamped beside Mounting Screws	
17A		Ref	Valve, Cartridge Options:	
17A	7011323	2	Valve, Cartridge for Helac p/n 24327 Valve	
17A	2900770	2	Seal Kit - 7011323 Cartridge (1 Per Assembly)	
17A	7017192	2	Valve, Cartridge Helac p/n 26553 (No Seal Kit Available)	
18	7017195	2	Bushing	
		Ref	KIT OPTIONS:	
100		Ref	Seal Kit Options (Includes Items 9-14)	
100	7017158	1	Standard	
100	70000342	1	Cold Climate	
101	7017159	1	Bearing Kit (Includes Items 15 & 16)	
102	7017160	1	Bushing Kit (Includes Items 1A & 18)	

SECTION 4 - BOOM

FIGURE 4-10. ROTATOR ASSEMBLY (E600J/M600J) (SN 0300219271 through 0300221080)



ART_0060096

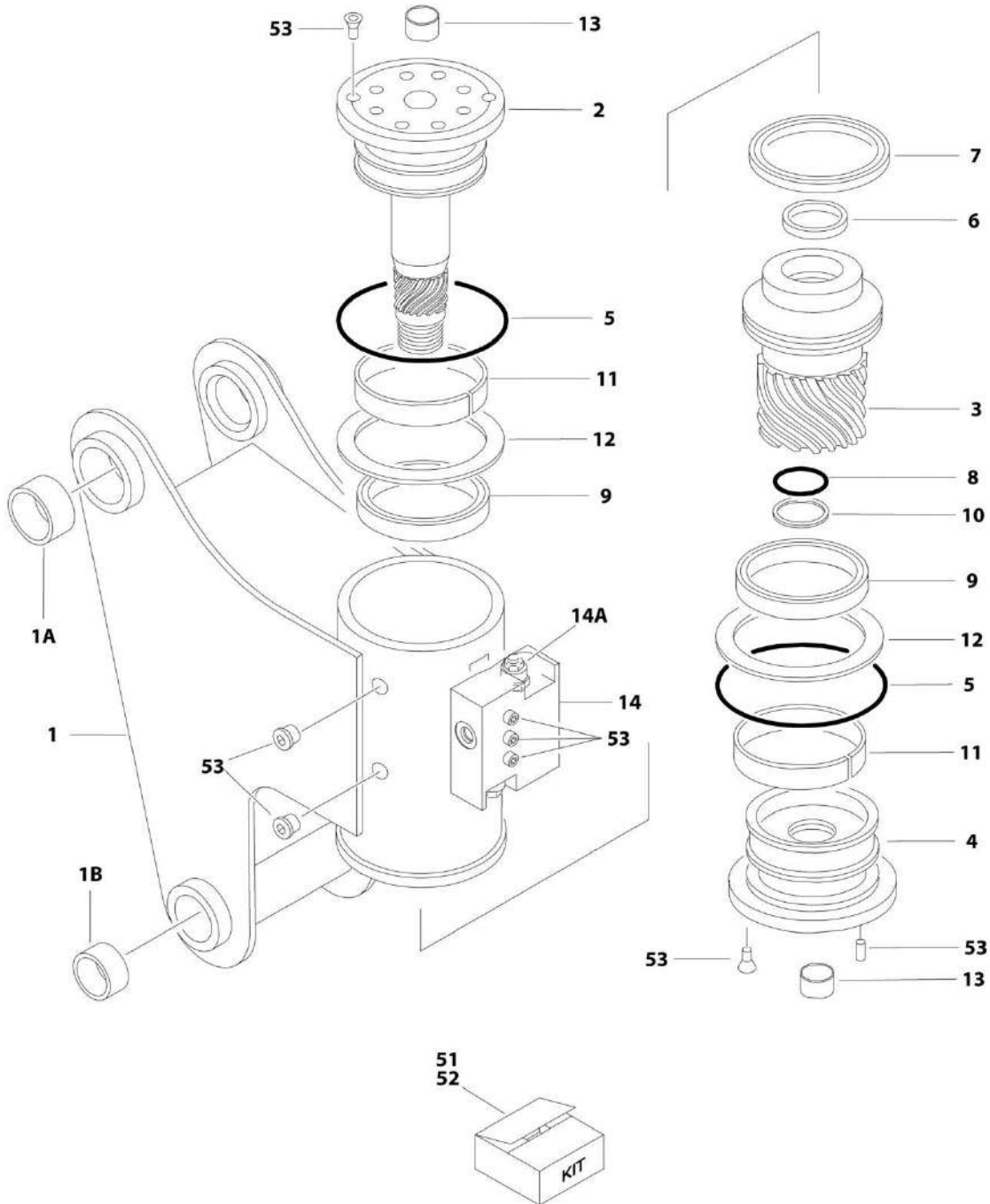
SECTION 4 - BOOM

FIGURE 4-10. ROTATOR ASSEMBLY (E600J/M600J) (SN 0300219271 through 0300221080)

ITEM	PART NUMBER	QTY	DESCRIPTION	REV
	0060096	Ref	ROTATOR ASSEMBLY (E600J/M600J) (SN 0300219271 through 0300221080)	B
1	See Note	NSS	Case/Bracket Weldment (Note: Not Available - Purchase Complete Assembly)	
1A	0962257	2	Bushing (Top)	
1B	0961947	2	Bushing (Bottom)	
2	7017162	1	Shaft	
3	7017163	1	Sleeve, Piston	
4	7017164	1	Cap, End	
7	0642684	1	Bolt 1-8 x 10-1/2	
7	4892600	2	Washer	
7	3272605	1	Nut 1-8	
8	See Note	NSS	Capscrew 1/4 x 1-1/2 Grade 8 (Note: Not Available - Purchase Locally)	
9	See Note	NSS	Seal (Note: Use Item 100)	
10	See Note	NSS	O-Ring (Note: Use Item 100)	
11	See Note	NSS	Ring, Back-up Cap (Note: Use Item 100)	
12	See Note	NSS	Seal, Rod (Note: Use Item 100)	
13	See Note	NSS	Seal, Piston (Note: Use Item 100)	
14	See Note	NSS	Seal, Cap (Note: Use Item 100)	
15	See Note	NSS	Guide, Wear (Note: Use Item 101)	
16	See Note	NSS	Thrustwasher (Note: Use Item 101)	
17		Ref	Counterbalance Valve Assembly Options:	
17	7017172	1	Helac p/n 24327 Stamped beside Mounting Screws	
17	7017172	1	Helac p/n 26553 or 26554 Stamped beside Mounting Screws	
17A		Ref	Valve, Cartridge Options:	
17A	7011323	2	Valve, Cartridge for Helac p/n 24327 Valve	
17A	2900770	2	Seal Kit - 7011323 Cartridge (1 Per Assembly)	
17A	7017192	2	Valve, Cartridge Helac p/n 26553 (No Seal Kit Available)	
18	0962257	2	Bushing	
		Ref	KIT OPTIONS:	
100	70000342	1	Seal Kit (Includes Items 9-14)	
101	7017159	1	Bearing Kit (Includes Items 15 & 16)	
102	7017160	1	Bushing Kit (Includes Items 1A, 1B & 18)	
103	7017142	1	Hardware Kit	

SECTION 4 - BOOM

FIGURE 4-11. ROTATOR ASSEMBLY (E600J/M600J) (SN 0300221081 through 0300232627)



ART_1001165302

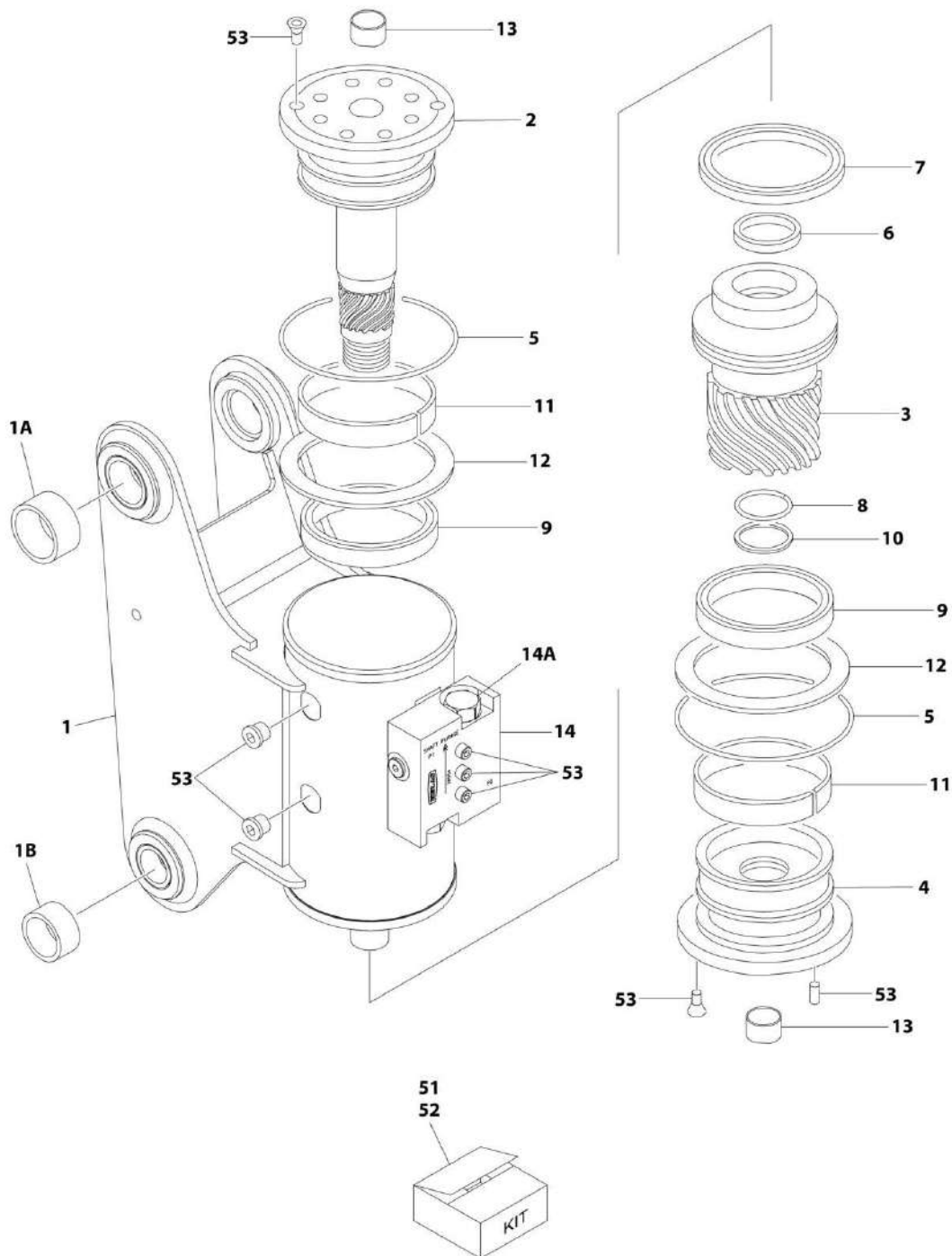
SECTION 4 - BOOM

FIGURE 4-11. ROTATOR ASSEMBLY (E600J/M600J) (SN 0300221081 through 0300232627)

ITEM	PART NUMBER	QTY	DESCRIPTION	REV
	1001165302	Ref	ROTATOR ASSEMBLY (E600J/M600J) (SN 0300221081 through 0300232627)	I
1	See Note	NSS	Housing (Note: Purchase Complete Assembly)	
1A	0962257	2	Bushing	
1B	0961947	2	Bushing	
2	7017162	1	Shaft	
3	7017163	1	Piston	
4	7017164	1	Cap, End	
5	See Note	NSS	O-Ring (Note: Use p/n 70000342)	
6	See Note	NSS	Seal, Rod (Note: Purchase p/n 70000342)	
7	See Note	NSS	Seal, Piston (Note: Purchase p/n 70000342)	
8	See Note	NSS	Seal, Cap (Note: Purchase p/n 70000342)	
9	See Note	NSS	Packing, Bearing (Note: Purchase p/n 70000342)	
10	See Note	NSS	Ring, Back-up (Note: Purchase p/n 70000342)	
11	See Note	NSS	Bearing, Shaft (Note: Purchase p/n 7017159)	
12	See Note	NSS	Washer, Thrust (Note: Purchase p/n 7017159)	
13	7017195	2	Bushing	
14	7017172	1	Counterbalance Valve Assembly	
14A	7017192	2	Valve Cartridge (No Seal Kit Available)	
51	70000342	1	Seal Kit (Includes Items 5-10)	
52	7017159	1	Bearing Kit (Includes Items 11 & 12)	
53	7017142	1	Hardware Kit	

SECTION 4 - BOOM

FIGURE 4-12. ROTATOR ASSEMBLY (E600J/M600J) (SN 0300232628 to Present)



ART_1001217779

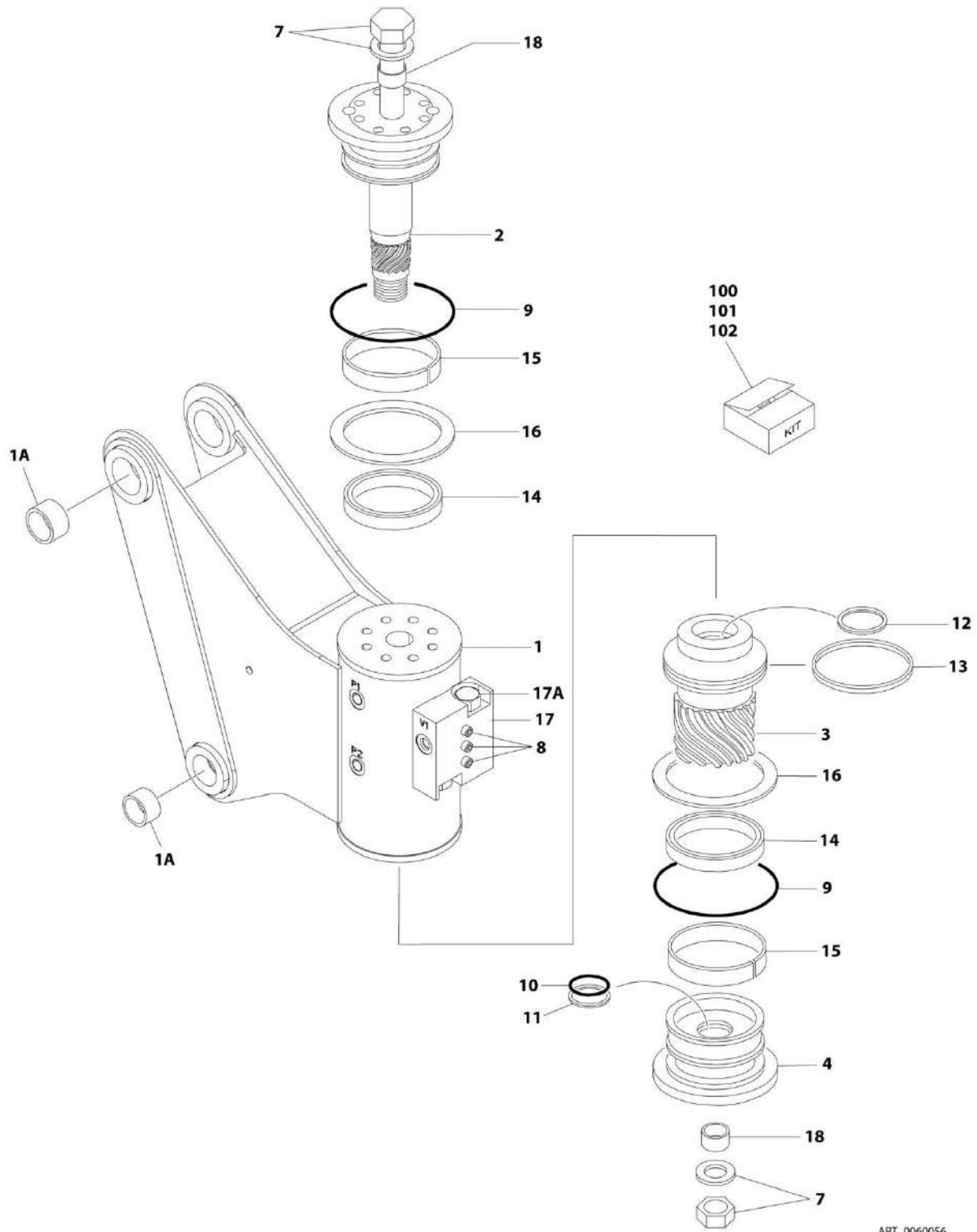
SECTION 4 - BOOM

FIGURE 4-12. ROTATOR ASSEMBLY (E600J/M600J) (SN 0300232628 to Present)

ITEM	PART NUMBER	QTY	DESCRIPTION	REV
	1001217779	Ref	ROTATOR ASSEMBLY (E600J/M600J) (SN 0300232628 to Present)	B
1	See Note	NSS	Housing (Note: Purchase Complete Assembly)	
1A	0962257	2	Bushing	
1B	0961947	2	Bushing	
2	7017162	1	Shaft	
3	7017163	1	Piston	
4	7017164	1	Cap, End	
5	See Note	NSS	O-Ring (Note: Use p/n 70000342)	
6	See Note	NSS	Seal, Rod (Note: Purchase p/n 70000342)	
7	See Note	NSS	Seal, Piston (Note: Purchase p/n 70000342)	
8	See Note	NSS	Seal, Cap (Note: Purchase p/n 70000342)	
9	See Note	NSS	Packing, Bearing (Note: Purchase p/n 70000342)	
10	See Note	NSS	Ring, Back-up (Note: Purchase p/n 70000342)	
11	See Note	NSS	Bearing, Shaft (Note: Purchase p/n 7017159)	
12	See Note	NSS	Washer, Thrust (Note: Purchase p/n 7017159)	
13	7017195	2	Bushing	
14	7017172	1	Counterbalance Valve Assembly	
14A	7017192	2	Valve Cartridge (No Seal Kit Available)	
51	70000342	1	Seal Kit (Includes Items 5-10)	
52	7017159	1	Bearing Kit (Includes Items 11 & 12)	
53	7017142	1	Hardware Kit	

SECTION 4 - BOOM

FIGURE 4-13. ROTATOR ASSEMBLY - PLATFORM ROTATE (E600JP/M600JP)



ART_0060056

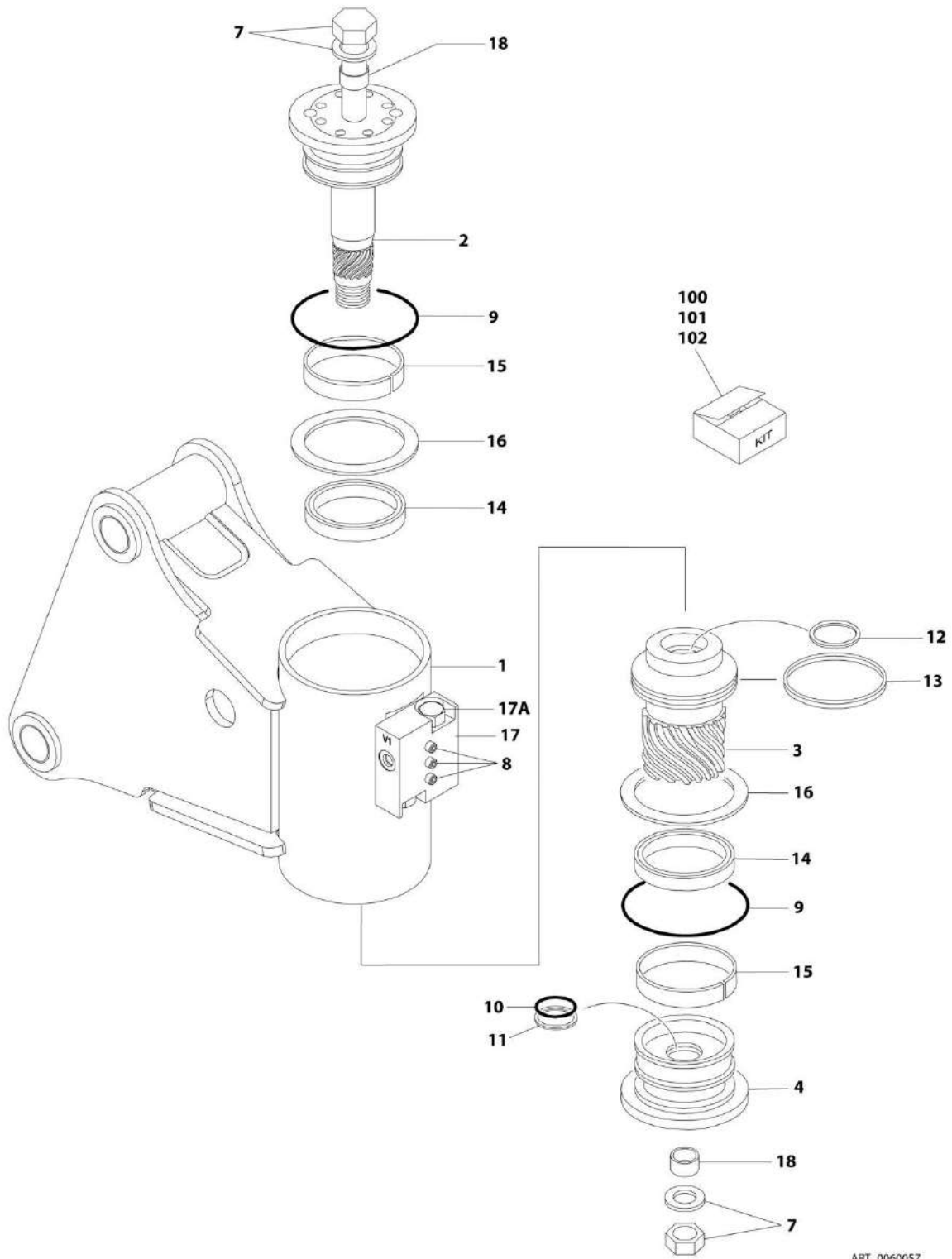
SECTION 4 - BOOM

FIGURE 4-13. ROTATOR ASSEMBLY - PLATFORM ROTATE (E600JP/M600JP)

ITEM	PART NUMBER	QTY	DESCRIPTION	REV
	0060056	Ref	ROTATOR ASSEMBLY - PLATFORM ROTATE (E600JP/M600JP)	B
1	See Note	NSS	Case/Bracket Weldment (Note: Not Available - Purchase Complete Assembly)	
1A	7017170	4	Bushing	
2	7017162	1	Shaft	
3	7017163	1	Sleeve, Piston	
4	7017164	1	Cap, End	
7	0642684	1	Bolt 1-8 x 10-1/2	
7	4892600	2	Washer	
7	3272605	1	Nut 1-8	
8	See Note	NSS	Capscrew 1/4 x 1-1/2 Grade 8 (Note: Not Available - Purchase Locally)	
9	See Note	NSS	Seal (Note: Use Item 100)	
10	See Note	NSS	O-Ring (Note: Use Item 100)	
11	See Note	NSS	Ring, Back-up Cap (Note: Use Item 100)	
12	See Note	NSS	Seal, Rod (Note: Use Item 100)	
13	See Note	NSS	Seal, Piston (Note: Use Item 100)	
14	See Note	NSS	Seal, Cap (Note: Use Item 100)	
15	See Note	NSS	Guide, Wear (Note: Use Item 101)	
16	See Note	NSS	Thrustwasher (Note: Use Item 101)	
17		Ref	Counterbalance Valve Assembly Options:	
17	7017172	1	Helac p/n 24327 Stamped beside Mounting Screws	
17	7017172	1	Helac p/n 26553 or 26554 Stamped beside Mounting Screws	
17A		Ref	Valve, Cartridge Options:	
17A	7011323	2	Valve, Cartridge for Helac p/n 24327 Valve	
17A	2900770	2	Seal Kit - 7011323 Cartridge (1 Per Assembly)	
17A	7017192	2	Valve, Cartridge Helac p/n 26553 (No Seal Kit Available)	
18	7017195	2	Bushing	
		Ref	KIT OPTIONS:	
100		Ref	Seal Kit Options: (Includes Items 9-14)	
100	7017158	1	Standard	
100	70000342	1	Cold Climate	
101	7017159	1	Bearing Kit (Includes Items 15 & 16)	
102	7017160	1	Bushing Kit (Includes Items 1A, 1B & 18)	

SECTION 4 - BOOM

FIGURE 4-14. ROTATOR ASSEMBLY - SIDE SWING ROTATE (E600JP/M600JP)



ART_0060057

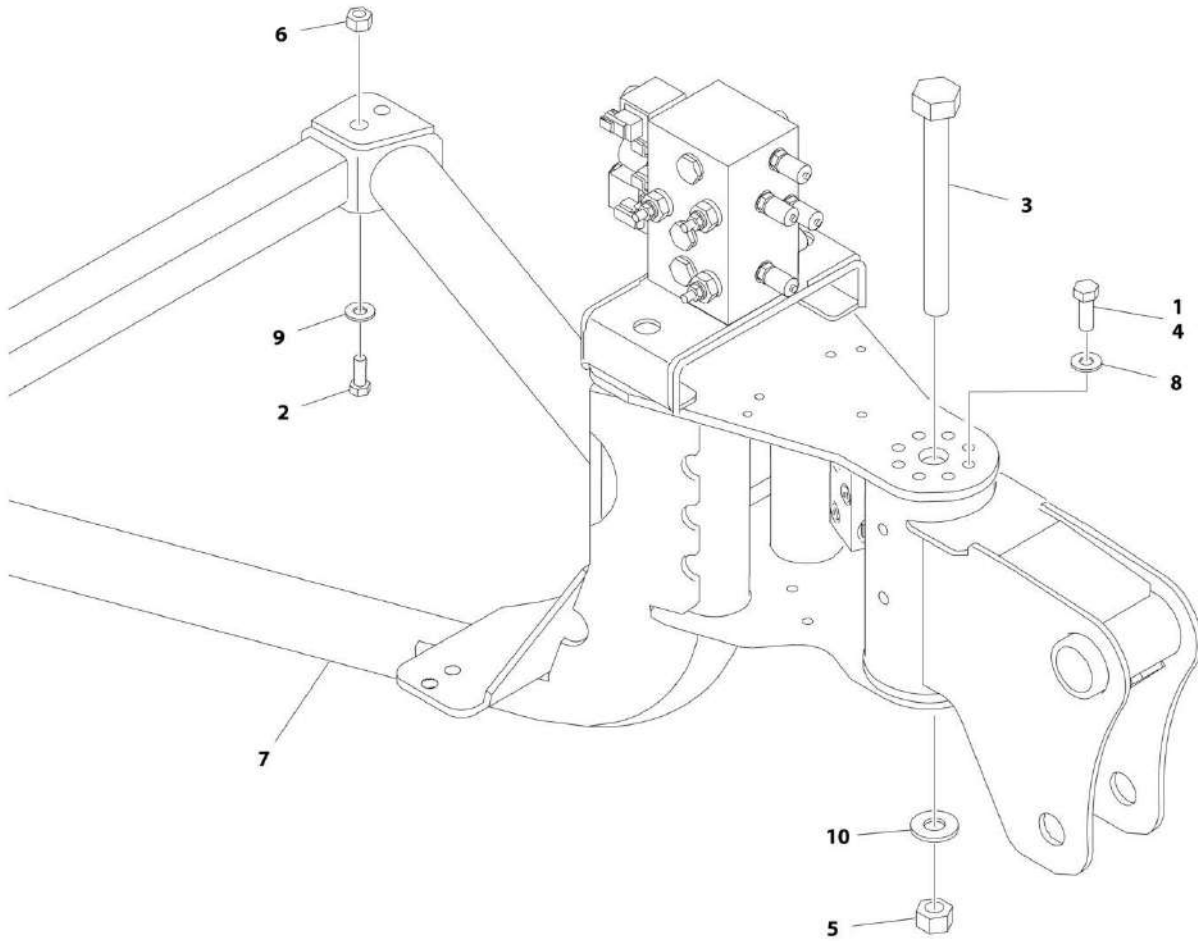
SECTION 4 - BOOM

FIGURE 4-14. ROTATOR ASSEMBLY - SIDE SWING ROTATE (E600JP/M600JP)

ITEM	PART NUMBER	QTY	DESCRIPTION	REV
	0060057	Ref	ROTATOR ASSEMBLY - SIDE SWING ROTATE (E600JP/M600JP)	D
1	See Note	NSS	Case/Bracket Weldment (Note: Not Available - Purchase Complete Assembly)	
2	7017167	1	Shaft	
3	7017168	1	Sleeve, Piston	
4	7017169	1	Cap, End	
7	0642684	1	Bolt 1-8 x 10-1/2	
7	4892600	2	Washer	
7	3272605	1	Nut 1-8	
8	See Note	NSS	Capscrew 1/4 x 1-1/2 Grade 8 (Note: Not Available - Purchase Locally)	
9	See Note	NSS	Seal (Note: Use Item 100)	
10	See Note	NSS	O-Ring (Note: Use Item 100)	
11	See Note	NSS	Ring, Back-up Cap (Note: Use Item 100)	
12	See Note	NSS	Seal, Rod (Note: Use Item 100)	
13	See Note	NSS	Seal, Piston (Note: Use Item 100)	
14	See Note	NSS	Seal, Cap (Note: Use Item 100)	
15	See Note	NSS	Guide, Wear (Note: Use Item 101)	
16	See Note	NSS	Thrustwasher (Note: Use Item 101)	
17		Ref	Counterbalance Valve Assembly Options:	
17	7017172	1	Helac p/n 24327 Stamped beside Mounting Screws	
17	7017172	1	Helac p/n 26553 or 26554 Stamped beside Mounting Screws	
17A		Ref	Valve, Cartridge Options:	
17A	7011323	2	Valve, Cartridge for Helac p/n 24327 Valve	
17A	2900770	2	Seal Kit - 7011323 Cartridge (1 Per Assembly)	
17A	7017192	2	Valve, Cartridge Helac p/n 26553 (No Seal Kit Available)	
18	7017195	2	Bushing	
		Ref	KIT OPTIONS:	
100		Ref	Seal Kit (Includes Items 9-14)	
100	7017165	1	Standard	
100	70000340	1	Cold Climate	
101	7017178	1	Bearing Kit (Includes Items 15 & 16)	
102	7017160	1	Bushing Kit (Includes Item 18)	

SECTION 4 - BOOM

FIGURE 4-15. PLATFORM SUPPORT INSTALLATION - WITHOUT LSS



ART_0272070

FIGURE 4-15. PLATFORM SUPPORT INSTALLATION - WITHOUT LSS

ITEM	PART NUMBER	QTY	DESCRIPTION	REV
	0272070	Ref	PLATFORM SUPPORT INSTALLATION - WITHOUT LSS	D
1	0100011	AR	Compound, Locking	
2	0641812	8	Bolt 1/2 x 1-1/2	
3	0642684	1	Bolt 1-8 x 10-1/2	
4	0681608	8	Bolt 3/8 x 1	
5	3272605	1	Nut 1-8	
6	3311805	8	Nut 1/2	
7	4846573	1	Support Weldment	
8	4891600	8	Washer 3/8	
9	4891800	8	Washer 1/2	
10	4892600	1	Washer	

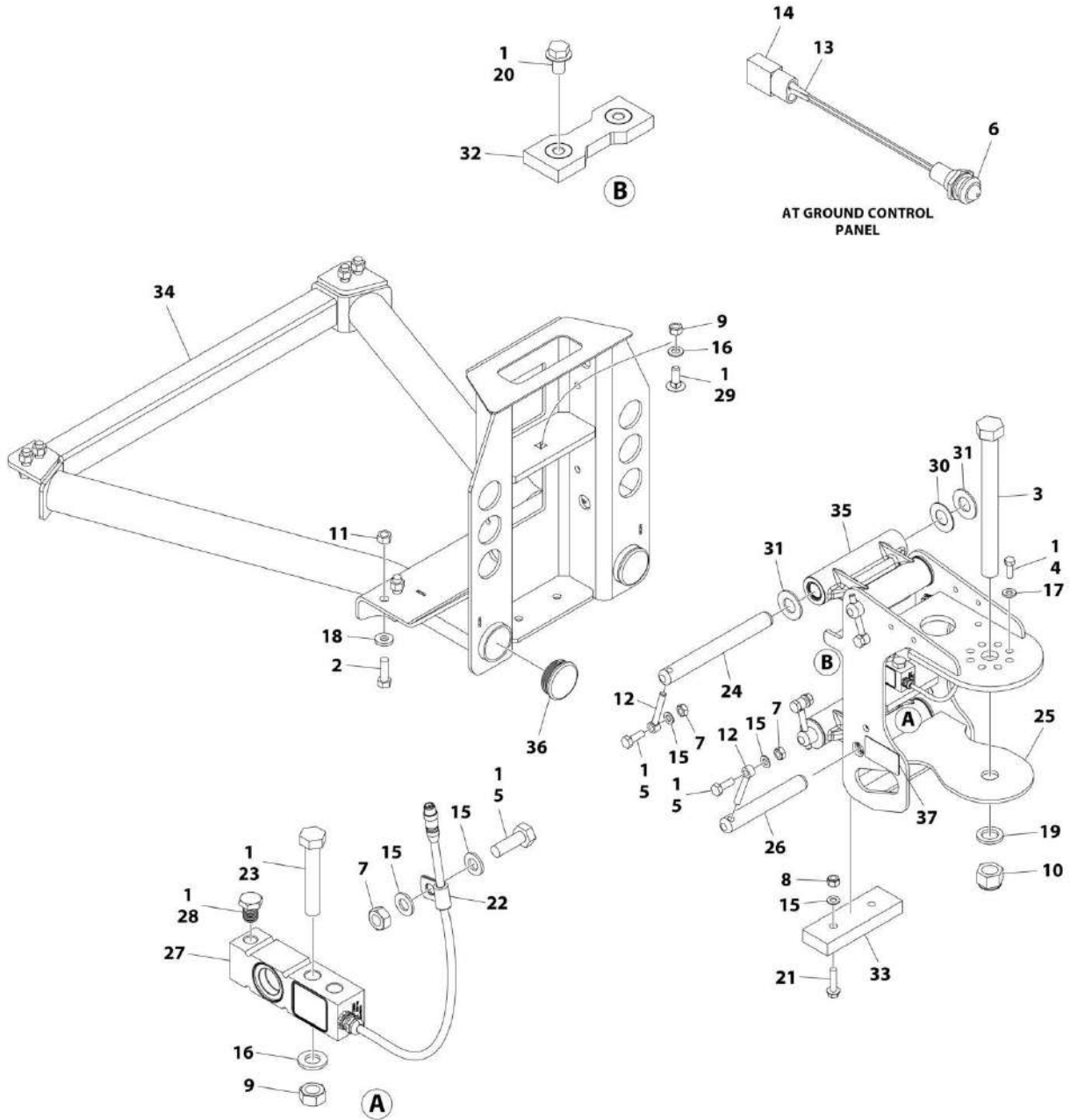
SECTION 4 - BOOM

FIGURE 4-16. PLATFORM SUPPORT INSTALLATION - WITH 4 CELL LSS

ITEM	PART NUMBER	QTY	DESCRIPTION	REV
	1001204272	Ref	PLATFORM SUPPORT INSTALLATION - WITH 4 CELL LSS	C
1	0100011	AR	Compound, Locking	
2	0100048	AR	Grease, Dielectric	
3	0641405	6	Bolt 1/4 x 5/8	
4	0641407	1	Bolt 1/4 x 7/8	
5	0641416	3	Bolt 1/4 x 2	
6	0641822	8	Bolt 1/2 x 2-3/4	
7	0642024	4	Bolt 5/8 x 3	
8	0642684	1	Bolt 1 x 10-1/2	
9	0681608	8	Bolt 3/8 x 1 Grade 8	
10	0902919	2	Bracket, Cell Guard	
11	0902920	2	Bracket, Cell Guard	
12	0962450	4	Bushing, Spacer	
13	1271538	2	Channel	
14	1320136	6	Clamp	
15	1320224	2	Clamp	
16	1600387	1	Module, Control - LSS (Note: Recalibration Required When Replaced)	
17	2420202	4	Cell, Load (Includes Cable)	
18	2540038	1	Grommet	
19	2920151	1	Light	
20	3272605	1	Nut 1 Grade 8	
21	3311405	10	Nut 1/4	
22	3311805	8	Nut 1/2	
23	3312005	4	Nut 5/8	
24	3900283	4	Screw 3/8 x 3/4	
25	4061054	2	Shield	
26	4240033	AR	Tie-Strap (Not Shown)	
27	4460226	2	Socket, Female	
28	4460424	1	Connector - 2 Position	
29	4460428	1	Connector, Strain Relief	
30	4711400	13	Washer 1/4	
31	4711600	4	Washer 3/8	
32	4751400	1	Washer 1/4	
33	4846573	1	Support, Platform	
34	4891600	8	Washer 3/8	
35	4891800	8	Washer 1/2	
36	4892000	4	Washer 5/8	
37	4892600	1	Washer 1	
38	1001113483	1	Bracket, Module Mount	
39	1001192283	1	LSS Harness	
39	4460226	2	Socket, Female	
39	4460227	4	Socket, Female	
39	4460836	1	Connector - 12 Position (Black) (J2)	
39	4460944	2	Socket, Female	
39	4460466	10	Plug, Terminal	
39	4460933	1	Connector - 12 Position (Grey) (J1)	
39	4460465	2	Socket, Female	
39	4460466	10	Plug, Terminal	

SECTION 4 - BOOM

FIGURE 4-17. PLATFORM SUPPORT INSTALLATION - WITH 1 CELL LSS



ART_1001219342

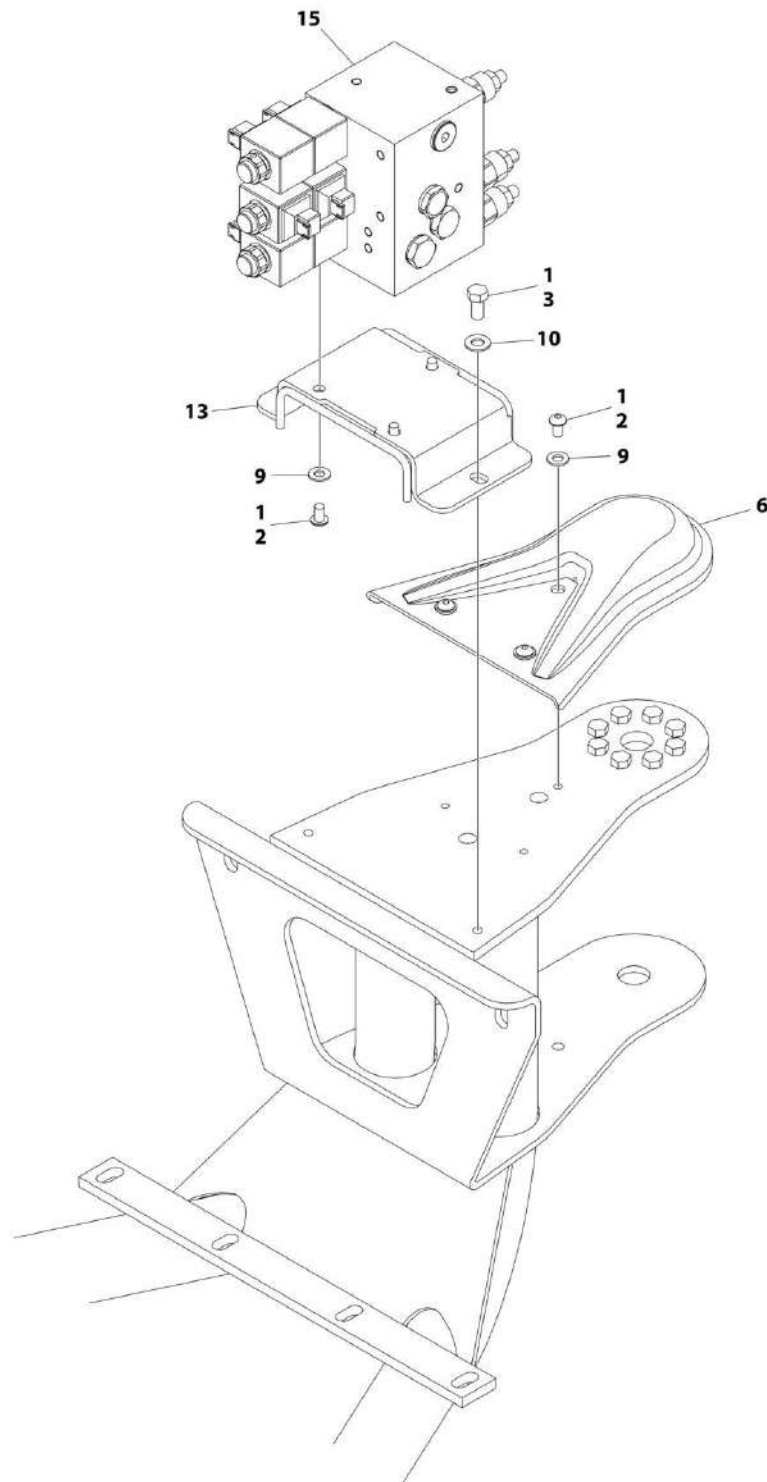
SECTION 4 - BOOM

FIGURE 4-17. PLATFORM SUPPORT INSTALLATION - WITH 1 CELL LSS

ITEM	PART NUMBER	QTY	DESCRIPTION	REV
	1001219342	Ref	PLATFORM SUPPORT INSTALLATION - WITH 1 CELL LSS	C
1	0100011	AR	Compound, Locking	
2	0641812	1	Bolt 1/2 x 1-1/2 (Prior to SN 0300235266)	
2	0761216	8	Bolt M12 x 40 (SN 0300235266 to Present)	
3	0642684	1	Bolt 1 x 10-1/2	
4	0681608	8	Bolt 3/8 x 1	
5	0761014	5	Bolt M10 x 30	
6	2920151	1	Light	
7	3291001	5	Nut M10	
8	3291005	2	Nut M10	
9	3291201	3	Nut M12	
10	3300243	1	Nut 1	
11	3311805	8	Nut 1/2 (Prior to SN 0300235266)	
11	3291205	8	Nut M12 (SN 0300235266 to Present)	
12	3841143	4	Keeper	
13	4460226	2	Socket, Female	
14	4460424	1	Connector - 2 Position	
15	4812000	8	Washer M10	
16	4812100	3	Washer M12	
17	4891600	8	Washer 3/8	
18	4891800	8	Washer 1/2 (Prior to SN 0300235266)	
18	5241200	8	Washer M12 (SN 0300235266 to Present)	
19	4892600	1	Washer 1	
20	5251008	2	Bolt M10 x 16	
21	5251016	2	Bolt M10 x 40	
22	91203039	1	Clamp, Support	
23	1001098828	2	Bolt M12 x 70 Grade 10.9	
24	1001167565	2	Pin	
25	1001167567	1	Platform Support	
26	1001168402	2	Pin	
27	1001172663	1	Gauge, Load Sensing	
28	1001188622	1	Screw M12	
29	1001188844	1	Bolt M12 x 35	
30	1001189001	4	Bearing	
31	1001189002	8	Bearing	
32	1001190985	1	Pad, Wear	
33	1001200491	1	Plate	
34	1001200494	1	Support	
35	1001201351	2	LSS Link Assembly	
35	1001187392	4	Bearing	
35	1001187383	4	Seal	
36	1001204725	2	Plug	
37	1001216630	2	Decal - Tie Down/No Lift	

SECTION 4 - BOOM

FIGURE 4-18. ROTATOR VALVE INSTALLATION - WITHOUT LSS OR WITH 4 CELL LSS (E600/E600J/M600/M600J)



ART_1001177858_20F2

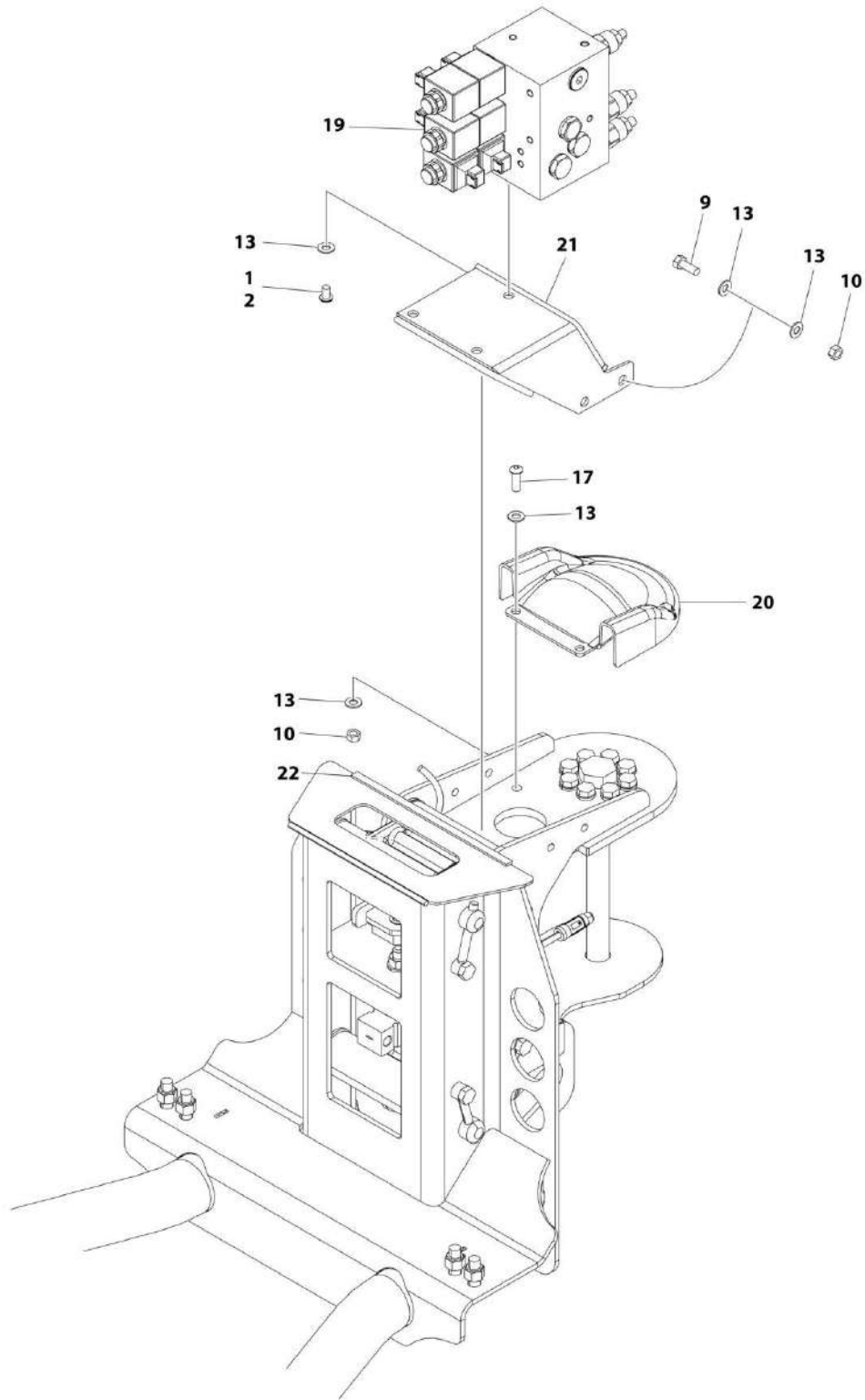
SECTION 4 - BOOM

**FIGURE 4-18. ROTATOR VALVE INSTALLATION - WITHOUT LSS OR WITH 4 CELL LSS
(E600/E600J/M600/M600J)**

ITEM	PART NUMBER	QTY	DESCRIPTION	REV
	1001177858	Ref	ROTATOR VALVE INSTALLATION - WITHOUT LSS OR WITH 4 CELL LSS (E600/E600J/M600/M600J)	A
1	0100011	AR	Compound, Locking	
2	0630467	6	Screw, Button Head	
3	0641606	2	Bolt 3/8 x 3/4	
6	1670964	1	Cover, Support	
9	4711500	6	Washer 5/16	
10	4711600	2	Washer 3/8	
13	4846218	1	Valve Mounting Weldment	
15	1001177285	1	Rotator Valve Assembly (See ROTATOR VALVE ASSEMBLY (E600/E600J/M600/M600J) for Breakdown)	

SECTION 4 - BOOM

FIGURE 4-19. ROTATOR VALVE INSTALLATION - WITH 1 CELL LSS (E600/E600J/M600/M600J)



ART_1001219640_20F2

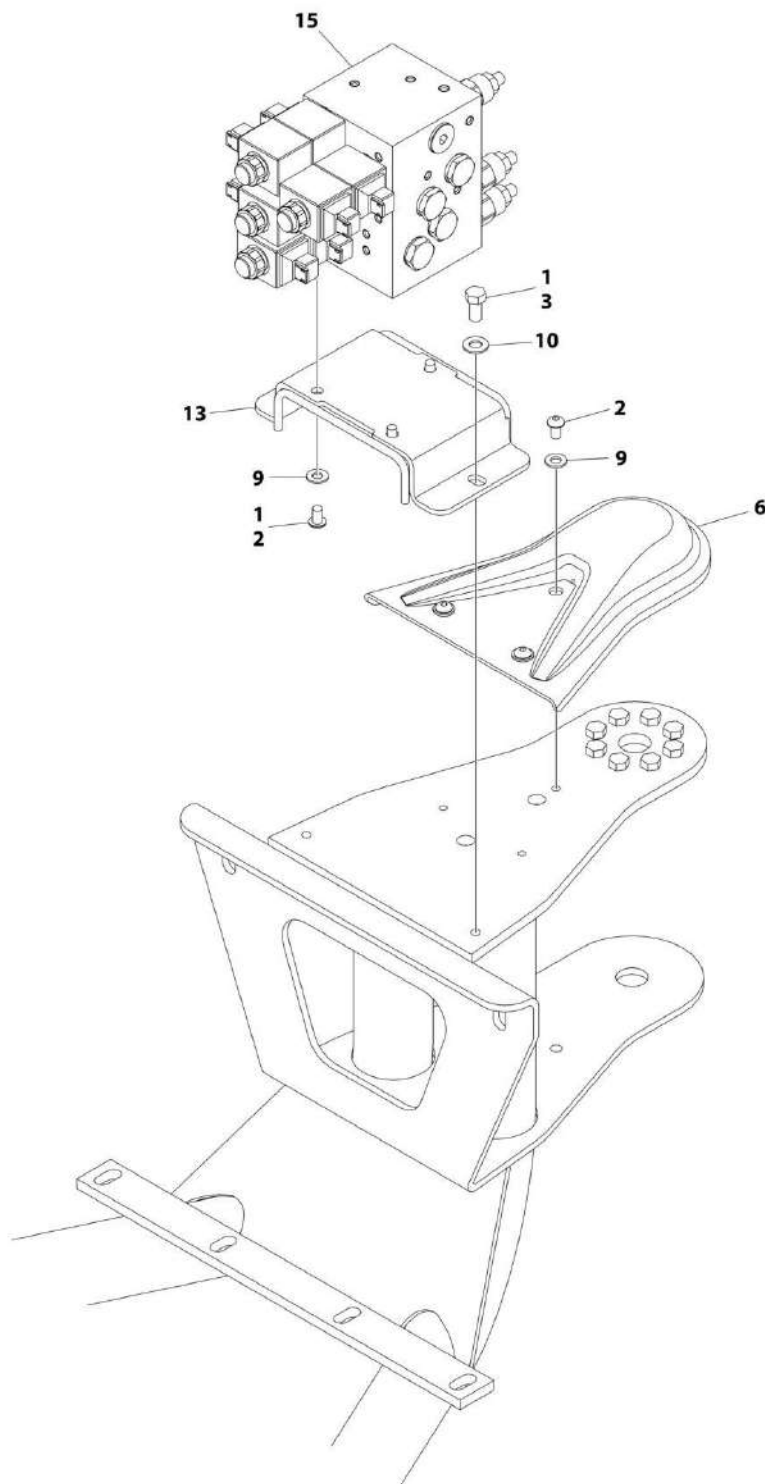
SECTION 4 - BOOM

FIGURE 4-19. ROTATOR VALVE INSTALLATION - WITH 1 CELL LSS (E600/E600J/M600/M600J)

ITEM	PART NUMBER	QTY	DESCRIPTION	REV
	1001219640	Ref	ROTATOR VALVE INSTALLATION - WITH 1 CELL LSS (E600/E600J/M600/M600J)	C
1	0100011	AR	Compound, Locking	
2	0630467	3	Screw, Button Head	
9	0641507	4	Bolt 5/16 x 7/8	
10	3271505	6	Nut 5/16	
13	4711500	15	Washer 5/16	
17	88261024	2	Screw 5/16-18 x 1	
19	1001177285	1	Rotator Valve Assembly (See ROTATOR VALVE ASSEMBLY (E600/E600J/M600/M600J) for Breakdown)	
20	1001207969	1	Cover	
21	1001208994	1	Mount, LSS Valve (Prior to SN 0300236104)	
21	1001233259	1	Mount, LSS Valve (SN 0300236105 to Present)	
22	4060803	AR	Shield, Flex Trim (SN 0300236105 to Present)	

SECTION 4 - BOOM

FIGURE 4-20. ROTATOR VALVE INSTALLATION - WITHOUT LSS OR WITH 4 CELL LSS (E600JP/M600JP)



ART_1001177860_20F2

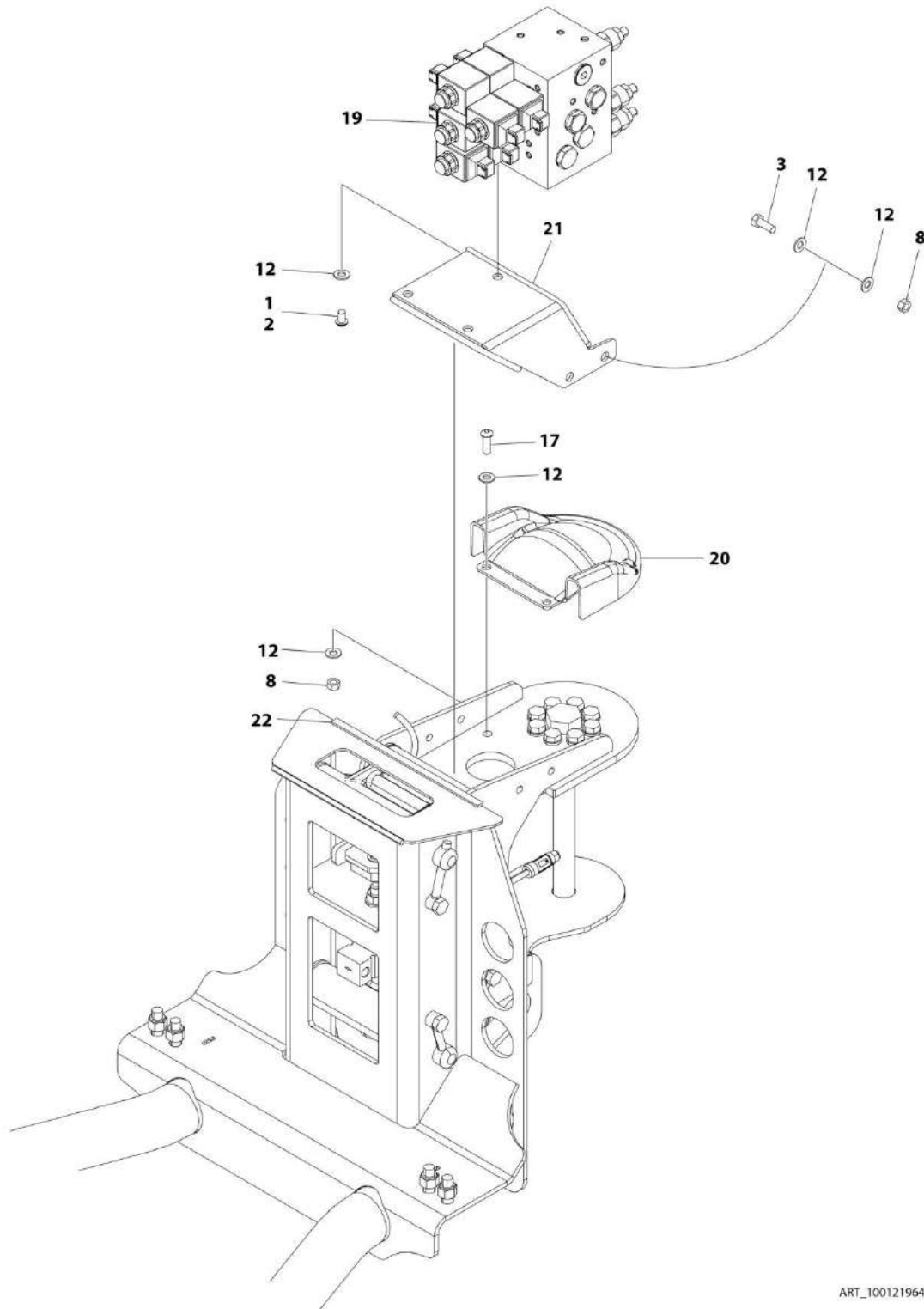
SECTION 4 - BOOM

**FIGURE 4-20. ROTATOR VALVE INSTALLATION - WITHOUT LSS OR WITH 4 CELL LSS
(E600JP/M600JP)**

ITEM	PART NUMBER	QTY	DESCRIPTION	REV
	1001177860	Ref	ROTATOR VALVE INSTALLATION - WITHOUT LSS OR WITH 4 CELL LSS (E600JP/M600JP)	A
1	0100011	AR	Compound, Locking	
2	0630467	6	Screw, Button Head	
3	0641606	2	Bolt 3/8 x 3/4	
6	1670964	1	Cover, Support	
9	4711500	6	Washer 5/16	
10	4711600	2	Washer 3/8	
13	4846218	1	Valve Mounting Weldment	
15	1001177297	1	Rotator Valve Assembly (See ROTATOR VALVE ASSEMBLY (E600JP/M600JP) for Breakdown)	

SECTION 4 - BOOM

FIGURE 4-21. ROTATOR VALVE INSTALLATION - WITH 1 CELL LSS (E600JP/M600JP)



ART_1001219641_20F2

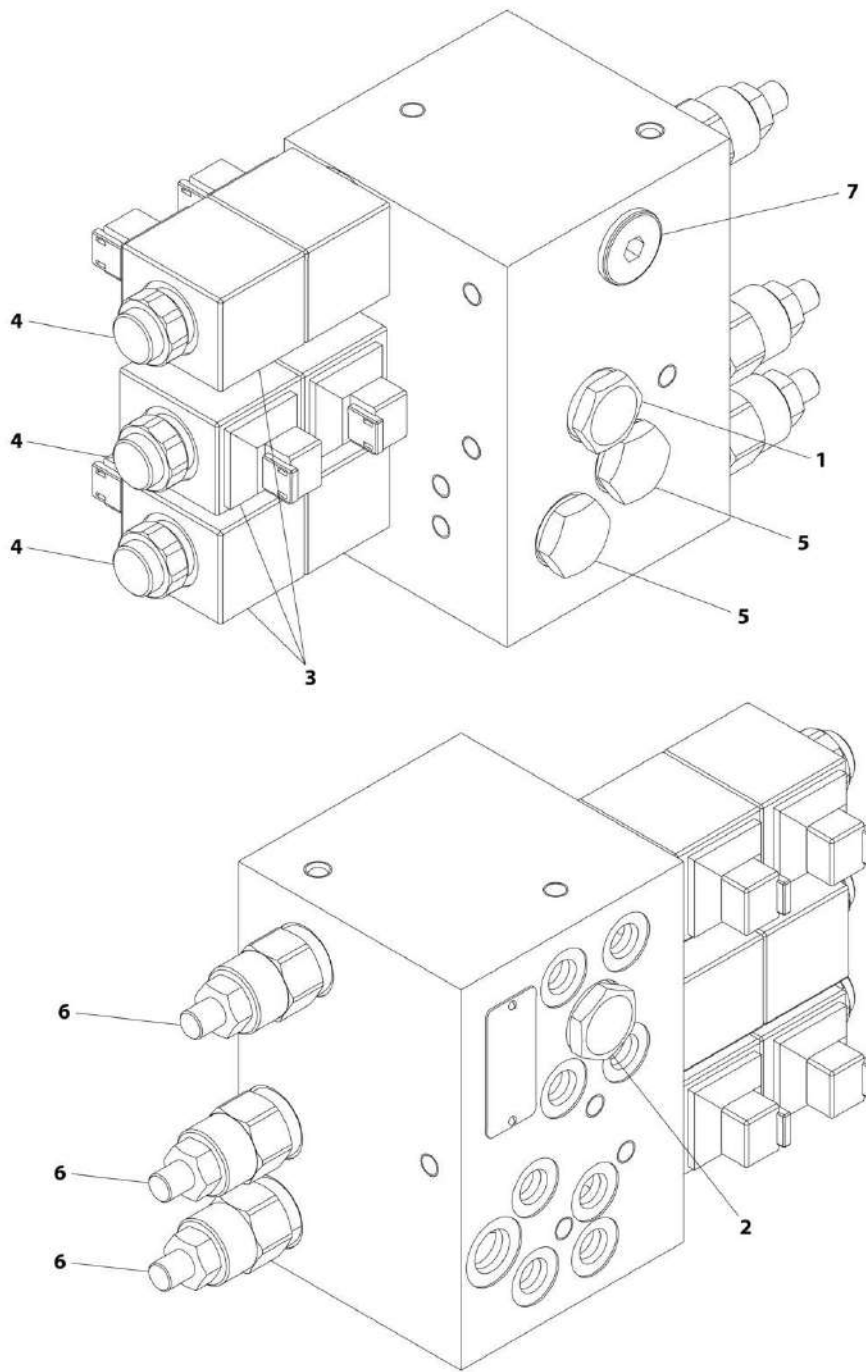
SECTION 4 - BOOM

FIGURE 4-21. ROTATOR VALVE INSTALLATION - WITH 1 CELL LSS (E600JP/M600JP)

ITEM	PART NUMBER	QTY	DESCRIPTION	REV
	1001219641	Ref	ROTATOR VALVE INSTALLATION - WITH 1 CELL LSS (E600JP/M600JP)	C
1	0100011	AR	Compound, Locking	
2	0630467	3	Screw, Button Head	
3	0641507	4	Bolt 5/16 x 7/8	
8	3271505	6	Nut 5/16	
12	4711500	15	Washer 5/16	
17	88261024	2	Screw 5/16-18 x 1	
19	1001177297	1	Rotator Valve Assembly (See ROTATOR VALVE ASSEMBLY (E600JP/M600JP) for Breakdown)	
20	1001207969	1	Cover	
21	1001208994	1	Mount, LSS Valve (Prior to SN 0300238601)	
21	1001233259	1	Mount, LSS Valve (SN 0300238601 to Present)	
22	4060803	AR	Shield, Flex Trim (SN 0300238601 to Present)	

SECTION 4 - BOOM

FIGURE 4-22. ROTATOR VALVE ASSEMBLY (E600/E600J/M600/M600J)



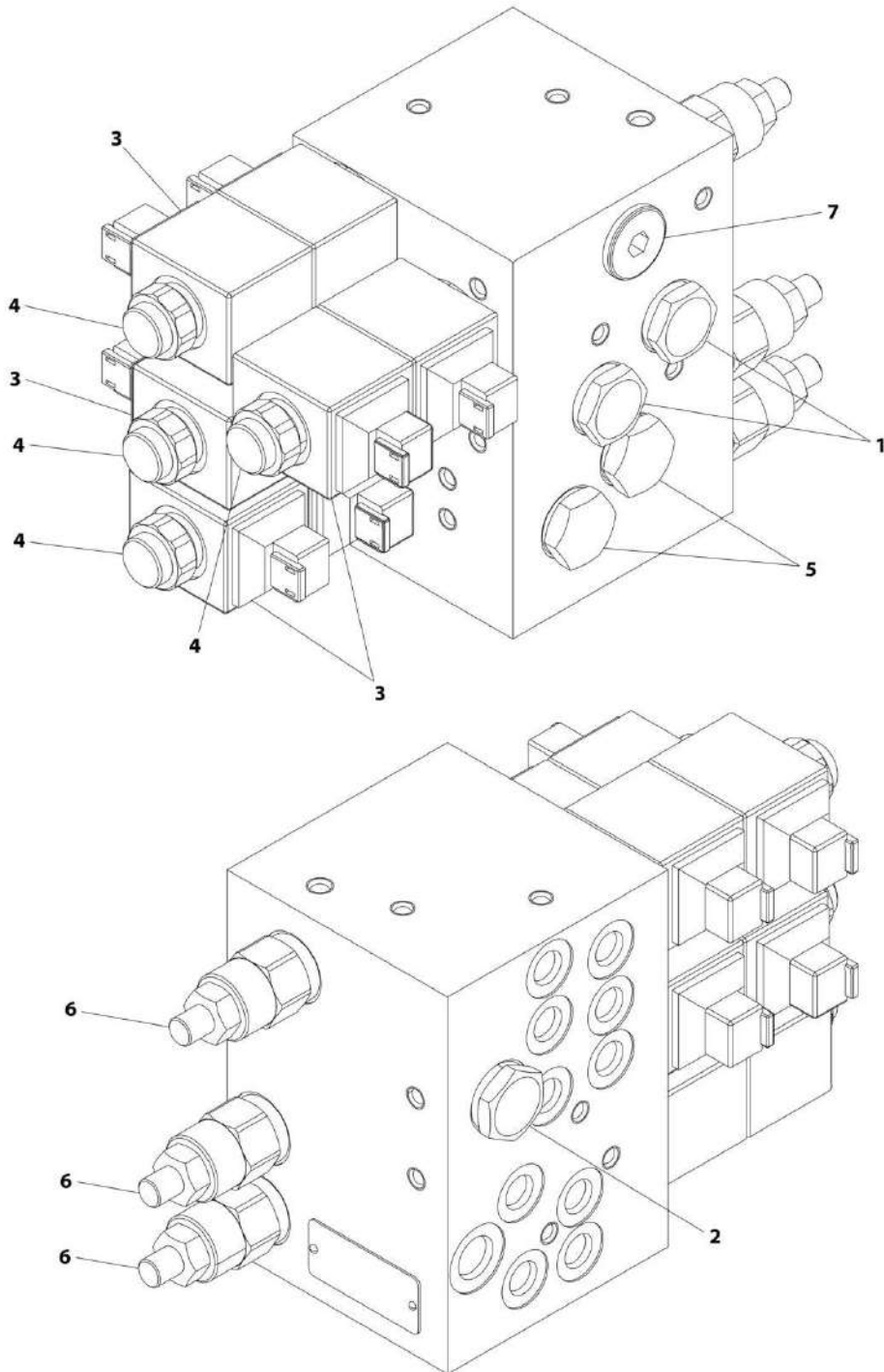
ART_1001177285

FIGURE 4-22. ROTATOR VALVE ASSEMBLY (E600/E600J/M600/M600J)

ITEM	PART NUMBER	QTY	DESCRIPTION	REV
	1001177285	Ref	ROTATOR VALVE ASSEMBLY (E600/E600J/M600/M600J)	B
1	70003027	1	Cartridge, Flow Control (Rotate)	
1	70004052	1	Seal Kit - 70003027 Cartridge	
2	70003021	1	Cartridge, Flow Control (Jib)	
2	70004052	1	Seal Kit - 70003021 Cartridge	
3	70005627	3	Cartridge, Directional Control Valve (Platform Level, Rotate and Jib)	
3	70004053	3	Seal Kit - 70005627 Cartridge	
4	70004588	6	Coil	
4	70005628	6	Coil Nut Kit	
5	70005629	2	Cartridge, Check (Platform Level)	
5	70023860	2	Seal Kit - 70005629 Cartridge	
6	70003019	3	Cartridge, Relief (Platform Level and Jib)	
6	70004052	3	Seal Kit - 70003019 Cartridge	
7	70023859	1	Cartridge, Shuttle Valve Regulator (Jib)	
7	70023860	1	Seal Kit - 70023859 Cartridge	

SECTION 4 - BOOM

FIGURE 4-23. ROTATOR VALVE ASSEMBLY (E600JP/M600JP)



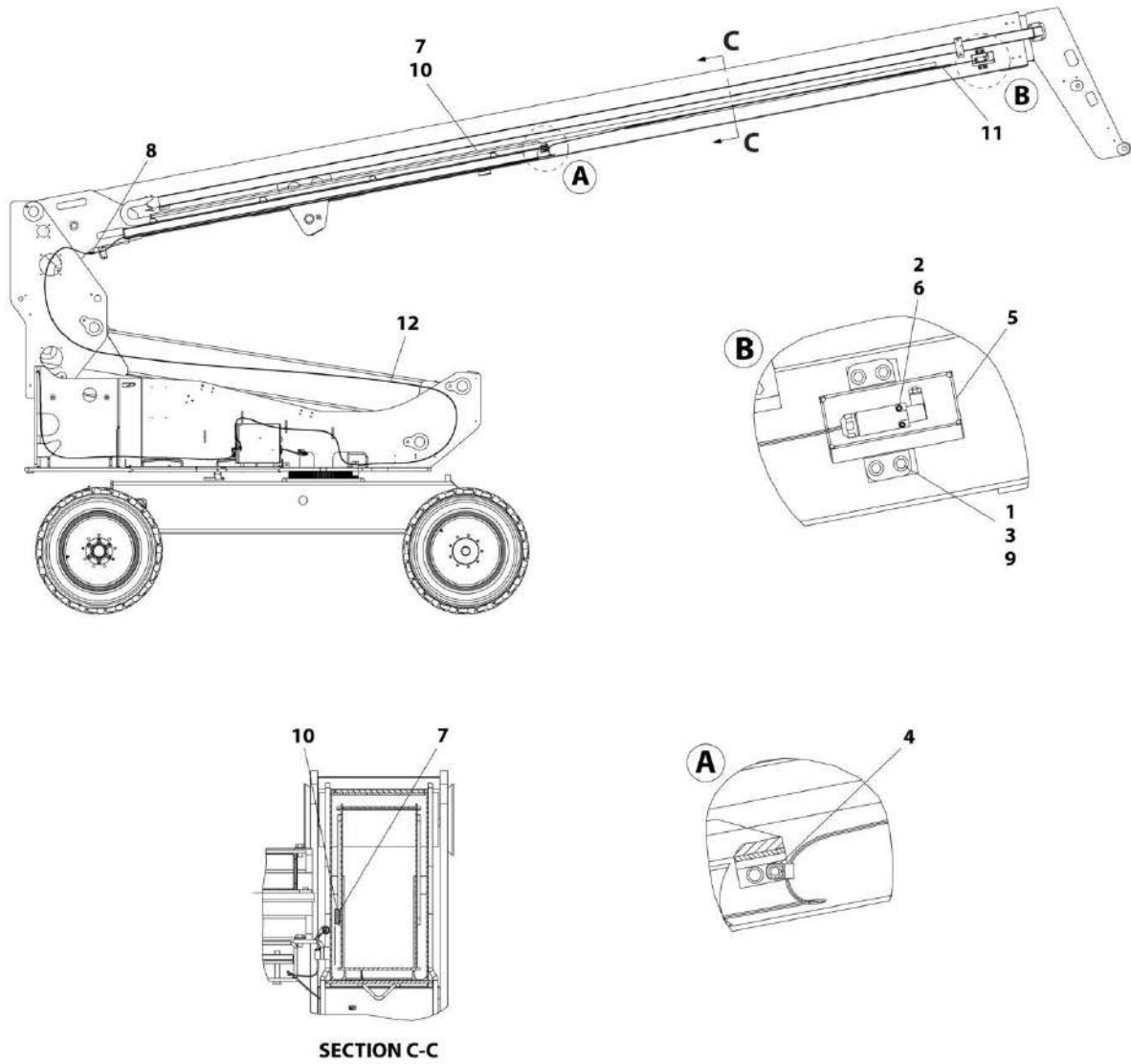
ART_1001177297

FIGURE 4-23. ROTATOR VALVE ASSEMBLY (E600JP/M600JP)

ITEM	PART NUMBER	QTY	DESCRIPTION	REV
	1001177297	Ref	ROTATOR VALVE ASSEMBLY (E600JP/M600JP)	A
1	70003027	2	Cartridge, Flow Control (Rotate and Jib)	
1	70004052	2	Seal Kit - 70003027 Cartridge	
2	70003021	1	Cartridge, Flow Control (Jib)	
2	70004052	1	Seal Kit - 70003021 Cartridge	
3	70005627	4	Cartridge, Directional Control Valve (Platform Level, Rotate, Jib and Jib Plus)	
3	70004053	4	Seal Kit - 70005627 Cartridge	
4	70004588	8	Coil	
4	70005628	8	Coil Nut Kit	
5	70005629	2	Cartridge, Check (Platform Level)	
5	70023860	2	Seal Kit - 70005629 Cartridge	
6	70003019	3	Cartridge, Relief (Platform Level and Jib)	
6	70004052	3	Seal Kit - 70003019 Cartridge	
7	70023859	1	Cartridge, Shuttle Valve Regulator (Jib)	
7	70023860	1	Seal Kit - 70023859 Cartridge	

SECTION 4 - BOOM

FIGURE 4-24. BOOM LIMIT SWITCH INSTALLATION (E600/M600) (CE SPEC ONLY)



ART_1001201364

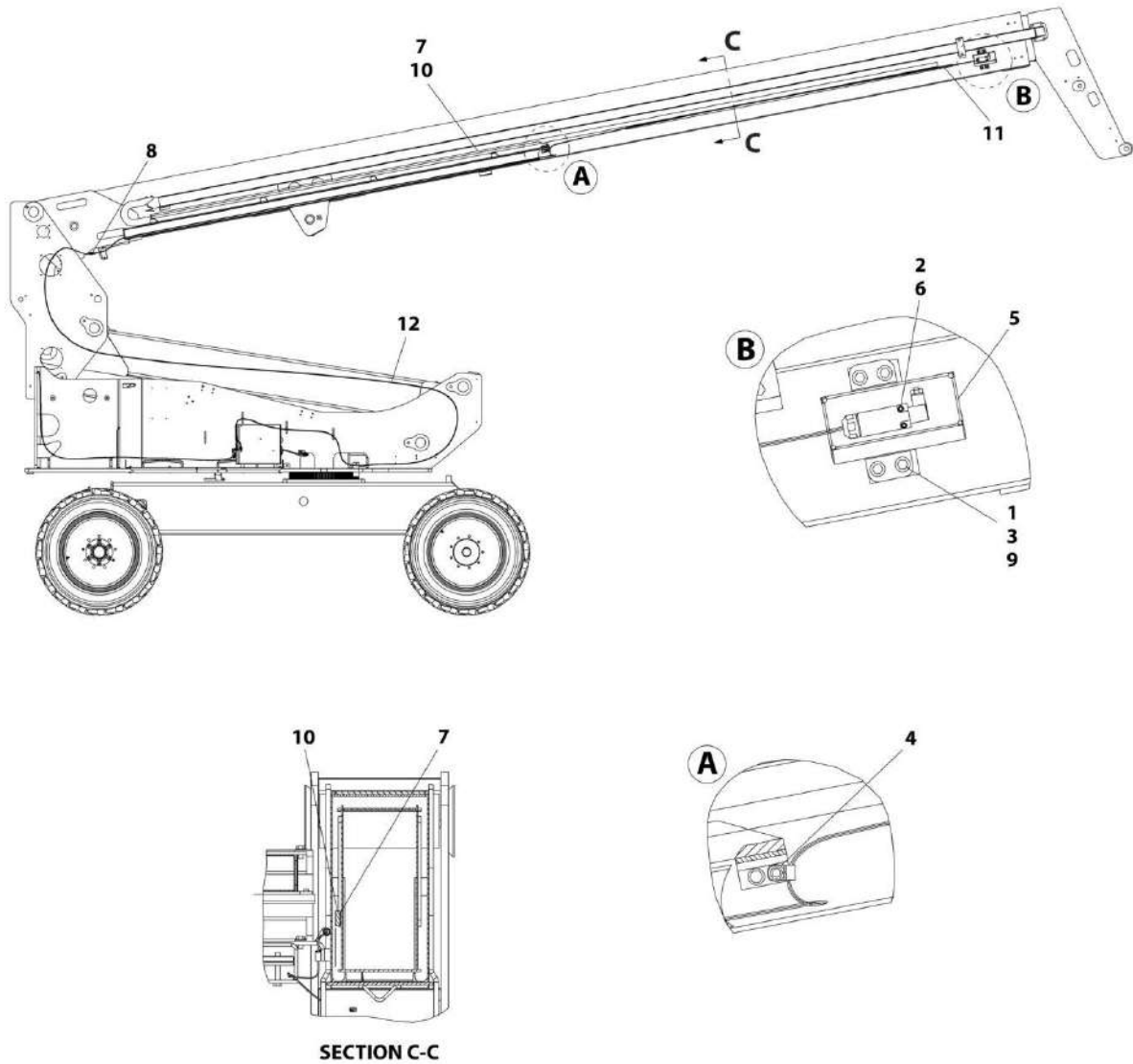
SECTION 4 - BOOM

FIGURE 4-24. BOOM LIMIT SWITCH INSTALLATION (E600/M600) (CE SPEC ONLY)

ITEM	PART NUMBER	QTY	DESCRIPTION	REV
	1001201364	Ref	BOOM LIMIT SWITCH INSTALLATION (E600/M600) (CE SPEC ONLY)	A
1	0100011	AR	Compound, Locking	
2	0100035	AR	Compound, Locking	
3	0641403	4	Bolt 1/4 x 3/8	
4	1320263	1	Clamp, Cable	
5	1670824	1	Cover, Switch	
6	3930816	2	Bolt #8 x 1	
7	4420060	20 ft/6.1m	Tape, Double Sided	
8	4460897	1	Connector - 2 Position	
9	4751400	4	Washer 1/4	
10	1001106477	1	Bar, PVC	
11	1001201247	1	Harness	
11	4460464	2	Pin, Male	
12	1001201329	1	Harness, Transport Boom (See ELECTRICAL SECTION for Breakdown)	

SECTION 4 - BOOM

FIGURE 4-25. BOOM LIMIT SWITCH INSTALLATION (E600J/E600JP/M600J/M600JP) (CE SPEC ONLY)



ART_1001201365

SECTION 4 - BOOM

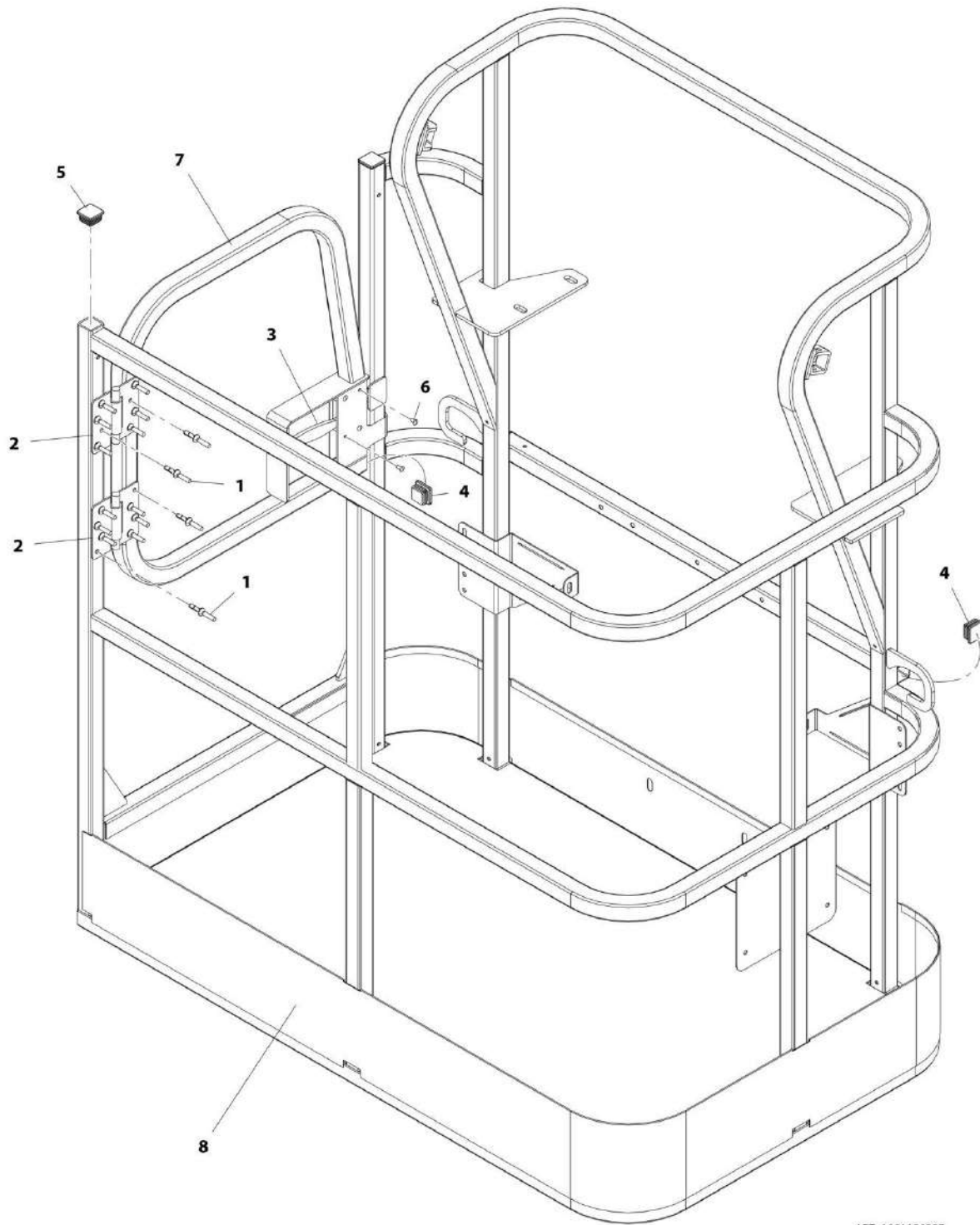
FIGURE 4-25. BOOM LIMIT SWITCH INSTALLATION (E600J/E600JP/M600J/M600JP) (CE SPEC ONLY)

ITEM	PART NUMBER	QTY	DESCRIPTION	REV
	1001201365	Ref	BOOM LIMIT SWITCH INSTALLATION (E600J/E600JP/M600J/M600JP) (CE SPEC ONLY)	A
1	0100011	AR	Compound, Locking	
2	0100035	AR	Compound, Locking	
3	0641403	4	Bolt 1/4 x 3/8	
4	1320263	1	Clamp, Cable	
5	1670824	1	Cover, Switch	
6	3930816	2	Bolt #8 x 1	
7	4420060	20 ft/6.1m	Tape, Double Sided	
8	4460897	1	Connector - 2 Position	
9	4751400	4	Washer 1/4	
10	1001106481	1	Bar, PVC	
11	1001201247	1	Harness	
11	4460464	2	Pin, Male	
12	1001201329	1	Harness, Transport Boom (See ELECTRICAL SECTION for Breakdown)	

SECTION 5 - PLATFORM

SECTION 5 - PLATFORM

FIGURE 5-1. PLATFORM ASSEMBLY - 30IN X 4FT (76CM X 1.22M) - SIDE GATE ENTRY



ART_1001186387

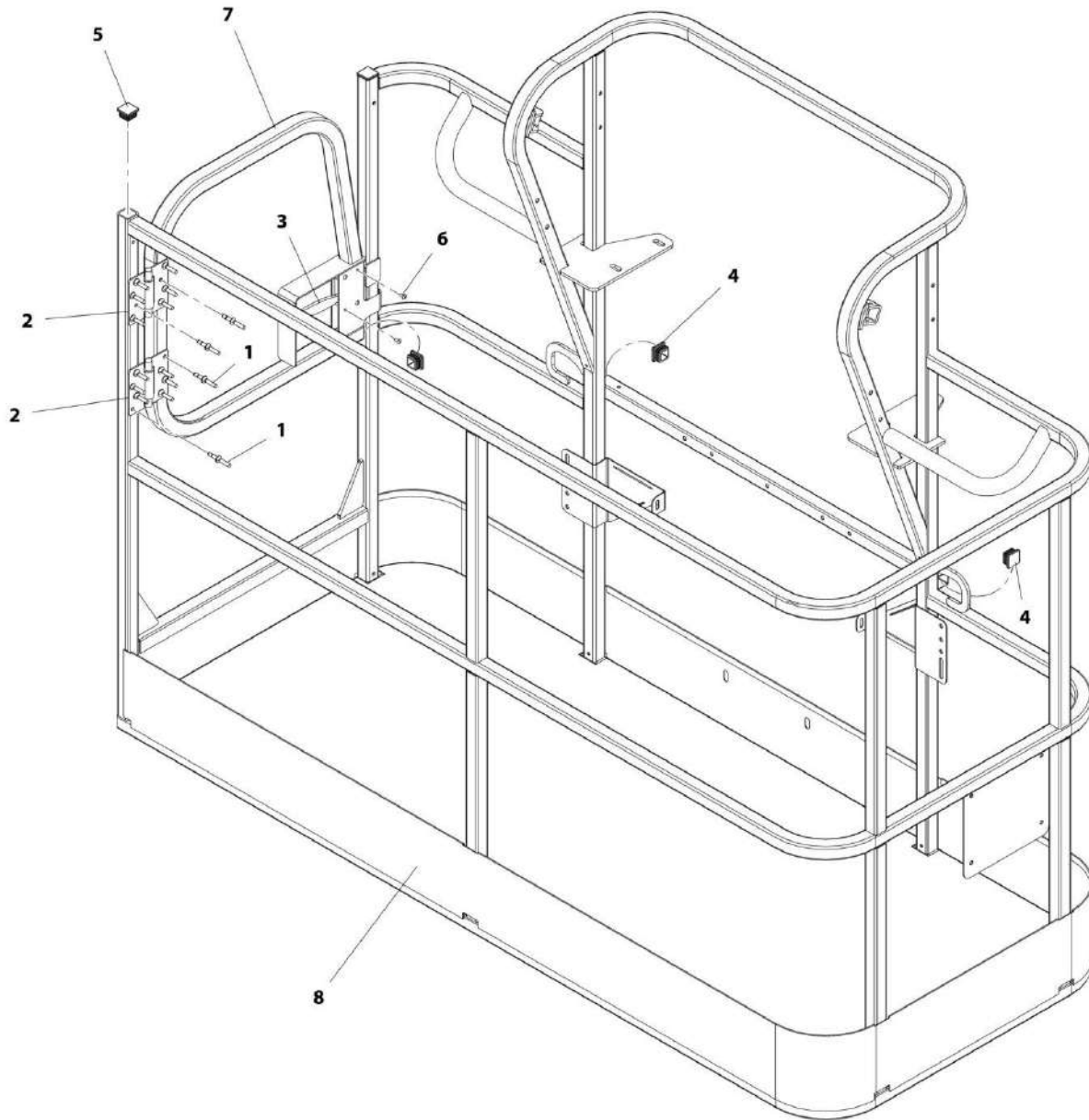
SECTION 5 - PLATFORM

FIGURE 5-1. PLATFORM ASSEMBLY - 30IN X 4FT (76CM X 1.22M) - SIDE GATE ENTRY

ITEM	PART NUMBER	QTY	DESCRIPTION	REV
	1001186387	Ref	PLATFORM ASSEMBLY - 30IN X 4FT (76CM X 1.22M) - SIDE GATE ENTRY	C
	See Note	Ref	Note: Platform and Mesh must be ordered separately for Platforms with Mesh. See SPECIAL OPTIONS SECTION for Mesh Installations.	
	See Note	Ref	Note: Replacement Decals Must be Ordered Separately - See DECALS SECTION.	
1	2080040	16	Fastener, Huck	
2	2600281	2	Hinge, Self-Closing	
3	2940074	1	Latch	
4	3520072	3	Cap, Plug	
5	3520198	2	Cap, Plug	
6	3820020	4	Rivet	
7	1001144629	1	Gate, Weldment	
8	See Note	1	Platform, Weldment (Note: Not Available - Purchase Platform Assembly)	

SECTION 5 - PLATFORM

FIGURE 5-2. PLATFORM ASSEMBLY - 30IN X 6FT (76CM X 1.83M) - SIDE GATE ENTRY



ART_1001186385

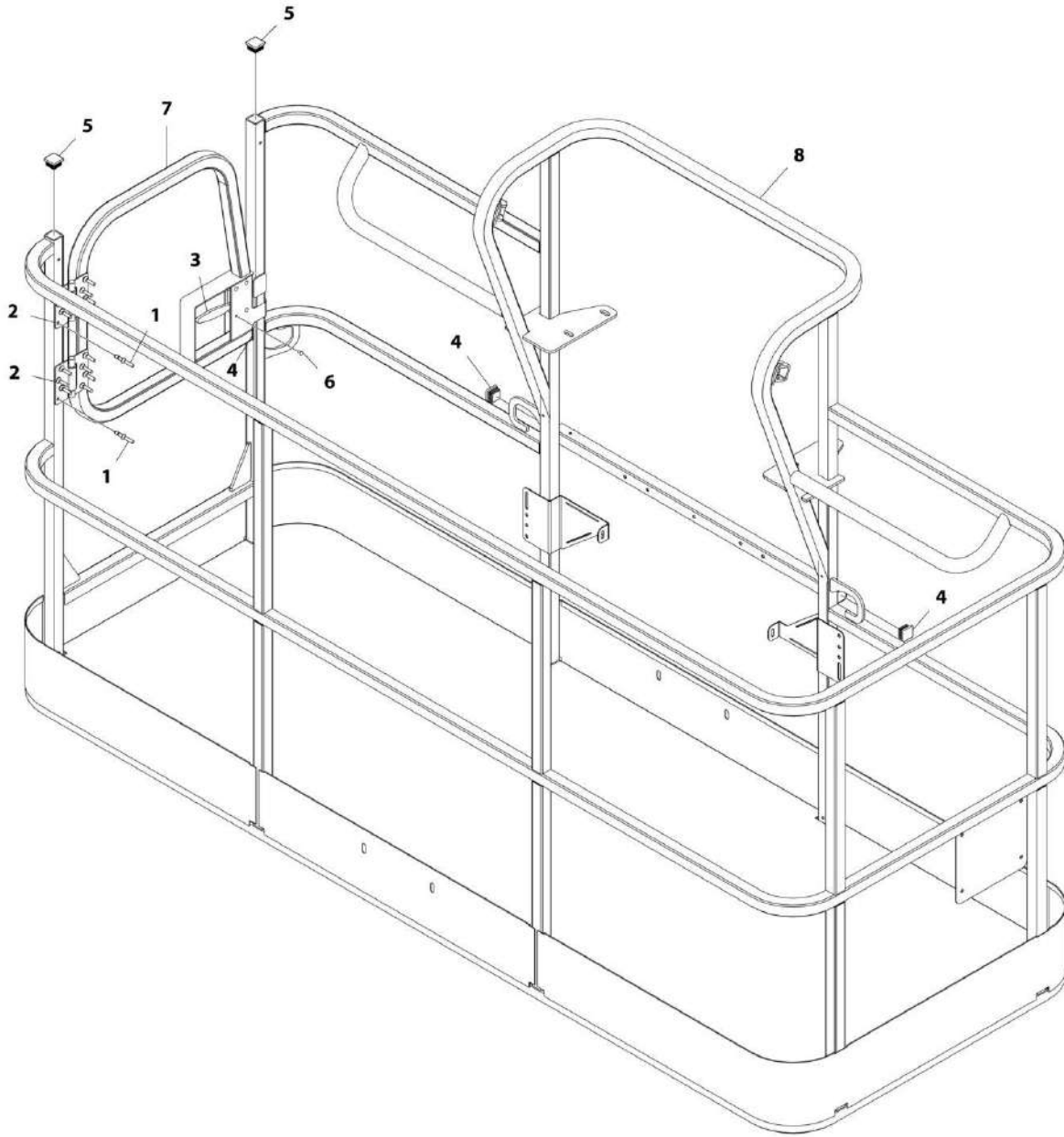
SECTION 5 - PLATFORM

FIGURE 5-2. PLATFORM ASSEMBLY - 30IN X 6FT (76CM X 1.83M) - SIDE GATE ENTRY

ITEM	PART NUMBER	QTY	DESCRIPTION	REV
	1001186385	Ref	PLATFORM ASSEMBLY - 30IN X 6FT (76CM X 1.83M) - SIDE GATE ENTRY	D
	See Note	Ref	Note: Platform and Mesh must be ordered separately for Platforms with Mesh. See SPECIAL OPTIONS SECTION for Mesh Installations.	
	See Note	Ref	Note: Replacement Decals Must be Ordered Separately - See DECALS SECTION.	
1	2080040	16	Fastener, Huck	
2	2600281	2	Hinge, Self-Closing	
3	2940074	1	Latch	
4	3520072	3	Cap, Plug	
5	3520198	2	Cap, Plug	
6	3820020	4	Rivet	
7	1001144629	1	Gate, Weldment	
8	See Note	1	Platform, Weldment (Note: Not Available - Purchase Platform Assembly)	

SECTION 5 - PLATFORM

FIGURE 5-3. PLATFORM ASSEMBLY - 36IN X 8FT (91.5CM X 2.44M) WITH SWING GATE



ART_1001186383

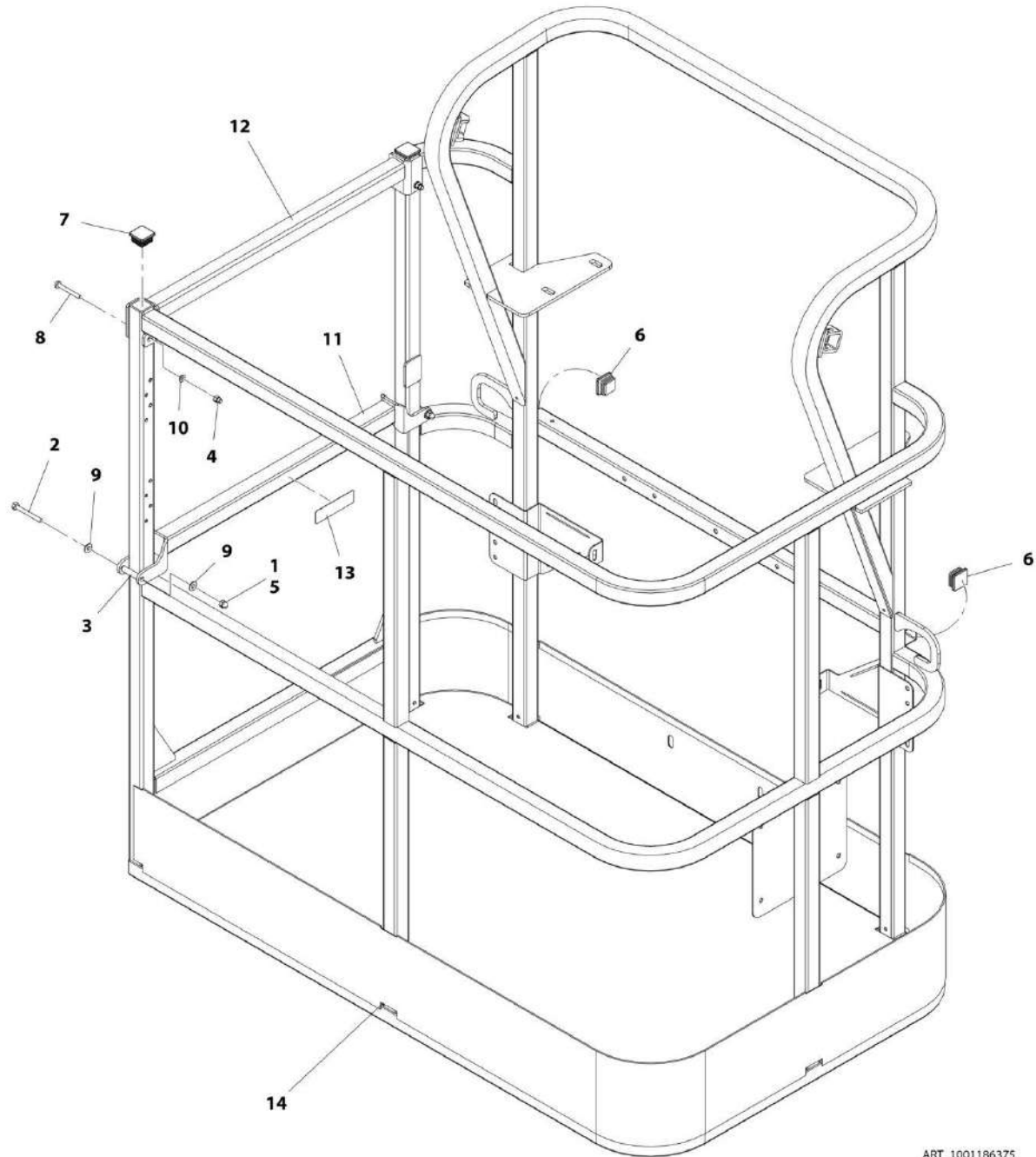
SECTION 5 - PLATFORM

FIGURE 5-3. PLATFORM ASSEMBLY - 36IN X 8FT (91.5CM X 2.44M) WITH SWING GATE

ITEM	PART NUMBER	QTY	DESCRIPTION	REV
	1001186383	Ref	PLATFORM ASSEMBLY - 36IN X 8FT (91.5CM X 2.44M) WITH SWING GATE	D
	See Note	Ref	Note: Platform and Mesh must be ordered separately for Platforms with Mesh. See SPECIAL OPTIONS SECTION for Mesh Installations.	
	See Note	Ref	Note: Replacement Decals Must be Ordered Separately - See DECALS SECTION.	
1	2080040	16	Fastener, Huck	
2	2600281	2	Hinge, Self-Closing	
3	2940074	1	Latch	
4	3520072	3	Cap, Plug	
5	3520198	2	Cap, Plug	
6	3820020	4	Rivet	
7	1001144629	1	Gate, Weldment	
8	See Note	1	Platform (Note: Not Available - Purchase Platform Assembly)	

SECTION 5 - PLATFORM

FIGURE 5-4. PLATFORM ASSEMBLY - 30IN X 4FT (76CM X 1.22M) - WITH DROP BAR



ART_1001186375

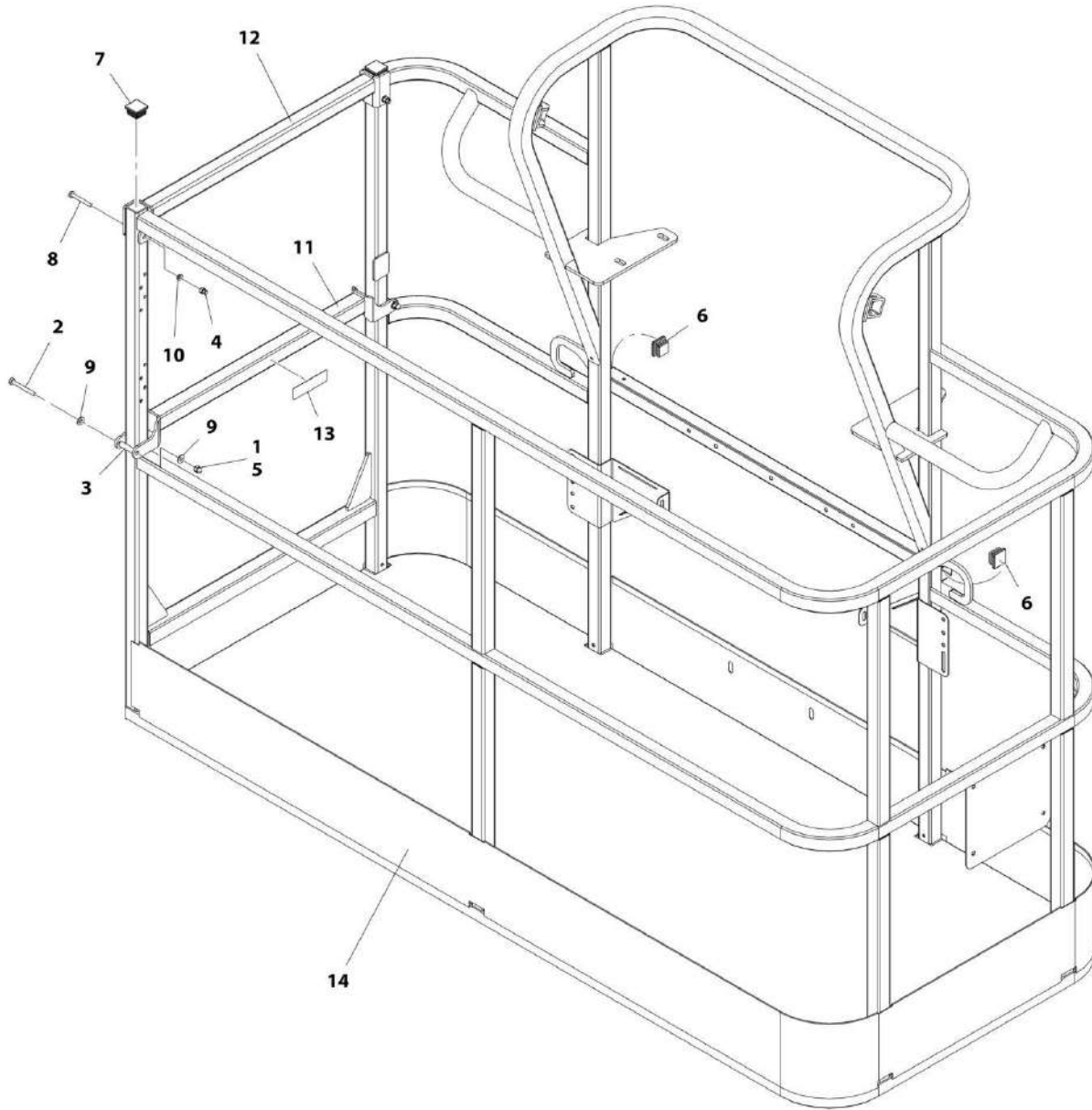
SECTION 5 - PLATFORM

FIGURE 5-4. PLATFORM ASSEMBLY - 30IN X 4FT (76CM X 1.22M) - WITH DROP BAR

ITEM	PART NUMBER	QTY	DESCRIPTION	REV
	1001186375	Ref	PLATFORM ASSEMBLY - 30IN X 4FT (76CM X 1.22M) - WITH DROP BAR	B
	See Note	Ref	Note: Platform and Mesh must be ordered separately for Platforms with Mesh. See SPECIAL OPTIONS SECTION for Mesh Installations.	
	See Note	Ref	Note: Replacement Decals Must be Ordered Separately - See DECALS SECTION.	
1	0100011	AR	Compound, Locking	
2	0641418	2	Bolt 1/4 x 2-1/4	
3	0961845	2	Bushing	
4	3290606	2	Nut M6 x 1	
5	3300151	2	Nut 1/4	
6	3520072	2	Cap, Plug	
7	3520198	2	Cap, Plug	
8	4010618	2	Screw M6 x 50	
9	4711400	4	Washer 1/4	
10	4811700	2	Washer M6	
11	1001138494	1	Bar, Drop	
12	1001138514	1	Rail (Top)	
13	1001140429	1	Decal - Drop Bar	
14	See Note	1	Platform, Weldment (Note: Not Available - Purchase Platform Assembly)	

SECTION 5 - PLATFORM

FIGURE 5-5. PLATFORM ASSEMBLY - 30IN X 6FT (76CM X 1.83M) - WITH DROP BAR



ART_1001186378

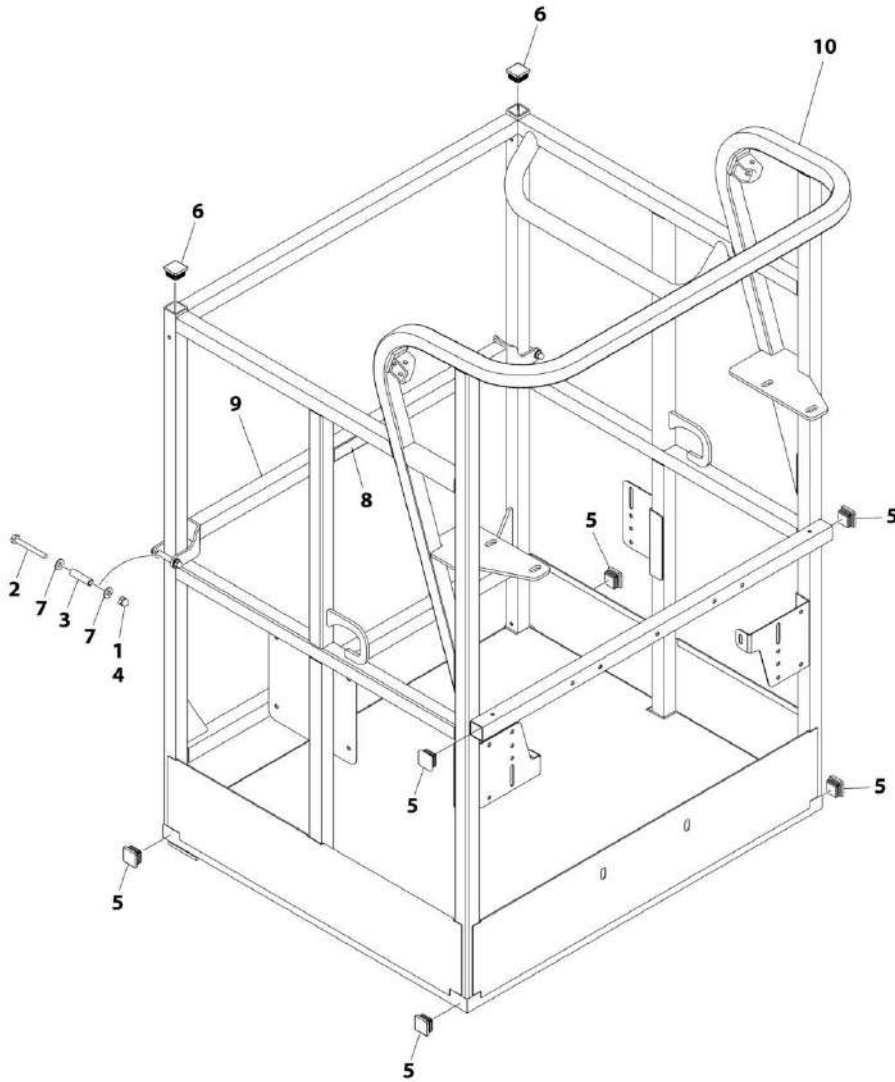
SECTION 5 - PLATFORM

FIGURE 5-5. PLATFORM ASSEMBLY - 30IN X 6FT (76CM X 1.83M) - WITH DROP BAR

ITEM	PART NUMBER	QTY	DESCRIPTION	REV
	1001186378	Ref	PLATFORM ASSEMBLY - 30IN X 6FT (76CM X 1.83M) - WITH DROP BAR	B
	See Note	Ref	Note: Platform and Mesh must be ordered separately for Platforms with Mesh. See SPECIAL OPTIONS SECTION for Mesh Installations.	
	See Note	Ref	Note: Replacement Decals Must be Ordered Separately - See DECALS SECTION.	
1	0100011	AR	Compound, Locking	
2	0641418	2	Bolt 1/4 x 2-1/4	
3	0961845	2	Bushing	
4	3290606	2	Nut M6 x 1	
5	3300151	2	Nut 1/4	
6	3520072	2	Cap, Plug	
7	3520198	2	Cap, Plug	
8	4010618	2	Screw M6 x 50	
9	4711400	4	Washer 1/4	
10	4811700	2	Washer M6	
11	1001138494	1	Bar, Drop	
12	1001138514	1	Rail (Top)	
13	1001140429	1	Decal - Drop Bar	
14	See Note	1	Platform, Weldment (Note: Not Available - Purchase Platform Assembly)	

SECTION 5 - PLATFORM

FIGURE 5-6. PLATFORM ASSEMBLY - 30IN X 3FT (76CM X 91.5CM) - WITH DROP BAR (SN 0300247115 to Present)



ART_1001228215

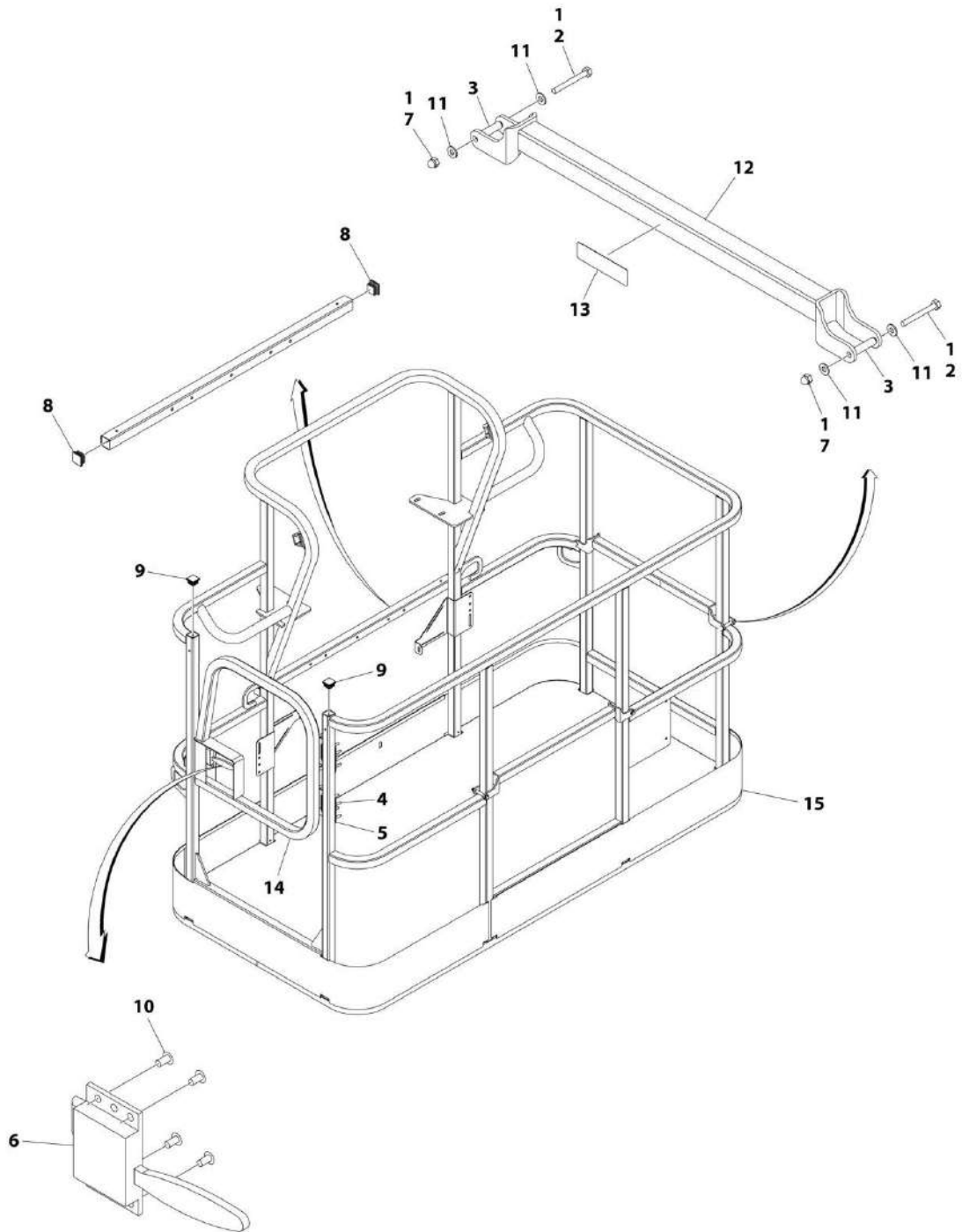
SECTION 5 - PLATFORM

FIGURE 5-6. PLATFORM ASSEMBLY - 30IN X 3FT (76CM X 91.5CM) - WITH DROP BAR (SN 0300247115 to Present)

ITEM	PART NUMBER	QTY	DESCRIPTION	REV
	1001228215	Ref	PLATFORM ASSEMBLY - 30IN X 3FT (76CM X 91.5CM) - WITH DROP BAR (SN 0300247115 to Present)	A
1	0100011	AR	Compound, Locking	
2	0641418	2	Bolt 1/4 x 2-1/4	
3	0961845	2	Bushing	
4	3300151	2	Nut 1/4	
5	3520072	6	Cap, Plug	
6	3520198	2	Cap, Plug	
7	4711400	4	Washer 1/4	
8	1001140429	1	Decal - Drop Bar	
9	1001226872	1	Bar, Drop	
10	See Note	1	Platform, Weldment (Note: Not Available - Purchase Platform Assembly)	

SECTION 5 - PLATFORM

FIGURE 5-7. PLATFORM ASSEMBLY - 3F X 6FT (91.5CM X 1.83M) - TRI-ENTRY - SWING GATE (SN 0300243800 to Present)



ART_1001228376

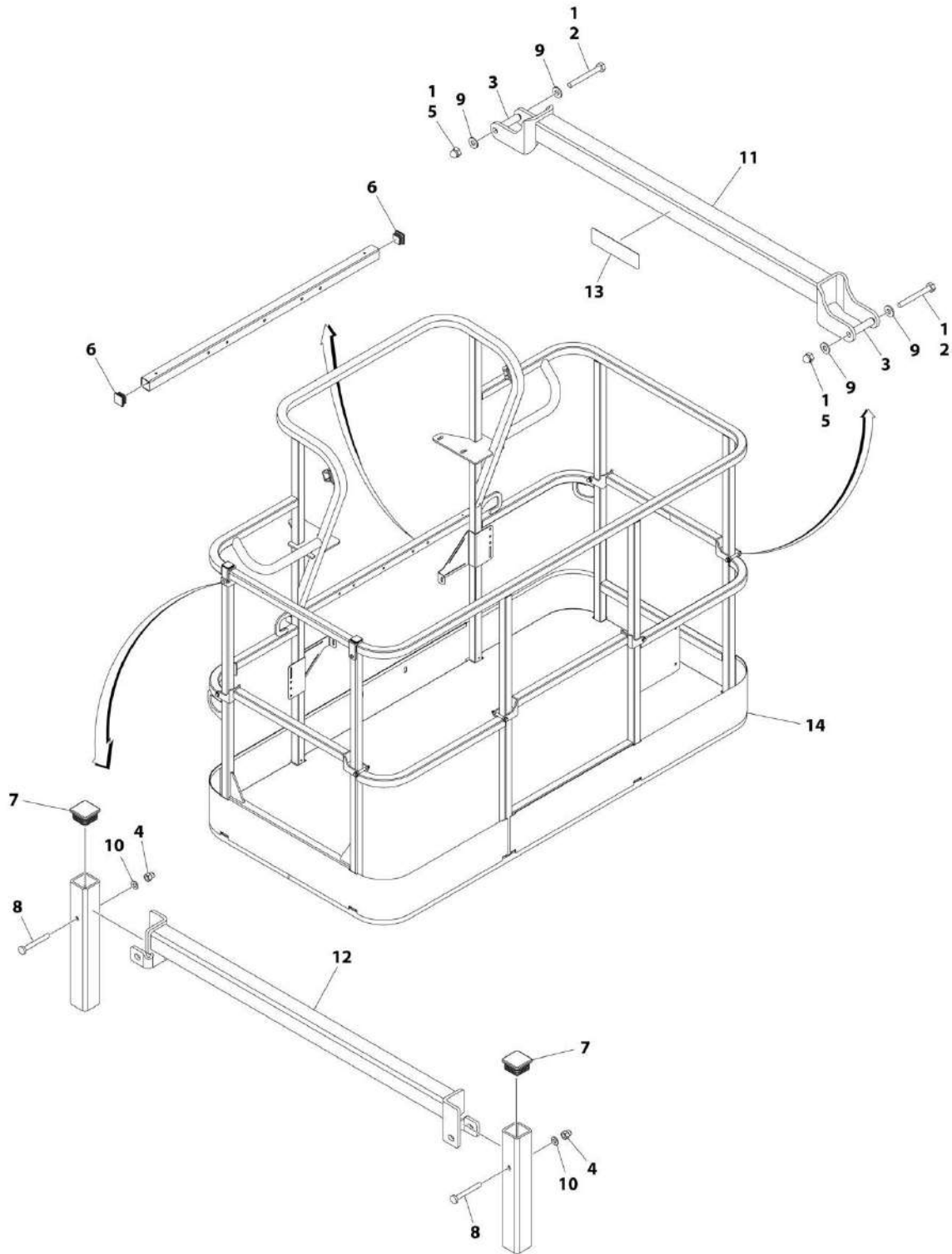
SECTION 5 - PLATFORM

FIGURE 5-7. PLATFORM ASSEMBLY - 3F X 6FT (91.5CM X 1.83M) - TRI-ENTRY - SWING GATE (SN 0300243800 to Present)

ITEM	PART NUMBER	QTY	DESCRIPTION	REV
	1001228376	Ref	PLATFORM ASSEMBLY - 3F X 6FT (91.5CM X 1.83M) - TRI-ENTRY - SWING GATE (SN 0300243800 to Present)	A
1	0100011	AR	Compound, Locking	
2	0641418	4	Bolt 1/4 x 2-1/4	
3	0961845	4	Bushing	
4	2080040	16	Fastener, Huck	
5	2600281	2	Hinge, Self-Closing	
6	2940074	1	Latch	
7	3300151	4	Nut 1/4	
8	3520072	3	Cap, Plug	
9	3520198	2	Cap, Plug	
10	3820020	4	Rivet	
11	4711400	8	Washer 1/4	
12	1001138494	2	Bar, Drop	
13	1001140429	2	Decal - Drop Bar	
14	1001144629	1	Gate, Weldment	
15	See Note	1	Platform, Weldment (Note: Not Available - Purchase Platform Assembly)	

SECTION 5 - PLATFORM

FIGURE 5-8. PLATFORM ASSEMBLY - 3F X 6FT (91.5CM X 1.83M) - TRI-ENTRY - DROP BAR (SN 0300243800 to Present)



ART_1001228377

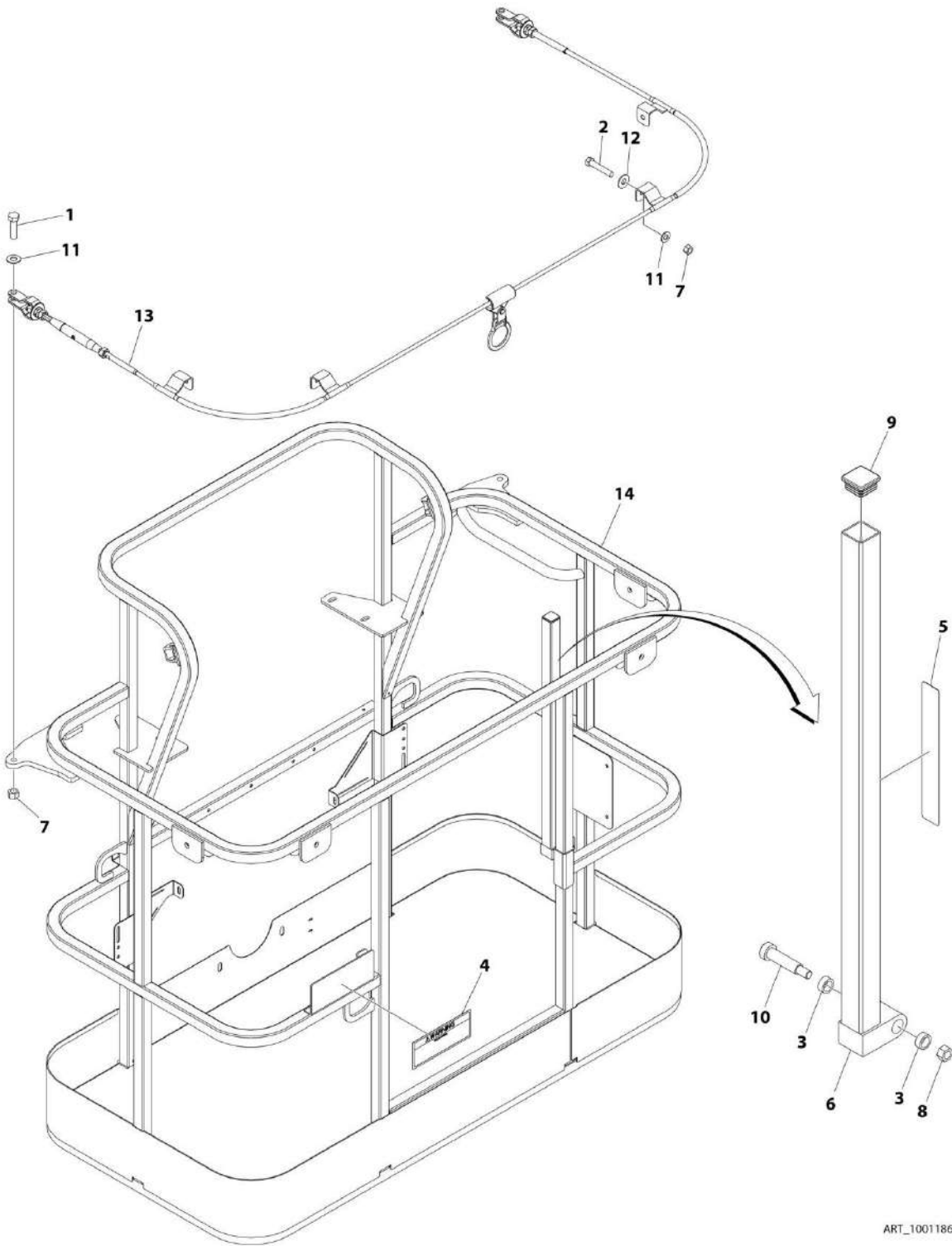
SECTION 5 - PLATFORM

FIGURE 5-8. PLATFORM ASSEMBLY - 3F X 6FT (91.5CM X 1.83M) - TRI-ENTRY - DROP BAR (SN 0300243800 to Present)

ITEM	PART NUMBER	QTY	DESCRIPTION	REV
	1001228377	Ref	PLATFORM ASSEMBLY - 3F X 6FT (91.5CM X 1.83M) - TRI-ENTRY - DROP BAR (SN 0300243800 to Present)	A
1	0100011	AR	Compound, Locking	
2	0641418	6	Bolt 1/4 x 2-1/4	
3	0961845	6	Bushing	
4	3290606	2	Nut M6 x 1	
5	3300151	6	Nut 1/4	
6	3520072	2	Cap, Plug	
7	3520198	2	Cap, Plug	
8	4010618	2	Screw M6 x 50	
9	4711400	12	Washer 1/4	
10	4811700	2	Washer M6	
11	1001138494	3	Bar, Drop	
12	1001138514	1	Rail (Top)	
13	1001140429	3	Decal - Drop Bar	
14	See Note	1	Platform, Weldment (Note: Not Available - Purchase Platform Assembly)	

SECTION 5 - PLATFORM

FIGURE 5-9. PLATFORM COMPONENTS INSTALLATION - 30IN X 6FT (0.9M X 1.83M) (FALL ARREST PLATFORM)



ART_1001186388

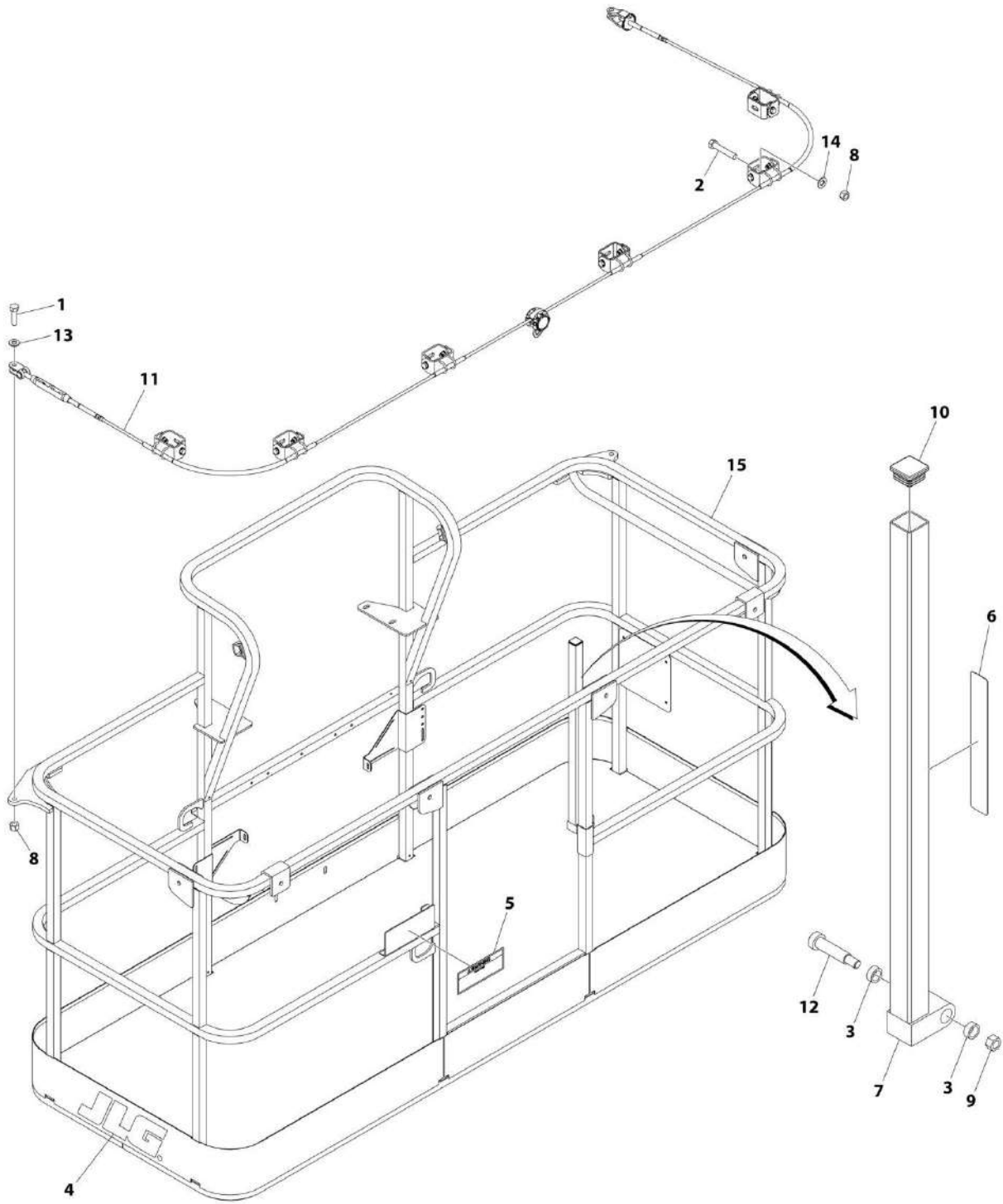
SECTION 5 - PLATFORM

FIGURE 5-9. PLATFORM COMPONENTS INSTALLATION - 30IN X 6FT (0.9M X 1.83M) (FALL ARREST PLATFORM)

ITEM	PART NUMBER	QTY	DESCRIPTION	REV
	1001186388	Ref	PLATFORM COMPONENTS INSTALLATION - 30IN X 6FT (0.9M X 1.83M) (FALL ARREST PLATFORM)	C
		Ref	Note: Not Available on CE Specs.	
		Ref	Note: Replacement Decals Must Be Purchased Separately - See DECALS SECTION.	
1	0681814	2	Bolt 1/2 x 1-3/4 Grade 8	
2	0681822	4	Bolt 1/2 x 2-3/4 Grade 8	
3	0962270	2	Bearing	
4	1705014	1	Decal - Safety	
5	1706385	1	Decal - Drop Bar	
6	2410014	1	Gate Weldment	
7	3271805	6	Nut 1/2 Grade 8	
8	3311605	1	Nut 3/8	
9	3520072	1	Cap-Plug	
10	3900054	1	Bolt 1/2 x 1 3/4	
11	4711800	6	Washer 1/2	
12	4751800	4	Washer 1/2	
13	1001203654	1	Cable, Fall Arrest	
14	See Note	NSS	Platform Weldment (Note: Purchase Platform Assembly)	

SECTION 5 - PLATFORM

FIGURE 5-10. PLATFORM COMPONENTS INSTALLATION - 30IN X 8FT (0.9M X 2.44M) (FALL ARREST PLATFORM)



ART_1001186334

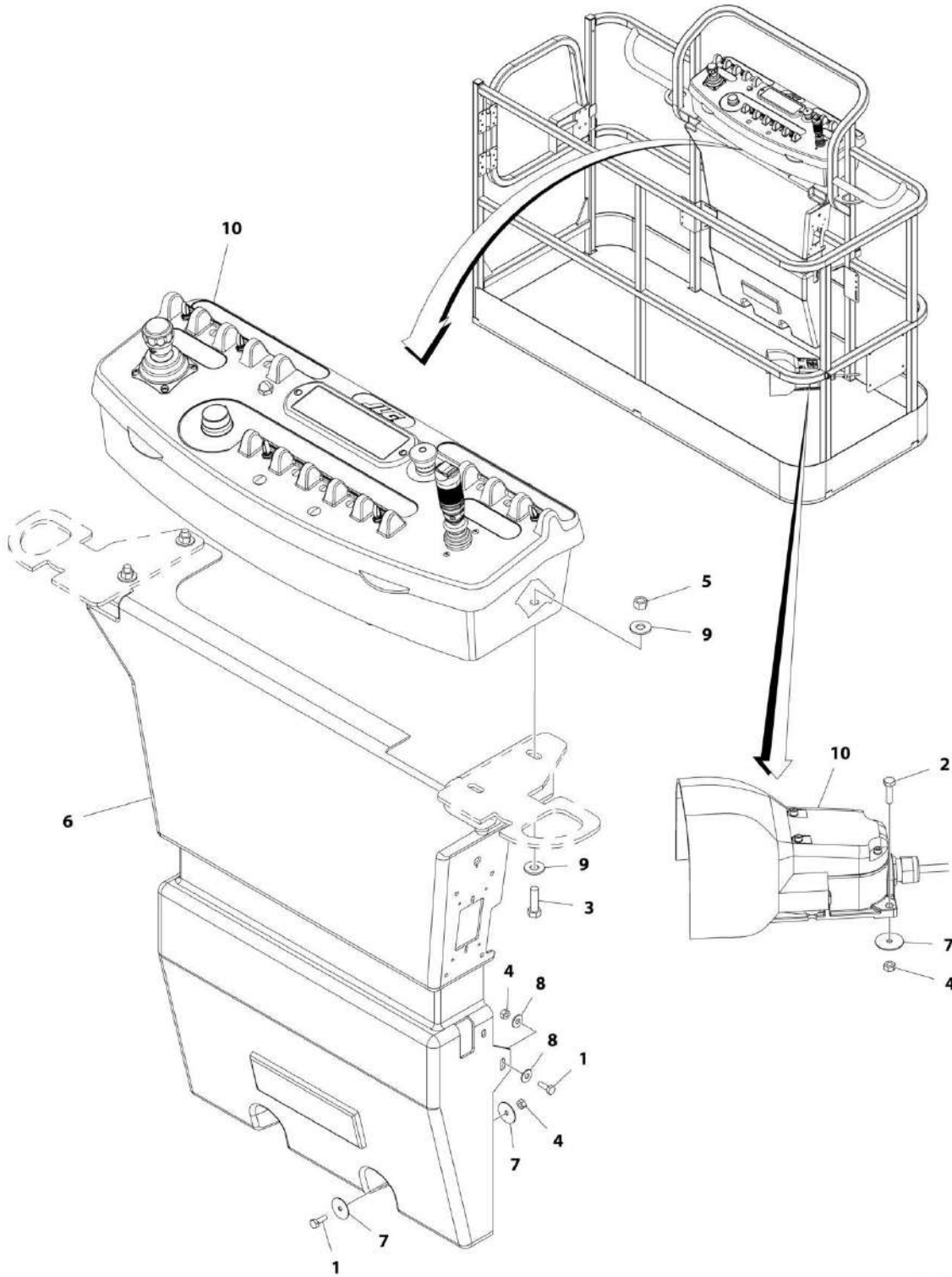
SECTION 5 - PLATFORM

FIGURE 5-10. PLATFORM COMPONENTS INSTALLATION - 30IN X 8FT (0.9M X 2.44M) (FALL ARREST PLATFORM)

ITEM	PART NUMBER	QTY	DESCRIPTION	REV
	1001186334	Ref	PLATFORM COMPONENTS INSTALLATION - 30IN X 8FT (0.9M X 2.44M) (FALL ARREST PLATFORM)	C
		Ref	Note: Not Available on CE Specs.	
		Ref	Note: Replacement Decals Must Be Purchased Separately - See DECALS SECTION.	
1	0681814	2	Bolt 1/2 x 1-3/4 Grade 8	
2	0681822	6	Bolt 1/2 x 2-3/4 Grade 8	
3	0962270	2	Bearing	
4	1702773	1	Decal - JLG	
5	1705014	1	Decal - Safety	
6	1706385	1	Decal - Drop Bar	
7	2410014	1	Gate Weldment	
8	3271805	8	Nut 1/2 Grade 8	
9	3311605	1	Nut 3/8	
10	3520072	1	Cap-Plug	
11	3890040	1	Cable, Fall Arrest	
12	3900054	1	Bolt 1/2 x 1 3/4	
13	4711800	2	Washer 1/2	
14	4751800	6	Washer 1/2	
15	See Note	NSS	Platform Weldment (Note: Purchase Platform Assembly)	

SECTION 5 - PLATFORM

FIGURE 5-11. 2WD PLATFORM CONSOLE BOX INSTALLATION - WITHOUT LSS OR WITH 4 CELL LSS - WITHOUT SKYGUARD (E600/M600)



ART_1001183532

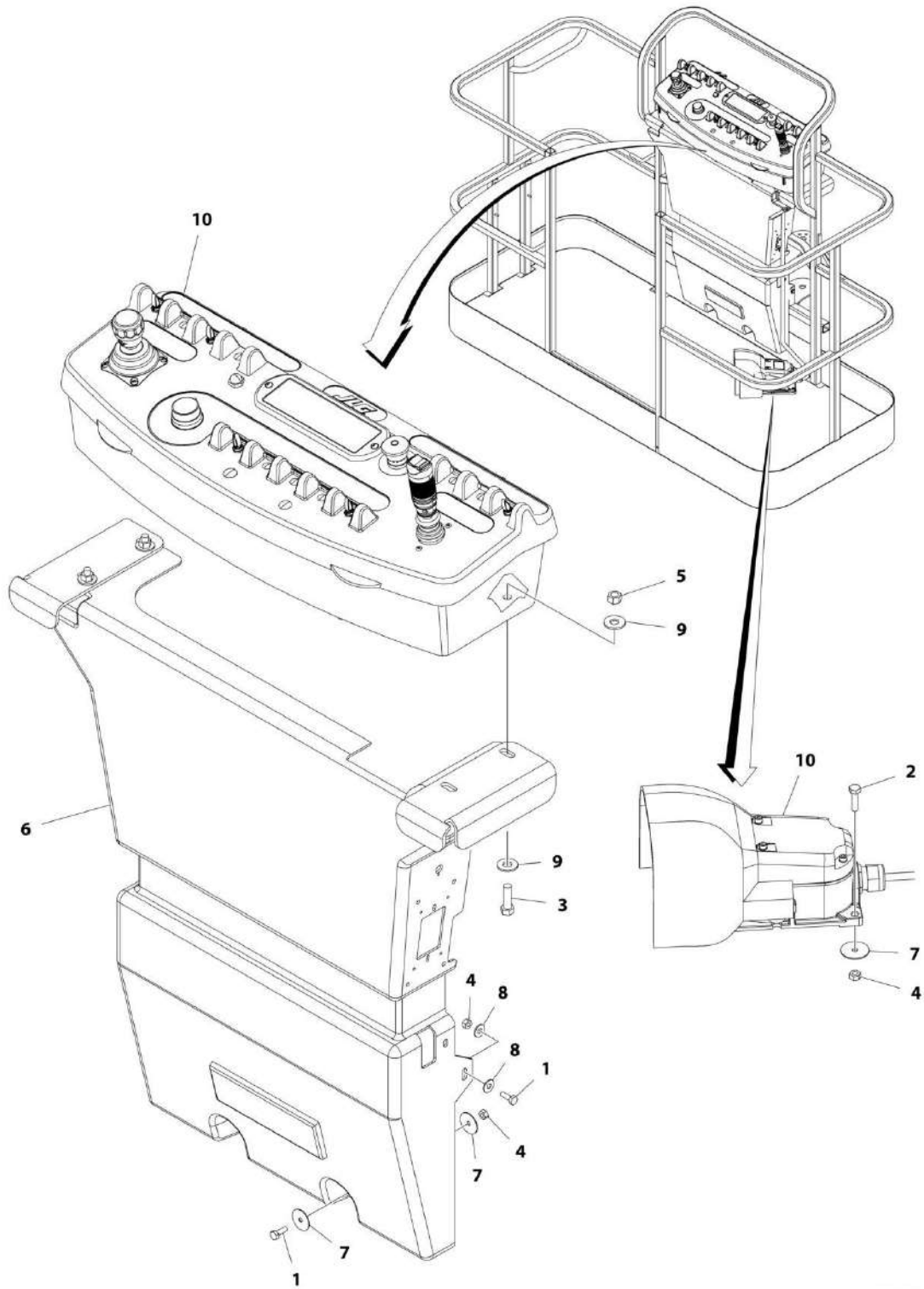
SECTION 5 - PLATFORM

FIGURE 5-11. 2WD PLATFORM CONSOLE BOX INSTALLATION - WITHOUT LSS OR WITH 4 CELL LSS - WITHOUT SKYGUARD (E600/M600)

ITEM	PART NUMBER	QTY	DESCRIPTION	REV
	1001183532	Ref	2WD PLATFORM CONSOLE BOX INSTALLATION - WITHOUT LSS OR WITH 4 CELL LSS - WITHOUT SKYGUARD (E600/M600)	B
1	0641406	4	Bolt 1/4 x 3/4	
2	0641408	3	Bolt 1/4 x 1	
3	0641610	4	Bolt 3/8 x 1-1/4	
4	3311405	7	Nut 1/4	
5	3311605	4	Nut 3/8	
6	3380434	1	Panel, Decal Mount	
7	4740362	7	Washer 1/4	
8	4751400	4	Washer 1/4	
9	4751600	8	Washer 3/8	
10	1001183724	1	Console Box Assembly (See 2WD PLATFORM CONSOLE BOX ASSEMBLY - WITHOUT LSS OR WITH 4 CELL LSS - WITHOUT SKYGUARD (E600/M600) for Breakdown)	

SECTION 5 - PLATFORM

FIGURE 5-12. 2WD PLATFORM CONSOLE BOX INSTALLATION - WITHOUT LSS OR WITH 4 CELL LSS - WITHOUT SKYGUARD (UL SPECS) (E600)



ART_1001216150

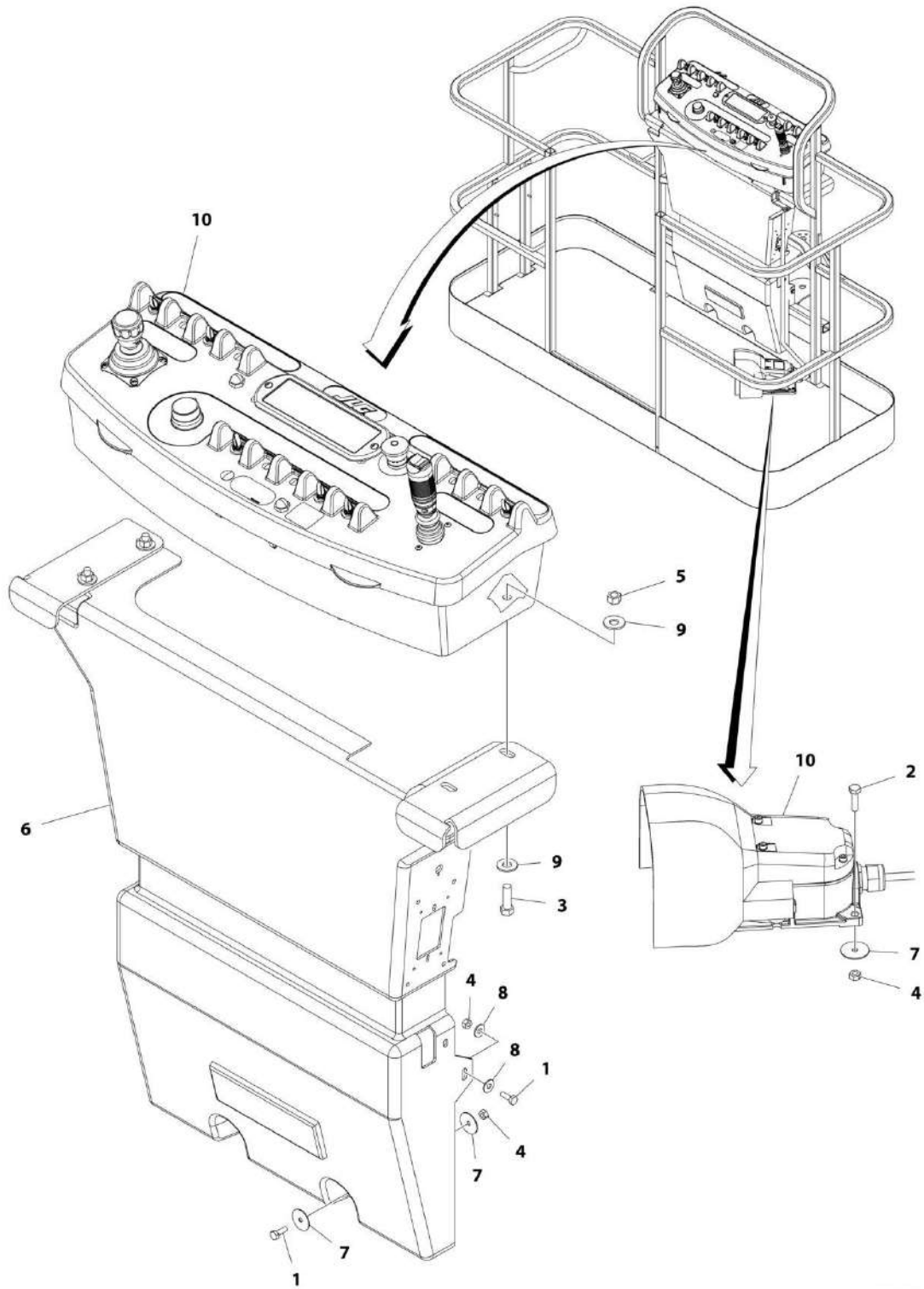
SECTION 5 - PLATFORM

FIGURE 5-12. 2WD PLATFORM CONSOLE BOX INSTALLATION - WITHOUT LSS OR WITH 4 CELL LSS - WITHOUT SKYGUARD (UL SPECS) (E600)

ITEM	PART NUMBER	QTY	DESCRIPTION	REV
	1001216150	Ref	2WD PLATFORM CONSOLE BOX INSTALLATION - WITHOUT LSS OR WITH 4 CELL LSS - WITHOUT SKYGUARD (UL SPECS) (E600)	A
1	0641406	4	Bolt 1/4 x 3/4	
2	0641408	3	Bolt 1/4 x 1	
3	0641610	4	Bolt 3/8 x 1-1/4	
4	3311405	7	Nut 1/4	
5	3311605	4	Nut 3/8	
6	3380434	1	Panel, Decal Mount	
7	4740362	7	Washer 1/4	
8	4751400	4	Washer 1/4	
9	4751600	8	Washer 3/8	
10	1001216156	1	Console Box Assembly (See 2WD PLATFORM CONSOLE BOX ASSEMBLY - WITHOUT LSS OR WITH 4 CELL LSS - WITHOUT SKYGUARD (UL SPECS) (E600) for Breakdown)	

SECTION 5 - PLATFORM

FIGURE 5-13. 2WD PLATFORM CONSOLE BOX INSTALLATION - WITHOUT LSS OR WITH 4 CELL LSS - WITH SKYGUARD (UL SPECS) (E600J/E600JP)



ART_1001216149

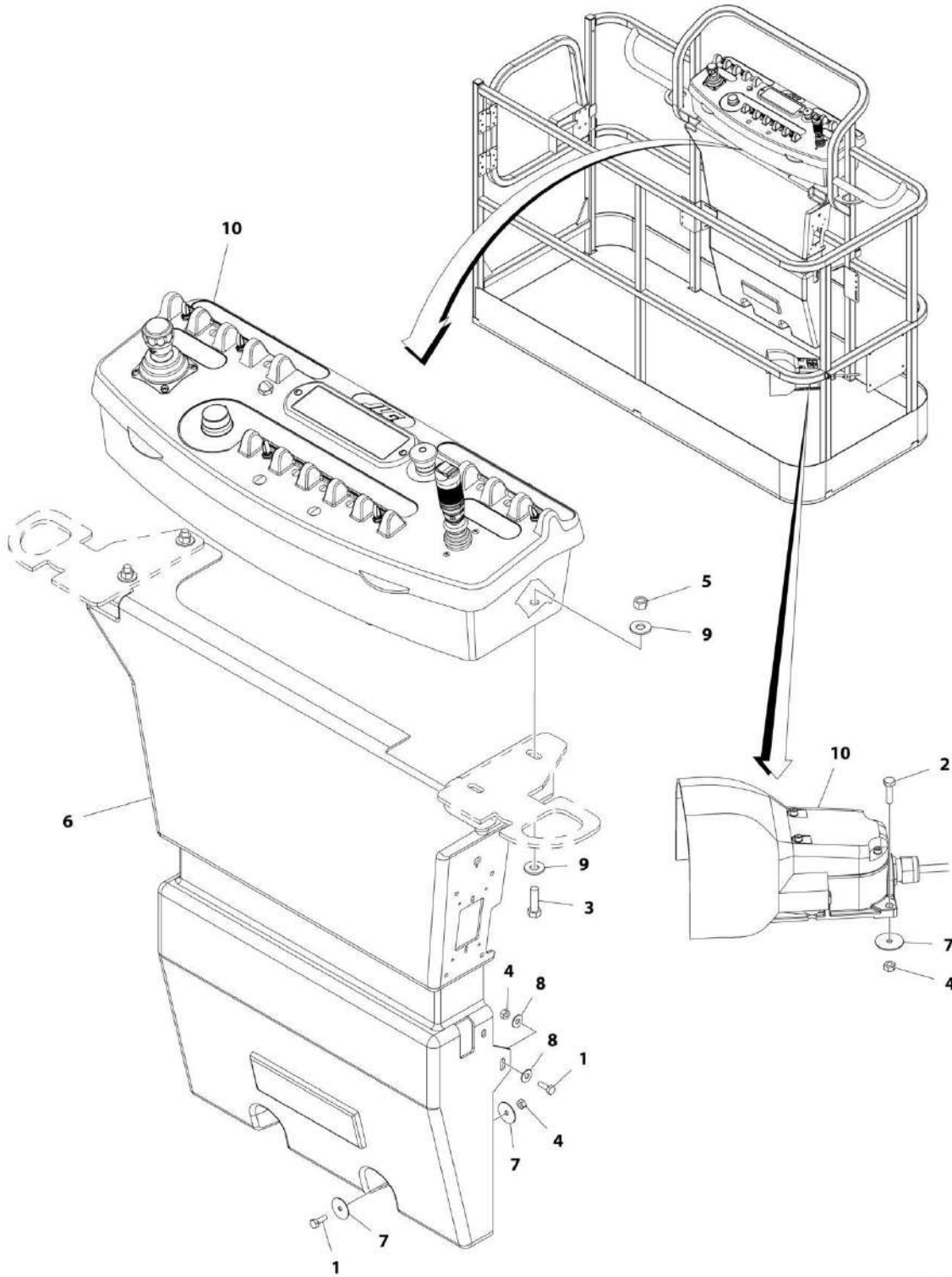
SECTION 5 - PLATFORM

FIGURE 5-13. 2WD PLATFORM CONSOLE BOX INSTALLATION - WITHOUT LSS OR WITH 4 CELL LSS - WITH SKYGUARD (UL SPECS) (E600J/E600JP)

ITEM	PART NUMBER	QTY	DESCRIPTION	REV
	1001216149	Ref	2WD PLATFORM CONSOLE BOX INSTALLATION - WITHOUT LSS OR WITH 4 CELL LSS - WITH SKYGUARD (UL SPECS) (E600J/E600JP)	A
1	0641406	4	Bolt 1/4 x 3/4	
2	0641408	3	Bolt 1/4 x 1	
3	0641610	4	Bolt 3/8 x 1-1/4	
4	3311405	7	Nut 1/4	
5	3311605	4	Nut 3/8	
6	3380434	1	Panel, Decal Mount	
7	4740362	7	Washer 1/4	
8	4751400	4	Washer 1/4	
9	4751600	8	Washer 3/8	
10	1001216158	1	Console Box Assembly (See 2WD PLATFORM CONSOLE BOX ASSEMBLY - WITHOUT LSS OR WITH 4 CELL LSS - WITH SKYGUARD (UL SPECS) (E600J/E600JP) for Breakdown)	

SECTION 5 - PLATFORM

FIGURE 5-14. 4WD PLATFORM CONSOLE BOX INSTALLATION - WITHOUT LSS OR WITH 4 CELL LSS - WITHOUT SKYGUARD (NON UL SPECS) (E600/M600)



ART_1001212280

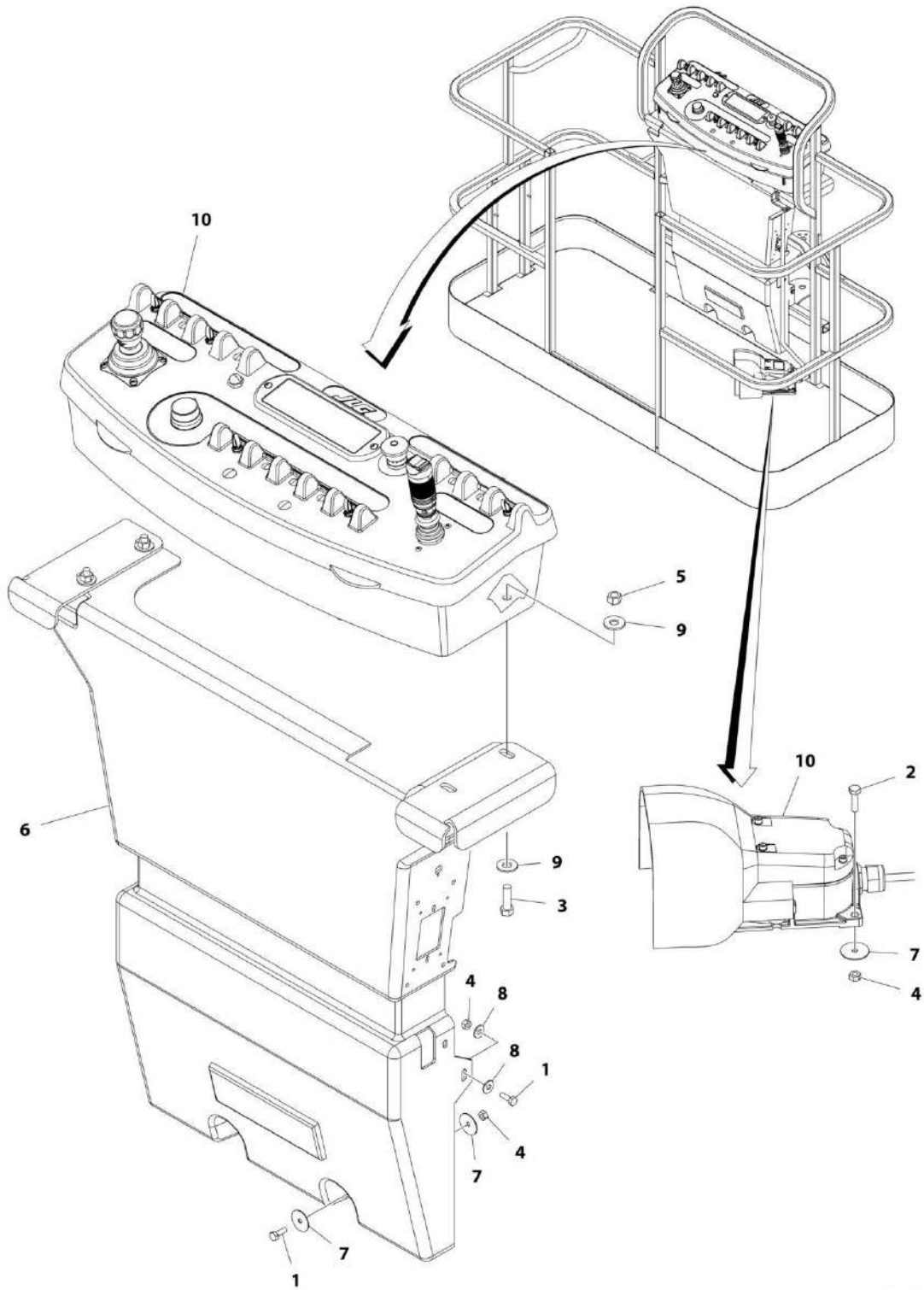
SECTION 5 - PLATFORM

FIGURE 5-14. 4WD PLATFORM CONSOLE BOX INSTALLATION - WITHOUT LSS OR WITH 4 CELL LSS - WITHOUT SKYGUARD (NON UL SPECS) (E600/M600)

ITEM	PART NUMBER	QTY	DESCRIPTION	REV
	1001212280	Ref	4WD PLATFORM CONSOLE BOX INSTALLATION - WITHOUT LSS OR WITH 4 CELL LSS - WITHOUT SKYGUARD (NON UL SPECS) (E600/M600)	A
1	0641406	4	Bolt 1/4 x 3/4	
2	0641408	3	Bolt 1/4 x 1	
3	0641610	4	Bolt 3/8 x 1-1/4	
4	3311405	7	Nut 1/4	
5	3311605	4	Nut 3/8	
6	3380434	1	Panel, Decal Mount	
7	4740362	7	Washer 1/4	
8	4751400	4	Washer 1/4	
9	4751600	8	Washer 3/8	
10	1001212275	1	Console Box Assembly (See 4WD PLATFORM CONSOLE BOX ASSEMBLY - WITHOUT LSS OR WITH 4 CELL LSS - WITHOUT SKYGUARD (NON UL SPECS) (E600/M600) for Breakdown)	

SECTION 5 - PLATFORM

FIGURE 5-15. 4WD PLATFORM CONSOLE BOX INSTALLATION - WITHOUT LSS OR WITH 4 CELL LSS - WITHOUT SKYGUARD (UL SPECS) (E600)



ART_1001218956

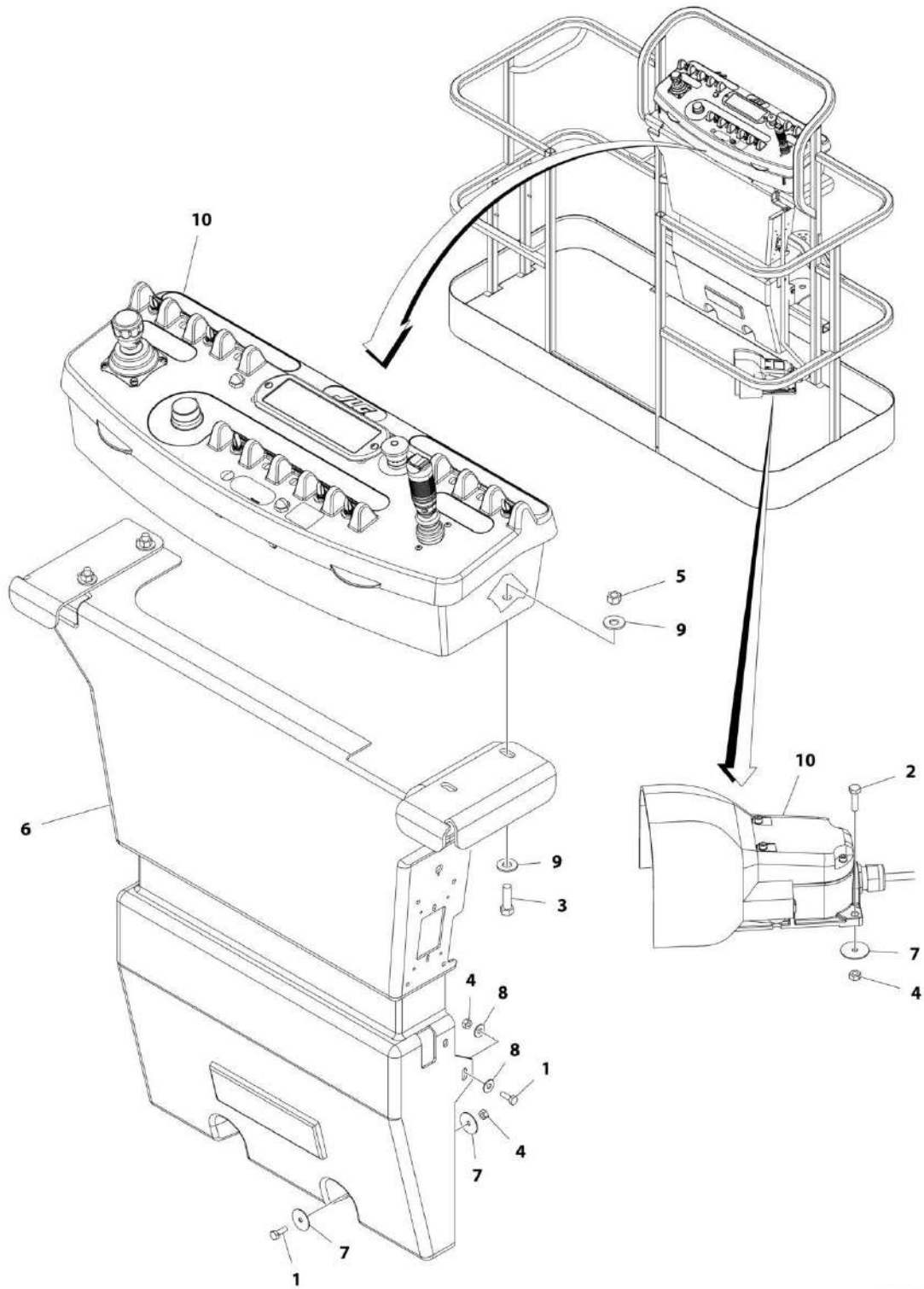
SECTION 5 - PLATFORM

FIGURE 5-15. 4WD PLATFORM CONSOLE BOX INSTALLATION - WITHOUT LSS OR WITH 4 CELL LSS - WITHOUT SKYGUARD (UL SPECS) (E600)

ITEM	PART NUMBER	QTY	DESCRIPTION	REV
	1001218956	Ref	4WD PLATFORM CONSOLE BOX INSTALLATION - WITHOUT LSS OR WITH 4 CELL LSS - WITHOUT SKYGUARD (UL SPECS) (E600)	A
1	0641406	4	Bolt 1/4 x 3/4	
2	0641408	3	Bolt 1/4 x 1	
3	0641610	4	Bolt 3/8 x 1-1/4	
4	3311405	7	Nut 1/4	
5	3311605	4	Nut 3/8	
6	3380434	1	Panel, Decal Mount	
7	4740362	7	Washer 1/4	
8	4751400	4	Washer 1/4	
9	4751600	8	Washer 3/8	
10	1001218959	1	Console Box Assembly (See 4WD PLATFORM CONSOLE BOX ASSEMBLY - WITHOUT LSS OR WITH 4 CELL LSS - WITHOUT SKYGUARD (UL SPECS) (E600) for Breakdown)	

SECTION 5 - PLATFORM

FIGURE 5-16. 4WD PLATFORM CONSOLE BOX INSTALLATION - WITHOUT LSS OR WITH 4 CELL LSS - WITH SKYGUARD (UL SPECS) (E600J/E600JP)



ART_1001218955

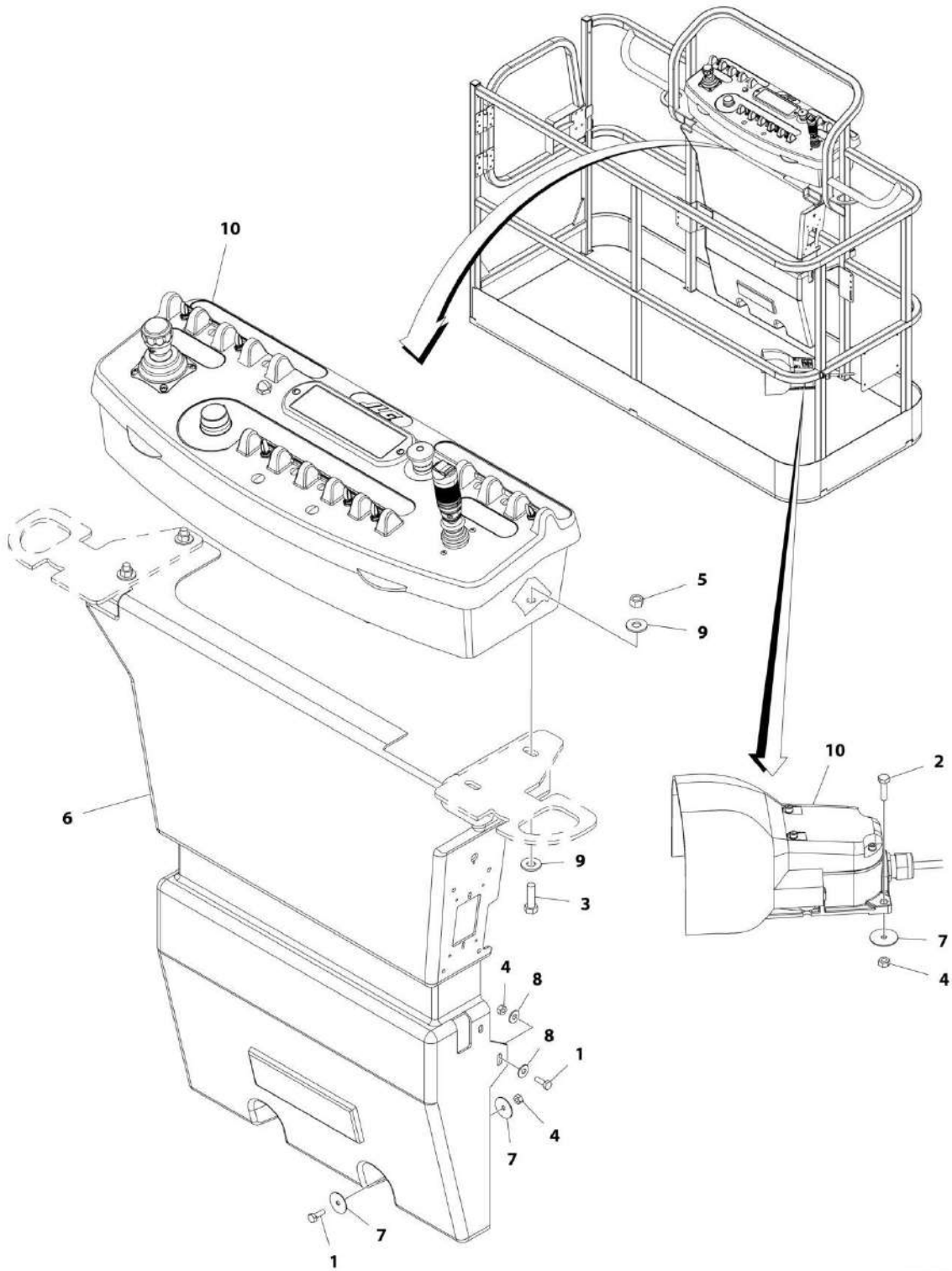
SECTION 5 - PLATFORM

FIGURE 5-16. 4WD PLATFORM CONSOLE BOX INSTALLATION - WITHOUT LSS OR WITH 4 CELL LSS - WITH SKYGUARD (UL SPECS) (E600J/E600JP)

ITEM	PART NUMBER	QTY	DESCRIPTION	REV
	1001218955	Ref	4WD PLATFORM CONSOLE BOX INSTALLATION - WITHOUT LSS OR WITH 4 CELL LSS - WITH SKYGUARD (UL SPECS) (E600J/E600JP)	A
1	0641406	4	Bolt 1/4 x 3/4	
2	0641408	3	Bolt 1/4 x 1	
3	0641610	4	Bolt 3/8 x 1-1/4	
4	3311405	7	Nut 1/4	
5	3311605	4	Nut 3/8	
6	3380434	1	Panel, Decal Mount	
7	4740362	7	Washer 1/4	
8	4751400	4	Washer 1/4	
9	4751600	8	Washer 3/8	
10	1001218958	1	Console Box Assembly (See 4WD PLATFORM CONSOLE BOX ASSEMBLY - WITHOUT LSS OR WITH 4 CELL LSS - WITH SKYGUARD (UL SPECS) (E600J/E600JP) for Breakdown)	

SECTION 5 - PLATFORM

FIGURE 5-17. 2WD PLATFORM CONSOLE BOX INSTALLATION - WITHOUT LSS OR WITH 4 CELL LSS - WITHOUT SKYGUARD (NON UL SPECS) (E600J/E600JP/M600J/M600JP)



ART_1001183530

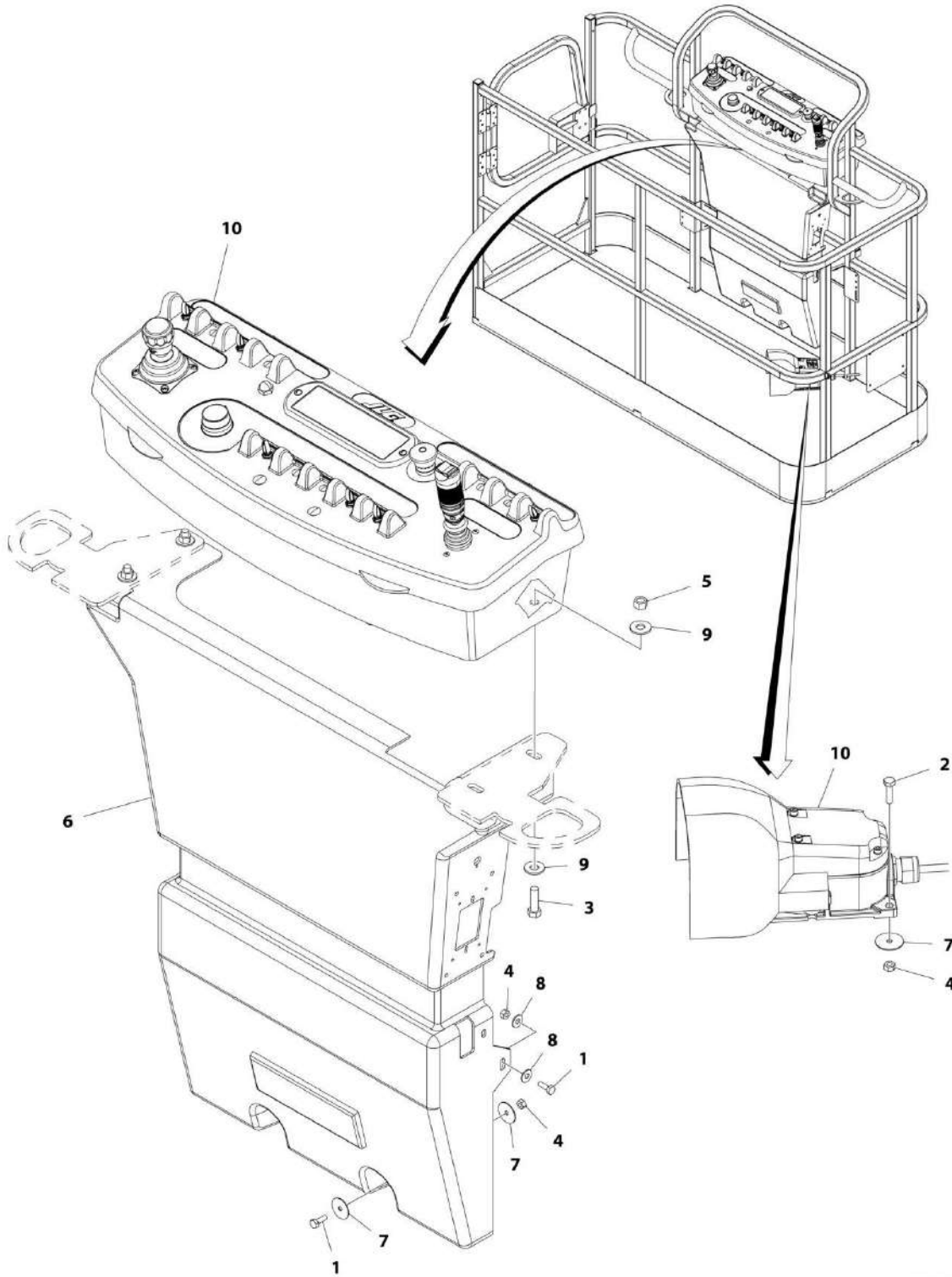
SECTION 5 - PLATFORM

FIGURE 5-17. 2WD PLATFORM CONSOLE BOX INSTALLATION - WITHOUT LSS OR WITH 4 CELL LSS - WITHOUT SKYGUARD (NON UL SPECS) (E600J/E600JP/M600J/M600JP)

ITEM	PART NUMBER	QTY	DESCRIPTION	REV
	1001183530	Ref	2WD PLATFORM CONSOLE BOX INSTALLATION - WITHOUT LSS OR WITH 4 CELL LSS - WITHOUT SKYGUARD (NON UL SPECS) (E600J/E600JP/M600J/M600JP)	B
1	0641406	4	Bolt 1/4 x 3/4	
2	0641408	3	Bolt 1/4 x 1	
3	0641610	4	Bolt 3/8 x 1-1/4	
4	3311405	7	Nut 1/4	
5	3311605	4	Nut 3/8	
6	3380434	1	Panel, Decal Mount	
7	4740362	7	Washer 1/4	
8	4751400	4	Washer 1/4	
9	4751600	8	Washer 3/8	
10	1001183722	1	Console Box Assembly (See 2WD PLATFORM CONSOLE BOX ASSEMBLY - WITHOUT LSS OR WITH 4 CELL LSS - WITHOUT SKYGUARD (NON UL SPECS) (E600J/E600JP/M600J/M600JP) for Breakdown)	

SECTION 5 - PLATFORM

FIGURE 5-18. 4WD PLATFORM CONSOLE BOX INSTALLATION - WITHOUT LSS OR WITH 4 CELL LSS - WITHOUT SKYGUARD (NON UL SPECS) (E600J/E600JP/M600J/M600JP)



ART_1001212279

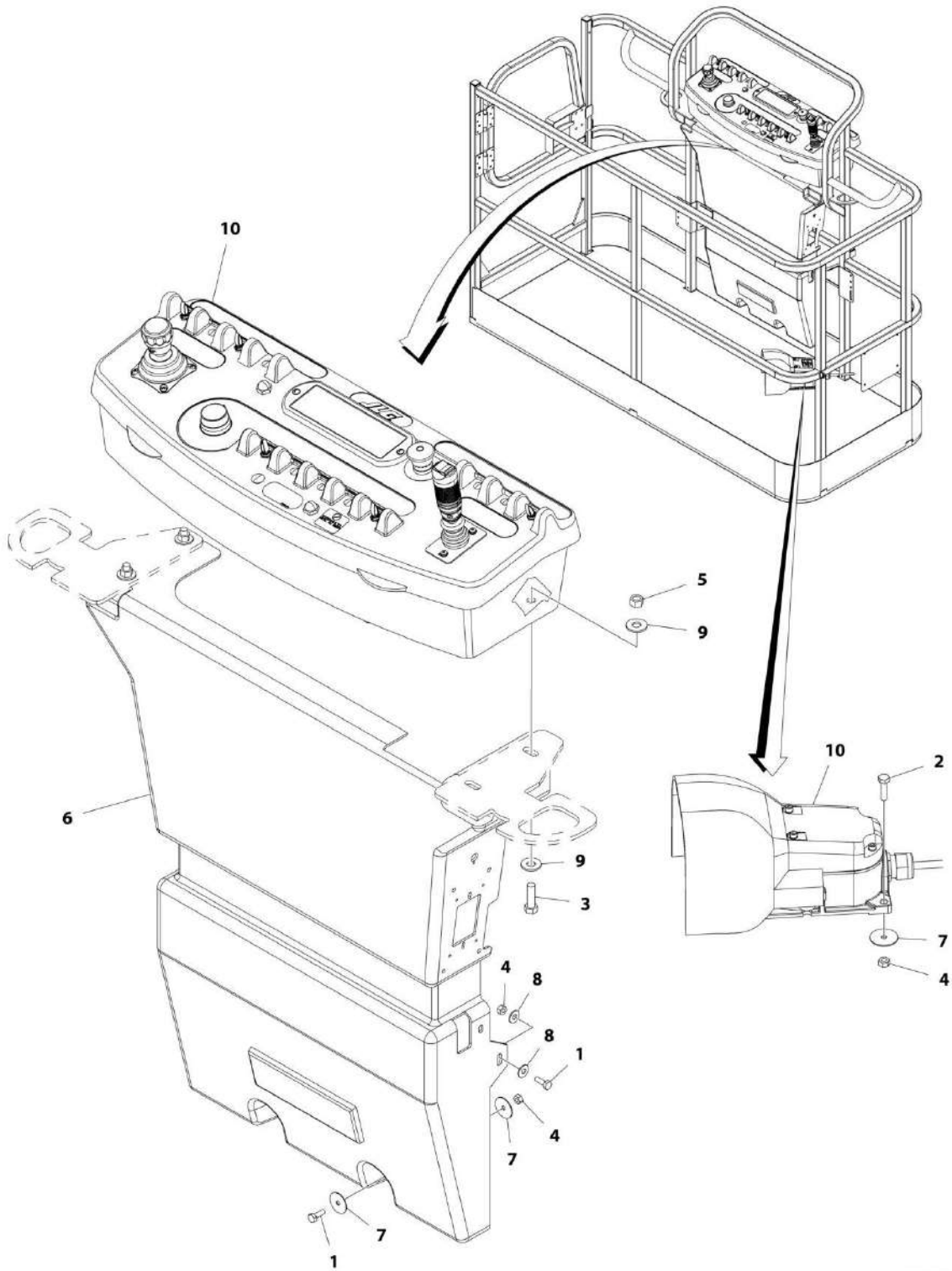
SECTION 5 - PLATFORM

FIGURE 5-18. 4WD PLATFORM CONSOLE BOX INSTALLATION - WITHOUT LSS OR WITH 4 CELL LSS - WITHOUT SKYGUARD (NON UL SPECS) (E600J/E600JP/M600J/M600JP)

ITEM	PART NUMBER	QTY	DESCRIPTION	REV
	1001212279	Ref	4WD PLATFORM CONSOLE BOX INSTALLATION - WITHOUT LSS OR WITH 4 CELL LSS - WITHOUT SKYGUARD (NON UL SPECS) (E600J/E600JP/M600J/M600JP)	A
1	0641406	4	Bolt 1/4 x 3/4	
2	0641408	3	Bolt 1/4 x 1	
3	0641610	4	Bolt 3/8 x 1-1/4	
4	3311405	5	Nut 1/4	
5	3311605	4	Nut 3/8	
6	3380434	1	Panel, Decal Mount	
7	4740362	7	Washer 1/4	
8	4751400	4	Washer 1/4	
9	4751600	8	Washer 3/8	
10	1001212274	1	Console Box Assembly (See 4WD PLATFORM CONSOLE BOX ASSEMBLY - WITHOUT LSS OR WITH 4 CELL LSS - WITHOUT SKYGUARD (NON UL SPECS) (E600J/E600JP/M600J/M600JP) for Breakdown)	

SECTION 5 - PLATFORM

FIGURE 5-19. 2WD PLATFORM CONSOLE BOX INSTALLATION - WITHOUT LSS OR WITH 4 CELL LSS - WITH SKYGUARD (NON UL SPECS) (E600/M600)



ART_1001199911

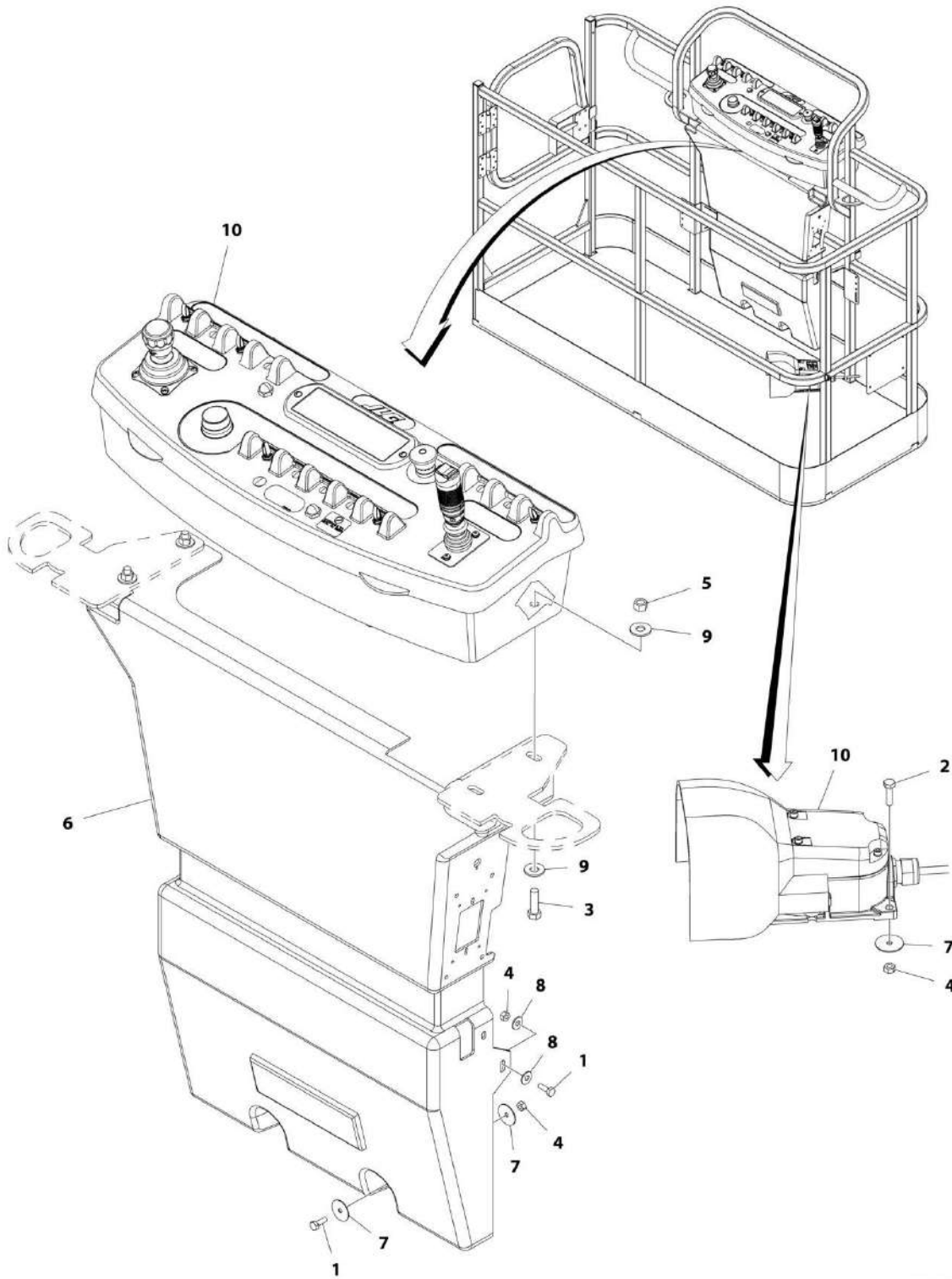
SECTION 5 - PLATFORM

FIGURE 5-19. 2WD PLATFORM CONSOLE BOX INSTALLATION - WITHOUT LSS OR WITH 4 CELL LSS - WITH SKYGUARD (NON UL SPECS) (E600/M600)

ITEM	PART NUMBER	QTY	DESCRIPTION	REV
	1001199911	Ref	2WD PLATFORM CONSOLE BOX INSTALLATION - WITHOUT LSS OR WITH 4 CELL LSS - WITH SKYGUARD (NON UL SPECS) (E600/M600)	A
1	0641406	4	Bolt 1/4 x 3/4	
2	0641408	3	Bolt 1/4 x 1	
3	0641610	4	Bolt 3/8 x 1-1/4	
4	3311405	7	Nut 1/4	
5	3311605	4	Nut 3/8	
6	3380434	1	Panel, Decal Mount	
7	4740362	7	Washer 1/4	
8	4751400	4	Washer 1/4	
9	4751600	8	Washer 3/8	
10	1001199910	1	Console Box Assembly (See 2WD PLATFORM CONSOLE BOX ASSEMBLY - WITHOUT LSS OR WITH 4 CELL LSS - WITH SKYGUARD (NON UL SPECS) (E600/M600) for Breakdown)	

SECTION 5 - PLATFORM

FIGURE 5-20. 4WD PLATFORM CONSOLE BOX INSTALLATION - WITHOUT LSS OR WITH 4 CELL LSS - WITH SKYGUARD (NON UL SPECS) (E600/M600)



ART_1001212282

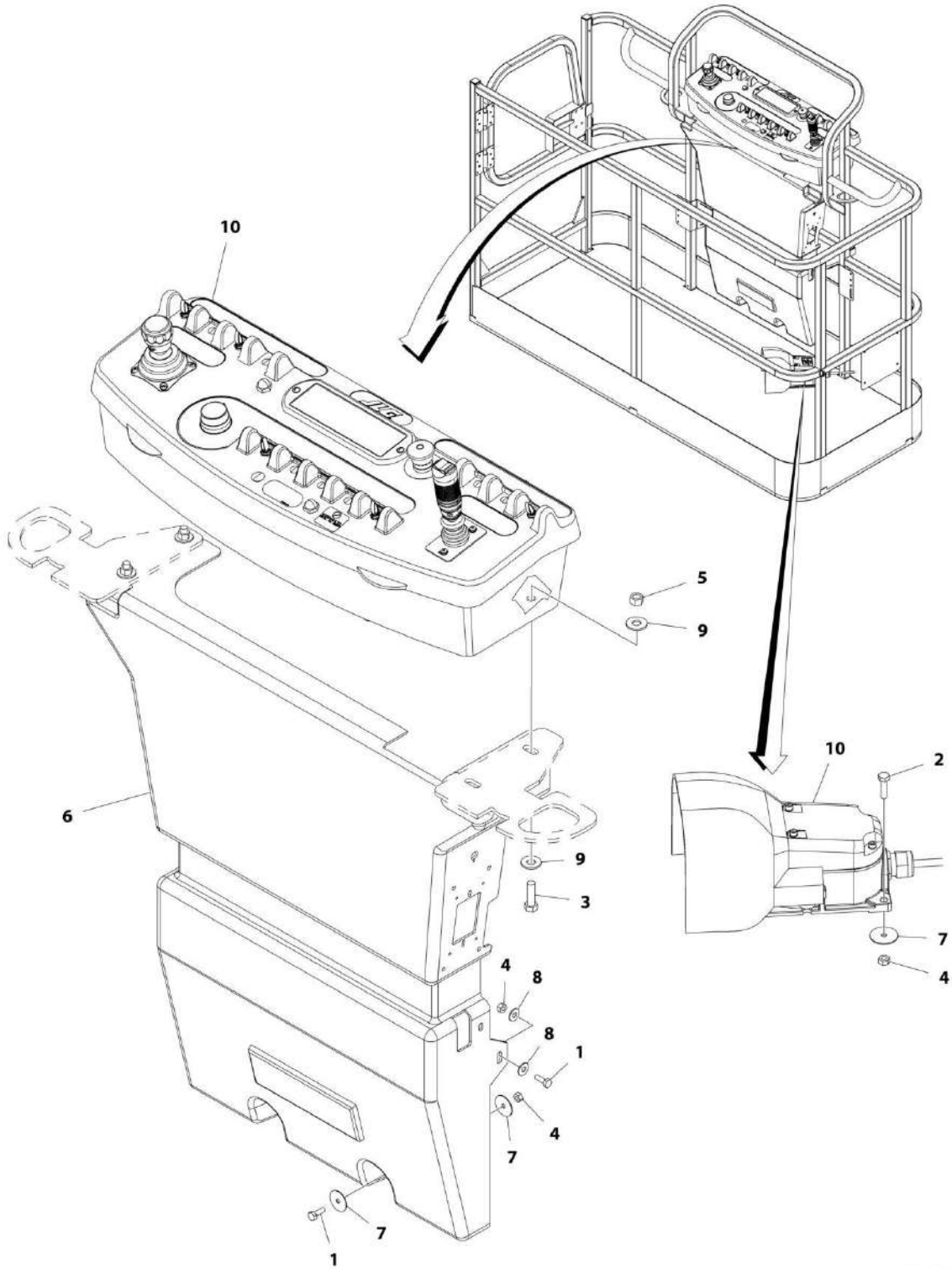
SECTION 5 - PLATFORM

FIGURE 5-20. 4WD PLATFORM CONSOLE BOX INSTALLATION - WITHOUT LSS OR WITH 4 CELL LSS - WITH SKYGUARD (NON UL SPECS) (E600/M600)

ITEM	PART NUMBER	QTY	DESCRIPTION	REV
	1001212282	Ref	4WD PLATFORM CONSOLE BOX INSTALLATION - WITHOUT LSS OR WITH 4 CELL LSS - WITH SKYGUARD (NON UL SPECS) (E600/M600)	A
1	0641406	4	Bolt 1/4 x 3/4	
2	0641408	3	Bolt 1/4 x 1	
3	0641610	4	Bolt 3/8 x 1-1/4	
4	3311405	7	Nut 1/4	
5	3311605	4	Nut 3/8	
6	3380434	1	Panel, Decal Mount	
7	4740362	7	Washer 1/4	
8	4751400	4	Washer 1/4	
9	4751600	8	Washer 3/8	
10	1001212278	1	Console Box Assembly (See 4WD PLATFORM CONSOLE BOX ASSEMBLY - WITHOUT LSS OR WITH 4 CELL LSS - WITH SKYGUARD (NON UL SPECS) (E600/M600) for Breakdown)	

SECTION 5 - PLATFORM

FIGURE 5-21. 2WD PLATFORM CONSOLE BOX INSTALLATION - WITHOUT LSS OR WITH 4 CELL LSS - WITH SKYGUARD (NON UL SPECS) (E600J/E600JP/M600J/M600JP)



ART_1001199905

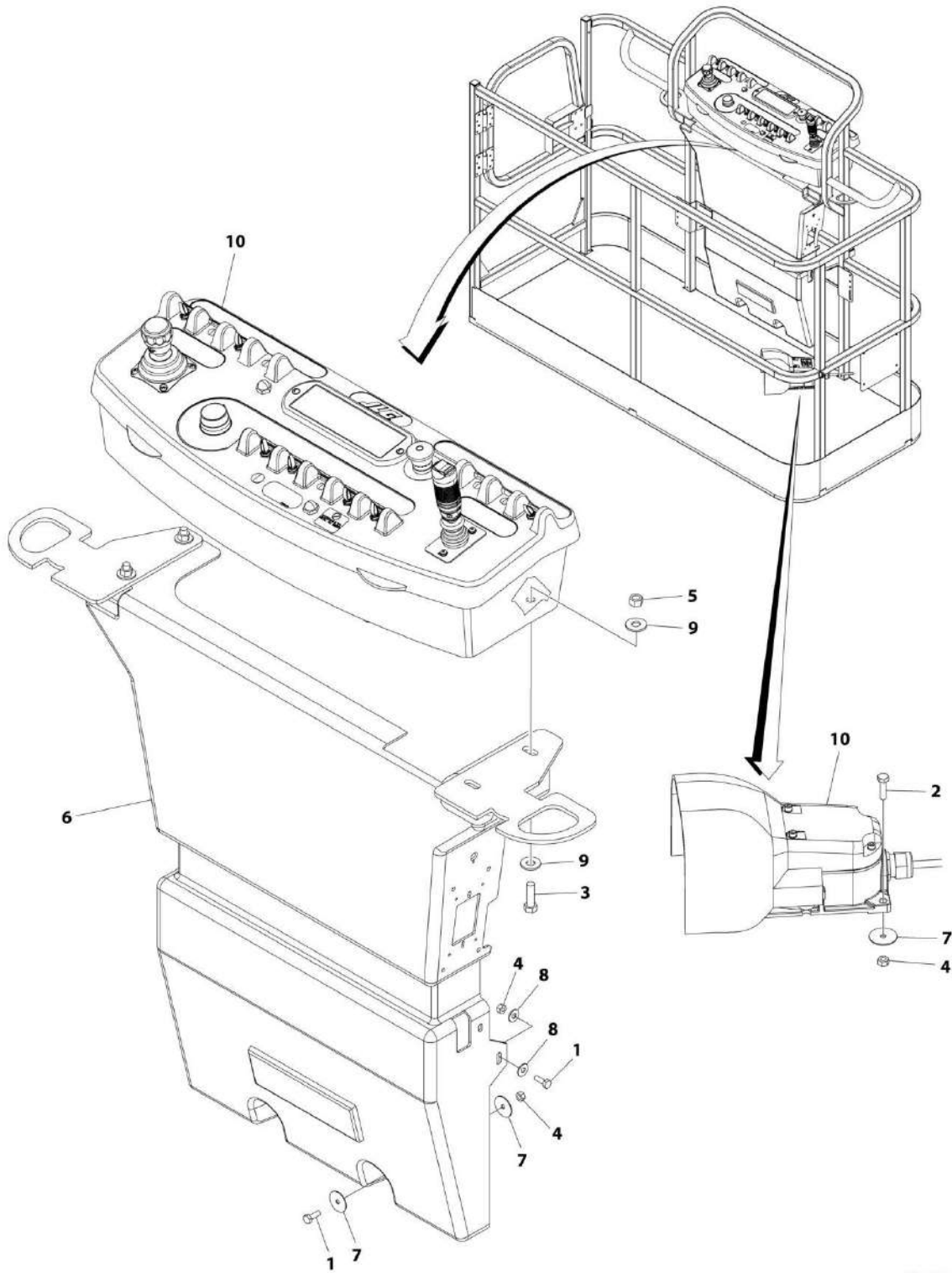
SECTION 5 - PLATFORM

FIGURE 5-21. 2WD PLATFORM CONSOLE BOX INSTALLATION - WITHOUT LSS OR WITH 4 CELL LSS - WITH SKYGUARD (NON UL SPECS) (E600J/E600JP/M600J/M600JP)

ITEM	PART NUMBER	QTY	DESCRIPTION	REV
	1001199905	Ref	2WD PLATFORM CONSOLE BOX INSTALLATION - WITHOUT LSS OR WITH 4 CELL LSS - WITH SKYGUARD (NON UL SPECS) (E600J/E600JP/M600J/M600JP)	C
1	0641406	4	Bolt 1/4 x 3/4	
2	0641408	3	Bolt 1/4 x 1	
3	0641610	4	Bolt 3/8 x 1-1/4	
4	3311405	7	Nut 1/4	
5	3311605	4	Nut 3/8	
6	3380434	1	Panel, Decal Mount	
7	4740362	7	Washer 1/4	
8	4751400	4	Washer 1/4	
9	4751600	8	Washer 3/8	
10	1001199906	1	Console Box Assembly (See 2WD PLATFORM CONSOLE BOX ASSEMBLY - WITHOUT LSS OR WITH 4 CELL LSS - WITH SKYGUARD (NON UL SPECS) (E600J/E600JP/M600J/M600JP) for Breakdown)	

SECTION 5 - PLATFORM

FIGURE 5-22. 2WD PLATFORM CONSOLE BOX INSTALLATION - WITH 1 CELL LSS - WITH SKYGUARD (NON UL SPECS) (E600J/E600JP/M600J/M600JP)



ART_1001220661

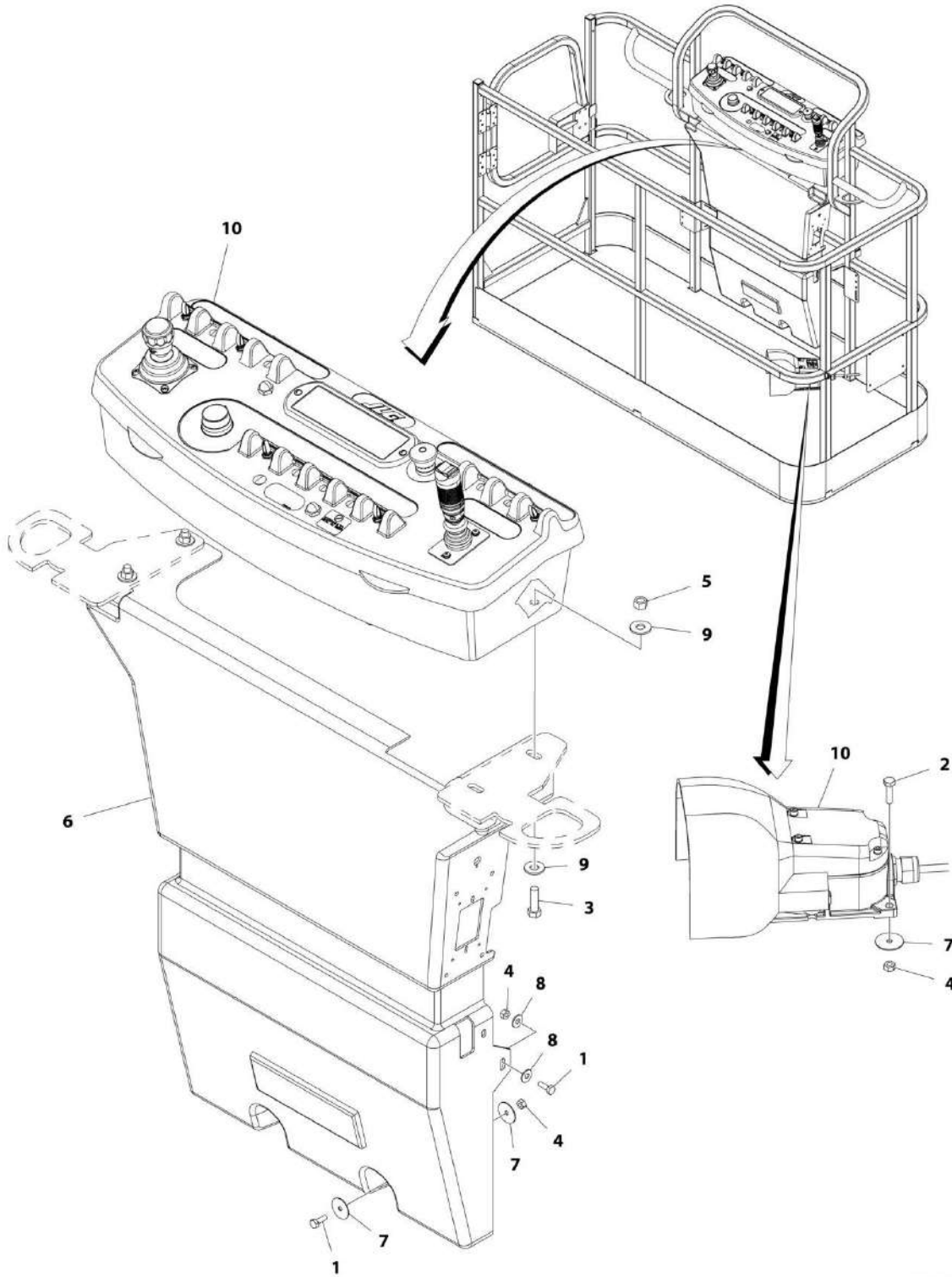
SECTION 5 - PLATFORM

FIGURE 5-22. 2WD PLATFORM CONSOLE BOX INSTALLATION - WITH 1 CELL LSS - WITH SKYGUARD (NON UL SPECS) (E600J/E600JP/M600J/M600JP)

ITEM	PART NUMBER	QTY	DESCRIPTION	REV
	1001220661	Ref	2WD PLATFORM CONSOLE BOX INSTALLATION - WITH 1 CELL LSS - WITH SKYGUARD (NON UL SPECS) (E600J/E600JP/M600J/M600JP)	A
1	0641406	4	Bolt 1/4 x 3/4	
2	0641408	3	Bolt 1/4 x 1	
3	0641610	4	Bolt 3/8 x 1-1/4	
4	3311405	7	Nut 1/4	
5	3311605	4	Nut 3/8	
6	3380434	1	Panel, Decal Mount	
7	4740362	7	Washer 1/4	
8	4751400	4	Washer 1/4	
9	4751600	8	Washer 3/8	
10	1001219398	1	Console Box Assembly (See 2WD PLATFORM CONSOLE BOX ASSEMBLY - WITH SKYGUARD (NON UL SPECS) (E600J/E600JP/M600J/M600JP) for Breakdown)	

SECTION 5 - PLATFORM

FIGURE 5-23. 4WD PLATFORM CONSOLE BOX INSTALLATION - WITHOUT LSS OR WITH 4 CELL LSS - WITH SKYGUARD (NON UL SPECS) (E600J/E600JP/M600J/M600JP)



ART_1001212281

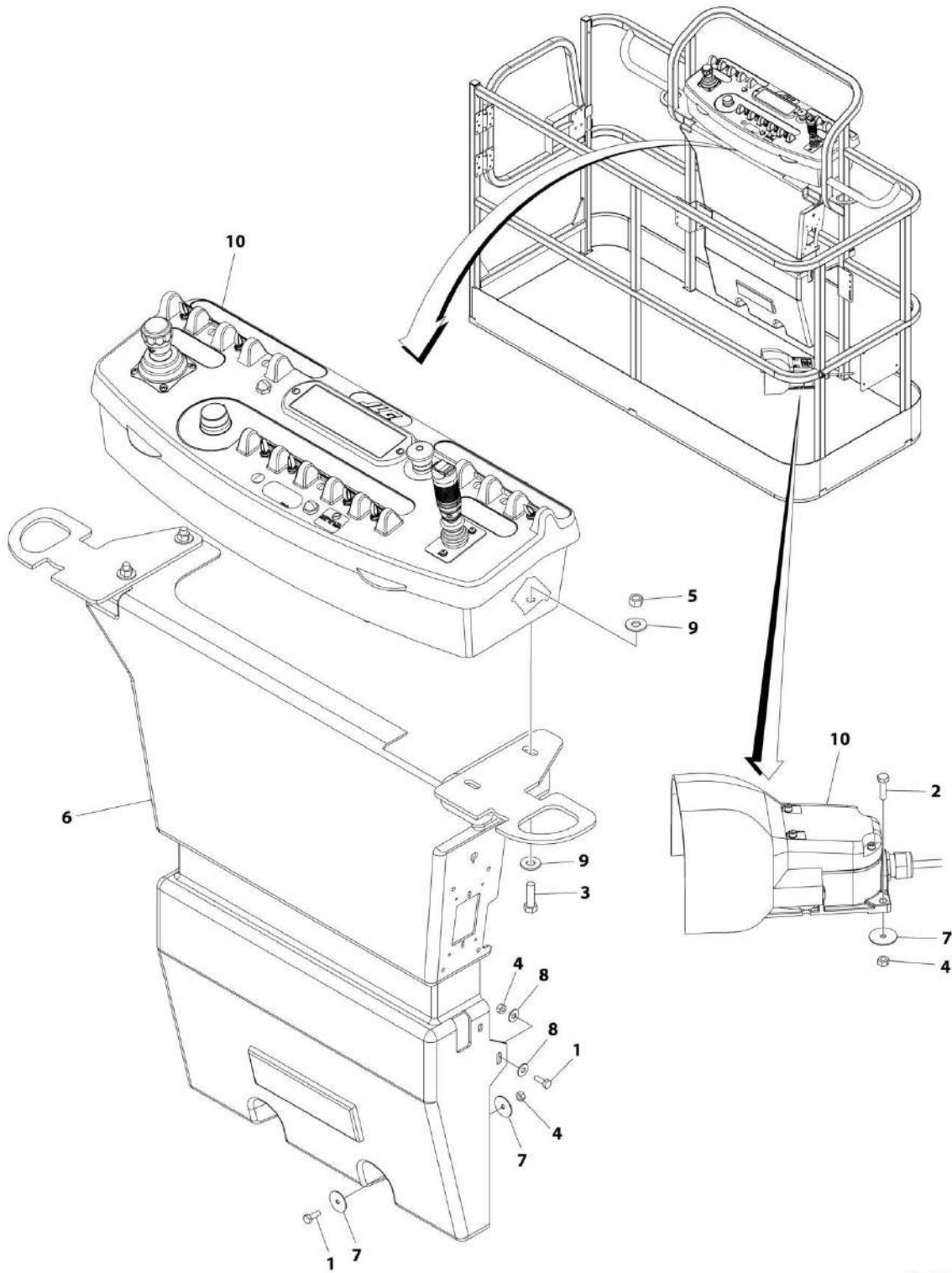
SECTION 5 - PLATFORM

FIGURE 5-23. 4WD PLATFORM CONSOLE BOX INSTALLATION - WITHOUT LSS OR WITH 4 CELL LSS - WITH SKYGUARD (NON UL SPECS) (E600J/E600JP/M600J/M600JP)

ITEM	PART NUMBER	QTY	DESCRIPTION	REV
	1001212281	Ref	4WD PLATFORM CONSOLE BOX INSTALLATION - WITHOUT LSS OR WITH 4 CELL LSS - WITH SKYGUARD (NON UL SPECS) (E600J/E600JP/M600J/M600JP)	B
1	0641406	4	Bolt 1/4 x 3/4	
2	0641408	3	Bolt 1/4 x 1	
3	0641610	4	Bolt 3/8 x 1-1/4	
4	3311405	7	Nut 1/4	
5	3311605	4	Nut 3/8	
6	3380434	1	Panel, Decal Mount	
7	4740362	7	Washer 1/4	
8	4751400	4	Washer 1/4	
9	4751600	8	Washer 3/8	
10	1001212276	1	Console Box Assembly (See 4WD PLATFORM CONSOLE BOX ASSEMBLY - WITHOUT LSS OR WITH 4 CELL LSS - WITH SKYGUARD (NON UL SPECS) (E600J/E600JP/M600J/M600JP) for Breakdown)	

SECTION 5 - PLATFORM

FIGURE 5-24. 4WD PLATFORM CONSOLE BOX INSTALLATION - WITH 1 CELL LSS - WITH SKYGUARD (NON UL SPECS) (E600J/E600JP/M600J/M600JP)



ART_1001220663

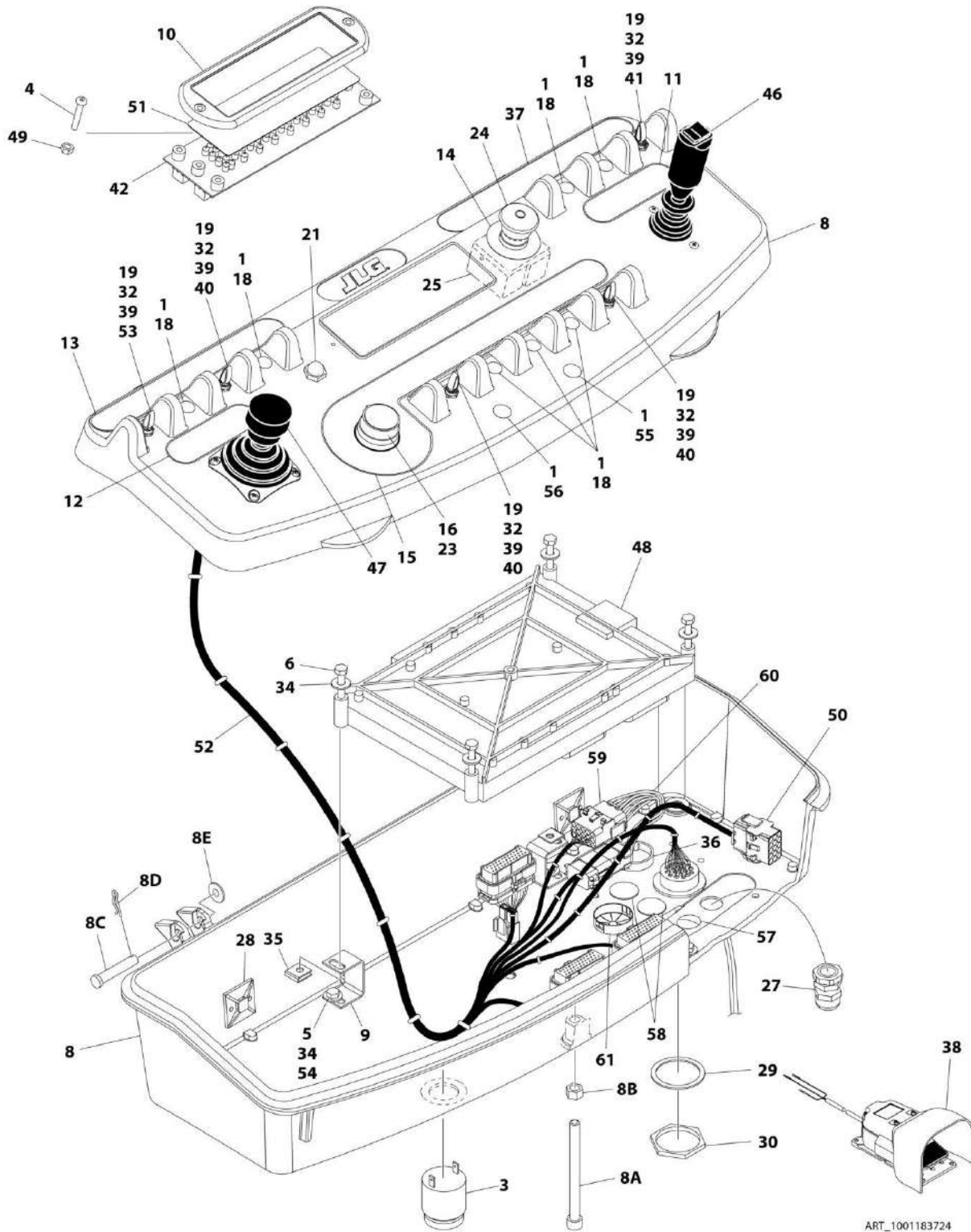
SECTION 5 - PLATFORM

FIGURE 5-24. 4WD PLATFORM CONSOLE BOX INSTALLATION - WITH 1 CELL LSS - WITH SKYGUARD (NON UL SPECS) (E600J/E600JP/M600J/M600JP)

ITEM	PART NUMBER	QTY	DESCRIPTION	REV
	1001220663	Ref	4WD PLATFORM CONSOLE BOX INSTALLATION – WITH 1 CELL LSS - WITH SKYGUARD (NON UL SPECS) (E600J/E600JP/M600J/M600JP)	A
1	0641406	4	Bolt 1/4 x 3/4	
2	0641408	3	Bolt 1/4 x 1	
3	0641610	4	Bolt 3/8 x 1-1/4	
4	3311405	7	Nut 1/4	
5	3311605	4	Nut 3/8	
6	3380434	1	Panel, Decal Mount	
7	4740362	7	Washer 1/4	
8	4751400	4	Washer 1/4	
9	4751600	8	Washer 3/8	
10	1001219407	1	Console Box Assembly (See 4WD PLATFORM CONSOLE BOX ASSEMBLY - WITH SKYGUARD (NON UL SPECS) (E600J/E600JP/M600J/M600JP) for Breakdown)	

SECTION 5 - PLATFORM

FIGURE 5-25. 2WD PLATFORM CONSOLE BOX ASSEMBLY - WITHOUT LSS OR WITH 4 CELL LSS - WITHOUT SKYGUARD (NON UL SPECS) (E600/M600)



ART_1001183724

SECTION 5 - PLATFORM

FIGURE 5-25. 2WD PLATFORM CONSOLE BOX ASSEMBLY - WITHOUT LSS OR WITH 4 CELL LSS - WITHOUT SKYGUARD (NON UL SPECS) (E600/M600)

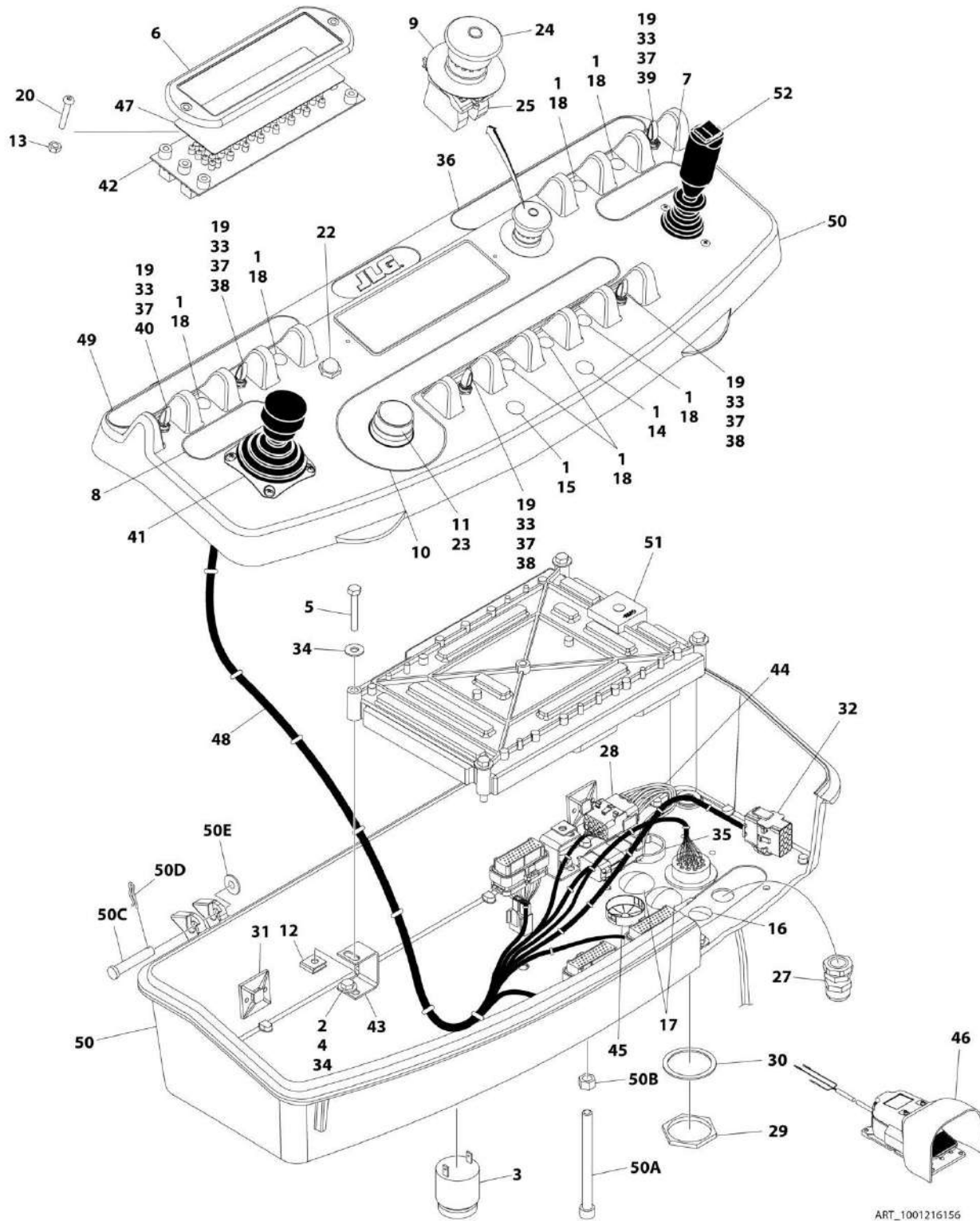
ITEM	PART NUMBER	QTY	DESCRIPTION	REV
	1001183724	Ref	2WD PLATFORM CONSOLE BOX ASSEMBLY - WITHOUT LSS OR WITH 4 CELL LSS - WITHOUT SKYGUARD (NON UL SPECS) (E600/M600)	E
1	0100009	AR	Adhesive, Silicone	
3	0140011	1	Alarm	
4	3911018	2	Screw #10 x 1-1/8	
5	0641404	4	Bolt 1/4 x 1/2	
6	0641414	4	Bolt 1/4 x 1-3/4	
8	1001201887	1	Box, Console Assembly	B
8A	0630568	1	Capscrew 3/8 x 4-1/2	
8B	3311601	1	Nut 3/8	
8C	3430616	2	Pin	
8D	3470003	2	Hairpin	
8E	4711600	2	Washer 3/8	
9	1001172760	4	Bracket	
10	1671176	1	Bezel	
11	1702565	1	Decal - Drive and Steer	
12	1702566	1	Decal - Lift and Swing	
13	1001193987	1	Decal - Stop and Drive Select	
14	1704260	1	Decal - Emergency Stop Switch	
15	1704422	1	Decal - Function Speed	
16	2560136	1	Knob, Speed Control	
18	3520054	7	Plug, Hole	
19	3790012	5	O-Ring	
20	4240032	AR	Tie-Strap (Not Shown)	
21	4360387	1	Switch, Push Button	
23	4360407	1	Switch, Potentiometer	
24	4360475	1	Switch, Emergency Stop	
24	7020175	1	Cap, Mushroom with Sealing Ring	
24	7020176	1	Block, Contact	
25	4360476	1	Block, Contact	
26	4460234	4	Mount, Tie-Strap (Not Shown)	
27	4460428	1	Connector, Strain Relief	
28	4460488	2	Mount, Tie-Strap	
29	4460471	1	Washer, Terminal	
30	4460470	1	Nut, Terminal	
32	4740397	5	Spacer, Washer	
34	4751400	8	Washer 1/4	
35	3300353	4	Nut, Tinnerman	
36	1001110434	1	Plug	
37	1001132175	1	Decal - Stop, Generator	
38	1001189039	1	Footswitch Assembly (See FOOTSWITCH ASSEMBLY for Breakdown)	
39	1001155044	5	Nut 15/32	
40	1001155045	3	Switch, Toggle	
41	1001159256	1	Switch, Toggle	
42	1001170838	1	Gauge, Led Panel	
46	1001166538	NLA	Controller Assembly - Drive and Steer (Use p/n 1001212415) (See CONTROLLER ASSEMBLY - DRIVE AND STEER for Breakdown)	
47	1001166539	NLA	Controller Assembly - Lift and Swing (See CONTROLLER	

SECTION 5 - PLATFORM

ITEM	PART NUMBER	QTY	DESCRIPTION	REV
			ASSEMBLY - LIFT AND SWING for Breakdown) (Note: Use p/n 1001129555 as Replacement)	
48	1001196520	1	Module, Platform (Note: Re-calibration Required when Replaced)	
49	3300408	2	Nut	
50	4460708	1	Connector - 15 Position	
51	1001190797	1	Display - Light Panel	
52	1001191318	1	Platform Console Harness (See ELECTRICAL SECTION for Breakdown)	
53	1001161710	1	Switch, Toggle	
54	0100075	AR	Loctite #545	
55	3520026	1	Plug, Hole	
56	3520027	1	Plug	
57	3520030	1	Hole, Plug	
58	3520033	2	Plug	
59	4460434	1	Connector - 15 Position	
60	1001183276	1	Upper Valve Harness (See ELECTRICAL SECTION for Breakdown)	
61	1001185281	1	Plug	

SECTION 5 - PLATFORM

FIGURE 5-26. 2WD PLATFORM CONSOLE BOX ASSEMBLY - WITHOUT LSS OR WITH 4 CELL LSS - WITHOUT SKYGUARD (UL SPECS) (E600)



ART_1001216156

SECTION 5 - PLATFORM

FIGURE 5-26. 2WD PLATFORM CONSOLE BOX ASSEMBLY - WITHOUT LSS OR WITH 4 CELL LSS - WITHOUT SKYGUARD (UL SPECS) (E600)

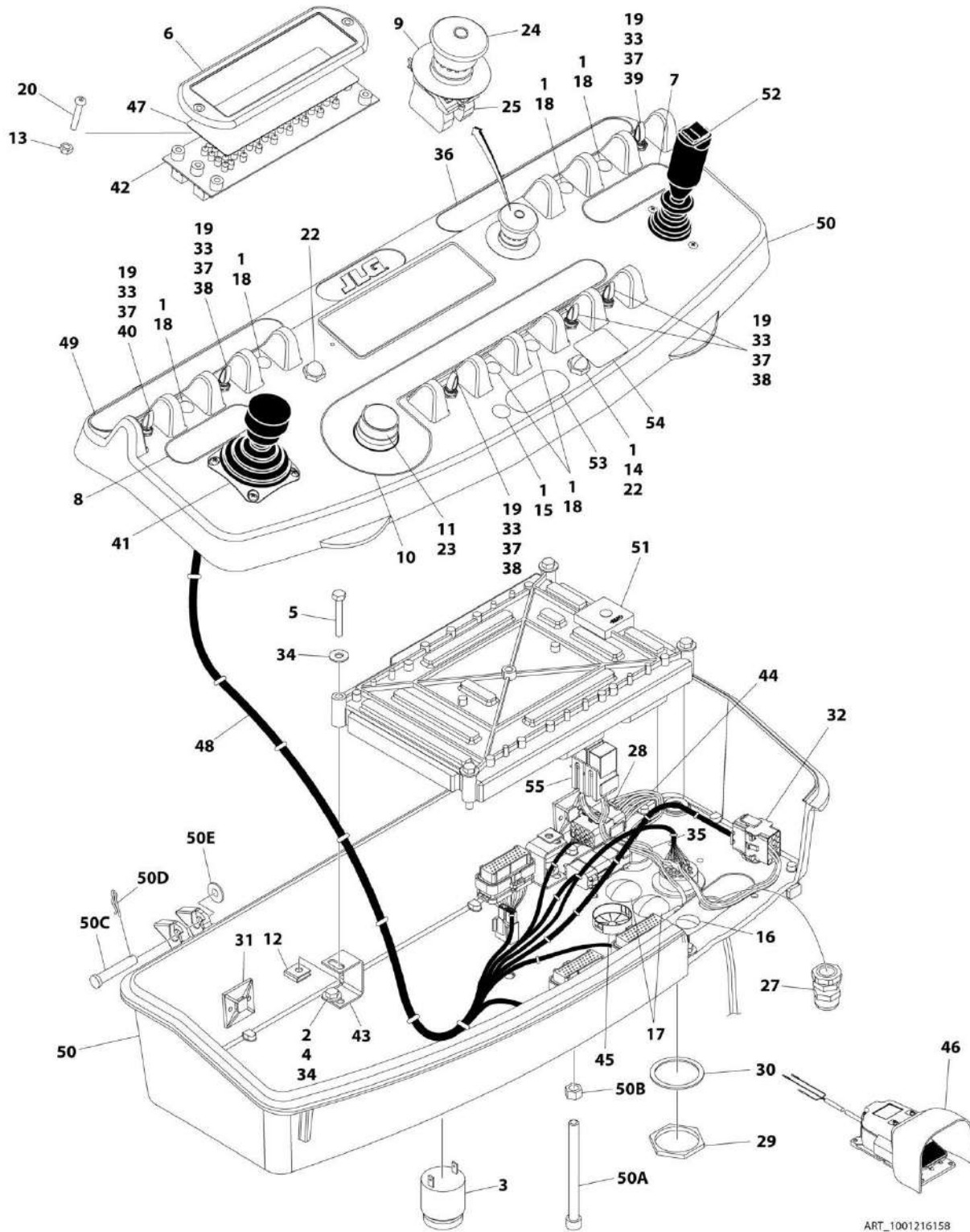
ITEM	PART NUMBER	QTY	DESCRIPTION	REV
	1001216156	Ref	2WD PLATFORM CONSOLE BOX ASSEMBLY - WITHOUT LSS OR WITH 4 CELL LSS - WITHOUT SKYGUARD (UL SPECS) (E600)	B
1	0100009	AR	Adhesive, Silicone	
2	0100075	AR	Loctite #545	
3	0140011	1	Alarm	
4	0641404	4	Bolt 1/4 x 1/2	
5	0641414	4	Bolt 1/4 x 1-3/4	
6	1671176	1	Bezel	
7	1702565	1	Decal - Drive and Steer	
8	1702566	1	Decal - Lift and Swing	
9	1704260	1	Decal - Emergency Stop Switch	
10	1704422	1	Decal - Function Speed	
11	2560136	1	Knob, Speed Control	
12	3300353	4	Nut, Tinnerman	
13	3300408	2	Nut	
14	3520026	1	Plug, Hole	
15	3520027	1	Plug	
16	3520030	1	Hole, Plug	
17	3520033	2	Plug (SN 0300219271 through 0300226266)	
17	1001220486	2	Plug (SN 0300226267 to Present)	
18	3520054	7	Plug, Hole	
19	3790012	5	O-Ring	
20	3911018	2	Screw #10 x 1-1/8	
21	4240032	AR	Tie-Strap (Not Shown)	
22	4360387	1	Switch, Push Button	
23	4360407	1	Switch, Potentiometer	
24	4360475	1	Switch, Emergency Stop	
24	7020175	1	Cap, Mushroom with Sealing Ring	
24	7020176	1	Block, Contact	
25	4360476	1	Block, Contact	
26	4460234	4	Mount, Tie-Strap (Not Shown)	
27	4460428	1	Connector, Strain Relief	
28	4460434	1	Connector - 15 Position	
29	4460470	1	Nut, Terminal	
30	4460471	1	Washer, Terminal	
31	4460488	2	Mount, Tie-Strap	
32	4460708	1	Connector - 15 Position	
33	4740397	5	Spacer, Washer	
34	4751400	8	Washer 1/4	
35	1001110434	1	Plug	
36	1001132175	1	Decal - Stop, Generator	
37	1001155044	5	Nut 15/32	
38	1001155045	3	Switch, Toggle	
39	1001159256	1	Switch, Toggle	
40	1001161710	1	Switch, Toggle	
41	1001166539	NLA	Controller Assembly - Lift and Swing (See CONTROLLER ASSEMBLY - LIFT AND SWING for Breakdown) (Note: Use p/n 1001129555 as Replacement)	
42	1001170838	1	Gauge, Led Panel	

SECTION 5 - PLATFORM

ITEM	PART NUMBER	QTY	DESCRIPTION	REV
43	1001172760	4	Bracket	
44	1001183276	1	Upper Valve Harness (See ELECTRICAL SECTION for Breakdown)	
45	1001185281	1	Plug	
46	1001189039	1	Footswitch Assembly (See FOOTSWITCH ASSEMBLY for Breakdown)	
47	1001190797	1	Display - Light Panel	
48	1001191318	1	Platform Console Harness (See ELECTRICAL SECTION for Breakdown)	
49	1001193987	1	Decal - Stop and Drive Select	
50	1001201887	1	Box, Console Assembly	B
50A	0630568	1	Capscrew 3/8 x 4-1/2	
50B	3311601	1	Nut 3/8	
50C	3430616	2	Pin	
50D	3470003	2	Hairpin	
50E	4711600	2	Washer 3/8	
51	1001215835	1	Module, Platform (Note: Re-calibration Required when Replaced)	
52	1001166538	NLA	Controller Assembly - Drive and Steer (Use p/n 1001212415) (See CONTROLLER ASSEMBLY - DRIVE AND STEER for Breakdown)	

SECTION 5 - PLATFORM

FIGURE 5-27. 2WD PLATFORM CONSOLE BOX ASSEMBLY - WITHOUT LSS OR WITH 4 CELL LSS - WITH SKYGUARD (UL SPECS) (E600J/E600JP)



ART_1001216158

SECTION 5 - PLATFORM

FIGURE 5-27. 2WD PLATFORM CONSOLE BOX ASSEMBLY - WITHOUT LSS OR WITH 4 CELL LSS - WITH SKYGUARD (UL SPECS) (E600J/E600JP)

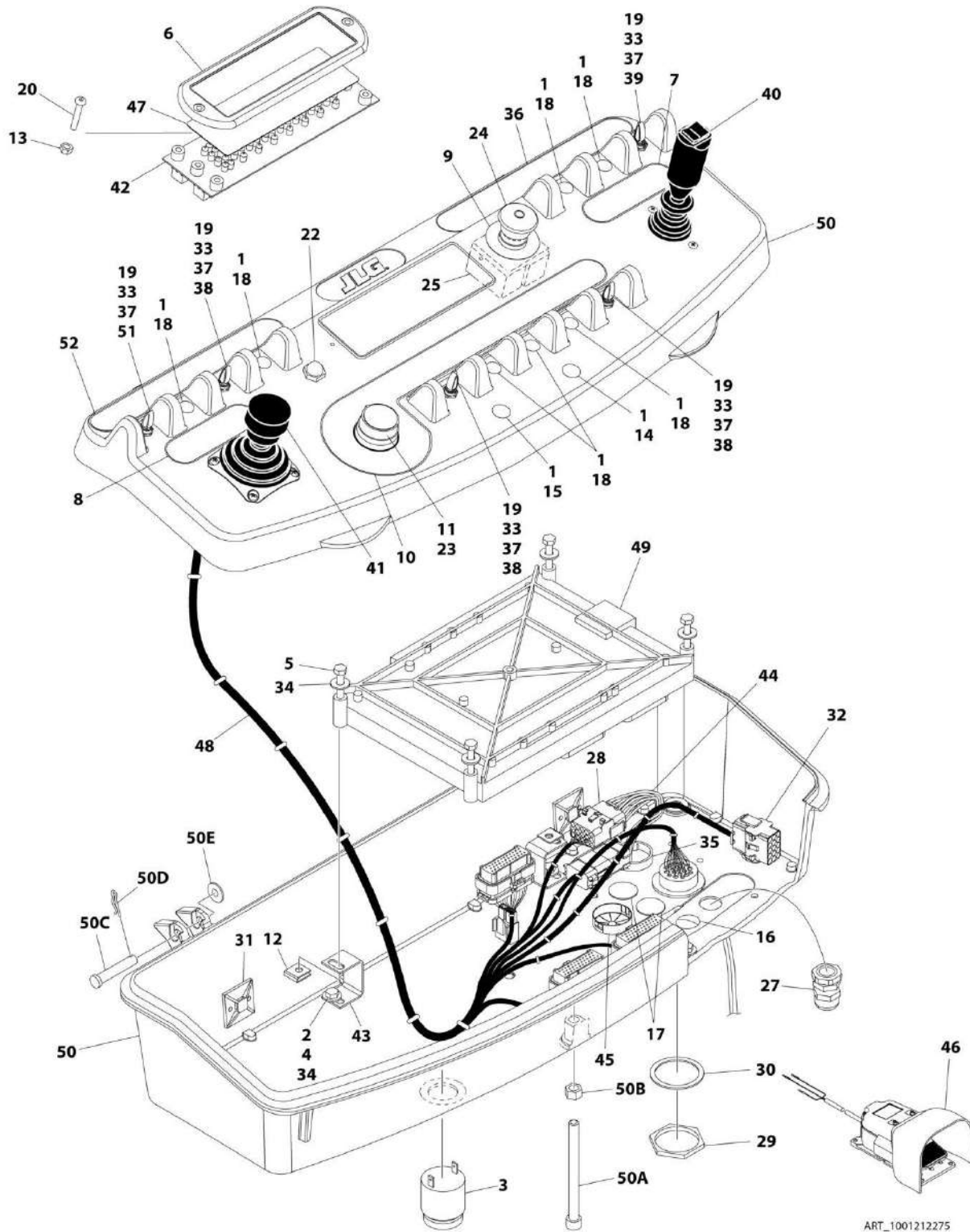
ITEM	PART NUMBER	QTY	DESCRIPTION	REV
	1001216158	Ref	2WD PLATFORM CONSOLE BOX ASSEMBLY - WITHOUT LSS OR WITH 4 CELL LSS - WITH SKYGUARD (UL SPECS) (E600J/E600JP)	C
1	0100009	AR	Adhesive, Silicone	
2	0100075	AR	Loctite #545	
3	0140011	1	Alarm	
4	0641404	4	Bolt 1/4 x 1/2	
5	0641414	4	Bolt 1/4 x 1-3/4	
6	1671176	1	Bezel	
7	1702565	1	Decal - Drive and Steer	
8	1702566	1	Decal - Lift and Swing	
9	1704260	1	Decal - Emergency Stop Switch	
10	1704422	1	Decal - Function Speed	
11	2560136	1	Knob, Speed Control	
12	3300353	4	Nut, Tinnerman	
13	3300408	2	Nut	
14	3520026	1	Plug, Hole (SN 0300219271 through 0300227392)	
15	3520027	1	Plug	
16	3520030	1	Hole, Plug	
17	3520033	2	Plug (SN 0300219271 through 0300226266)	
17	1001220486	2	Plug (SN 0300226267 to Present)	
18	3520054	6	Plug, Hole	
19	3790012	6	O-Ring	
20	3911018	2	Screw #10 x 1-1/8	
21	4240032	AR	Tie-Strap (Not Shown)	
22	4360387	AR	Switch, Push Button	
23	4360407	1	Switch, Potentiometer	
24	4360475	1	Switch, Emergency Stop	
24	7020175	1	Cap, Mushroom with Sealing Ring	
24	7020176	1	Block, Contact	
25	4360476	1	Block, Contact	
26	4460234	4	Mount, Tie-Strap (Not Shown)	
27	4460428	1	Connector, Strain Relief	
28	4460434	1	Connector - 15 Position	
29	4460470	1	Nut, Terminal	
30	4460471	1	Washer, Terminal	
31	4460488	2	Mount, Tie-Strap	
32	4460708	1	Connector - 15 Position	
33	4740397	6	Spacer, Washer	
34	4751400	8	Washer 1/4	
35	1001110434	1	Plug	
36	1001132175	1	Decal - Stop, Generator	
37	1001155044	6	Nut 15/32	
38	1001155045	4	Switch, Toggle	
39	1001159256	1	Switch, Toggle	
40	1001161710	1	Switch, Toggle	
41	1001166539	NLA	Controller Assembly - Lift and Swing (See CONTROLLER ASSEMBLY - LIFT AND SWING for Breakdown) (Note: Use p/n 1001129555 as Replacement)	
42	1001170838	1	Gauge, Led Panel	

SECTION 5 - PLATFORM

ITEM	PART NUMBER	QTY	DESCRIPTION	REV
43	1001172760	4	Bracket	
44	1001183276	1	Upper Valve Harness (See ELECTRICAL SECTION for Breakdown)	
45	1001185281	1	Plug	
46	1001189039	1	Footswitch Assembly (See FOOTSWITCH ASSEMBLY for Breakdown)	
47	1001190797	1	Display - Light Panel	
48	1001191318	1	Platform Console Harness (See ELECTRICAL SECTION for Breakdown)	
49	1001193987	1	Decal - Stop and Drive Select	
50	1001201887	1	Box, Console Assembly	B
50A	0630568	1	Capscrew 3/8 x 4-1/2	
50B	3311601	1	Nut 3/8	
50C	3430616	2	Pin	
50D	3470003	2	Hairpin	
50E	4711600	2	Washer 3/8	
51	1001215835	1	Module, Platform (Note: Re-calibration Required when Replaced)	
52	1001166538	NLA	Controller Assembly - Drive and Steer (Use p/n 1001212415) (See CONTROLLER ASSEMBLY - DRIVE AND STEER for Breakdown)	
53	1001141300	1	Decal Platform Sensor Override (SN 0300227392 to Present)	
54	1001144433	1	Decal No Weight (SN 0300227392 to Present)	
55	1001192292	1	Harness, SkyGuard (See ELECTRICAL SECTION for Breakdown) (SN 0300227392 to Present)	

SECTION 5 - PLATFORM

FIGURE 5-28. 4WD PLATFORM CONSOLE BOX ASSEMBLY - WITHOUT LSS OR WITH 4 CELL LSS - WITHOUT SKYGUARD (NON UL SPECS) (E600/M600)



SECTION 5 - PLATFORM

FIGURE 5-28. 4WD PLATFORM CONSOLE BOX ASSEMBLY - WITHOUT LSS OR WITH 4 CELL LSS - WITHOUT SKYGUARD (NON UL SPECS) (E600/M600)

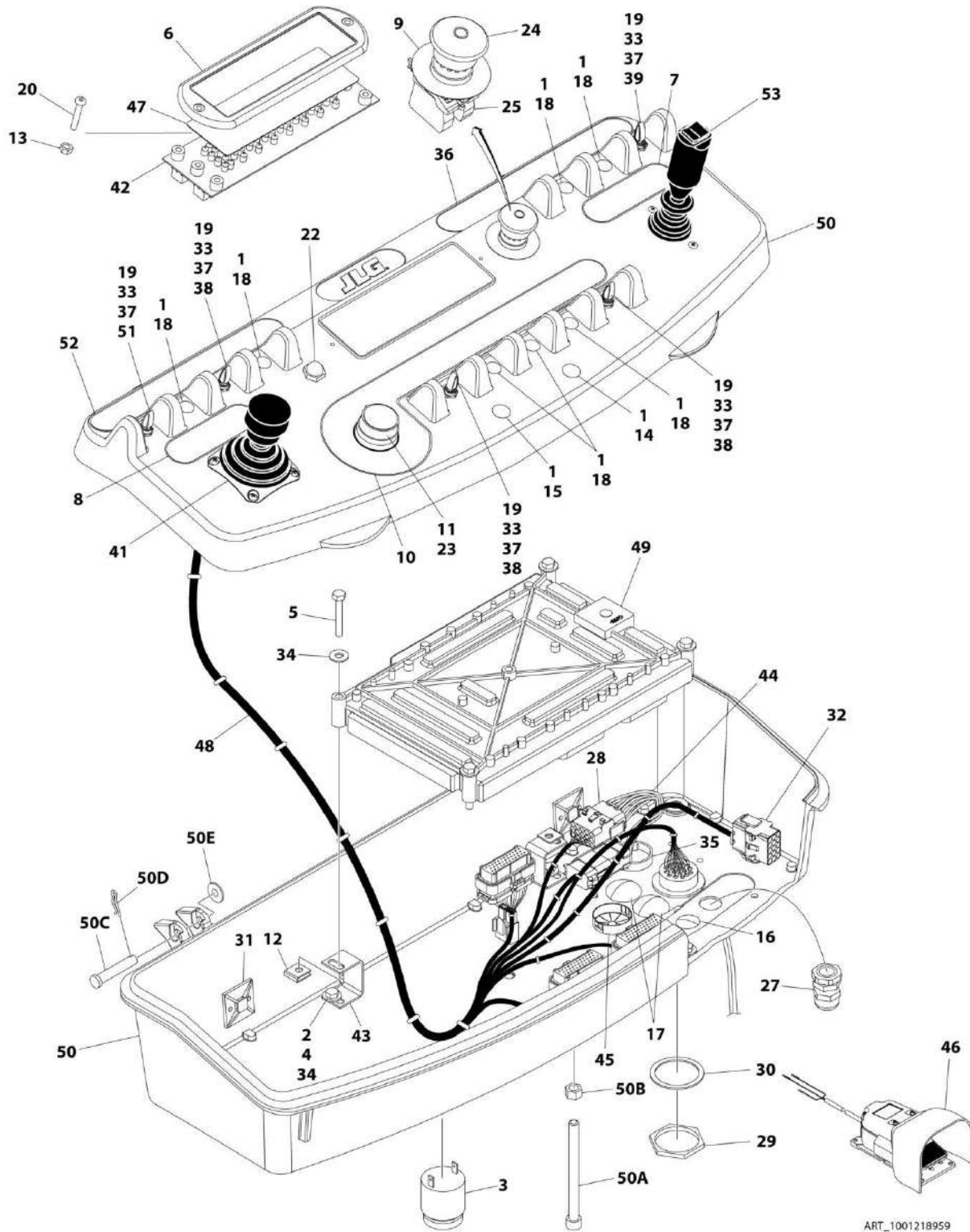
ITEM	PART NUMBER	QTY	DESCRIPTION	REV
	1001212275	Ref	4WD PLATFORM CONSOLE BOX ASSEMBLY - WITHOUT LSS OR WITH 4 CELL LSS - WITHOUT SKYGUARD (NON UL SPECS) (E600/M600)	A
1	0100009	AR	Adhesive, Silicone	
2	0100075	AR	Loctite #545	
3	0140011	1	Alarm	
4	0641404	4	Bolt 1/4 x 1/2	
5	0641414	4	Bolt 1/4 x 1-3/4	
6	1671176	1	Bezel	
7	1702565	1	Decal - Drive and Steer	
8	1702566	1	Decal - Lift and Swing	
9	1704260	1	Decal - Emergency Stop Switch	
10	1704422	1	Decal - Function Speed	
11	2560136	1	Knob, Speed Control	
12	3300353	4	Nut, Tinnerman	
13	3300408	2	Nut	
14	3520026	1	Plug, Hole	
15	3520027	1	Plug	
16	3520030	1	Hole, Plug	
17	3520033	2	Plug	
18	3520054	7	Plug, Hole	
19	3790012	5	O-Ring	
20	3911018	2	Screw #10 x 1-1/8	
21	4240032	AR	Tie-Strap (Not Shown)	
22	4360387	1	Switch, Push Button	
23	4360407	1	Switch, Potentiometer	
24	4360475	1	Switch, Emergency Stop	
24	7020175	1	Cap, Mushroom with Sealing Ring	
24	7020176	1	Block, Contact	
25	4360476	1	Block, Contact	
26	4460234	4	Mount, Tie-Strap (Not Shown)	
27	4460428	1	Connector, Strain Relief	
28	4460434	1	Connector - 15 Position	
29	4460470	1	Nut, Terminal	
30	4460471	1	Washer, Terminal	
31	4460488	2	Mount, Tie-Strap	
32	4460708	1	Connector - 15 Position	
33	4740397	5	Spacer, Washer	
34	4751400	8	Washer 1/4	
35	1001110434	1	Plug	
36	1001132175	1	Decal - Stop, Generator	
37	1001155044	5	Nut 15/32	
38	1001155045	3	Switch, Toggle	
39	1001159256	1	Switch, Toggle	
40	1001166538	NLA	Controller Assembly - Drive and Steer (Use p/n 1001212415) (See CONTROLLER ASSEMBLY - DRIVE AND STEER for Breakdown)	
41	1001166539	NLA	Controller Assembly - Lift and Swing (See CONTROLLER ASSEMBLY - LIFT AND SWING for Breakdown) (Note: Use p/n 1001129555 as Replacement)	
42	1001170838	1	Gauge, Led Panel	

SECTION 5 - PLATFORM

ITEM	PART NUMBER	QTY	DESCRIPTION	REV
43	1001172760	4	Bracket	
44	1001183276	1	Upper Valve Harness (See ELECTRICAL SECTION for Breakdown)	
45	1001185281	1	Plug	
46	1001189039	1	Footswitch Assembly (See FOOTSWITCH ASSEMBLY for Breakdown)	
47	1001190797	1	Display - Light Panel	
48	1001191318	1	Platform Console Harness (See ELECTRICAL SECTION for Breakdown)	
49	1001196520	1	Module, Platform (Note: Re-calibration Required when Replaced)	
50	1001201887	1	Box, Console Assembly	B
50A	0630568	1	Capscrew 3/8 x 4-1/2	
50B	3311601	1	Nut 3/8	
50C	3430616	2	Pin	
50D	3470003	2	Hairpin	
50E	4711600	2	Washer 3/8	
51	1001211363	1	Switch, Toggle	
52	1001212277	1	Decal - Horn and Drive Select	

SECTION 5 - PLATFORM

FIGURE 5-29. 4WD PLATFORM CONSOLE BOX ASSEMBLY - WITHOUT LSS OR WITH 4 CELL LSS - WITHOUT SKYGUARD (UL SPECS) (E600)



ART_1001218959

SECTION 5 - PLATFORM

FIGURE 5-29. 4WD PLATFORM CONSOLE BOX ASSEMBLY - WITHOUT LSS OR WITH 4 CELL LSS - WITHOUT SKYGUARD (UL SPECS) (E600)

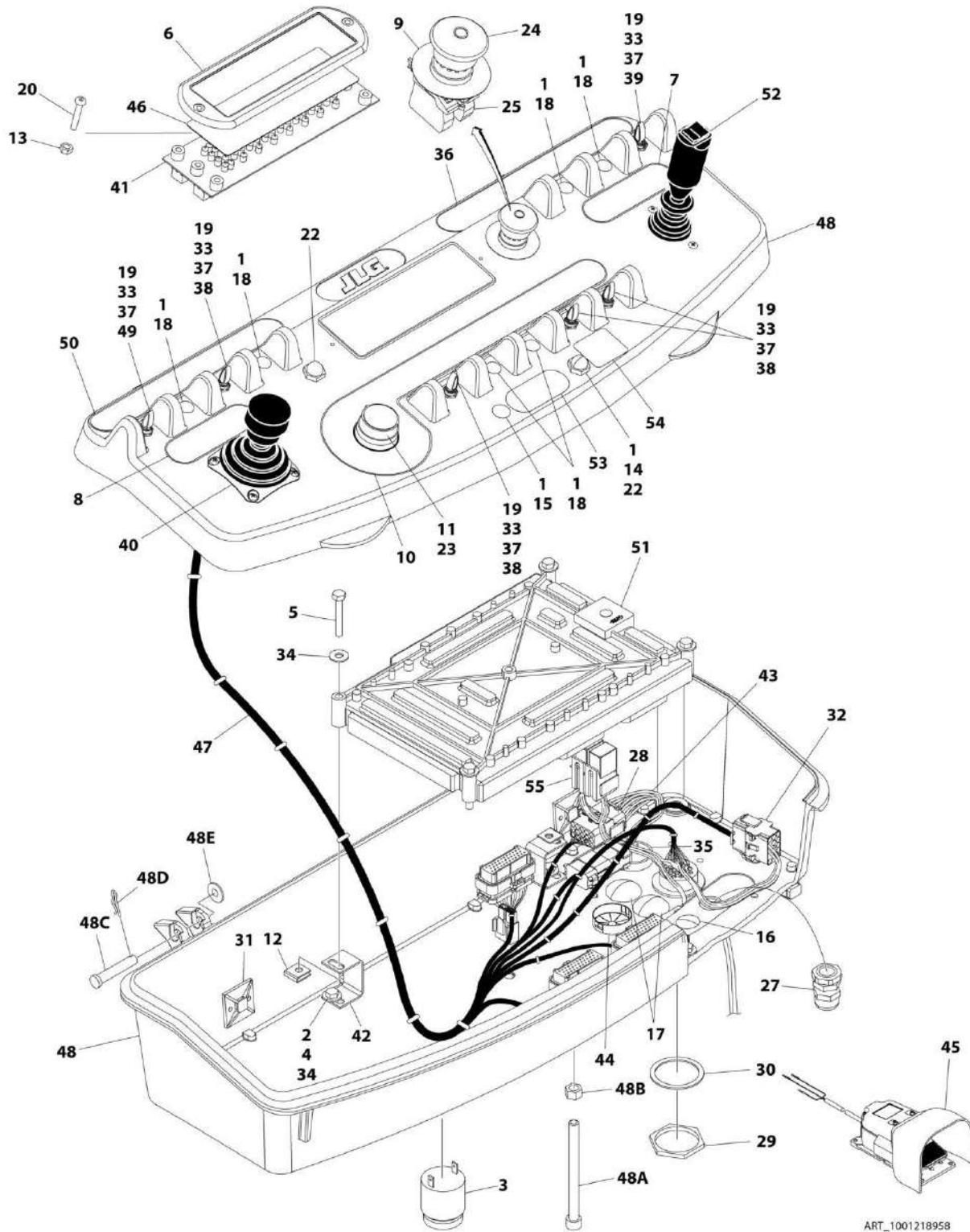
ITEM	PART NUMBER	QTY	DESCRIPTION	REV
	1001218959	Ref	4WD PLATFORM CONSOLE BOX ASSEMBLY - WITHOUT LSS OR WITH 4 CELL LSS - WITHOUT SKYGUARD (UL SPECS) (E600)	B
1	0100009	AR	Adhesive, Silicone	
2	0100075	AR	Loctite #545	
3	0140011	1	Alarm	
4	0641404	4	Bolt 1/4 x 1/2	
5	0641414	4	Bolt 1/4 x 1-3/4	
6	1671176	1	Bezel	
7	1702565	1	Decal - Drive and Steer	
8	1702566	1	Decal - Lift and Swing	
9	1704260	1	Decal - Emergency Stop Switch	
10	1704422	1	Decal - Function Speed	
11	2560136	1	Knob, Speed Control	
12	3300353	4	Nut, Tinnerman	
13	3300408	2	Nut	
14	3520026	1	Plug, Hole	
15	3520027	1	Plug	
16	3520030	1	Hole, Plug	
17	3520033	2	Plug (SN 0300219271 through 0300226266)	
17	1001220486	2	Plug (SN 0300226267 to Present)	
18	3520054	7	Plug, Hole	
19	3790012	5	O-Ring	
20	3911018	2	Screw #10 x 1-1/8	
21	4240032	AR	Tie-Strap (Not Shown)	
22	4360387	1	Switch, Push Button	
23	4360407	1	Switch, Potentiometer	
24	4360475	1	Switch, Emergency Stop	
24	7020175	1	Cap, Mushroom with Sealing Ring	
24	7020176	1	Block, Contact	
25	4360476	1	Block, Contact	
26	4460234	4	Mount, Tie-Strap (Not Shown)	
27	4460428	1	Connector, Strain Relief	
28	4460434	1	Connector - 15 Position	
29	4460470	1	Nut, Terminal	
30	4460471	1	Washer, Terminal	
31	4460488	2	Mount, Tie-Strap	
32	4460708	1	Connector - 15 Position	
33	4740397	5	Spacer, Washer	
34	4751400	8	Washer 1/4	
35	1001110434	1	Plug	
36	1001132175	1	Decal - Stop, Generator	
37	1001155044	5	Nut 15/32	
38	1001155045	3	Switch, Toggle	
39	1001159256	1	Switch, Toggle	
41	1001166539	NLA	Controller Assembly - Lift and Swing (See CONTROLLER ASSEMBLY - LIFT AND SWING for Breakdown) (Note: Use p/n 1001129555 as Replacement)	
42	1001170838	1	Gauge, Led Panel	
43	1001172760	4	Bracket	

SECTION 5 - PLATFORM

ITEM	PART NUMBER	QTY	DESCRIPTION	REV
44	1001183276	1	Upper Valve Harness (See ELECTRICAL SECTION for Breakdown)	B
45	1001185281	1	Plug	
46	1001189039	1	Footswitch Assembly (See FOOTSWITCH ASSEMBLY for Breakdown)	
47	1001190797	1	Display - Light Panel	
48	1001191318	1	Platform Console Harness (See ELECTRICAL SECTION for Breakdown)	
49	1001215835	1	Module, Platform (Note: Re-calibration Required when Replaced)	
50	1001201887	1	Box, Console Assembly	
50A	0630568	1	Capscrew 3/8 x 4-1/2	
50B	3311601	1	Nut 3/8	
50C	3430616	2	Pin	
50D	3470003	2	Hairpin	
50E	4711600	2	Washer 3/8	
51	1001211363	1	Switch, Toggle	
52	1001212277	1	Decal - Horn and Drive Select	
53	1001166538	NLA	Controller Assembly - Drive and Steer (Use p/n 1001212415) (See CONTROLLER ASSEMBLY - DRIVE AND STEER for Breakdown)	

SECTION 5 - PLATFORM

FIGURE 5-30. 4WD PLATFORM CONSOLE BOX ASSEMBLY - WITHOUT LSS OR WITH 4 CELL LSS - WITH SKYGUARD (UL SPECS) (E600J/E600JP)



ART_1001218958

SECTION 5 - PLATFORM

FIGURE 5-30. 4WD PLATFORM CONSOLE BOX ASSEMBLY - WITHOUT LSS OR WITH 4 CELL LSS - WITH SKYGUARD (UL SPECS) (E600J/E600JP)

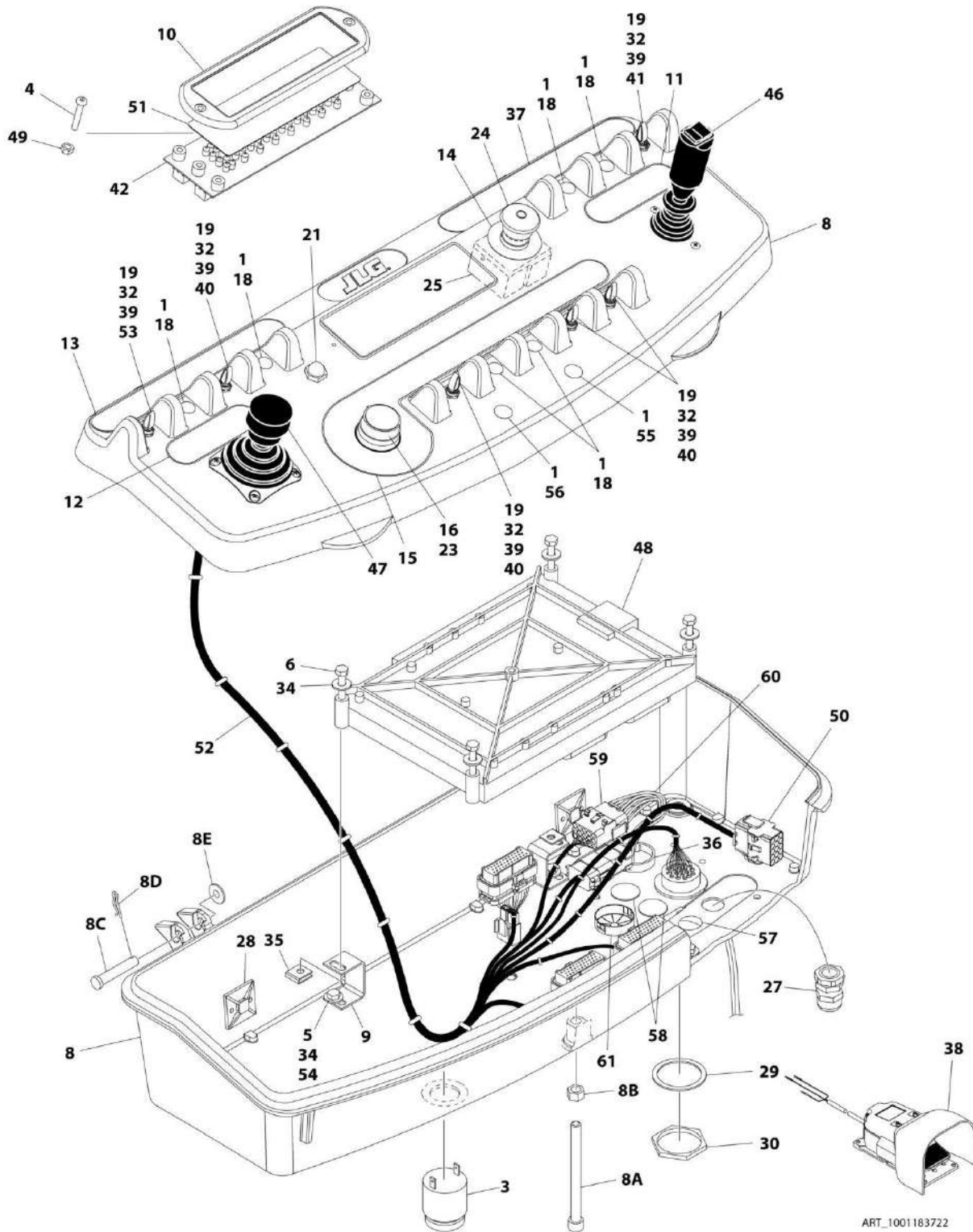
ITEM	PART NUMBER	QTY	DESCRIPTION	REV
	1001218958	Ref	4WD PLATFORM CONSOLE BOX ASSEMBLY - WITHOUT LSS OR WITH 4 CELL LSS - WITH SKYGUARD (UL SPECS) (E600J/E600JP)	C
1	0100009	AR	Adhesive, Silicone	
2	0100075	AR	Loctite #545	
3	0140011	1	Alarm	
4	0641404	4	Bolt 1/4 x 1/2	
5	0641414	4	Bolt 1/4 x 1-3/4	
6	1671176	1	Bezel	
7	1702565	1	Decal - Drive and Steer	
8	1702566	1	Decal - Lift and Swing	
9	1704260	1	Decal - Emergency Stop Switch	
10	1704422	1	Decal - Function Speed	
11	2560136	1	Knob, Speed Control	
12	3300353	4	Nut, Tinnerman	
13	3300408	2	Nut	
14	3520026	1	Plug, Hole (SN 0300219271 through 0300227392)	
15	3520027	1	Plug	
16	3520030	1	Hole, Plug	
17	3520033	2	Plug (SN 0300219271 through 0300226266)	
17	1001220486	2	Plug (SN 0300226267 to Present)	
18	3520054	6	Plug, Hole	
19	3790012	6	O-Ring	
20	3911018	2	Screw #10 x 1-1/8	
21	4240032	AR	Tie-Strap (Not Shown)	
22	4360387	AR	Switch, Push Button	
23	4360407	1	Switch, Potentiometer	
24	4360475	1	Switch, Emergency Stop	
24	7020175	1	Cap, Mushroom with Sealing Ring	
24	7020176	1	Block, Contact	
25	4360476	1	Block, Contact	
26	4460234	4	Mount, Tie-Strap (Not Shown)	
27	4460428	1	Connector, Strain Relief	
28	4460434	1	Connector - 15 Position	
29	4460470	1	Nut, Terminal	
30	4460471	1	Washer, Terminal	
31	4460488	2	Mount, Tie-Strap	
32	4460708	1	Connector - 15 Position	
33	4740397	6	Spacer, Washer	
34	4751400	8	Washer 1/4	
35	1001110434	1	Plug	
36	1001132175	1	Decal - Stop, Generator	
37	1001155044	6	Nut 15/32	
38	1001155045	4	Switch, Toggle	
39	1001159256	1	Switch, Toggle	
40	1001166539	NLA	Controller Assembly - Lift and Swing (See CONTROLLER ASSEMBLY - LIFT AND SWING for Breakdown) (Note: Use p/n 1001129555 as Replacement)	
41	1001170838	1	Gauge, Led Panel	
42	1001172760	4	Bracket	

SECTION 5 - PLATFORM

ITEM	PART NUMBER	QTY	DESCRIPTION	REV
43	1001183276	1	Upper Valve Harness (See ELECTRICAL SECTION for Breakdown)	B
44	1001185281	1	Plug	
45	1001189039	1	Footswitch Assembly (See FOOTSWITCH ASSEMBLY for Breakdown)	
46	1001190797	1	Display - Light Panel	
47	1001191318	1	Platform Console Harness (See ELECTRICAL SECTION for Breakdown)	
48	1001201887	1	Box, Console Assembly	
48A	0630568	1	Capscrew 3/8 x 4-1/2	
48B	3311601	1	Nut 3/8	
48C	3430616	2	Pin	
48D	3470003	2	Hairpin	
48E	4711600	2	Washer 3/8	
49	1001211363	1	Switch, Toggle	
50	1001212277	1	Decal - Horn and Drive Select	
51	1001215835	1	Module, Platform (Note: Re-calibration Required when Replaced)	
52	1001166538	NLA	Controller Assembly - Drive and Steer (Use p/n 1001212415) (See CONTROLLER ASSEMBLY - DRIVE AND STEER for Breakdown)	
53	1001141300	1	Decal Platform Sensor Override (SN 0300227392 through 0300240330)	
54	1001144433	1	Decal No Weight (SN 0300227392 to Present)	
55	1001192292	1	Harness, SkyGuard (See ELECTRICAL SECTION for Breakdown) (SN 0300227392 to Present)	

SECTION 5 - PLATFORM

FIGURE 5-31. 2WD PLATFORM CONSOLE BOX ASSEMBLY - WITHOUT LSS OR WITH 4 CELL LSS - WITHOUT SKYGUARD (NON UL SPECS) (E600J/E600JP/M600J/M600JP)



ART_1001183722

SECTION 5 - PLATFORM

FIGURE 5-31. 2WD PLATFORM CONSOLE BOX ASSEMBLY - WITHOUT LSS OR WITH 4 CELL LSS - WITHOUT SKYGUARD (NON UL SPECS) (E600J/E600JP/M600J/M600JP)

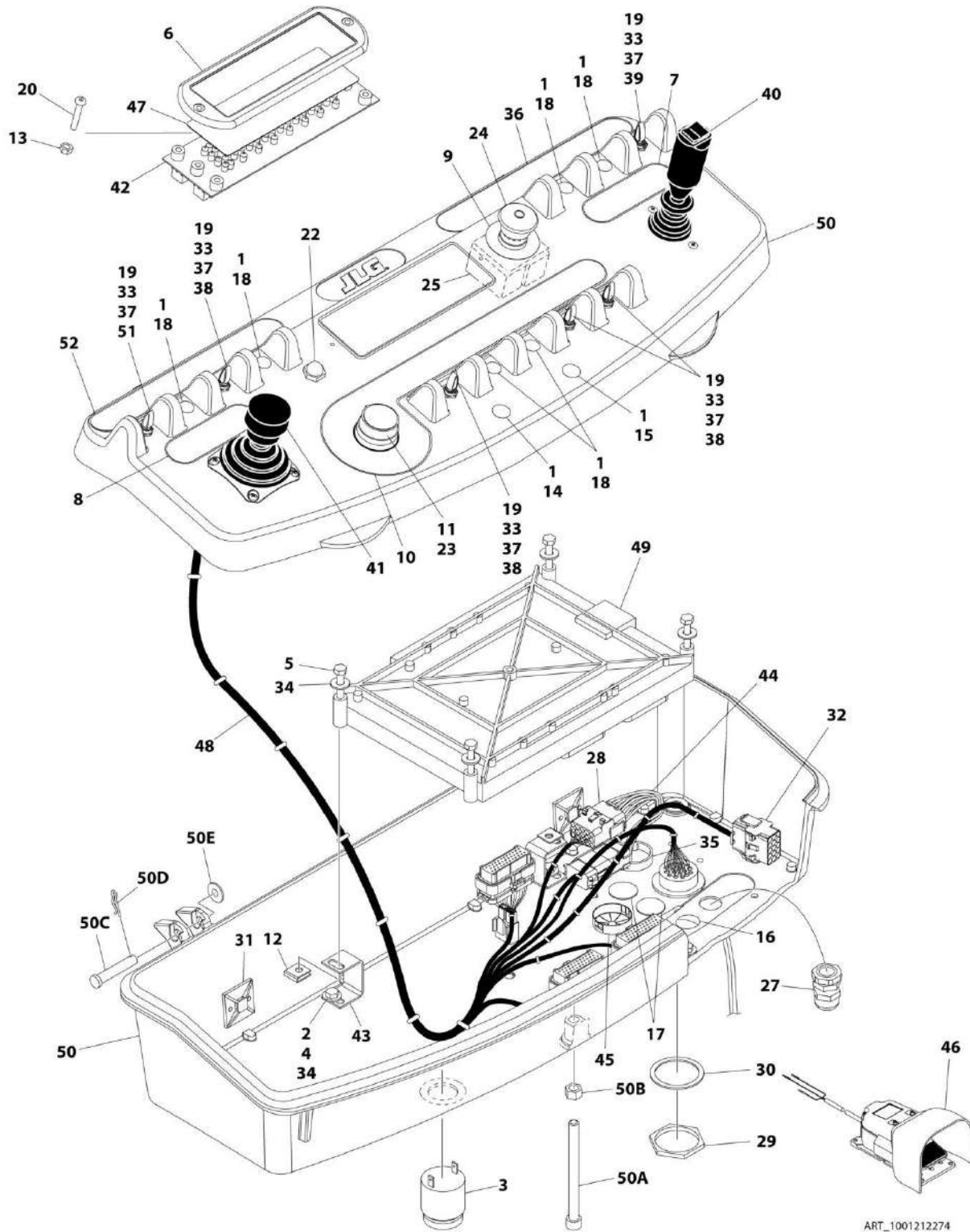
ITEM	PART NUMBER	QTY	DESCRIPTION	REV
	1001183722	Ref	2WD PLATFORM CONSOLE BOX ASSEMBLY - WITHOUT LSS OR WITH 4 CELL LSS - WITHOUT SKYGUARD (NON UL SPECS) (E600J/E600JP/M600J/M600JP)	E
1	0100009	AR	Adhesive, Silicone	
3	0140011	1	Alarm	
4	3911018	2	Screw #10 x 1-1/8	
5	0641404	4	Bolt 1/4 x 1/2	
6	0641414	4	Bolt 1/4 x 1-3/4	
8	1001201887	1	Box, Console Assembly	B
8A	0630568	1	Capscrew 3/8 x 4-1/2	
8B	3311601	1	Nut 3/8	
8C	3430616	2	Pin	
8D	3470003	2	Hairpin	
8E	4711600	2	Washer 3/8	
9	1001172760	4	Bracket	
10	1671176	1	Bezel	
11	1702565	1	Decal - Drive and Steer	
12	1702566	1	Decal - Lift and Swing	
13	1001193987	1	Decal - Stop and Drive Select	
14	1704260	1	Decal - Emergency Stop Switch	
15	1704422	1	Decal - Function Speed	
16	2560136	1	Knob, Speed Control	
18	3520054	6	Plug, Hole	
19	3790012	6	O-Ring	
20	4240032	AR	Tie-Strap (Not Shown)	
21	4360387	1	Switch, Push Button	
23	4360407	1	Switch, Potentiometer	
24	4360475	1	Switch, Emergency Stop	
24	7020175	1	Cap, Mushroom with Sealing Ring	
24	7020176	1	Block, Contact	
25	4360476	1	Block, Contact	
26	4460234	4	Mount, Tie-Strap (Not Shown)	
27	4460428	1	Connector, Strain Relief	
28	4460488	2	Mount, Tie-Strap	
29	4460471	1	Washer, Terminal	
30	4460470	1	Nut, Terminal	
32	4740397	6	Spacer, Washer	
34	4751400	8	Washer 1/4	
35	3300353	4	Nut, Tinnerman	
36	1001110434	1	Plug	
37	1001132175	1	Decal - Stop, Generator	
38	1001189039	1	Footswitch Assembly (See FOOTSWITCH ASSEMBLY for Breakdown)	
39	1001155044	6	Nut 15/32	
40	1001155045	4	Switch, Toggle	
41	1001159256	1	Switch, Toggle	
42	1001170838	1	Gauge, Led Panel	
46	1001166538	NLA	Controller Assembly - Drive and Steer (Use p/n 1001212415) (See CONTROLLER ASSEMBLY - DRIVE AND STEER for Breakdown)	
47	1001166539	NLA	Controller Assembly - Lift and Swing (See CONTROLLER	

SECTION 5 - PLATFORM

ITEM	PART NUMBER	QTY	DESCRIPTION	REV
			ASSEMBLY - LIFT AND SWING for Breakdown) (Note: Use p/n 1001129555 as Replacement)	
48	1001196520	1	Module, Platform (Note: Re-calibration Required when Replaced)	
49	3300408	2	Nut	
50	4460708	1	Connector - 15 Position	
51	1001190797	1	Display - Light Panel	
52	1001191318	1	Platform Console Harness (See ELECTRICAL SECTION for Breakdown)	
53	1001161710	1	Switch, Toggle	
54	0100075	AR	Loctite #545	
55	3520027	1	Plug	
56	3520026	1	Plug, Hole	
57	3520030	1	Hole, Plug	
58	3520033	2	Plug	
59	4460434	1	Connector - 15 Position	
60	1001183276	1	Upper Valve Harness (See ELECTRICAL SECTION for Breakdown)	
61	1001185281	1	Plug	

SECTION 5 - PLATFORM

FIGURE 5-32. 4WD PLATFORM CONSOLE BOX ASSEMBLY - WITHOUT LSS OR WITH 4 CELL LSS - WITHOUT SKYGUARD (NON UL SPECS) (E600J/E600JP/M600J/M600JP)



SECTION 5 - PLATFORM

FIGURE 5-32. 4WD PLATFORM CONSOLE BOX ASSEMBLY - WITHOUT LSS OR WITH 4 CELL LSS - WITHOUT SKYGUARD (NON UL SPECS) (E600J/E600JP/M600J/M600JP)

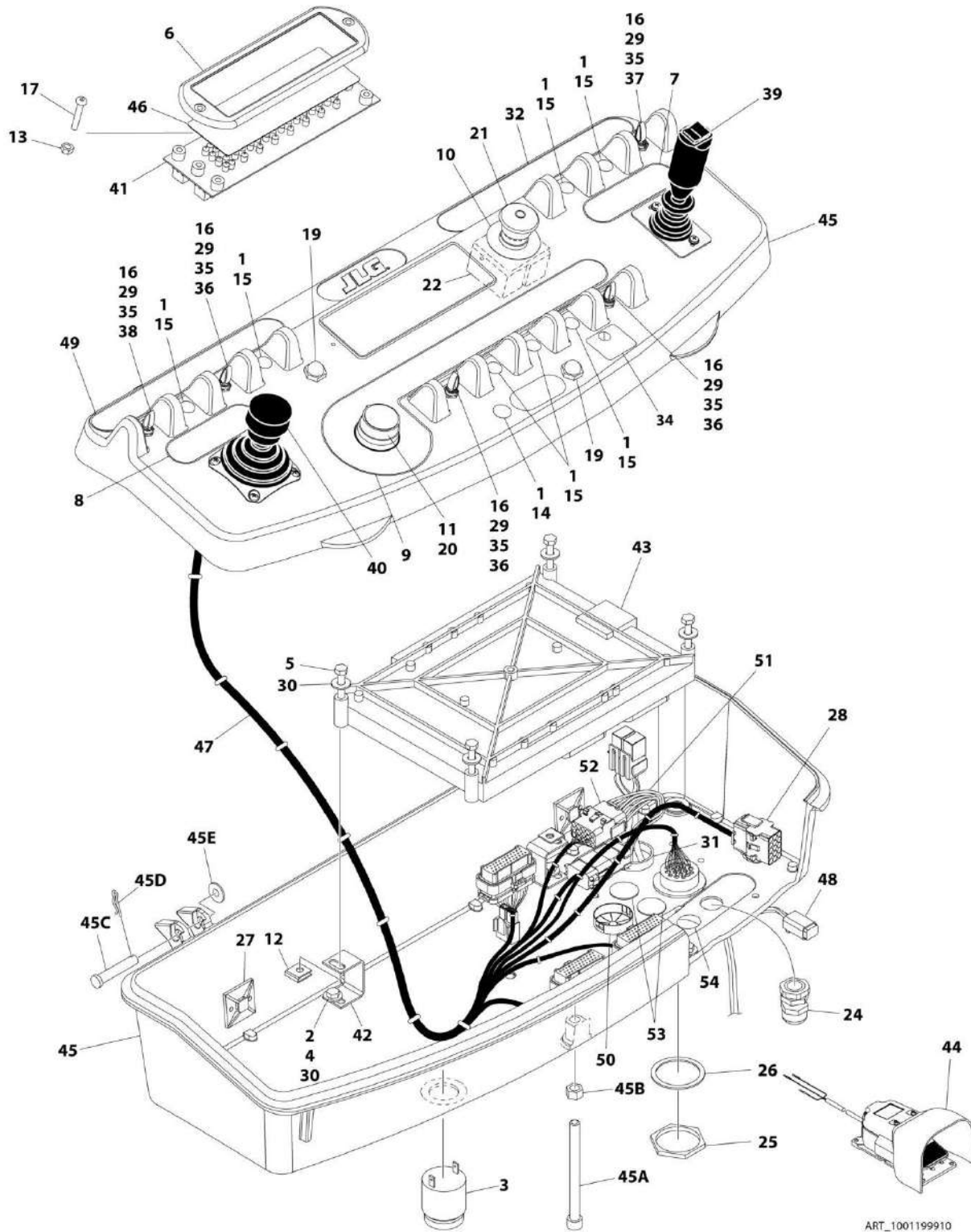
ITEM	PART NUMBER	QTY	DESCRIPTION	REV
	1001212274	Ref	4WD PLATFORM CONSOLE BOX ASSEMBLY - WITHOUT LSS OR WITH 4 CELL LSS - WITHOUT SKYGUARD (NON UL SPECS) (E600J/E600JP/M600J/M600JP)	A
1	0100009	AR	Adhesive, Silicone	
2	0100075	AR	Loctite #545	
3	0140011	1	Alarm	
4	0641404	4	Bolt 1/4 x 1/2	
5	0641414	4	Bolt 1/4 x 1-3/4	
6	1671176	1	Bezel	
7	1702565	1	Decal - Drive and Steer	
8	1702566	1	Decal - Lift and Swing	
9	1704260	1	Decal - Emergency Stop Switch	
10	1704422	1	Decal - Function Speed	
11	2560136	1	Knob, Speed Control	
12	3300353	4	Nut, Tinnerman	
13	3300408	2	Nut	
14	3520026	1	Plug, Hole	
15	3520027	1	Plug	
16	3520030	1	Hole, Plug	
17	3520033	2	Plug	
18	3520054	6	Plug, Hole	
19	3790012	6	O-Ring	
20	3911018	2	Screw #10 x 1-1/8	
21	4240032	AR	Tie-Strap (Not Shown)	
22	4360387	1	Switch, Push Button	
23	4360407	1	Switch, Potentiometer	
24	4360475	1	Switch, Emergency Stop	
24	7020175	1	Cap, Mushroom with Sealing Ring	
24	7020176	1	Block, Contact	
25	4360476	1	Block, Contact	
26	4460234	4	Mount, Tie-Strap (Not Shown)	
27	4460428	1	Connector, Strain Relief	
28	4460434	1	Connector - 15 Position	
29	4460470	1	Nut, Terminal	
30	4460471	1	Washer, Terminal	
31	4460488	2	Mount, Tie-Strap	
32	4460708	1	Connector - 15 Position	
33	4740397	6	Spacer, Washer	
34	4751400	8	Washer 1/4	
35	1001110434	1	Plug	
36	1001132175	1	Decal - Stop, Generator	
37	1001155044	6	Nut 15/32	
38	1001155045	4	Switch, Toggle	
39	1001159256	1	Switch, Toggle	
40	1001166538	NLA	Controller Assembly - Drive and Steer (Use p/n 1001212415) (See CONTROLLER ASSEMBLY - DRIVE AND STEER for Breakdown)	
41	1001166539	NLA	Controller Assembly - Lift and Swing (See CONTROLLER ASSEMBLY - LIFT AND SWING for Breakdown) (Note: Use p/n 1001129555 as Replacement)	
42	1001170838	1	Gauge, Led Panel	

SECTION 5 - PLATFORM

ITEM	PART NUMBER	QTY	DESCRIPTION	REV
43	1001172760	4	Bracket	
44	1001183276	1	Upper Valve Harness (See ELECTRICAL SECTION for Breakdown)	
45	1001185281	1	Plug	
46	1001189039	1	Footswitch Assembly (See FOOTSWITCH ASSEMBLY for Breakdown)	
47	1001190797	1	Display - Light Panel	
48	1001191318	1	Platform Console Harness (See ELECTRICAL SECTION for Breakdown)	
49	1001196520	1	Module, Platform (Note: Re-calibration Required when Replaced)	
50	1001201887	1	Box, Console Assembly	B
50A	0630568	1	Capscrew 3/8 x 4-1/2	
50B	3311601	1	Nut 3/8	
50C	3430616	2	Pin	
50D	3470003	2	Hairpin	
50E	4711600	2	Washer 3/8	
51	1001211363	1	Switch, Toggle	
52	1001212277	1	Decal - Horn and Drive Select	

SECTION 5 - PLATFORM

FIGURE 5-33. 2WD PLATFORM CONSOLE BOX ASSEMBLY - WITHOUT LSS OR WITH 4 CELL LSS - WITH SKYGUARD (NON UL SPECS) (E600/M600)



SECTION 5 - PLATFORM

FIGURE 5-33. 2WD PLATFORM CONSOLE BOX ASSEMBLY - WITHOUT LSS OR WITH 4 CELL LSS - WITH SKYGUARD (NON UL SPECS) (E600/M600)

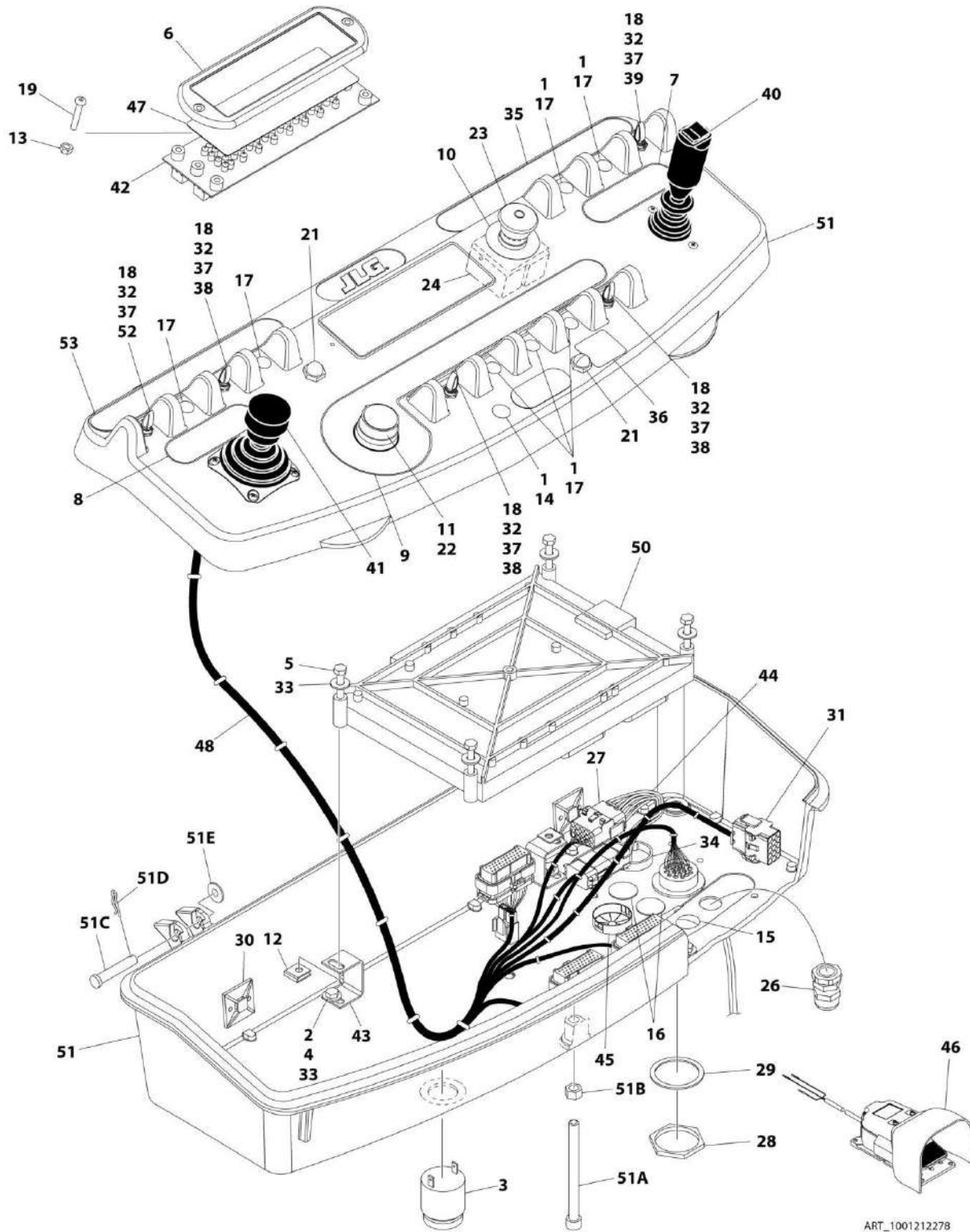
ITEM	PART NUMBER	QTY	DESCRIPTION	REV
	1001199910	Ref	2WD PLATFORM CONSOLE BOX ASSEMBLY - WITHOUT LSS OR WITH 4 CELL LSS - WITH SKYGUARD (NON UL SPECS) (E600/M600)	D
1	0100009	AR	Adhesive, Silicone	
2	0100075	AR	Loctite #545	
3	0140011	1	Alarm	
4	0641404	4	Bolt 1/4 x 1/2	
5	0641414	4	Bolt 1/4 x 1-3/4	
6	1671176	1	Bezel	
7	1702565	1	Decal - Drive and Steer	
8	1702566	1	Decal - Lift and Swing	
9	1702567	1	Decal - Function Speed	
10	1704260	1	Decal - EMS	
11	2560136	1	Knob, Speed Control	
12	3300353	4	Nut, Tinnerman	
13	3300408	2	Nut	
14	3520027	1	Plug	
15	3520054	7	Plug, Hole	
16	3790012	5	O-Ring	
17	3911018	2	Screw #10 x 1-1/8	
18	4240032	AR	Tie-Strap (Not Shown)	
19	4360387	2	Switch, Push Button	
20	4360407	1	Switch, Potentiometer	
21	4360475	1	Switch, Emergency Stop	
21	7020175	1	Cap, Mushroom with Sealing Ring	
21	7020176	1	Block, Contact	
22	4360476	1	Block, Contact	
23	4460234	4	Mount, Tie-Strap (Not Shown)	
24	4460428	1	Connector, Strain Relief	
25	4460470	1	Nut, Terminal	
26	4460471	1	Washer, Terminal	
27	4460488	2	Mount, Tie-Strap	
28	4460708	1	Connector - 15 Position	
29	4740397	5	Spacer, Washer	
30	4751400	8	Washer 1/4	
31	1001110434	1	Plug	
32	1001132175	1	Decal - Stop, Generator	
34	1001144433	1	Decal - No Weight SkyGuard	
35	1001155044	5	Nut 15/32	
36	1001155045	3	Switch, Toggle	
37	1001159256	1	Switch, Toggle	
38	1001161710	1	Switch, Toggle	
39	1001166538	NLA	Controller Assembly - Drive and Steer (Use p/n 1001212415) (See CONTROLLER ASSEMBLY - DRIVE AND STEER for Breakdown)	
40	1001166539	NLA	Controller Assembly - Lift and Swing (See CONTROLLER ASSEMBLY - LIFT AND SWING for Breakdown) (Note: Use p/n 1001129555 as Replacement)	
41	1001170838	1	Gauge, Led Panel	
42	1001172760	4	Bracket	
43	1001196520	1	Module, Platform (Note: Re-calibration Required when Replaced)	

SECTION 5 - PLATFORM

ITEM	PART NUMBER	QTY	DESCRIPTION	REV
44	1001189039	1	Footswitch Assembly (See FOOTSWITCH ASSEMBLY for Breakdown)	B
45	1001201887	1	Box, Console Assembly	
45A	0630568	1	Capscrew 3/8 x 4-1/2	
45B	3311601	1	Nut 3/8	
45C	3430616	2	Pin	
45D	3470003	2	Hairpin	
45E	4711600	2	Washer 3/8	
46	1001190797	1	Display - Light Panel	
47	1001191318	1	Platform Console Harness (See ELECTRICAL SECTION for Breakdown)	
48	1001192292	1	SkyGuard Harness (See ELECTRICAL SECTION for Breakdown)	
49	1001193987	1	Decal - Stop and Drive Select	
50	1001185281	1	Plug	
51	1001183276	1	Upper Valve Harness (See ELECTRICAL SECTION for Breakdown)	
52	4460434	1	Connector - 15 Position	
53	3520033	2	Plug (SN 0300219271 through 0300226266)	
53	1001220486	2	Plug (SN 0300226267 to Present)	
54	3520030	1	Hole, Plug	

SECTION 5 - PLATFORM

FIGURE 5-34. 4WD PLATFORM CONSOLE BOX ASSEMBLY - WITHOUT LSS OR WITH 4 CELL LSS - WITH SKYGUARD (NON UL SPECS) (E600/M600)



SECTION 5 - PLATFORM

FIGURE 5-34. 4WD PLATFORM CONSOLE BOX ASSEMBLY - WITHOUT LSS OR WITH 4 CELL LSS - WITH SKYGUARD (NON UL SPECS) (E600/M600)

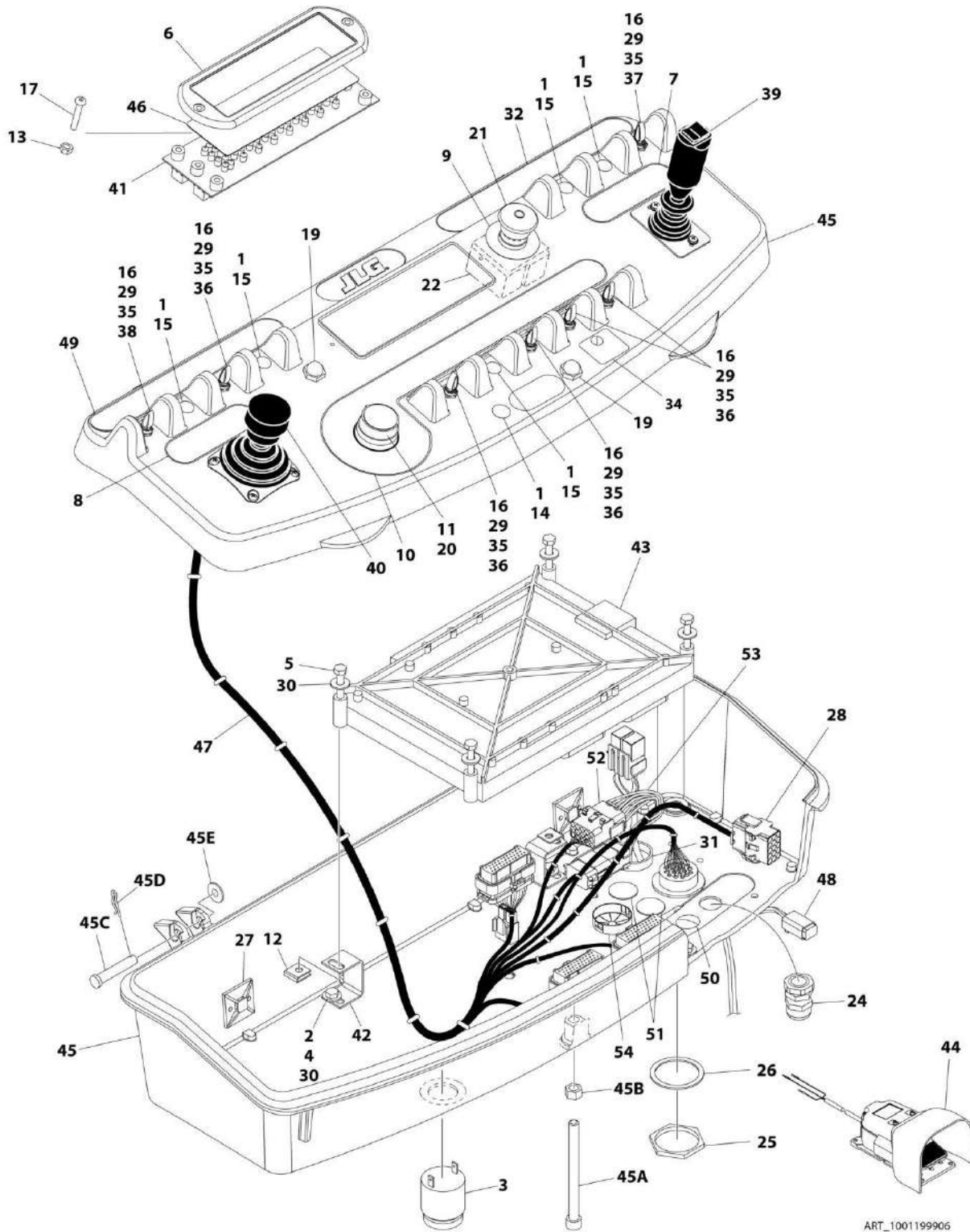
ITEM	PART NUMBER	QTY	DESCRIPTION	REV
	1001212278	Ref	4WD PLATFORM CONSOLE BOX ASSEMBLY - WITHOUT LSS OR WITH 4 CELL LSS - WITH SKYGUARD (NON UL SPECS) (E600/M600)	B
1	0100009	AR	Adhesive, Silicone	
2	0100075	AR	Loctite #545	
3	0140011	1	Alarm	
4	0641404	4	Bolt 1/4 x 1/2	
5	0641414	4	Bolt 1/4 x 1-3/4	
6	1671176	1	Bezel	
7	1702565	1	Decal - Drive and Steer	
8	1702566	1	Decal - Lift and Swing	
9	1702567	1	Decal - Function Speed	
10	1704260	1	Decal - Emergency Stop Switch	
11	2560136	1	Knob, Speed Control	
12	3300353	4	Nut, Tinnerman	
13	3300408	2	Nut	
14	3520027	1	Plug	
15	3520030	1	Hole, Plug	
16	3520033	2	Plug (SN 0300219271 through 0300226266)	
16	1001220486	2	Plug (SN 0300226267 to Present)	
17	3520054	7	Plug, Hole	
18	3790012	5	O-Ring	
19	3911018	2	Screw #10 x 1-1/8	
20	4240032	AR	Tie-Strap (Not Shown)	
21	4360387	1	Switch, Push Button	
22	4360407	1	Switch, Potentiometer	
23	4360475	1	Switch, Emergency Stop	
23	7020175	1	Cap, Mushroom with Sealing Ring	
23	7020176	1	Block, Contact	
24	4360476	1	Block, Contact	
25	4460234	4	Mount, Tie-Strap (Not Shown)	
26	4460428	1	Connector, Strain Relief	
27	4460434	1	Connector - 15 Position	
28	4460470	1	Nut, Terminal	
29	4460471	1	Washer, Terminal	
30	4460488	2	Mount, Tie-Strap	
31	4460708	1	Connector - 15 Position	
32	4740397	5	Spacer, Washer	
33	4751400	8	Washer 1/4	
34	1001110434	1	Plug	
35	1001132175	1	Decal - Stop, Generator	
36	1001144433	1	Decal - No Weight SkyGuard	
37	1001155044	5	Nut 15/32	
38	1001155045	3	Switch, Toggle	
39	1001159256	1	Switch, Toggle	
40	1001166538	NLA	Controller Assembly - Drive and Steer (Use p/n 1001212415) (See CONTROLLER ASSEMBLY - DRIVE AND STEER for Breakdown)	
41	1001166539	NLA	Controller Assembly - Lift and Swing (See CONTROLLER ASSEMBLY - LIFT AND SWING for Breakdown) (Note: Use p/n 1001129555 as Replacement)	

SECTION 5 - PLATFORM

ITEM	PART NUMBER	QTY	DESCRIPTION	REV
42	1001170838	1	Gauge, Led Panel	B
43	1001172760	4	Bracket	
44	1001183276	1	Upper Valve Harness (See ELECTRICAL SECTION for Breakdown)	
45	1001185281	1	Plug	
46	1001189039	1	Footswitch Assembly (See FOOTSWITCH ASSEMBLY for Breakdown)	
47	1001190797	1	Display - Light Panel	
48	1001191318	1	Platform Console Harness (Not Shown - See ELECTRICAL SECTION for Breakdown)	
49	1001192292	1	SkyGuard Harness (Not Shown - See ELECTRICAL SECTION for Breakdown)	
50	1001196520	1	Module, Platform (Note: Re-calibration Required when Replaced)	
51	1001201887	1	Box, Console Assembly	
51A	0630568	1	Capscrew 3/8 x 4-1/2	
51B	3311601	1	Nut 3/8	
51C	3430616	2	Pin	
51D	3470003	2	Hairpin	
51E	4711600	2	Washer 3/8	
52	1001211363	1	Switch, Toggle	
53	1001212277	1	Decal - Horn and Drive Select	

SECTION 5 - PLATFORM

FIGURE 5-35. 2WD PLATFORM CONSOLE BOX ASSEMBLY - WITHOUT LSS OR WITH 4 CELL LSS - WITH SKYGUARD (NON UL SPECS) (E600J/E600JP/M600J/M600JP)



SECTION 5 - PLATFORM

FIGURE 5-35. 2WD PLATFORM CONSOLE BOX ASSEMBLY - WITHOUT LSS OR WITH 4 CELL LSS - WITH SKYGUARD (NON UL SPECS) (E600J/E600JP/M600J/M600JP)

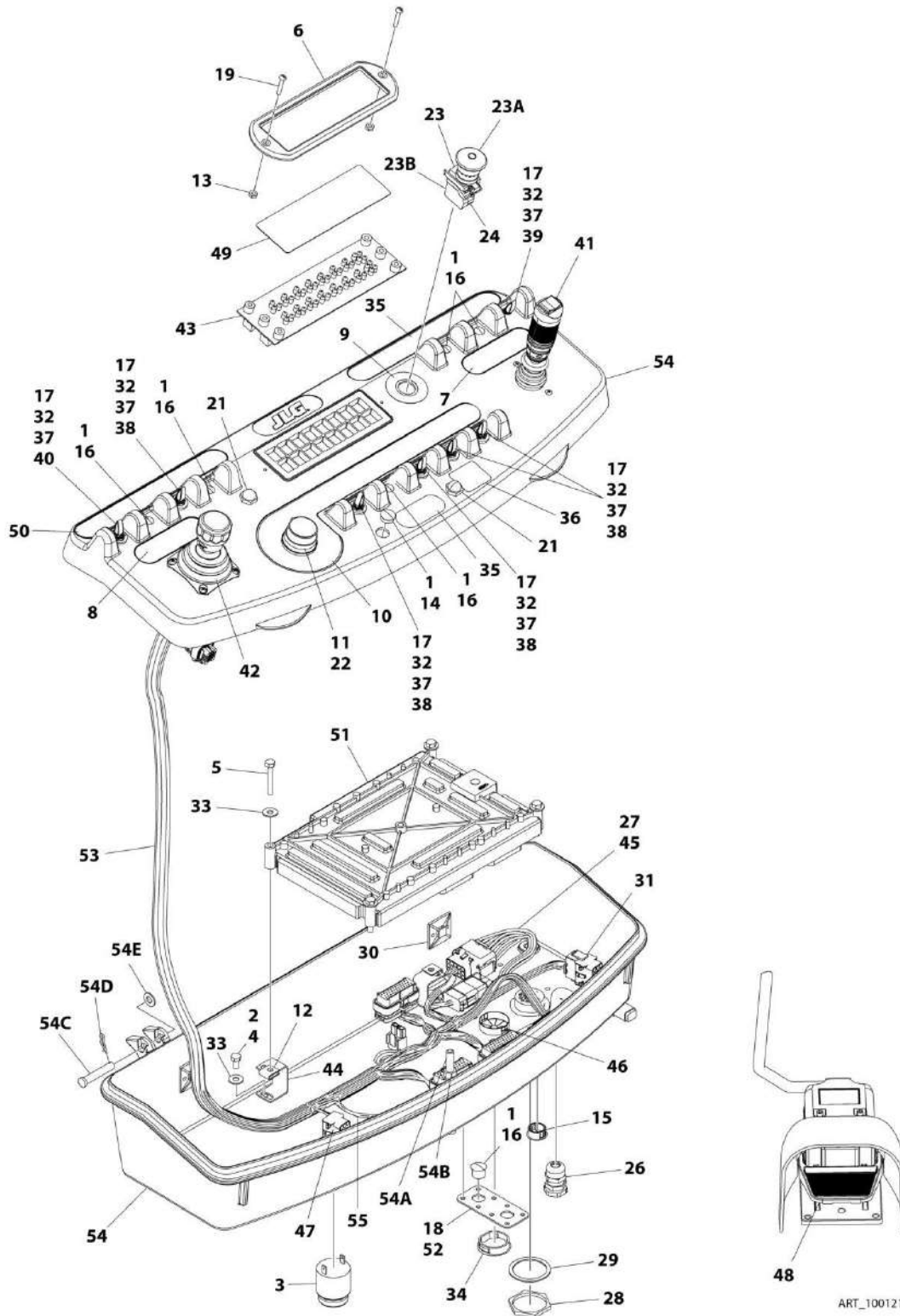
ITEM	PART NUMBER	QTY	DESCRIPTION	REV
	1001199906	Ref	2WD PLATFORM CONSOLE BOX ASSEMBLY - WITHOUT LSS OR WITH 4 CELL LSS - WITH SKYGUARD (NON UL SPECS) (E600J/E600JP/M600J/M600JP)	E
1	0100009	AR	Adhesive, Silicone	
2	0100035	AR	Loctite #222	
3	0140011	1	Alarm	
4	0641404	4	Bolt 1/4 x 1/2	
5	0641414	4	Bolt 1/4 x 1-3/4	
6	1671176	1	Bezel	
7	1702565	1	Decal - Drive and Steer	
8	1702566	1	Decal - Lift and Swing	
9	1704260	1	Decal - EMS	
10	1704422	1	Decal - Function Speed	
11	2560136	1	Knob, Speed Control	
12	3300353	4	Nut, Tinnerman	
13	3300408	2	Nut	
14	3520027	1	Plug	
15	3520054	5	Plug, Hole	
16	3790012	7	O-Ring	
17	3911018	2	Screw #10 x 1-1/8	
18	4240032	AR	Tie-Strap (Not Shown)	
19	4360387	2	Switch, Push Button	
20	4360407	1	Switch, Potentiometer	
21	4360475	1	Switch, Emergency Stop	
21	7020175	1	Cap, Mushroom with Sealing Ring	
21	7020176	1	Block, Contact	
22	4360476	1	Block, Contact	
23	4460234	4	Mount, Tie-Strap (Not Shown)	
24	4460428	1	Connector, Strain Relief	
25	4460470	1	Nut, Terminal	
26	4460471	1	Washer, Terminal	
27	4460488	2	Mount, Tie-Strap	
28	4460708	1	Connector - 15 Position	
29	4740397	7	Spacer, Washer	
30	4751400	8	Washer 1/4	
31	1001110434	1	Plug	
32	1001132175	1	Decal - Stop, Generator	
34	1001144433	1	Decal - No Weight SkyGuard	
35	1001155044	7	Nut 15/32	
36	1001155045	5	Switch, Toggle	
37	1001159256	1	Switch, Toggle	
38	1001161710	1	Switch, Toggle	
39	1001166538	NLA	Controller Assembly - Drive and Steer (Use p/n 1001212415) (See CONTROLLER ASSEMBLY - DRIVE AND STEER for Breakdown)	
40	1001166539	NLA	Controller Assembly - Lift and Swing (See CONTROLLER ASSEMBLY - LIFT AND SWING for Breakdown) (Note: Use p/n 1001129555 as Replacement)	
41	1001170838	1	Gauge, Led Panel	
42	1001172760	4	Bracket	
43	1001196520	1	Module, Platform (Note: Re-calibration Required when Replaced)	

SECTION 5 - PLATFORM

ITEM	PART NUMBER	QTY	DESCRIPTION	REV
44	1001189039	1	Footswitch Assembly (See FOOTSWITCH ASSEMBLY for Breakdown)	B
45	1001201887	1	Box, Console Assembly	
45A	0630568	1	Capscrew 3/8 x 4-1/2	
45B	3311601	1	Nut 3/8	
45C	3430616	2	Pin	
45D	3470003	2	Hairpin	
45E	4711600	2	Washer 3/8	
46	1001190797	1	Display - Light Panel	
47	1001191318	1	Platform Console Harness (See ELECTRICAL SECTION for Breakdown)	
48	1001192292	1	SkyGuard Harness (See ELECTRICAL SECTION for Breakdown)	
49	1001193987	1	Decal - Stop and Drive Select	
50	3520030	1	Hole, Plug	
51	3520033	2	Plug (SN 0300219271 through 0300226266)	
51	1001220486	2	Plug (SN 0300226267 to Present)	
52	4460434	1	Connector - 15 Position	
53	1001183276	1	Upper Valve Harness (See ELECTRICAL SECTION for Breakdown)	
54	1001185281	1	Plug	

SECTION 5 - PLATFORM

FIGURE 5-36. 2WD PLATFORM CONSOLE BOX ASSEMBLY – WITH 1 CELL LSS - WITH SKYGUARD (NON UL SPECS) (E600J/E600JP/M600J/M600JP)



ART_1001219398

SECTION 5 - PLATFORM

**FIGURE 5-36. 2WD PLATFORM CONSOLE BOX ASSEMBLY – WITH 1 CELL LSS - WITH SKYGUARD
(NON UL SPECS) (E600J/E600JP/M600J/M600JP)**

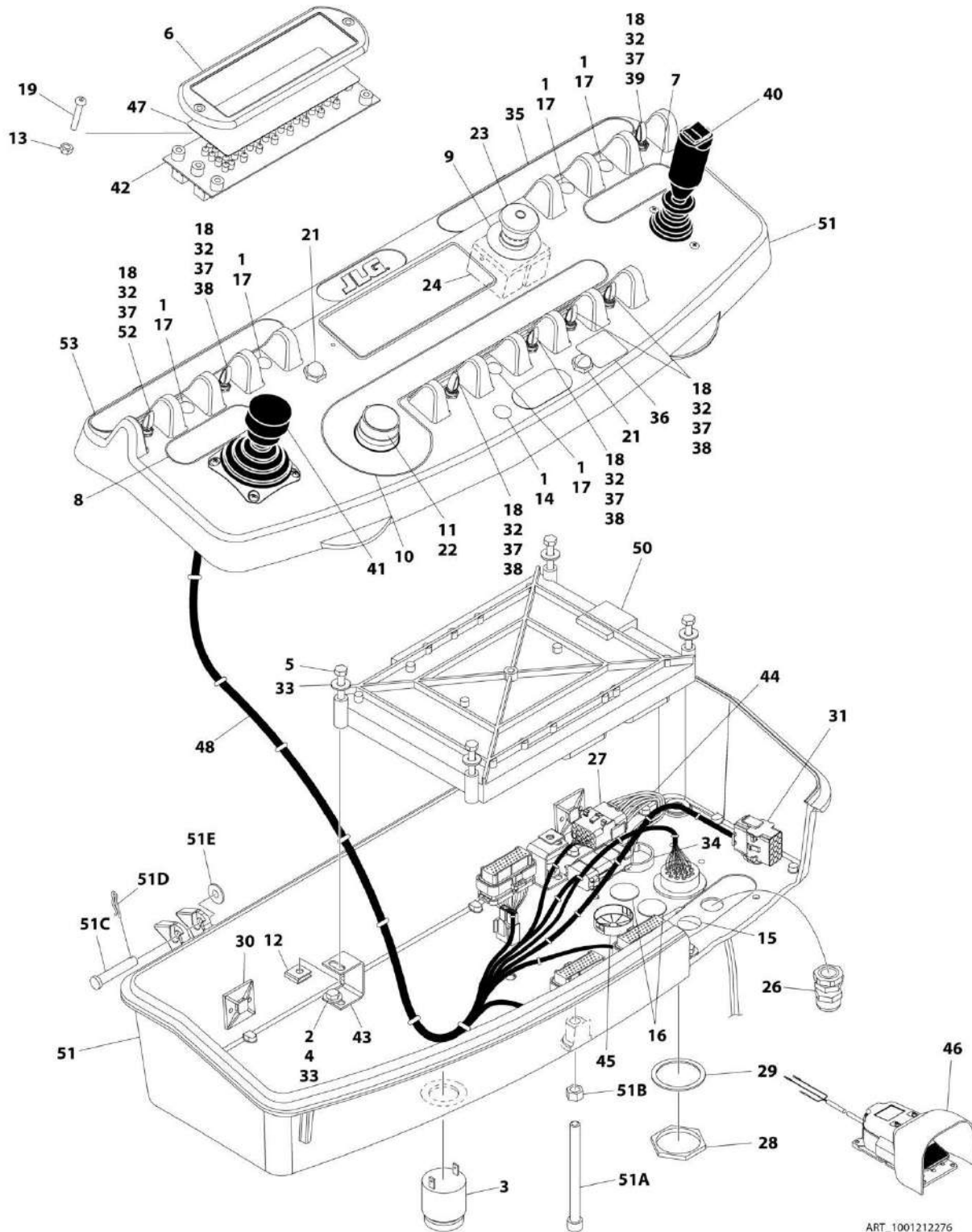
ITEM	PART NUMBER	QTY	DESCRIPTION	REV
	1001219398	Ref	2WD PLATFORM CONSOLE BOX ASSEMBLY - WITH 1 CELL LSS - WITH SKYGUARD (NON UL SPECS) (E600J/E600JP/M600J/M600JP)	C
1	0100009	AR	Adhesive, Silicone	
2	0100035	AR	Compound, Locking	
3	0140011	1	Alarm	
4	0641404	4	Bolt 1/4 x 1/2	
5	0641414	4	Bolt 1/4 x 1-3/4	
6	1671176	1	Bezel	
7	1702565	1	Decal - Drive and Steer	
8	1702566	1	Decal - Lift and Swing	
9	1704260	1	Decal - EMS	
10	1704422	1	Decal - Function Speed	
11	2560136	1	Knob, Speed Control	
12	3300353	4	Nut, Tinnerman	
13	3300408	2	Nut	
14	3520027	1	Plug	
15	3520030	1	Plug, Hole	
16	3520054	6	Plug, Hole	
17	3790012	7	O-Ring	
18	3900349	8	Screw M2.5	
19	3911018	2	Screw #10 x 1-1/8	
20	4240032	AR	Tie-Strap (Not Shown)	
21	4360387	2	Switch, Push Button	
22	4360407	1	Switch, Potentiometer	
23	4360475	1	Switch, Emergency Stop	
23A	7020175	1	Cap, Mushroom with Sealing Ring	
23B	7020176	1	Block, Contact	
24	4360476	1	Block, Contact	
25	4460234	4	Mount, Tie-Strap (Not Shown)	
26	4460428	1	Connector, Strain Relief	
27	4460434	1	Connector - 15 Position	
28	4460470	1	Nut, Terminal	
29	4460471	1	Washer, Terminal	
30	4460488	3	Mount, Tie-Strap	
31	4460708	1	Connector - 15 Position	
32	4740397	7	Spacer, Washer	
33	4751400	8	Washer 1/4	
34	1001110434	1	Plug	
35	1001132175	1	Decal - Stop, Generator	
36	1001144433	1	Decal - No Weight SkyGuard	
37	1001155044	7	Nut 15/32	
38	1001155045	5	Switch, Toggle	
39	1001159256	1	Switch, Toggle	
40	1001161710	1	Switch, Toggle	
41	1001166538	NLA	Controller Assembly - Drive and Steer (Use p/n 1001212415) (See CONTROLLER ASSEMBLY - DRIVE AND STEER for Breakdown)	
42	1001166539	NLA	Controller Assembly - Lift and Swing (See CONTROLLER ASSEMBLY - LIFT AND SWING for Breakdown) (Note: Use p/n 1001129555 as Replacement)	

SECTION 5 - PLATFORM

ITEM	PART NUMBER	QTY	DESCRIPTION	REV
43	1001170838	1	Gauge, Led Panel	
44	1001172760	4	Bracket	
45	1001183276	1	Upper Valve Harness (See ELECTRICAL SECTION for Breakdown)	
46	1001185281	1	Plug	
47	1001186431	2	Relay	
48	1001189039	1	Footswitch Assembly (See FOOTSWITCH ASSEMBLY for Breakdown)	
49	1001190797	1	Display - Light Panel	
50	1001193987	1	Decal - Stop and Drive Select	
51	1001196520	1	Module, Platform (Note: Re-calibration Required when Replaced)	
52	1001213882	1	Mount, Connector	
53	1001217621	1	Harness, Platform Console Box (With 1 Cell LSS) (See ELECTRICAL SECTION for Breakdown)	
54	1001218068	1	Box, Console Assembly	C
54A	0630568	1	Capscrew 3/8 x 4-1/2	
54B	3311601	1	Nut 3/8	
54C	3430616	2	Pin	
54D	3470003	2	Hairpin	
54E	4711600	2	Washer 3/8	
55	1001225580	1	Harness, SkyGuard (See ELECTRICAL SECTION for Breakdown)	

SECTION 5 - PLATFORM

FIGURE 5-37. 4WD PLATFORM CONSOLE BOX ASSEMBLY - WITHOUT LSS OR WITH 4 CELL LSS - WITH SKYGUARD (NON UL SPECS) (E600J/E600JP/M600J/M600JP)



ART_1001212276

SECTION 5 - PLATFORM

FIGURE 5-37. 4WD PLATFORM CONSOLE BOX ASSEMBLY - WITHOUT LSS OR WITH 4 CELL LSS - WITH SKYGUARD (NON UL SPECS) (E600J/E600JP/M600J/M600JP)

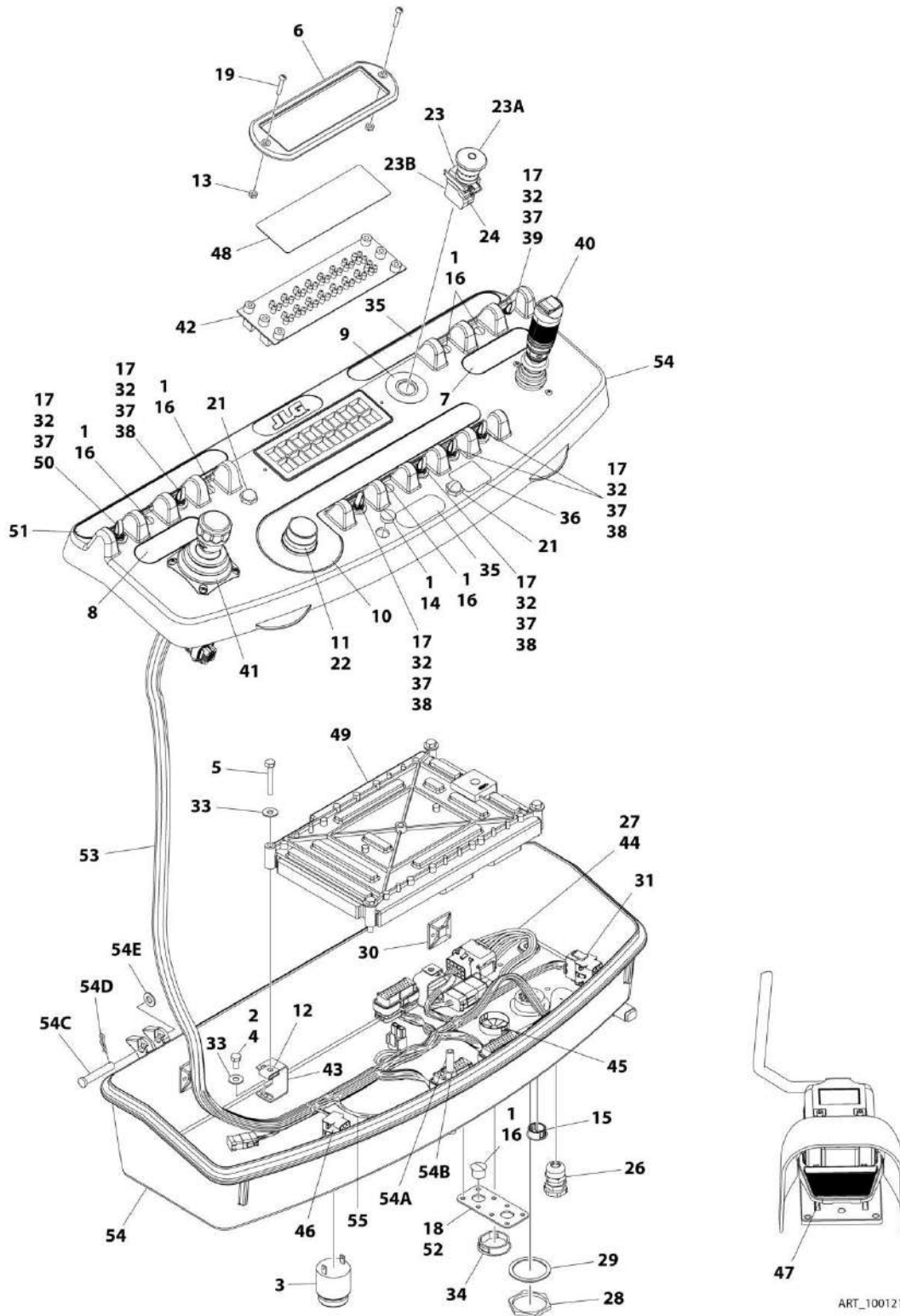
ITEM	PART NUMBER	QTY	DESCRIPTION	REV
	1001212276	Ref	4WD PLATFORM CONSOLE BOX ASSEMBLY - WITHOUT LSS OR WITH 4 CELL LSS - WITH SKYGUARD (NON UL SPECS) (E600J/E600JP/M600J/M600JP)	C
1	0100009	AR	Adhesive, Silicone	
2	0100035	AR	Loctite #222	
3	0140011	1	Alarm	
4	0641404	4	Bolt 1/4 x 1/2	
5	0641414	4	Bolt 1/4 x 1-3/4	
6	1671176	1	Bezel	
7	1702565	1	Decal - Drive and Steer	
8	1702566	1	Decal - Lift and Swing	
9	1704260	1	Decal - Emergency Stop Switch	
10	1704422	1	Decal - Function Speed	
11	2560136	1	Knob, Speed Control	
12	3300353	4	Nut, Tinnerman	
13	3300408	2	Nut	
14	3520027	1	Plug	
15	3520030	1	Hole, Plug	
16	3520033	2	Plug (SN 0300219271 through 0300226266)	
16	1001220486	2	Plug (SN 0300226267 to Present)	
17	3520054	5	Plug, Hole	
18	3790012	7	O-Ring	
19	3911018	2	Screw #10 x 1-1/8	
20	4240032	AR	Tie-Strap (Not Shown)	
21	4360387	1	Switch, Push Button	
22	4360407	1	Switch, Potentiometer	
23	4360475	1	Switch, Emergency Stop	
23	7020175	1	Cap, Mushroom with Sealing Ring	
23	7020176	1	Block, Contact	
24	4360476	1	Block, Contact	
25	4460234	4	Mount, Tie-Strap (Not Shown)	
26	4460428	1	Connector, Strain Relief	
27	4460434	1	Connector - 15 Position	
28	4460470	1	Nut, Terminal	
29	4460471	1	Washer, Terminal	
30	4460488	2	Mount, Tie-Strap	
31	4460708	1	Connector - 15 Position	
32	4740397	7	Spacer, Washer	
33	4751400	8	Washer 1/4	
34	1001110434	1	Plug	
35	1001132175	1	Decal - Stop, Generator	
36	1001144433	1	Decal - No Weight SkyGuard	
37	1001155044	7	Nut 15/32	
38	1001155045	5	Switch, Toggle	
39	1001159256	1	Switch, Toggle	
40	1001166538	NLA	Controller Assembly - Drive and Steer (Use p/n 1001212415) (See CONTROLLER ASSEMBLY - DRIVE AND STEER for Breakdown)	
41	1001166539	NLA	Controller Assembly - Lift and Swing (See CONTROLLER ASSEMBLY - LIFT AND SWING for Breakdown) (Note: Use p/n 1001129555 as Replacement)	

SECTION 5 - PLATFORM

ITEM	PART NUMBER	QTY	DESCRIPTION	REV
42	1001170838	1	Gauge, Led Panel	
43	1001172760	4	Bracket	
44	1001183276	1	Upper Valve Harness (See ELECTRICAL SECTION for Breakdown)	
45	1001185281	1	Plug	
46	1001189039	1	Footswitch Assembly (See FOOTSWITCH ASSEMBLY for Breakdown)	
47	1001190797	1	Display - Light Panel	
48	1001191318	1	Platform Console Harness (Not Shown - See ELECTRICAL SECTION for Breakdown)	
49	1001192292	1	SkyGuard Harness (Not Shown - See ELECTRICAL SECTION for Breakdown)	
50	1001196520	1	Module, Platform (Note: Re-calibration Required when Replaced)	
51	1001201887	1	Box, Console Assembly	B
51A	0630568	1	Capscrew 3/8 x 4-1/2	
51B	3311601	1	Nut 3/8	
51C	3430616	2	Pin	
51D	3470003	2	Hairpin	
51E	4711600	2	Washer 3/8	
52	1001211363	1	Switch, Toggle	
53	1001212277	1	Decal - Horn and Drive Select	

SECTION 5 - PLATFORM

FIGURE 5-38. 4WD PLATFORM CONSOLE BOX ASSEMBLY – WITH 1 CELL LSS - WITH SKYGUARD (NON UL SPECS) (E600J/E600JP/M600J/M600JP)



ART_1001219407

SECTION 5 - PLATFORM

**FIGURE 5-38. 4WD PLATFORM CONSOLE BOX ASSEMBLY – WITH 1 CELL LSS - WITH SKYGUARD
(NON UL SPECS) (E600J/E600JP/M600J/M600JP)**

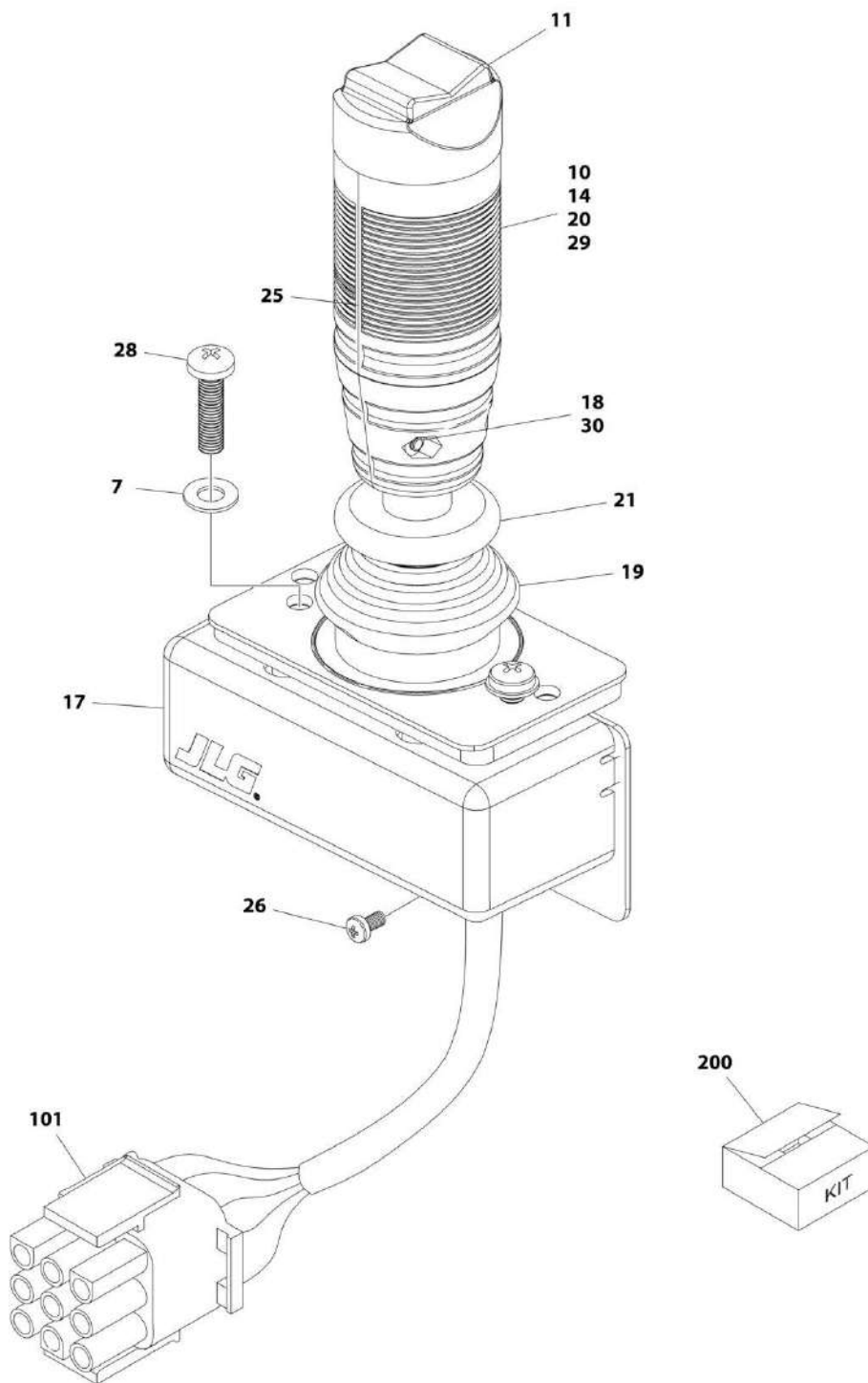
ITEM	PART NUMBER	QTY	DESCRIPTION	REV
	1001219407	Ref	4WD PLATFORM CONSOLE BOX ASSEMBLY - WITH 1 CELL LSS - WITH SKYGUARD (NON UL SPECS) (E600J/E600JP/M600J/M600JP)	C
1	0100009	AR	Adhesive, Silicone	
2	0100035	AR	Compound, Locking	
3	0140011	1	Alarm	
4	0641404	4	Bolt 1/4 x 1/2	
5	0641414	4	Bolt 1/4 x 1-3/4	
6	1671176	1	Bezel	
7	1702565	1	Decal - Drive and Steer	
8	1702566	1	Decal - Lift and Swing	
9	1704260	1	Decal - Emergency Stop Switch	
10	1704422	1	Decal - Function Speed	
11	2560136	1	Knob, Speed Control	
12	3300353	4	Nut, Tinnerman	
13	3300408	2	Nut	
14	3520027	1	Plug	
15	3520030	1	Plug, Hole	
16	3520054	6	Plug, Hole	
17	3790012	7	O-Ring	
18	3900349	8	Screw M2.5	
19	3911018	2	Screw #10 x 1-1/8	
20	4240032	AR	Tie-Strap (Not Shown)	
21	4360387	2	Switch, Push Button	
22	4360407	1	Switch, Potentiometer	
23A	4360475	1	Switch, Emergency Stop	
23B	7020175	1	Cap, Mushroom with Sealing Ring	
23	7020176	1	Block, Contact	
24	4360476	1	Block, Contact	
25	4460234	4	Mount, Tie-Strap (Not Shown)	
26	4460428	1	Connector, Strain Relief	
27	4460434	1	Connector - 15 Position	
28	4460470	1	Nut, Terminal	
29	4460471	1	Washer, Terminal	
30	4460488	3	Mount, Tie-Strap	
31	4460708	1	Connector - 15 Position	
32	4740397	7	Spacer, Washer	
33	4751400	8	Washer 1/4	
34	1001110434	1	Plug	
35	1001132175	1	Decal - Stop, Generator	
36	1001144433	1	Decal - No Weight SkyGuard	
37	1001155044	7	Nut 15/32	
38	1001155045	5	Switch, Toggle	
39	1001159256	1	Switch, Toggle	
40	1001166538	NLA	Controller Assembly - Drive and Steer (Use p/n 1001212415) (See CONTROLLER ASSEMBLY - DRIVE AND STEER for Breakdown)	
41	1001166539	NLA	Controller Assembly - Lift and Swing (See CONTROLLER ASSEMBLY - LIFT AND SWING for Breakdown) (Note: Use p/n 1001129555 as Replacement)	
42	1001170838	1	Gauge, Led Panel	

SECTION 5 - PLATFORM

ITEM	PART NUMBER	QTY	DESCRIPTION	REV
43	1001172760	4	Bracket	
44	1001183276	1	Upper Valve Harness (See ELECTRICAL SECTION for Breakdown)	
45	1001185281	1	Plug	
46	1001186431	2	Relay	
47	1001189039	1	Footswitch Assembly (See FOOTSWITCH ASSEMBLY for Breakdown)	
48	1001190797	1	Display - Light Panel	
49	1001196520	1	Module, Platform (Note: Re-calibration Required when Replaced)	
50	1001211363	1	Switch, Toggle	
51	1001212277	1	Decal - Horn and Drive Select	
52	1001213882	1	Mount, Connector	
53	1001217621	1	Harness, Platform Console Box (With 1 Cell LSS) (See ELECTRICAL SECTION for Breakdown)	
54	1001218068	1	Box, Console Assembly	C
54A	0630568	1	Capscrew 3/8 x 4-1/2	
54B	3311601	1	Nut 3/8	
54C	3430616	2	Pin	
54D	3470003	2	Hairpin	
54E	4711600	2	Washer 3/8	
55	1001225580	1	Harness, SkyGuard (See ELECTRICAL SECTION for Breakdown)	

SECTION 5 - PLATFORM

FIGURE 5-39. CONTROLLER ASSEMBLY - DRIVE AND STEER



ART_1001166538

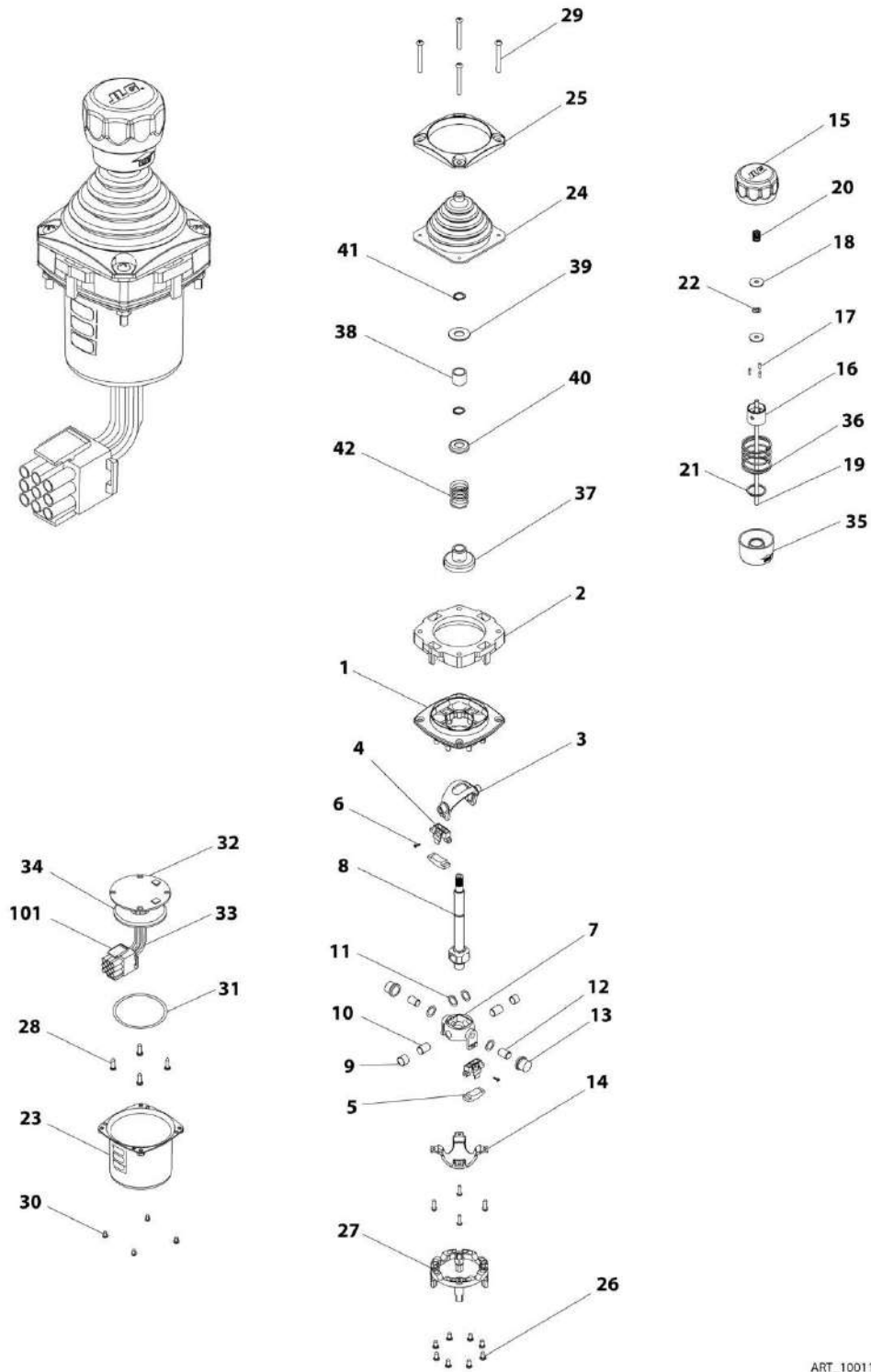
SECTION 5 - PLATFORM

FIGURE 5-39. CONTROLLER ASSEMBLY - DRIVE AND STEER

ITEM	PART NUMBER	QTY	DESCRIPTION	REV
	1001166538	Ref	CONTROLLER ASSEMBLY - DRIVE AND STEER	E
		Ref	Note: Use p/n 1001212415 for Replacement.	
7	70004738	2	Washer	
10	70004739	1	Roller	
11	70004740	1	Boot, Switch	
14	70004741	2	Half, Handle	
17	70004742	1	Enclosure	
18	70004743	4	Nut	
19	70004744	NLA	Boot, Controller (Use Item 200)	
20	70004745	NLA	Tube, Locking (Use Item 200)	
21	70004746	NLA	Disc, Locking (Use Item 200)	
25	70004747	2	Seal, Rope	
26	70004748	1	Screw M3 x 6	
28	70004749	2	Screw M5 x 20	
29	70004750	1	Pin, Dowel	
30	70004751	4	Screw M3 x 16	
101	4460265	1	Connector - 9 Position	
101	4460226	7	Socket, Female	
200	70005230	1	Boot Kit (Includes Items 19-21)	

SECTION 5 - PLATFORM

FIGURE 5-40. CONTROLLER ASSEMBLY - LIFT AND SWING



ART_1001166539

SECTION 5 - PLATFORM

FIGURE 5-40. CONTROLLER ASSEMBLY - LIFT AND SWING

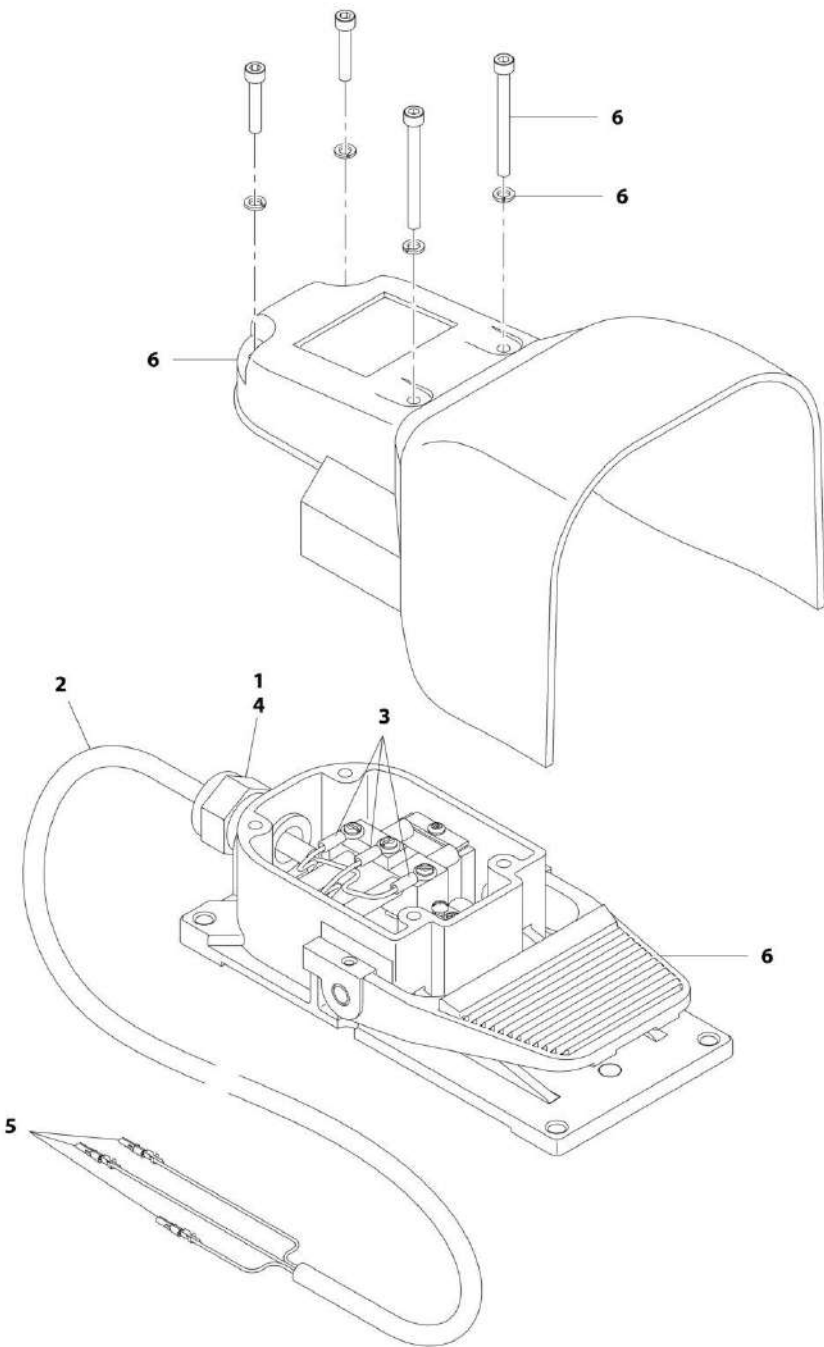
ITEM	PART NUMBER	QTY	DESCRIPTION	REV
	1001166539	Ref	CONTROLLER ASSEMBLY - LIFT AND SWING	D
	See Note	Ref	Note: Use p/n 1001129555 as Replacement	
1	See Note	1	Main Cast Body (Note: Not Available - Purchase Complete Assembly)	
2	70004752	1	Adapter	
3	See Note	NSS	Pivot Arm, Plastic (Note: Not Available - Purchase Complete Assembly)	
4	See Note	NSS	Holder, Magnet (Note: Not Available - Purchase Complete Assembly)	
5	See Note	NSS	Arc, Magnet (Note: Not Available - Purchase Complete Assembly)	
6	See Note	NSS	Screw (Note: Not Available for Purchase)	
7	See Note	NSS	Pivot Arm, Cast (Note: Not Available - Purchase Complete Assembly)	
8	See Note	NSS	Shaft, Main (Note: Not Available - Purchase Complete Assembly)	
9	See Note	NSS	Bearing (Note: Not Available - Purchase Complete Assembly)	
10	See Note	NSS	Pin (Note: Not Available - Purchase Complete Assembly)	
11	See Note	NSS	Shim (Note: Not Available - Purchase Complete Assembly)	
12	See Note	NSS	Pin (Note: Not Available - Purchase Complete Assembly)	
13	See Note	NSS	Bearing (Note: Not Available - Purchase Complete Assembly)	
14	See Note	NSS	Dome, Centering (Note: Not Available - Purchase Complete Assembly)	
15	70004753	1	Cap	
16	70004754	1	Insert, Cap	
17	70004755	3	Pin	
18	70004756	2	Washer	
19	70004757	1	Pin, Centering	
20	70004758	1	Spring	
21	70004759	1	Ring, Retaining	
22	70004760	1	E-Ring	
23	70004761	1	Can, Enclosure	
24	70004762	1	Boot	
25	70004763	1	Bezel	
26	See Note	NSS	Screw (Note: Not Available for Purchase)	
27	See Note	NSS	Base Mounting (Note: Not Available - Purchase Complete Assembly)	
28	See Note	NSS	Screw (Note: Not Available for Purchase)	
29	70004764	4	Screw	
30	70004765	4	Screw	
31	70004766	1	O-Ring	
32	See Note	NSS	Plate (Note: Not Available - Purchase Complete Assembly)	
33	See Note	NSS	Harness (Note: Not Available - Purchase Complete Assembly)	
34	70004767	1	Grommet, Rubber	
35	70004768	1	Housing	
36	70004769	1	Spring	
37	70004770	1	Stopper	
38	70004771	1	Spacer	
39	70004772	1	Washer	
40	70004773	1	Disc	
41	70004774	2	Ring, Retaining	
42	70004775	1	Spring	

SECTION 5 - PLATFORM

ITEM	PART NUMBER	QTY	DESCRIPTION	REV
101	4460265	1	Connector - 9 Position	
101	4460226	6	Socket, Female	

SECTION 5 - PLATFORM

FIGURE 5-41. FOOTSWITCH ASSEMBLY



ART_1001189039

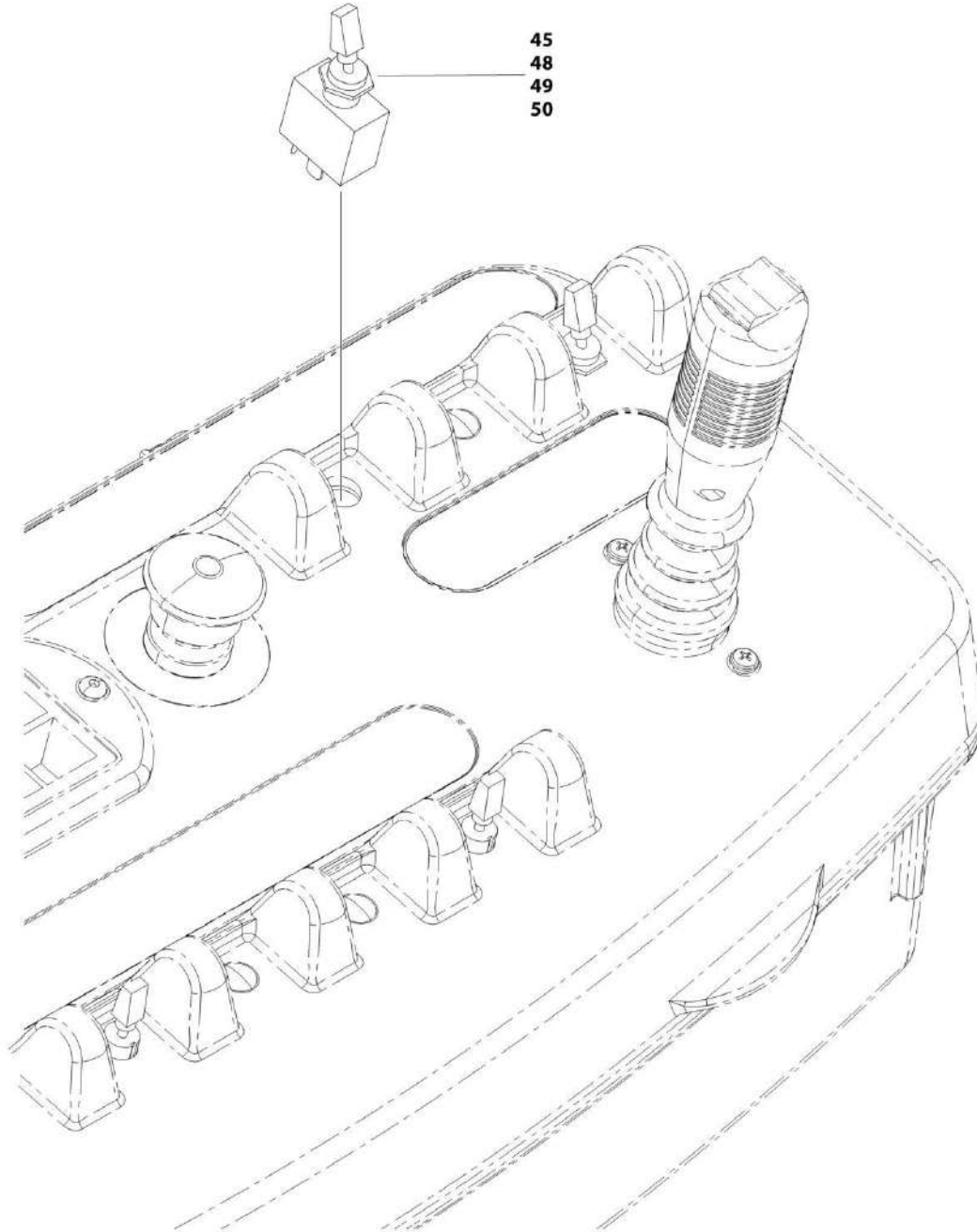
SECTION 5 - PLATFORM

FIGURE 5-41. FOOTSWITCH ASSEMBLY

ITEM	PART NUMBER	QTY	DESCRIPTION	REV
	1001189039	Ref	FOOTSWITCH ASSEMBLY	A
1	0100020	AR	Sealant	
2	1060330	6 ft/1.8m	Cable, Electrical - 16/3	
3	4460042	3	Terminal	
4	4460071	1	Connector, Strain Relief	
5	4460226	3	Socket, Female	
6	1001117172	1	Footswitch	
6	70002902	1	Switch, 20Amp	
6	70002903	1	Gasket	
6	70002905	1	Cover	
6	70002904	1	Kit, Replacement Bolt	

SECTION 5 - PLATFORM

FIGURE 5-42. MOTOR CONTROLS INSTALLATION - STANDARD BATTERIES (M600/M600J/M600JP)



ART_1001199313_SOF5

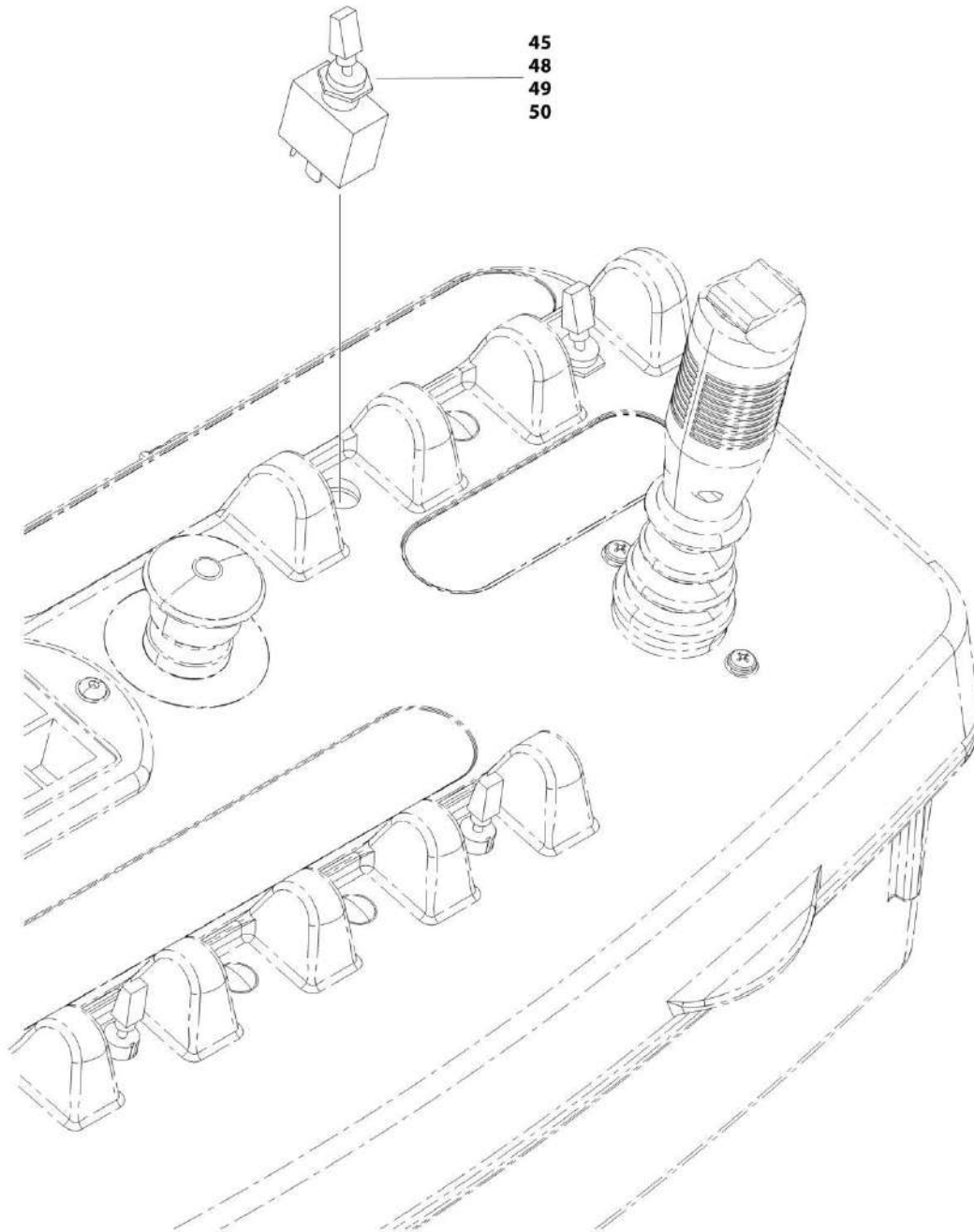
SECTION 5 - PLATFORM

FIGURE 5-42. MOTOR CONTROLS INSTALLATION - STANDARD BATTERIES (M600/M600J/M600JP)

ITEM	PART NUMBER	QTY	DESCRIPTION	REV
	1001199313	Ref	MOTOR CONTROLS INSTALLATION - STANDARD BATTERIES (M600/M600J/M600JP)	E
45	3790012	1	O-Ring	
48	4740397	1	Spacer	
49	1001155044	1	Nut	
50	1001161710	1	Switch, Toggle	

SECTION 5 - PLATFORM

FIGURE 5-43. MOTOR CONTROLS INSTALLATION - AGM BATTERIES (M600/M600J/M600JP)



ART_1001207674_S0F5

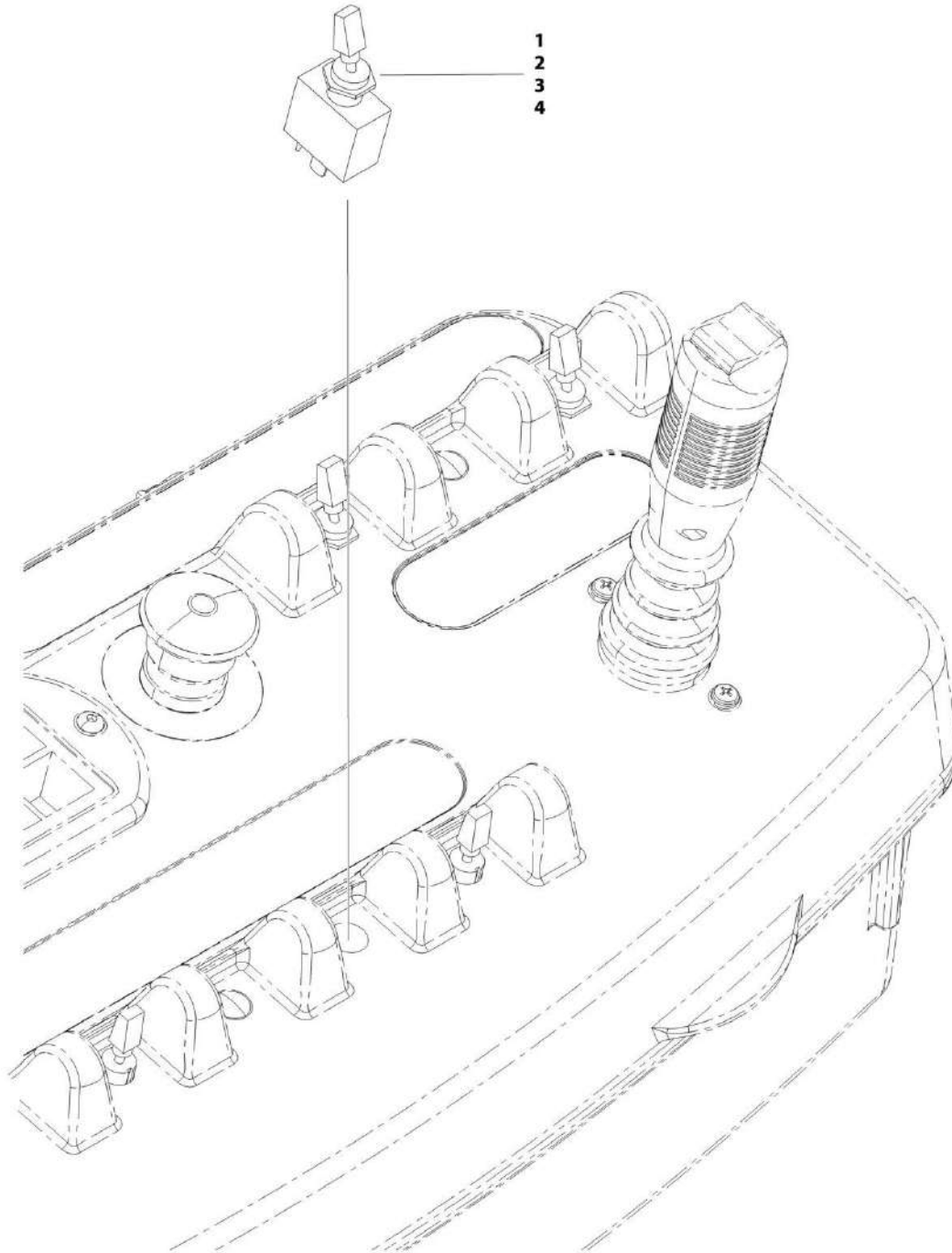
SECTION 5 - PLATFORM

FIGURE 5-43. MOTOR CONTROLS INSTALLATION - AGM BATTERIES (M600/M600J/M600JP)

ITEM	PART NUMBER	QTY	DESCRIPTION	REV
	1001207674	Ref	MOTOR CONTROLS INSTALLATION - AGM BATTERIES (M600/M600J/M600JP)	B
45	3790012	1	O-Ring	
48	4740397	1	Spacer	
49	1001155044	1	Nut	
50	1001161710	1	Switch, Toggle	

SECTION 5 - PLATFORM

FIGURE 5-44. JIB ROTATE SWITCH (E600JP/M600JP)



ART_1001192053

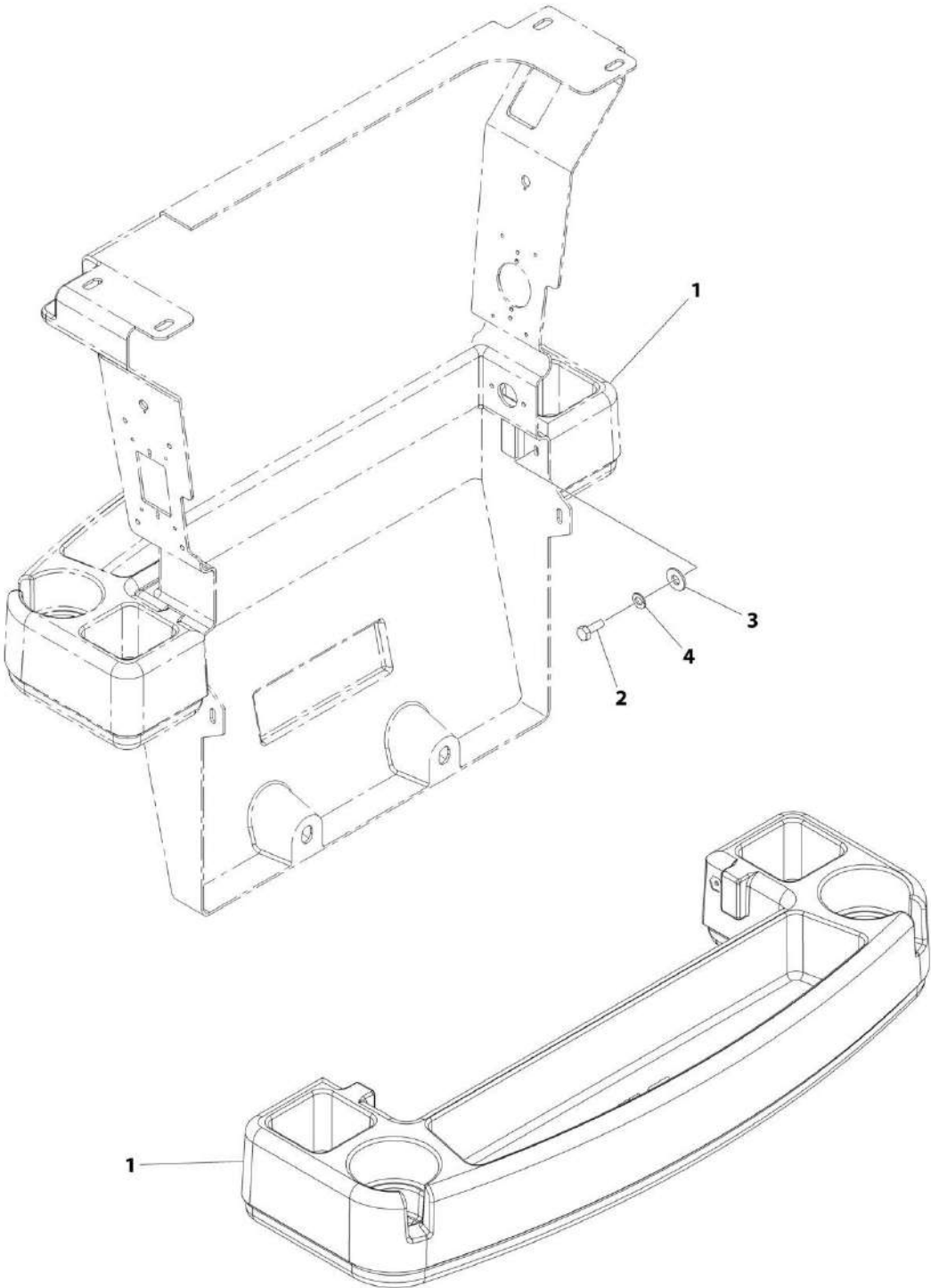
SECTION 5 - PLATFORM

FIGURE 5-44. JIB ROTATE SWITCH (E600JP/M600JP)

ITEM	PART NUMBER	QTY	DESCRIPTION	REV
	1001192053	Ref	JIB ROTATE SWITCH (E600JP/M600JP)	A
1	3790012	1	O-Ring	
2	4740397	1	Spacer, Washer	
3	1001155044	1	Nut 15/32	
4	1001155045	1	Switch, Toggle	

SECTION 5 - PLATFORM

FIGURE 5-45. TRAY ASSEMBLY



ART_1580012

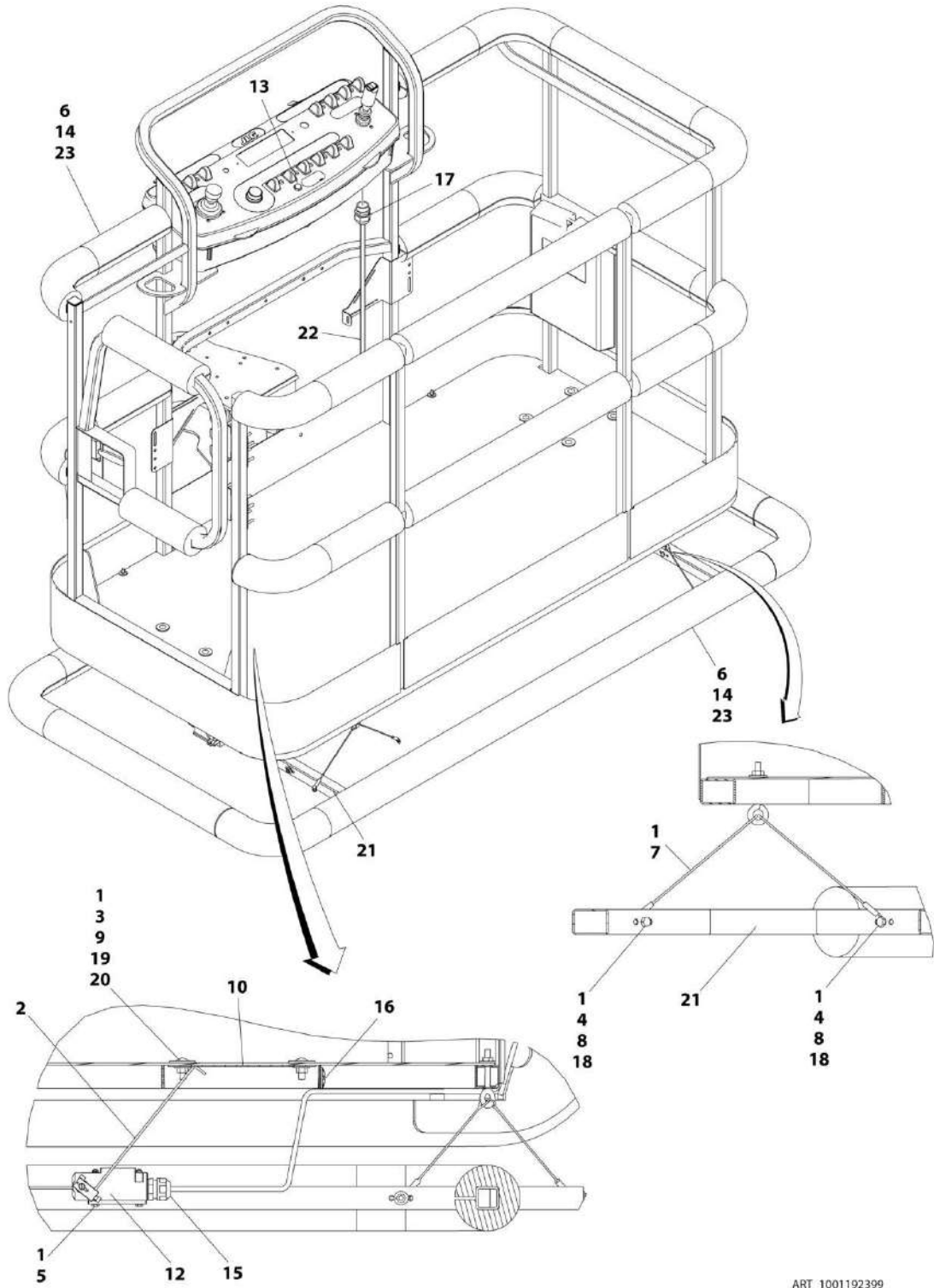
SECTION 5 - PLATFORM

FIGURE 5-45. TRAY ASSEMBLY

ITEM	PART NUMBER	QTY	DESCRIPTION	REV
	1580012	Ref	TRAY ASSEMBLY	C
1	See Note	1	Tray, Storage - Center (Note: Purchase p/n 1580012)	
2	0641406	2	Bolt 1/4 x 3/4	
3	4751400	2	Washer 1/4	
4	4761400	2	Washer 1/4	

SECTION 5 - PLATFORM

FIGURE 5-46. SOFT TOUCH INSTALLATION (SIDE ENTRY PLATFORM) (OPTIONAL)



ART_1001192399

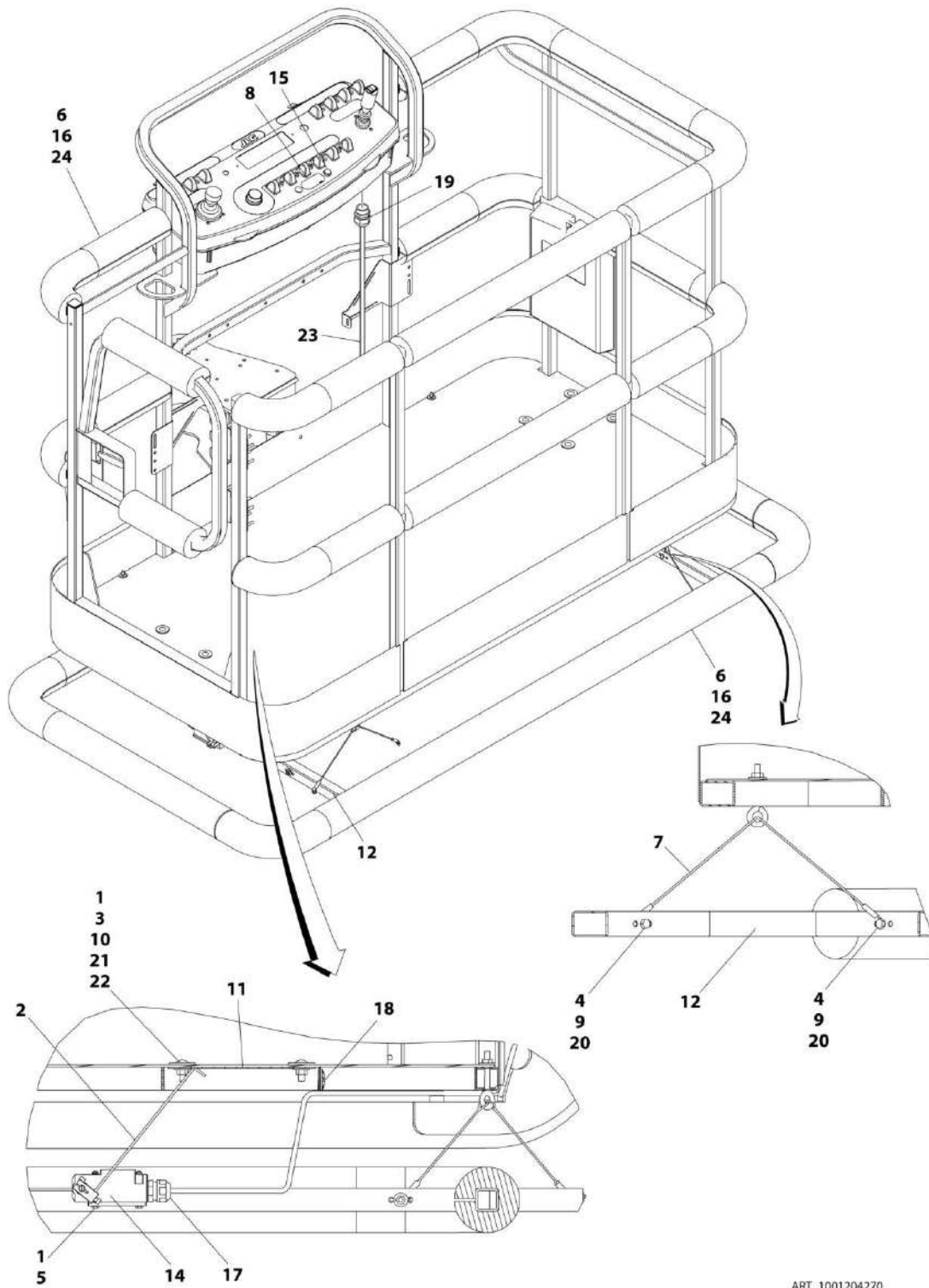
SECTION 5 - PLATFORM

FIGURE 5-46. SOFT TOUCH INSTALLATION (SIDE ENTRY PLATFORM) (OPTIONAL)

ITEM	PART NUMBER	QTY	DESCRIPTION	REV
	1001192399	Ref	SOFT TOUCH INSTALLATION (SIDE ENTRY PLATFORM) (OPTIONAL)	C
1	0100011	AR	Compound, Locking	
2	0200048	2	Arm, Switch Activator	
3	0630462	8	Bolt, Carriage	
4	0641414	8	Bolt 1/4 x 1-3/4	
5	0721005	4	Screw #10 x 5/8	
6	0940167	1	Bumper, Kit	
6	0940092	10	Bumper (Corner)	
6	0940094	AR	Bumper (28ft Length)	
7	1060903	4	Wire Rope and Eyebolt Assembly	
8	3311401	8	Nut 1/4	
9	3311501	8	Nut 5/16	
10	3575705	2	Plate, Switch Strike	
11	4240099	AR	Tie, Wire (Not Shown)	
12	4360057	2	Switch, Limit	
13	4360387	1	Switch, Push Button	
14	4420068	1	Tape, Yellow Adhesive (Prior to SN 0300239198)	
15	4460049	2	Connector, Strain Relief	
16	4460234	2	Terminal, Mount	
17	4460425	1	Connector, Strain Relief	
18	4751400	16	Washer 1/4	
19	4751500	8	Washer 5/16	
20	4751800	8	Washer 1/2	
21	4846370	1	Soft Touch Rail	
22	1001193419	1	Soft Touch Harness	
22	4460226	4	Socket, Female	
23	1001197017	AR	Strap, Cable Tie (Yellow) (SN 0300239198 to Present)	

SECTION 5 - PLATFORM

FIGURE 5-47. SOFT TOUCH INSTALLATION - WITH FALL ARREST (SIDE ENTRY PLATFORM) (OPTIONAL)



ART_1001204270

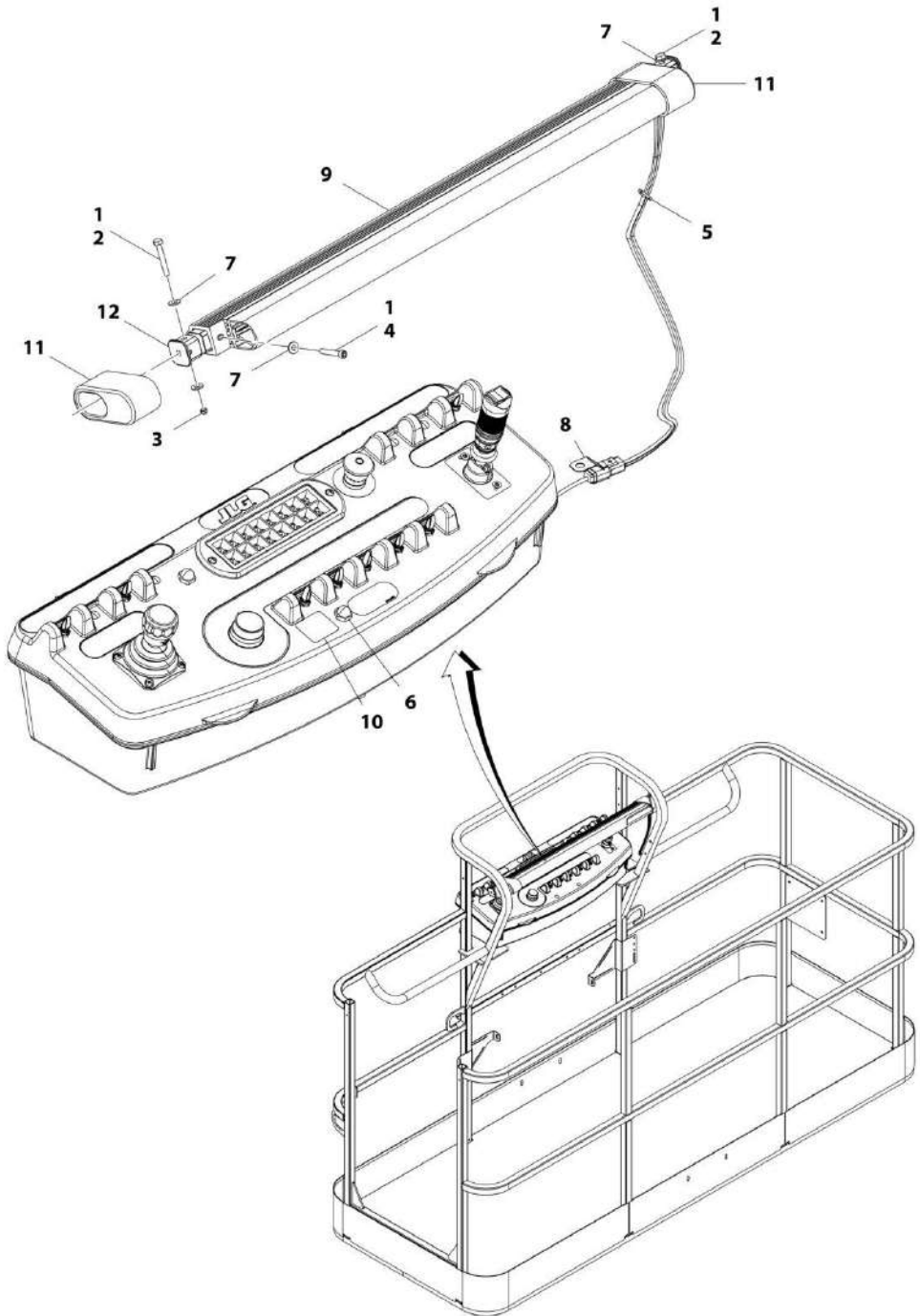
SECTION 5 - PLATFORM

**FIGURE 5-47. SOFT TOUCH INSTALLATION - WITH FALL ARREST (SIDE ENTRY PLATFORM)
(OPTIONAL)**

ITEM	PART NUMBER	QTY	DESCRIPTION	REV
	1001204270	Ref	SOFT TOUCH INSTALLATION - WITH FALL ARREST (SIDE ENTRY PLATFORM) (OPTIONAL)	B
1	0100011	AR	Compound, Locking	
2	0200048	2	Arm, Switch Activator	
3	0630462	8	Bolt, Carriage	
4	0641414	8	Bolt 1/4 x 1-3/4	
5	0731005	4	Screw #10 x 5/8	
6	0940177	1	Bumper, Kit	
6	0940092	8	Bumper (Corner)	
6	0940094	AR	Bumper (28ft Length)	
7	1060903	4	Wire Rope and Eyebolt Assembly	
8	1702938	1	Decal - Soft Touch Override	
9	3311401	8	Nut 1/4	
10	3311501	8	Nut 5/16	
11	3575359	2	Plate, Switch Strike	
12	3641569	1	Soft Touch Rail	
13	4240099	7	Tie, Wire (Not Shown)	
14	4360057	2	Switch, Limit	
15	4360387	1	Switch, Push Button	
16	4420068	AR	Tape, Yellow Adhesive (Prior to SN 0300239198)	
17	4460049	2	Connector, Strain Relief	
18	4460234	7	Terminal, Mount	
19	4460425	1	Connector, Strain Relief	
20	4751400	8	Washer 1/4	
21	4751500	8	Washer 5/16	
22	4751800	8	Washer 1/2	
23	1001193419	1	Soft Touch Harness	
23	4460226	4	Socket, Female	
24	1001197017	AR	Strap, Cable Tie (Yellow) (SN 0300239198 to Present)	

SECTION 5 - PLATFORM

FIGURE 5-48. SKYGUARD SYSTEM INSTALLATION



ART_1001192387

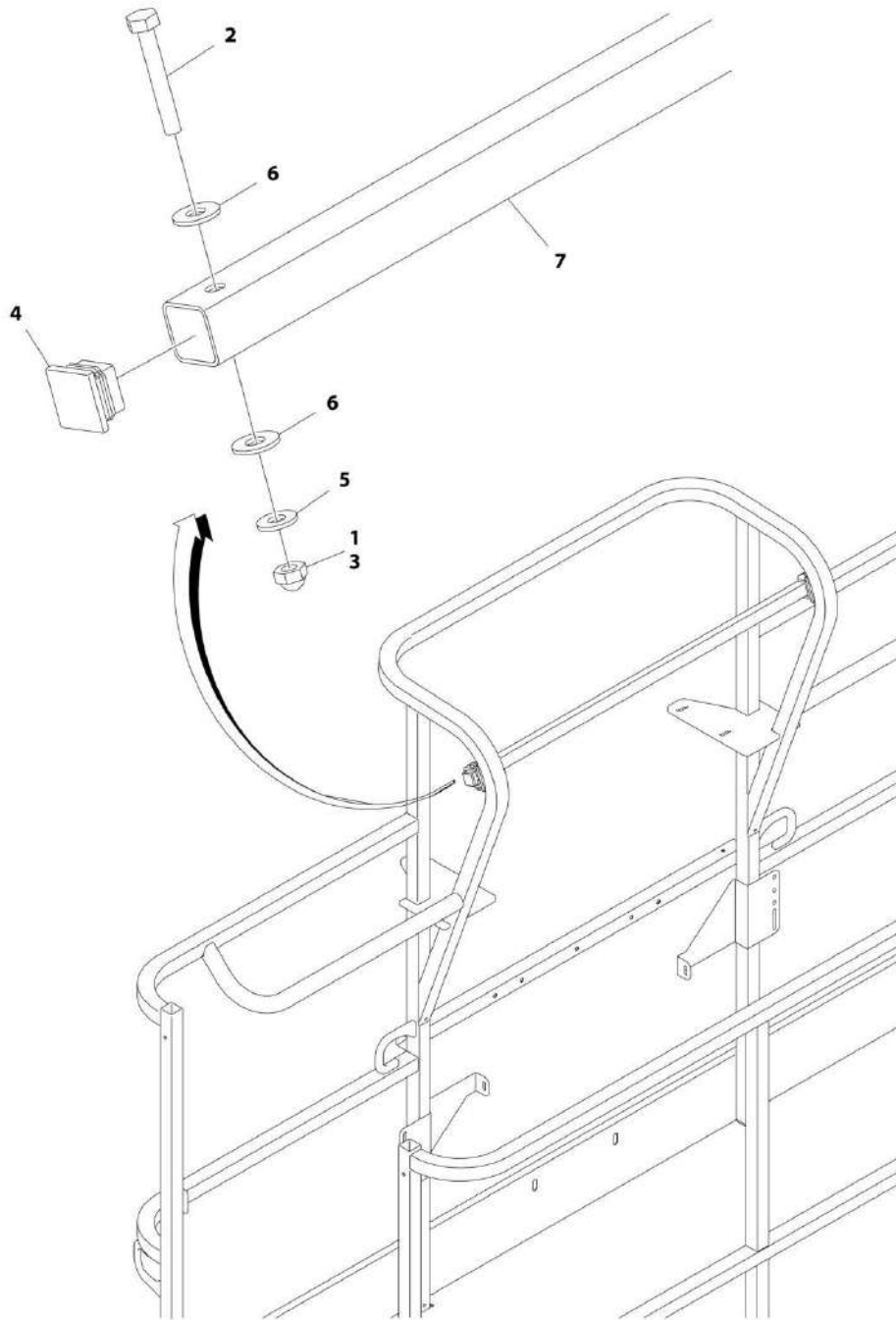
SECTION 5 - PLATFORM

FIGURE 5-48. SKYGUARD SYSTEM INSTALLATION

ITEM	PART NUMBER	QTY	DESCRIPTION	REV
	1001192387	Ref	SKYGUARD SYSTEM INSTALLATION	C
1	0100011	AR	Compound, Locking	
2	0641414	2	Bolt 1/4 x 1-3/4	
3	3300430	2	Nut 1/4	
4	3931424	2	Capscrew 1/4 x 1-1/2 (Prior to SN 0300244412)	
4	3931408	2	Capscrew, 1/4 x 1/2 (SN 0300244412 to Present)	
5	4240033	8	Tie-Strap	
6	4360387	1	Switch, Push Button (Prior to SN 0300206099)	
7	4711400	6	Washer 1/4	
8	1001120328	1	Mount	
9	1001137673	1	Switch, SkyGuard Assembly	
10	1001144433	1	Decal - No Weight SkyGuard (Prior to SN 0300206099)	
11	1001186517	2	Cover, Platform Sensor	
12	1001188889	2	Support, Block (Prior to SN 0300244412)	
12	1001209664	2	Support, Block (SN 0300244412 to Present)	
13	1001192292	1	SkyGuard Harness (Not Shown - See ELECTRICAL SECTION for Breakdown) (Prior to SN 0300206099)	

SECTION 5 - PLATFORM

FIGURE 5-49. CROSS RAIL INSTALLATION



ART_1001182138

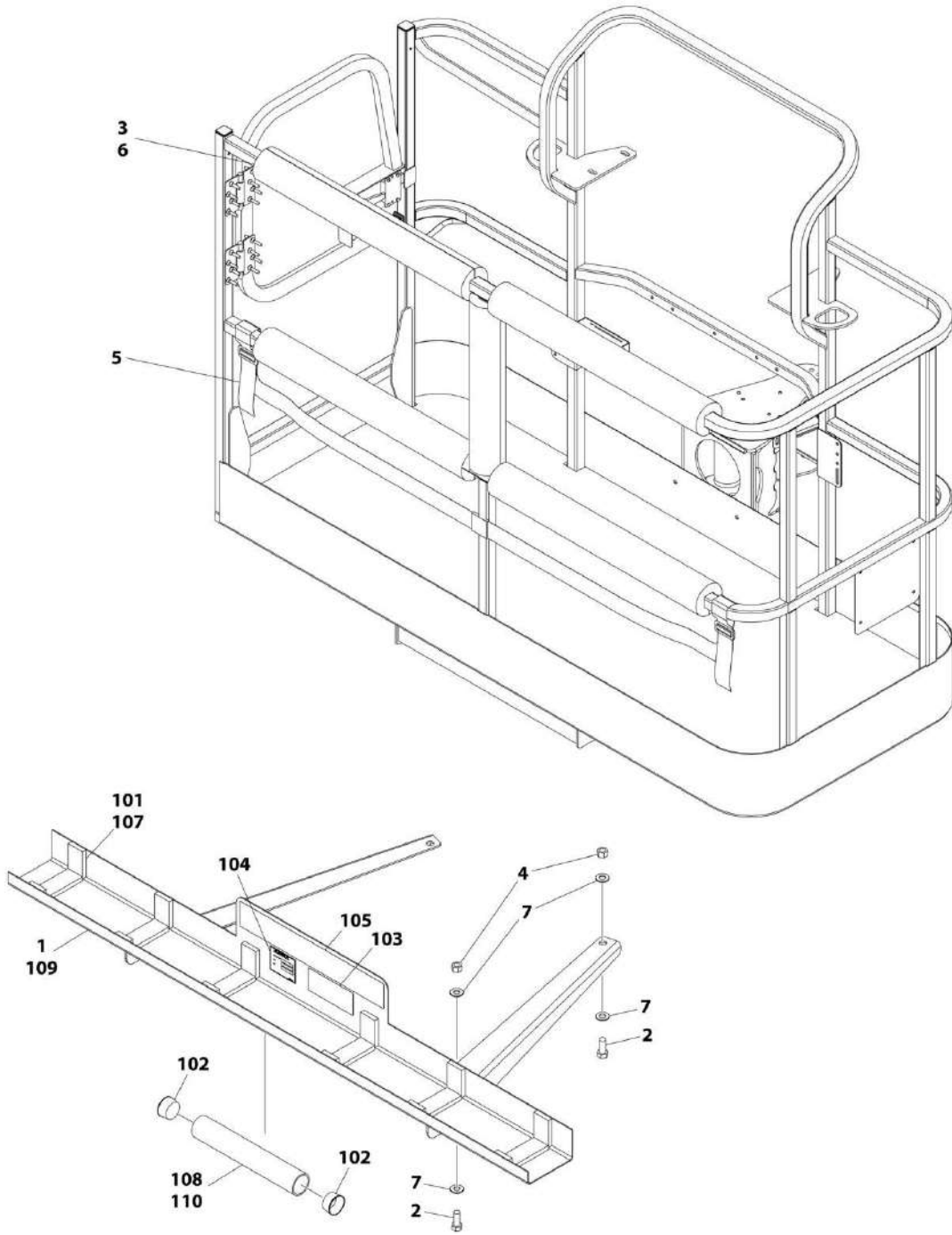
SECTION 5 - PLATFORM

FIGURE 5-49. CROSS RAIL INSTALLATION

ITEM	PART NUMBER	QTY	DESCRIPTION	REV
	1001182138	Ref	CROSS RAIL INSTALLATION	A
1	0100071	AR	Compound, Locking	
2	0641414	2	Bolt 1/4 x 1-3/4	
3	3300430	2	Nut 1/4	
4	3520182	2	Plug	
5	4711400	2	Washer 1/4	
6	4751400	4	Washer 1/4	
7	1001191708	1	Bar	

SECTION 5 - PLATFORM

FIGURE 5-50. SKYGLAZIER INSTALLATION (ANSI AND CSA SPECS)



ART_0275945

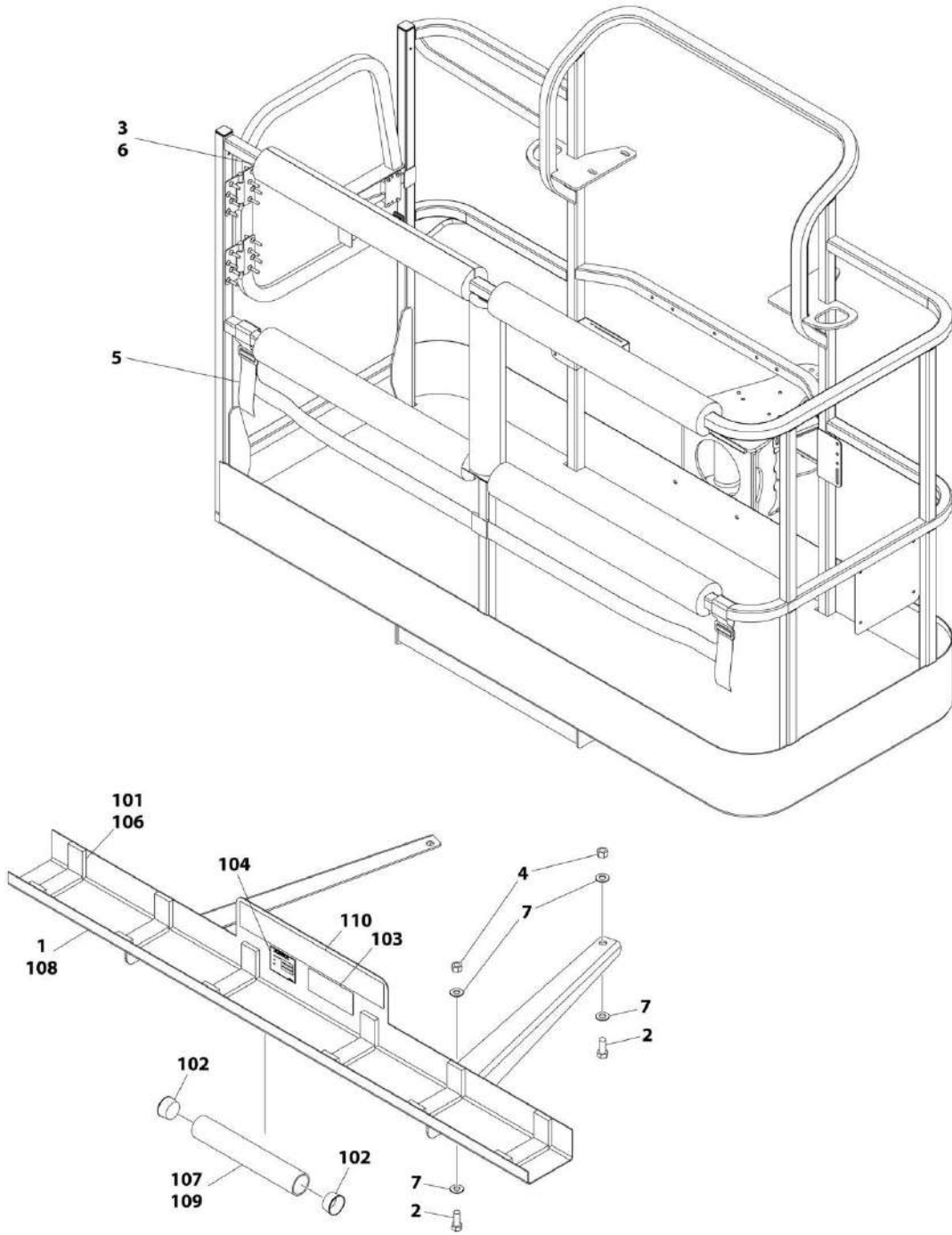
SECTION 5 - PLATFORM

FIGURE 5-50. SKYGLAZIER INSTALLATION (ANSI AND CSA SPECS)

ITEM	PART NUMBER	QTY	DESCRIPTION	REV
	0275945	Ref	SKYGLAZIER INSTALLATION (ANSI AND CSA SPECS)	B
1	0275928	1	SkyGlazier Assembly (See Items 101-110 for Breakdown)	
2	0642012	4	Bolt 5/8 x 1-1/2	
3	0940199	1	Bumper Kit	
4	3312005	4	Nut 5/8	
5	4240149	1	Strap Kit	
6	4420014	AR	Tape, Plastic	
7	4712000	8	Washer 5/8	
	0275928	Ref	SKYGLAZIER ASSEMBLY	A
101	0100081	AR	Loctite #454	
102	1120555	2	Cap, Manual Storage Tube	
103	1701509	1	Decal - Manual	
104	See Note	NSS	Nameplate (Note: Not Available for Purchase)	
105	1707192	1	Decal - Capacity	
107	3340956	1	Pad, Glazier Tray	
108	3460334	1	Tube, Manual Storage	
109	See Note	NSS	Tray (Note: Use Item 1)	
110	4420066	AR	Tape, Double Sided	

SECTION 5 - PLATFORM

FIGURE 5-51. SKYGLAZIER INSTALLATION (ANSI EXPORT SPECS) (SPANISH/PORTUGUESE)



ART_1001091433

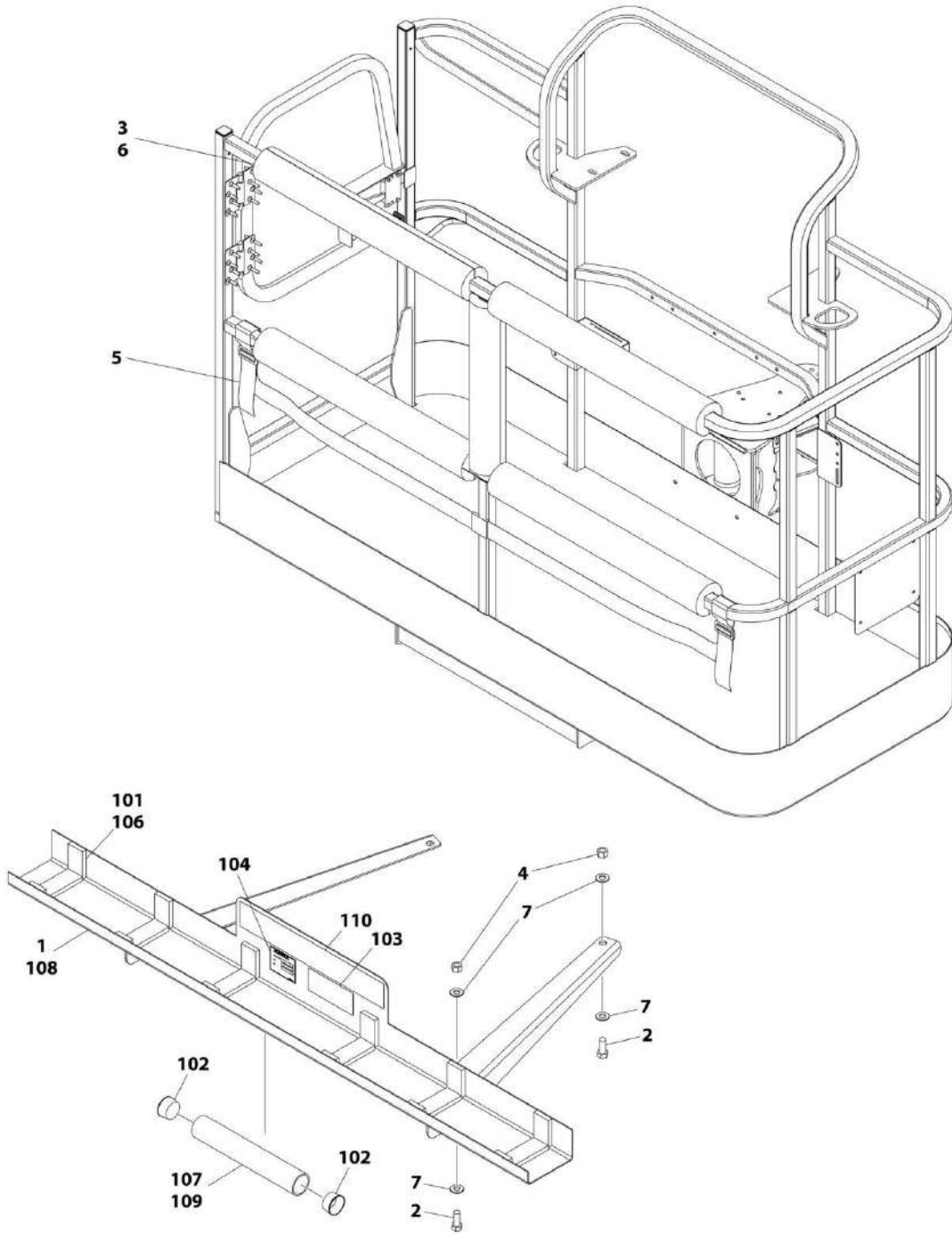
SECTION 5 - PLATFORM

FIGURE 5-51. SKYGLAZIER INSTALLATION (ANSI EXPORT SPECS) (SPANISH/PORTUGUESE)

ITEM	PART NUMBER	QTY	DESCRIPTION	REV
	1001091433	Ref	SKYGLAZIER INSTALLATION (ANSI EXPORT SPECS) (SPANISH/PORTUGUESE)	B
1	1001091431	1	SkyGlazier Assembly (See Items 101-110 for Breakdown)	
2	0642012	4	Bolt 5/8 x 1-1/2	
3	0940199	1	Bumper Kit	
4	3312005	4	Nut 5/8	
5	4240149	1	Strap Kit	
6	4420014	AR	Tape, Plastic	
7	4712000	8	Washer 5/8	
	1001091431	Ref	SKYGLAZIER ASSEMBLY	A
101	0100081	AR	Loctite #454	
102	1120555	2	Cap, Manual Storage Tube	
103	1701509	1	Decal - Manual	
104	See Note	NSS	Nameplate (Note: Not Available for Purchase)	
106	3340956	1	Pad, Glazier Tray	
107	3460334	1	Tube, Manual Storage	
108	See Note	NSS	Tray (Note: Use Item 1)	
109	4420066	AR	Tape, Double Sided	
110	1001091429	1	Decal - Capacity	

SECTION 5 - PLATFORM

FIGURE 5-52. SKYGLAZIER INSTALLATION (ANSI EXPORT SPECS) (ENGLISH/SPANISH)



ART_1001091434

SECTION 5 - PLATFORM

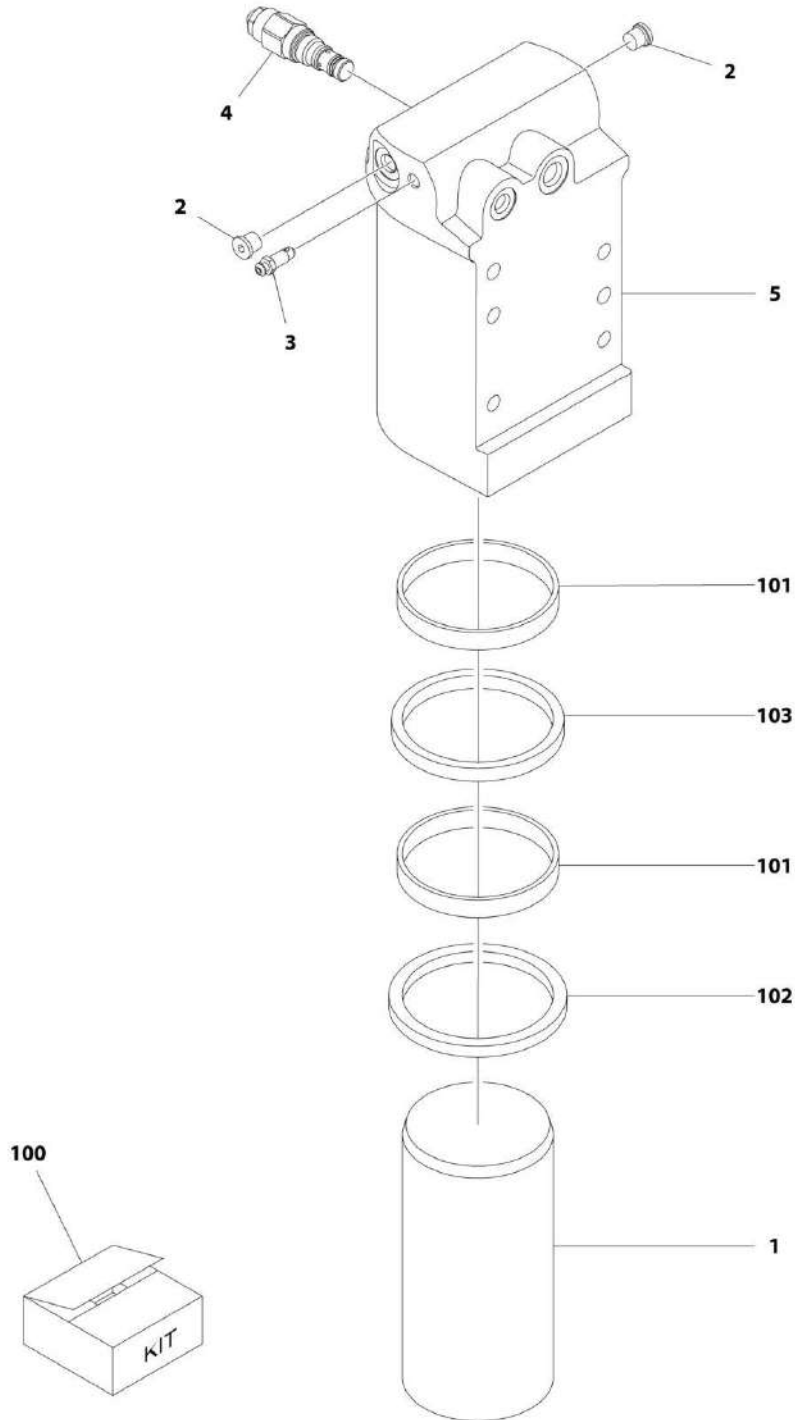
FIGURE 5-52. SKYGLAZIER INSTALLATION (ANSI EXPORT SPECS) (ENGLISH/SPANISH)

ITEM	PART NUMBER	QTY	DESCRIPTION	REV
	1001091434	Ref	SKYGLAZIER INSTALLATION (ANSI EXPORT SPECS) (ENGLISH/SPANISH)	B
1	1001091432	1	SkyGlazier Assembly (See Items 101-110 for Breakdown)	
2	0642012	4	Bolt 5/8 x 1-1/2	
3	0940199	1	Bumper Kit	
4	3312005	4	Nut 5/8	
5	4240149	1	Strap Kit	
6	4420014	AR	Tape, Plastic	
7	4712000	8	Washer 5/8	
	1001091432	Ref	SKYGLAZIER ASSEMBLY	A
101	0100081	AR	Loctite #454	
102	1120555	2	Cap, Manual Storage Tube	
103	1701509	1	Decal - Manual	
104	See Note	NSS	Nameplate (Note: Not Available for Purchase)	
106	3340956	1	Pad, Glazier Tray	
107	3460334	1	Tube, Manual Storage	
108	See Note	NSS	Tray (Note: Use Item 1)	
109	4420066	AR	Tape, Double Sided	
110	1001091430	1	Decal - Capacity	

SECTION 6 - CYLINDERS

SECTION 6 - CYLINDERS

FIGURE 6-1. AXLE LOCKOUT CYLINDER ASSEMBLY



ART_1001163580

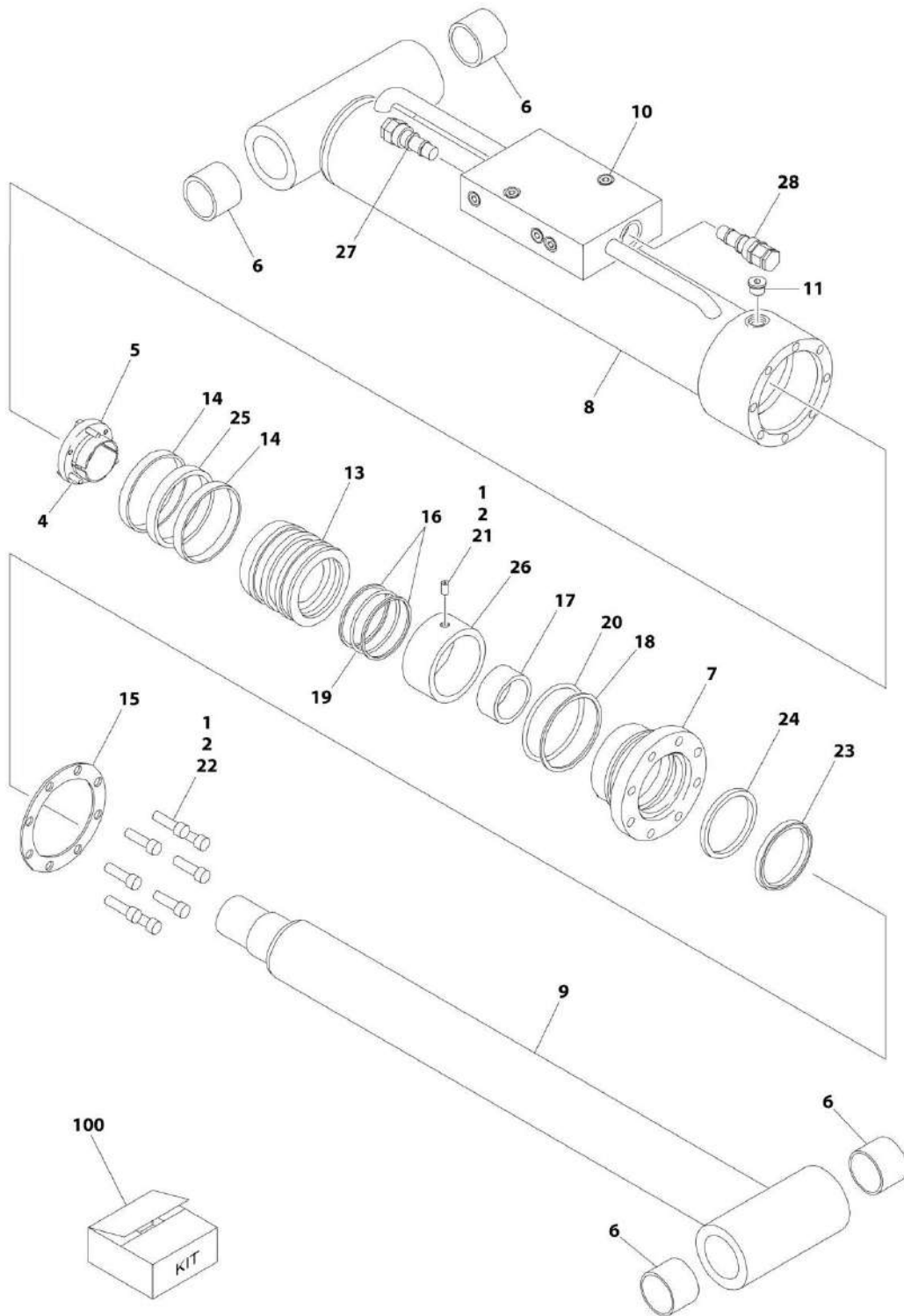
SECTION 6 - CYLINDERS

FIGURE 6-1. AXLE LOCKOUT CYLINDER ASSEMBLY

ITEM	PART NUMBER	QTY	DESCRIPTION	REV
	1001163580	Ref	AXLE LOCKOUT CYLINDER ASSEMBLY	E
1	1684290	1	Rod Weldment	
2	2220883	2	Plug, O-Ring	
3	4640858	1	Valve, Bleeder	
4	1001117372	1	Cartridge, Valve (Counterbalance)	
4	70002842	1	Seal Kit - 1001117372 Valve	
5	1001164817	1	Barrel Weldment	
100	2902266	1	Seal Kit (Includes Items 101-103)	
101	See Note	NSS	Ring, Wear (Note: Use Item 100)	
102	See Note	NSS	Seal, Wiper (Note: Use Item 100)	
103	See Note	NSS	Seal, Rod (Note: Use Item 100)	

SECTION 6 - CYLINDERS

FIGURE 6-2. LEVEL (PLATFORM SLAVE) CYLINDER ASSEMBLY (E600/M600)



ART_1683867

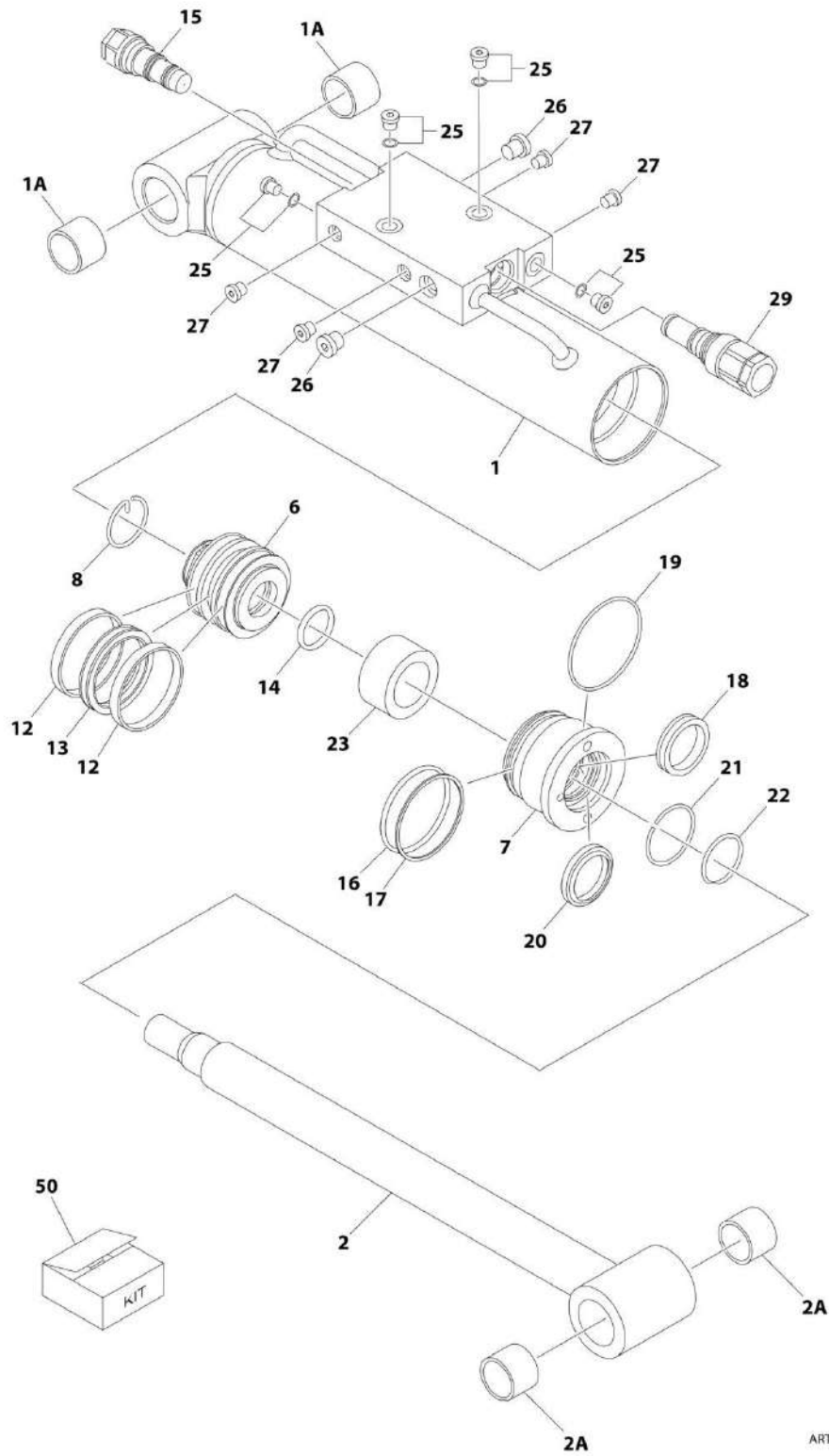
SECTION 6 - CYLINDERS

FIGURE 6-2. LEVEL (PLATFORM SLAVE) CYLINDER ASSEMBLY (E600/M600)

ITEM	PART NUMBER	QTY	DESCRIPTION	REV
	1683867	Ref	LEVEL (PLATFORM SLAVE) CYLINDER ASSEMBLY (E600/M600)	E
1	0100011	AR	Locking, Compound	
2	0100038	AR	Primer, Locking	
4	0630534	3	Bolt #10 x 1	
5	0962185	1	Bushing, Tapered	
6	0961947	4	Bushing	
7	1683050	1	Head	
8	1683868	1	Barrel	
9	1683870	1	Rod	
10	2220883	8	Plug, O-Ring	
11	2220885	1	Plug, O-Ring	
13	3480232	1	Piston	
14	See Note	NSS	Ring, Wear (Note: Use Item 100)	
15	3760367	1	Washer, Ring	
16	See Note	NSS	Ring, Back-up (Note: Use Item 100)	
17	See Note	NSS	Ring, Wear (Note: Use Item 100)	
18	See Note	NSS	Ring, Back-up (Note: Use Item 100)	
19	See Note	NSS	O-Ring (Note: Use Item 100)	
20	See Note	NSS	O-Ring (Note: Use Item 100)	
21	3900139	1	Setscrew 1/4 x 1/2	
22	3931516	8	Bolt 5/16 x 2	
23	See Note	NSS	Wiper (Note: Use Item 100)	
24	See Note	NSS	Seal (Note: Use Item 100)	
25	See Note	NSS	T-Seal Seal (Note: Use Item 100)	
26	4568068	1	Spacer, Tube	
27	4640509	1	Cartridge, Valve (Counterbalance Non-Vented)	
27	2900792	1	Seal Kit - 4640509 Valve	
28	4640932	1	Cartridge, Valve (Counterbalance Vented)	
28	7011112	1	Seal Kit - 4640932 Valve	
100	2901549	1	Seal Kit (Includes Items 14, 16-20 & 23-25)	

SECTION 6 - CYLINDERS

FIGURE 6-3. LEVEL (PLATFORM SLAVE) CYLINDER ASSEMBLY (E600J/E600JP/M600J/M600JP)



ART_1001140596

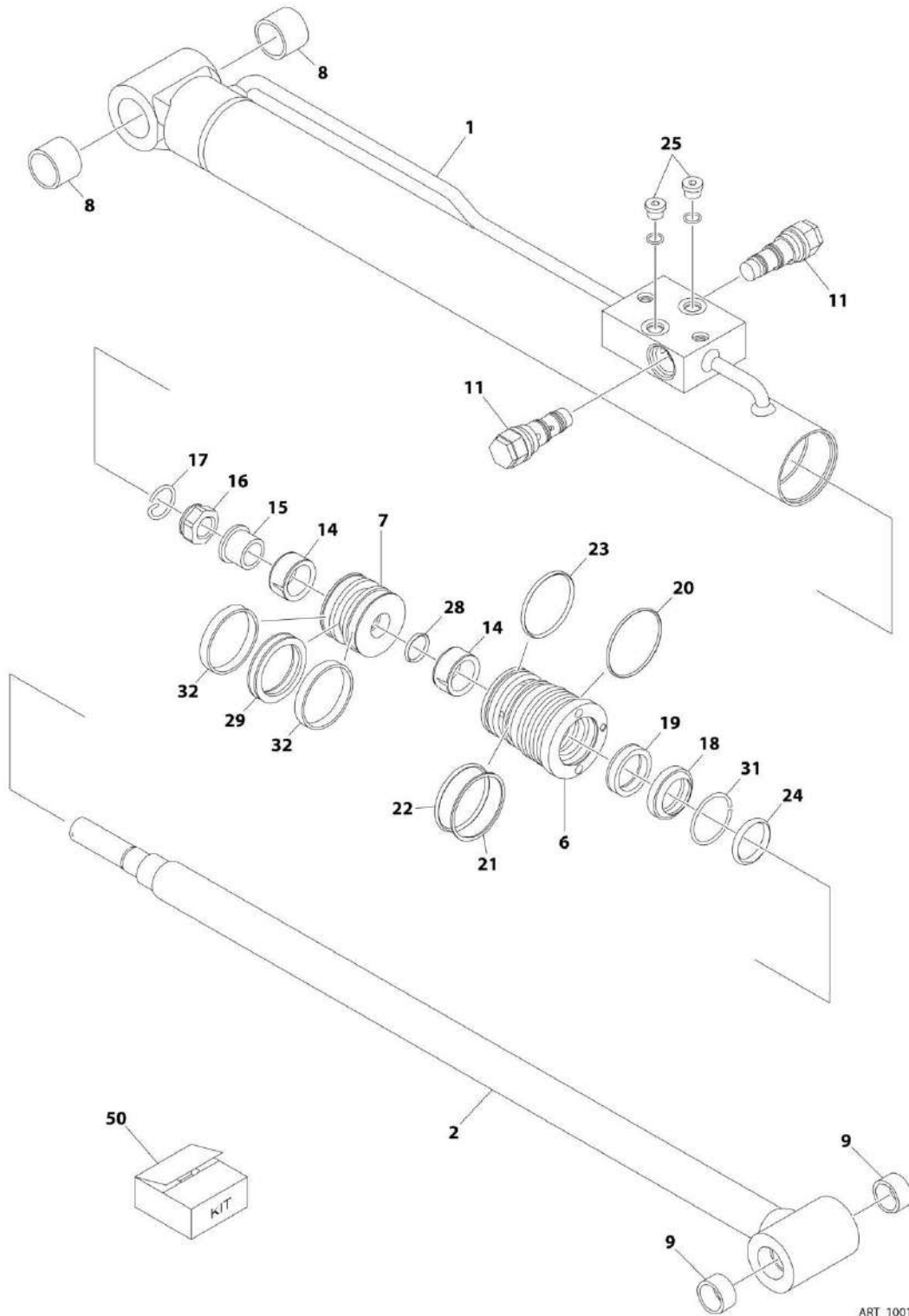
SECTION 6 - CYLINDERS

FIGURE 6-3. LEVEL (PLATFORM SLAVE) CYLINDER ASSEMBLY (E600J/E600JP/M600J/M600JP)

ITEM	PART NUMBER	QTY	DESCRIPTION	REV
	1001140596	Ref	LEVEL (PLATFORM SLAVE) CYLINDER ASSEMBLY (E600J/E600JP/M600J/M600JP)	A
1	70003840	1	Barrel	
1A	0961951	2	Bushing	
2	70003841	1	Rod	
2A	0961951	2	Bushing	
6	70003819	1	Head	
7	70003837	1	Piston	
8	70002216	1	Retainer	
12	See Note	NSS	Ring, Wear (Note: Use Item 50)	
13	See Note	NSS	Seal (Note: Use Item 50)	
14	See Note	NSS	O-Ring (Note: Use Item 50)	
15	4640509	1	Cartridge, Counterbalance Valve	
15	2900792	1	Seal Kit - 4640509 Valve	
16	See Note	NSS	O-Ring (Note: Use Item 50)	
17	See Note	NSS	Ring, Back-up (Note: Use Item 50)	
18	See Note	NSS	Seal (Note: Use Item 50)	
19	See Note	NSS	O-Ring (Note: Use Item 50)	
20	See Note	NSS	Wiper (Note: Use Item 50)	
21	70003838	1	Ring, Retaining	
22	7026084	1	O-Ring	
23	70003839	1	Spacer	
25	7017406	4	Plug	
26	See Note	2	Plug (Note: Not Available for Purchase)	
27	See Note	4	Plug (Note: Not Available for Purchase)	
29	4640932	1	Cartridge, Counterbalance Valve	
29	7011112	1	Seal Kit - 4640932 Valve	
50	70003842	1	Seal Kit - 1001140596 Cylinder (Includes Items 12-14 & 16-20)	

SECTION 6 - CYLINDERS

FIGURE 6-4. LIFT CYLINDER ASSEMBLY - JIB (E600J/E600JP/M600J/M600JP)



ART_1001140282

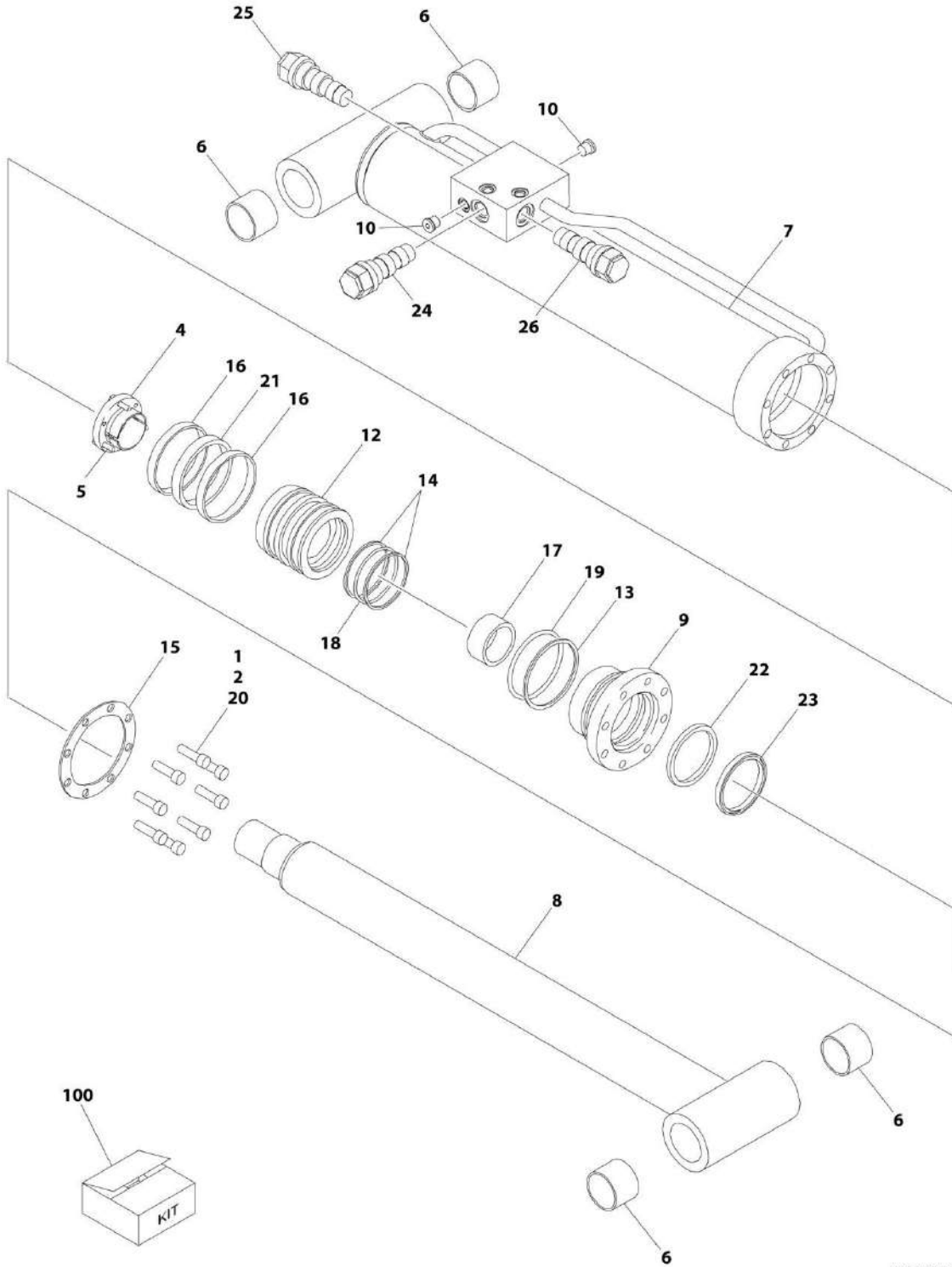
SECTION 6 - CYLINDERS

FIGURE 6-4. LIFT CYLINDER ASSEMBLY - JIB (E600J/E600JP/M600J/M600JP)

ITEM	PART NUMBER	QTY	DESCRIPTION	REV
	1001140282	Ref	LIFT CYLINDER ASSEMBLY - JIB (E600J/E600JP/M600J/M600JP)	A
1	70003834	1	Barrel	
2	70003835	1	Rod	
6	7026088	1	Head	
7	70003833	1	Piston	
8	0961951	2	Bushing	
9	0961947	2	Bushing	
11	4640509	2	Cartridge, Counterbalance Valve	
11	2900792	2	Seal Kit - 4640509 Valve	
14	7026090	2	Bushing	
15	7026091	1	Sleeve	
16	7026092	1	Nut	
17	70002223	1	Retainer	
18	See Note	NSS	Wiper (Note: Use Item 50)	
19	See Note	NSS	Seal (Note: Use Item 50)	
20	See Note	NSS	O-Ring (Note: Use Item 50)	
21	See Note	NSS	Ring, Back-up (Note: Use Item 50)	
22	See Note	NSS	O-Ring (Note: Use Item 50)	
23	See Note	NSS	O-Ring (Note: Use Item 50)	
24	7026068	1	O-Ring	
25	7024844	2	Plug	
28	See Note	NSS	O-Ring (Note: Use Item 50)	
29	See Note	NSS	Seal (Note: Use Item 50)	
31	70002220	1	Ring, Retaining	
32	See Note	NSS	Ring, Wear (Note: Use Item 50)	
50	70003836	1	Seal Kit - 1001140282 Cylinder (Includes Items 18-23, 28, 29 & 32)	

SECTION 6 - CYLINDERS

FIGURE 6-5. LIFT CYLINDER ASSEMBLY - MAIN (Prior to SN 0300239696)



ART_1683876

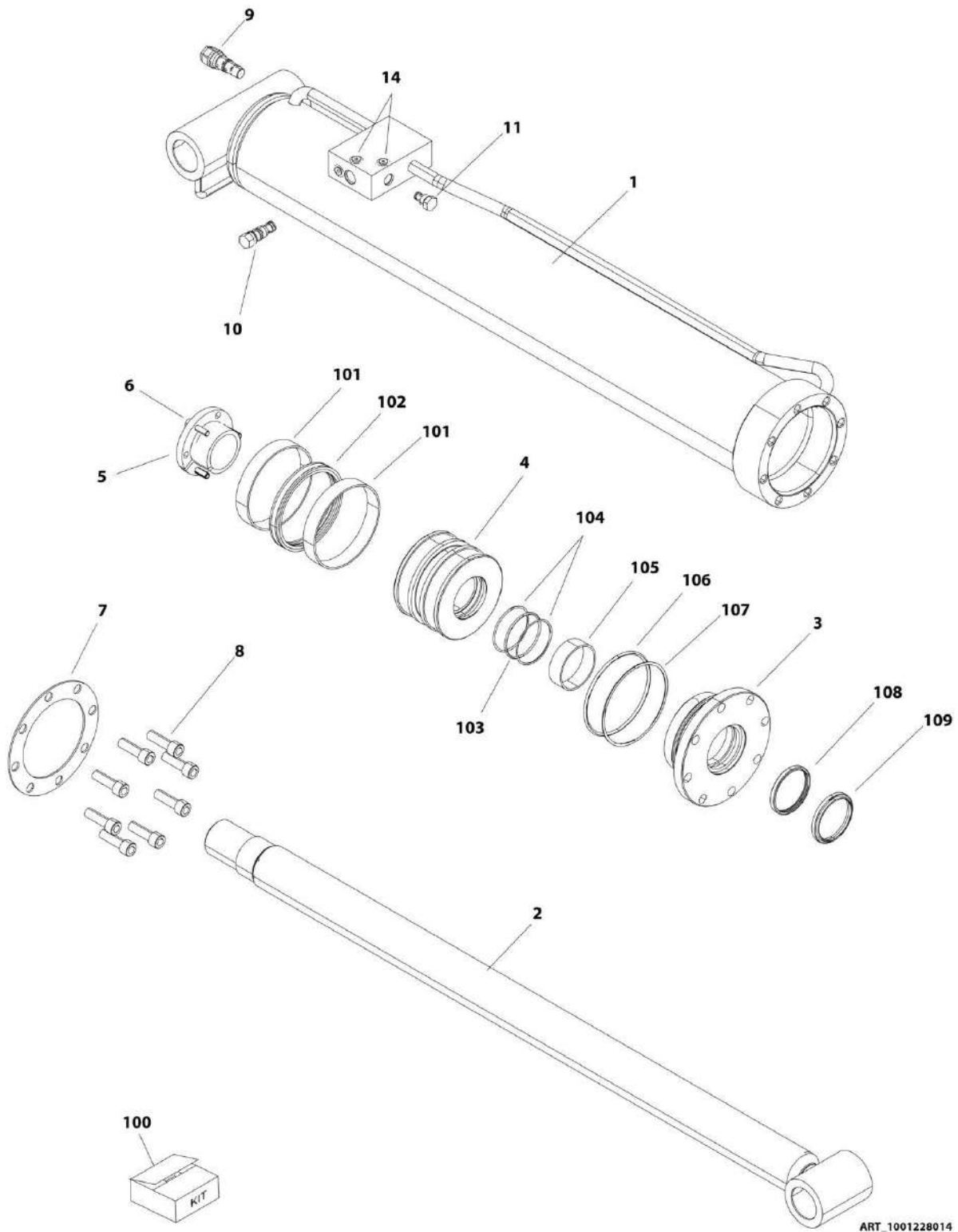
SECTION 6 - CYLINDERS

FIGURE 6-5. LIFT CYLINDER ASSEMBLY - MAIN (Prior to SN 0300239696)

ITEM	PART NUMBER	QTY	DESCRIPTION	REV
	1683876	Ref	LIFT CYLINDER ASSEMBLY - MAIN (Prior to SN 0300239696)	G
1	0100011	AR	Locking, Compound	
2	0100038	AR	Primer, Locking	
4	0630536	3	Bolt #10 x 1-1/4	
5	0961898	1	Bushing, Tapered	
6	0961950	4	Bushing	
7	1683877	1	Barrel Weldment	
8	1683879	1	Rod Weldment	
9	1683910	1	Head	
10	2220883	2	Plug, O-Ring	
12	3480258	1	Piston	
13	See Note	NSS	Ring, Back-up (Note: Use Item 100)	
14	See Note	NSS	Ring, Back-up (Note: Use Item 100)	
15	3760372	1	Ring, Washer	
16	See Note	NSS	Ring, Wear (Note: Use Item 100)	
17	See Note	NSS	Ring, Wear (Note: Use Item 100)	
18	See Note	NSS	O-Ring (Note: Use Item 100)	
19	See Note	NSS	O-Ring (Note: Use Item 100)	
20	3932032	8	Capscrew 5/8 x 2	
21	See Note	NSS	Seal (Note: Use Item 100)	
22	See Note	NSS	Seal, Rod (Note: Use Item 100)	
23	See Note	NSS	Wiper (Note: Use Item 100)	
24	4640438	1	Valve, Check	
24	2900770	1	Seal Kit - 4640438	
25	4640509	1	Valve, Counterbalance	
25	2900792	1	Seal Kit - 4640509	
26	4641129	1	Valve, Check	
26	7012967	1	Seal Kit - 4641129 Valve	
100	2901886	1	Seal Kit (Includes Items 13-14, 16-19 & 21-23)	

SECTION 6 - CYLINDERS

FIGURE 6-6. LIFT CYLINDER ASSEMBLY - MAIN (SN 0300239696 to Present)



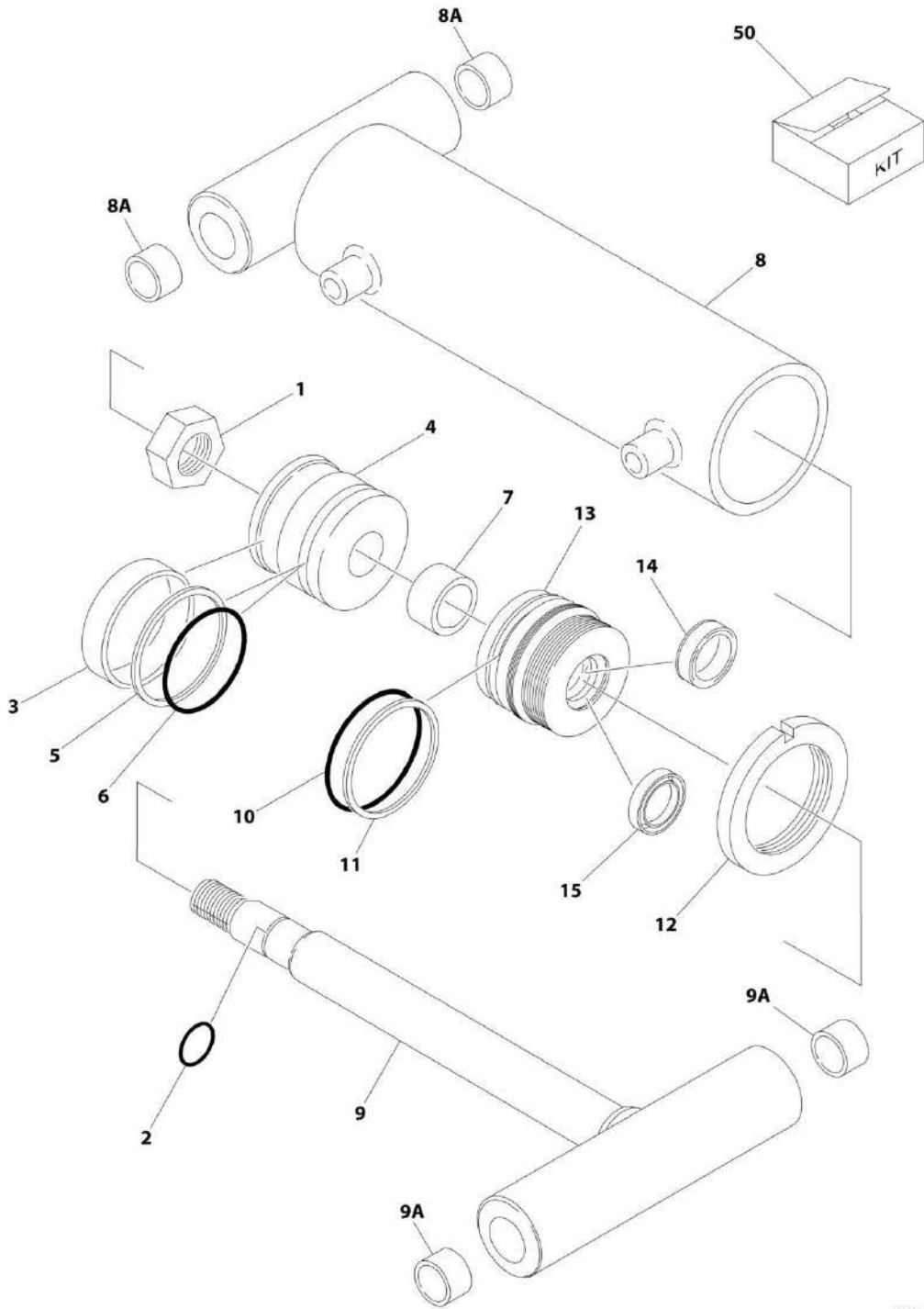
SECTION 6 - CYLINDERS

FIGURE 6-6. LIFT CYLINDER ASSEMBLY - MAIN (SN 0300239696 to Present)

ITEM	PART NUMBER	QTY	DESCRIPTION	REV
	1001228014	Ref	LIFT CYLINDER ASSEMBLY - MAIN (SN 0300239696 to Present)	C
1	See Note	NSS	Barrel Weldment (Note: Not Available for Purchase)	
2	70006368	1	Rod Weldment	
3	70006367	1	Head	
4	70006366	1	Piston	
5	70006365	1	Bushing, Tapered	
6	0630536	1	Screw	
7	70006364	1	Washer	
8	3932032	8	Capscrew	
9	4640509	1	Valve, Counterbalance	
10	4640438	1	Cartridge, Check Valve	
11	4641129	1	Cartridge, Check Valve	
12	See Note	NSS	Plug (Not Shown)	
13	See Note	NSS	Plug	
14	2220883	4	Plug	
100	2901886	1	Seal Kit (Includes Items 101-109)	
101	See Note	NSS	Ring, Wear (Note: Use Item 100)	
102	See Note	NSS	Seal, Piston (Note: Use Item 100)	
103	See Note	NSS	O-Ring (Note: Use Item 100)	
104	See Note	NSS	Ring, Back-up (Note: Use Item 100)	
105	See Note	NSS	Ring, Wear(Note: Use Item 100)	
106	See Note	NSS	O-Ring (Note: Use Item 100)	
107	See Note	NSS	Ring, Back-up (Note: Use Item 100)	
108	See Note	NSS	Seal, Rod (Note: Use Item 100)	
109	See Note	NSS	Wiper, Rod (Note: Use Item 100)	

SECTION 6 - CYLINDERS

FIGURE 6-7. MASTER CYLINDER ASSEMBLY (E600/M600)



ART_1683865

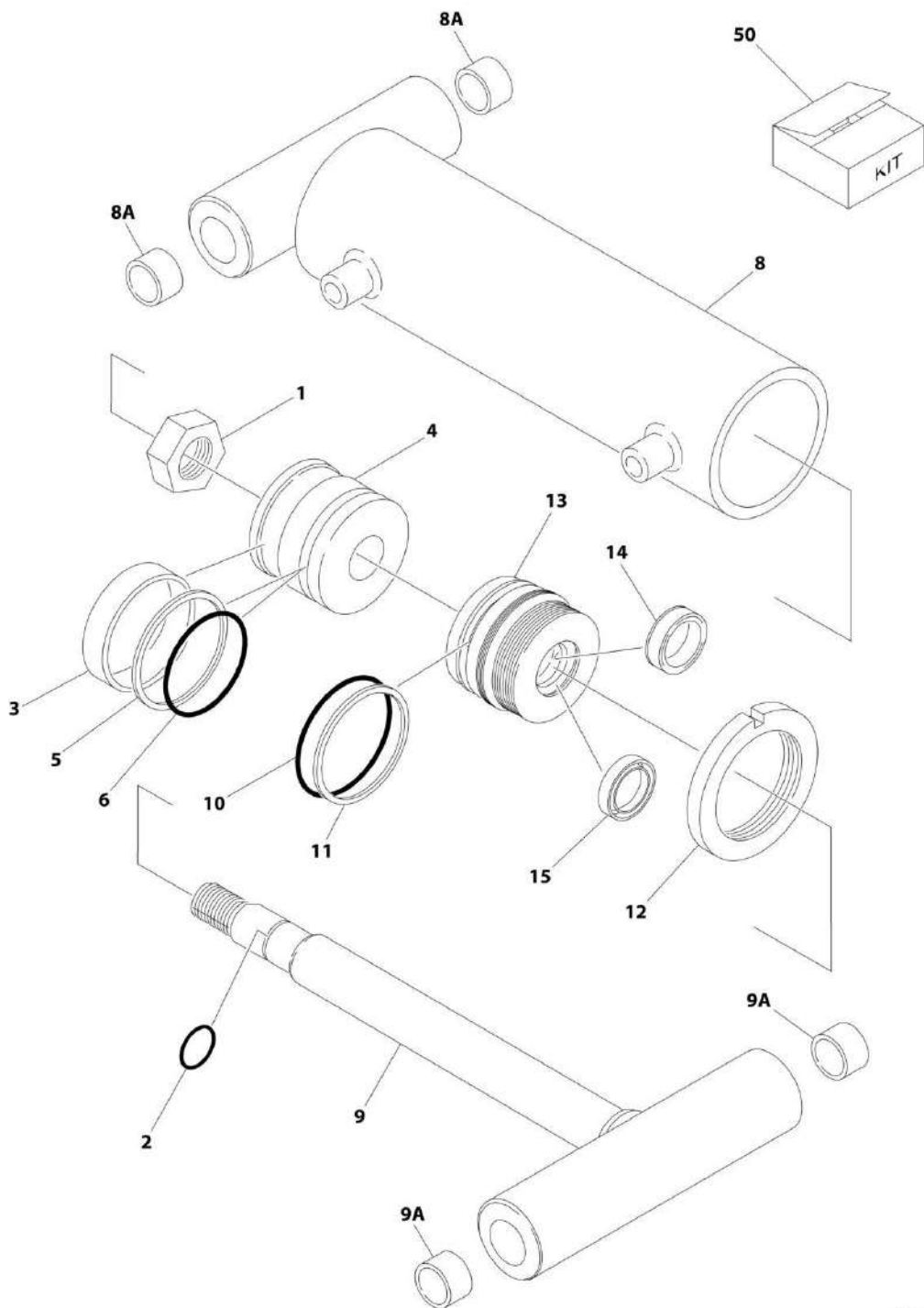
SECTION 6 - CYLINDERS

FIGURE 6-7. MASTER CYLINDER ASSEMBLY (E600/M600)

ITEM	PART NUMBER	QTY	DESCRIPTION	REV
	1683865	Ref	MASTER CYLINDER ASSEMBLY (E600/M600)	C
1	7001084	1	Nut	
2	See Note	NSS	O-Ring (Note: Use Item 50)	
3	See Note	NSS	Ring, Wear (Note: Use Item 50)	
4	7017285	1	Piston	
5	See Note	NSS	Seal, Piston (Note: Use Item 50)	
6	See Note	NSS	O-Ring (Note: Use Item 50)	
7	7017286	1	Spacer	
8	7017287	1	Barrel Assembly	
8A	0961951	2	Bushing	
9	7017288	1	Rod Assembly	
9A	0961951	2	Bushing	
10	See Note	NSS	O-Ring (Note: Use Item 50)	
11	See Note	NSS	Ring, Back-up (Note: Use Item 50)	
12	7017283	1	Setscrew 1/4 x 3/8	
13	7017289	1	Guide	
14	See Note	NSS	Seal (Note: Use Item 50)	
15	See Note	NSS	Wiper (Note: Use Item 50)	
50	7017284	1	Seal Kit (Includes Items 2, 3, 5, 6, 10, 11, 14 & 15)	

SECTION 6 - CYLINDERS

FIGURE 6-8. MASTER CYLINDER ASSEMBLY (E600J/E600JP/M600J/M600JP)



ART_1683866

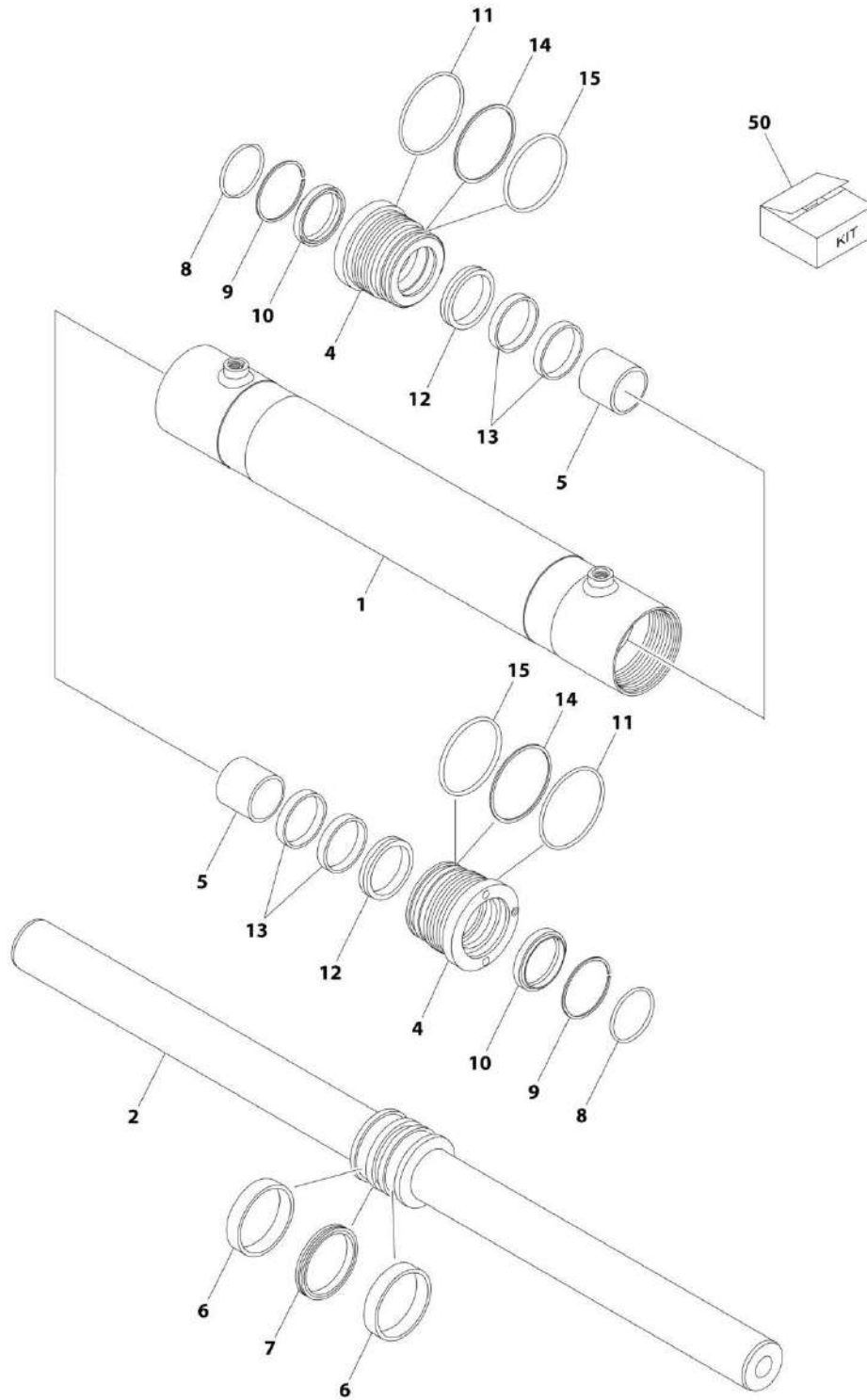
SECTION 6 - CYLINDERS

FIGURE 6-8. MASTER CYLINDER ASSEMBLY (E600J/E600JP/M600J/M600JP)

ITEM	PART NUMBER	QTY	DESCRIPTION	REV
	1683866	Ref	MASTER CYLINDER ASSEMBLY (E600J/E600JP/M600J/M600JP)	D
1	7017278	1	Nut	
2	See Note	NSS	O-Ring (Note: Use Item 50)	
3	See Note	NSS	Ring, Wear (Note: Use Item 50)	
4	7017279	1	Piston	
5	See Note	NSS	Seal, Piston (Note: Use Item 50)	
6	See Note	NSS	O-Ring (Note: Use Item 50)	
8	7017280	1	Barrel Assembly	
8A	0961951	2	Bushing	
9	7017281	1	Rod Assembly	
9A	0961951	2	Bushing	
10	See Note	NSS	O-Ring (Note: Use Item 50)	
11	See Note	NSS	Ring, Back-up (Note: Use Item 50)	
12	7017283	1	Setscrew 1/4 x 3/8	
13	7017282	1	Guide	
14	See Note	NSS	Seal (Note: Use Item 50)	
15	See Note	NSS	Wiper (Note: Use Item 50)	
50	7017277	1	Seal Kit (Includes Items 2, 3, 5, 6, 10, 11, 14 & 15)	

SECTION 6 - CYLINDERS

FIGURE 6-9. STEER CYLINDER ASSEMBLY



ART_1001140281

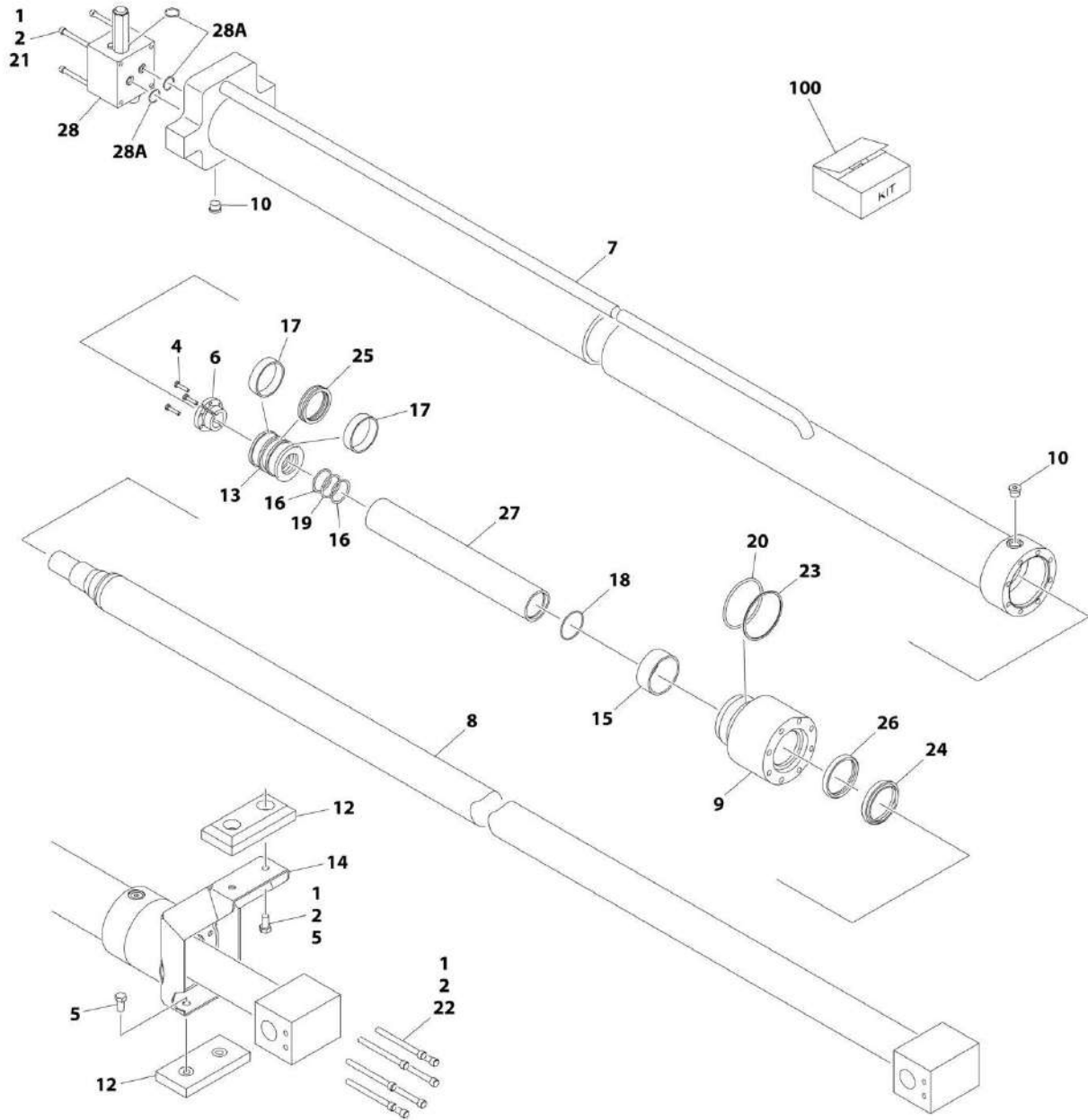
SECTION 6 - CYLINDERS

FIGURE 6-9. STEER CYLINDER ASSEMBLY

ITEM	PART NUMBER	QTY	DESCRIPTION	REV
	1001140281	Ref	STEER CYLINDER ASSEMBLY	A
1	70004134	1	Barrel	
2	70004135	1	Rod	
4	70004132	2	Head	
5	70004133	2	Spacer	
6	See Note	NSS	Ring, Wear (Note: Use Item 50)	
7	See Note	NSS	T-Seal (Note: Use Item 50)	
8	70003820	2	O-Ring	
9	70002219	2	Retainer	
10	See Note	NSS	Wiper (Note: Use Item 50)	
11	See Note	NSS	O-Ring (Note: Use Item 50)	
12	See Note	NSS	Seal (Note: Use Item 50)	
13	See Note	NSS	Ring, Wear (Note: Use Item 50)	
14	See Note	NSS	Ring, Back-up (Note: Use Item 50)	
15	See Note	NSS	O-Ring (Note: Use Item 50)	
50	70004127	1	Seal Kit - 1001140281 Cylinder (Includes Items 6-7 & 10-15)	

SECTION 6 - CYLINDERS

FIGURE 6-10. TELESCOPE CYLINDER ASSEMBLY (E600/M600)



ART_1684009

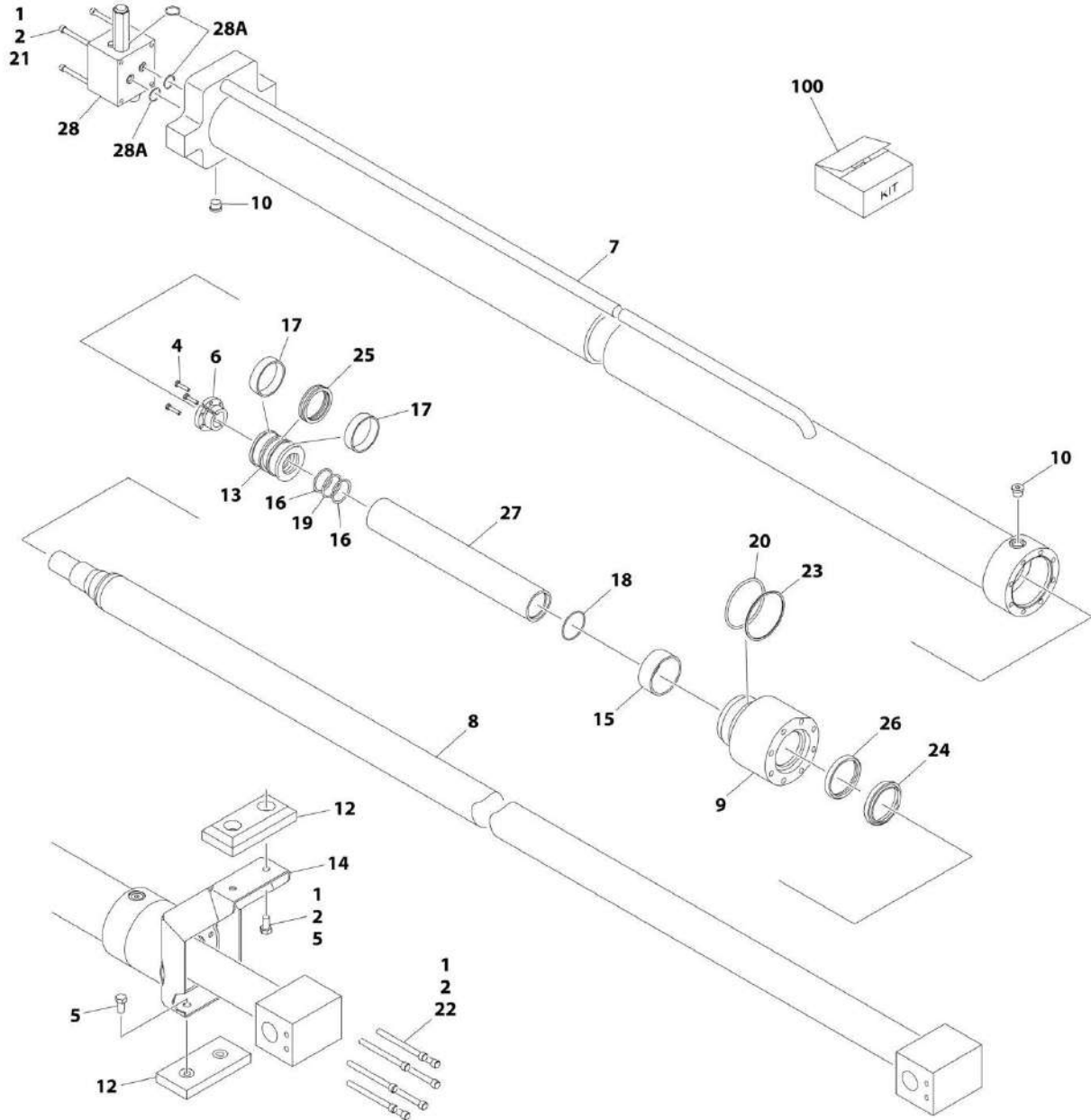
SECTION 6 - CYLINDERS

FIGURE 6-10. TELESCOPE CYLINDER ASSEMBLY (E600/M600)

ITEM	PART NUMBER	QTY	DESCRIPTION	REV
	1684009	Ref	TELESCOPE CYLINDER ASSEMBLY (E600/M600)	D
1	0100011	AR	Locking, Compound	
2	0100038	AR	Primer, Locking	
4	0630535	3	Bolt 1/4 x 1-1/8	
5	0641606	4	Bolt 3/8 x 3/4	
6	0961902	1	Bushing, Tapered	
7	1683905	1	Barrel	
8	1683907	1	Rod	
9	1684008	1	Head	
10	2220885	2	Plug, O-Ring	
12	3340880	2	Pad, Support	
13	3480257	1	Piston	
14	3572040	1	Plate, Support	
15	See Note	NSS	Ring, Wear (Note: Use Item 100)	
16	See Note	NSS	Ring, Back-up (Note: Use Item 100)	
17	See Note	NSS	Ring, Wear (Note: Use Item 100)	
18	See Note	NSS	O-Ring (Note: Use Item 100)	
19	See Note	NSS	O-Ring (Note: Use Item 100)	
20	See Note	NSS	O-Ring (Note: Use Item 100)	
21	3931448	4	Capscrew 1/4 x 3	
22	3931528	8	Bolt 5/16 x 1-3/4	
23	See Note	NSS	Ring, Back-up (Note: Use Item 100)	
24	See Note	NSS	Wiper (Note: Use Item 100)	
25	See Note	NSS	Seal (Note: Use Item 100)	
26	See Note	NSS	Seal, Rod (Note: Use Item 100)	
27	4568030	1	Spacer	
28	4641179	1	Valve Assembly (Note: No Serviceable Parts - Purchase Complete Valve)	
28A	7026616	1	Seal Kit - 4641179 Valve	
100	2902019	1	Seal Kit (Includes Items 15-20 & 23-26)	

SECTION 6 - CYLINDERS

FIGURE 6-11. TELESCOPE CYLINDER ASSEMBLY (E600J/E600JP/M600J/M600JP) (Prior to SN 0300244725)



ART_1684010

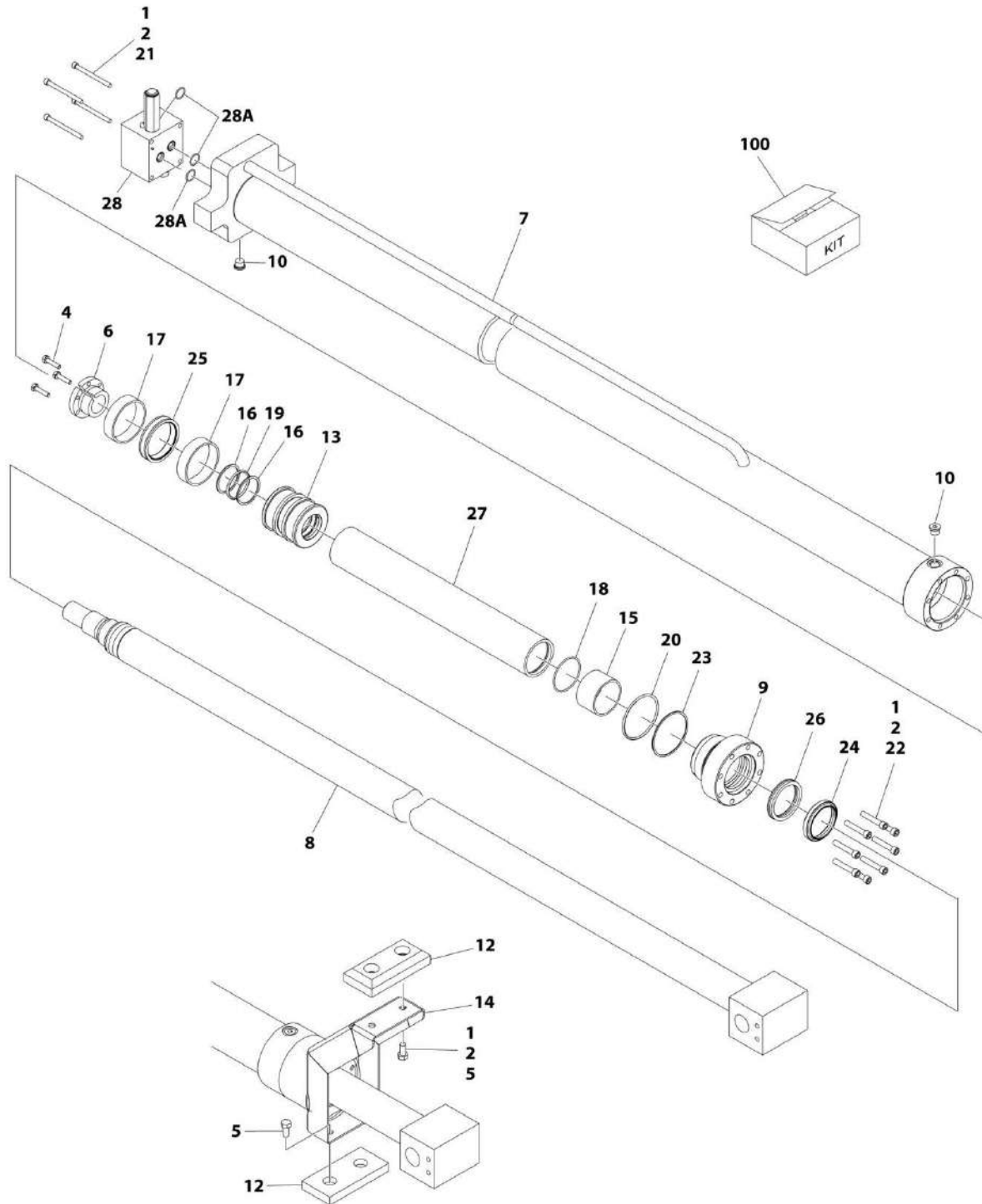
SECTION 6 - CYLINDERS

FIGURE 6-11. TELESCOPE CYLINDER ASSEMBLY (E600J/E600JP/M600J/M600JP) (Prior to SN 0300244725)

ITEM	PART NUMBER	QTY	DESCRIPTION	REV
	1684010	Ref	TELESCOPE CYLINDER ASSEMBLY (E600J/E600JP/M600J/M600JP) (Prior to SN 0300244725)	F
1	0100011	AR	Locking, Compound	
2	0100038	AR	Primer, Locking	
4	0630535	3	Bolt 1/4 x 1-1/8	
5	0641606	4	Bolt 3/8 x 3/4	
6	0961902	1	Bushing, Tapered	
7	1683900	1	Barrel	
8	1683902	1	Rod	
9	1684008	1	Head	
10	2220885	2	Plug, O-Ring	
12	3340880	2	Pad, Support	
13	3480257	1	Piston	
14	3572040	1	Plate, Support	
15	See Note	NSS	Ring, Wear (Note: Use Item 100)	
16	See Note	NSS	Ring, Back-up (Note: Use Item 100)	
17	See Note	NSS	Ring, Wear (Note: Use Item 100)	
18	See Note	NSS	O-Ring (Note: Use Item 100)	
19	See Note	NSS	O-Ring (Note: Use Item 100)	
20	See Note	NSS	O-Ring (Note: Use Item 100)	
21	3931448	4	Capscrew 1/4 x 3	
22	3931528	8	Bolt 5/16 x 1-3/4	
23	See Note	NSS	Ring, Back-up (Note: Use Item 100)	
24	See Note	NSS	Wiper (Note: Use Item 100)	
25	See Note	NSS	Seal (Note: Use Item 100)	
26	See Note	NSS	Seal, Rod (Note: Use Item 100)	
27	4568030	1	Spacer	
28	4641179	1	Valve Assembly (Note: No Serviceable Parts - Purchase Complete Valve)	
28A	7026616	1	Seal Kit - 4641179 Valve	
100	2902019	1	Seal Kit (Includes Items 15-20 & 23-26)	

SECTION 6 - CYLINDERS

FIGURE 6-12. TELESCOPE CYLINDER ASSEMBLY (E600J/E600JP/M600J/M600JP) (SN 0300244725 to Present)



ART_1001228017

SECTION 6 - CYLINDERS

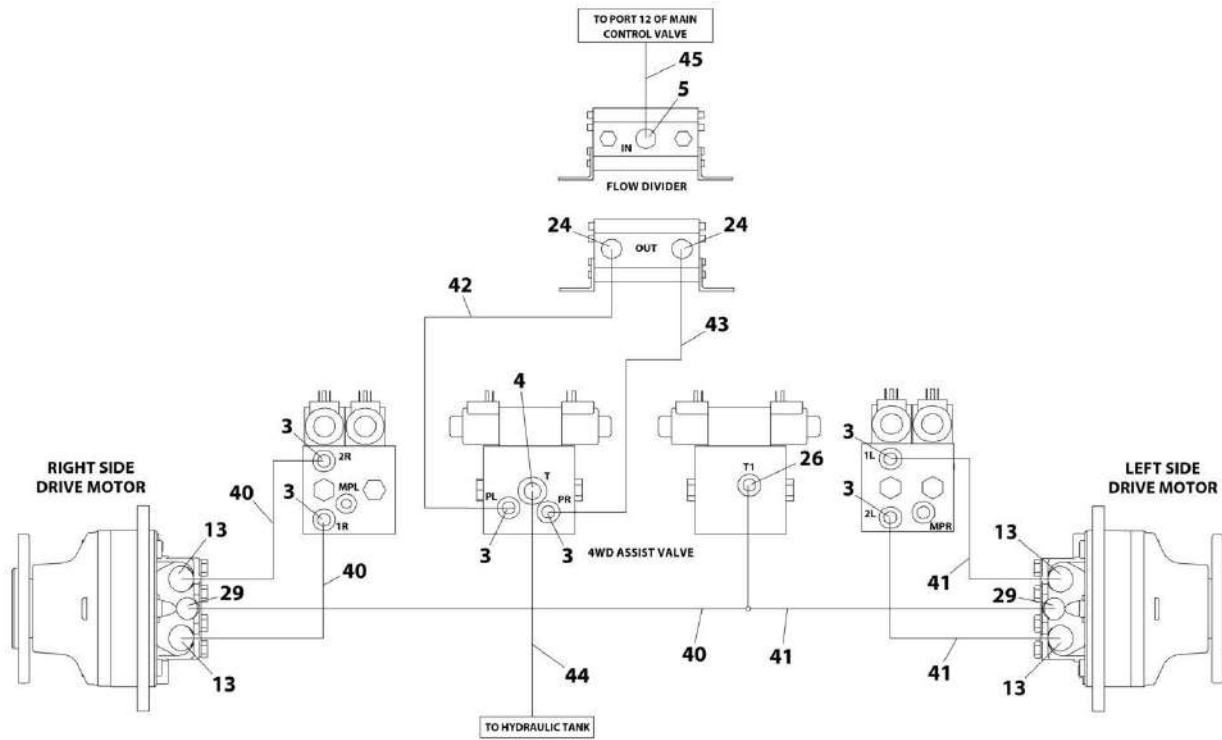
FIGURE 6-12. TELESCOPE CYLINDER ASSEMBLY (E600J/E600JP/M600J/M600JP) (SN 0300244725 to Present)

ITEM	PART NUMBER	QTY	DESCRIPTION	REV
	1001228017	Ref	TELESCOPE CYLINDER ASSEMBLY (E600J/E600JP/M600J/M600JP) (SN 0300244725 to Present)	A
1	0100011	AR	Locking, Compound	
2	0100038	AR	Primer, Locking	
4	0630535	3	Bolt 1/4 x 1-1/8	
5	0641606	4	Bolt 3/8 x 3/4	
6	0961902	1	Bushing, Tapered	
7	See Note	NSS	Barrel (Note: Use Item 100)	
8	70006709	1	Rod	
9	70006710	1	Head	
10	2220885	2	Plug, O-Ring	
12	3340880	2	Pad, Support	
13	70006711	1	Piston	
14	3572040	1	Plate, Support	
15	See Note	NSS	Ring, Wear (Note: Use Item 100)	
16	See Note	NSS	Ring, Back-up (Note: Use Item 100)	
17	See Note	NSS	Ring, Wear (Note: Use Item 100)	
18	See Note	NSS	O-Ring (Note: Use Item 100)	
19	See Note	NSS	O-Ring (Note: Use Item 100)	
20	See Note	NSS	O-Ring (Note: Use Item 100)	
21	3931448	4	Capscrew 1/4 x 3	
22	3931528	8	Bolt 5/16 x 1-3/4	
23	See Note	NSS	Ring, Back-up (Note: Use Item 100)	
24	See Note	NSS	Wiper (Note: Use Item 100)	
25	See Note	NSS	Seal (Note: Use Item 100)	
26	See Note	NSS	Seal, Rod (Note: Use Item 100)	
27	70006712	1	Spacer	
28	4641179	1	Valve Assembly (Note: No Serviceable Parts - Purchase Complete Valve)	
28A	7026616	1	Seal Kit - 4641179 Valve	
100	2902019	1	Seal Kit (Includes Items 7, 15-20 & 23-26)	

SECTION 7 - HYDRAULIC

SECTION 7 - HYDRAULIC

FIGURE 7-1. 4WD HYDRAULIC DIAGRAM



ART_2792423

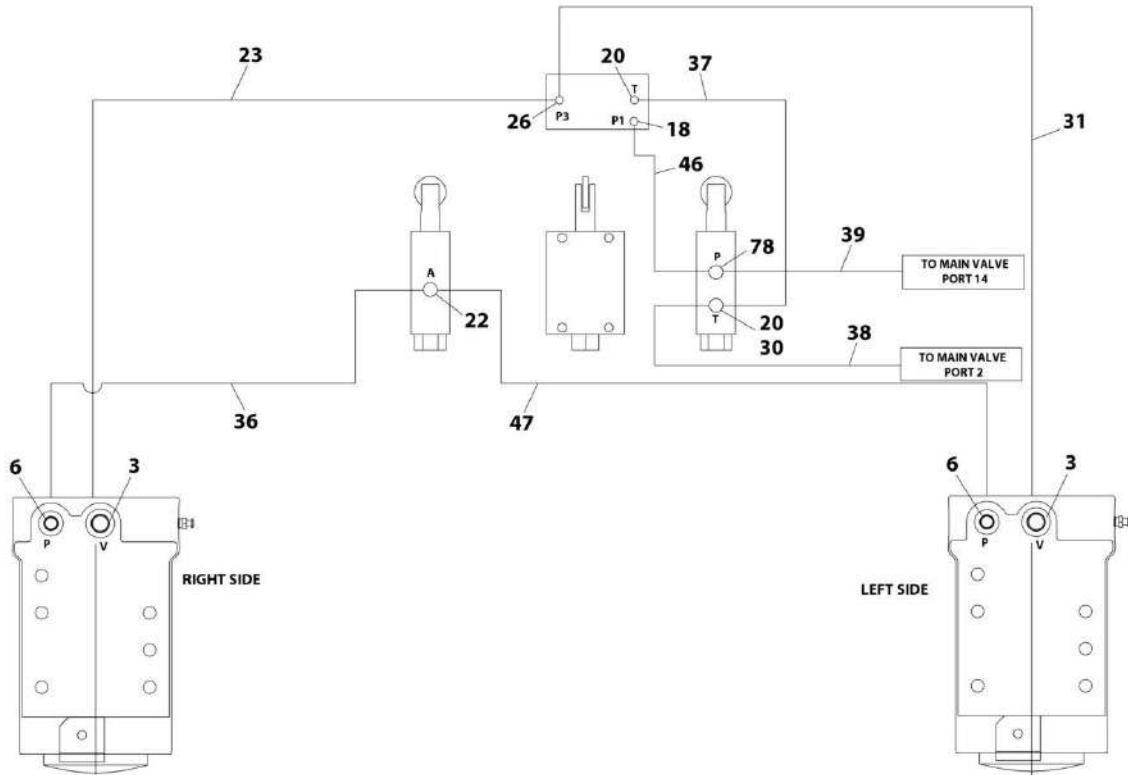
SECTION 7 - HYDRAULIC

FIGURE 7-1. 4WD HYDRAULIC DIAGRAM

ITEM	PART NUMBER	QTY	DESCRIPTION	REV
	2792423	Ref	4WD HYDRAULIC DIAGRAM	1
3	2220371	6	Fitting, Straight ORB-FL	
4	2220373	1	Fitting, Straight ORB-FL	
5	2220374	1	Fitting, Straight ORB-FL	
13	2220497	4	Fitting, Straight ORB-FL	
24	2220828	2	Fitting, 90 ORB-FL	
26	2220899	1	Fitting, Tee ORB-FL-FL	
29	2220998	2	Fitting, Straight ORB-FL	
40	2753459	3	Hose	
41	2753460	3	Hose	
42	2753118	1	Hose	
43	2752648	1	Hose	
44	2753452	1	Hose	
45	2753461	1	Hose	

SECTION 7 - HYDRAULIC

FIGURE 7-2. OSCILLATING AXLE HYDRAULIC DIAGRAM (ALL SPECS EXCEPT CE SPECS)



ART_1001202440

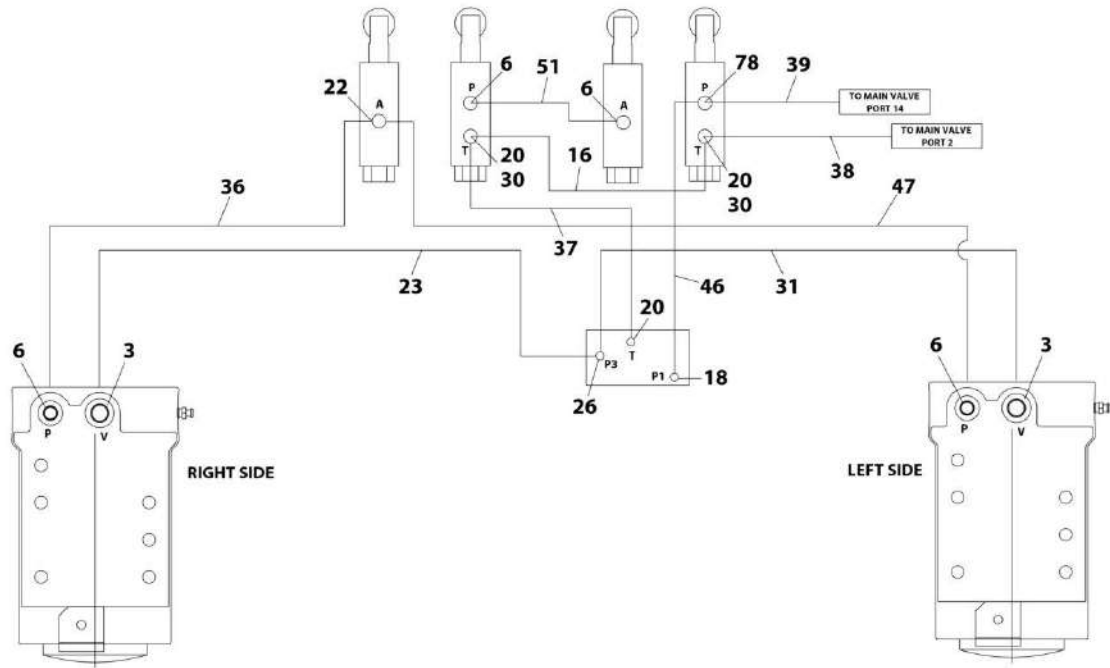
SECTION 7 - HYDRAULIC

FIGURE 7-2. OSCILLATING AXLE HYDRAULIC DIAGRAM (ALL SPECS EXCEPT CE SPECS)

ITEM	PART NUMBER	QTY	DESCRIPTION	REV
	1001202440	Ref	OSCILLATING AXLE HYDRAULIC DIAGRAM (ALL SPECS EXCEPT CE SPECS)	C
3	2220371	2	Fitting, Straight ORB-FL	
6	2220415	2	Fitting, Straight ORB-FL	
18	2220582	1	Fitting, Straight ORB-FL	
20	2220603	2	Fitting, Straight ORB-FL	
22	2220711	1	Fitting, Tee ORB-FL-FL	
23	2752463	1	Hose (SN 0300219271 through 0300224945)	
23	2753397	1	Hose (SN 0300224946 to Present)	
26	2220899	1	Fitting, Tee ORB-FL-FL	
30	2220579	1	Fitting, Tee JIC/FSJIC/JIC (SN 0300219271 through 0300224945)	
30	2220635	1	Fitting, Tee JIC/FSJIC/JIC (SN 0300224946 to Present)	
31	1001200622	1	Hose	
36	2753002	1	Hose	
37	2752471	1	Hose	
38	2752631	1	Hose	
39	2753420	1	Hose	
46	1001200620	1	Hose	
47	1001200621	1	Hose	
78	2221034	1	Fitting, Tee ORB-FL-FL	

SECTION 7 - HYDRAULIC

FIGURE 7-3. OSCILLATING AXLE HYDRAULIC DIAGRAM (CE SPECS)



ART_1001202444

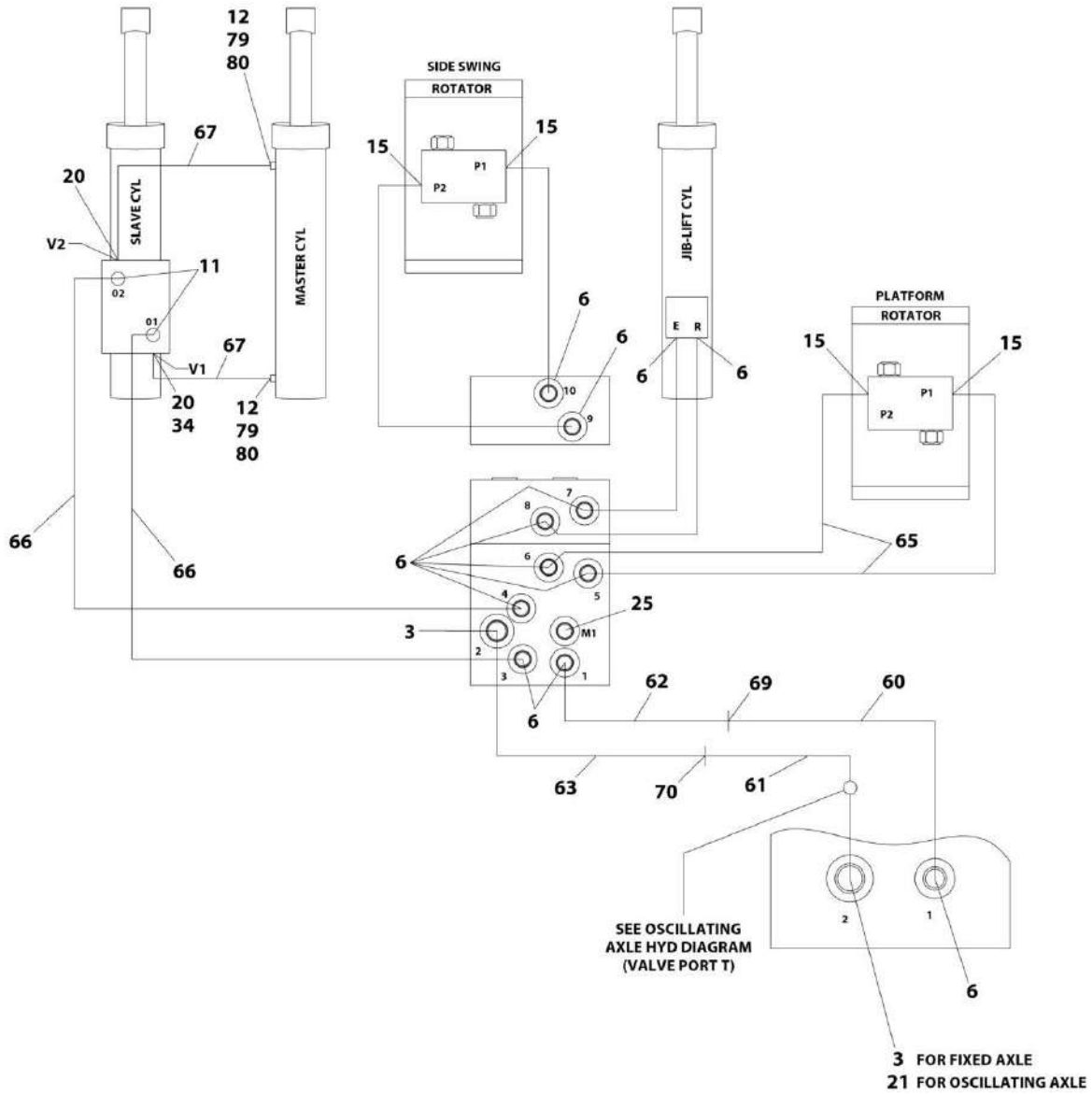
SECTION 7 - HYDRAULIC

FIGURE 7-3. OSCILLATING AXLE HYDRAULIC DIAGRAM (CE SPECS)

ITEM	PART NUMBER	QTY	DESCRIPTION	REV
	1001202444	Ref	OSCILLATING AXLE HYDRAULIC DIAGRAM (CE SPECS)	C
3	2220371	2	Fitting, Straight ORB-FL	
6	2220415	4	Fitting, Straight ORB-FL	
16	2752463	1	Hose	
18	2220582	1	Fitting, Straight ORB-FL	
20	2220603	3	Fitting, Straight ORB-FL	
22	2220711	1	Fitting, Tee ORB-FL-FL	
23	2752463	1	Hose (SN 0300219271 through 0300224945)	
23	2753397	1	Hose (SN 0300224946 to Present)	
26	2220899	1	Fitting, Tee ORB-FL-FL	
30	2220579	2	Fitting, Tee JIC/FSJIC/JIC (SN 0300219271 through 0300224945)	
30	2220635	2	Fitting, Tee JIC/FSJIC/JIC (SN 0300224946 to Present)	
31	1001200622	1	Hose	
36	2753002	1	Hose	
37	2752471	1	Hose	
38	2752631	1	Hose	
39	2753420	1	Hose	
46	1001200620	1	Hose	
47	1001200621	1	Hose	
51	2752588	1	Hose	
78	2221034	1	Fitting, Tee ORB-FL-FL	

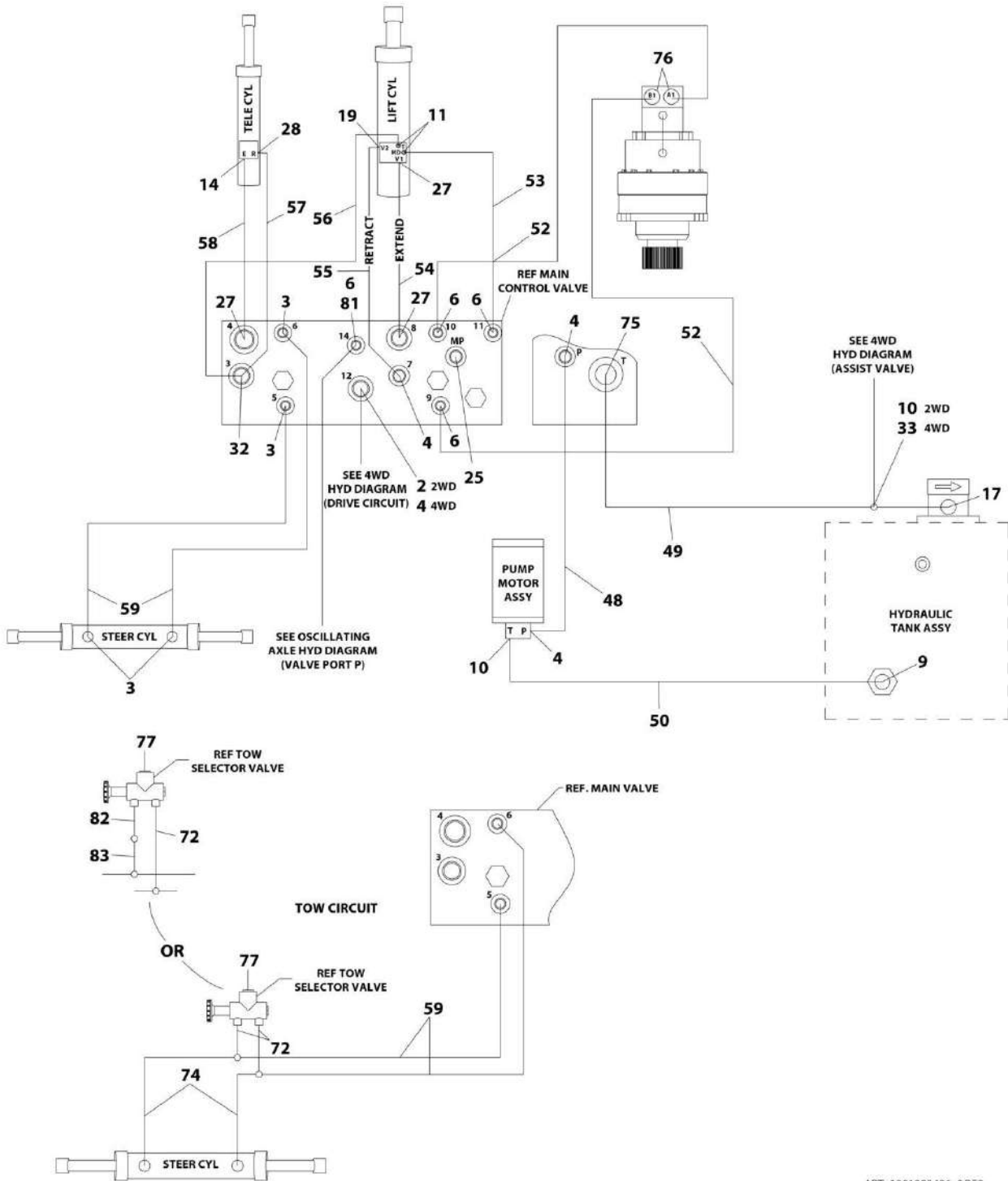
SECTION 7 - HYDRAULIC

FIGURE 7-4. STANDARD HYDRAULIC DIAGRAM (E600/M600)



ART_1001202436_1OF2

SECTION 7 - HYDRAULIC



ART_1001202436_20F2

SECTION 7 - HYDRAULIC

FIGURE 7-4. STANDARD HYDRAULIC DIAGRAM (E600/M600)

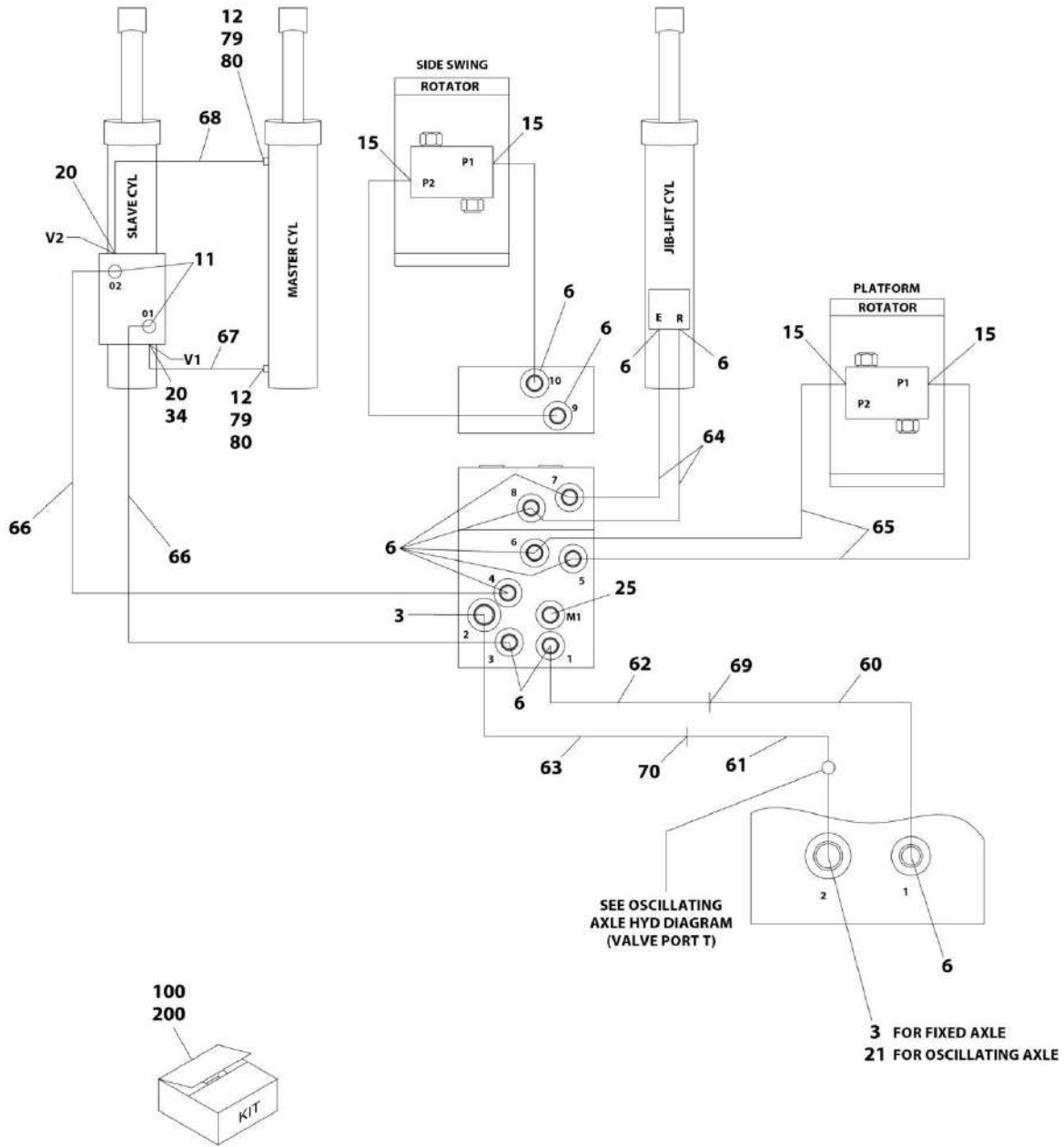
ITEM	PART NUMBER	QTY	DESCRIPTION	REV
	1001202436	Ref	STANDARD HYDRAULIC DIAGRAM (E600/M600)	B
	2792427	Ref	2WD HYDRAULIC DIAGRAM	1
	1001202441	Ref	TOW HYDRAULIC DIAGRAM	C
2	2220238	1	Fitting, Plug ORB	
3	2220371	5	Fitting, Straight JIC/ORB	
4	2220373	4	Fitting, Straight JIC/ORB	
6	2220415	11	Fitting, Straight JIC/ORB	
9	2220435	1	Fitting, Straight JIC/ORB	
10	2220451	2	Fitting, Straight JIC/ORB	
11	2220466	4	Fitting, 90 JIC/ORB	
12	2220934	2	Fitting, Tee JIC/ORB/FNPTF	
14	2220500	1	Fitting, 45 JIC/ORB	
15	2220502	2	Fitting, 45 JIC/ORB	
17	2220550	1	Fitting Straight FORB/ORB	
19	2220596	1	Fitting, 90 JIC/ORB	
20	2220603	2	Fitting Straight JIC/ORB	
21	2220606	1	Fitting, Tee JIC/ORB/JIC	
25	2221086	2	Fitting, Diagnostic Test Port	
27	2220947	3	Fitting, Straight JIC/ORB	
28	2220950	1	Fitting, 45 JIC/ORB	
32	2221061	1	Fitting, Tee JIC/ORB/JIC	
33	2221063	1	Fitting, Tee JIC/ORB/JIC	
34	4567139	1	Tube	
48	2752498	1	Hose	
49	2753441	1	Hose	
50	2753440	1	Hose	
52	2753458	2	Hose	
53	2753444	1	Hose	
54	2753456	1	Hose	
55	2753454	1	Hose	
56	2753443	1	Hose	
57	2753453	1	Hose	
58	2753455	1	Hose	
59	2753451	2	Hose	
60	2753445	1	Hose	
61	2753447	1	Hose	
62	2753463	1	Hose	
63	2753464	1	Hose	
65	2753469	2	Hose	
66	2753470	2	Hose	
67	2753450	2	Hose	
69	2230031	1	Fitting, 45 JIC/JIC	
70	8770189	1	Fitting, 45 JIC/JIC	
72	2221052	AR	Fitting, Tee ORB-FL-FL	
74	2753327	2	Hose	
75	2220578	1	Fitting, 90 JIC/ORB	
76	2221033	2	Fitting, Straight JIC/ORB	
77	2220240	1	Fitting, Plug ORB	
79	4640861	2	Fitting, Bleeder	
80	0100020	AR	Loctite, #567 Pipe Sealant	

SECTION 7 - HYDRAULIC

ITEM	PART NUMBER	QTY	DESCRIPTION	REV
81	2220235	1	Plug	
82	2220372	1	Fitting, Straight JIC/ORB (SN 0300226267 to Present)	
83	2220579	1	Fitting, Tee JIC/FSJIC/JIC (SN 0300226267 to Present)	

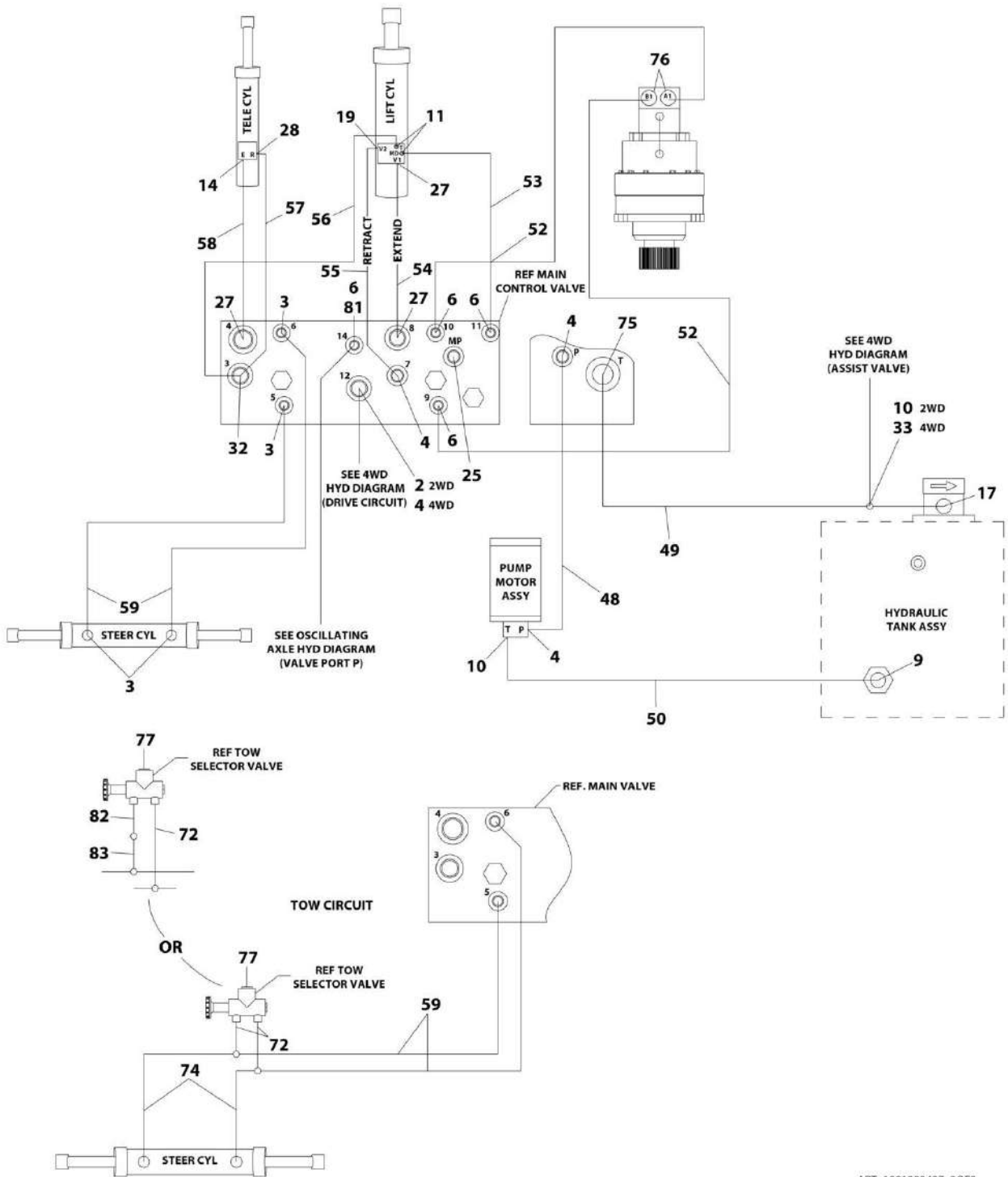
SECTION 7 - HYDRAULIC

FIGURE 7-5. STANDARD HYDRAULIC DIAGRAM (E600J/M600J)



ART_1001202437_10F2

SECTION 7 - HYDRAULIC



ART_1001202437_20F2

SECTION 7 - HYDRAULIC

FIGURE 7-5. STANDARD HYDRAULIC DIAGRAM (E600J/M600J)

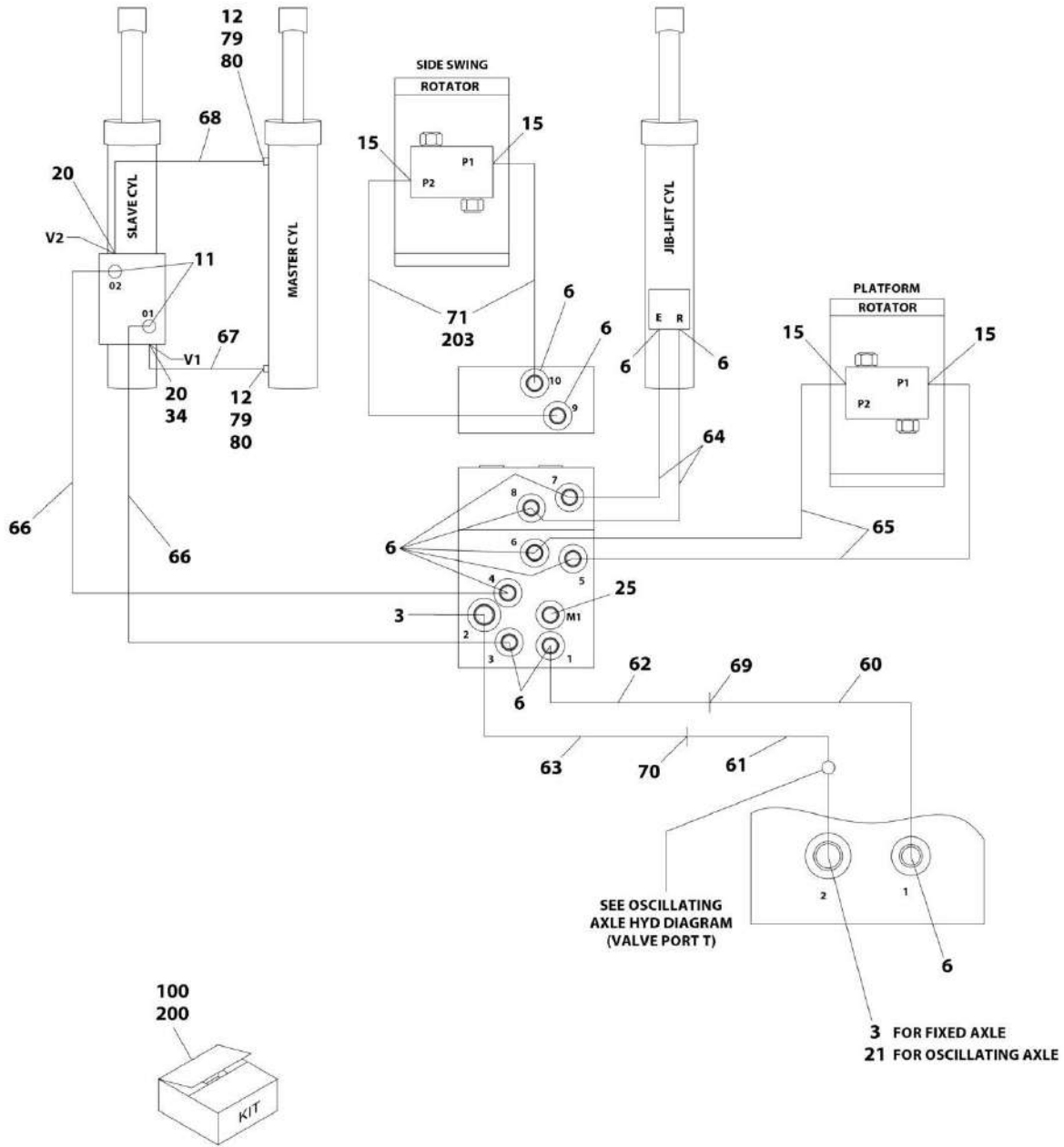
ITEM	PART NUMBER	QTY	DESCRIPTION	REV
	1001202437	Ref	STANDARD HYDRAULIC DIAGRAM (E600J/M600J)	C
	2792427	Ref	2WD HYDRAULIC DIAGRAM	1
	1001202441	Ref	TOW HYDRAULIC DIAGRAM	C
2	2220238	1	Fitting, Plug ORB	
3	2220371	5	Fitting, Straight JIC/ORB	
4	2220373	4	Fitting, Straight JIC/ORB	
6	2220415	14	Fitting, Straight JIC/ORB	
9	2220435	1	Fitting, Straight JIC/ORB	
10	2220451	2	Fitting, Straight JIC/ORB	
11	2220466	4	Fitting, 90 JIC/ORB	
12	2220934	2	Fitting, Tee JIC/ORB/FNPTF	
14	2220500	1	Fitting, 45 JIC/ORB	
15	2220502	2	Fitting, 45 JIC/ORB	
17	2220550	1	Fitting Straight FORB/ORB	
19	2220596	1	Fitting, 90 JIC/ORB	
20	2220603	2	Fitting Straight JIC/ORB	
21	2220606	1	Fitting, Tee JIC/ORB/JIC	
25	2221086	2	Fitting, Diagnostic Test Port	
27	2220947	3	Fitting, Straight JIC/ORB	
28	2220950	1	Fitting, 45 JIC/ORB	
32	2221061	1	Fitting, Tee JIC/ORB/JIC	
33	2221063	1	Fitting, Tee JIC/ORB/JIC	
34	4567139	1	Tube	
48	2752498	1	Hose	
49	2753441	1	Hose	
50	2753440	1	Hose	
52	2753458	2	Hose	
53	2753444	1	Hose	
54	2753456	1	Hose	
55	2753454	1	Hose	
56	2753443	1	Hose	
57	2753453	1	Hose	
58	2753455	1	Hose	
59	2753451	2	Hose	
60	2753445	1	Hose	
61	2753447	1	Hose	
62	2753446	1	Hose (Prior to SN 0300236102)	
63	2753450	1	Hose (Prior to SN 0300236102)	
64	2753457	2	Hose (Prior to SN 0300236102)	
65	2753458	2	Hose (Prior to SN 0300236102)	
66	2753442	2	Hose (Prior to SN 0300236102)	
67	2753448	1	Hose (Prior to SN 0300236102)	
68	2753449	1	Hose (Prior to SN 0300236102)	
69	2230031	1	Fitting, 45 JIC/JIC	
70	8770189	1	Fitting, 45 JIC/JIC	
72	2221052	AR	Fitting, Tee ORB-FL-FL	
74	2753327	2	Hose	
75	2220578	1	Fitting, 90 JIC/ORB	
76	2221033	2	Fitting, Straight JIC/ORB	
77	2220240	1	Fitting, Plug ORB	

SECTION 7 - HYDRAULIC

ITEM	PART NUMBER	QTY	DESCRIPTION	REV
79	4640861	2	Fitting, Bleeder	
80	0100020	AR	Loctite, #567 Pipe Sealant	
81	2220235	1	Plug	
82	2220372	1	Fitting, Straight JIC/ORB (SN 0300226267 to Present)	
83	2220579	1	Fitting, Tee JIC/FSJIC/JIC (SN 0300226267 to Present)	
100	1001231808	Ref	Hose Assembly, Upper Boom Kit (SN 0300236102 to Present)	A
101	See Note	2	Hose (Note: Use p/n 1001231808)	
102	See Note	1	Hose (Note: Use p/n 1001231808)	
103	See Note	1	Hose (Note: Use p/n 1001231808)	
104	See Note	1	Hose (Note: Use p/n 1001231808)	
105	See Note	1	Hose (Note: Use p/n 1001231808)	
200	1001231809	Ref	Hose Assembly, Jib Kit (SN 0300236102 to Present)	A
201	See Note	2	Hose (Note: Use p/n 1001231809)	
202	See Note	2	Hose (Note: Use p/n 1001231809)	

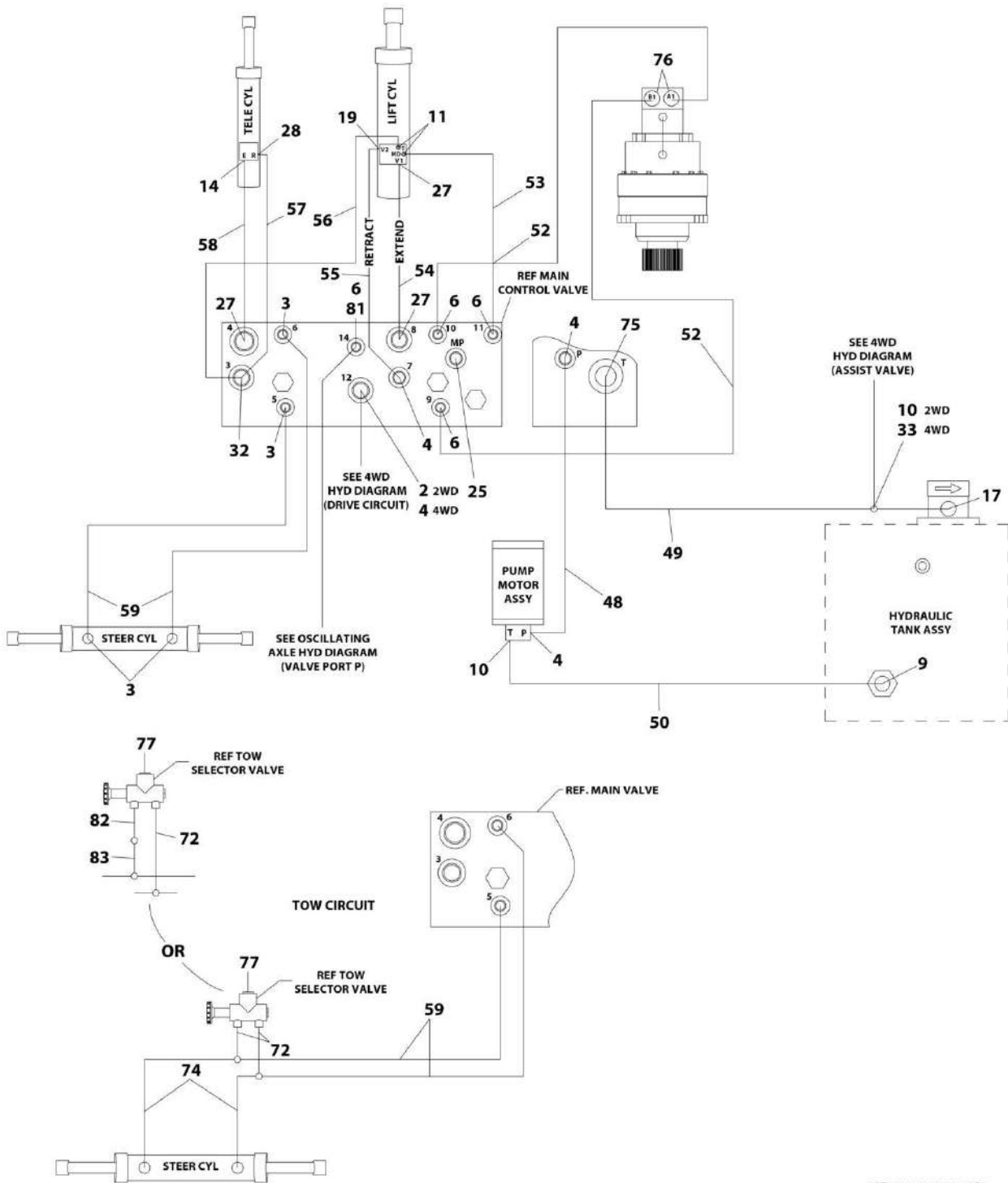
SECTION 7 - HYDRAULIC

FIGURE 7-6. STANDARD HYDRAULIC DIAGRAM (E600JP/M600JP)



ART_1001202438_10F2

SECTION 7 - HYDRAULIC



ART_1001202438_20F2

SECTION 7 - HYDRAULIC

FIGURE 7-6. STANDARD HYDRAULIC DIAGRAM (E600JP/M600JP)

ITEM	PART NUMBER	QTY	DESCRIPTION	REV
	1001202438	Ref	STANDARD HYDRAULIC DIAGRAM (E600JP/M600JP)	D
	2792427	Ref	2WD HYDRAULIC DIAGRAM	1
	1001202441	Ref	TOW HYDRAULIC DIAGRAM	C
2	2220238	1	Fitting, Plug ORB	
3	2220371	5	Fitting, Straight JIC/ORB	
4	2220373	4	Fitting, Straight JIC/ORB	
6	2220415	16	Fitting, Straight JIC/ORB	
9	2220435	1	Fitting, Straight JIC/ORB	
10	2220451	2	Fitting, Straight JIC/ORB	
11	2220466	4	Fitting, 90 JIC/ORB	
12	2220934	2	Fitting, Tee JIC/ORB/FNPTF	
14	2220500	1	Fitting, 45 JIC/ORB	
15	2220502	4	Fitting, 45 JIC/ORB	
17	2220550	1	Fitting Straight FORB/ORB	
19	2220596	1	Fitting, 90 JIC/ORB	
20	2220603	2	Fitting Straight JIC/ORB	
21	2220606	1	Fitting, Tee JIC/ORB/JIC	
25	2221086	1	Fitting, Diagnostic Test Port	
27	2220947	3	Fitting, Straight JIC/ORB	
28	2220950	1	Fitting, 45 JIC/ORB	
32	2221061	1	Fitting, Tee JIC/ORB/JIC	
33	2221063	1	Fitting, Tee JIC/ORB/JIC	
34	4567139	1	Tube	
48	2752498	1	Hose	
49	2753441	1	Hose	
50	2753440	1	Hose	
52	2753458	2	Hose	
53	2753444	1	Hose	
54	2753456	1	Hose	
55	2753454	1	Hose	
56	2753443	1	Hose	
57	2753453	1	Hose	
58	2753455	1	Hose	
59	2753451	2	Hose	
60	2753445	1	Hose	
61	2753447	1	Hose	
62	2753493	1	Hose (Prior to SN 0300236102)	
63	2753494	1	Hose (Prior to SN 0300236102)	
64	2753390	2	Hose (Prior to SN 0300236102)	
65	2753458	2	Hose (Prior to SN 0300236102)	
66	2753492	2	Hose (Prior to SN 0300236102)	
67	2753448	1	Hose (Prior to SN 0300236102)	
68	2753449	1	Hose (Prior to SN 0300236102)	
69	2230031	1	Fitting, 45 JIC/JIC	
70	8770189	1	Fitting, 45 JIC/JIC	
71	2753491	2	Hose (Prior to SN 0300238042)	
72	2221052	AR	Fitting, Tee ORB-FL-FL	
74	2753327	2	Hose	
75	2220578	1	Fitting, 90 JIC/ORB	
76	2221033	2	Fitting, Straight JIC/ORB	

SECTION 7 - HYDRAULIC

ITEM	PART NUMBER	QTY	DESCRIPTION	REV
77	2220240	1	Fitting, Plug ORB	
79	4640861	2	Fitting, Bleeder	
80	0100020	AR	Loctite, #567 Pipe Sealant	
81	2220235	1	Plug	
82	2220372	1	Fitting, Straight JIC/ORB (SN 0300226267 to Present)	
83	2220579	1	Fitting, Tee JIC/FSJIC/JIC (SN 0300226267 to Present)	
100	1001231810	Ref	Hose Assembly, Upper Boom Kit (SN 0300236102 to Present)	A
101	See Note	2	Hose (Note: Use p/n 1001231810)	
102	See Note	1	Hose (Note: Use p/n 1001231810)	
103	See Note	1	Hose (Note: Use p/n 1001231810)	
104	See Note	1	Hose (Note: Use p/n 1001231810)	
105	See Note	1	Hose (Note: Use p/n 1001231810)	
200	1001231811	Ref	Hose Assembly, Jib Kit (SN 0300236102 to Present)	B
201	See Note	2	Hose (Note: Use p/n 1001231811)	
202	See Note	2	Hose (Note: Use p/n 1001231811)	
203	2753491	2	Hose (Note: Use p/n 1001231811) (SN 0300238042 to Present)	

SECTION 7 - HYDRAULIC

FIGURE 7-7. HYDRAULIC DIAGRAM LIST

ITEM	PART NUMBER	QTY	DESCRIPTION	REV
		Ref	Note: Diagrams are available from JLG Service/Parts Departments.	
		Ref	HYDRAULIC DIAGRAM LIST	
		Ref	Drive Hydraulic Diagram Options:	
	1001202435	Ref	Standard Diagram	
	2792427	Ref	Drive Hydraulic Diagram 2WD	
	2792423	Ref	Drive Hydraulic Diagram 4WD	
		Ref	Axle Hydraulic Diagram Options:	
	1001202435	Ref	Standard Diagram	
	1001202439	Ref	Fixed Axle	
	1001202440	Ref	Oscillating Axle (All Specs Except CE Specs)	
	1001202444	Ref	Oscillating Axle (CE Specs)	
		Ref	Standard Hydraulic Diagram Options:	
	1001202435	Ref	Standard Diagram	
	1001202436	Ref	Standard Diagram E600 & M600	
	1001202437	Ref	Standard Diagram E600J & M600J	
	1001202438	Ref	Standard Diagram E600JP & M600JP	
	1001183486	Ref	Standard Hydraulic Schematic	
	1001202441	Ref	Tow Hydraulic Diagram	

SECTION 8 - ELECTRICAL

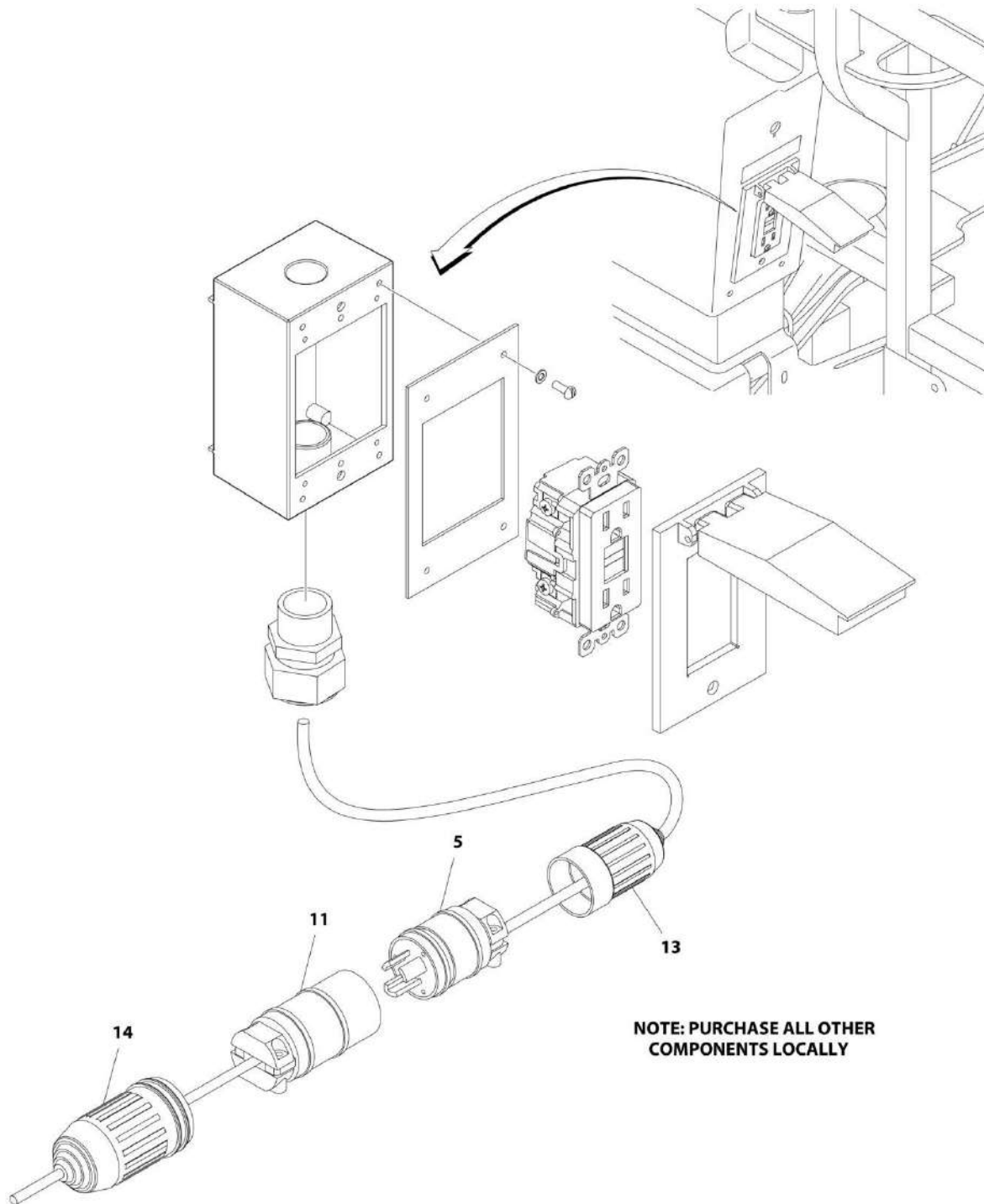
SECTION 8 - ELECTRICAL

FIGURE 8-1. ELECTRICAL DIAGRAM LIST

ITEM	PART NUMBER	QTY	DESCRIPTION	REV
		Ref	Note: Diagrams are available from the JLG Service Department. See Service and Maintenance Manual for schematics.	
	1001179395	Ref	ELECTRICAL DIAGRAM LIST	
		Ref	Standard Electrical Schematic	

SECTION 8 - ELECTRICAL

FIGURE 8-2. AC BOX AT PLATFORM - LOCALLY SUPPLIED COMPONENTS



ART_0258304

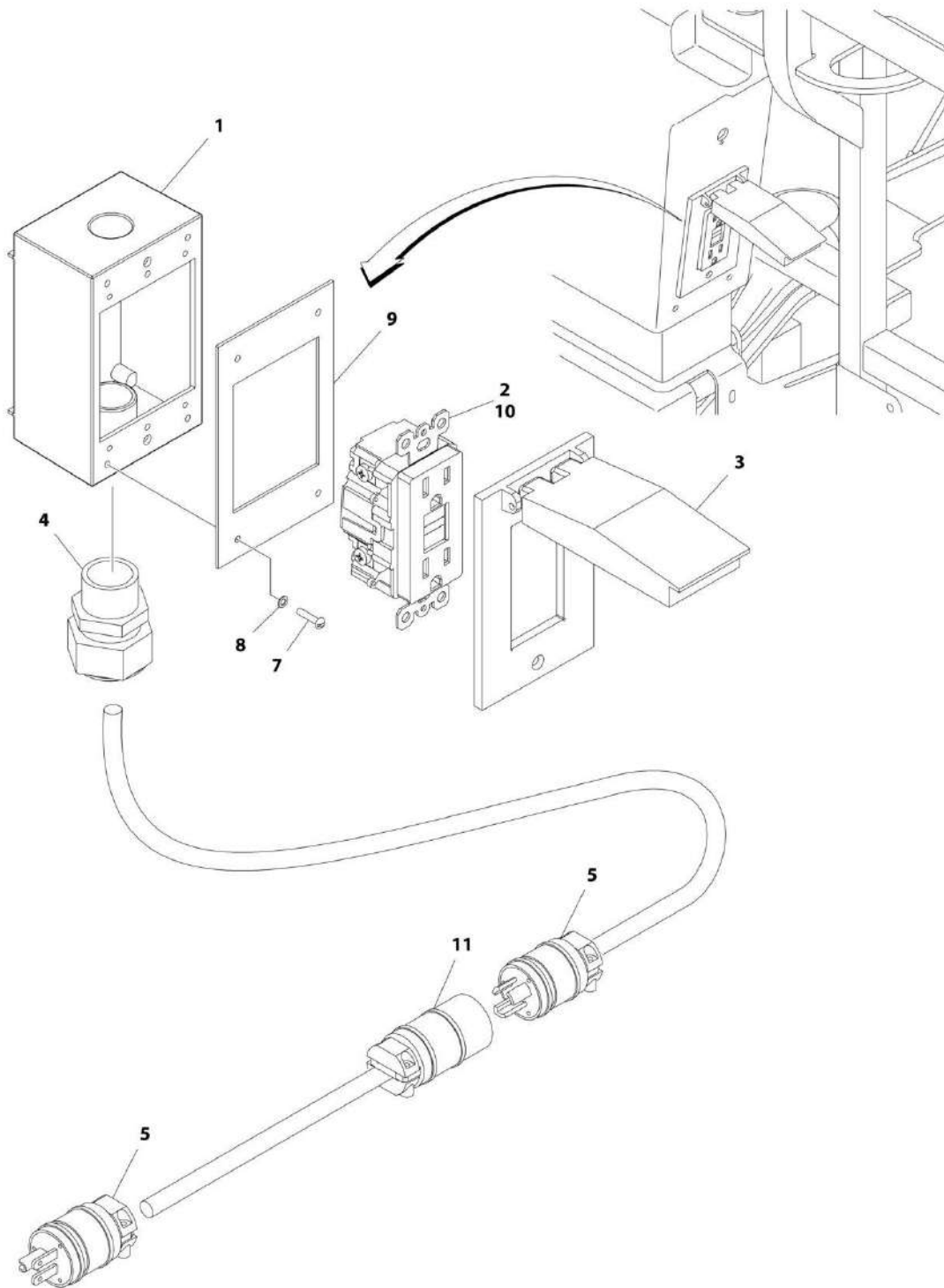
SECTION 8 - ELECTRICAL

FIGURE 8-2. AC BOX AT PLATFORM - LOCALLY SUPPLIED COMPONENTS

ITEM	PART NUMBER	QTY	DESCRIPTION	REV
	0258304	Ref	AC BOX AT PLATFORM - LOCALLY SUPPLIED COMPONENTS	C
5	4460709	1	Plug	
11	4460710	1	Receptacle	
13	1001156351	1	Cover, Female Connector	
14	1001156352	1	Cover, Male Connector	

SECTION 8 - ELECTRICAL

FIGURE 8-3. AC BOX AT PLATFORM INSTALLATION - 110V - ANSI, ANSI EXPORT AND CSA SPECS



ART_0258303

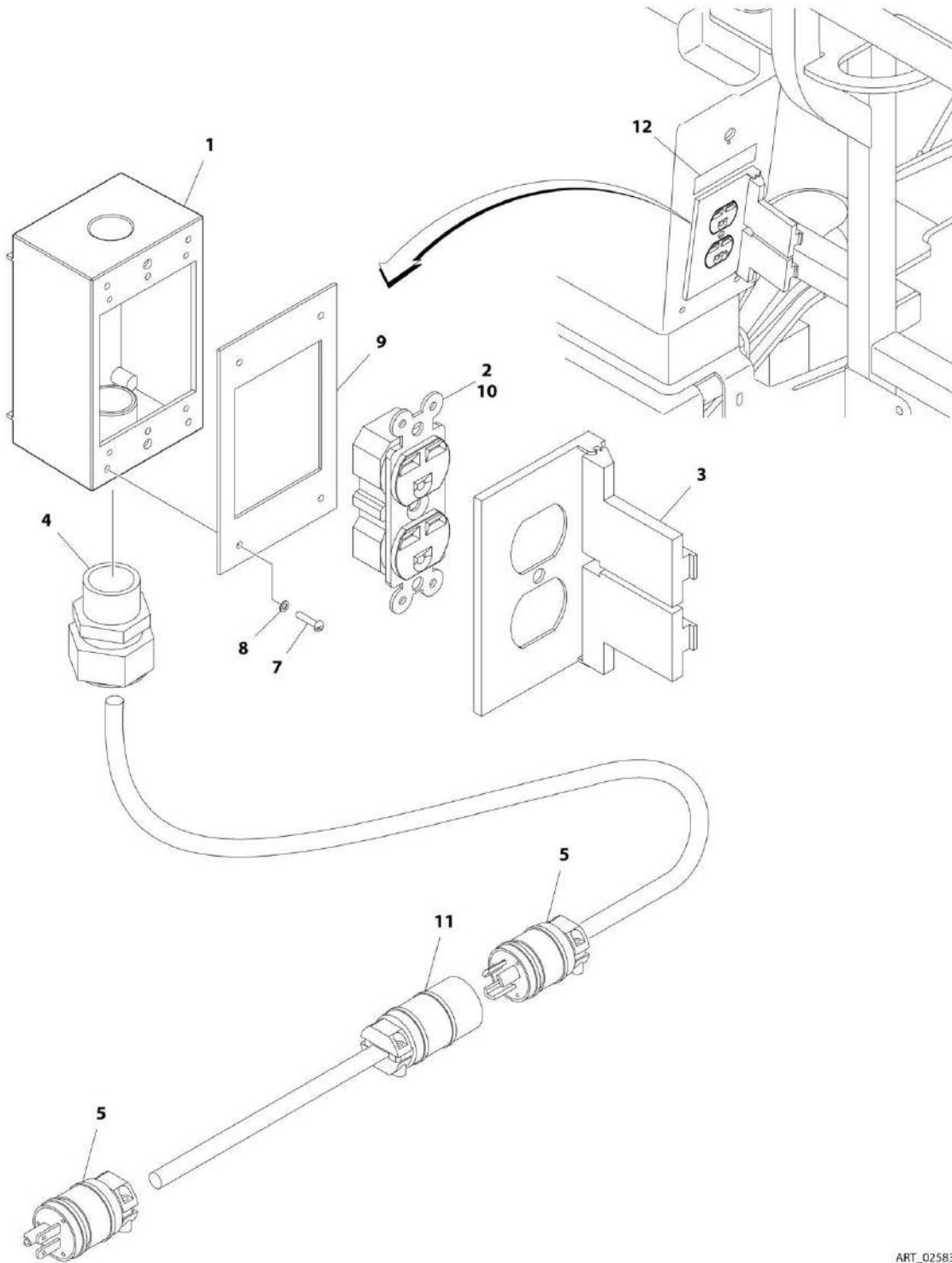
SECTION 8 - ELECTRICAL

FIGURE 8-3. AC BOX AT PLATFORM INSTALLATION - 110V - ANSI, ANSI EXPORT AND CSA SPECS

ITEM	PART NUMBER	QTY	DESCRIPTION	REV
	0258303	Ref	AC BOX AT PLATFORM INSTALLATION - 110V - ANSI, ANSI EXPORT AND CSA SPECS	6
1	0860038	1	Box, Switch	
2	4460346	1	Receptacle	
3	1001110873	1	Shield, Cover	
4	4460071	1	Connector, Strain Relief	
5	4460205	2	Plug, Male	
7	3910610	4	Screw #6 x 5/8	
8	4760600	4	Washer #6	
9	3960422	1	Gasket	
10	4460315	1	Terminal, Spade	
11	4460134	1	Receptacle, Female	

SECTION 8 - ELECTRICAL

FIGURE 8-4. AC BOX AT PLATFORM INSTALLATION - 220V - ANSI, ANSI EXPORT AND CSA SPECS



ART_0258305

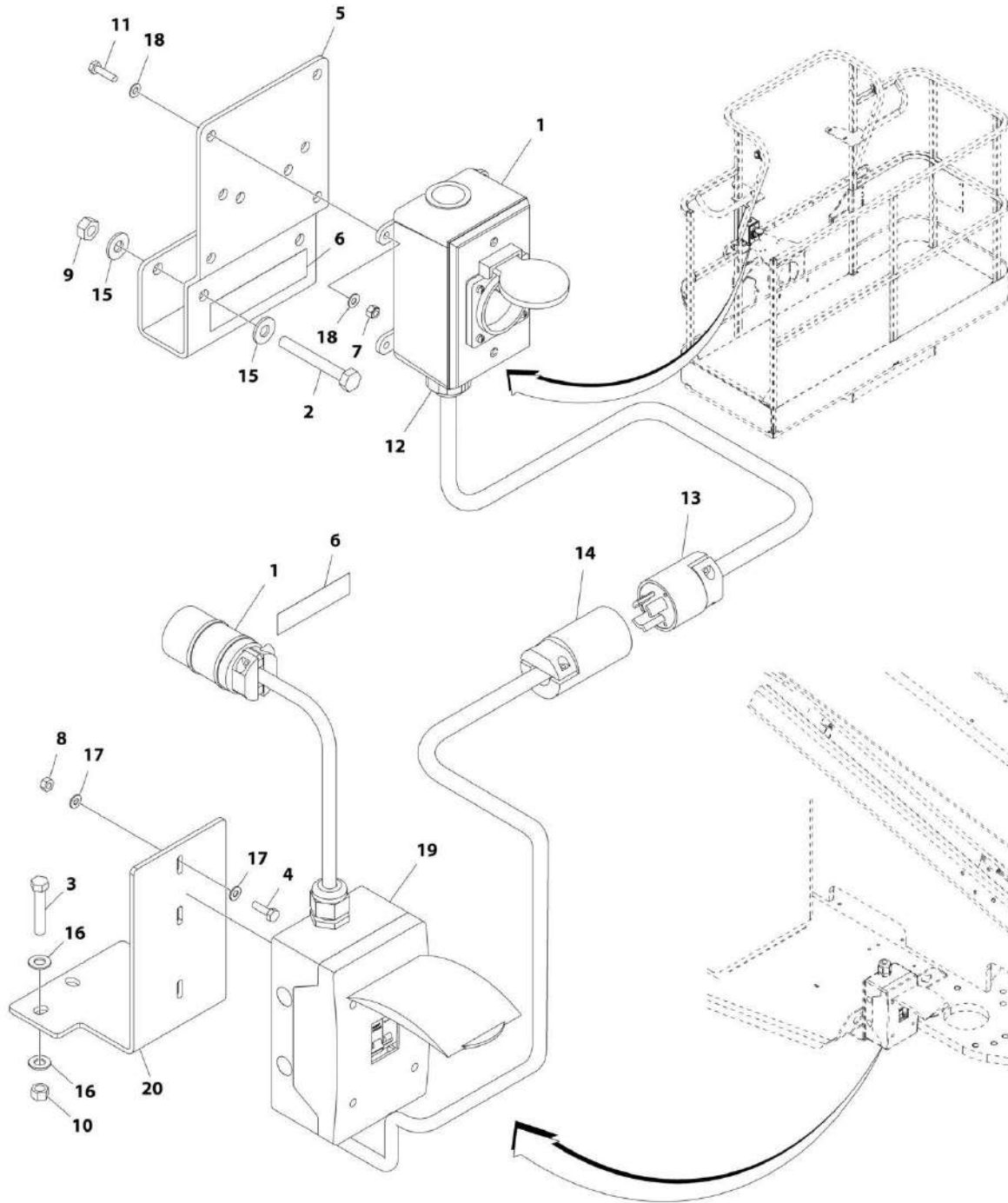
SECTION 8 - ELECTRICAL

FIGURE 8-4. AC BOX AT PLATFORM INSTALLATION - 220V - ANSI, ANSI EXPORT AND CSA SPECS

ITEM	PART NUMBER	QTY	DESCRIPTION	REV
	0258305	Ref	AC BOX AT PLATFORM INSTALLATION - 220V - ANSI, ANSI EXPORT AND CSA SPECS	B
1	0860038	1	Box, Switch	
2	4460125	1	Receptacle	
3	4060092	1	Shield	
4	4460071	1	Connector, Strain Relief	
5	4460233	2	Plug, Male	
7	3910610	4	Screw #6 x 5/8	
8	4760600	4	Washer #6	
9	3960422	1	Gasket	
10	4460315	1	Terminal, Spade	
11	4460701	1	Receptacle, Female	
12	3252507	1	Decal - Voltage	

SECTION 8 - ELECTRICAL

FIGURE 8-5. AC BOX AT PLATFORM INSTALLATION - 220V CEE7 POST GROUND WITH 2IN X 4IN BOX (CE SPEC) (SN 0300219271 through 0300223838)



ART_1001176360

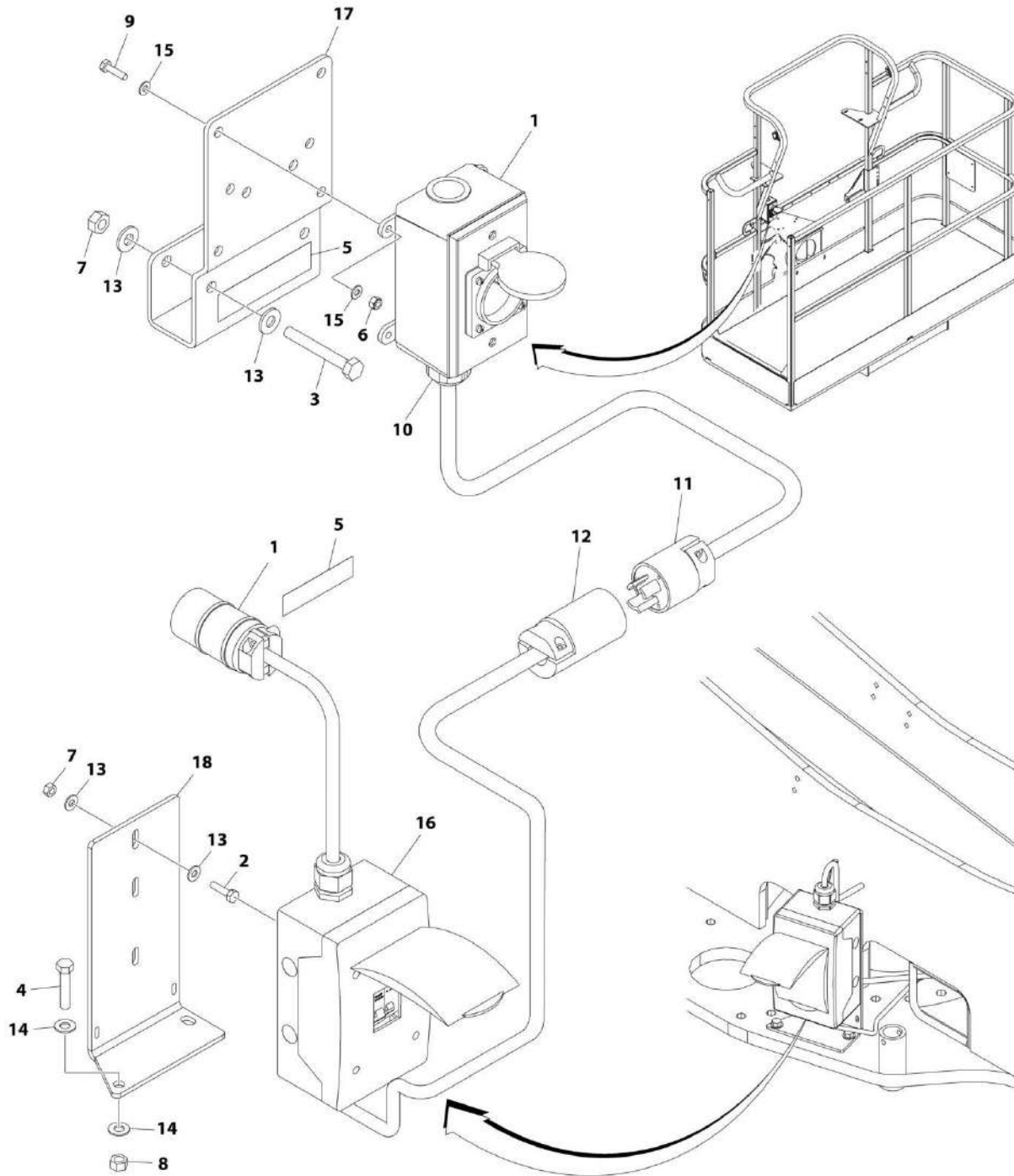
SECTION 8 - ELECTRICAL

FIGURE 8-5. AC BOX AT PLATFORM INSTALLATION - 220V CEE7 POST GROUND WITH 2IN X 4IN BOX (CE SPEC) (SN 0300219271 through 0300223838)

ITEM	PART NUMBER	QTY	DESCRIPTION	REV
	1001176360	Ref	AC BOX AT PLATFORM INSTALLATION - 220V CEE7 POST GROUND WITH 2IN X 4IN BOX (CE SPEC) (SN 0300219271 through 0300223838)	C
1	0275452	1	Receptacle Box Kit (See RECEPTACLE BOX KIT - 220V CEE7 POST GROUND WITH 2IN X 4IN BOX (CE SPEC) for Breakdown)	
2	0641416	2	Bolt 1/4 x 2	
3	0641616	2	Bolt 3/8 x 2	
4	0721006	2	Bolt #10 x 3/4	
5	1001193018	1	Bracket	
6	3252507	2	Decal - Voltage	
7	3290405	4	Nut M4	
8	3311005	2	Nut #10	
9	3311405	2	Nut 1/4	
10	3311605	2	Nut 3/8	
11	4010408	4	Screw M4 x 16	
12	4460662	1	Connector, Strain Relief	
13	4460709	1	Plug, Male	
14	4460710	1	Receptacle, Female	
15	4711400	4	Washer 1/4	
16	4711600	4	Washer 3/8	
17	4751000	4	Washer #10	
18	4811400	8	Washer M4	
19	1001152486	1	Breaker Box Kit - CE Spec (See BREAKER BOX KIT WITH TWO BREAKERS - CE SPEC for Breakdown)	
20	1001153736	1	Bracket	

SECTION 8 - ELECTRICAL

FIGURE 8-6. AC BOX AT PLATFORM INSTALLATION - 220V CEE7 POST GROUND WITH 2IN X 4IN BOX (CE SPEC) (SN 0300223839 to Present)



ART_1001221185

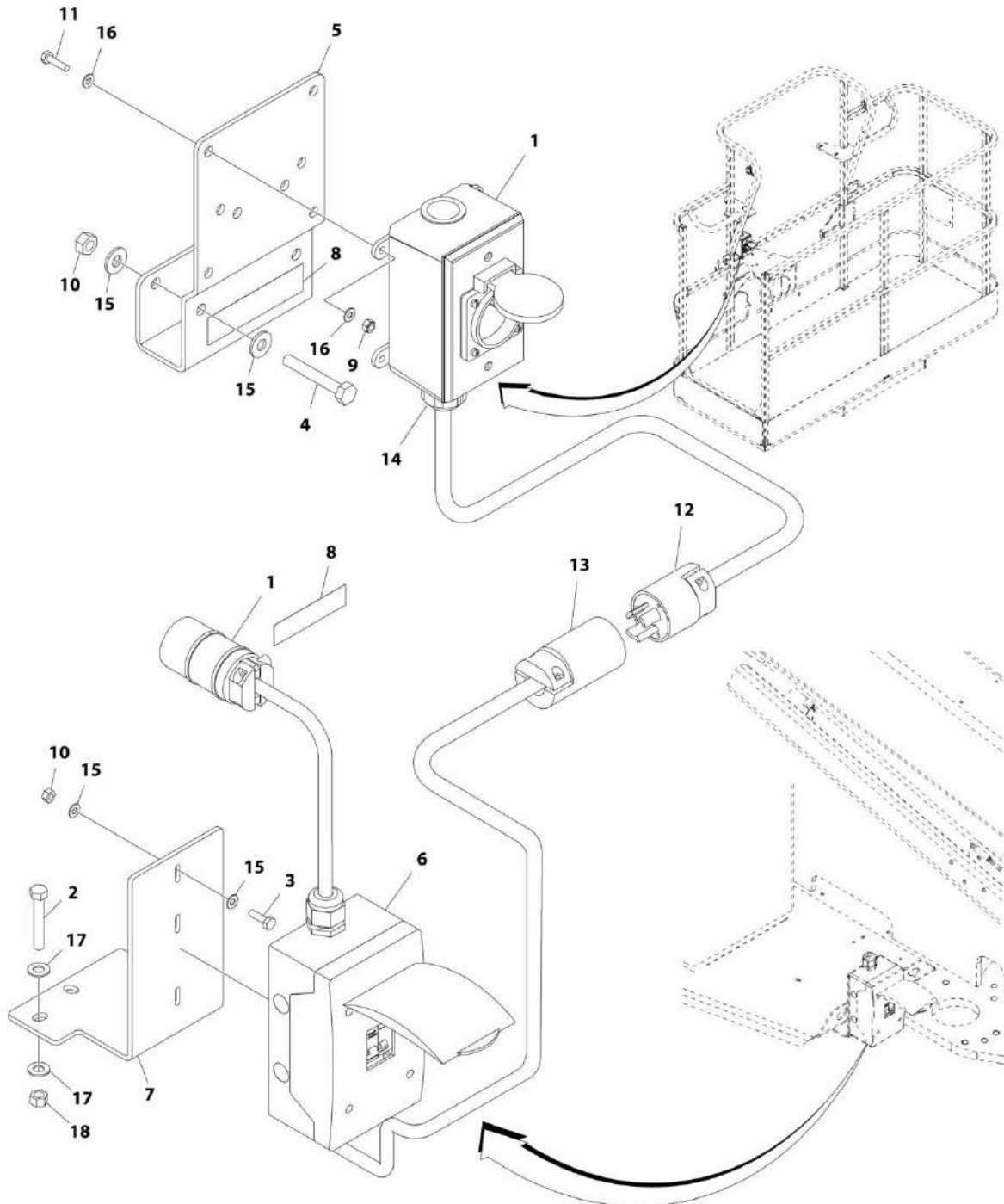
SECTION 8 - ELECTRICAL

FIGURE 8-6. AC BOX AT PLATFORM INSTALLATION - 220V CEE7 POST GROUND WITH 2IN X 4IN BOX (CE SPEC) (SN 0300223839 to Present)

ITEM	PART NUMBER	QTY	DESCRIPTION	REV
	1001221185	Ref	AC BOX AT PLATFORM INSTALLATION - 220V CEE7 POST GROUND WITH 2IN X 4IN BOX (CE SPEC) (SN 0300223839 to Present)	A
1	0275452	1	Receptacle Box Kit (See RECEPTACLE BOX KIT - 220V CEE7 POST GROUND WITH 2IN X 4IN BOX (CE SPEC) for Breakdown)	
2	0641408	2	Bolt 1/4 x 1	
3	0641416	2	Bolt 1/4 x 2	
4	0641614	2	Bolt 3/8 x 1-3/4	
5	3252507	2	Decal - Voltage	
6	3290405	4	Nut M4	
7	3311405	4	Nut 1/4	
8	3311605	2	Nut 3/8	
9	4010408	4	Screw M4 x 16	
10	4460662	1	Connector, Strain Relief	
11	4460709	1	Plug, Male	
12	4460710	1	Receptacle, Female	
13	4711400	8	Washer 1/4	
14	4711600	4	Washer 3/8	
15	4811400	8	Washer M4	
16	1001152486	1	Breaker Box Kit - CE Spec (See BREAKER BOX KIT WITH TWO BREAKERS - CE SPEC for Breakdown)	
17	1001193018	1	Bracket	
18	1001221130	1	Bracket	

SECTION 8 - ELECTRICAL

FIGURE 8-7. AC BOX AT PLATFORM INSTALLATION - 220V CEE7 SIDE GROUND WITH 2IN X 4IN BOX (CE SPEC) (SN 0300219271 through 0300223838)



ART_1001153731

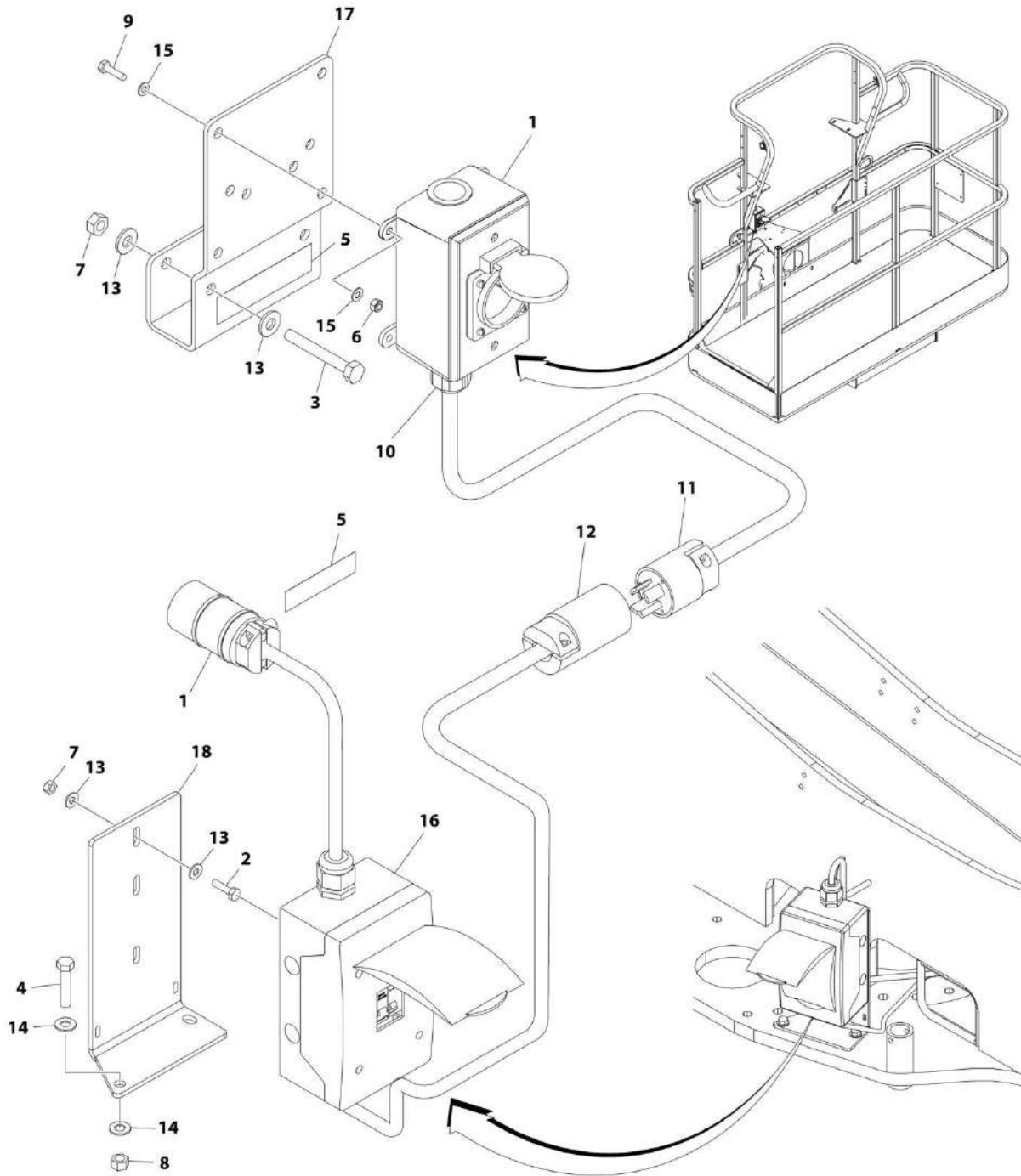
SECTION 8 - ELECTRICAL

FIGURE 8-7. AC BOX AT PLATFORM INSTALLATION - 220V CEE7 SIDE GROUND WITH 2IN X 4IN BOX (CE SPEC) (SN 0300219271 through 0300223838)

ITEM	PART NUMBER	QTY	DESCRIPTION	REV
	1001153731	Ref	AC BOX AT PLATFORM INSTALLATION - 220V CEE7 SIDE GROUND WITH 2IN X 4IN BOX (CE SPEC) (SN 0300219271 through 0300223838)	D
1	0275453	1	Receptacle Box Kit (See RECEPTACLE BOX KIT - 220V CEE7 SIDE GROUND WITH 2IN X 4IN BOX (CE SPEC) for Breakdown)	
2	0641616	2	Bolt 3/8 x 2	
3	0641408	2	Bolt 1/4 x 1	
4	0641416	2	Bolt 1/4 x 2	
5	1001193018	1	Bracket	
6	1001152486	1	Breaker Box Kit - CE Spec (See BREAKER BOX KIT WITH TWO BREAKERS - CE SPEC for Breakdown)	
7	1001153736	1	Bracket	
8	3252507	2	Decal - Voltage	
9	3290405	4	Nut M4	
10	3311405	4	Nut 1/4	
11	4010408	4	Screw M4 x 16	
12	4460709	1	Plug, Male	
13	4460710	1	Receptacle, Female	
14	4460662	1	Connector, Strain Relief	
15	4711400	8	Washer 1/4	
16	4811400	8	Washer M4	
17	4711600	4	Washer 3/8	
18	3311605	2	Nut 3/8	

SECTION 8 - ELECTRICAL

FIGURE 8-8. AC BOX AT PLATFORM INSTALLATION - 220V CEE7 SIDE GROUND WITH 2IN X 4IN BOX (CE SPEC) (SN 0300223839 to Present)



ART_1001221187

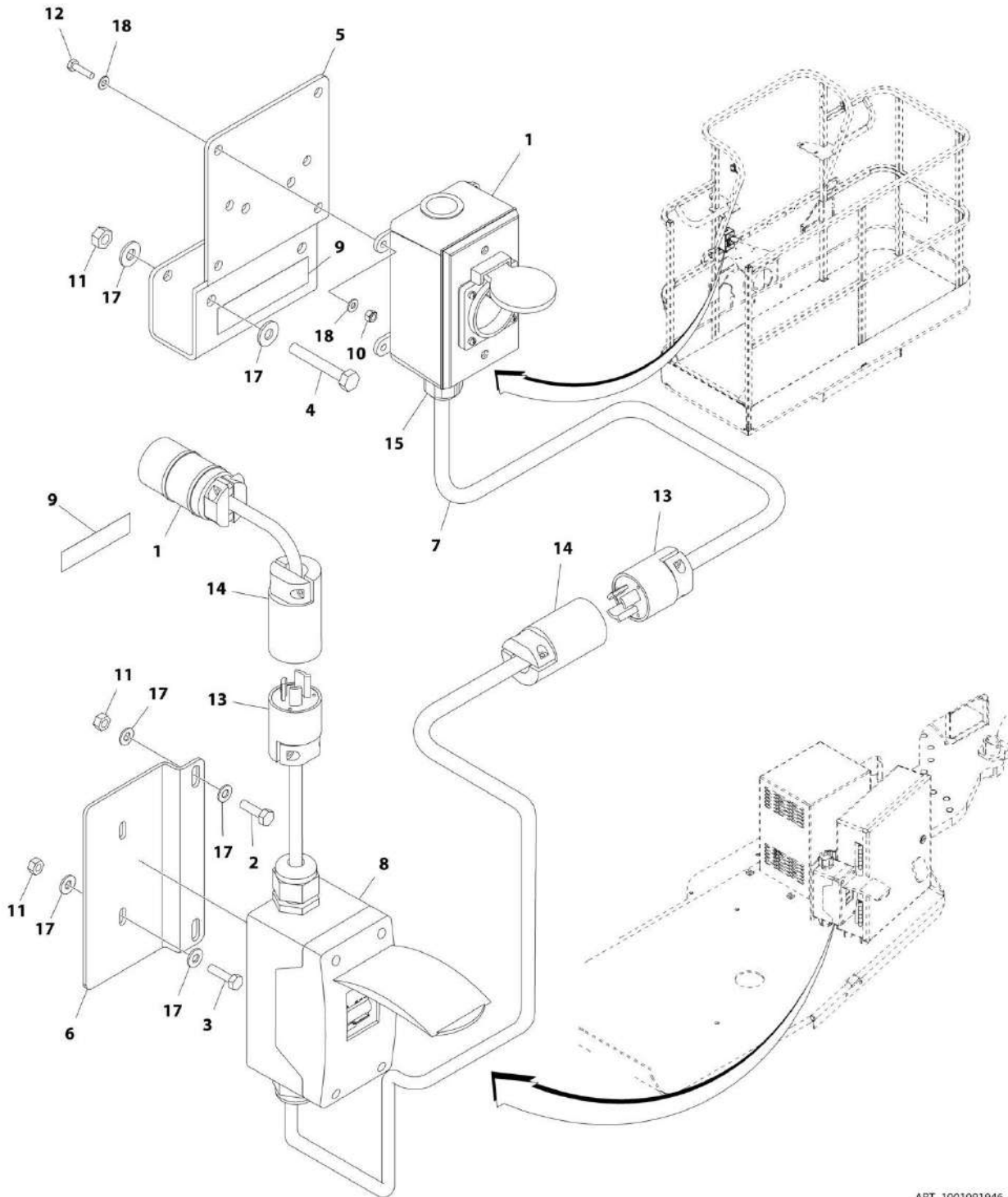
SECTION 8 - ELECTRICAL

FIGURE 8-8. AC BOX AT PLATFORM INSTALLATION - 220V CEE7 SIDE GROUND WITH 2IN X 4IN BOX (CE SPEC) (SN 0300223839 to Present)

ITEM	PART NUMBER	QTY	DESCRIPTION	REV
	1001221187	Ref	AC BOX AT PLATFORM INSTALLATION - 220V CEE7 SIDE GROUND WITH 2IN X 4IN BOX (CE SPEC) (SN 0300223839 to Present)	A
1	0275453	1	Receptacle Box Kit (See RECEPTACLE BOX KIT - 220V CEE7 SIDE GROUND WITH 2IN X 4IN BOX (CE SPEC) for Breakdown)	
2	0641408	2	Bolt 1/4 x 1	
3	0641416	2	Bolt 1/4 x 2	
4	0641614	2	Bolt 3/8 x 1-3/4	
5	3252507	2	Decal - Voltage	
6	3290405	4	Nut M4	
7	3311405	4	Nut 1/4	
8	3311605	2	Nut 3/8	
9	4010408	4	Screw M4 x 16	
10	4460662	1	Connector, Strain Relief	
11	4460709	1	Plug, Male	
12	4460710	1	Receptacle, Female	
13	4711400	8	Washer 1/4	
14	4711600	4	Washer 3/8	
15	4811400	8	Washer M4	
16	1001152486	1	Breaker Box Kit - CE Spec (See BREAKER BOX KIT WITH TWO BREAKERS - CE SPEC for Breakdown)	
17	1001193018	1	Bracket	
18	1001221130	1	Bracket	

SECTION 8 - ELECTRICAL

FIGURE 8-9. AC BOX AT PLATFORM INSTALLATION - 220V AFSINT 107 KEYED GROUND WITH 2IN X 4IN BOX (CE SPEC) (SN 0300219271 through 0300223838)



ART_1001091946

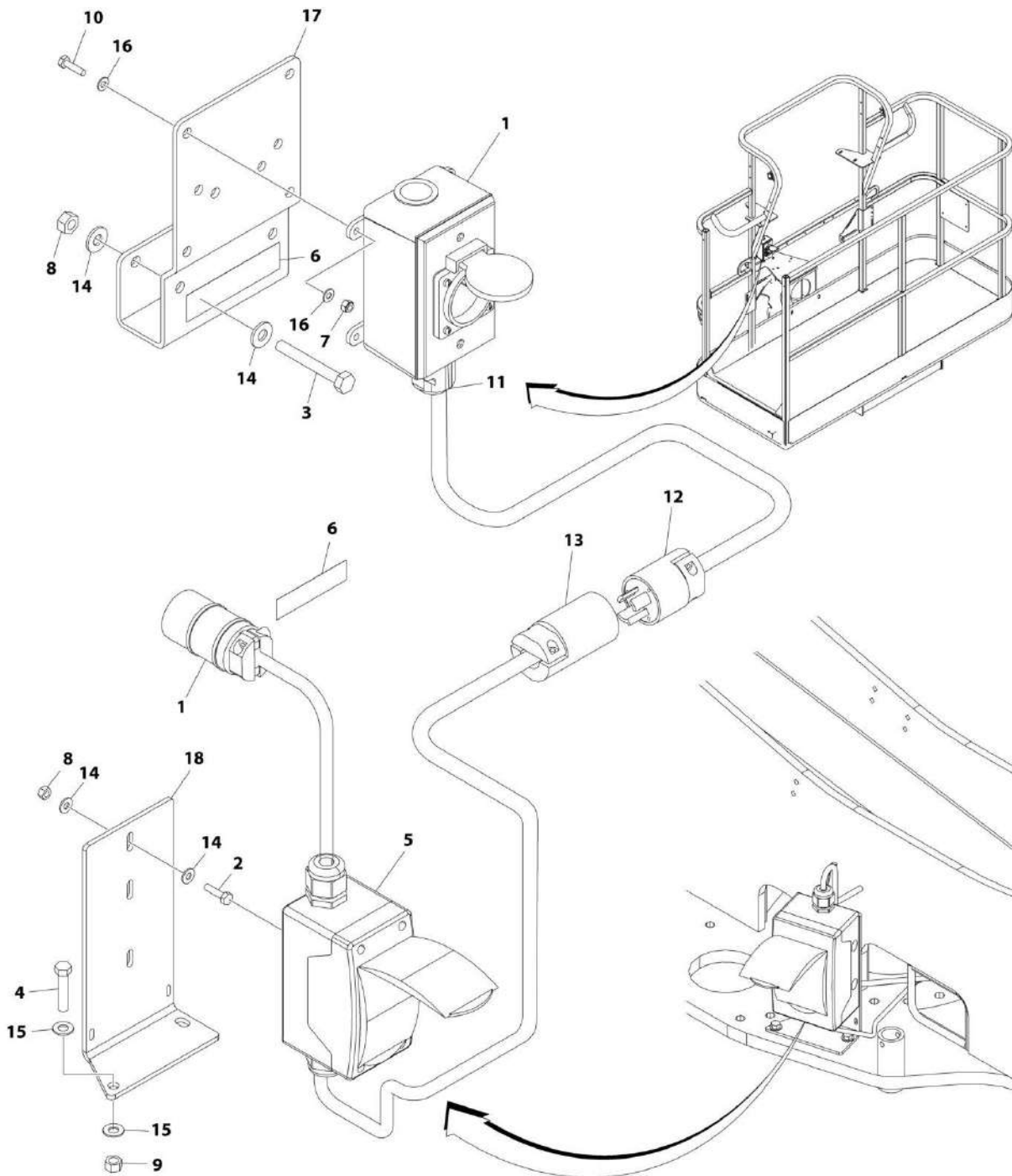
SECTION 8 - ELECTRICAL

FIGURE 8-9. AC BOX AT PLATFORM INSTALLATION - 220V AFSINT 107 KEYED GROUND WITH 2IN X 4IN BOX (CE SPEC) (SN 0300219271 through 0300223838)

ITEM	PART NUMBER	QTY	DESCRIPTION	REV
	1001091946	Ref	AC BOX AT PLATFORM INSTALLATION - 220V AFSINT 107 KEYED GROUND WITH 2IN X 4IN BOX (CE SPEC) (SN 0300219271 through 0300223838)	D
1	0275454	1	Receptacle Box Kit (See RECEPTACLE BOX KIT - 220V AFSINT 107 KEYED GROUND WITH 2IN X 4IN BOX (CE SPEC) for Breakdown)	
2	0641406	2	Bolt 1/4 x 3/4	
3	0641408	2	Bolt 1/4 x 1	
4	0641416	2	Bolt 1/4 x 2	
5	1001193018	1	Bracket	
6	0903611	1	Bracket	
7	1060461	8.5 ft /2.6m	Cable, 12/3	
8	2902549	1	Breaker Box Kit - CE Spec (See BREAKER BOX KIT WITH ONE BREAKER - CE SPEC for Breakdown)	
9	3252507	2	Decal - Voltage	
10	3290405	4	Nut M4	
11	3311405	6	Nut 1/4	
12	4010408	4	Screw M4 x 16	
13	4460709	2	Plug, Male	
14	4460710	2	Receptacle, Female	
15	4460662	1	Connector, Strain Relief	
17	4711400	12	Washer 1/4	
18	4811400	8	Washer M4	

SECTION 8 - ELECTRICAL

FIGURE 8-10. AC BOX AT PLATFORM INSTALLATION - 220V AFSINT 107 KEYED GROUND WITH 2IN X 4IN BOX (SN 0300223839 to Present)



ART_1001221188

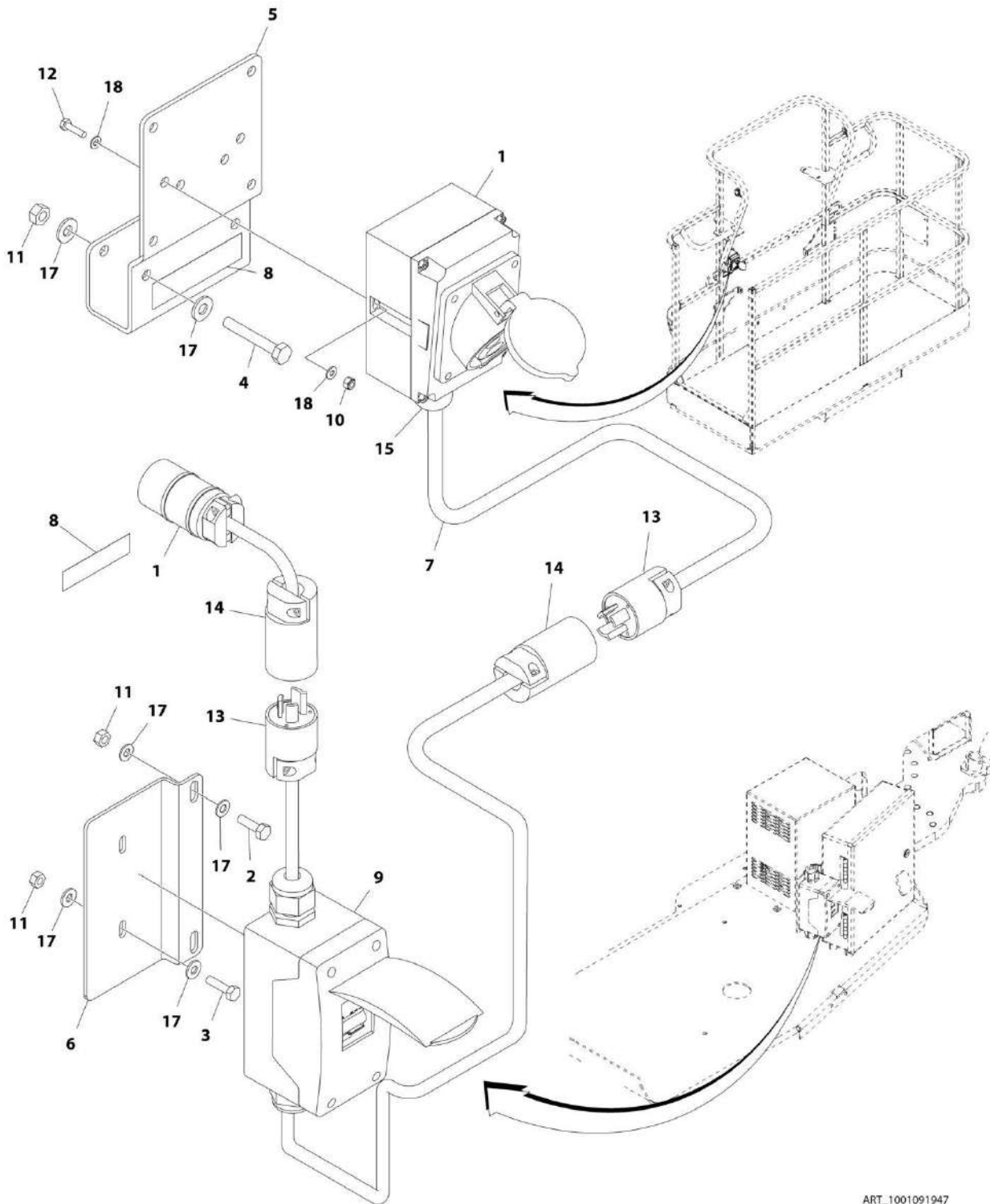
SECTION 8 - ELECTRICAL

FIGURE 8-10. AC BOX AT PLATFORM INSTALLATION - 220V AFSINT 107 KEYED GROUND WITH 2IN X 4IN BOX (SN 0300223839 to Present)

ITEM	PART NUMBER	QTY	DESCRIPTION	REV
	1001221188	Ref	AC BOX AT PLATFORM INSTALLATION - 220V AFSINT 107 KEYED GROUND WITH 2IN X 4IN BOX (CE SPEC) (SN 0300223839 to Present)	A
1	0275454	1	Receptacle Box Kit (See RECEPTACLE BOX KIT - 220V AFSINT 107 KEYED GROUND WITH 2IN X 4IN BOX (CE SPEC) for Breakdown)	
2	0641408	2	Bolt 1/4 x 1	
3	0641416	2	Bolt 1/4 x 2	
4	0641614	2	Bolt 3/8 x 1-3/4	
5	2902549	1	Breaker Box Kit - CE Spec (See BREAKER BOX KIT WITH ONE BREAKER - CE SPEC for Breakdown)	
6	3252507	2	Decal - Voltage	
7	3290405	4	Nut M4	
8	3311405	4	Nut 1/4	
9	3311605	2	Nut 3/8	
10	4010408	4	Screw M4 x 16	
11	4460662	1	Connector, Strain Relief	
12	4460709	1	Plug, Male	
13	4460710	1	Receptacle, Female	
14	4711400	8	Washer 1/4	
15	4711600	4	Washer 3/8	
16	4811400	8	Washer M4	
17	1001193018	1	Bracket	
18	1001221130	1	Bracket	

SECTION 8 - ELECTRICAL

FIGURE 8-11. AC BOX AT PLATFORM INSTALLATION - 110V IEC YELLOW (CE SPEC) (SN 0300219271 through 0300223838)



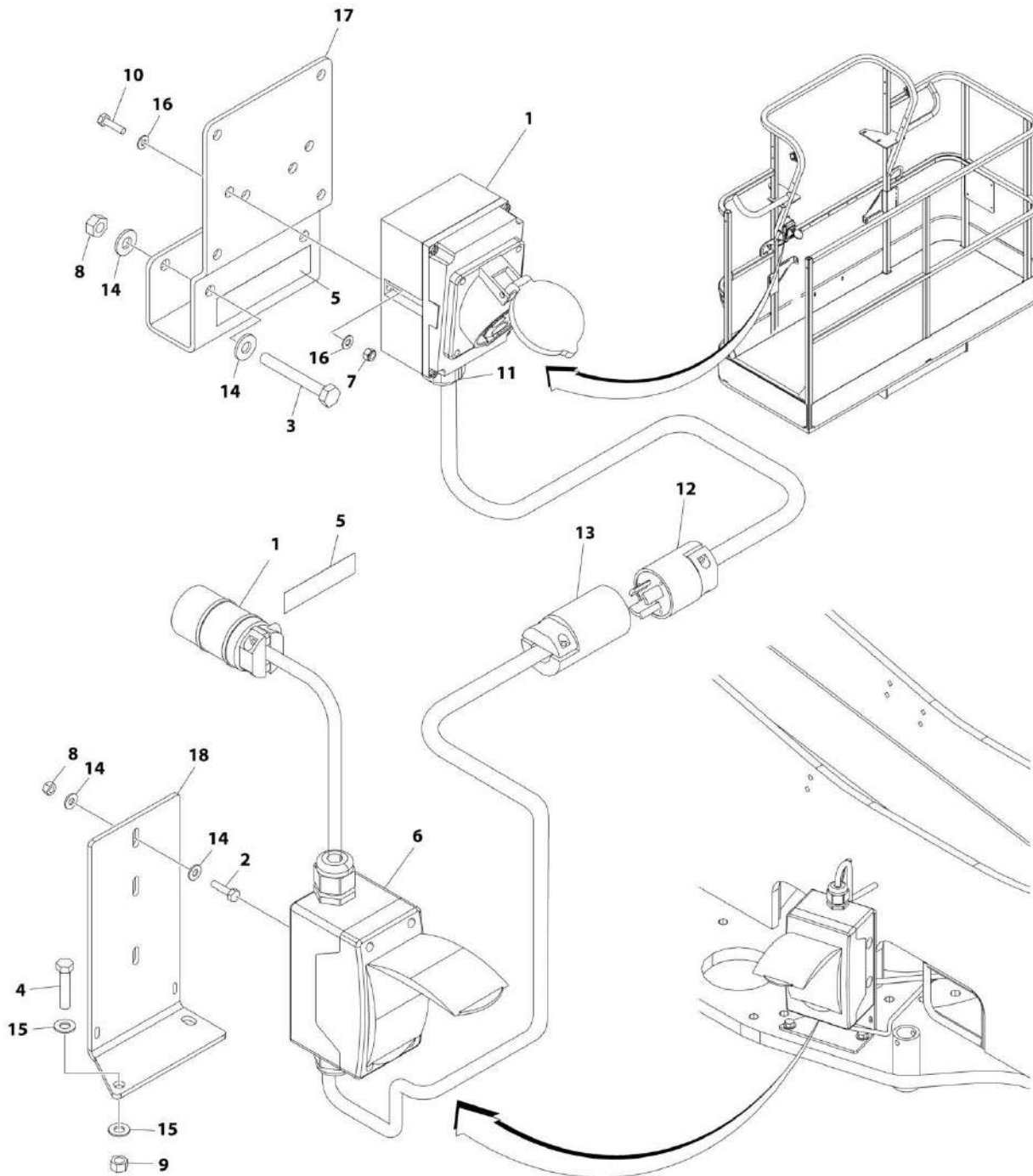
SECTION 8 - ELECTRICAL

FIGURE 8-11. AC BOX AT PLATFORM INSTALLATION - 110V IEC YELLOW (CE SPEC) (SN 0300219271 through 0300223838)

ITEM	PART NUMBER	QTY	DESCRIPTION	REV
	1001091947	Ref	AC BOX AT PLATFORM INSTALLATION - 110V IEC YELLOW (CE SPEC) (SN 0300219271 through 0300223838)	D
1	0275216	1	Receptacle Box Kit (See RECEPTACLE BOX KIT - 110V IEC YELLOW (CE SPEC) for Breakdown)	
2	0641406	2	Bolt 1/4 x 3/4	
3	0641408	2	Bolt 1/4 x 1	
4	0641416	2	Bolt 1/4 x 2	
5	1001193018	1	Bracket	
6	0903611	1	Bracket	
7	1060461	8.5 ft /2.6m	Cable, 12/3	
8	1705325	2	Decal - 120V-50Hz	
9	2902549	1	Breaker Box Kit - CE Spec (See BREAKER BOX KIT WITH ONE BREAKER - CE SPEC for Breakdown)	
10	3290405	2	Nut M4	
11	3311405	6	Nut 1/4	
12	4010408	2	Screw M4 x 16	
13	4460709	2	Plug, Male	
14	4460710	2	Receptacle, Female	
15	4460968	1	Connector, Strain Relief	
17	4711400	12	Washer 1/4	
18	4811400	4	Washer M4	

SECTION 8 - ELECTRICAL

FIGURE 8-12. AC BOX AT PLATFORM INSTALLATION - 110V IEC YELLOW (CE SPEC) (SN 0300223839 to Present)



ART_1001221189

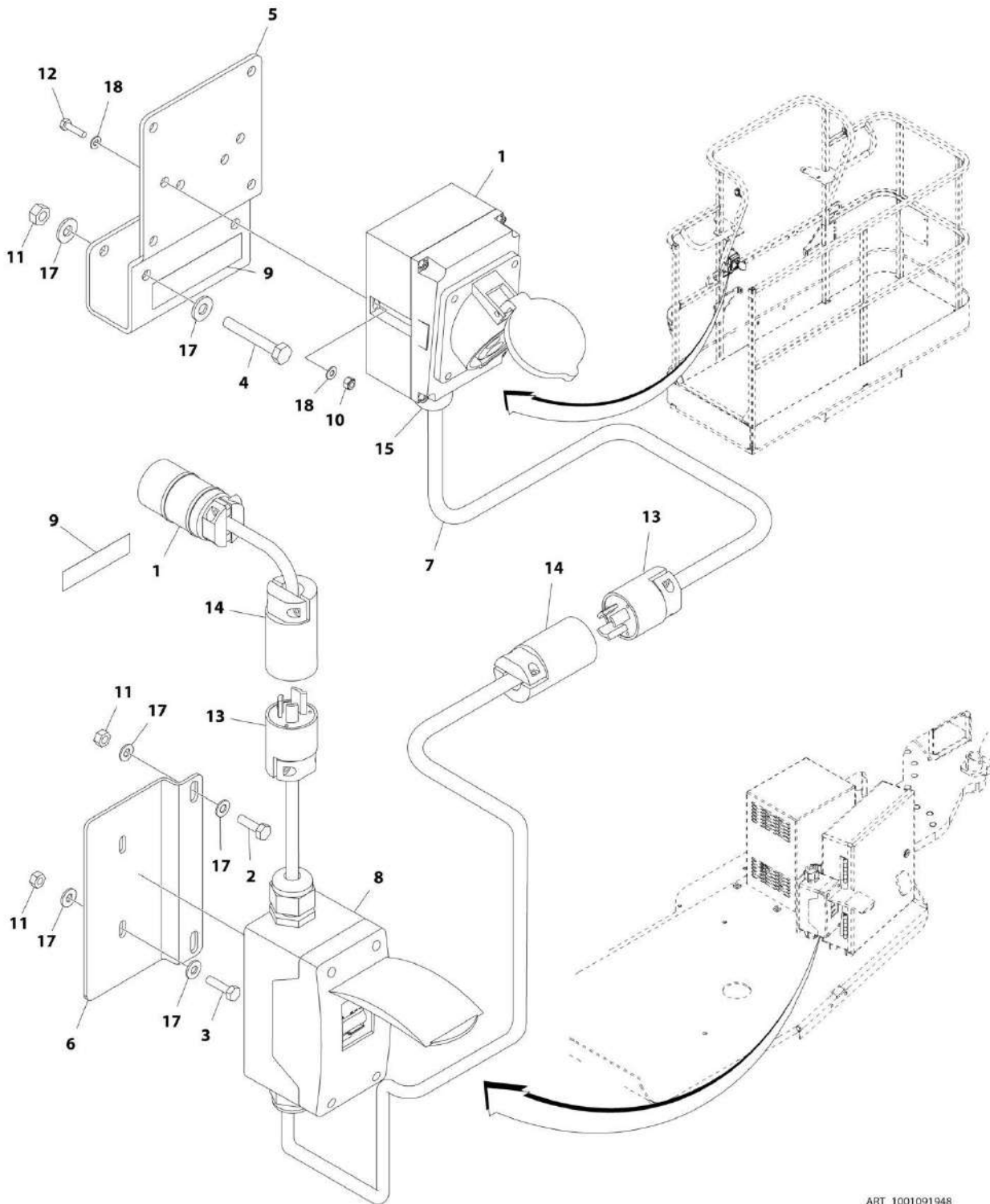
SECTION 8 - ELECTRICAL

FIGURE 8-12. AC BOX AT PLATFORM INSTALLATION - 110V IEC YELLOW (CE SPEC) (SN 0300223839 to Present)

ITEM	PART NUMBER	QTY	DESCRIPTION	REV
	1001221189	Ref	AC BOX AT PLATFORM INSTALLATION - 110V IEC YELLOW (CE SPEC) (SN 0300223839 to Present)	A
1	0275216	1	Receptacle Box Kit (See RECEPTACLE BOX KIT - 110V IEC YELLOW (CE SPEC) for Breakdown)	
2	0641408	2	Bolt 1/4 x 1	
3	0641416	2	Bolt 1/4 x 2	
4	0641614	2	Bolt 3/8 x 1-3/4	
5	1705325	2	Decal - 120V-50Hz	
6	2902549	1	Breaker Box Kit - CE Spec (See BREAKER BOX KIT WITH ONE BREAKER - CE SPEC for Breakdown)	
7	3290405	2	Nut M4	
8	3311405	4	Nut 1/4	
9	3311605	2	Nut 3/8	
10	4010408	2	Screw M4 x 16	
11	4460662	1	Connector, Strain Relief	
12	4460709	1	Plug, Male	
13	4460710	1	Receptacle, Female	
14	4711400	8	Washer 1/4	
15	4711600	4	Washer 3/8	
16	4811400	4	Washer M4	
17	1001193018	1	Bracket	
18	1001221130	1	Bracket	

SECTION 8 - ELECTRICAL

FIGURE 8-13. AC BOX AT PLATFORM INSTALLATION - 220V IEC BLUE (CE SPEC) (SN 0300219271 through 0300223838)



ART_1001091948

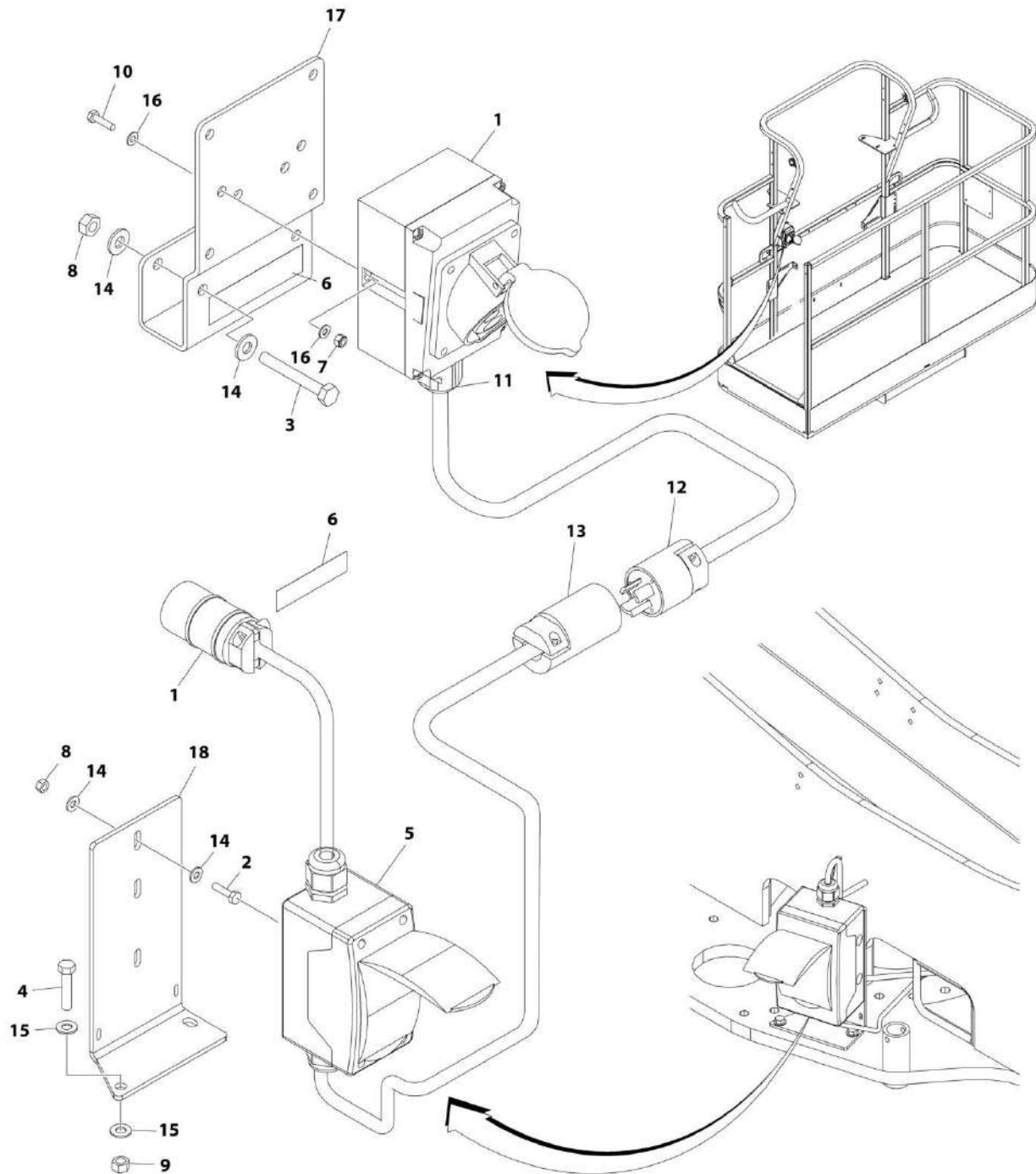
SECTION 8 - ELECTRICAL

FIGURE 8-13. AC BOX AT PLATFORM INSTALLATION - 220V IEC BLUE (CE SPEC) (SN 0300219271 through 0300223838)

ITEM	PART NUMBER	QTY	DESCRIPTION	REV
	1001091948	Ref	AC BOX AT PLATFORM INSTALLATION - 220V IEC BLUE (CE SPEC) (SN 0300219271 through 0300223838)	D
1	0275217	1	Receptacle Box Kit (See RECEPTACLE BOX KIT - 220V IEC BLUE (CE SPEC) for Breakdown)	
2	0641406	2	Bolt 1/4 x 3/4	
3	0641408	2	Bolt 1/4 x 1	
4	0641416	2	Bolt 1/4 x 2	
5	1001193018	1	Bracket	
6	0903611	1	Bracket	
7	1060461	8.5 ft /2.6m	Cable, 12/3	
8	2902549	1	Breaker Box Kit - CE Spec (See BREAKER BOX KIT WITH ONE BREAKER - CE SPEC for Breakdown)	
9	3252507	2	Decal - 220V-50Hz	
10	3290405	2	Nut M4	
11	3311405	6	Nut 1/4	
12	4010408	2	Screw M4 x 16	
13	4460709	2	Plug, Male	
14	4460710	2	Receptacle, Female	
15	4460968	1	Connector, Strain Relief	
17	4711400	12	Washer 1/4	
18	4811400	4	Washer M4	

SECTION 8 - ELECTRICAL

FIGURE 8-14. AC BOX AT PLATFORM INSTALLATION - 220V IEC BLUE (CE SPEC) (SN 0300223839 to Present)



ART_1001221190

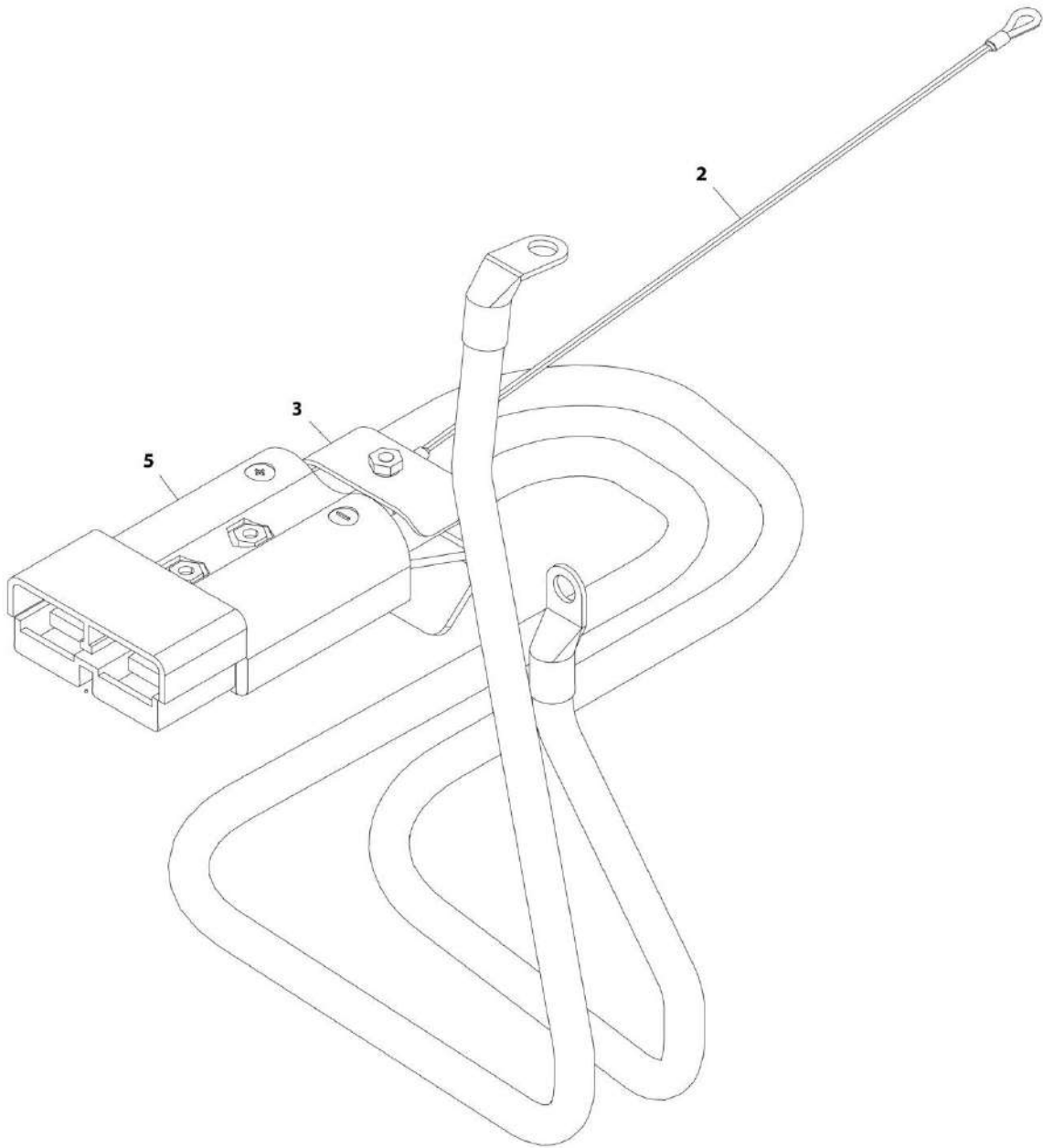
SECTION 8 - ELECTRICAL

FIGURE 8-14. AC BOX AT PLATFORM INSTALLATION - 220V IEC BLUE (CE SPEC) (SN 0300223839 to Present)

ITEM	PART NUMBER	QTY	DESCRIPTION	REV
	1001221190	Ref	AC BOX AT PLATFORM INSTALLATION - 220V IEC BLUE (CE SPEC) (SN 0300223839 to Present)	A
1	0275217	1	Receptacle Box Kit (See RECEPTACLE BOX KIT - 220V IEC BLUE (CE SPEC) for Breakdown)	
2	0641408	2	Bolt 1/4 x 1	
3	0641416	2	Bolt 1/4 x 2	
4	0641614	2	Bolt 3/8 x 1-3/4	
5	2902549	1	Breaker Box Kit - CE Spec (See BREAKER BOX KIT WITH ONE BREAKER - CE SPEC for Breakdown)	
6	3252507	2	Decal - 220V-50Hz	
7	3290405	2	Nut M4	
8	3311405	4	Nut 1/4	
9	3311605	2	Nut 3/8	
10	4010408	2	Screw M4 x 16	
11	4460662	1	Connector, Strain Relief	
12	4460709	1	Plug, Male	
13	4460710	1	Receptacle, Female	
14	4711400	8	Washer 1/4	
15	4711600	4	Washer 3/8	
16	4811400	4	Washer M4	
17	1001193018	1	Bracket	
18	1001221130	1	Bracket	

SECTION 8 - ELECTRICAL

FIGURE 8-15. BATTERY BOX CABLE ASSEMBLY (RH SIDE BOX) (STANDARD BATTERIES)



ART_1060803

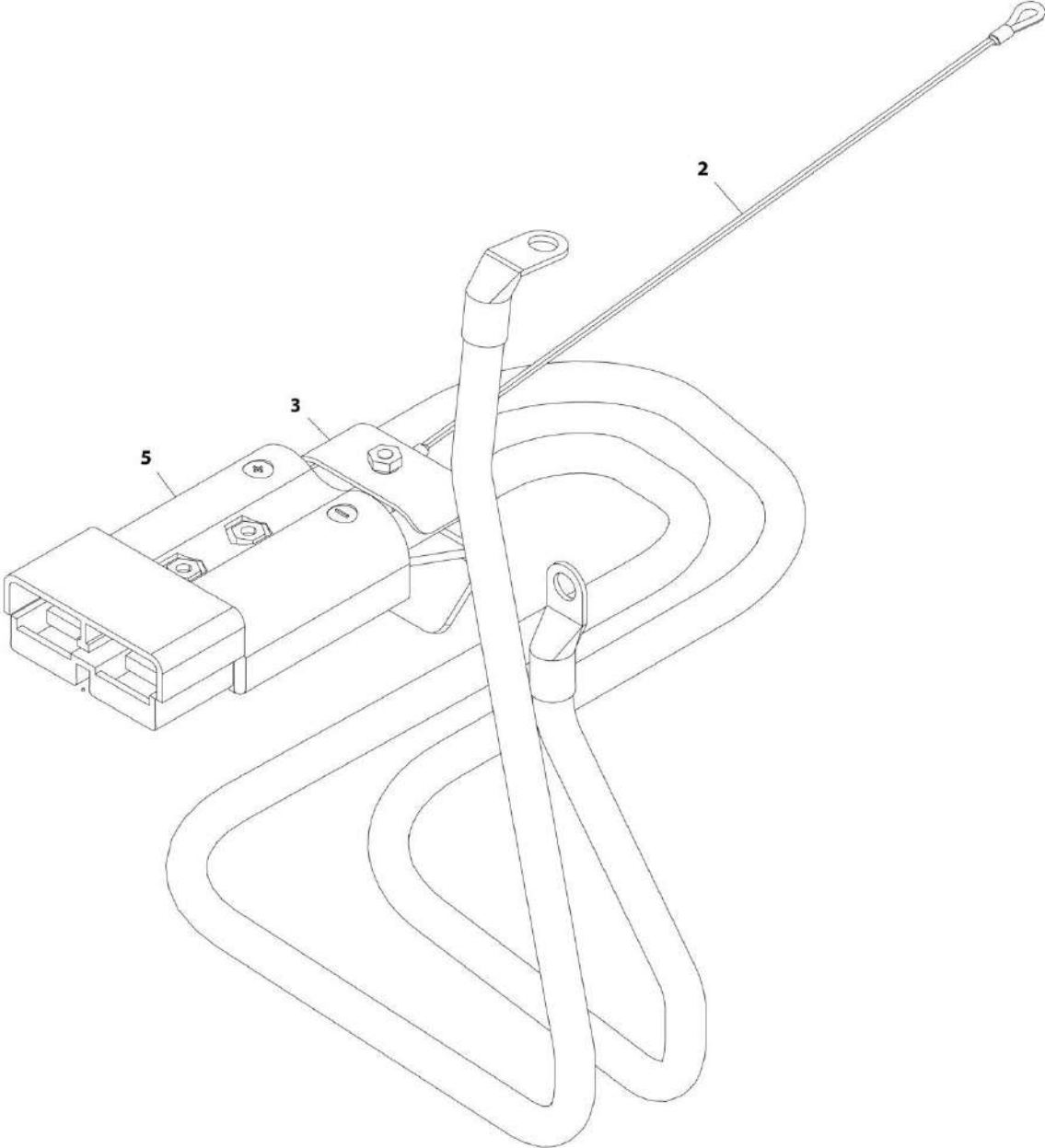
SECTION 8 - ELECTRICAL

FIGURE 8-15. BATTERY BOX CABLE ASSEMBLY (RH SIDE BOX) (STANDARD BATTERIES)

ITEM	PART NUMBER	QTY	DESCRIPTION	REV
	1060803	Ref	BATTERY BOX CABLE ASSEMBLY (RH SIDE BOX) (STANDARD BATTERIES)	D
2	1060799	1	Lanyard	
3	1320172	1	Handle, Pull	
5	4460025	1	Connector	

SECTION 8 - ELECTRICAL

FIGURE 8-16. BATTERY BOX CABLE ASSEMBLY (LH SIDE BOX) (STANDARD BATTERIES)



ART_1001194037

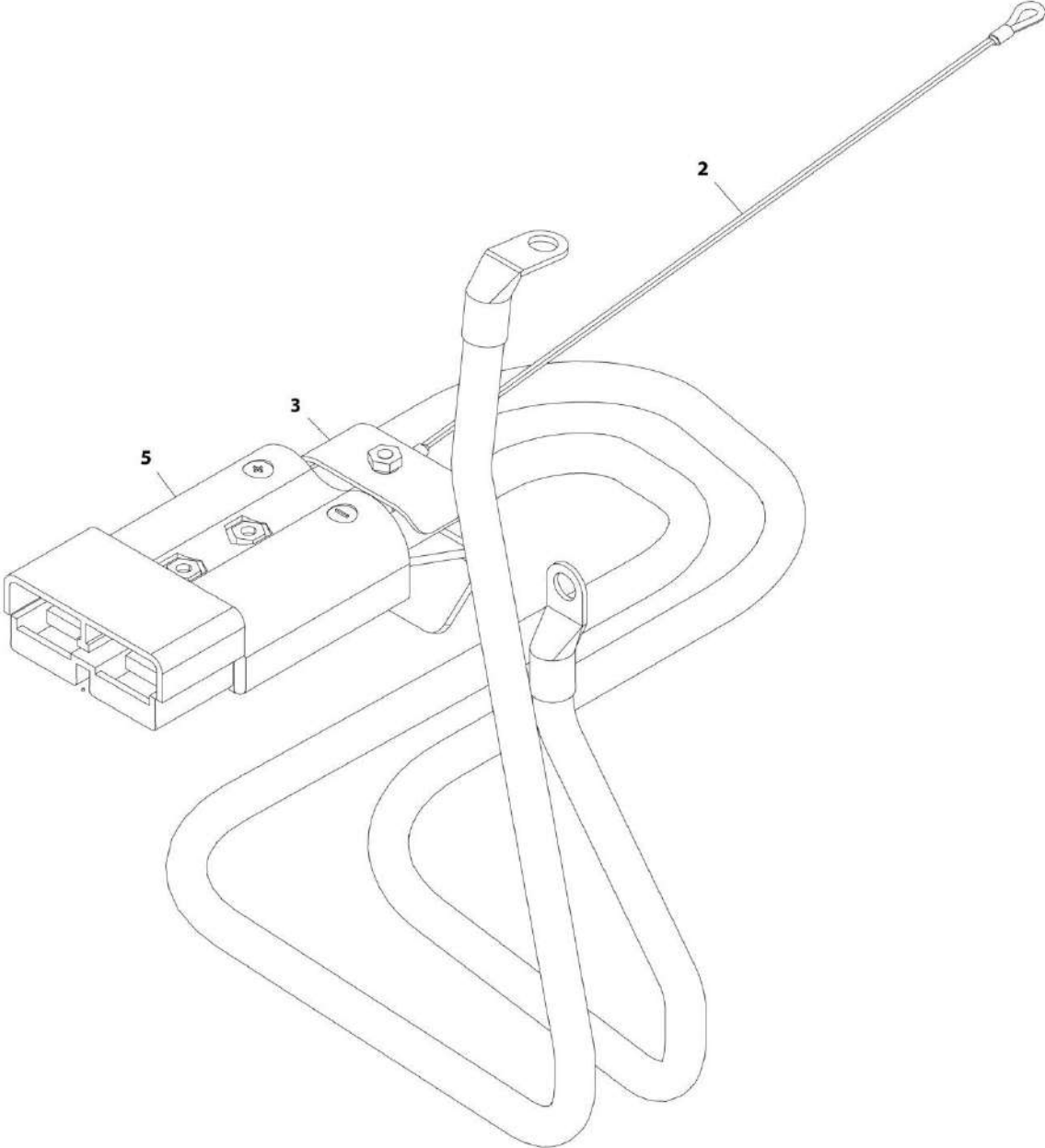
SECTION 8 - ELECTRICAL

FIGURE 8-16. BATTERY BOX CABLE ASSEMBLY (LH SIDE BOX) (STANDARD BATTERIES)

ITEM	PART NUMBER	QTY	DESCRIPTION	REV
	1001194037	Ref	BATTERY BOX CABLE ASSEMBLY (LH SIDE BOX) (STANDARD BATTERIES)	B
2	1060799	1	Lanyard	
3	1320172	1	Handle, Pull	
5	4460025	1	Connector	

SECTION 8 - ELECTRICAL

FIGURE 8-17. BATTERY BOX CABLE ASSEMBLY (AGM BATTERIES)



ART_1001194212

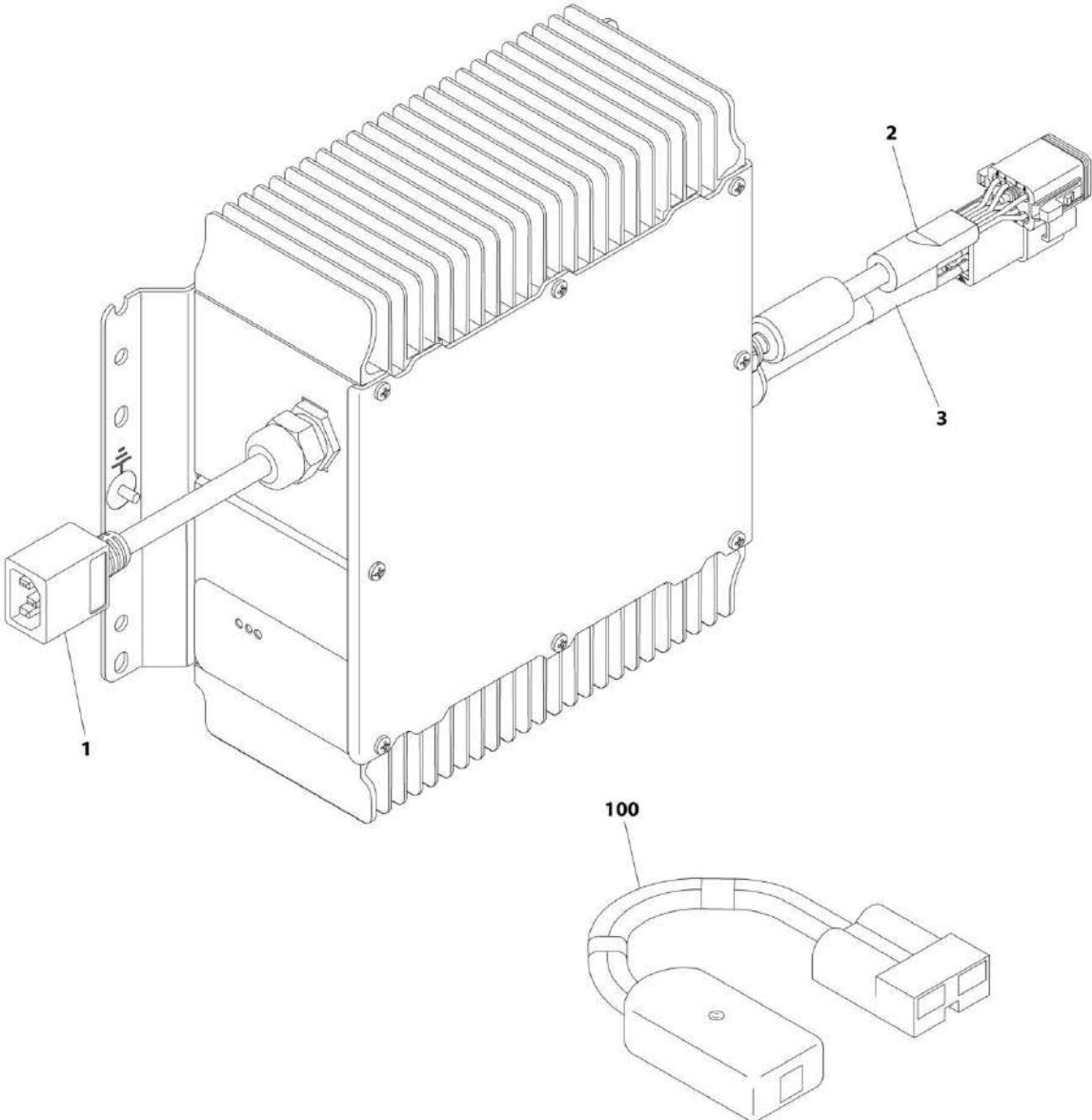
SECTION 8 - ELECTRICAL

FIGURE 8-17. BATTERY BOX CABLE ASSEMBLY (AGM BATTERIES)

ITEM	PART NUMBER	QTY	DESCRIPTION	REV
	1001194212	Ref	BATTERY BOX CABLE ASSEMBLY (AGM BATTERIES)	A
2	1060799	1	Lanyard	
3	1320172	1	Handle, Pull	
5	4460025	1	Connector	

SECTION 8 - ELECTRICAL

FIGURE 8-18. BATTERY CHARGER ASSEMBLY



ART_1001103105

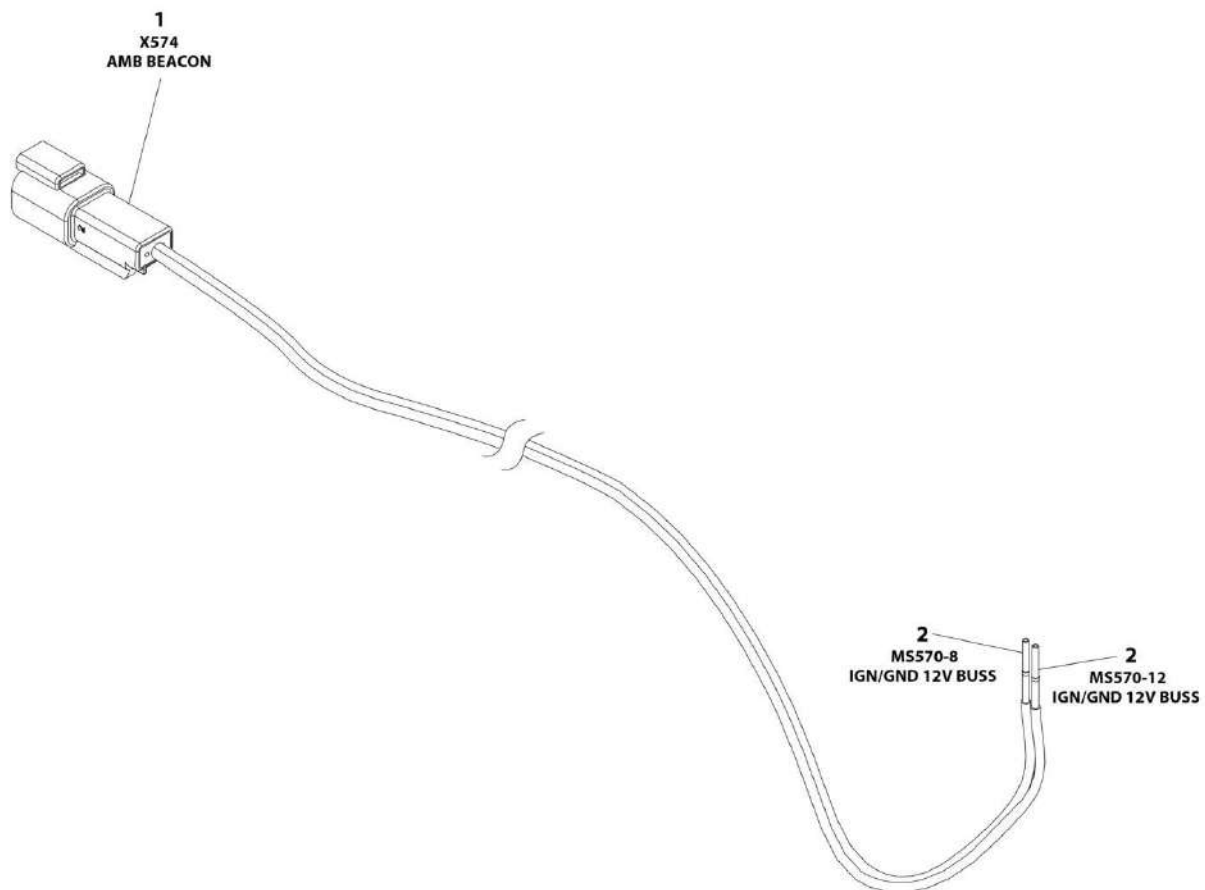
SECTION 8 - ELECTRICAL

FIGURE 8-18. BATTERY CHARGER ASSEMBLY

ITEM	PART NUMBER	QTY	DESCRIPTION	REV
	1001103105	Ref	BATTERY CHARGER ASSEMBLY	D
1	See Note	1	Harness, Battery Charger AC Plug (Note: Not Available for Purchase)	
1	See Note	1	Connector, Plug (Note: Not Available for Purchase)	
2	See Note	1	Harness, Battery Charger Signal (Note: Not Available for Purchase)	
2	4460930	1	Connector - 8 Position	
2	4460464	7	Pin, Male	
3	See Note	1	Harness, Battery Charger Power (Note: Not Available - Purchase Complete Charger)	
3	1001116811	1	Connector - 4 Position	
3	4460508	4	Pin, Male	
100	2915230	1	BATTERY CHARGER REPROGRAM CONTROLLER KIT (Includes Controller, Software and Instructions)	

SECTION 8 - ELECTRICAL

FIGURE 8-19. BEACON LIGHT HARNESS (AMBER BEACON ONLY)



ART_ID01198866

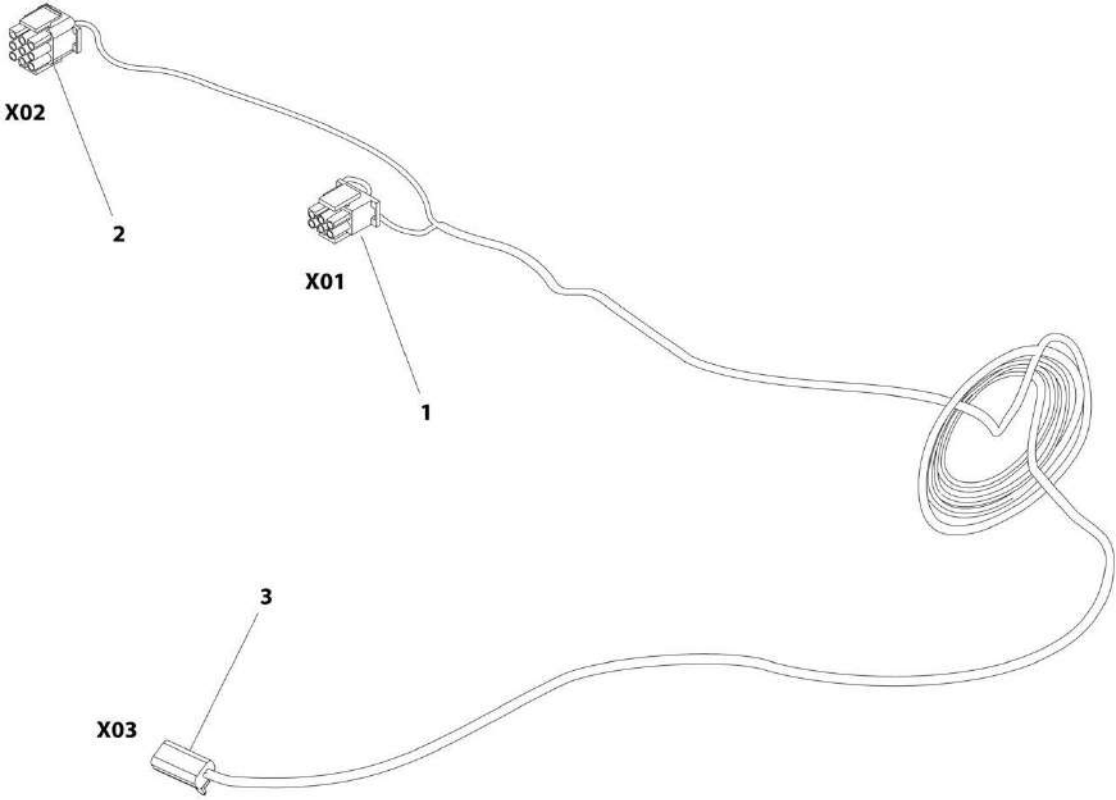
SECTION 8 - ELECTRICAL

FIGURE 8-19. BEACON LIGHT HARNESS (AMBER BEACON ONLY)

ITEM	PART NUMBER	QTY	DESCRIPTION	REV
	1001198866	Ref	BEACON LIGHT HARNESS (AMBER BEACON ONLY)	D
1	4460897	1	Connector - 2 Position	
1	4460464	2	Socket, Female	
2	4460464	2	Socket, Female	

SECTION 8 - ELECTRICAL

FIGURE 8-20. BEACON LIGHT HARNESS (BLUE BEACON ONLY)



ART_1001149570

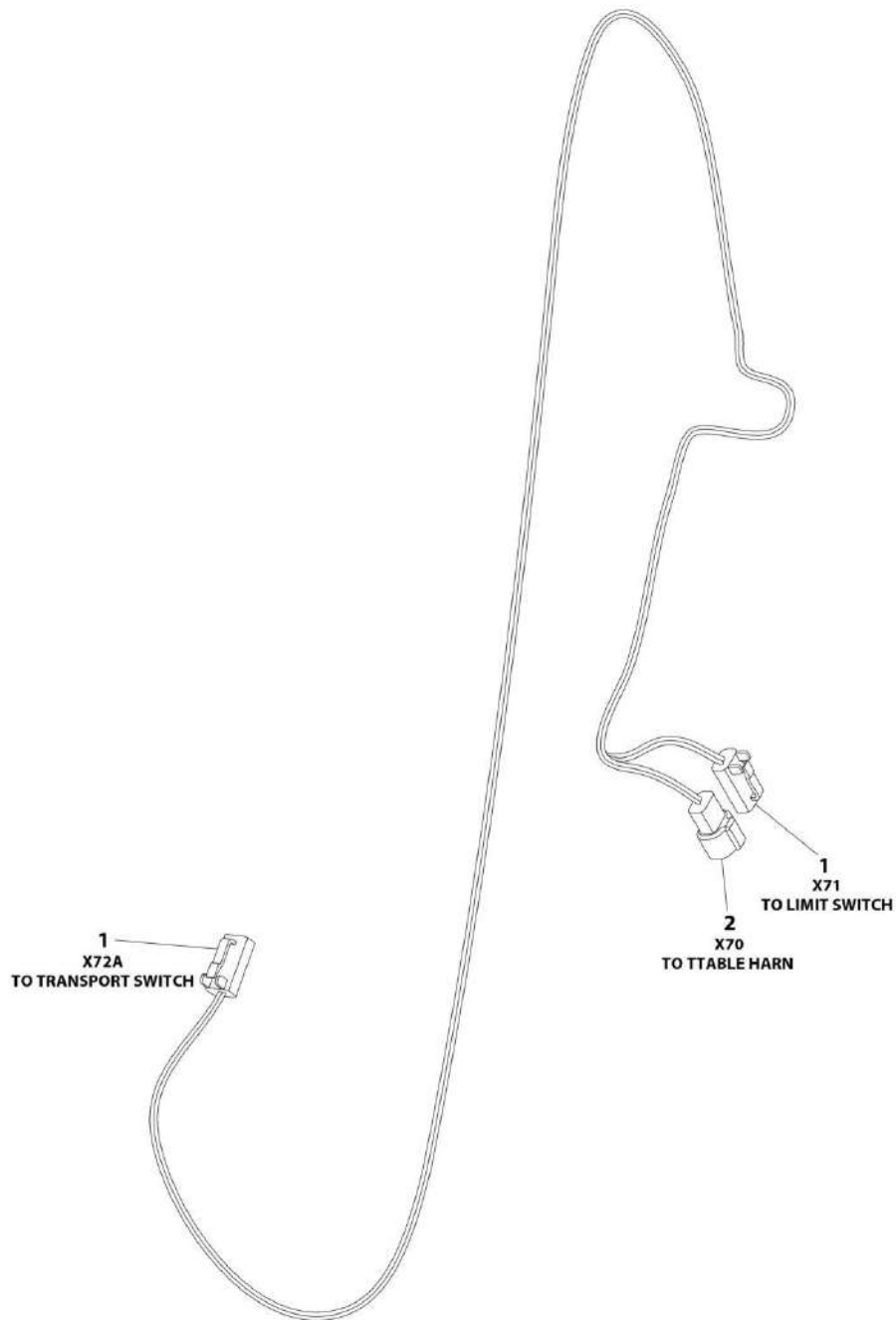
SECTION 8 - ELECTRICAL

FIGURE 8-20. BEACON LIGHT HARNESS (BLUE BEACON ONLY)

ITEM	PART NUMBER	QTY	DESCRIPTION	REV
	1001149570	Ref	BEACON LIGHT HARNESS (BLUE BEACON ONLY)	C
1	4460225	1	Plug, Male - 6 Position	
1	4460267	1	Pin, Male	
2	4460265	1	Plug, Male - 9 Position	
2	4460268	1	Socket, Female (SN 0300217271 through 0300226100)	
2	4460267	1	Pin, Male (SN 0300226101 to Present)	
3	4460891	1	Plug, Male - 2 Position	
3	4460465	2	Socket, Female	

SECTION 8 - ELECTRICAL

FIGURE 8-21. BOOM TRANSPORT HARNESS (CE SPECS ONLY)



ART_1001201329

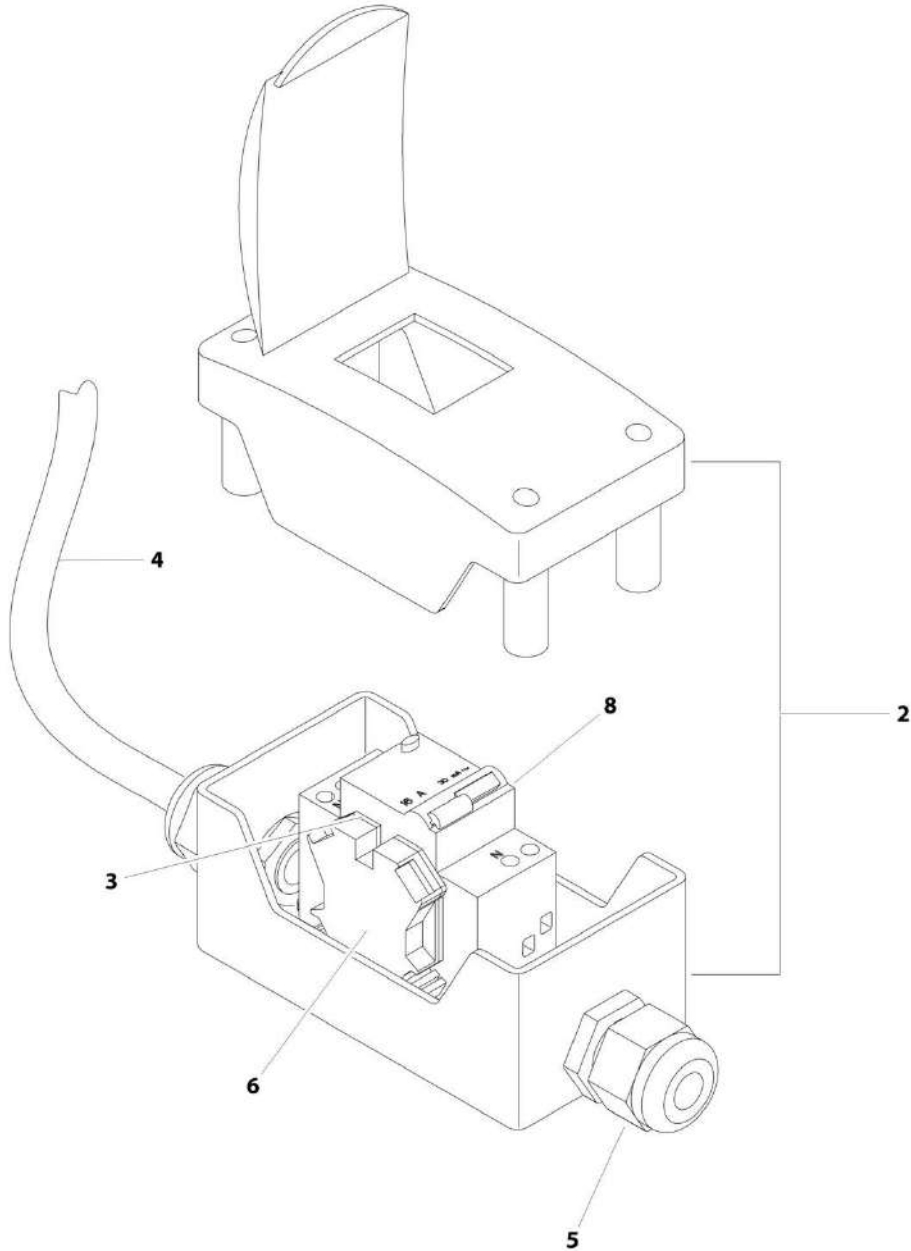
SECTION 8 - ELECTRICAL

FIGURE 8-21. BOOM TRANSPORT HARNESS (CE SPECS ONLY)

ITEM	PART NUMBER	QTY	DESCRIPTION	REV
	1001201329	Ref	BOOM TRANSPORT HARNESS (CE SPECS ONLY)	D
1	4460891	2	Connector - 2 Position	
1	4460465	4	Socket, Female	
2	1001187681	1	Connector - 2 Position	
2	4460464	2	Pin, Male	

SECTION 8 - ELECTRICAL

FIGURE 8-22. BREAKER BOX KIT WITH ONE BREAKER - CE SPEC



ART_2902549

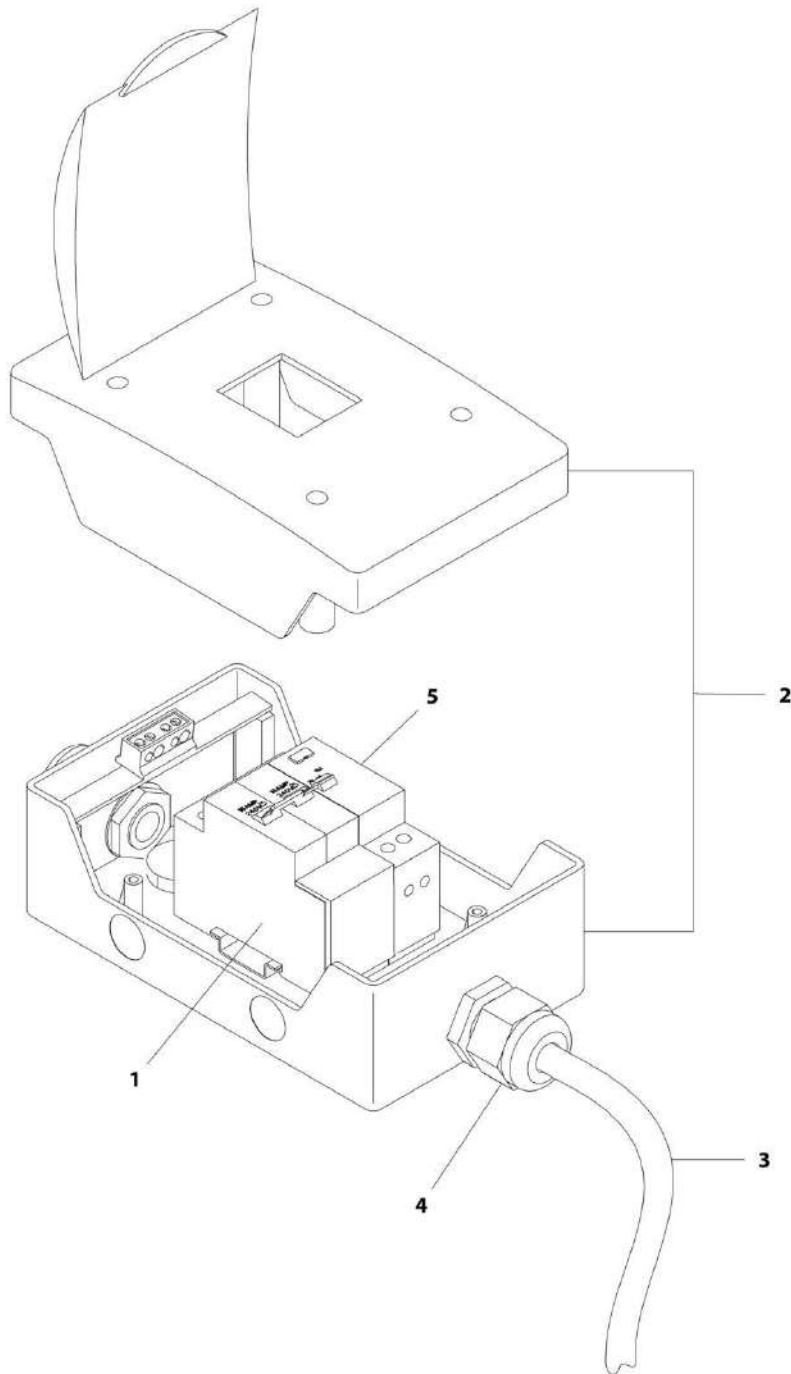
SECTION 8 - ELECTRICAL

FIGURE 8-22. BREAKER BOX KIT WITH ONE BREAKER - CE SPEC

ITEM	PART NUMBER	QTY	DESCRIPTION	REV
	2902549	Ref	BREAKER BOX KIT WITH ONE BREAKER - CE SPEC	F
2	0861880	1	Box	
3	4460956	1	Barrier, Terminal	
4	1060908	6 ft/1.8m	Cable, 12/3	
5	1001097150	2	Connector, Strain Relief	
6	4460957	1	Block, Terminal	
8	1001181045	1	Breaker, Circuit 30mA/16Amp	

SECTION 8 - ELECTRICAL

FIGURE 8-23. BREAKER BOX KIT WITH TWO BREAKERS - CE SPEC



ART_1001152486

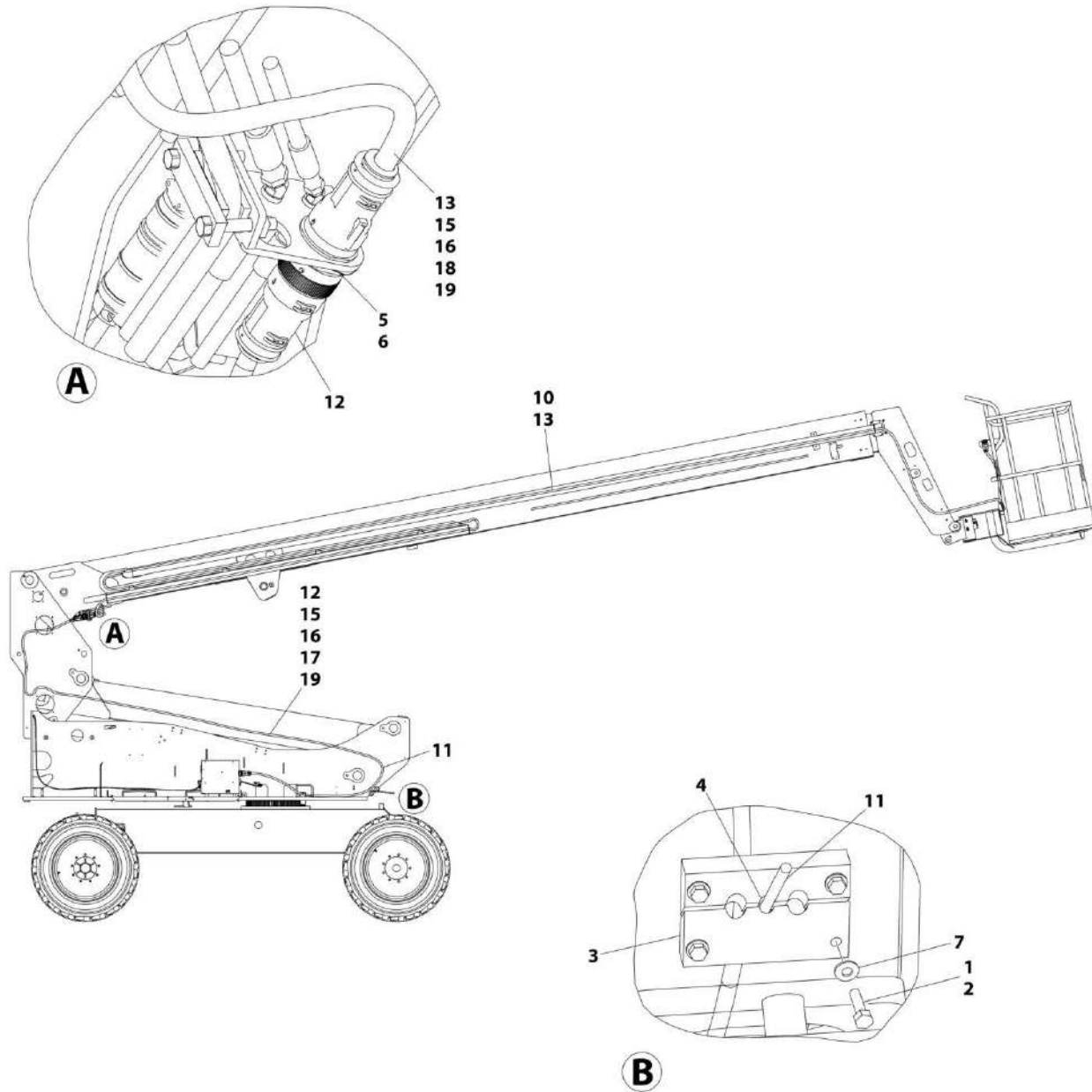
SECTION 8 - ELECTRICAL

FIGURE 8-23. BREAKER BOX KIT WITH TWO BREAKERS - CE SPEC

ITEM	PART NUMBER	QTY	DESCRIPTION	REV
	1001152486	Ref	BREAKER BOX KIT WITH TWO BREAKERS - CE SPEC	B
1	1001189172	1	Breaker, 16 Amp, (Double)	
2	1001152483	1	Box	
3	1060908	12 ft /3.7m	Cable, 12/3	
4	1001097150	2	Connector, Strain Relief	
5	1001189171	1	Breaker, 30mA	

SECTION 8 - ELECTRICAL

FIGURE 8-24. CABLES AND CLAMPS INSTALLATION (E600/M600) (ALL SPECS EXCEPT AUSTRALIAN AND CE SPECS)



ART_1001183534

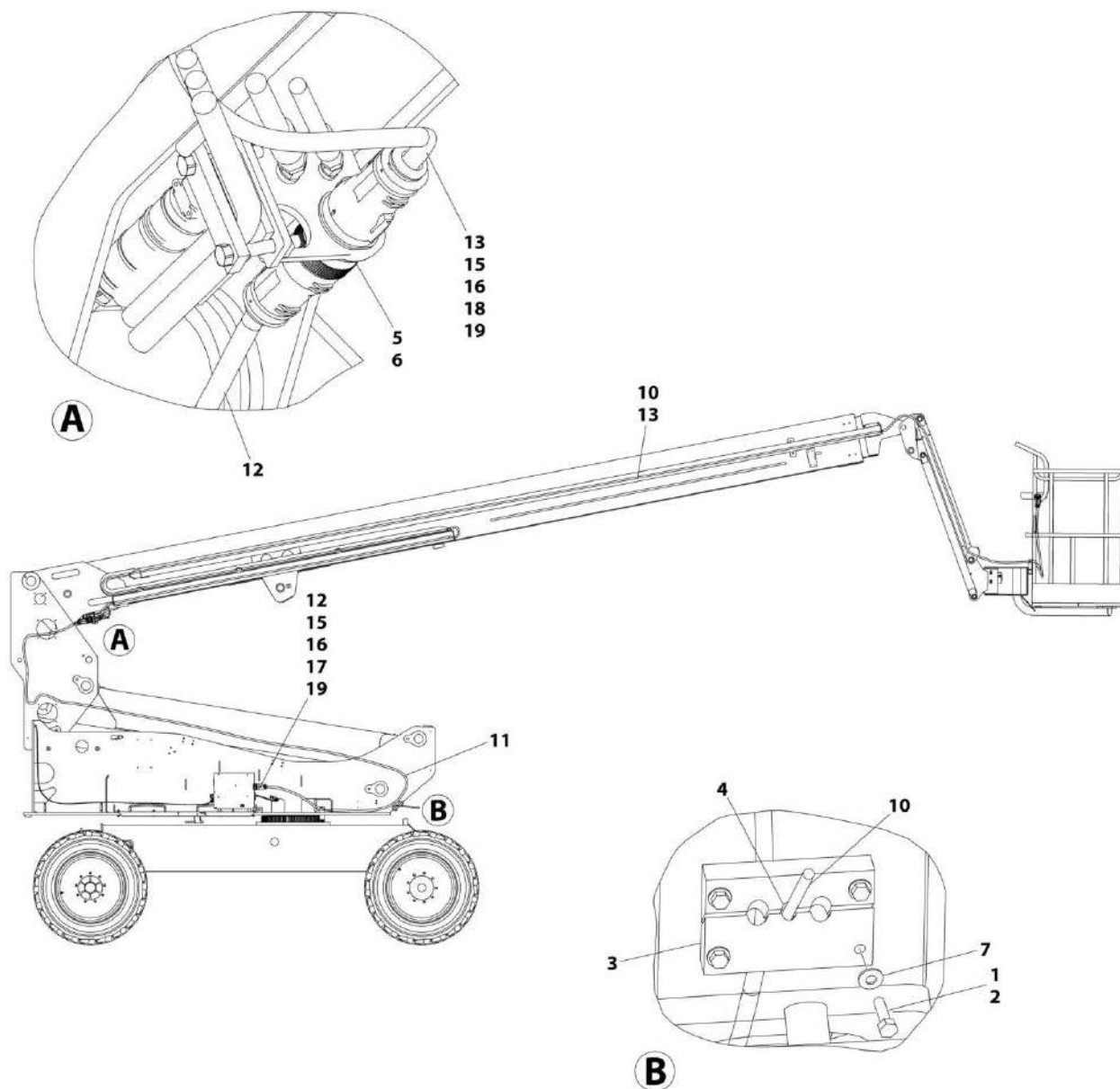
SECTION 8 - ELECTRICAL

FIGURE 8-24. CABLES AND CLAMPS INSTALLATION (E600/M600) (ALL SPECS EXCEPT AUSTRALIAN AND CE SPECS)

ITEM	PART NUMBER	QTY	DESCRIPTION	REV
	1001183534	Ref	CABLES AND CLAMPS INSTALLATION (E600/M600) (ALL SPECS EXCEPT AUSTRALIAN AND CE SPECS)	D
1	0100011	AR	Locking, Compound	
2	0641612	4	Bolt 3/8 x 1-1/2	
3	1320256	1	Clamp, Block	
4	2820029	1	Insulator, Heat Shrink (SN 0300219271 through 0300224945)	
5	1001205044	1	Washer	
6	1001205043	1	Nut	
7	4711600	4	Washer 3/8	
10	4922937	1	Cable, 12/3	
11	4922938	1	Cable, 12/3	
12	1001183882	1	Lower Boom Cable (See LOWER BOOM CABLE for Breakdown)	
13	1001183883	1	Upper Boom Cable (See UPPER BOOM CABLE for Breakdown)	
14	4240033	AR	Tie-Strap (Not Shown)	
15	4460466	AR	Plug, Seal	
16	1001188291	AR	Connector, Backshell	
17	1001188292	1	Connector - 19 Position (SN 0300219271 through 0300224945)	
18	1001188293	1	Connector - 19 Position	
19	1001188354	AR	Grommet	

SECTION 8 - ELECTRICAL

FIGURE 8-25. CABLES AND CLAMPS INSTALLATION (E600J/M600J) (ALL SPECS EXCEPT AUSTRALIAN AND CE SPECS)



ART_1001183535

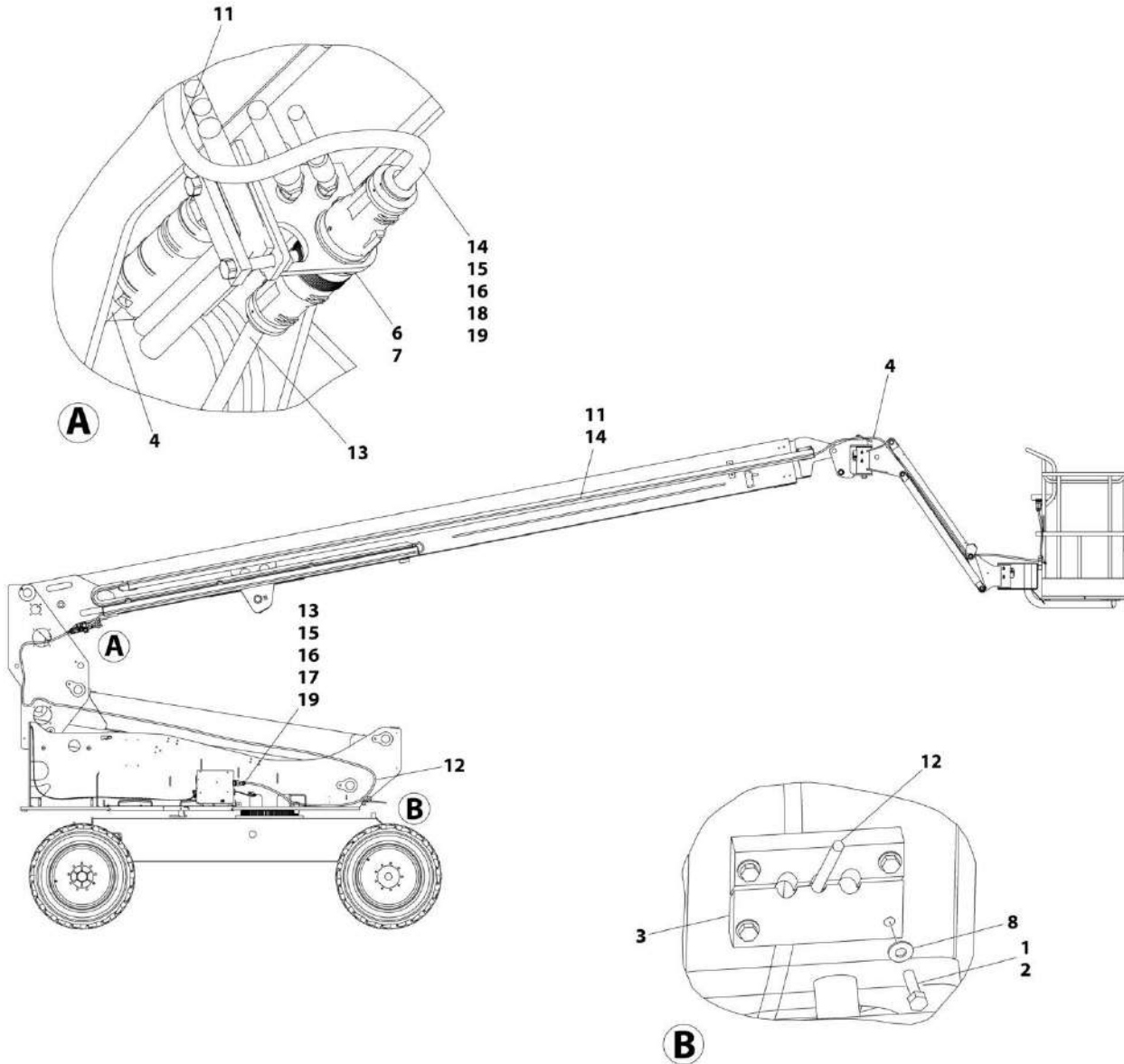
SECTION 8 - ELECTRICAL

FIGURE 8-25. CABLES AND CLAMPS INSTALLATION (E600J/M600J) (ALL SPECS EXCEPT AUSTRALIAN AND CE SPECS)

ITEM	PART NUMBER	QTY	DESCRIPTION	REV
	1001183535	Ref	CABLES AND CLAMPS INSTALLATION (E600J/M600J) (ALL SPECS EXCEPT AUSTRALIAN AND CE SPECS)	D
1	0100011	AR	Locking, Compound	
2	0641612	4	Bolt 3/8 x 1-1/2	
3	1320256	1	Clamp, Block	
4	2820029	1	Insulator, Heat Shrink (SN 0300219271 through 0300224945)	
5	1001205044	1	Washer	
6	1001205043	1	Nut	
7	4711600	4	Washer 3/8	
10	4922937	1	Cable, 12/3	
11	4922938	1	Cable, 12/3	
12	1001183882	1	Lower Boom Cable (See LOWER BOOM CABLE for Breakdown)	
13	1001183885	1	Upper Boom Cable (See UPPER BOOM CABLE for Breakdown)	
14	4240033	AR	Tie-Strap (Not Shown)	
15	4460466	AR	Plug, Seal	
16	1001188291	AR	Connector, Backshell	
17	1001188292	1	Connector - 19 Position (SN 0300219271 through 0300224945)	
18	1001188293	1	Connector - 19 Position	
19	1001188354	AR	Grommet	

SECTION 8 - ELECTRICAL

FIGURE 8-26. CABLES AND CLAMPS INSTALLATION (E600JP/M600JP) (ALL SPECS EXCEPT AUSTRALIAN AND CE SPECS)



ART_1001183536

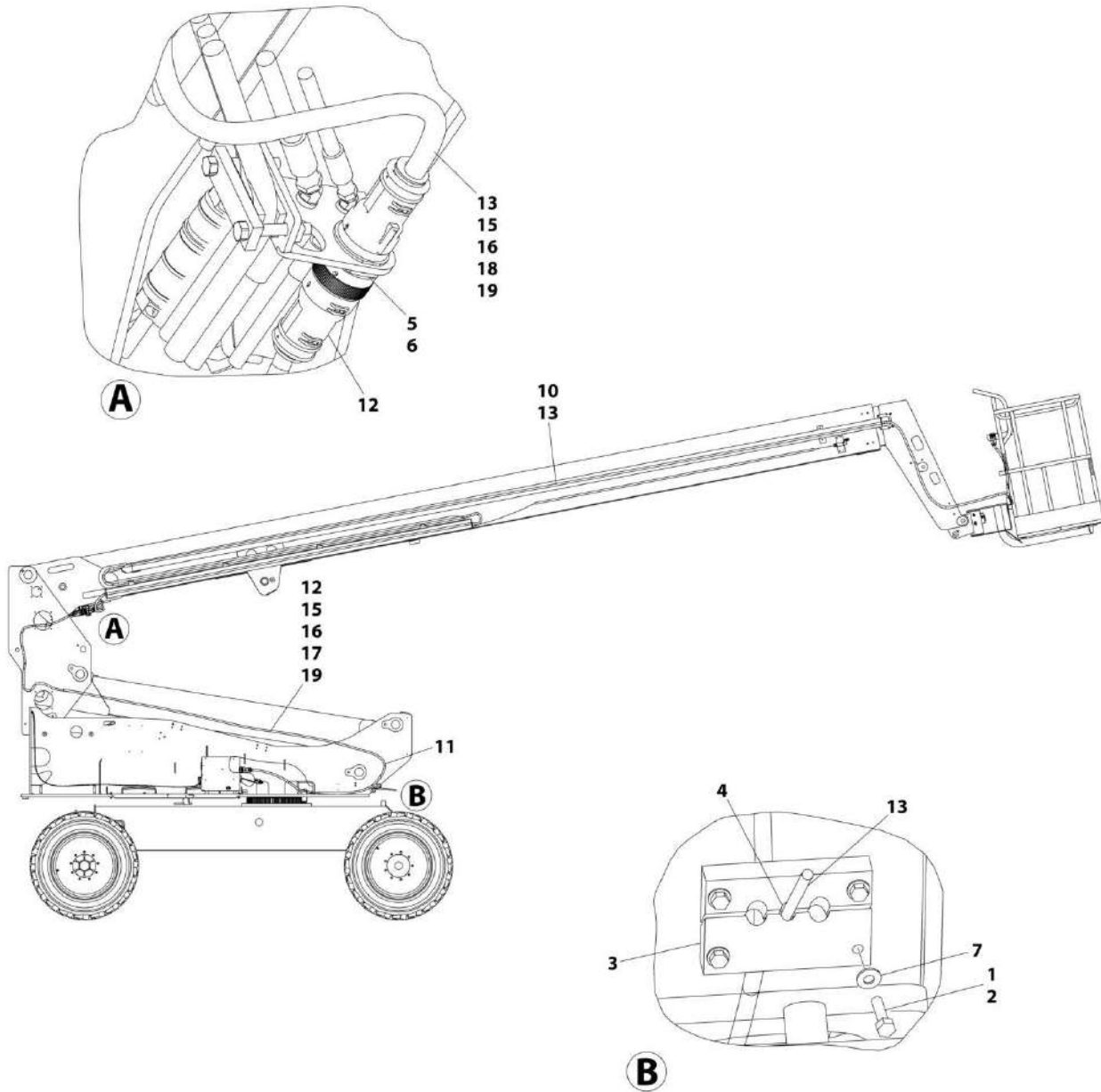
SECTION 8 - ELECTRICAL

FIGURE 8-26. CABLES AND CLAMPS INSTALLATION (E600JP/M600JP) (ALL SPECS EXCEPT AUSTRALIAN AND CE SPECS)

ITEM	PART NUMBER	QTY	DESCRIPTION	REV
	1001183536	Ref	CABLES AND CLAMPS INSTALLATION (E600JP/M600JP) (ALL SPECS EXCEPT AUSTRALIAN AND CE SPECS)	C
1	0100011	AR	Locking, Compound	
2	0641612	4	Bolt 3/8 x 1-1/2	
3	1320256	1	Clamp, Block	
4	4100026	1	Sleeve, Hose Protector	
5	4240033	AR	Tie-Strap (Not Shown)	
6	1001205044	1	Washer	
7	1001205043	1	Nut	
8	4711600	4	Washer 3/8	
11	4922937	1	Cable, 12/3	
12	4922938	1	Cable, 12/3	
13	1001183882	1	Lower Boom Cable (See LOWER BOOM CABLE for Breakdown)	
14	1001183884	1	Upper Boom Cable (See UPPER BOOM CABLE for Breakdown)	
15	4460466	AR	Plug, Seal	
16	1001188291	AR	Connector, Backshell	
17	1001188292	1	Connector - 19 Position (SN 0300219271 through 0300224945)	
18	1001188293	1	Connector - 19 Position	
19	1001188354	AR	Grommet	

SECTION 8 - ELECTRICAL

FIGURE 8-27. CABLES AND CLAMPS INSTALLATION (E600/M600) (AUSTRALIAN SPECS AND CE SPECS)



ART_1001183537

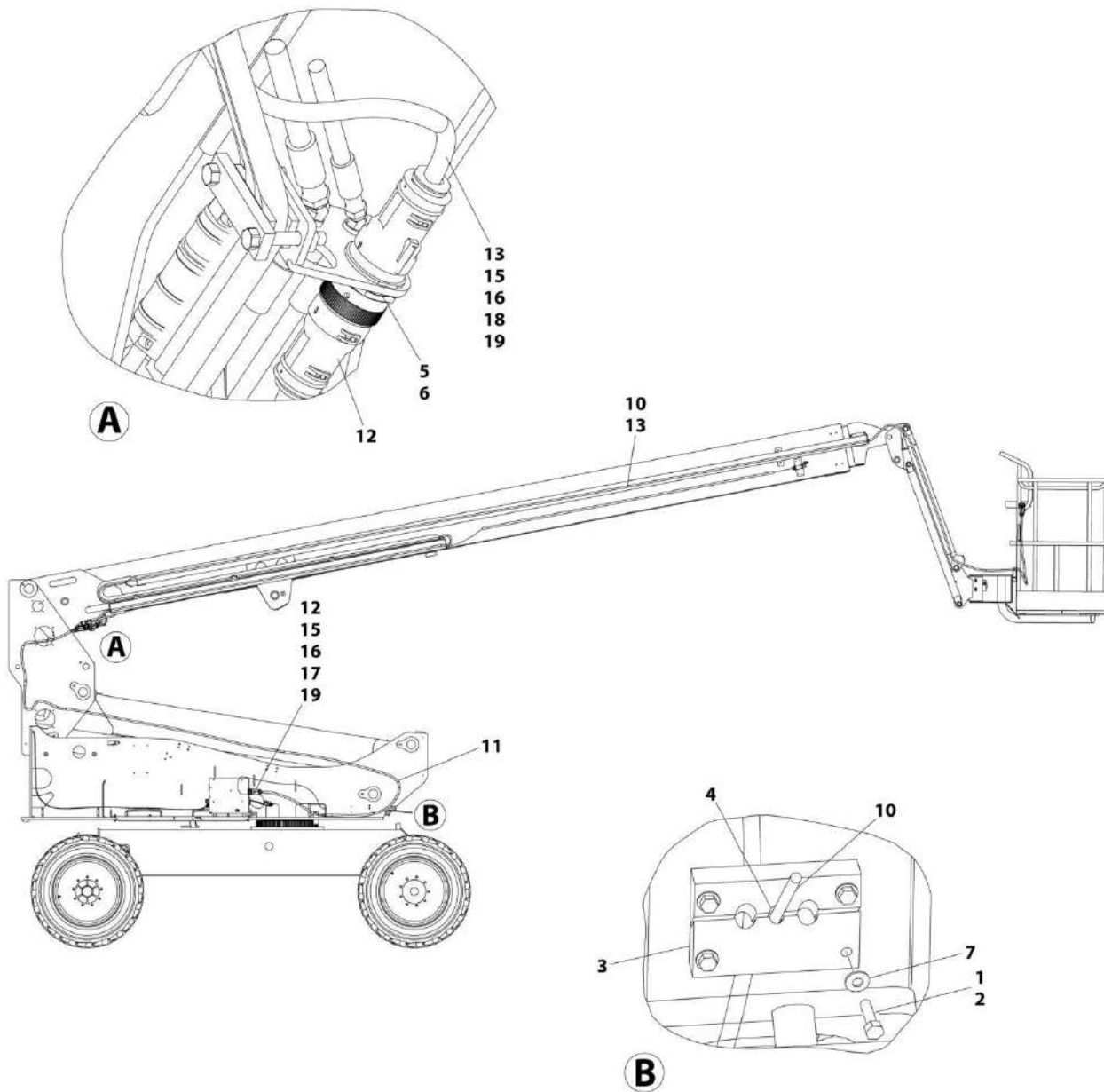
SECTION 8 - ELECTRICAL

FIGURE 8-27. CABLES AND CLAMPS INSTALLATION (E600/M600) (AUSTRALIAN SPECS AND CE SPECS)

ITEM	PART NUMBER	QTY	DESCRIPTION	REV
	1001183537	Ref	CABLES AND CLAMPS INSTALLATION (E600/M600) (AUSTRALIAN SPECS AND CE SPECS)	D
1	0100011	AR	Locking, Compound	
2	0641612	4	Bolt 3/8 x 1-1/2	
3	1320256	1	Clamp, Block	
4	2820029	1	Insulator, Heat Shrink (SN 0300219271 through 0300224945)	
5	1001205044	1	Washer	
6	1001205043	1	Nut	
7	4711600	4	Washer 3/8	
10	4922939	1	Cable, 12/3	
11	4922940	1	Cable, 12/3	
12	1001183882	1	Lower Boom Cable (See LOWER BOOM CABLE for Breakdown)	
13	1001183883	1	Upper Boom Cable (See UPPER BOOM CABLE for Breakdown)	
14	4240033	AR	Tie-Strap (Not Shown)	
15	4460466	AR	Plug, Seal	
16	1001188291	AR	Connector, Backshell	
17	1001188292	1	Connector - 19 Position (SN 0300219271 through 0300224945)	
18	1001188293	1	Connector - 19 Position	
19	1001188354	AR	Grommet	

SECTION 8 - ELECTRICAL

FIGURE 8-28. CABLES AND CLAMPS INSTALLATION (E600J/M600J) (AUSTRALIAN SPECS AND CE SPECS)



ART_1001183538

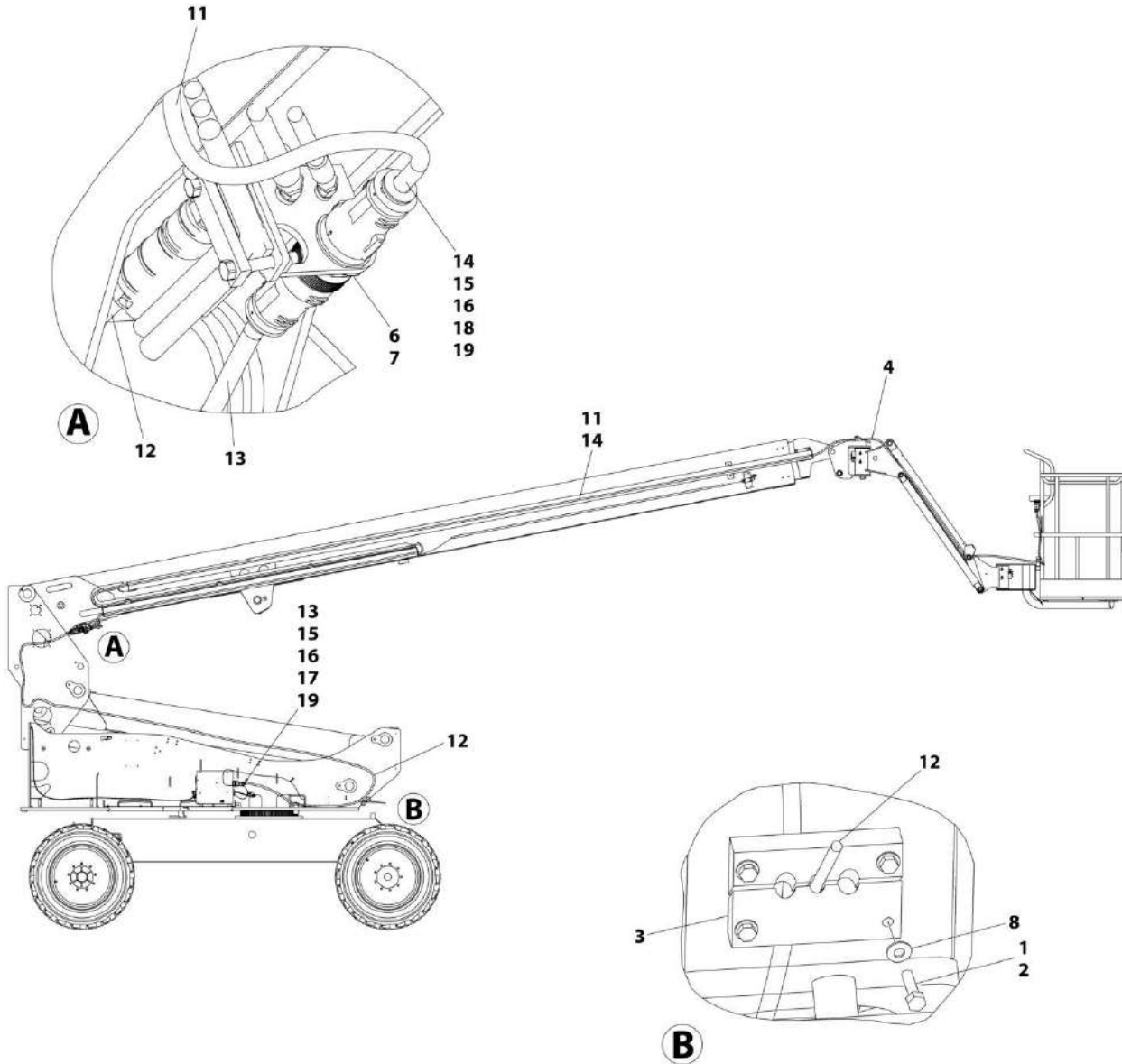
SECTION 8 - ELECTRICAL

FIGURE 8-28. CABLES AND CLAMPS INSTALLATION (E600J/M600J) (AUSTRALIAN SPECS AND CE SPECS)

ITEM	PART NUMBER	QTY	DESCRIPTION	REV
	1001183538	Ref	CABLES AND CLAMPS INSTALLATION (E600J/M600J) (AUSTRALIAN SPECS AND CE SPECS)	D
1	0100011	AR	Locking, Compound	
2	0641612	4	Bolt 3/8 x 1-1/2	
3	1320256	1	Clamp, Block	
4	2820029	1	Insulator, Heat Shrink (SN 0300219271 through 0300224945)	
5	1001205044	1	Washer	
6	1001205043	1	Nut	
7	4711600	4	Washer 3/8	
10	4922939	1	Cable, 12/3	
11	4922940	1	Cable, 12/3	
12	1001183882	1	Lower Boom Cable (See LOWER BOOM CABLE for Breakdown)	
13	1001183885	1	Upper Boom Cable (See UPPER BOOM CABLE for Breakdown)	
14	4240033	AR	Tie-Strap (Not Shown)	
15	4460466	AR	Plug, Seal	
16	1001188291	AR	Connector, Backshell	
17	1001188292	1	Connector - 19 Position (SN 0300219271 through 0300224945)	
18	1001188293	1	Connector - 19 Position	
19	1001188354	AR	Grommet	

SECTION 8 - ELECTRICAL

FIGURE 8-29. CABLES AND CLAMPS INSTALLATION (E600JP/M600JP) (AUSTRALIAN SPECS AND CE SPECS)



ART_1001183539

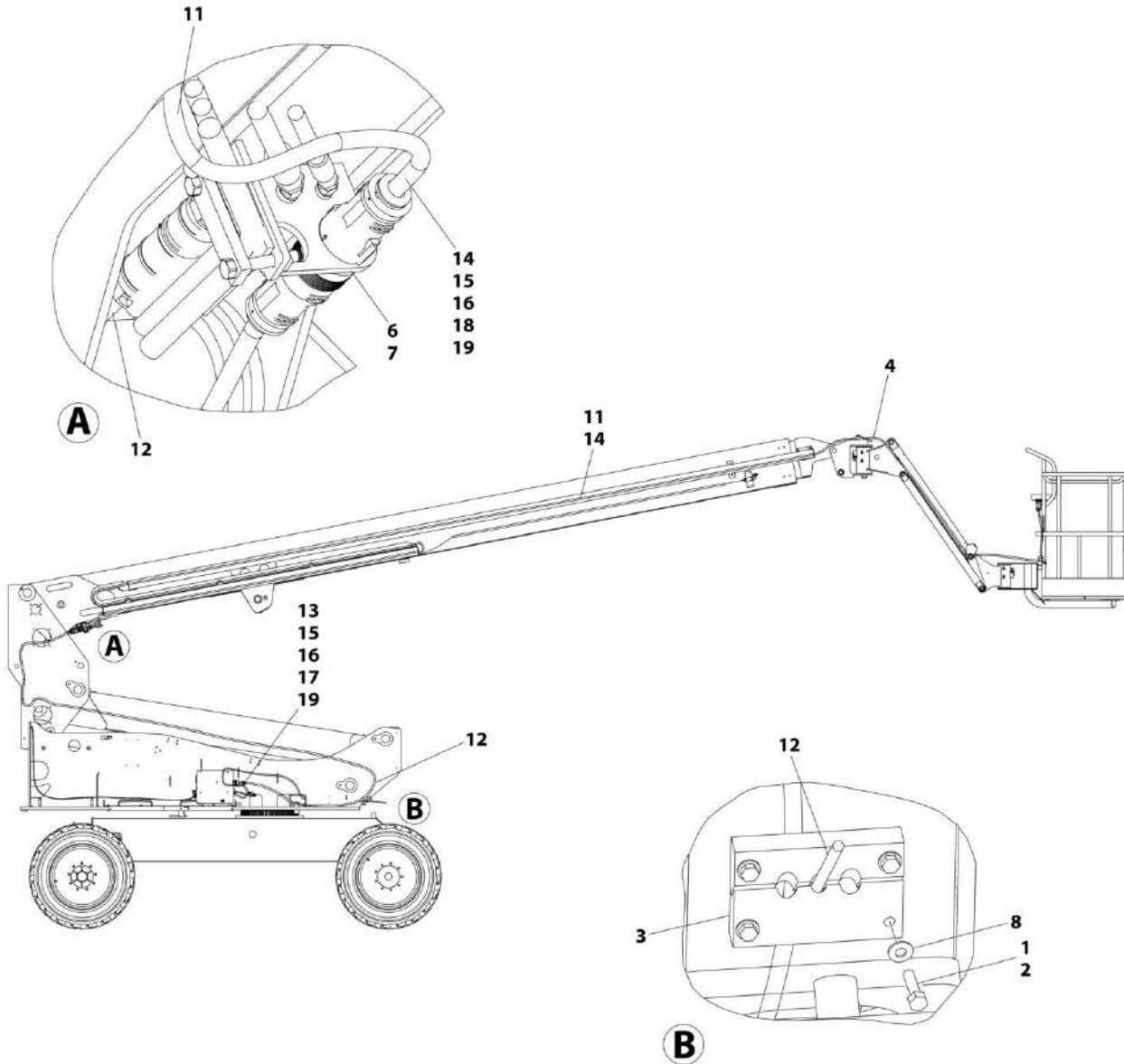
SECTION 8 - ELECTRICAL

FIGURE 8-29. CABLES AND CLAMPS INSTALLATION (E600JP/M600JP) (AUSTRALIAN SPECS AND CE SPECS)

ITEM	PART NUMBER	QTY	DESCRIPTION	REV
	1001183539	Ref	CABLES AND CLAMPS INSTALLATION (E600JP/M600JP) (AUSTRALIAN SPECS AND CE SPECS)	C
1	0100011	AR	Locking, Compound	
2	0641612	4	Bolt 3/8 x 1-1/2	
3	1320256	1	Clamp, Block	
4	4100026	1	Sleeve, Hose Protector	
5	4240033	AR	Tie-Strap (Not Shown)	
6	1001205044	1	Washer	
7	1001205043	1	Nut	
8	4711600	4	Washer 3/8	
11	4922939	1	Cable, 12/3	
12	4922940	1	Cable, 12/3	
13	1001183882	1	Lower Boom Cable (See LOWER BOOM CABLE for Breakdown)	
14	1001183884	1	Upper Boom Cable (See UPPER BOOM CABLE for Breakdown)	
15	4460466	AR	Plug, Seal	
16	1001188291	AR	Connector, Backshell	
17	1001188292	1	Connector - 19 Position (SN 0300219271 through 0300224945)	
18	1001188293	1	Connector - 19 Position	
19	1001188354	AR	Grommet	

SECTION 8 - ELECTRICAL

FIGURE 8-30. CABLES AND CLAMPS INSTALLATION (E600JP/M600JP) (AUSTRALIAN SPECS AND CE SPECS)



ART_1001183540

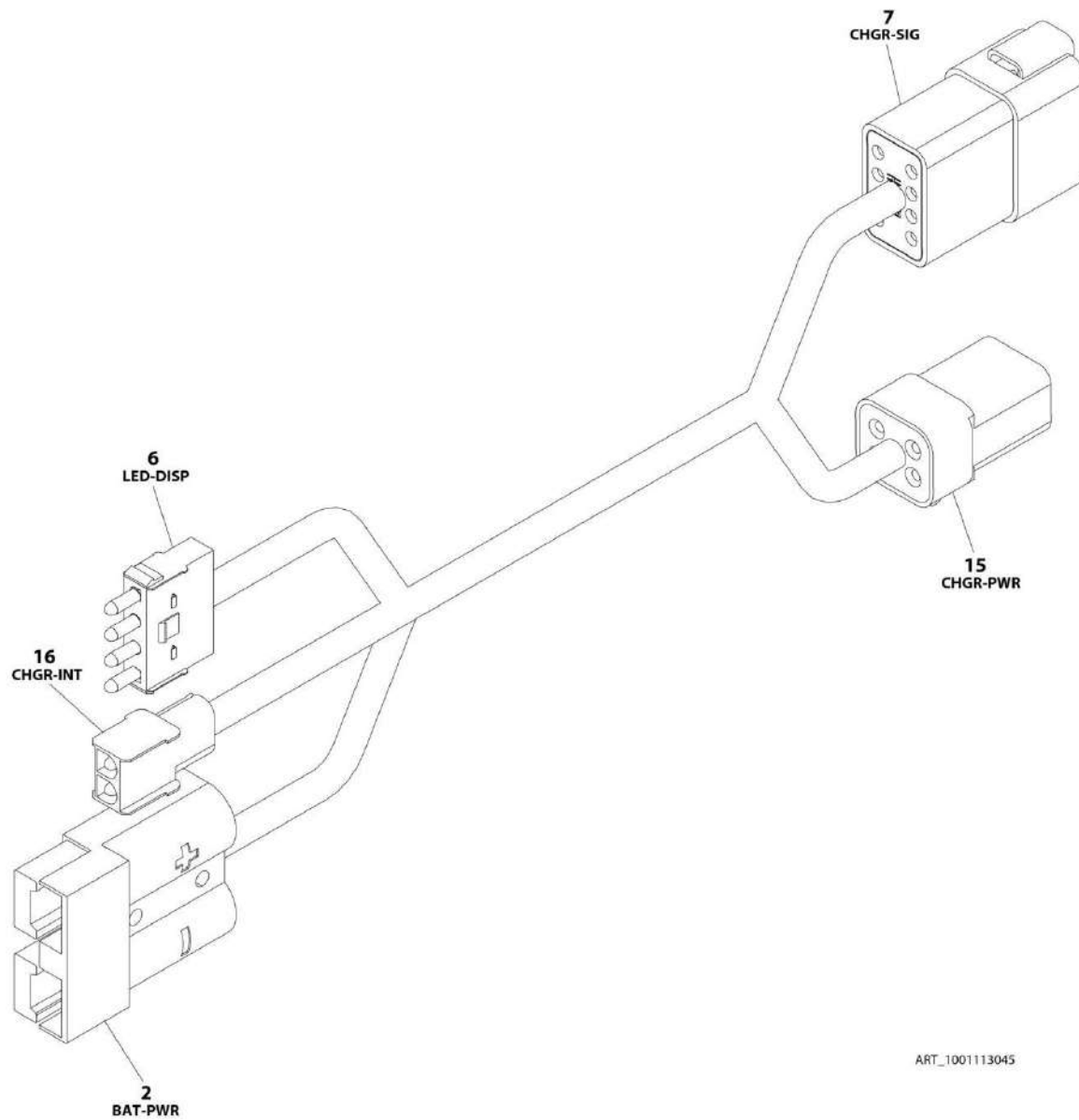
SECTION 8 - ELECTRICAL

FIGURE 8-30. CABLES AND CLAMPS INSTALLATION (E600JP/M600JP) (AUSTRALIAN SPECS AND CE SPECS)

ITEM	PART NUMBER	QTY	DESCRIPTION	REV
	1001183540	Ref	CABLES AND CLAMPS INSTALLATION (E600JP/M600JP) (AUSTRALIAN SPECS AND CE SPECS)	C
1	0100011	AR	Locking, Compound	
2	0641612	4	Bolt 3/8 x 1-1/2	
3	1320256	1	Clamp, Block	
4	4100026	1	Sleeve, Hose Protector	
5	4240033	AR	Tie-Strap (Not Shown)	
6	1001205044	1	Washer	
7	1001205043	1	Nut	
8	4711600	4	Washer 3/8	
11	4922939	2	Cable, 12/3	
12	4922940	2	Cable, 12/3	
13	1001183882	1	Lower Boom Cable (See LOWER BOOM CABLE for Breakdown)	
14	1001183884	1	Upper Boom Cable (See UPPER BOOM CABLE for Breakdown)	
15	4460466	AR	Plug, Seal	
16	1001188291	AR	Connector, Backshell	
17	1001188292	1	Connector - 19 Position (SN 0300219271 through 0300224945)	
18	1001188293	1	Connector - 19 Position	
19	1001188354	AR	Grommet	

SECTION 8 - ELECTRICAL

FIGURE 8-31. CHARGER CONNECT HARNESS



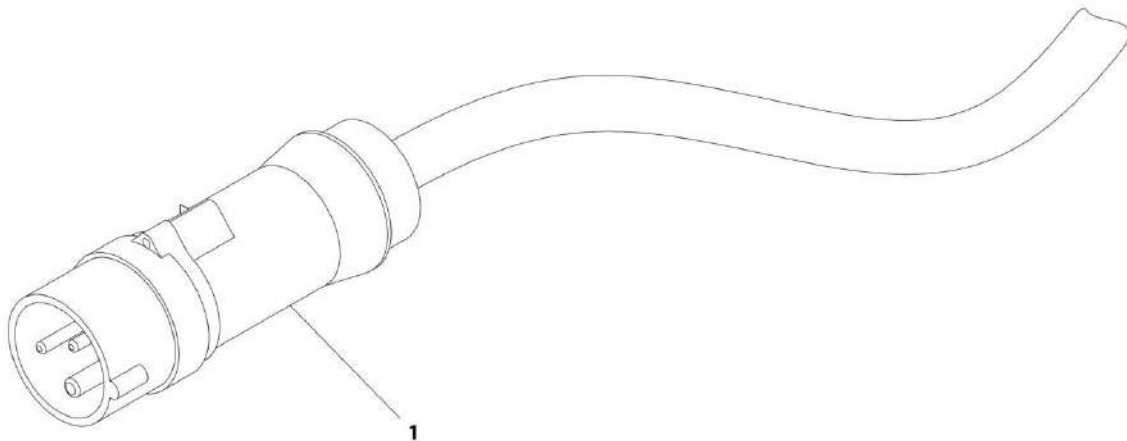
SECTION 8 - ELECTRICAL

FIGURE 8-31. CHARGER CONNECT HARNESS

ITEM	PART NUMBER	QTY	DESCRIPTION	REV
	1001113045	Ref	CHARGER CONNECT HARNESS	C
2	4460444	1	Connector, Anderson	
6	4460761	1	Connector, Female - 4 Position	
6	4460227	4	Socket, Female	
7	4460931	1	Connector - 8 Position	
7	4460464	6	Pin, Male	
7	4460466	2	Plug, Seal	
15	1001096188	1	Connector - 4 Position	
15	4460466	2	Plug, Seal	
15	4460509	2	Socket, Female	
16	4460424	1	Connector - 2 Position	
16	4460227	2	Socket, Female	

SECTION 8 - ELECTRICAL

FIGURE 8-32. CHARGER CORD PLUG INSTALLATION - 110V - IEC 60309 - YELLOW (CE SPEC)



ART_0275666

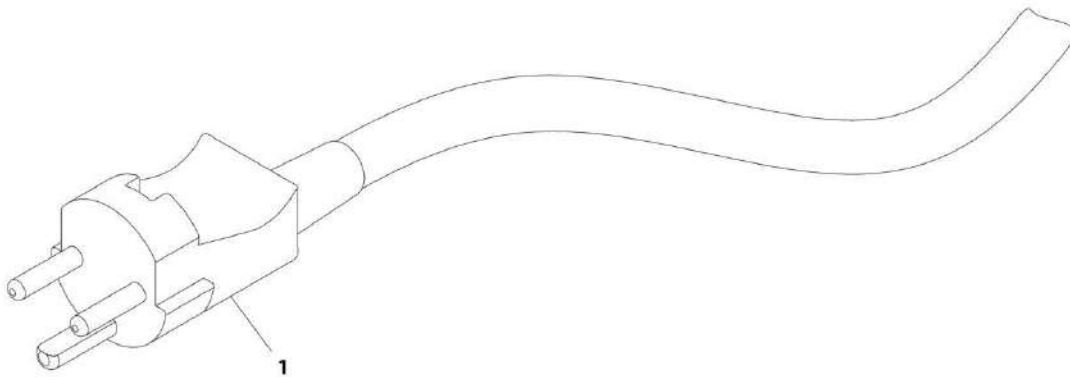
SECTION 8 - ELECTRICAL

FIGURE 8-32. CHARGER CORD PLUG INSTALLATION - 110V - IEC 60309 - YELLOW (CE SPEC)

ITEM	PART NUMBER	QTY	DESCRIPTION	REV
	0275666	Ref	CHARGER CORD PLUG INSTALLATION - 110V - IEC 60309 - YELLOW (CE SPEC)	A
1	4461196	1	Plug	

SECTION 8 - ELECTRICAL

FIGURE 8-33. CHARGER CORD PLUG INSTALLATION - 220V - AFSINT 107 KEYED GROUND (CE SPEC)



.ART_0275665

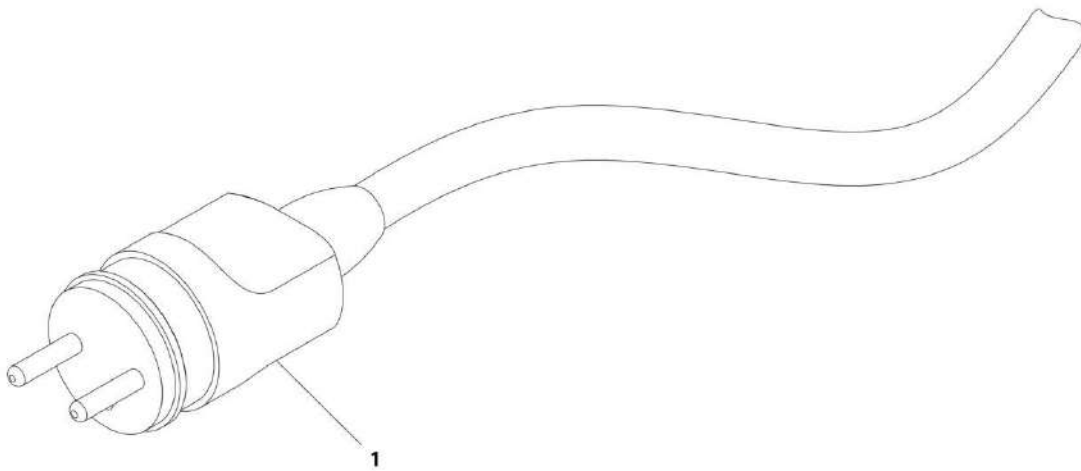
SECTION 8 - ELECTRICAL

FIGURE 8-33. CHARGER CORD PLUG INSTALLATION - 220V - AFSINT 107 KEYED GROUND (CE SPEC)

ITEM	PART NUMBER	QTY	DESCRIPTION	REV
	0275665	Ref	CHARGER CORD PLUG INSTALLATION - 220V - AFSINT 107 KEYED GROUND (CE SPEC)	A
1	4461249	1	Plug	

SECTION 8 - ELECTRICAL

FIGURE 8-34. CHARGER CORD PLUG INSTALLATION - 220V - CEE7 POST GROUND (CE SPEC)



ART_0275663

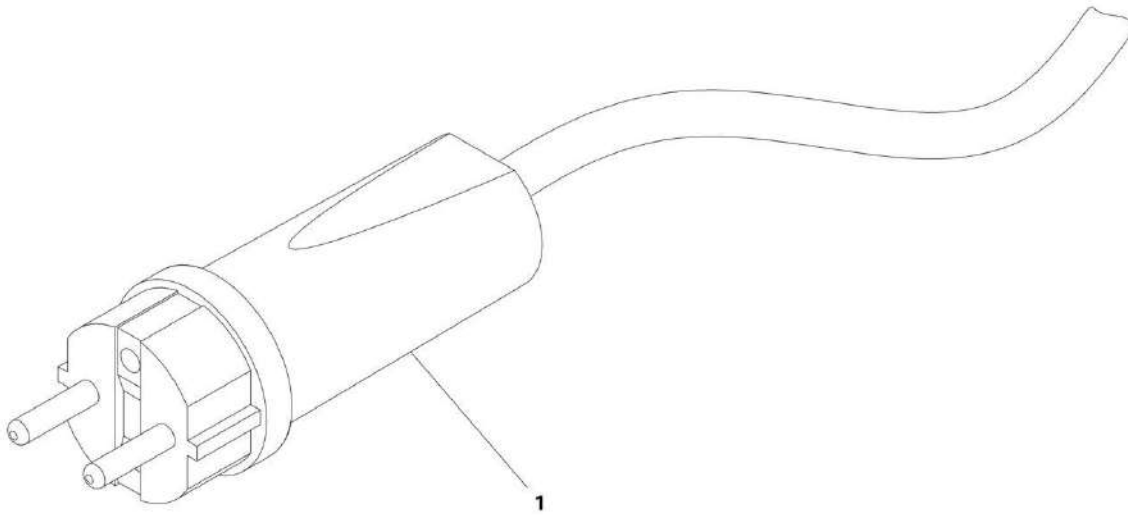
SECTION 8 - ELECTRICAL

FIGURE 8-34. CHARGER CORD PLUG INSTALLATION - 220V - CEE7 POST GROUND (CE SPEC)

ITEM	PART NUMBER	QTY	DESCRIPTION	REV
	0275663	Ref	CHARGER CORD PLUG INSTALLATION - 220V - CEE7 POST GROUND (CE SPEC)	A
1	4461202	1	Plug	

SECTION 8 - ELECTRICAL

FIGURE 8-35. CHARGER CORD PLUG INSTALLATION - 220V - CEE7 SIDE GROUND (CE SPEC)



ART_0275664

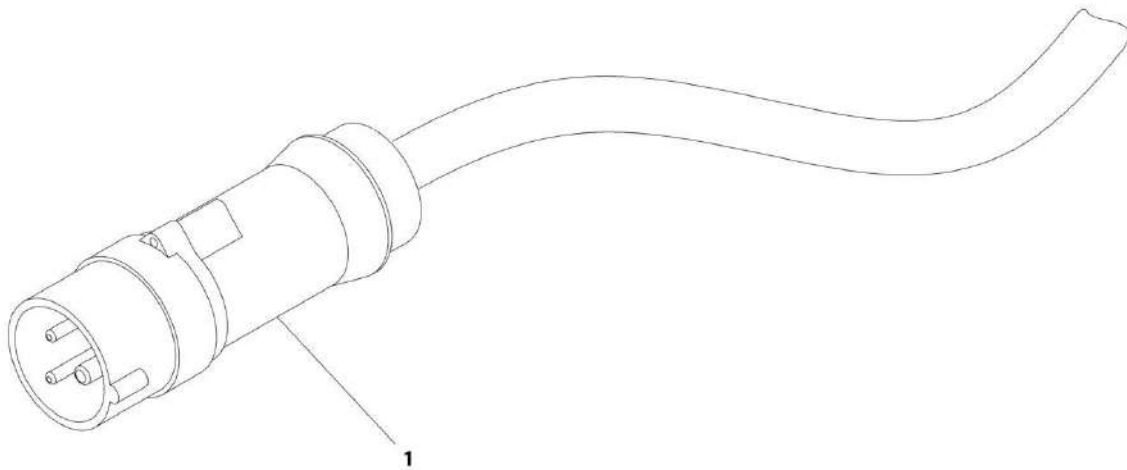
SECTION 8 - ELECTRICAL

FIGURE 8-35. CHARGER CORD PLUG INSTALLATION - 220V - CEE7 SIDE GROUND (CE SPEC)

ITEM	PART NUMBER	QTY	DESCRIPTION	REV
	0275664	Ref	CHARGER CORD PLUG INSTALLATION - 220V - CEE7 SIDE GROUND (CE SPEC)	A
1	4461205	1	Plug	

SECTION 8 - ELECTRICAL

FIGURE 8-36. CHARGER CORD PLUG INSTALLATION - 220V - IEC 60309 - BLUE (CE SPEC)



ART_0275667

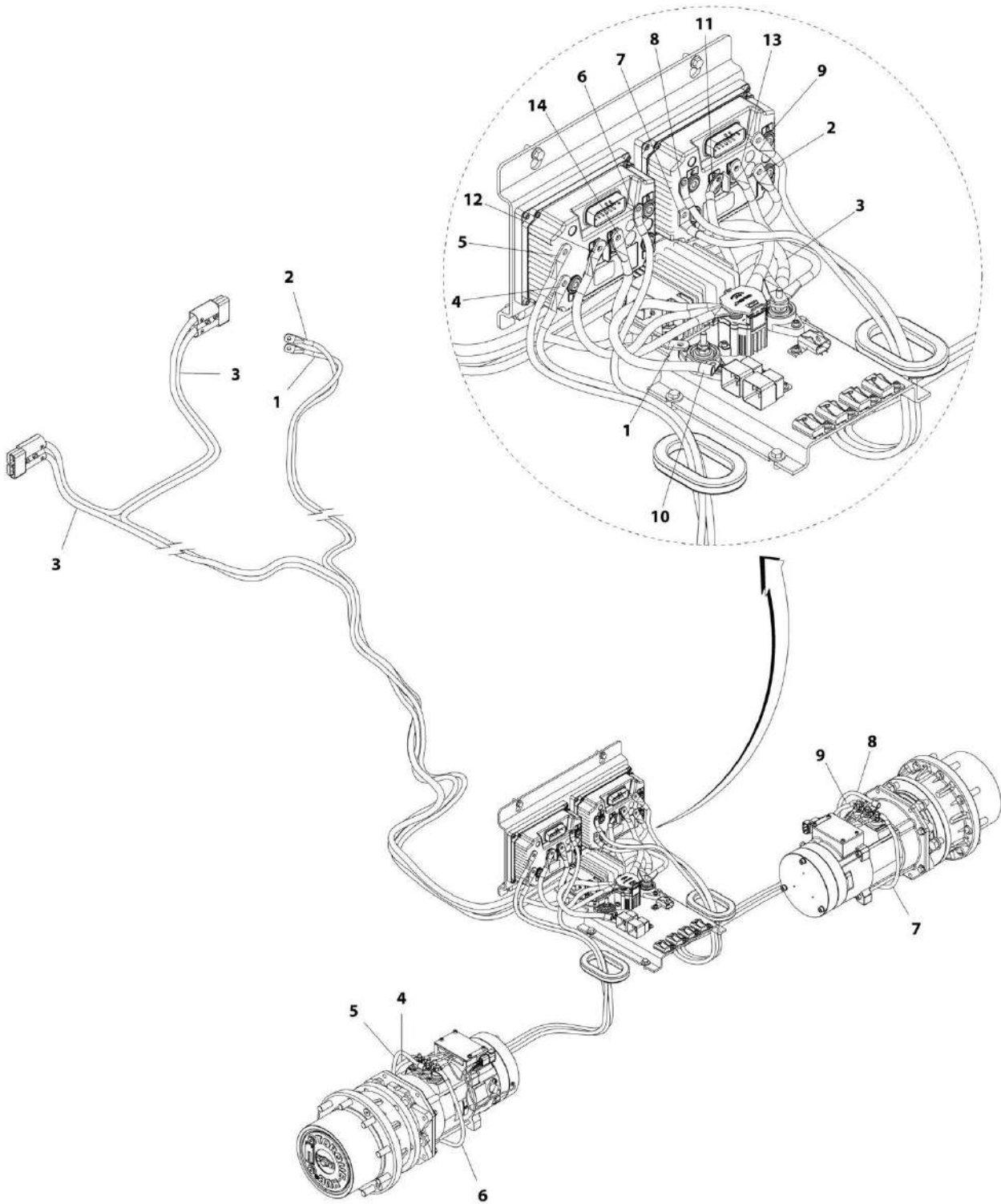
SECTION 8 - ELECTRICAL

FIGURE 8-36. CHARGER CORD PLUG INSTALLATION - 220V - IEC 60309 - BLUE (CE SPEC)

ITEM	PART NUMBER	QTY	DESCRIPTION	REV
	0275667	Ref	CHARGER CORD PLUG INSTALLATION - 220V - IEC 60309 - BLUE (CE SPEC)	A
1	4461199	1	Plug	

SECTION 8 - ELECTRICAL

FIGURE 8-37. DRIVE CABLE KIT (NON UL SPECS)



ART_1001196485

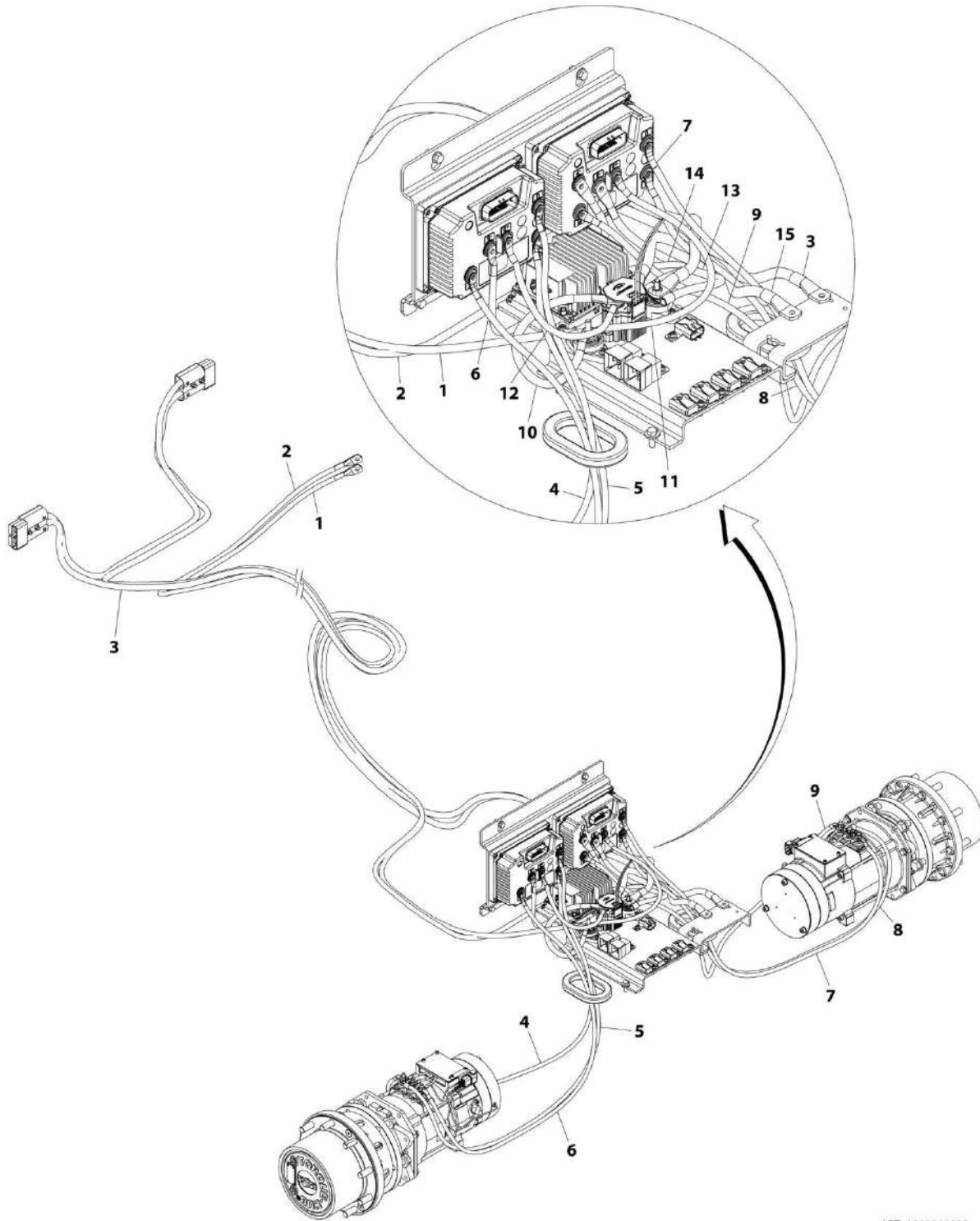
SECTION 8 - ELECTRICAL

FIGURE 8-37. DRIVE CABLE KIT (NON UL SPECS)

ITEM	PART NUMBER	QTY	DESCRIPTION	REV
	1001196485	Ref	DRIVE CABLE KIT (NON UL SPECS)	D
1	1001179499	1	Cable - Pump Motor + to Fuse	
2	1001179500	1	Cable - Pump Motor - to LH Module P	
3	1001182996	1	Cable - Battery	
4	1001196061	1	Cable - LH Motor U	
5	1001196062	1	Cable - LH Motor V	
6	1001196063	1	Cable - LH Motor W	
7	1001196065	1	Cable - RH Motor U	
8	1001196066	1	Cable - RH Motor V	
9	1001196067	1	Cable - RH Motor W	
10	1001196237	1	Cable - Contactor to Fuse	
11	1001196238	1	Cable - RH Zapi +	
12	1001196239	1	Cable - LH Zapi +	
13	1001196240	1	Cable - RH Zapi -	
14	1001196241	1	Cable - LH Zapi -	

SECTION 8 - ELECTRICAL

FIGURE 8-38. DRIVE CABLE KIT (UL SPECS)



ART_1001214800

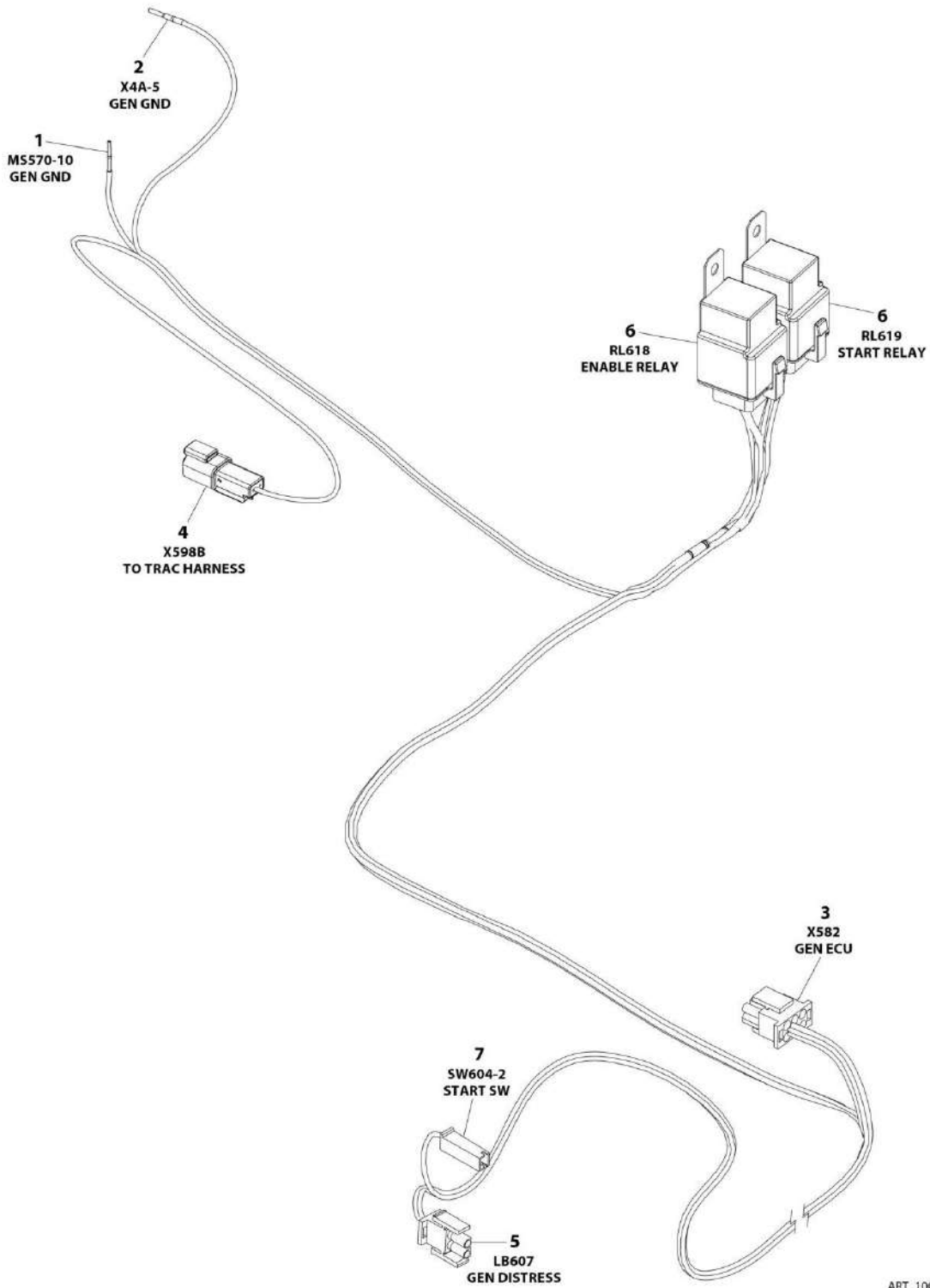
SECTION 8 - ELECTRICAL

FIGURE 8-38. DRIVE CABLE KIT (UL SPECS)

ITEM	PART NUMBER	QTY	DESCRIPTION	REV
	1001214800	Ref	DRIVE CABLE KIT (UL SPECS)	C
1	1001179499	1	Cable - Pump Motor + to Fuse	
2	1001179500	1	Cable - Pump Motor - to LH Module P	
3	1001182996	1	Cable - Battery	
4	1001196061	1	Cable - LH Motor U	
5	1001196062	1	Cable - LH Motor V	
6	1001196063	1	Cable - LH Motor W	
7	1001196065	1	Cable - RH Motor U	
8	1001196066	1	Cable - RH Motor V	
9	1001196067	1	Cable - RH Motor W	
10	1001196237	1	Cable - Contactor to Fuse	
11	1001196238	1	Cable - RH Zapi +	
12	1001196239	1	Cable - LH Zapi +	
13	1001196240	1	Cable - RH Zapi -	
14	1001196241	1	Cable - LH Zapi -	
15	1001214801	1	Cable - Drive Jumper	

SECTION 8 - ELECTRICAL

FIGURE 8-39. GENERATOR HARNESS



ART_1001199409

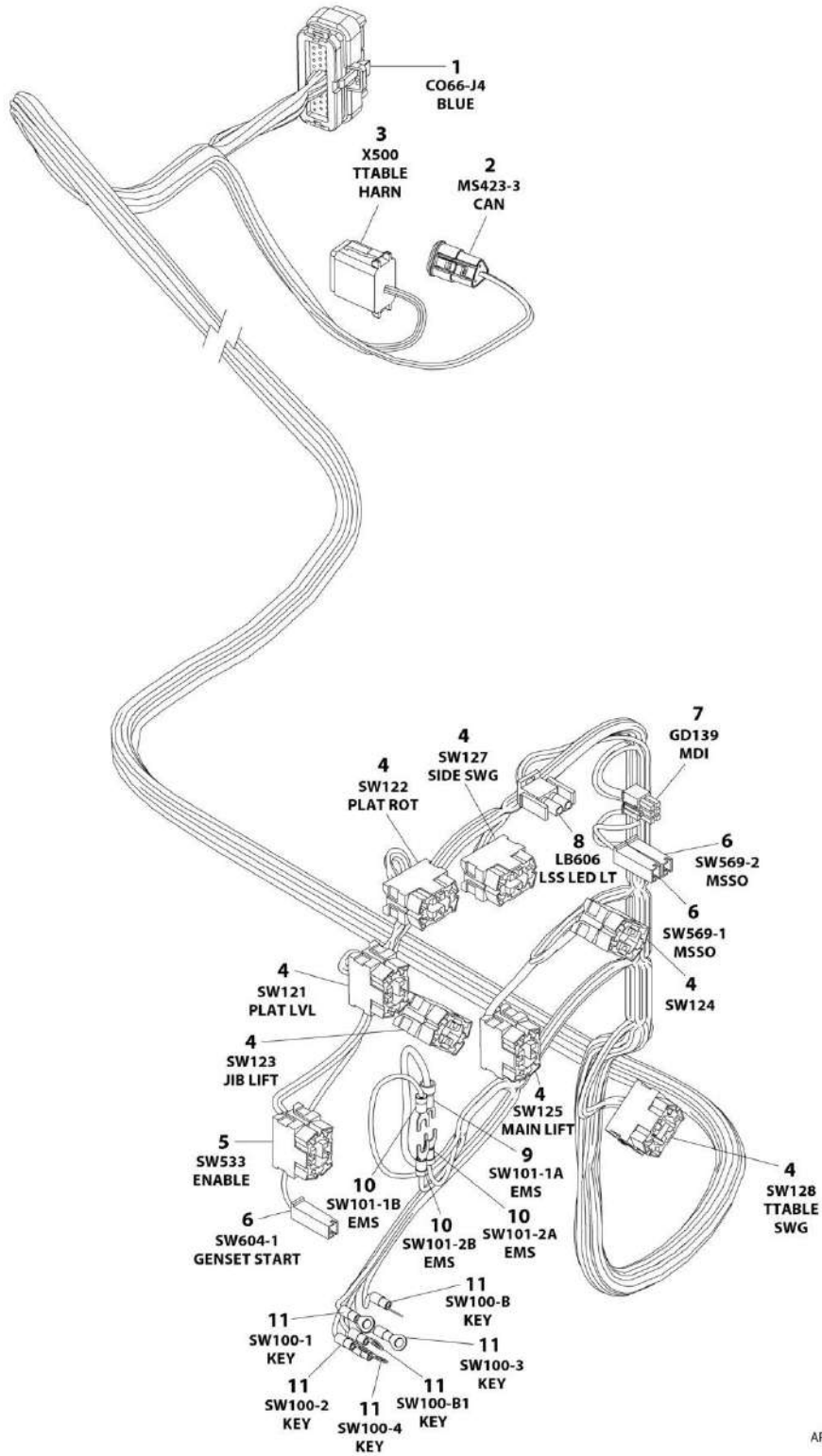
SECTION 8 - ELECTRICAL

FIGURE 8-39. GENERATOR HARNESS

ITEM	PART NUMBER	QTY	DESCRIPTION	REV
	1001199409	Ref	GENERATOR HARNESS	C
1	4460465	1	Socket, Female	
2	4460464	1	Pin, Male	
3	4460225	1	Plug, Male - 6 Position	
3	4460267	5	Pin, Male	
4	4460897	1	Connector - 2 Position	
4	4460464	1	Pin, Male	
4	4460466	1	Plug, Seal	
5	4460320	1	Connector - 2 Position	
5	4460227	2	Pin, Male	
6	3740080	2	Relay	
6	1001203734	2	Plug, Relay	
6	1001116733	4	Terminal	
6	1001116732	4	Terminal	
7	4460260	1	Housing, Terminal	
7	4460259	1	Terminal	

SECTION 8 - ELECTRICAL

FIGURE 8-40. GROUND CONTROL HARNESS



ART_1001182477

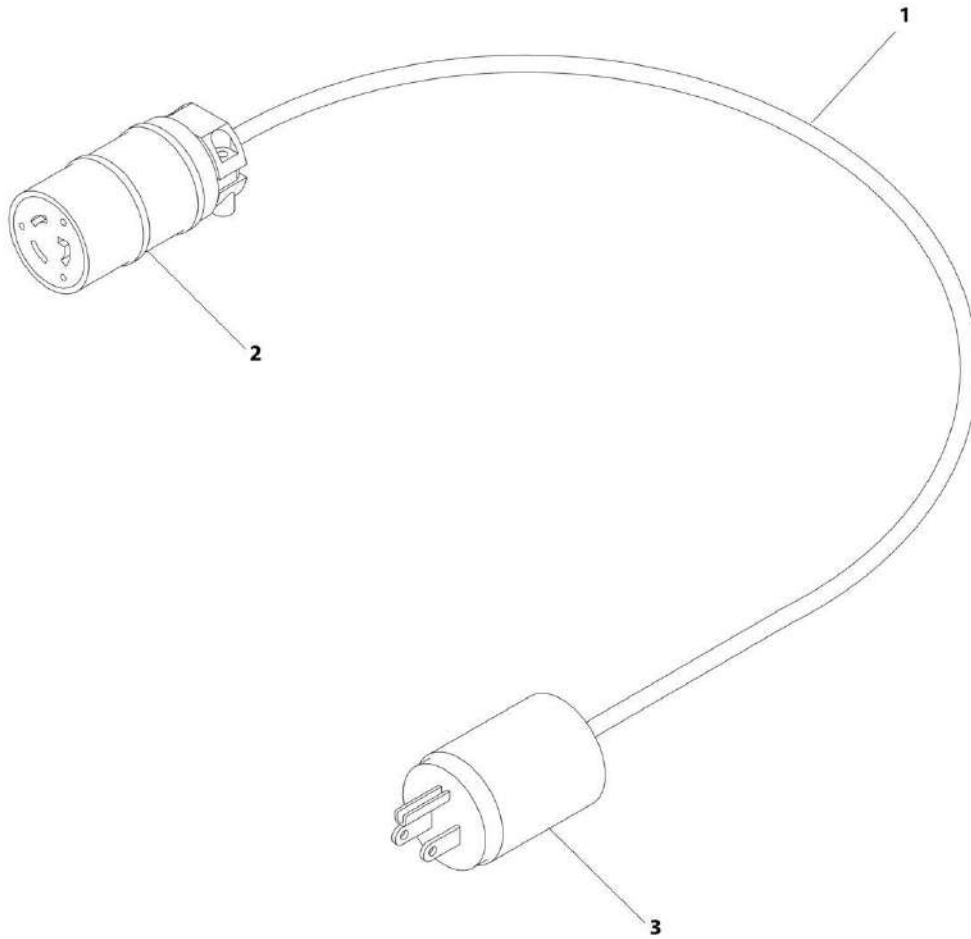
SECTION 8 - ELECTRICAL

FIGURE 8-40. GROUND CONTROL HARNESS

ITEM	PART NUMBER	QTY	DESCRIPTION	REV
	1001182477	Ref	GROUND CONTROL HARNESS	E
1	4460876	1	Connector - 35 Position	
1	4460871	20	Socket, Female	
1	4460905	15	Plug, Terminal	
2	1001116812	1	Connector - 3 Position	
2	4460944	2	Socket, Female	
2	4460466	1	Plug, Seal	
3	4460930	1	Connector - 8 Position	
3	1001116692	7	Socket, Female	
3	4460466	1	Plug, Seal	
4	4460418	7	Connector - 6 Position	
4	4460419	14	Terminal	
4	1001159186	14	Terminal	
5	4460418	1	Connector - 6 Position	
5	4460419	2	Terminal	
5	1001159186	1	Terminal	
6	4460260	3	Housing, Terminal	
6	4460259	3	Terminal	
7	4460868	1	Connector - 6 Position	
7	4460877	4	Socket, Female	
8	4460320	1	Connector - 2 Position	
8	4460227	1	Pin, Male	
8	4460267	2	Pin, Male	
9	4460806	1	Terminal, Fork	
10	4460183	3	Terminal, Fork	
11	4460313	6	Terminal, Ring	

SECTION 8 - ELECTRICAL

FIGURE 8-41. INVERTER HARNESS



ART_4922390

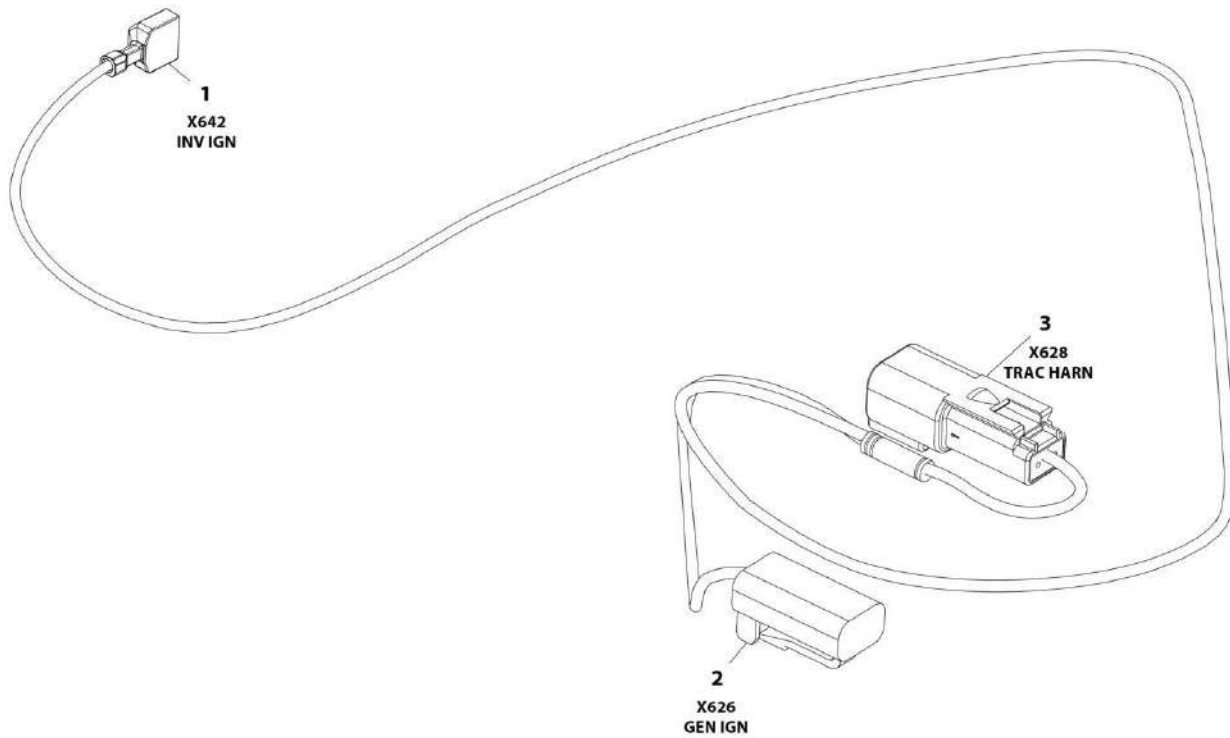
SECTION 8 - ELECTRICAL

FIGURE 8-41. INVERTER HARNESS

ITEM	PART NUMBER	QTY	DESCRIPTION	REV
1	4922390 1060494	Ref 75 in/ 190.5cm	INVERTER HARNESS Cable 12/3	C
2	4460134	1	Receptacle, Female	
3	4460138	1	Plug, Connector	

SECTION 8 - ELECTRICAL

FIGURE 8-42. INVERTER IGNITION HARNESS



ART_1001192293

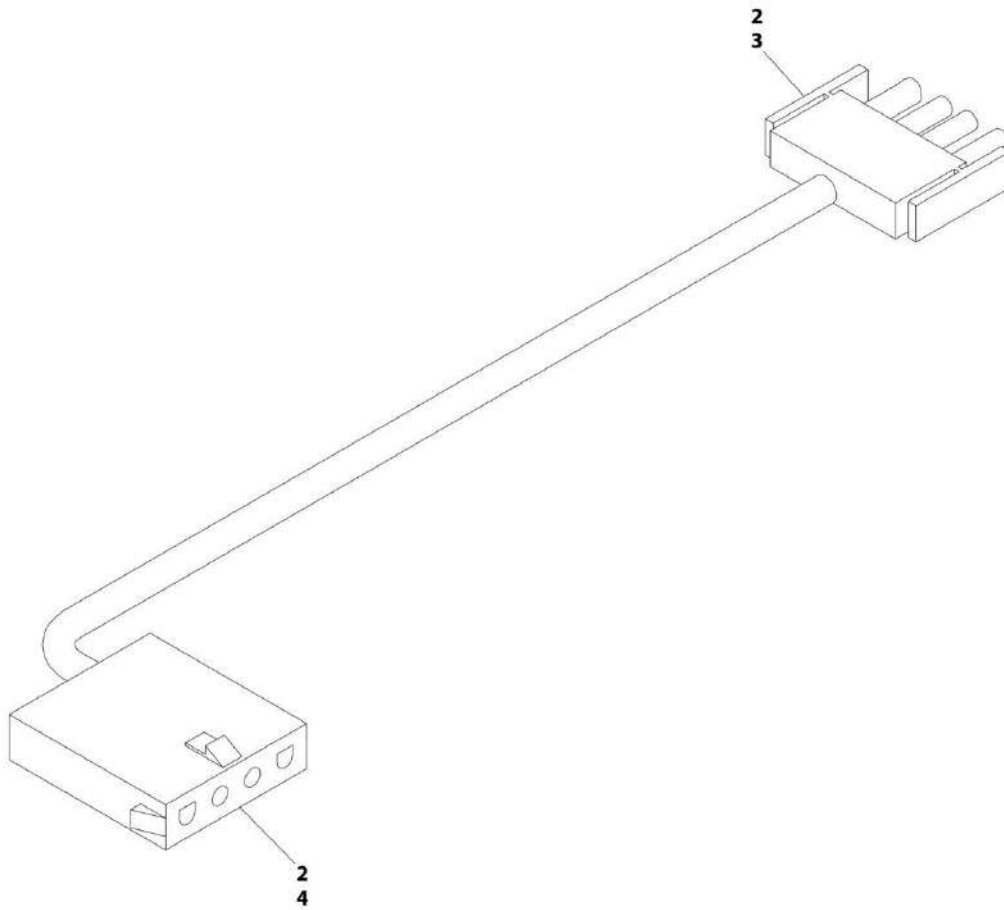
SECTION 8 - ELECTRICAL

FIGURE 8-42. INVERTER IGNITION HARNESS

ITEM	PART NUMBER	QTY	DESCRIPTION	REV
	1001192293	Ref	INVERTER IGNITION HARNESS	B
1	1001193545	1	Terminal	
2	4460891	1	Connector - 2 Position	
2	4460465	1	Pin, Male	
2	4460466	1	Plug, Seal	
3	4460897	1	Connector - 2 Position	
3	4460464	1	Pin, Male	
3	4460466	1	Plug, Seal	

SECTION 8 - ELECTRICAL

FIGURE 8-43. LED REMOTE HARNESS



ART_1060813

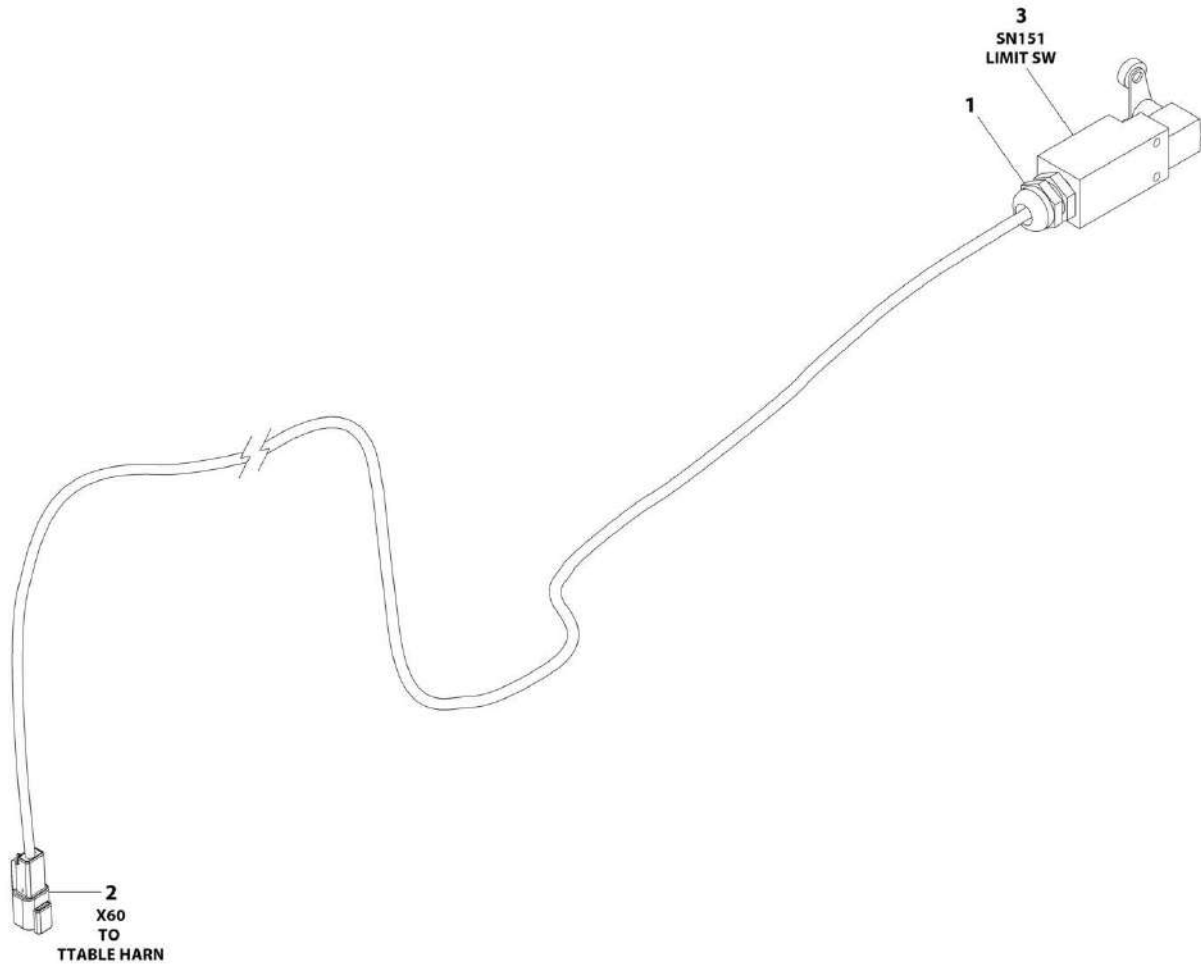
SECTION 8 - ELECTRICAL

FIGURE 8-43. LED REMOTE HARNESS

ITEM	PART NUMBER	QTY	DESCRIPTION	REV
	1060813	Ref	LED REMOTE HARNESS	A
2	4460226	8	Socket, Female	
3	4460321	1	Connector - 4 Position	
4	4460761	1	Connector, Female - 4 Position	

SECTION 8 - ELECTRICAL

FIGURE 8-44. LIMIT SWITCH CABLE



ART_1001200173

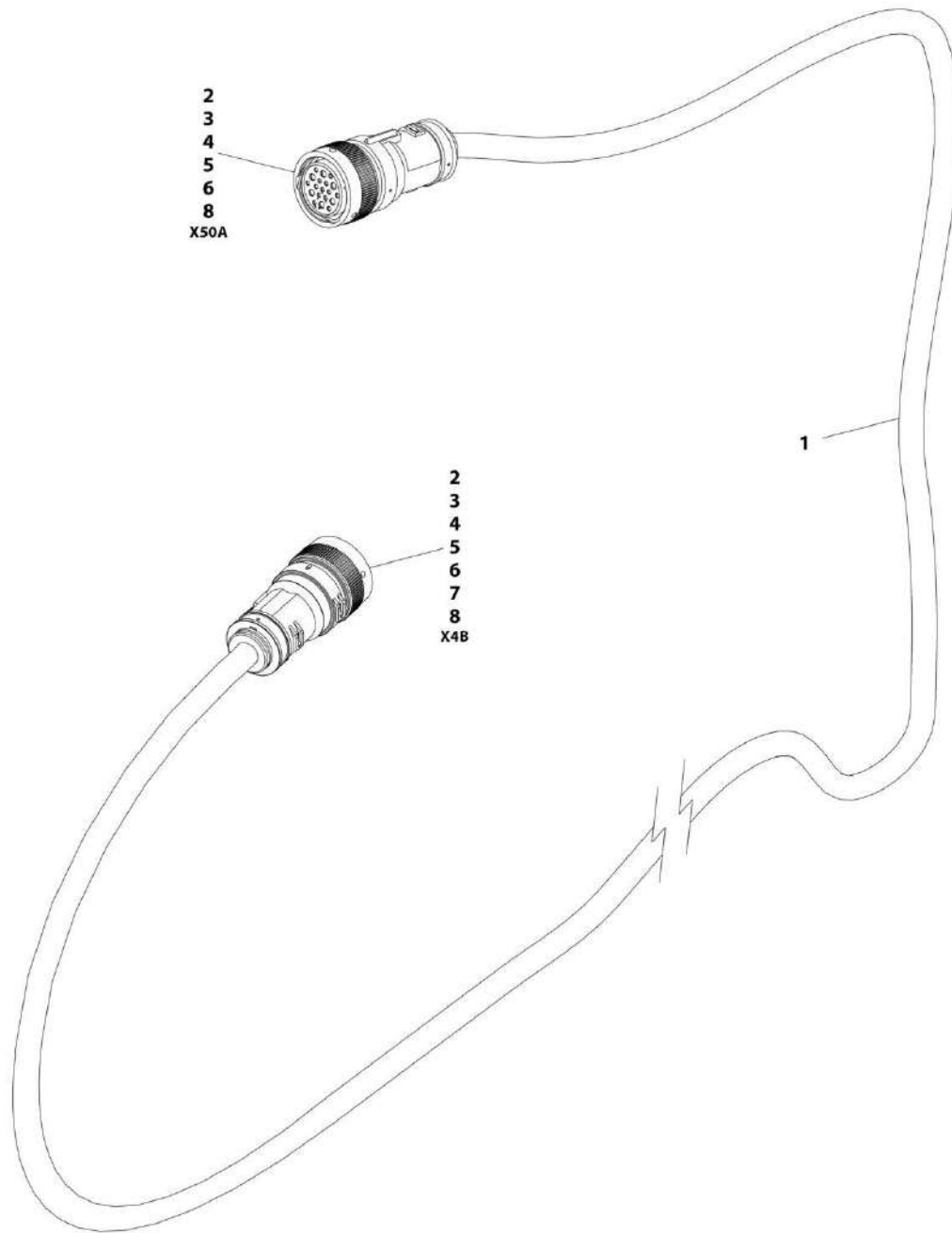
SECTION 8 - ELECTRICAL

FIGURE 8-44. LIMIT SWITCH CABLE

ITEM	PART NUMBER	QTY	DESCRIPTION	REV
	1001200173	Ref	LIMIT SWITCH CABLE	C
1	4460968	1	Connector, Strain Relief	
2	4460897	1	Connector - 2 Position	
2	4460464	2	Pin, Male	
3	4360578	1	Switch, Limit	

SECTION 8 - ELECTRICAL

FIGURE 8-45. LOWER BOOM CABLE



ART_1001183882

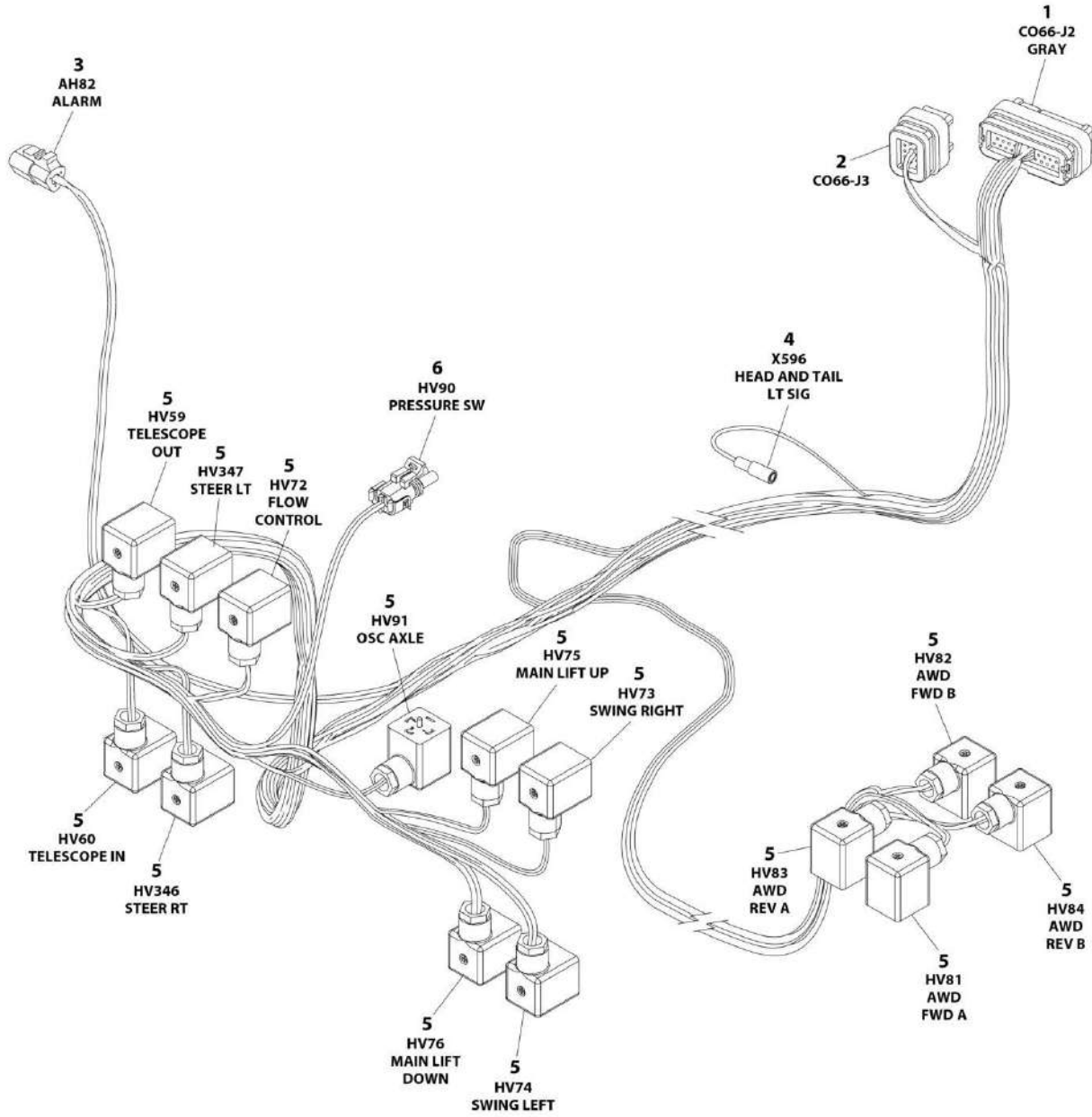
SECTION 8 - ELECTRICAL

FIGURE 8-45. LOWER BOOM CABLE

ITEM	PART NUMBER	QTY	DESCRIPTION	REV
	1001183882	Ref	LOWER BOOM CABLE	C
1	1060896	20 ft/6.1m	Cable, Electrical	
2	1001188292	AR	Connector - 19 Position	
3	1001188291	AR	Connector, Backshell	
4	4460465	22	Socket, Female	
5	4460509	8	Socket, Female	
6	4460466	AR	Plug, Seal	
7	2820118	6 in/ 15.3cm	Heat Shrink	
8	1001188354	AR	Grommet	
9	4240033	AR	Tie-Strap (Not Shown)	

SECTION 8 - ELECTRICAL

FIGURE 8-46. LOWER VALVE HARNESS



ART_1001182480

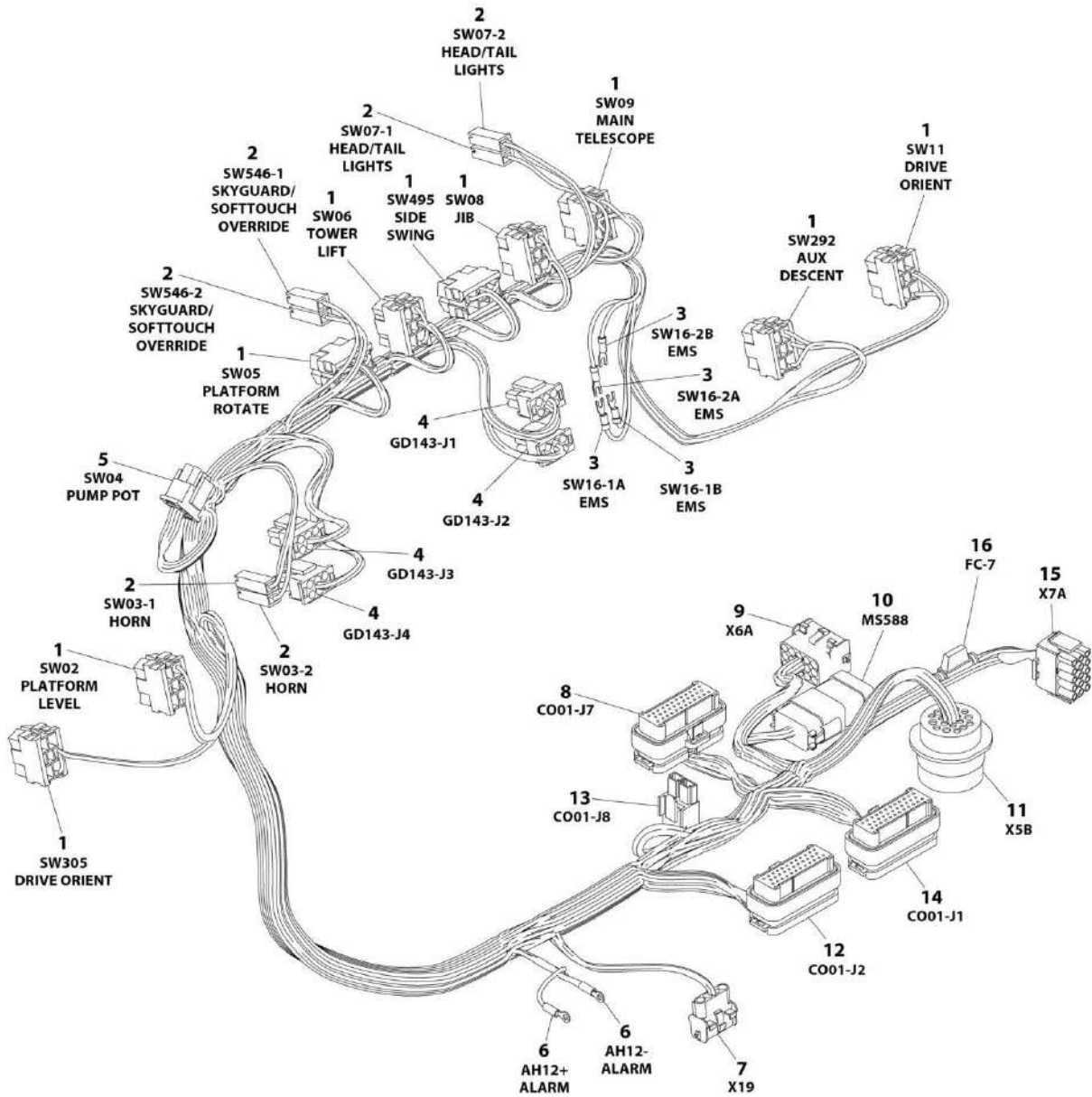
SECTION 8 - ELECTRICAL

FIGURE 8-46. LOWER VALVE HARNESS

ITEM	PART NUMBER	QTY	DESCRIPTION	REV
	1001182480	Ref	LOWER VALVE HARNESS	D
1	4460875	1	Connector - 35 Position (Gray)	
1	4460871	23	Socket, Female	
1	4460905	12	Plug, Terminal	
2	4460872	1	Connector - 14 Position	
2	4460871	4	Socket, Female	
2	4460905	10	Plug, Terminal	
3	4460539	1	Terminal, Deutsch - 3 Position Female	
3	4460465	3	Socket, Female	
4	8220068	1	Terminal, Snap Plug	
5	4460449	14	DIN Connector without Diode	
6	4460742	1	Connector - 2 Position	
6	4460743	2	Terminal, Female	
6	4460458	2	Seal, Cable	

SECTION 8 - ELECTRICAL

FIGURE 8-47. PLATFORM CONSOLE HARNESS - WITHOUT LSS OR WITH 4 CELL LSS



ART_1001191318

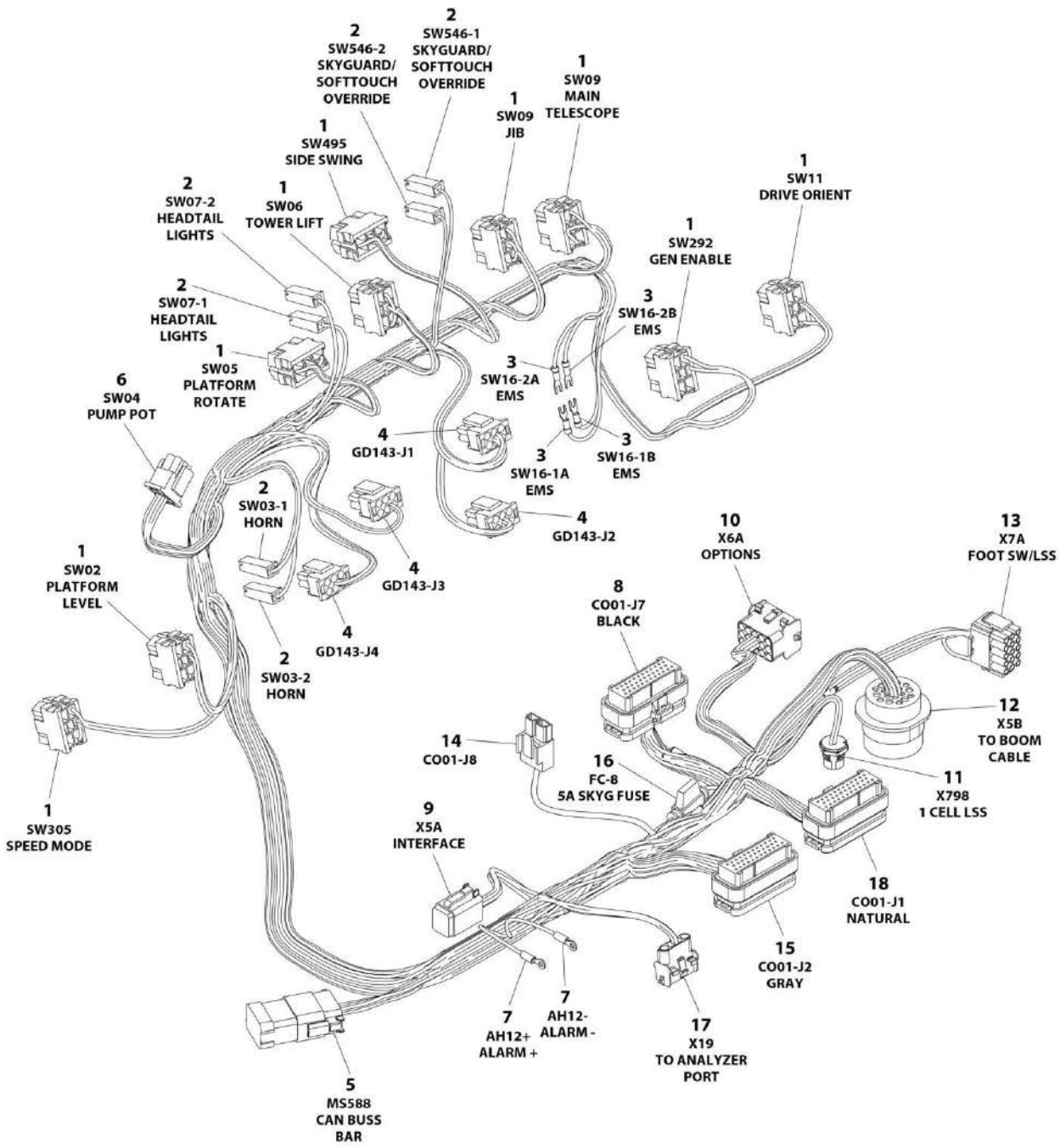
SECTION 8 - ELECTRICAL

FIGURE 8-47. PLATFORM CONSOLE HARNESS - WITHOUT LSS OR WITH 4 CELL LSS

ITEM	PART NUMBER	QTY	DESCRIPTION	REV
	1001191318	Ref	PLATFORM CONSOLE HARNESS - WITHOUT LSS OR WITH 4 CELL LSS	I
1	4460418	9	Connector - 6 Position	
1	4460419	14	Terminal	
1	1001159186	19	Terminal	
2	4460260	6	Housing, Terminal	
2	4460259	9	Terminal	
3	4460888	4	Terminal, Fork	
4	4460225	4	Plug, Male - 6 Position	
4	4460226	15	Socket, Female	
5	4460225	1	Plug, Male - 6 Position	
5	4460267	6	Pin, Male	
6	1001098122	2	Terminal, Eyelet	
7	4460761	1	Connector, Female - 4 Position	
7	4460227	4	Pin, Male	
8	4460873	1	Connector - 35 Position	
8	4460871	21	Socket, Female	
8	4460905	14	Plug, Terminal	
9	4460708	1	Connector - 15 Position	
9	4460226	13	Socket, Female	
10	4460984	1	Connector - 8 Position	
10	4460465	6	Socket, Female	
10	4460466	2	Plug, Seal	
10	4460930	1	Connector - 8 Position	
11	4460866	1	Connector - 19 Pin	
11	4460464	8	Pin, Male	
11	4460508	2	Pin, Male	
11	4460466	9	Plug, Seal	
12	4460875	1	Connector - 35 Position (Gray)	
12	4460871	23	Socket, Female	
12	4460905	12	Plug, Terminal	
13	4460879	1	Connector - 2 Position	
13	4460887	2	Terminal	
14	4460874	1	Connector - 35 Position (Natural)	
14	4460871	26	Socket, Female	
14	4460905	9	Plug, Terminal	
15	4460434	1	Connector - 15 Position	
15	4460227	13	Pin, Male	
16	2400060	1	Fuse Holder with Cover (SN 0300227392 to Present)	
16	8229242	1	Fuse 5 Amp (SN 0300227392 to Present)	

SECTION 8 - ELECTRICAL

FIGURE 8-48. PLATFORM CONSOLE HARNESS - WITH 1 CELL LSS



ART_1001217621

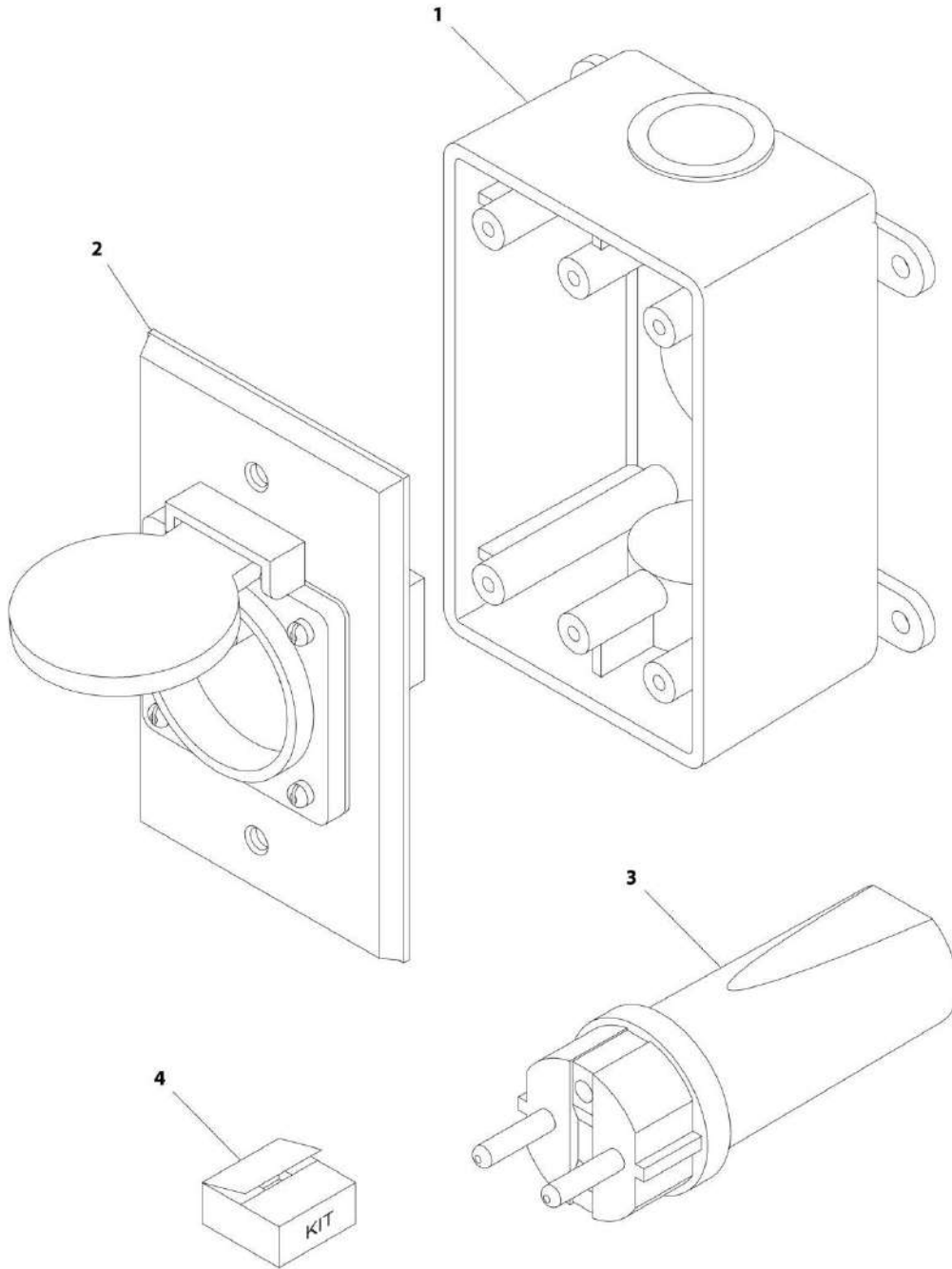
SECTION 8 - ELECTRICAL

FIGURE 8-48. PLATFORM CONSOLE HARNESS - WITH 1 CELL LSS

ITEM	PART NUMBER	QTY	DESCRIPTION	REV
	1001217621	Ref	PLATFORM CONSOLE HARNESS - WITH 1 CELL LSS	D
1	4460418	9	Connector - 6 Position	
1	4460419	15	Terminal	
1	1001159186	17	Terminal	
2	4460260	6	Housing, Terminal	
2	4460259	8	Terminal	
3	4460888	4	Terminal, Fork	
4	4460225	4	Connector - 6 Position	
4	4460226	15	Socket, Female	
5	4460930	1	Plug, Male - 8 Position	
5	4460465	6	Socket, Female	
5	4460466	2	Plug, Terminal	
6	4460224	1	Plug, Male - 6 Position	
6	4460267	1	Pin, Male	
7	1001098122	2	Terminal, Ring	
8	4460873	1	Connector - 35 Position	
8	4460871	23	Socket, Female	
8	4460905	13	Plug, Terminal	
9	4460894	1	Plug, Male - 6 Position	
9	4460465	6	Socket, Female	
10	4460708	1	Connector - 15 Position	
10	4460226	12	Socket, Female	
11	1001213447	1	Connector, Female - 5 Position	
12	4460866	1	Connector - 19 Position	
12	4460466	7	Plug, Terminal	
12	4460464	10	Pin, Male	
12	4460508	2	Pin, Male	
13	4460434	1	Plug, Male - 15 Position	
13	4460227	9	Pin, Male	
14	4460879	1	Plug, Male - 2 Position	
14	4460887	2	Terminal	
15	4460875	1	Connector - 35 Position	
15	4460905	13	Plug, Terminal	
15	4460871	22	Socket, Female	
16	2400060	1	Fuseholder with Cover	
16	8229242	1	Fuse - 5Amp	
17	4460761	1	Receptacle, Female - 4 Position	
17	4460227	4	Pin, Male	
18	4460874	1	Connector - 35 Position	
18	4460871	24	Socket, Female	
18	4460905	11	Plug, Terminal	

SECTION 8 - ELECTRICAL

FIGURE 8-49. RECEPTACLE BOX KIT - 220V CEE7 POST GROUND 2IN X 4IN BOX (CE SPEC)



ART_0275452

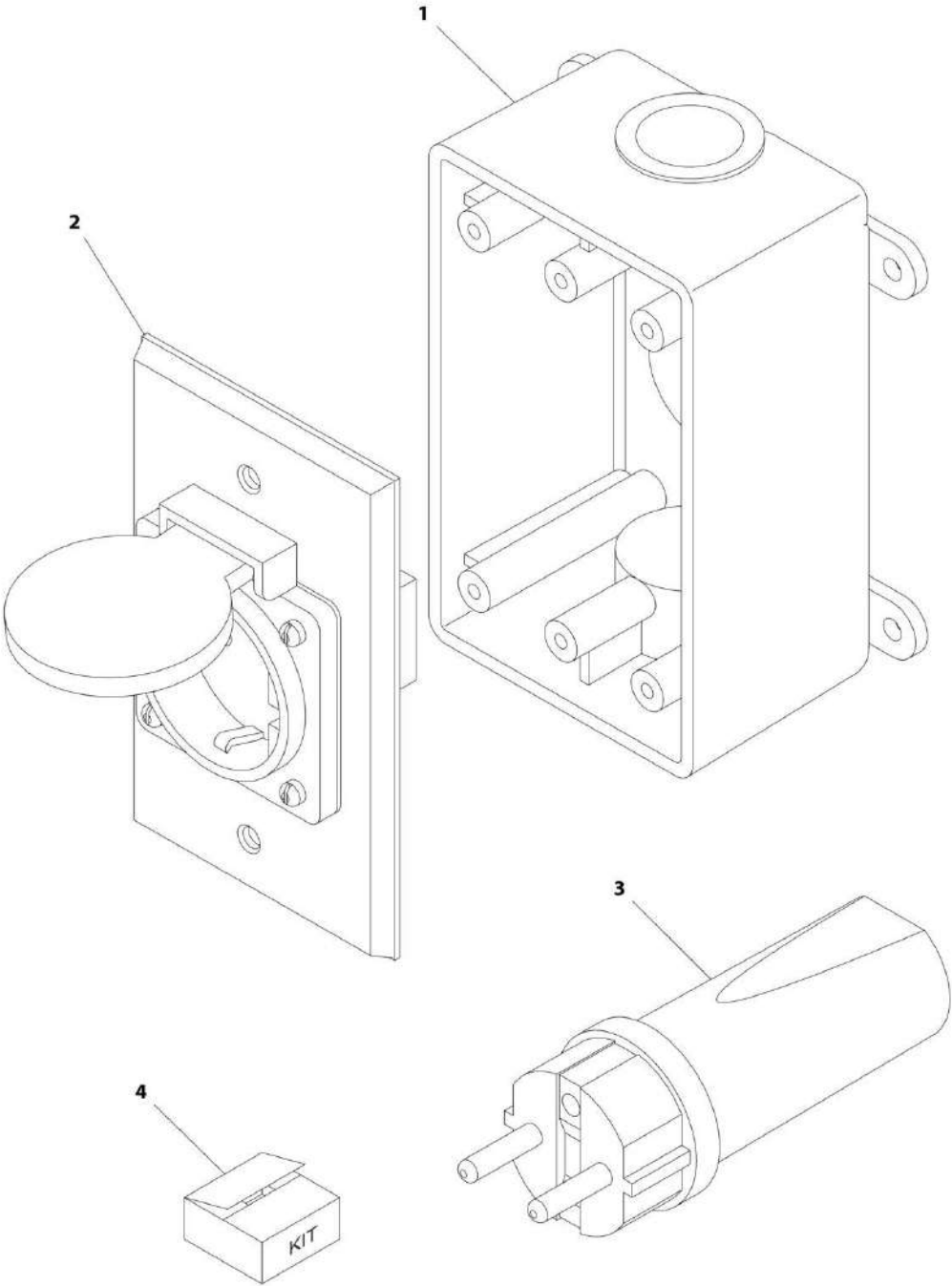
SECTION 8 - ELECTRICAL

FIGURE 8-49. RECEPTACLE BOX KIT - 220V CEE7 POST GROUND 2IN X 4IN BOX (CE SPEC)

ITEM	PART NUMBER	QTY	DESCRIPTION	REV
	0275452	Ref	RECEPTACLE BOX KIT - 220V CEE7 POST GROUND 2IN X 4IN BOX (CE SPEC)	1
1	0861731	1	Box, Switch	
2	4461244	1	Receptacle	
3	4461202	1	Plug, Male	
4	1001100345	1	Plug and Socket Kit (Includes Items 1-3 and Female Plug p/n 4461206)	

SECTION 8 - ELECTRICAL

FIGURE 8-50. RECEPTACLE BOX KIT - 220V CEE7 SIDE GROUND 2IN X 4IN BOX (CE SPEC)



ART_0275453

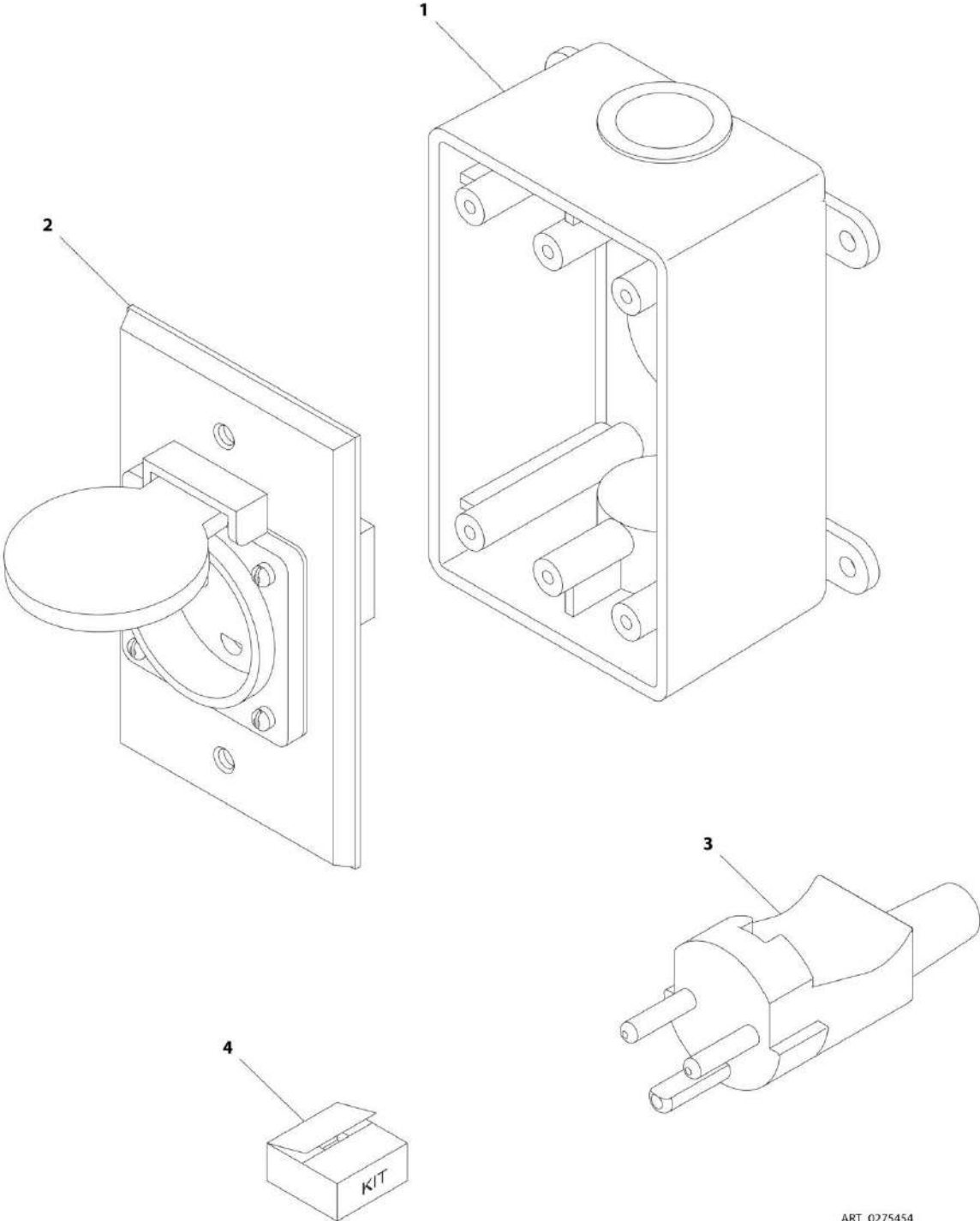
SECTION 8 - ELECTRICAL

FIGURE 8-50. RECEPTACLE BOX KIT - 220V CEE7 SIDE GROUND 2IN X 4IN BOX (CE SPEC)

ITEM	PART NUMBER	QTY	DESCRIPTION	REV
	0275453	Ref	RECEPTACLE BOX KIT - 220V CEE7 SIDE GROUND 2IN X 4IN BOX (CE SPEC)	1
1	0861731	1	Box, Switch	
2	4461245	1	Receptacle	
3	4461205	1	Plug, Male	
4	1001100347	1	Plug and Socket Kit (Includes Items 1-3 and Female Plug p/n 4461206)	

SECTION 8 - ELECTRICAL

FIGURE 8-51. RECEPTACLE BOX KIT - 220V AFSINT 107 (CE SPEC)



ART_0275454

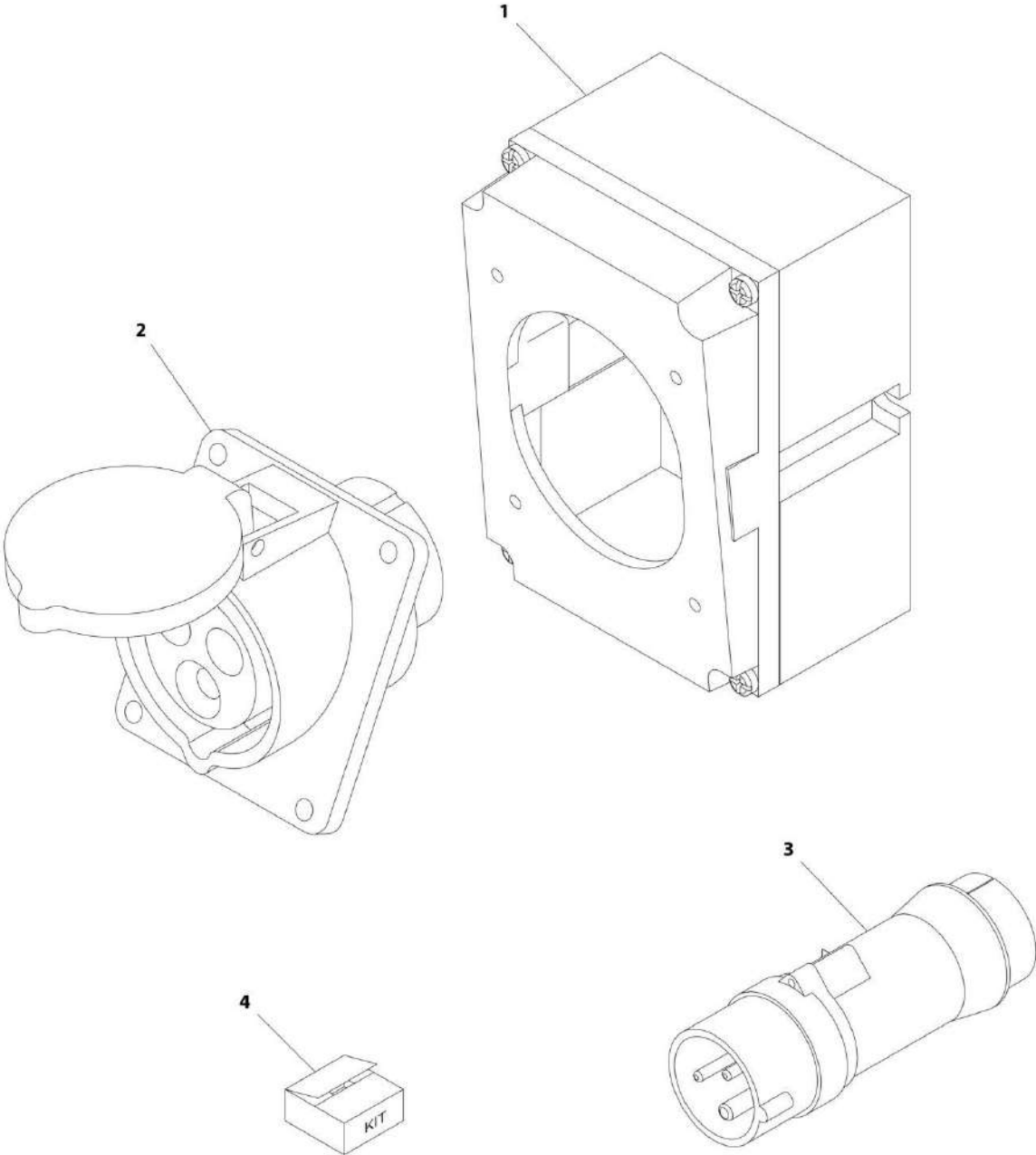
SECTION 8 - ELECTRICAL

FIGURE 8-51. RECEPTACLE BOX KIT - 220V AFSINT 107 (CE SPEC)

ITEM	PART NUMBER	QTY	DESCRIPTION	REV
	0275454	Ref	RECEPTACLE BOX KIT - 220V AFSINT 107 (CE SPEC)	1
1	0861731	1	Box, Switch	
2	4461246	1	Receptacle	
3	4461249	1	Plug, Male	
4	1001100346	1	Plug and Socket Kit (Includes Items 1-3 and Female Plug p/n 4461250)	

SECTION 8 - ELECTRICAL

FIGURE 8-52. RECEPTACLE BOX KIT - 110V IEC YELLOW (CE SPEC)



ART_0275216

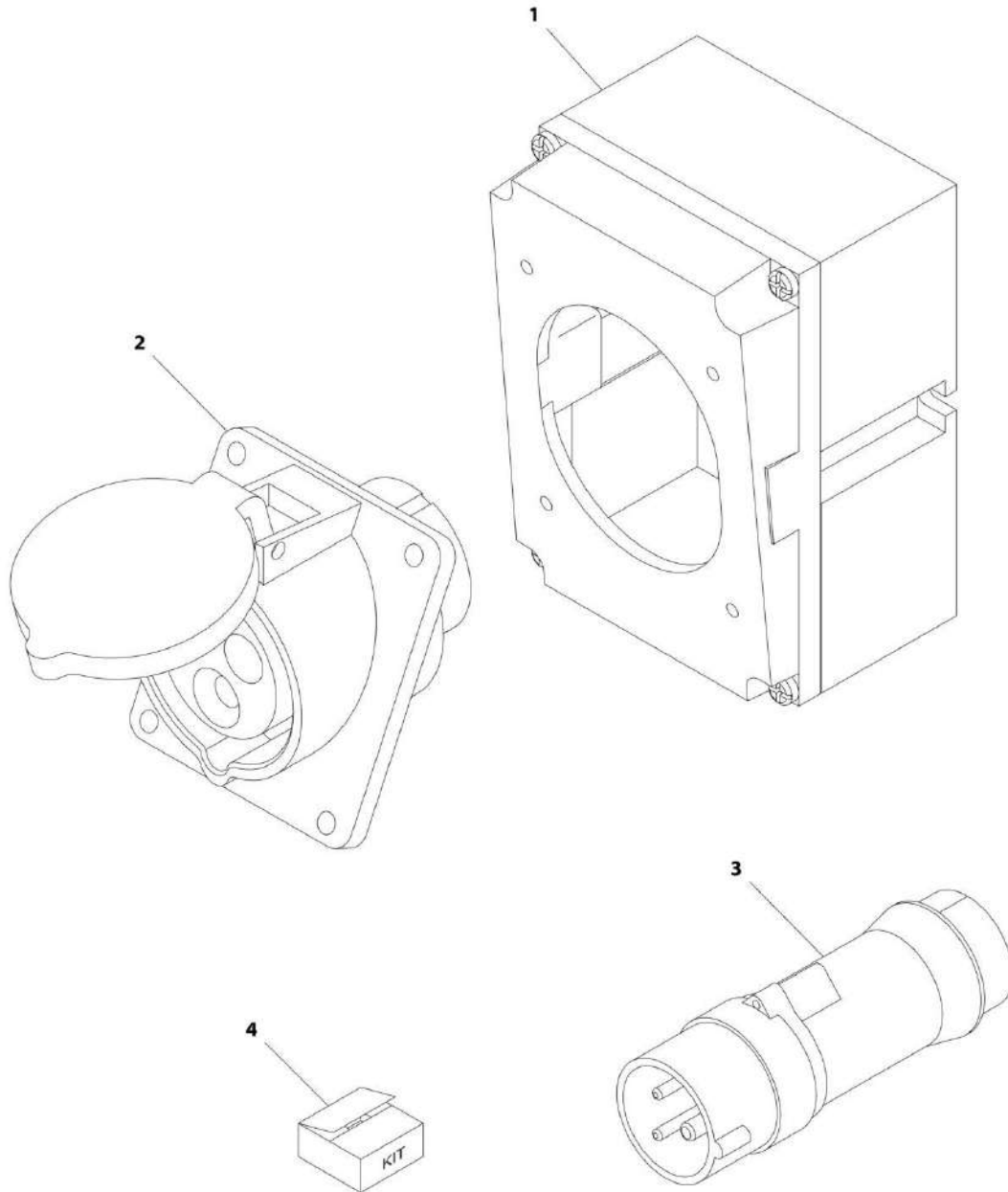
SECTION 8 - ELECTRICAL

FIGURE 8-52. RECEPTACLE BOX KIT - 110V IEC YELLOW (CE SPEC)

ITEM	PART NUMBER	QTY	DESCRIPTION	REV
	0275216	Ref	RECEPTACLE BOX KIT - 110V IEC YELLOW (CE SPEC)	1
1	0861781	1	Box, Switch	
2	4461198	1	Receptacle	
3	4461196	1	Plug, Male	
4	1001100341	1	Plug and Socket Kit (Includes Items 1-3 and Female Plug p/n 4461197)	

SECTION 8 - ELECTRICAL

FIGURE 8-53. RECEPTACLE BOX KIT - 220V IEC BLUE (CE SPEC)



ART_0275217

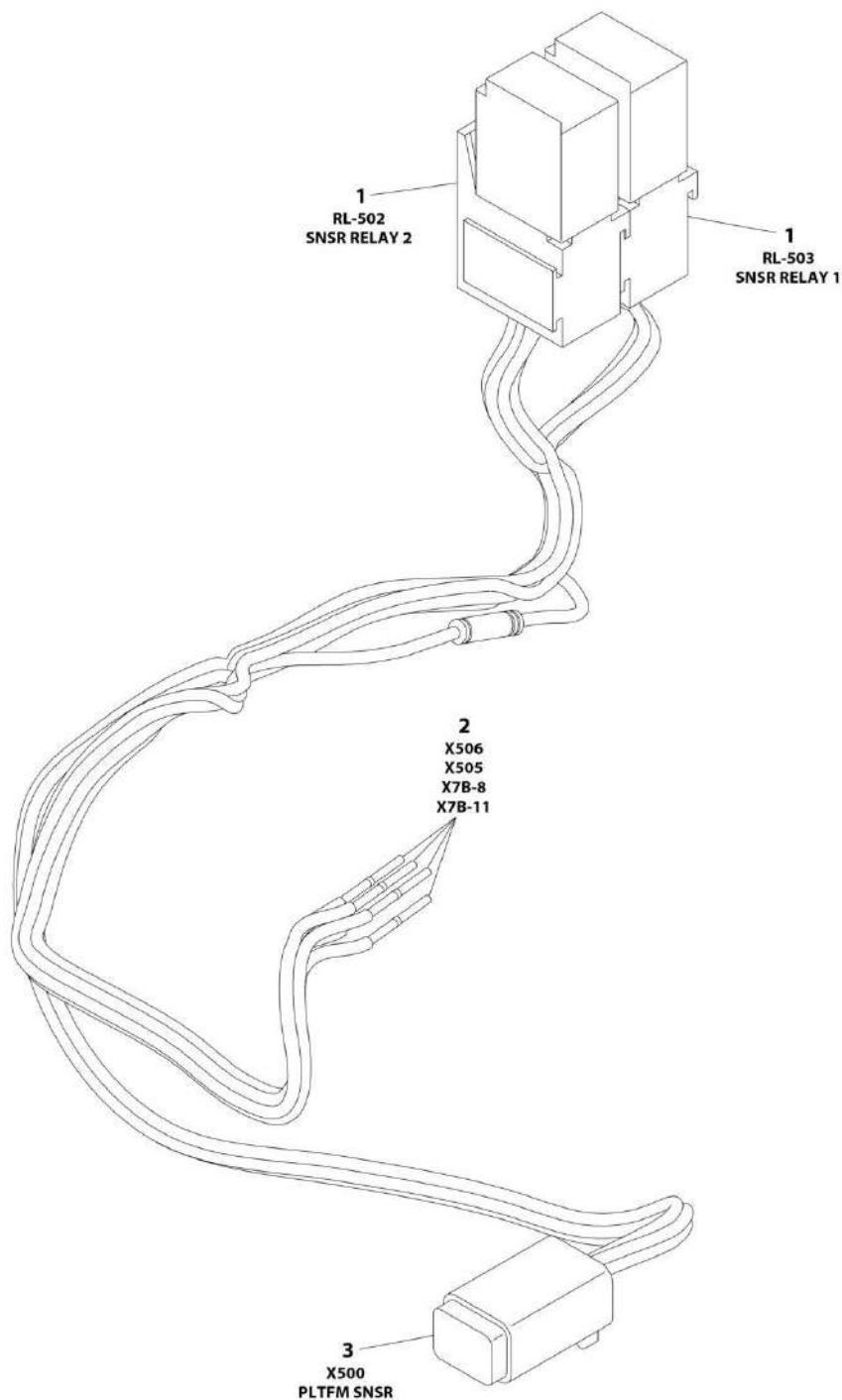
SECTION 8 - ELECTRICAL

FIGURE 8-53. RECEPTACLE BOX KIT - 220V IEC BLUE (CE SPEC)

ITEM	PART NUMBER	QTY	DESCRIPTION	REV
	0275217	Ref	RECEPTACLE BOX KIT - 220V IEC BLUE (CE SPEC)	1
1	0861781	1	Box, Switch	
2	4461201	1	Receptacle	
3	4461199	1	Plug, Male	
4	1001100342	1	Plug and Socket Kit (Includes Items 1-3 and Female Plug p/n 4461200)	

SECTION 8 - ELECTRICAL

FIGURE 8-54. SKYGUARD HARNESS - WITHOUT LSS OR WITH 4 CELL LSS



ART_1001192292

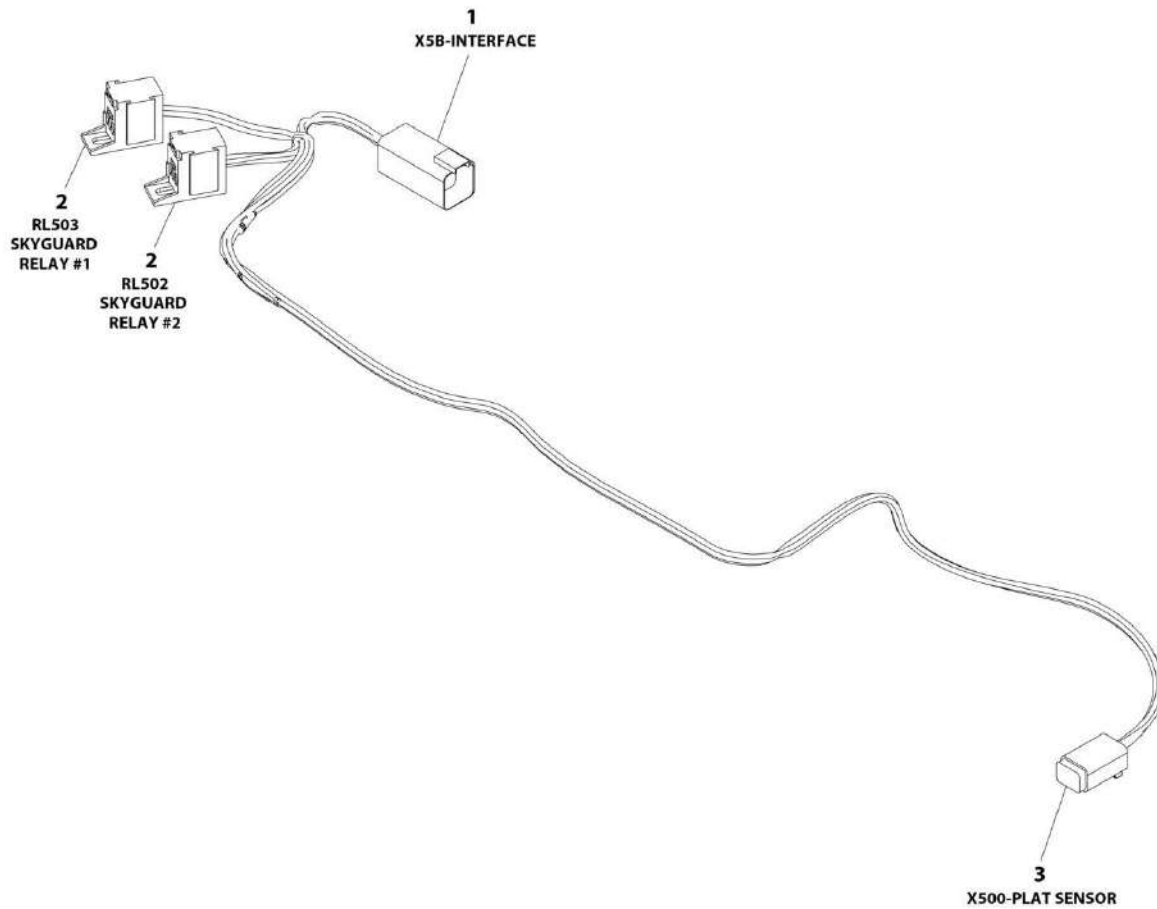
SECTION 8 - ELECTRICAL

FIGURE 8-54. SKYGUARD HARNESS - WITHOUT LSS OR WITH 4 CELL LSS

ITEM	PART NUMBER	QTY	DESCRIPTION	REV
	1001192292	Ref	SKYGUARD HARNESS - WITHOUT LSS OR WITH 4 CELL LSS	B
1	1001186432	2	Holder, Relay	
1	1001116720	11	Terminal	
1	1001186431	2	Relay 35Amp	
2	4460226	4	Socket, Female	
3	4460884	1	Connector - 4 Position	
3	4460465	4	Socket, Female	

SECTION 8 - ELECTRICAL

FIGURE 8-55. SKYGUARD HARNESS - WITH 1 CELL LSS



ART_1001225580

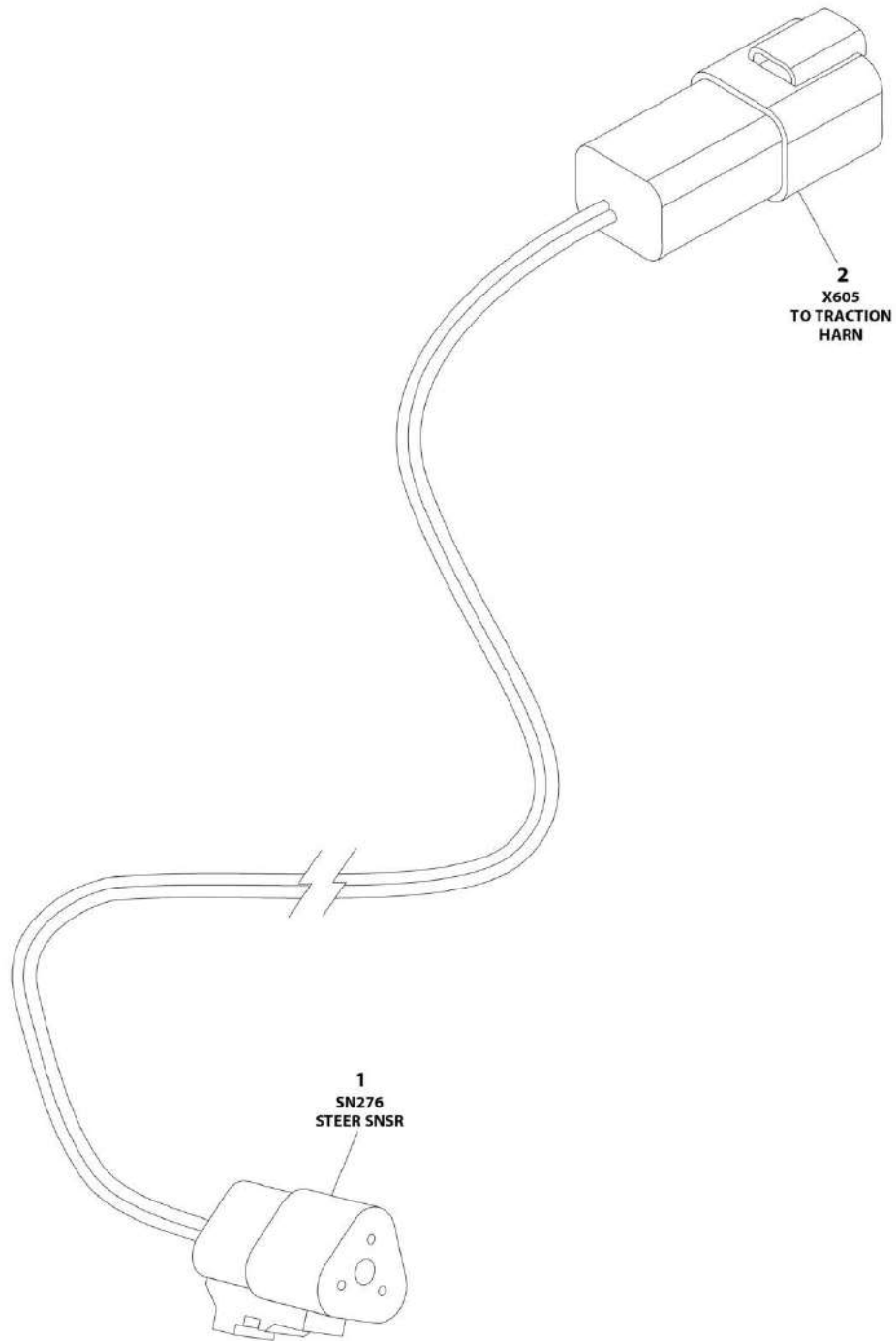
SECTION 8 - ELECTRICAL

FIGURE 8-55. SKYGUARD HARNESS - WITH 1 CELL LSS

ITEM	PART NUMBER	QTY	DESCRIPTION	REV
	1001225580	Ref	SKYGUARD HARNESS - WITH 1 CELL LSS	C
1	4460899	1	Receptacle, Female - 6 Position	
1	4460464	4	Pin, Male	
1	4460466	2	Plug, Terminal	
2	1001186432	1	Holder, Relay	
2	1001186431	1	Relay, 35Amp	
2	1001116720	4	Terminal	
2	1001118388	4	Terminal	
3	4460884	1	Connector - 4 Position	
3	4460465	4	Socket, Female	

SECTION 8 - ELECTRICAL

FIGURE 8-56. STEERING SENSOR HARNESS



ART_1001195835

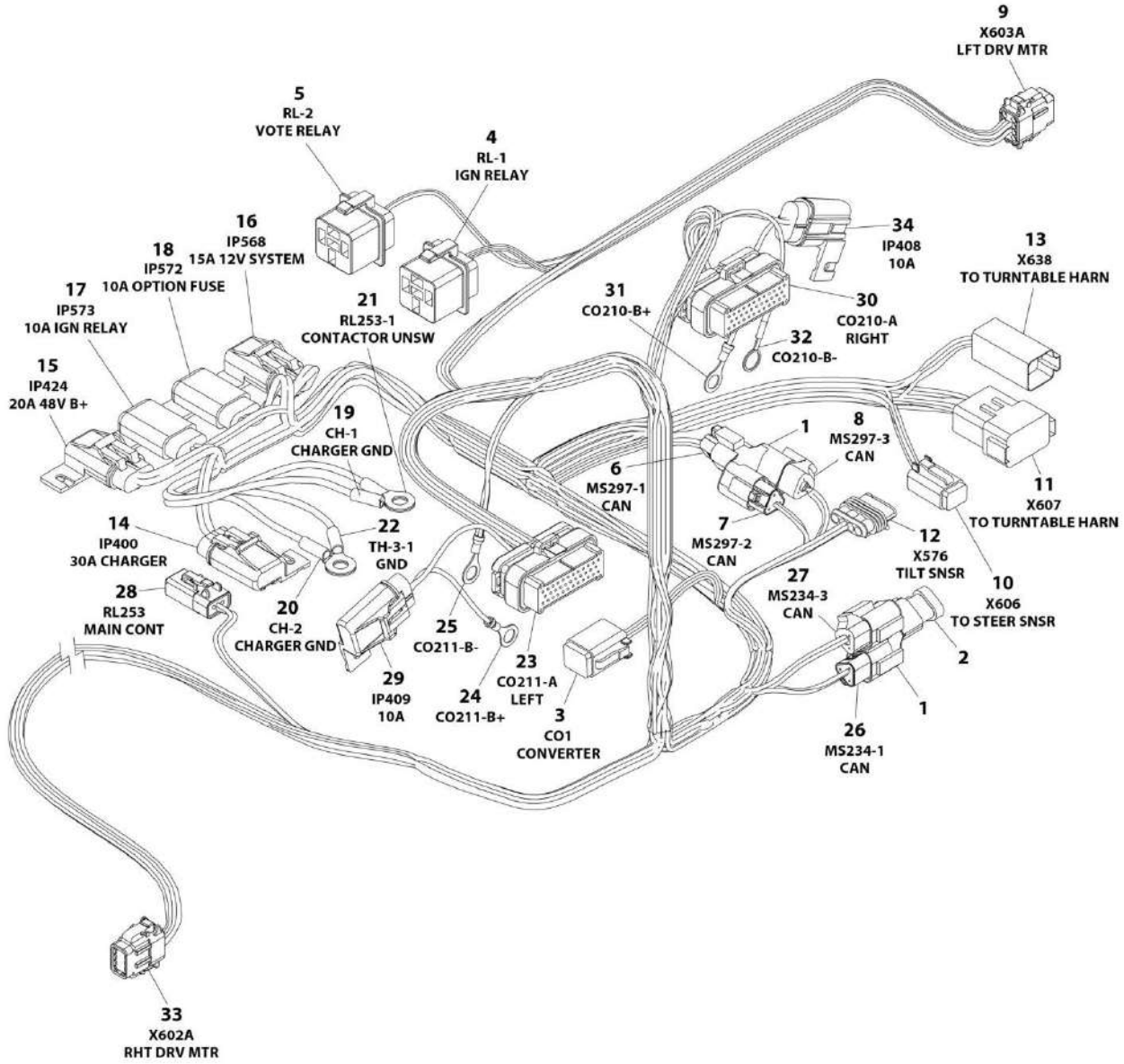
SECTION 8 - ELECTRICAL

FIGURE 8-56. STEERING SENSOR HARNESS

ITEM	PART NUMBER	QTY	DESCRIPTION	REV
	1001195835	Ref	STEERING SENSOR HARNESS	B
1	4460539	1	Connector - 4 Position	
1	4460944	3	Socket, Female	
2	4460932	1	Connector - 4 Position	
2	4460464	4	Pin, Male	

SECTION 8 - ELECTRICAL

FIGURE 8-57. TRACTION HARNESS



ART_1001195867

SECTION 8 - ELECTRICAL

FIGURE 8-57. TRACTION HARNESS

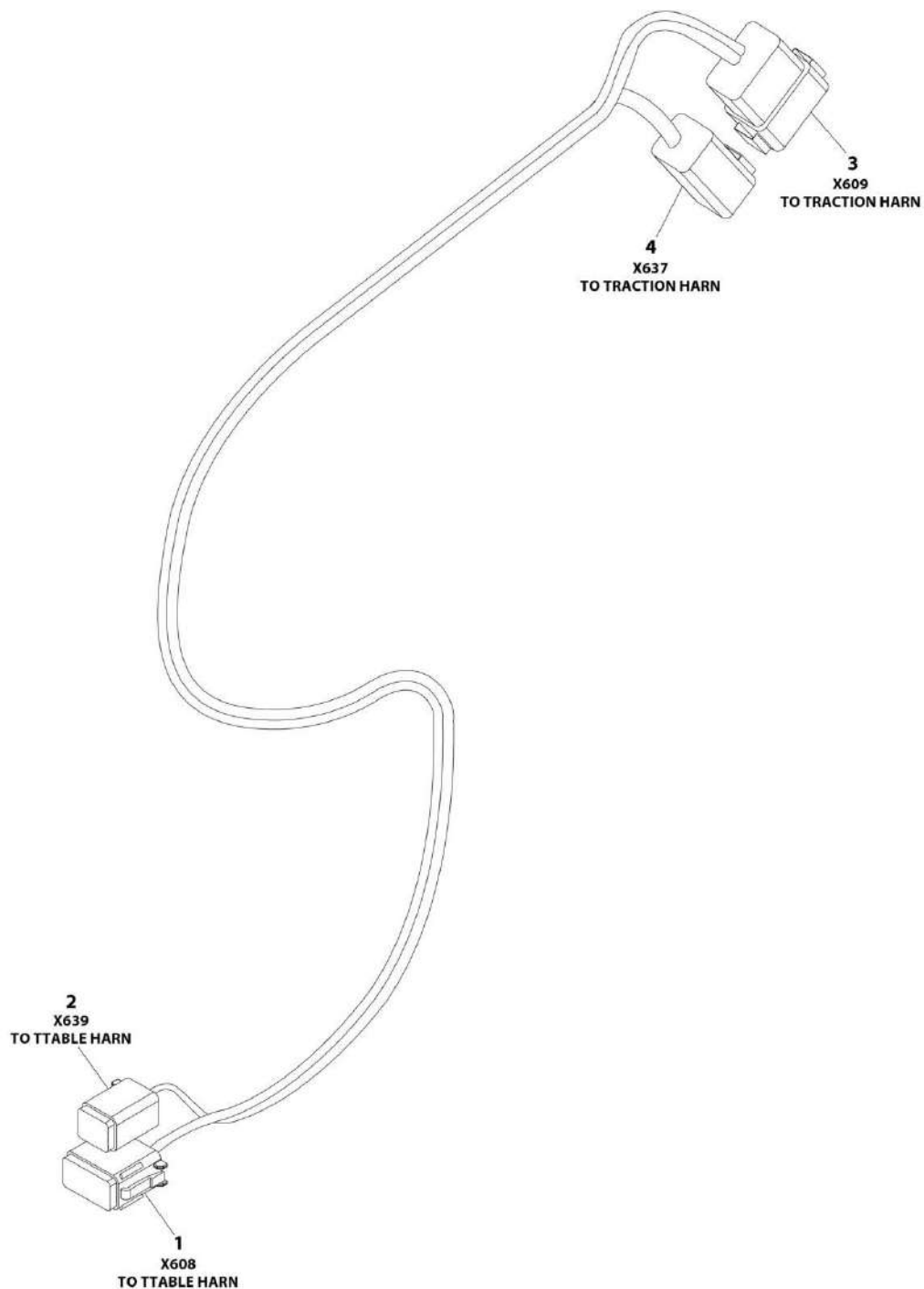
ITEM	PART NUMBER	QTY	DESCRIPTION	REV
	1001195867	Ref	TRACTION HARNESS	F
1	4460945	2	Connector, 3 Way	
2	1001116815	1	Resistor Assembly	
3	4460894	1	Connector - 6 Position	
3	1001157890	5	Socket, Female	
3	1001116692	1	Socket, Female	
4	4460374	1	Plug, Relay	
4	1001116732	4	Terminal	
4	1001116763	2	Seal, Terminal	
5	4460374	1	Plug, Relay	
5	1001116732	2	Terminal	
5	1001116733	2	Terminal	
5	1001116763	2	Seal, Terminal	
6	1001116812	1	Connector - 3 Position	
6	4460944	2	Socket, Female	
6	4460466	1	Plug, Seal	
7	4460539	1	Connector - 3 Position	
7	4460944	2	Socket, Female	
7	4460466	1	Plug, Seal	
8	1001116812	1	Connector - 3 Position	
8	4460944	2	Socket, Female	
8	4460466	1	Plug, Seal	
9	1001190577	1	Connector - 8	
9	1001126008	8	Socket, Female	
10	4460884	1	Connector - 4 Position	
10	4460465	4	Socket, Female	
11	4460950	1	Connector - 12 Position	
11	1001157891	5	Pin, Male	
11	4460464	5	Pin, Male	
11	4460943	2	Pin, Male	
12	1001103012	1	Connector - 4 Position	
12	1001107854	4	Terminal	
12	1001104498	4	Seal	
13	4460899	1	Connector - 6 Position	
13	4460943	2	Pin, Male	
13	1001157891	2	Pin, Male	
13	4460464	2	Pin, Male	
14	1001117070	1	Connector - 2 Position (SN 0300219271 through 0300226266)	
14	1001217844	1	Fuse Holder (SN 0300226267 to Present)	
14	1001217842	1	Fuse, Cap Cover (SN 0300226267 to Present)	
14	8229236	1	Fuse, 30Amp (SN 0300226267 to Present)	
14	1001116734	2	Terminal	
15	1001117069	1	Connector - 2 Position (SN 0300219271 through 0300226266)	
15	1001217844	1	Fuse Holder (SN 0300226267 to Present)	
15	1001217842	1	Fuse, Cap Cover (SN 0300226267 to Present)	
15	8229235	1	Fuse, 20Amp (SN 0300226267 to Present)	
15	1001116734	2	Terminal	
16	1001117024	1	Connector - 2 Position (SN 0300219271 through 0300226266)	
16	1001217844	1	Fuse Holder (SN 0300226267 to Present)	
16	1001217842	1	Fuse, Cap Cover (SN 0300226267 to Present)	

SECTION 8 - ELECTRICAL

ITEM	PART NUMBER	QTY	DESCRIPTION	REV
16	8229237	1	Fuse, 15Amp (SN 0300226267 to Present)	
16	1001116734	2	Terminal	
17	1001117023	1	Connector - 2 Position (SN 0300219271 through 0300226266)	
17	1001217844	1	Fuse Holder (SN 0300226267 to Present)	
17	1001217842	1	Fuse, Cap Cover (SN 0300226267 to Present)	
17	8229235	1	Fuse, 20Amp (SN 0300226267 to Present)	
17	1001116734	2	Terminal	
18	1001117023	1	Connector - 2 Position (SN 0300219271 through 0300226266)	
18	1001217844	1	Fuse Holder (SN 0300226267 to Present)	
18	1001217842	1	Fuse, Cap Cover (SN 0300226267 to Present)	
18	8229261	1	Fuse, 5Amp (SN 0300226267 to Present)	
18	1001116734	1	Terminal	
18	1001116733	1	Terminal	
19	8220045	1	Terminal, Ring	
20	8220045	1	Terminal, Ring	
21	8220045	1	Terminal, Ring	
22	8220045	1	Terminal, Ring	
23	4460873	1	Connector - 35 Position	
23	4460871	15	Socket, Female	
23	4460905	20	Plug, Terminal	
24	4460670	1	Terminal, Ring	
25	4460670	1	Terminal, Ring	
26	1001116812	1	Connector - 3 Position	
26	4460944	2	Socket, Female	
26	4460466	1	Plug, Seal	
27	4460539	1	Connector - 3 Position	
27	4460944	2	Socket, Female	
27	4460466	1	Plug, Seal	
28	1001126245	1	Connector - 2 Position	
28	1001126008	2	Socket, Female	
29	1001201642	1	Connector - 2 Position (SN 0300219271 through 0300226266)	
29	1001217843	1	Fuse Holder (SN 0300226267 to Present)	
29	1001217842	1	Fuse, Cap Cover (SN 0300226267 to Present)	
29	8229234	1	Fuse, 10Amp (SN 0300226267 to Present)	
29	1001116733	2	Terminal	
30	4460873	1	Connector - 35 Position	
30	4460871	12	Socket, Female	
30	4460905	23	Plug, Terminal	
31	4460670	1	Terminal, Ring	
32	4460703	1	Terminal, Ring	
33	1001190577	1	Connector - 8 Position	
33	1001126008	8	Socket, Female	
34	1001201642	1	Connector - 2 Position (SN 0300219271 through 0300226266)	
34	1001217843	1	Fuse Holder (SN 0300226267 to Present)	
34	1001217842	1	Fuse, Cap Cover (SN 0300226267 to Present)	
34	8229234	1	Fuse, 10Amp (SN 0300226267 to Present)	
34	1001116733	2	Terminal	

SECTION 8 - ELECTRICAL

FIGURE 8-58. TRACTION TO TURNTABLE HARNESS



ART_1001195836

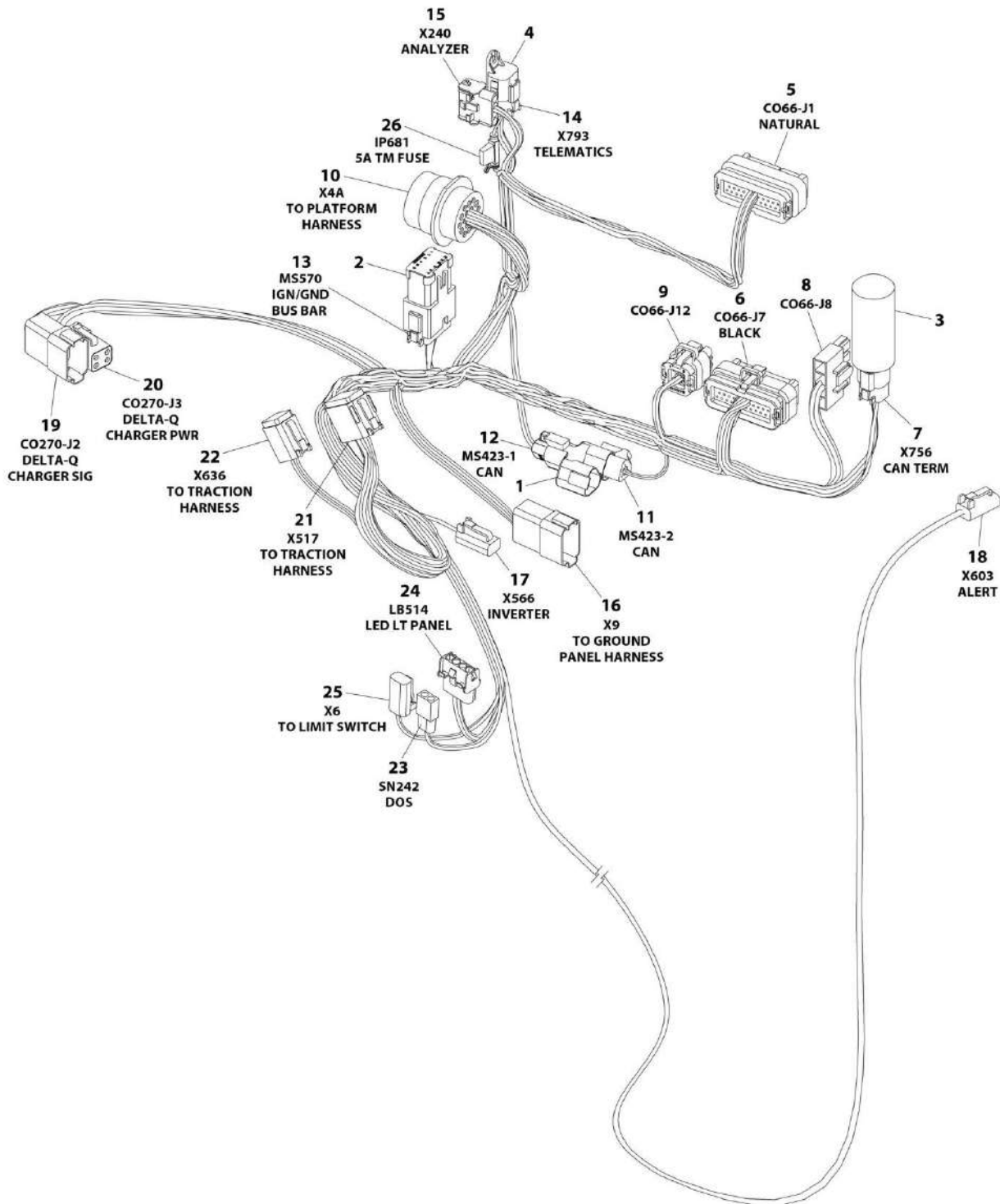
SECTION 8 - ELECTRICAL

FIGURE 8-58. TRACTION TO TURNTABLE HARNESS

ITEM	PART NUMBER	QTY	DESCRIPTION	REV
	1001195836	Ref	TRACTION TO TURNTABLE HARNESS	D
1	4460950	1	Connector - 12 Position	
1	1001157891	5	Pin, Male	
1	4460464	5	Pin, Male	
1	4460943	2	Pin, Male	
2	4460899	1	Connector - 6 Position	
2	1001157891	2	Pin, Male	
2	4460464	2	Pin, Male	
2	4460943	2	Pin, Male	
3	4460836	1	Connector - 12 Position	
3	1001157890	5	Socket, Female	
3	4460465	5	Socket, Female	
3	4460944	2	Socket, Female	
4	4460894	1	Connector - 6 Position	
4	1001157890	2	Socket, Female	
4	4460465	2	Socket, Female	
4	4460944	2	Socket, Female	

SECTION 8 - ELECTRICAL

FIGURE 8-59. TURNTABLE HARNESS



ART_1001182479

SECTION 8 - ELECTRICAL

FIGURE 8-59. TURNTABLE HARNESS

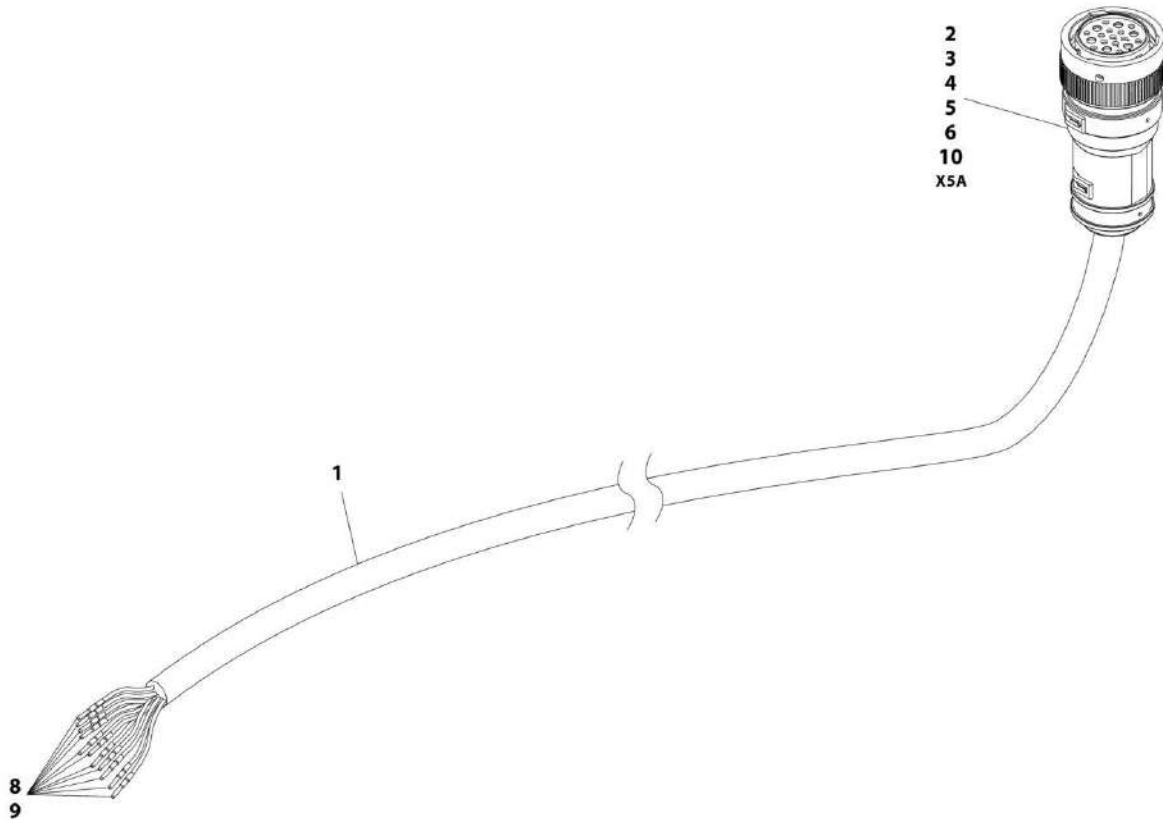
ITEM	PART NUMBER	QTY	DESCRIPTION	REV
	1001182479	Ref	TURNTABLE HARNESS	D
1	4460945	1	Connector, 3 Way	
2	1001125677	1	Connector, Buss Bar - 12 Position	
3	1001186231	1	Connector, Can Terminal	
4	1001192401	1	Connector, Dust Cap	
5	4460874	1	Connector - 35 Position (Natural)	
5	4460871	8	Socket, Female	
5	4460905	27	Plug, Terminal	
6	4460873	1	Connector - 35 Position	
6	4460871	15	Socket, Female	
6	4460905	20	Plug, Terminal	
7	4460884	1	Connector - 4 Position	
7	4460465	4	Socket, Female	
8	4460878	1	Connector - 4 Position	
8	4460887	4	Terminal	
9	1001113961	1	Connector - 8 Position	
9	4460871	3	Socket, Female	
9	4460905	5	Plug, Sealing	
10	4460866	1	Connector - 19 Pin	
10	4460464	7	Pin, Male	
10	4460508	4	Pin, Male	
10	4460943	2	Pin, Male	
10	4460466	6	Plug, Seal	
11	4460539	1	Terminal, Deutsch - 3 Position Female	
11	4460944	2	Socket, Female	
11	4460466	1	Plug, Seal	
12	1001116812	1	Connector - 3 Position	
12	4460944	2	Socket, Female	
12	4460466	1	Plug, Seal	
13	4460933	1	Connector - 12 Position (Gray)	
13	4460465	2	Socket, Female	
13	4460942	3	Socket, Female 14-16 Ga	
13	4460466	6	Plug, Seal	
13	4460509	1	Socket, Female	
14	4460884	1	Connector - 4 Position	
14	4460465	4	Socket, Female	
15	4460761	1	Connector, Female - 4 Position	
15	4460227	4	Socket, Female	
16	4460931	1	Connector - 8 Position	
16	1001157891	2	Pin, Male	
16	1001116693	5	Pin, Male	
16	4460466	1	Plug, Seal	
17	4460891	1	Connector - 2 Position	
17	4460465	1	Pin, Male	
17	4460466	1	Plug, Seal	
18	4460891	1	Connector - 2 Position	
18	4460465	2	Pin, Male	
19	4460931	1	Connector - 8 Position	
19	4460464	6	Pin, Male	
19	4460466	2	Plug, Seal	

SECTION 8 - ELECTRICAL

ITEM	PART NUMBER	QTY	DESCRIPTION	REV
20	1001116810	1	Connector – 4 Position	
20	4460509	2	Socket, Female	
20	4460466	2	Plug, Seal	
21	4460836	1	Connector - 12 Position	
21	1001157890	5	Socket, Female	
21	4460465	5	Socket, Female	
21	4460944	2	Socket, Female	
22	4460894	1	Connector - 6 Position	
22	1001157890	2	Socket, Female	
22	4460465	2	Socket, Female	
22	4460944	2	Socket, Female	
23	4460424	1	Connector - 2 Position	
23	4460226	2	Socket, Female	
24	4460761	1	Connector, Female - 4 Position	
24	4460227	4	Socket, Female	
25	4460891	1	Connector - 2 Position	
25	4460465	2	Pin, Male	
26	2400060	1	Fuse Holder with Cover (SN 0300226267 to Present)	
26	8229242	1	Fuse 5 Amp (SN 0300226267 to Present)	

SECTION 8 - ELECTRICAL

FIGURE 8-60. UPPER BOOM CABLE (E600/M600)



ART_1001183883

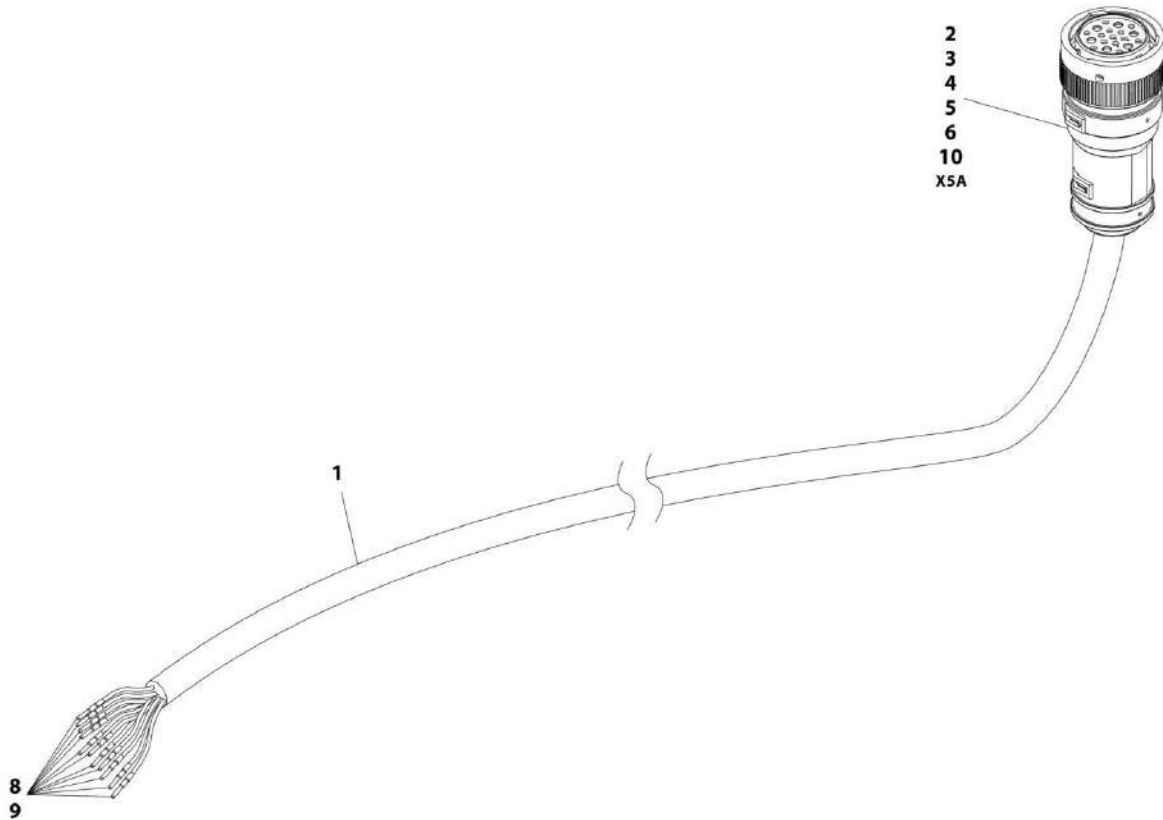
SECTION 8 - ELECTRICAL

FIGURE 8-60. UPPER BOOM CABLE (E600/M600)

ITEM	PART NUMBER	QTY	DESCRIPTION	REV
1	1001183883	Ref	UPPER BOOM CABLE (E600/M600)	B
	1060896	55 ft /16.8m	Cable, Electrical	
2	1001188292	1	Connector - 19 Position	
3	1001188291	1	Connector, Backshell	
4	4460465	11	Socket, Female	
5	4460509	4	Socket, Female	
6	4460466	4	Plug, Seal	
8	4460464	11	Pin, Male	
9	4460508	4	Pin, Male	
10	1001188354	1	Grommet	
11	4240033	2	Tie-Strap (Not Shown)	

SECTION 8 - ELECTRICAL

FIGURE 8-61. UPPER BOOM CABLE (E600J/M600J)



ART_1001183885

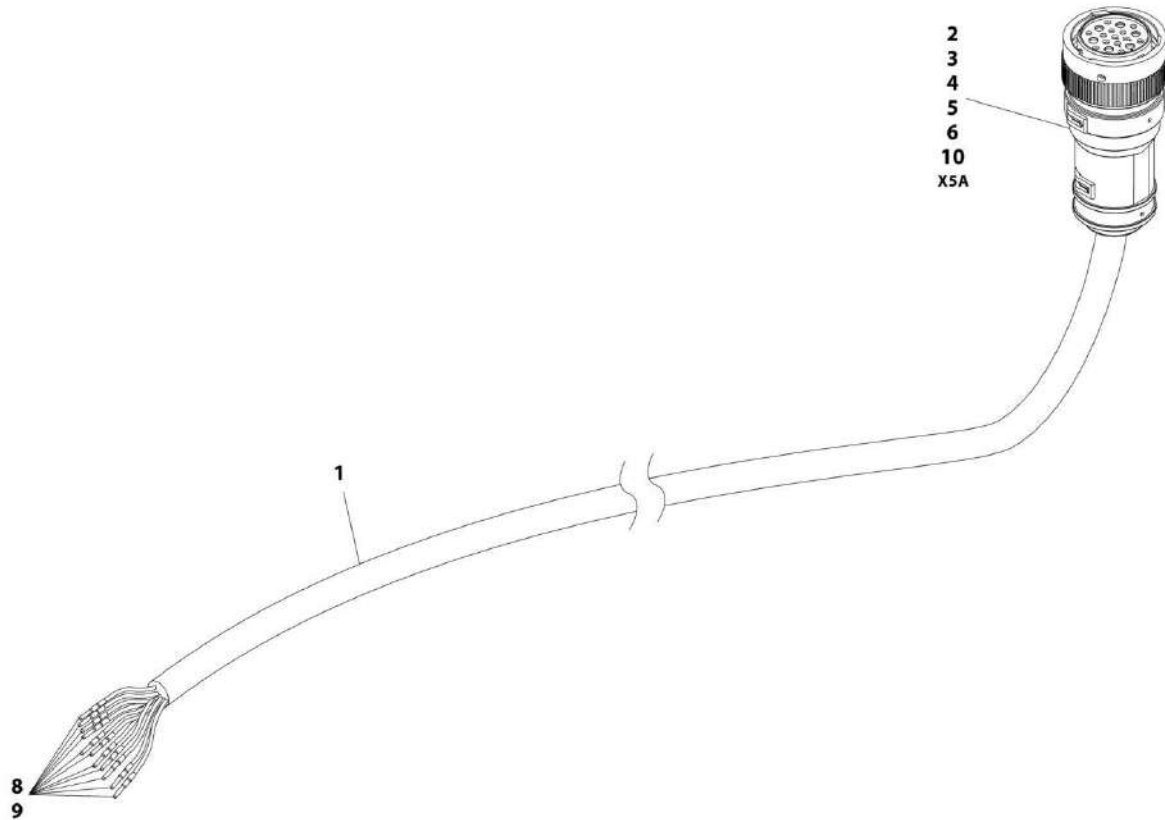
SECTION 8 - ELECTRICAL

FIGURE 8-61. UPPER BOOM CABLE (E600J/M600J)

ITEM	PART NUMBER	QTY	DESCRIPTION	REV
1	1001183885	Ref	UPPER BOOM CABLE (E600J/M600J)	B
	1060896	53.5 ft /16.3m	Cable, Electrical	
2	1001188292	1	Connector - 19 Position	
3	1001188291	1	Connector, Backshell	
4	4460465	11	Socket, Female	
5	4460509	4	Socket, Female	
6	4460466	4	Plug, Seal	
8	4460464	11	Pin, Male	
9	4460508	4	Pin, Male	
10	1001188354	1	Grommet	
11	4240033	2	Tie-Strap (Not Shown)	

SECTION 8 - ELECTRICAL

FIGURE 8-62. UPPER BOOM CABLE (E600JP/M600JP)



ART_1001183884

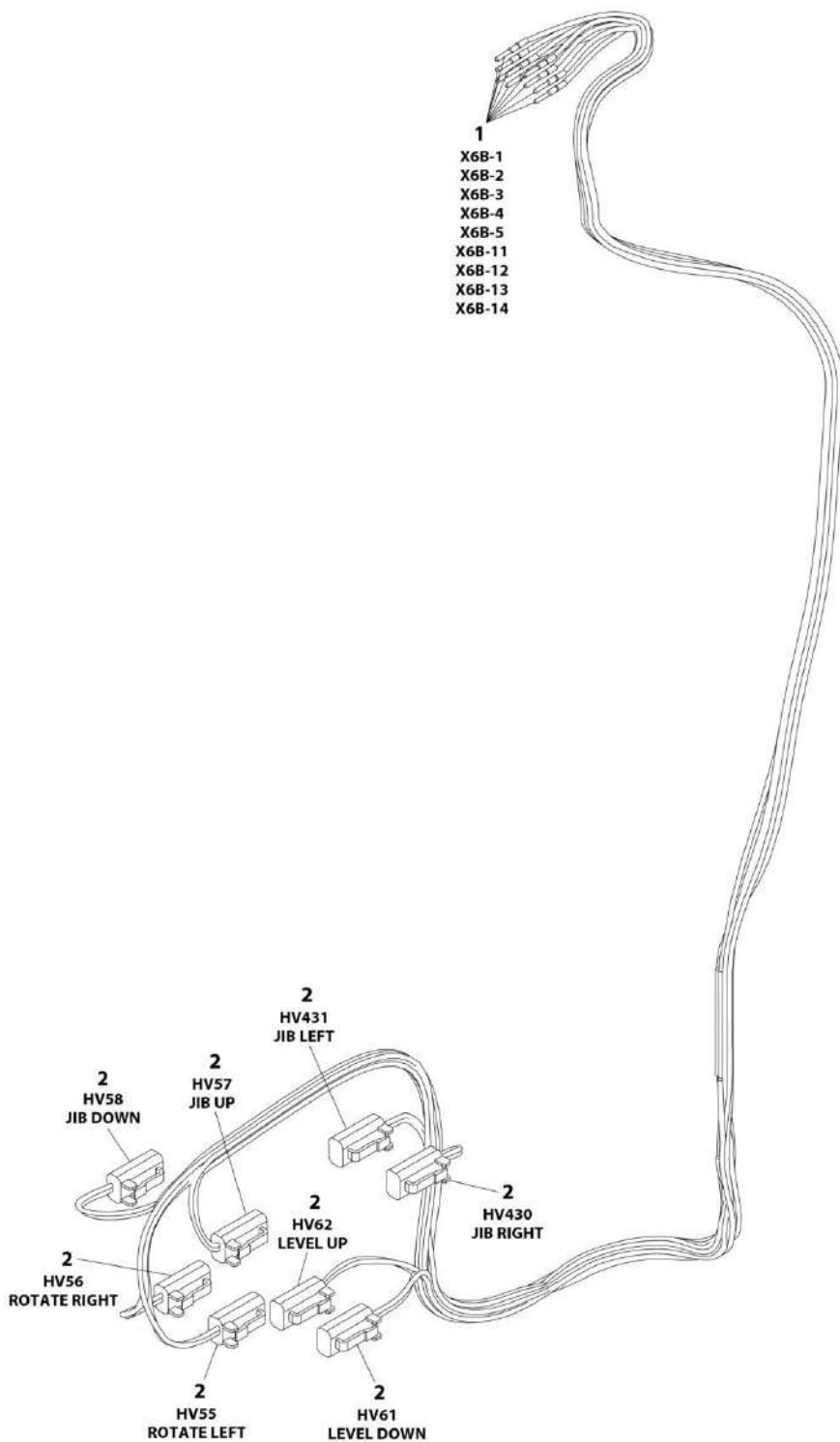
SECTION 8 - ELECTRICAL

FIGURE 8-62. UPPER BOOM CABLE (E600JP/M600JP)

ITEM	PART NUMBER	QTY	DESCRIPTION	REV
	1001183884	Ref	UPPER BOOM CABLE (E600JP/M600JP)	B
1	1060896	54.5 ft /16.6m	Cable, Electrical	
2	1001188292	1	Connector - 19 Position	
3	1001188291	1	Connector, Backshell	
4	4460465	11	Socket, Female	
5	4460509	4	Socket, Female	
6	4460466	4	Plug, Seal	
8	4460464	11	Pin, Male	
9	4460508	4	Pin, Male	
10	1001188354	1	Grommet	
11	4240033	2	Tie-Strap (Not Shown)	

SECTION 8 - ELECTRICAL

FIGURE 8-63. UPPER VALVE HARNESS



ART_1001183276

SECTION 8 - ELECTRICAL

FIGURE 8-63. UPPER VALVE HARNESS

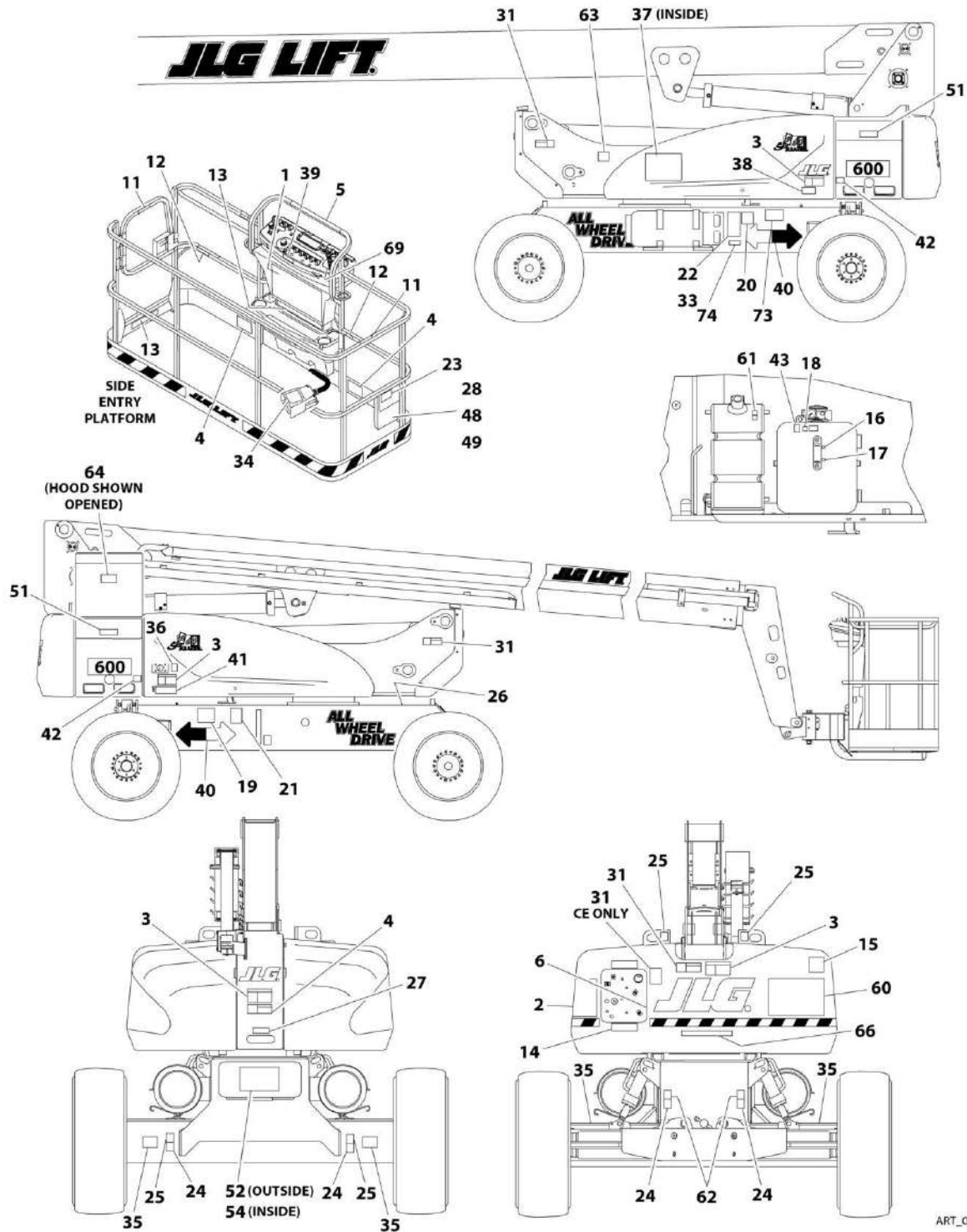
ITEM	PART NUMBER	QTY	DESCRIPTION	REV
	1001183276	Ref	UPPER VALVE HARNESS	D
1	4460227	9	Pin, Male	
2	4460891	8	Plug, Male - 2 Position	
2	4460465	16	Socket, Female	

SECTION 9 - DECALS

SECTION 9 - DECALS

FIGURE 9-1. DECAL INSTALLATION - ANSI AND ANSI EXPORT SPECS

NOTE: ITEMS SHOWN MAY NOT BE REQUIRED FOR ALL SPECS. REFER TO PARTS LISTS FOR USAGE.



ART_0270129

SECTION 9 - DECALS

FIGURE 9-1. DECAL INSTALLATION - ANSI AND ANSI EXPORT SPECS

ITEM	PART NUMBER	QTY	DESCRIPTION	REV
	1283118	Ref	DECAL INSTALLATION - REFERENCE CHART	AA
	0270129	Ref	DECAL INSTALLATION - ANSI AND ANSI EXPORT SPECS	I
1	1703797	1	Decal - Danger/Warning (Platform)	
2	1704575	1	Decal - Danger/Warning (MTB)	
3	1703805	4	Decal - Electrocution	
4	1703804	3	Decal - Crushing	
5	1001196811	1	Decal - Legend (Platform)	
6	1707035	1	Decal - Legend (Ground Control)	
11	1702868	2	Decal - No Hands	
12	1704277	3	Decal - Attach Lanyard	
13	1001121801	2	Decal - 500 LBS Max Capacity (Platform)	
14	1001121814	1	Decal - 500 LBS Max Capacity (Ground)	
16	1701502	1	Decal - Hydraulic Oil Level High	
17	1701503	1	Decal - Hydraulic Oil Level Low	
18	1701504	1	Decal - Hydraulic Oil	
20	See Note	NSS	Decal - Barcode (Note: Not Available for Purchase)	
21	1001131269	1	Decal - Patent	
22	See Note	NSS	Nameplate - Serial Number (Note: Not Available for Purchase)	
23	1701509	1	Decal - Manual	
24	1702300	4	Decal - Tie Down	
25	1701500	4	Decal - Lift	
26	1701529	2	Decal - Arrow	
27	3251243	1	Nameplate	
28	0860520	1	Box, Manual Storage	
31	1703953	3	Decal - Warning/Crushing	
33	3820001	2	Rivet	
34	3252347	1	Nameplate - Footswitch	
35	1704708	4	Decal - Max Tire Load	
36	1701644	1	Decal - Charger	
37	1704705	1	Decal - Manual Descent	
38	1702901	1	Decal - Instructions Inside	
39	1705514	1	Decal - CSA (SN 0300222690 to Present)	
40	1701501	2	Decal - Arrow	
41	1704248	1	Decal - Battery Charger Instructions	
42	1702155	2	Decal - Battery Disconnect	
43	1704412	1	Decal - Oil Chart	
48	3311405	4	Nut 1/4	
49	4751400	4	Washer 1/4	
51	1703813	2	Decal - Warning Battery Ventilation	
52	3252673	NLA	Decal - Lift Diagram (Use p/n 1706377) (SN 0300219271 through 0300226741)	
52	1706377	1	Decal - Lift Diagram (SN 0300226742 to Present)	
54	1001209679	1	Decal - Cable Routing	
61	1701505	1	Decal - Fuel M600/M600J/M600JP	
62	1701499	2	Decal - No Lift	
63	1702391	2	Decal - Warning Hand Crushing	
64	1704725	2	Decal - Tip Over (Battery Weight)	
66	1704885	1	Decal - Website	
67	0641406	4	Bolt 1/4 x 3/4 (Not Shown)	
69	1705351	1	Decal - Drive/Steer Instructions (Machines with Drive Orientation)	

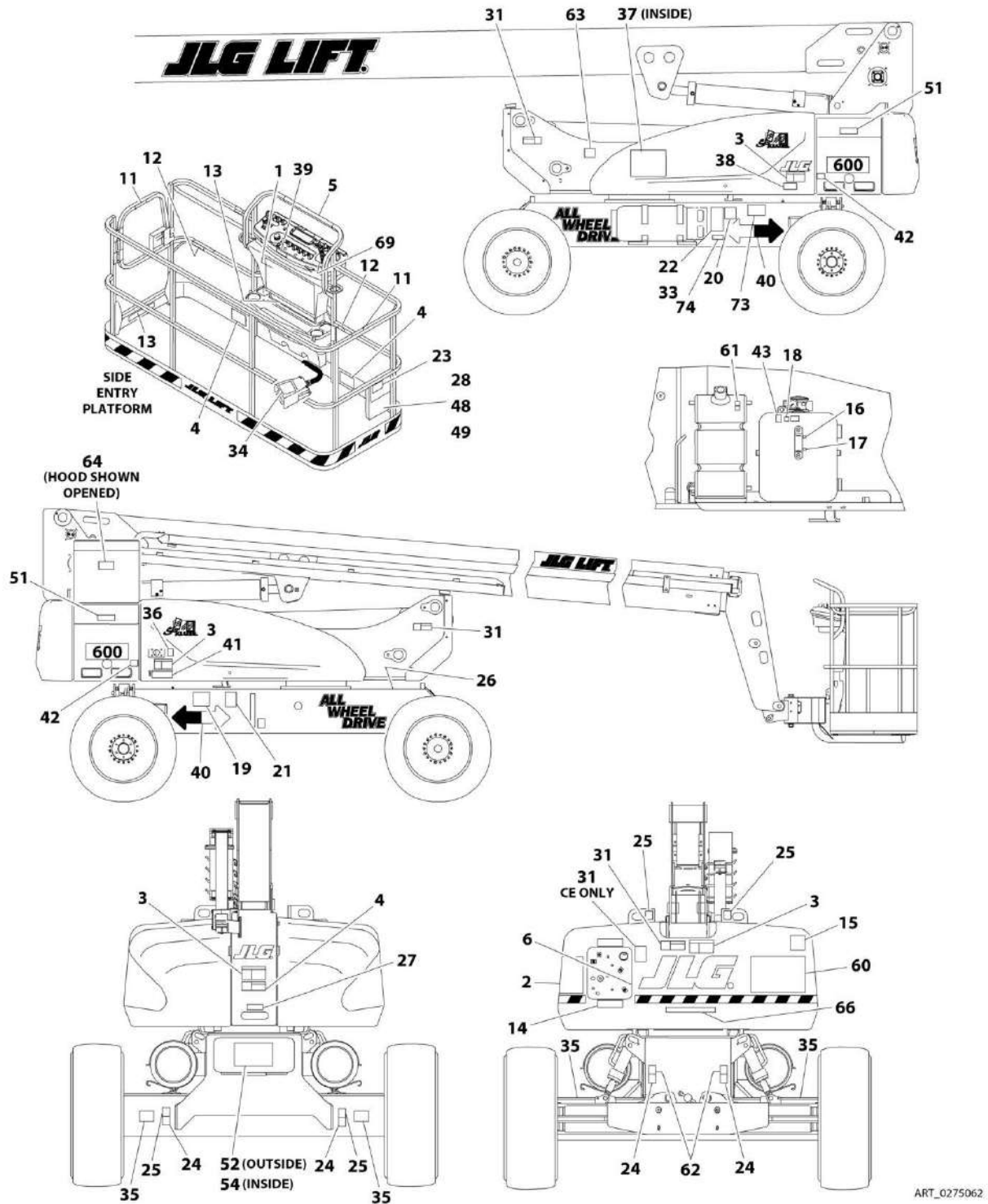
SECTION 9 - DECALS

ITEM	PART NUMBER	QTY	DESCRIPTION	REV
73	1001223055	1	Only) Decal - Yearly Inspection (SN 0300233752 to Present)	
74	1001228370	1	Decal - ICES (Canada Spec)	

SECTION 9 - DECALS

FIGURE 9-2. DECAL INSTALLATION - AUSTRALIAN AND CE SPECS

NOTE: ITEMS SHOWN MAY NOT BE REQUIRED FOR ALL SPECS. REFER TO PARTS LISTS FOR USAGE.



ART_0275062

SECTION 9 - DECALS

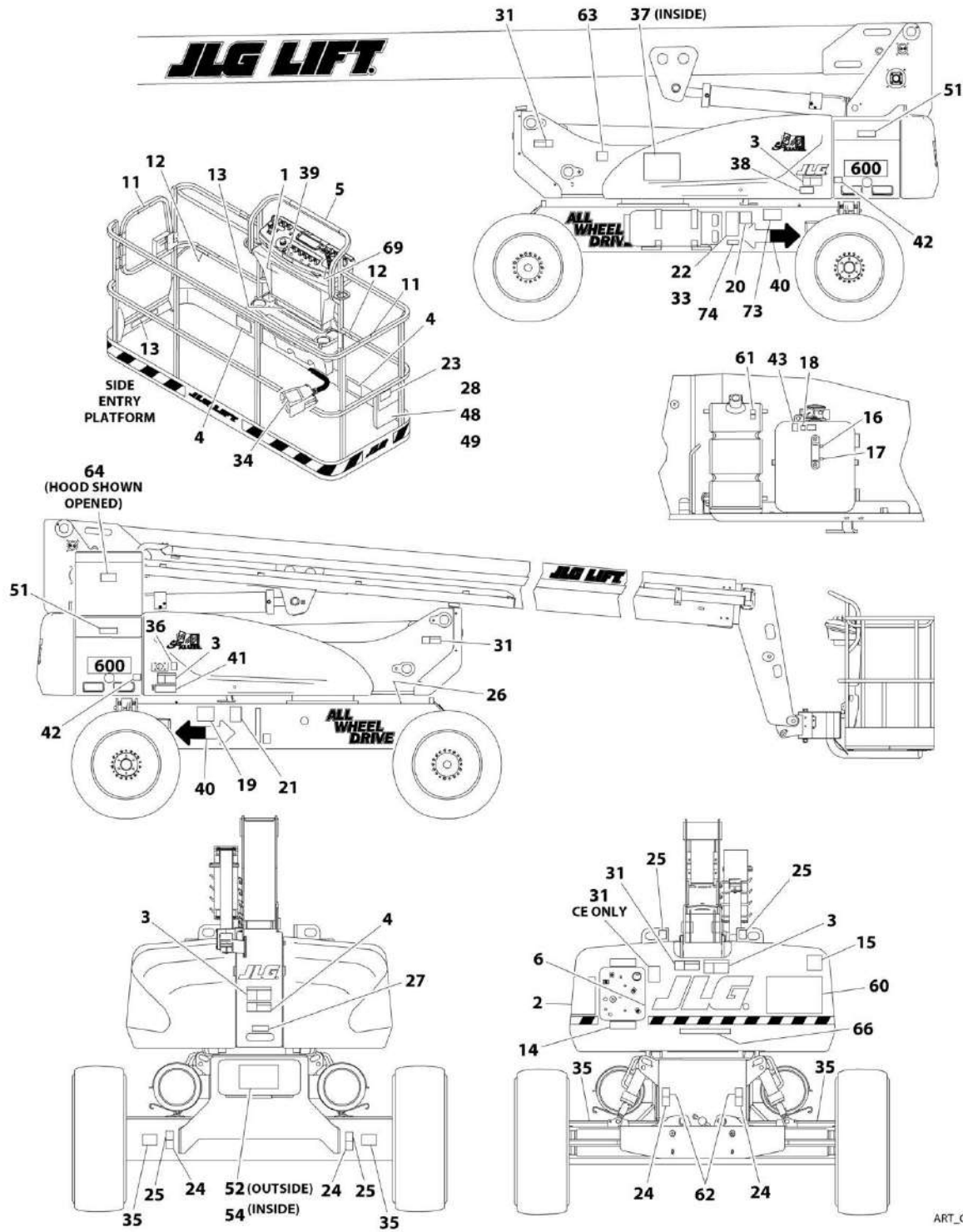
FIGURE 9-2. DECAL INSTALLATION - AUSTRALIAN AND CE SPECS

ITEM	PART NUMBER	QTY	DESCRIPTION	REV
	1283118	Ref	DECAL INSTALLATION - REFERENCE CHART	AA
	0275062	Ref	DECAL INSTALLATION - AUSTRALIAN AND CE SPECS	E
1	1705921	1	Decal - Danger/Caution (Platform)	
2	1705822	1	Decal - Danger/Caution (MTB)	
4	1701518	3	Decal - Crushing	
12	1704277	3	Decal - Attach Lanyard	
13	1705978	1	Decal - 500 LBS Max Capacity (Platform)	
14	1705978	1	Decal - 500 LBS Max Capacity (Ground)	
15	1705084	1	Decal - Sound Power Level	
16	1701502	1	Decal - Hydraulic Oil Level High	
17	1701503	1	Decal - Hydraulic Oil Level Low	
18	1701504	1	Decal - Hydraulic Oil	
20	See Note	NSS	Decal - Bar Code (Note: Not Available for Purchase)	
23	1701509	1	Decal - Manual	
24	1702300	4	Decal - Tie Down	
25	1701500	4	Decal - Lift	
26	1701529	2	Decal - Arrow	
28	0860520	1	Box, Manual Storage	
31	1701518	3	Decal - Warning/Crushing	
33	3820001	4	Rivet	
34	1705828	1	Nameplate - Footswitch	
35	1704708	4	Decal - Maximum Tire Load	
36	1701644	1	Decal - Charger	
37	1704705	1	Decal - Manual Descent	
38	1706392	1	Decal - Instructions Inside	
40	1701501	2	Decal - Arrow	
41	1706378	1	Decal - Battery Charger Instructions	
42	1702155	2	Decal - Battery Disconnect	
43	1704412	1	Decal - Oil Chart	
48	3311405	4	Nut 1/4	
49	4751400	4	Washer 1/4	
51	1705670	2	Decal - Warning Battery Ventilation	
52	1706377	1	Decal - Lift Diagram	
54	1001209679	1	Decal - Cable Routing	
61	1701505	1	Decal - Fuel M600/M600J/M600JP	
62	1701499	2	Decal - No Lift	
63	1701517	2	Decal - Warning Hand Crushing	
64	1704728	2	Decal - Tip Over (Battery Weight)	
66	1704885	1	Decal - Website	

SECTION 9 - DECALS

FIGURE 9-3. DECAL INSTALLATION - CHINESE/ENGLISH SPECS

NOTE: ITEMS SHOWN MAY NOT BE REQUIRED FOR ALL SPECS. REFER TO PARTS LISTS FOR USAGE.



ART_0270154

SECTION 9 - DECALS

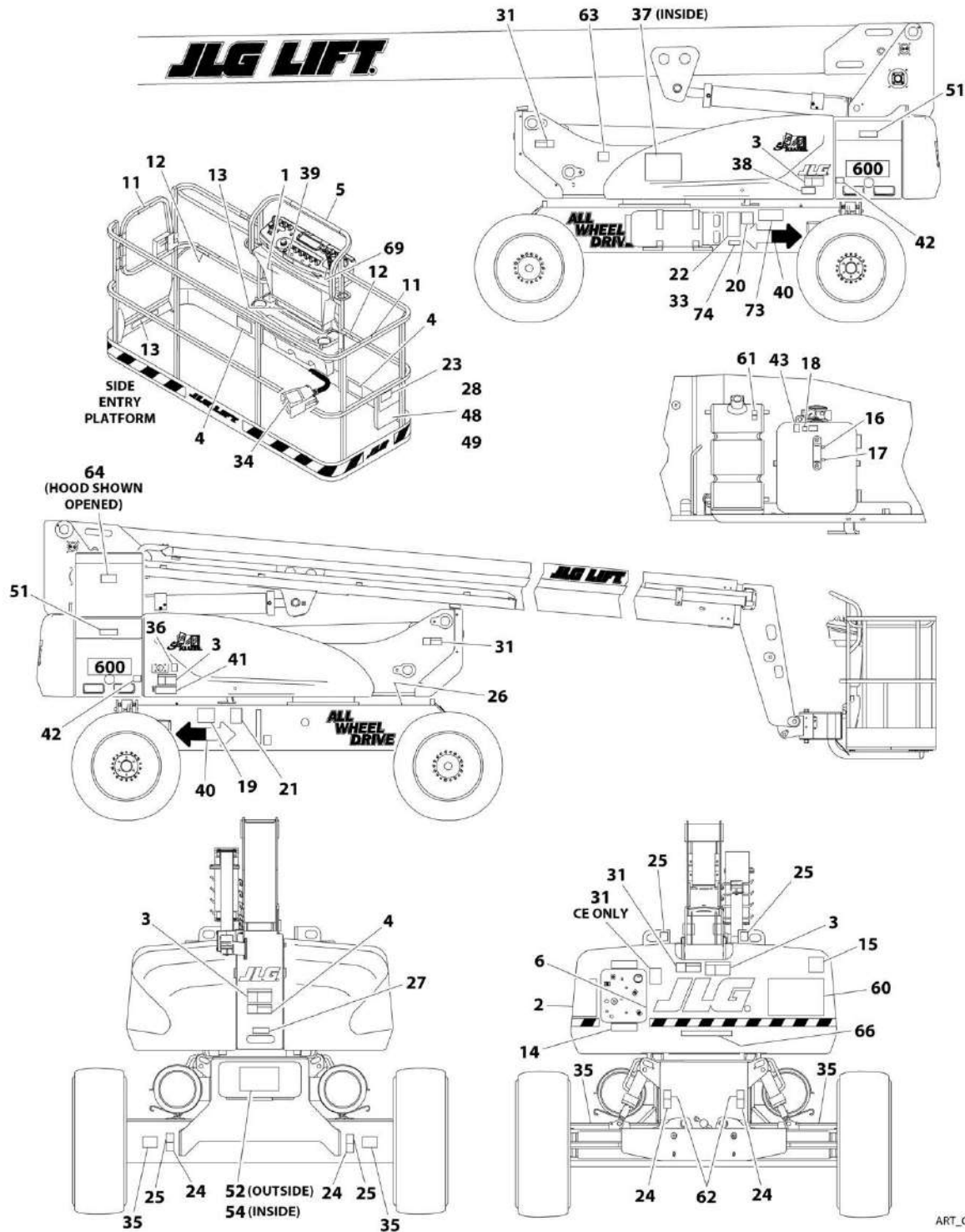
FIGURE 9-3. DECAL INSTALLATION - CHINESE/ENGLISH SPECS

ITEM	PART NUMBER	QTY	DESCRIPTION	REV
	1283118	Ref	DECAL INSTALLATION - REFERENCE CHART	AA
	0270154	Ref	DECAL INSTALLATION - CHINESE/ENGLISH SPECS	F
1	1703925	1	Decal - Danger/Warning (Platform)	
3	1703937	4	Decal - Electrocution	
4	1703949	3	Decal - Crushing	
11	1001116846	2	Decal - No Hands	
12	1704277	3	Decal - Attach Lanyard	
13	1001121810	2	Decal - 500 LBS Max Capacity (Platform)	
14	1001121823	1	Decal - 500 LBS Max Capacity (Ground)	
16	1701502	1	Decal - Hydraulic Oil Level High	
17	1701503	1	Decal - Hydraulic Oil Level Low	
18	1701504	1	Decal - Hydraulic Oil	
20	See Note	NSS	Decal - Bar Code (Note: Not Available for Purchase)	
22	See Note	NSS	Nameplate - Serial Number (Note: Not Available for Purchase)	
23	1701509	1	Decal - Manual	
24	1702300	4	Decal - Tie Down	
25	1701500	4	Decal - Lift	
26	1701529	2	Decal - Arrow	
28	0860520	1	Box, Manual Storage	
31	1703943	3	Decal - Warning/Crushing	
33	3820001	2	Rivet	
34	1703982	1	Nameplate - Footswitch	
35	1704708	4	Decal - Maximum Tire Load	
36	1701644	1	Decal - Charger	
37	1704705	1	Decal - Manual Descent	
38	1704121	1	Decal - Instructions Inside	
40	1701501	2	Decal - Arrow	
41	1704333	1	Decal - Battery Charger Instructions	
42	1702155	2	Decal - Battery Disconnect	
43	1704412	1	Decal - Oil Chart	
48	3311405	4	Nut 1/4	
49	4751400	4	Washer 1/4	
51	1704344	2	Decal - Warning Battery Ventilation	
52	3252741	NLA	Decal - Lift Diagram (Use p/n 1706377) (SN 0300219271 through 0300226741)	
52	1706377	1	Decal - Lift Diagram (SN 0300226742 to Present)	
54	1001209679	1	Decal - Cable Routing	
60	1703931	1	Decal - Danger/Caution	
61	1701505	1	Decal - Fuel M600/M600J/M600JP	
62	1701499	2	Decal - No Lift	
63	1701517	2	Decal - Warning Hand Crushing	
64	1704731	2	Decal - Tip Over (Battery Weight)	
66	1704885	1	Decal - Website	
67	0641406	4	Bolt 1/4 x 3/4 (Not Shown)	
69	1705430	1	Decal - Drive/Steer Instructions (Machines with Drive Orientation Only)	
73	1001224050	1	Decal - Yearly Inspection (SN 0300233752 to Present)	

SECTION 9 - DECALS

FIGURE 9-4. DECAL INSTALLATION - FRENCH/ENGLISH SPECS

NOTE: ITEMS SHOWN MAY NOT BE REQUIRED FOR ALL SPECS. REFER TO PARTS LISTS FOR USAGE.



ART_0270152

SECTION 9 - DECALS

FIGURE 9-4. DECAL INSTALLATION - FRENCH/ENGLISH SPECS

ITEM	PART NUMBER	QTY	DESCRIPTION	REV
	1283118	Ref	DECAL INSTALLATION - REFERENCE CHART	AA
	0270152	Ref	DECAL INSTALLATION - FRENCH/ENGLISH SPECS	G
1	1703924	1	Decal - Danger/Warning (Platform)	
3	1703936	4	Decal - Electrocution	
4	1703948	3	Decal - Crushing	
5	1001196811	1	Decal - Legend (Platform)	
6	1707035	1	Decal - Legend (Ground Control)	
11	1704000	2	Decal - No Hands	
12	1704277	3	Decal - Attach Lanyard	
13	1001121803	2	Decal - 500 LBS Max Capacity (Platform)	
14	1001121816	1	Decal - 500 LBS Max Capacity (Ground)	
16	1701502	1	Decal - Hydraulic Oil Level High	
17	1701503	1	Decal - Hydraulic Oil Level Low	
18	1701504	1	Decal - Hydraulic Oil	
20	See Note	NSS	Decal - Bar Code (Note: Not Available for Purchase)	
21	1001131269	1	Decal - Patent	
22	See Note	NSS	Nameplate - Serial Number (Note: Not Available for Purchase)	
23	1701509	1	Decal - Manual	
24	1702300	4	Decal - Tie Down	
25	1701500	4	Decal - Lift	
26	1701529	4	Decal - Arrow	
27	3251243	1	Nameplate 120V/60Hz	
28	0860520	1	Box, Manual Storage	
31	1703942	3	Decal - Warning/Crushing	
33	3820001	2	Rivet	
34	1703984	1	Nameplate - Footswitch	
35	1704708	4	Decal - Maximum Tire Load	
36	1701644	1	Decal - Charger	
37	1704705	1	Decal - Manual Descent	
38	1704116	1	Decal - Instructions Inside	
39	1705514	1	Decal - CSA	
40	1701501	2	Decal - Arrow	
41	1704329	1	Decal - Battery Charger Instructions	
42	1702155	2	Decal - Battery Disconnect	
43	1704412	1	Decal - Oil Chart	
48	3311405	4	Nut 1/4	
49	4751400	4	Washer 1/4	
51	1704340	2	Decal - Warning Battery Ventilation	
52	3252743	NLA	Decal - Lift Diagram (Use p/n 1706377) (SN 0300219271 through 0300226741)	
52	1706377	1	Decal - Lift Diagram (SN 0300226742 to Present)	
54	1001209679	1	Decal - Cable Routing	
60	1703930	1	Decal - Danger/Caution	
61	1701505	1	Decal - Fuel M600/M600J/M600JP	
62	1701499	2	Decal - No Lift	
63	1701517	2	Decal - Warning Hand Crushing	
64	1704733	2	Decal - Tip Over (Battery Weight)	
66	1704885	1	Decal - Website	
67	0641406	4	Bolt 1/4 x 3/4 (Not Shown)	
69	1705429	1	Decal - Drive/Steer Instructions (Machines with Drive Orientation)	

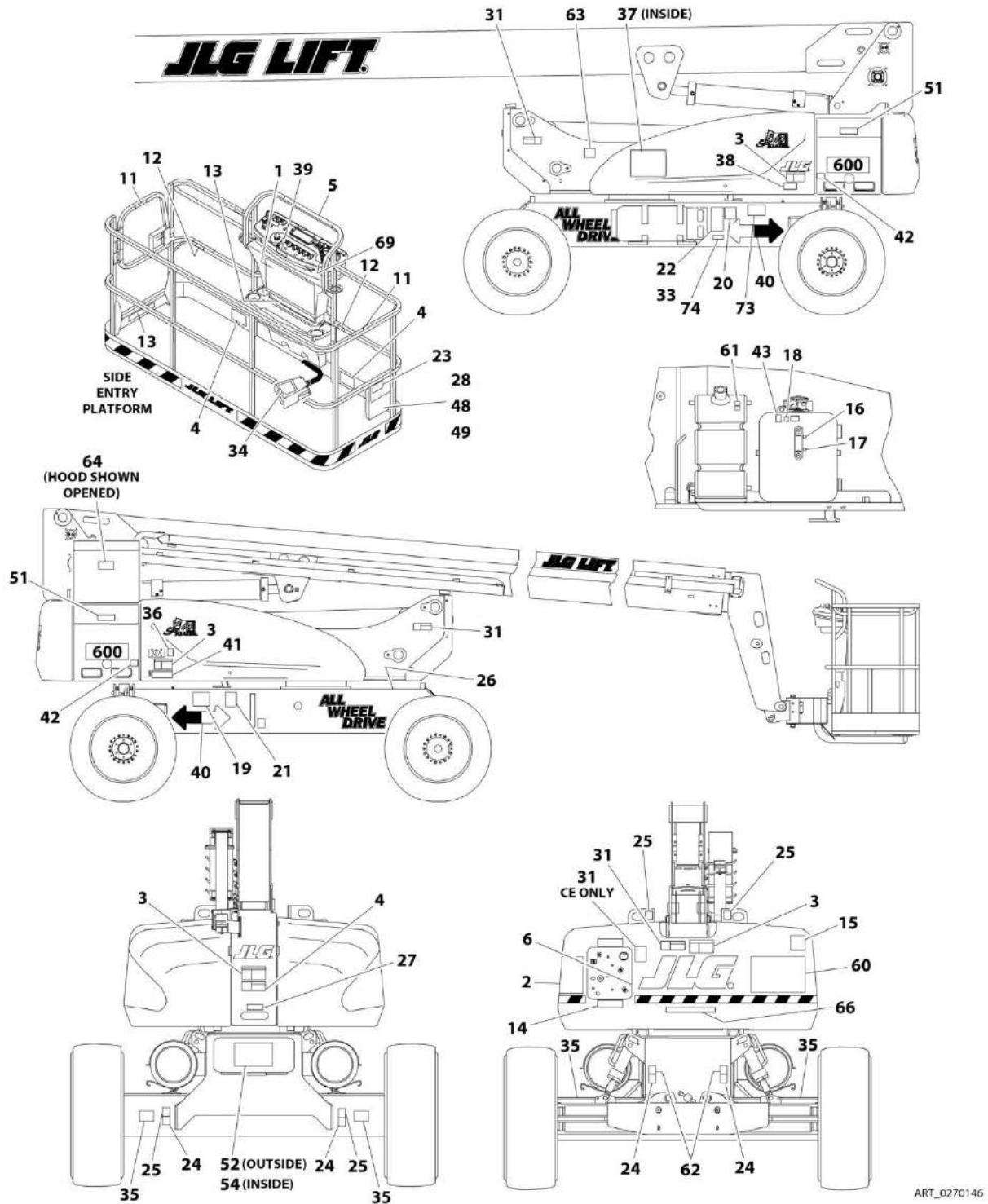
SECTION 9 - DECALS

ITEM	PART NUMBER	QTY	DESCRIPTION	REV
73	1001223971	1	Only) Decal - Yearly Inspection (SN 0300233752 to Present)	
74	1001228370	1	Decal - ICES (Canada Spec)	

SECTION 9 - DECALS

FIGURE 9-5. DECAL INSTALLATION - JAPANESE SPECS

NOTE: ITEMS SHOWN MAY NOT BE REQUIRED FOR ALL SPECS. REFER TO PARTS LISTS FOR USAGE.



ART_0270146

SECTION 9 - DECALS

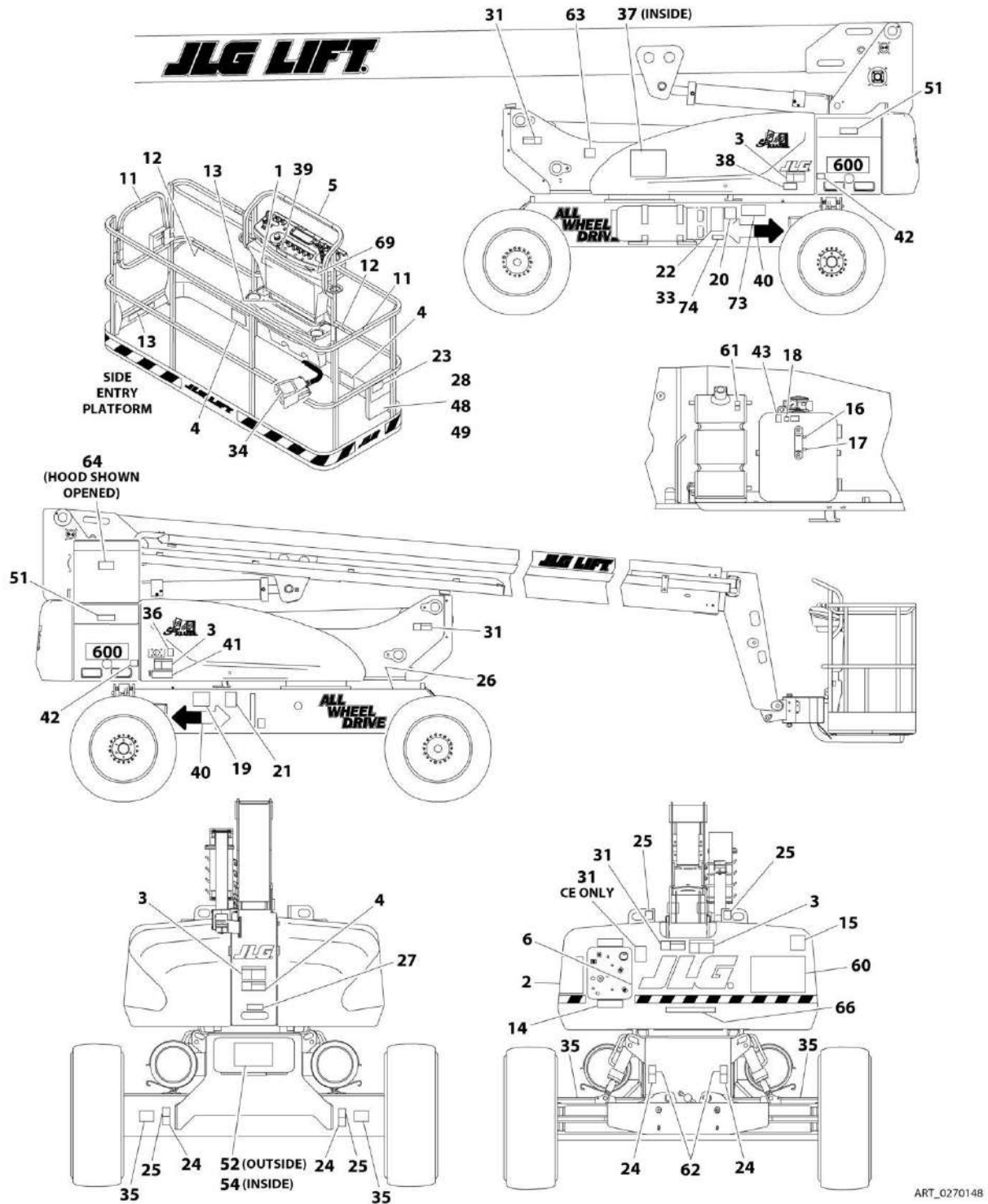
FIGURE 9-5. DECAL INSTALLATION - JAPANESE SPECS

ITEM	PART NUMBER	QTY	DESCRIPTION	REV
	1283118	Ref	DECAL INSTALLATION - REFERENCE CHART	AA
	0270146	Ref	DECAL INSTALLATION - JAPANESE SPECS	F
1	1703926	1	Decal - Danger/Warning (Platform)	
2	1704667	1	Decal - Danger/Warning (MTB)	
3	1703938	4	Decal - Electrocution	
4	1703950	3	Decal - Crushing	
12	1704277	3	Decal - Attach Lanyard	
13	1001121808	2	Decal - 500 LBS Max Capacity (Platform)	
14	1001121821	1	Decal - 500 LBS Max Capacity (Ground)	
16	1701502	1	Decal - Hydraulic Oil Level High	
17	1701503	1	Decal - Hydraulic Oil Level Low	
18	1701504	1	Decal - Hydraulic Oil	
20	See Note	NSS	Decal - Bar Code (Note: Not Available for Purchase)	
22	See Note	NSS	Nameplate - Serial Number (Note: Not Available for Purchase)	
23	1701509	1	Decal - Manual	
24	1702300	4	Decal - Tie Down	
25	1701500	4	Decal - Lift	
26	1701529	2	Decal - Arrow	
28	0860520	1	Box, Manual Storage	
31	1703944	3	Decal - Warning/Crushing	
33	3820001	2	Rivet	
34	1703980	1	Nameplate - Footswitch	
35	1704708	4	Decal - Maximum Tire Load	
36	1701644	1	Decal - Charger	
37	1704705	1	Decal - Manual Descent	
38	1704119	1	Decal - Instructions Inside	
40	1701501	2	Decal - Arrow	
41	1704331	1	Decal - Battery Charger Instructions	
42	1702155	2	Decal - Battery Disconnect	
43	1704412	1	Decal - Oil Chart	
48	3311405	4	Nut 1/4	
49	4751400	4	Washer 1/4	
51	1704342	2	Decal - Warning Battery Ventilation	
52	3252738	NLA	Decal - Lift Diagram (Use p/n 1706377) (SN 0300219271 through 0300226741)	
52	1706377	1	Decal - Lift Diagram (SN 0300226742 to Present)	
54	1001209679	1	Decal - Cable Routing	
61	1701505	1	Decal - Fuel M600/M600J/M600JP	
62	1701499	2	Decal - No Lift	
63	1701517	2	Decal - Warning Hand Crushing	
64	1704671	2	Decal - Tip Over (Battery Weight)	
66	1704885	1	Decal - Website	
67	0641406	4	Bolt 1/4 x 3/4 (Not Shown)	
69	1705426	1	Decal - Drive/Steer Instructions (Machines with Drive Orientation Only)	
73	1001224053	1	Decal - Yearly Inspection (SN 0300233752 to Present)	

SECTION 9 - DECALS

FIGURE 9-6. DECAL INSTALLATION - KOREAN SPECS

NOTE: ITEMS SHOWN MAY NOT BE REQUIRED FOR ALL SPECS. REFER TO PARTS LISTS FOR USAGE.



ART_0270148

SECTION 9 - DECALS

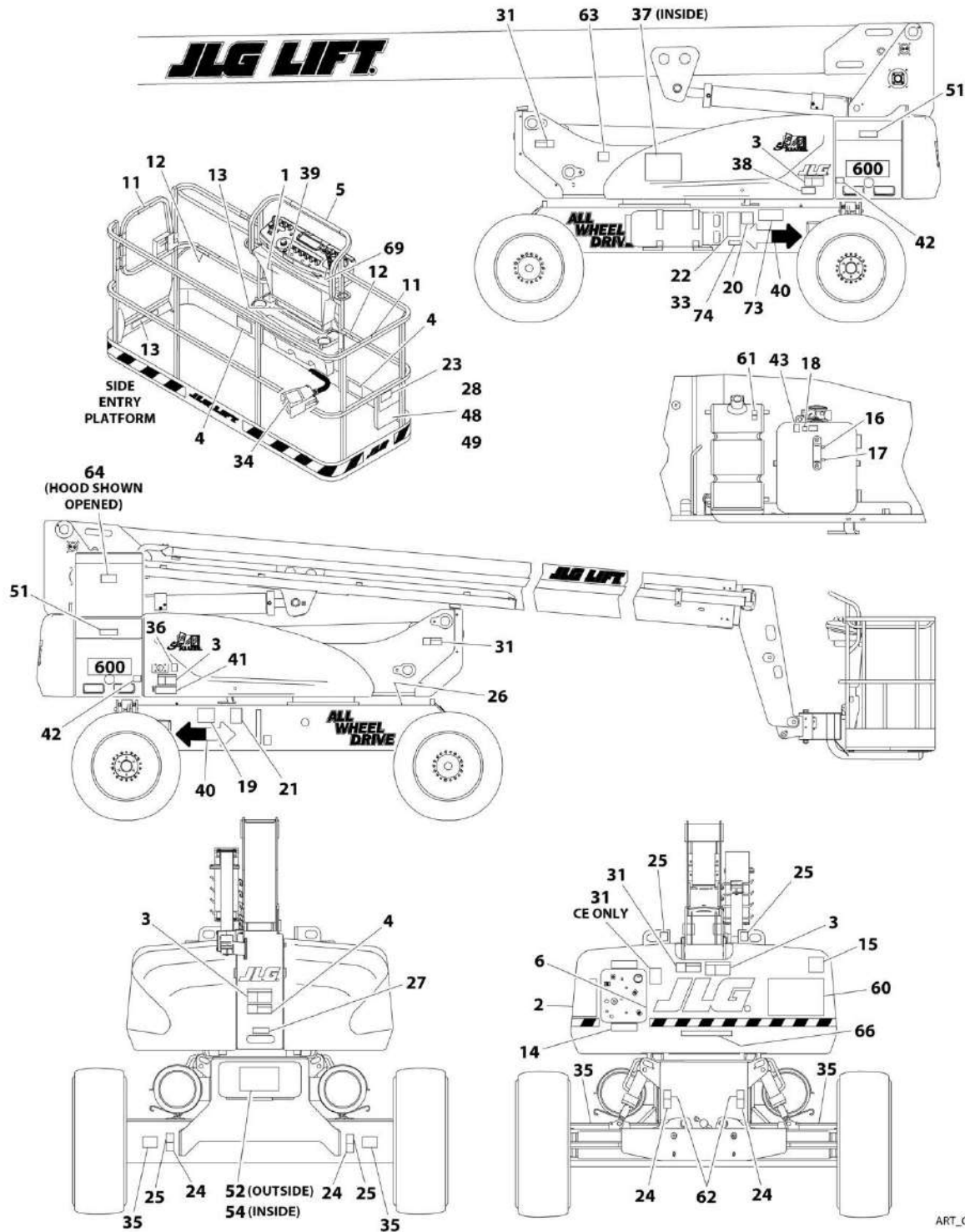
FIGURE 9-6. DECAL INSTALLATION - KOREAN SPECS

ITEM	PART NUMBER	QTY	DESCRIPTION	REV
	1283118	Ref	DECAL INSTALLATION - REFERENCE CHART	AA
	0270148	Ref	DECAL INSTALLATION - KOREAN SPECS	F
1	1703927	1	Decal - Danger/Warning (Platform)	
2	1704668	1	Decal - Danger/Warning (MTB)	
3	1703939	4	Decal - Electrocution	
4	1703951	3	Decal - Crushing	
12	1704277	3	Decal - Attach Lanyard	
13	1001121918	2	Decal - 500 LBS Max Capacity (Platform)	
14	1001121921	1	Decal - 500 LBS Max Capacity (Ground)	
16	1701502	1	Decal - Hydraulic Oil Level High	
17	1701503	1	Decal - Hydraulic Oil Level Low	
18	1701504	1	Decal - Hydraulic Oil	
20	See Note	NSS	Decal - Bar Code (Note: Not Available for Purchase)	
22	See Note	NSS	Nameplate - Serial Number (Note: Not Available for Purchase)	
23	1701509	1	Decal - Manual	
24	1702300	4	Decal - Tie Down	
25	1701500	4	Decal - Lift	
26	1701529	2	Decal - Arrow	
28	0860520	1	Box, Manual Storage	
31	1703945	3	Decal - Warning/Crushing	
33	3820001	2	Rivet	
34	1703981	1	Nameplate - Footswitch	
35	1704708	4	Decal - Maximum Tire Load	
36	1701644	1	Decal - Charger	
37	1704705	1	Decal - Manual Descent	
38	1704120	1	Decal - Instructions Inside	
40	1701501	2	Decal - Arrow	
41	1704332	1	Decal - Battery Charger Instructions	
42	1702155	2	Decal - Battery Disconnect	
43	1704412	1	Decal - Oil Chart	
48	3311405	4	Nut 1/4	
49	4751400	4	Washer 1/4	
51	1704343	2	Decal - Warning Battery Ventilation	
52	3252739	1	Decal - Lift Diagram (Use p/n 1706377) (SN 0300219271 through 0300226741)	
52	1706377	1	Decal - Lift Diagram (SN 0300226742 to Present)	
54	1001209679	1	Decal - Cable Routing	
61	1701505	1	Decal - Fuel M600/M600J/M600JP	
62	1701499	2	Decal - No Lift	
63	1701517	2	Decal - Warning Hand Crushing	
64	1704670	2	Decal - Tip Over (Battery Weight)	
66	1704885	1	Decal - Website	
67	0641406	4	Bolt 1/4 x 3/4 (Not Shown)	
69	1705427	1	Decal - Drive/Steer Instructions (Machines with Drive Orientation Only)	
73	1001224048	1	Decal - Yearly Inspection (SN 0300233752 to Present)	

SECTION 9 - DECALS

FIGURE 9-7. DECAL INSTALLATION - SPANISH/ENGLISH SPECS

NOTE: ITEMS SHOWN MAY NOT BE REQUIRED FOR ALL SPECS. REFER TO PARTS LISTS FOR USAGE.



ART_0270150

SECTION 9 - DECALS

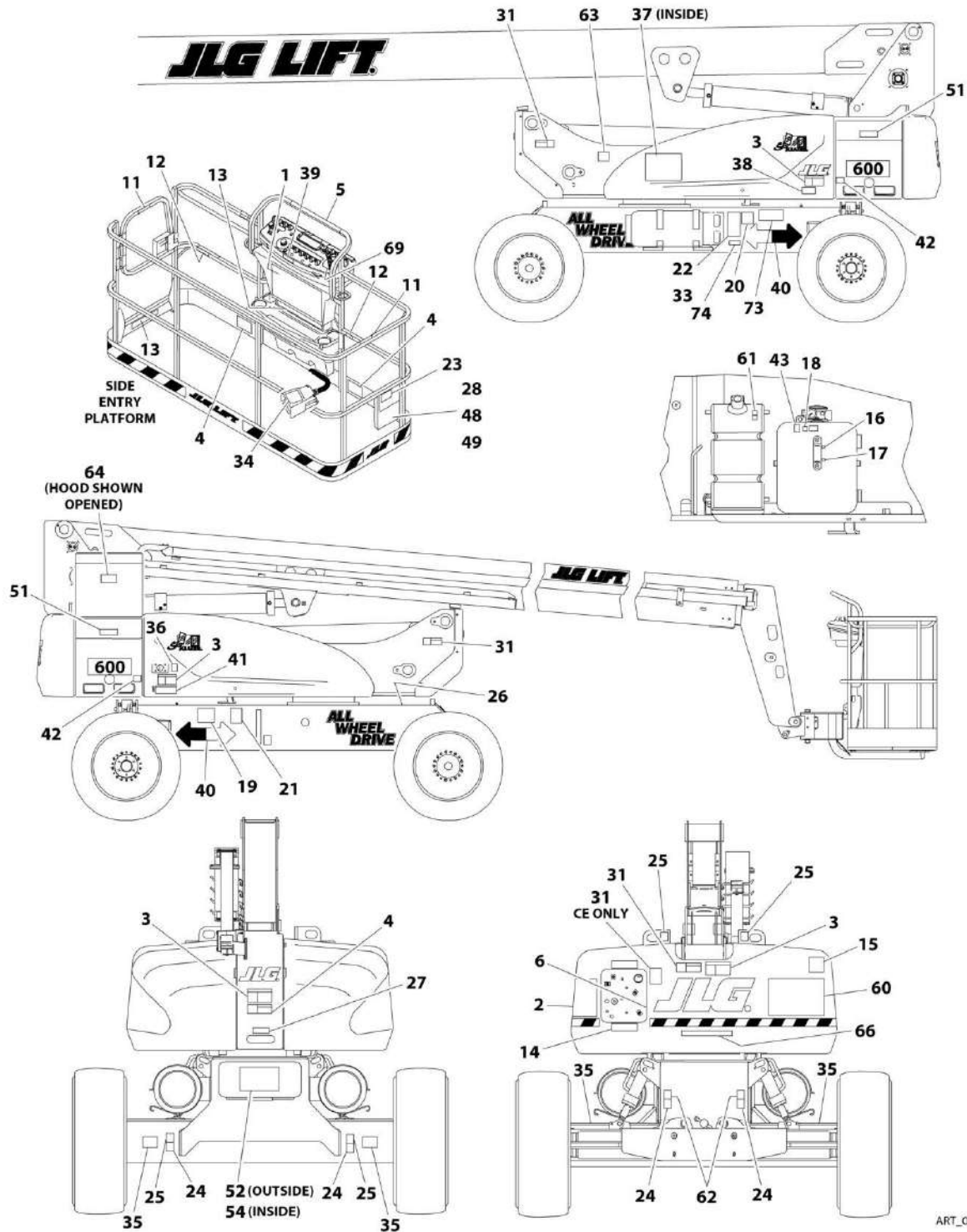
FIGURE 9-7. DECAL INSTALLATION - SPANISH/ENGLISH SPECS

ITEM	PART NUMBER	QTY	DESCRIPTION	REV
	1283118	Ref	DECAL INSTALLATION - REFERENCE CHART	AA
	0270150	Ref	DECAL INSTALLATION - SPANISH/ENGLISH SPECS	F
1	1703923	1	Decal - Danger/Warning (Platform)	
3	1703935	4	Decal - Electrocution	
4	1703947	3	Decal - Crushing	
5	1001196811	1	Decal - Legend (Platform)	
6	1707035	1	Decal - Legend (Ground Control)	
11	1704001	2	Decal - No Hands	
12	1704277	3	Decal - Attach Lanyard	
13	1001121805	2	Decal - 500 LBS Max Capacity (Platform)	
14	1001121818	1	Decal - 500 LBS Max Capacity (Ground)	
16	1701502	1	Decal - Hydraulic Oil Level High	
17	1701503	1	Decal - Hydraulic Oil Level Low	
18	1701504	1	Decal - Hydraulic Oil	
20	See Note	NSS	Decal - Bar Code (Note: Not Available for Purchase)	
22	See Note	NSS	Nameplate - Serial Number (Note: Not Available for Purchase)	
23	1701509	1	Decal - Manual	
24	1702300	4	Decal - Tie Down	
25	1701500	4	Decal - Lift	
26	1701529	2	Decal - Arrow	
27	3251243	1	Nameplate 120V/60Hz	
28	0860520	1	Box, Manual Storage	
31	1703941	3	Decal - Warning/Crushing	
33	3820001	2	Rivet	
34	1703983	1	Nameplate - Footswitch	
35	1704708	4	Decal - Maximum Tire Load	
36	1701644	1	Decal - Charger	
37	1704705	1	Decal - Manual Descent	
38	1704117	1	Decal - Instructions Inside	
40	1701501	2	Decal - Arrow	
41	1704328	1	Decal - Battery Charger Instructions	
42	1702155	2	Decal - Battery Disconnect	
43	1704412	1	Decal - Oil Chart	
48	3311405	4	Nut 1/4	
49	4751400	4	Washer 1/4	
51	1704339	2	Decal - Warning Battery Ventilation	
52	3252740	NLA	Decal - Lift Diagram (Use p/n 1706377) (SN 0300219271 through 0300226741)	
52	1706377	1	Decal - Lift Diagram (SN 0300226742 to Present)	
54	1001209679	1	Decal - Cable Routing	
60	1703929	1	Decal - Danger/Caution	
61	1701505	1	Decal - Fuel M600/M600J/M600JP	
62	1701499	2	Decal - No Lift	
63	1701517	2	Decal - Warning Hand Crushing	
64	1704732	2	Decal - Tip Over (Battery Weight)	
66	1704885	1	Decal - Website	
67	0641406	4	Bolt 1/4 x 3/4 (Not Shown)	
69	1705910	1	Decal - Drive/Steer Instructions (Machines with Drive Orientation Only)	
73	1001224049	1	Decal - Yearly Inspection (SN 0300233752 to Present)	

SECTION 9 - DECALS

FIGURE 9-8. DECAL INSTALLATION - SPANISH/PORTUGUESE SPECS

NOTE: ITEMS SHOWN MAY NOT BE REQUIRED FOR ALL SPECS. REFER TO PARTS LISTS FOR USAGE.



ART_0270156

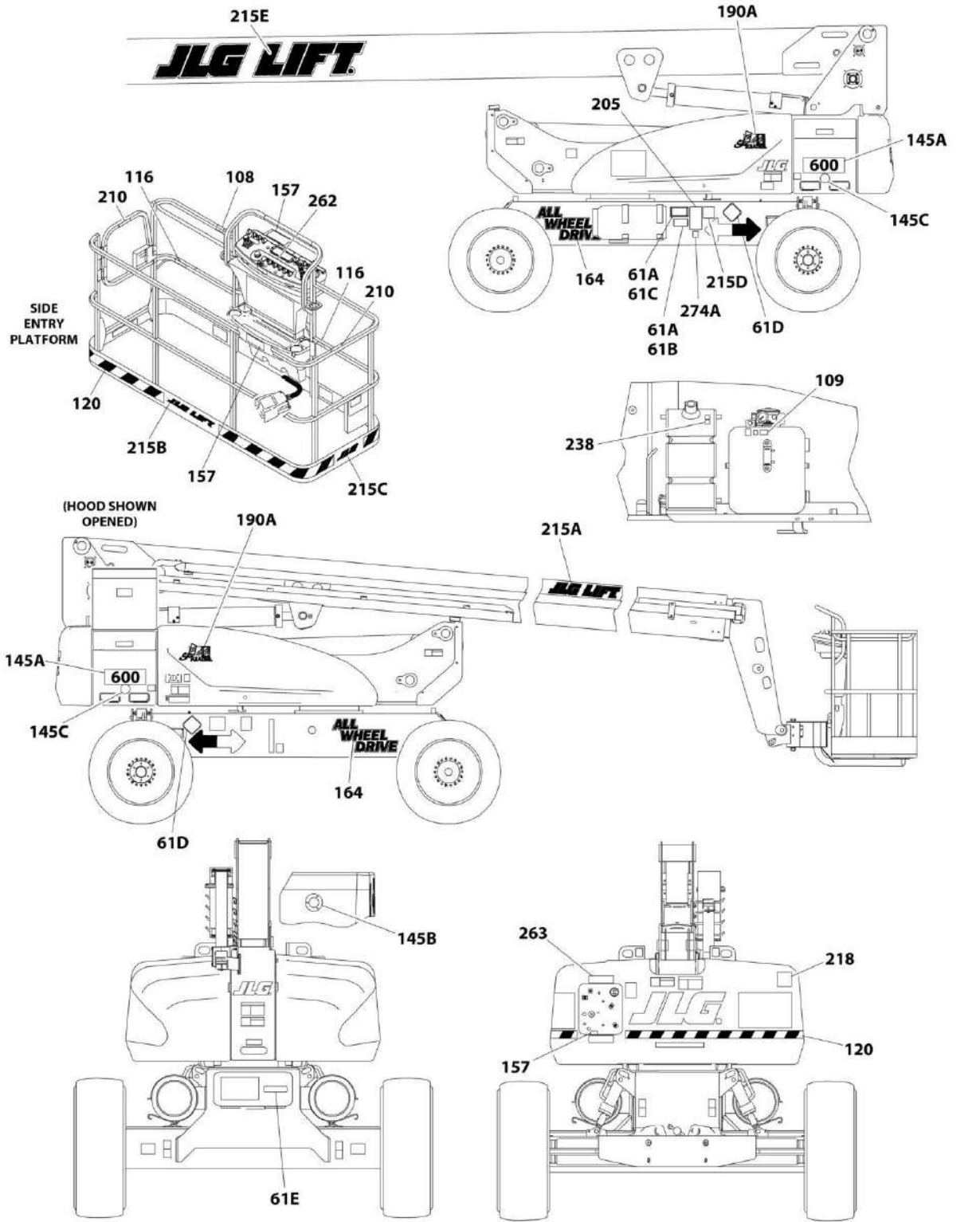
SECTION 9 - DECALS

FIGURE 9-8. DECAL INSTALLATION - SPANISH/PORTUGUESE SPECS

ITEM	PART NUMBER	QTY	DESCRIPTION	REV
	1283118	Ref	DECAL INSTALLATION - REFERENCE CHART	AA
	0270156	Ref	DECAL INSTALLATION - SPANISH/PORTUGUESE SPECS	F
1	1703928	1	Decal - Danger/Warning (Platform)	
3	1703940	4	Decal - Electrocution	
4	1703952	3	Decal - Crushing	
11	1704002	2	Decal - No Hands	
12	1704277	3	Decal - Attach Lanyard	
13	1001121920	2	Decal - 500 LBS Max Capacity (Platform)	
14	1001121923	1	Decal - 500 LBS Max Capacity (Ground)	
16	1701502	1	Decal - Hydraulic Oil Level High	
17	1701503	1	Decal - Hydraulic Oil Level Low	
18	1701504	1	Decal - Hydraulic Oil	
19	1704008	1	Decal - Inspection	
20	See Note	NSS	Decal - Bar Code (Note: Not Available for Purchase)	
22	See Note	NSS	Nameplate - Serial Number (Note: Not Available for Purchase)	
23	1701509	1	Decal - Manual	
24	1702300	4	Decal - Tie Down	
25	1701500	4	Decal - Lift	
26	1701529	2	Decal - Arrow	
27	3251243	1	Nameplate 120V/60Hz	
28	0860520	1	Box, Manual Storage	
31	1703946	3	Decal - Warning/Crushing	
33	3820001	2	Rivet	
34	1703985	1	Nameplate - Footswitch	
35	1704708	4	Decal - Maximum Tire Load	
36	1701644	1	Decal - Charger	
37	1704705	1	Decal - Manual Descent	
38	1704118	1	Decal - Instructions Inside	
40	1701501	2	Decal - Arrow	
41	1704330	1	Decal - Battery Charger Instructions	
42	1702155	2	Decal - Battery Disconnect	
43	1704412	1	Decal - Oil Chart	
48	3311405	4	Nut 1/4	
49	4751400	4	Washer 1/4	
51	1704341	2	Decal - Warning Battery Ventilation	
52	3252742	NLA	Decal - Lift Diagram (Use p/n 1706377) (SN 0300219271 through 0300226741)	
52	1706377	1	Decal - Lift Diagram (SN 0300226742 to Present)	
54	1001209679	1	Decal - Cable Routing	
60	1703934	1	Decal - Danger/Caution	
61	1701505	1	Decal - Fuel M600/M600J/M600JP	
62	1701499	2	Decal - No Lift	
63	1701517	2	Decal - Warning Hand Crushing	
64	1704618	2	Decal - Tip Over (Battery Weight)	
66	1704885	1	Decal - Website	
67	0641406	4	Bolt 1/4 x 3/4 (Not Shown)	
69	1001113680	1	Decal - Drive/Steer Instructions (Machines with Drive Orientation Only)	
73	1001224052	1	Decal - Yearly Inspection (SN 0300233752 to Present)	

SECTION 9 - DECALS

FIGURE 9-9. DECAL INSTALLATION - OPTIONS



ART_DECAL OPTIONS

SECTION 9 - DECALS

FIGURE 9-9. DECAL INSTALLATION - OPTIONS

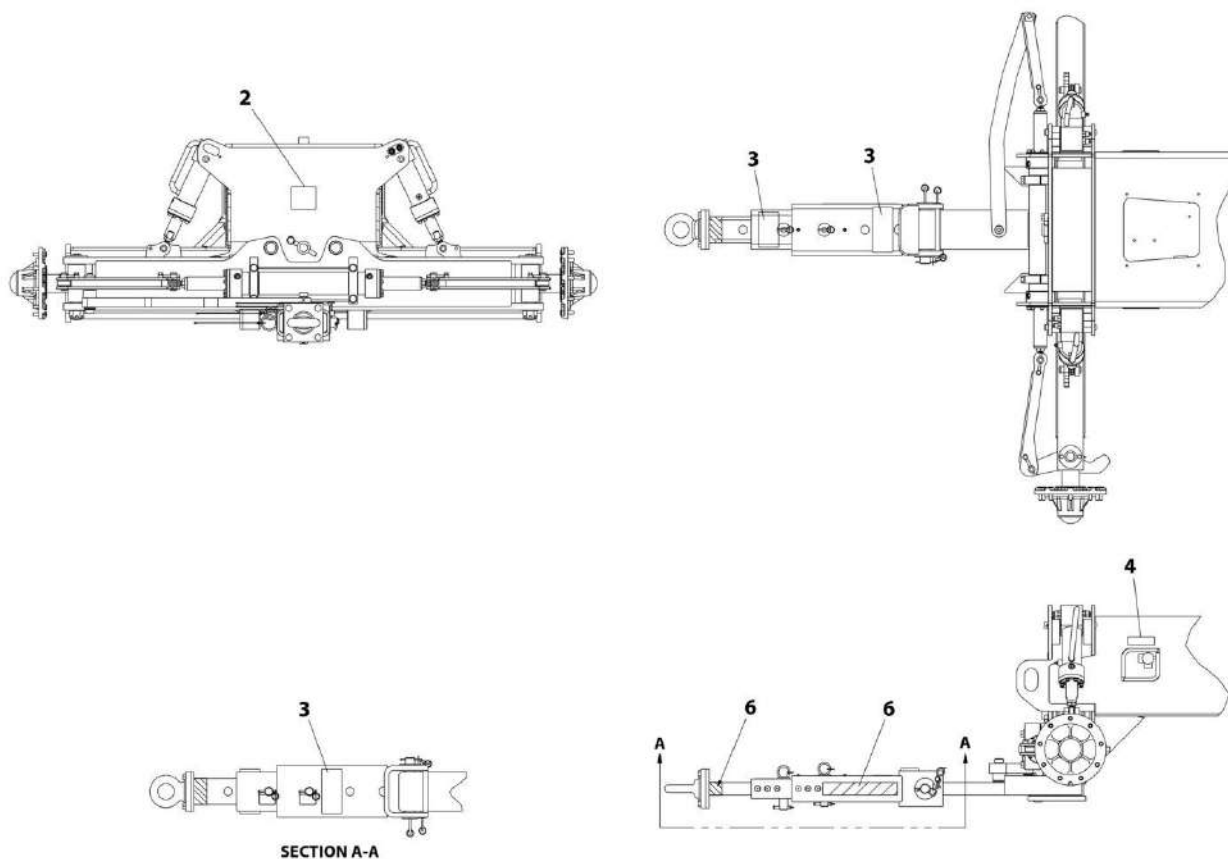
ITEM	PART NUMBER	QTY	DESCRIPTION	REV
	1283118	Ref	DECAL INSTALLATION - REFERENCE CHART	AA
	0010564	Ref	DECAL INSTALLATION - OPTIONS	AN
61	0270430	Ref	Decal Installation - UL Tags	B
61A	3820001	8	Pop Rivet	
61B	3252331	1	Nameplate - Battery Info	
61C	3252780	1	Nameplate - UL Certification Tag	
61D	1702251	2	Nameplate - EE	
61E	1001213625	1	Decal - Replacement Fuse 400 Amp	
108	1702962	1	Decal - Prop 65 (Diesel) M600/M600J/M600JP (ANSI Specs)	
108	1702961	1	Decal - Prop 65 (Gas) M600/M600J/M600JP (ANSI Specs)	
109	1704174	1	Decal - Biodegradable (Synthetic) Hydraulic Fluid (All Specs except German Spec)	
109	1704175	1	Decal - Biodegradable (Synthetic) Hydraulic Fluid (German Spec Only)	
116	1703175	3	Decal - Lanyard Attach (GM K-1 Spec)	
120	4420051	15.5 ft/ 4.7m	Decal - Warning Stripes	
145	0270031	Ref	Model Designation Installation (E600)	2
145	0270033	Ref	Model Designation Installation (E600J)	2
145	0270036	Ref	Model Designation Installation (E600JP)	2
145	0270032	Ref	Model Designation Installation (M600)	4
145	0270034	Ref	Model Designation Installation (M600J)	4
145	0270035	Ref	Model Designation Installation (M600JP)	4
145A	1704490	2	Decal - Model Designation E600	
145A	1704492	2	Decal - Model Designation E600J	
145A	1704495	2	Decal - Model Designation E600JP	
145A	1704491	2	Decal - Model Designation M600	
145A	1704493	2	Decal - Model Designation M600J	
145A	1704494	2	Decal - Model Designation M600JP	
145B	1670954	1	Cover, Exhaust Hole (E600/E600J/E600JP)	
145C	1001121510	2	Decal - Hybrid (M600/M600J/M600JP)	
157	1704286	2	Decal - Generator Danger (M600/M600J/M600JP) (ANSI and ANSI Export Specs)	
157	1001093687	2	Decal - Generator Danger (M600/M600J/M600JP) (Australian and CE Specs)	
157	1704372	2	Decal - Generator Danger (M600/M600J/M600JP) (Chinese/English Specs)	
157	1704368	2	Decal - Generator Danger (M600/M600J/M600JP) (French/English Specs)	
157	1704369	2	Decal - Generator Danger (M600/M600J/M600JP) (Japanese/English Specs)	
157	1704370	2	Decal - Generator Danger (M600/M600J/M600JP) (Korean/English Specs)	
157	1704373	2	Decal - Generator Danger (M600/M600J/M600JP) (Portuguese/Spanish Specs)	
157	1704371	2	Decal - Generator Danger (M600/M600J/M600JP) (Spanish/English Specs)	
164	1704724	2	Decal - All Wheel Drive 4WD	
190	0272418	Ref	Decal - SkyGlazier	4
190A	1705358	2	Decal - SkyGlazier	
205	See Note	NSS	Nameplate - Serial Number (CE Specs) (Note: Not Available for Purchase)	

SECTION 9 - DECALS

ITEM	PART NUMBER	QTY	DESCRIPTION	REV
205	See Note	NSS	Nameplate - Serial Number (Australian Specs) (Note: Not Available for Purchase)	
210	1702868	2	Decal - No Hands (ANSI Specs)	
210	1001116846	2	Decal - No Hands (Chinese/English Specs)	
210	1704000	2	Decal - No Hands (French/English Specs)	
215	0259937	Ref	Decal Logo Installation (E600/E600J/M600/M600J)	C
215	0270869	Ref	Decal Logo Installation (E600JP/ M600JP)	1
215A	1702860	1	Decal - JLG Lift	
215B	1702774	1	Decal - JLG Lift	
215C	1702773	2	Decal - JLG (E600/E600J/M600/M600J)	
215C	1704200	2	Decal - Jib Plus (E600JP/ M600JP)	
215D	See Note	NSS	Decal - Bar Code (Note: Not Available for Purchase)	
215E	1702861	1	Decal - JLG Lift (E600/E600J/M600/M600J)	
215E	1702862	1	Decal - JLG Lift (E600JP/ M600JP)	
218	3251813	1	Decal - USA (M600/M600J/M600JP)	
238	1001108923	1	Decal - EPA/Carb Fuel Spec Only	
262	1001141300	1	Decal - SkyGuard Override	
262	1001141302	1	Decal - SkyGuard/Soft Touch Override	
263	1001189882	1	Decal - MSSO (CE Specs)	
274	1001214029	1	Decal - EAC Installation (CIS and Russia Specs)	
274A	1001173703	1	Decal - EAC	

SECTION 9 - DECALS

FIGURE 9-10. TOW BAR DECAL INSTALLATION (ANSI SPECS)



ART_0270629

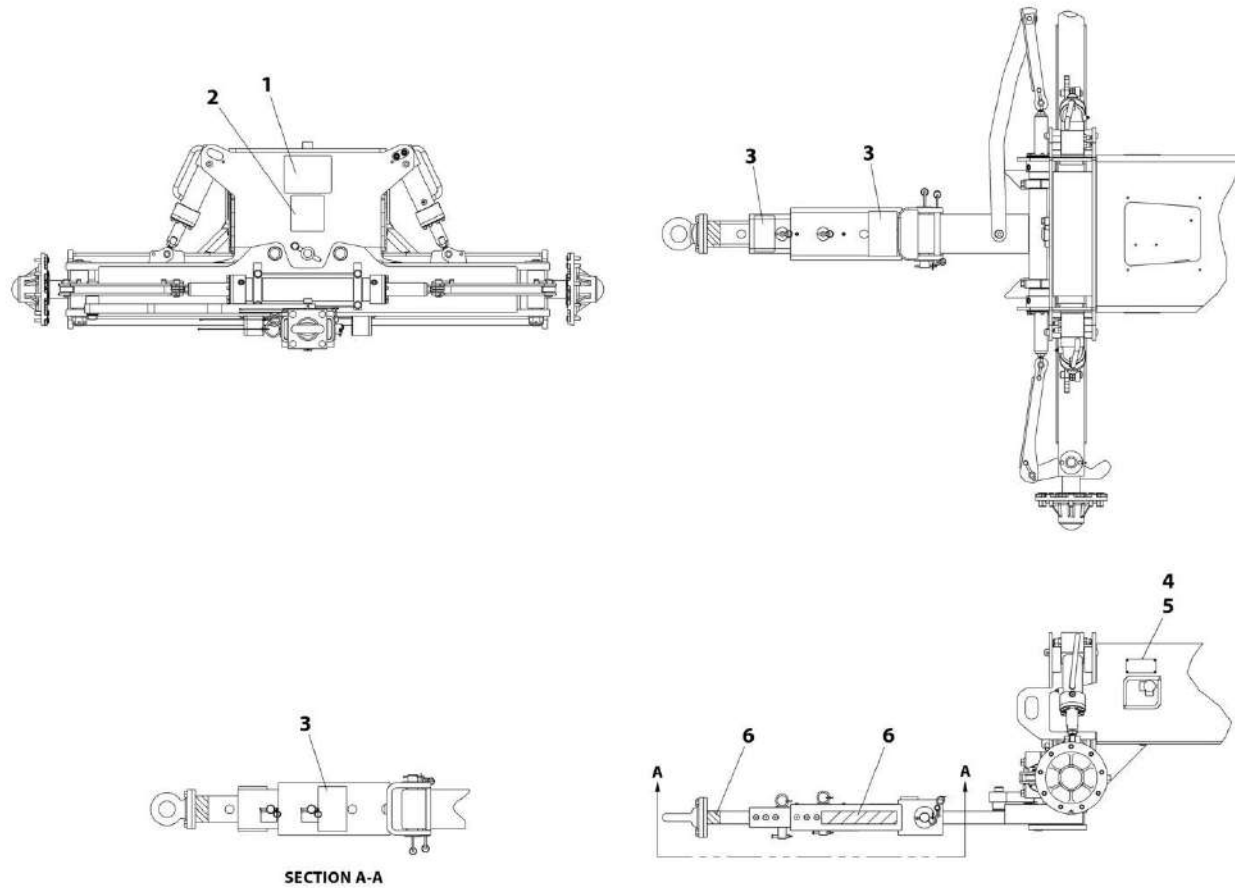
SECTION 9 - DECALS

FIGURE 9-10. TOW BAR DECAL INSTALLATION (ANSI SPECS)

ITEM	PART NUMBER	QTY	DESCRIPTION	REV
	0270629	Ref	TOW BAR DECAL INSTALLATION (ANSI SPECS)	C
2	1001196121	1	Decal - Tow Instructions	
3	1704578	3	Decal - Crushing	
4	1001196122	1	Nameplate - Steer/Tow Select	
6	1001195754	35 in /89cm	Tape, Safety	

SECTION 9 - DECALS

FIGURE 9-11. TOW BAR DECAL INSTALLATION (SPANISH/ENGLISH SPECS)



ART_0270631

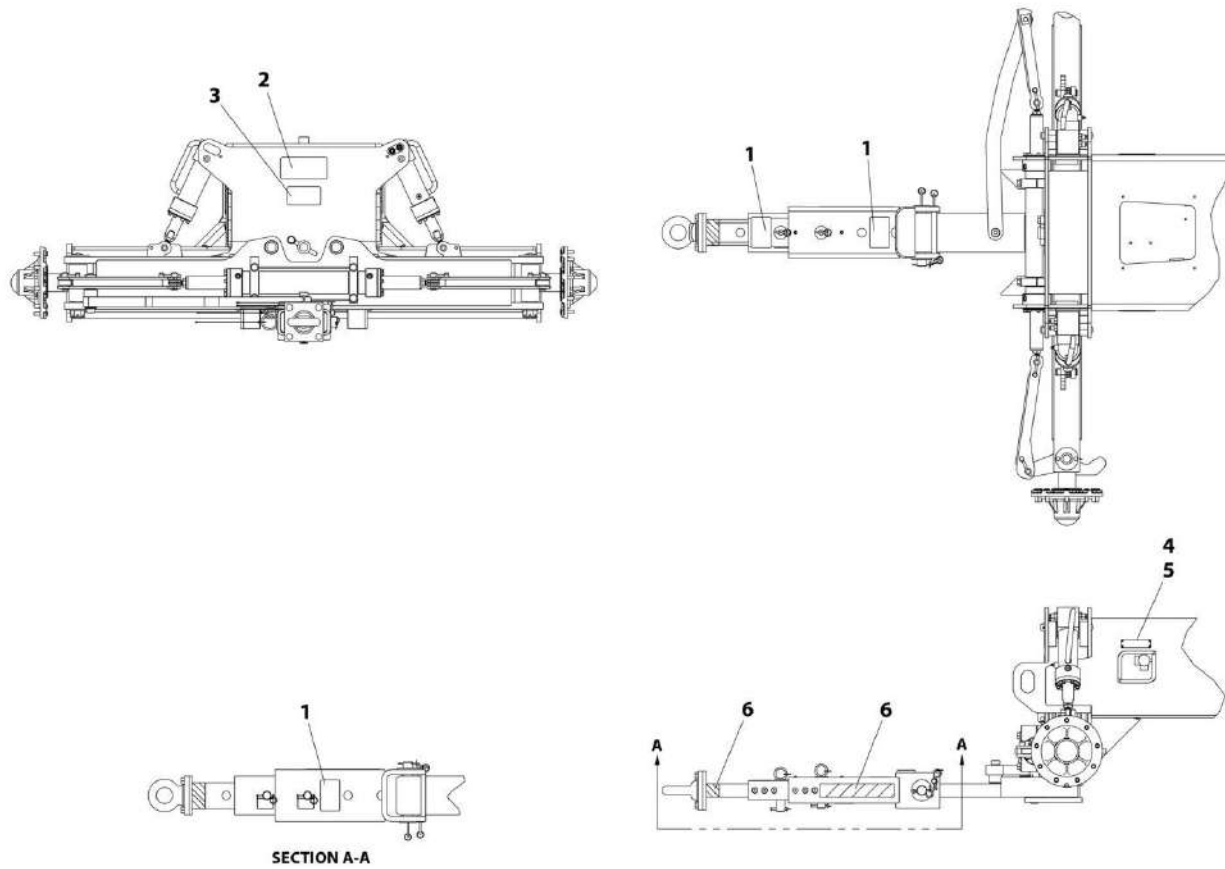
SECTION 9 - DECALS

FIGURE 9-11. TOW BAR DECAL INSTALLATION (SPANISH/ENGLISH SPECS)

ITEM	PART NUMBER	QTY	DESCRIPTION	REV
	0270631	Ref	TOW BAR DECAL INSTALLATION (SPANISH/ENGLISH SPECS)	B
1	1704457	1	Decal - Tow Instructions	
2	1704576	1	Decal - Warning	
3	1704577	3	Decal - Crushing	
4	3252693	1	Nameplate - Steer/Tow Select	
5	3820001	4	Rivet	
6	4420051	35 in /89cm	Tape, Safety	

SECTION 9 - DECALS

FIGURE 9-12. TOW BAR DECAL INSTALLATION (SPANISH/ENGLISH SPECS)



ART_0270630

SECTION 9 - DECALS

FIGURE 9-12. TOW BAR DECAL INSTALLATION (SPANISH/ENGLISH SPECS)

ITEM	PART NUMBER	QTY	DESCRIPTION	REV
	0270630	Ref	TOW BAR DECAL INSTALLATION (SPANISH/ENGLISH SPECS)	B
1	1701518	3	Decal - Crushing	
2	1704455	1	Decal - Tow Instructions	
3	1704456	1	Decal - Warning	
4	3252692	1	Nameplate - Steer/Tow Select	
5	3820001	4	Rivet	
6	4420051	35 in /89cm	Tape, Safety	

SECTION 10 - RECOMMENDED SERVICE PARTS STOCK

SECTION 10 - RECOMMENDED SERVICE PARTS STOCK

SECTION 10 - RECOMMENDED SERVICE PARTS STOCK

FIGURE 10-1. RECOMMENDED SERVICE PARTS STOCK

ITEM	PART NUMBER	QTY	DESCRIPTION	REV
		Ref	Note: The following list will service one machine (built to current production per date on the front cover) with emergency repair parts which can be installed in the field. Parts from the list should be replaced when inventory is depleted to keep service parts stock supplied. For further information, contact your JLG dealer or the JLG Industries Parts Department.	
		Ref	STANDARD PARTS	
	7012944	1	Coil	
	7018991	1	Coil	
	70002947	1	Coil	
	70004588	1	Coil	
	1001129555	1	Controller (Lift and Swing)	
	1001212415	1	Controller (Drive and Steer)	
	7023224	12	Element, Hydraulic Filter	
	7023269	1	Element, Hydraulic Breather	
	8229242	1	Fuse, 5Amp	
	8229261	1	Fuse, 5Amp	
	8229234	1	Fuse, 10Amp	
	8229237	1	Fuse, 15Amp	
	8229235	1	Fuse, 20Amp	
	8229236	1	Fuse, 30Amp	
	1001170365	1	Fuse, 400Amp	
	2940074	1	Latch	
	3710080	1	Relay	
	1001170367	1	Relay	
	1001155045	1	Switch, Toggle	
	4360475	1	Switch, Mushroom	
	4360469	1	Switch, Key	
	2860030	1	Key, Replacement (Set of 2)	
	1001159256	1	Switch, Toggle	
	1001161710	1	Switch, Toggle	
	1001211363	1	Switch, Toggle	
	4360407	1	Switch, Potentiometer	
	4360387	1	Switch, Push Button	
		Ref	VARIABLE PARTS	
	1001189172	1	Breaker, 16Amp	
	1001189171	1	Breaker, 30mA	
	1001181045	1	Breaker, 30mA/16Amp	
	70002947	1	Coil (4WD Only)	
	7012944	1	Coil (M600/M600J/M600JP Only)	
	70000313	12	Element, Air Cleaner (M600/M600J/M600JP Only)	
	70000318	12	Element, Fuel Filter (M600/M600J/M600JP Only)	
	70000317	1	Filter, Fuel (M600/M600J/M600JP Only)	
	70000319	1 doz	Filter, Oil (M600/M600J/M600JP Only)	
	70000329	1	Fuse, 10Amp (M600/M600J/M600JP Only)	
	70000330	1	Fuse, 20Amp (M600/M600J/M600JP Only)	
	70000326	1	Module, Control (M600/M600J/M600JP Only)	
	1001178339	1	Module, Drive (ZAPI)	
	1001192212	1	Module, Drive (ACEO)	

SECTION 10 - RECOMMENDED SERVICE PARTS STOCK

ITEM	PART NUMBER	QTY	DESCRIPTION	REV
	1001182700	1	Module, Ground Control	
	1001196520	1	Module, Platform (NON UL SPECS)	
	1001215835	1	Module, Platform (UL SPECS)	
	70000289	1	Regulator, Voltage (M600/M600J/M600JP Only)	
	70000322	1	Relay, Bosch (M600/M600J/M600JP Only)	
	70000323	1	Relay, Bosch (M600/M600J/M600JP Only)	
	1001186431	1	Relay, 35Amp (SkyGuard System)	
	70000321	1	Solenoid, Throttle (M600/M600J/M600JP Only)	
	4360578	1	Switch, Limit	
	1001200173	1	Switch, Limit	
	4360057	1	Switch, Limit (Soft Touch)	
	4360387	1	Switch, Push Button (Soft Touch)	
	1001155045	1	Switch, Toggle (Jib Rotate) (E600JP/M600JP Only)	
	4360274	1	Switch, Push Button (Motor Controls) (M600/M600J/M600JP Only)	
	4360387	1	Switch, Toggle (SkyGuard System)	

SECTION 11 - SPECIAL OPTIONS

SECTION 11 - SPECIAL OPTIONS

FIGURE 11-1. SPECIAL OPTIONS LIST

ITEM	PART NUMBER	QTY	DESCRIPTION	REV
		Ref	MISCELLANEOUS SPECIAL OPTIONS:	
		Ref	Airline Installations - 1/2in	
	0270315	Ref	Airline Installations E600 & M600	
	0270437	Ref	Airline Installations E600J & M600J	
	0270447	Ref	Airline Installations E600JP & M600JP	
	1001210041	NLA	Alert Beacon Kit (Red) (Use p/n 1001218503)	
	1001218503	Ref	Alert Beacon Kit (Red)	
	1001210041	Ref	Alert Beacon Kit (Red)	
	1001148971	Ref	Bolt-on Lanyard Kit (Platform)	
		Ref	Boom Hose Kit Options:	
	1001198663	Ref	Boom Hose Kit - E/M600	
	1001198662	Ref	Boom Hose Kit - E/M600J	
	1001198661	Ref	Boom Hose Kit - E/M600JP	
		Ref	Boom Wipers Installations	
	0270364	Ref	Boom Wipers Installations E600 & M600	
	0270413	Ref	Boom Wipers Installations E600J/E600JP & M600J/M600JP	
	1001233237	Ref	ClearSky Installation 3-Wire Connection (ANSI Export and CE Specs) (Factory Installed)	
	1001229107	Ref	ClearSky Telematics 3-Wire Connection (ANSI and CSA Specs) (Factory Installed)	
	1001236535	Ref	ClearSky Installation Canbus Connection (ANSI Export and CE Specs) (Factory Installed)	
	1001236535	Ref	ClearSky Installation Canbus Connection (ANSI and CE Specs) (Factory Installed)	
	0270374	Ref	Cold Weather Package Installation (M600/M600J/M600JP Only)	
	1060626	1	Cord, Electrical - 3 Way	
	1001188972	1	Heater, Immersion (Hydraulic Oil)	
	2580024	1	Heater, Battery	
	2580030	1	Heater, Pad	
	1702944	1	Decal - Heater Cord	
	1702941	1	Decal - Battery Heater	
	1702943	1	Decal - Hydraulic Tank Heater	
	1702942	1	Decal - Engine Block Heater	
	0273172	Ref	Container Shipment Preparation (Wheel Installation)	
		Ref	Cylinder Bellows Installations	
	1001188098	Ref	Fixed Axle	
	1001188320	Ref	Oscillating Axle	
	0270340	Ref	Cylinder Bellows Installations E600 & M600	
	0270314	Ref	Cylinder Bellows Installations E600J/E600JP & M600J/M600JP	
	1704174	Ref	Decal - Biodegradable (Synthetic) Hydraulic Fluid (All Specs except German Spec)	
		Ref	Decal Installations Options:	
	1704174	Ref	Decal - Biodegradable (Synthetic) Hydraulic Fluid (All Specs except German Spec)	
	1704175	Ref	Decal - Biodegradable (Synthetic) Hydraulic Fluid (German Spec Only)	
	1001196701	Ref	Decal - Blueline Rentals	
	1001229692	Ref	Decal - ClearSky Installation (ANSI and CSA Specs)	
	0274541	Ref	Decal - Head and Enquist Equipment L.L.C (H & E) Installation	
	1001221954	Ref	Decal - Herc Rentals	

SECTION 11 - SPECIAL OPTIONS

ITEM	PART NUMBER	QTY	DESCRIPTION	REV
	1001222194	Ref	Decal - Hertz (Canada)	
	1001143072	Ref	Decal - Hewitt Rentals Installation (English Spec)	
	1001143507	Ref	Decal - Hewitt Rentals Installation (French Spec)	
	1001103341	Ref	Decal - National Equipment Services (NES) Installation	
	1001197878	Ref	Decal - Sunbelt	
	1001237002	Ref	Decal - Synergy Equipment	
	1001151115	Ref	Decal - Titan Rentals	
	0271894	Ref	Decal - United Rentals	
	1001223824	Ref	Decal - Kit - Platform	
		Ref	Electrical Connector Kits	
	1001148902	Ref	Amp Connector Kit	
	1001148903	Ref	Deutsch DT Connector Kit	
	1001148904	Ref	Deutsch HD Connector Kit	
	1001148905	Ref	Packard Connector Kit	
	1001148906	Ref	Various Connector Kit	
	1001162453	Ref	Dual AC Boxes at Platform Installation - 220V (CEE7 Side Ground) (CE Specs Only) (SN 0300219271 through 0300223838)	
	1001221191	Ref	Dual AC Boxes at Platform Installation - 220V (CEE7 Side Ground) (CE Specs Only) (SN 0300223839 to Present)	
		Ref	Filter Kits:	
	1001111003	1	Combined Filter Kit (Hydraulic/Air and Fuel/Engine Oil)	
	1001109701	1	Hydraulic/Air Filter	
	1001110141	Ref	Fuel/Engine Oil Filter	
	0272111	Ref	"EE" Tight Fitting Enclosures (E600J/JP Models Only)	
	4060959	Ref	Footswitch Shield (Note: Move Decal to Shield)	
	1001191395	Ref	Fuel Cap Cover (Lockable) (Green)	
	1001202749	Ref	Fuel Cap Cover (Lockable) (Black)	
	1001199312	Ref	Headlight and Taillight Installation	
		Ref	Hydraulic Fluids Options:	
	2300016	Ref	Mobil DTE 10 Excel 32	
		Ref	Mobil DTE 10 Excel 15 Options:	
	2300028	Ref	Bulk	
	70010346	Ref	One Gallon Container	
	2300029	Ref	Mobil EAL ISO 46 Bio	
	2300042	Ref	Mobil EAL H 32 (Machines with Biodegradeable Oil)	
	1001195304	Ref	Platform Console Cover	
	1001205175	Ref	Platform Console Cover Add-on Kit	
	1580013	Ref	Platform Corner Storage Tray	
	0270822	Ref	Platform Decal Panel Installation (Aluminum) (ANSI Export, China and CSA Specs) (M600/M600J/M600JP Only)	
	0270823	Ref	Platform Decal Panel Installation (ABS) (ANSI Export, China and CSA Specs) (M600/M600J/M600JP Only)	
		Ref	Platform Entry Kit	
	1001142504	Ref	Kit, Replace Swing Gate with Drop Bar	
	1001142505	Ref	Kit, Replace Drop Bar with Swing Gate	
	1001144020	Ref	Kit, Side Entry, Drop Bar - 30in x 6ft (76cm x 1.83m)	
	1001144018	Ref	Kit, Side Entry, Drop Bar - 30in x 4ft (76cm x 1.22m)	
		Ref	Platform Mesh Installations (Side Entry Platforms)	
	0273148	Ref	30in x 6ft (76cm x 1.83m) (To Top-Rail)	
	0273147	Ref	30in x 4ft (76cm x 1.22m) (To Top-Rail)	
	1001145985	Ref	30in x 6ft (76cm x 1.83m) (To Mid-Rail)	
	1001140318	Ref	30in x 4ft (76cm x 1.22m) (To Mid-Rail)	

SECTION 11 - SPECIAL OPTIONS

ITEM	PART NUMBER	QTY	DESCRIPTION	REV
		Ref	Platform Padding Installations (Side Entry Platforms)	
	0273381	Ref	30in x 4ft (76cm x 1.22m)	
	0274382	Ref	30in x 6ft (76cm x 1.83m)	
		Ref	Platform Rail Extension Installations (Side Entry Platforms)	
	0274691	Ref	30in x 6ft (76cm x 1.83m)	
	1001103617	Ref	30in x 4ft (76cm x 1.22m)	
	1001120466	Ref	Platform Worklights	
		Ref	SkyGuard Component Options:	
	1001201620	Ref	SkyGuard Complete Add-on Kit	
	1001218502	Ref	SkyGuard With Beacon (Blue)	
	1001137672	Ref	SkyGuard Platform Sensor Kit	
	1001143256	Ref	SkyGuard Blue Beacon Kit	
	1001218499	Ref	SkyGuard Kit (Without Beacon)	
	1001176372	Ref	SkyGuard Kit, Plug, Removal	
		Ref	Strobe Light Installations (Amber)	
	1001191144	Ref	Platform Mounted	
	1001214094	Ref	Platform/Ground Mounted	
	1001200314	Ref	Telematics Installation (Customer Supplied)	
	1001209282	1	Telematics - Loxam	
	1001213869	1	Telematics - United Rentals (SN 0300219271 through 0300224945)	
	1001195610	1	Telematics - United Rentals (SN 0300224946 to Present)	
	1001228363	1	Telematics - Herc	
		Ref	Tools for Service	
	7002828	1	Wire Stripper	
	7002821	1	Wire Crimper (To Install Wire Ends to Wires)	
	7002823	1	Pin/Socket Extractor - Universal (To Remove Pins/Sockets from Connectors)	
	4460467	1	Extractor - 16-18 Gauge (For Removal of Pins/Sockets for Deutsch Connectors)	
	4460510	1	Extractor - 12-14 Gauge (For Removal of Pins/Sockets for Deutsch Connectors)	
	7002840	1	Anti Pin Removal Tool - (Required to Disassemble Valve 4641143 to Install Seal Kit)	
	7002822	1	Screwdriver, Potentiometer (To Adjust Drive Controllers)	
	7016654	1	Screwdriver, Magnetic	
	7004275	1	Seal Installation Tool - 1in	
	7004276	1	Seal Installation Tool - 1-1/2in	
	7002826	1	Seal Installation Tool - 2in	
	2901443	1	Analyzer, Machine	
	1001137005	1	Software Cable Kit	
	1001200913	Ref	Trickle Charger Installation	
	1001227293	Ref	Voltage Guard Installation (120-240V, 50/60Hz)	
		Ref	Weld Leads Installations	
	0270363	Ref	Weld Leads Installations E600 & M600	
	0270436	Ref	Weld Leads Installations E600J & M600J	
	0270448	Ref	Weld Leads Installations E600JP & M600JP	
	1001231980	Ref	White Noise Alarm	
	1001231990	Ref	White Noise Ambient Alarm	
	1001235853	Ref	White Noise Ambient Alarm Service Kit	

PART NUMBER INDEX

PART NUMBER INDEX

0010564.....577	0259849 101	0275945 371	0641510..... 131, 133, 135
0060049..... 185, 207	0259937 578	0340049 109	0641511..... 107, 109
0060056..... 193, 215	0270031 577	0362910 77	0641514..... 169, 171
0060057 193, 217	0270032 577	0362929 ... 186, 190, 193	0641518..... 190, 193
0060096..... 189, 209	0270033 577	0400201 175	0641528.... 19, 21, 23, 25, 27, 29
0080233..... 35, 39	0270034 577	0400202 131, 135	0641604.... 31, 33, 51, 53, 185
0100009.... 291, 295, 299, 303, 307, 311, 315, 319, 323, 327, 331, 335, 339, 343	0270035 577	0440161 35, 39	0641606.... 31, 33, 35, 39, 83, 85, 87, 89, 105, 107, 109, 111, 113, 167, 169, 171, 175, 177, 179, 185, 189, 193, 197, 199, 201, 203, 205, 225, 229, 397, 399, 401
0100011.... 15, 17, 19, 21, 23, 25, 27, 29, 31, 33, 35, 39, 51, 53, 75, 77, 79, 83, 85, 87, 89, 95, 101, 105, 107, 109, 111, 113, 119, 121, 123, 125, 127, 129, 131, 133, 135, 137, 139, 141, 143, 145, 147, 149, 157, 167, 169, 171, 175, 177, 185, 189, 193, 197, 199, 201, 203, 205, 219, 221, 223, 225, 227, 229, 231, 237, 239, 249, 251, 253, 255, 257, 363, 365, 367, 381, 387, 397, 399, 401, 471, 473, 475, 477, 479, 481, 483	0270036 577	0440162 31, 33	0641607.... 31, 33, 35, 39, 193, 197, 199, 201
0100019.... 33, 35, 39, 51, 53, 95, 101, 186, 190, 194	0270129 557	0440240 101	0641608..... 33, 185, 189, 193, 197, 199, 201, 205
010002051, 53, 111, 113, 175, 177, 353, 412, 417, 421	0270146 569	0561185 ... 197, 199, 201	0641609.... 197, 199, 201
0100035.. 69, 71, 73, 159, 237, 239, 331, 335, 339, 343	0270148 571	0561380 ... 185, 189, 193	0641610.... 15, 17, 19, 21, 23, 25, 27, 29, 51, 53, 167, 263, 265, 267, 269, 271, 273, 275, 277, 279, 281, 283, 285, 287, 289
0100038.... 19, 21, 23, 25, 27, 29, 381, 387, 397, 399, 401	0270150 573	0610131 ... 119, 121, 123, 125, 127, 129	0641611..... 203
0100048.... 131, 133, 135, 221	0270152 565	0630462 363, 365	0641612.... 167, 185, 189, 193, 471, 473, 475, 477, 479, 481, 483
0100051.... 131, 133, 135	0270154 563	0630467 ... 225, 227, 229, 231	0641614.... 107, 109, 149, 179, 435, 439, 443, 447, 451
0100071 369	0270156 575	0630534 381	0641616.... 189, 193, 197, 199, 201, 433, 437
0100075.... 292, 295, 299, 303, 307, 311, 316, 319, 323, 327	0270279 193	0630535 ... 397, 399, 401	0641618.... 179, 186, 189, 193
0100081.... 167, 203, 205, 371, 373, 375	0270314 592	0630536 387, 389	0641620..... 203, 205
0100083..... 73	0270315 592	0630539 ... 186, 190, 193	0641622..... 203, 205
0140011.... 291, 295, 299, 303, 307, 311, 315, 319, 323, 327, 331, 335, 339, 343	0270340 592	0630568 ... 291, 296, 300, 304, 308, 312, 315, 320, 324, 328, 332, 336, 340, 344	0641640..... 203, 205
0140043..... 157	0270363 594	0641403 237, 239	0641660..... 175, 177
0200048..... 363, 365	0270364 592	0641404 35, 39, 291, 295, 299, 303, 307, 311, 315, 319, 323, 327, 331, 335, 339, 343	0641810..... 193
0239585..... 103	0270374 592	0641407 167, 221	0641811..... 189
0258303..... 429	0270413 592	0641408 51, 53, 179, 263, 265, 267, 269, 271, 273, 275, 277, 279, 281, 283, 285, 287, 289, 435, 437, 439, 441, 443, 445, 447, 449, 451	0641812.... 19, 21, 23, 25, 27, 29, 193, 219, 223
0258304..... 427	0270430 577	0641409 35, 39	0641814..... 51, 53
0258305..... 431	0270436 594	0641414 . 19, 23, 27, 291, 295, 299, 303, 307, 311, 315, 319, 323, 327, 331, 335, 339, 343, 363, 365, 367, 369	0641818..... 15, 17
0259548..... 185	0270437 592	0641416 51, 53, 221, 433, 435, 437, 439, 441, 443, 445, 447, 449, 451	0641820.... 131, 133, 135
0259549..... 189	0270447 592	0641418 ... 149, 249, 251, 253, 255, 257	0641822..... 221
0259837..... 205	0270448 594	0641424 21, 25, 29	0642010.... 15, 17, 19, 21, 23, 25, 27, 29, 77
0259838..... 203	0270527 77	0641504 ... 35, 39, 77, 79	0642012.... 185, 189, 193, 371, 373, 375
	0270528 77	0641505 75	0642024..... 221
	0270629 581	0641506 51, 131, 133, 135, 167	0642030.... 31, 33, 35, 39
	0270630 585	0641507 53, 227, 231	0642216.... 185, 189, 193
	0270631 583	0641508 167, 179	0642684.... 207, 209, 215, 217, 219, 221, 223
	0270752 95		0681608.... 219, 221, 223
	0270822 593		0681812..... 35, 39
	0270823 593		0681814..... 259, 261
	0270869 578		0681818..... 15, 17
	0271894 593		0681822..... 259, 261
	0272070 219		0682012..... 51, 53
	0272111 593		0682026..... 101
	0272418 577		
	0272690 57		
	0272691 57		
	0272692 59		
	0272693 59		
	0272694 59		
	0272695 57		
	0273147 593		
	0273148 593		
	0273172 592		
	0273381 594		
	0274382 594		
	0274541 592		
	0274691 594		
	0275062 561		
	0275216 445, 447, 527		
	0275217 ... 449, 451, 529		
	0275452 ... 433, 435, 521		
	0275453 ... 437, 439, 523		
	0275454 ... 441, 443, 525		
	0275663 491		
	0275664 493		
	0275665 489		
	0275666 487		
	0275667 495		
	0275928 371		

PART NUMBER INDEX

0682212..... 79	1001091430..... 375	1001117023..... 538	1001144433..... 300, 312,
0700812..... 107, 109	1001091431..... 373	1001117024..... 537	323, 327, 331, 335,
0701217 ... 19, 21, 23, 25,	1001091432..... 375	1001117069..... 537	339, 343, 367
27, 29	1001091433..... 373	1001117070..... 537	1001144629..... 243, 245,
0721004..... 77, 79	1001091434..... 375	1001117172..... 353	247, 255
0721005..... 53, 363	1001091946..... 441	1001117372..... 379	1001145985..... 593
0721006..... 433	1001091947..... 445	1001118388..... 533	1001148902..... 593
0731005..... 365	1001091948..... 449	1001120328..... 367	1001148903..... 593
0741005 83, 85, 87, 89	1001092566..... 83, 85, 87,	1001120466..... 594	1001148904..... 593
0741606 186, 190, 194	89, 91	1001121510..... 577	1001148905..... 593
074160777, 79, 185, 189,	1001092586..... 35, 39, 49	1001121801..... 557	1001148906..... 593
193	1001093687..... 577	1001121803..... 565	1001148971..... 592
0761014..... 223	1001094670..... 190, 194	1001121805..... 573	1001149570..... 463
0761216..... 223	1001096148..... 131, 133,	1001121808..... 569	1001149994..... 159, 163,
0791410..... 75	135	1001121810..... 563	165
0791506..... 51, 53	1001096188..... 485	1001121814..... 557	1001151115..... 593
0801200..... 185, 197	1001097150..... 467, 469	1001121816..... 565	1001151393..... 137, 139,
0801202..... 197	1001098122..... 517, 519	1001121818..... 573	141, 143, 145, 147
0801207..... 189, 199	1001098828..... 223	1001121821..... 569	1001151395..... 31, 33
0801239..... 193, 201	1001100341..... 527	1001121823..... 563	1001151428..... 31, 33
0801582..... 199	1001100342..... 529	1001121918..... 571	1001152483..... 469
0801583..... 201	1001100345..... 521	1001121920..... 575	1001152486..... 433, 435,
0801599..... 197	1001100346..... 525	1001121921..... 571	437, 439, 469
0801606..... 199	1001100347..... 523	1001121923..... 575	1001153731..... 437
0801611..... 201	1001102534..... 133	1001125677..... 543	1001153736..... 433, 437
0840031..... 131, 135	1001103012..... 537	1001125778..... 125	1001153749..... 149
0840032..... 131, 135	1001103105..... 119, 121,	1001125779..... 121	1001155044..... 137, 139,
0840048..... 133	123, 125, 127, 129, 459	1001125780..... 119, 127	141, 143, 145, 147,
0840049..... 133	1001103341..... 593	1001125781..... 123	291, 295, 299, 303,
0860038..... 429, 431	1001103617..... 594	1001126008..... 537, 538	307, 311, 315, 319,
0860520 ... 557, 561, 563,	1001104498..... 537	1001126185..... 119, 121,	323, 327, 331, 335,
565, 569, 571, 573, 575	1001106477..... 237	123, 125, 127, 129	339, 343, 355, 357, 359
0861375..... 53	1001106481..... 239	1001126245..... 538	1001155045..... 137, 139,
0861731 521, 523, 525	1001107854..... 537	1001129555..... 588	141, 143, 145, 147,
0861781..... 527, 529	1001108923..... 578	1001131269..... 557, 565	291, 295, 299, 303,
0861880..... 467	1001109503..... 137, 139,	1001132175..... 291, 295,	307, 311, 315, 319,
0902659..... 175, 177	141, 143, 145, 147	299, 303, 307, 311,	323, 327, 331, 335,
0902919..... 221	1001109701..... 593	315, 319, 323, 327,	339, 343, 359, 588, 589
0902920..... 221	1001109786..... 175, 177	331, 335, 339, 343	1001156351..... 427
0903611 ... 441, 445, 449	1001110141..... 593	1001137005..... 594	1001156352..... 427
0940088..... 167	1001110434..... 291, 295,	1001137672..... 594	1001156428..... 35
0940092..... 363, 365	299, 303, 307, 311,	1001137673..... 367	1001156429..... 35, 39
0940094..... 363, 365	315, 319, 323, 327,	1001138494..... 249, 251,	1001156430..... 35, 39
0940167..... 363	331, 335, 339, 343	255, 257	1001157890..... 537, 541,
0940177..... 365	1001110873..... 429	1001138514..... 249, 251,	544
0940199 371, 373, 375	1001111003..... 593	257	1001157891..... 537, 541,
0961845 ... 249, 251, 253,	1001113045..... 119, 121,	1001140281..... 31, 33, 35,	543
255, 257	123, 125, 127, 129, 485	39, 395	1001159186..... 503, 517,
0961898..... 387	1001113483..... 221	1001140282..... 189, 193,	519
0961902 397, 399, 401	1001113680..... 575	385	1001159256..... 137, 139,
0961947 ... 209, 211, 213,	1001113961..... 543	1001140318..... 593	141, 143, 145, 147,
381, 385	1001116031..... 105	1001140429..... 249, 251,	291, 295, 299, 303,
0961948 35, 39, 199, 201	1001116106..... 105	253, 255, 257	307, 311, 315, 319,
0961950 ... 15, 17, 19, 21,	1001116692..... 503, 537	1001140596..... 189, 193,	323, 327, 331, 335,
23, 25, 27, 29, 387	1001116693..... 543	383	339, 343, 588
0961951 43, 45, 189, 207,	1001116720..... 531, 533	1001141300..... 300, 312,	1001159355..... 179, 181
383, 385, 391, 393	1001116732..... 501, 537	578	1001159357..... 175, 177,
0962185..... 381	1001116733..... 501, 537,	1001141302..... 578	179
0962257 209, 211, 213	538	1001141581..... 36, 40	1001161117 ... 31, 33, 35,
0962270..... 259, 261	1001116734..... 537, 538	1001142504..... 593	39
0962292 ... 33, 35, 39, 43,	1001116763..... 537	1001142505..... 593	1001161710..... 292, 295,
45, 189	1001116810..... 544	1001143072..... 593	299, 316, 323, 331,
0962297 ... 185, 189, 193,	1001116811..... 459	1001143256..... 594	335, 355, 357, 588
197, 199, 201	1001116812..... 503, 537,	1001143507..... 593	1001162453..... 593
0962348..... 33	538, 543	1001144018..... 593	1001162843..... 129
0962450..... 221	1001116815..... 537	1001144020..... 593	1001163580 ... 19, 21, 23,
1001091429..... 373	1001116846..... 563, 578		25, 27, 29, 379

PART NUMBER INDEX

1001164817.....379	1001178921..... 51	1001183885 473, 479, 549	1001191463.....79
1001165035.....175, 177	1001179395..... 424	1001184206 51, 53, 61	1001191469.....79
1001165302.....189, 211	1001179499..... 497, 499	1001184853 51, 53	1001191471.....79
1001166538.....291, 296, 300, 303, 308, 312, 315, 319, 323, 327, 331, 335, 339, 343, 347	1001179500..... 497, 499	1001184855 51, 53	1001191489.....79
1001166539.....291, 295, 299, 303, 307, 311, 315, 319, 323, 327, 331, 335, 339, 343, 349	1001179842..... 131, 133, 135	1001185281 292, 296, 300, 304, 308, 312, 316, 320, 324, 328, 332, 336, 340, 344	1001191493.....79
1001167565.....223	1001180032..... 149	1001186231 543	1001191596.....167
1001167567.....223	1001180652..... 75	1001186334 261	1001191597.....167
1001168402.....223	1001180653..... 69, 71	1001186375 249	1001191708.....369
1001169423.....31, 33, 35, 39	1001180654..... 51, 69	1001186378 251	1001192053.....359
1001170365.....53, 588	1001180779..... 73	1001186383 247	1001192212..... 73, 588
1001170367...69, 71, 588	1001180780 51, 53, 73	1001186385 245	1001192283.....221
1001170838.....291, 295, 299, 303, 307, 311, 315, 319, 323, 328, 331, 336, 340, 343	1001180902..... 35	1001186387 243	1001192292..... 300, 312, 324, 328, 332, 340, 367, 531
1001172260.....131, 133, 135	1001180904..... 35, 39	1001186388 259	1001192293..... 161, 507
1001172293.....75	1001180908..... 31, 33	1001186431 336, 344, 531, 533, 589	1001192373.....167
1001172663.....223	1001180912 31, 33, 45	1001186432 531, 533	1001192387.....367
1001172760.....291, 296, 300, 304, 307, 311, 315, 320, 323, 328, 331, 336, 340, 344	1001180934..... 31	1001186517 367	1001192399.....363
1001172876.....131, 133, 135	1001180935..... 35	1001186860 69, 71	1001192401.....543
1001173384.....19	1001180936..... 33	1001187383 223	1001193018..... 433, 435, 437, 439, 441, 443, 445, 447, 449, 451
1001173387.....149	1001180937..... 39	1001187392 223	1001193419.....363, 365
1001173703.....578	1001181045..... 467, 588	1001187681 465	1001193545.....507
1001174447.....69, 71	1001181065..... 75	1001188058 137, 139, 141, 143, 145, 147	1001193987.....291, 296, 300, 315, 324, 332, 336
1001174461.....15, 19, 21	1001181066..... 51	1001188098 592	1001194037.....131, 135, 455
1001174492.....27	1001181067..... 53	1001188291 471, 473, 475, 477, 479, 481, 483, 513, 547, 549, 551	1001194212..... 133, 457
1001174522.....15	1001181325..... 51, 53	1001188292 471, 473, 475, 477, 479, 481, 483, 513, 547, 549, 551	1001194312.....75
1001174523.....17	1001181924..... 75	1001188293 471, 473, 475, 477, 479, 481, 483	1001195304.....593
1001174524.....23	1001182136... 19, 21, 23, 25, 27, 29, 47	1001188320 592	1001195610.....594
1001174525.....21	1001182138..... 369	1001188354 471, 473, 475, 477, 479, 481, 483, 513, 547, 549, 551	1001195754.....581
1001174527.....29	1001182477..... 149, 503	1001188622 223	1001195835...31, 33, 35, 39, 535
1001174528.....25	1001182479..... 149, 543	1001188844 223	1001195836...51, 53, 541
1001174542.....167	1001182480..... 149, 515	1001188889 367	1001195867...51, 53, 537
1001174792.....17, 27, 29	1001182494 51, 53, 63	1001188972 592	1001196061.....497, 499
1001174891.....107	1001182700..... 149, 589	1001189001 223	1001196062.....497, 499
1001175087.....101	1001182707..... 23, 25	1001189002 223	1001196063.....497, 499
1001175088.....101	1001182959..... 51	1001189039 291, 296, 300, 304, 308, 312, 315, 320, 324, 328, 332, 336, 340, 344, 353	1001196065.....497, 499
1001175158.....15, 17, 19, 21, 23, 25, 27, 29	1001182960..... 51, 53	1001189171 469, 588	1001196066.....497, 499
1001175539.....109	1001182996..... 497, 499	1001189172 469, 588	1001196240.....497, 499
1001175575.....167	1001183229..... 149	1001189882 578	1001196241.....497, 499
1001175596.....167	1001183276..... 292, 296, 300, 304, 308, 312, 316, 320, 324, 328, 332, 336, 340, 344, 553	1001190577 537, 538	1001196485.....51, 497
1001176360.....433	1001183368..... 157	1001190797 292, 296, 300, 304, 308, 312, 316, 320, 324, 328, 332, 336, 340, 344	1001196520..... 292, 304, 316, 320, 323, 328, 331, 336, 340, 344, 589
1001176372.....594	1001183373..... 131	1001190985 223	1001196701.....592
1001176469.....143, 145, 147	1001183374..... 135	1001191139 159	1001196811.....557, 565, 573
1001176711.....131, 133, 135	1001183375..... 133	1001191140 159	1001197017.....363, 365
1001177285.....225, 227, 233	1001183486..... 422	1001191144 594	1001197206.....147
1001177297.....229, 231, 235	1001183486..... 422	1001191318 292, 296, 300, 304, 308, 312, 316, 320, 324, 328, 332, 340, 517	1001197207.....147
1001177858.....83, 225	1001183530..... 275	1001191395 593	1001197878.....593
1001177860.....87, 229	1001183532..... 263		1001198661.....592
1001178339.....73, 588	1001183534..... 471		1001198662.....592
	1001183535..... 473		1001198663.....592
	1001183536..... 475		1001198866.....159, 461
	1001183537..... 477		
	1001183538..... 479		
	1001183539..... 481		
	1001183540..... 483		
	1001183584..... 39		
	1001183722..... 275, 315		
	1001183724..... 263, 291		
	1001183882..... 471, 473, 475, 477, 479, 481, 483, 513		
	1001183883..... 471, 477, 547		
	1001183884..... 475, 481, 483, 551		

PART NUMBER INDEX

1001199312 593	1001205044..... 471, 473, 475, 477, 479, 481, 483	1001218502..... 594	1001235853 594
1001199313 111, 151, 169, 175, 355	1001205056..... 131, 135	1001218503..... 592	1001236535 592
1001199409 175, 177, 501	1001205067..... 133	1001218955..... 273	1001237002 593
1001199905 283	1001205175..... 593	1001218956..... 271	1060330 353
1001199906 283, 331	1001207004..... 165	1001218958..... 273, 311	1060461 441, 445, 449
1001199910 279, 323	1001207067..... 113, 153, 171, 177, 357	1001218959..... 271, 307	1060494 505
1001200173 155, 511, 589	1001207969..... 227, 231	1001219342..... 223	1060584 77, 79
1001200254 155	1001208628..... 175, 177	1001219398..... 285, 335	1060626 592
1001200255 105	1001208994..... 227, 231	1001219407..... 289, 343	1060794 107, 109
1001200314 594	1001209282..... 594	1001219601..... 51, 53	1060795 107, 109
1001200381 175, 177	1001209664..... 367	1001219640..... 85, 227	1060799 453, 455, 457
1001200491 223	1001209679..... 557, 561, 563, 565, 569, 571, 573, 575	1001219641..... 89, 231	1060803 131, 135, 453
1001200494 223	1001209701..... 165	1001219722..... 51, 54	1060813 ... 119, 121, 123, 125, 127, 129, 509
1001200620 407, 409	1001209702..... 163	1001220271..... 51, 54	1060819 175, 177
1001200621 407, 409	1001210041..... 592	1001220486..... 295, 299, 307, 311, 324, 327, 332, 339	1060820 175, 177
1001200622 407, 409	1001210689..... 137	1001220661..... 285	1060827 161
1001200910 163	1001210690..... 139	1001220663..... 289	1060828 161
1001200913 594	1001210691..... 141	1001221130..... 435, 439, 443, 447, 451	1060848 131, 135
1001201247 237, 239	1001211363..... 304, 308, 312, 320, 328, 340, 344, 588	1001221185..... 435	1060884 133
1001201329 237, 239, 465	1001212274..... 277, 319	1001221187..... 439	1060896 ... 513, 547, 549, 551
1001201351 223	1001212275..... 269, 303	1001221188..... 443	1060903 363, 365
1001201364 237	1001212276..... 287, 339	1001221189..... 447	1060908 467, 469
1001201365 239	1001212277..... 304, 308, 312, 320, 328, 340, 344	1001221190..... 451	10837580 91
1001201620 594	1001212278..... 281, 327	1001221191..... 593	1100120 19, 23, 27
1001201642 538	1001212279..... 277	1001221386..... 175, 177	1100124 21, 25, 29
1001201887 291, 296, 300, 304, 308, 312, 315, 320, 324, 328, 332, 340	1001212280..... 269	1001221954..... 592	1120484 111, 113
1001202373 175, 177	1001212281..... 287	1001222194..... 593	1120487 111, 113
1001202374 175, 177	1001212282..... 281	1001222305..... 558	1120555 371, 373, 375
1001202435 422	1001212282..... 281	1001222382..... 593	1180356 205
1001202436 412, 422	1001212359..... 69, 71	1001223971..... 566	1180357 203
1001202437 416, 422	1001212415..... 588	1001224048..... 571	1260017 103
1001202438 420, 422	1001212450..... 71	1001224049..... 573	1271538 221
1001202439 422	1001213447..... 519	1001224050..... 563	1283118 ... 557, 561, 563, 565, 569, 571, 573, 575, 577
1001202440 407, 422	1001213625..... 577	1001224052..... 575	1320022 ... 111, 113, 175, 177
1001202441 412, 416, 420, 422	1001213626..... 53	1001224053..... 569	1320041 31, 33
1001202444 409, 422	1001213869..... 594	1001225580..... 336, 344, 533	1320043 31, 33
1001202749 593	1001213882..... 336, 344	1001226872..... 253	1320070 190, 193
1001203654 259	1001214029..... 578	1001227293..... 594	1320135 175, 177
1001203734 501	1001214093..... 159	1001228014..... 185, 189, 193, 389	1320136 221
1001203813 143	1001214094..... 594	1001228017 199, 201, 401	1320159 131, 133, 135
1001203814 145	1001214667..... 71	1001228215..... 253	1320172 453, 455, 457
1001203815 141	1001214669..... 53, 71	1001228363..... 594	1320224 221
1001203816 139	1001214800..... 54, 499	1001228370..... 558, 566	1320256 ... 471, 473, 475, 477, 479, 481, 483
1001203817 137	1001214801..... 499	1001228376..... 255	1320263.31, 33, 237, 239
1001203818 143	1001214804..... 54	1001228377..... 257	1320271 101
1001203820 145	1001215835..... 296, 300, 308, 312, 589	1001228392..... 133	1320277 186, 190, 193
1001203822 137	1001216149..... 267	1001228395..... 133	1320288 203, 205
1001203823 139	1001216150..... 265	1001228857..... 133	1380136 83, 85, 87, 89
1001203824 141	1001216156..... 265, 295	1001228858..... 133	1380158 175, 177
1001204030 143	1001216158..... 267, 299	1001229107..... 592	1580012 361
1001204038 145	1001216630..... 223	1001229692..... 592	1580013 593
1001204039 147	1001217005..... 163	1001231808..... 417	1600387 221
1001204270 365	1001217621..... 336, 344, 519	1001231809..... 417	1670824 237, 239
1001204272 221	1001217779..... 189, 213	1001231810..... 421	1670836 ... 197, 199, 201
1001204725 223	1001217842..... 537, 538	1001231811..... 421	1670911 185, 189, 193
1001205043 471, 473, 475, 477, 479, 481, 483	1001217843..... 538	1001231980..... 594	1670912 185, 189, 193
	1001217844..... 537, 538	1001231990..... 594	1670913 185, 189, 193
	1001218068..... 336, 344	1001233237 592	1670928 185, 189, 193
	1001218499..... 594	1001233259..... 227, 231	1670930 167
		1001233560..... 131, 133, 135	1670954 577
			1670960 185

PART NUMBER INDEX

1670964.....225, 229	1702860..... 578	1704260 ... 291, 295, 299,	1705429.....565
1671176....291, 295, 299,	1702861..... 578	303, 307, 311, 315,	1705430.....563
303, 307, 311, 315,	1702862..... 578	319, 323, 327, 331,	1705514..... 557, 565
319, 323, 327, 331,	1702868..... 557, 578	335, 339, 343	1705670.....561
335, 339, 343	1702901..... 557	1704277 ... 557, 561, 563,	1705822.....561
1683050.....381	1702938..... 365	565, 569, 571, 573, 575	1705828.....561
1683865..... 185, 391	1702941..... 592	1704286 577	1705910.....573
1683866.... 189, 193, 393	1702942..... 592	1704328 573	1705921.....561
1683867..... 185, 381	1702943..... 592	1704329 565	1705978.....561
1683868.....381	1702944..... 592	1704330 575	1706377.... 557, 561, 563,
1683870.....381	1702961..... 577	1704331 569	565, 569, 571, 573, 575
1683876.... 185, 189, 193,	1702962..... 577	1704332 571	1706378.....561
387	1703175..... 577	1704333 563	1706385..... 259, 261
1683877..... 387	1703797..... 557	1704339 573	1706392.....561
1683879..... 387	1703804..... 557	1704340 565	1707035.... 557, 565, 573
1683900..... 399	1703805..... 557	1704341 575	1707192..... 371
1683902..... 399	1703813..... 557	1704342 569	2080040.... 243, 245, 247,
1683905..... 397	1703923..... 573	1704343 571	255
1683907..... 397	1703924..... 565	1704344 563	2160002..... 101
1683910..... 387	1703925..... 563	1704368 577	2180344..... 101
1684008..... 397, 399	1703926..... 569	1704369 577	2200222.... 111, 113, 175,
1684009..... 197, 397	1703927..... 571	1704370 577	177
1684010.... 199, 201, 399	1703928..... 575	1704371 577	2220063..... 101
1684290..... 379	1703929..... 573	1704372 577	2220235.... 413, 417, 421
1701499.... 557, 561, 563,	1703930..... 565	1704373 577	2220238.... 412, 416, 420
565, 569, 571, 573, 575	1703931..... 563	1704412 ... 557, 561, 563,	2220240.... 412, 416, 421
1701500.... 557, 561, 563,	1703934..... 575	565, 569, 571, 573, 575	2220273..... 101
565, 569, 571, 573, 575	1703935..... 573	1704422 ... 291, 295, 299,	2220371.... 405, 407, 409,
1701501.... 557, 561, 563,	1703936..... 565	303, 307, 311, 315,	412, 416, 420
565, 569, 571, 573, 575	1703937..... 563	319, 331, 335, 339, 343	2220372.... 413, 417, 421
1701502.... 557, 561, 563,	1703938..... 569	1704455 585	2220373.... 405, 412, 416,
565, 569, 571, 573, 575	1703939..... 571	1704456 585	420
1701503.... 557, 561, 563,	1703940..... 575	1704457 583	2220374..... 405
565, 569, 571, 573, 575	1703941..... 573	1704490 577	2220415.... 407, 409, 412,
1701504.... 557, 561, 563,	1703942..... 565	1704491 577	416, 420
565, 569, 571, 573, 575	1703943..... 563	1704492 577	2220435.... 412, 416, 420
1701505.... 175, 177, 557,	1703944..... 569	1704493 577	2220451.... 412, 416, 420
561, 563, 565, 569,	1703945..... 571	1704494 577	2220466.... 412, 416, 420
571, 573, 575	1703946..... 575	1704495 577	2220497..... 405
1701509.... 371, 373, 375,	1703947..... 573	1704575 557	2220500.... 412, 416, 420
557, 561, 563, 565,	1703948..... 565	1704576 583	2220502.... 412, 416, 420
569, 571, 573, 575	1703949..... 563	1704577 583	2220550.... 412, 416, 420
1701517.... 561, 563, 565,	1703950..... 569	1704578 581	2220578.... 412, 416, 420
569, 571, 573, 575	1703951..... 571	1704618 575	2220579.... 407, 409, 413,
1701518..... 561, 585	1703952..... 575	1704667 569	417, 421
1701529.... 557, 561, 563,	1703953..... 557	1704668 571	2220582..... 407, 409
565, 569, 571, 573, 575	1703980..... 569	1704670 571	2220596.... 412, 416, 420
1701644.... 557, 561, 563,	1703981..... 571	1704671 569	2220603.... 407, 409, 412,
565, 569, 571, 573, 575	1703982..... 563	1704705 ... 557, 561, 563,	416, 420
1702155.... 557, 561, 563,	1703983..... 573	565, 569, 571, 573, 575	2220606.... 412, 416, 420
565, 569, 571, 573, 575	1703984..... 565	1704708 ... 557, 561, 563,	2220635..... 407, 409
1702251..... 577	1703985..... 575	565, 569, 571, 573, 575	2220711..... 407, 409
1702300.... 557, 561, 563,	1704000..... 565, 578	1704724 577	2220794..... 175
565, 569, 571, 573, 575	1704001..... 573	1704725 557	2220828..... 405
1702391..... 557	1704002..... 575	1704728 561	2220883.... 47, 379, 381,
1702565.... 291, 295, 299,	1704008..... 575	1704731 563	387, 389
303, 307, 311, 315,	1704116..... 565	1704732 573	2220885.... 381, 397, 399,
319, 323, 327, 331,	1704117..... 573	1704733 565	401
335, 339, 343	1704118..... 575	1704885 ... 557, 561, 563,	2220899.... 405, 407, 409
1702566.... 291, 295, 299,	1704119..... 569	565, 569, 571, 573, 575	2220934.... 412, 416, 420
303, 307, 311, 315,	1704120..... 571	1705014 259, 261	2220947.... 412, 416, 420
319, 323, 327, 331,	1704121..... 563	1705084 561	2220950.... 412, 416, 420
335, 339, 343	1704174..... 577, 592	1705325 445, 447	2220998..... 405
1702567..... 323, 327	1704175..... 577, 592	1705351 557	2221033.... 412, 416, 420
1702698..... 57, 59	1704200..... 578	1705358 577	2221034..... 407, 409
1702773..... 261, 578	1704248..... 557	1705426 569	2221046.... 111, 113, 175,
1702774..... 578		1705427 571	177

PART NUMBER INDEX

2221047 ... 111, 113, 175, 177	2753459 405	3252780.....577	3312002 95
2221052 412, 416, 420	2753460 405	3271505.....227, 231	3312005 ... 221, 371, 373, 375
2221061 412, 416, 420	2753461 405	3271805.....259, 261	3312602 159, 163, 165
2221063 412, 416, 420	2753463 412	3272605....207, 209, 215, 217, 219, 221	3321501 167
2221086 412, 416, 420	2753464 412	3290405....433, 435, 437, 439, 441, 443, 445, 447, 449, 451	3322202 31, 33, 35, 39
2230031 412, 416, 420	2753469 412	3290606.....249, 251, 257	3323003 31, 33, 39
2300016 593	2753470 412	3291001.....223	3323403 35
2300028 593	2753491 420, 421	3291005.....223	3340764 203, 205
2300029 593	2753492 420	3291201.....223	3340787 203, 205
2300042 593	2753493 420	3291205.....223	3340837 ... 15, 17, 19, 21, 23, 25, 27, 29
2400044 53	2753494 420	3300151....249, 251, 253, 255, 257	3340860 ... 101, 186, 190, 193
2400060 517, 519, 544	2780245 31, 33, 43	3300243.....223	3340861 186, 190, 193
2410014 259, 261	2792423 405, 422	3300353....291, 295, 299, 303, 307, 311, 315, 319, 323, 327, 331, 335, 339, 343	3340871 197, 199, 201
2420202 221	2792427 ... 412, 416, 420, 422	3300408....292, 295, 299, 303, 307, 311, 316, 319, 323, 327, 331, 335, 339, 343	3340873 185, 189, 193
2460037 161	2820029 ... 471, 473, 477, 479	3300426.....35, 39, 57, 59	3340877 167
2540020 131, 133, 135	2820118 513	3300430.....367, 369	3340880 397, 399, 401
2540037 53	2820122 169, 171	3300454.....35, 39	3340881 197, 199, 201
2540038 221	2820123 169, 171	3310805.....155	3340896 203, 205
2560136 ... 291, 295, 299, 303, 307, 311, 315, 319, 323, 327, 331, 335, 339, 343	2820126 169, 171	3311001.....53, 119, 121, 123, 125, 127, 129	3340939 203, 205
2580024 592	2820232 175, 177	3311005....83, 85, 87, 89, 105, 433	3340941 203, 205
2580030 592	2860030 ... 137, 139, 141, 143, 145, 147, 588	331140151, 53, 149, 167, 363, 365	3340956 371, 373, 375
2600262 167	2900770 ... 207, 209, 215, 217, 387	3311405....149, 161, 179, 190, 193, 221, 263, 265, 267, 269, 271, 273, 275, 277, 279, 281, 283, 285, 287, 289, 433, 435, 437, 439, 441, 443, 445, 447, 449, 451, 557, 561, 563, 565, 569, 571, 573, 575	3380434 ... 263, 265, 267, 269, 271, 273, 275, 277, 279, 281, 283, 285, 287, 289
2600281 ... 243, 245, 247, 255	2900792 ... 381, 383, 385, 387	3311408....119, 121, 123, 125, 127, 129	3380620 179
2680468 167	2901443 594	3311501....19, 21, 23, 25, 27, 29, 190, 193, 363, 365	3420372 77, 79
2680477 167	2901549 381	3311505....107, 109, 131, 133, 135, 167, 179	3420447 77, 79
2680482 169, 171	2901886 387, 389	3311601....167, 291, 296, 300, 304, 308, 312, 315, 320, 324, 328, 332, 336, 340, 344	3421565 77, 79, 103
2720058 ... 111, 113, 175, 177	2902019 397, 399, 401	3311605....149, 169, 171, 175, 177, 179, 189, 193, 203, 205, 259, 261, 263, 265, 267, 269, 271, 273, 275, 277, 279, 281, 283, 285, 287, 289, 433, 435, 437, 439, 443, 447, 451	3421627 103
2720271 ... 111, 113, 175, 177	2902266 379	3311801....131, 133, 135	3422457 197, 199, 201
2751095 101	2902549 ... 441, 443, 445, 447, 449, 451, 467	3311805....189, 193, 219, 221, 223	3422568 185, 189, 193
2752463 407, 409	2915230 459		3422576 193
2752471 407, 409	2920151 ... 151, 153, 221, 223		3422578 185
2752498 412, 416, 420	2940074 ... 243, 245, 247, 255, 588		3422582 185
2752588 409	2940095 131, 133		3422583 189, 194
2752631 407, 409	2940124 167		3422592 ... 15, 17, 19, 21, 23, 25, 27, 29
2752648 405	2940130 135		3422692 31, 33
2753002 407, 409	3000014 131, 133, 135		3422791 189, 194
2753118 405	3020008 51, 53		3422792 189, 194
2753327 412, 416, 420	3020037 51, 53, 107, 109		3422793 189
2753390 420	3160251 35, 39, 67		3422794 189, 194
2753397 407, 409	3160252 107, 109, 117		3422808 185, 189, 194
2753420 407, 409	3160257 95, 98		3422811 185, 189, 194
2753440 412, 416, 420	3200425 179		3422817 31, 33, 35, 39
2753441 412, 416, 420	3251243 ... 557, 565, 573, 575		3422819 35, 39
2753442 416	3251813 578		3422830 185, 189, 194
2753443 412, 416, 420	3252331 577		3422833 185, 189, 194
2753444 412, 416, 420	3252347 557		3422834 185, 190, 194
2753445 412, 416, 420	3252507 ... 431, 433, 435, 437, 439, 441, 443, 449, 451		3422841 77, 79
2753446 416	3252673 557		3422847 77, 79
2753447 412, 416, 420	3252692 585		3422848 33
2753448 416, 420	3252693 583		3422885 185
2753449 416, 420	3252738 569		3430616... 291, 296, 300, 304, 308, 312, 315, 320, 324, 328, 332, 336, 340, 344
2753450 412, 416	3252739 571		3441260 101
2753451 412, 416, 420	3252740 573		3450406 45
2753452 405	3252741 563		3450812 31, 33, 35, 39
2753453 412, 416, 420	3252742 575		3460334 371, 373, 375
2753454 412, 416, 420	3252743 565		3460492 175, 177
2753455 412, 416, 420			
2753456 412, 416, 420			
2753457 416			
2753458 412, 416, 420			

PART NUMBER INDEX

3470003....291, 296, 300, 304, 308, 312, 315, 320, 324, 328, 332, 336, 340, 344	376017077, 79, 103, 131, 133, 135	3960389 175, 177, 179	4360407....291, 295, 299, 303, 307, 311, 315, 319, 323, 327, 331, 335, 339, 343, 588
3480232.....381	3760367 381	3960418 ... 175, 177, 179, 185, 190, 194	4360469.... 137, 139, 141, 143, 145, 147, 588
3480257.....397, 399	3760372 387	3960422 429, 431	4360475.... 137, 139, 141, 143, 145, 147, 291, 295, 299, 303, 307, 311, 315, 319, 323, 327, 331, 335, 339, 343, 588
3480258.....387	3790012 ... 137, 139, 141, 143, 145, 147, 291, 295, 299, 303, 307, 311, 315, 319, 323, 327, 331, 335, 339, 343, 355, 357, 359	3960447 ... 137, 139, 141, 143, 145, 147	4360476.... 137, 139, 141, 143, 145, 147, 291, 295, 299, 303, 307, 311, 315, 319, 323, 327, 331, 335, 339, 343, 588
3520026.... 137, 139, 141, 143, 145, 147, 292, 295, 299, 303, 307, 311, 316, 319	3820001 ... 557, 561, 563, 565, 569, 571, 573, 575, 577, 583, 585	3980035 175, 177	4400430..... 111, 113
3520027....292, 295, 299, 303, 307, 311, 316, 319, 323, 327, 331, 335, 339, 343	3820017 131, 133, 135	4010408 ... 433, 435, 437, 439, 441, 443, 445, 447, 449, 451	4400455..... 107, 109
3520028.... 137, 139, 141, 143, 145, 147	3820020 ... 243, 245, 247, 255	4010618 249, 251, 257	4420014.... 371, 373, 375
3520030....292, 295, 299, 303, 307, 311, 316, 319, 324, 327, 332, 335, 339, 343	3841143... 31, 33, 35, 39, 185, 190, 194, 223	4031920 51, 53	4420038..... 107, 109
3520031.... 131, 133, 135	3841203 190, 194	4060092 431	4420051.... 577, 583, 585
3520033....292, 295, 299, 303, 307, 311, 316, 319, 324, 327, 332, 339	3841258 ... 15, 17, 19, 21, 23, 25, 27, 29, 185, 190, 194	4060803 227, 231	4420060..... 237, 239
3520034.... 186, 190, 194	3841287 ... 185, 190, 194	4060804 75	4420066.... 371, 373, 375
3520054.... 19, 21, 23, 25, 27, 29, 291, 295, 299, 303, 307, 311, 315, 319, 323, 327, 331, 335, 339, 343	3841340 186	4060805 186	4420068..... 363, 365
3520064..... 75	3841443 ... 31, 33, 35, 39	4060808 51, 53	4460025.... 453, 455, 457
3520072.... 243, 245, 247, 249, 251, 253, 255, 257, 259, 261	3890040 261	4060906 ... 137, 139, 141, 143, 145, 147	4460042..... 353
3520182..... 369	3900054 259, 261	4060959 593	4460049..... 363, 365
3520198.... 243, 245, 247, 249, 251, 253, 255, 257	3900085 159, 163, 165	4061054 221	4460071.... 353, 429, 431
3538758..... 203, 205	3900139 381	4070863 197, 199, 201	4460125..... 431
3539877..... 15, 17	3900232 167	4070864 197, 199, 201	4460134..... 429, 505
3571584.... 121, 123, 125, 129	3900259 197, 199, 201	4070897 ... 15, 17, 19, 21, 23, 25, 27, 29, 197, 199, 201	4460138..... 505
3571856..... 167	3900262 101	4070898 ... 15, 17, 19, 21, 23, 25, 27, 29, 197, 199, 201	4460183..... 503
3571857..... 167	3900280 ... 185, 190, 194	4070929 197, 199, 201	4460205..... 429
3571858..... 167	3900283 ... 83, 85, 87, 89, 137, 139, 141, 143, 145, 147, 169, 171, 203, 205, 221	4070944 15, 17	4460224..... 519
3572009..... 77, 79	3900284 101	4070945 15, 17	4460225.... 463, 501, 517, 519
3572010..... 77, 79	3900293 95	4070969 203, 205	4460226.... 151, 153, 221, 223, 347, 350, 353, 363, 365, 509, 517, 519, 531, 544
3572011..... 77, 79	3900295 33	4071009 95	4460227.... 221, 485, 501, 503, 517, 519, 543, 544, 553
3572012..... 77, 79	3900296 33	4071010 101	4460233..... 431
3572040.... 397, 399, 401	3900349 335, 343	4100026 475, 481, 483	4460234.... 119, 121, 123, 125, 127, 129, 291, 295, 299, 303, 307, 311, 315, 319, 323, 327, 331, 335, 339, 343, 363, 365
3572063..... 167	3910610 429, 431	4160185 131, 133, 135	4460259.... 501, 503, 517, 519
3572328..... 35, 39	3910804 ... 137, 139, 141, 143, 145, 147	4160187 185, 189, 194	4460260.... 501, 503, 517, 519
3572348..... 169, 171	3911016... 119, 121, 123, 125, 127, 129	4160194 167	4460265.... 347, 350, 463
3572349..... 169, 171	3911018 ... 291, 295, 299, 303, 307, 311, 315, 319, 323, 327, 331, 335, 339, 343	4240018 175, 177	4460267.... 463, 501, 503, 517, 519
3572448..... 203, 205	3930816 237, 239	4240032 31, 33, 119, 121, 123, 125, 127, 129, 291, 295, 299, 303, 307, 311, 315, 319, 323, 327, 331, 335, 339, 343	4460268..... 463
3572490..... 33	3930828 155	4240084 51, 53	4460313..... 503
3572506..... 77, 79	3931010 105	4240099 363, 365	4460315..... 429, 431
3572551..... 190, 194	3931012 69, 71	4240149 371, 373, 375	4460320..... 501, 503
3572628..... 95	3931016 73	4240178 175, 177	4460321..... 509
3575359..... 365	3931408 ... 31, 33, 35, 39, 367	4300145 35, 39	4460346..... 429
3575705..... 363	3931424 367	4341107 179	4460374..... 537
3600310.... 107, 109, 115	3931448 397, 399, 401	4341109 179	
3641569..... 365	3931516 381	4360057 363, 365, 589	
3710080..... 588	3931528 ... 397, 399, 401	4360274 151, 153, 589	
3740080..... 69, 501	3931616 186, 190, 194	4360387 ... 143, 145, 147, 291, 295, 299, 303, 307, 311, 315, 319, 323, 327, 331, 335, 339, 343, 363, 365, 367, 588, 589	
3760133.... 197, 199, 201	3931824 95		
	3932032 387, 389		
	3932232 95		
	3952020 95		

PART NUMBER INDEX

4460418 503, 517, 519	4460710 ... 427, 433, 435, 437, 439, 441, 443, 445, 447, 449, 451	4568030.....397, 399	4750800 155
4460419 503, 517, 519	4460742 515	4568068.....381	4751000 ... 53, 77, 79, 83, 85, 87, 89, 159, 163, 165, 433
4460424 ... 151, 153, 221, 223, 485, 544	4460743 515	4568133.....77, 79	4751400 ... 167, 179, 221, 237, 239, 263, 265, 267, 269, 271, 273, 275, 277, 279, 281, 283, 285, 287, 289, 291, 295, 299, 303, 307, 311, 315, 319, 323, 327, 331, 335, 339, 343, 361, 363, 365, 369, 557, 561, 563, 565, 569, 571, 573, 575
4460425 363, 365	4460761 ... 485, 509, 517, 519, 543, 544	4640113.....57	4751500 ... 35, 39, 51, 53, 75, 107, 109, 131, 133, 135, 167, 169, 171, 179, 190, 193, 363, 365
4460428 ... 121, 123, 125, 129, 221, 291, 295, 299, 303, 307, 311, 315, 319, 323, 327, 331, 335, 339, 343	4460802 ... 119, 121, 123, 127, 129	4640261.....77, 79	4751600 51, 53, 107, 109, 111, 113, 167, 169, 171, 175, 177, 179, 263, 265, 267, 269, 271, 273, 275, 277, 279, 281, 283, 285, 287, 289
4460434 ... 292, 295, 299, 303, 307, 311, 316, 319, 324, 327, 332, 335, 339, 343, 517, 519	4460803 119, 127	4640438.....387, 389	4751800 ... 19, 21, 23, 25, 27, 29, 131, 133, 135, 259, 261, 363, 365
4460444 485	4460805 123	4640509....381, 383, 385, 387, 389	4760600 429, 431
4460449 515	4460806 503	4640741.....98	4761000 ... 119, 121, 123, 125, 127, 129
4460458 515	4460836 221, 541, 544	4640858.....379	4761400 361
4460464 ... 237, 239, 459, 461, 465, 485, 501, 507, 511, 517, 519, 533, 535, 537, 541, 543, 547, 549, 551	4460866 517, 519, 543	4640861....412, 417, 421	4811400 ... 433, 435, 437, 439, 441, 443, 445, 447, 449, 451
4460465 ... 159, 221, 463, 465, 501, 507, 513, 515, 517, 519, 531, 533, 537, 541, 543, 544, 547, 549, 551, 553	4460868 503	4640871 19, 21, 23, 25, 27, 29	4811700 249, 251, 257
4460466 ... 221, 471, 473, 475, 477, 479, 481, 483, 485, 501, 503, 507, 513, 517, 519, 533, 537, 538, 543, 544, 547, 549, 551	4460871 ... 503, 515, 517, 519, 538, 543	4640932.....381, 383	4811900 51, 53
4460467 594	4460872 515	4641122.....59	4812000 223
4460470 ... 149, 291, 295, 299, 303, 307, 311, 315, 319, 323, 327, 331, 335, 339, 343	4460873 ... 517, 519, 538, 543	4641148.....35, 39	4812100 223
4460471 ... 149, 291, 295, 299, 303, 307, 311, 315, 319, 323, 327, 331, 335, 339, 343	4460874 517, 519, 543	4641179.....397, 399, 401	4845925 190
4460488 ... 291, 295, 299, 303, 307, 311, 315, 319, 323, 327, 331, 335, 339, 343	4460875 515, 517, 519	4711000.....69, 71, 105	4846066 185, 190, 194
4460508 ... 459, 517, 519, 543, 547, 549, 551	4460876 503	4711400....19, 21, 23, 25, 27, 29, 35, 39, 51, 53, 111, 113, 119, 121, 123, 125, 127, 129, 149, 157, 161, 175, 177, 190, 194, 221, 249, 251, 253, 255, 257, 367, 369, 433, 435, 437, 439, 441, 443, 445, 447, 449, 451	4846067 185, 190, 194
4460509 ... 485, 513, 543, 544, 547, 549, 551	4460877 503	4711500....19, 21, 23, 25, 27, 29, 35, 39, 77, 79, 131, 133, 135, 167, 225, 227, 229, 231	4846074 185, 190, 194
4460510 594	4460878 543	4711600....15, 17, 19, 21, 23, 25, 27, 29, 83, 85, 87, 89, 101, 105, 149, 167, 169, 171, 175, 177, 185, 190, 194, 203, 205, 221, 225, 229, 291, 296, 300, 304, 308, 312, 315, 320, 324, 328, 332, 336, 340, 344, 433, 435, 437, 439, 443, 447, 451, 471, 473, 475, 477, 479, 481, 483	4846075 185, 190, 194
4460516 61	4460879 517, 519	4711800.51, 53, 259, 261	4846076 31, 33
4460539 ... 515, 535, 537, 538, 543	4460884 ... 531, 533, 537, 543	23, 25, 27, 29, 83, 85, 87, 89, 101, 105, 149, 167, 169, 171, 175, 177, 185, 190, 194, 203, 205, 221, 225, 229, 291, 296, 300, 304, 308, 312, 315, 320, 324, 328, 332, 336, 340, 344, 433, 435, 437, 439, 443, 447, 451, 471, 473, 475, 477, 479, 481, 483	4846135 35
4460662 ... 433, 435, 437, 439, 441, 443, 447, 451	4460887 517, 519, 543	4712000....371, 373, 375	4846141 35, 39
4460670 538	4460888 517, 519	4713000.....31, 33, 39	4846163 205
4460701 431	4460891 ... 159, 463, 465, 507, 543, 544, 553	4713400.....35	4846164 203
4460703 538	4460894 ... 519, 537, 541, 544	4740036.....77, 79	4846165 205
4460708 ... 292, 295, 299, 303, 307, 311, 316, 319, 323, 327, 331, 335, 339, 343, 517, 519	4460897 ... 163, 165, 237, 239, 461, 501, 507, 511	4740111....31, 33, 35, 39	4846166 203
4460709 ... 427, 433, 435, 437, 439, 441, 443, 445, 447, 449, 451	4460899 533, 537, 541	4740158....15, 17, 19, 21, 23, 25, 27, 29	4846178 107, 109
	4460905 ... 503, 515, 517, 519, 538, 543	4740274.....179	4846183 83, 85, 87, 89
	4460930 ... 459, 503, 517, 519	4740362....263, 265, 267, 269, 271, 273, 275, 277, 279, 281, 283, 285, 287, 289	4846188 179
	4460931 485, 543	4740397 137, 139, 141, 143, 145, 147, 291, 295, 299, 303, 307, 311, 315, 319, 323, 327, 331, 335, 339, 343, 355, 357, 359	4846210 169, 171
	4460932 535	4740492....185, 190, 194	4846218 225, 229
	4460933 221, 543		4846258 194
	4460942 543		4846278 190, 194
	4460943 ... 163, 165, 537, 541, 543		4846292 33
	4460944 ... 221, 503, 535, 537, 538, 541, 543, 544		4846294 33
	4460945 537, 543		4846295 77
	4460950 537, 541		4846296 77
	4460956 467		4846350 39
	4460957 467		4846370 363
	4460968 445, 449, 511		4846573 219, 221
	4460984 517		
	4461196 487, 527		
	4461198 527		
	4461199 495, 529		
	4461201 529		
	4461202 491, 521		
	4461205 493, 523		
	4461244 521		
	4461245 523		
	4461246 525		
	4461249 489, 525		
	4520264 57, 59		
	4567139 412, 416, 420		

PART NUMBER INDEX

4860212.....57, 59	70000342 . 207, 209, 211, 213, 215	70004461 91	70005405.....61
4891500.....107, 109	70000382 181	70004588 .. 233, 235, 588	70005406.....61
4891600.....219, 221, 223	70000435 92	70004738 347	70005407.....61
4891800 15, 17, 219, 221, 223	70000967 181	70004739 347	70005408.....61
4892000....31, 33, 35, 39, 51, 53, 101, 221	70001119 63	70004740 347	70005410.....61
4892200.....95	70001121 181	70004741 347	70005412.....61
4892600....207, 209, 215, 217, 219, 221, 223	70001144 181	70004742 347	70005604.....63
4920385.....175, 177	70001342 91	70004743 347	70005605.....63
4922390.....161, 505	70001368 63	70004744 347	70005606.....64
4922937....471, 473, 475	70001422 49	70004745 347	70005607.....64
4922938....471, 473, 475	70001440 91	70004746 347	70005608.....64
4922939....477, 479, 481, 483	7000203 98	70004747 347	70005609.....64
4922940....477, 479, 481, 483	70002083 182	70004748 347	70005610.....63
5241200....19, 21, 23, 25, 27, 29, 223	7000216 63	70004749 347	70005611.....63
5251008.....223	70002216 383	70004750 347	70005612.....64
5251016.....223	70002219 395	70004751 347	70005613.....63
70000289.....181, 589	70002220 385	70004752 349	70005614.....63
70000290.....181	70002223 385	70004753 349	70005627.....233, 235
70000291.....181	70002244 181	70004754 349	70005628.....233, 235
70000292.....181	70002434 45	70004755 349	70005629.....233, 235
70000293.....181	70002543 182	70004756 349	70005649.....45
70000294.....181	70002544 182	70004757 349	70005685.....61
70000295.....181	7000255 98	70004758 349	70005686.....61
70000296.....181	7000256 98	70004759 349	70005687.....61
70000297.....181	7000257 98	70004760 349	70005688.....61
70000298.....181	7000258 98	70004761 349	70005689.....61
70000299.....181	7000258 98	70004762 349	70006364.....389
70000300.....181	7000263 98	70004763 349	70006365.....389
70000301.....181	7000281 98	70004764 349	70006366.....389
70000302.....181	7000282 379	70004765 349	70006367.....389
70000303.....181	70002902 353	70004766 349	70006368.....389
70000304.....181	70002903 353	70004767 349	70006709.....401
70000305.....181	70002904 353	70004768 349	70006710.....401
70000306.....181	70002905 353	70004769 349	70006711.....401
70000307.....181	70002947 49, 91, 588	70004770 349	70006712.....401
70000308.....181	70002983 63	70004771 349	70010346.....593
70000309.....181	70002996 63	70004772 349	7001084.....391
70000310.....181	70002997 64	70004773 349	7001908.....98
70000311.....181	70003000 63	70004774 349	7001913.....63, 98
70000312.....181	70003019 233, 235	70004775 349	7001922.....63
70000313.....181, 588	70003021 233, 235	70004809 61	7001926.....98
70000314.....181	70003027 233, 235	70004811 61	70023859.....233, 235
70000315.....181	70003525 91	70004820 61	70023860.....233, 235
70000316.....181	70003526 91	70004954 182	7002821.....594
70000317.....181, 588	70003618 182	70005169 181	7002822.....594
70000318.....181, 588	70003619 182	70005192 182	7002823.....594
70000319.....181, 588	70003819 383	70005193 182	7002826.....594
70000320.....181	70003820 395	70005230 347	7002828.....594
70000321.....182, 589	70003833 385	70005337 91	7002840.....594
70000322.....181, 589	70003834 385	70005374 91	7004035.....99
70000323.....181, 589	70003835 385	70005385 61	7004043.....99
70000324.....181	70003836 385	70005387 61	7004044.....99
70000325.....181	70003837 383	70005388 61	7004275.....594
70000326..111, 113, 181, 588	70003838 383	70005389 61	7004276.....594
70000327.....181	70003839 383	70005390 61	7007633.....98
70000328..111, 113, 182	70003840 383	70005391 61	7007637.....98
70000329.....182, 588	70003841 383	70005392 61	7007640.....63
70000330.....182, 588	70003842 383	70005393 61	7007642.....64
70000340.....217	70004052 233, 235	70005394 61	7010474.....63
	70004053 233, 235	70005395 61	7010543.....91
	70004127 395	70005396 61	7010795.....99
	70004132 395	70005397 61	7011112.....381, 383
	70004133 395	70005400 61	7011323....207, 209, 215, 217
	70004134 395	70005401 61	7012540.....49
	70004135 395	70005402 61	7012545.....117
	70004265 181	70005403 61	7012548.....117
	70004388 47	70005404 61	

PART NUMBER INDEX

7012549.....	117	7017172 ...	207, 209, 211, 213, 215, 217	7020266.....	205	7024379.....	99
7012773.....	49, 91	7017178.....	217	7020291.....	117	7024380.....	99
7012799.....	92	7017192 ...	207, 209, 211, 213, 215, 217	7020292.....	117	7024381.....	99
7012912.....	91, 92	7017195 ...	207, 211, 213, 215, 217	7020293.....	117	7024382.....	99
7012944.....	91, 588	7017277.....	393	7020294.....	117	7024383.....	99
7012955.....	47	7017278.....	393	7020295.....	117	7024384.....	99
7012967 ..	47, 91, 92, 387	7017279.....	393	7020296.....	117	7024385.....	99
7012969.....	49	7017280.....	393	7020297.....	117	7024386.....	99
7012975.....	91	7017281.....	393	7020298.....	117	7024387.....	99
7012998.....	91, 92	7017282.....	393	7020299.....	117	7024388.....	99
7016649.....	111, 113	7017283.....	391, 393	7021375.....	49, 91	7024389.....	99
7016654.....	594	7017284.....	391	7021619.....	91	7024441.....	107, 109
7017020.....	63	7017285.....	391	7021653.....	47	7024446.....	107, 109
7017022.....	64	7017286.....	391	7022391.....	91	7024700.....	98
7017023.....	98	7017287.....	391	7022521.....	91	7024701.....	98
7017027.....	63	7017288.....	391	7022586.....	67	7024724.....	63
7017069.....	98	7017289.....	391	7022587.....	67	7024726.....	63
7017071.....	98	7017406.....	383	7022588.....	67	7024730.....	63
7017072.....	63, 98	7018900.....	91	7022589.....	67	7024733.....	63
7017073.....	98	7018904.....	92	7022591.....	67	7024734.....	63
7017074.....	98	7018942.....	49, 92	7023200.....	117	7024735.....	63
7017075.....	98	7018945.....	91	7023208.....	92	7024736.....	63
7017076.....	98	7018991.....	91, 588	7023209.....	92	7024738.....	63
7017077.....	98	7020035.....	43	7023210.....	92	7024739.....	63
7017078.....	98	7020036.....	43, 45	7023224.....	107, 109, 588	7024740.....	63
7017079.....	98	7020037.....	43, 45	7023268.....	107, 109	7024741.....	63
7017080.....	98	7020038.....	43, 45	7023269.....	107, 109, 588	7024742.....	63
7017082.....	98	7020039.....	43, 45	7023270.....	107, 109	7024744.....	64
7017083.....	98	7020040.....	43, 45	7023306.....	107, 109	7024844.....	385
7017084.....	98	7020041.....	43, 45	7023347.....	107, 109	7024991.....	91
7017085.....	98	7020054.....	43, 45	7023801.....	67	7026068.....	385
7017086.....	98	7020055.....	43, 45	7023806.....	67	7026084.....	383
7017087.....	98	7020137.....	43, 45	7023807.....	67	7026088.....	385
7017088.....	98, 99	7020140.....	43	7023866.....	67	7026090.....	385
7017093.....	63	7020175 ...	137, 139, 141, 143, 145, 147, 291, 295, 299, 303, 307, 311, 315, 319, 323, 327, 331, 335, 339, 343	7023868.....	67	7026091.....	385
7017095.....	63	7020176 ...	137, 139, 141, 143, 145, 147, 291, 295, 299, 303, 307, 311, 315, 319, 323, 327, 331, 335, 339, 343	7023869.....	67	7026092.....	385
7017142	209, 211, 213	7020251.....	43	7023870.....	67	7026121.....	107, 109
7017158.....	207, 215	7020257.....	111, 113	7023871.....	67	7026170.....	203, 205
7017159 ...	207, 209, 211, 213, 215	7020260.....	203, 205	7023872.....	67	7026182.....	203, 205
7017160 ...	207, 209, 215, 217	7020261.....	203, 205	7023876.....	67	7026616	397, 399, 401
7017162 ...	207, 209, 211, 213, 215	7020262.....	203, 205	7023976.....	47	7027859.....	167
7017163 ...	207, 209, 211, 213, 215	7020264.....	203, 205	7024007.....	67	8220045.....	538
7017164 ...	207, 209, 211, 213, 215	7020265.....	203, 205	7024022.....	92	8220068.....	515
7017165.....	217			7024023.....	92	8229234.....	538, 588
7017167.....	217			7024024.....	92	8229235	537, 538, 588
7017168.....	217			7024056.....	115	8229236.....	537, 588
7017169.....	217			7024124.....	63	8229237.....	538, 588
7017170.....	215			7024127.....	63	8229242 ...	517, 519, 544, 588
				7024129.....	63	8229261.....	538, 588
				7024134.....	64	8580420.....	75
				7024135.....	98	8770189	412, 416, 420
				7024136.....	98, 99	88261024.....	227, 231
				7024199.....	98	91203039.....	223
				7024378.....	99		



3121712



An Oshkosh Corporation Company

Corporate Office
JLG Industries, Inc.
1 JLG Drive
McConnellsburg, PA 17233-9533 USA
☎ (717) 485-5161 (Corporate)
☎ (877) 554-5438 (Customer Support)
☎ (717) 485-6417

Visit our website for JLG Worldwide Locations.
www.jlg.com