



# Illustrated Parts Manual

***Models***  
***1030S***  
***1100SJ***

**SN B300001586 to Present**

**P/N**  
**3121756**

August 10, 2018 - Rev F

***ANSI***





## **REVISION LOG**

March 1, 2017 - A - Original Issue Of Manual (Edited to B/M 1001150000 Revision F (Revision 1)

August 31, 2017 - B - Revised Manual (Edited to B/M 1001150000 Revision F)

November 10, 2017 - C - Revised Manual (Edited to B/M 1001150000 Revision G)

February 16, 2018 - D - Revised Manual (Edited to B/M 1001150000 Revision I)

May 7, 2018 - E - Revised Manual (Edited to B/M 1001150000 Revision I)

August 10, 2018 - F - Revised Manual (Edited to B/M 1001150000 Revision I)

# GENERAL INFORMATION

**SECTION 6 CYLINDER**

**FIGURE 6-3. LIFT CYLINDER ASSEMBLY**

PG#      Model Designation      Manual #

1      10

**SECTION 6 CYLINDER**

**FIGURE 6-3. LIFT CYLINDER ASSEMBLY**

ITEM #	PART NUMBER	QTY	DESCRIPTION	REV.
	1001140104		LIFT CYLINDER ASSEMBLY	B
1	0100011	AR	Compound Locking	
2	0430535	3	Cap screw 1/4-20 x 1-1/8	
3	0701003	1	Screw #10-24 x 3/8	
4	0901897	1	Bushing, Tapped	
5	1301136	1	Camp, Cable	
6	1653063	1	Head	
7	2200893	1	Plug, O-Ring	
8	2200888	2	Plug, O-Ring	
9	2200896	1	Plug, O-Ring	
10	3000039	AR	Lubricant	
11	3490292	1	Platen	
12	3700371	1	Ring, Washer	
13	3931420	8	Cap screw 1/4-20 x 1-1/4	
14	3931824	8	Cap screw 1/2-13 x 1-1/2	
15	3951903	1	Screw #10-24 x 3/8	
16	4100099	1	Spacer	
17	4640996	1	Cartridge, Holding Valve (Non Vented)	
17	2300732		Kit, Seal - 4640999 Cartridge Valve	
18	4641248	1	Cartridge, Counterbalance Valve (Non Vented)	
18			Kit, Seal - 4641249 Cartridge Valve	
19	70004180	1	Sensor, Cylinder Length	
19	1001117991	1	Cap, Retainer	
20	1001118070	1	Barrel	
21	1001118054	1	Bushing	
21A	0901950	2	Flod	
22	1001118096	1	Bushing	
22A	0901950	2	Kit, Seal (includes items 101-109)	
100	1001139996	1	Ring, Wear (Note: Use pin 1001139996)	
101	See Note	2	Ring, Back-Up (Note: Use pin 1001139996)	
102	See Note	1	Ring, Lock (Note: Use pin 1001139996)	
103	See Note	2	Ring, Back-Up (Note: Use pin 1001139996)	
104	See Note	2	O-Ring (Note: Use pin 1001139996)	
105	See Note	2	O-Ring (Note: Use pin 1001139996)	
106	See Note	1	Seal (Note: Use pin 1001139996)	
107	See Note	1	Wiper, Rod (Note: Use pin 1001139996)	
108	See Note	1	Seal (Note: Use pin 1001139996)	
109	See Note	2	Kit, Sensor Magnet (includes items 201-203)	
200	1001118108	1	Sleeve, Spacer (Note: Use pin 1001118108)	
201	See Note	NSS	Magnet, Sensor	
202	1001118096	1	Ring, Internal Retaining	
203	1001118096	1		

Manual #      Model Designation      PG#

1      8      9

## 1) MACHINE IDENTIFICATION

Machines are identified by model and in some cases a combination of models, serial number (SN) or regional standard (i.e. ANSI, CE, CSA). Components may also be identified by SN or manufacturer. Common components that may be identified by these characteristics are engines and hydraulic components.

## 2) PARTS MANUAL ORGANIZATION

Product information in this manual is organized under section titles. Frame, Cylinder, Hydraulic and Electrical are a few examples. Each section is organized by figure and page number. The information within the Figure is then organized by item number, part number, description and corresponding illustration (s).

## 3) TABLE OF CONTENTS

A table of contents is found toward the beginning of the manual. Figure number, description and page number are provided for quick reference to the page containing the related information.

## 4) RECOMMENDED SPARE PARTS

The Recommended Spare Parts, located near the end of the manual, reference most frequently used maintenance parts.

## 5) PART NUMBER INDEX

A numerical index listing all part numbers and the corresponding page number(s) appears at the back of the manual.

## GENERAL INFORMATION

### 6) NON-SERVICED PARTS

In some instances, it is necessary to display non-serviced parts, assemblies or installations. In the case of assemblies and installations there will be a Ref in the Qty column. In case of parts that are not available for service within assemblies or components, there will be a NSS (Not Sold Separately) or NLA (No Longer Available) listed in the Qty. column of the manual.

### 7) PARTS LIST ITEM NUMBERS

Numbers shown in the item# column correspond to numbers used in the associated illustration (s). Item numbers which are missing from the sequence in the parts list are not used on that page

### 8) INDENTED PARTS DESCRIPTION

An indented part description is included in the item under which it is indented.

### 9) ABBREVIATION AND SYMBOLS

AC.....	..Alternating Current	LCD.....	..Liquid Crystal Display
ADE.....	..Advanced Design Electronics	LED.....	..Light Emitting Diodes
ANSI.....	..American National Standards Institute	LH.....	..Left Hand
AR.....	..As Required	LSS.....	..Load Sensing System
ASSY.....	..Assembly	M(m).....	..Metric/Meter
AUX.....	..Auxiliary	MM (mm).....	..Milimeter
AWG.....	..American WireGauge	mA.....	..Miliamps
B/M.....	..Bill of Material	NLA.....	..No Longer Available
CE.....	..European Conformity	NPT.....	..National Pipe Threads
CCW.....	..Counter Clockwise	NSS.....	..Not So Id Separately
cm.....	..Centimeter	OD.....	..Outside Diameter
CW.....	..Clockwise	ORB.....	..O-Ring Boss
CSA.....	..Canadian Standards Association	ORFS.....	..O-Ring Face Seal
CYL.....	..Cylinder	OZ (oz).....	..Ounces
DIA.....	..Diameter	PG.....	..Page
DC.....	..Direct Current	P/N.....	..Part Number
EMS.....	..Emergency Stop	qt.....	..Quarts
ENG.....	..Engine	QTY.....	..Quantity
FT(ft).....	..Feet	REF.....	..Reference
GA(Ga).....	..Gauge	REV.....	..Revision Level
HYD.....	..Hydraulic	RH.....	..Right Hand
Hz.....	..Hertz	SAE.....	..Society of A utomotive Engineers
ID.....	..Inside Diameter	SN.....	..Serial Number
in.....	..inches	SPEC(S).....	..Specifications
ISO.....	..International Organization for Standards	T/T.....	..Turntable
JIC.....	..Joint Industry Council	UGM.....	..Universal Ground Module
KG.....	..Kilogram	V.....	..Volts
L.....	..Liter	W.....	..Watts
LB.....	..Pounds	#.....	..Number

### 10) ILLUSTRATION REFERENCE LETTERS

When necessary, illustrations may contain reference letters that are intended to track information (i. e. hoses, harnesses) from one point to another or to track visual enlargement of components to show details that may be located in another area on the illustration.

*Note: Due to continuous product improvements, JLG Industries, Inc. reserves the right to make specification changes without prior notification. Contact JLG Industries, Inc. for updated information.*



# TABLE OF CONTENTS

SECTION 1 - FRAME.....	11
FIGURE 1-1. AXLE INSTALLATION - 2WS .....	12
FIGURE 1-2. AXLE INSTALLATION - 4WS .....	14
FIGURE 1-3. STEER INSTALLATION - 2WS.....	16
FIGURE 1-4. STEER INSTALLATION - 4WS.....	18
FIGURE 1-5. WHEEL DRIVE INSTALLATION - 2WD.....	22
FIGURE 1-6. WHEEL DRIVE INSTALLATION - 4WD.....	24
FIGURE 1-7. DRIVE HUB ASSEMBLY - 2WD FRONT.....	26
FIGURE 1-8. DRIVE HUB ASSEMBLY .....	28
FIGURE 1-9. DRIVE MOTOR ASSEMBLY - 2WD .....	32
FIGURE 1-10. DRIVE MOTOR ASSEMBLY - 4WD .....	34
FIGURE 1-11. TIRE AND WHEEL INSTALLATION - FOAM-FILLED .....	36
FIGURE 1-12. TIRE AND WHEEL INSTALLATION - SOLID .....	38
FIGURE 1-13. VALVES INSTALLATION - FRAME (2WD) (SN B300001586 through B300001676).....	40
FIGURE 1-14. VALVES INSTALLATION - FRAME (1030S WITH 2WD/2WS) (SN B300001677 to Present).....	42
FIGURE 1-15. VALVES INSTALLATION - FRAME (1100SJ WITH 2WD/2WS) (SN B300001677 to Present).....	44
FIGURE 1-16. VALVES INSTALLATION - FRAME (4WD) (SN B300001586 through B300001676).....	46
FIGURE 1-17. VALVES INSTALLATION - FRAME (1030S WITH 4WD/2WS) (SN B300001677 to Present).....	48
FIGURE 1-18. VALVES INSTALLATION - FRAME (1030S WITH 4WD/4WS) .....	50
FIGURE 1-19. VALVES INSTALLATION - FRAME (1100SJ WITH 4WD/2WS) (SN B300001677 to Present).....	52
FIGURE 1-20. VALVES INSTALLATION - FRAME (1100SJ WITH 4WD/4WS).....	54
FIGURE 1-21. TRACTION VALVE ASSEMBLY - 2WD.....	56
FIGURE 1-22. TRACTION VALVE ASSEMBLY - 4WD.....	58
FIGURE 1-23. AXLE EXTEND/STEER ASSEMBLY .....	60
FIGURE 1-24. STEER VALVE ASSEMBLY .....	62
FIGURE 1-25. FRAME COVER INSTALLATION - STANDARD MACHINES (2WS).....	64
FIGURE 1-26. FRAME COVER INSTALLATION - STANDARD MACHINES (4WS).....	66
FIGURE 1-27. FRAME COVER INSTALLATION - SHIPYARD MACHINES (2WS).....	68
FIGURE 1-28. FRAME COVER INSTALLATION - SHIPYARD MACHINES (4WS).....	70
SECTION 2 - TURNTABLE .....	73
FIGURE 2-1. VALVE INSTALLATION - TURNTABLE (1030S) (SN B300001586 through B300001676).....	74
FIGURE 2-2. VALVE INSTALLATION - TURNTABLE (1030S WITH 2WD/2WS) (SN B300001677 to Present) .....	76
FIGURE 2-3. VALVE INSTALLATION - TURNTABLE (1030S WITH 4WD/2WS) (SN B300001677 to Present) .....	78
FIGURE 2-4. VALVE INSTALLATION - TURNTABLE (1030S WITH 4WD/4WS) .....	80
FIGURE 2-5. VALVE INSTALLATION - TURNTABLE (1100SJ) (SN B300001586 through B300001676) .....	82
FIGURE 2-6. VALVE INSTALLATION - TURNTABLE (1100SJ WITH 2WD/2WS) (SN B300001677 to Present) .....	84
FIGURE 2-7. VALVE INSTALLATION - TURNTABLE (1100SJ WITH 4WD/2WS) (SN B300001677 to Present) .....	86
FIGURE 2-8. VALVE INSTALLATION - TURNTABLE (1100SJ WITH 4WD/4WS) .....	88
FIGURE 2-9. MAIN VALVE ASSEMBLY (SN B300001586 through B300001676) .....	90
FIGURE 2-10. MAIN VALVE ASSEMBLY (SN B300001677 to Present) .....	94
FIGURE 2-11. SWING DRIVE INSTALLATION .....	98
FIGURE 2-12. SWING MOTOR/HUB ASSEMBLY.....	100
FIGURE 2-13. PINION SHIELD INSTALLATION (OPTIONAL).....	106
FIGURE 2-14. TURNTABLE BEARING AND LUBE INSTALLATION .....	108
FIGURE 2-15. BEARING AND TURNTABLE SHIELDS INSTALLATION .....	110
FIGURE 2-16. TURNTABLE LOCK INSTALLATION.....	112
FIGURE 2-17. ROTARY COUPLING AND COLLECTOR RING INSTALLATION.....	114
FIGURE 2-18. BATTERY TRAY AND AUXILIARY PUMP INSTALLATION .....	116
FIGURE 2-19. TANKS INSTALLATION.....	118
FIGURE 2-20. FUEL TANK ASSEMBLY .....	120
FIGURE 2-21. HYDRAULIC TANK ASSEMBLY.....	122
FIGURE 2-22. ELECTRICAL COMPONENTS INSTALLATION - 1030S .....	124
FIGURE 2-23. ELECTRICAL COMPONENTS INSTALLATION - 1100SJ.....	126
FIGURE 2-24. GROUND CONTROL PANEL ASSEMBLY - 1030S .....	128
FIGURE 2-25. GROUND CONTROL PANEL ASSEMBLY - 1100SJ .....	130
FIGURE 2-26. KEYSWITCH INSTALLATION .....	132
FIGURE 2-27. ELECTRICAL ASSEMBLY.....	134
FIGURE 2-28. STROBE LIGHT INSTALLATION - AMBER (OPTIONAL) .....	136
FIGURE 2-29. STROBE LIGHT INSTALLATION - BLUE (OPTIONAL) .....	138
FIGURE 2-30. ALARM AND TURNTABLE COVERS INSTALLATION .....	140
FIGURE 2-31. HOOD INSTALLATION - DEUTZ TD2011 ENGINE .....	142
FIGURE 2-32. HOOD INSTALLATION - DEUTZ TD2.9L4 ENGINE .....	146
FIGURE 2-33. HOOD ASSEMBLY - ENGINE SIDE (DEUTZ TD2011 ENGINE).....	150

# TABLE OF CONTENTS

FIGURE 2-34. HOOD ASSEMBLY - ENGINE SIDE (DEUTZ TD2.9L4 ENGINE).....	152
FIGURE 2-35. HOOD ASSEMBLY - TANK SIDE.....	154
SECTION 3 - ENGINE.....	157
FIGURE 3-1. DEUTZ TD2011 ENGINE INSTALLATION.....	158
FIGURE 3-2. DEUTZ TD2011 ENGINE AND PUMPS SUB-ASSEMBLY.....	160
FIGURE 3-3. DEUTZ TD2011 ENGINE ASSEMBLY.....	162
FIGURE 3-4. DEUTZ TD2011 ENGINE COMPONENTS.....	166
FIGURE 3-5. DEUTZ TD2.9L4 T4F ENGINE INSTALLATION.....	168
FIGURE 3-6. DEUTZ TD2.9L4 T4F ENGINE AND PUMPS SUB-ASSEMBLY.....	172
FIGURE 3-7. DEUTZ TD2.9L4 T4F ENGINE ASSEMBLY.....	174
FIGURE 3-8. DEUTZ TD2.9L4 T4F ENGINE COMPONENTS.....	180
FIGURE 3-9. DEUTZ TD2.9L4 T4I ENGINE INSTALLATION.....	184
FIGURE 3-10. DEUTZ TD2.9L4 T4I ENGINE AND PUMPS SUB-ASSEMBLY.....	188
FIGURE 3-11. DEUTZ TD2.9L4 T4I ENGINE ASSEMBLY.....	190
FIGURE 3-12. DEUTZ TD2.9L4 T4I ENGINE COMPONENTS.....	196
FIGURE 3-13. PUMP COUPLING KIT.....	200
FIGURE 3-14. TANDEM PUMP ASSEMBLY.....	202
FIGURE 3-15. PISTON PUMP ASSEMBLY.....	206
FIGURE 3-16. GEAR PUMP ASSEMBLY.....	210
FIGURE 3-17. FUEL FILTER INSTALLATION – DEUTZ TD2011 ENGINE (OPTIONAL).....	212
FIGURE 3-18. 7500W SKYPOWER GENERATOR INSTALLATION - 60HZ/240V (DEUTZ TD2.9L4 T4F ENGINES) (OPTIONAL) .....	214
SECTION 4 - BOOM.....	219
FIGURE 4-1. BOOM INSTALLATION - 1030S.....	220
FIGURE 4-2. BOOM INSTALLATION - 1100SJ.....	224
FIGURE 4-3. BOOM ASSEMBLY.....	228
FIGURE 4-4. TELESCOPE VALVE ASSEMBLY (SN B300001681 to Present).....	232
FIGURE 4-5. JIB ASSEMBLY - 1100SJ.....	234
FIGURE 4-6. PLATFORM ROTATOR ASSEMBLY - 1030S (SN B300001586 through B300001726).....	236
FIGURE 4-7. PLATFORM ROTATOR ASSEMBLY - 1030S (SN B300001727 to Present).....	238
FIGURE 4-8. PLATFORM ROTATOR ASSEMBLY - 1100SJ.....	240
FIGURE 4-9. POWER TRACK INSTALLATION.....	242
FIGURE 4-10. PLATFORM SUPPORT INSTALLATION - 1030S WITHOUT LSS.....	244
FIGURE 4-11. PLATFORM SUPPORT INSTALLATION - 1100SJ WITHOUT LSS.....	246
FIGURE 4-12. PLATFORM SUPPORT INSTALLATION - 1030S WITH 4 CELL LSS.....	248
FIGURE 4-13. PLATFORM SUPPORT INSTALLATION - 1030S WITH 1 CELL LSS.....	250
FIGURE 4-14. PLATFORM SUPPORT INSTALLATION - 1100SJ WITH 4 CELL LSS.....	252
FIGURE 4-15. PLATFORM SUPPORT INSTALLATION - 1100SJ WITH 1 CELL LSS.....	254
FIGURE 4-16. VALVE INSTALLATION - BOOM (1030S) (SN B300001586 through B300001676).....	256
FIGURE 4-17. VALVE INSTALLATION - BOOM (1030S WITH 2WD/2WS) (SN B300001677 to Present).....	258
FIGURE 4-18. VALVE INSTALLATION - BOOM (1030S WITH 4WD/2WS) (SN B300001677 to Present).....	260
FIGURE 4-19. VALVE INSTALLATION - BOOM (1030S WITH 4WD/4WS).....	262
FIGURE 4-20. VALVE INSTALLATION - BOOM (1100SJ) (SN B300001586 through B300001676).....	264
FIGURE 4-21. VALVE INSTALLATION - BOOM (1100SJ WITH 2WD/2WS) (SN B300001677 to Present).....	266
FIGURE 4-22. VALVE INSTALLATION - BOOM (1100SJ WITH 4WD/2WS) (SN B300001677 to Present).....	268
FIGURE 4-23. VALVE INSTALLATION - BOOM (1100SJ WITH 4WD/4WS).....	270
FIGURE 4-24. PLATFORM ROTATE VALVE ASSEMBLY (1030S).....	272
FIGURE 4-25. JIB AND PLATFORM ROTATE VALVE ASSEMBLY (1100SJ).....	274
FIGURE 4-26. BOOM SENSORS INSTALLATION.....	276
FIGURE 4-27. BOOM SENSORS INSTALLATION (WITH VERTICAL/HORIZONTAL CONTROLS).....	278
FIGURE 4-28. BOOM SHIELDS INSTALLATION.....	280
SECTION 5 - PLATFORM.....	283
FIGURE 5-1. PLATFORM ASSEMBLY - STANDARD MACHINES (SN B300001586 through B300001680).....	284
FIGURE 5-2. PLATFORM ASSEMBLY - STANDARD MACHINES (SN B300001681 to Present).....	286
FIGURE 5-3. PLATFORM ASSEMBLY - SHIPYARD MACHINES.....	288
FIGURE 5-4. PLATFORM CONSOLE AND FOOTSWITCH INSTALLATION - STANDARD MACHINES (ENGLISH LANGUAGE) .....	290
FIGURE 5-5. PLATFORM CONSOLE AND FOOTSWITCH INSTALLATION - STANDARD MACHINES (ENGLISH/CHINESE LANGUAGE).....	292
FIGURE 5-6. PLATFORM CONSOLE AND FOOTSWITCH INSTALLATION - STANDARD MACHINES (ENGLISH/JAPANESE LANGUAGE).....	294



# TABLE OF CONTENTS

FIGURE 5-7. PLATFORM CONSOLE AND FOOTSWITCH INSTALLATION - STANDARD MACHINES (ENGLISH/KOREAN LANGUAGE) .....	296
FIGURE 5-8. PLATFORM CONSOLE AND FOOTSWITCH INSTALLATION - SHIPYARD MACHINES (ENGLISH LANGUAGE) .....	298
FIGURE 5-9. PLATFORM CONSOLE AND FOOTSWITCH INSTALLATION - SHIPYARD MACHINES (ENGLISH/CHINESE LANGUAGE) .....	300
FIGURE 5-10. PLATFORM CONSOLE AND FOOTSWITCH INSTALLATION - SHIPYARD MACHINES (ENGLISH/JAPANESE LANGUAGE) .....	302
FIGURE 5-11. PLATFORM CONSOLE AND FOOTSWITCH INSTALLATION - SHIPYARD MACHINES (ENGLISH/KOREAN LANGUAGE) .....	304
FIGURE 5-12. CONSOLE BOX SUB-ASSEMBLY (ENGLISH LANGUAGE) .....	306
FIGURE 5-13. CONSOLE BOX SUB-ASSEMBLY (ENGLISH/CHINESE LANGUAGE) .....	308
FIGURE 5-14. CONSOLE BOX SUB-ASSEMBLY (ENGLISH/JAPANESE LANGUAGE) .....	310
FIGURE 5-15. CONSOLE BOX SUB-ASSEMBLY (ENGLISH/KOREAN LANGUAGE) .....	312
FIGURE 5-16. CONSOLE BOX ASSEMBLY .....	314
FIGURE 5-17. CONTROLLER ASSEMBLY (LIFT AND SWING) .....	318
FIGURE 5-18. CONTROLLER ASSEMBLY (DRIVE AND STEER) .....	322
FIGURE 5-19. JIB SWITCH INSTALLATION - 1100SJ .....	324
FIGURE 5-20. SKYGUARD INSTALLATION .....	326
FIGURE 5-21. OVERHEAD PROTECTION INSTALLATION - WITHOUT LSS (KOREAN/CHINA SPECS) .....	328
FIGURE 5-22. OVERHEAD PROTECTION INSTALLATION - WITH LSS (KOREAN/CHINA SPECS) .....	330
<b>SECTION 6 - CYLINDER .....</b>	<b>333</b>
FIGURE 6-1. AXLE EXTEND CYLINDER ASSEMBLY .....	334
FIGURE 6-2. LEVEL CYLINDER ASSEMBLY - PLATFORM SLAVE .....	336
FIGURE 6-3. LIFT CYLINDER ASSEMBLY - BOOM .....	338
FIGURE 6-4. LIFT CYLINDER ASSEMBLY - JIB .....	340
FIGURE 6-5. MASTER CYLINDER ASSEMBLY .....	342
FIGURE 6-6. STEER CYLINDER ASSEMBLY .....	344
FIGURE 6-7. TELESCOPE CYLINDER .....	346
FIGURE 6-8. TELESCOPE CYLINDER (SN B300002340 to Present) .....	348
<b>SECTION 7 - HYDRAULIC .....</b>	<b>351</b>
FIGURE 7-1. BOOM HYDRAULIC DIAGRAM - 1030S .....	352
FIGURE 7-2. BOOM HYDRAULIC DIAGRAM - 1100SJ .....	356
FIGURE 7-3. CHASSIS HYDRAULIC DIAGRAM - 2WD/2WS .....	360
FIGURE 7-4. CHASSIS HYDRAULIC DIAGRAM - 4WD/2WS .....	364
FIGURE 7-5. CHASSIS HYDRAULIC DIAGRAM - 4WD/4WS .....	368
FIGURE 7-6. TURNTABLE HYDRAULIC DIAGRAM .....	372
FIGURE 7-7. HYDRAULIC DIAGRAM LIST .....	376
<b>SECTION 8 - ELECTRICAL .....</b>	<b>377</b>
FIGURE 8-1. ELECTRICAL DIAGRAM LIST .....	378
FIGURE 8-2. AXLE POWER TRACK HARNESS .....	380
FIGURE 8-3. BATTERY CABLE KIT - DEUTZ TD2011 .....	382
FIGURE 8-4. BATTERY CABLE KIT - DEUTZ TD2.9L4 .....	384
FIGURE 8-5. BLAM HARNESS .....	386
FIGURE 8-6. BOOM CABLES INSTALLATION - 1030S WITHOUT POWER AT PLATFORM .....	388
FIGURE 8-7. BOOM CABLES INSTALLATION - 1030S WITH AC POWER AT PLATFORM .....	390
FIGURE 8-8. BOOM CABLES INSTALLATION - 1030S WITH SKYPOWER .....	392
FIGURE 8-9. BOOM CABLES INSTALLATION - 1100SJ WITHOUT POWER AT PLATFORM .....	394
FIGURE 8-10. BOOM CABLES INSTALLATION - 1100SJ WITH AC POWER AT PLATFORM .....	396
FIGURE 8-11. BOOM CABLES INSTALLATION - 1100SJ WITH SKYPOWER .....	398
FIGURE 8-12. BOOM CABLE - MAIN .....	400
FIGURE 8-13. BOOM CABLE - MAIN .....	402
FIGURE 8-14. CHASSIS AND TURNTABLE HARNESS INSTALLATION .....	404
FIGURE 8-15. CHASSIS HARNESS .....	406
FIGURE 8-16. ENGINE HARNESS - DEUTZ TD2011 ENGINES .....	408
FIGURE 8-17. ENGINE HARNESS - DEUTZ TD2.9L4 ENGINES .....	410
FIGURE 8-18. FUEL FILTER HARNESS - DEUTZ TD2.9L4 T4I .....	414
FIGURE 8-19. FUEL PUMP HARNESS - DEUTZ TD2.9L4 .....	416
FIGURE 8-20. GENERATOR HARNESS - 7500W SKYPOWER (60HZ/240V) (DEUTZ TD2.9L4 T4F ENGINES) (OPTIONAL) .....	418
FIGURE 8-21. GENERATOR CABLE HARNESS - 7500W SKYPOWER (60HZ/240V) (DEUTZ TD2.9L4 T4F ENGINES) .....	420
FIGURE 8-22. GROUND CONTROL PANEL HARNESS .....	422

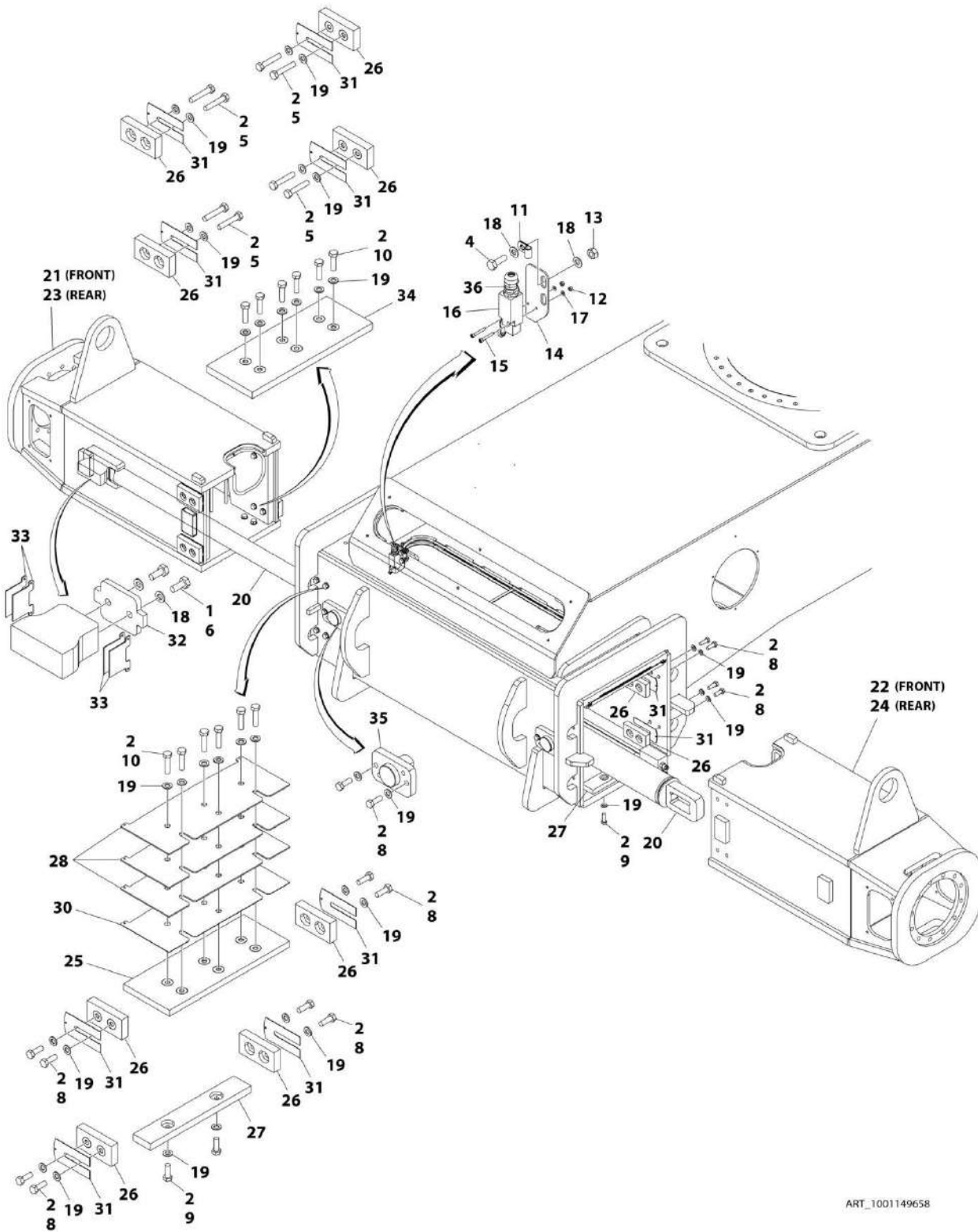
# TABLE OF CONTENTS

FIGURE 8-23. LOAD SENSING PIN HARNESS .....	424
FIGURE 8-24. MAIN VALVE HARNESS .....	426
FIGURE 8-25. OVERHEAD SOFT TOUCH HARNESS .....	428
FIGURE 8-26. PLATFORM CONSOLE BOX HARNESS .....	430
FIGURE 8-27. PLATFORM VALVE HARNESS (1030S).....	432
FIGURE 8-28. PLATFORM VALVE HARNESS (1100SJ) (SN B300001586 through B300002339) .....	434
FIGURE 8-29. PLATFORM VALVE HARNESS (1100SJ) (SN B300002340 to Present) .....	436
FIGURE 8-30. SKYGUARD SENSOR HARNESS .....	438
FIGURE 8-31. STROBE LIGHT CONTROL HARNESS (BLUE LIGHT) .....	440
FIGURE 8-32. SWING DRIVE HARNESS .....	442
FIGURE 8-33. TURNTABLE HARNESS .....	444
SECTION 9 - DECALS .....	447
FIGURE 9-1. DECAL INSTALLATION - 1030S WITH STANDARD PLATFORM (ENGLISH LANGUAGE).....	448
FIGURE 9-2. DECAL INSTALLATION - 1030S WITH SHIPYARD PLATFORM (ENGLISH LANGUAGE) .....	450
FIGURE 9-3. DECAL INSTALLATION - 1030S WITH STANDARD PLATFORM (ENGLISH/CHINESE LANGUAGE) .....	452
FIGURE 9-4. DECAL INSTALLATION - 1030S WITH SHIPYARD PLATFORM (ENGLISH/CHINESE LANGUAGE) .....	454
FIGURE 9-5. DECAL INSTALLATION - 1030S WITH STANDARD PLATFORM (ENGLISH/JAPANESE LANGUAGE) .....	456
FIGURE 9-6. DECAL INSTALLATION - 1030S WITH SHIPYARD PLATFORM (ENGLISH/JAPANESE LANGUAGE) .....	458
FIGURE 9-7. DECAL INSTALLATION - 1030S WITH STANDARD PLATFORM (ENGLISH/KOREAN LANGUAGE) .....	460
FIGURE 9-8. DECAL INSTALLATION - 1030S WITH SHIPYARD PLATFORM (ENGLISH/KOREAN LANGUAGE) .....	462
FIGURE 9-9. DECAL INSTALLATION - 1100SJ WITH STANDARD PLATFORM (ENGLISH LANGUAGE).....	464
FIGURE 9-10. DECAL INSTALLATION - 1100SJ WITH SHIPYARD PLATFORM (ENGLISH LANGUAGE) .....	466
FIGURE 9-11. DECAL INSTALLATION - 1100SJ WITH STANDARD PLATFORM (ENGLISH/CHINESE LANGUAGE) .....	468
FIGURE 9-12. DECAL INSTALLATION - 1100SJ WITH SHIPYARD PLATFORM (ENGLISH/CHINESE LANGUAGE) .....	470
FIGURE 9-13. DECAL INSTALLATION - 1100SJ WITH STANDARD PLATFORM (ENGLISH/JAPANESE LANGUAGE) .....	472
FIGURE 9-14. DECAL INSTALLATION - 1100SJ WITH SHIPYARD PLATFORM (ENGLISH/JAPANESE LANGUAGE).....	474
FIGURE 9-15. DECAL INSTALLATION - 1100SJ WITH STANDARD PLATFORM (ENGLISH/KOREAN LANGUAGE) .....	476
FIGURE 9-16. DECAL INSTALLATION - 1100SJ WITH SHIPYARD PLATFORM (ENGLISH/KOREAN LANGUAGE) .....	478
FIGURE 9-17. DECAL INSTALLATIONS - OPTIONS.....	480
SECTION 10 - RECOMMENDED SERVICE PARTS STOCK .....	483
FIGURE 10-1. RECOMMENDED SERVICE PARTS STOCK.....	484
SECTION 11 - SPECIAL OPTIONS .....	487
FIGURE 11-1. SPECAIL OPTIONS .....	488
PART NUMBER INDEX.....	491

**SECTION 1 - FRAME**

# SECTION 1 - FRAME

## FIGURE 1-1. AXLE INSTALLATION - 2WS



ART\_1001149658

# SECTION 1 - FRAME

## FIGURE 1-1. AXLE INSTALLATION - 2WS

ITEM	PART NUMBER	QTY	DESCRIPTION	REV
	1001149658	Ref	AXLE INSTALLATION	G
1	0100011	AR	Compound, Locking	
2	0100019	AR	Compound, Locking	
3	0100081	AR	Adhesive (Not Shown)	
4	0701014	8	Bolt M10 x 30	
5	0701221	32	Bolt M12 x 65	
6	0761012	8	Bolt M10 x 25	
8	0761216	40	Bolt M12 x 40	
9	0761217	8	Bolt M12 x 45	
10	0761218	48	Bolt M12 x 50	
11	1320263	4	Clamp	
12	3290405	8	Nut M4	
13	3291007	8	Nut M10	
14	3573294	4	Plate, Switch	
15	4031510	8	Capscrew M4 x 30	
16	4360578	4	Switch, Limit	
17	4811400	8	Washer M4	
18	4812000	24	Washer M10	
19	4812100	128	Washer M12	
20	1001149464	2	Axle Extend Cylinder Assembly (See Separate Breakdown in CYLINDER SECTION)	
21	1001149671	1	Axle, Front (Left)	
22	1001149672	1	Axle, Front (Right)	
23	1001149785	1	Axle, Rear (Left)	
24	1001149786	1	Axle, Rear (Right)	
25	1001150320	4	Pad, Wear	
26	1001150321	32	Pad, Wear	
27	1001150322	4	Pad, Wear	
28	1001150323	8	Shim 3mm	
30	1001150325	8	Shim 1.2mm	
31	1001150326	64	Shim 1.2mm	
32	1001150407	4	Plate	
33	1001150408	16	Shim 1.5mm	
34	1001150458	4	Pad, Wear	
35	1001150558	4	Stop	
36	4460968	4	Connector, Strain Relief	



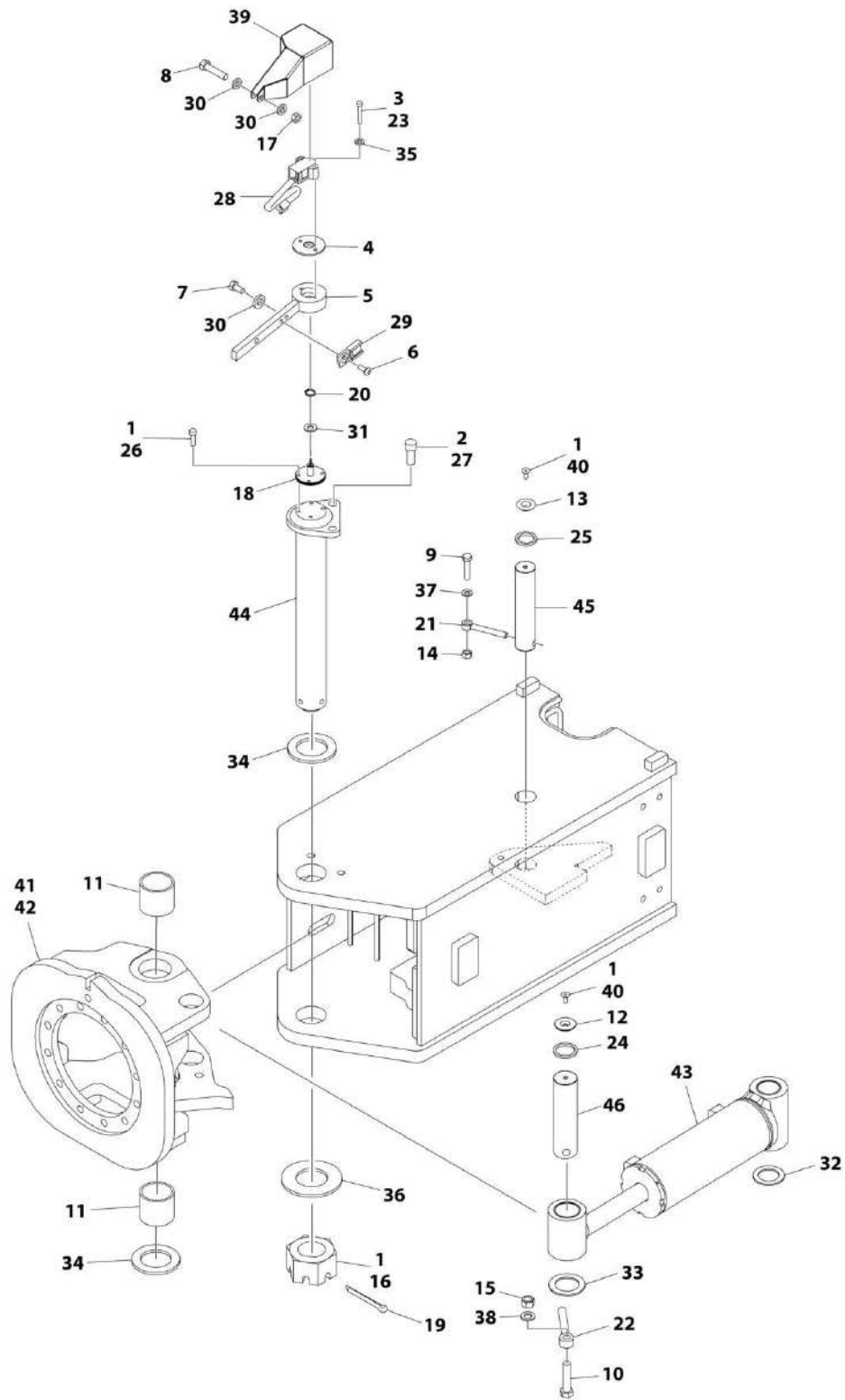
# SECTION 1 - FRAME

## FIGURE 1-2. AXLE INSTALLATION - 4WS

ITEM	PART NUMBER	QTY	DESCRIPTION	REV
	1001222642	Ref	AXLE INSTALLATION	B
1	0100011	AR	Compound, Locking	
2	0100019	AR	Compound, Locking	
3	0100081	AR	Adhesive (Not Shown)	
4	0701014	8	Bolt M10 x 30	
5	0701221	32	Bolt M12 x 65	
6	0761012	8	Bolt M10 x 25	
8	0761216	40	Bolt M12 x 40	
9	0761217	8	Bolt M12 x 45	
10	0761218	48	Bolt M12 x 50	
11	1320263	4	Clamp	
12	3290405	8	Nut M4	
13	3291007	8	Nut M10	
14	3573294	4	Plate, Switch	
15	4031510	8	Capscrew M4 x 30	
16	4360578	4	Switch, Limit	
17	4811400	8	Washer M4	
18	4812000	24	Washer M10	
19	4812100	128	Washer M12	
20	1001149464	2	Axle Extend Cylinder Assembly (See Separate Breakdown in CYLINDER SECTION)	
21	1001149671	1	Axle, Front (Left)	
22	1001149672	1	Axle, Front (Right)	
25	1001150320	4	Pad, Wear	
26	1001150321	32	Pad, Wear	
27	1001150322	4	Pad, Wear	
28	1001150323	8	Shim 3mm	
30	1001150325	8	Shim 1.2mm	
31	1001150326	64	Shim 1.2mm	
32	1001150407	4	Plate	
33	1001150408	16	Shim 1.5mm	
34	1001150458	4	Pad, Wear	
35	1001150558	4	Stop	
36	4460968	4	Connector, Strain Relief	

# SECTION 1 - FRAME

## FIGURE 1-3. STEER INSTALLATION - 2WS



ART\_1001149657



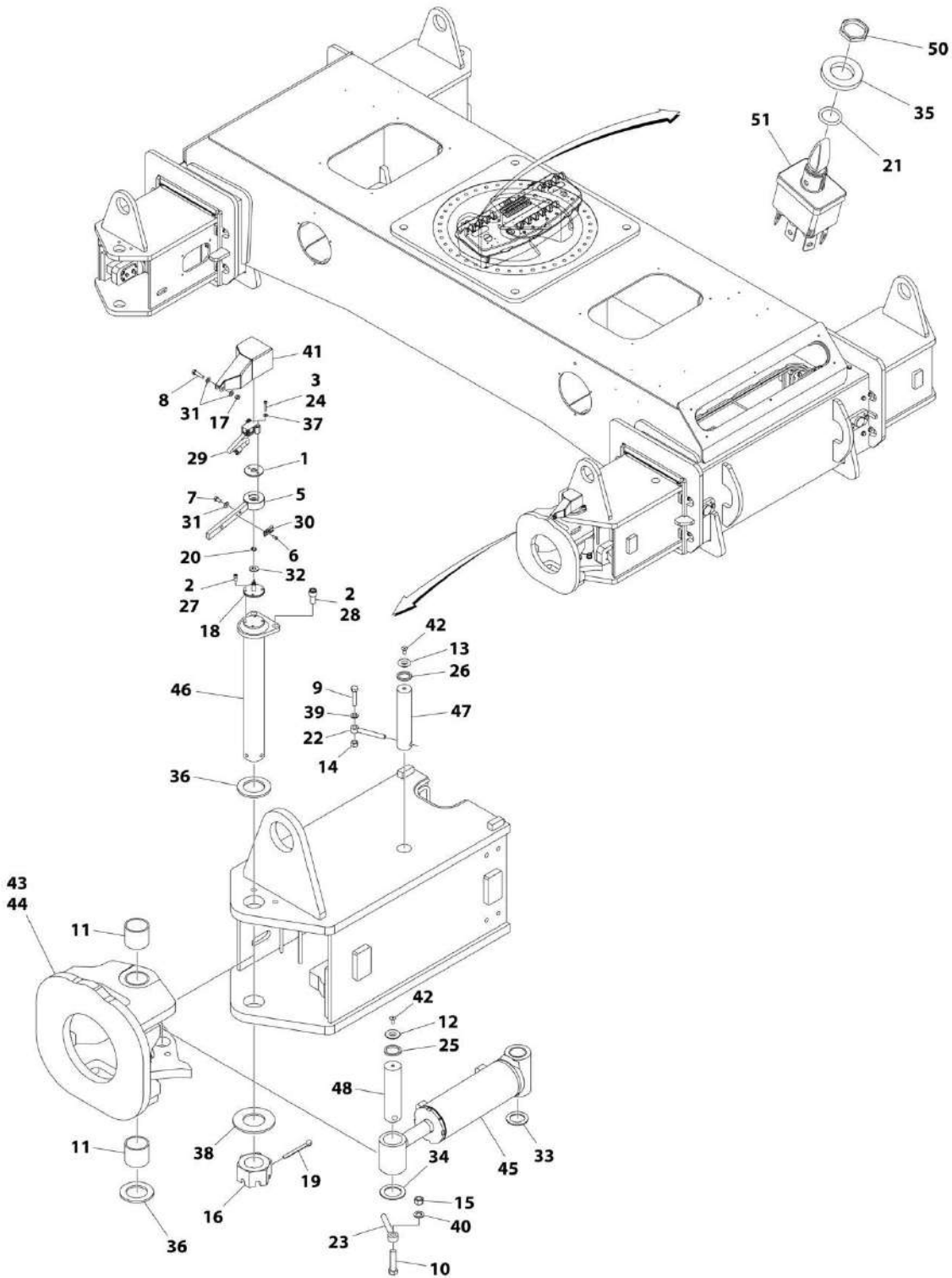
# SECTION 1 - FRAME

## FIGURE 1-3. STEER INSTALLATION - 2WS

ITEM	PART NUMBER	QTY	DESCRIPTION	REV
	1001149657	Ref	STEER INSTALLATION	B
1	0100011	AR	Compound, Locking	
2	0100019	AR	Compound, Locking	
3	0100035	AR	Compound, Locking	
4	0080277	2	Adapter, Sensor	
5	0200833	2	Arm, Sensor	
6	0630464	2	Screw #10 x 1/2	
7	0641505	2	Bolt 5/16 x 5/8	
8	0641511	2	Bolt 5/16 x 1-3/8	
9	0701219	2	Bolt M12 x 55	
10	0701622	2	Bolt M16 x 70	
11	0962423	4	Bearing	
12	1120549	2	Cap (Outer)	
13	1120550	2	Cap (Inner)	
14	3291207	2	Nut M12	
15	3291607	2	Nut M16	
16	3300464	2	Nut	
17	3311505	2	Nut 5/16	
18	3423256	2	Pin, Sensor	
19	3451214	2	Pin 3/8 x 3-1/2	
20	3760383	2	Ring	
21	3841203	2	Keeper, Rod	
22	3841258	2	Keeper, Rod	
23	3931020	4	Capscrew #10 x 1-1/4	
24	3960551	2	Seal (Outer)	
25	3960552	2	Seal (Inner)	
26	4031707	8	Capscrew M6 x 16	
27	4032310	4	Capscrew M16 x 30	
28	4360505	2	Switch, Sensor	
29	4460914	2	Mount, Terminal	
30	4711500	6	Washer 5/16	
31	4711800	2	Washer 1/2	
32	4740181	2	Washer	
33	4740229	2	Washer	
34	4740505	4	Washer	
35	4750800	4	Washer #8	
36	4755000	2	Washer 2-1/2	
37	4812100	2	Washer M12	
38	4812300	2	Washer M16	
39	1001109730	2	Cover, Sensor	
40	1001137125	4	Screw M8 x 20	
41	1001149440	1	Spindle (Left)	
42	1001149441	1	Spindle (Right)	
43	1001149463	2	Steer Cylinder Assembly (See Separate Breakdown in CYLINDER SECTION)	
44	1001150418	2	Kingpin	
45	1001150419	2	Pin (Inner)	
46	1001150460	2	Pin (Outer)	

# SECTION 1 - FRAME

## FIGURE 1-4. STEER INSTALLATION - 4WS



ART\_1001222688

# SECTION 1 - FRAME

## FIGURE 1-4. STEER INSTALLATION - 4WS

ITEM	PART NUMBER	QTY	DESCRIPTION	REV
	1001222688	Ref	STEER INSTALLATION	A
1	0080277	4	Adapter, Sensor	
2	0100011	AR	Compound, Locking	
3	0100019	AR	Compound, Locking	
4	0100035	AR	Compound, Locking (Not Shown)	
5	0200833	4	Arm, Sensor	
6	0630464	4	Screw #10 x 1/2	
7	0641505	4	Bolt 5/16 x 5/8	
8	0641511	4	Bolt 5/16 x 1-3/8	
9	0701219	4	Bolt M12 x 55	
10	0701622	4	Bolt M16 x 70	
11	0962423	8	Bearing	
12	1120549	4	Cap (Outer)	
13	1120550	4	Cap (Inner)	
14	3291207	4	Nut M12	
15	3291607	4	Nut M16	
16	3300464	4	Nut	
17	3311505	4	Nut 5/16	
18	3423256	4	Pin, Sensor	
19	3451214	4	Pin 3/8 x 3-1/2	
20	3760383	4	Ring	
21	3790012	1	O-Ring	
22	3841203	4	Keeper, Rod	
23	3841258	4	Keeper, Rod	
24	3931020	8	Capscrew #10 x 1-1/4	
25	3960551	4	Seal (Outer)	
26	3960552	4	Seal (Inner)	
27	4031707	16	Capscrew M6 x 16	
28	4032310	4	Capscrew M16 x 30	
29	4360505	4	Switch, Sensor	
30	4460914	4	Mount, Terminal	
31	4711500	12	Washer 5/16	
32	4711800	4	Washer 1/2	
33	4740181	4	Washer	
34	4740229	4	Washer	
35	4740397	1	Spacer	
36	4740505	8	Washer	
37	4750800	8	Washer #8	
38	4755000	4	Washer 2-1/2	
39	4812100	4	Washer M12	
40	4812300	4	Washer M16	
41	1001109730	4	Cover, Sensor	
42	1001137125	8	Screw M8 x 20	
43	1001149440	2	Spindle (Left)	
44	1001149441	2	Spindle (Right)	
45	1001149463	4	Steer Cylinder Assembly (See Separate Breakdown in CYLINDER SECTION)	
46	1001150418	4	Kingpin	
47	1001150419	4	Pin (Inner)	
48	1001150460	4	Pin (Outer)	

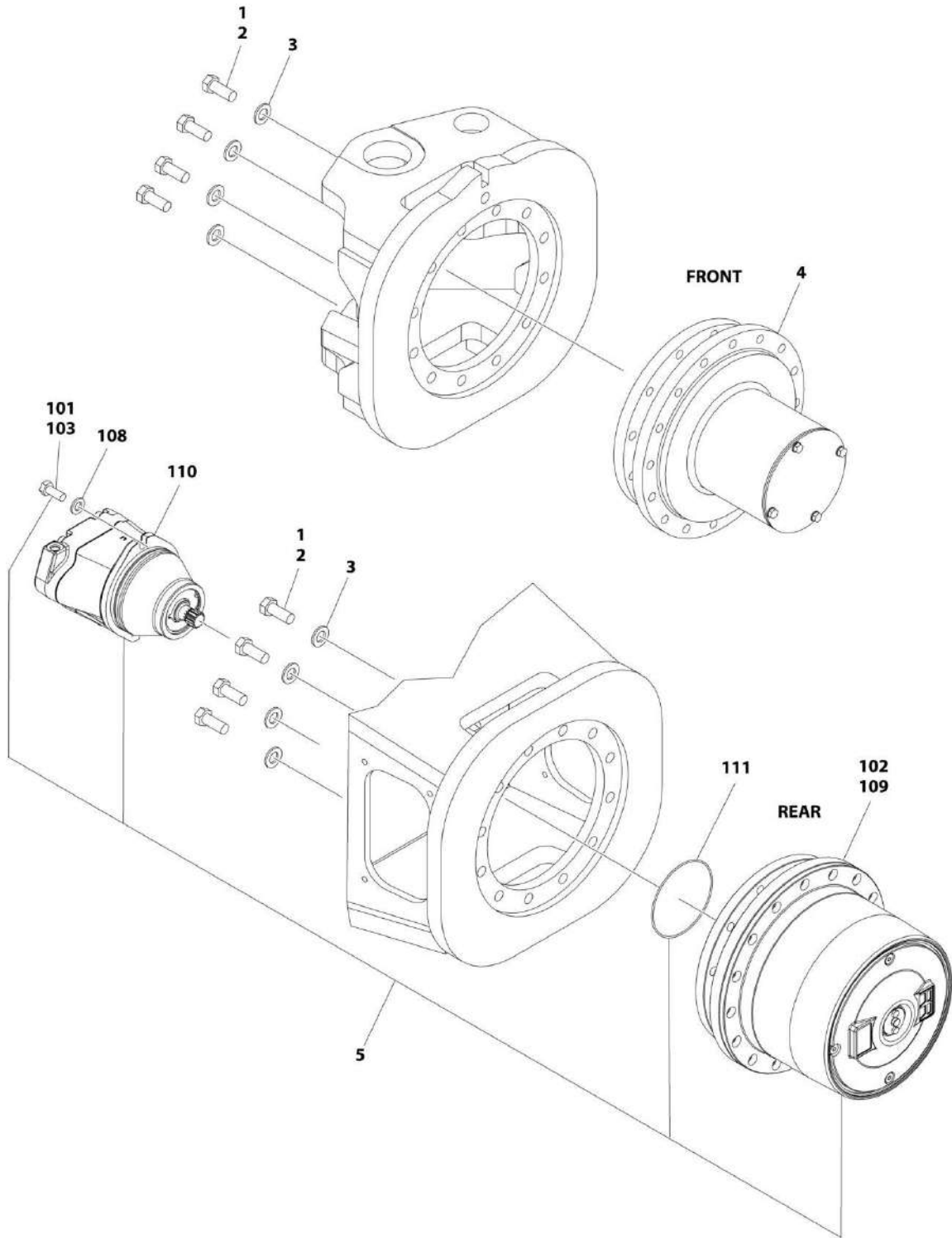
## SECTION 1 - FRAME

ITEM	PART NUMBER	QTY	DESCRIPTION	REV
49	1001152574	2	Axle Power Track Harness (Not Shown - See Separate Breakdown in ELECTRICAL SECTION)	
50	1001155044	1	Nut 15/32	
51	1001161709	1	Switch, Toggle	



# SECTION 1 - FRAME

## FIGURE 1-5. WHEEL DRIVE INSTALLATION - 2WD



ART\_1001150018

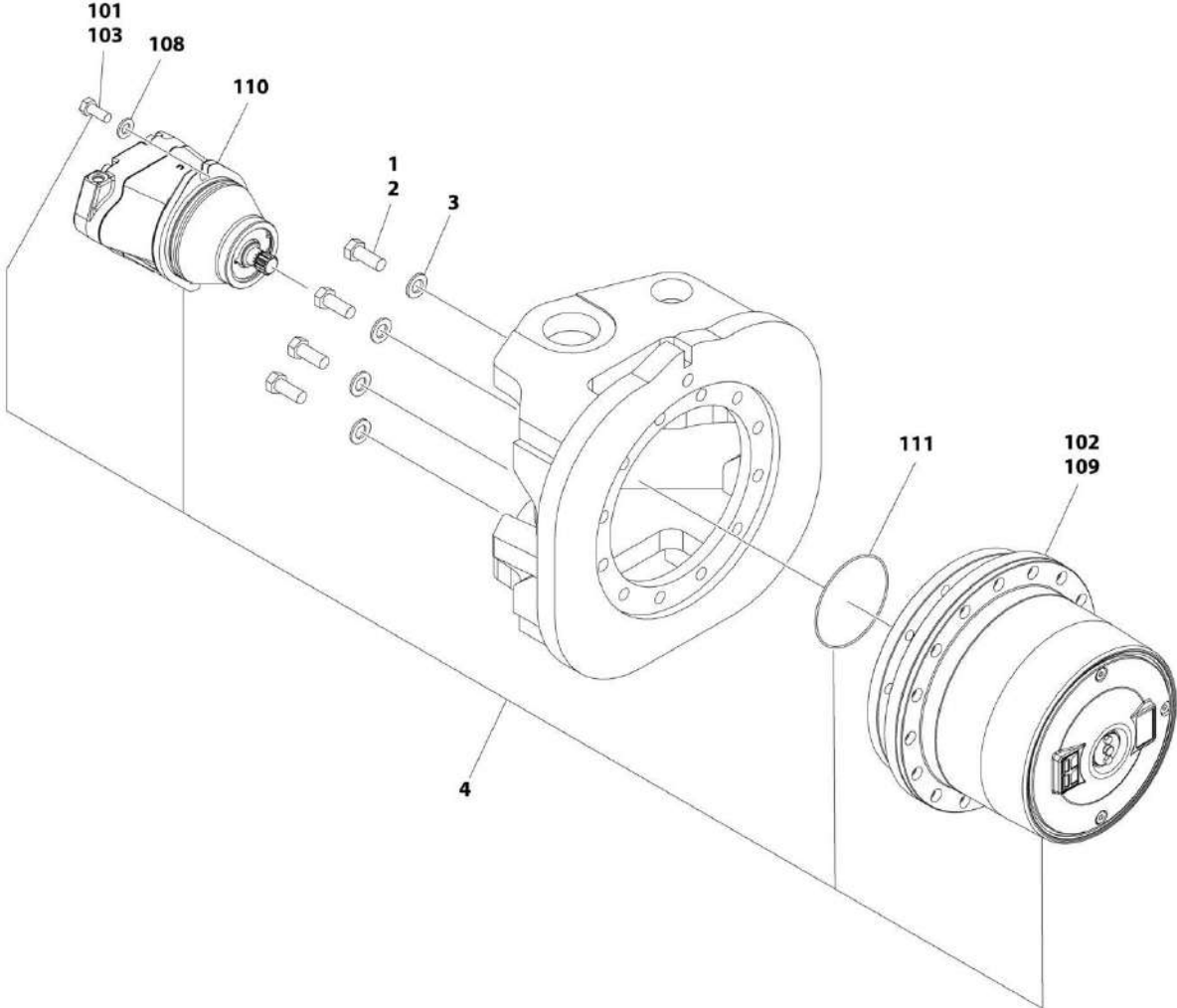
## SECTION 1 - FRAME

**FIGURE 1-5. WHEEL DRIVE INSTALLATION - 2WD**

ITEM	PART NUMBER	QTY	DESCRIPTION	REV
	1001150018	Ref	WHEEL DRIVE INSTALLATION - 2WD	C
1	0100019	AR	Compound, Locking	
2	0761616	48	Bolt M16 x 40	
3	5241600	48	Washer M16	
4	1001146251	2	Drive Hub Assembly - 2WD Front (See Separate Breakdown in this Section)	
5	1001151094	2	Drive Hub/Motor Assembly - 2WD Rear	C
101	0100011	AR	Compound, Locking	
102	3020008	AR	Lubricant	
103	0761214	4	Bolt M12 x 30 (2 Per Assembly)	
108	5241200	4	Washer M12 (2 Per Assembly)	
109	1001101550	2	Drive Hub Assembly (1 Per Assembly) (See Separate Breakdown in this Section)	
110	1001149458	2	Drive Motor Assembly - 2WD (1 Per Assembly) (See Separate Breakdown in this Section)	
111	3790158	2	O-Ring	

**SECTION 1 - FRAME**

**FIGURE 1-6. WHEEL DRIVE INSTALLATION - 4WD**



ART\_1001150017



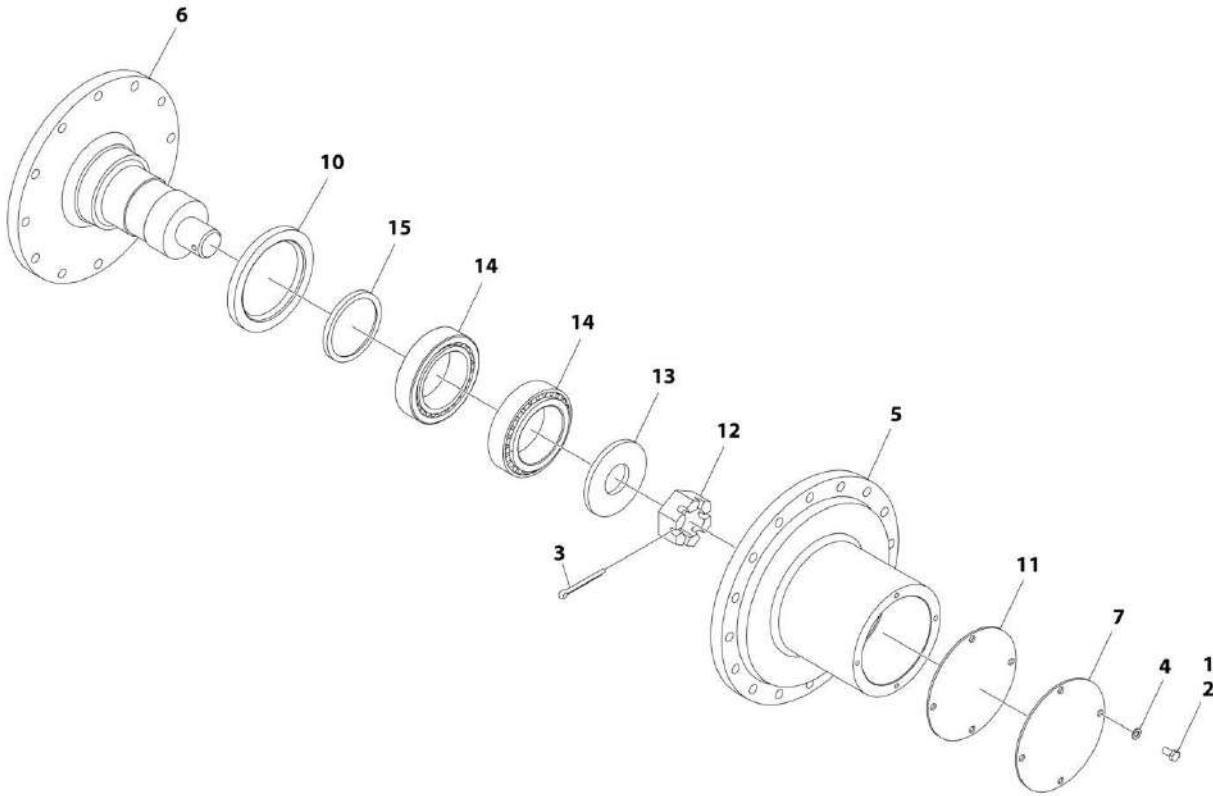
## SECTION 1 - FRAME

**FIGURE 1-6. WHEEL DRIVE INSTALLATION - 4WD**

ITEM	PART NUMBER	QTY	DESCRIPTION	REV
	1001150017	Ref	WHEEL DRIVE INSTALLATION - 4WD	D
1	0100019	AR	Compound, Locking	
2	0761616	48	Bolt M16 x 40	
3	5241600	48	Washer M16	
4	1001151092	4	Drive Hub/Motor Assembly	D
101	0100011	AR	Compound, Locking	
102	3020008	AR	Lubricant	
103	0761214	8	Bolt M12 x 30 (2 Per Assembly)	
108	5241200	8	Washer M12 (2 Per Assembly)	
109	1001101550	4	Drive Hub Assembly (1 Per Assembly) (See Separate Breakdown in this Section)	
110	1001149456	4	Drive Motor Assembly - 2WD (1 Per Assembly) (See Separate Breakdown in this Section)	
111	3790158	4	O-Ring	

# SECTION 1 - FRAME

FIGURE 1-7. DRIVE HUB ASSEMBLY - 2WD FRONT



ART\_1001146251

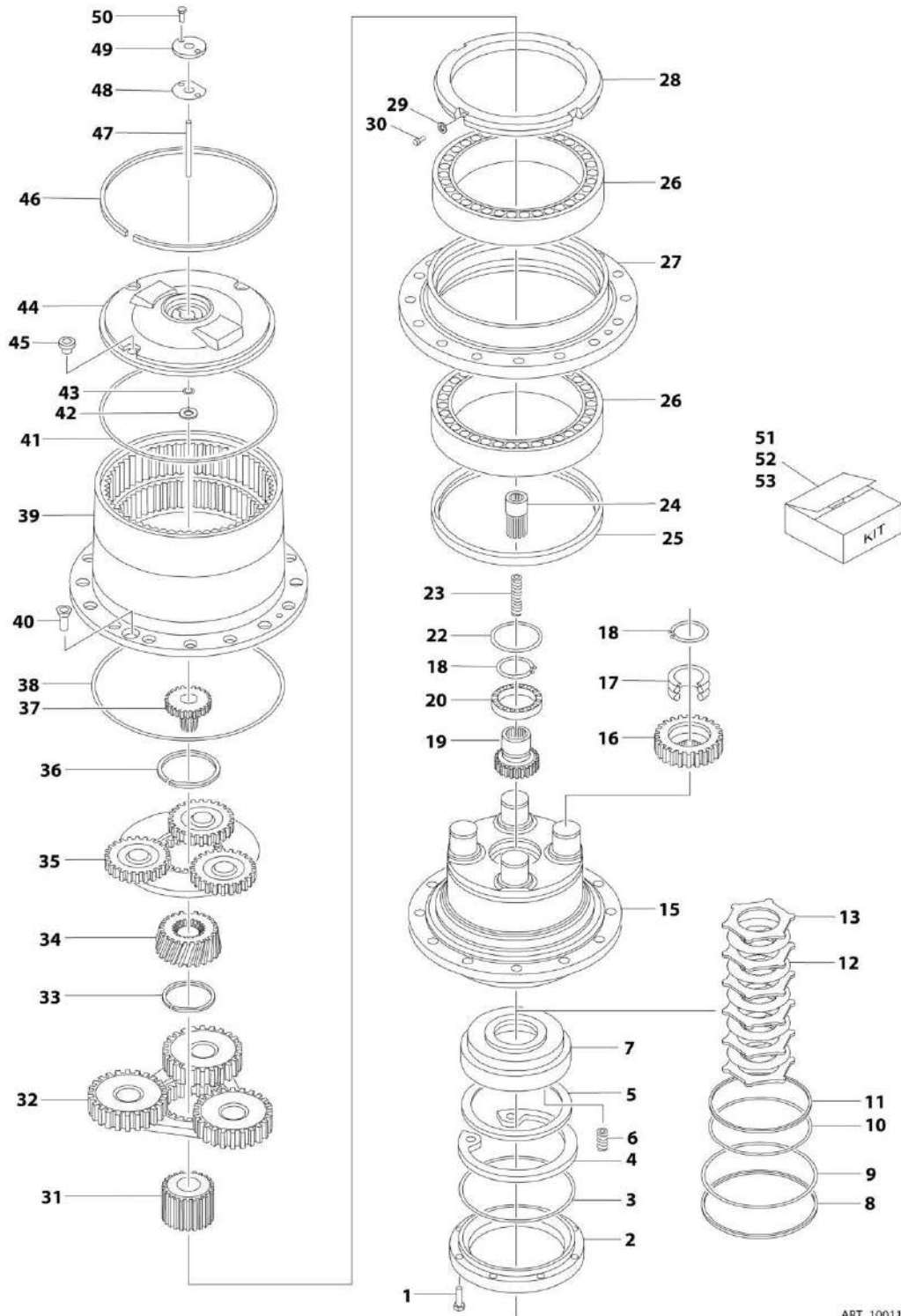
## SECTION 1 - FRAME

**FIGURE 1-7. DRIVE HUB ASSEMBLY - 2WD FRONT**

ITEM	PART NUMBER	QTY	DESCRIPTION	REV
	1001146251	Ref	DRIVE HUB ASSEMBLY - 2WD FRONT	D
1	0100071	AR	Adhesive	
2	0760808	4	Bolt M8 x 16	
3	3450810	1	Pin, Cotter 1/4 x 2-1/2	
4	4811900	4	Washer M8	
5	1001146249	1	Hub	
6	1001146250	1	Spindle	
7	1001146253	1	Cap	
10	1001149680	1	Seal	
11	1001149681	1	Gasket	
12	1001149742	1	Nut	
13	1001149865	1	Washer	
14	1001210887	2	Bearing	
15	1001211508	1	Spacer	

# SECTION 1 - FRAME

## FIGURE 1-8. DRIVE HUB ASSEMBLY



ART\_1001101550

FIGURE 1-8. DRIVE HUB ASSEMBLY

ITEM	PART NUMBER	QTY	DESCRIPTION	REV
	1001101550	Ref	DRIVE HUB ASSEMBLY	D
1	70002015	8	Bolt M8 x 25	
2	70002016	1	Ring, Motor Support	
3	See Note	NSS	O-Ring (Note: Use Item 51)	
4	70002018	1	Snap Ring	
5	70002019	1	Retainer, Spring	
6	70002020	9	Spring	
7	See Note	NSS	Piston (Note: Use Item 53)	
8	See Note	NSS	Ring, Back-up (Note: Use Item 51 or 53)	
9	See Note	NSS	O-Ring (Note: Use Item 51 or 53)	
10	See Note	NSS	O-Ring (Note: Use Item 51 or 53)	
11	See Note	NSS	Ring, Back-up (Note: Use Item 51 or 53)	
12	70002026	5	Disc, Friction	
13	70002027	6	Disc, Steel	
15	70002029	1	Spindle	
16	70002030	4	Gear, Planetary	
17	70002031	4	Bearing	
18	70002032	5	Snap Ring	
19	70002033	1	Gear, Brake/Input	
20	70002034	1	Bearing	
22	70002035	1	Ring, Wear	
23	70002036	1	Spring	
24	70002037	1	Shaft, Engagement	
25	See Note	NSS	Seal (Note: Use Item 51)	
26	70002039	2	Bearing Assembly	
27	70002040	1	Support, Hub	
28	70002041	1	Nut, Retaining	
29	70002042	NLA	Washer (Use p/n 70002674)	
30	70002043	NLA	Screw, Flange (Use p/n 70002674)	
31	70002044	1	Gear, Planetary Sun	
32	70002045	1	Reduction Assembly, Secondary	
33	70002046	1	Snap Ring	
34	70002047	1	Gear, Secondary Input Sun	
35	70002048	1	Reduction Assembly, Primary	
36	70002049	1	Snap Ring	
37	70002050	1	Gear, Primary Input Sun	
38	See Note	NSS	O-Ring (Note: Use Item 51)	
39	See Note	NSS	Housing, Hub (Note: Use p/n 1001101550)	
40	70002052	2	Screw, Countersunk	
41	See Note	NSS	O-Ring (Note: Use Item 51 or 52)	
42	See Note	NSS	Thrustwasher (Note: Use Item 52)	
43	See Note	NSS	O-Ring (Note: Use Item 51 or 52)	
44	See Note	NSS	Cover, Hub (Note: Use Item 52)	
45	70002057	3	Plug	
46	See Note	NSS	Snap Ring (Note: Use Item 52)	
47	See Note	NSS	Pin, Engagement (Note: Use Item 52)	
48	See Note	NSS	Gasket (Note: Use Item 51 or 52)	
49	See Note	NSS	Cover, Engagement (Note: Use Item 52)	
50	See Note	NSS	Screw (Note: Use Item 52)	
51	70002248	1	Seal Kit (Includes Items 3, 8-11, 25, 38, 41, 43 & 48)	

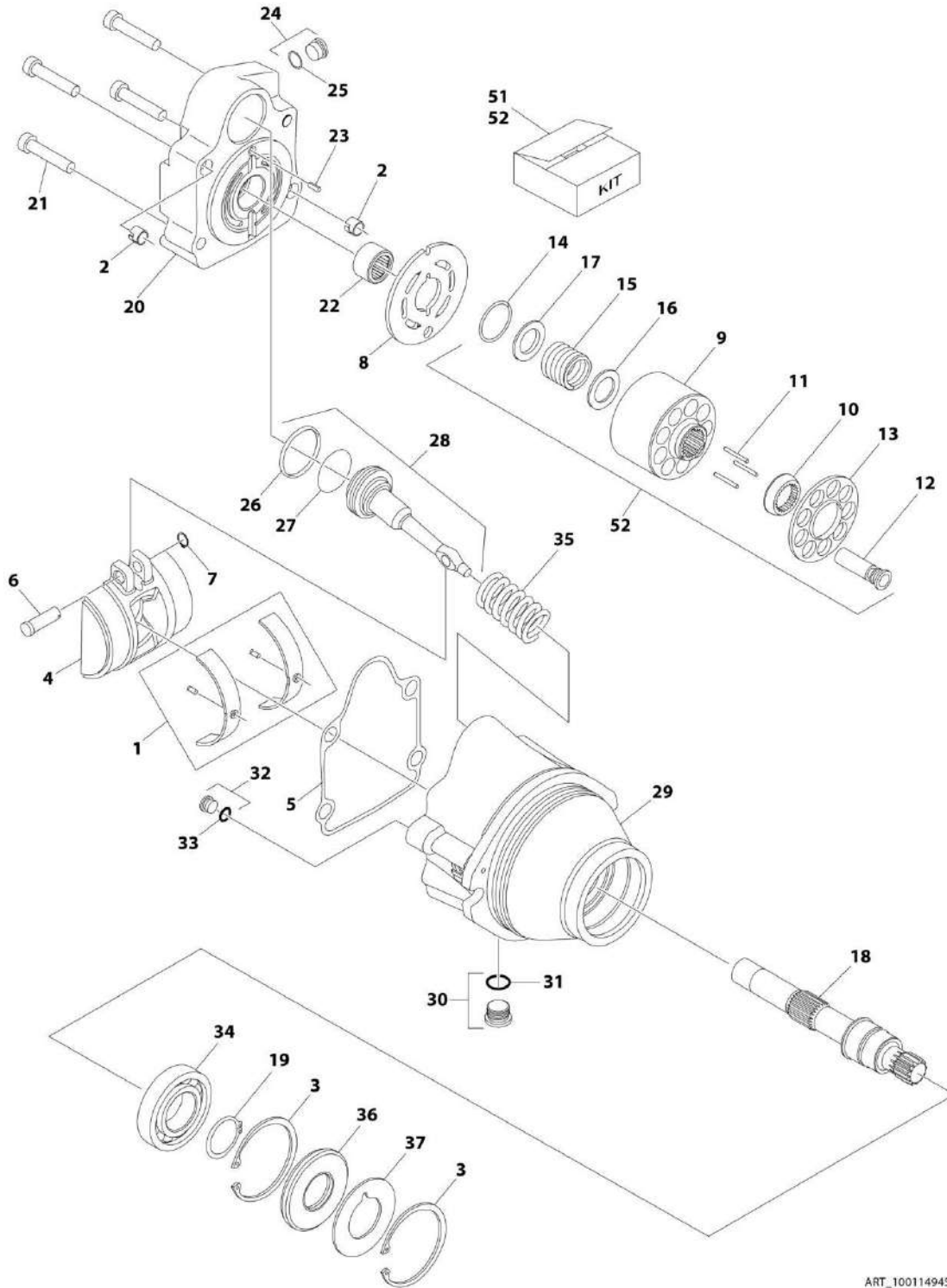
## SECTION 1 - FRAME

ITEM	PART NUMBER	QTY	DESCRIPTION	REV
52	70002247	1	Cover Kit (Includes Items 41-44 & 46-50)	
53	70002249	1	Brake Kit (Includes Items 4-13)	



# SECTION 1 - FRAME

## FIGURE 1-9. DRIVE MOTOR ASSEMBLY - 2WD



ART\_1001149458



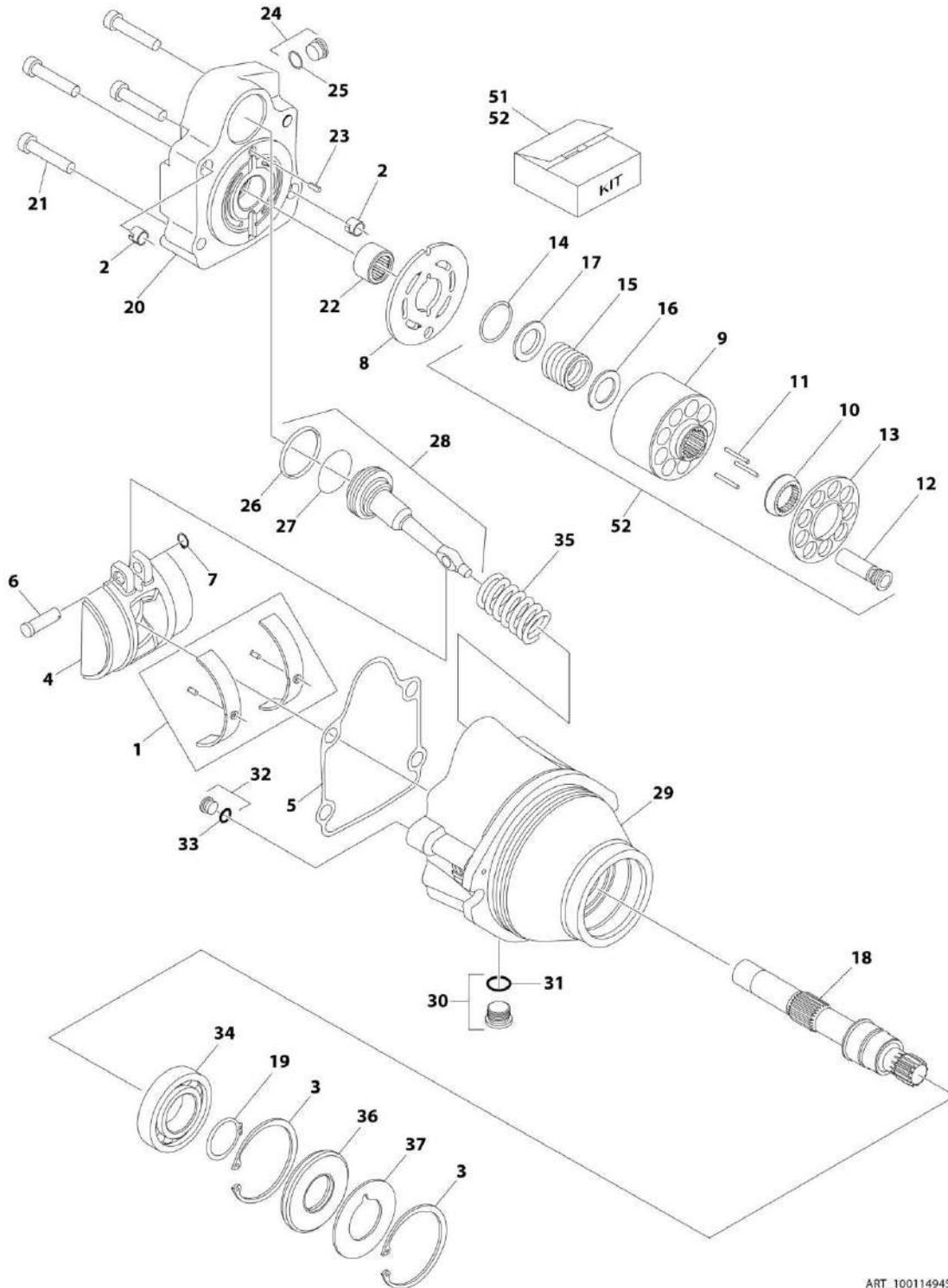
## SECTION 1 - FRAME

**FIGURE 1-9. DRIVE MOTOR ASSEMBLY - 2WD**

ITEM	PART NUMBER	QTY	DESCRIPTION	REV
	1001149458	Ref	DRIVE MOTOR ASSEMBLY - 2WD	B
1	70000852	1	Bearing Kit	
2	70003628	2	Locating Pin	
3	7007438	2	Snap Ring	
4	70000853	1	Swash Plate	
5	See Note	NSS	Gasket (Note: Use Item 51)	
6	70004201	1	Pin	
7	70004202	1	Ring, Retaining	
8	70000854	1	Plate, Valve	
9	70000855	1	Block, Cylinder	
10	70000856	1	Guide	
11	7021275	3	Pin, Slipper	
12	7024865	9	Piston, Cylinder	
13	70000857	1	Retainer, Slipper	
14	7022311	1	Snap Ring	
15	7024867	1	Spring	
16	7024868	1	Washer	
17	7022314	1	Retainer, Spring	
18	70000858	1	Shaft	
19	7007439	1	Snap Ring	
20	70000859	1	End Cap, Motor	
21	7022368	4	Bolt	
22	7021249	1	Bearing, Needle	
23	7007446	1	Pin, Dowel	
24	7007420	1	Plug (Includes Item 25)	
25	See Note	NSS	O-Ring (Note: Use Item 51 or 24)	
26	See Note	NSS	Ring, Piston (Note: Use Item 51 or 28)	
27	See Note	NSS	O-Ring (Note: Use Item 51 or 28)	
28	70004207	1	Piston, Servo (Includes Items 26 & 27)	
29	See Note	NSS	Housing (Note: Not Available - Purchase Complete Motor)	
30	7022321	1	Plug (Includes Item 31)	
31	See Note	NSS	O-Ring (Note: Use Item 51 or 30)	
32	70002133	1	Plug (Includes Item 33)	
33	See Note	NSS	O-Ring (Note: Use Item 51 or 32)	
34	70002176	1	Bearing	
35	70000861	1	Spring	
36	See Note	NSS	Seal (Note: Use Item 51)	
37	7022371	1	Washer, Seal Support	
51	70000862	1	Motor Seal Kit (Includes Items 5, 25, 26, 27, 31, 33 & 36)	
52	7027740	1	Cylinder Block Kit (Includes Items 9-17)	

# SECTION 1 - FRAME

## FIGURE 1-10. DRIVE MOTOR ASSEMBLY - 4WD



ART\_1001149456

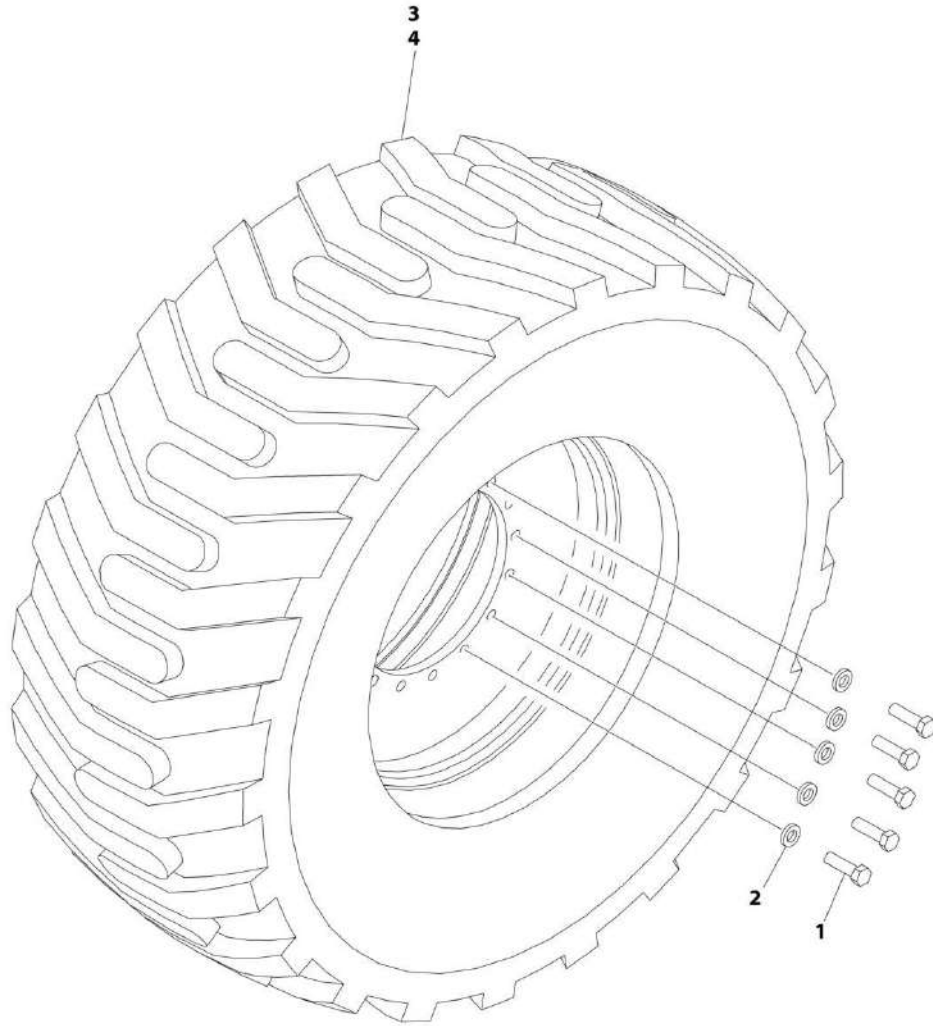
## SECTION 1 - FRAME

**FIGURE 1-10. DRIVE MOTOR ASSEMBLY - 4WD**

ITEM	PART NUMBER	QTY	DESCRIPTION	REV
	1001149456	Ref	DRIVE MOTOR ASSEMBLY - 4WD	B
1	70000852	1	Bearing Kit	
2	70003628	2	Locating Pin	
3	7007439	2	Snap Ring	
4	70000853	1	Swash Plate	
5	See Note	NSS	Gasket (Note: Use Item 51)	
6	70004201	1	Pin	
7	70004202	1	Ring, Retaining	
8	70000854	1	Plate, Valve	
9	See Note	NSS	Block, Cylinder (Note: Use Item 52)	
10	See Note	NSS	Guide (Note: Use Item 52)	
11	7021275	3	Pin, Slipper	
12	70005821	9	Piston, Cylinder	
13	70000857	1	Retainer, Slipper	
14	7022311	1	Snap Ring	
15	7024867	1	Spring	
16	7024868	1	Washer	
17	7022314	1	Retainer, Spring	
18	70000858	1	Shaft	
19	7007439	1	Snap Ring	
20	70000859	1	End Cap, Motor	
21	7022368	4	Bolt	
22	7021249	1	Bearing, Needle	
23	7007446	1	Pin, Dowel	
24	7007420	1	Plug (Includes Item 25)	
25	See Note	NSS	O-Ring (Note: Use Item 51 or 24)	
26	See Note	NSS	Ring, Piston (Note: Use Item 51 or 28)	
27	See Note	NSS	O-Ring (Note: Use Item 51 or 28)	
28	70000860	1	Piston, Servo (Includes Items 26 & 27)	
29	See Note	NSS	Housing (Note: Not Available - Purchase Complete Motor)	
30	7022321	1	Plug (Includes Item 31)	
31	See Note	NSS	O-Ring (Note: Use Item 51 or 30)	
32	70002133	1	Plug (Includes Item 33)	
33	See Note	NSS	O-Ring (Note: Use Item 51 or 32)	
34	70002176	1	Bearing	
35	70000861	1	Spring	
36	See Note	NSS	Seal (Note: Use Item 51)	
37	7022371	1	Washer, Seal Support	
51	70000862	1	Motor Seal Kit (Includes Items 5, 25, 26, 27, 31, 33 & 36)	
52	70005820	1	Cylinder Block Kit (Includes Items 9-17)	

# SECTION 1 - FRAME

## FIGURE 1-11. TIRE AND WHEEL INSTALLATION - FOAM-FILLED



ART\_1001150022

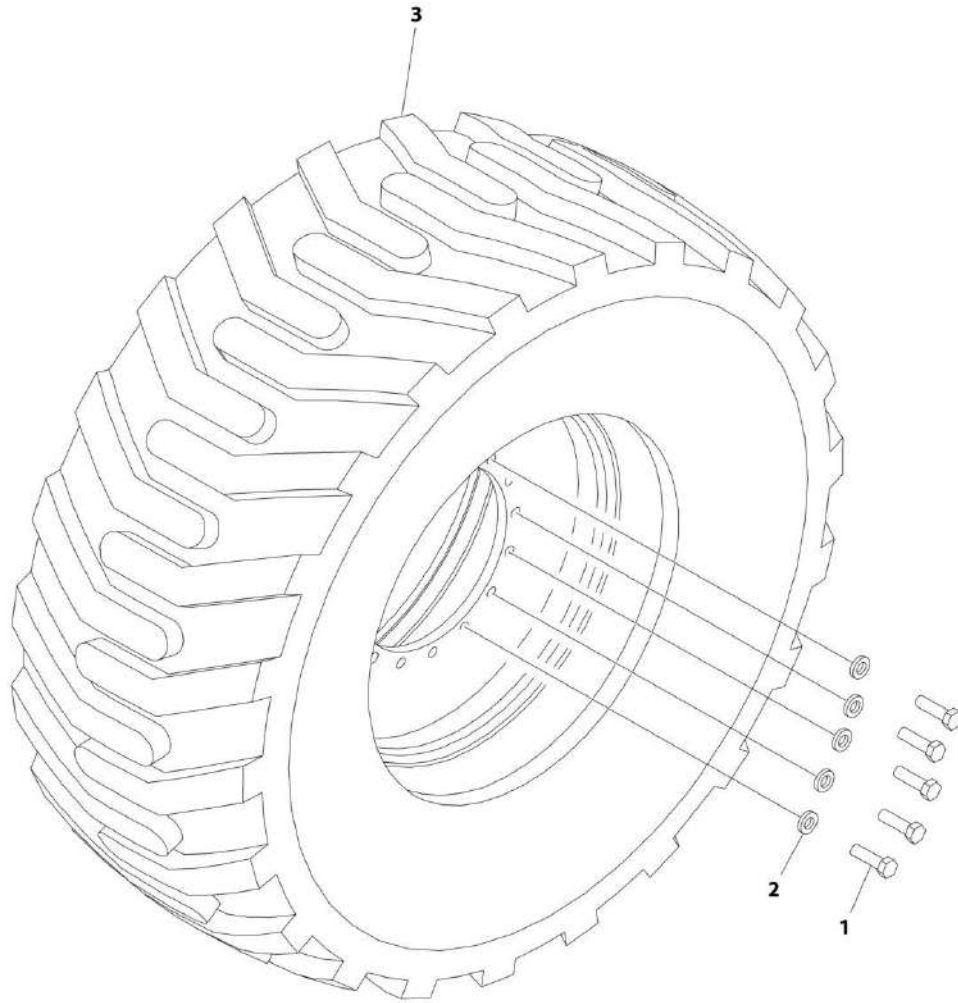
## SECTION 1 - FRAME

**FIGURE 1-11. TIRE AND WHEEL INSTALLATION - FOAM-FILLED**

ITEM	PART NUMBER	QTY	DESCRIPTION	REV
	1001150022	Ref Ref	TIRE AND WHEEL INSTALLATION - FOAM-FILLED  Note: Assemblies may require ballast/foam filling to manufacturer's specifications prior to installing on a machine. Refer to Operation and Safety or Service and Maintenance Manuals. Purchase individual tire and/or rim only if able to foam fill tire and wheel assembly, otherwise, purchase complete assembly.	B
1	0701619	64	Bolt M16 x 55 (16 Per Wheel)	
2	5241600	64	Washer M16 (16 Per Assembly)	
3	1001151436	2	Left Side Tire and Wheel Assembly - Foam-Filled	
4	1001151437	2	Right Side Tire and Wheel Assembly - Foam-Filled	

# SECTION 1 - FRAME

## FIGURE 1-12. TIRE AND WHEEL INSTALLATION - SOLID



ART\_1001150023

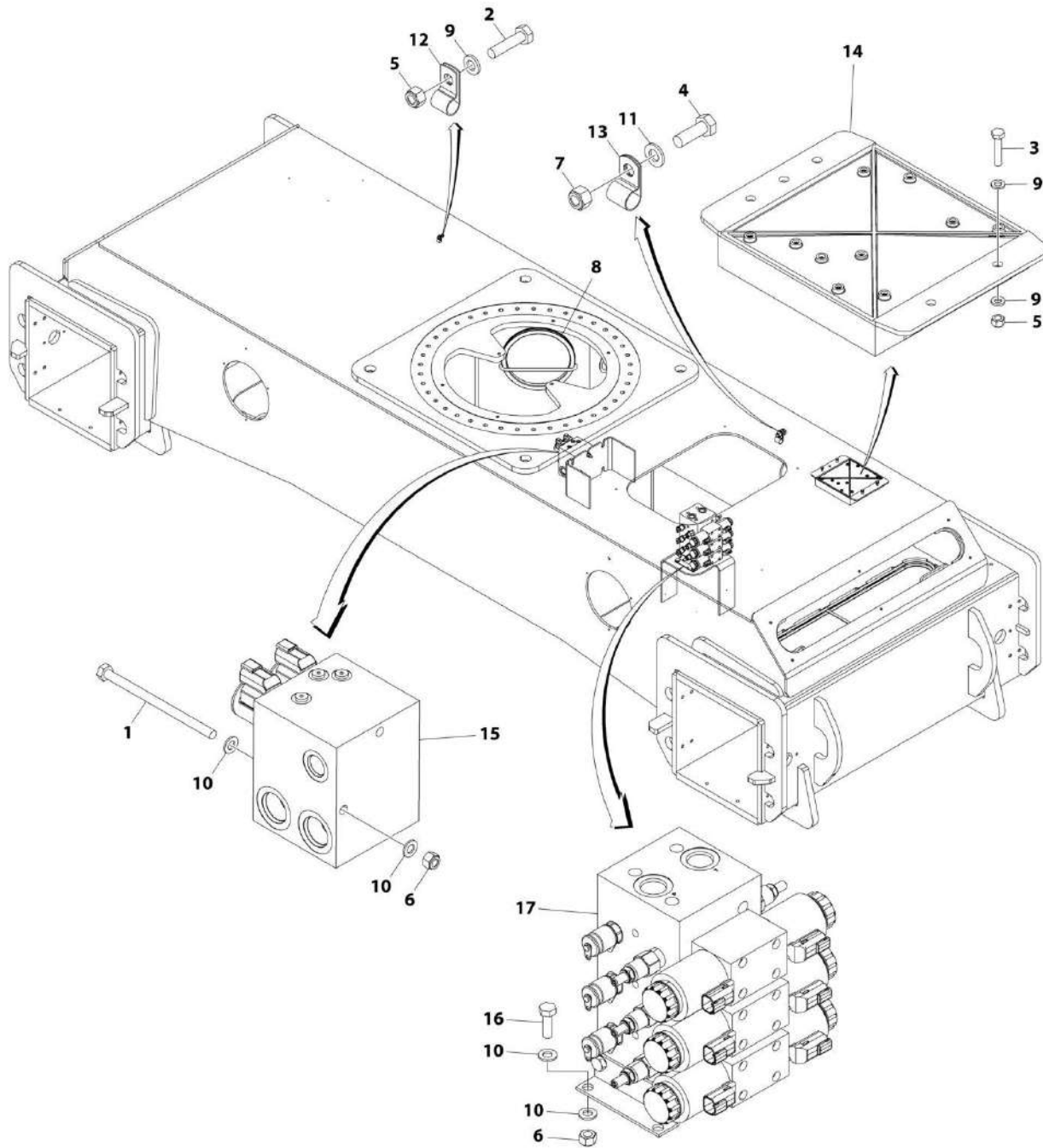
## SECTION 1 - FRAME

### FIGURE 1-12. TIRE AND WHEEL INSTALLATION - SOLID

ITEM	PART NUMBER	QTY	DESCRIPTION	REV
	1001150023	Ref	TIRE AND WHEEL INSTALLATION - SOLID	B
1	0701619	64	Bolt M16 x 55 (16 Per Wheel)	
2	5241600	64	Washer M16 (16 Per Wheel)	
3	1001147247	4	Tire and Wheel Assembly - Solid	

# SECTION 1 - FRAME

FIGURE 1-13. VALVES INSTALLATION - FRAME (2WD) (SN B300001586 through B300001676)



ART\_1001150041



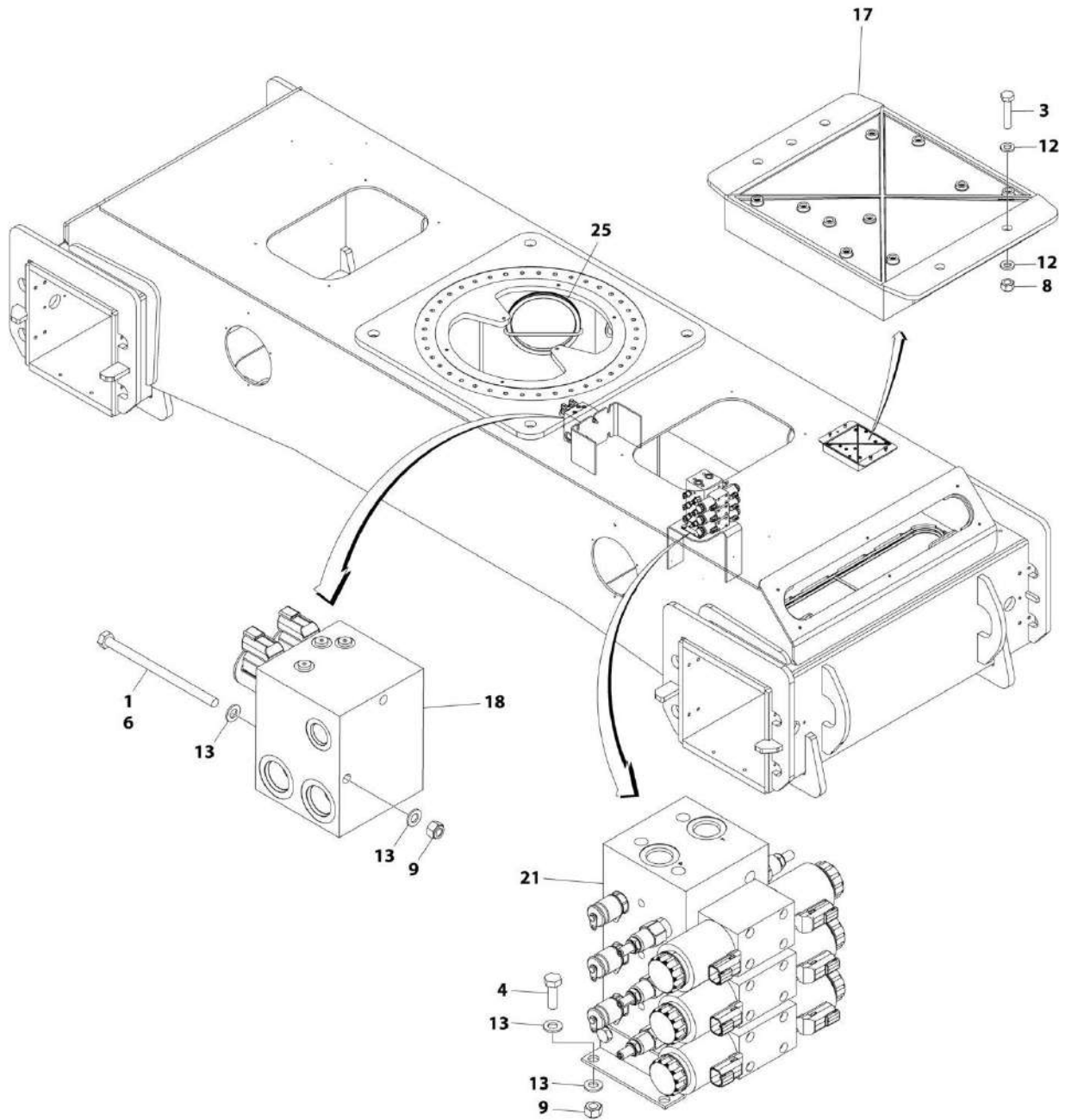
## SECTION 1 - FRAME

**FIGURE 1-13. VALVES INSTALLATION - FRAME (2WD) (SN B300001586 through B300001676)**

ITEM	PART NUMBER	QTY	DESCRIPTION	REV
	1001150041	Ref	<b>VALVES INSTALLATION - FRAME (2WD) (SN B300001586 through B300001676)</b>	D
1	0700830	2	Bolt M8 x 130	
2	0760612	1	Bolt M6 x 25	
3	0760614	4	Bolt M6 x 30	
4	0761215	1	Bolt M12 x 35	
5	3290605	5	Nut M6	
6	3290805	6	Nut M8	
7	3291205	1	Nut M12	
8	4060808	AR	Flex-Trim	
9	4811700	9	Washer M6	
10	4811900	12	Washer M8	
11	4812100	1	Washer M12	
12	8406002	1	Clip	
13	8406105	1	Clip	
14	1001112758	1	Module, Control - Frame (Note: Re-calibration Required when Replaced)	
15	1001194532	1	Traction Valve Assembly - 2WD (See Separate Breakdown in this Section)	
16	0760812	4	Bolt M8 x 25	
17	1001151834	1	Axle Extend/Steer Valve Assembly (See Separate Breakdown in this Section)	

# SECTION 1 - FRAME

FIGURE 1-14. VALVES INSTALLATION - FRAME (1030S WITH 2WD/2WS) (SN B300001677 to Present)



ART\_1001223985\_1OF3

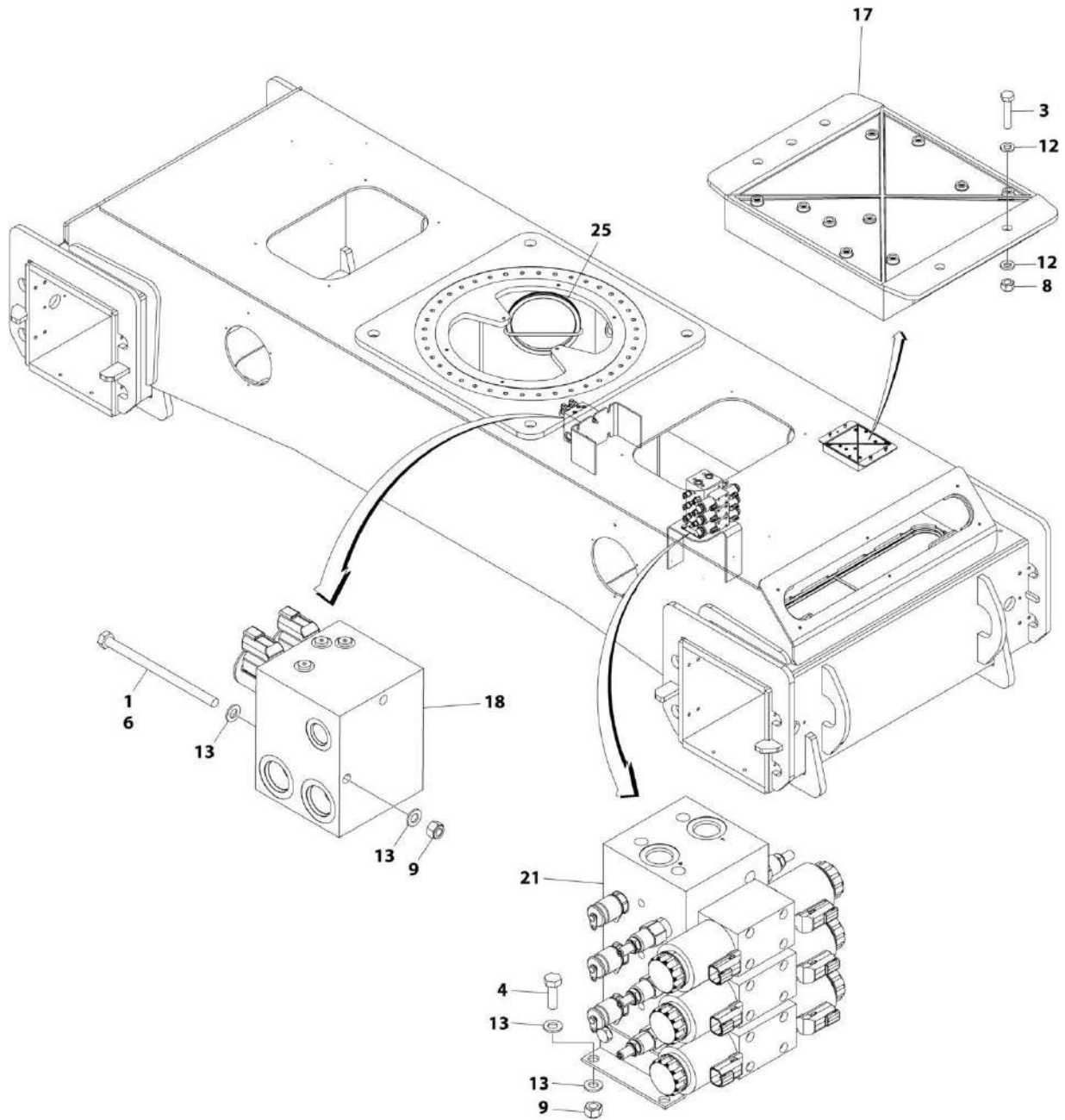
## SECTION 1 - FRAME

**FIGURE 1-14. VALVES INSTALLATION - FRAME (1030S WITH 2WD/2WS) (SN B300001677 to Present)**

ITEM	PART NUMBER	QTY	DESCRIPTION	REV
	1001223985	Ref	VALVES INSTALLATION - FRAME (1030S WITH 2WD/2WS) (SN <b>B300001677 to Present</b> )	A
1	0100011	AR	Compound, Locking	
3	0760614	4	Bolt M6 x 30	
4	0760812	4	Bolt M8 x 25	
6	0700830	2	Bolt M8 x 130	
8	3290605	4	Nut M6	
9	3290805	6	Nut M8	
12	4811700	8	Washer M6	
13	4811900	12	Washer M8	
17	1001112758	1	Module, Control - Frame (Note: Re-calibration Required when Replaced)	
18	1001194532	1	Traction Valve Assembly - 2WD (See Separate Breakdown in this Section)	
21	1001151834	1	Axle Extend/Steer Valve Assembly (See Separate Breakdown in this Section)	
25	4060808	AR	Flex-Trim	

# SECTION 1 - FRAME

FIGURE 1-15. VALVES INSTALLATION - FRAME (1100SJ WITH 2WD/2WS) (SN B300001677 to Present)



ART\_1001223984\_10F3

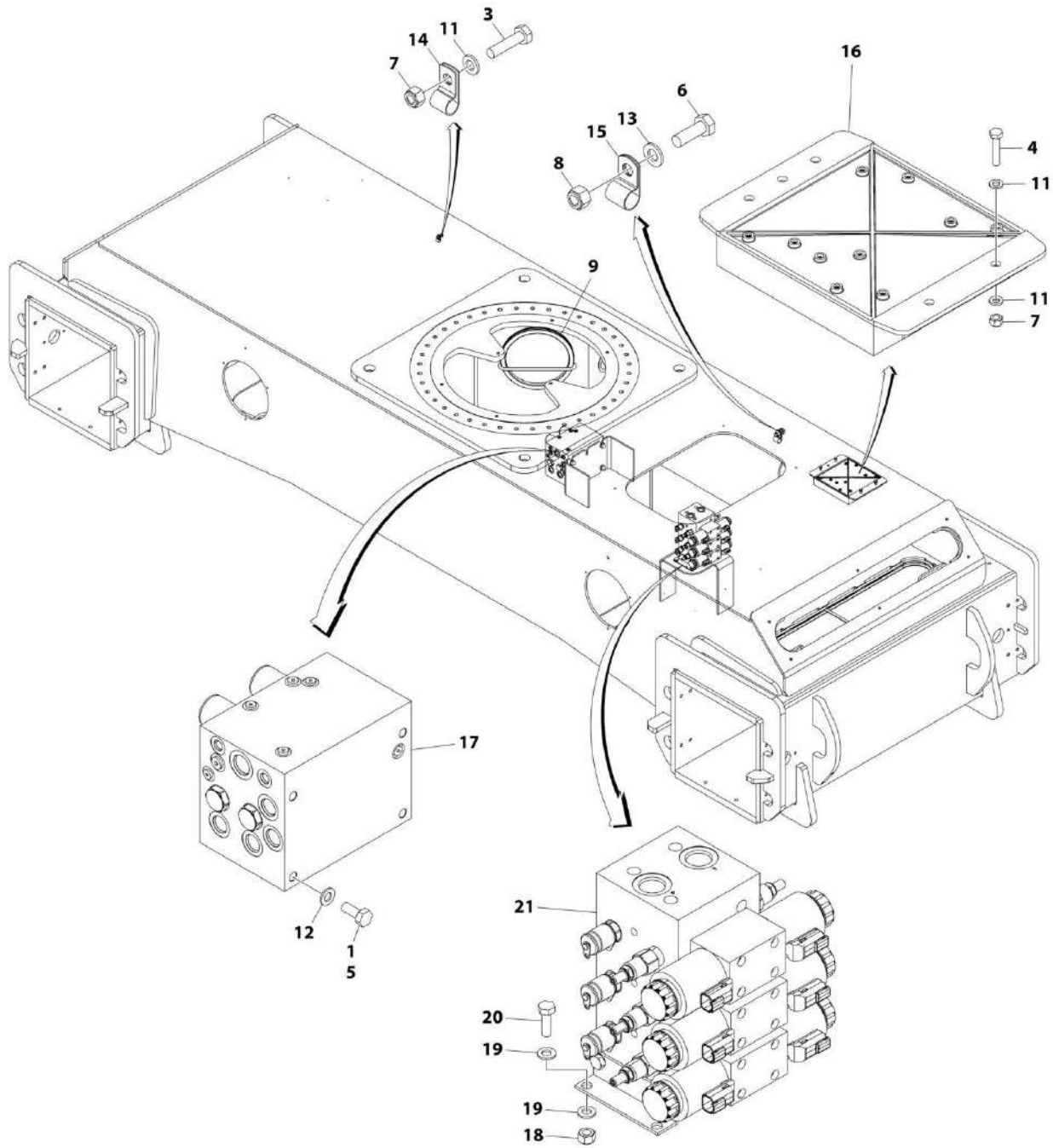
## SECTION 1 - FRAME

**FIGURE 1-15. VALVES INSTALLATION - FRAME (1100SJ WITH 2WD/2WS) (SN B300001677 to Present)**

ITEM	PART NUMBER	QTY	DESCRIPTION	REV
	1001223984	Ref	VALVES INSTALLATION - FRAME (1100SJ WITH 2WD/2WS) (SN <b>B300001677 to Present</b> )	B
1	0100011	AR	Compound, Locking	
3	0760614	4	Bolt M6 x 30	
4	0760812	4	Bolt M8 x 25	
6	0700830	2	Bolt M8 x 130	
8	3290605	4	Nut M6	
9	3290805	6	Nut M8	
12	4811700	8	Washer M6	
13	4811900	12	Washer M8	
17	1001112758	1	Module, Control - Frame (Note: Re-calibration Required when Replaced)	
18	1001194532	1	Traction Valve Assembly - 2WD (See Separate Breakdown in this Section)	
21	1001151834	1	Axle Extend/Steer Valve Assembly (See Separate Breakdown in this Section)	
25	4060808	AR	Flex-Trim	

# SECTION 1 - FRAME

FIGURE 1-16. VALVES INSTALLATION - FRAME (4WD) (SN B300001586 through B300001676)



ART\_1001150040

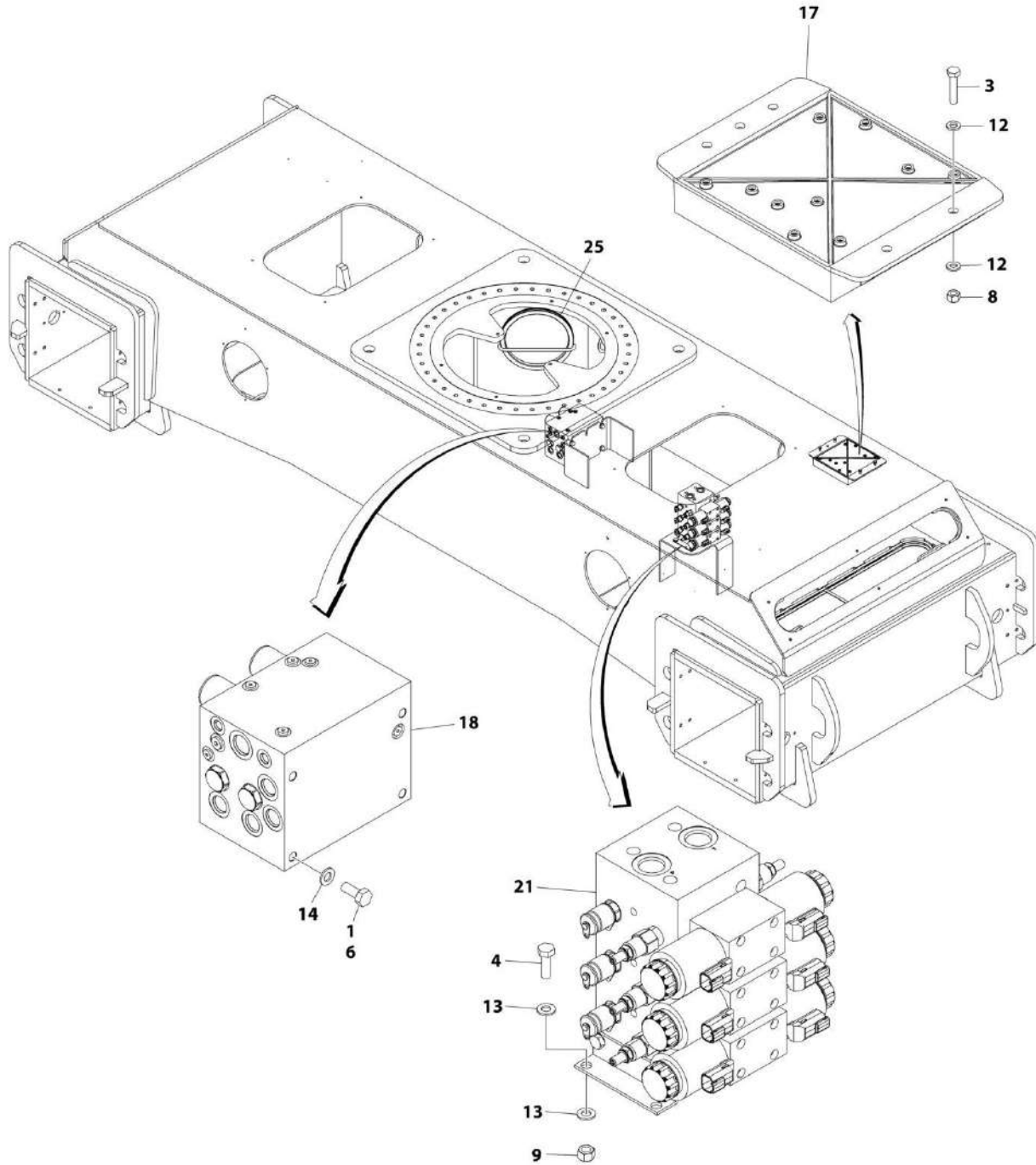
## SECTION 1 - FRAME

**FIGURE 1-16. VALVES INSTALLATION - FRAME (4WD) (SN B300001586 through B300001676)**

ITEM	PART NUMBER	QTY	DESCRIPTION	REV
	1001150040	Ref	VALVES INSTALLATION - FRAME (4WD) (SN B300001586 through B300001676)	D
1	0100011	AR	Compound, Locking	
3	0760612	1	Bolt M6 x 25	
4	0760614	4	Bolt M6 x 30	
5	0761012	4	Bolt M10 x 25	
6	0761215	1	Bolt M12 x 35	
7	3290605	5	Nut M6	
8	3291205	1	Nut M12	
9	4060808	AR	Flex-Trim	
11	4811700	9	Washer M6	
12	4812000	4	Washer M10	
13	4812100	1	Washer M12	
14	8406002	1	Clip	
15	8406105	1	Clip	
16	1001112758	1	Module, Control - Frame (Note: Re-calibration Required when Replaced)	
17	1001151409	1	Traction Valve Assembly - 4WD (See Separate Breakdown in this Section)	
18	3290805	4	Nut M8	
19	4811900	8	Washer M8	
20	0760812	4	Bolt M8 x 25	
21	1001151834	1	Axle Extend/Steer Valve Assembly (See Separate Breakdown in this Section)	

# SECTION 1 - FRAME

FIGURE 1-17. VALVES INSTALLATION - FRAME (1030S WITH 4WD/2WS) (SN B300001677 to Present)



ART\_1001223932\_10F3



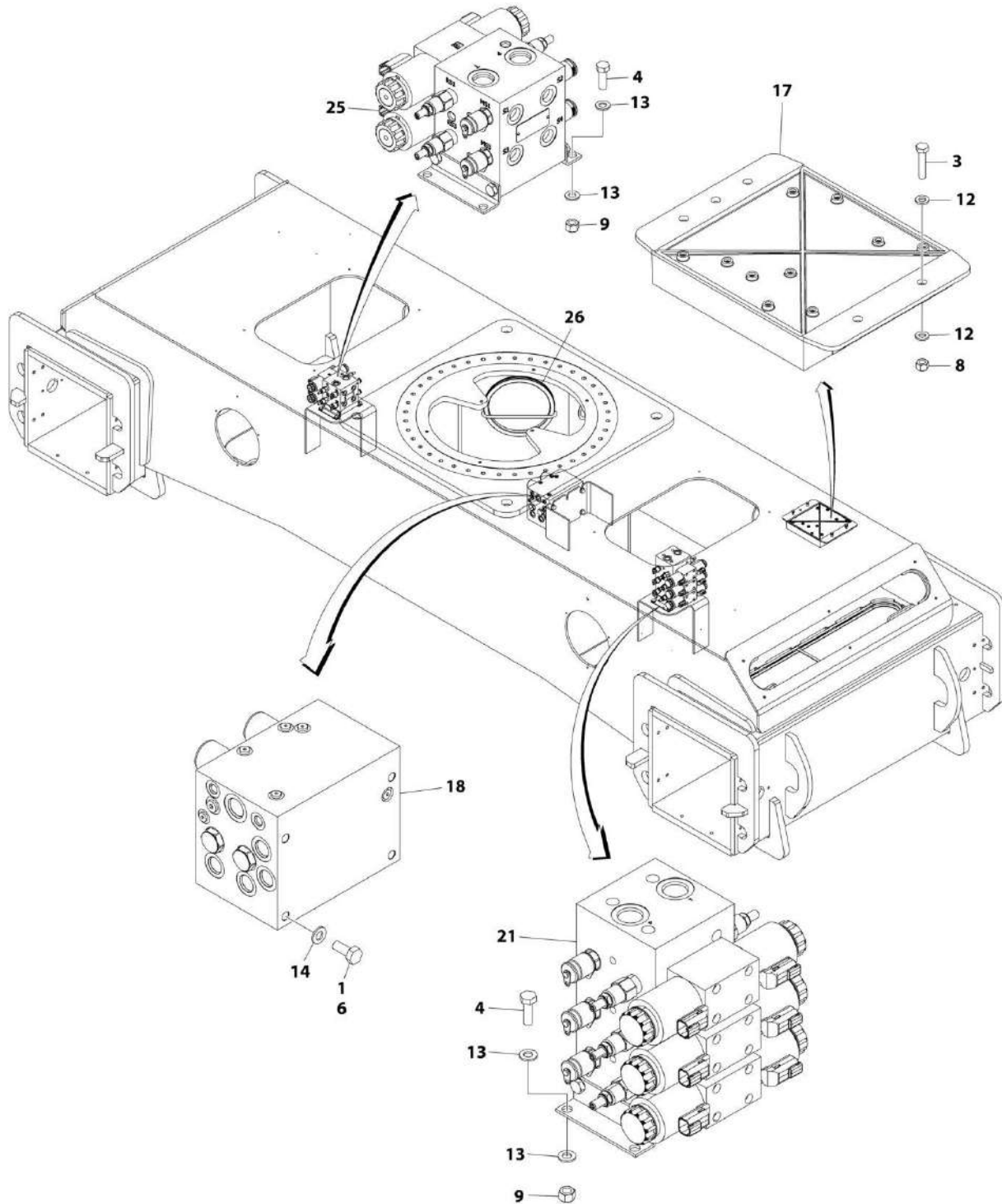
## SECTION 1 - FRAME

**FIGURE 1-17. VALVES INSTALLATION - FRAME (1030S WITH 4WD/2WS) (SN B300001677 to Present)**

ITEM	PART NUMBER	QTY	DESCRIPTION	REV
	1001223932	Ref	VALVES INSTALLATION - FRAME (1030S WITH 4WD/2WS) (SN <b>B300001677 to Present</b> )	A
1	0100011	AR	Compound, Locking	
3	0760614	4	Bolt M6 x 30	
4	0760812	4	Bolt M8 x 25	
6	0761012	4	Bolt M10 x 25	
8	3290605	4	Nut M6	
9	3290805	4	Nut M8	
12	4811700	8	Washer M6	
13	4811900	8	Washer M8	
14	4812000	4	Washer M10	
17	1001112758	1	Module, Control - Frame (Note: Re-calibration Required when Replaced)	
18	1001151409	1	Traction Valve Assembly - 4WD (See Separate Breakdown in this Section)	
21	1001151834	1	Axle Extend/Steer Valve Assembly (See Separate Breakdown in this Section)	
25	4060808	AR	Flex-Trim	

# SECTION 1 - FRAME

## FIGURE 1-18. VALVES INSTALLATION - FRAME (1030S WITH 4WD/4WS)



ART\_1001223891\_10F3

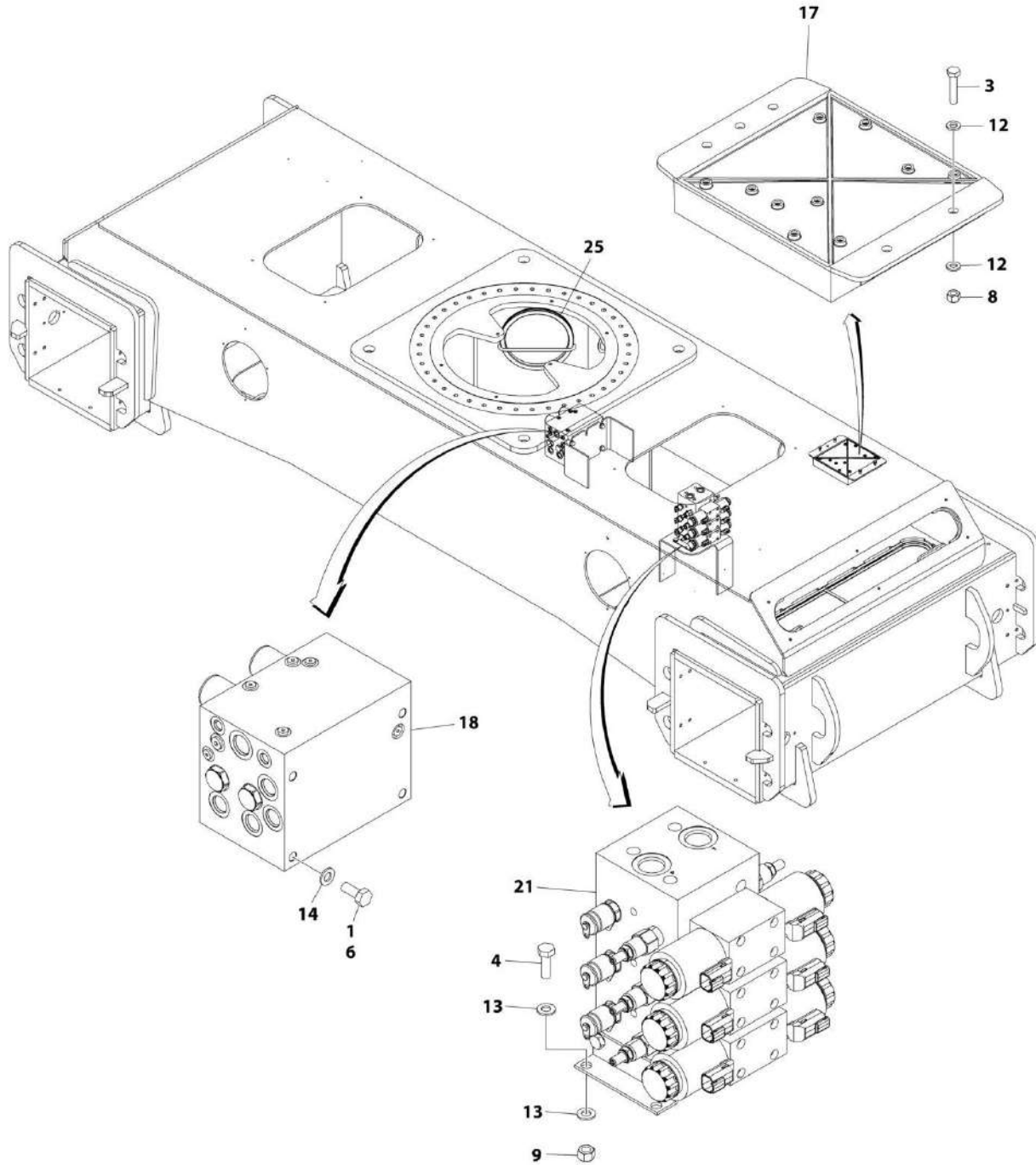
## SECTION 1 - FRAME

**FIGURE 1-18. VALVES INSTALLATION - FRAME (1030S WITH 4WD/4WS)**

ITEM	PART NUMBER	QTY	DESCRIPTION	REV
	1001223891	Ref	VALVES INSTALLATION - FRAME (1030S WITH 4WD/4WS)	A
1	0100011	AR	Compound, Locking	
3	0760614	4	Bolt M6 x 30	
4	0760812	8	Bolt M8 x 25	
6	0761012	4	Bolt M10 x 25	
8	3290605	4	Nut M6	
9	3290805	8	Nut M8	
12	4811700	8	Washer M6	
13	4811900	16	Washer M8	
14	4812000	4	Washer M10	
17	1001112758	1	Module, Control - Frame (Note: Re-calibration Required when Replaced)	
18	1001151409	1	Traction Valve Assembly - 4WD (See Separate Breakdown in this Section)	
21	1001151834	1	Axle Extend/Steer Valve Assembly (See Separate Breakdown in this Section)	
25	1001222524	1	Steer Valve Assembly (See Separate Breakdown in this Section)	
26	4060808	AR	Flex-Trim	

# SECTION 1 - FRAME

FIGURE 1-19. VALVES INSTALLATION - FRAME (1100SJ WITH 4WD/2WS) (SN B300001677 to Present)



ART\_1001223931\_10F3

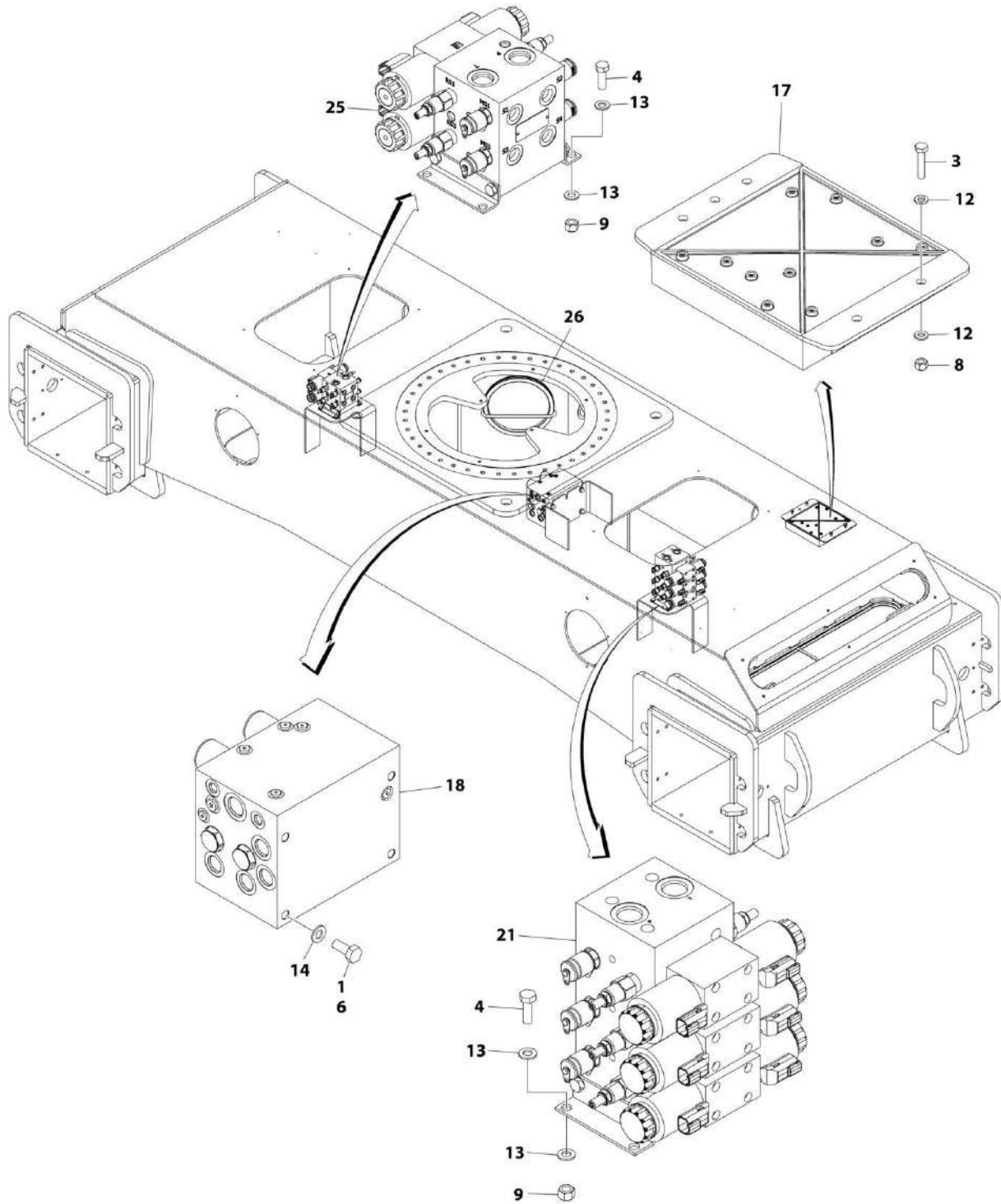
## SECTION 1 - FRAME

**FIGURE 1-19. VALVES INSTALLATION - FRAME (1100SJ WITH 4WD/2WS) (SN B300001677 to Present)**

ITEM	PART NUMBER	QTY	DESCRIPTION	REV
	1001223931	Ref	VALVES INSTALLATION - FRAME (1100SJ WITH 4WD/2WS) (SN <b>B300001677 to Present</b> )	B
1	0100011	AR	Compound, Locking	
3	0760614	4	Bolt M6 x 30	
4	0760812	4	Bolt M8 x 25	
6	0761012	4	Bolt M10 x 25	
8	3290605	4	Nut M6	
9	3290805	4	Nut M8	
12	4811700	8	Washer M6	
13	4811900	8	Washer M8	
14	4812000	4	Washer M10	
17	1001112758	1	Module, Control - Frame (Note: Re-calibration Required when Replaced)	
18	1001151409	1	Traction Valve Assembly - 4WD (See Separate Breakdown in this Section)	
21	1001151834	1	Axle Extend/Steer Valve Assembly (See Separate Breakdown in this Section)	
25	4060808	AR	Flex-Trim	

# SECTION 1 - FRAME

FIGURE 1-20. VALVES INSTALLATION - FRAME (1100SJ WITH 4WD/4WS)



ART\_1001223890\_10F3

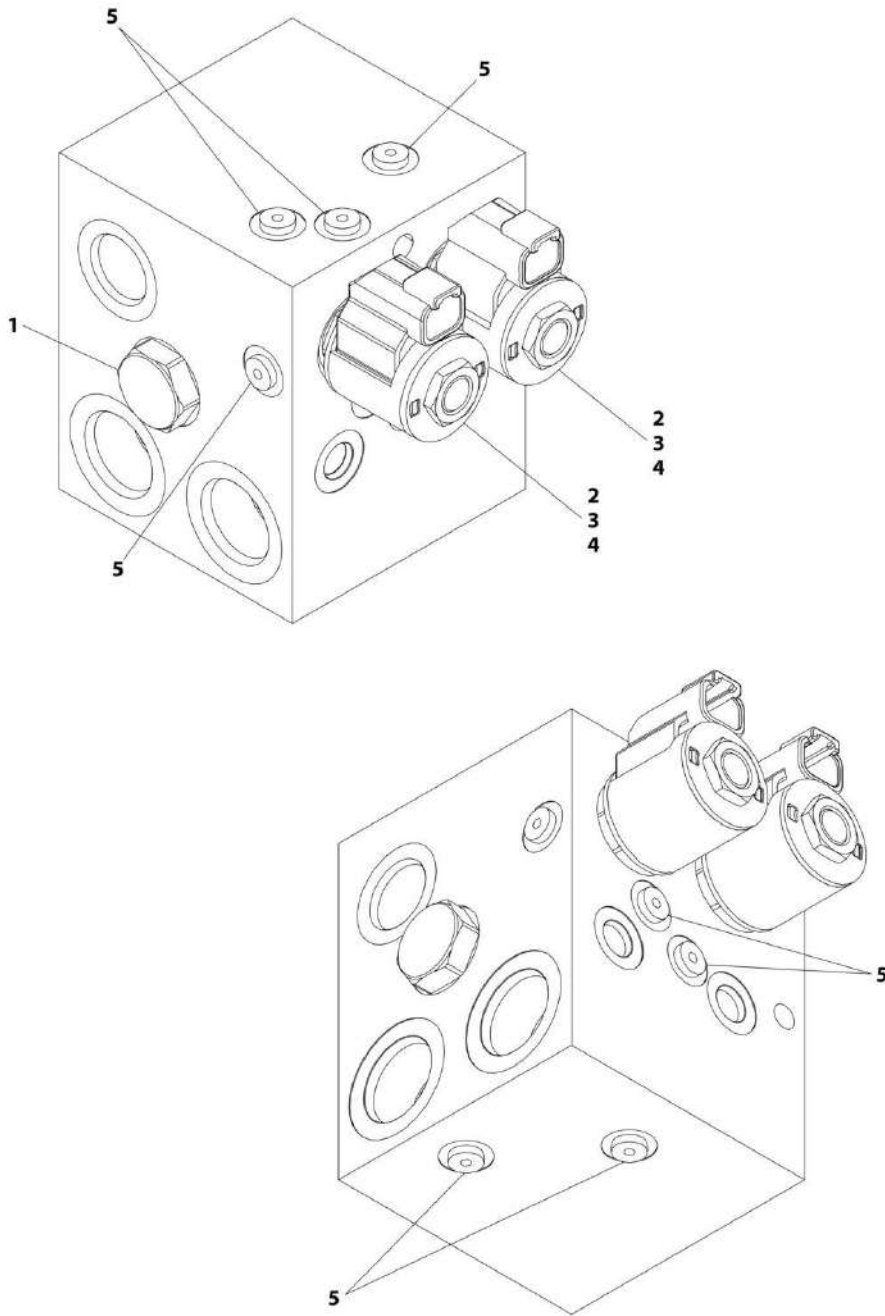
## SECTION 1 - FRAME

**FIGURE 1-20. VALVES INSTALLATION - FRAME (1100SJ WITH 4WD/4WS)**

ITEM	PART NUMBER	QTY	DESCRIPTION	REV
	1001223890	Ref	VALVES INSTALLATION - FRAME (1100SJ WITH 4WD/4WS)	B
1	0100011	AR	Compound, Locking	
3	0760614	4	Bolt M6 x 30	
4	0760812	8	Bolt M8 x 25	
6	0761012	4	Bolt M10 x 25	
8	3290605	4	Nut M6	
9	3290805	8	Nut M8	
12	4811700	8	Washer M6	
13	4811900	16	Washer M8	
14	4812000	4	Washer M10	
17	1001112758	1	Module, Control - Frame (Note: Re-calibration Required when Replaced)	
18	1001151409	1	Traction Valve Assembly - 4WD (See Separate Breakdown in this Section)	
21	1001151834	1	Axle Extend/Steer Valve Assembly (See Separate Breakdown in this Section)	
25	1001222524	1	Steer Valve Assembly (See Separate Breakdown in this Section)	
26	4060808	AR	Flex-Trim	

# SECTION 1 - FRAME

## FIGURE 1-21. TRACTION VALVE ASSEMBLY - 2WD



ART\_1001194532



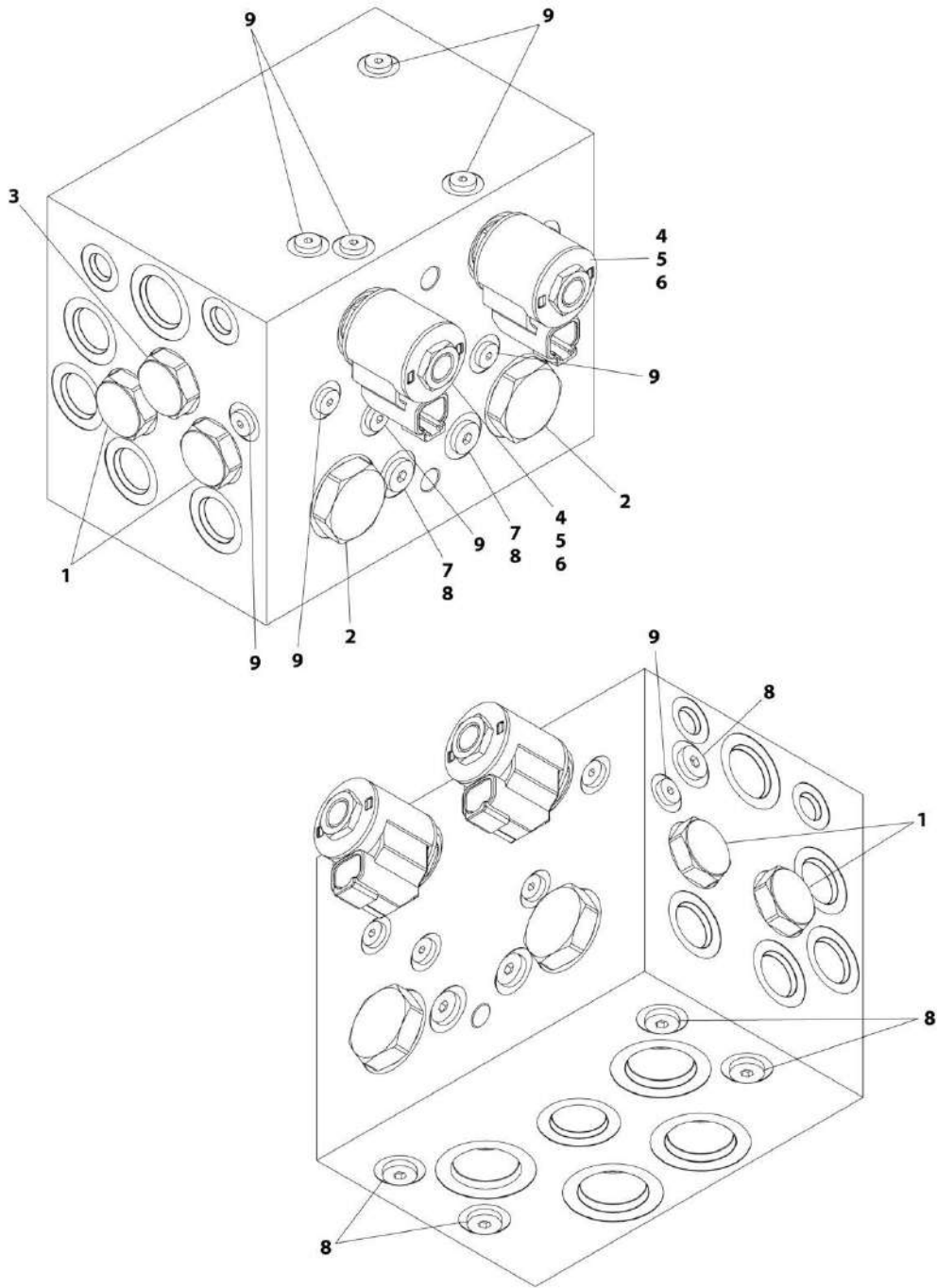
# SECTION 1 - FRAME

## FIGURE 1-21. TRACTION VALVE ASSEMBLY - 2WD

ITEM	PART NUMBER	QTY	DESCRIPTION	REV
	1001194532	Ref	TRACTION VALVE ASSEMBLY - 2WD	C
1	70000804	1	Cartridge, Shuttle Valve	
1	70000805	1	Seal Kit - 70000804 Valve	
2	70005775	2	Cartridge, Solenoid Less Coil	
2	70005776	2	Seal Kit - 70005775 Valve	
3	7022390	2	Nut, Coil	
4	70002386	2	Coil	
5	2220881	8	Plug	

# SECTION 1 - FRAME

## FIGURE 1-22. TRACTION VALVE ASSEMBLY - 4WD



ART\_1001151409

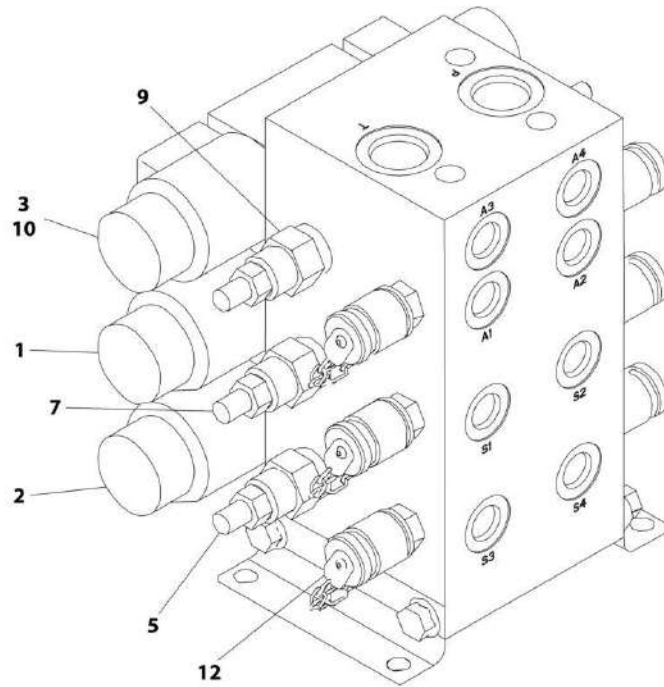
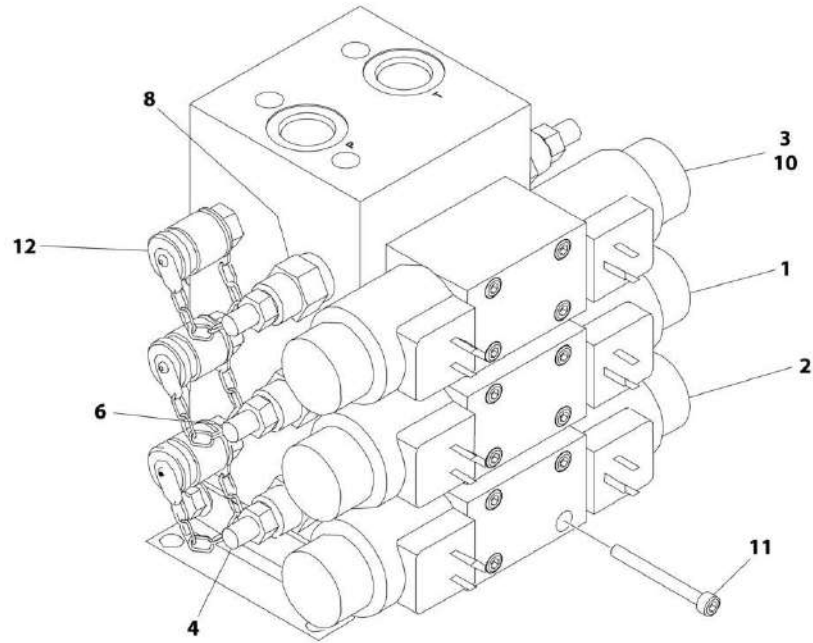
## SECTION 1 - FRAME

**FIGURE 1-22. TRACTION VALVE ASSEMBLY - 4WD**

ITEM	PART NUMBER	QTY	DESCRIPTION	REV
	1001151409	Ref	TRACTION VALVE ASSEMBLY - 4WD	B
1	70005774	4	Cartridge, Check Valve	
1	7024808	4	Seal Kit - 70005774 Valve	
2	70002958	2	Cartridge, Flow Divider Valve	
2	70002959	2	Seal Kit - 70002958 Valve	
3	70000804	1	Cartridge, Shuttle Valve	
3	70000805	1	Seal Kit - 70000804 Valve	
4	70005775	2	Cartridge, Solenoid Less Coil	
4	70005776	2	Seal Kit - 70005775 Valve	
5	7022390	2	Nut, Coil	
6	70002386	2	Coil	
7	7017493	2	Orifice	
8	2220883	7	Plug	
9	2220881	11	Plug	

# SECTION 1 - FRAME

## FIGURE 1-23. AXLE EXTEND/STEER ASSEMBLY



ART\_1001151834

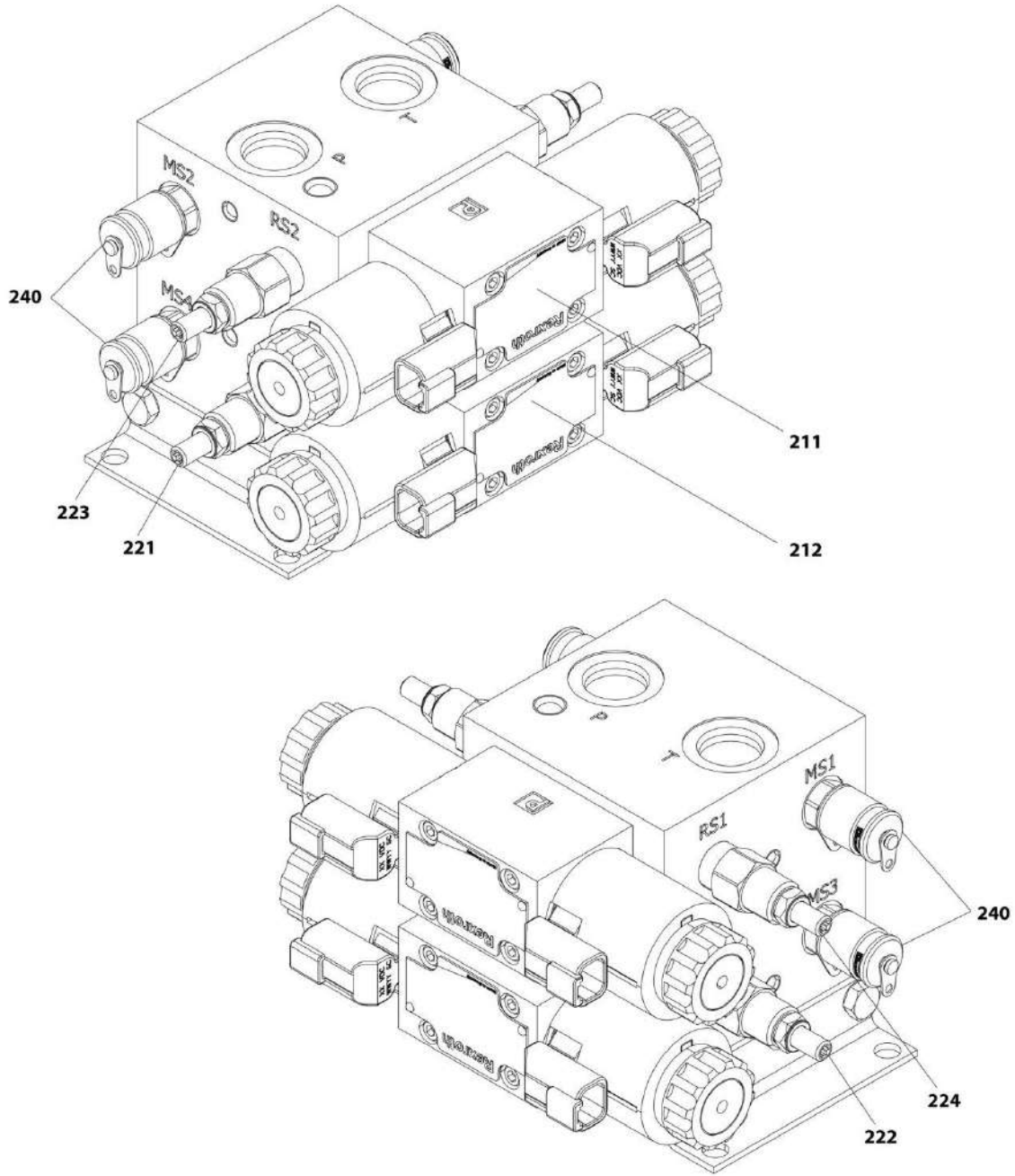
# SECTION 1 - FRAME

## FIGURE 1-23. AXLE EXTEND/STEER ASSEMBLY

ITEM	PART NUMBER	QTY	DESCRIPTION	REV
	1001151834	Ref	AXLE EXTEND/STEER ASSEMBLY	E
1	70006086	1	Valve (Steer) <b>(SN B300001586 through B300002951)</b>	
1	7012773	1	Seal Kit - 70006086 Valve	
1	70004463	2	Coil	
1	70004461	2	O-Ring, Pole Tube	
1	7021375	2	Nut, Coil	
1	70006929	1	Valve (Steer) <b>(SN B300002952 to Present)</b>	
1	See Note	NSS	Seal Kit - 70006929 Valve (Note: Not Available for Purchase)	
1	70006950	2	Coil	
1	70004461	2	O-Ring, Pole Tube	
1	7021375	2	Nut, Coil	
2	70006086	1	Valve (Steer) <b>(SN B300001586 through B300002951)</b>	
2	7012773	1	Seal Kit - 70006086 Valve	
2	70004463	2	Coil	
2	70004461	2	O-Ring, Pole Tube	
2	7021375	2	Nut, Coil	
2	70006929	1	Valve (Steer) <b>(SN B300002952 to Present)</b>	
	See Note	NSS	Seal Kit - 70006929 Valve (Note: Not Available for Purchase)	
	70006950	2	Coil	
	70004461	2	O-Ring, Pole Tube	
	7021375	2	Nut, Coil	
3	70001939	1	Orifice	
4	70006087	1	Cartridge, Relief Valve	
4	7011346	1	Seal Kit - 70006087 Valve	
5	70006088	1	Cartridge, Relief Valve	
5	7011346	1	Seal Kit - 70006088 Valve	
6	70006087	1	Cartridge, Relief Valve	
6	7011346	1	Seal Kit - 70006087 Valve	
7	70006088	1	Cartridge, Relief Valve	
7	7011346	1	Seal Kit - 70006088 Valve	
8	70006089	1	Cartridge, Relief Valve	
8	7011346	1	Seal Kit - 70006089 Valve	
9	70006089	1	Cartridge, Relief Valve	
9	7011346	1	Seal Kit - 70006089 Valve	
10	70004459	1	Valve (Steer)	
10	7012773	1	Seal Kit - 70004459 Valve	
10	70004460	2	Coil	
10	70004461	2	O-Ring, Pole Tube	
10	7021375	2	Nut, Coil	
11	7018942	12	Capscrew #10 x 2	
12	2221086	6	Fitting, Pressure Test	

# SECTION 1 - FRAME

## FIGURE 1-24. STEER VALVE ASSEMBLY



ART\_1001222524

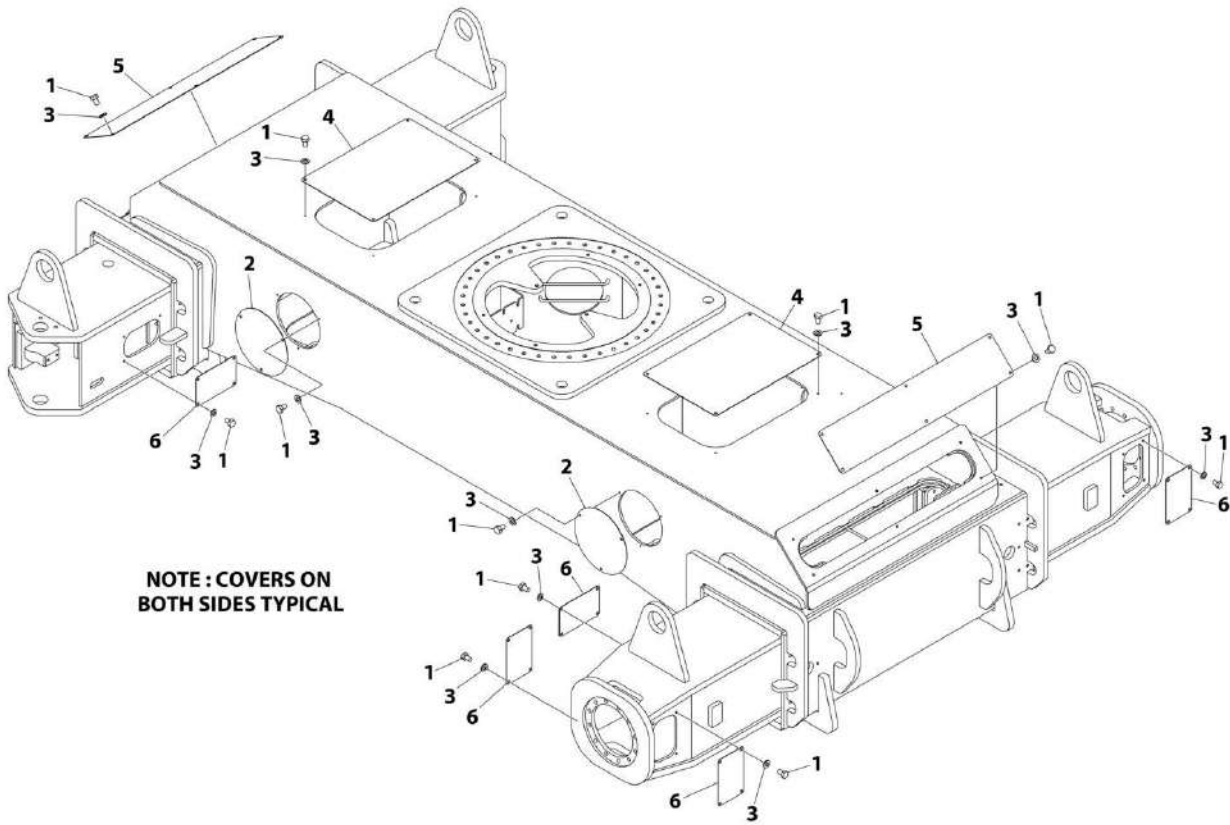
# SECTION 1 - FRAME

## FIGURE 1-24. STEER VALVE ASSEMBLY

ITEM	PART NUMBER	QTY	DESCRIPTION	REV
	1001222524	Ref	STEER VALVE ASSEMBLY	B
211	70006086	1	Valve (Steer) <b>(SN B300001586 through B300002951)</b>	
211	7012773	1	Seal Kit - 70006086 Valve	
211	70004463	2	Coil	
211	70004461	2	O-Ring, Pole Tube	
211	7021375	2	Nut, Coil	
211	70006929	1	Valve (Steer) <b>(SN B300002952 to Present)</b>	
211	See Note	NSS	Seal Kit - 70006929 Valve (Note: Not Available for Purchase)	
211	70006950	2	Coil	
211	70004461	2	O-Ring, Pole Tube	
211	7021375	1	Nut, Coil	
212	70006086	1	Valve (Steer) <b>(SN B300001586 through B300002951)</b>	
212	7012773	1	Seal Kit - 70006086 Valve	
212	70004463	2	Coil	
212	70004461	2	O-Ring, Pole Tube	
212	7021375	2	Nut, Coil	
212	70006929	1	Valve (Steer) <b>(SN B300002952 to Present)</b>	
212	See Note	NSS	Seal Kit - 70006929 Valve (Note: Not Available for Purchase)	
212	70006950	2	Coil	
212	70004461	2	O-Ring, Pole Tube	
212	7021375	2	Nut, Coil	
221	70006087	1	Cartridge, Relief Valve	
221	7011346	1	Seal Kit - 70006087 Valve	
222	70006088	1	Cartridge, Relief Valve	
222	7011346	1	Seal Kit - 70006088 Valve	
223	70006087	1	Cartridge, Relief Valve	
223	7011346	1	Seal Kit - 70006087 Valve	
224	70006088	1	Cartridge, Relief Valve	
224	7011346	1	Seal Kit - 70006088 Valve	
240	2221086	4	Fitting, Pressure Test	

# SECTION 1 - FRAME

## FIGURE 1-25. FRAME COVER INSTALLATION - STANDARD MACHINES (2WS)



ART\_1001150044



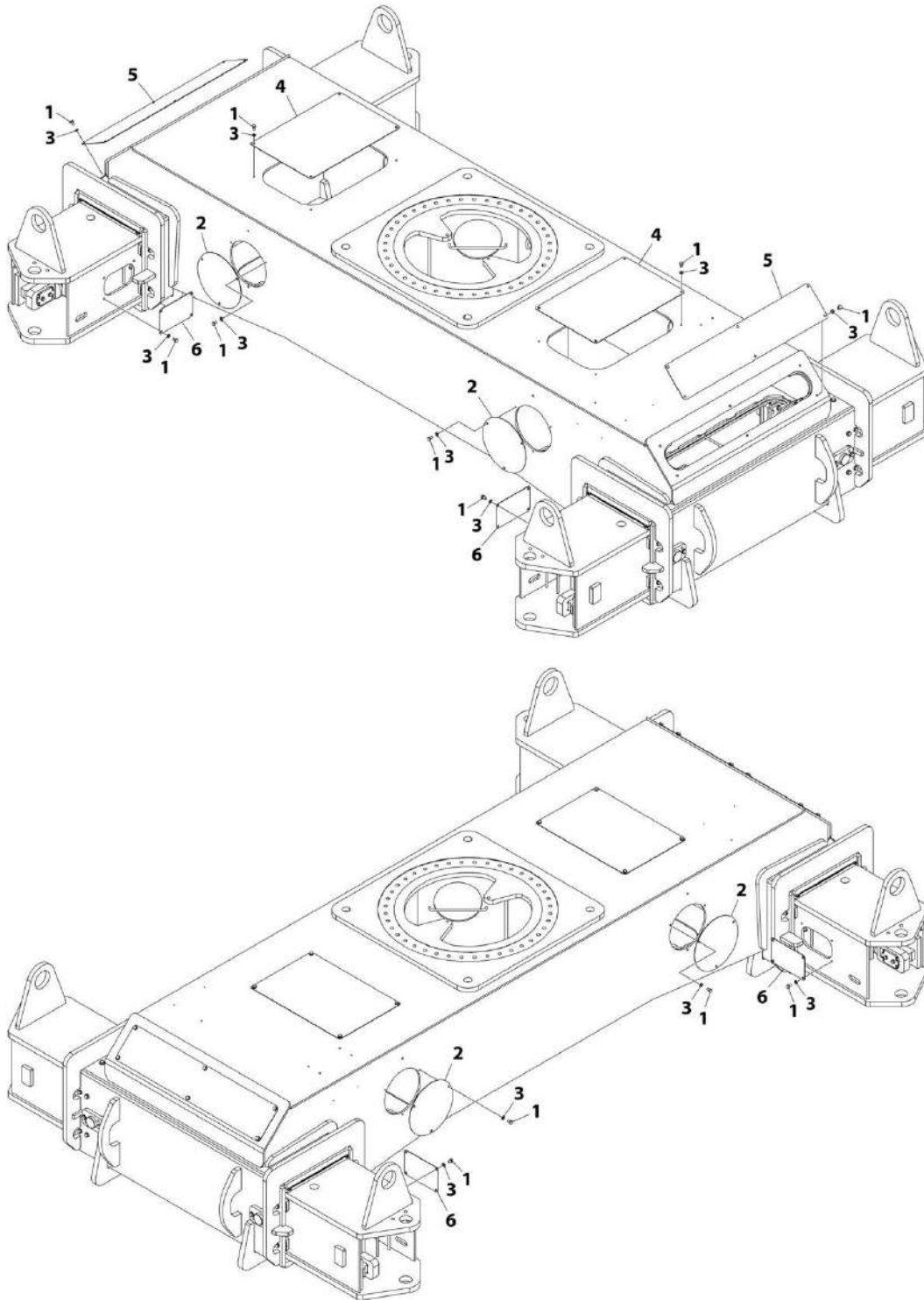
## SECTION 1 - FRAME

**FIGURE 1-25. FRAME COVER INSTALLATION - STANDARD MACHINES (2WS)**

ITEM	PART NUMBER	QTY	DESCRIPTION	REV
	1001150044	Ref	FRAME COVER INSTALLATION - STANDARD MACHINES	C
1	0761008	AR	Bolt M10 x 16	
2	1671049	4	Cover	
3	4812000	AR	Washer M10	
4	1001150577	AR	Cover	
5	1001150578	2	Cover	
6	1001150579	8	Cover	

# SECTION 1 - FRAME

FIGURE 1-26. FRAME COVER INSTALLATION - STANDARD MACHINES (4WS)



ART\_1001232783

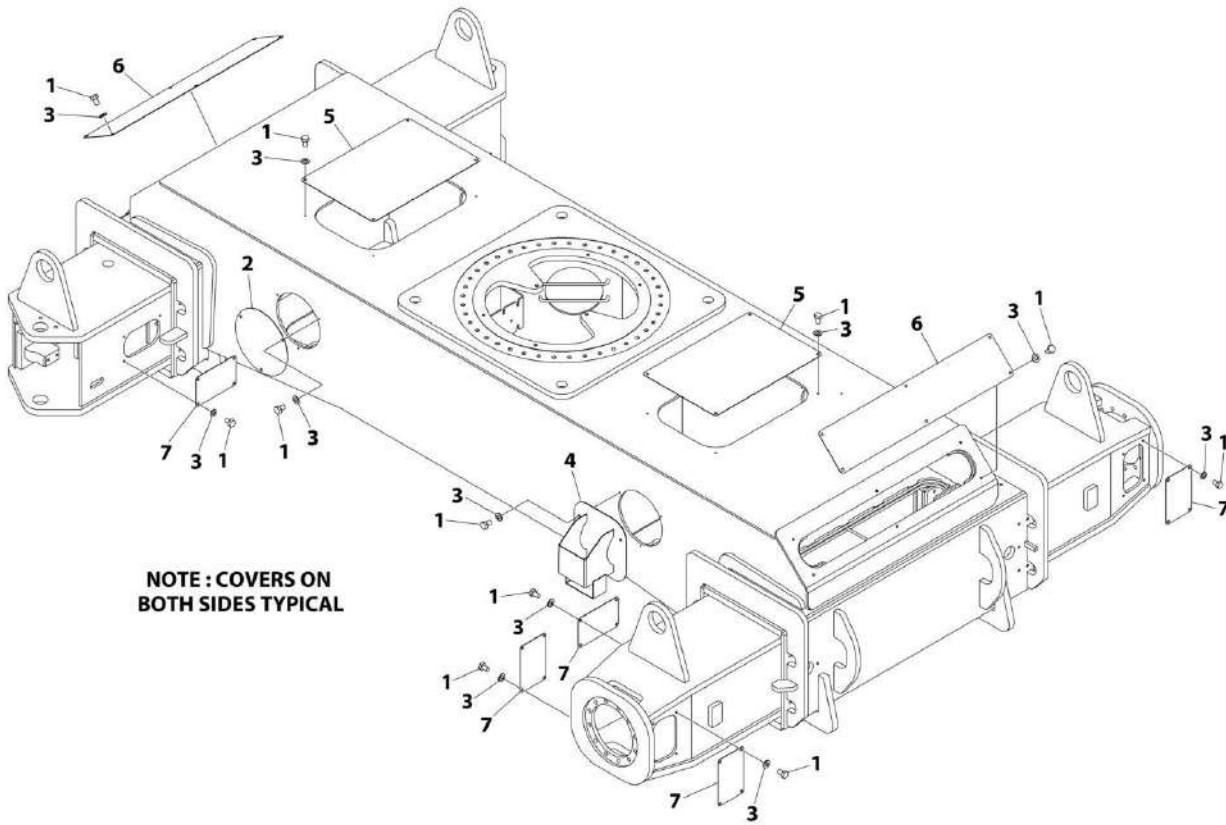
**SECTION 1 - FRAME**

**FIGURE 1-26. FRAME COVER INSTALLATION - STANDARD MACHINES (4WS)**

<b>ITEM</b>	<b>PART NUMBER</b>	<b>QTY</b>	<b>DESCRIPTION</b>	<b>REV</b>
	1001232783	Ref	FRAME COVER INSTALLATION - STANDARD MACHINES	A
1	0761008	48	Bolt M10 x 16	
2	1671049	4	Cover	
3	4812000	48	Washer M10	
4	1001150577	2	Cover	
5	1001150578	2	Cover	
6	1001150579	4	Cover	

# SECTION 1 - FRAME

## FIGURE 1-27. FRAME COVER INSTALLATION - SHIPYARD MACHINES (2WS)



ART\_1001150042

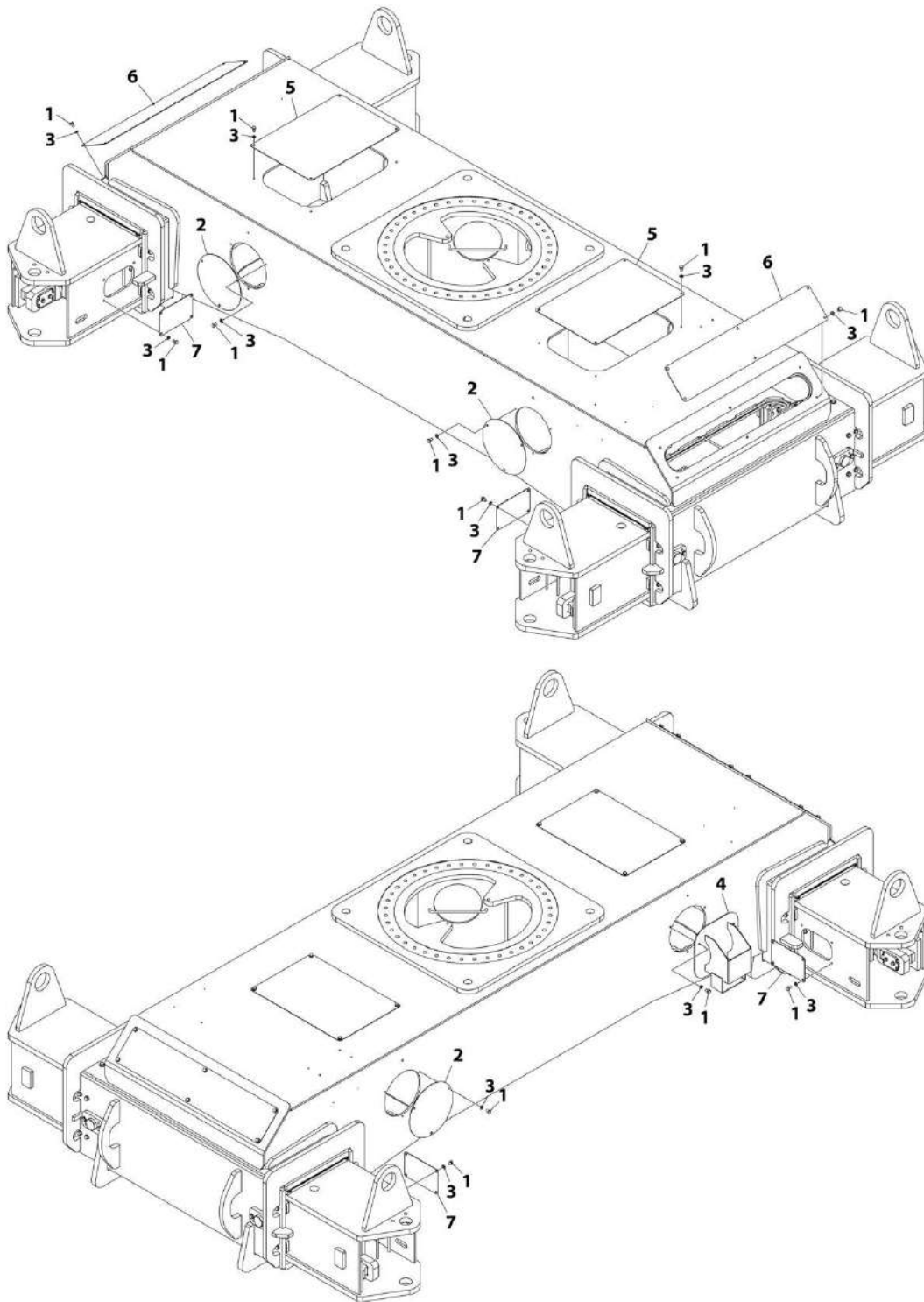
## SECTION 1 - FRAME

**FIGURE 1-27. FRAME COVER INSTALLATION - SHIPYARD MACHINES (2WS)**

ITEM	PART NUMBER	QTY	DESCRIPTION	REV
	1001150042	Ref	FRAME COVER INSTALLATION - SHIPYARD MACHINES	C
1	0761008	AR	Bolt M10 x 16	
2	1671049	3	Cover	
3	4812000	AR	Washer M10	
4	1001110877	1	Mount, Fire Extinguisher	
5	1001150577	AR	Cover	
6	1001150578	2	Cover	
7	1001150579	8	Cover	

# SECTION 1 - FRAME

FIGURE 1-28. FRAME COVER INSTALLATION - SHIPYARD MACHINES (4WS)



ART\_1001232782

## SECTION 1 - FRAME

**FIGURE 1-28. FRAME COVER INSTALLATION - SHIPYARD MACHINES (4WS)**

ITEM	PART NUMBER	QTY	DESCRIPTION	REV
	1001232782	Ref	FRAME COVER INSTALLATION - SHIPYARD MACHINES	A
1	0761008	48	Bolt M10 x 16	
2	1671049	3	Cover	
3	4812000	48	Washer M10	
4	1001110877	1	Mount, Fire Extinguisher	
5	1001150577	2	Cover	
6	1001150578	2	Cover	
7	1001150579	4	Cover	

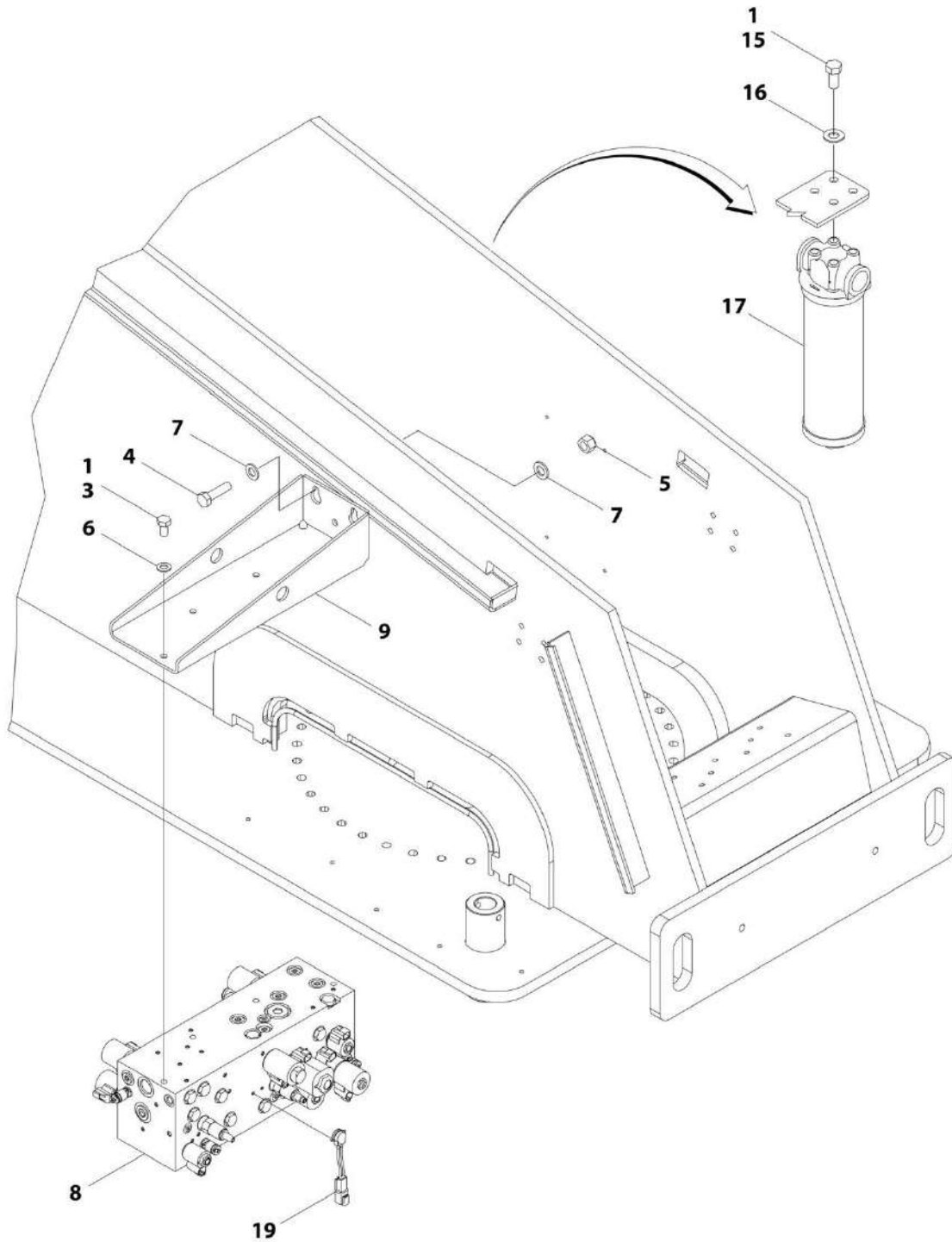




**SECTION 2 - TURNTABLE**

## SECTION 2 - TURNTABLE

FIGURE 2-1. VALVE INSTALLATION - TURNTABLE (1030S) (SN B300001586 through B300001676)



ART\_1001151550\_10F2

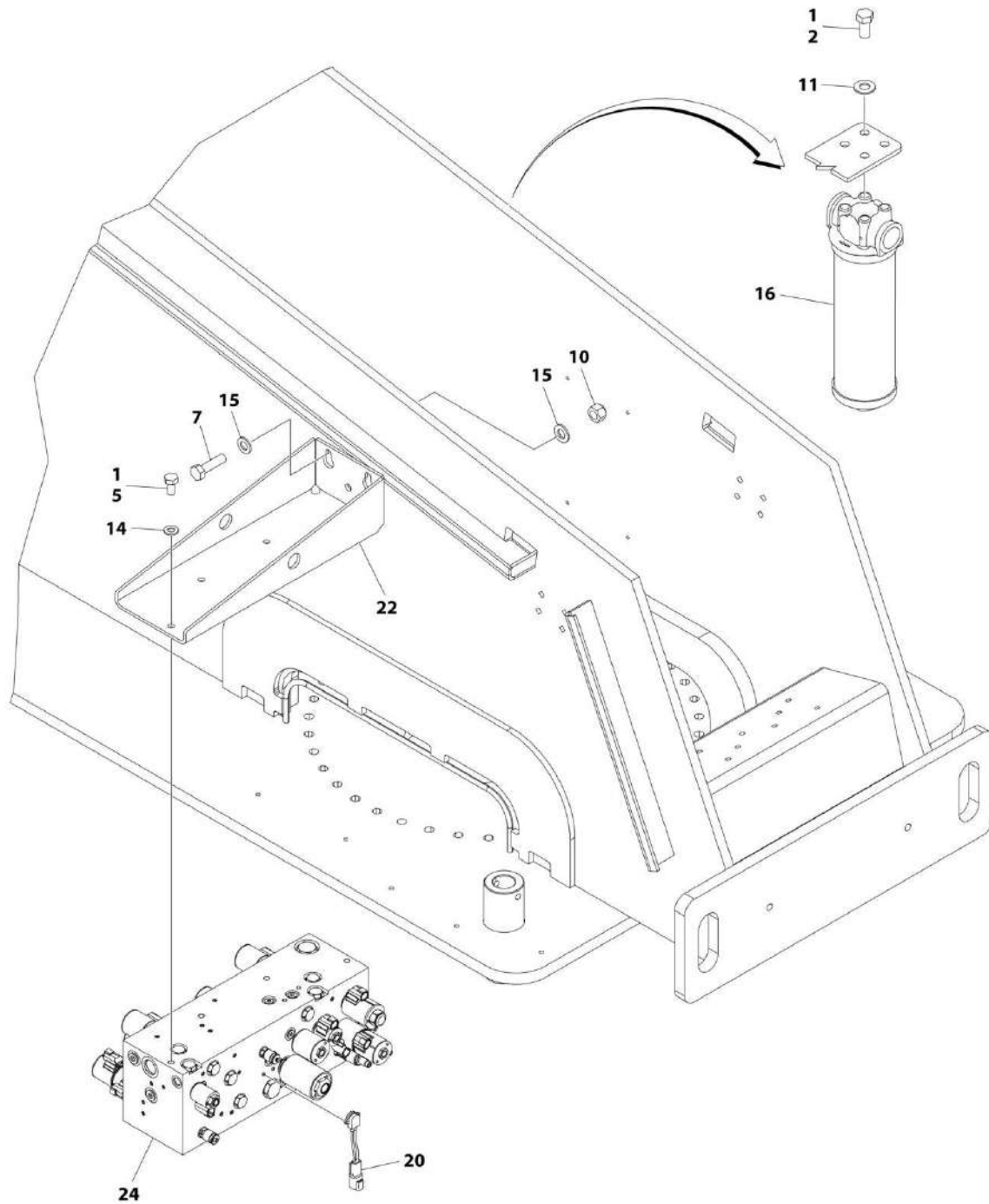
## SECTION 2 - TURNTABLE

**FIGURE 2-1. VALVE INSTALLATION - TURNTABLE (1030S) (SN B300001586 through B300001676)**

ITEM	PART NUMBER	QTY	DESCRIPTION	REV
	1001151550	Ref	VALVE INSTALLATION - TURNTABLE (1030S) (SN B300001586 through B300001676)	H
1	0100011	AR	Compound, Locking	
3	0761010	7	Bolt M10 x 20	
4	0761217	3	Bolt M12 x 45	
5	3291205	3	Nut M12	
6	4812000	7	Washer M10	
7	4812100	6	Washer M12	
8	1001151420	1	Main Valve Assembly (See Separate Breakdown in this Section)	
9	1001151840	1	Bracket	
15	0641606	4	Bolt 3/8 x 3/4	
16	4711600	4	Washer 3/8	
17	1001108617	1	Filter, Hydraulic	
17	70002231	1	Element, Filter	
19	1001151525	1	Sensor, Temperature	

# SECTION 2 - TURNTABLE

FIGURE 2-2. VALVE INSTALLATION - TURNTABLE (1030S WITH 2WD/2WS) (SN B300001677 to Present)



ART\_1001223985\_2OF3

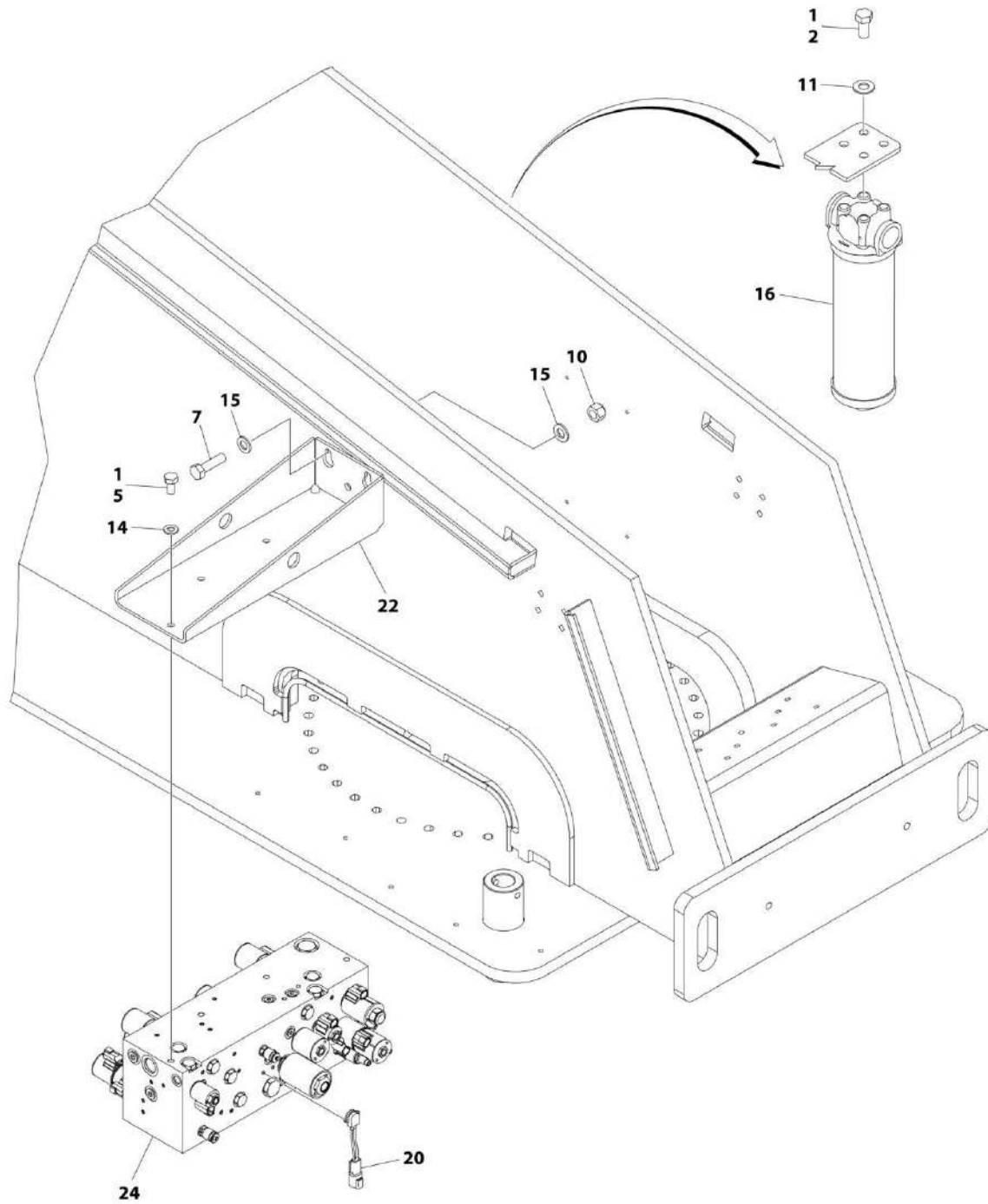
## SECTION 2 - TURNTABLE

**FIGURE 2-2. VALVE INSTALLATION - TURNTABLE (1030S WITH 2WD/2WS) (SN B300001677 to Present)**

ITEM	PART NUMBER	QTY	DESCRIPTION	REV
	1001223985	Ref	VALVE INSTALLATION - TURNTABLE (1030S WITH 2WD/2WS) <b>(SN B300001677 to Present)</b>	A
1	0100011	AR	Compound, Locking	
2	0641606	4	Bolt 3/8 x 3/4	
5	0761010	4	Bolt M10 x 20	
7	0761217	3	Bolt M12 x 45	
10	3291205	3	Nut M12	
11	4711600	4	Washer 3/8	
14	4812000	4	Washer M10	
15	4812100	6	Washer M12	
16	1001108617	1	Filter, Hydraulic	
16	70002231	1	Element, Filter	
20	1001151525	1	Sensor, Temperature	
22	1001151840	1	Bracket	
24	1001219116	1	Main Valve Assembly (See Separate Breakdown in this Section)	

# SECTION 2 - TURNTABLE

FIGURE 2-3. VALVE INSTALLATION - TURNTABLE (1030S WITH 4WD/2WS) (SN B300001677 to Present)



ART\_1001223932\_2OF3

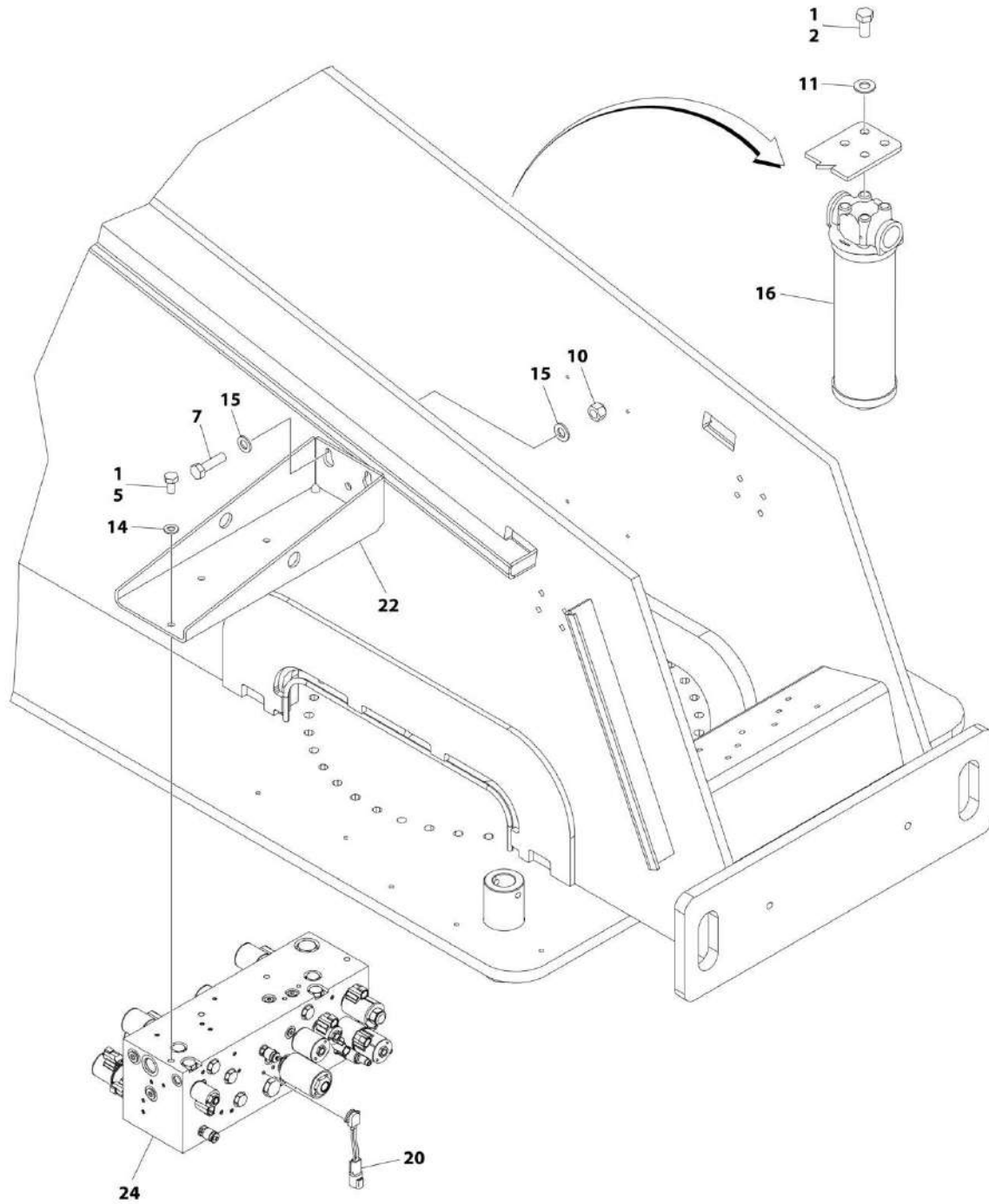
## SECTION 2 - TURNTABLE

**FIGURE 2-3. VALVE INSTALLATION - TURNTABLE (1030S WITH 4WD/2WS) (SN B300001677 to Present)**

ITEM	PART NUMBER	QTY	DESCRIPTION	REV
	1001223932	Ref	VALVE INSTALLATION - TURNTABLE (1030S WITH 4WD/2WS) <b>(SN B300001677 to Present)</b>	A
1	0100011	AR	Compound, Locking	
2	0641606	4	Bolt 3/8 x 3/4	
5	0761010	4	Bolt M10 x 20	
7	0761217	3	Bolt M12 x 45	
10	3291205	3	Nut M12	
11	4711600	4	Washer 3/8	
14	4812000	4	Washer M10	
15	4812100	6	Washer M12	
16	1001108617	1	Filter, Hydraulic	
16	70002231	1	Element, Filter	
20	1001151525	1	Sensor, Temperature	
22	1001151840	1	Bracket	
24	1001219116	1	Main Valve Assembly (See Separate Breakdown in this Section)	

# SECTION 2 - TURNTABLE

## FIGURE 2-4. VALVE INSTALLATION - TURNTABLE (1030S WITH 4WD/4WS)



ART\_1001223891\_20F3



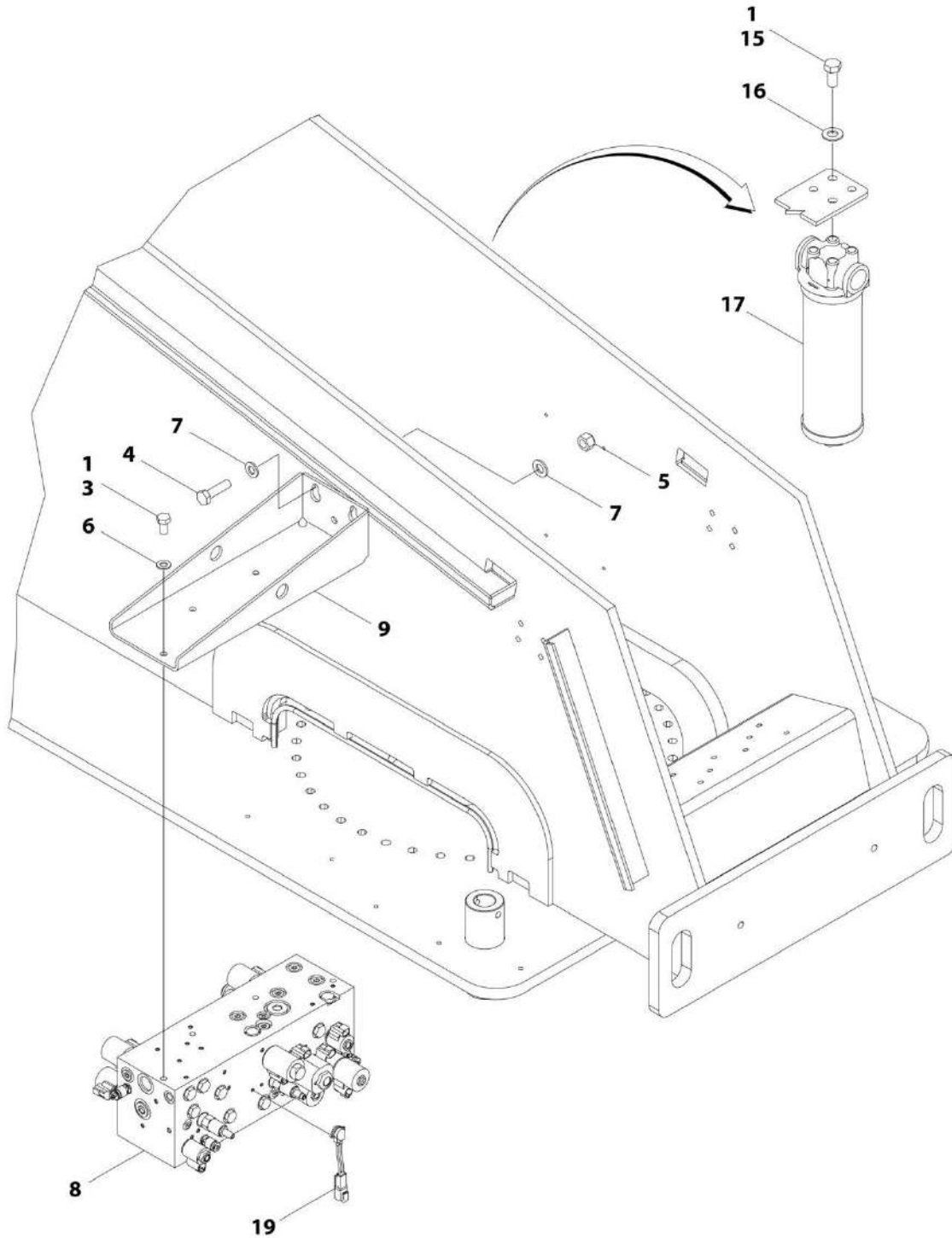
## SECTION 2 - TURNTABLE

**FIGURE 2-4. VALVE INSTALLATION - TURNTABLE (1030S WITH 4WD/4WS)**

ITEM	PART NUMBER	QTY	DESCRIPTION	REV
	1001223891	Ref	VALVE INSTALLATION - TURNTABLE (1030S WITH 4WD/4WS)	A
1	0100011	AR	Compound, Locking	
2	0641606	4	Bolt 3/8 x 3/4	
5	0761010	4	Bolt M10 x 20	
7	0761217	3	Bolt M12 x 45	
10	3291205	3	Nut M12	
11	4711600	4	Washer 3/8	
14	4812000	4	Washer M10	
15	4812100	6	Washer M12	
16	1001108617	1	Filter, Hydraulic	
16	70002231	1	Element, Filter	
20	1001151525	1	Sensor, Temperature	
22	1001151840	1	Bracket	
24	1001219116	1	Main Valve Assembly (See Separate Breakdown in this Section)	

## SECTION 2 - TURNTABLE

FIGURE 2-5. VALVE INSTALLATION - TURNTABLE (1100SJ) (SN B300001586 through B300001676)



ART\_1001151549\_10F2

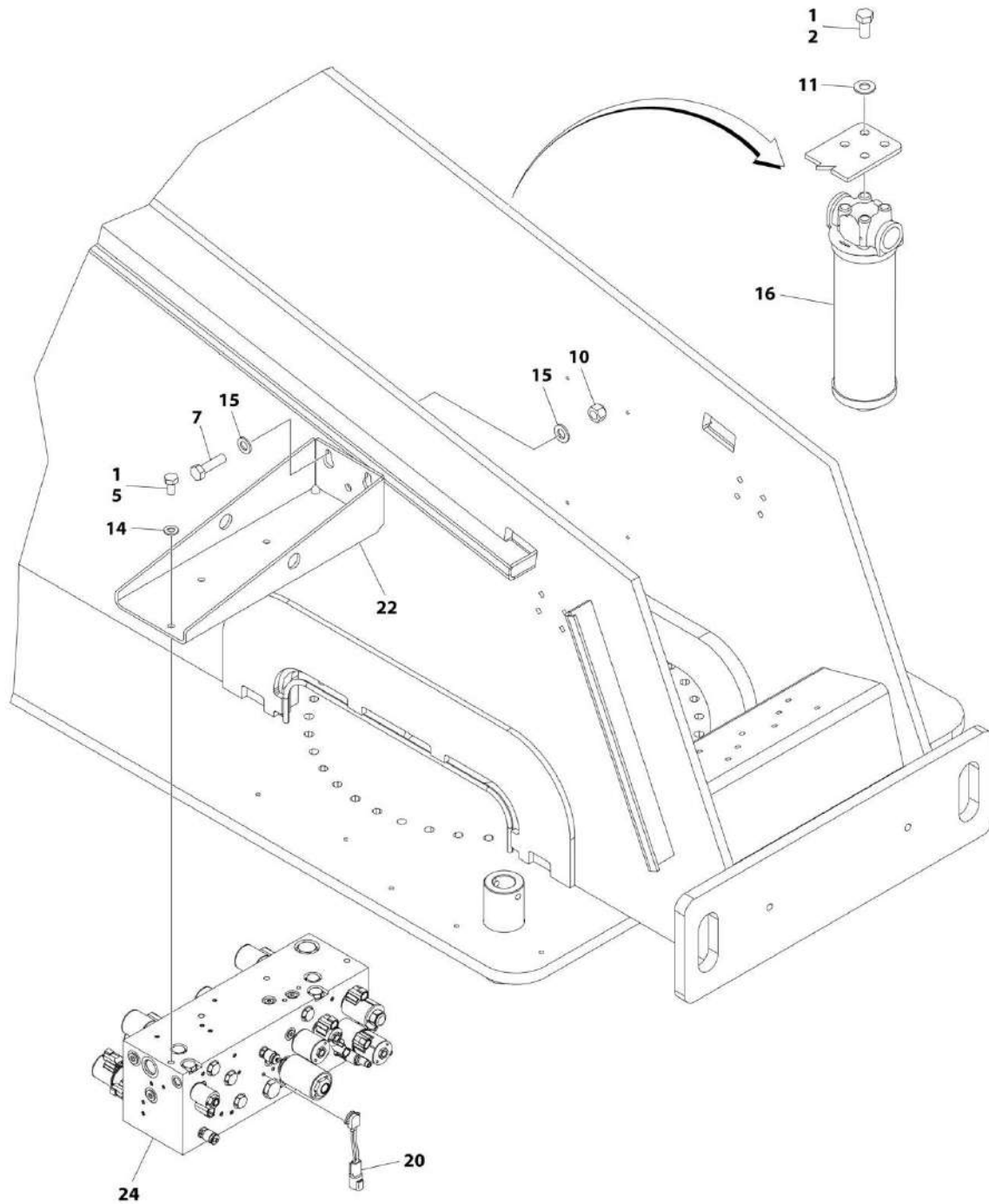
## SECTION 2 - TURNTABLE

**FIGURE 2-5. VALVE INSTALLATION - TURNTABLE (1100SJ) (SN B300001586 through B300001676)**

ITEM	PART NUMBER	QTY	DESCRIPTION	REV
	1001151549	Ref	VALVE INSTALLATION - TURNTABLE (1100SJ) (SN B300001586 through B300001676)	H
1	0100011	AR	Compound, Locking	
3	0761010	7	Bolt M10 x 20	
4	0761217	3	Bolt M12 x 45	
5	3291205	3	Nut M12	
6	4812000	7	Washer M10	
7	4812100	6	Washer M12	
8	1001151420	1	Main Valve Assembly (See Separate Breakdown in this Section)	
9	1001151840	1	Bracket	
15	0641606	4	Bolt 3/8 x 3/4	
16	4711600	4	Washer 3/8	
17	1001108617	1	Filter, Hydraulic	
17	70002231	1	Element, Filter	
19	1001151525	1	Sensor, Temperature	

## SECTION 2 - TURNTABLE

FIGURE 2-6. VALVE INSTALLATION - TURNTABLE (1100SJ WITH 2WD/2WS) (SN B300001677 to Present)



ART\_1001223984\_2OF3

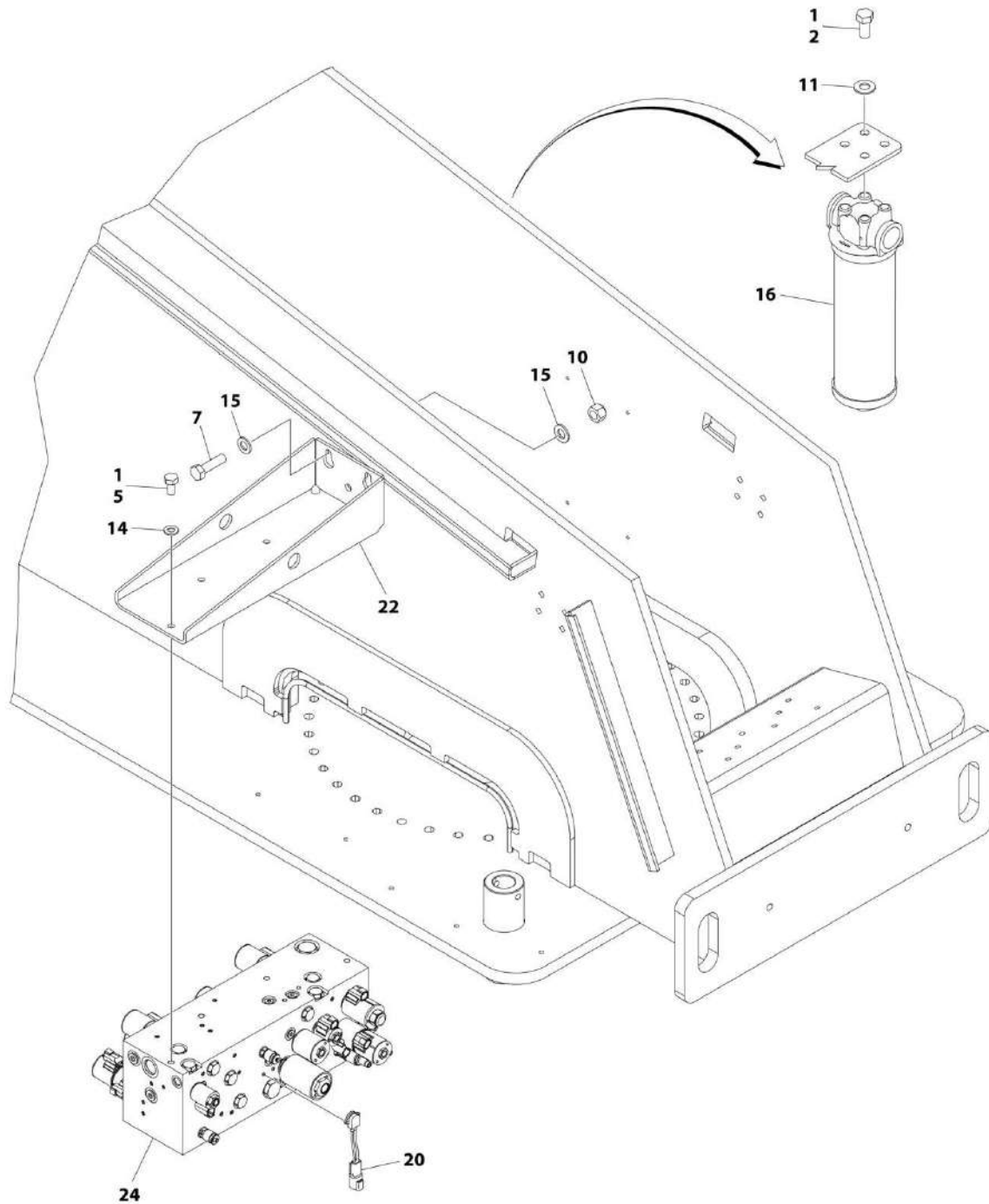
## SECTION 2 - TURNTABLE

**FIGURE 2-6. VALVE INSTALLATION - TURNTABLE (1100SJ WITH 2WD/2WS) (SN B300001677 to Present)**

ITEM	PART NUMBER	QTY	DESCRIPTION	REV
	1001223984	Ref	VALVE INSTALLATION - TURNTABLE (1100SJ WITH 2WD/2WD) <b>(SN B300001677 to Present)</b>	B
1	0100011	AR	Compound, Locking	
2	0641606	4	Bolt 3/8 x 3/4	
5	0761010	4	Bolt M10 x 20	
7	0761217	3	Bolt M12 x 45	
10	3291205	3	Nut M12	
11	4711600	4	Washer 3/8	
14	4812000	4	Washer M10	
15	4812100	6	Washer M12	
16	1001108617	1	Filter, Hydraulic	
16	70002231	1	Element, Filter	
20	1001151525	1	Sensor, Temperature	
22	1001151840	1	Bracket	
24	1001219116	1	Main Valve Assembly (See Separate Breakdown in this Section)	

## SECTION 2 - TURNTABLE

FIGURE 2-7. VALVE INSTALLATION - TURNTABLE (1100SJ WITH 4WD/2WS) (SN B300001677 to Present)



ART\_1001223931\_2OF3

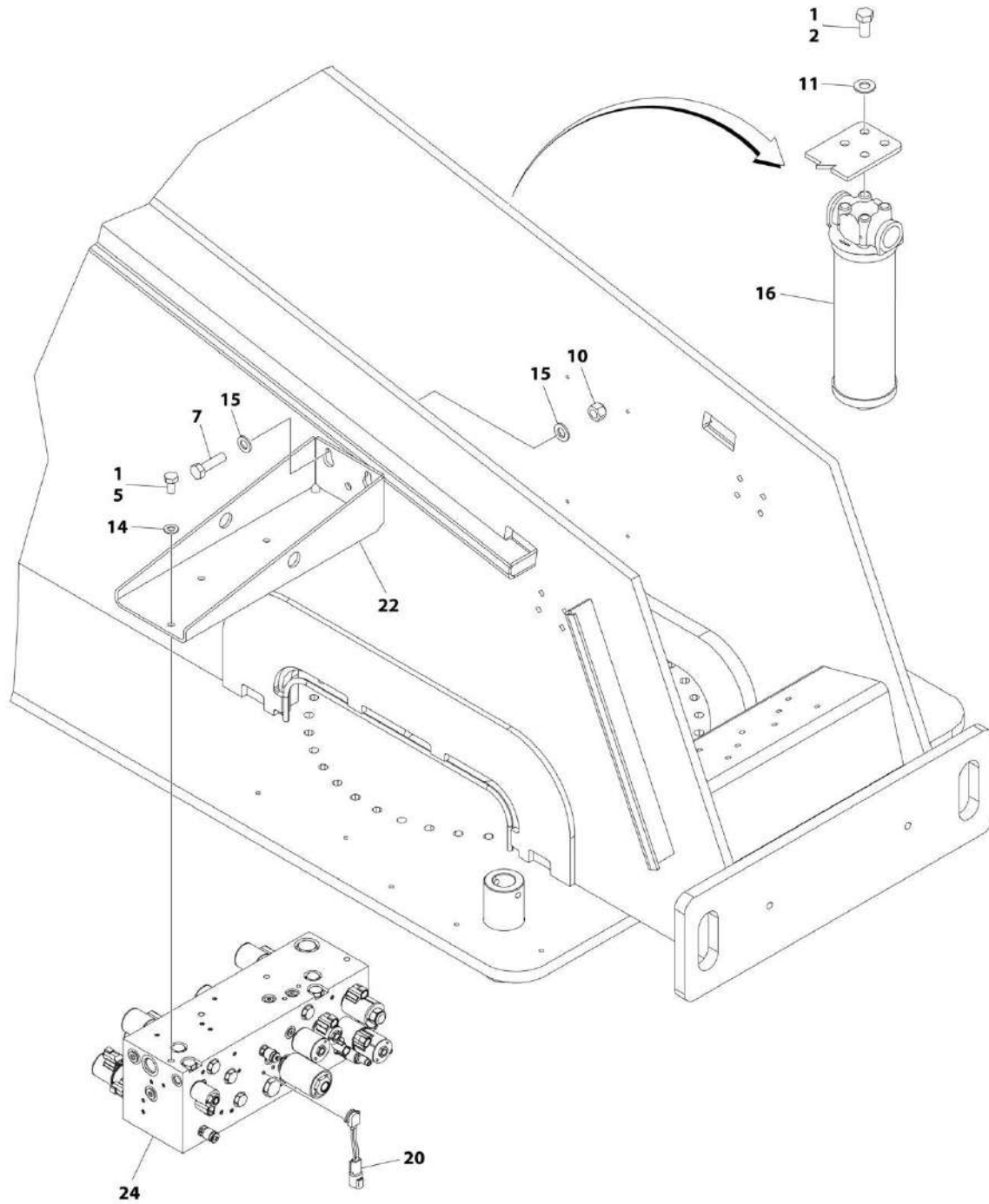
## SECTION 2 - TURNTABLE

**FIGURE 2-7. VALVE INSTALLATION - TURNTABLE (1100SJ WITH 4WD/2WS) (SN B300001677 to Present)**

ITEM	PART NUMBER	QTY	DESCRIPTION	REV
	1001223931	Ref	VALVE INSTALLATION - TURNTABLE (1100SJ WITH 4WD/2WS) <b>(SN B300001677 to Present)</b>	B
1	0100011	AR	Compound, Locking	
2	0641606	4	Bolt 3/8 x 3/4	
5	0761010	4	Bolt M10 x 20	
7	0761217	3	Bolt M12 x 45	
10	3291205	3	Nut M12	
11	4711600	4	Washer 3/8	
14	4812000	4	Washer M10	
15	4812100	6	Washer M12	
16	1001108617	1	Filter, Hydraulic	
16	70002231	1	Element, Filter	
20	1001151525	1	Sensor, Temperature	
22	1001151840	1	Bracket	
24	1001219116	1	Main Valve Assembly (See Separate Breakdown in this Section)	

# SECTION 2 - TURNTABLE

FIGURE 2-8. VALVE INSTALLATION - TURNTABLE (1100SJ WITH 4WD/4WS)



ART\_1001223890\_20F3



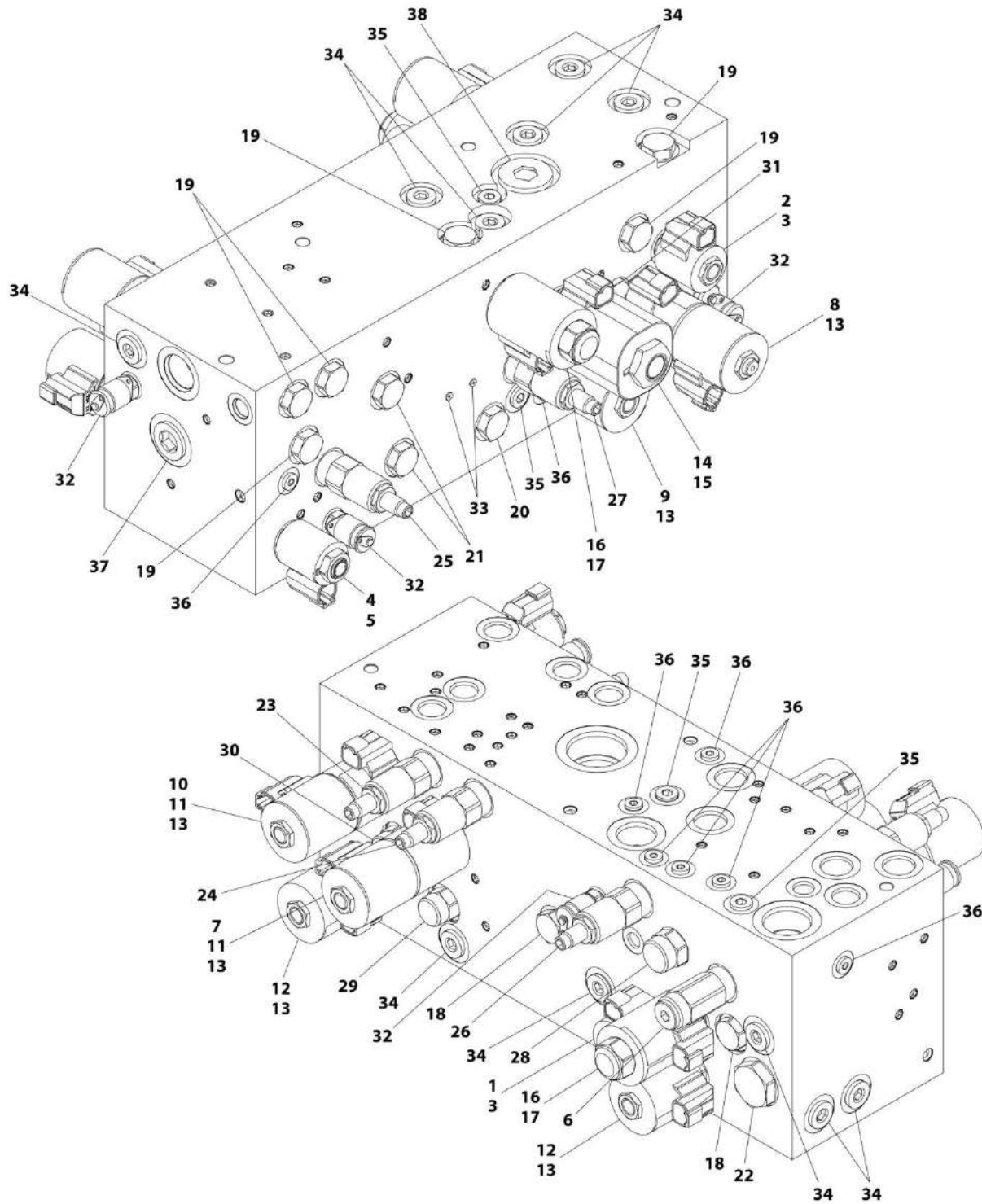
# SECTION 2 - TURNTABLE

**FIGURE 2-8. VALVE INSTALLATION - TURNTABLE (1100SJ WITH 4WD/4WS)**

ITEM	PART NUMBER	QTY	DESCRIPTION	REV
	1001223890	Ref	VALVE INSTALLATION - TURNTABLE (1100SJ WITH 4WD/4WS)	B
1	0100011	AR	Compound, Locking	
2	0641606	4	Bolt 3/8 x 3/4	
5	0761010	4	Bolt M10 x 20	
7	0761217	3	Bolt M12 x 45	
10	3291205	3	Nut M12	
11	4711600	4	Washer 3/8	
14	4812000	4	Washer M10	
15	4812100	6	Washer M12	
16	1001108617	1	Filter, Hydraulic	
16	70002231	1	Element, Filter	
20	1001151525	1	Sensor, Temperature	
22	1001151840	1	Bracket	
24	1001219116	1	Main Valve Assembly (See Separate Breakdown in this Section)	

# SECTION 2 - TURNTABLE

## FIGURE 2-9. MAIN VALVE ASSEMBLY (SN B300001586 through B300001676)



ART\_1001151420

**SECTION 2 - TURNTABLE**

**FIGURE 2-9. MAIN VALVE ASSEMBLY (SN B300001586 through B300001676)**

ITEM	PART NUMBER	QTY	DESCRIPTION	REV
	1001151420	Ref	MAIN VALVE ASSEMBLY (SN B300001586 through B300001676)	D
1	7017467	1	Cartridge, Solenoid Valve Less Coil	
1	7012967	1	Seal Kit - 7017467 Valve	
1	7022390	1	Nut, Coil	
2	7017453	1	Cartridge, Solenoid Valve Less Coil	
2	7017402	1	Seal Kit - 7017453 Valve	
2	7022390	1	Nut, Coil	
3	70002386	2	Coil	
4	70002969	1	Cartridge, Proportional Valve	
4	7010543	1	Seal Kit - 70002969 Valve	
5	70002971	1	Coil	
6	70005777	1	Cartridge, Relief Valve	
6	7017496	1	Seal Kit - 70005777 Valve	
7	70005778	1	Cartridge, Solenoid Valve Less Coil	
7	70003976	1	Seal Kit - 70005778 Valve	
7	70003024	1	Spacer, Coil	
7	7022390	1	Nut, Coil	
8	70005779	1	Cartridge, Solenoid Valve Less Coil	
8	70005780	1	Seal Kit - 70005779 Valve	
8	70003024	1	Spacer, Coil	
8	7022390	1	Nut, Coil	
9	7017479	1	Cartridge, Solenoid Valve Less Coil	
9	7012518	1	Seal Kit - 7017479 Valve	
9	7022390	1	Nut, Coil	
10	70003972	1	Cartridge, Solenoid Valve Less Coil	
10	70003976	1	Seal Kit - 70003972 Valve	
10	70003024	1	Spacer, Coil	
10	7022390	1	Nut, Coil	
11	70005781	2	Disc, Check Valve	
12	7023923	2	Cartridge, Solenoid Valve Less Coil	
12	7023919	2	Seal Kit - 7023923 Valve	
12	7022390	2	Nut, Coil	
13	70003788	9	Coil	
14	70005782	1	Cartridge, Solenoid Valve Less Coil	
14	7012925	1	Seal Kit - 70005782 Valve	
14	70027278	1	Nut, Coil	
15	70027006	1	Coil	
16	7021636	2	Cartridge, Proportional Valve	
16	7017495	2	Seal Kit - 7021636 Valve	
17	70003789	2	Coil	
18	7022391	2	Cartridge, Check Valve	
18	7012967	2	Seal Kit - 7022391 Valve	
19	4641129	6	Cartridge, Check Valve	
19	7012540	6	Seal Kit - 4641129 Valve	
20	7012975	1	Cartridge, Check Valve	
20	7012540	1	Seal Kit - 7012975 Valve	
21	7012914	2	Cartridge, Check Valve	
21	7012918	2	Seal Kit - 7012914 Valve	
22	70005783	1	Cartridge, Check Valve	
22	7023919	1	Seal Kit - 70005783 Valve	

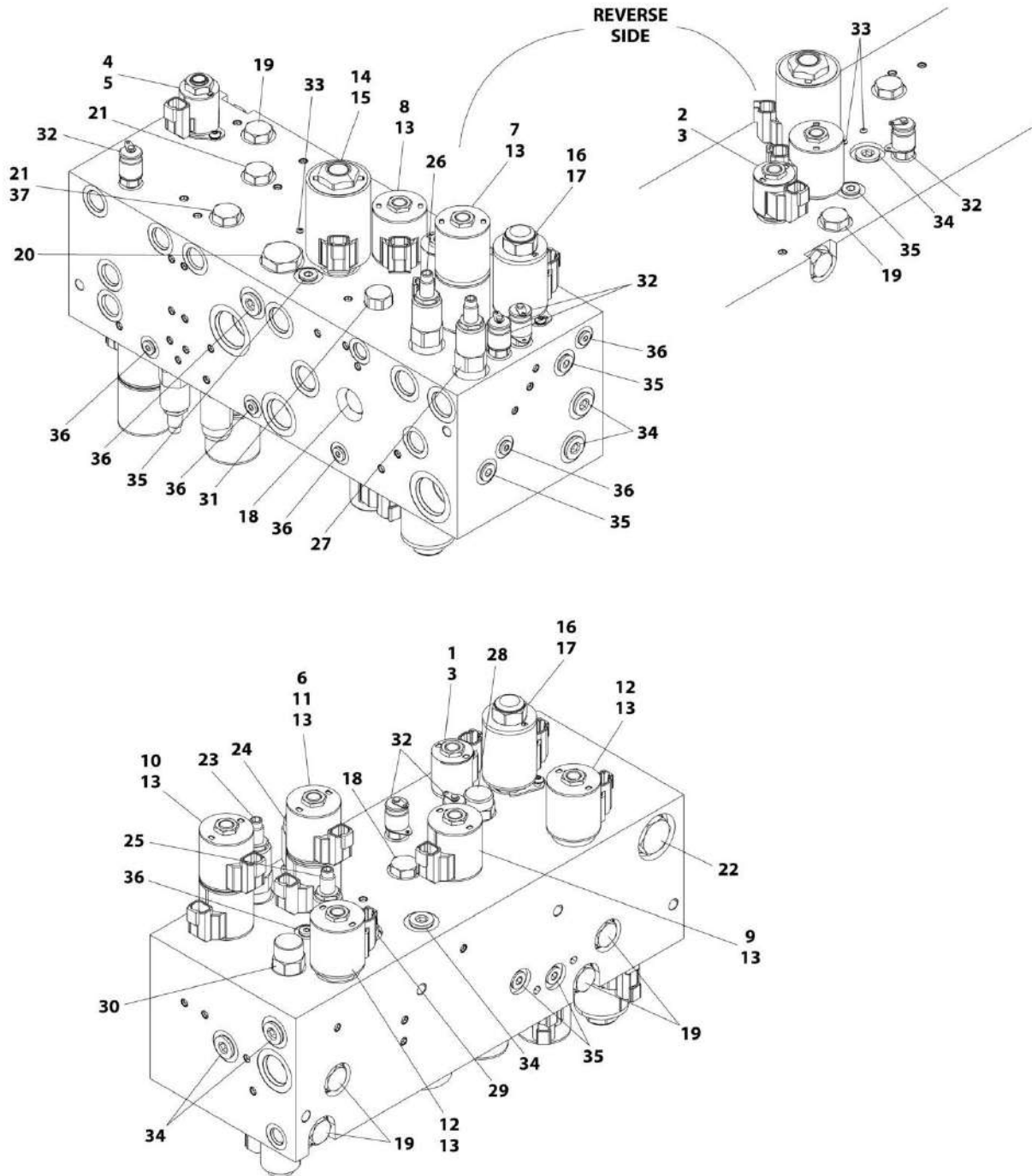
## SECTION 2 - TURNTABLE

ITEM	PART NUMBER	QTY	DESCRIPTION	REV
23	7017418	1	Cartridge, Relief Valve	
23	7012998	1	Seal Kit - 7017418 Valve	
24	7024894	1	Cartridge, Relief Valve	
24	7012998	1	Seal Kit - 7024894 Valve	
25	7017420	1	Cartridge, Relief Valve	
25	7012998	1	Seal Kit - 7017420 Valve	
26	70005784	2	Cartridge, Relief Valve	
26	7012998	2	Seal Kit - 70005784 Valve	
27	70001978	1	Cartridge, Relief Valve	
27	7017496	1	Seal Kit - 70001978 Valve	
28	4641210	1	Cartridge, Flow Regulator Valve	
28	7010545	1	Seal Kit - 4641210 Valve	
29	7012989	1	Cartridge, Flow Regulator Valve	
29	7012953	1	Seal Kit - 7012989 Valve	
30	70004152	1	Cartridge, Pressure Compensator Valve	
30	2900707	1	Seal Kit - 70004152 Valve	
31	70005786	1	Cartridge, Valve	
31	2900770	1	Seal Kit - 70005786 Valve	
32	2221086	5	Fitting, Pressure Test	
33	70005785	2	Screw M3 x 3	
34	2220886	11	Plug	
35	2220885	7	Plug	
36	2220883	8	Plug	
37	See Note	NSS	Plug (Note: Purchase Locally)	
38	See Note	NSS	Plug (Note: Purchase Locally)	



# SECTION 2 - TURNTABLE

## FIGURE 2-10. MAIN VALVE ASSEMBLY (SN B30001677 to Present)



ART\_1001219116

**SECTION 2 - TURNTABLE**

**FIGURE 2-10. MAIN VALVE ASSEMBLY (SN B300001677 to Present)**

ITEM	PART NUMBER	QTY	DESCRIPTION	REV
	1001219116	Ref	MAIN VALVE ASSEMBLY (SN B300001677 to Present)	C
1	7017467	1	Cartridge, Solenoid Valve Less Coil	
1	7012967	1	Seal Kit - 7017467 Valve	
1	7022390	1	Nut, Coil	
2	7017453	1	Cartridge, Solenoid Valve Less Coil	
2	7017402	1	Seal Kit - 7017453 Valve	
2	7022390	1	Nut, Coil	
3	70002386	2	Coil	
4	70002969	1	Cartridge, Proportional Valve	
4	7010543	1	Seal Kit - 70002969 Valve	
4	70005717	1	Lockdown Kit	
5	70002971	1	Coil	
6	70005778	1	Cartridge, Solenoid Valve Less Coil	
6	70003976	1	Seal Kit - 70005778 Valve	
6	70003024	1	Spacer, Coil	
6	7022390	1	Nut, Coil	
7	70006237	1	Cartridge, Solenoid Valve Less Coil	
7	70006238	1	Seal Kit - 70006237 Valve	
7	70003024	1	Spacer, Coil	
7	7022390	1	Nut, Coil	
8	70006239	1	Cartridge, Solenoid Valve Less Coil	
8	7012518	1	Seal Kit - 70006239 Valve	
8	7022390	1	Nut, Coil	
9	7010635	1	Cartridge, Solenoid Valve Less Coil	
9	2900708	1	Seal Kit - 7010635 Valve	
9	7022390	1	Nut, Coil	
10	70003972	1	Cartridge, Solenoid Valve Less Coil	
10	70003976	1	Seal Kit - 70003972 Valve	
10	7022390	1	Nut, Coil	
11	70005781	1	Disc, Check Valve	
12	7023923	2	Cartridge, Solenoid Valve Less Coil	
12	7023919	2	Seal Kit - 7023923 Valve	
12	7022390	2	Nut, Coil	
13	70003788	10	Coil	
14	70005782	1	Cartridge, Solenoid Valve Less Coil	
14	7012925	1	Seal Kit - 70005782 Valve	
14	70027278	1	Nut, Coil	
15	70027006	1	Coil	
16	7021636	2	Cartridge, Proportional Valve	
16	7017495	2	Seal Kit - 7021636 Valve	
16	70005725	2	Lockdown Kit	
17	70003789	2	Coil	
18	7022391	2	Cartridge, Check Valve	
18	7012967	2	Seal Kit - 7022391 Valve	
19	4641129	6	Cartridge, Check Valve	
19	7012540	6	Seal Kit - 4641129 Valve	
20	70006240	1	Cartridge, Check Valve	
20	7023919	1	Seal Kit - 70006240 Valve	
21	7012914	2	Cartridge, Check Valve	
21	7012918	2	Seal Kit - 7012914 Valve	

## SECTION 2 - TURNTABLE

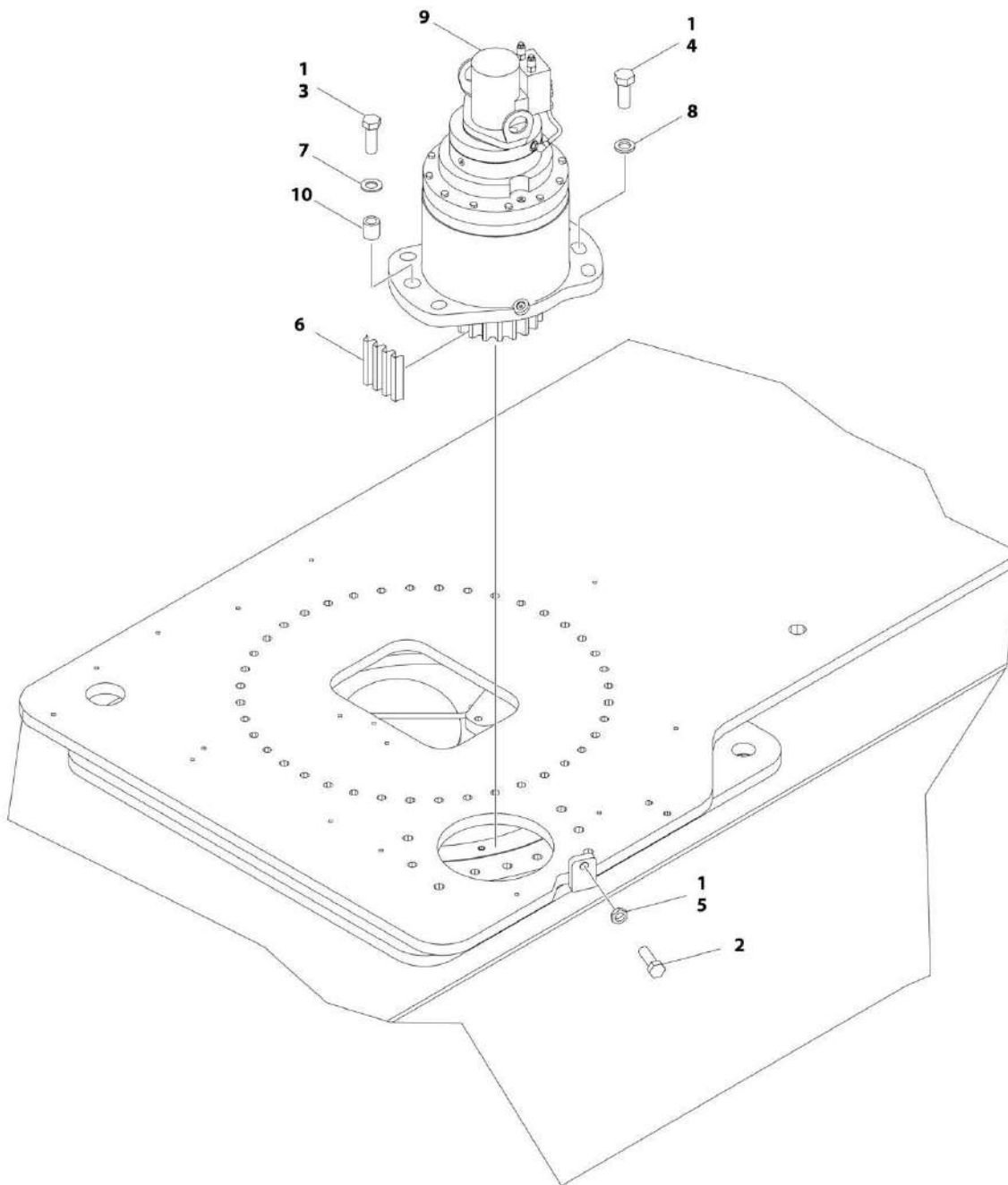
ITEM	PART NUMBER	QTY	DESCRIPTION	REV
22	10837489	1	Cartridge, Check Valve	
22	7023919	1	Seal Kit - 10837489 Valve	
23	7017418	1	Cartridge, Relief Valve	
23	7012998	1	Seal Kit - 7017418 Valve	
24	70006241	1	Cartridge, Relief Valve	
24	7012998	1	Seal Kit - 70006241 Valve	
25	7017420	1	Cartridge, Relief Valve	
25	7012998	1	Seal Kit - 7017420 Valve	
26	70006242	1	Cartridge, Relief Valve	
26	7012998	1	Seal Kit - 70006242 Valve	
27	70005784	1	Cartridge, Relief Valve	
27	7012998	1	Seal Kit - 70005784 Valve	
28	4641210	1	Cartridge, Flow Regulator Valve	
28	7010545	1	Seal Kit - 4641210 Valve	
29	7023924	1	Cartridge, Flow Regulator Valve	
29	7012953	1	Seal Kit - 7023924 Valve	
30	70004152	1	Cartridge, Pressure Compensator Valve	
30	2900707	1	Seal Kit - 70004152 Valve	
31	70005786	1	Cartridge, Valve	
31	2900770	1	Seal Kit - 70005786 Valve	
32	2221086	6	Fitting, Pressure Test	
33	70005785	2	Screw M3 x 3	
34	2220886	7	Plug	
35	2220885	6	Plug	
36	2220883	6	Plug	
37	70006427	1	Orifice	





## SECTION 2 - TURNTABLE

FIGURE 2-11. SWING DRIVE INSTALLATION



ART\_1001150024

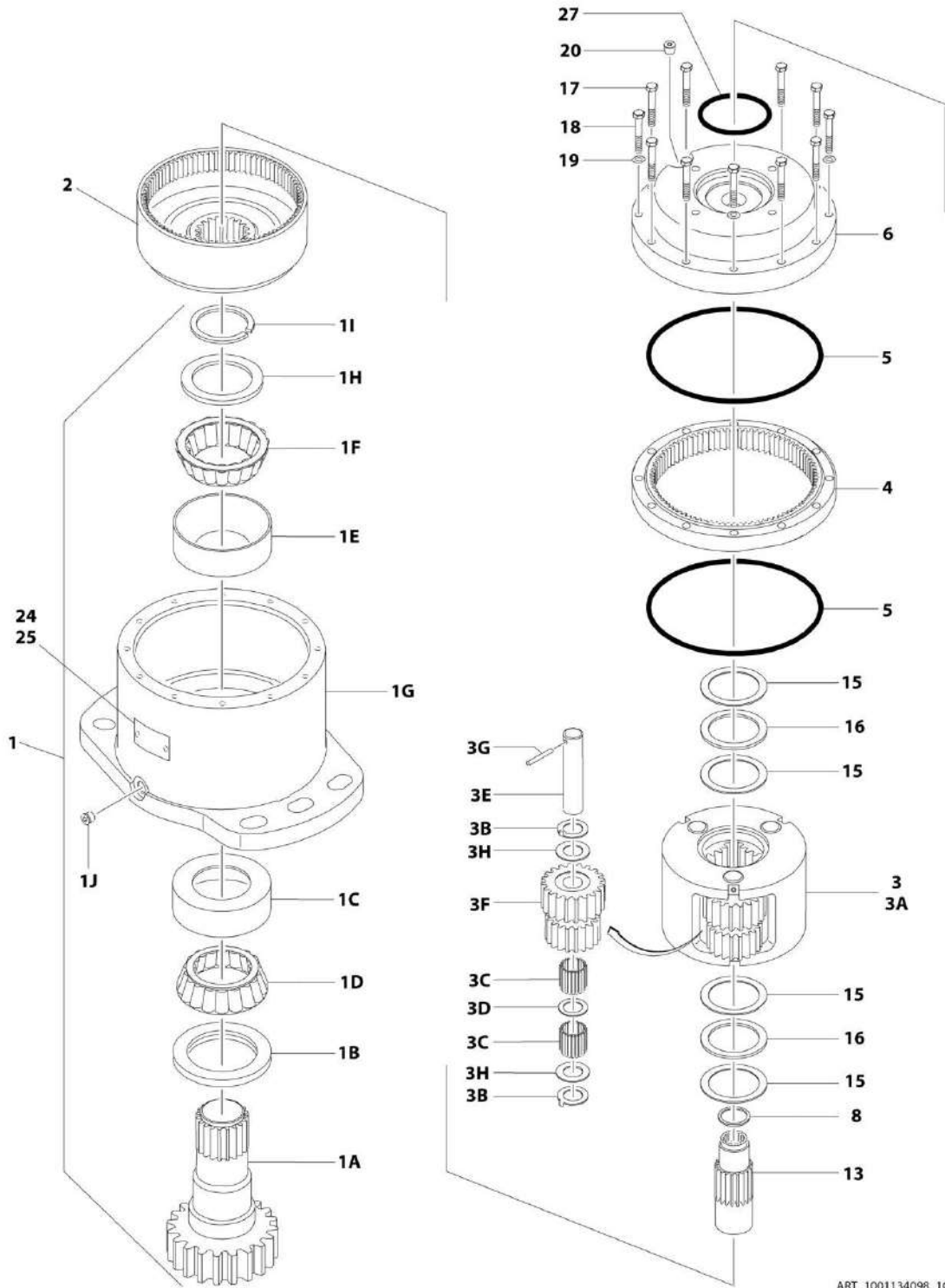
**SECTION 2 - TURNTABLE**

**FIGURE 2-11. SWING DRIVE INSTALLATION**

<b>ITEM</b>	<b>PART NUMBER</b>	<b>QTY</b>	<b>DESCRIPTION</b>	<b>REV</b>
	1001150024	Ref	SWING DRIVE INSTALLATION	D
1	0100019	AR	Compound, Locking	
2	0761618	1	Bolt M16 x 50	
3	0772020	1	Bolt M20 x 60	
4	0682418	5	Bolt 7/8 x 2-1/4	
5	3291602	1	Nut M16	
6	4071041	1	Shim	
7	5242000	1	Washer M20	
8	4892400	5	Washer 7/8	
9	1001134098	1	Swing Motor/Hub Assembly (See Separate Breakdown in this Section)	
10	1001151046	1	Stud	

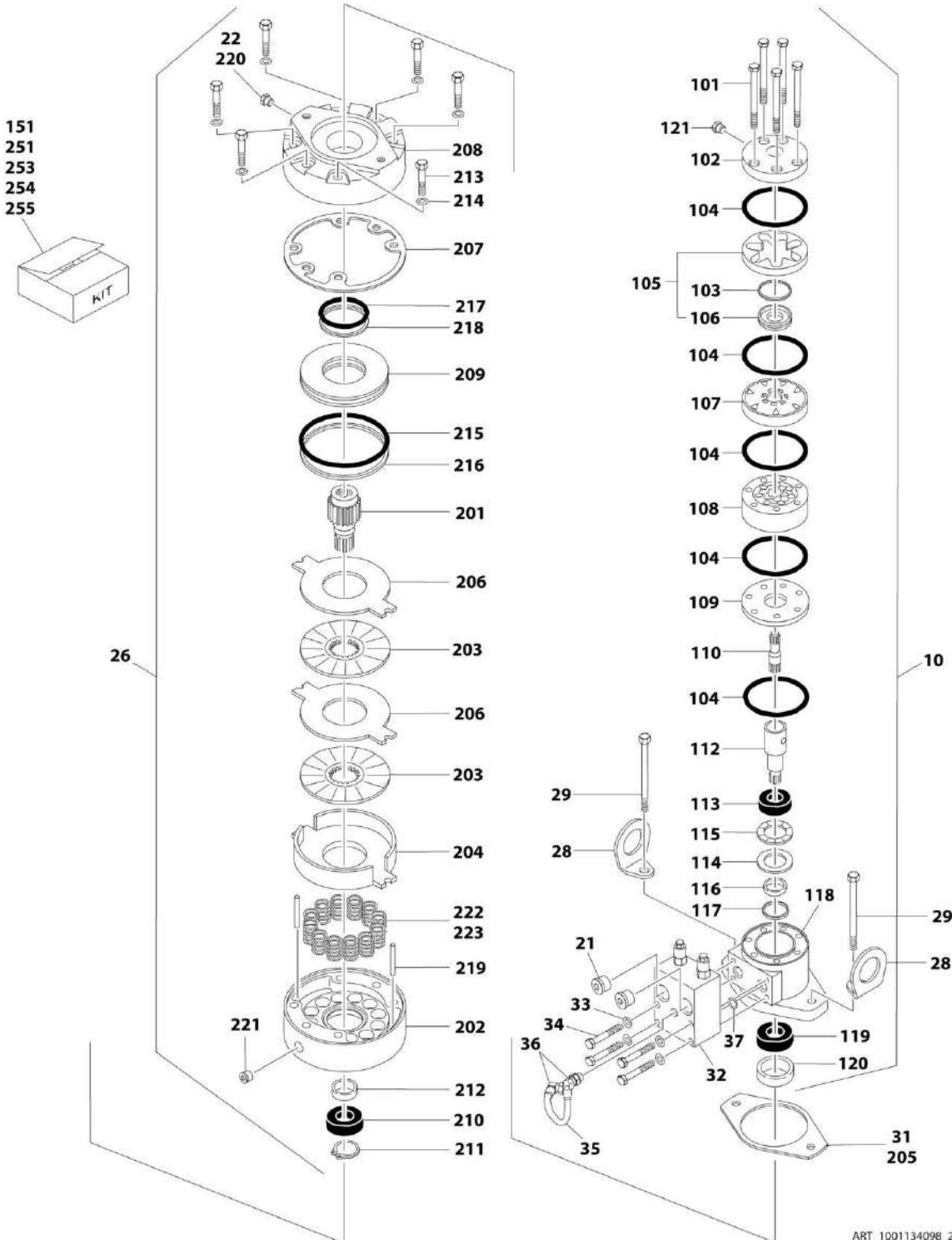
# SECTION 2 - TURNTABLE

## FIGURE 2-12. SWING MOTOR/HUB ASSEMBLY



ART\_1001134098\_10F2

# SECTION 2 - TURNTABLE



## SECTION 2 - TURNTABLE

FIGURE 2-12. SWING MOTOR/HUB ASSEMBLY

ITEM	PART NUMBER	QTY	DESCRIPTION	REV
	1001134098	Ref	SWING MOTOR/HUB ASSEMBLY	C
1	See Note	1	Housing/Shaft Assembly (Note: Not Available - Purchase Complete Swing Motor/Hub Assembly)	
1A	7024183	1	Shaft, Output	
1B	7000236	1	Seal, Lip	
1C	1001091460	1	Cup, Bearing	
1D	1001091460	1	Cone, Bearing	
1E	1001091461	1	Cup, Bearing	
1F	1001091461	1	Cone, Bearing	
1G	7024184	1	Housing	
1H	7000239	1	Thrustwasher	
1I	7000240	1	Ring, Retaining	
1J	7017072	1	Plug, Pipe	
2	7001917	1	Gear, Internal	
3	7001918	1	Carrier Assembly	
3A	7001900	1	Carrier	
3B	7007645	6	Washer, Tanged	
3C	7001902	84	Bearing, Needle	
3D	7007646	3	Thrustwasher	
3E	7001904	3	Shaft, Planet	
3F	7001927	3	Gear, Cluster	
3G	7001906	3	Rollpin	
3H	7007648	6	Washer	
4	7010467	1	Gear, Ring	
5	7000224	2	O-Ring	
6	7001920	1	Cover, Input	
8	7001922	1	Thrustwasher	
10	7024188	1	Motor Assembly (See Items 101-121 for Breakdown)	
13	7001921	1	Gear, Sun	
15	7000287	4	Washer, Thrust	
16	7000288	2	Bearing, Thrust	
17	7001923	8	Bolt 3/8 x 3 Grade 8	
18	7001924	4	Bolt 3/8 x 2-3/4 Grade 8	
19	7001929	4	Washer, Lock (Used with Item 18 Only)	
20	7001928	1	Plug, Pipe	
21	7001926	2	Plug, Pipe	
22	7017082	1	Plug, Pipe	
24	See Note	NSS	Plate, ID (Note: Not Available For Purchase)	
25	7000281	2	Screw, Drive	
26	70003524	1	Brake Assembly (See Items 201-223 for Breakdown)	
27	7024763	1	O-Ring	
28	See Note	NSS	Lug, Lifting (Note: Not Available For Purchase)	
29	7024185	2	Bolt 1/2 x 5 Grade 8	
31	7000731	1	Gasket	
32	70003523	1	Valve	
32	70003629	2	Cartridge	
32	2900770	2	Seal Kit - 70003629 Cartridge (1 Per Cartridge)	
33	See Note	NSS	Washer (Note: Purchase Locally)	
34	7024135	4	Bolt 5/16 x 2-1/2 Grade 8	
35	7024186	1	Tube	

## SECTION 2 - TURNTABLE

ITEM	PART NUMBER	QTY	DESCRIPTION	REV
36	7017085	2	Elbow	
37	7000213	2	O-Ring	
	7024188	Ref	MOTOR ASSEMBLY	
101	7024391	5	Bolt	
102	7004035	1	Cover, End	
103	7024389	1	Seal, Commutator	
104	7024389	5	Seal, Ring	
105	7024453	1	Commutator and Ring Assembly	
106	7004453	1	Ring	
107	7024379	1	Manifold	
108	7024392	1	Rotor Set	
109	7024380	1	Plate, Wear	
110	7024393	1	Link, Drive	
112	7024395	1	Shaft, Coupling	
113	7024381	1	Bushing, Bronze	
114	7004043	1	Thrustwasher	
115	7004044	1	Bearing, Thrust	
116	7024389	1	Seal, Inner	
117	7024389	1	Washer, Back-up	
118	7024394	1	Housing	
119	7024390	1	Bearing	
120	7024389	1	Seal	
121	7010795	1	Plug, O-Ring	
151	7024389	1	Seal Kit - 7024188 Motor (Includes Items 103, 104, 116, 117 & 120)	
	70003524	Ref	BRAKE ASSEMBLY	
201	7024189	1	Shaft	
202	7024182	1	Housing (Note: Not Available For Purchase)	
203	7024193	2	Plate, Friction	
204	7024193	1	Plate, Pressure	
205	7000731	1	Gasket	
206	7024193	2	Plate, Outer	
207	See Note	NSS	Gasket (Note: Use Item 251, 254 or 255)	
208	7024191	1	Cylinder	
209	7024192	1	Piston	
210	7024197	1	Bearing, Ball	
211	7024197	1	Ring, Retaining	
212	7024197	1	Seal, Shaft	
213	See Note	NSS	Capscrew (Note: Purchase Locally)	
214	See Note	NSS	Washer (Note: Purchase Locally)	
215	7024194	1	O-Ring	
216	7024194	1	Ring, Back-up	
217	7024194	1	O-Ring	
218	7024194	1	Ring, Back-up	
219	7024190	2	Pin, Dowel	
220	See Note	NSS	Plug (Note: Purchase Locally)	
221	See Note	NSS	Plug (Note: Purchase Locally)	
222	7024196	AR	Spring (Natural)	
223	7024196	AR	Spring, (Blue)	
251	7024194	1	Seal Kit - Brake (Includes Items 205, 207 & 215-218)	
253	7024196	1	Spring Kit - Brake (Includes 12 Natural & 2 Blue Colored Springs)	
254	7024193	1	Friction Disc Kit - Brake (Includes Items 203, 204, 206 & 207)	

## SECTION 2 - TURNTABLE

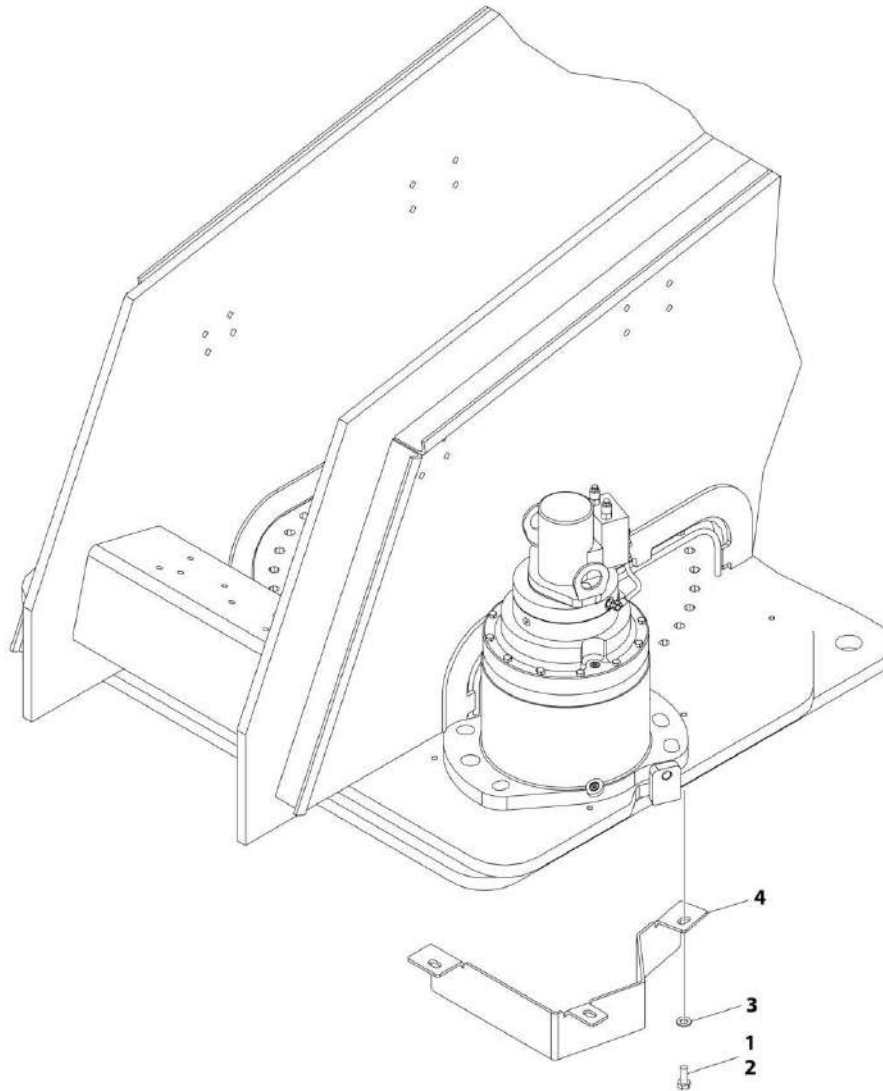
ITEM	PART NUMBER	QTY	DESCRIPTION	REV
255	7024197	1	Bearing Kit - Brake (Includes Items 207 & 210-212)	





## SECTION 2 - TURNTABLE

FIGURE 2-13. PINION SHIELD INSTALLATION (OPTIONAL)



ART\_1001150078

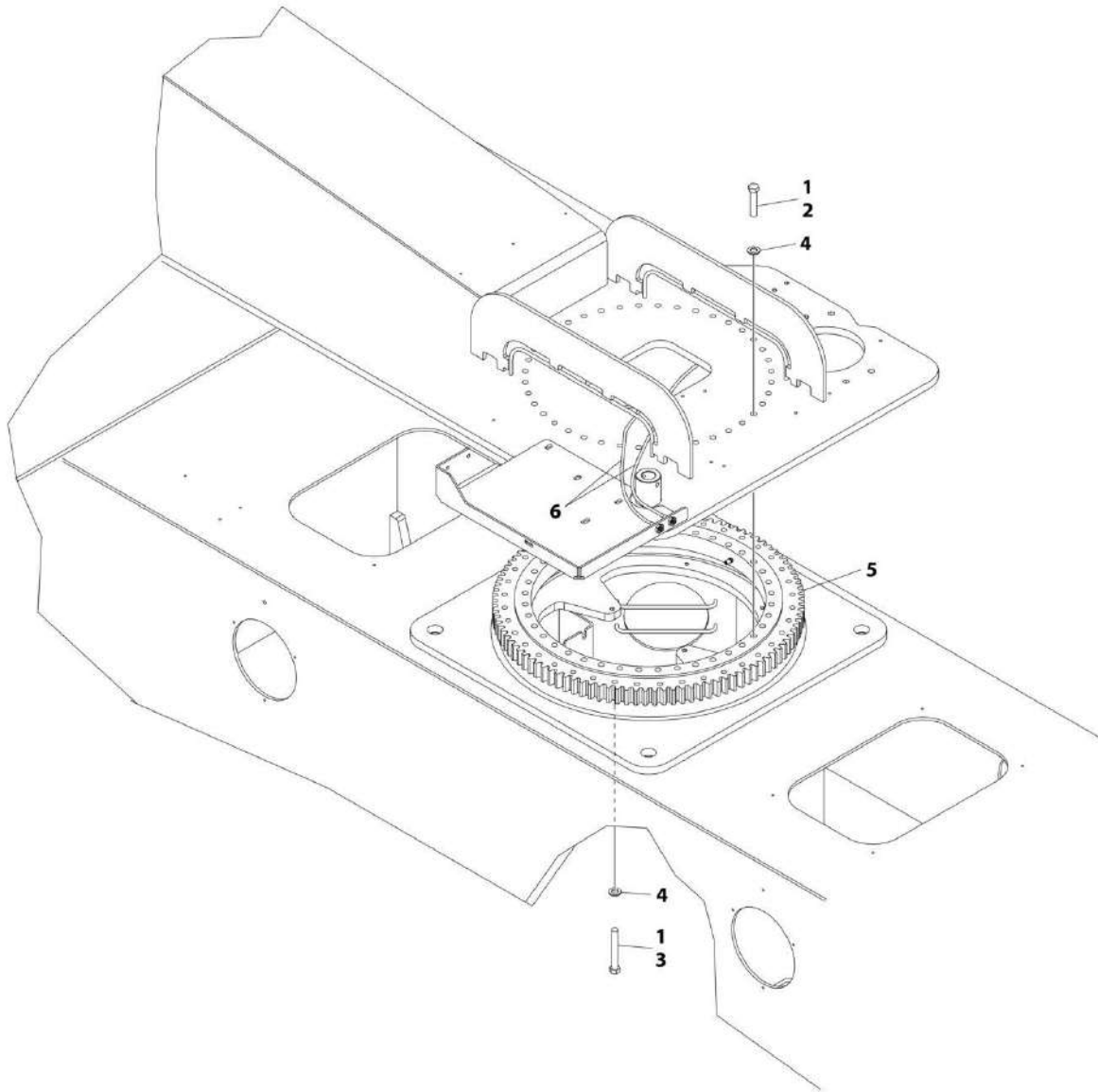
**SECTION 2 - TURNTABLE**

**FIGURE 2-13. PINION SHIELD INSTALLATION (OPTIONAL)**

<b>ITEM</b>	<b>PART NUMBER</b>	<b>QTY</b>	<b>DESCRIPTION</b>	<b>REV</b>
	1001150078	Ref	PINION SHIELD INSTALLATION (OPTIONAL)	A
1	0100011	AR	Compound, Locking	
2	0761214	3	Bolt M12 x 30	
3	4812100	3	Washer M12	
4	1001151180	1	Shield, Pinion	

# SECTION 2 - TURNTABLE

## FIGURE 2-14. TURNTABLE BEARING AND LUBE INSTALLATION



ART\_1001150026

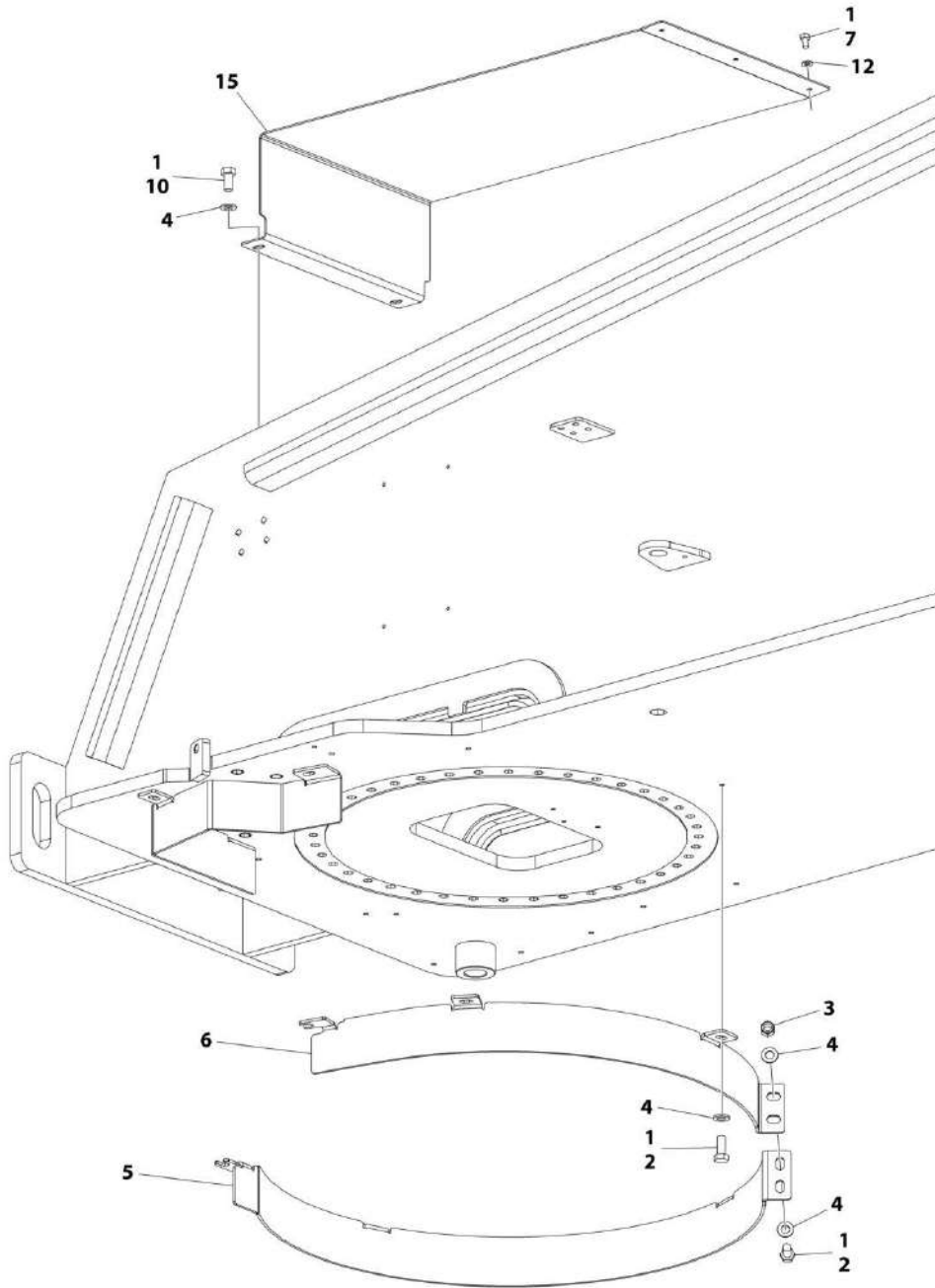
**SECTION 2 - TURNTABLE**

**FIGURE 2-14. TURNTABLE BEARING AND LUBE INSTALLATION**

<b>ITEM</b>	<b>PART NUMBER</b>	<b>QTY</b>	<b>DESCRIPTION</b>	<b>REV</b>
	1001150026	Ref	TURNTABLE BEARING AND LUBE INSTALLATION	B
1	0100019	AR	Compound, Locking	
2	0711624	40	Bolt M16 x 80 Grade 10.9	
3	0711629	40	Bolt M16 x 120 Grade 10.9	
4	5241600	80	Washer M16	
5	1001151058	1	Bearing, Swing	
6	1001151646	2	Hose with Fittings	

# SECTION 2 - TURNTABLE

## FIGURE 2-15. BEARING AND TURNTABLE SHIELDS INSTALLATION



ART\_1001150096\_1OF2

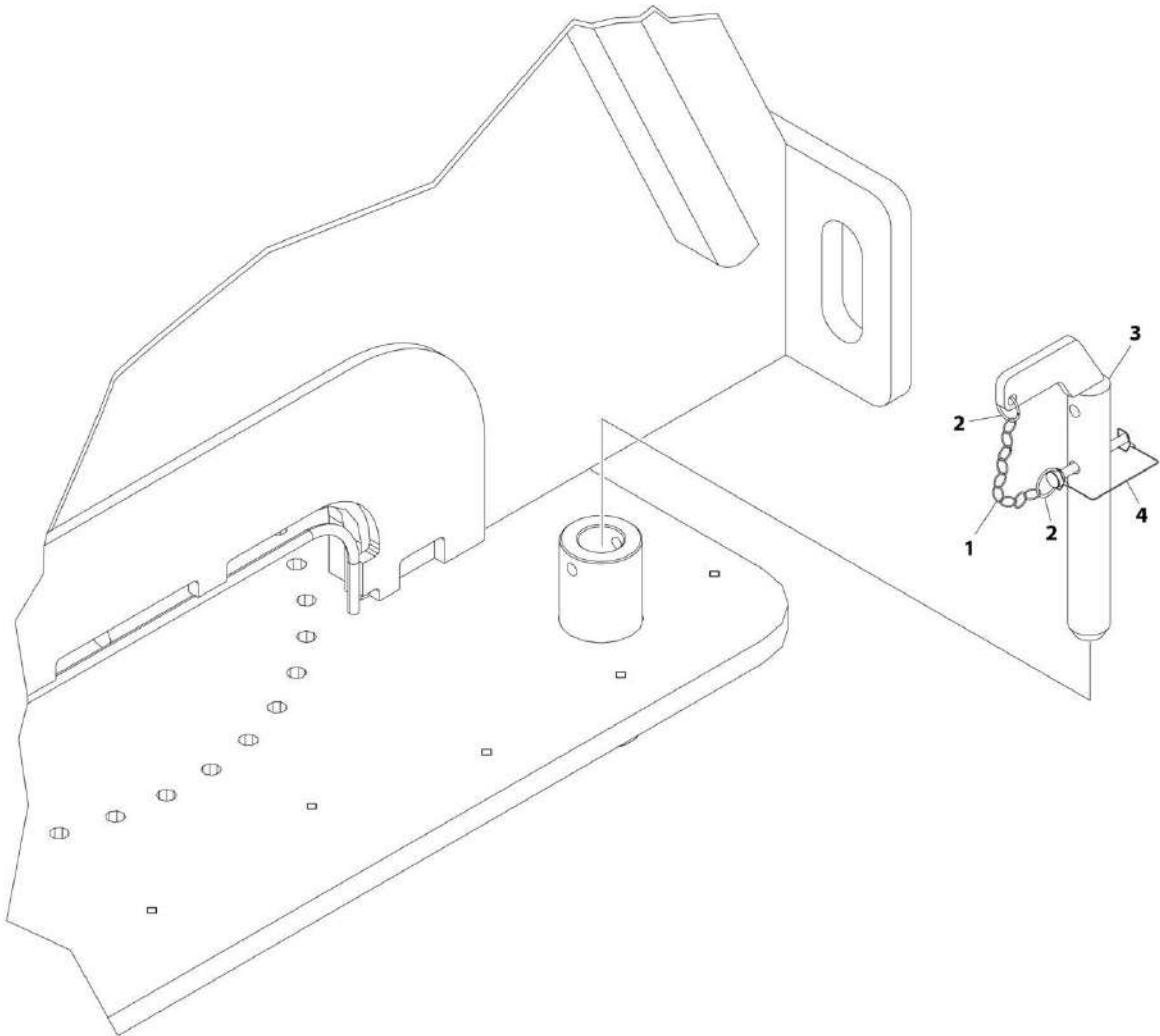
**SECTION 2 - TURNTABLE**

**FIGURE 2-15. BEARING AND TURNTABLE SHIELDS INSTALLATION**

<b>ITEM</b>	<b>PART NUMBER</b>	<b>QTY</b>	<b>DESCRIPTION</b>	<b>REV</b>
	1001150096	Ref	BEARING AND TURNTABLE SHIELDS INSTALLATION	I
1	0100011	AR	Compound, Locking	
2	0761214	6	Bolt M12 x 30	
3	3291205	2	Nut M12	
4	4812100	10	Washer M12	
5	1001221679	1	Bracket	
6	1001221680	1	Bracket	
7	0760807	3	Bolt M8 x 14	
10	0761212	2	Bolt M12 x 25	
12	4811900	6	Washer M8	
15	1001151064	1	Cover, Turntable	

**SECTION 2 - TURNTABLE**

**FIGURE 2-16. TURNTABLE LOCK INSTALLATION**



ART\_1001150019



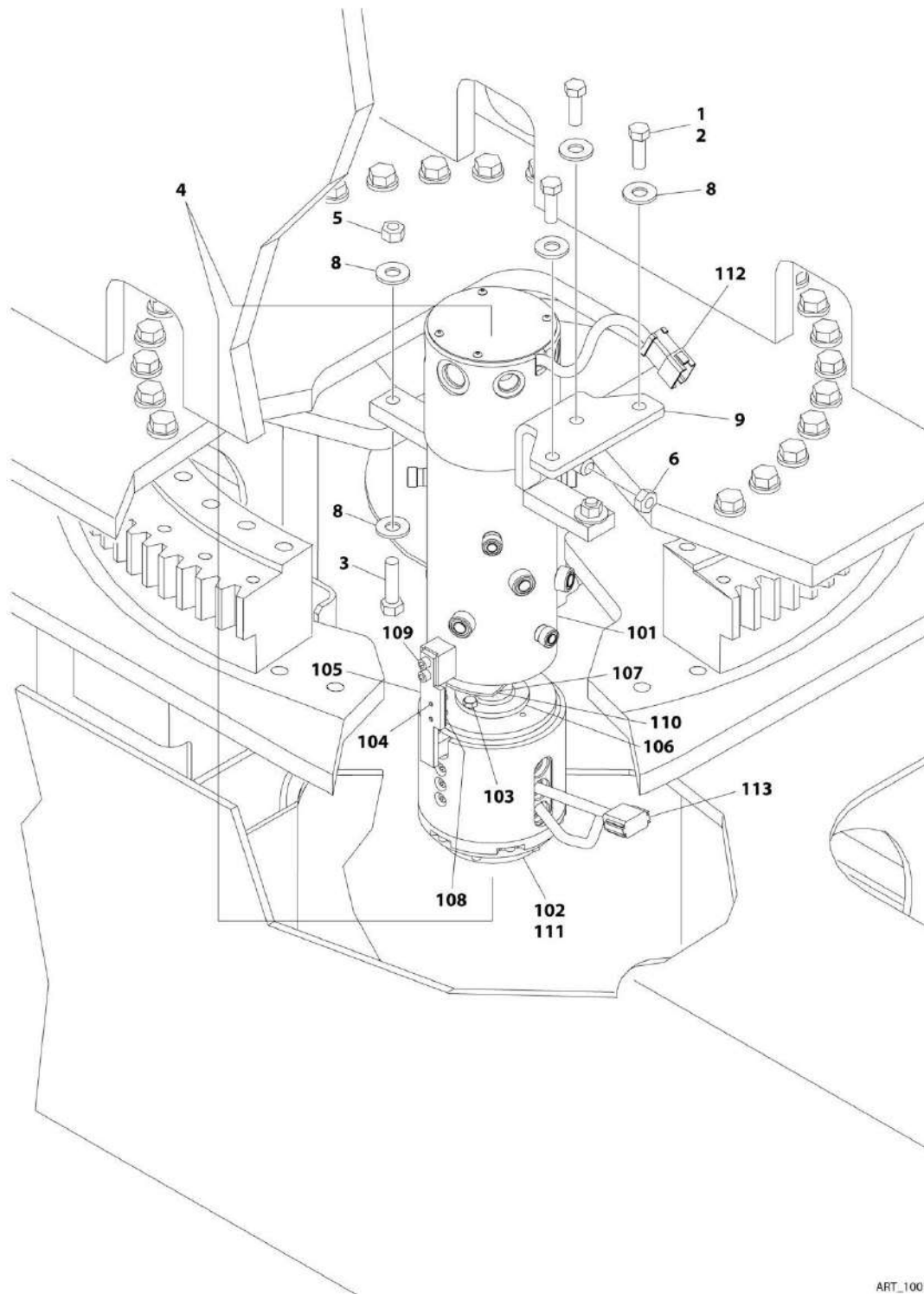
**SECTION 2 - TURNTABLE**

**FIGURE 2-16. TURNTABLE LOCK INSTALLATION**

<b>ITEM</b>	<b>PART NUMBER</b>	<b>QTY</b>	<b>DESCRIPTION</b>	<b>REV</b>
	1001150019	Ref	TURNTABLE LOCK INSTALLATION	B
1	1260017	7 in/16cm	Chain	
2	3760170	2	Ring	
3	1001215629	1	Pin	
4	1001151025	1	Pin	

## SECTION 2 - TURNTABLE

FIGURE 2-17. ROTARY COUPLING AND COLLECTOR RING INSTALLATION



ART\_1001150025

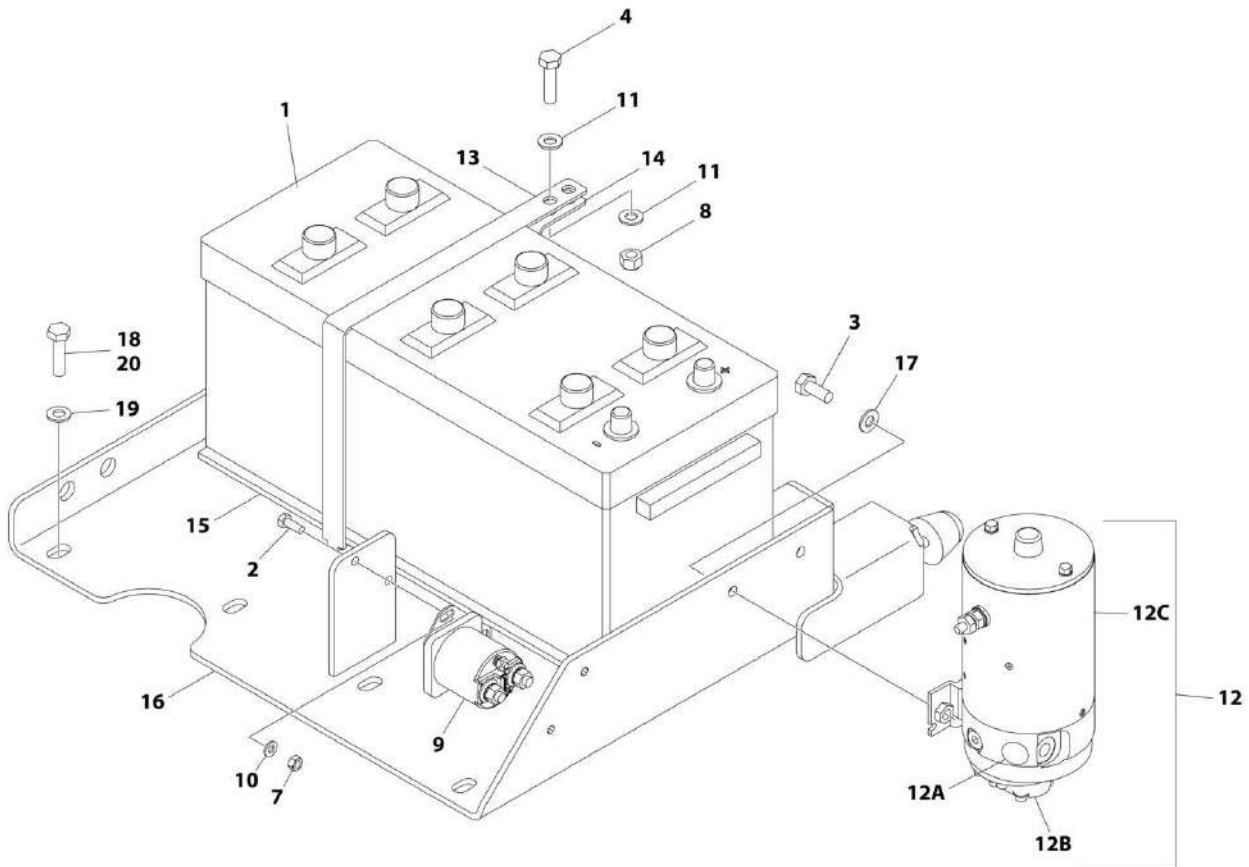
## SECTION 2 - TURNTABLE

**FIGURE 2-17. ROTARY COUPLING AND COLLECTOR RING INSTALLATION**

ITEM	PART NUMBER	QTY	DESCRIPTION	REV
	1001150025	Ref	ROTARY COUPLING AND COLLECTOR RING INSTALLATION	B
1	0100011	AR	Compound, Locking	
2	0761214	3	Bolt M12 x 30	
3	0761221	2	Bolt M12 x 65	
4	1001216394	1	Rotary Coupling and Collector Ring Assembly (See Items 101-113 for Breakdown)	
5	3291205	2	Nut M12	
6	3322201	2	Nut 3/4	
8	4812100	7	Washer M12	
9	1001150644	1	Bracket, Swivel	
	1001216394	Ref	ROTARY COUPLING AND COLLECTOR RING ASSEMBLY	A
101	7026665	1	Coupling, Rotary	
101	See Note	1	Bearing (Note: Not Available For Purchase)	
101	70001123	1	Seal Kit - Coupling	
102	7026029	1	Contactora, Rotary Circuit (Does not include connector or pins)	
103	0641506	4	Bolt 5/16 x 3/4	
104	3931512	2	Capscrew 5/16 x 3/4	
105	70005456	1	Arm, Torque	
106	See Note	NSS	Adapter (Note: Not Available For Purchase)	
107	7026030	1	Plate, Cam	
108	7026031	1	Sensor, Proximity	
109	3931008	2	Capscrew #10 x 1/2	
110	7026032	1	Pin, Dowel	
111	0100048	AR	Grease, Silicone (Apply to Contactora Connector)	
112	4460837	1	Receptacle, Female - 12 Position	
112	4460943	3	Pin, Male	
112	4460941	5	Pin, Male	
112	4460466	4	Plug, Terminal	
113	4460836	1	Plug, Male - 12 Position	
113	4460944	3	Socket, Female	
113	4460942	7	Socket, Female	
113	4460466	2	Plug, Terminal	

## SECTION 2 - TURNTABLE

FIGURE 2-18. BATTERY TRAY AND AUXILIARY PUMP INSTALLATION



ART\_1001148588

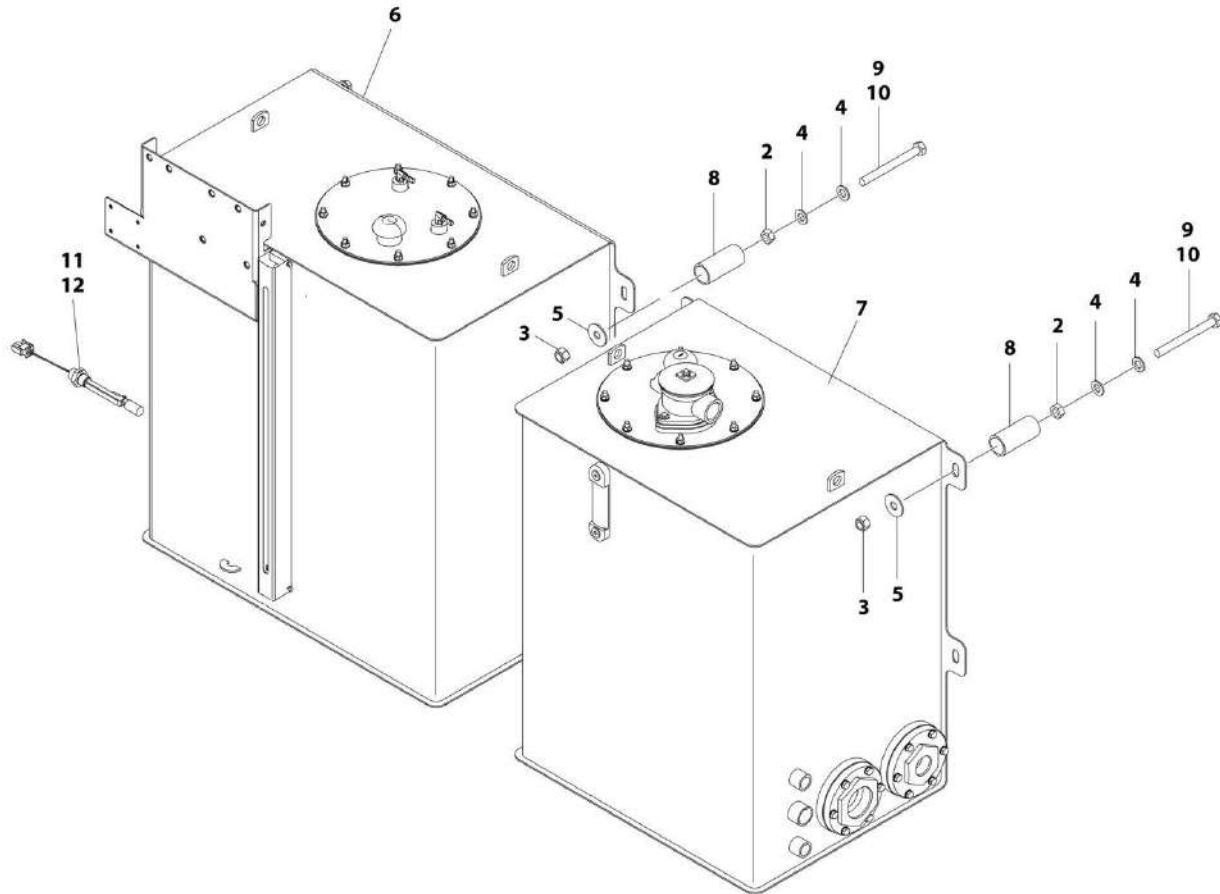
**SECTION 2 - TURNTABLE**

**FIGURE 2-18. BATTERY TRAY AND AUXILIARY PUMP INSTALLATION**

ITEM	PART NUMBER	QTY	DESCRIPTION	REV
	1001148588	Ref	BATTERY TRAY AND AUXILIARY PUMP INSTALLATION	E
1	0400020	1	Battery	
2	0760608	2	Bolt M6 x 16	
3	0681607	2	Bolt 3/8 x 7/8	
4	0761016	1	Bolt M10 x 40	
7	3290601	2	Nut M6	
8	3291005	1	Nut M10	
9	3740067	1	Relay	
10	4811700	2	Washer M6	
11	4812000	2	Washer M10	
12	3600424	1	Auxiliary Pump Assembly	
12A	70024669	1	Mounting Kit (Includes Coupling, Gasket and Hardware)	
12A	7011016	1	Coupling	
12A	7011044	1	Gasket	
12A	7011043	4	Bolt	
12A	7011048	4	Washer	
12B	7029593	1	Pump Kit (Includes Pump, Coupling, Gasket and Hardware)	
12C	70001056	1	Motor Kit (Includes Motor, Adapter and Coupling)	
13	1001148584	1	Bracket, Tie Down	
14	1001148585	1	Bracket, Tie Down	
15	1001148587	1	Insulate	
16	1001151730	1	Tray Battery	
17	4711600	2	Washer 3/8	
18	0761214	4	Bolt M12 x 30	
19	4812100	4	Washer M12	
20	0100011	AR	Compound, Locking	

# SECTION 2 - TURNTABLE

## FIGURE 2-19. TANKS INSTALLATION



ART\_1001150016

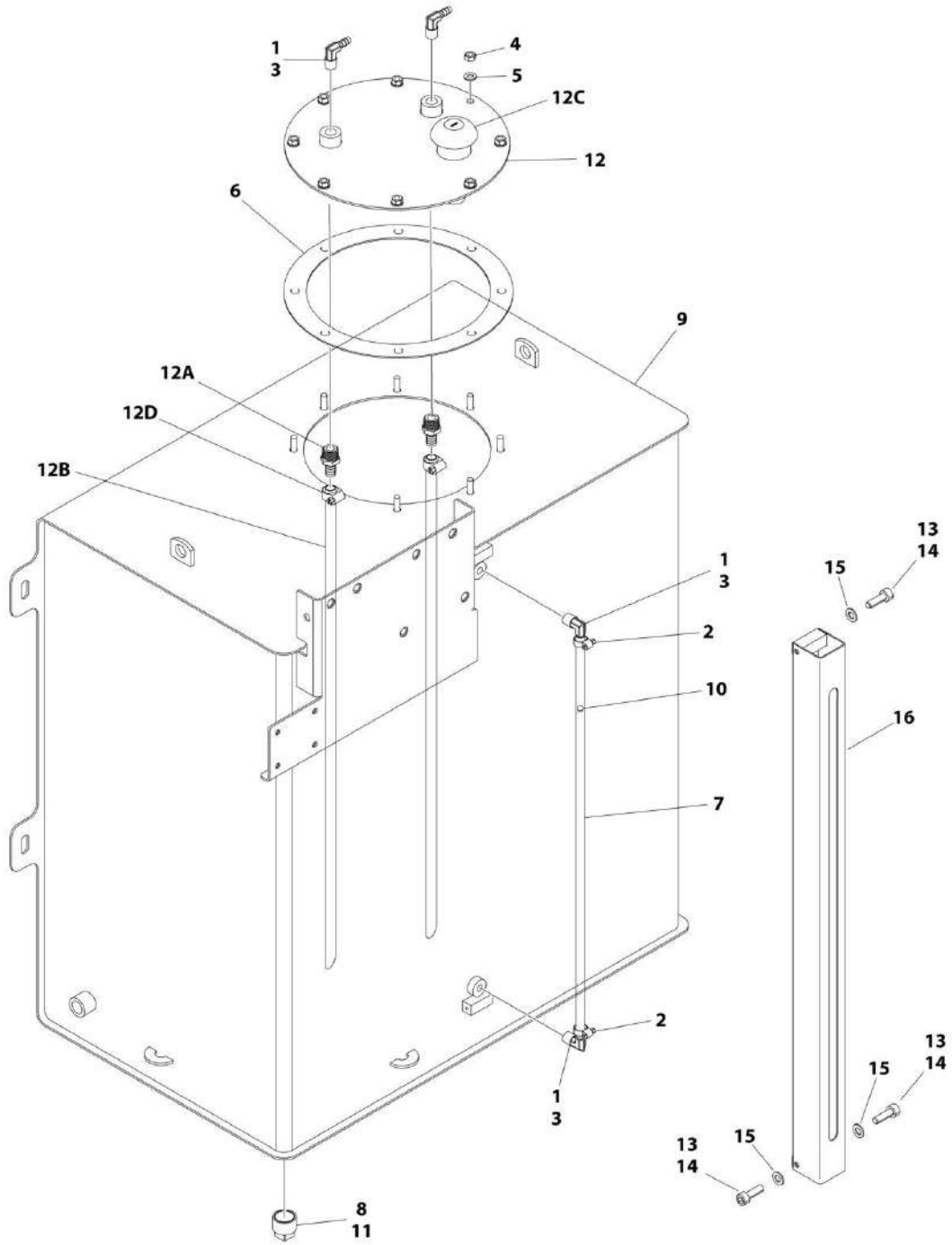
**SECTION 2 - TURNTABLE**

**FIGURE 2-19. TANKS INSTALLATION**

ITEM	PART NUMBER	QTY	DESCRIPTION	REV
	1001150016	Ref	TANKS INSTALLATION	F
2	3291201	8	Nut M12	
3	3291205	8	Nut M12	
4	4812100	16	Washer M12	
5	4812102	8	Washer M12	
6	1001221175	1	Fuel Tank Assembly (See Separate Breakdown in this Section)	
7	1001221284	1	Hydraulic Tank Assembly (See Separate Breakdown in this Section)	
8	1001151809	8	Sleeve	
9	0100011	AR	Compound, Locking	
10	0761229	8	Bolt M12 x 120	
11	1001182997	AR	Adhesive	
12	4360436	1	Switch, Fuel Level	

# SECTION 2 - TURNTABLE

## FIGURE 2-20. FUEL TANK ASSEMBLY



ART\_1001221175



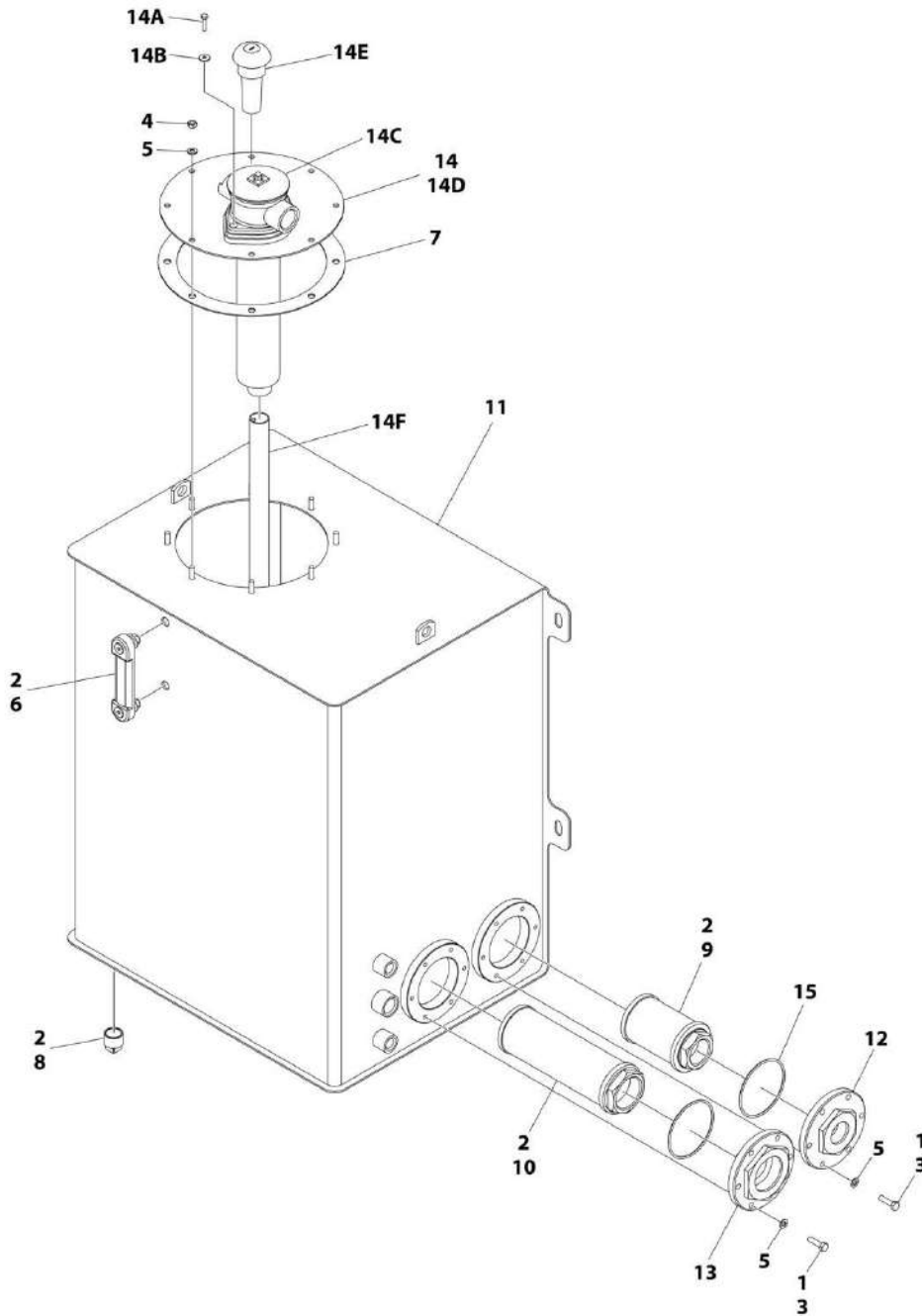
## SECTION 2 - TURNTABLE

### FIGURE 2-20. FUEL TANK ASSEMBLY

ITEM	PART NUMBER	QTY	DESCRIPTION	REV
	1001221175	Ref	FUEL TANK ASSEMBLY	E
1	0100020	1	Sealant	
2	1320022	2	Clamp <b>(SN B300001586 through B300002613)</b>	
2	1001174486	2	Clamp <b>(SN B300002614 to Present)</b>	
3	2220313	4	Fitting, 90 NPTF/BARB	
4	3290801	8	Nut M8	
5	4811900	8	Washer M8	
6	1001147229	1	Gasket	
7	1001147230	1	Pipe, Nylon	
8	1001147549	1	Plug <b>(SN B300001586 through B300002613)</b>	
8	1001228485	1	Plug <b>(SN B300002614 to Present)</b>	
9	See Note	NSS	Tank, Fuel (Note: Use p/n 1001221175)	
10	1001150902	1	Ball <b>(SN B300001586 through B300002613)</b>	
11	1001182997	AR	Adhesive	
12	1001221173	1	Lid Assembly	
12A	1001147223	2	Fitting, Straight BARB/NPT	
12B	1001147231	2	Pipe, Nylon	
12C	See Note	NSS	Screen, Filter (Note: Use p/n 1001221172)	
12C	See Note	NSS	Cap, Filter (Note: Use p/n 1001221172)	
12D	8410013	2	Clamp <b>(SN B300002340 to Present)</b>	
13	0100011	AR	Loctite #242 <b>(SN B300002795 to Present)</b>	
14	4031607	3	Bolt M5 x 16 <b>(SN B300002795 to Present)</b>	
15	4811600	AR	Washer M5 <b>(SN B300002795 to Present)</b>	
16	1001236143	1	Cover, Fuel Gauge <b>(SN B300002795 to Present)</b>	

# SECTION 2 - TURNTABLE

## FIGURE 2-21. HYDRAULIC TANK ASSEMBLY



ART\_1001221284

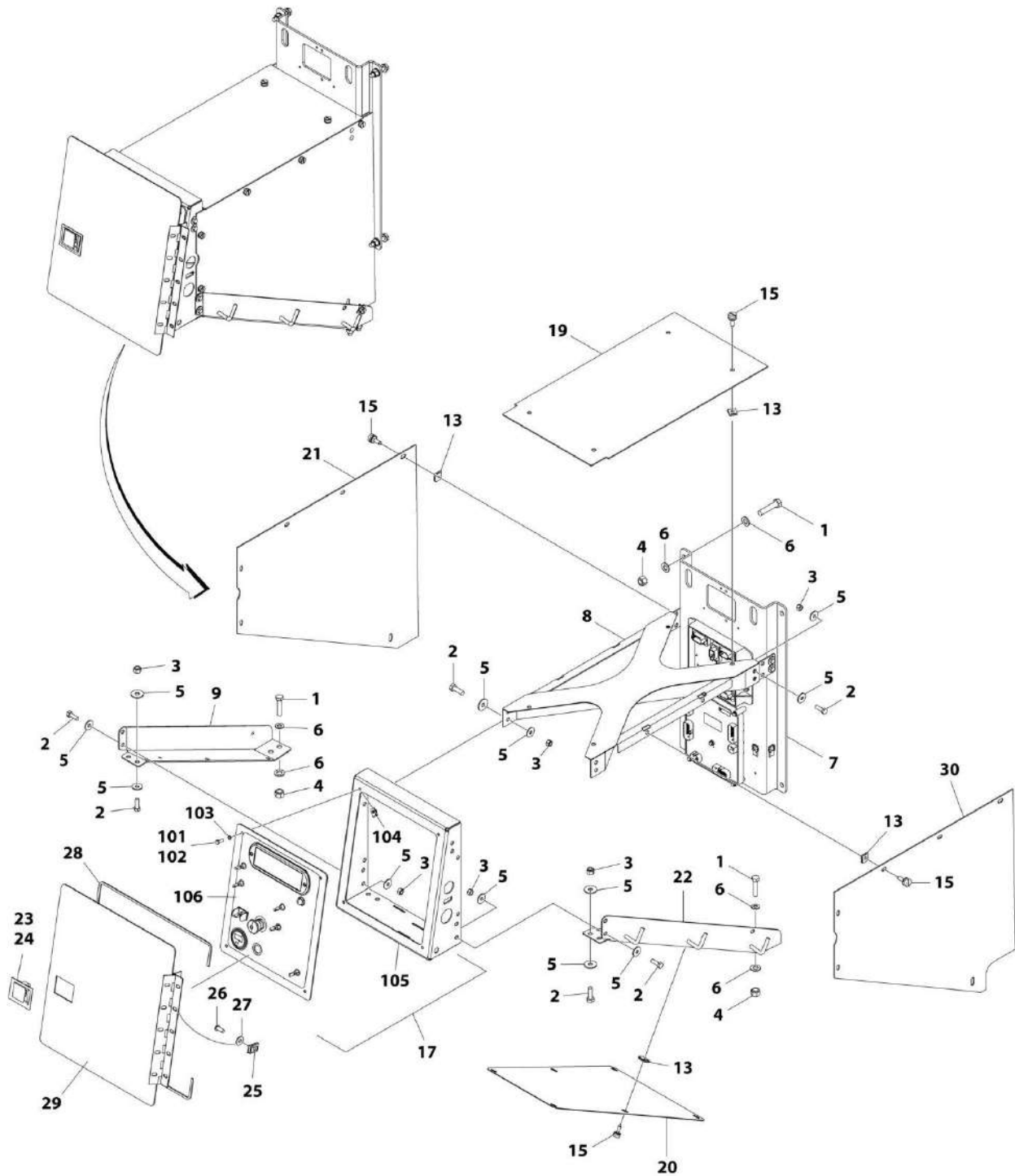
## SECTION 2 - TURNTABLE

### FIGURE 2-21. HYDRAULIC TANK ASSEMBLY

ITEM	PART NUMBER	QTY	DESCRIPTION	REV
	1001221284	Ref	HYDRAULIC TANK ASSEMBLY	C
1	0100011	AR	Compound, Locking	
2	0100020	1	Sealant	
3	0760814	12	Bolt M8 x 30	
4	3290801	8	Nut M8	
5	4811900	20	Washer M8	
6	7024441	1	Gage, Sight	
7	1001147229	1	Gasket	
8	1001147549	1	Plug (SN B300001586 through B300002613)	
8	1001228485	1	Plug (SN B300002614 to Present)	
9	1001221285	1	Filter, Suction (SN B300001586 through B300002613)	
9	1001230051	1	Filter, Suction (SN B300002614 to Present)	
10	1001221286	1	Filter, Suction	
11	See Note	NSS	Tank, Hydraulic (Note: Use p/n 1001221284)	
12	1001221290	1	Adapter, Mounting	
13	1001221291	1	Adapter, Mounting	
14	1001221312	1	Lid Assembly	
14A	0100011	AR	Compound, Locking	
14A	0760612	2	Bolt M6 x 25	
14B	4811702	2	Washer M6	
14C	1001147551	1	Hydraulic Filter Assembly	
14C	70005707	1	Element, Filter	
14D	1001221313	1	Lid Assembly	
14E	See Note	1	Screen, Filter (Note: Use p/n 1001221172)	
14E	See Note	1	Cap, Filter (Note: Use p/n 1001221172)	
14F	1001221340	1	Pipe	
15	1001221334	2	O-Ring	

# SECTION 2 - TURNTABLE

## FIGURE 2-22. ELECTRICAL COMPONENTS INSTALLATION - 1030S



ART\_1001150033

**SECTION 2 - TURNTABLE**

**FIGURE 2-22. ELECTRICAL COMPONENTS INSTALLATION - 1030S**

ITEM	PART NUMBER	QTY	DESCRIPTION	REV
	1001150033	Ref	ELECTRICAL COMPONENTS INSTALLATION - 1030S	D
1	0701219	8	Bolt M12 x 55	
2	0760812	16	Bolt M8 x 25	
3	3290805	16	Nut M8	
4	3291205	8	Nut M12	
5	4811902	32	Washer M8	
6	4812100	16	Washer M12	
7	1001152193	1	Electrical Assembly (See Separate Breakdown in this Section)	
8	1001152214	1	Support (Top)	
9	1001152217	1	Support (LH)	
13	1380169	22	Clip	
15	3900174	22	Screw, Thumb	
17	1001217854	1	Ground Control Box Assembly (See Items 101-106 for Breakdown)	
19	1001217857	1	Cover (Top)	
20	1001217858	1	Cover (Bottom)	
21	1001217859	1	Cover (Side)	
22	1001217864	1	Support (RH)	
23	0100011	AR	Compound, Locking	
24	2940045	1	Latch	
25	3300364	3	Nut, Tinnerman 5/16	
26	3900210	3	Screw 5/16 x 3/4	
27	4751500	3	Washer 5/16	
28	1001113047	5 ft/1.5m	Seal	
29	1001218545	1	Door	
30	1001223930	1	Cover (Side)	
	1001217854	Ref	GROUND CONTROL BOX ASSEMBLY	A
101	0100011	AR	Compound, Locking	
102	0760610	4	Bolt M6 x 20	
103	4811700	4	Washer M6	
104	1001130220	4	Nut, Tinnerman M6	
105	1001152197	1	Box	
106	1001152366	1	Ground Control Panel Assembly - 1030S (See Separate Breakdown in this Section)	



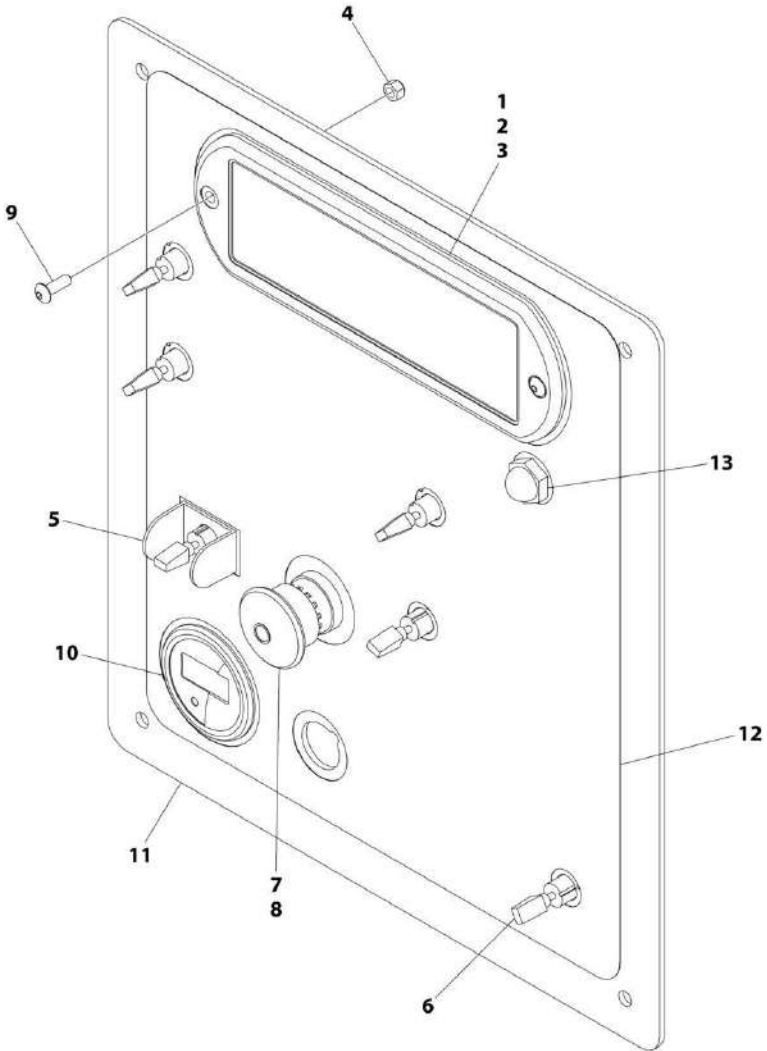
## SECTION 2 - TURNTABLE

**FIGURE 2-23. ELECTRICAL COMPONENTS INSTALLATION - 1100SJ**

ITEM	PART NUMBER	QTY	DESCRIPTION	REV
	1001150034	Ref	ELECTRICAL COMPONENTS INSTALLATION - 1100SJ	D
1	0701219	8	Bolt M12 x 55	
2	0760812	16	Bolt M8 x 25	
3	3290805	16	Nut M8	
4	3291205	8	Nut M12	
5	4811902	32	Washer M8	
6	4812100	16	Washer M12	
7	1001152193	1	Electrical Assembly (See Separate Breakdown in this Section)	
8	1001152214	1	Support (Top)	
9	1001152217	1	Support (LH)	
13	1380169	22	Clip	
15	3900174	22	Screw, Thumb	
17	1001217856	1	Ground Control Box Assembly (See Items 101-106 for Breakdown)	
19	1001217857	1	Cover (Top)	
20	1001217858	1	Cover (Bottom)	
21	1001217859	1	Cover (Side)	
22	1001217864	1	Support (RH)	
23	0100011	AR	Compound, Locking	
24	2940045	1	Latch	
25	3300364	3	Nut, Tinnerman 5/16	
26	3900210	3	Screw 5/16 x 3/4	
27	4751500	3	Washer 5/16	
28	1001113047	5 ft/1.5m	Seal	
29	1001218545	1	Door	
30	1001223930	1	Cover (Side)	
	1001217856	Ref	GROUND CONTROL BOX ASSEMBLY	A
101	0100011	AR	Compound, Locking	
102	0760610	4	Bolt M6 x 20	
103	4811700	4	Washer M6	
104	1001130220	4	Nut, Tinnerman M6	
105	1001152197	1	Box	
106	1001152208	1	Ground Control Panel Assembly - 1100SJ (See Separate Breakdown in this Section)	

**SECTION 2 - TURNTABLE**

**FIGURE 2-24. GROUND CONTROL PANEL ASSEMBLY - 1030S**



ART\_1001152366



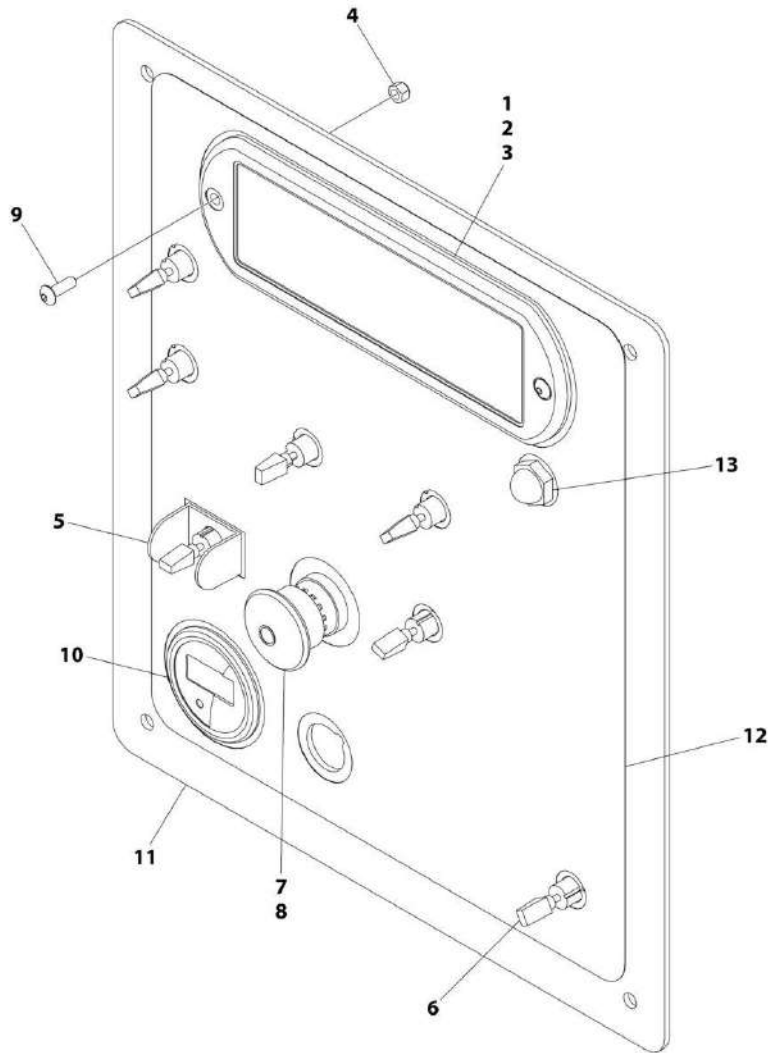
**SECTION 2 - TURNTABLE**

**FIGURE 2-24. GROUND CONTROL PANEL ASSEMBLY - 1030S**

ITEM	PART NUMBER	QTY	DESCRIPTION	REV
	1001152366	Ref	GROUND CONTROL PANEL ASSEMBLY - 1030S	D
1	1670829	1	Bezel	
2	1001122383	1	Decal - Display	
3	2760105	1	Fixture, Light	
4	3290505	2	Nut M5	
5	4060906	1	Guard, Switch	
6	4360328	6	Switch, Toggle	
7	4360475	1	Switch, Emergency Stop	
7	7020175	1	Cap	
7	7020176	1	Block, Contact	
8	4360476	2	Block, Contact	
9	1001099125	2	Screw M5 x 16 Grade 10.9	
10	1001109503	1	Gauge	
11	1001152207	1	Panel	
12	1001182617	1	Decal - Ground Control	
13	4360274	1	Switch, Push Button	

## SECTION 2 - TURNTABLE

FIGURE 2-25. GROUND CONTROL PANEL ASSEMBLY - 1100SJ



ART\_1001152208

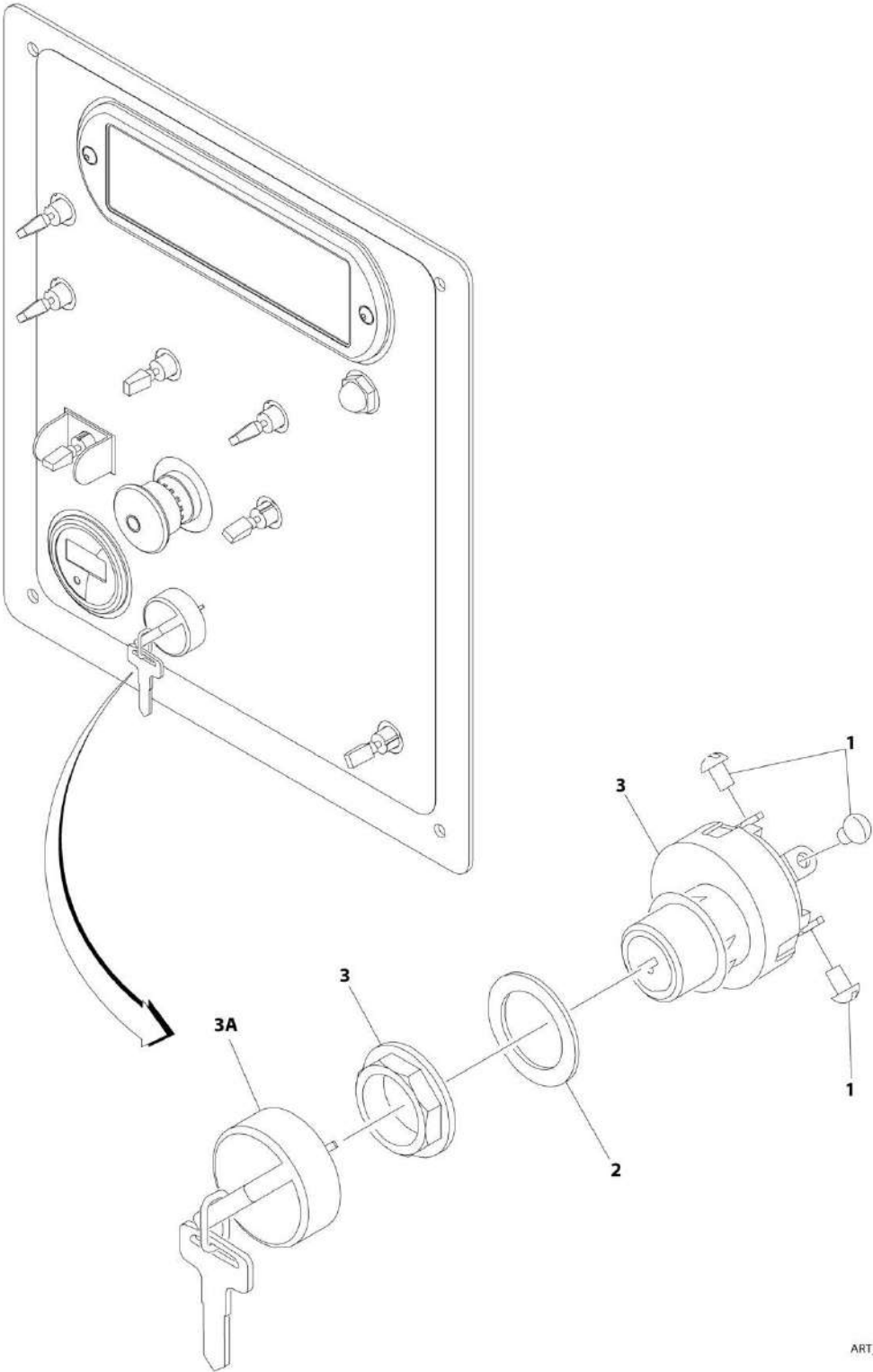
**SECTION 2 - TURNTABLE**

**FIGURE 2-25. GROUND CONTROL PANEL ASSEMBLY - 1100SJ**

ITEM	PART NUMBER	QTY	DESCRIPTION	REV
	1001152208	Ref	GROUND CONTROL PANEL ASSEMBLY - 1100SJ	D
1	1670829	1	Bezel	
2	1001122383	1	Decal - Display	
3	2760105	1	Fixture, Light	
4	3290505	2	Nut M5	
5	4060906	1	Guard, Switch	
6	4360328	7	Switch, Toggle	
7	4360475	1	Switch, Emergency Stop	
7	7020175	1	Cap	
7	7020176	1	Block, Contact	
8	4360476	2	Block, Contact	
9	1001099125	2	Screw M5 x 16 Grade 10.9	
10	1001109503	1	Gauge	
11	1001152207	1	Panel	
12	1001182618	1	Decal - Ground Control	
13	4360274	1	Switch, Push Button	

**SECTION 2 - TURNTABLE**

**FIGURE 2-26. KEYSWITCH INSTALLATION**



ART\_0259666

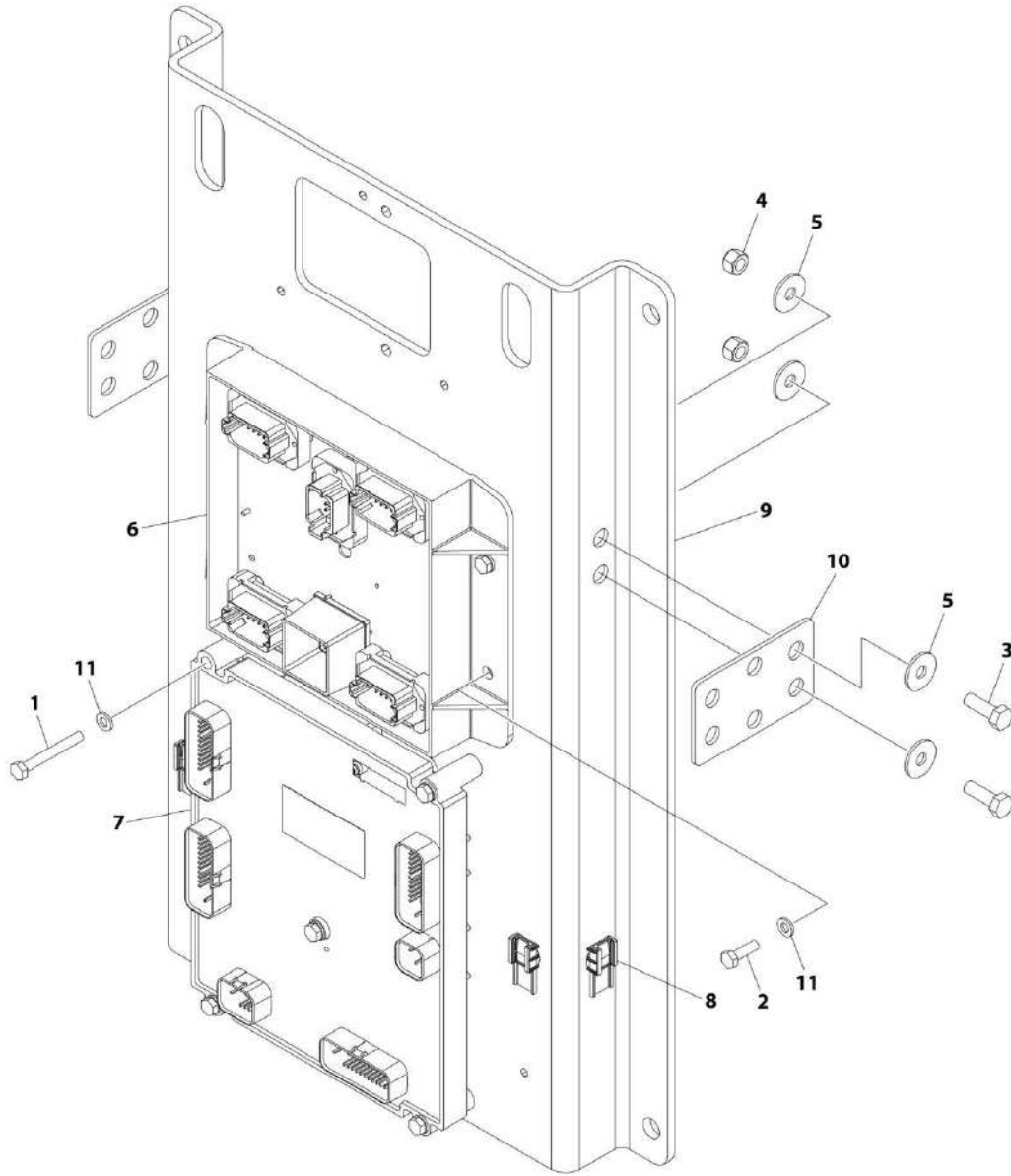
**SECTION 2 - TURNTABLE**

**FIGURE 2-26. KEYSWITCH INSTALLATION**

<b>ITEM</b>	<b>PART NUMBER</b>	<b>QTY</b>	<b>DESCRIPTION</b>	<b>REV</b>
	0259666	Ref	KEYSWITCH INSTALLATION	C
1	3910804	6	Screw #8 x 1/8	
2	1001151393	1	Shim .063	
3	4360469	1	Keyswitch	
3A	2860030	1	Key, Replacement	

# SECTION 2 - TURNTABLE

## FIGURE 2-27. ELECTRICAL ASSEMBLY



ART\_1001152193

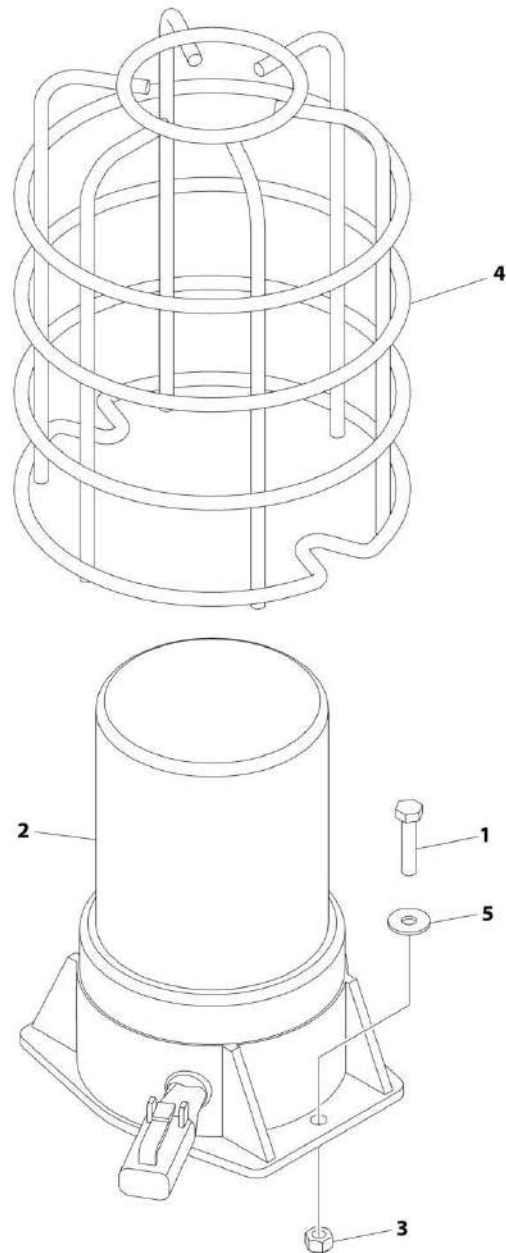
# SECTION 2 - TURNTABLE

**FIGURE 2-27. ELECTRICAL ASSEMBLY**

ITEM	PART NUMBER	QTY	DESCRIPTION	REV
	1001152193	Ref	ELECTRICAL ASSEMBLY	G
1	0700618	5	Bolt M6 x 50	
2	0760610	4	Bolt M6 x 20	
3	0760812	4	Bolt M8 x 25	
4	3290805	4	Nut M8	
5	4811902	8	Washer M8	
6	1001112757	NLA	Module, Boom Length and Angle Control (Use p/n 1001227960) (Note: Re-calibration Required when Replaced) <b>(SN B300001586 through B300002951)</b>	
6	1001227960	1	Module, Boom Length and Angle Control (Note: Re-calibration Required when Replaced) <b>(SN B300002952 to Present)</b>	
7	1001151274	1	Module, Ground Control (Note: Re-calibration Required when Replaced)	
8	1001121172	4	Mount, Terminal	
9	1001152194	1	Plate	
10	1001152195	2	Mount	
11	4811700	9	Washer M6	

## SECTION 2 - TURNTABLE

FIGURE 2-28. STROBE LIGHT INSTALLATION - AMBER (OPTIONAL)



ART\_1001151701



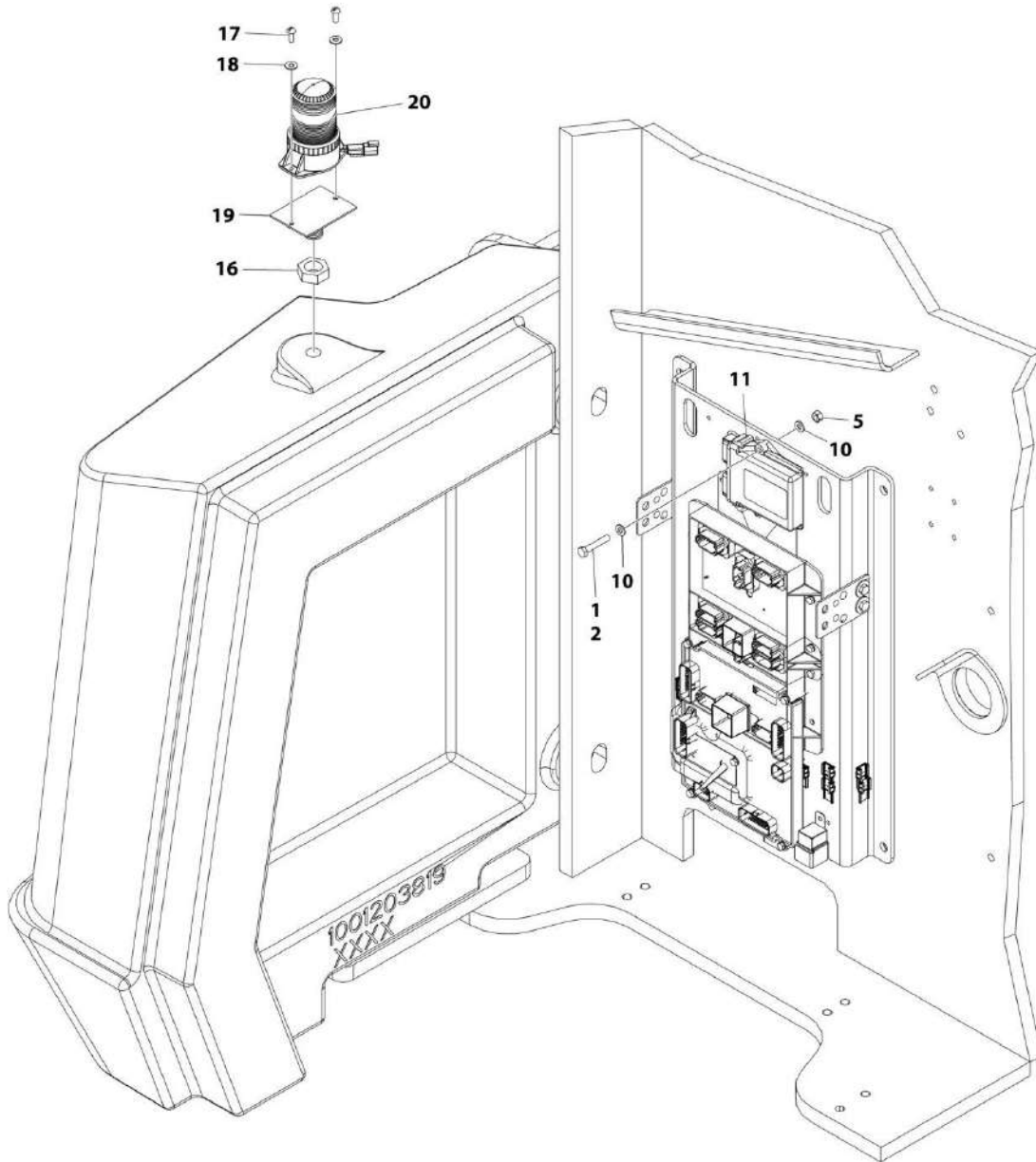
**SECTION 2 - TURNTABLE**

**FIGURE 2-28. STROBE LIGHT INSTALLATION - AMBER (OPTIONAL)**

<b>ITEM</b>	<b>PART NUMBER</b>	<b>QTY</b>	<b>DESCRIPTION</b>	<b>REV</b>
	1001151701	Ref	STROBE LIGHT INSTALLATION - AMBER (OPTIONAL)	A
1	0760410	2	Bolt M4 x 20	
2	2920161	1	Light, Strobe	
2	7016319	1	Bulb	
2	7016372	1	Lens	
2	4460891	1	Plug, Male - 2 Position	
2	4460465	2	Socket, Female	
3	3290405	2	Nut M4	
4	4060865	1	Guard, Strobe	
5	1001091102	2	Washer M4	

## SECTION 2 - TURNTABLE

FIGURE 2-29. STROBE LIGHT INSTALLATION - BLUE (OPTIONAL)



ART\_1001196776

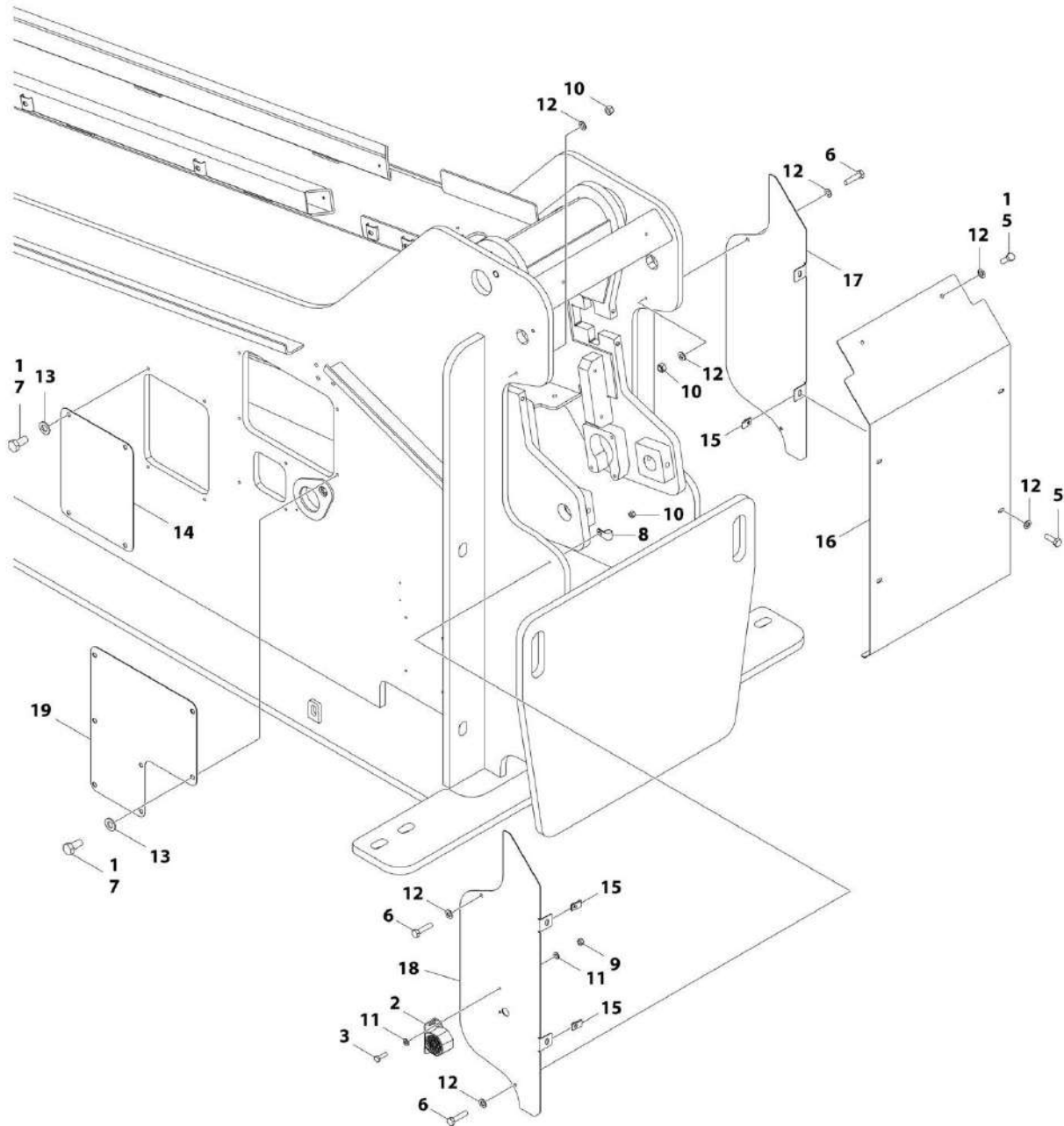
**SECTION 2 - TURNTABLE**

**FIGURE 2-29. STROBE LIGHT INSTALLATION - BLUE (OPTIONAL)**

ITEM	PART NUMBER	QTY	DESCRIPTION	REV
	1001196776	Ref	STROBE LIGHT INSTALLATION - BLUE (OPTIONAL)	c
1	0100011	AR	Compound, Locking	
2	0700615	2	Bolt M6 x 35	
5	3290607	2	Nut M6	
8	4240033	1	Tie-Strap (Not Shown)	
10	4811700	4	Washer M6	
11	1001142683	1	Module, Beacon	
14	1001142736	1	Strobe Light Harness (Not Shown - See Separate Breakdown in ELECTRICAL SECTION)	
16	3312602	1	Nut 1	
17	3900085	2	Screw #10 x 1/2	
18	4751000	2	Washer #10	
19	1001149994	1	Mount	
20	1001200910	1	Strobe Light Harness Assembly	
20	4460897	1	Connector - 2 Position	
20	4460464	2	Pin, Male	

# SECTION 2 - TURNTABLE

## FIGURE 2-30. ALARM AND TURNTABLE COVERS INSTALLATION



ART\_1001151213

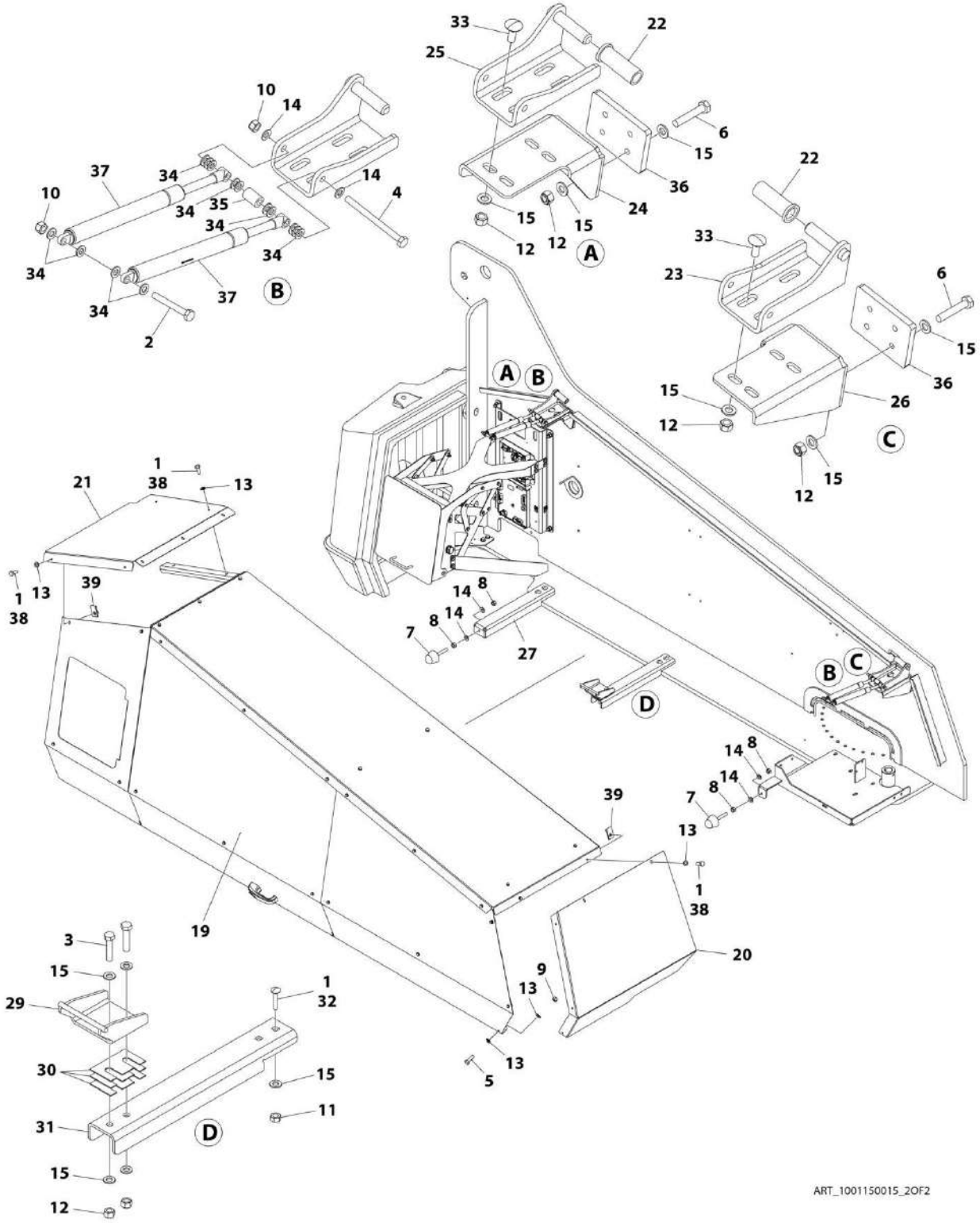
**SECTION 2 - TURNTABLE**

**FIGURE 2-30. ALARM AND TURNTABLE COVERS INSTALLATION**

ITEM	PART NUMBER	QTY	DESCRIPTION	REV
	1001151213	Ref	ALARM AND TURNTABLE COVERS INSTALLATION	F
1	0100011	AR	Compound, Locking	
2	0140043	1	Alarm	
3	0760610	2	Bolt M6 x 20	
5	0760812	6	Bolt M8 x 25	
6	0760815	4	Bolt M8 x 35	
7	0761212	AR	Bolt M12 x 25	
8	1320061	1	Clamp	
9	3290605	2	Nut M6	
10	3290805	4	Nut M8	
11	4811700	4	Washer M6	
12	4811900	13	Washer M8	
13	4812100	AR	Washer M12	
14	1001148768	1	Cover	
15	1001149160	4	Nut, Tinnerman M8	
16	1001151221	1	Cover (End)	
17	1001151222	1	Cover (LH)	
18	1001151223	1	Cover (RH)	
19	1001218733	1	Cover	



SECTION 2 - TURNTABLE



ART\_1001150015\_20F2

## SECTION 2 - TURNTABLE

FIGURE 2-31. HOOD INSTALLATION - DEUTZ TD2011 ENGINE

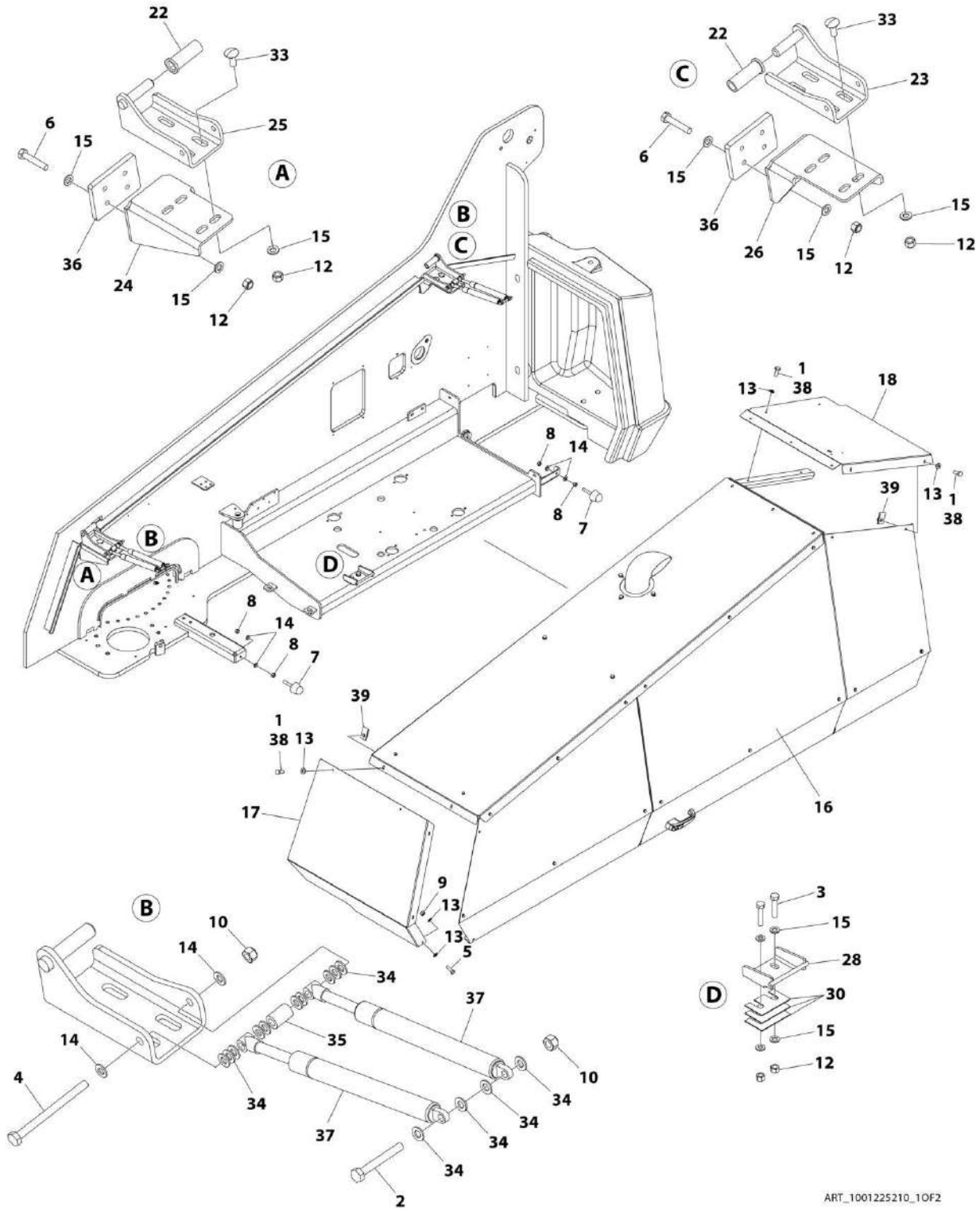
ITEM	PART NUMBER	QTY	DESCRIPTION	REV
	1001150015	Ref	HOOD INSTALLATION - DEUTZ TD2011 ENGINE	D
1	0100011	AR	Compound, Locking	
2	0701024	4	Bolt M10 x 80	
3	0701219	4	Bolt M12 x 55	
4	0711030	4	Bolt M10 x 130	
5	0760812	2	Bolt M8 x 25	
6	0761221	16	Bolt M12 x 65	
7	0940071	4	Bumper	
8	3271601	8	Nut 3/8	
9	3290805	2	Nut M8	
10	3291005	8	Nut M10	
11	3291201	4	Nut M12	
12	3291205	36	Nut M12	
13	4811900	24	Washer M8	
14	4812000	16	Washer M10	
15	4812100	60	Washer M12	
16	1001149075	1	Hood Assembly - Engine Side (See Separate Breakdown in this Section)	
17	1001149082	1	Panel, Hood	
18	1001149083	1	Panel, Hood	
19	1001149085	1	Hood Assembly - Tank Side (See Separate Breakdown in this Section)	
20	1001149092	1	Panel, Hood	
21	1001149093	1	Panel, Hood	
22	1001149095	4	Bearing	
23	1001149096	2	Hinge (RH)	
24	1001149098	2	Bracket	
25	1001149099	2	Hinge (LH)	
26	1001149101	2	Bracket	
27	1001153028	1	Bracket	
28	1001153029	1	Bracket, Latch (Engine Side)	
29	1001153030	1	Bracket, Latch (Tank Side)	
30	1001153034	6	Plate, Spacer	
31	1001153035	1	Bracket	
32	1001153086	4	Bolt M12 x 70	
33	1001153162	16	Bolt M12 x 35	
34	1001153195	58	Washer M10	
35	1001153198	4	Spacer	
36	1001153199	4	Plate, Spacer	
37	1001151912	8	Spring, Gas	
38	0760810	20	Bolt M8 x 20	
39	1001149160	16	Nut, Tinnerman M8	





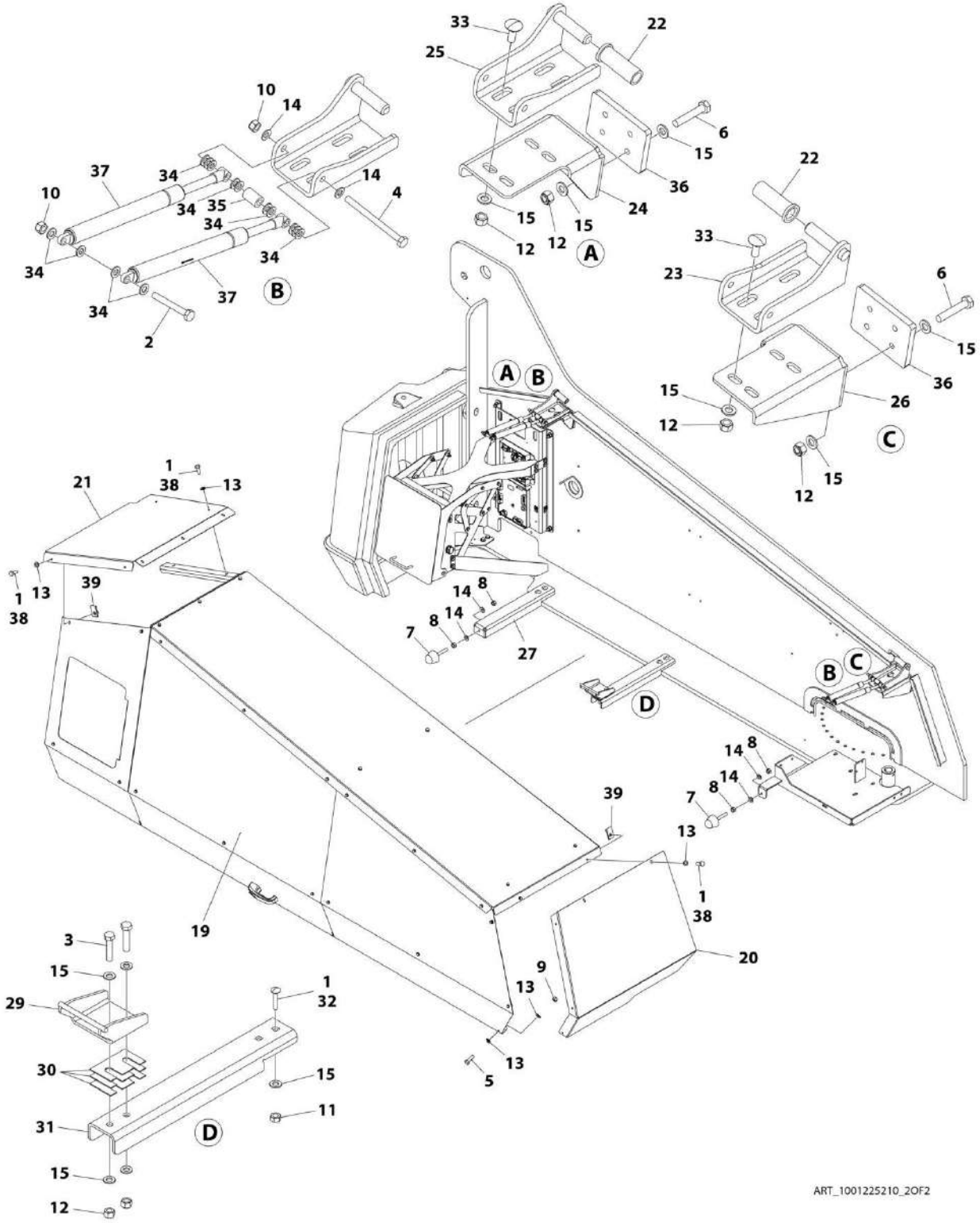
# SECTION 2 - TURNTABLE

## FIGURE 2-32. HOOD INSTALLATION - DEUTZ TD2.9L4 ENGINE



ART\_1001225210\_10F2

# SECTION 2 - TURNTABLE



ART\_1001225210\_2OF2

## SECTION 2 - TURNTABLE

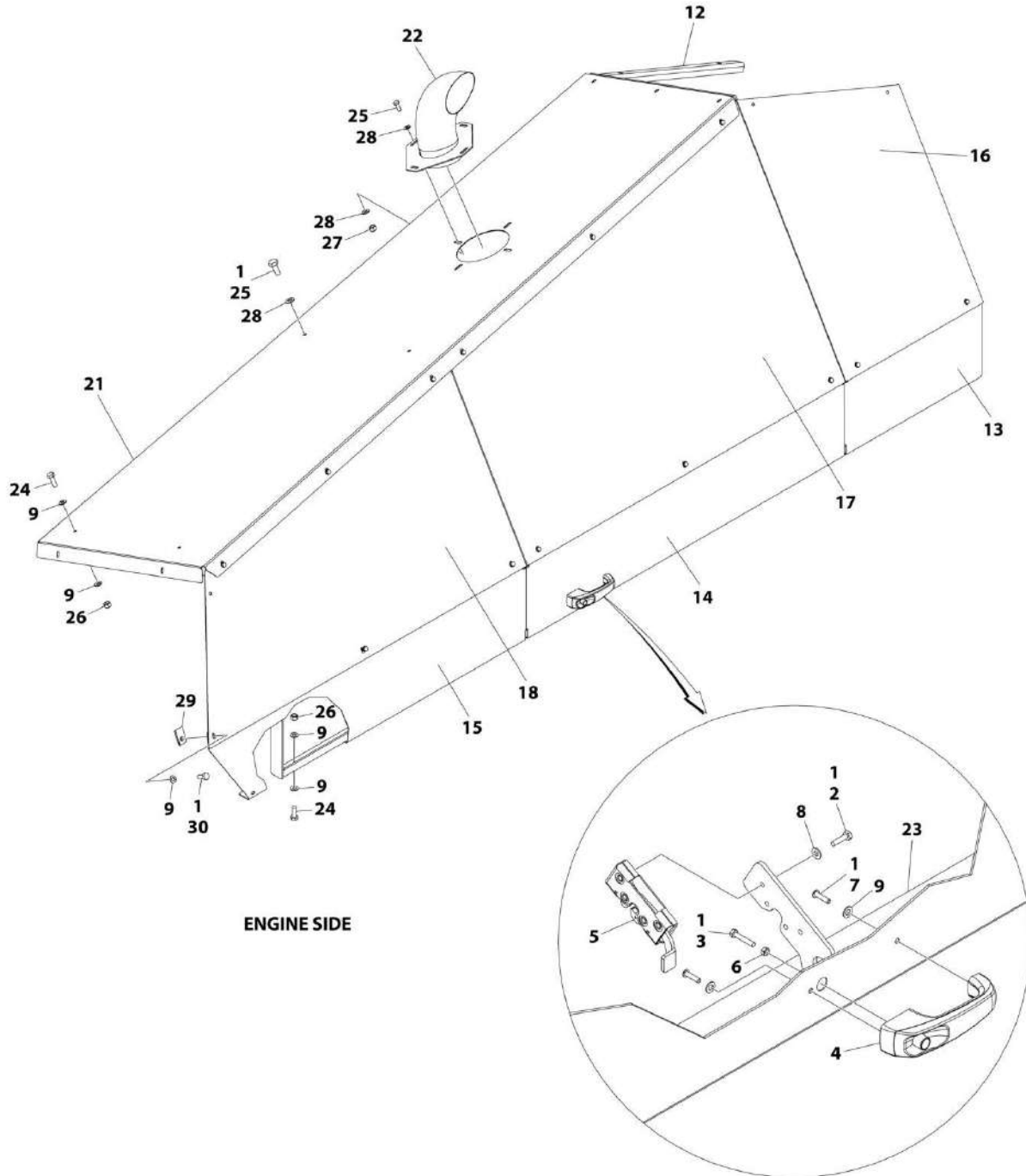
FIGURE 2-32. HOOD INSTALLATION - DEUTZ TD2.9L4 ENGINE

ITEM	PART NUMBER	QTY	DESCRIPTION	REV
	1001225210	Ref	HOOD INSTALLATION – DEUTZ TD2.9L4 ENGINE	A
1	0100011	AR	Compound, Locking	
2	0701024	4	Bolt M10 x 80	
3	0701219	4	Bolt M12 x 55	
4	0711030	4	Bolt M10 x 130	
5	0760812	2	Bolt M8 x 25	
6	0761221	16	Bolt M12 x 65	
7	0940071	4	Bumper	
8	3271601	8	Nut 3/8	
9	3290805	2	Nut M8	
10	3291005	8	Nut M10	
11	3291201	4	Nut M12	
12	3291205	36	Nut M12	
13	4811900	24	Washer M8	
14	4812000	16	Washer M10	
15	4812100	60	Washer M12	
16	1001225211	1	Hood Assembly - Engine Side (See Separate Breakdown in this Section)	
17	1001149082	1	Panel, Hood	
18	1001149083	1	Panel, Hood	
19	1001149085	1	Hood Assembly - Tank Side (See Separate Breakdown in this Section)	
20	1001149092	1	Panel, Hood	
21	1001149093	1	Panel, Hood	
22	1001149095	4	Bearing	
23	1001149096	2	Hinge (RH)	
24	1001149098	2	Bracket	
25	1001149099	2	Hinge (LH)	
26	1001149101	2	Bracket	
27	1001153028	1	Bracket	
28	1001153029	1	Bracket, Latch (Engine Side)	
29	1001153030	1	Bracket, Latch (Tank Side)	
30	1001153034	6	Plate, Spacer	
31	1001153035	1	Bracket	
32	1001153086	4	Bolt M12 x 70	
33	1001153162	16	Bolt M12 x 35	
34	1001153195	58	Washer M10	
35	1001153198	4	Spacer	
36	1001153199	4	Plate, Spacer	
37	1001151912	8	Spring, Gas	
38	0760810	20	Bolt M8 x 20	
39	1001149160	16	Nut, Tinnerman M8	



# SECTION 2 - TURNTABLE

## FIGURE 2-33. HOOD ASSEMBLY - ENGINE SIDE (DEUTZ TD2011 ENGINE)



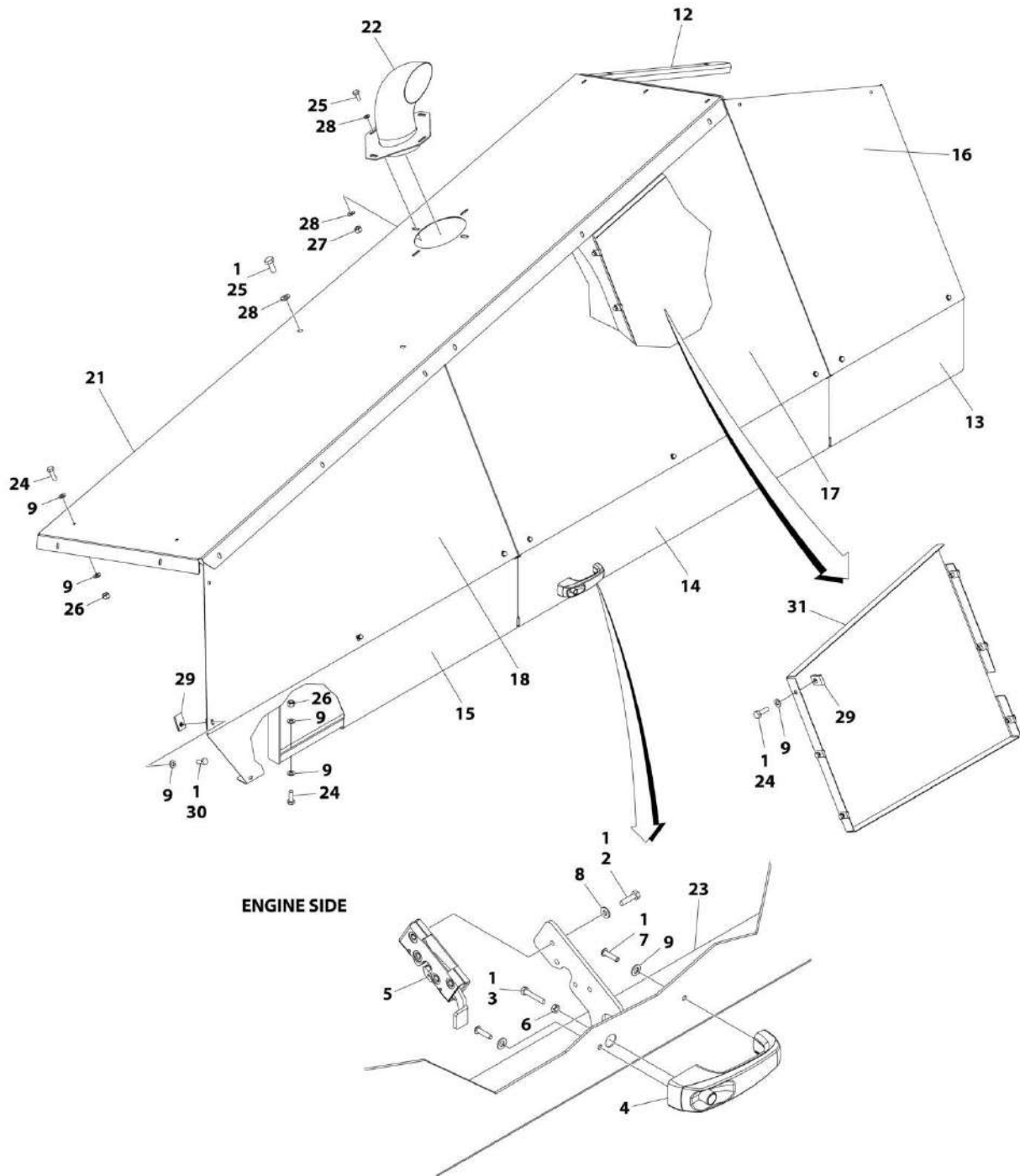
## SECTION 2 - TURNTABLE

**FIGURE 2-33. HOOD ASSEMBLY - ENGINE SIDE (DEUTZ TD2011 ENGINE)**

ITEM	PART NUMBER	QTY	DESCRIPTION	REV
	1001149075	Ref	HOOD ASSEMBLY - ENGINE SIDE (DEUTZ TD2011 ENGINE)	C
1	0100011	AR	Compound, Locking	
2	0641408	4	Bolt 1/4 x 1	
3	0700615	1	Bolt M6 x 35	
4	2560187	1	Handle	
5	2940173	1	Latch, Rotary	
6	3290601	1	Nut M6	
7	3900363	2	Screw M6 x 25	
8	4711400	4	Washer 1/4	
9	4811900	60	Washer M8	
12	1001149061	1	Frame, Hood	
13	1001149076	1	Panel - Front Lower Side	
14	1001149077	1	Panel - Middle Lower Side	
15	1001149078	1	Panel - Rear Lower Side	
16	1001149079	1	Panel - Front Middle Upper Side	
17	1001149080	1	Panel - Middle Upper Side	
18	1001149081	1	Panel - Rear Upper Side	
21	1001149084	1	Panel, Top	
22	1001151226	1	Stack, Exhaust	
23	1001151229	1	Seal	
24	0760812	22	Bolt M8 x 25	
25	0761012	6	Bolt M10 x 25	
26	3290805	22	Nut M8	
27	3291005	4	Nut M10	
28	4812000	10	Washer M10	
29	1001149160	14	Nut, Tinnerman M8	
30	0760810	14	Bolt M8 x 20	

# SECTION 2 - TURNTABLE

## FIGURE 2-34. HOOD ASSEMBLY - ENGINE SIDE (DEUTZ TD2.9L4 ENGINE)



ART\_1001225211



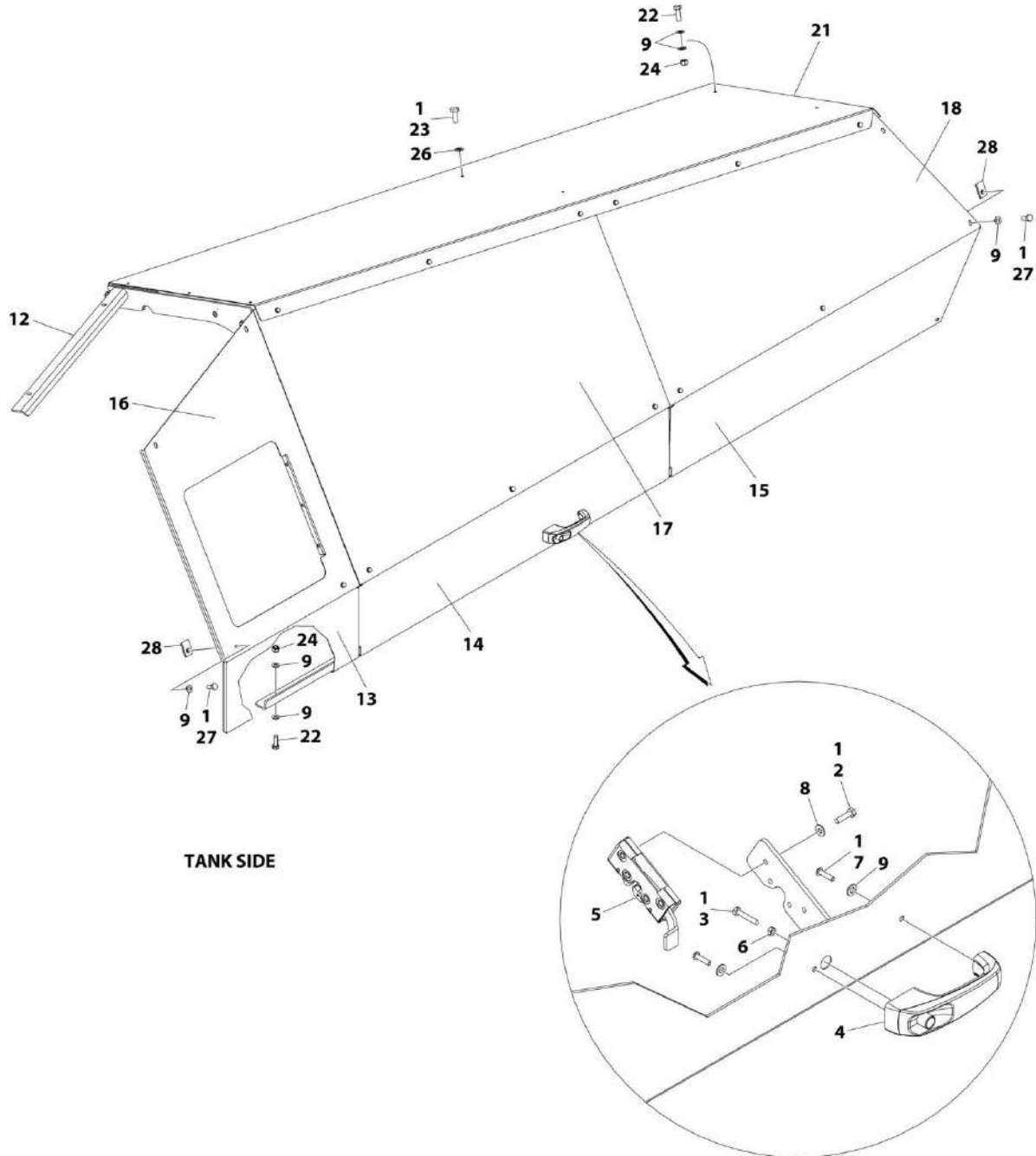
## SECTION 2 - TURNTABLE

**FIGURE 2-34. HOOD ASSEMBLY - ENGINE SIDE (DEUTZ TD2.9L4 ENGINE)**

ITEM	PART NUMBER	QTY	DESCRIPTION	REV
	1001225211	Ref	HOOD ASSEMBLY - ENGINE SIDE (DEUTZ TD2.9L4 ENGINE)	B
1	0100011	AR	Compound, Locking	
2	0641408	4	Bolt 1/4 x 1	
3	0700615	1	Bolt M6 x 35	
4	2560187	1	Handle	
5	2940173	1	Latch, Rotary	
6	3290601	1	Nut M6	
7	3900363	2	Screw M6 x 25	
8	4711400	4	Washer 1/4	
9	4811900	AR	Washer M8	
12	1001149061	1	Frame, Hood	
13	1001149076	1	Panel - Front Lower Side	
14	1001149077	1	Panel - Middle Lower Side	
15	1001149078	1	Panel - Rear Lower Side	
16	1001149079	1	Panel - Front Middle Upper Side	
17	1001149080	1	Panel - Middle Upper Side	
18	1001149081	1	Panel - Rear Upper Side	
21	1001225244	1	Panel, Top	
22	1001151226	1	Stack, Exhaust	
23	1001151229	1	Seal	
24	0760812	AR	Bolt M8 x 25	
25	0761012	6	Bolt M10 x 25	
26	3290805	22	Nut M8	
27	3291005	4	Nut M10	
28	4812000	10	Washer M10	
29	1001149160	AR	Nut, Tinnerman M8	
30	0760810	14	Bolt M8 x 20	
31	1001232358	1	Shield (SN B300001727 to Present)	

# SECTION 2 - TURNTABLE

## FIGURE 2-35. HOOD ASSEMBLY - TANK SIDE



ART\_1001149085

**SECTION 2 - TURNTABLE**

**FIGURE 2-35. HOOD ASSEMBLY - TANK SIDE**

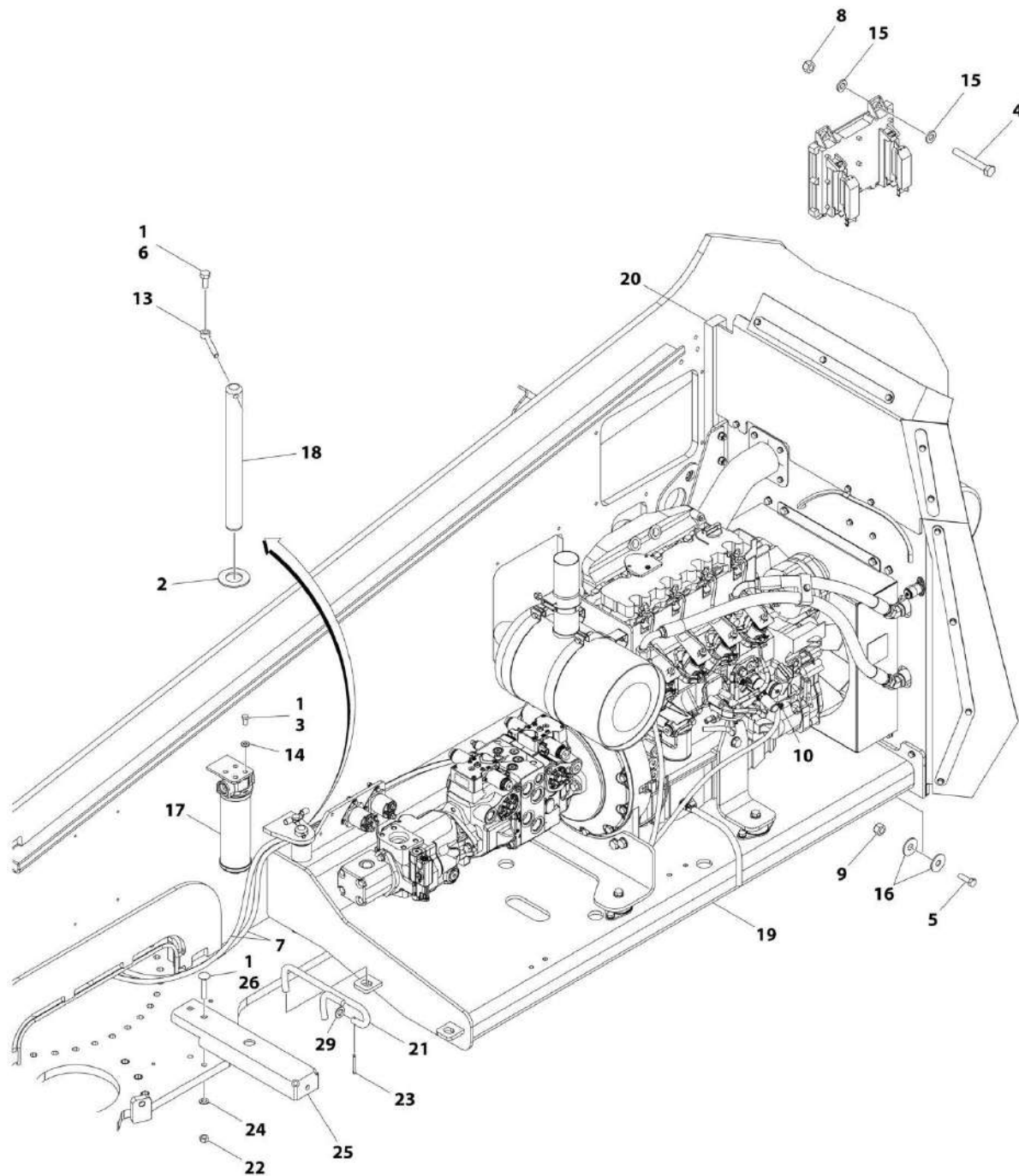
ITEM	PART NUMBER	QTY	DESCRIPTION	REV
	1001149085	Ref	HOOD ASSEMBLY - TANK SIDE	F
1	0100011	AR	Compound, Locking	
2	0641408	4	Bolt 1/4 x 1	
3	0700615	1	Bolt M6 x 35	
4	2560187	1	Handle	
5	2940173	1	Latch, Rotary	
6	3290601	1	Nut M6	
7	3900363	2	Screw M6 x 25	
8	4711400	4	Washer 1/4	
9	4811900	60	Washer M8	
12	1001149062	1	Frame, Hood	
13	1001149086	1	Panel - Front Lower Side	
14	1001149087	1	Panel - Middle Lower Side	
15	1001149088	1	Panel - Rear Lower Side	
16	1001149089	1	Panel - Front Upper Side	
17	1001149090	1	Panel - Middle Upper Side	
18	1001149091	1	Panel - Rear Upper Side	
21	1001149094	1	Panel - Top	
22	0760812	22	Bolt M8 x 25	
23	0761012	2	Bolt M10 x 25	
24	3290805	22	Nut M8	
26	4812000	2	Washer M10	
29	1001149160	14	Nut, Tinnerman M8	
30	0760810	14	Bolt M8 x 20	



**SECTION 3 - ENGINE**

# SECTION 3 - ENGINE

## FIGURE 3-1. DEUTZ TD2011 ENGINE INSTALLATION



ART\_1001150013

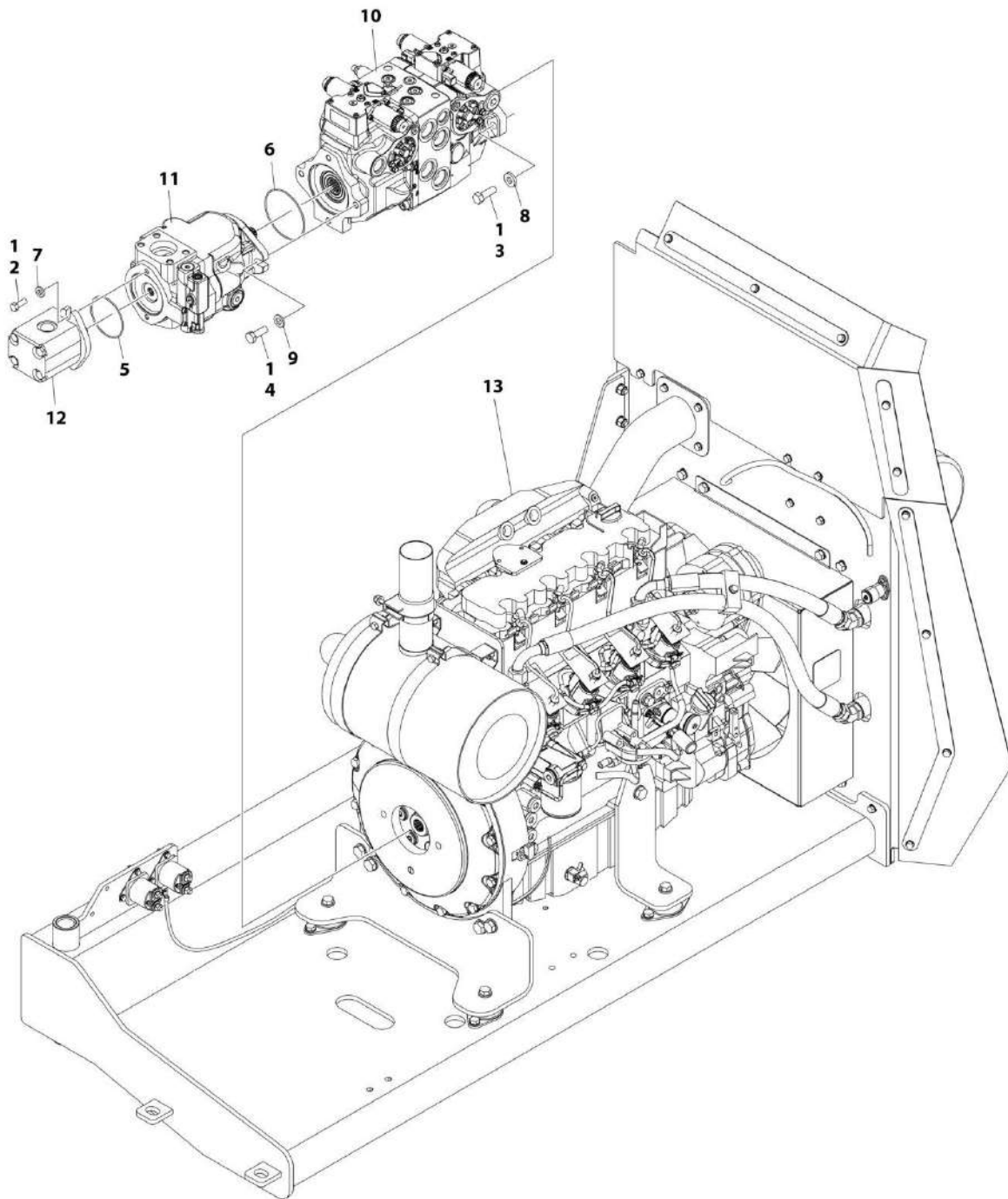
## SECTION 3 - ENGINE

**FIGURE 3-1. DEUTZ TD2011 ENGINE INSTALLATION**

ITEM	PART NUMBER	QTY	DESCRIPTION	REV
	1001150013	Ref	DEUTZ TD2011 ENGINE INSTALLATION	I
1	0100011	AR	Compound, Locking	
2	0440162	1	Bearing	
3	0641606	4	Bolt 3/8 x 3/4 <b>(SN B300001586 through B300002613)</b>	
4	0700617	4	Bolt M6 x 45	
5	0701216	1	Bolt M12 x 40	
6	0761012	1	Bolt M10 x 25	
7	2720058	33 ft/10m	Hose	
8	3290605	4	Nut M6	
9	3291205	1	Nut M12	
10	1001174486	4	Clamp	
13	3841143	1	Keeper, Pin	
14	4711600	4	Washer 3/8 <b>(SN B300001586 through B300002613)</b>	
15	4811700	8	Washer M6	
16	4812102	2	Washer M12	
17	1001108617	1	Filter, Hydraulic <b>(SN B300001586 through B300002613)</b>	
17	70002231	1	Element, Filter	
18	1001135196	1	Pin	
19	1001151129	1	Deutz TD2011 Engine and Pumps Sub-Assembly (See Separate Breakdown in this Section)	
20	1001153046	1	Seal	
21	1001153083	1	Hook	
22	3291201	2	Nut M12	
23	3391210	1	Pin, Split	
24	4812100	2	Washer M12	
25	1001153027	1	Bracket	
26	1001153086	2	Bolt M12 x 70	
27	1001150443	1	Battery Cable Kit - Deutz TD2011 (Not Shown - See Separate Breakdown in ELECTRICAL SECTION)	
28	1001119470	1	Engine Harness - Deutz TD2011 (Not Shown - See Separate Breakdown in ELECTRICAL SECTION)	
29	4812300	1	Washer M16	

# SECTION 3 - ENGINE

## FIGURE 3-2. DEUTZ TD2011 ENGINE AND PUMPS SUB-ASSEMBLY



ART\_1001151129



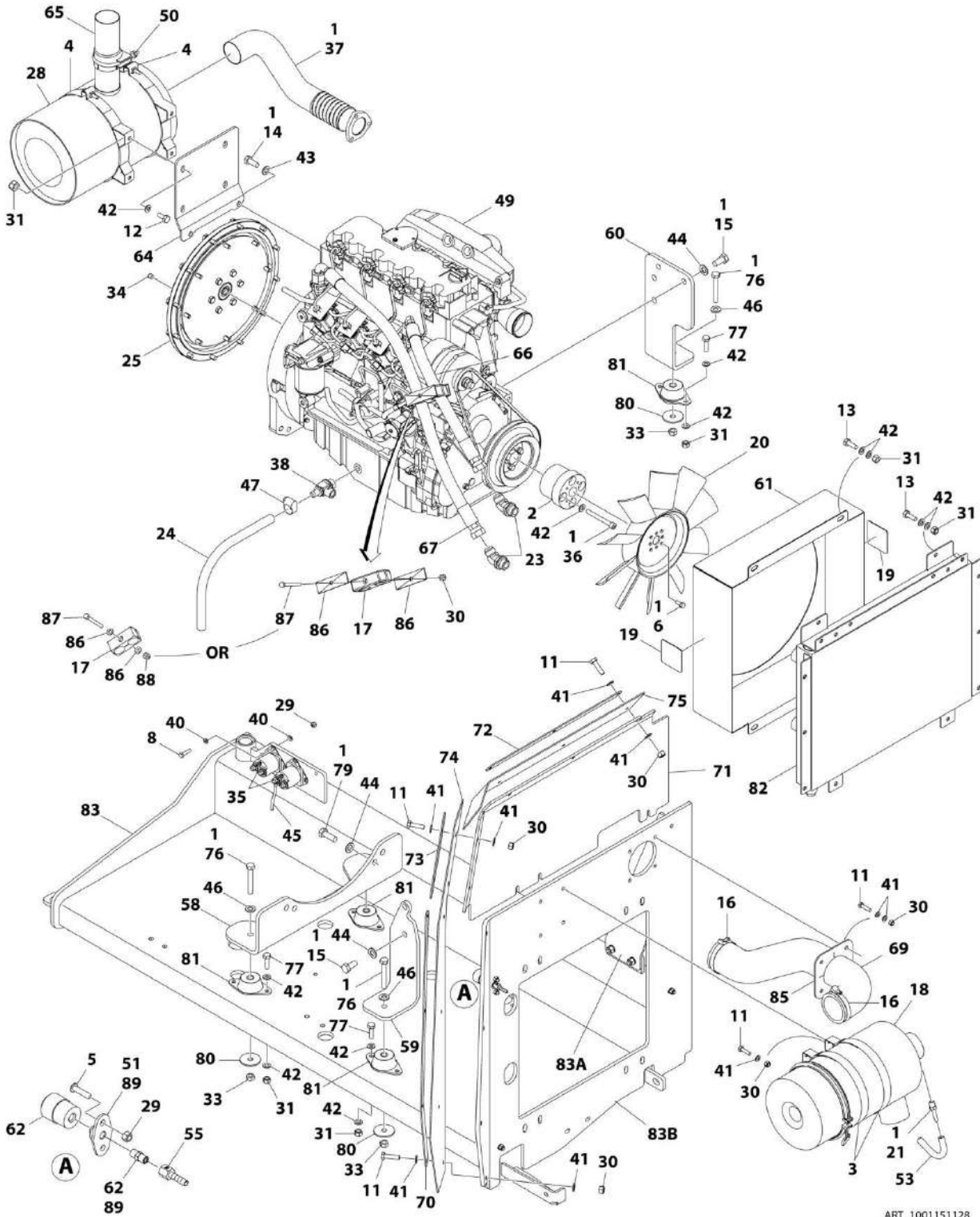
## SECTION 3 - ENGINE

**FIGURE 3-2. DEUTZ TD2011 ENGINE AND PUMPS SUB-ASSEMBLY**

ITEM	PART NUMBER	QTY	DESCRIPTION	REV
	1001151129	Ref	DEUTZ TD2011 ENGINE AND PUMPS SUB-ASSEMBLY	F
1	0100011	AR	Compound, Locking	
2	0641608	2	Bolt 3/8 x 1	
3	0641812	2	Bolt 1/2 x 1-1/2	
4	0761215	2	Bolt M12 x 35	
5	3790152	1	O-Ring	
6	3790155	1	O-Ring	
7	4891600	2	Washer 3/8	
8	4891800	2	Washer 1/2	
9	5241200	2	Washer M12	
10	1001108616	1	Tandem Pump Assembly (See Separate Breakdown in this Section)	
11	1001171095	1	Piston Pump Assembly (See Separate Breakdown in this Section)	
12	1001112927	1	Gear Pump Assembly (See Separate Breakdown in this Section)	
13	1001151128	1	Deutz TD2011 Engine Assembly (See Separate Breakdown in this Section)	

# SECTION 3 - ENGINE

## FIGURE 3-3. DEUTZ TD2011 ENGINE ASSEMBLY



ART\_1001151128

## SECTION 3 - ENGINE

**FIGURE 3-3. DEUTZ TD2011 ENGINE ASSEMBLY**

ITEM	PART NUMBER	QTY	DESCRIPTION	REV
	1001151128	Ref	DEUTZ TD2011 ENGINE ASSEMBLY	K
1	0100011	AR	Compound, Locking	
2	0080237	1	Spacer, Fan	
3	0340003	2	Band, Air Cleaner	
4	0340051	2	Band, Muffler	
5	3900363	2	Screw M6 x 25	
6	0641506	4	Bolt 5/16 x 3/4	
8	0760612	4	Bolt M6 x 25	
11	0760814	18	Bolt M8 x 30	
12	0761012	4	Bolt M10 x 25	
13	0761014	8	Bolt M10 x 30	
14	0761214	2	Bolt M12 x 30	
15	0771414	6	Bolt M14 x 30	
16	1320058	2	Clamp	
17	1321320	1	Clamp (SN B300001586 through B300002613)	
17	8750024	1	Clamp (SN B300002614 to Present)	
18	1001204509	1	Air Cleaner Assembly	
18	7003655	1	Element, Air Cleaner	
18	7015014	1	Clamp	
18	7015015	1	Cap, End	
19	1703162	2	Decal - Fan Blade	
20	2060025	1	Fan	
21	2220315	1	Fitting, Straight Barbed	
23	2220498	2	Fitting, 45 JIC/ORB	
24	2750532	9 in/22cm	Hose	
25	2902065	1	Pump Coupling Kit (See Separate Breakdown in this Section)	
26	3020016	AR	Oil, Motor (Not Shown)	
28	3220126	1	Muffler	
29	3290605	6	Nut M6	
30	3290805	AR	Nut M8	
31	3291005	20	Nut M10	
33	3331211	4	Nut M12	
34	3520054	1	Plug	
35	3740067	2	Relay	
36	4032022	4	Capscrew M10 x 90	
37	4568293	1	Pipe, Exhaust	
38	4640751	1	Valve, Oil Drain	
40	4811700	8	Washer M6	
41	4811900	32	Washer M8	
42	4812000	40	Washer M10	
43	4812100	2	Washer M12	
44	4812200	10	Washer M14	
45	4923468	1	Glow Plug Harness	
46	5241200	4	Washer M12	
47	8410013	1	Clamp	
49	1001098601	1	Deutz TD2011 Engine Components (See Separate Breakdown in this Section)	
50	1001111116	1	Clamp	
51	1001138173	1	Support	
53	1001138248	22 in	Tube Nylon	

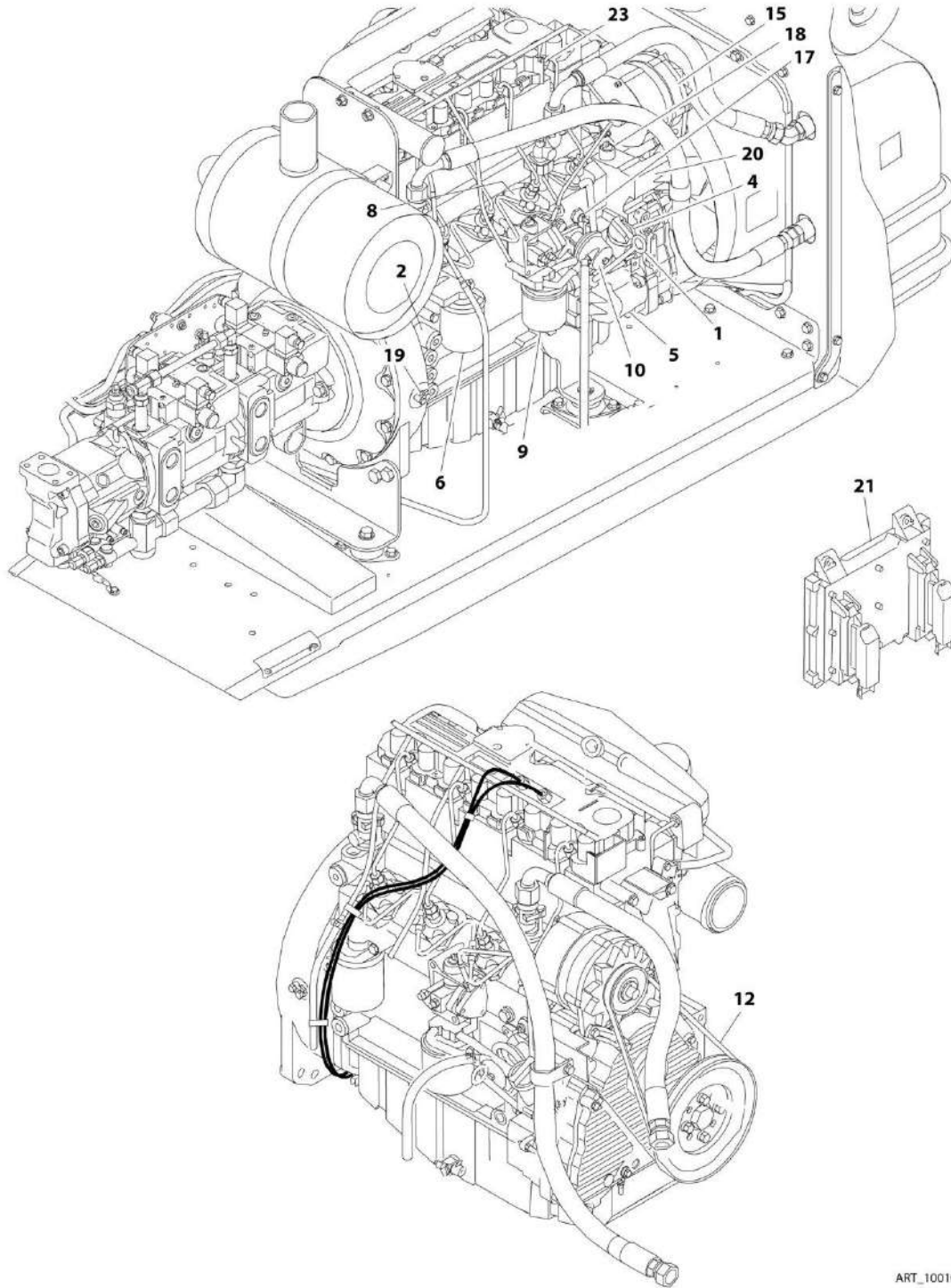
## SECTION 3 - ENGINE

ITEM	PART NUMBER	QTY	DESCRIPTION	REV
		/56cm		
55	1001141995	1	Fitting, Straight NPT/Barbed	
58	1001149314	1	Mount Rear Engine	
59	1001149315	1	Mount, Outboard Engine	
60	1001149316	1	Mount, Inboard Engine	
61	1001149530	1	Shroud, Fan	
62	1001149639	1	Indicator, Restriction	
64	1001149744	1	Bracket, Muffler	
65	1001151157	1	Pipe, Exhaust Extension	
66	1001151158	1	Hose, Oil Cooler (Upper)	
67	1001151159	1	Hose, Oil Cooler (Lower)	
69	1001092856	1	Hose, Turbo	
70	1001151320	1	Plate, Clamping	
71	1001152488	1	Baffle	
72	1001152493	1	Plate, Clamping	
73	1001152496	1	Plate, Clamping	
74	1001152497	1	Panel, Rubber	
75	1001152500	1	Panel, Rubber	
76	0711224	4	Bolt M12 x 80	
77	0761015	8	Bolt M10 x 35	
79	0771416	4	Bolt M14 x 40	
80	1001168018	4	Washer	
81	1001191610	4	Mount, Motor	
82	1001196107	1	Radiator	
83	1001196896	1	Tray Assembly	
83A	1001155550	1	Support <b>(SN B300001586 through B300001731)</b>	
83A	1001212817	1	Support <b>(SN B300001732 to Present)</b>	
83B	1001196894	1	Plate, Radiator Mounting	
85	1001197477	1	Seal	
86	4711500	2	Washer 5/16 <b>(SN B300001586 through B300002613)</b>	
86	8750025	2	Cover, Plate <b>(SN B300002614 to Present)</b>	
87	0641524	1	Bolt 5/16 x 3	
87	0700824	1	Bolt M8 x 80	
88	88521205	1	Nut 5/16	
88	3290805	1	Nut M8	
89	0100020	AR	Sealant	



# SECTION 3 - ENGINE

## FIGURE 3-4. DEUTZ TD2011 ENGINE COMPONENTS



ART\_1001098601

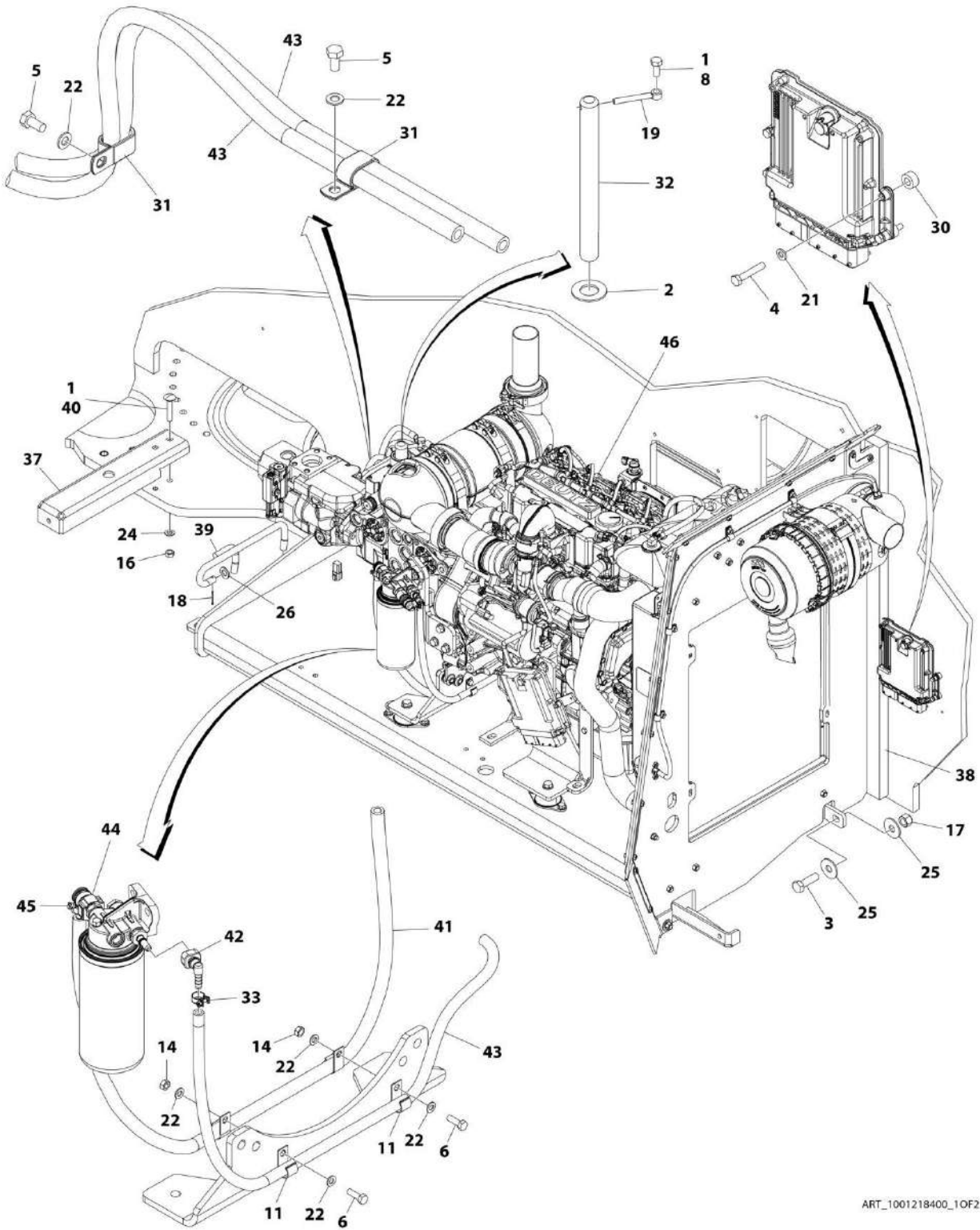
## SECTION 3 - ENGINE

**FIGURE 3-4. DEUTZ TD2011 ENGINE COMPONENTS**

ITEM	PART NUMBER	QTY	DESCRIPTION	REV
	1001098601	Ref	DEUTZ TD2011 ENGINE COMPONENTS	C
1	7027235	1	Dipstick	
1	70000044	1	O-Ring	
2	70003475	1	Thermostat	
2	7020460	1	Compression Spring	
3	70001870	1	Flywheel (Not Shown)	
3	7024579	1	Gear, Ring (Not Shown)	
4	7020465	1	Cap, Filler	
5	70001850	1	Pump, Oil	
5	7020468	1	Seal Between Oil Pump and Engine Block (Not Shown)	
6	7016331	1	Filter, Oil	
6	7027236	1	Sender, Temperature (Located near Oil Filter)	
8		Ref	Injector Pump	
8	70001128	AR	"A" Series	
8	70001129	AR	"B" Series	
8	70001130	AR	"C" Series	
8	70001131	AR	"D" Series	
8	7020447	AR	Gasket (1 per Injector)	
9	8320270	1	Filter, Fuel	
10	70000916	1	Pump Fuel Supply	
10	70001435	1	Repair Kit	
10	70000917	1	O-Seal Between Fuel Pump and Engine Block (Not Shown)	
10	70000918	1	Sealing Ring (Now Shown)	
10	70000919	1	Pump, Hand (Not Shown)	
11	7027239	1	Solenoid, Start (Not Shown - Located near Throttle)	
12	7020414	1	V-Belt	
13	7020471	4	Gasket, Exhaust Manifold to Engine Block (Not Shown)	
13	7020486	1	Gasket, Exhaust Manifold to Exhaust Pipe (Now Shown)	
14	7027240	1	Turbocharger (Not Shown)	
14	70001857	1	Flange, Turbocharger (Not Shown)	
14	70001135	1	Gasket (Not Shown)	
15	70001867	1	Alternator	
15	70001868	1	Regulator, Voltage (Not Shown)	
16	7020479	1	Starter (Not Shown - Located on Right Side of Engine)	
16	7026608	1	Relay, Start (Not Shown)	
17	7027790	1	Sensor, Oil Pressure	
18	7027791	1	Sensor, Temperature (Not Shown)	
19	7024565	1	Sensor, Speed	
20	7027792	1	Actuator Throttle	
20	7027276	2	Spring	
21	1600443	1	Module, EMR2 Controller	
22	70002718	1	Seal, Rear Main (Not Shown)	
23	70003135	4	Injector, Fuel	
23	70003136	1	Ring, Sealing	
24	70001847	1	Valve, Breather (Not Shown - Located near Front Cover)	
24	70001126	1	O-Ring (Not Shown)	
25	70001125	1	Cap, Breather (Not Shown - Located in Cylinder Head Cover)	
25	70001126	1	O-Ring (Not Shown)	
26	70001871	4	Gasket, Air Intake Manifold (Not Shown)	
27	70000345	4	Plug, Glow (Not Shown)	

# SECTION 3 - ENGINE

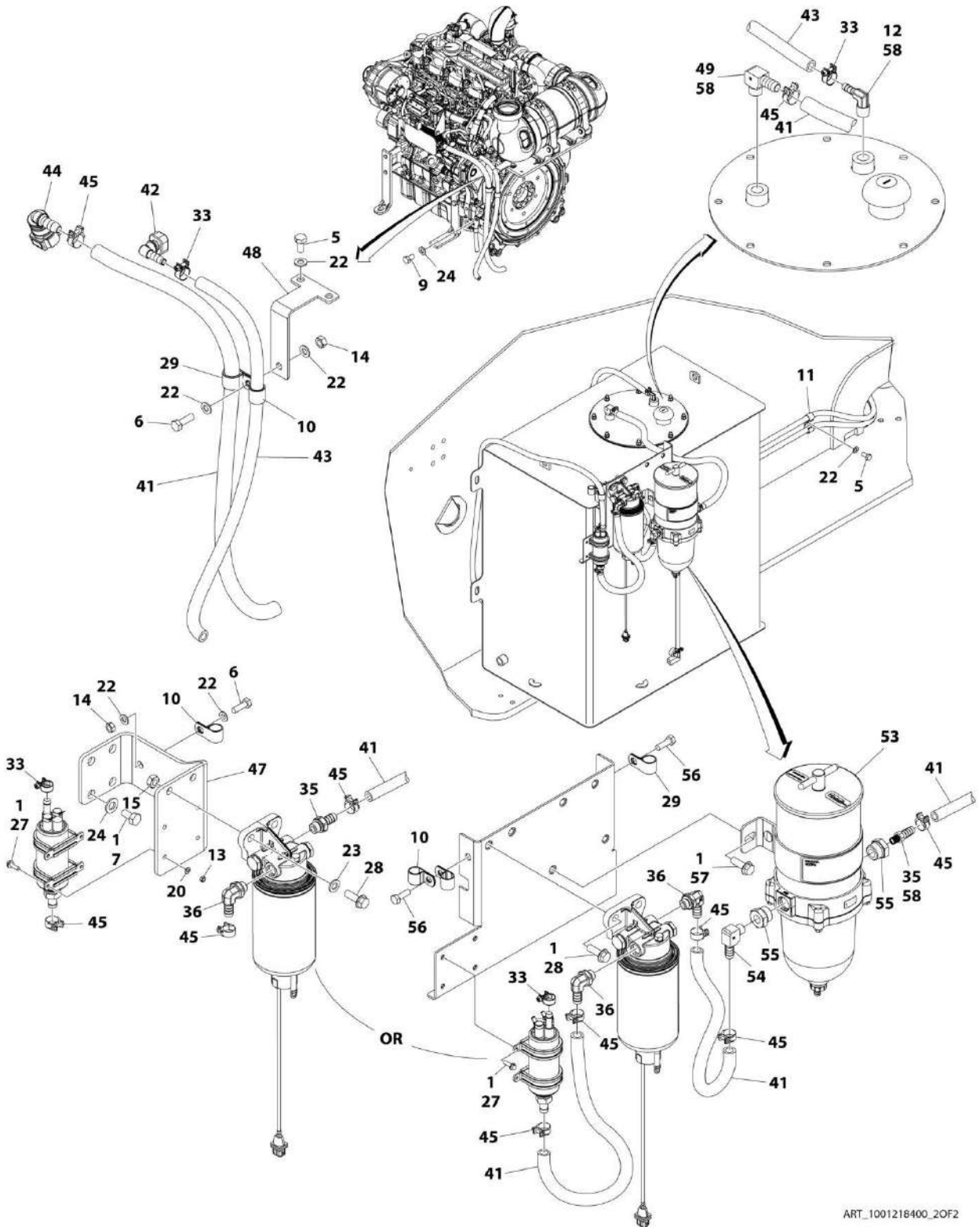
## FIGURE 3-5. DEUTZ TD2.9L4 T4F ENGINE INSTALLATION



ART\_1001218400\_10F2



# SECTION 3 - ENGINE



ART\_1001218400\_2OF2

## SECTION 3 - ENGINE

FIGURE 3-5. DEUTZ TD2.9L4 T4F ENGINE INSTALLATION

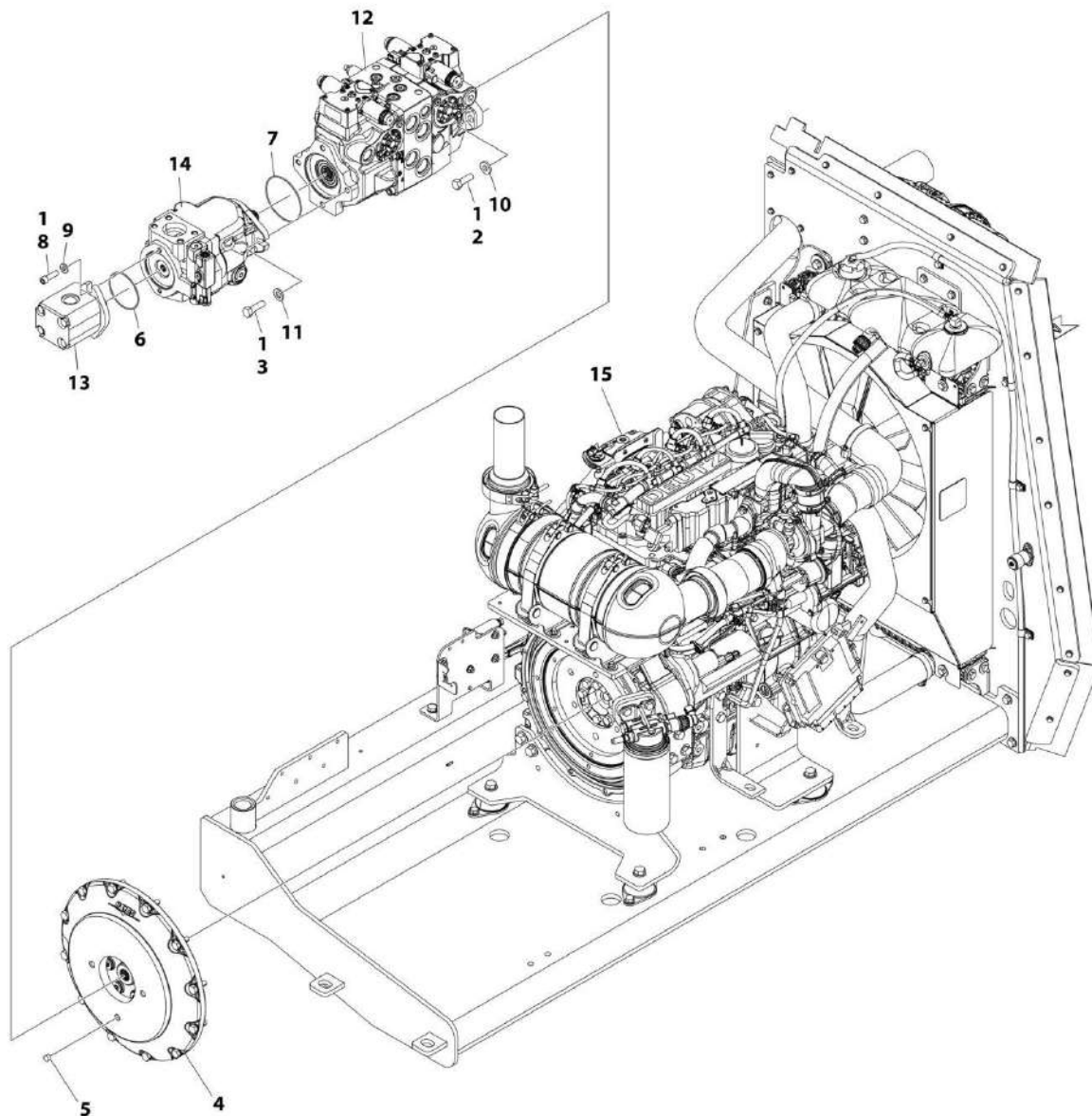
ITEM	PART NUMBER	QTY	DESCRIPTION	REV
	1001218400	Ref	DEUTZ TD2.9L4 T4F ENGINE INSTALLATION	E
1	0100011	AR	Compound, Locking	
2	0440162	1	Bearing	
3	0701216	1	Bolt M12 x 40	
4	0760615	4	Bolt M6 x 35	
5	0760808	7	Bolt M8 x 16	
5	5250808	7	Bolt M8 x 16	
6	0760812	AR	Bolt M8 x 25	
6	5250812	3	Bolt M8 x 25	
6	5250813	3	Bolt M8 x 28	
7	0761010	4	Bolt M10 x 20 (SN B300001586 through B300002613)	
8	0761012	1	Bolt M10 x 25	
9	0761210	1	Bolt M12 x 20	
9	5251210	1	Bolt M12 x 20	
9	5251212	1	Bolt M12 x 25	
10	1320061	AR	Clamp	
11	1320223	9	Clip	
12	2220313	1	Fitting, 90 NPTF/BARB	
13	3290501	4	Nut M5 (SN B300001586 through B300002613)	
14	3290801	AR	Nut M8	
14	5260800	3	Nut M8	
15	3291001	2	Nut M10 (SN B300001586 through B300002613)	
16	3291201	2	Nut M12	
17	3291205	1	Nut M12	
18	3391210	1	Pin, Split	
19	3841143	1	Keeper, Pin	
20	4811600	4	Washer M5 (SN B300001586 through B300002613)	
21	4811700	4	Washer M6	
22	4811900	AR	Washer M8 (SN B300001586 through B300002613)	
23	4812000	2	Washer M10 (SN B300001586 through B300002613)	
24	4812100	AR	Washer M12	
25	4812102	2	Washer M12	
26	4812300	1	Washer M16	
27	5250508	4	Bolt M5 x 16	
28	5251014	2	Bolt M10 x 30	
28	5251013	2	Bolt M10 x 28	
29	91043147	1	Clamp (SN B300001586 through B300002613)	
29	8406202	2	Clip (SN B300002614 to Present)	
30	1001110425	4	Spacer	
31	1001116792	2	Clamp	
32	1001135196	1	Pin	
33	1001136975	4	Clamp	
34	1001221289	1	Fuel Pump Harness - Deutz TD2.9L4 (Not Shown - See Separate Breakdown in ELECTRICAL SECTION)	
35	1001141718	1	Fitting, Straight Barbed (SN B300001586 through B300002613)	
35	2180832	1	Fitting, Straight Barbed (SN B300002614 to Present)	
36	1001142501	AR	Fitting, 90 Barbed	
37	1001153027	1	Bracket	
38	1001153046	1	Seal	
39	1001153083	1	Hook	

## SECTION 3 - ENGINE

ITEM	PART NUMBER	QTY	DESCRIPTION	REV
40	1001153086	2	Bolt M12 x 70	
41	1001154405	AR	Hose	
42	1001155823	2	Coupling, 90 Quick Connect	
43	1001165035	AR	Hose	
44	1001170982	2	Fitting, 90	
45	1001175568	AR	Clip	
46	1001218403	1	Deutz TD2.9L4 T4F Engine and Pumps Sub-Assembly (See Separate Breakdown in this Section)	
47	1001219631	1	Bracket <b>(SN B300001586 through B300002613)</b>	
48	1001219726	1	Plate, Clamping	
49	1001220535	1	Fitting, 90 NPT/Barbed	
50	1001220749	1	Battery Cable Kit - Deutz TD2.9L4 (Not Shown - See Separate Breakdown in ELECTRICAL SECTION)	
51	1001136079	AR	Oil, Motor (Not Shown)	
52	1001220200	AR	Coolant (Not Shown)	
53	1001222817	1	Filter, Fuel <b>(SN B300002614 to Present)</b>	
54	1001224023	1	Fitting, 90 NPT/Barbed <b>(SN B300002614 to Present)</b>	
55	2220816	2	Fitting, Straight FNPTF/ORB <b>(SN B300002614 to Present)</b>	
56	5250810	2	Bolt M8 x 20 <b>(SN B300002614 to Present)</b>	
57	5251011	2	Bolt M10 x 22 <b>(SN B300002614 to Present)</b>	
58	0100020	AR	Sealant <b>(SN B300002614 to Present)</b>	

# SECTION 3 - ENGINE

## FIGURE 3-6. DEUTZ TD2.9L4 T4F ENGINE AND PUMPS SUB-ASSEMBLY



ART\_1001218403

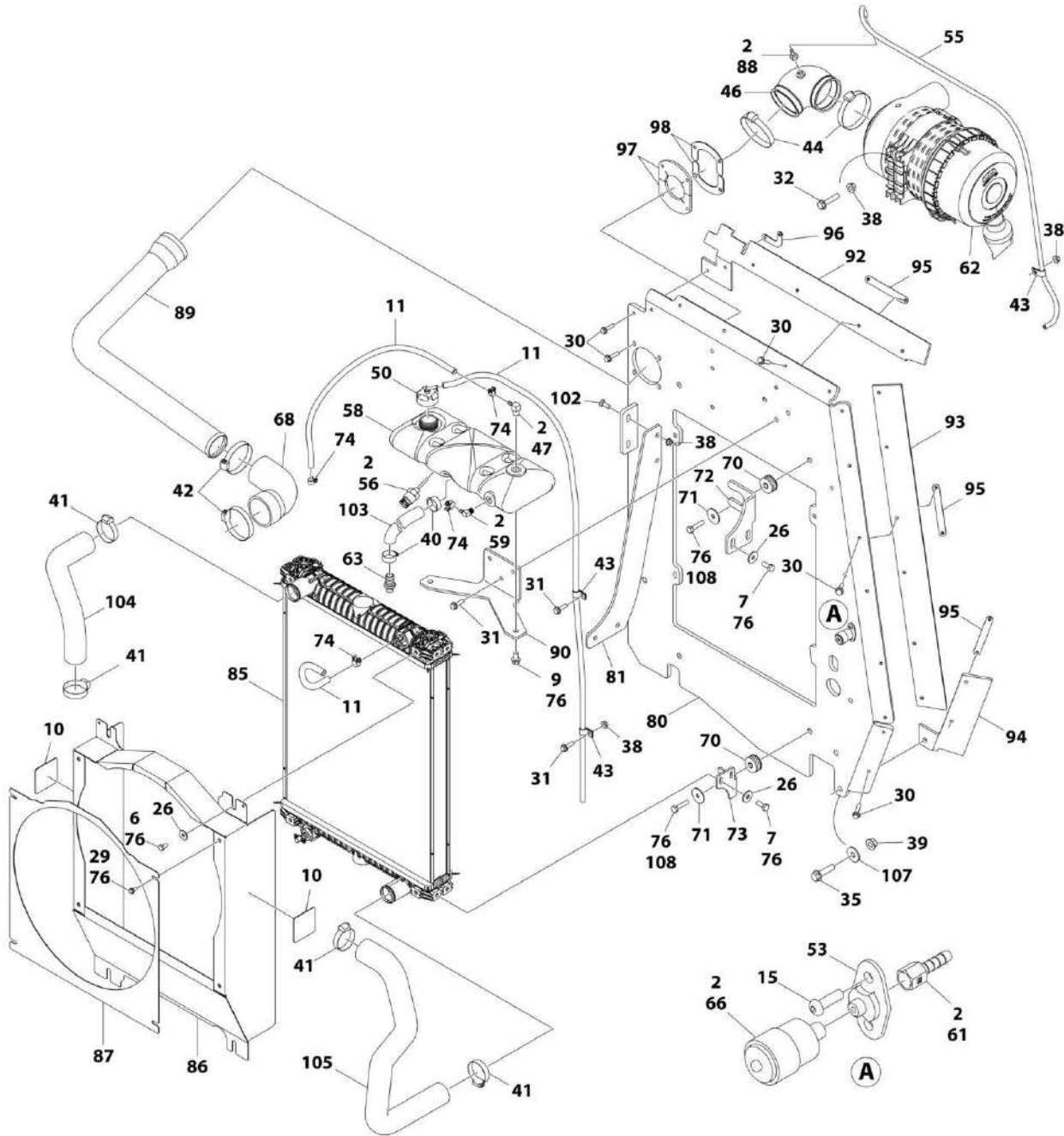
## SECTION 3 - ENGINE

**FIGURE 3-6. DEUTZ TD2.9L4 T4F ENGINE AND PUMPS SUB-ASSEMBLY**

ITEM	PART NUMBER	QTY	DESCRIPTION	REV
	1001218403	Ref	DEUTZ TD2.9L4 T4F ENGINE AND PUMPS SUB-ASSEMBLY	A
1	0100011	AR	Compound, Locking	
2	0641812	2	Bolt 1/2 x 1-1/2	
3	0761216	2	Bolt M12 x 40	
4	2902065	1	Pump Coupling Kit (See Separate Breakdown in this Section)	
5	3520054	1	Plug	
6	3790152	1	O-Ring	
7	3790155	1	O-Ring	
8	3931620	2	Capscrew 3/8 x 1-1/4	
9	4891600	2	Washer 3/8	
10	4891800	2	Washer 1/2	
11	5241200	2	Washer M12	
12	1001108616	1	Tandem Pump Assembly (See Separate Breakdown in this Section)	
13	1001112927	1	Gear Pump Assembly (See Separate Breakdown in this Section)	
14	1001171095	1	Piston Pump Assembly (See Separate Breakdown in this Section)	
15	1001218404	1	Deutz TD2.9L4 T4F Engine Assembly (See Separate Breakdown in this Section)	

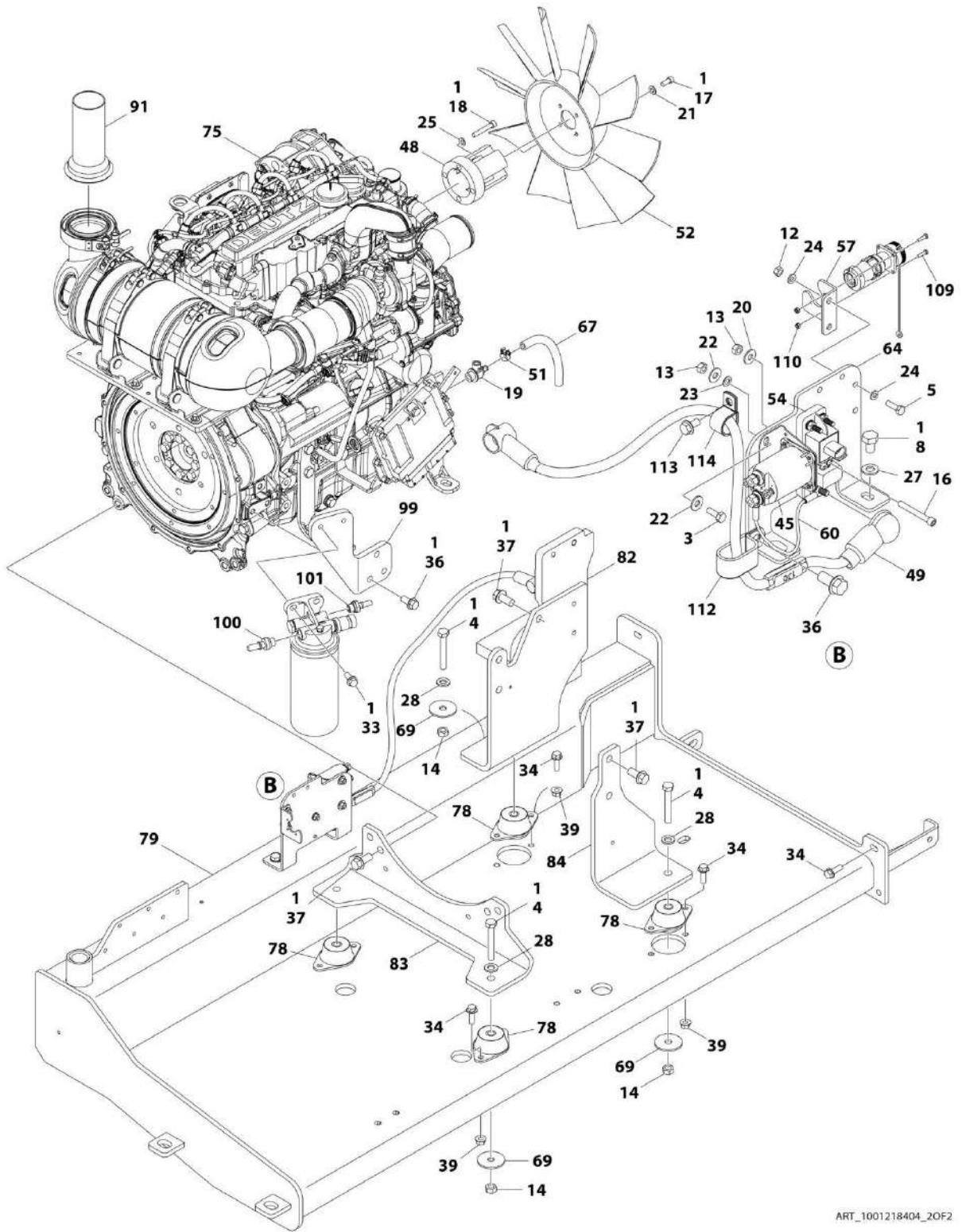
# SECTION 3 - ENGINE

## FIGURE 3-7. DEUTZ TD2.9L4 T4F ENGINE ASSEMBLY



ART\_1001218404\_10F2

# SECTION 3 - ENGINE



ART\_1001218404\_20F2

# SECTION 3 - ENGINE

## FIGURE 3-7. DEUTZ TD2.9L4 T4F ENGINE ASSEMBLY

ITEM	PART NUMBER	QTY	DESCRIPTION	REV
	1001218404	Ref	DEUTZ TD2.9L4 T4F ENGINE ASSEMBLY	G
1	0100011	AR	Compound, Locking	
2	0100020	AR	Sealant	
3	0641406	2	Bolt 1/4 x 3/4	
3	5250608	2	Bolt M6 x 16	
4	0711224	4	Bolt M12 x 80	
5	0760610	2	Bolt M6 x 20	
5	5250608	2	Bolt M6 x 16	
6	0760808	4	Bolt M8 x 16	
7	0760810	8	Bolt M8 x 20	
8	0761008	2	Bolt M10 x 16	
8	5251008	2	Bolt M10 x 16	
9	0811606	2	Bolt 3/8 x 3/4	
10	1703162	2	Decal - Fan Blade	
11	2720015	90 in/ 2.3m	Hose	
11	1001228200	90 in/ 2.3m	Hose	
12	3290601	2	Nut M6	
12	5260600	5	Nut M6	
13	3311405	3	Nut 1/4	
13	5260600	3	Nut M6	
14	3331211	4	Nut M12	
15	3900364	2	Screw M6 x 20	
16	3931432	1	Capscrew 1/4 x 2	
16	0700618	1	Capscrew M6 x 50	
17	3931512	4	Capscrew 5/16 x 3/4	
18	4031914	4	Capscrew M8 x 50	
19	4640751	1	Valve, Oil Drain	
20	4711400	1	Washer 1/4 (SN B300001586 through B300002613)	
21	4711500	4	Washer 5/16	
22	4751400	4	Washer 1/4 (SN B300001586 through B300002613)	
23	4791400	2	Washer 1/4 (SN B300001586 through B300002613)	
24	4811700	4	Washer M6 (SN B300001586 through B300002613)	
25	4811900	4	Washer M8	
26	4811902	12	Washer M8	
27	4812000	2	Washer M10 (SN B300001586 through B300002613)	
28	5241200	4	Washer M12	
29	5250608	AR	Bolt M6 x 16	
30	5250612	18	Bolt M6 x 25	
31	5250813	8	Bolt M8 x 28	
32	5250816	2	Bolt M8 x 40	
33	5251012	2	Bolt M10 x 25	
34	5251014	10	Bolt M10 x 30	
35	5251016	AR	Bolt M10 x 40	
36	5251212	AR	Bolt M12 x 25	
37	5251414	9	Bolt M14 x 30	
38	5260800	11	Nut M8 Grade 10	
39	5261000	9	Nut M10 Grade 10	
40	8405007	2	Clamp	



## SECTION 3 - ENGINE

ITEM	PART NUMBER	QTY	DESCRIPTION	REV
41	8405104	4	Clamp	
42	8405204	AR	Clamp	
43	8406109	8	Clip	
44	8410011	2	Clamp	
44	8405204	2	Clamp	
45	1001117308	1	Contactora	
46	1001126874	1	Elbow, Air Intake	
47	1001134488	1	Fitting, 90 Barbed	
48	1001135138	1	Spacer, Fan	
49	1001135779	1	Cable, Alternator +	
50	1001136834	1	Cap	
51	1001136975	1	Clamp	
52	1001137276	1	Fan	
53	1001138173	1	Support	
54	1001138228	1	Relay	
55	1001138248	AR	Tube, Nylon	
56	1001138827	1	Sensor, Coolant Level	
57	1001139240	1	Bracket	
58	1001140535	1	Tank, Surge (SN B300001586 through B300002636)	
58	1001229542	1	Tank, Surge (SN B300002637 to Present)	
59	1001140564	1	Fitting, 90 Barbed	
60	1001141304	1	Glow Fuse Harness	
61	1001141995	1	Fitting, NPT/Barbed	
62	1001142259	1	Air Filter Assembly	
62	70024190	1	Element, Air Filter (Main)	
62	70024191	1	Element, Air Filter (Secondary)	
62	70025249	1	Valve, Dust	
63	1001143797	1	Fitting, Straight Barbed	
64	1001145154	1	Plate	
65	1001148843	1	Fuel Filter Harness - Deutz TD2.9L4 (Not Shown - See Separate Breakdown in ELECTRICAL SECTION)	
66	1001149639	1	Indicator, Restriction	
67	1001165035	9 in/21cm	Hose	
68	1001165820	1	Hose, 90	
69	1001168018	4	Washer	
70	1001169054	4	Isolator	
71	1001169138	4	Pad	
72	1001169967	2	Bracket	
73	1001170035	2	Bracket	
74	1001174486	4	Clamp (SN B300001586 through B300002613)	
74	1320022	4	Clamp (SN B300002614 to Present)	
75	1001174928	1	Deutz TD2.9L4 T4F Engine Components (See Separate Breakdown in this Section)	
76	1001180620	AR	Adhesive	
77	1001182997	AR	Adhesive (SN B300001586 through B300002636)	
78	1001191610	4	Mount, Motor	
79	1001218405	1	Tray	
80	1001218406	1	Plate	
81	1001218408	1	Brace	
82	1001218409	1	Mount, Engine (Front Inboard)	
83	1001218411	1	Mount, Engine (Rear)	
84	1001218412	1	Mount, Engine (Front Outboard)	

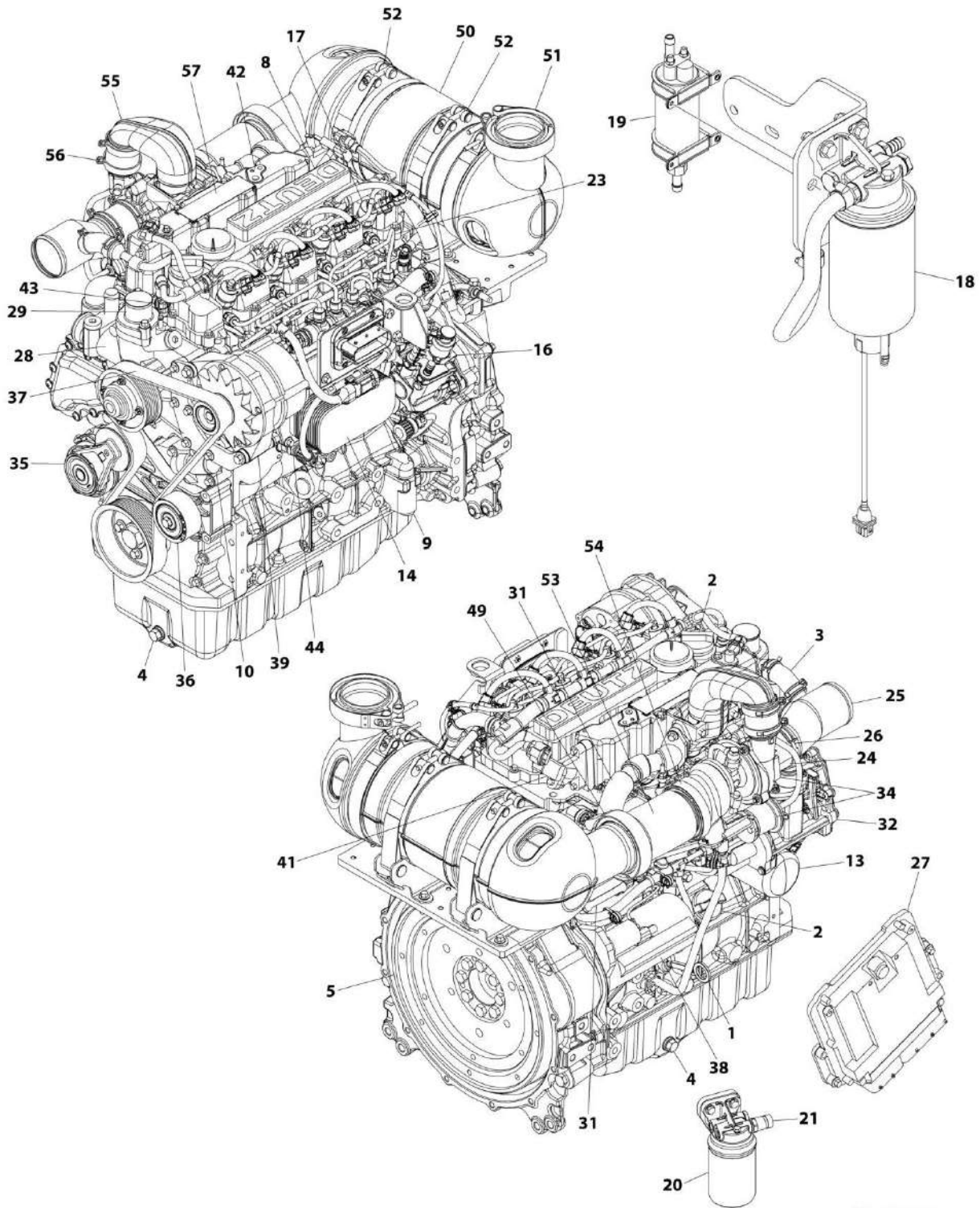
## SECTION 3 - ENGINE

ITEM	PART NUMBER	QTY	DESCRIPTION	REV
85	1001218414	1	Radiator	
86	1001218416	1	Shroud, Fan	
87	1001218417	1	Plate	
88	1001180516	1	Adapter	
89	1001218423	1	Tube, Air Intake	
90	1001218425	1	Bracket	
91	1001218427	1	Pipe, Exhaust <b>(SN B300001586 through B300002613)</b>	
91	1001231245	1	Pipe, Exhaust <b>(SN B300002614 to Present)</b>	
92	1001218429	1	Seal, Radiator (Top)	
93	1001218430	1	Seal, Radiator (Upper)	
94	1001218431	1	Seal, Radiator (Lower)	
95	1001218432	6	Plate	
96	1001218434	1	Plate	
97	1001218436	2	Seal	
98	1001218437	2	Plate	
99	1001218440	1	Bracket, Filter	
100	1001218443	1	Fitting, Straight	
101	1001218444	1	Fitting, Straight	
102	1001218448	4	Bolt	
103	1001218580	AR	Hose	
104	1001218944	1	Hose, Radiator (Top)	
105	1001218945	1	Hose, Radiator (Bottom)	
106	1001220261	1	Engine Harness - Deutz TD2.9L4 (Not Shown - See Separate Breakdown in ELECTRICAL SECTION)	
107	4812002	1	Washer M10	
108	0701017	4	Bolt M10 x 45	
109	0700306	3	Bolt M3 x 12	
109	0760306	3	Bolt M3 x 12	
110	3290305	3	Nut M3	
111	4240099	AR	Tie Strap (Not Shown)	
112	1001181899	1	Clamp	
113	5250808	1	Bolt M8 x 16	
114	8406202	1	Clip <b>(SN B300001586 through B300002738)</b>	
114	1001026127	1	Clamp <b>(SN B300002739 to Present)</b>	



# SECTION 3 - ENGINE

## FIGURE 3-8. DEUTZ TD2.9L4 T4F ENGINE COMPONENTS



ART\_1001174928

## SECTION 3 - ENGINE

**FIGURE 3-8. DEUTZ TD2.9L4 T4F ENGINE COMPONENTS**

ITEM	PART NUMBER	QTY	DESCRIPTION	REV
	1001174928	Ref	DEUTZ TD2.9L4 T4F ENGINE COMPONENTS	C
1	70006127	1	Dipstick	
1	70024905	1	O-Ring	
2	7020465	2	Cap, Filler	
3	70005920	1	Hose, Breather	
3	7002511	2	Clamp	
4	70005941	2	Plug	
4	70005942	1	Washer, Sealing	
5	70001870	1	Flywheel	
5	7024579	1	Gear, Ring	
6	70024906	1	Gasket, Head (Not Shown)	
7	70025204	1	Shield, Heat (Not Shown)	
8	70005921	1	Cover, Valve	
8	70025205	1	Gasket	
8	70005171	1	Gasket, Large Valve Cover	
9	70124530	1	Valve	
9	70124538	1	Spring	
9	70104570	1	Ring, Sealing	
9	70025660	1	Plug	
10	70025091	1	Plug	
10	70025076	1	Valve	
10	70025176	1	Spring	
10	70025082	1	Ring, Sealing	
11	70004280	1	Seal, Shaft - Front Main (Not Shown)	
11	70002718	1	Seal, Shaft - Rear Main (Not Shown)	
12	70005172	1	Pump, Oil Lube (Not Shown)	
12	See Note	NSS	O-Ring (Note: Use p/n 70005172)	
12	70005173	1	Gasket	
13	7016331	1	Filter, Oil	
13	70025137	1	Bushing	
14	70024494	1	Cooler, Engine Oil	
14	70024925	1	Gasket	
15	70025171	1	Oil Suction Pipe (Not Shown - Located Inside of Engine Oil Pan)	
16	70024924	1	Pump, Fuel	
16	70025152	1	O-Ring (Between Pump and Spacer)	
16	70024488	1	Spacer	
16	70024517	1	O-Ring (Between Spacer and Engine Block)	
17	70025181	4	Injector, Fuel	
17	70025140	4	Washer, Sealing	
17	70025146	4	Clamp (Top of Injector)	
17	70025145	4	O-Ring	
17	70025154	4	Shoe, Clamping	
17	70000345	1	Plug, Glow (Not Shown)	
17	70025231	1	Harness, Glow Plug (Not Shown)	
18	70024961	1	Fuel Filter Assembly	
18	70025153	NLA	Filter, Fuel (Use p/n 1001225430)	
18	70024513	1	Cable, Sensor	
18	70025239	1	Ring, Sealing	
19	70005174	1	Pump, Fuel	
19	70025144	2	Clamp	

## SECTION 3 - ENGINE

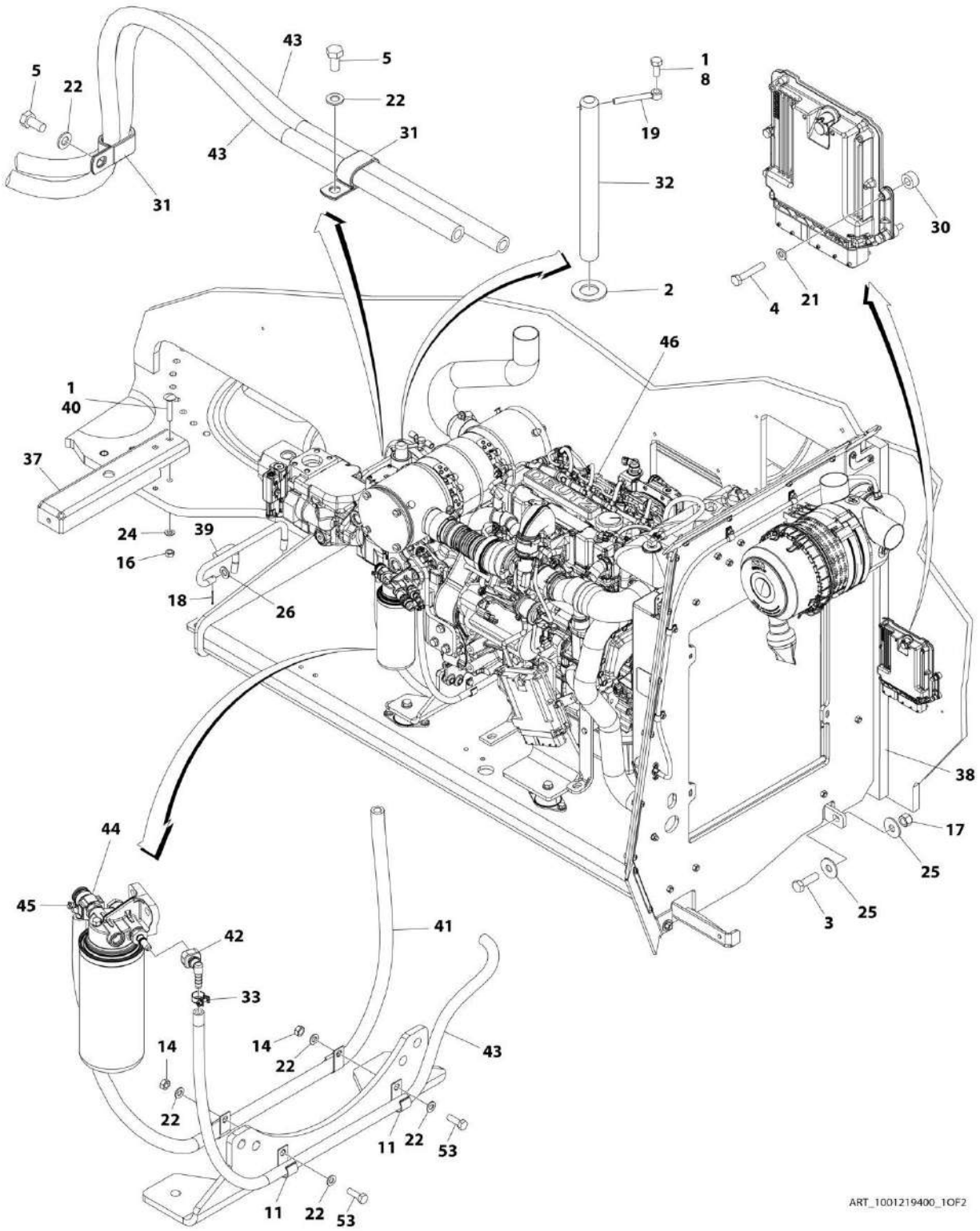
ITEM	PART NUMBER	QTY	DESCRIPTION	REV
20	70025160	1	Filter with Head	
20	70025161	NLA	Filter, Fuel (Use p/n 1001225431)	
21	70024504	1	Sensor, Pressure	
21	70024920	1	O-Ring	
22	70025151	1	Rail, Fuel (Not Shown)	
22	70025235	1	Repair Kit (Not Shown)	
23	70025182	1	Fuel Line - High Pressure (Cylinder 1 & 2)	
23	70025183	1	Fuel Line - High Pressure (Cylinder 3 & 4)	
23	70025184	1	Fuel Line - High Pressure (Supply)	
24	70004501	1	Sleeve, Rubber	
25	70005926	1	Pipe, Intake	
26	70025112	2	Clamp	
27	70025210	1	ECU (Engine Control Unit)	
28	70024910	1	Pump, Water	
28	70025200	1	Ring, Sealing	
28	70025084	2	Plug	
28	7020492	2	Ring, Sealing	
29	70005929	1	Thermostat	
29	70005184	1	O-Ring	
29	70025142	1	Cover, Thermostat	
29	70005931	1	Gasket	
31	70025179	2	Gasket	
31	70025178	1	Pipe	
31	70025175	1	Cover	
31	70025156	1	Valve, Shuttle	
31	70025180	1	Gasket	
31	70025768	1	Valve, Shuttle	
31	70025174	1	Housing, Case	
32	70025203	1	Module, EGR	
32	70005188	1	Valve, Control	
32	70005189	1	O-Ring Kit	
33	70004282	1	Manifold, Exhaust (Not Shown)	
33	70025164	1	Gasket, Exhaust Manifold to Head	
33	70026995	1	Elbow, Exhaust (Not Shown)	
33	70021895	2	Gasket	
34	70004276	1	Turbocharger	
34	70024912	1	Gasket, Exhaust Manifold	
35	70025477	1	Tensioner, Belt	
36	70024484	1	Idler Roller	
37	70004277	1	Belt, Drive	
38	70024915	1	Starter	
38	70005647	1	Switch, Solenoid	
38	70005648	1	Relay	
39	70025533	1	Generator	
39	70025149	1	Regulator, Voltage	
40	70025077	1	Harness, Engine (Not Shown)	
41	70024507	1	Sensor, Pressure	
41	70025120	1	O-Ring	
41	70005933	1	Adapter	
42	70024922	1	Sensor, Temperature	
42	70024917	1	O-Ring	

## SECTION 3 - ENGINE

ITEM	PART NUMBER	QTY	DESCRIPTION	REV
43	70024918	1	Sender, Temperature	
44	70024504	1	Sensor, Pressure	
44	70024920	1	O-Ring	
47	70026210	2	Sensor, Speed (Not Shown - Located on Front on Block and Front Cover RH Side)	
47	70005191	2	Ring, Sealing	
47	70024917	2	O-Ring	
48	70000345	4	Plug, Glow (Not Shown)	
48	70025231	1	Harness, Glow Plug (Not Shown)	
49	70025877	1	Clamp	
49	70025242	1	Gasket	
50	70005937	1	Muffler, DOC	
51	70025246	1	Outlet, Muffler	
52	70025245	2	Bracket, Muffler	
53	70004504	1	Compensator	
54	70005527	1	Clamp	
55	70005928	1	Elbow, Air Exchange	
55	70005924	1	Seal	
56	70005927	1	Sleeve	
56	70025107	2	Clamp	
57	70005923	1	Pipe, Air Charge	
57	70005177	2	Gasket	

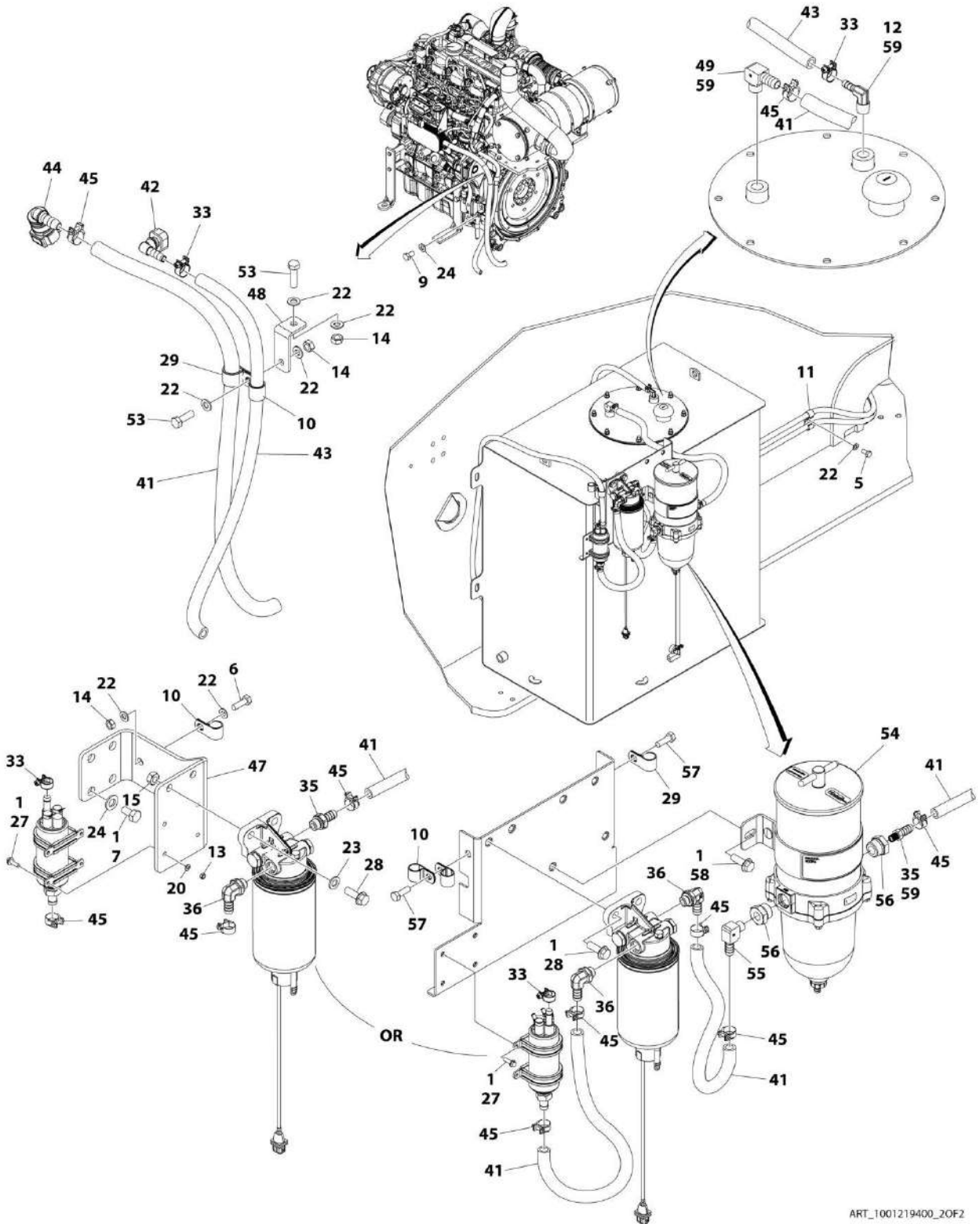
# SECTION 3 - ENGINE

## FIGURE 3-9. DEUTZ TD2.9L4 T4I ENGINE INSTALLATION





# SECTION 3 - ENGINE



ART\_1001219400\_20F2

## SECTION 3 - ENGINE

### FIGURE 3-9. DEUTZ TD2.9L4 T4I ENGINE INSTALLATION

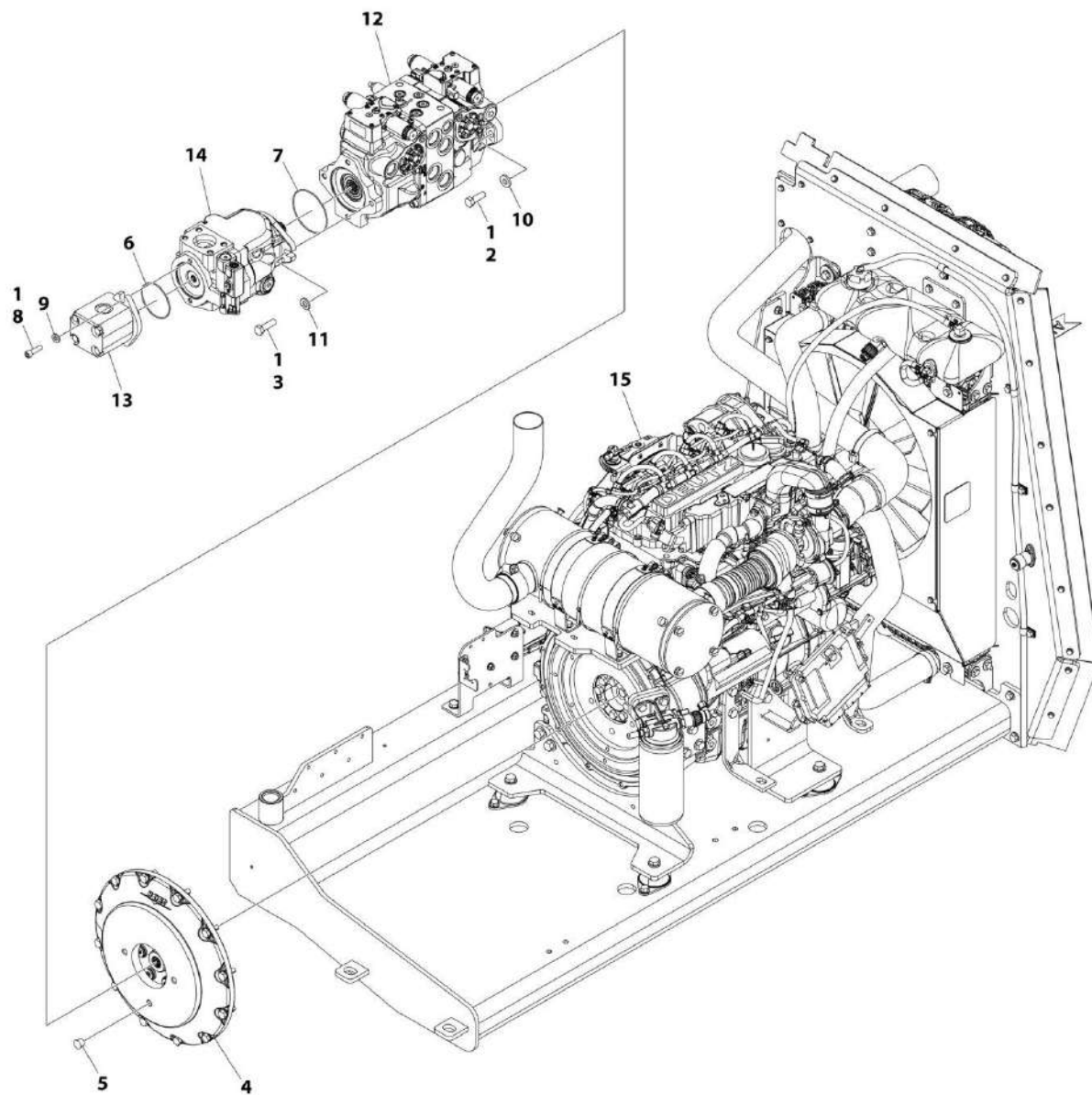
ITEM	PART NUMBER	QTY	DESCRIPTION	REV
	1001219400	Ref	DEUTZ TD2.9L4 T4I ENGINE INSTALLATION	F
1	0100011	AR	Compound, Locking	
2	0440162	1	Bearing	
3	0701216	1	Bolt M12 x 40	
4	0760615	4	Bolt M6 x 35	
5	0760808	5	Bolt M8 x 16	
5	5250808	5	Bolt M8 x 16	
6	0760812	AR	Bolt M8 x 25	
6	5250812	3	Bolt M8 x 25	
6	5250813	3	Bolt M8 x 28	
7	0761010	4	Bolt M10 x 20 (SN B300001586 through B300002613)	
8	0761012	1	Bolt M10 x 25	
9	0761210	1	Bolt M12 x 20	
9	5251210	1	Bolt M12 x 20	
9	5251212	1	Bolt M12 x 25	
10	1320061	AR	Clamp	
11	1320223	9	Clip	
12	2220313	1	Fitting, 90 NPTF/Barb	
13	3290501	4	Nut M5 (SN B300001586 through B300002613)	
14	3290801	AR	Nut M8	
14	5260800	4	Nut M8	
15	3291001	2	Nut M10 (SN B300001586 through B300002613)	
16	3291201	2	Nut M12	
17	3291205	1	Nut M12	
18	3391210	1	Pin, Split	
19	3841143	1	Keeper, Pin	
20	4811600	4	Washer M5 (SN B300001586 through B300002613)	
21	4811700	4	Washer M6	
22	4811900	AR	Washer M8 (SN B300001586 through B300002613)	
23	4812000	2	Washer M10 (SN B300001586 through B300002613)	
24	4812100	AR	Washer M12	
25	4812102	2	Washer M12	
26	4812300	1	Washer M16	
27	5250508	4	Bolt M5 x 16	
28	5251014	2	Bolt M10 x 30	
28	5251013	2	Bolt M10 x 28	
29	91043147	1	Clamp (SN B300001586 through B300002613)	
29	8406202	2	Clip (SN B300002614 to Present)	
30	1001110425	4	Spacer	
31	1001116792	2	Clamp	
32	1001135196	1	Pin	
33	1001136975	4	Clamp	
34	1001221289	1	Fuel Pump Harness - Deutz TD2.9L4 (Not Shown - See Separate Breakdown in ELECTRICAL SECTION)	
35	1001141718	1	Fitting, Straight Barbed (SN B300001586 through B300002613)	
35	2180832	1	Fitting, Straight Barbed (SN B300002614 to Present)	
36	1001142501	AR	Fitting, 90 Barbed	
37	1001153027	1	Bracket	
38	1001153046	1	Seal	
39	1001153083	1	Hook	

## SECTION 3 - ENGINE

ITEM	PART NUMBER	QTY	DESCRIPTION	REV
40	1001153086	2	Bolt M12 x 70	
41	1001154405	AR	Hose	
42	1001155823	2	Coupling, 90 Quick Connect	
43	1001165035	AR	Hose	
44	1001170982	2	Fitting, 90	
45	1001175568	AR	Clip	
46	1001219403	1	Deutz TD2.9L4 T4i Engine and Pumps Sub-Assembly (See Separate Breakdown in this Section)	
47	1001219631	1	Bracket <b>(SN B300001586 through B300002613)</b>	
48	1001221205	1	Bracket	
49	1001220535	1	Fitting, 90	
50	1001220749	1	Battery Cable Kit - Deutz TD2.9L4 (Not Shown - See Separate Breakdown in ELECTRICAL SECTION)	
51	1001136079	AR	Oil, Motor (Not Shown)	
52	1001220200	AR	Coolant (Not Shown)	
53	0770814	1	Bolt M8 x 30	
53	5250813	1	Bolt M8 x 28	
54	1001222817	1	Filter, Fuel <b>(SN B300002614 to Present)</b>	
55	1001224023	1	Fitting, 90 NPT/Barbed <b>(SN B300002614 to Present)</b>	
56	2220816	2	Fitting, Straight FNPTF/ORB <b>(SN B300002614 to Present)</b>	
57	5250810	2	Bolt M8 x 20 <b>(SN B300002614 to Present)</b>	
58	5251011	2	Bolt M10 x 22 <b>(SN B300002614 to Present)</b>	
59	0100020	AR	Sealant <b>(SN B300002614 to Present)</b>	

# SECTION 3 - ENGINE

FIGURE 3-10. DEUTZ TD2.9L4 T4I ENGINE AND PUMPS SUB-ASSEMBLY



ART\_1001219403

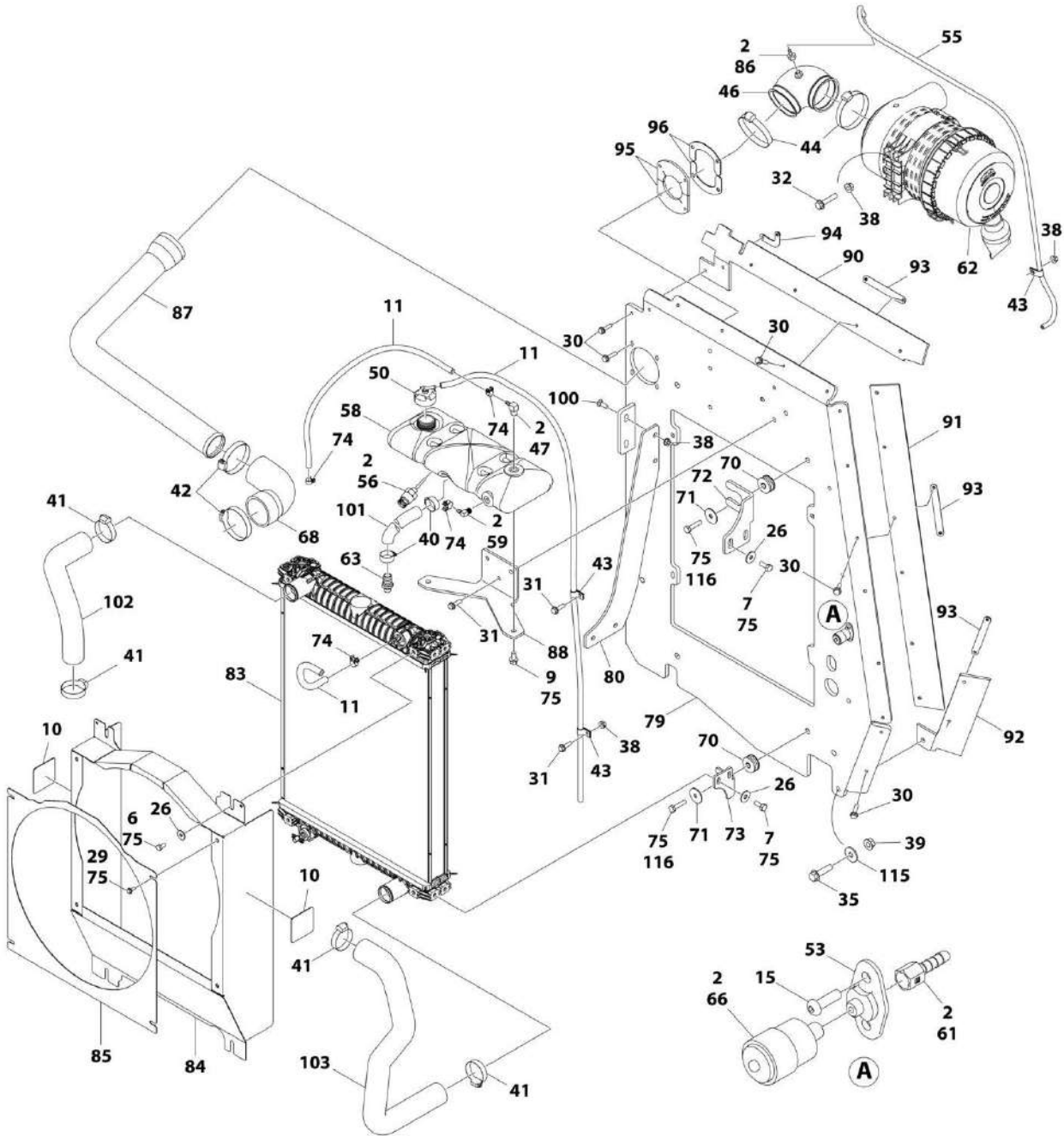
## SECTION 3 - ENGINE

**FIGURE 3-10. DEUTZ TD2.9L4 T4I ENGINE AND PUMPS SUB-ASSEMBLY**

ITEM	PART NUMBER	QTY	DESCRIPTION	REV
	1001219403	Ref	DEUTZ TD2.9L4 T4I ENGINE AND PUMPS SUB-ASSEMBLY	c
1	0100011	AR	Compound, Locking	
2	0641812	2	Bolt 1/2 x 1-1/2	
3	0761216	2	Bolt M12 x 40	
4	2902065	1	Pump Coupling Kit (See Separate Breakdown in this Section)	
5	3520054	1	Plug	
6	3790152	1	O-Ring	
7	3790155	1	O-Ring	
8	3931620	2	Capscrew 3/8 x 1-1/4	
9	4891600	2	Washer 3/8	
10	4891800	2	Washer 1/2	
11	5241200	2	Washer M12	
12	1001108616	1	Tandem Pump Assembly (See Separate Breakdwon in this Section)	
13	1001112927	1	Gear Pump Assembly (See Separate Breakdown in this Section)	
14	1001171095	1	Piston Pump Assembly (See Separate Breakdown in this Section)	
15	1001219404	1	Deutz TD2.9L4 T4i Engine Assembly (See Separate Breakdown in this Section)	

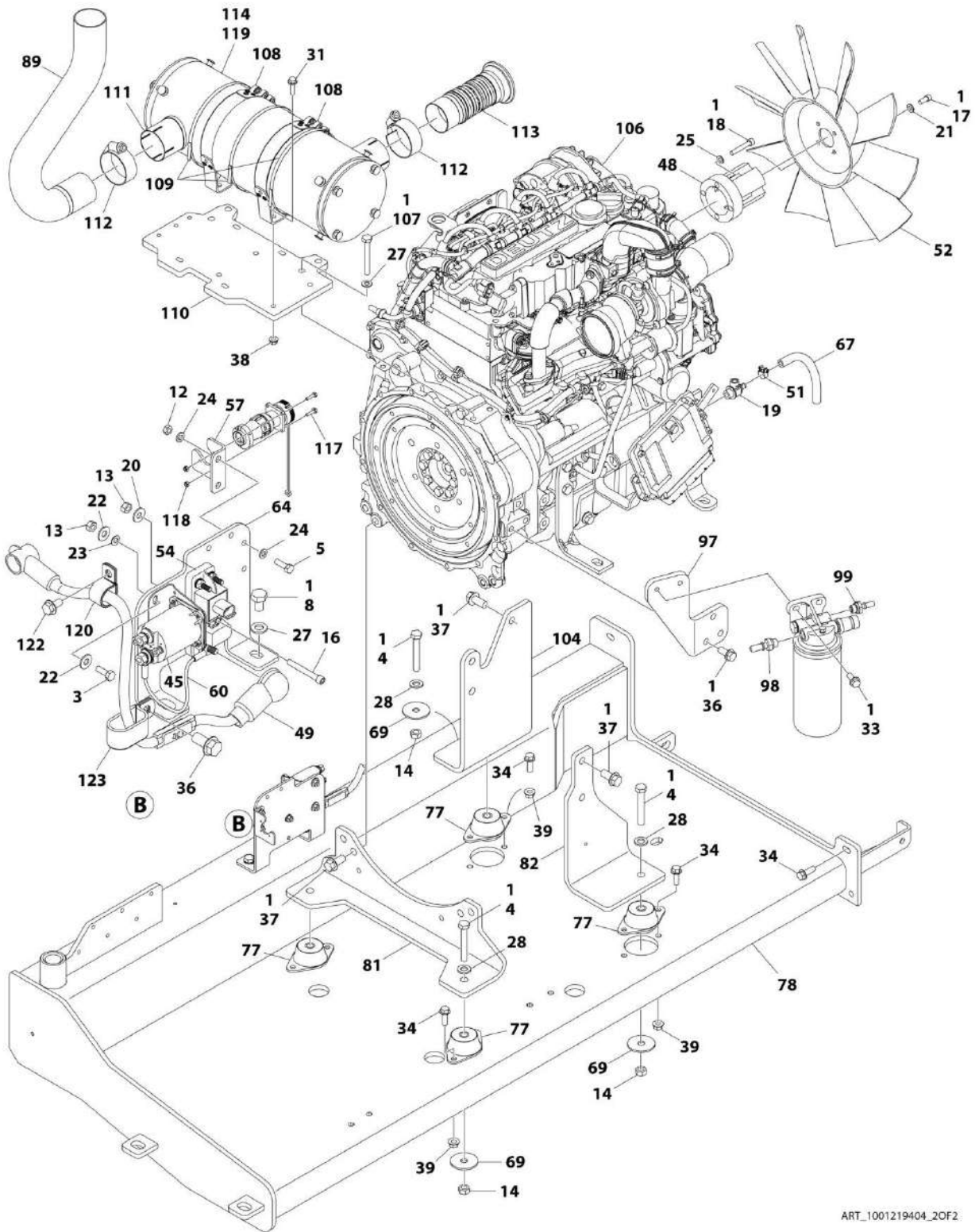
# SECTION 3 - ENGINE

## FIGURE 3-11. DEUTZ TD2.9L4 T4I ENGINE ASSEMBLY



ART\_1001219404\_10F2

# SECTION 3 - ENGINE



ART\_1001219404\_20F2

## SECTION 3 - ENGINE

FIGURE 3-11. DEUTZ TD2.9L4 T4I ENGINE ASSEMBLY

ITEM	PART NUMBER	QTY	DESCRIPTION	REV
	1001219404	Ref	DEUTZ TD2.9L4 T4I ENGINE ASSEMBLY	H
1	0100011	AR	Compound, Locking	
2	0100020	AR	Sealant	
3	0641406	2	Bolt 1/4 x 3/4	
3	5250608	2	Bolt M6 x 16	
4	0711224	4	Bolt M12 x 80	
5	0760610	2	Bolt M6 x 20	
5	5250608	2	Bolt M6 x 16	
6	0760808	4	Bolt M8 x 16	
7	0760810	8	Bolt M8 x 20	
8	0761008	2	Bolt M10 x 16	
8	5251008	2	Bolt M10 x 16	
9	0811606	2	Bolt 3/8 x 3/4	
10	1703162	2	Decal - Fan Blade	
11	2720015	90 in/ 2.3m	Hose	
11	1001228200	90 in/ 2.3m	Hose	
12	3290601	2	Nut M6	
12	5260600	2	Nut M6	
13	3311405	3	Nut 1/4	
13	5260600	5	Nut M6	
14	3331211	4	Nut M12	
15	3900364	2	Screw M6 x 20	
16	3931432	1	Capscrew 1/4 x 2	
16	0700618	1	Capscrew M6 x 50	
17	3931512	4	Capscrew 5/16 x 3/4	
18	4031914	4	Capscrew M8 x 50	
19	4640751	1	Valve, Oil Drain	
20	4711400	1	Washer 1/4 (SN B300001586 through B300002613)	
21	4711500	4	Washer 5/16	
22	4751400	4	Washer 1/4 (SN B300001586 through B300002613)	
23	4791400	2	Washer 1/4 (SN B300001586 through B300002613)	
24	4811700	4	Washer M6 (SN B300001586 through B300002613)	
25	4811900	4	Washer M8	
26	4811902	12	Washer M8	
27	4812000	AR	Washer M10	
28	5241200	4	Washer M12	
29	5250608	AR	Bolt M6 x 16	
30	5250612	18	Bolt M6 x 25	
31	5250813	12	Bolt M8 x 28	
32	5250816	2	Bolt M8 x 40	
33	5251012	2	Bolt M10 x 25	
34	5251014	10	Bolt M10 x 30	
35	5251016	AR	Bolt M10 x 40	
36	5251212	AR	Bolt M12 x 25	
37	5251414	9	Bolt M14 x 30	
38	5260800	15	Nut M8 Grade 10	
39	5261000	9	Nut M10 Grade 10	
40	8405007	2	Clamp	



## SECTION 3 - ENGINE

ITEM	PART NUMBER	QTY	DESCRIPTION	REV
41	8405104	4	Clamp	
42	8405204	AR	Clamp	
43	8406109	8	Clip	
44	8410011	2	Clamp (SN B300001586 through B300002613)	
44	8405204	2	Clamp (SN B300002614 to Present)	
45	1001117308	1	Contactora	
46	1001126874	1	Elbow, Air Intake	
47	1001134488	1	Fitting, 90 Barbed	
48	1001135138	1	Spacer, Fan	
49	1001135779	1	Cable, Alternator +	
50	1001136834	1	Cap, Tank	
51	1001136975	1	Clamp	
52	1001137276	1	Fan	
53	1001138173	1	Support	
54	1001138228	1	Relay	
55	1001138248	AR	Tube, Nylon	
56	1001138827	1	Sensor, Coolant Level	
57	1001139240	1	Bracket	
58	1001140535	1	Tank, Surge (SN B300001586 through B300002636)	
58	1001229542	1	Tank, Surge (SN B300002637 to Present)	
59	1001140564	1	Fitting, 90 Barbed	
60	1001141304	1	Glow Fuse Harness	
61	1001141995	1	Fitting, Straight NPT/Barbed	
62	1001142259	1	Air Filter Assembly	
62	70024190	1	Element, Air Filter (Main)	
62	70024191	1	Element, Air Filter (Secondary)	
62	70025249	1	Valve, Dust	
63	1001143797	1	Fitting, Straight Barbed	
64	1001145154	1	Plate	
65	1001148843	1	Fuel Filter Harness - Deutz TD2.9L4 (Not Shown - See Separate Breakdown in ELECTRICAL SECTION)	
66	1001149639	1	Indicator, Restriction	
67	1001165035	8.5 in/ 21cm	Hose	
68	1001165820	1	Hose, Turbo Inlet 90	
69	1001168018	4	Washer	
70	1001169054	4	Isolator, Radiator	
71	1001169138	4	Pad	
72	1001169967	2	Bracket	
73	1001170035	2	Bracket	
74	1001174486	4	Clamp (SN B300001586 through B300002613)	
74	1320022	4	Clamp (SN B300002614 to Present)	
75	1001180620	AR	Adhesive	
76	1001182997	AR	Adhesive (SN B300001586 through B300002636)	
77	1001191610	4	Mount, Motor	
78	1001218405	1	Tray	
79	1001218406	1	Plate, Radiator Mounting	
80	1001218408	1	Brace	
81	1001218411	1	Mount, Engine (Rear)	
82	1001218412	1	Mount, Engine (Front Outboard)	
83	1001218414	1	Radiator	
84	1001218416	1	Shroud, Fan	

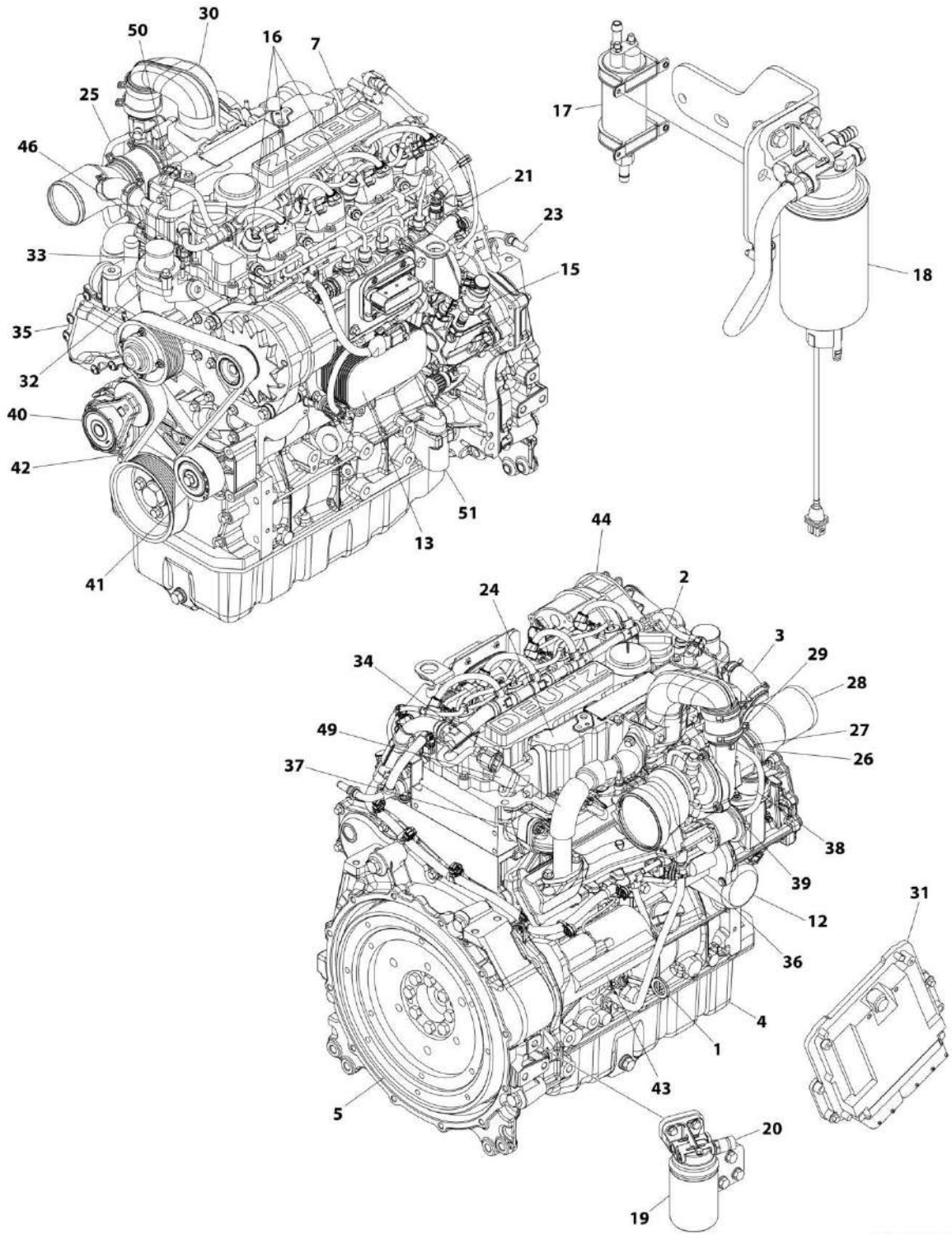
## SECTION 3 - ENGINE

ITEM	PART NUMBER	QTY	DESCRIPTION	REV
85	1001218417	1	Plate, Shroud	
86	1001180516	1	Adapter	
87	1001218423	1	Tube, Air Intake	
88	1001218425	1	Bracket, Surge Tank	
89	1001222091	1	Pipe, Exhaust	
90	1001218429	1	Seal	
91	1001218430	1	Seal	
92	1001218431	1	Seal	
93	1001218432	6	Plate, Clamping	
94	1001218434	1	Plate, Clamping	
95	1001218436	2	Seal	
96	1001218437	2	Plate, Clamping	
97	1001218440	1	Bracket	
98	1001218443	1	Fitting, Straight	
99	1001218444	1	Fitting, Straight	
100	1001218448	4	Bolt	
101	1001218580	AR	Hose	
102	1001218944	1	Hose, Radiator (Top)	
103	1001218945	1	Hose, Radiator (Bottom)	
104	1001219455	1	Mount, Engine (Front Inboard)	
105	1001220261	1	Engine Harness - Deutz TD2.9L4 (Not Shown - See Separate Breakdown in ELECTRICAL SECTION)	
106	1001219642	1	Deutz TD2.9L4 T4i Engine Components (See Separate Breakdown in this Section)	
107	0701024	4	Bolt M10 x 80	
108	1001119727	2	Clamp	
109	1001137336	3	Strap	
110	1001221203	1	Bracket	
111	1001221207	1	Muffler	
112	1001221212	2	Clamp	
113	1001221217	1	Pipe, Flex	
114	1001221427	1	Muffler-Wrap	
115	4812002	1	Washer M10	
116	0701017	4	Bolt M10 x 45 (SN B300002614 to Present)	
117	0760306	3	Bolt M3 x 12 (SN B300002614 to Present)	
118	3290305	3	Nut M3 (SN B300002614 to Present)	
119	4920385	1	Wire, Safety (SN B300002614 to Present)	
120	8406202	1	Clip (SN B300002614 through B300002738)	
120	1001026127	1	Clamp (SN B300002739 to Present)	
121	4240099	1	Tie Strap (Not Shown) (SN B300002614 to Present)	
122	5250808	1	Bolt M8 x 16 (SN B300002614 to Present)	
123	1001181899	1	Clamp (SN B300002614 to Present)	



# SECTION 3 - ENGINE

## FIGURE 3-12. DEUTZ TD2.9L4 T4I ENGINE COMPONENTS



ART\_1001219642

## SECTION 3 - ENGINE

**FIGURE 3-12. DEUTZ TD2.9L4 T4I ENGINE COMPONENTS**

ITEM	PART NUMBER	QTY	DESCRIPTION	REV
	1001219642	Ref	DEUTZ TD2.9L4 T4I ENGINE COMPONENTS	C
1	70006127	1	Dipstick	
1	70024905	1	O-Ring	
2	7020465	2	Cap, Filler	
3	70005920	1	Hose	
3	70025111	2	Clamp	
4	70025162	1	Pan, Oil	
4	70005941	2	Plug	
4	70005942	2	Washer, Sealing	
5	70001870	1	Flywheel	
5	7024579	1	Gear, Ring	
6	70024906	1	Gasket, Head (Not Shown)	
7	70005921	1	Cover, Valve	
7	70025205	1	Gasket	
7	70005171	1	Gasket	
8	70025076	1	Valve (Not Shown - Located on Right Side of Front Engine Cover)	
8	70025176	1	Spring	
8	70025082	1	Ring, Sealing	
8	70025091	1	Plug	
9	70004280	1	Seal, Shaft - Front (Not Shown)	
10	70002718	1	Seal, Shaft - Rear (Not Shown)	
11	70005172	1	Pump, Oil Lube (Not Shown)	
11	70025135	1	O-Ring	
11	70005173	1	Gasket	
12	7016331	1	Filter, Oil	
12	70025137	1	Bushing	
13	70024494	1	Cooler, Engine Oil (Not Shown - Located on Right Side)	
13	70024925	1	Gasket	
14	70025171	1	Oil Suction Pump (Not Shown - Located Inside of Engine Oil Pan)	
15	70024924	1	Pump, Fuel	
15	70025152	1	O-Ring	
15	70025080	1	Washer	
15	70024488	1	Spacer	
15	70024517	1	O-Ring	
16	70025181	4	Injector, Fuel (Not Shown - Located on Right Side)	
16	70025140	4	Washer, Sealing	
16	70025146	4	Clamp (Top of Injector)	
16	70025145	4	O-Ring	
16	70025154	4	Shoe, Clamping	
16	70000345	1	Plug, Glow (Not Shown)	
16	70025231	1	Harness, Glow Plug (Not Shown)	
17	70005174	1	Pump, Fuel	
17	70025144	2	Clamp	
18	70024961	1	Fuel Filter Assembly	
18	70025153	NLA	Filter, Fuel (Use p/n 1001225430)	
18	70024513	1	Cable, Sensor	
18	70025239	1	Ring, Sealing	
19	70004511	1	Filter with Head	
19	70004512	NLA	Filter, Fuel (Use p/n 1001225432)	
20	70024504	1	Sensor, Pressure	

## SECTION 3 - ENGINE

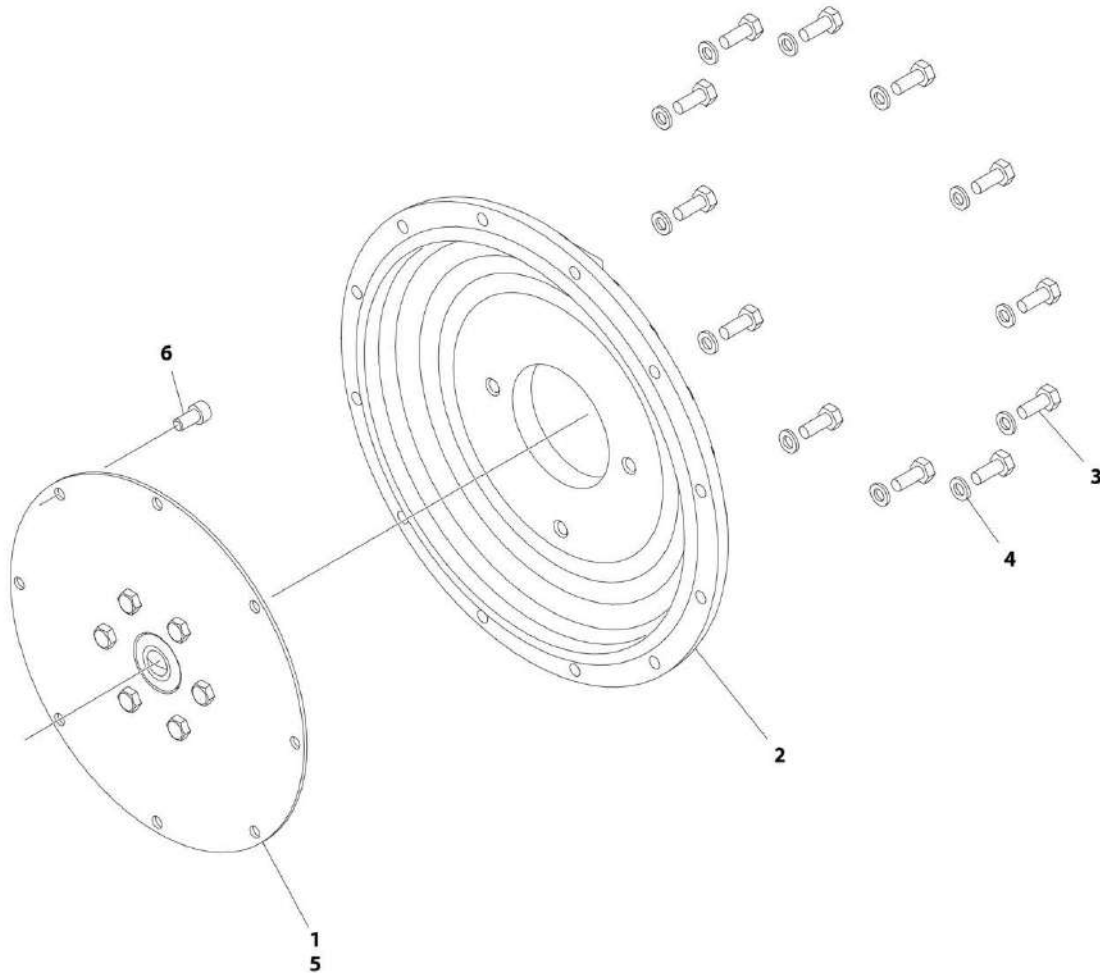
ITEM	PART NUMBER	QTY	DESCRIPTION	REV
20	70024920	1	O-Ring	
21	70025151	1	Rail, Fuel	
21	70025235	1	Repair Kit	
21	70025240	1	O-Ring	
22	70025182	1	Fuel Line - High Pressure (Cylinder 1 & 2) (Not Shown)	
22	70025183	1	Fuel Line - High Pressure (Cylinder 3 & 4) (Not Shown)	
22	70025184	1	Fuel Line - High Pressure (Supply) (Not Shown)	
23	70025158	1	Manifold, Fuel	
23	70025109	2	Clamp	
23	70025115	1	Clamp	
23	70025133	1	Hose	
23	70024502	1	Pipe	
23	70025185	1	Hose	
23	70025101	2	Clamp	
24	70005923	1	Charge Air Pipe	
24	70005924	1	O-Ring	
24	70005177	1	Gasket	
25	70005925	1	Breather Line	
25	70005181	1	O-Ring	
26	70004501	1	Sleeve, Rubber	
27	70025112	2	Clamp	
28	70005926	1	Elbow Connector	
29	70005927	1	Sleeve, Rubber	
29	70025107	2	Clamp	
30	70005928	1	Charge Air Elbow	
31	70025210	1	ECU (Engine Control Unit)	
32	70024910	1	Pump, Water	
32	70025200	1	Ring, Sealing	
32	70025084	2	Plug	
32	7020492	2	Ring, Sealing	
33	70005929	1	Thermostat	
33	70005184	1	O-Ring	
33	70025142	1	Cover, Thermostat	
33	70025931	1	Gasket	
34	70025178	1	Pipe	
34	70025768	1	Valve, Shuttle	
34	70025179	2	Gasket	
34	70025180	1	Gasket	
35	70025203	1	Module, EGR (Includes Item 36)	
35	70025155	1	Plug	
36	70005188	1	Control Valve	
36	70005189	1	Seal	
37	70004282	1	Manifold, Exhaust	
37	70025164	1	Gasket, Exhaust Manifold to Head	
38	70026995	1	Pipe (Not Shown - Located on Left Side)	
38	70021895	2	Gasket	
39	70004276	1	Turbocharger	
39	70024912	1	Gasket, Exhaust Manifold	
39	70024509	1	Gasket, Return Line	
40	70025477	1	Tensioner, Belt	
41	70024484	1	Idler Roller	

## SECTION 3 - ENGINE

ITEM	PART NUMBER	QTY	DESCRIPTION	REV
42	70004277	1	Belt, Drive	
43	70024915	1	Starter	
43	70005647	1	Switch, Solenoid	
43	70005648	1	Relay	
44	70025533	1	Generator	
44	70025149	1	Regulator, Voltage	
45	70025077	1	Harness, Engine (Not Shown)	
46	70024918	1	Sender, Temperature	
47	70024504	1	Sensor, Pressure (Not Shown - Located on Right Side)	
47	70024920	1	O-Ring	
48	70026210	2	Sensor, Speed (Not Shown - Located Left Side Front and Flywheel Housing)	
48	70005191	2	O-Ring	
49	70024507	1	Sensor, Pressure (Not Shown - Located Top Rear)	
49	70025120	1	O-Ring	
50	70024922	1	Temperature, Transmitter	
50	70035212	1	O-Ring	
51	70025660	1	Screw	

# SECTION 3 - ENGINE

## FIGURE 3-13. PUMP COUPLING KIT



ART\_2902065

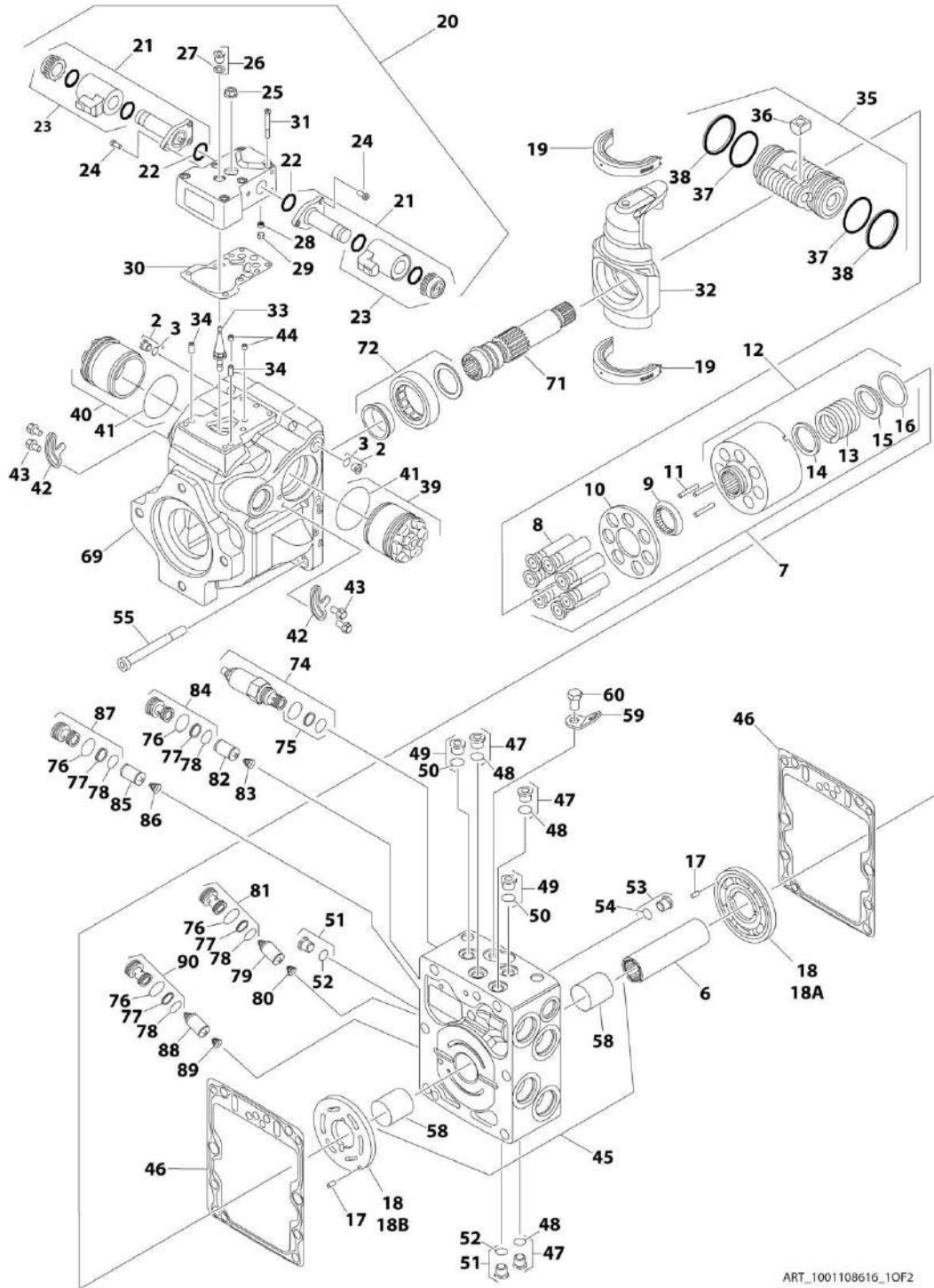


FIGURE 3-13. PUMP COUPLING KIT

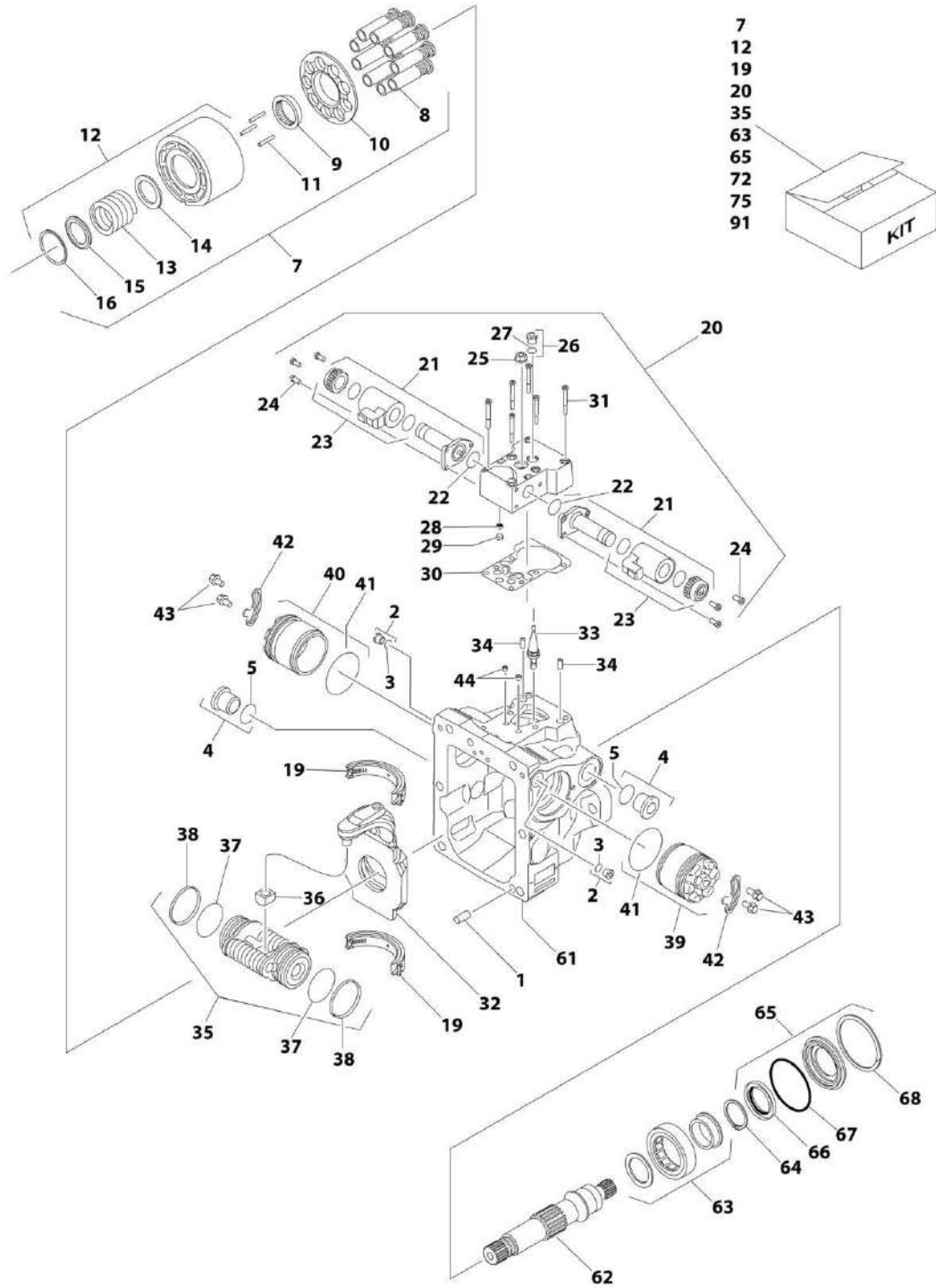
ITEM	PART NUMBER	QTY	DESCRIPTION	REV
	2902065	Ref	PUMP COUPLING KIT	K
1	70000793	1	Coupling, Hayes	
2	See Note	NSS	Plate, Pump Adapter (Note: Use p/n 2902065)	
3	See Note	NSS	Bolt M10 x 30 Grade 10.9 (Note: Use p/n 2902065)	
4	See Note	NSS	Washer M10 (Note: Use p/n 2902065)	
5	3020021	AR	Grease, Coupling	
6	See Note	NSS	Bolt M10 x 20 Grade 10.9 (Note: Use p/n 2902065)	

# SECTION 3 - ENGINE

## FIGURE 3-14. TANDEM PUMP ASSEMBLY



# SECTION 3 - ENGINE



ART\_1001108616\_20F2

## SECTION 3 - ENGINE

### FIGURE 3-14. TANDEM PUMP ASSEMBLY

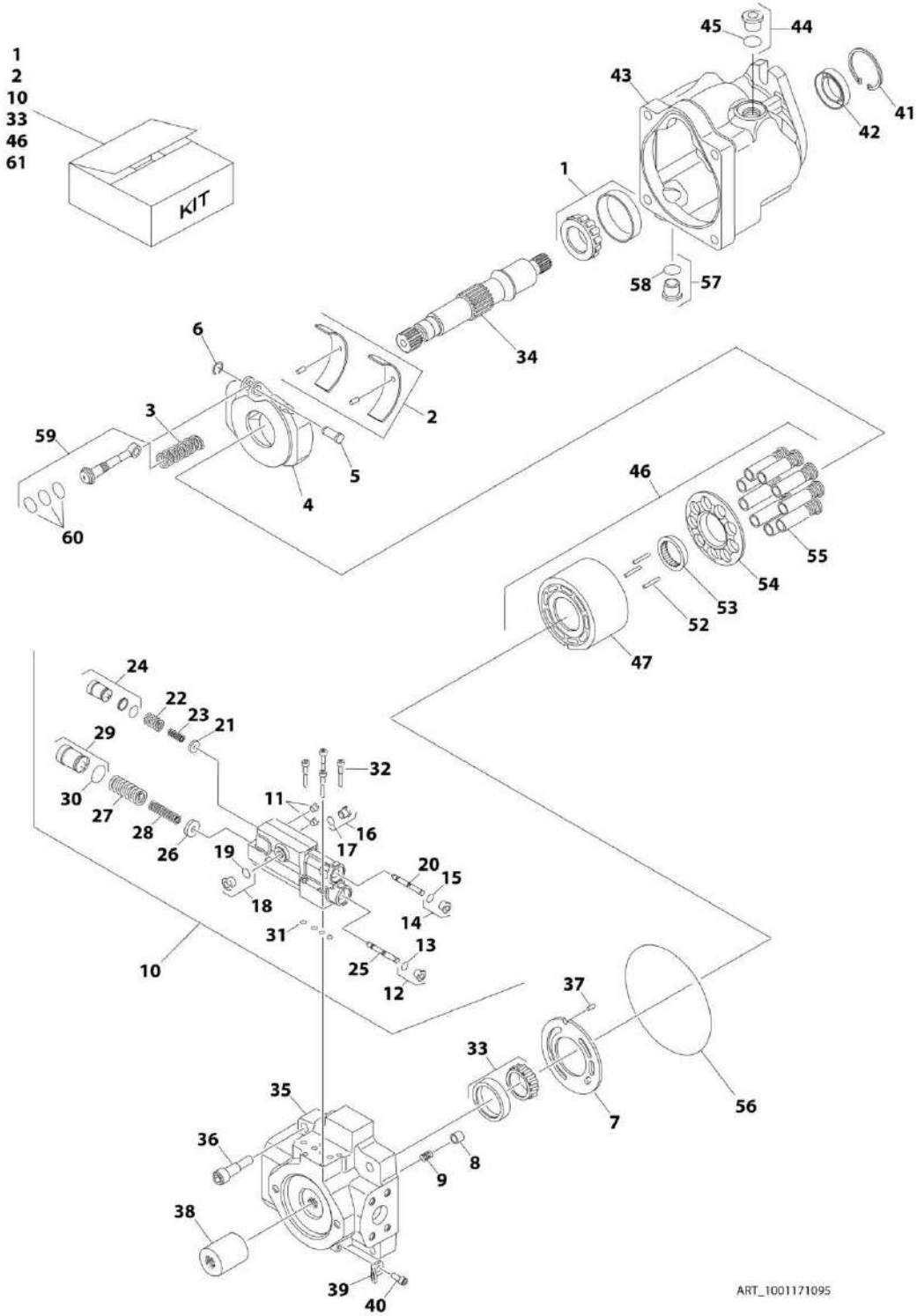
ITEM	PART NUMBER	QTY	DESCRIPTION	REV
	1001108616	Ref	TANDEM PUMP ASSEMBLY	D
1	70002132	4	Pin	
2	70002133	4	Plug Assembly (Includes Item 3)	
3	7007207	4	O-Ring (Part of Item 2)	
4	7007419	2	Plug Assembly (Includes Item 5)	
5	7007418	2	O-Ring (Part of Item 4)	
6	70002600	1	Coupling	
7	70002135	2	Cylinder Block Kit (Each Kit Includes Qty 1 of Items 8-10 & 12-16 & Qty 3 of Item 11)	
8	70002136	2	Piston Assembly Kit (Includes Qty 9 Piston Assemblies) (Part of Item 7)	
9	70002137	2	Guide, Slipper Retainer (Part of Item 7)	
10	70002138	2	Retainer, Slipper (Part of Item 7)	
11	7021275	6	Pin, Slipper Retainer Holddown (Part of Item 7)	
12	70002135	2	Cylinder Block Assembly (Includes Qty 1 of Items 13-16) (Part of Item 7)	
13	70002139	2	Spring (Part of Item 12)	
14	70002140	2	Washer (Part of Item 12)	
15	70002141	2	Washer (Part of Item 12)	
16	70002142	2	Ring, Retaining (Part of Item 12)	
17	7007446	2	Pin	
18		Ref	Plate, Valve Options:	
18A	70002601	1	Plate, CW Valve	
18B	70002602	1	Plate, CCW Valve	
19	70002145	2	Swash Plate Bearing Kit (Includes Qty 2 Bearing)	
20	70002618	2	EDC Kit (Includes Items 21-31)	
21	70002619	4	Solenoid Valve Assembly (Includes Items 22 & 23) (Part of Item 20)	
22	70002148	4	O-Ring (2 Per EDC Assembly) (Part of Item 21)	
23	70002620	4	Coil, Nut and Seals Kit (2 Per EDC Assembly) (Part of Item 21)	
24	70002150	12	Screw (Part of Item 20)	
25	7022301	2	Nut, Seal (Part of Item 20)	
26	70002151	2	Plug Assembly (Part of Item 20) (Includes Item 27)	
27	7007207	2	O-Ring (Part of Item 26)	
28	70002134	2	Screen (Part of Item 20)	
29	70002153	2	Ring, Locking (part of Item 20)	
30	70002154	2	Gasket, Control (Part of Item 20)	
31	70002156	12	Capscrew (Part of Item 20)	
32	70002152	2	Swash Plate	
33	70002155	2	Link, Swash Plate	
34	70002157	4	Pin, Dowel	
35	70002158	2	Servo Piston Assembly (Includes Items 36-38)	
36	70002159	2	Block, Slider (Part of Item 35)	
37	70002160	2	O-Ring (Part of Item 35)	
38	70002161	2	Ring, Piston (Part of Item 35)	
39	70002162	2	Cylinder, Servo	
40	70002162	2	Cylinder, Servo	
41	70002163	4	O-Ring	
42	70002164	4	Plate, Locking	
43	70002165	8	Screw	

## SECTION 3 - ENGINE

ITEM	PART NUMBER	QTY	DESCRIPTION	REV
44	70002604	4	Orifice	
45	70002605	1	Center Section Assembly (Includes Item 58)	
46	70002168	2	Gasket, End Cap	
47	70001958	2	Plug Assembly (Includes Item 48)	
48	7021256	2	O-Ring (Part of Item 47)	
49	70001958	2	Plug Assembly (Includes Item 50)	
50	7021256	2	O-Ring (Part of Item 49)	
51	70001958	2	Plug Assembly (Includes Item 52)	
52	7021256	2	O-Ring (Part of Item 51)	
53	70001958	2	Plug Assembly (Includes Item 54)	
54	7021256	2	O-Ring (Part of Item 53)	
55	70002606	4	Capscrew	
58	70002607	2	Bearing, Journal (Part of Item 45)	
59	70002608	1	Bracket, Lifting	
60	70002609	1	Screw	
61	See Note	1	Housing (Note: Not Available for Purchase)	
62	70002175	1	Shaft	
63	70002610	1	Ball Bearing Kit	
64	70007439	1	Ring, Retaining	
65	70002174	1	Shaft Seal Kit (Includes Items 66-68) (Note: This is a universal kit and will contain extra pieces that are not used on this pump assembly)	
66	70002177	1	Seal, Lip	
67	70002178	1	O-Ring	
68	70002179	1	Ring, Retaining	
69	See Note	1	Housing (Note: Not Available for Purchase)	
71	70002612	1	Shaft	
72	70002610	1	Ball Bearing Kit	
74	70002621	1	High Pressure Relief Valve Cartridge Assembly (Includes Item 75)	
75	70002622	1	Seal Kit - 70002621 Valve (Part of Item 74)	
76	7007415	1	O-Ring (Part of Items 81, 84, 87 & 90)	
77	7021293	1	Ring, Back-up (part of Items 81, 84, 87 & 90)	
78	7022300	1	O-Ring (Part of Items 81, 84, 87 & 90)	
79	70002616	1	SCR Valve Assembly	
80	7024800	1	Spring	
81	7021265	1	Plug Assembly (Includes Qty 1 of Items 76-78)	
82	70002616	1	SCR Valve Assembly	
83	7024800	1	Spring	
84	7021265	1	Plug Assembly (Includes Qty 1 of Items 76-78)	
85	70002616	1	SCR Valve Assembly	
86	7024800	1	Spring	
87	70002617	1	Plug Assembly (Includes Qty 1 of Items 76-78)	
88	70002616	1	SCR Valve Assembly	
89	7024800	1	Spring	
90	7021265	1	Plug Assembly (Includes Qty 1 of Items 76-78)	
91	70002623	1	Overhaul Seal Kit (Includes Items 3, 5, 22, 27, 30, 37, 38, 41, 46, 48, 50, 52, 54, 66, 67, 75, 76, 77 & 78)	

# SECTION 3 - ENGINE

## FIGURE 3-15. PISTON PUMP ASSEMBLY



ART\_1001171095

## SECTION 3 - ENGINE

### FIGURE 3-15. PISTON PUMP ASSEMBLY

ITEM	PART NUMBER	QTY	DESCRIPTION	REV
	1001171095	Ref	PISTON PUMP ASSEMBLY	B
1	70002578	1	Bearing Kit - Front (Includes Cup and Cone)	
2	70004426	1	Swash Plate Bearing Kit (Includes Qty 2 Bearings and Retainer Pins)	
3	70002580	1	Spring, Bias	
4	70004416	1	Swash Plate Assembly	
5	70002582	1	Shaft	
6	70002583	1	Ring, Retaining	
7	70004417	1	Plate, Valve	
8	70001956	1	Poppet, Check Valve	
9	70001955	1	Spring	
10	70022286	1	Control Kit (Includes Items 11-32)	
11	See Note	NSS	Setscrew (Note: Use Item 10)	
12	70002133	1	Plug Assembly (Includes Item 13)	
13	7007207	1	O-Ring (Part of Item 12)	
14	70002133	1	Plug Assembly (Part of Item 15)	
15	7007207	1	O-Ring (Part of Item 14)	
16	70002133	1	Plug Assembly (Includes Item 17)	
17	7007207	1	O-Ring (Part of Item 16)	
18	70002133	1	Plug Assembly (Includes Item 19)	
19	7007207	1	O-Ring (Part of Item 18)	
20	See Note	NSS	Spool (Note: Use Item 10)	
21	See Note	NSS	Guide, Spring LS (Note: Use Item 10)	
22	See Note	NSS	Spring, Outer LS (Note: Use Item 10)	
23	See Note	NSS	Spring, Inner LS (Note: Use Item 10)	
24	See Note	NSS	Plug, Adjusting LS (Note: Use Item 10 or 61)	
25	See Note	NSS	Spool, Control (Note: Use Item 10)	
26	See Note	NSS	Guide, Spring PC (Note: Use Item 10)	
27	See Note	NSS	Spring, Outer PC (Note: Use Item 10)	
28	See Note	NSS	Spring, Inner PC (Note: Use Item 10)	
29	See Note	NSS	Plug, Adjusting PC (Note: Use Item 10)	
30	See Note	NSS	O-Ring (Note: Use Item 10 or 61)	
31	See Note	NSS	Ring, Seal (Note: Use Item 10 or 61)	
32	See Note	NSS	Capscrew (Note: Use Item 10)	
33	70002585	1	Bearing Kit - Rear (Includes Cup and Cone)	
34	70002586	1	Shaft	
35	70004420	1	Cap, End	
36	70002588	4	Capscrew	
37	7007446	1	Pin, Slotted	
38	70002589	1	Coupling	
39	7022340	1	Bracket, Lifting	
40	70002590	1	Capscrew	
41	7023962	1	Ring, Retaining	
42	See Note	NSS	Seal, Lip (Note: Use Item 61)	
43	See Note	NSS	Housing (Note: Not Available for Purchase)	
44	7023964	1	Plug Assembly (Includes Item 45)	
45	7007415	1	O-Ring (Part of Item 44)	
46	70004423	1	Cylinder Block Kit (Includes Items 47-55)	
47	70004421	1	Cylinder	
52	7021275	3	Pin, Hold-down	

## SECTION 3 - ENGINE

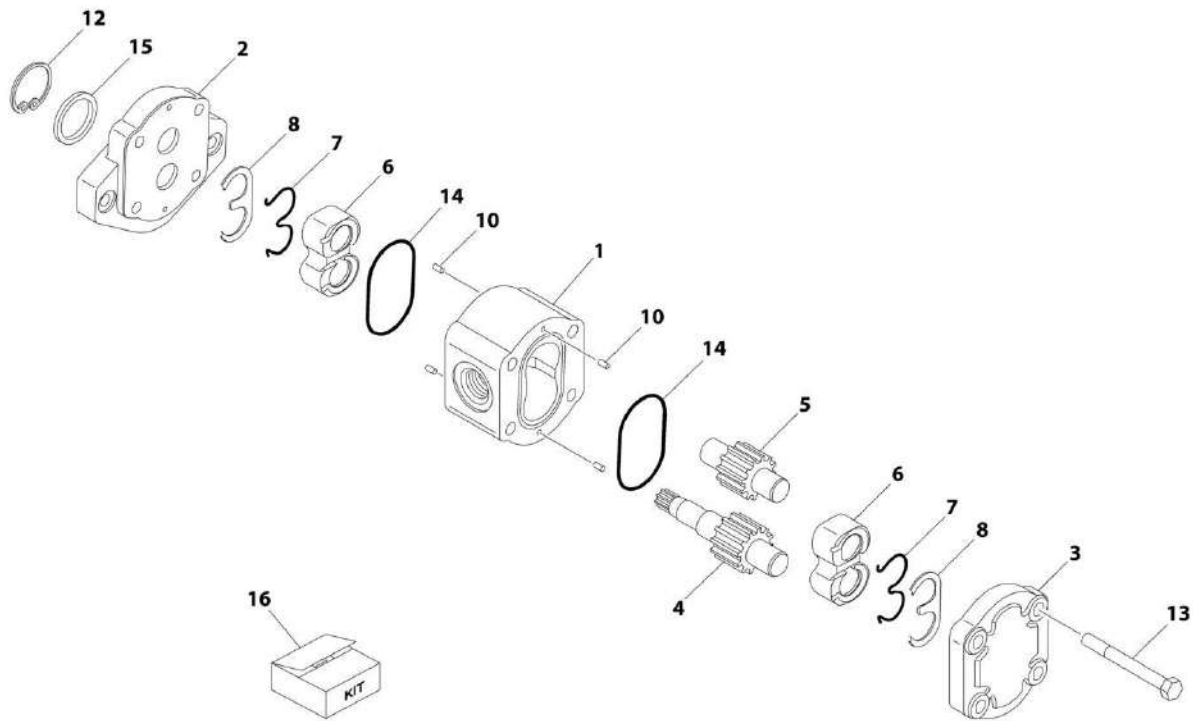
ITEM	PART NUMBER	QTY	DESCRIPTION	REV
53	70002592	1	Guide, Slipper Retainer	
54	70002593	1	Retainer, Slipper	
55	70004422	1	Piston Assembly	
56	See Note	NSS	Seal, End Cap (Note: Use Item 61)	
57	7023964	1	Plug, O-Ring (Includes Item 58)	
58	7007415	1	O-Ring (Part of Item 57)	
59	70005418	1	Servo Piston Assembly (Includes Item 60)	
60	See Note	NSS	Ring Piston (Part of Item 59) (Note: Use Item 61)	
61	70002599	1	Complete Seal Kit (Includes Items 13, 15, 17, 19, 24, 30, 31, 42, 45, 56, 58 & 60)	





# SECTION 3 - ENGINE

## FIGURE 3-16. GEAR PUMP ASSEMBLY



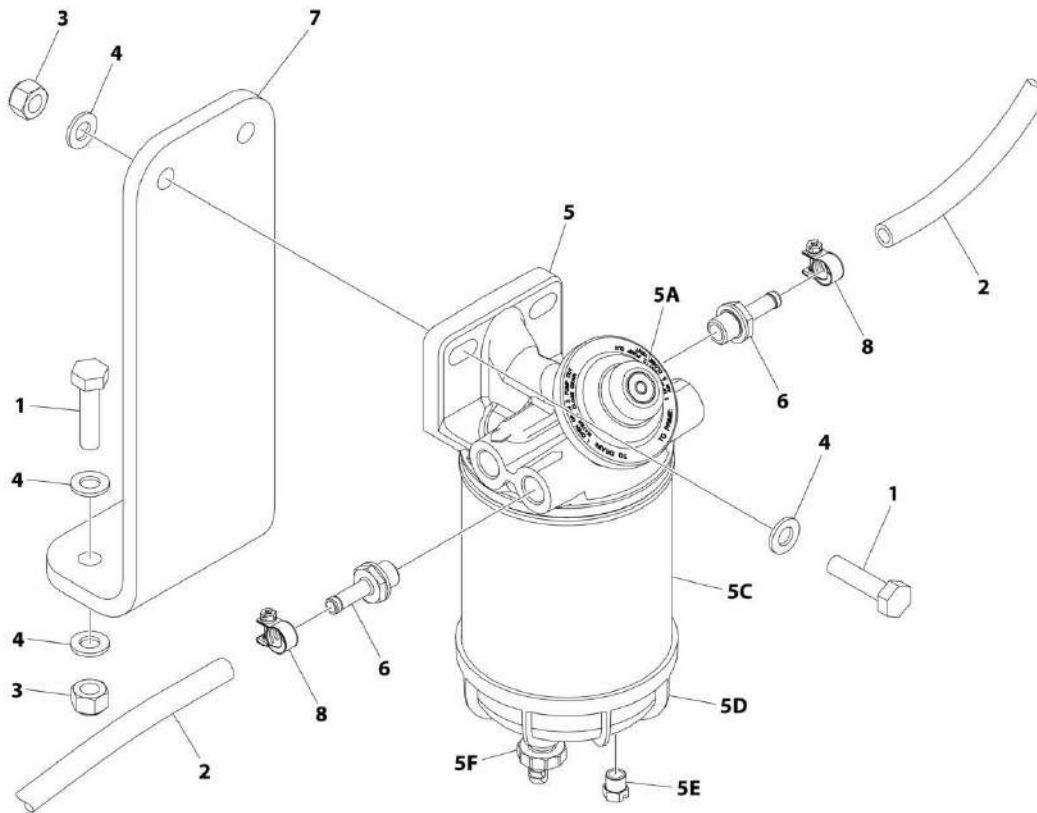
ART\_1001112927

FIGURE 3-16. GEAR PUMP ASSEMBLY

ITEM	PART NUMBER	QTY	DESCRIPTION	REV
	1001112927	Ref	GEAR PUMP ASSEMBLY	A
1	See Note	NSS	Body (Note: Use p/n 1001112927)	
2	See Note	NSS	Cover, Front (Note: Use p/n 1001112927)	
3	See Note	NSS	Cover, Rear (Note: Use p/n 1001112927)	
4	See Note	NSS	Shaft, Gear (Note: Use p/n 1001112927)	
5	See Note	NSS	Gear, Idler (Note: Use p/n 1001112927)	
6	See Note	NSS	Block, Bearing (Note: Use p/n 1001112927)	
7	7007489	1	Ring, Anti-Extrusion	
8	7007489	2	Ring, Seal	
10	See Note	NSS	Pin, Dowel (Note: Use p/n 1001112927)	
12	70002576	1	Ring, Retaining	
13	See Note	NSS	Capscrew (Note: Use p/n 1001112927)	
14	7007489	2	O-Ring	
15	7007489	1	Seal, Lip	
16	7007489	1	Seal Kit - 1001112927 Pump (Includes Items 7, 8, 14 & 15)	

# SECTION 3 - ENGINE

## FIGURE 3-17. FUEL FILTER INSTALLATION – DEUTZ TD2011 ENGINE (OPTIONAL)



ART\_1001150091

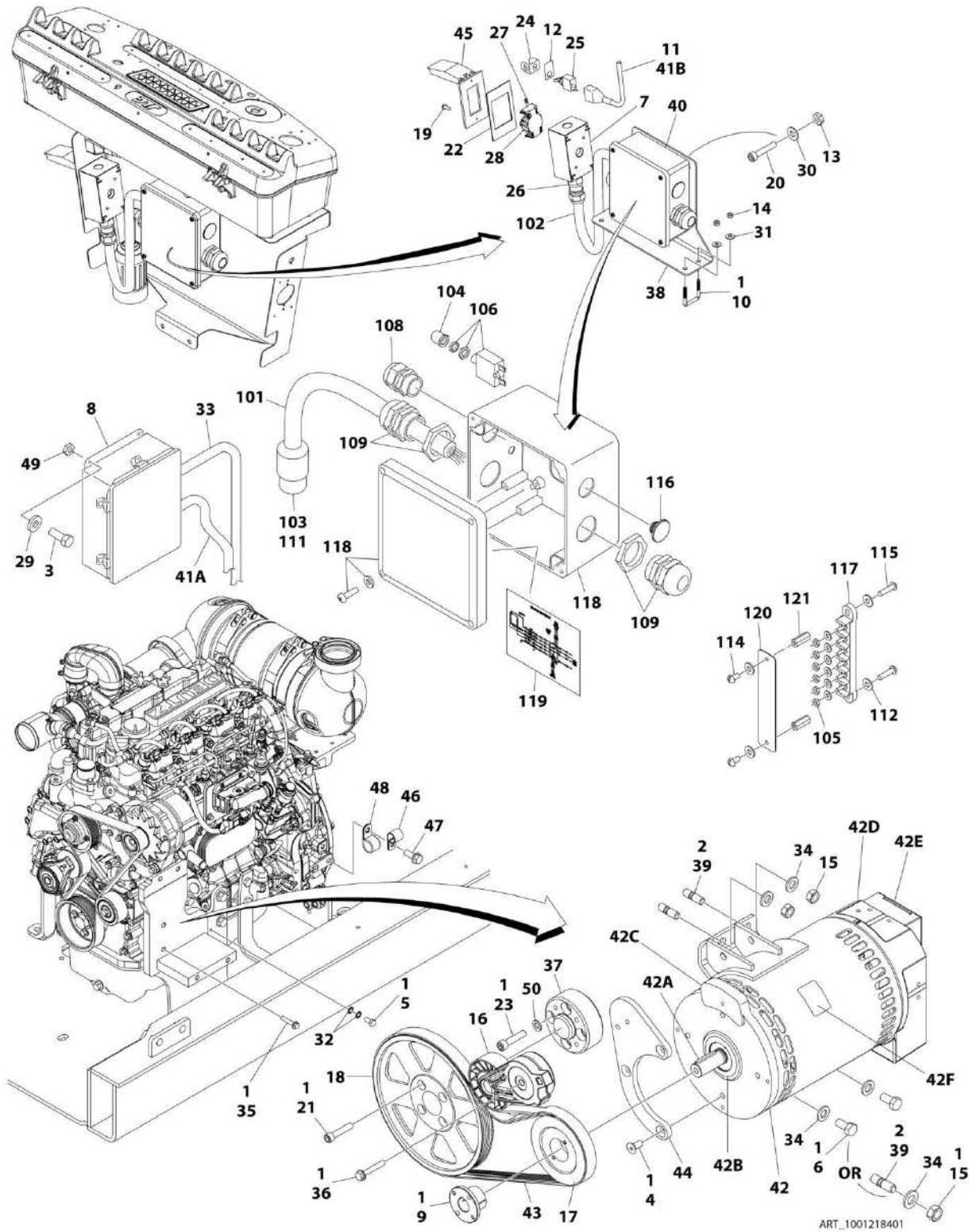
## SECTION 3 - ENGINE

**FIGURE 3-17. FUEL FILTER INSTALLATION – DEUTZ TD2011 ENGINE (OPTIONAL)**

ITEM	PART NUMBER	QTY	DESCRIPTION	REV
	1001150091	Ref	FUEL FILTER INSTALLATION – DEUTZ TD2011 ENGINE (OPTIONAL)	B
1	0761016	4	Bolt M10 x 40	
2	2720058	16.7 ft /5.1m	Hose Fuel Line	
3	3291005	4	Nut M10	
4	4812000	8	Washer M10	
5	1001149452	1	Fuel Filter/Water Separator Assembly	
5A	See Note	NSS	Indicator, Restriction (Note: Use p/n 1001149452)	
5B	70004064	1	Bypass Valve Kit (Not Shown)	
5C	70004065	1	Gasket, Head to Element	
5C	70004066	1	Element, Filter	
5D	70004067	1	Gasket, Element to Bowl	
5D	70004068	1	Bowl Kit (Includes Bowl, Element and Plug)	
5E	70004069	1	Plug	
5F	70004070	1	Drain	
6	1001149469	2	Fitting, Straight Barbed	
7	1001182727	1	Bracket	
8	1001174486	4	Clamp	

# SECTION 3 - ENGINE

## FIGURE 3-18. 7500W SKYPOWER GENERATOR INSTALLATION - 60HZ/240V (DEUTZ TD2.9L4 T4F ENGINES) (OPTIONAL)



## SECTION 3 - ENGINE

**FIGURE 3-18. 7500W SKYPOWER GENERATOR INSTALLATION - 60HZ/240V (DEUTZ TD2.9L4 T4F ENGINES) (OPTIONAL)**

ITEM	PART NUMBER	QTY	DESCRIPTION	REV
	1001218401	Ref	7500W SKYPOWER GENERATOR INSTALLATION - 60HZ/240V (DEUTZ TD2.9L4 T4F ENGINES) (OPTIONAL)	D
1	0100011	AR	Compound, Locking	
2	0100019	AR	Compound, Locking	
3	0641404	4	Bolt 1/4 x 1/2	
3	0760615	4	Bolt M6 x 35	
4	0741607	3	Screw 3/8 x 7/8	
5	0760606	1	Bolt M6 x 12	
6	0761212	2	Bolt M12 x 25	
7	0860038	1	Box, Receptacle	
8	0861538	1	Generator Control Box Assembly	
8	7024488	1	Card, Circuit - Generator Power (Not Shown)	
8	See Note	1	Fuse (Note: Not Available Purchase Locally)	
8	7024489	1	Card, Circuit - Control (Not Shown)	
		Ref	Note: When replacing card, rocker switch on card must be set for required application.	
8	70000619	1	Harness, Circuit Card	
9	0962520	1	Bushing, Taper	
10	1320302	2	Clamp	
11	2820031	1	Heat Shrink	
12	3251102	1	Nameplate - Generator	
13	3311005	4	Nut #10	
14	3311401	4	Nut 1/4	
15	3331211	AR	Nut M12	
16	3580317	1	Tensioner, Bolt	
17	3580318	1	Pulley, Generator	
18	3580320	1	Pulley, Engine	
19	3910606	4	Screw #6 x 3/8	
20	3931016	4	Capscrew #10 x 1	
21	3931628	4	Capscrew 3/8 x 1-3/4	
22	3960422	1	Gasket	
23	4032013	4	Capscrew M10 x 45	
23	4032014	4	Capscrew M10 x 50	
24	4060802	1	Guard, Switch	
25	4360336	1	Switch, Toggle	
26	4460071	1	Connector, Strain Relief	
27	4460315	2	Terminal	
28	4460346	1	Receptacle, Female	
29	4711400	4	Washer 1/4	
29	4811700	8	Washer M6	
30	4751000	4	Washer #10	
31	4751400	4	Washer 1/4	
32	4871700	2	Washer M6	
33	4922972	1	Generator Harness (See Separate Breakdown in ELECTRICAL SECTION)	
34	5241200	4	Washer M12	
35	5250816	2	Bolt M8 x 40	
36	5250818	1	Bolt M8 x 50	
37	1001135679	1	Adapter, Pulley	

## SECTION 3 - ENGINE

ITEM	PART NUMBER	QTY	DESCRIPTION	REV
38	1001141958	1	Bracket	
39	1001155041	AR	Stud	
40	1001157592	1	Junction Box Assembly (See Items 101-121 for Breakdown)	
41	1001157770	AR	Electrical Diagram Components (Not Shown)	
41A	1001119968	1	Generator Harness - 7500W SkyPower (60Hz/240V) (Deutz TD2.9L4 TF4 Engines) (Optional) (See Separate Breakdown in ELECTRICAL SECTION)	
41B	4922641	1	Switch Harness	
42	1001212223	1	Generator Assembly	
42	70001100	1	Rotor (Includes p/n 70001384 & 70000863) (Not Shown)	
42	70001384	1	Bearing, Shaft (Rear) (Not Shown)	
42	70000863	1	Fan, Generator (Not Shown)	
42	70006093	1	Stator (Not Shown)	
42	See Note	NSS	Stud 1/4 x 13-3/8 (Not Shown) (Note: Purchase Locally)	
42	70003631	1	Brushholder Assembly (Not Shown) (was p/n 7024484)	
42A	70004099	1	Key	
42B	70001966	1	Bearing, Ball Radial (Located in Belt Tensioner Endbell)	
42B	70003709	1	Ring, Retaining (Small)	
42B	70003708	1	Ring, Retaining (Large)	
42C	70004092	1	Endbell, Belt Tensioner	
42D	70004094	1	Endbell, Brush Block	
42E	70006094	1	Shroud Assembly	
42E	7027799	1	Block, Connector - 6 Position (Not Shown)	
42E	70002460	6	Nut, Brass (Attaches p/n 7027799 to Cover) (Not Shown)	
42E	70006095	1	Breaker, Circuit 30Amp (Not Shown)	
42E	70006096	1	Boot, Breaker (Not Shown)	
42E	See Note	NSS	Connector with Leads (Not Shown) (Note: Not Available for Purchase)	
42E	7026626	1	Connector with Pins (Not Shown)	
42E	70004098	1	Clamp, Cable (Not Shown)	
42E	70006097	1	Plate, End Panel (Not Shown)	
42E	70002291	1	Insulator, End Panel (Not Shown)	
42E	70001974	1	Decal - Terminal Connections (Not Shown)	
42F	70001973	1	Decal - Warning Moving Parts	
43	1001214683	1	V-Belt	
44	1001218447	1	Bracket	
45	1001110873	1	Cover, Receptacle	
46	1320061	1	Clamp <b>(SN B300002614 to Present)</b>	
47	5251012	1	Bolt M10 x 25 <b>(SN B300002614 to Present)</b>	
48	7274000040	1	Clamp <b>(SN B300002614 to Present)</b>	
49	3290605	4	Nut <b>(SN B300002614 to Present)</b>	
50	4812000	4	Washer	
	1001157592	Ref	JUNCTION BOX ASSEMBLY	C
101	1060343	1.5 ft/ 0.5m	Cable, Electrical 10/4	
102	1001179154	2.5 ft/ 0.8m	Cable, Electrical 12/3	
103	1671092	1	Cover	
104	3300396	1	Cover, Fuse	
105	3311001	6	Nut #10	
106	4360070	1	Circuit Breaker - 15Amp	
108	4460425	1	Strain Relief, Terminal	



## SECTION 3 - ENGINE

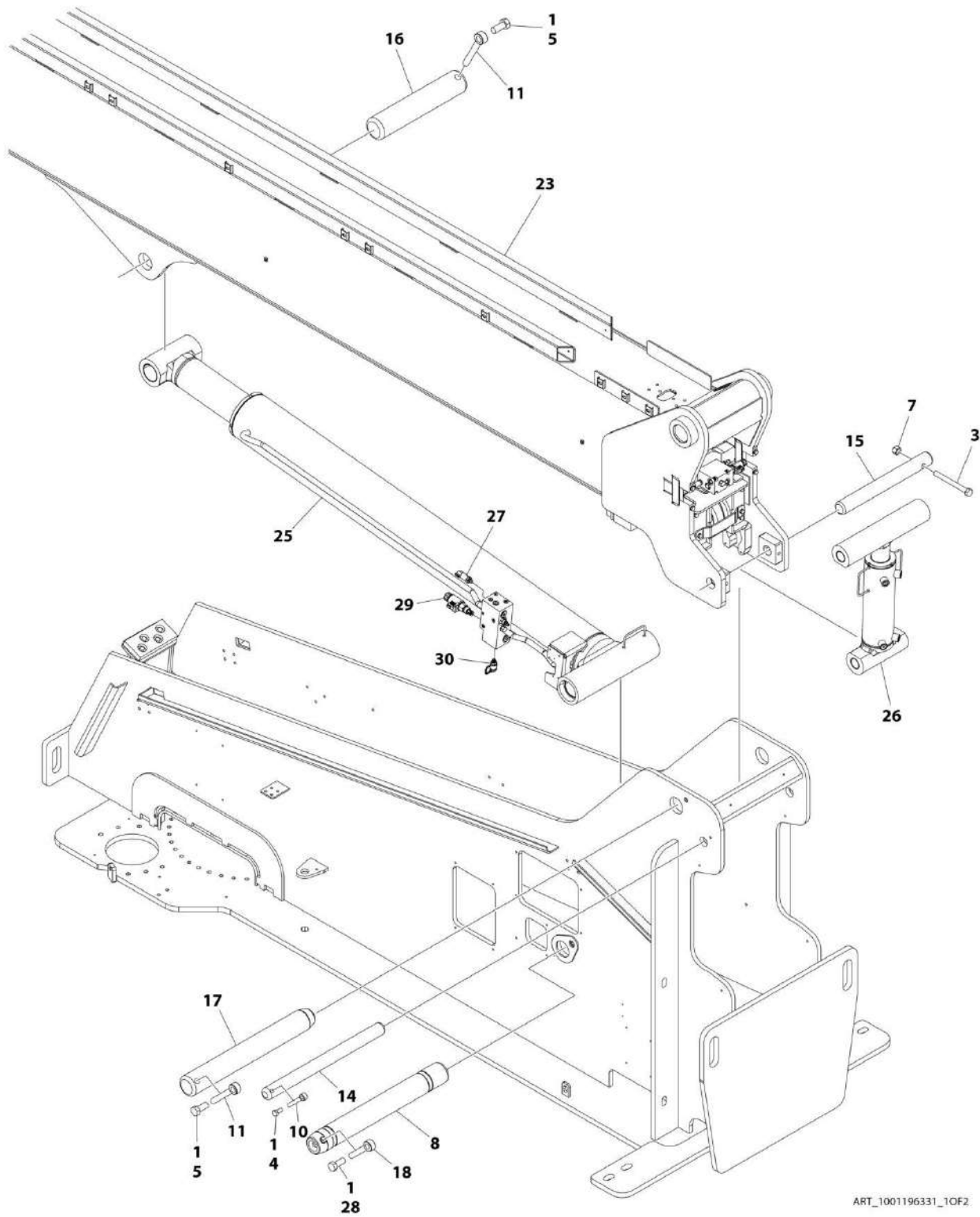
ITEM	PART NUMBER	QTY	DESCRIPTION	REV
109	4460426	2	Connector, Strain Relief	
111	4460963	1	Connector	
112	4711000	10	Washer #10	
114	10702077	2	Screw #10 x 3/8	
115	10702082	2	Screw #10 x 3/4	
116	1001152525	1	Plug	
117	1001157520	1	Block, Terminal	
118	1001157521	1	Box, Junction	
119	1001157528	1	Decal - Wiring Schematic	
120	1001158007	1	Cover, PVC	
121	1001158008	2	Stand-Off	



**SECTION 4 - BOOM**

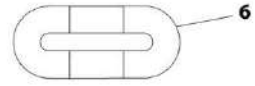
# SECTION 4 - BOOM

## FIGURE 4-1. BOOM INSTALLATION - 1030S

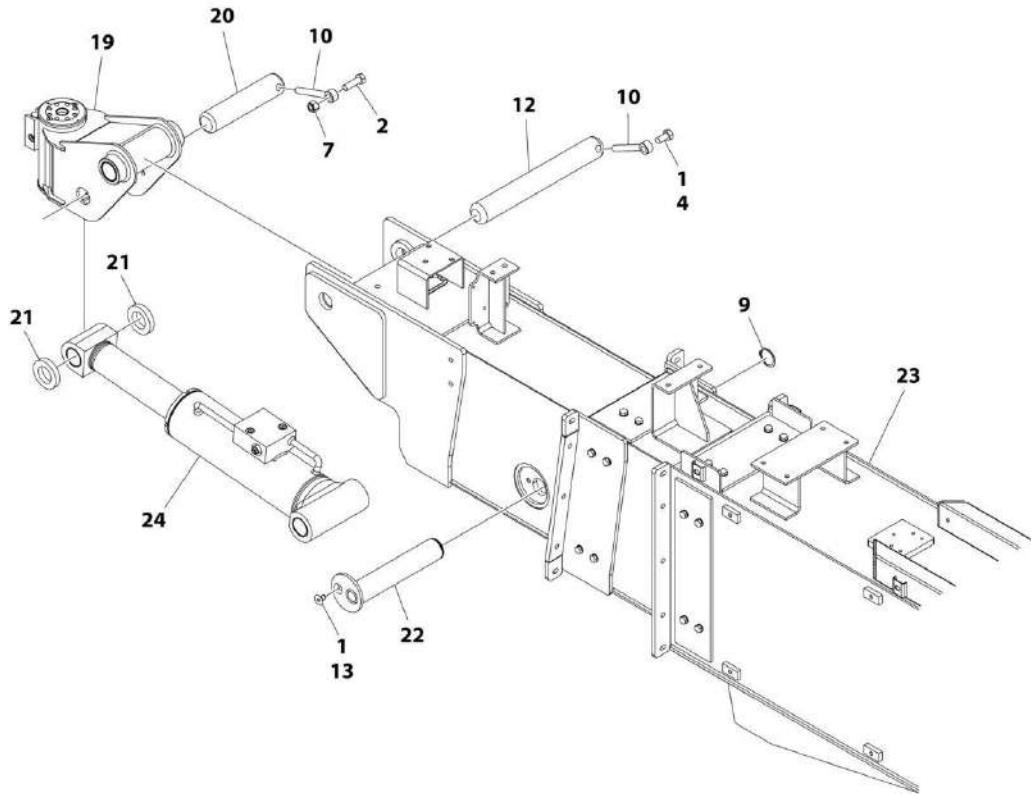


ART\_1001196331\_TOF2

# SECTION 4 - BOOM



DECALS LOCATED ON  
BOTTOM PLATE OF MID BOOM



ART\_1001196331\_2OF2

## SECTION 4 - BOOM

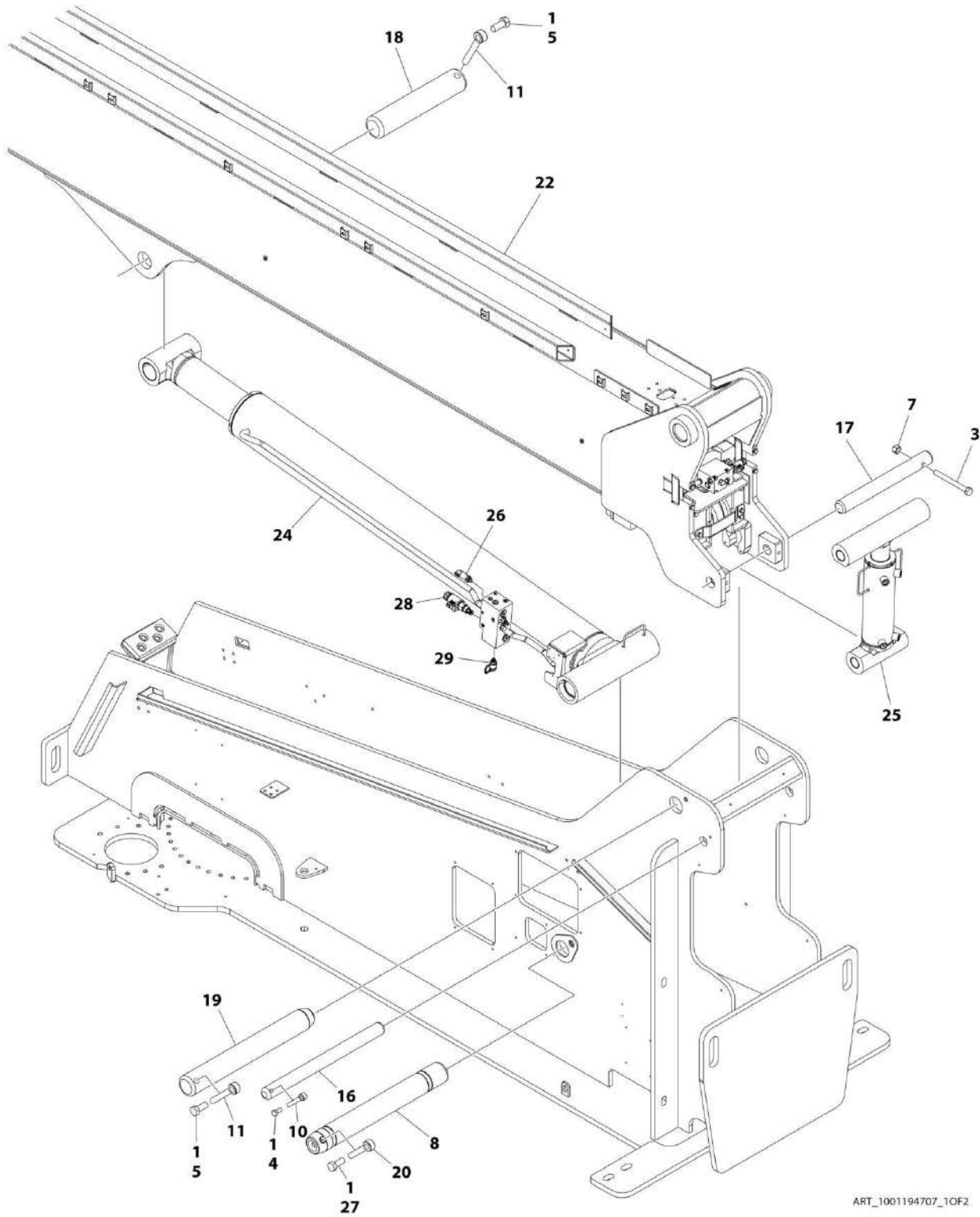
FIGURE 4-1. BOOM INSTALLATION - 1030S

ITEM	PART NUMBER	QTY	DESCRIPTION	REV
	1001196331	Ref	BOOM INSTALLATION - 1030S	H
1	0100019	AR	Compound, Locking	
2	0701216	1	Bolt M12 x 40	
3	0701229	1	Bolt M12 x 120	
4	0761212	2	Bolt M12 x 25	
5	0762017	2	Bolt M20 x 45	
6	1705366	1	Decal - Boom Length	
7	3291205	AR	Nut M12	
8	3423208	1	Pin	
9	3760233	1	Ring, Retaining	
10	3841203	3	Keeper, Pin	
11	3841287	2	Keeper, Pin	
12	1001116547	1	Pin	
13	1001137032	1	Screw M10 x 16	
14	1001150471	1	Pin	
15	1001200794	1	Pin	
16	1001150473	1	Pin	
17	1001150474	1	Pin	
18	3841581	1	Keeper, Pin	
19	1001151846	NLA	Platform Rotator Assembly (Use p/n 1001228211) (See Separate Breakdown in this Section) <b>(SN B300001586 through B300001726)</b>	
19	1001228211	1	Platform Rotator Assembly (See Separate Breakdown in this Section) <b>(SN B300001727 to Present)</b>	
20	1001151874	1	Pin	
21	1001151984	2	Sleeve, Spacer <b>(SN B300001586 through B300001726)</b>	
22	1001194694	1	Pin	
23	1001194708	1	Boom Assembly (See Separate Breakdown in this Section)	
24	1001195191	1	Level Cylinder Assembly - Platform Slave (See Separate Breakdown in CYLINDER SECTION)	
25	1001197797	1	Lift Cylinder Assembly - Boom (See Separate Breakdown in CYLINDER SECTION)	
26	1001197798	1	Master Cylinder Assembly (See Separate Breakdown in CYLINDER SECTION)	
27	1001199043	1	Sensor, Pressure Transducer	
28	0642214	1	Bolt 3/4 x 1-3/4	
29	1001148972	1	Proportional Valve Assembly <b>(SN B300001586 through B300001680)</b>	
29	70002401	1	Cartridge Less Coil	
29	7017496	1	Seal Kit - 70002401 Cartridge	
29	70003788	1	Coil	
29	1001218037	1	Proportional Valve Assembly <b>(SN B300001681 to Present)</b>	
29	70006003	1	Cartridge Less Coil	
29	70006005	1	Seal Kit - 70006003 Cartridge	
29	70006004	1	Coil	
29	70006006	1	Nut	
30	2221086	1	Fitting, Test	



# SECTION 4 - BOOM

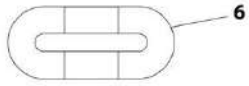
## FIGURE 4-2. BOOM INSTALLATION - 1100SJ



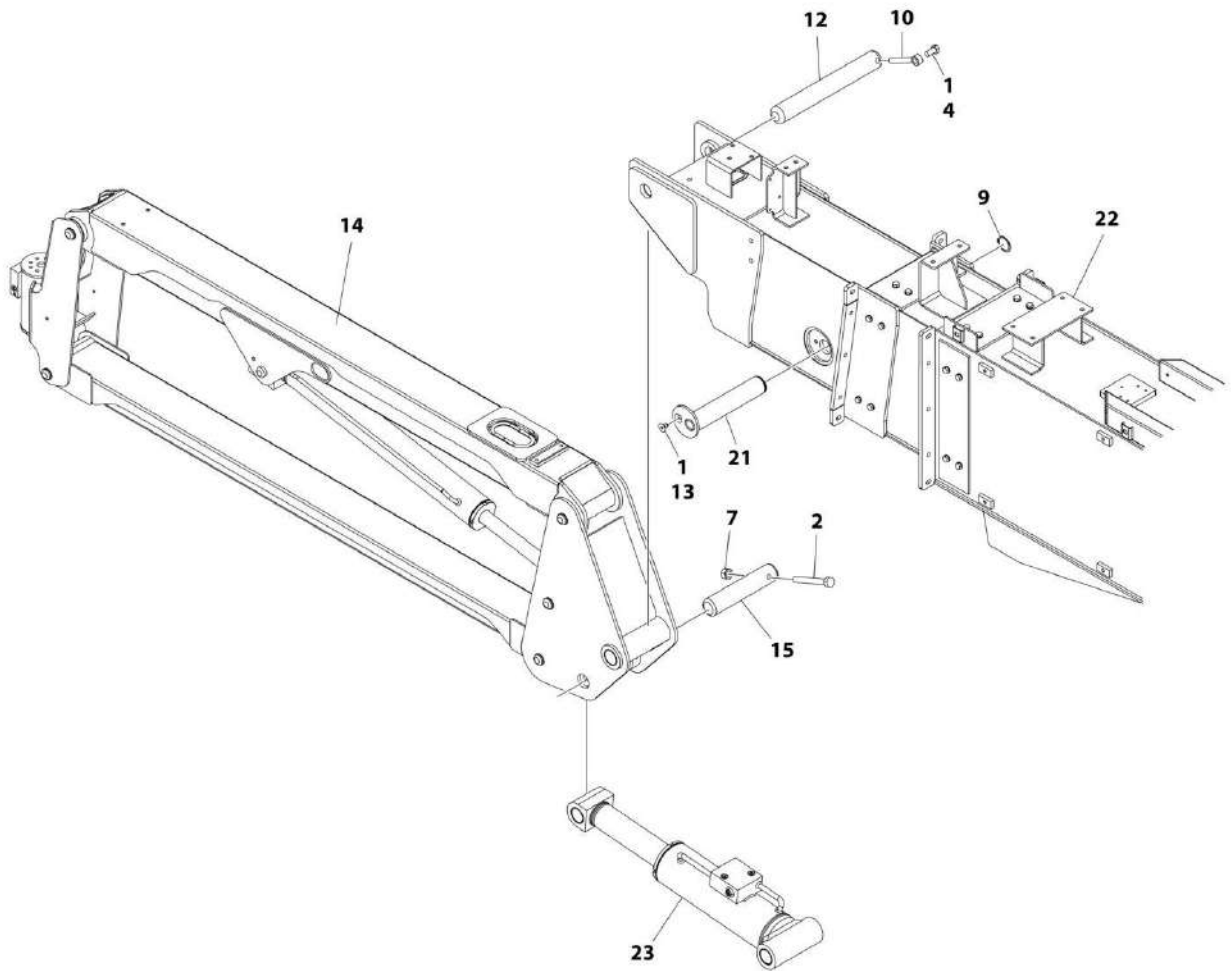
ART\_1001194707\_TOF2



# SECTION 4 - BOOM



DECALS LOCATED ON  
BOTTOM PLATE OF MID BOOM



ART\_1001194707\_20F2

## SECTION 4 - BOOM

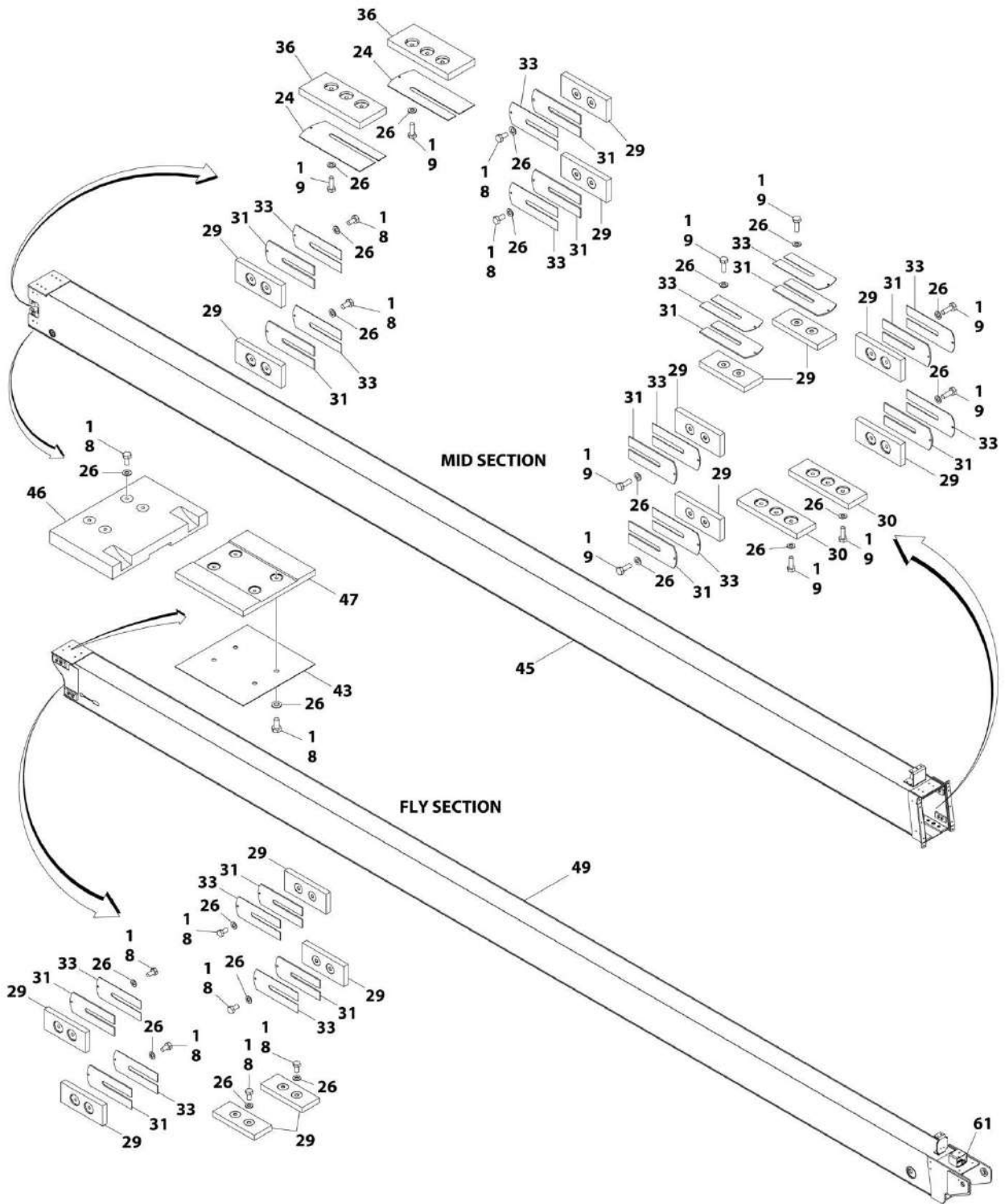
FIGURE 4-2. BOOM INSTALLATION - 1100SJ

ITEM	PART NUMBER	QTY	DESCRIPTION	REV
	1001194707	Ref	BOOM INSTALLATION - 1100SJ	G
1	0100019	AR	Compound, Locking	
2	0701227	1	Bolt M12 x 100	
3	0701229	1	Bolt M12 x 120	
4	0761212	2	Bolt M12 x 25	
5	0762017	2	Bolt M20 x 45	
6	1705366	1	Decal - Boom Length	
7	3291205	2	Nut M12	
8	3423208	1	Pin	
9	3760233	1	Ring, Retaining	
10	3841203	2	Keeper, Pin	
11	3841287	2	Keeper, Pin	
12	1001116547	1	Pin	
13	1001137032	1	Screw M10 x 16	
14	1001150012	1	Jib Assembly - 1100SJ (See Separate Breakdown in this Section)	
15	1001150470	1	Pin	
16	1001150471	1	Pin	
17	1001200794	1	Pin	
18	1001150473	1	Pin	
19	1001150474	1	Pin	
20	3841581	1	Keeper, Pin	
21	1001194694	1	Pin	
22	1001194708	1	Boom Assembly (See Separate Breakdown in this Section)	
23	1001195191	1	Level Cylinder Assembly - Platform Slave (See Separate Breakdown in CYLINDER SECTION)	
24	1001197797	1	Lift Cylinder - Boom (See Separate Breakdown in CYLINDER SECTION)	
25	1001197798	1	Master Cylinder Assembly (See Separate Breakdown in CYLINDER SECTION)	
26	1001199043	1	Sensor, Pressure Transducer	
27	0642214	1	Bolt 3/4 x 1-3/4	
28	1001148972	1	Proportional Valve Assembly ( <b>SN B300001586 through B300001680</b> )	
28	70002401	1	Cartridge Less Coil	
28	7017496	1	Seal Kit - 70002401 Cartridge	
28	70003788	1	Coil	
28	1001218037	1	Proportional Valve Assembly ( <b>SN B300001681 to Present</b> )	
28	70006003	1	Cartridge Less Coil	
28	70006005	1	Seal Kit - 70006003 Cartridge	
28	70006004	1	Coil	
28	70006006	1	Nut	
29	2221086	1	Fitting, Test	





# SECTION 4 - BOOM



ART\_1001194708\_20F2

## SECTION 4 - BOOM

FIGURE 4-3. BOOM ASSEMBLY

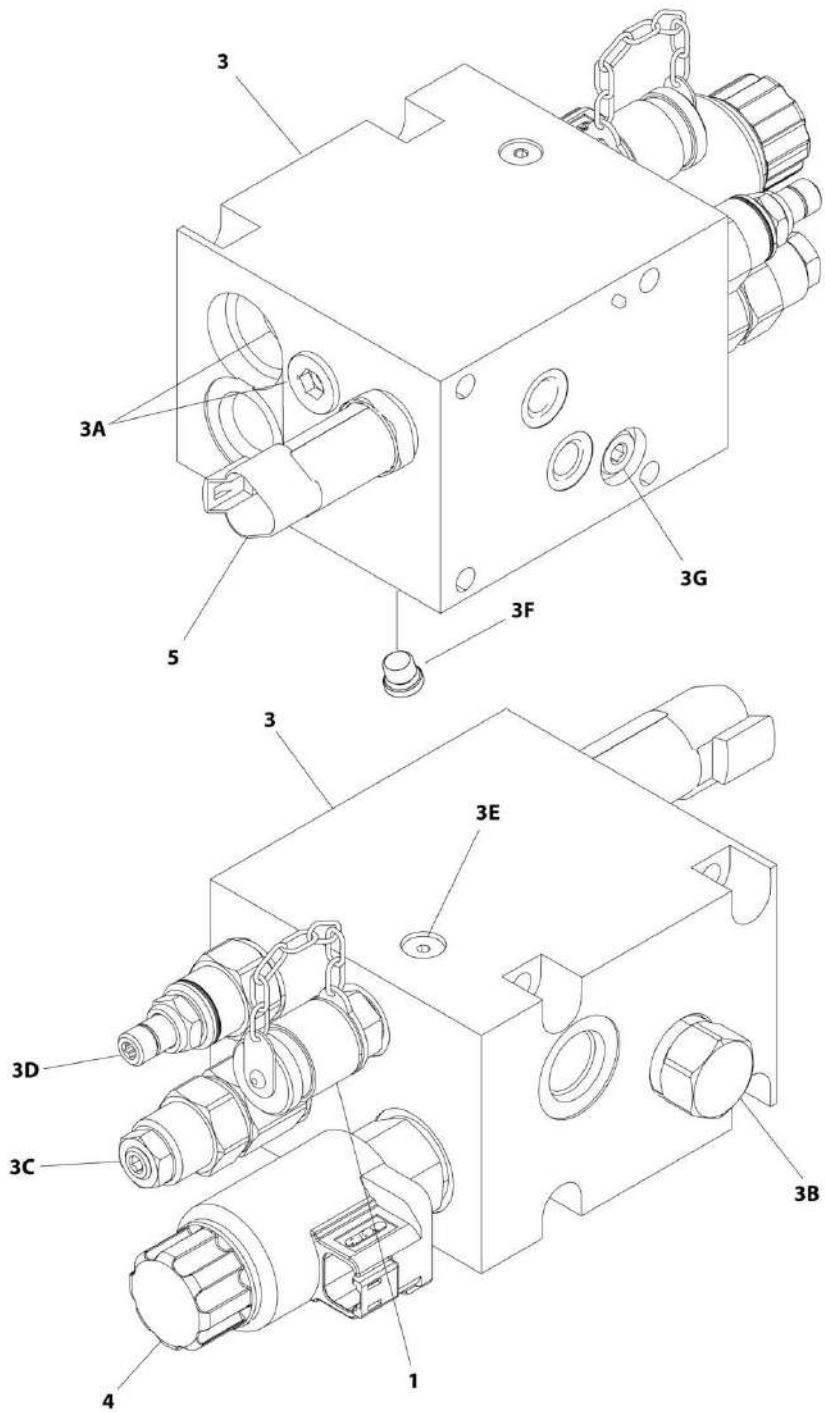
ITEM	PART NUMBER	QTY	DESCRIPTION	REV
	1001194708	Ref	BOOM ASSEMBLY	M
1	0100011	AR	Compound, Locking	
2	0100019	AR	Compound, Locking	
3	0561471	2	Block, Spacer	
4	0641608	4	Bolt 3/8 x 1	
5	0701031	4	Bolt M10 x 140	
6	0711018	2	Bolt M10 x 50	
7	0761009	4	Bolt M10 x 18	
8	0761010	28	Bolt M10 x 20	
9	0761014	36	Bolt M10 x 30	
11	0761018	6	Bolt M10 x 50	
12	0761019	12	Bolt M10 x 55	
13	0761027	4	Bolt M10 x 100	
14	0761618	2	Bolt M16 x 50	
15	0962297	2	Bushing	
16	1220078	2	Sheave, Block	
17	3020039	AR	Lubricant	
18	3272201	2	Nut 3/4	
19	3272401	1	Nut 7/8	
20	3282601	1	Nut 1	
21	3300241	2	Nut Nylon Collar Locking 3/4-10	
22	3300242	1	Nut Nylon Collar Locking 7/8-9	
23	3300459	1	Nut	
24	4071015	2	Shim, 16 Gauge	
25	4160197	1	Spring	
26	4812000	94	Washer M10	
27	4812300	2	Washer M16	
28	1001110853	2	Bolt M16 x 70	
29	1001118287	22	Pad, Wear	
30	1001136583	2	Pad, Wear	
31	1001136592	20	Shim, 11 Gauge	
32	1001137032	3	Screw M10 x 16	
33	1001143713	20	Shim, 18 Gauge	
34	1001146775	2	Sheave, Assembly	
34	0962404	2	Bushing, Bronze (1 Per Sheave)	
34	0962411	2	Bushing, Composite (1 Per Sheave)	
35	1001148011	2	Pad, Wear	
36	1001148012	2	Pad, Wear	
37	1001148420	2	Bar	
38	1001148421	2	Bar	
39	1001148576	2	Cover, Sheave	
40	1001148577	2	Block, Rope Retainer	
41	1001148578	2	Sleeve, Sheave	
42	1001194636	4	Shim, 14 Gauge	
43	1001194653	1	Shim, 16 Gauge	
44	1001194663	1	Cover	
45	1001194706	1	Boom, Mid	
46	1001194712	1	Pad, Wear	
47	1001194715	1	Pad, Wear	
48	1001194717	1	Boom, Base	

## SECTION 4 - BOOM

ITEM	PART NUMBER	QTY	DESCRIPTION	REV
49	1001194733	1	Boom, Fly	
50	1001194925	NLA	Telescope Cylinder Assembly (Use p/n 1001232899) (See Separate Breakdown in CYLINDER SECTION) <b>(SN B300001586 through B300002339)</b>	
50	1001232899	1	Telescope Cylinder Assembly (See Separate Breakdown in CYLINDER SECTION) <b>(SN B300002340 to Present)</b>	
51	1001194935	2	Sheave Assembly	
51	1001154294	1	Ring, Retaining (1 Per Sheave)	
51	1001154304	1	Bushing, Composite (1 Per Sheave)	
51	1001154306	1	Bushing, Bronze (1 Per Sheave)	
52	1001194937	1	Guard, Sheave	
53	1001194938	1	Block, Extent Rope	
54	1001194940	1	Pin	
55	1001194941	1	Rope, Extend	
56	1001194942	1	Rope, Extend	
57	1001194943	2	Rope, Retract	
58	1001195442	2	Washer	
59	1001216560	1	Support	
60	1001216835	1	Block	
61	4060807	8.3 in/ 21cm	Flex-Trim	
62	3020042	AR	Lubricant (Not Shown)	
63	4641179	1	Telescope Valve Assembly <b>(SN B300001586 through B300001680)</b>	
63	7026616	1	Seal Kit	
63	1001221518	1	Telescope Valve Assembly (See Separate Breakdown in this Section) <b>(SN B300001681 to Present)</b>	
64	5240600	4	Washer M6	
65	5271723	4	Capscrew M6 x 100	
66	0761012	2	Bolt M10 x 25	
67	1001119057	2	Bolt M20 x 75	
69	5242000	2	Washer M20	
70	1001216555	1	Guide	
71	1001216832	1	Adjuster, Switch	
72	1001216836	1	Bracket	
73	1001220778	1	Spacer <b>(SN B300001586 through B300002613)</b>	
74	1001220779	1	Pad <b>(SN B300001586 through B300002613)</b>	
75	1001225343	4	Shim, 18 Gauge	

# SECTION 4 - BOOM

FIGURE 4-4. TELESCOPE VALVE ASSEMBLY (SN B300001681 to Present)



ART\_1001221518



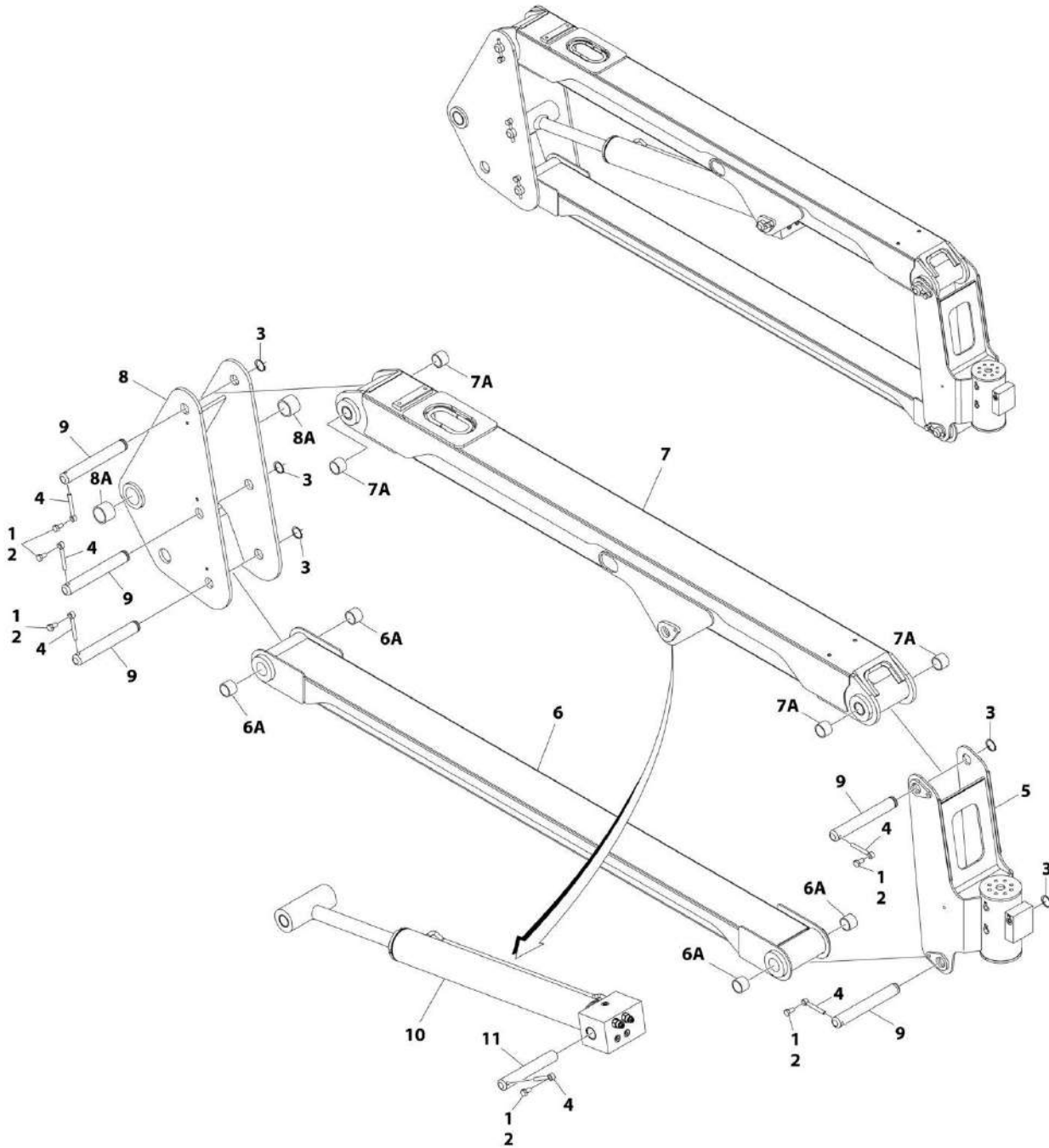
## SECTION 4 - BOOM

**FIGURE 4-4. TELESCOPE VALVE ASSEMBLY (SN B300001681 to Present)**

ITEM	PART NUMBER	QTY	DESCRIPTION	REV
	1001221518	Ref	TELESCOPE VALVE ASSEMBLY (SN B300001681 to Present)	C
1	2221086	1	Fitting, Test	
3	1001226706	1	Load Holding Valve Manifold	
3A	70006282	1	Cartridge	
3A	7011346	1	Seal Kit - 70006282 Valve	
3B	70006098	1	Cartridge	
3B	70006099	1	Seal Kit - 70006098 Valve	
3C	70006283	1	Cartridge	
3C	2900700	1	Seal Kit - 70006283 Valve	
3D	70006101	1	Cartridge	
3D	70006102	1	Seal Kit - 70006101 Valve	
3E	2220881	1	Plug	
3F	2220883	1	Plug	
3G	2221337	1	Plug	
4	1001218037	1	Solenoid Valve	
4	70006003	1	Cartridge	
4	70006004	1	Coil	
4	70006005	1	Seal Kit - 70006003 Valve	
4	70006006	1	Nut	
5	1001199043	1	Sensor, Pressure Transducer	

# SECTION 4 - BOOM

## FIGURE 4-5. JIB ASSEMBLY - 1100SJ



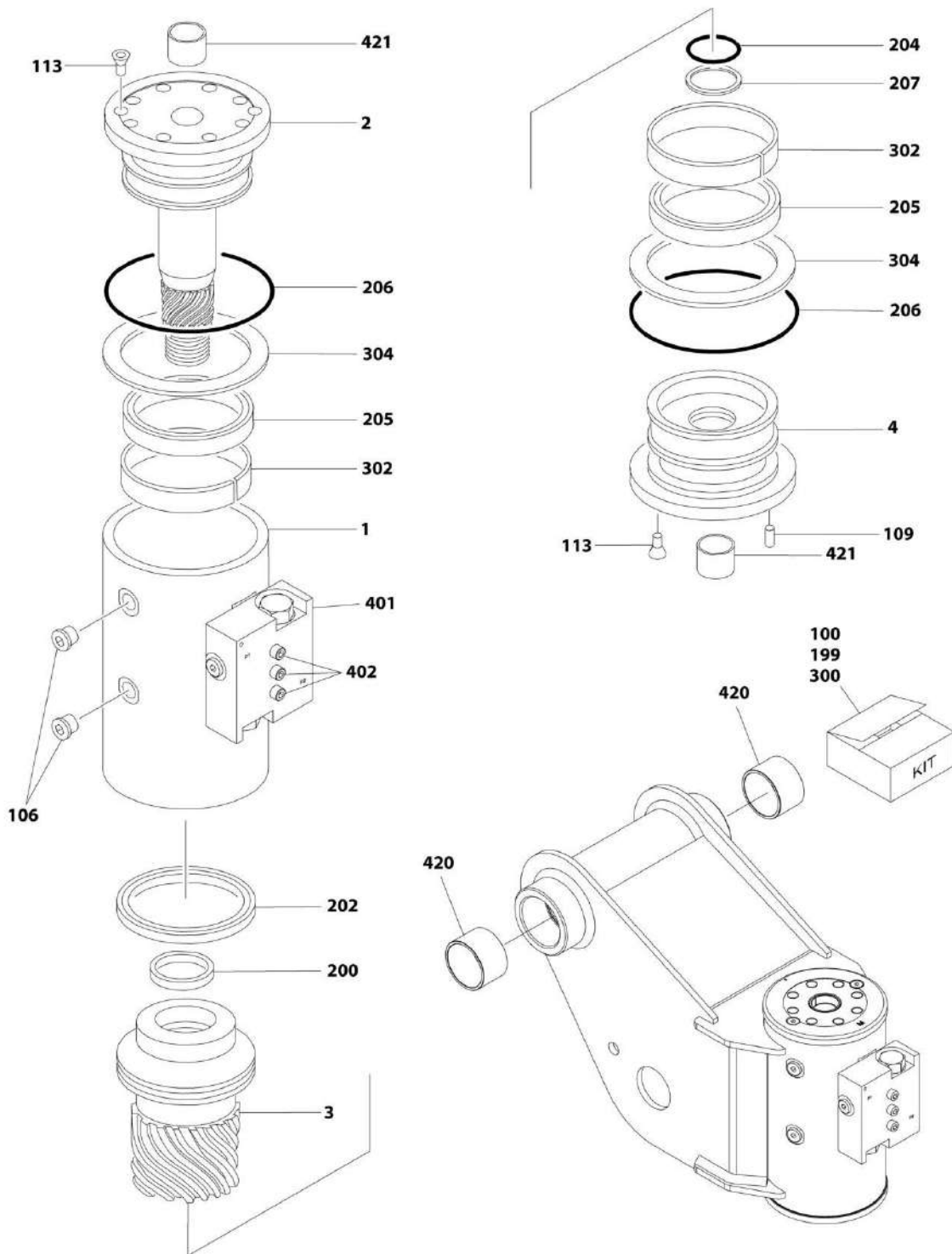
ART\_1001150012

FIGURE 4-5. JIB ASSEMBLY - 1100SJ

ITEM	PART NUMBER	QTY	DESCRIPTION	REV
	1001150012	Ref	JIB ASSEMBLY - 1100SJ	B
1	0100011	AR	Compound, Locking	
2	0761010	6	Bolt M10 x 20	
3	3760133	5	Ring, Retaining	
4	3841143	6	Keeper, Pin	
5	1001148919	1	Platform Rotator Assembly (See Separate Breakdown in this Section)	
6	1001148930	1	Link, Lower Jib Assembly	
6A	0961951	4	Bushing	
7	1001148932	1	Link, Upper Jib Assembly	
7A	0961951	4	Bushing	
8	1001148953	1	Pivot, Jib Assembly	
8A	1001118665	2	Bushing	
9	1001149103	5	Pin, Nickel Plated	
10	1001149389	1	Lift Cylinder Assembly - Jib (See Separate Breakdown in CYLINDER SECTION)	
11	1001149903	1	Pin, Nickel Plated	

# SECTION 4 - BOOM

FIGURE 4-6. PLATFORM ROTATOR ASSEMBLY - 1030S (SN B300001586 through B300001726)



ART\_1001151846

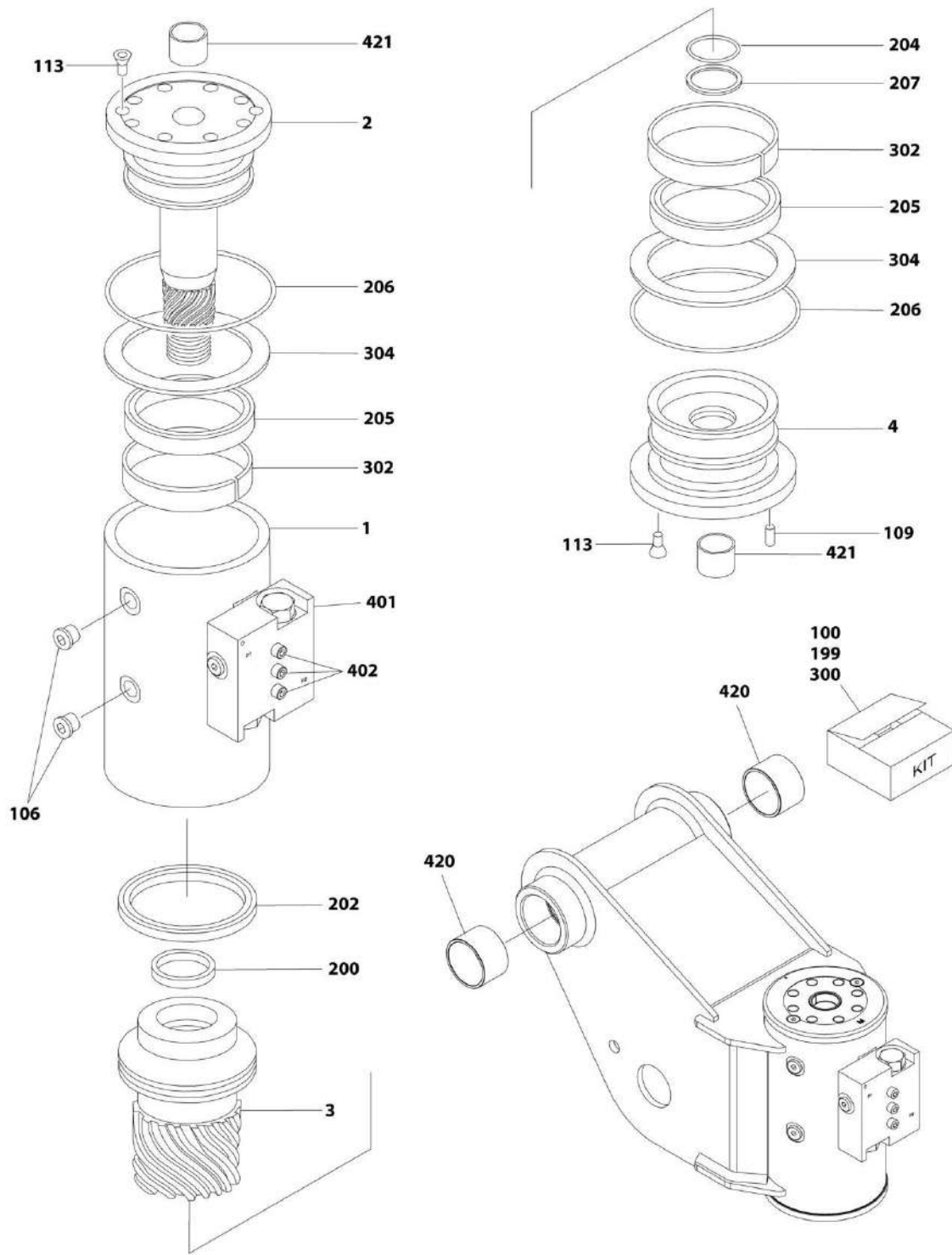
## SECTION 4 - BOOM

**FIGURE 4-6. PLATFORM ROTATOR ASSEMBLY - 1030S (SN B300001586 through B300001726)**

ITEM	PART NUMBER	QTY	DESCRIPTION	REV
	1001151846	Ref	PLATFORM ROTATOR ASSEMBLY - 1030S (SN B300001586 through B300001726)	F
1	See Note	NSS	Housing/Ring Gear (Note: Purchase Complete Assembly)	
2	70003948	1	Shaft	
3	7017163	1	Piston	
4	7017164	1	Cap	
100	7017142	1	Hardware Kit (Includes Items 106-109)	
106	See Note	NSS	Plug (Note: Use Item 100)	
109	See Note	NSS	Pin, Dowel (Note: Use Item 100)	
113	70001697	6	Screw 1/4 x 3/8	
199	70000342	1	Seal Kit - Low Temperature (Includes Items 200-207)	
200	See Note	NSS	T-Seal (Note: Use Item 199)	
202	See Note	NSS	T-Seal (Note: Use Item 199)	
204	See Note	NSS	O-Ring (Note: Use Item 199)	
205	See Note	NSS	Seal (Note: Use Item 199)	
206	See Note	NSS	O-Ring (Note: Use Item 199)	
207	See Note	1	Ring, Back-up (Note: Use Item 199)	
300	7017159	1	Bearing Kit (Includes Items 302-304)	
302	See Note	NSS	Bearing (Note: Use Item 300)	
304	See Note	NSS	Washer, Thrust (Note: Use Item 300)	
401	7017172	1	Valve, Control (Note: Sold as Assembly Only)	
401	7017192	2	Cartridge, Valve - Counterbalance (Seal Kit Not Available)	
401	See Note	1	Cartridge, Valve - Check (Seal Kit Not Available) (Note: Use p/n 7017172)	
402	See Note	NSS	Bolt 1/4 x 1-1/2 Grade 8 (Note: Purchase Locally)	
420	70005819	2	Bushing	
421	7017195	2	Bushing	

# SECTION 4 - BOOM

FIGURE 4-7. PLATFORM ROTATOR ASSEMBLY - 1030S (SN B300001727 to Present)



ART\_1001228211

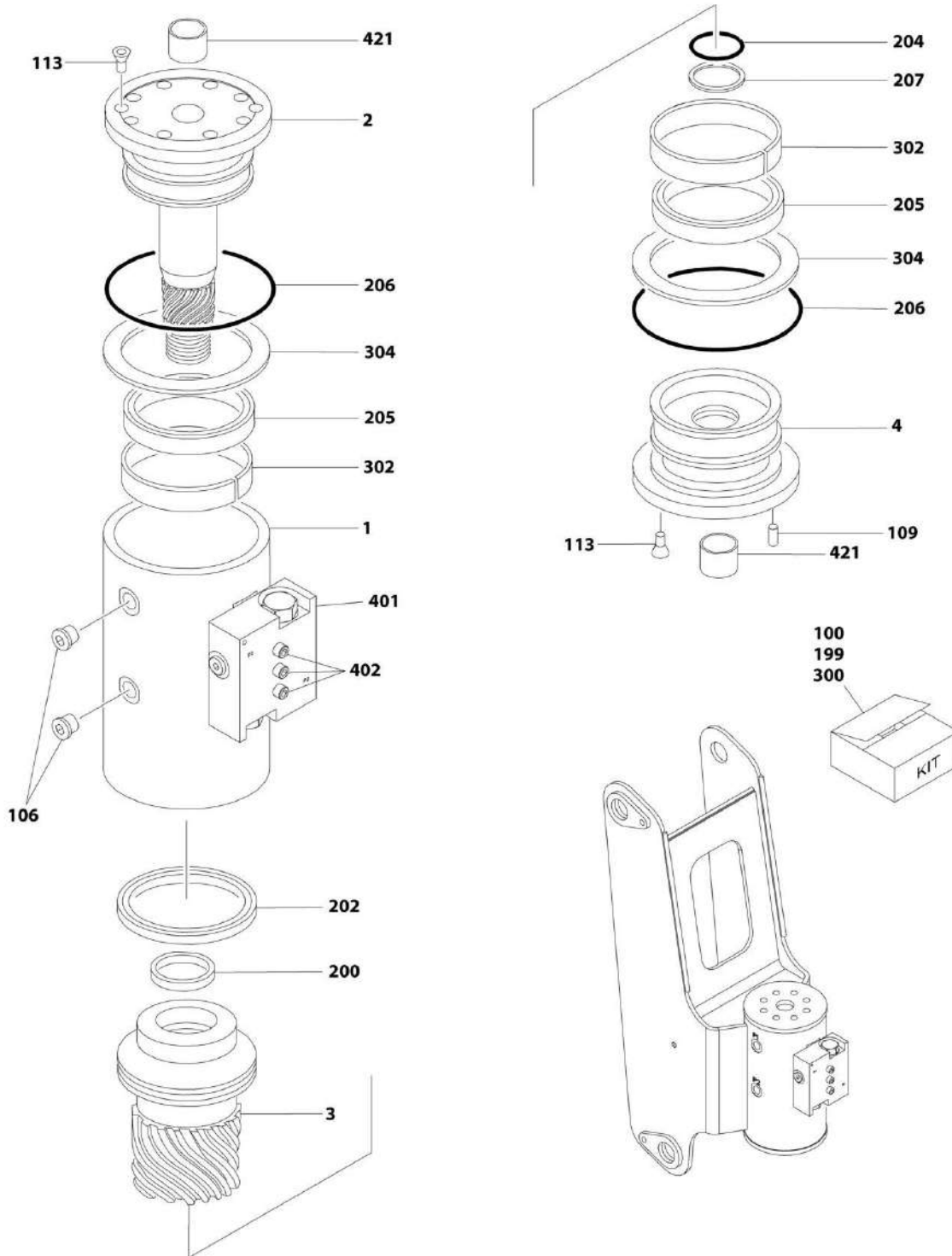
## SECTION 4 - BOOM

**FIGURE 4-7. PLATFORM ROTATOR ASSEMBLY - 1030S (SN B300001727 to Present)**

ITEM	PART NUMBER	QTY	DESCRIPTION	REV
	1001228211	Ref	PLATFORM ROTATOR ASSEMBLY - 1030S (SN B300001727 to Present)	A
1	See Note	NSS	Housing/Ring Gear (Note: Purchase Complete Assembly)	
2	70003948	1	Shaft	
3	7017163	1	Piston	
4	7017164	1	Cap	
100	7017142	1	Hardware Kit (Includes Items 106-109)	
106	See Note	NSS	Plug (Note: Use Item 100)	
109	See Note	NSS	Pin, Dowel (Note: Use Item 100)	
113	70001697	6	Screw 1/4 x 3/8	
199	7017158	1	Seal Kit - Low Temperature (Includes Items 200-207)	
200	See Note	NSS	T-Seal (Note: Use Item 199)	
202	See Note	NSS	T-Seal (Note: Use Item 199)	
204	See Note	NSS	O-Ring (Note: Use Item 199)	
205	See Note	NSS	Seal (Note: Use Item 199)	
206	See Note	NSS	O-Ring (Note: Use Item 199)	
207	See Note	1	Ring, Back-up (Note: Use Item 199)	
300	7017159	1	Bearing Kit (Includes Items 302-304)	
302	See Note	NSS	Bearing (Note: Use Item 300)	
304	See Note	NSS	Washer, Thrust (Note: Use Item 300)	
401	7017172	1	Valve, Control (Note: Sold as Assembly Only)	
401	7017192	2	Cartridge, Valve - Counterbalance (Seal Kit Not Available)	
401	See Note	1	Cartridge, Valve - Check (Seal Kit Not Available) (Note: Use p/n 7017172)	
402	See Note	NSS	Bolt 1/4 x 1-1/2 Grade 8 (Note: Purchase Locally)	
420	70005819	2	Bushing	
421	7017195	2	Bushing	

# SECTION 4 - BOOM

## FIGURE 4-8. PLATFORM ROTATOR ASSEMBLY - 1100SJ



ART\_1001148919



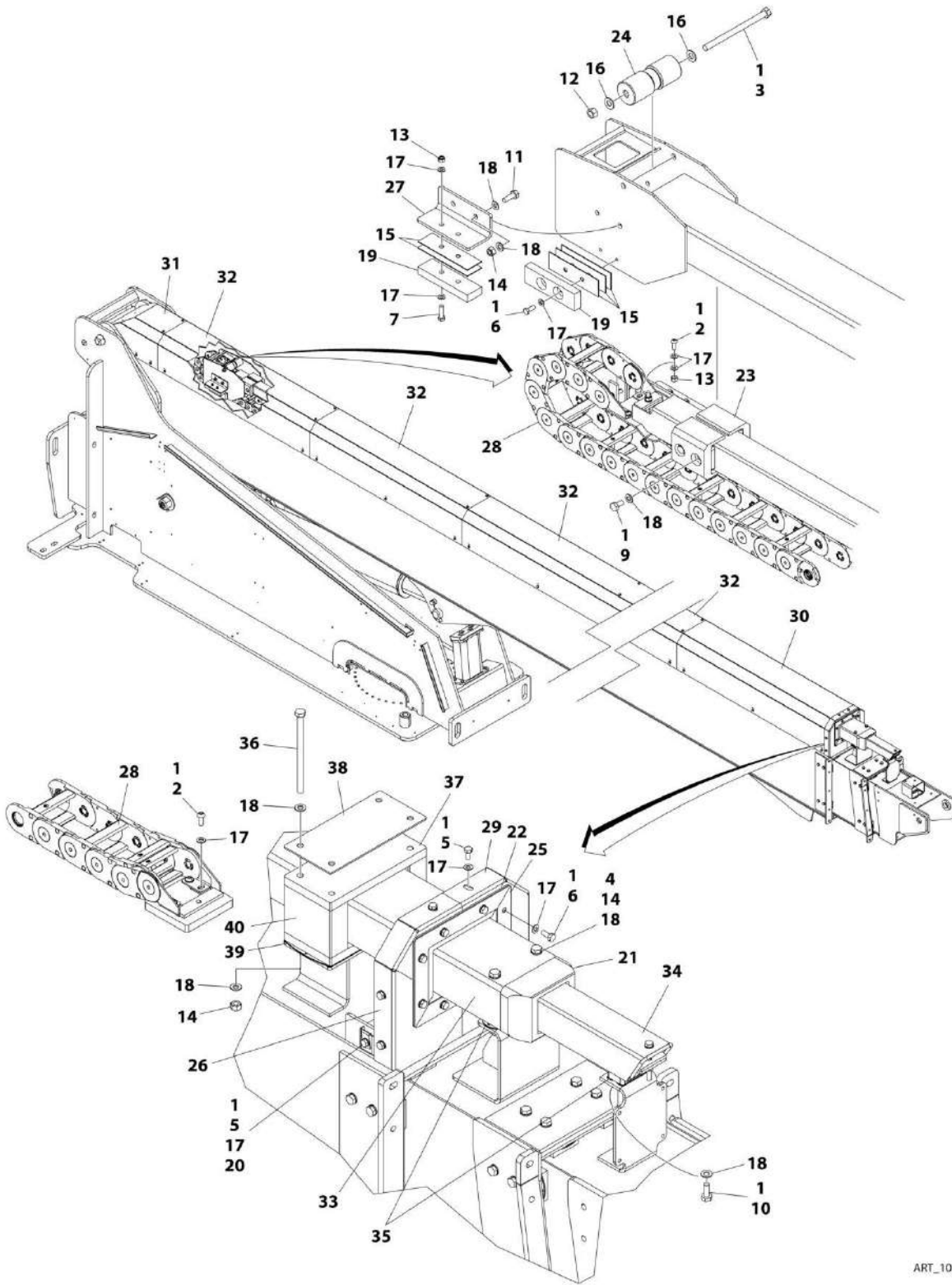
## SECTION 4 - BOOM

**FIGURE 4-8. PLATFORM ROTATOR ASSEMBLY - 1100SJ**

ITEM	PART NUMBER	QTY	DESCRIPTION	REV
	1001148919	Ref	PLATFORM ROTATOR ASSEMBLY - 1100SJ	G
1	See Note	NSS	Housing/Ring Gear (Note: Purchase Complete Assembly)	
2	70003948	1	Shaft	
3	7017163	1	Piston	
4	7017164	1	Cap	
100	7017142	1	Hardware Kit (Includes Items 106-109)	
106	See Note	NSS	Plug (Note: Use Item 100)	
109	See Note	NSS	Pin, Dowel (Note: Use Item 100)	
113	70001697	6	Screw 1/4 x 3/8	
199	70000342	1	Seal Kit - Low Temperature (Includes Items 200-207)	
200	See Note	NSS	T-Seal (Note: Use Item 199)	
202	See Note	NSS	T-Seal (Note: Use Item 199)	
204	See Note	NSS	O-Ring (Note: Use Item 199)	
205	See Note	NSS	Seal (Note: Use Item 199)	
206	See Note	NSS	O-Ring (Note: Use Item 199)	
207	See Note	1	Ring, Back-up (Note: Use Item 199)	
300	7017159	1	Bearing Kit (Includes Items 302-304)	
302	See Note	NSS	Bearing (Note: Use Item 300)	
304	See Note	NSS	Washer, Thrust (Note: Use Item 300)	
401	7017172	1	Valve, Control (Note: Sold as Assembly Only)	
401	7017192	2	Cartridge, Valve - Counterbalance (Seal Kit Not Available)	
401	See Note	1	Cartridge, Valve - Check (Seal Kit Not Available) (Note: Use p/n 7017172)	
402	See Note	NSS	Bolt 1/4 x 1-1/2 Grade 8 (Note: Purchase Locally)	
421	7017195	2	Bushing	

# SECTION 4 - BOOM

## FIGURE 4-9. POWER TRACK INSTALLATION



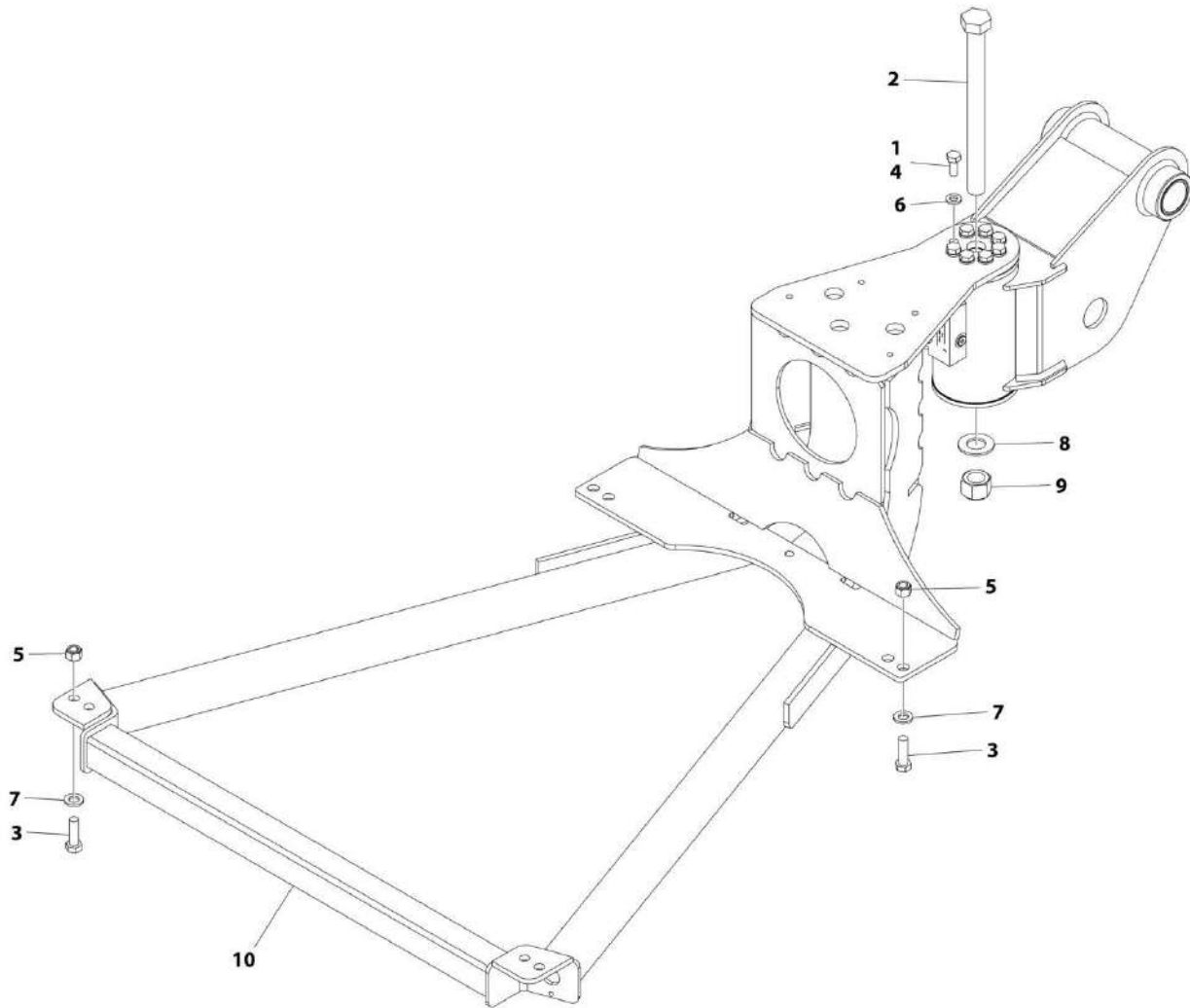
ART\_1001194506

FIGURE 4-9. POWER TRACK INSTALLATION

ITEM	PART NUMBER	QTY	DESCRIPTION	REV
	1001194506	Ref	POWER TRACK INSTALLATION	F
1	0100019	AR	Compound, Locking	
2	0630612	8	Screw M8 x 20	
3	0641858	1	Bolt 1/2 x 7-1/4	
4	0701030	2	Bolt M10 x 130	
5	0760808	66	Bolt M8 x 16	
6	0760810	12	Bolt M8 x 20	
7	0760814	4	Bolt M8 x 30	
9	0761010	4	Bolt M10 x 20	
10	0761012	2	Bolt M10 x 25	
11	0761014	4	Bolt M10 x 30	
12	3271805	1	Nut 1/2	
13	3290805	8	Nut M8	
14	3291005	10	Nut M10	
15	4070895	10	Shim, 16 Gauge	
16	4711800	2	Washer 1/2	
17	4811900	94	Washer M8	
18	4812000	26	Washer M10	
19	1001148650	4	Pad, Wear	
20	1001149160	60	Nut, Tinnerman M8	
21	1001194134	2	Pad, Wear	
22	1001194136	2	Wiper	
23	1001194137	2	Pad, Wear	
24	1001194138	1	Roller	
25	1001194525	2	Bracket	
26	1001216208	1	Cover, Front (RH)	
27	1001194528	2	Bracket	
28	1001194548	1	Power Track Assembly	
28	70005824	AR	Repair Section Kit	
28	70005825	1	Mounting Kit	
29	1001216207	1	Cover, Front (LH)	
30	1001194550	1	Cover, Track (Front)	
31	1001194564	1	Cover, Track (Rear)	
32	1001194566	6	Cover, Track (Mid)	
33	1001194568	1	Tube, Push (Mid Boom)	
34	1001194582	1	Tube, Push (Fly Boom)	
35	1001198229	6	Shim, 1mm	
36	0701034	4	Bolt M10 x 170	
37	1001194133	2	Pad, Wear	
38	1001197717	1	Plate	
39	1001216206	4	Shim, 1mm	
40	1001217028	2	Pad, Wear	

# SECTION 4 - BOOM

FIGURE 4-10. PLATFORM SUPPORT INSTALLATION - 1030S WITHOUT LSS



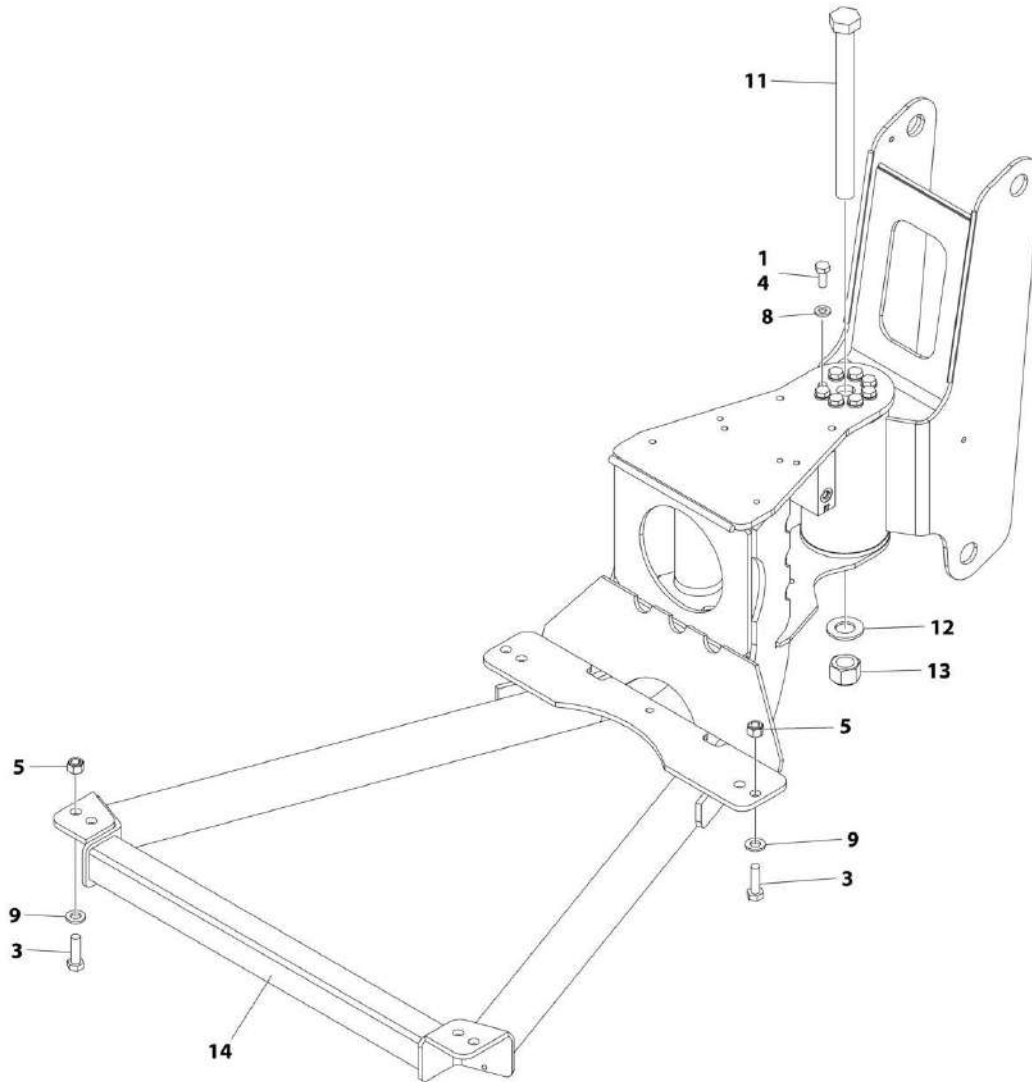
ART\_1001150075

**FIGURE 4-10. PLATFORM SUPPORT INSTALLATION - 1030S WITHOUT LSS**

<b>ITEM</b>	<b>PART NUMBER</b>	<b>QTY</b>	<b>DESCRIPTION</b>	<b>REV</b>
	1001150075	Ref	PLATFORM SUPPORT INSTALLATION - 1030S WITHOUT LSS	D
1	0100011	AR	Compound, Locking	
2	0712444	1	Bolt M24 x 270 Grade 10.9	
3	0761216	8	Bolt M12 x 40	
4	0771012	8	Bolt M10 x 25 Grade 10.9	
5	3291205	8	Nut M12	
6	5241000	8	Washer M10	
7	5241200	8	Washer M12	
8	5242400	1	Washer M24	
9	1001098827	1	Nut M24 Grade 10.9	
10	1001149200	1	Support, Platform	

# SECTION 4 - BOOM

FIGURE 4-11. PLATFORM SUPPORT INSTALLATION - 1100SJ WITHOUT LSS



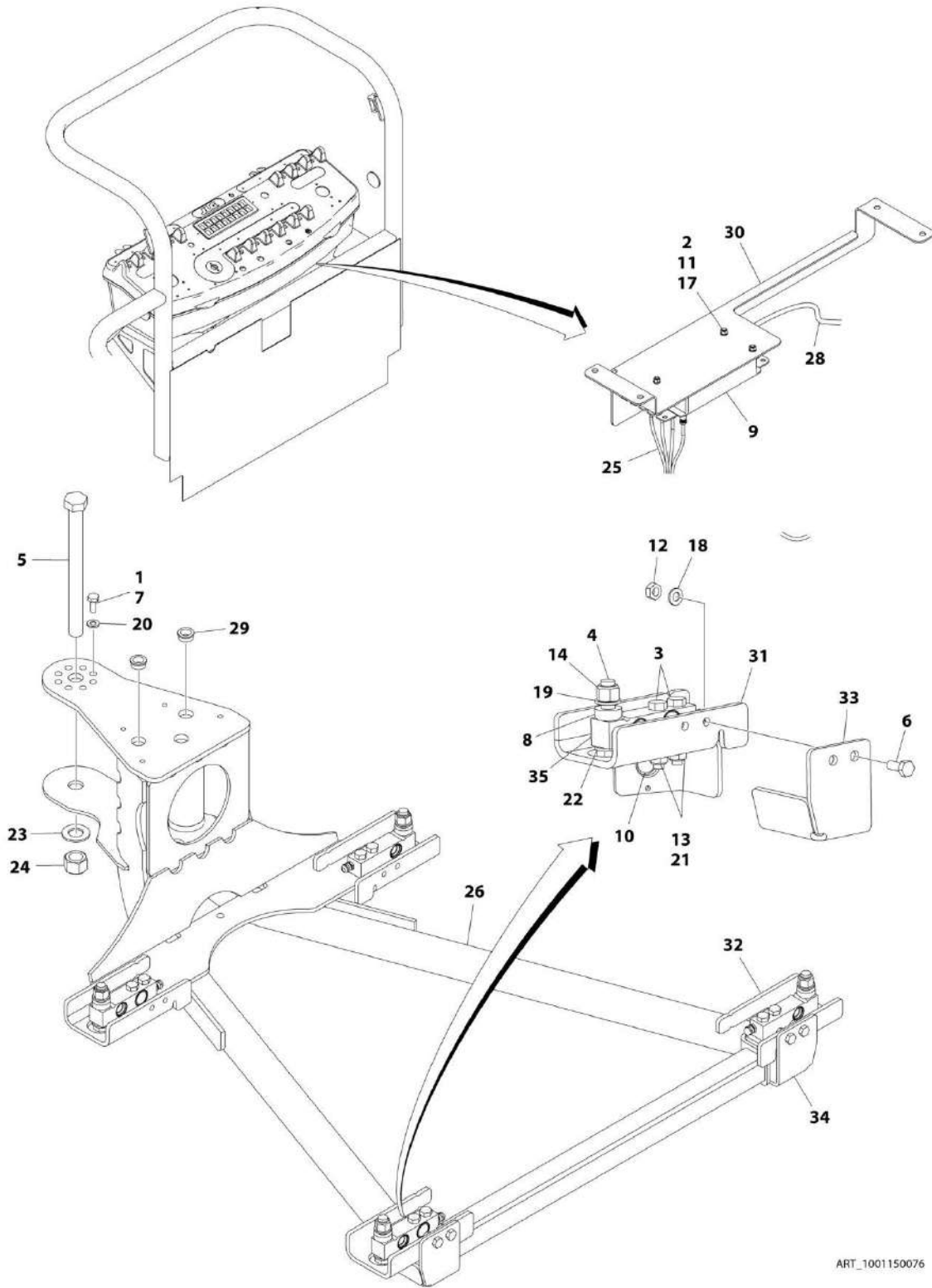
ART\_1001139032

**FIGURE 4-11. PLATFORM SUPPORT INSTALLATION - 1100SJ WITHOUT LSS**

<b>ITEM</b>	<b>PART NUMBER</b>	<b>QTY</b>	<b>DESCRIPTION</b>	<b>REV</b>
	1001139032	Ref	PLATFORM SUPPORT INSTALLATION - 1100SJ WITHOUT LSS	D
1	0100011	AR	Compound, Locking	
3	0761216	8	Bolt M12 x 40	
4	0771012	8	Bolt M10 x 25 Grade 10.9	
5	3291205	8	Nut M12	
8	5241000	8	Washer M10	
9	5241200	8	Washer M12	
11	0712444	1	Bolt M24 x 270 Grade 10.9	
12	5242400	1	Washer M24	
13	1001098827	1	Nut M24 Grade 10.9	
14	1001149734	1	Support, Platform	

# SECTION 4 - BOOM

## FIGURE 4-12. PLATFORM SUPPORT INSTALLATION - 1030S WITH 4 CELL LSS



ART\_1001150076



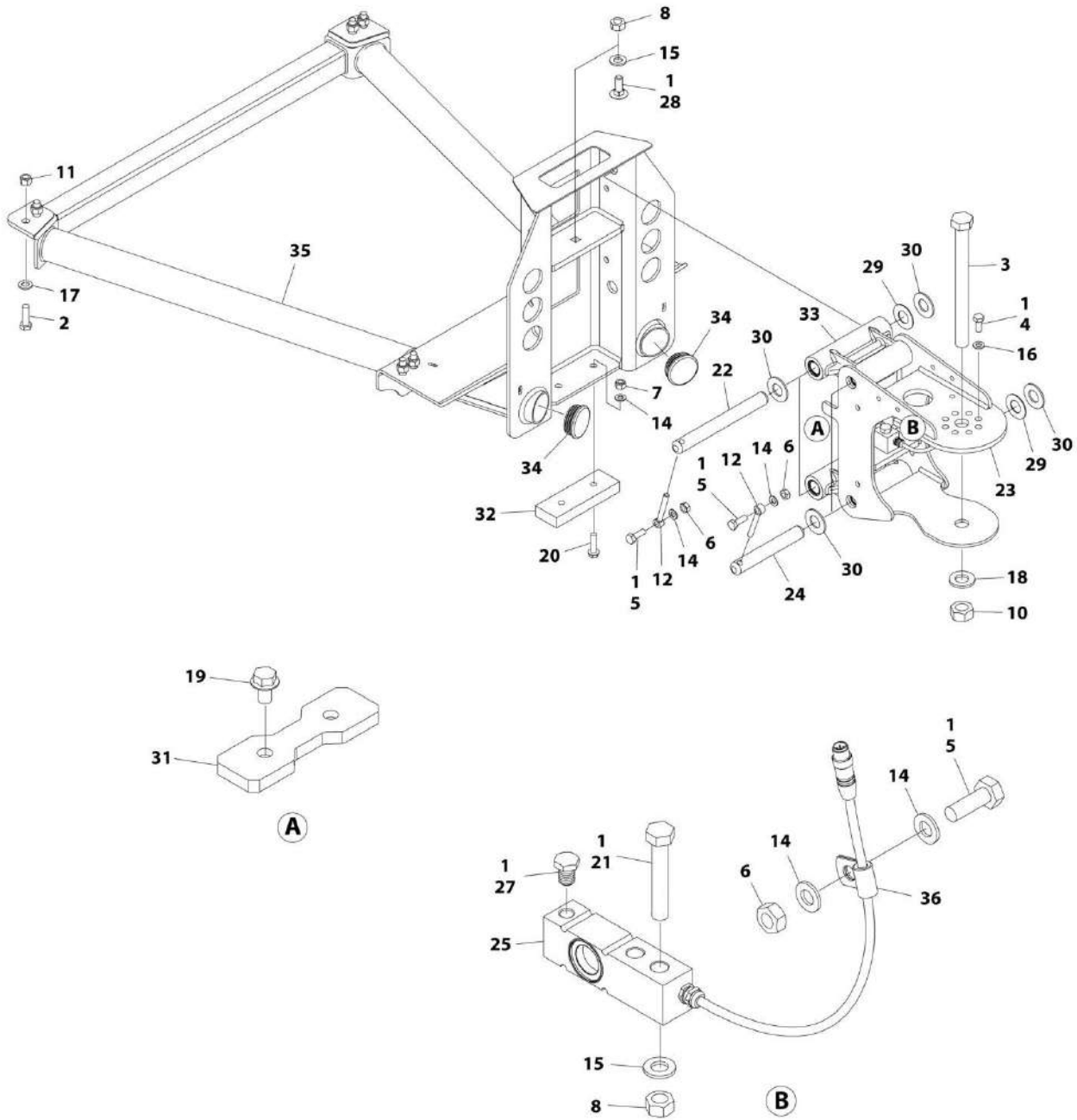
## SECTION 4 - BOOM

**FIGURE 4-12. PLATFORM SUPPORT INSTALLATION - 1030S WITH 4 CELL LSS**

ITEM	PART NUMBER	QTY	DESCRIPTION	REV
	1001150076	Ref	PLATFORM SUPPORT INSTALLATION - 1030S WITH 4 CELL LSS	D
1	0100011	AR	Compound, Locking	
2	0760618	3	Bolt M6 x 50	
3	0701222	8	Bolt M12 x 70	
4	0701624	4	Bolt M16 x 80	
5	0712444	1	Bolt M24 x 270	
6	0761012	4	Bolt M10 x 25	
7	0771012	8	Bolt M10 x 25	
8	0962450	4	Spacer	
9	1600387	1	Module, Control - LSS (Note: Re-calibration Required when Replaced)	
10	2540038	2	Grommet	
11	3290605	3	Nut M6	
12	3291001	4	Nut M10	
13	3291205	8	Nut M12	
14	3291605	4	Nut M16	
15	4240099	AR	Tie-Strap (Not Shown)	
17	4811700	6	Washer M6	
18	4812000	4	Washer M10	
19	4812300	4	Washer M16	
20	5241000	8	Washer M10	
21	5241200	8	Washer M12	
22	5241600	4	Washer M16	
23	5242400	1	Washer M24	
24	1001098827	1	Nut M24	
25	1001121576	1	Cover	
26	1001149200	1	Support	
28	1001150197	1	LSS Harness	
28	4460944	6	Socket, Female	
28	4460226	2	Socket, Female	
28	4460836	1	Connector - 12 Position	
28	4460933	1	Connector - 12 Position	
28	4460465	2	Socket, Female	
28	4460466	19	Plug, Socket	
28	0840055	2	Boot	
29	1001151731	2	Grommet	
30	1001113483	1	Bracket	
31	1001151938	2	Shield	
32	1001151939	2	Shield	
33	1001151940	1	Shield	
34	1001151941	1	Shield	
35	2420202	4	Gauge	

# SECTION 4 - BOOM

## FIGURE 4-13. PLATFORM SUPPORT INSTALLATION - 1030S WITH 1 CELL LSS



ART\_1001194264

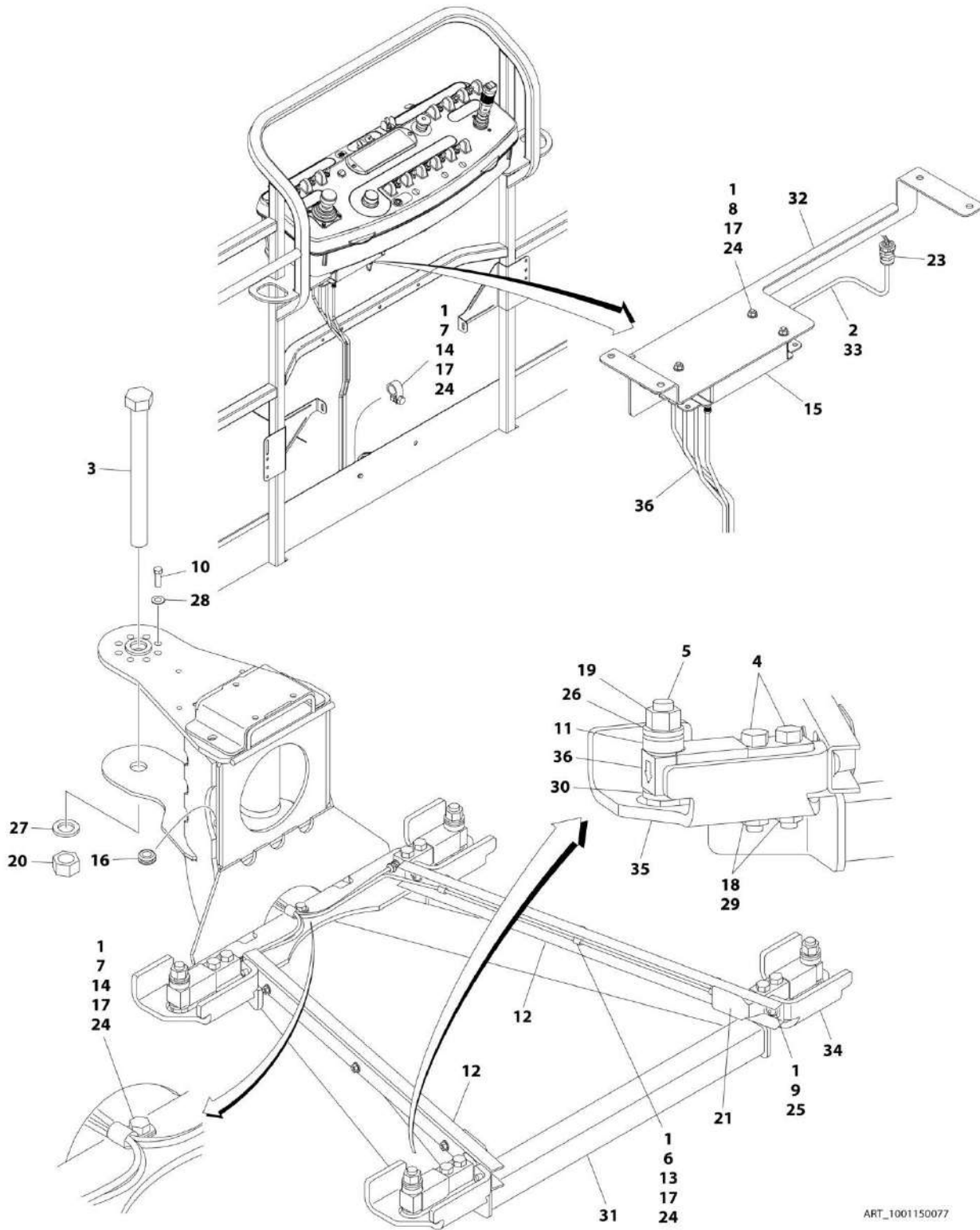
## SECTION 4 - BOOM

**FIGURE 4-13. PLATFORM SUPPORT INSTALLATION - 1030S WITH 1 CELL LSS**

ITEM	PART NUMBER	QTY	DESCRIPTION	REV
	1001194264	Ref	PLATFORM SUPPORT INSTALLATION - 1030S WITH 1 CELL LSS	G
1	0100011	AR	Compound, Locking	
2	0761216	8	Bolt M12 x 40	
3	0712444	1	Bolt M24 x 270	
4	0771012	8	Bolt M10 x 25	
5	0761014	5	Bolt M10 x 30	
6	3291001	5	Nut M10	
7	3291005	2	Nut M10	
8	3291201	3	Nut M12	
10	1001098827	1	Nut M24 Grade 10	
11	3291205	8	Nut M12	
12	3841143	4	Keeper	
14	4812000	8	Washer M10	
15	4812100	3	Washer M12	
16	5241000	8	Washer M10	
17	5241200	8	Washer M12	
18	5242400	1	Washer M24	
19	5251008	2	Bolt M10 x 16	
20	5251016	2	Bolt M10 x 40	
21	1001098828	2	Bolt M12 x 70 Grade 10.9	
22	1001167565	2	Pin	
23	1001217917	1	Support, Rotary Side	
24	1001168402	2	Pin	
25	1001172663	1	Gauge, Load Sensing	
27	1001188622	1	Screw	
28	1001188844	1	Bolt M12 x 35	
29	1001189001	4	Bearing	
30	1001189002	8	Bearing	
31	1001190985	1	Wear Pad	
32	1001200491	1	Plate	
33	1001201351	2	Link, LSS Assembly	
33	1001187382	4	Bearing	
33	1001187383	4	Seal	
34	1001204725	2	Plug	
35	1001205482	1	Support	
36	91203039	1	Clamp	

# SECTION 4 - BOOM

## FIGURE 4-14. PLATFORM SUPPORT INSTALLATION - 1100SJ WITH 4 CELL LSS



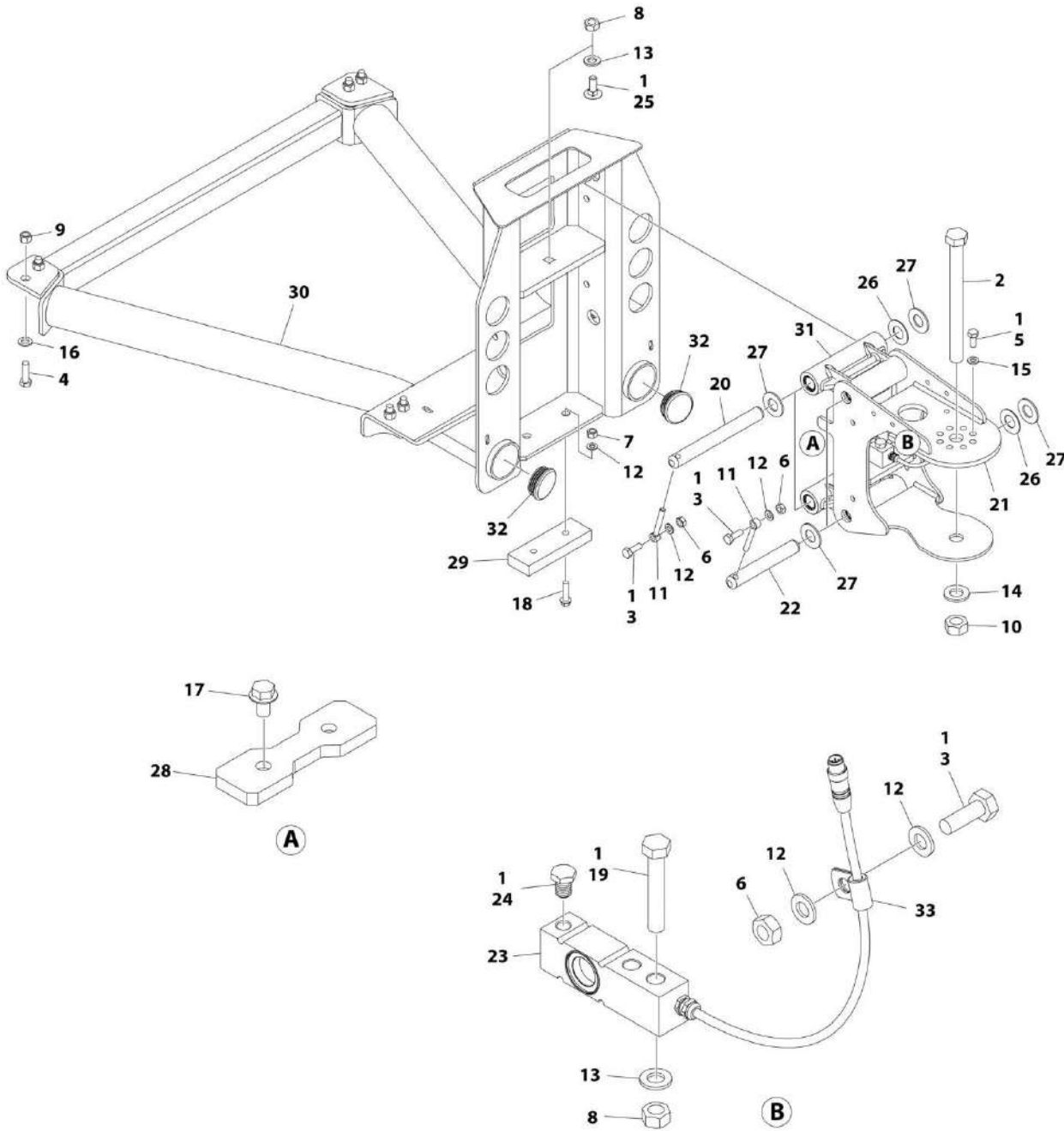
## SECTION 4 - BOOM

**FIGURE 4-14. PLATFORM SUPPORT INSTALLATION - 1100SJ WITH 4 CELL LSS**

ITEM	PART NUMBER	QTY	DESCRIPTION	REV
	1001150077	Ref	PLATFORM SUPPORT INSTALLATION - 1100SJ WITH 4 CELL LSS	A
1	0100011	AR	Compound, Locking	
2	0100048	AR	Grease, Dielectric	
3	0642684	1	Bolt 1 x 10-1/2	
4	0701222	8	Bolt M12 x 70	
5	0701624	4	Bolt M16 x 80	
6	0760608	6	Bolt M6 x 16	
7	0760610	1	Bolt M6 x 20	
8	0760618	3	Bolt M6 x 50	
9	0760808	4	Bolt M8 x 16	
10	0771012	8	Bolt M10 x 25 Grade 10.9	
11	0962450	4	Spacer	
12	1271538	2	Channel	
13	1320136	6	Clamp	
14	1320224	2	Clamp	
15	1600387	1	Module, Control - LSS (Note: Re-calibration Required when Replaced)	
16	2540038	1	Grommet	
17	3290605	10	Nut M6	
18	3291205	8	Nut M12	
19	3291605	4	Nut M16	
20	3300243	1	Nut 1	
21	4061054	2	Shield	
22	4240033	AR	Tie-Strap (Not Shown)	
23	4460428	1	Connector, Strain Relief	
24	4811700	13	Washer M6	
25	4811900	4	Washer M8	
26	4812300	4	Washer M16	
27	4892600	1	Washer 1	
28	5241000	8	Washer M10	
29	5241200	8	Washer M12	
30	5241600	4	Washer M16	
31	1001113465	1	Support, Platform	
32	1001113483	1	Bracket	
33	1001120371	1	LSS Harness	
33	4460465	4	Socket, Female	
33	4460944	6	Socket, Female	
33	4460836	1	Connector - 12 Position	
33	4460933	1	Connector - 12 Position	
33	4460466	19	Plug, Socket	
33	0840055	2	Boot	
34	1001146213	2	Bracket	
35	1001146214	2	Bracket	
36	2420202	4	Gauge	

# SECTION 4 - BOOM

## FIGURE 4-15. PLATFORM SUPPORT INSTALLATION - 1100SJ WITH 1 CELL LSS



ART\_1001215258

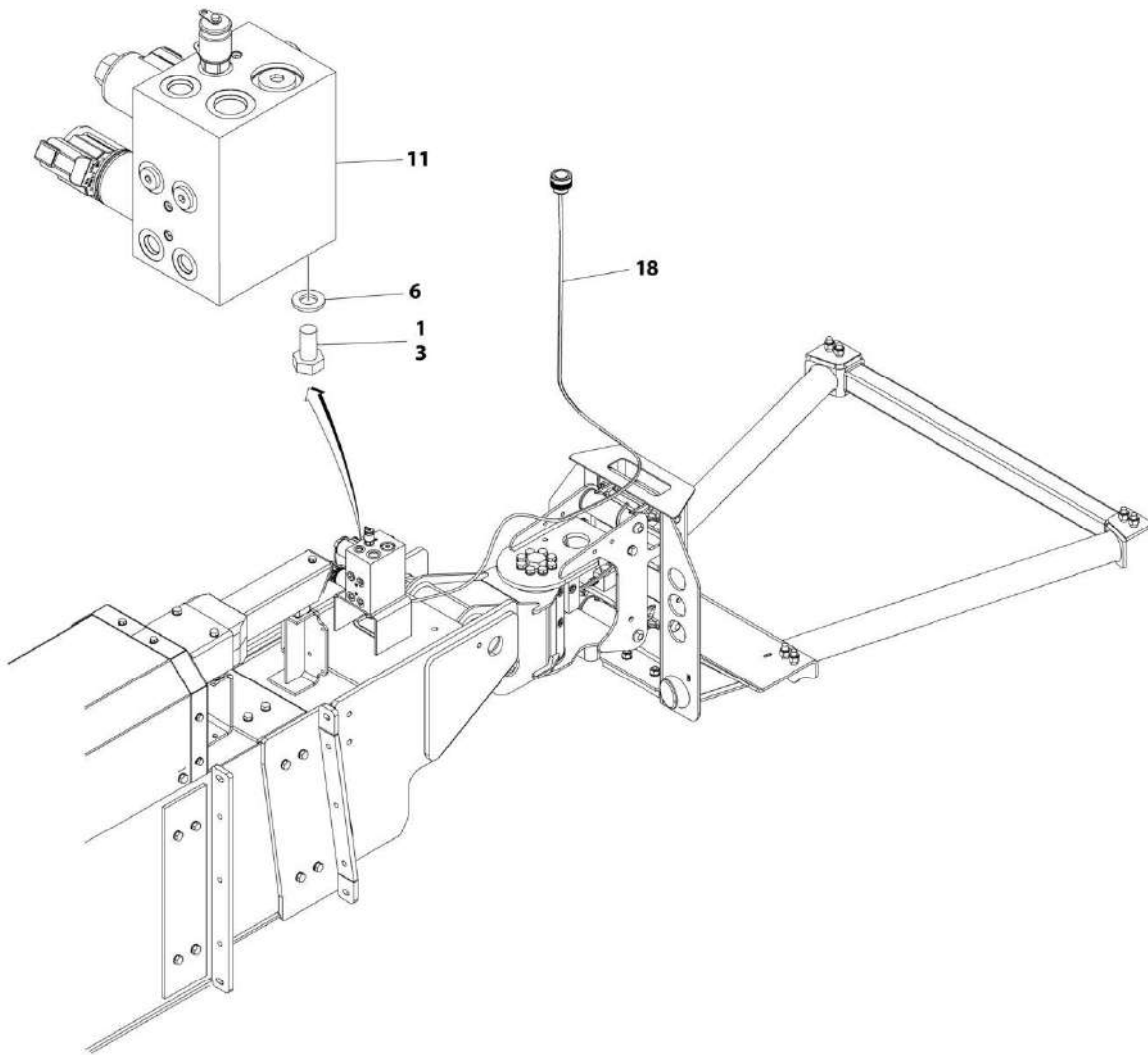
## SECTION 4 - BOOM

**FIGURE 4-15. PLATFORM SUPPORT INSTALLATION - 1100SJ WITH 1 CELL LSS**

ITEM	PART NUMBER	QTY	DESCRIPTION	REV
	1001215258	Ref	PLATFORM SUPPORT INSTALLATION - 1100SJ WITH 1 CELL LSS	E
1	0100011	AR	Compound, Locking	
2	0712444	1	Bolt M24 x 270	
3	0761014	5	Bolt M10 x 30	
4	0761216	8	Bolt M12 x 40	
5	0771012	8	Bolt M10 x 25 Grade 10.9	
6	3291001	5	Nut M10	
7	3291005	2	Nut M10	
8	3291201	3	Nut M12	
9	3291205	8	Nut M12	
10	1001098827	1	Nut M24 Grade 10	
11	3841143	4	Keeper	
12	4812000	8	Washer M10	
13	4812100	3	Washer M12	
14	5242400	1	Washer M24	
15	5241000	8	Washer M10	
16	5241200	8	Washer M12	
17	5251008	2	Bolt M10 x 16	
18	5251016	2	Bolt M10 x 40	
19	1001098828	2	Bolt M12 x 70 Grade 10.9	
20	1001167565	2	Pin	
21	1001217917	1	Support, Rotary Side	
22	1001168402	2	Pin	
23	1001172663	1	Gauge, Load Sensing	
24	1001188622	1	Screw	
25	1001188844	1	Bolt M12 x 35	
26	1001189001	4	Bearing	
27	1001189002	8	Bearing	
28	1001190985	1	Wear Pad	
29	1001200491	1	Plate	
30	1001200494	1	Support	
31	1001201351	2	Link, LSS Assembly	
31	1001187382	4	Bearing	
31	1001187383	4	Seal	
32	1001204725	2	Plug	
33	91203039	1	Clamp	

# SECTION 4 - BOOM

FIGURE 4-16. VALVE INSTALLATION - BOOM (1030S) (SN B300001586 through B300001676)



ART\_1001151550\_2OF2



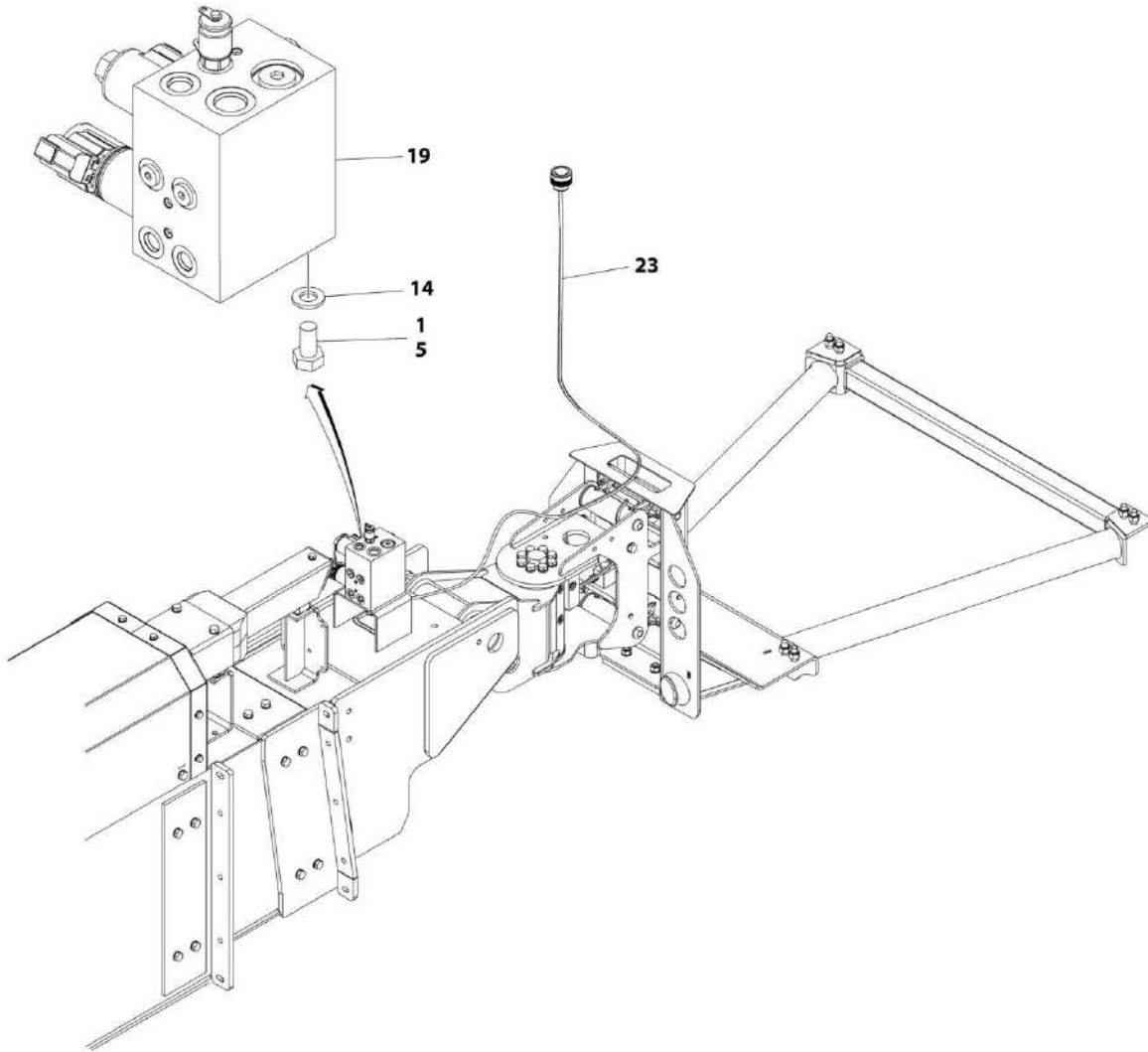
## SECTION 4 - BOOM

**FIGURE 4-16. VALVE INSTALLATION - BOOM (1030S) (SN B300001586 through B300001676)**

ITEM	PART NUMBER	QTY	DESCRIPTION	REV
	1001151550	Ref	VALVE INSTALLATION - BOOM (1030S) (SN B300001586 through B300001676)	H
1	0100011	AR	Compound, Locking	
3	0761010	3	Bolt M10 x 20	
6	4812000	3	Washer M10	
11	1001151502	1	Platform Rotate Valve Assembly (1030S) (See Separate Breakdown in this Section)	
18	1001203152	1	Platform Valve Harness (1030S) (See Separate Breakdown in ELECTRICAL SECTION)	

## SECTION 4 - BOOM

FIGURE 4-17. VALVE INSTALLATION - BOOM (1030S WITH 2WD/2WS) (SN B300001677 to Present)



ART\_1001223985\_3OF3

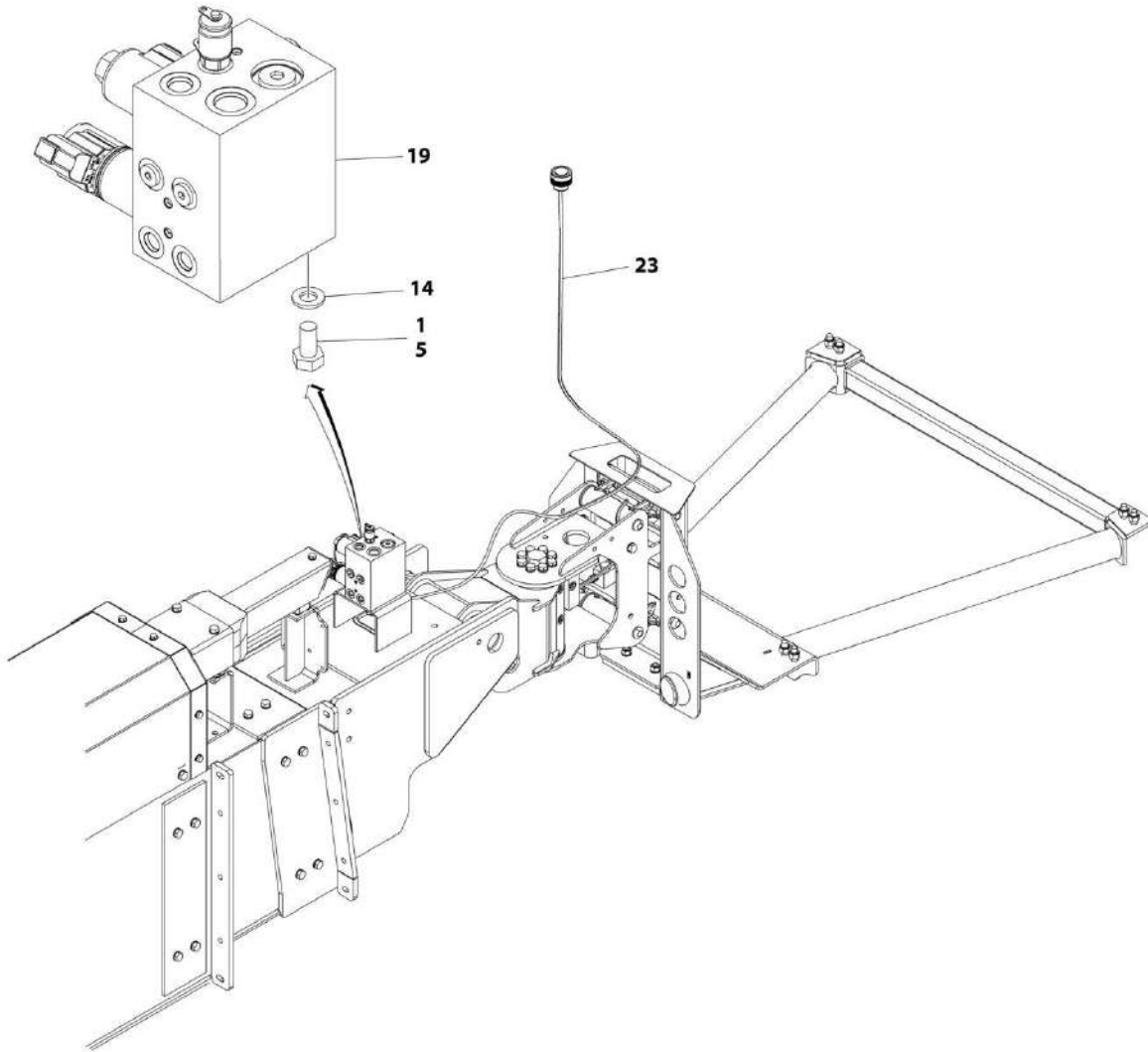
## SECTION 4 - BOOM

**FIGURE 4-17. VALVE INSTALLATION - BOOM (1030S WITH 2WD/2WS) (SN B300001677 to Present)**

ITEM	PART NUMBER	QTY	DESCRIPTION	REV
	1001223985	Ref	VALVE INSTALLATION - BOOM (1030S WITH 2WD/2WS) (SN <b>B300001677 to Present</b> )	A
1	0100011	AR	Compound, Locking	
5	0761010	3	Bolt M10 x 20	
14	4812000	3	Washer M10	
19	1001151502	1	Platform Rotate Valve Assembly (1030S) (See Separate Breakdown in this Section)	
23	1001203152	1	Platform Valve Harness (1030S) (See Separate Breakdown in ELECTRICAL SECTION)	

# SECTION 4 - BOOM

FIGURE 4-18. VALVE INSTALLATION - BOOM (1030S WITH 4WD/2WS) (SN B300001677 to Present)



ART\_1001223932\_3OF3

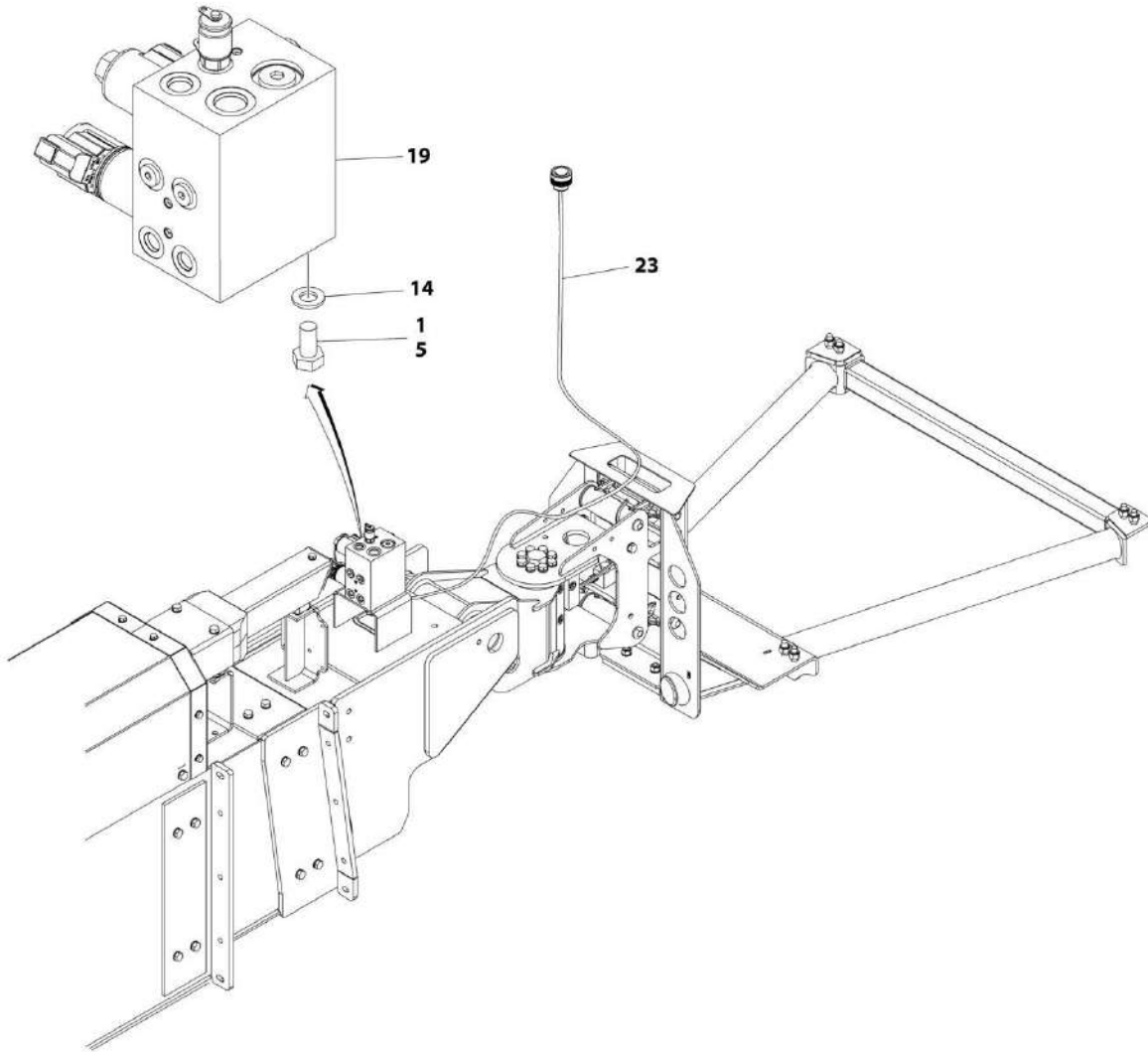
## SECTION 4 - BOOM

**FIGURE 4-18. VALVE INSTALLATION - BOOM (1030S WITH 4WD/2WS) (SN B300001677 to Present)**

ITEM	PART NUMBER	QTY	DESCRIPTION	REV
	1001223932	Ref	VALVE INSTALLATION - BOOM (1030S WITH 4WD/2WS) (SN <b>B300001677 to Present</b> )	A
1	0100011	AR	Compound, Locking	
5	0761010	3	Bolt M10 x 20	
14	4812000	3	Washer M10	
19	1001151502	1	Platform Rotate Valve Assembly (1030S) (See Separate Breakdown in this Section)	
23	1001203152	1	Platform Valve Harness (1030S) (See Separate Breakdown in ELECTRICAL SECTION)	

# SECTION 4 - BOOM

FIGURE 4-19. VALVE INSTALLATION - BOOM (1030S WITH 4WD/4WS)



ART\_1001223891\_3OF3

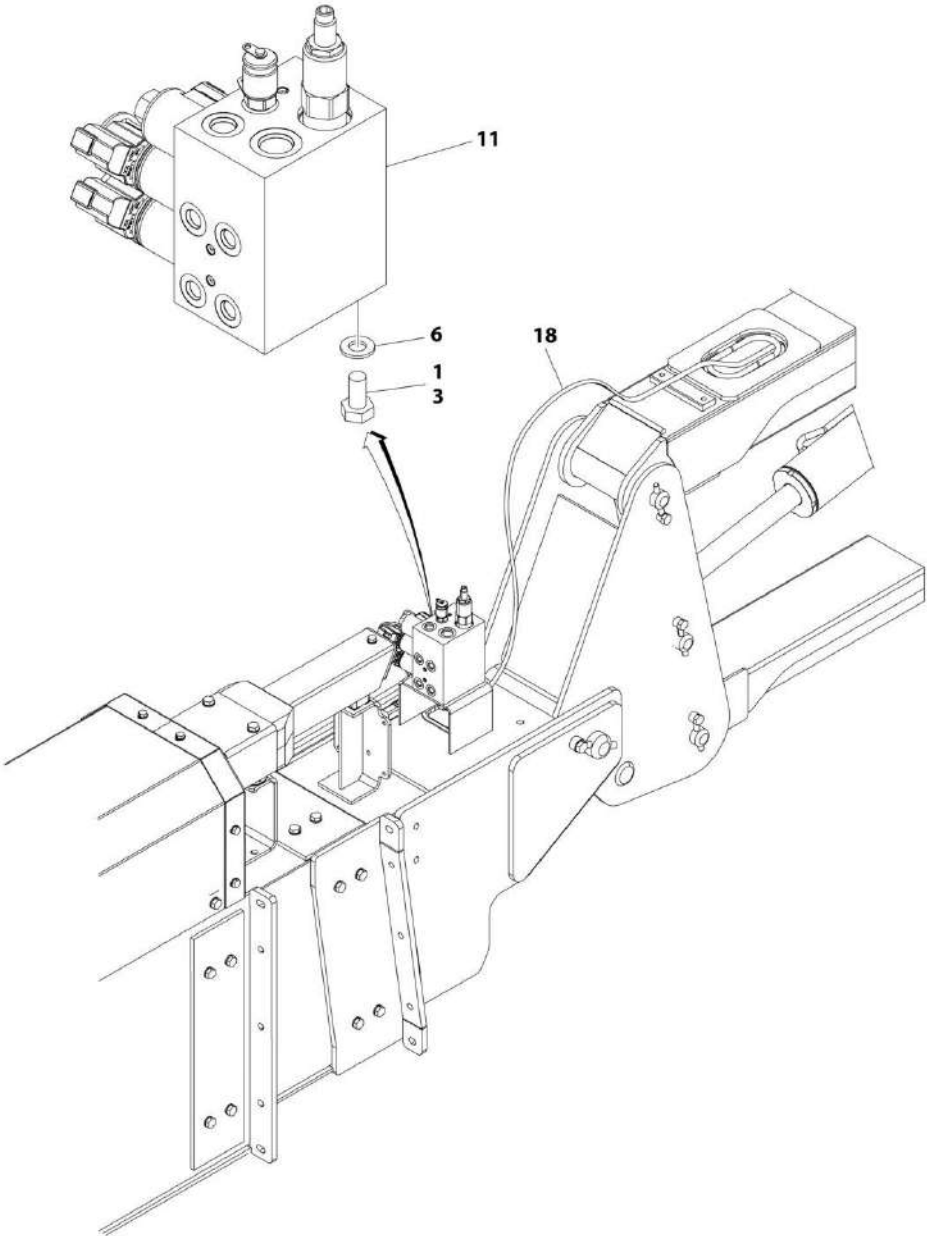
## SECTION 4 - BOOM

**FIGURE 4-19. VALVE INSTALLATION - BOOM (1030S WITH 4WD/4WS)**

ITEM	PART NUMBER	QTY	DESCRIPTION	REV
	1001223891	Ref	VALVE INSTALLATION - BOOM (1030S WITH 4WD/4WS)	A
1	0100011	AR	Compound, Locking	
5	0761010	3	Bolt M10 x 20	
14	4812000	3	Washer M10	
19	1001151502	1	Platform Rotate Valve Assembly (1030S) (See Separate Breakdown in this Section)	
23	1001203152	1	Platform Valve Harness (1030S) (See Separate Breakdown in ELECTRICAL SECTION)	

**SECTION 4 - BOOM**

**FIGURE 4-20. VALVE INSTALLATION - BOOM (1100SJ) (SN B300001586 through B300001676)**



ART\_1001151549\_2OF2



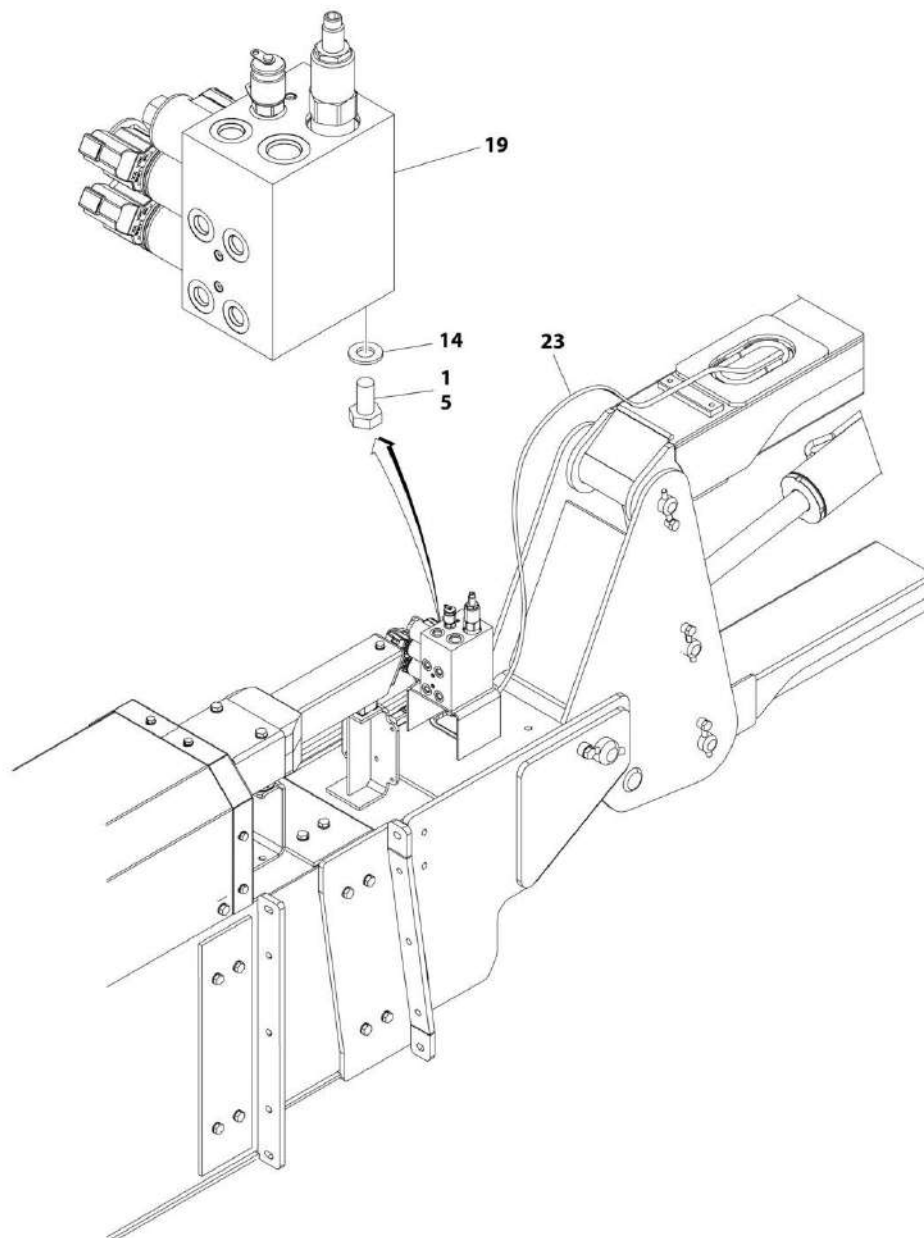
## SECTION 4 - BOOM

**FIGURE 4-20. VALVE INSTALLATION - BOOM (1100SJ) (SN B300001586 through B300001676)**

ITEM	PART NUMBER	QTY	DESCRIPTION	REV
	1001151549	Ref	VALVE INSTALLATION - BOOM (1100SJ) (SN B300001586 through B300001676)	H
1	0100011	AR	Compound, Locking	
3	0761010	3	Bolt M10 x 20	
6	4812000	3	Washer M10	
11	1001151500	1	Jib and Platform Rotate Valve Assembly (1100SJ) (See Separate Breakdown in this Section)	
18	1001203004	1	Platform Valve Harness (1100SJ) (Use p/n 1001231797) (See Separate Breakdown in ELECTRICAL SECTION)	

## SECTION 4 - BOOM

FIGURE 4-21. VALVE INSTALLATION - BOOM (1100SJ WITH 2WD/2WS) (SN B300001677 to Present)



ART\_1001223984\_3OF3

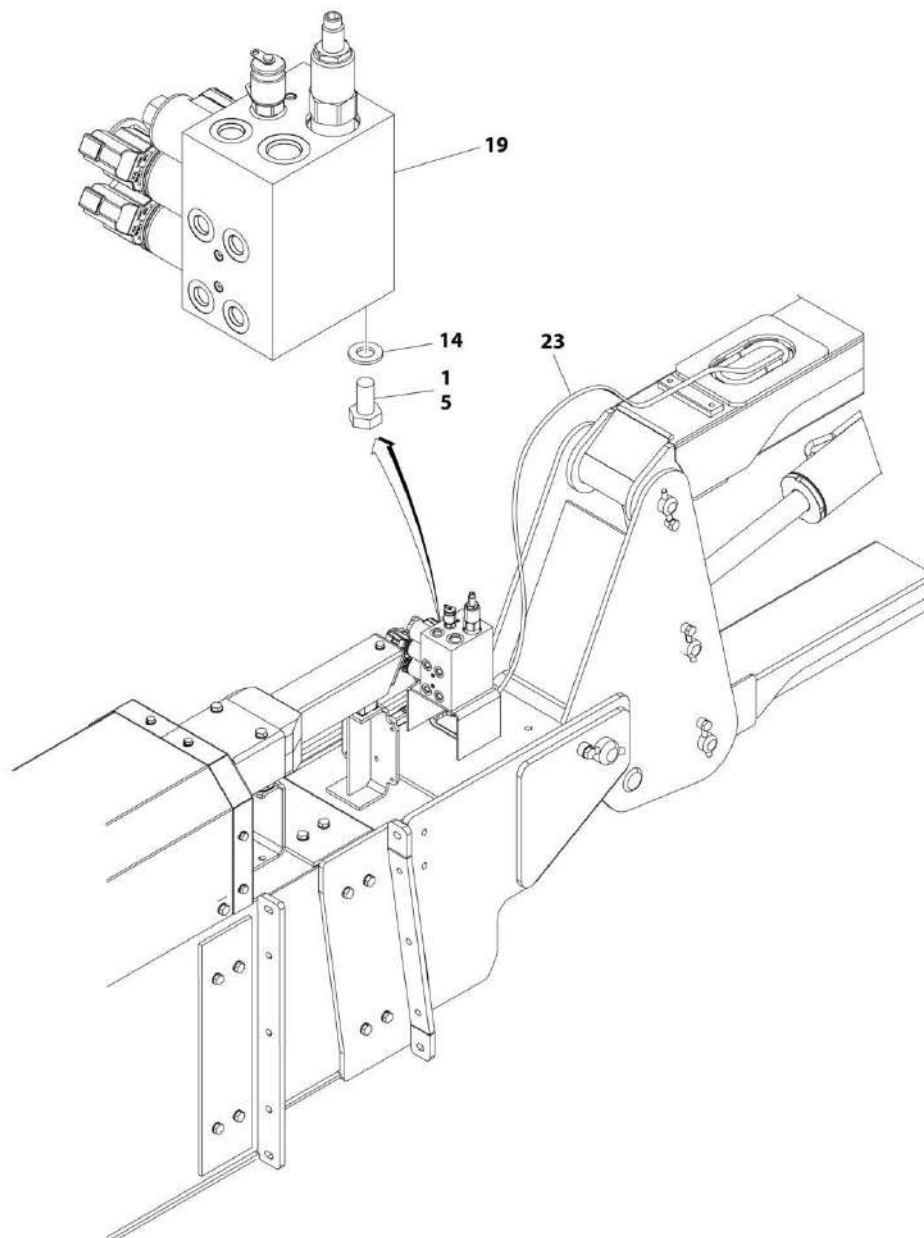
## SECTION 4 - BOOM

**FIGURE 4-21. VALVE INSTALLATION - BOOM (1100SJ WITH 2WD/2WS) (SN B300001677 to Present)**

ITEM	PART NUMBER	QTY	DESCRIPTION	REV
	1001223984	Ref	VALVE INSTALLATION - BOOM (1100SJ WITH 2WD/2WS) ( <b>SN B300001677 to Present</b> )	B
1	0100011	AR	Compound, Locking	
5	0761010	3	Bolt M10 x 20	
14	4812000	3	Washer M10	
19	1001151500	1	Jib and Platform Rotate Valve Assembly (1100SJ) (See Separate Breakdown in this Section)	
23	1001203004	NLA	Platform Valve Harness (1100SJ) (Use p/n 1001231797) (See Separate Breakdown in ELECTRICAL SECTION) ( <b>SN B300001586 through B300002339</b> )	
23	1001231797	1	Platform Valve Harness (1100SJ) (See Separate Breakdown in ELECTRICAL SECTION) ( <b>SN B300002340 to Present</b> )	

## SECTION 4 - BOOM

FIGURE 4-22. VALVE INSTALLATION - BOOM (1100SJ WITH 4WD/2WS) (SN B300001677 to Present)



ART\_1001223931\_3OF3

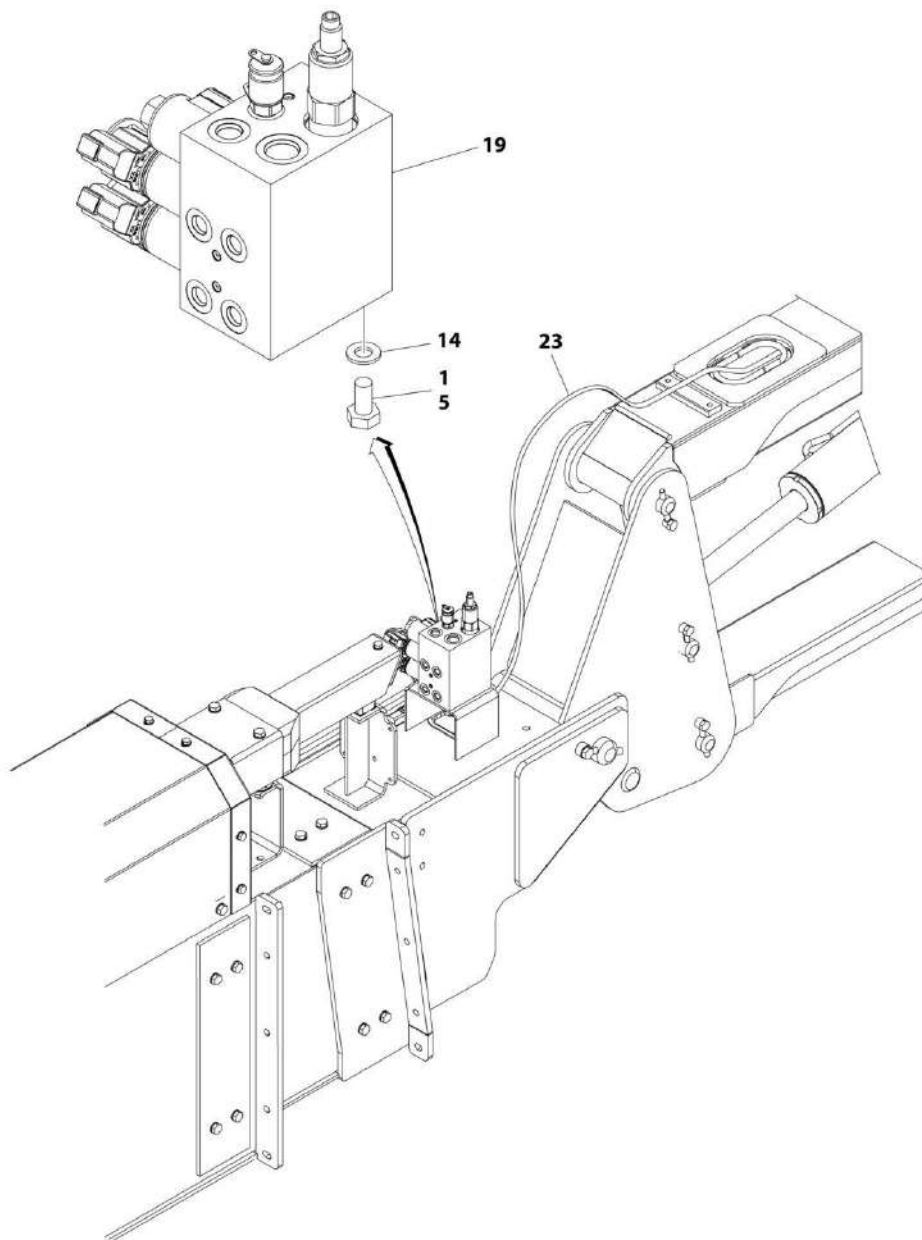
## SECTION 4 - BOOM

**FIGURE 4-22. VALVE INSTALLATION - BOOM (1100SJ WITH 4WD/2WS) (SN B300001677 to Present)**

ITEM	PART NUMBER	QTY	DESCRIPTION	REV
	1001223931	Ref	VALVE INSTALLATION - BOOM (1100SJ WITH 4WD/2WS) ( <b>SN B300001677 to Present</b> )	B
1	0100011	AR	Compound, Locking	
5	0761010	3	Bolt M10 x 20	
14	4812000	3	Washer M10	
19	1001151500	1	Jib and Platform Rotate Valve Assembly (1100SJ) (See Separate Breakdown in this Section)	
23	1001203004	NLA	Platform Valve Harness (1100SJ) (Use p/n 1001231797) (See Separate Breakdown in ELECTRICAL SECTION) ( <b>SN B300001586 through B300002339</b> )	
23	1001231797	1	Platform Valve Harness (1100SJ) (See Separate Breakdown in ELECTRICAL SECTION) ( <b>SN B300002340 to Present</b> )	

# SECTION 4 - BOOM

## FIGURE 4-23. VALVE INSTALLATION - BOOM (1100SJ WITH 4WD/4WS)



ART\_1001223890\_3OF3

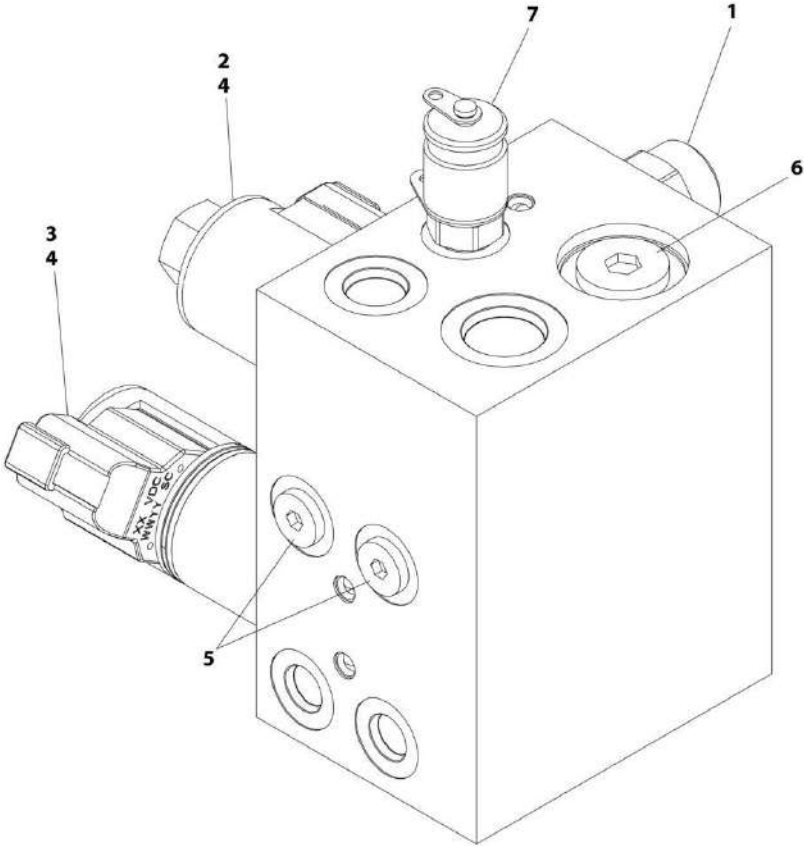
## SECTION 4 - BOOM

**FIGURE 4-23. VALVE INSTALLATION - BOOM (1100SJ WITH 4WD/4WS)**

ITEM	PART NUMBER	QTY	DESCRIPTION	REV
	1001223890	Ref	VALVE INSTALLATION - BOOM (1100SJ WITH 4WD/4WS)	B
1	0100011	AR	Compound, Locking	
5	0761010	3	Bolt M10 x 20	
14	4812000	3	Washer M10	
19	1001151500	1	Jib and Platform Rotate Valve Assembly (1100SJ) (See Separate Breakdown in this Section)	
23	1001203004	NLA	Platform Valve Harness (1100SJ) (Use p/n 1001231797) (See Separate Breakdown in ELECTRICAL SECTION) <b>(SN B300001586 through B300002339)</b>	
23	1001231797	1	Platform Valve Harness (1100SJ) (See Separate Breakdown in ELECTRICAL SECTION) <b>(SN B300002340 to Present)</b>	

**SECTION 4 - BOOM**

**FIGURE 4-24. PLATFORM ROTATE VALVE ASSEMBLY (1030S)**



ART\_1001151502

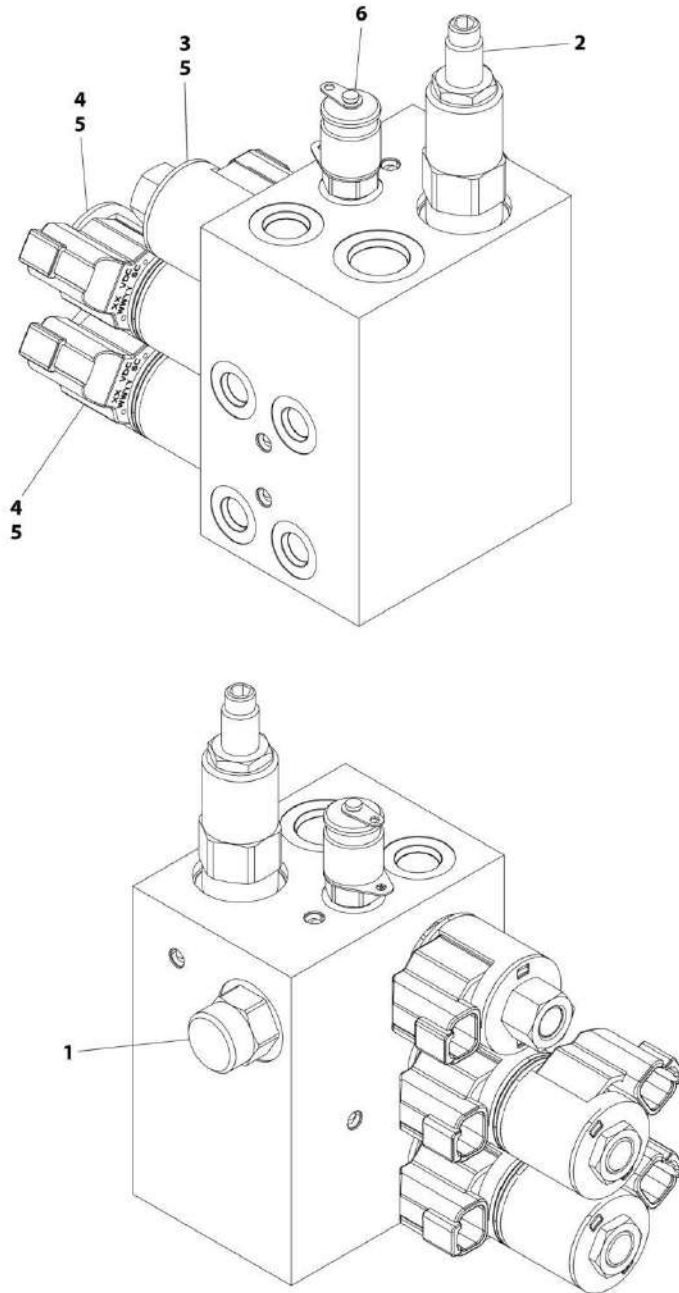


**FIGURE 4-24. PLATFORM ROTATE VALVE ASSEMBLY (1030S)**

<b>ITEM</b>	<b>PART NUMBER</b>	<b>QTY</b>	<b>DESCRIPTION</b>	<b>REV</b>
	1001151502	Ref	PLATFORM ROTATE VALVE ASSEMBLY (1030S)	D
1	70006425	1	Cartridge, Flow Regulator	
1	8036572	1	Seal Kit - 70005787 Valve	
2	7017410	1	Cartridge, Solenoid Valve Less Coil	
2	7012967	1	Seal Kit - 7017410 Valve	
2	70003978	1	Nut, Coil	
3	70005789	1	Cartridge, Solenoid Valve Less Coil	
3	7017402	1	Seal Kit - 70005789 Valve	
3	7022390	1	Nut, Coil	
3	70003023	1	Spacer, Coil	
4	70002386	3	Coil	
5	2220883	2	Plug	
6	2220886	2	Plug	
7	2221086	1	Fitting, Test	

# SECTION 4 - BOOM

## FIGURE 4-25. JIB AND PLATFORM ROTATE VALVE ASSEMBLY (1100SJ)



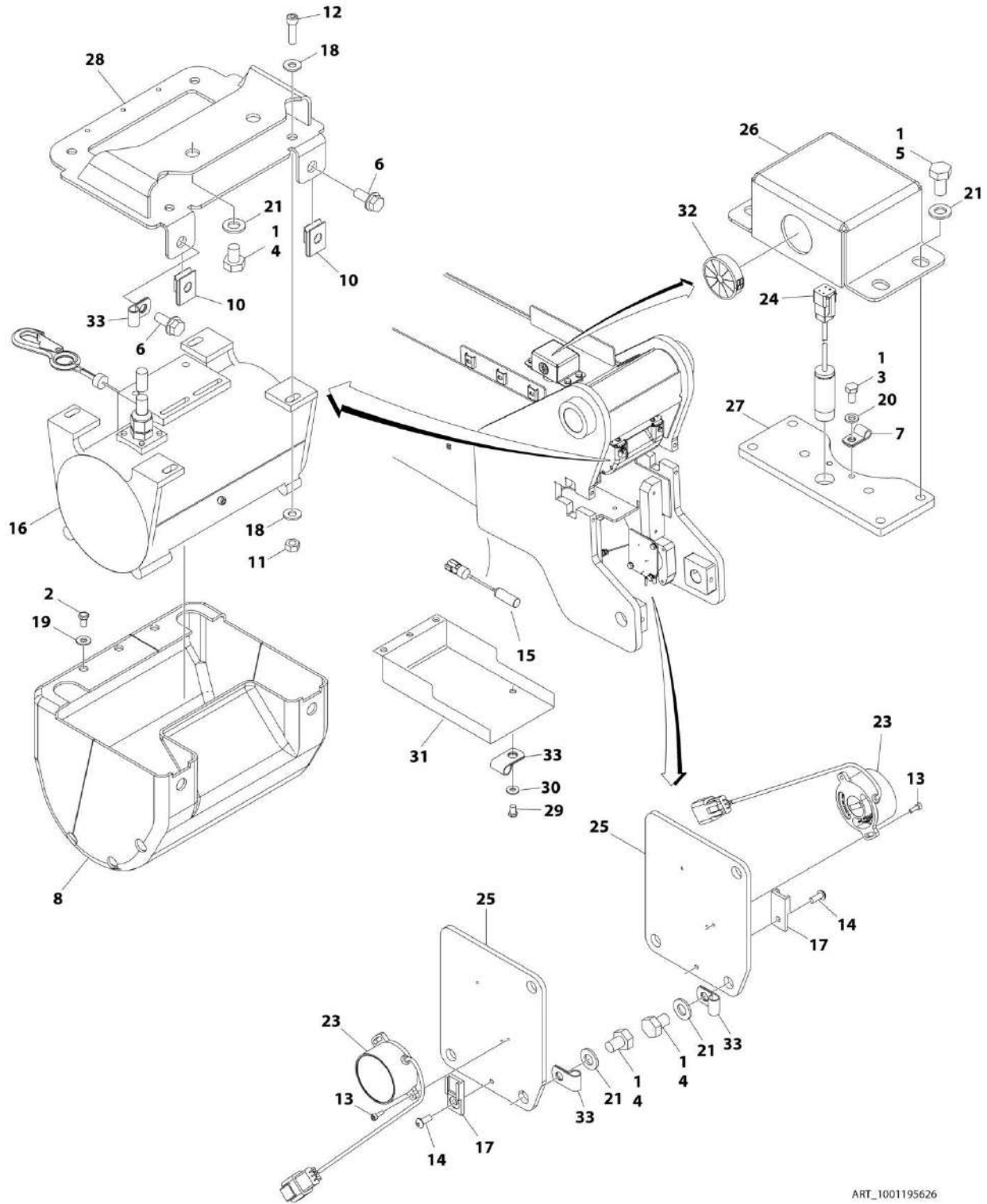
ART\_1001151500

**FIGURE 4-25. JIB AND PLATFORM ROTATE VALVE ASSEMBLY (1100SJ)**

<b>ITEM</b>	<b>PART NUMBER</b>	<b>QTY</b>	<b>DESCRIPTION</b>	<b>REV</b>
	1001151500	Ref	JIB AND PLATFORM ROTATE VALVE ASSEMBLY (1100SJ)	E
1	70006425	1	Cartridge, Flow Regulator	
1	8036572	1	Seal Kit - 70005787 Valve	
2	70023609	1	Cartridge, Relief Valve	
2	7012998	1	Seal Kit - 70005788 Valve	
3	7017410	1	Cartridge, Solenoid Valve Less Coil	
3	7012967	1	Seal Kit - 7017410 Valve	
3	70003978	1	Nut, Coil	
4	70005789	2	Cartridge, Solenoid Valve Less Coil	
4	7017402	2	Seal Kit - 70005789 Valve	
4	7022390	2	Nut, Coil	
4	70003023	2	Spacer, Coil	
5	70002386	5	Coil	
6	2221086	1	Fitting, Test	

# SECTION 4 - BOOM

## FIGURE 4-26. BOOM SENSORS INSTALLATION



ART\_1001195626

FIGURE 4-26. BOOM SENSORS INSTALLATION

ITEM	PART NUMBER	QTY	DESCRIPTION	REV
	1001195626	Ref	BOOM SENSORS INSTALLATION	D
1	0100011	AR	Compound, Locking	
2	0721003	3	Screw #10 x 3/8	
3	0760606	1	Bolt M6 x 12	
4	0761007	8	Bolt M10 x 14	
5	0761010	6	Bolt M10 x 20	
6	0791506	2	Screw 5/16 x 3/4	
7	1320136	1	Clamp	
8	1671142	1	Cover	
10	3300364	2	Nut, Tinnerman 5/16	
11	3311405	4	Nut 1/4	
12	3931414	4	Capscrew 1/4 x 7/8	
13	4031205	6	Capscrew M3 x 10	
14	4031605	2	Capscrew M5 x 10	
15	1001196517	1	Sensor, Proximity	
16	4360552	1	Switch, Boom Length	
17	4460914	2	Terminal, Base	
18	4711400	8	Washer 1/4	
19	4751000	3	Washer #10	
20	4811700	1	Washer M6	
21	4812000	14	Washer M10	
23	1001147479	2	Sensor, Angle	
24	1001204043	1	Sensor, Proximity	
25	1001151906	2	Plate	
26	1001151907	1	Cover	
27	1001151908	1	Plate	
28	1001195629	1	Support	
29	0760806	7	Bolt M8 x 12	
30	4811900	7	Washer M8	
31	1001221435	1	Cover	
32	1001185281	1	Plug	
33	1320263	6	Clamp	



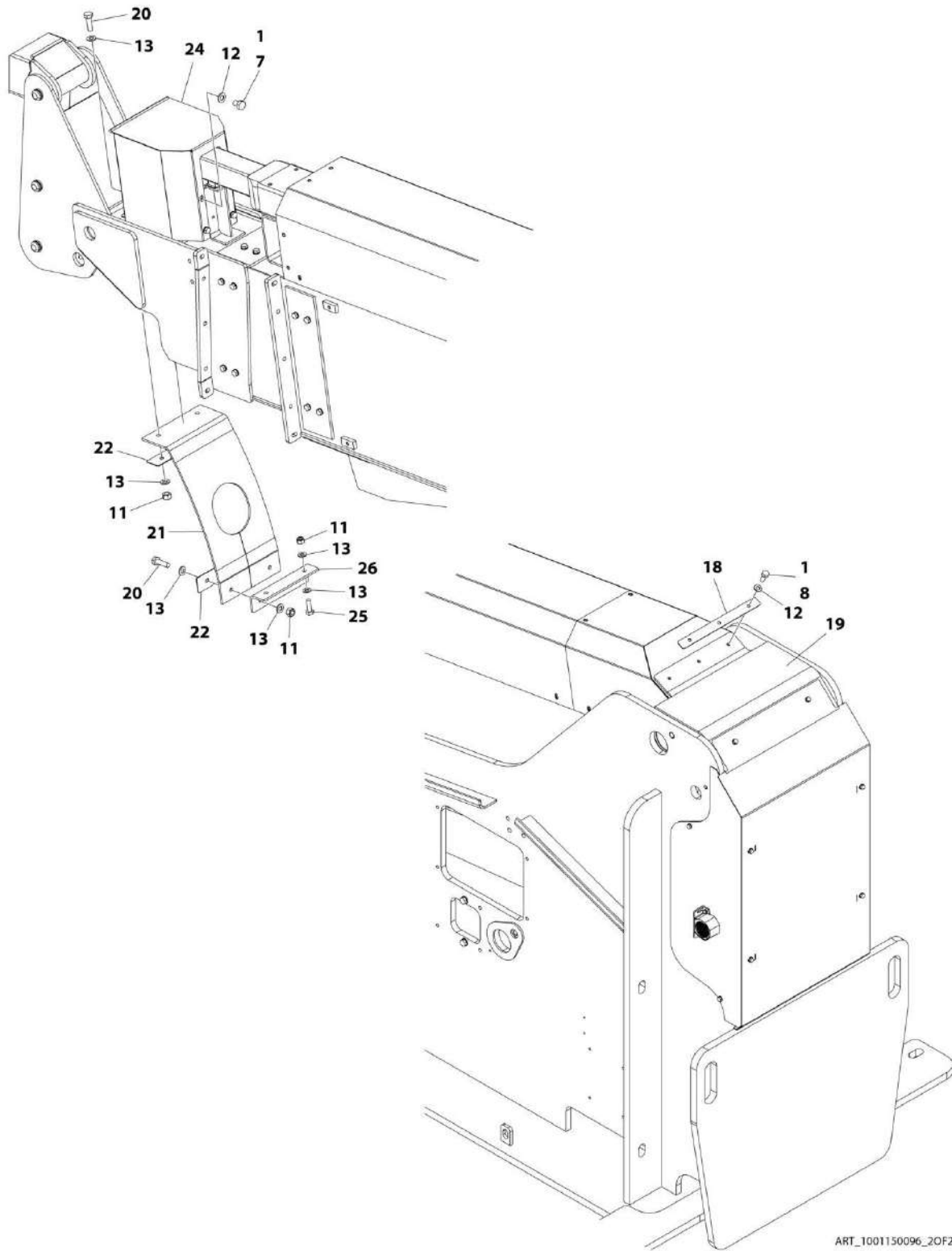
## SECTION 4 - BOOM

**FIGURE 4-27. BOOM SENSORS INSTALLATION (WITH VERTICAL/HORIZONTAL CONTROLS)**

ITEM	PART NUMBER	QTY	DESCRIPTION	REV
	1001150036	Ref	BOOM SENSORS INSTALLATION (WITH VERTICAL/HORIZONTAL CONTROLS)	C
1	0700617	1	Bolt M6 x 45	
2	0760612	1	Bolt M6 x 25	
3	0760807	2	Bolt M8 x 14	
4	3290605	1	Nut M6	
5	1001170305	4	Screw #6	
6	4031510	2	Capscrew M4 x 30	
7	4811700	1	Washer M6	
8	4811900	2	Washer M8	
9	1001118971	1	Sensor, Angle	
10	1001119033	1	Link	
11	1001152039	1	Mount	
12	1001152059	1	Plate	
13	1001152060	1	Sleeve	
14	1001152062	1	Cover	
15	1001152454	1	HV Protractor Harness	
15	1001230931	1	Plug, Male - 6 Position (Angle Sensor)	
15	1001116748	6	Socket, Female	
15	4460899	1	Receptacle, Female - 6 Position (BLAM Module)	
15	4460464	6	Pin, Male	
16	1001207673	1	HV Jumper Harness (Not Shown)	
16	4460871	2	Pin, Male	
17	0100011	AR	Compound, Locking	

# SECTION 4 - BOOM

## FIGURE 4-28. BOOM SHIELDS INSTALLATION



ART\_1001150096\_20F2



FIGURE 4-28. BOOM SHIELDS INSTALLATION

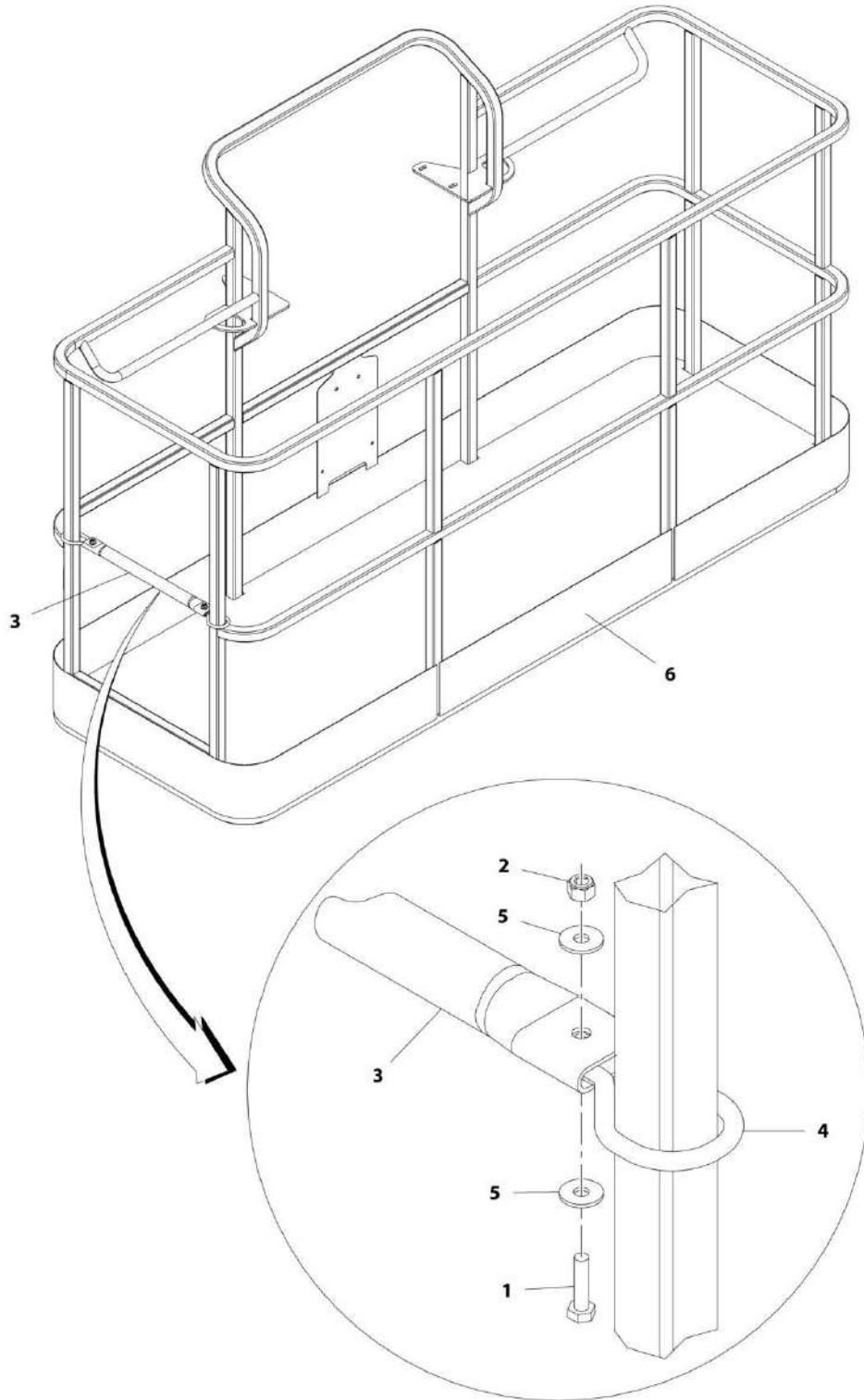
ITEM	PART NUMBER	QTY	DESCRIPTION	REV
	1001150096	Ref	BOOM SHIELDS INSTALLATION	I
1	0100011	AR	Compound, Locking	
7	0760807	7	Bolt M8 x 14	
8	0760810	3	Bolt M8 x 20	
11	3291005	6	Nut M10	
12	4811900	6	Washer M8	
13	4812000	12	Washer M10	
18	1001195876	1	Plate, Clamp	
19	1001195877	1	Cover, Boom Pivot	
20	0761015	4	Bolt M10 x 35	
21	1001200156	1	Cover, Fly Nose	
22	1001200157	2	Plate, Clamp	
24	1001205505	1	Cover, Valve	
25	0761014	2	Bolt M10 x 30	
26	1001220562	1	Bracket	



**SECTION 5 - PLATFORM**

# SECTION 5 - PLATFORM

FIGURE 5-1. PLATFORM ASSEMBLY - STANDARD MACHINES (SN B300001586 through B300001680)



ART\_1001134293

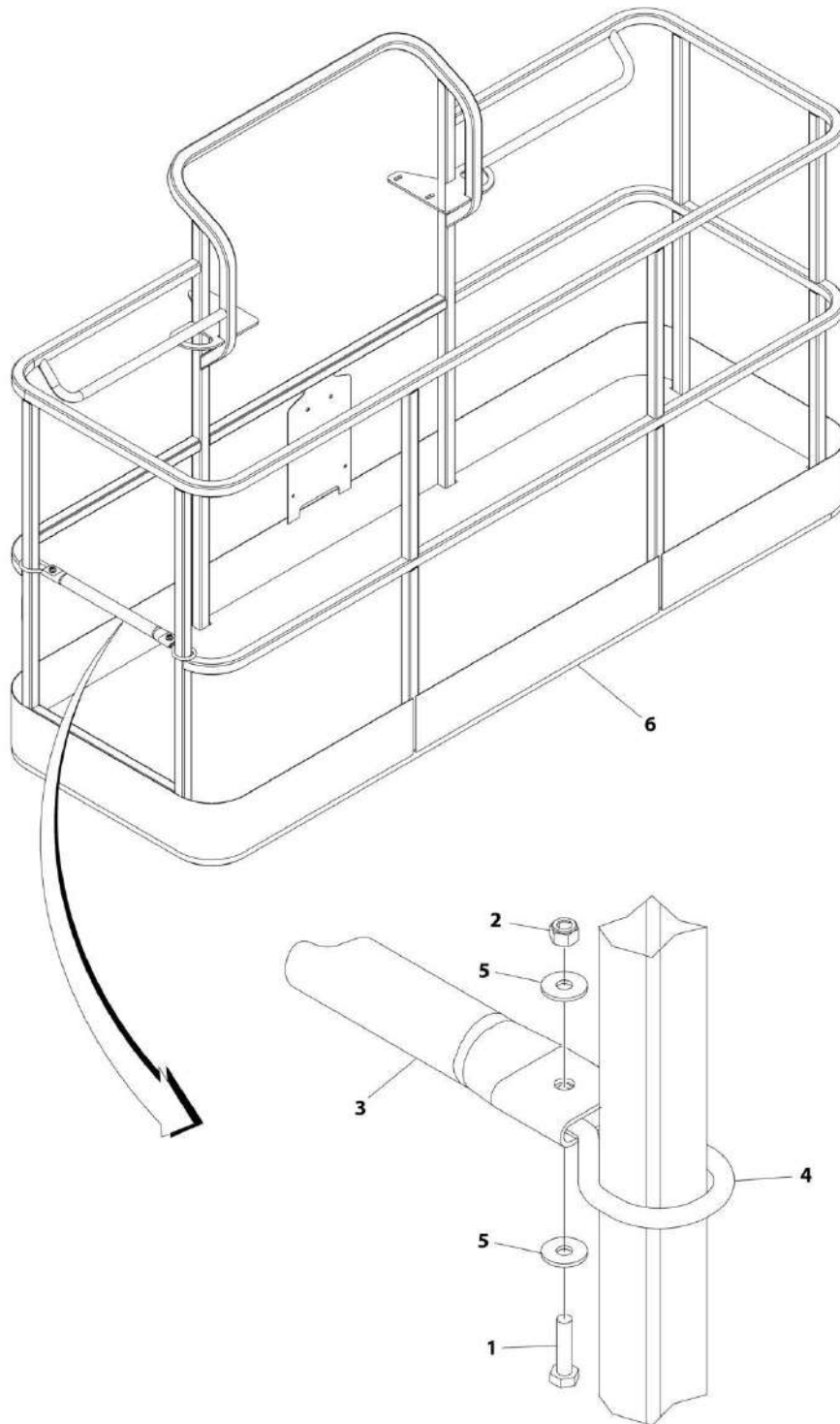
## SECTION 5 - PLATFORM

**FIGURE 5-1. PLATFORM ASSEMBLY - STANDARD MACHINES (SN B300001586 through B300001680)**

ITEM	PART NUMBER	QTY	DESCRIPTION	REV
	1001134293	Ref	PLATFORM ASSEMBLY - STANDARD MACHINES (SN <b>B300001586 through B300001680</b> )	C
		Ref	Note: Replacement Decals Must be Ordered Separately - See DECAL SECTION.	
1	0760612	2	Bolt M6 x 25	
2	3290605	2	Nut M6	
3	3641585	1	Rail	
4	3841692	2	Loop, Rod	
5	4811702	4	Washer M6	
6	See Note	NSS	Platform (Note: Purchase Platform Assembly)	

# SECTION 5 - PLATFORM

FIGURE 5-2. PLATFORM ASSEMBLY - STANDARD MACHINES (SN B300001681 to Present)



ART\_1001227180

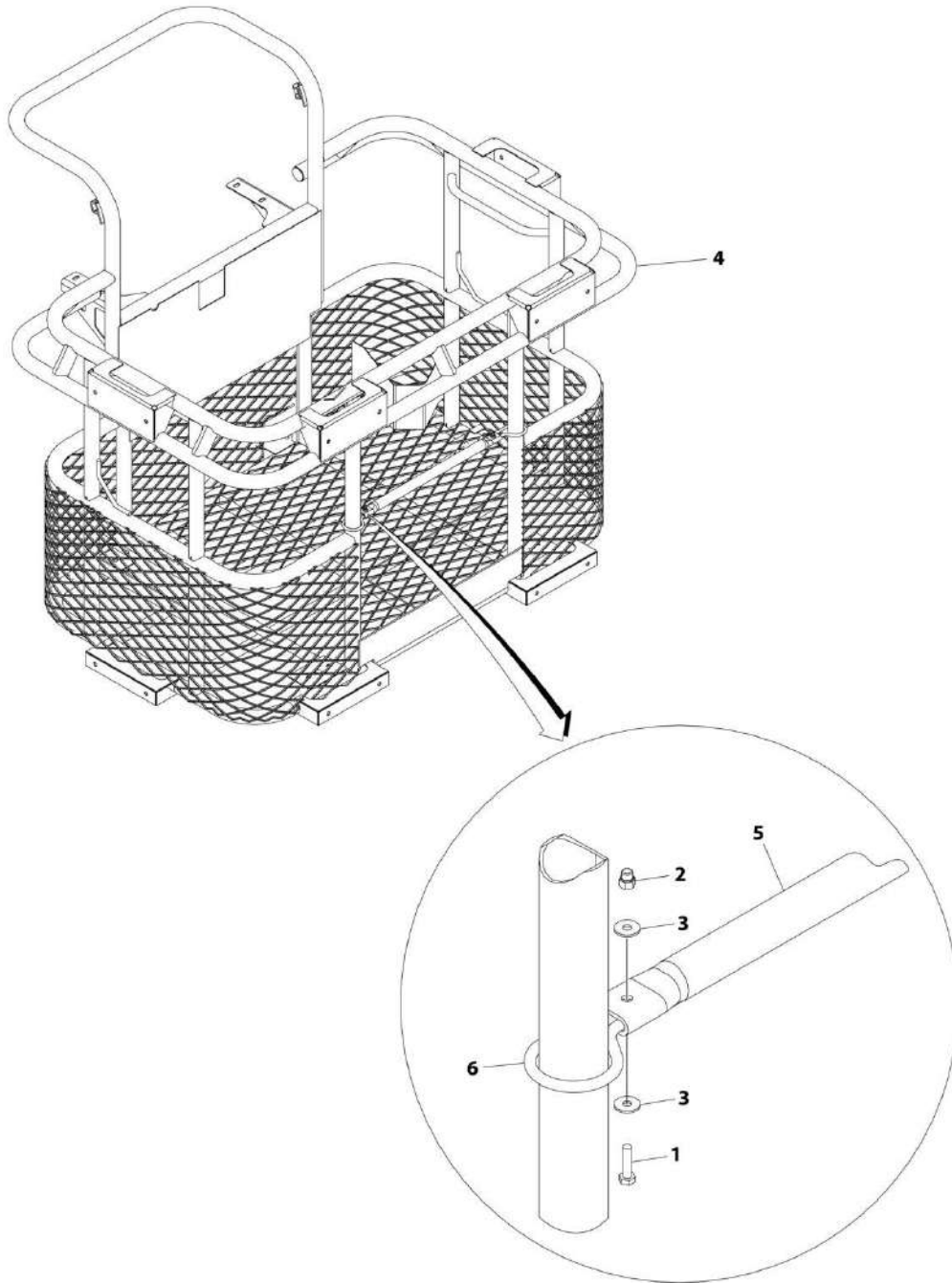
## SECTION 5 - PLATFORM

**FIGURE 5-2. PLATFORM ASSEMBLY - STANDARD MACHINES (SN B300001681 to Present)**

ITEM	PART NUMBER	QTY	DESCRIPTION	REV
	1001227180	Ref	PLATFORM ASSEMBLY - STANDARD MACHINES (SN <b>B300001681 to Present</b> )	C
		Ref	Note: Replacement Decals Must be Ordered Separately - See DECAL SECTION.	
1	0760612	2	Bolt M6 x 25	
2	3290605	2	Nut M6	
3	3641585	1	Rail	
4	3841692	2	Loop, Rod	
5	4811702	4	Washer M6	
6	See Note	NSS	Platform (Note: Purchase Platform Assembly)	

# SECTION 5 - PLATFORM

## FIGURE 5-3. PLATFORM ASSEMBLY - SHIPYARD MACHINES



ART\_1001150037



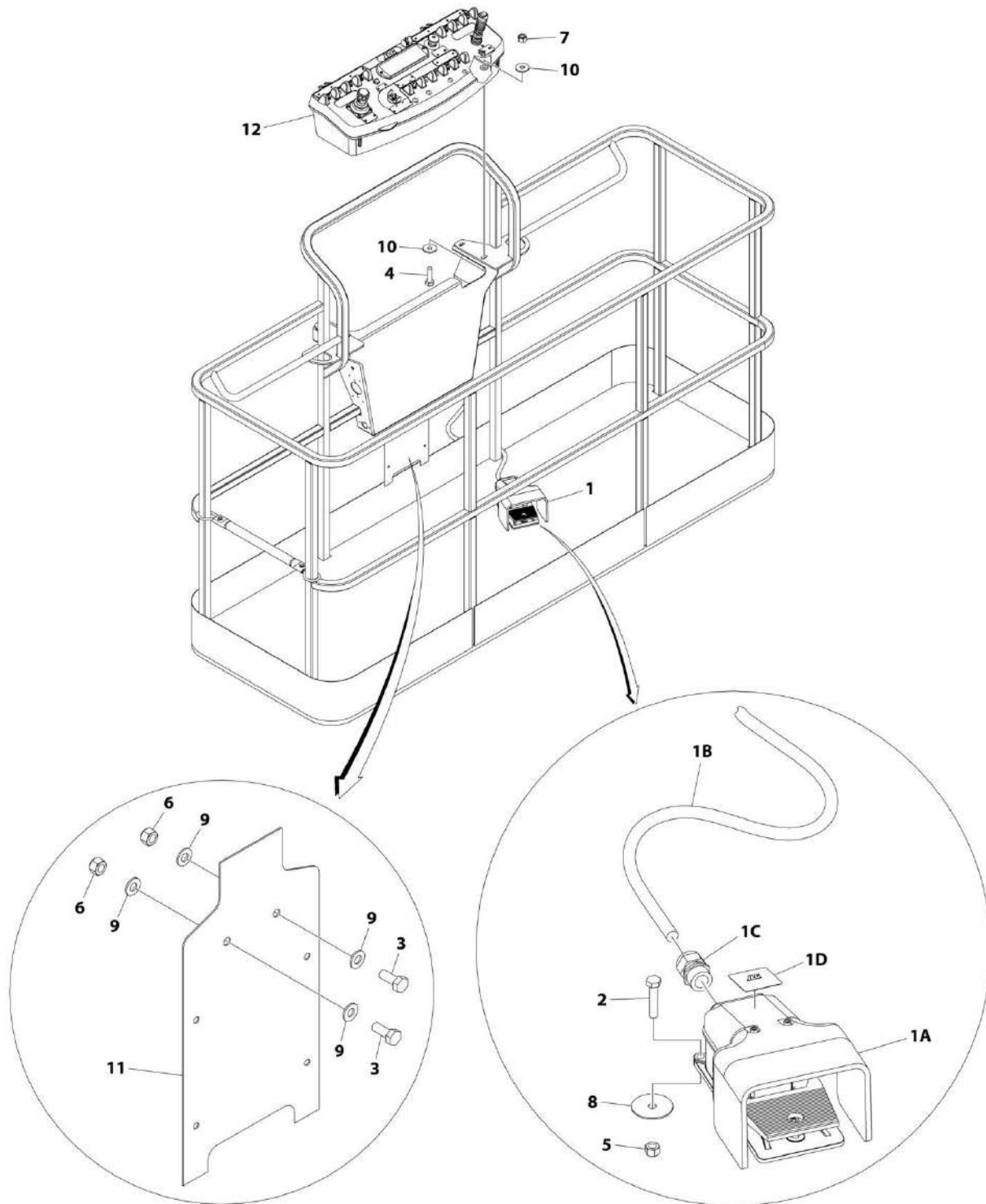
## SECTION 5 - PLATFORM

**FIGURE 5-3. PLATFORM ASSEMBLY - SHIPYARD MACHINES**

ITEM	PART NUMBER	QTY	DESCRIPTION	REV
	1001150037	Ref	PLATFORM ASSEMBLY - SHIPYARD MACHINES	B
		Ref	Note: Replacement Decals Must be Ordered Separately - See DECAL SECTION.	
1	0760612	2	Bolt M6 x 25	
2	3290606	2	Nut M6	
3	4811702	4	Washer M6	
4	See Note	NSS	Platform (Note: Purchase Platform Assembly)	
5	1001151214	1	Rail	
6	1001151215	2	Loop, Rod	

# SECTION 5 - PLATFORM

## FIGURE 5-4. PLATFORM CONSOLE AND FOOTSWITCH INSTALLATION - STANDARD MACHINES (ENGLISH LANGUAGE)



ART\_1001215797

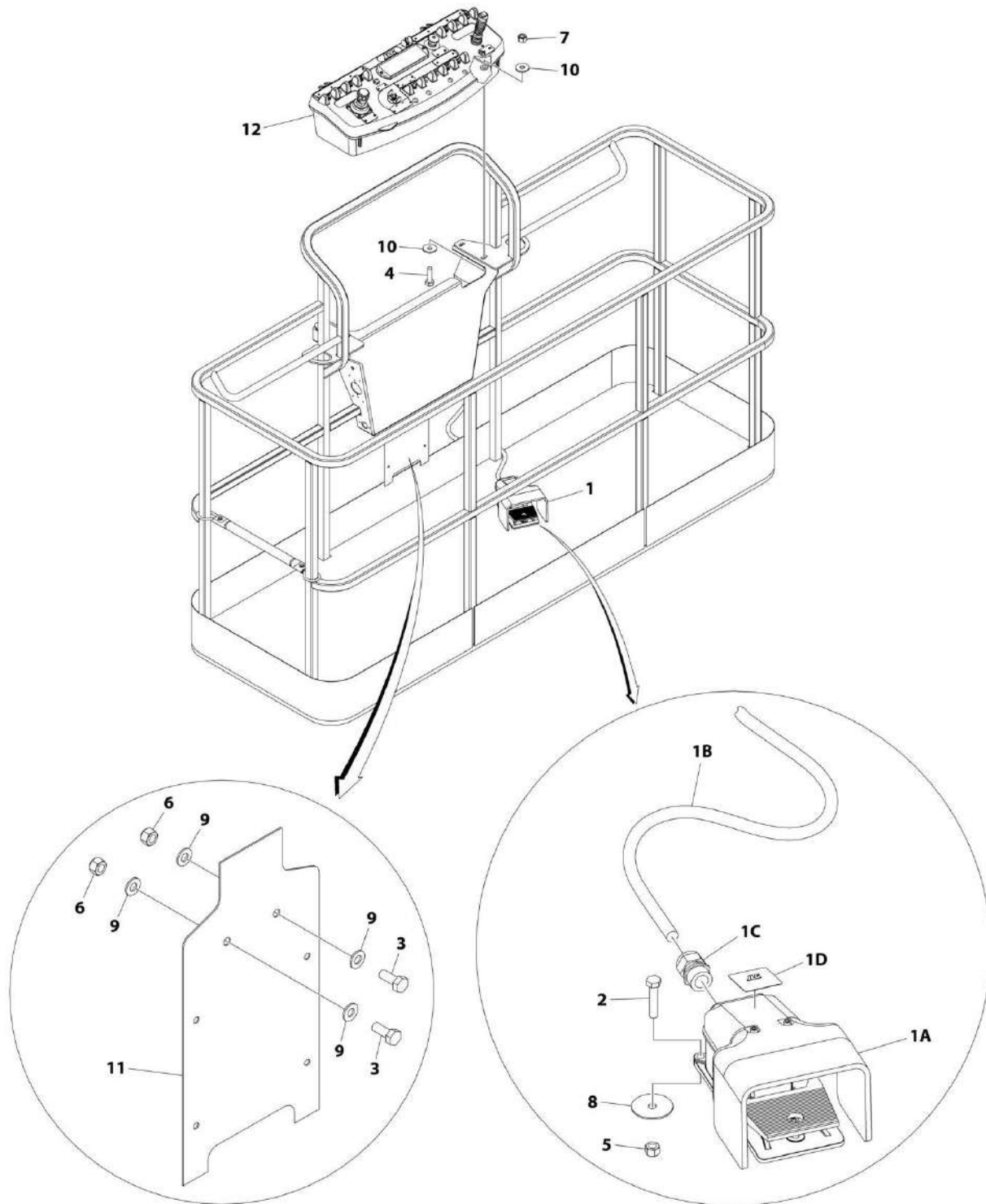
## SECTION 5 - PLATFORM

**FIGURE 5-4. PLATFORM CONSOLE AND FOOTSWITCH INSTALLATION - STANDARD MACHINES  
(ENGLISH LANGUAGE)**

ITEM	PART NUMBER	QTY	DESCRIPTION	REV
	1001215797	Ref	PLATFORM CONSOLE AND FOOTSWITCH INSTALLATION - STANDARD MACHINES (ENGLISH LANGUAGE)	A
1	0272970	1	Footswitch Assembly	B
1A	1001117320	1	Footswitch	
1A	70003483	1	Block, Contact	
1B	1060918	7 ft/2.2m	Cable, Electrical - 18/3	
1C	4460071	1	Connector, Strain Relief	
1D	3252347	1	Nameplate (Note: See DECAL SECTION for Other Languages)	
2	0760614	3	Bolt M6 x 30	
3	0760810	2	Bolt M8 x 20	
4	0761015	4	Bolt M10 x 35	
5	3290605	3	Nut M6	
6	3290805	2	Nut M8	
7	3291005	4	Nut M10	
8	4740362	3	Washer, Fender 1/4	
9	4811900	4	Washer M8	
10	4812002	8	Washer M10	
11	1001145439	1	Panel, Pedestal	
12	1001196747	1	Console Box Sub-Assembly (English Language) (See Separate Breakdown in this Section)	

# SECTION 5 - PLATFORM

## FIGURE 5-5. PLATFORM CONSOLE AND FOOTSWITCH INSTALLATION - STANDARD MACHINES (ENGLISH/CHINESE LANGUAGE)



ART\_1001215799

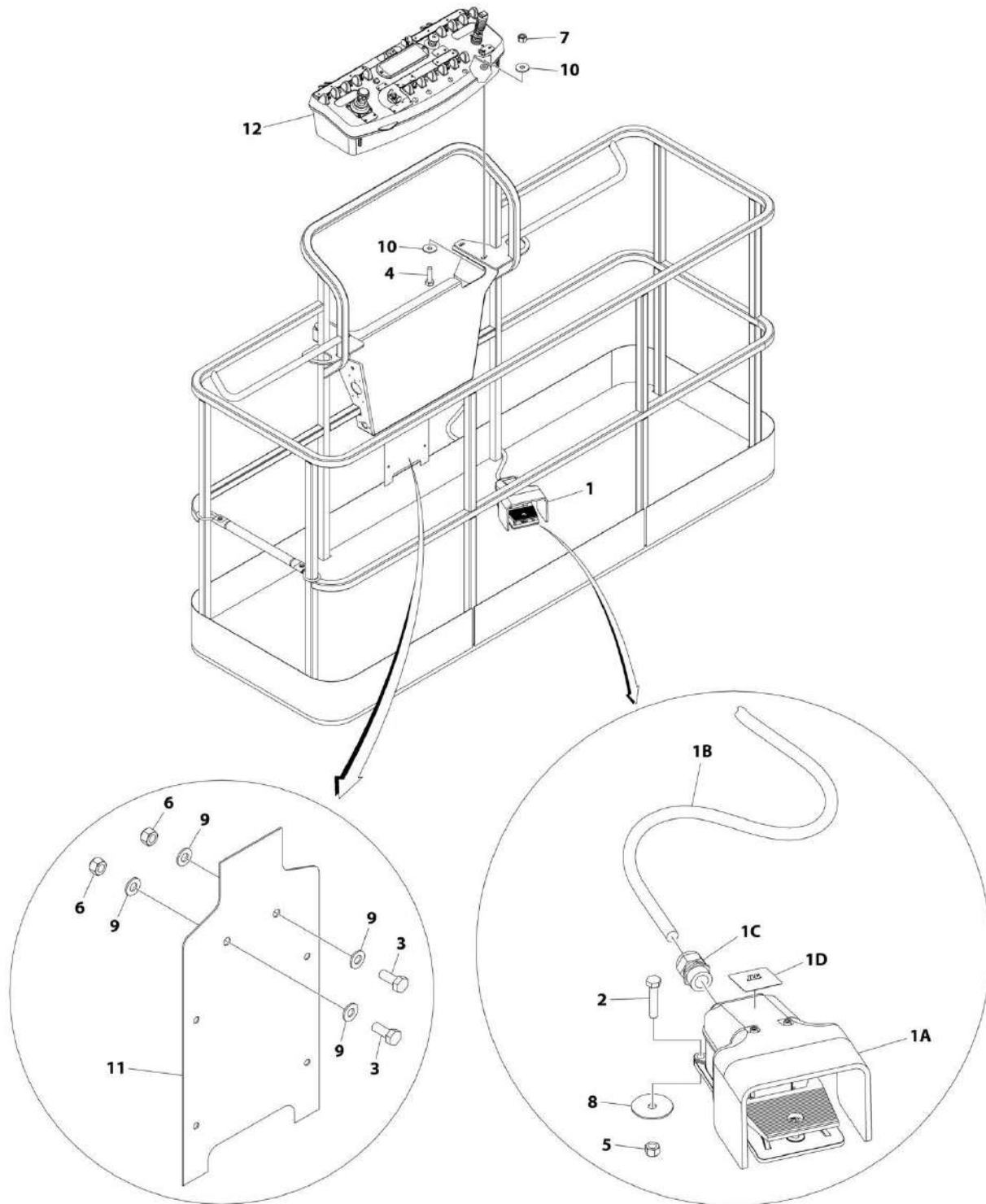
## SECTION 5 - PLATFORM

**FIGURE 5-5. PLATFORM CONSOLE AND FOOTSWITCH INSTALLATION - STANDARD MACHINES  
(ENGLISH/CHINESE LANGUAGE)**

ITEM	PART NUMBER	QTY	DESCRIPTION	REV
	1001215799	Ref	PLATFORM CONSOLE AND FOOTSWITCH INSTALLATION - STANDARD MACHINES (ENGLISH/CHINESE LANGUAGE)	A
1	0272970	1	Footswitch Assembly	B
1A	1001117320	1	Footswitch	
1A	70003483	1	Block, Contact	
1B	1060918	7 ft/2.2m	Cable, Electrical - 18/3	
1C	4460071	1	Connector, Strain Relief	
1D	3252347	1	Nameplate (Note: See DECAL SECTION for Other Languages)	
2	0760614	3	Bolt M6 x 30	
3	0760810	2	Bolt M8 x 20	
4	0761015	4	Bolt M10 x 35	
5	3290605	3	Nut M6	
6	3290805	2	Nut M8	
7	3291005	4	Nut M10	
8	4740362	3	Washer, Fender 1/4	
9	4811900	4	Washer M8	
10	4812002	8	Washer M10	
11	1001145439	1	Panel, Pedestal	
12	1001196748	1	Console Box Sub-Assembly (English/Chinese Language) (See Separate Breakdown in this Section)	

# SECTION 5 - PLATFORM

## FIGURE 5-6. PLATFORM CONSOLE AND FOOTSWITCH INSTALLATION - STANDARD MACHINES (ENGLISH/JAPANESE LANGUAGE)



ART\_1001215800

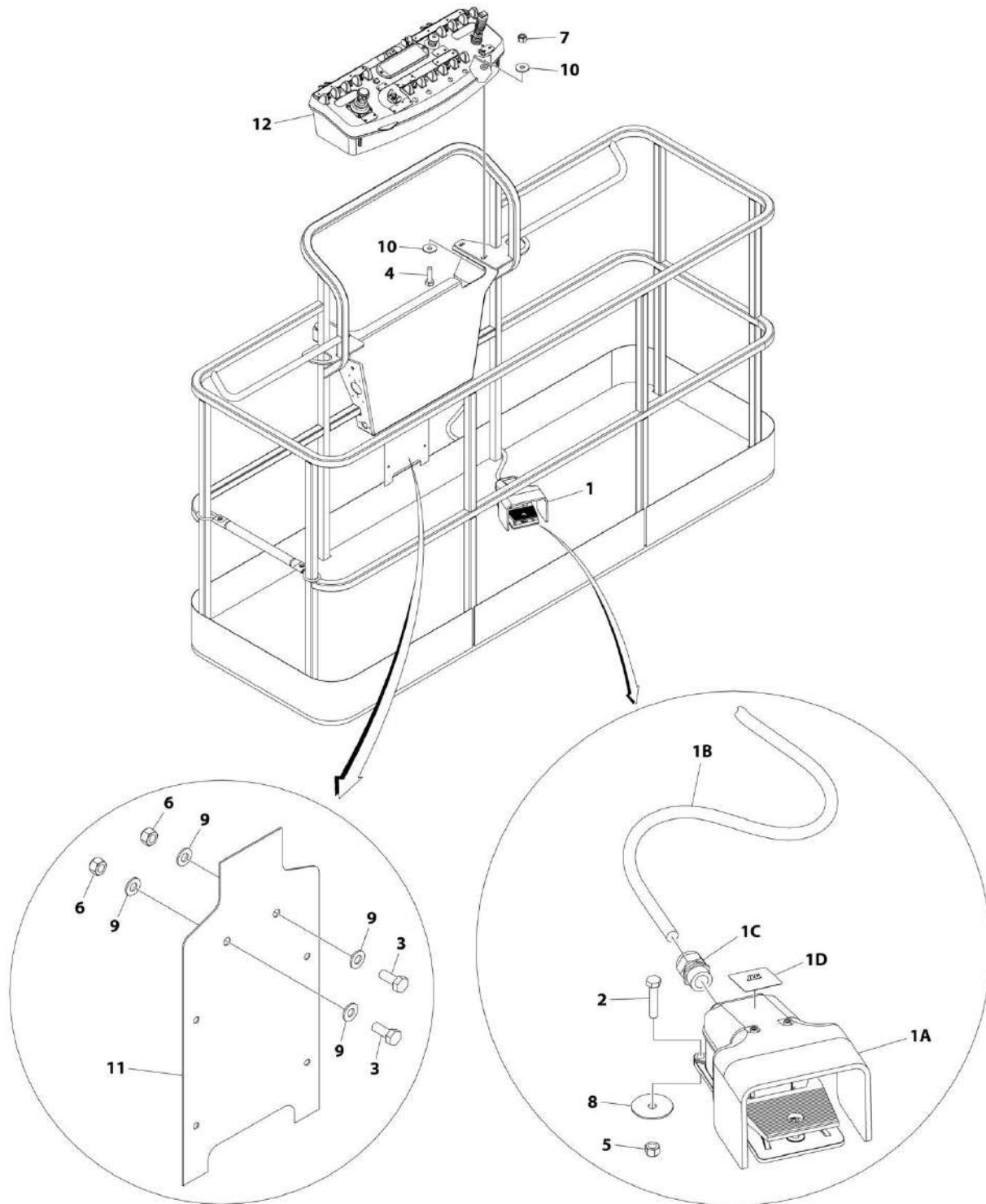
## SECTION 5 - PLATFORM

**FIGURE 5-6. PLATFORM CONSOLE AND FOOTSWITCH INSTALLATION - STANDARD MACHINES  
(ENGLISH/JAPANESE LANGUAGE)**

ITEM	PART NUMBER	QTY	DESCRIPTION	REV
	1001215800	Ref	PLATFORM CONSOLE AND FOOTSWITCH INSTALLATION - STANDARD MACHINES (ENGLISH/JAPANESE LANGUAGE)	A
1	0272970	1	Footswitch Assembly	B
1A	1001117320	1	Footswitch	
1A	70003483	1	Block, Contact	
1B	1060918	7 ft/2.2m	Cable, Electrical - 18/3	
1C	4460071	1	Connector, Strain Relief	
1D	3252347	1	Nameplate (Note: See DECAL SECTION for Other Languages)	
2	0760614	3	Bolt M6 x 30	
3	0760810	2	Bolt M8 x 20	
4	0761015	4	Bolt M10 x 35	
5	3290605	3	Nut M6	
6	3290805	2	Nut M8	
7	3291005	4	Nut M10	
8	4740362	3	Washer, Fender 1/4	
9	4811900	4	Washer M8	
10	4812002	8	Washer M10	
11	1001145439	1	Panel, Pedestal	
12	1001196750	1	Console Box Sub-Assembly (English/Japanese Language) (See Separate Breakdown in this Section)	

# SECTION 5 - PLATFORM

FIGURE 5-7. PLATFORM CONSOLE AND FOOTSWITCH INSTALLATION - STANDARD MACHINES  
(ENGLISH/KOREAN LANGUAGE)



ART\_1001215798



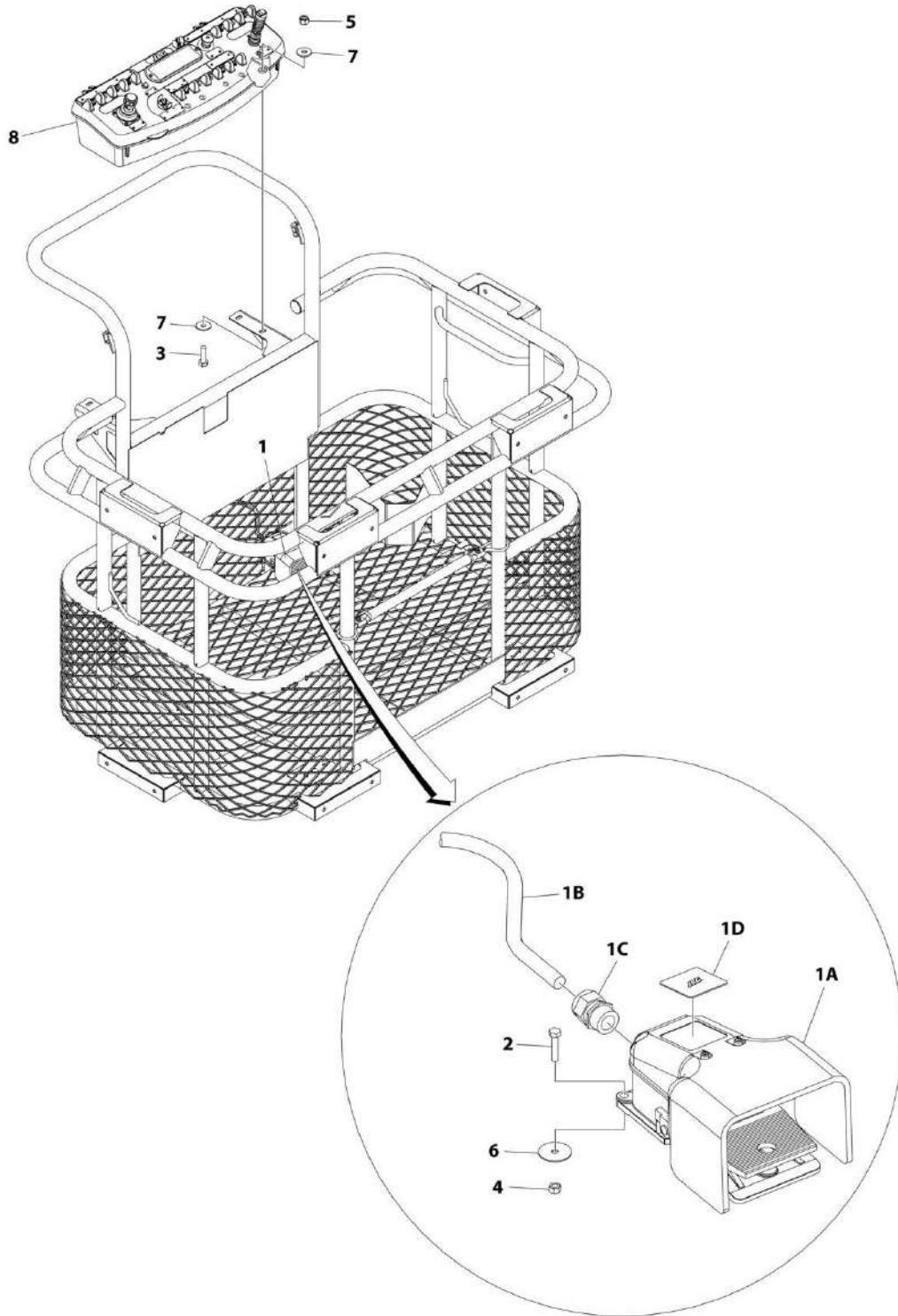
## SECTION 5 - PLATFORM

**FIGURE 5-7. PLATFORM CONSOLE AND FOOTSWITCH INSTALLATION - STANDARD MACHINES  
(ENGLISH/KOREAN LANGUAGE)**

ITEM	PART NUMBER	QTY	DESCRIPTION	REV
	1001215798	Ref	PLATFORM CONSOLE AND FOOTSWITCH INSTALLATION - STANDARD MACHINES (ENGLISH/KOREAN LANGUAGE)	A
1	0272970	1	Footswitch Assembly	B
1A	1001117320	1	Footswitch	
1A	70003483	1	Block, Contact	
1B	1060918	7 ft/2.2m	Cable, Electrical - 18/3	
1C	4460071	1	Connector, Strain Relief	
1D	3252347	1	Nameplate (Note: See DECAL SECTION for Other Languages)	
2	0760614	3	Bolt M6 x 30	
3	0760810	2	Bolt M8 x 20	
4	0761015	4	Bolt M10 x 35	
5	3290605	3	Nut M6	
6	3290805	2	Nut M8	
7	3291005	4	Nut M10	
8	4740362	3	Washer, Fender 1/4	
9	4811900	4	Washer M8	
10	4812002	8	Washer M10	
11	1001145439	1	Panel, Pedestal	
12	1001196749	1	Console Box Sub-Assembly (English/Korean Language) (See Separate Breakdown in this Section)	

# SECTION 5 - PLATFORM

## FIGURE 5-8. PLATFORM CONSOLE AND FOOTSWITCH INSTALLATION - SHIPYARD MACHINES (ENGLISH LANGUAGE)



ART\_1001153367

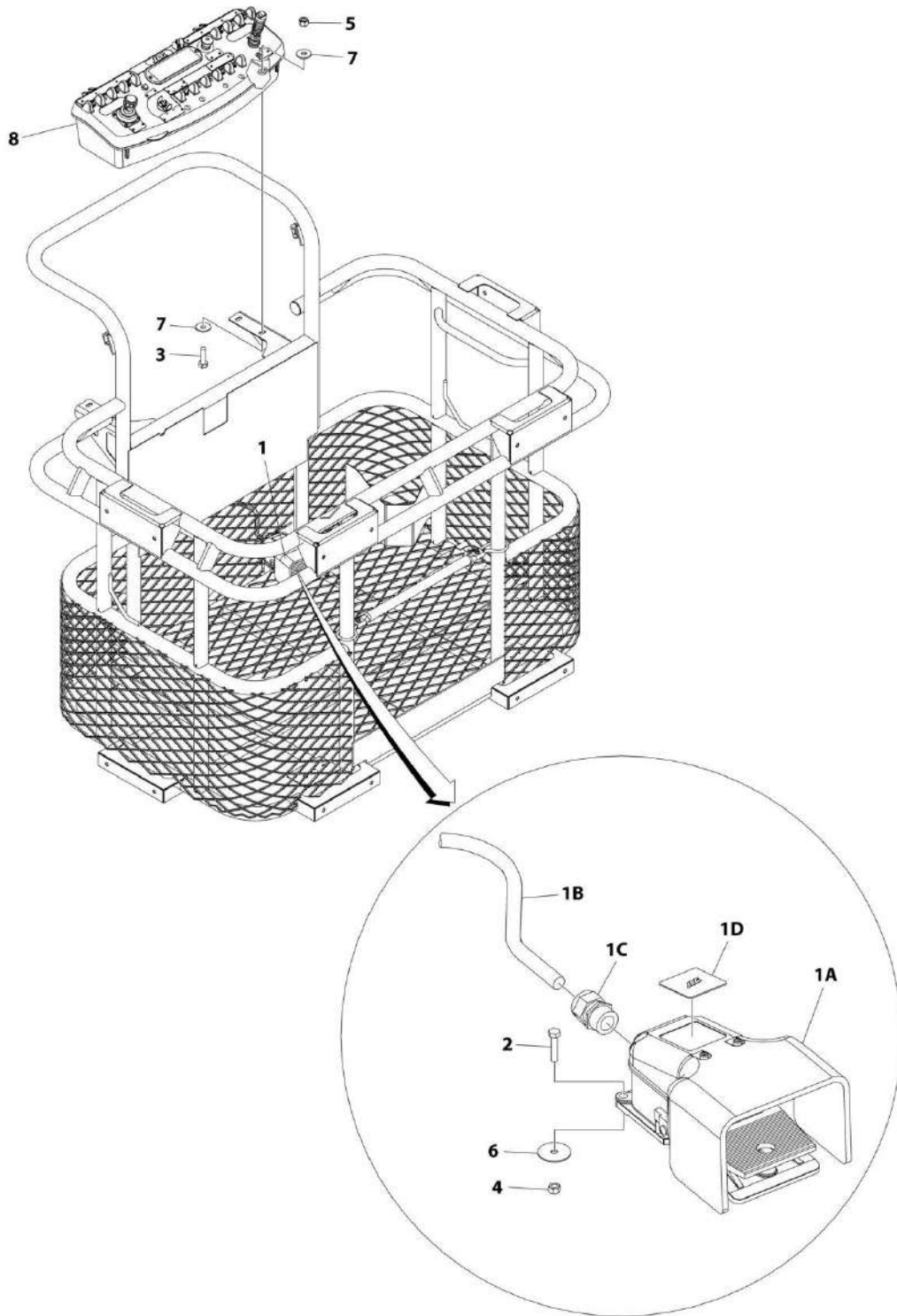
## SECTION 5 - PLATFORM

**FIGURE 5-8. PLATFORM CONSOLE AND FOOTSWITCH INSTALLATION - SHIPYARD MACHINES  
(ENGLISH LANGUAGE)**

ITEM	PART NUMBER	QTY	DESCRIPTION	REV
	1001153367	Ref	PLATFORM CONSOLE AND FOOTSWITCH INSTALLATION - SHIPYARD MACHINES (ENGLISH LANGUAGE)	C
1	0272970	1	Footswitch Assembly	B
1A	1001117320	1	Footswitch	
1A	70003483	1	Block, Contact	
1B	1060918	7 ft/2.2m	Cable, Electrical - 18/3	
1C	4460071	1	Connector, Strain Relief	
1D	3252347	1	Nameplate (Note: See DECAL SECTION for Other Languages)	
2	0760614	3	Bolt M6 x 30	
3	0761015	4	Bolt M10 x 35	
4	3290605	3	Nut M6	
5	3291005	4	Nut M10	
6	4740362	3	Washer, Fender 1/4	
7	4812002	8	Washer M10	
8	1001196747	1	Console Box Sub-Assembly (English Language) (See Separate Breakdown in this Section)	

# SECTION 5 - PLATFORM

## FIGURE 5-9. PLATFORM CONSOLE AND FOOTSWITCH INSTALLATION - SHIPYARD MACHINES (ENGLISH/CHINESE LANGUAGE)



ART\_1001153369

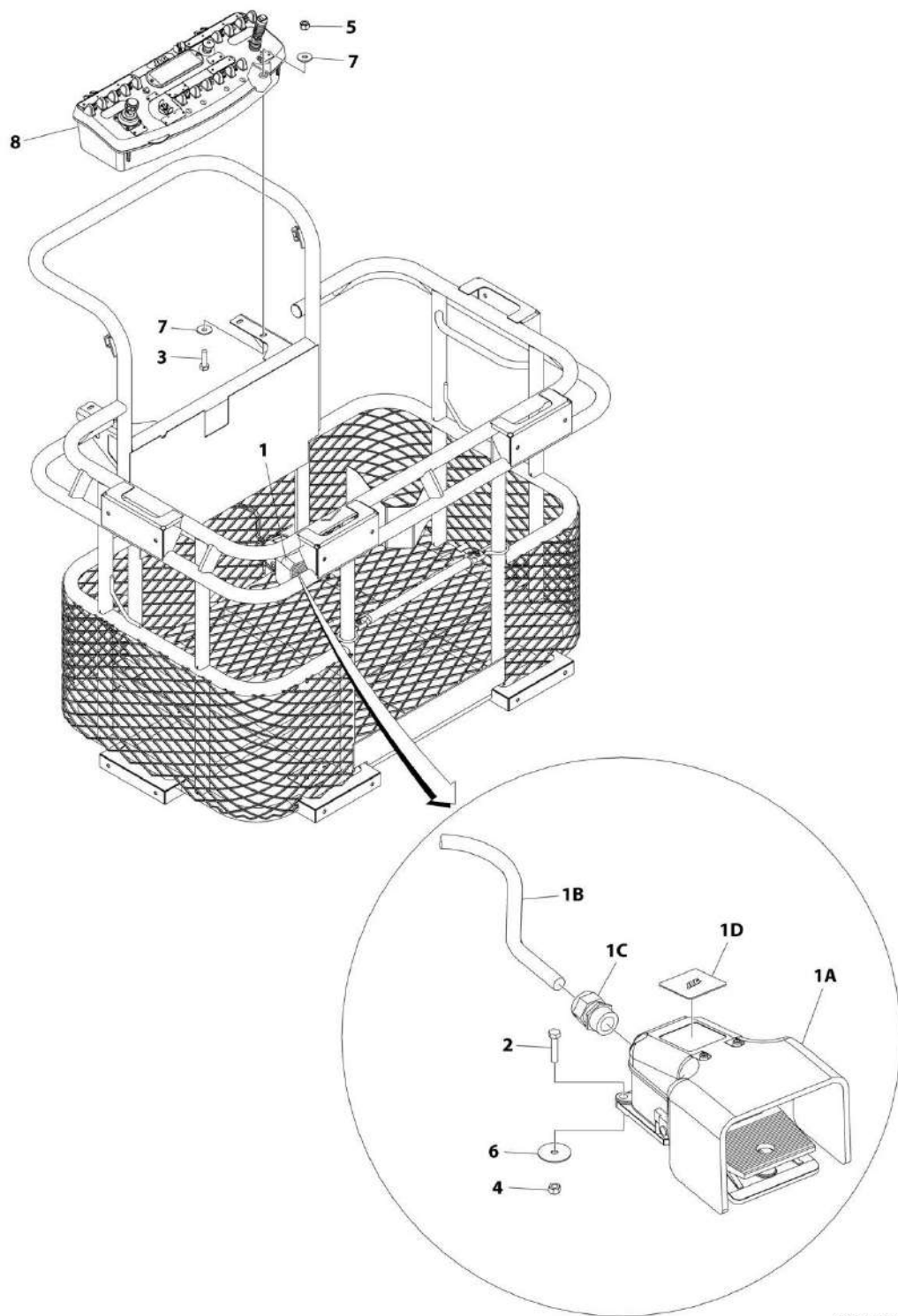
## SECTION 5 - PLATFORM

**FIGURE 5-9. PLATFORM CONSOLE AND FOOTSWITCH INSTALLATION - SHIPYARD MACHINES  
(ENGLISH/CHINESE LANGUAGE)**

ITEM	PART NUMBER	QTY	DESCRIPTION	REV
	1001153369	Ref	PLATFORM CONSOLE AND FOOTSWITCH INSTALLATION - SHIPYARD MACHINES (ENGLISH/CHINESE LANGUAGE)	C
1	0272970	1	Footswitch Assembly	B
1A	1001117320	1	Footswitch	
1A	70003483	1	Block, Contact	
1B	1060918	7 ft/2.2m	Cable, Electrical - 18/3	
1C	4460071	1	Connector, Strain Relief	
1D	3252347	1	Nameplate (Note: See DECAL SECTION for Other languages)	
2	0760614	3	Bolt M6 x 30	
3	0761015	4	Bolt M10 x 35	
4	3290605	3	Nut M6	
5	3291005	4	Nut M10	
6	4740362	3	Washer, Fender 1/4	
7	4812002	8	Washer M10	
8	1001196748	1	Console Box Sub-Assembly (English/Chinese Language) (See Separate Breakdown in this Section)	

# SECTION 5 - PLATFORM

## FIGURE 5-10. PLATFORM CONSOLE AND FOOTSWITCH INSTALLATION - SHIPYARD MACHINES (ENGLISH/JAPANESE LANGUAGE)



ART\_1001153370

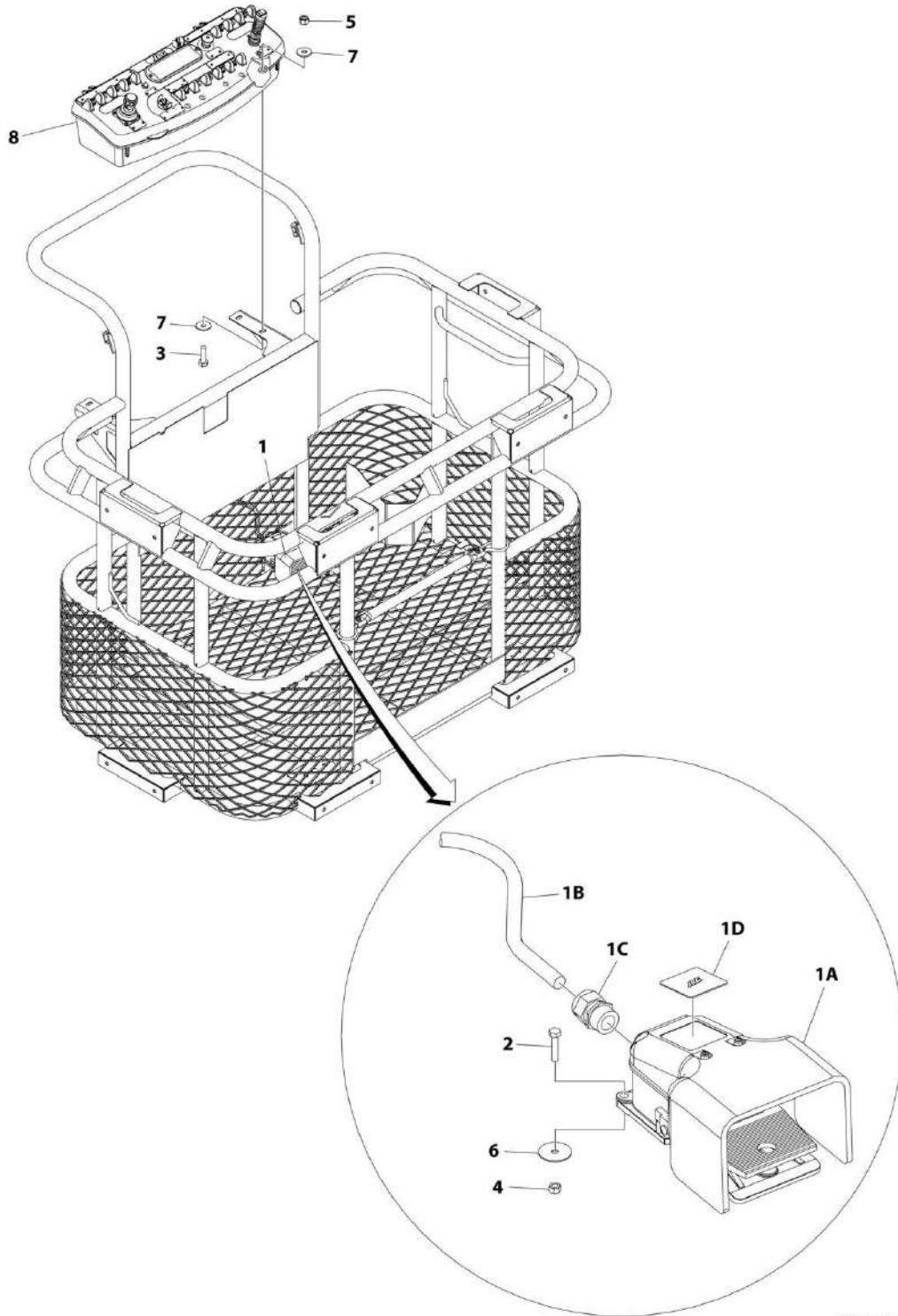
## SECTION 5 - PLATFORM

**FIGURE 5-10. PLATFORM CONSOLE AND FOOTSWITCH INSTALLATION - SHIPYARD MACHINES  
(ENGLISH/JAPANESE LANGUAGE)**

ITEM	PART NUMBER	QTY	DESCRIPTION	REV
	1001153370	Ref	PLATFORM CONSOLE AND FOOTSWITCH INSTALLATION - SHIPYARD MACHINES (ENGLISH/JAPANESE LANGUAGE)	C
1	0272970	1	Footswitch Assembly	B
1A	1001117320	1	Footswitch	
1A	70003483	1	Block, Contact	
1B	1060918	7 ft/2.2m	Cable, Electrical - 18/3	
1C	4460071	1	Connector, Strain Relief	
1D	3252347	1	Nameplate (Note: See DECAL SECTION for Other Languages)	
2	0760614	3	Bolt M6 x 30	
3	0761015	4	Bolt M10 x 35	
4	3290605	3	Nut M6	
5	3291005	4	Nut M10	
6	4740362	3	Washer, Fender 1/4	
7	4812002	8	Washer M10	
8	1001196750	1	Console Box Sub-Assembly (English/Japanese Language) (See Separate Breakdown in this Section)	

# SECTION 5 - PLATFORM

FIGURE 5-11. PLATFORM CONSOLE AND FOOTSWITCH INSTALLATION - SHIPYARD MACHINES  
(ENGLISH/KOREAN LANGUAGE)



ART\_1001153368



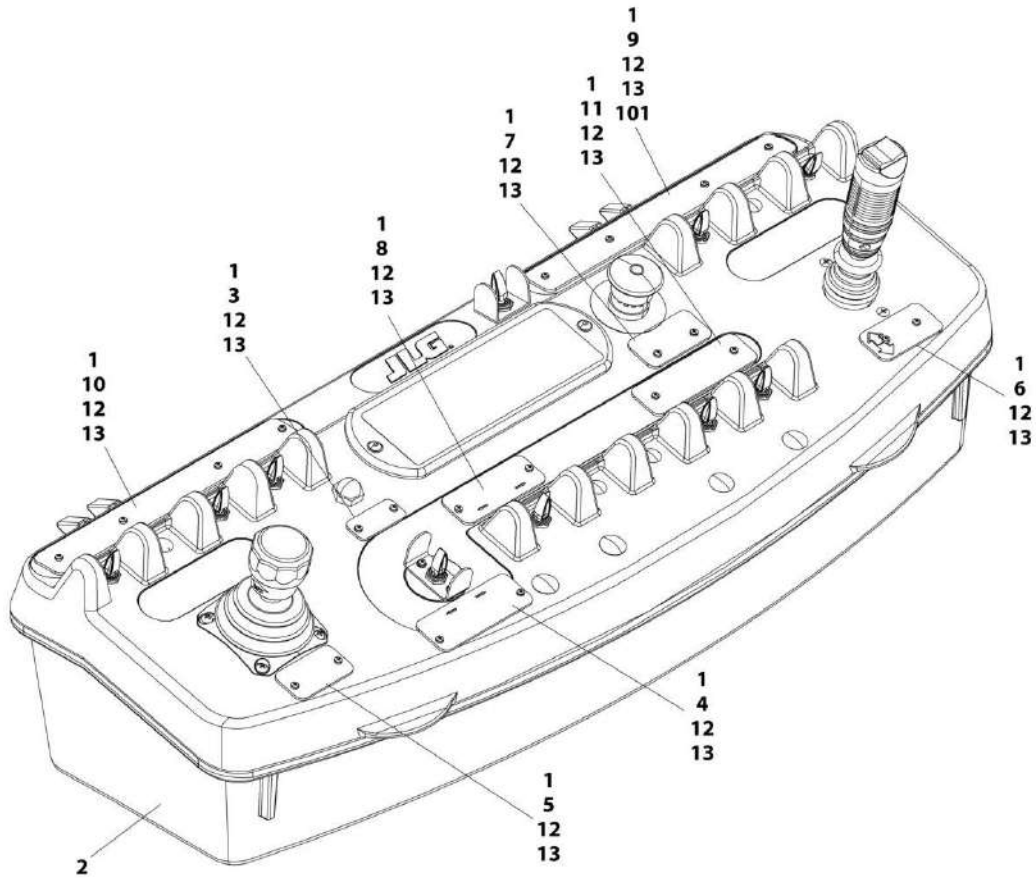
## SECTION 5 - PLATFORM

**FIGURE 5-11. PLATFORM CONSOLE AND FOOTSWITCH INSTALLATION - SHIPYARD MACHINES  
(ENGLISH/KOREAN LANGUAGE)**

ITEM	PART NUMBER	QTY	DESCRIPTION	REV
	1001153368	Ref	PLATFORM CONSOLE AND FOOTSWITCH INSTALLATION - SHIPYARD MACHINES (ENGLISH/KOREAN LANGUAGE)	C
1	0272970	1	Footswitch Assembly	B
1A	1001117320	1	Footswitch	
1A	70003483	1	Block, Contact	
1B	1060918	7 ft/2.2m	Cable, Electrical - 18/3	
1C	4460071	1	Connector, Strain Relief	
1D	3252347	1	Nameplate (Note: See DECAL SECTION for Other Languages)	
2	0760614	3	Bolt M6 x 30	
3	0761015	4	Bolt M10 x 35	
4	3290605	3	Nut M6	
5	3291005	4	Nut M10	
6	4740362	3	Washer, Fender 1/4	
7	4812002	8	Washer M10	
8	1001196749	1	Console Box Sub-Assembly (English/Korean Language) (See Separate Breakdown in this Section)	

# SECTION 5 - PLATFORM

## FIGURE 5-12. CONSOLE BOX SUB-ASSEMBLY (ENGLISH LANGUAGE)



ART\_1001196747

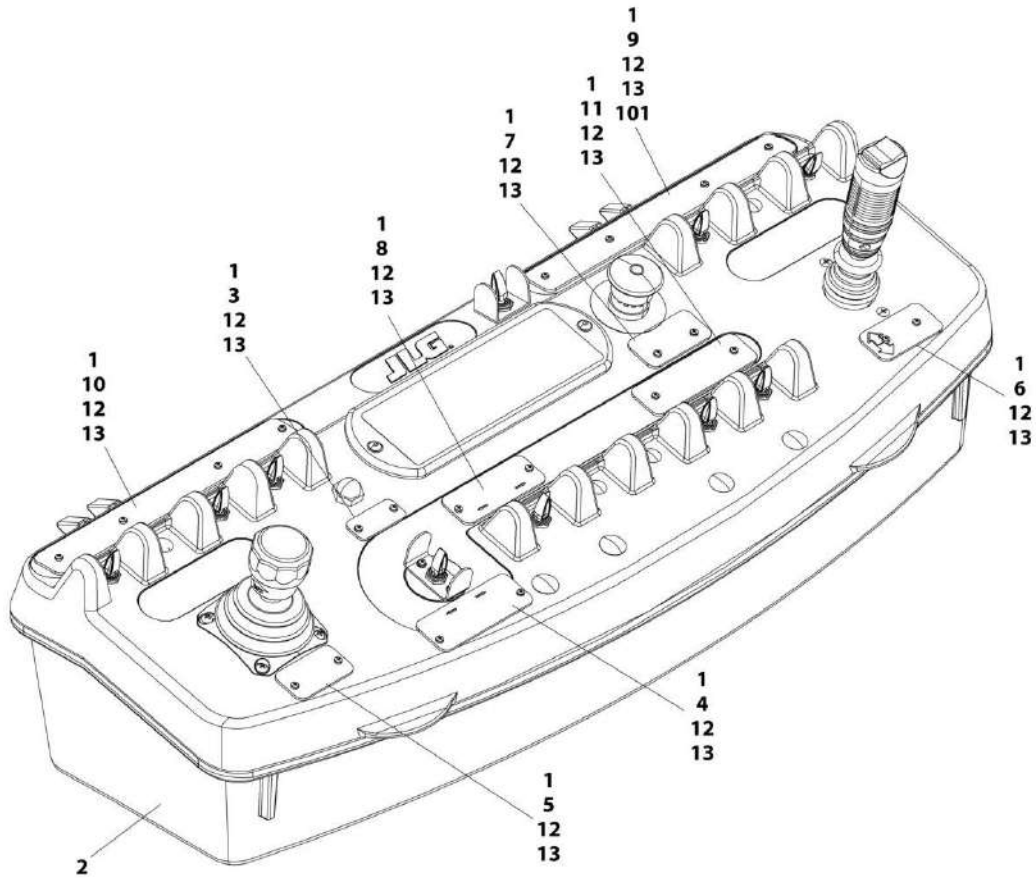
## SECTION 5 - PLATFORM

**FIGURE 5-12. CONSOLE BOX SUB-ASSEMBLY (ENGLISH LANGUAGE)**

ITEM	PART NUMBER	QTY	DESCRIPTION	REV
	1001196747	Ref	CONSOLE BOX SUB-ASSEMBLY (ENGLISH LANGUAGE)	G
1	3290305	22	Nut M3	
2	1001196743	1	Console Box Assembly (See Separate Breakdown in this Section)	
3	1001198138	1	Decal - Horn	
4	1001198146	1	Decal - Function Speed Selection	
5	1001198150	1	Decal - Lift/Swing Selection	
6	1001198154	1	Decal - Drive/Steer Selection	
7	1001198156	1	Decal - Emergency Stop	
8	1001198200	1	Decal - Platform Rotate Selection	
9	1001198205	1	Decal (With Manual/Auto)	
10	1001198206	1	Decal	
11	1001198207	1	Decal	
12	1001198576	22	Screw M3 x 10	
13	1001110544	22	Washer M3	
	1001198930	Ref	VERTICAL/HORIZONTAL CONTROLS DECAL INSTALLATION	B
101	1001198208	1	Decal (With Manual/H/V)	

# SECTION 5 - PLATFORM

## FIGURE 5-13. CONSOLE BOX SUB-ASSEMBLY (ENGLISH/CHINESE LANGUAGE)



ART\_1001196748

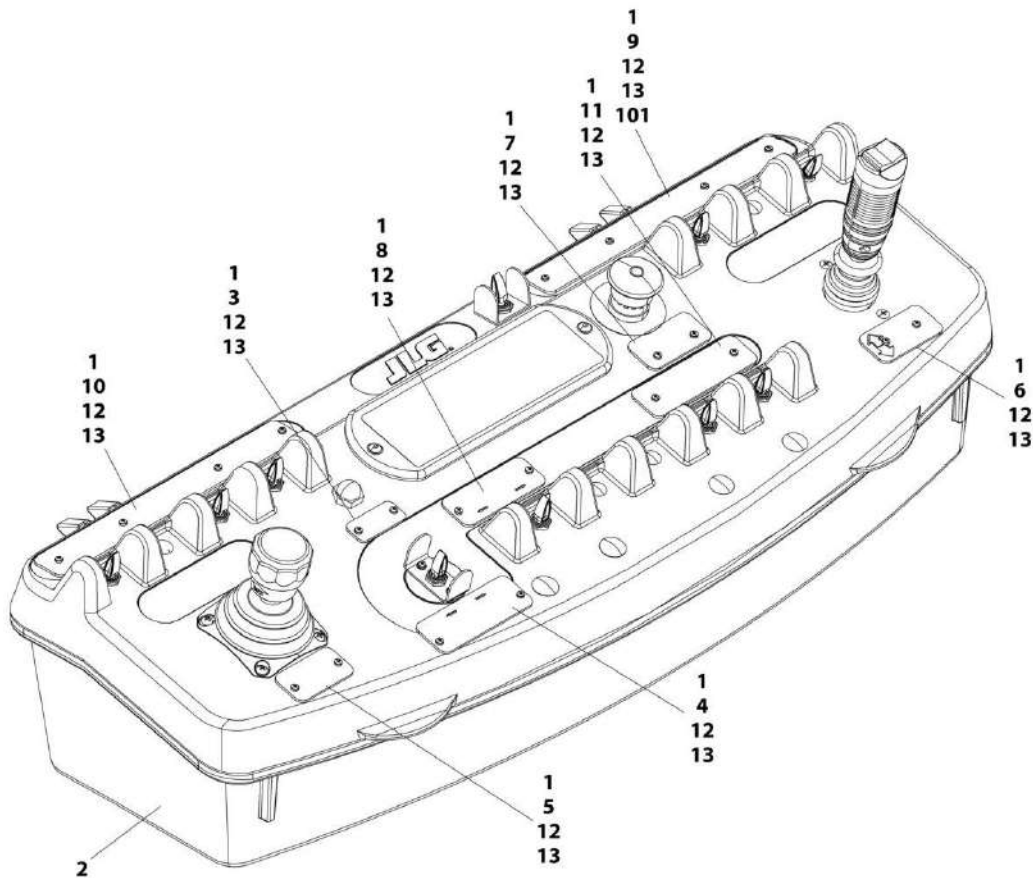
## SECTION 5 - PLATFORM

**FIGURE 5-13. CONSOLE BOX SUB-ASSEMBLY (ENGLISH/CHINESE LANGUAGE)**

ITEM	PART NUMBER	QTY	DESCRIPTION	REV
	1001196748	Ref	CONSOLE BOX SUB-ASSEMBLY (ENGLISH/CHINESE LANGUAGE)	G
1	3290305	22	Nut M3	
2	1001196743	1	Console Box Assembly (See Separate Breakdown in this Section)	
3	1001198211	1	Decal - Horn	
4	1001198212	1	Decal - Function Speed Selection	
5	1001198214	1	Decal - Lift/Swing Selection	
6	1001198216	1	Decal - Drive/Steer Selection	
7	1001198217	1	Decal - Emergency Stop	
8	1001198219	1	Decal - Platform Rotate Selection	
9	1001198224	1	Decal (With Manual/Auto)	
10	1001198225	1	Decal	
11	1001198226	1	Decal	
12	1001198576	22	Screw M3 x 10	
13	1001110544	22	Washer M3	
	1001199120	Ref	VERTICAL/HORIZONTAL CONTROLS DECAL INSTALLATION	B
101	1001198227	1	Decal (With Manual/H/V)	

# SECTION 5 - PLATFORM

## FIGURE 5-14. CONSOLE BOX SUB-ASSEMBLY (ENGLISH/JAPANESE LANGUAGE)



ART\_1001196750

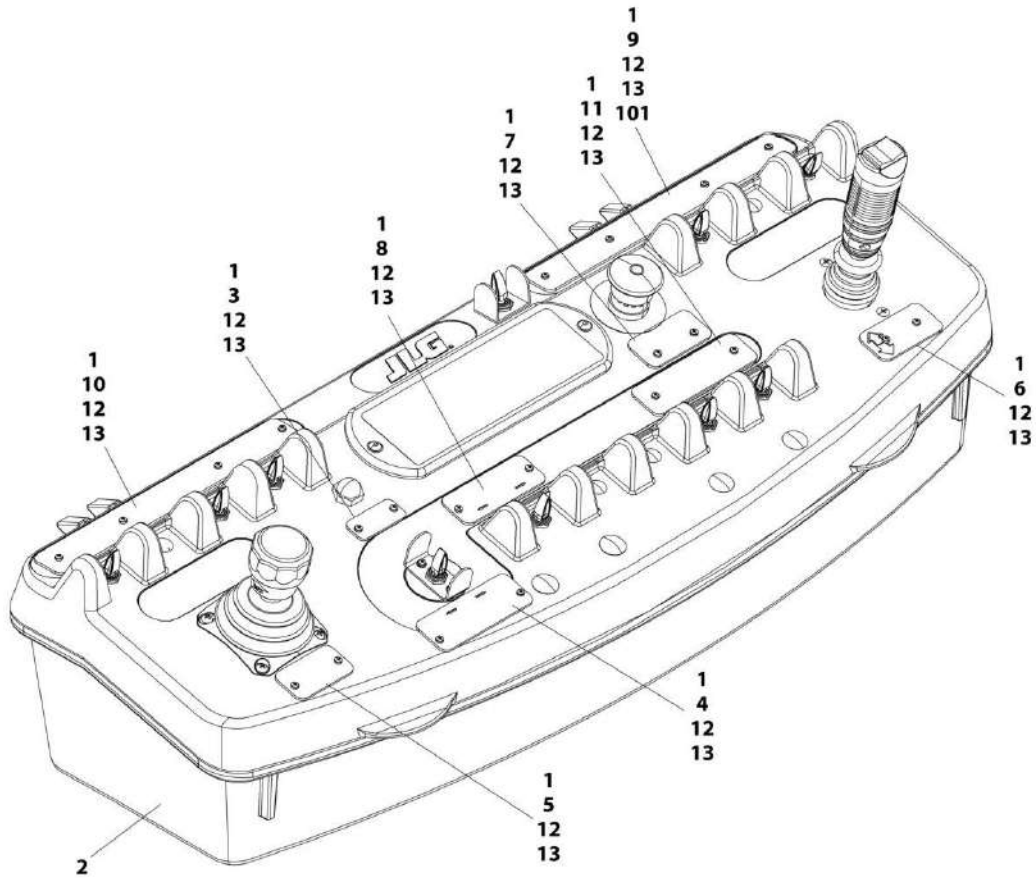
## SECTION 5 - PLATFORM

**FIGURE 5-14. CONSOLE BOX SUB-ASSEMBLY (ENGLISH/JAPANESE LANGUAGE)**

ITEM	PART NUMBER	QTY	DESCRIPTION	REV
	1001196750	Ref	CONSOLE BOX SUB-ASSEMBLY (ENGLISH/JAPANESE LANGUAGE)	G
1	3290305	22	Nut M3	
2	1001196743	1	Console Box Assembly (See Separate Breakdown in this Section)	
3	1001198144	1	Decal - Horn	
4	1001198145	1	Decal - Function Speed Selection	
5	1001198149	1	Decal - Lift/Swing Selection	
6	1001198153	1	Decal - Drive/Steer Selection	
7	1001198155	1	Decal - Emergency Stop	
8	1001198160	1	Decal - Platform Rotate Selection	
9	1001198166	1	Decal (With Manual/Auto)	
10	1001198167	1	Decal	
11	1001198170	1	Decal	
12	1001198576	22	Screw M3 x 10	
13	1001110544	22	Washer M3	
	1001199214	Ref	VERTICAL/HORIZONTAL CONTROLS DECAL INSTALLATION	B
101	1001198171	1	Decal (With Manual/H/V)	

# SECTION 5 - PLATFORM

## FIGURE 5-15. CONSOLE BOX SUB-ASSEMBLY (ENGLISH/KOREAN LANGUAGE)



ART\_1001196749



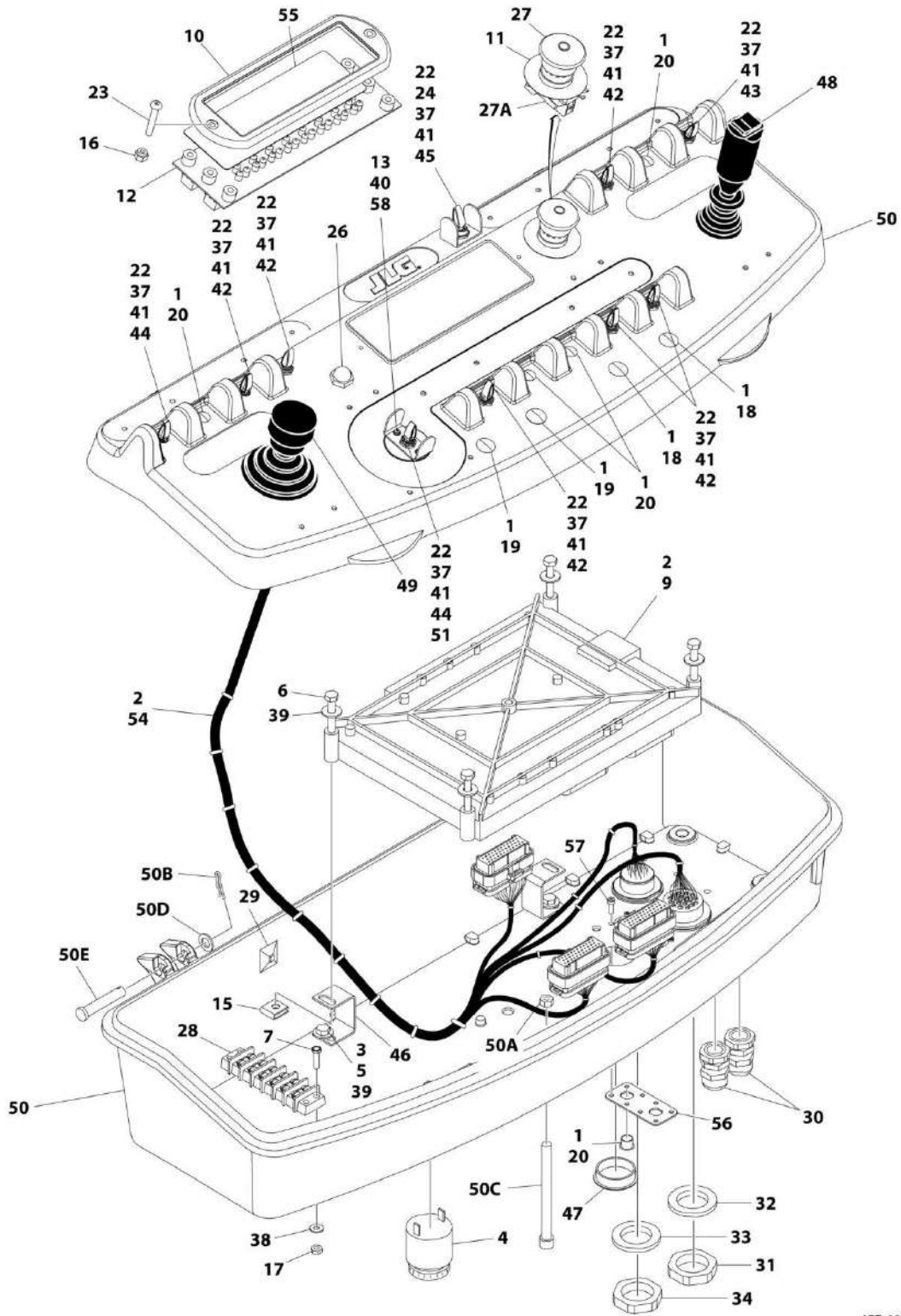
## SECTION 5 - PLATFORM

**FIGURE 5-15. CONSOLE BOX SUB-ASSEMBLY (ENGLISH/KOREAN LANGUAGE)**

ITEM	PART NUMBER	QTY	DESCRIPTION	REV
	1001196749	Ref	CONSOLE BOX SUB-ASSEMBLY (ENGLISH/KOREAN LANGUAGE)	G
1	3290305	22	Nut M3	
2	1001196743	1	Console Box Assembly (See Separate Breakdown in this Section)	
3	1001198175	1	Decal - Horn	
4	1001198176	1	Decal - Function Speed Selection	
5	1001198178	1	Decal - Lift/Swing Selection	
6	1001198180	1	Decal - Drive/Steer Selection	
7	1001198181	1	Decal - Emergency Stop	
8	1001198183	1	Decal - Platform Rotate Selection	
9	1001198188	1	Decal (With Manual/Auto)	
10	1001198189	1	Decal	
11	1001198190	1	Decal	
12	1001198576	22	Screw M3 x 10	
13	1001110544	22	Washer M3	
	1001199134	Ref	VERTICAL/HORIZONTAL CONTROLS DECAL INSTALLATION	B
101	1001198191	1	Decal (With Manual/H/V)	

# SECTION 5 - PLATFORM

## FIGURE 5-16. CONSOLE BOX ASSEMBLY



ART\_1001196743

## SECTION 5 - PLATFORM

**FIGURE 5-16. CONSOLE BOX ASSEMBLY**

ITEM	PART NUMBER	QTY	DESCRIPTION	REV
	1001196743	Ref	CONSOLE BOX ASSEMBLY	G
1	0100009	AR	Sealant	
2	0100048	AR	Grease, Dielectric	
3	0100081	AR	Adhesive	
4	0140011	1	Alarm	
5	0641404	4	Bolt 1/4 x 1/2	
6	0641414	4	Bolt 1/4 x 1-3/4	
7	0721006	2	Screw #10 x 3/4 <b>(SN B300001586 through B300002613)</b>	
9	1600343	1	Module, Platform (Note: Re-calibration Required when Replaced)	
10	1671176	1	Bezel	
11	1704260	1	Decal - Emergency Stop	
12	2920154	1	Gauge, LED	
13	3290305	2	Nut M3	
15	3300353	4	Nut, Tinnerman	
16	3300408	2	Nut	
17	3311005	2	Nut #10 <b>(SN B300001586 through B300002613)</b>	
18	3520026	2	Plug, Hole	
19	3520027	2	Plug, Hole	
20	3520054	5	Plug, Hole	
21	3520174	3	Plug, Hole (Not Shown)	
22	3790012	10	O-Ring	
23	3900183	2	Screw #10 x 1-1/4	
24	4060906	1	Guard, Switch	
26	4360387	1	Switch, Push Button	
27	4360475	1	Switch, Emergency Stop	
27	7020175	1	Cap, Red	
27A	7020176	1	Contact, Block	
28	4460007	1	Bar, Buss <b>(SN B300001586 through B300002613)</b>	
29	4460234	3	Base, Mounting	
30	4460428	2	Connector, Strain Relief	
31	4460470	1	Nut, Terminal	
32	4460471	1	Washer, Terminal	
33	4460496	1	Washer, Terminal	
34	4460497	1	Nut, Terminal	
35	4460708	1	Terminal (Not Shown)	
36	4460905	AR	Plug, Terminal (Not Shown)	
37	4740397	10	Washer	
38	4751000	2	Washer #10 <b>(SN B300001586 through B300002613)</b>	
39	4751400	8	Washer 1/4	
40	1001110544	4	Washer M3	
41	1001155044	10	Nut 15/32	
42	1001155045	6	Switch, Toggle	
43	1001159256	1	Switch, Toggle	
44	1001161709	2	Switch, Toggle	
45	1001161710	1	Switch, Toggle	
46	1001172760	4	Bracket	
47	1001185281	1	Plug	
48	1001166538	NLA	Controller Assembly (Drive and Steer) (Use p/n 1001212415) (See Separate Breakdown in this Section)	
49	1001166539	NLA	Controller Assembly (Lift and Swing) (Use p/n 1001129555) (See	

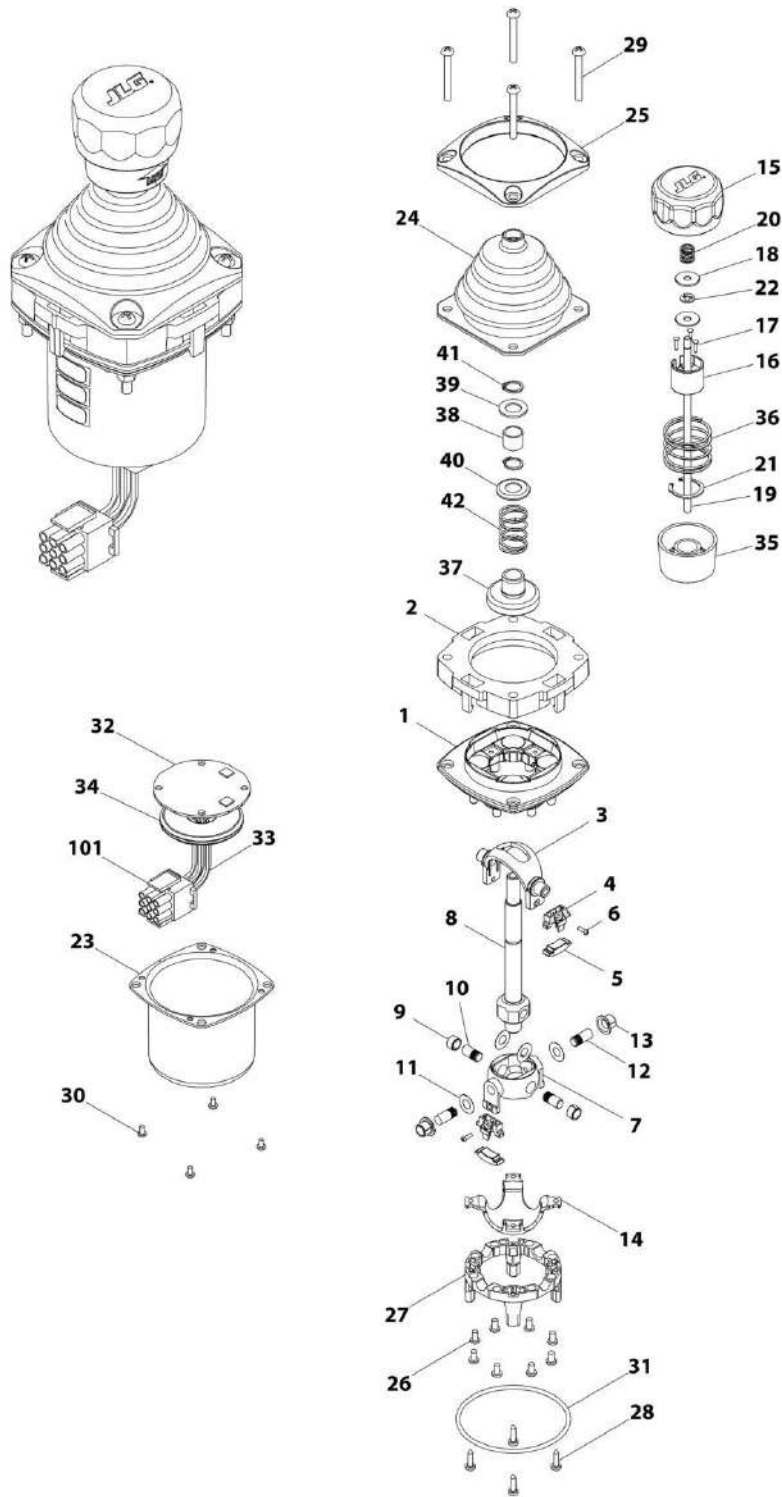
## SECTION 5 - PLATFORM

ITEM	PART NUMBER	QTY	DESCRIPTION	REV
			Separate Breakdown in this Section)	
50	1001196741	1	Box, Console	
50A	3311601	1	Nut 3/8	
50B	3470003	2	Pin	
50C	0630568	1	Screw 3/8 x 4-1/2	
50D	4711600	2	Washer 3/8	
50E	3430616	2	Pin	
51	1001196744	1	Guard, Switch	
54	1001199119	1	Platform Console Harness (See Separate Breakdown in ELECTRICAL SECTION)	
55	1001199212	1	Decal - Display	
56	1001213882	1	Mount, Connector	
57	3900349	8	Capscrew M2.5	
58	1001198576	2	Screw M3 x 10	



# SECTION 5 - PLATFORM

## FIGURE 5-17. CONTROLLER ASSEMBLY (LIFT AND SWING)



ART\_1001166539

## SECTION 5 - PLATFORM

**FIGURE 5-17. CONTROLLER ASSEMBLY (LIFT AND SWING)**

ITEM	PART NUMBER	QTY	DESCRIPTION	REV
	1001166539	Ref	CONTROLLER ASSEMBLY (LIFT AND SWING)	D
		Ref	Note: Use p/n 1001129555 as Replacement	
1	See Note	NSS	Main Cast Body (Note: Not Available - Purchase Complete Assembly)	
2	70004752	1	Adapter	
3	See Note	NSS	Pivot Arm, Plastic (Note: Not Available - Purchase Complete Assembly)	
4	See Note	NSS	Holder, Magnet (Note: Not Available - Purchase Complete Assembly)	
5	See Note	NSS	Arc, Magnet (Note: Not Available - Purchase Complete Assembly)	
6	See Note	NSS	Screw (Note: Not Available for Purchase)	
7	See Note	NSS	Pivot Arm, Cast (Note: Not Available - Purchase Complete Assembly)	
8	See Note	NSS	Shaft, Main (Note: Not Available - Purchase Complete Assembly)	
9	See Note	NSS	Bearing (Note: Not Available - Purchase Complete Assembly)	
10	See Note	NSS	Pin (Note: Not Available - Purchase Complete Assembly)	
11	See Note	NSS	Shim (Note: Not Available - Purchase Complete Assembly)	
12	See Note	NSS	Pin (Note: Not Available - Purchase Complete Assembly)	
13	See Note	NSS	Bearing (Note: Not Available - Purchase Complete Assembly)	
14	See Note	NSS	Dome, Centering (Note: Not Available - Purchase Complete Assembly)	
15	70004753	1	Cap	
16	70004754	1	Insert, Cap	
17	70004755	3	Pin	
18	70004756	2	Washer	
19	70004757	1	Pin, Centering	
20	70004758	1	Spring	
21	70004759	1	Ring, Retaining	
22	70004760	1	E-Ring	
23	70004761	1	Can, Enclosure	
24	70004762	1	Boot	
25	70004763	1	Bezel	
26	See Note	NSS	Screw (Note: Not Available for Purchase)	
27	See Note	NSS	Base Mounting (Note: Not Available - Purchase Complete Assembly)	
28	See Note	NSS	Screw (Note: Not Available for Purchase)	
29	70004764	4	Screw	
30	70004765	4	Screw	
31	70004766	1	O-Ring	
32	See Note	NSS	Plate (Note: Not Available - Purchase Complete Assembly)	
33	See Note	NSS	Harness (Note: Not Available - Purchase Complete Assembly)	
34	70004767	1	Grommet, Rubber	
35	70004768	1	Housing	
36	70004769	1	Spring	
37	70004770	1	Stopper	
38	70004771	1	Spacer	
39	70004772	1	Washer	
40	70004773	1	Disc	
41	70004774	2	Ring, Retaining	
42	70004775	1	Spring	

## SECTION 5 - PLATFORM

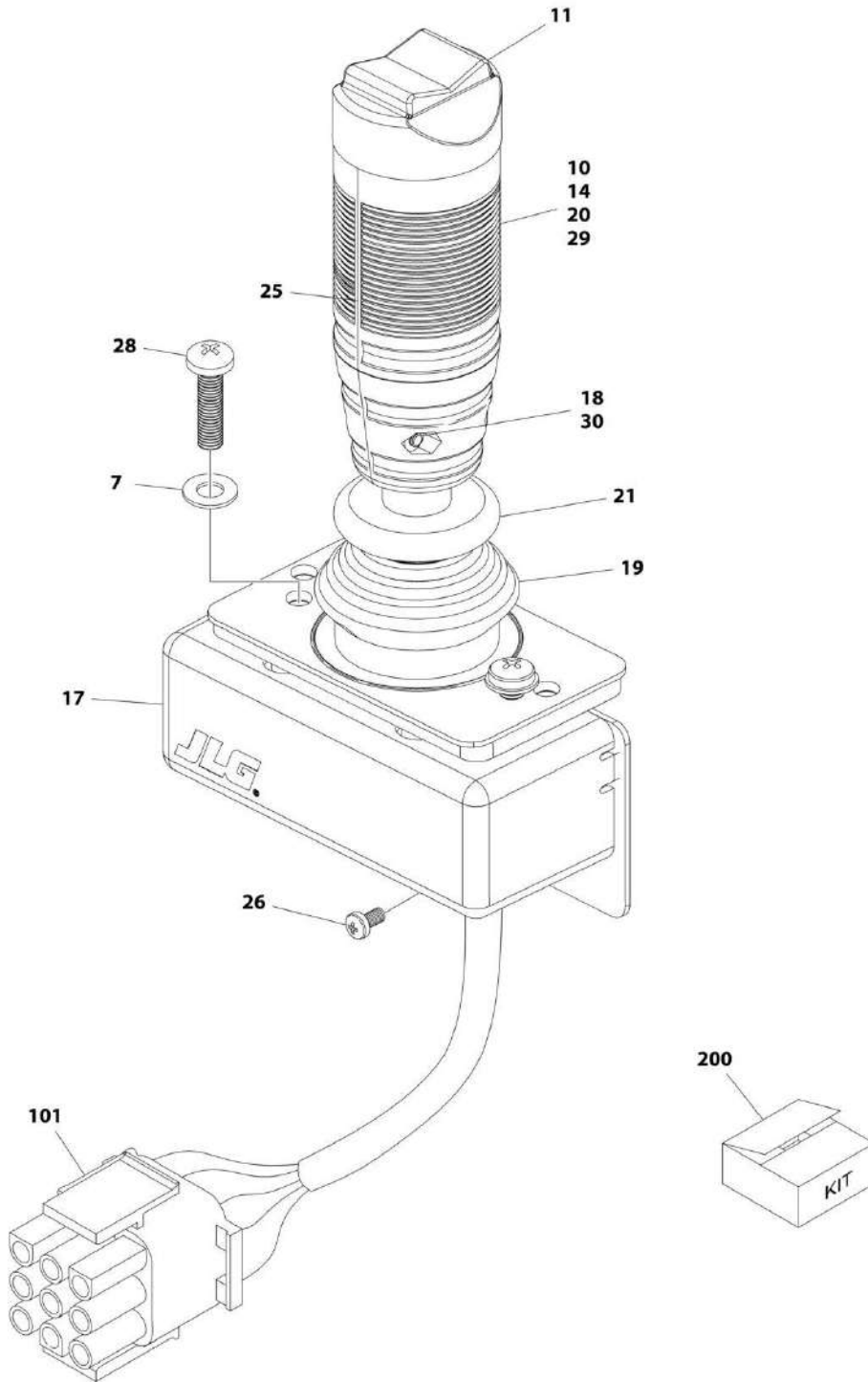
ITEM	PART NUMBER	QTY	DESCRIPTION	REV
101	4460265	1	Connector - 9 Position	
101	4460226	6	Socket, Female	





# SECTION 5 - PLATFORM

## FIGURE 5-18. CONTROLLER ASSEMBLY (DRIVE AND STEER)



ART\_1001166538

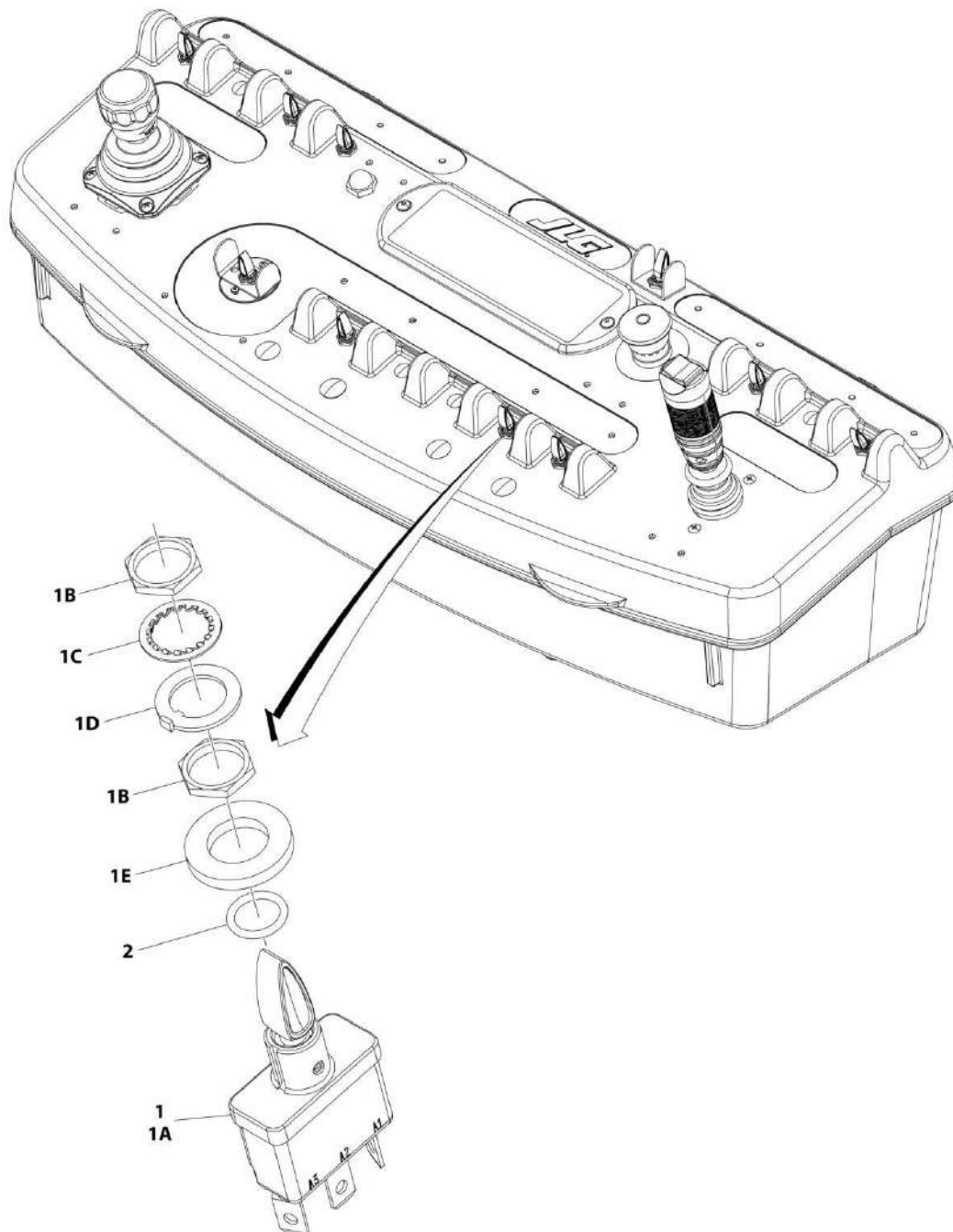
## SECTION 5 - PLATFORM

**FIGURE 5-18. CONTROLLER ASSEMBLY (DRIVE AND STEER)**

ITEM	PART NUMBER	QTY	DESCRIPTION	REV
	1001166538	Ref	CONTROLLER ASSEMBLY (DRIVE AND STEER)	G
		Ref	Note: Use p/n 1001212415 Kit as Replacement.	
7	70004738	2	Washer	
10	70004739	1	Roller	
11	70004740	1	Boot, Switch	
14	70004741	2	Half, Handle	
17	70004742	1	Enclosure	
18	70004743	4	Nut	
19	70004744	NLA	Boot, Controller (Note: Use Item 200)	
20	70004745	NLA	Tube, Locking (Note: Use Item 200)	
21	70004746	NLA	Disc, Locking (Note: Use Item 200)	
25	70004747	2	Seal, Rope	
26	70004748	1	Screw M3 x 6	
28	70004749	2	Screw M5 x 20	
29	70004750	1	Pin, Dowel	
30	70004751	4	Screw M3 x 16	
101	4460265	1	Connector - 9 Position	
101	4460226	7	Socket, Female	
200	70005230	1	Boot Kit (Includes Items 19-21)	

# SECTION 5 - PLATFORM

## FIGURE 5-19. JIB SWITCH INSTALLATION - 1100SJ



ART\_0271340

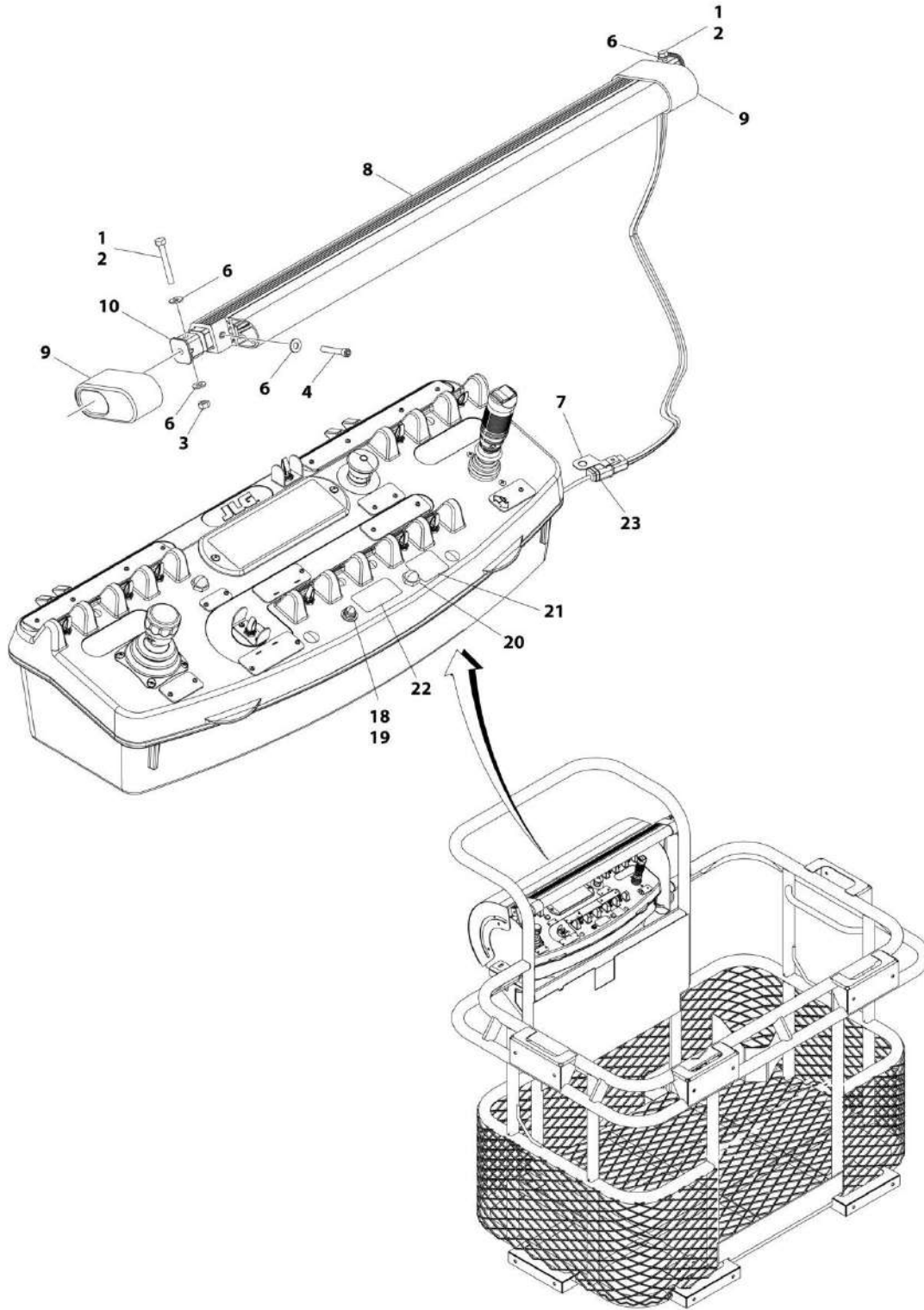
## SECTION 5 - PLATFORM

### FIGURE 5-19. JIB SWITCH INSTALLATION - 1100SJ

ITEM	PART NUMBER	QTY	DESCRIPTION	REV
	0271340	Ref	JIB SWITCH INSTALLATION - 1100SJ	1/A
1	4360328	1	Switch, Toggle	
1A	1001155045	1	Switch, Toggle	
1B	1001155044	2	Nut 15/32	
1C	1001162807	1	Washer	
1D	1001155043	1	Washer	
1E	4740397	1	Spacer	
2	3790012	1	O-Ring	

# SECTION 5 - PLATFORM

## FIGURE 5-20. SKYGUARD INSTALLATION



ART\_1001153444

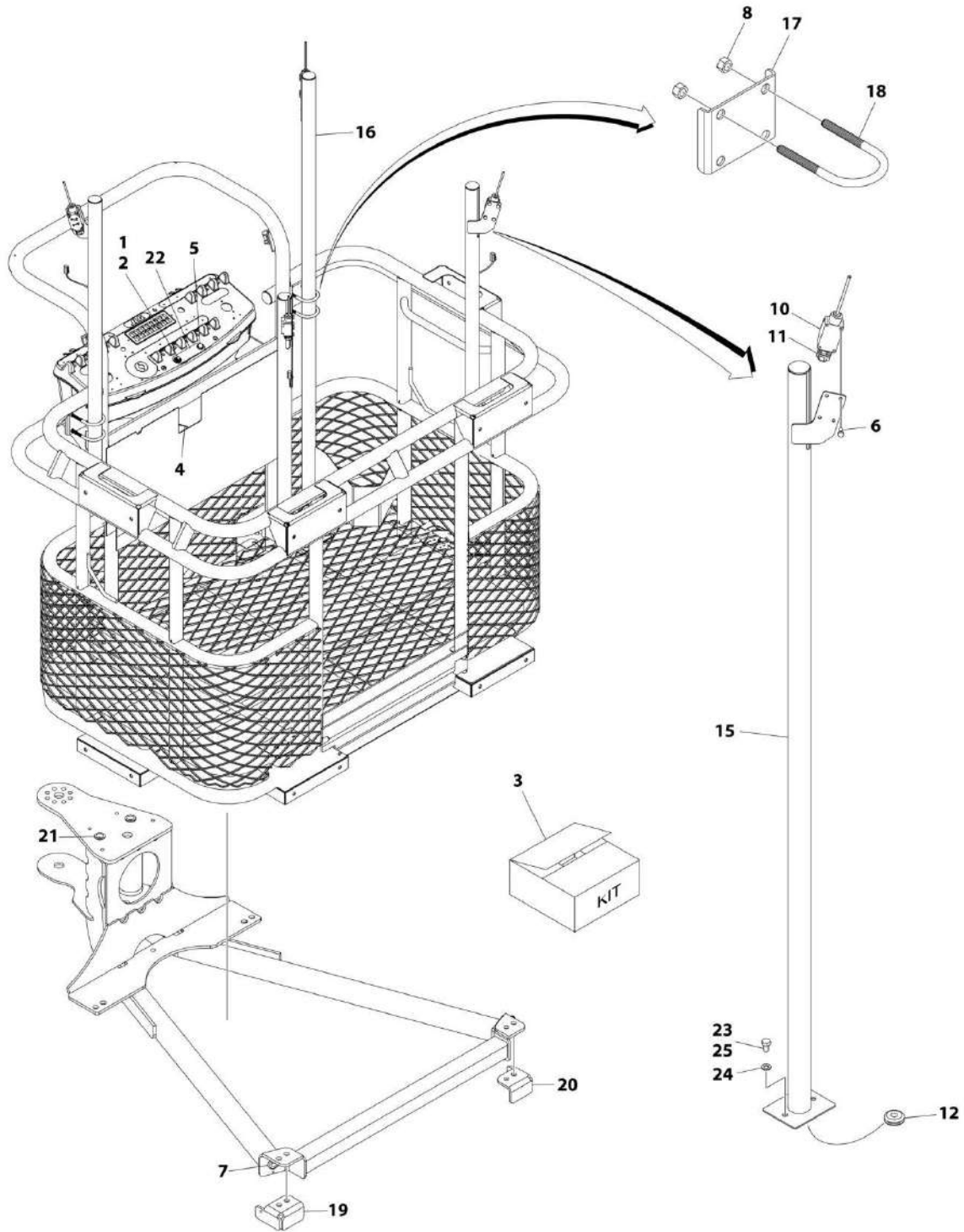
## SECTION 5 - PLATFORM

**FIGURE 5-20. SKYGUARD INSTALLATION**

ITEM	PART NUMBER	QTY	DESCRIPTION	REV
	1001153444	Ref	SKYGUARD INSTALLATION	F
1	0100011	AR	Compound, Locking	
2	0641416	2	Bolt 1/4 x 2	
3	3311405	2	Nut 1/4	
4	3931424	2	Capscrew 1/4 x 1-1/2	
5	4240033	4	Tie-Strap (Not Shown)	
6	4711400	6	Washer 1/4	
7	1001120328	1	Mount, Terminal	
8	1001137673	1	SkyGuard Switch Assembly	
9	1001186517	2	Cover, Platform Sensor	
10	1001188889	2	Support	
18	2920028	1	Lamp, Indicator	
19	2920029	1	Bulb, Light	
20	4360387	1	Switch, Push Button	
21	1001144433	1	Decal - No Weight SkyGuard	
22	1001224978	1	Decal - Platform Sensor Override	
23	1001199904	1	SkyGuard Sensor Harness (See Separate Breakdown in ELECTRICAL SECTION)	

# SECTION 5 - PLATFORM

FIGURE 5-21. OVERHEAD PROTECTION INSTALLATION - WITHOUT LSS (KOREAN/CHINA SPECS)



ART\_1001150098



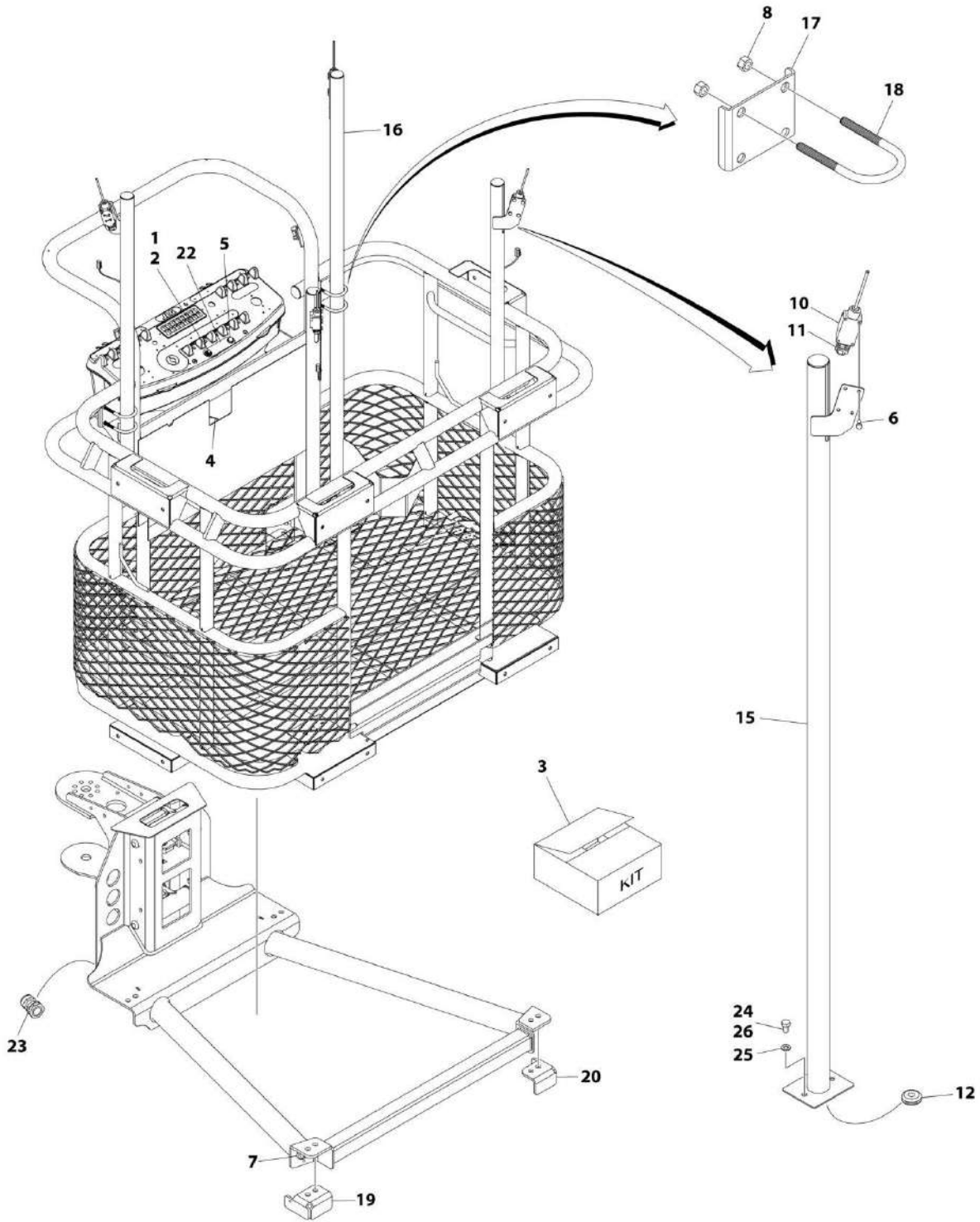
## SECTION 5 - PLATFORM

**FIGURE 5-21. OVERHEAD PROTECTION INSTALLATION - WITHOUT LSS (KOREAN/CHINA SPECS)**

ITEM	PART NUMBER	QTY	DESCRIPTION	REV
	1001150098	Ref	OVERHEAD PROTECTION INSTALLATION - WITHOUT LSS (KOREAN/CHINA SPECS)	D
1	2920028	1	Light, Indicator	
2	2920029	1	Bulb	
3	1001151061	1	Accessory, O/H Soft Touch Kit (Includes Items 6-21 & 23-25)	
4	1001151201	1	Harness, Soft Touch (See Separate Breakdown in ELECTRICAL SECTION)	
5	4360387	1	Switch, Push Button	
6	0641405	16	Bolt 1/4 x 5/8	
7	2540038	2	Grommet	
8	3311605	16	Nut 3/8	
9	4240099	12	Tie-Strap (Not Shown)	
10	4360477	4	Switch, Proximity	
11	4460662	4	Connector, Strain Relief	
12	1001090615	4	Grommet	
14	1001121576	1	Cover (Not Shown)	
15	1001150698	2	Tube	
16	1001150699	2	Tube	
17	1001151027	4	Plate	
18	1001151028	8	Bolt	
19	1001151651	1	Shield	
20	1001151652	1	Shield	
21	1001151731	2	Grommet	
22	1001113691	1	Decal - Soft Touch Override	
23	0761009	8	Bolt M10 x 18	
24	4812000	8	Washer M10	
25	0100011	AR	Compound, Locking	

# SECTION 5 - PLATFORM

FIGURE 5-22. OVERHEAD PROTECTION INSTALLATION - WITH LSS (KOREAN/CHINA SPECS)



ART\_1001206605

## SECTION 5 - PLATFORM

**FIGURE 5-22. OVERHEAD PROTECTION INSTALLATION - WITH LSS (KOREAN/CHINA SPECS)**

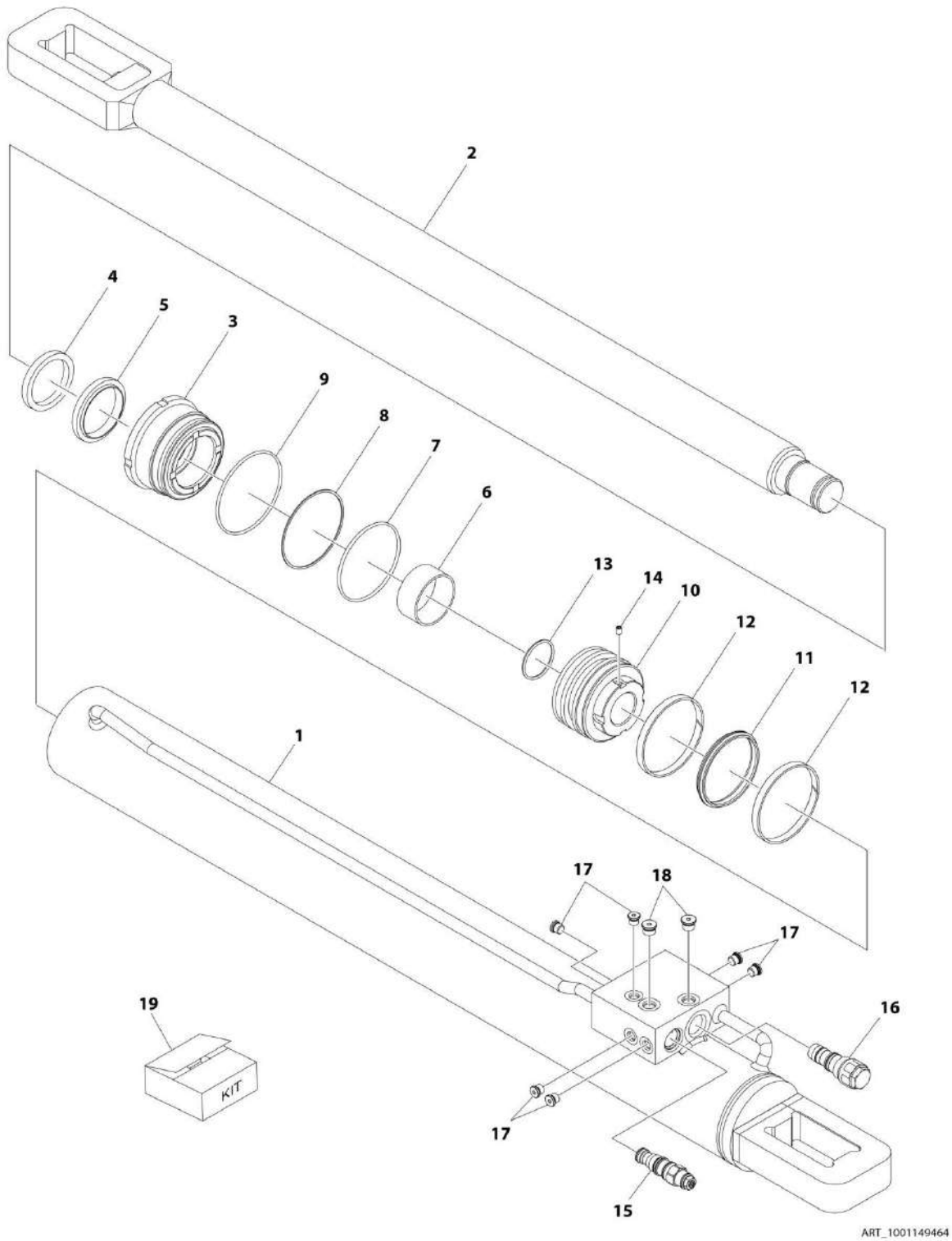
ITEM	PART NUMBER	QTY	DESCRIPTION	REV
	1001206605	Ref	OVERHEAD PROTECTION INSTALLATION - WITH LSS (KOREAN/CHINA SPECS)	C
1	2920028	1	Light, Indicator	
2	2920029	1	Bulb	
3	1001151061	1	Accessory, O/H Soft Touch Kit (Includes Items 6-20 & 24-26)	
4	1001151201	1	Harness, Soft Touch (See Separate Breakdown in ELECTRICAL SECTION)	
5	4360387	1	Switch, Push Button	
6	0641405	16	Bolt 1/4 x 5/8	
7	2540038	2	Grommet	
8	3311605	16	Nut 3/8	
9	4240099	12	Tie-Strap (Not Shown)	
10	4360477	4	Switch, Proximity	
11	4460662	4	Connector, Strain Relief	
12	1001090615	4	Grommet	
14	1001121576	1	Cover (Not Shown)	
15	1001150698	2	Tube	
16	1001150699	2	Tube	
17	1001151027	4	Plate	
18	1001151028	8	Bolt	
19	1001151651	1	Shield	
20	1001151652	1	Shield	
22	1001113691	1	Decal - Soft Touch Override	
23	4460968	2	Connector, Strain Relief	
24	0761009	8	Bolt M10 x 18	
25	4812000	8	Washer M10	
26	0100011	AR	Compound, Locking	



**SECTION 6 - CYLINDER**

# SECTION 6 - CYLINDER

## FIGURE 6-1. AXLE EXTEND CYLINDER ASSEMBLY



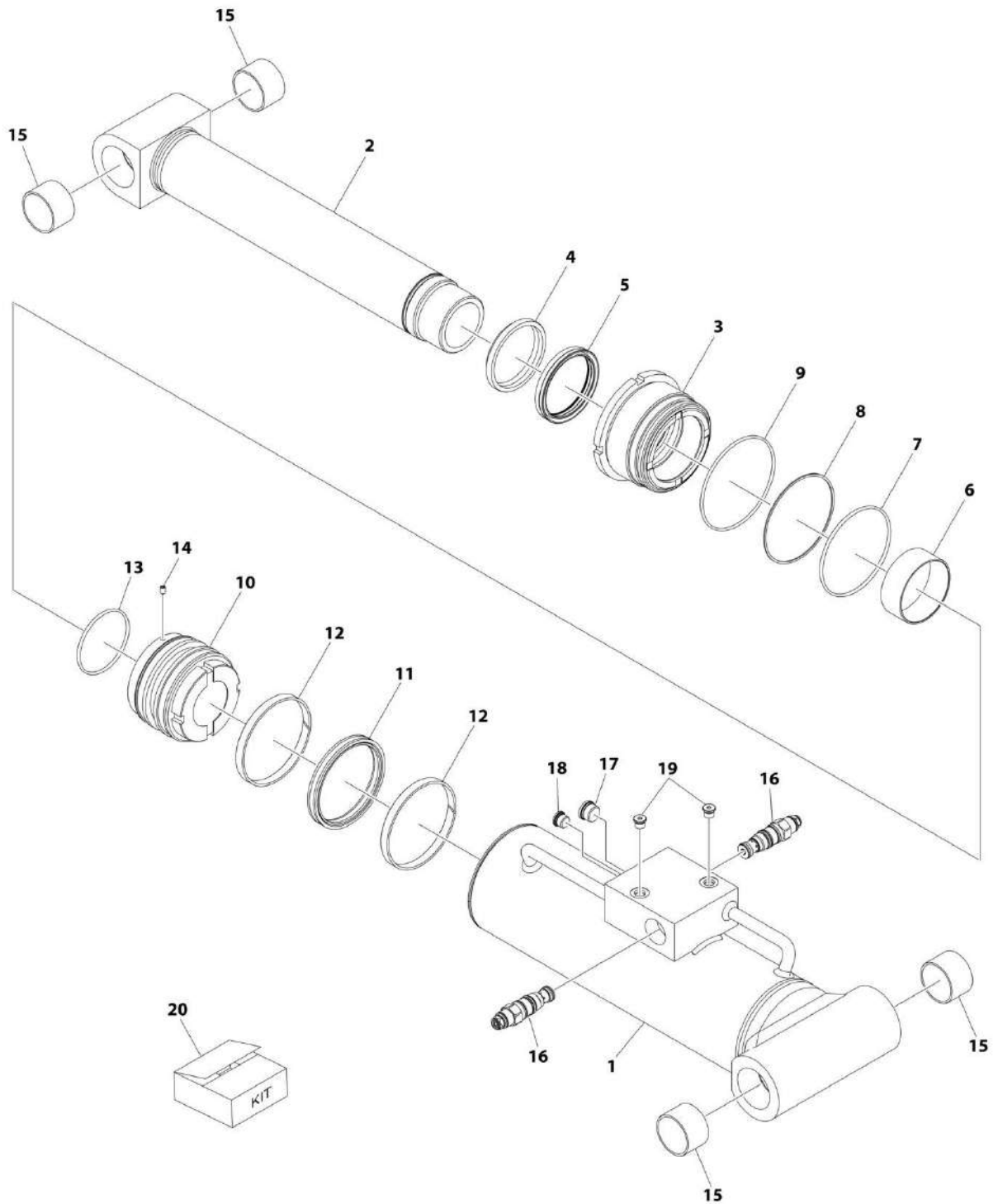
## SECTION 6 - CYLINDER

**FIGURE 6-1. AXLE EXTEND CYLINDER ASSEMBLY**

ITEM	PART NUMBER	QTY	DESCRIPTION	REV
	1001149464	Ref	AXLE EXTEND CYLINDER ASSEMBLY	D
1	70005850	1	Barrel	
2	70005851	1	Rod	
3	70005852	1	Head	
4	See Note	NSS	Wiper (Note: Use Item 19)	
5	See Note	NSS	Seal, Rod (Note: Use Item 19)	
6	70004637	1	Bearing	
7	See Note	NSS	O-Ring (Note: Use Item 19)	
8	See Note	NSS	Ring, Back Up (Note: Use Item 19)	
9	See Note	NSS	O-Ring (Note: Use Item 19)	
10	70005853	1	Piston	
11	See Note	NSS	Seal, Piston (Note: Use Item 19)	
12	See Note	NSS	Ring, Wear (Note: Use Item 19)	
13	See Note	NSS	O-Ring (Note: Use Item 19)	
14	70005847	1	Setscrew	
15	70005888	1	Cartridge, Valve - Counterbalance	
15	2900770	1	Seal Kit - 70005888 Valve	
16	4640509	1	Cartridge, Valve - Counterbalance	
16	2900792	1	Seal Kit - 4640509 Valve	
17	2220883	6	Plug	
18	2220885	2	Plug	
19	70005854	1	Seal Kit (Includes Items 4, 5, 7-9 & 11-13)	

# SECTION 6 - CYLINDER

## FIGURE 6-2. LEVEL CYLINDER ASSEMBLY - PLATFORM SLAVE



ART\_1001195191



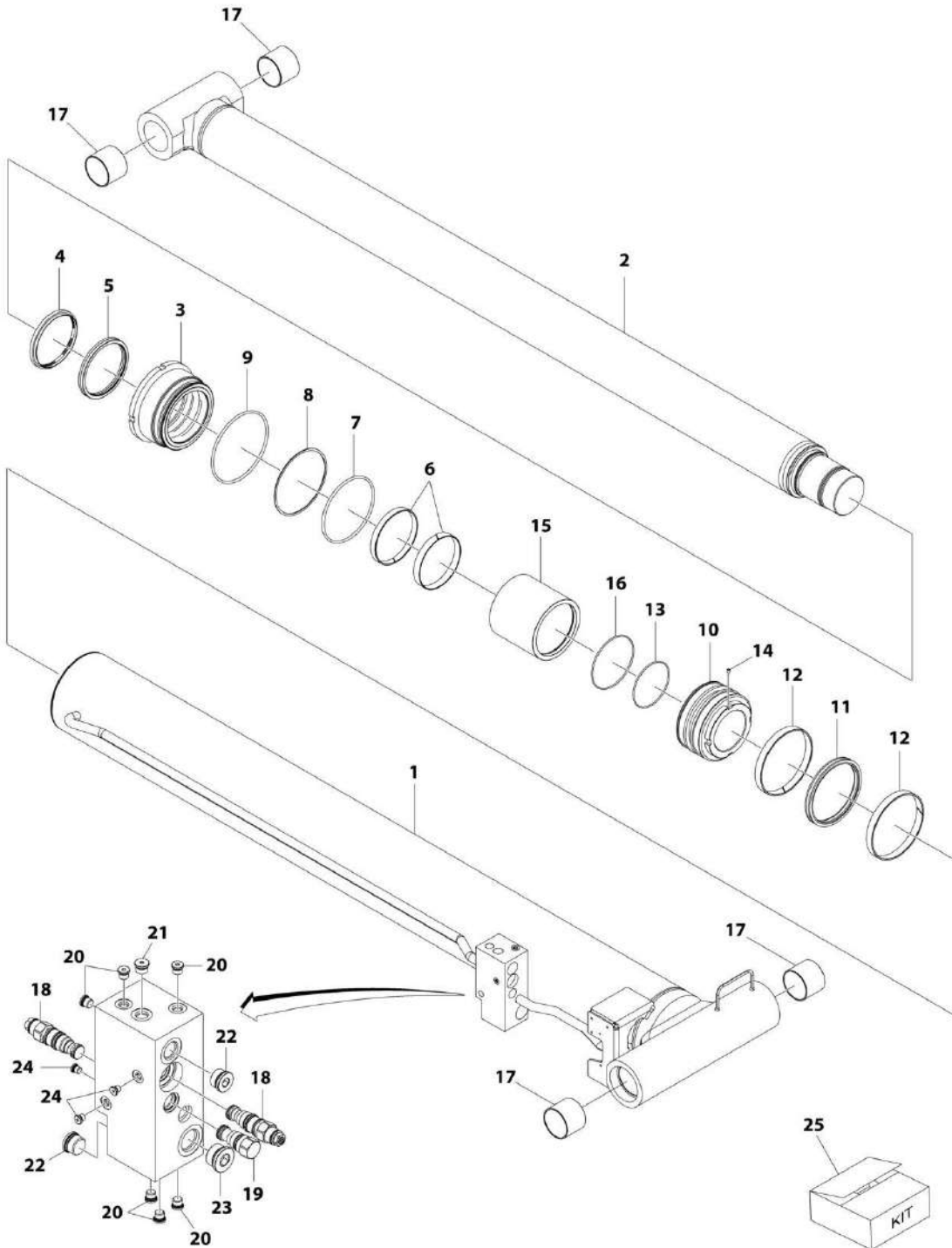
## SECTION 6 - CYLINDER

**FIGURE 6-2. LEVEL CYLINDER ASSEMBLY - PLATFORM SLAVE**

ITEM	PART NUMBER	QTY	DESCRIPTION	REV
	1001195191	Ref	LEVEL CYLINDER ASSEMBLY - PLATFORM SLAVE	E
1	70005863	1	Barrel	
2	70005864	1	Rod	
3	70005845	1	Head	
4	See Note	NSS	Wiper (Note: Use Item 20)	
5	See Note	NSS	Seal, Rod (Note: Use Item 20)	
6	70026302	1	Bearnig	
7	See Note	NSS	O-Ring (Note: Use Item 20)	
8	See Note	NSS	Ring, Back Up (Note: Use Item 20)	
9	See Note	NSS	O-Ring (Note: Use Item 20)	
10	70005865	1	Piston	
11	See Note	NSS	Seal, Piston (Note: Use Item 20)	
12	See Note	NSS	Ring, Wear (Note: Use Item 20)	
13	See Note	NSS	O-Ring (Note: Use Item 20)	
14	70005866	1	Setscrew	
15	0961949	4	Bearing	
16	1001168209	2	Cartridge, Valve - Counterbalance	
16	2900770	2	Seal Kit - 1001168209 Valve	
17	2220886	1	Plug	
18	2220885	1	Plug	
19	2220883	2	Plug	
20	70005867	1	Seal Kit (Includes Items 4, 5, 7-9 & 11-13)	

# SECTION 6 - CYLINDER

## FIGURE 6-3. LIFT CYLINDER ASSEMBLY - BOOM



ART\_1001197797

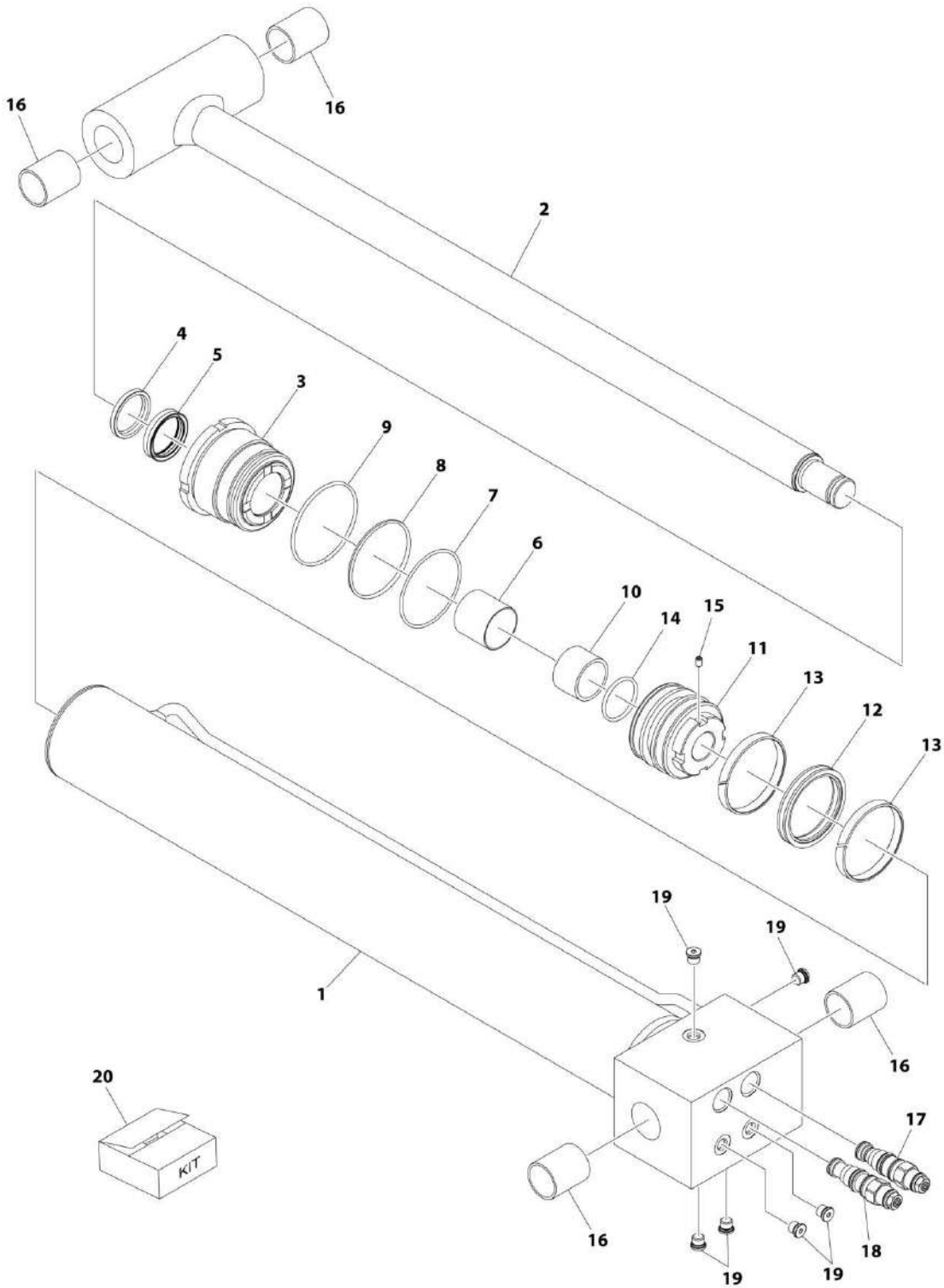
## SECTION 6 - CYLINDER

### FIGURE 6-3. LIFT CYLINDER ASSEMBLY - BOOM

ITEM	PART NUMBER	QTY	DESCRIPTION	REV
	1001197797	Ref	LIFT CYLINDER ASSEMBLY - BOOM	E
1	70005835	1	Barrel	
2	70005836	1	Rod	
3	70005837	1	Head	
4	See Note	NSS	Wiper (Note: Use Item 25)	
5	See Note	NSS	Seal, Rod (Note: Use Item 25)	
6	See Note	NSS	Ring, Wear (Note: Use Item 25)	
7	See Note	NSS	O-Ring (Note: Use Item 25)	
8	See Note	NSS	Ring, Back Up (Note: Use Item 25)	
9	See Note	NSS	O-Ring (Note: Use Item 25)	
10	70005838	1	Piston	
11	See Note	NSS	Seal, Piston (Note: Use Item 25)	
12	See Note	NSS	Ring, Wear (Note: Use Item 25)	
13	See Note	NSS	O-Ring (Note: Use Item 25)	
14	70005839	1	Setscrew	
15	70005840	1	Spacer	
16	70005841	1	O-Ring	
17	0962297	4	Bearing	
18	1001156016	2	Cartridge, Valve - Counterbalance	
18	7011376	2	Seal Kit - 1001156016 Valve	
19	4641285	1	Cartridge, Valve - Shuttle	
19	7011311	1	Seal Kit - 4641285 Valve	
20	2220883	6	Plug	
21	2220885	1	Plug	
22	2220887	2	Plug	
23	2220888	1	Plug	
24	2220881	3	Plug	
25	70005842	1	Seal Kit (Includes Items 4-9 & 11-13)	

# SECTION 6 - CYLINDER

## FIGURE 6-4. LIFT CYLINDER ASSEMBLY - JIB



ART\_1001149389

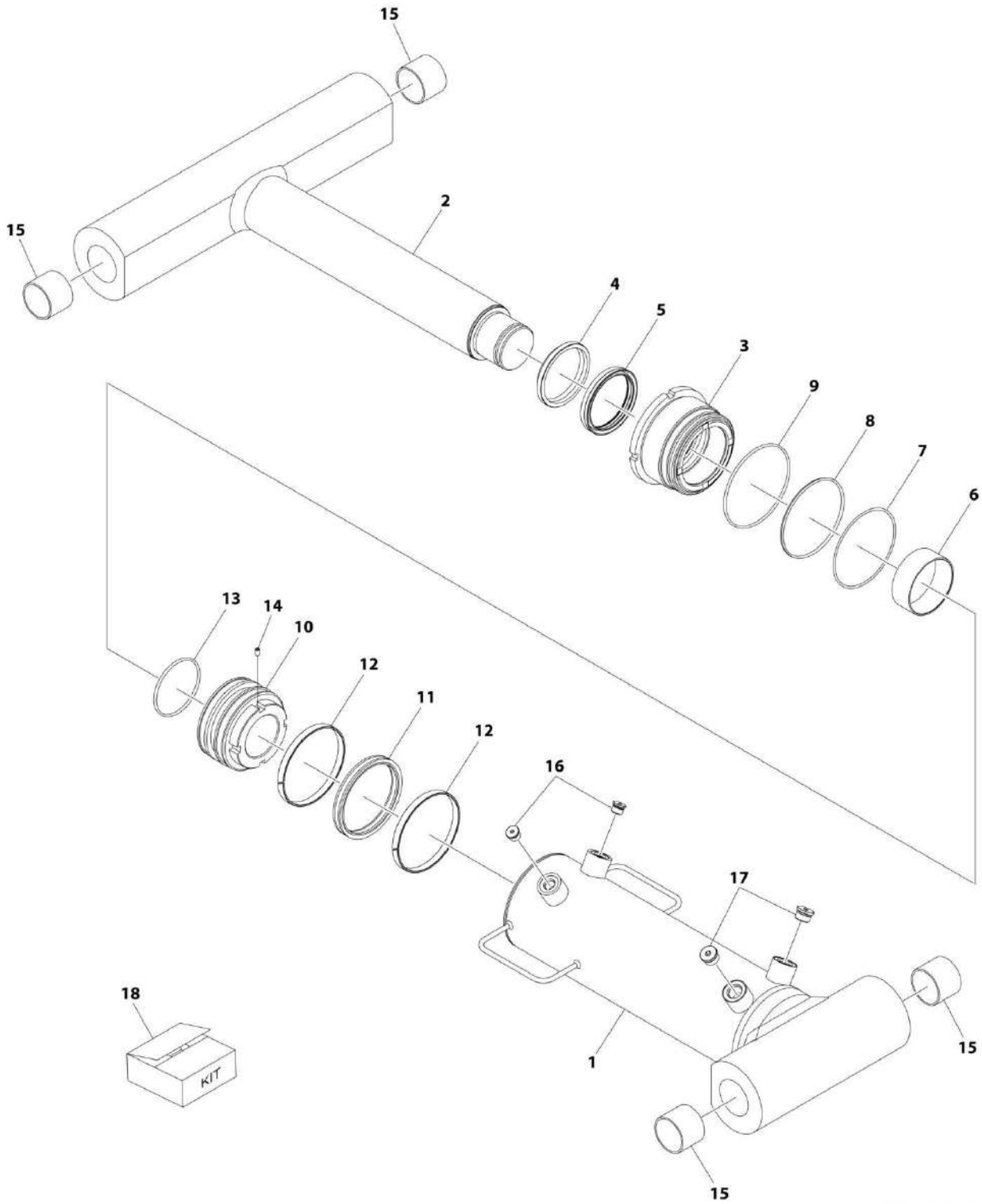
## SECTION 6 - CYLINDER

**FIGURE 6-4. LIFT CYLINDER ASSEMBLY - JIB**

ITEM	PART NUMBER	QTY	DESCRIPTION	REV
	1001149389	Ref	LIFT CYLINDER ASSEMBLY - JIB	C
1	70005855	1	Barrel	
2	70005856	1	Rod	
3	70005857	1	Head	
4	See Note	NSS	Wiper (Note: Use Item 20)	
5	See Note	NSS	Seal, Rod (Note: Use Item 20)	
6	70005858	1	Bearing	
7	See Note	NSS	O-Ring (Note: Use Item 20)	
8	See Note	NSS	Ring, Back Up (Note: Use Item 20)	
9	See Note	NSS	O-Ring (Note: Use Item 20)	
10	70005859	1	Spacer	
11	70005860	1	Piston	
12	See Note	NSS	Seal, Piston (Note: Use Item 20)	
13	See Note	NSS	Ring, Wear (Note: Use Item 20)	
14	See Note	NSS	O-Ring (Note: Use Item 20)	
15	70005847	1	Setscrew	
16	70005861	4	Bearing	
17	70005890	1	Cartridge, Valve - Counterbalance	
17	2900770	1	Seal Kit - 70005890 Valve	
18	70005889	1	Cartridge, Valve - Counterbalance	
18	2900770	1	Seal Kit - 70005889 Valve	
19	2220883	6	Plug	
20	70005862	1	Seal Kit (Includes Items 4, 5, 7-9 & 12-14)	

# SECTION 6 - CYLINDER

## FIGURE 6-5. MASTER CYLINDER ASSEMBLY



ART\_1001197798

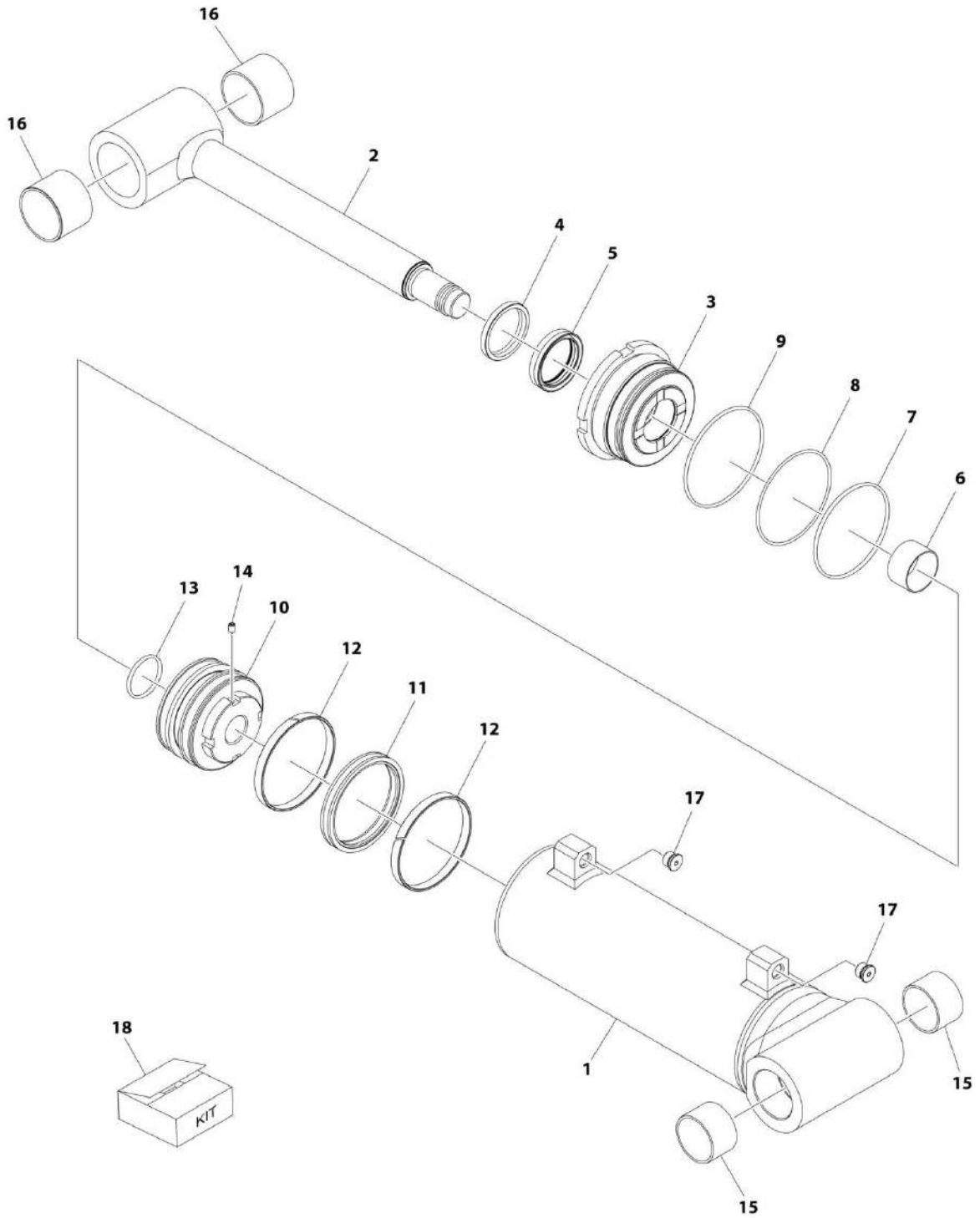
## SECTION 6 - CYLINDER

### FIGURE 6-5. MASTER CYLINDER ASSEMBLY

ITEM	PART NUMBER	QTY	DESCRIPTION	REV
	1001197798	Ref	MASTER CYLINDER ASSEMBLY	F
1	70005843	1	Barrel	
2	70005844	1	Rod	
3	70005845	1	Head	
4	See Note	NSS	Wiper (Note: Use Item 18)	
5	See Note	NSS	Seal, Rod (Note: Use Item 18)	
6	70026302	1	Bearing	
7	See Note	NSS	O-Ring (Note: Use Item 18)	
8	See Note	NSS	Ring, Back Up (Note: Use Item 18)	
9	See Note	NSS	O-Ring (Note: Use Item 18)	
10	70005846	1	Piston	
11	See Note	NSS	Seal, Piston (Note: Use Item 18)	
12	See Note	NSS	Ring, Wear (Note: Use Item 18)	
13	See Note	NSS	O-Ring (Note: Use Item 18)	
14	70005847	1	Setscrew	
15	70005848	4	Bearing	
16	2220885	2	Plug	
17	2220886	2	Plug	
18	70005849	1	Seal Kit (Includes Items 4, 5, 7-9 and 11-13)	

# SECTION 6 - CYLINDER

## FIGURE 6-6. STEER CYLINDER ASSEMBLY



ART\_1001149463



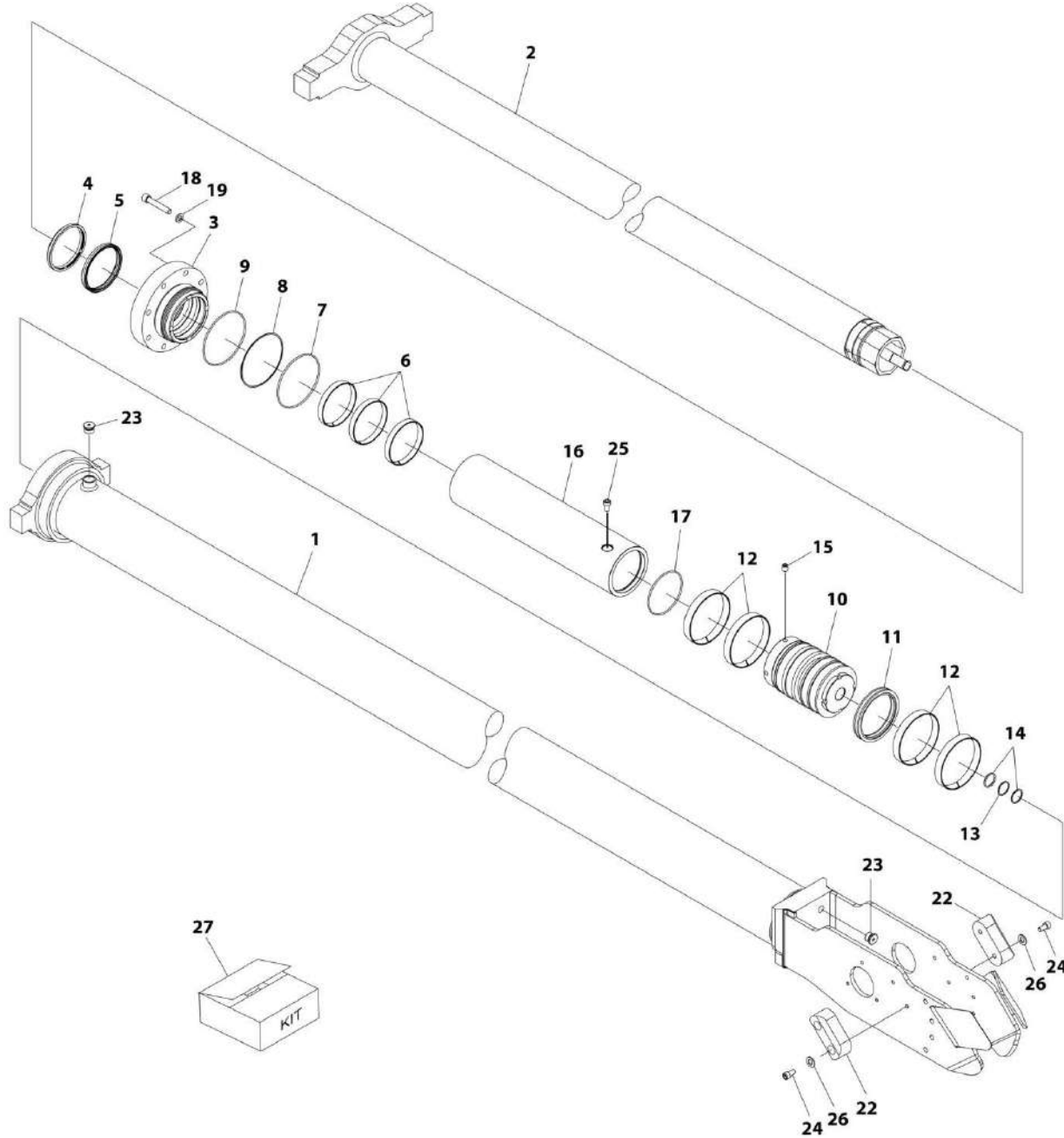
## SECTION 6 - CYLINDER

### FIGURE 6-6. STEER CYLINDER ASSEMBLY

ITEM	PART NUMBER	QTY	DESCRIPTION	REV
	1001149463	Ref	STEER CYLINDER ASSEMBLY	C
1	70005868	1	Barrel	
2	70005869	1	Rod	
3	70005870	1	Head	
4	See Note	NSS	Wiper (Note: Use Item 18)	
5	See Note	NSS	Seal, Rod (Note: Use Item 18)	
6	70005871	1	Bearing	
7	See Note	NSS	O-Ring (Note: Use Item 18)	
8	See Note	NSS	Ring, Back Up (Note: Use Item 18)	
9	See Note	NSS	O-Ring (Note: Use Item 18)	
10	70005872	1	Piston	
11	See Note	NSS	Seal, Piston (Note: Use Item 18)	
12	See Note	NSS	Ring, Wear (Note: Use Item 18)	
13	See Note	NSS	O-Ring (Note: Use Item 18)	
14	70005873	1	Setscrew	
15	0961950	2	Bearing	
16	0961949	2	Bearing	
17	2220885	2	Plug	
18	70005874	1	Seal Kit (Includes Items 4, 5, 7-9 & 11-13)	

# SECTION 6 - CYLINDER

## FIGURE 6-7. TELESCOPE CYLINDER



ART\_1001194925

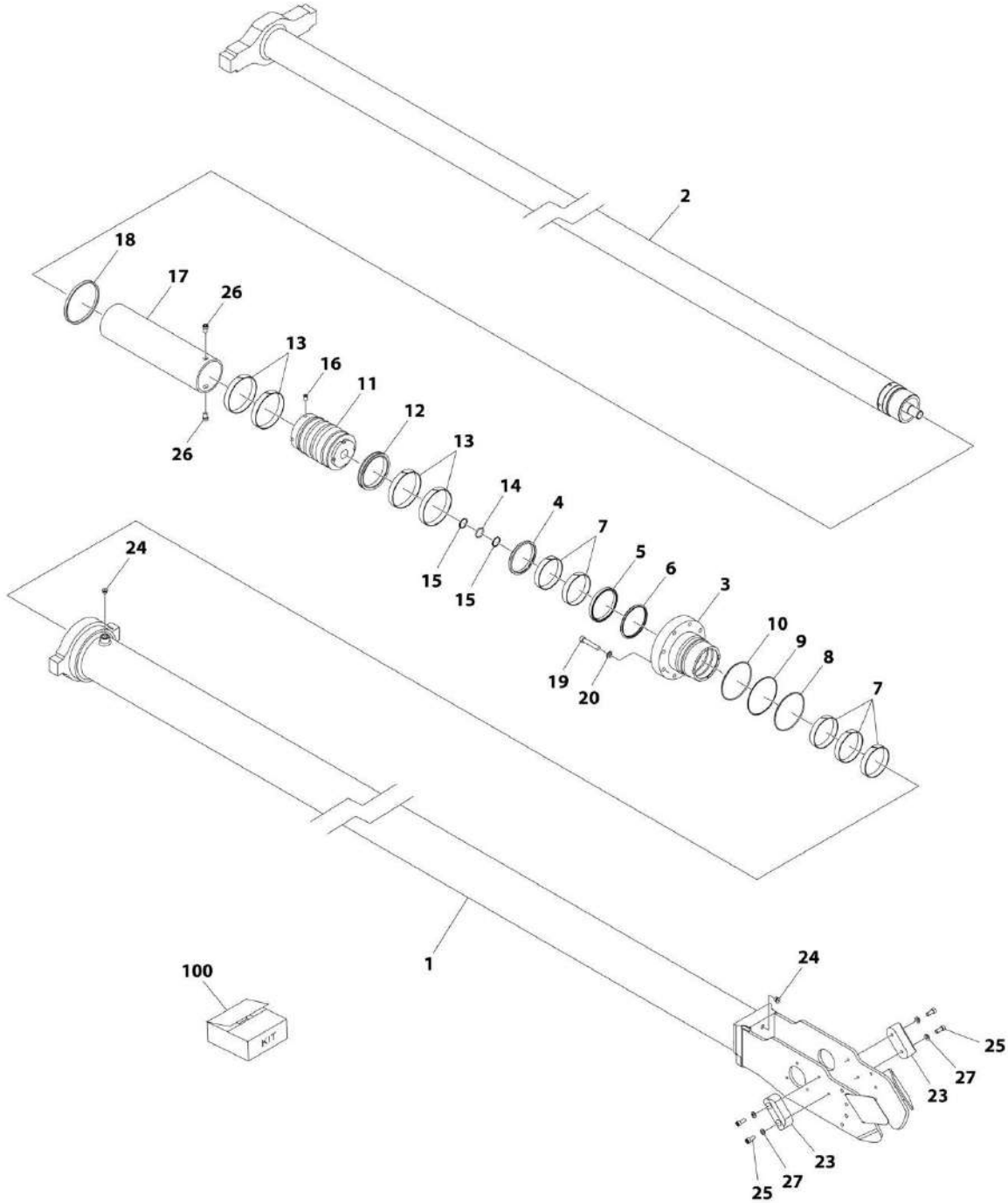
## SECTION 6 - CYLINDER

### FIGURE 6-7. TELESCOPE CYLINDER

ITEM	PART NUMBER	QTY	DESCRIPTION	REV
	1001194925	Ref	TELESCOPE CYLINDER	F
		Ref	Note: Original Cylinder May Have Been Replaced with Service Replacement. Identify PN Stamped on Cylinder Before Ordering Parts.	
1	70005875	1	Barrel	
2	70005876	1	Rod	
3	70005877	1	Head	
4	See Note	NSS	Wiper (Note: Use Item 27)	
5	See Note	NSS	Seal, Rod (Note: Use Item 27)	
6	See Note	NSS	Ring, Wear (Note: Use Item 27)	
7	See Note	NSS	O-Ring (Note: Use Item 27)	
8	See Note	NSS	Ring, Back Up (Note: Use Item 27)	
9	See Note	NSS	O-Ring (Note: Use Item 27)	
10	70005878	1	Piston	
11	See Note	NSS	Seal, Piston (Note: Use Item 27)	
12	See Note	NSS	Ring, Wear (Note: Use Item 27)	
13	See Note	NSS	O-Ring (Note: Use Item 27)	
14	See Note	NSS	Ring, Back Up (Note: Use Item 27)	
15	70005879	1	Setscrew	
16	70005880	1	Spacer	
17	70005881	1	O-Ring	
18	70005882	8	Capscrew M12 x 70	
19	70005883	8	Washer	
22	70005884	2	Pad	
23	2220885	2	Plug	
24	4032009	4	Capscrew M10 x 25	
25	70006343	1	Capscrew M6 x 8	
26	70006344	4	Washer	
27	70005886	1	Seal Kit (Includes Items 4-8 & 10-13)	

# SECTION 6 - CYLINDER

FIGURE 6-8. TELESCOPE CYLINDER (SN B300002340 to Present)



## SECTION 6 - CYLINDER

**FIGURE 6-8. TELESCOPE CYLINDER (SN B30002340 to Present)**

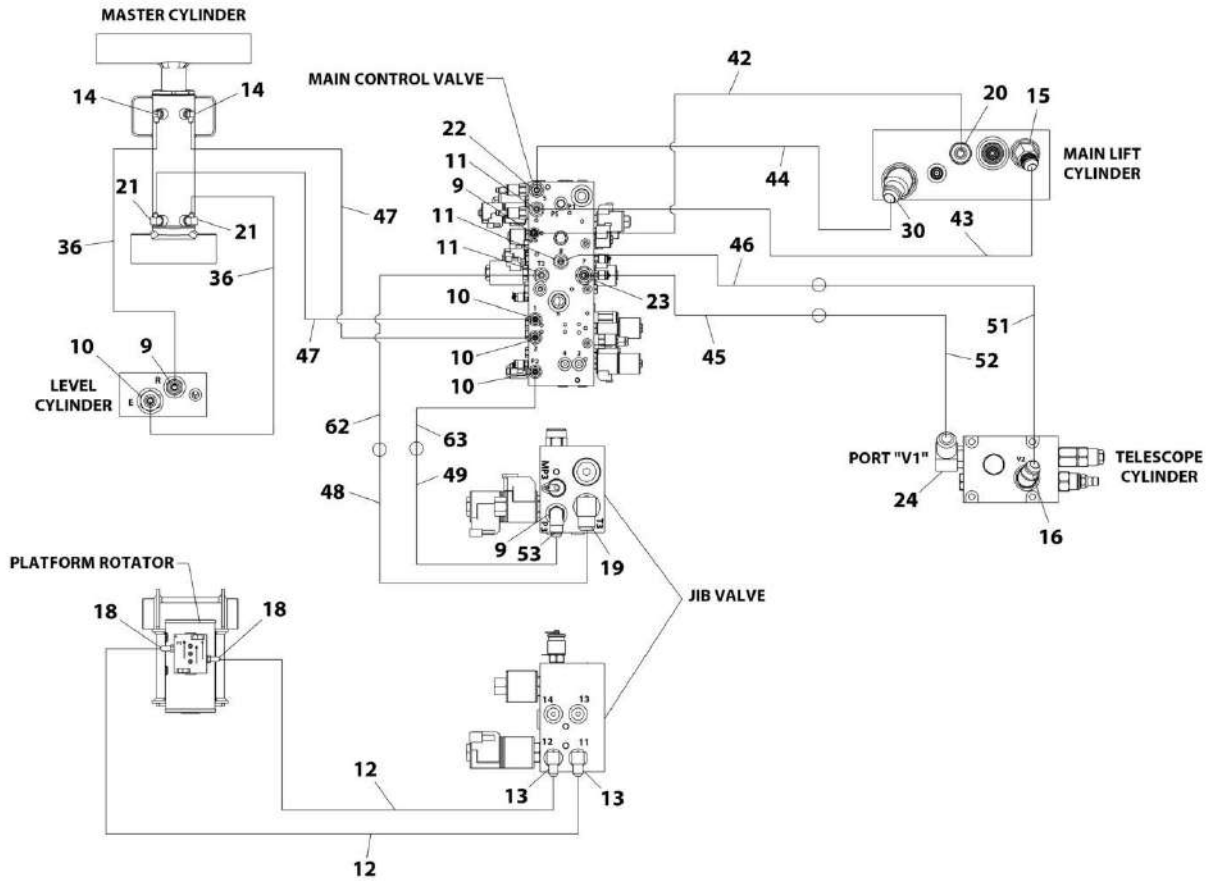
ITEM	PART NUMBER	QTY	DESCRIPTION	REV
	1001232899	Ref	TELESCOPE CYLINDER	A
		Ref	Note: Original Cylinder May Have Been Replaced with Service Replacement. Identify PN Stamped on Cylinder Before Ordering Parts.	
1	See Note	NSS	Barrel Weldment (Note: Not Available for Purchase)	
2	70005876	1	Rod Weldment	
3	70006617	1	Head	
4	See Note	NSS	Wiper (Note: Use Item 100)	
5	See Note	NSS	Seal, Rod (Note: Use Item 100)	
6	See Note	NSS	Ring, Buffer (Note: Use Item 100)	
7	See Note	NSS	Ring, Wear (Note: Use Item 100)	
8	See Note	NSS	O-Ring (Note: Use Item 100)	
9	See Note	NSS	Ring, Back Up (Note: Use Item 100)	
10	See Note	NSS	O-Ring (Note: Use Item 100)	
11	70005878	1	Piston	
12	See Note	NSS	Seal, Piston (Note: Use Item 100)	
13	See Note	NSS	Ring, Wear (Note: Use Item 100)	
14	See Note	NSS	O-Ring (Note: Use Item 100)	
15	See Note	NSS	Ring, Back Up (Note: Use Item 100)	
16	70005879	1	Setscrew	
17	70005880	1	Spacer	
18	70005881	1	O-Ring	
19	70005882	8	Capscrew M12 x 70	
20	70005883	8	Washer	
21	70006620	1	Cover (Not Shown)	
22	70006621	4	Bolt M6 x 16 (Not Shown)	
23	70006622	2	Pad	
24	2220885	2	Plug	
25	70005885	4	Capscrew M10 x 25	
26	70006343	2	Capscrew M6 x 8	
27	70006344	4	Washer M10	
100	70006623	1	Seal Kit (Includes Items 4-10 & 12-15)	



**SECTION 7 - HYDRAULIC**

# SECTION 7 - HYDRAULIC

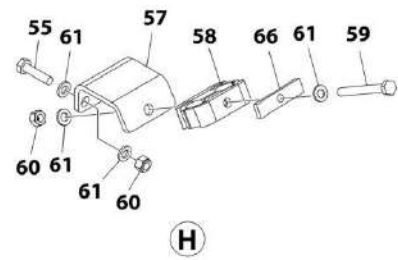
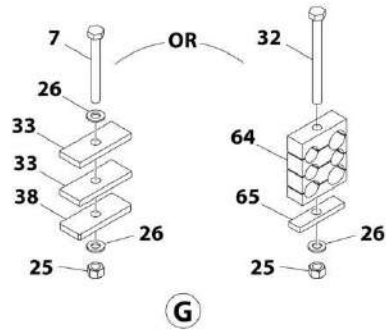
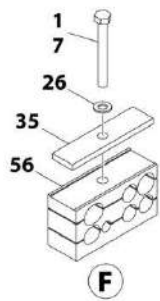
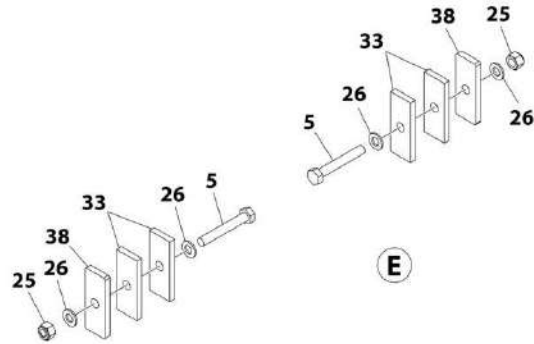
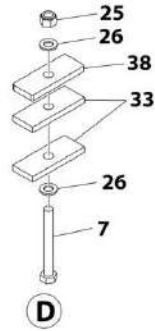
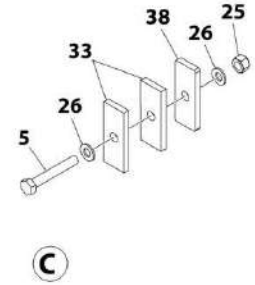
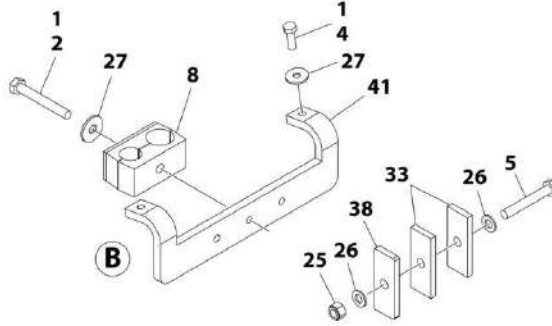
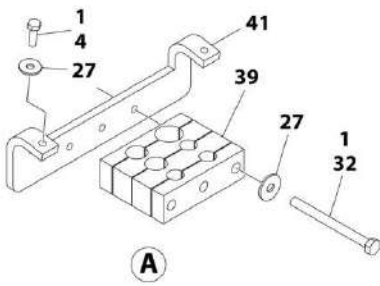
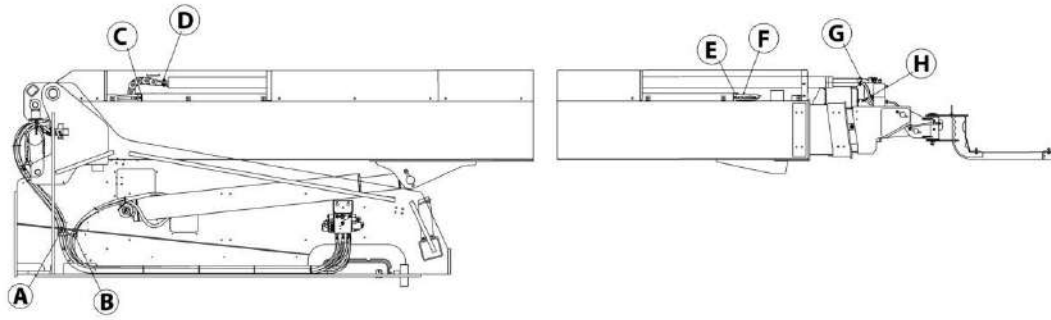
## FIGURE 7-1. BOOM HYDRAULIC DIAGRAM - 1030S



ART\_1001150087\_1OF2



# SECTION 7 - HYDRAULIC



ART\_1001150087\_2OF2

# SECTION 7 - HYDRAULIC

## FIGURE 7-1. BOOM HYDRAULIC DIAGRAM - 1030S

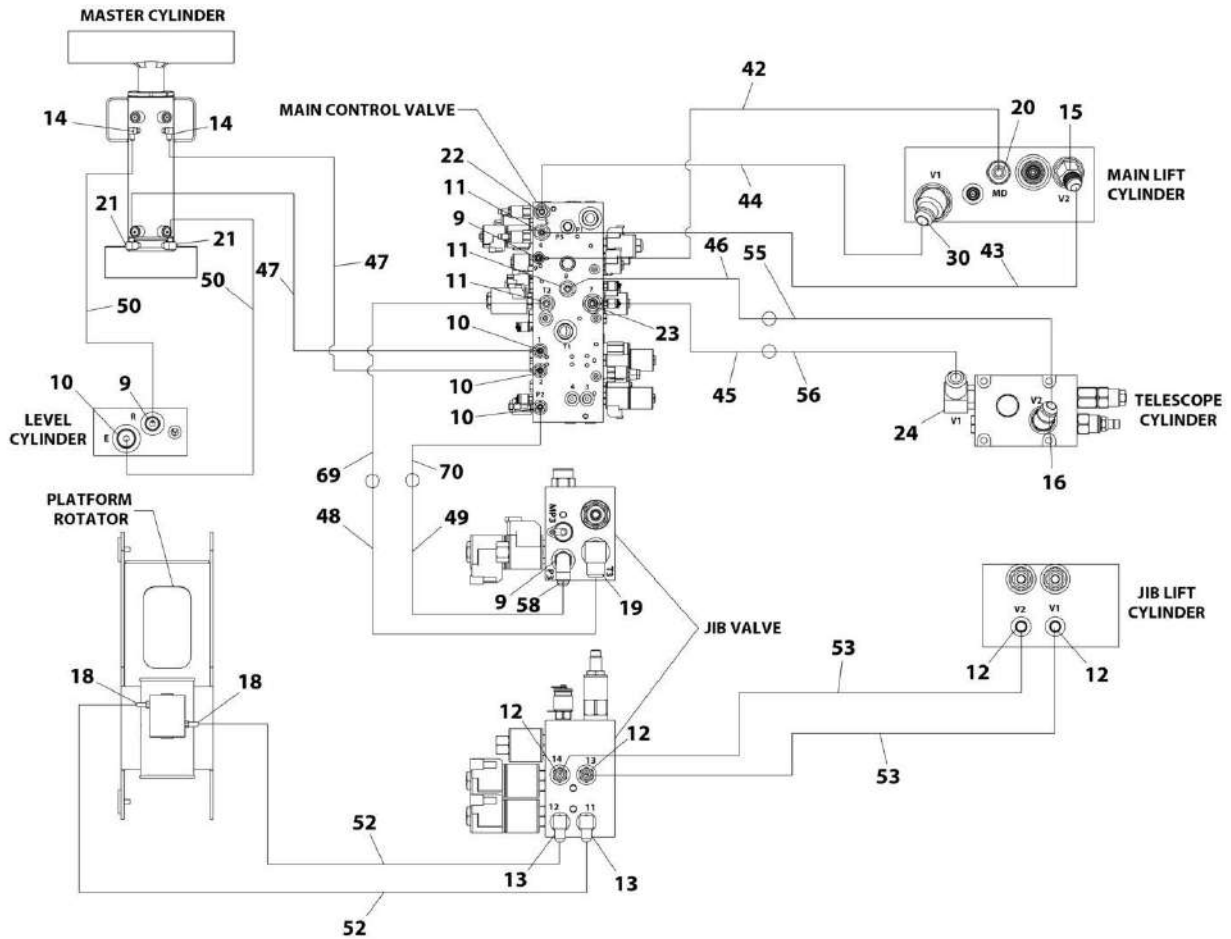
ITEM	PART NUMBER	QTY	DESCRIPTION	REV
	1001150087	Ref	BOOM HYDRAULIC DIAGRAM - 1030S	F
1	0100011	AR	Compound, Locking	
2	0700820	1	Bolt M8 x 60	
3	4240017	9	Tie-Strap (Not Shown)	
4	0760812	4	Bolt M8 x 25	
5	0700819	4	Bolt M8 x 55	
6	4100026	4.3 ft/ 1.3m	Sleeve, Protection (Not Shown)	
7	0700822	AR	Bolt M8 x 70	
8	1320235	1	Clamp	
9	2220371	3	Fitting, Straight JIC/ORB	
10	2220372	4	Fitting, Straight JIC/ORB	
11	2220374	3	Fitting, Straight JIC/ORB	
12	1001207855	2	Hose	
13	2220466	2	Fitting, 90 JIC/ORB	
14	2220473	2	Fitting, 90 JIC/ORB	
15	2220499	1	Fitting, 45 JIC/ORB	
16	2220500	1	Fitting, 45 JIC/ORB	
18	2220502	2	Fitting, 45 JIC/ORB	
19	2220596	1	Fitting, 90 JIC/ORB	
20	2220603	1	Fitting, Straight JIC/ORB	
21	2220628	2	Fitting, 90 JIC/ORB	
22	2220947	1	Fitting, Straight JIC/ORB	
23	2220865	1	Fitting, Straight JIC/ORB	
24	2221042	1	Fitting, 90 JIC/ORB	
25	3290805	6	Nut M8	
26	4811900	13	Washer M8	
27	4811902	7	Washer M8	
30	8770048	1	Fitting, 45	
32	1001127624	AR	Bolt M8 x 95	
33	1001136402	AR	Pad	
35	1001147039	1	Plate, Clamp	
36	1001206131	2	Hose	
38	1001197718	AR	Plate, Clamp	
39	1001204722	1	Clamp	
40	4240018	15	Tie-Strap (Not Shown)	
41	1001206133	2	Bracket	
42	1001206123	1	Hose	
43	1001206124	1	Hose	
44	1001206125	1	Hose	
45	1001206126	1	Hose	
46	1001206127	1	Hose	
47	1001206128	2	Hose	
48	1001206129	1	Hose	
49	1001206130	1	Hose	
50	1001213663	2	Hose (Not Shown)	
51	1001213664	1	Hose	
52	1001213665	1	Hose	
53	8760268	1	Fitting, 90 JIC/FSJIC	
55	0760612	2	Bolt M6 x 25	

## SECTION 7 - HYDRAULIC

ITEM	PART NUMBER	QTY	DESCRIPTION	REV
56	1001222493	1	Clamp	
57	1001222586	1	Bracket (SN B300001586 through B300001726)	
57	1001230054	1	Bracket (SN B300001727 to Present)	
58	1320146	1	Clamp (SN B300001586 through B300001726)	
58	1001230052	1	Clamp (SN B300001727 to Present)	
59	0760619	1	Bolt M6 x 55	
60	3290605	3	Nut M6	
61	4811700	6	Washer M6	
62	1001223300	1	Hose	
63	1001223301	1	Hose	
64	1001231149	1	Clamp (SN B300001727 to Present)	
65	1001231150	1	Plate (SN B300001727 to Present)	
66	1001230053	1	Plate (SN B300001727 to Present)	

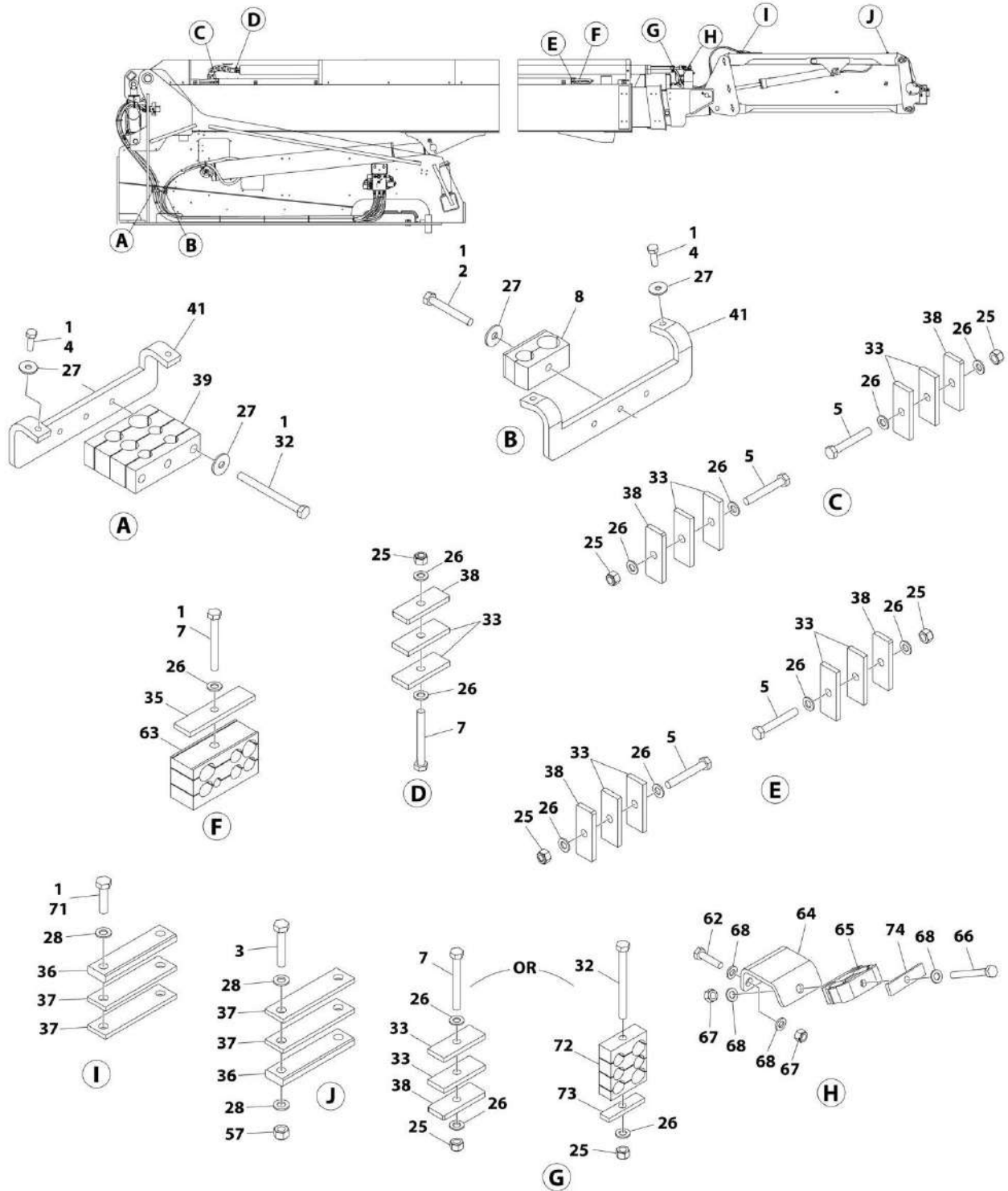
# SECTION 7 - HYDRAULIC

## FIGURE 7-2. BOOM HYDRAULIC DIAGRAM - 1100SJ



ART\_1001150086\_1OF2

# SECTION 7 - HYDRAULIC



ART\_1001150086\_2OF2

# SECTION 7 - HYDRAULIC

## FIGURE 7-2. BOOM HYDRAULIC DIAGRAM - 1100SJ

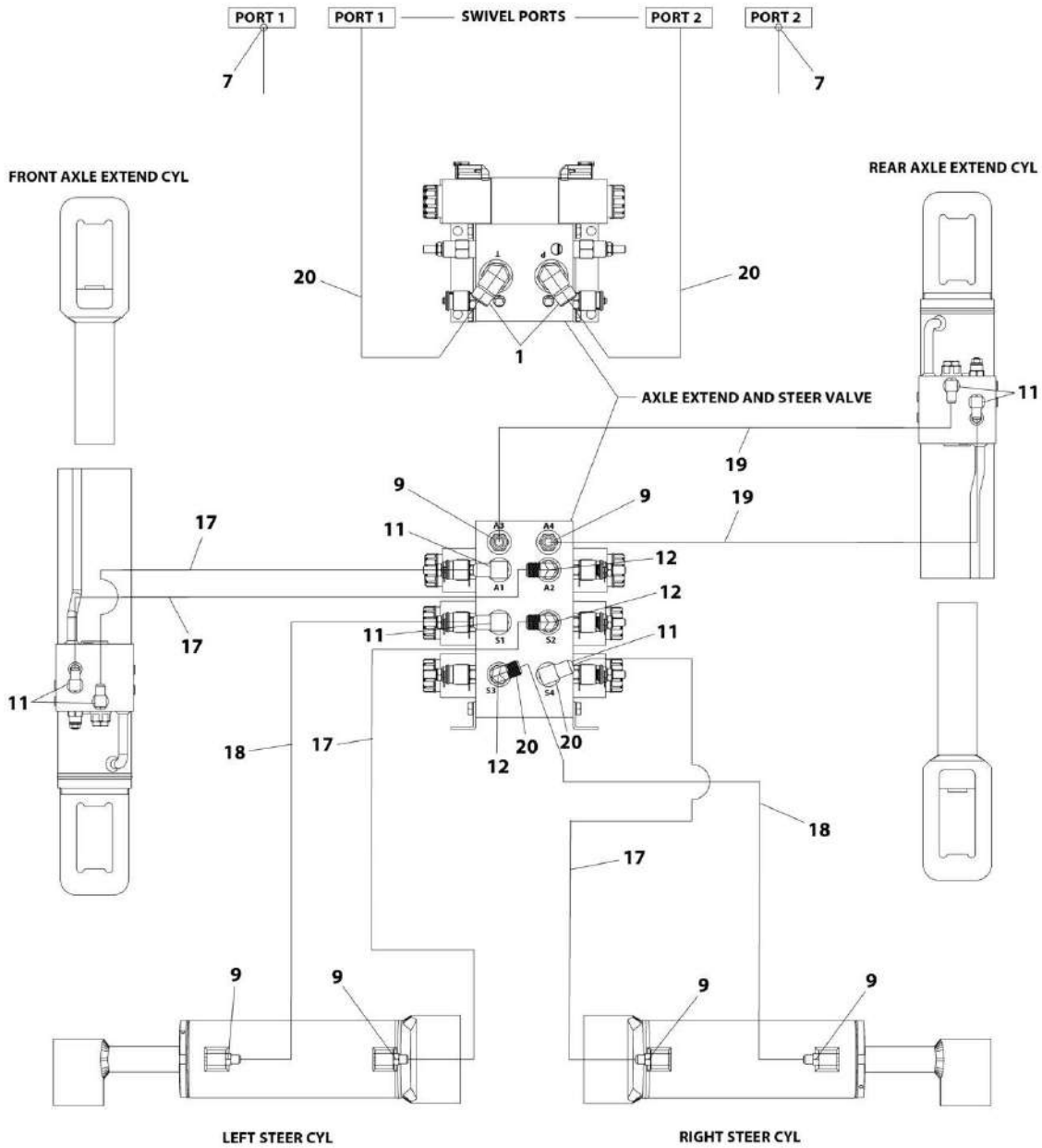
ITEM	PART NUMBER	QTY	DESCRIPTION	REV
	1001150086	Ref	BOOM HYDRAULIC DIAGRAM - 1100SJ	F
1	0100011	AR	Compound, Locking	
2	0700820	1	Bolt M8 x 60	
3	0701019	2	Bolt M10 x 55	
4	0760812	4	Bolt M8 x 25	
5	0700819	4	Bolt M8 x 55	
6	4100026	11.5 ft/ 3.5m	Sleeve, Protection (Not Shown)	
7	0700822	AR	Bolt M8 x 70	
8	1320235	1	Clamp	
9	2220371	3	Fitting, Straight JIC/ORB	
10	2220372	4	Fitting, Straight JIC/ORB	
11	2220374	3	Fitting, Straight JIC/ORB	
12	2220415	4	Fitting, Straight JIC/ORB	
13	2220466	2	Fitting, 90 JIC/ORB	
14	2220473	2	Fitting, 90 JIC/ORB	
15	2220499	1	Fitting, 45 JIC/ORB	
16	2220500	1	Fitting, 45 JIC/ORB	
18	2220502	2	Fitting, 45 JIC/ORB	
19	2220596	1	Fitting, 90 JIC/ORB	
20	2220603	1	Fitting, Straight JIC/ORB	
21	2220628	2	Fitting, 90 JIC/ORB	
22	2220947	1	Fitting, Straight JIC/ORB	
23	2220865	1	Fitting, Straight JIC/ORB	
24	2221042	1	Fitting, 90 JIC/ORB	
25	3290805	6	Nut M8	
26	4811900	13	Washer M8	
27	4811902	7	Washer M8	
28	4812000	6	Washer M10	
30	8770048	1	Fitting, 45	
32	1001127624	AR	Bolt M8 x 95	
33	1001136402	AR	Pad	
35	1001147039	1	Plate, Clamp	
36	1001152704	2	Plate, Clamp	
37	1001152708	4	Pad	
38	1001197718	AR	Plate, Clamp	
39	1001204722	1	Clamp	
40	4240018	20	Tie-Strap (Not Shown)	
41	1001206133	2	Bracket	
42	1001206123	1	Hose	
43	1001206124	1	Hose	
44	1001206125	1	Hose	
45	1001206126	1	Hose	
46	1001206127	1	Hose	
47	1001206128	2	Hose	
48	1001206129	1	Hose	
49	1001206130	1	Hose	
50	1001206131	2	Hose	
52	1001206121	2	Hose	
53	1001206122	2	Hose	

## SECTION 7 - HYDRAULIC

ITEM	PART NUMBER	QTY	DESCRIPTION	REV
55	1001213664	1	Hose	
56	1001213665	1	Hose	
57	3291005	2	Nut M10	
58	8760268	1	Fitting, 90 JIC/FSJIC	
60	1321385	2	Clamp	
61	0760606	2	Bolt M6 x 12	
62	0760612	2	Bolt M6 x 25	
63	1001222493	1	Clamp	
64	1001222586	1	Bracket (SN B300001586 through B300001726)	
64	1001230054	1	Bracket (SN B300001727 to Present)	
65	1320146	1	Clamp (SN B300001586 through B300001726)	
65	1001230052	1	Clamp (SN B300001727 to Present)	
66	0760619	1	Bolt M6 x 55	
67	3290605	3	Nut M6	
68	4811700	8	Washer M6	
69	1001223300	1	Hose	
70	1001223301	1	Hose	
71	0761016	2	Bolt M10 x 40	
72	1001231149	1	Clamp (SN B300001727 to Present)	
73	1001231150	1	Plate (SN B300001727 to Present)	
74	1001230053	1	Plate (SN B300001727 to Present)	

# SECTION 7 - HYDRAULIC

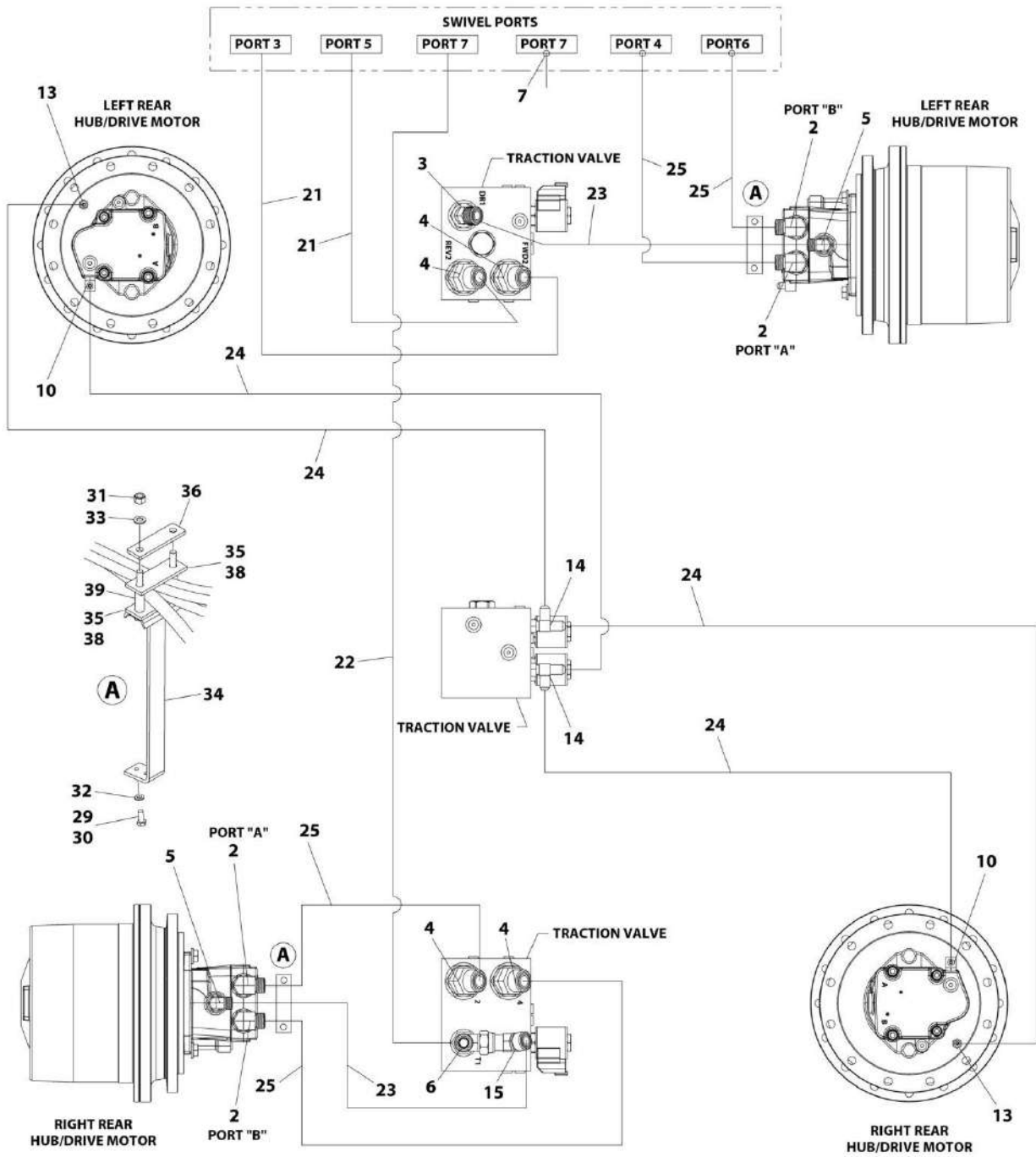
## FIGURE 7-3. CHASSIS HYDRAULIC DIAGRAM - 2WD/2WS



ART\_1001150090\_1OF2



# SECTION 7 - HYDRAULIC



ART\_1001150090\_20F2

## SECTION 7 - HYDRAULIC

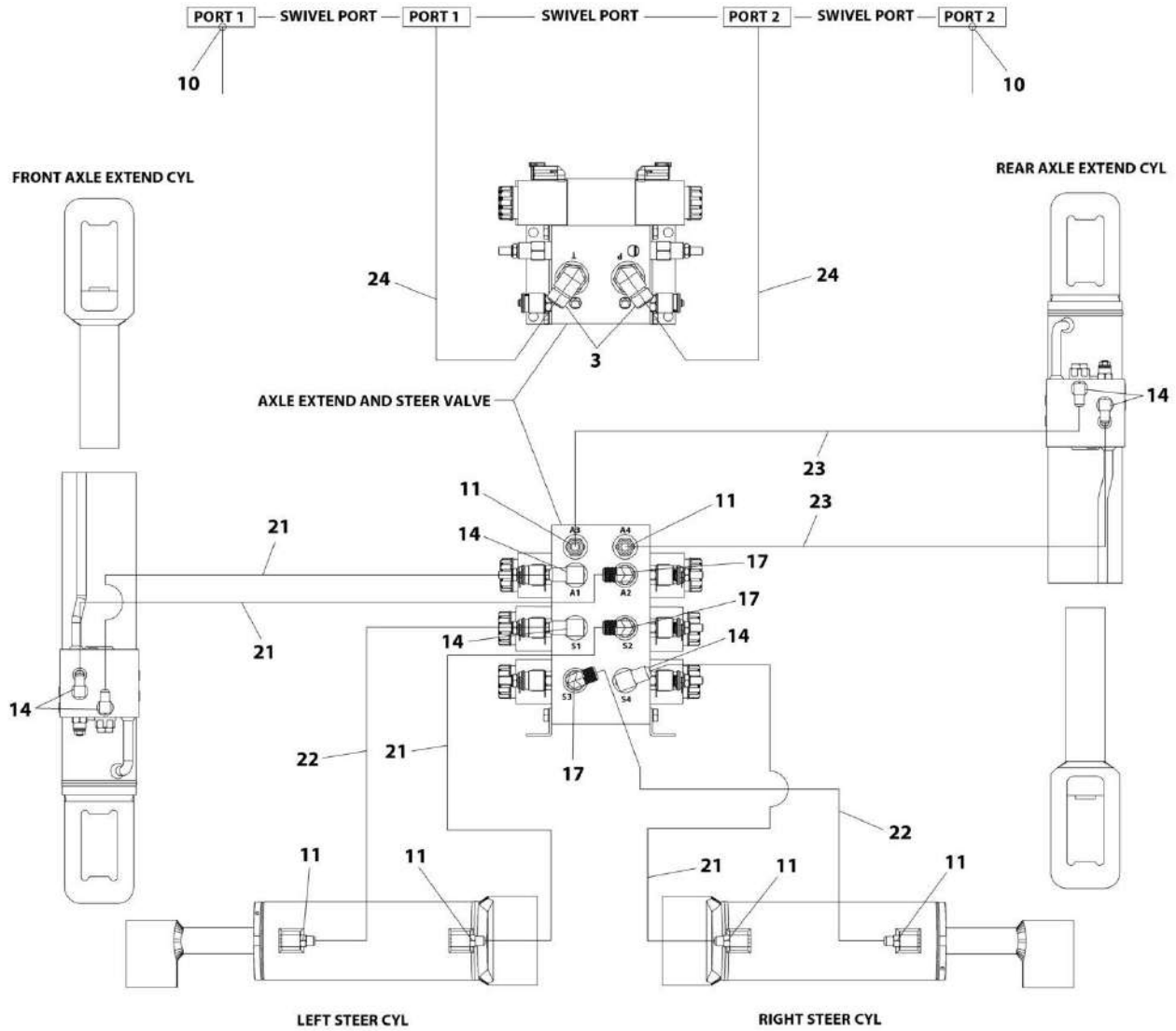
FIGURE 7-3. CHASSIS HYDRAULIC DIAGRAM - 2WD/2WS

ITEM	PART NUMBER	QTY	DESCRIPTION	REV
	1001150090	Ref	CHASSIS HYDRAULIC DIAGRAM - 2WD/2WS	E
1	2130810	2	Fitting, 90 ORFS/ORB	
2	2131012	4	Fitting, 90 ORFS/ORB	
3	2150810	1	Fitting, 45 ORFS/ORB	
4	2151012	4	Fitting, 45 ORFS/ORB	
5	2170208	2	Fitting, 90 ORFS/ORB	
6	2170308	1	Fitting, Tee ORFS/ORB/ORFS	
7	2170908	3	Fitting, Cap FORFS	
9	2220371	6	Fitting, Straight JIC/ORB	
10	2220472	2	Fitting, 90 JIC/ORB	
11	2220473	7	Fitting, 90 JIC/ORB	
12	2220819	3	Fitting, 90 JIC/ORB	
13	2220923	2	Fitting, Straight JIC/ORB	
14	2221034	2	Fitting, Tee	
15	2221231	1	Fitting, 45 FSORFS/ORFS	
17	1001194341	4	Hose	
18	1001194342	2	Hose	
19	1001194345	2	Hose	
20	1001194346	2	Hose	
21	1001194347	2	Hose	
22	1001194348	1	Hose	
23	1001194398	2	Hose	
24	1001194401	4	Hose	
25	1001194410	4	Hose	
27	4240017	8	Tie-Strap (Not Shown)	
28	4240018	16	Tie-Strap (Not Shown)	
29	0100011	AR	Compound, Locking	
30	0760810	8	Bolt M8 x 20	
31	3291005	8	Nut M10	
32	4811900	8	Washer M8	
33	4812000	8	Washer M10	
34	1001209688	4	Bracket	
35	1001209841	8	Pad	
36	1001209842	4	Plate, Clamp	
38	0100081	1	Adhesive	
39	2750532	11 in /28cm	Hose	



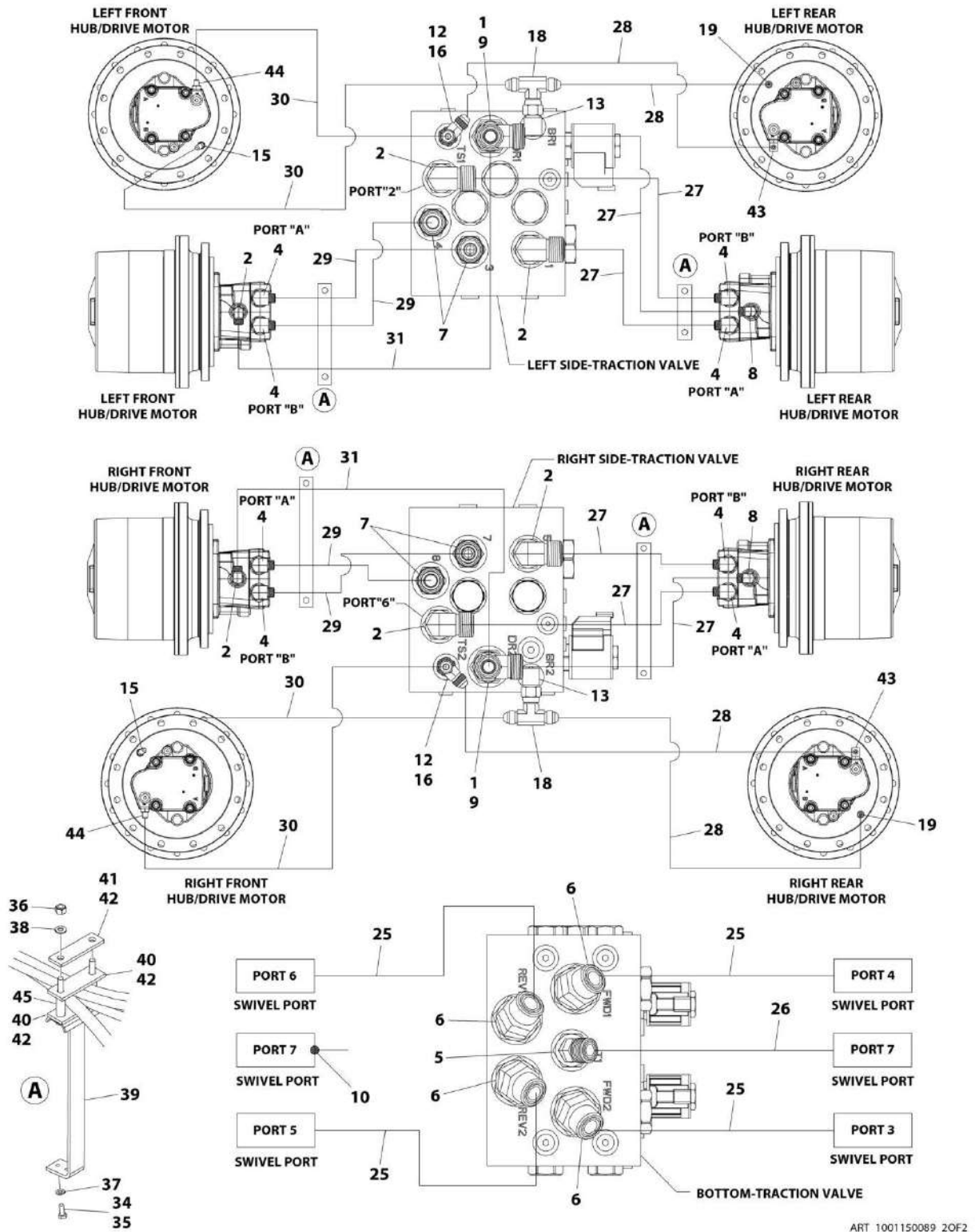
# SECTION 7 - HYDRAULIC

## FIGURE 7-4. CHASSIS HYDRAULIC DIAGRAM - 4WD/2WS



ART\_1001150089\_10F2

# SECTION 7 - HYDRAULIC



ART\_1001150089\_2OF2

# SECTION 7 - HYDRAULIC

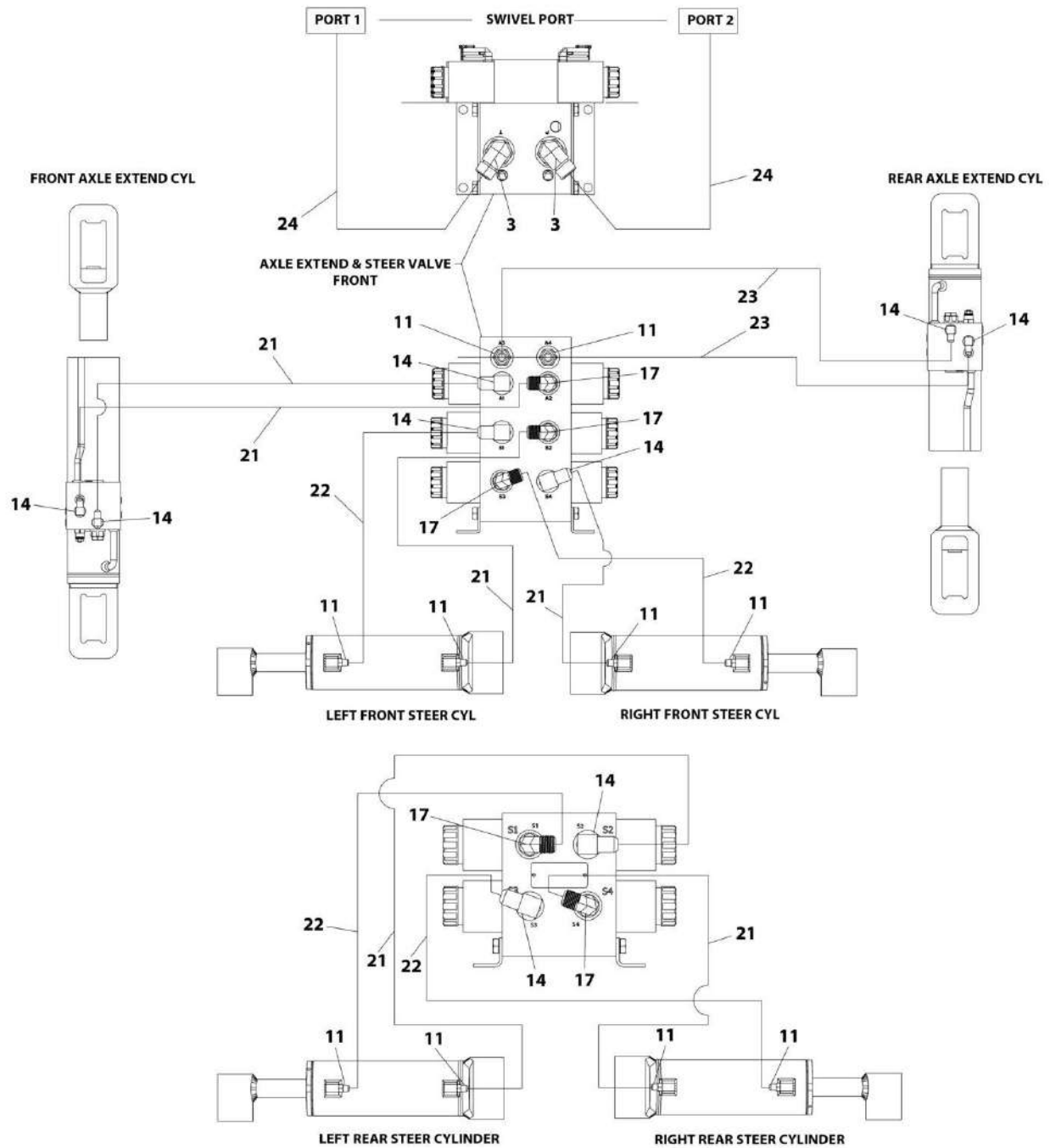
**FIGURE 7-4. CHASSIS HYDRAULIC DIAGRAM - 4WD/2WS**

ITEM	PART NUMBER	QTY	DESCRIPTION	REV
	1001150089	Ref	CHASSIS HYDRAULIC DIAGRAM - 4WD/2WS	E
1	2110810	2	Fitting, Straight ORFS/ORB	
2	2130808	6	Fitting, 90 ORFS/ORB	
3	2130810	2	Fitting, 90 ORFS/ORB	
4	2130812	8	Fitting, 90 ORFS/ORB	
5	2150810	1	Fitting, 45 ORFS/ORB	
6	2151012	4	Fitting, 45 ORFS/ORB	
7	2170108	4	Fitting, Straight ORFS/ORB	
8	2170208	2	Fitting, 90 ORFS/ORB	
9	2170708	2	Fitting, Tee ORFS/FSORFS/ORFS	
10	2170908	3	Fitting, Cap FORFS	
11	2220371	6	Fitting, Straight JIC/ORB	
12	2220415	2	Fitting, Straight JIC/ORB	
13	2220466	2	Fitting, 90 JIC/ORB	
14	2220473	7	Fitting, 90 JIC/ORB	
15	2220502	2	Fitting, 45 JIC/ORB	
16	2220605	2	Fitting, Tee JIC/FSJIC/JIC	
17	2220819	3	Fitting, 90 JIC/ORB	
18	2220861	2	Fitting, Tee JIC/FSJIC/JIC	
19	2220923	2	Fitting, Straight JIC/ORB	
21	1001194341	4	Hose	
22	1001194342	2	Hose	
23	1001194345	2	Hose	
24	1001194346	2	Hose	
25	1001194396	4	Hose	
26	1001194397	1	Hose	
27	1001194398	6	Hose	
28	1001194401	4	Hose	
29	1001194402	4	Hose	
30	1001194406	4	Hose	
31	1001194407	2	Hose	
32	4240017	3	Tie-Strap (Not Shown)	
33	4240018	26	Tie-Strap (Not Shown)	
34	0100011	AR	Compound, Locking	
35	0760810	8	Bolt M8 x 20	
36	3291005	8	Nut M10	
37	4811900	8	Washer M8	
38	4812000	8	Washer M10	
39	1001209688	4	Bracket	
40	1001209841	8	Pad	
41	1001209842	4	Plate, Clamp	
42	0100081	AR	Adhesive	
43	2220472	2	Fitting, 90 JIC/ORB	
44	2220582	2	Fitting, Straight JIC/ORB	
45	2750532	12.6 in /32cm	Hose	



# SECTION 7 - HYDRAULIC

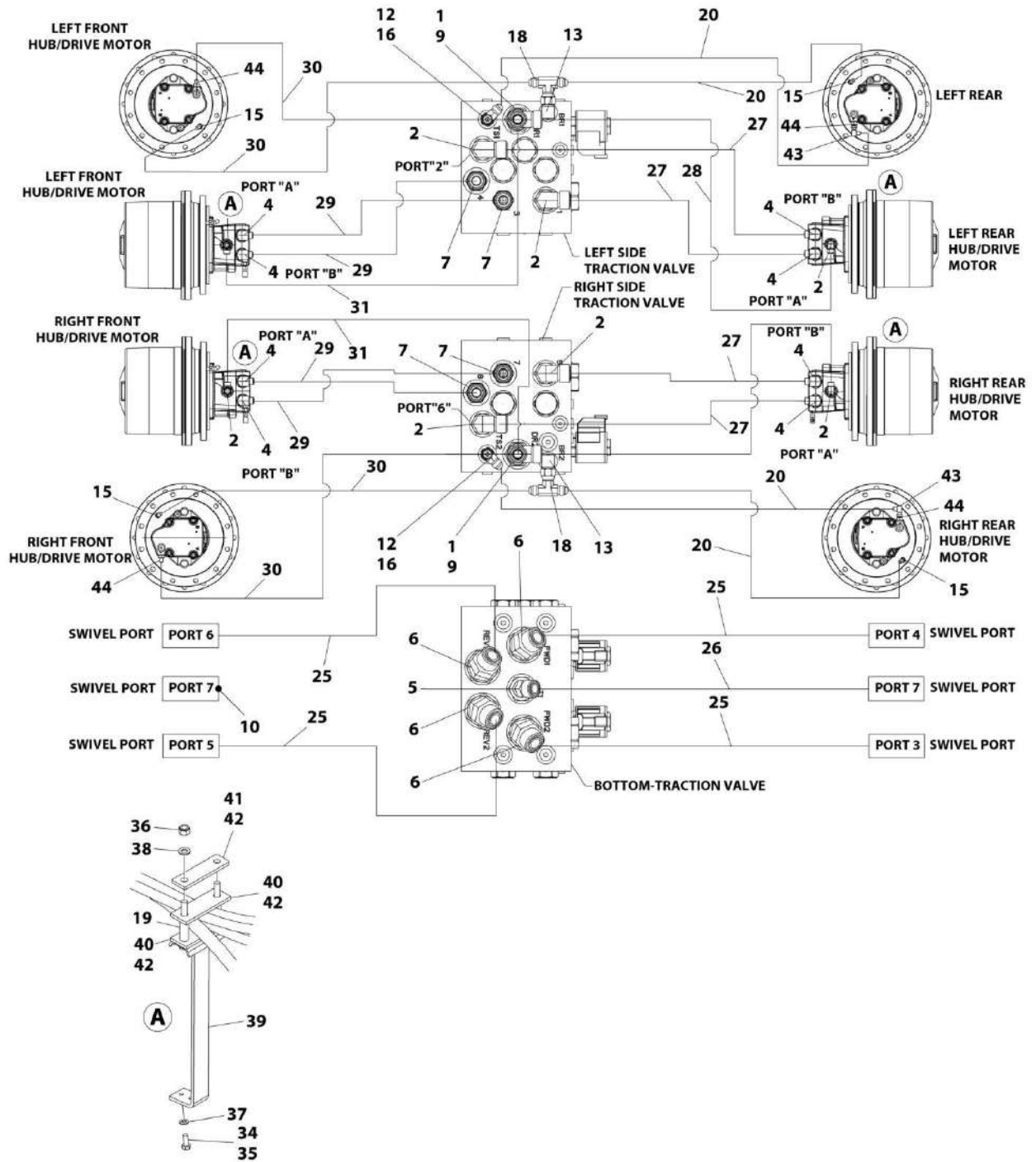
## FIGURE 7-5. CHASSIS HYDRAULIC DIAGRAM - 4WD/4WS



ART\_1001222730\_1OF2



# SECTION 7 - HYDRAULIC



ART\_1001222730\_20F2

# SECTION 7 - HYDRAULIC

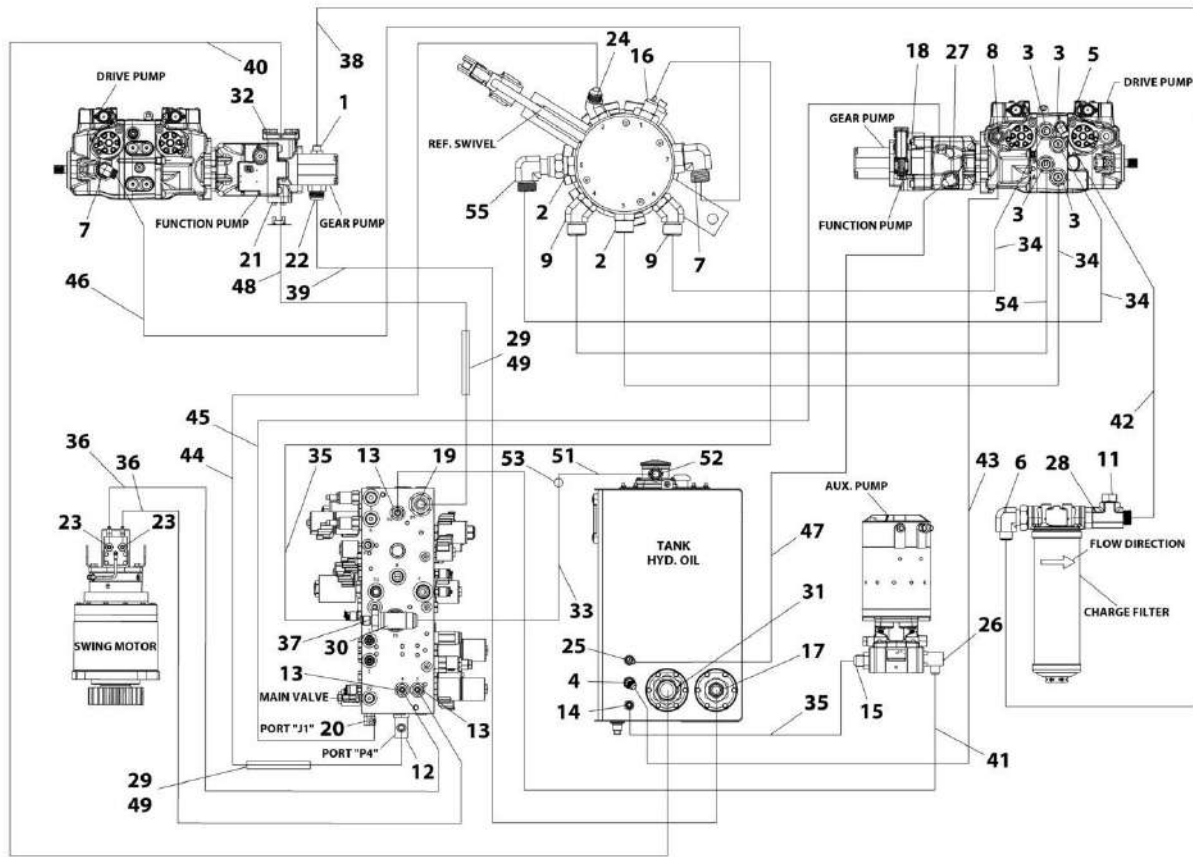
## FIGURE 7-5. CHASSIS HYDRAULIC DIAGRAM - 4WD/4WS

ITEM	PART NUMBER	QTY	DESCRIPTION	REV
	1001222730	Ref	CHASSIS HYDRAULIC DIAGRAM - 4WD/4WS	A
1	2110810	2	Fitting, Straight ORFS/ORB	
2	2130808	8	Fitting, 90 ORFS/ORB	
3	2130810	4	Fitting, 90 ORFS/ORB	
4	2130812	8	Fitting, 90 ORFS/ORB	
5	2150810	1	Fitting, 45 ORFS/ORB	
6	2151012	4	Fitting, 45 ORFS/ORB	
7	2170108	4	Fitting, Straight ORFS/ORB	
9	2170708	2	Fitting, Tee ORFS/FSORFS/ORFS	
10	2170908	1	Fitting, Cap FORFS	
11	2220371	10	Fitting, Straight JIC/ORB	
12	2220415	2	Fitting, Straight JIC/ORB	
13	2220466	2	Fitting, 90 JIC/ORB	
14	2220473	9	Fitting, 90 JIC/ORB	
15	2220502	4	Fitting, 45 JIC/ORB	
16	2220605	2	Fitting, Tee JIC/FSJIC/JIC	
17	2220819	5	Fitting, 90 JIC/ORB	
18	2220861	2	Fitting, Tee JIC/FSJIC/JIC	
19	2750532	12.6 in/ 32cm	Hose	
20	1001222796	4	Hose	
21	1001194341	6	Hose	
22	1001194342	4	Hose	
23	1001194345	2	Hose	
24	1001194346	4	Hose	
25	1001194396	4	Hose	
26	1001194397	1	Hose	
27	1001194398	4	Hose	
28	1001222785	2	Hose	
29	1001194402	4	Hose	
30	1001194406	4	Hose	
31	1001194407	2	Hose	
32	4240017	1	Tie-Strap (Not Shown)	
33	4240018	1	Tie-Strap (Not Shown)	
34	0100011	AR	Compound, Locking	
35	0760810	8	Bolt M8 x 20	
36	3291005	8	Nut M10	
37	4811900	8	Washer M8	
38	4812000	8	Washer M10	
39	1001209688	4	Bracket	
40	1001209841	8	Pad	
41	1001209842	4	Plate, Clamp	
42	0100081	AR	Adhesive	
43	2220654	2	Fitting, 90 JIC/JIC	
44	2220582	4	Fitting, Straight JIC/ORB	



# SECTION 7 - HYDRAULIC

## FIGURE 7-6. TURNTABLE HYDRAULIC DIAGRAM



ART\_1001150088

## SECTION 7 - HYDRAULIC

### FIGURE 7-6. TURNTABLE HYDRAULIC DIAGRAM

ITEM	PART NUMBER	QTY	DESCRIPTION	REV
	1001150088	Ref	TURNTABLE HYDRAULIC DIAGRAM	F
1	2110812	1	Fitting, Straight ORFS/ORB	
2	2111010	2	Fitting, Straight ORFS/ORB	
3	2111016	4	Fitting, Straight ORFS/ORB	
4	2220498	1	Fitting, 45 JIC/ORB	
5	2130810	1	Fitting, 90 ORFS/ORB	
6	2130812	1	Fitting, 90 ORFS/ORB	
7	2131012	2	Fitting, 90 ORFS/ORB	
8	2220451	1	Fitting, Straight JIC/ORB	
9	2151010	2	Fitting, 45 ORFS/ORB	
11	2170908	1	Fitting, Cap FORFS	
12	2220366	1	Fitting, 90 JIC/ORB	
13	2220372	3	Fitting, Straight JIC/ORB	
14	2220373	1	Fitting, Straight JIC/ORB	
15	2220374	1	Fitting, Straight JIC/ORB	
16	2220375	1	Fitting, Straight JIC/ORB	
17	2220380	1	Fitting, Straight JIC/ORB	
18	2220415	1	Fitting, Straight JIC/ORB	
19	2220435	1	Fitting, Straight JIC/ORB	
20	2220472	1	Fitting, 90 JIC/ORB	
21	2220478	1	Fitting Kit - Split Flange	
22	2220479	1	Fitting, Straight JIC/ORB	
23	2220497	2	Fitting, Straight JIC/ORB	
24	2220499	1	Fitting, 45 JIC/ORB	
25	2220500	1	Fitting, 45 JIC/ORB	
26	2220628	1	Fitting, 90 JIC/ORB	
27	2220671	1	Fitting, 90 JIC/ORB	
28	2221084	1	Fitting, Tee ORFS to ORB	
29	4100066	1	Sleeve, Hose	
30	8760552	1	Fitting, Straight JIC/ORB/JIC	
31	88662013	1	Fitting, Tee JIC/ORB	
32	1001110604	1	Fitting Kit - Split Flange	
33	1001219627	1	Tube	
34	1001199837	3	Hose	
35	1001199839	2	Hose	
36	1001199849	2	Hose	
37	2220624	1	Fitting, Straight JIC/FSJIC	
38	1001194348	1	Hose	
39	1001199834	1	Hose	
40	1001199835	1	Hose	
41	1001199840	1	Hose	
42	1001199843	1	Hose	
43	1001199844	1	Hose	
44	1001199845	1	Hose	
45	1001199846	1	Hose	
46	1001199847	1	Hose	
47	1001199848	1	Hose	
48	1001199851	1	Hose	
49	4240017	4	Tie-Strap	
50	4240018	3	Tie-Strap (Not Shown)	

## SECTION 7 - HYDRAULIC

ITEM	PART NUMBER	QTY	DESCRIPTION	REV
51	1001219628	1	Hose	
52	2220377	1	Fitting, Straight JIC/ORB	
53	1001143501	1	Clamp	
54	1001223381	1	Hose	
55	2172110	1	Fitting, 90 ORFS/FSORFS	
56	4060807	17 in /42cm	Flex-Trim (Not Shown - Located on Engine Tray)	



## SECTION 7 - HYDRAULIC

**FIGURE 7-7. HYDRAULIC DIAGRAM LIST**

ITEM	PART NUMBER	QTY	DESCRIPTION	REV
		Ref	Note: For more information, contact the JLG Service/Parts Department.	
		Ref	HYDRAULIC DIAGRAMS	
	1001150087	Ref	Boom Hydraulic Diagram - 1030S	
	1001150086	Ref	Boom Hydraulic Diagram - 1100SJ	
	1001150090	Ref	Chassis Hydraulic Diagram - 2WD/2WS	
	1001150089	Ref	Chassis Hydraulic Diagram - 4WD/2WS	
	1001222730	Ref	Chassis Hydraulic Diagram - 4WD/4WS	
	1001150004	Ref	Standard Hydraulic Schematic (See Service & Maintenance Manual)	
	1001150088	Ref	Turntable Hydraulic Diagram	



**SECTION 8 - ELECTRICAL**

## SECTION 8 - ELECTRICAL

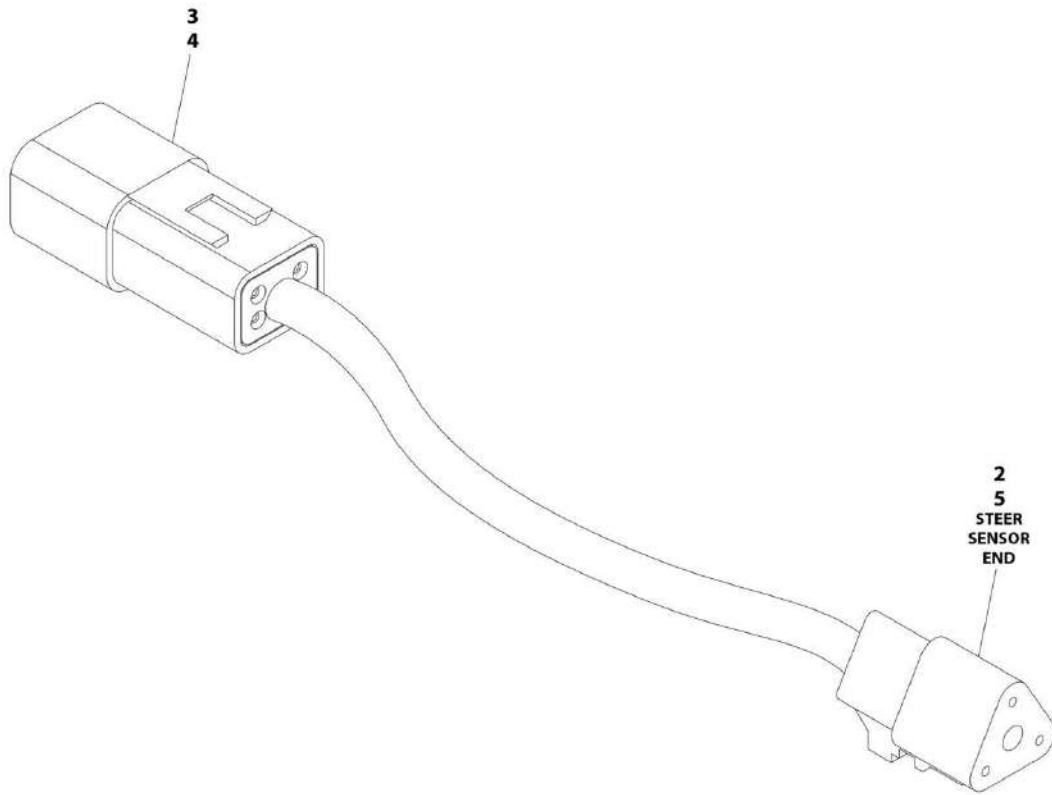
FIGURE 8-1. ELECTRICAL DIAGRAM LIST

ITEM	PART NUMBER	QTY	DESCRIPTION	REV
		Ref	Note: For more information, contact the JLG Service/Parts Department.	
		Ref	ELECTRICAL DIAGRAMS	
	1001150005	Ref	Electrical Schematic (See Service & Maintenance Manual)	
	1001157770	Ref	Generator Electrical Diagram - 7500W SkyPower Generator	



# SECTION 8 - ELECTRICAL

## FIGURE 8-2. AXLE POWER TRACK HARNESS



ART\_1001152574

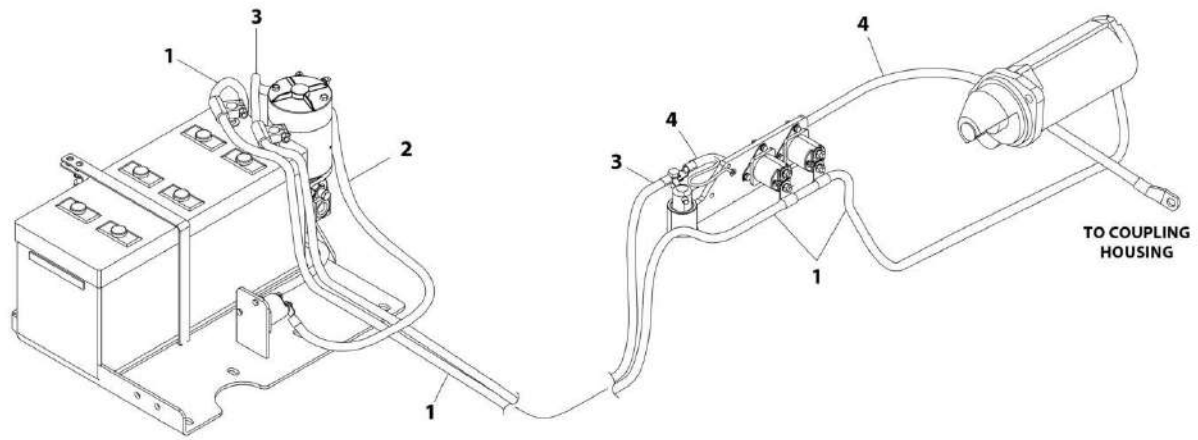
## SECTION 8 - ELECTRICAL

### FIGURE 8-2. AXLE POWER TRACK HARNESS

ITEM	PART NUMBER	QTY	DESCRIPTION	REV
	1001152574	Ref	AXLE POWER TRACK HARNESS	C
2	4460539	1	Plug, Male - 3 Position	
3	4460932	1	Receptacle, Female - 4 Position	
4	4460943	4	Pin, Male	
5	4460944	3	Socket, Female	

# SECTION 8 - ELECTRICAL

## FIGURE 8-3. BATTERY CABLE KIT - DEUTZ TD2011



ART\_1001150443

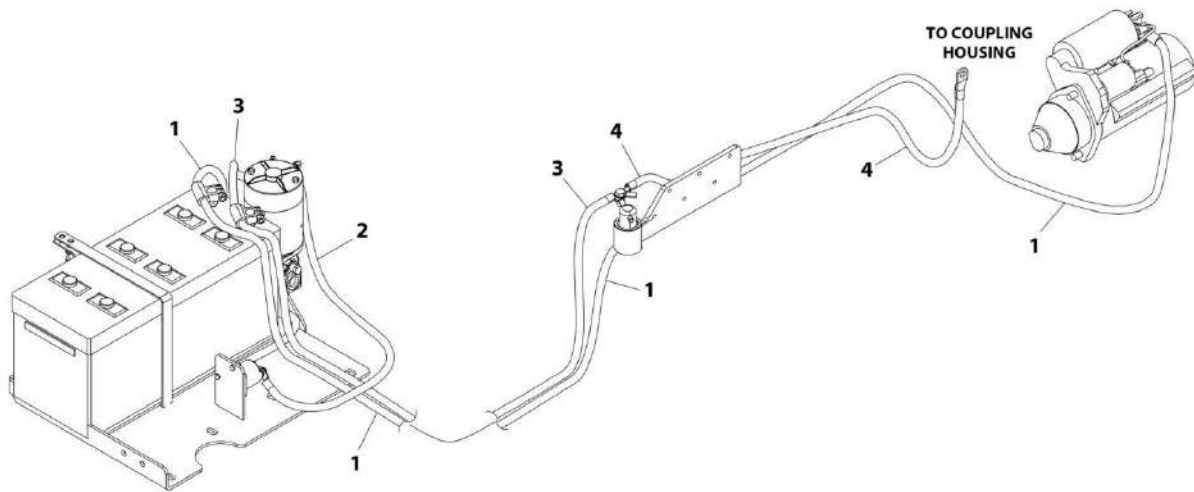
## SECTION 8 - ELECTRICAL

### FIGURE 8-3. BATTERY CABLE KIT - DEUTZ TD2011

ITEM	PART NUMBER	QTY	DESCRIPTION	REV
	1001150443	Ref	BATTERY CABLE KIT - DEUTZ TD2011	C
1	70009025	1	Cable, Battery - Battery + to Starter, Start Relay and Aux Relay	
2	70009022	1	Cable, Battery - Aux Relay to Aux Power	
3	70009023	1	Cable, Battery - Battery - to Aux Ground, Pivot Ground	
4	70009026	1	Cable, Battery - Engine to Pivot Ground	

# SECTION 8 - ELECTRICAL

## FIGURE 8-4. BATTERY CABLE KIT - DEUTZ TD2.9L4



ART\_1001220749



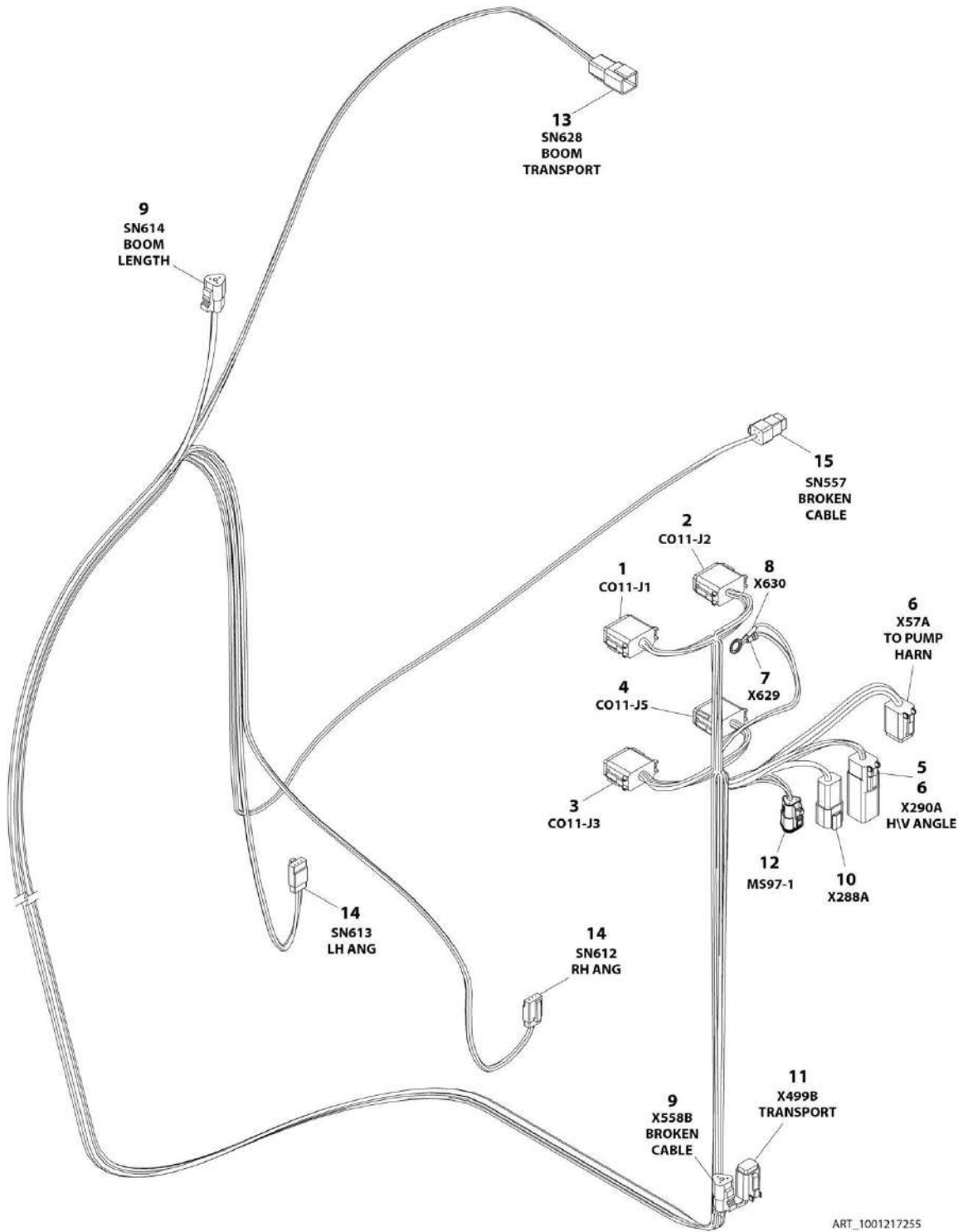
## SECTION 8 - ELECTRICAL

### FIGURE 8-4. BATTERY CABLE KIT - DEUTZ TD2.9L4

ITEM	PART NUMBER	QTY	DESCRIPTION	REV
	1001220749	Ref	BATTERY CABLE KIT - DEUTZ TD2.9L4	B
1	70009021	1	Cable, Battery - Battery + to Starter, Start Relay and Aux Relay	
2	70009022	1	Cable, Battery - Aux Relay to Aux Power	
3	70009023	1	Cable, Battery - Battery - Aux Ground, Pivot Ground	
4	70009024	1	Cable, Battery - Engine to Pivot Ground	

# SECTION 8 - ELECTRICAL

## FIGURE 8-5. BLAM HARNESS



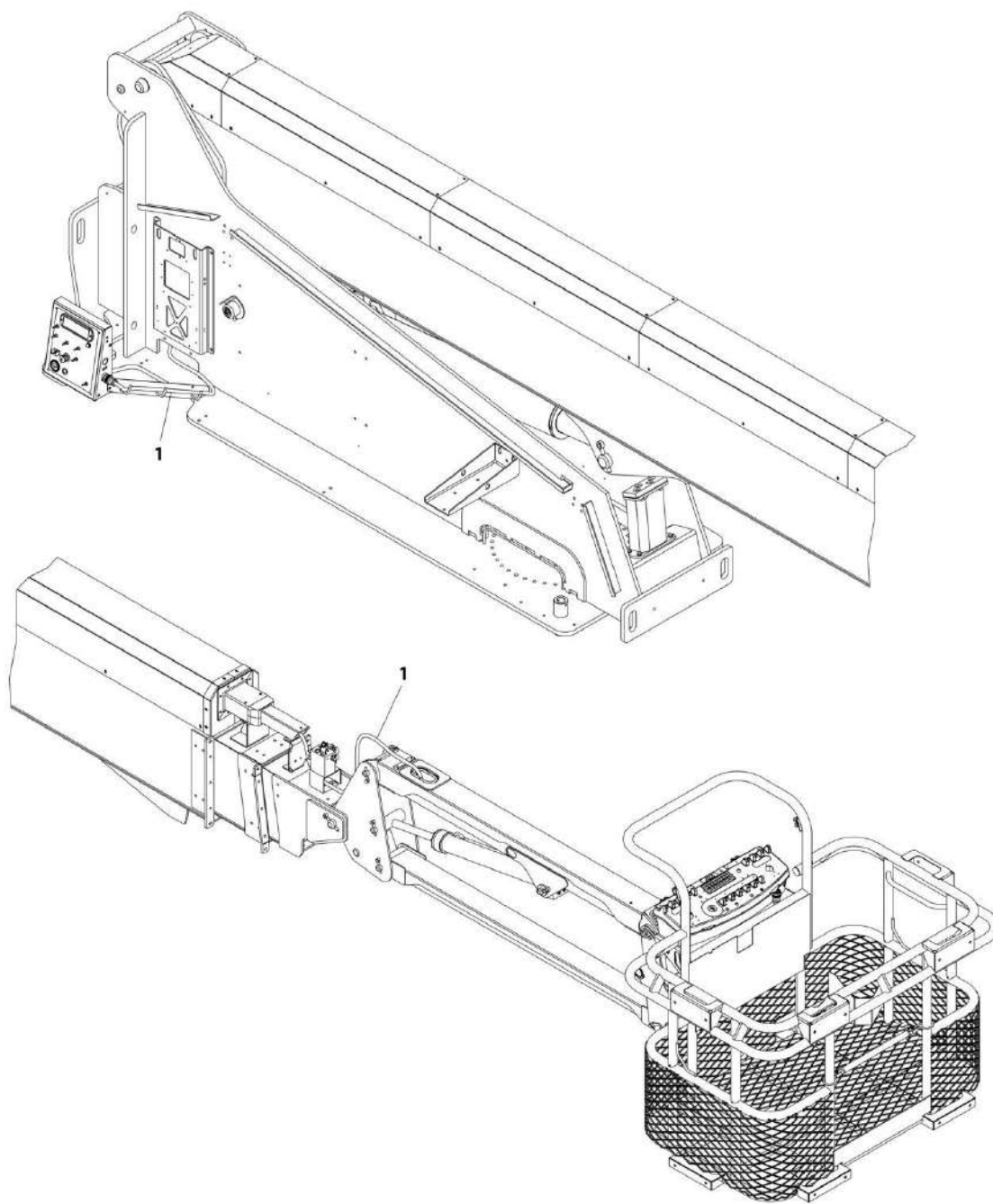
## SECTION 8 - ELECTRICAL

### FIGURE 8-5. BLAM HARNESS

ITEM	PART NUMBER	QTY	DESCRIPTION	REV
	1001217255	Ref	BLAM HARNESS	C
1	4460933	1	Connector - 12 Position (Gray)	
1	4460466	3	Plug, Terminal	
1	4460465	7	Socket, Female	
1	4460942	2	Socket, Female	
2	4460836	1	Connector - 12 Position (Black)	
2	4460466	5	Plug, Terminal	
2	4460465	7	Socket, Female	
3	4460934	1	Connector - 12 Position (Green)	
3	4460466	1	Plug, Terminal	
3	4460465	11	Socket, Female	
4	4460935	1	Connector - 12 Position (Brown)	
4	4460466	7	Plug, Terminal	
4	4460465	5	Socket, Female	
5	4460899	1	Connector, Female - 6 Position	
6	4460894	2	Connector - 6 Position (Gray)	
6	4460465	11	Socket, Female	
6	4460466	1	Plug, Terminal	
7	4460670	1	Terminal, Ring	
8	4460703	1	Terminal, Ring	
9	4460539	2	Plug, Male - 3 Position	
9	4460465	3	Socket, Female	
9	4460944	3	Socket, Female	
10	4460932	1	Connector - 4 Position (Gray)	
10	4460466	1	Plug, Terminal	
10	4460941	1	Pin, Male	
10	4460464	1	Pin, Male	
11	4460884	1	Connector - 4 Position (Gray)	
11	4460465	4	Socket, Female	
12	1001116812	1	Plug, Male - 3 Position	
12	4460465	4	Socket, Female	
13	1001097051	1	Receptacle, Female - 4 Position	
13	1001116695	4	Pin, Male	
14	4460911	2	Plug, Male - 3 Position	
14	4460944	6	Socket, Female	
15	4461077	1	Plug, Male - 3 Position	
15	4460928	3	Socket, Female	

## SECTION 8 - ELECTRICAL

FIGURE 8-6. BOOM CABLES INSTALLATION - 1030S WITHOUT POWER AT PLATFORM



ART\_1001200024

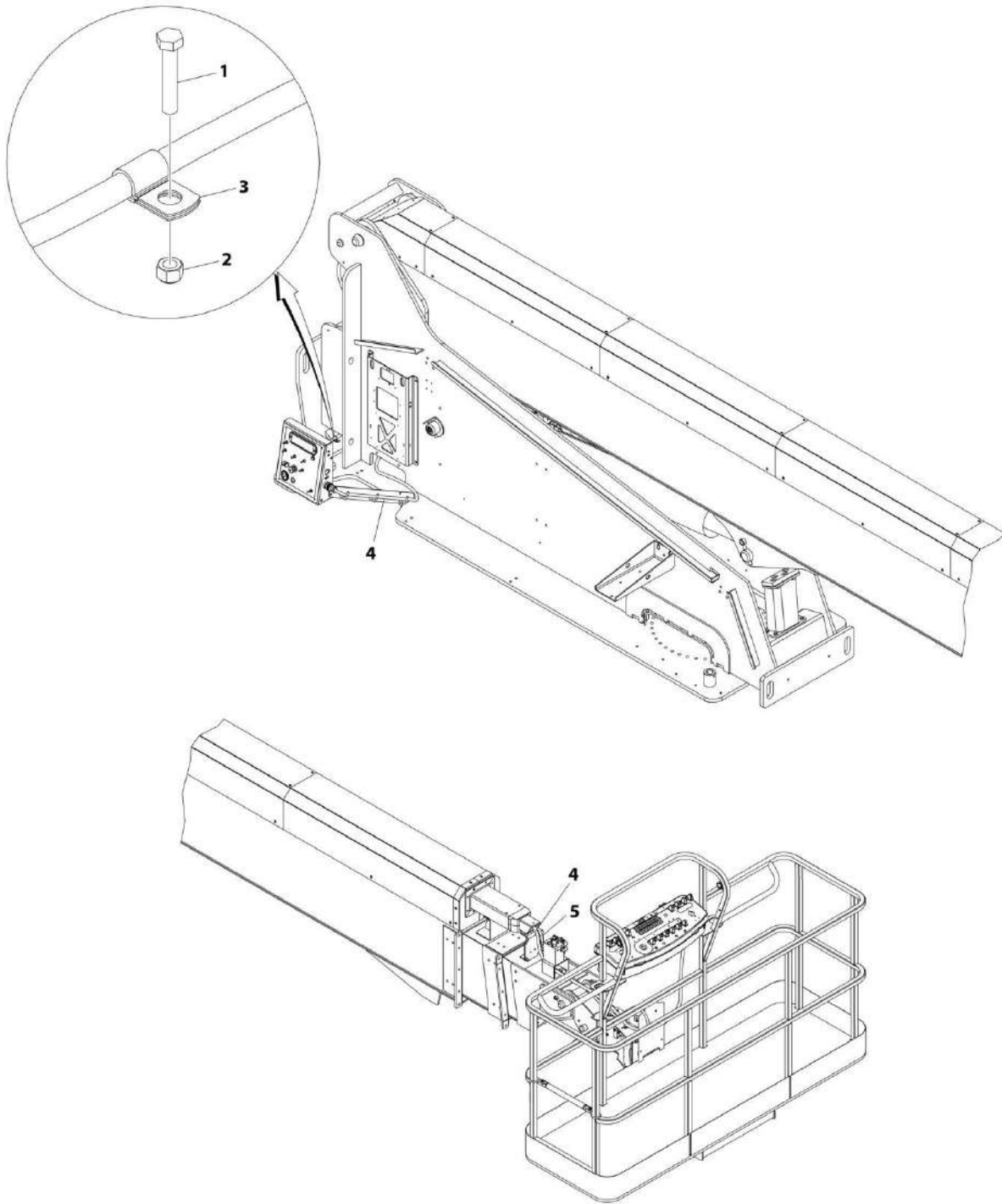
## SECTION 8 - ELECTRICAL

**FIGURE 8-6. BOOM CABLES INSTALLATION - 1030S WITHOUT POWER AT PLATFORM**

ITEM	PART NUMBER	QTY	DESCRIPTION	REV
	1001200024	Ref	BOOM CABLES INSTALLATION - 1030S WITHOUT POWER AT PLATFORM	C
1	1001200030	1	Boom Cable - Main (See Separate Breakdown in this Section)	

# SECTION 8 - ELECTRICAL

## FIGURE 8-7. BOOM CABLES INSTALLATION - 1030S WITH AC POWER AT PLATFORM



ART\_1001200027

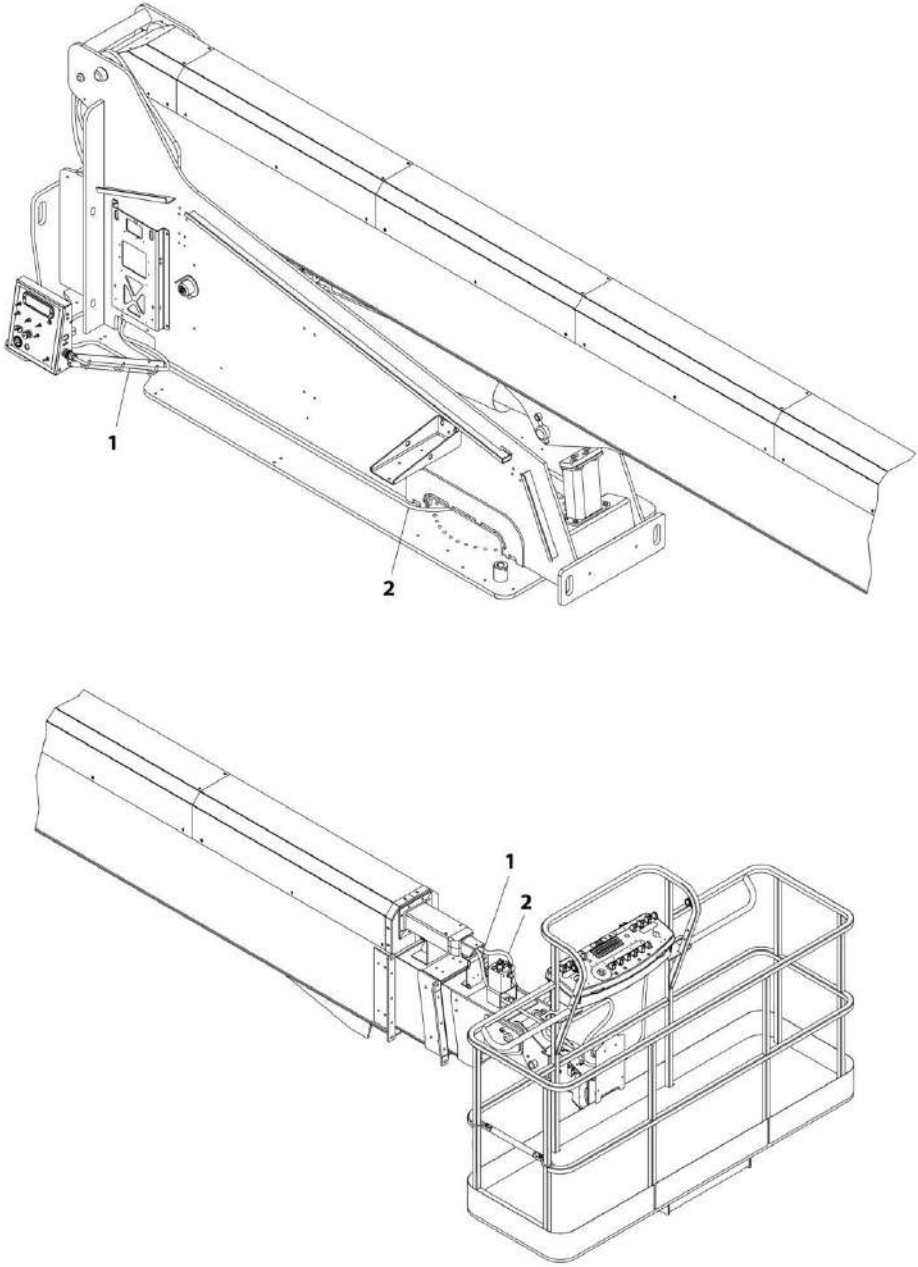
## SECTION 8 - ELECTRICAL

**FIGURE 8-7. BOOM CABLES INSTALLATION - 1030S WITH AC POWER AT PLATFORM**

ITEM	PART NUMBER	QTY	DESCRIPTION	REV
	1001200027	Ref	BOOM CABLES INSTALLATION - 1030S WITH AC POWER AT PLATFORM	B
1	0700817	1	Bolt M8 x 45	
2	3290805	1	Nut M8	
3	1001080996	1	Clamp	
4	1001200031	1	Boom Cable - Main (See Separate Breakdown in this Section)	
5	1001200033	1	Boom Cable - AC (1030S)	

**SECTION 8 - ELECTRICAL**

**FIGURE 8-8. BOOM CABLES INSTALLATION - 1030S WITH SKYPOWER**



ART\_1001200029



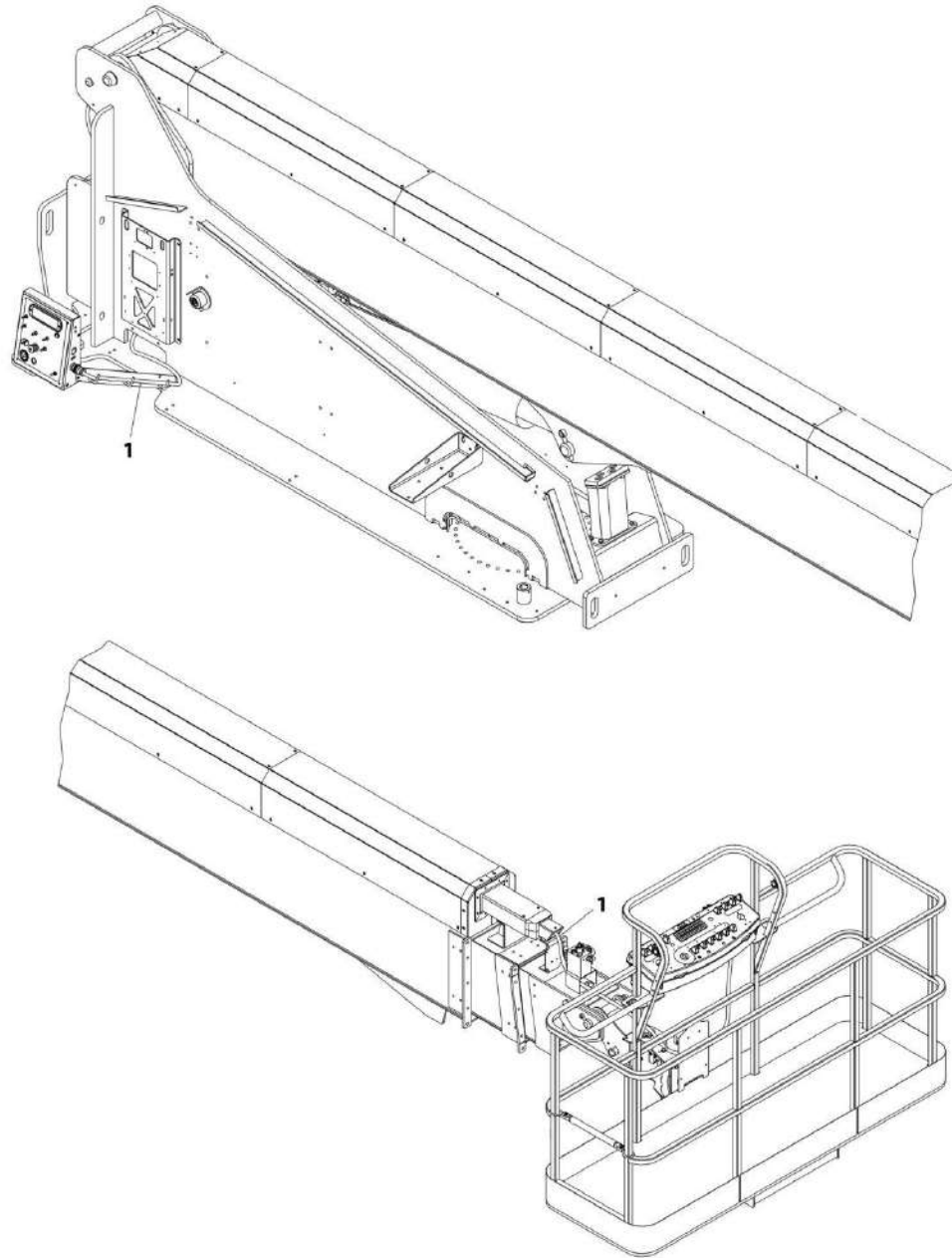
## SECTION 8 - ELECTRICAL

**FIGURE 8-8. BOOM CABLES INSTALLATION - 1030S WITH SKYPOWER**

ITEM	PART NUMBER	QTY	DESCRIPTION	REV
	1001200029	Ref	BOOM CABLES INSTALLATION - 1030S WITH SKYPOWER	B
1	1001200031	1	Boom Cable - Main (See Separate Breakdown in this Section)	
2	1001200035	1	Boom Cable - SkyPower (1030S)	

## SECTION 8 - ELECTRICAL

FIGURE 8-9. BOOM CABLES INSTALLATION - 1100SJ WITHOUT POWER AT PLATFORM



ART\_1001200025

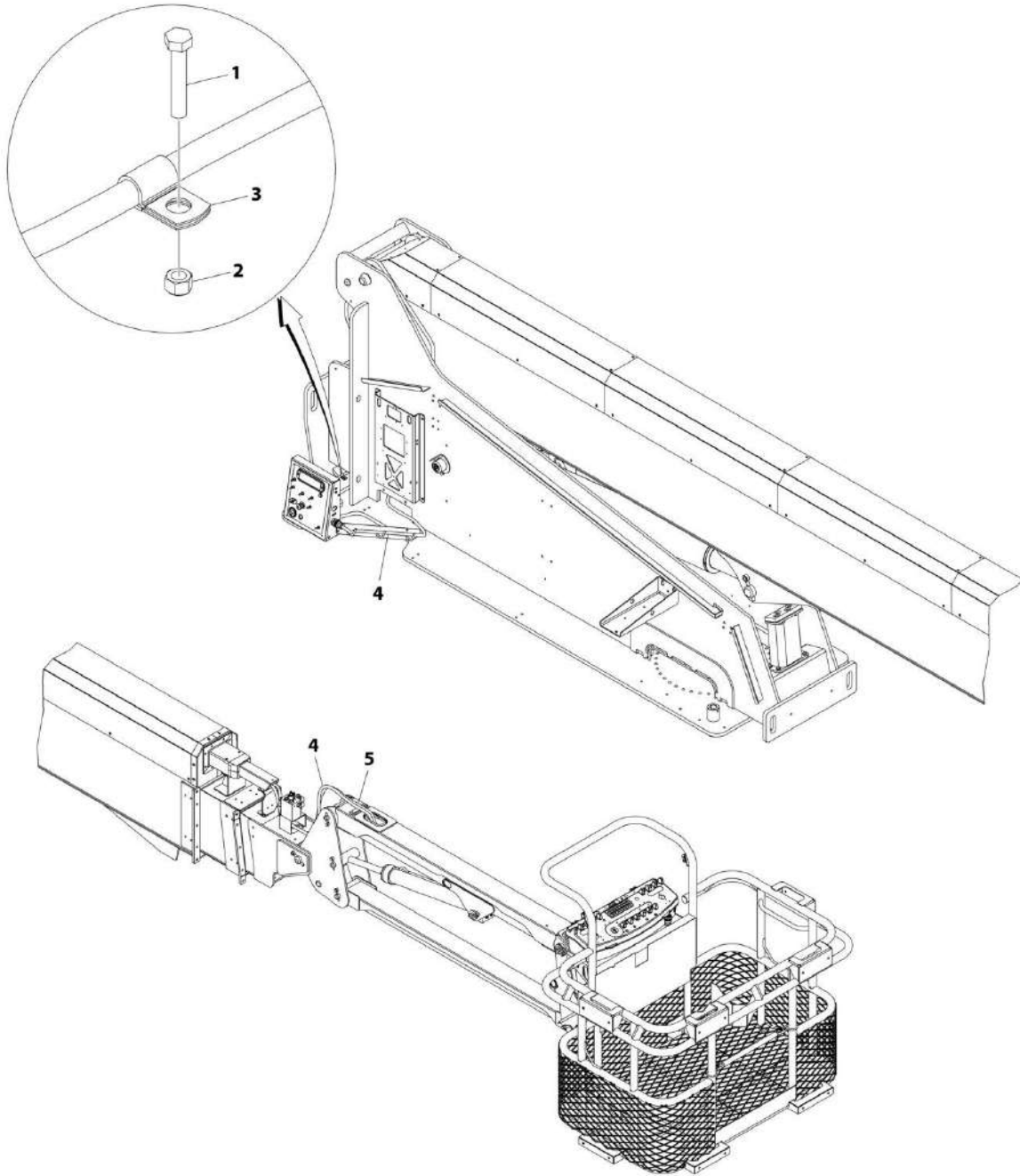
## SECTION 8 - ELECTRICAL

**FIGURE 8-9. BOOM CABLES INSTALLATION - 1100SJ WITHOUT POWER AT PLATFORM**

ITEM	PART NUMBER	QTY	DESCRIPTION	REV
	1001200025	Ref	BOOM CABLES INSTALLATION - 1100SJ WITHOUT POWER AT PLATFORM	B
1	1001200031	1	Boom Cable - Main (See Separate Breakdown in this Section)	

# SECTION 8 - ELECTRICAL

FIGURE 8-10. BOOM CABLES INSTALLATION - 1100SJ WITH AC POWER AT PLATFORM



ART\_1001200026

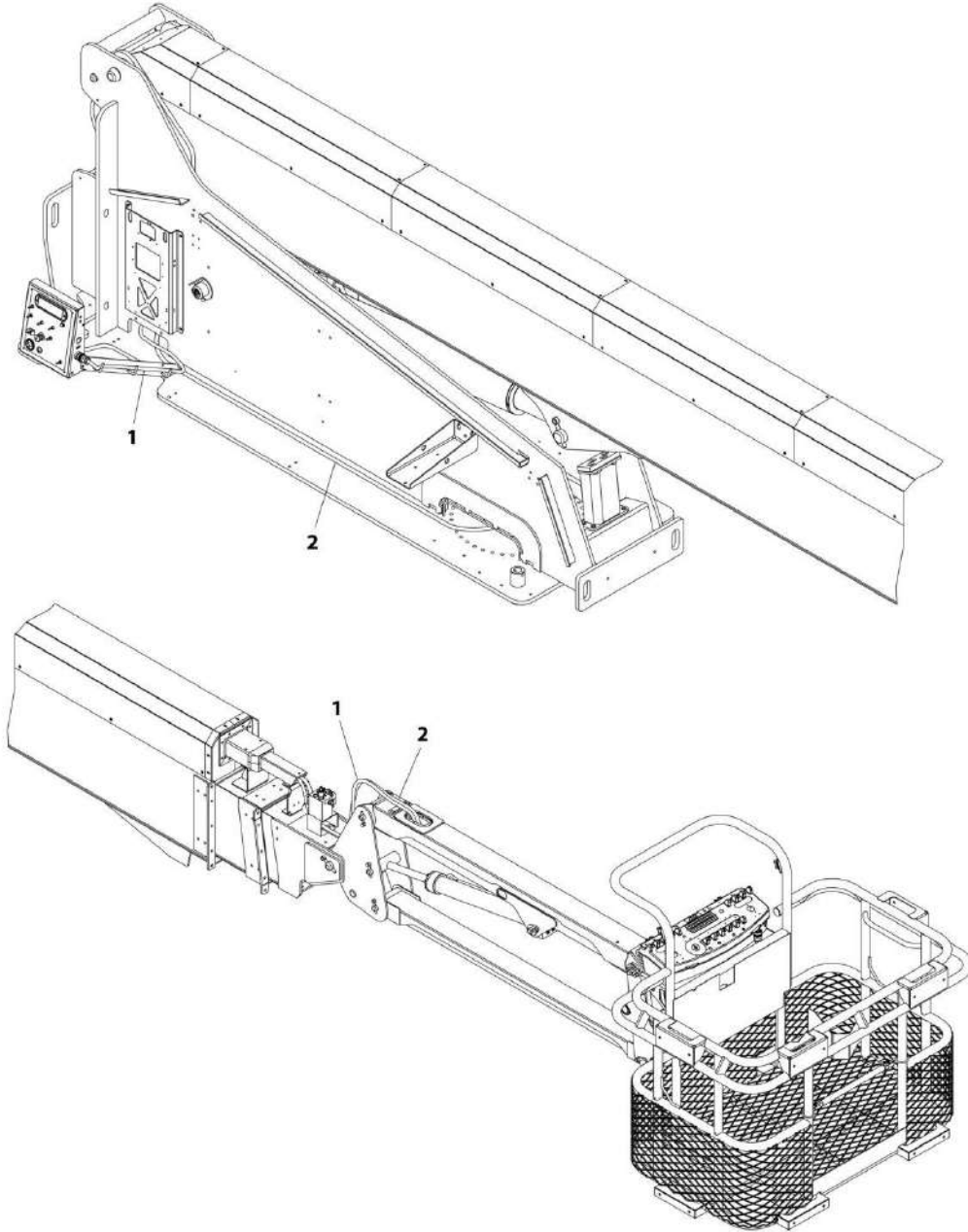
## SECTION 8 - ELECTRICAL

**FIGURE 8-10. BOOM CABLES INSTALLATION - 1100SJ WITH AC POWER AT PLATFORM**

ITEM	PART NUMBER	QTY	DESCRIPTION	REV
	1001200026	Ref	BOOM CABLES INSTALLATION - 1100SJ WITH AC POWER AT PLATFORM	C
1	0700817	1	Bolt M8 x 45	
2	3290805	1	Nut M8	
3	1001080996	1	Clamp	
4	1001200030	1	Boom Cable - Main (See Separate Breakdown in this Section)	
5	1001200032	1	Boom Cable - AC (1100SJ)	

# SECTION 8 - ELECTRICAL

## FIGURE 8-11. BOOM CABLES INSTALLATION - 1100SJ WITH SKYPOWER



ART\_1001200028

## SECTION 8 - ELECTRICAL

**FIGURE 8-11. BOOM CABLES INSTALLATION - 1100SJ WITH SKYPOWER**

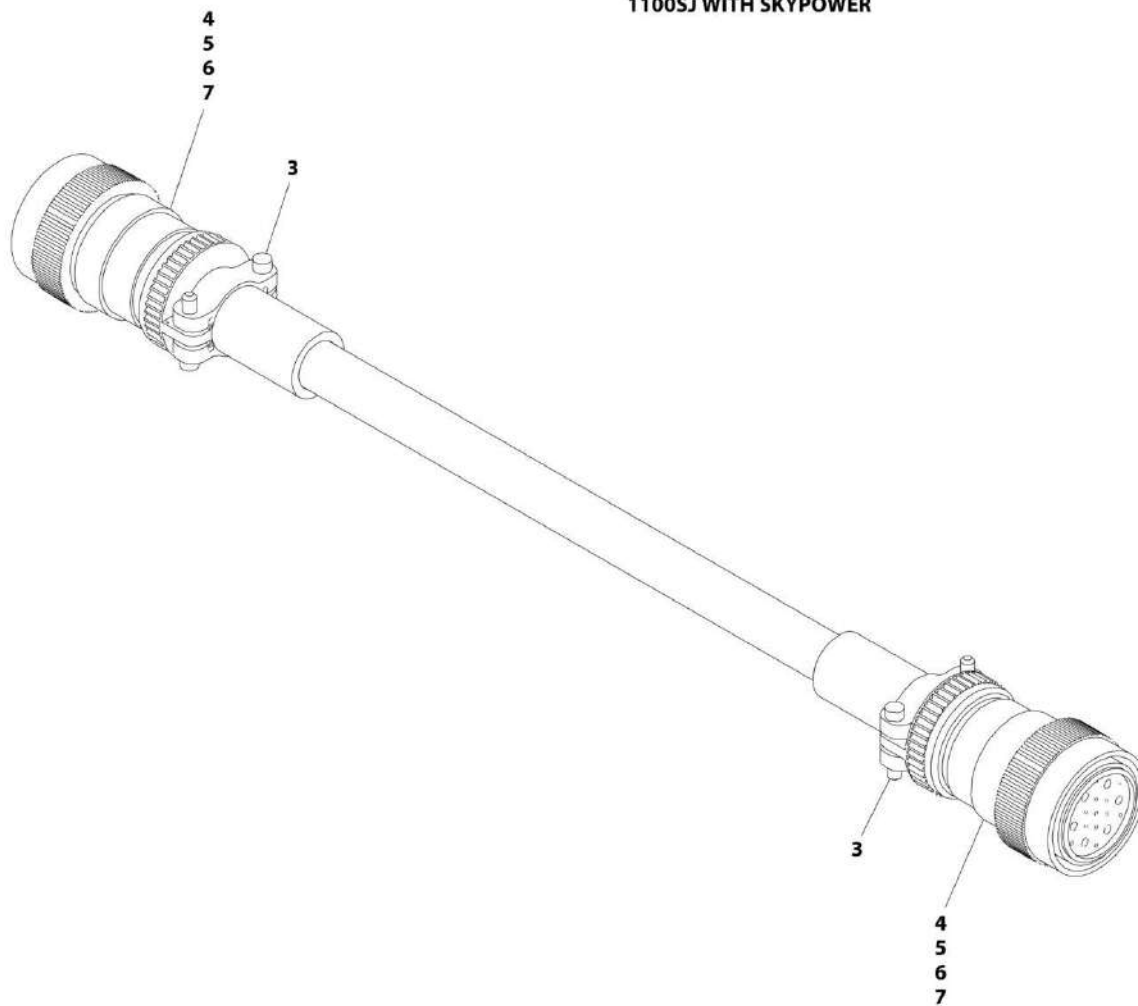
ITEM	PART NUMBER	QTY	DESCRIPTION	REV
	1001200028	Ref	BOOM CABLES INSTALLATION - 1100SJ WITH SKYPOWER	C
1	1001200030	1	Boom Cable - Main (See Separate Breakdown in this Section)	
2	1001200034	1	Boom Cable - SkyPower (1100SJ)	

# SECTION 8 - ELECTRICAL

## FIGURE 8-12. BOOM CABLE - MAIN

### USAGE CHART:

1030S WITHOUT POWER AT PLATFORM  
1100SJ WITHOUT AC POWER AT PLATFORM  
1100SJ WITH SKYPOWER



ART\_1001200030



## SECTION 8 - ELECTRICAL

### FIGURE 8-12. BOOM CABLE - MAIN

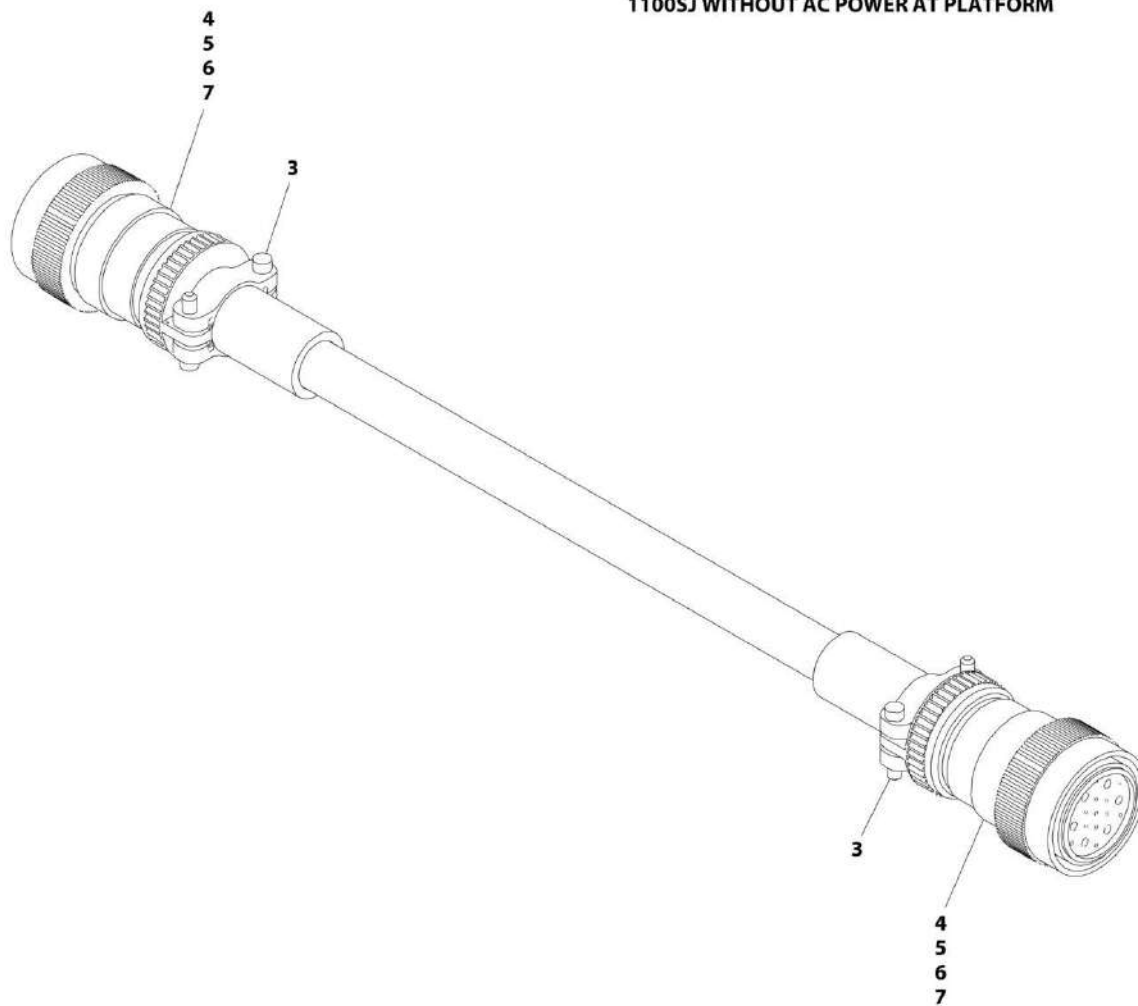
ITEM	PART NUMBER	QTY	DESCRIPTION	REV
	1001200030	Ref	BOOM CABLE - MAIN	E
3	4460473	2	Clamp	
4	4460509	8	Socket, Female	
5	4460865	2	Connector - 19 Position	
6	4460465	22	Socket, Female	
7	4460466	8	Plug, Socket	

# SECTION 8 - ELECTRICAL

## FIGURE 8-13. BOOM CABLE - MAIN

### USAGE CHART:

- 1030S WITH AC POWER AT PLATFORM
- 1030S WITH SKYPOWER
- 1100SJ WITHOUT AC POWER AT PLATFORM



ART\_1001200031

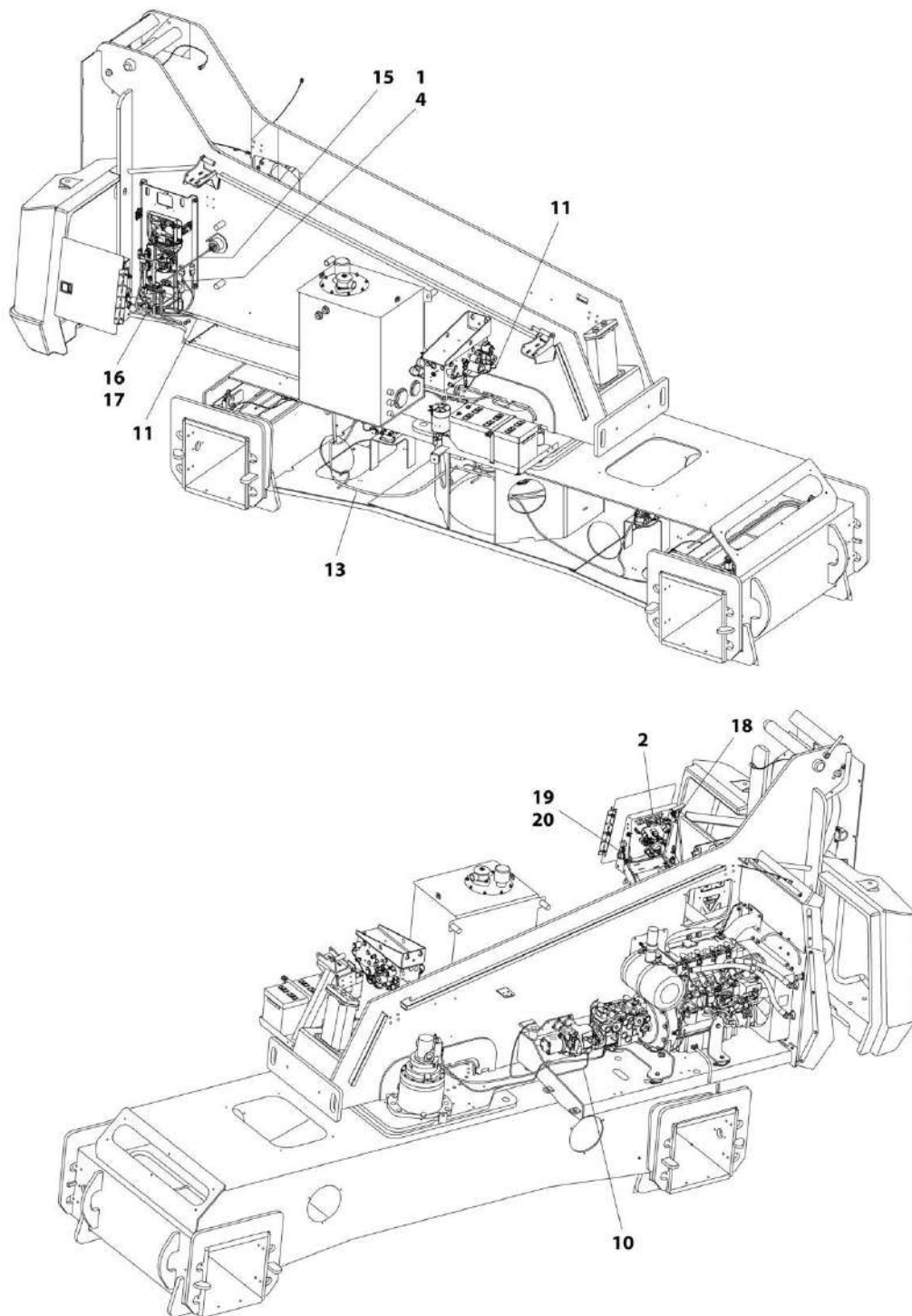
## SECTION 8 - ELECTRICAL

### FIGURE 8-13. BOOM CABLE - MAIN

ITEM	PART NUMBER	QTY	DESCRIPTION	REV
	1001200031	Ref	BOOM CABLE - MAIN	D
3	4460473	2	Clamp	
4	4460509	8	Socket, Female	
5	4460865	2	Connector - 19 Position	
6	4460465	22	Socket, Female	
7	4460466	8	Plug, Socket	

# SECTION 8 - ELECTRICAL

## FIGURE 8-14. CHASSIS AND TURNTABLE HARNESS INSTALLATION



ART\_1001193675

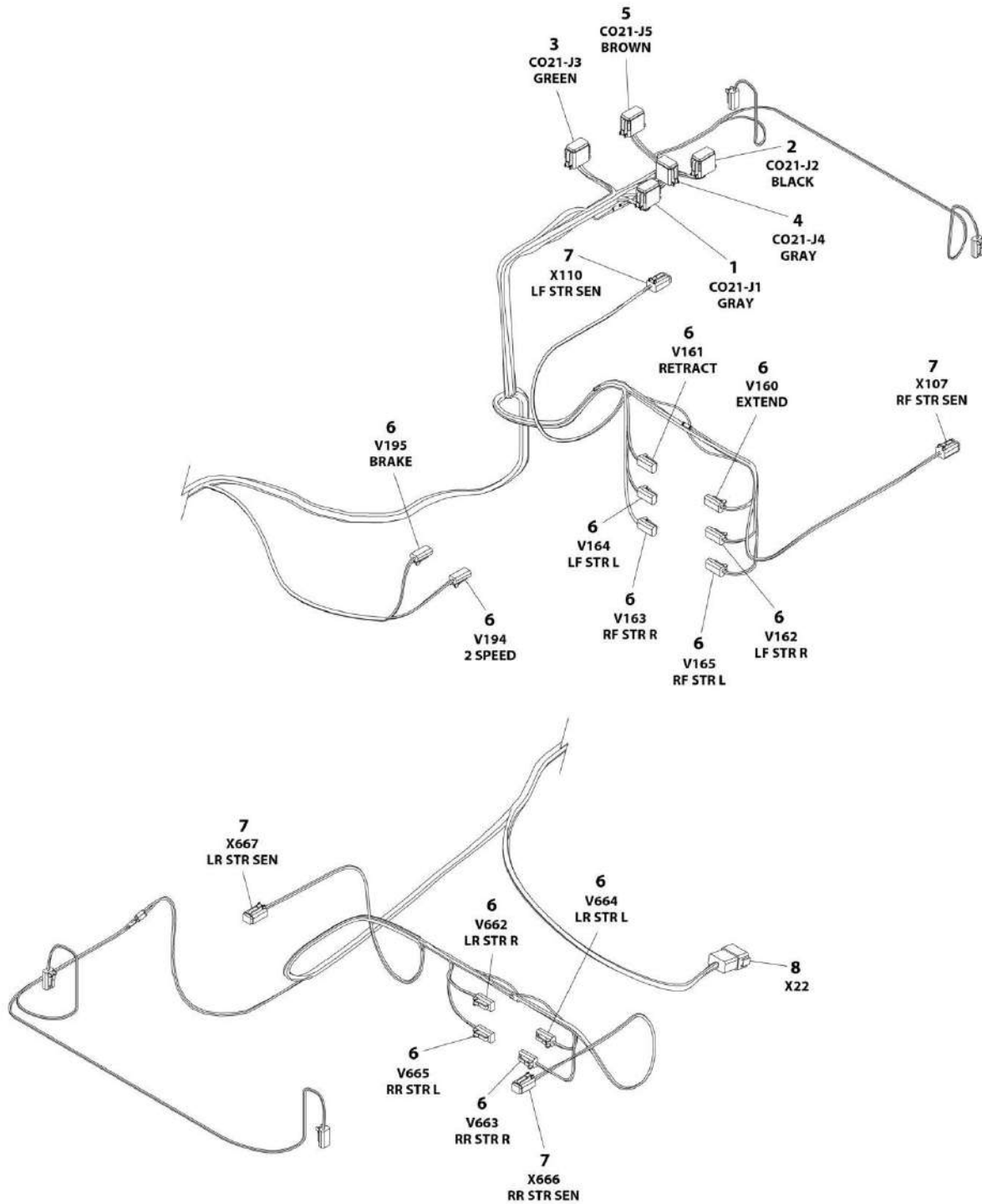
## SECTION 8 - ELECTRICAL

**FIGURE 8-14. CHASSIS AND TURNTABLE HARNESS INSTALLATION**

ITEM	PART NUMBER	QTY	DESCRIPTION	REV
	1001193675	Ref	CHASSIS AND TURNTABLE HARNESS INSTALLATION	I
1	0760606	1	Bolt M6 x 12	
2	2920129	8	Bulb, Light	
4	4811700	1	Washer M6	
10	1001150480	1	Swing Drive Harness (See Separate Breakdown in this Section)	
11	1001194331	1	Main Valve Harness (See Separate Breakdown in this Section)	
13	1001149524	1	Chassis Harness (See Separate Breakdown in this Section)	
14	1001152574	2	Axle Power Track Harness (Not Shown - See Separate Breakdown in this Section)	
15	4923256	1	Load Sensing Pin Harness (See Separate Breakdown in this Section)	
16	1001216943	1	Ground Control Panel Harness (See Separate Breakdown in this Section)	
17	1001216944	1	Turntable Harness (See Separate Breakdown in this Section)	
18	1001217255	1	BLAM Harness (See Separate Breakdown in this Section)	
19	4460470	1	Nut, Terminal	
20	4460471	1	Washer, Terminal	

# SECTION 8 - ELECTRICAL

## FIGURE 8-15. CHASSIS HARNESS



ART\_1001149524

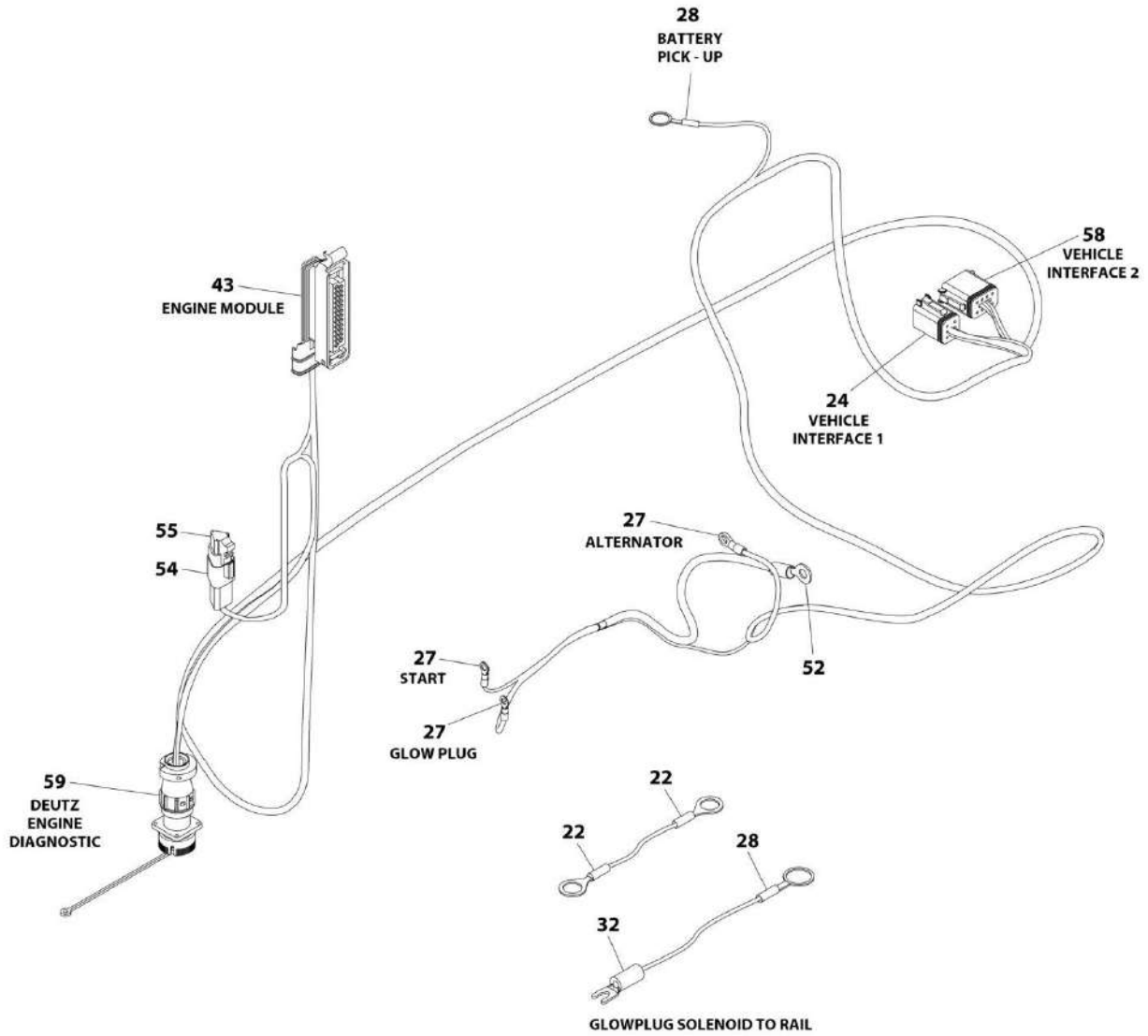
## SECTION 8 - ELECTRICAL

### FIGURE 8-15. CHASSIS HARNESS

ITEM	PART NUMBER	QTY	DESCRIPTION	REV
	1001149524	Ref	CHASSIS HARNESS	E
1	4460933	1	Connector - 12 Position (Gray)	
1	4460465	8	Socket, Female	
1	4460466	4	Plug, Terminal	
2	4460836	1	Connector - 12 Position (Black)	
2	4460465	6	Socket, Female	
2	4460466	6	Plug, Terminal	
3	4460934	1	Connector - 12 Position (Green)	
3	4460465	12	Socket, Female	
4	4460930	1	Connector - 8 Position (Gray)	
4	4460465	4	Socket, Female	
4	4460466	4	Plug, Terminal	
5	4460935	1	Connector - 12 Position (Brown)	
5	4460465	9	Socket, Female	
5	4460466	3	Plug, Terminal	
6	4460891	12	Plug, Male - 2 Position	
6	4460465	24	Socket, Female	
7	4460884	4	Plug, Male - 4 Position	
7	4460465	16	Socket, Female	
8	4460950	1	Connector - 12 Position	
8	4460464	9	Pin, Male	
8	4460466	3	Plug, Terminal	

# SECTION 8 - ELECTRICAL

## FIGURE 8-16. ENGINE HARNESS - DEUTZ TD2011 ENGINES



ART\_1001119470



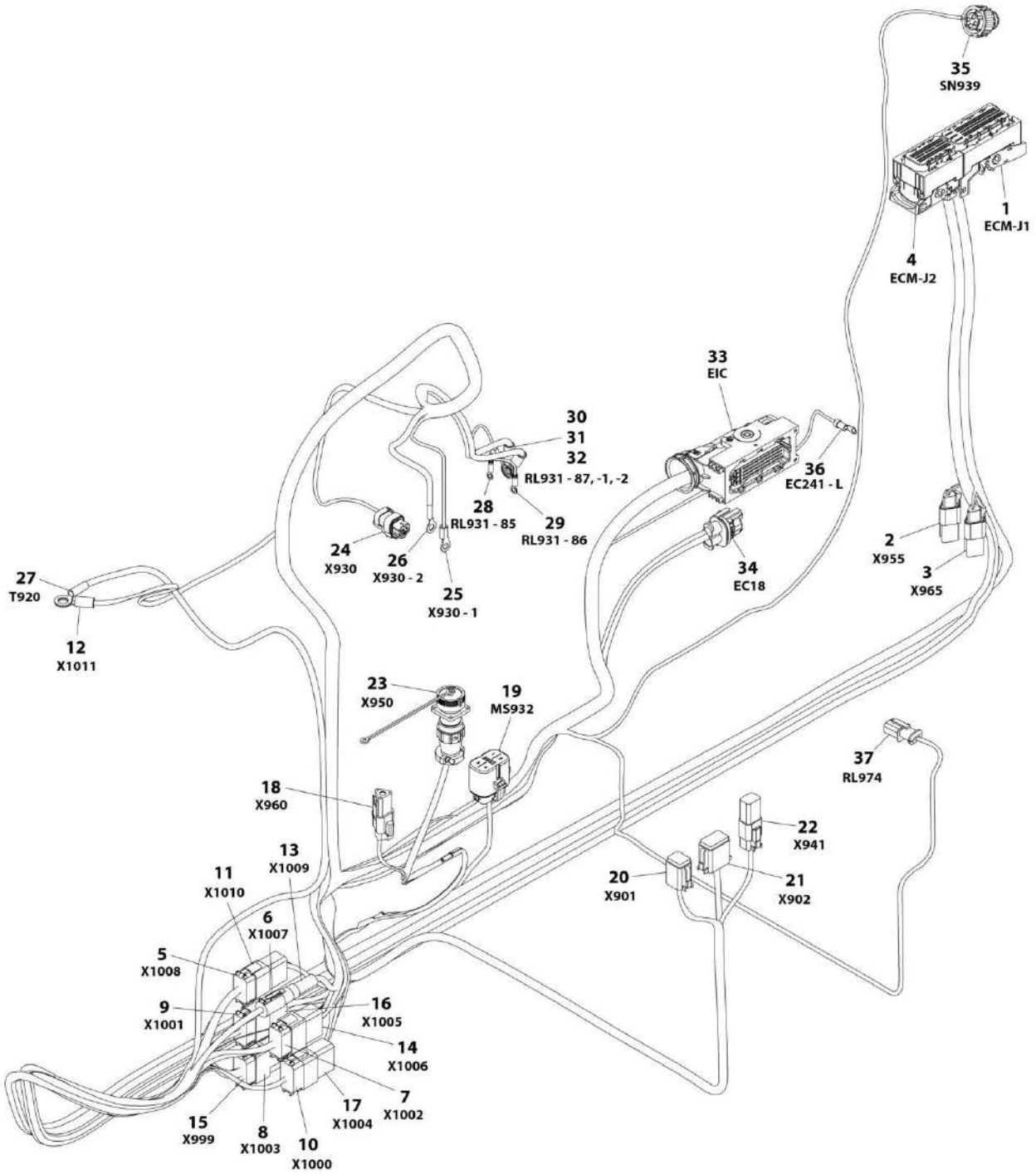
## SECTION 8 - ELECTRICAL

**FIGURE 8-16. ENGINE HARNESS - DEUTZ TD2011 ENGINES**

ITEM	PART NUMBER	QTY	DESCRIPTION	REV
	1001119470	Ref	ENGINE HARNESS - DEUTZ TD2011 ENGINES	B
22	4460702	2	Terminal, Eyelet	
24	4460894	1	Connector - 6 Position	
24	4460465	2	Socket, Female	
24	4460944	3	Socket, Female	
24	4460944	3	Socket, Female	
27	4460313	3	Terminal, Eyelet	
28	4460019	2	Terminal, Eyelet	
32	4460315	1	Terminal, Fork	
43	4461052	1	Connector - 25 Position	
43	4461005	5	Terminal	
43	4461006	5	Seal	
43	4461060	2	Terminal (Tin)	
43	4461054	2	Seal, Terminal	
43	4461008	18	Plug, Hole	
43	4461053	1	Cover, Plug	
50	4240032	AR	Tie-Strap (Not Shown)	
51	4240033	AR	Tie-Strap (Not Shown)	
52	4461097	1	Terminal, Eyelet	
54	4461095	1	Connector - 3 Position	
54	4460944	3	Socket, Female	
55	4461070	1	Connector with Resistor (3 Position)	
58	4460930	1	Connector - 8 Position	
58	4460465	2	Socket, Female	
58	4460466	6	Seal, Plug	
59	2902443	1	Kit, Receptacle	
59	4461071	8	Terminal, Female (Gold)	
59	4461072	1	Connector, Flange Mount	
59	4461073	1	Connector, Dust Cap	
59	4461074	1	Connector, Shell	

# SECTION 8 - ELECTRICAL

## FIGURE 8-17. ENGINE HARNESS - DEUTZ TD2.9L4 ENGINES



ART\_1001220261

## SECTION 8 - ELECTRICAL

### FIGURE 8-17. ENGINE HARNESS - DEUTZ TD2.9L4 ENGINES

ITEM	PART NUMBER	QTY	DESCRIPTION	REV
	1001220261	Ref	ENGINE HARNESS - DEUTZ TD2.9L4 ENGINES	B
1	1001133956	1	Connector (Includes Cover, Locks and Retention Plate)	
1	1001126352	6	Terminal	
1	1001126384	19	Terminal	
1	1001126351	1	Terminal	
1	1001126357	3	Plug, Seal	
1	1001126356	65	Plug, Seal	
2	4461070	1	Connector with Resistor (3 Position)	
2	4461095	1	Connector - 3 Position	
2	4460944	2	Socket, Female	
2	4460466	1	Seal, Plug	
3	4461070	1	Connector with Resistor (3 Position)	
3	4461095	1	Connector - 3 Position	
3	4460944	2	Socket, Female	
3	4460466	1	Seal, Plug	
4	1001133957	1	Connector (Includes Cover, Locks and Retention Plate)	
4	1001126351	13	Terminal	
4	1001126384	17	Terminal	
4	1001126356	20	Plug, Seal	
4	1001126357	10	Plug, Seal	
5	4460930	1	Connector - 8 Position <b>(SN B300001586 through B300002738)</b>	
5	4460944	5	Socket, Female (Gold)	
5	4460465	2	Socket, Female	
5	4460466	1	Seal, Plug	
6	1001116707	1	Connector - 1 Position <b>(SN B300001586 through B300002738)</b>	
6	91143340	1	Terminal	
7	4460935	1	Plug, Brown - 12 Position <b>(SN B300001586 through B300002738)</b>	
7	4460465	12	Socket, Female	
8	4460970	1	Connector - 12 Position	
8	4460941	12	Pin, Male	
9	4460934	1	Connector, Green - 12 Position <b>(SN B300001586 through B300002738)</b>	
9	4460465	10	Socket, Female	
9	4460466	2	Seal, Plug	
10	4460836	1	Connector, Black - 12 Position <b>(SN B300001586 through B300002738)</b>	
10	4460465	8	Socket, Female	
10	4460466	4	Seal, Plug	
11	4460931	1	Connector - 8 Position (Gray) <b>(SN B300001586 through B300002738)</b>	
11	4460943	5	Pin, Male (Gold)	
11	4460466	3	Plug, Socket	
12	8220164	1	Terminal, Eyelet	
13	1001116967	1	Connector - 1 Position <b>(SN B300001586 through B300002738)</b>	
13	91143339	1	Terminal	
14	4460982	1	Connector - 12 Position <b>(SN B300001586 through B300002738)</b>	
14	4460464	12	Pin, Male	
15	4460933	1	Connector, Gray - 12 Position <b>(SN B300001586 through B300002738)</b>	
15	4460942	12	Socket, Female	

## SECTION 8 - ELECTRICAL

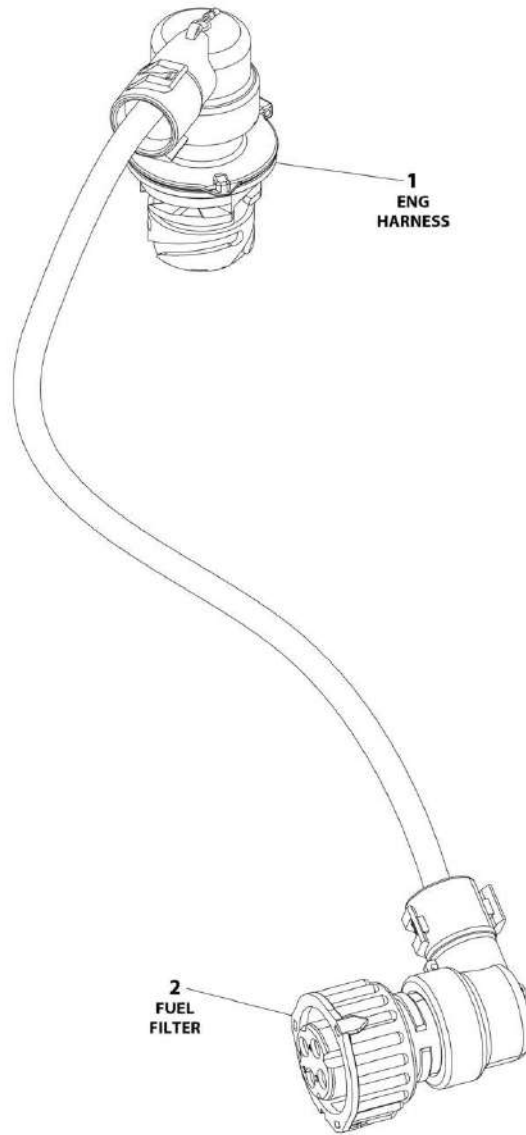
ITEM	PART NUMBER	QTY	DESCRIPTION	REV
16	1001152742	1	Connector - 12 Position (SN B300001586 through B300002738)	
16	4460464	10	Pin, Male	
16	4460466	2	Seal, Plug	
17	4460950	1	Connector - 12 Position (SN B300001586 through B300002738)	
17	4460464	8	Pin, Male	
17	4460466	4	Plug, Seal	
18	4461070	1	Connector with Resistor (3 Position)	
18	4461095	1	Connector - 3 Position	
18	4460944	2	Socket, Female	
18	4460466	1	Seal, Plug	
19	80484084	1	Connector - 8 Position	
19	8229242	1	Fuse - 5A	
19	80983191	1	Fuse - 10A	
19	1001147264	1	Cap	
19	1001116728	4	Plug	
19	4460458	4	Seal	
19	1001116727	4	Seal, Plug	
20	4460894	1	Connector - 6 Position	
20	4460465	3	Socket, Female	
20	4460944	2	Socket, Female	
20	4460466	1	Seal, Plug	
21	4460930	1	Connector - 8 Position	
21	4460465	1	Socket, Female	
21	4460466	7	Plug, Seal	
22	4460884	1	Connector - 4 Position	
22	4460465	2	Socket, Female	
22	4460942	2	Socket, Female	
22	4460932	1	Connector - 4 Position	
22	4460466	4	Seal, Plug	
23	2902443	1	Kit, Receptacle	
23	4461071	8	Terminal, Female (Gold)	
23	4461072	1	Connector, Flange Mount	
23	4461073	1	Connector, Dust Cap	
23	4461074	1	Connector, Shell	
24	1001116952	1	Connector - 2 Position	
24	4460465	2	Socket, Female	
25	4460043	1	Terminal, Eyelet	
26	1001117106	1	Terminal, Eyelet	
27	4460019	1	Terminal, Eyelet	
28	4460247	1	Terminal, Eyelet	
29	4460247	1	Terminal, Eyelet	
30	1001117107	1	Terminal, Eyelet	
31	1001117107	1	Terminal, Eyelet	
32	4460703	1	Terminal, Eyelet	
33	1001126362	1	Connector - 62 Position	
33	1001126363	33	Terminal	
33	1001126364	33	Seal	
33	1001126391	23	Plug	
33	4461008	4	Plug, Cavity	
33	1001126365	2	Terminal	
33	4461054	2	Seal	

## SECTION 8 - ELECTRICAL

ITEM	PART NUMBER	QTY	DESCRIPTION	REV
34	1001142938	1	Connector - 2 Position	
34	1001142940	2	Terminal, Female	
34	1001142941	2	Seal	
35	1001133714	1	Connector - 4 Position	
35	1001133715	3	Terminal, Female	
35	1001135650	1	Seal	
35	1001135651	1	Plug, Cavity	
36	4460042	1	Terminal, Eyelet	
37	1001138110	1	Connector - 2 Position	
37	1001138111	2	Socket, Female	
37	1001138113	2	Seal	

# SECTION 8 - ELECTRICAL

FIGURE 8-18. FUEL FILTER HARNESS - DEUTZ TD2.9L4 T4I



ART\_1001148843

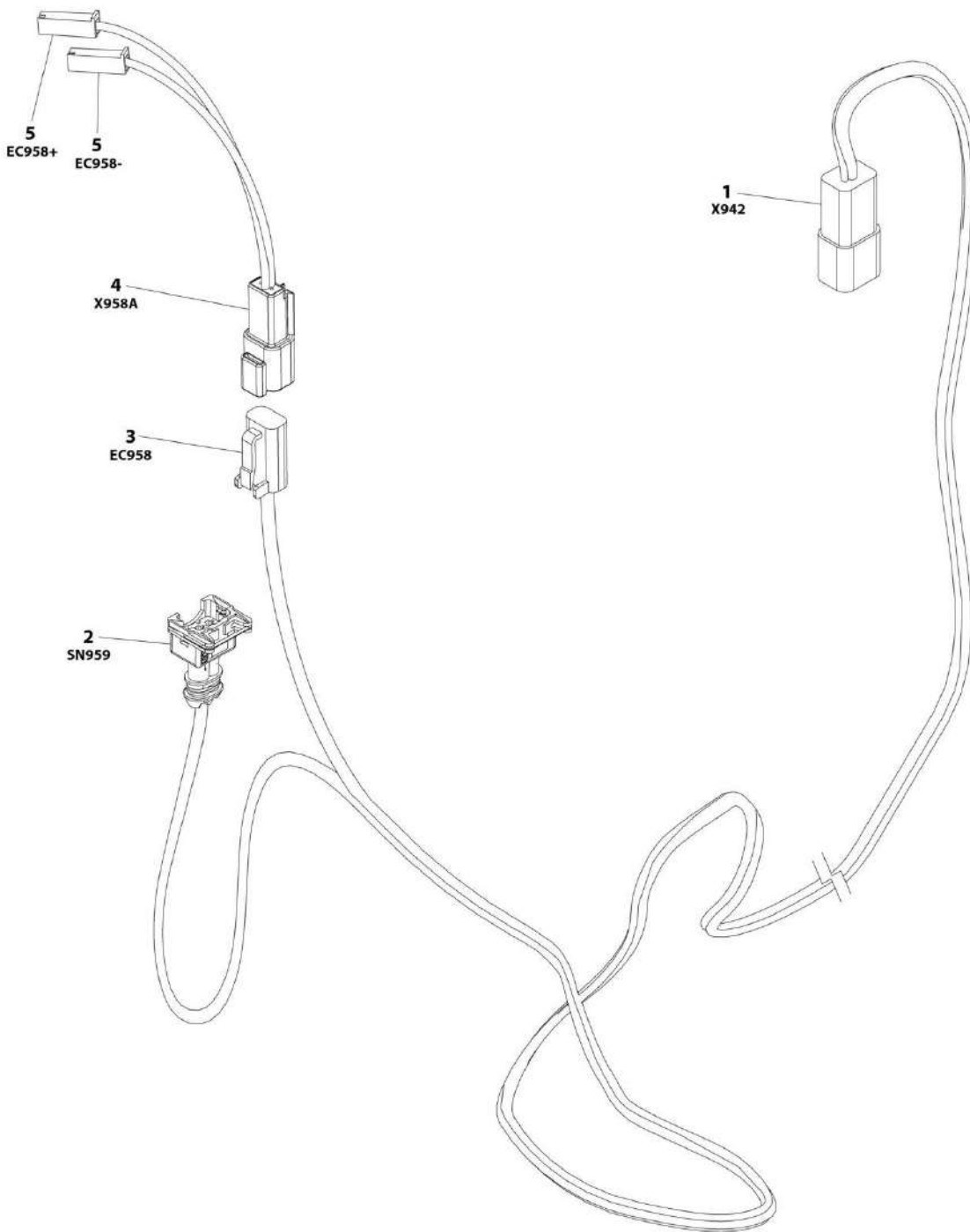
## SECTION 8 - ELECTRICAL

**FIGURE 8-18. FUEL FILTER HARNESS - DEUTZ TD2.9L4 T4I**

ITEM	PART NUMBER	QTY	DESCRIPTION	REV
	1001148843	Ref	FUEL FILTER HARNESS - DEUTZ TD2.9L4 ENGINES	A
1	1001148842	1	Connector - 4 Position	
1	1001148841	1	Pin, Male	
1	1001135650	1	Seal	
2	1001133714	1	Plug, Male - 4 Position	
2	1001133715	1	Socket, Female	
2	1001135650	1	Seal	

# SECTION 8 - ELECTRICAL

## FIGURE 8-19. FUEL PUMP HARNESS - DEUTZ TD2.9L4



ART\_1001221289



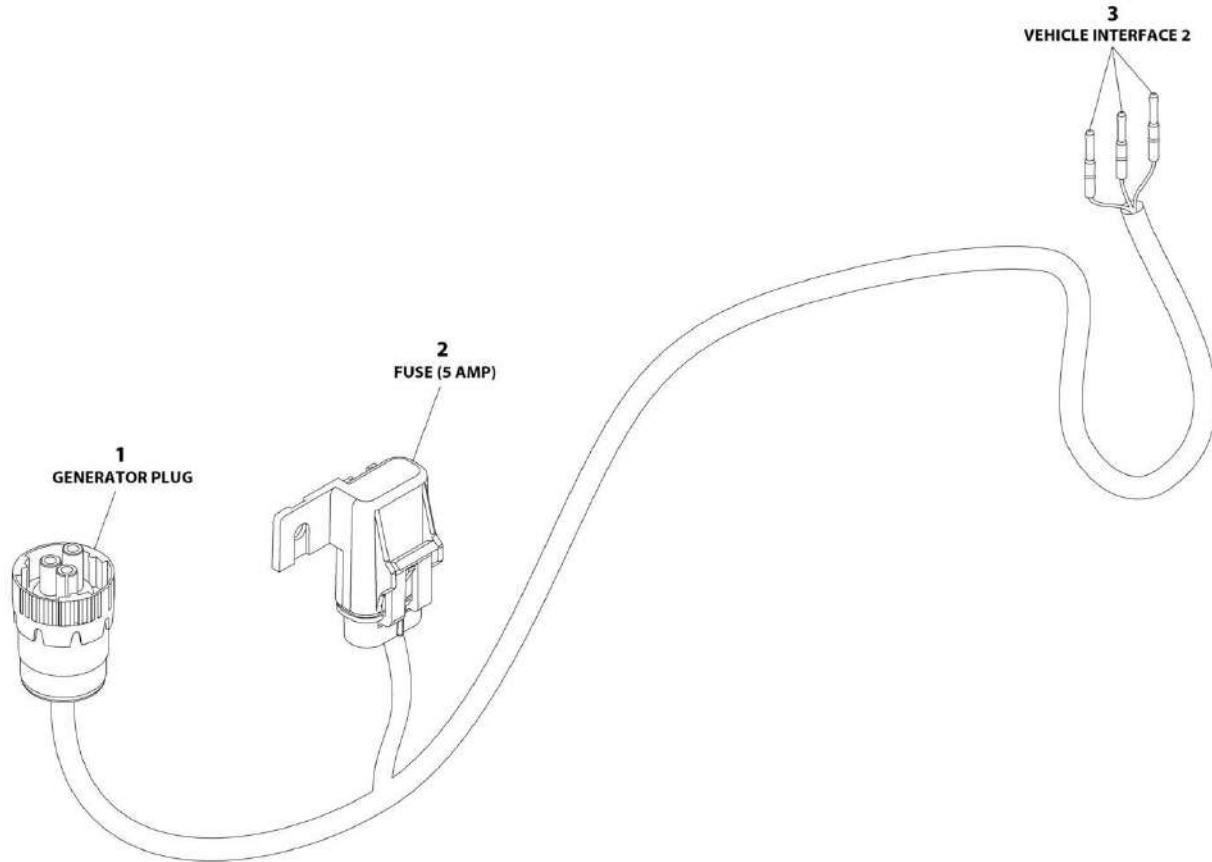
## SECTION 8 - ELECTRICAL

**FIGURE 8-19. FUEL PUMP HARNESS - DEUTZ TD2.9L4**

ITEM	PART NUMBER	QTY	DESCRIPTION	REV
	1001221289	Ref	FUEL PUMP HARNESS - DEUTZ TD2.9L4	B
1	4460932	1	Connector - 4 Position	
1	4460464	2	Pin, Male	
1	4460941	2	Pin, Male	
2	1001116983	1	Connector - 2 Position	
2	1001116710	2	Socket, Female	
2	4461054	2	Seal	
3	4460891	1	Connector - 2 Position	
3	4460942	2	Socket, Female	
4	4460897	1	Connector - 2 Position	
4	4460941	2	Pin, Male	
5	4460260	2	Cover, Terminal	
5	4460259	2	Terminal	

# SECTION 8 - ELECTRICAL

FIGURE 8-20. GENERATOR HARNESS - 7500W SKYPOWER (60HZ/240V) (DEUTZ TD2.9L4 T4F ENGINES) (OPTIONAL)



ART\_100119968

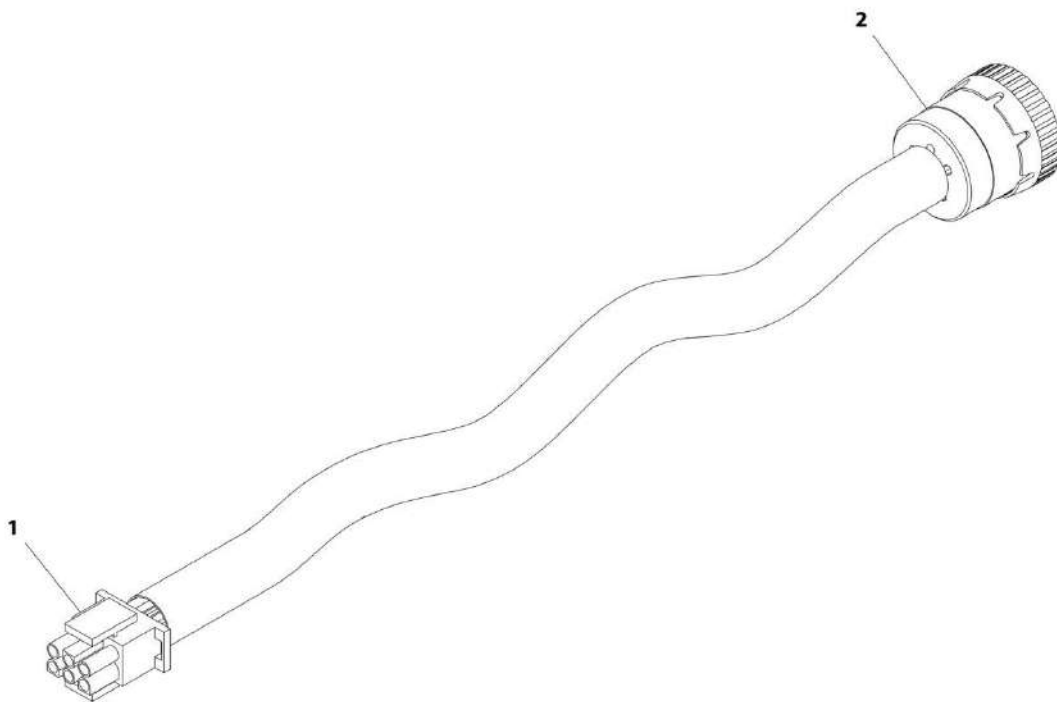
## SECTION 8 - ELECTRICAL

**FIGURE 8-20. GENERATOR HARNESS - 7500W SKYPOWER (60HZ/240V) (DEUTZ TD2.9L4 T4F ENGINES) (OPTIONAL)**

ITEM	PART NUMBER	QTY	DESCRIPTION	REV
	1001119968	Ref	GENERATOR HARNESS - 7500W SKYPOWER (60HZ/240V) (DEUTZ TD2.9L4 T4F) (OPTIONAL)	C
1	4460967	1	Connector - 3 Position	
1	4460465	3	Socket, Female	
2	1001117078	1	Connector, Metri-Pack with 5Amp Fuse	
3	4460465	3	Socket, Female	

## SECTION 8 - ELECTRICAL

FIGURE 8-21. GENERATOR CABLE HARNESS - 7500W SKYPOWER (60HZ/240V) (DEUTZ TD2.9L4 T4F ENGINES)



ART\_4922972

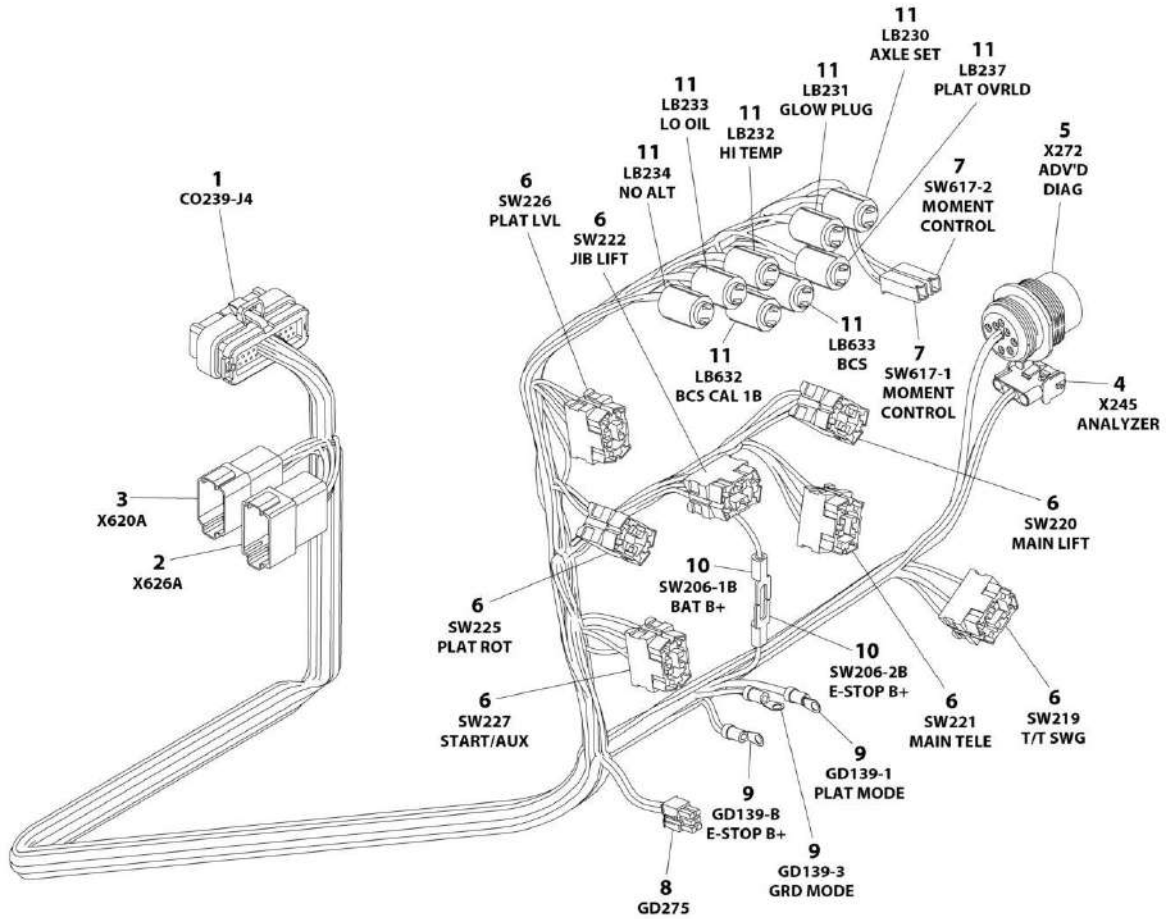
## SECTION 8 - ELECTRICAL

**FIGURE 8-21. GENERATOR CABLE HARNESS - 7500W SKYPOWER (60HZ/240V) (DEUTZ TD2.9L4 T4F ENGINES)**

ITEM	PART NUMBER	QTY	DESCRIPTION	REV
	4922972	Ref	GENERATOR CABLE HARNESS - 7500W SKYPOWER (60HZ/240V) (DEUTZ TD2.9L4 T4F)	C
1	4460225	1	Connector - 6 Position	
1	4460268	6	Socket, Female	
1	4460807	1	Seal, Plug	
1	4460808	1	Seal, Plug	
2	77363233	1	Plug, Male - 6 Position	
2	4460465	6	Socket, Female	

# SECTION 8 - ELECTRICAL

## FIGURE 8-22. GROUND CONTROL PANEL HARNESS



ART\_1001216943

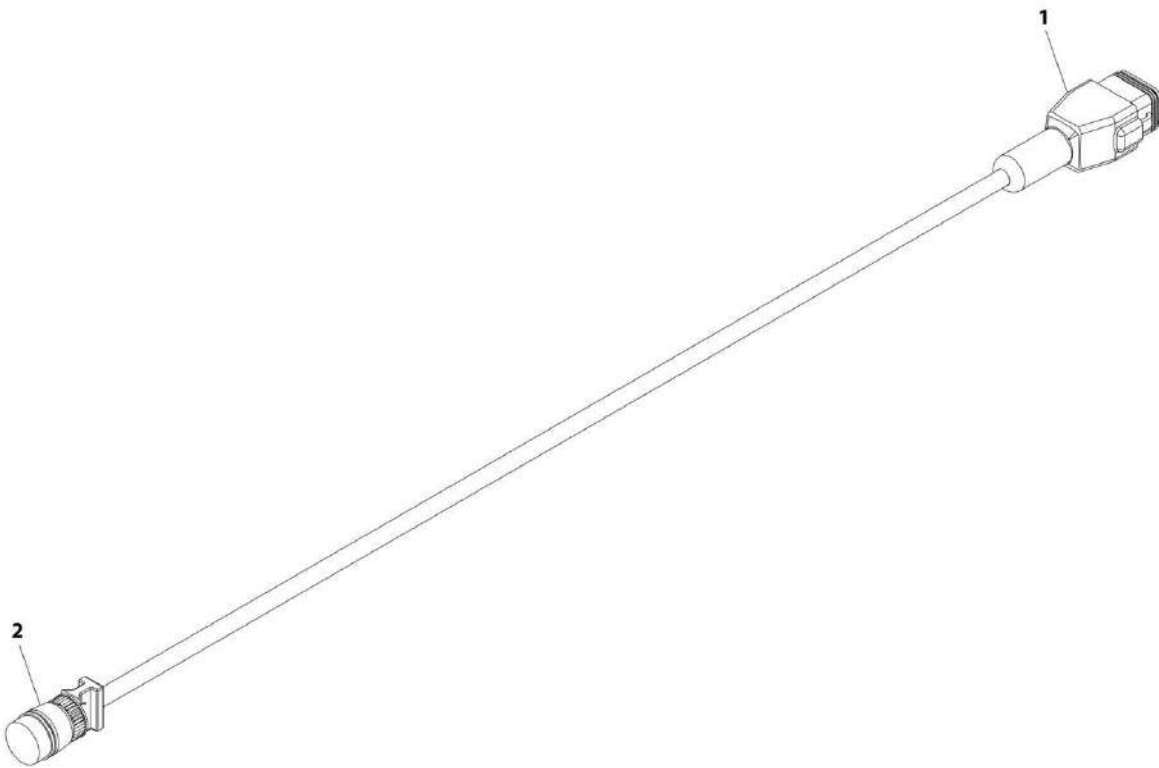
## SECTION 8 - ELECTRICAL

### FIGURE 8-22. GROUND CONTROL PANEL HARNESS

ITEM	PART NUMBER	QTY	DESCRIPTION	REV
	1001216943	Ref	GROUND CONTROL PANEL HARNESS	C
1	4460876	1	Connector - 35 Position	
1	4460871	24	Socket, Female	
1	4460905	11	Plug, Terminal	
2	4460970	1	Connector - 12 Position	
2	4460464	9	Plug, Male	
2	4460466	3	Plug, Terminal	
3	4460931	1	Connector - 8 Position	
3	4460464	8	Plug, Male	
4	4460761	1	Receptacle, Female - 4 Position	
4	4460267	4	Pin, Male	
5	1001112612	1	Connector - 9 Position	
5	4460464	5	Plug, Male	
5	4460466	4	Plug, Terminal	
5	1001106736	1	Cap, Dust	
5	4460497	1	Nut, Terminal	
5	4460496	1	Washer, Terminal	
6	4460418	7	Connector - 6 Position	
6	4460419	14	Socket, Female	
6	1001159186	14	Socket, Female	
7	4460260	2	Cover, Terminal	
7	4460259	2	Terminal	
8	4460868	1	Plug, Male - 2 Position	
8	4460877	9	Socket, Female	
9	4460042	3	Terminal, Ring	
10	4460144	2	Terminal, Fork	
11	4120035	8	Base, Light	
11	4460634	8	Terminal	
11	4460635	16	Terminal	

## SECTION 8 - ELECTRICAL

FIGURE 8-23. LOAD SENSING PIN HARNESS



ART\_4923256



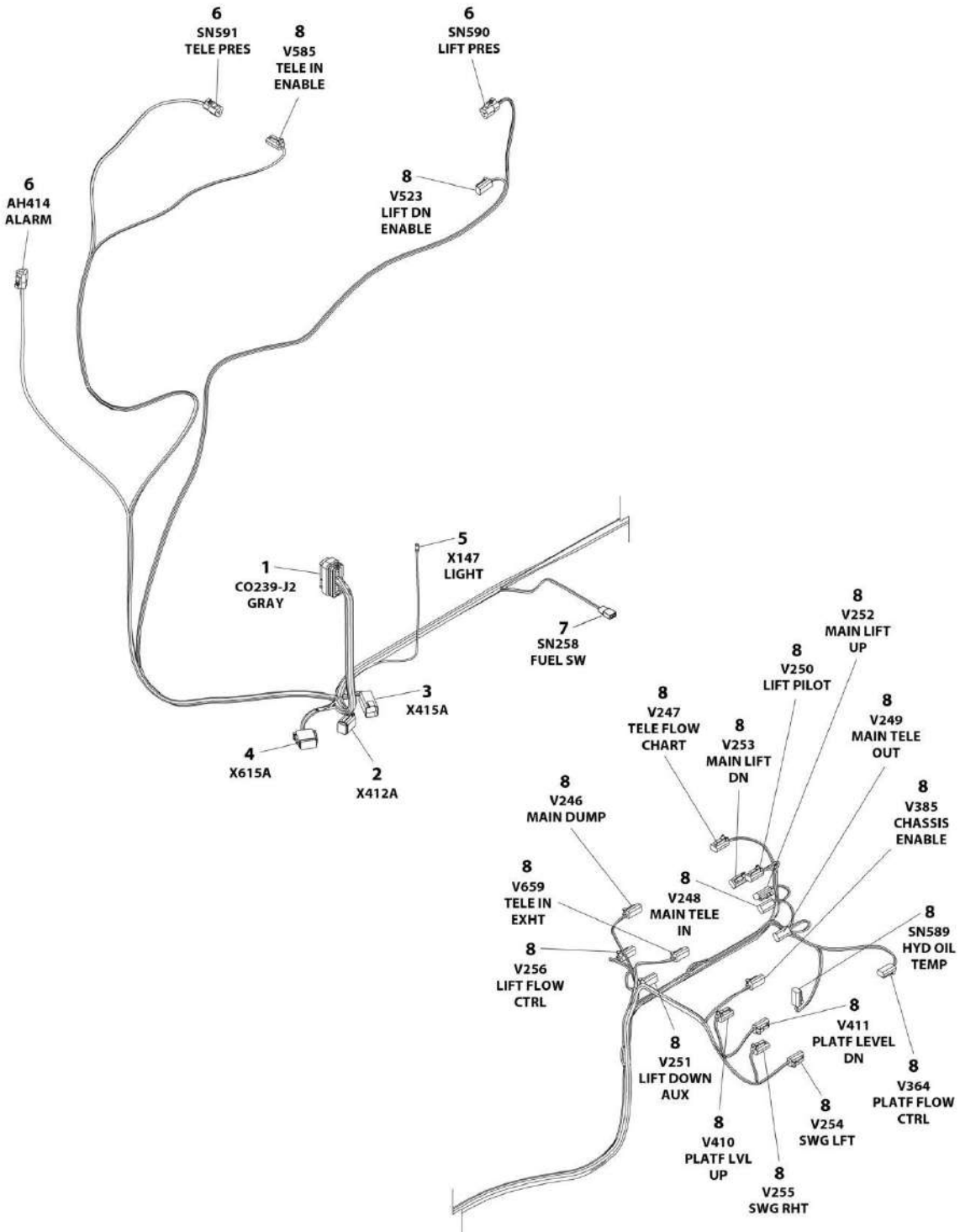
## SECTION 8 - ELECTRICAL

### FIGURE 8-23. LOAD SENSING PIN HARNESS

ITEM	PART NUMBER	QTY	DESCRIPTION	REV
	4923256	Ref	LOAD SENSING PIN HARNESS	B
1	4460930	1	Connector - 8 Position (Gray)	
1	4460465	4	Socket, Female	
1	4460466	3	Plug, Sealing	
2	See Note	NSS	Connector - 4 Position (Note: Not Available for Purchase)	
2	See Note	NSS	Terminal (Note: Not Available for Purchase)	

# SECTION 8 - ELECTRICAL

## FIGURE 8-24. MAIN VALVE HARNESS



ART\_1001194331

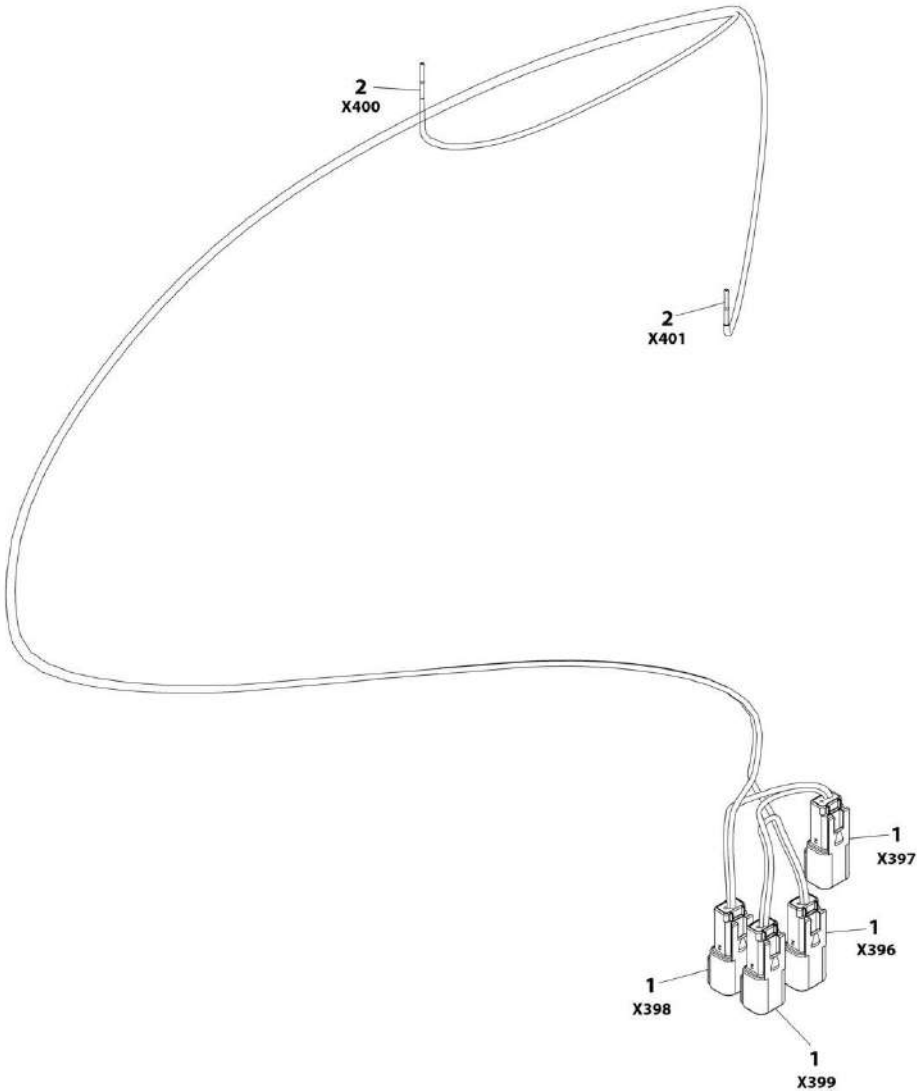
## SECTION 8 - ELECTRICAL

### FIGURE 8-24. MAIN VALVE HARNESS

ITEM	PART NUMBER	QTY	DESCRIPTION	REV
	1001194331	Ref	MAIN VALVE HARNESS	G
1	4460875	1	Connector - 35 Position	
1	4460871	26	Socket, Female	
1	4460905	9	Plug, Terminal	
2	4460894	1	Plug, Male - 6 Position	
2	4460465	5	Socket, Female	
2	4460466	1	Plug, Terminal	
3	4460899	1	Receptacle, Female - 6 Position	
3	4460464	6	Pin, Male	
4	4460930	1	Plug, Male - 8 Position	
4	4460465	7	Socket, Female	
4	4460466	1	Plug, Terminal	
5	4460121	1	Terminal, Ring	
6	4460539	3	Plug, Male - 2 Position	
6	4460465	6	Socket, Female	
7	4460424	1	Plug, Male - 2 Position	
7	4460268	2	Socket, Female	
8	4460891	19	Plug, Male - 2 Position	
8	4460465	38	Socket, Female	

**SECTION 8 - ELECTRICAL**

**FIGURE 8-25. OVERHEAD SOFT TOUCH HARNESS**



ART\_1001151201

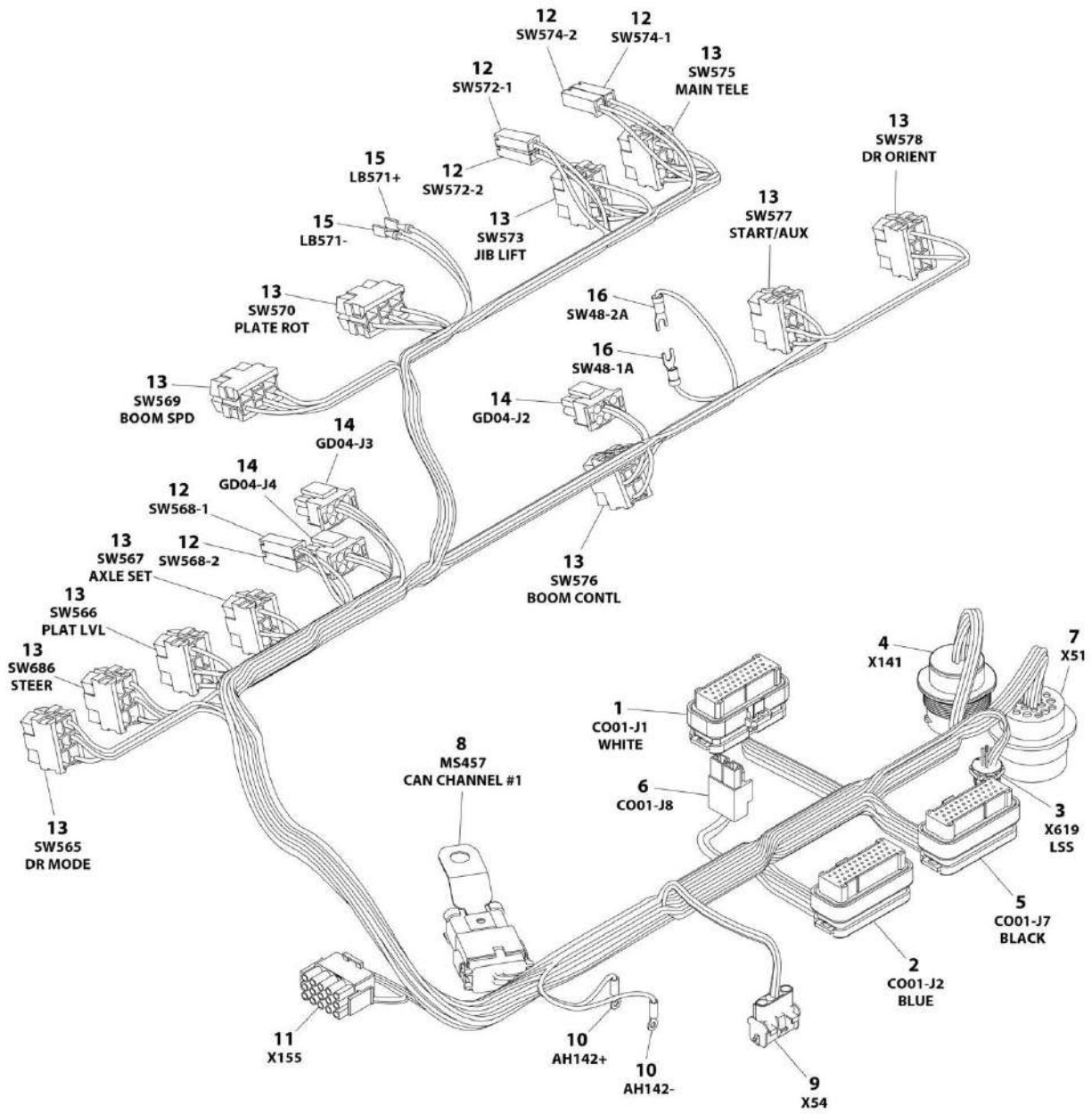
## SECTION 8 - ELECTRICAL

### FIGURE 8-25. OVERHEAD SOFT TOUCH HARNESS

ITEM	PART NUMBER	QTY	DESCRIPTION	REV
	1001151201	Ref	OVERHEAD SOFT TOUCH HARNESS	A
1	4460897	4	Connector - 2 Position	
1	4460464	8	Pin, Male	
2	4460226	2	Socket, Female	

# SECTION 8 - ELECTRICAL

## FIGURE 8-26. PLATFORM CONSOLE BOX HARNESS



ART\_1001199119

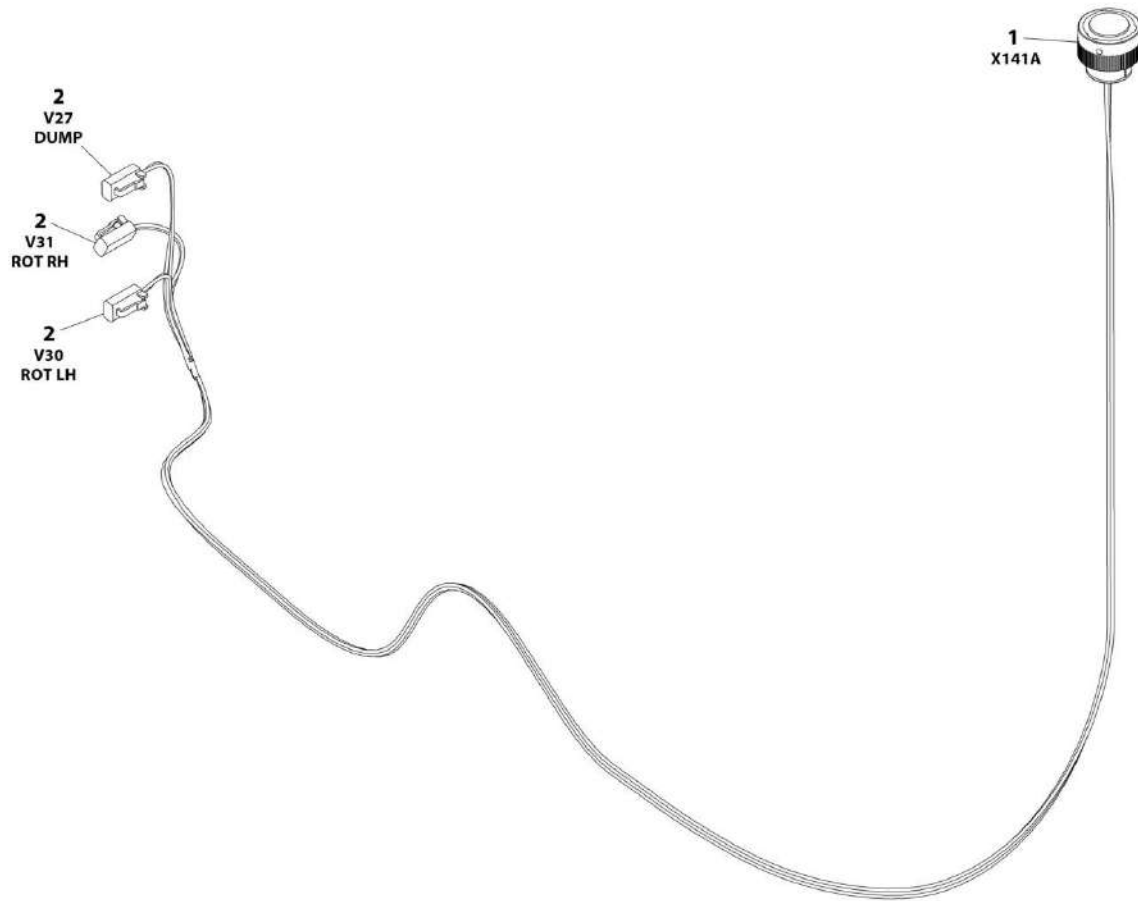
## SECTION 8 - ELECTRICAL

### FIGURE 8-26. PLATFORM CONSOLE BOX HARNESS

ITEM	PART NUMBER	QTY	DESCRIPTION	REV
	1001199119	Ref	PLATFORM CONSOLE BOX HARNESS	F
1	4460874	1	Connector - 35 Position	
1	4460871	23	Socket, Female	
1	4460905	12	Plug, Terminal	
2	4460876	1	Connector - 35 Position	
2	4460871	22	Socket, Female	
2	4460905	13	Plug, Terminal	
3	1001213447	1	Receptacle, Female - 5 Position (With Wires & Terminals)	
4	4460925	1	Connector - 21 Position	
4	1001126011	7	Pin, Male	
4	4460518	14	Plug, Terminal	
5	4460873	1	Connector - 35 Position	
5	4460871	19	Socket, Female	
5	4460905	16	Plug, Terminal	
6	4460879	1	Plug, Male - 2 Position	
6	4460887	2	Terminal	
7	4460866	1	Connector - 19 Position	
7	4460943	3	Pin, Male	
7	4460464	5	Pin, Male	
7	4460508	2	Pin, Male	
7	4460466	9	Plug, Terminal	
8	4460933	1	Plug, Male - 12 Position	
8	4460465	9	Socket, Female	
8	4460466	3	Plug, Terminal	
8	1001119020	1	Bussbar - 12 Position	
8	1001120328	1	Mount	
9	4460761	1	Receptacle, Female - 4 Position	
9	4460227	4	Pin, Male	
10	1001098122	2	Terminal, Ring	
11	4460434	2	Plug, Male - 15 Position	
11	4460227	AR	Pin, Male	
11	4460267	5	Pin, Male <b>(SN B300002614 to Present)</b>	
12	4460260	6	Cover, Terminal	
12	4460259	6	Terminal	
13	4460418	11	Connector - 6 Position	
13	4460419	20	Socket, Female	
13	1001159186	21	Socket, Female	
14	4460225	3	Plug, Male - 6 Position	
14	4460226	15	Socket, Female	
15	4460016	2	Terminal	
16	4460183	2	Terminal, Fork	

# SECTION 8 - ELECTRICAL

## FIGURE 8-27. PLATFORM VALVE HARNESS (1030S)



ART\_1001203152



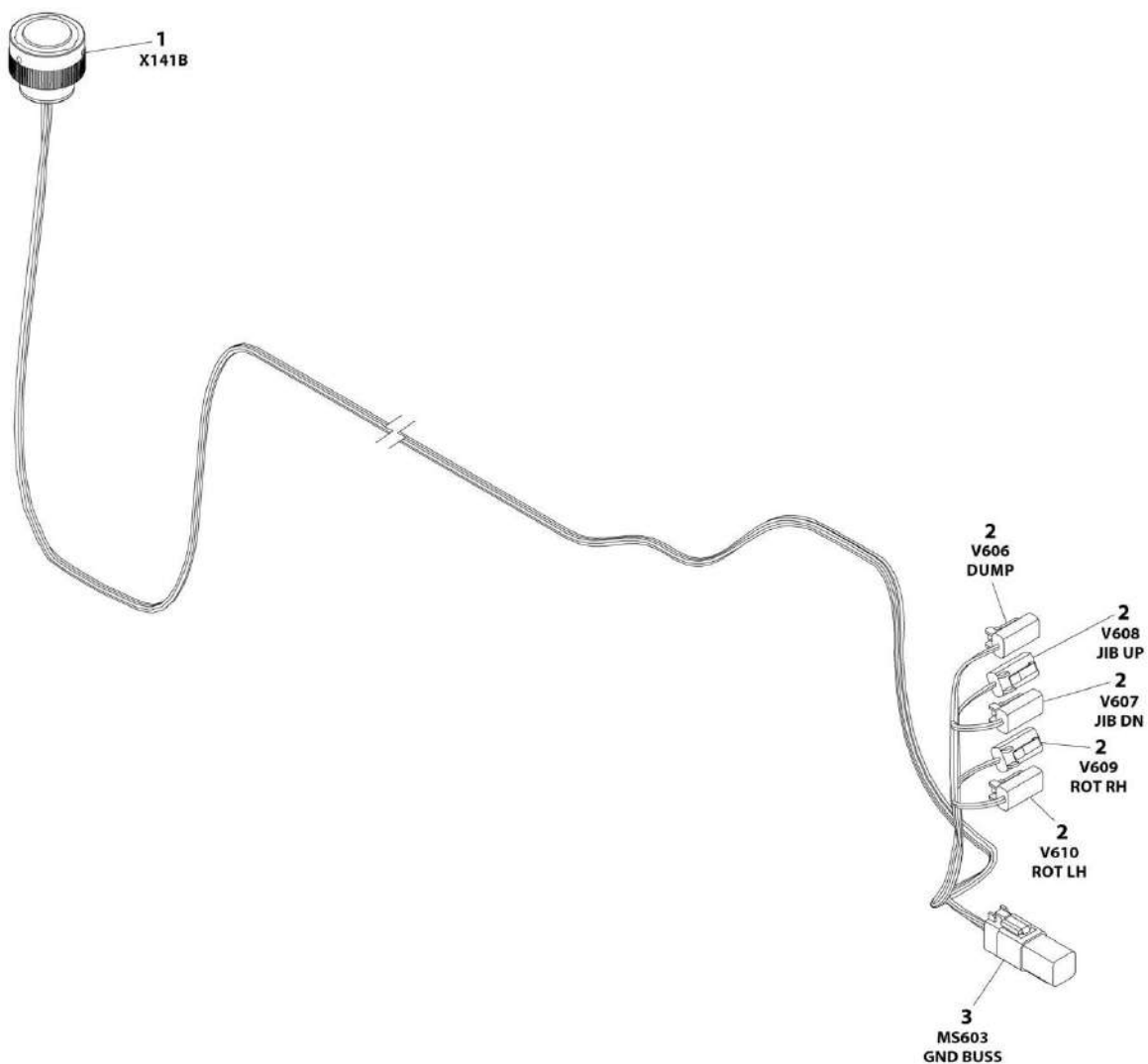
## SECTION 8 - ELECTRICAL

### FIGURE 8-27. PLATFORM VALVE HARNESS (1030S)

ITEM	PART NUMBER	QTY	DESCRIPTION	REV
	1001203152	Ref	PLATFORM VALVE HARNESS (1030S)	B
1	4460926	1	Connector - 21 Position	
1	4460928	5	Socket, Female	
1	4460518	16	Plug, Terminal	
2	4460891	3	Plug, Male - 2 Position	
2	4460465	6	Socket, Female	

# SECTION 8 - ELECTRICAL

FIGURE 8-28. PLATFORM VALVE HARNESS (1100SJ) (SN B300001586 through B300002339)



ART\_1001203004

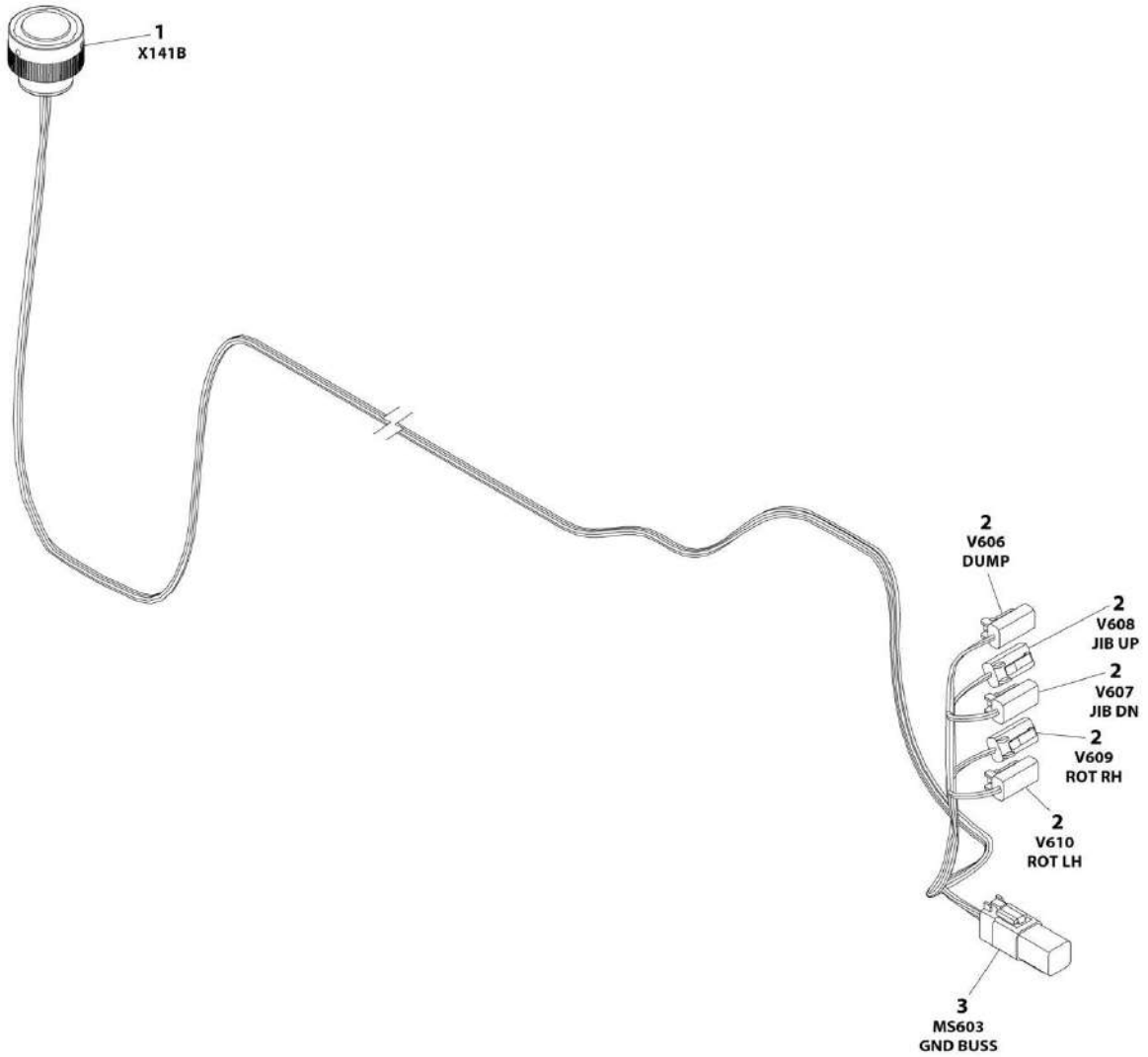
## SECTION 8 - ELECTRICAL

**FIGURE 8-28. PLATFORM VALVE HARNESS (1100SJ) (SN B300001586 through B300002339)**

ITEM	PART NUMBER	QTY	DESCRIPTION	REV
	1001203004	Ref	PLATFORM VALVE HARNESS (1100SJ)	D
1	4460926	1	Connector - 21 Position	
1	4460928	7	Socket, Female	
1	4460518	14	Plug, Terminal	
2	4460891	5	Plug, Male - 2 Position	
2	4460465	10	Socket, Female	
3	4460894	1	Plug, Male - 6 Position	
3	4460465	5	Socket, Female	
3	4460466	1	Plug, Terminal	
3	4460892	1	Bussbar - 6 Position	

# SECTION 8 - ELECTRICAL

FIGURE 8-29. PLATFORM VALVE HARNESS (1100SJ) (SN B300002340 to Present)



ART\_1001231797

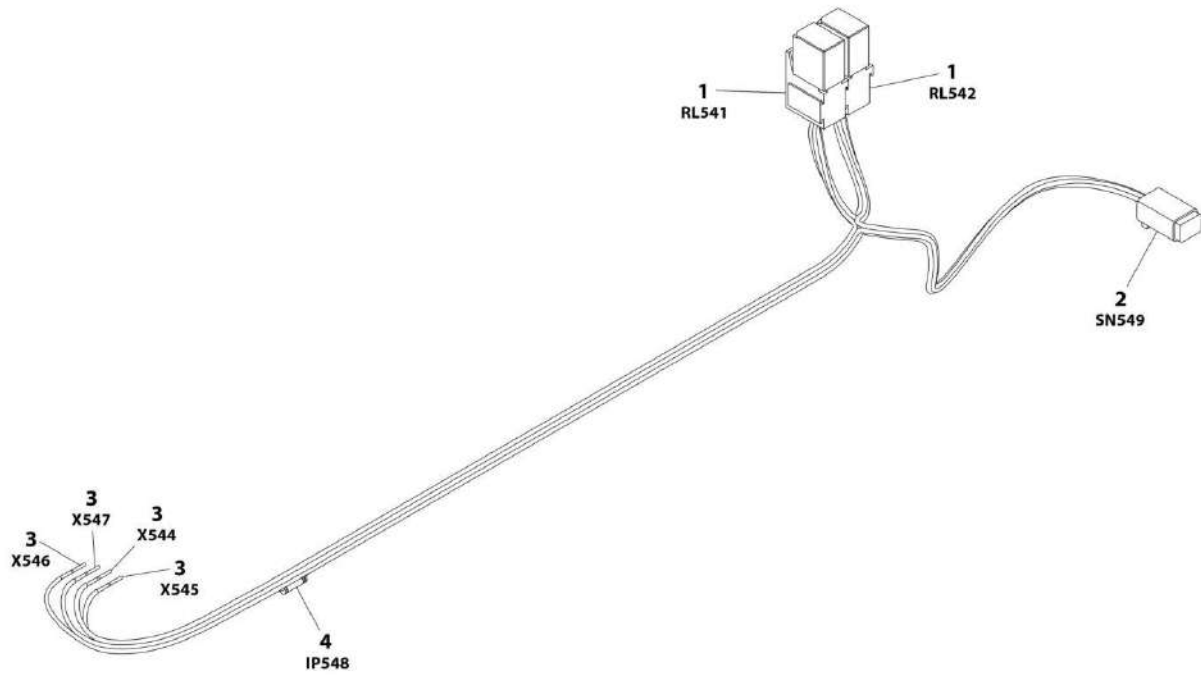
## SECTION 8 - ELECTRICAL

**FIGURE 8-29. PLATFORM VALVE HARNESS (1100SJ) (SN B300002340 to Present)**

ITEM	PART NUMBER	QTY	DESCRIPTION	REV
	1001231797	1	PLATFORM VALVE HARNESS (1100SJ)	A
1	4460926	1	Connector - 21 Position	
1	4460928	7	Socket, Female	
1	4460518	14	Plug, Terminal	
2	4460891	5	Plug, Male - 2 Position	
2	4460465	10	Socket, Female	
3	4460894	1	Plug, Male - 6 Position	
3	4460465	5	Socket, Female	
3	4460466	1	Plug, Terminal	
3	4460892	1	Bussbar - 6 Position	

# SECTION 8 - ELECTRICAL

## FIGURE 8-30. SKYGUARD SENSOR HARNESS



ART\_1001199904

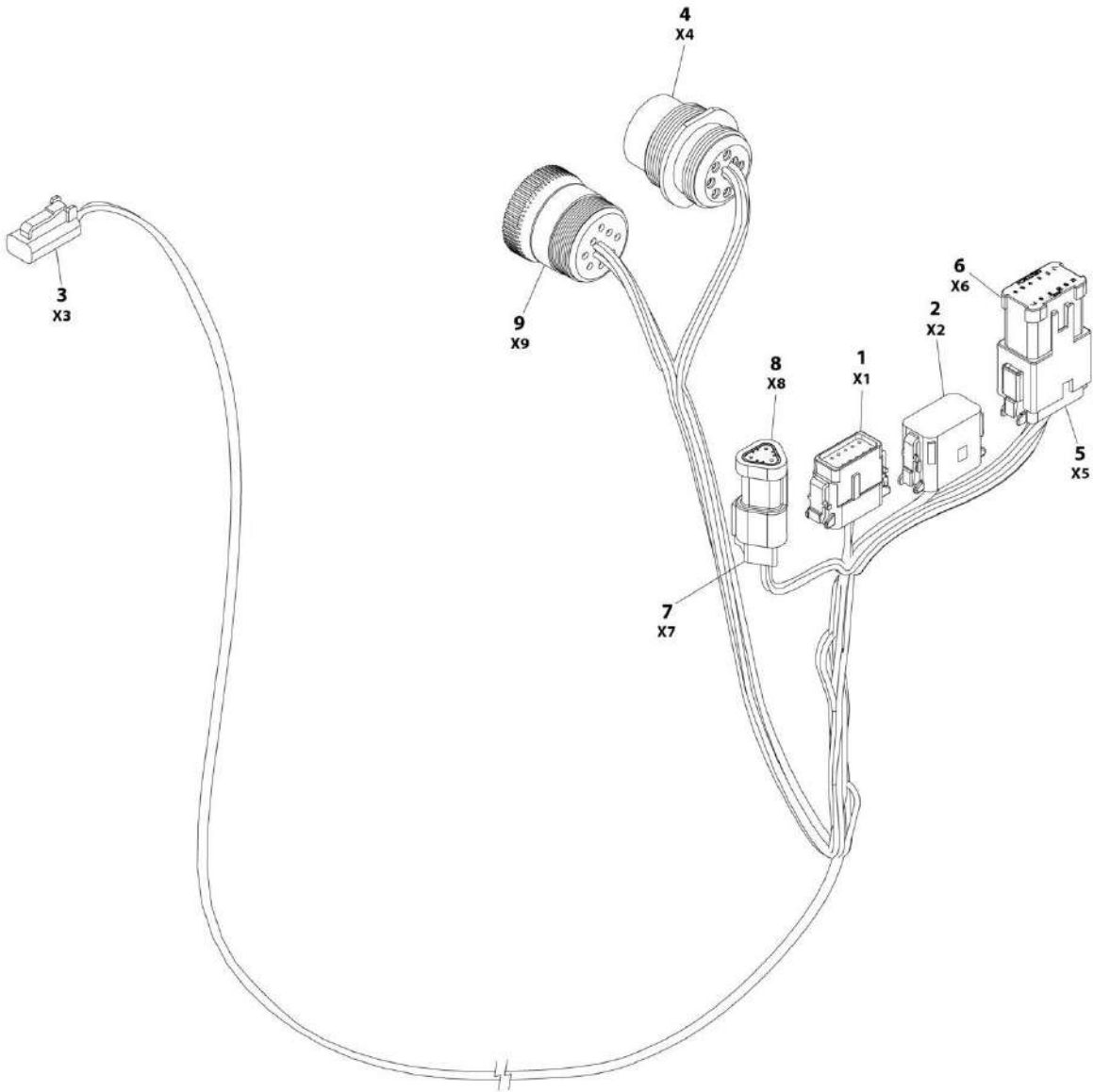
## SECTION 8 - ELECTRICAL

### FIGURE 8-30. SKYGUARD SENSOR HARNESS

ITEM	PART NUMBER	QTY	DESCRIPTION	REV
	1001199904	Ref	SKYGUARD SENSOR HARNESS	B
1	1001186432	2	Connector, Relay	
1	1001116720	5	Terminal	
1	1001118388	6	Terminal	
1	1001186431	2	Relay	
2	4460884	1	Plug, Male - 4 Position	
2	4460465	4	Socket, Female	
3	4460226	4	Socket, Female	
3	4460465	5	Socket, Female	
4	See Note	NSS	Resistor 18Ohm/25W (Note: Use p/n 1001199904)	

# SECTION 8 - ELECTRICAL

## FIGURE 8-31. STROBE LIGHT CONTROL HARNESS (BLUE LIGHT)



ART\_1001142736



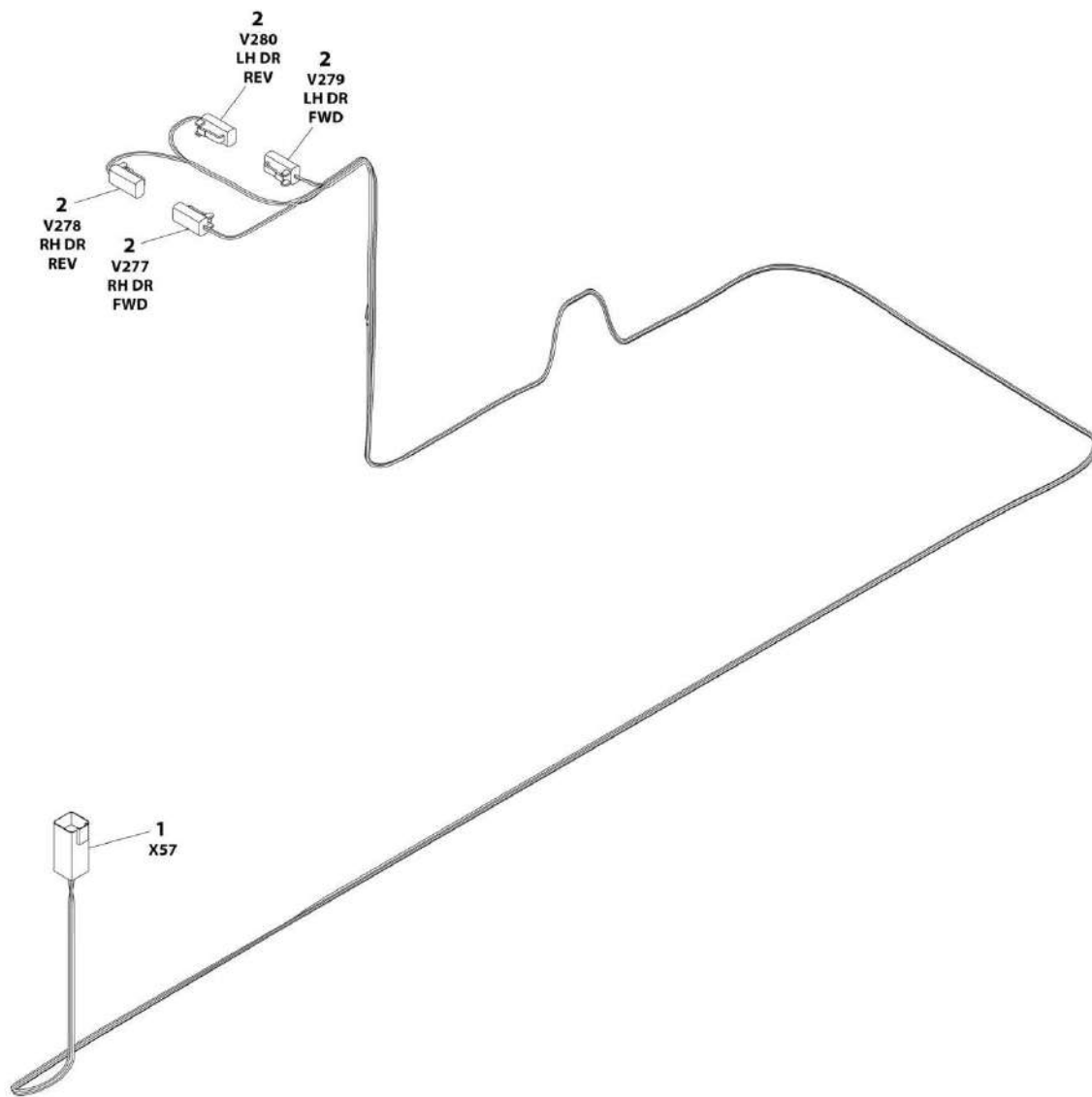
## SECTION 8 - ELECTRICAL

**FIGURE 8-31. STROBE LIGHT CONTROL HARNESS (BLUE LIGHT)**

ITEM	PART NUMBER	QTY	DESCRIPTION	REV
	1001142736	Ref	STROBE LIGHT CONTROL HARNESS (BLUE LIGHT)	F
1	1001116808	1	Plug, Male - 12 Position	
1	4460928	3	Socket, Female	
1	4460518	9	Plug, Terminal	
2	1001116774	1	Plug, Male - 12 Position	
2	4460928	3	Socket, Female	
2	4460518	9	Plug, Terminal	
3	4460891	1	Plug, Male - 2 Position	
3	4460465	2	Socket, Female	
4	1001112612	1	Connector - 9 Position	
4	4460464	6	Pin, Male	
4	4460466	3	Plug, Terminal	
5	4460933	1	Plug, Male - 12 Position	
5	4460465	12	Socket, Female	
6	1001119020	1	Bussbar - 12 Position	
7	4461095	1	Plug, Male - 3 Position	
7	4460465	3	Socket, Female	
8	4461070	1	Bussbar - 3 Position	
9	1001112796	1	Connector - 9 Position	
9	4460465	6	Socket, Female	
9	4460466	3	Plug, Terminal	

# SECTION 8 - ELECTRICAL

## FIGURE 8-32. SWING DRIVE HARNESS



ART\_1001150480

## SECTION 8 - ELECTRICAL

### FIGURE 8-32. SWING DRIVE HARNESS

ITEM	PART NUMBER	QTY	DESCRIPTION	REV
	1001150480	Ref	SWING DRIVE HARNESS	E
1	4460899	1	Receptacle, Female - 6 Position	
1	4460464	5	Pin, Male	
1	4460466	1	Plug, Terminal	
2	4460891	4	Plug, Male - 2 Position	
2	4460465	16	Socket, Female	



## SECTION 8 - ELECTRICAL

### FIGURE 8-33. TURNTABLE HARNESS

ITEM	PART NUMBER	QTY	DESCRIPTION	REV
	1001216944	Ref	TURNTABLE HARNESS	C
1	4460874	1	Connector - 35 Position (Natural)	
1	4460871	16	Pin, Male	
1	4460905	19	Plug, Terminal	
2	4460873	1	Connector - 35 Position (Black)	
2	4460871	24	Pin, Male	
2	4460905	11	Plug, Terminal	
3	4460878	1	Plug, Male - 4 Position	
3	4460887	4	Terminal	
4	1001113961	1	Plug, Male - 8 Position	
4	4460871	4	Socket, Female	
4	4460905	4	Plug, Terminal	
5	4460872	1	Connector - 14 Position	
5	4460871	6	Pin, Male	
5	4460905	8	Plug, Terminal	
6	4460884	2	Plug, Male - 4 Position	
6	4460465	8	Socket, Female	
6	1001192401	1	Cap, Dust	
7	4460539	1	Plug, Male - 3 Position	
7	4460465	2	Socket, Female	
7	4460466	1	Plug, Terminal	
8	1001116812	1	Plug, Male - 3 Position	
8	4460465	2	Socket, Female	
8	4460466	1	Plug, Terminal	
9	4460930	1	Plug, Male - 8 Position	
9	4460465	2	Socket, Female	
10	4460933	3	Plug, Male - 12 Position	
10	4460465	23	Socket, Female	
10	4460466	13	Plug, Terminal	
10	1001119020	2	Bussbar - 12 Position	
11	4460536	1	Receptacle, Female - 3 Position	
11	4460464	3	Pin, Male	
12	4460932	1	Receptacle, Female - 4 Position	
12	4460464	4	Pin, Male	
13	4460670	3	Terminal, Ring	
14	2400060	2	Fuseholder with Cover	
15	See Note	NSS	Fuse 5A (Note: Purchase Locally)	
16	4460866	1	Connector - 19 Position	
16	4460464	8	Pin, Male	
16	4460508	2	Pin, Male	
16	4460466	9	Plug, Terminal	
17	4460894	1	Plug, Male - 6 Position	
17	4460465	6	Socket, Female	
18	4460899	2	Receptacle, Female - 6 Position	
18	4460464	10	Pin, Male	
18	4460466	2	Plug, Terminal	
19	1001117025	2	Relay Assembly	
19	3740080	2	Relay	
19	1001117057	2	Plug, Relay	
19	1001116732	2	Terminal	

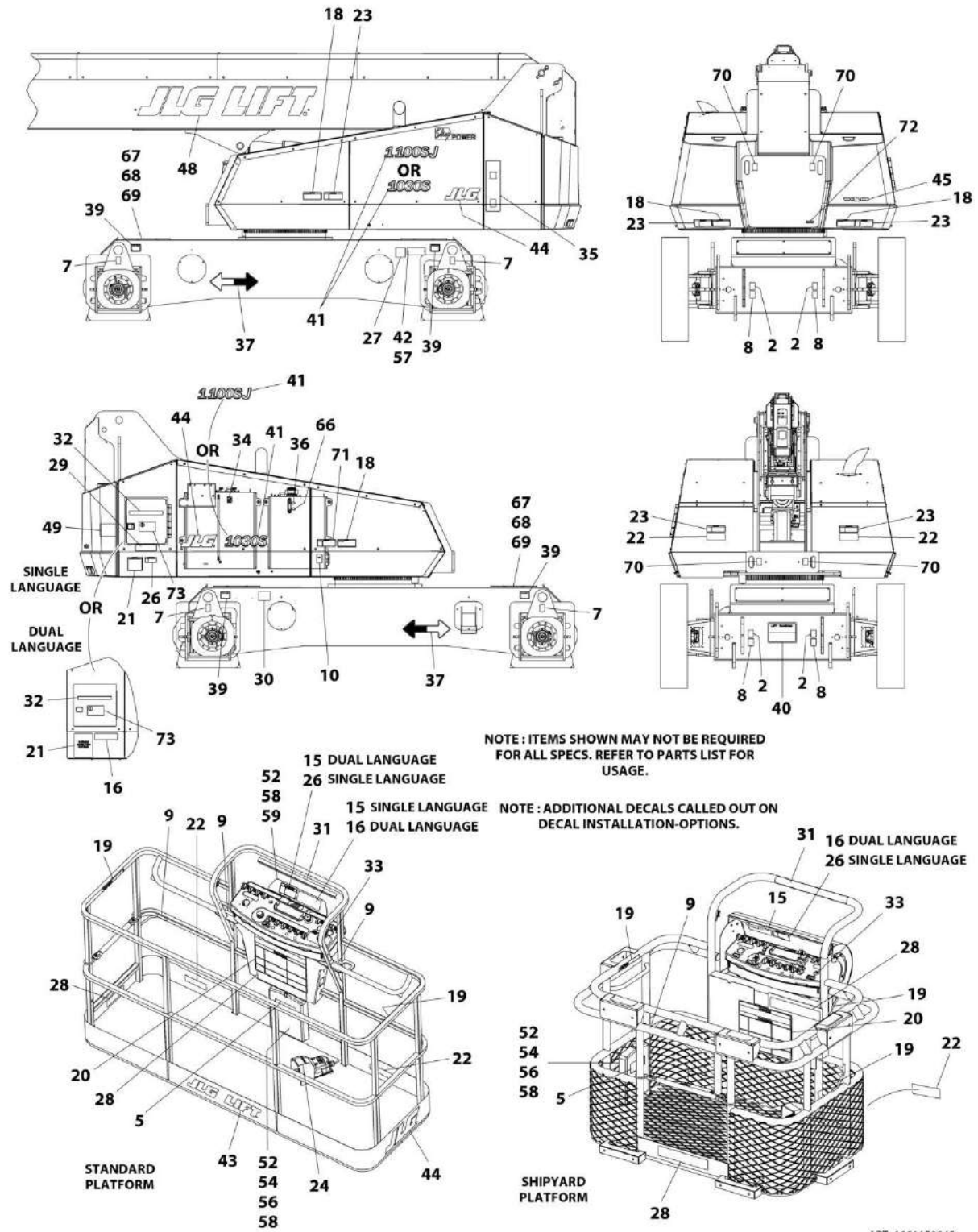
## SECTION 8 - ELECTRICAL

ITEM	PART NUMBER	QTY	DESCRIPTION	REV
19	1001116734	2	Terminal	
19	1001128128	2	Plug, Terminal	
20	4460836	3	Plug, Male - 12 Position	
20	4460942	7	Socket, Female	
20	4460465	14	Socket, Female	
20	4460466	15	Plug, Terminal	
20	4460837	2	Bussbar - 12 Position	
21	4460931	2	Receptacle, Female - 8 Position	
21	4460464	11	Pin, Male	
21	4460466	5	Plug, Terminal	
22	4460313	1	Terminal, Ring	
23	4460702	1	Terminal, Ring	
24	8220045	2	Terminal, Ring	
25	2400066	2	Fuseholder with Cover	
26	See Note	NSS	Fuse 15A (Note: Purchase Locally)	
27	See Note	NSS	Fuse 30A (Note: Purchase Locally)	
28	See Note	NSS	Fuse 3A (Note: Purchase Locally)	
29	4460897	1	Receptacle, Female - 2 Position	
29	4460464	2	Pin, Male	
30	4460019	2	Terminal, Ring	
31	4460945	1	Plug, Female 3-Way	

**SECTION 9 - DECALS**

# SECTION 9 - DECALS

FIGURE 9-1. DECAL INSTALLATION - 1030S WITH STANDARD PLATFORM (ENGLISH LANGUAGE)



ART\_1001150045



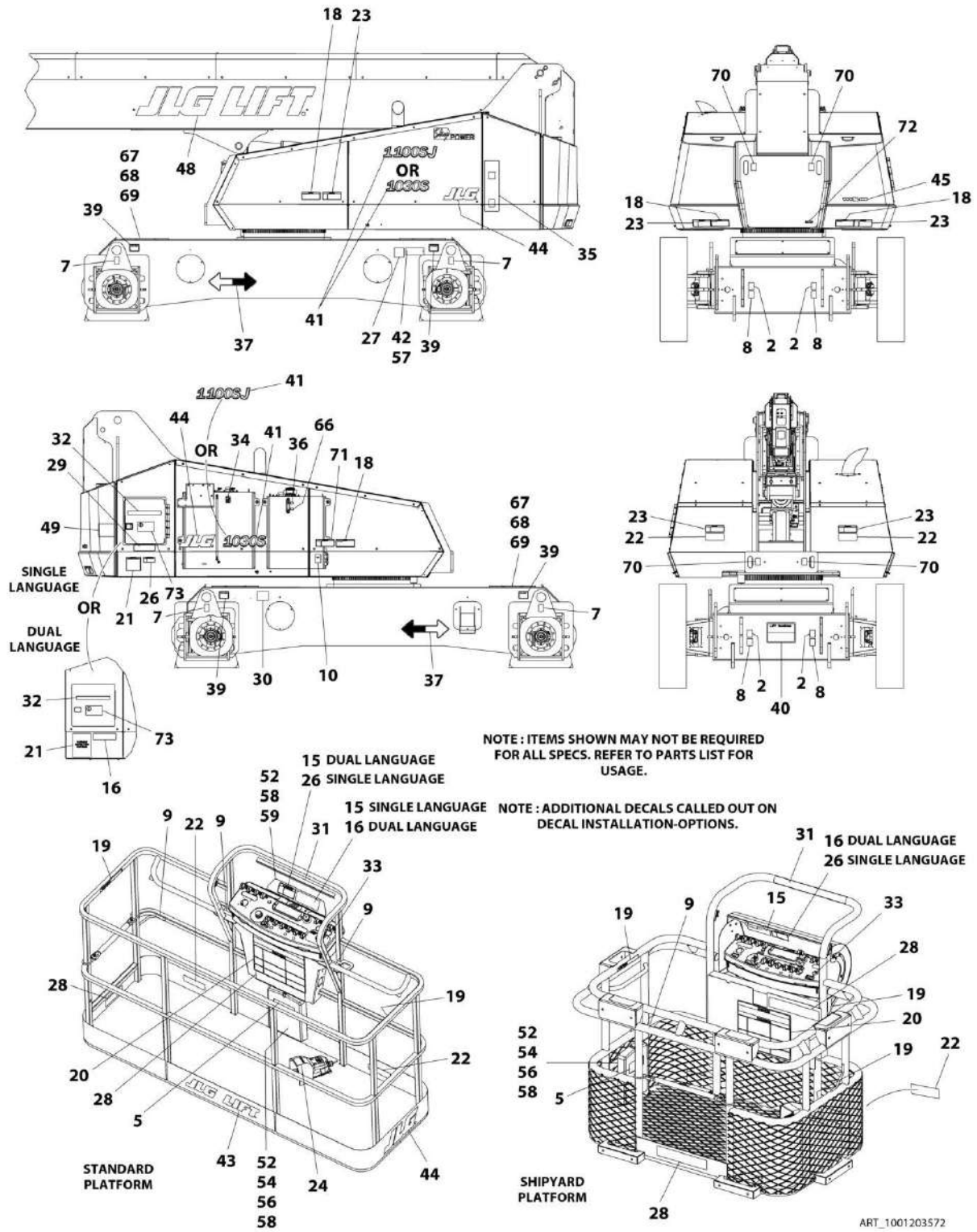
## SECTION 9 - DECALS

**FIGURE 9-1. DECAL INSTALLATION - 1030S WITH STANDARD PLATFORM (ENGLISH LANGUAGE)**

ITEM	PART NUMBER	QTY	DESCRIPTION	REV
	1001150045	Ref	DECAL INSTALLATION - 1030S WITH STANDARD PLATFORM (ENGLISH LANGUAGE)	D
2	1701499	4	Decal - No Lift	
5	1701509	1	Decal - Manual	
7	1703811	4	Decal - Lift	
8	1703814	4	Decal - Tie Down	
9	1704277	3	Decal - Lanyard Attach	
10	1704412	1	Decal - Hydraulic Oil Chart	
15	1705337	1	Decal - Tip-Over	
18	1703953	4	Decal - Warning Crushing	
19	1702868	2	Decal - No Hands	
20	1703797	1	Decal - Warning/Danger	
21	1705336	1	Decal - Warning Inspection	
22	1703804	4	Decal - Warning Crushing	
23	1703805	5	Decal - Electrocution	
24	3252347	1	Decal - Footswitch	
26	1705492	2	Decal - Tip-Over Hazard	
27	See Note	NSS	Decal - Bar Code (Note: Not Available for Purchase)	
28	1001203787	2	Decal - 725lbs Capacity	
29	1001203788	1	Decal - 725lbs Capacity	
30	1001131269	1	Decal - Patent	
31	1706751	1	Decal - Legend	
32	1001206774	1	Decal - Legend	
33	1705351	1	Decal - Drive/Steer Instructions	
34	1701505	2	Decal - Fuel	
36	1701502	1	Decal - Hydraulic Oil Level (High)	
37	1701501	2	Decal - Arrow	
40	1001150079	1	Decal - Lift Diagram	
43	1702774	1	Decal - JLG Lift 3 1/2in	
44	1702773	3	Decal - JLG 5in	
45	1704885	1	Decal - www.jlg.com	
48	1702862	2	Decal - JLG Lift 12in	
49	1001203790	1	Decal - Daily Check List	
52	0641406	7	Bolt 1/4 x 3/4	
54	0860520	1	Box, Manual Storage	
56	3311405	4	Nut 1/4	
57	3820001	2	Rivet	
58	4751400	7	Washer 1/4	
59	3380474	1	Plate - Decal	
66	1701503	1	Decal - Hydraulic Oil Level (Low)	
67	1001203791	2	Decal - White Arrow	
68	1001153281	2	Plate, Arrow	
69	4031707	6	Capscrew M6 x 16	
70	1703811	4	Decal - Lift	
71	1703805	1	Decal - Electrocution	
72	1702590	1	Decal - 220V/50Hz	
73	1001117307	1	Decal - Emergency Stop	

# SECTION 9 - DECALS

## FIGURE 9-2. DECAL INSTALLATION - 1030S WITH SHIPYARD PLATFORM (ENGLISH LANGUAGE)



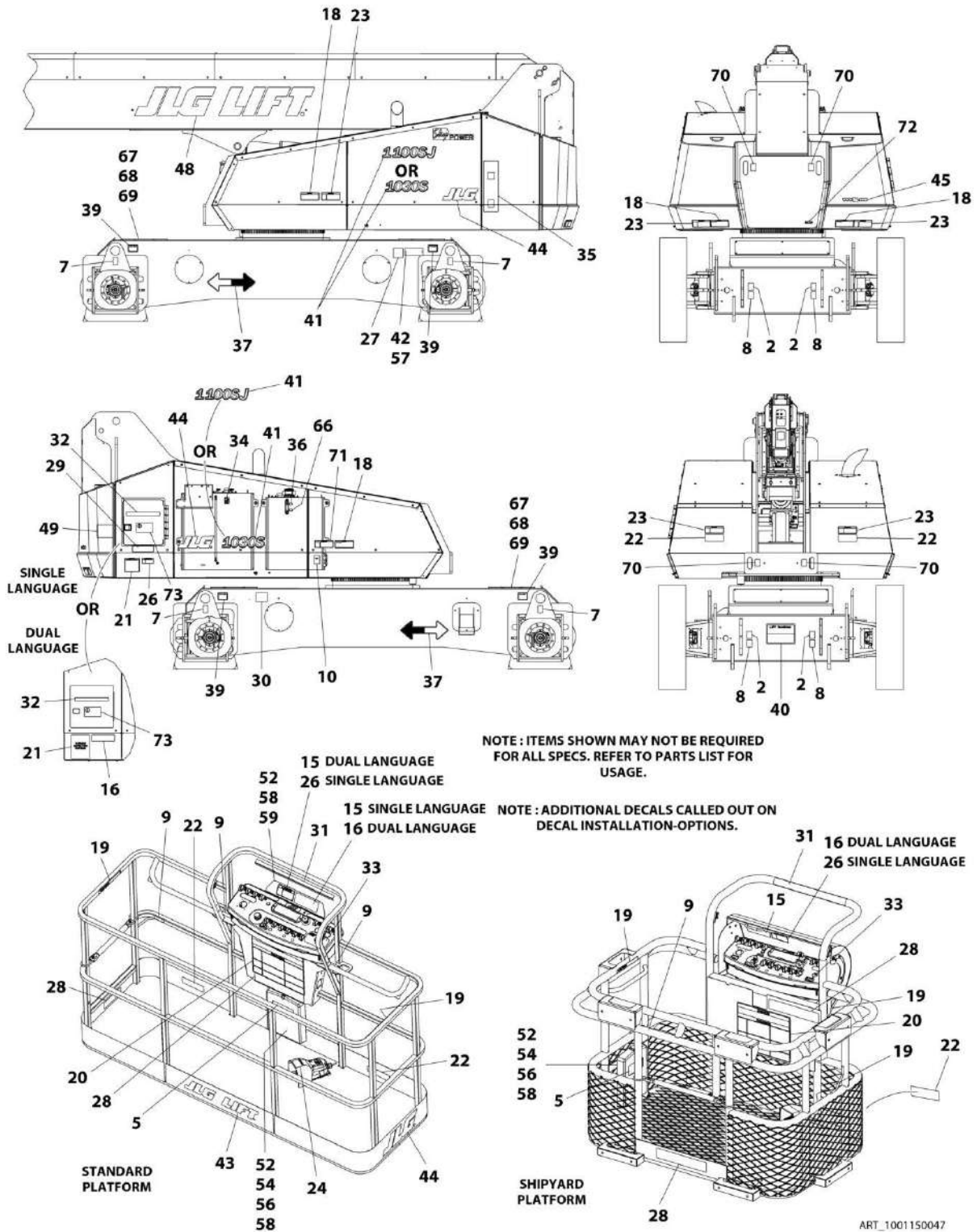
## SECTION 9 - DECALS

**FIGURE 9-2. DECAL INSTALLATION - 1030S WITH SHIPYARD PLATFORM (ENGLISH LANGUAGE)**

ITEM	PART NUMBER	QTY	DESCRIPTION	REV
	1001203572	Ref	DECAL INSTALLATION - 1030S WITH SHIPYARD PLATFORM (ENGLISH LANGUAGE)	E
2	1701499	4	Decal - No Lift	
5	1701509	1	Decal - Manual	
7	1703811	4	Decal - Lift	
8	1703814	4	Decal - Tie Down	
9	1704277	3	Decal - Lanyard Attach	
10	1704412	1	Decal - Hydraulic Oil Chart	
15	1705337	1	Decal - Tip-Over	
18	1703953	4	Decal - Warning Crushing	
19	1702868	2	Decal - No Hands	
20	1703797	1	Decal - Warning/Danger	
21	1705336	1	Decal - Warning Inspection	
22	1703804	4	Decal - Warning Crushing	
23	1703805	5	Decal - Electrocution	
24	3252347	1	Decal - Footswitch	
26	1705492	2	Decal - Tip-Over Hazard	
27	See Note	NSS	Decal - Bar Code (Note: Not Available for Purchase)	
28	1001203787	2	Decal - 725lbs Capacity	
29	1001203788	1	Decal - 725lbs Capacity	
30	1001131269	1	Decal - Patent	
31	1706751	1	Decal - Legend	
32	1001206774	1	Decal - Legend	
33	1001203789	1	Decal - Drive/Steer Instructions	
34	1701505	2	Decal - Fuel	
36	1701502	1	Decal - Hydraulic Oil Level (High)	
37	1701501	2	Decal - Arrow	
40	1001150079	1	Decal - Lift Diagram	
44	1702773	2	Decal - JLG 5in	
45	1704885	1	Decal - www.jlg.com	
48	1702862	2	Decal - JLG Lift 12in	
49	1001203790	1	Decal - Daily Check List	
52	0641406	7	Bolt 1/4 x 3/4	
54	0860520	1	Box, Manual Storage	
56	3311405	4	Nut 1/4	
57	3820001	2	Rivet	
58	4751400	7	Washer 1/4	
66	1701503	1	Decal - Hydraulic Oil Level (Low)	
67	1001203791	2	Decal - White Arrow	
68	1001153281	2	Plate, Arrow	
69	4031707	6	Capscrew M6 x 16	
70	1703811	4	Decal - Lift	
71	1703805	1	Decal - Electrocution	
72	1702590	1	Decal - 220V/50Hz	
73	1001117307	1	Decal - Emergency Stop	

# SECTION 9 - DECALS

## FIGURE 9-3. DECAL INSTALLATION - 1030S WITH STANDARD PLATFORM (ENGLISH/CHINESE LANGUAGE)



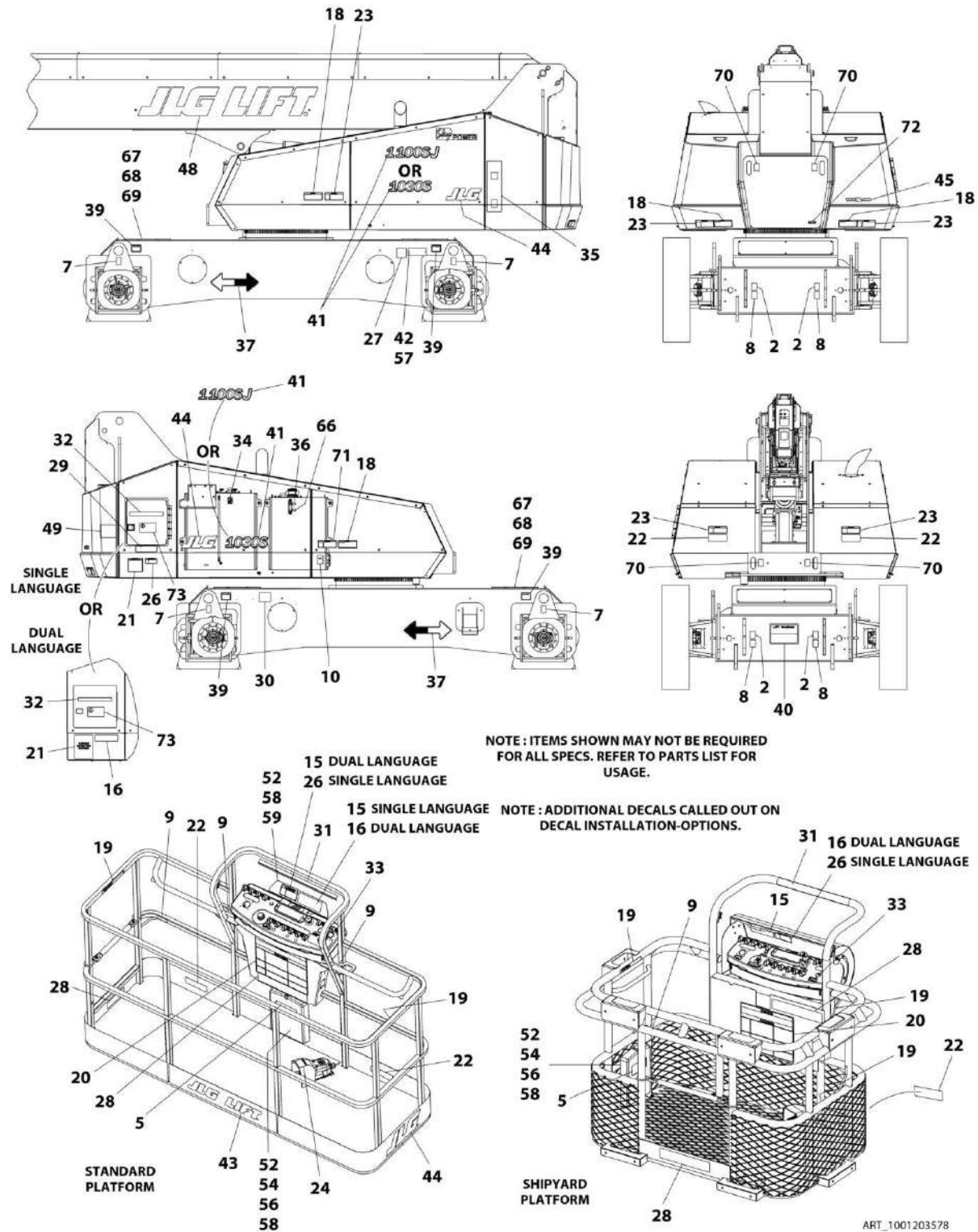
## SECTION 9 - DECALS

**FIGURE 9-3. DECAL INSTALLATION - 1030S WITH STANDARD PLATFORM (ENGLISH/CHINESE LANGUAGE)**

ITEM	PART NUMBER	QTY	DESCRIPTION	REV
	1001150047	Ref	DECAL INSTALLATION - 1030S WITH STANDARD PLATFORM (ENGLISH/CHINESE LANGUAGE)	D
2	1701499	4	Decal - No Lift	
5	1701509	1	Decal - Manual	
7	1703811	4	Decal - Lift	
8	1703814	4	Decal - Tie Down	
9	1704277	3	Decal - Lanyard Attach	
10	1704412	1	Decal - Hydraulic Oil Chart	
15	1001117034	1	Decal - Tip-Over	
16	1001117035	2	Decal - Warning Tip-Over	
18	1703943	4	Decal - Warning Crushing	
19	1001116846	2	Decal - No Hands	
20	1703925	1	Decal - Warning/Danger	
21	1001116849	1	Decal - Warning Inspection	
22	1703949	4	Decal - Warning Crushing	
23	1001116851	5	Decal - Electrocution	
24	1703982	1	Decal - Footswitch	
27	See Note	NSS	Decal - Bar Code (Note: Not Available for Purchase)	
28	1001206765	2	Decal - 725lbs Capacity	
29	1001206766	1	Decal - 725lbs Capacity	
31	1706751	1	Decal - Legend	
32	1001206774	1	Decal - Legend	
33	1705430	1	Decal - Drive/Steer Instructions	
34	1701505	2	Decal - Fuel	
36	1701502	1	Decal - Hydraulic Oil Level (High)	
37	1701501	2	Decal - Arrow	
40	1001150079	1	Decal - Lift Diagram	
43	1702774	1	Decal - JLG Lift 3 1/2in	
44	1702773	3	Decal - JLG 5in	
45	1704885	1	Decal - www.jlg.com	
48	1702862	2	Decal - JLG Lift 12in	
49	1001206772	1	Decal - Daily Check List	
52	0641406	7	Bolt 1/4 x 3/4	
54	0860520	1	Box, Manual Storage	
56	3311405	4	Nut 1/4	
57	3820001	2	Rivet	
58	4751400	7	Washer 1/4	
59	3572327	1	Plate - Decal	
66	1701503	1	Decal - Hydraulic Oil Level (Low)	
67	1001203791	2	Decal - White Arrow	
68	1001153281	2	Plate, Arrow	
69	4031707	6	Capscrew M6 x 16	
70	1703811	4	Decal - Lift	
71	1001116851	1	Decal - Electrocution	
72	1702590	1	Decal - 220V/50Hz	
73	1001117307	1	Decal - Emergency Stop	

# SECTION 9 - DECALS

## FIGURE 9-4. DECAL INSTALLATION - 1030S WITH SHIPYARD PLATFORM (ENGLISH/CHINESE LANGUAGE)



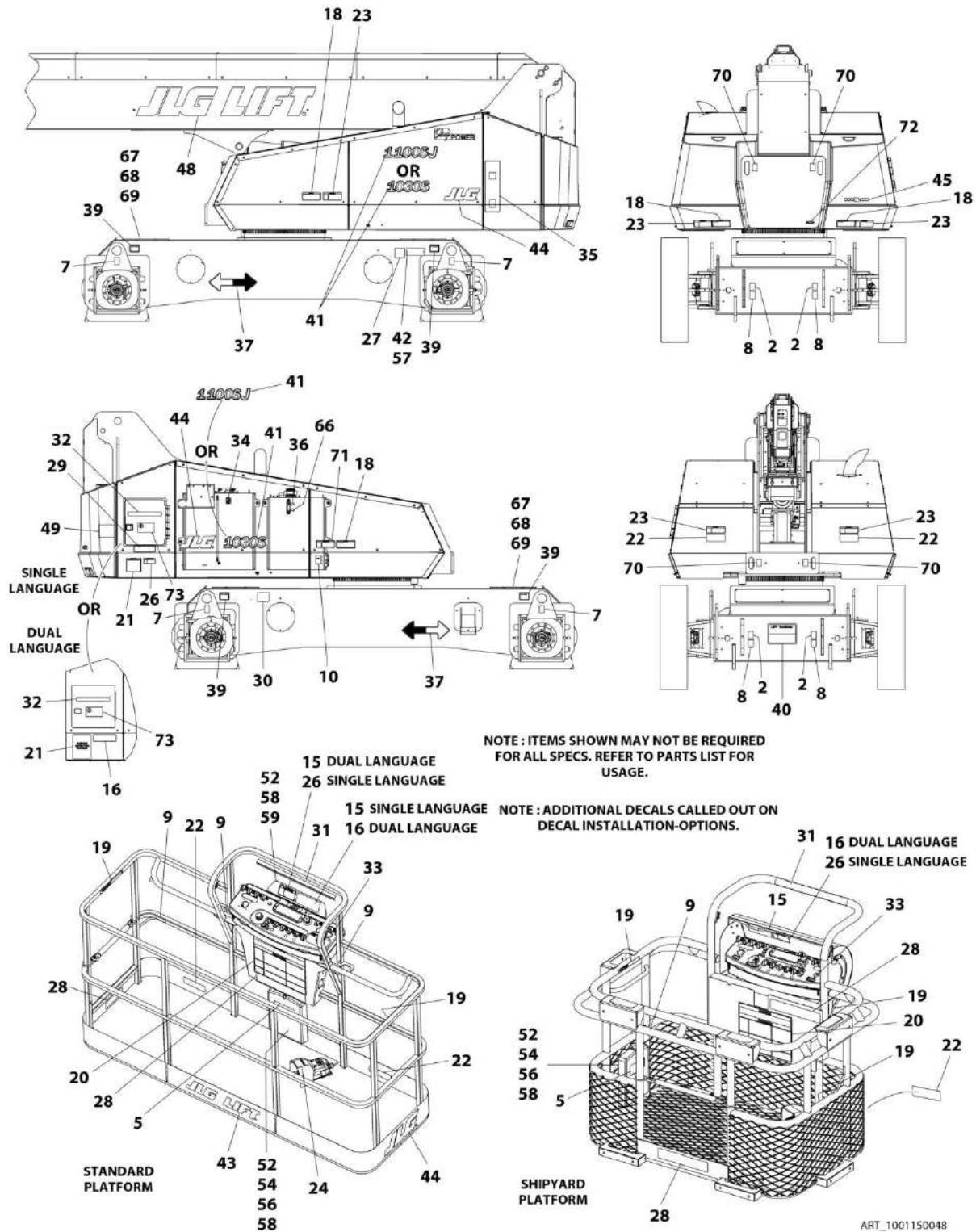
## SECTION 9 - DECALS

**FIGURE 9-4. DECAL INSTALLATION - 1030S WITH SHIPYARD PLATFORM (ENGLISH/CHINESE LANGUAGE)**

ITEM	PART NUMBER	QTY	DESCRIPTION	REV
	1001203578	Ref	DECAL INSTALLATION - 1030S WITH SHIPYARD PLATFORM (ENGLISH/CHINESE LANGUAGE)	D
2	1701499	4	Decal - No Lift	
5	1701509	1	Decal - Manual	
7	1703811	4	Decal - Lift	
8	1703814	4	Decal - Tie Down	
9	1704277	3	Decal - Lanyard Attach	
10	1704412	1	Decal - Hydraulic Oil Chart	
15	1001117034	1	Decal - Tip-Over	
16	1001117035	2	Decal - Warning Tip-Over	
18	1703943	4	Decal - Warning Crushing	
19	1001116846	2	Decal - No Hands	
20	1703925	1	Decal - Warning/Danger	
21	1001116849	1	Decal - Warning Inspection	
22	1703949	4	Decal - Warning Crushing	
23	1001116851	5	Decal - Electrocution	
24	1703986	1	Decal - Footswitch	
27	See Note	NSS	Decal - Bar Code (Note: Not Available for Purchase)	
28	1001206765	2	Decal - 725lbs Capacity	
29	1001206766	1	Decal - 725lbs Capacity	
31	1706751	1	Decal - Legend	
32	1001206774	1	Decal - Legend	
33	1001203930	1	Decal - Drive/Steer Instructions	
34	1701505	2	Decal - Fuel	
36	1701502	1	Decal - Hydraulic Oil Level (High)	
37	1701501	2	Decal - Arrow	
40	1001150079	1	Decal - Lift Diagram	
44	1702773	2	Decal - JLG 5in	
45	1704885	1	Decal - www.jlg.com	
48	1702862	2	Decal - JLG Lift 12in	
49	1001206772	1	Decal - Daily Check List	
52	0641406	7	Bolt 1/4 x 3/4	
54	0860520	1	Box, Manual Storage	
56	3311405	4	Nut 1/4	
57	3820001	2	Rivet	
58	4751400	7	Washer 1/4	
66	1701503	1	Decal - Hydraulic Oil Level (Low)	
67	1001203791	2	Decal - White Arrow	
68	1001153281	2	Plate, Arrow	
69	4031707	6	Capscrew M6 x 16	
70	1703811	4	Decal - Lift	
71	1001116851	1	Decal - Electrocution	
72	1702590	1	Decal - 220V/50Hz	
73	1001117307	1	Decal - Emergency Stop	

# SECTION 9 - DECALS

## FIGURE 9-5. DECAL INSTALLATION - 1030S WITH STANDARD PLATFORM (ENGLISH/JAPANESE LANGUAGE)





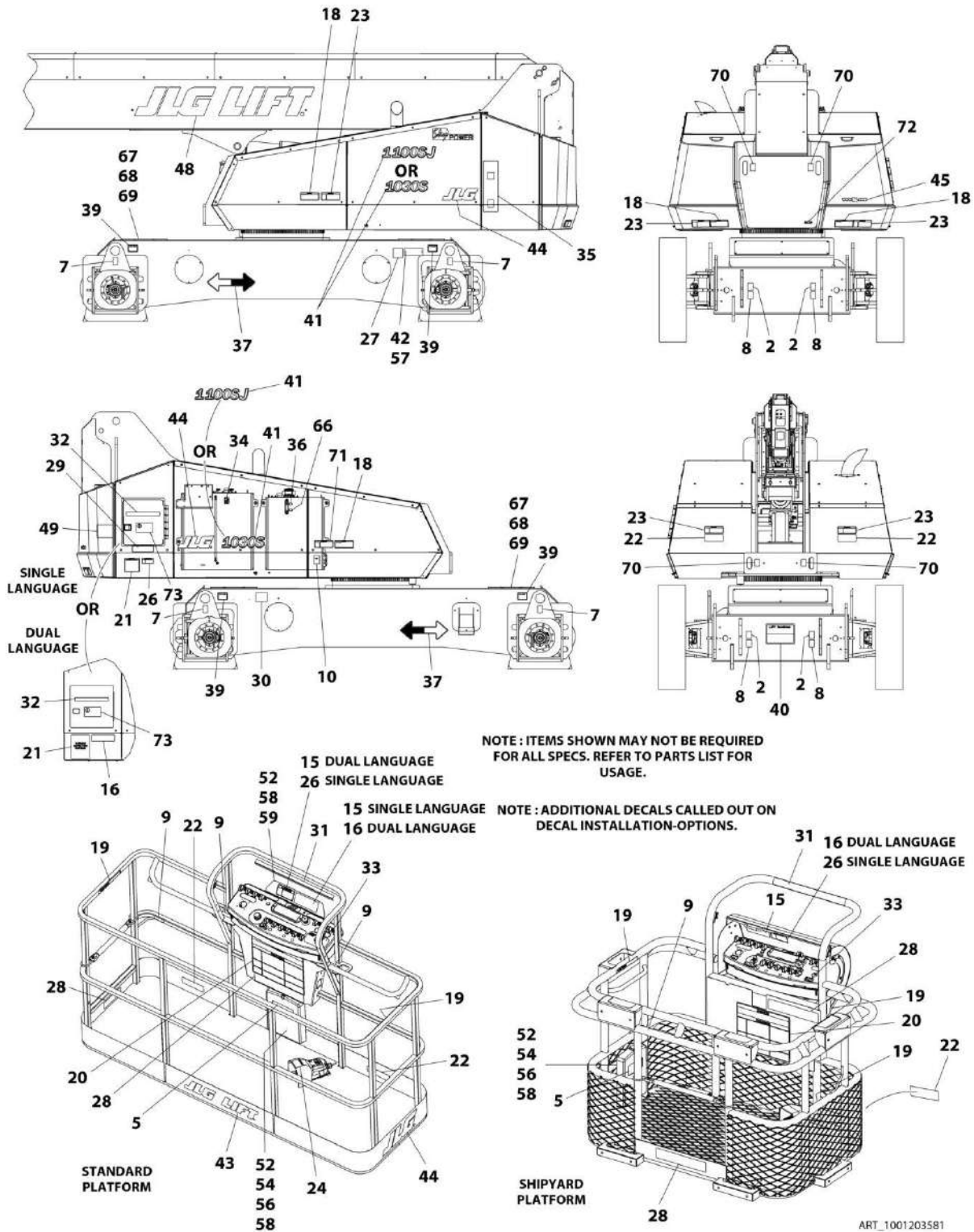
## SECTION 9 - DECALS

**FIGURE 9-5. DECAL INSTALLATION - 1030S WITH STANDARD PLATFORM (ENGLISH/JAPANESE LANGUAGE)**

ITEM	PART NUMBER	QTY	DESCRIPTION	REV
	1001150048	Ref	DECAL INSTALLATION - 1030S WITH STANDARD PLATFORM (ENGLISH/JAPANESE LANGUAGE)	D
2	1701499	4	Decal - No Lift	
5	1701509	1	Decal - Manual	
7	1703811	4	Decal - Lift	
8	1703814	4	Decal - Tie Down	
9	1704277	3	Decal - Lanyard Attach	
10	1704412	1	Decal - Hydraulic Oil Chart	
15	1705338	1	Decal - Tip-Over	
16	1705493	2	Decal - Warning Tip-Over	
18	1703944	4	Decal - Warning Crushing	
20	1703926	1	Decal - Warning/Danger	
21	1705344	1	Decal - Warning Inspection	
22	1703950	4	Decal - Warning Crushing	
23	1703938	5	Decal - Electrocution	
24	1703980	1	Decal - Footswitch	
27	See Note	NSS	Decal - Bar Code (Note: Not Available for Purchase)	
28	1001206769	1	Decal - 725lbs Capacity	
29	1001206770	1	Decal - 725lbs Capacity	
31	1706751	1	Decal - Legend	
32	1001206774	1	Decal - Legend	
33	1705426	1	Decal - Drive/Steer Instructions	
34	1701505	2	Decal - Fuel	
36	1701502	1	Decal - Hydraulic Oil Level (High)	
37	1701501	2	Decal - Arrow	
40	1001150079	1	Decal - Lift Diagram	
43	1702774	1	Decal - JLG Lift 3 1/2in	
44	1702773	3	Decal - JLG 5in	
45	1704885	1	Decal - www.jlg.com	
48	1702862	2	Decal - JLG Lift 12in	
49	1001206773	1	Decal - Daily Check List	
52	0641406	7	Bolt 1/4 x 3/4	
54	0860520	1	Box, Manual Storage	
56	3311405	4	Nut 1/4	
57	3820001	2	Rivet	
58	4751400	7	Washer 1/4	
59	3572327	1	Plate - Decal	
66	1701503	1	Decal - Hydraulic Oil Level (Low)	
67	1001203791	2	Decal - White Arrow	
68	1001153281	2	Plate, Arrow	
69	4031707	6	Capscrew M6 x 16	
70	1703811	4	Decal - Lift	
71	1703938	1	Decal - Electrocution	
72	1702590	1	Decal - 220V/50Hz	
73	1001117307	1	Decal - Emergency Stop	

# SECTION 9 - DECALS

## FIGURE 9-6. DECAL INSTALLATION - 1030S WITH SHIPYARD PLATFORM (ENGLISH/JAPANESE LANGUAGE)



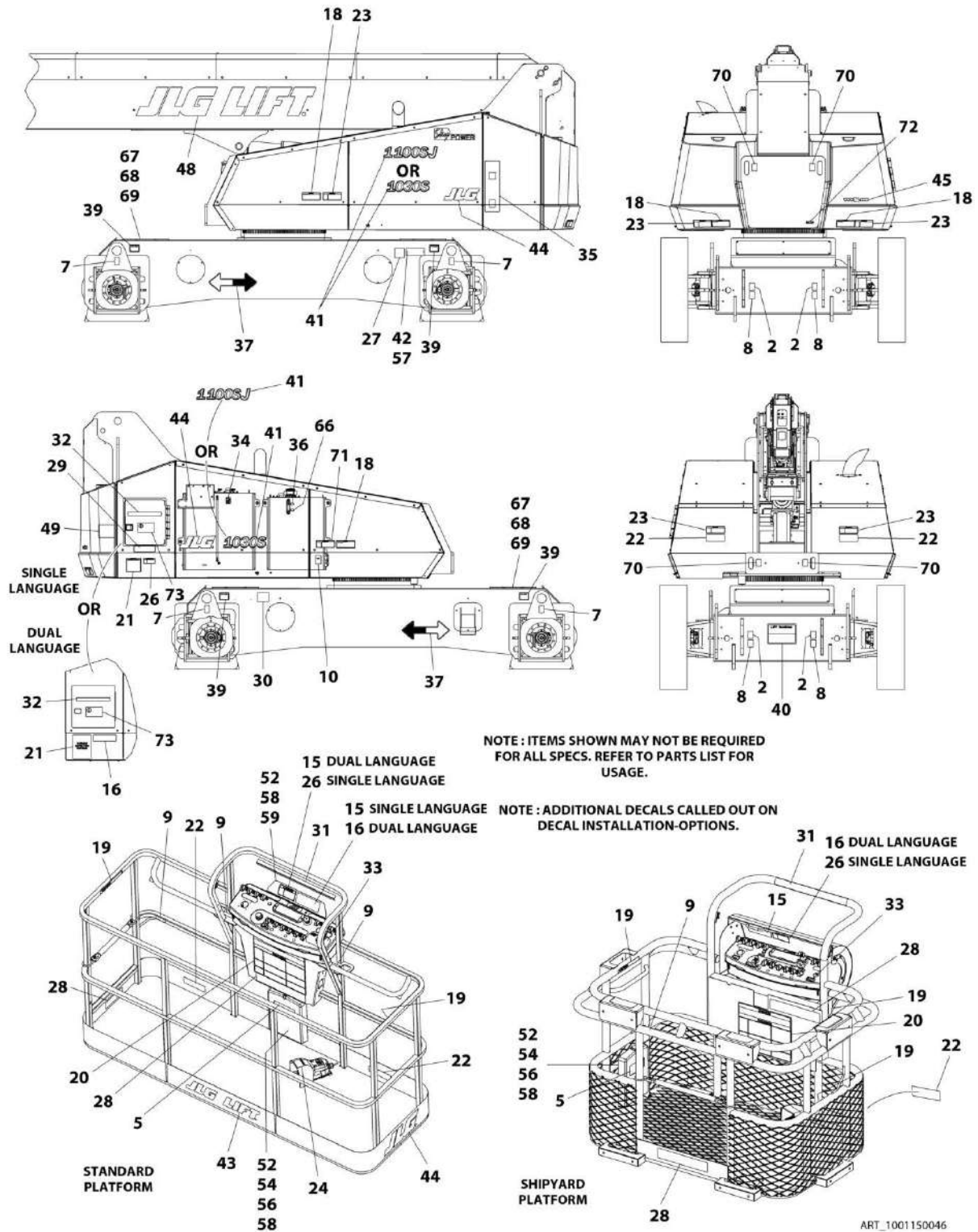
## SECTION 9 - DECALS

**FIGURE 9-6. DECAL INSTALLATION - 1030S WITH SHIPYARD PLATFORM (ENGLISH/JAPANESE LANGUAGE)**

ITEM	PART NUMBER	QTY	DESCRIPTION	REV
	1001203581	Ref	DECAL INSTALLATION - 1030S WITH SHIPYARD PLATFORM (ENGLISH/JAPANESE LANGUAGE)	D
2	1701499	4	Decal - No Lift	
5	1701509	1	Decal - Manual	
7	1703811	4	Decal - Lift	
8	1703814	4	Decal - Tie Down	
9	1704277	3	Decal - Lanyard Attach	
10	1704412	1	Decal - Hydraulic Oil Chart	
15	1705338	1	Decal - Tip-Over	
16	1705493	2	Decal - Warning Tip-Over	
18	1703944	4	Decal - Warning Crushing	
20	1703926	1	Decal - Warning/Danger	
21	1705344	1	Decal - Warning Inspection	
22	1703950	4	Decal - Warning Crushing	
23	1703938	5	Decal - Electrocution	
24	1703980	1	Decal - Footswitch	
27	See Note	NSS	Decal - Bar Code (Note: Not Available for Purchase)	
28	1001206769	2	Decal - 725lbs Capacity	
29	1001206770	1	Decal - 725lbs Capacity	
31	1706751	1	Decal - Legend	
32	1001206774	1	Decal - Legend	
33	1001203931	1	Decal - Drive/Steer Instructions	
34	1701505	2	Decal - Fuel	
36	1701502	1	Decal - Hydraulic Oil Level (High)	
37	1701501	2	Decal - Arrow	
40	1001150079	1	Decal - Lift Diagram	
44	1702773	3	Decal - JLG 5in	
45	1704885	1	Decal - www.jlg.com	
48	1702862	2	Decal - JLG Lift 12in	
49	1001206773	1	Decal - Daily Check List	
52	0641406	7	Bolt 1/4 x 3/4	
54	0860520	1	Box, Manual Storage	
56	3311405	4	Nut 1/4	
57	3820001	2	Rivet	
58	4751400	7	Washer 1/4	
66	1701503	1	Decal - Hydraulic Oil Level (Low)	
67	1001203791	2	Decal - White Arrow	
68	1001153281	2	Plate, Arrow	
69	4031707	6	Capscrew M6 x 16	
70	1703811	4	Decal - Lift	
71	1703938	1	Decal - Electrocution	
72	1702590	1	Decal - 220V/50Hz	
73	1001117307	1	Decal - Emergency Stop	

# SECTION 9 - DECALS

## FIGURE 9-7. DECAL INSTALLATION - 1030S WITH STANDARD PLATFORM (ENGLISH/KOREAN LANGUAGE)



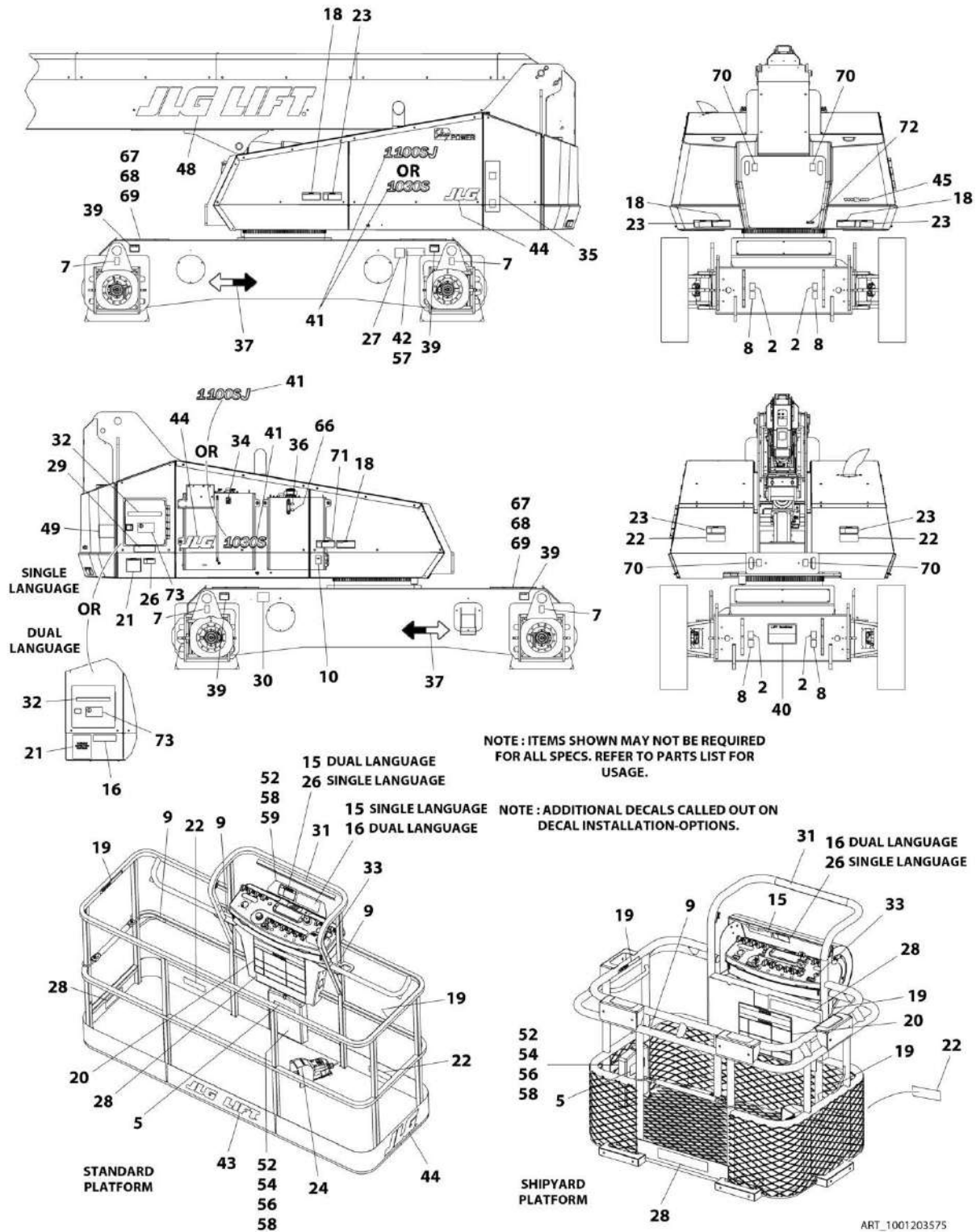
## SECTION 9 - DECALS

**FIGURE 9-7. DECAL INSTALLATION - 1030S WITH STANDARD PLATFORM (ENGLISH/KOREAN LANGUAGE)**

ITEM	PART NUMBER	QTY	DESCRIPTION	REV
	1001150046	Ref	DECAL INSTALLATION - 1030S WITH STANDARD PLATFORM (ENGLISH/KOREAN LANGUAGE)	D
2	1701499	4	Decal - No Lift	
5	1701509	1	Decal - Manual	
7	1703811	4	Decal - Lift	
8	1703814	4	Decal - Tie Down	
9	1704277	3	Decal - Lanyard Attach	
10	1704412	1	Decal - Hydraulic Oil Chart	
15	1705339	1	Decal - Tip-Over	
16	1705503	2	Decal - Warning Tip-Over	
18	1703945	4	Decal - Warning Crushing	
19	1705969	2	Decal - No Hands	
20	1703927	1	Decal - Warning/Danger	
21	1705345	1	Decal - Warning Inspection	
22	1703951	4	Decal - Warning Crushing	
23	1703939	5	Decal - Electrocution	
24	1703981	1	Decal - Footswitch	
27	See Note	NSS	Decal - Bar Code (Note: Not Available for Purchase)	
28	1001206761	2	Decal - 725lbs Capacity	
29	1001206762	1	Decal - 725lbs Capacity	
31	1706751	1	Decal - Legend	
32	1001206774	1	Decal - Legend	
33	1705427	1	Decal - Drive/Steer Instructions	
34	1701505	2	Decal - Fuel	
36	1701502	1	Decal - Hydraulic Oil Level (High)	
37	1701501	2	Decal - Arrow	
40	1001150079	1	Decal - Lift Diagram	
43	1702774	1	Decal - JLG Lift 3 1/2in	
44	1702773	3	Decal - JLG 5in	
45	1704885	1	Decal - www.jlg.com	
48	1702862	2	Decal - JLG Lift 12in	
49	1001206771	1	Decal - Daily Check List	
52	0641406	7	Bolt 1/4 x 3/4	
54	0860520	1	Box, Manual Storage	
56	3311405	4	Nut 1/4	
57	3820001	2	Rivet	
58	4751400	7	Washer 1/4	
59	3572327	1	Plate - Decal	
66	1701503	1	Decal - Hydraulic Oil Level (Low)	
67	1001203791	2	Decal - White Arrow	
68	1001153281	2	Plate, Arrow	
69	4031707	6	Capscrew M6 x 16	
70	1703811	4	Decal - Lift	
71	1703939	1	Decal - Electrocution	
72	1702590	1	Decal - 220V/50Hz	
73	1001117307	1	Decal - Emergency Stop	

# SECTION 9 - DECALS

## FIGURE 9-8. DECAL INSTALLATION - 1030S WITH SHIPYARD PLATFORM (ENGLISH/KOREAN LANGUAGE)



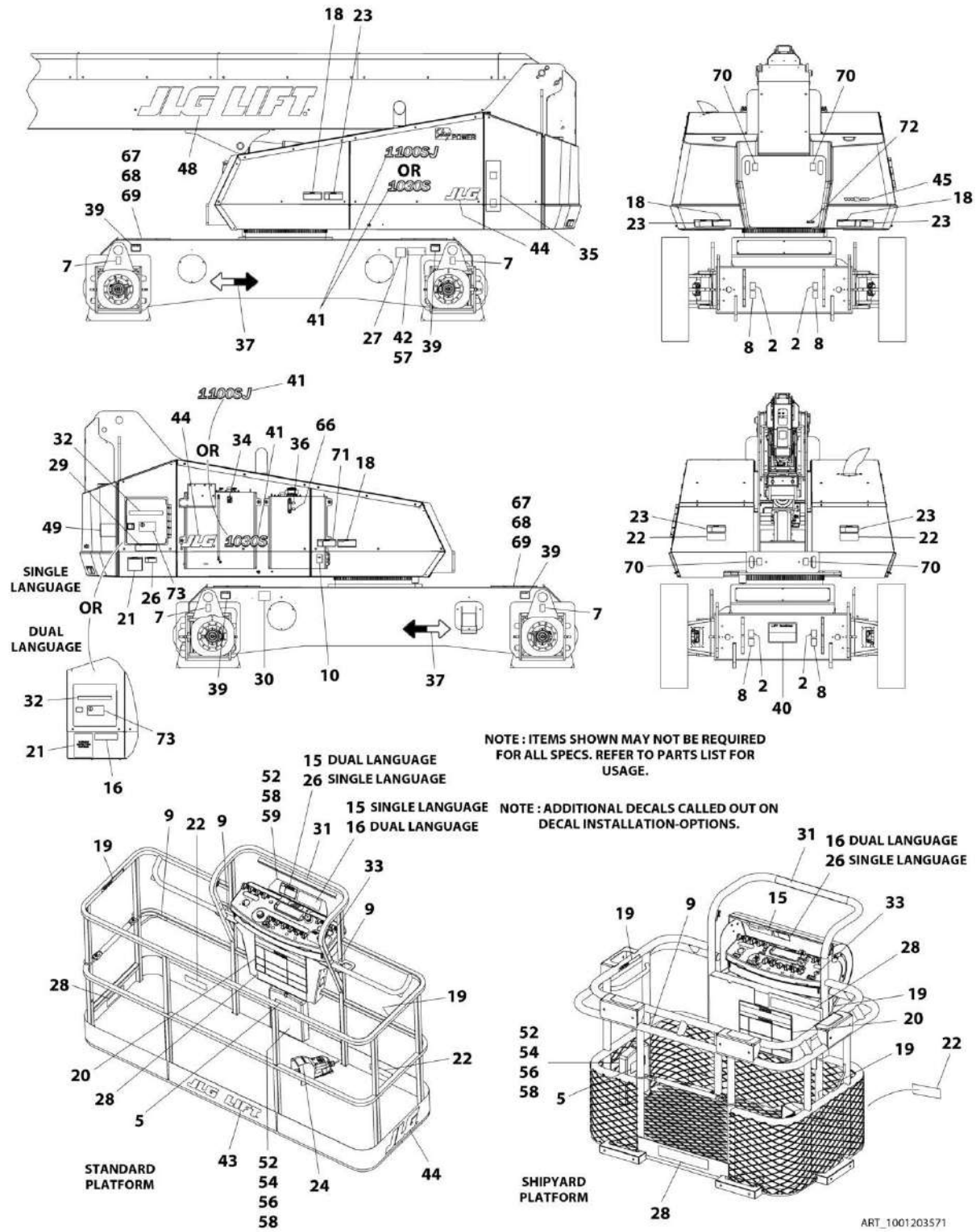
## SECTION 9 - DECALS

**FIGURE 9-8. DECAL INSTALLATION - 1030S WITH SHIPYARD PLATFORM (ENGLISH/KOREAN LANGUAGE)**

ITEM	PART NUMBER	QTY	DESCRIPTION	REV
	1001203575	Ref	DECAL INSTALLATION - 1030S WITH SHIPYARD PLATFORM (ENGLISH/KOREAN LANGUAGE)	D
2	1701499	4	Decal - No Lift	
5	1701509	1	Decal - Manual	
7	1703811	4	Decal - Lift	
8	1703814	4	Decal - Tie Down	
9	1704277	3	Decal - Lanyard Attach	
10	1704412	1	Decal - Hydraulic Oil Chart	
15	1705339	1	Decal - Tip-Over	
16	1705503	2	Decal - Warning Tip-Over	
18	1703945	4	Decal - Warning Crushing	
19	1705969	2	Decal - No Hands	
20	1703927	1	Decal - Warning/Danger	
21	1705345	1	Decal - Warning Inspection	
22	1703951	4	Decal - Warning Crushing	
23	1703939	5	Decal - Electrocutation	
24	1703981	1	Decal - Footswitch	
27	See Note	NSS	Decal - Bar Code (Note: Not Available for Purchase)	
28	1001206761	2	Decal - 725lbs Capacity	
29	1001206762	1	Decal - 725lbs Capacity	
31	1706751	1	Decal - Legend	
32	1001206774	1	Decal - Legend	
33	1001203929	1	Decal - Drive/Steer Instructions	
34	1701505	2	Decal - Fuel	
36	1701502	1	Decal - Hydraulic Oil Level (High)	
37	1701501	2	Decal - Arrow	
40	1001150079	1	Decal - Lift Diagram	
44	1702773	3	Decal - JLG 5in	
45	1704885	1	Decal - www.jlg.com	
48	1702862	2	Decal - JLG Lift 12in	
49	1001206771	1	Decal - Daily Check List	
52	0641406	7	Bolt 1/4 x 3/4	
54	0860520	1	Box, Manual Storage	
56	3311405	4	Nut 1/4	
57	3820001	2	Rivet	
58	4751400	7	Washer 1/4	
66	1701503	1	Decal - Hydraulic Oil Level (Low)	
67	1001203791	2	Decal - White Arrow	
68	1001153281	2	Plate, Arrow	
69	4031707	6	Capscrew M6 x 16	
70	1703811	4	Decal - Lift	
71	1703939	1	Decal - Electrocutation	
72	1702590	1	Decal - 220V/50Hz	
73	1001117307	1	Decal - Emergency Stop	

# SECTION 9 - DECALS

## FIGURE 9-9. DECAL INSTALLATION - 1100SJ WITH STANDARD PLATFORM (ENGLISH LANGUAGE)





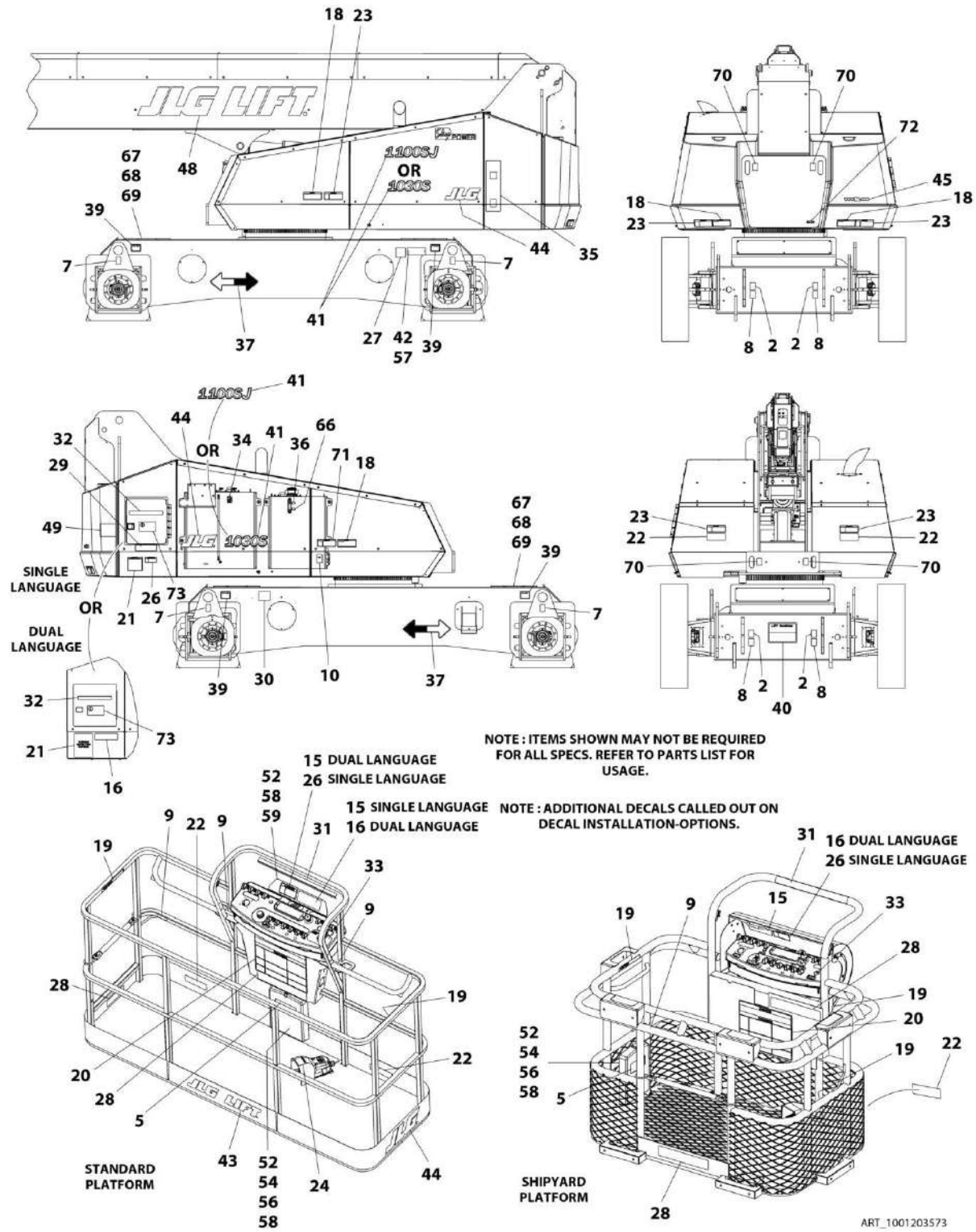
## SECTION 9 - DECALS

**FIGURE 9-9. DECAL INSTALLATION - 1100SJ WITH STANDARD PLATFORM (ENGLISH LANGUAGE)**

ITEM	PART NUMBER	QTY	DESCRIPTION	REV
	1001203571	Ref	DECAL INSTALLATION - 1100SJ WITH STANDARD PLATFORM (ENGLISH LANGUAGE)	D
2	1701499	4	Decal - No Lift	
5	1701509	1	Decal - Manual	
7	1703811	4	Decal - Lift	
8	1703814	4	Decal - Tie Down	
9	1704277	3	Decal - Lanyard Attach	
10	1704412	1	Decal - Hydraulic Oil Chart	
15	1705337	1	Decal - Tip-Over	
18	1703953	4	Decal - Warning Crushing	
19	1702868	2	Decal - No Hands	
20	1703797	1	Decal - Warning/Danger	
21	1705336	1	Decal - Warning Inspection	
22	1703804	4	Decal - Warning Crushing	
23	1703805	5	Decal - Electrocution	
24	3252347	1	Decal - Footswitch	
26	1705492	2	Decal - Tip-Over Hazard	
27	See Note	NSS	Decal - Bar Code (Note: Not Available for Purchase)	
28	1001203785	2	Decal - 550lbs Capacity	
29	1001203786	1	Decal - 550lbs Capacity	
30	1001131269	1	Decal - Patent	
31	1706751	1	Decal - Legend	
32	1001206774	1	Decal - Legend	
33	1705351	1	Decal - Drive/Steer Instructions	
34	1701505	2	Decal - Fuel	
36	1701502	1	Decal - Hydraulic Oil Level (High)	
37	1701501	2	Decal - Arrow	
40	1001150079	1	Decal - Lift Diagram	
43	1702774	1	Decal - JLG Lift 3 1/2in	
44	1702773	3	Decal - JLG 5in	
45	1704885	1	Decal - www.jlg.com	
48	1702862	2	Decal - JLG Lift 12in	
49	1001203790	1	Decal - Daily Check List	
52	0641406	7	Bolt 1/4 x 3/4	
54	0860520	1	Box, Manual Storage	
56	3311405	4	Nut 1/4	
57	3820001	2	Rivet	
58	4751400	7	Washer 1/4	
59	3380474	1	Plate - Decal	
66	1701503	1	Decal - Hydraulic Oil Level (Low)	
67	1001203791	2	Decal - White Arrow	
68	1001153281	2	Plate, Arrow	
69	4031707	6	Capscrew M6 x 16	
70	1703811	4	Decal - Lift	
71	1703805	1	Decal - Electrocution	
72	1702590	1	Decal - 220V/50Hz	
73	1001117307	1	Decal - Emergency Stop	

# SECTION 9 - DECALS

## FIGURE 9-10. DECAL INSTALLATION - 1100SJ WITH SHIPYARD PLATFORM (ENGLISH LANGUAGE)



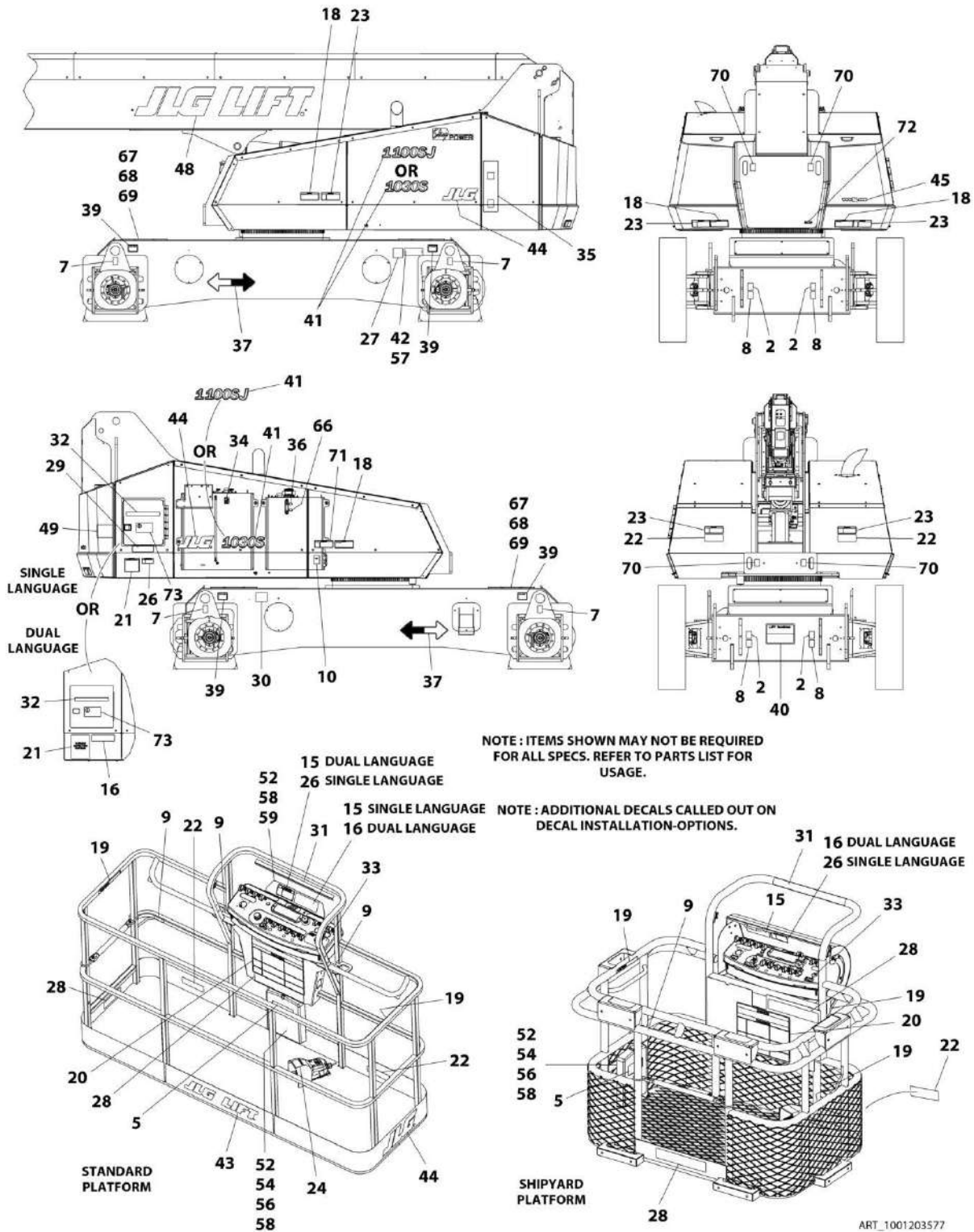
## SECTION 9 - DECALS

**FIGURE 9-10. DECAL INSTALLATION - 1100SJ WITH SHIPYARD PLATFORM (ENGLISH LANGUAGE)**

ITEM	PART NUMBER	QTY	DESCRIPTION	REV
	1001203573	Ref	DECAL INSTALLATION - 1100SJ WITH SHIPYARD PLATFORM (ENGLISH LANGUAGE)	D
2	1701499	4	Decal - No Lift	
5	1701509	1	Decal - Manual	
7	1703811	4	Decal - Lift	
8	1703814	4	Decal - Tie Down	
9	1704277	3	Decal - Lanyard Attach	
10	1704412	1	Decal - Hydraulic Oil Chart	
15	1705337	1	Decal - Tip-Over	
18	1703953	4	Decal - Warning Crushing	
19	1702868	2	Decal - No Hands	
20	1703797	1	Decal - Warning/Danger	
21	1705336	1	Decal - Warning Inspection	
22	1703804	4	Decal - Warning Crushing	
23	1703805	5	Decal - Electrocution	
24	3252347	1	Decal - Footswitch	
26	1705492	2	Decal - Tip-Over Hazard	
27	See Note	NSS	Decal - Bar Code (Note: Not Available for Purchase)	
28	1001203785	2	Decal - 550lbs Capacity	
29	1001203786	1	Decal - 550lbs Capacity	
30	1001131269	1	Decal - Patent	
31	1706751	1	Decal - Legend	
32	1001206774	1	Decal - Legend	
33	1001203789	1	Decal - Drive/Steer Instructions	
34	1701505	2	Decal - Fuel	
36	1701502	1	Decal - Hydraulic Oil Level (High)	
37	1701501	2	Decal - Arrow	
40	1001150079	1	Decal - Lift Diagram	
44	1702773	2	Decal - JLG 5in	
45	1704885	1	Decal - www.jlg.com	
48	1702862	2	Decal - JLG Lift 12in	
49	1001203790	1	Decal - Daily Check List	
52	0641406	7	Bolt 1/4 x 3/4	
54	0860520	1	Box, Manual Storage	
56	3311405	4	Nut 1/4	
57	3820001	2	Rivet	
58	4751400	7	Washer 1/4	
66	1701503	1	Decal - Hydraulic Oil Level (Low)	
67	1001203791	2	Decal - White Arrow	
68	1001153281	2	Plate, Arrow	
69	4031707	6	Capscrew M6 x 16	
70	1703811	4	Decal - Lift	
71	1703805	1	Decal - Electrocution	
72	1702590	1	Decal - 220V/50Hz	
73	1001117307	1	Decal - Emergency Stop	

# SECTION 9 - DECALS

## FIGURE 9-11. DECAL INSTALLATION - 1100SJ WITH STANDARD PLATFORM (ENGLISH/CHINESE LANGUAGE)



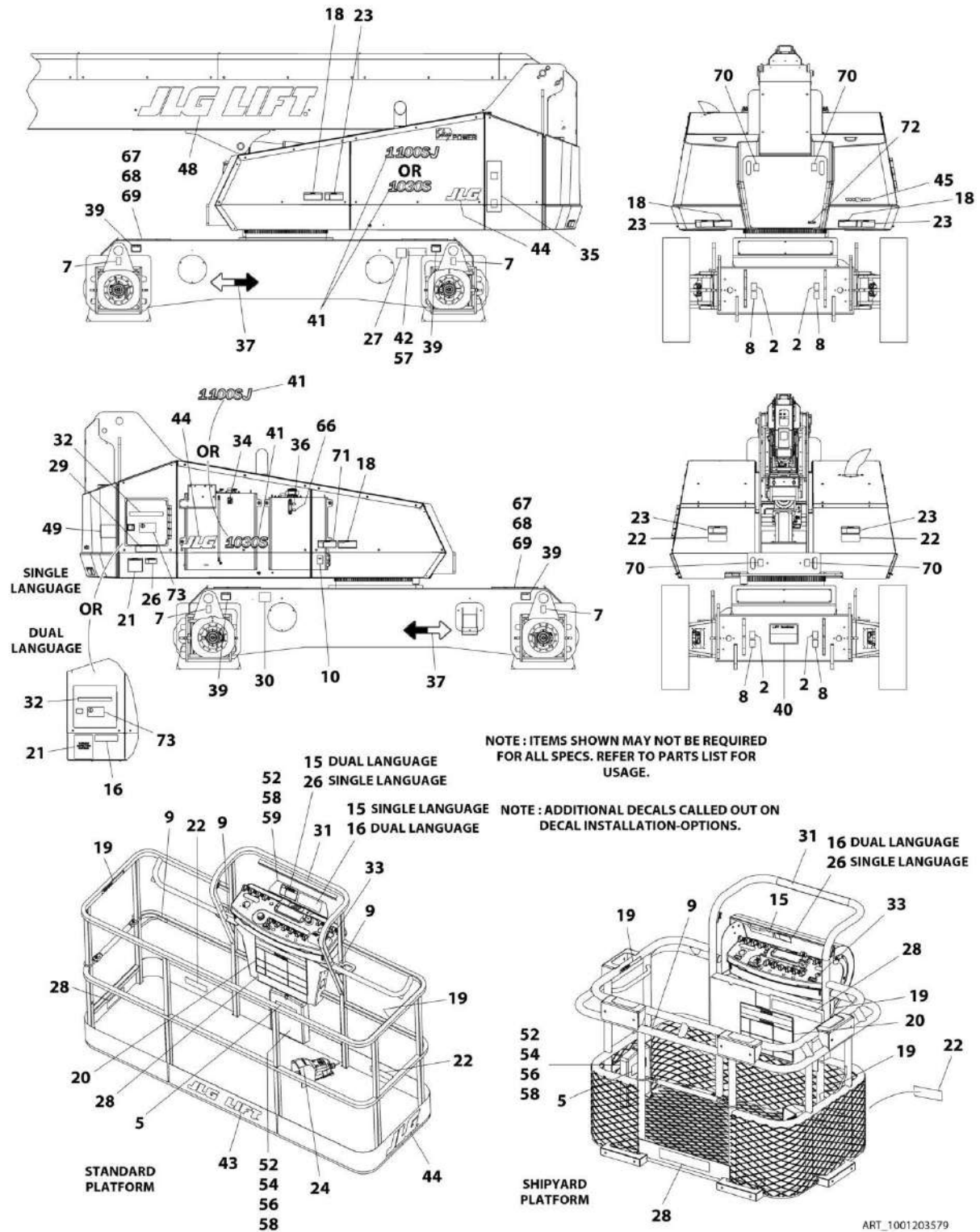
## SECTION 9 - DECALS

**FIGURE 9-11. DECAL INSTALLATION - 1100SJ WITH STANDARD PLATFORM (ENGLISH/CHINESE LANGUAGE)**

ITEM	PART NUMBER	QTY	DESCRIPTION	REV
	1001203577	Ref	DECAL INSTALLATION - 1100SJ WITH STANDARD PLATFORM (ENGLISH/CHINESE LANGUAGE)	D
2	1701499	4	Decal - No Lift	
5	1701509	1	Decal - Manual	
7	1703811	4	Decal - Lift	
8	1703814	4	Decal - Tie Down	
9	1704277	3	Decal - Lanyard Attach	
10	1704412	1	Decal - Hydraulic Oil Chart	
15	1001117034	1	Decal - Tip-Over	
16	1001117035	2	Decal - Warning Tip-Over	
18	1703943	4	Decal - Warning Crushing	
19	1001116846	2	Decal - No Hands	
20	1703925	1	Decal - Warning/Danger	
21	1001116849	1	Decal - Warning Inspection	
22	1703949	4	Decal - Warning Crushing	
23	1001116851	5	Decal - Electrocution	
24	1703982	1	Decal - Footswitch	
27	See Note	NSS	Decal - Bar Code (Note: Not Available for Purchase)	
28	1001206763	2	Decal - 550lbs Capacity	
29	1001206764	1	Decal - 550lbs Capacity	
31	1706751	1	Decal - Legend	
32	1001206774	1	Decal - Legend	
33	1705430	1	Decal - Drive/Steer Instructions	
34	1701505	2	Decal - Fuel	
36	1701502	1	Decal - Hydraulic Oil Level (High)	
37	1701501	2	Decal - Arrow	
40	1001150079	1	Decal - Lift Diagram	
43	1702774	1	Decal - JLG Lift 3 1/2in	
44	1702773	3	Decal - JLG 5in	
45	1704885	1	Decal - www.jlg.com	
48	1702862	2	Decal - JLG Lift 12in	
49	1001206772	1	Decal - Daily Check List	
52	0641406	7	Bolt 1/4 x 3/4	
54	0860520	1	Box, Manual Storage	
56	3311405	4	Nut 1/4	
57	3820001	2	Rivet	
58	4751400	7	Washer 1/4	
59	3572327	1	Plate - Decal	
66	1701503	1	Decal - Hydraulic Oil Level (Low)	
67	1001203791	2	Decal - White Arrow	
68	1001153281	2	Plate, Arrow	
69	4031707	6	Capscrew M6 x 16	
70	1703811	4	Decal - Lift	
71	1001116851	1	Decal - Electrocution	
72	1702590	1	Decal - 220V/50Hz	
73	1001117307	1	Decal - Emergency Stop	

# SECTION 9 - DECALS

FIGURE 9-12. DECAL INSTALLATION - 1100SJ WITH SHIPYARD PLATFORM (ENGLISH/CHINESE LANGUAGE)



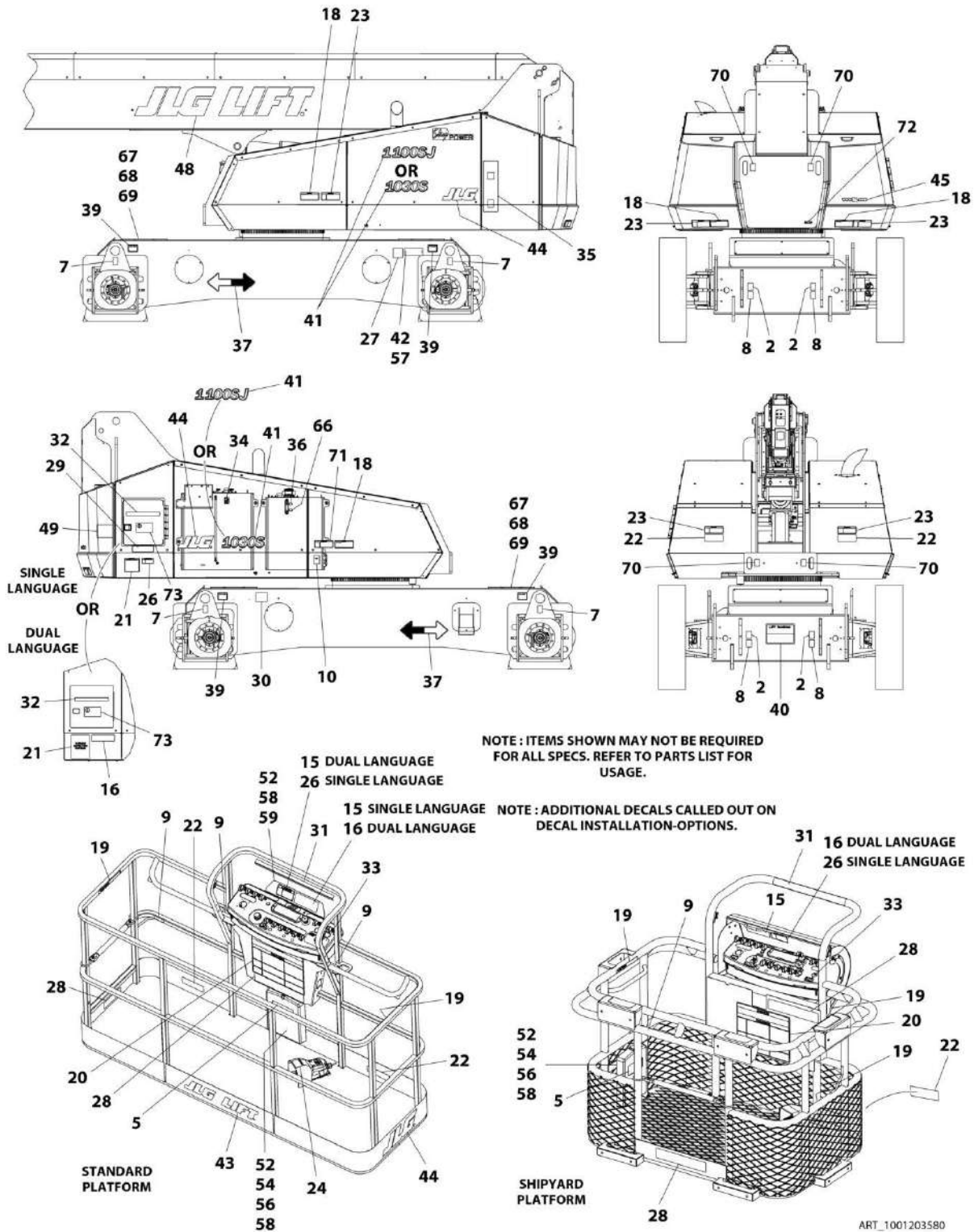
## SECTION 9 - DECALS

**FIGURE 9-12. DECAL INSTALLATION - 1100SJ WITH SHIPYARD PLATFORM (ENGLISH/CHINESE LANGUAGE)**

ITEM	PART NUMBER	QTY	DESCRIPTION	REV
	1001203579	Ref	DECAL INSTALLATION - 1100SJ WITH SHIPYARD PLATFORM (ENGLISH/CHINESE LANGUAGE)	D
2	1701499	4	Decal - No Lift	
5	1701509	1	Decal - Manual	
7	1703811	4	Decal - Lift	
8	1703814	4	Decal - Tie Down	
9	1704277	3	Decal - Lanyard Attach	
10	1704412	1	Decal - Hydraulic Oil Chart	
15	1001117034	1	Decal - Tip-Over	
16	1001117035	2	Decal - Warning Tip-Over	
18	1703943	4	Decal - Warning Crushing	
19	1001116846	2	Decal - No Hands	
20	1703925	1	Decal - Warning/Danger	
21	1001116849	1	Decal - Warning Inspection	
22	1703949	4	Decal - Warning Crushing	
23	1001116851	5	Decal - Electrocution	
24	1703982	1	Decal - Footswitch	
27	See Note	NSS	Decal - Bar Code (Note: Not Available for Purchase)	
28	1001206763	2	Decal - 550lbs Capacity	
29	1001206764	1	Decal - 550lbs Capacity	
31	1706751	1	Decal - Legend	
32	1001206774	1	Decal - Legend	
33	1001203930	1	Decal - Drive/Steer Instructions	
34	1701505	2	Decal - Fuel	
36	1701502	1	Decal - Hydraulic Oil Level (High)	
37	1701501	2	Decal - Arrow	
40	1001150079	1	Decal - Lift Diagram	
44	1702773	2	Decal - JLG 5in	
45	1704885	1	Decal - www.jlg.com	
48	1702862	2	Decal - JLG Lift 12in	
49	1001206772	1	Decal - Daily Check List	
52	0641406	7	Bolt 1/4 x 3/4	
54	0860520	1	Box, Manual Storage	
56	3311405	4	Nut 1/4	
57	3820001	2	Rivet	
58	4751400	7	Washer 1/4	
66	1701503	1	Decal - Hydraulic Oil Level (Low)	
67	1001203791	2	Decal - White Arrow	
68	1001153281	2	Plate, Arrow	
69	4031707	6	Capscrew M6 x 16	
70	1703811	4	Decal - Lift	
71	1001116851	1	Decal - Electrocution	
72	1702590	1	Decal - 220V/50Hz	
73	1001117307	1	Decal - Emergency Stop	

# SECTION 9 - DECALS

FIGURE 9-13. DECAL INSTALLATION - 1100SJ WITH STANDARD PLATFORM (ENGLISH/JAPANESE LANGUAGE)





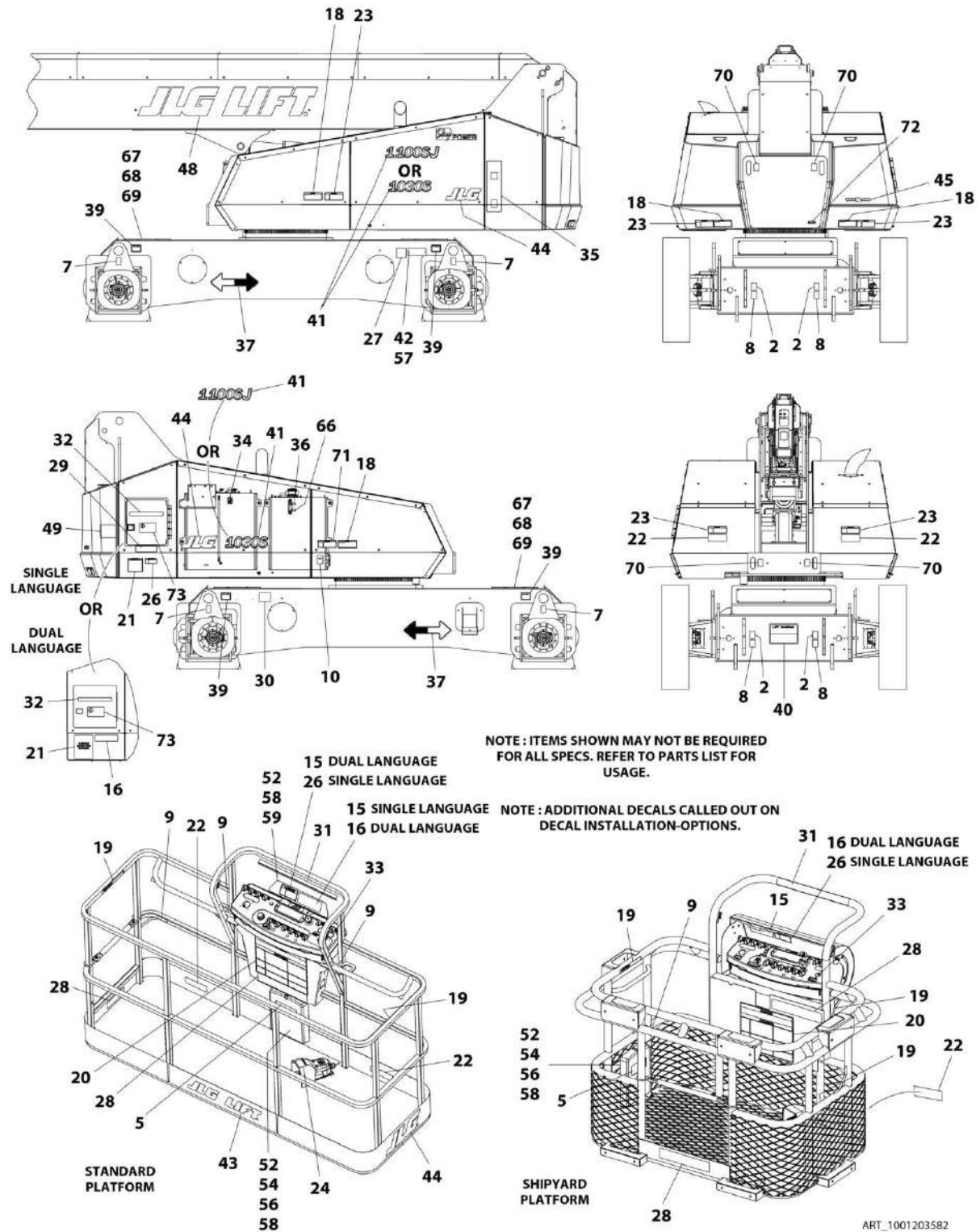
## SECTION 9 - DECALS

**FIGURE 9-13. DECAL INSTALLATION - 1100SJ WITH STANDARD PLATFORM (ENGLISH/JAPANESE LANGUAGE)**

ITEM	PART NUMBER	QTY	DESCRIPTION	REV
	1001203580	Ref	DECAL INSTALLATION - 1100SJ WITH STANDARD PLATFORM (ENGLISH/JAPANESE LANGUAGE)	D
2	1701499	4	Decal - No Lift	
5	1701509	1	Decal - Manual	
7	1703811	4	Decal - Lift	
8	1703814	4	Decal - Tie Down	
9	1704277	3	Decal - Lanyard Attach	
10	1704412	1	Decal - Hydraulic Oil Chart	
15	1705338	1	Decal - Tip-Over	
16	1705493	2	Decal - Warning Tip-Over	
18	1703944	4	Decal - Warning Crushing	
20	1703926	2	Decal - Warning/Danger	
21	1705344	1	Decal - Warning Inspection	
22	1703950	4	Decal - Warning Crushing	
23	1703938	5	Decal - Electrocution	
24	1703980	1	Decal - Footswitch	
27	See Note	NSS	Decal - Bar Code (Note: Not Available for Purchase)	
28	1001206767	2	Decal - 550lbs Capacity	
29	1001206768	1	Decal - 550lbs Capacity	
31	1706751	1	Decal - Legend	
32	1001206774	1	Decal - Legend	
33	1705426	1	Decal - Drive/Steer Instructions	
34	1701505	2	Decal - Fuel	
36	1701502	1	Decal - Hydraulic Oil Level (High)	
37	1701501	2	Decal - Arrow	
40	1001150079	1	Decal - Lift Diagram	
43	1702774	1	Decal - JLG Lift 3 1/2in	
44	1702773	3	Decal - JLG 5in	
45	1704885	1	Decal - www.jlg.com	
48	1702862	2	Decal - JLG Lift 12in	
49	1001206773	1	Decal - Daily Check List	
52	0641406	7	Bolt 1/4 x 3/4	
54	0860520	1	Box, Manual Storage	
56	3311405	4	Nut 1/4	
57	3820001	2	Rivet	
58	4751400	7	Washer 1/4	
59	3572327	1	Plate - Decal	
66	1701503	1	Decal - Hydraulic Oil Level (Low)	
67	1001203791	2	Decal - White Arrow	
68	1001153281	2	Plate, Arrow	
69	4031707	6	Capscrew M6 x 16	
70	1703811	4	Decal - Lift	
71	1703938	1	Decal - Electrocution	
72	1702590	1	Decal - 220V/50Hz	
73	1001117307	1	Decal - Emergency Stop	

# SECTION 9 - DECALS

FIGURE 9-14. DECAL INSTALLATION - 1100SJ WITH SHIPYARD PLATFORM (ENGLISH/JAPANESE LANGUAGE)



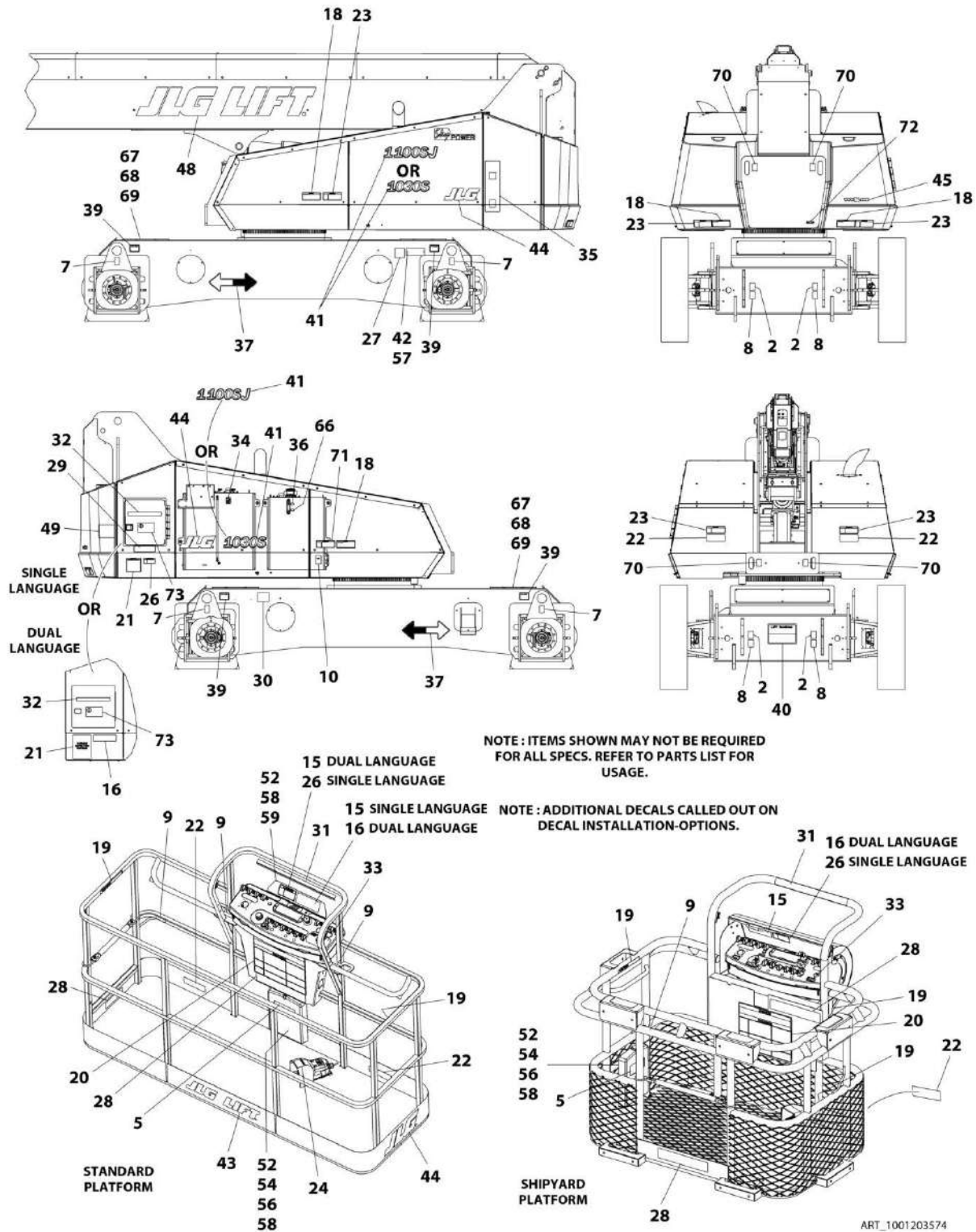
## SECTION 9 - DECALS

**FIGURE 9-14. DECAL INSTALLATION - 1100SJ WITH SHIPYARD PLATFORM (ENGLISH/JAPANESE LANGUAGE)**

ITEM	PART NUMBER	QTY	DESCRIPTION	REV
	1001203582	Ref	DECAL INSTALLATION - 1100SJ WITH SHIPYARD PLATFORM (ENGLISH/JAPANESE LANGUAGE)	D
2	1701499	4	Decal - No Lift	
5	1701509	1	Decal - Manual	
7	1703811	4	Decal - Lift	
8	1703814	4	Decal - Tie Down	
9	1704277	3	Decal - Lanyard Attach	
10	1704412	1	Decal - Hydraulic Oil Chart	
15	1705338	1	Decal - Tip-Over	
16	1705493	2	Decal - Warning Tip-Over	
18	1703944	4	Decal - Warning Crushing	
20	1703926	2	Decal - Warning/Danger	
21	1705344	1	Decal - Warning Inspection	
22	1703950	4	Decal - Warning Crushing	
23	1703938	5	Decal - Electrocution	
24	1703980	1	Decal - Footswitch	
27	See Note	NSS	Decal - Bar Code (Note: Not Available for Purchase)	
28	1001206767	2	Decal - 550lbs Capacity	
29	1001206768	1	Decal - 550lbs Capacity	
31	1706751	1	Decal - Legend	
32	1001206774	1	Decal - Legend	
33	1001203931	1	Decal - Drive/Steer Instructions	
34	1701505	2	Decal - Fuel	
36	1701502	1	Decal - Hydraulic Oil Level (High)	
37	1701501	2	Decal - Arrow	
40	1001150079	1	Decal - Lift Diagram	
44	1702773	3	Decal - JLG 5in	
45	1704885	1	Decal - www.jlg.com	
48	1702862	2	Decal - JLG Lift 12in	
49	1001206773	1	Decal - Daily Check List	
52	0641406	7	Bolt 1/4 x 3/4	
54	0860520	1	Box, Manual Storage	
56	3311405	4	Nut 1/4	
57	3820001	2	Rivet	
58	4751400	7	Washer 1/4	
66	1701503	1	Decal - Hydraulic Oil Level (Low)	
67	1001203791	2	Decal - White Arrow	
68	1001153281	2	Plate, Arrow	
69	4031707	6	Capscrew M6 x 16	
70	1703811	4	Decal - Lift	
71	1703938	1	Decal - Electrocution	
72	1702590	1	Decal - 220V/50Hz	
73	1001117307	1	Decal - Emergency Stop	

# SECTION 9 - DECALS

## FIGURE 9-15. DECAL INSTALLATION - 1100SJ WITH STANDARD PLATFORM (ENGLISH/KOREAN LANGUAGE)



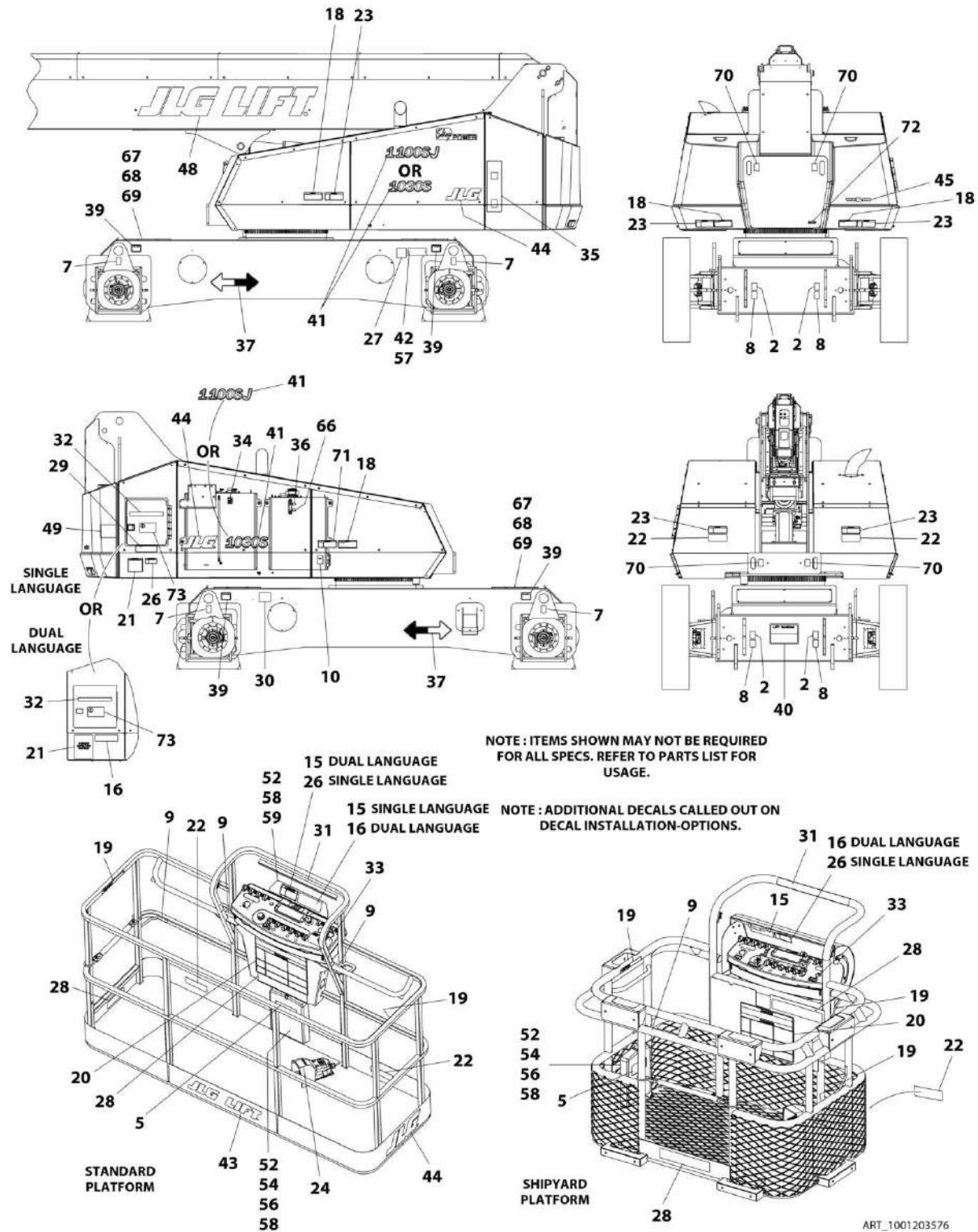
## SECTION 9 - DECALS

**FIGURE 9-15. DECAL INSTALLATION - 1100SJ WITH STANDARD PLATFORM (ENGLISH/KOREAN LANGUAGE)**

ITEM	PART NUMBER	QTY	DESCRIPTION	REV
	1001203574	Ref	DECAL INSTALLATION - 1100SJ WITH STANDARD PLATFORM (ENGLISH/KOREAN LANGUAGE)	D
2	1701499	4	Decal - No Lift	
5	1701509	1	Decal - Manual	
7	1703811	4	Decal - Lift	
8	1703814	4	Decal - Tie Down	
9	1704277	3	Decal - Lanyard Attach	
10	1704412	1	Decal - Hydraulic Oil Chart	
15	1705339	1	Decal - Tip-Over	
16	1705503	2	Decal - Warning Tip-Over	
18	1703945	4	Decal - Warning Crushing	
19	1705969	2	Decal - No Hands	
20	1703927	1	Decal - Warning/Danger	
21	1705345	1	Decal - Warning Inspection	
22	1703951	4	Decal - Warning Crushing	
23	1703939	5	Decal - Electrocutation	
24	1703981	1	Decal - Footswitch	
27	See Note	NSS	Decal - Bar Code (Note: Not Available for Purchase)	
28	1001206759	2	Decal - 550lbs Capacity	
29	1001206760	1	Decal - 550lbs Capacity	
31	1706751	1	Decal - Legend	
32	1001206774	1	Decal - Legend	
33	1705427	1	Decal - Drive/Steer Instructions	
34	1701505	2	Decal - Fuel	
36	1701502	1	Decal - Hydraulic Oil Level (High)	
37	1701501	2	Decal - Arrow	
40	1001150079	1	Decal - Lift Diagram	
43	1702774	1	Decal - JLG Lift 3 1/2in	
44	1702773	3	Decal - JLG 5in	
45	1704885	1	Decal - www.jlg.com	
48	1702862	2	Decal - JLG Lift 12in	
49	1001206771	1	Decal - Daily Check List	
52	0641406	7	Bolt 1/4 x 3/4	
54	0860520	1	Box, Manual Storage	
56	3311405	4	Nut 1/4	
57	3820001	2	Rivet	
58	4751400	7	Washer 1/4	
59	3572327	1	Plate - Decal	
66	1701503	1	Decal - Hydraulic Oil Level (Low)	
67	1001203791	2	Decal - White Arrow	
68	1001153281	2	Plate, Arrow	
69	4031707	6	Capscrew M6 x 16	
70	1703811	4	Decal - Lift	
71	1703939	1	Decal - Electrocutation	
72	1702590	1	Decal - 220V/50Hz	
73	1001117307	1	Decal - Emergency Stop	

# SECTION 9 - DECALS

## FIGURE 9-16. DECAL INSTALLATION - 1100SJ WITH SHIPYARD PLATFORM (ENGLISH/KOREAN LANGUAGE)



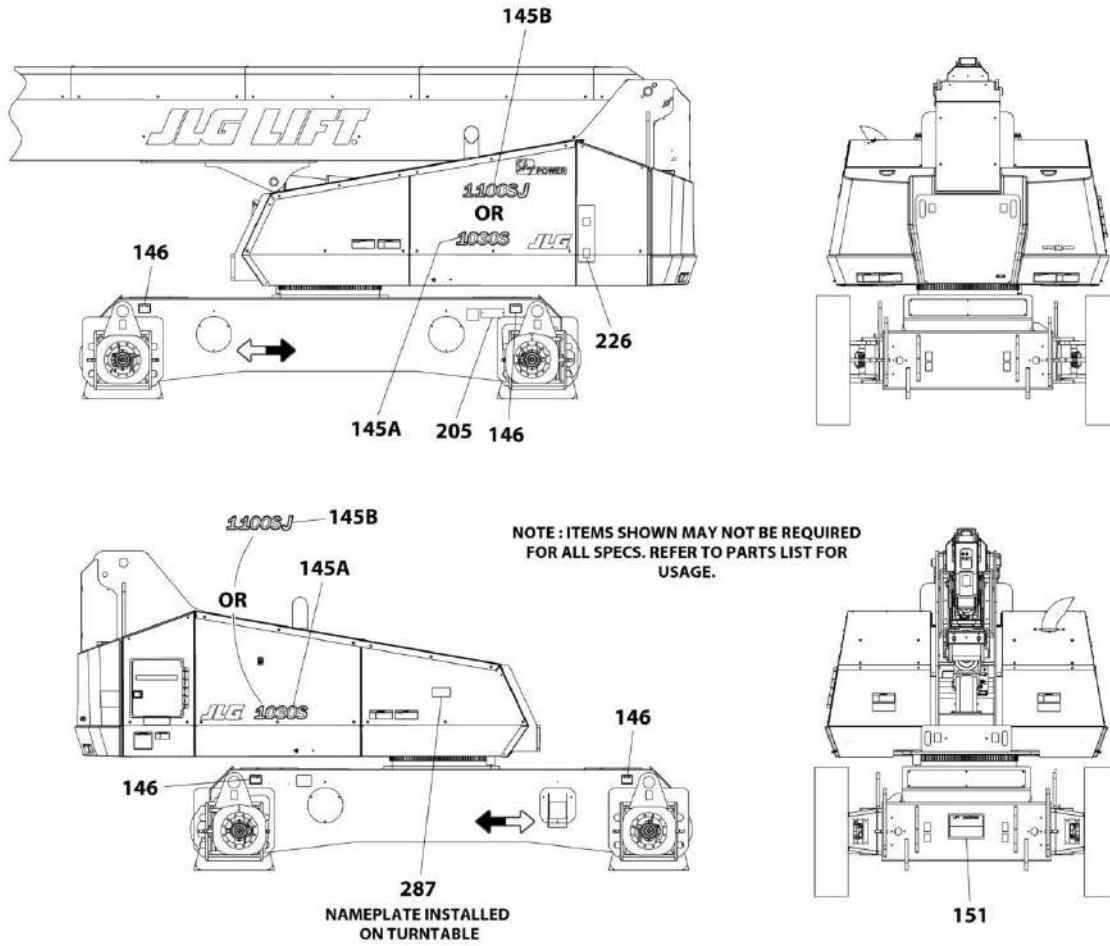
## SECTION 9 - DECALS

**FIGURE 9-16. DECAL INSTALLATION - 1100SJ WITH SHIPYARD PLATFORM (ENGLISH/KOREAN LANGUAGE)**

ITEM	PART NUMBER	QTY	DESCRIPTION	REV
	1001203576	Ref	DECAL INSTALLATION - 1100SJ WITH SHIPYARD PLATFORM (ENGLISH/KOREAN LANGUAGE)	D
2	1701499	4	Decal - No Lift	
5	1701509	1	Decal - Manual	
7	1703811	4	Decal - Lift	
8	1703814	4	Decal - Tie Down	
9	1704277	3	Decal - Lanyard Attach	
10	1704412	1	Decal - Hydraulic Oil Chart	
15	1705339	1	Decal - Tip-Over	
16	1705503	2	Decal - Warning Tip-Over	
18	1703945	4	Decal - Warning Crushing	
19	1705969	2	Decal - No Hands	
20	1703927	1	Decal - Warning/Danger	
21	1705345	1	Decal - Warning Inspection	
22	1703951	4	Decal - Warning Crushing	
23	1703939	5	Decal - Electrocutation	
24	1703981	1	Decal - Footswitch	
27	See Note	NSS	Decal - Bar Code (Note: Not Available for Purchase)	
28	1001206759	2	Decal - 550lbs Capacity	
29	1001206760	1	Decal - 550lbs Capacity	
31	1706751	1	Decal - Legend	
32	1001206774	1	Decal - Legend	
33	1001203929	1	Decal - Drive/Steer Instructions	
34	1701505	2	Decal - Fuel	
36	1701502	1	Decal - Hydraulic Oil Level (High)	
37	1701501	2	Decal - Arrow	
40	1001150079	1	Decal - Lift Diagram	
44	1702773	3	Decal - JLG 5in	
45	1704885	1	Decal - www.jlg.com	
48	1702862	2	Decal - JLG Lift 12in	
49	1001206771	1	Decal - Daily Check List	
52	0641406	7	Bolt 1/4 x 3/4	
54	0860520	1	Box, Manual Storage	
56	3311405	4	Nut 1/4	
57	3820001	2	Rivet	
58	4751400	7	Washer 1/4	
66	1701503	1	Decal - Hydraulic Oil Level (Low)	
67	1001203791	2	Decal - White Arrow	
68	1001153281	2	Plate, Arrow	
69	4031707	6	Capscrew M6 x 16	
70	1703811	4	Decal - Lift	
71	1703939	1	Decal - Electrocutation	
72	1702590	1	Decal - 220V/50Hz	
73	1001117307	1	Decal - Emergency Stop	

# SECTION 9 - DECALS

## FIGURE 9-17. DECAL INSTALLATIONS - OPTIONS



ART\_DECAL OPTIONS



## SECTION 9 - DECALS

**FIGURE 9-17. DECAL INSTALLATIONS - OPTIONS**

ITEM	PART NUMBER	QTY	DESCRIPTION	REV
		Ref	DECAL INSTALLATIONS - OPTIONS	
145A	1001150070	2	Decal - Model Designation (1030S)	
145B	1001150071	2	Decal - Model Designation (1100SJ)	
146	1001150074	4	Decal - Max Tire Load	
151	1001150079	1	Decal - Lift Diagram	
205	See Note	1	Decal - Nameplate (Note: Not Available for Purchase)	
226	1704972	1	Decal - Warning Eplosion/Fire (English Language)	
226	1706060	1	Decal - Warning Eplosion/Fire (English/Chinese Language)	
226	1706062	1	Decal - Warning Eplosion/Fire (English/Japanese Language)	
226	1706061	1	Decal - Warning Eplosion/Fire (English/Korean Language)	
287	See Note	NSS	Nameplate - Serial Number (Note: Not Available for Purchase)	
287	3820001	4	Pop Rivet	



## **SECTION 10 - RECOMMENDED SERVICE PARTS STOCK**

## **SECTION 10 - RECOMMENDED SERVICE PARTS STOCK**

# SECTION 10 - RECOMMENDED SERVICE PARTS STOCK

## FIGURE 10-1. RECOMMENDED SERVICE PARTS STOCK

ITEM	PART NUMBER	QTY	DESCRIPTION	REV
		Ref	Note: The following list will service one machine (built to current production per date on the front cover) with emergency repair parts which can be installed in the field. Parts from the list should be replaced when inventory is depleted to keep service parts stock supplied. For further information, contact your JLG dealer or the JLG Industries Parts Department.	
		Ref	STANDARD PARTS	
	70002386	1	Coil	
	70004463	1	Coil	
	70004460	1	Coil	
	70002231	12	Element, Pressure Filter	
	70002971	1	Coil	
	70027006	1	Coil	
	70003789	1	Coil	
	70006004	1	Coil	
	7026031	1	Sensor, Proximity	
	3740067	1	Relay	
	70005707	12	Element, Filter	
	1001221172	12	Breather	
	4360328	1	Switch, Toggle	
	4360475	1	Switch, Mushroom	
	4360476	1	Contact, Switch Block	
	4360274	1	Switch, Push Button	
	4360469	1	Switch, Key (ANSI, ANSI Export and Australian Specs)	
	70003788	1	Coil	
	1001155045	1	Switch, Toggle	
	1001159256	1	Switch, Toggle	
	1001161709	1	Switch, Toggle	
	1001161710	1	Switch, Toggle	
	1001212415	1	Controller, Drive and Steer	
	1001129555	1	Controller, Lift and Swing	
	1001137673	1	Switch, SkyGuard	
	8229242	2	Fuse - 5Amp	
	80983191	2	Fuse - 10Amp	
	3740080	1	Relay	
		Ref	VARIABLE PARTS	
	4360578	1	Switch, Limit	
	4360505	1	Switch	
	1001112758	1	Module (Chassis)	
	1001151525	1	Sensor, Temperature	
	1001227960	1	Module (B.L.A.M.)	
	1001151274	1	Module (Ground Control)	
	1001142683	1	Module (Blue Beacon)	
	7003655	12	Element, Deutz TD2011 Engine Air Filter	
	7016331	12	Element, Deutz TD2011 Engine Oil Filter	
	8320270	12	Element, Deutz TD2011 Engine Fuel	
	1600443	1	Module, Deutz TD2011 Engine	
	70024190	12	Element, Deutz TCD2.9L4 Engine Air Filter (Primary)	
	70024191	12	Element, Deutz TCD2.9L4 Engine Air Filter (Secondary)	

## SECTION 10 - RECOMMENDED SERVICE PARTS STOCK

ITEM	PART NUMBER	QTY	DESCRIPTION	REV
	7016331	12	Element, Deutz TCD2.9L4 Engine Oil Filter	
	1001225430	12	Element, Deutz TCD2.9L4 Engine Fuel Filter (Primary)	
	1001225431	12	Element, Deutz TCD2.9L4 Engine Fuel Filter (Secondary)	
	1001225432	12	Element, Deutz TCD2.9L4 T4i Engine Fuel Filter (Secondary)	
	70025153	12	Element, Deutz TCD2.9L4 Engine Fule Filter	
	70025210	1	Module, Deutz TCD2.9L4 Engine	
	1001138228	1	Relay (Deutz TCD2.9L4 T4i Engine)	
	70004066	12	Element, Filter (With Optional Fuel Water Separator)	
	4360336	1	Switch, Toggle (Generator Options)	
	4360070	1	Circuit Breaker 15Amp (Machines with 7500W Generator)	
	1001196517	1	Sensor, Proximity	
	4360552	1	Switch, Boom Length	
	1001204043	1	Sensor, Proximity	
	1001117320	1	Footswitch	
	1600343	1	Module, Platform Control	



**SECTION 11 - SPECIAL OPTIONS**

# SECTION 11 - SPECIAL OPTIONS

## FIGURE 11-1. SPECAIL OPTIONS

ITEM	PART NUMBER	QTY	DESCRIPTION	REV
		Ref	Note: This list is to accommodate machines ordered with special equipment. Options may not be applicable to all models. For more specific parts information contact JLG Parts Department.	
		Ref	MISCELLANEOUS SPECIAL OPTIONS	
	1001216793	Ref	Air Cleaner Pre-Cleaner	
	1001198481	Ref	Airline Installation (1030S)	
	1001150058	Ref	Airline Installation (1100SJ)	
	1001153446	Ref	Analyzer Installation	
	1001150053	Ref	Bellows Installation - Boom (1030S)	
	1001150052	Ref	Bellows Installation - Boom (1100SJ)	
	1001150054	Ref	Bellows Installation - Chassis	
	1001150093	Ref	Boom Rest Block Installation (1030S)	
	1001150094	Ref	Boom Rest Block Installation (1100SJ)	
	1001195494	Ref	Boom Wipers Installation	
		Ref	Decal Kits	
	2902303	Ref	Decal Kit - Master	
	2902307	Ref	Decal Kit - Country Spec (ANSI Spec)	
	2902309	Ref	Decal Kit - Country Spec (Chinese Spec)	
	2902308	Ref	Decal Kit - Country Spec (Japanese Spec)	
	2902310	Ref	Decal Kit - Country Spec (Korean Spec)	
		Ref	Electrical Connector Kits	
	1001148902	Ref	Amp/Tyco Electrical Connector Kit	
	1001148903	Ref	Deutsch DT Electrical Connector Kit	
	1001148904	Ref	Deutsch HD Electrical Connector Kit	
	1001148905	Ref	Packard Electrical Connector Kit	
	1001148906	Ref	Various Electrical Connectors Kit	
		Ref	Fluids	
	3020008	Ref	Drive Hub Lubricant	
	2300014	Ref	Hydraulic Fluid - Mobil 424	
	1001150099	Ref	Hose & Cable Protection Installation (1030S)	
	1001150100	Ref	Hose & Cable Protection Installation (1100SJ)	
	1001148971	Ref	Lanyard (Bolt-on) Installation Kit	
		Ref	Light Options:	
	1001201539	Ref	Chassis Illuminations Lights Installation	
	1001152640	Ref	Platform Beacon Light Installation	
	1001120467	Ref	Platform Floodlights Installation	
	1001150064	Ref	Oil Cooler Installation (Deutz TD2011 Engines)	
	1001218402	Ref	Oil Cooler Installation (Deutz TD2.9L4 Engines)	
	1001150095	Ref	Platform Bumpers Installation	
	1001193568	Ref	Platform Console Cover Installation ( <b>SN B300001586 through B300001680</b> )	
	1001110974	Ref	Platform Console Cover Installation ( <b>SN B300001681 to Present</b> )	
	1001150098	Ref	Soft-Touch (Overhead) Installation - Without LSS (Chinese & Korean Specs)	
	1001206605	Ref	Soft-Touch (Overhead) Installation - With LSS (Chinese & Korean Specs)	
		Ref	Tools For Service:	
	2901443	1	Analyzer Kit	
	7002821	1	Crimper, Wire	



## SECTION 11 - SPECIAL OPTIONS

ITEM	PART NUMBER	QTY	DESCRIPTION	REV
	7002823	1	Pin Extractor - Universal (For Electrical Connectors with Pins and Sockets)	
	4460467	1	Extractor - 16-18 Gauge (For Removal of Pin/Sockets from Deutsch Connectors)	
	4460510	1	Extractor - 12-14 Gauge (For Removal of Pin/Sockets from Deutsch Connectors)	
	70004646	1	Puller (Hub Assembly)	
	70004648	1	Puller (Hub Assembly)	
	7016654	1	Screwdriver, Magnetic	
	7002822	1	Screwdriver, Potentiometer	
	7004275	1	Seal Tool 1 (For Cylinders)	
	7004276	1	Seal Tool 1 1/2 (For Cylinders)	
	70004647	1	Seal Tool (Hub Assembly)	
	1001137005	1	Software Cable Kit	
	7002828	1	Stripper, Wire	
	4921850	1	Throttle Service Harness	
	70004185	1	Torque Multiplier	
	7016655	1	Wire Rope Sheave Gauge	
	2910894	1	Wire Rope Kit	



**PART NUMBER INDEX**

# PART NUMBER INDEX

0080237.....161	0681607.....115	0760812 ... 39, 41, 43, 45, 47, 49, 51, 53, 123, 125, 133, 139, 142, 146, 149, 151, 153, 168, 184, 352, 356	0962411.....228
0080277.....15, 17	0682418.....97	0760814 .... 121, 161, 241	0962423.....15, 17
0100009.....313	0700306.....176	0760815 .....139	0962450.....247, 251
0100011....11, 13, 15, 17, 21, 23, 41, 43, 45, 47, 49, 51, 53, 73, 75, 77, 79, 81, 83, 85, 87, 105, 109, 113, 115, 117, 119, 121, 123, 125, 137, 139, 142, 146, 149, 151, 153, 157, 159, 161, 168, 171, 174, 184, 187, 190, 213, 228, 233, 243, 245, 247, 249, 251, 253, 255, 257, 259, 261, 263, 265, 267, 269, 275, 277, 279, 325, 327, 329, 352, 356, 360, 364, 368	0700615... 137, 149, 151, 153	0761007 .....275	0962520.....213
0100019....11, 13, 15, 17, 21, 23, 97, 107, 213, 220, 224, 228, 241	0700617 .....157, 277	0761008 ... 63, 65, 67, 69, 174, 190	1001026127.....176, 192
0100020....119, 121, 162, 169, 174, 185, 190	0700618 .... 133, 174, 190	0761009 .... 228, 327, 329	1001080996.....389, 395
0100035.....15, 17	0700817 .....389, 395	0761010 ... 73, 75, 77, 79, 81, 83, 85, 87, 168, 184, 228, 233, 241, 255, 257, 259, 261, 263, 265, 267, 269, 275	1001090615.....327, 329
0100048.....113, 251, 313	0700819 .....352, 356	0761011 ... 11, 13, 45, 47, 49, 51, 53, 149, 151, 153, 157, 161, 168, 184, 229, 241, 247	1001091102.....135
0100071.....25	0700820 .....352, 356	0761012 ... 161, 228, 241, 249, 253, 279	1001091460.....100
0100081 11, 13, 313, 360, 364, 368	0700822 .....352, 356	0761013 ... 115, 211, 357	1001091461.....100
0140011.....313	0700824 .....162	0761014 .... 162, 279, 289, 291, 293, 295, 297, 299, 301, 303	1001092856.....162
0140043.....139	0700830 .....39, 41, 43	0761015 .... 113, 142, 146	1001097051.....385
0200833.....15, 17	0701014 .....11, 13	0761016 .... 117	1001098122.....429
0259666.....131	0701017 .....176, 192	0761017 .....228	1001098601.....161, 165
0271340.....323	0701019 .....356	0761018 .....228	1001098827.....243, 245, 247, 249, 253
0272970....289, 291, 293, 295, 297, 299, 301, 303	0701024 .... 142, 146, 192	0761019 .....228	1001098828.....249, 253
0340003.....161	0701030 .....241	0761210 .....168, 184	1001099125.....127, 129
0340051.....161	0701031 .....228	0761212 ... 109, 139, 213, 220, 224	1001101550.....21, 23, 27
0400020.....115	0701034 .....241	0761214 21, 23, 105, 109, 113, 115, 161	1001106736.....421
0440162....157, 168, 184	0701216... 157, 168, 184, 220	0761215 .....39, 45, 159	1001108616.....159, 171, 187, 202
0561471.....228	0701219 15, 17, 123, 125, 142, 146	0761216 11, 13, 171, 187, 243, 245, 249, 253	1001108617....73, 75, 77, 79, 81, 83, 85, 87, 157
0630464.....15, 17	0701221 .....11, 13	0761217 ... 11, 13, 73, 75, 77, 79, 81, 83, 85, 87	1001109503.....127, 129
0630568.....314	0701222 .....247, 251	0761218 .....11, 13	1001109730.....15, 17
0630612.....241	0701227 .....224	0761221 .... 113, 142, 146	1001110425.....168, 184
0641404.....213, 313	0701229 .....220, 224	0761222 .....117	1001110544.....305, 307, 309, 311, 313
0641405.....327, 329	0701619 .....35, 37	0761229 .....117	1001110604.....371
0641406....174, 190, 447, 449, 451, 453, 455, 457, 459, 461, 463, 465, 467, 469, 471, 473, 475, 477	0701622 .....15, 17	0761616 .....21, 23	1001110853.....228
0641408....149, 151, 153	0701624 .....247, 251	0761617 .....97, 228	1001110873.....214
0641414.....313	0711018 .....228	0762017 .....220, 224	1001110877.....67, 69
0641416.....325	0711030 .....142, 146	0770814 .....185	1001110974.....486
0641505.....15, 17	0711224 .... 162, 174, 190	0771012 ... 243, 245, 247, 249, 251, 253	1001111116.....161
0641506.....113, 161	0711624 .....107	0771414 .....161	1001112612.....421, 439
0641511.....15, 17	0711629 .....107	0771416 .....162	1001112757.....133
0641524.....162	0712444 ... 243, 245, 247, 249, 253	0772020 .....97	1001112758....39, 41, 43, 45, 47, 49, 51, 53, 482
0641606....73, 75, 77, 79, 81, 83, 85, 87, 157	0721003 .....275	0791506 .....275	1001112927.....159, 171, 187, 209
0641608.....159, 228	0721006 .....313	0811606 .....174, 190	1001113047.....123, 125
0641812....159, 171, 187	0741607 .....213	0840055 .....247, 251	1001113465.....251
0641858.....241	0760306 .....176, 192	0860038 .....213	1001113483.....247, 251
0642214.....220, 224	0760410 .....135	0860520 ... 447, 449, 451, 453, 455, 457, 459, 461, 463, 465, 467, 469, 471, 473, 475, 477	1001113691.....327, 329
0642684.....251	0760606 ... 213, 275, 357, 403	0861538 .....213	1001113961.....443
	0760608 .....115, 251	0940071 .....142, 146	1001116547.....220, 224
	0760610 ... 123, 125, 133, 139, 174, 190, 251	0961949 .....335, 343	1001116695.....385
	0760612 39, 45, 121, 161, 277, 283, 285, 287, 352, 357	0961950 .....343	1001116707.....409
	0760614 ... 39, 41, 43, 45, 47, 49, 51, 53, 289, 291, 293, 295, 297, 299, 301, 303	0961951 .....233	1001116710.....415
	0760615 .... 168, 184, 213	0962297 .....228, 337	1001116720.....437
	0760618 .....247, 251	0962404 .....228	1001116727.....410
	0760619 .....353, 357		1001116728.....410
	0760806 .....275		1001116732.....443
	0760807 ... 109, 277, 279		1001116734.....444
	0760808 .... 25, 168, 174, 184, 190, 241, 251		1001116748.....277
	0760810 ... 142, 146, 149, 151, 153, 174, 190, 241, 279, 289, 291, 293, 295, 360, 364, 368		1001116774.....439
			1001116792.....168, 184
			1001116808.....439
			1001116812.....385, 443
			1001116846.....451, 453, 467, 469
			1001116849.....451, 453, 467, 469

## PART NUMBER INDEX

1001116851 ..... 451, 453, 467, 469	1001135196..... 157, 168, 184	1001147479.....275	1001149440 ..... 15, 17
1001116952 ..... 410	1001135650..... 411, 413	1001147549.....119, 121	1001149441 ..... 15, 17
1001116967 ..... 409	1001135651..... 411	1001147551.....121	1001149452 ..... 211
1001116983 ..... 415	1001135679.....213	1001148011.....228	1001149456 ..... 23, 33
1001117025 ..... 443	1001135779..... 175, 191	1001148012.....228	1001149458 ..... 21, 31
1001117034 ..... 451, 453, 467, 469	1001136079..... 169, 185	1001148420.....228	1001149463 .. 15, 17, 343
1001117035 ..... 451, 453, 467, 469	1001136402..... 352, 356	1001148421.....228	1001149464 .. 11, 13, 333
1001117057 ..... 443	1001136583.....228	1001148576.....228	1001149469 ..... 211
1001117078 ..... 417	1001136592.....228	1001148577.....228	1001149524 ..... 403, 405
1001117106 ..... 410	1001136834..... 175, 191	1001148578.....228	1001149530 ..... 162
1001117107 ..... 410	1001136975..... 168, 175, 184, 191	1001148584.....115	1001149639 ..... 162, 175, 191
1001117307 ..... 447, 449, 451, 453, 455, 457, 459, 461, 463, 465, 467, 469, 471, 473, 475, 477	1001137005..... 487	1001148585.....115	1001149657 ..... 15
1001117308 ..... 175, 191	1001137032..... 220, 224, 228	1001148587.....115	1001149658 ..... 11
1001117320 ..... 289, 291, 293, 295, 297, 299, 301, 303, 483	1001137125..... 15, 17	1001148588.....115	1001149671 ..... 11, 13
1001118287 ..... 228	1001137276..... 175, 191	1001148650.....241	1001149672 ..... 11, 13
1001118388 ..... 437	1001137336.....192	1001148768.....139	1001149680 ..... 25
1001118665 ..... 233	1001137673..... 325, 482	1001148841.....413	1001149681 ..... 25
1001118971 ..... 277	1001138110..... 411	1001148842.....413	1001149734 ..... 245
1001119020 ..... 429, 439, 443	1001138111..... 411	1001148843..... 175, 191, 413	1001149742 ..... 25
1001119033 ..... 277	1001138113..... 411	1001148902.....486	1001149744 ..... 162
1001119057 ..... 229	1001138173..... 161, 175, 191	1001148903.....486	1001149785 ..... 11
1001119470 ..... 157, 407	1001138228..... 175, 191, 483	1001148904.....486	1001149786 ..... 11
1001119727 ..... 192	1001138248..... 161, 175, 191	1001148905.....486	1001149865 ..... 25
1001119968 ..... 214, 417	1001138827..... 175, 191	1001148906.....486	1001149903 ..... 233
1001120328 ..... 325, 429	1001139032.....245	1001148919.....233, 239	1001149994 ..... 137
1001120371 ..... 251	1001139240..... 175, 191	1001148930.....233	1001150004 ..... 374
1001120467 ..... 486	1001140535..... 175, 191	1001148932.....233	1001150005 ..... 376
1001121172 ..... 133	1001140564..... 175, 191	1001148953.....233	1001150012 ..... 224, 233
1001121576 ..... 247, 327, 329	1001141304..... 175, 191	1001148971.....486	1001150013 ..... 157
1001122383 ..... 127, 129	1001141718..... 168, 184	1001148972.....220, 224	1001150015 ..... 142
1001126011 ..... 429	1001141958.....214	1001149061.....149, 151	1001150016 ..... 117
1001126351 ..... 409	1001141995..... 162, 175, 191	1001149062.....153	1001150017 ..... 23
1001126352 ..... 409	1001142259..... 175, 191	1001149075..... 142, 149	1001150018 ..... 21
1001126356 ..... 409	1001142501..... 168, 184	1001149076.....149, 151	1001150019 ..... 111
1001126357 ..... 409	1001142683..... 137, 482	1001149077.....149, 151	1001150022 ..... 35
1001126362 ..... 410	1001142736..... 137, 439	1001149078.....149, 151	1001150023 ..... 37
1001126363 ..... 410	1001142938..... 411	1001149079.....149, 151	1001150024 ..... 97
1001126364 ..... 410	1001142940..... 411	1001149080.....149, 151	1001150025 ..... 113
1001126365 ..... 410	1001142941..... 411	1001149081.....149, 151	1001150026 ..... 107
1001126384 ..... 409	1001143501..... 372	1001149082..... 142, 146	1001150033 ..... 123
1001126391 ..... 410	1001143713..... 228	1001149083..... 142, 146	1001150034 ..... 125
1001126874 ..... 175, 191	1001143797..... 175, 191	1001149084.....149	1001150036 ..... 277
1001127624 ..... 352, 356	1001144433..... 325	1001149085..... 142, 146, 153	1001150037 ..... 287
1001128128 ..... 444	1001145154..... 175, 191	1001149086.....153	1001150040 ..... 45
1001129555 ..... 482	1001145439..... 289, 291, 293, 295	1001149087.....153	1001150041 ..... 39
1001130220 ..... 123, 125	1001146213..... 251	1001149088.....153	1001150042 ..... 67
1001131269 ..... 447, 449, 463, 465	1001146214..... 251	1001149089.....153	1001150044 ..... 63
1001133714 ..... 411, 413	1001146249..... 25	1001149090.....153	1001150045 ..... 447
1001133715 ..... 411, 413	1001146250..... 25	1001149091.....153	1001150046 ..... 459
1001133956 ..... 409	1001146251.....21, 25	1001149092..... 142, 146	1001150047 ..... 451
1001133957 ..... 409	1001146253..... 25	1001149093..... 142, 146	1001150048 ..... 455
1001134098 ..... 97, 100	1001146775.....228	1001149094.....153	1001150052 ..... 486
1001134293 ..... 283	1001147039..... 352, 356	1001149095..... 142, 146	1001150053 ..... 486
1001134488 ..... 175, 191	1001147223..... 119	1001149096..... 142, 146	1001150054 ..... 486
1001135138 ..... 175, 191	1001147229..... 119, 121	1001149098..... 142, 146	1001150058 ..... 486
	1001147230..... 119	1001149099..... 142, 146	1001150064 ..... 486
	1001147231..... 119	1001149101..... 142, 146	1001150070 ..... 479
	1001147247..... 37	1001149103.....233	1001150071 ..... 479
	1001147264..... 410	1001149160..... 139, 142, 146, 149, 151, 153, 241	1001150074 ..... 479
		1001149200.....243, 247	1001150075 ..... 243
		1001149314.....162	1001150076 ..... 247
		1001149315.....162	1001150077 ..... 251
		1001149316.....162	1001150078 ..... 105
		1001149389.....233, 339	1001150079 ..... 447, 449, 451, 453, 455, 457, 459, 461, 463, 465,

# PART NUMBER INDEX

467, 469, 471, 473, 475, 477, 479	1001151223 ..... 139	1001153027 ..... 157, 168, 184	1001170982..... 169, 185
1001150086.....356, 374	1001151226 ..... 149, 151	1001153028 ..... 142, 146	1001171095..... 159, 171, 187, 205
1001150087 .....352, 374	1001151229 ..... 149, 151	1001153029 ..... 142, 146	1001172663..... 249, 253
1001150088 .....371, 374	1001151274 ..... 133, 482	1001153030 ..... 142, 146	1001172760..... 313
1001150089 .....364, 374	1001151320 ..... 162	1001153034 ..... 142, 146	1001174486..... 119, 157, 175, 191, 211
1001150090 .....360, 374	1001151393 ..... 131	1001153035 ..... 142, 146	1001174928..... 175, 179
1001150091 .....211	1001151409 ... 45, 47, 49, 51, 53, 57	1001153046 ..... 157, 168, 184	1001175568..... 169, 185
1001150093 .....486	1001151420 ... 73, 81, 89	1001153083 ..... 157, 168, 184	1001179154..... 214
1001150094 .....486	1001151436 ..... 35	1001153086 ..... 142, 146, 157, 169, 185	1001180516..... 176, 192
1001150095 .....486	1001151437 ..... 35	1001153162 ..... 142, 146	1001180620..... 175, 191
1001150096 ..... 109, 279	1001151500 ..... 263, 265, 267, 269, 273	1001153195 ..... 142, 146	1001181899..... 176, 192
1001150098 .....327, 486	1001151502 ..... 255, 257, 259, 261, 271	1001153198 ..... 142, 146	1001182617..... 127
1001150099 .....486	1001151525 ... 73, 75, 77, 79, 81, 83, 85, 87, 482	1001153199 ..... 142, 146	1001182618..... 129
1001150100 .....486	1001151549 ..... 81, 263	1001153281 ..... 447, 449, 451, 453, 455, 457, 459, 461, 463, 465, 467, 469, 471, 473, 475, 477	1001182727..... 211
1001150197 .....247	1001151550 ..... 73, 255	1001153367 ..... 297	1001182997..... 117, 119, 175, 191
1001150320 ..... 11, 13	1001151646 ..... 107	1001153368 ..... 303	1001185281..... 275, 313
1001150321 ..... 11, 13	1001151651 ..... 327, 329	1001153369 ..... 299	1001186431..... 437
1001150322 ..... 11, 13	1001151652 ..... 327, 329	1001153370 ..... 301	1001186432..... 437
1001150323 ..... 11, 13	1001151701 ..... 135	1001153444 ..... 325	1001186517..... 325
1001150325 ..... 11, 13	1001151730 ..... 115	1001154294 ..... 229	1001187382..... 249, 253
1001150326 ..... 11, 13	1001151731 ..... 247, 327	1001154304 ..... 229	1001187383..... 249, 253
1001150407 ..... 11, 13	1001151809 ..... 117	1001154306 ..... 229	1001188622..... 249, 253
1001150408 ..... 11, 13	1001151834 ... 39, 41, 43, 45, 47, 49, 51, 53, 59	1001154405 ..... 169, 185	1001188844..... 249, 253
1001150418 ..... 15, 17	1001151840 ... 73, 75, 77, 79, 81, 83, 85, 87	1001155041 ..... 214	1001188889..... 325
1001150419 ..... 15, 17	1001151846 ..... 220, 235	1001155043 ..... 323	1001189001..... 249, 253
1001150443 ..... 157, 381	1001151874 ..... 220	1001155044 18, 313, 323	1001189002..... 249, 253
1001150458 ..... 11, 13	1001151906 ..... 275	1001155045 ..... 313, 323, 482	1001190985..... 249, 253
1001150460 ..... 15, 17	1001151907 ..... 275	1001155550 ..... 162	1001191610..... 162, 175, 191
1001150470 .....224	1001151908 ..... 275	1001155823 ..... 169, 185	1001192401..... 443
1001150471 .....220, 224	1001151912 ..... 142, 146	1001156016 ..... 337	1001193568..... 486
1001150473 .....220, 224	1001151938 ..... 247	1001157520 ..... 215	1001193675..... 403
1001150474 .....220, 224	1001151939 ..... 247	1001157521 ..... 215	1001194133..... 241
1001150480 .....403, 441	1001151940 ..... 247	1001157528 ..... 215	1001194134..... 241
1001150558 ..... 11, 13	1001151941 ..... 247	1001157592 ..... 214	1001194136..... 241
1001150577 .....63, 65, 67, 69	1001151984 ..... 220	1001157770 ..... 214, 376	1001194137..... 241
1001150578 .....63, 65, 67, 69	1001152039 ..... 277	1001158007 ..... 215	1001194138..... 241
1001150579 .....63, 65, 67, 69	1001152059 ..... 277	1001158008 ..... 215	1001194264..... 249
1001150644 ..... 113	1001152060 ..... 277	1001159186 ..... 421, 429	1001194331..... 403, 425
1001150698 .....327, 329	1001152062 ..... 277	1001159256 ..... 313, 482	1001194341..... 360, 364, 368
1001150699 .....327, 329	1001152193 ..... 123, 125, 133	1001161709 18, 313, 482	1001194342..... 360, 364, 368
1001150902 ..... 119	1001152194 ..... 133	1001161710 ..... 313, 482	1001194345..... 360, 364, 368
1001151025 ..... 111	1001152195 ..... 133	1001162807 ..... 323	1001194346..... 360, 364, 368
1001151027 .....327, 329	1001152197 ..... 123, 125	1001165035 ..... 169, 175, 185, 191	1001194347..... 360
1001151028 .....327, 329	1001152207 ..... 127, 129	1001165820 ..... 175, 191	1001194348..... 360, 371
1001151046 .....97	1001152208 ..... 125, 129	1001166538 ..... 313, 321	1001194396..... 364, 368
1001151058 ..... 107	1001152214 ..... 123, 125	1001166539 ..... 313, 317	1001194397..... 364, 368
1001151061 .....327, 329	1001152217 ..... 123, 125	1001167565 ..... 249, 253	1001194398..... 360, 364, 368
1001151064 ..... 109	1001152366 ..... 123, 127	1001168018 ..... 162, 175, 191	1001194401..... 360, 364
1001151092 .....23	1001152454 ..... 277	1001168209 ..... 335	1001194402..... 364, 368
1001151094 .....21	1001152488 ..... 162	1001168402 ..... 249, 253	1001194407..... 364, 368
1001151128 ..... 159, 161	1001152493 ..... 162	1001169054 ..... 175, 191	1001194410..... 360
1001151129 ..... 157, 159	1001152496 ..... 162	1001169138 ..... 175, 191	1001194506..... 241
1001151157 ..... 162	1001152500 ..... 162	1001169967 ..... 175, 191	1001194525..... 241
1001151158 ..... 162	1001152525 ..... 215	1001170035 ..... 175, 191	1001194528..... 241
1001151159 ..... 162	1001152574 18, 379, 403	1001170305 ..... 277	1001194532..... 39, 41, 43, 55
1001151180 ..... 105	1001152640 ..... 486		1001194548..... 241
1001151201 .....327, 329, 427	1001152704 ..... 356		
1001151213 ..... 139	1001152708 ..... 356		
1001151214 .....287	1001152742 ..... 410		
1001151215 .....287			
1001151221 ..... 139			
1001151222 ..... 139			

## PART NUMBER INDEX

1001194550 ..... 241	1001198156..... 305	1001200032..... 395	1001206764 ..... 467, 469
1001194564 ..... 241	1001198160..... 309	1001200033..... 389	1001206765 ..... 451, 453
1001194566 ..... 241	1001198166..... 309	1001200034..... 397	1001206766 ..... 451, 453
1001194568 ..... 241	1001198167..... 309	1001200035..... 391	1001206767 ..... 471, 473
1001194582 ..... 241	1001198170..... 309	1001200156..... 279	1001206768 ..... 471, 473
1001194636 ..... 228	1001198171..... 309	1001200157..... 279	1001206769 ..... 455, 457
1001194653 ..... 228	1001198175..... 311	1001200491 ..... 249, 253	1001206770 ..... 455, 457
1001194663 ..... 228	1001198176..... 311	1001200494..... 253	1001206771 ..... 459, 461, 475, 477
1001194694 ..... 220, 224	1001198178..... 311	1001200794..... 220, 224	1001206772 ..... 451, 453, 467, 469
1001194706 ..... 228	1001198180..... 311	1001200910..... 137	1001206773 ..... 455, 457, 471, 473
1001194707 ..... 224	1001198181..... 311	1001201351 ..... 249, 253	1001206774 ..... 447, 449, 451, 453, 455, 457, 459, 461, 463, 465, 467, 469, 471, 473, 475, 477
1001194708 ..... 220, 224, 228	1001198183..... 311	1001201539..... 486	1001207673 ..... 277
1001194712 ..... 228	1001198188..... 311	1001203004..... 263, 265, 267, 269, 433	1001207855 ..... 352
1001194715 ..... 228	1001198189..... 311	1001203152..... 255, 257, 259, 261, 431	1001209688 ..... 360, 364, 368
1001194717 ..... 228	1001198190..... 311	1001203571 ..... 463	1001209841 ..... 360, 364, 368
1001194733 ..... 229	1001198191..... 311	1001203572..... 449	1001209842 ..... 360, 364, 368
1001194925 ..... 229, 345	1001198200..... 305	1001203573..... 465	1001210887 ..... 25
1001194935 ..... 229	1001198205..... 305	1001203574..... 475	1001211508 ..... 25
1001194937 ..... 229	1001198206..... 305	1001203575..... 461	1001212223 ..... 214
1001194938 ..... 229	1001198207..... 305	1001203576..... 477	1001212415 ..... 482
1001194940 ..... 229	1001198208..... 305	1001203577..... 467	1001212817 ..... 162
1001194941 ..... 229	1001198211..... 307	1001203578..... 453	1001213447 ..... 429
1001194942 ..... 229	1001198212..... 307	1001203579..... 469	1001213663 ..... 352
1001194943 ..... 229	1001198214..... 307	1001203580..... 471	1001213664 ..... 352, 357
1001195191 ..... 220, 224, 335	1001198216..... 307	1001203581..... 457	1001213665 ..... 352, 357
1001195442 ..... 229	1001198217..... 307	1001203582..... 473	1001213882 ..... 314
1001195494 ..... 486	1001198219..... 307	1001203785..... 463, 465	1001214683 ..... 214
1001195626 ..... 275	1001198224..... 307	1001203786..... 463, 465	1001215258 ..... 253
1001195629 ..... 275	1001198225..... 307	1001203787..... 447, 449	1001215629 ..... 111
1001195876 ..... 279	1001198226..... 307	1001203788..... 447, 449	1001215797 ..... 289
1001195877 ..... 279	1001198227..... 307	1001203789..... 449, 465	1001215798 ..... 295
1001196107 ..... 162	1001198229..... 241	1001203790..... 447, 449, 463, 465	1001215799 ..... 291
1001196331 ..... 220	1001198481..... 486	1001203791..... 447, 449, 451, 453, 455, 457, 459, 461, 463, 465, 467, 469, 471, 473, 475, 477	1001215800 ..... 293
1001196517 ..... 275, 483	1001198576..... 305, 307, 309, 311, 314	1001203929..... 461, 477	1001216206 ..... 241
1001196741 ..... 314	1001198930..... 305	1001203930..... 453, 469	1001216207 ..... 241
1001196743 ..... 305, 307, 309, 311, 313	1001199043..... 220, 224, 231	1001203931..... 457, 473	1001216208 ..... 241
1001196744 ..... 314	1001199119..... 314, 429	1001204043..... 275, 483	1001216394 ..... 113
1001196747 ..... 289, 297, 305	1001199120..... 307	1001204509 ..... 161	1001216555 ..... 229
1001196748 ..... 291, 299, 307	1001199134..... 311	1001204722..... 352, 356	1001216560 ..... 229
1001196749 ..... 295, 303, 311	1001199212..... 314	1001204725..... 249, 253	1001216793 ..... 486
1001196750 ..... 293, 301, 309	1001199214..... 309	1001205482..... 249	1001216832 ..... 229
1001196776 ..... 137	1001199834..... 371	1001205505..... 279	1001216835 ..... 229
1001196894 ..... 162	1001199835..... 371	1001206121..... 356	1001216836 ..... 229
1001196896 ..... 162	1001199837..... 371	1001206122..... 356	1001216943 ..... 403, 421
1001197477 ..... 162	1001199839..... 371	1001206123..... 352, 356	1001216944 ..... 403, 443
1001197717 ..... 241	1001199840..... 371	1001206124..... 352, 356	1001217028 ..... 241
1001197718 ..... 352, 356	1001199843..... 371	1001206125..... 352, 356	1001217255 ..... 385, 403
1001197797 ..... 220, 224, 337	1001199844..... 371	1001206126..... 352, 356	1001217854 ..... 123
1001197798 ..... 220, 224, 341	1001199845..... 371	1001206127..... 352, 356	1001217856 ..... 125
1001198138 ..... 305	1001199846..... 371	1001206128..... 352, 356	1001217857 ..... 123, 125
1001198144 ..... 309	1001199847..... 371	1001206129..... 352, 356	1001217858 ..... 123, 125
1001198145 ..... 309	1001199848..... 371	1001206130..... 352, 356	1001217859 ..... 123, 125
1001198146 ..... 305	1001199849..... 371	1001206131..... 352, 356	1001217864 ..... 123, 125
1001198149 ..... 309	1001199851..... 371	1001206133..... 352, 356	1001217917 ..... 249, 253
1001198150 ..... 305	1001199855..... 371	1001206605..... 329, 486	1001218037 ..... 220, 224, 231
1001198153 ..... 309	1001199904..... 325, 437	1001206759..... 475, 477	1001218400 ..... 168
1001198154 ..... 305	1001200024..... 387	1001206760..... 475, 477	
1001198155 ..... 309	1001200025..... 393	1001206761..... 459, 461	
	1001200026..... 395	1001206762..... 459, 461	
	1001200027..... 389	1001206763..... 467, 469	
	1001200028..... 397		
	1001200029..... 391		
	1001200030..... 387, 395, 397, 399		
	1001200031..... 389, 391, 393, 401		

# PART NUMBER INDEX

1001218401.....213	1001221291..... 121	1120549..... 15, 17	1703162..... 161, 174, 190
1001218402.....486	1001221312..... 121	1120550..... 15, 17	1703797....447, 449, 463, 465
1001218403..... 169, 171	1001221313..... 121	1220078..... 228	1703804.... 447, 449, 463, 465
1001218404..... 171, 174	1001221334..... 121	1260017..... 111	1703805....447, 449, 463, 465
1001218405..... 175, 191	1001221340..... 121	1271538..... 251	1703811.... 447, 449, 451, 453, 455, 457, 459, 461, 463, 465, 467, 469, 471, 473, 475, 477
1001218406..... 175, 191	1001221427..... 192	1320022 ... 119, 175, 191	1703814.... 447, 449, 451, 453, 455, 457, 459, 461, 463, 465, 467, 469, 471, 473, 475, 477
1001218408..... 175, 191	1001221435..... 275	1320058..... 161	1703925.... 451, 453, 467, 469
1001218409..... 175	1001221518..... 229, 231	1320061 ... 139, 168, 184, 214	1703926.... 455, 457, 471, 473
1001218411..... 175, 191	1001221679..... 109	1320136..... 251, 275	1703927.... 459, 461, 475, 477
1001218412..... 175, 191	1001221680..... 109	1320146..... 353, 357	1703938.... 455, 457, 471, 473
1001218414..... 176, 191	1001222091..... 192	1320223..... 168, 184	1703939.... 459, 461, 475, 477
1001218416..... 176, 191	1001222493..... 353, 357	1320224..... 251	1703943.... 451, 453, 467, 469
1001218417..... 176, 192	1001222524..... 49, 53, 61	1320235..... 352, 356	1703944.... 455, 457, 471, 473
1001218423..... 176, 192	1001222586..... 353, 357	1320263..... 11, 13, 275	1703945.... 459, 461, 475, 477
1001218425..... 176, 192	1001222642..... 13	1320263..... 11, 13, 275	1703949.... 451, 453, 467, 469
1001218427..... 176	1001222688..... 17	1320302..... 213	1703950.... 455, 457, 471, 473
1001218429..... 176, 192	1001222730..... 368, 374	1321320..... 161	1703951.... 459, 461, 475, 477
1001218430..... 176, 192	1001222785..... 368	1321385..... 357	1703953.... 447, 449, 463, 465
1001218431..... 176, 192	1001222796..... 368	1380169..... 123, 125	1703980.... 455, 457, 471, 473
1001218432..... 176, 192	1001222817..... 169, 185	1600343..... 313, 483	1703981.... 459, 461, 475, 477
1001218434..... 176, 192	1001222890..... 353, 357	1600387..... 247, 251	1703982.... 451, 467, 469
1001218436..... 176, 192	1001223301..... 353, 357	1600443..... 165, 482	1703986..... 453
1001218437..... 176, 192	1001223381..... 372	1670829..... 127, 129	1704260..... 313
1001218440..... 176, 192	1001223890 .. 53, 87, 269	1671049 ... 63, 65, 67, 69	1704277.... 447, 449, 451, 453, 455, 457, 459, 461, 463, 465, 467, 469, 471, 473, 475, 477
1001218443..... 176, 192	1001223891 .. 49, 79, 261	1671092..... 214	1704412.... 447, 449, 451, 453, 455, 457, 459, 461, 463, 465, 467, 469, 471, 473, 475, 477
1001218444..... 176, 192	1001223930..... 123, 125	1671142..... 275	1704885.... 447, 449, 451, 453, 455, 457, 459, 461, 463, 465, 467, 469, 471, 473, 475, 477
1001218447..... 214	1001223931 .. 51, 85, 267	1671176..... 313	1704885.... 447, 449, 451, 453, 455, 457, 459, 461, 463, 465, 467, 469, 471, 473, 475, 477
1001218448..... 176, 192	1001223932 .. 47, 77, 259	1701499 ... 447, 449, 451, 453, 455, 457, 459, 461, 463, 465, 467, 469, 471, 473, 475, 477	1704972..... 479
1001218545..... 123, 125	1001223984 .. 43, 83, 265	1701501 ... 447, 449, 451, 453, 455, 457, 459, 461, 463, 465, 467, 469, 471, 473, 475, 477	1705336.... 447, 449, 463, 465
1001218580..... 176, 192	1001223985 .. 41, 75, 257	1701502 ... 447, 449, 451, 453, 455, 457, 459, 461, 463, 465, 467, 469, 471, 473, 475, 477	1705337.... 447, 449, 463, 465
1001218733..... 139	1001224023..... 169, 185	1701503 ... 447, 449, 451, 453, 455, 457, 459, 461, 463, 465, 467, 469, 471, 473, 475, 477	1705338.... 455, 457, 471, 473
1001218944..... 176, 192	1001224978..... 325	1701504 ... 447, 449, 451, 453, 455, 457, 459, 461, 463, 465, 467, 469, 471, 473, 475, 477	1705339.... 459, 461, 475, 477
1001218945..... 176, 192	1001225210..... 146	1701505 ... 447, 449, 451, 453, 455, 457, 459, 461, 463, 465, 467, 469, 471, 473, 475, 477	
1001219116..... 75, 77, 79, 83, 85, 87, 93	1001225211..... 146, 151	1702590 ... 447, 449, 451, 453, 455, 457, 459, 461, 463, 465, 467, 469, 471, 473, 475, 477	
1001219400..... 184	1001225244..... 151	1702773 ... 447, 449, 451, 453, 455, 457, 459, 461, 463, 465, 467, 469, 471, 473, 475, 477	
1001219403..... 185, 187	1001225343..... 229	1702774 ... 447, 451, 455, 459, 463, 467, 471, 475	
1001219404..... 187, 190	1001225430..... 483	1702862 ... 447, 449, 451, 453, 455, 457, 459, 461, 463, 465, 467, 469, 471, 473, 475, 477	
1001219455..... 192	1001225431..... 483	1702862 ... 447, 449, 451, 453, 455, 457, 459, 461, 463, 465, 467, 469, 471, 473, 475, 477	
1001219627..... 371	1001225432..... 483	1702862 ... 447, 449, 451, 453, 455, 457, 459, 461, 463, 465, 467, 469, 471, 473, 475, 477	
1001219628..... 372	1001226706..... 231	1702862 ... 447, 449, 451, 453, 455, 457, 459, 461, 463, 465, 467, 469, 471, 473, 475, 477	
1001219631..... 169, 185	1001227180..... 285	1702862 ... 447, 449, 451, 453, 455, 457, 459, 461, 463, 465, 467, 469, 471, 473, 475, 477	
1001219642..... 192, 195	1001227960..... 133, 482	1702862 ... 447, 449, 451, 453, 455, 457, 459, 461, 463, 465, 467, 469, 471, 473, 475, 477	
1001219726..... 169	1001228200..... 174, 190	1702862 ... 447, 449, 451, 453, 455, 457, 459, 461, 463, 465, 467, 469, 471, 473, 475, 477	
1001220200..... 169, 185	1001228211..... 220, 237	1702862 ... 447, 449, 451, 453, 455, 457, 459, 461, 463, 465, 467, 469, 471, 473, 475, 477	
1001220261..... 176, 192, 409	1001228485..... 119, 121	1702862 ... 447, 449, 451, 453, 455, 457, 459, 461, 463, 465, 467, 469, 471, 473, 475, 477	
1001220535..... 169, 185	1001229542..... 175, 191	1702862 ... 447, 449, 451, 453, 455, 457, 459, 461, 463, 465, 467, 469, 471, 473, 475, 477	
1001220562..... 279	1001230051..... 121	1702862 ... 447, 449, 451, 453, 455, 457, 459, 461, 463, 465, 467, 469, 471, 473, 475, 477	
1001220749..... 169, 185, 383	1001230052..... 353, 357	1702862 ... 447, 449, 451, 453, 455, 457, 459, 461, 463, 465, 467, 469, 471, 473, 475, 477	
1001220778..... 229	1001230053..... 353, 357	1702862 ... 447, 449, 451, 453, 455, 457, 459, 461, 463, 465, 467, 469, 471, 473, 475, 477	
1001220779..... 229	1001230054..... 353, 357	1702862 ... 447, 449, 451, 453, 455, 457, 459, 461, 463, 465, 467, 469, 471, 473, 475, 477	
1001221172..... 482	1001230931..... 277	1702862 ... 447, 449, 451, 453, 455, 457, 459, 461, 463, 465, 467, 469, 471, 473, 475, 477	
1001221173..... 119	1001231149..... 353, 357	1702862 ... 447, 449, 451, 453, 455, 457, 459, 461, 463, 465, 467, 469, 471, 473, 475, 477	
1001221175..... 117, 119	1001231150..... 353, 357	1702862 ... 447, 449, 451, 453, 455, 457, 459, 461, 463, 465, 467, 469, 471, 473, 475, 477	
1001221203..... 192	1001231245..... 176	1702862 ... 447, 449, 451, 453, 455, 457, 459, 461, 463, 465, 467, 469, 471, 473, 475, 477	
1001221205..... 185	1001231797..... 265, 267, 269, 435	1702862 ... 447, 449, 451, 453, 455, 457, 459, 461, 463, 465, 467, 469, 471, 473, 475, 477	
1001221207..... 192	1001232358..... 151	1702862 ... 447, 449, 451, 453, 455, 457, 459, 461, 463, 465, 467, 469, 471, 473, 475, 477	
1001221207..... 192	1001232782..... 69	1702862 ... 447, 449, 451, 453, 455, 457, 459, 461, 463, 465, 467, 469, 471, 473, 475, 477	
1001221212..... 192	1001232783..... 65	1702862 ... 447, 449, 451, 453, 455, 457, 459, 461, 463, 465, 467, 469, 471, 473, 475, 477	
1001221217..... 192	1001232899..... 229, 347	1702862 ... 447, 449, 451, 453, 455, 457, 459, 461, 463, 465, 467, 469, 471, 473, 475, 477	
1001221284..... 117, 121	1001236143..... 119	1702862 ... 447, 449, 451, 453, 455, 457, 459, 461, 463, 465, 467, 469, 471, 473, 475, 477	
1001221285..... 121	1060343..... 214	1702862 ... 447, 449, 451, 453, 455, 457, 459, 461, 463, 465, 467, 469, 471, 473, 475, 477	
1001221286..... 121	1060918 ... 289, 291, 293, 295, 297, 299, 301, 303	1702862 ... 447, 449, 451, 453, 455, 457, 459, 461, 463, 465, 467, 469, 471, 473, 475, 477	
1001221289..... 168, 184, 415	10702077..... 215	1702862 ... 447, 449, 451, 453, 455, 457, 459, 461, 463, 465, 467, 469, 471, 473, 475, 477	
1001221290..... 121	10702082..... 215	1702862 ... 447, 449, 451, 453, 455, 457, 459, 461, 463, 465, 467, 469, 471, 473, 475, 477	
	10837489..... 94	1702862 ... 447, 449, 451, 453, 455, 457, 459, 461, 463, 465, 467, 469, 471, 473, 475, 477	



# PART NUMBER INDEX

1705344 ... 455, 457, 471, 473	2220497 ..... 371	2920029..... 325, 327, 329	3291607 ..... 15, 17
1705345 ... 459, 461, 475, 477	2220498 ..... 161, 371	2920129..... 403	3300241 ..... 228
1705351 ..... 447, 463	2220499 .... 352, 356, 371	2920154..... 313	3300242 ..... 228
1705366 ..... 220, 224	2220500 .... 352, 356, 371	2920161..... 135	3300243 ..... 251
1705426 ..... 455, 471	2220502 ... 352, 356, 364, 368	2940045..... 123, 125	3300353 ..... 313
1705427 ..... 459, 475	2220582 ..... 364, 368	2940173..... 149, 151, 153	3300364 .... 123, 125, 275
1705430 ..... 451, 467	2220596 ..... 352, 356	3020008..... 21, 23, 486	3300396 ..... 214
1705492 ... 447, 449, 463, 465	2220603 ..... 352, 356	3020016..... 161	3300408 ..... 313
1705493 ... 455, 457, 471, 473	2220605 ..... 364, 368	3020021..... 199	3300459 ..... 228
1705503 ... 459, 461, 475, 477	2220624 ..... 371	3020039..... 228	3300464 ..... 15, 17
1705969 ... 459, 461, 475, 477	2220628 .... 352, 356, 371	3020042..... 229	3311001 ..... 214
1706060 ..... 479	2220654 ..... 368	3220126..... 161	3311005 ..... 213, 313
1706061 ..... 479	2220671 ..... 371	3251102..... 213	3311401 ..... 213
1706062 ..... 479	2220816 ..... 169, 185	3252347 .... 289, 291, 293, 295, 297, 299, 301, 303, 447, 449, 463, 465	3311405 ... 174, 190, 275, 325, 447, 449, 451, 453, 455, 457, 459, 461, 463, 465, 467, 469, 471, 473, 475, 477
1706751 ... 447, 449, 451, 453, 455, 457, 459, 461, 463, 465, 467, 469, 471, 473, 475, 477	2220861 ..... 364, 368	3271601..... 142, 146	3311505 ..... 15, 17
2060025 ..... 161	2220865 ..... 352, 356	3271805..... 241	3311601 ..... 314
2110810 ..... 364, 368	2220881 55, 57, 231, 337	3272201..... 228	3311605 ..... 327, 329
2110812 ..... 371	2220883 . 57, 90, 94, 231, 271, 333, 335, 337, 339	3272401..... 228	3312602 ..... 137
2111010 ..... 371	2220885 90, 94, 333, 335, 337, 341, 343, 345, 347	3282601..... 228	3322201 ..... 113
2111016 ..... 371	2220886 90, 94, 271, 335, 341	3290305.... 176, 192, 305, 307, 309, 311, 313	3331211 ... 161, 174, 190, 213
2130808 ..... 364, 368	2220887 ..... 337	3290405..... 11, 13, 135	3380474 ..... 447, 463
2130810 ... 360, 364, 368, 371	2220888 ..... 337	3290501..... 168, 184	3391210 .... 157, 168, 184
2130812 .... 364, 368, 371	2220923 ..... 360, 364	3290505..... 127, 129	3423208 ..... 220, 224
2131012 ..... 360, 371	2220947 ..... 352, 356	3290601.... 115, 149, 151, 153, 174, 190	3423256 ..... 15, 17
2150810 .... 360, 364, 368	2221034 ..... 360	3290605.... 39, 41, 43, 45, 47, 49, 51, 53, 139, 157, 161, 214, 247, 251, 277, 283, 285, 289, 291, 293, 295, 297, 299, 301, 303, 353, 357	3430616 ..... 314
2151010 ..... 371	2221042 ..... 352, 356	3290606..... 287	3450810 ..... 25
2151012 .... 360, 364, 368	2221084 ..... 371	3290607..... 137	3451214 ..... 15, 17
2170108 ..... 364, 368	2221086 ... 59, 61, 90, 94, 220, 224, 231, 271, 273	3290801.... 119, 121, 168, 184	3470003 ..... 314
2170208 ..... 360, 364	2221231 ..... 360	3290805.... 39, 41, 43, 45, 47, 49, 51, 53, 123, 125, 133, 139, 142, 146, 149, 151, 153, 161, 162, 241, 289, 291, 293, 295, 352, 356, 389, 395	3520026 ..... 313
2170308 ..... 360	2221337 ..... 231	3290805.... 39, 41, 43, 45, 47, 49, 51, 53, 123, 125, 133, 139, 142, 146, 149, 151, 153, 161, 162, 241, 289, 291, 293, 295, 352, 356, 389, 395	3520027 ..... 313
2170708 ..... 364, 368	2300014 ..... 486	3290805.... 39, 41, 43, 45, 47, 49, 51, 53, 123, 125, 133, 139, 142, 146, 149, 151, 153, 161, 162, 241, 289, 291, 293, 295, 352, 356, 389, 395	3520054 ... 161, 171, 187, 313
2170908 ... 360, 364, 368, 371	2400060 ..... 443	3290805.... 39, 41, 43, 45, 47, 49, 51, 53, 123, 125, 133, 139, 142, 146, 149, 151, 153, 161, 162, 241, 289, 291, 293, 295, 352, 356, 389, 395	3520174 ..... 313
2172110 ..... 372	2400066 ..... 444	3290805.... 39, 41, 43, 45, 47, 49, 51, 53, 123, 125, 133, 139, 142, 146, 149, 151, 153, 161, 162, 241, 289, 291, 293, 295, 352, 356, 389, 395	3572327 ... 451, 455, 459, 467, 471, 475
2180832 ..... 168, 184	2420202 ..... 247, 251	3290805.... 39, 41, 43, 45, 47, 49, 51, 53, 123, 125, 133, 139, 142, 146, 149, 151, 153, 161, 162, 241, 289, 291, 293, 295, 352, 356, 389, 395	3573294 ..... 11, 13
2220313 .... 119, 168, 184	2540038 ... 247, 251, 327, 329	3290805.... 39, 41, 43, 45, 47, 49, 51, 53, 123, 125, 133, 139, 142, 146, 149, 151, 153, 161, 162, 241, 289, 291, 293, 295, 352, 356, 389, 395	3580317 ..... 213
2220315 ..... 161	2560187 .... 149, 151, 153	3290805.... 39, 41, 43, 45, 47, 49, 51, 53, 123, 125, 133, 139, 142, 146, 149, 151, 153, 161, 162, 241, 289, 291, 293, 295, 352, 356, 389, 395	3580318 ..... 213
2220366 ..... 371	2720015 ..... 174, 190	3290805.... 39, 41, 43, 45, 47, 49, 51, 53, 123, 125, 133, 139, 142, 146, 149, 151, 153, 161, 162, 241, 289, 291, 293, 295, 352, 356, 389, 395	3580320 ..... 213
2220371 ... 352, 356, 360, 364, 368	2720058 ..... 157, 211	3290805.... 39, 41, 43, 45, 47, 49, 51, 53, 123, 125, 133, 139, 142, 146, 149, 151, 153, 161, 162, 241, 289, 291, 293, 295, 352, 356, 389, 395	3600424 ..... 115
2220372 .... 352, 356, 371	2750532 ... 161, 360, 364, 368	3291001.... 168, 184, 247, 249, 253	3641585 ..... 283, 285
2220373 ..... 371	2760105 ..... 127, 129	3291005.... 115, 142, 146, 149, 151, 161, 211, 241, 249, 253, 279, 289, 291, 293, 295, 297, 299, 301, 303, 357, 360, 364, 368	3740067 .... 115, 161, 482
2220374 .... 352, 356, 371	2820031 ..... 213	3291005.... 115, 142, 146, 149, 151, 161, 211, 241, 249, 253, 279, 289, 291, 293, 295, 297, 299, 301, 303, 357, 360, 364, 368	3740080 ..... 443, 482
2220375 ..... 371	2860030 ..... 131	3291007..... 11, 13	3760133 ..... 233
2220377 ..... 372	2900700 ..... 231	3291201.... 117, 142, 146, 157, 168, 184, 249, 253	3760170 ..... 111
2220380 ..... 371	2900707 ..... 90, 94	3291205.... 39, 45, 73, 75, 77, 79, 81, 83, 85, 87, 109, 113, 117, 123, 125, 142, 146, 157, 168, 184, 220, 224, 243, 245, 247, 249, 251, 253	3760233 ..... 220, 224
2220415 ... 356, 364, 368, 371	2900708 ..... 93	3291207..... 15, 17	3760383 ..... 15, 17
2220435 ..... 371	2900770 90, 94, 100, 333, 335, 339	3291602..... 97	3790012 ..... 17, 313, 323
2220451 ..... 371	2900792 ..... 333	3291605..... 247, 251	3790152 .... 159, 171, 187
2220466 ... 352, 356, 364, 368	2901443 ..... 486		3790155 .... 159, 171, 187
2220472 .... 360, 364, 371	2902065 ... 161, 171, 187, 199		3790158 ..... 21, 23
2220473 ... 352, 356, 360, 364, 368	2902303 ..... 486		3820001 ... 447, 449, 451, 453, 455, 457, 459, 461, 463, 465, 467, 469, 471, 473, 475, 477, 479
2220478 ..... 371	2902307 ..... 486		3841143 ... 157, 168, 184, 233, 249, 253
2220479 ..... 371	2902308 ..... 486		3841203 .15, 17, 220, 224
	2902309 ..... 486		3841258 ..... 15, 17
	2902310 ..... 486		3841287 ..... 220, 224
	2902443 ..... 407, 410		3841581 ..... 220, 224
	2910894 ..... 487		
	2920028 ... 325, 327, 329		

# PART NUMBER INDEX

3841692.....283, 285	4360387 ... 313, 325, 327, 329	4460510 ..... 487	4460943.... 113, 379, 409, 429
3900085.....137	4360436 ..... 117	4460518 ... 429, 431, 433, 435, 439	4460944.... 113, 247, 251, 379, 385, 407, 409, 410
3900174.....123, 125	4360469 ..... 131, 482	4460536 ..... 443	4460945.....444
3900183.....313	4360475 ... 127, 129, 313, 482	4460539 ... 379, 385, 425, 443	4460950.....405, 410
3900210.....123, 125	4360476 .... 127, 129, 482	4460634 ..... 421	4460963.....215
3900349.....314	4360477 ..... 327, 329	4460635 ..... 421	4460967.....417
3900363.... 149, 151, 153, 161	4360505 ..... 15, 17, 482	4460662 ..... 327, 329	4460968..... 11, 13, 329
3900364.....174, 190	4360552 ..... 275, 483	4460670 ..... 385, 443	4460970.....409, 421
3910606.....213	4360578 ..... 11, 13, 482	4460702 ..... 407, 444	4460982.....409
3910804.....131	4460007 ..... 313	4460703 ..... 385, 410	4461005.....407
3931008.....113	4460016 ..... 429	4460708 ..... 313	4461006.....407
3931016.....213	4460019 ... 407, 410, 444	4460761 ..... 421, 429	4461008.....407, 410
3931020.....15, 17	4460042 ..... 411, 421	4460807 ..... 419	4461052.....407
3931414.....275	4460043 ..... 410	4460808 ..... 419	4461053.....407
3931424.....325	4460071 ... 213, 289, 291, 293, 295, 297, 299, 301, 303	4460836 ... 113, 247, 251, 385, 405, 409, 444	4461054....407, 410, 415
3931432.....174, 190	4460121 ..... 425	4460837 ..... 113, 444	4461060.....407
3931512.... 113, 174, 190	4460144 ..... 421	4460865 ..... 399, 401	4461070.... 407, 409, 410, 439
3931620.....171, 187	4460183 ..... 429	4460866 ..... 429, 443	4461071.....407, 410
3931628.....213	4460225 ..... 419, 429	4460868 ..... 421	4461072.....407, 410
3960422.....213	4460226 ... 247, 318, 321, 427, 429, 437	4460871 ... 277, 421, 425, 429, 443	4461073.....407, 410
3960551.....15, 17	4460227 ..... 429	4460872 ..... 443	4461074.....407, 410
3960552.....15, 17	4460234 ..... 313	4460873 ..... 429, 443	4461077.....385
4031205.....275	4460247 ..... 410	4460874 ..... 429, 443	4461095.... 407, 409, 410, 439
4031510..... 11, 13, 277	4460259 ... 415, 421, 429	4460875 ..... 425	4461097.....407
4031605.....275	4460260 ... 415, 421, 429	4460876 ..... 421, 429	4568293.....161
4031607.....119	4460265 ..... 318, 321	4460877 ..... 421	4640509.....333
4031707 15, 17, 447, 449, 451, 453, 455, 457, 459, 461, 463, 465, 467, 469, 471, 473, 475, 477	4460267 ..... 421, 429	4460878 ..... 443	4640751.... 161, 174, 190
4031914.....174, 190	4460268 ..... 419, 425	4460879 ..... 429	4641129.....89, 93
4032009.....345	4460268 ..... 419, 425	4460884 ... 385, 405, 410, 437, 443	4641179.....229
4032013.....213	4460313 ..... 407, 444	4460887 ..... 429, 443	4641210.....90, 94
4032014.....213	4460315 ..... 213, 407	4460891 ... 135, 405, 415, 425, 431, 433, 435, 439, 441	4641285.....337
4032022.....161	4460346 ..... 213	4460892 ..... 433, 435	4711000.....215
4032310.....15, 17	4460418 ..... 421, 429	4460894 ... 385, 407, 410, 425, 433, 435, 443	4711400.... 149, 151, 153, 174, 190, 213, 275, 325
4060802.....213	4460419 ..... 421, 429	4460897 ... 137, 415, 427, 444	4711500 15, 17, 162, 174, 190
4060807.....229, 372	4460424 ..... 425	4460899 ... 277, 385, 425, 441, 443	4711600.... 73, 75, 77, 79, 81, 83, 85, 87, 115, 157, 314
4060808.... 39, 41, 43, 45, 47, 49, 51, 53	4460425 ..... 214	4460905 ... 313, 421, 425, 429, 443	4711800..... 15, 17, 241
4060865.....135	4460426 ..... 215	4460911 ..... 385	4740181..... 15, 17
4060906.... 127, 129, 313	4460428 ..... 251, 313	4460914 ..... 15, 17, 275	4740229..... 15, 17
4061054.....251	4460434 ..... 429	4460925 ..... 429	4740362.... 289, 291, 293, 295, 297, 299, 301, 303
4070895.....241	4460458 ..... 410	4460926 .... 431, 433, 435	4740397..... 17, 313, 323
4071015.....228	4460464 ... 137, 277, 385, 405, 409, 410, 415, 421, 425, 427, 429, 439, 441, 443, 444	4460928 ... 385, 431, 433, 435, 439	4740505..... 15, 17
4071041.....97	4460465 ... 135, 247, 251, 385, 399, 401, 405, 407, 409, 410, 417, 419, 423, 425, 429, 431, 433, 435, 437, 439, 441, 443, 444	4460930 ... 405, 407, 409, 410, 423, 425, 443	4750800..... 15, 17
4100026.....352, 356	4460466 ... 113, 247, 251, 385, 399, 401, 405, 407, 409, 410, 421, 423, 425, 429, 433, 435, 439, 441, 443, 444	4460931 .... 409, 421, 444	4751000.... 137, 213, 275, 313
4100066.....371	4460467 ..... 487	4460932 ... 379, 385, 410, 415, 443	4751400.... 174, 190, 213, 313, 447, 449, 451, 453, 455, 457, 459, 461, 463, 465, 467, 469, 471, 473, 475, 477
4120035.....421	4460470 ..... 313, 403	4460933 ... 247, 251, 385, 405, 409, 429, 439, 443	4755000..... 15, 17
4160197.....228	4460471 ..... 313, 403	4460934 .... 385, 405, 409	4791400..... 174, 190
4240017.... 352, 360, 364, 368, 371	4460473 ..... 399, 401	4460935 .... 385, 405, 409	4811400..... 11, 13
4240018.... 352, 356, 360, 364, 368, 371	4460496 ..... 313, 421	4460941 ... 113, 385, 409, 415	4811600.... 119, 168, 184
4240032.....407	4460497 ..... 313, 421	4460942 ... 113, 385, 409, 410, 415, 444	4811700.... 39, 41, 43, 45, 47, 49, 51, 53, 115, 123, 125, 133, 137, 139, 157, 161, 168,
4240033.... 137, 251, 325, 407	4460508 ..... 429, 443		
4240099.... 176, 192, 247, 327, 329	4460509 ..... 399, 401		
4360070.....214, 483			
4360274.... 127, 129, 482			
4360328.... 127, 129, 323, 482			
4360336.....213, 483			

# PART NUMBER INDEX

174, 184, 190, 213, 247, 251, 275, 277, 353, 357, 403	5250608 ..... 174, 190	70001857 ..... 165	70002159 ..... 202
4811702 ... 121, 283, 285, 287	5250612 ..... 174, 190	70001867 ..... 165	70002160 ..... 202
4811900 ... 25, 39, 41, 43, 45, 47, 49, 51, 53, 109, 119, 121, 139, 142, 146, 149, 151, 153, 161, 168, 174, 184, 190, 241, 251, 275, 277, 279, 289, 291, 293, 295, 352, 356, 360, 364, 368	5250808 ... 168, 176, 184, 192	70001868 ..... 165	70002161 ..... 202
4811902 ... 123, 125, 133, 174, 190, 352, 356	5250810 ..... 169, 185	70001870 ... 165, 179, 195	70002162 ..... 202
4812000 ... 11, 13, 45, 47, 49, 51, 53, 63, 65, 67, 69, 73, 75, 77, 79, 81, 83, 85, 87, 115, 142, 146, 149, 151, 153, 161, 168, 174, 184, 190, 211, 214, 228, 241, 247, 249, 253, 255, 257, 259, 261, 263, 265, 267, 269, 275, 279, 327, 329, 356, 360, 364, 368	5250812 ..... 168, 184	70001871 ..... 165	70002163 ..... 202
4812002 ... 176, 192, 289, 291, 293, 295, 297, 299, 301, 303	5250813 ... 168, 174, 184, 185, 190	70001939 ..... 59	70002164 ..... 202
4812100 ... 11, 13, 15, 17, 39, 45, 73, 75, 77, 79, 81, 83, 85, 87, 105, 109, 113, 115, 117, 123, 125, 139, 142, 146, 157, 161, 168, 184, 249, 253	5250816 .... 174, 190, 213	70001955 ..... 205	70002165 ..... 202
4812102 ... 117, 157, 168, 184	5250818 ..... 213	70001956 ..... 205	70002168 ..... 203
4812200 ..... 161	5251008 ... 174, 190, 249, 253	70001958 ..... 203	70002174 ..... 203
4812300 15, 17, 157, 168, 184, 228, 247, 251	5251011 ..... 169, 185	70001966 ..... 214	70002175 ..... 203
4871700 ..... 213	5251012 .... 174, 190, 214	70001973 ..... 214	70002176 ..... 31, 33
4891600 .... 159, 171, 187	5251013 ..... 168, 184	70001974 ..... 214	70002177 ..... 203
4891800 .... 159, 171, 187	5251014 ... 168, 174, 184, 190	70001978 ..... 90	70002178 ..... 203
4892400 ..... 97	5251016 ... 174, 190, 249, 253	70002015 ..... 27	70002179 ..... 203
4892600 ..... 251	5251210 ..... 168, 184	70002016 ..... 27	70002231 . 73, 75, 77, 79, 81, 83, 85, 87, 157, 482
4920385 ..... 192	5251212 ... 168, 174, 184, 190	70002018 ..... 27	7000224 ..... 100
4921850 ..... 487	5251414 ..... 174, 190	70002019 ..... 27	70002247 ..... 28
4922641 ..... 214	5260600 ..... 174, 190	70002020 ..... 27	70002248 ..... 27
4922972 ..... 213, 419	5260800 ... 168, 174, 184, 190	70002026 ..... 27	70002249 ..... 28
4923256 ..... 403, 423	5261000 ..... 174, 190	70002027 ..... 27	70002291 ..... 214
4923468 ..... 161	5271723 ..... 229	70002029 ..... 27	7000236 ..... 100
5240600 ..... 229	70000044 ..... 165	70002030 ..... 27	70002386 . 55, 57, 89, 93, 271, 273, 482
5241000 ... 243, 245, 247, 249, 251, 253	700000342 ..... 235, 239	70002031 ..... 27	7000239 ..... 100
5241200 21, 23, 159, 161, 171, 174, 187, 190, 213, 243, 245, 247, 249, 251, 253	700000345 . 165, 179, 181, 195	70002032 ..... 27	7000240 ..... 100
5241600 ... 21, 23, 35, 37, 107, 247, 251	70000619 ..... 213	70002033 ..... 27	70002401 ..... 220, 224
5242000 ..... 97, 229	70000793 ..... 199	70002034 ..... 27	70002460 ..... 214
5242400 ... 243, 245, 247, 249, 253	70000804 ..... 55, 57	70002035 ..... 27	70002576 ..... 209
5250508 ..... 168, 184	70000805 ..... 55, 57	70002036 ..... 27	70002578 ..... 205
	70000852 ..... 31, 33	70002037 ..... 27	70002580 ..... 205
	70000853 ..... 31, 33	70002038 ..... 27	70002582 ..... 205
	70000854 ..... 31, 33	70002039 ..... 27	70002583 ..... 205
	70000855 ..... 31	70002040 ..... 27	70002585 ..... 205
	70000856 ..... 31	70002041 ..... 27	70002586 ..... 205
	70000857 ..... 31, 33	70002042 ..... 27	70002588 ..... 205
	70000858 ..... 31, 33	70002043 ..... 27	70002589 ..... 205
	70000859 ..... 31, 33	70002044 ..... 27	70002590 ..... 205
	70000860 ..... 33	70002045 ..... 27	70002592 ..... 206
	70000861 ..... 31, 33	70002046 ..... 27	70002593 ..... 206
	70000862 ..... 31, 33	70002047 ..... 27	70002599 ..... 206
	70000863 ..... 214	70002048 ..... 27	70002600 ..... 202
	70000916 ..... 165	70002049 ..... 27	70002601 ..... 202
	70000917 ..... 165	70002050 ..... 27	70002602 ..... 202
	70000918 ..... 165	70002052 ..... 27	70002603 ..... 203
	70000919 ..... 165	70002057 ..... 27	70002604 ..... 203
	70001056 ..... 115	7000213 ..... 101	70002605 ..... 203
	70001100 ..... 214	70002132 ..... 202	70002606 ..... 203
	70001123 ..... 113	70002133 ..... 31, 33, 202, 205	70002607 ..... 203
	70001125 ..... 165	70002134 ..... 202	70002608 ..... 203
	70001126 ..... 165	70002135 ..... 202	70002609 ..... 203
	70001128 ..... 165	70002136 ..... 202	70002610 ..... 203
	70001129 ..... 165	70002137 ..... 202	70002612 ..... 203
	70001130 ..... 165	70002138 ..... 202	70002616 ..... 203
	70001131 ..... 165	70002139 ..... 202	70002617 ..... 203
	70001135 ..... 165	70002140 ..... 202	70002618 ..... 202
	70001384 ..... 214	70002141 ..... 202	70002619 ..... 202
	70001435 ..... 165	70002142 ..... 202	70002620 ..... 202
	70001697 .. 235, 237, 239	70002145 ..... 202	70002621 ..... 203
	70001847 ..... 165	70002148 ..... 202	70002622 ..... 203
	70001850 ..... 165	70002150 ..... 202	70002623 ..... 203
		70002151 ..... 202	70002718 .. 165, 179, 195
		70002152 ..... 202	7000281 ..... 100
		70002153 ..... 202	7000287 ..... 100
		70002154 ..... 202	7000288 ..... 100
		70002155 ..... 202	70002958 ..... 57
		70002156 ..... 202	70002959 ..... 57
		70002157 ..... 202	70002969 ..... 89, 93
		70002158 ..... 202	

# PART NUMBER INDEX

70002971.....89, 93, 482	70004744 ..... 321	70005821 ..... 33	70005931.....180
70003023.....271, 273	70004745 ..... 321	70005824 ..... 241	70005933.....180
70003024.....89, 93	70004746 ..... 321	70005825 ..... 241	70005937.....181
70003135.....165	70004747 ..... 321	70005835 ..... 337	70005941.....179, 195
70003136.....165	70004748 ..... 321	70005836 ..... 337	70005942.....179, 195
70003475.....165	70004749 ..... 321	70005837 ..... 337	70006003...220, 224, 231
70003483..289, 291, 293, 295, 297, 299, 301, 303	70004750 ..... 321	70005838 ..... 337	70006004..220, 224, 231, 482
70003523.....100	70004751 ..... 321	70005839 ..... 337	70006005...220, 224, 231
70003524.....100, 101	70004752 ..... 317	70005840 ..... 337	70006006...220, 224, 231
70003628.....31, 33	70004753 ..... 317	70005841 ..... 337	70006086.....59, 61
70003629.....100	70004754 ..... 317	70005842 ..... 337	70006087.....59, 61
70003631.....214	70004755 ..... 317	70005843 ..... 341	70006088.....59, 61
70003708.....214	70004756 ..... 317	70005844 ..... 341	70006089.....59
70003709.....214	70004757 ..... 317	70005845 ..... 335, 341	70006093.....214
70003788.....89, 93, 220, 224, 482	70004758 ..... 317	70005846 ..... 341	70006094.....214
70003789.....89, 93, 482	70004759 ..... 317	70005847 .. 333, 339, 341	70006095.....214
70003948...235, 237, 239	70004760 ..... 317	70005848 ..... 341	70006096.....214
70003972.....89, 93	70004761 ..... 317	70005849 ..... 341	70006097.....214
70003976.....89, 93	70004762 ..... 317	70005850 ..... 333	70006098.....231
70003978.....271, 273	70004763 ..... 317	70005851 ..... 333	70006099.....231
70004064.....211	70004764 ..... 317	70005852 ..... 333	70006101.....231
70004065.....211	70004765 ..... 317	70005853 ..... 333	70006102.....231
70004066.....211, 483	70004766 ..... 317	70005854 ..... 333	70006127.....179, 195
70004067.....211	70004767 ..... 317	70005855 ..... 339	70006237.....93
70004068.....211	70004768 ..... 317	70005856 ..... 339	70006238.....93
70004069.....211	70004769 ..... 317	70005857 ..... 339	70006239.....93
70004070.....211	70004770 ..... 317	70005858 ..... 339	70006240.....93
70004092.....214	70004771 ..... 317	70005859 ..... 339	70006241.....94
70004094.....214	70004772 ..... 317	70005860 ..... 339	70006242.....94
70004098.....214	70004773 ..... 317	70005861 ..... 339	70006282.....231
70004099.....214	70004774 ..... 317	70005862 ..... 339	70006283.....231
70004152.....90, 94	70004775 ..... 317	70005863 ..... 335	70006343.....345, 347
70004185.....487	70005171 ..... 179, 195	70005864 ..... 335	70006344.....345, 347
70004201.....31, 33	70005172 ..... 179, 195	70005865 ..... 335	70006425.....271, 273
70004202.....31, 33	70005173 ..... 179, 195	70005866 ..... 335	70006427.....94
70004207.....31	70005174 ..... 179, 195	70005867 ..... 335	70006617.....347
70004276.....180, 196	70005177 ..... 181, 196	70005868 ..... 343	70006620.....347
70004277.....180, 197	70005181 ..... 196	70005869 ..... 343	70006621.....347
70004280.....179, 195	70005184 ..... 180, 196	70005870 ..... 343	70006622.....347
70004282.....180, 196	70005188 ..... 180, 196	70005871 ..... 343	70006623.....347
70004416.....205	70005189 ..... 180, 196	70005872 ..... 343	70006929.....59, 61
70004417.....205	70005191 ..... 181, 197	70005873 ..... 343	70006950.....59, 61
70004420.....205	70005230 ..... 321	70005874 ..... 343	7000731.....100, 101
70004421.....205	70005230 ..... 321	70005875 ..... 345	70007439.....203
70004422.....206	70005418 ..... 206	70005876 ..... 345, 347	70009021.....383
70004423.....205	70005456 ..... 113	70005877 ..... 345	70009022.....381, 383
70004426.....205	70005527 ..... 181	70005878 ..... 345, 347	70009023.....381, 383
70004459.....59	70005647 ..... 180, 197	70005879 ..... 345, 347	70009024.....383
70004460.....59, 482	70005648 ..... 180, 197	70005880 ..... 345, 347	70009025.....381
70004461.....59, 61	70005707 ..... 121, 482	70005881 ..... 345, 347	70009026.....381
70004463.....59, 61, 482	70005717 ..... 93	70005882 ..... 345, 347	7001900.....100
70004501.....180, 196	70005725 ..... 93	70005883 ..... 345, 347	7001902.....100
70004504.....181	70005774 ..... 57	70005884 ..... 345	7001904.....100
70004511.....195	70005775 ..... 55, 57	70005885 ..... 347	7001906.....100
70004512.....195	70005776 ..... 55, 57	70005886 ..... 345	7001917.....100
70004637.....333	70005777 ..... 89	70005888 ..... 333	7001918.....100
70004646.....487	70005778 ..... 89, 93	70005889 ..... 339	7001920.....100
70004647.....487	70005779 ..... 89	70005890 ..... 339	7001921.....100
70004648.....487	70005780 ..... 89	70005892 ..... 179, 195	7001922.....100
70004738.....321	70005781 ..... 89, 93	70005921 ..... 179, 195	7001923.....100
70004739.....321	70005782 ..... 89, 93	70005923 ..... 181, 196	7001924.....100
70004740.....321	70005783 ..... 89	70005924 ..... 181, 196	7001926.....100
70004741.....321	70005784 ..... 90, 94	70005925 ..... 196	7001927.....100
70004742.....321	70005785 ..... 90, 94	70005926 ..... 180, 196	7001928.....100
70004743.....321	70005786 ..... 90, 94	70005927 ..... 181, 196	7001929.....100
	70005789 ..... 271, 273	70005928 ..... 181, 196	70021895.....180, 196
	70005819 ..... 235, 237	70005929 ..... 180, 196	
	70005820 ..... 33		

## PART NUMBER INDEX

70022286 .....	205	70025179 .....	180, 196	7011376.....	337	7022340 .....	205
70023609 .....	273	70025180 .....	180, 196	70124530.....	179	7022368 .....	31, 33
70024190 .. 175, 191, 482		70025181 .....	179, 195	70124538.....	179	7022371 .....	31, 33
70024191 .. 175, 191, 482		70025182 .....	180, 196	7012518.....	89, 93	7022390... 55, 57, 89, 93,	
70024484 .....	180, 196	70025183 .....	180, 196	7012540.....	89, 93	271, 273	
70024488 .....	179, 195	70025184 .....	180, 196	7012773.....	59, 61	7022391 .....	89, 93
70024494 .....	179, 195	70025185 .....	196	7012914.....	89, 93	7023919 .....	89, 93, 94
70024502 .....	196	70025200 .....	180, 196	7012918.....	89, 93	7023923 .....	89, 93
70024504 .. 180, 181, 195,		70025203 .....	180, 196	7012925.....	89, 93	7023924 .....	94
197		70025204 .....	179	7012953.....	90, 94	7023962 .....	205
70024507 .....	180, 197	70025205 .....	179, 195	7012967.89, 93, 271, 273		7023964 .....	205, 206
70024509 .....	196	70025210 .. 180, 196, 483		7012975.....	89	7024135 .....	100
70024513 .....	179, 195	70025231 .. 179, 181, 195		7012989.....	90	7024182 .....	101
70024517 .....	179, 195	70025235 .....	180, 196	7012998.....	90, 94, 273	7024183 .....	100
70024669 .....	115	70025239 .....	179, 195	7015014.....	161	7024184 .....	100
70024905 .....	179, 195	70025240 .....	196	7015015.....	161	7024185 .....	100
70024906 .....	179, 195	70025242 .....	181	7016319.....	135	7024186 .....	100
70024910 .....	180, 196	70025245 .....	181	7016331.... 165, 179, 195,		7024188 .....	100, 101
70024912 .....	180, 196	70025246 .....	181	482, 483		7024189 .....	101
70024915 .....	180, 197	70025249 .....	175, 191	7016372.....	135	7024190 .....	101
70024917 .....	180, 181	70025477 .....	180, 196	7016654.....	487	7024191 .....	101
70024918 .....	181, 197	70025533 .....	180, 197	7016655.....	487	7024192 .....	101
70024920 .. 180, 181, 196,		70025660 .....	179, 197	7017072.....	100	7024193 .....	101
197		70025768 .....	180, 196	7017082.....	100	7024194 .....	101
70024922 .....	180, 197	70025877 .....	181	7017085.....	101	7024196 .....	101
70024924 .....	179, 195	70025931 .....	196	7017142.... 235, 237, 239		7024197 .....	101, 102
70024925 .....	179, 195	70026210 .....	181, 197	7017158.....	237	7024379 .....	101
70024961 .....	179, 195	70026302 .....	335, 341	7017159.... 235, 237, 239		7024380 .....	101
70025076 .....	179, 195	70026995 .....	180, 196	7017163.... 235, 237, 239		7024381 .....	101
70025077 .....	180, 197	70027006 .....	89, 93, 482	7017164.... 235, 237, 239		7024389 .....	101
70025080 .....	195	70027278 .....	89, 93	7017172.... 235, 237, 239		7024390 .....	101
70025082 .....	179, 195	7002821 .....	486	7017192.... 235, 237, 239		7024391 .....	101
70025084 .....	180, 196	7002822 .....	487	7017195.... 235, 237, 239		7024392 .....	101
70025091 .....	179, 195	7002823 .....	487	7017402.89, 93, 271, 273		7024393 .....	101
70025101 .....	196	7002828 .....	487	7017410.....	271, 273	7024394 .....	101
70025107 .....	181, 196	70035212 .....	197	7017418.....	90, 94	7024395 .....	101
70025109 .....	196	7003655 .....	161, 482	7017420.....	90, 94	7024441 .....	121
7002511 .....	179	7004035 .....	101	7017453.....	89, 93	7024453 .....	101
70025111 .....	195	7004043 .....	101	7017467.....	89, 93	7024488 .....	213
70025112 .....	180, 196	7004044 .....	101	7017479.....	89	7024489 .....	213
70025115 .....	196	7004275 .....	487	7017493.....	57	7024565 .....	165
70025120 .....	180, 197	7004276 .....	487	7017495.....	89, 93	7024579 ... 165, 179, 195	
70025133 .....	196	7004453 .....	101	7017496.89, 90, 220, 224		7024763 .....	100
70025135 .....	195	7007207 .....	202, 205	7018942.....	59	7024800 .....	203
70025137 .....	179, 195	7007415 ... 203, 205, 206		7020175.... 127, 129, 313		7024808 .....	57
70025140 .....	179, 195	7007418 .....	202	7020176.... 127, 129, 313		7024865 .....	31
70025142 .....	180, 196	7007419 .....	202	7020414.....	165	7024867 .....	31, 33
70025144 .....	179, 195	7007420 .....	31, 33	7020447.....	165	7024868 .....	31, 33
70025145 .....	179, 195	7007438 .....	31	7020460.....	165	7024894 .....	90
70025146 .....	179, 195	7007439 .....	31, 33	7020465.... 165, 179, 195		7026029 .....	113
70025149 .....	180, 197	7007446 31, 33, 202, 205		7020468.....	165	7026030 .....	113
70025151 .....	180, 196	7007489 .....	209	7020471.....	165	7026031 .....	113, 482
70025152 .....	179, 195	7007645 .....	100	7020479.....	165	7026032 .....	113
70025153 .. 179, 195, 483		7007646 .....	100	7020486.....	165	7026608 .....	165
70025154 .....	179, 195	7007648 .....	100	7020492.....	180, 196	7026616 .....	229
70025155 .....	196	70104570 .....	179	7021249.....	31, 33	7026626 .....	214
70025156 .....	180	7010467 .....	100	7021256.....	203	7026665 .....	113
70025158 .....	196	7010543 .....	89, 93	7021265.....	203	7027235 .....	165
70025160 .....	180	7010545 .....	90, 94	7021275.31, 33, 202, 205		7027236 .....	165
70025161 .....	180	7010635 .....	93	7021293.....	203	7027239 .....	165
70025162 .....	195	7010795 .....	101	7021375.....	59, 61	7027240 .....	165
70025164 .....	180, 196	7011016 .....	115	7021636.....	89, 93	7027276 .....	165
70025171 .....	179, 195	7011043 .....	115	7022300.....	203	7027740 .....	31
70025174 .....	180	7011044 .....	115	7022301.....	202	7027790 .....	165
70025175 .....	180	7011048 .....	115	7022311.....	31, 33	7027791 .....	165
70025176 .....	179, 195	7011311 .....	337	7022314.....	31, 33	7027792 .....	165
70025178 .....	180, 196	7011346 .....	59, 61, 231	7022321.....	31, 33	7027799 .....	214

## PART NUMBER INDEX

7029593.....	115	8229242 .....	410, 482	8406202 ...	168, 176, 184,	8770048.....	352, 356
7274000040.....	214	8320270 .....	165, 482	192		88521205.....	162
77363233.....	419	8405007 .....	174, 190	8410011 .....	175, 191	88662013.....	371
8036572.....	271, 273	8405104 .....	175, 191	8410013 .....	119, 161	91043147.....	168, 184
80484084.....	410	8405204 .....	175, 191	8750024 .....	161	91143339.....	409
80983191.....	410, 482	8406002 .....	39, 45	8750025 .....	162	91143340.....	409
8220045.....	444	8406105 .....	39, 45	8760268 .....	352, 357	91203039.....	249, 253
8220164.....	409	8406109 .....	175, 191	8760552 .....	371		





3121756



An Oshkosh Corporation Company

**Corporate Office**  
**JLG Industries, Inc.**  
**1 JLG Drive**  
**McConnellsburg, PA 17233-9533 USA**  
**☎ (717) 485-5161 (Corporate)**  
**☎ (877) 554-5438 (Customer Support)**  
**☎ (717) 485-6417**

**Visit our website for JLG Worldwide Locations.**  
**[www.jlg.com](http://www.jlg.com)**