



Illustrated Parts Manual

Models

***E/M400A/
AJPnarrow***

Prior to SN 0300189901

E/M450A/AJ

Prior to SN 0300189898

P/N
3121830

March 31, 2017



An Oshkosh Corporation Company

REVISION LOG

August 28, 2000 - Original Issue Of Manual (Edited to B/M 0010554 Revision 23 & B/M 0010571 Revision 1)

September 15, 2000 - Revised Manual (Added UL Components)

January 15, 2001 - Revised Manual and added E/M400A (Edited to B/M 0010554 Revision 26 & B/M 0010571 Revision 3)

July 31, 2001 - Revised Manual (Edited to B/M 0010554 Revision 30 & B/M 0010571 Revision 7)

May 31, 2002 - Revised Manual (Edited to B/M 0010554 Revision 37 & B/M 0010571 Revision 16)

March 14, 2003 - Revised Manual (Edited to B/M 0010554 Revision 43 & B/M 0010571 Revision 21)

July 1, 2003 - Revised Manual (Edited to B/M 0010554 Revision 49 & B/M 0010571 Revision 25)

November 15, 2003 - Revised Manual (Edited to B/M 0010554 Revision 50 & B/M 0010571 Revision 26)

June 18, 2004 - Revised Manual (Edited to B/M 0010554 Revision 54 & B/M 0010571 Revision 29)

December 9, 2004 - Revised Manual (Edited to B/M 0010554 Revision 54 & B/M 0010571 Revision 30)

April 15, 2005 - Revised Manual (Edited to B/M 0010554 Revision 56 & B/M 0010571 Revision 30)

July 31, 2005 - Revised Manual (Edited to B/M 0010554 Revision 58 & B/M 0010571 Revision 33)

August 22, 2006 - Revised Manual (Edited to B/M 0010554 Revision 65 & B/M 0010571 Revision 38)

March 8, 2007 - Revised Manual (Edited to B/M 0010554 Revision 70 & B/M 0010571 Revision 42)

August 30, 2007 - Revised Manual (Edited to B/M 0010554 Revision 73 & B/M 0010571 Revision 46)

April 15, 2008 - Revised Manual (Edited to B/M 0010554 Revision 73 & B/M 0010571 Revision 46)

October 28, 2008 - Revised Manual (Edited to B/M 0010554 Revision 79 & B/M 0010571 Revision 51)

May 10, 2009 - Revised Manual (Edited to B/M 0010554 Revision 80 & B/M 0010571 Revision 51)

July 15, 2010 - Revised Manual (Edited to B/M 0010554 Revision 85 & B/M 0010571 Revision 56)

January 19, 2011 - Revised Manual (Edited to B/M 0010554 Revision 88 & B/M 0010571 Revision 56)

May 9, 2011 - Revised Manual (Edited to B/M 0010554 Revision 90 & B/M 0010571 Revision 62)

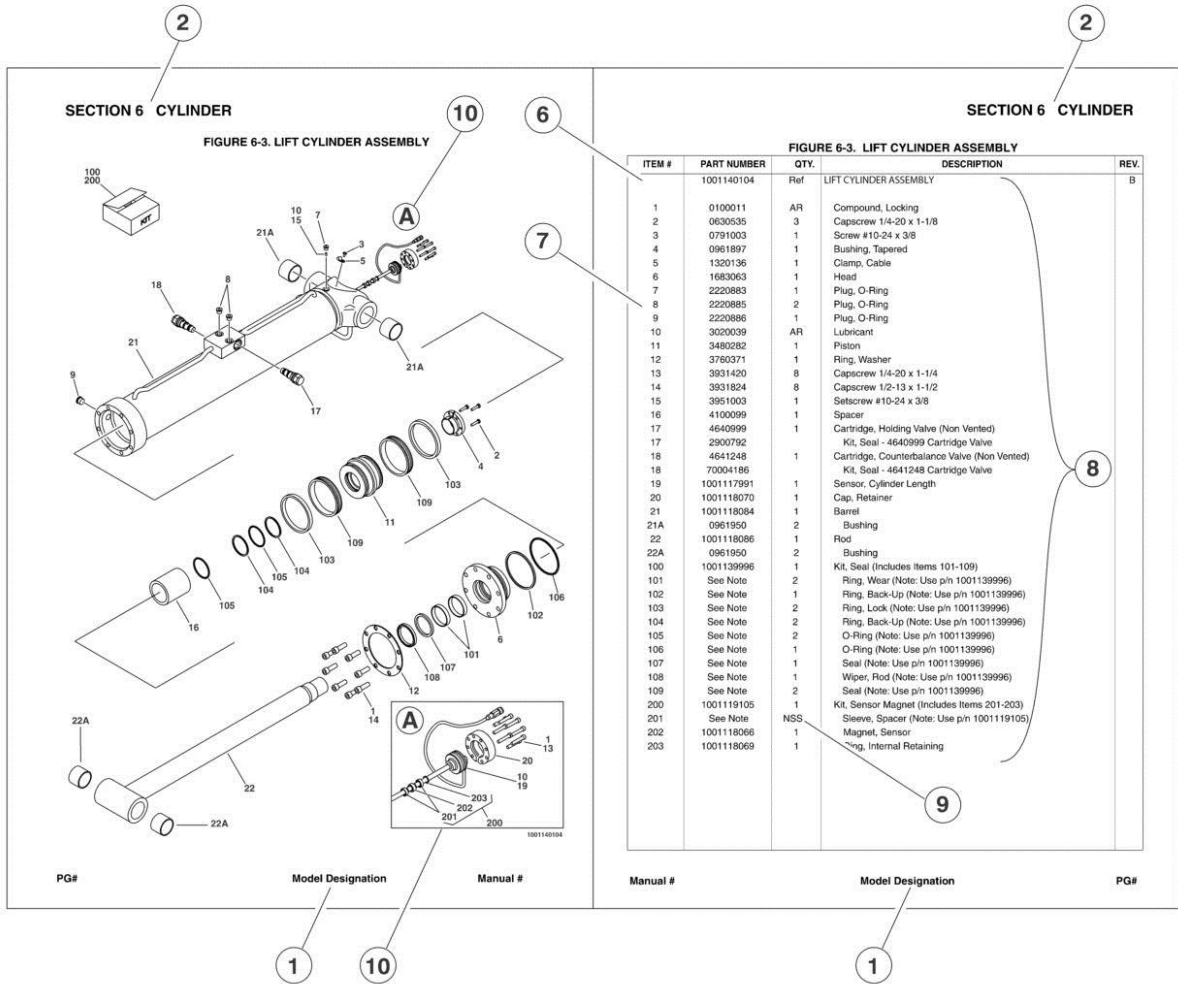
August 5, 2011 - Revised Manual (Edited to B/M 0010554 Revision 91 & B/M 0010571 Revision 63)

November 28, 2011 - Revised Manual (Edited to B/M 0010554 Revision 91 & B/M 0010571 Revision 63)

REVISION LOG

March 21, 2012 - Revised Manual (Edited to B/M 0010554 Revision 91 & B/M 0010571 Revision 63)
July 16, 2012 - Revised Manual (Edited to B/M 0010554 Revision D & B/M 0010571 Revision D)
October 18, 2012 - Revised Manual (Edited to B/M 0010554 Revision E & B/M 0010571 Revision F)
February 20, 2013 - Revised Manual (Edited to B/M 0010554 Revision F & B/M 0010571 Revision G)
May 8, 2013 - Revised Manual (Edited to B/M 0010554 Revision J & B/M 0010571 Revision L)
August 14, 2013 - Revised Manual (Edited to B/M 0010554 Revision J & B/M 0010571 Revision L)
November 7, 2013 - Revised Manual (Edited to B/M 0010554 Revision J & B/M 0010571 Revision L)
September 8, 2014 - Revised Manual (Edited to B/M 0010554 Revision P & B/M 0010571 Revision Q)
March 10, 2015 - Revised Manual
October 30, 2015 - Revised Manual
April 29, 2016 - Revised Manual
February 28, 2017 - Revised Manual
March 31, 2017 - Revised Manual

GENERAL INFORMATION



1) MACHINE IDENTIFICATION

Machines are identified by model and in some cases a combination of models, serial number (SN) or regional standard (i.e ANSI, CE, CSA). Components may also be identified by SN or manufacturer. Common components that may be identified by these characteristics are engines and hydraulic components.

2) PARTS MANUAL ORGANIZATION

Product information in this manual is organized under section titles. Frame, Cylinder, Hydraulic and Electrical are a few examples. Each section is organized by figure and page number. The information within the Figure is then organized by item number, part number, description and corresponding illustration (s).

3) TABLE OF CONTENTS

A table of contents is found toward the beginning of the manual. Figure number, description and page number are provided for quick reference to the page containing the related information.

4) RECOMMENDED SPARE PARTS

The Recommended Spare Parts, located near the end of the manual, reference most frequently used maintenance parts.

5) PART NUMBER INDEX

A numerical index listing all part numbers and the corresponding page number(s) appears at the back of the manual.

GENERAL INFORMATION

6) NON-SERVICED PARTS

In some instances, it is necessary to display non-serviced parts, assemblies or installations. In the case of assemblies and installations there will be a Ref in the Qty column. In case of parts that are not available for service within assemblies or components, there will be a NSS (Not Sold Separately) or NLA (No Longer Available) listed in the Qty. column of the manual.

7) PARTS LIST ITEM NUMBERS

Numbers shown in the item# column correspond to numbers used in the associated illustration (s). Item numbers which are missing from the sequence in the parts list are not used on that page

8) INDENTED PARTS DESCRIPTION

An indented part description is included in the item under which it is indented.

9) ABB REVIATION AND SYMBOLS

AC.....	.. Alternating Current	LCD	Liquid Crystal Display
ADE.Advanced Design Electronics	LED	Light Emitting Diodes
ANSIAmerican National Standards Institute	LH... Left Hand
AR.As Required	LSSLoad Sensing System
ASSY	Assembly	M(m)...	.. Metric/Meter
AUX...Auxiliary	MM (mm)Milimeter
AWG.....	..American WireGauge	mA.....	.. Miliamps
B/M.....	.. Bill of Material	NLA.....	..No Longer Available
CE.....	..European Conformity	NPT National Pipe T threads
CCWCounter Clockwise	NSSNot Sold Separately
cm.....	.. Centimeter	OD.....	..Outside Diameter
CWClockwise	OR B.....	.. O-Ring Bos s
CSA.Canadian Standards Association	OR F S.....	.. O-Ring Face Seal
CYL...Cylinder	OZ (oz).Ounces
DIA.Diameter	PGPage
DCDirect Current	P/N.....	..Part Number
EMS	Emergency Stop	qt.....	..Quarts
ENGEngine	QTY.....	..Quantity
FT (ft).....	..Feet	REFReference
GA(Ga)..Gauge	REVRevision Level
HYDHydraulic	RH... Right Hand
Hz.Hertz	SAE.....	.. Society of Automotive Engineers
ID.....	..Inside Diameter	SN.Serial Number
in.....	.. inches	SPEC(S).....	..Specifications
ISOInternational Organization for Standards	T/T.....	..Turntable
JIC.....	..Joint Industry Council	UGMUniversal Ground Module
KGKilogram	V.....	.. Volts
L.....	..Liter	W.....	.. Watts
LBPounds	#.....	.. Number

10) ILLUSTRATION REFERENCE LETTERS

When necessary, illustrations may contain reference letters that are intended to track information (i. e. hoses, harnesses) from one point to another or to track visual enlargement of components to show details that may be located in another area on the illustration.

Note: Due to continuous product improvements, JLG Industries, Inc. reserves the right to make specification changes without prior notification. Contact JLG Industries, Inc. for updated information.

TABLE OF CONTENTS

SECTION 1 - FRAME.....	9
FIGURE 1-1. STEER INSTALLATION.....	10
FIGURE 1-2. TIRE AND WHEEL DRIVE INSTALLATION	14
FIGURE 1-3. DRIVE HUB ASSEMBLY (Prior to SN 0300154191)	18
FIGURE 1-4. DRIVE HUB ASSEMBLY (E/M400 SN 0300154191 through 0300189901; E/M450 SN 0300154191 through 0300189898)	22
FIGURE 1-5. HYDRAULIC COMPONENTS INSTALLATION	26
FIGURE 1-6. BRAKE/STEER VALVE ASSEMBLY	28
FIGURE 1-7. BATTERIES AND CHARGER INSTALLATION	30
FIGURE 1-8. MAC BATTERY CHARGER ASSEMBLY	34
FIGURE 1-9. ELECTRICAL COMPONENTS INSTALLATION (FRAMED MOUNTED)	38
FIGURE 1-10. YANMAR MOTOR/GENERATOR INSTALLATION (M MODELS ONLY)	42
FIGURE 1-11. KUBOTA MOTOR/GENERATOR INSTALLATION (M MODELS ONLY).....	46
FIGURE 1-12. FRAME COVERS INSTALLATION.....	50
SECTION 2 - TURNTABLE.....	53
FIGURE 2-1. VALVES AND HORN INSTALLATIONS	54
FIGURE 2-2. MAIN CONTROL VALVE ASSEMBLY.....	58
FIGURE 2-3. TURNTABLE AND SWING DRIVE INSTALLATION.....	62
FIGURE 2-4. SWING MOTOR ASSEMBLY (Prior to SN 0300135649).....	66
FIGURE 2-5. SWING MOTOR ASSEMBLY (E/M400A SN 0300135649 through 0300189901; E/M450A/J SN 0300135649 through 0300189898)	68
FIGURE 2-6. SWING BEARING ASSEMBLY	70
FIGURE 2-7. FUEL TANK AND MOTOR CONTROL MODULE INSTALLATION (M MODELS ONLY)	74
FIGURE 2-8. GROUND CONTROL BOX ASSEMBLY.....	78
FIGURE 2-9. HOODS AND BEACON LIGHT INSTALLATIONS.....	82
SECTION 3 - BOOM.....	87
FIGURE 3-1. BOOMS AND CYLINDERS INSTALLATION	88
FIGURE 3-2. E/M450A & E/M400A MAIN BOOM ASSEMBLY AND PLATFORM SUPPORT INSTALLATION	94
FIGURE 3-3. E/M450AJ MAIN BOOM ASSEMBLY	98
FIGURE 3-4. E/M450AJ JIB AND PLATFORM SUPPORT AND ROTATOR INSTALLATION.....	102
FIGURE 3-5. E/M400AJP MAIN BOOM ASSEMBLY.....	106
FIGURE 3-6. E/M400AJP JIB AND PLATFORM SUPPORT AND ROTATOR INSTALLATION	110
FIGURE 3-7. ROTATOR ASSEMBLY	114
FIGURE 3-8. PLATFORM SUPPORT INSTALLATION - WITH LSS.....	118
FIGURE 3-9. CABLES/CLAMPS AND LIMIT SWITCHES INSTALLATIONS.....	122
SECTION 4 - PLATFORM.....	127
FIGURE 4-1. PLATFORM COMPONENTS INSTALLATION (FRONT ENTRY PLATFORM)	128
FIGURE 4-2. PLATFORM COMPONENTS INSTALLATION (SIDE ENTRY PLATFORM)	132
FIGURE 4-3. PLATFORM PADDING INSTALLATION (FRONT ENTRY PLATFORM).....	136
FIGURE 4-4. PLATFORM PADDING INSTALLATION (SIDE ENTRY PLATFORM).....	138
FIGURE 4-5. PLATFORM TOP RAIL EXTENSION INSTALLATION (SIDE ENTRY PLATFORM)	140
FIGURE 4-6. PLATFORM CONSOLE ASSEMBLY.....	142
FIGURE 4-7. CONTROLLER ASSEMBLY (SWING AND LIFT).....	146
FIGURE 4-8. CONTROLLER ASSEMBLY (DRIVE AND STEER).....	150
FIGURE 4-9. PIPE RACKS INSTALLATION	154
SECTION 5 - CYLINDER.....	157
FIGURE 5-1. JIB CYLINDER ASSEMBLY (E/M450AJ Prior to SN 0300164333; E/M400AJP Prior to SN 0300163453)	158
FIGURE 5-2. JIB CYLINDER ASSEMBLY (E/M450AJ SN 0300164333 through 0300189898; E/M400AJP SN 0300163453 through 0300189901)	160
FIGURE 5-3. PLATFORM LEVEL CYLINDER ASSEMBLY (E/M450A Prior to SN 0300165128; E/M400A Prior to SN 0300165128)	162
FIGURE 5-4. PLATFORM LEVEL CYLINDER ASSEMBLY (E/M450A SN 0300165128 through 0300189898; E/M400A SN 0300165128 through 0300189901).....	166
FIGURE 5-5. PLATFORM LEVEL CYLINDER ASSEMBLY - JIB (E/M450AJ Prior to SN 0300163453; E/M400AJP Prior to SN 0300163453)	168
FIGURE 5-6. PLATFORM LEVEL CYLINDER ASSEMBLY - JIB (E/M450AJ SN 0300163453 through 0300189898; E/M400AJP SN 0300163453 through 0300189901).....	170

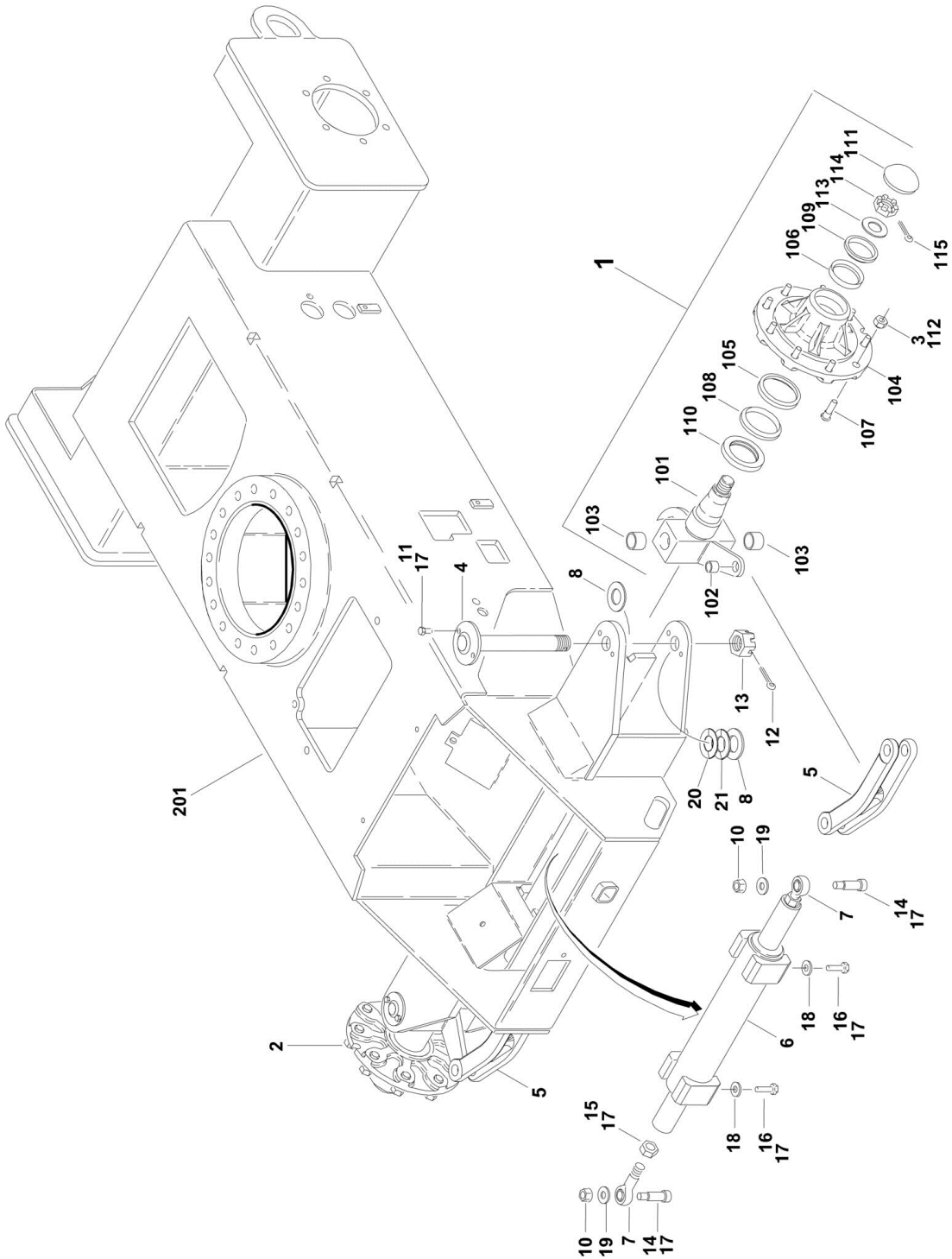
TABLE OF CONTENTS

FIGURE 5-7. LIFT CYLINDER ASSEMBLY - LOWER.....	172
FIGURE 5-8. LIFT CYLINDER ASSEMBLY - MID	176
FIGURE 5-9. LIFT CYLINDER ASSEMBLY - UPPER	180
FIGURE 5-10. MASTER CYLINDER ASSEMBLY (E/M450A Prior to SN 0300165128; E/M400A Prior to SN 0300165128)	184
FIGURE 5-11. MASTER CYLINDER ASSEMBLY (E/M450A SN 0300165128 through 0300189898; E/M400A SN 0300165128 through 0300189901)	188
FIGURE 5-12. MASTER CYLINDER ASSEMBLY (E/M450AJ Prior to SN 0300163453; E/M400AJP Prior to SN 0300163453)	190
FIGURE 5-13. MASTER CYLINDER ASSEMBLY (E/M450AJ SN 0300163453 through 0300189898; E/M400AJP SN 0300163453 through 0300189901)	192
FIGURE 5-14. STEER CYLINDER ASSEMBLY	194
FIGURE 5-15. TELESCOPE CYLINDER ASSEMBLY (E/M450A Including 0300175016; E/M450AJ Including 0300175016; E/M400A Prior to SN 0300175016)	196
FIGURE 5-16. TELESCOPE CYLINDER ASSEMBLY (E/M450A SN 0300175016 through 0300189898; E/M450AJ SN 0300175016 through 0300189898; E/M400A SN 0300175016 through 0300189901)	200
FIGURE 5-17. TELESCOPE CYLINDER ASSEMBLY	202
SECTION 6 - HYDRAULIC	205
FIGURE 6-1. STANDARD HYDRAULIC DIAGRAM (E/M400A & E/M450A)	206
FIGURE 6-2. STANDARD HYDRAULIC DIAGRAM (E/M450AJ).....	210
FIGURE 6-3. STANDARD HYDRAULIC DIAGRAM (E/M400AJP)	214
FIGURE 6-4. HYDRAULIC DIAGRAM LIST.....	218
SECTION 7 - ELECTRICAL.....	219
FIGURE 7-1. ELECTRICAL DIAGRAM LIST	220
FIGURE 7-2. HARNESS COMPONENTS INSTALLATION (WITH MAC CHARGER).....	222
FIGURE 7-3. HARNESS COMPONENTS INSTALLATION (WITH DELTA-Q CHARGER)	236
SECTION 8 - DECALS	249
FIGURE 8-1. DECAL INSTALLATION (Prior to SN 0300096809)	250
FIGURE 8-2. DECAL INSTALLATION (E/M400A SN 0300096809 through 0300189901; E/M450A/J SN 0300096809 through 0300189898)	256
SECTION 9 - RECOMMENDED SERVICE PARTS STOCK	261
FIGURE 9-1. MODEL E/M400A/AJPNARROW & E/M450A/AJ STANDARD PARTS.....	262
FIGURE 9-2. MODEL E/M400A/AJPNARROW & E/M450A/AJ VARIABLE PARTS.....	264
SECTION 10 - SPECIAL OPTIONS	265
FIGURE 10-1. SPECIAL OPTIONS	266
PART NUMBER INDEX.....	269

SECTION 1 - FRAME

SECTION 1 - FRAME

FIGURE 1-1. STEER INSTALLATION



SECTION 1 - FRAME

FIGURE 1-1. STEER INSTALLATION

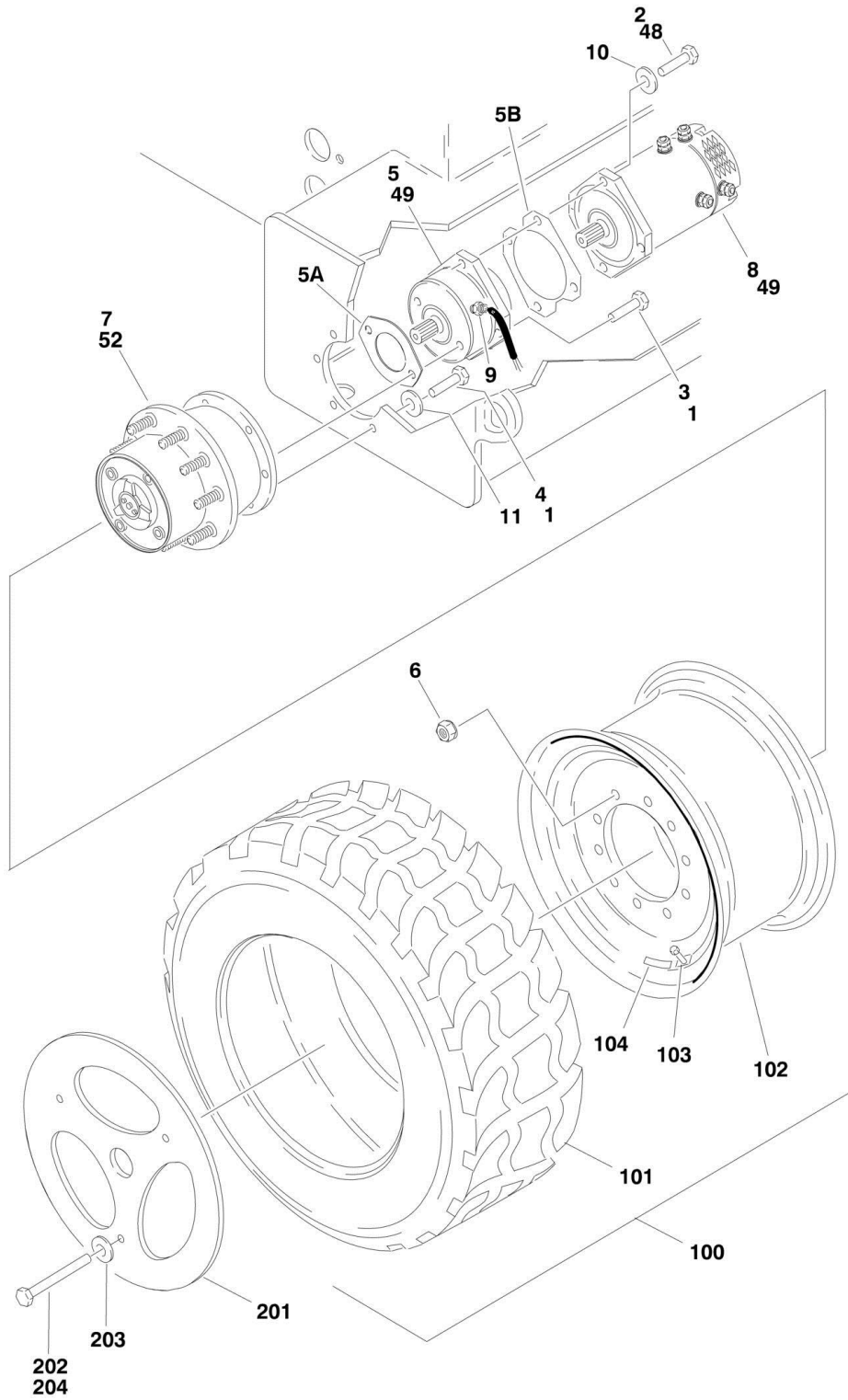
ITEM	PART NUMBER	QTY	DESCRIPTION	REV
		Ref	STEER INSTALLATION OPTIONS:	
	0257817	Ref	Standard Width E/M450 & E/M400 Models	F
	0270010	Ref	Narrow Width E/M400 Models	F
1		Ref	Hub/Spindle Assembly Options: (Left Side) (See Items 101-115 for Breakdown)	
1	2780242	1	Standard Width E/M450 & E/M400 Models	
1	2780250	1	Narrow Width E/M400 Models	
2		Ref	Hub/Spindle Assembly Options: (Right Side) (See Items 101-115 for Breakdown)	
2	2780241	1	Standard Width E/M450 & E/M400 Models	
2	2780251	1	Narrow Width E/M400 Models	
3	3300426	18	Lugnut 5/8in-18NF	
4	3422692	2	Kingpin	
5		Ref	Steering Link Options:	
5	3010119	NLA	Standard Width (Use p/n 1001153021) (E/M450A Prior to SN 0300187085; E/M400A Prior to SN 0300187090)	
5	1001153021	2	Standard Width (E/M450A SN 0300187085 through 0300189898; E/M400A SN 0300187090 through 0300189901)	
5	3010121	NLA	Narrow Width E/M400 Models (Use p/n 1001153023) (Prior to SN 0300187090)	
5	1001153023	2	Narrow Width (E/M400 Models) (SN 0300187090 through 0300189901)	
6	1683591	1	Steer Cylinder Assembly (See CYLINDER SECTION for Breakdown)	
7		Ref	End, Rod Options:	
7	3841367	2	End, Rod (Prior to SN 0300058200)	
7	3841517	2	End, Rod (E/M400) (SN 0300058200 through 0300189901)	
7	3841517	2	End, Rod (E/M450) (SN 0300058200 through 0300189898)	
8	0440162	Ref	Washer, Thrust Options:	
8	0440162	2	Washer, Thrust (Prior to SN 0300176717)	
8	0440162	4	Washer, Thrust (E/M400) (SN 0300176717 through 0300189901)	
8	0440162	4	Washer, Thrust (E/M450) (SN 0300176717 through 0300189898)	
10	3312008	4	Nut, Serrated 5/8in-11NC	
11	0641606	4	Bolt 3/8in-16NC x 3/4in	
12	3450810	2	Pin, Cotter 1/4in x 2-1/2in	
13	3323003	2	Nut, Castle 1-1/4in-12NF	
14	3900109	4	Screw, Socket Head Shoulder 3/4in-16NF x 1-3/4in	
15	3322202	2	Nut, Jam 3/4in-16NF	
16	0681810	4	Bolt 1/2in-13NC x 1-1/4in (Grade 8)	
17	0100011	AR	Compound, Locking	
18	4891800	4	Washer, Hardened 1/2in	
19	4740156	2	Washer, Thrust Only (E/M400) (SN 0300058200 through 0300189901)	
19	4740156	2	Washer, Thrust Only (E/M450) (SN 0300058200 through 0300189898)	
20	1001151395	AR	Shim, Plate (E/M400) (SN 0300176717 through 0300189901)	
20	1001151395	AR	Shim, Plate (E/M450) (SN 0300176717 through 0300189898)	
21	1001151428	AR	Shim, Plate (E/M400) (SN 0300176717 through 0300189901)	
21	1001151428	AR	Shim, Plate (E/M450) (SN 0300176717 through 0300189898)	
		Ref	HUB/SPINDLE ASSEMBLY OPTIONS:	

SECTION 1 - FRAME

ITEM	PART NUMBER	QTY	DESCRIPTION	REV
	2780242	Ref	Standard Width E/M450 & E/M400 Models (Left Side)	C
	2780241	Ref	Standard Width E/M450 & E/M400 Models (Right Side)	C
	2780250	Ref	Narrow Width E/M400 Models (Left Side)	C
	2780251	Ref	Narrow Width E/M400 Models (Right Side)	C
101		Ref	Spindle Options:	
101	4130350	AR	Standard Width E/M450 & E/M400 Models (Left Side)	
101	4130351	AR	Standard Width E/M450 & E/M400 Models (Right Side)	
101	7023216	AR	Narrow Width E/M400 Models (Left Side)	
101	7023217	AR	Narrow Width E/M400 Models (Right Side)	
102	0962140	2	Bushing (1 per Assembly)	
103	0961951	4	Bushing (2 per Assembly)	
104	7020035	2	Hub Assy (1 per Assembly)	
105	7020036	2	Cup, Bearing - Inner (1 per Assembly)	
106	7020038	2	Cup, Bearing - Outer (1 per Assembly)	
107	7020041	18	Stud (9 per Assembly)	
108	7020037	2	Cone, Bearing - Inner (1 per Assembly)	
109	7020039	2	Cone, Bearing - Outer (1 per Assembly)	
110	7020040	2	Seal, Lip (1 per Assembly)	
111	7020137	2	Dust Cap (1 per Assembly)	
112	3300426	18	Lugnut 5/8in-18NF (9 per Assembly)	
113	7020055	2	Washer, Tanged (1 per Assembly)	
114	7020054	2	Nut, Castle (1 per Assembly)	
115	7020140	2	Pin, Cotter (1 per Assembly)	
201		Ref	FRAME WELDMENTS	
201	2360505	Ref	Frame Weldments (E/M450A) (Prior to SN 0300059390)	
201	2360532	Ref	Frame Weldments (E/M450A) (SN 0300059390 through 0300189898)	
201	2360510	Ref	Frame Weldments (M450AJ) (Prior to SN 0300059390)	
201	2360538	Ref	Frame Weldments (M450AJ) (SN 0300059390 through 0300189898)	
201	2360532	Ref	Frame Weldments (E/M400AJP & E/M400A)	
201	2360531	Ref	Frame Weldments (E/M400AJPnarrow)	
201	2360548	Ref	Frame Weldments (E/M400Anarrow)	

SECTION 1 - FRAME

FIGURE 1-2. TIRE AND WHEEL DRIVE INSTALLATION



SECTION 1 - FRAME

FIGURE 1-2. TIRE AND WHEEL DRIVE INSTALLATION

ITEM	PART NUMBER	QTY	DESCRIPTION	REV
		Ref	WHEEL DRIVE INSTALLATION OPTIONS:	
	0259069	Ref	Standard Spec E/M450 Models (Prior to SN 0300059390)	7
	0270103	Ref	Standard Spec E/M450 Models (SN 0300059390 through 0300189898)	K
	0270103	Ref	Standard Spec E/M400 Models	K
1	0100019	AR	Compound, Locking	
2	0641609	8	Bolt 3/8in-16NC x 1-1/8in	
3	0641826	4	Bolt 1/2in-13NC x 3-1/4in	
4		Ref	Bolt (Grade 8) Options:	
4	0682010	12	Bolt 5/8in-11NC x 1-1/4in (Prior to SN 0300154191)	
4	0682012	12	Bolt 5/8in-11NC x 1-1/2in (E/M400) (SN 0300154191 through 0300189901)	
4	0682012	12	Bolt 5/8in-11NC x 1-1/2in (E/M450) (SN 0300154191 through 0300189898)	
5	0920113	2	Drive Brake Assembly	
5	See Note	NLA	Ring, Sensor (1 Per Assembly) (was p/n 7027275 which is no longer available. (Note: Use p/n 0920113)	
5	7007977	2	Ring, Bearing Retaining (Large) (1 per Assembly)	
5	7011716	2	Ring, Bearing Retaining (Small) (1 per Assembly)	
5	7007913	4	Bolt	
5	7011757	2	Complete Repair Kit (Includes Case and Oil Seals, O-Rings, Back-up Rings, Stator and Rotor Discs, Return Plate, Springs, Bearing and Brake to Hub Gasket (1 per Assembly)	
5	2900768	2	Bearing Kit (1 per Assembly)	
5	7007900	2	Seal, Oil - Front (1 per Assembly)	
5A	7007933	2	Gasket, Brake to Hub (1 Per Assembly)	
5B	70002408	2	Gasket, Brake to Motor (1 Per Assembly) (Not Included in Repair Kit)	
6	3300426	18	Lugnut	
7		Ref	Drive Hub Assembly Options:	
7	2780236	2	Drive Hub Assembly (See DRIVE HUB ASSEMBLY for Breakdown) (Prior to SN 0300154191)	
7	2780282	2	Drive Hub Assembly (See DRIVE HUB ASSEMBLY for Breakdown) (E/M400) (SN 0300154191 through 0300189901)	
7	2780282	2	Drive Hub Assembly (See DRIVE HUB ASSEMBLY for Breakdown) (E/M450) (SN 0300154191 through 0300189898)	
8	3160239	2	Drive Motor Assembly	
8	7020138	2	Brush Kit for 3160239 (1 per Assembly)	
8	7020150	2	Holder for 3160239 (1 per Assembly)	
9	3990105	2	Sensor, Speed	
10	4711600	8	Flatwasher 3/8in Narrow	
11	4892000	12	Washer, Hardened 5/8in	
48	0100011	AR	Compound, Locking	
49	3020037	AR	Lube, Coupling Grease	
52	3020008	AR	Lube, Grease Oil	
		Ref	TIRE AND WHEEL INSTALLATIONS	
	0258995	Ref	IN240/55-17.5 Pneumatic (Tire with JLG in Tread Pattern)	1
	0270416	Ref	IN240/55-17.5 Pneumatic (Non-Marking Tire with JLG Pattern in Tread) (Prior to SN 0300075100)	2
	0273683	Ref	IN240/55-17.5 Pneumatic (Non-Marking Tire with Lightning Tread Pattern) (E/M400) (SN 0300075100 through 0300189901)	A
	0273683	Ref	IN240/55-17.5 Pneumatic (Non-Marking Tire with Lightning	A

SECTION 1 - FRAME

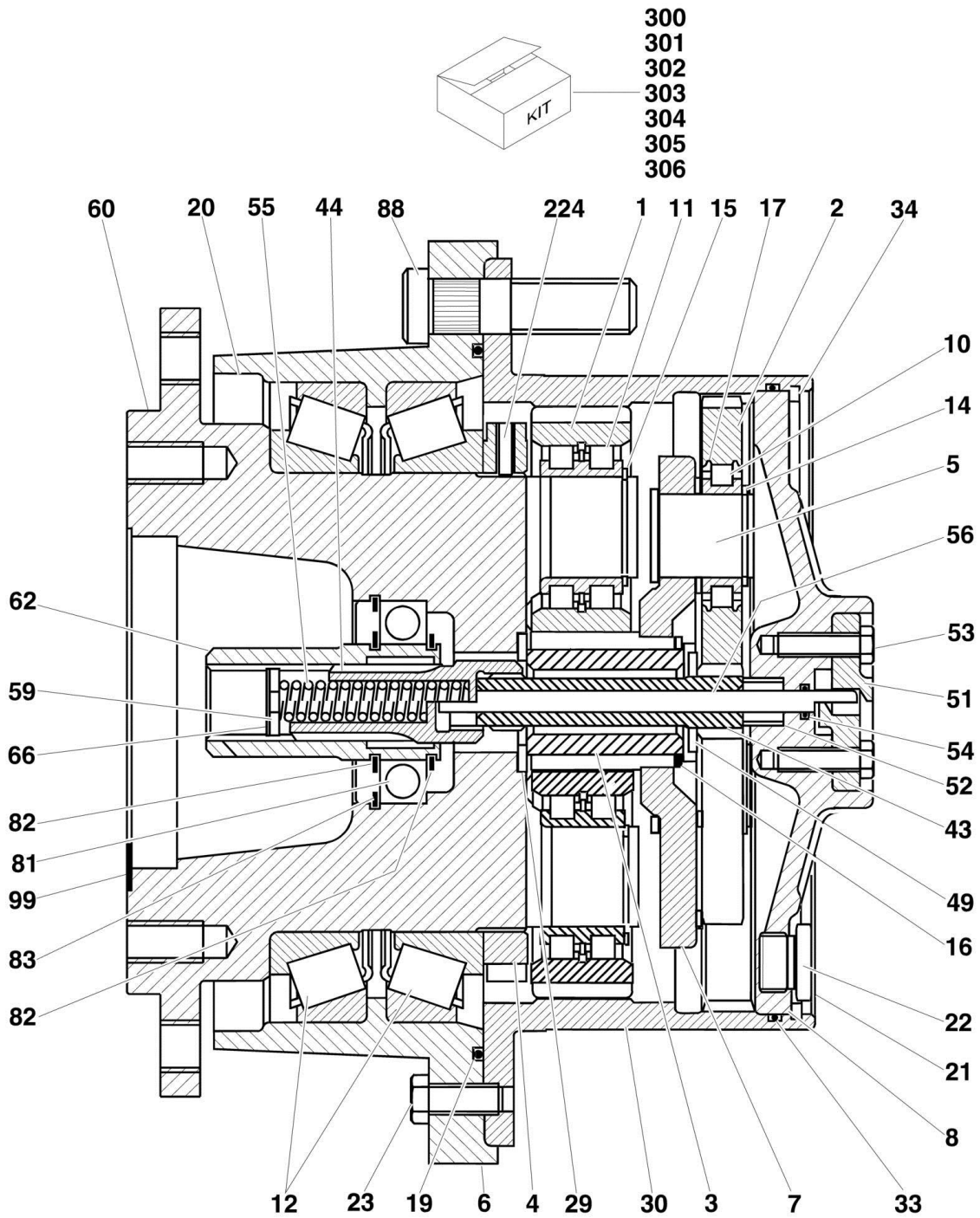
ITEM	PART NUMBER	QTY	DESCRIPTION	REV
			Tread Pattern) (E/M450) (SN 0300075100 through 0300189898)	
	0258996	Ref	IN240/55-17.5 Foam-Filled (Tire with JLG in Tread Pattern)	1
	0270418	Ref	IN240/55-17.5 Foam-Filled (Non-Marking Tire with JLG Pattern in Tread) (Prior to SN 0300075100)	2
	0273684	Ref	IN240/55-17.5 Pneumatic (Non-Marking Tire with Lightning Tread Pattern) (E/M400) (SN 0300075100 through 0300189901)	A
	0273684	Ref	IN240/55-17.5 Pneumatic (Non-Marking Tire with Lightning Tread Pattern) (E/M450) (SN 0300075100 through 0300189898)	A
	0259679	Ref	LT215/8R16 Pneumatic	1
	0270037	Ref	26in x 7in x 20in Solid (Non-Marking)	2-A
	0270028	Ref	Solid (Non-Marking) (M400AJPnarrow & E400APJnarrow Only)	C
100		Ref	Tire Assembly Options:	
100		Ref	Standard Width E/M450 & E/M400 Models:	
		Ref	Note: Assemblies may require ballast/foam filling to manufacturer's specifications prior to installing on a machine. Refer to Operation and Safety or Service and Maintenance Manuals. Purchase individual tire and/or rim only if able to foam fill tire and wheel assembly, otherwise, purchase complete assembly.	
100	0258688	4	OTR IN240/55-17.5 Pneumatic (Tire with JLG in Tread Pattern)	2-A
100	0270415	4	OTR IN240/55-17.5 Pneumatic (Non-Marking Tire with JLG Pattern in Tread) (Prior to SN 0300075100)	3-B
100	4520279	4	OTR IN240/55-17.5 Pneumatic (Non-Marking Tire with Lightning Pattern in Tread) (E/M400) (SN 0300075100 through 0300189901)	1
100	4520279	4	OTR IN240/55-17.5 Pneumatic (Non-Marking Tire with Lightning Pattern in Tread) (E/M450) (SN 0300075100 through 0300189898)	1
100	0258997	4	OTR IN240/55-17.5 Foam-Filled (Tire with JLG in Tread Pattern)	1-A
100	0270417	4	OTR IN240/55-17.5 Foam-Filled (Non-Marking Tire with JLG Pattern in Tread) (use p/n 0273468) (Prior to SN 0300154685)	2-B
100	0273468	4	OTR IN240/55-17.5 Foam-Filled (Non-Marking Tire with Lightning Tread Pattern) (E/M400) (SN 0300154685 through 0300189901)	E
100	0273468	4	OTR IN240/55-17.5 Foam-Filled (Non-Marking Tire with Lightning Tread Pattern) (E/M450) (SN 0300154685 through 0300189898)	E
100	0258037	4	Goodyear LT215/8R16 Pneumatic	1-A
100		Ref	Solid Non-Marking Tire and Wheel Assembly Options	
		Ref	Note: Must replace Tire and Wheel Assemblies in pairs per axle.	
100	4520232	AR	Monarch 26in x 7in x 20in Solid Non-Marking (Steer Axle Tire) (Use p/n 1001110775) (Prior to SN 0300142352)	
100	1001110775	AR	Solideal 26in x 7in x 20in Solid Non-Marking (Steer Axle Tire) (E/M400) (SN 0300142352 through 0300189901)	
100	1001110775	AR	Solideal 26in x 7in x 20in Solid Non-Marking (Steer Axle Tire) (E/M450) (SN 0300142352 through 0300189898)	
100		Ref	Tire Assembly Options:	
100		Ref	Narrow Width E/M400 Models:	
		Ref	Note: Must replace Tire and Wheel Assemblies in pairs per axle.	
100		Ref	22in x 6in x 17.75in Solid Non-Marking Tire and Wheel Assembly (Steer Axle Tire)	
100	4520231	2	Trelleborg Tire and Wheel Assembly (Steer Axle Tire) (Use	

SECTION 1 - FRAME

ITEM	PART NUMBER	QTY	DESCRIPTION	REV
100	1001110774	2	p/n 1001110774) (Prior to SN 0300141858) Solideal Tire and Wheel Assembly (Steer Axle Tire) (E/M400) (SN 0300141858 through 0300189901)	
100	1001110774	2	Solideal Tire and Wheel Assembly (Steer Axle Tire) (E/M450) (SN 0300141858 through 0300189898)	
100		Ref	25in x 7in x 16in Solid Non-Marking Tire and Wheel Assembly (Drive Axle Tire) Options:	
100	4520208	2	Trelleborg Tire and Wheel Assembly (Drive Axle Tire) (Use p/n 1001110772) (Prior to SN 0300141858)	
100	1001110772	2	Solideal Tire and Wheel Assembly (Drive Axle Tire) (E/M400) (SN 0300141858 through 0300189901)	
100	1001110772	2	Solideal Tire and Wheel Assembly (Drive Axle Tire) (E/M450) (SN 0300141858 through 0300189898)	
		Ref	Note: Assemblies may require ballast/foam filling to manufacturer's specifications prior to installing on a machine. Refer to Operation and Safety or Service and Maintenance Manuals. Purchase individual tire and/or rim only if able to foam fill tire and wheel assembly, otherwise, purchase complete assembly.	
101		Ref	Tire Options:	
101	4520209	1	IN240/55-17.5 Tire with JLG in Tread Pattern	
101	4520247	1	IN240/55-17.5 Non-Marking Tire with JLG in Tread Pattern	
101	4520269	1	IN240/55-17.5 Non-Marking Tire with Lightning Pattern in Tread	
101	4520206	1	LT215/8R16	
102		Ref	Rim, Wheel Options:	
102	4860191	1	Use with IN240/55-17.5 Tires	
102	4860181	1	Use with LT215/8R16 Tires	
102	See Note	1	Other Tire/Wheel Assemblies (Note: Not Available - Purchase Complete Assembly)	
103		Ref	Valve, Air Options:	
103	4641167	1	Pneumatic Tires	
103	4640392	1	Foam-Filled Tires	
104		Ref	Decal - Tire Air Pressure Options:	
104	1702740	1	Decal - Tire Air Pressure (90PSI)	
104	1702701	1	Decal - Tire Air Pressure (95PSI)	
	0259302	Ref	WHEEL COVER INSTALLATION (IN240/55-17.5 TIRES ONLY)	1-A
201	1670887	4	Cover, Wheel	
202	0641542	12	Bolt 5/16in-18NC x 5-1/4in	
203	4711500	12	Flatwasher 5/16in Narrow	
204	0100011	AR	Compound, Locking	

SECTION 1 - FRAME

FIGURE 1-3. DRIVE HUB ASSEMBLY (Prior to SN 0300154191)



SECTION 1 - FRAME

FIGURE 1-3. DRIVE HUB ASSEMBLY (Prior to SN 0300154191)

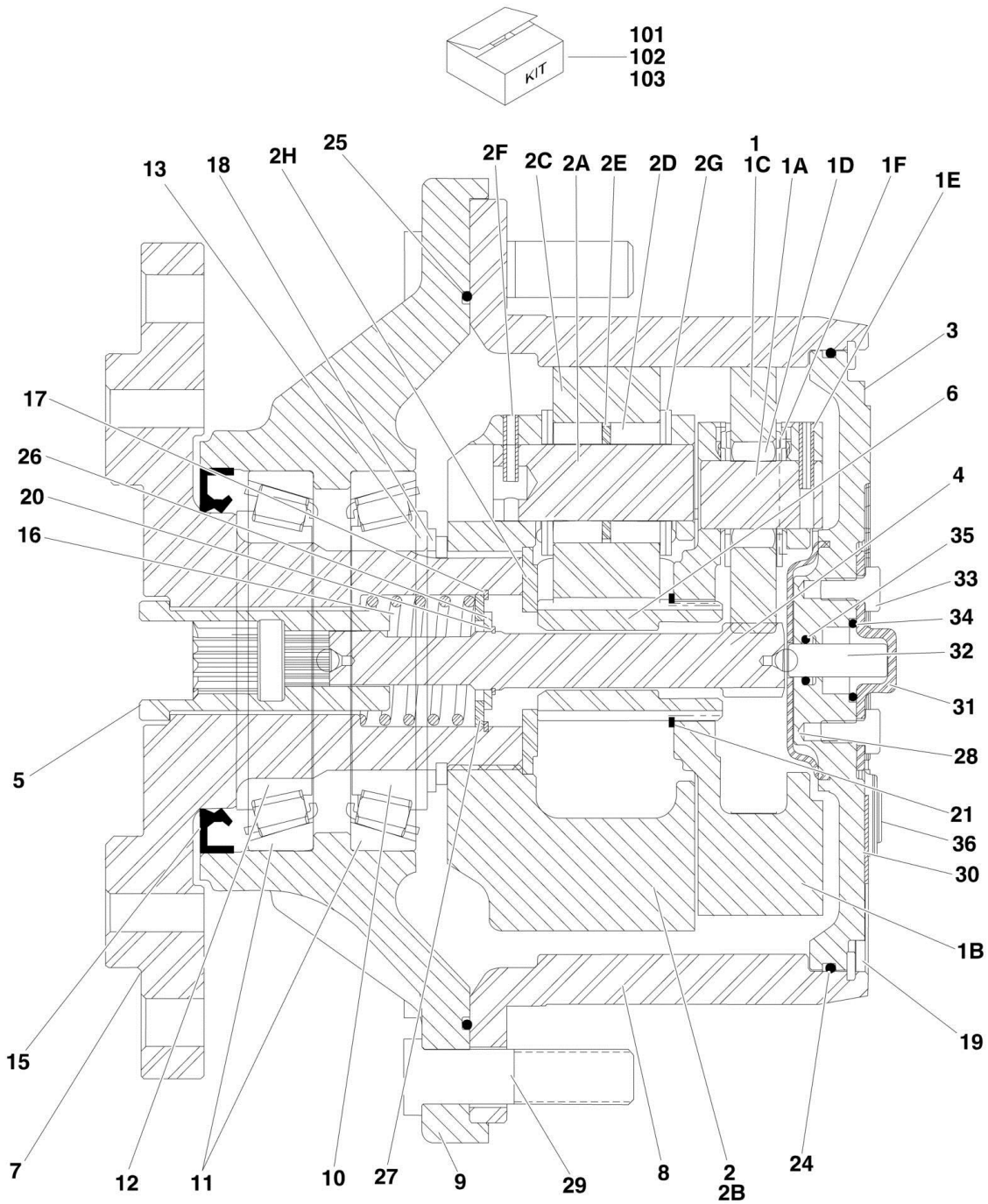
ITEM	PART NUMBER	QTY	DESCRIPTION	REV
	2780236	Ref	DRIVE HUB ASSEMBLY	E
1	7021323	4	Gear, Planet	
2	7021324	3	Gear, Planet	
3	7021325	1	Gear, Sun	
4	7023803	1	Nut, Shaft	
		Ref	NOTE: Unless there is capability to torque shaft nut (item 4) to 625 ft/lbs. (850Nm) Repair beyond this level is NOT advised.	
5	7021326	3	Bolt, Planet	
6	7021327	1	Ring, Support	
7	7021328	1	Carrier, Planet	
8	70003711	1	Cover	
10	70003712	3	Bearing, Roller	
11	70003713	4	Bearing, Roller	
12	70003714	2	Bearing, Roller	
14	70003715	3	Ring, Retaining	
15	70003716	4	Ring, Retaining	
16	7021341	1	Ring, Retaining	
17	70003717	3	Disk, Support	
19	See Note	1	O-Ring (Note: Use Items 300 or 303)	
20	See Note	1	Seal, Ring (Note: Use Items 300 or 303)	
21	See Note	3	Plug (Note: Use Items 300 or 304)	
22	See Note	3	Seal, Ring (Note: Use Items 300 or 304)	
23	7021342	3	Bolt	
29	7024049	1	Washer, Housing	
30	7021335	1	Gear, Ring	
33	See Note	1	O-Ring (Note: Use Items 300, 303 or 304)	
34	70003718	1	Ring, Retaining	
43	7021336	1	Shaft, Sun Gear	
44	7021337	1	Shaft, Input	
49	7024051	1	Washer, Thrust	
51	70003719	1	Cover	
52	70003720	1	Disk	
53	70003721	2	Bolt	
54	See Note	1	O-Ring (Note: Use Items 300, 304, 305 or 306)	
55	7024053	1	Spring, Pressure	
56	70003722	1	Rod, Shaft	
59	70003723	1	Disk, Rotor	
60	7021339	1	Spindle	
62	7021340	1	Coupler	
66	70003724	1	Ring, Retaining	
81	7024983	1	Bearing, Ball	
82	7021341	2	Ring, Retaining	
83	7024931	1	Ring, Retaining	
88	7021344	9	Stud, Wheel (Was P/N 7024984)	
99	7024985	1	Plug	
224		Ref	Component Options:	
224	See Note	2	Ball (Note: Not Available - Use Slotted Pin in Kit 303) (Prior to SN 0300089390)	
224	See Note	2	Expander (Note: Not Available - Use Slotted Pin in Kit 303) (Prior to SN 0300089390)	

SECTION 1 - FRAME

ITEM	PART NUMBER	QTY	DESCRIPTION	REV
224	See Note	2	Plug (Note: Not Available - Use Slotted Pin in Kit 303) (Prior to SN 0300089390)	
224	70003725	2	Pin, Slotted (E/M400) (SN 0300089390 through 0300189901)	
224	70003725	2	Pin, Slotted (E/M450) (SN 0300089390 through 0300189898)	
		Ref	SEAL/REPAIR KIT OPTIONS:	
300	7021333	1	Seal Kit (Includes Items 19-22, 33 & 54)	
301	7024981	1	Planet Gear Kit 1 (Includes Items 1, 11 & 15)	
302	7024986	1	Planet Gear Kit 2 (Includes Items 2, 10,14 & 17)	
303	7024047	1	Bearing Kit (Includes Items 4, 12, 19, 20, 23, 33 & 224)	
		Ref	NOTE: Unless there is capability to torque shaft nut (item 4) to 625 ft/lbs. (850Nm) Repair beyond this level is NOT advised.	
304	7021329	1	Cover Kit (Includes Items 8, 21, 22, 33, 34 & 51-54)	
305	7021338	1	Mechanical Disconnect Kit 1(Includes Items 54-56, 59 & 66)	
306	7024054	1	Mechanical Disconnect Kit 2 (Includes Items 51, 53, 54 & 56)	

SECTION 1 - FRAME

FIGURE 1-4. DRIVE HUB ASSEMBLY (E/M400 SN 0300154191 through 0300189901; E/M450 SN 0300154191 through 0300189898)



SECTION 1 - FRAME

FIGURE 1-4. DRIVE HUB ASSEMBLY (E/M400 SN 0300154191 through 0300189901; E/M450 SN 0300154191 through 0300189898)

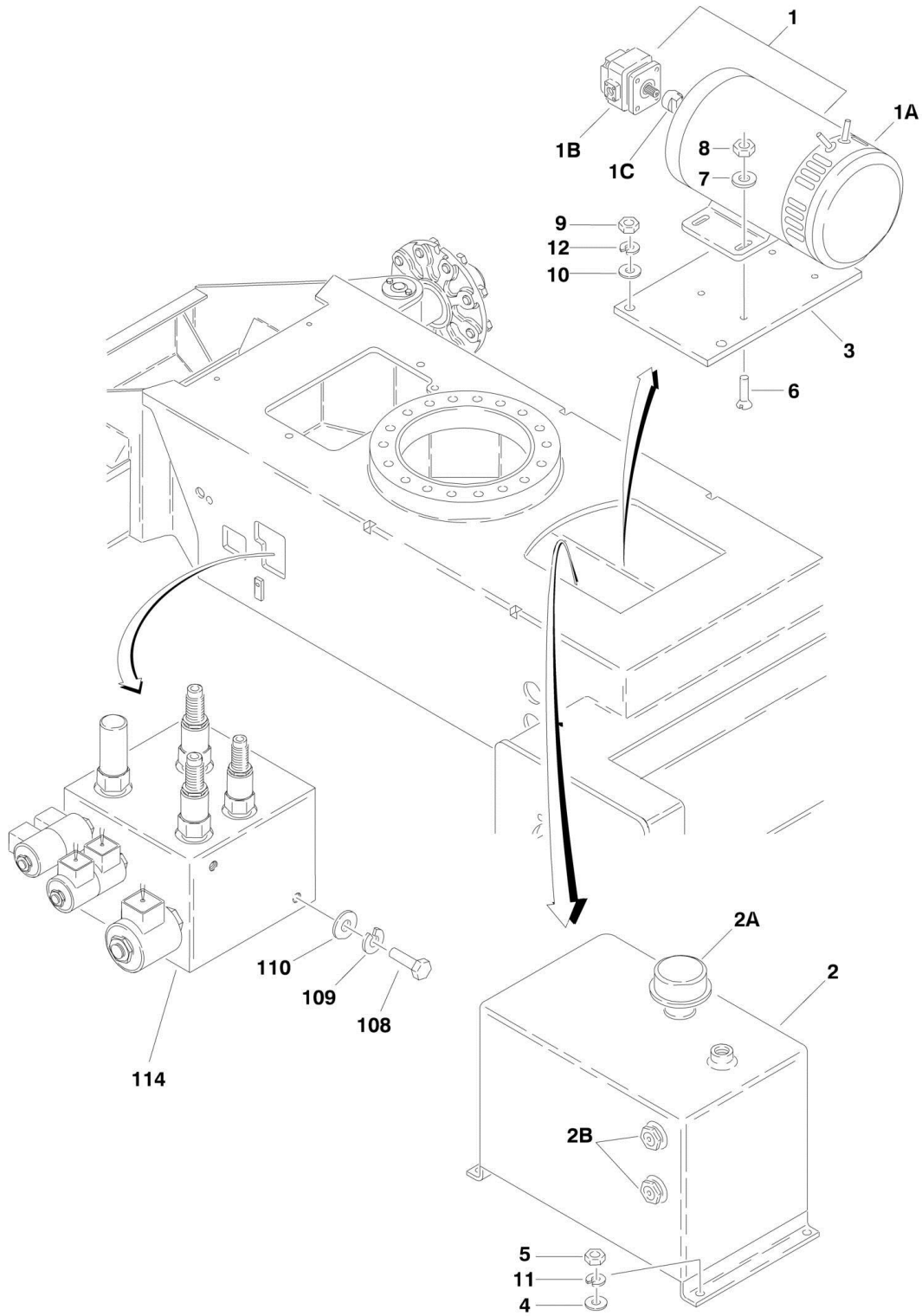
ITEM	PART NUMBER	QTY	DESCRIPTION	REV
	2780282	Ref	DRIVE HUB ASSEMBLY	B
1	70001366	1	Carrier, Sub Assembly (Includes Items 1A-1F)	
1A	See Note	NSS	Shaft, Planet (Note: Use Item 1)	
1B	See Note	NSS	Carrier (Note: Use Item 1)	
1C	See Note	NSS	Gear, Planet, (Note: Use Item 1)	
1D	See Note	NSS	Bearing, Needle, (Note: Use Item 1)	
1E	See Note	NSS	Pin, Roll, (Note: Use Item 1)	
1F	See Note	NSS	Washer, Thrust, (Note: Use Item 1)	
2	70001367	1	Carrier, Input (Includes Items 2A-2H)	
2A	See Note	NSS	Shaft, Planet, (Note: Use Item 2)	
2B	See Note	NSS	Carrier, (Note: Use Item 2)	
2C	See Note	NSS	Gear, Planet, (Note: Use Item 2)	
2D	See Note	NSS	Bearing, Needle, (Note: Use Item 2)	
2E	See Note	NSS	Spacer, Thrust, (Note: Use Item 2)	
2F	See Note	NSS	Pin, Roll, (Note: Use Item 2)	
2G	See Note	NSS	Washer, Thrust, (Note: Use Item 2)	
2H	See Note	NSS	Washer, Thrust, (Note: Use Item 2)	
3	70001368	1	Cover	
4	70001369	1	Shaft, Input	
5	70001370	1	Coupling	
6	70001371	1	Shaft, Sun Gear	
7	70001372	1	Spindle	
8	70001373	1	Gear, Ring	
9	2780282	1	Housing	
10	See Note	NSS	Bearing, Tapered-Cone, (Note: Use Item 101)	
11	See Note	NSS	Bearing, Tapered-Cup, (Note: Use Item 101)	
12	See Note	NSS	Bearing, Tapered-Cone, (Note: Use Item 101)	
13	7017009	1	Washer, Thrust	
15	See Note	NSS	Seal, Lip, (Note: Use Item 102)	
16	70001374	1	Spring	
17	70001375	1	Ring, Retaining (Internal)	
18	See Note	NSS	Ring, Retaining (External), (Note: Use Item 102)	
19	7024738	1	Ring, Retaining (Internal)	
20	70001376	1	Ring, Retaining (External)	
21	70001377	1	Ring, Retaining (External)	
22	7000281	4	Screw (Not Shown - ID plate screws)	
23	7017022	3	Bolt, Flathead (Not Shown - Located on front of hub)	
24	See Note	NSS	O-Ring, (Note: Use Item 102)	
25	See Note	NSS	O-Ring, (Note: Use Item 102)	
26	70001378	1	Spacer, Thrust	
27	70001379	1	Washer, Thrust	
28	7024741	1	Spacer, Thrust	
29	7007640	9	Stud, Wheel	
30	See Note	NSS	Flange, Plate, (Note: Use Item 103)	
31	See Note	NSS	Cap, Disengage, (Note: Use Item 103)	
32	See Note	NSS	Pin, Dowel, (Note: Use Item 103)	
33	See Note	NSS	Bolt, (Note: Use Item 103)	
34	See Note	NSS	O-Ring, (Note: Use Item 103)	
35	See Note	NSS	O-Ring, (Note: Use Item 103)	

SECTION 1 - FRAME

ITEM	PART NUMBER	QTY	DESCRIPTION	REV
36	See Note	NSS	Plug, (Note: Use Item 103)	
		Ref	Kit Options	
101	7017007	1	Planet Gear Bearing Kit (Includes Items 10-12)	
102	70001380	1	Planet Gear Seal Kit (Includes Items 15, 18, 24 & 25)	
103	70001368	1	Cap/Disengage Kit (Includes Items 30-36)	

SECTION 1 - FRAME

FIGURE 1-5. HYDRAULIC COMPONENTS INSTALLATION



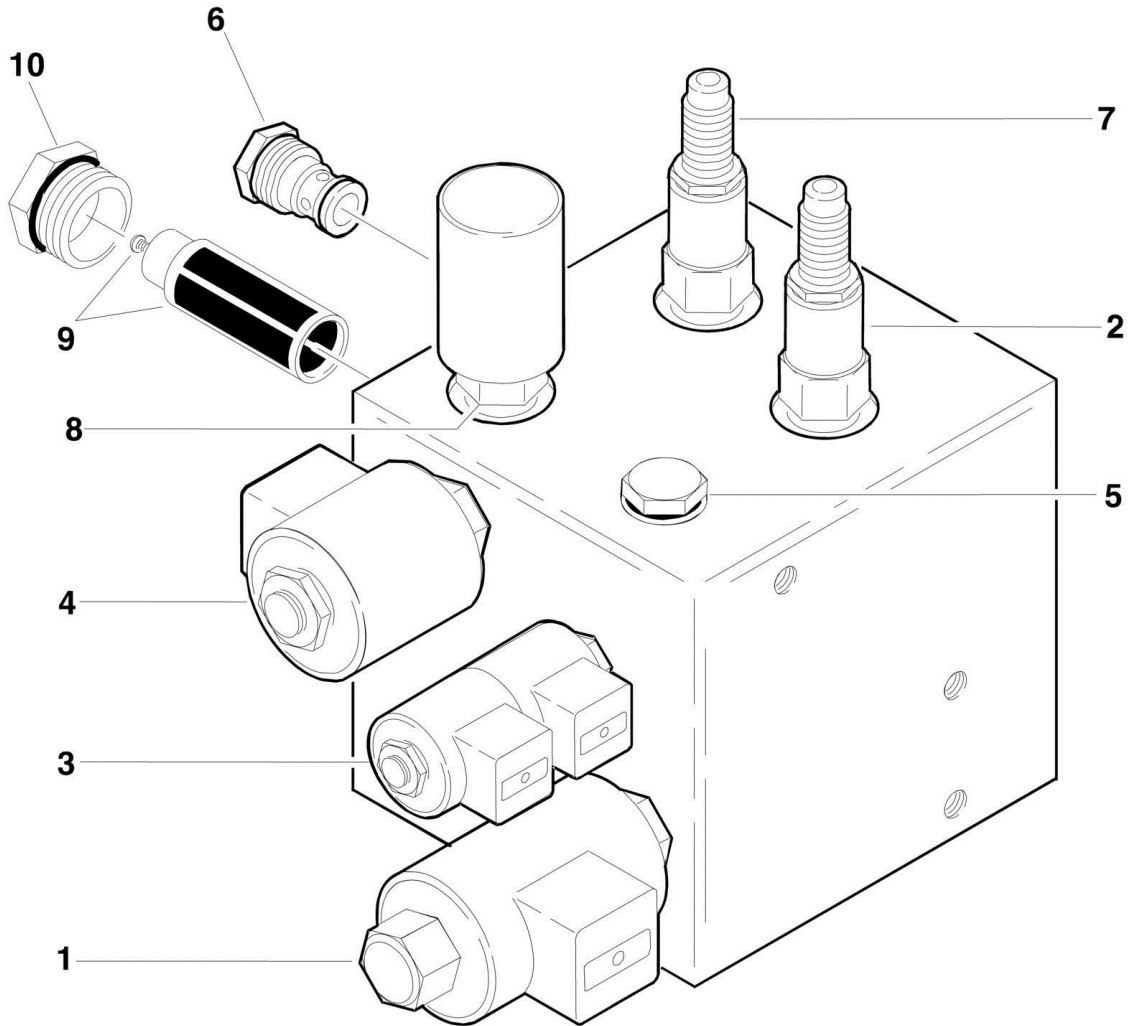
SECTION 1 - FRAME

FIGURE 1-5. HYDRAULIC COMPONENTS INSTALLATION

ITEM	PART NUMBER	QTY	DESCRIPTION	REV
	0257816	Ref	HYDRAULIC MOTOR/PUMP/TANK INSTALLATION	4-C
1	3600289	1	Motor/Pump Assembly	
1A	7021318	1	Motor Assembly	
1A	7021361	1	Brush Kit (was p/n 7021368)	
1A	70003171	4	Spring, Brush	
1A	70001961	1	Seal, Oil	
1B	7021319	1	Pump Assembly	
1B	7021377	1	Seal Kit (Note: Not Available for Purchase)	
1C	7021367	1	Coupling	
2	4400416	1	Hydraulic Tank Assembly	
2A	7021320	1	Cap	
2B	7021369	2	Gauge, Oil Level Sight	
2B	2220886	1	Plug, Non-magnetic Drain	
3	3571160	1	Plate, Mounting	
4	4711400	4	Flatwasher 1/4in Narrow	
5	3311405	4	Locknut 1/4in-20NC	
6	0741506	4	Screw, Flathead Countersink 5/16in-18NC x 3/4in	
7	4751500	4	Flatwasher 5/16in	
8	3311505	4	Locknut 5/16in-18NC	
9	3311605	2	Locknut 3/8in-16NC	
10	4751600	2	Flatwasher 3/8in	
11	4761400	4	Lockwasher 1/4in	
12	4761600	2	Lockwasher 3/8in	
		Ref	VALVES INSTALLATIONS	
	0258034	Ref	Valves Installations (All E/M450A Models)	E
	0259399	Ref	Valves Installations (All E/M450AJ Models)	E
	0258034	Ref	Valves Installations (All E/M400A Models)	E
	0259951	Ref	Valves Installations (All E/M400AJP Models)	C
108	0641608	AR	Bolt 3/8in-16NC x 1in	
109	4711600	AR	Flatwasher 3/8in	
110	4761600	AR	Lockwasher 3/8in	
114		Ref	Brake/Steer Control Valve Assembly Options:	
114	4641149	1	Brake/Steer Control Valve Assembly (Use p/n 1001097506) (Prior to SN 0300129142)	
114	1001097506	1	Brake/Steer Control Valve Assembly (E/M400) (SN 0300129142 through 0300189901)	
114	1001097506	1	Brake/Steer Control Valve Assembly (E/M450) (SN 0300129142 through 0300189898)	
120	4922328	1	Harness Assembly - Brake/Steer Control Valve (Not Shown -See ELECTRICAL SECTION for Breakdown)	

SECTION 1 - FRAME

FIGURE 1-6. BRAKE/STEER VALVE ASSEMBLY



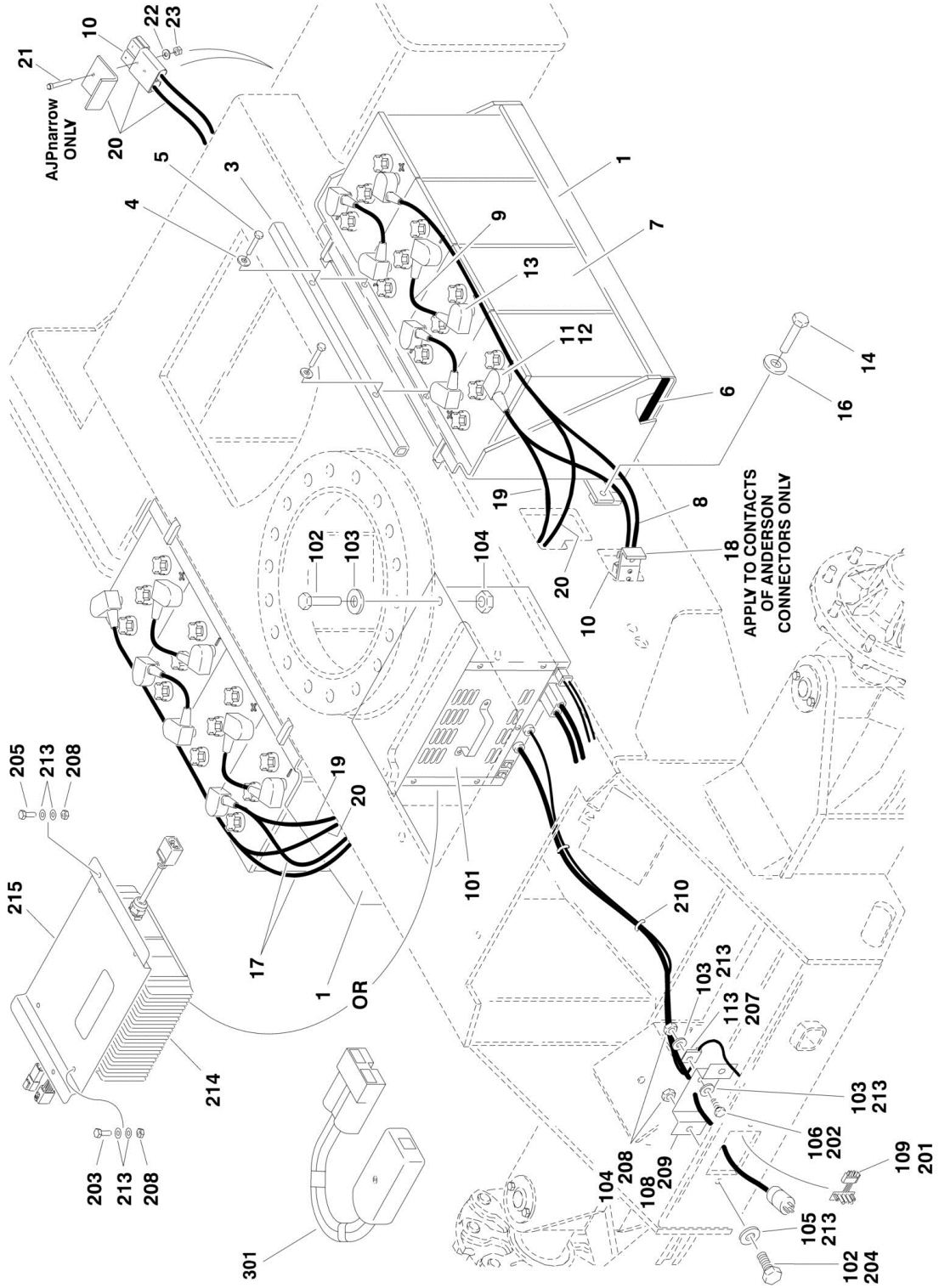
SECTION 1 - FRAME

FIGURE 1-6. BRAKE/STEER VALVE ASSEMBLY

ITEM	PART NUMBER	QTY	DESCRIPTION	REV
		Ref	BRAKE/STEER VALVE ASSEMBLIES	
	4641149	Ref	Hydro Air Brand (Prior to SN 0300129142)	G
	1001097506	Ref	Hydraforce Brand (E/M400) (SN 0300129142 through 0300189901)	B
	1001097506	Ref	Hydraforce Brand (E/M450) (SN 0300129142 through 0300189898)	B
1		Ref	Cartridge, Proportional without Coil Options: (Flow Control)	
1	7017450	1	Cartridge, Proportional without Coil (Prior to SN 0300062645)	
1	7021611	1	Cartridge, Proportional without Coil (E/M400) (SN 0300062645 through 0300189901)	
1	7021611	1	Cartridge, Proportional without Coil (E/M450) (SN 0300062645 through 0300189898)	
1	7012518	1	Seal Kit - 7017450/7021611 Cartridges	
1	7021618	1	Coil	
2	7021659	1	Cartridge, Relief (Main)	
2	7012972	1	Seal Kit - 7021659 Cartridge	
3	7017433	1	Cartridge (Steer)	
3	7017402	1	Seal Kit - 7017433 Cartridge	
3	7021609	2	Coil	
4	7012941	1	Cartridge without Coil (Brake Release)	
4	7010543	1	Seal Kit - 7012941 Cartridge	
4	7021609	1	Coil	
5	7022391	1	Cartridge, Check (was p/n 7017412)	
5	7012967	1	Seal Kit - 7022391 Cartridge	
6	7010542	1	Cartridge, Shuttle	
6	7010543	1	Seal Kit - 7010542 Cartridge	
7	7017488	1	Cartridge, Relief (Steer) (was p/n 7017428)	
7	7012998	1	Seal Kit - 7017488 Cartridge	
8	7021619	1	Switch, Pressure	
9	7021616	1	Cartridge, Filter	
10	7024832	1	Plug	

SECTION 1 - FRAME

FIGURE 1-7. BATTERIES AND CHARGER INSTALLATION



SECTION 1 - FRAME

FIGURE 1-7. BATTERIES AND CHARGER INSTALLATION

ITEM	PART NUMBER	QTY	DESCRIPTION	REV
		Ref	BATTERIES INSTALLATION	
	0258689	Ref	Batteries Installation E/M450 Models Built (Prior to SN 0300059390)	2-C
	0259763	Ref	Batteries Installation E/M450 Models Built (SN 0300059390 through 0300189898)	B
	0259763	Ref	Batteries Installation E/M400 Models	B
	1001150161	Ref	Batteries Installation E/M400 & E/M450 Models (AGM Batteries)	A
1		Ref	Battery Box Weldment Options:	
1	4845846	2	Both Sides - E/M450 Models (Prior to SN 0300059390)	
1	4846106	1	Left Side - E/M450 Models (SN 0300059390 through 0300189898)	
1	4846107	1	Right Side - E/M450 Models (SN 0300059390 through 0300189898)	
1	4846106	1	Left Side - E/M400 Models	
1	4846107	1	Right Side - E/M400 Models	
1	1001150514	1	Left Side - E/M400 & E/M450 Models (AGM Batteries)	
1	1001150513	1	Right Side - E/M400 & E/M450 Models (AGM Batteries)	
3		Ref	Battery Hold Down Options:	
3	4567679	2	Battery Hold Down E/M450 Models (Prior to SN 0300059390)	
3	0182010	2	Battery Hold Down E/M450 Models (SN 0300059390 through 0300189898)	
3	0182010	2	Battery Hold Down E/M400 Models	
3	1001150181	2	Battery Hold Down E/M400 & E/M450 Models (AGM Batteries)	
4	4711500	4	Flatwasher 5/16in Narrow	
5	0641514	4	Bolt 5/16in-18NC x 1-3/4in	
5	0641504	4	Bolt 5/16in-18NC x 1/2in	
5	0641506	4	Bolt 5/16in-18NC x 3/4in	
6	3000003	2	Liner, Battery Box	
7		Ref	Battery Options:	
7	0400055	8	Wet	
7	7016177	8	Dry	
7	1001114782	8	Wet (AGM Battery)	
8		Ref	Cable, Battery (Left)	
8	1060760	1	Cable, Battery (Left) E/M450 Models Built (Prior to SN 0300059390)	
8	See Note	1	Cable, Battery (Left) E/M450 Models Built (Note: See Item 19 & 20) (SN 0300059390 through 0300189898)	
8	See Note	1	Cable, Battery (Left) E/M400 Models (Note: See Item 19 & 20)	
8	See Note	1	Cable, Battery (Left) E/M400 & E/M450 Models (AGM Batteries) (Note: See Item 19 & 20)	
9	1060092	6	Cable, Battery	
10	0100048	AR	Adhesive, Silicone	
11	0100051	AR	Grease, Terminal	
12	0840031	8	Boot, Terminal ("d" shape)	
13	0840032	8	Boot, Terminal ("b" shape)	
14	0641808	4	Bolt 1/2in-13NC x 1in	
14	0641813	8	Bolt 1/2in-13NC x 1- 5/8in	
16	4711800	8	Flatwasher 1/2in Narrow	
16	4751800	8	Flatwasher 1/2in Wide	
17		Ref	Cable, Battery (Right)	
17	1060761	1	Cable, Battery (Right) E/M450 Models Built (Prior to SN	

SECTION 1 - FRAME

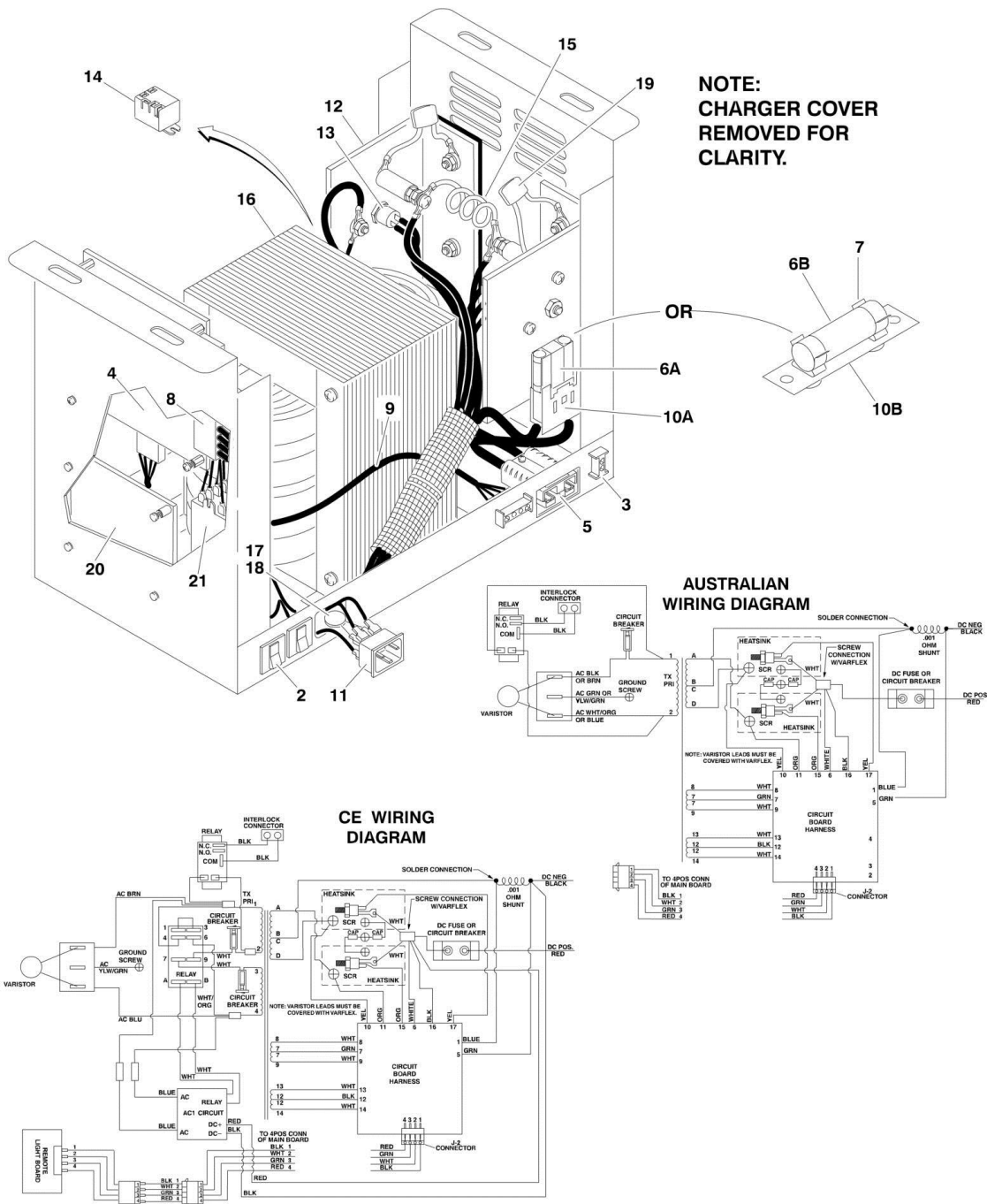
ITEM	PART NUMBER	QTY	DESCRIPTION	REV
17	See Note	1	0300059390) Cable, Battery (Right) E/M450 Models Built (Note: See Item 19 & 20) (SN 0300059390 through 0300189898)	
17	See Note	1	Cable, Battery (Right) E/M400 Models (Note: See Item 19 & 20)	
17	See Note	1	Cable, Battery (Right) E/M400 & E/M450 Models (AGM Batteries) (Note: See Item 19 & 20)	
18	1320172	2	Clamp, Cable	
19		Ref	Cable, Battery (Battery to Battery)	
19	See Note	1	Cable, Battery (Battery to Battery) E/M450 Models (Note: See Item 8 & 17) (Prior to SN 0300059390)	
19	1060811	1	Cable, Battery (Battery to Battery) E/M450 Models (SN 0300059390 through 0300189898)	
19	1060811	1	Cable, Battery (Battery to Battery) E/M400 Models	
19	1060811	1	Cable, Battery (Battery to Battery) E/M400 & E/M450 Models (AGM Batteries)	
20		Ref	Cable, Battery (Battery to Clamp)	
20	See Note	1	Cable, Battery (Battery to Clamp) E/M450 Models (Note: See Item 8 & 17) (Prior to SN 0300059390)	
20	1060809	1	Cable, Battery (Battery to Clamp) E/M450 Models (SN 0300059390 through 0300189898)	
20	1060809	1	Cable, Battery (Battery to Clamp) E/M400 Models	
20	1060809	1	Cable, Battery (Battery to Clamp) E/M400 & E/M450 Models (AGM Batteries)	
21	3311405	2	Locknut 1/4in-20NC	
22	3931430	2	Capscrew, Socket Head 1/4in-20NC x 1-7/8in	
23	4711400	2	Flatwasher 1/4in Narrow	
		Ref	BATTERY CHARGER INSTALLATIONS	
	0259826	Ref	CE Spec (110V/220V - Auto Seeking Hz)	3
	0259693	Ref	Australian Spec (250V - Auto Seeking Hz)	3
101		Ref	MAC Battery Charger Assembly Options	
		Ref	Note: See MAC BATTERY CHARGER ASSEMBLY for Replacement Parts for MAC Chargers. To replace complete charger use kit p/n 1001123046. Kit includes Items 214, 215, mounting hardware and connecting harnesses.	
101	0400197	1	CE Spec (110V/220V - Auto Seeking Hz) (Use p/n 1001123046)	
101	0400195	1	Australian Spec (250V - Auto Seeking Hz) (Use p/n1001123046)	
102	0641408	4	Bolt 1/4in-20NC x 1in	
103	4711400	6	Flatwasher 1/4in Narrow	
104	3311405	5	Locknut 1/4in-20NC	
105	4711400	2	Washer 1/4in (Narrow)	
106	0641404	1	Bolt 1/4in-20NC x 1/2in	
108	3571834	1	Plate, Panel	
109	0610131	1	Charger LED Assembly	
113	1320136	1	Clamp, Insulated	
		Ref	DELTA-Q BATTERY CHARGER INSTALLATIONS (E/M400) (SN 0300144567 through 0300189901)	
		Ref	DELTA-Q BATTERY CHARGER INSTALLATIONS (E/M450) (SN 0300144567 through 0300189898)	
	1001123052	Ref	Machines with Factory Plug (Australian Specs)	B
	1001107780	Ref	Machines with Locally Supplied Plug (CE Spec)	B
201	0610131	1	Charger LED Assembly	
202	0641404	1	Bolt 1/4in-20NC x 1/2in	
203	0641405	4	Bolt 1/4in-20NC x 5/8in	

SECTION 1 - FRAME

ITEM	PART NUMBER	QTY	DESCRIPTION	REV
204	0641406	2	Bolt 1/4in-20NC x 3/4in	
205	0641408	2	Bolt 1/4in-20NC x 1in	
207	1320136	1	Clamp, Insulated	
208	3311405	9	Locknut 1/4in-20NC	
209	3571834	1	Plate, Panel	
210	4240033	4	Tie-Strap	
213	4711400	16	Flatwasher 1/4in Thin	
214	1001103105	1	Battery Charger Assembly (See ELECTRICAL SECTION for Breakdown)	
215	1001107779	1	Plate, Battery Charger Mounting	
301	1600466	1	BATTERY CHARGER REPROGRAM CONTROLLER KIT (Use p/n 2915230)	

SECTION 1 - FRAME

FIGURE 1-8. MAC BATTERY CHARGER ASSEMBLY



SECTION 1 - FRAME

FIGURE 1-8. MAC BATTERY CHARGER ASSEMBLY

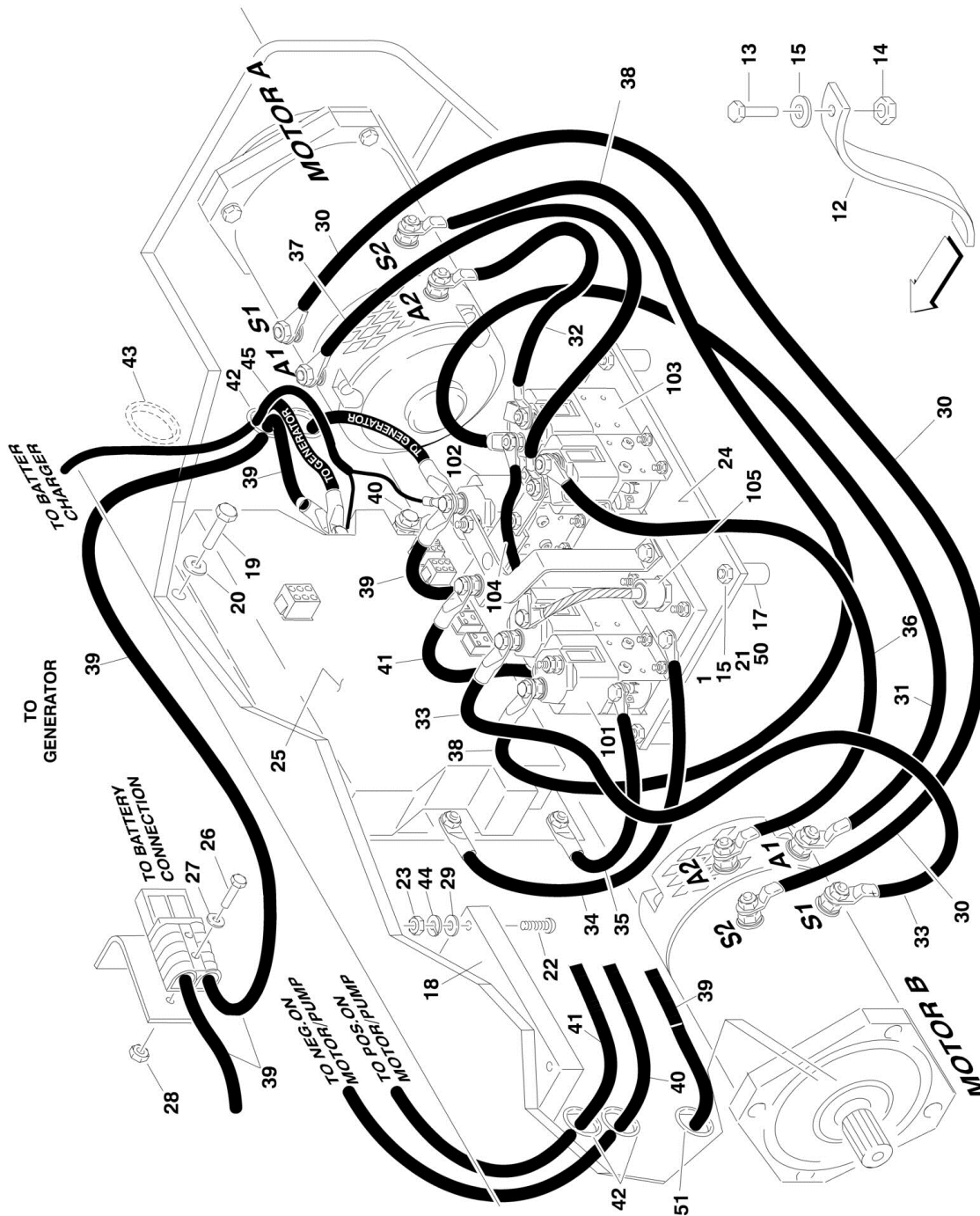
ITEM	PART NUMBER	QTY	DESCRIPTION	REV
		Ref	Note: Refer to battery charger serial number nameplate for build date. Example: BA515 (Spec) 9631 (Date Code). First and second digits in the date code indicate year. Third and fourth digits indicate the week of manufacture.	
		Ref	Note: When replacing complete charger use kit p/n 1001123046.	
		Ref	BATTERY CHARGER ASSEMBLIES	
	0400197	Ref	CE Spec (110/220V - Auto Seeking Hz)	B
	0400195	Ref	Australian Spec (250V - Auto Seeking Hz)	B
2		Ref	Breaker, Circuit Options:	
2	7020653	2	CE Spec (0400197 Charger)	
2	7018525	1	Australian Spec (0400195 Charger)	
3	7011621	1	Connector, Enable Switch	
4		Ref	Circuit, Control Options:	
4	7022908	1	CE Spec (0400197 Charger Prior to Date Code 0143) (was p/n 7022902)	
4	7022925	1	CE Spec (0400197 Charger Date Code 0143 to Present)	
4	7020685	1	Australian Spec (0400195 Charger)	
5		Ref	DC Cord Assembly	
5	7020644	1	Charger with Automotive Fuse	
5	7022909	1	Charger with Bussman Fuse	
6		Ref	Fuse Options:	
6A	7020690	1	Automotive Fuse Assembly	
6A	7020691	1	Automotive Fuse	
6B	7011593	1	Bussman Fuse	
7	7011577	2	Clip, Fuse	
8	7020697	1	Harness	
9	7020693	1	Harness	
10		Ref	Holder, Fuse	
10A	7018571	1	Automotive Fuse	
10B	7011594	1	Bussman Fuse	
11	7020648	1	Plug, AC Inlet	
12	7020649	2	Rectifier Assembly	
13	7020650	1	Rectifier, SCR 40-Amp	
14		Ref	Relay (Black) Options:	
14	7018564	1	CE Spec 0400197 Charger	
14	7018563	1	Australian Spec 0400195 Charger (240V Relay) (Used Prior to MAC Charger) (Prior to SN 06416736)	
14	7018564	1	Australian Spec 0400195 Charger (120V Relay) (Used MAC Charger) (E/M400) (SN 06416736 through 0300189901)	
14	7018564	1	Australian Spec 0400195 Charger (120V Relay) (Used MAC Charger) (E/M450) (SN 06416736 through 0300189898)	
15	7020651	1	Shunt Assembly	
16		Ref	Transformer, Main Options:	
16	7022905	1	CE Spec (0400197 Charger)	
16	7020699	1	Australian Spec (0400195 Charger)	
17	7018537	1	Varistor Assembly	
18	7020663	1	Varistor	
19		Ref	Capacitor Assembly Options:	
19	7018577	2	CE Spec (0400197 Charger)	
19	Not Required	0	Australian Spec (0400195 Charger)	

SECTION 1 - FRAME

ITEM	PART NUMBER	QTY	DESCRIPTION	REV
20		Ref	Control, AC1-48V Options:	
20	7022903	1	CE Spec (0400197 Charger)	
20	Not Required	0	Australian Spec (0400195 Charger)	
21		Ref	Relay, 24VDC-30A (Clear) Options:	
21	7020654	2	CE Spec (0400197 Charger)	A
21	Not Required	0	Australian Spec (0400195 Charger)	

SECTION 1 - FRAME

FIGURE 1-9. ELECTRICAL COMPONENTS INSTALLATION (FRAMED MOUNTED)



SECTION 1 - FRAME

FIGURE 1-9. ELECTRICAL COMPONENTS INSTALLATION (FRAMED MOUNTED)

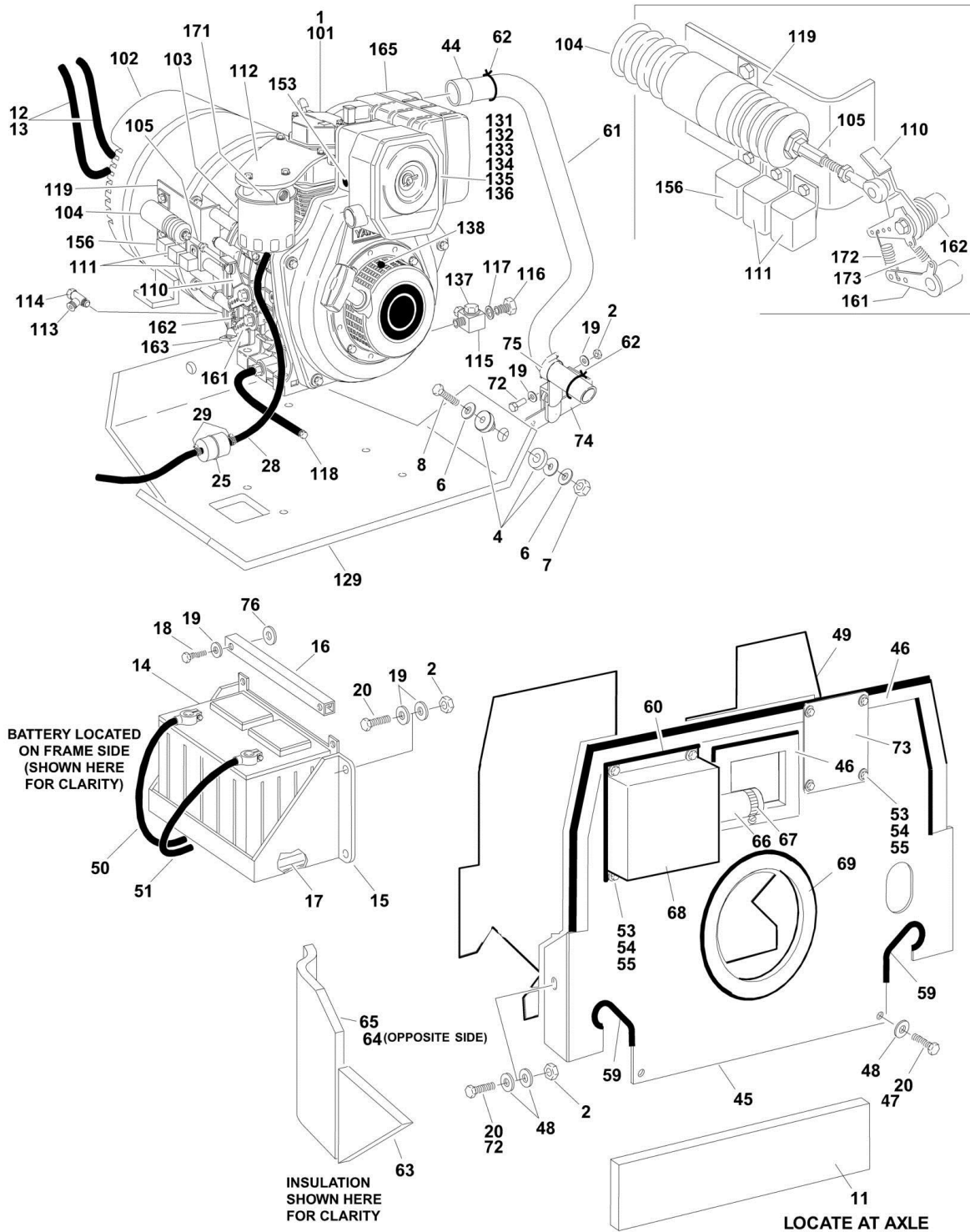
ITEM	PART NUMBER	QTY	DESCRIPTION	REV
		Ref	CONTACTOR INSTALLATION OPTIONS:	
	0259069	Ref	Standard Spec E/M450 Models (Prior to SN 0300059390)	7
	0270103	Ref	Standard Spec E/M450 Models (SN 0300059390 through 0300189898)	K
	0270103	Ref	Standard Spec E/M400 Models	K
1	0100019	AR	Compound, Locking (Prior to SN 0300078578)	
12	4240084	1	Strap, Static	
13	0641508	1	Bolt 5/16in-18NC x 1in	
14	3311505	1	Locknut 5/16in-15NC	
15	4751500	10	Flatwasher 5/16in	
17		Ref	Hardware Options:	
17	4300135	4	Stud, Stand-Off (Prior to SN 0300078578)	
17	4568114	4	Spacer, Tube (E/M400) (SN 0300078578 through 0300189901)	
17	4568114	4	Spacer, Tube (E/M450) (SN 0300078578 through 0300189898)	
18	1600293	1	Module (Positrac/Tilt) (Note: Re-calibration Required when Replaced)	
19	0641406	6	Bolt 1/4in-20NC x 3/4in	
20	4761400	6	Lockwasher 1/4in	
21	3311505	AR	Nut 5/16in-18NC	
22	3910636	4	Screw #6-32NC x 2-1/4in	
23	3310601	4	Nut #10-24NC	
24	1600294	1	Contacting Plate Assembly (See Items 101-103 for Breakdown)	
25	1600292	1	Module, Power	
26	3931430	AR	Capscrew, Socket Head 1/4in-20NC x 2in	
27	4711400	AR	Flatwasher 1/4in	
28	3311405	AR	Locknut 1/4in-20NC	
29	4750600	4	Flatwasher #6	
30	1060717	1	Cable, Electrical (Motor B S1 to Motor A S2)	
31	1060718	1	Cable, Electrical (Motor B A1 to Contactor Plate MB1)	
32	1060719	1	Cable, Electrical (Motor A A2 to Contactor Plate MA2)	
33	1060720	1	Cable, Electrical (Motor B A2 to Contactor Plate SB1)	
34	1060721	1	Cable, Electrical (Power Module A to Contactor Plate)	
35	1060722	1	Cable, Electrical (Power Module B+ to Contactor Plate)	
36	1060723	1	Cable, Electrical (Motor B S2 to Contactor Plate MB2)	
37	1060724	1	Cable, Electrical (Motor A A1 to Contactor Plate MA1)	
38	1060725	1	Cable, Electrical (Motor A S1 to Contactor Plate SA1)	
39		Ref	Cable, Electrical Options: (Contactor Plate to Batteries)	
39	1060726	1	Standard Spec E/M450 Models (Prior to SN 0300059390)	
39	1060810	1	Standard Spec E/M450 Models (SN 0300059390 through 0300189898)	
39	1060810	1	Standard Spec E/M400 Models	
40	1060727	1	Cable, Electrical (Module to Hydraulic Pump Motor -)	
41	1060728	1	Cable, Electrical (Contactor Plate to Hydraulic Pump Motor +)	
42	2540019	4	Grommet	
43	2540021	1	Grommet	
44	4760600	4	Lockwasher #6	
45	4922103	1	Cable, Electrical (Contactor/Module to Charger)	
45	4460444	1	Connector, DC	
46		Ref	Clamp, Cable Options (Not Shown - Located on Item 39):	

SECTION 1 - FRAME

ITEM	PART NUMBER	QTY	DESCRIPTION	REV
46	Not Required	0	Standard Spec E/M450 Models (Prior to SN 0300059390)	
46	1320172	1	Standard Spec E/M450 Models (SN 0300059390 through 0300189898)	
46	1320172	1	Standard Spec E/M400 Models	
50	0641524	4	Bolt 5/16in-18NC x 3in (E/M400) (SN 0300078578 through 0300189901)	
50	0641524	4	Bolt 5/16in-18NC x 3in (E/M450) (SN 0300078578 through 0300189898)	
51	2540020	1	Grommet (E/M400) (SN 0300101253 through 0300189901)	
51	2540020	1	Grommet (E/M450) (SN 0300101253 through 0300189898)	
52	2902046		Electrical Cable Kit (Includes Items 30 - 41)	1
	1600294	Ref	CONTACTOR PLATE ASSEMBLY	E
98	7022003	1	Harness, Contactor (Not Shown) (See ELECTRICAL SECTION for Breakdown)	
99	7022004	1	Harness, Posi-Track Contactor (Not Shown) (See ELECTRICAL SECTION for Breakdown)	
100	7022005	1	Harness, Shunt (Not Shown) (See ELECTRICAL SECTION for Breakdown)	
101	7022002	1	Contactor (Forward/Reverse)	
102	7022001	1	Contactor (Main)	
103	7022000	1	Contactor (Posi-Track)	
104	7022012	1	Cable, Power	
105	7022011	1	Diode, Power	

SECTION 1 - FRAME

FIGURE 1-10. YANMAR MOTOR/GENERATOR INSTALLATION (M MODELS ONLY)



SECTION 1 - FRAME

FIGURE 1-10. YANMAR MOTOR/GENERATOR INSTALLATION (M MODELS ONLY)

ITEM	PART NUMBER	QTY	DESCRIPTION	REV
		Ref	MOTOR/GENERATOR INSTALLATION (YANMAR DIESEL)	
	0257824	Ref	Motor/Generator Installation (All M450 Models Built) (Prior to SN 0300059390)	11
	0270344	Ref	Motor/Generator Installation (All M450 Models Built) (SN 0300059390 through 0300079057)	5-B
	0270344	Ref	Motor/Generator Installation (All M400 Models) (Prior to SN 0300079057)	5-B
	0273573	Ref	Motor/Generator Installation (All M450/M400 Models) (SN 0300079057 through 0300088539)	C
1		Ref	Motor/Generator Assembly Options: (See Items 101 to 173 for Breakdown)	
1	0257858	1	Motor/Generator Assembly (Prior to SN 0300063771)	
1	0271641	1	Motor/Generator Assembly (SN 0300063771 through 0300088539)	
2	3311505	AR	Locknut 5/16in-18NC	
4	3200404	3	Mount, Insolation	
6	4751600	6	Flatwasher 3/8in	
7	3311605	3	Locknut 3/8in-16NC	
8	0641618	3	Bolt 3/8in-16NC x 2-1/4in	
11	2820117	1	Foam, Sound (Steer Axle)	
12	1060755	1	Cable, Battery (Includes Terminal Boot) (+ Generator)	
13	1060754	1	Cable, Battery (Includes Terminal Boot) (- Generator)	
14	0400201	1	Battery	
15		Ref	Starter Battery Tray Options:	
15	4845642	1	Starter Battery Tray M450 Models Built (Prior to SN 0300059390)	
15	Not Required	0	Starter Battery Tray M450 Models Built (Welded-In Part of Battery Tray) (SN 0300059390 through 0300088539)	
15	Not Required	0	Starter Battery Tray M400 Models (Welded-In Part of Battery Tray)	
16		Ref	Battery Hold Down Options:	
16	4220179	1	Battery Hold Down M450 Models Built (Prior to SN 0300056547)	
16	0362966	1	Battery Hold Down M450 Models Built (SN 0300056547 through 0300059389)	
16	4220179	1	Battery Hold Down M450 Models Built (SN 0300059390 through 0300079057)	
16	4220179	1	Battery Hold Down M400 Models (Prior to SN 0300079057)	
16	0362966	1	Battery Hold Down M450/M400 Models Built (SN 0300079057 through 0300088539)	
17	3980035	1	Battery Seat	
18		Ref	Bolt Options:	
18	0641518	2	Bolt 5/16in-18NC x 1-5/8in (Prior to SN 0300079057)	
18	0641512	2	Bolt 5/16in-18NC x 1-1/2in (SN 0300079057 through 0300088539)	
19	4711500	6	Flatwasher 5/16in Narrow	
20	0641505	AR	Bolt 5/16in-18NC x 5/8in	
25	2120042	1	Filter, In-Line Fuel	
28	2720058	12 ft/3.7m	Hose	
29	1320022	7	Clamp, Hose	
33	4240033	8	Strap, Tie	
44	4567845	1	Tube, Exhaust	
45		Ref	Shield, Heat Options:	

SECTION 1 - FRAME

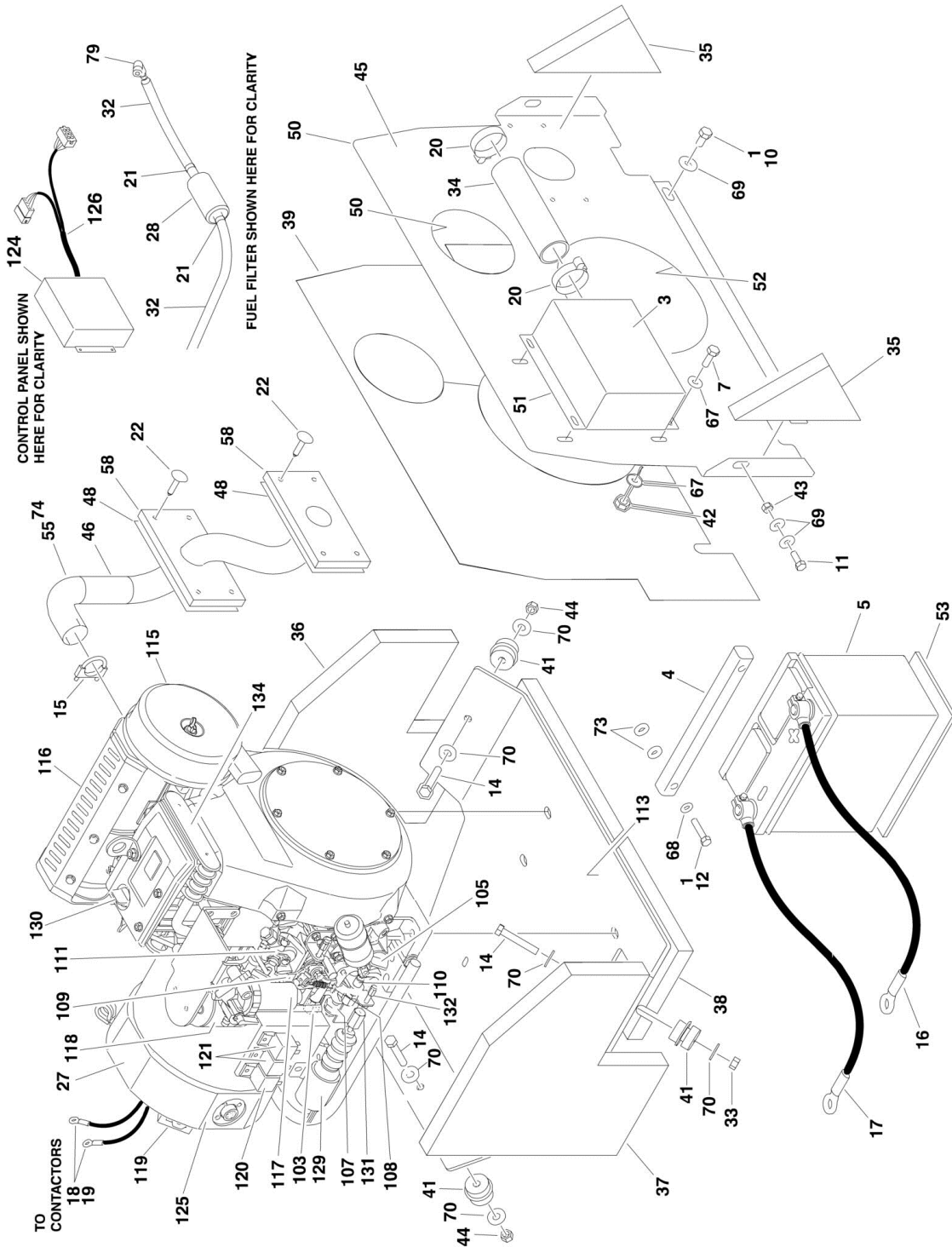
ITEM	PART NUMBER	QTY	DESCRIPTION	REV
45	3571401	1	Shield, Heat (Prior to SN 0300079057)	
45	3380510	1	Shield, Heat (SN 0300079057 through 0300088539)	
46	3960389	5 ft/1.5m	Seal	
47	0100011	AR	Compound, Locking	
48	4751500	6	Flatwasher 5/16in	
49		Ref	Insulation Options:	
49	2820107	1	Insulation (Prior to SN 0300079057)	
49	2820165	1	Insulation (SN 0300079057 through 0300088539)	
50	1060731	1	Cable, Battery (Includes Terminal Boot) (- Battery to Ground)	
51	1060730	1	Cable, Battery (Includes Terminal Boot) (+ Battery to Starter)	
53	0641406	AR	Bolt 1/4in-20NC x 3/4in	
54	4711400	AR	Flatwasher 1/4in Narrow	
55	3311405	AR	Locknut 1/4in-20NC	
59	4060803	Ref	Flex-Trim	
59	4060803	16 in/4.9m	Flex-Trim (Prior to SN 0300079057)	
59	4060803	27 in/69cm	Flex-Trim (SN 0300079057 through 0300088539)	
60	3960417	28 in/71cm	Seal	
61	4100025	Ref	Sleeve, Fiberglass	
61	4100025	26 in/66cm	Sleeve, Fiberglass (Prior to SN 0300079057)	
61	4100025	12 in/30cm	Sleeve, Fiberglass (SN 0300079057 through 0300088539)	
62	4920385	7 in/18cm	Wire, Safety	
63	2820111	2	Insulation	
64	2820112	1	Insulation (Right Side)	
65	2820116	1	Insulation (Left Side)	
66	2720455	1	Hose	
67	1320012	2	Clamp	
68	0259481	1	Plenum Box Assembly	
69	3960418	3 ft/.9m	Seal	
70	4922319	1	Harness, Generator (Not Shown - See ELECTRICAL SECTION for Breakdown)	
71	4460267	1	Socket, Female (Not Shown - See ELECTRICAL SECTION for Call-Out)	
72	0641507	2	Bolt 5/16in-18NC x 7/8in Only (SN 0300061430 through 0300088539)	
73	3380511	1	Shield, Heat (SN 0300079057 through 0300088539)	
74	0903099	1	Bracket, Exhaust Hanger (SN 0300079057 through 0300088539)	
75		Ref	Clamp Options:	
75	1320033	1	Clamp (SN 0300079057 through 0300079826)	
75	1320135	1	Clamp (SN 0300079827 through 0300088539)	
76	4891600	2	Flatwasher Hardened 3/8in (SN 0300079057 through 0300088539)	
		Ref	Motor/generator assembly	
	0257858	Ref	Motor/generator assembly (Prior to SN 0300063771)	E
	0271641	Ref	Motor/generator assembly (SN 0300063771 through 0300088539)	C
101	7018126	1	Motor, Yanmar	
102		Ref	Alternator Options:	
102	7020203	1	Alternator (Prior to SN 0300063771)	
102	7023485	1	Alternator (SN 0300063771 through 0300088539)	

SECTION 1 - FRAME

ITEM	PART NUMBER	QTY	DESCRIPTION	REV
103	See Note	1	Filter, Oil with Element (Note: Not available for purchase)	
103	7020215	1	Element, Oil	
104	7020167	1	Solenoid, Throttle	
105	7020166	1	Swivel, In-line	
110	7018125	1	Handle, Regulator	
111	70000323	2	Relay, Bosch (was p/n 7020207)	
112	3571412	1	Plate, Mounting, Oil Filter	
113	7018127	1	Switch, Pressure	
114	7020164	1	Fitting, Adapter	
115	7020163	1	Adapter, Oil Drain	
116	7020162	1	Bolt, Banjo	
117	See Note	1	Washer, Rubber (Note: Not available for purchase)	
118	7020204	1	Drain Line Assembly	
119	7020161	1	Bracket	
129	3570581	1	Baseplate	
131	7020160	1	Flange, Air Intake	
132	7020159	1	Flange, Air Intake	
133	7020165	1	Plate, Air Intake Adapter	
134	7018123	2	Gasket, Air Cleaner	
135	7018122	2	Gasket, Air Adapter	
136	7018124	1	Cover, Air Filter	
137	7020158	1	Probe, Temperature	
138	70000901	1	Recoil Assembly	
138	70001758	NSS	Starter, Pulley	
138	7020157	1	Bracket, Magnetic Pick-Up (Not Shown - Located Behind Starter Pulley)	
153	7020206	1	Sensor, Hall Effect Zero Speed	
156	7023274	1	Relay, Sealed 14VDC/40Amp	
161	7020197	1	Lever	
162	7020198	1	Spring	
163	7020199	1	Dipstick	
164	7020200	1	Regulator, Voltage (Not Shown - Located Below Starter)	
165	7020201	1	Muffler	
166	7020202	1	Starter (Not Shown - Located Below Muffler)	
167	7020217	1	Element, Air Cleaner (Washable)	
168	7018142	1	Pump, Fuel (Not Shown - Located on Top of Cylinder Block)	
169	7023349	1	Fuse, Control - 15 Amp (Not Shown - Located on Right Side of Engine)	
170	7023350	1	Fuse, Dynamo Output - 20 Amp (Not Shown - Located on Left Side of Engine)	
171	7023489	1	Head, Filter	
172	7026669	1	Spring, Governor	
173	7026670	1	Spring, Return	

SECTION 1 - FRAME

FIGURE 1-11. KUBOTA MOTOR/GENERATOR INSTALLATION (M MODELS ONLY)



SECTION 1 - FRAME

FIGURE 1-11. KUBOTA MOTOR/GENERATOR INSTALLATION (M MODELS ONLY)

ITEM	PART NUMBER	QTY	DESCRIPTION	REV
		Ref	MOTOR/GENERATOR INSTALLATION (KUBOTA DIESEL)	
	0274617	Ref	Motor/Generator Installation (Kubota Diesel) (All M400 & M450 Models Built) (Use p/n 1001159362) (Prior to SN 0300182839)	G
	1001159362	1	Motor/Generator Installation (Kubota Diesel) (All M400 Models) (SN 0300182839 through 0300189901)	A
	1001159362	1	Motor/Generator Installation (Kubota Diesel) (All M450 Models) (SN 0300088539 through 0300189898)	A
1	0100011	AR	Compound, Locking	
3	0259481	1	Plenum Box Assembly	
4	0362966	1	Tube, Battery Hold-Down	
5	0400201	1	Battery	
7	0641406	4	Bolt 1/4in-20NC x 3/4in	
10	0641505	2	Bolt 5/16in-18NC x 5/8in	
11	0641507	2	Bolt 5/16in-18NC x 7/8in	
12	0641512	2	Bolt 5/16in-18NC x 1-1/2in	
14	0641618	3	Bolt 3/8in-16NC x 2-1/4in	
15	1320135	1	Clamp	
16	1060730	1	Cable, Battery (Battery +)	
17	1060731	1	Cable, Battery (Battery -)	
18	1060754	1	Cable, Battery (Includes Terminal Boot) (- Generator)	
19	1060755	1	Cable, Battery (Includes Terminal Boot) (+ Generator)	
20	1320012	2	Clamp	
21	1320022	4	Clamp	
22	1380164	8	Clip	
27	2000320	Ref	Motor/Generator Assembly (Use p/n 1001159361) (Prior to SN 0300182839)	
27	1001159361	1	Motor/Generator Assembly (M400) (SN 0300182839 through 0300189901)	
27	1001159361	1	Motor/Generator Assembly (M450) (SN 0300182839 through 0300189898)	
28	2120042	1	Filter, In-Line Fuel (SN 0300088539 through 0300093848)	
32	2720058	1 ft/.3m	Hose	
34	2720559	1	Hose, Air Intake	
35	2820111	2	Insulation	
36	2820112	1	Insulation (Right Side)	
37	2820116	1	Insulation (Left Side)	
38	2820117	1	Foam, Sound (Steer Axle)	
39	2820218	2	Insulation, Acoustic Barrier	
41		Ref	Mount, Insolated Engine Options:	
41	3200404	3	Mount, Insolated Engine (Prior to SN 0300145130)	
41	1001125248	3	Mount, Insolated Engine (M400) (SN 0300145130 through 0300189901)	
41	1001125248	3	Mount, Insolated Engine (M450) (SN 0300145130 through 0300189898)	
42	3311405	4	Locknut 1/4in-20NC	
43	3311505	2	Locknut 5/16in-18NC	
44	3311605	3	Locknut 3/8in-16NC	
45	3380602	1	Shield, Heat	
46	3460457	1	Pipe, Exhaust	
48	3575961	1	Plate, Exhaust Mounting	
50	3960389	5 ft/1.5m	Seal	

SECTION 1 - FRAME

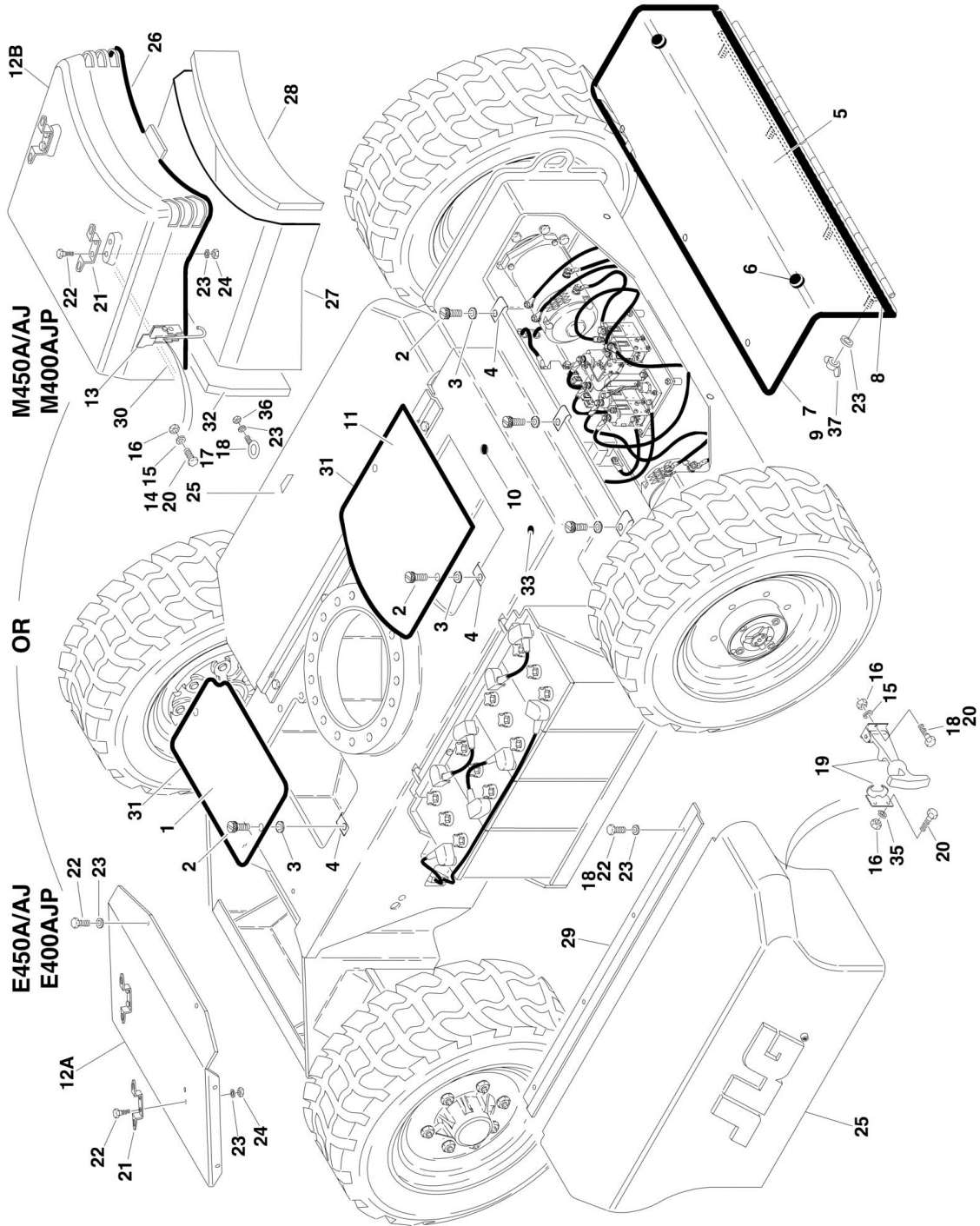
ITEM	PART NUMBER	QTY	DESCRIPTION	REV
51	3960417	28 in/71cm	Seal	
52	3960418	3 ft/.9m	Seal	
53	3980035	1	Battery Seat	
55	4100025	22 in/55cm	Sleeve, Fiberglass	
58	4341072	2	Support, Exhaust Mount	
67	4711400	8	Flatwasher 1/4in Narrow	
68	4711500	6	Flatwasher 5/16in Narrow	
69	4751500	6	Flatwasher 5/16in Wide	
70	4751600	6	Flatwasher 3/8in Wide	
73	4891600	2	Flatwasher 3/8in Hardened	
74	4920385	6 in/15cm	Wire, Safety	
79	2220805	1	Fitting, Coupling	
		Ref	Motor/generator assembly	
	2000320	Ref	Motor/Generator Assembly (Use p/n 1001159361) (Prior to SN 0300182839)	F
	1001159361	1	Motor/Generator Assembly (M400) (SN 0300088539 through 0300189901)	B
	1001159361	1	Motor/Generator Assembly (M450) (SN 0300088539 through 0300189898)	B
101	70003557	1	Regulator, Voltage (Not Shown - Located on Opposite Side of Engine) (was p/n 70000289)	
102	70000290	1	Glow Plug (Not Shown)	
102	70000291	1	Harness, Glow Plug (Not Shown)	
103	70000292	1	Screen, Oil Sump (Includes O-Ring)	
104	70000293	1	Cap, Oil Filler (Includes O-Ring) (Not Shown - Located on the Engine Block - See Item 130 for Fill Cap on Top of Head)	
105	70000294	1	Dipstick	
106	70000295	1	Pump, Oil Rotor (Not Shown - Located Beside Item 107)	
106	70000296	1	O-Ring, Oil Rotor Pump (Not Shown)	
107	70000297	1	Switch, Oil	
108	70000298	1	Lever, Governor	
108	70000299	1	Pin, Governor Lever	
108	70000300	1	Spring, Governor Lever	
109	70000301	1	Spring, Idling	
109	70000304	1	Lever, Spring Control	
109	70000305	1	Spring, Stop (Speed Control Lever)	
110	70000302	1	Valve, Fuel Limit (Not Shown)	
110	70000303	1	Gasket, Fuel Limit Valve (Not Shown)	
111	70000306	1	Pump, Injection	
111	70000307	1	Kit, Pump Adjustment Shim	
112	70000308	1	Flywheel/Ring Gear Assembly (Not Shown - Located Behind Front Cover)	
112	70000309	1	Ring Gear (Not Shown)	
112	70001121	1	Stator, Engine (Not Shown - Located Behind Flywheel) (Includes Coil and Grommet)	
113	3575952	1	Tray, Engine	
114	70000311	1	Solenoid, Starter (Not Shown - Located on Opposite Side of Engine)	
115	70000312	1	Air Cleaner Assembly	
115	70000313	1	Element, Air Cleaner	
115	70000314	1	Gasket, Air Cleaner	
116	70000315	1	Muffler Assembly	

SECTION 1 - FRAME

ITEM	PART NUMBER	QTY	DESCRIPTION	REV
116	70000316	1	Gasket, Muffler	
117	70000317	1	Inline Fuel Check Valve Assembly (Not Shown)	
117	70000967	1	Fuel Filter Assembly	
117	70000318	1	Element, Fuel Filter	
118	70000319	1	Element, Oil Filter	
118	70001144	1	Head, Oil Filter Head (Note: Does not Include element)	
119	70000320	1	Pump, Fuel	
120	70000322	1	Relay	
121	70000323	2	Relay	
122	70000324	1	Sensor, Speed (Not Shown - Located Inside Front Cover)	
122	70004265	1	Bracket, Speed Sensor (Not Shown - Located Inside Front Cover)	
123	70000325	1	Sensor, Oil Temperature (Not Shown - Located on Opposite Side of Engine on Base)	
124	70000326	1	Module, Engine Control	
125	70000327	1	Alternator	
125	70000382	1	Stator, Alternator	
126	70000328	1	Harness, Engine	
127	70000329	1	Fuse 15Amp (Not Shown)	
128	70000330	1	Fuse 20Amp (Not Shown)	
129	70000321	1	Solenoid, Fuel	
130	70002244	1	Cap, Oil Filler (Includes O-Ring) (See Item 104 for Fill Cap on Engine Block)	
131	70003618	1	Adapter, Solenoid	
132	70000321	1	Rod, Adapter	
133	70000310	1	Starter (Not Shown - Located on Opposite Side of Engine)	
134	70004785	1	Cooler, Oil	

SECTION 1 - FRAME

FIGURE 1-12. FRAME COVERS INSTALLATION



SECTION 1 - FRAME

FIGURE 1-12. FRAME COVERS INSTALLATION

ITEM	PART NUMBER	QTY	DESCRIPTION	REV
		Ref	FRAME COVERS INSTALLATIONS	
	0258974	Ref	Standard E450A & E450AJ Built (Prior to SN 0300059390)	4
	0270510	Ref	Standard E450A & E450AJ Built (SN 0300059390 through 0300189898)	E
	0258035	Ref	Standard M450A & M450AJ Built (Prior to SN 0300059390)	7
	0270509	Ref	Standard M450A & M450AJ Built (SN 0300059390 through 0300189898)	F
	0270510	Ref	Standard E400A & E400AJP	E
	0270509	Ref	Standard M400A & M400AJP	F
	0270101	Ref	Standard E400Anarrow & E400AJPnarrow	E
	0270100	Ref	Standard M400Anarrow & M400AJPnarrow	F
1	3570572	1	Cover, Charger	
2	3900174	7	Screw, Special	
3	3760308	7	Retainer	
4	1380138	1	Cup, Receptacle	
5		Ref	Axle Cover Options:	
5	4844603	1	Standard Width E/M450 & E/M400 Models	
5	4846223	1	Narrow Width E/M400 Models	
6	0940036	2	Bumper	
7	3960447	AR	Seal	
8	3960433	AR	Seal	
9		Ref	Hardware Options:	
9	3300371	AR	Wingnut (Prior to SN 0300104964)	
9	3311401	AR	Nut 1/4in-20NC (E/M400) (SN 0300104964 through 0300189901)	
9	3311401	1	Nut 1/4in-20NC (E/M450) (SN 0300104964 through 0300189898)	
10	3520026	2	Plug, Hole	
11	3570573	1	Cover, Pump	
12		Ref	Cover Options:	
12A	3571094	1	Cover E450 & E400 Models	
12B	1670880	1	Cover M450 & M400 Models	
13		Ref	Latch Options:	
13	Not Required	0	Latch E450 & E400 Models	
13	2940115	2	Latch M450 & M400 Models	
14	0721006	AR	Screw, Machine #10-24NC x 3/4in (Prior to SN 0300070080)	
15	4751000	AR	Flatwasher #10	
16	3311005	12	Locknut #10-24NC	
17	0630440	AR	Eyebolt	
18	0100011	AR	Compound, Locking	
19	2940095	4	Latch	
20	0721004	AR	Screw, Machine #10-24NC x 1/2in	
21	2700093	2	Hook	
22	0641406	AR	Bolt 1/4in-20NC x 3/4in	
23	4751400	AR	Flatwasher 1/4in	
24	3311405	4	Locknut 1/4in-20NC	
25		Ref	Battery Cover Options:	
25		Ref	Standard Spec Machines:	
25	1670879	2	Cover (E/M450 Models Built) (Prior to SN 0300059390)	
25	1670951	2	Cover (E/M450 Models Built) (SN 0300059390 through 0300189898)	

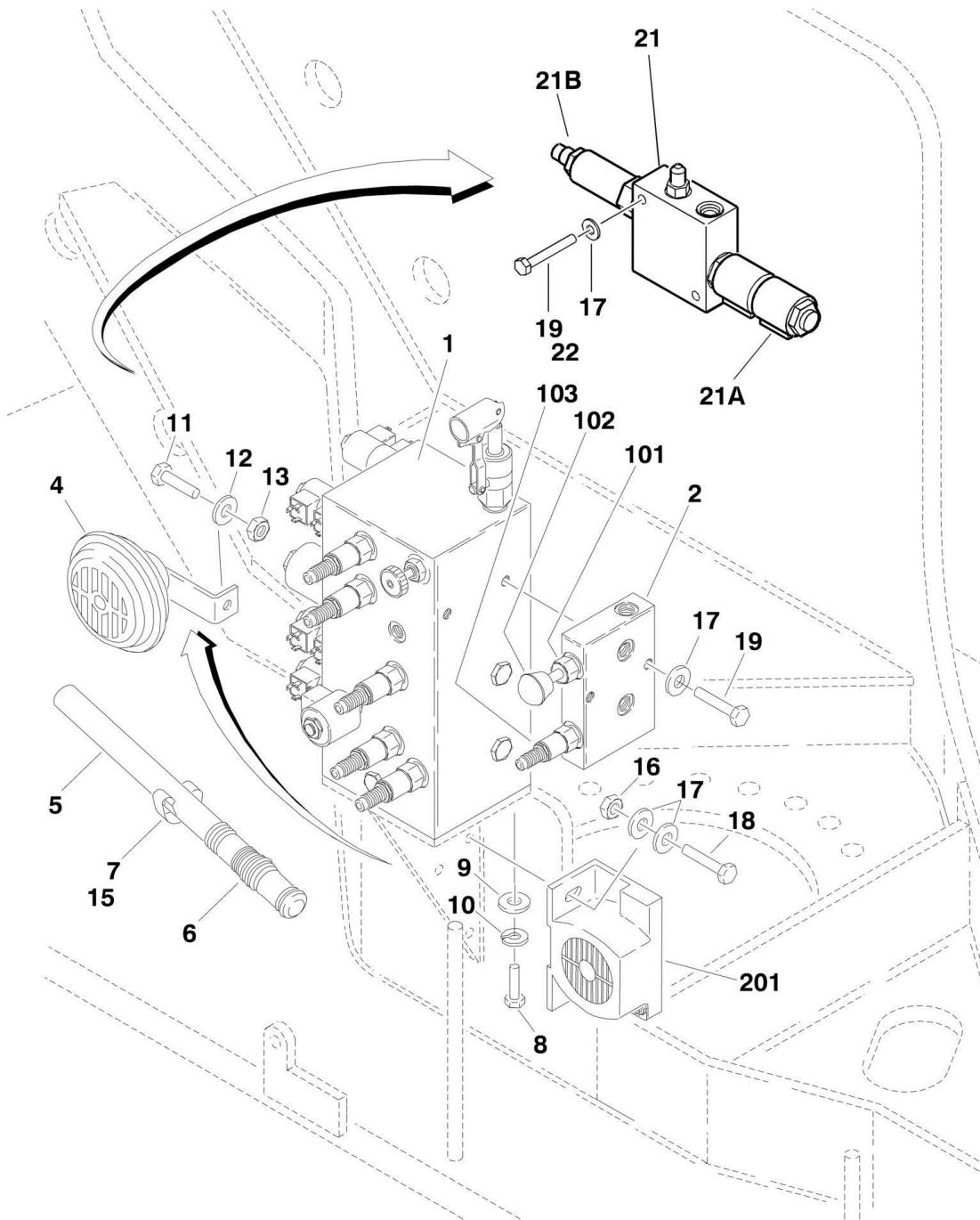
SECTION 1 - FRAME

ITEM	PART NUMBER	QTY	DESCRIPTION	REV
25	1670951	2	Cover (E/M400 Models)	
26		Ref	Flex-Trim Options:	
26	Not Required	0	Standard Spec E450 & E400 Models	
26	4060804	6 ft/1.8m	Standard Spec M450 & M400 Models	
27		Ref	Flex-Trim Options:	
27	Not Required	0	Standard Spec E450 & E400 Models	
27	2820105	1	Standard Spec M450 & M400 Models	
28		Ref	Flex-Trim Options:	
28	Not Required	0	Standard Spec E450 & E400 Models	
28	2820106	1	Standard Spec M450 & M400 Models	
29		Ref	Strip, Mounting Options:	
29	0902543	2	Standard Spec E/M450 Models (Prior to SN 0300059390)	
29	0902681	2	Standard Spec E/M450 Models (SN 0300059390 through 0300189898)	
29	0902681	2	Standard Spec E/M400 Models	
30		Ref	Seal Options:	
30	Not Required	0	Seal E450 & E400 Models	
30	3960389	2.5 ft/7.6m	Seal M450 & M400 Models	
31		Ref	Seal Options:	
31	Not Required	0	Seal E450 & E400 Models	
31	3960417	10 ft/3m	Seal M450 & M400 Models	
32		Ref	Insulation Options:	
32	Not Required	0	Insulation E450 & E400 Models	
32	2820110	1	Insulation M450 & M400 Models	
33	3520082	1	Plug	
35	4750800	AR	Flatwasher #8 (Wide)	
36	3311401	AR	Nut 1/4in-20NC	
37	0100035	AR	Compound, Locking	

SECTION 2 - TURNTABLE

SECTION 2 - TURNTABLE

FIGURE 2-1. VALVES AND HORN INSTALLATIONS



SECTION 2 - TURNTABLE

FIGURE 2-1. VALVES AND HORN INSTALLATIONS

ITEM	PART NUMBER	QTY	DESCRIPTION	REV
		Ref	VALVE AND HORN INSTALLATIONS	
	0258034	Ref	Valve and Horn Installations E/M450A Models	E
	0259399	Ref	Valve and Horn Installations E/M450AJ Models	E
	0258034	Ref	Valve and Horn Installations E/M400A Models	E
	0259951	Ref	Valve and Horn Installations E/M400AJP Models	C
1		Ref	Main Control Valve Assembly (See MAIN CONTROL VALVE ASSEMBLY for Breakdown)	
1	4641070	1	Main Control Valve Assembly (Prior to SN 0300062642)	
1	4641195	NLA	Main Control Valve Assembly (Note: Use p/ns 1001097507 & 1001104864 as Replacement) (SN 0300062642 through 0300129141)	
1	1001097507	1	Main Control Valve Assembly (E/M400) (SN 0300129142 through 0300189901)	
1	1001097507	1	Main Control Valve Assembly (E/M450) (SN 0300129142 through 0300189898)	
2		Ref	Releveling Valve Assembly Options (See Items 101-103 for Breakdown):	
2	4641029	1	Releveling Valve Assembly 450A (Prior to SN 0300091053)	
2	4641394	NLA	Releveling Valve Assembly 450A, (Use p/n 1001097777) (SN 0300091053 through 0300129141)	
2	1001097777	1	Releveling Valve Assembly 450A (SN 0300129142 through 0300189898)	
2	4641029	1	Releveling Valve Assembly 450AJ (Prior to SN 0300086022)	
2	4641394	NLA	Releveling Valve Assembly 450AJ, (Use p/n 1001097777) (SN 0300086022 through 0300129141)	
2	1001097777	1	Releveling Valve Assembly 450AJ (SN 0300129142 through 0300189898)	
2	4641029	1	Releveling Valve Assembly 400A (Prior to SN 0300086022)	
2	4641394	NLA	Releveling Valve Assembly 400A (Use p/n 1001097777) (SN 0300086022 through 0300129141)	
2	1001097777	1	Releveling Valve Assembly 400A (SN 0300129142 through 0300189901)	
2	4641029	1	Releveling Valve Assembly 400AJP (Prior to SN 0300091053)	
2	4641394	NLA	Releveling Valve Assembly 400AJP (Use p/n 1001097777) (SN 0300091053 through 0300129141)	
2	1001097777	1	Releveling Valve Assembly 400AJP (SN 0300129142 through 0300189901)	
4	0140028	1	Horn	
5	2560122	1	Handle	
6	2560123	1	Grip, Handle	
7	1380136	1	Clip	
8	0641608	4	Bolt 3/8in-16NC x 1in	
9	4711400	4	Flatwasher 3/8in Narrow	
10	4761400	4	Lockwasher 3/8in	
11	0641508	1	Bolt 5/16in-18NC x 1in	
12	4711500	2	Flatwasher 5/16in Narrow	
13	3311505	1	Locknut 5/16in-18NC	
15	4300106	1	Stud	
16	3311405	AR	Locknut 1/4in-20NC	
17	4711400	AR	Flatwasher 1/4in Narrow	
18	0641408	AR	Bolt 1/4in-20NC x 1in	
19		Ref	Bolt Options:	
19	0641413	AR	Bolt 1/4in-20NC x 1-5/8in	

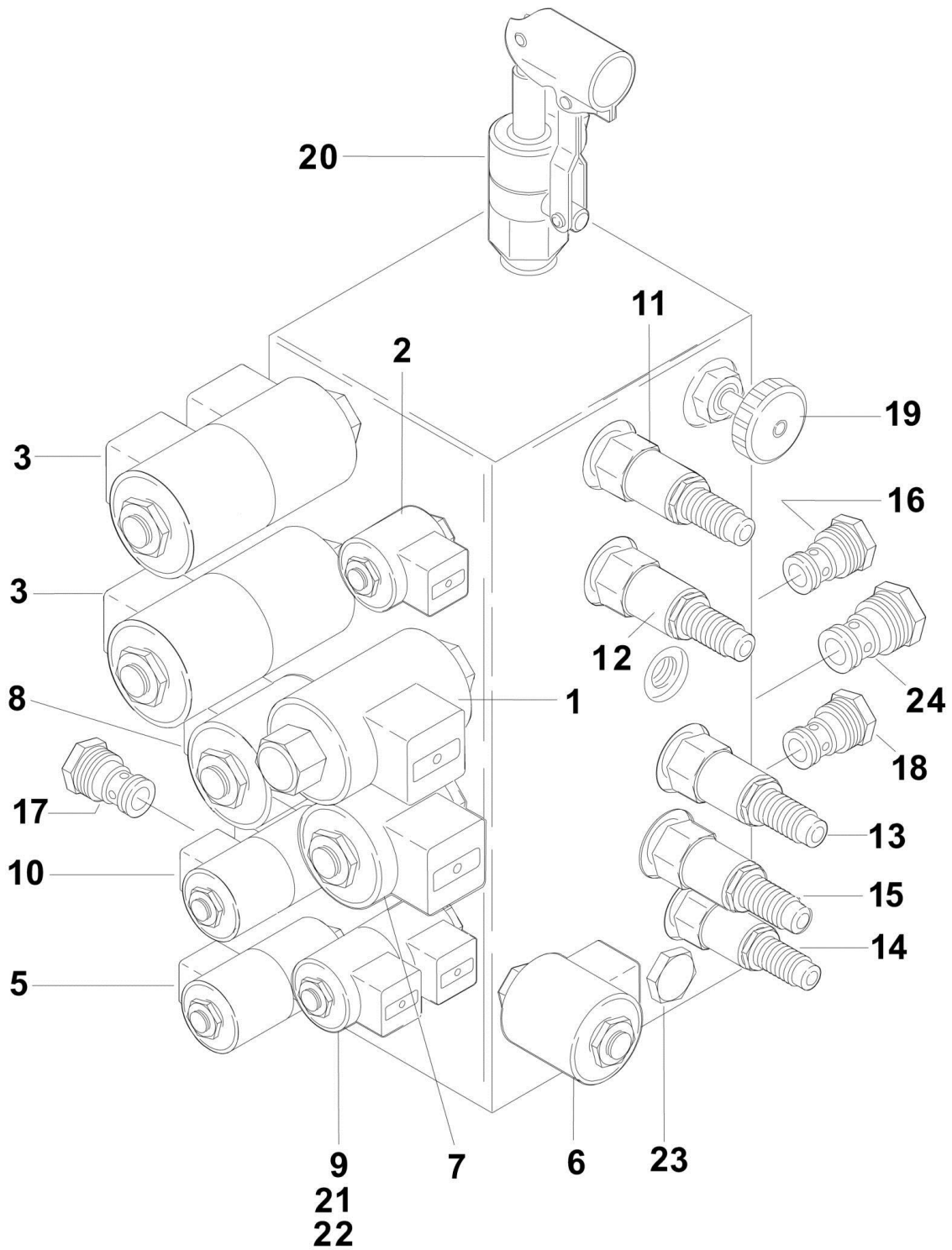
SECTION 2 - TURNTABLE

ITEM	PART NUMBER	QTY	DESCRIPTION	REV
19	0641426	AR	Bolt 1/4in-20NC x 3-1/4in	
21		Ref	Jib Valve Assembly Options:	
21	Not Required	0	Jib Valve Assembly E/M450A & E/M400A Models	
21	4641102	NLA	Jib Valve Assembly E/M450AJ Models (Use p/n 1001097775) (Prior to SN 0300129142)	
21	1001097775	1	Jib Valve Assembly E/M450AJ Models (Shown) (SN 0300129142 through 0300189898)	
21	4641119	NLA	Jib Valve Assembly E/M400AJP Models (Use p/n 1001097505) (Prior to SN 0300129142)	
21	1001097505	1	Jib Valve Assembly E/M400AJP Models (SN 0300129142 through 0300189901)	
21A	7017452	1	Cartridge without Coils	
21A	7017402	1	Seal Kit - 7017452 Cartridge	
21A	7021609	2	Coil	
21B		Ref	Cartridge, Relief Valve Options:	
21B	70002807	1	Port RV1(was p/n 7017460)	
21B	70002808	1	Port RV2 - E/M400AJP Models Only (was p/ns 7021623 & 7017460)	
21B	7021653	AR	Seal Kit - 70002807 & 70002808 Cartridges	
22	0100011	AR	Compound, Locking	
		Ref	RELEVELING VALVE ASSEMBLIES	
		Ref	Note: Refer to Item 2 for Usage.	
	4641029	Ref	Releveling Valve	
	4641394	Ref	Releveling Valve	
	1001097777	Ref	Releveling Valve	
101	7017466	1	Cartridge	
101	2900708	1	Seal Kit - 7017466 Cartridge	
102	7012959	1	Knob	
103		Ref	Cartridge Options:	
103	7012981	1	4641029 Valve	
103	7012998	1	Seal Kit - 7012981 Cartridge	
103	7024891	1	4641394 & 1001097777 Valves	
103	7012953	1	Seal Kit - 7024891 Cartridge	
	0259064	Ref	ALARM INSTALLATIONS	
201	0140031	1	Alarm, Motion (Remove ground strap before installation)	
201	3311405	2	Locknut 1/4in-20NC	
201	4711400	4	Flatwasher 1/4in Narrow	
201	0641408	2	Bolt 1/4in-20NC	
201	4460685	2	Terminal, Stud Mounted Tab	

1

SECTION 2 - TURNTABLE

FIGURE 2-2. MAIN CONTROL VALVE ASSEMBLY



SECTION 2 - TURNTABLE

FIGURE 2-2. MAIN CONTROL VALVE ASSEMBLY

ITEM	PART NUMBER	QTY	DESCRIPTION	REV
		Ref	MAIN CONTROL VALVE ASSEMBLY OPTIONS:	
	4641070	Ref	Main Control Valve Assembly (Prior to SN 0300062642)	G
	4641195	Ref	Main Control Valve Assembly (Use p/ns 1001097507 & 1001104864 as Replacement) (SN 0300062642 through 0300129141)	
	1001097507	Ref	Main Control Valve Assembly (E/M400) (SN 0300129142 through 0300189901)	C
	1001097507	Ref	Main Control Valve Assembly (E/M450) (SN 0300129142 through 0300189898)	C
1		Ref	Cartridge without Coil Options (Flow Regulator):	
1	7021611	1	4641070 Valve (was p/n 7017450)	
1	7021611	1	4641195 & 1001097507 Valves	
1	7012518	1	Seal Kit - 7017450/7021611 Cartridge	
1	7021618	1	Coil	
2	7017410	1	Cartridge without Coil (Bypass Unloading)	
2	7012998	1	Seal Kit - 7017410 Cartridge (was p/n 7012967)	
2	7021609	2	Coil	
3	7021603	2	Cartridge without Coil (Lower and Upper Lift)	
3	7012903	2	Seal Kit - 7021603 Cartridge (1 Per Cartridge)	
3	7021610	4	Coil (2 Per Valve)	
5	7017433	1	Cartridge without Coil (Swing)	
5	7017402	1	Seal Kit - 7017433 Cartridge	
5	7021609	1	Coil	
6	7021604	1	Cartridge without Coil (Swing Restrictor)	
6	7012953	1	Seal Kit - 7021604 Cartridge	
6	7021609	1	Coil	
7		Ref	Cartridge without Coil Options (Telescope Out):	
7	7017479	1	4641070 & 4641195 Valves	
7	7012995	1	1001097507 Valve	
7	7012518	1	Seal Kit - 7017479 & 7012995 Cartridges	
7	7021610	1	Coil	
8		Ref	Cartridge without Coil Options (Telescope In):	
8	7017479	1	4641070 & 4641195 Valves	
8	7022394	1	1001097507 Valve	
8	7012518	1	Seal Kit - 7017479 & 7022394 Cartridges	
8	7021610	1	Coil	
9	7017452	1	Cartridge without Coil (Platform Level)	
9	7017402	1	Seal Kit - 7017452 Cartridge	
9	7021609	2	Coil	
10	7017452	1	Cartridge without Coil (Rotator)	
10	7017402	1	Seal Kit - 7017452 Cartridge	
10	7021609	2	Coil	
11		Ref	Cartridge Options:	
		Ref	(Note: Before ordering parts, refer to p/n stamped on hose side of valve block to determine if valve has been replaced.)	
11		Ref	4641070 Valve Components: (Prior to SN 0300062642)	
11	70001876	1	Cartridge, (Lower Lift Down) (was p/n 7017423)	
11	7012998	1	Seal Kit - 7017423 & 70001876 Cartridge	
11		Ref	4641195 & 1001097507 Valve Components (E/M400A): (SN 0300062642 through 0300189901)	

SECTION 2 - TURNTABLE

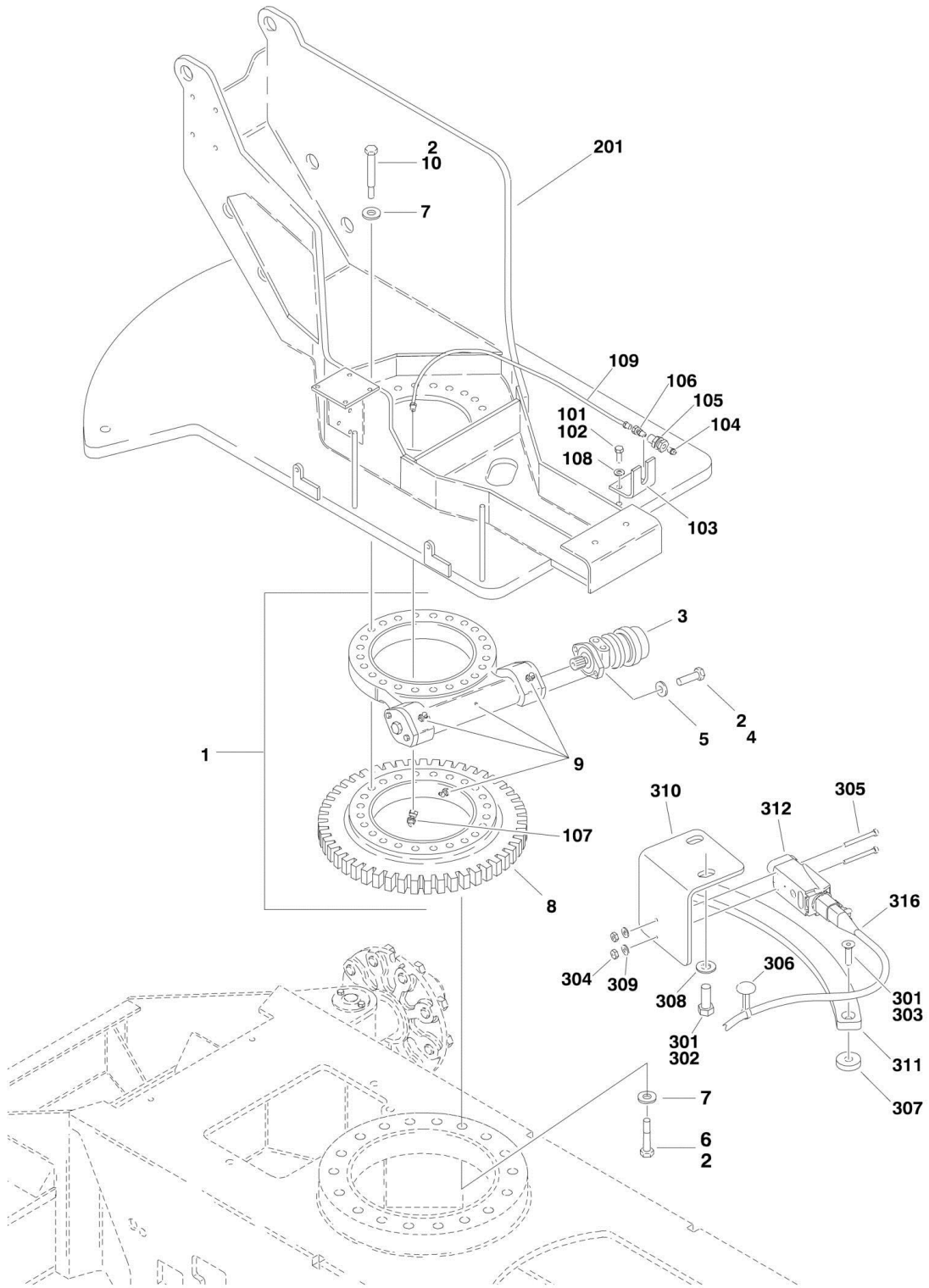
ITEM	PART NUMBER	QTY	DESCRIPTION	REV
11		Ref	4641195 & 1001097507 Valve Components (E/M450A/J): (SN 0300062642 through 0300189898)	
11	70002806	1	Cartridge, (Upper Lift Down)	
11	7012998	1	Seal Kit - 70002806 Cartridge	
12		Ref	Cartridge Options:	
		Ref	(Note: Before ordering parts, refer to p/n stamped on hose side of valve block to determine if valve has been replaced.)	
12		Ref	4641070 Valve Components: (Prior to SN 0300062642)	
12	7021606	1	Cartridge, (Upper Lift Down)	
12	7012998	1	Seal Kit - 7021606 Cartridge	
12		Ref	4641195 Components (SN 0300062642 through 0300129141)	
12	70001876	1	Cartridge, (Lower Lift Down) (E/M450AJ & E/M400A) (was p/n 7017423) (SN 0300062642 through 0300086021)	
12	70001876	1	Cartridge, (Lower Lift Down) (E/M450AJ & E/M400A) (SN 0300086022 through 0300129142)	
12	70001876	1	Cartridge, (Lower Lift Down) (E/M450A & E/M400AJP) (was p/n 7017423) (SN 0300062642 through 0300091052)	
12	70001876	1	Cartridge, (Lower Lift Down) (E/M450A & E/M400AJP) (SN 0300091053 through 0300129142)	
12	7012998	1	Seal Kit - 7017423 & 70001876 Cartridge	
12		Ref	1001097507 Valve Components: (E/M400) (SN 0300129142 through 0300189901)	
12		Ref	1001097507 Valve Components: (E/M450) (SN 0300129142 through 0300189898)	
12	70001876	1	Cartridge, (Lower Lift Down)	
12	7012998	1	Seal Kit - 70001876 Cartridge	
13		Ref	Cartridge (Telescope) Options:	
13	7021607	1	4641070 & 4641195 Valves	
13	7017418	1	1001097507 Valve	
13	7012998	1	Seal Kit - 7021607 & 7017418 Cartridges	
14		Ref	Cartridge Options:	
14		Ref	4641070 Valve Components:	
14	7017421	1	Cartridge (Platform Level Backward Piston End)	
14	7012998	1	Seal Kit - 7017421 Cartridge	
14		Ref	4641195 & 1001097507 Valve Components:	
14	7017418	1	Cartridge (Platform Level Forward Rod End) (was p/n 7017422)	
14	7012998	1	Seal Kit - 7017418 Cartridge	
15		Ref	Cartridge Options:	
15		Ref	4641070 Valve Components:	
15	7017418	1	Cartridge (Platform Level Forward Rod End) (was p/n 7017422)	
15	7012998	1	Seal Kit - 7017418 Cartridge	
15		Ref	4641195 & 1001097507 Valve Components:	
15	7017421	1	Cartridge (Platform Level Backward Piston End)	
15	7012998	1	Seal Kit - 7017421 Cartridge	
16	10837580	1	Cartridge (Telescope)	
16	7010543	1	Seal Kit - 10837580 Cartridge	
17	7012914	1	Cartridge (Platform Level Piston Side)	
17	7021653	1	Seal Kit - 7012914 Cartridge (was p/n 7012918)	
18	7012914	1	Cartridge (Platform Level Rod Side)	
18	7021653	1	Seal Kit - 7012914 Cartridge (was p/n 7012918)	
19	7012947	1	Cartridge, (Emergency Descent)	

SECTION 2 - TURNTABLE

ITEM	PART NUMBER	QTY	DESCRIPTION	REV
19	7012518	1	Seal Kit - 7012947 Cartridge	
19		Ref	Knob Options:	
19	7012949	1	4641070 & 4641195 Valves	
19	7012961	1	1001097507 Valve	
20	70004019	1	Pump, Manual (was p/n 7012694)	
20	7017496	1	Seal Kit - 7012694 Cartridge	
21	See Note	1	Plug, Orifice (.031in) (Note: Not available for purchase)	
22	7021624	1	Disc, Orifice (.028v)	
23	70000381	1	Cartridge, Plug	
24	7012975	1	Valve, Check (4641195 & 1001097507 Valves Only)	
24	7012540	1	Seal Kit - 7012975 Cartridge	

SECTION 2 - TURNTABLE

FIGURE 2-3. TURNTABLE AND SWING DRIVE INSTALLATION



SECTION 2 - TURNTABLE

FIGURE 2-3. TURNTABLE AND SWING DRIVE INSTALLATION

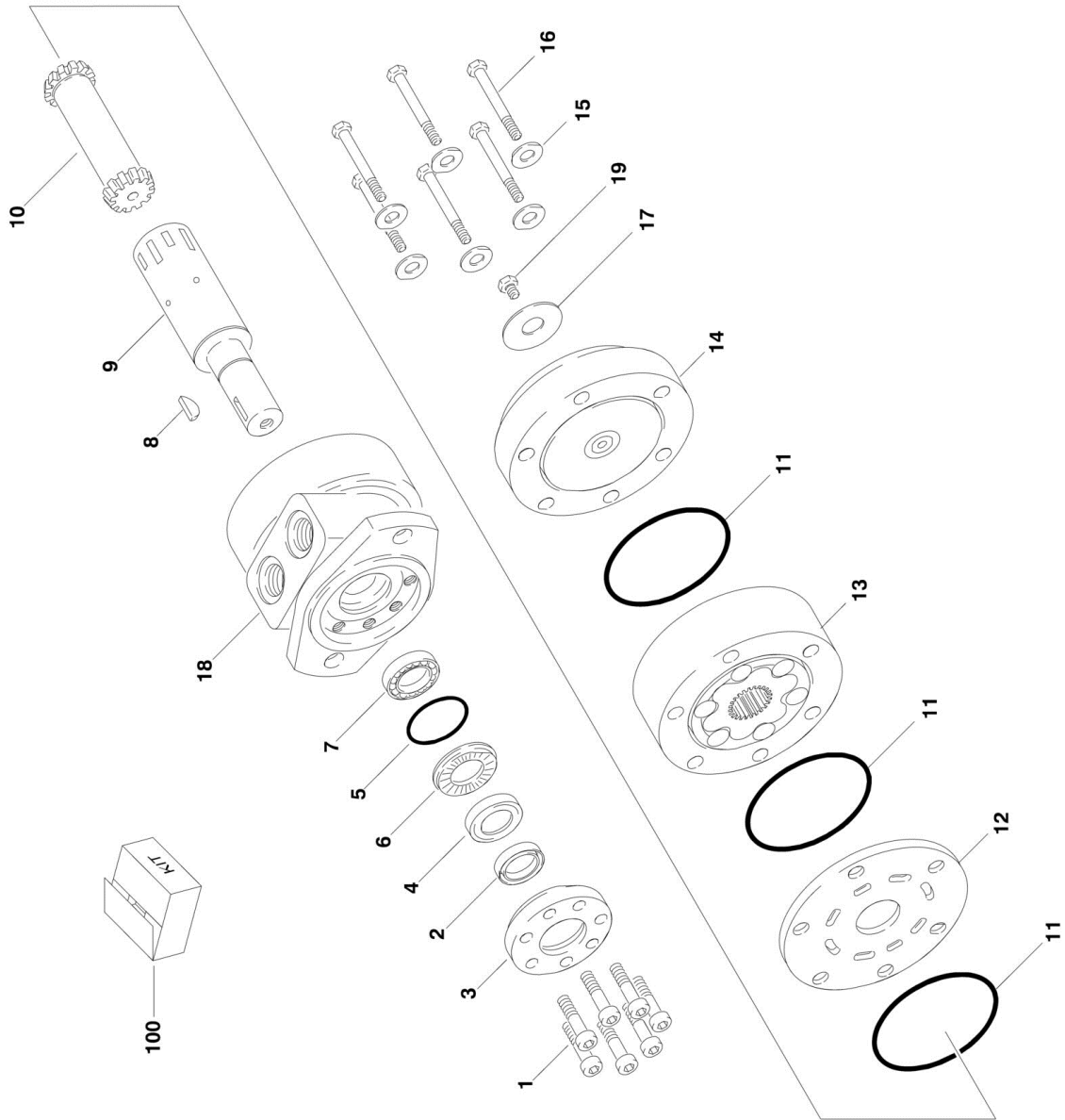
ITEM	PART NUMBER	QTY	DESCRIPTION	REV
		Ref	TURNTABLE BEARING AND SWING DRIVE INSTALLATIONS	
	0258653	Ref	Turntable Bearing and Swing Drive (DOHI)	5
	1001153366	Ref	Turntable Bearing and Swing Drive (JING WEI)	A
1		Ref	Turntable Bearing and Rotation Box Assembly Options (See SWING BEARING ASSEMBLY for Breakdown):	
1	0440203	NLA	DOHI (Use p/n 0440339) (Prior to SN 0300097888)	
1	0440339	1	DOHI (E/M400) (SN 0300097888 through 0300189901)	
1	0440339	1	DOHI (E/M450) (SN 0300097888 through 0300189898)	
1	1001153017	1	JING WEI	
2	0100019	AR	Compound, Locking	
3		Ref	Swing Motor Assembly Options:	
3	3160233	NLA	Swing Motor Assembly (See SWING MOTOR ASSEMBLY for Breakdown) (Use p/n 1001105455) (Prior to SN 0300135649)	
3	1001104850	1	Swing Motor Assembly (See SWING MOTOR ASSEMBLY for Breakdown) (E/M400) (SN 0300135649 through 0300189901)	
3	1001104850	1	Swing Motor Assembly (See SWING MOTOR ASSEMBLY for Breakdown) (E/M450) (SN 0300135649 through 0300189898)	
4		Ref	Bolt Options:	
4	0681814	2	Bolt 1/2in-13NC x 1-3/4in (Grade 8) (Prior to SN 0300099082)	
4	0681816	2	Bolt 1/2in-13NC x 2in (Grade 8) (SN 0300099082 through 0300135648)	
4	3931832	2	Bolt - Allen Head 1/2in-13NC x 2in (Grade 8) (E/M400) (SN 0300135649 through 0300189901)	
4	3931832	2	Bolt - Allen Head 1/2in-13NC x 2in (Grade 8) (E/M450) (SN 0300135649 through 0300189898)	
5	4740171	2	Washer, Hardened	
6	0682026	18	Bolt 5/8in-11NC x 3-1/4in (Grade 8)	
7	4892000	42	Washer, Hardened	
8	3020036	AR	Lube (5 gal bucket) (Use p/n 3020027)	
8	70010724	AR	Lube (14 oz. tube)	
9	3020029	AR	Grease, Bearing	
10	0682028	24	Bolt 5/8in-11NC x 3-1/2in (Grade 8)	
	1001103732	Ref	REMOTE BEARING LUBE INSTALLATION (OPTIONAL)	A
101	0100011	AR	Compound, Locking	
102	0641608	1	Bolt 3/8in-16NC x 1in	
103	0902520	1	Bracket	
104	2160002	1	Fitting, Straight	
105	2180344	1	Fitting, Bulkhead	
106	2220001		Fitting, Straight	
107	2220124	1	Fitting, Elbow	
108	4711600	1	Flatwasher 3/8in (Narrow)	
109	2751095	1	Hose	
201		Ref	TURNTABLE WELDMENTS	
201	4620118	Ref	Turntable Weldments E/M450A Models	
201	4620124	Ref	Turntable Weldments E/M450AJ Models	
201	4620118	Ref	Turntable Weldments E/M400A Models	
201	4620124	Ref	Turntable Weldments E/M400AJP Models	
	1001116193	Ref	DRIVE ORIENTATION INSTALLATION ONLY (E/M400) (SN 0300141884 through 0300189901)	B
	1001116193	Ref	DRIVE ORIENTATION INSTALLATION ONLY (E/M450) (SN 0300141884 through 0300189898)	B
301	0100011	AR	Compound, Locking	

SECTION 2 - TURNTABLE

ITEM	PART NUMBER	QTY	DESCRIPTION	REV
302	0641608	2	Bolt 3/8in-16NC x 1in	
303	0741408	2	Capscrew, Countersunk 1/4in-20NC x1in	
304	3310805	2	Locknut #8-32NC	
305	3930824	2	Capscrew #8-32NC x 1-1/2in	
306	4240175	2	Tie-Strap	
307	4564417	2	Tube, Spacer	
308	4711600	2	Flatwasher 3/8in Narrow	
309	4750800	2	Flatwasher #8 Wide	
310	1001116130	1	Bracket, Mounting	
311	1001116195	1	Cam	
312	1001116232	1	Switch, Limit	
316	1001116522	1	Harness, Drive Orientation (See ELECTRICAL SECTION for Breakdown)	

SECTION 2 - TURNTABLE

FIGURE 2-4. SWING MOTOR ASSEMBLY (Prior to SN 0300135649)



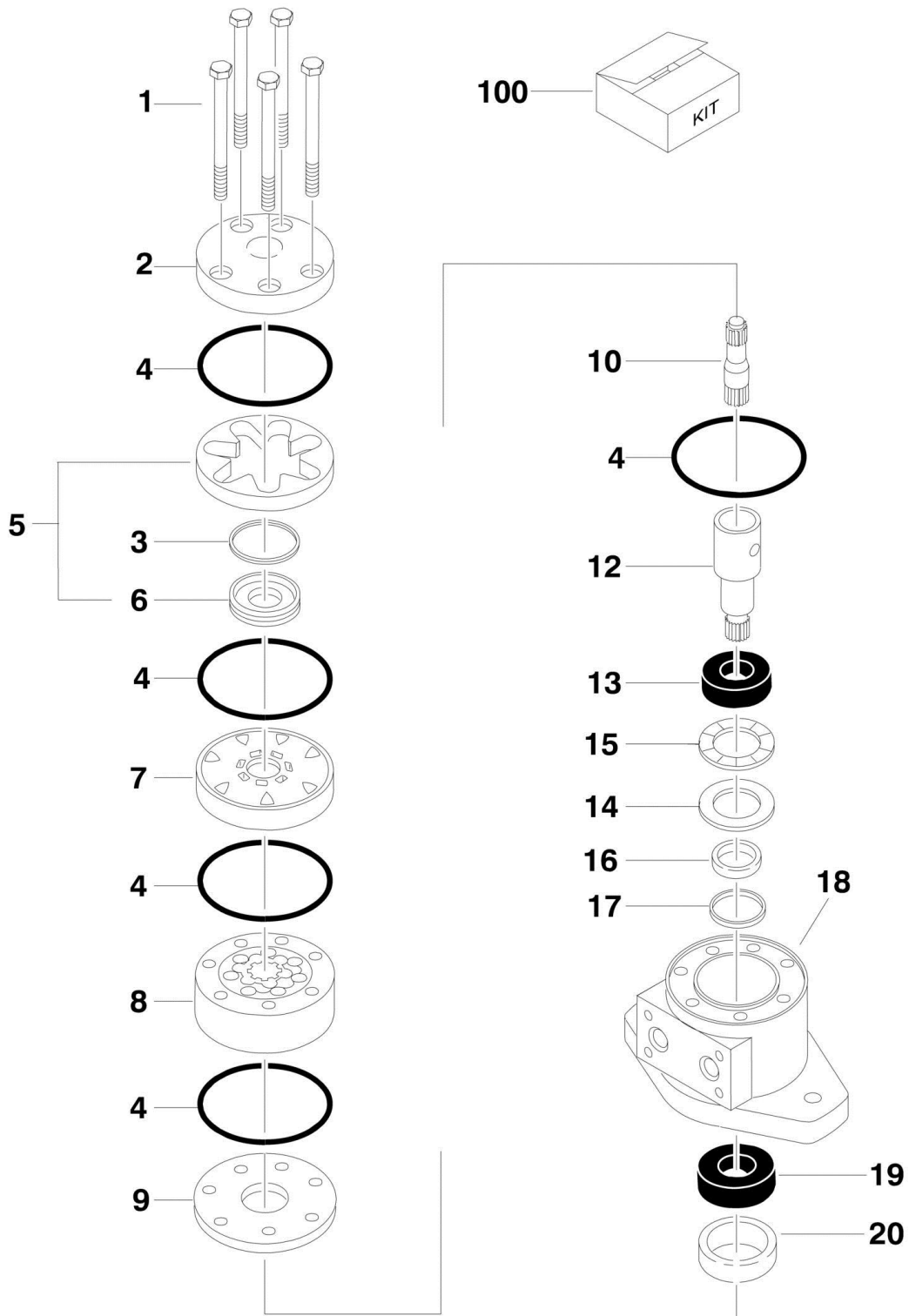
SECTION 2 - TURNTABLE

FIGURE 2-4. SWING MOTOR ASSEMBLY (Prior to SN 0300135649)

ITEM	PART NUMBER	QTY	DESCRIPTION	REV
	3160233	Ref	SWING MOTOR ASSEMBLY	D
		Ref		
			Note: Identify motor before ordering parts. Original Equipment Motors up to SN 0300135649 use 6 bolts in motor cover. Service Replacement Motor from SN 0300135649 to present use 5 bolts in motor cover. Make sure the motor has not been replaced with a Service Replacement Motor before ordering parts. See next illustration for Service Replacement Motor components.	
1	See Note	6	Screw, Metric M6 x 20mm (Note: Not Available - Purchase Locally)	
2	See Note	1	Ring, Dust (Note: Not Available for Purchase)	
3	3160233	1	Flange, Spigot (Note: Not Available for Purchase)	
4	See Note	NSS	Seal, Shaft, (Note: Use Item 100)	
5	See Note	NSS	O-Ring, (Note: Use Item 100)	
6	7020128	1	Race, Bearing	
7	7020129	1	Bearing, Needle	
8	7020126	1	Key, Woodruff	
9	3160233	1	Shaft, Output (Note: Not Available for Purchase)	
10	7020130	1	Shaft	
11	See Note	NSS	O-Ring, (Note: Use Item 100)	
12	3160233	1	Plate, Distributor (Note: Not Available for Purchase)	
13	7020131	1	Gear Set (Note: Not Available for Purchase)	
14	3160233	1	Cover, End (Note: Not Available for Purchase)	
15	See Note	6	Washer (Note: Not Available - Purchase Locally)	
16	See Note	6	Screw, Metric M8 x 35mm (Note: Not Available - Purchase Locally)	
17	See Note	1	Nameplate (Note: Not Available for Purchase)	
18	3160233	1	Housing (Note: Not Available for Purchase)	
19	See Note	1	Plug, Drain 7/16in-20NF (Note: Not Available - Purchase Locally)	
100	7020127	1	Seal Kit (Includes Items 4, 5 & 11)	

SECTION 2 - TURNTABLE

FIGURE 2-5. SWING MOTOR ASSEMBLY (E/M400A SN 0300135649 through 0300189901; E/M450A/J SN 0300135649 through 0300189898)



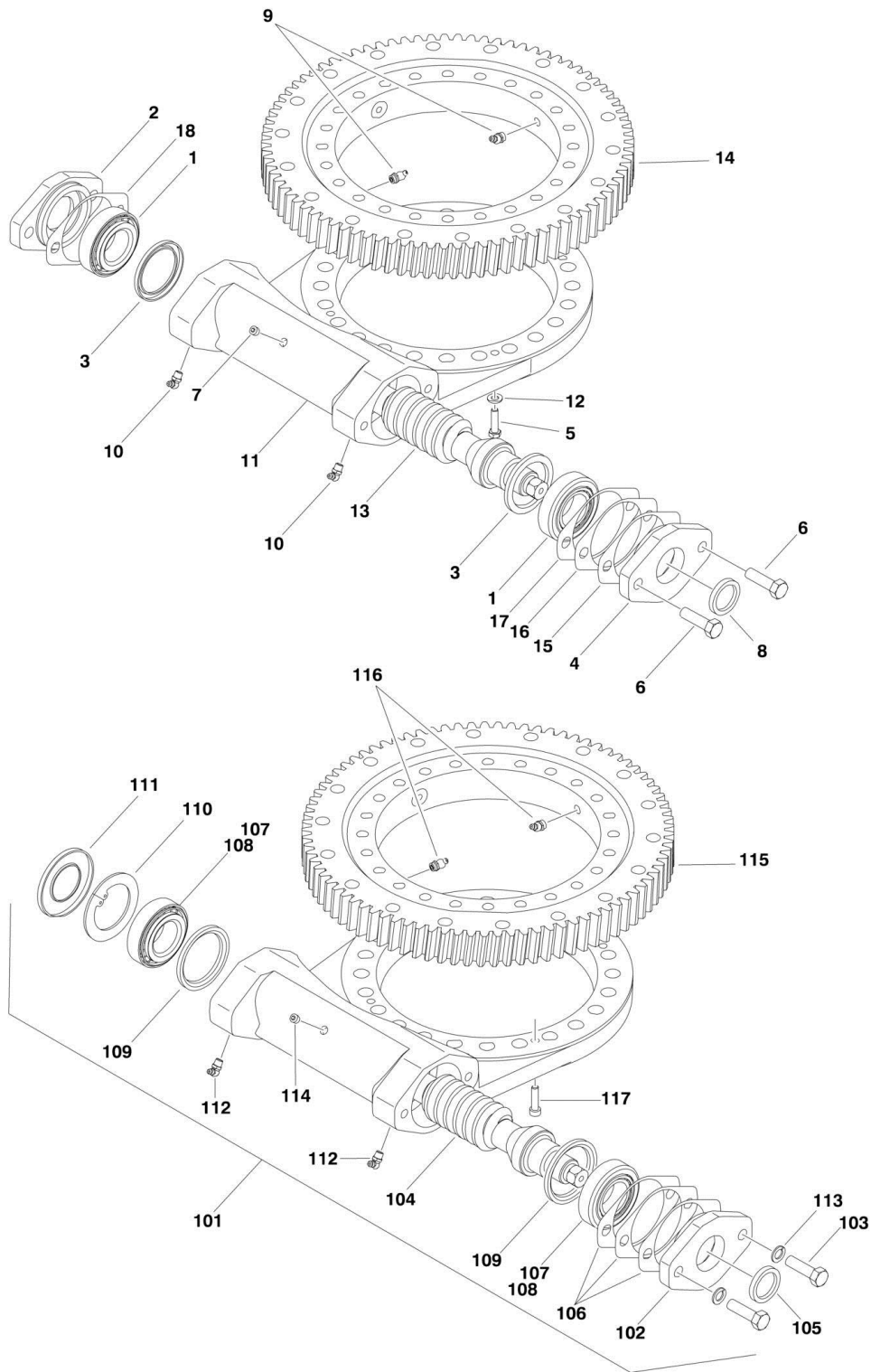
SECTION 2 - TURNTABLE

FIGURE 2-5. SWING MOTOR ASSEMBLY (E/M400A SN 0300135649 through 0300189901; E/M450A/J SN 0300135649 through 0300189898)

ITEM	PART NUMBER	QTY	DESCRIPTION	REV
	1001104850	Ref	SWING MOTOR ASSEMBLY	A
1	See Note	5	Bolt, Special (Note: Not Available for Purchase)	
2	7004035	1	Cover, End	
3	7023318	1	Seal, Commutator	
4	7004036	5	O-Ring	
5	7024453	1	Commutator and Ring Assembly	
6	7024453	1	Ring	
7	7024379	1	Manifold	
8	70002206	1	Rotor Set	
9	7024380	1	Plate, Ware	
10	70002207	1	Link, Drive	
12	70000088	1	Shaft, Coupling	
12A	70000089	1	Key, Woodruff	
13	7024381	1	Bearing, Inner	
14	7004043	1	Washer, Thrust	
15	7004044	1	Bearing, Thrust	
16	7004049	1	Seal, Inner	
17	7004045	1	Washer, Back-up	
18	See Note	NSS	Housing (Note: Use p/n 1001104850)	
19	7024390	1	Bearing, Outer	
20	7004047	1	Seal	
100	7024389	1	Seal Kit (Includes Items 3, 4, 16, 17 & 20)	

SECTION 2 - TURNTABLE

FIGURE 2-6. SWING BEARING ASSEMBLY



SECTION 2 - TURNTABLE

FIGURE 2-6. SWING BEARING ASSEMBLY

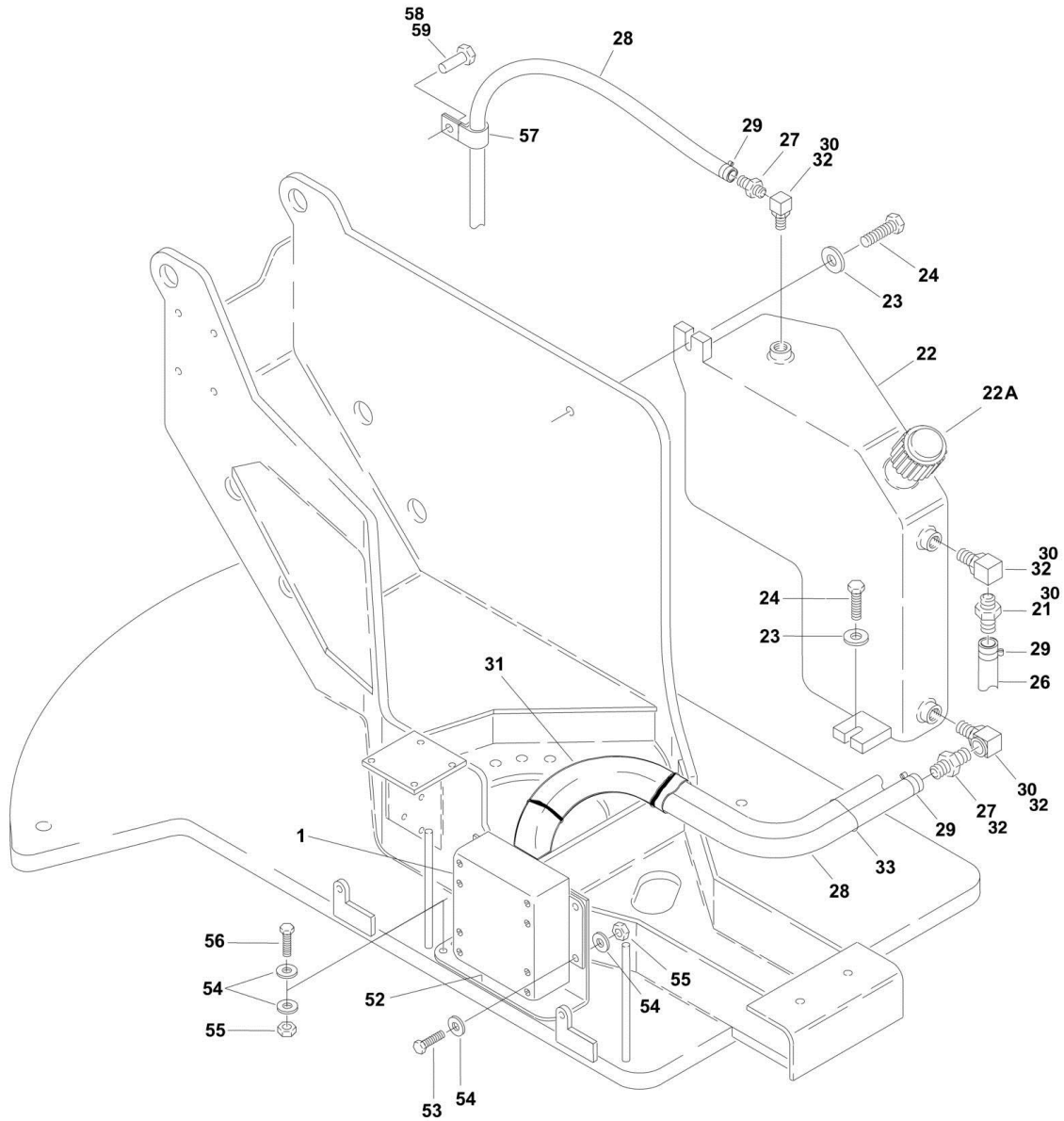
ITEM	PART NUMBER	QTY	DESCRIPTION	REV
		Ref	Note: For Machines Built Prior to SN 0300097888, visually identify the brand before ordering replacement parts.	
		Ref	SWING BEARING ASSEMBLIES (PERFECTION GEAR) (E/M400) (SN 0300097888 through 0300189901)	
		Ref	SWING BEARING ASSEMBLIES (PERFECTION GEAR) (E/M450) (SN 0300097888 through 0300189898)	
	0440339	Ref	Turntable Bearing (DOHI)	D
	1001153017	Ref	Turntable Bearing (JING WEI)	A
1	7026042	2	Bearing, Cup	
1	7026043	2	Bearing, Cone	
2	7027356	1	Adapter, Motor	
3	7027361	2	Seal	
4	7027354	1	Cap, End	
5	0641510	2	Bolt 5/16in-18NC x 1-1/4in	
6	0641812	2	Bolt 1/2in-13NC x 1-1/2in	
7	70000865	1	Plug	
8	7027360	1	Seal	
9	7027359	2	Straight Fitting, Grease	
9	2160003	2	Fitting, Grease - Elbow	
10	7027358	2	Fitting, Grease - Elbow	
11	0440339	1	Housing (Note: Not Available for Purchase)	
12	4891500	2	Flatwasher 5/16in (Hardened)	
13	7027363	1	Gear, Worm	
14		Ref	Ring Gear Options:	
14	1001104626	1	DOHI (Ring Gear Kit Includes Ring Gear and Mounting Hardware) (was p/n 70000868)	
14	70004159	1	JING WEI (Ring Gear Only)	
15	7027352	AR	Gasket (.010 - Brown)	
16	7027351	AR	Gasket (.0075 - Clear)	
17	7027350	AR	Gasket (.005 - Blue)	
18	7027353	1	Gasket (.020 - Yellow)	
	0440203	Ref	SWING BEARING ASSEMBLY (KAYDON) (Prior to SN 0300097888)	G
		Ref	Note: When replacing major components, consider replacing with p/n 0440339 Complete Bearing Assembly.	
101	7012597	1	Swing Rotation Box Assembly	
102	7023484	1	Cap, End	
103	See Note	2	Bolt 1/2in-13NC x 1-1/2in Grade 8 (Note: Not Available - Purchase Locally)	
104	0440203	1	Gear, Worm (Note: Not Available for Purchase)	
105	7012654	1	Seal, Outer - Capped End (1.75 O.D.)	
106	7016682	1	Shims Kit (Includes Qty 3 each of .005, .0075 & .010 Shims)	
107	70001677	2	Cup, Bearing	
108	90206369	2	Cone, Bearing	
109	7016676	1	Seal, Outer - Capped End (2.063 O.D.)	
110	See Note	1	Ring, Retaining (Note: Not Available for Purchase)	
111	7012655	1	Seal, Outer - Motor End	
112	2160001	2	Fitting, Grease - Elbow	
113	See Note	2	Lockwasher 1/2in (Note: Not Available - Purchase Locally)	
114		Ref	Component Options:	
114	See Note	1	Plug, Pipe (Note: Not Available - Purchase Locally)	

SECTION 2 - TURNTABLE

ITEM	PART NUMBER	QTY	DESCRIPTION	REV
114	2160001	1	Fitting, Grease - Elbow	
115	2915104	1	Ring Gear Kit (was p/n 7012596) (Kit Includes Ring Gear and Mounting Hardware)	
116	2160003	2	Fitting, Grease - Elbow	
117	See Note	4	Capscrew, Socket Head 5/16in-18NC (Note: Not Available - Purchase Locally)	
117	See Note	4	Washer 5/16in (Not Shown) (Note: Not Available - Purchase Locally)	

SECTION 2 - TURNTABLE

FIGURE 2-7. FUEL TANK AND MOTOR CONTROL MODULE INSTALLATION (M MODELS ONLY)



SECTION 2 - TURNTABLE

FIGURE 2-7. FUEL TANK AND MOTOR CONTROL MODULE INSTALLATION (M MODELS ONLY)

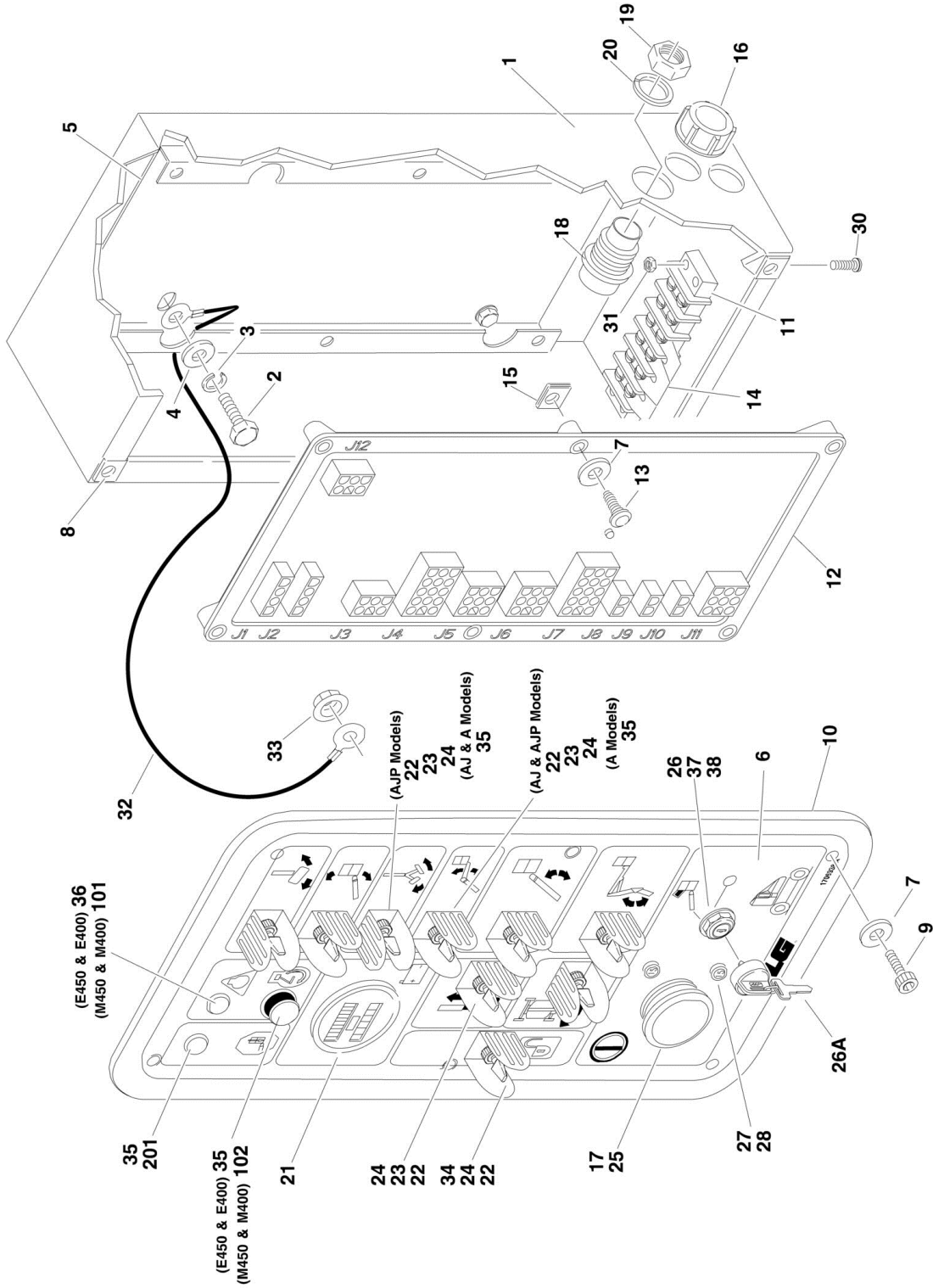
ITEM	PART NUMBER	QTY	DESCRIPTION	REV
		Ref	TANK AND MOTOR/GENERATOR COMPONENTS INSTALLATION (TURNTABLE MOUNTED)	
	0257824	Ref	All M450 Models Built (Prior to SN 0300059390)	11
	0270344	Ref	All M450 Models Built (SN 0300059390 through 0300079057)	5-B
	0270344	Ref	All M400 Models (Prior to SN 0300079057)	5-B
	0273573	Ref	All M450/M400 Models (SN 0300079057 through 0300088538)	B
	0274617	Ref	Motor/Generator Installation (Kubota Diesel) (All M400 & M450 Models Built) (Use p/n 1001159362) (Prior to SN 0300182839)	G
	1001159362	1	Motor/Generator Installation (Kubota Diesel) (All M400 Models Built) (SN 0300182839 through 0300189901)	A
	1001159362	1	Motor/Generator Installation (Kubota Diesel) (All M450 Models Built) (SN 0300088539 through 0300189898)	A
1		Ref	Module, Control Options:	
		Ref	Note: Re-calibration Required when Replaced.	
1	7020156	1	Module, Control (Prior to SN 0300088539)	
1	70000326	1	Module, Control (M400) (SN 0300088539 through 0300189901)	
1	70000326	1	Module, Control (M450) (SN 0300088539 through 0300189898)	
2		Ref	Harness, Wiring (Not Shown - See ELECTRICAL SECTION for Breakdown)	
2	7020155	1	Harness, Wiring (Prior to SN 0300063771)	
2	7023486	1	Harness, Wiring (SN 0300063771 through 0300088538)	
2	70000328	1	Harness, Wiring (M400) (SN 0300088539 through 0300189901)	
2	70000328	1	Harness, Wiring (M450) (SN 0300088539 through 0300189898)	
21		Ref	Fitting Options:	
21	2180536	2	Fitting, Barbed (Prior to SN 0300098816)	
21	2221047	2	Fitting, Elbow (M400) (SN 0300098816 through 0300189901)	
21	2221047	2	Fitting, Elbow (M450) (SN 0300098816 through 0300189898)	
22	4400417	1	Tank, Gas	
22A	7016314	1	Cap (Standard)	
22A	1120487	1	Lockable Cap (Blue) (Optional)	
23	4751600	2	Flatwasher 3/8in	
24	0641616	2	Bolt 3/8in-16NC x 2in	
26	2720271	10 ft/3m	Hose	
27		Ref	Fitting Options:	
27	2220315	2	Fitting, Barbed (Prior to SN 0300098816)	
27	2221046	2	Fitting, Elbow (M400) (SN 0300098816 through 0300189901)	
27	2221046	2	Fitting, Elbow (M450) (SN 0300098816 through 0300189898)	
28	2720058	16 ft/4.9m	Hose	
29	1320022	AR	Clamp, Hose	
30	0100020	AR	Sealant	
31	4100026	3 ft/1m	Sleeve, Hose	
32	2220459	3	Fitting, Elbow (Prior to SN 0300098816)	
33	4240033	10	Strap, Tie	
52	3571157	1	Plate	
53	0641406	4	Bolt 1/4in-20NC x 3/4in	
54	4711400	16	Flatwasher 1/4in Narrow	
55	3311405	8	Locknut 1/4in-20NC	
56	0641413	4	Bolt 1/4in-20NC x 1-1/2in	

SECTION 2 - TURNTABLE

ITEM	PART NUMBER	QTY	DESCRIPTION	REV
57	1320041	1	Clamp	
58	0641408	1	Bolt 1/4in-20NC x 1in	
59	0100011	AR	Compound, Locking	

SECTION 2 - TURNTABLE

FIGURE 2-8. GROUND CONTROL BOX ASSEMBLY



SECTION 2 - TURNTABLE

FIGURE 2-8. GROUND CONTROL BOX ASSEMBLY

ITEM	PART NUMBER	QTY	DESCRIPTION	REV
		Ref	GROUND CONTROL BOX ASSEMBLY	
		Ref	Ground Control Box Assembly (Prior to SN 0300100450)	
	0861263	Ref	Ground Control Box Assembly E/M450A Models	8-E
	0861401	Ref	Ground Control Box Assembly E/M450AJ Models	5
	0861263	Ref	Ground Control Box Assembly E/M400A Models	8-E
	0861352	Ref	Ground Control Box Assembly E/M400AJP Models	8-E
		Ref	Ground Control Box Assembly (E/M400) (SN 0300100450 through 0300189901)	
		Ref	Ground Control Box Assembly (E/M450) (SN 0300100450 through 0300189898)	
		Ref	CE Spec	
	1810137	Ref	CE Spec E/M450A Models	D
	1810139	Ref	CE Spec E/M450AJ Models	D
	1810137	Ref	CE Spec E/M400A Models	D
	1810135	Ref	CE Spec E/M400AJP Models	D
		Ref	Australian Spec	
	1810139	Ref	Australian Spec E/M450AJ Models (SN 0300100150 through 0300149144)	D
	1810138	Ref	Australian Spec E/M450AJ Models (SN 0300149145 through 0300189898)	D
	1810135	Ref	Australian Spec E/M400AJP Models (SN 0300100150 through 0300149144)	D
	1810134	Ref	Australian Spec E/M400AJP Models (SN 0300149145 through 0300189901)	D
1	0861152	1	Box Weldment	
2	0641605	4	Bolt 3/8in-16NC x 5/8in	
3	4761600	4	Lockwasher 3/8in	
4	4751600	4	Flatwasher 3/8in	
5	0902406	1	Bracket, Module Mounting	
6		Ref	Nameplate Options:	
6	3252632	NLA	Nameplate (Use p/n 3252812) (Prior to SN 0300057535)	
6	3252669	NLA	Nameplate (Use p/n 3252812) (SN 0300057535 through 0300074683)	
6	3252812	1	Nameplate (SN 0300074684 through 0300100449)	
6	1706938	1	Nameplate (E/M400) (SN 0300100450 through 0300189901)	
6	1706938	1	Nameplate (E/M450) (SN 0300100450 through 0300189898)	
7	4740120	12	Washer, Nylon	
8	3300365	6	Nut, Retainer	
9	0630518	6	Screw #10-24 x 3/4in	
10	3960438	50	Seal	
		in/1.26m		
11	4460007	1	Strip, Terminal - 6 Position	
12		Ref	Module Options:	
		Ref	Note: Re-calibration Required when Replaced.	
12	0610129	NLA	Module (Use p/n 1001109497) (Prior to SN 0300059841)	
12	0610139	NLA	Module (Use p/n 1001109497) (SN 0300059841 through 0300072453)	
12	0610166	NLA	Module (Use p/n 1001109497) (E/M400) (SN 0300072454 through 0300189901)	
12	0610166	NLA	Module (Use p/n 1001109497) (E/M450) (SN 0300072454	

SECTION 2 - TURNTABLE

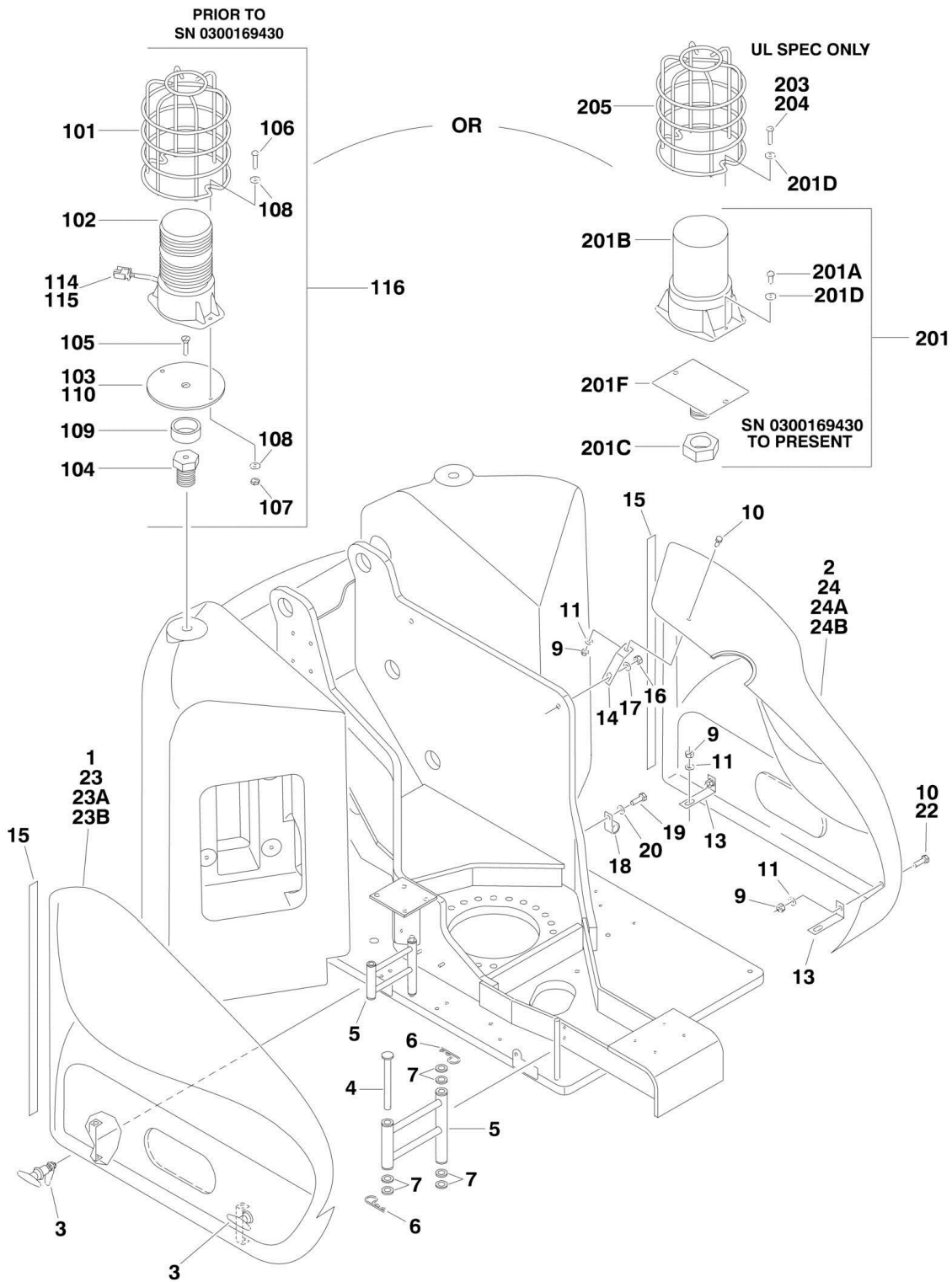
ITEM	PART NUMBER	QTY	DESCRIPTION	REV
			through 0300189898)	
13	0750808	6	Screw #8 x 1in	
14	4460264	3	Buss, Terminal	
15	3300188	6	Nut, Tinnerman	
16	4460425	1	Connector, Strain Relief	
17	4360476	1	Block, Contact	
18	4460495	1	Connector 14 Position	
19	4460497	1	Nut, Conduit	
20	4460496	1	Lockwasher	
21	2420106	1	Gauge, Hourmeter/Battery Capacity	
22	4740397	AR	Spacer	
23	4360328	AR	Switch, Toggle	
24		Ref	Guard, Switch Options:	
24	4060906	AR	Guard, Switch (Prior to SN 0300079931)	
24	4060802	AR	Guard, Switch (E/M400) (SN 0300079931 through 0300189901)	
24	4060802	AR	Guard, Switch (E/M450) (SN 0300079931 through 0300189898)	
25	4360475	1	Switch, Emergency Stop	
25	7020175	1	Mushroom Head	
25	7020176	1	Block, Contact	
26		Ref	Keyswitch Options:	
26	4360470	1	CE Spec	
26		Ref	Australian Spec	
26	4360470	1	Australian Spec (SN 0300100150 through 0300149144)	
26	4360469	1	Australian Spec (E/M400) (SN 0300149145 through 0300189901)	
26	4360469	1	Australian Spec (E/M450) (SN 0300149145 through 0300189898)	
26A	2860030	AR	Key, Replacement (Set of 2)	
27	4360070	2	Breaker, Circuit - 15Amp	
28	3300396	2	Nut, Special	
30	0721005	2	Screw #10-24NC x 5/8in	
31	3311005	2	Locknut #10-24NC	
32	1060584	1	Cable, Lanyard	
33	3311011	1	Nut, Push #10	
34	4360330	1	Switch, Toggle (E/M400) (SN 0300100450 through 0300189901)	
34	4360330	1	Switch, Toggle (E/M450) (SN 0300100450 through 0300189898)	
35	3520028	AR	Plug, Hole 1/2in	
36		Ref	Plug, Hole Options:	
36	3520054	1	Plug, Hole 7/16in (Prior to SN 0300072854)	
36	3520026	1	Plug, Hole 5/8in (E/M400) (SN 0300072854 through 0300189901)	
36	3520026	1	Plug, Hole 5/8in (E/M450) (SN 0300072854 through 0300189898)	
37		Ref	Shim, Nylon Options:	
37	4070987	5	Shim, Nylon (Prior to SN 0300175721)	
37	1001151393	1	Shim, Nylon (E/M400) (SN 0300175721 through 0300189901)	
37	1001151393	1	Shim, Nylon (E/M450) (SN 0300175721 through 0300189898)	
38	3910804	6	Screw #8-32NC x 1/4in	

SECTION 2 - TURNTABLE

ITEM	PART NUMBER	QTY	DESCRIPTION	REV
		Ref	MOTOR CONTROLS INSTALLATION (M450 & M400 ONLY)	
	0257824	Ref	All M450 Models Built (Prior to SN 0300059390)	11
	0270344	Ref	All M450 Models Built (SN 0300059390 through 0300079057)	5-B
	0270344	Ref	All M400 Models (Prior to SN 0300079057)	5-B
	0273573	Ref	All M450/M400 Models (SN 0300079057 through 0300088538)	B
	0274617	Ref	Motor/Generator Installation (Kubota Diesel) (All M400 & M450 Models Built) (Prior to SN 0300182839)	G
	1001159362	Ref	Motor/Generator Installation (Kubota Diesel) (All M400 Models Built) (SN 0300182839 through 0300189901)	A
	1001159362	Ref	Motor/Generator Installation (Kubota Diesel) (All M450 Models Built) (SN 0300088539 through 0300189898)	A
101	2920151	1	Led (Red)	
101	4460248	2	Terminal, Button Splice	
101	4922319	1	Harness Generator (See ELECTRICAL SECTION for Breakdown)	
101	4460267	1	Pin, Male	
102	4360274	1	Switch, Push Button	
102	4460259	2	Terminal, Posi-Lock	
102	4460260	2	Terminal, Housing	
	0273104	Ref	INDICATOR LIGHT INSTALLATION	1-A
201	2920151	1	Light, LED	

SECTION 2 - TURNTABLE

FIGURE 2-9. HOODS AND BEACON LIGHT INSTALLATIONS



SECTION 2 - TURNTABLE

FIGURE 2-9. HOODS AND BEACON LIGHT INSTALLATIONS

ITEM	PART NUMBER	QTY	DESCRIPTION	REV
		Ref	HOODS INSTALLATION	
	0258953	Ref	Hoods Installation M450 & M400 Models	5-C
	0253709	Ref	Hoods Installation E450 & E400 Models (Prior to SN 0300075499)	7-G
	0258953	Ref	Hoods Installation E400 Models (SN 0300075499 through 0300189901)	5-C
	0258953	Ref	Hoods Installation E450 Models (SN 0300075499 through 0300189898)	5-C
1	See Note	1	Hood, LH (was p/n 2680473) (Note: Use Items 23A or 23B)	
2		Ref	Hood Options:	
2	See Note	1	Hood M450 & M400 Models (was p/n 2680474) (Note: Use Items 24A or 24B)	
2	See Note	1	Hood E450 & E400 Models (was p/n 2680475) (Note: Use Items 24A or 24B)	
3	2940071	2	Latch	
4	3430840	2	Pin, Clevis	
5	0253687	2	Hinge, Swing	
5	0961749	4	Bushing	
6	3420156	4	Pin, Hair Cotter	
7	4751800	AR	Flatwasher 1/2in	
9	3311501	AR	Nut 5/16in-18NC	
10	0630468	3	Bolt 5/16in-18NC x 1in	
11	4751500	5	Flatwasher 5/16in	
12		Ref	Shield, Flex Trim Options:	
12	4060803	AR	Shield, Flex Trim (Prior to SN 0300134967)	
12	4060805	AR	Shield, Flex Trim (E/M400) (SN 0300134967 through 0300189901)	
12	4060805	AR	Shield, Flex Trim (E/M450) (SN 0300134967 through 0300189898)	
13	0901923	2	Bracket, Hood Mounting	
14	0901921	1	Bracket, Hood Mounting	
15	3960453	5 ft/1.5m	Seal, Door	
16	3311601	AR	Nut 3/8in-16NC	
17	4751600	AR	Flatwasher 3/8in	
18		Ref	Clamp Options:	
18	1320043	1	Clamp, Insulated Cable 3/8in (Prior to SN 0300093848)	
18	1320041	1	Clamp, Insulated Cable 1/2in (E/M400) (SN 0300093848 through 0300189901)	
18	1320041	1	Clamp, Insulated Cable 1/2in (E/M450) (SN 0300093848 through 0300189898)	
19	0641510	AR	Bolt 5/16in-18NC x 1-1/4in	
20	4751400	1	Flatwasher 1/4in	
21	3311401	1	Nut 1/4in-20NC	
22	0100011	AR	Compound, Locking	
23		Ref	LH Side Hood Kit Options:	
		Ref	Note: Replacement Decals Must be Ordered Separately - See DECAL SECTION.	
23A	2901482	1	LH Side Hood Kit - E400 & E450 Models (Includes Items 1, 3-6 & 15)	
23B	2901778	1	LH Side Hood Kit - M400 & M450 Models (Includes Items 1, 3-6 & 15) (Use p/n 2901482)	
24		Ref	RH Side Hood Kit Options:	

SECTION 2 - TURNTABLE

ITEM	PART NUMBER	QTY	DESCRIPTION	REV
		Ref	Note: Replacement Decals Must be Ordered Separately - See DECAL SECTION.	
24A	2901486	1	RH Side Hood Kit - E400 & E450 Models (Includes Items 7-10, 13-15 & #2 - 2680475 Hood) (Use p/n 2901777)	
24B	2901777	1	RH Side Hood Kit - M400 & M450 Models (Includes Items 7,10, 13-15 & #2 - 2680474 Hood)	
	0259305	Ref	STROBE LIGHT INSTALLATION (AMBER) (OPTIONAL) (Prior to SN 0300169430)	2
		Ref	Note: If machine is equipped with BLUE Strobe Light, see SPECIAL OPTIONS SECTION SkyGuard Kit.	
101	4060865	1	Guard, Light	
102	2920146	1	Light, Strobe (Amber) (Use p/n 0272529)	
102	7016319	1	Bulb, Light	
102	7016372	1	Amber Lens	
103	0630491	1	Bolt, Special (Prior to SN 0300069568)	
104		Ref	Plate, Mounting Options:	
104	3537903	1	Plate, Mounting (Prior to SN 0300069568)	
104	4846698	1	Plate, Mounting (E/M400) (SN 0300069568 through 0300189901)	
104	4846698	1	Plate, Mounting (E/M450) (SN 0300069568 through 0300189898)	
105	0741606	1	Screw, Flathead 3/8in-16NC x 3/4in (Prior to SN 0300069568)	
106		Ref	Hardware Options:	
106	0721008	2	Bolt #10-24NC x 1in (Prior to SN 0300069568)	
106	3911014	2	Screw (E/M400) (SN 0300069568 through 0300189901)	
106	3911014	2	Screw (E/M450) (SN 0300069568 through 0300189898)	
107		Ref	Nut Options:	
107	3311005	2	Locknut #10-24NC (Prior to SN 0300069568)	
107	3311001	2	Nut #10-24NC (E/M400) (SN 0300069568 through 0300189901)	
107	3311001	2	Nut #10-24NC (E/M450) (SN 0300069568 through 0300189898)	
108	4751000	4	Flatwasher #10	
109	4220162	1	Spacer	
110	0100011	AR	Compound, Locking	
111	4240032	1	Tie-Strap	
112	4460234	1	Clamp	
113		Ref	Loom Options (Not Shown):	
113	2820036	16	Loom (Prior to SN 0300069568)	
		in/41cm		
113	2820035	16	Loom (E/M400) (SN 0300069568 through 0300189901)	
		in/41cm		
113	2820035	16	Loom (E/M450) (SN 0300069568 through 0300189898)	
		in/41cm		
114	4460267	2	Pin, Male (E/M400) (SN 0300069568 through 0300189901)	
114	4460267	2	Pin, Male (E/M450) (SN 0300069568 through 0300189898)	
115	4460320	1	Plug, Male, 2 Position (E/M400) (SN 0300069568 through 0300189901)	
115	4460320	1	Plug, Male, 2 Position (E/M450) (SN 0300069568 through 0300189898)	
116	0272529	1	Kit Light, Strobe Assembly (Includes Items 101, 102, 104, 106, 107, 108, 109, 110, 113, 114 & 115) (E/M400) (SN 0300069568 through 0300189901)	A
116	0272529	1	Kit Light, Strobe Assembly (Includes Items 101, 102, 104, 106, 107, 108, 109, 110, 113, 114 & 115) (E/M450) (SN 0300069568)	A

SECTION 2 - TURNTABLE

ITEM	PART NUMBER	QTY	DESCRIPTION	REV
116		Ref	through 0300189898) STROBE LIGHT INSTALLATIONS (AMBER) (OPTIONAL) (E/M400) (SN 0300169430 through 0300189901)	
116		Ref	STROBE LIGHT INSTALLATIONS (AMBER) (OPTIONAL) (E/M450) (SN 0300169430 through 0300189898)	
	1001149955	Ref	Standard Spec	A
	1001158612	Ref	UL Spec	A
		Ref	Note: If machine is equipped with BLUE Strobe Light, see SPECIAL OPTIONS SECTION SkyGuard Kit.	
201	1001150406	1	Strobe Light Assembly	
201A	0100035	AR	Compound, Locking	
201B	2920161	1	Light, Strobe (Amber)	
201B	7016319	1	Bulb, Light	
201B	7016372	1	Amber Lens	
201C	3312602	1	Nut, Jam 1in-8NC	
201D	3900085	2	Screw #10-32NC X 1/2in	
201E	4751000	2	Flatwasher #10 (Wide)	
201F	1001149994	1	Plate, Mounting	
202	1001149818	1	Harness, Strobe Light (Not Shown - See ELECTRICAL SECTION for Breakdown)	
203	0100035	AR	Compound, Locking (UL Spec Only)	
204	3900128	2	Screw #10-32NC X 7/8in (UL Spec Only)	
205	4060865	1	Guard (UL Spec Only)	

SECTION 3 - BOOM

SECTION 3 - BOOM

FIGURE 3-1. BOOMS AND CYLINDERS INSTALLATION

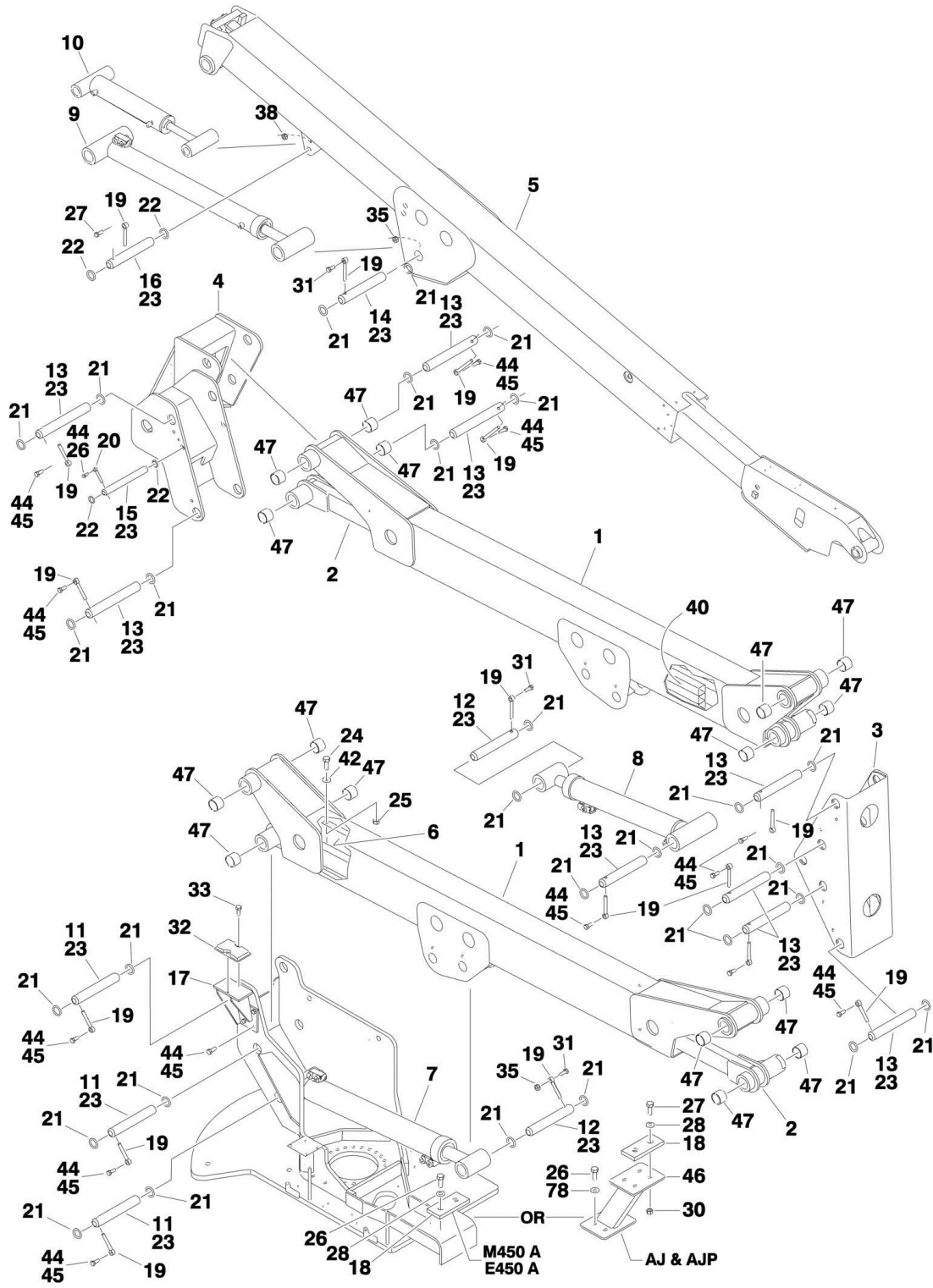


FIGURE 3-1. BOOMS AND CYLINDERS INSTALLATION

ITEM	PART NUMBER	QTY	DESCRIPTION	REV
		Ref	BOOMS INSTALLATIONS	
	0258691	Ref	Booms Installations E/M450A Models	B
	0259366	Ref	Booms Installations E/M450AJ Models	I
	0270724	Ref	Booms Installations E/M400A Models	F
	0259939	Ref	Booms Installations E/M400AJP Models (Prior to SN 0300064958)	4-E
	0271647	Ref	Booms Installations E/M400AJP Models (SN 0300064958 through 0300189901)	D
1		Ref	Boom Assembly -Tower Options:	
1	0800852	2	Boom Assembly -Tower E/M450 Models (Prior to SN 0300056571)	
1	0801264	2	Boom Assembly -Tower E/M450 Models (SN 0300056571 through 0300189898)	
1	0801262	2	Boom Assembly -Tower E/M400A Models	
1	0801227	2	Boom Assembly -Tower E/M400AJP Models	
2		Ref	Level Link Options:	
2	4844541	2	Level Link E/M450 Models (Prior to SN 0300056571)	
2	4846307	2	Level Link E/M450 Models (SN 0300056571 through 0300189898)	
2	4846209	2	Level Link E/M400 Models	
3		Ref	Upright Weldment (Lower)	
3	4844427	1	Upright Weldment (Lower) E/M450 Models	
3	4844303	1	Upright Weldment (Lower) E/M400A Models	
3	4844427	1	Upright Weldment (Lower) E/M400AJP Models	
4		Ref	Upright Weldment (Upper) Options:	
4	4844304	1	Upright Weldment (Upper) E/M450A & E/M400A Models	
4	4846026	1	Upright Weldment (Upper) E/M450AJ & E/M400AJP Models	
5		Ref	Boom Assembly - Main Options:	
5	0801169	1	Boom Assembly - Main E/M450A Models (See E/M450A & E/M400A MAIN BOOM ASSEMBLY AND PLATFORM SUPPORT INSTALLATION for Breakdown)	
5	0801197	1	Boom Assembly - Main E/M450AJ Models (See E/M450AJ MAIN BOOM ASSEMBLY for Breakdown)	
5	0270725	1	Boom Assembly - Main E/M400A Models (See E/M450A & E/M400A MAIN BOOM ASSEMBLY AND PLATFORM SUPPORT INSTALLATION for Breakdown)	
5	0801225	1	Boom Assembly - Main E/M400AJP Models (See E/M400AJP MAIN BOOM ASSEMBLY for Breakdown)	
6		Ref	Hose Guard Plate Options:	
6	3537045	1	Hose Guard Plate E/M450 Models (Prior to SN 0300093848)	
6	3536491	1	Hose Guard Plate E/M400 Models	
7		Ref	Lift Cylinder Assy - Lower (See CYLINDER SECTION for Breakdown):	
7	1683711	1	Lift Cylinder Assy - Lower E/M450A Models (Prior to SN 0300058843)	
7	1684058	1	Lift Cylinder Assy - Lower E/M450A Models (SN 0300058843 through 0300091052)	
7	1684492	1	Lift Cylinder Assy - Lower E/M450A Models (SN 0300091053 through 0300189898)	
7	1683826	1	Lift Cylinder Assy - Lower E/M450AJ Models (Prior to SN 0300056571)	
7	1683939	1	Lift Cylinder Assy - Lower E/M450AJ Models (SN 0300056571 through 0300086021)	

SECTION 3 - BOOM

ITEM	PART NUMBER	QTY	DESCRIPTION	REV
7	1684451	1	Lift Cylinder Assy - Lower E/M450AJ Models (SN 0300086022 through 0300189898)	
7	1684024	1	Lift Cylinder Assy - Lower E/M400A Models (Prior to SN 0300086022)	
7	1684453	1	Lift Cylinder Assy - Lower E/M400A Models (SN 0300086022 through 0300189901)	
7	1683939	1	Lift Cylinder Assy - Lower E/M400AJP Models (Prior to SN 0300091053)	
7	1684451	1	Lift Cylinder Assy - Lower E/M400AJP Models (SN 0300091053 through 0300189901)	
8		Ref	Lift Cylinder Assy - Mid Options (See CYLINDER SECTION for Breakdown):	
8	1683713	1	Lift Cylinder Assy - Mid E/M450A Models (Prior to SN 0300058843)	
8	1684057	1	Lift Cylinder Assy - Mid E/M450A Models (SN 0300058843 through 0300091052)	
8	1684493	1	Lift Cylinder Assy - Mid E/M450A Models (SN 0300091053 through 0300189898)	
8	1683825	1	Lift Cylinder Assy - Mid E/M450AJ Models (Prior to SN 0300056571)	
8	1683942	1	Lift Cylinder Assy - Mid E/M450AJ Models (SN 0300056571 through 0300086021)	
8	1684452	1	Lift Cylinder Assy - Mid E/M450AJ Models (SN 0300086022 through 0300189898)	
8	1684027	1	Lift Cylinder Assy - Mid E/M400A Models (Prior to SN 0300080496)	
8	1684447	1	Lift Cylinder Assy - Mid E/M400A Models (SN 0300080496 through 0300086021)	
8	1684454	1	Lift Cylinder Assy - Mid E/M400A Models (SN 0300086022 through 0300189901)	
8	1683942	1	Lift Cylinder Assy - Mid E/M400AJP Models (Prior to SN 0300091053)	
8	1684452	1	Lift Cylinder Assy - Mid E/M400AJP Models (SN 0300091053 through 0300189901)	
9		Ref	Lift Cylinder Assembly - Upper Options (See CYLINDER SECTION for Breakdown):	
9	1683708	1	Lift Cylinder Assembly - Upper E/M450A Models (Prior to SN 0300058843)	
9	1684061	1	Lift Cylinder Assembly - Upper E/M450A Models (SN 0300058843 through 0300189898)	
9	1683813	1	Lift Cylinder Assembly - Upper E/M450AJ Models (Prior to SN 0300056571)	
9	1683945	1	Lift Cylinder Assembly - Upper E/M450AJ Models (SN 0300056571 through 0300189898)	
9	1684033	1	Lift Cylinder Assembly - Upper E/M400A Models (Prior to SN 0300073768)	
9	1684061	1	Lift Cylinder Assembly - Upper E/M400A Models (SN 0300073768 through 0300189901)	
9	1683945	1	Lift Cylinder Assembly - Upper E/M400AJP Models	
10		Ref	Master Cylinder Assembly Options (See CYLINDER SECTION for Breakdown):	
10		Ref	Master Cylinder Assembly E/M450A Models Options:	
10	1683325	1	Master Cylinder Assembly (Prior to SN 0300056894)	
10	1683932	NLA	Master Cylinder Assembly (use p/n 1001140597) (SN 0300056894 through 0300165127)	
10	1001140597	1	Master Cylinder Assembly (SN 0300165128 through 0300189898)	

SECTION 3 - BOOM

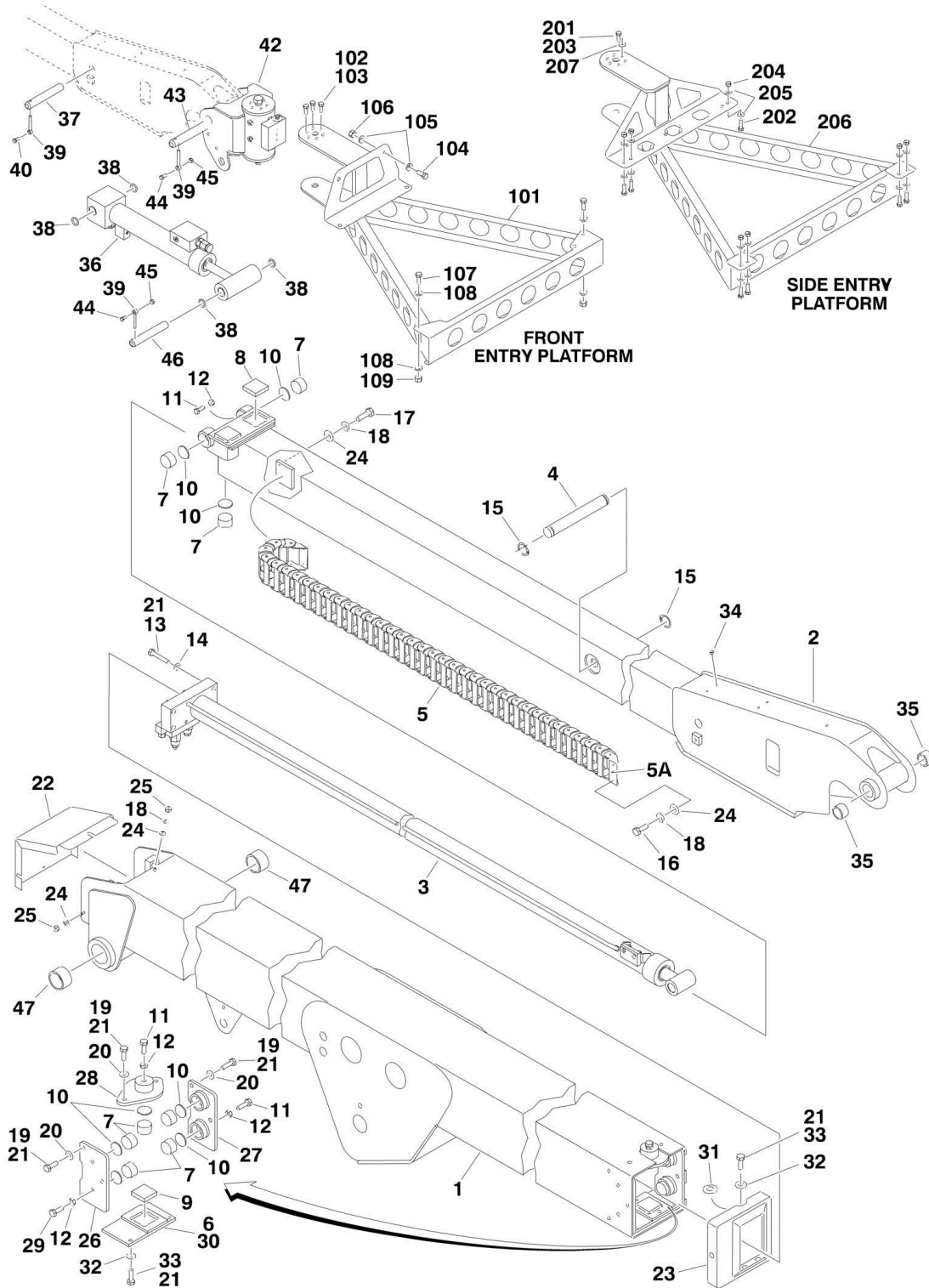
ITEM	PART NUMBER	QTY	DESCRIPTION	REV
10		Ref	Master Cylinder Assembly E/M450AJ Models Options:	
10	1683923	NLA	Master Cylinder Assembly (use p/n 1001140278) (Prior to SN 0300163453)	
10	1001140278	1	Master Cylinder Assembly (SN 0300163453 through 0300189898)	
10		Ref	Master Cylinder Assembly E/M400A Models Options:	
10	1683932	NLA	Master Cylinder Assembly (use p/n 1001140597) (Prior to SN 0300165128)	
10	1001140597	1	Master Cylinder Assembly (SN 0300165128 through 0300189901)	
10		Ref	Master Cylinder Assembly E/M400AJP Models Options:	
10	1683923	NLA	Master Cylinder Assembly (use p/n 1001140278) (Prior to SN 0300163453)	
10	1001140278	1	Master Cylinder Assembly (SN 0300163453 through 0300189901)	
11		Ref	Pin Options:	
11	3422175	3	Pin E/M450 Models	
11	3422175	3	Pin E/M400A Models	
11	3422481	3	Pin E/M400AJP Models	
12		Ref	Pin Options:	
12	3422176	2	Pin E/M450 Models	
12	3422176	2	Pin E/M400A Models	
12	3422845	2	Pin E/M400AJP Models	
13		Ref	Pin Options:	
13	3422177	9	Pin E/M450 Models	
13	3422177	9	Pin E/M400A Models	
13	3422177	9	Pin E/M400AJP Models (Prior to SN 0300064627)	
13	3422480	9	Pin E/M400AJP Models (SN 0300064627 through 0300189901)	
14		Ref	Pin Options:	
14	3422178	1	Pin E/M450 Models	
14	3422178	1	Pin E/M400A Models	
14	3422844	1	Pin E/M400AJP Models	
15		Ref	Pin Options:	
15	3422179	1	Pin E/M450A Models	
15	3422179	1	Pin E/M400A Models	
15	3422806	1	Pin E/M450AJ & E/M400AJP Models	
16		Ref	Pin Options:	
16	3422180	1	Pin E/M450A Models	
16	3422180	1	Pin E/M400A Models	
16	3422582	1	Pin E/M450AJ & E/M400AJP Models	
17	4844467	1	Boom Rest Weldment	
18	0561076	1	Block, Boom Rest	
19	3841203	AR	Keeper, Pin - 1/2in	
20	3841143	AR	Keeper, Pin - 3/8in	
21	3780184	30	O-Ring - 2in (E450, M450, E450AJ & M450AJ Only) (Prior to SN 0300058843)	
22	3780181	4	O-Ring - 1in (E450 & M450 Only) (Prior to SN 0300058843)	
23	3020022	AR	Grease Only (Prior to SN 0300058843)	
24	0641506	4	Bolt 5/16in-18NC x 3/4in (Prior to SN 0300093848)	
25	3311505	4	Locknut 5/16in-18NC (Prior to SN 0300093848)	
26	0641608	AR	Bolt 3/8in-16NC x 1in	
27	0641610	AR	Bolt 3/8in-16NC x 1-1/4in	

SECTION 3 - BOOM

ITEM	PART NUMBER	QTY	DESCRIPTION	REV
28	4751600	AR	Flatwasher 5/16in	
30	3311605	3	Locknut 3/8in-16NC	
31	0641812	3	Bolt 1/2in-13NC x 1-1/2in	
32	0940048	1	Bumper	
33	0641806	AR	Bolt 1/2in-13NC x 3/4in	
35	3311805	AR	Locknut 1/2in-13NC	
40		Ref	Tube	
40	4566356	AR	Tube E450 & E450	
40	4566427	AR	Tube E400 & M400	
42	4751500	AR	Flatwasher 5/16in	
44	0100011	AR	Compound, Locking	
45	0641810	12	Bolt 1/2in-13NC x 1-1/4in	
46	4846091	1	Rest, Boom (450AJ & 400AJP Models Only) (Prior to SN 0300084057)	
47		Ref	Teflon Bushing Options:	
47	0961726	16	Teflon Bushing E/M450 Models (Prior to SN 0300056571)	
47	0961950	16	Teflon Bushing E/M450 Models (SN 0300056571 through 0300189898)	
47	0961950	16	Teflon Bushing E/M400 Models	

SECTION 3 - BOOM

FIGURE 3-2. E/M450A & E/M400A MAIN BOOM ASSEMBLY AND PLATFORM SUPPORT INSTALLATION



SECTION 3 - BOOM

FIGURE 3-2. E/M450A & E/M400A MAIN BOOM ASSEMBLY AND PLATFORM SUPPORT INSTALLATION

ITEM	PART NUMBER	QTY	DESCRIPTION	REV
		Ref	MAIN BOOM ASSEMBLY	
	0801169	Ref	Main Boom Assembly E/M450A Models	D
	0270725	Ref	Main Boom Assembly E/M400A Models	D
1		Ref	Base Weldment Options:	
1	0800584	1	Base Weldment E/M450A Models (Prior to SN 0300056571)	
1	0801261	1	Base Weldment E/M450A Models (SN 0300056571 through 0300189898)	
1	0801263	1	Base Weldment E/M400A Models	
2		Ref	Fly Weldment Options:	
2	0801154	1	Fly Weldment E/M450A Models	
2	0801267	1	Fly Weldment E/M400A Models	
3		Ref	Telescope Cylinder Assembly Options (See CYLINDER SECTION for Breakdown):	
3		Ref	Telescope Cylinder Assembly E/M450A Models Options:	
3	1683704	1	Telescope Cylinder Assembly (Prior to SN 0300175016)	
3	1001151414	1	Telescope Cylinder Assembly (SN 0300175016 through 0300189898)	
3		Ref	Telescope Cylinder Assembly E/M400A Models Options:	
3	1684030	1	Telescope Cylinder Assembly (Prior to SN 0300175016)	
3	1001151497	1	Telescope Cylinder Assembly (SN 0300175016 through 0300189901)	
4		Ref	Pin Options:	
4	3422185	1	Pin (Prior to SN 0300067313)	
4	3422901	1	Pin (E/M400A) (SN 0300067313 through 0300189901)	
4	3422901	1	Pin (E/M450A) (SN 0300067313 through 0300189898)	
5	1180302	1	Powertrack Assembly	
5	7019698	1	Link, Repair	
5A	7019699	1	Feet, Mounting	
6	4844579	1	Holder, Wear Pad	
7	3340663	8	Pad, Wear (Base Front Top and Sides/Fly Rear Sides and Bottom)	
8	3340820	2	Pad, Wear (Fly Rear Top)	
9	3340682	1	Pad, Wear (Base Front Bottom)	
10	1760160	8	Disc	
11	0630487	6	Bolt, Special	
12	3311602	8	Nut, Jam 3/8in-16NC	
13	0641818	4	Bolt 1/2in-13NC x 2-1/4in	
14	4761800	4	Lockwasher 1/2in	
15	3760115	2	Ring, Snap	
16	0641405	2	Bolt 1/4in-20NC x 5/8in	
17	0641404	2	Bolt 1/4in-20NC x 1/2in	
18	4761400	7	Lockwasher 1/4in	
19	0641606	7	Bolt 3/8in-16NC x 3/4in	
20	4761600	7	Lockwasher 3/8in	
21	0100011	AR	Compound, Locking	
22	1670678	1	Cover, Boom (Use p/n 1670679) (Prior to SN 0300137414)	
23	1670698	1	Cover, Boom	
24	4751400	7	Flatwasher 1/4in	
25	3311401	3	Nut 1/4in-20NC	
26	1220038	1	Holder, Wear Pad (Base Front Left Sides)	

SECTION 3 - BOOM

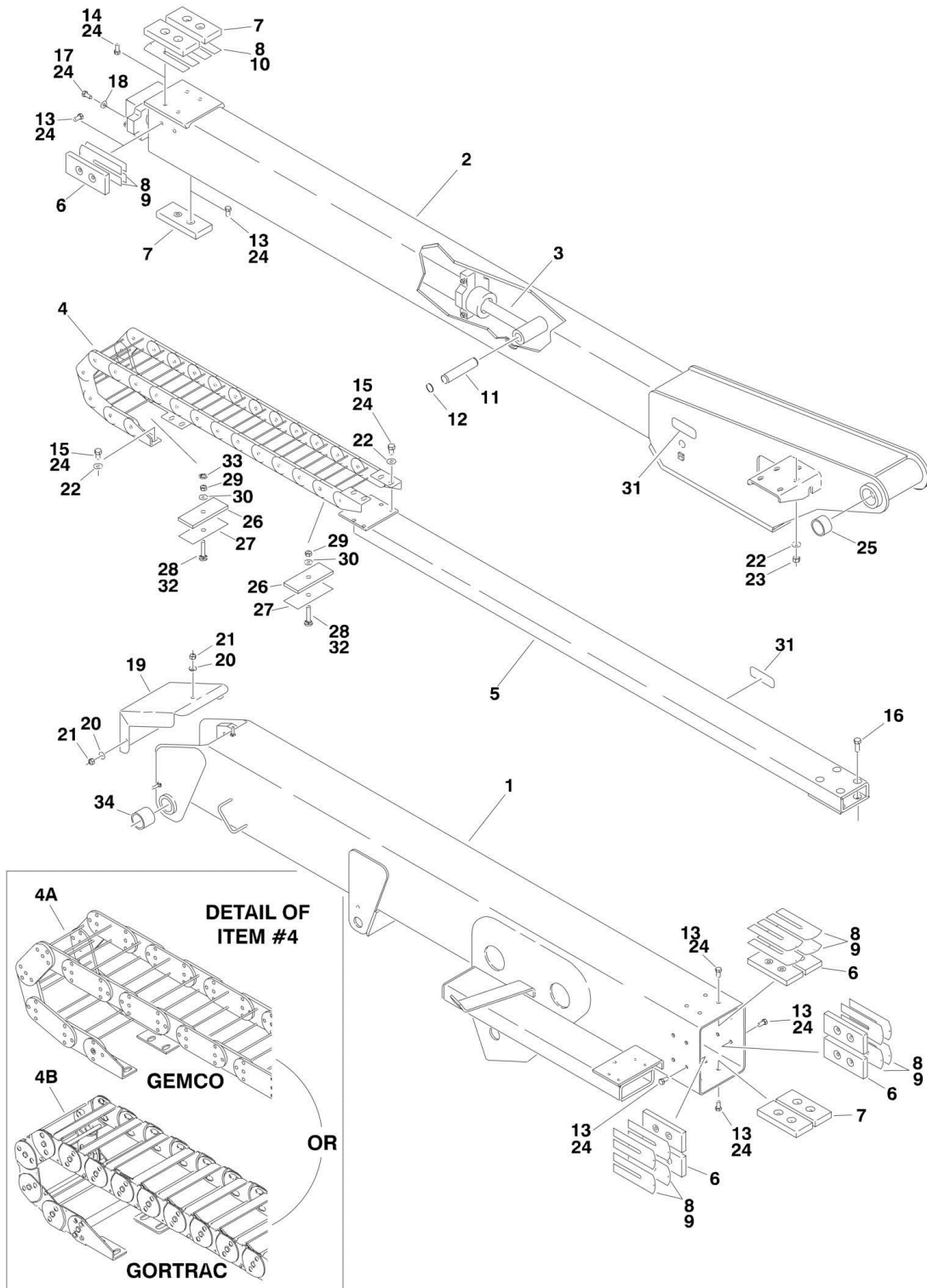
ITEM	PART NUMBER	QTY	DESCRIPTION	REV
27	1220039	1	Holder, Wear Pad (Base Front Right Side)	
28	1220040	1	Holder, Wear Pad (Base Front Top)	
29	0630399	2	Bolt, Special	
30	0100009	AR	Silicone	
31	4740413	5	Washer, Spacer	
32	4751600	5	Flatwasher 3/8in	
33	0641608	5	Bolt 3/8in-16NC x 1in	
34	3520034	4	Plug, Hole	
35	0961951	2	Bearing, Garmax	
36		Ref	Cylinder Assembly Options (See CYLINDER SECTION for Breakdown):	
36		Ref	Cylinder Assembly E/M450A Models Options:	
36	1683285	1	Cylinder Assembly (Prior to SN 0300056894)	
36	1683933	NLA	Cylinder Assembly (use p/n 1001140598) (SN 0300056894 through 0300165127)	
36	1001140598	1	Cylinder Assembly (SN 0300165128 through 0300189898)	
36		Ref	Cylinder Assembly E/M400A Models Options:	
36	1683933	NLA	Cylinder Assembly (use p/n 1001140598) (Prior to SN 0300165128)	
36	1001140598	1	Cylinder Assembly (SN 0300165128 through 0300189901)	
37	3422181	1	Shaft, Pin	
38	3780181	4	O-Ring (1in) (Prior to SN 0300103057)	
39	3841143	3	Keeper	
40	0641607	1	Bolt 3/8in-16NC x 7/8in	
42	0060052	1	Rotator Assembly (See ROTATOR ASSEMBLY for Breakdown)	
43	3422709	1	Shaft, Pin	
44	0641608	2	Bolt 3/8in-16NC x 1in	
45	3311605	2	Locknut 3/8in-16NC	
46	3422180	1	Shaft, Pin	
47	0961950	2	Bearing	
		Ref	PLATFORM ROTATOR AND SUPPORT INSTALLATION (FRONT ENTRY PLATFORM)	
	0259754	Ref	E450A & M450A Models (Australian Spec) (Prior to SN 0300063775)	3-C
	0259439	Ref	E400A & M400A Models (Australian Spec)	E
	0270702	Ref	E/M400A & E/M450A Models (CE Spec) (Prior to SN 0300063775)	2-B
	0259439	Ref	E/M400A Models (CE/Australian Specs) (SN 0300063775 through 0300189901)	E
	0259439	Ref	E/M450A Models (CE/Australian Specs) (SN 0300063775 through 0300189898)	E
101	4846322	1	Weldment, Support	
102	0681608	6	Bolt 3/8in-16NC x 1in (Grade 8)	
103	0100011	AR	Compound, Locking	
104	0641407	2	Bolt 1/4in-20NC x 7/8in	
105	4740362	4	Washer, Fender	
106	3311405	2	Nut 1/4in-20NC	
107	0641610	6	Bolt 3/8in-16NC x 1-1/4in	
108	4711600	18	Flatwasher	
109	3311605	6	Locknut 3/8in-16NC	
		Ref	PLATFORM ROTATOR AND SUPPORT INSTALLATION (SIDE ENTRY PLATFORM)	
	0272976	Ref	E450A & M450A without Load Sensing	A

SECTION 3 - BOOM

ITEM	PART NUMBER	QTY	DESCRIPTION	REV
	See Note	Ref	E450A & M450A with Load Sensing (Note: See Separate Breakdown in this Section)	
201	0100011	AR	Compound, Locking	
202	0641610	8	Bolt 3/8in-16NC x 1-1/4in	
203	0681608	6	Bolt 3/8in-16NC x 1in (Grade 8)	
204	3311605	8	Locknut 3/8in-16NC	
205	4711600	16	Flatwasher 3/8in	
206		Ref	Weldment, Support Options:	
206	4846608	1	Weldment, Support E450A & E450A without Load Sensing	
206	See Note Above	1	Weldment, Support E450A & M450A with Load Sensing	
207	4891600	6	Flatwasher 3/8in (Hardened)	

SECTION 3 - BOOM

FIGURE 3-3. E/M450AJ MAIN BOOM ASSEMBLY



SECTION 3 - BOOM

FIGURE 3-3. E/M450AJ MAIN BOOM ASSEMBLY

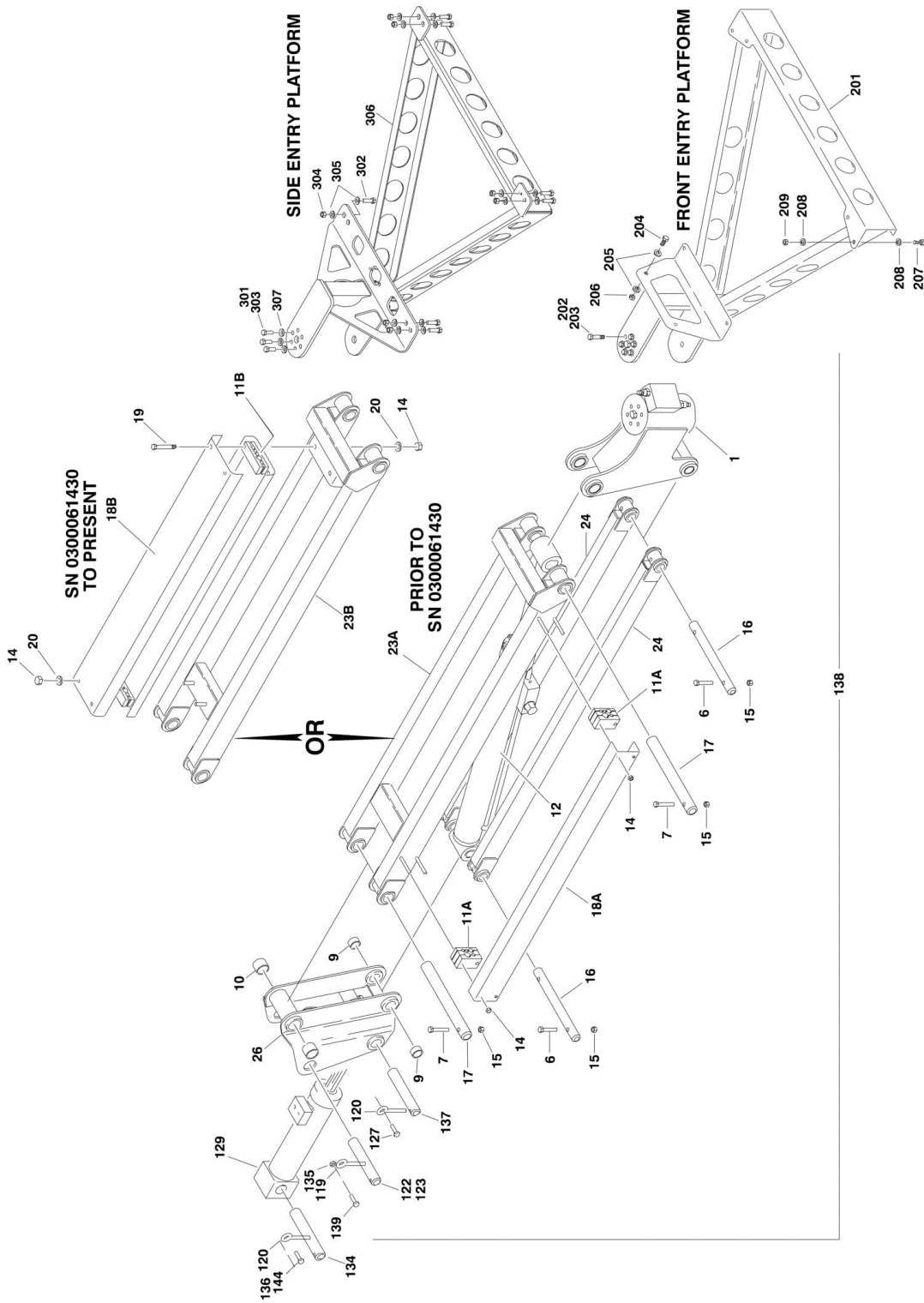
ITEM	PART NUMBER	QTY	DESCRIPTION	REV
	0801197	Ref	MAIN BOOM ASSEMBLY	J
1		Ref	Base Weldment Options:	
1	0801198	1	Base Weldment (Prior to SN 0300056571)	
1	0801260	1	Base Weldment (SN 0300056571 through 0300189898)	
2	0801192	1	Fly Weldment	
3		Ref	Telescope Cylinder Assembly Options (See CYLINDER SECTION for Breakdown):	
3	1683798	1	Telescope Cylinder Assembly (Prior to SN 0300175016)	
3	1001151368	1	Telescope Cylinder Assembly (SN 0300175016 through 0300189898)	
4		Ref	Powertrack Assembly Options:	
		Ref	Note: Various Power Tracks use on this model. Identify brand before ordering parts.	
4A	1180352	NLA	Powertrack (Gemco) (Use p/n 1001099833) (Prior to SN 0300135622)	
4A	7006139	AR	1ft Repair Section (Includes 1ft Section, 4 Rod Carriers, Pins and Mounting Slugs)	
4A	7006151	AR	Feet, Mounting (Includes Left and Right Mounting Feet and 2 Round Spacers)	
4A	7006152	AR	Pin Kit (Includes 1 Pin, 4 Washers and 1 Retaining Ring)	
4B	1001099833	1	Powertrack (Gortrac) (SN 0300135622 through 0300189898)	
4B	70001996	1	2ft Repair Section (Includes 4 links, 10 pins, 10 washers, 10 snap rings, 2 Rod Carriers and 4 self-tapping screws)	
4B	70001998	1	Bracket Kit (Includes 2 Left and 2 Right Mounting Feet, 4 center pins, 4 center pin snap rings, 8 pins for bracket lockout, 8 washers and 8 snap rings)	
5	4846033	1	Pushtube Weldment	
6	3340756	8	Pad, Wear (Base Front Top and Sides/Fly Rear Sides) (Use p/n 3340881)	
7	3340837	5	Pad, Wear (Base Bottom/Fly Rear Top and Bottom)	
8	4070897	10	Shim 18 Gauge	
9	4070898	8	Shim 16 Gauge	
10	4070982	2	Shim 11 Gauge	
11	3422804	1	Pin	
12	3760115	2	Ring, Snap	
13	0641606	22	Bolt 3/8in-16NC x 3/4in	
14	0641607	4	Bolt 3/8in-16NC x 7/8in	
15	0641605	8	Bolt 3/8in-16NC x 5/8in	
16	0641608	4	Bolt 3/8in-16NC x 1in	
17	0641818	4	Bolt 1/2in-13NC x 2-1/4in	
18	4761800	4	Lockwasher 1/2in	
19	1670678	1	Cover, Boom (Use p/n 1670679) (Prior to SN 0300137414)	
20	4761400	3	Lockwasher 1/4in	
21	3311401	3	Nut 1/4in-20NC	
22	4711600	12	Flatwasher 3/8in	
23	3311605	4	Locknut 3/8in-16NC	
24	0100011	AR	Compound, Locking	
25	0961948	AR	Bearing, Garmax	
26		Ref	Plate, Clamp Options:	
26	3570958	3	Plate, Clamp (SN 0300057118 through 0300135621)	
26	1001106757	3	Plate, Clamp (SN 0300135622 through 0300189898)	
27		Ref	Pad, Rubber Options:	

SECTION 3 - BOOM

ITEM	PART NUMBER	QTY	DESCRIPTION	REV
27	Not Required	0	Pad, Rubber (Prior to SN 0300057118)	
27	3340859	2	Pad, Rubber (SN 0300057118 through 0300074607)	
27	3340940	2	Pad, Rubber (SN 0300074608 through 0300135621)	
27	3340939	2	Pad, Rubber (SN 0300135622 through 0300189898)	
28	0630401	2	Bolt, Carriage 5/16in-18NC x 2in (SN 0300057118 through 0300189898)	
29	3311505	2	Locknut 5/16in-18NC (SN 0300057118 through 0300189898)	
30	4711500	2	Flatwasher 5/16in Narrow (SN 0300057118 through 0300189898)	
31	4060804	15 in/38cm	Flex-Trim	
32	0100081	AR	Adhesive	
33	1001119228	1	Push Nut, M8 (SN 0300175016 through 0300189898)	
34	0961726	2	Bearing (Prior to SN 0300056571)	
34	0961950	2	Bearing (SN 030056571 through 0300189898)	

SECTION 3 - BOOM

FIGURE 3-4. E/M450AJ JIB AND PLATFORM SUPPORT AND ROTATOR INSTALLATION



SECTION 3 - BOOM

FIGURE 3-4. E/M450AJ JIB AND PLATFORM SUPPORT AND ROTATOR INSTALLATION

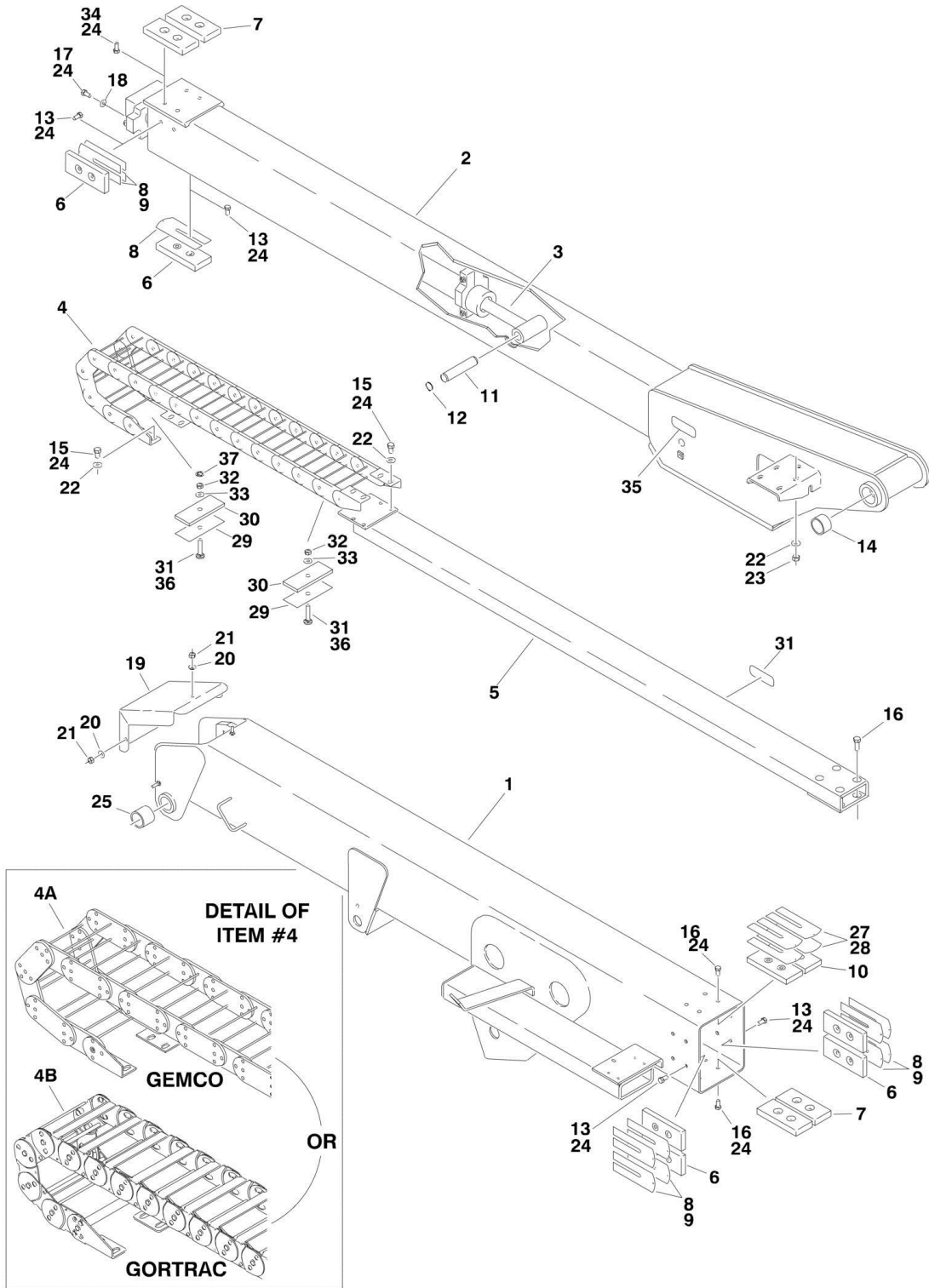
ITEM	PART NUMBER	QTY	DESCRIPTION	REV
		Ref	JIB ASSEMBLIES	
	0259440	Ref	Jib Assemblies E/M450AJ (Prior to SN 0300061430)	D
	0270400	Ref	Jib Assemblies E/M450AJ (SN 0300061430 through 0300189898)	F
1	0060044	1	Rotator Assembly (See ROTATOR ASSEMBLY for Breakdown)	
6	0641616	4	Bolt 3/8in-16NC x 2in	
7	0641618	2	Bolt 3/8in-16NC x 2-1/4in	
8	0641810	AR	Bolt 1/2in-13NC x 1-1/4in	
9		Ref	Bushing, Garmax Options:	
9	0961947	AR	Bushing, Garmax (Prior to SN 0300144003)	
9	0962292	AR	Bushing, Garmax (SN 0300144003 through 0300189898)	
10	0961951	2	Bushing, Garmax	
11		Ref	Clamp, Block Options:	
11A	1320259	2	Clamp, Block (Prior to SN 0300061430)	
11B	3340860	4	Clamp, Block (SN 0300061430 through 0300189898)	
12		Ref	Jib Cylinder Assembly Options (See CYLINDER SECTION for Breakdown):	
12	1683779	1	Jib Cylinder Assembly (Prior to SN 0300164333)	
12	1001140280	1	Jib Cylinder Assembly (SN 0300164333 through 0300189898)	
14	3311501	AR	Nut 5/16in-18NC	
15	3311605	12	Locknut 3/8in-16NC	
16	3422791	2	Pin	
17	3422794	2	Pin	
18		Ref	Plate, Jib Cover Options:	
18A	3571406	1	Plate, Jib Cover (Prior to SN 0300061430)	
18B	3572551	2	Plate, Jib Cover (SN 0300061430 through 0300189898)	
19	0641516	2	Bolt 5/16in-18NC x 2in Only (SN 0300061430 through 0300189898)	
20	4751500	4	Flatwasher 5/16in (Wide Only) (SN 0300061430 through 0300189898)	
23		Ref	Link Options: (Upper)	
23A	4845926	1	Link (Prior to SN 0300061430)	
23B	4846278	1	Link (SN 0300061430 through 0300189898)	
24	4845927	2	Link (Lower) (Use p/n 1001094670)	
26	4845925	1	Pivot	
		Ref	SUPPORT AND ROTATOR ASSEMBLY	
	0259366	Ref	Support and Rotator Assembly E/M450AJ	H
119	3841203	1	Keeper, Pin	
120	3841143	2	Keeper, Pin	
122	3422793	1	Pin	
123	3020022	AR	Grease	
127	0641610	1	Bolt 3/8in-16NC x 1-1/4in	
129		Ref	Platform Level Cylinder Assembly Options (See CYLINDER SECTION for Breakdown):	
129	1683760	1	Platform Level Cylinder Assembly E/M450AJ (Prior to SN 0300056571)	
129	1683924	1	Platform Level Cylinder Assembly E/M450AJ (use p/n 1001140279) (SN 0300056571 through 0300163452)	
129	1001140279	1	Platform Level Cylinder Assembly E/M450AJ (SN 0300163453 through 0300189898)	
134	3422669	1	Pin	

SECTION 3 - BOOM

ITEM	PART NUMBER	QTY	DESCRIPTION	REV
135	3311805	1	Locknut 1/2in-13NC	
136	0641607	1	Bolt 3/8in-16NC x 7/8in	
137	3422792	1	Pin	
138		Ref	Jib Assembly Options (Includes Items 1-27):	
138	0259440	1	Jib Assembly E/M450AJ (Prior to SN 0300061430)	
138	0270400	1	Jib Assembly E/M450AJ (SN 0300061430 through 0300189898)	
139	0641809	1	Bolt 1/2in-13NC x 1-1/8in	
144	0100011	AR	Compound, Locking	
		Ref	PLATFORM ROTATOR AND SUPPORT INSTALLATION (FRONT ENTRY PLATFORM)	
	0259754	Ref	E450AJ & M450AJ Models (Australian Spec) (Prior to SN 0300063775)	3/C
	0270702	Ref	E/M450AJ Models (CE Spec) (Prior to SN 0300063775)	2/B
	0259439	Ref	E/M450AJ Models (CE/Australian Specs) (SN 0300063775 through 0300189898)	E
201	4846322	1	Weldment, Support	
202	0681608	6	Bolt 3/8in-16NC x 1in (Grade 8)	
203	0100011	AR	Compound, Locking	
204	0641407	2	Bolt 1/4in-20NC x 7/8in	
205	4740362	4	Washer, Fender	
206	3311405	2	Nut 1/4in-20NC	
207	0641610	6	Bolt 3/8in-16NC x 1-1/4in	
208	4711600	18	Flatwasher	
209	3311605	6	Locknut 3/8in-16NC	
		Ref	PLATFORM ROTATOR AND SUPPORT INSTALLATION (SIDE ENTRY PLATFORM)	
	0272976	Ref	E/M450AJ without Load Sensing	A
	See Note	Ref	E/M450AJ with Load Sensing (Note: See Separate Breakdown in this Section)	
301	0100011	AR	Compound, Locking	
302	0641610	8	Bolt 3/8in-16NC x 1-1/4in	
303	0681608	6	Bolt 3/8in-16NC x 1in (Grade 8)	
304	3311605	8	Locknut 3/8in-16NC	
305	4711600	16	Flatwasher 3/8in	
306		Ref	Weldment, Support Options:	
306	4846608	1	Weldment, Support E/M450AJ without Load Sensing	
306	See Note Above	1	Weldment, Support E/M450AJ with Load Sensing	
307	4891600	6	Flatwasher 3/8in Hardened	

SECTION 3 - BOOM

FIGURE 3-5. E/M400AJP MAIN BOOM ASSEMBLY



SECTION 3 - BOOM

FIGURE 3-5. E/M400AJP MAIN BOOM ASSEMBLY

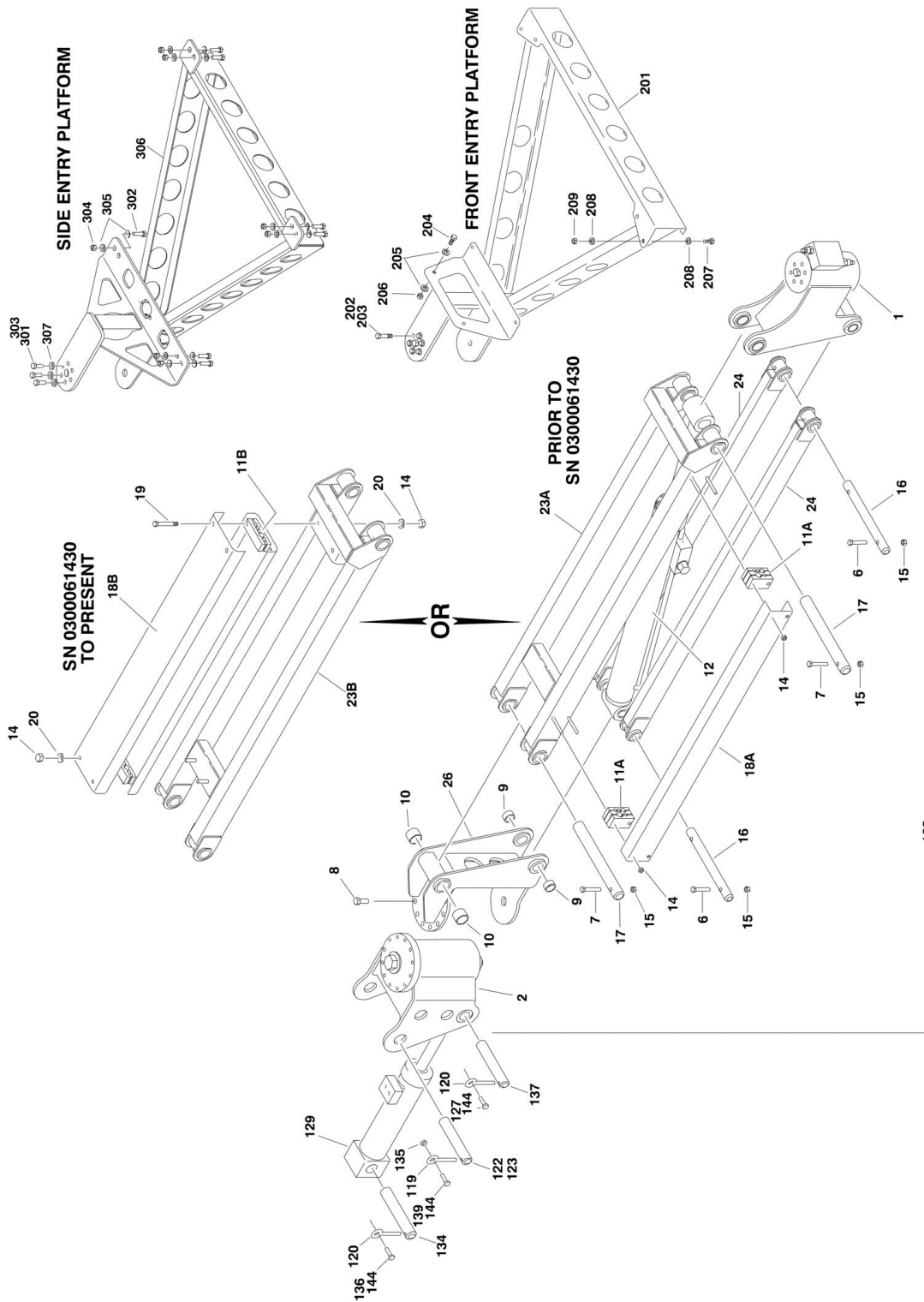
ITEM	PART NUMBER	QTY	DESCRIPTION	REV
	0801225	Ref	MAIN BOOM ASSEMBLY	I
1	0801224	1	Base Weldment	
2	0801226	1	Weldment, Fly Boom	
3	1683911	1	Cylinder, Telescope (See CYLINDER SECTION for Breakdown)	
4		Ref	Carrier, Power Track Options:	
		Ref	Note: Various Power Tracks use on this model. Identify brand before ordering parts.	
4A	1180353	NLA	Powertrack (Gemco) (Use p/n 1001099834) (Prior to SN 0300135622)	
4A	7006139	AR	1ft Repair Section (Includes 1ft Section, 4 Rod Carriers, Pins and Mounting Slugs)	
4A	7006151	AR	Feet, Mounting (Includes Left and Right Mounting Feet and 2 Round Spacers)	
4A	7006152	AR	Pin Kit (Includes 1 Pin, 4 Washers and 1 Retaining Ring)	
4B	1001099834	1	Powertrack (Gortrac) (SN 0300135622 through 0300189901)	
4B	70001996	1	2ft Repair Section (Includes 4 links, 10 pins, 10 washers, 10 snap rings, 2 Rod Carriers and 4 self-tapping screws)	
4B	70001998	1	Bracket Kit (Includes 2 Left and 2 Right Mounting Feet, 4 center pins, 4 center pin snap rings, 8 pins for bracket lockout, 8 washers and 8 snap rings)	
5	4846180	1	Weldment, Push Tube	
6	3340878	10	Pad, Wear	
7	3340884	4	Pad, Wear	
8	4070864	12	Shim 18 Gauge	
9	4070863	8	Shim 11 Gauge	
10	3340886	2	Pad, Wear	
11	3422804	1	Pin	
12	3760115	2	Ring, Retaining	
13	0641606	30	Bolt 3/8in-16NC x 3/4in	
14	0961948	2	Bearing	
15	0641605	8	Bolt 3/8in-16NC x 5/8in	
16	0641608	16	Bolt 3/8in-16NC x 1in	
17	0641818	4	Bolt 1/2in-13NC x 2-1/4in	
18	4761800	4	Lockwasher 1/2in	
19	1670959	1	Cover	
20	4761400	3	Lockwasher 1/4in	
21	3311401	3	Nut 1/4in-20NC	
22	4711600	12	Flatwasher 3/8in	
23	3311605	4	Locknut 3/8in-16NC	
24	0100011	AR	Compound, Locking	
25	0961950	2	Bearing	
26	3520082	2	Plug (Not Shown)	
27	4070997	2	Shim 16 Gauge	
28	4070998	2	Shim 18 Gauge	
29		Ref	Plate, Clamp Options:	
29	3570958	3	Plate, Clamp (SN 0300057118 through 0300135621)	
29	1001106757	3	Plate, Clamp (SN 0300135622 through 0300189901)	
30		Ref	Pad, Rubber Options:	
30	Not Required	0	Pad, Rubber (Prior to SN 0300057118)	
30	3340859	2	Pad, Rubber (SN 0300057118 through 0300074607)	
30	3340940	2	Pad, Rubber (SN 0300074608 through 0300135621)	

SECTION 3 - BOOM

ITEM	PART NUMBER	QTY	DESCRIPTION	REV
30	3340939	2	Pad, Rubber (SN 0300135622 through 0300189901)	
31	0630401	2	Bolt, Carriage 5/16in-18NC x 2in (SN 0300057118 through 0300189901)	
32	3311505	2	Locknut 5/16in-18NC (SN 0300057118 through 0300189901)	
33	4711500	2	Flatwasher 5/16in Narrow (SN 0300057118 through 0300189901)	
34		Ref	Screw, Countersunk 3/8in-16NC Options:	
34	0741608	6	Screw, Countersunk 3/8in-16NC x 1in	
34	0741606	6	Screw, Countersunk 3/8in-16NC x 3/4in	
35	4060804	15 in/38cm	Flex-Trim	
36	0100081	AR	Adhesive	
37	1001119228	1	Push Nut, M8 (SN 0300175016 through 0300189901)	

SECTION 3 - BOOM

FIGURE 3-6. E/M400AJP JIB AND PLATFORM SUPPORT AND ROTATOR INSTALLATION



SECTION 3 - BOOM

FIGURE 3-6. E/M400AJP JIB AND PLATFORM SUPPORT AND ROTATOR INSTALLATION

ITEM	PART NUMBER	QTY	DESCRIPTION	REV
		Ref	JIB ASSEMBLIES	
	0259441	Ref	Jib Assemblies E/M400AJP (Prior to SN 0300061430)	E
	0270402	Ref	Jib Assemblies E/M400AJP (SN 0300061430 through 0300064957)	C
	0271649	Ref	Jib Assemblies E/M400AJP (SN 03000 64958 through 0300189901)	C
1	0060044	1	Rotator Assembly (Jib to Platform Support) (See ROTATOR ASSEMBLY for Breakdown)	
2		Ref	Rotator Assembly (Main Boom to Jib) Options (See ROTATOR ASSEMBLY for Breakdown):	
2	0060046	1	Rotator Assembly E/M400AJP (Prior to SN 0300064958)	
2	0060065	1	Rotator Assembly E/M400AJP (SN 0300064958 through 0300189901)	
6	0641616	4	Bolt 3/8in-16NC x 2in	
7	0641618	2	Bolt 3/8in-16NC x 2-1/4in	
8		Ref	Bolt 1/2in Options:	
8	0641810	AR	Rotator Assembly E/M400AJP (Prior to SN 0300064958)	
8	3931816	AR	Rotator Assembly E/M400AJP (SN 0300064958 through 0300189901)	
9		Ref	Bushing, Garmax Options:	
9	0961947	AR	Bushing, Garmax (Prior to SN 0300144003)	
9	0962292	AR	Bushing, Garmax (SN 0300144003 through 0300189901)	
10	0961951	2	Bushing, Garmax	
11		Ref	Clamp, Block Options:	
11A	1320259	2	Clamp, Block (Prior to SN 0300061430)	
11B	3340860	4	Clamp, Block (SN 0300061430 through 0300189901)	
12	1683779	NLA	Jib Cylinder Assembly, (Use p/n 1001140280) (See CYLINDER SECTION for Breakdown)	
14	3311501	AR	Nut 5/16in-18NC	
15	3311605	12	Locknut 3/8in-16NC	
16	3422791	2	Pin	
17	3422794	2	Pin	
18		Ref	Plate, Jib Cover Options:	
18A	3571406	1	Plate, Jib Cover (Prior to SN 0300061430)	
18B	3572551	2	Plate, Jib Cover (SN 0300061430 through 0300189901)	
19	0641516	2	Bolt 5/16in-18NC x 2in Only (SN 0300061430 through 0300189901)	
20	4751500	4	Flatwasher 3/8in Wide Only (SN 0300061430 through 0300189901)	
23		Ref	Link Options: (Upper)	
23A	4845926	1	Link (Prior to SN 0300061430)	
23B	4846278	1	Link (SN 0300061430 through 0300189901)	
24	4845927	NLA	Link (Lower) (Use p/n 1001094670)	
26		Ref	Pivot Options:	
26	4846073	1	Pivot E/M400AJP (Prior to SN 0300064958)	
26	4846502	1	Pivot E/M400AJP (SN 0300064958 through 0300189901)	
		Ref	SUPPORT AND ROTATOR ASSEMBLY	
	0259939	Ref	Support and Rotator Assembly E/M400AJP (Prior to SN 0300064958)	4
	0271647	Ref	Support and Rotator Assembly E/M400AJP (SN 0300064958 through 0300189901)	D
119	3841203	1	Keeper, Pin	

SECTION 3 - BOOM

ITEM	PART NUMBER	QTY	DESCRIPTION	REV
120	3841143	2	Keeper, Pin	
122	3422814	1	Pin	
123	3020022	AR	Grease	
127	0641610	1	Bolt 3/8in-16NC x 1-1/4in	
129		Ref	Platform Level Cylinder Assembly Options (See CYLINDER SECTION for Breakdown):	
129	1683924	NLA	Platform Level Cylinder Assembly (Use p/n 1001140279) (Prior to SN 0300163453)	
129	1001140279	1	Platform Level Cylinder Assembly (SN 0300163453 through 0300189901)	
134	3422669	1	Pin	
135	3311805	1	Locknut 1/2in-13NC	
136	0641607	1	Bolt 3/8in-16NC x 7/8in	
137	3422792	1	Pin	
138		Ref	Jib Assembly Options (Includes Items 1-27):	
138	0259441	1	Jib Assembly E/M400AJP (Prior to SN 0300061430)	
138	0270402	1	Jib Assembly E/M400AJP (SN 0300061430 through 0300064957)	
138	0271649	1	Jib Assembly E/M400AJP (SN 0300064958 through 0300189901)	
139		Ref	Bolt Options:	
139	0641809	1	Bolt 1/2in-13NC x 1-1/8in (Prior to SN 0300093848)	
139	0641810	1	Bolt 1/2in-13NC x 1-1/4in (SN 0300093848 through 0300189901)	
144	0100011	AR	Compound, Locking	
		Ref	PLATFORM ROTATOR AND SUPPORT INSTALLATION (FRONT ENTRY PLATFORM)	
	0259439	Ref	E/M400AJP Models (Australian Spec)	E
	0270702	Ref	E/M400AJP Models (CE Spec) (Prior to SN 0300063775)	2-B
	0259439	Ref	E/M400AJP Models (CE/Australian Specs) (SN 0300063775 through 0300189901)	E
201	4846322	1	Weldment, Support	
202	0681608	6	Bolt 3/8in-16NC x 1in (Grade 8)	
203	0100011	AR	Compound, Locking	
204	0641407	2	Bolt 1/4in-20NC x 7/8in	
205	4740362	4	Washer, Fender	
206	3311405	2	Nut 1/4in-20NC	
207	0641610	6	Bolt 3/8in-16NC x 1-1/4in	
208	4711600	18	Flatwasher	
209	3311605	6	Locknut 3/8in-16NC	
		Ref	PLATFORM ROTATOR AND SUPPORT INSTALLATION (SIDE ENTRY PLATFORM)	
	0272976	Ref	E/M400AJP without Load Sensing	A
	See Note	Ref	E/M400AJP with Load Sensing (Note: See Separate Breakdown in this Section)	
301	0100011	AR	Compound, Locking	
302	0641610	8	Bolt 3/8in-16NC x 1-1/4in	
303	0681608	6	Bolt 3/8in-16NC x 1in (Grade 8)	
304	3311605	8	Locknut 3/8in-16NC	
305	4711600	16	Flatwasher 3/8in	
306		Ref	Weldment, Support Options:	
306	4846608	1	Weldment, Support E/M400AJP without Load Sensing	
306	See Note Above	1	Weldment, Support E/M400AJP with Load Sensing	

SECTION 3 - BOOM

ITEM	PART NUMBER	QTY	DESCRIPTION	REV
307	4891600	6	Flatwasher 3/8in Hardened	

SECTION 3 - BOOM

FIGURE 3-7. ROTATOR ASSEMBLY

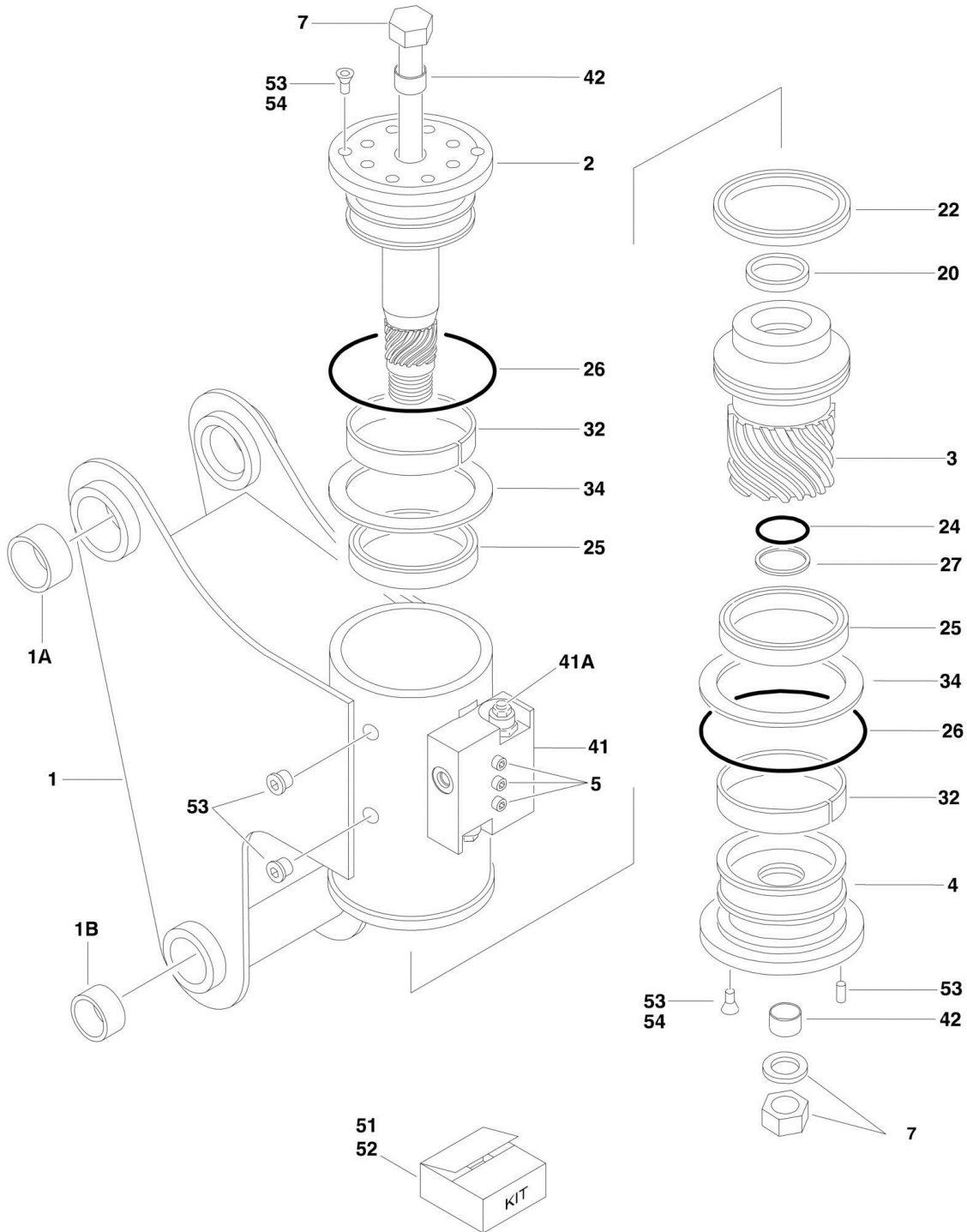


FIGURE 3-7. ROTATOR ASSEMBLY

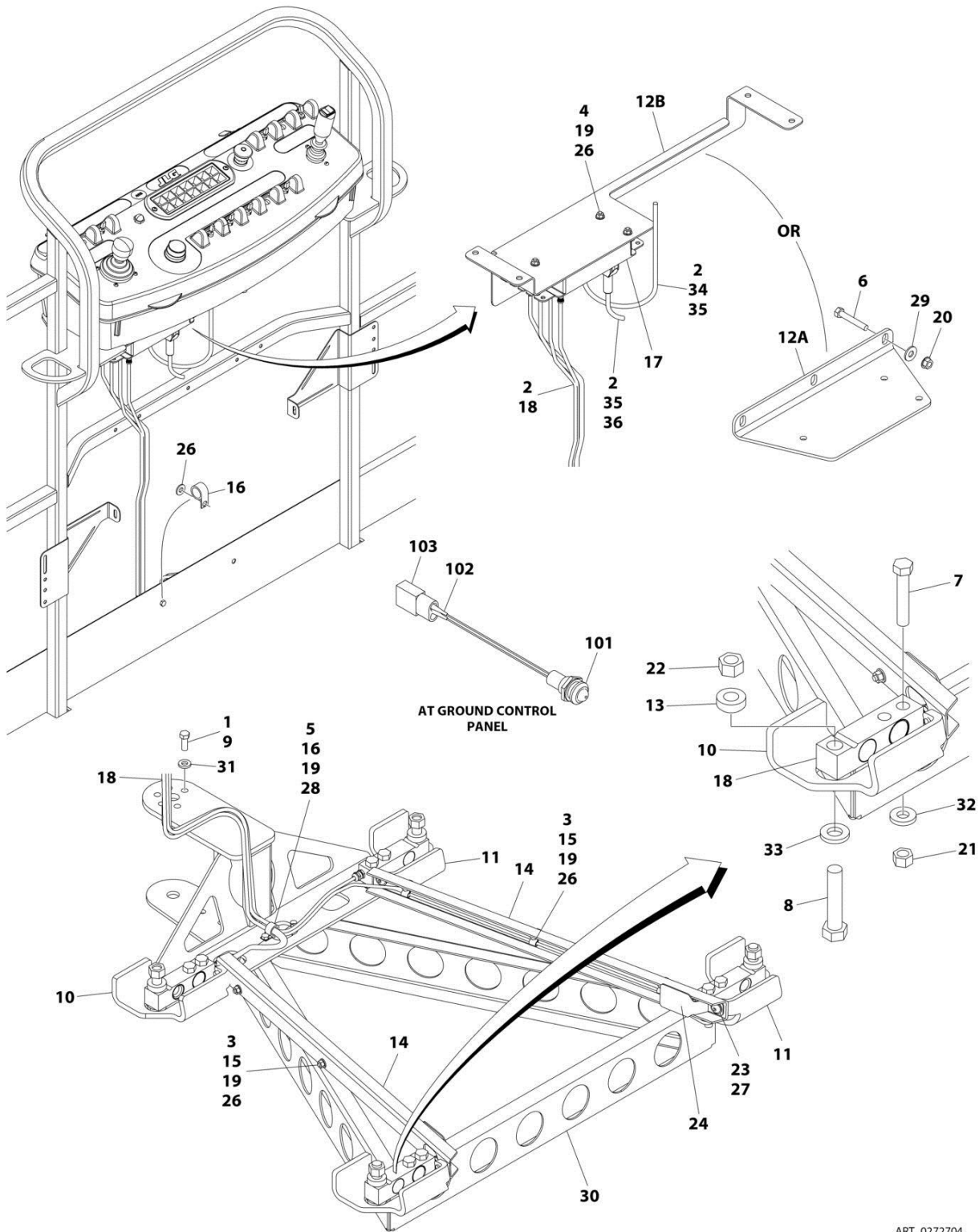
ITEM	PART NUMBER	QTY	DESCRIPTION	REV
		Ref	ROTATOR ASSEMBLIES	
	0060052	Ref	Rotator Assemblies E/M450A & E/M400A	F
	0060044	Ref	Rotator Assemblies E/M450AJ	D
	0060044	Ref	Rotator Assemblies E/M400AJP (Platform Support to Jib)	D
	0060046	Ref	Rotator Assemblies E/M400AJP (Main Boom to Jib) (Prior to SN 0300064958)	C
	0060065	Ref	Rotator Assemblies E/M400AJP (Main Boom to Jib) (SN 0300064958 through 0300189901)	C
		Ref	Note: There are 2 different versions each of Rotators p/n 0060044 & 0060052. No SN break exists. Order parts by the Helac Control #.	
1	See Note	1	Case/Bracket Weldment (Note: Purchase Complete Assembly)	
1A	0962257	2	Bushing, Garmax (0060044 Rotator Only)	
1B	0961947	2	Bushing, Garmax (0060044 Rotator Only)	
2		Ref	Shaft Options:	
2	7017120	1	0060052 Rotators with Helac Control #26409	
2	7017196	1	0060052 Rotators with Helac Control #26966	
2	7017120	1	0060044 Rotators with Helac Control #25928	
2	7017196	1	0060044 Rotators with Helac Control #26962	
2	7017130	1	0060046 Rotator	
2	7017167	1	0060065 Rotator	
3		Ref	Piston Sleeve Options:	
3	7017121	1	0060052 Rotators with Helac Control #26409	
3	7027900	1	0060052 Rotators with Helac Control #26966	
3	7017121	1	0060044 Rotators with Helac Control #25928	
3	7027900	1	0060044 Rotators with Helac Control #26962	
3	7017131	1	0060046 Rotator	
3	7017168	1	0060065 Rotator	
4		Ref	Cap, End Options:	
4	7017153	1	0060052 Rotators with Helac Control #26409	
4	7027901	1	0060052 Rotators with Helac Control #26966	
4	0060044	1	0060044 Rotators with Helac Control #25928 (Note: Not available for purchase)	
4	7027901	1	0060044 Rotators with Helac Control #26962	
4	0060046	1	0060046 Rotator (Note: Not Available for Purchase)	
4	7017169	1	0060065 Rotator	
5	See Note	3	Capscrew 1/4in-20NC (Grade 8) (Note: Not available for purchase)	
7		Ref	Tie Rod Assembly Options:	
7	7017126	1	0060044 & 0060052 Rotators	
7	7017135	1	0060046 Rotator	
7	7017173	1	0060065 Rotator	
20	See Note	1	Seal, Rod (Note: Use Items 100A-102B)	
22	See Note	1	Seal, Piston (Note: Use Items 100A-102B)	
24	See Note	1	Seal, Cap (Note: Use Items 100A-102B)	
25	See Note	2	Packing, Bearing (Note: Use Items 100A-102B)	
26	See Note	2	Seal (Note: Use Items 100A-102B)	
27	See Note	1	Ring, Back-Up Cap (Note: Use Items 100A-102B)	
32	See Note	2	Bearing, Shaft (Note: See Item 51)	
34	See Note	2	Washer, Thrust (Note: See Item 51)	
41		Ref	Counterbalance Valve Assembly Options:	

SECTION 3 - BOOM

ITEM	PART NUMBER	QTY	DESCRIPTION	REV
41	7017172	1	Helac p/n 24327 Stamped beside Mounting Screws (was p/n 7017125)	
41	7017172	1	Helac p/n 26553 or 26554 Stamped beside Mounting Screws	
41A		Ref	Valve, Cartridge Options:	
41A	7011323	2	Valve, Cartridge for Helac p/n 24327 Valve	
41A	2900770	2	Seal Kit - 7011323 Cartridge (1 Per Assembly)	
41A	7017192	2	Valve, Cartridge Helac p/n 26553 & 26554 (No Seal Kit Available)	
42	See Note	2	Bushing, Shaft	
51		Ref	Bearing Kit Options (Includes Items 32 - 34):	
51	7017122	1	0060044 & 0060052 Rotators	
51	7017134	1	0060046 Rotator	
51	7017178	1	0060065 Rotator	
52		Ref	Seal Kit Options (Includes Items 20, 22, 24, 25, 26 & 27):	
52		Ref	0060044 & 0060052 Rotators Options:	
52	7017127	1	Standard	
52	70000341	1	Low Temperature	
52		Ref	0060046 Rotator Options:	
52	7017165	1	Standard (was p/n 7017133)	
52	See Note	1	Low Temperature (Note: Not available for purchase)	
52		Ref	0060065 Rotator Options:	
52	7017165	1	Standard	
52	70000340	1	Low Temperature	
53		Ref	Hardware Kit Options:	
53	7017123	1	0060044 & 0060052 Rotators	
53	7017132	1	0060046 Rotator	
53	7017179	1	0060065 Rotator	
54	70001697	4	Screw, 1/4 x 3/8 Grades	

SECTION 3 - BOOM

FIGURE 3-8. PLATFORM SUPPORT INSTALLATION - WITH LSS



ART_0272704

SECTION 3 - BOOM

FIGURE 3-8. PLATFORM SUPPORT INSTALLATION - WITH LSS

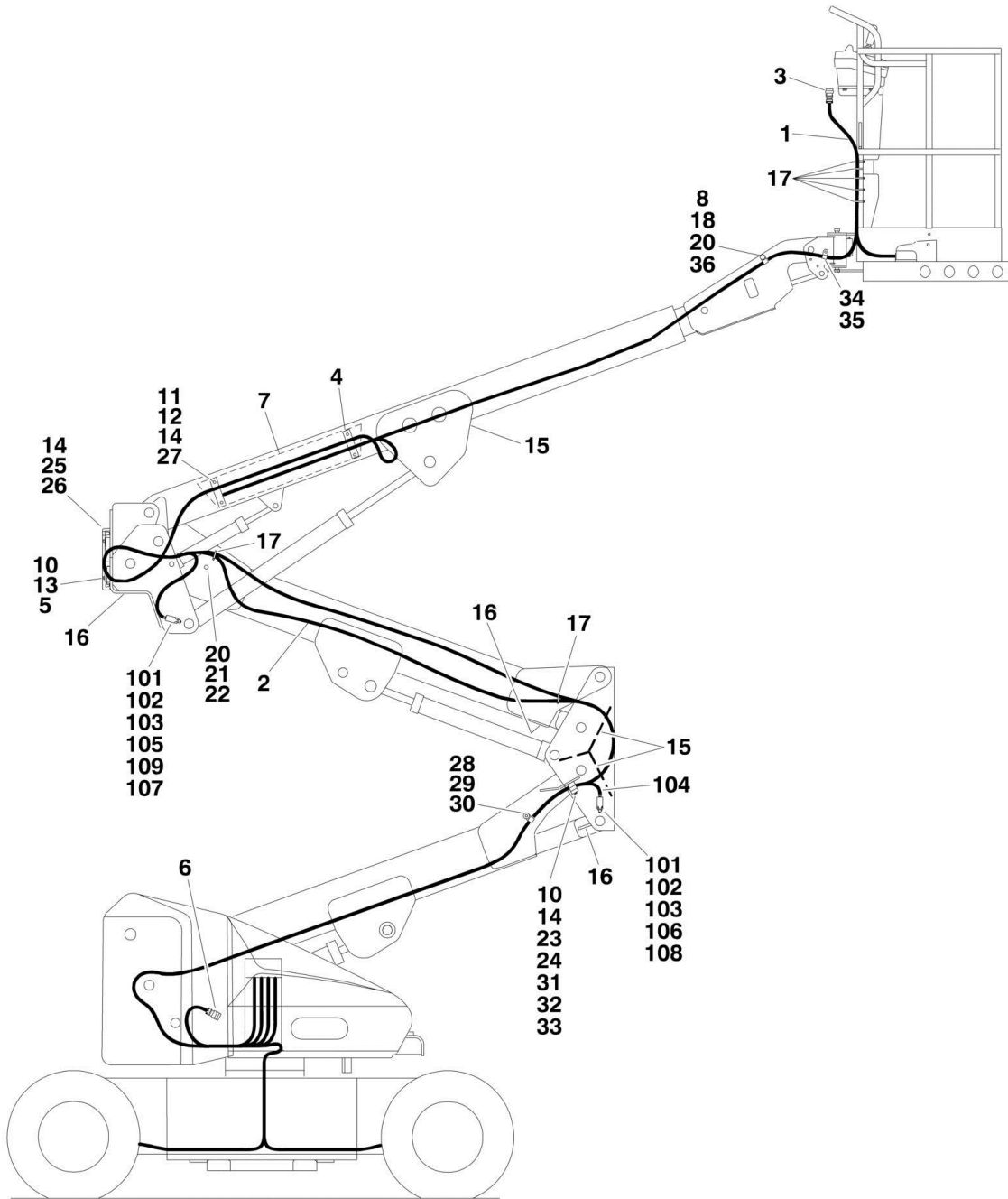
ITEM	PART NUMBER	QTY	DESCRIPTION	REV
		Ref	PLATFORM SUPPORT INSTALLATION - WITH LSS	
	0272704	Ref	Platform Support Installation - E/M400AJP/E/M400AJPn/E/M450AJ	K
	1001108604	Ref	Platform Support Installation - E/M400A/ /E/M450A	C
1	0100011	AR	Compound, Locking	
2	0100048	AR	Grease, Dielectric	
3		Ref	Bolt Options:	
3	0630407	6	Capscrew 1/4 x 5/8	
3	0641405	6	Bolt 1/4 x 5/8	
4		Ref	Bolt Options:	
4	0641405	3	Bolt 1/4 x 5/8	
4	0641406	3	Bolt 1/4 x 3/4	
4	0641416	3	Bolt 1/4 x 2	
5	0641407	1	Bolt 1/4 x 7/8	
6	0641516	3	Bolt 5/16 x 2	
7	0641822	8	Bolt 1/2 x 2-3/4	
8	0642024	4	Bolt 5/8 x 3	
9	0681608	6	Bolt 3/8 x 1	
10	0902919	2	Bracket, Cell Guard	
11	0902920	2	Bracket, Cell Guard	
12		Ref	Bracket, Module Mounting Options:	
12A	0902894	1	Design A (Prior to SN 0300138471)	
12B	1001113483	1	Design B (SN 0300138471 to Present)	
13	0962450	4	Bushing, Spacer	
14	1271538	2	Channel	
15	1320136	6	Clamp	
16	1320224	2	Clamp	
17		Ref	Electronic Interface Module Options (Note: Re-calibration Required when Replaced):	
17	1600350	1	Electronic Interface Module (Prior to SN 0300076525)	
17	1600387	1	Electronic Interface Module (SN 0300076525 to Present)	
18	2420202	4	Load Cell Assembly	
19	3311405	10	Nut 1/4	
20	3311508	3	Nut 5/16	
21	3311805	8	Nut 1/2	
22	3312005	4	Nut 5/8	
23	3900283	4	Screw 3/8 x 3/4	
24	4061054	2	Shield	
25	4240033	AR	Tie-Strap (Not Shown)	
26	4711400	13	Washer 1/4	
27	4711600	4	Washer 3/8	
28	4751400	1	Washer 1/4	
29	4751500	3	Washer 5/16	
30	4846608	1	Platform Support	
31	4891600	6	Washer 3/8	
32	4891800	8	Washer 1/2	
33	4892000	4	Washer 5/8	
34	4922916	1	Harness, LSS System	
34	4460933	1	Connector - 12 Position (Grey) (J1)	
34	4460465	3	Socket, Female	

SECTION 3 - BOOM

ITEM	PART NUMBER	QTY	DESCRIPTION	REV
34	4460466	9	Plug, Terminal	
34	0840055	1	Boot	
34	4460313	3	Terminal, Ring	
35	4933289	1	EIM Load Cell to Platform Console Box Wiring (See Separate Breakdown in ELECTRICAL SECTION)	
36	4922917	1	Harness, Analyzer	
36	4460836	1	Connector - 12 Position (Black) (J2)	
36	4460465	4	Socket, Female	
36	4460466	8	Plug, Terminal	
36	0840055	1	Boot	
36	4460761	1	Connector - 4 Position	
36	4460227	4	Pin, Male	
37	4460225	1	Connector - 6 Position (Not Shown - Located in Platform Console Box (J8) (E/M400A/ /E/M450A Only)	
	0273104	Ref	INDICATOR LIGHT INSTALLATION (LSS)	A/1
101	2920151	1	Light (Located on Ground Control Box)	
102	4460226	2	Socket, Female	
103	4460424	1	Connector - 2 Position	
104	4922926	1	Harness, Indicator Lamp (Not Shown - Located at Ground Control Box)	
104	4460265	1	Plug, Male - 9 Position	
104	4460320	1	Plug, Male - 2 Position	
104	4460226	3	Socket, Female	
104	4460227	2	Pin, Male	
104	4460042	1	Terminal, Ring	
104	4460313	1	Terminal, Ring	

SECTION 3 - BOOM

FIGURE 3-9. CABLES/CLAMPS AND LIMIT SWITCHES INSTALLATIONS



SECTION 3 - BOOM

FIGURE 3-9. CABLES/CLAMPS AND LIMIT SWITCHES INSTALLATIONS

ITEM	PART NUMBER	QTY	DESCRIPTION	REV
		Ref	CABLES AND CLAMPS INSTALLATION	
	0257735	Ref	Cables and Clamps Installation E/M450A	H
	0259367	Ref	Cables and Clamps Installation E/M450AJ	E
	0270817	Ref	Cables and Clamps Installation E/M400A	C
	0259970	Ref	Cables and Clamps Installation E/M400AJP	D
1		Ref	Harness Assembly - Upper Boom Options (See ELECTRICAL SECTION for Breakdown):	
1	4922178	1	Harness Assembly - Upper Boom E/M450A Models	
1	4922552	1	Harness Assembly - Upper Boom E/M450AJ Models	
1	4922496	1	Harness Assembly - Upper Boom E/M400A Models	
1	4922364	1	Harness Assembly - Upper Boom E/M400AJP Models (Prior to SN 0300071419)	
1	4922496	1	Harness Assembly - Upper Boom E/M400AJP Models (SN 0300071419 through 0300189901)	
2		Ref	Harness Assembly - Lower Boom Options (See ELECTRICAL SECTION for Breakdown):	
2	4922179	1	Harness Assembly - Lower Boom E/M450 Models	
2	4922495	1	Harness Assembly - Lower Boom E/M400A Models (Prior to SN 0300071418)	
2	4922363	1	Harness Assembly - Lower Boom E/M400A Models (SN 0300071418 through 0300189901)	
2	4922363	1	Harness Assembly - Lower Boom E/M400AJP Models	
3	4460754	1	Connector	
4	1320260	2	Block, Hose Clamp	
5	0561317	1	Block, Hose Clamp	
6	4460753	1	Connector	
7		Ref	Shield Options:	
7	3536999	1	Shield E/M450A & E/M400A Models	
7	3571462	1	Shield E/M450AJ & E/M400AJP Models	
8		Ref	Cover, Clamp Options:	
8	1320195	1	Cover, Clamp E/M450A Models (Prior to SN 0300060132)	
8	Not Required	0	Cover, Clamp E/M450A Models (SN 0300060132 through 0300189898)	
8	Not Required	0	Cover, Clamp E/M400A, E/M450AJ & E/M400AJP Models	
10	4751500	5	Flatwasher 5/16in	
11	4751400	12	Flatwasher 1/4in	
12	3311401	6	Nut 1/4in-20NC	
13	0641514	3	Bolt 5/16in-18NC x 1-3/4in	
14	0100011	AR	Compound, Locking	
15	4060805	AR	Trim 1/4in	
16	4060808	8 ft/2.4m	Trim 1/2in	
17	4240099	26	Tie-Strap	
18	0641516	AR	Bolt 5/16in-18NC x 2in	
20	3311505	2	Locknut 5/16in-18NC	
21	4566243	1	Roller	
22	0641560	1	Bolt 5/16in-18NC x 7-1/2in	
23	4300140	2	Stud, Weld 5/16in-18NC x 3-5/8in	
24		Ref	Hose Clamp Block Options:	
24	0561384	1	Hose Clamp Block E/M450A Models	
24	0561359	1	Hose Clamp Block E/M450AJ Models	
24	0561384	1	Hose Clamp Block E/M400A & E/M400AJP Models	

SECTION 3 - BOOM

ITEM	PART NUMBER	QTY	DESCRIPTION	REV
25	1670697	1	Cover, Hose	
26	0630467	4	Capscrew, Button 5/16in-18NC x 1/2in	
27	3300151	6	Nut, Acorn 1/4in - 20NC	
28		Ref	Clamp, Cable Options:	
28	1320040	1	Clamp, Cable (Prior to SN 0300177913)	
28	1320043	1	Clamp, Cable (E/M400) (SN 0300177913 through 0300189901)	
28	1320043	1	Clamp, Cable (E/M450) (SN 0300177913 through 0300189901)	
29	0641410	1	Bolt 1/4in-20NC x 1-1/4in	
30	3311405	1	Locknut 1/4in-20NC	
31		Ref	Hose Clamp Block Options:	
31	0561360	1	Hose Clamp Block E/M450 Models	
31	0561385	1	Hose Clamp Block E/M400 Models	
32		Ref	Hose Clamp Block Options:	
32	0561361	1	Hose Clamp Block E/M450 Models	
32	0561386	1	Hose Clamp Block E/M400 Models	
33	0100019	AR	Compound, Locking	
34		Ref	Clamp Options:	
34	Not Required	0	Clamp E/M450A Models	
34	1320095	1	Clamp E/M450AJ Models	
34	Not Required	0	Clamp E/M400 Models	
35		Ref	Sleeve	
35	4100065	1	Sleeve E/M400AJP Models	
35	4100065	1	Sleeve E/M450A & E/M400A Models (Prior to SN 0300070932)	
35	4100067	2	Sleeve E/M400AJP Models	
35	4100067	1	Sleeve E/M450AJ Models	
36		Ref	Clamp Options:	
36	1320199	1	Clamp E/M450A Models (Prior to SN 0300060132)	
36	0561424	1	Clamp E/M450A Models (SN 0300060132 through 0300189898)	
36	Not Required	0	Clamp E/M450AJ & E/M400AJP Models	
36	0561424	1	Clamp E/M400A Models	
		Ref	LIMIT SWITCHES INSTALLATION	
	0254875	Ref	Limit Switches Installation E/M450 Models (Prior to SN 0300063768)	5
	0271493	Ref	Limit Switches Installation E/M450 Models (SN 0300063768 through 0300189898)	2
	0254875	Ref	Limit Switches Installation E/M400A Models (Prior to SN 0300063768)	5
	0253704	Ref	Limit Switches Installation E/M400AJP Models (Prior to SN 0300063768)	6
	0271494	Ref	Limit Switches Installation All E/M400 Models (SN 0300063768 through 0300189901)	2
101		Ref	Switch, Limit Options:	
101	4360321	2	Switch, Limit (Prior to SN 0300074300)	
101	4360548	2	Switch, Limit (E/M400) (SN 0300074300 through 0300189901)	
101	4360548	2	Switch, Limit (E/M450) (SN 0300074300 through 0300189898)	
102		Ref	Connector, Strain Relief Options:	
102	4460428	2	Use with 4360321 Limit Switch	
102	4460968	2	Use with 4360548 Limit Switch	
103	3311005	4	Locknut #10-24NC	
104		Ref	Harness (Lower) Options:	

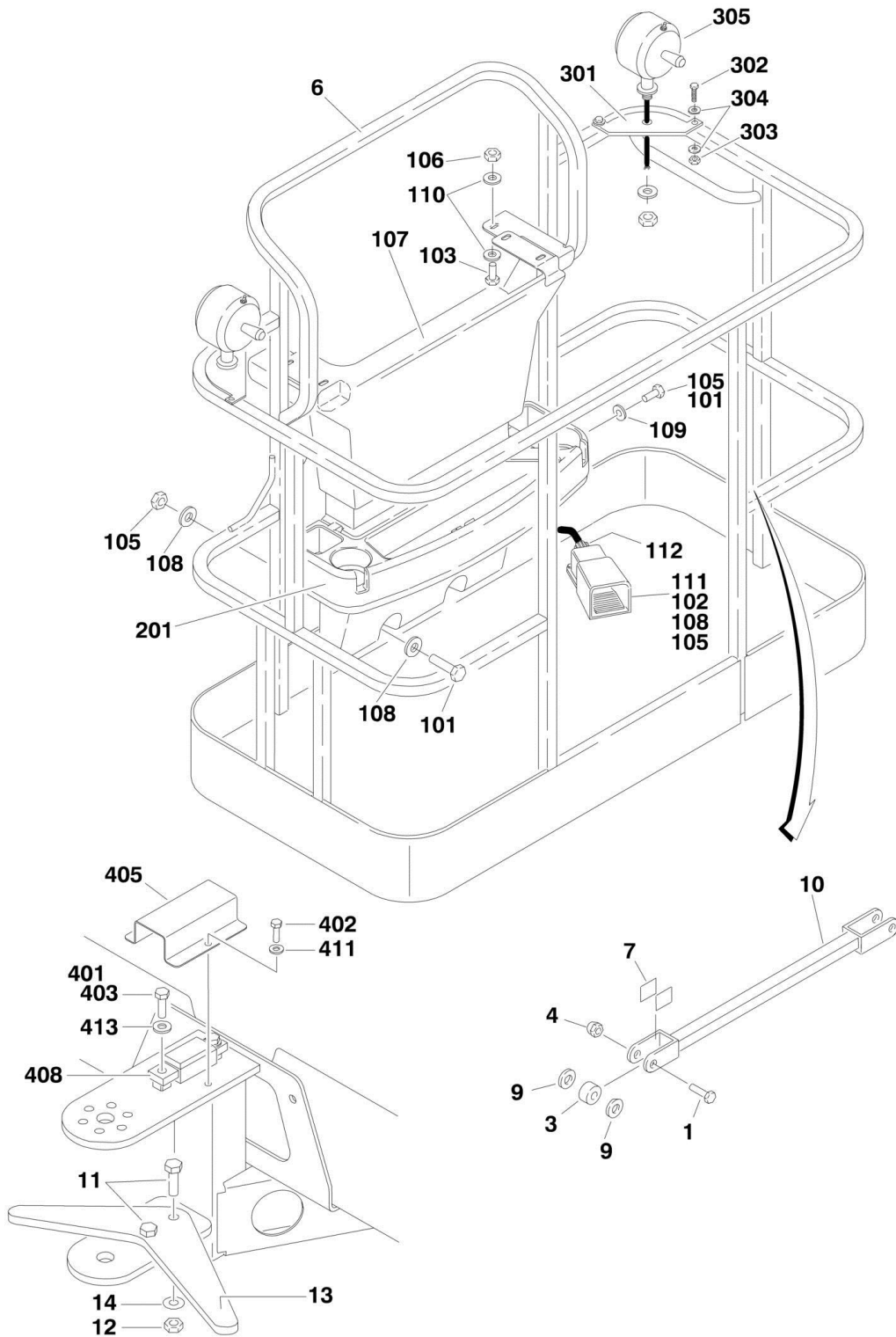
SECTION 3 - BOOM

ITEM	PART NUMBER	QTY	DESCRIPTION	REV
104	1060341	AR	Harness (Lower) (Prior to SN 0300063768)	
104	4922614	1	Harness (Lower) (E/M400) (SN 0300063768 through 0300189901)	
104	4922614	1	Harness (Lower) (E/M450) (SN 0300063768 through 0300189898)	
105		Ref	Screw Options:	
105	3900246	2	Screw, Filister Head #10-24NC x 1-3/4in (Prior to SN 0300070080)	
105	3931028	2	Screw #10-24NC x 1-3/4in (E/M400) (SN 0300070080 through 0300189901)	
105	3931028	2	Screw #10-24NC x 1-3/4in (E/M450) (SN 0300070080 through 0300189898)	
106	3900104	2	Screw, Filister Head #10-24NC x 2-1/4in	
107		Ref	Harness (Upper) Options:	
107	1060341	AR	Harness (Upper) (Prior to SN 0300063768)	
107	4922613	1	Harness (Upper) E/M450 Models (SN 0300063768 through 0300189898)	
107	4922615	1	Harness (Upper) E/M400 Models (SN 0300063768 through 0300189901)	
108	1670832	1	Cover, Switch Lower	
109	1670833	1	Cover, Switch Upper	

SECTION 4 - PLATFORM

SECTION 4 - PLATFORM

FIGURE 4-1. PLATFORM COMPONENTS INSTALLATION (FRONT ENTRY PLATFORM)



SECTION 4 - PLATFORM

FIGURE 4-1. PLATFORM COMPONENTS INSTALLATION (FRONT ENTRY PLATFORM)

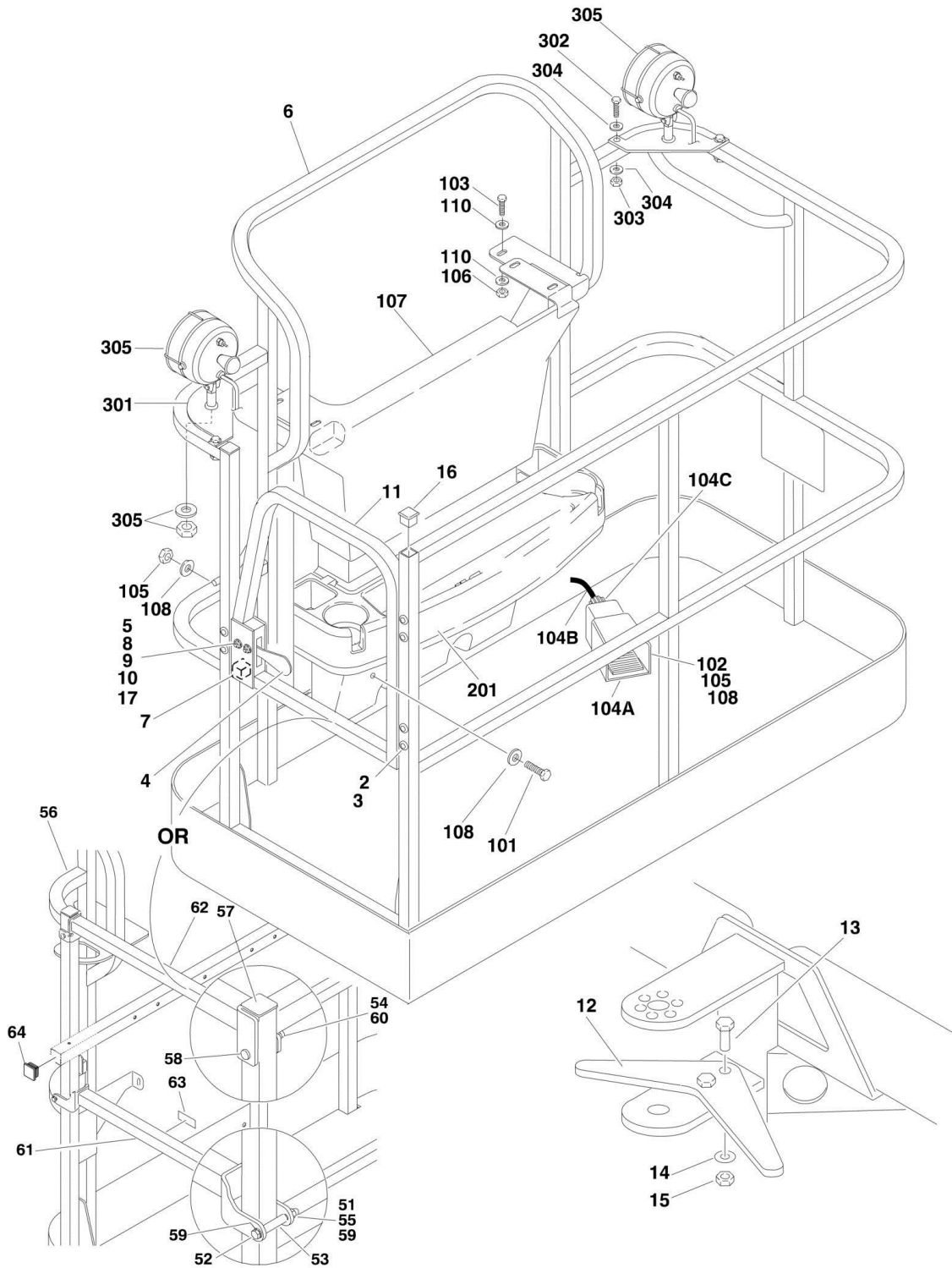
ITEM	PART NUMBER	QTY	DESCRIPTION	REV
		Ref	PLATFORM INSTALLATIONS WITH LIFT GATE	
	3510696	Ref	4ft/1.22m Width	B
	3510695	Ref	5ft/1.52m Width (Without Stop)	B
	0270408	Ref	5ft/1.52m Width (With Stop)	C
		Ref	Note: Replacement Decals Must be Ordered Separately - See DECAL SECTION for Breakdown.	
1	0641418	2	Bolt 1/4in-20NC x 2-1/4in (Grade 8)	
3	0961845	2	Bushing	
4	3300151	2	Nut Acorn 1/4in-20NC	
6		Ref	Platform Options (Purchase Complete Platform):	
6	3510696	1	4ft/1.22m Width	
6	3510695	1	5ft/1.52m Width (Without Stops)	
6	0270408	1	5ft/1.52m Width (With Stops)	
7	4420055	4 in/10cm	Tape	
9	4740411	4	Washer, Nylon	
10	4845288	1	Slide Bar Weldment	
11	0641609	2	Bolt 3/8in-16NC x 1-1/8in (Platform with Stop Only)	
12	3311605	2	Locknut 3/8in-16NC (Platform with Stop Only)	
13		Ref	Stop Options (Platform with Stop Only):	
13	4846276	1	Stop (Prior to SN 0300072144)	
13	3572413	1	Stop (E/M400) (SN 0300072144 through 0300189901)	
13	3572413	1	Stop (E/M450) (SN 0300072144 through 0300189898)	
14	4711600	4	Flatwasher 3/8in Narrow (Platform with Stop Only)	
		Ref	CONSOLE BOX INSTALLATIONS AND ASSEMBLIES	
	0861176	Ref	Console Box Installations and Assemblies E/M450 Models (Prior to SN 0300068945)	10-G
	0272082	Ref	Console Box Installations and Assemblies E/M450 Models (SN 0300068945 through 0300189898)	A
	0861176	Ref	Console Box Installations and Assemblies E/M400A Models (Prior to SN 0300068945)	10-G
	0272082	Ref	Console Box Installations and Assemblies E/M400A Models (SN 0300068945 through 0300189901)	A
	0861314	Ref	Console Box Installations and Assemblies E/M400AJP Models (Prior to SN 0300068945)	4-D
	0272106	Ref	Console Box Installations and Assemblies E/M400AJP Models (SN 0300068945 through 0300189901)	A
101	0641406	4	Bolt 1/4in-20NC x 3/4in	
102	0641408	3	Bolt 1/4in-20NC x 1in	
103	0641610	4	Bolt 3/8in-16NC x 1-1/4in	
104		Ref	Console Box Assembly Options: (Not Shown - See PLATFORM CONSOLE ASSEMBLY for Breakdown)	
104	0861529	1	Console Box Assembly E/M450 & E/M400A Models	
104	0861532	1	Console Box Assembly E/M400AJP Models	
105	3311405	7	Locknut 1/4in-20NC	
106	3311605	4	Locknut 3/8in-16NC	
107	3380434	1	Panel, Decal Mount	
108	4740362	7	Washer, Fender 1/4in	
109	4751400	4	Washer 1/4in (Wide)	
110	4751600	8	Washer 3/8in (Wide)	
111	4360031	1	Footswitch	
111	7000625	2	Block, Contact	

SECTION 4 - PLATFORM

ITEM	PART NUMBER	QTY	DESCRIPTION	REV
111	3252347	1	Nameplate (Note: See DECAL SECTION for Other Languages)	
112	4460071	1	Connector, Strain Relief	
		Ref	TRAY INSTALLATIONS (OPTIONAL)	
201	1580012	1	Tray, Storage (Center)	
202	1580013	1	Tray, Storage (Rail Mounted - Not Shown)	
	0259338	Ref	WORKLIGHTS INSTALLATION (OPTIONAL)	1-A
301	3536089	2	Plate, Mounting	
302	0641414	4	Bolt 1/4in-20NC x 1-3/4in	
303	3311405	4	Locknut 1/4in-20NC	
304	4711400	8	Flatwasher 1/4in Narrow	
305	2920095	2	Worklight	
305	7016356	2	Bulb, Replacement (1 Per Assembly)	
306	4240099	10	Tie-Strap (Not Shown)	
307	2820035	9	Loom, Vinyl (Not Shown)	
309	4460428	1	Connector, Strain Relief (Not Shown - Located at Console Box)	
		Ref	PLATFORM LOAD SENSING INSTALLATION (OPTIONAL)	
	0259358	Ref	CE Spec	D
	0271489	Ref	CE Spec (Lift Down)	B
401	0100011	AR	Compound, Locking	
402	0641404	2	Bolt 1/4in-20NC x 1/2in	
403	0701010	2	Bolt, Metric 10mm x 20mm	
405	1670905	1	Cover, Cell	
408	3990108	1	Cell, Load	
411	4711400	2	Flatwasher 1/4in Narrow	
413	4812000	2	Lockwasher 7/16in	

SECTION 4 - PLATFORM

FIGURE 4-2. PLATFORM COMPONENTS INSTALLATION (SIDE ENTRY PLATFORM)



SECTION 4 - PLATFORM

FIGURE 4-2. PLATFORM COMPONENTS INSTALLATION (SIDE ENTRY PLATFORM)

ITEM	PART NUMBER	QTY	DESCRIPTION	REV
		Ref	PLATFORM ASSEMBLY WITH GATE	
		Ref	Platform Assembly With Gate (Prior to SN 0300163749)	
	3510831	Ref	5ft (1.52m) with No Mesh and No Stop (E/M400A & E/M450A/AJ) (Use p/n 1001144026)	L
	3510844	Ref	5ft (1.52m) with No Mesh and With Stop (E/M400AJP Only)	D
	3510830	Ref	4ft (1.22m) with No Mesh and No Stop (Use p/n 1001144027)	M
		Ref	Platform Assembly With Gate	
	1001144026	Ref	5ft (1.52m) with No Mesh and No Stop (E/M400A) (SN 0300163749 through 0300189901)	C
	1001144026	Ref	5ft (1.52m) with No Mesh and No Stop (E/M450A/AJ) (SN 0300163749 through 0300189898)	C
	3510844	Ref	5ft (1.52m) with No Mesh and With Stop (E/M400AJP Only) (SN 0300163749 through 0300189901)	E
	1001144027	Ref	4ft (1.22m) with No Mesh and No Stop (E/M400) (SN 0300163749 through 0300189901)	C
	1001144027	Ref	4ft (1.22m) with No Mesh and No Stop (E/M450) (SN 0300163749 through 0300189898)	C
		Ref	Note: Platform and Mesh must be ordered separately for Platforms with Mesh. See SPECIAL OPTIONS SECTION for Mesh Installations.	
		Ref	Note: Replacement Decals Must be Ordered Separately - See DECAL SECTION for Breakdown.	
1	0100040	AR	Sealant, Adhesive (Not Shown) (Prior to SN 0300103057)	
2	2080040	16	Fastener, Huck	
3	2600281	2	Hinge, Self-Closing	
4	2940074	1	Latch	
5	3311001	4	Nut #10-24NC - Platform with No Stop Only (Prior to SN 0300077390)	
6	See Note	1	Platform Weldment (Note: Not Available - Purchase Platform Assembly)	
7	3520072	1	Cap-Plug	
8		Ref	Hardware Options:	
8		Ref	Platform with No Stop:	
8	3911008	4	Screw #10-24NC x 1in (Prior to SN 0300077390)	
8	3820020	4	Pop Rivet (E/M400) (SN 0300077390 through 0300189901)	
8	3820020	4	Pop Rivet (E/M450) (SN 0300077390 through 0300189898)	
8		Ref	Platform with Stop:	
8	3911008	4	Screw #10-24NC x 1in1	
9	4751000	AR	Flatwasher #10 - Platform with No Stop Only (Prior to SN 0300077390)	
10	4761000	AR	Lockwasher #10 - Platform with No Stop Only (Prior to SN 0300077390)	
11		Ref	Gate Weldment Options:	
11	4846452	1	Gate Weldment (Prior to SN 0300163749)	
11	1001144629	1	Gate Weldment (E/M400) (SN 0300163749 through 0300189901)	
11	1001144629	1	Gate Weldment (E/M450) (SN 0300163749 through 0300189898)	
12	3572413	1	Stop (Platform with Stop Only)	
13	0641610	2	Bolt 3/8in-16NC x 1-1/4in (Platform with Stop Only)	
14	4711600	4	Flatwasher 3/8in Narrow (Platform with Stop Only)	
15	3311605	2	Locknut 3/8in-16NC (Platform with Stop Only)	
16	3520198	2	Cap-Plug	

SECTION 4 - PLATFORM

ITEM	PART NUMBER	QTY	DESCRIPTION	REV
17	0100011	AR	Compound, Locking - Platform with No Stop Only (Prior to SN 0300077390)	
		Ref	PLATFORM ASSEMBLY WITH DROP-BAR	
		Ref	Platform Assembly With Drop-Bar (Prior to SN 0300163749)	
	1001138431	Ref	4ft x 2.5ft (1.2m x .76m) (Use p/n 1001144018)	B
	1001138432	Ref	5ft x 2.5ft (1.5m x .76m) (E/M400A & E/M450A/AJ) (Use p/n 1001144019)	B
		Ref	Platform Assembly With Drop-Bar	
	1001144018	Ref	4ft x 2.5ft (1.2m x .76m) (E/M400) (SN 0300163749 through 0300189901)	C
	1001144018	ref	4ft x 2.5ft (1.2m x .76m) (E/M450) (SN 0300163749 through 0300189898)	C
	1001144019	Ref	5ft x 2.5ft (1.5m x .76m) (E/M400A) (SN 0300163749 through 0300189901)	C
	1001144019	Ref	5ft x 2.5ft (1.5m x .76m) (E/M450A/AJ) (SN 0300163749 through 0300189898)	C
		Ref	Note: Replacement Decals Must be Ordered Separately - See DECAL SECTION for Breakdown.	
51	0100011	AR	Compound, Locking	
52	0641418	2	Bolt 1/4in-20NC x 2-1/4in	
53	0961845	2	Bushing	
54	3290606	2	Nut M6	
55	3300151	2	Nut, Acorn	
56	See Note	1	Platform Weldment (Note: Purchase Platform Assembly.)	
57	3520198	2	Cap-Plug	
58	4010618	2	Screw M6 x 50mm	
59	4711400	4	Flatwasher 1/4in	
60	4811700	2	Flatwasher M6	
61	1001138494	1	Bar, Drop	
62	1001138514	1	Rail (Top)	
63	1001140429	1	Decal - Drop-Bar	
64	3520072	2	Cap-Plug	
		Ref	CONSOLE BOX INSTALLATIONS AND ASSEMBLIES	
	0272082	Ref	Console Box Installations and Assemblies E/M450 Models (Use p/n 0272082)	A-B
	0272082	Ref	Console Box Installations and Assemblies E/M400A Models (Use p/n 1001146082)	A-B
	0272106	Ref	Console Box Installations and Assemblies E/M400AJP Models (Use p/n 1001145801)	A-B
101	0641406	4	Bolt 1/4in-20NC x 3/4in	
102	0641408	3	Bolt 1/4in-20NC x 1in	
103	0641610	4	Bolt 3/8in-16NC x 1-1/4in	
104		Ref	Console Box Assembly Options: (Not Shown - See PLATFORM CONSOLE ASSEMBLY for Breakdown)	
104	0861529	NLA	Console Box Assembly E/M450 & E/M400A Models (Use p/n 1001146083)	
104	0861532	NLA	Console Box Assembly E/M400AJP Models (Use p/n 1001145799)	
104A		Ref	Footswitch Assembly Options:	
104A	0272971	1	Footswitch Assembly (Prior to SN 0300167691)	
104A	1001136889	1	Footswitch Assembly (E/M400) (SN 0300167691 through 0300189901)	
104A	1001136889	1	Footswitch Assembly (E/M450) (SN 0300167691 through 0300189898)	
104A		Ref	Footswitch Options:	

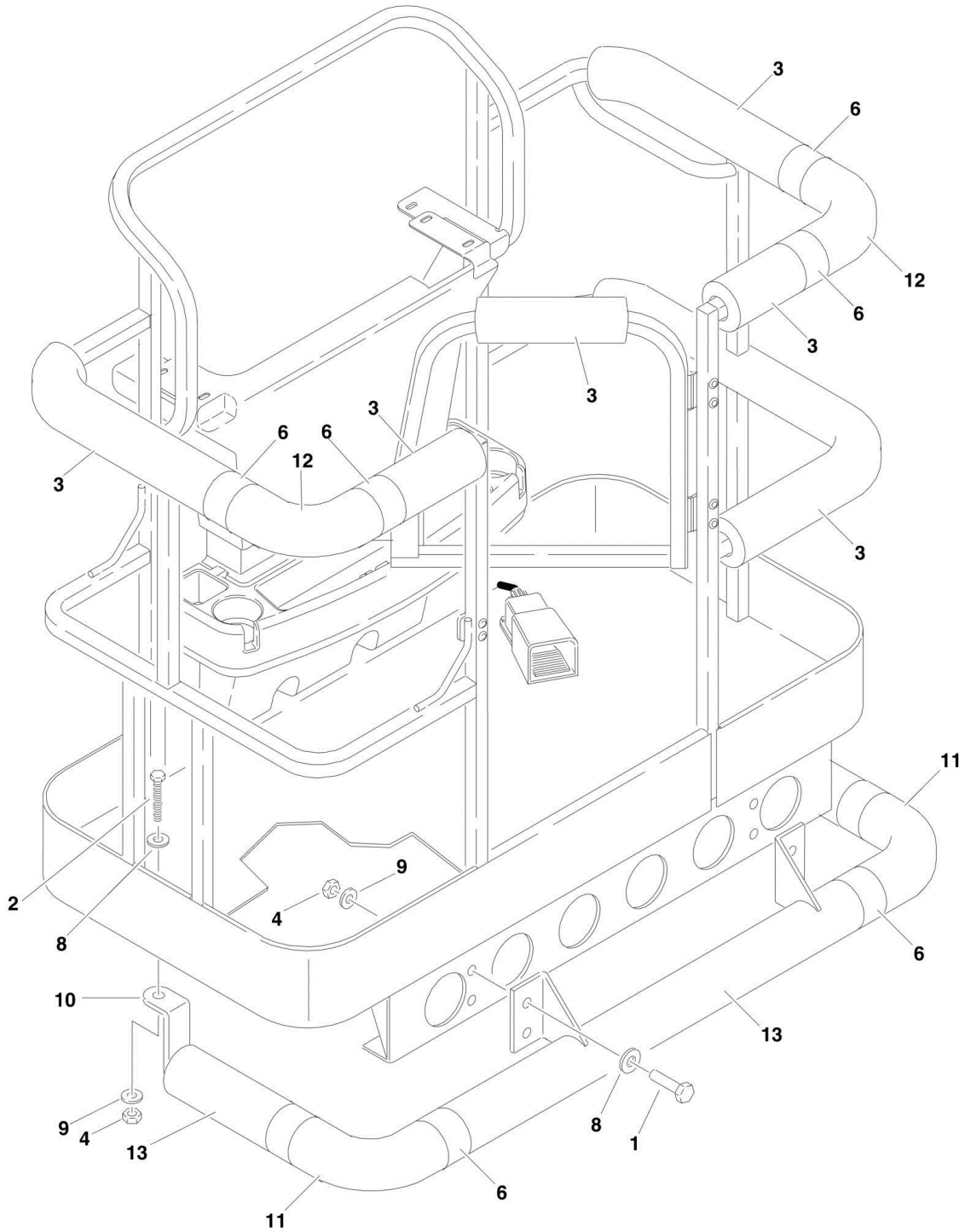
SECTION 4 - PLATFORM

ITEM	PART NUMBER	QTY	DESCRIPTION	REV
104A	4360031	1	Footswitch (Prior to SN 0300143940)	
104A	7000625	2	Block, Contact for 4360031 Footswitch	
104A	1001117320	1	Footswitch (E/M400 & E/M450) (SN 0300143940 through 0300167690)	
104A	70003483	1	Block, Contact for 1001117320 Footswitch	
104A	1001117172	1	Footswitch (E/M400) (SN 0300167691 through 0300189901)	
104A	1001117172	1	Footswitch (E/M450) (SN 0300167691 through 0300189898)	
104A	70002902	1	Block, Contact for 1001117172 Footswitch	
104A	70002903	1	Gasket for 1001117172 Footswitch	
104A	70002905	1	Cover for 1001117172 Footswitch	
104A	70002904	1	Bolt Replacement Kit for 1001117172 Footswitch	
104B	1060330	7 ft/2.14m	Cable, Electrical - 16/3	
104C	4460071	1	Connector, Strain Relief	
105	3311405	7	Locknut 1/4in-20NC	
106	3311605	4	Locknut 3/8in-16NC	
107	3380434	1	Panel, Decal Mount	
108	4740362	7	Washer, Fender 1/4in	
109	4751400	4	Flatwasher 1/4in (Wide)	
110	4751600	8	Flatwasher 3/8in (Wide)	
		Ref	TRAY INSTALLATIONS (OPTIONAL)	
201	1580012	1	Tray, Storage (Center)	
202	1580013	1	Tray, Storage (Rail Mounted - Not Shown)	
	0259338	Ref	WORKLIGHTS INSTALLATION (OPTIONAL)	
301	3536089	2	Plate, Mounting	
302	0641414	4	Bolt 1/4in-20NC x 1-3/4in	
303	3311405	4	Locknut 1/4in-20NC	
304	4711400	8	Flatwasher 1/4in Narrow	
305	2920095	2	Worklight	
305	7016356	2	Bulb, Replacement (1 Per Assembly)	
306	4240099	10	Tie-Strap (Not Shown)	
307	2820035	9	Loom, Vinyl (Not Shown)	
309	4460428	1	Connector, Strain Relief (Not Shown - Located at Console Box)	
312	4923061	1	Harness, Platform Work Lights (Not Shown)	
312	4460464	1	Pin, Male	

C

SECTION 4 - PLATFORM

FIGURE 4-3. PLATFORM PADDING INSTALLATION (FRONT ENTRY PLATFORM)



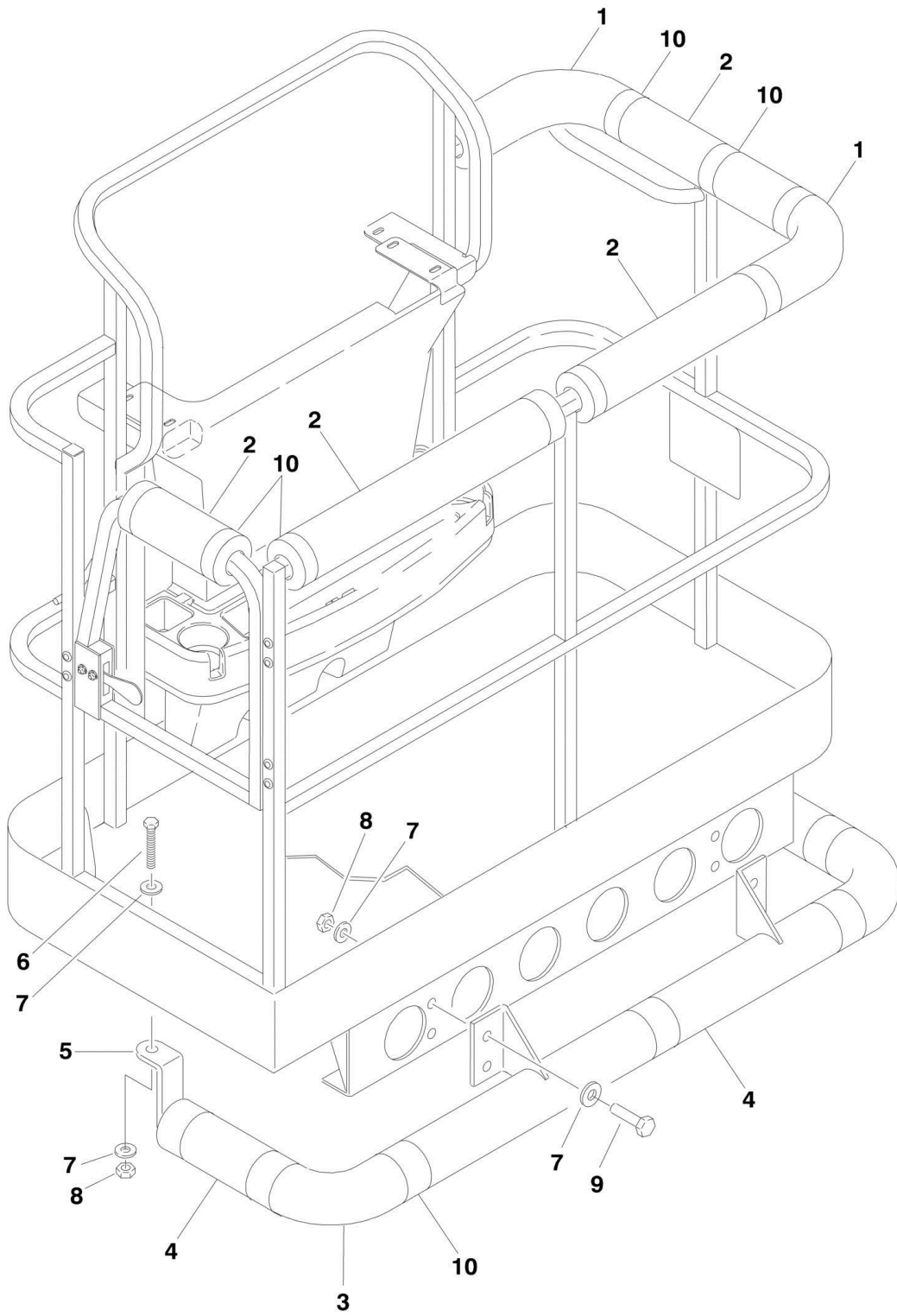
SECTION 4 - PLATFORM

FIGURE 4-3. PLATFORM PADDING INSTALLATION (FRONT ENTRY PLATFORM)

ITEM	PART NUMBER	QTY	DESCRIPTION	REV
		Ref	PLATFORM PADDING INSTALLATION	
	0270338	Ref	30in x 48in	B
	0271937	Ref	30in x 60in	1-A
1		Ref	Bolt Options:	
1	0641508	4	30in x 48in Assemblies (Bolt 5/16in-18NC x 1in)	
1	0641506	4	30in x 60in Assemblies (Bolt 5/16in-18NC x 3/4in)	
2	0641516	2	Bolt 5/16in-18NC x 2in	
3	0940094	AR	Padding	
4		Ref	Nut Options:	
4	3311501	6	30in x 48in Assemblies (Nut 5/16in-18NC)	
4	3311505	6	30in x 60in Assemblies (Locknut 5/16in-18NC)	
6	4420068	36 ft/11m	Tape, Yellow Adhesive	
8	4751500	6	Flatwasher 5/16in (Wide)	
9	4761500	6	Lockwasher 5/16in	
10		Ref	Bumper Rail Options:	
10	4844917	1	30in x 48in Assemblies	
10	4845346	1	30in x 60in Assemblies	
11	0940091	2	Corner, Padded	
12	0940092	2	Corner, Padded	
13	0940093	AR	Padding (Bottom)	

SECTION 4 - PLATFORM

FIGURE 4-4. PLATFORM PADDING INSTALLATION (SIDE ENTRY PLATFORM)



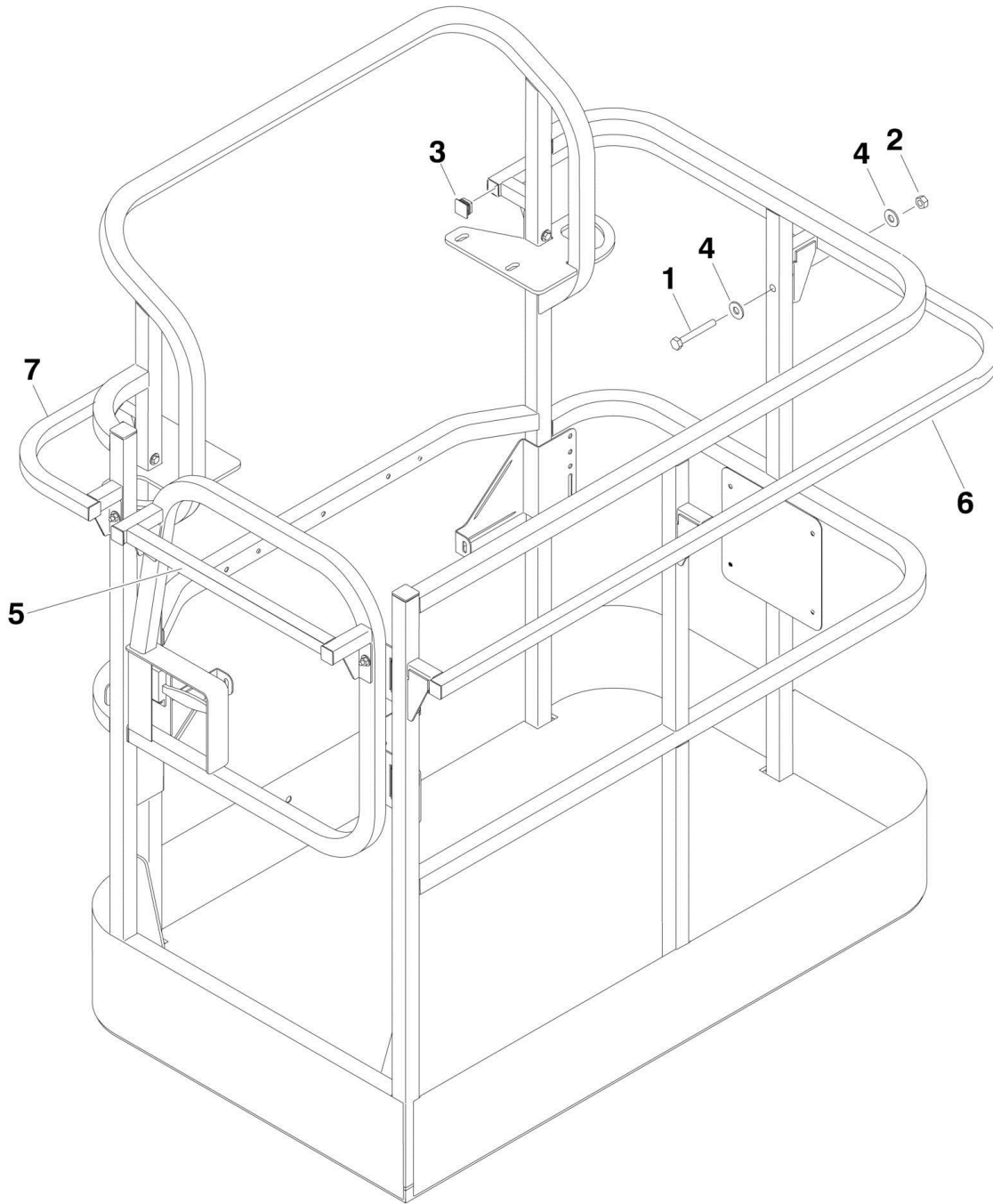
SECTION 4 - PLATFORM

FIGURE 4-4. PLATFORM PADDING INSTALLATION (SIDE ENTRY PLATFORM)

ITEM	PART NUMBER	QTY	DESCRIPTION	REV
		Ref	PLATFORM PADDING INSTALLATION	
	0273381	Ref	30in x 48in Platform	2-A
	0273382	Ref	30in x 60in Platform	2-A
1	0940092	Ref	Pad, Corner Bumper Options:	
1	0940092	2	30in x 48in Platform	
1	0940092	3	30in x 60in Platform	
2	0940094	Ref	Pad, Bumper Options:	
2	0940094	63 in	Pad, Bumper 30in x 48in Platform	
2	0940094	87 in	Pad, Bumper 30in x 60in Platform	
3	0940091	2	Pad, Corner Bumper	
4	0940093	Ref	Pad, Bumper Options:	
4	0940093	51 in	Pad, Bumper 30in x 48in Platform	
4	0940093	66 in	Pad, Bumper 30in x 60in Platform	
5		Ref	Rail, Bumper Options:	
5	4846936	1	30in x 48in Platform	
5	4846937	1	30in x 60in Platform	
6	0641516	2	Bolt 5/16in-18NC x 2in	
7	4751500	6	Flatwasher 5/16in Wide	
8	3311501	6	Nut 5/16in-18NC	
9	0641506	4	Bolt 5/16in-18NC x 3/4in	
10	4420068	Ref	Tape, Yellow Safety Options:	
10	4420068	30 ft	Tape, Yellow Safety 30in x 48in Platform	
10	4420068	34 ft	Tape, Yellow Safety 30in x 60in Platform	

SECTION 4 - PLATFORM

FIGURE 4-5. PLATFORM TOP RAIL EXTENSION INSTALLATION (SIDE ENTRY PLATFORM)



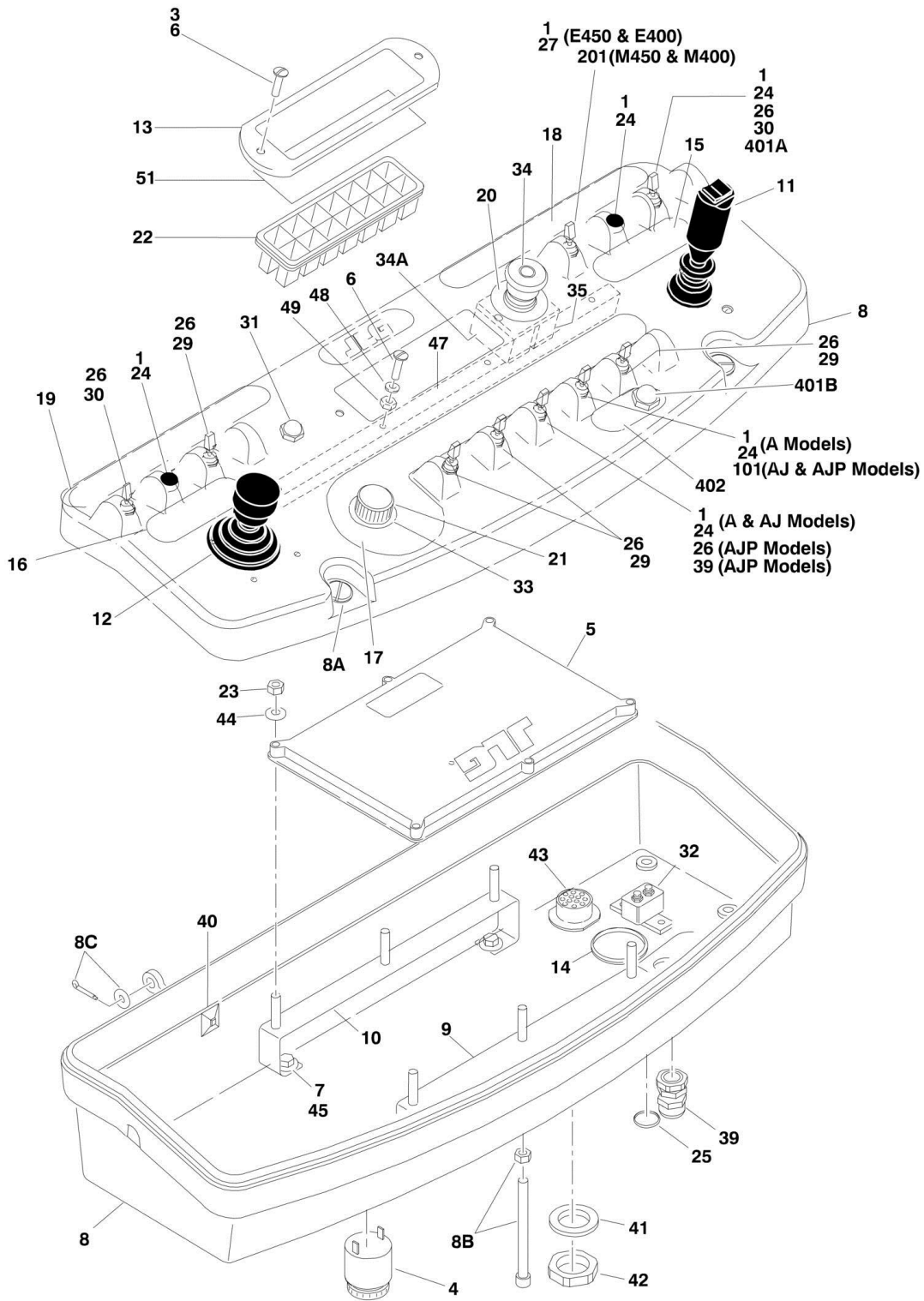
SECTION 4 - PLATFORM

FIGURE 4-5. PLATFORM TOP RAIL EXTENSION INSTALLATION (SIDE ENTRY PLATFORM)

ITEM	PART NUMBER	QTY	DESCRIPTION	REV
		Ref	PLATFORM TOP RAIL EXTENSION INSTALLATION	
	1001103617	Ref	30in x 48in Platform	A
	1001103558	Ref	30in x 60in Platform	A
1	0641416	8	Bolt 1/4in-20NC x 2in	
2	3311405	8	Locknut 1/4in-20NC	
3	3520182	6	Plug	
4	4751400	16	Flatwasher 1/4in	
5	4846759	1	Rail, Extension Gate	
6		Ref	Rail, Rear Extension Options:	
6	1001103614	1	30in x 48in Platform	
6	1001103559	1	30in x 60in Platform	
7		Ref	Rail, Extension Options:	
7	1001103616	1	30in x 48in Platform	
7	1001103560	1	30in x 60in Platform	

SECTION 4 - PLATFORM

FIGURE 4-6. PLATFORM CONSOLE ASSEMBLY



SECTION 4 - PLATFORM

FIGURE 4-6. PLATFORM CONSOLE ASSEMBLY

ITEM	PART NUMBER	QTY	DESCRIPTION	REV
		Ref	CONSOLE BOX ASSEMBLIES	
	0861176	Ref	Console Box Assemblies E/M450 Models (Prior to SN 0300068945)	10-G
	0861529	Ref	Console Box Assemblies E/M450 Models (SN 0300068945 through 0300189898)	A-O
	0861176	Ref	Console Box Assemblies E/M400A Models (Prior to SN 0300068945)	10-G
	0861529	Ref	Console Box Assemblies E/M400A Models (SN 0300068945 through 0300189901)	A-O
	0861314	Ref	Console Box Assemblies E/M400AJP Models (Prior to SN 0300068945)	4-D
	0861532	Ref	Console Box Assemblies E/M400AJP Models (SN 0300068945 to Present)	A-L
	0273089	Ref	Light Panel Installation	B
1	0100009	AR	Sealant	
3	0100035	AR	Compound, Locking	
4	0140011	1	Alarm	
5		Ref	Module, PC Options:	
		Ref	Note: Re-calibration Required when Replaced.	
5	0610128	NLA	Module (Use p/n 1001109498) (Prior to SN 0300139889)	
5	1001109498	1	Module (E/M400) (SN 0300139889 through 0300189901)	
5	1001109498	1	Module (E/M450) (SN 0300139889 through 0300189898)	
6	0630464	2	Bolt #10-24 x 1/2in	
7	0720804	6	Bolt #8-32 x 1/2in	
8		Ref	Console Box Assembly Options:	
8	0861215	1	Console Assembly (Prior to SN 0300068945)	
8A	7020099	2	Screw	
8A	3760308	2	Retainer, Screw	
8A	7020100	2	Receptacle, Clip-on Screw	
8A	0861537	1	Console Assembly (E/M400) (SN 0300068945 through 0300189901)	
8A	0861537	1	Console Assembly (E/M450) (SN 0300068945 through 0300189898)	
8A	0861537	1	Casting, Console (Bottom) (Note: Not available for purchase)	
8A	0861537	1	Casting, Console (Top) (Note: Not available for purchase)	
8B	0630568	1	Capscrew, Socket Head 3/8in-16NC x 4-1/2in	
8B	3311601	1	Nut 3/8in-16NC	
8C	3420156	2	Pin, Cotter	
8C	4711500	2	Flatwasher 5/16in Narrow	
9	0902575	1	Bracket, Platform Module	
10	0902588	1	Bracket, Platform Module	
11		Ref	Controller Assembly (Drive and Steer) (See CONTROLLER ASSEMBLY (DRIVE AND STEER) for Breakdown)	
11	1600273	NLA	Controller Assembly (Drive and Steer) (Use p/n 1001118418) (Prior to SN 0300145789)	
11	1001118418	1	Controller Assembly (Drive and Steer) (E/M400) (SN 0300145789 through 0300189901)	
11	1001118418	1	Controller Assembly (Drive and Steer) (E/M450) (SN 0300145789 through 0300189898)	
12		Ref	Controller Assembly (Lift and Swing) (See CONTROLLER ASSEMBLY (LIFT AND SWING) for Breakdown)	
12	1600274	NLA	Controller Assembly (Lift and Swing) (Use p/n 1001118419) (Prior to SN 0300145789)	

SECTION 4 - PLATFORM

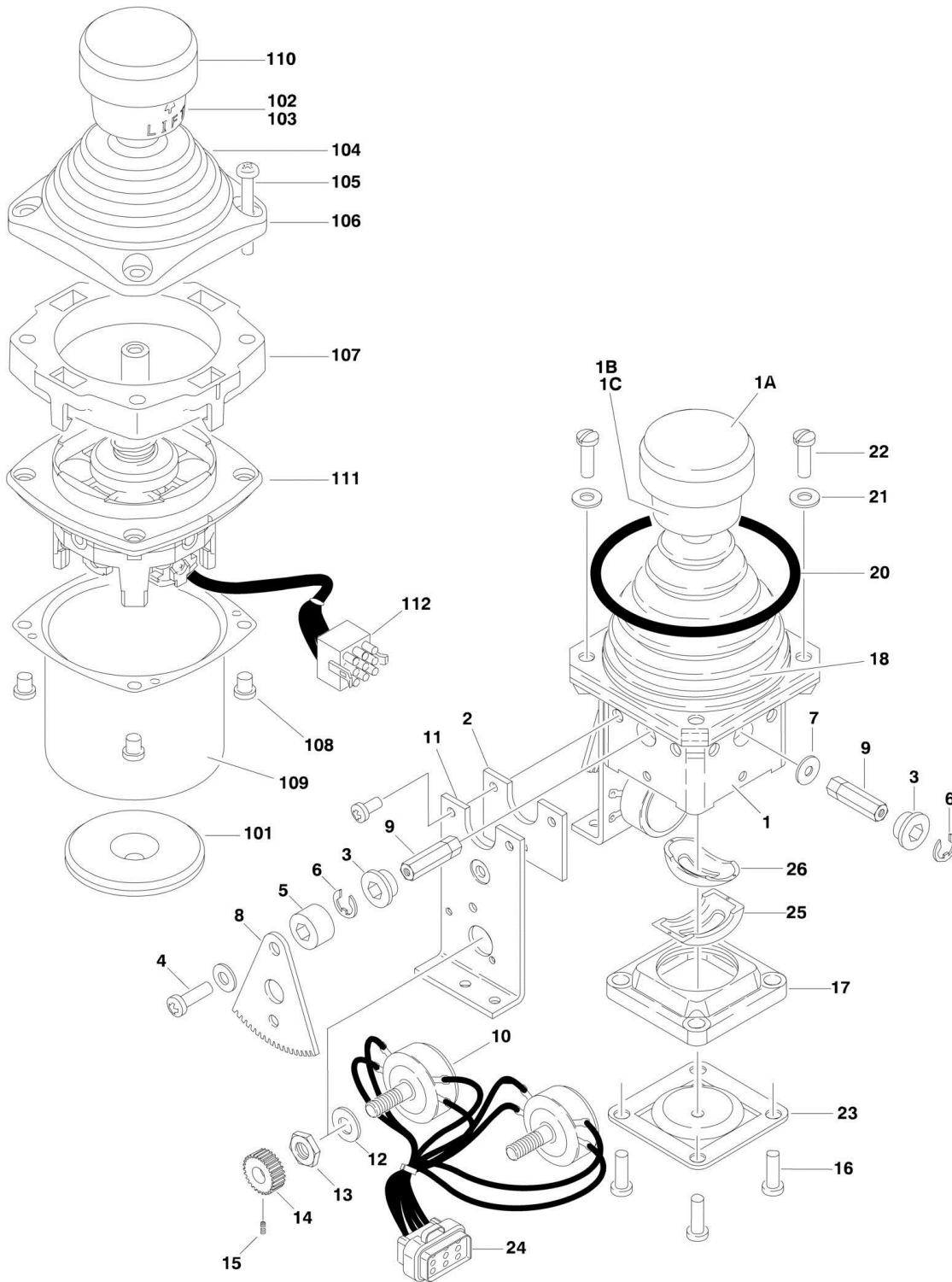
ITEM	PART NUMBER	QTY	DESCRIPTION	REV
12	1001118419	1	Controller Assembly (Lift and Swing) (E/M400) (SN 0300145789 through 0300189901)	
12	1001118419	1	Controller Assembly (Lift and Swing) (E/M450) (SN 0300145789 through 0300189898)	
13	1670829	1	Bezel	
14		Ref	Cover Options:	
14	Not Required	0	Cover (Prior to SN 0300068945)	
14	1671037	1	Cover (SN 0300068945 through 0300139524)	
14	1001110435	1	Cover (E/M400) (SN 0300139525 through 0300189901)	
14	1001110435	1	Cover (E/M450) (SN 0300139525 through 0300189898)	
15	1702565	1	Decal - Drive and Steer	
16	1702566	1	Decal - Lift and Swing	
17		Ref	Decal - Function Speed Options:	
17	1702567	1	Decal - Function Speed E/M450 Models	
17	1702567	1	Decal - Function Speed E/M400A Models	
17	1704422	1	Decal - Function Speed E/M400AJP Models	
18		Ref	Decal - Stop Options:	
18	1704192	NLA	Decal, (Use p/n 1001132175) (Prior to SN 0300139889)	
18	1001132175	1	Decal (SN 0300139889 through 0300150083)	
18	1001132175	1	Decal (E/M400) (SN 0300150084 through 0300189901)	
18	1001132175	1	Decal (E/M450) (SN 0300150084 through 0300189898)	
19	1704240	1	Decal - Horn	
20	1704260	1	Decal - EMS	
21	2560136	1	Handle, Knob	
22	2760105	1	Fixture, Light	
23	3310601	6	Nut #6-32	
24		Ref	Plug, Hole Options:	
24	3520028	AR	Plug, Hole (Prior to SN 0300077413)	
24	3520054	AR	Plug, Hole (E/M400) (SN 0300077413 through 0300189901)	
24	3520054	AR	Plug, Hole (E/M450) (SN 0300077413 through 0300189898)	
25	3520030	2	Hole, Plug	
26	3790012	AR	Ring	
27	4240032	2	Tie, Wire (Not Shown)	
29	4360328	AR	Switch, Toggle	
30		Ref	Switch, Toggle Options:	
30	4360330	AR	Switch for Positrack and Drive Orientation	
30	4360336	AR	Switch for Lights	
31	4360387	1	Switch, Push Button	
32	4360448	1	Circuit Breaker - 10 Amp	
33	4360462	1	Switch, Potentiometer	
34	4360475	1	Switch, Emergency Stop	
34	7020175	1	Cap, Mushroom with Sealing Ring	
34A	7020176	1	Block, Contact	
35	4360476	1	Block, Contact	
38	4460234	3	Tie, Wire (Not Shown)	
39	4460428	1	Connector, Strain Relief	
40	4460488	1	Base, Terminal Mounting	
41	4460496	1	Lockwasher, Receptacle	
42	4460497	1	Nut, Terminal	
43	4460752	1	Connector - 14 Position	
44	4750600	6	Flatwasher #6	
45	4750800	4	Flatwasher #8	

SECTION 4 - PLATFORM

ITEM	PART NUMBER	QTY	DESCRIPTION	REV
47	3571222	1	Angle, Relay Mounting Only (Prior to SN 0300068945)	
48	4740120	4	Washer, Nylon Only (Prior to SN 0300068945)	
49	3311005	4	Locknut #10-24NC Only (Prior to SN 0300068945)	
51		Ref	Display - Light Panel Options:	
51	1704239	1	Display (Prior to SN 0300139889)	
51	1001110226	1	Display (E/M400) (SN 0300139889 through 0300189901)	
51	1001110226	1	Display (E/M450A) (SN 0300139889 through 0300189898)	
	0259102	Ref	JIB CONSOLE SWITCH (E/M450AJ & E/M400AJ ONLY)	2-B
101	4360328	1	Switch, Toggle	
101	3790012	1	O-Ring	
101	4922294	1	Harness, Jib Function (See ELECTRICAL SECTION for Breakdown)	
101	4240032	6	Tie-Strap	
		Ref	MOTOR CONTROLS INSTALLATION (M450 & M400 ONLY)	
	0257824	Ref	All M450 Models Built (Prior to SN 0300059390)	11
	0270344	Ref	All M450 Models Built (SN 0300059390 through 0300079057)	5-B
	0270344	Ref	All M400 Models (Prior to SN 0300079057)	5-B
	0273573	Ref	All M450/M400 Models (SN 0300079057 through 0300088538)	B
	0274617	Ref	Motor/Generator Installation (Kubota Diesel) (All M400 & M450 Models Built) (Prior to SN 0300182839)	G
	1001159362	Ref	Motor/Generator Installation (Kubota Diesel) (All M400 Models Built) (SN 0300182839 through 0300189901)	A
	1001159362	Ref	Motor/Generator Installation (Kubota Diesel) (All M450 Models Built) (SN 0300182839 through 0300189898)	A
201	4360336	1	Switch, Toggle	
201	3790012	1	O-Ring	
201	4922222	1	Harness (See ELECTRICAL SECTION for Breakdown)	
201	4922223	1	Harness (See ELECTRICAL SECTION for Breakdown)	
		Ref	PLATFORM OVERLOAD SENSING INSTALLATION (OPTIONAL - FRONT ENTRY PLATFORM) (NOT SHOWN)	
	0259358	Ref	CE Spec	D
	0271489	Ref	CE Spec (Lift Down)	B
		Ref	Note: For Side Entry Platform Refer to JLG Supplement 3124287.	
301	1600310	1	Controller, Load Sensing	
301	3910614	2	Screw #6-32NC x 7/8in	
301	4750600	2	Flatwasher #6	
301	3310601	2	Nut #6-32NC	
	0259338	Ref	WORKLIGHTS INSTALLATION (OPTIONAL)	C
401		Ref	Switch Options:	
401A	4360336	1	Switch, Toggle (Prior to SN 0300161792)	
401B	4360522	1	Switch, Push Button (E/M400) (SN 0300161792 through 0300189901)	
401B	4360522	1	Switch, Push Button (E/M450) (SN 0300161792 through 0300189898)	
402	1705170	1	Decal, Lights (E/M400) (SN 0300161792 through 0300189901)	
402	1705170	1	Decal, Lights (E/M450) (SN 0300161792 through 0300189898)	

SECTION 4 - PLATFORM

FIGURE 4-7. CONTROLLER ASSEMBLY (SWING AND LIFT)



SECTION 4 - PLATFORM

FIGURE 4-7. CONTROLLER ASSEMBLY (SWING AND LIFT)

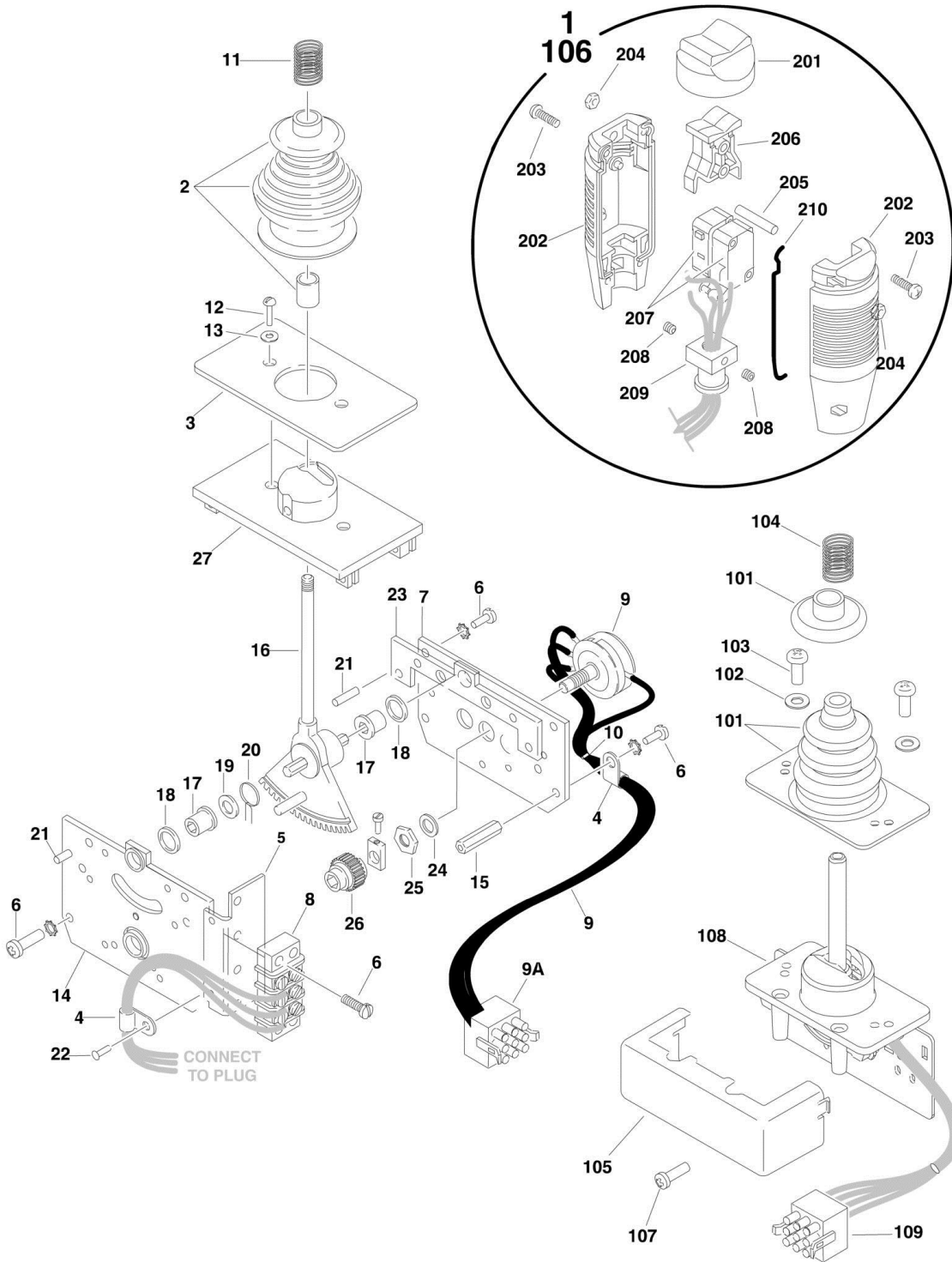
ITEM	PART NUMBER	QTY	DESCRIPTION	REV
		Ref	CONTROLLER ASSEMBLY	
	1600274	Ref	Controller Assy (Original Equipment) (Prior to SN 0300145789)	F
1	7019141	1	Mechanical Assembly (Includes Base, Handle Stem and Items 18, 1A, 1B & 1C)	
1A	7019197	1	Handle Cap and Rod	
1B	7003928	1	Spring	
1C	7022808	1	Cap, Lift	
2	7019142	2	Plate	
3	7019111	4	Bearing, Gear	
4	7019143	2	Screw	
5	7019144	2	Spacer	
6	7019145	4	E-Clip	
7	7019174	2	Spacer, Cam	
8	7003977	2	Gear, Drive	
9	7019147	4	Shaft	
10	7019195	2	Potentiometer Assembly	
10	7003974	1	Potentiometer	
11	7019142	2	Plate	
12	7003992	2	Washer	
13	7003993	2	Nut	
14	7003976	2	Gear, Slave	
15	7019149	2	Setscrew	
16	7003952	4	Screw	
17	7019150	1	Gate	
18	7022813	1	Boot (was p/n 7003955)	
19	7022813	1	Plate, Plastic (was p/n 7003954)	
20	7003956	1	O-Ring	
21	7003953	4	Washer	
22	7019137	4	Screw	
23	7019170	1	Center, Detent	
24	4460265	1	Plug, Male - 9 Position	
24	4460226	8	Socket, Female	
25	7019122	1	Gimble, Outer	
26	7019123	1	Gimble, Inner	
	1001118419	Ref	Controller Assembly (Service Replacement) (Prior to SN 0300145789)	B
	1001118419	Ref	Controller Assembly (Original Equipment) (E/M400) (SN 0300145789 through 0300189901)	B
	1001118419	Ref	Controller Assembly (Original Equipment) (E/M450) (SN 0300145789 through 0300189898)	B
101	70002730	1	Gasket	
102	7003928	1	Spring	
103	7022808	1	Cap, Lift	
104	70002731	1	Boot	
105	70002732	4	Screw	
106	7022815	1	Bezel	
107	70002733	1	Adapter	
108	70002734	4	Screw	
109	70002735	1	Can, Enclosure	
110	70002906	1	CAP	

SECTION 4 - PLATFORM

ITEM	PART NUMBER	QTY	DESCRIPTION	REV
111	1001118419	1	Mechanical Assembly (Note: Not available for purchase)	
112	4460265	1	Plug, Male - 9 Position	
112	4460226	8	Socket, Female	

SECTION 4 - PLATFORM

FIGURE 4-8. CONTROLLER ASSEMBLY (DRIVE AND STEER)



SECTION 4 - PLATFORM

FIGURE 4-8. CONTROLLER ASSEMBLY (DRIVE AND STEER)

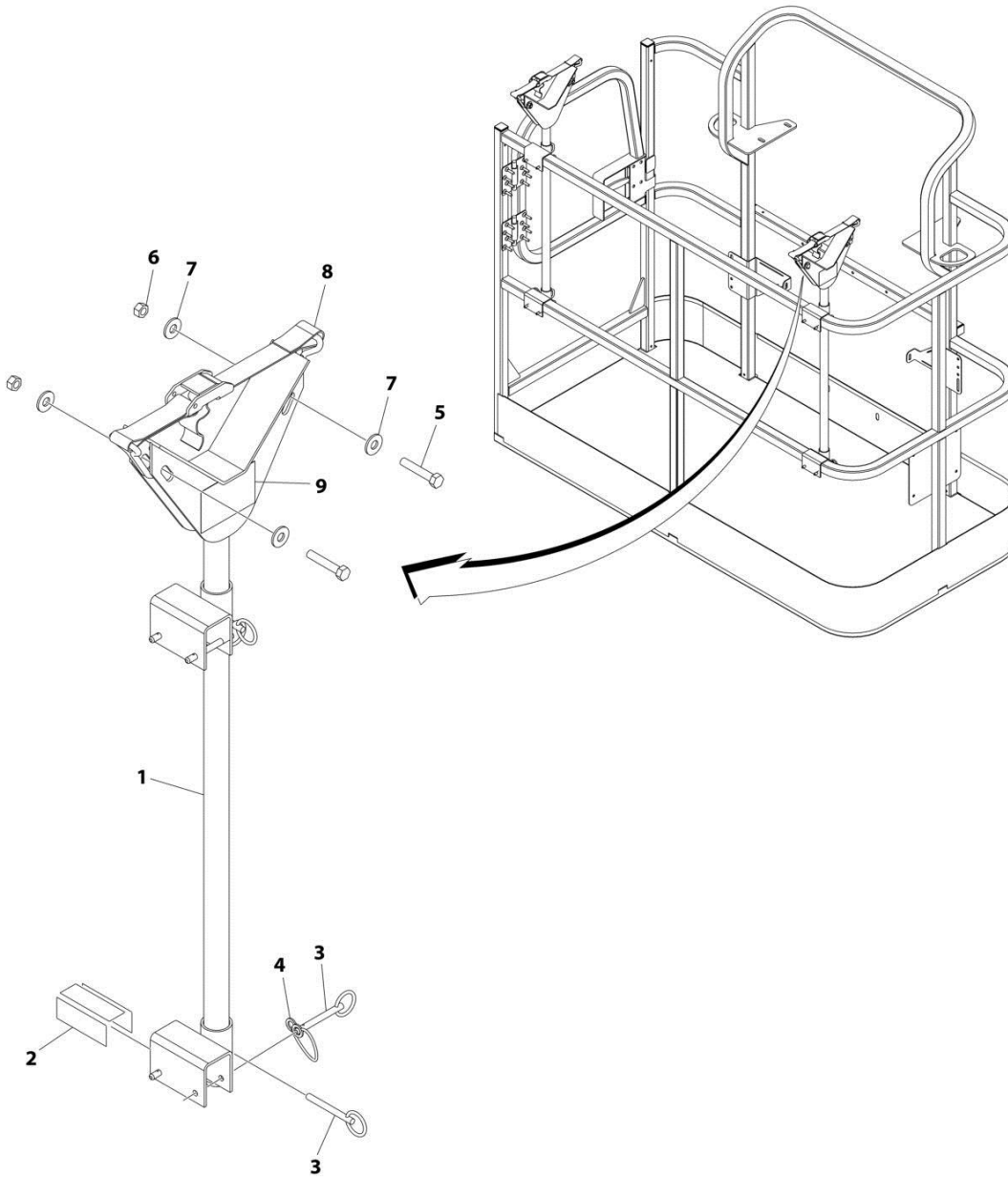
ITEM	PART NUMBER	QTY	DESCRIPTION	REV
		Ref	CONTROLLER ASSEMBLY	
	1600273	Ref	Controller Assembly (Original Equipment) (Prior to SN 0300145789)	G
1	7022812	1	Handle Assembly (See Items 201-210 for Breakdown)	
2	7019161	1	Boot and Sleeve	
3	7003933	1	Gasket	
4	7019154	2	Clamp, Wire	
5	7019159	1	Bracket, Mounting	
6	7003994	10	Screw	
7	7019157	1	Plate, Pot Mounting	
8	7003986	1	Strip, Terminal - 3 Position	
9	7019191	1	Electric Assembly	
9	7003974	1	Potentiometer	
9A	4460265	1	Plug, Male - 9 Position	
9A	4460226	7	Socket, Female	
10	7019151	AR	Tie-Strap	
11	7019162	1	Spring	
12	7003940	2	Screw (was p/n 7003969)	
13	7003941	2	Washer	
14	7019158	1	Plate, Mounting (Left Side)	
15	7019115	2	Stand-Off	
16	1600273	1	Shaft 8mm (Note: Not available for purchase)	
17	7019111	2	Bearing	
18	7019110	2	Spacer, Head Gear	
19	7019112	1	Washer	
20	7003946	1	Spring, Return	
21	7019103	4	Pin	
22	See Note	1	Rivet (Note: Not available for purchase)	
23	7019168	1	Plate, Mounting (Right Side)	
24	7003992	1	Washer	
25	7003993	1	Nut	
26	7003935	1	Gear, Slave	
27	7019160	1	Base	
	1001118418	Ref	Controller Assembly (Service Replacement) (Prior to SN 0300145789)	
	1001118418	Ref	Controller Assembly (Original Equipment) (E/M400) (SN 0300145789 through 0300189901)	B
	1001118418	Ref	Controller Assembly (Original Equipment) (E/M450) (SN 0300145789 through 0300189898)	B
101	70002724	1	Boot and Control Lock Assembly	
102	7003941	2	Washer	
103	70002725	2	Screw	
104	7019162	1	Spring	
105	70002726	1	Enclosure	
106	70002736	1	Handle Assembly (See Items 201-210 for Breakdown)	
107	70002728	1	Screw	
108	1001118418	1	Mechanical Assembly (Note: Not available for purchase)	
109	4460265	1	Plug, Male - 9 Position	
109	4460226	7	Socket, Female	
		Ref	HANDLE ASSEMBLIES	

SECTION 4 - PLATFORM

ITEM	PART NUMBER	QTY	DESCRIPTION	REV
	7022812	Ref	Controller Assembly p/n 1600273	
	70002736	Ref	Controller Assembly p/n 1001118418	
201	7003972	1	Boot, Switch	
202	7003973	2	Half, Handle	
203	7003980	4	Screw	
204	7019167	4	Nut	
205	7019164	1	Axle	
206	7019165	1	Rocker	
207		Ref	Wiring Assembly Options:	
207	7019196	1	Controller Assembly p/n 1600273	
207	7003982	2	Switch, Micro	
207	70002737	1	Controller Assembly p/n 1001118418	
207	7003982	2	Switch, Micro	
208	7003983	2	Setscrew	
209	7019194	1	Coupling	
210	7003989	2	Gasket	

SECTION 4 - PLATFORM

FIGURE 4-9. PIPE RACKS INSTALLATION



ART_0257728

SECTION 4 - PLATFORM

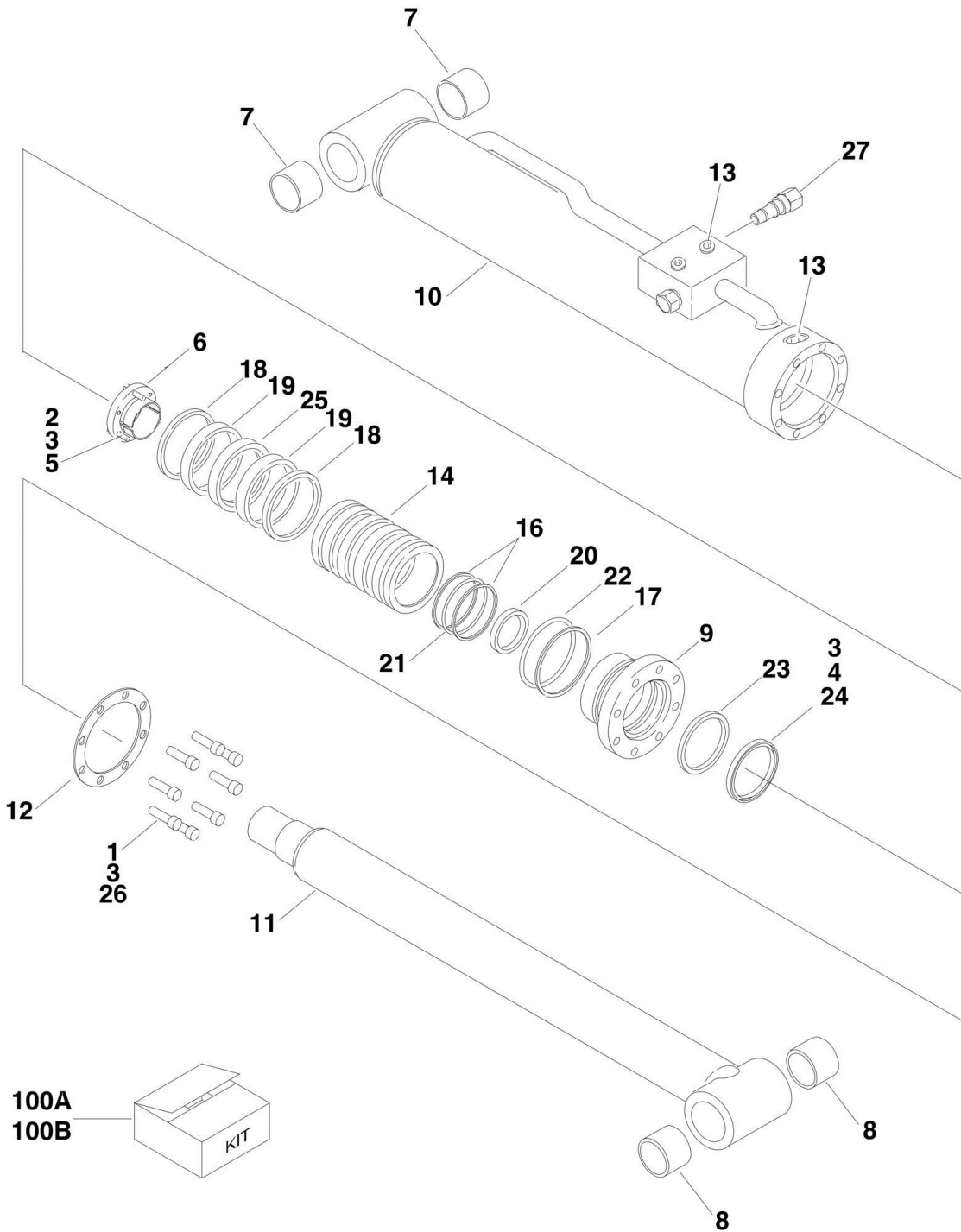
FIGURE 4-9. PIPE RACKS INSTALLATION

ITEM	PART NUMBER	QTY	DESCRIPTION	REV
	0257728	Ref	PIPE RACKS INSTALLATION	
1	4845582	2	Rack, Pipe	
2	4420062	AR	Tape	
3	3422661	10	Pin	
4	1060379	4	Lanyard	
5	0641514	4	Bolt 5/16 x 1-3/4	
6	3311505	4	Nut 5/16	
7	4751500	8	Washer 5/16	
8	0480100	2	Tie-Down	
9	1703683	2	Decal - Capacity	

SECTION 5 - CYLINDER

SECTION 5 - CYLINDER

FIGURE 5-1. JIB CYLINDER ASSEMBLY (E/M450AJ Prior to SN 0300164333; E/M400AJP Prior to SN 0300163453)



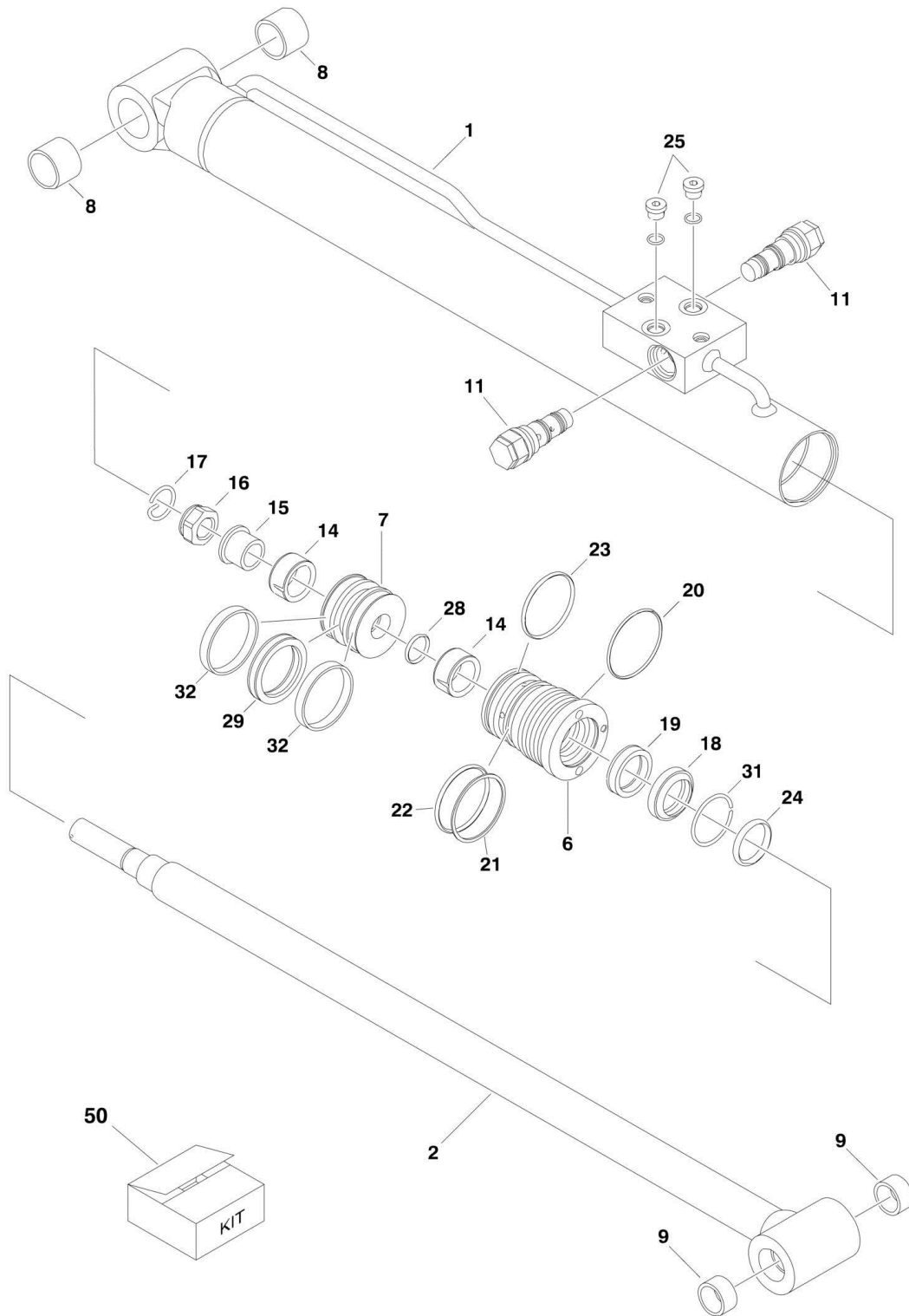
SECTION 5 - CYLINDER

FIGURE 5-1. JIB CYLINDER ASSEMBLY (E/M450AJ Prior to SN 0300164333; E/M400AJP Prior to SN 0300163453)

ITEM	PART NUMBER	QTY	DESCRIPTION	REV
	1683779	Ref	JIB CYLINDER ASSEMBLY	H
		Ref		
1	0100011	AR	Compound, Locking	
2	0100035	AR	Compound, Locking (Prior to SN 0300052727)	
3	0100038	AR	Primer, Locking	
4	0100063	AR	Adhesive (Prior to SN 0300106518)	
5	0630534	3	Bolt #10-24NC x 1in	
6	0961893	1	Bushing, Tapered	
7	0961947	2	Bearing, Garmax	
8	0961951	2	Bushing, Garmax	
9	1683051	1	Head, Cylinder	
10	1683780	1	Barrel	
11	1683783	1	Rod	
12	3760367	1	Ring, Washer	
13	2220885	3	O-Ring Plug	
14	3480249	1	Piston, Head	
16	See Note	2	Back-Up (Note: Use Items 100A or 100B)	
17	See Note	1	Back-Up (Note: Use Items 100A or 100B)	
18	See Note	2	Ring, Seal (Note: Use Items 100A or 100B)	
19	See Note	2	Ring, Wear (Note: Use Items 100A or 100B)	
20	See Note	1	Ring, Wear (Note: Use Items 100A or 100B)	
21	See Note	1	O-Ring (Note: Use Items 100A or 100B)	
22	See Note	1	O-Ring (Note: Use Items 100A or 100B)	
23	See Note	1	Seal (Note: Use Items 100A or 100B)	
24	See Note	1	Wiper (Note: Use Items 100A or 100B)	
25	See Note	1	Seal (Note: Use Items 100A or 100B)	
26	3931516	8	Bolt 5/16in-18NC x 1in	
27	4640509	2	Cartridge, Valve	
27	2900792	2	Seal Kit- 4640509 Valve (1 Per Cartridge)	
100		Ref	Seal Kit Options (Includes Items 16-25):	
100A	2901810	1	Seal Kit (Prior to SN 0300068111)	
100B	2902209	1	Seal Kit (E/M400AJP) (SN 0300068111 through 0300189901)	
100B	2902209	1	Seal Kit (E/M450AJ) (SN 0300068111 through 0300189898)	

SECTION 5 - CYLINDER

FIGURE 5-2. JIB CYLINDER ASSEMBLY (E/M450AJ SN 0300164333 through 0300189898; E/M400AJP SN 0300163453 through 0300189901)



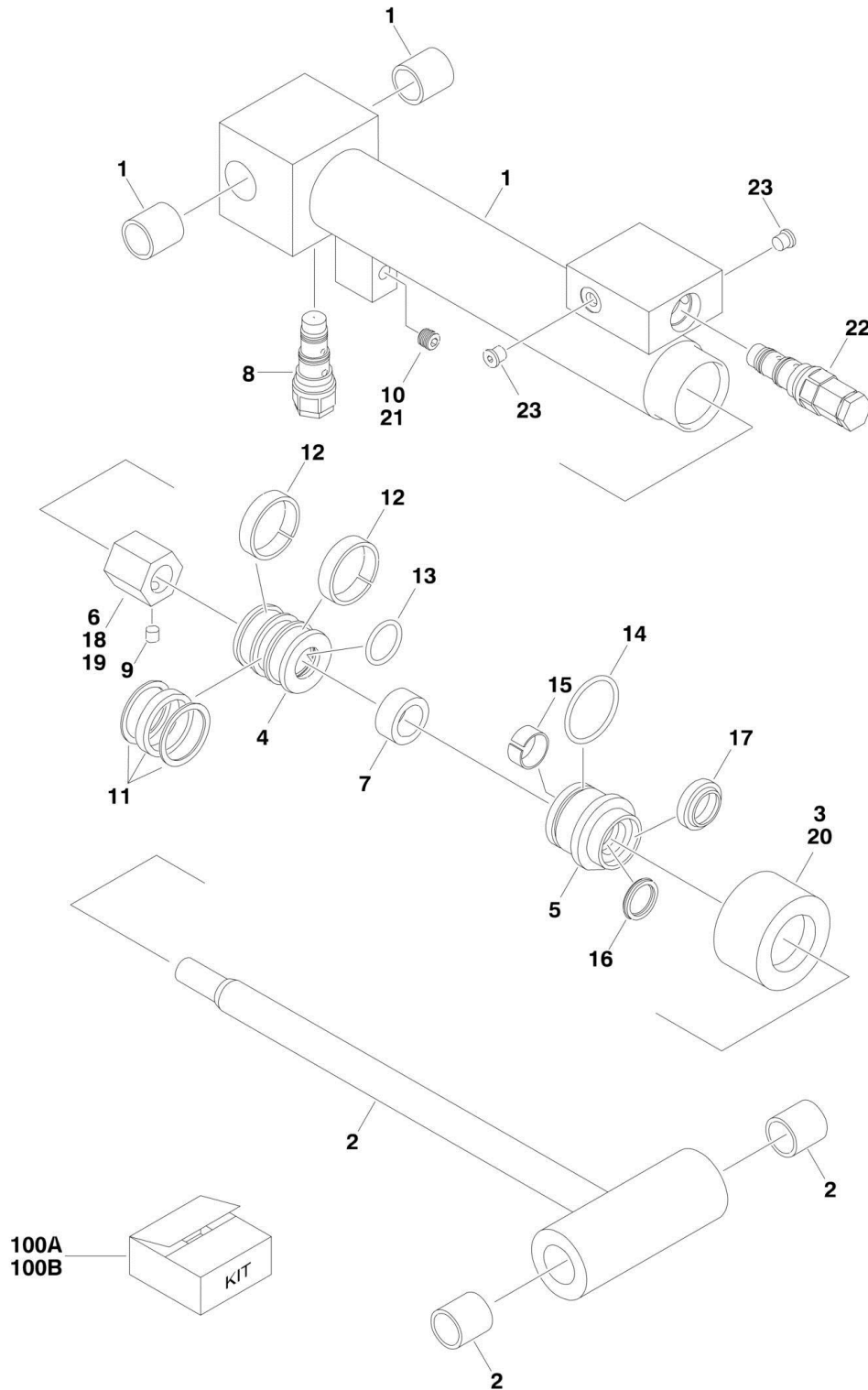
SECTION 5 - CYLINDER

FIGURE 5-2. JIB CYLINDER ASSEMBLY (E/M450AJ SN 0300164333 through 0300189898; E/M400AJP SN 0300163453 through 0300189901)

ITEM	PART NUMBER	QTY	DESCRIPTION	REV
	1001140280	Ref	JIB CYLINDER ASSEMBLY Note: Original Equipment components may have been replaced with Service Replacement components part. Identify p/n stamped on cylinder before ordering parts. Note: Jib cylinder with manual descent Valve See SPECIAL OPTIONS SECTION for Breakdown.	A
		Ref		
		Ref		
1	70003863	1	Barrel	
2	70003864	1	Rod	
6	7026088	1	Head	
7	70003833	1	Piston	
8	0961951	2	Bushing	
9	0961947	2	Bushing	
11	464509	2	Cartridge, Counterbalance Valve	
11	2900792	2	Seal Kit - 4640509 Valve	
14	7026090	2	Bushing	
15	7026091	1	Sleeve	
16	7026092	1	Nut	
17	70002223	1	Retainer	
18	See Note	1	Wiper, (Note: Use Item 50)	
19	See Note	1	Seal, (Note: Use Item 50)	
20	See Note	1	O-Ring, (Note: Use Item 50)	
21	See Note	1	Ring, Backup, (Note: Use Item 50)	
22	See Note	1	O-Ring, (Note: Use Item 50)	
23	See Note	1	O-Ring, (Note: Use Item 50)	
24	7026068	1	O-Ring	
25	7024844	2	Plug	
28	See Note	1	O-Ring, (Note: Use Item 50)	
29	See Note	1	Seal, (Note: Use Item 50)	
31	70002220	1	Ring, Retaining	
32	See Note	2	Ring, Wear, (Note: Use Item 50)	
50	70003836	1	Seal Kit - 1001140280 Cylinder (Includes Items 18-23, 28, 29 & 32)	

SECTION 5 - CYLINDER

FIGURE 5-3. PLATFORM LEVEL CYLINDER ASSEMBLY (E/M450A Prior to SN 0300165128; E/M400A Prior to SN 0300165128)



SECTION 5 - CYLINDER

FIGURE 5-3. PLATFORM LEVEL CYLINDER ASSEMBLY (E/M450A Prior to SN 0300165128; E/M400A Prior to SN 0300165128)

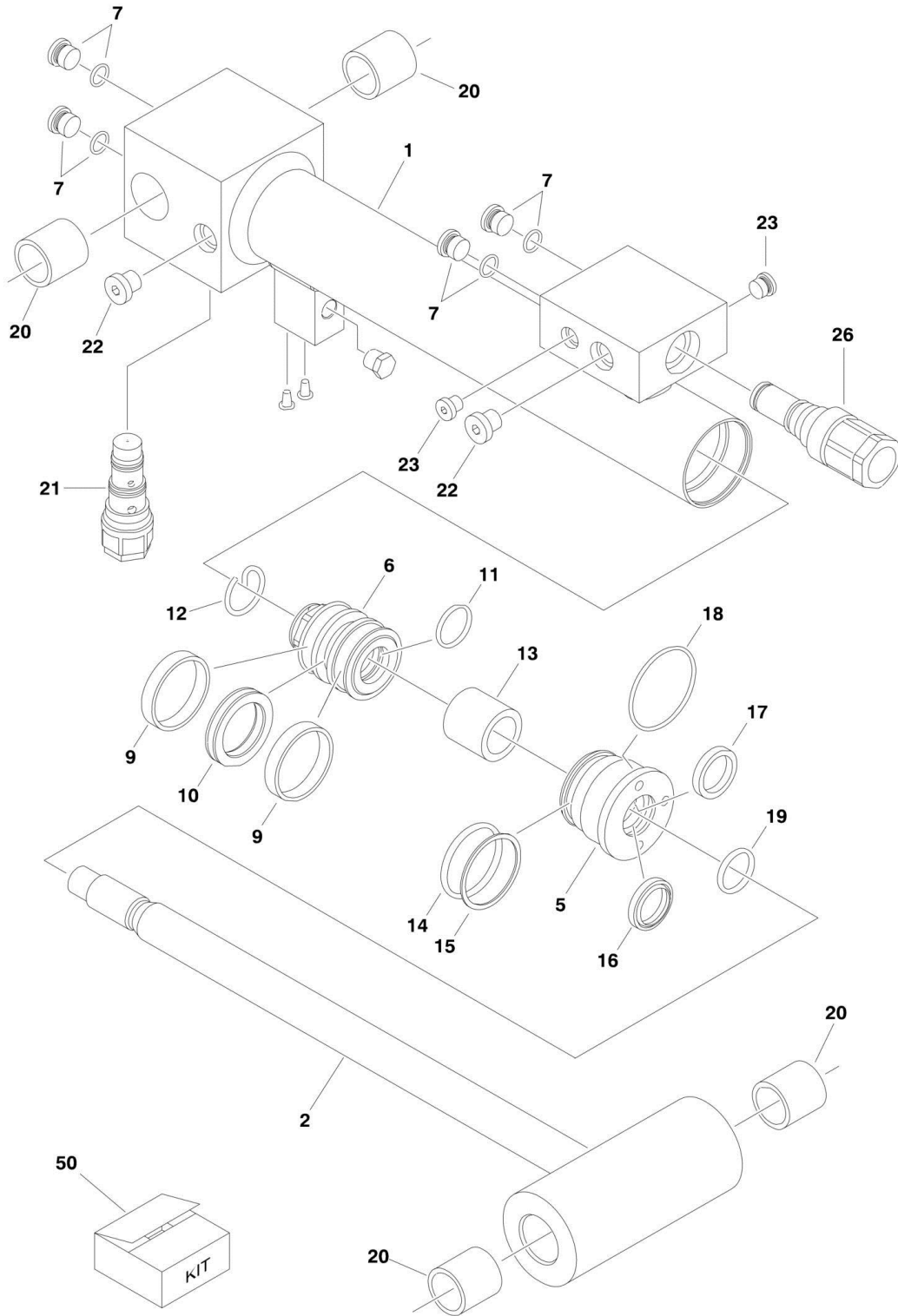
ITEM	PART NUMBER	QTY	DESCRIPTION	REV
		Ref	PLATFORM LEVEL CYLINDER ASSEMBLY	
	1683285	Ref	Platform Level Cylinder E/M450A Models (Prior to SN 0300056894)	A
	1683933	Ref	Platform Level Cylinder E/M450A Models (SN 0300056894 through 0300189898)	G
	1683933	Ref	Platform Level Cylinder E/M400A Models	G
		Ref	Note: Original Equipment components may have been replaced with Service Replacement components part. Identify p/n stamped on cylinder before ordering parts.	
1		Ref	Barrel Weldment Options:	
1	1682878	1	Barrel Weldment (Prior to SN 0300056894)	
1	1683995	1	Barrel Weldment (E/M400A) (SN 0300056894 through 0300189901)	
1	1683995	1	Barrel Weldment (E/M450A) (SN 0300056894 through 0300189898)	
1		Ref	Bushing Options:	
1	0961608	2	Bushing (Prior to SN 0300056894)	
1	0962356	2	Bushing (E/M400A) (SN 0300056894 through 0300189901)	
1	0962356	2	Bushing (E/M450A) (SN 0300056894 through 0300189898)	
2		Ref	Rod Weldment Options:	
2	1683286	1	Rod Weldment (Prior to SN 0300056894)	
2	1684007	1	Rod Weldment (E/M400A) (SN 0300056894 through 0300189901)	
2	1684007	1	Rod Weldment (E/M450A) (SN 0300056894 through 0300189898)	
2			Bushing Options:	
2	0961608	2	Bushing (Prior to SN 0300056894)	
2	0962356	2	Bushing (E/M400A) (SN 0300056894 through 0300189901)	
2	0962356	2	Bushing (E/M450A) (SN 0300056894 through 0300189898)	
3	1120110	1	Retainer	
4		Ref	Piston Options:	
4	3480217	1	Piston (Prior to SN 0300056894)	
4	3480261	1	Piston (E/M400A) (SN 0300056894 through 0300189901)	
4	3480261	1	Piston (E/M450A) (SN 0300056894 through 0300189898)	
5		Ref	Head Options:	
5	1682154	1	Head (Prior to SN 0300056894)	
5	1683934	1	Head (E/M400A) (SN 0300056894 through 0300189901)	
5	1683934	1	Head (E/M450A) (SN 0300056894 through 0300189898)	
6	3300308	1	Nut, Hex	
7		Ref	Spacer, Tube Options:	
7	4566023	1	Spacer, Tube (Prior to SN 0300056894)	
7	4568136	1	Spacer, Tube (E/M400A) (SN 0300056894 through 0300189901)	
7	4568136	1	Spacer, Tube (E/M450A) (SN 0300056894 through 0300189898)	
8	4640509	1	Valve, Holding	
8	2900792	1	Seal Kit - 4640509 Valve	
9	3900170	1	Setscrew 3/8in-16NC x 3/8in	

SECTION 5 - CYLINDER

ITEM	PART NUMBER	QTY	DESCRIPTION	REV
10	2200222	1	Plug, Pipe	
11	See Note	1	T-Seal (Note: Use Items 100A or 100B)	
12	See Note	Ref	Ring, Wear (Note: Use Items 100A or 100B)	
12	See Note	1	Ring, Wear (Prior to SN 0300056894)	
12	See Note	2	Ring, Wear (E/M400A) (SN 0300056894 through 0300189901)	
12	See Note	2	Ring, Wear (E/M450A) (SN 0300056894 through 0300189898)	
13	See Note	1	O-Ring (Note: Use Items 100A or 100B)	
14	See Note	1	O-Ring (Note: Use Items 100A or 100B)	
15	See Note	1	Ring, Wear (Note: Use Items 100A or 100B)	
16	See Note	1	Seal, Rod (Note: Use Items 100A or 100B)	
17	See Note	1	Wiper, Rod (Note: Use Items 100A or 100B)	
18	0100038	AR	Primer, Locking	
19	0100011	AR	Compound, Locking	
20	0100035	AR	Compound, Locking	
21	0100020	AR	Sealant, Pipe	
22	4640932	1	Cartridge, Holding Valve	
22	7011112	1	Seal Kit - 4640932 Valve	
23	2220883	2	Plug, Socket Hex	
100		Ref	Seal Kit Options (Includes Items 11-17):	
100A	2901147	1	Level Cylinder p/n 1683285	
100B	2901902	1	Level Cylinder p/n 1683933	

SECTION 5 - CYLINDER

FIGURE 5-4. PLATFORM LEVEL CYLINDER ASSEMBLY (E/M450A SN 0300165128 through 0300189898; E/M400A SN 0300165128 through 0300189901)



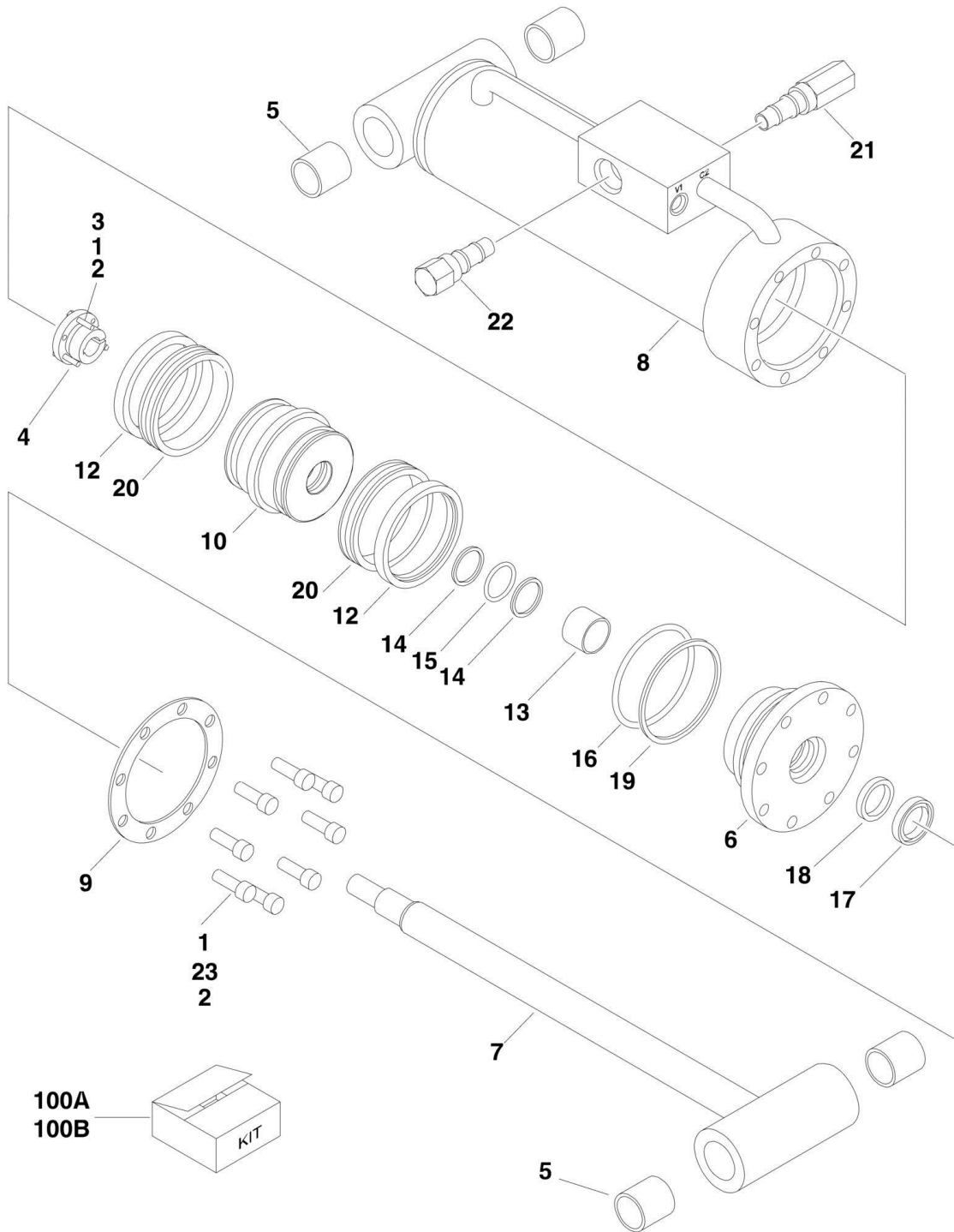
SECTION 5 - CYLINDER

FIGURE 5-4. PLATFORM LEVEL CYLINDER ASSEMBLY (E/M450A SN 0300165128 through 0300189898; E/M400A SN 0300165128 through 0300189901)

ITEM	PART NUMBER	QTY	DESCRIPTION	REV
	1001140598	Ref	PLATFORM LEVEL CYLINDER ASSEMBLY Note: Original Equipment components may have been replaced with Service Replacement components part. Identify p/n stamped on cylinder before ordering parts.	A
		Ref		
1	70004146	1	Barrel	
2	70004147	1	Rod	
5	70000739	1	Head	
6	70004141	1	Piston	
7	See Note	4	Plug (Note: Not available for purchase)	
9	See Note	2	Ring, Wear, (Note: Use Item 50)	
10	See Note	1	Seal, (Note: Use Item 50)	
11	70023094	1	O-Ring, (Note: Use Item 50)	
12	70004142	1	Retainer	
13	70004143	1	Spacer	
14	See Note	1	O-Ring, (Note: Use Item 50)	
15	See Note	1	Ring, Back-up, (Note: Use Item 50)	
16	See Note	1	Wiper, (Note: Use Item 50)	
17	See Note	1	Seal, (Note: Use Item 50)	
18	See Note	1	O-Ring, (Note: Use Item 50)	
19	70000740	1	O-Ring	
20	0962356	4	Bushing	
21	4640509	1	Cartridge, Counterbalance Valve	
21	2900792	1	Seal Kit - 4640509 Valve	
22	70024262	2	Plug	
23	See Note	2	Plug (Note: Not available for purchase)	
26	4640932	1	Cartridge, Counterbalance Valve	
26	7011112	1	Seal Kit - 4640832 Valve	
50	70004131	1	Seal Kit (Includes Items 9-11 & 14-18)	

SECTION 5 - CYLINDER

FIGURE 5-5. PLATFORM LEVEL CYLINDER ASSEMBLY - JIB (E/M450AJ Prior to SN 0300163453;
E/M400AJP Prior to SN 0300163453)



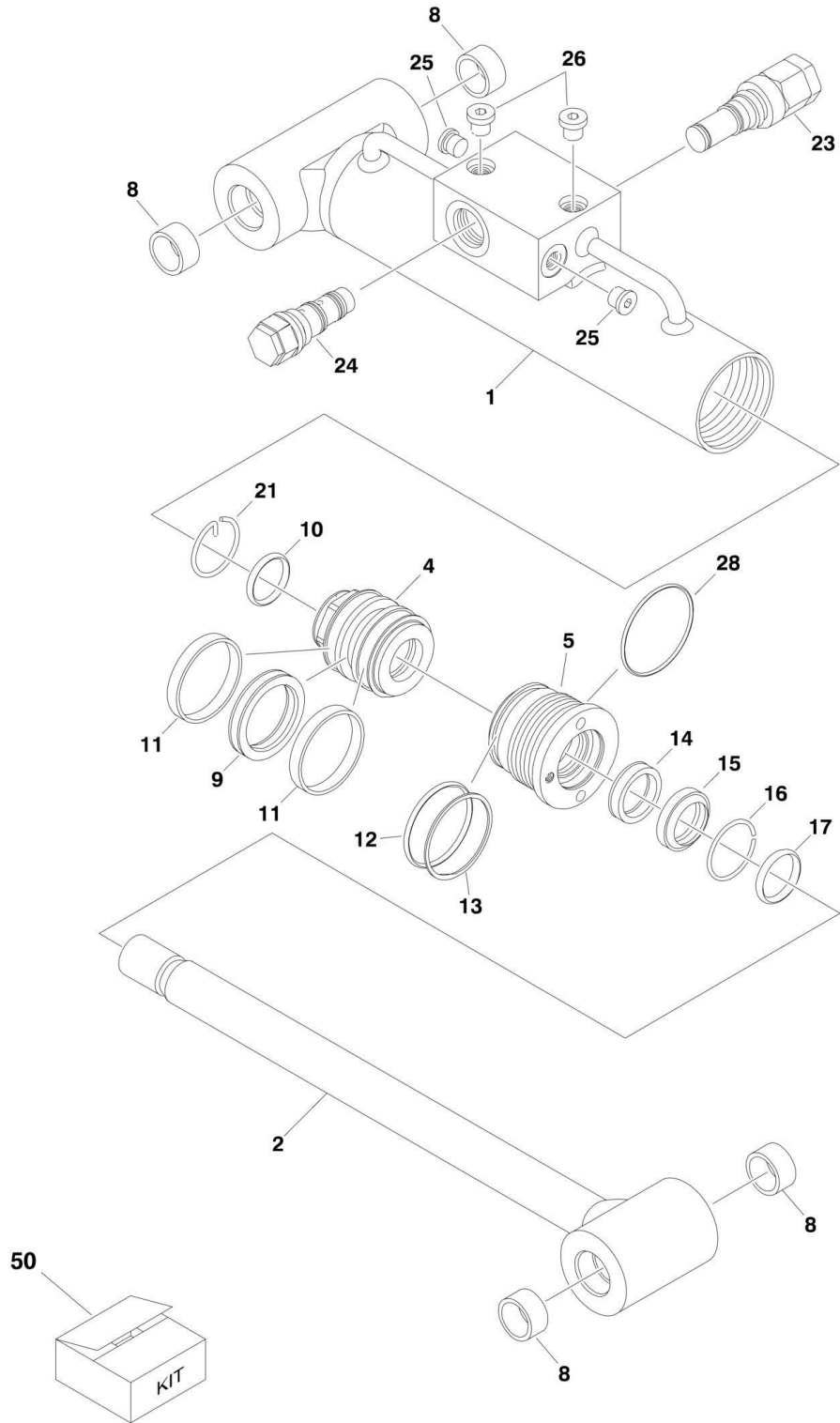
SECTION 5 - CYLINDER

**FIGURE 5-5. PLATFORM LEVEL CYLINDER ASSEMBLY - JIB (E/M450AJ Prior to SN 0300163453;
E/M400AJP Prior to SN 0300163453)**

ITEM	PART NUMBER	QTY	DESCRIPTION	REV
		Ref	PLATFORM LEVEL CYLINDER ASSEMBLY	
	1683760	Ref	Platform Level Cylinder Assembly E450AJ or M450AJ (Prior to SN 0300056571)	B
	1683924	Ref	Platform Level Cylinder Assembly E450AJ or M450AJ (SN 0300056571 through 0300189898)	G
	1683924	Ref	Platform Level Cylinder Assembly E400AJP or M400AJP	G
		Ref	Note: Original Equipment components may have been replaced with Service Replacement components part. Identify p/n stamped on cylinder before ordering parts.	
1	0100011	AR	Compound, Locking	
2	0100038	AR	Primer, Locking	
3	3931016	3	Bolt, Socket Head #10-24NC x 1in	
4		Ref	Tapered Bushing Options:	
4	0961900	1	1683760 Cylinder	
4	0962185	1	1683924 Cylinder	
5	0961951	4	Bushing, Garmax	
6		Ref	Head Options:	
6	1683052	1	1683760 Cylinder	
6	1683925	1	1683924 Cylinder	
7	1683759	1	Rod	
8	1683761	1	Barrel	
9	3760368	1	Washer, Ring	
10		Ref	Piston Options:	
10	3480247	1	1683760 Cylinder	
10	3480259	1	1683924 Cylinder	
12	See Note	2	Ring, Lock (Note: Use Items 100A or 100B)	
13	See Note	1	Ring, Wear (Note: Use Items 100A or 100B)	
14	See Note	2	Ring, Back-up (Note: Use Items 100A or 100B)	
15	See Note	1	O-Ring (Note: Use Items 100A or 100B)	
16	See Note	1	O-Ring (Note: Use Items 100A or 100B)	
17	See Note	1	Wiper (Note: Use Items 100A or 100B)	
18	See Note	1	Seal (Note: Use Items 100A or 100B)	
19	See Note	1	Ring, Back-up (Note: Use Items 100A or 100B)	
20	See Note	2	Seal (Note: Use Items 100A or 100B)	
21	4640932	1	Cartridge, Valve (Counterbalance Vented)	
21	7011112	1	Seal Kit-4640932 Valve	
22	4641086	1	Cartridge, Valve (Counterbalance Non vented)	
22	2900792	1	Seal Kit-4641086 Valve	
23	3931516	8	Bolt, Socket Head 5/16in-18NC x 1in	
100		Ref	Seal Kit Options (Includes Items 12-20):	
100A	2901776	1	1683760 Cylinder	
100B	2901898	1	1683924 Cylinder	

SECTION 5 - CYLINDER

FIGURE 5-6. PLATFORM LEVEL CYLINDER ASSEMBLY - JIB (E/M450AJ SN 0300163453 through 0300189898; E/M400AJP SN 0300163453 through 0300189901)



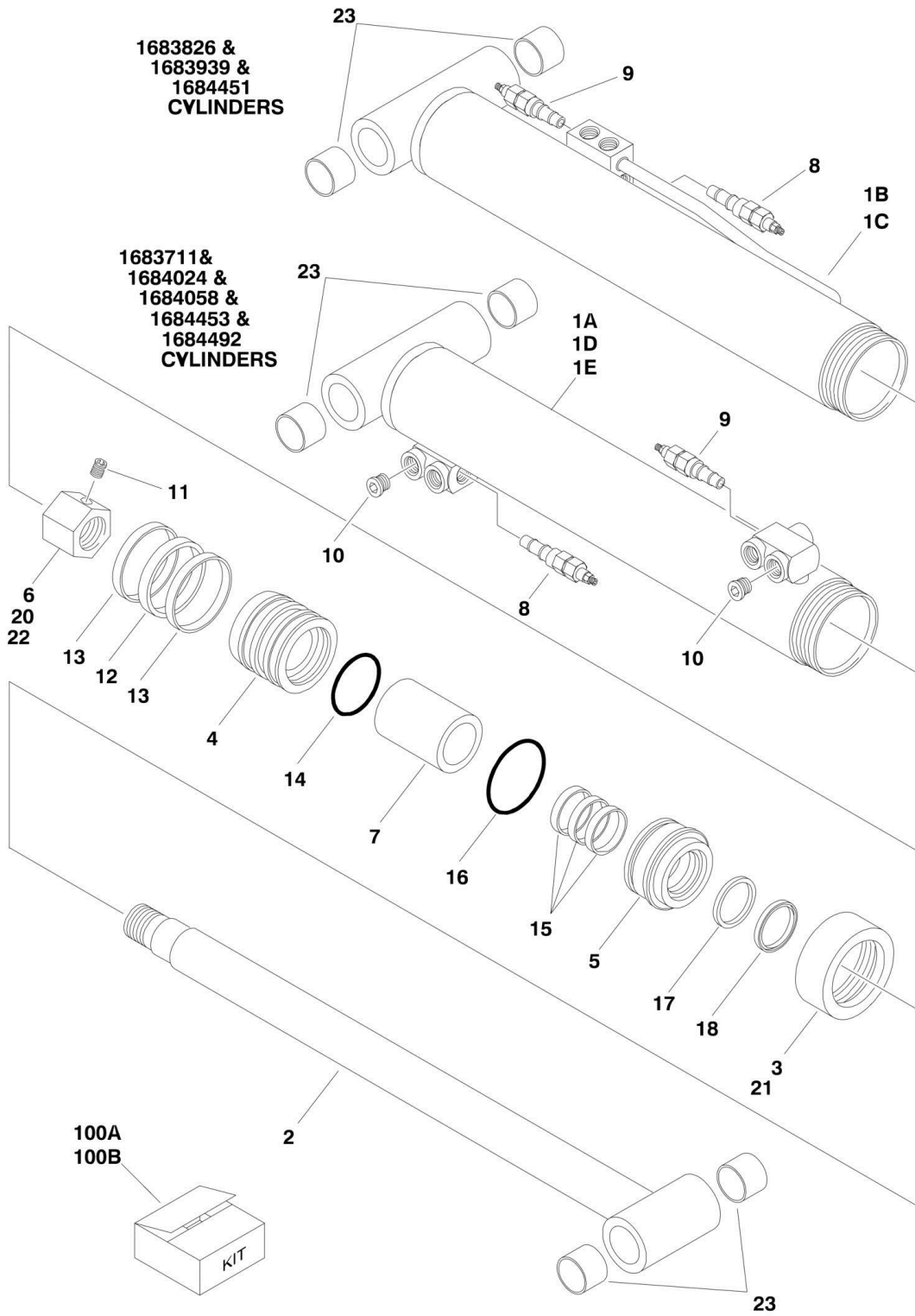
SECTION 5 - CYLINDER

FIGURE 5-6. PLATFORM LEVEL CYLINDER ASSEMBLY - JIB (E/M450AJ SN 0300163453 through 0300189898; E/M400AJP SN 0300163453 through 0300189901)

ITEM	PART NUMBER	QTY	DESCRIPTION	REV
	1001140279	Ref	PLATFORM LEVEL CYLINDER ASSEMBLY Note: Original Equipment components may have been replaced with Service Replacement components part. Identify p/n stamped on cylinder before ordering parts.	A
		Ref		
1	70003846	1	Barrel	
2	70003847	1	Rod	
4	70003819	1	Piston	
5	7026082	1	Head	
8	0961951	4	Bushing	
9	See Note	1	Seal, (Note: Use Item 50)	
10	See Note	1	O-Ring, (Note: Use Item 50)	
11	See Note	2	Ring, Wear, (Note: Use Item 50)	
12	See Note	1	O-Ring, (Note: Use Item 50)	
13	See Note	1	Ring, Back-up, (Note: Use Item 50)	
14	See Note	1	Seal, (Note: Use Item 50)	
15	See Note	1	Wiper, (Note: Use Item 50)	
16	70002217	1	Ring, Retaining	
17	7026084	1	O-Ring	
21	70002216	1	Retainer	
23	4640932	1	Cartridge, Counterbalance Valve	
23	7011112	1	Seal Kit - 4640932 Valve	
24	4641086	1	Cartridge, Counterbalance Valve	
24	2900792	1	Seal Kit - 4641086 Valve	
25	7024844	2	Plug	
26	See Note	2	Plug (Note: Not available for purchase)	
28	See Note	1	O-Ring, (Note: Use Item 50)	
50	70003845	1	Seal Kit (Includes Items 9-15 & 28)	

SECTION 5 - CYLINDER

FIGURE 5-7. LIFT CYLINDER ASSEMBLY - LOWER



SECTION 5 - CYLINDER

FIGURE 5-7. LIFT CYLINDER ASSEMBLY - LOWER

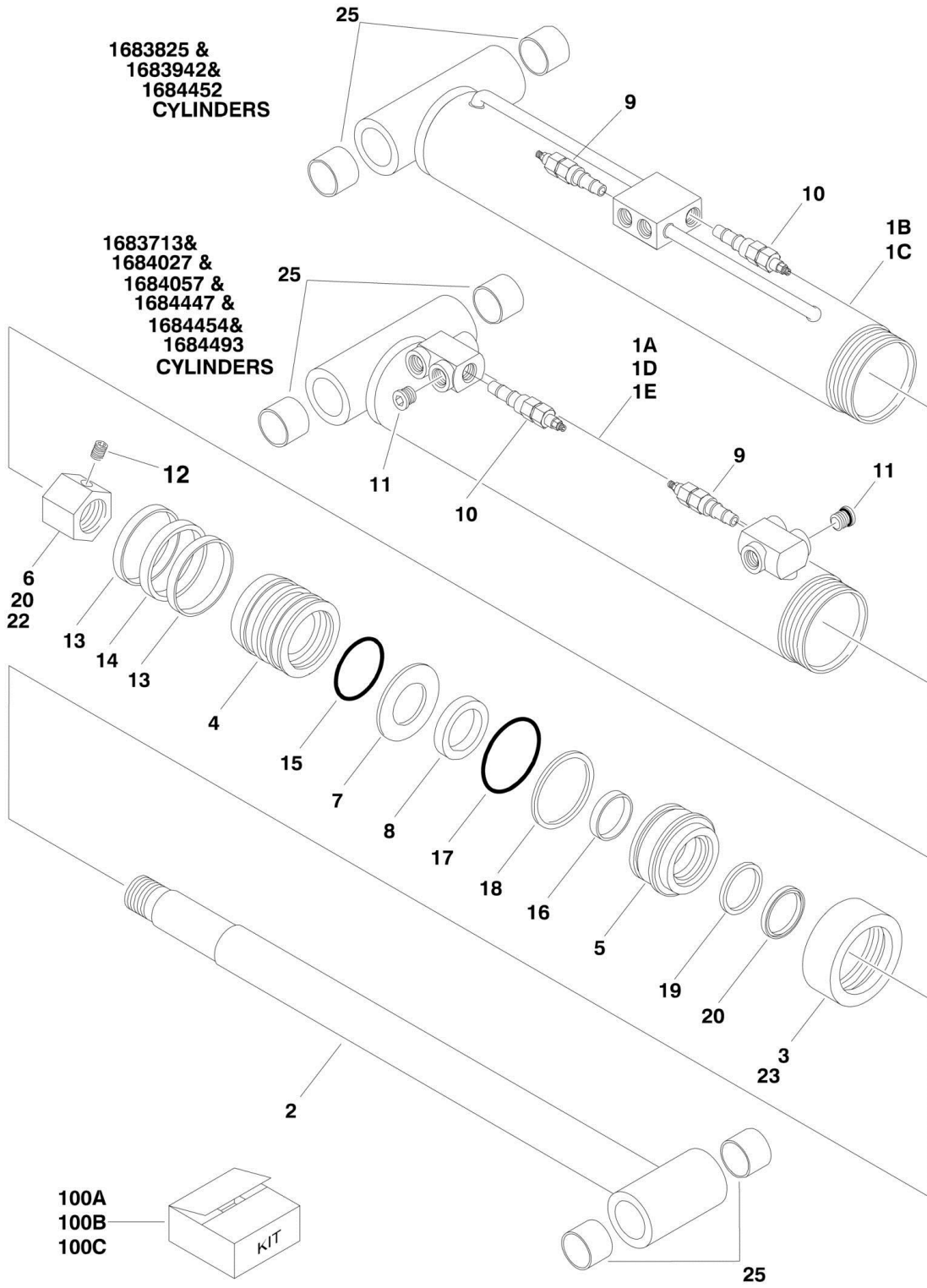
ITEM	PART NUMBER	QTY	DESCRIPTION	REV
		Ref	LOWER LIFT CYLINDER ASSEMBLIES	
	1683711	Ref	Lower Lift Cylinder Assemblies E/M450A (Prior to SN 0300058843)	1-A
	1684058	Ref	Lower Lift Cylinder Assemblies E/M450A (SN 0300058843 through 0300091052)	3-B
	1684492	Ref	Lower Lift Cylinder Assemblies E/M450A (SN 0300091053 through 0300189898)	B
	1683826	Ref	Lower Lift Cylinder Assemblies E/M450AJ (Prior to SN 0300056571)	1-A
	1683939	Ref	Lower Lift Cylinder Assemblies E/M450AJ (SN 0300056571 through 0300086021)	3-B
	1684451	Ref	Lower Lift Cylinder Assemblies E/M450AJ (SN 0300086022 through 0300189898)	D
	1684024	Ref	Lower Lift Cylinder Assemblies E/M400A (Prior to SN 0300086022)	3-B
	1684453	Ref	Lower Lift Cylinder Assemblies E/M400A (SN 0300086022 through 0300189901)	C
	1683939	Ref	Lower Lift Cylinder Assemblies E/M400AJP (Prior to SN 0300091053)	3-B
	1684451	Ref	Lower Lift Cylinder Assemblies E/M400AJP (SN 0300091053 through 0300189901)	C
1		Ref	Barrel Weldment Options:	
1A	1683515	1	1683711 Cylinder (Note: Includes Item #23)	
1B	1683827	1	1683826 Cylinder (Note: Includes Item #23)	
1C	1683940	1	1683939 & 1684451 Cylinders	
1D	1684022	1	1684024 & 1684453 Cylinder	
1E	1684055	1	1684058 & 1684492 Cylinder	
2		Ref	Rod Weldment Options:	
2	1683016	1	1683711 & 1683826 Cylinders (Note: Includes Item #23)	
2	1683941	1	1683939, 1683941, 1684451 & 1684492 Cylinders	
2	1684023	1	1684024 & 1684453 Cylinder	
3		Ref	Retainer Options:	
3	1120094	1	1683711, 1683826, 1683939, 1684024, 1684451 & 1684058 Cylinders	
3	1120305	1	1684024 & 1684453 Cylinder	
3	1120407	1	1684492 Cylinder	
4		Ref	Piston Options:	
4	3480241	1	1683711, 1683826, 1683939, 1684024, 1684492, 1684451 & 1684058 Cylinders	
4	3480242	1	1684024 & 1684453 Cylinder	
5		Ref	Head Options:	
5	1683710	1	1683711, 1683826, 1683939, 1684024, 1684492, 1684451 & 1684058 Cylinders	
5	1683712	1	1684024 & 1684453 Cylinder	
6	3300281	1	Nut, Hex	
7		Ref	Spacer Options:	
7	4566432	1	1683711, 1683826, 1683939, 1684024, 1684492, 1684451 & 1684058 Cylinders	
7	4565992	1	1684024 & 1684453 Cylinder (Spacer)	
7	4740207	1	1684024 & 1684453 Cylinder (Washer)	
8		Ref	Cartridge, Holding Valve Options:	
8	4640816	1	Cartridge, Holding Valve For 1683711, 1683826, 1683939, 1684024 & 1684058 Cylinder	

SECTION 5 - CYLINDER

ITEM	PART NUMBER	QTY	DESCRIPTION	REV
8	2900770	1	Seal Kit - 4640816 Valve	
8	4641386	1	Cartridge, Holding Valve For 1684451, 1684453 & 1684492 Cylinder	
8	7011376	1	Seal Kit - 4641386 Valve	
9	4640634	1	Cartridge, Holding Valve	
9	2900770	1	Seal Kit - 4640634 Valve	
10		Ref	Plug Options:	
10	2220885	2	1683711, 1684024, 1684058, 1684453 & 1684492 Cylinders	
10	Not Required	0	1683826, 1683939 & 1684451 Cylinders	
11	3900170	1	Setscrew	
12	See Note	1	Seal, Piston (Note: Use Items 100A or 100B)	
13	See Note	2	Ring, Wear (Note: Use Items 100A or 100B)	
14	See Note	1	O-Ring (Note: Use Items 100A or 100B)	
15	See Note	3	Ring, Wear (Note: Use Items 100A or 100B)	
16	See Note	1	O-Ring (Note: Use Items 100A or 100B)	
16	See Note	1	Ring, Back-up (1684024 Cylinder Only) (Note: Use item 100B)	
17	See Note	1	Seal, Rod (Note: Use Items 100A or 100B)	
18	See Note	1	Wiper, Rod (Note: Use Items 100A or 100B)	
20	0100011	AR	Compound, Locking	
21	0100035	AR	Compound, Locking	
22	0100038	AR	Primer, Locking	
23		Ref	Bushing Options:	
23	0961726	4	1683711 & 1683826 Cylinders	
23	0961950	4	1683939, 1684024, 1684058, 1684551, 1684453 & 1684492 Cylinders	
100		Ref	Seal Kit Options (Includes Items 12-18):	
100A	2901806	1	1683711, 1683826, 1683939, 1684492, 1684451 & 1684058 Cylinders	
100B	2901805	1	1684024 & 1684453 Cylinders	

SECTION 5 - CYLINDER

FIGURE 5-8. LIFT CYLINDER ASSEMBLY - MID



SECTION 5 - CYLINDER

FIGURE 5-8. LIFT CYLINDER ASSEMBLY - MID

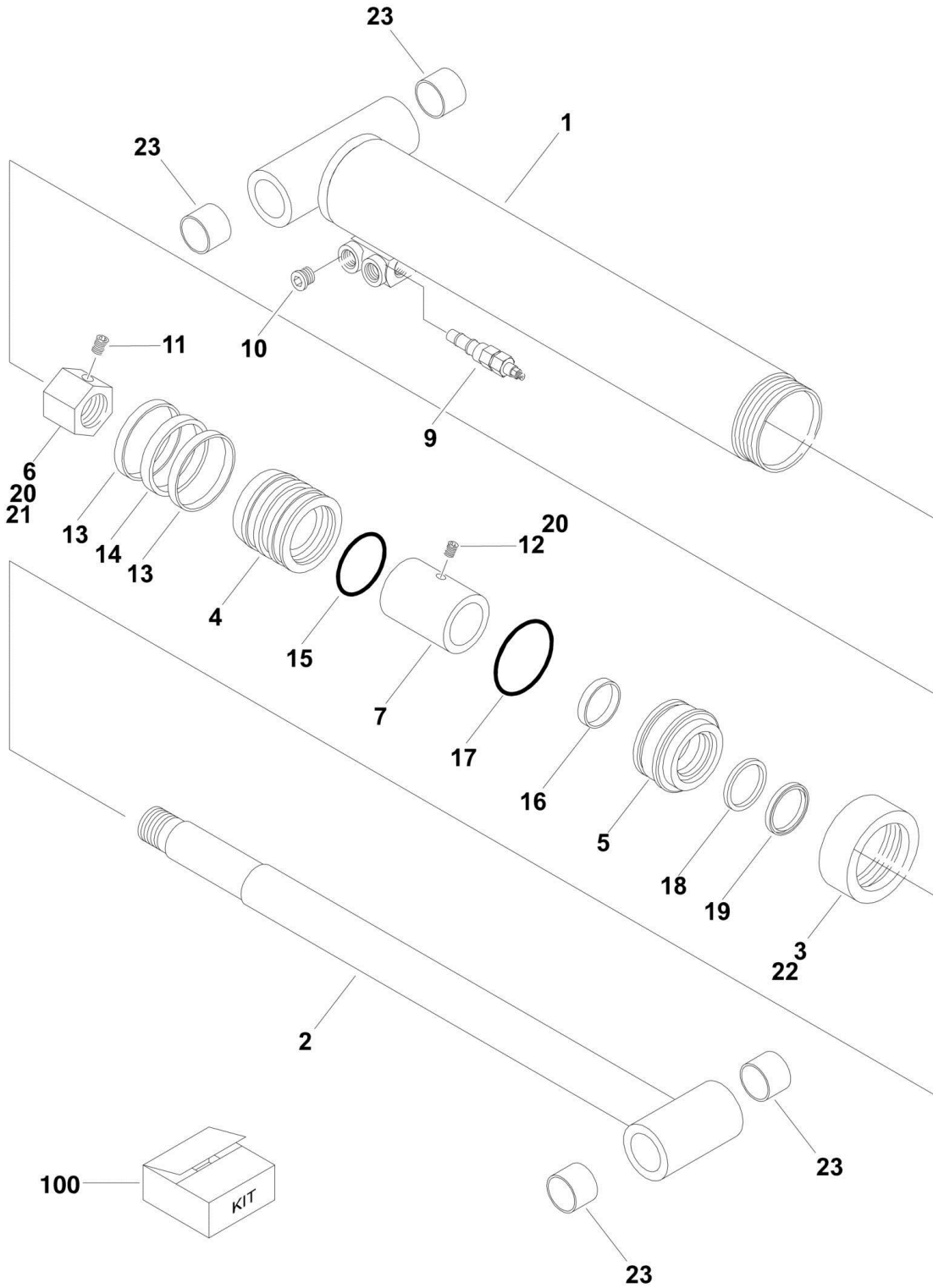
ITEM	PART NUMBER	QTY	DESCRIPTION	REV
		Ref	MID LIFT CYLINDER ASSEMBLY	
	1683713	Ref	Mid Lift Cylinder Assembly E/M450A (Prior to SN 0300058843)	1-A
	1684057	Ref	Mid Lift Cylinder Assembly E/M450A (SN 0300058843 through 0300091052)	3-B
	1684493	Ref	Mid Lift Cylinder Assembly E/M450A (SN 0300091053 through 0300189898)	B
	1683825	Ref	Mid Lift Cylinder Assembly E/M450AJ (Prior to SN 0300056571)	1-A
	1683942	Ref	Mid Lift Cylinder Assembly E/M450AJ (SN 0300056571 through 0300086021)	3-C
	1684452	Ref	Mid Lift Cylinder Assembly E/M450AJ (SN 0300086022 through 0300189898)	C
	1684027	Ref	Mid Lift Cylinder Assembly E/M400A (Prior to SN 0300080496)	1-A
	1684447	Ref	Mid Lift Cylinder Assembly E/M400A (SN 0300080496 through 0300086021)	B
	1684454	Ref	Mid Lift Cylinder Assembly E/M400A (SN 0300086022 through 0300189901)	A
	1683942	Ref	Mid Lift Cylinder Assembly E/M400AJP (Prior to SN 0300091053)	3-C
	1684452	Ref	Mid Lift Cylinder Assembly E/M400AJP (SN 0300091053 through 0300189901)	C
1		Ref	Barrel Weldment Options:	
1A	1683516	1	1683713 Cylinder (Note: Includes Item #25)	
1B	1683829	1	1683825 Cylinder (Note: Includes Item #25)	
1C	1683943	1	1683942 & 1684452 Cylinders	
1D	1684025	1	1684027 & 1684447 & 1684454 Cylinders	
1E	1684056	1	1684057 & 1684493 Cylinder	
2		Ref	Rod Weldment Options:	
2	1683021	1	1683713 & 1683825 Cylinders (Note: Includes Item #25)	
2	1683944	1	1683942, 1684057, 1684452 & 1684493 Cylinders	
2	1684026	1	1684027 & 1684447 & 1684454 Cylinders	
3		Ref	Retainer Options:	
3	1120305	1	1683713, 1684057, 1683825, 1683942 & 1684452 Cylinders	
3	1120108	1	1684027, 1684447 & 1684454 Cylinder	
3	1120375	1	1684493 Cylinder	
4		Ref	Piston Options:	
4	3480242	1	1683713, 1684057, 1683825, 1683942, 1684452 & 1684493 Cylinders	
4	3480115	1	1684027 Cylinder (Not Shown) (Use p/n 3480240) Note: When replacing the piston you must order seal kit p/n 2902419 separate from piston.	
4	3480240	1	1684447 & 1684454 Cylinder (Not Shown)	
5		Ref	Head Options:	
5	1683712	1	1683713, 1684057, 1683825, 1683942, 1684452 & 1684493 Cylinders	
5	1681344	1	1684027, 1684447 & 1684454 Cylinder	
6		Ref	Nut, Hex Options:	
6	3300281	1	1683713, 1684057, 1683825, 1683942, 1684452 & 1684493 Cylinders	
6	3300279	1	1684027, 1684447 & 1684454 Cylinder	
7		Ref	Washer Options:	
7	4740207	1	1683713, 1684057, 1683825, 1683942, 1684452 & 1684493 Cylinders	

SECTION 5 - CYLINDER

ITEM	PART NUMBER	QTY	DESCRIPTION	REV
7	4740394	1	1684027, 1684447 & 1684454 Cylinder	
8		Ref	Spacer Options:	
8	4566435	1	1683713, 1684057, 1683825, 1683942, 1684452 & 1684493 Cylinders	
8	4565994	1	1684027, 1684447 & 1684454 Cylinders	
8	3951402	1	Setscrew 1/4in-20NC x 1/4in (1684027, 1684447 & 1684454Cylinder Only)	
9	4640634	1	Cartridge, Holding Valve	
9	2900770	1	Seal Kit - 4640634 Valve	
10		Ref	Cartridge, Holding Valve Options:	
10	4640816	1	Cartridge, Holding Valve For 1683713, 1683825, 1683942, 1684027, 1684056 & 1684447 Cylinders	
10	2900770	1	Seal Kit - 4640816 Valve	
10	4641386	1	Cartridge, Holding Valve For 1684452, 1684454 & 1684493 Cylinder	
10	7011376	1	Seal Kit - 464136 Valve	
11		Ref	Plug Options:	
11	2220885	2	1683713, 1684027, 1684057, 1684447, 1684454 & 1684493 Cylinders	
11	Not Required	0	1683825, 1683942 & 1684452 Cylinders	
12	3900170	2	Setscrew	
13	See Note		Ring (Note: Use Items 100A, 100B or 100C)	
14	See Note	AR	Seal, Piston (Note: Use Items 100A, 100B or 100C)	
15	See Note	1	O-Ring (Note: Use Items 100A, 100B or 100C)	
16	See Note	1	Ring, Wear (Note: Use Items 100A, 100B or 100C)	
17	See Note	1	O-Ring (Note: Use Items 100A, 100B or 100C)	
18	See Note	1	Ring, Back-up (All except 1684027, 1684447 & 1684454 Cylinders) (Note: Use Items 100B or 100C)	
19	See Note	1	Seal, Rod (Note: Use Items 100A, 100B or 100C)	
20	See Note	1	Wiper, Rod (Note: Use Items 100A, 100B or 100C)	
21	0100011	AR	Compound, Locking	
22	0100035	AR	Compound, Locking	
23	0100038	AR	Primer, Locking	
25		Ref	Bushing Options:	
25	0961726	4	1683713 & 1683825 Cylinders	
25	0961950	4	1683942, 1684027, 1684057, 1684447, 1684452, 1684454 & 1684493 Cylinders	
100		Ref	Seal Kit Options (Includes Items 13-20):	
100A	2901805	1	All Cylinders except 1684027, 16844447 & 1684454	
100B	2900371	1	1684027 Cylinder (Use p/n 2902419) Note: If piston has not been replaced before, order piston p/n 3480240 also. Old style piston and seal kit must be replaced.	
100C	2902419	1	1684447 & 1684454 Cylinders	

SECTION 5 - CYLINDER

FIGURE 5-9. LIFT CYLINDER ASSEMBLY - UPPER



SECTION 5 - CYLINDER

FIGURE 5-9. LIFT CYLINDER ASSEMBLY - UPPER

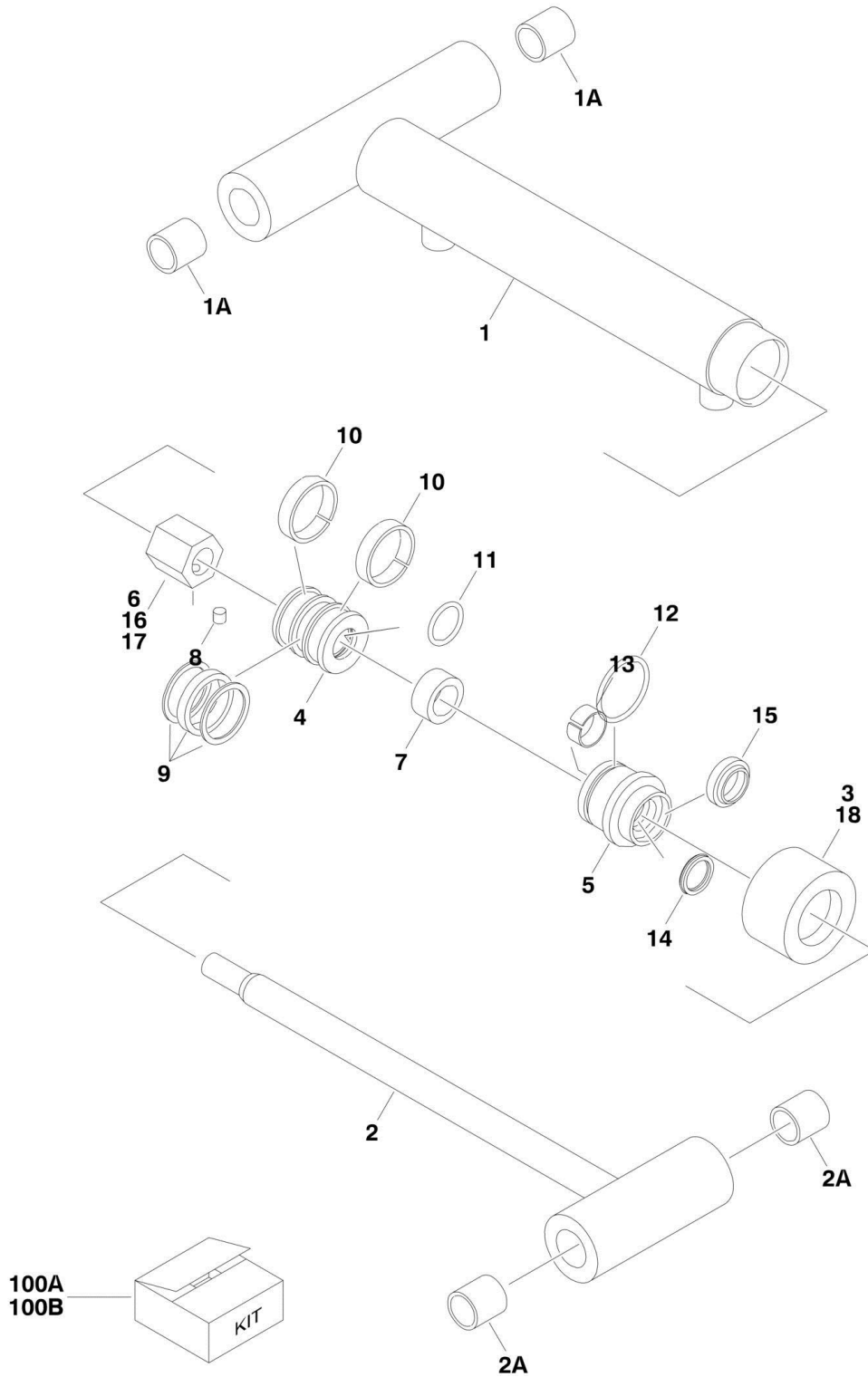
ITEM	PART NUMBER	QTY	DESCRIPTION	REV
		Ref	UPPER LIFT CYLINDER ASSEMBLIES	
	1683708	Ref	Upper Lift Cylinder Assemblies E/M450A (Prior to SN 0300058843)	2-B
	1684061	Ref	Upper Lift Cylinder Assemblies E/M450A (SN 0300058843 through 0300189898)	5-F
	1683813	Ref	Upper Lift Cylinder Assemblies E/M450AJ (Prior to SN 0300056571)	1-A
	1683945	Ref	Upper Lift Cylinder Assemblies E/M450AJ (SN 0300056571 through 0300189898)	4-F
	1684033	Ref	Upper Lift Cylinder Assemblies E/M400A (Prior to SN 0300073768)	1-A
	1684061	Ref	Upper Lift Cylinder Assemblies E/M400A (SN 0300073768 through 0300189901)	5-F
	1683945	Ref	Upper Lift Cylinder Assemblies E/M400AJP	4-F
1		Ref	Barrel Weldment Options:	
1	1683514	1	1683708 Cylinder (Note: Includes Item #23)	
1	1683815	1	1683713 Cylinder (Note: Includes Item #23)	
1	1683946	1	1683945 Cylinder	
1	1684031	1	1684033 Cylinder	
1	1684060	1	1684061 Cylinder	
2		Ref	Rod Weldment Options:	
2	1683505	1	1683708 Cylinder (Note: Includes Item #23)	
2	1683817	1	1683713 Cylinder (Note: Includes Item #23)	
2	1683947	1	1683945 Cylinder	
2	1684032	1	1684033 Cylinder	
2	1684059	1	1684061 Cylinder	
3	1120108	1	Cap, End	
4	3480240	1	Piston	
5	1683709	1	Head	
6		Ref	Nut, Hex Options:	
6	3300315	1	1683708, 1684033 & 1684061 Cylinders	
6	3300279	1	1683713 & 1683945 Cylinder	
7		Ref	Spacer, Tube Options:	
7	4567177	1	1683708, 1684033 & 1684061 Cylinders	
7	4567908	1	1683713 & 1683945 Cylinders	
9	4640936	1	Cartridge, Valve	
9	2900770	1	Seal Kit - 4640936 Valve	
10	2220885	4	Plug, O-Ring	
11	3900170	1	Setscrew	
12		Ref	Setscrew Options:	
12	3951402	1	1683708, 1684033 & 1684061 Cylinders	
12	3900142	1	1683713 & 1683945 Cylinders	
13	See Note	2	Ring, Wear, (Note: Use Item 100)	
14	See Note	1	Seal, (Note: Use Item 100)	
15	See Note	1	O-Ring, (Note: Use Item 100)	
16	See Note	1	Ring, Wear, (Note: Use Item 100)	
17	See Note	1	O-Ring, (Note: Use Item 100)	
18	See Note	1	Seal, (Note: Use Item 100)	
19	See Note	1	Wiper, (Note: Use Item 100)	
20	0100011	AR	Compound, Locking	
21	0100038	AR	Primer, Locking	

SECTION 5 - CYLINDER

ITEM	PART NUMBER	QTY	DESCRIPTION	REV
22	0100035	AR	Compound, Locking	
23		Ref	Bushing Options:	
23	0961726	4	1683708, 1683813 & 1684061 Cylinders	
23	0961950	4	1683945 & 1684033 Cylinders	
100	2901804	1	Seal Kit (Includes Items 13-19)	

SECTION 5 - CYLINDER

FIGURE 5-10. MASTER CYLINDER ASSEMBLY (E/M450A Prior to SN 0300165128; E/M400A Prior to SN 0300165128)



SECTION 5 - CYLINDER

FIGURE 5-10. MASTER CYLINDER ASSEMBLY (E/M450A Prior to SN 0300165128; E/M400A Prior to SN 0300165128)

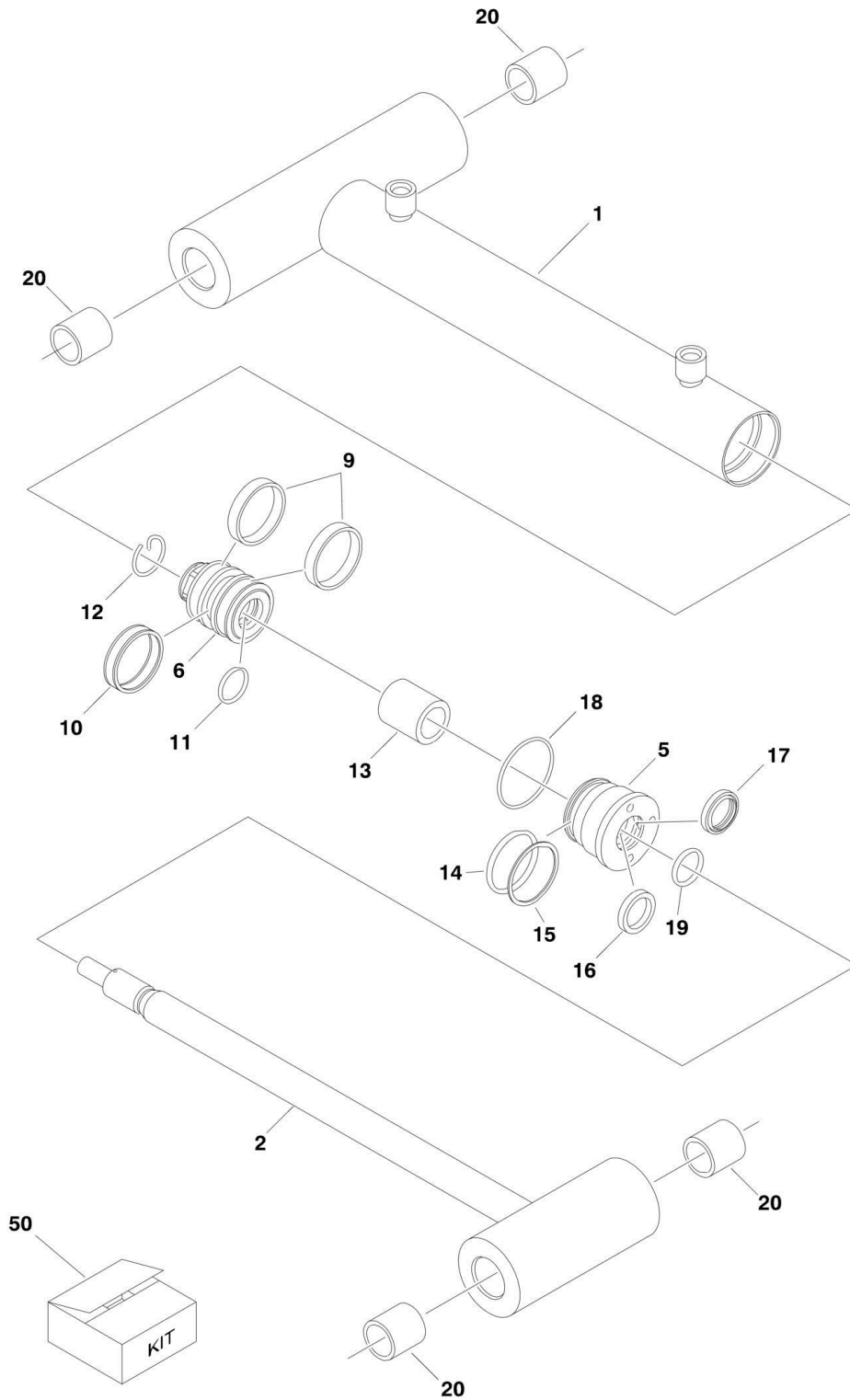
ITEM	PART NUMBER	QTY	DESCRIPTION	REV
		Ref	MASTER CYLINDER ASSEMBLY	
	1683325	Ref	Master Cylinder Assembly (Prior to SN 0300056894)	1-A
	1683932	Ref	Master Cylinder Assembly (E/M400A) (SN 0300056894 through 0300189901)	G
	1683932	Ref	Master Cylinder Assembly (E/M450A) (SN 0300056894 through 0300189898)	G
		Ref	Note: Original Equipment components may have been replaced with Service Replacement components part. Identify p/n stamped on cylinder before ordering parts.	
1		Ref	Barrel Weldment Options:	
1	1682879	1	Barrel Weldment (Prior to SN 0300056894)	
1	1684002	1	Barrel Weldment (E/M400A) (SN 0300056894 through 0300189901)	
1	1684002	1	Barrel Weldment (E/M450A) (SN 0300056894 through 0300189898)	
1A		Ref	Bushing Option:	
1A	0961608	2	Bushing (Prior to SN 0300056894)	
1A	0962356	2	Bushing (E/M400A) (SN 0300056894 through 0300189901)	
1A	0962356	2	Bushing (E/M450A) (SN 0300056894 through 0300189898)	
2		Ref	Rod Weldment Options:	
2	1682886	1	Rod Weldment (Prior to SN 0300056894)	
2	1684007	1	Rod Weldment (E/M400A) (SN 0300056894 through 0300189901)	
2	1684007	1	Rod Weldment (E/M450A) (SN 0300056894 through 0300189898)	
2A		Ref	Bushing Options:	
2A	0961608	2	Bushing (Prior to SN 0300056894)	
2A	0962356	2	Bushing (E/M400A) (SN 0300056894 through 0300189901)	
2A	0962356	2	Bushing (E/M450A) (SN 0300056894 through 0300189898)	
3	1120110	1	Retainer	
4		Ref	Piston Options:	
4	3480217	1	Piston (Prior to SN 0300056894)	
4	3480261	1	Piston (E/M400A) (SN 0300056894 through 0300189901)	
4	3480261	1	Piston (E/M450A) (SN 0300056894 through 0300189898)	
5		Ref	Head Options:	
5	1682154	1	Head (Prior to SN 0300056894)	
5	1683934	1	Head (E/M400A) (SN 0300056894 through 0300189901)	
5	1683934	1	Head (E/M450A) (SN 0300056894 through 0300189898)	
6	3300308	1	Nut, Hex	
7		Ref	Spacer, Tube Options:	
7	4566023	1	Spacer, Tube (Prior to SN 0300056894)	
7	4568136	1	Spacer, Tube (E/M400A) (SN 0300056894 through 0300189901)	
7	4568136	1	Spacer, Tube (E/M450A) (SN 0300056894 through 0300189898)	
8	3900170	1	Setscrew 3/8in-16NC x 3/8in	
9	See Note	1	T-Seal (Note: Use Items 100A or 100B)	
10	See Note	Ref	Ring, Wear (Note: Use Items 100A or 100B)	

SECTION 5 - CYLINDER

ITEM	PART NUMBER	QTY	DESCRIPTION	REV
10	See Note	1	Ring, Wear (Prior to SN 0300056894)	
10	See Note	2	Ring, Wear (E/M400A) (SN 0300056894 through 0300189901)	
10	See Note	2	Ring, Wear (E/M450A) (SN 0300056894 through 0300189898)	
11	See Note	1	O-Ring (Note: Use Items 100A or 100B)	
12	See Note	1	O-Ring (Note: Use Items 100A or 100B)	
13	See Note	1	Ring, Wear (Note: Use Items 100A or 100B)	
14	See Note	1	Seal, Rod (Note: Use Items 100A or 100B)	
15	See Note	1	Wiper, Rod (Note: Use Items 100A or 100B)	
16	0100038	AR	Primer, Locking	
17	0100011	AR	Compound, Locking	
18	0100035	AR	Compound, Locking	
100		Ref	Seal Kit - Cylinder Options (Includes Items 9-15):	
100A	2901147	1	Level Cylinder p/n 1683325	
100B	2901902	1	Level Cylinder p/n 1683932	

SECTION 5 - CYLINDER

FIGURE 5-11. MASTER CYLINDER ASSEMBLY (E/M450A SN 0300165128 through 0300189898;
E/M400A SN 0300165128 through 0300189901)



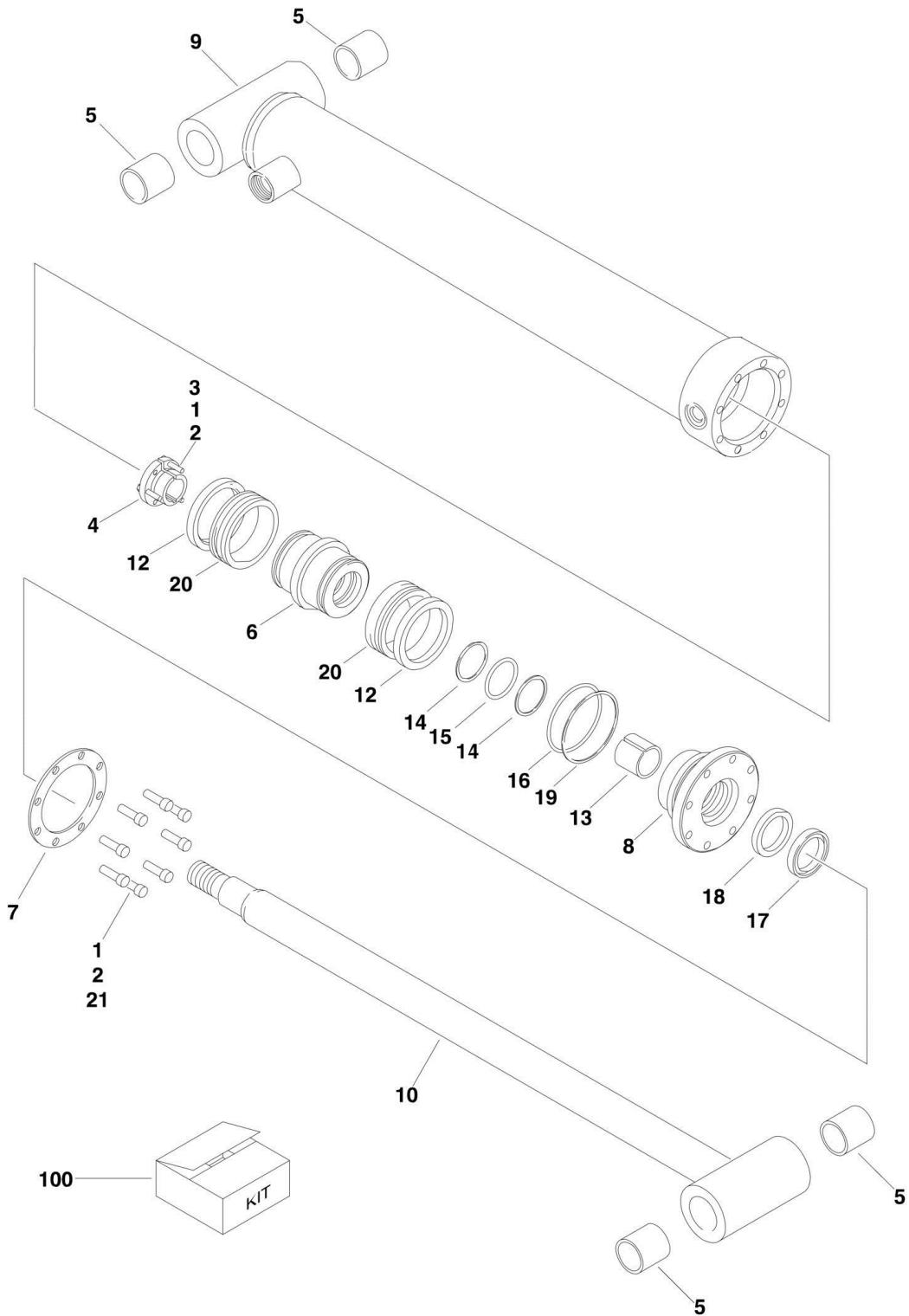
SECTION 5 - CYLINDER

**FIGURE 5-11. MASTER CYLINDER ASSEMBLY (E/M450A SN 0300165128 through 0300189898;
E/M400A SN 0300165128 through 0300189901)**

ITEM	PART NUMBER	QTY	DESCRIPTION	REV
	1001140597	Ref	MASTER CYLINDER ASSEMBLY Note: Original Equipment components may have been replaced with Service Replacement components part. Identify p/n stamped on cylinder before ordering parts.	A
		Ref		
1	70004144	1	Barrel	
2	70004145	1	Rod	
5	70000739	1	Head	
6	70004141	1	Piston	
9	See Note	2	Head, (Note: Use Item 50)	
10	See Note	1	Piston, (Note: Use Item 50)	
11	70023094	1	O-Ring, (Note: Use Item 50)	
12	70004142	1	Retainer	
13	70004143	1	Spacer	
14	See Note	1	O-Ring, (Note: Use Item 50)	
15	See Note	1	Ring, Back-up, (Note: Use Item 50)	
16	See Note	1	Seal, (Note: Use Item 50)	
17	See Note	1	Wiper, (Note: Use Item 50)	
18	See Note	1	O-Ring, (Note: Use Item 50)	
19	70000740	1	O-Ring	
20	0962356	4	Bushing	
50	70004130	1	Seal Kit (Includes Items 9-11 & 14-18)	

SECTION 5 - CYLINDER

FIGURE 5-12. MASTER CYLINDER ASSEMBLY (E/M450AJ Prior to SN 0300163453; E/M400AJ Prior to SN 0300163453)



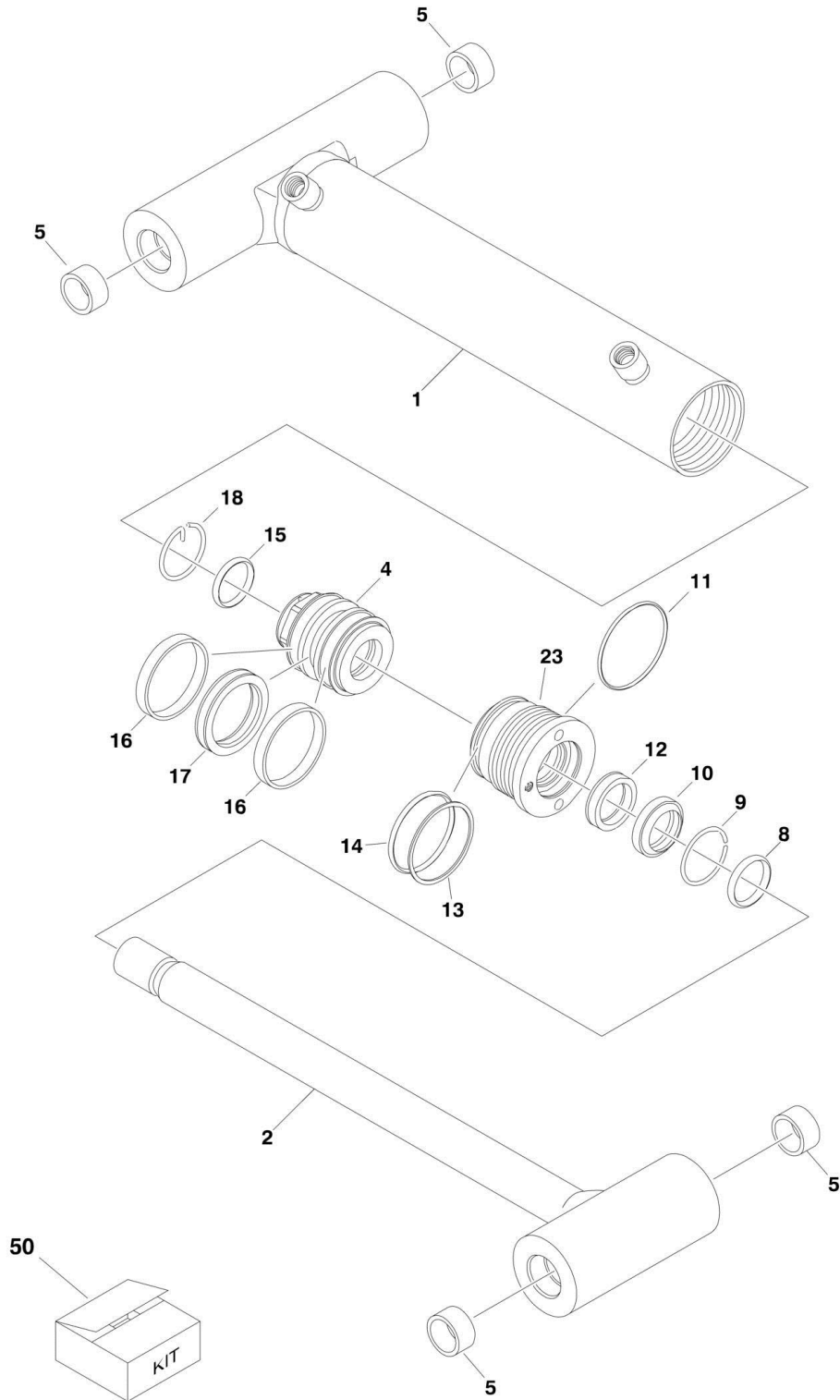
SECTION 5 - CYLINDER

FIGURE 5-12. MASTER CYLINDER ASSEMBLY (E/M450AJ Prior to SN 0300163453; E/M400AJ Prior to SN 0300163453)

ITEM	PART NUMBER	QTY	DESCRIPTION	REV
	1683923	Ref	MASTER CYLINDER ASSEMBLIES	E
		Ref		
1	0100011	AR	Compound, Locking	
2	0100038	AR	Primer, Locking	
3	3931016	3	Bolt Socket Head #10-24NC x 1in	
4	0962185	1	Tapered Bushing	
5	0961951	4	Bushing, Garmax	
6	3480259	1	Piston	
7	3760368	1	Washer, Ring	
8	1683925	1	Head	
9	1683756	1	Barrel	
10	1683772		Rod	
12	See Note	2	Ring, Lock, (Note: Use Item 100)	
13	See Note	1	Ring, Wear, (Note: Use Item 100)	
14	See Note	2	Ring, Back-Up, (Note: Use Item 100)	
15	See Note	1	O-Ring, (Note: Use Item 100)	
16	See Note	1	O-Ring, (Note: Use Item 100)	
17	See Note	1	Wiper, (Note: Use Item 100)	
18	See Note	1	Seal, (Note: Use Item 100)	
19	See Note	1	Ring, Back-Up, (Note: Use Item 100)	
20	See Note	2	Seal, (Note: Use Item 100)	
21	3931516	8	Bolt Socket Head 5/16in-18NC x 1in	
100	2901898	1	Seal Kit (Includes Items 12-20)	

SECTION 5 - CYLINDER

FIGURE 5-13. MASTER CYLINDER ASSEMBLY (E/M450AJ SN 0300163453 through 0300189898;
E/M400AJP SN 0300163453 through 0300189901)



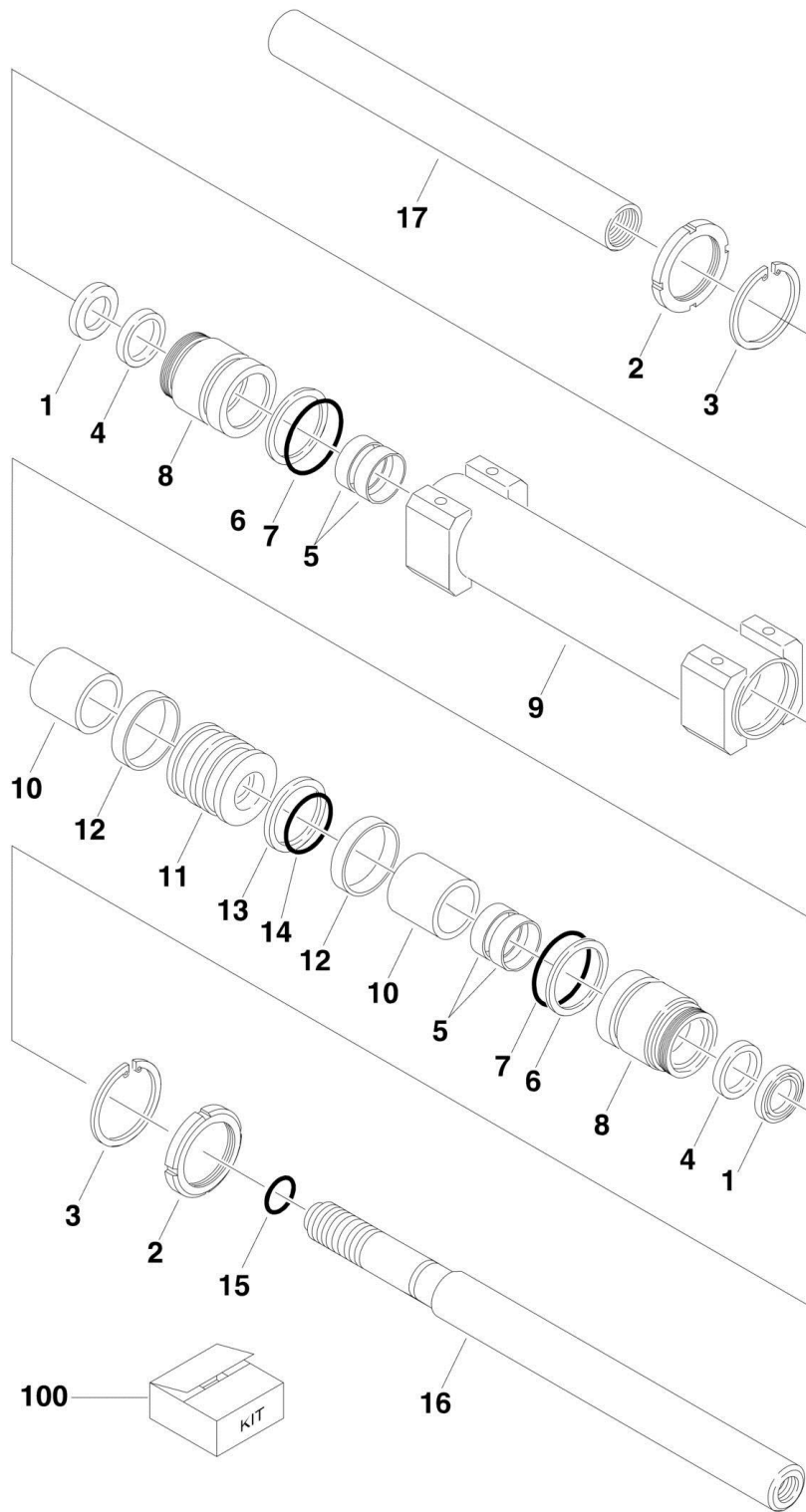
SECTION 5 - CYLINDER

**FIGURE 5-13. MASTER CYLINDER ASSEMBLY (E/M450AJ SN 0300163453 through 0300189898;
E/M400AJP SN 0300163453 through 0300189901)**

ITEM	PART NUMBER	QTY	DESCRIPTION	REV
	1001140278	Ref	MASTER CYLINDER ASSEMBLIES Note: Original Equipment components may have been replaced with Service Replacement components part. Identify p/n stamped on cylinder before ordering parts.	A
		Ref		
1	70003843	1	Barrel	
2	70003844	1	Rod	
4	70003819	1	Piston	
5	0961951	4	Bushing	
8	7026084	1	O-Ring	
9	70002217	1	Ring, Retaining	
10	See Note	1	Wiper, (Note: Use Item 50)	
11	See Note	1	O-Ring, (Note: Use Item 50)	
12	See Note	1	Seal, (Note: Use Item 50)	
13	See Note	1	Ring, Back-up, (Note: Use Item 50)	
14	See Note	1	O-Ring, (Note: Use Item 50)	
15	See Note	1	O-Ring, (Note: Use Item 50)	
16	See Note	2	Ring, Wear, (Note: Use Item 50)	
17	See Note	1	Seal, (Note: Use Item 50)	
18	70002216	1	Retainer	
23	7026082	1	Head	
50	70003845	1	Seal Kit (Includes Items 10-17)	

SECTION 5 - CYLINDER

FIGURE 5-14. STEER CYLINDER ASSEMBLY



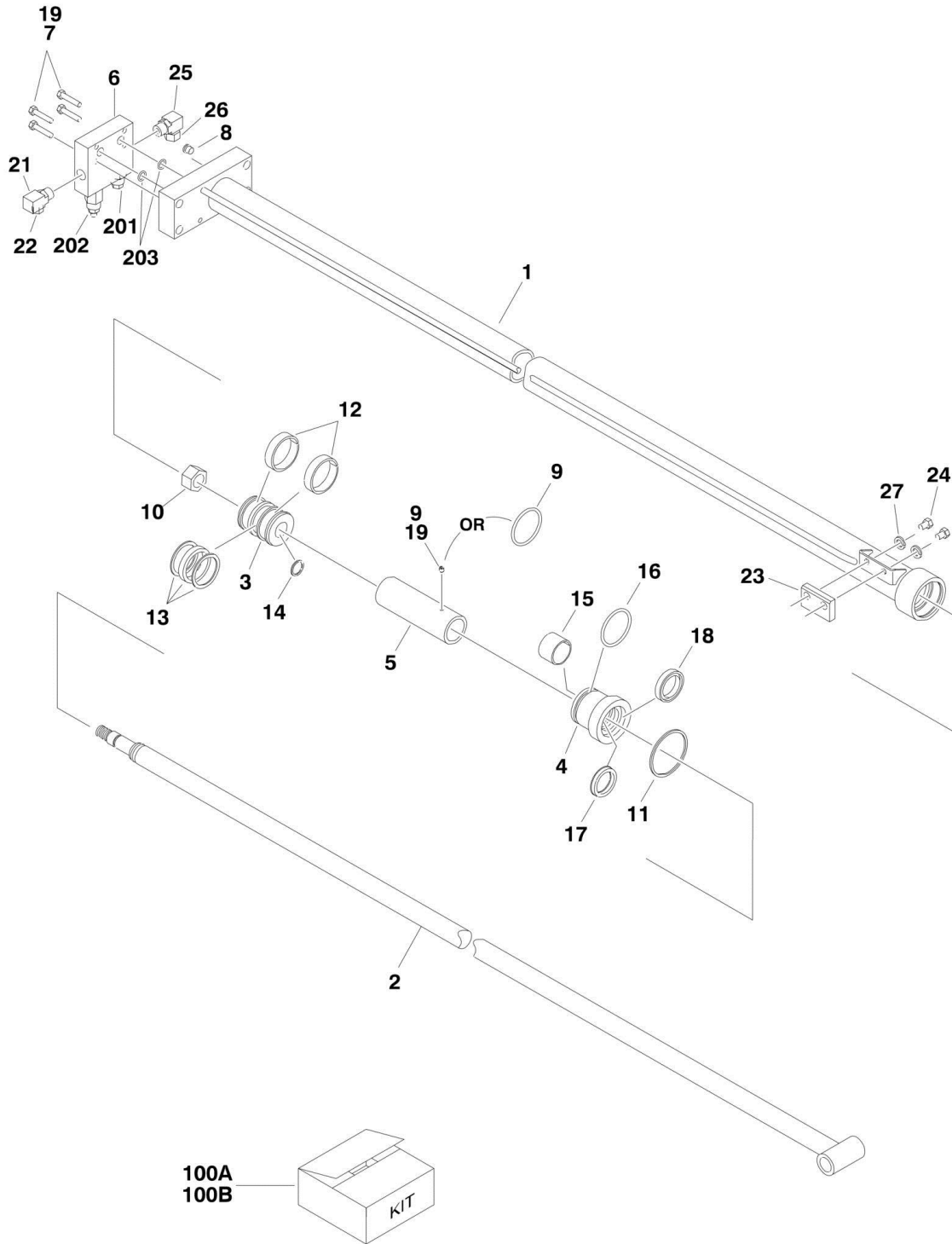
SECTION 5 - CYLINDER

FIGURE 5-14. STEER CYLINDER ASSEMBLY

ITEM	PART NUMBER	QTY	DESCRIPTION	REV
	1683591	Ref	STEER CYLINDER ASSEMBLY	B
1	See Note	2	Wiper, (Note: Use Item 100)	
2	7001630	2	Nut, Spanner	
3	7017247	2	Ring, Retaining	
4	See Note	2	Seal, Lip, (Note: Use Item 100)	
5	See Note	4	Ring, Wear, (Note: Use Item 100)	
6	See Note	2	Ring, Back-up, (Note: Use Item 100)	
7	See Note	2	O-Ring, (Note: Use Item 100)	
8	7017248	2	Guide	
9	70003341	1	Barrel Weldment	
10	7017249	2	Tube	
11	7017250	1	Piston	
12	See Note	2	Ring, Wear, (Note: Use Item 100)	
13	See Note	1	Seal, (Note: Use Item 100)	
14	See Note	1	O-Ring, (Note: Use Item 100)	
15	See Note	1	O-Ring, (Note: Use Item 100)	
16	7017251	1	Rod (Male End)	
17	7017252	1	Rod (Female End)	
100	7017246	1	Seal Kit (Includes Items 1, 4-7 & 12-15)	

SECTION 5 - CYLINDER

FIGURE 5-15. TELESCOPE CYLINDER ASSEMBLY (E/M450A Including 0300175016; E/M450AJ Including 0300175016; E/M400A Prior to SN 0300175016)



SECTION 5 - CYLINDER

FIGURE 5-15. TELESCOPE CYLINDER ASSEMBLY (E/M450A Including 0300175016; E/M450AJ Including 0300175016; E/M400A Prior to SN 0300175016)

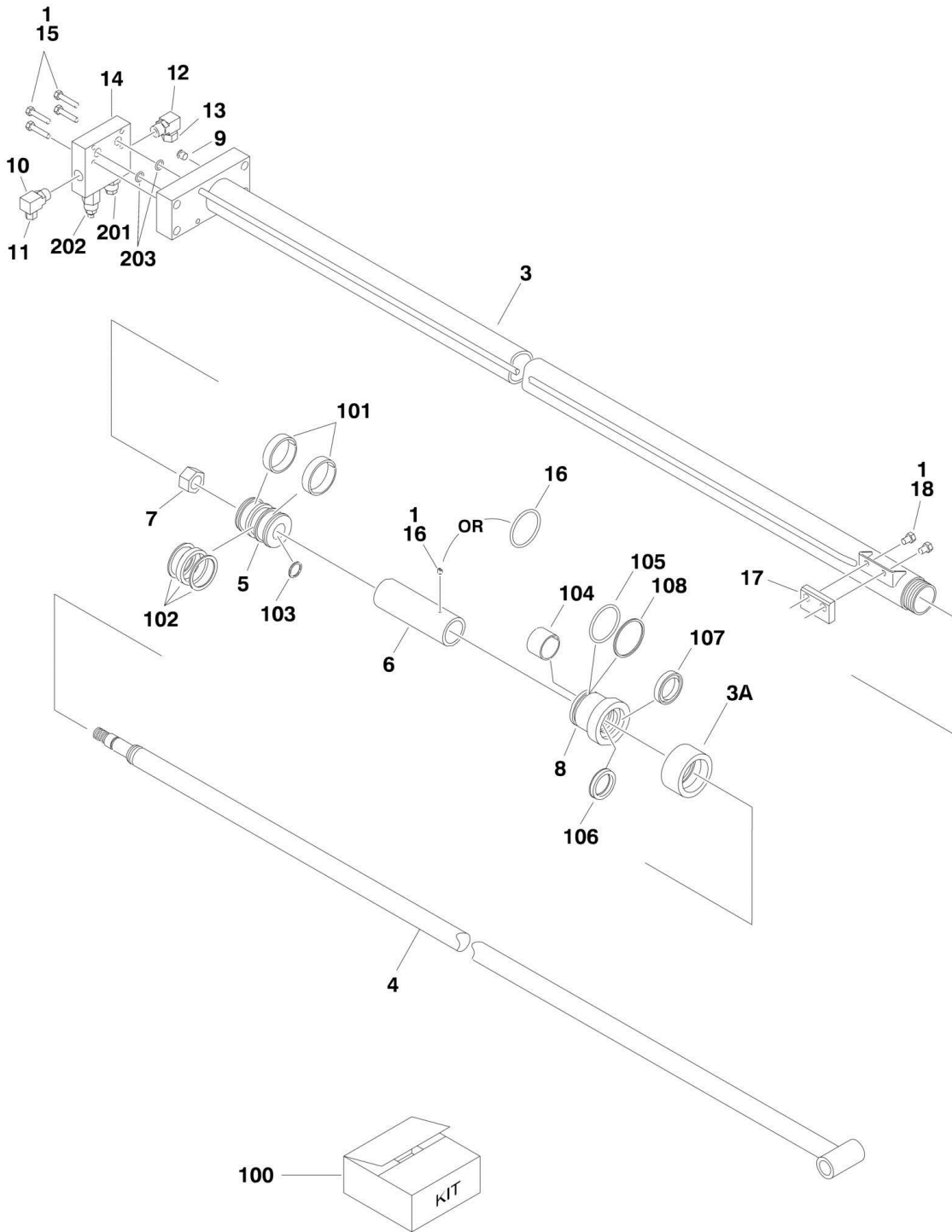
ITEM	PART NUMBER	QTY	DESCRIPTION	REV
		Ref	TELESCOPE CYLINDER ASSEMBLY	
	1683704	Ref	Telescope Cylinder Assembly E/M450A	D
	1683798	Ref	Telescope Cylinder Assembly E/M450AJ	E
	1684030	Ref	Telescope Cylinder Assembly E/M400A	B
1		Ref	Barrel Weldment Options:	
1	1682948	1	Barrel Weldment E/M450A	
1	1683800	1	Barrel Weldment E/M450AJ	
1	1682888	1	Barrel Weldment E/M400A	
2		Ref	Rod Weldment Options:	
2	1683706	1	Rod Weldment E450A & M450A	
2	1683802	1	Rod Weldment E450AJ & M450AJ	
2	1684029	1	Rod Weldment E/M400A	
3	3480239	1	Piston	
4	1683705	1	Head	
5		Ref	Spacer, Tube Options:	
5	4567704	1	Spacer, Tube E/M450A & E/M400A	
5	4566027	1	Spacer, Tube E/M450AJ	
6	4640807	1	Counterbalance Valve Assy (See Items 201-203 for Breakdown)	
7	0641512	4	Bolt 5/16in-18NC x 1-1/2in	
8	2220883	2	Plug, O-Ring	
9	3951402	1	Setscrew 1/4in-20NC x 1/4in	
9	See Note	1	O-Ring (Note: Use Item 100B)	
10	3322205	1	Locknut	
11	3760318	1	Ring, Retaining	
12	See Note	2	Ring, Wear (Note: Use Item 100A or 100B)	
13	See Note	1	Seal, Cap (Note: Use Item 100A or 100B)	
14	See Note	1	O-Ring (Note: Use Item 100A or 100B)	
15	See Note	1	Ring, Wear (Note: Use Item 100A or 100B)	
16	See Note	1	O-Ring (Note: Use Item 100A or 100B)	
17	See Note	1	Seal, Rod (Note: Use Item 100A or 100B)	
18	See Note	1	Wiper (Note: Use Item 100A or 100B)	
19	0100011	AR	Compound, Locking	
19	0100038	AR	Primer, Locking	
21	2220628	1	Fitting, Elbow	
22	2220516	1	Fitting, Cap	
23	3340679	1	Wear Pad Assembly	
24	0641604	2	Bolt 3/8in-16NC x 1/2in	
25	2220596	1	Fitting, Elbow	
26	2220517	1	Fitting, Cap	
27	4761600	2	Lockwasher 3/8in	
100		Ref	Seal Kit Options:	
100A	2901807	1	Seal Kit (Includes Items 12-18) (Telescope Cylinder p/n 1683704 & p/n 1684030)	
100B	1001141760	1	Seal Kit (Includes Items 12-18 & 9) (Telescope Cylinder p/n 1683798)	
	4640807	Ref	COUNTERBALANCE VALVE ASSEMBLY	D
201	4640771	1	Cartridge, Counterbalance	
201	2900770	1	Seal Kit - 4640771 Cartridge	
202	4640709	1	Cartridge, Vented Counterbalance	

SECTION 5 - CYLINDER

ITEM	PART NUMBER	QTY	DESCRIPTION	REV
202	2900770	1	Seal Kit - 4640709 Cartridge	
203	3790113	2	O-Ring (Between Valve and Cylinder Block)	

SECTION 5 - CYLINDER

FIGURE 5-16. TELESCOPE CYLINDER ASSEMBLY (E/M450A SN 0300175016 through 0300189898; E/M450AJ SN 0300175016 through 0300189898; E/M400A SN 0300175016 through 0300189901)



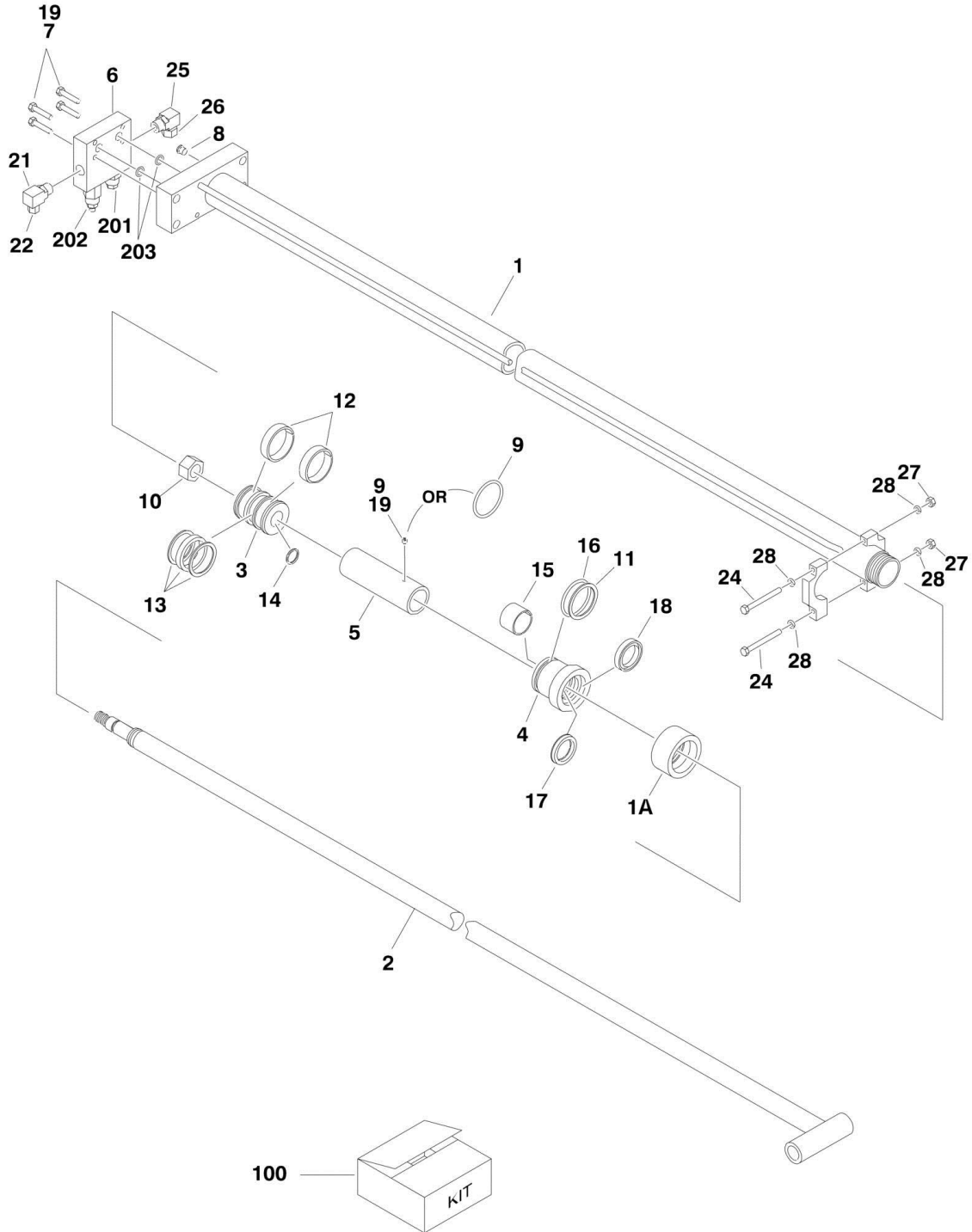
SECTION 5 - CYLINDER

**FIGURE 5-16. TELESCOPE CYLINDER ASSEMBLY (E/M450A SN 0300175016 through 0300189898;
E/M450AJ SN 0300175016 through 0300189898; E/M400A SN 0300175016 through 0300189901)**

ITEM	PART NUMBER	QTY	DESCRIPTION	REV
		Ref	TELESCOPE CYLINDER ASSEMBLY	
	1001151414	Ref	Telescope Cylinder Assembly E/M450A	A
	1001151368	Ref	Telescope Cylinder Assembly E/M450AJ	B
	1001151497	Ref	Telescope Cylinder Assembly E/M400A	A
1	0100011	AR	Compound, Locking	
1	0100038	AR	Primer, Locking	
3		Ref	Barrel Weldment Options:	
3	1001151413	1	Barrel Weldment E/M450A	
3	1001151386	1	Barrel Weldment E/M450AJ	
3	1001151496	1	Barrel Weldment E/M400A	
3A	1120110	1	Cap, End	
4		Ref	Rod Weldment Options:	
4	1683706	1	Rod Weldment E450A & M450A	
4	1683802	1	Rod Weldment E450AJ & M450AJ	
4	1684029	1	Rod Weldment E/M400A	
5	3480239	1	Piston	
6		Ref	Spacer, Tube Options:	
6	4567704	1	Spacer, Tube E/M450A & E/M400A	
6	4566027	1	Spacer, Tube E/M450AJ	
7	3322205	1	Locknut	
8	1683584	1	Head	
9	2220883	1	Plug, O-Ring	
10	2220596	1	Fitting, Elbow	
11	2220517	1	Fitting, Cap	
12	2220628	1	Fitting, Elbow	
13	2220516	1	Fitting, Cap	
14	4640807	1	Counterbalance Valve Assy (See Items 201-203 for Breakdown)	
15	0641512	4	Bolt 5/16in-18NC x 1-1/2in	
16	3951402	1	Setscrew 1/4in-20NC x 1/4in	
16	See Note	1	O-Ring (Note: Use Item 100)	
17	3340679	1	Wear Pad Assembly	
18	0641604	2	Bolt 3/8in-16NC x 1/2in	
100	1001152230	1	Seal Kit Options (Includes Items 101-108):	
101	See Note	2	Ring, Wear (Note: Use Item 100)	
102	See Note	1	Seal, Cap (Note: Use Item 100)	
103	See Note	1	O-Ring (Note: Use Item 100)	
104	See Note	1	Ring, Wear (Note: Use Item 100)	
105	See Note	1	O-Ring (Note: Use Item 100)	
106	See Note	1	Seal, Rod (Note: Use Item 100)	
107	See Note	1	Wiper (Note: Use Item 100)	
108	See Note	1	Ring, Back-up (Note: Use Item 100)	
	4640807	Ref	COUNTERBALANCE VALVE ASSEMBLY	D
201	4640771	1	Cartridge, Counterbalance	
201	2900770	1	Seal Kit - 4640771 Cartridge	
202	4640709	1	Cartridge, Vented Counterbalance	
202	2900770	1	Seal Kit - 4640709 Cartridge	
203	3790113	2	O-Ring (Between Valve and Cylinder Block)	

SECTION 5 - CYLINDER

FIGURE 5-17. TELESCOPE CYLINDER ASSEMBLY



SECTION 5 - CYLINDER

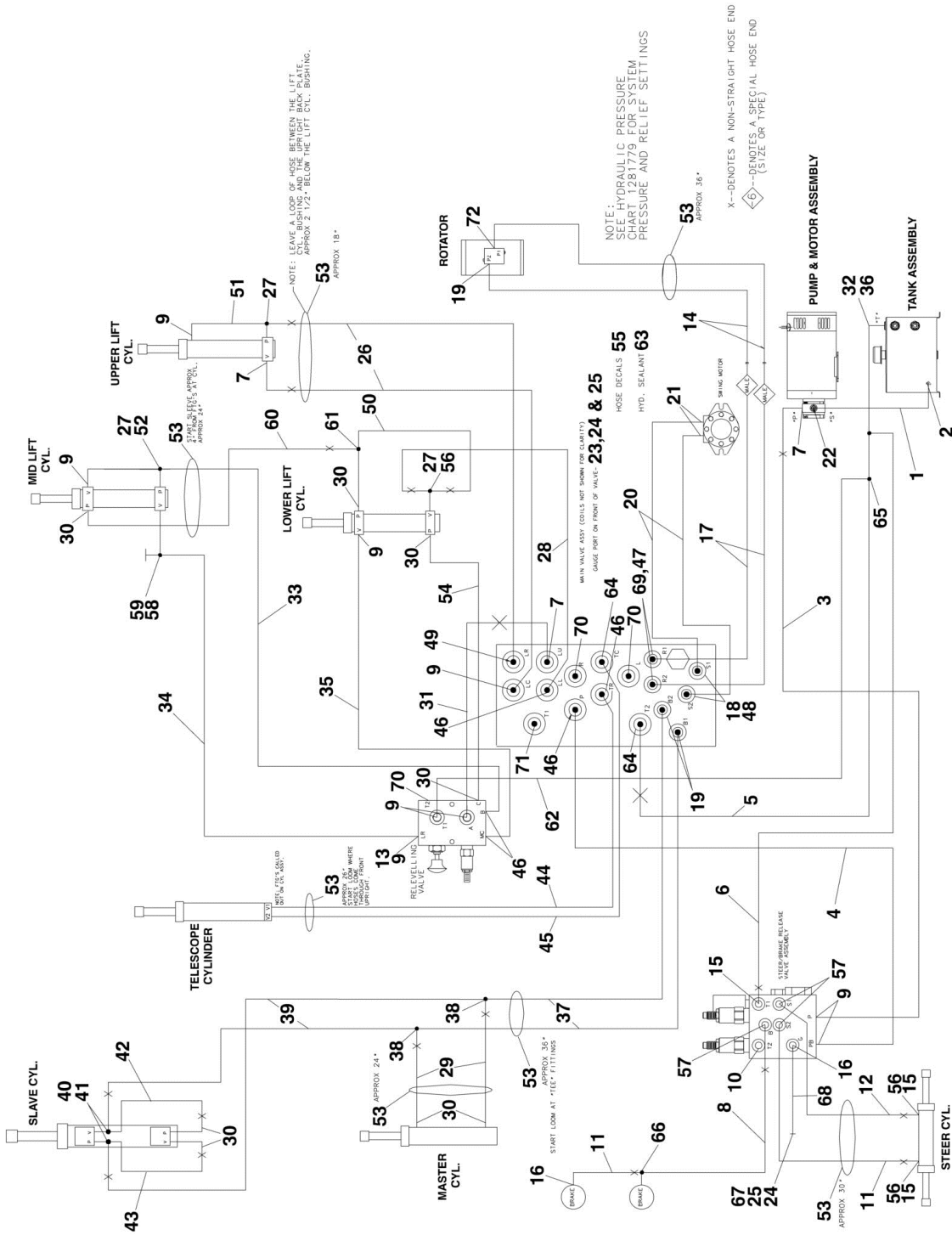
FIGURE 5-17. TELESCOPE CYLINDER ASSEMBLY

ITEM	PART NUMBER	QTY	DESCRIPTION	REV
	1683911	Ref	TELESCOPE CYLINDER ASSEMBLY	4-C
1	1683912	1	Barrel Weldment	
1A	1120110	1	Cap, End	
1A	0100035	AR	Compound, Locking (Note: Not Included with Barrel Weldment)	
2	1683980	1	Rod Weldment	
3	3480239	1	Piston	
4		Ref	Head	
4	1683863	1	Head (use p/n 1683584) (Prior to SN 0300122425)	
4	1683584	1	Head (SN 0300122425 through 0300189901)	
5	4567963	1	Spacer, Tube	
6	4640807	1	Counterbalance Valve Assembly (See Items 201-203 for Breakdown)	
7	0641512	4	Bolt 5/16in-18NC x 1-1/2in	
8	2220883	2	Plug, O-Ring	
9	3951402	1	Setscrew 1/4in-20NC x 1/4in	
10	3322205	1	Locknut	
11	3760318	1	Ring, Retaining	
12	See Note	2	Ring, Wear, (Note: Use Item 100)	
13	See Note	1	Seal, Cap, (Note: Use Item 100)	
14	See Note	1	O-Ring, (Note: Use Item 100)	
15	See Note	1	Ring, Wear, (Note: Use Item 100)	
16	See Note	1	O-Ring, (Note: Use Item 100)	
17	See Note	1	Seal, Rod, (Note: Use Item 100)	
18	See Note	1	Wiper, (Note: Use Item 100)	
19	0100011	AR	Compound, Locking	
19	0100038	AR	Primer, Locking	
21	2220628	1	Fitting, Elbow	
22	2220516	1	Fitting, Cap	
23	3340882	1	Wear Pad Assembly	
24	0641424	2	Bolt 1/4in-20NC x 3in	
25	2220596	1	Fitting, Elbow	
26	2220517	1	Fitting, Cap	
27	3311405	2	Nut 1/4-20NC	
28	4751400	4	Flatwasher 1/4in	
100	2901903	1	Seal Kit (Includes Items 12-18)	
	4640807	Ref	COUNTERBALANCE VALVE ASSEMBLY	D
201	4640771	1	Cartridge, Counterbalance	
201	2900770	1	Seal Kit - 4640771 Cartridge	
202	4640709	1	Cartridge, Vented Counterbalance	
202	2900770	1	Seal Kit - 4640709 Cartridge	
203	3790113	2	O-Ring (Between Valve and Cylinder Block)	

SECTION 6 - HYDRAULIC

SECTION 6 - HYDRAULIC

FIGURE 6-1. STANDARD HYDRAULIC DIAGRAM (E/M400A & E/M450A)



SECTION 6 - HYDRAULIC

FIGURE 6-1. STANDARD HYDRAULIC DIAGRAM (E/M400A & E/M450A)

ITEM	PART NUMBER	QTY	DESCRIPTION	REV
		Ref	STANDARD HYDRAULIC DIAGRAM	
	2792506	Ref	Standard Hydraulic E/M450A	8-H
	2792510	Ref	Standard Hydraulic E/M400A	9-H
1	2752675	1	Hose	
2	1320033	1	Clamp	
3	2752487	1	Hose	
4	2752488	1	Hose	
5	2751498	1	Hose	
6	2752476	1	Hose	
7	2220371	AR	Fitting, Straight	
8	2752600	1	Hose	
9	2220473	AR	Fitting, Elbow	
10	2220885	5	Plug	
11	2752595	2	Hose	
12	2752446	1	Hose	
13	2220507	AR	Fitting, Elbow	
14		Ref	Hose Options:	
14	2753337	2	Hose E/M400A	
14	2753326	2	Hose E/M450A	
15	2220998	3	Fitting, Straight	
16	2220466	2	Fitting, Elbow	
17		Ref	Hose Options:	
17	2753332	2	Hose E/M400A	
17	2752795	2	Hose E/M450A	
18	2220415	2	Fitting, Straight	
19	2220502	3	Fitting, Elbow	
20	2752459	2	Hose	
21	2221033	2	Fitting, Straight	
22	2220593	1	Fitting, Straight	
23	2220873	1	Fitting, Straight	
24	2220428	2	Fitting, Quick Coupling	
25	2220429	2	Dust Cap	
26		Ref	Hose Options:	
26	2753519	2	Hose E/M400A	
26	2753050	2	Hose E/M450A	
27	2220899	3	Fitting, Tee	
28	2752620	1	Hose	
29		Ref	Hose Options:	
29	2752437	2	E/M400A	
29	2752580	2	E/M450A	
30	2220472	8	Fitting, Elbow	
31	2750910	1	Hose	
32	2220999	1	Fitting, Tee	
33		Ref	Hose Options:	
33	2753335	1	Hose E/M400A	
33	2751127	1	Hose E/M450A	
34		Ref	Hose Options:	
34	2753334	1	Hose E/M400A	
34	2751126	1	Hose E/M450A	
35	2752475	1	Hose	

SECTION 6 - HYDRAULIC

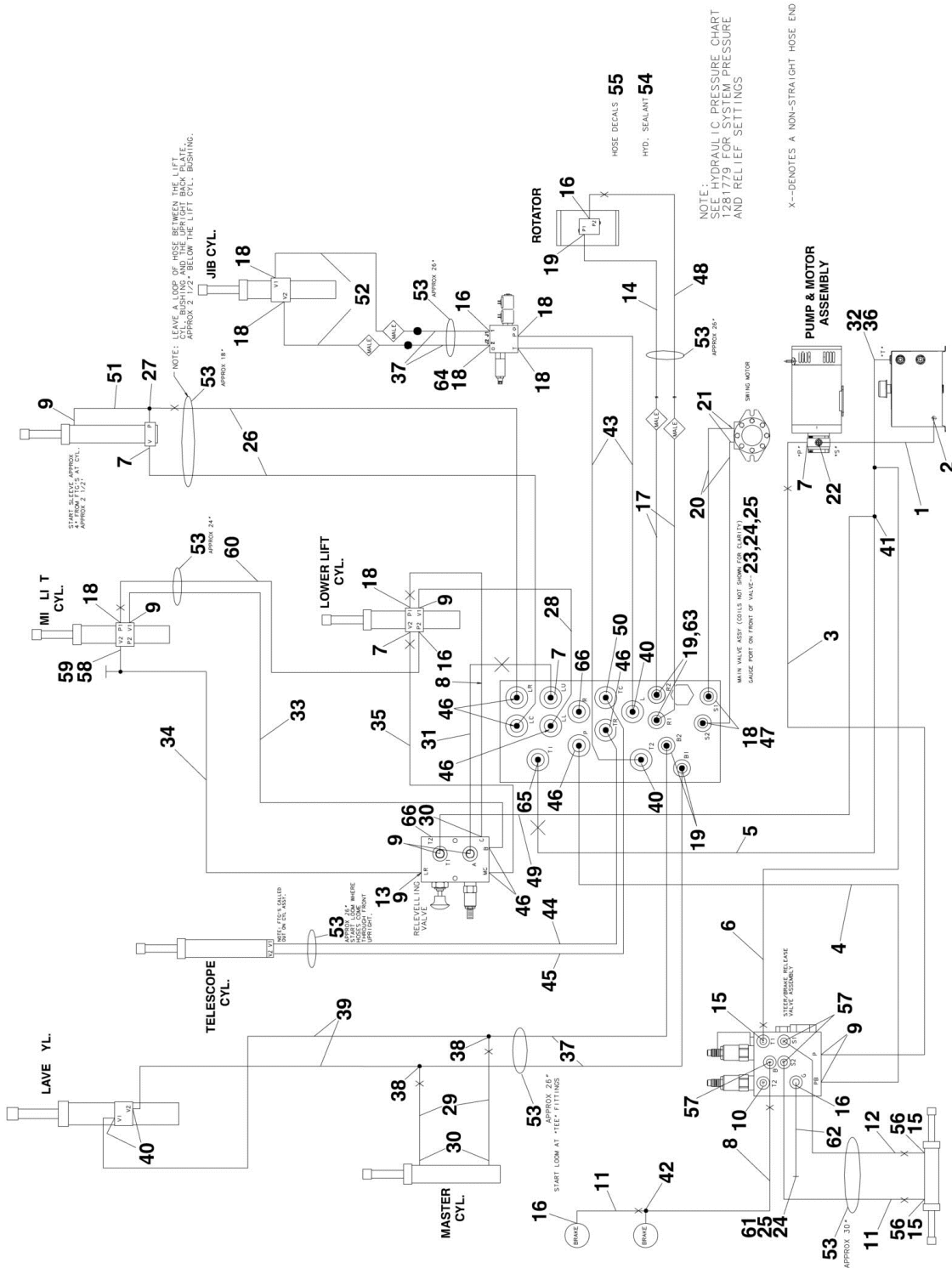
ITEM	PART NUMBER	QTY	DESCRIPTION	REV
36	2220386	1	Fitting, Elbow	
37		Ref	Hose Options:	
37	2753520	2	Hose E/M400A	
37	2752585	2	Hose E/M450A	
38	2220504	2	Fitting, Tee	
39		Ref	Hose Options:	
39	2753535	2	Hose E/M400A	
39	2752572	2	Hose E/M450A	
40	2220727	2	Fitting, Straight	
41	2220684	2	Fitting, Tee	
42	2752435	1	Hose	
43	2752573	1	Hose	
44		Ref	Hose Options:	
44	2753474	1	Hose E/M400A	
44	2750996	1	Hose E/M450A	
45		Ref	Hose Options:	
45	2753475	1	Hose E/M400A	
45	2751508	1	Hose E/M450A	
46	2220501	AR	Fitting, Elbow	
47	2220502	2	Fitting, Elbow	
48	2220677	2	Fitting, Adapter	
49		Ref	Fitting, Long Options:	
49	2220819	AR	Fitting, Long (Prior to SN 0300067501)	
49	2221147	AR	Fitting, Long (E/M400A) (SN 0300067501 through 0300189901)	
49	2221147	AR	Fitting, Long (E/M450A) (SN 0300067501 through 0300189898)	
50	2752581	1	Hose	
51	4566188	1	Tube	
52		Ref	Tube Options:	
52	4566187	1	Tube E/M400A	
52	4566623	1	Tube E/M450A	
53	4100026	AR	Nylon, Sleeve	
54	2752983	1	Hose	
55	1702124	1	Hose, Tags	
56	2220609	2	Fitting, Reducer	
57	2220923	3	Fitting, Adapter	
58	2220934	1	Fitting, Tee	
59	4640861	1	Bleeder, Kit	
60	2752440	1	Hose	
61	2220605	1	Fitting, Tee	
62	2752611	1	Hose	
63	0100020	AR	Sealant	
64	2220600	2	Fitting, Straight	
65	2221054	1	Fitting, Tee	
66	2220711	1	Fitting, Tee	
67	2220414	1	Fitting, Straight	
68	2790900	1	Hose	
69	2220909	2	Fitting, Restrictor	
70	2220237	3	Fitting, Plug	
71	2220239	1	Fitting, Plug	
72		Ref	Fitting Options:	

SECTION 6 - HYDRAULIC

ITEM	PART NUMBER	QTY	DESCRIPTION	REV
72	2220466	1	Fitting, Elbow (Prior to SN 0300114239)	
72	2220502	1	Fitting, Elbow (E/M400A) (SN 0300114239 through 0300189901)	
	2220502	1	Fitting, Elbow (E/M450A) (SN 0300114239 through 0300189898)	

SECTION 6 - HYDRAULIC

FIGURE 6-2. STANDARD HYDRAULIC DIAGRAM (E/M450AJ)



SECTION 6 - HYDRAULIC

FIGURE 6-2. STANDARD HYDRAULIC DIAGRAM (E/M450AJ)

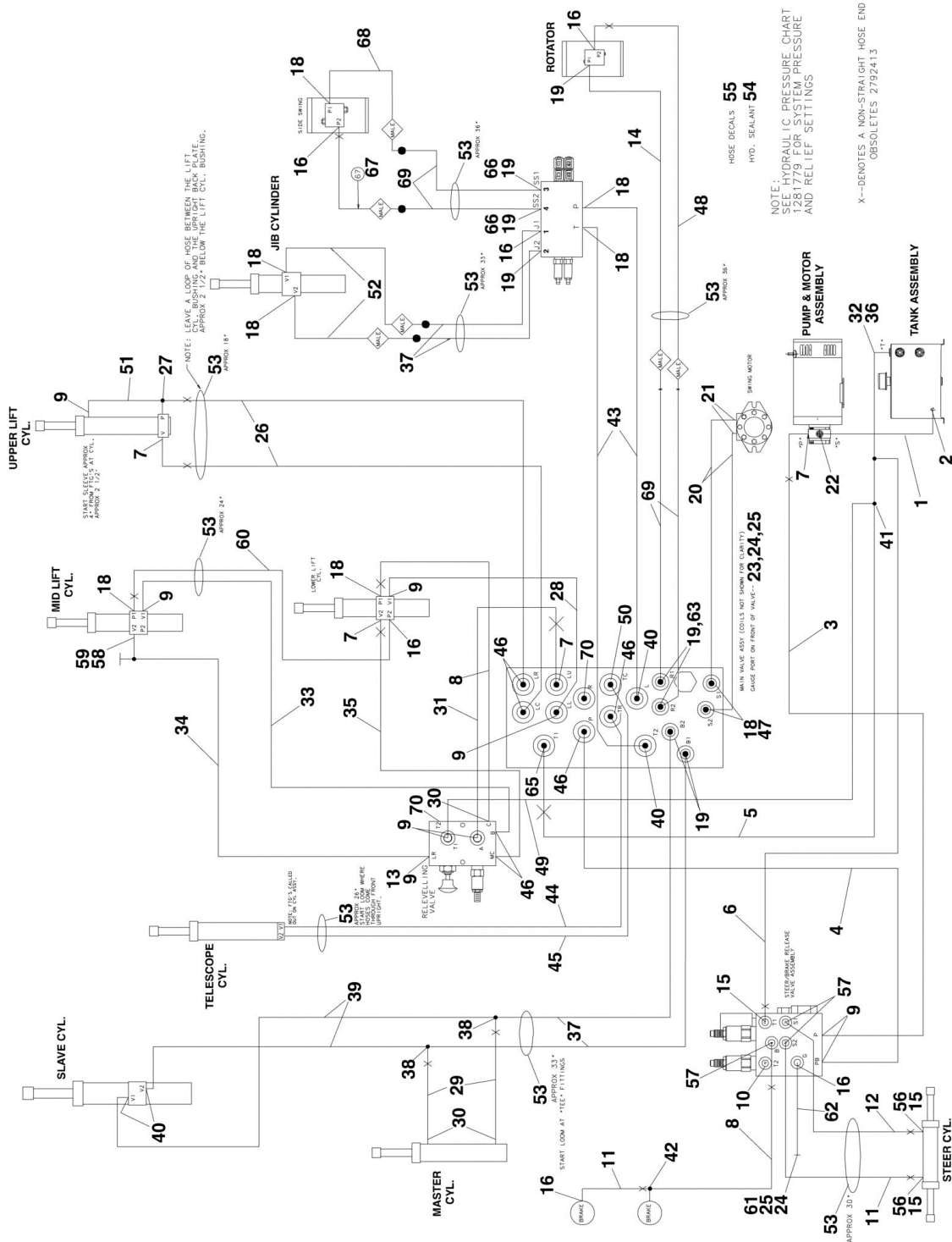
ITEM	PART NUMBER	QTY	DESCRIPTION	REV
	2792507	Ref	STANDARD HYDRAULIC DIAGRAM	F
1	2752675	1	Hose	
2	1320017	1	Clamp (Use p/n 1320017)	
3	2752487	1	Hose	
4	2752488	1	Hose	
5	2751498	1	Hose	
6	2752476	1	Hose	
7	2220371	4	Fitting, Straight	
8	2752600	2	Hose	
9	2220473	7	Fitting, Elbow	
10	2220885	6	Plug	
11	2752595	2	Hose	
12	2752446	1	Hose	
13	2220507	1	Fitting, Elbow	
14	2753304	1	Hose	
15	2220998	3	Fitting, Straight	
16	2220466	5	Fitting, Elbow	
17	2752795	2	Hose	
18	2220415	9	Fitting, Straight	
19	2220502	5	Fitting, Elbow	
20	2752459	2	Hose	
21	2221033	2	Fitting, Straight	
22	2220593	1	Fitting, Straight	
23	2220873	1	Fitting, Straight	
24	2220428	2	Fitting, Quick Coupling	
25	2220429	2	Dust Cap	
26	2753050	2	Hose	
27	2220899	1	Fitting, Tee	
28	2752466	1	Hose	
29	2752437	2	Hose	
30	2220472	3	Fitting, Elbow	
31	2750910	1	Hose	
32	2220999	1	Fitting, Tee	
33	2753301	1	Hose	
34	2751009	1	Hose	
35	2752611	1	Hose	
36	2220386	1	Fitting, Elbow	
37	2752585	4	Hose	
38		Ref	Fitting, Tee Options:	
38	2220605	2	Fitting, Tee (Prior to SN 0300168138)	
38	2220504	2	Fitting, Tee (E/M450AJ) (SN 0300168138 through 0300189898)	
39	2753302	2	Hose	
40	2220582	4	Fitting, Straight	
41	2221054	1	Fitting, Tee	
42	2220711	1	Fitting, Tee	
43	2752430	2	Hose	
44	2750996	1	Hose	
45	2751508	1	Hose	
46	2220501	8	Fitting, Elbow	
47	2220677	2	Fitting, Elbow	

SECTION 6 - HYDRAULIC

ITEM	PART NUMBER	QTY	DESCRIPTION	REV
48	2753305	1	Hose	
49	2752611	1	Hose	
50	2220600	2	Fitting, Straight	
51	4567946	1	Tube	
52	2753303	2	Hose	
53	4100026	AR	Nylon, Sleeve	
54	0100020	AR	Sealant (Not Shown)	
55	1702124	1	Hose, Tags (Not Shown)	
56	2220609	2	Fitting, Reducer	
57	2220923	3	Fitting, Adapter	
58	2220934	1	Fitting, Tee	
59	4640861	1	Bleeder, Kit	
60	2751414	1	Hose	
61	2220414	1	Fitting, Straight	
62	2750900	1	Hose	
63	2220909	2	Orifice (.015)	
64	2220654	1	Fitting, Straight	
65	2220374	1	Fitting, Straight	
66	2220237	2	Fitting, Plug	

SECTION 6 - HYDRAULIC

FIGURE 6-3. STANDARD HYDRAULIC DIAGRAM (E/M400AJP)



SECTION 6 - HYDRAULIC

FIGURE 6-3. STANDARD HYDRAULIC DIAGRAM (E/M400AJP)

ITEM	PART NUMBER	QTY	DESCRIPTION	REV
	2792509	Ref	STANDARD HYDRAULIC DIAGRAM	G
1	2752675	1	Hose	
2	1320033	1	Clamp	
3	2752487	1	Hose	
4	2752488	1	Hose	
5	2751498	1	Hose	
6	2752476	1	Hose	
7	2220371	4	Fitting, Straight	
8	2752600	2	Hose	
9	2220473	8	Fitting, Elbow	
10	2220885	1	Plug	
11	2752595	2	Hose	
12	2752446	1	Hose	
13	2220507	1	Fitting, Elbow	
14	2753337	1	Hose	
15	2220998	3	Fitting, Straight	
16	2220466	6	Fitting, Elbow	
18	2220415	9	Fitting, Straight	
19	2220502	8	Fitting, Elbow	
20	2752459	2	Hose	
21	2221033	2	Fitting, Straight	
22	2220593	1	Fitting, Straight	
23	2220873	1	Fitting, Straight	
24	2220428	2	Fitting, Quick Coupling	
25	2220429	2	Dust Cap	
26	2752619	2	Hose	
27	2220899	1	Fitting, Tee	
28	2752466	1	Hose	
29	2752437	2	Hose	
30	2220472	3	Fitting, Elbow	
31	2750910	1	Hose	
32	2220999	1	Fitting, Tee	
33	2753335	1	Hose	
34	2753334	1	Hose	
35	2752611	1	Hose	
36	2220386	1	Fitting, Elbow	
37	2752571	4	Hose	
38		Ref	Fitting, Tee Options:	
38	2220605	2	Fitting, Tee (Prior to SN 0300168138)	
38	2220504	2	Fitting, Tee (E/M400AJP) (SN 0300168138 through 0300189901)	
39	2753333	2	Hose	
40	2220582	4	Fitting, Straight	
41	2221054	1	Fitting, Tee	
42	2220711	1	Fitting, Tee	
43	2752430	2	Hose	
44	2753474	1	Hose	
45	2753475	1	Hose	
46	2220501	7	Fitting, Elbow	
47	2220677	2	Fitting, Elbow	

SECTION 6 - HYDRAULIC

ITEM	PART NUMBER	QTY	DESCRIPTION	REV
48	2753336	1	Hose	
49	2752611	1	Hose	
50	2220600	2	Fitting, Straight	
51	4567946	1	Tube	
52	2753329	2	Hose	
53	4100026	AR	Nylon, Sleeve	
54	0100020	AR	Sealant (Not Shown)	
55	1702124	1	Hose, Tags (Not Shown)	
56	2220609	2	Fitting, Reducer	
57	2220923	3	Fitting, Adapter	
58	2220934	1	Fitting, Tee	
59	4640861	1	Bleeder, Kit	
60	2751890	1	Hose	
61	2220414	1	Fitting, Straight	
62	2750900	1	Hose	
63	2220909	2	Orifice (.015)	
65	2220374	1	Fitting, Straight	
66	2221039	2	Orifice (.022)	
67	2753330	1	Hose	
68	2753331	1	Hose	
69	2753332	4	Hose	
70	2220237	2	Fitting, Plug	

SECTION 6 - HYDRAULIC

FIGURE 6-4. HYDRAULIC DIAGRAM LIST

ITEM	PART NUMBER	QTY	DESCRIPTION	REV
		Ref	Note: Information on diagrams not shown is available from JLG Service/Parts Departments.	
		Ref	Standard Hydraulic Diagram Options:	
	2792334	Ref	Standard Hydraulic Diagram E/M450A (Prior to SN 0300062857)	
	2792506	Ref	Standard Hydraulic Diagram E/M450A (SN 0300062857 through 0300189898)	
	2792395	Ref	Standard Hydraulic Diagram E/M450AJ (Prior to SN 0300062857)	
	2792507	Ref	Standard Hydraulic Diagram E/M450AJ (SN 0300062857 through 0300189898)	
	2792458	Ref	Standard Hydraulic Diagram E/M400A (Prior to SN 0300062857)	
	2792510	Ref	Standard Hydraulic Diagram E/M400A (SN 0300062857 through 0300189901)	
	2792413	Ref	Standard Hydraulic Diagram E/M400AJP (Prior to SN 0300062857)	
	2792509	Ref	Standard Hydraulic Diagram E/M400AJP (SN 0300062857 through 0300189901)	
		Ref	Standard Hydraulic Schematic Options:	
	2792337	Ref	Standard Hydraulic Schematic (Prior to SN 0300062857)	
	2792505	Ref	Standard Hydraulic Schematic (E/M400) (SN 0300062857 through 0300189901)	
	2792505	1	Standard Hydraulic Schematic (E/M450) (SN 0300062857 through 0300189898)	

SECTION 7 - ELECTRICAL

SECTION 7 - ELECTRICAL

FIGURE 7-1. ELECTRICAL DIAGRAM LIST

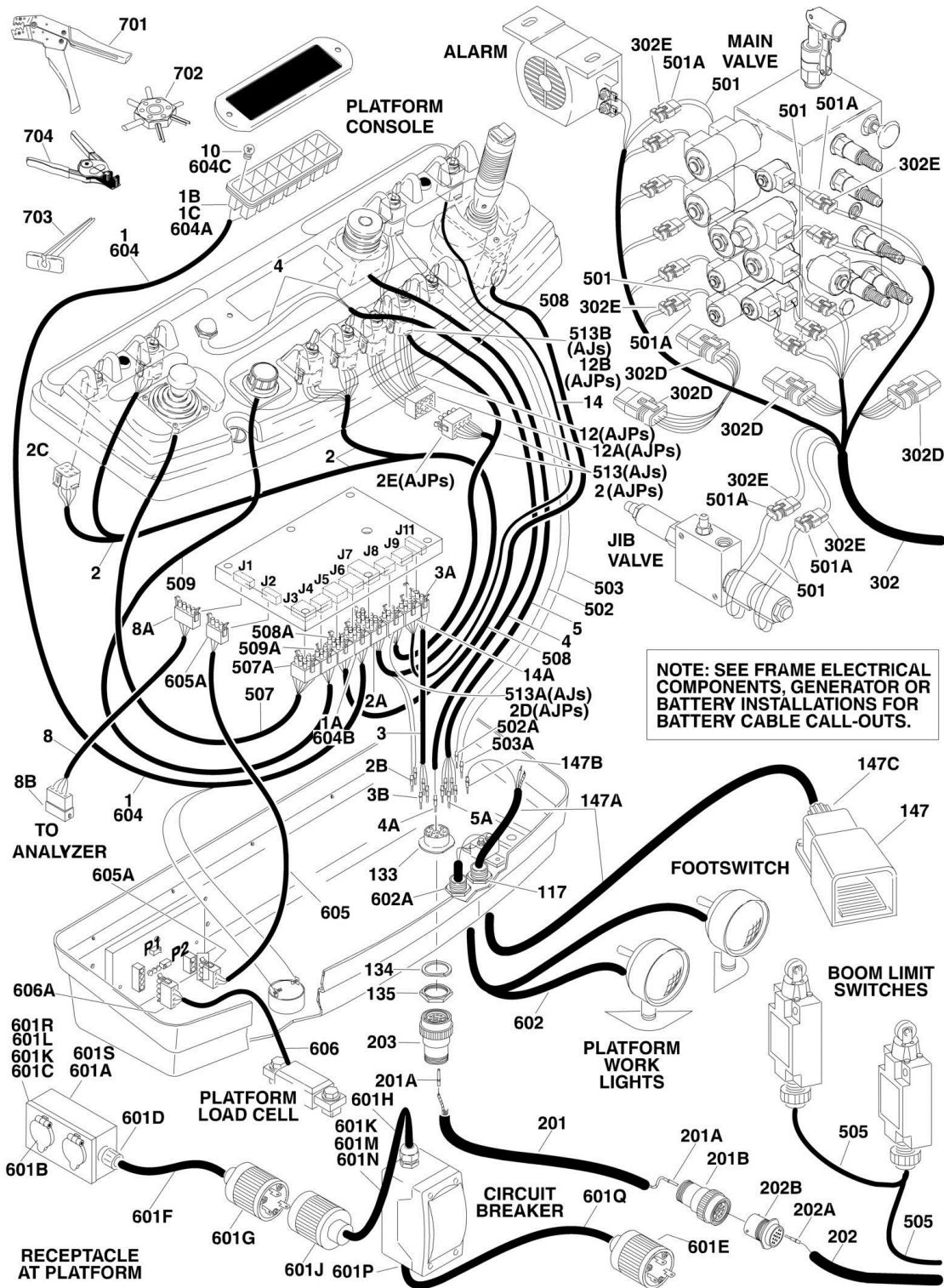
ITEM	PART NUMBER	QTY	DESCRIPTION	REV
		Ref	Note: Diagrams not shown are available from the JLG Service Department.	
		Ref	LIGHTS ELECTRICAL DIAGRAMS	
		Ref	Headlights and Taillights	
	4933102			
	4360336	1	Switch, Toggle (Located on Platform Console Box)	
	3740087	1	Relay (Located in Ground Control Box)	
	4120027	1	Socket, Relay (Located in Ground Control Box)	
	3740063	1	Spring (Located in Ground Control Box)	
	4360448	1	Breaker, Circuit 10 Amp (Located in Ground Control Box)	
		Ref	STROBE LIGHT OPTIONS:	
	0259305	Ref	Strobe Light (Prior to SN 0300169430)	
	1283055	Ref	Strobe Light (Prior to SN 0300169430)	
		Ref	Strobe Light (E/M400) (SN 0300169430 through 0300189901)	
		Ref	Strobe Light (E/M450) (SN 0300169430 through 0300189898)	
	1001149955	Ref	Standard Spec	
	1001158612	Ref	UL Spec	
	4933289	Ref	LSS PLATFORM MODULE ELECTRICAL DIAGRAM	
	0259064	Ref	MOTION ALARM ELECTRICAL DIAGRAM	
	1283055	Ref	MOTION ALARM ELECTRICAL DIAGRAM	
		Ref	PLATFORM ELECTRICAL DIAGRAM	
	4933060	Ref	Platform Electrical Diagram E/M450A & E/M450AJ	
	4933060	Ref	Platform Electrical Diagram E/M400A	
	4933105	Ref	Platform Electrical Diagram E/M400AJP	
		Ref	STANDARD ELECTRICAL DIAGRAMS	
	4933059	Ref	Standard Electrical Diagrams E/M450A (Prior to SN 0300057534)	
	4933128	Ref	Standard Electrical Diagrams E/M450A (SN 0300057534 through 0300100449)	
	4933388	Ref	Standard Electrical Diagrams E/M450A (SN 0300100450 through 0300189898)	
	4933128	Ref	Standard Electrical Diagrams E/M450AJ (Prior to SN 0300100450)	
	4933388	Ref	Standard Electrical Diagrams E/M450AJ (SN 0300100450 through 0300189898)	
	4933059	Ref	Standard Electrical Diagrams E/M400A (Prior to SN 0300100450)	
	4933128	Ref	Standard Electrical Diagrams E/M400A (SN 0300057534 through 0300100449)	
	4933388	Ref	Standard Electrical Diagrams E/M400A (SN 0300100450 through 0300189901)	
	4933128	Ref	Standard Electrical Diagrams E/M400AJP (Prior to SN 0300100450)	
	4933388	Ref	Standard Electrical Diagrams E/M400AJP (SN 0300100450 through 0300189901)	
		Ref	STANDARD ELECTRICAL SCHEMATIC	
	1870072	Ref	Standard Electrical Schematic E/M450A & E/M450AJ (Prior to SN 0300100450)	
	1870227	Ref	Standard Electrical Schematic E/M450A & E/M450AJ (SN 0300100450 through 0300189898)	
	1870072	Ref	Standard Electrical Schematic E/M400A (Prior to SN	

SECTION 7 - ELECTRICAL

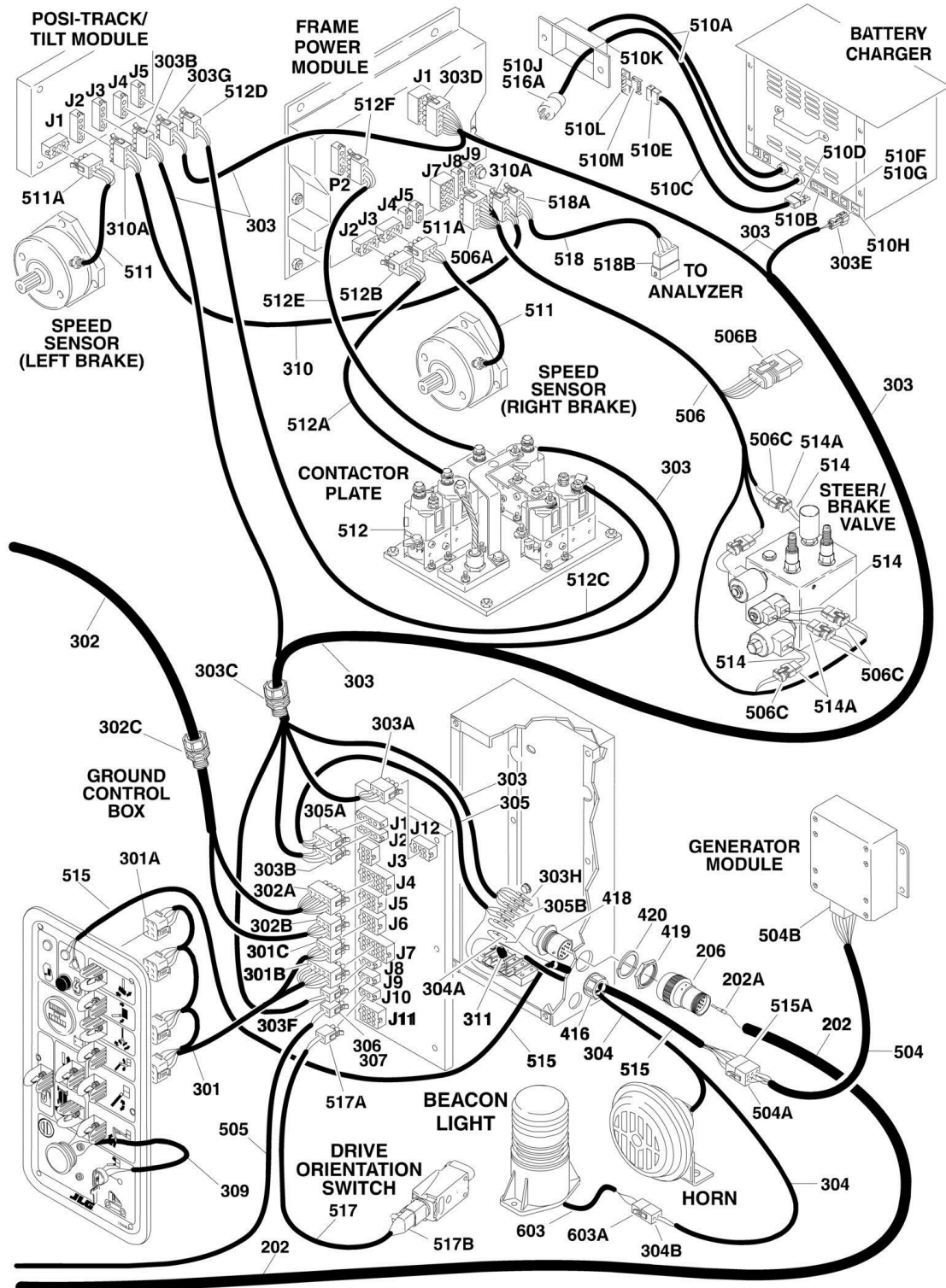
ITEM	PART NUMBER	QTY	DESCRIPTION	REV
	1870227	Ref	0300100450 Standard Electrical Schematic E/M400A (SN 0300100450 through 0300189901)	
	1870126	Ref	Standard Electrical Schematic E/M400AJP (Prior to SN 0300100450)	
	1870227	Ref	Standard Electrical Schematic E/M400AJP (SN 0300100450 through 0300189901)	

SECTION 7 - ELECTRICAL

FIGURE 7-2. HARNESS COMPONENTS INSTALLATION (WITH MAC CHARGER)



SECTION 7 - ELECTRICAL



SECTION 7 - ELECTRICAL

FIGURE 7-2. HARNESS COMPONENTS INSTALLATION (WITH MAC CHARGER)

ITEM	PART NUMBER	QTY	DESCRIPTION	REV
		Ref	HARNESS COMPONENTS INSTALLATION	
		Ref	PLATFORM BOX ELECTRICAL DIAGRAM	
	4933060	Ref	Platform Box Electrical Diagram A & AJ Models	7-L
	4933105	Ref	Platform Box Electrical Diagram AJP Models	5-G
1		Ref	Harness, Indicator Lamp	
1	4922074	1	Harness (Prior to SN 0300141884)	5-H
1	1001109860	1	Harness (E/M400) (SN 0300141884 through 0300189901)	B
1	1001109860	1	Harness (E/M450) (SN 0300141884 through 0300189898)	B
1A	4460265	1	Plug, Male - 9 Position	
1A	4460227	AR	Pin, Male	
1B	4120035	AR	Socket, Lamp	
1C	4460634	AR	Socket (Single Wire)	
1C	4460635	AR	Socket (Two Wire)	
2		Ref	Harness, Function Switch	
2	4922060	1	Harness, Function Switch A & AJ Models	2-C
2	4922303	1	Harness, Function Switch AJP Models	5-D
2A	4460434	1	Plug, Male - 15 Position	
2A	4460226	12	Pin, Male	
2B	4460464	2	Pin, Male	
2C	4460418	4	Connector, Female	
2C	4460419	12	Terminal	
2D	4460225	1	Plug, Male - 6 Position (AJP Models Only)	
2D	4460227	5	Socket, Female	
2E	4460343	1	Plug, Male - 12 Position (AJP Models Only)	
2E	4460227	10	Socket, Female	
3	4922071	1	Harness, Can Bus	2-B
3A	4460321	1	Plug, Male - 4 Position	
3A	4460227	2	Socket, Female	
3A	4460267	1	Pin, Male	
3B	4460464	3	Pin, Male	
4	4922118	1	Harness, Box Horn	2-B
4A	4460464	1	Pin, Male	
5	4922157	1	Harness, Miscellaneous	3-C
5A	4460464	5	Pin, Male	
8	4922160	1	Harness, Analyzer	3-C
8A	4460321	1	Plug, Male - 4 Position	
8A	4460226	4	Socket, Female	
8B	4460761	1	Connector, Female - 4 Position	
8B	4460227	4	Pin, Male	
10	2920129	3	Bulb, Light	
12	4922307	1	Jib Harness (AJP Models Only)	3-C
12A	4460367	1	Connector, Female - 12 Position	
12A	4460226	10	Socket, Female	
12B	4460260	6	Connector, Female	
12B	4460259	6	Terminal	
14	1001116368	1	Harness, Drive Orientation Override Switch (E/M400) (SN 0300141884 through 0300189901)	A
14	1001116368	1	Harness, Drive Orientation Override Switch (E/M450) (SN 0300141884 through 0300189898)	A
14A	4460225	1	Plug, Male - 6 Position	

SECTION 7 - ELECTRICAL

ITEM	PART NUMBER	QTY	DESCRIPTION	REV
14A	4460227	2	Socket, Female	
		Ref	PLATFORM BOX ASSEMBLY COMPONENTS	
117	4460428	1	Connector, Strain Relief	
133	4460752	1	Connector, 14 Position	
134	4460497	1	Nut, Conduit	
135	4460496	1	Lockwasher, Conduit	
147	0272971	1	Footswitch Assembly	B
147A	1060330	7 ft/2.2m	Cable, Electrical - 16/3	
147B	4460464	AR	Pin, Male	
147C	4460071	2	Connector, Strain Relief	
		Ref	BOOM CABLES INSTALLATION	
	0257735	Ref	Boom Cables Installation E/M450A	8-G
	0259367	Ref	Boom Cables Installation E/M450AJ	4-D
	0270817	Ref	Boom Cables Installation E/M400A	4-B
	0259970	Ref	Boom Cables Installation E/M400AJP	5-C
201		Ref	Main Boom Harness Assembly Options:	
201	4922178	1	Main Boom Harness Assembly E/M450A Models	3
201	4922178	1	Main Boom Harness Assembly E/M450AJ Models (Use p/n 4922552)	1
201	4922496	1	Main Boom Harness Assembly E/M400A Models	2
201	1060677	26.5 ft/8.1m	Cable, Electrical (E/M450A Models)	
201	1060677	28 ft/8.53m	Cable, Electrical (E/M450AJ Models)	
201	1060677	25.25 ft/7.7m	Cable, Electrical (E/M400A Models)	
201	4922364	1	Main Boom Harness Assembly E/M400AJP Models (Prior to SN 0300071419)	1
201	1060780	25.25 ft/7.7m	Cable, Electrical - 18/6 (E400 & M400 Models)	
201	1060781	25.25 ft/7.7m	Cable, Electrical - 18/5 (E400 & M400 Models)	
201	4922496	1	Main Boom Harness Assembly E/M400AJP Models (SN 0300071419 through 0300189901)	2
201	1060677	25.25 ft/7.7m	Cable, Electrical (E400 & M400 Models)	
201A	4460465	28	Socket, Female	
201B	4460754	1	Connector - 14 Position	
202		Ref	Tower Boom Harness Assembly Options:	
202	4922179	1	Tower Boom Harness Assembly E/M450A & E/M450AJ Models	3
202	4922363	1	Tower Boom Harness Assembly E/M400AJP Models	3
202	4922495	1	Tower Boom Harness Assembly E/M400A Models (Prior to SN 0300071418)	2
202	4922363	1	Tower Boom Harness Assembly E/M400A Models (SN 0300071418 through 0300189901)	3
202	1060677	Ref	Cable, Electrical Options: - 10/4-18/16	
202	1060677	35.5 ft/11m	Cable, Electrical E/M450A & E/M450AJ Models	
202	1060677	32 ft/9.8m	Cable, Electrical E/M400A & E/M400AJP Models	
202A	4460464	28	Pin, Male	
202B		Ref	Connector - 14 Position Options:	
202B	4460495	1	Connector - 14 Position (Prior to SN 0300077939)	
202B	4460752	1	Connector - 14 Position (E/M400) (SN 0300077939)	

SECTION 7 - ELECTRICAL

ITEM	PART NUMBER	QTY	DESCRIPTION	REV
202B	4460752	1	through 0300189901) Connector - 14 Position (E/M450) (SN 0300077939 through 0300189898)	
203	4460754	1	Connector - 14 Position	
206	4460753	1	Connector - 14 Position	
		Ref	GROUND CONTROL BOX DIAGRAM	
	4933059	Ref	Ground Control Box Diagram E/M450A (Prior to SN 0300057534)	3-G
	4933128	Ref	Ground Control Box Diagram E/M450A (SN 0300057534 through 0300100539)	2-C
	4933388	Ref	Ground Control Box Diagram E/M450A (SN 0300100540 through 0300189898)	2-C
	4933128	Ref	Ground Control Box Diagram E/M450AJ, E/M400A & E/M400AJP (Prior to SN 0300100540)	2-C
	4933388	Ref	Ground Control Box Diagram E/M400A & E/M400AJP (SN 0300100540 through 0300189901)	2-C
	4933388	Ref	Ground Control Box Diagram E/M450AJ (SN 0300100540 through 0300189898)	2-C
301		Ref	Function Switch Harness Assembly Options:	
301	4922058	1	Function Switch Harness Assembly E/M450A (Prior to SN 0300057534)	4-D
301	4922366	1	Function Switch Harness Assembly E/M450A (SN 0300057534 through 0300100539)	2-B
301	4923625	1	Function Switch Harness Assembly E/M450A (SN 0300100540 through 0300189898)	1-C
301	4922366	1	Function Switch Harness Assembly E/M450AJ, E/M400A & E/M400AJP (Prior to SN 0300100540)	2-B
301	4923625	1	Function Switch Harness Assembly E/M400A & E/M400AJP (SN 0300100540 through 0300189901)	1-A
301	4923625	1	Function Switch Harness Assembly E/M450AJ (SN 0300100540 through 0300189898)	1-A
301A	4460418	AR	Connector - 6 Position	
301A	4460419	AR	Terminal, Female	
301B	4460434	1	Plug, Male - 15 Position	
301B	4460226	15	Socket, Female	
301C	4460265	1	Plug, Male - 9 Position	
301C	4460227	3	Pin, Male	
302		Ref	Harness Assembly - Valve	
302	4922057	1	Harness Assembly - Valve E/M450A (Prior to SN 0300057534)	4-C
302	4922367	1	Harness Assembly - Valve E/M450A (SN 0300057534 through 0300189898)	2-C
302	4922367	1	Harness Assembly - Valve E/M450AJ, E/M400A & E/M400AJP	2-C
302A	4460434	1	Plug, Male - 15 Position	
302A	4460227	14	Pin, Male	
302B	4460265	1	Plug, Male - 9 Position	
302B	4460226	4	Socket, Female	
302C	4460425	1	Connector, Strain Relief	
302D		Ref	Components Options:	
302D		Ref	Components E/M450A (Prior to SN 0300057534)	
302D	4460744	6	Connector, 6 Position	
302D	4460746	24	Socket, Female	
302D	4460745	4	Lock, Secondary	
302D	4460749	4	Cap, Shell	

SECTION 7 - ELECTRICAL

ITEM	PART NUMBER	QTY	DESCRIPTION	REV
302D	4460750	4	Bar, Buss - 6 Position	
302D	4460458	24	Seal	
302D	4460751	4	Clip, Mounting	
302D		Ref	Components E/M400A & E/M400AJP (SN 0300057534 through 0300189901)	
302D		Ref	Components E/M450A & All E/M450AJ (SN 0300057534 through 0300189898)	
302D	4460836	2	Connector, 12 Position	
302D	4460837	2	Housing, Terminal - 12 Position	
302D	4460465	22	Pin, Terminal	
302E	4460742	17	Plug, Male - 2 Position	
302E	4460743	34	Terminal, Female	
302E	4460458	34	Seal	
303	4922104	1	Harness Assembly - Turntable/Frame (Includes Item 304 Also)	7-G
303A	4460225	1	Plug, Male - 6 Position	
303A	4460268	6	Socket, Female	
303B	4460321	2	Plug, Male - 4 Position	
303B	4460227	2	Pin, Male	
303B	4460267	8	Pin, Male	
303C	4460425	1	Connector, Strain Relief	
303D	4460343	1	Plug, Male, 12 Position	
303D	4460268	12	Socket, Female	
303E	4460320	1	Plug, Male, 2 Position	
303E	4460268	2	Socket, Female	
303F	4460320	1	Plug, Male, 2 Position	
303F	4460267	2	Pin, Male	
303G	4460326	1	Plug, Male, 3 Position	
303G	4460267	3	Pin, Male	
303H	4460465	6	Socket, Female	
304	4922073	1	Harness Assembly - Horn/Beacon (A Models Only)	5-E
304	3990001	1	Diode (Not Shown)	
304A	4460465	1	Socket, Female	
304B	4460424	1	Plug, Male, 2 Position	
304B	4460268	2	Socket, Female	
305	4922117	1	Harness Assembly - Ground Control Can	3-B
305A	4460321	1	Plug, Male - 4 Position	
305A	4460227	2	Pin, Male	
305A	4460267	1	Pin, Male	
305B	4460465	1	Socket, Female	
306	4460320	1	Plug, Male, 2 Position	
307	4460268	2	Socket, Female	
309	4922267	1	Harness Assembly - Power Supply	3-C
310	4922263	1	Harness Assembly - Posi-Track Module Can	2-A
310A	4460321	2	Plug, Male - 4 Position	
310A	4460227	4	Pin, Male	
310A	4460267	2	Pin, Male	
311	3990106	1	Limiters, Inrush	
		Ref	GROUND CONTROL BOX ASSY COMPONENTS	
416	4460425	1	Connector, Strain Relief	
418	4460495	1	Connector, Male - 14 Position	
419	4460497	1	Nut, Conduit	
420	4460496	1	Lockwasher	

SECTION 7 - ELECTRICAL

ITEM	PART NUMBER	QTY	DESCRIPTION	REV
		Ref	STANDARD HARNESS COMPONENTS	
501	See Note	17	Solenoid Harness (Note: Not Available - Purchase Complete Solenoid)	
501A	4460867	17	Connector, Female - 2 Position	
501A	4460979	34	Terminal, Male	
501A	4460458	34	Seal	
502	4922222	1	Generator Enable Harness (Yellow/Red) (M450 & M400 Only)	B
502A	4460464	1	Pin, Male	
503	4922223	1	Generator Enable Harness (White/Yellow) (M450A & M400 Only)	A
503A	4460464	1	Pin, Male	
504		Ref	Generator Harness (M450 & M400 Only)	
504	7020155	1	Generator Harness (Prior to SN 0300063771)	
504	7023486	1	Generator Harness (SN 0300063771 through 0300088538)	
504	70000328	1	Generator Harness (M400) (SN 0300088539 through 0300189901)	
504	70000328	1	Generator Harness (M450) (SN 0300088539 through 0300189898)	
504A	4460224	1	Connector, Female - 6 Position	
504A	4460809	1	Plug, Sealing	
504A	4460268	5	Socket, Female	
504B	7023337	1	Receptacle - 35 Position	
504B	7023338	35	Pin, Male	
505		Ref	Boom Limit Switches Harness Options:	
505	1060341	58 ft/17.7m	Cable, Electrical - 16/2 (Prior to SN 0300063768)	
505	4922614	1	Cable, Electrical (Lower) (Includes Limit Switch) (E/M400) (SN 0300063768 through 0300189901)	
505	4922614	1	Cable, Electrical (Lower) (Includes Limit Switch) (E/M450) (SN 0300063768 through 0300189898)	
505	4922613	1	Cable, Electrical (Upper) (Includes Limit Switch) (E/M400) (SN 0300063768 through 0300189901)	
505	4922613	1	Cable, Electrical (Upper) (Includes Limit Switch) (E/M450) (SN 0300063768 through 0300189898)	
506	4922328	1	Harness Assembly - Valve	
506A	4460434	1	Plug, Male - 15 Position	
506A	4460226	7	Socket, Female	
506B	4460749	1	Cap, Shell	
506B	4460750	1	Bar, Buss - 6 Position	
506B	4460744	1	Connector, 6 Position	
506B	4460745	1	Lock, Secondary	
506B	4460746	5	Socket, Female	
506B	4460458	6	Seal	
506B	4460748	1	Plug, Cavity	
506B	4460751	1	Clip, Mounting	
506C	4460742	5	Plug, Male - 2 Position	
506C	4460743	10	Terminal, Female	
506C	4460458	10	Seal	
507	See Note	1	Controller Harness Assembly (Lift and Swing) (Note: Not Available - Purchase Complete Controller)	
507A	4460265	1	Plug, Male - 9 Position	
507A	4460226	8	Socket, Female	
508	See Note	1	Controller Harness/Circuit Board Assembly (Drive and Steer) (Note: Not Available - Purchase Complete Controller)	
508A	4460265	1	Plug, Male - 9 Position	

SECTION 7 - ELECTRICAL

ITEM	PART NUMBER	QTY	DESCRIPTION	REV
508A	4460226	7	Socket, Female	
509	See Note	1	Controller Harness Assembly (Speed) (Note: Not Available - Purchase Complete Controller)	
509A	4460225	1	Plug, Male - 6 Position	
509A	4460226	4	Socket, Female	
510		Ref	Battery Charger Components	
510A		Ref	AC Cord Options:	
510A	1060777	1	AC Cord (Prior to SN 0300082279)	
510A	1060759	1	AC Cord (E/M400) (SN 0300082279 through 0300189901)	
510A	1060759	1	AC Cord (E/M450) (SN 0300082279 through 0300189898)	
510B	7020693	1	LED Internal Harness	
510B	4460761	1	Connector, Female - 4 Position	
510B	4460227	4	Male Pin	
510C	1060778	1	LED Remote Harness	
510D	4460321	1	Plug, Male - 4 Position	
510D	4460226	4	Socket, Female	
510E	4460761	1	Connector, Female - 4 Position	
510E	4460226	4	Socket, Female	
510F		Ref	DC Cord Options:	
510F	7020644	1	Charger with Automotive Fuse	
510F	7022909	1	Charger with Bussman Fuse	
510G	7011590	1	Connector, DC	
510H	7011621	1	Connector, Enable Switch	
510J		Ref	Plug, Connector (Not Supplied with Charger)	
510J	4460805	1	Australian Spec	
510J	See Item 516	1	CE Spec	
510K	4460428	1	Connector, Strain Relief (Not Supplied with Charger)	
510L	0610131	1	LED Assembly (Not Supplied with Charger)	
510M	4460321	1	Plug, Male - 4 Position	
510M	4460227	4	Male Pin	
511	3990105	2	Speed Sensor Harness (P/N 3990105 Includes Sensor)	
511A	4460225	1	Plug, Male - 6 Position	
511A	4460226	4	Socket, Female	
512	1600294	1	Contactorm Plate Assembly	
512A	7022003	1	Contactorm Harness	
512B	4460225	1	Plug, Male - 6 Position	
512B	4460226	6	Socket, Female	
512C	7022004	1	Posi-Track Harness	
512D	4460326	1	Plug, Male - 3 Position	
512D	4460227	3	Pin, Male	
512E	7022005	1	Shunt Harness	
512F	4460321	1	Plug, Male - 4 Position	
512F	4460227	4	Pin, Male	
513	4922294	1	Jib Harness (AJ Models Only)	1-B
513A	4460225	1	Plug, Male - 6 Position	
513A	4460227	3	Pin, Male	
513B	4460418	1	Connector, Female	
513B	4460419	3	Terminal	
514	See Note	5	Solenoid Harnesses - Steer/Brake Valve (Note: Not Available - Purchase Complete Solenoid)	
514A	4460867	5	Connector, Female - 2 Position	
514A	4460979	10	Terminal, Male	

SECTION 7 - ELECTRICAL

ITEM	PART NUMBER	QTY	DESCRIPTION	REV
514A	4460458	10	Seal	
515	4922319	1	Harness, Generator to Ground Control Box	1-A
515A	4460225	1	Plug, Male - 6 Position	
515A	4460807	1	Seal, Terminal	
515A	4460808	1	Seal, Terminal	
515A	4460809	1	Plug, Sealing	
515A	4460267	5	Pin, Terminal	
516		Ref	PLUG CHARGER INSTALLATION	
516	0275663	Ref	220V with CEE 7 Post Ground Receptacle and Plug and Circuit Breaker (70mm x 70mm Box)	A
516	0275664	Ref	220V with CEE 7 Side Ground Receptacle and Plug and Circuit Breaker (70mm x 70mm Box)	A
516	0275665	Ref	220V with AFSINT 107 Keyed Ground Receptacle and Plug and Circuit Breaker (2x4 Box)	A
516	0275666	Ref	110V with IEC Yellow Receptacle and Plug and Circuit Breaker	A
516	0275667	Ref	220V with IEC Blue Receptacle and Plug and Circuit Breaker	A
516A		Ref	Plug Options:	
516A	4461202	1	Plug - 0275663 Installation	
516A	4461205	1	Plug - 0275664 Installation	
516A	4461249	1	Plug - 0275665 Installation	
516A	4461196	1	Plug - 0275666 Installation	
516A	4461199	1	Plug - 0275667 Installation	
517	1001116522	1	Harness, Drive Orientation Limit Switch Only (E/M400) (SN 0300141884 through 0300189901)	B
517	1001116522	1	Harness, Drive Orientation Limit Switch Only (E/M450) (SN 0300141884 through 0300189898)	B
517A	4460320	1	Plug, Male - 2 Position	
517A	4460227	2	Pin, Male	
517B	4460884	1	Plug, Male - 4 Position	
517B	4460465	2	Socket, Female	
517B	4460466	2	Seal	
518	4922160	1	Harness, Analyzer	3-C
518A	4460321	1	Plug, Male - 4 Position	
518A	4460226	4	Socket, Female	
518B	4460761	1	Connector, Female - 4 Position	
518B	4460227	4	Pin, Male	
		Ref	OPTIONAL HARNESS COMPONENTS	
601		Ref	AC to Platform Receptacle Components Options:	
601	0253717	Ref	220V Receptacle (E/M400) (Prior to SN 0300062642)	1
601	0271464	Ref	220V Receptacle (E/M400) (SN 0300062642 through 0300189901)	2
601	0259127	Ref	220V Receptacle (E/M450)	2
601	0275892	Ref	220V with CEE 7 Post Ground Receptacle and Plug and Circuit Breaker (2x4 Box) (E/M400)	C
601	1001091435	Ref	220V with CEE 7 Post Ground Receptacle and Plug and Circuit Breaker (2x4 Box) (E/M450)	B
601	0275893	Ref	220V with CEE 7 Side Ground Receptacle and Plug and Circuit Breaker (2x4 Box) (E/M400) (Prior to SN 0300181900)	C
601	1001091436	Ref	220V with CEE 7 Side Ground Receptacle and Plug and Circuit Breaker (2x4 Box) (E/M450) (Prior to SN 0300181900)	B
601	0275894	Ref	220V with AFSINT 107 Keyed Ground Receptacle and Plug and Circuit Breaker (2x4 Box) (E/M400)	C
601	1001091437	Ref	220V with AFSINT 107 Keyed Ground Receptacle and Plug and Circuit Breaker (2x4 Box) (E/M450)	B

SECTION 7 - ELECTRICAL

ITEM	PART NUMBER	QTY	DESCRIPTION	REV
601	0275895	Ref	110V with IEC Yellow Receptacle and Plug and Circuit Breaker (E/M400)	C
601	1001091438	Ref	110V with IEC Yellow Receptacle and Plug and Circuit Breaker (E/M450)	B
601	0275896	Ref	220V with IEC Blue Receptacle and Plug and Circuit Breaker (E/M400)	C
601	1001091439	Ref	220V with IEC Blue Receptacle and Plug and Circuit Breaker (E/M450)	B
601	0275897	Ref	220V with CEE 7 Post Ground Receptacle and Plug and Circuit Breaker (70mm x 70mm Box) (E/M400)	C
601	1001091440	Ref	220V with CEE 7 Post Ground Receptacle and Plug and Circuit Breaker (70mm x 70mm Box) (E/M450)	B
601	0275898	Ref	220V with CEE 7 Side Ground Receptacle and Plug and Circuit Breaker (70mm x 70mm Box) (E/M400) (Prior to SN 0300181900)	C
601	1001091441	Ref	220V with CEE 7 Side Ground Receptacle and Plug and Circuit Breaker (70mm x 70mm Box) (E/M450) (Prior to SN 0300181900)	B
601A		Ref	Box, Switch Options:	
601A	Not Required	0	Box, Switch - 0271464 & 0259127 Installation (Purchase Locally)	
601A	0861731	1	Box, Switch - 0275892, 0275893, 0275894, 1001091435, 1001091436 & 1001091437 Installation	
601A	0861781	1	Box, Switch - 0275895, 0275896, 1001091438 & 1001091439 Installation	
601A	See Note	1	Box, Switch - 0275897, 0275898, 1001091440 & 1001091441 Installations (Note: Was p/n 0861782 which is no longer available. Use p/n 1001100344 CEE 7 Side Ground Service Kit or p/n 1001100343 CEE 7 Post Ground Service Kit. Kit include Box p/n 1001141967 and items 601B, 601C & 601E.)	
601A	1001141967	1	Box, Switch - 1001100343, 1001100344, 1001141970 & 1001141971 Kits	
601B		Ref	Receptacle Options:	
601B	Not Required	0	Receptacle - 0271464 & 0259127 Installation (Purchase Locally)	
601B	4461244	1	Receptacle - 0275892 & 1001091435 Installation	
601B	4461245	1	Receptacle - 0275893 & 1001091436 Installation	
601B	4461246	1	Receptacle - 0275894 & 1001091437 Installation	
601B	4461198	1	Receptacle - 0275895 & 1001091438 Installation	
601B	4461201	1	Receptacle - 0275896 & 1001091439 Installation	
601B	4461204	NLA	Receptacle - 0275897 & 1001091440 Installation (Use p/n 1001100343)	
601B	4461207	NLA	Receptacle - 0275898 & 1001091441 Installation (Use p/n 1001100344)	
601B	1001141968	1	Receptacle - 1001100343 & 1001141971 Kits	
601B	1001141969	1	Receptacle - 1001100344 & 1001141970 Kits	
601C		Ref	Shield, Cover Options:	
601C	Not Required	0	Shield, Cover - 0271464 & 0259127 Installation (Purchase Locally)	
601C	4461244	1	Shield, Cover - 0275892 & 1001091435 Installation	
601C	4461245	1	Shield, Cover - 0275893 & 1001091436 Installation	
601C	4461246	1	Shield, Cover - 0275894 & 1001091437 Installation	
601C	4461198	1	Shield, Cover - 0275895 & 1001091438 Installation	
601C	4461201	1	Shield, Cover - 0275896 & 1001091439 Installation	
601C	4461204	NLA	Shield, Cover - 0275897 & 1001091440 Installation (Use p/n 1001100343)	

SECTION 7 - ELECTRICAL

ITEM	PART NUMBER	QTY	DESCRIPTION	REV
601C	4461207	NLA	Shield, Cover - 0275898 & 1001091441 Installation (Use p/n 1001100344)	
601C	1001141968	1	Shield, Cover - 1001100343 & 1001141971 Kits	
601C	1001141969	1	Shield, Cover - 1001100344 & 1001141970 Kits	
601D		Ref	Connector, Strain Relief Options:	
601D	Not Required	0	Connector, Strain Relief - 0271464 & 0259127 Installation (Purchase Locally)	
601D	4460968	1	Connector, Strain Relief - 0275892, 0275893, 0275894, 1001091435, 1001091436 & 1001091437 Installation (Prior to SN 0300108574)	
601D	4460662	1	Connector, Strain Relief - 0275892, 0275893, 0275894, 1001091435, 1001091436 & 1001091437 Installation (E/M400) (SN 0300108574 through 0300189901)	
601D	4460662	1	Connector, Strain Relief - 0275892, 0275893, 0275894, 1001091435, 1001091436 & 1001091437 Installation (E/M450) (SN 0300108574 through 0300189898)	
601D	4460968	1	Connector, Strain Relief - 0275895, 0275896, 0275897, 0275898, 1001091438, 1001091439, 1001091440 & 1001091441 Installation	
601E		Ref	Plug, Male Options (All Specs):	
601E	Not Required	0	Plug, Male - 0271464 & 0259127 Installation (Purchase Locally)	
601E	4461202	1	Plug, Male - 0275892, 0275897, 1001091435 & 1001091440 Installation & 1001100343 & 1001141971 Kits	
601E	4461205	1	Plug, Male - 0275893, 0275898, 1001091436 & 1001091441 Installation & 1001100344 & 1001141970 Kits	
601E	4461249	1	Plug, Male - 0275894 & 1001091437 Installation	
601E	4461196	1	Plug, Male - 0275895 & 1001091438 Installation	
601E	4461199	1	Plug, Male - 0275896 & 1001091439 Installation	
601F		Ref	Harness (Main Boom) Options (All Specs):	
601F	4921595	1	Harness (E/M450) (Prior to SN 0300063775)	2-A
601F	4922610	1	Harness (E/M450) (SN 0300063775 through 0300189898)	1-A
601F	4921571	1	Harness (E/M400) (Prior to SN 0300062642)	2-A
601F	4922610	1	Harness (E/M400) (SN 0300062642 through 0300189901)	1-A
601F	1060461	Ref	Electrical Cable - 12/3 Options:	
601F	1060461	32 ft 9.75m	Electrical Cable - 12/3 E/M450	
601F	1060461	AR	Electrical Cable - 12/3 E/M400	
601G	4460709	1	Plug, Male (All Specs)	
601H		Ref	Harness (Tower Boom) Options (All Specs):	
601H	4921594	1	Harness (E/M450) (Prior to SN 0300063775)	2-A
601H	4922609	1	Harness (E/M450) (SN 0300063775 through 0300189898)	2-A
601H	4921570	1	Harness (E/M400) (Prior to SN 0300062642)	2-A
601H	4922612	1	Harness (E/M400) (SN 0300062642 through 0300189901)	2-B
601H	1060461	AR	Electrical Cable - 12/3 Options:	
601H		Ref	Electrical Cable - 12/3 E/M450	
601H		Ref	Electrical Cable - 12/3 E/M400 (Prior to SN 0300062642)	
601H		Ref	Electrical Cable - 12/3 E/M400 (SN 0300062642 through 0300189901)	
601J		Ref	Connector, Female (All Specs) Options:	
601J	4460134	1	Connector, Female (Prior to SN 0300102882)	
601J	4460710	1	Connector, Female (E/M400) (SN 0300102882 through 0300189901)	
601J	4460710	1	Connector, Female (E/M450) (SN 0300102882 through 0300189898)	

SECTION 7 - ELECTRICAL

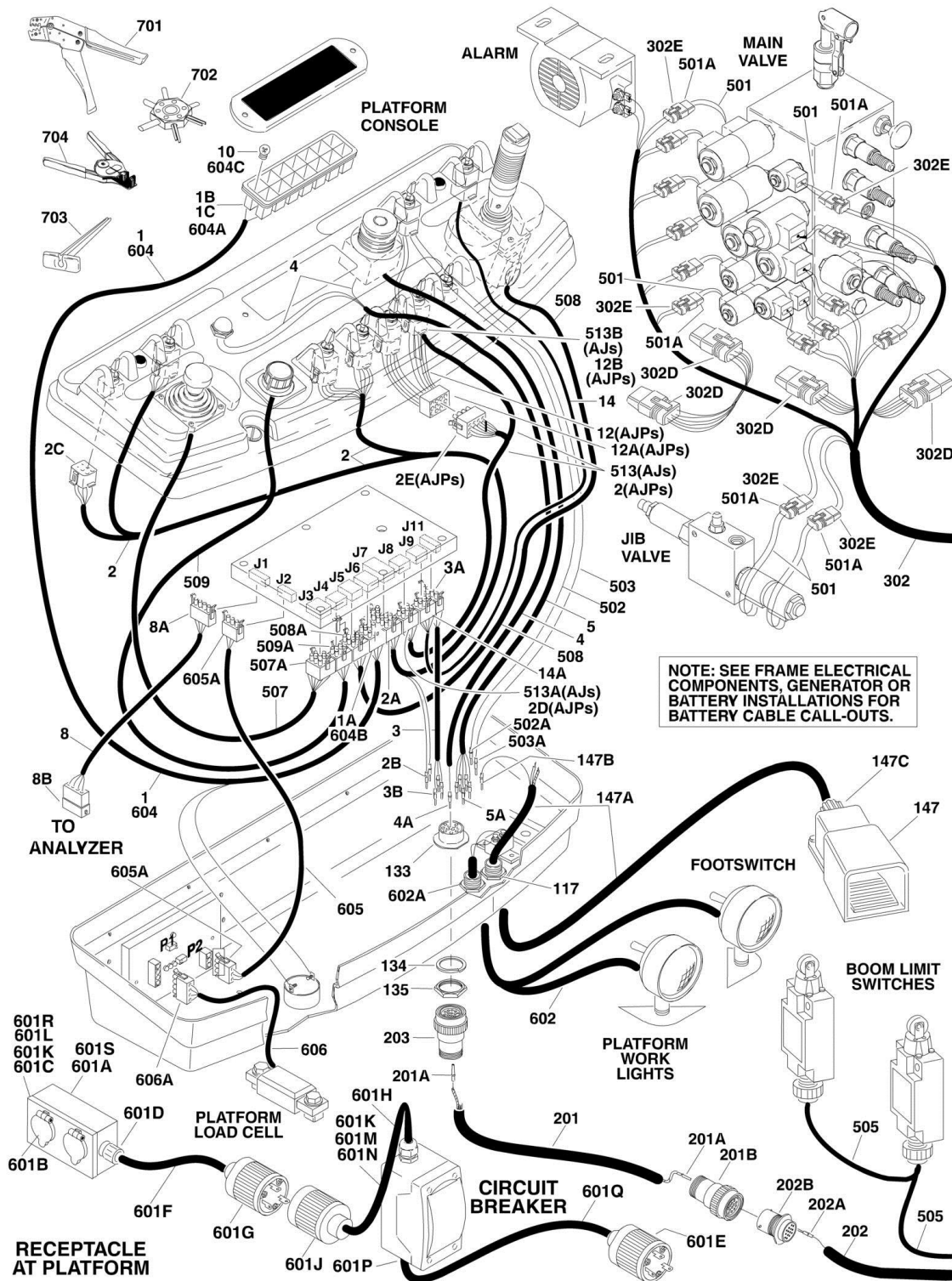
ITEM	PART NUMBER	QTY	DESCRIPTION	REV
601K		Ref	Hardware Options:	
601K	0641405	AR	Bolt 1/4in - 20NC x 5/8in	
601K	0641407	AR	Bolt 1/4in - 20NC x 7/8in	
601K	0641416	AR	Bolt 1/4in - 20NC x 2in	
601K	0700408	AR	Screw M4 x 16mm	
601K	3290405	AR	Locknut M4	
601K	3311405	AR	Locknut 1/4in - 20NC	
601K	4711400	AR	Flatwasher 1/4in (Narrow)	
601K	4751400	AR	Flatwasher 1/4in (Wide)	
601K	4811400	AR	Flatwasher M4	
601L		Ref	Bracket, Receptacle Box Mounting Options:	
601L	Not Required	0	Bracket, Receptacle Box Mounting - 020271464 & 0259127 Installation	
601L	0903484	1	Bracket, Receptacle Box Mounting - 0275892, 0275893, 0275894, 0275895, 0275896, 0275897, 0275898, 1001091435, 1001091436, 1001091437, 1001091438, 1001091439, 1001091440 & 1001091441 Installation	
601M		Ref	Bracket, Circuit Breaker Mounting Options:	
601M	Not Required	0	Bracket, Circuit Breaker Mounting - 0271464 & 0259127 Installation	
601M	0903612	1	Bracket, Circuit Breaker Mounting - 0275892, 0275893, 0275894, 0275895, 0275896, 0275897, 0275898, 1001091435, 1001091436, 1001091437, 1001091438, 1001091439, 1001091440 & 1001091441 Installation	
601N	2902549	AR	Circuit Breaker Kit (Includes items indented below and 601P & 601Q) (Required Only on CE Spec Installations Except 0271464 & 0259127 Installation):	D
601N	2400093	NLA	Circuit Breaker 16 Amp (Note: Use qty 1 each of p/ns 1001109475 & 1001109482 as replacement.)	
601N	1001109475	1	Circuit Breaker 16Amp (E/M400) (SN 0300136275 through 0300189901)	
601N	1001109475	1	Circuit Breaker 16Amp (E/M450) (SN 0300136275 through 0300189898)	
601N	1001109482	1	Circuit Breaker 30Amp (E/M400) (SN 0300136275 through 0300189901)	
601N	1001109482	1	Circuit Breaker 30Amp (E/M450) (SN 0300136275 through 0300189898)	
601N	0861880	1	Breaker Box	
601N	4460956	1	Barrier, Terminal Block	
601N	4460957	1	Terminal Block	
601P		Ref	Connector, Strain Relief Options:	
601P	4460633	2	Connector, Strain Relief M20 (Prior to SN 0300117527)	
601P	1001097150	2	Connector, Strain Relief M25 (E/M400) (SN 0300117527 through 0300189901)	
601P	1001097150	2	Connector, Strain Relief M25 (E/M450) (SN 0300117527 through 0300189898)	
601Q	1060908	6 ft/1.8m	Cable, Extension	
601R		Ref	Decal Options:	
601R	Not Required	0	Decal - 0271464 & 0259127 Installation	
601R	1705325	1	Decal - 110 Volt (0275895 & 1001091438 Installation)	
601R	3252507	1	Decal - 220 Volt (0275892, 0275893, 0255894, 0275896, 0275897, 0275898, 1001091435, 1001091436, 1001091437, 1001091439, 1001091440 & 1001091441 Installation)	
601S		Ref	Receptacle Box Kit Options:	
601S	0275452	1	Receptacle Box Kit (220V CEE 7 Post Ground) (Includes Items	1

SECTION 7 - ELECTRICAL

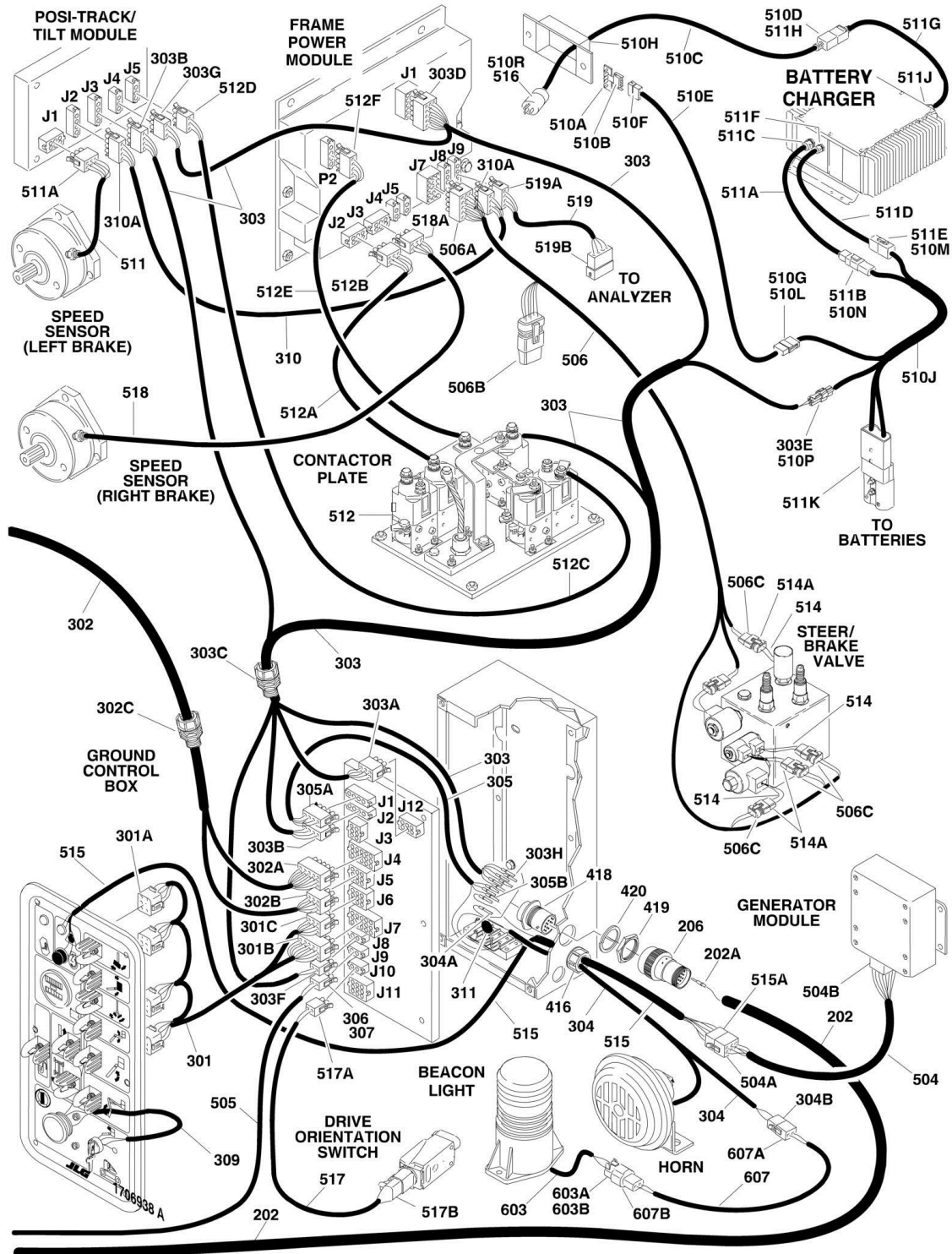
ITEM	PART NUMBER	QTY	DESCRIPTION	REV
601S	0275453	1	601A, 601B, 601C & 601E) (0275892 & 1001091435 Installation) Receptacle Box Kit (220V CEE 7 Side Ground) (Includes Items 601A, 601B, 601C & 601E) (0275893 & 1001091436 Installation)	1
601S	0275454	1	Receptacle Box Kit (220V AFSINT 107 Keyed Ground) (Includes Items 601A, 601B, 601C & 601E) (0275894 & 1001091437 Installation)	1
601S	0275216	1	Receptacle Box Kit (110V IEC Yellow) (Includes Items 601A, 601B, 601C & 601E) (0275895 & 1001091438 Installation)	1
601S	0275217	1	Receptacle Box Kit (220V IEC Blue) (Includes Items 601A, 601B, 601C & 601E) (0275896 & 1001091439 Installation)	1
601S	0275218	1	Receptacle Box Kit (220V CEE 7 Post Ground) (Includes Items 601A, 601B, 601C & 601E) (0275897 & 1001091440 Installation) (Use p/n 1001100343)	B-2
601S	0275219	1	Receptacle Box Kit (220V CEE 7 Side Ground) (Includes Items 601A, 601B, 601C & 601E) (0275898 & 1001091441 Installation) (Use p/n 1001100344)	B-2
602	2920095	2	Platform Worklights Harness (Includes Light and Wire Only)	
602A	4460428	1	Connector, Strain Relief	
603	See Note	1	Strobe Light Harness (Note: Not Available - Purchase Complete Strobe Light)	
603A	4460320	1	Plug, Male, 2 Position	
603A	4460268	2	Socket, Female	
604	4922534	1	Platform Overload Sensing Light Harness	
604A	4120035	1	Base, Light	
604B	4460227	1	Pin, Male	
604C	2920129	1	Bulb, Light	
605	4922443	1	Platform Overload Sensing PC Board to Platform Module Harness	
605A	4460326	2	Plug, Male - 3 Position	
605A	4460226	3	Socket, Female	
606	See Note	1	Platform Overload Sensing PC Board to Load Cell Harness (Front Entry Platform Only) (Note: Not available for purchase)	
		Ref	Note: For Side Entry Platform Refer to JLG Supplement 3124287.	
606A	4460321	1	Plug, Male - 4 Position	
606A	4460226	3	Socket, Female	
606A	4460268	1	Socket, Female	
606B	4460428	1	Receptacle, Strain Relief (Not Shown for Clarity)	
		Ref	TOOLS	
701	7002821	1	Crimper (For Wire to Pin/Socket Connections)	
702	7002823	1	Extractor (For Removal of Pin/Socket from Connectors)	
703	4460467	1	Extractor, Pin (Blue 16-18 Gauge) (For Removal of Pin/Socket from Connectors)	
703	4460510	1	Extractor, Pin (Yellow 12-14 Gauge) (For Removal of Pin/Socket from Connectors)	
704	7002828	1	Stripper, Wire	
705	2901443	1	Analyzer, Machine (Not Shown)	

SECTION 7 - ELECTRICAL

FIGURE 7-3. HARNESS COMPONENTS INSTALLATION (WITH DELTA-Q CHARGER)



SECTION 7 - ELECTRICAL



SECTION 7 - ELECTRICAL

FIGURE 7-3. HARNESS COMPONENTS INSTALLATION (WITH DELTA-Q CHARGER)

ITEM	PART NUMBER	QTY	DESCRIPTION	REV
		Ref	PLATFORM BOX ELECTRICAL DIAGRAM	
	4933060	Ref	Platform Box Electrical Diagram A & AJ Models	7-L
	4933105	Ref	Platform Box Electrical Diagram AJP Models	5-G
1	1001109860	1	Harness, Indicator Lamp	B
1A	4460265	1	Plug, Male - 9 Position	
1A	4460227	AR	Pin, Male	
1B	4120035	AR	Socket, Lamp	
1C	4460634	AR	Socket (Single Wire)	
1C	4460635	AR	Socket (Two Wire)	
2		Ref	Harness, Function Switch	
2	4922060	1	Harness, Function Switch A & AJ Models	2-C
2	4922303	1	Harness, Function Switch AJP Models	5-D
2A	4460434	1	Plug, Male - 15 Position	
2A	4460226	12	Pin, Male	
2B	4460464	2	Pin, Male	
2C	4460418	4	Connector, Female	
2C	4460419	12	Terminal	
2D	4460225	1	Plug, Male - 6 Position (AJP Models Only)	
2D	4460227	5	Socket, Female	
2E	4460343	1	Plug, Male - 12 Position (AJP Models Only)	
2E	4460227	10	Socket, Female	
3	4922071	1	Harness, Can Bus	2-B
3A	4460321	1	Plug, Male - 4 Position	
3A	4460227	2	Socket, Female	
3A	4460267	1	Pin, Male	
3B	4460464	3	Pin, Male	
4	4922118	1	Harness, Box Horn	2-B
4A	4460464	1	Pin, Male	
5	4922157	1	Harness, Miscellaneous	3-C
5A	4460464	5	Pin, Male	
8	4922160	1	Harness, Analyzer	3-C
8A	4460321	1	Plug, Male - 4 Position	
8A	4460226	4	Socket, Female	
8B	4460761	1	Connector, Female - 4 Position	
8B	4460227	4	Pin, Male	
10	2920129	3	Bulb, Light	
12	4922307	1	Jib Harness (AJP Models Only)	3-C
12A	4460367	1	Connector, Female - 12 Position	
12A	4460226	10	Socket, Female	
12B	4460260	6	Connector, Female	
12B	4460259	6	Terminal	
14	1001116368	1	Harness, Drive Orientation Override Switch	A
14A	4460225	1	Plug, Male - 6 Position	
14A	4460227	2	Socket, Female	
		Ref	PLATFORM BOX ASSEMBLY COMPONENTS	
117	4460428	1	Connector, Strain Relief	
133	4460752	1	Connector, 14 Position	
134	4460497	1	Nut, Conduit	
135	4460496	1	Lockwasher, Conduit	
147	0272971	1	Footswitch Assembly	B

SECTION 7 - ELECTRICAL

ITEM	PART NUMBER	QTY	DESCRIPTION	REV
147A	1060330	7 ft/2.2m	Cable, Electrical - 16/3	
147B	4460464	AR	Pin, Male	
147C	4460071	2	Connector, Strain Relief	
		Ref	BOOM CABLES INSTALLATION	
	0257735	Ref	Boom Cables Installation E/M450A	8-G
	0259367	Ref	Boom Cables Installation E/M450AJ	4-D
	0270817	Ref	Boom Cables Installation E/M400A	4-B
	0259970	Ref	Boom Cables Installation E/M400AJP	5-C
201		Ref	Main Boom Harness Assembly Options:	
201	4922178	1	Main Boom Harness Assembly E/M450A Models	3
201	4922552	1	Main Boom Harness Assembly E/M450AJ Models	1
201	4922496	1	Main Boom Harness Assembly E/M400A Models	2
201	1060677	26.5 ft/8.1m	Cable, Electrical (E/M450A Models)	
201	1060677	28 ft/8.53m	Cable, Electrical (E/M450AJ Models)	
201	1060677	25.25 ft/7.7m	Cable, Electrical (E/M400A Models)	
201	4922496	1	Main Boom Harness Assembly E/M400AJP Models	2
201	1060677	25.25 ft/7.7m	Cable, Electrical (E400 & M400 Models)	
201A	4460465	28	Socket, Female	
201B	4460754	1	Connector - 14 Position	
202		Ref	Tower Boom Harness Assembly Options:	
202	4922179	1	Tower Boom Harness Assembly E/M450A & E/M450AJ Models	3
202	4922363	1	Tower Boom Harness Assembly E/M400AJP Models	3
202	4922363	1	Tower Boom Harness Assembly E/M400A Models	3
202	1060677	Ref	Cable, Electrical Options: - 10/4-18/16	
202	1060677	35.5 ft/11m	Cable, Electrical E/M450A & E/M450AJ Models	
202	1060677	32 ft/9.8m	Cable, Electrical E/M400A & E/M400AJP Models	
202A	4460464	28	Pin, Male	
202B	4460752	1	Connector - 14 Position	
203	4460754	1	Connector - 14 Position	
206	4460753	1	Connector - 14 Position	
		Ref	GROUND CONTROL BOX DIAGRAM	
	4933388	Ref	Ground Control Box Diagram E/M450A	2-C
	4933388	Ref	Ground Control Box Diagram E/M450AJ, E/M400A & E/M400AJP	2-C
301		Ref	Function Switch Harness Assembly Options:	
301	4923625	1	Function Switch Harness Assembly E/M450A	1-C
301	4923625	1	Function Switch Harness Assembly E/M450AJ, E/M400A & E/M400AJP	1-A
301A	4460418	AR	Connector - 6 Position	
301A	4460419	AR	Terminal, Female	
301B	4460434	1	Plug, Male - 15 Position	
301B	4460226	15	Socket, Female	
301C	4460265	1	Plug, Male - 9 Position	
301C	4460227	3	Pin, Male	
302		Ref	Harness Assembly - Valve	
302	4922367	1	Harness Assembly - Valve E/M450A	2-C
302	4922367	1	Harness Assembly - Valve E/M450AJ, E/M400A & E/M400AJP	2-C
302A	4460434	1	Plug, Male - 15 Position	

SECTION 7 - ELECTRICAL

ITEM	PART NUMBER	QTY	DESCRIPTION	REV
302A	4460227	14	Pin, Male	
302B	4460265	1	Plug, Male - 9 Position	
302B	4460226	4	Socket, Female	
302C	4460425	1	Connector, Strain Relief	
302D	4460836	2	Connector, 12 Position	
302D	4460837	2	Housing, Terminal - 12 Position	
302D	4460465	22	Pin, Terminal	
302E	4460742	17	Plug, Male - 2 Position	
302E	4460743	34	Terminal, Female	
302E	4460458	34	Seal	
303	4922104	1	Harness Assembly - Turntable/Frame (Includes Item 304 Also)	7-G
303A	4460225	1	Plug, Male - 6 Position	
303A	4460268	6	Socket, Female	
303B	4460321	2	Plug, Male - 4 Position	
303B	4460227	2	Pin, Male	
303B	4460267	8	Pin, Male	
303C	4460425	1	Connector, Strain Relief	
303D	4460343	1	Plug, Male, 12 Position	
303D	4460268	12	Socket, Female	
303E	4460320	1	Plug, Male, 2 Position	
303E	4460268	2	Socket, Female	
303F	4460320	1	Plug, Male, 2 Position	
303F	4460267	2	Pin, Male	
303G	4460326	1	Plug, Male, 3 Position	
303G	4460267	3	Pin, Male	
303H	4460465	6	Socket, Female	
304	4922073	1	Harness Assembly - Horn/Beacon (A Models Only)	5-E
304	3990001	1	Diode (Not Shown)	
304A	4460465	1	Socket, Female	
304B	4460424	1	Plug, Male, 2 Position	
304B	4460268	2	Socket, Female	
305	4922117	1	Harness Assembly - Ground Control Can	3-B
305A	4460321	1	Plug, Male - 4 Position	
305A	4460227	2	Pin, Male	
305A	4460267	1	Pin, Male	
305B	4460465	1	Socket, Female	
306	4460320	1	Plug, Male, 2 Position	
307	4460268	2	Socket, Female	
309	4922267	1	Harness Assembly - Power Supply	3-C
310	4922263	1	Harness Assembly - Posi-Track Module Can	2-A
310A	4460321	2	Plug, Male - 4 Position	
310A	4460227	4	Pin, Male	
310A	4460267	2	Pin, Male	
311	3990106	1	Limiters, Inrush	
		Ref	GROUND CONTROL BOX ASSY COMPONENTS	
416	4460425	1	Connector, Strain Relief	
418	4460495	1	Connector, Male - 14 Position	
419	4460497	1	Nut, Conduit	
420	4460496	1	Lockwasher	
		Ref	STANDARD HARNESS COMPONENTS	
501	See Note	17	Solenoid Harness (Note: Not Available - Purchase Complete Solenoid)	

SECTION 7 - ELECTRICAL

ITEM	PART NUMBER	QTY	DESCRIPTION	REV
501A	4460867	17	Connector, Female - 2 Position	
501A	4460979	34	Terminal, Male	
501A	4460458	34	Seal	
502	4922222	1	Generator Enable Harness (Yellow/Red) (M450 & M400 Only)	B
502A	4460464	1	Pin, Male	
503	4922223	1	Generator Enable Harness (White/Yellow) (M450A & M400 Only)	A
503A	4460464	1	Pin, Male	
504	70000328	1	Generator Harness (M450 & M400 Only)	
504A	4460224	1	Connector, Female - 6 Position	
504A	4460809	1	Plug, Sealing	
504A	4460268	5	Socket, Female	
504B	7023337	1	Receptacle - 35 Position	
504B	7023338	35	Pin, Male	
505		Ref	Boom Limit Switches Harness Options:	
505	4922614	1	Cable, Electrical (Lower) (Includes Limit Switch)	
505	4922613	1	Cable, Electrical (Upper) (Includes Limit Switch)	
506	4922328	1	Harness Assembly - Valve	
506A	4460434	1	Plug, Male - 15 Position	
506A	4460226	7	Socket, Female	
506B	4460749	1	Cap, Shell	
506B	4460750	1	Bar, Buss - 6 Position	
506B	4460744	1	Connector, 6 Position	
506B	4460745	1	Lock, Secondary	
506B	4460746	5	Socket, Female	
506B	4460458	6	Seal	
506B	4460748	1	Plug, Cavity	
506B	4460751	1	Clip, Mounting	
506C	4460742	5	Plug, Male - 2 Position	
506C	4460743	10	Terminal, Female	
506C	4460458	10	Seal	
507	See Note	1	Controller Harness Assembly (Lift and Swing) (Note: Not Available - Purchase Complete Controller)	
507A	4460265	1	Plug, Male - 9 Position	
507A	4460226	8	Socket, Female	
508	See Note	1	Controller Harness/Circuit Board Assembly (Drive and Steer) (Note: Not Available - Purchase Complete Controller)	
508A	4460265	1	Plug, Male - 9 Position	
508A	4460226	7	Socket, Female	
509	See Note	1	Controller Harness Assembly (Speed) (Note: Not Available - Purchase Complete Controller)	
509A	4460225	1	Plug, Male - 6 Position	
509A	4460226	4	Socket, Female	
510		Ref	Battery Charger Installation Components	
510	1001123052	Ref	Australian Specs	B
510	1001107780	Ref	CE Specs	B
510A	0610131	1	LED Assembly (Not Supplied with Charger)	
510B	4460321	1	Plug, Male - 4 Position	
510B	4460227	4	Male Pin	
510C	1060689	1	AC Cord	
510D	1060689	1	End, Plug (Note: Not available for purchase)	
510E	1060778	1	LED Remote Harness	
510F	4460321	1	Plug, Male - 4 Position	

SECTION 7 - ELECTRICAL

ITEM	PART NUMBER	QTY	DESCRIPTION	REV
510F	4460226	4	Socket, Female	
510G	4460761	1	Connector, Female - 4 Position	
510G	4460226	4	Socket, Female	
510H	4460428	1	Connector, Strain Relief	
510J	1001113045	1	Harness, Connecting (MAC to Delta-Q)	B
510K	4460444	1	Connector, Anderson	
510L	4460761	1	Receptacle, Female - 4 Position	
510L	4460227	4	Pin, Male	
510M	4460931	1	Receptacle, Female - 8 Position	
510M	4460464	6	Pin, Male	
510M	4460466	2	Plug, Seal	
510N	1001096188	1	Plug, Male - 4 Position	
510N	4460509	2	Socket, Female	
510N	4460466	2	Plug, Seal	
510P	4460424	1	Receptacle, Female 2 Position	
510P	4460227	2	Pin, Male	
510R		Ref	Plug, AC Options:	
510R	4460805	1	Australian Specs	
510R	See Note	1	CE Specs (Note: See Item 516A)	
511		Ref	Battery Charger Components	
511A	See Note	1	Harness, Battery Charger Power (Note: Not Available - Purchase Complete Charger)	
511B	1001116811	1	Receptacle, Female - 4 Position	
511B	4460508	4	Pin, Male	
511C	See Note	1	Connector, Strain Relief (Note: Not available for purchase)	
511D	See Note	1	Harness, Battery Charger Signal (Note: Not available for purchase)	
511E	4460930	1	Plug, Male - 8 Position	
511E	4460464	7	Socket, Female	
511F	See Note	1	Connector, Strain Relief (Note: Not available for purchase)	
511G	See Note	1	Harness, Battery Charger AC Plug (Note: Not available for purchase)	
511H	See Note	1	Connector, Plug (Note: Not available for purchase)	
511J	See Note	1	Connector, Strain Relief (Note: Not available for purchase)	
512	1600294	1	Contacto Plate Assembly	
512A	7022003	1	Contacto Harness	
512B	4460225	1	Plug, Male - 6 Position	
512B	4460226	6	Socket, Female	
512C	7022004	1	Posi-Track Harness	
512D	4460326	1	Plug, Male - 3 Position	
512D	4460227	3	Pin, Male	
512E	7022005	1	Shunt Harness	
512F	4460321	1	Plug, Male - 4 Position	
512F	4460227	4	Pin, Male	
513	4922294	1	Jib Harness (AJ Models Only)	1-B
513A	4460225	1	Plug, Male - 6 Position	
513A	4460227	3	Pin, Male	
513B	4460418	1	Connector, Female	
513B	4460419	3	Terminal	
514	See Note	5	Solenoid Harnesses - Steer/Brake Valve (Note: Not Available - Purchase Complete Solenoid)	
514A	4460867	5	Connector, Female - 2 Position	

SECTION 7 - ELECTRICAL

ITEM	PART NUMBER	QTY	DESCRIPTION	REV
514A	4460979	10	Terminal, Male	
514A	4460458	10	Seal	
515	4922319	1	Harness, Generator to Ground Control Box	1-A
515A	4460225	1	Plug, Male - 6 Position	
515A	4460807	1	Seal, Terminal	
515A	4460808	1	Seal, Terminal	
515A	4460809	1	Plug, Sealing	
515A	4460267	5	Pin, Terminal	
516		Ref	CE Plug Charger Installation	
		Ref	Note: See Item 510R for Australian Spec Plug.	
516	0275663	Ref	220V with CEE 7 Post Ground Receptacle and Plug and Circuit Breaker (70mm x 70mm Box)	A
516	0275664	Ref	220V with CEE 7 Side Ground Receptacle and Plug and Circuit Breaker (70mm x 70mm Box)	A
516	0275665	Ref	220V with AFSINT 107 Keyed Ground Receptacle and Plug and Circuit Breaker (2x4 Box)	A
516	0275666	Ref	110V with IEC Yellow Receptacle and Plug and Circuit Breaker	A
516	0275667	Ref	220V with IEC Blue Receptacle and Plug and Circuit Breaker	A
516A		Ref	Plug Options:	
		Ref	Note: See Item 510R for Australian Spec Plug.	
516A	4461202	1	Plug - 0275663 Installation and 1001100343 & 1001141971 Kits	
516A	4461205	1	Plug - 0275664 Installation and 1001100344 & 1001141970 Kits	
516A	4461249	1	Plug - 0275665 Installation	
516A	4461196	1	Plug - 0275666 Installation	
516A	4461199	1	Plug - 0275667 Installation	
517	1001116522	1	Harness, Drive Orientation Limit Switch	B
517A	4460320	1	Plug, Male - 2 Position	
517A	4460227	2	Pin, Male	
517B	4460884	1	Plug, Male - 4 Position	
517B	4460465	2	Socket, Female	
517B	4460466	2	Seal	
518	3990105	2	Speed Sensor Harness (P/N 3990105 Includes Sensor)	
518A	4460225	1	Plug, Male - 6 Position	
518A	4460226	4	Socket, Female	
519	4922160	1	Harness, Analyzer	3-C
519A	4460321	1	Plug, Male - 4 Position	
519A	4460226	4	Socket, Female	
519B	4460761	1	Connector, Female - 4 Position	
519B	4460227	4	Pin, Male	
		Ref	OPTIONAL HARNESS COMPONENTS	
601		Ref	AC to Platform Receptacle Components Options:	
601	0271464	Ref	220V Receptacle (E/M400)	2
601	0259127	Ref	220V Receptacle (E/M450)	2
601	0275892	Ref	220V with CEE 7 Post Ground Receptacle and Plug and Circuit Breaker (2x4 Box) (E/M400)	C
601	1001091435	Ref	220V with CEE 7 Post Ground Receptacle and Plug and Circuit Breaker (2x4 Box) (E/M450)	B
601	0275893	Ref	220V with CEE 7 Side Ground Receptacle and Plug and Circuit Breaker (2x4 Box) (E/M400) (Prior to SN 0300181900)	D
601	1001153727	Ref	220V with CEE 7 Side Ground Receptacle and Plug and Circuit Breaker (2x4 Box) (E/M400) (SN 0300181900 through 0300189901)	A

SECTION 7 - ELECTRICAL

ITEM	PART NUMBER	QTY	DESCRIPTION	REV
601	1001091436	Ref	220V with CEE 7 Side Ground Receptacle and Plug and Circuit Breaker (2x4 Box) (E/M450) (Prior to SN 0300181900)	C
601	1001153729	Ref	220V with CEE 7 Side Ground Receptacle and Plug and Circuit Breaker (2x4 Box) (E/M450) (SN 0300181900 through 0300189898)	A
601	0275894	Ref	220V with AFSINT 107 Keyed Ground Receptacle and Plug and Circuit Breaker (2x4 Box) (E/M400)	C
601	1001091437	Ref	220V with AFSINT 107 Keyed Ground Receptacle and Plug and Circuit Breaker (2x4 Box) (E/M450)	B
601	0275895	Ref	110V with IEC Yellow Receptacle and Plug and Circuit Breaker (E/M400)	C
601	1001091438	Ref	110V with IEC Yellow Receptacle and Plug and Circuit Breaker (E/M450)	B
601	0275896	Ref	220V with IEC Blue Receptacle and Plug and Circuit Breaker (E/M400)	C
601	1001091439	Ref	220V with IEC Blue Receptacle and Plug and Circuit Breaker (E/M450)	B
601	0275897	Ref	220V with CEE 7 Post Ground Receptacle and Plug and Circuit Breaker (70mm x 70mm Box) (E/M400)	C
601	1001091440	Ref	220V with CEE 7 Post Ground Receptacle and Plug and Circuit Breaker (70mm x 70mm Box) (E/M450)	B
601	0275898	Ref	220V with CEE 7 Side Ground Receptacle and Plug and Circuit Breaker (70mm x 70mm Box) (E/M400) (Prior to SN 0300181900)	D
601	1001153728	Ref	220V with CEE 7 Side Ground Receptacle and Plug and Circuit Breaker (70mm x 70mm Box) (E/M400) (SN 0300181900 through 0300189901)	A
601	1001091441	Ref	220V with CEE 7 Side Ground Receptacle and Plug and Circuit Breaker (70mm x 70mm Box) (E/M450) (Prior to SN 0300181900)	C
601	1001153730	Ref	220V with CEE 7 Side Ground Receptacle and Plug and Circuit Breaker (70mm x 70mm Box) (E/M450) (SN 0300181900 through 0300189898)	A
601A		Ref	Box, Switch Options:	
601A	Not Required	0	Box, Switch - 0271464 & 0259127 Installation (Purchase Locally)	
601A	0861731	1	Box, Switch - 0275892, 0275893, 0275894, 1001091435, 1001091436 & 1001091437 Installation	
601A	0861781	1	Box, Switch - 0275895, 0275896, 1001091438 & 1001091439 Installation	
601A	See Note	1	Box, Switch - 0275897, 0275898, 1001091440 & 1001091441 Installations (Note: Was p/n 0861782 which is no longer available. Use p/n 1001100344 CEE 7 Side Ground Service Kit or p/n 1001100343 CEE 7 Post Ground Service Kit. Kit include Box p/n 1001141967 and items 601B, 601C & 601E.)	
601A	1001141967	1	Box, Switch - 1001100343, 1001100344, 1001141970 & 1001141971 Kits	
601B		Ref	Receptacle Options:	
601B	Not Required	0	Receptacle - 0271464 & 0259127 Installation (Purchase Locally)	
601B	4461244	1	Receptacle - 0275892 & 1001091435 Installation	
601B	4461245	1	Receptacle - 0275893 & 1001091436 Installation	
601B	4461246	1	Receptacle - 0275894 & 1001091437 Installation	
601B	4461198	1	Receptacle - 0275895 & 1001091438 Installation	
601B	4461201	1	Receptacle - 0275896 & 1001091439 Installation	
601B	4461204	NLA	Receptacle - 0275897 & 1001091440 Installation (Use p/n 1001100343)	

SECTION 7 - ELECTRICAL

ITEM	PART NUMBER	QTY	DESCRIPTION	REV
601B	4461207	NLA	Receptacle - 0275898 & 1001091441 Installation (Use p/n 1001100344)	
601B	1001141968	1	Receptacle - 1001100343 & 1001141971 Kits	
601B	1001141969	1	Receptacle - 1001100344 & 1001141970 Kits	
601C		Ref	Shield, Cover Options:	
601C	Not Required	0	Shield, Cover - 0271464 & 0259127 Installation (Purchase Locally)	
601C	4461244	1	Shield, Cover - 0275892 & 1001091435 Installation	
601C	4461245	1	Shield, Cover - 0275893 & 1001091436 Installation	
601C	4461246	1	Shield, Cover - 0275894 & 1001091437 Installation	
601C	4461198	1	Shield, Cover - 0275895 & 1001091438 Installation	
601C	4461201	1	Shield, Cover - 0275896 & 1001091439 Installation	
601C	4461204	NLA	Shield, Cover - 0275897 & 1001091440 Installation (Use p/n 1001100343)	
601C	4461207	NLA	Shield, Cover - 0275898 & 1001091441 Installation (Use p/n 1001100344)	
601C	1001141968	1	Shield, Cover - 1001100343 & 1001141971 Kits	
601C	1001141969	1	Shield, Cover - 1001100344 & 1001141970 Kits	
601D		Ref	Connector, Strain Relief Options:	
601D	Not Required	0	Connector, Strain Relief - 0271464 & 0259127 Installation (Purchase Locally)	
601D	4460968	1	Connector, Strain Relief - 0275892, 0275893, 0275894, 1001091435, 1001091436 & 1001091437 Installation (Prior to SN 0300108574)	
601D	4460662	1	Connector, Strain Relief - 0275892, 0275893, 0275894, 1001091435, 1001091436 & 1001153727, 1001153729, 1001091437 Installation (E/M400) (SN 0300108574 through 0300189901)	
601D	4460662	1	Connector, Strain Relief - 0275892, 0275893, 0275894, 1001091435, 1001091436 & 1001153727, 1001153729, 1001091437 Installation (E/M450) (SN 0300108574 through 0300189898)	
601D	4460968	1	Connector, Strain Relief - 0275895, 0275896, 0275897, 0275898, 1001091438, 1001153728, 1001153730, 1001091439, 1001091440 & 1001091441 Installation	
601E		Ref	Plug, Male Options (All Specs):	
601E	Not Required	0	Plug, Male - 0271464 & 0259127 Installation (Purchase Locally)	
601E	4461202	1	Plug, Male - 0275892, 0275897, 1001091435 & 1001091440 Installation & 1001100343 & 1001141971 Kits	
601E	4461205	1	Plug, Male - 0275893, 0275898, 1001091436 & 1001091441 Installation & 1001100344 & 1001141970 Kits	
601E	4461249	1	Plug, Male - 0275894 & 1001091437 Installation	
601E	4461196	1	Plug, Male - 0275895 & 1001091438 Installation	
601E	4461199	1	Plug, Male - 0275896 & 1001091439 Installation	
601F		Ref	Harness (Main Boom) Options (All Specs):	
601F	4922610	1	Harness (E/M450)	1-A
601F	4922610	1	Harness (E/M400)	1-A
601F	1060461	Ref	Electrical Cable - 12/3 Options:	
601F	1060461	32 ft/9.75m	Electrical Cable - 12/3 E/M450	
601F	1060461	AR	Electrical Cable - 12/3 E/M400	
601G	4460709	1	Plug, Male (All Specs)	
601H		Ref	Harness (Tower Boom) Options (All Specs):	
601H	4922609	1	Harness (E/M450)	2-A

SECTION 7 - ELECTRICAL

ITEM	PART NUMBER	QTY	DESCRIPTION	REV
601H	4922612	1	Harness (E/M400)	2-B
601H	1060461	AR	Electrical Cable - 12/3 Options:	
601H		Ref	Electrical Cable - 12/3 E/M450	
601H		Ref	Electrical Cable - 12/3 E/M400	
601J	4460710	1	Connector, Female (All Specs)	
601K		Ref	Hardware Options:	
601K	0641405	AR	Bolt 1/4in - 20NC x 5/8in	
601K	0641407	AR	Bolt 1/4in - 20NC x 7/8in	
601K	0641416	AR	Bolt 1/4in - 20NC x 2in	
601K	0700408	AR	Screw M4 x 16mm	
601K	3290405	AR	Locknut M4	
601K	3311405	AR	Locknut 1/4in - 20NC	
601K	4711400	AR	Flatwasher 1/4in (Narrow)	
601K	4751400	AR	Flatwasher 1/4in (Wide)	
601K	4811400	AR	Flatwasher M4	
601L		Ref	Bracket, Receptacle Box Mounting Options:	
601L	Not Required	0	Bracket, Receptacle Box Mounting - 020271464 & 0259127 Installation	
601L	0903484	1	Bracket, Receptacle Box Mounting - 0275892, 0275893, 0275894, 0275895, 0275896, 0275897, 0275898, 1001091435, 1001091436, 1001091437, 1001153727, 1001153728, 1001153729, 1001153730, 1001091438, 1001091439, 1001091440 & 1001091441 Installation	
601M		Ref	Bracket, Circuit Breaker Mounting Options:	
601M	Not Required	0	Bracket, Circuit Breaker Mounting - 0271464 & 0259127 Installation	
601M	0903612	1	Bracket, Circuit Breaker Mounting - 0275892, 0275893, 0275894, 0275895, 0275896, 0275897, 0275898, 1001091435, 1001091436, 1001091437, 1001091438, 1001091439, 1001091440 & 1001091441 Installation	
601M	1001153899	1	Bracket, Circuit Breaker Mounting - 1001153727, 1001153728, 1001153729, 1001153730 Installation	
601N	2902549	AR	Circuit Breaker Kit with 2 Breakers (Includes items indented below and 601P & 601Q) (Required Only on CE Spec 1001153727 installations):	D
601N	1001152485	AR	Circuit Breaker Kit with 3 Breakers (Includes items indented below and 601P & 601Q) (Required Only on CE Spec 1001153727 Installations)	A
601N	1001109475	1	Circuit Breaker 16Amp	
601N	1001152479	1	Circuit Breaker 16Amp	
601N	1001109482	1	Circuit Breaker 30Amp	
601N	1001152482	1	Circuit Breaker 30Amp	
601N	0861880	1	Breaker Box	
601N	1001152483	1	Breaker Box	
601N	4460956	1	Barrier, Terminal Block	
601N	4460957	1	Terminal Block	
601P	1001097150	2	Connector, Strain Relief	
601Q	1060908	6 ft/1.8m	Cable, Extension	
601R		Ref	Decal Options:	
601R	Not Required	0	Decal - 0271464 & 0259127 Installation	
601R	1705325	1	Decal - 110 Volt (0275895 & 1001091438 Installation)	
601R	3252507	1	Decal - 220 Volt (0275892, 0275893, 0255894, 0275896, 0275897, 0275898, 1001091435, 1001091436, 1001153727, 1001153728, 1001153729, 1001153730, 1001091437, 1001091439, 1001091440 & 1001091441	

SECTION 7 - ELECTRICAL

ITEM	PART NUMBER	QTY	DESCRIPTION	REV
601S		Ref	Installation)	
601S	0275452	1	Receptacle Box Kit Options: Receptacle Box Kit (220V CEE 7 Post Ground) (Includes Items 601A, 601B, 601C & 601E) (0275892 & 1001091435 Installation)	1
601S	0275453	1	Receptacle Box Kit (220V CEE 7 Side Ground) (Includes Items 601A, 601B, 601C & 601E) (0275893 & 1001091436, 1001153729, 1001153727 Installation)	1
601S	0275454	1	Receptacle Box Kit (220V AFSINT 107 Keyed Ground) (Includes Items 601A, 601B, 601C & 601E) (0275894 & 1001091437 Installation)	1
601S	0275216	1	Receptacle Box Kit (110V IEC Yellow) (Includes Items 601A, 601B, 601C & 601E) (0275895 & 1001091438 Installation)	1
601S	0275217	1	Receptacle Box Kit (220V IEC Blue) (Includes Items 601A, 601B, 601C & 601E) (0275896 & 1001091439 Installation)	1
601S	0275218	1	Receptacle Box Kit (220V CEE 7 Post Ground) (Includes Items 601A, 601B, 601C & 601E) (0275897 & 1001091440 Installation) (Use p/n 1001100343)	2
601S	0275219	1	Receptacle Box Kit (220V CEE 7 Side Ground) (Includes Items 601A, 601B, 601C & 601E) (0275898 & 1001091441 Installation) (Use p/n 1001100344)	2
602	2920095	2	Platform Worklights Harness (Includes Light and Wire Only)	
602A	4460428	1	Connector, Strain Relief	
603	See Note	1	Strobe Light Harness (Note: Not Available - Purchase Complete Strobe Light)	
603A	4460320	1	Plug, Male - 2 Position (Prior to SN 0300169430)	
603A	4460268	2	Socket, Female	
603B	4460891	1	Plug, Male - 2 Position (E/M400) (SN 0300169430 through 0300189901)	
603B	4460891	1	Plug, Male - 2 Position (E/M450) (SN 0300169430 through 0300189898)	
603B	4460465	2	Socket, Female	
604	4922534	1	Platform Overload Sensing Light Harness	
604A	4120035	1	Base, Light	
604B	4460227	1	Pin, Male	
604C	2920129	1	Bulb, Light	
605	4922443	1	Platform Overload Sensing PC Board to Platform Module Harness	
605A	4460326	2	Plug, Male - 3 Position	
605A	4460226	3	Socket, Female	
606	See Note	1	Platform Overload Sensing PC Board to Load Cell Harness (Front Entry Platform Only) (Note: Not available for purchase)	
		Ref	Note: For Side Entry Platform Refer to JLG Supplement 3124287.	
606A	4460321	1	Plug, Male - 4 Position	
606A	4460226	3	Socket, Female	
606A	4460268	1	Socket, Female	
606B	4460428	1	Receptacle, Strain Relief (Not Shown for Clarity)	
607	1001149818	1	Strobe Light Harness (E/M400) (SN 0300169430 through 0300189901)	A
	1001149818	1	Strobe Light Harness (E/M450) (SN 0300169430 through 0300189898)	
607A	4460320	1	Connector, Female - 2 Position	
607A	4460267	2	Pin, Male	
607B	4460897	1	Connector, Female - 2 Position	
607B	4460464	2	Pin, Male	

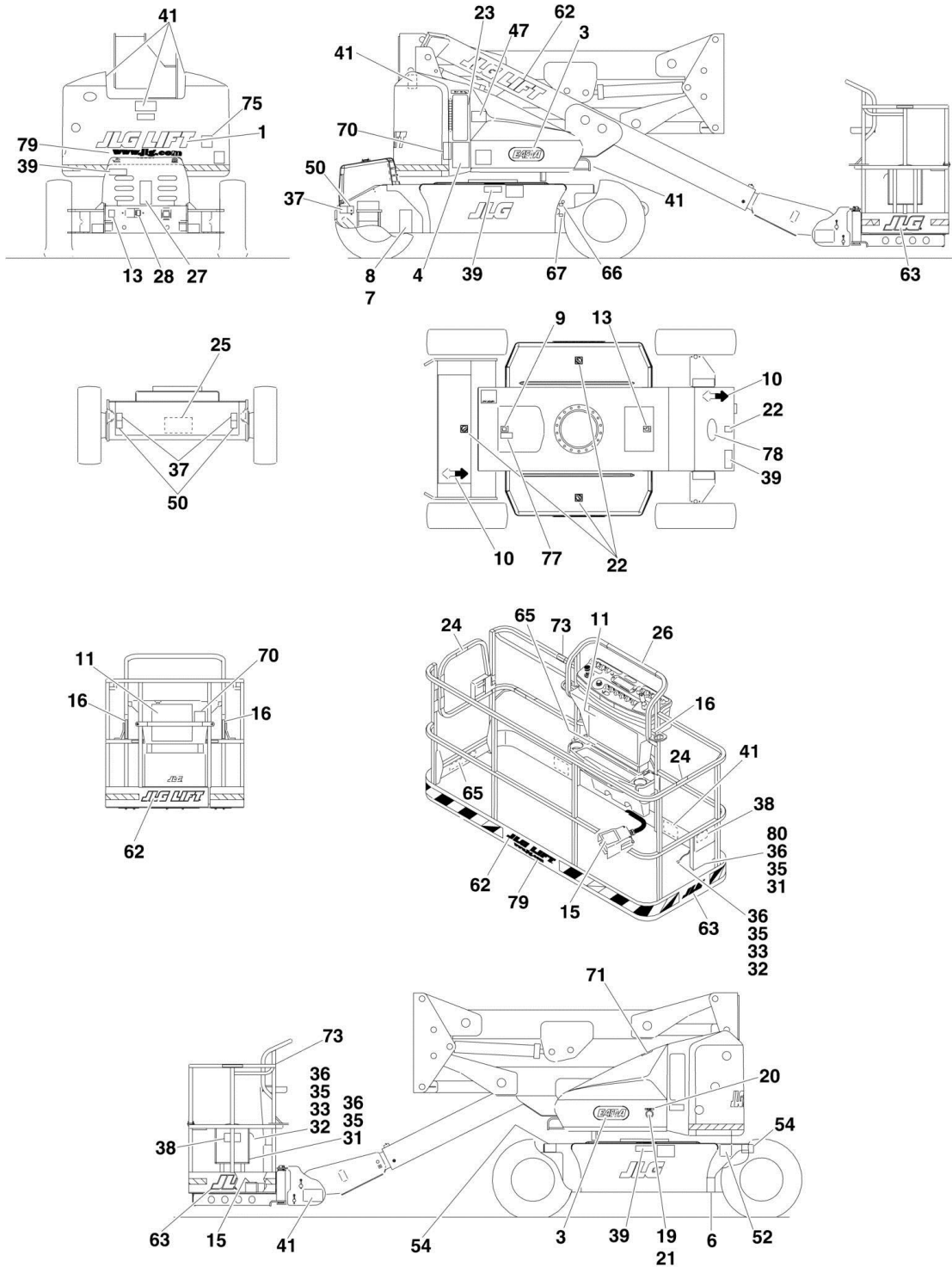
SECTION 7 - ELECTRICAL

ITEM	PART NUMBER	QTY	DESCRIPTION	REV
		Ref	TOOLS	
701	7002821	1	Crimper (For Wire to Pin/Socket Connections)	
702	7002823	1	Extractor (For Removal of Pin/Socket from Connectors)	
703	4460467	1	Extractor, Pin (Blue 16-18 Gauge) (For Removal of Pin/Socket from Connectors)	
703	4460510	1	Extractor, Pin (Yellow 12-14 Gauge) (For Removal of Pin/Socket from Connectors)	
704	7002828	1	Stripper, Wire	
705	2901443	1	Analyzer, Machine (Not Shown)	

SECTION 8 - DECALS

SECTION 8 - DECALS

FIGURE 8-1. DECAL INSTALLATION (Prior to SN 0300096809)



SECTION 8 - DECALS

FIGURE 8-1. DECAL INSTALLATION (Prior to SN 0300096809)

ITEM	PART NUMBER	QTY	DESCRIPTION	REV
		Ref	COUNTRY SPEC DECAL INSTALLATIONS	
	0270273	Ref	A & AJ Model Lift Decals	3
	0270274	Ref	AJP Model Lift Decals	3
		Ref	Country Spec Decal Installations E450 & E400	
	0259534	Ref	Australian Spec	10
	0274989	Ref	CE Spec - Pictograms	2
	0259291	Ref	Dutch Spec	13
	0259289	Ref	French Spec	13
	0259292	Ref	German Spec	13
	0259290	Ref	Italian Spec	13
	0273196	Ref	Norwegian Spec	2
	0259293	Ref	Spanish Spec	13
	0259288	Ref	UK English Spec	15
		Ref	Country Spec Decal Installations M450 & M400	
	0259533	Ref	Australian Spec	11
	0259325	Ref	Dutch Spec	13
	0259323	Ref	French Spec	13
	0259326	Ref	German Spec	13
	0259324	Ref	Italian Spec	13
	0273197	Ref	Norwegian Spec	2
	0259327	Ref	Spanish Spec	13
	0259322	Ref	UK English Spec	15
1	1702860	AR	Decal - JLG Lift	
3		Ref	Decal - JLG Model Designation Options:	
3	1704787	2	Decal - JLG Model Designation E450A	
3	1704789	2	Decal - JLG Model Designation E450AJ	
3	1704788	2	Decal - JLG Model Designation M450A	
3	1704790	2	Decal - JLG Model Designation M450AJ	
3	1704958	2	Decal - JLG Model Designation E400A	
3	1704900	2	Decal - JLG Model Designation E400Anarrow	
3	1704959	2	Decal - JLG Model Designation M400A	
3	1704901	2	Decal - JLG Model Designation M400Anarrow	
3	1704791	2	Decal - JLG Model Designation E400AJP	
3	1704792	2	Decal - JLG Model Designation E400AJPnarrow	
3	1704793	2	Decal - JLG Model Designation M400AJP	
3	1704794	2	Decal - JLG Model Designation M400AJPnarrow	
4		Ref	Decal - Danger/Caution Options:	
4	1703807	1	Australian Spec	
4	1705822	1	CE Spec - Pictograms	
4	1703914	1	Dutch Spec	
4	1703918	1	French Spec	
4	1703800	1	German Spec	
4	1705255	1	Norwegian Spec	
4	1703916	1	Italian Spec	
4	1703920	1	Spanish Spec	
4	1703807	1	UK English Spec	
6	1700584	1	Decal - Patent	
7	See Note	1	Nameplate - Serial Number (Note: Not available for purchase)	
8	3820001	AR	Rivet	
9		Ref	Decal - Hydraulic Oil Options:	

SECTION 8 - DECALS

ITEM	PART NUMBER	QTY	DESCRIPTION	REV
9	1701504	1	All Other Specs	
9	Not Required	0	CE Spec - Pictograms	
10	1701642	2	Decal - Arrow	
11		Ref	Decal - Caution/Danger Options:	
11	1703992	1	Australian Spec	
11	1705921	1	CE Spec - Pictograms	
11	1703913	1	Dutch Spec	
11	1703917	1	French Spec	
11	1703799	1	German Spec	
11	1703915	1	Italian Spec	
11	1705254	1	Norwegian Spec	
11	1703919	1	Spanish Spec	
11	1703806	1	UK English Spec	
13	1701644	2	Decal - Charger	
15		Ref	Decal - Footswitch Options:	
15	3252347	1	Australian Spec	
15	Not Required	0	CE Spec - Pictograms	
15	1703518	1	Dutch Spec	
15	1693292	1	French Spec	
15	1693294	1	German Spec	
15	1701600	1	Italian Spec	
15	1705275	1	Norwegian Spec	
15	1701791	1	Spanish Spec	
15	3252347	1	UK English Spec	
16	1704277	AR	Decal - Attach Lanyard	
19	0961127	1	Bushing, Snap	
20		Ref	Nameplate - 220V/50-60HZ Options:	
20	3252507	1	All Other Specs	
20	Not Required	0	CE Spec - Pictograms	
21	0100010	AR	Adhesive	
22	1701691	4	Decal - No Step	
23		Ref	Decal - Manual Descent Options:	
		Ref	Note: Refer to p/n stamped on hose side of valve.	
23	1704262	1	Decal - Manual Descent - 4641170 Valve	
23	1705085	1	Decal - Manual Descent - 4641195 Valve	
23	1001104864	1	Decal - Manual Descent - 1001097507 Valve	
25	1704254	1	Decal - Cable Routing	
27		Ref	Decal - Charger Options:	
27	1704446	1	Australian Spec	
27	1706378	1	CE Spec - Pictograms	
27	1704448	1	Dutch Spec	
27	1704450	1	French Spec	
27	1704447	1	German Spec	
27	1704449	1	Italian Spec	
27	1705261	1	Norwegian Spec	
27	1704451	1	Spanish Spec	
27	1704446	1	UK English Spec	
28	1704431	1	Decal - Battery Charger LED Indicator Only (SN 0300049542 through 0300096809)	
31	0860520	1	Box, Manual Storage	
32	1060279	1	Lanyard	
33	0641408	1	Bolt 1/4in-20NC x 1in	

SECTION 8 - DECALS

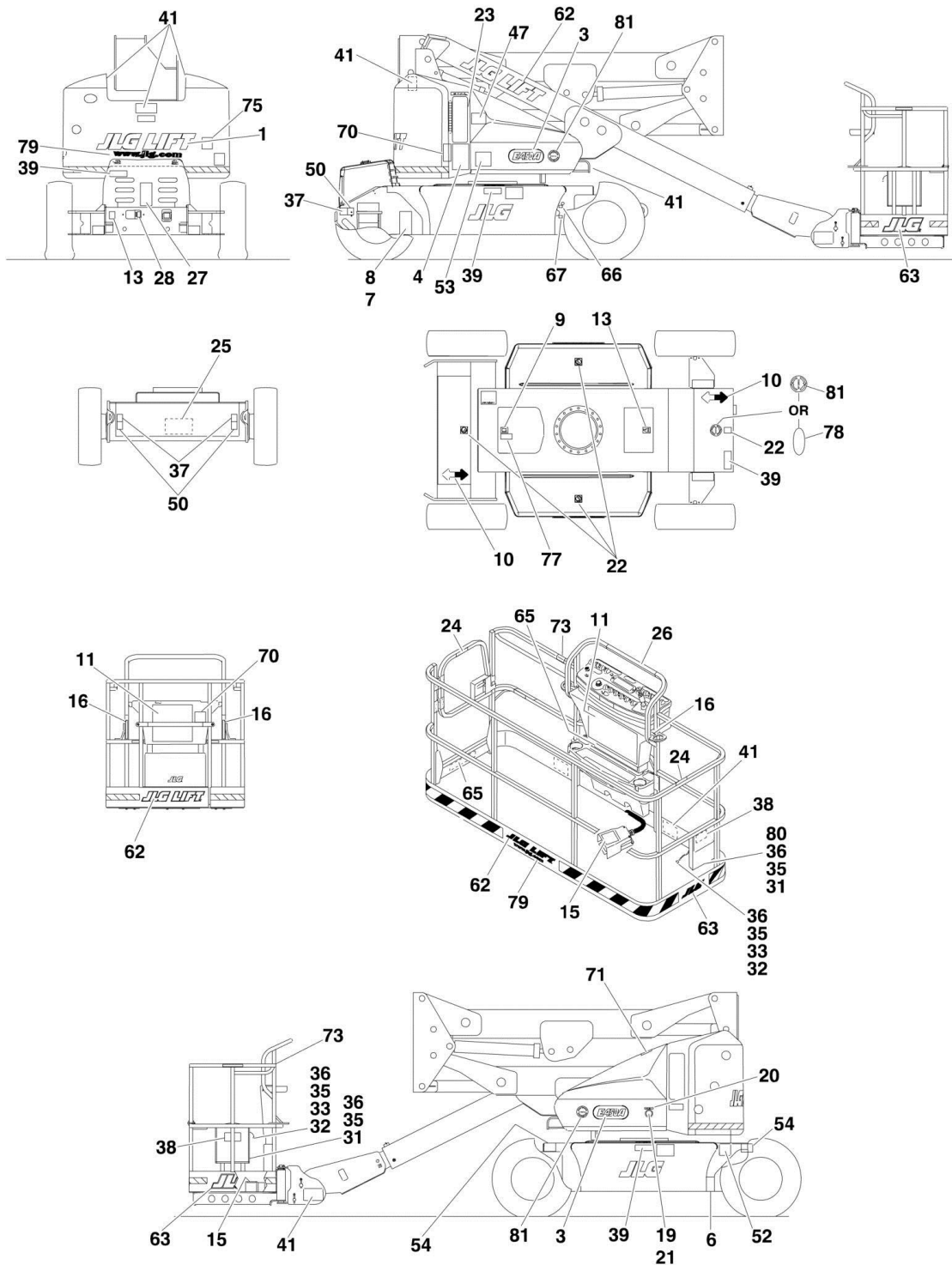
ITEM	PART NUMBER	QTY	DESCRIPTION	REV
35	4751400	6	Flatwasher 1/4in	
36	3311405	5	Locknut 1/4in-20NC	
37		Ref	Decal - Lift Options:	
37	1701500	4	All Other Specs	
37	1703811	4	CE Spec - Pictograms	
38	1701509	1	Decal - Manual	
39		Ref	Decal - Explosion Warning Options:	
39	1703813	2	Australian Spec	
39	Not Required	0	All Other Specs	
41	1701518	6	Decal - Crushing Hazard	
47		Ref	Decal Options:	
47	1702265	1	Australian Spec	
47	1705977	1	CE Spec - Pictograms	
47	1702268	1	Dutch Spec	
47	1702270	1	French Spec	
47	1702267	1	German Spec	
47	1702269	1	Italian Spec	
47	1705240	1	Norwegian Spec	
47	1702266	1	Spanish Spec	
47	1702265	1	UK English Spec	
50		Ref	Decal - Tie Down Options:	
50	1702300	4	All Other Specs	
50	1703814	4	CE Spec - Pictograms	
52	See Note	1	Decal - Bar Code (Note: Not available for purchase)	
54		Ref	Decal - Tire Load Options:	
54	1703488	4	Decal - Tire Load E/M450A	
54	1704445	4	Decal - Tire Load E/M450AJ	
54	1703247	4	Decal - Tire Load E/M400A	
54	1703488	4	Decal - Tire Load E/M400Anarrow	
54	1704727	4	Decal - Tire Load E/M400AJP	
54	1704752	4	Decal - Tire Load E/M400AJPnarrow	
62	1702774	Ref	Decal - JLG Lift	
62	1702774	2	Front Entry Platform	
62	1702774	3	Side Entry Platform	
63		Ref	Decal Options:	
63	1702773	2	A & AJ Models (JLG) with Front Entry Platform	
63	1702773	1	A & AJ Models (JLG) with Side Entry Platform	
63	1704200	2	AJP Models (Jib Plus) with Front Entry Platform	
63	1704200	1	AJP Models (Jib Plus) with Side Entry Platform	
65		Ref	Decal - 230kg/500lbs Maximum Capacity Options:	
65	1703996	1	Australian Spec (Prior to SN 0300068925)	
65	Not Required	0	Australian Spec (SN 0300068925 through 0300096809)	
65	Not Required	0	All Other Specs	
66	1701502	1	Decal - Hydraulic Oil Level High	
67	1701503	1	Decal - Hydraulic Oil Level Low	
70		Ref	Decal - Generator Danger Options:	
70	Not Required	0	Decal - Generator Danger E450 & E400 All Specs	
70		Ref	Decal - Generator Danger M450 & M400	
70	1704286	AR	Australian Spec	
70	1704360	AR	Dutch Spec (Use p/n 1001093687)	
70	1704358	AR	French Spec (Use p/n 1001093687)	

SECTION 8 - DECALS

ITEM	PART NUMBER	QTY	DESCRIPTION	REV
70	1704361	AR	German Spec (Use p/n 1001093687)	
70	1704359	AR	Italian Spec (Use p/n 1001093687)	
70	1705260	AR	Norwegian Spec (Use p/n 1001093687)	
70	1704362	AR	Spanish Spec (Use p/n 1001093687)	
70	1704286	AR	UK English Spec	
71		Ref	Decal - Fuel Options	
71	Not Required	0	Decal - Fuel E450 & E400	
71	1701505	1	Decal - Fuel M450 & M400	
73		Ref	Decal - Fuel Warning Options:	
73	Not Required	0	Decal - Fuel Warning E450 & E400 - All Specs	
73	Not Required	0	Decal - Fuel Warning M450 & M400 - Australian Specs	
73	1702962	1	Decal - Fuel Warning M450 & M400 - All Except Australian Specs	
75		Ref	Decal - CE Options:	
75		Ref	Decal - CE E450 & E400	
75	Not Required	0	Australian Specs	
75	1702298	1	All Other Specs (Use p/n 1705084) (Prior to SN 0300071112)	
75		Ref	Decal - CE M450 & M400	
75	Not Required	0	Australian Specs	
75	1702298	1	All Other Specs (Use p/n 1705084)	
70	1705260	AR	Norwegian Spec (Use p/n 1001093687)	
77	1704412	1	Decal - Oil Type	
78		Ref	Decal - Quikcharge Genset Option:	
78	Not Required	0	Decal - Quikcharge Genset E450/E400 Models	
78	1704830	1	Decal - Quikcharge Genset M450/M400 Models	
79	1704885	2	Decal - Website	
80	0641406	4	Bolt 1/4in-20NC x 3/4in	

SECTION 8 - DECALS

FIGURE 8-2. DECAL INSTALLATION (E/M400A SN 0300096809 through 0300189901; E/M450A/J SN 0300096809 through 0300189898)



SECTION 8 - DECALS

FIGURE 8-2. DECAL INSTALLATION (E/M400A SN 0300096809 through 0300189901; E/M450A/J SN 0300096809 through 0300189898)

ITEM	PART NUMBER	QTY	DESCRIPTION	REV
		Ref	COUNTRY SPEC DECAL INSTALLATIONS	
	0270273	Ref	A & AJ Model Lift Decals	3
	0270274	Ref	AJP Model Lift Decals	3
	0275070	Ref	Country Spec Decal Installations E450 & E400	7
	0275069	Ref	Country Spec Decal Installations M450 & M400	8
1	1702860	AR	Decal - JLG Lift	
3		Ref	Decal - JLG Model Designation Options:	
3	1704787	2	Decal - JLG Model Designation E450A	
3	1704789	2	Decal - JLG Model Designation E450AJ	
3	1704788	2	Decal - JLG Model Designation M450A	
3	1704790	2	Decal - JLG Model Designation M450AJ	
3	1704958	2	Decal - JLG Model Designation E400A	
3	1704900	2	Decal - JLG Model Designation E400Anarrow	
3	1704959	2	Decal - JLG Model Designation M400A	
3	1704901	2	Decal - JLG Model Designation M400Anarrow	
3	1704791	2	Decal - JLG Model Designation E400AJP	
3	1704792	2	Decal - JLG Model Designation E400AJPnarrow	
3	1704793	2	Decal - JLG Model Designation M400AJP	
3	1704794	2	Decal - JLG Model Designation M400AJPnarrow	
4	1705822	1	Decal - Danger/Caution	
6	1700584	1	Decal - Patent (SN 0300096809 through 0300161264)	
7	See Note	1	Nameplate - Serial Number (Note: Not available for purchase)	
8	3820001	AR	Rivet	
9	1701504	1	Decal - Hydraulic Oil	
10	1701642	2	Decal - Arrow	
11	1705921	1	Decal - Danger/Caution	
13	1701644	2	Decal - Charger	
15	1705828	1	Decal - Footswitch	
16	1704277	AR	Decal - Attach Lanyard	
19	0961127	1	Bushing, Snap	
21	0100010	AR	Adhesive	
22	1701691	4	Decal - No Step	
23		Ref	Decal - Manual Descent Options:	
23	1705085	1	Decal - Manual Descent (SN 0300096809 through 0300127572)	
23	1001104864	1	Decal - Manual Descent (E/M400) (SN 0300127572 through 0300189901)	
23	1001104864	1	Decal - Manual Descent (E/M450) (SN 0300127572 through 0300189898)	
23		Ref	Decal - Manual Descent Options:	
23		Ref	Note: Refer to p/n stamped on hose side of valve.	
23	1704262	1	Decal - Manual Descent - 4641170 Valve	
23	1705085	1	Decal - Manual Descent - 4641195 Valve	
23	1001104864	1	Decal - Manual Descent - 1001097507 Valve	
25	1704254	1	Decal - Cable Routing	
27	1706378	1	Decal - Charging Instructions	
28	1704431	1	Decal - Battery Charger LED Indicator	
31	0860520	1	Box, Manual Storage	
32	1060279	1	Lanyard	

SECTION 8 - DECALS

ITEM	PART NUMBER	QTY	DESCRIPTION	REV
33	0641408	1	Bolt 1/4in-20NC x 1in	
35	4751400	6	Flatwasher 1/4in	
36	3311405	5	Locknut 1/4in-20NC	
37	1703811	4	Decal - Lift	
38	1701509	1	Decal - Manual	
39	1705670	2	Decal - Explosion Warning	
41	1701518	6	Decal - Crushing Hazard	
47	1705977	1	Decal - Upright Level Over-Ride	
50	1703814	4	Decal - Tie Down	
52	See Note	1	Decal - Bar Code (Note: Not available for purchase)	
53	1705978	1	Decal - Capacity (E/M400) (SN 0300102542 through 0300189901)	
53	1705978	1	Decal - Capacity (E/M450) (SN 0300102542 through 0300189898)	
54		Ref	Decal - Tire Load Options:	
54	1703488	4	Decal - Tire Load E/M450A	
54	1704445	4	Decal - Tire Load E/M450AJ	
54	1703247	4	Decal - Tire Load E/M400A	
54	1703488	4	Decal - Tire Load E/M400Anarrow	
54	1704727	4	Decal - Tire Load E/M400AJP	
54	1704752	4	Decal - Tire Load E/M400AJPnarrow	
62	1702774	Ref	Decal - JLG Lift	
62	1702774	2	Front Entry Platform	
62	1702774	3	Side Entry Platform	
63		Ref	Decal Options:	
63	1702773	2	A & AJ Models (JLG) with Front Entry Platform	
63	1702773	1	A & AJ Models (JLG) with Side Entry Platform	
63	1704200	2	AJP Models (Jib Plus) with Front Entry Platform	
63	1704200	1	AJP Models (Jib Plus) with Side Entry Platform	
65	1705978	1	Decal - 230kg/500lbs Maximum Capacity	
66	1701502	1	Decal - Hydraulic Oil Level High	
67	1701503	1	Decal - Hydraulic Oil Level Low	
70		Ref	Decal - Generator Danger Options:	
70	Not Required	0	Decal - Generator Danger E450 & E400 All Specs	
70	1704286	AR	Decal - Generator Danger M450 & M400 - Australian Spec, (Use p/n 1001093687) (SN 0300096809 through 0300109260)	
70	1704360	AR	Decal - Generator Danger M450 & M400 - Dutch Spec, (Use p/n 1001093687) (SN 0300096809 through 0300109260)	
70	1706899	AR	Decal - Generator Danger M450 & M400 - Danish Spec	
70	1704358	AR	Decal - Generator Danger M450 & M400 - Australian Spec, (Use p/n 1001093687) (SN 0300096809 through 0300109260)	
70	1704361	AR	Decal - Generator Danger M450 & M400 - German Spec, (Use p/n 1001093687) (SN 0300096809 through 0300109260)	
70	1704359	AR	Decal - Generator Danger M450 & M400 - Italian Spec, (Use p/n 1001093687) (SN 0300096809 through 0300109260)	
70	1704286	AR	Decal - Generator Danger M450 & M400 - Norwegian Spec	
70	1704362	AR	Decal - Generator Danger M450 & M400 - Spanish Spec, (Use p/n 1001093687) (SN 0300096809 through 0300109260)	
70	1704286	AR	Decal - Generator Danger M450 & M400 - UK English Spec, (Use p/n 1001093687) (SN 0300096809 through 0300109260)	
77	1704412	1	Decal - Oil Type	
78		Ref	Decal - QuikCharge GenSet Options:	
78	Not Required	0	Decal - QuikCharge GenSet E450/E400 Models	

SECTION 8 - DECALS

ITEM	PART NUMBER	QTY	DESCRIPTION	REV
78	1704830	1	Decal - QuikCharge GenSet M450/M400 Models (Prior to SN 0300143328)	
79	1704885	2	Decal - Website	
80	0641406	4	Bolt 1/4in-20NC x 3/4in	
81		Ref	Decal - Hybrid Options: (E/M400) (SN 0300143328 through 0300189901)	
81		Ref	Decal - Hybrid Options: (E/M450) (SN 0300143328 through 0300189898)	
81	Not Required	0	Decal - Hybrid E450 & E400	
81	1001121510	3	Decal - Hybrid M450 & M400	

SECTION 9 - RECOMMENDED SERVICE PARTS STOCK

SECTION 9 - RECOMMENDED SERVICE PARTS STOCK

SECTION 9 - RECOMMENDED SERVICE PARTS STOCK

FIGURE 9-1. MODEL E/M400A/AJPNARROW & E/M450A/AJ STANDARD PARTS

ITEM	PART NUMBER	QTY	DESCRIPTION	REV
	Note	Ref	Note: The following list will service one machine (built to current production per date on the front cover) with emergency repair parts which can be installed in the field. Parts from the list should be replaced when inventory is depleted to keep service parts stock supplied. For further information, contact your JLG dealer or the JLG Industries Parts Department.	
		Ref	STANDARD PARTS	
	7021320	1	Cap, Breather	
	7021618	1	Coil	
	7021609	1	Coil	
	7021616	4	Filter Cartridge	
	7011593	2	Fuse, DC	
	7021610	1	Coil	
	4360328	1	Switch, Toggle	
	4360330	1	Switch, Toggle	
	4360475	1	Switch, Mushroom	
	4360476	1	Contact, Switch	
	4360469	1	Switch, Key (CE Spec)	
	4360470	1	Switch, Key (Australian Spec)	
	2860030	1	Key, Replacement	
	4360070	1	Breaker, Circuit	
	2940074	1	Latch	
	4360387	1	Switch, Push Button	
	4360448	1	Breaker, Circuit	
	1001118419	1	Controller (Lift and Swing)	
	1001118418	1	Controller (Drive and Steer)	
	3990001	2	Diode	

SECTION 9 - RECOMMENDED SERVICE PARTS STOCK

FIGURE 9-2. MODEL E/M400A/AJPNARROW & E/M450A/AJ VARIABLE PARTS

ITEM	PART NUMBER	QTY	DESCRIPTION	REV
	Note	Ref	Note: The following list will service one machine (built to current production per date on the front cover) with emergency repair parts which can be installed in the field. Parts from the list should be replaced when inventory is depleted to keep service parts stock supplied. For further information, contact your JLG dealer or the JLG Industries Parts Department.	
		Ref	VARIABLE PARTS	
	7020653	1	Breaker, Circuit (CE Spec 110/220V-50Hz Charger)	
	7018525	1	Breaker, Circuit (Australian Spec 250V-50Hz Charger)	
	7018564	1	Relay (Black) (CE Spec)	
	7020654	1	Relay (Clear) (CE Spec)	
	7018563	1	Relay (Black) (Australian Spec)	
	1600293	1	Module (Posi-Trac)	
	1600292	1	Module (Frame Power)	
	70000318	4	Filter, Fuel (M450 & M400 Only)	
	70000319	1 dz	Filter, Oil (M450 & M400 Only)	
	70000323	1	Relay, Bosch (M450 & M400 Only)	
	70000329	2	Fuse 15 Amp (M450 & M400 Only)	
	70000330	2	Fuse 20 Amp (M450 & M400 Only)	
	70000322	1	Relay, 12Votl 60Amp (M450 & M400 Only)	
	70000313	4	Element, Air Cleaner (M450 & M400 Only)	
	1001116522	1	Switch, Limit	
	70000326	1	Module (Engine Control) (M450 & M400 Only)	
	1001109497	1	Module (Ground Control)	
	4360274	1	Switch, Push Button (M450 & M400 Only)	
	7019698	2	Power Track - 1 Link (E/M450A & E/M400A Only)	
	70001996	2	Power Track - 2ft Section (E/M450AJ & E/M400AJP Only)	
	70001998	1	Power Track - Bracket Kit (E/M450AJ & E/M400AJP Only)	
	4360548	1	Switch, Limit	
	1001109498	1	Module (Platform Control)	
	1600387	1	Module, Control (LSS System)	
	4360336	1	Switch, Toggle (M450 & M400 Only)	
	1001109475	1	Breaker, Circuit (AC to Platform Option)	
	1001109482	1	Breaker, Circuit (AC to Platform Option)	
	2900838	1	U.S. Standards Fastener (Hardware) Kit	
	7014676	1	U.S. Standards Tool Kit	

SECTION 10 - SPECIAL OPTIONS

SECTION 10 - SPECIAL OPTIONS

FIGURE 10-1. SPECIAL OPTIONS

ITEM	PART NUMBER	QTY	DESCRIPTION	REV
	Note	Ref	Note: This list is to accommodate machines ordered with special equipment. Options may not be applicable to all models. For more specific parts information contact JLG Parts Department.	
		Ref	MISCELLANEOUS SPECIAL OPTIONS	
		Ref	Airline Installations - 1/2in	
	0259877	Ref	Airline Installations - 1/2in M450A Models	
	0271801	Ref	Airline Installations - 1/2in E/M400A Models	
	0275650	Ref	Airline Installations - 1/2in E/M450AJ Models	
	See Note	Ref	Airline Installations - 1/2in E/M400AJP Models (Note: Not Available for Purchase)	
	0270723	Ref	Beacon Installation Mounted Under Platform	
	1001148971	Ref	Bolt-On Lanyard Kit (Platform)	
	0256789	Ref	Camera Mounting Installation	
	0258703	Ref	Console Cover	
		Ref	Cylinder Bellows Installations	
	0259397	Ref	Cylinder Bellows Installations E/M400A & E/M450A	
	0271251	Ref	Cylinder Bellows Installations E/M400AJP & E/M450AJ	
		Ref	Bellows - Platform Level and Master Cylinders Options:	
	0460110	2	Bellows - Platform Level and Master Cylinders E/M400A & E/M450A	
	0460194	2	Bellows - Platform Level & Master Cylinders E/M400AJP & E/M450AJ	
	0460115	1	Bellows - Main Lift Cylinder	
	0460113	1	Bellows - Mid Lift Cylinder	
	0460114	1	Bellows - Tower Lift Cylinder	
	0460196	1	Bellows - Jib Cylinder (E/M400AJP & E/M450AJ)	
	1320037	6	Clamp	
		Ref	Decal Installations Options:	
	1702788	1	Decal - Biodegradable Hydraulic Fluid (All except German Spec)	
	1703479	1	Decal - Biodegradable Hydraulic Fluid (German Spec Only)	
	0259550	Ref	Decal - Warning Stripes Installation	
	1283014	Ref	Decal - Warning Stripes Installation	
	1001108727	Ref	Decal Kit - Platform	
	1001119566	Ref	Decal Kit - Platform Console	
	1001198647	Ref	Decal Kit - (E/M400 / E/M450)	
		Ref	Decal Kit Options	
	2910866	1	Decal Kit (Prior to SN 0300139889)	
	1001119566	1	Decal Kit (E/M400) (SN 0300139889 through 0300189901)	
	1001119566	1	Decal Kit (E/M450) (SN 0300139889 through 0300189898)	
	1001091932	Ref	Drive Cutout at Tilt 3	
		Ref	Electrical Connector Kits	
	1001148902	Ref	Amp Connector Kit	
	1001148903	Ref	Deutsch DT Connector Kit	
	1001148904	Ref	Deutsch HD Connector Kit	
	1001148905	Ref	Packard Connector Kit	
	1001148906	Ref	Various Connector Kit	
		Ref	Filter Kits: (M400 & M450 Only)	
		Ref	Kubota Engines	
	1001111013	1	Combined Filter Kit (SN 0300088539 to Present)	

SECTION 10 - SPECIAL OPTIONS

ITEM	PART NUMBER	QTY	DESCRIPTION	REV
	1001110140	1	Engine Oil and Fuel Filter Kit (E/M400) (SN 0300088539 through 0300189901)	
	1001110140	1	Engine Oil and Fuel Filter Kit (E/M450) (SN 0300088539 through 0300189898)	
	1001109716	1	Hydraulic and Air Filter Kit (E/M400) (SN 0300088539 through 0300189901)	
	1001109716	1	Hydraulic and Air Filter Kit (E/M450) (SN 0300088539 through 0300189898)	
		Ref	Yanmar Engines	
	1001111012	1	Combined Filter Kit (Use p/n 1001111011) (Prior to SN 0300088539)	
	1001110142	1	Engine Oil and Fuel Filter Kit (Prior to SN 0300088539)	
	1001109715	1	Hydraulic and Air Filter Kit (Prior to SN 0300088539)	
	4060959	Ref	Footswitch Shield (Note: Move Decal to Shield)	
	0259398	Ref	Headlight and Taillights Installation	
	2920150	2	Headlight	
	7016356	2	Lamp, Seal Beam (1 Per Headlight)	
	2920118	2	Taillight	
	7016623	2	Bulb - Brake (1 Per Taillight)	
	7016624	Ref	Bulb - Tail (1 Per Taillight)	
		Ref	Hydraulic Fluids	
	2300028	Ref	Mobil DTE 10 Excel 15	
	70010346	1 gal/3.8l	Mobil DTE 10 Excel 15	
	2300042	Ref	SYN Biodegradable	
	2300027	Ref	Mobil EAL 224H - Biodegradable	
		Ref	Inverter Installation (E Models Only)	
	0272034	Ref	CE Spec	
	0271687	Ref	Australian Spec	
	1001151286	Ref	Jib Cylinder Kit	
	1001222307	Ref	LSS Override Kit	
	2902423	Ref	Mechron Service Kit (For the addition of separate fuse for engine generator controller)	
		Ref	Platform Entry Kits	
	1001142504	Ref	Drop Bar (Replacing Swing Gate with Drop Bar)	
	1001142505	Ref	Swing Gate (Replacing Drop Bar with Swing Gate)	
		Ref	Platform Mesh Installations (Side Entry Platforms)	
	0273146	Ref	30in X 5ft (76cm x 1.52m)	
	0273147	Ref	30in X 4ft (76cm x 1.22m)	
	1001149561	Ref	SkyGuard Installation Kit	
	1001149563	Ref	Platform Sensor Kit	
	1001149564	Ref	Optional (Blue) Beacon Light Kit	
		Ref	Tools for Service	
	7002828	1	Wire Stripper	
	7002821	1	Wire Crimper (To install wire ends to wires)	
	7002823	1	Pin/Socket Extractor - Universal (To Remove Pins/Sockets from Connectors)	
	4460467	1	Extractor - 16-18 Gauge (For Removal of Pins/Sockets for Deutsch Connectors)	
	4460510	1	Extractor - 12-14 Gauge (For Removal of Pins/Sockets for Deutsch Connectors)	
	7002822	1	Screwdriver, Potentiometer (To Adjust Drive Controllers)	
	7016654	1	Screwdriver, Magnetic	
	7004275	1	Seal Installation Tool - 1in	

SECTION 10 - SPECIAL OPTIONS

ITEM	PART NUMBER	QTY	DESCRIPTION	REV
	7004276	1	Seal Installation Tool - 1 1/2in	
	7002826	1	Seal Installation Tool - 2in	
	2901443	1	Analyzer, Machine	
	2915230	1	Battery Charger Reprogram Controller Kit	
	1001137005	1	USB to RS232 Drive Installation (Service Kit)	

PART NUMBER INDEX

PART NUMBER INDEX

0060044.....103, 111, 115	0259293.....251	0271937.....137	0561386.....124
0060046.....111, 115	0259302.....17	0272034.....267	0561424.....124
0060052.....96, 115	0259305.....84, 220	0272082.....129, 134	0610128.....143
0060065.....111, 115	0259322.....251	0272106.....129, 134	0610129.....79
0100009.....96, 143	0259323.....251	0272529.....84	0610131.....32, 229, 241
0100010.....252, 257	0259324.....251	0272704.....119	0610139.....79
0100011.....11, 15, 17, 44, 47, 51, 56, 63, 76, 83, 84, 92, 95, 96, 97, 99, 104, 107, 112, 119, 123, 130, 134, 159, 164, 169, 174, 178, 181, 186, 191, 197, 201, 203	0259325.....251	0272971.....134, 225, 238	0610166.....79
0100019.....15, 39, 63, 124	0259326.....251	0272976.....96, 104, 112	0630399.....96
0100020.....75, 164, 208, 212, 216	0259327.....251	0273089.....143	0630401.....100, 108
0100035.....52, 85, 143, 159, 164, 174, 178, 182, 186, 203	0259338.....130, 135, 145	0273104.....81, 120	0630407.....119
0100038.....159, 164, 169, 174, 178, 181, 186, 191, 197, 201, 203	0259358.....130, 145	0273146.....267	0630440.....51
0100040.....133	0259366.....89, 103	0273147.....267	0630464.....143
0100048.....31, 119	0259367.....123, 225, 239	0273196.....251	0630467.....124
0100051.....31	0259397.....266	0273197.....251	0630468.....83
0100063.....159	0259398.....267	0273381.....139	0630487.....95
0100081.....100, 108	0259399.....27, 55	0273382.....139	0630491.....84
0140011.....143	0259439.....96, 104, 112	0273468.....16	0630518.....79
0140028.....55	0259440.....103, 104	0273573.....43, 75, 81, 145	0630534.....159
0140031.....56	0259441.....111, 112	0273683.....15	0630568.....143
0182010.....31	0259481.....44, 47	0273684.....16	0641404.....32, 95, 130
0253687.....83	0259533.....251	0274617.....47, 75, 81, 145	0641405.....32, 95, 119, 233, 246
0253704.....124	0259534.....251	0274989.....251	0641406.....33, 39, 44, 47, 51, 75, 119, 129, 134, 254, 259
0253709.....83	0259550.....266	0275069.....257	0641407.....96, 104, 112, 119, 233, 246
0253717.....230	0259679.....16	0275070.....257	0641408.....32, 33, 55, 56, 76, 129, 134, 252, 258
0254875.....124	0259693.....32	0275216.....234, 247	0641410.....124
0256789.....266	0259754.....96, 104	0275217.....234, 247	0641413.....55, 75
0257728.....155	0259763.....31	0275218.....234, 247	0641414.....130, 135
0257735.....123, 225, 239	0259826.....32	0275219.....234, 247	0641416.....119, 141, 233, 246
0257816.....27	0259877.....266	0275452.....233, 247	0641418.....129, 134
0257817.....11	0259939.....89, 111	0275453.....234, 247	0641424.....203
0257824.....43, 75, 81, 145	0259951.....27, 55	0275454.....234, 247	0641426.....56
0257858.....43, 44	0259970.....123, 225, 239	0275650.....266	0641504.....31
0258034.....27, 55	0270010.....11	0275663.....230, 243	0641505.....43, 47
0258035.....51	0270028.....16	0275664.....230, 243	0641506.....31, 91, 137, 139
0258037.....16	0270037.....16	0275665.....230, 243	0641507.....44, 47
0258653.....63	0270100.....51	0275666.....230, 243	0641508.....39, 55, 137
0258688.....16	0270101.....51	0275667.....230, 243	0641510.....71, 83
0258689.....31	0270103.....15, 39	0275892.....230, 243	0641512.....43, 47, 197, 201, 203
0258691.....89	0270273.....251, 257	0275893.....230, 243	0641514.....31, 123, 155
0258703.....266	0270274.....251, 257	0275894.....230, 244	0641516.....103, 111, 119, 123, 137, 139
0258953.....83	0270338.....137	0275895.....231, 244	0641518.....43
0258974.....51	0270344.....43, 75, 81, 145	0275896.....231, 244	0641524.....17
0258995.....15	0270400.....103, 104	0275897.....231, 244	0641560.....123
0258996.....16	0270402.....111, 112	0275898.....231, 244	0641604.....197, 201
0258997.....16	0270408.....129	0362966.....43, 47	0641605.....79, 99, 107
0259064.....56, 220	0270415.....16	0400055.....31	0641606.....11, 95, 99, 107
0259069.....15, 39	0270416.....15	0400195.....32, 35	0641607.....96, 99, 104, 112
0259102.....145	0270417.....16	0400197.....32, 35	0641608.....27, 55, 63, 64, 91, 96, 99, 107
0259127.....230, 243	0270418.....16	0400201.....43, 47	0641609.....15, 129
0259288.....251	0270509.....51	0440162.....11	0641610.....91, 96, 97, 103, 104, 112, 129, 133, 134
0259289.....251	0270510.....51	0440203.....63, 71	0641616.....75, 103, 111
0259290.....251	0270702.....96, 104, 112	0440339.....63, 71	0641618.....43, 47, 103, 111
0259291.....251	0270723.....266	0460110.....266	0641806.....92
0259292.....251	0270724.....89	0460113.....266	0641808.....31
	0270725.....89, 95	0460114.....266	0641809.....104, 112
	0270817.....123, 225, 239	0460115.....266	
	0271251.....266	0460194.....266	
	0271464.....230, 243	0460196.....266	
	0271489.....130, 145	0480100.....155	
	0271493.....124	0561076.....91	
	0271494.....124	0561317.....123	
	0271641.....43, 44	0561359.....123	
	0271647.....89, 111	0561360.....124	
	0271649.....111, 112	0561361.....124	
	0271687.....267	0561384.....123	
	0271801.....266	0561385.....124	

PART NUMBER INDEX

0641810 92, 103, 111, 112	0902543 52	1001104864 252, 257	1001142505 267
0641812 71, 92	0902575 143	1001106757 99, 107	1001144018 134
0641813 31	0902588 143	1001107779 33	1001144019 134
0641818 95, 99, 107	0902681 52	1001107780 32, 241	1001144026 133
0641822 119	0902894 119	1001108604 119	1001144027 133
0641826 15	0902919 119	1001108727 266	1001144629 133
0642024 119	0902920 119	1001109475 233, 246, 264	1001148902 266
068160896, 97, 104, 112, 119	0903099 44	1001109482 233, 246, 264	1001148903 266
0681810 11	0903484 233, 246	1001109497 264	1001148904 266
0681814 63	0903612 233, 246	1001109498 143, 264	1001148905 266
0681816 63	0920113 15	1001109715 267	1001148906 266
0682010 15	0940036 51	1001109716 267	1001148971 266
0682012 15	0940048 92	1001109860 224, 238	1001149561 267
0682026 63	0940091 137, 139	1001110140 267	1001149563 267
0682028 63	0940092 137, 139	1001110142 267	1001149564 267
0700408 233, 246	0940093 137, 139	1001110144 267	1001149818 85, 247
0701010 130	0940094 137, 139	1001110226 145	1001149955 85, 220
0720804 143	0961127 252, 257	1001110435 144	1001149994 85
0721004 51	0961608 163, 185	1001110772 17	1001150161 31
0721005 80	0961726 92, 100, 174, 178, 182	1001110774 17	1001150181 31
0721006 51	0961749 83	1001110775 16	1001150406 85
0721008 84	0961845 129, 134	1001111012 267	1001150513 31
0741408 64	0961893 159	1001111013 266	1001150514 31
0741506 27	0961900 169	10011113045 242	1001151286 267
0741606 84, 108	0961947 ... 103, 111, 115, 159, 161	1001113483 119	1001151368 99, 201
0741608 108	0961948 99, 107	1001114782 31	1001151386 201
0750808 80	096195092, 96, 100, 107, 174, 178, 182	1001116130 64	1001151393 80
0800584 95	096195112, 96, 103, 111, 159, 161, 169, 171, 191, 193	1001116193 63	1001151395 11
0800852 89	0962140 12	1001116195 64	1001151413 201
0801154 95	0962185 169, 191	1001116232 64	1001151414 95, 201
0801169 89, 95	0962257 115	1001116368 224, 238	1001151428 11
0801192 99	0962292 103, 111	100111652264, 230, 243, 264	1001151496 201
0801197 89, 99	0962356 ... 163, 167, 185, 189	1001118418 143, 151, 262	1001151497 95, 201
0801198 99	0962450 119	1001118419 144, 147, 148, 262	1001152230 201
0801224 107	1001091435 230, 243	1001118611 242	1001152479 246
0801225 89, 107	1001091436 230, 244	1001117172 135	1001152482 246
0801226 107	1001091437 230, 244	1001117320 135	1001152483 246
0801227 89	1001091438 231, 244	1001118418 143, 151, 262	1001152485 246
0801260 99	1001091439 231, 244	1001118419 144, 147, 148, 262	1001153017 63, 71
0801261 95	1001091440 231, 244	1001119228 100, 108	1001153021 11
0801262 89	1001091441 231, 244	1001119566 266	1001153023 11
0801263 95	1001091932 266	1001121510 259	1001153366 63
0801264 89	1001096188 242	1001123052 32, 241	1001153727 243
0801267 95	1001097150 233, 246	1001125248 47	1001153728 244
0840031 31	1001097505 56	1001132175 144	1001153729 244
0840032 31	1001097506 27, 29	1001136889 134	1001153730 244
0840055 120	1001097507 55, 59	1001137005 268	1001153899 246
0860520 252, 257	1001097775 56	1001138431 134	1001158612 85, 220
0861152 79	1001097777 55, 56	1001138432 134	1001159361 47, 48
0861176 129, 143	1001099833 99	1001138494 134	1001159362 ... 47, 75, 81, 145
0861215 143	1001099834 107	1001138514 134	1001198647 266
0861263 79	1001103105 33	1001140278 91, 193	1001222307 267
0861314 129, 143	1001103558 141	1001140279 103, 112, 171	1060092 31
0861352 79	1001103559 141	1001140280 103, 161	1060279 252, 257
0861401 79	1001103560 141	1001140429 134	1060330 ... 135, 225, 239
0861529 ... 129, 134, 143	1001103614 141	1001140597 ... 90, 91, 189	1060341 125, 228
0861532 ... 129, 134, 143	1001103616 141	1001140598 96, 167	1060379 155
0861537 143	1001103617 141	1001141760 197	1060461 ... 232, 245, 246
0861731 231, 244	1001103732 63	1001141967 231, 244	1060584 80
0861781 231, 244	1001104626 71	1001141968 231, 232, 245	1060677 225, 239
0861880 233, 246	1001104850 63, 69	1001141969 231, 232, 245	1060689 241
0901921 83		1001142504 267	1060717 39
0901923 83			1060718 39
0902406 79			1060719 39
0902520 63			1060720 39
			1060721 39

PART NUMBER INDEX

1060722.....	39	1600310.....	145	1683923.....	91, 191	1702300.....	253
1060723.....	39	1600350.....	119	1683924....	103, 112, 169	1702565.....	144
1060724.....	39	1600387.....	119, 264	1683925.....	169, 191	1702566.....	144
1060725.....	39	1600466.....	33	1683932.....	90, 91, 185	1702567.....	144
1060726.....	39	1670678.....	95, 99	1683933.....	96, 163	1702701.....	17
1060727.....	39	1670697.....	124	1683934.....	163, 185	1702740.....	17
1060728.....	39	1670698.....	95	1683939.....	89, 90, 173	1702773.....	253, 258
1060730.....	44, 47	1670829.....	144	1683940.....	173	1702774.....	253, 258
1060731.....	44, 47	1670832.....	125	1683941.....	173	1702788.....	266
1060754.....	43, 47	1670833.....	125	1683942.....	90, 177	1702860.....	251, 257
1060755.....	43, 47	1670879.....	51	1683943.....	177	1702962.....	254
1060759.....	229	1670880.....	51	1683944.....	177	1703247.....	253, 258
1060760.....	31	1670887.....	17	1683945.....	90, 181	1703479.....	266
1060761.....	31	1670905.....	130	1683946.....	181	1703488.....	253, 258
1060777.....	229	1670951.....	51, 52	1683947.....	181	1703518.....	252
1060778.....	229, 241	1670959.....	107	1683980.....	203	1703683.....	155
1060780.....	225	1671037.....	144	1683995.....	163	1703799.....	252
1060781.....	225	1681344.....	177	1684002.....	185	1703800.....	251
1060809.....	32	1682154.....	163, 185	1684007.....	163, 185	1703806.....	252
1060810.....	39	1682878.....	163	1684022.....	173	1703807.....	251
1060811.....	32	1682879.....	185	1684023.....	173	1703811.....	253, 258
1060908.....	233, 246	1682886.....	185	1684024.....	90, 173	1703813.....	253
10837580.....	60	1682888.....	197	1684025.....	177	1703814.....	253, 258
1120094.....	173	1682948.....	197	1684026.....	177	1703913.....	252
1120108.....	177, 181	1683016.....	173	1684027.....	90, 177	1703914.....	251
1120110....	163, 185, 201, 203	1683021.....	177	1684029.....	197, 201	1703915.....	252
1120305.....	173, 177	1683051.....	159	1684030.....	95, 197	1703916.....	251
1120375.....	177	1683052.....	169	1684031.....	181	1703917.....	252
1120407.....	173	1683285.....	96, 163	1684032.....	181	1703918.....	251
1120487.....	75	1683286.....	163	1684033.....	90, 181	1703919.....	252
1180302.....	95	1683325.....	90, 185	1684055.....	173	1703920.....	251
1180352.....	99	1683505.....	181	1684056.....	177	1703992.....	252
1180353.....	107	1683514.....	181	1684057.....	90, 177	1703996.....	253
1220038.....	95	1683515.....	173	1684058.....	89, 173	1704192.....	144
1220039.....	96	1683516.....	177	1684059.....	181	1704200.....	253, 258
1220040.....	96	1683584.....	201, 203	1684060.....	181	1704239.....	145
1271538.....	119	1683591.....	11, 195	1684061.....	90, 181	1704240.....	144
1283014.....	266	1683704.....	95, 197	1684447.....	90, 177	1704254.....	252, 257
1283055.....	220	1683705.....	197	1684451.....	90, 173	1704260.....	144
1320012.....	44, 47	1683706.....	197, 201	1684452.....	90, 177	1704262.....	252, 257
1320017.....	211	1683708.....	90, 181	1684453.....	90, 173	1704277.....	252, 257
1320022.....	43, 47, 75	1683709.....	181	1684454.....	90, 177	1704286....	253, 254, 258
1320033.....	44, 207, 215	1683710.....	173	1684492.....	89, 173	1704358.....	253, 258
1320037.....	266	1683711.....	89, 173	1684493.....	90, 177	1704359.....	254, 258
1320040.....	124	1683712.....	173, 177	1693292.....	252	1704360.....	253, 258
1320041.....	76, 83	1683713.....	90, 177	1693294.....	252	1704361.....	254, 258
1320043.....	83, 124	1683756.....	191	1700584.....	251, 257	1704362.....	254, 258
1320095.....	124	1683759.....	169	1701500.....	253	1704412.....	254, 258
1320135.....	44, 47	1683760.....	103, 169	1701502.....	253, 258	1704422.....	144
1320136.....	32, 33, 119	1683761.....	169	1701503.....	253, 258	1704431.....	252, 257
1320172.....	32, 40	1683772.....	191	1701504.....	252, 257	1704445.....	253, 258
1320195.....	123	1683779....	103, 111, 159	1701505.....	254	1704446.....	252
1320199.....	124	1683780.....	159	1701509.....	253, 258	1704447.....	252
1320224.....	119	1683783.....	159	1701518.....	253, 258	1704448.....	252
1320259.....	103, 111	1683798.....	99, 197	1701600.....	252	1704449.....	252
1320260.....	123	1683800.....	197	1701642.....	252, 257	1704450.....	252
1380136.....	55	1683802.....	197, 201	1701644.....	252, 257	1704451.....	252
1380138.....	51	1683813.....	90, 181	1701691.....	252, 257	1704727.....	253, 258
1380164.....	47	1683815.....	181	1701791.....	252	1704752.....	253, 258
1580012.....	130, 135	1683817.....	181	1702124....	208, 212, 216	1704787.....	251, 257
1580013.....	130, 135	1683825.....	90, 177	1702265.....	253	1704788.....	251, 257
1600273.....	143, 151	1683826.....	89, 173	1702266.....	253	1704789.....	251, 257
1600274.....	143, 147	1683827.....	173	1702267.....	253	1704790.....	251, 257
1600292.....	39, 264	1683829.....	177	1702268.....	253	1704791.....	251, 257
1600293.....	39, 264	1683863.....	203	1702269.....	253	1704792.....	251, 257
1600294....	39, 40, 229, 242	1683911.....	107, 203	1702270.....	253	1704793.....	251, 257
		1683912.....	203	1702298.....	254	1704794.....	251, 257

PART NUMBER INDEX

1704830	254, 259	2220593	207, 211, 215	2752435.....	208	2820106.....	52
1704885	254, 259	2220596	197, 201, 203	2752437.....	207, 211, 215	2820107.....	44
1704900	251, 257	2220600	208, 212, 216	2752440.....	208	2820110.....	52
1704901	251, 257	2220605	208, 211, 215	2752446.....	207, 211, 215	2820111.....	44, 47
1704958	251, 257	2220609	208, 212, 216	2752459.....	207, 211, 215	2820112.....	44, 47
1704959	251, 257	2220628	197, 201, 203	2752466.....	211, 215	2820116.....	44, 47
1705085	252, 257	2220654	212	2752475.....	207	2820117.....	43, 47
1705170	145	2220677	208, 211, 215	2752476.....	207, 211, 215	2820165.....	44
1705240	253	2220684	208	2752487.....	207, 211, 215	2820218.....	47
1705254	252	2220711	208, 211, 215	2752488.....	207, 211, 215	2860030.....	80, 262
1705255	251	2220727	208	2752571.....	215	2900371.....	178
1705260	254	2220805	48	2752572.....	208	2900708.....	56
1705261	252	2220819	208	2752573.....	208	2900768.....	15
1705275	252	2220873	207, 211, 215	2752580.....	207	2900770... 116, 174, 178,	
1705325	233, 246	2220883 ...	164, 197, 201, 203	2752581.....	208	181, 197, 198, 201, 203	
1705670	258	2220885 ...	159, 174, 178, 181, 207, 211, 215	2752585.....	208, 211	2900792... 159, 161, 163,	
1705822	251, 257	2220886	27	2752595.....	207, 211, 215	167, 169, 171	
1705828	257	2220899	207, 211, 215	2752600.....	207, 211, 215	2900838.....	264
1705921	252, 257	2220909	208, 212, 216	2752611....	208, 211, 212, 215, 216	2901147.....	164, 186
1705977	253, 258	2220923	208, 212, 216	2752619.....	215	2901443....	234, 248, 268
1705978	258	2220934	208, 212, 216	2752620.....	207	2901482.....	83
1706378	252, 257	2220998	207, 211, 215	2752675.....	207, 211, 215	2901486.....	84
1706899	258	2220999	207, 211, 215	2752795.....	207, 211	2901776.....	169
1706938	79	2221033	207, 211, 215	2752983.....	208	2901777.....	84
1760160	95	2221039	216	2753050.....	207, 211	2901778.....	83
1810134	79	2221046	75	2753301.....	211	2901804.....	182
1810135	79	2221047	75	2753302.....	211	2901805.....	174, 178
1810137	79	2221054	208, 211, 215	2753303.....	212	2901806.....	174
1810138	79	2221147	208	2753304.....	211	2901807.....	197
1810139	79	2300027	267	2753305.....	212	2901810.....	159
1870072	220	2300028	267	2753326.....	207	2901898.....	169, 191
1870126	221	2300042	267	2753329.....	216	2901902.....	164, 186
1870227	220, 221	2360505	12	2753330.....	216	2901903.....	203
2000320	47, 48	2360510	12	2753331.....	216	2902046.....	40
2080040	133	2360531	12	2753332.....	207, 216	2902209.....	159
2120042	43, 47	2360532	12	2753333.....	215	2902419.....	178
2160001	71, 72	2360538	12	2753334.....	207, 215	2902423.....	267
2160002	63	2360548	12	2753335.....	207, 215	2902549.....	233, 246
2160003	71, 72	2400093	233	2753336.....	216	2910866.....	266
2180344	63	2420106	80	2753337.....	207, 215	2915104.....	72
2180536	75	2420202	119	2753474.....	208, 215	2915230.....	268
2200222	164	2540019	39	2753475.....	208, 215	2920095... 130, 135, 234,	
2220001	63	2540020	40	2753519.....	207	247	
2220124	63	2540021	39	2753520.....	208	2920118.....	267
2220237	208, 212, 216	2560122.....	55	2753535.....	208	2920129... 224, 234, 238,	
2220239	208	2560123.....	55	2760105.....	144	247	
2220315	75	2560126.....	55	2780236.....	15, 19	2920146.....	84
2220371	207, 211, 215	2560136.....	144	2780241.....	11, 12	2920150.....	267
2220374	212, 216	2600281	133	2780242.....	11, 12	2920151.....	81, 120
2220386	208, 211, 215	2700093	51	2780250.....	11, 12	2920161.....	85
2220414	208, 212, 216	2720058	43, 47, 75	2780251.....	11, 12	2940071.....	83
2220415	207, 211, 215	2720271	75	2780282.....	15, 23	2940074.....	133, 262
2220428	207, 211, 215	2720455	44	2790900.....	208	2940095.....	51
2220429	207, 211, 215	2720559	47	2792334.....	218	2940115.....	51
2220459	75	2750900	212, 216	2792337.....	218	3000003.....	31
2220466 ...	207, 209, 211, 215	2750910	207, 211, 215	2792395.....	218	3010119.....	11
2220472	207, 211, 215	2750996	208, 211	2792413.....	218	3010121.....	11
2220473	207, 211, 215	2751009	211	2792458.....	218	3020008.....	15
2220501	208, 211, 215	2751095.....	63	2792505.....	218	3020022....	91, 103, 112
2220502 ...	207, 208, 209, 211, 215	2751126	207	2792506.....	207, 218	3020029.....	63
2220504	208, 211, 215	2751127	207	2792507.....	211, 218	3020036.....	63
2220507	207, 211, 215	2751141	212	2792509.....	215, 218	3020037.....	15
2220516	197, 201, 203	2751498	207, 211, 215	2792510.....	207, 218	3160233.....	63, 67
2220517	197, 201, 203	2751508	208, 211	2820035.....	84, 130, 135	3160239.....	15
2220582	211, 215	2751890	216	2820036.....	84	3200404.....	43, 47
		2752430	211, 215	2820105.....	52	3252347.....	130, 252
						3252507....	233, 246, 252

PART NUMBER INDEX

3252632.....79	3422175.....91	3571412.....45	4060865.....84, 85
3252669.....79	3422176.....91	3571462.....123	4060906.....80
3252812.....79	3422177.....91	3571834.....32, 33	4060959.....267
3290405.....233, 246	3422178.....91	3572413.....129, 133	4061054.....119
3290606.....134	3422179.....91	3572551.....103, 111	4070863.....107
3300151.....124, 129, 134	3422180.....91, 96	3575952.....48	4070864.....107
3300188.....80	3422181.....96	3575961.....47	4070897.....99
3300279.....177, 181	3422185.....95	3600289.....27	4070898.....99
3300281.....173, 177	3422480.....91	3740063.....220	4070982.....99
3300308.....163, 185	3422481.....91	3740087.....220	4070987.....80
3300315.....181	3422582.....91	3760115.....95, 99, 107	4070997.....107
3300365.....79	3422661.....155	3760308.....51, 143	4070998.....107
3300371.....51	3422669.....103, 112	3760318.....197, 203	4100025.....44, 48
3300396.....80	3422692.....11	3760367.....159	4100026.....75, 208, 212, 216
3300426.....11, 12, 15	3422709.....96	3760368.....169, 191	4100065.....124
3310601.....39, 144, 145	3422791.....103, 111	3780181.....91, 96	4100067.....124
3310805.....64	3422792.....104, 112	3780184.....91	4120027.....220
3311001.....84, 133	3422793.....103	3790012.....144, 145	4120035.....224, 234, 238, 247
3311005.....51, 80, 84, 124, 145	3422794.....103, 111	3790113.....198, 201, 203	4130350.....12
3311011.....80	3422804.....99, 107	3820001.....251, 257	4130351.....12
3311401.....51, 52, 83, 95, 99, 107, 123	3422806.....91	3820020.....133	4220162.....84
3311405.....27, 32, 33, 39, 44, 47, 51, 55, 56, 75, 96, 104, 112, 119, 124, 129, 130, 135, 141, 203, 233, 246, 253, 258	3422814.....112	3841143.....91, 96, 103, 112	4220179.....43
3311501.....83, 103, 111, 137, 139	3422844.....91	3841203.....91, 103, 111	4240032.....84, 144, 145
3311505.....27, 39, 43, 47, 55, 91, 100, 108, 123, 137, 155	3422845.....91	3841367.....11	4240033.....33, 43, 75, 119
3311508.....119	3422901.....95	3841517.....11	4240084.....39
3311601.....83, 143	3430840.....83	3900085.....85	4240099.....123, 130, 135
3311602.....95	3450810.....11	3900104.....125	4240175.....64
3311605.....27, 43, 47, 92, 96, 97, 99, 103, 104, 107, 111, 112, 129, 133, 135	3460457.....47	3900109.....11	4300106.....55
3311805.....92, 104, 112, 119	3480115.....177	3900128.....85	4300135.....39
3312005.....119	3480217.....163, 185	3900142.....181	4300140.....123
3312008.....11	3480239.....197, 201, 203	3900170.....163, 174, 178, 181, 185	4341072.....48
3312602.....85	3480240.....177, 181	3900174.....51	4360031.....129, 135
3322202.....11	3480241.....173	3900246.....125	4360070.....80, 262
3322205.....197, 201, 203	3480242.....173, 177	3900283.....119	4360274.....81, 264
3323003.....11	3480247.....169	3910614.....145	4360321.....124
3340663.....95	3480249.....159	3910636.....39	4360328.....80, 144, 145, 262
3340679.....197, 201	3480259.....169, 191	3910804.....80	4360330.....80, 144, 262
3340682.....95	3480261.....163, 185	3911008.....133	4360336.....144, 145, 220, 264
3340756.....99	3510695.....129	3911014.....84	4360387.....144, 262
3340820.....95	3510696.....129	3911014.....84	4360448.....144, 220, 262
3340837.....99	3510830.....133	3930824.....64	4360462.....144
3340859.....100, 107	3510831.....133	3931016.....169, 191	4360469.....80, 262
3340860.....103, 111	3510844.....133	3931028.....125	4360470.....80, 262
3340878.....107	3520026.....51, 80	3931430.....32, 39	4360475.....80, 144, 262
3340882.....203	3520028.....80, 144	3931516.....159, 169, 191	4360476.....80, 144, 262
3340884.....107	3520030.....144	3931816.....111	4360522.....145
3340886.....107	3520034.....96	3931832.....63	4360548.....124, 264
3340939.....100, 108	3520054.....80, 144	3951402.....178, 181, 197, 201, 203	4400416.....27
3340940.....100, 107	3520072.....133, 134	3960389.....44, 47, 52	4400417.....75
3380434.....129, 135	3520082.....52, 107	3960417.....44, 48, 52	4420055.....129
3380510.....44	3520182.....141	3960418.....44, 48	4420062.....155
3380511.....44	3520198.....133, 134	3960433.....51	4420068.....137, 139
3380602.....47	3536089.....130, 135	3960438.....79	4460007.....79
3420156.....83, 143	3536491.....89	3960447.....51	4460042.....120
	3536999.....123	3960453.....83	4460071.....130, 135, 225, 239
	3537045.....89	3980035.....43, 48	4460134.....232
	3537903.....84	3990001.....227, 240, 262	4460224.....228, 241
	3570572.....51	3990105.....15, 229, 243	4460225.....120, 224, 227, 229, 230, 238, 240, 241, 242, 243
	3570573.....51	3990106.....227, 240	4460226.....120, 147, 148, 151, 224, 226, 228,
	3570581.....45	3990108.....130	
	3570958.....99, 107	4010618.....134	
	3571094.....51	4060802.....80	
	3571157.....75	4060803.....44, 83	
	3571160.....27	4060804.....52, 100, 108	
	3571222.....145	4060805.....83, 123	
	3571401.....44	4060808.....123	
	3571406.....103, 111		

PART NUMBER INDEX

229, 230, 234, 238, 239, 240, 241, 242, 243, 247	4460634 224, 238	4520269.....17	4750600..... 39, 144, 145
4460227 ... 120, 224, 225, 226, 227, 229, 230, 234, 238, 239, 240, 241, 242, 243, 247	4460635 224, 238	4520279.....16	4750800..... 52, 64, 144
4460234 84, 144	4460662 232, 245	4564417.....64	4751000...51, 84, 85, 133
4460248 81	4460685 56	4565992.....173	4751400. 51, 83, 95, 119, 123, 129, 135, 141, 203, 233, 246, 253, 258
4460259 81, 224, 238	4460709 232, 245	4565994.....178	4751500... 27, 39, 44, 48, 83, 92, 103, 111, 119, 123, 137, 139, 155
4460260 81, 224, 238	4460710 232, 246	4566023.....163, 185	4751600 ... 27, 43, 48, 75, 79, 83, 92, 96, 129, 135
4460264 80	4460742 ... 227, 228, 240, 241	4566027.....197, 201	4751800 31, 83
4460265 ... 120, 147, 148, 151, 224, 226, 228, 238, 239, 240, 241	4460743 ... 227, 228, 240, 241	4566187.....208	4760600 39
4460267 ... 44, 81, 84, 224, 227, 230, 238, 240, 243, 247	4460744 ... 226, 228, 241	4566188.....208	4761000 133
4460268 ... 227, 228, 234, 240, 241, 247	4460745 ... 226, 228, 241	4566243.....123	4761400... 27, 39, 55, 95, 99, 107
4460313 120	4460746 ... 226, 228, 241	4566356.....92	4761500 137
4460320 84, 120, 227, 230, 234, 240, 243, 247	4460748 228, 241	4566427.....92	4761600...27, 79, 95, 197
4460321 ... 224, 227, 229, 230, 234, 238, 240, 241, 242, 243, 247	4460749 ... 226, 228, 241	4566432.....173	4761800 95, 99, 107
4460326 ... 227, 229, 234, 240, 242, 247	4460750 ... 227, 228, 241	4566435.....178	4811400 233, 246
4460343 ... 224, 227, 238, 240	4460751 ... 227, 228, 241	4566623.....208	4811700 134
4460367 224, 238	4460752 ... 144, 225, 226, 238, 239	4567177.....181	4812000 130
4460418 ... 224, 226, 229, 238, 239, 242	4460753 ... 123, 226, 239	4567679.....31	4844303 89
4460419 ... 224, 226, 229, 238, 239, 242	4460754 ... 123, 225, 226, 239	4567704.....197, 201	4844304 89
4460424 ... 120, 227, 240, 242	4460761 ... 120, 224, 229, 230, 238, 242, 243	4567845.....43	4844427 89
4460425 80, 226, 227, 240	4460805 229, 242	4567908.....181	4844467 91
4460428 ... 124, 130, 135, 144, 225, 229, 234, 238, 242, 247	4460807 230, 243	4567946.....212, 216	4844541 89
4460434 ... 224, 226, 228, 238, 239, 241	4460808 230, 243	4567963.....203	4844579 95
4460444 39, 242	4460809 ... 228, 230, 241, 243	4568114.....39	4844603 51
4460458 ... 227, 228, 230, 240, 241, 243	4460836 ... 120, 227, 240	4568136.....163, 185	4844917 137
4460464 ... 135, 224, 225, 228, 238, 239, 241, 242, 247	4460837 227, 240	4620118.....63	4845288 129
4460465 ... 119, 120, 225, 227, 230, 239, 240, 243, 247	4460867 ... 228, 229, 241, 242	4620124.....63	4845346 137
4460466 ... 120, 230, 242, 243	4460884 230, 243	4640392.....17	4845582 155
4460467 234, 248, 267	4460891 247	4640509.... 159, 163, 167	4845642 43
4460488 144	4460897 247	4640634.....174, 178	4845846 31
4460495 80, 225, 227, 240	4460930 242	4640709.... 197, 201, 203	4845925 103
4460496 80, 144, 225, 227, 238, 240	4460931 242	4640771.... 197, 201, 203	4845926 103, 111
4460497 80, 144, 225, 227, 238, 240	4460933 119	4640807 ... 197, 201, 203	4846026 89
4460508 242	4460956 233, 246	4640816.....173, 178	4846033 99
4460509 242	4460957 233, 246	4640861....208, 212, 216	4846073 111
4460510 ... 234, 248, 267	4460968 ... 124, 232, 245	4640932....164, 167, 169, 171	4846091 92
4460633 233	4460979 ... 228, 229, 241, 243	4640936.....181	4846106 31
	4461196 ... 230, 232, 243, 245	4641029.....55, 56	4846107 31
	4461198 ... 231, 244, 245	4641070.....55, 59	4846180 107
	4461199 ... 230, 232, 243, 245	4641086.....169, 171	4846209 89
	4461201 ... 231, 244, 245	4641102.....56	4846223 51
	4461202 ... 230, 232, 243, 245	4641119.....56	4846276 129
	4461204 ... 231, 244, 245	4641149.....27, 29	4846278 103, 111
	4461205 ... 230, 232, 243, 245	464116717	4846307 89
	4461207 ... 231, 232, 245	4641195.....55, 59	4846322 96, 104, 112
	4461244 ... 231, 244, 245	4641386.....174, 178	4846452 133
	4461245 ... 231, 244, 245	4641394.....55, 56	4846502 111
	4461246 ... 231, 244, 245	464509.....161	4846608 97, 104, 112, 119
	4461249 ... 230, 232, 243, 245	4711400....27, 32, 33, 39, 44, 48, 55, 56, 75, 119, 130, 134, 135, 233, 246	4846698 84
	4520206 17	4711500....17, 31, 43, 48, 55, 100, 108, 143	4846759 141
	4520208 17	4711600....15, 27, 63, 64, 96, 97, 99, 104, 107, 112, 119, 129, 133	4846936 139
	4520209 17	4740120.....79, 145	4846937 139
	4520231 16	4740156.....11	4860181 17
	4520232 16	4740171.....63	4860191 17
	4520247 17	4740207173, 177	4891500 71
		4740362....96, 104, 112, 129, 135	4891600. 44, 48, 97, 104, 113, 119
		4740394.....178	4891800 11, 119
		474039780	4892000 15, 63, 119
		4740411129	4920385 44, 48
		4740413.....96	

PART NUMBER INDEX

4921570.....	232	70000300.....	48	70002216.....	171, 193	70004159.....	71
4921571.....	232	70000301.....	48	70002217.....	171, 193	70004265.....	49
4921594.....	232	70000302.....	48	70002220.....	161	70004785.....	49
4921595.....	232	70000303.....	48	70002223.....	161	7000625.....	129, 135
4922057.....	226	70000304.....	48	70002244.....	49	70010346.....	267
4922058.....	226	70000305.....	48	70002408.....	15	70010724.....	63
4922060.....	224, 238	70000306.....	48	70002724.....	151	7001630.....	195
4922071.....	224, 238	70000307.....	48	70002725.....	151	70023094.....	167, 189
4922073.....	227, 240	70000308.....	48	70002726.....	151	70024262.....	167
4922074.....	224	70000309.....	48	70002728.....	151	7002821.....	234, 248, 267
4922103.....	39	70000310.....	49	70002730.....	147	7002822.....	267
4922104.....	227, 240	70000311.....	48	70002731.....	147	7002823.....	234, 248, 267
4922117.....	227, 240	70000312.....	48	70002732.....	147	7002826.....	268
4922118.....	224, 238	70000313.....	48, 264	70002733.....	147	7002828.....	234, 248, 267
4922157.....	224, 238	70000314.....	48	70002734.....	147	7003928.....	147
4922160.....	224, 230, 238, 243	70000315.....	48	70002735.....	147	7003933.....	151
4922178.....	123, 225, 239	70000316.....	49	70002736.....	151, 152	7003935.....	151
4922179.....	123, 225, 239	70000317.....	49	70002737.....	152	7003940.....	151
4922222.....	145, 228, 241	70000318.....	49, 264	70002806.....	60	7003941.....	151
4922223.....	145, 228, 241	70000319.....	49, 264	70002807.....	56	7003946.....	151
4922263.....	227, 240	70000320.....	49	70002808.....	56	7003952.....	147
4922267.....	227, 240	70000321.....	49	7000281.....	23	7003953.....	147
4922294.....	145, 229, 242	70000322.....	49, 264	70002902.....	135	7003956.....	147
4922303.....	224, 238	70000323.....	45, 49, 264	70002903.....	135	7003972.....	152
4922307.....	224, 238	70000324.....	49	70002904.....	135	7003973.....	152
4922319.....	44, 81, 230, 243	70000325.....	49	70002905.....	135	7003974.....	147, 151
4922328.....	27, 228, 241	70000326.....	49, 75, 264	70002906.....	147	7003976.....	147
4922363.....	123, 225, 239	70000327.....	49	70003171.....	27	7003977.....	147
4922364.....	123, 225	70000328.....	49, 75, 228, 241	70003341.....	195	7003980.....	152
4922366.....	226	70000329.....	49, 264	70003483.....	135	7003982.....	152
4922367.....	226, 239	70000330.....	49, 264	70003557.....	48	7003983.....	152
4922443.....	234, 247	70000331.....	116	70003618.....	49	7003986.....	151
4922495.....	123, 225	70000340.....	116	70003711.....	19	7003989.....	152
4922496.....	123, 225, 239	70000341.....	116	70003712.....	19	7003992.....	147, 151
4922534.....	234, 247	70000381.....	61	70003713.....	19	7003993.....	147, 151
4922552.....	123, 239	70000382.....	49	70003714.....	19	7003994.....	151
4922609.....	232, 245	70000739.....	167, 189	70003715.....	19	7004035.....	69
4922610.....	232, 245	70000740.....	167, 189	70003716.....	19	7004036.....	69
4922612.....	232, 246	70000865.....	71	70003717.....	19	7004043.....	69
4922613.....	125, 228, 241	70000901.....	45	70003718.....	19	7004044.....	69
4922614.....	125, 228, 241	70000967.....	49	70003719.....	19	7004045.....	69
4922615.....	125	70001121.....	48	70003720.....	19	7004047.....	69
4922916.....	119	70001144.....	49	70003721.....	19	7004049.....	69
4922917.....	120	70001366.....	23	70003722.....	19	7004275.....	267
4922926.....	120	70001367.....	23	70003723.....	19	7004276.....	268
4923061.....	135	70001368.....	23, 24	70003724.....	19	7006139.....	99, 107
4923625.....	226, 239	70001369.....	23	70003725.....	20	7006151.....	99, 107
4933059.....	220, 226	70001370.....	23	70003819.....	171, 193	7006152.....	99, 107
4933060.....	220, 224, 238	70001371.....	23	70003833.....	161	7007640.....	23
4933102.....	220	70001372.....	23	70003836.....	161	7007900.....	15
4933105.....	220, 224, 238	70001373.....	23	70003843.....	193	7007913.....	15
4933128.....	220, 226	70001374.....	23	70003844.....	193	7007933.....	15
4933289.....	120, 220	70001375.....	23	70003845.....	171, 193	7007977.....	15
4933388.....	220, 226, 239	70001376.....	23	70003846.....	171	7010542.....	29
70000088.....	69	70001377.....	23	70003847.....	171	7010543.....	29, 60
70000089.....	69	70001378.....	23	70003863.....	161	7011112.....	164, 167, 169, 171
70000290.....	48	70001379.....	23	70003864.....	161	7011323.....	116
70000291.....	48	70001380.....	24	70004019.....	61	7011376.....	174, 178
70000292.....	48	70001677.....	71	70004130.....	189	7011577.....	35
70000293.....	48	70001697.....	116	70004131.....	167	7011590.....	229
70000294.....	48	70001758.....	45	70004141.....	167, 189	7011593.....	35, 262
70000295.....	48	70001876.....	59, 60	70004142.....	167, 189	7011594.....	35
70000296.....	48	70001961.....	27	70004143.....	167, 189	7011621.....	35, 229
70000297.....	48	70001996.....	99, 107, 264	70004144.....	189	7011716.....	15
70000298.....	48	70001998.....	99, 107, 264	70004145.....	189	7011757.....	15
70000299.....	48	70002206.....	69	70004146.....	167	7012518.....	29, 59, 61
		70002207.....	69	70004147.....	167		

PART NUMBER INDEX

7012540.....	61	7017452.....	56, 59	7020127.....	67	7021342.....	19
7012597.....	71	7017466.....	56	7020128.....	67	7021344.....	19
7012654.....	71	7017479.....	59	7020129.....	67	7021361.....	27
7012655.....	71	7017488.....	29	7020130.....	67	7021367.....	27
7012903.....	59	7017496.....	61	7020131.....	67	7021369.....	27
7012914.....	60	7018122.....	45	7020137.....	12	7021377.....	27
7012941.....	29	7018123.....	45	7020138.....	15	7021603.....	59
7012947.....	60	7018124.....	45	7020140.....	12	7021604.....	59
7012949.....	61	7018125.....	45	7020150.....	15	7021606.....	60
7012953.....	56, 59	7018126.....	44	7020155.....	75, 228	7021607.....	60
7012959.....	56	7018127.....	45	7020156.....	75	7021609...29, 56, 59, 262	
7012961.....	61	7018142.....	45	7020157.....	45	7021610.....	59, 262
7012967.....	29	7018525.....	35, 264	7020158.....	45	7021611.....	29, 59
7012972.....	29	7018537.....	35	7020159.....	45	7021616.....	29, 262
7012975.....	61	7018563.....	35, 264	7020160.....	45	7021618.....	29, 59, 262
7012981.....	56	7018564.....	35, 264	7020161.....	45	7021619.....	29
7012995.....	59	7018571.....	35	7020162.....	45	7021624.....	61
7012998... 29, 56, 59, 60		7018577.....	35	7020163.....	45	7021653.....	56, 60
7014676.....	264	7019103.....	151	7020164.....	45	7021659.....	29
7016177.....	31	7019110.....	151	7020165.....	45	7022000.....	40
7016314.....	75	7019111.....	147, 151	7020166.....	45	7022001.....	40
7016319.....	84, 85	7019112.....	151	7020167.....	45	7022002.....	40
7016356... 130, 135, 267		7019115.....	151	7020175.....	80, 144	7022003... 40, 229, 242	
7016372.....	84, 85	7019122.....	147	7020176.....	80, 144	7022004... 40, 229, 242	
7016623.....	267	7019123.....	147	7020197.....	45	7022005... 40, 229, 242	
7016624.....	267	7019137.....	147	7020198.....	45	7022011.....	40
7016654.....	267	7019141.....	147	7020199.....	45	7022012.....	40
7016676.....	71	7019142.....	147	7020200.....	45	7022391.....	29
7016682.....	71	7019143.....	147	7020201.....	45	7022394.....	59
7017007.....	24	7019144.....	147	7020202.....	45	7022808.....	147
7017009.....	23	7019145.....	147	7020203.....	44	7022812.....	151, 152
7017022.....	23	7019147.....	147	7020204.....	45	7022813.....	147
7017120.....	115	7019149.....	147	7020206.....	45	7022815.....	147
7017121.....	115	7019150.....	147	7020215.....	45	7022903.....	36
7017122.....	116	7019151.....	151	7020217.....	45	7022905.....	35
7017123.....	116	7019154.....	151	7020644.....	35, 229	7022908.....	35
7017126.....	115	7019157.....	151	7020648.....	35	7022909.....	35, 229
7017127.....	116	7019158.....	151	7020649.....	35	7022925.....	35
7017130.....	115	7019159.....	151	7020650.....	35	7023216.....	12
7017131.....	115	7019160.....	151	7020651.....	35	7023217.....	12
7017132.....	116	7019161.....	151	7020653.....	35, 264	7023274.....	45
7017134.....	116	7019162.....	151	7020654.....	36, 264	7023318.....	69
7017135.....	115	7019164.....	152	7020663.....	35	7023337.....	228, 241
7017153.....	115	7019165.....	152	7020685.....	35	7023338.....	228, 241
7017165.....	116	7019167.....	152	7020690.....	35	7023349.....	45
7017167.....	115	7019168.....	151	7020691.....	35	7023350.....	45
7017168.....	115	7019170.....	147	7020693.....	35, 229	7023484.....	71
7017169.....	115	7019174.....	147	7020697.....	35	7023485.....	44
7017172.....	116	7019191.....	151	7020699.....	35	7023486.....	75, 228
7017173.....	115	7019194.....	152	7021318.....	27	7023489.....	45
7017178.....	116	7019195.....	147	7021319.....	27	7023803.....	19
7017179.....	116	7019196.....	152	7021320.....	27, 262	7024047.....	20
7017192.....	116	7019197.....	147	7021323.....	19	7024049.....	19
7017196.....	115	7019698.....	95, 264	7021324.....	19	7024051.....	19
7017246.....	195	7019699.....	95	7021325.....	19	7024053.....	19
7017247.....	195	7020035.....	12	7021326.....	19	7024054.....	20
7017248.....	195	7020036.....	12	7021327.....	19	7024379.....	69
7017249.....	195	7020037.....	12	7021328.....	19	7024380.....	69
7017250.....	195	7020038.....	12	7021329.....	20	7024381.....	69
7017251.....	195	7020039.....	12	7021333.....	20	7024389.....	69
7017252.....	195	7020040.....	12	7021335.....	19	7024390.....	69
7017402... 29, 56, 59		7020041.....	12	7021336.....	19	7024453.....	69
7017410.....	59	7020054.....	12	7021337.....	19	7024738.....	23
7017418.....	60	7020055.....	12	7021338.....	20	7024741.....	23
7017421.....	60	7020099.....	143	7021339.....	19	7024832.....	29
7017433.....	29, 59	7020100.....	143	7021340.....	19	7024844.....	161, 171
7017450.....	29	7020126.....	67	7021341.....	19	7024891.....	56

PART NUMBER INDEX

7024931.....	19	7026082.....	171, 193	7027350.....	71	7027360.....	71
7024981.....	20	7026084.....	171, 193	7027351.....	71	7027361.....	71
7024983.....	19	7026088.....	161	7027352.....	71	7027363.....	71
7024985.....	19	7026090.....	161	7027353.....	71	7027900.....	115
7024986.....	20	7026091.....	161	7027354.....	71	7027901.....	115
7026042.....	71	7026092.....	161	7027356.....	71	90206369.....	71
7026043.....	71	7026669.....	45	7027358.....	71		
7026068.....	161	7026670.....	45	7027359.....	71		



31201830



An Oshkosh Corporation Company

Corporate Office
JLG Industries, Inc.
1 JLG Drive
McConnellsburg, PA 17233-9533
USA

+1-717-485-5161 (Corporate)
+1-877-554-5438 (Customer Support Toll Free)
+1-717-485-6417

JLG Worldwide Locations

JLG Industries
358 Park Road
Regents Park
NSW 2143
Sydney 2143
Australia
+6 (12) 87186300
+6 (12) 65813058
Email: techservicesaus@jlg.com

JLG Ground Support Oude
Bunders 1034
Breitwaterstraat 12A
3630 Maasmechelen
Belgium
+32 (0)89 84 82 26
Email: emeaservice@jlg.com

JLG Latino Americana LTDA
Rua Antonia Martins Luiz, 580
Distrito Industrial Joao Narezzi
Indaiatuba-SP 13347-404
Brasil
+55 (19) 3936 7664 (Parts)
+55 (19) 3936 9049 (Service)
Email: comercialpecas@jlg.com
Email: servicios@jlg.com

Oshkosh-JLG (Tianjin)
Equipment Technology LTD
Shanghai Branch
No 465 Xiao Nan Road
Feng Xian District
Shanghai 201204
China
+86 (21) 800 819 0050

JLG Industries Dubai
Jafza View
PO Box 262728, LB 19
20th Floor, Office 05
Jebel Ali, Dubai
+971 (0) 4 884 1131
+971 (0) 4 884 7683
Email: emeaservice@jlg.com

JLG France SAS
Z.I. Guillaume Mon Amy
30204 Fauillet
47400 Tonniens
France
+33 (0) 553 84 85 86
+33 (0) 553 84 85 74
Email: pieces@jlg.com

JLG Deutschland GmbH
Max Planck Str. 21
27721 Ritterhude-Ihlpohl
Germany
+49 (0) 421 69350-0
+49 (0) 421 69350-45
Email: german-parts@jlg.com

JLG Equipment Services Ltd.
Rm 1107 Landmark North
39 Lung Sum Avenue
Sheung Shui N. T.
Hong Kong
+(852) 2639 5783
+(852) 2639 5797

JLG Industries (Italia) S. R. L.
Via Po, 22
IT-20010 Pregnana Milanese (MI)
Italy
+39 (0) 2 9359 5210
+39 (0) 2 9359 5211
Email: ricambi@jlg.com

JLG EMEA B.V.
Polaris Avenue 63
2132 JH Hoofddorp
The Netherlands
+31 (0) 23 565 5665
Email: emeaservice@jlg.com

JLG NZ Access Equipment & Services
2B Fisher Crescent
Mt Wellington 1060
Auckland, New Zealand
+6 (12) 87186300
+6 (12) 65813058
Email: techservicesaus@jlg.com

JLG Industries
Vahutinskoe shosse 24b
Khimki,
Moscow Region 141400
Russia Federation
+7 (499) 922 06 99
+7 (499) 922 06 99

Oshkosh-JLG Singapore
Technology Equipment P te Ltd.
35 Tuas Avenue 2
Jurong Industrial Estate
Singapore 639454
+65 6591 9030
+65 6591 9045
Email: SEA@jlg.com

JLG Iberica S. L.
Trapadella, 2
Pol. Ind. Castellbisbal Sur
08755 Castellbisbal
Barcelona
Spain
+34 (0) 93 772 47 00
+34 (0) 93 77 117 62
Email: parts_iberica@jlg.com

JLG Sverige AB
Enkopingsvagen 150
17627 Jarfalla
Sweden
+46 (0) 8 506 595 00
+46 (0) 8 506 595 27
Email: nordicsupport@jlg.com

JLG Industries (UK) Ltd.
Bentley House
Bentley Avenue
Middleton, Greater Manchester
M24 2GP
United Kingdom
+44 (0) 161 654 1000
+44 (0) 161 654 1003
Email: ukparts@jlg.com

www.jlg.com