



Illustrated Parts Manual

Models

3507, 3508

3509, 3512,

3513, 4007

4008, 4009

4012, 4013

3121853

Revised
April 3, 2014



An Oshkosh Corporation Company

EFFECTIVITY PAGE

August 30, 2002 - Original Issue Of Manual

December 4, 2003 - A - Revised Manual

February 14, 2005 - B - Revised Manual (Edited to BOM 0010590 Revision 29)

November 23, 2005 - C - Revised Manual (Edited to BOM 0010593 Revision 38)

March 28, 2006 - D - Revised Manual (Edited to BOM 0010593 Revision 40)

January 2, 2007 - E - Revised Manual (Edited to BOM 0010593 Revision 51)

April 25, 2008 - F - Revised Manual

July 15, 2009 - G - Revised Manual

April 3, 2014 - H - Revised Manual

EFFECTIVITY PAGE

TABLE OF CONTENTS

FIGURE NO.	TITLE	PAGE NO.
SECTION 1 –		
FRAME & ATTACHING PARTS		1-1
1-1	Basic Components Installation	1-2
1-2	Engine Hood Installation	1-4
1-3	Engine Cover Installation	1-6
1-4	Toolbox Installation	1-10
1-5	Counterweight Assembly	1-12
1-6	Headlight & Mirror Bracket	1-14
1-7	Rear Boom Cover Installation	1-16
1-8	Axle Installation	1-18
1-9	Fenders Installation	1-26
1-10	Stabilizer Installation	1-28
1-11	Stabilizer Installation for Platform	1-30
1-12	Stabilizer Installation Equipped W/LMIS	1-32
 SECTION 2 –		
BOOM		2-1
2-1	Boom Assembly	2-2
2-2	First Boom Section Assembly	2-6
2-3	Second Boom Section Assembly	2-10
2-4	Third Boom Section Assembly	2-14
2-5	Quick Switch Assembly	2-16
 SECTION 3 –		
ATTACHMENTS		3-1
3-1	Manure Bucket	3-2
3-2	4 in 1 Bucket	3-4
3-3	Fork Mounted Hook	3-6
3-4	Buckets	3-8
3-5	Carriage Assembly w/Loadguard	3-10
3-6	Side Shift Carriage Assembly	3-12
3-7	Fork Positioning Carriage Assembly	3-14
3-8	Fork Tines	3-16
3-9	Fork Tine Extension	3-18
3-10	Truss Boom	3-20
3-11	Platform Assembly, Adapter & Pedestal	3-22
3-12	Platform Assembly, Base & Railings	3-24
3-13	Platform Assembly, Electrical	3-26
3-14	Platform Assembly, Miscellaneous	3-30
3-15	Concrete Ladle	3-32
3-16	Crane Hook	3-34
3-17	Extending Jib (Australia)	3-36
3-18	Adjustable Boom Truss (Australia)	3-38

TABLE OF CONTENTS

FIGURE NO.	TITLE	PAGE NO.
SECTION 4 –		
	ENGINE & ATTACHING PARTS	4-1
4-1	Engine Installation	4-2
4-2	Engine Assembly	4-8
4-3	Tank & Fuel Supply Installation	4-14
4-4	Cooling System Installation	4-18
4-5	Air Cleaner Installation	4-20
4-6	Muffler Installation	4-26
4-7	Air Collector, Condenser & Radiator	4-30
4-8	Transmission Assembly	4-34
4-9	Transmission Assembly - Converter Housing	4-36
4-10	Transmission Assembly - Case & Plate	4-38
4-11	Transmission Assembly - Torque Converter	4-40
4-12	Transmission Assembly - Gear Group	4-42
4-13	Transmission Assembly - Pump Drive Group	4-46
4-14	Transmission Assembly - Charge Pump	4-48
4-15	Transmission Assembly - Reverse Idler	4-50
4-16	Transmission Assembly - Forward & Reverse Shaft	4-52
4-17	Transmission Assembly - High 4th & 3rd Shaft	4-54
4-18	Transmission Assembly - 1st & 2nd Shaft	4-58
4-19	Transmission Assembly - Output Shaft	4-60
4-20	Transmission Assembly - Control & Modulation Valve Assembly	4-62
4-21	Transmission Assembly - Drive Plate	4-70
4-22	Transmission Assembly - Drop Box	4-72
SECTION 5 –		
	DRIVE TRAIN	5-1
5-1	Front Axle Assembly	5-2
5-2	Front Axle Assembly - Differential Housing Components	5-4
5-3	Front Axle Assembly - Internal Differential Housing Components	5-6
5-4	Front Axle Assembly - External Axle Components	5-8
5-5	Front Axle Assembly - Brake Components	5-12
5-6	Front Axle Assembly - Steering Components	5-14
5-7	Front Axle Assembly - Oscillation Support Components	5-16
5-8	Rear Axle Assembly	5-18
5-9	Rear Axle Assembly - Differential Housing Components	5-20
5-10	Rear Axle Assembly - Internal Differential Components	5-22
5-11	Rear Axle Assembly - External Axle Components	5-24
5-12	Rear Axle Assembly - Brake Components	5-28
5-13	Rear Axle Assembly - Steering Components	5-30
5-14	Rear Axle Assembly - Oscillation Support Components	5-32
5-15	Tire & Wheel Assembly	5-34

TABLE OF CONTENTS

FIGURE NO.	TITLE	PAGE NO.
SECTION 6 –		
	CAB	6-1
6-1	Cab Installation	6-2
6-2	Interior Installation	6-6
6-3	Cab Door Installation	6-8
6-4	Cab Windows Installation	6-10
6-5	Wiper System Installation	6-12
6-6	Driver Seat Assembly	6-14
6-7	Mechanical Seat Installation	6-16
6-8	Mechanical Suspension Seat Assembly	6-18
6-9	Air Duct Installation	6-20
6-10	Air Circulation Installation	6-22
6-11	Air Conditioning Unit Installation	6-24
SECTION 7 –		
	CONTROLS	7-1
7-1	Steering Column Assembly & Attaching Parts	7-2
7-2	Console Box Assembly	7-4
7-3	Accelerator Pedal Assembly	7-6
7-4	Parking Brake Installation	7-8
SECTION 8 –		
	HYDRAULIC CIRCUITS	8-1
8-1	Frame & Cab	8-2
8-2	Drive Pump to Main Valve	8-6
8-3	Lifting Hydraulics	8-8
8-4	Working Hydraulics	8-12
8-5	Hydraulic System w/Auxiliary	8-20
8-6	Leveling Hydraulics	8-28
8-7	Stabilizing Hydraulics	8-30
8-8	Lift System Equipped For Platform	8-32
8-9	Drive Pump to Main Valve Equipped For Platform	8-36
8-10	Drive Pump to Main Valve Equipped For Platform (Australia)	8-38
SECTION 9 –		
	HYDRAULIC COMPONENTS	9-1
9-1	Lift Cylinder Assembly	9-2
9-2	Extend/Retract Cylinder Assembly	9-18
9-3	Tilt Cylinder Assembly	9-38
9-4	Compensation Cylinder Assembly	9-42
9-5	Sway Cylinder Assembly	9-48
9-6	Stabilizer Cylinder Assembly	9-54
9-7	Attachment Lock Cylinder Assembly	9-60
9-8	Main Control Valve Assembly	9-64

TABLE OF CONTENTS

FIGURE NO.	TITLE	PAGE NO.
9-9	Engine Drive Pump Assembly	9-68
9-10	Hydraulic Tank Assembly	9-72
9-11	Return Filter Assembly	9-74
9-12	ERS Control Valve Assembly	9-76
9-13	Auxiliary Power Pump	9-78
SECTION 10 –		
ELECTRICAL		10-1
10-1	Instrument Panel Assembly	10-2
10-2	Accessories Panel Assembly	10-6
10-3	Gear & Valve	10-8
10-4	Rear of Machine	10-10
10-5	Engine	10-12
10-6	Display Panel	10-16
10-7	Tail Light & Bracket Installation	10-18
10-8	Sensor Assembly	10-22
10-9	Tier II Fuel Solenoid Wire	10-28
10-10	Tier II Engine Harness Wire	10-30
10-11	Cab Electrical Installation with Platform	10-32
10-12	Electrical Installation on Boom with Platform	10-36
10-13	ERS System Installation	10-40
10-14	Rear Harness	10-44
10-15	Sensor Assembly with Platform	10-46
10-16	LMIS Installation	10-48
10-17	LMIS Audible Tower/Beacon Installation	10-50
10-18	LMIS Harness	10-52
10-19	Stabilizer Harness Equipped W/LMIS	10-54
SECTION 11 –		
DECALS		11-1
11-1	Decals - Main	11-2
11-2	Decals - Cab	11-6
SECTION 12 –		
OPTIONS		12-1
12-1	Hydraulic Hitch Kit	12-2
12-2	Field Hitch Assembly	12-4
12-3	Trailer Coupling Assembly	12-6
12-4	Front Cab Glass Shield	12-8
12-5	Air Suspension Seat Installation	12-10
12-6	Air Suspension Seat	12-12
12-7	Draw Bar Coupling	12-14
12-8	License Plate Light & Towing Plate Installation	12-16
12-9	Rear Access Door Kit	12-18

TABLE OF CONTENTS

FIGURE NO.	TITLE	PAGE NO.
12-10	Knurl Function Kit	12-20
12-11	Agricultural Kit	12-22
12-12	Hydraulic Agricultural Kit	12-24
12-13	Battery Switch	12-26
12-14	Boom Stop Installation	12-28
12-15	Ground Wire Installation	12-30
12-16	7-Pin Trailer Socket Installation	12-32
12-17	Twinline Hose Assembly Retrofit Kit	12-34
SECTION 13 –		
	RECOMMENDED SPARE PARTS	13-1
SECTION 14 – PART NUMBER INDEX		14-1

TABLE OF CONTENTS

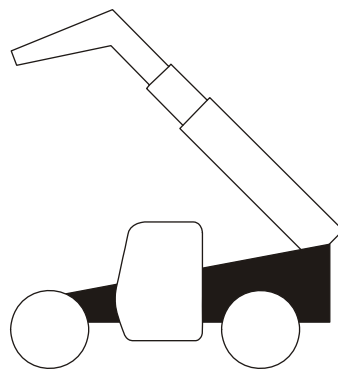
FIGURE NO.

TITLE

PAGE NO.

SECTION 1

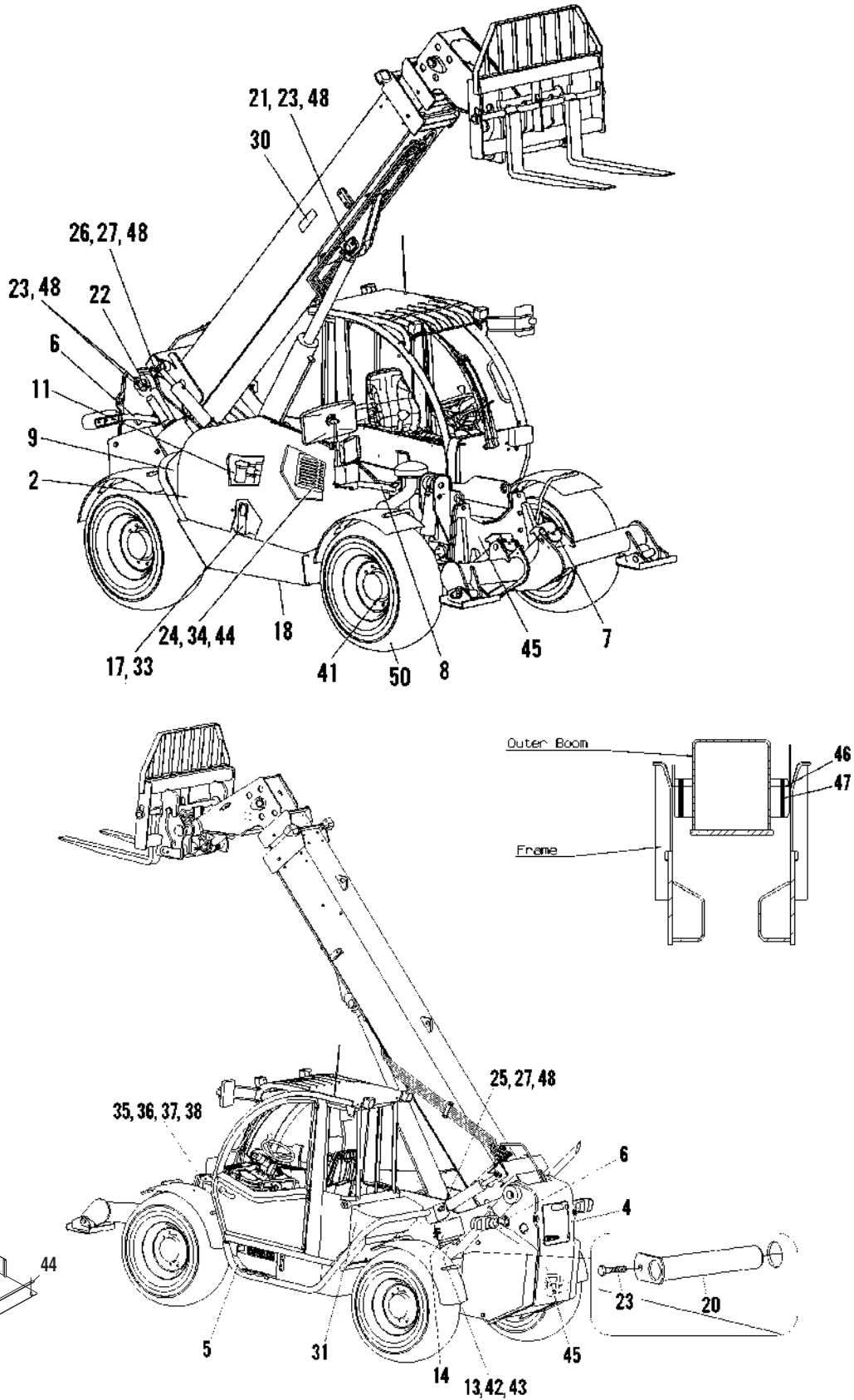
FRAME & ATTACHING PARTS





FRAME & ATTACHING PARTS

Figure 1-1 Basic Components Installation



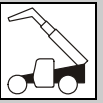


Figure 1-1 Basic Components Installation

Item	Part Number	Qty.	Description	Rev.
	8002757	Ref	BASIC COMPONENTS INSTALLATION	I
2		Ref	ENGINE HOOD INSTALLATION, (see Figure 1-2 for details)	
4		Ref	REAR BOOM COVER INSTALLATION, (see Figure 1-7 for details)	
5	8000782	1	GUARD, CABIN, (includes items 44, 51, 52 & 53)	
6		Ref	TAIL LIGHT & BRACKET INSTALLATION, (see Figure 10-7 for details)	
7		Ref	STABILIZER ASSY, (see Figure 1-10 for details)	
8		Ref	HEADLIGHT & BRACKET INSTALLATION, (see Figure 1-6 for details)	
9		Ref	AIR DUCT INSTALLATION, (see Figure 6-9 for details)	
11		Ref	ENGINE INSTALLATION, (see Figure 4-1 for details)	
13	806264	1	BRACKET, WEDGE	
14	0806253	1	WEDGE, (includes items 13, 42 & 43), (required in germany)	
17	8001626	1	PLATE	
18		Ref	ENGINE COVER INSTALLATION, (belly pan), (see Figure 1-3 for details)	
20	4803941	1	PIN	
21	4801654	1	PIN	
22	4803929	1	PIN	
23	5201612	4	BOLT, 16X25mm	
24	8002591	1	PLATE WITH LOUVERS, (if used), (also uses items 34 & 44)	
	3380533	1	PLATE WITHOUT LOUVERS, (if used), (also uses items 34 & 44)	
25	4804566	2	PIN	
26	4803076	2	PIN	
27	5201210	4	BOLT, 12X20mm	
30		1	DECAL INSTALLATION, (see Figure 11-1 & 11-2)	
31		1	TOOL BOX ASSY, (see Figure 1-4 for details)	
33	5201012	2	BOLT, 10X25mm	
34	5200605	5	BOLT, 6X10mm, (used with item 24)	
35	8005472	1	CHANNEL SECTION	
36	909304	AR	PROFILE RUBBER	
37	1784861	2	GASKET	
38	443630	2	WINGED SCREW	
41	2478782	40	LUGNUT, (torque to 500 Nm)	
42	5200814	4	BOLT, (models 3509, 3512, 4009 & 4013 only)	
43	2976912	4	PIPE, (models 3509, 3512, 4009 & 4013 only)	
44	1898686	AR	TRIM, (used with item 24)	
45	8008721	8	PLASTIC CAP	
46	8009983	2	SHIM, 1X50X160mm, (only if required)	
	8009986	2	SHIM, 1.5X50X160mm, (only if required)	
	8009987	2	SHIM, 2X50X160mm, (only if required)	
	8009988	2	SHIM, 2.99X50X160mm, (only if required)	
47	4031909	4	SOCKET HD CAPSCREW, M8-25, GR8.8, (only if required)	
	4031911	4	SOCKET HD CAPSCREW, M8-35, GR8.8, (only if required)	
	4031912	4	SOCKET HD CAPSCREW, M8-40, GR8.8, (only if required)	
48	0100011	AR	LOCTITE, #242	
50		Ref	TIRE & WHEEL ASSEMBLY, (see Figure 5-15 for details)	
51	3380567	1	CAB BOTTOM SHIELD	
52	5200608	6	RIPP BOLT, 6-36X16mm	
53	3960927	AR	TRIM	



FRAME & ATTACHING PARTS

Figure 1-2 Engine Hood Installation

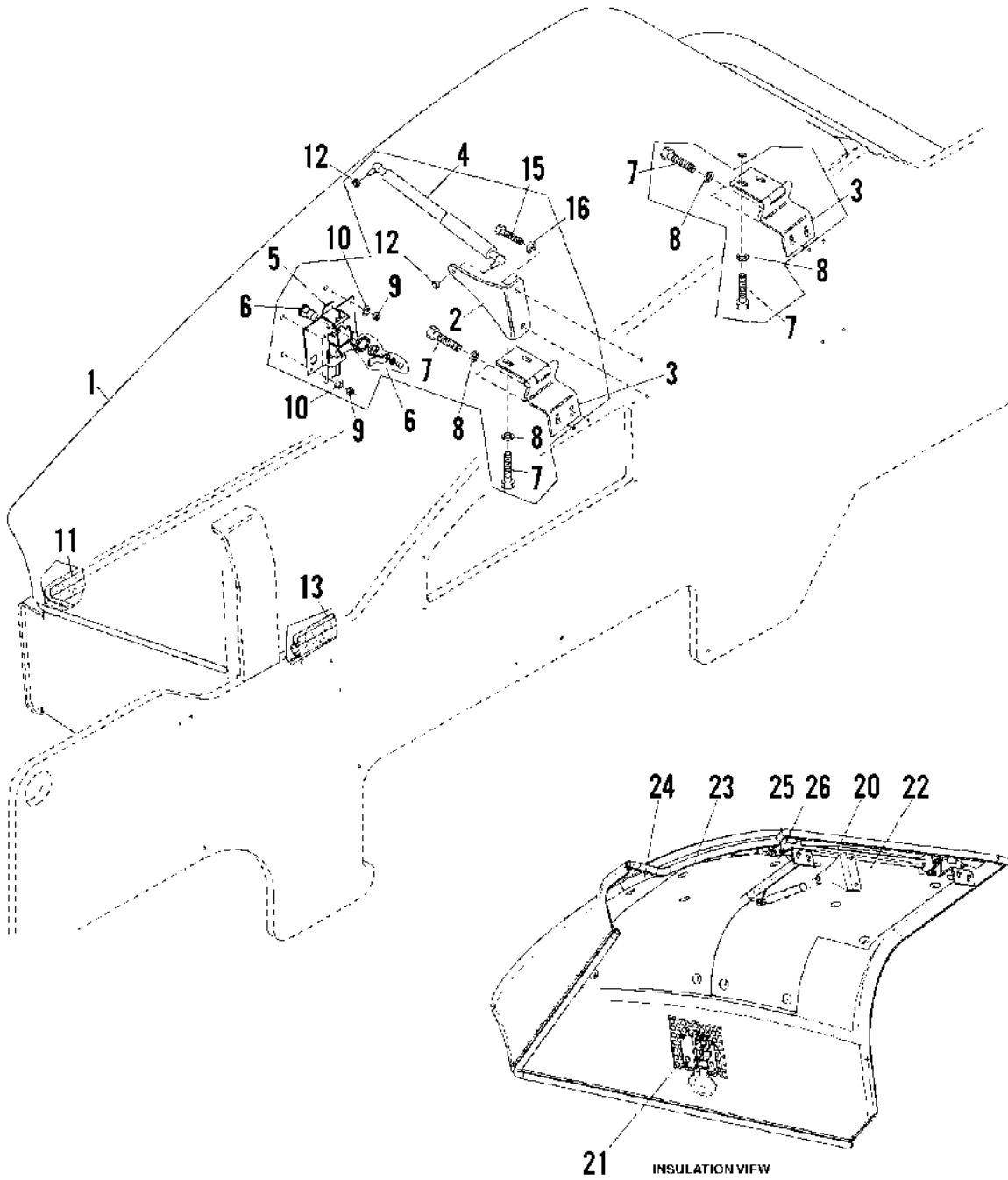




Figure 1-2 Engine Hood Installation

Item	Part Number	Qty.	Description	Rev.
	4806400	Ref	ENGINE HOOD INSTALLATION, TURBO ENGINE, (includes items 1 thru 21)	E
	0273835	Ref	ENGINE HOOD INSTALLATION, NA ENGINE, (S/N 1160000481 & After), (includes all items)	D
1	4807149	1	ENGINE HOOD, TURBO ENGINE, (includes items 20 & 21)	
	1671174	1	ENGINE HOOD, NATURALLY ASPIRATED ENGINE, (includes items 20 thru 26)	
2	4806308	1	BRACKET	
3	4806433	2	HINGE	
4	8000420	1	GAS SPRING	
5	8000382	1	LATCH	
6	8000801	1	LOCK	
7	0760810	8	HEX HD CAPSCREW, M8X20, GR8.8	
8	4811900	8	FLAT WASHER, 8mm	
9	3290607	3	HEX NUT, M6X1	
10	4811700	3	FLAT WASHER, 6mm	
11	2014226	AR	TRIM	
12	5220800	2	NUT, 8mm	
13	2014226	AR	TRIM	
15	0761010	2	HEX HD CAPSCREW, 10X20mm, GR8.8	
16	4812000	2	FLAT WASHER, 10mm	
20	4806422	1	REINFORCEMENT	
21	4806444	1	PLATE	
22	2820166	1	SOUND ABSORBING INSULATION	
23	2820167	1	SOUND ABSORBING INSULATION	
24	2820168	1	SOUND ABSORBING INSULATION	
25	4300159	14	MOUNTING STUDS	
26	1321291	14	CAP	



Figure 1-3 Engine Cover Installation

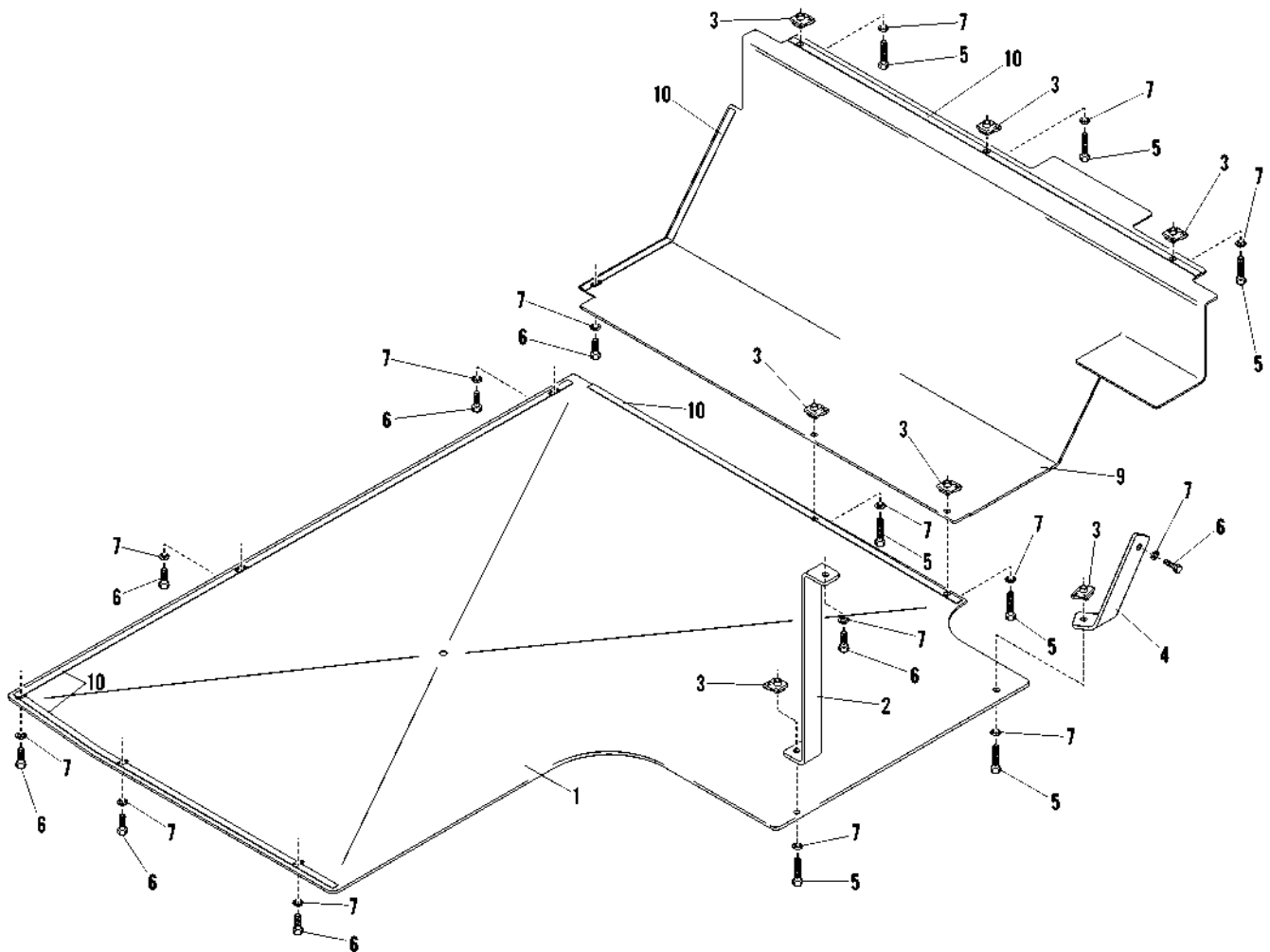


Figure 1-3 Engine Cover Installation

Item	Part Number	Qty.	Description	Rev.
	4806615	Ref	BELLY PAN INSTALLATION, (includes all items)	B
1	4805830	1	PROTECTING PLATE	
2	4805896	1	ANGLE	
3	2966421	7	NUT HOLDER	
4	8002423	1	HOLDER	
5	0760612	7	HEX HD CAPSCREW, M6-25, GR8.8	
6	0760608	8	HEX HD CAPSCREW, M6-16, GR8.8	
7	5211702	15	WASHER, 6X18.2X1.4mm	
9	8004879	1	RADIATOR GUARD PLATE	
10	1898686	AR	TRIM	



Figure 1-3 Engine Cover Installation

NOTE: OIL DRAIN ACCESS HOLE WAS LOCATED ON OPPOSITE SIDE OF PAN BEFORE S/N 1160000498.

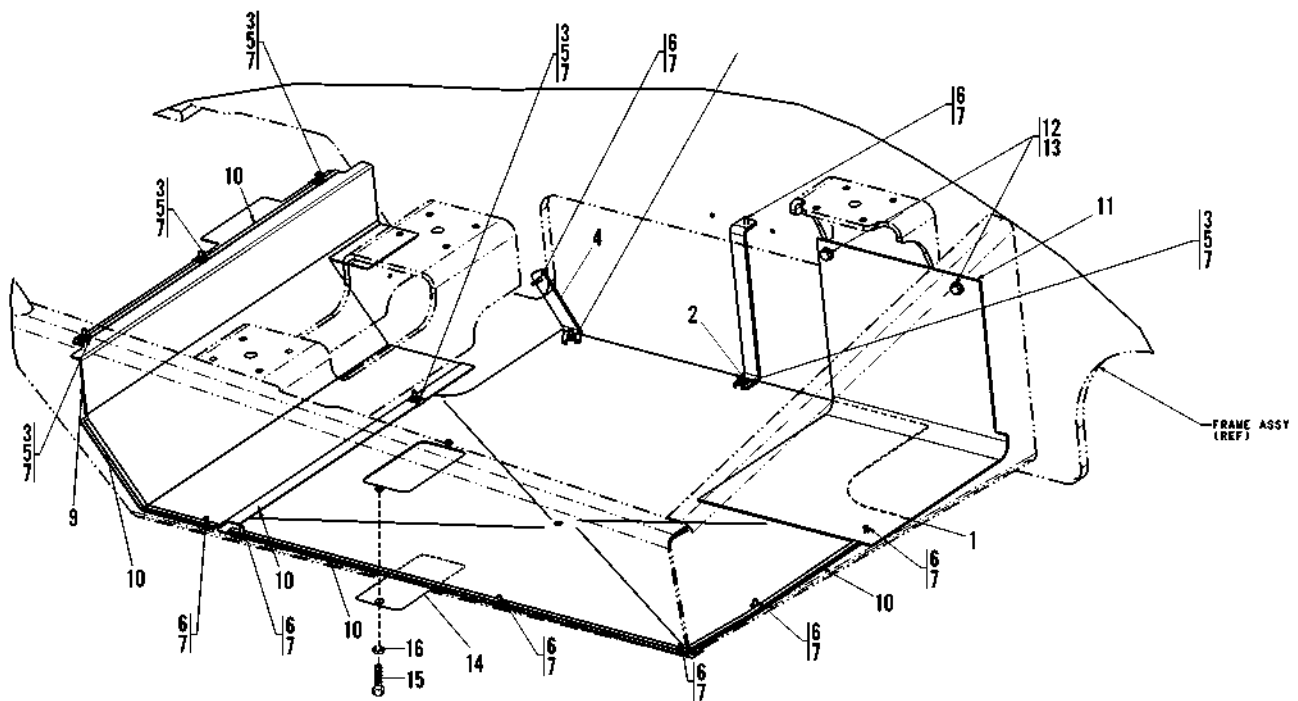




Figure 1-3 Engine Cover Installation

Item	Part Number	Qty.	Description	Rev.
	4806615	Ref	BELLY PAN INSTALLATION, NATURALLY ASPIRATED ENGINE, (includes all items)	E
	0273981	Ref	BELLY PAN INSTALLATION, TURBO ENGINE, (includes items 1 thru 10 & 14, 15 & 16)	
1	3380538	1	PROTECTING PLATE, (includes items 14, 15 & 16)	
2	4805896	1	ANGLE	
3	2966421	6	NUT HOLDER	
4	8002423	1	HOLDER	
5	0760612	6	HEX HD CAPSCREW, M6-25, GR8.8	
6	0760608	8	HEX HD CAPSCREW, M6-16, GR8.8	
7	5211702	14	WASHER, 6X18.2X1.4mm	
9	8004879	1	RADIATOR GUARD PLATE	
10	1898686	AR	TRIM	
11	1671157	1	RUBBER ENGINE COVER, (for use with NA engine only)	
12	5212000	2	WASHER, 10X22mm, (for use with NA engine only)	
13	0761012	2	HEX HD CAPSCREW, 10-1.5X25mm, GR8.8, (for use with NA engine only)	
14	3380534	1	OIL DRAIN PANEL	
15	0700507	2	HEX HD CAPSCREW, 5-0.8X14mm, GR8.8	
16	4811600	2	FLAT WASHER, M5	



FRAME & ATTACHING PARTS

Figure 1-4 Toolbox Installation

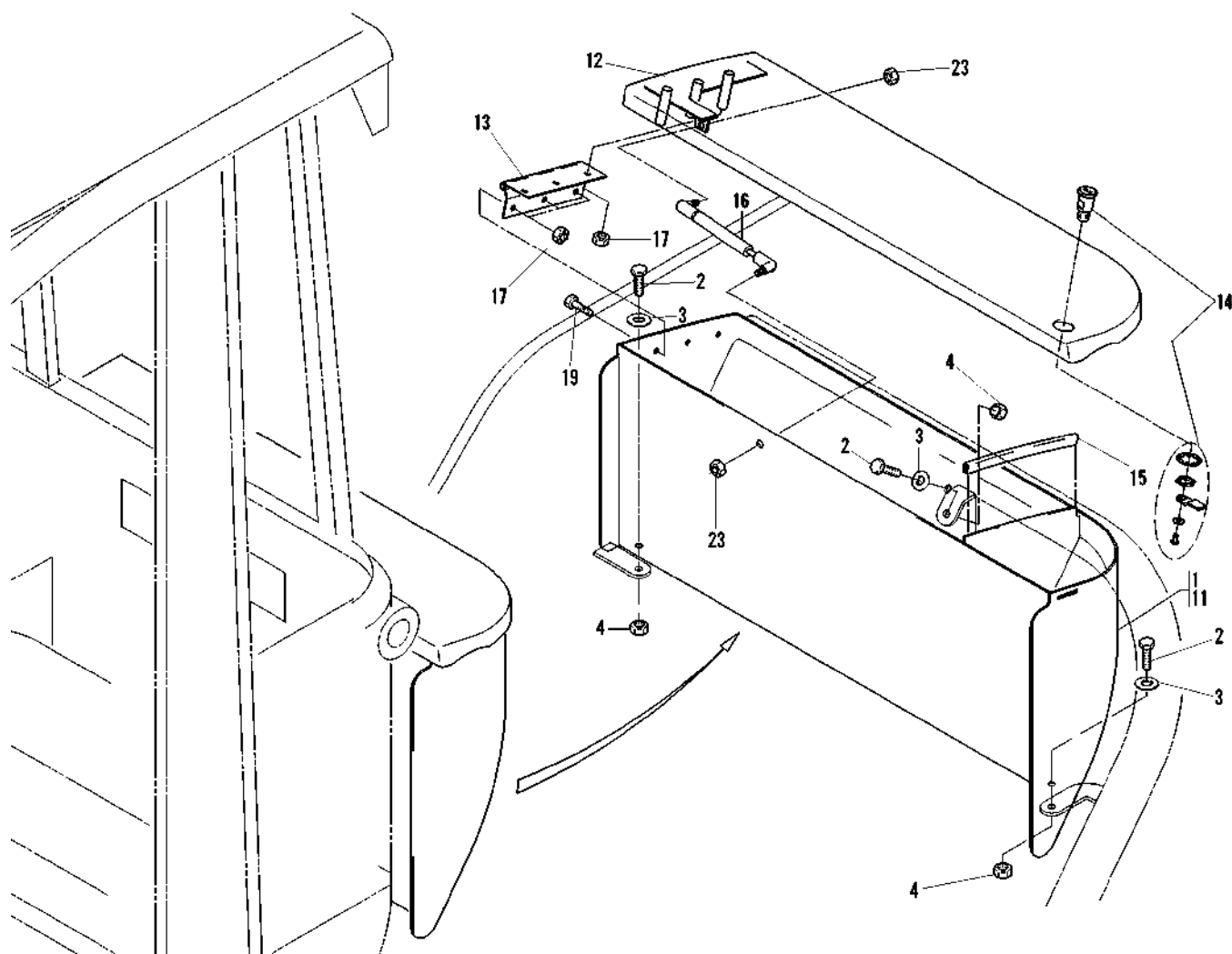




Figure 1-4 Toolbox Installation

Item	Part Number	Qty.	Description	Rev.
	0274131	Ref	TOOLBOX INSTALLATION, (includes all items except item 24)	A
1	8001935	1	TOOLBOX ASSY, (includes items 11 thru 23)	G
2	0760810	3	HEX HD CAPSCREW, M8X20, GR8.8	
3	5211900	3	LOCKWASHER, 8-18.2X1.4mm	
4	5220800	3	NUT, 8mm	
11	8002319	1	TOOLBOX	
12	3380559	1	COVER, TOOLBOX	
13	8002332	1	HINGE	
14	8008701	1	LOCK	
	8008049	1	KEY	
15	914210	AR	TRIM	
16	1001097296	1	GAS SPRING	
17	5220600	6	RIPP NUT, 6mm	
19	5200608	3	BOLT, 6X16mm	
23	5220800	2	NUT, 8mm	
24	0240064	1	WRENCH, DOUBLE ENDED OPEN JAW, (not illustrated)	



FRAME & ATTACHING PARTS

Figure 1-5 Counterweight Assembly

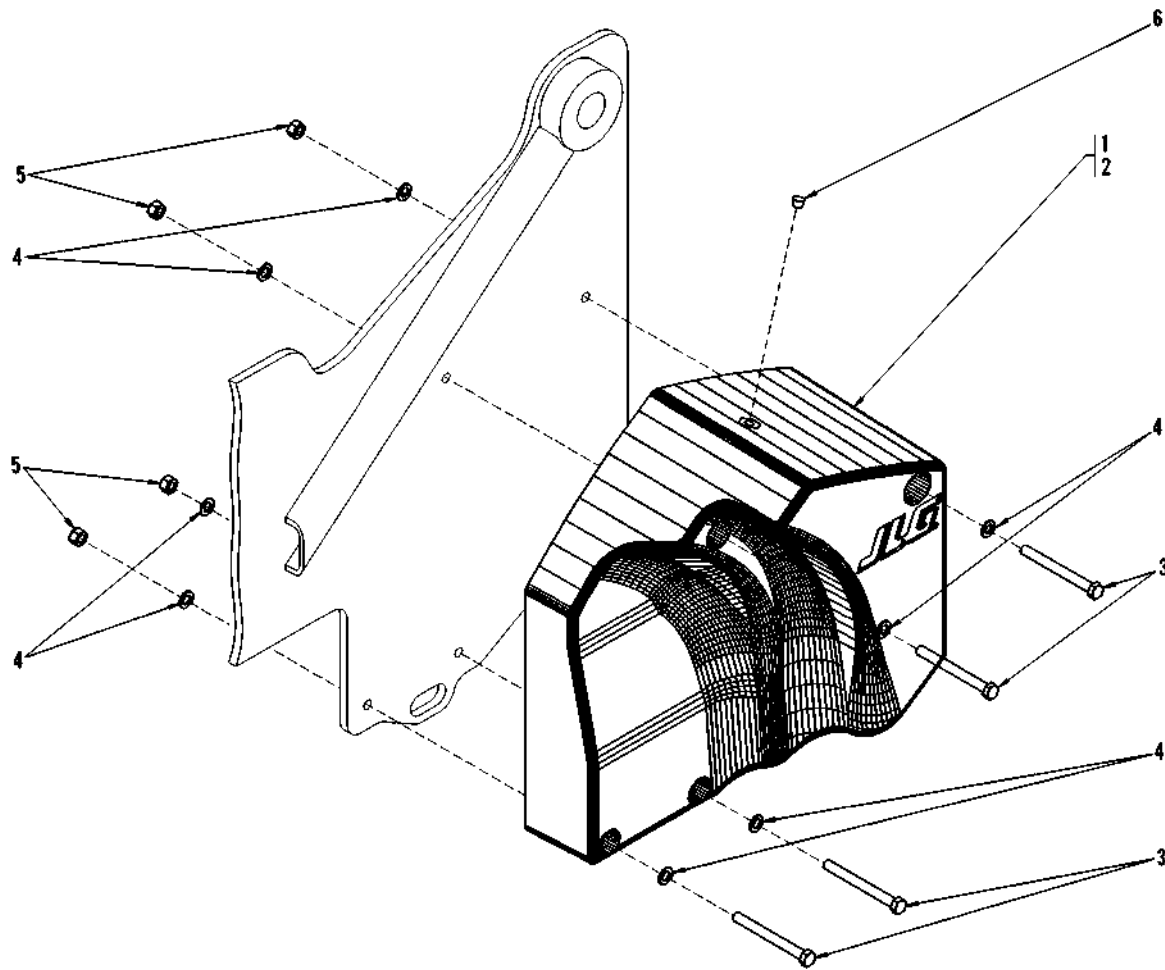




Figure 1-5 Counterweight Assembly

Item	Part Number	Qty.	Description	Rev.
		Ref	COUNTERWEIGHT ASSY	B
	8008971	1	375 KG, (models 4007, 3509, 4008, 3512)	
1	8008963	1	COUNTERWEIGHT, (Before S/N 1160002172)	
	8005317	1	COUNTERWEIGHT, (S/N 1160002172 & After)	
2	8008964	1	COUNTERWEIGHT, (Before S/N 1160002172)	
	8005318	1	COUNTERWEIGHT, (S/N 1160002172 & After)	
3	0702037	8	HEX HD CAPSCREW, 20-200mm, GR8.8, (torque to 480 Nm)	
4	4812500	16	FLAT WASHER, 20mm	
5	3292007	8	LOCKNUT, M20	
6	8009883	2	PROTECTING CAP	
	8008969	1	750 KG, (models 3513, 4009, 4012)	
1	8008961	1	COUNTERWEIGHT, (left), (Before S/N 1160002172)	
	8005315	1	COUNTERWEIGHT, (left), (S/N 1160002172 & After)	
2	8008962	1	COUNTERWEIGHT, (right), (Before S/N 1160002172)	
	8005316	1	COUNTERWEIGHT, (right), (S/N 1160002172 & After)	
3	0702037	8	HEX HD CAPSCREW, 20-200mm, GR8.8, (torque to 480 Nm)	
4	4812500	16	FLAT WASHER, 20mm	
5	3292007	8	LOCKNUT, M20	
6	8009883	2	PROTECTING CAP	
	8009078	1	1170 KG, (model 4013 only)	
	8009078		1140 KG	
1	8009124	1	COUNTERWEIGHT	
2	8009125	1	COUNTERWEIGHT	
3	0702037	8	HEX HD CAPSCREW, 20-200mm, GR8.8, (torque to 480 Nm)	
4	4812500	16	FLAT WASHER, 20mm	
5	3292007	8	LOCKNUT, M20	
6	8009883	2	PROTECTING CAP	



FRAME & ATTACHING PARTS

Figure 1-6 Headlight & Mirror Bracket

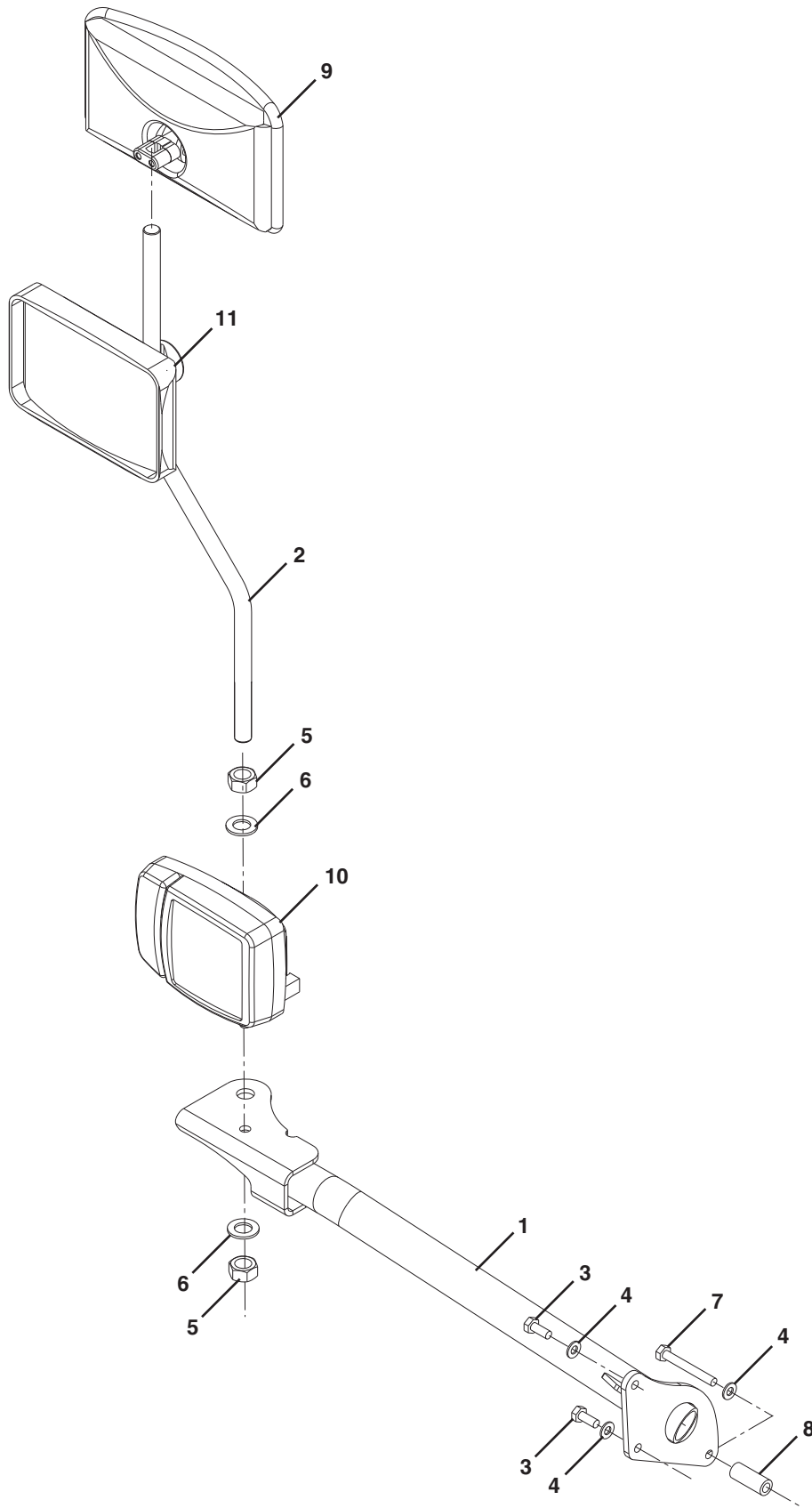




Figure 1-6 Headlight & Mirror Bracket

Item	Part Number	Qty.	Description	Rev.
	4806808	Ref	LAMP & MIRROR BRACKET INSTALLATION, (front), (includes all items)	B
1	4806659	1	BRACKET	
2	4806693	1	ROD	
3	0761012	2	HEX HD CAPSCREW, M10-25, GR8.8	
4	4812000	3	FLAT WASHER, 10mm	
5	3292001	2	NUT, 20mm	
6	4812500	2	FLAT WASHER, 20mm	
7	0701024	1	HEX HD CAPSCREW, M10-80, GR8.8	
8	8000704	1	PIPE	
9	3140008	1	MIRROR, OUTSIDE REAR VIEW, (was p/n 8002803)	
10	3928790	1	HEADLIGHT ASSY, (right) (see Figure 10-1 for left headlight)	
	7028000	1	LENS RETAINING RIM WITHOUT INDICATOR	
	7028001	1	LENS RETAINING RIM WITH INDICATOR	
	7028002	1	LENS FOR INDICATOR FRONT	
	7028003	1	LENS FOR INDICATOR REAR	
	7028004	1	SOCKET FOR BLADE RECEPTACLES 6 POLE	
	7028005	1	RUBBER CAP FOR AMP PLUG CONNECTOR	
	7028006	1	TERMINALS	
	0409672	1	INCANDESCENT LAMP (12V 55W)	
	0377300	1	INCANDESCENT LAMP (12V 4W)	
	3981604	1	INCANDESCENT LAMP (12V 55W)	
	0388450	1	INCANDESCENT LAMP (12V 21W)	
11	3140007	1	MIRROR, RECTANGULAR	



FRAME & ATTACHING PARTS

Figure 1-7 Rear Boom Cover Installation

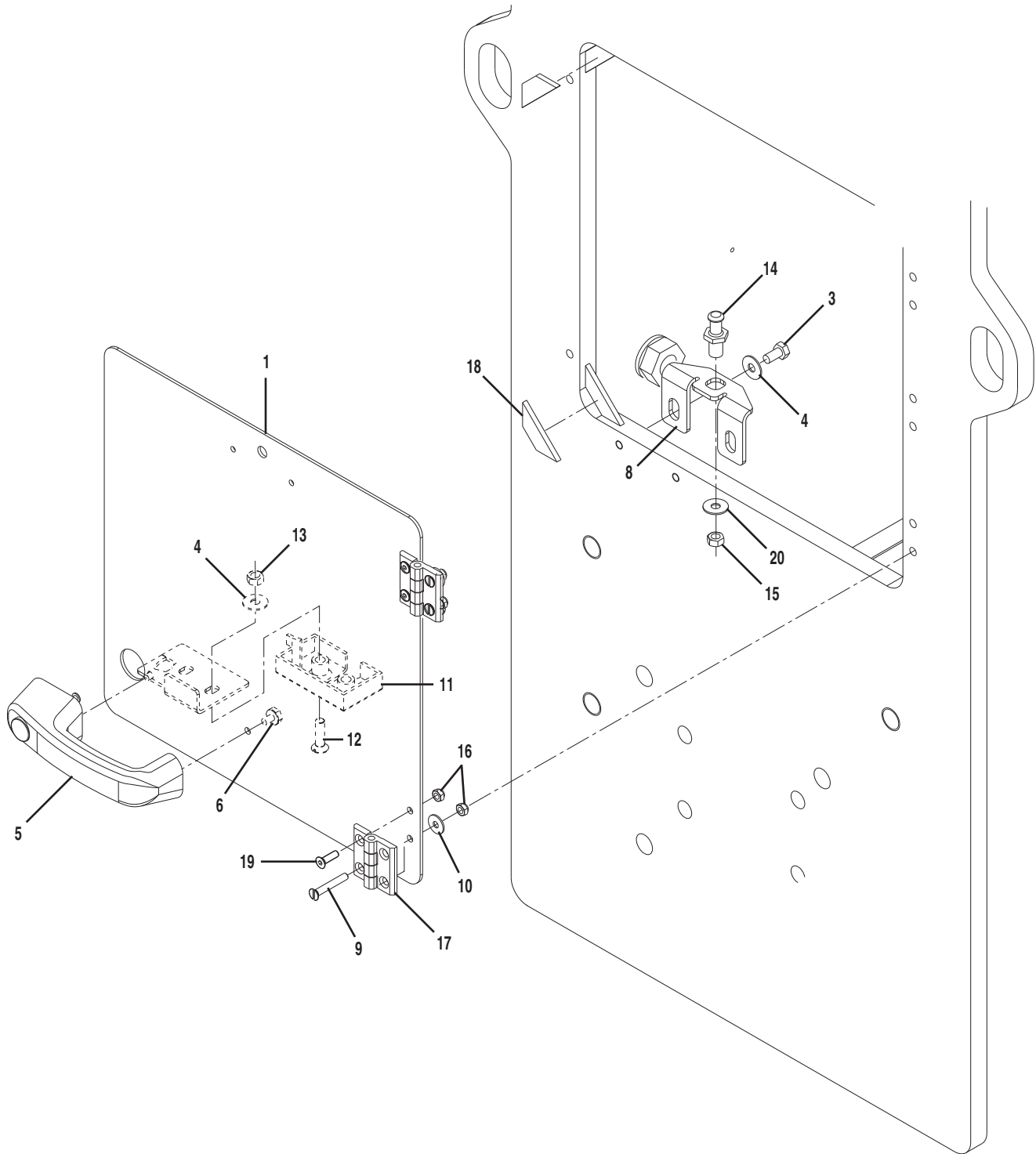




Figure 1-7 Rear Boom Cover Installation

Item	Part Number	Qty.	Description	Rev.
	8002263	Ref	REAR BOOM COVER INSTALLATION, (includes all items)	H
1	8004853	1	COVER	
3	0760808	2	HEX HD CAPSCREW, M8X16	
4	5211902	4	LOCKWASHER, 8mm	
5	8006491	1	HANDLE, PUSH BUTTON	
		Ref	KEY, (same key used for ignition), (see Figure 10-1 for details)	
6	5200605	2	BOLT, 6X10mm	
8	8004847	1	BRACKET, Before S/N 1160000358	
	8007430	1	BRACKET, S/N 1160000358 & AFTER	
9	8006242	4	COUNTERSUNK SCREW, 6X40mm	
10	5211702	4	WASHER, 6X18.2X1.4mm	
11	8004882	1	LOCK, LATCH	
12	1398385	2	COUNTERSUNK SCREW, 6X40mm	
13	3290801	2	HEX NUT, M8X1.25	
14	8003293	1	PIN	
15	3300497	1	HEX NUT, M12-1	
16	3290605	8	HEX LOCKNUT, M6X1	
17	8006105	2	HINGE	
18	909304	AR	TRIM	
19	0630576	4	FLAT HD CAPSCREW, 6X20mm	
20	4812100	1	WASHER, 12mm	



Figure 1-8 Axle Installation

Fixed

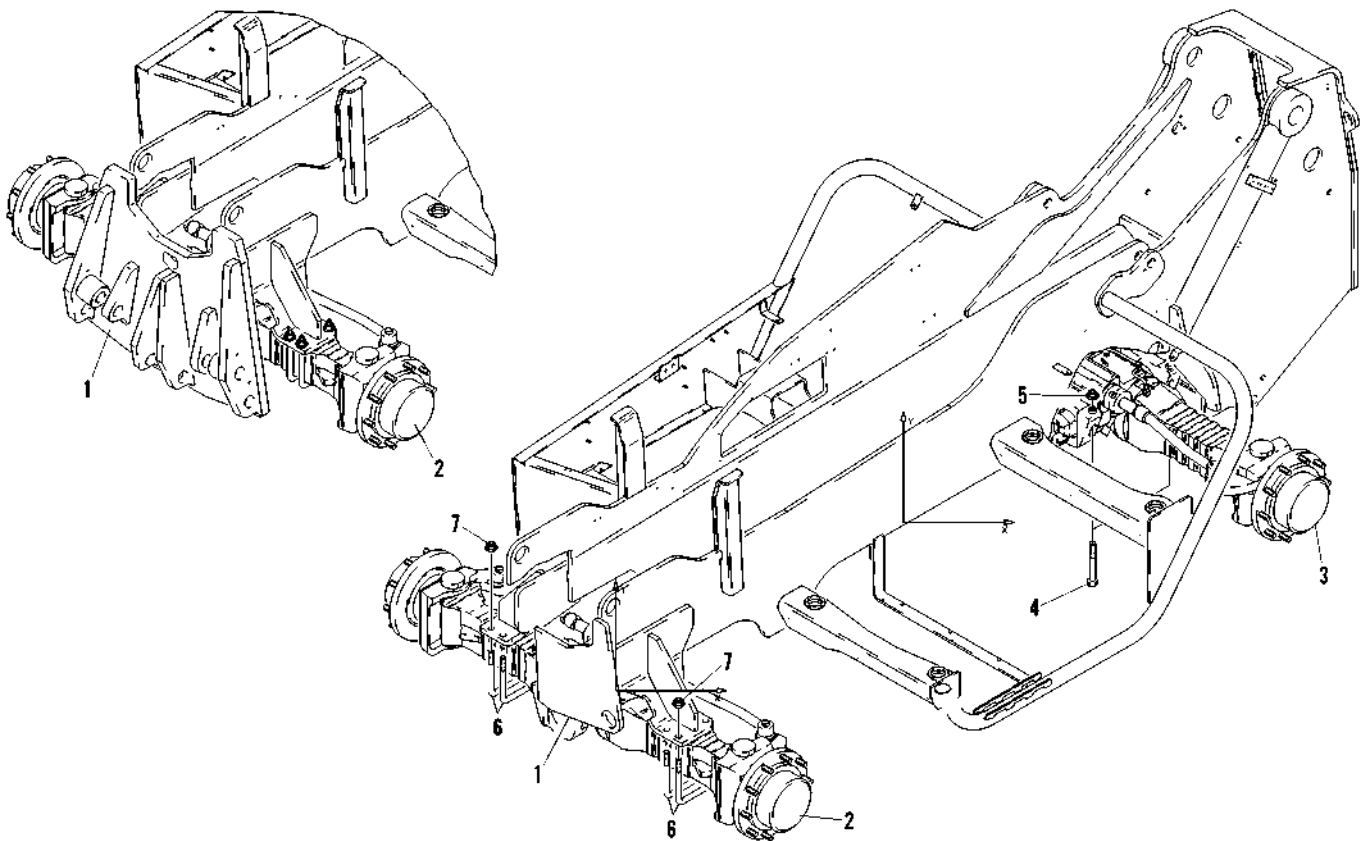


Figure 1-8 Axle Installation

Item	Part Number	Qty.	Description	Rev.
	8002758	Ref	AXLE INSTALLATION, (fixed), (includes all items)	B
1	8008160	1	FRAME RIGID COMPLETE, 7M & 8M MACHINES	
	8008159	1	FRAME RIGID COMPLETE, 12M MACHINES	
2		1	FRONT AXLE ASSY, (see Figure 5-1 for details)	
3		1	REAR AXLE ASSY, (see Figure 5-8 for details)	
4	0630574	4	HEX HD CAPSCREW, M20X1.5-130	
5	3300478	4	NUT, M20X1.5, (torque to 650 Nm)	
6	0630589	2	U-BOLT	
7	3300479	4	NUT, M22X1.5, (torque to 550 Nm)	



Figure 1-8 Axle Installation

Fixed

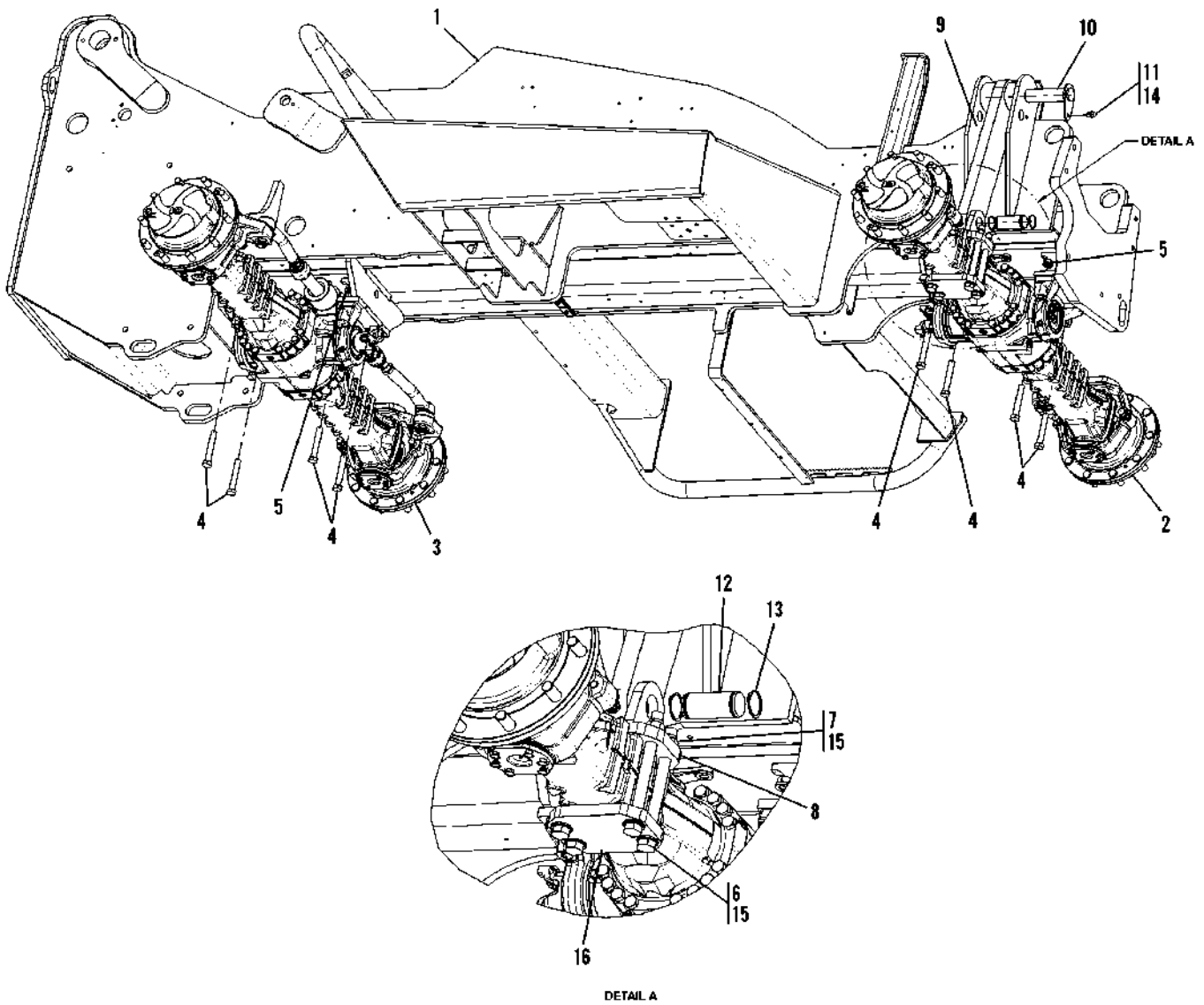




Figure 1-8 Axle Installation

Item	Part Number	Qty.	Description	Rev.
		Ref	AXLE INSTALLATION, (fixed),	
	0274367		AXLE INSTALLATION, (fixed), 7M, 8M & 9M MACHINES	F
	0274369		AXLE INSTALLATION, (fixed), 12M & 13M MACHINES	F
1	2360714	1	FRAME RIGID COMPLETE, 7M, 8M & 9M MACHINES	
1	2360715	1	FRAME RIGID COMPLETE, 12M & 13M MACHINES	
2		1	FRONT AXLE ASSY, (see Figure 5-1 for details)	
3		1	REAR AXLE ASSY, (see Figure 5-8 for details)	
4	0630574	8	HEX HD CAPSCREW, M20X1.5-130	
5	3300478	8	NUT, M20X1.5, (torque to 650 Nm)	
6	0630589	2	U-BOLT, (Before S/N 1160001168)	
	0712242	4	HEX HD CAPSCREW, M22X250, GR10.9, (S/N 1160001168 to S/N 1160002093)	
	0630589	2	U-BOLT, (S/N 1160002093 & After)	
7	3300479	4	NUT, M22X1.5, (Before S/N 1160001168) , (torque to 550 Nm)	
	3300500	4	NUT, M22, (S/N 1160001168 to S/N 1160002093) , (torque to 550 Nm)	
	3300479	4	NUT, M22X1.5, (S/N 1160002093 & After) , (torque to 550 Nm)	
8	4341221	1	AXLE BRACKET	
9	0903159	1	BRACKET, NON-LEVELING	
10	4802122	1	PIN	
11	5201210	1	BOLT, M12X20mm	
12	4802008	1	PIN	
13	3760493	2	CIRCLIP	
14	0100011	AR	LOCTITE, 242	
15	4740555	8	WASHER, M22, (S/N 1160001168 to S/N 1160002093)	
16	3576026	1	PLATE, AXLE LEVEL, (S/N 1160001168 to S/N 1160002093)	



Figure 1-8 Axle Installation

Oscillating

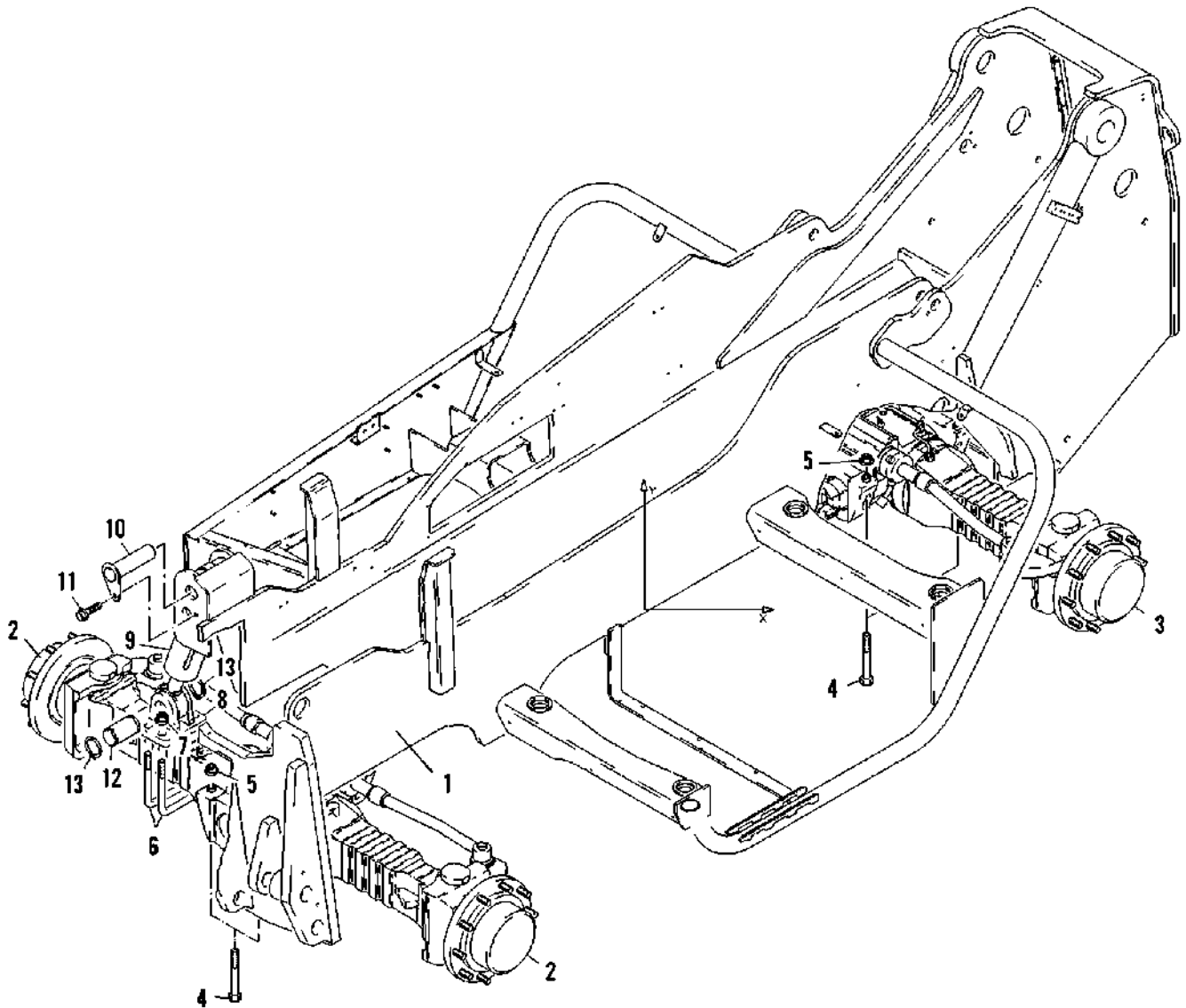


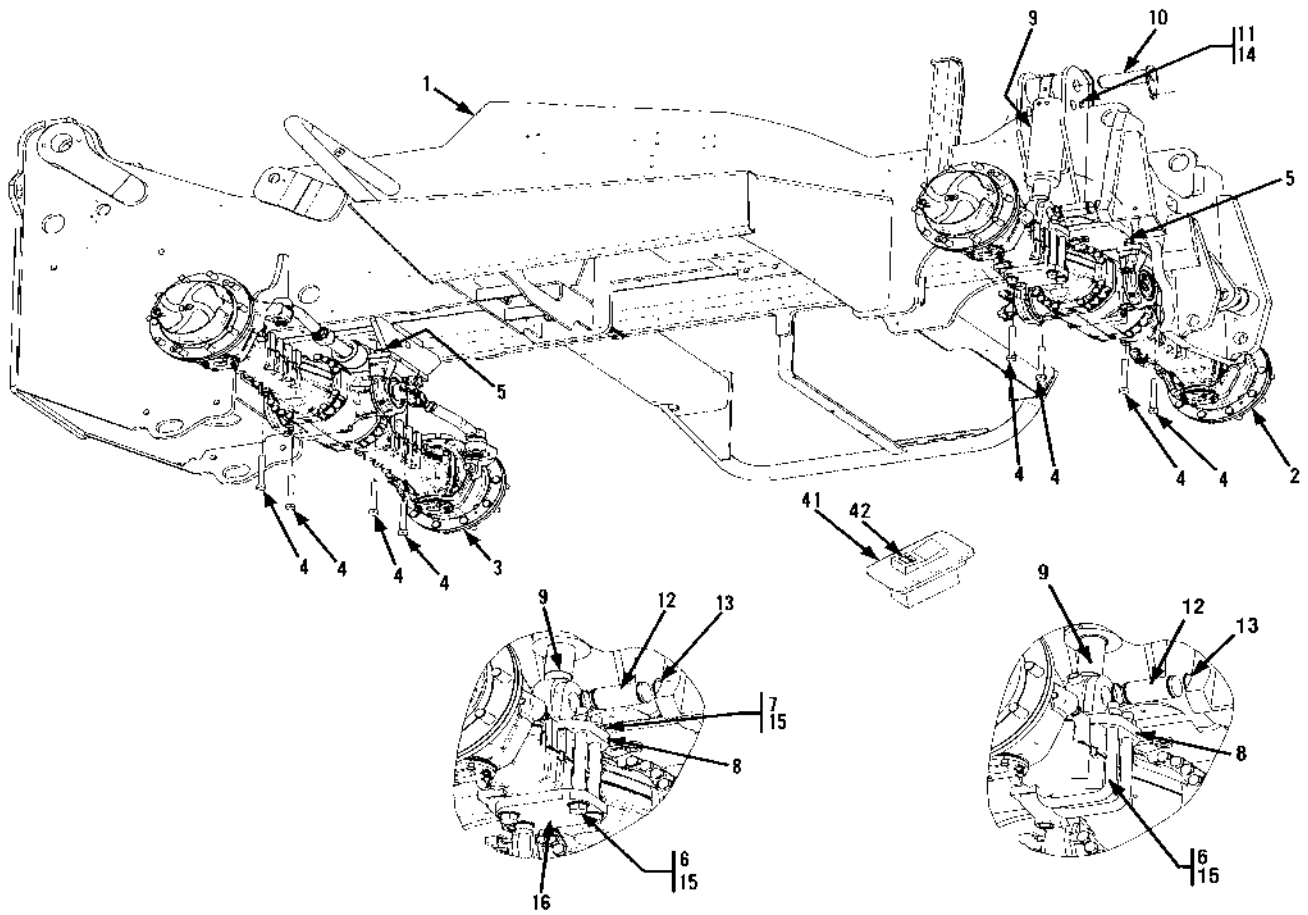


Figure 1-8 Axle Installation

Item	Part Number	Qty.	Description	Rev.
	8002758	Ref	AXLE INSTALLATION, (oscillating), (includes all items)	B
1	8008199	1	FRAME LEVELING COMPLETE, 7M & 8M MACHINES	
	8008157	1	FRAME LEVELING COMPLETE, 9M MACHINES	
	8008201	1	FRAME LEVELING COMPLETE, 12M MACHINES	
	8008200	1	FRAME LEVELING COMPLETE, 13M MACHINES	
2		Ref	FRONT AXLE ASSY, (see Figure 5-1 for details)	
3		Ref	REAR AXLE ASSY, (see Figure 5-8 for details)	
4	0630574	8	HEX HD CAPSCREW, M20X1.5-130	
5	3300478	8	NUT, M20X1.5, (torque to 650 Nm)	
6	0630589	2	U-BOLT	
7	3300479	4	NUT, M22X1.5, (torque to 550 Nm)	
8	4341221	1	BRACKET	
9		Ref	SWAY CYLINDER ASSY, (see Figure 9-5 for details)	
10	4802122	1	PIN, CYLINDER TOP	
11	1783337	1	BOLT, 12X20mm	
12	4802008	1	PIN, CYLINDER BOTTOM	
13	1302552	2	CIRCLECLIP	
14		Ref	SWITCH, (not illustrated), (see Figure 10-1, Item 41 for details)	
15		Ref	DECAL, (not illustrated), (see Figure 10-1, Item 42 for details)	



Figure 1-8 Axle Installation



PAF089



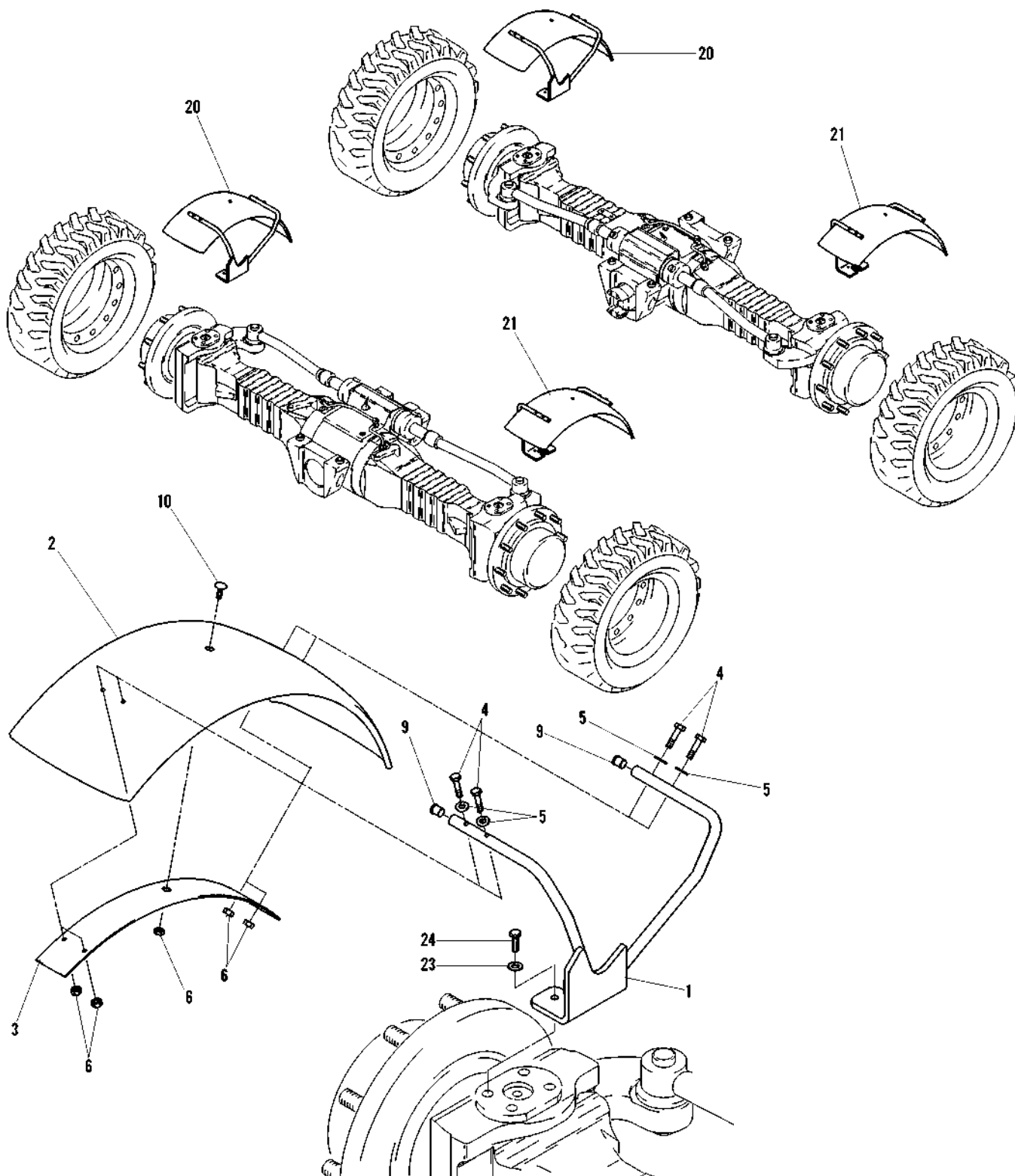
Figure 1-8 Axle Installation

Item	Part Number	Qty.	Description	Rev.
	0274366	Ref	AXLE INSTALLATION, (oscillating), 7M, 8M & 9M MACHINES	F
	0274368	Ref	AXLE INSTALLATION, (oscillating), 12M & 13M MACHINES, (standard assembly)	G
	0275381	Ref	AXLE INSTALLATION, (oscillating), 12M & 13M MACHINES, (smart basket assembly)	A
1	2360714	1	FRAME LEVELING COMPLETE, 7M, 8M & 9M MACHINES	
	2360715	1	FRAME LEVELING COMPLETE, 12M & 13M MACHINES, (standard assembly)	
	2360768	1	FRAME LEVELING COMPLETE, 12M & 13M MACHINES, (smart basket assembly)	
2		Ref	FRONT AXLE ASSY, (see Figure 5-1 for details)	
3		Ref	REAR AXLE ASSY, (see Figure 5-8 for details)	
4	0630574	8	HEX HD CAPSCREW, M20X1.5-130	
5	3300478	8	NUT, M20X1.5, (torque to 650 Nm)	
6	0630589	2	U-BOLT, (Before S/N 1160001168)	
	0712242	4	HEX HD CAPSCREW, M22X250, GR10.9, (S/N 1160001168 to S/N 1160002093)	
	0630589	2	U-BOLT, (S/N 1160002093 & After)	
7	3300479	4	NUT, M22X1.5, (Before S/N 1160001168) , (torque to 550 Nm)	
	3300500	4	NUT, M22, (S/N 1160001168 to S/N 1160002093) , (torque to 550 Nm)	
	3300479	4	NUT, M22X1.5, (S/N 1160002093 & After) , (torque to 550 Nm)	
8	4341221	1	BRACKET	
9		Ref	SWAY CYLINDER ASSY, (see Figure 9-5 for details)	
10	4802122	1	PIN, CYLINDER TOP	
11	5201210	1	BOLT, 12X20mm	
12	4802008	1	PIN, CYLINDER BOTTOM	
13	3760493	2	CIRCLECLIP	
14	0100011	AR	LOCTITE, 242	
15	4740555	8	WASHER, M22, (S/N 1160001168 to S/N 1160002093)	
16	3576026	1	PLATE, AXLE LEVEL, (S/N 1160001168 to S/N 1160002093)	
41		Ref	SWITCH, (see Figure 10-1, Item 41 for details)	
42		Ref	DECAL, (see Figure 10-1, Item 42 for details)	



FRAME & ATTACHING PARTS

Figure 1-9 Fenders Installation



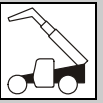


Figure 1-9 Fenders Installation

Item	Part Number	Qty.	Description	Rev.
	8007736	Ref	FENDER INSTALLATION, (optional), (includes all items)	F
1	8010526	1	RIGHT BRACKET	
	8010525	1	LEFT BRACKET	
2	8010519	1	FENDER	
3	8010524	1	SUPPORTING PLATE	
4	0700818	4	HEX HD CAPSCREW, 8X50mm, GR8.8	
5	4811900	4	FLAT WASHER, 8mm	
6	5220800	5	NUT, 8mm	
9	8006580	2	PLUG	
10	328027	1	BOLT, MUSHROOM HD, 8X20mm	
20	4804522	2	RIGHT ASSY, (includes items 1 thru 10)	
21	4804511	2	LEFT ASSY, (includes items 1 thru 10)	
23	4740532	16	WASHER, 12mm	
24	0630571	16	HEX HD CAPSCREW, 12-1.25X50, (torque to 135 Nm)	



FRAME & ATTACHING PARTS

Figure 1-10 Stabilizer Installation

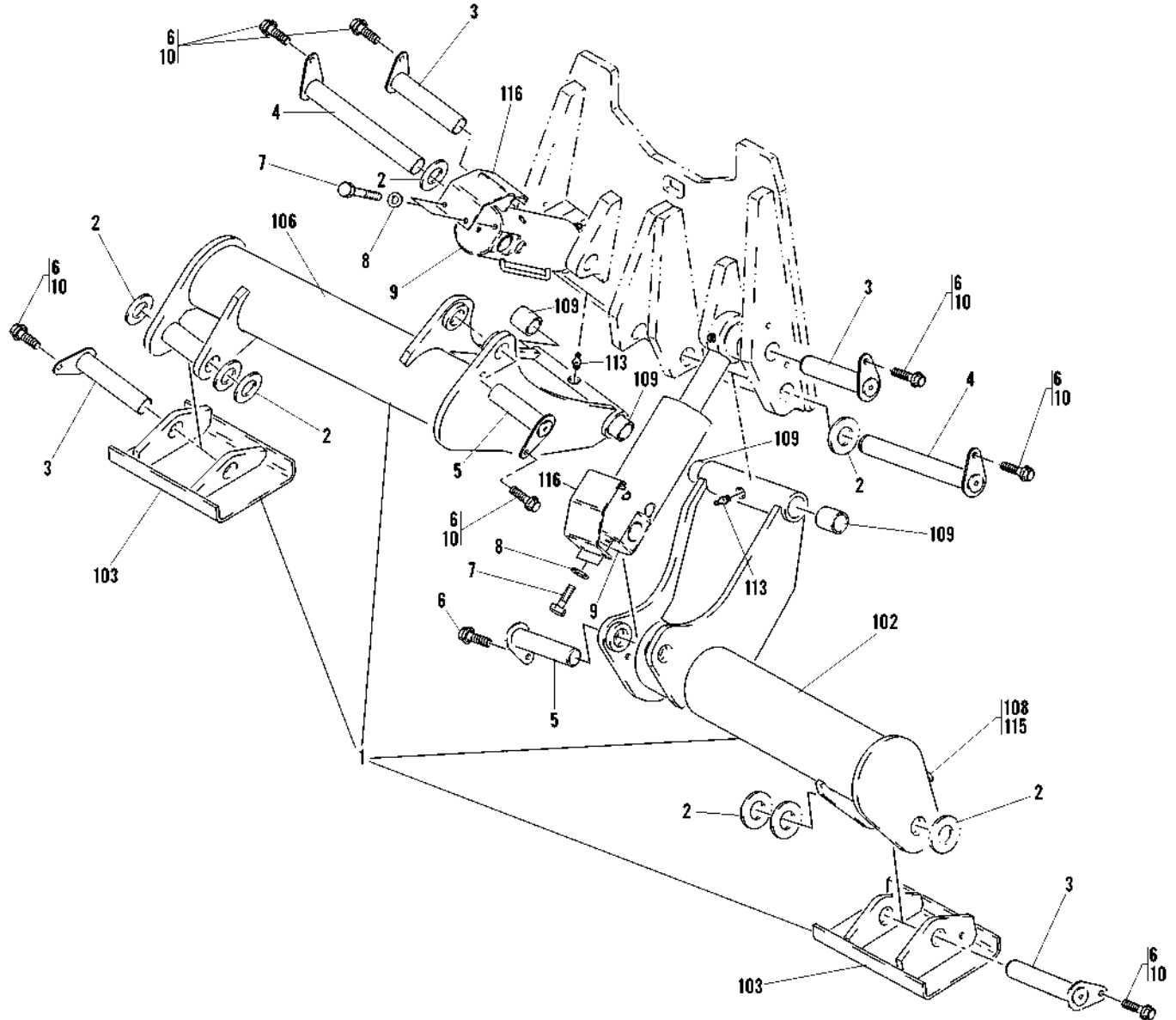




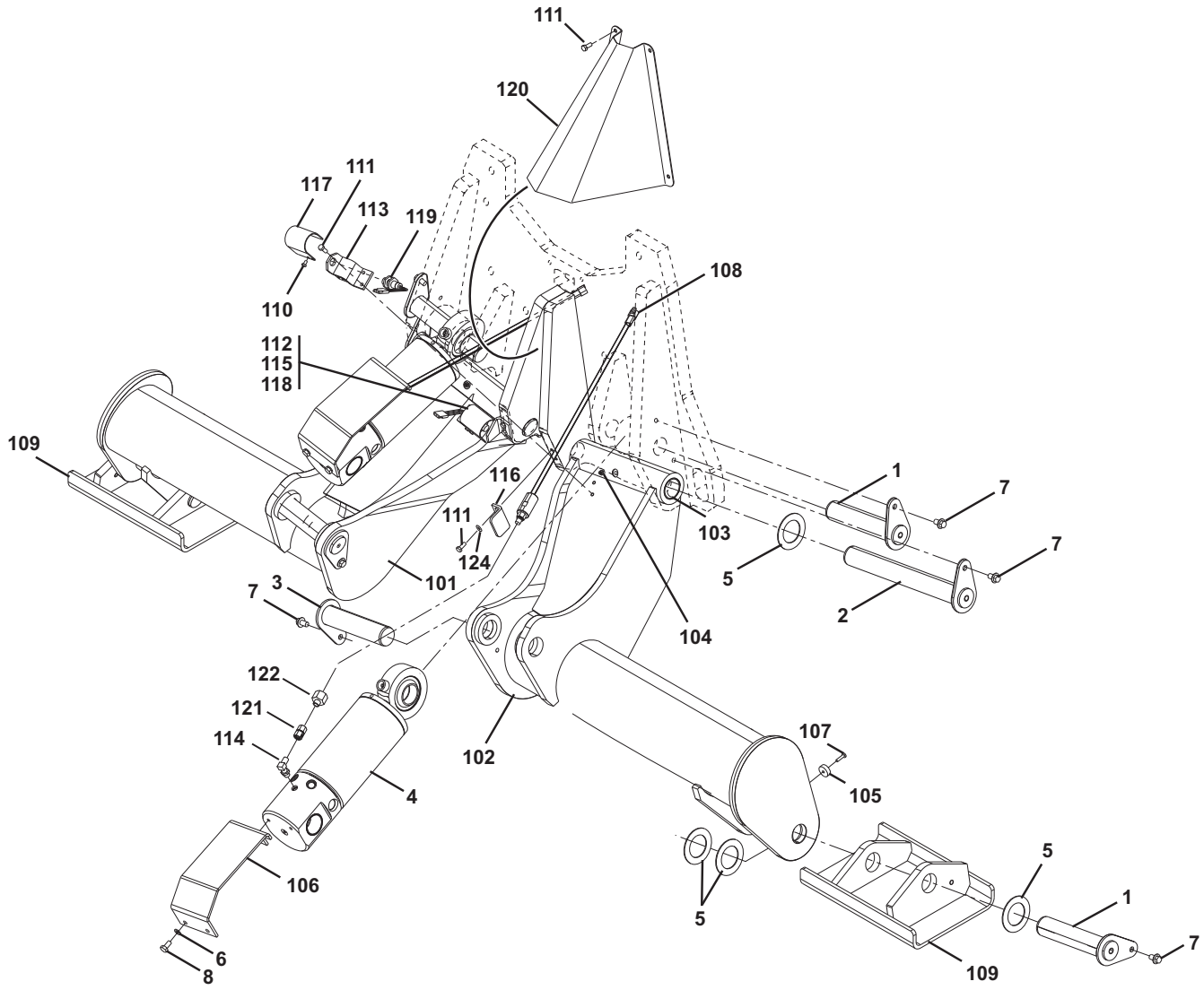
Figure 1-10 Stabilizer Installation

Item	Part Number	Qty.	Description	Rev.
	0273241	Ref	STABILIZER INSTALLATION, (12 & 13M machines only), (includes items 2 thru 10)	G
1	4800539	1	STABILIZER, (includes items 102 thru 116)	
2	3760652	8	SPACER	
3	4800482	4	PIN	
4	4800493	2	PIN	
5	4800562	2	PIN	
6	5201210	8	BOLT, 12X20mm	
7	0761010	4	HEX HD CAPSCREW, 10X20mm, GR8.8	
8	4832000	4	SPRING LOCKWASHER, 10mm	
9		2	STABILIZER CYLINDER ASSY, (see Figure 9-6 for details)	
10	0100011	AR	LOCTITE, #242	
102	8009085	1	LEVER, CLAW, (left)	
103	8009087	2	PAD	
106	8009086	1	LEVER, CLAW, (right)	
108	466364	2	BUFFER, ROUND	
109	8008051	4	BUSHING	
113	324590	2	FITTING, GREASE	
115	4010612	2	SCREW	
116	8009089	2	PLATE, PROTECTOR	



FRAME & ATTACHING PARTS

Figure 1-11 Stabilizer Installation for Platform



PAP088



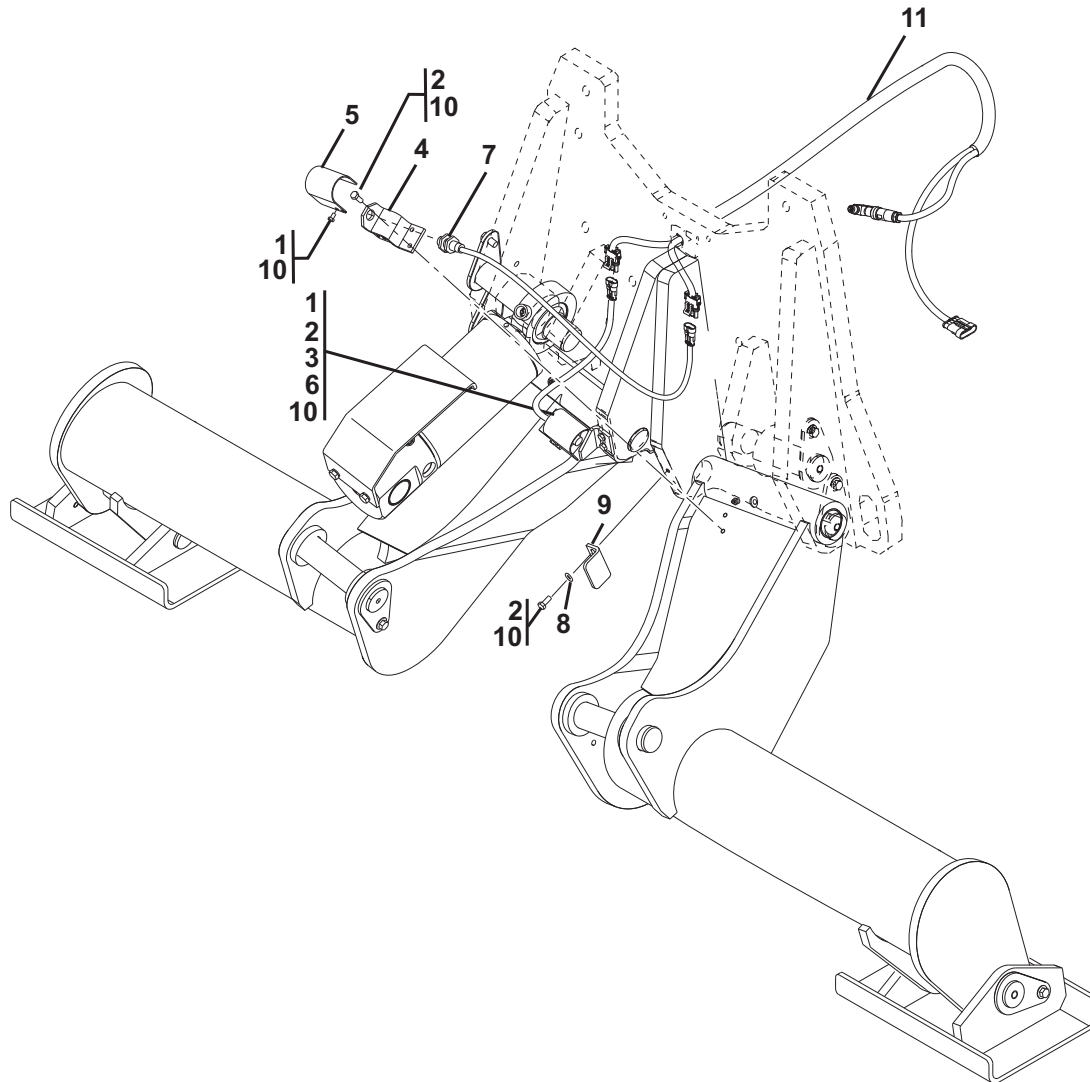
Figure 1-11 Stabilizer Installation for Platform

Item	Part Number	Qty.	Description	Rev.
	0274744	Ref	STABILIZER INSTALLATION FOR PLATFORM, (13M machines only), (includes items 103 thru 124)	F
	0274747	1	STABILIZER ASSY, (includes items 1 thru 8)	C
	4210041	Ref	STABILIZER CLAW SET, (includes items 101, 102 & 109)	A
1	4800482	4	PIN	
2	4800493	2	PIN	
3	4800562	2	PIN	
4		2	STABILIZER CYLINDER ASSY, (see Figure 9-6 for details)	
5	3760652	8	SPACER	
6	4832000	4	SPRING LOCKWASHER, 10mm	
7	1783337	8	BOLT, 12X20mm	
8	0761010	4	HEX HD CAPSCREW, 10X20mm, GR8.8	
101	8009086	1	LEVER, CLAW, (right), (Before S/N 1160002093)	
	4210033	1	LEVER, CLAW, (right), (S/N 1160002093 and After)	
102	8009085	1	LEVER, CLAW, (left), (Before S/N 1160002093)	
	4210034	1	LEVER, CLAW, (left), (S/N 1160002093 and After)	
103	8008051	4	BUSHING	
104	324590	2	GREASE FITTING	
105	466364	2	BUFFER, ROUND	
106	3380608	2	PRESSURE SWITCH SHIELD PANEL	
107	4010612	2	PAN HD SCREW, 6X25mm	
108	4360606	2	PRESSURE SWITCH	
109	8009087	2	CLAW PLATE WELDMENT	
110	0760605	4	HEX HD CAPSCREW, 6X10mm	
111	0760810	12	HEX HD CAPSCREW, 6X20mm	
112	0903295	1	RIGHT PROXIMITY WELDMENT BRACKET	
113	0903296	1	LEFT PROXIMITY WELDMENT BRACKET	
114	2143401	2	SWIVEL NUT ELBOW FITTING, (Before S/N 1160002093)	
	2141102	2	SWIVEL NUT ELBOW FITTING, (S/N 1160002093 and After)	
115	1001094268	1	RIGHT STRIKER PLATE, (was P/N 3576151)	
116	1001094268	1	LEFT STRIKER PLATE, (was P/N 3576152)	
117	3576193	1	LEFT PROXIMITY GUARD PLATE	
118	3576194	1	RIGHT PROXIMITY GUARD PLATE	
119	80363166	2	PROXIMITY SENSOR, (Before S/N 1160002093)	
	4000017	2	PROXIMITY SENSOR, (S/N 1160002093 and After)	
120	3380688	1	COVER, (S/N 1160002093 and After)	
121	2143602	2	SWIVEL UNION FITTING, (S/N 1160002093 and After)	
122	2221242	2	CONNECTOR, (S/N 1160002093 to S/N 1160003199)	
	1001092224	2	CONNECTOR, (S/N 1160003199 and After)	
124	5211900	4	WASHER, 8mm	



FRAME & ATTACHING PARTS

Figure 1-12 Stabilizer Installation Equipped W/LMIS



PAP179



Figure 1-12 Stabilizer Installation Equipped W/LMIS

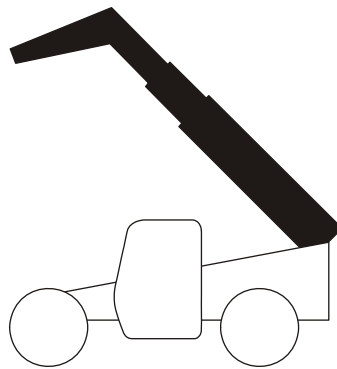
Item	Part Number	Qty.	Description	Rev.
	1001106349	Ref	STABILIZER INSTALLATION EQUIPPED WITH LMIS, (13M only) , (includes items 1 thru 12)	A
1	0760605	4	HEX HD CAPSCREW, 6X10mm	
2	0760810	8	HEX HD CAPSCREW, 8X20mm	
3	0903295	1	RIGHT PROXIMITY WELDMENT BRACKET	
4	0903296	1	LEFT PROXIMITY WELDMENT BRACKET	
5	3576193	1	LEFT PROXIMITY GUARD PLATE	
6	3576194	1	RIGHT PROXIMITY GUARD PLATE	
7	4000017	2	PROXIMITY SENSOR	
8	5211900	4	WASHER, 8mm	
9	1001094268	2	LEFT STRIKER PLATE	
10	1001095650	AR	LOCTITE, #243	
11	1001107855	1	HARNESS, STABILIZER, (see Figure 10-19 for details)	
12	1001109467	1	PLATE, STABILIZER LAYOUT TOOL, (not shown)	



FRAME & ATTACHING PARTS

This Page Intentionally Left Blank

SECTION 2 BOOM

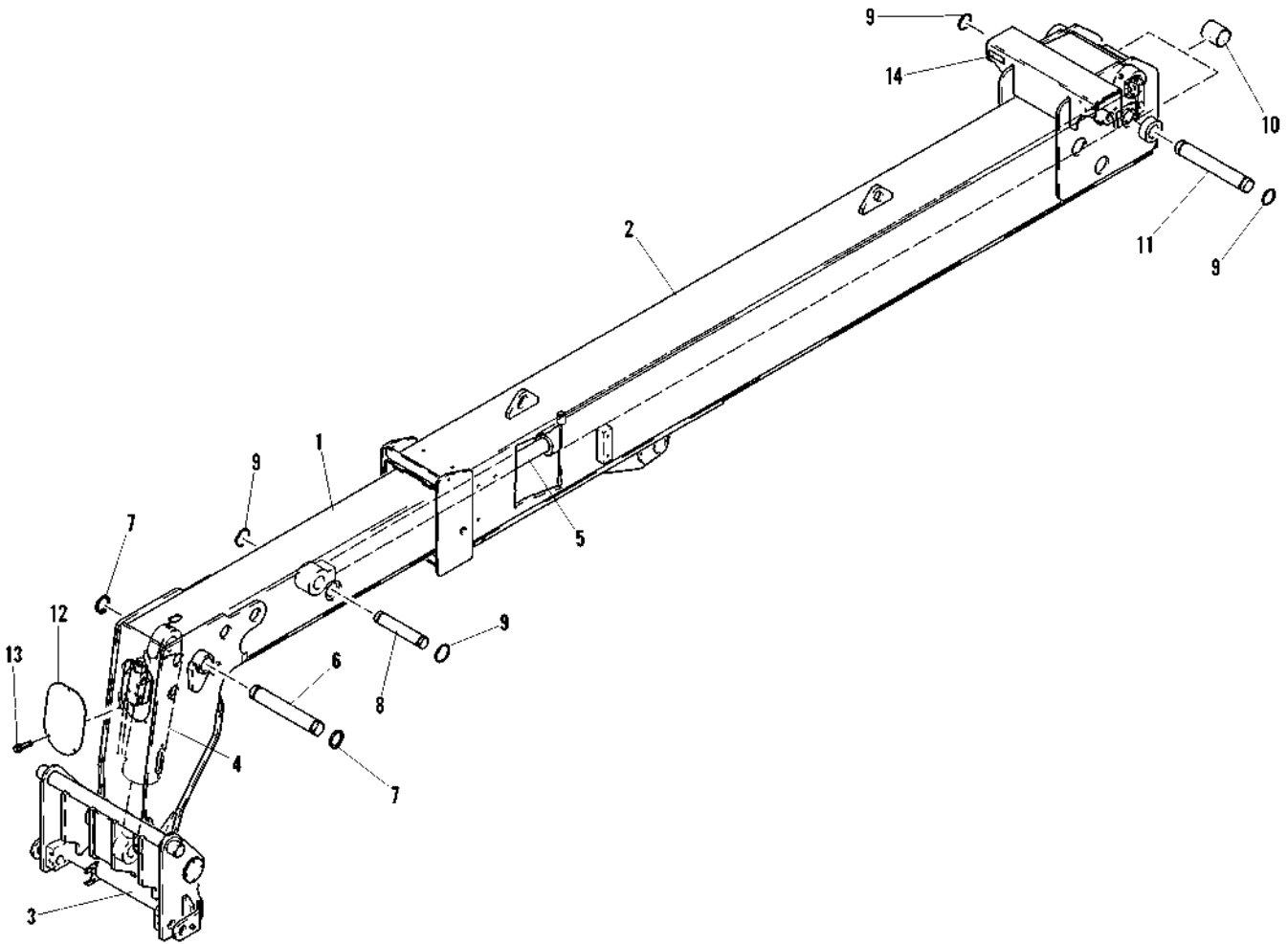




BOOM

Figure 2-1 Boom Assembly

7, 8 & 9M



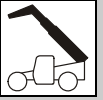


Figure 2-1 Boom Assembly

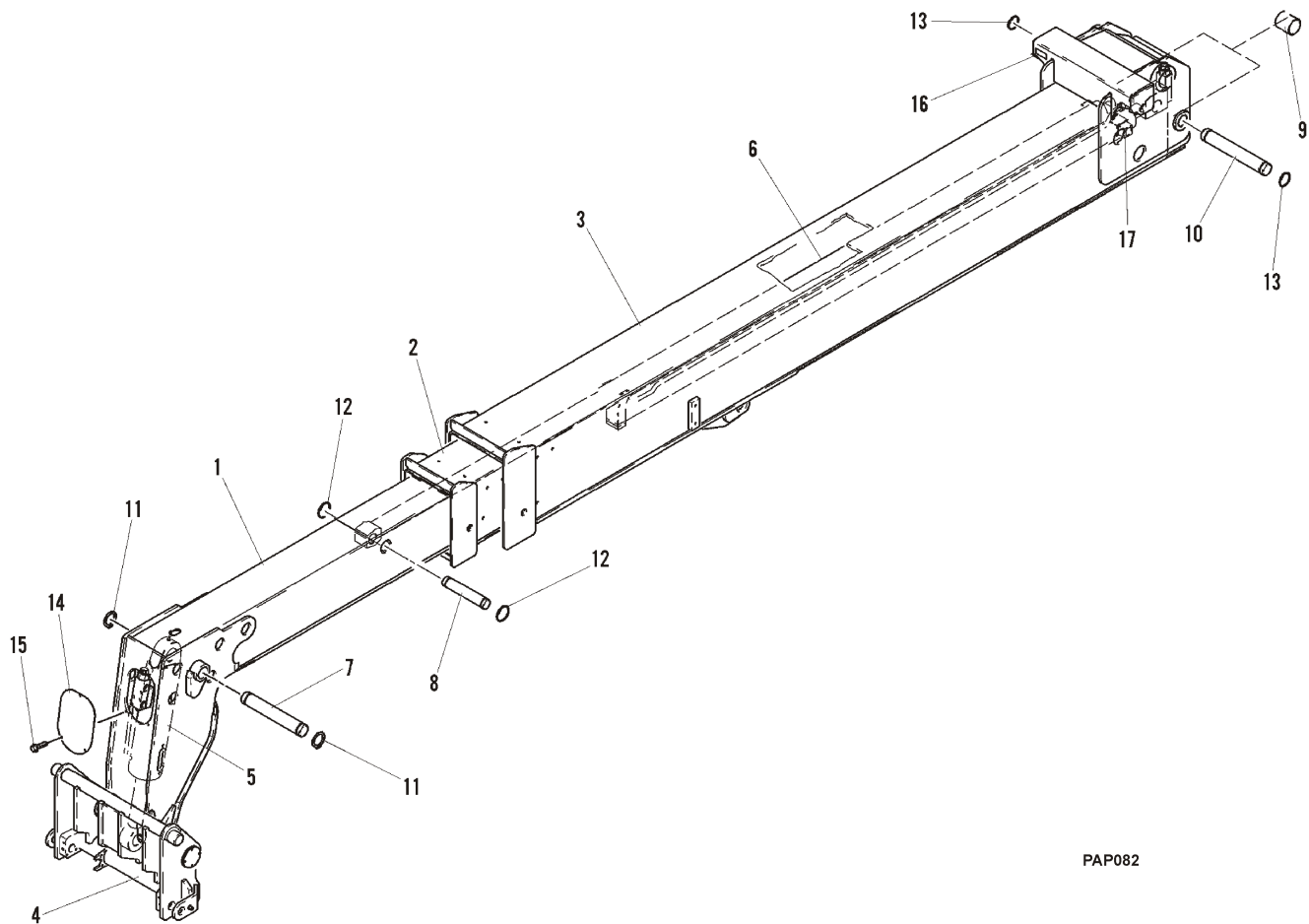
Item	Part Number	Qty.	Description	Rev.
		Ref	BOOM ASSEMBLY, 7, 8 & 9M	
	8002780	Ref	7 & 8M MACHINES, (Before S/N 1160000798), (includes all items)	E
	0273113	Ref	7 & 8M MACHINES, (S/N 1160000798 & After), (includes all items)	B
	8007281	Ref	9M MACHINES, (includes all items)	D
1		Ref	FLY SECTION ASSY, (see Figure 2-3 for details)	
2		Ref	BASE SECTION ASSY, (see Figure 2-2 for details)	
3		Ref	QUICK RELEASE ASSY, (see Figure 2-5 for details)	
4		Ref	TILT CYLINDER ASSY, (see Figure 9-3 for details)	
5		Ref	EXTEND/RETRACT CYLINDER ASSY, (see Figure 9-2 for details)	
6	8002640	1	PIN	
7	3760463	2	CIRCLECLIP	
8	4805590	1	PIN	
9	8006258	4	CIRCLECLIP	
10	8002320	2	SPACER	
11	8002331	1	PIN	
12	8002641	1	COVER PLATE	
13	0760807	3	BOLT, 8X14mm	
14	8009939	1	SERIAL NUMBER PLATE	



BOOM

Figure 2-1 Boom Assembly

12 & 13M



PAP082



Figure 2-1 Boom Assembly

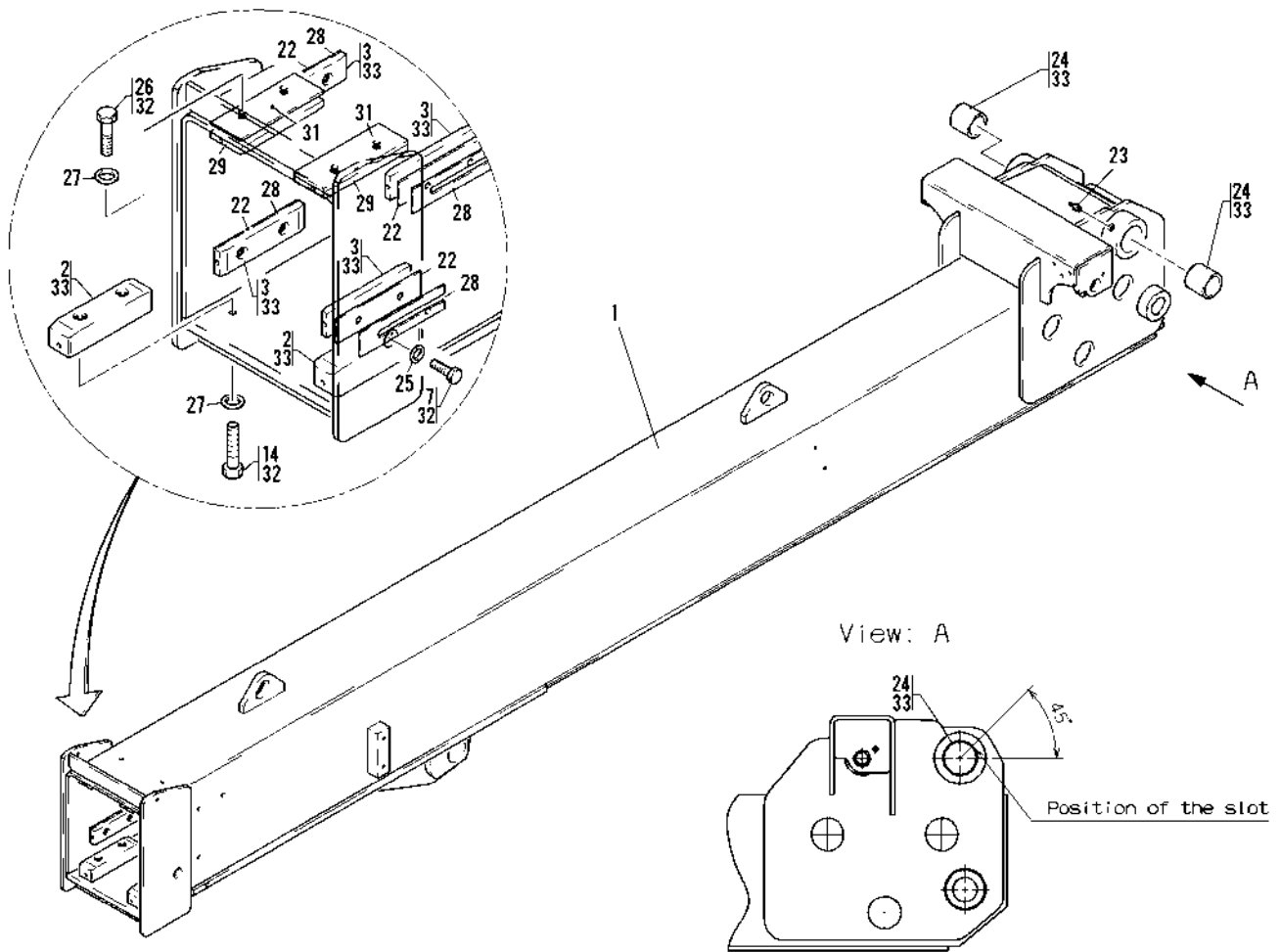
Item	Part Number	Qty.	Description	Rev.
		Ref	BOOM ASSEMBLY, 12 & 13M	
	8002779	Ref	12M MACHINES, (Before S/N 1160000798) , (includes items 1 thru 16)	E
	0273117	Ref	12M MACHINES, (S/N 1160000798 & After) , (includes all items)	E
	8007271	Ref	13M MACHINES, (includes items 1 thru 16)	E
1		Ref	FLY SECTION ASSY, (see Figure 2-4 for details)	
2		Ref	MID SECTION ASSY, (see Figure 2-3 for details)	
3		Ref	BASE SECTION ASSY, (see Figure 2-2 for details)	
4		Ref	QUICK RELEASE ASSY, (see Figure 2-5 for details)	
5		Ref	TILT CYLINDER ASSY, (see Figure 9-3 for details)	
6		Ref	EXTEND/RETRACT CYLINDER ASSY, (see Figure 9-2 for details)	
7	8002640	1	PIN	
8	8002639	1	PIN	
9	8002320	2	SPACER	
10	8002331	1	PIN	
11	3760463	2	CIRCLECLIP	
12	314689	2	CIRCLECLIP	
13	8006258	2	CIRCLECLIP	
14	8002641	1	COVER PLATE	
15	0760807	3	BOLT, 8X14mm	
16	8009939	1	SERIAL NUMBER PLATE	
17	4220272	2	BAR, CYLINDER GUIDE	



BOOM

Figure 2-2 First Boom Section Assembly

7, 8 & 9M



PAP118



Figure 2-2 First Boom Section Assembly

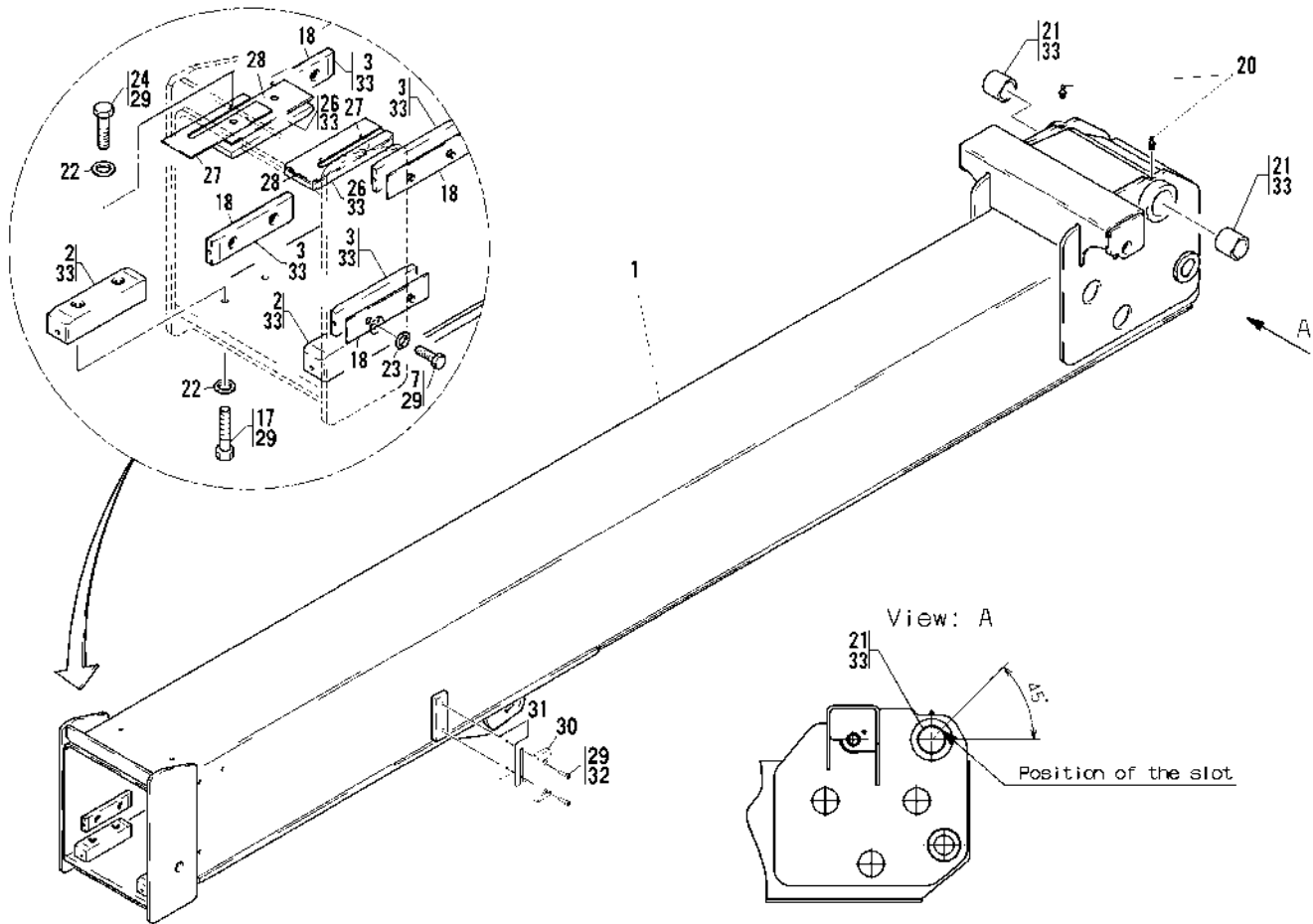
Item	Part Number	Qty.	Description	Rev.
	8002970	Ref	BASE SECTION, 7 & 8M MACHINES, (Before S/N 1160000798) , (includes all items)	F
	0273115	Ref	BASE SECTION, 7 & 8M MACHINES, (S/N 1160000798 & After) , (includes all items)	C
	8007260	Ref	BASE SECTION, 9M MACHINES, (includes all items)	A
1	8004375	1	BASE SECTION, 7 & 8M MACHINES, (Before S/N 1160000798)	
	8009103	1	BASE SECTION, 7 & 8M MACHINES, (S/N 1160000798 & After)	
	8007283	1	BASE SECTION, 9M MACHINES	
2	8002201	2	PAD	
3	8002200	4	PAD	
7	0761010	8	HEX HD CAPSCREW, M10X20, (as required), (torque to 50 Nm)	
	0761012	8	HEX HD CAPSCREW, M10X25, (as required), (torque to 50 Nm)	
14	0761215	4	HEX HD CAPSCREW, M12-35, GR8.8, (torque to 90 Nm)	
22	8002907	4	SHIM	
23	324590	2	GREASE FITTING	
24	8008047	2	BUSHING	
25	4812000	8	FLAT WASHER, 10mm	
26	0761212	4	HEX HD CAPSCREW, M12X25, (as required), (torque to 90 Nm)	
	0761210	4	HEX HD CAPSCREW, M12X20, (as required), (torque to 90 Nm)	
27	4740532	8	WASHER, 12mm	
28	8008070	8	SHIM, 2X50X200mm	
	8008640	1	SHIM, 0.5X50X200mm, (as required)	
	8008641	1	SHIM, 1X50X200mm, (as required)	
	8008642	1	SHIM, 1.5X50X200mm, (as required)	
29	8002199	2	PAD	
31	8003242	2	SHIM, 1X70X200mm, (7 & 8M machines)	
	8008069	4	SHIM, 2X70X200mm, (9M machines)	
	8008634	1	SHIM, 0.5X70X200mm, (as required)	
	8008644	1	SHIM, 1X70X200mm, (as required)	
	8008645	1	SHIM, 1.5X70X200mm, (as required)	
32	0100011	A/R	LOCTITE, #242, (apply to items 7, 14 & 26)	
33	1001099193	A/R	LUBE, ALL PURPOSE, (apply to items 2, 3 & 24)	



BOOM

Figure 2-2 First Boom Section Assembly

12 & 13M



PAP108

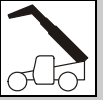


Figure 2-2 First Boom Section Assembly

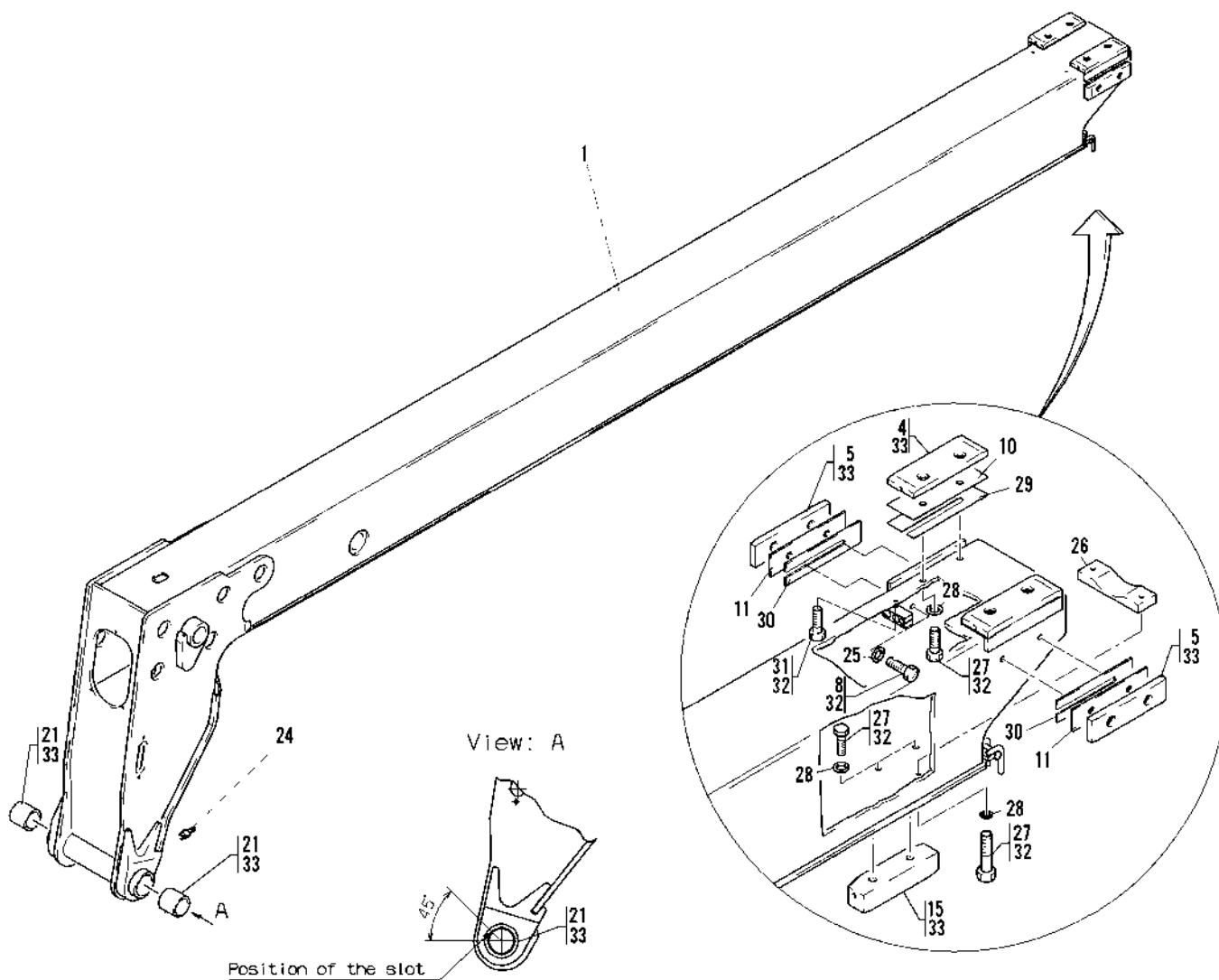
Item	Part Number	Qty.	Description	Rev.
	8002650	Ref	BASE SECTION, 12M MACHINES, (Before S/N 1160000798) , (includes all items)	F
	0273120	Ref	BASE SECTION, 12M MACHINES, (S/N 1160000798 & After) , (includes all items)	C
	8007269	Ref	BASE SECTION, 13M MACHINES, (includes all items)	A
1	8002345	1	BASE SECTION, 12M MACHINES, (Before S/N 1160000798)	
	8009099	1	BASE SECTION, 12M MACHINES, (S/N 1160000798 & After)	
	8007159	1	BASE SECTION, 13M MACHINES	
2	8002201	2	PAD	
3	8002200	4	PAD	
7	0761010	8	HEX HD CAPSCREW, M10X20, (torque to 50 Nm)	
	0761012	8	HEX HD CAPSCREW, M10X25, (torque to 50 Nm)	
17	0761215	4	HEX HD CAPSCREW, M12-35, GR8.8, (torque to 90 Nm)	
18	8002914	4	SHIM, 2X50X200mm	
	8008640	1	SHIM, 0.5X50X200mm, (as required)	
	8008641	1	SHIM, 1X50X200mm, (as required)	
	8008642	1	SHIM, 1.5X50X200mm, (as required)	
20	324590	2	GREASE FITTING	
21	8008047	2	BUSHING	
22	4740532	8	WASHER, 12mm	
23	4812000	8	FLAT WASHER, 10mm	
24	0761212	4	HEX HD CAPSCREW, M12X25, (torque to 90 Nm)	
	0761210	4	HEX HD CAPSCREW, M12X20, (torque to 90 Nm)	
25	8008070	2	SHIM	
26	8002199	2	PAD	
27	8008069	4	SHIM, 2X70X200mm	
	8008634	1	SHIM, 0.5X70X200mm, (as required)	
	8008644	1	SHIM, 1X70X200mm, (as required)	
	8008645	1	SHIM, 1.5X70X200mm, (as required)	
28	8003242	2	SHIM	
29	0100011	A/R	LOCTITE, #242, (apply to items 3, 19, 20 & 22)	
30	8010148	2	SLIDE, 20X50X160mm	
31	8002972	2	SHIM, 5X50X160mm	
	8009987	1	SHIM, 2X50X160mm, (as required)	
	8009988	1	SHIM, 3X50X160mm, (as required)	
32	8010123	4	HEX SOCKET HD CAPSCREW, 8X30mm	
	5271809	4	HEX SOCKET HD CAPSCREW, 8X25mm	
33	1001099193	A/R	LUBE, ALL PURPOSE, (apply to items 2, 3, 21 & 26)	



BOOM

Figure 2-3 Second Boom Section Assembly

7, 8 & 9M



PAP110

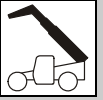


Figure 2-3 Second Boom Section Assembly

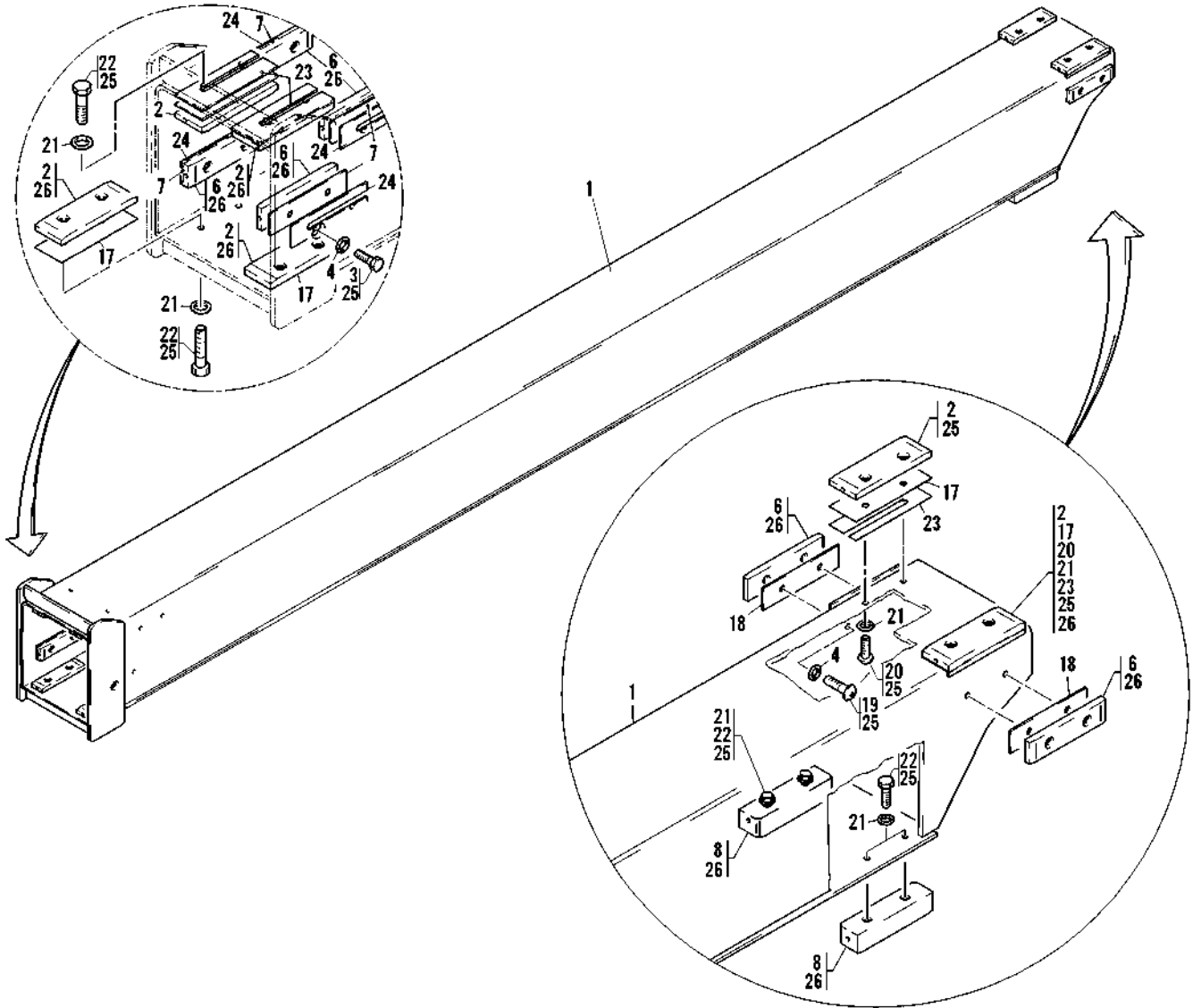
Item	Part Number	Qty.	Description	Rev.
	8002969	Ref	FLY SECTION, 7 & 8M MACHINES, (Before S/N 1160000798) , (includes all items)	F
	0273114	Ref	FLY SECTION, 7 & 8M MACHINES, (S/N 1160000798 & After) , (includes all items)	A
	8007259	Ref	FLY SECTION, 9M MACHINES, (includes all items)	D
1	8004310	1	FLY SECTION, 7 & 8M MACHINES, (Before S/N 1160000798)	
	8009101	1	FLY SECTION, 7 & 8M MACHINES, (S/N 1160000798 & After)	
	8007282	1	FLY SECTION, 9M MACHINES	
4	8002199	2	PAD	
5	8002200	2	PAD	
8	0761010	4	HEX HD CAPSCREW, M10X20, (as required), (torque to 50 Nm)	
	0761012	4	HEX HD CAPSCREW, M10X25, (as required), (torque to 50 Nm)	
10	8002637	2	SHIM	
11	8002907	2	SHIM	
15	8002201	1	PAD	
21	8008046	2	BUSHING	
24	324590	1	GREASE FITTING	
25	4812000	4	FLAT WASHER, 10mm	
26	8004444	1	STABILIZER	
27	0761212	8	HEX HD CAPSCREW, M12X25, (as required), (torque to 90 Nm)	
	0761210	8	HEX HD CAPSCREW, M12X20, (as required), (torque to 90 Nm)	
28	4740532	8	WASHER, 12mm	
29	8008069	2	SHIM, 2X70X200mm	
	8008634	1	SHIM, 0.5X70X200mm, (as required)	
	8008644	1	SHIM, 1X70X200mm, (as required)	
	8008645	1	SHIM, 1.5X70X200mm, (as required)	
30	8008070	2	SHIM, 2X50X200mm	
	8008640	1	SHIM, 0.5X50X200mm, (as required)	
	8008641	1	SHIM, 1X50X200mm, (as required)	
	8008642	1	SHIM, 1.5X50X200mm, (as required)	
31	0760812	4	HEX HD CAPSCREW, M8-25, (Before S/N 1160000798)	
	0760814	4	HEX HD CAPSCREW, M8-30, (S/N 1160000798 & After)	
32	0100011	A/R	LOCTITE, #242, (apply to items 8, 27 & 31)	
33	1001099193	A/R	LUBE, ALL PURPOSE, (apply to items 4, 5 & 21)	



BOOM

Figure 2-3 Second Boom Section Assembly

12 & 13M



PAP107

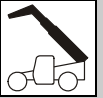


Figure 2-3 Second Boom Section Assembly

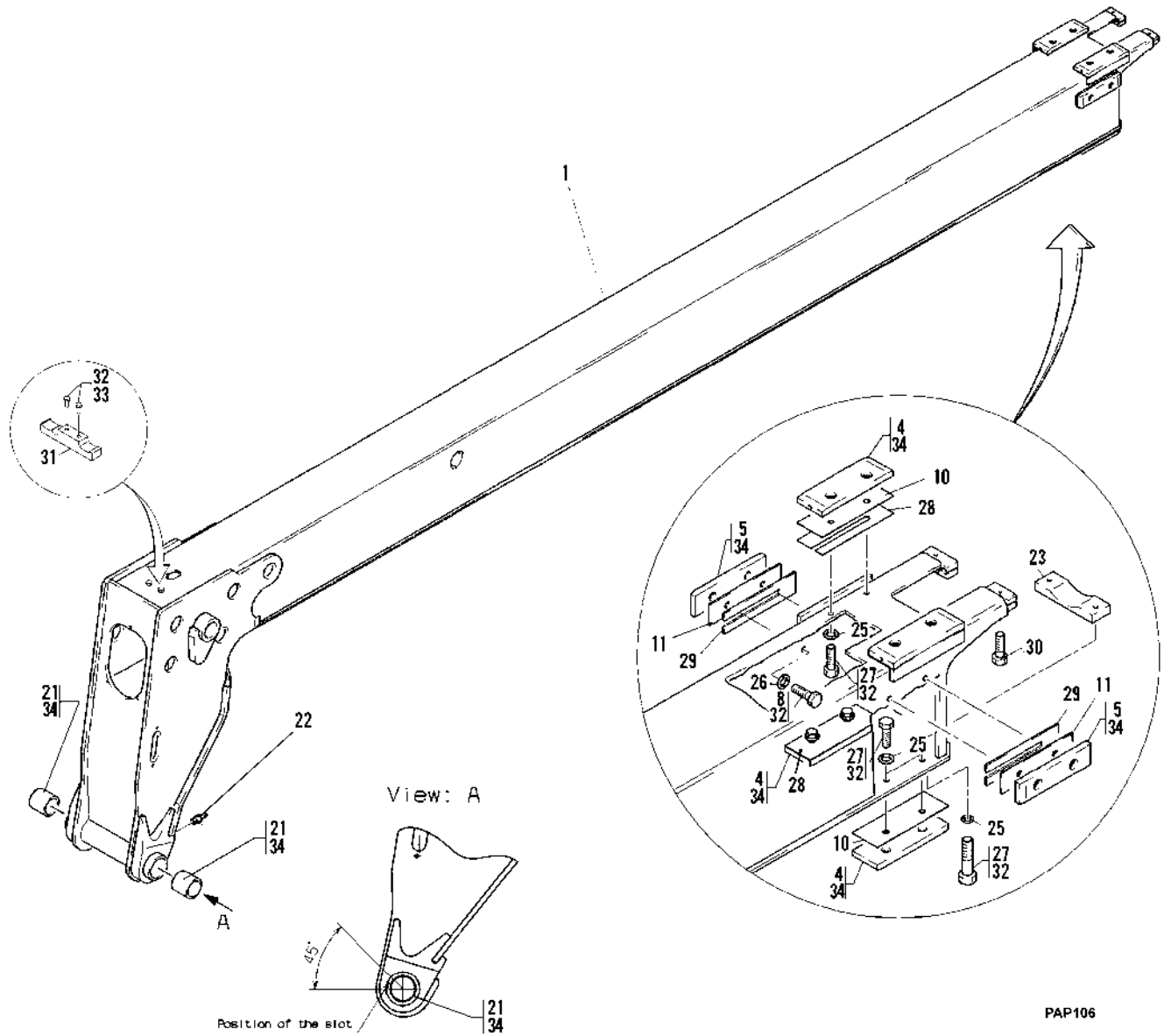
Item	Part Number	Qty.	Description	Rev.
	8002649	Ref	FLY SECTION, 12M MACHINES, (Before S/N 1160000798) , (includes all items)	E
	0273119	Ref	FLY SECTION, 12M MACHINES, (S/N 1160000798 & After) , (includes all items)	B
	8007268	Ref	FLY SECTION, 13M MACHINES, (includes all items)	B
1	8002476	1	MID SECTION, 12M MACHINES, (Before S/N 1160000798)	
	8009097	1	MID SECTION, 12M MACHINES, (S/N 1160000798 & After)	
	8007152	1	MID SECTION, 13M MACHINES	
2	8002199	6	PAD	
3	0761010	8	HEX HD CAPSCREW, M10X20, (as required)	
	0761012	8	HEX HD CAPSCREW, M10X25, (as required)	
4	4812000	12	FLAT WASHER, 10mm	
6	8002200	6	PAD	
7	8002907	4	SHIM	
8	8002201	2	PAD	
17	8002637	6	SHIM	
18	8002914	2	SHIM	
19	8004285	4	LENS HD SCREW, M10X20, (as required), (loctite & torque to 50 Nm)	
	8008054	4	LENS HD SCREW, M10X25, (as required), (loctite & torque to 50 Nm)	
20	8008009	4	LENS HD SCREW, M12X25, (as required), (loctite & torque to 90 Nm)	
	8008055	4	LENS HD SCREW, M12X20, (as required), (loctite & torque to 90 Nm)	
21	4740532	16	WASHER, 12mm	
22	0761212	12	HEX HD CAPSCREW, M12X25, (as required), (loctite & torque to 90 Nm)	
	0761210	12	HEX HD CAPSCREW, M12X20, (as required), (loctite & torque to 90 Nm)	
23	8008069	4	HEX HD CAPSCREW, SHIM, 2X70X200mm	
	8008634	1	SHIM, 0.5X70X200mm, (as required)	
	8008644	1	SHIM, 1X70X200mm,(as required)	
	8008645	1	SHIM, 1.5X70X200mm, (as required)	
24	8008070	4	SHIM, 2X50X200mm	
	8008640	1	SHIM, 0.5X50X200mm, (as required)	
	8008641	1	SHIM, 1X50X200mm, (as required)	
	8008642	1	SHIM, 1.5X50X200mm, (as required)	
25	0100011	A/R	LOCTITE, #242, (apply to items 3, 19, 20 & 22)	
26	1001099193	A/R	LUBE, ALL PURPOSE, (apply to items 2, 6 & 8)	



BOOM

Figure 2-4 Third Boom Section Assembly

12 & 13M



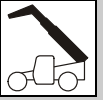


Figure 2-4 Third Boom Section Assembly

Item	Part Number	Qty.	Description	Rev.
	8002648	Ref	FLY SECTION, 12M MACHINES, (Before S/N 1160000798) , (includes all items)	G
	0273118	Ref	FLY SECTION, 12M MACHINES, (S/N 1160000798 & After) , (includes all items)	B
	8007267	Ref	FLY SECTION, 13M MACHINES, (includes all items)	B
1	8002214	1	FLY SECTION, 12M MACHINES, (Before S/N 1160000798)	
	8009095	1	FLY SECTION, 12M MACHINES, (S/N 1160000798 & After)	
	0801465	1	FLY SECTION, 13M MACHINES	
4	8002199	4	PAD	
5	8002200	2	PAD	
8	0761010	4	HEX HD CAPSCREW, M10X20, (as required), (loctite & torque to 50 Nm)	
	0761012	4	HEX HD CAPSCREW, M10X25, (as required), (loctite & torque to 50 Nm)	
10	8002637	2	SHIM, 2X70X200mm	
	8008633	1	SHIM, 0.5X70X200mm, (as required)	
	8003242	1	SHIM, 1X70X200mm, (as required)	
	8003243	1	SHIM, 1.5X70X200mm, (as required)	
11	8002907	2	SHIM	
21	8008046	2	BUSHING	
22	324590	1	GREASE FITTING	
23	8002197	1	STABILIZER	
25	4740532	10	WASHER, 12mm	
26	4812000	4	FLAT WASHER, 10mm	
27	0761212	10	HEX HD CAPSCREW, M12X25, (as required), (loctite & torque to 90 Nm)	
	0761210	10	HEX HD CAPSCREW, M12X20, (as required), (loctite & torque to 90 Nm)	
28	8008069	4	SHIM, 2X70X200mm	
	8008634	1	SHIM, 0.5X70X200mm, (as required)	
	8008644	1	SHIM, 1X70X200mm, (as required)	
	8008645	1	SHIM, 1.5X70X200mm, (as required)	
29	8008070	2	SHIM, 2X50X200mm	
	8008640	1	SHIM, 0.5X50X200mm, (as required)	
	8008641	1	SHIM, 1X50X200mm, (as required)	
	8008642	1	SHIM, 1.5X50X200mm, (as required)	
30	0760812	4	HEX HD CAPSCREW, M8-25, (Before S/N 1160002932)	
31	1321681	1	CLAMP, (S/N 1160002932 & After)	
32	0100011	A/R	LOCTITE, #242, (apply to items 8, 27 & 33)	
33	0761018	2	HEX HD CAPSCREW, M10 X 50, (S/N 1160002932 & After)	
34	1001099193	A/R	LUBE, ALL PURPOSE, (apply to items 4, 5 & 21)	



BOOM

Figure 2-5 Quick Switch Assembly

Mechanical

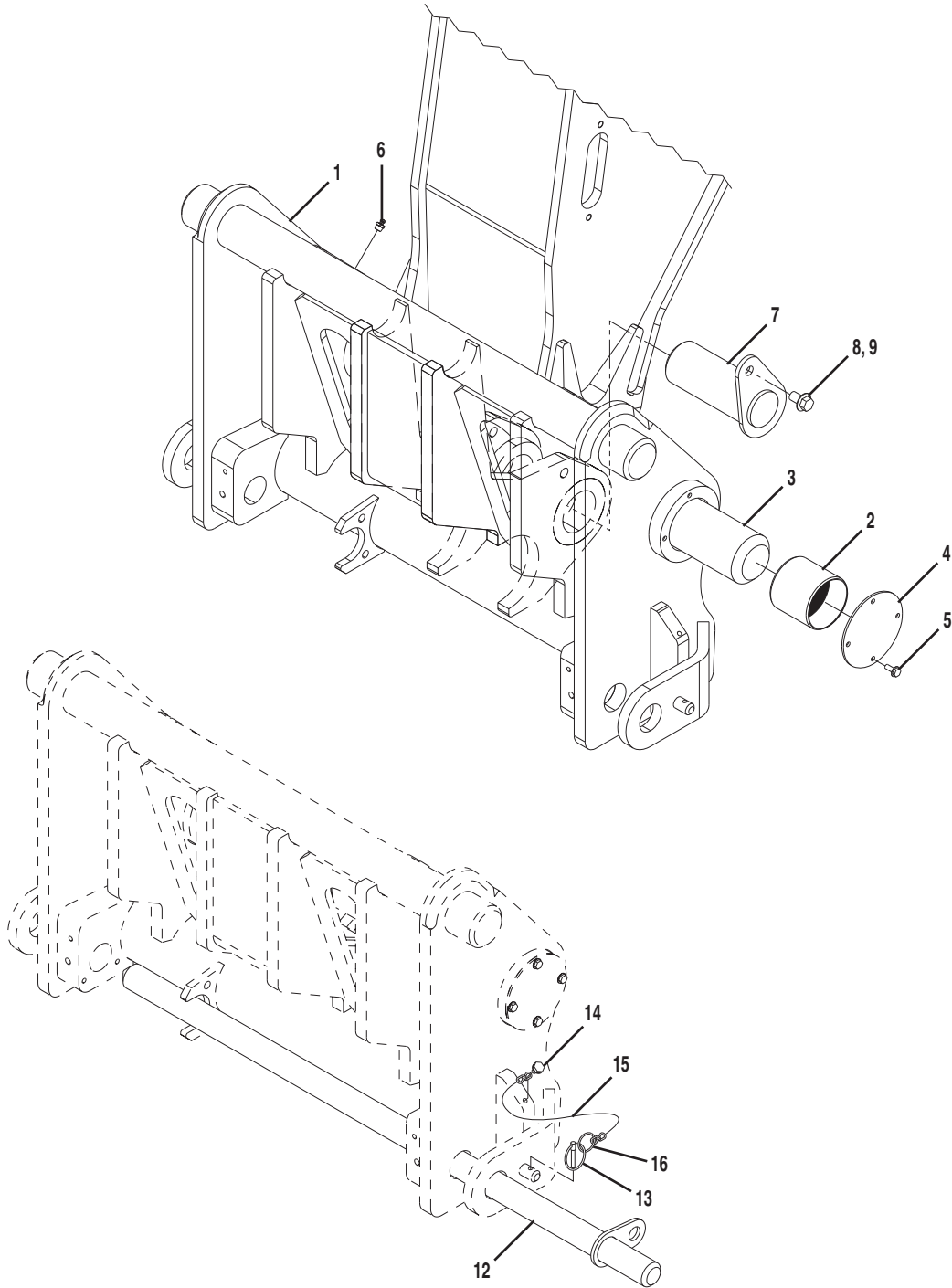




Figure 2-5 Quick Switch Assembly

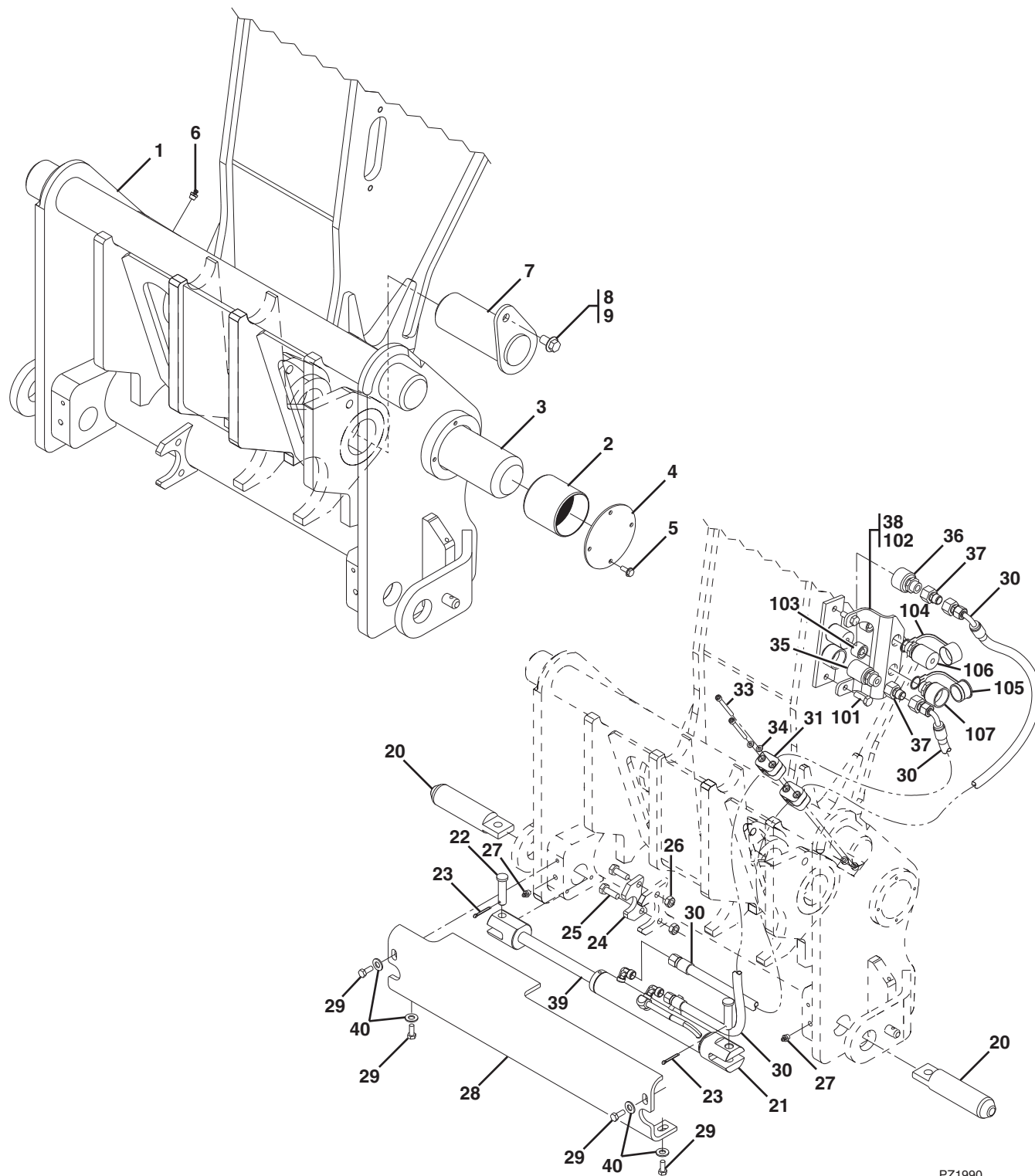
Item	Part Number	Qty.	Description	Rev.
	8002072	Ref	MECHANICAL QUICK SWITCH ASSY, (includes items 12 thru 16)	G
	8002145	Ref	QUICK RELEASE ASSY, (includes items 1 thru 9)	L
1	8002005	1	QUICK RELEASE WELDMENT	
2	8008046	4	BUSHING	
3	4800948	1	PIN	
4	4800959	2	PLATE	
5	2982603	8	BOLT, SELF-LOCKING, 6X16mm	
6	324590	2	GREASE FITTING	
7	4800788	1	PIN	
8	5201210	1	BOLT, 12X20mm	
9	0100011	AR	LOCTITE, #242	
12	8002027	1	ROD	
13	3964987	1	PIN	
14	5200605	1	BOLT, 6X10mm	
15	933940	AR	CHAIN	
16	463929	1	KEY RING	



BOOM

Figure 2-5 Quick Switch Assembly

Hydraulic



PZ1990



Figure 2-5 Quick Switch Assembly

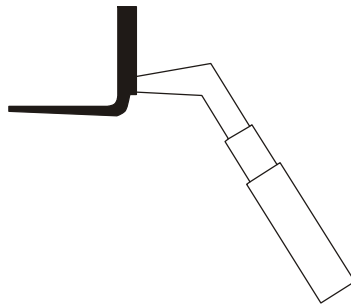
Item	Part Number	Qty.	Description	Rev.
	8002021	Ref	HYDRAULIC QUICK SWITCH ASSY, (includes items 20 thru 40)	G
	8002145	Ref	QUICK RELEASE ASSY, (includes items 1 thru 9)	M
1	8002005	1	QUICK RELEASE WELDMENT	
2	8008046	4	BUSHING	
3	4800948	1	PIN	
4	4800959	2	PLATE	
5	2982603	8	BOLT, SELF-LOCKING, 6X16mm	
6	324590	2	GREASE FITTING	
7	4800788	1	PIN	
8	5201210	1	BOLT, 12X20mm	
9	0100011	AR	LOCTITE, #242	
20	8001888	2	PIN	
21		Ref	ATTACHMENT LOCK CYLINDER ASSY, (see Figure 9-7 for details)	
22	8002110	2	EYE BOLT	
23	3391410	2	COTTER PIN	
24	8002045	1	PLATE	
25	0761014	2	HEX HD CAPSCREW, M10X30, G8.8	
26	3291001	2	HEX NUT, 10mm	
27	324590	2	GREASE FITTING	
28	8001918	1	COVER	
29	0760810	4	HEX HD CAPSCREW, M8X20, GR8.8	
30	2754151	2	HOSE	
31	1321141	2	CLAMP	
33	4031716	2	MACHINE SCREW, 6X60mm	
34	1302325	2	WASHER, 6X1mm	
35		1	SCREW COUPLING, FEMALE, (no longer available, order 1001097287 kit)	
	1001094555	1	FEMALE QUICK DISCONNECT COUPLING	
36		1	SCREW COUPLING, MALE, (no longer available, order 1001097287 kit)	
	1001094556	1	MALE QUICK DISCONNECT COUPLING	
37	2143511	2	REDUCING FITTING	
38	2902399	1	FRONT AUX. FITTING KIT, (includes items 101 thru 107)	
39	2902438	1	FORK LOCKING CYLINDER KIT, (includes items 20 thru 23)	C
40	4811902	4	WASHER, 8mm	
101	0761014	2	HEX HD CAPSCREW, M10X30, GR8.8	
102	0903109	1	MOUNTING BRACKET	
103	2142505	2	CAP	
104	3977459	1	DUST CAP, (use with screw type coupling)	
	1001093826	1	DUST CAP, (use with quick disconnect type coupling)	
105	3977460	1	DUST PLUG, (use with screw type coupling)	
	1001093827	1	DUST PLUG, (use with quick disconnect type coupling)	
106		1	SCREW COUPLING, MALE, (no longer available, order 1001097287 kit)	
	1001094556	1	MALE QUICK DISCONNECT COUPLING	
107		1	SCREW COUPLING, FEMALE, (no longer available, order 1001097287 kit)	
	1001094555	1	FEMALE QUICK DISCONNECT COUPLING	
	1001097287	1	QUICK DISCONNECT ADAPTER KIT, (includes items 104 thru 107)	

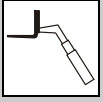


BOOM

This Page Intentionally Left Blank

SECTION 3 ATTACHMENTS

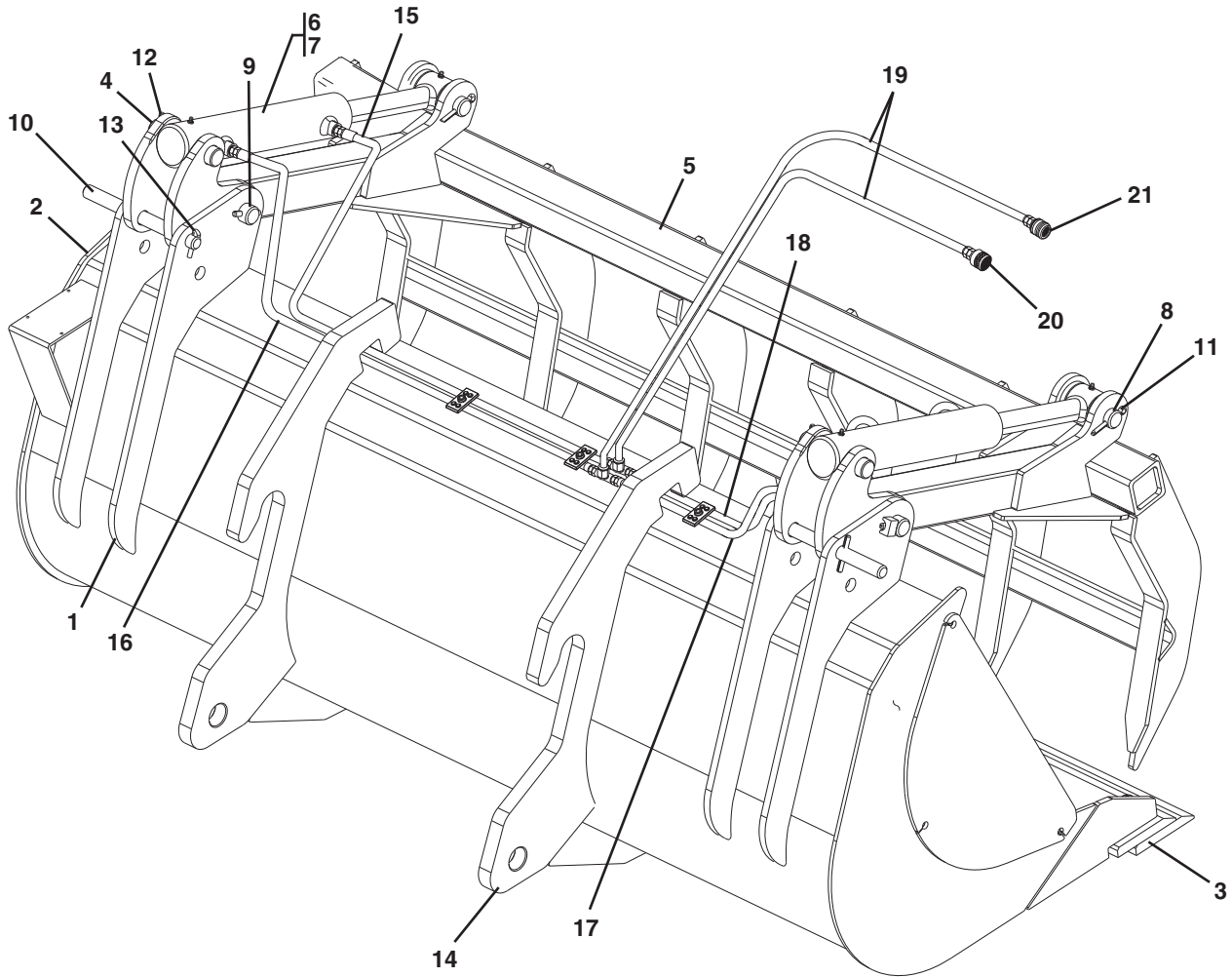




ATTACHMENTS

Figure 3-1 Manure Bucket

7, 8 & 9M



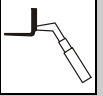


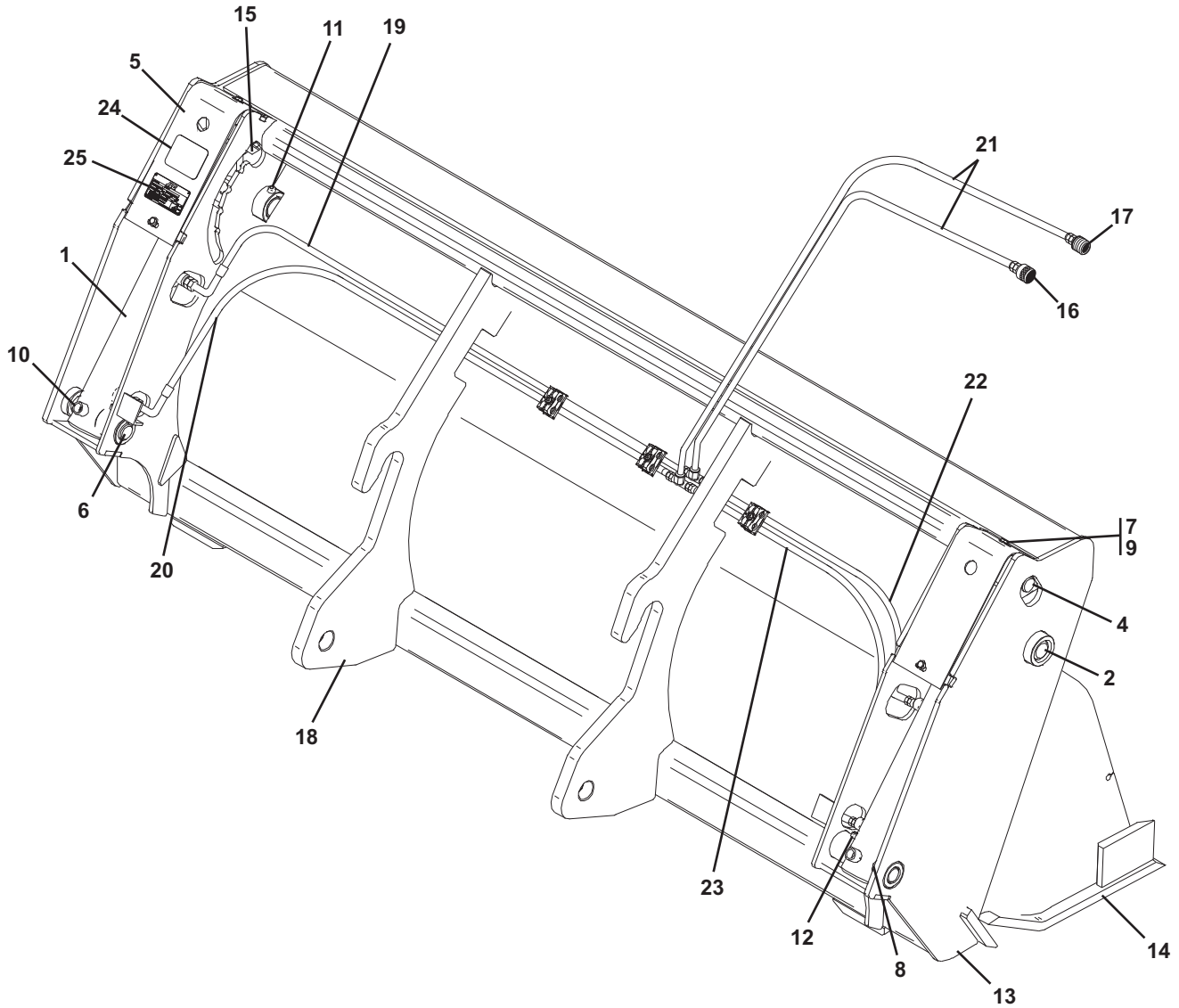
Figure 3-1 Manure Bucket

Item	Part Number	Qty.	Description	Rev.
	0930004	Ref	MANURE BUCKET, 1.0m ³ , (7, 8 & 9M machines), (S/N 1160000358 & After), (includes all items)	D
1		1	BUCKET ASSY	
2	7028133	1	SIDE PLATE ASSY	
3	7028132	1	BLADE ASSY, (includes blade and the following hardware)	
	7029356	8	HEX LOCKNUT, M16-8	
	70023484	8	BOLT, M16X60, GR10.9	
4	7028126	2	ADJUSTING BRACKET	
5	7028125	1	GRAPPLE	
6	7028127	2	TILT CYLINDER	
7	7028131	6	BUSHING	
8	7028128	2	PIN	
9	7028129	2	LOCKING PIN	
10	7028130	2	PIN	
11	7028135	4	ROLL PIN	
12	7028134	8	ROLL PIN	
13	7028124	2	CIRCLIP	
14	7029749	1	CONNECTING ASSY	
15	7028986	1	HOSE ASSY	
16	7028987	1	HOSE ASSY	
17	7028988	1	HOSE ASSY	
18	7028989	1	HOSE ASSY	
19	7028984	2	HOSE ASSY	
20		1	FEMALE SCREW COUPLER, (no longer available, order 1001097287 kit)	
	1001094555	1	FEMALE QUICK DISCONNECT COUPLING	
21		1	MALE SCREW COUPLER, (no longer available, order 1001097287 kit)	
	1001094556	1	MALE QUICK DISCONNECT COUPLER	
	7028910	AR	CYLINDER SEAL KIT	
	1001097287	1	QUICK DISCONNECT ADAPTER KIT, (includes items 20 & 21)	



ATTACHMENTS

Figure 3-2 4 in 1 Bucket



PAP081

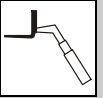
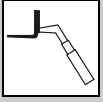


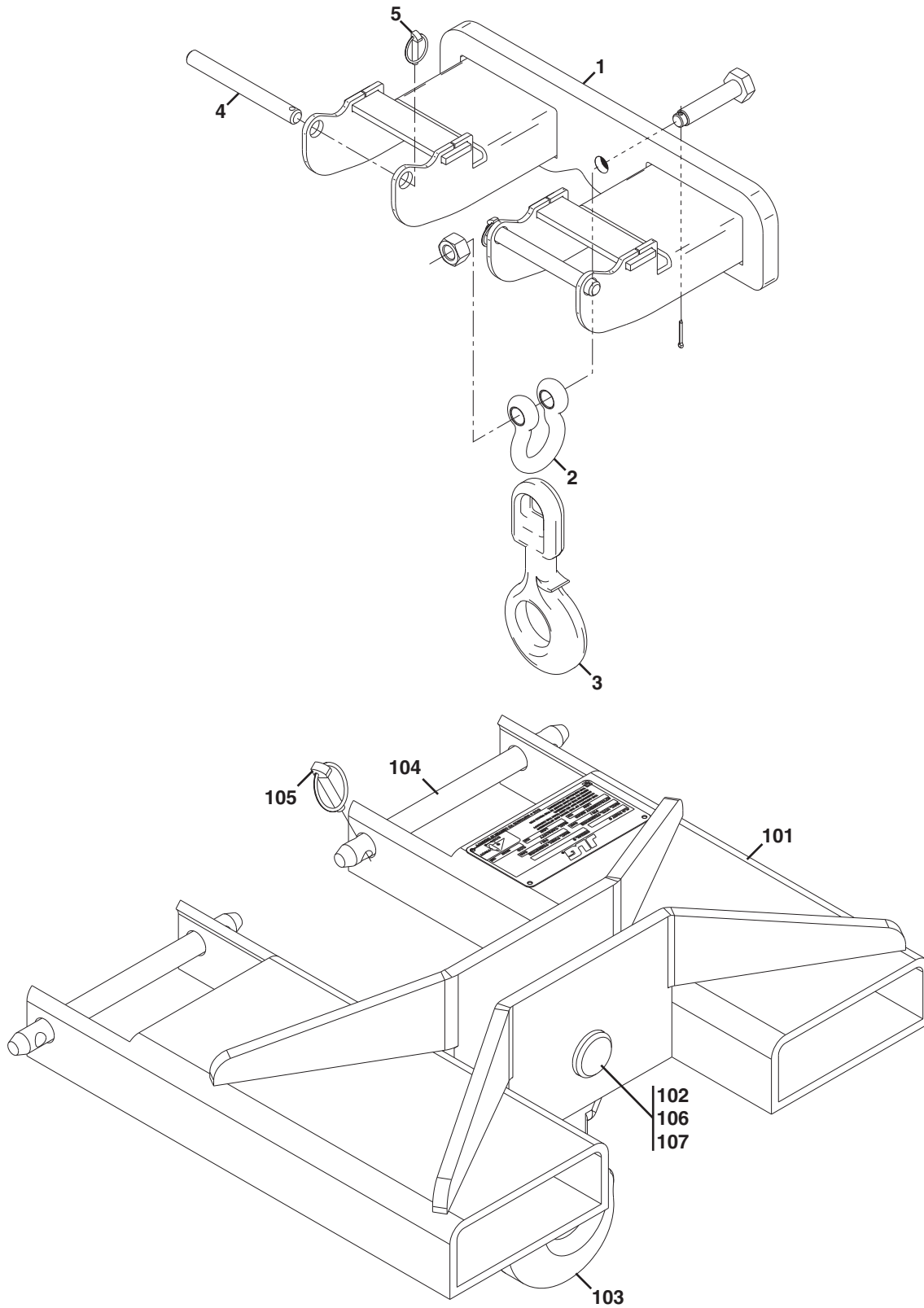
Figure 3-2 4 in 1 Bucket

Item	Part Number	Qty.	Description	Rev.
	0930003		4 IN 1 BUCKET, (S/N 1160000358 & After), (includes all items)	C
1	7028990	2	TILT CYLINDER	
	7028910	AR	CYLINDER SEAL KIT	
2	7028911	2	PIN	
3	7028912	6	NUT, (not illustrated)	
4	7028913	2	PIN	
5	7028914	2	PROTECTIVE PLATE	
6	7028915	2	PIN	
7	7028916	4	HEX HD SCREW	
8	7028131	6	BUSHING	
9	7028917	4	WASHER	
10	7028918	6	GREASE NIPPLE	
11	7028920	2	SCREW	
12	7028919	4	SCREW	
13	7028921	1	WELDMENT	
14	7028922	1	WELDMENT	
15	7028923	1	GAUGE	
16		1	FEMALE SCREW COUPLER, (no longer available, order 1001097287 kit)	
	1001094555	1	FEMALE QUICK DISCONNECT COUPLING	
17		1	MALE SCREW COUPLER, (no longer available, order 1001097287 kit)	
	1001094556	1	MALE QUICK DISCONNECT COUPLER	
18	7029748	1	CONNECTING ASSY	
19	7028982	1	HOSE ASSY	
20	7028983	1	HOSE ASSY	
21	7028984	2	HOSE ASSY	
22	7028985	1	HOSE ASSY	
23	7028991	1	HOSE ASSY	
24		1	BUCKET NAME PLATE	
25		1	SERIAL NUMBER PLATE	
	1001097287	1	QUICK DISCONNECT ADAPTER KIT, (includes items 16 & 17)	



ATTACHMENTS

Figure 3-3 Fork Mounted Hook



PZ4260

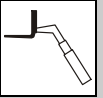
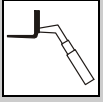


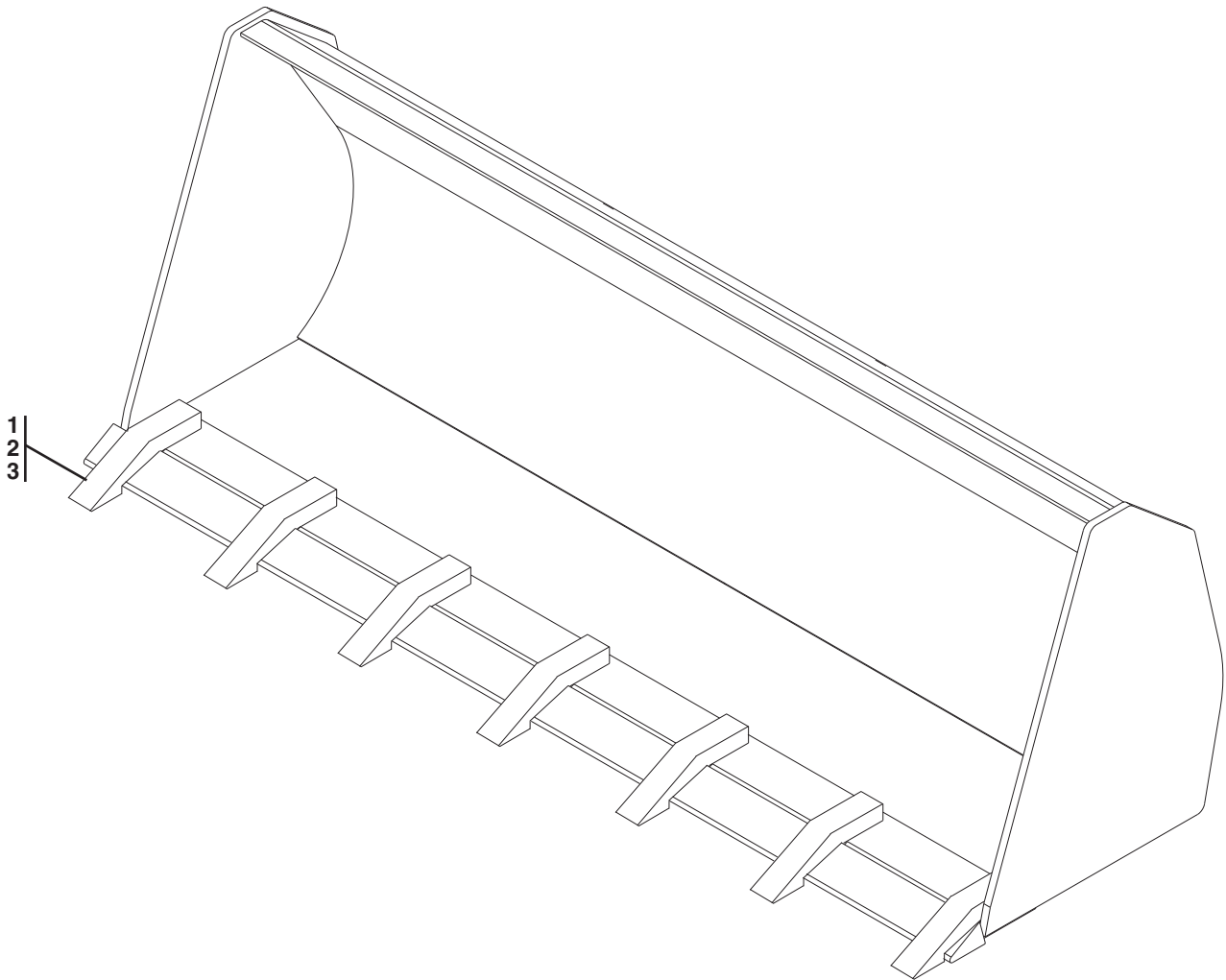
Figure 3-3 Fork Mounted Hook

Item	Part Number	Qty.	Description	Rev.
	8008423	1	HOOK, FORK LIFT, (Before S/N 1160000358)	
		Ref	FORK MOUNTED HOOK, (CE), (LAMY), (includes items 1 thru 5), (2700097 is no longer available, order 2700118)	B
1		1	WELDMENT	
2	7028123	1	CLEVIS	
3	7028122	1	HOOK	
4	7028121	2	AXLE	
5	7028124	2	PIN	
	2700118	1	FORK MOUNTED HOOK, (CE), (BENNE), (includes items 101 thru 107)	A
101		1	WELDMENT	
102	70020201	1	PIN	
103	70020202	1	HOOK	
104	70020203	2	PIN	
105	70020204	4	RETAINING PIN	
106	70020205	1	BOLT	
107	70020206	1	SELF LOCKING NUT	
NOTE: ITEM NUMBERS NOT LISTED ARE NOT USED ON THIS FIGURE				



ATTACHMENTS

Figure 3-4 Buckets



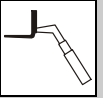


Figure 3-4 Buckets

Item	Part Number	Qty.	Description	Rev.
	8008420	1	DIG BUCKET W/CUTTING EDGE, 1.0m ³ , (Before S/N 1160000358)	
	8008421	1	DIG BUCKET W/BOLTED CUTTING EDGE, 2.0m ³ , (Before S/N 1160000358)	
	8000873	1	BUCKET W/WELDED CUTTING EDGE, 2.0m ³ , (Before S/N 1160000358)	
	4805670	1	DIG BUCKET, W/TEETH, 0.8m ³ , (Before S/N 1160000358)	
	8009217	1	4 IN 1 BUCKET	
1	4802100	1	DIG BUCKET, W/TEETH, 1.0m ³ , (includes items 1-3)	
	7028092	7	TOOTH	
2	7028093	7	SECURING PIN	
3	7028094	7	TOOTH MOUNT	
	8008424	1	TOOTH PROTECTION FOR 1.0m ³	
	0240053	1	DIG BUCKET W/WELDED CUTTING EDGE, 1.0m ³ , (Before S/N 1160000358)	
	0930015	1	DIG BUCKET, 0.9m ³ , (S/N 1160000358 & After)	
	70020392	1	BLADE KIT, (includes mounting hardware)	
	1001094612	1	BUCKET TEETH KIT, (includes mounting hardware)	
	0930016	1	DIG BUCKET, 1.8m ³ , (S/N 1160000358 & After)	
	70020392	1	BLADE KIT, (includes mounting hardware)	
	1001094612	1	BUCKET TEETH KIT, (includes mounting hardware)	

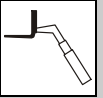
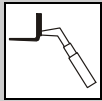


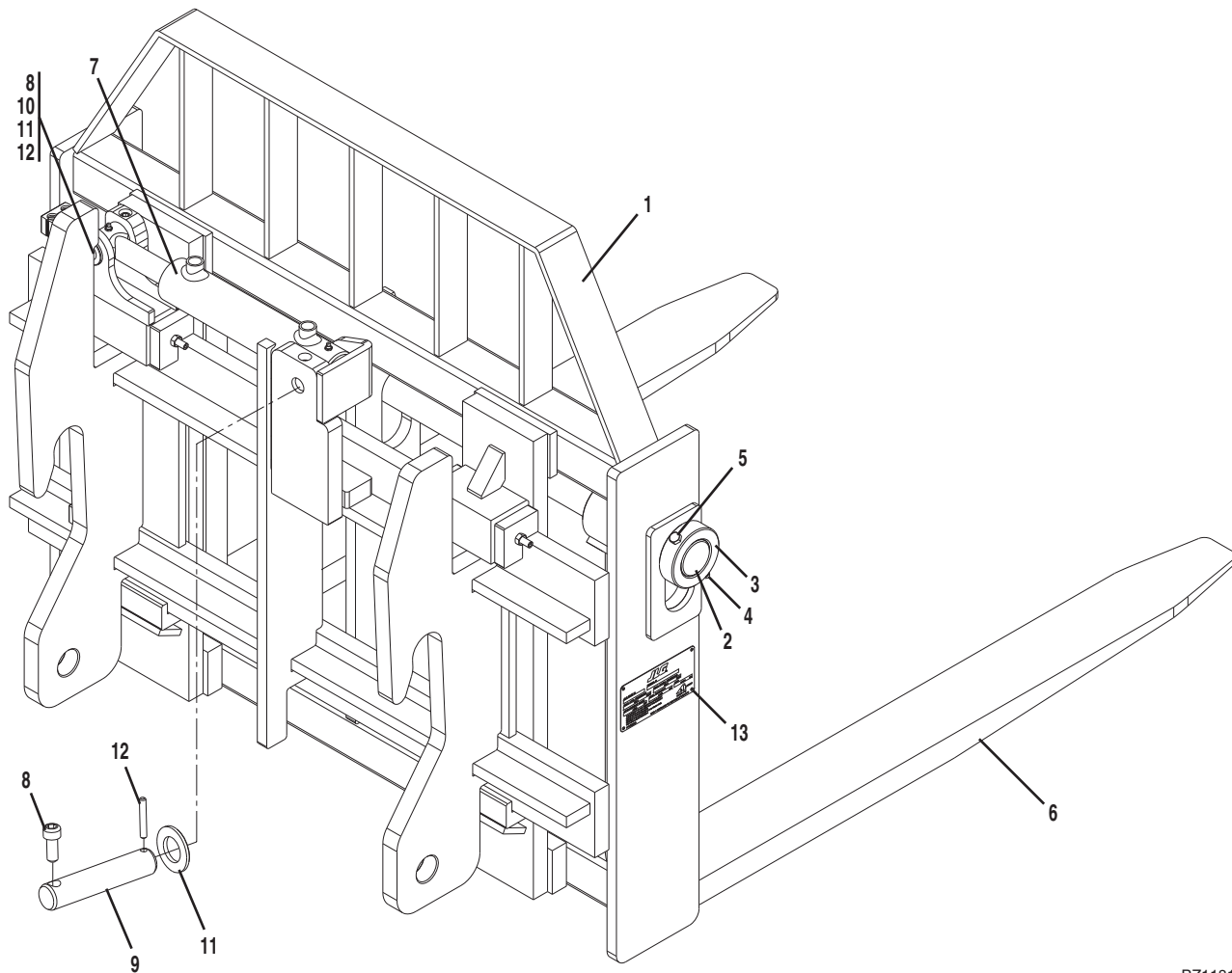
Figure 3-5 Carriage Assembly w/Loadguard

Item	Part Number	Qty.	Description	Rev.
	4802111	1	CARRIAGE ASSY WITH LOADGUARD, (Flotzinger), (4000kg), (Before S/N 116000382)	
	7028098	1	BAR, FORK CARRIER	
	8008422	1	LOADGUARD	
	1170001	1	CARRIAGE ASSY WITH LOADGUARD, (Lamy), (4000kg), (S/N 116000382 thru 1160001465), (includes items 1 thru 5)	
1		1	WELDMENT	
2	7028136	1	BAR, FORK CARRIER	
3	7028137	2	COLLAR	
4	3291005	2	NUT	
5	0701029	2	CAPSCREW	
6		Ref	FORK, (see Figure 3-8 for details)	
	1170028	1	CARRIAGE ASSEMBLY, (Benne), (includes items 101 thru 106), (S/N 1160001466 & After)	A
101	1170029	1	CARRIAGE WELDMENT	
102	4040283	2	CARRIAGE SHAFT	
103	3760508	4	SHAFT COLLAR	
104	0700827	4	HEX HD CAPSCREW, 8-1.25X100mm, GR 8.8	
105	3290805	4	HEX LOCKNUT, 8mm	
106	1706702	1	NAME PLATE	
107		Ref	FORK, (see Figure 3-8 for details)	
	0240143	1	FORK TRANSPORT LATCH, (Benne), (includes items 201 thru 204)	A
201	0903366	2	LOCKING BRACKET	
202	0761216	4	HEX HD CAPSCREW, 12X40	
203	3291205	4	HEX LOCKNUT, 12mm	
204	3423258	2	LOCKING PIN	



ATTACHMENTS

Figure 3-6 Side Shift Carriage Assembly



PZ1181

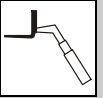


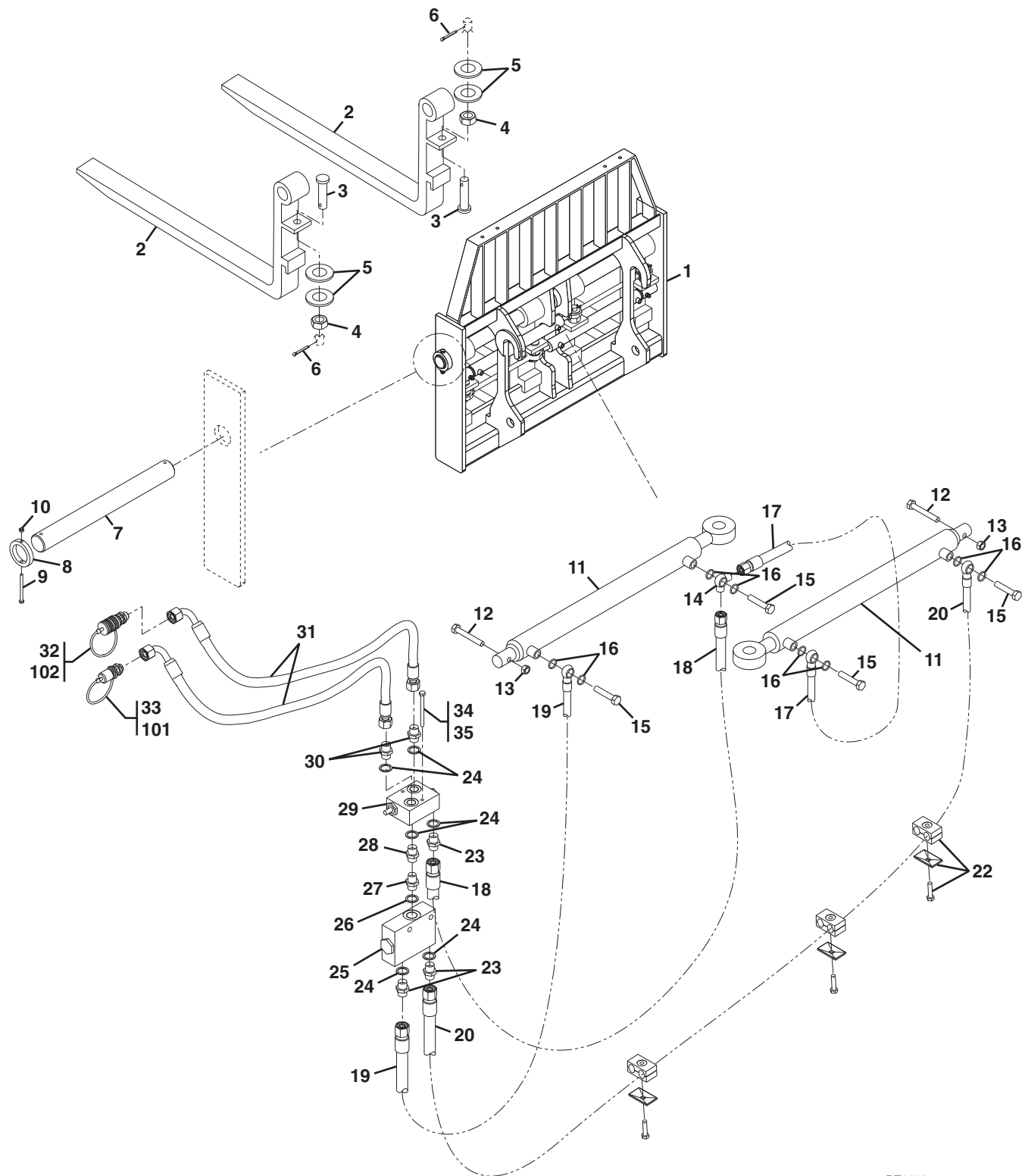
Figure 3-6 Side Shift Carriage Assembly

Item	Part Number	Qty.	Description	Rev.
	1170002	1	SIDE SHIFT CARRIAGE ASSY, (Lamy), (includes items 1 thru 5 & 7 thru 13)	E
1		1	WELDMENT	
2	7028136	1	BAR, FORK CARRIER	
3	7028137	2	COLLAR	
4	3291005	2	NUT	
5	0701029	2	CAPSCREW	
6		Ref	FORK TINE, (see Figure 3-8 for details)	
7	70021558	1	CYLINDER	
8	70021559	2	BOLT	
9	70021560	1	PIN	
10	70021561	1	PIN	
11	70021562	2	WASHER	
12	70021563	2	ROLL PIN	
13		1	SERIAL NUMBER PLATE	



ATTACHMENTS

Figure 3-7 Fork Positioning Carriage Assembly



PZ4110

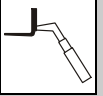
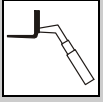


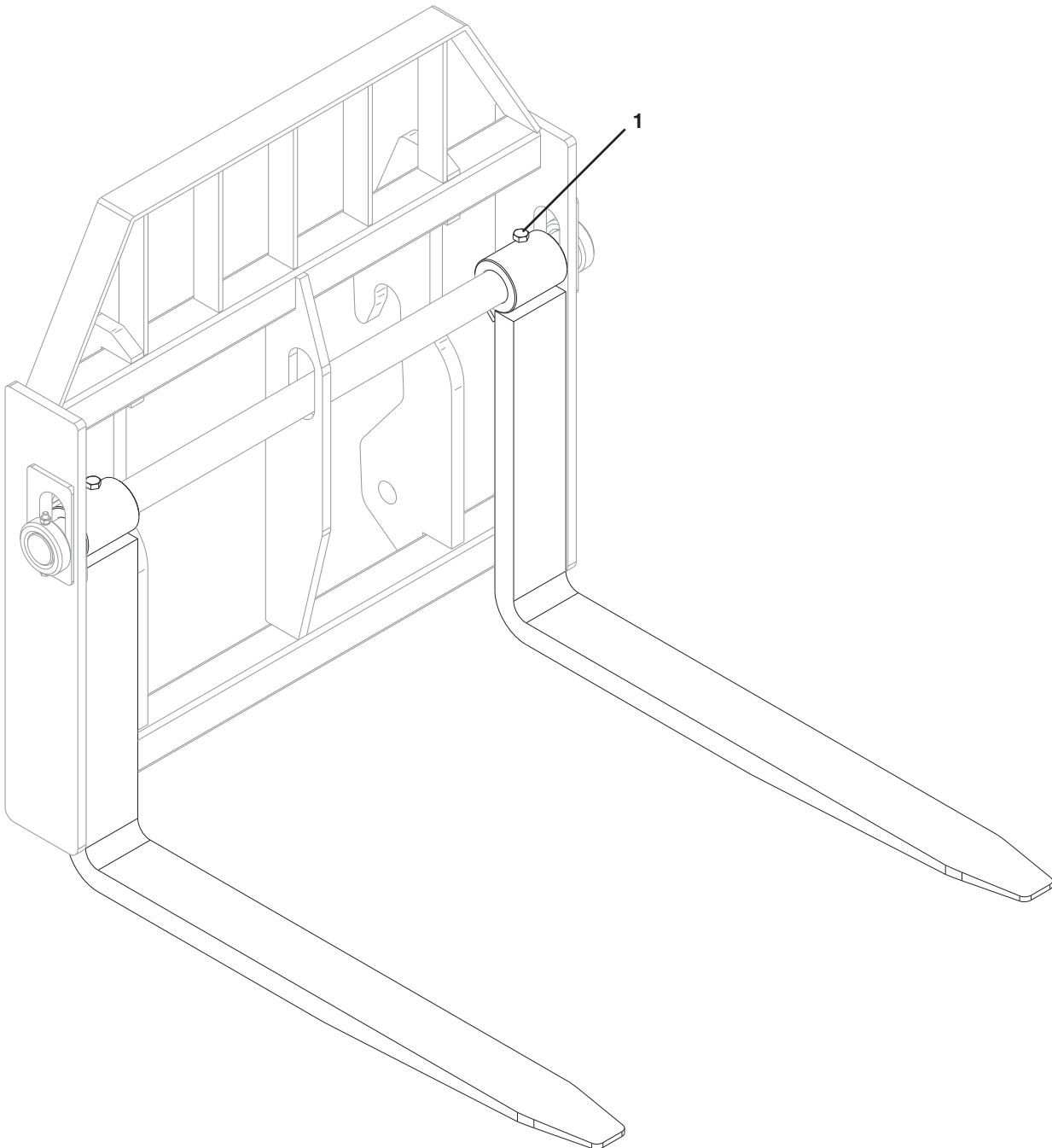
Figure 3-7 Fork Positioning Carriage Assembly

Item	Part Number	Qty.	Description	Rev.
	1001091313	1	FORK POSITIONING CARRIAGE W/FORKS, (CE), (13M), (includes items 1 thru 35)	A
1		1	WELDMENT	
2	70022922	2	FORKS, (100X50X1200), (2000kg per fork)	
3	70021835	2	ROD PIN	
4		2	NUT, M30X3	
5		4	WASHER	
6	70021836	2	SPLIT PIN	
7	70022923	2	CARRIAGE SHAFT	
8	70022924	4	SHAFT COLLAR	
9		4	BOLT, M12X110	
10	70021241	4	HEX LOCKNUT, M12	
11	70023276	2	CYLINDER	
	70023278	AR	SEAL KIT, (use with cylinders marked 1.3351.01C.02.01)	
	70023277	AR	SEAL KIT, (use with cylinders marked 1.3351.01C.02.02)	
12		2	BOLT, M10X70	
13		2	LOCKNUT, M10	
14	70022925	1	ELBOW, 90 DEGREES	
15	1001103530	4	BOLT	
16	70020730	8	O-RING	
17	70021838	1	HOSE ASSY	
18	70021839	1	HOSE ASSY	
19	70021840	1	HOSE ASSY	
20	70021841	1	HOSE ASSY	
22	1001103533	3	CLAMP SET, (includes screw and plate)	
23	70020731	3	FITTING	
24	70022907	6	O-RING	
25	70021842	1	COUNTER VALVE	
26	70022927	1	O-RING	
27	70022928	1	FITTING	
28	70022929	1	FITTING	
29	70021843	1	PRESSURE VALVE	
30	70022906	2	ADAPTER	
31	70022930	2	PIPE ASSY	
32	1001094555	1	FEMALE QUICK DISCONNECT COUPLING	
33	1001094556	1	MALE QUICK DISCONNECT COUPLING	
34		2	BOLT	
35		2	HEX NUT, M6	
101	1001093826	1	DUST CAP	
102	1001093827	1	DUST PLUG	
NOTE: ITEM NUMBERS NOT LISTED ARE NOT USED ON THIS FIGURE				



ATTACHMENTS

Figure 3-8 Fork Tines



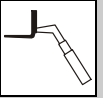


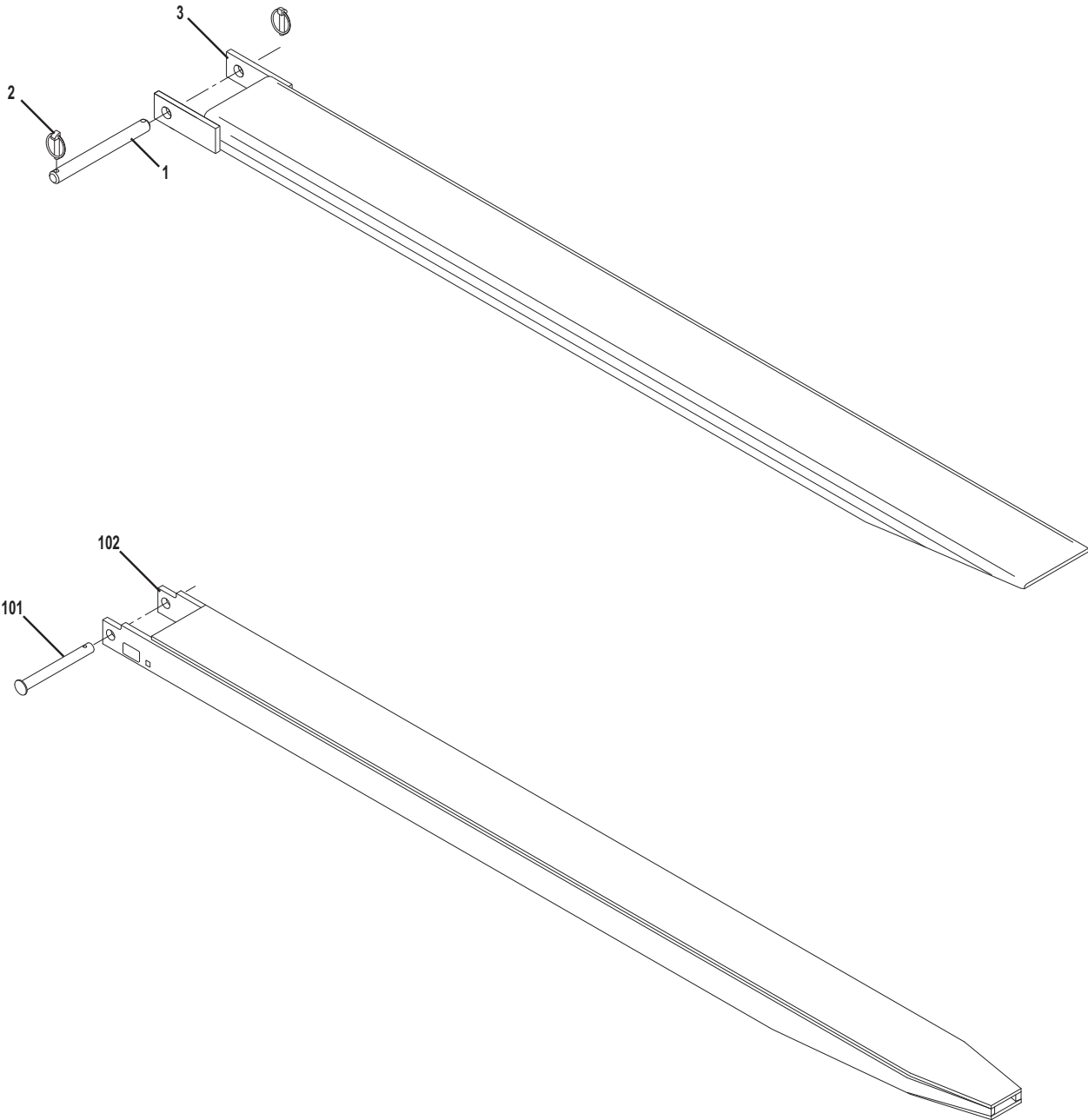
Figure 3-8 Fork Tines

Item	Part Number	Qty.	Description	Rev.
	8008014	1	FORK TINE ASSY, (Flotzinger), (1 pair, complete assy), (4500kg), (Before S/N 1160000382)	C
	8009653	1	FORK TINE ASSY, (Flotzinger), (1 pair, complete assy), (3500kg), (Before S/N 1160000382)	C
	2340029	2	FORK TINE ASSY, (Lamy), (4000kg), (125X45X1200X660mm), (S/N 1160000382 & After)	B
1	7028626	2	HEX HD CAPSCREW	
	2340030	1	FORK TINE ASSY, (Lamy), (1 pair, complete assy), (4000kg per pair), (100X50X1200X710mm), (S/N 1160000382 & After)	C
1	7028628	2	HEX HD CAPSCREW	
	2340040	1	FORK, (Benne), (1 pair, complete assy), 120X50, (4000kg per pair)	A
1	0761612	2	HEX HD CAPSCREW, 16X25	
	2340041	1	FORK, (Benne), (1 pair, complete assy), 100X50, (4000kg per pair)	A
1	0761612	2	HEX HD CAPSCREW, 16X25	
	1001100694	1	FORK, (Vetter), (1 pair, complete assy), 100X50X1520, (2000kg per pair), (4013M Australian machines only)	A
1	0761612	2	HEX HD CAPSCREW, 16X25	



ATTACHMENTS

Figure 3-9 Fork Tine Extension



PAP096

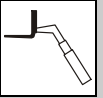


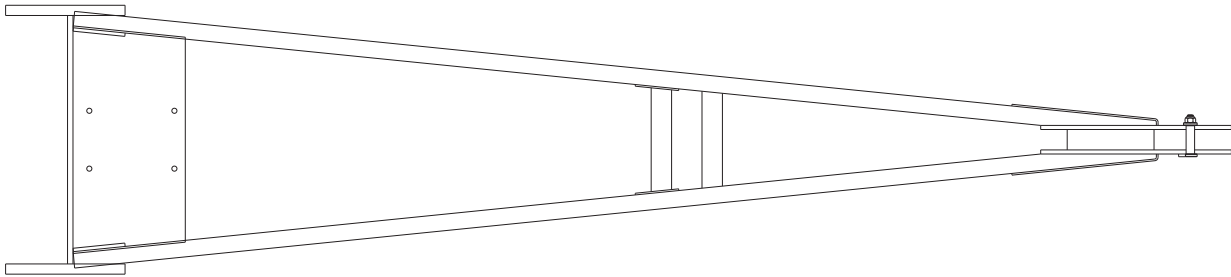
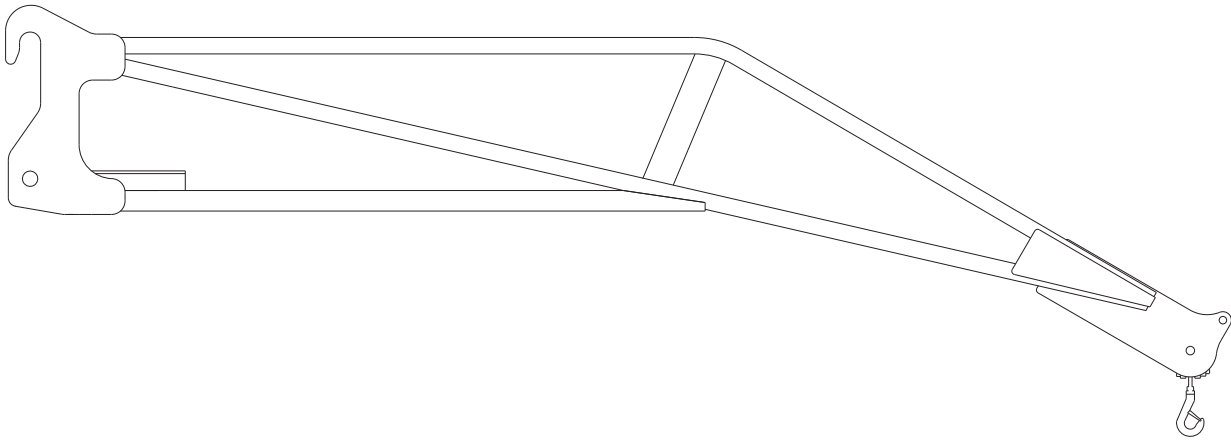
Figure 3-9 Fork Tine Extension

Item	Part Number	Qty.	Description	Rev.
	2340034	1	FORK EXTENSION, (166.5mmX2000mm), (includes all items), (no longer available; order 1001112559 for service replacement)	
1	7028863	1	PIN	
2	7028864	2	CIRCLIP	
3		2	EXTENSION WELDMENT	
	1001112559	1	FORK EXTENSION, (100mmX50mm), (includes all items)	
101	70022831	1	PIN	
102		2	EXTENSION WELDMENT	



ATTACHMENTS

Figure 3-10 Truss Boom



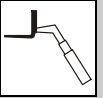


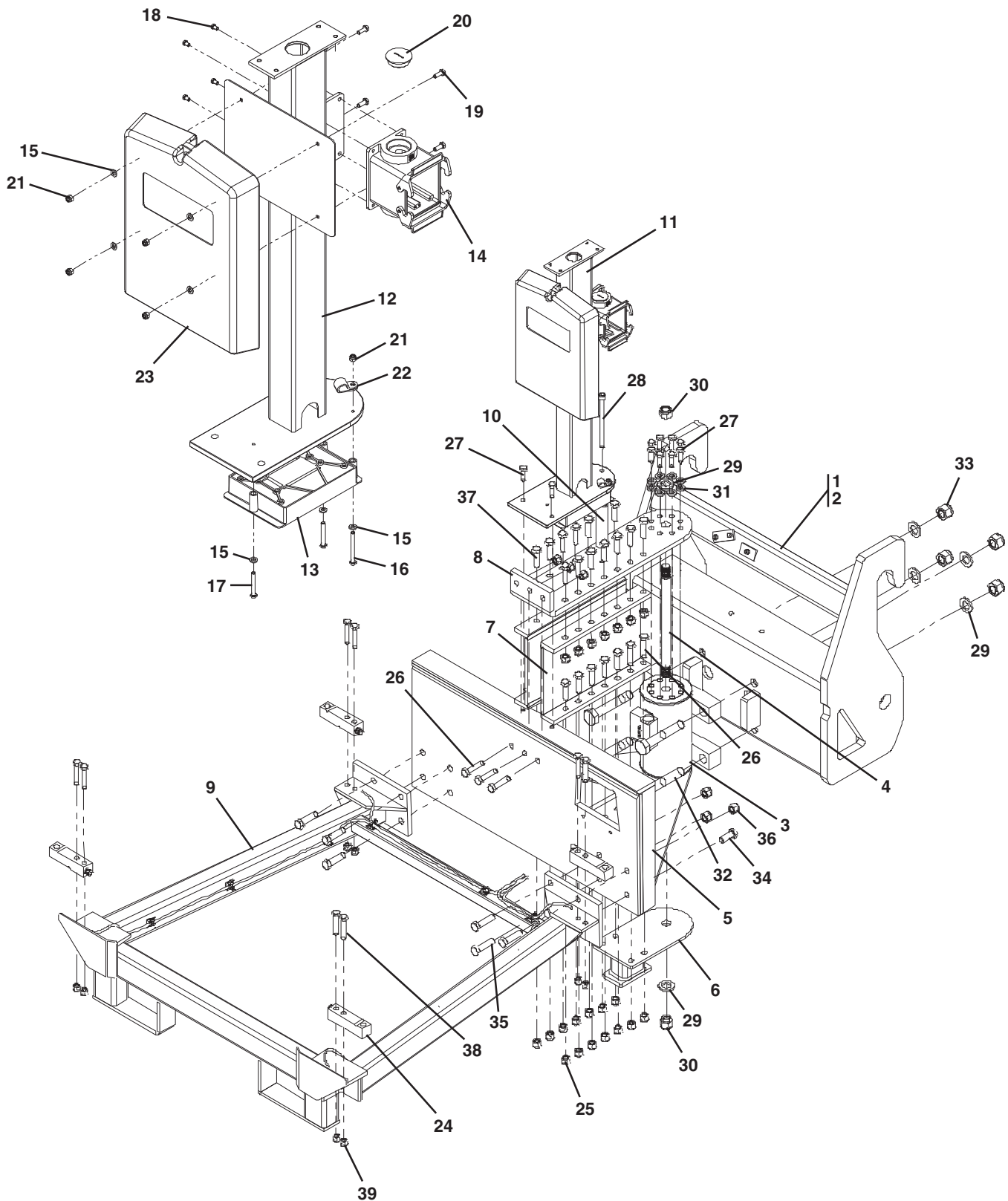
Figure 3-10 Truss Boom

Item	Part Number	Qty.	Description	Rev.
	8007324	1	3,4m TRUSS BOOM, (1000kg), (Before S/N 1160000358)	
	0240063	1	3,4m TRUSS BOOM, (1000kg) , (includes items 1 & 2), (S/N 1160000358 & After)	C
1	70020421	1	HOOK	
2	70020422	1	BOLT	
	0240110	1	3,6m TRUSS BOOM, (650kg) , (includes items 101 & 102)	D
101	70020423	1	HOOK	
102	70020424	1	BOLT	
NOTE: ITEM NUMBERS NOT LISTED ARE NOT USED ON THIS FIGURE				



ATTACHMENTS

Figure 3-11 Platform Assembly, Adapter & Pedestal



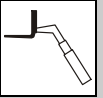
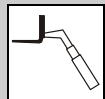


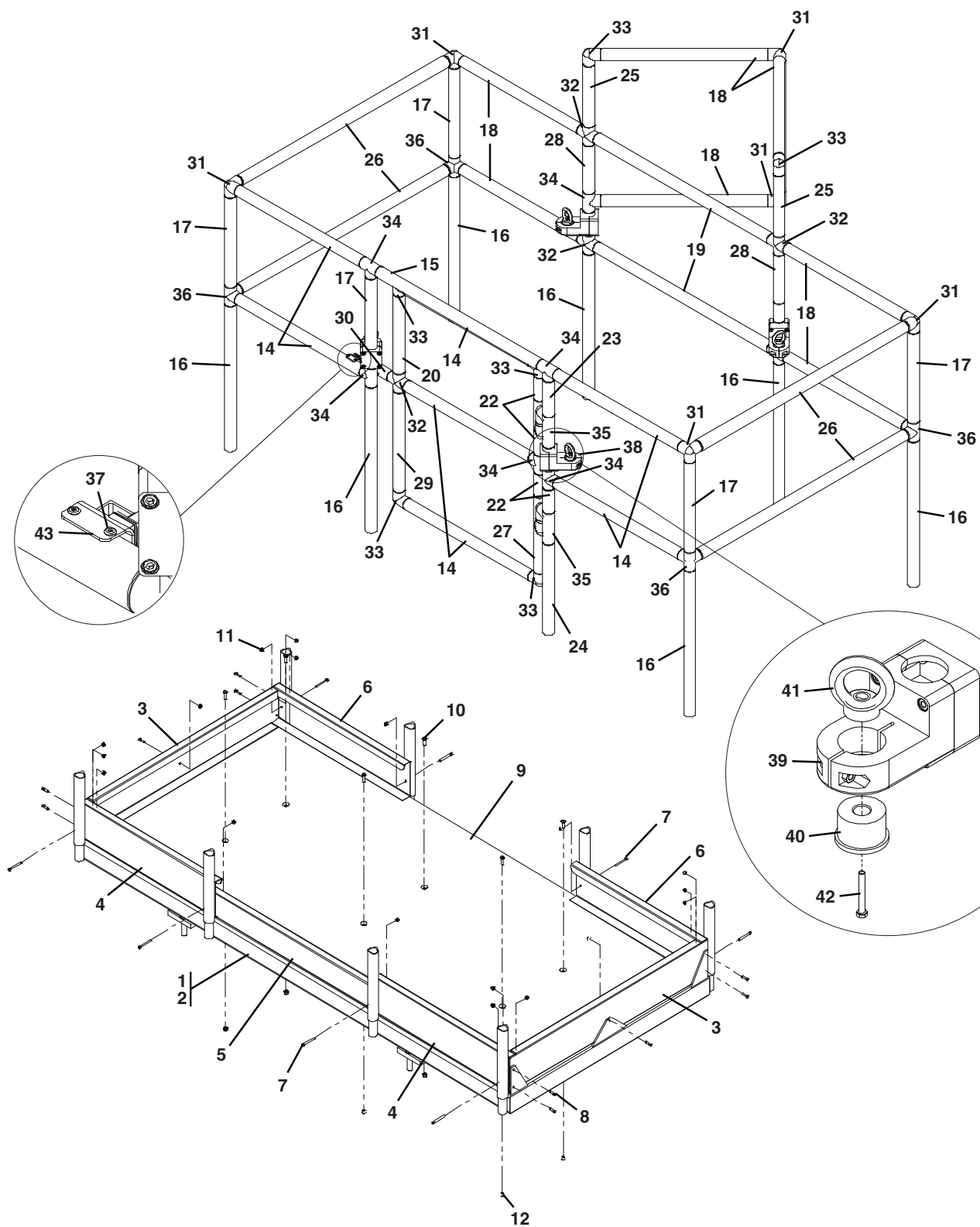
Figure 3-11 Platform Assembly, Adapter & Pedestal

Item	Part Number	Qty.	Description	Rev.
	3510871	1	PLATFORM ASSY, (13M models only), (includes all items on Figures 3-11, 3-12, 3-13 and 3-14)	D
1	70020143	1	PLATFORM ADAPTER ASSY, (includes all items)	
2	70020038	1	ADAPTER	
3	70020304	1	ACTUATOR, (includes counterbalance valve)	
	7017165	1	SEAL KIT, ACTUATOR	
	7017172	1	COUNTERBALANCE VALVE	
	7017192	1	CARTRIDGE	
4	70020039	1	ACTUATOR PIN	
5	70020040	1	LOWER FIXING SUPPORT	
6	70020041	1	FOOT	
7	70020042	2	BAFFLE	
8	70020043	1	UPPER PLATE	
9	70020044	1	FRAME	
10	70020045	1	SPACER	
11	70020046	1	CONTROL BOX PEDESTAL ASSY, (includes items 12 thru 23)	
12	70020047	1	CONTROL BOX PEDESTAL	
13	1600387	1	LOAD SENSE CONTROLLER	
14	0861794	1	ELECTRICAL BOX	
15	70020048	7	PLAIN WASHER	
16	70020049	1	HEX HD SCREW, M6X1X60	
17	70020050	2	HEX HD SCREW, M6X1X45	
18	70020051	4	HEX HD SCREW, M6X1X12	
19	70020052	4	HEX HD SCREW, M6X1X16	
20	70020053	1	PLUG	
21	70020054	5	HEX SELF LOCKING NUT, M6X1	
22	70020055	1	HOSE CLAMP	
23	0860520	1	MANUAL STORAGE BOX	
24		Ref	LOAD CELL, (see Figure 3-13 for details)	
25	70020057	31	HEX SELF LOCKING NUT, M14	
26	70020058	7	HEX HD SCREW, M14X2X60	
27	70020059	10	HEX HD SCREW, M12X1.75X35	
28	70020060	1	HEX HD SCREW, M12X1.75X160	
29	70020061	6	PLAIN WASHER	
30	70020062	2	HEX SELF LOCKING NUT, M22X1.5	
31	70020063	8	PLAIN WASHER	
32	70020064	4	HEX HD SCREW, M24X3X140	
33	70020065	4	HEX SELF LOCKING NUT, M24	
34	70020066	2	HEX SELF LOCKING NUT, M16X2X40	
35	70020067	6	HEX HD SCREW, M16X2X60	
36	70020068	6	HEX SELF LOCKING NUT, M16	
37	70020069	24	HEX HD SCREW, M14X2X50	
38	70020070	8	HEX HD SCREW, M12X1.75X65	
39	70020071	8	HEX SELF LOCKING NUT, M12	



ATTACHMENTS

Figure 3-12 Platform Assembly, Base & Railings



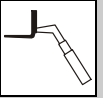


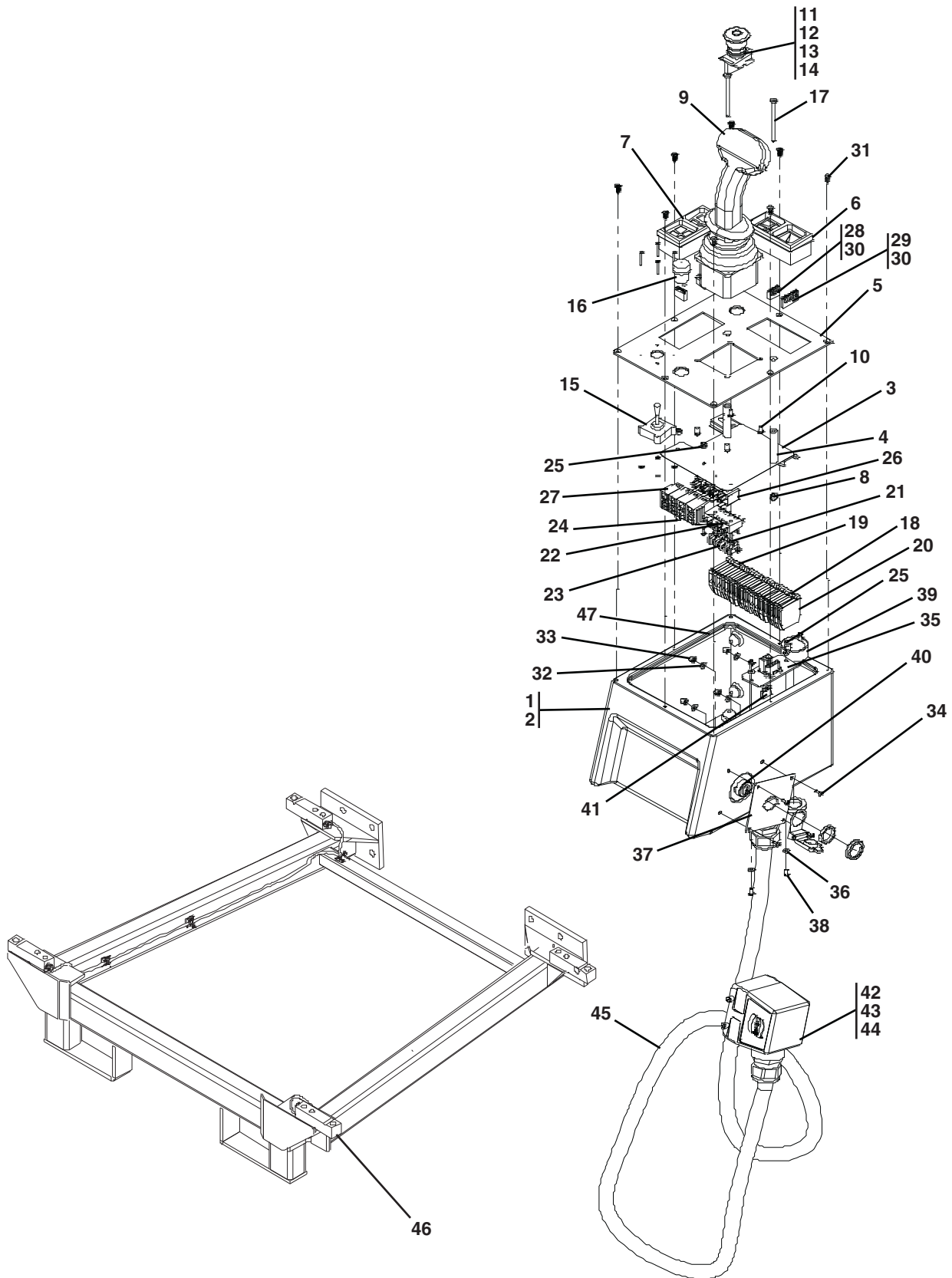
Figure 3-12 Platform Assembly, Base & Railings

Item	Part Number	Qty.	Description	Rev.
	3510871	1	PLATFORM ASSY, (13M models only), (includes all items on Figures 3-11, 3-12, 3-13 and 3-14)	D
1	70020144	1	COMPLETE BASE ASSY, (includes items 2 thru 12)	
2	70020072	1	PLATFORM BASE	
3	7029888	2	LATERAL TOEGUARD	
4	70020073	2	FRONT LATERAL TOEGUARD	
5	70020074	1	FRONT MIDDLE TOEGUARD	
6	70020075	2	REAR TOEGUARD	
7	70020076	8	CHEESE HD SOCKET SCREW, M6X1X55	
8	70020077	10	CHEESE HD SOCKET SCREW, M6X1X20	
9	70020078	1	METAL GRATING	
10	70020079	6	FLAT HD SCREW, M8X1.25X30	
11	70020054	18	HEX SELF LOCKING NUT, M6X1	
12	70020080	6	HEX SELF LOCKING NUT, M8X1.25	
13	70020145	1	COMPLETE RAILING ASSY, (includes items 14 thru 43)	
14	70020081	7	TUBULAR FRAME	
15	70020082	1	TUBULAR FRAME	
16	70020083	7	TUBULAR FRAME	
17	70020084	5	TUBULAR FRAME	
18	70020085	8	TUBULAR FRAME	
19	70020086	2	TUBULAR FRAME	
20	70020087	1	TUBULAR FRAME	
21	70020088	1	TUBULAR FRAME, (rear vertical), (not shown)	
22	70020089	7	TUBULAR FRAME	
23	70020090	1	TUBULAR FRAME	
24	70020091	1	TUBULAR FRAME	
25	70020092	1	TUBULAR FRAME	
26	70020093	4	TUBULAR FRAME	
27	70020094	1	TUBULAR FRAME	
28	70020095	2	TUBULAR FRAME	
29	70020096	1	TUBULAR FRAME	
30	70020097	1	TUBULAR FRAME	
31	70020098	6	CORNER TEE FITTING	
32	70020099	5	CROSS FITTING	
33	70020100	6	CORNER TEE FITTING, 90 DEGREE	
34	70020101	7	TEE FITTING, 90 DEGREE	
35	70020102	2	HINGE FITTING, RIGHT HAND	
36	70020103	4	CORNER TEE FITTING, 90 DEGREE	
37	70020104	4	RIVET	
38	70020105	4	LANYARD KEEPER ASSY, (includes items 39 thru 42)	
39	70020106	1	CLAMP	
40	70020107	1	BUSHING	
41	70020108	1	EYEBOLT	
42	70020109	1	HEX HD SCREW, M12X1.75X45	
43	7029962	1	DOOR LOCK	



ATTACHMENTS

Figure 3-13 Platform Assembly, Electrical



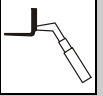
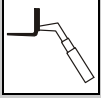


Figure 3-13 Platform Assembly, Electrical

Item	Part Number	Qty.	Description	Rev.
	3510871	1	PLATFORM ASSY, (13M models only), (includes all items on Figures 3-11, 3-12, 3-13 and 3-14)	D
1	70020147	1	CONTROL BOX ASSY, (includes items 1 thru 15)	
2	70020110	1	CONTROL BOX	
3	70020111	1	INTERMEDIATE PLATE	
4	70020112	2	SPACER	
5	70020113	1	DASHBOARD PANEL	
6	7029926	1	LIGHTS & FUEL GAUGE ASSY	
7	7029927	1	LIGHTS ASSY	
8	70020054	2	HEX SELF LOCKING NUT, M6X1	
9	8002822	1	JOYSTICK	
10	70020114	4	RD HD CROSS SLOTTED SCREW, M5X0.8X10	
11	70020115	1	EMERGENCY STOP BUTTON	
12	70020116	1	EMERGENCY STOP BUTTON SUPPORT w/CONTACT	
13	70020117	1	EMERGENCY STOP BUTTON CONTACT	
14	70020118	1	EMERGENCY STOP BUTTON RING	
15	7029928	1	LITTLE JOYSTICK	
16	7029929	1	HORN BUTTON	
17	70020119	2	FLAT HD SOCKET SCREW, M6X1X80	
18	70020120	28	TERMINAL	
19	70020121	2	TERMINAL	
20	70020122	1	PLATE	
21	70020123	2	RD HD CROSS SLOTTED SCREW, M3X0.5X16	
22	70020124	1	FUSE BOX	
23	70020125	5	DIODE	
24	70020126	2	RD HD SOCKET SCREW, M4X0.7X10	
25	70021027	4	HEX SELF LOCKING NUT, M4X0.7	
26	7029930	4	RELAY, 12V 20A	
27	70020128	4	RELAY SUPPORT	
28	70020129	3	CONNECTOR	
29	70020130	1	CONNECTOR	
30	70020131	22	CONTACT FOR CONNECTOR	
31	70020132	8	SELF TAPPING FLAT HD SCREW, M4.8X2X16	
32	70020133	4	PLAIN WASHER	
33	70020134	4	HEX SELF LOCKING NUT, M5X0.8	
34	70020135	4	RD HD SOCKET SCREW, M5X0.8X16	
35	70020136	1	FUSE ASSY	
36	70020137	4	FLAT WASHER	
37	70020138	1	PLATE	
38	70020139	2	RD HD SOCKET SCREW, M4X0.7X20	
39	70020140	1	ALARM	
40	4360583	1	SWITCH	
41	70020141	1	FUSE, 15A	
42	7029931	1	FLYING BOX	
43	7029932	1	MALE CONTACT, 16 PIN, (1-16)	
44	7029933	1	MALE CONTACT, 16 PIN, (17-32)	
45	7029935	1	CABLE ASSY	
46	2420202	4	LOAD CELL	
47	4420008	3.4'	INSULATION TAPE	



ATTACHMENTS

Figure 3-13 Platform Assembly, Electrical (Continued)

Item	Part Number	Qty.	Description	Rev.
	70020142	1	COMPLETE CABLE & FLYBOX, (includes items 42 & 45)	

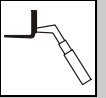
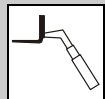


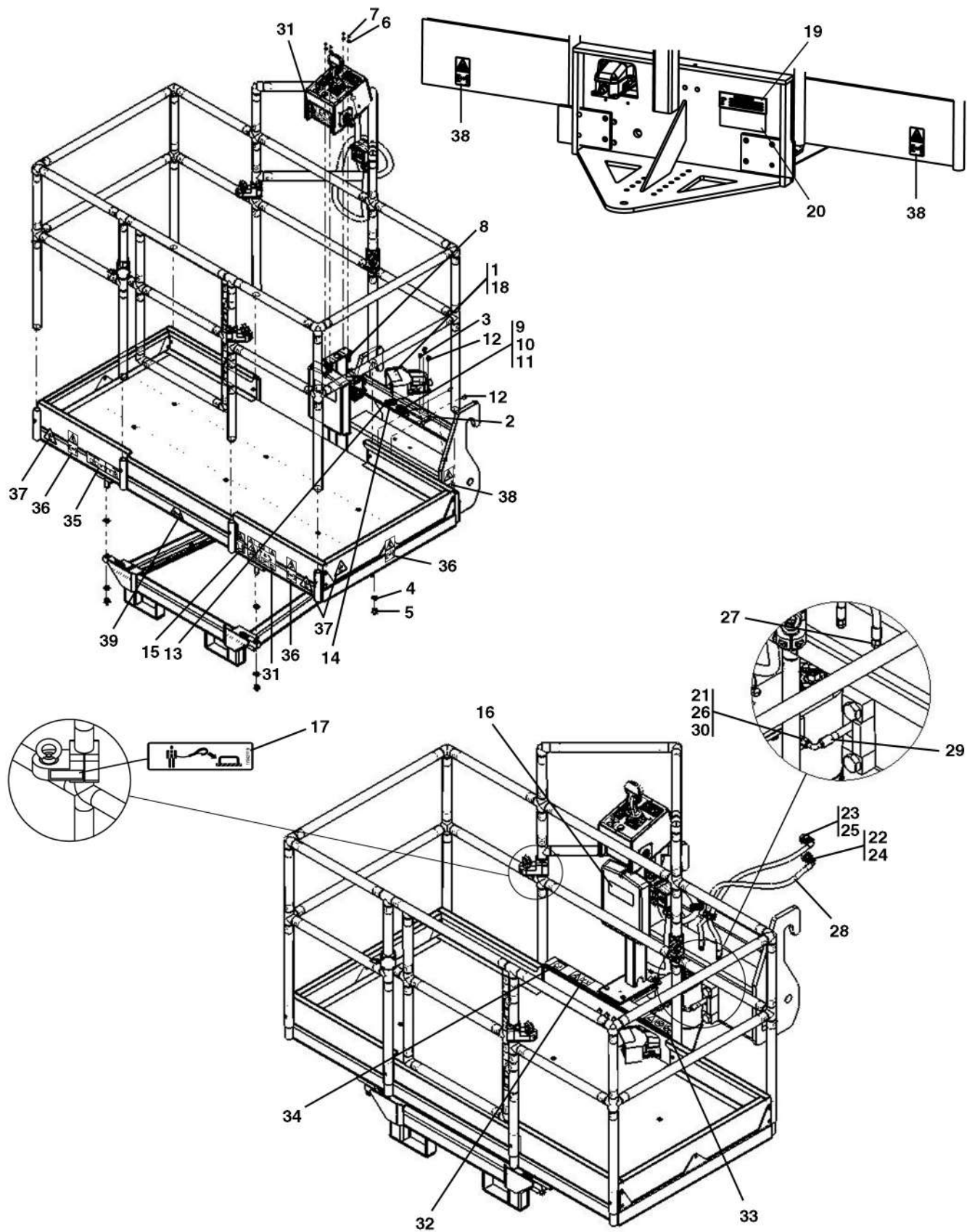
Figure 3-13 Platform Assembly, Electrical (Continued)

Item	Part Number	Qty.	Description	Rev.



ATTACHMENTS

Figure 3-14 Platform Assembly, Miscellaneous



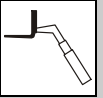


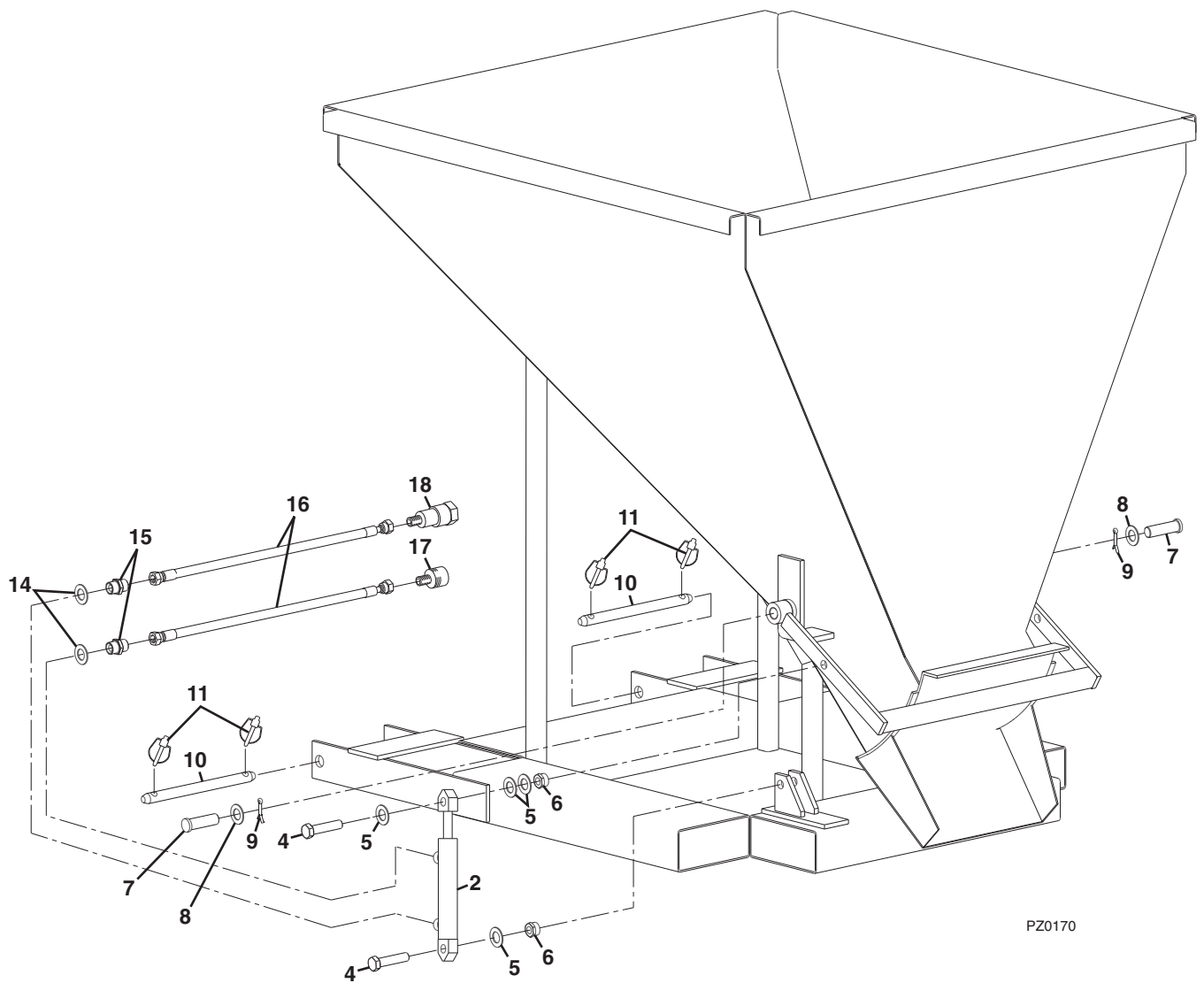
Figure 3-14 Platform Assembly, Miscellaneous

Item	Part Number	Qty.	Description	Rev.
	3510871	1	PLATFORM ASSY, (13M models only), (includes all items on Figures 3-11, 3-12, 3-13 and 3-14)	D
1	4360031	1	FOOT SWITCH	
2	70020146	1	FOOT SWITCH SUPPORT PLATE	
3	70020148	1	HEX HD SCREW, M6X1X20	
4	70020149	8	PLAIN WASHER	
5	70020068	4	HEX SELF LOCKING NUT, M16	
6	70020133	8	PLAIN WASHER	
7	70020150	4	HEX NUT, M5X0.8	
8	70020151	4	HEX HD SCREW, M5X0.8X25	
9	70020152	1	DOUBLE CLAMP	
10	70020153	1	UPPER DOUBLE CLAMP	
11	70020154	1	DOUBLE CLAMP SCREW	
12	70020155	4	CHEESE HD SOCKET SCREW, M8X1.25X20	
13	70020156	2	CHEESE HD SOCKET SCREW, M6X1X30	
14	70020157	2	CLAMP	
15	8006612	1	ATTENTION DECAL	
16	1701509	1	MANUAL BOX DECAL	
17	1704277	4	LANYARD DECAL	
18	1705828	1	FOOT SWITCH DECAL	
19	3252801	1	NAMEPLATE, MANUFACTURING SPECIFICATIONS	
20	70020159	1	PLATFORM NAMEPLATE	
21	70020160	2	COPPER WASHER	
22	70020161	1	FEMALE QUICK CONNECTION	
23	70020162	1	MALE QUICK CONNECTION	
24	70020163	1	FEMALE QUICK CONNECTION PLUG	
25	70020164	1	MALE QUICK CONNECTION PLUG	
26	70020165	2	O-RING	
27	70020166	2	FITTING, 1/4	
28	70020167	2	HOSE ASSY	
29	70020168	2	HOSE ASSY	
30	70020169	2	SPECIAL FITTING	
31	1706323	2	450 KG CAPACITY WARNING DECAL	
32	1706595	1	STABILITY WARNING DECAL	
33	1706596	1	FALL HAZARD WARNING DECAL	
34	1706600	1	OUTRIGGER LOAD DECAL	
35	1706601	1	PLATFORM LOAD CAPACITY DECAL	
36	1706602	3	CRUSHING HAZARD DECAL	
37	1706603	3	FOOT CRUSHING HAZARD DECAL	
38	1706604	3	CRUSHING HAZARD WARNING DECAL	
39	1706605	1	FOOT CRUSHING HAZARD DECAL	
	70020158	1	DECAL KIT, (includes items 31 thru 39)	



ATTACHMENTS

Figure 3-15 Concrete Ladle



PZ0170

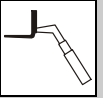


Figure 3-15 Concrete Ladle

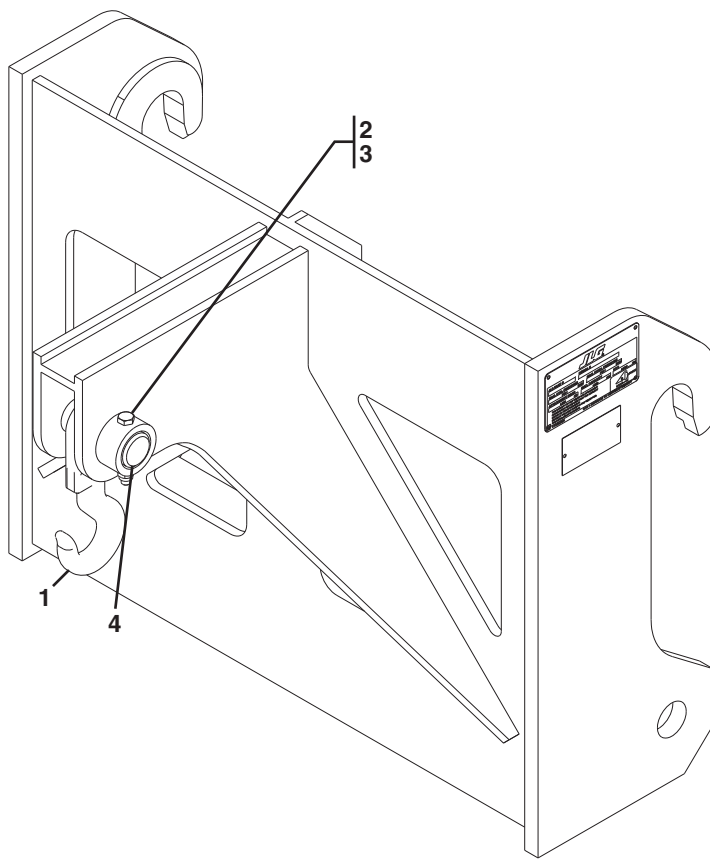
Item	Part Number	Qty.	Description	Rev.
	0240158	1	CONCRETE LADLE, (9M & 13M models only), (includes all items)	B
2	70020723	1	HYDRAULIC CYLINDER	
4	70020724	2	BOLT	
5	70020725	4	WASHER	
6	70020726	2	NUT	
7	70020727	2	PIN	
8	70020728	2	WASHER	
9	70020729	2	PIN	
10	70020203	2	SAFETY PIN	
11	70020204	4	RETAINING RING	
14	70020730	2	GASKET	
15	70020731	2	LINK	
16	70020732	2	PIPE	
17	70020733	1	QUICK COUPLING, MALE	
18	70020734	1	QUICK COUPLING, FEMALE	



ATTACHMENTS

Figure 3-16 Crane Hook

9M & 13M



PZ0380

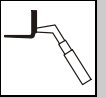


Figure 3-16 Crane Hook

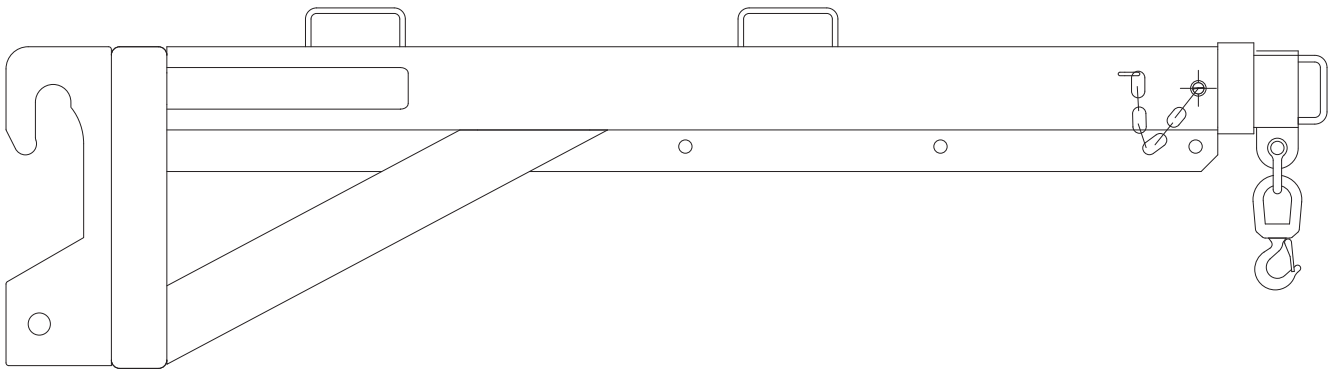
Item	Part Number	Qty.	Description	Rev.
	1170058	1	CRANE HOOK, (9M & 13M machines only), (includes all items)	A
1	70020417	1	HOOK	
2	70020205	1	BOLT	
3	70020206	1	NUT	
4	70020201	1	PIN	



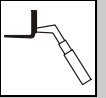
ATTACHMENTS

Figure 3-17 Extending Jib (Australia)

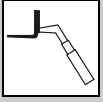
9M & 13M



PAP098

**Figure 3-17 Extending Jib (Australia)**

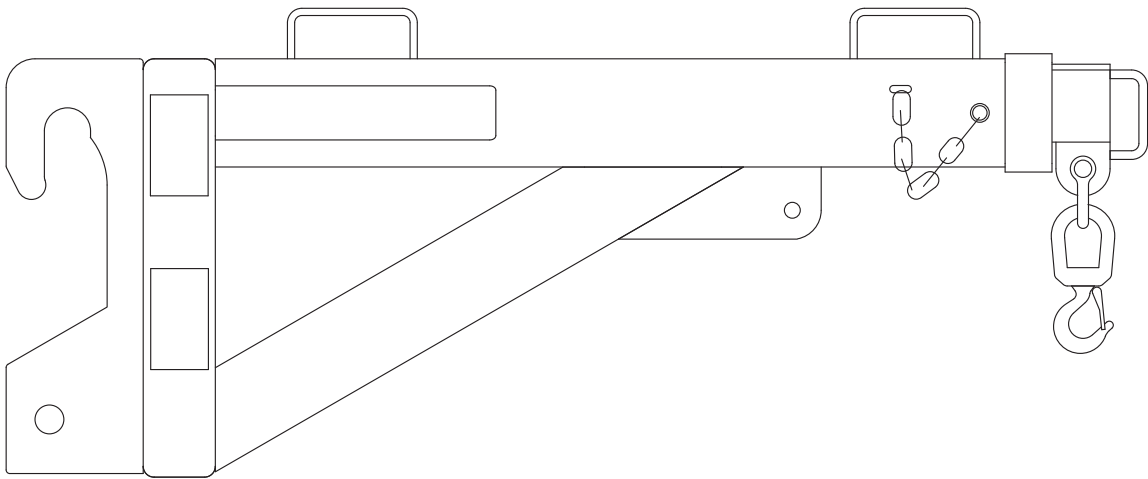
Item	Part Number	Qty.	Description	Rev.
	1733787	1	EXTENDING JIB, (9M & 13M machines only)	A



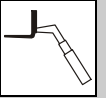
ATTACHMENTS

Figure 3-18 Adjustable Boom Truss (Australia)

9M & 13M



PAP099

**Figure 3-18 Adjustable Boom Truss (Australia)**

Item	Part Number	Qty.	Description	Rev.
	0240145	1	ADJUSTABLE BOOM TRUSS, (9M & 13M machines only)	B



ATTACHMENTS

This Page Intentionally Left Blank

SECTION 4

ENGINE & ATTACHING PARTS

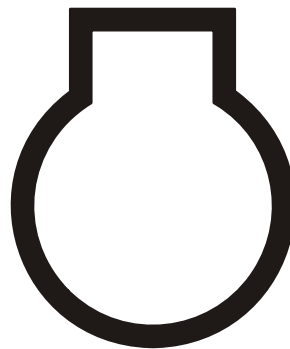
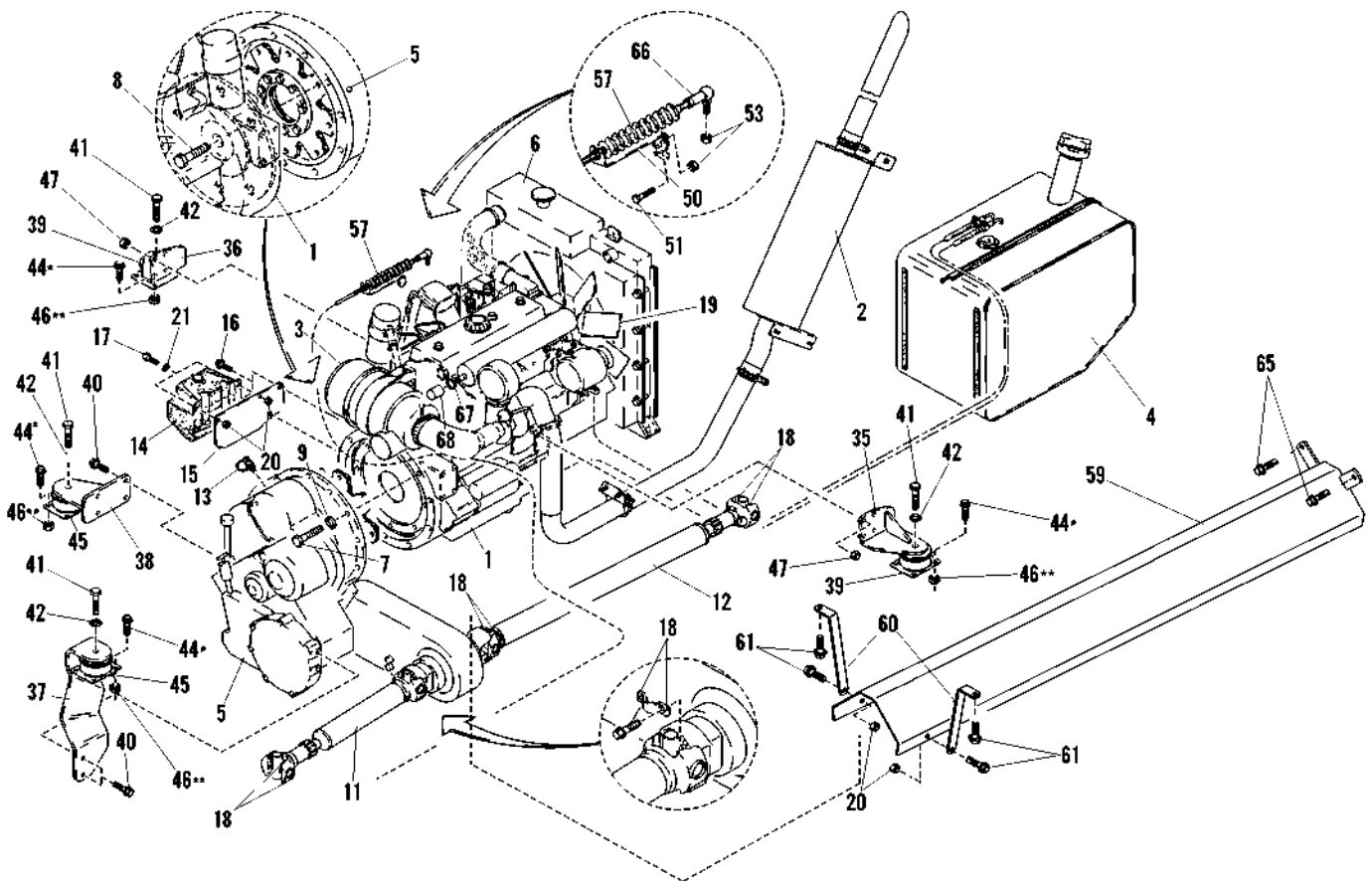




Figure 4-1 Engine Installation



* Was item 43 before S/N 1160000348.
** Prior to S/N 1160000348, this item was not used.



Figure 4-1 Engine Installation

Item	Part Number	Qty.	Description	Rev.
	8002785	Ref	ENGINE INSTALLATION, (includes all items)	G
1		Ref	ENGINE PERKINS D 12V, (see Figure 4-2 for details)	
2		Ref	MUFFLER INSTALLATION, (see Figure 4-6 for details)	
3		Ref	AIR CLEANER INSTALLATION, (see Figure 4-5 for details)	
4		Ref	FUEL SUPPLY INSTALLATION, (see Figure 4-3 for details)	
5		Ref	TRANSMISSION ASSY OPTIONS, (see Figure 4-8 for details)	
6		Ref	COOLING SYSTEM INSTALLATION, (see Figure 4-4 for details)	
7	0771014	10	HEX HD CAPSCREW, M10X30, (torque to 63 Nm)	
8	8003320	8	BOLT, 10-1.25X50, GR8.8, (torque to 37 Nm)	
9	5212000	10	WASHER, 10X22mm	
11	8004069	1	DRIVESHAFT	
	7028929	2	UNIVERSAL JOINT	
12	8004070	1	DRIVESHAFT	
	7028929	2	UNIVERSAL JOINT	
13	8004982	1	FITTING	
14	2995299	1	WASHER BOTTLE WITH PUMP	
	70021576	1	CAP	
15	4806126	1	BRACKET	
16	1783337	2	BOLT, 12X20mm	
17	0760810	2	HEX HD CAPSCREW, M8X20, GR8.8	
18	8005079	8	DRIVESHAFT ATTACHMENT KIT, (includes strap & bolts), (torque to 38 Nm)	
19	8004872	1	FAN	
20	5220800	4	NUT, 8mm	
21	1356341	4	WASHER, 8.4mm	
35	4801154	1	BRACKET, MOUNTING, (rear left)	
36	4801176	1	BRACKET, MOUNTING, (rear right)	
37	4804715	1	BRACKET, MOUNTING, (front left)	
38	4804135	1	BRACKET, MOUNTING, (front right)	
39	4806397	2	MOUNT, (rear)	
40	5201215	6	BOLT, 12X35mm, (torque to 120 Nm)	
41	398929	4	BOLT, 16X1.5X30mm, GR8.8, (torque to 210 Nm)	
42	4812300	4	FLAT WASHER, M16	
43	5201010	12	BOLT, M10X20, (Before S/N 1160000348), (see note on illustration)	
44	5201014	16	BOLT, M10X30, (torque to 120 Nm), (see note on illustration)	
45	4806386	2	MOUNT, (front)	
46	5221000	16	NUT, M10, (see note on illustration)	
47	5221200	8	NUT, M12	
50	8000515	1	BRACKET, SPRING	
51	0760608	2	HEX HD CAPSCREW, M6X16, GR8.8	
53	3290605	4	HEX LOCKNUT, 6mm	
57	8002599	1	CABLE, THROTTLE	
59	8002584	1	GUARD	
60	8002585	2	BRACKET, GUARD	
61	5200808	4	BOLT, 8X16mm	
65	5200813	2	BOLT, 8X25mm	
66	466104	1	ANGLE JOINT	
67	8009974	1	CLAMP, USED ONLY WITH NA ENGINE 4800164	
68	8009975	1	CAP, USED ONLY WITH NA ENGINE 4800164	



Figure 4-1 Engine Installation

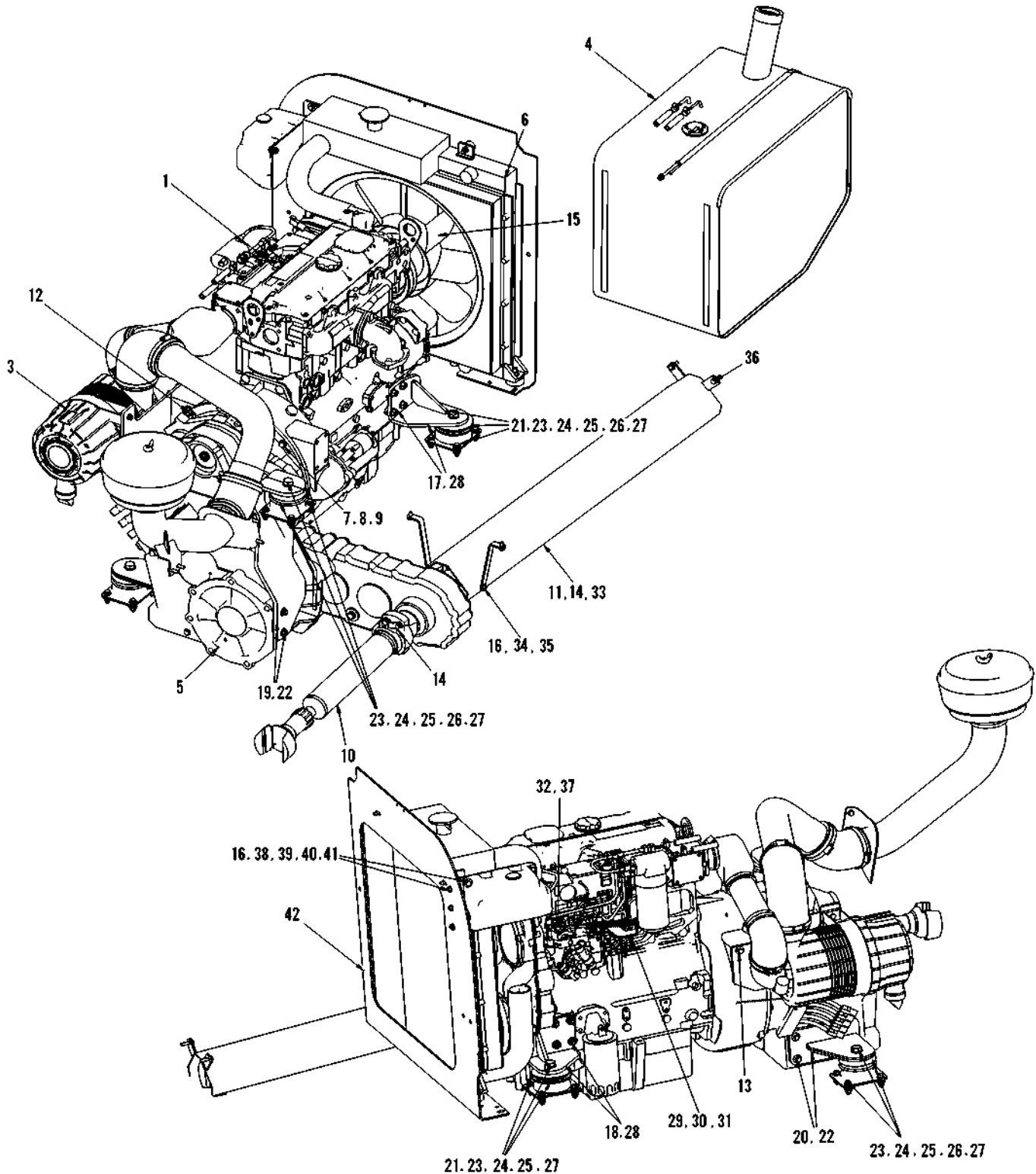




Figure 4-1 Engine Installation

Item	Part Number	Qty.	Description	Rev.
	2000227	Ref	ENGINE INSTALLATION, NA, (includes all items)	F
	2000231	Ref	ENGINE INSTALLATION, 3 SPEED TURBO	F
	2000226	Ref	ENGINE INSTALLATION, 4 SPEED TURBO	F
1		1	ENGINE PERKINS D 12V OPTIONS, (see Figure 4-2 for details)	
3		Ref	AIR CLEANER INSTALLATION, (see Figure 4-5 for details)	
4		Ref	FUEL SUPPLY INSTALLATION, (see Figure 4-3 for details)	
5		Ref	TRANSMISSION ASSY OPTIONS, (see Figure 4-8 for details)	
6		Ref	COOLING SYSTEM INSTALLATION, (see Figure 4-4 for details)	
7	0771014	10	HEX HD CAPSCREW, M10X30, (torque to 63 Nm)	
8	8003320	8	BOLT, 10-1.25X50, GR8.8, (torque to 37 Nm)	
9	5212000	10	WASHER, 10X22mm	
10	8004069	1	DRIVESHAFT	
	7028929	2	UNIVERSAL JOINT	
11	8004070	1	DRIVESHAFT	
	7028929	2	UNIVERSAL JOINT	
12	8004982	1	FITTING	
13	5201210	3	BOLT	
14	8005079	8	DRIVESHAFT ATTACHMENT KIT, (includes strap & bolts), (torque to 38 Nm)	
15	2060033	1	FAN, 20 INCH	
16	5220800	6	NUT, 8mm	
17	4801154	1	BRACKET, MOUNTING, (rear left)	
18	4801176	1	BRACKET, MOUNTING, (rear right)	
19	4804715	1	BRACKET, MOUNTING, (front left)	
20	4804135	1	BRACKET, MOUNTING, (front right)	
21	4806397	2	MOUNT, (REAR)	
22	5201215	6	BOLT, 12X35mm, (torque to 120 Nm)	
23	398929	4	BOLT, 16X1.5X30mm, GR8.8, (torque to 210 Nm)	
24	4812300	4	FLAT WASHER, M16	
25	5201014	16	BOLT, M10X30, (torque to 120 Nm)	
26	4806386	2	MOUNT, (front)	
27	5221000	16	NUT, M10	
28	5221200	8	NUT, M12, (torque to 78 Nm)	
29	0902986	1	THROTTLE BRACKET, NATURALLY ASPIRATED ENGINES ONLY	
	0902954	1	THROTTLE BRACKET, TURBO ENGINES ONLY	
30	0760608	3	HEX HD CAPSCREW, M6X16, GR8.8	
31	3290605	4	HEX LOCKNUT, 6mm	
32	8002599	1	CABLE, THROTTLE	
33	8002584	1	GUARD	
34	8002585	2	BRACKET, GUARD	
35	5200808	4	BOLT, 8X16mm	
36	5200810	2	BOLT	
37	466104	1	ANGLE JOINT	
38	2995299	1	WASHER BOTTLE WITH PUMP	
	70021576	1	CAP	
39	0760810	4	HEX HD CAPSCREW, M8X20, GR8.8	
40	1356341	4	WASHER, 8.4mm	
41	0902957	1	WASHER BOTTLE BRACKET	
42		Ref	RADIATOR MOUNTING SEAT, (see Figure 6-9 for details)	



ENGINE & ATTACHING PARTS

S/N 1160000358 & After

Figure 4-1 Engine Installation (Continued)

Item	Part Number	Qty.	Description	Rev.



Figure 4-1 Engine Installation (Continued)

Item	Part Number	Qty.	Description	Rev.



Figure 4-2 Engine Assembly

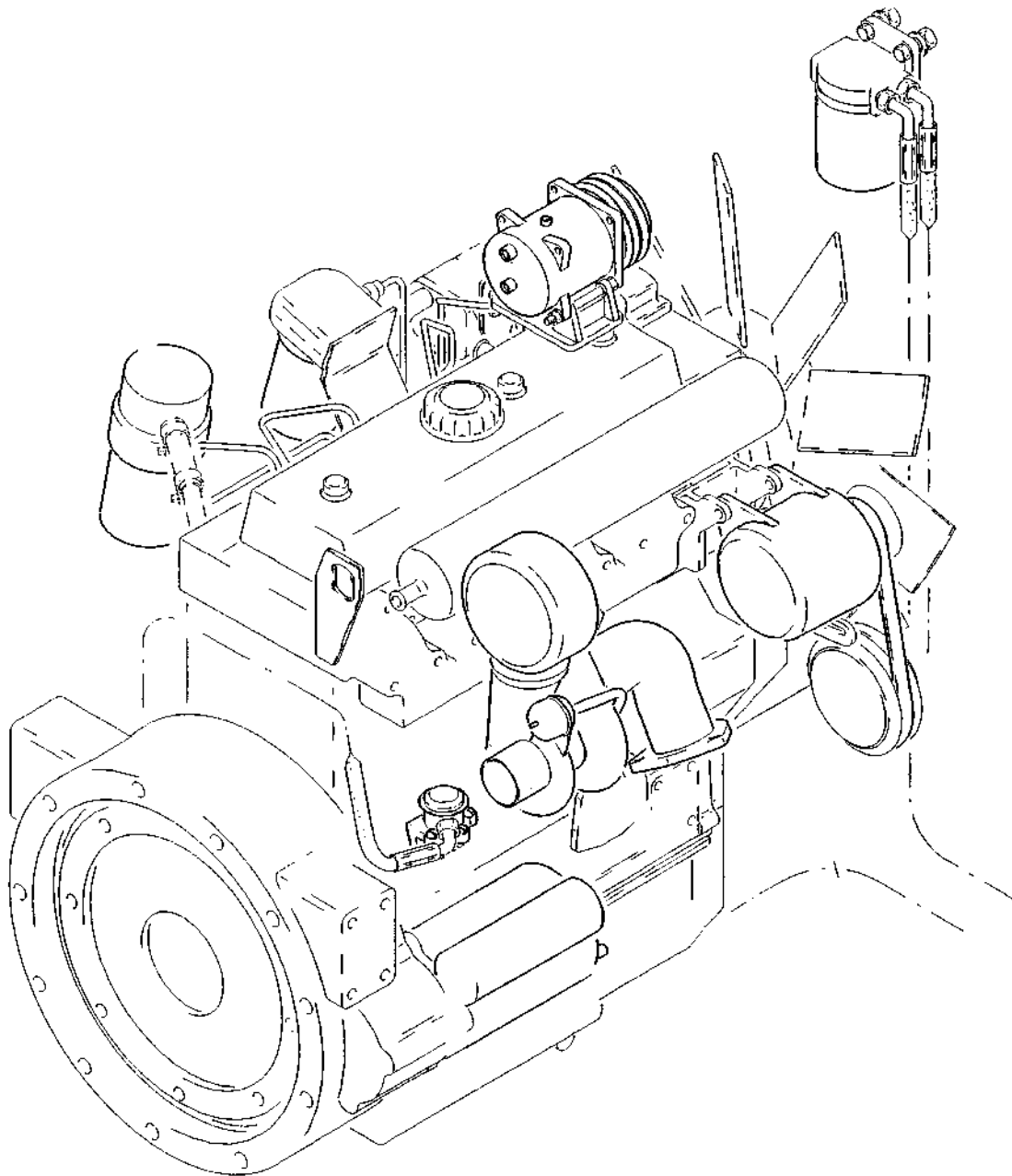




Figure 4-2 Engine Assembly

Item	Part Number	Qty.	Description	Rev.
	4800164		STANDARD ENGINE, (all models except 4013), (Before S/N 1160000358)	
	4800006		STANDARD ENGINE, (model 4013), (Before S/N 1160000358)	
	4800006		OPTIONAL ENGINE, (all models except 4013), (Before S/N 1160000358)	
	91034006	1	OIL FILTER, (3 speed engine, naturally aspirated)	
	8006013	1	OIL FILTER, (4 speed engine, turbo)	
	8006012	1	FUEL PRE-FILTER, (used on 4 speed Turbo engine)	
	7028009	1	FUEL FILTER	
	8006014	1	FAN BELT	
	8003167	1	COMPRESSOR	
	7028108	1	ALTERNATOR, 85A	
	8006016	1	GOVERNOR	
	8006019	1	STARTER	
	8008080	1	OIL DRAIN PLUG	
	8008083	1	O-RING	
	8006017	1	FUEL LIFT PUMP	
	8006018	1	FUEL LIFT PUMP REPAIRING KIT	
	8008091	1	MOTOR - VENTILATION	
	8008072	1	WATER PUMP	
	8008074	1	WATER PUMP REPAIRING KIT	
	8008075	1	THERMOSTAT	
	8003568	1	WATER SEPARATOR	
	8008076	1	TURBOCHARGER, (used on 4 speed Turbo engine)	
	7029938	1	DIPSTICK	
	7029939	1	DIPSTICK TUBE	
	7028141	1	OIL PRESSURE SWITCH	
	7028687	1	FUEL INJECTION PUMP	
	8277095	1	GLOW PLUG	
	8008077	1	REPAIRING KIT	
	8008078	1	REPAIRING KIT	
	7028033	1	FUEL INJECTION PUMP KIT, (includes 7028687, mounting gasket & shut off solenoid)	
	1001108810	1	ENGINE FILTER KIT, (3 speed engine), (includes fuel filter & oil filter)	
	1001108811	1	ENGINE FILTER KIT, (4 speed engine), (includes fuel filter, fuel pre-filter & oil filter)	
	1001108815	1	COMBINED FILTER KIT, (3 speed engine), (includes fuel filter, oil filter, return filter, transmission filter, primary & safety element)	
	1001108816	1	COMBINED FILTER KIT, (4 speed engine), (includes fuel filter, fuel pre-filter, oil filter, return filter, transmission filter, primary & safety element)	
	1001108798	1	HYDRAULIC/AIR FILTER KIT, (includes return filter, transmission filter, primary & safety element)	



Figure 4-2 Engine Assembly

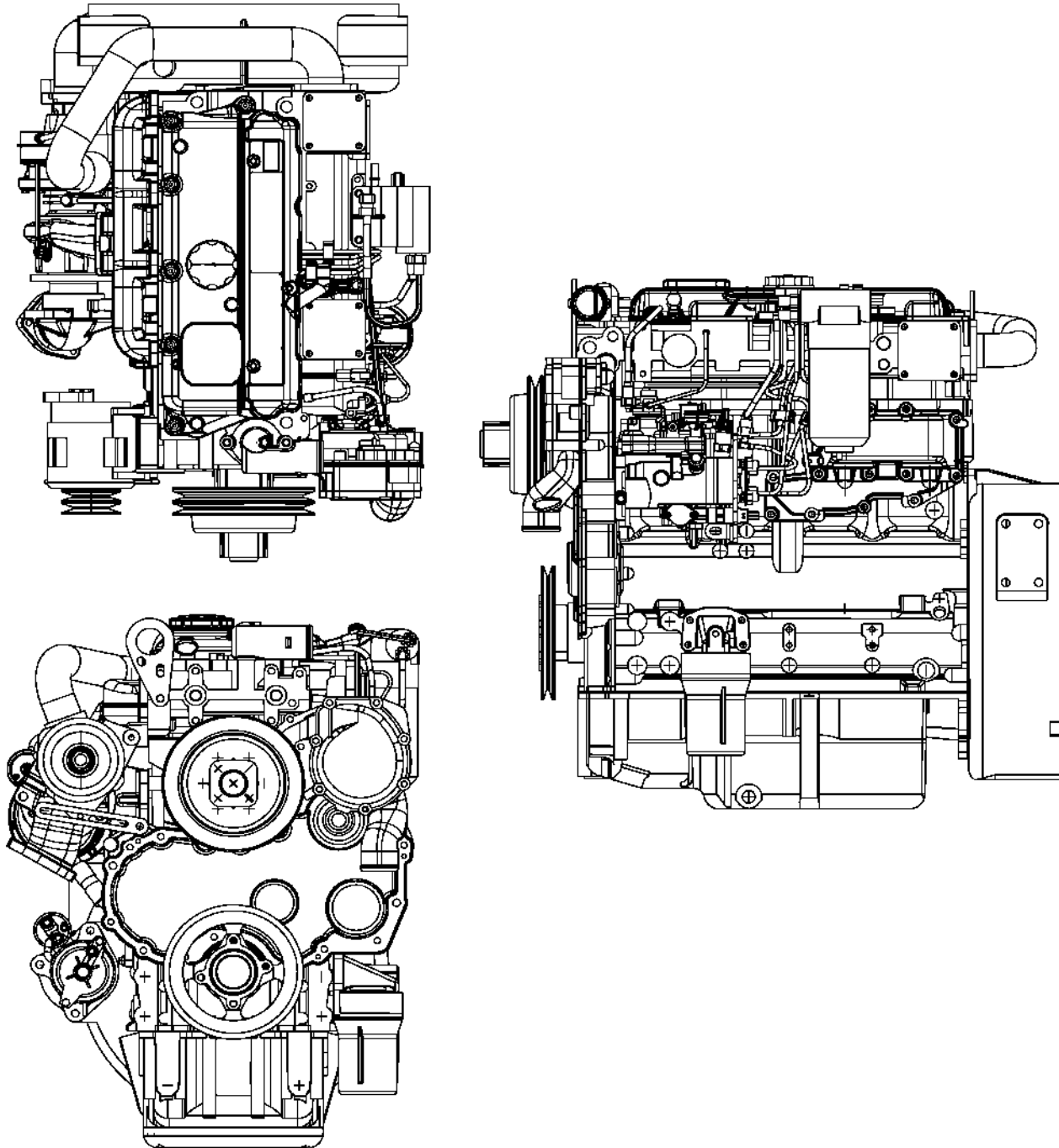




Figure 4-2 Engine Assembly

Item	Part Number	Qty.	Description	Rev.
	2000201	Ref	NATURALLY ASPIRATED ENGINE ASSY	
	2000200	Ref	TURBO ENGINE ASSY	
	7028661	1	FUEL PUMP, (used on Naturally Aspirated engine)	
	7028687	1	FUEL PUMP, (used on Turbo engine)	
	7028662	1	O-RING, (used on Naturally Aspirated engine)	
	7028688	1	O-RING, (used on Turbo engine)	
	7028689	1	FUEL SHUT-OFF SOLENOID, (used on Turbo engine)	
	7028677	1	COLD START TEMPERATURE SENDER	
	7028678	1	COLD START CABLE	
	7028679	1	FLYWHEEL ASSY	
	7028680	1	STARTER RING GEAR	
	70021786	1	STARTER MOTOR	
	7028656	1	FAN BELT, (used on Naturally Aspirated engine)	
	7028686	1	FAN BELT, (used on Turbo engine)	
	7028669	1	OIL PAN GASKET	
	7028659	2	OIL DRAIN PLUG	
	7028660	2	O-RING	
	7028672	1	DIPSTICK	
	7028681	1	OIL CAP	
	7028682	1	O-RING	
	7028683	1	OIL COOLER, (used on Naturally Aspirated engine)	
	7028692	1	OIL COOLER, (used on Turbo engine)	
	7028684	2	GASKET	
	7028685	1	GASKET	
	8006013	1	OIL FILTER	
	7028654	1	OIL FILTER GASKET	
	7028663	1	WATER PUMP ASSY	
	7028665	1	GASKET	
	7028666	1	WATER PUMP GASKET	
	70020209	1	THERMOSTAT	
	7028668	1	O-RING, THERMOSTAT	
	1001090078	1	ALTERNATOR, 85A	
	70021487	1	ALTERNATOR BRACKET	
	70021488	1	ADJUSTING BAR, ALTERNATOR	
	70021489	1	PULLEY, ALTERNATOR, (used on Naturally Aspirated engine)	
	70021490	1	PULLEY, ALTERNATOR, (used on Turbo engine)	
	7028673	1	OIL PUMP	
	7028690	1	TURBOCHARGER, (used on Turbo engine)	
	7028691	1	GASKET, (used on Turbo engine)	
	7028674	1	EXHAUST MANIFOLD GASKET	
	7028655	1	FUEL FILTER	
	7028675	4	EXHAUST GASKET, (used on Naturally Aspirated engine)	
	7028676	4	GLOW PLUG	
	7028141	1	OIL PRESSURE SWITCH	
	7029717	1	LIFT PUMP, FUEL, (includes fuel filter)	
	70021142	1	INLET MANIFOLD PIPE, (used on Turbo engine)	
	70021143	2	HOSE CLAMP, (used on Turbo engine)	
	70021144	1	HOSE, (used on Turbo engine)	
	70021145	1	GASKET, (used on Turbo engine)	

**Figure 4-2 Engine Assembly**

Item	Part Number	Qty.	Description	Rev.
	70021502	1	FUEL FEED PIPE, (used on Naturally Aspirated engine)	
	70021501	1	FUEL FEED PIPE, (used on Turbo engine)	
	7028664	1	WATER PUMP REPAIRING KIT	
	1001108812	1	ENGINE FILTER KIT, (includes fuel filter & oil filter)	
	1001108818	1	COMBINED FILTER KIT, (includes fuel filter, oil filter, return filter, transmission filter, primary & safety element)	
	1001108800	1	HYDRAULIC/AIR FILTER KIT, (includes return filter, transmission filter, primary & safety element)	



Figure 4-2 Engine Assembly

Item	Part Number	Qty.	Description	Rev.



Figure 4-3 Tank & Fuel Supply Installation

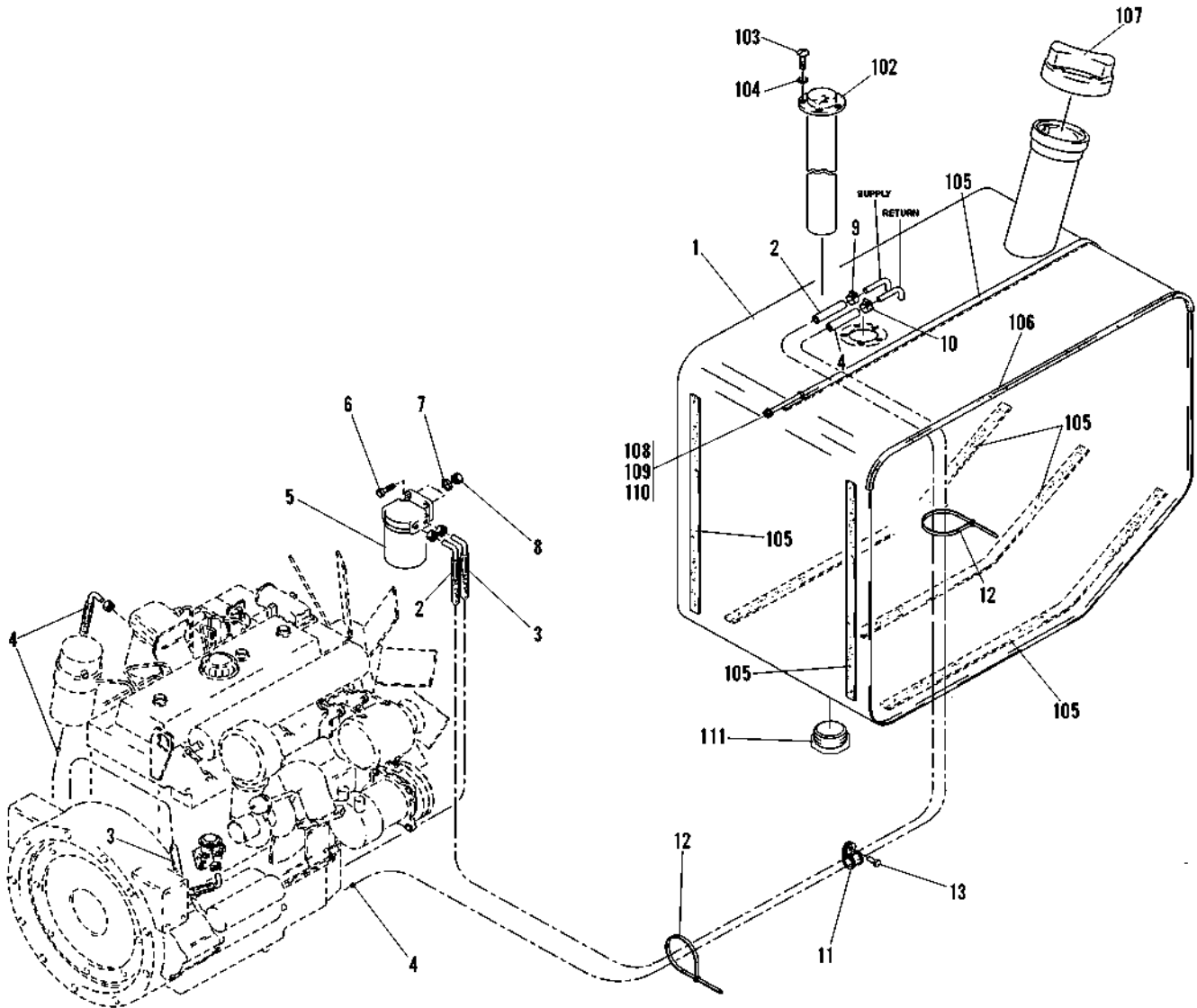




Figure 4-3 Tank & Fuel Supply Installation

Item	Part Number	Qty.	Description	Rev.
	8005154	Ref	FUEL SUPPLY INSTALLATION, (includes all items)	B
1		1	FUEL TANK ASSY, (includes items 102 thru 111), (4805371 is no longer available; order 2915127 kit for replacement)	
2	8003301	1	LINE, FUEL	
3	8003302	1	LINE, FUEL	
4	8003303	1	LINE, FUEL	
5	8003568	1	WATER SEPARATOR	
6	0761014	2	HEX HD CAPSCREW, 10X30mm, GR8.8	
7	4812000	2	FLAT WASHER, 10mm	
8	3291007	2	LOCKNUT, 10mm	
9	8005197	1	CLAMP	
10	2985617	1	CLAMP	
11	1003721	1	CLAMP	
12	1062255	10	TIE-STRAP	
13	0760810	1	HEX HD CAPSCREW, M8X20, GR8.8	
102	8002019	1	SENDER, FUEL GAUGE	
103	4010508	5	MACHINE SCREW, 5X16mm	
104	4811600	5	FLAT WASHER, M5	
105	909304	AR	TRIM, RUBBER	
106	935113	AR	TRIM, RUBBER	
107	8003285	1	CAP, TANK	
108	0700828	1	BOLT, 8X110mm	
109	5220800	1	NUT, 8mm	
110	4811900	1	FLAT WASHER, 8mm	
111	7028782	1	PLUG	



Figure 4-3 Tank & Fuel Supply Installation

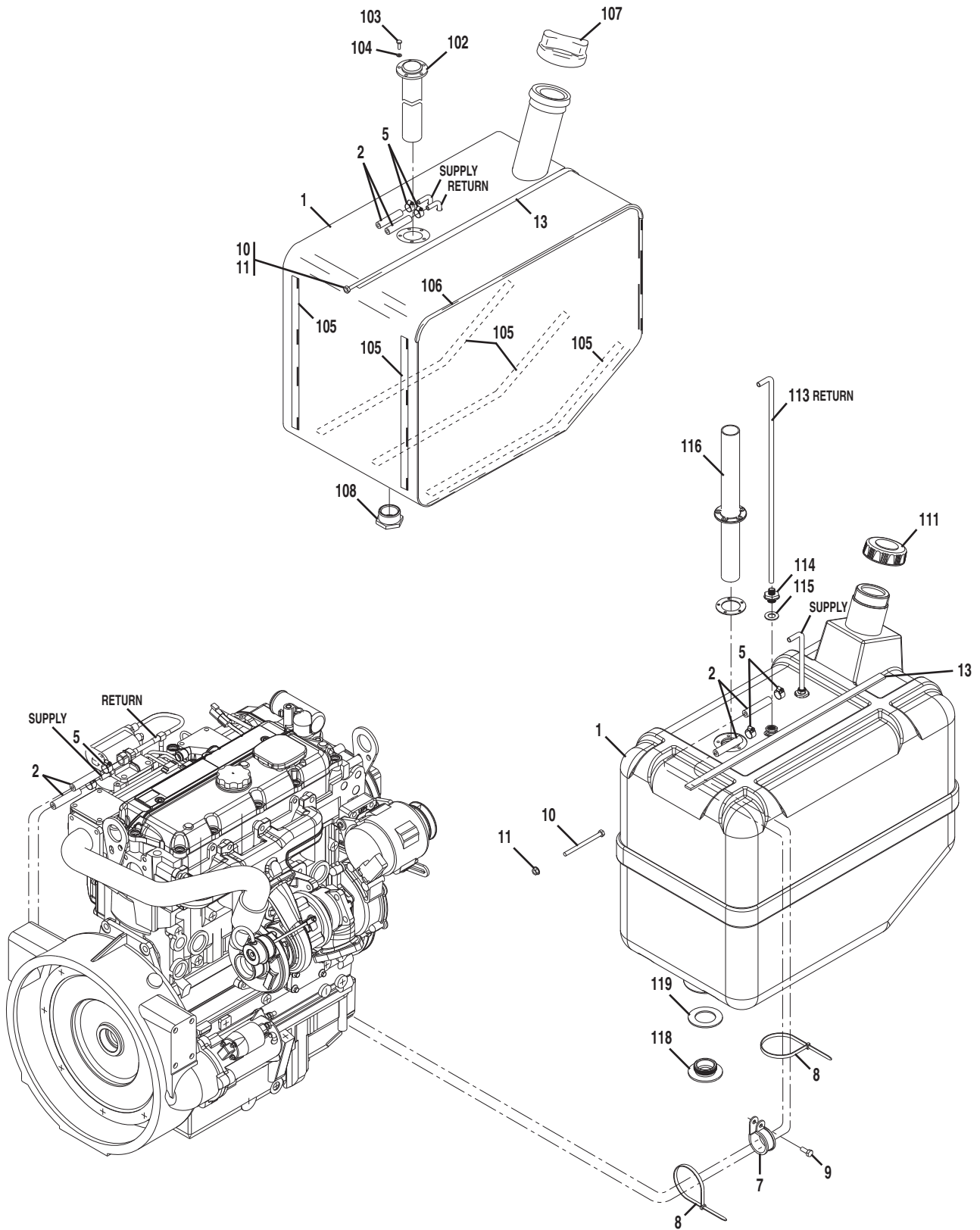




Figure 4-3 Tank & Fuel Supply Installation

Item	Part Number	Qty.	Description	Rev.
	4400464	Ref	FUEL SUPPLY INSTALLATION, (includes items 1 thru 13)	E
1		1	FUEL TANK ASSY, Before S/N 1160000822 , (includes items 102 thru 108), (4805374 is no longer available; order 2915127 kit for replacement)	
	4400471	1	FUEL TANK ASSY, S/N 1160000822 & After , (includes items 111 thru 119)	
2	2720519	2	LINE, FUEL	
5	1321301	4	CLAMP	
7	1003721	1	CLAMP	
8	1062255	10	TIE-STRAP	
9	0760810	1	HEX HD CAPSCREW, M8X20, GR8.8	
10	0760827	1	BOLT, 8X100mm	
11	5220800	1	NUT, 8mm	
13	909304	AR	TRIM, RUBBER	
102	8002019	1	SENDER, FUEL GAUGE	
103	4010508	5	MACHINE SCREW, 5X16mm	
104	4811600	5	FLAT WASHER, M5	
105	909304	AR	TRIM, RUBBER	
106	935113	AR	TRIM, RUBBER	
107	8003285	1	CAP, TANK	
108	7028782	1	PLUG	
111	7029215	1	CAP, BREATHER VALVE	
113	7029216	2	PIPE	
114	7029217	2	COUPLER	
115	7029218	2	O-RING	
116	8002019	1	SENDER, FUEL GAUGE	
118	7029220	1	PLUG	
119	7029221	1	O-RING	



Figure 4-4 Cooling System Installation

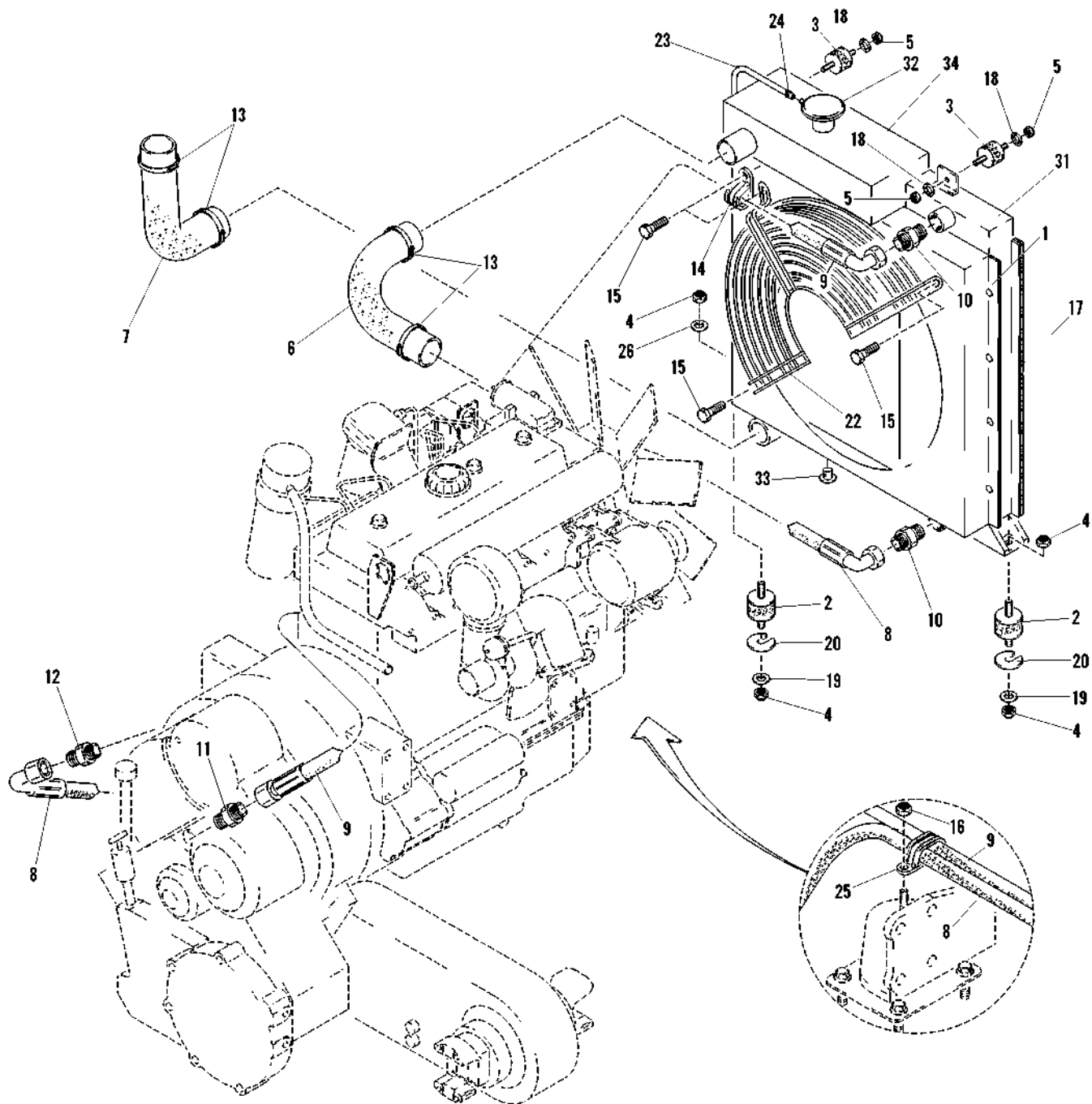




Figure 4-4 Cooling System Installation

Item	Part Number	Qty.	Description	Rev.
	8004980	Ref	COOLING SYSTEM INSTALLATION	E
1	4803178	1	RADIATOR ASSY, (includes items 31, 32, 33 & 34)	
2	429063	2	MOUNT, RADIATOR	
3	2969548	2	MOUNT, RADIATOR	
4	3291005	4	LOCKNUT, 10mm	
5	3290805	4	LOCKNUT, 8mm	
6	4806046	1	RADIATOR HOSE, (upper)	
7	4806057	1	RADIATOR HOSE, (lower)	
8	8002374	1	HOSE	
9	8002375	1	HOSE	
10	2140810	2	FITTING, STRAIGHT	
11	8004603	1	FITTING, STRAIGHT	
12	8001908	1	FITTING, STRAIGHT	
13	8005376	4	CLAMP	
14	816186	1	CLAMP	
15	5200808	3	BOLT, 8X16mm	
16	5220800	1	NUT, 8mm	
17	909304	AR	TRIM, RUBBER	
18	1356341	4	WASHER, 8.4mm	
19	1629567	2	FLAT WASHER, 10mm	
20	8005741	2	SHIM, 5mm	
	8005743	2	SHIM, 3mm	
22	8007733	1	SCREEN GRID	
23	8009666	1.05m	HOSE	
24	8005197	1	CLAMP	
25	1003721	1	CLAMP	
26	4812000	2	WASHER, 10mm	
31	7029723	1	FAN HOUSING, (S/N 1160000545 & After)	
32	3971793	1	RADIATOR CAP, METAL PUSH LOCK, (Before S/N 1160000545)	
	7029722	1	RADIATOR CAP, PLASTIC THREADED, 1 BAR, (S/N 1160000545 & After)	
33	0314725	1	PLUG, (Before S/N 1160000545)	
34	7029724	1	OIL/WATER COOLER, (S/N 1160000545 & After)	
<p>NOTE: FAN HOUSING, PLUG, OIL/WATER COOLER FOR MACHINES PRIOR TO S/N 1160000545 NO LONGER AVAILABLE; ORDER 4803178.</p>				



Figure 4-5 Air Cleaner Installation

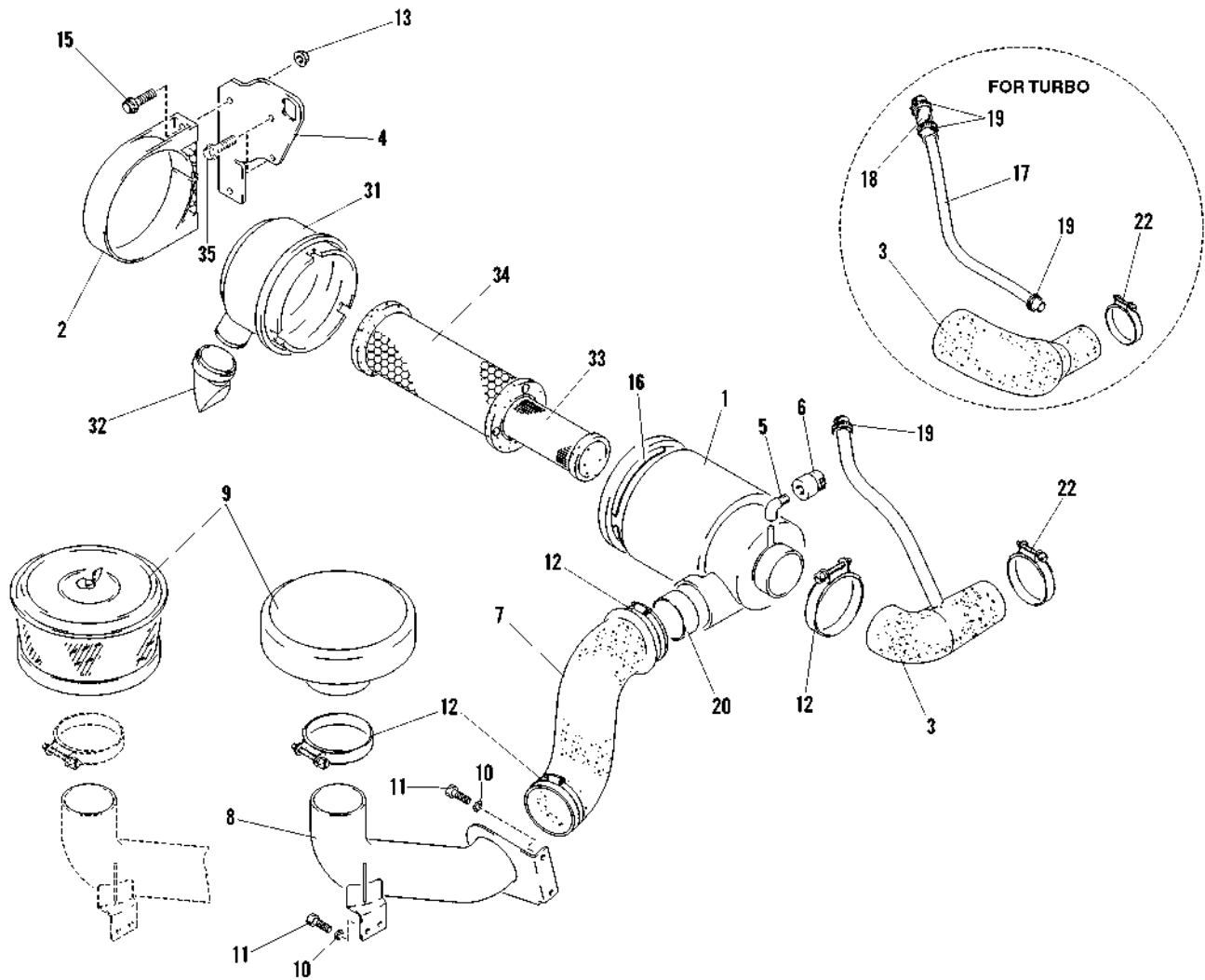




Figure 4-5 Air Cleaner Installation

Item	Part Number	Qty.	Description	Rev.
	4805625	Ref	AIR CLEANER INSTALLATION, (includes all items)	G
1	2981099	1	AIR CLEANER ASSY, (includes item 31-34)	
2	3929780	1	CLAMP, MOUNTING	
3	4805818	1	ELBOW, (standard)	
	4805829	1	ELBOW, (optional), (required with Turbo engine)	
4	4805614	1	BRACKET	
5	2988212	1	ELBOW FITTING	
6	2913166	1	LOW PRESSURE INDICATOR, (NA engine only)	
	8004981	1	LOW PRESSURE INDICATOR, (Turbo engine only)	
7	4805807	1	TUBE	
8	4805794	1	PIPE, SUCTION	
9	2981146	1	RAIN CAP, (standard)	
	8002927	1	PRECLEANER, (optional)	
	7028095	1	COVER	
	7028096	1	BOWL	
	7028097	1	CLAMP	
10	4811900	4	FLAT WASHER, 8mm	
11	0760812	4	HEX HD CAPSCREW, M8X25, GR8.8	
12	1349717	4	CLAMP	
13	5220800	2	NUT, 8mm	
15	0760814	2	HEX HD CAPSCREW, M8X30, GR8.8	
16	2997326	3	CLAMP	
17	8004078	1	PIPE, (optional), (required with Turbo engine)	
18	2002006	100mm	HOSE, (optional), (required with Turbo engine), (sold by the mm)	
19	3961951	AR	CLAMP	
20	2973384	1	REINFORCEMENT RING	
22	2991568	1	CLAMP, (standard)	
	8005376	1	CLAMP, (optional), (required with Turbo engine)	
31	2984649	1	COVER	
32	2981135	1	VALVE FOR AIR CLEANER	
33	2981124	1	SAFETY ELEMENT, FILTER, (inner)	
34	2981113	1	PRIMARY ELEMENT, FILTER, (outer)	
35		2	BOLT, (supplied with engine)	



Figure 4-5 Air Cleaner Installation

Naturally Aspirated

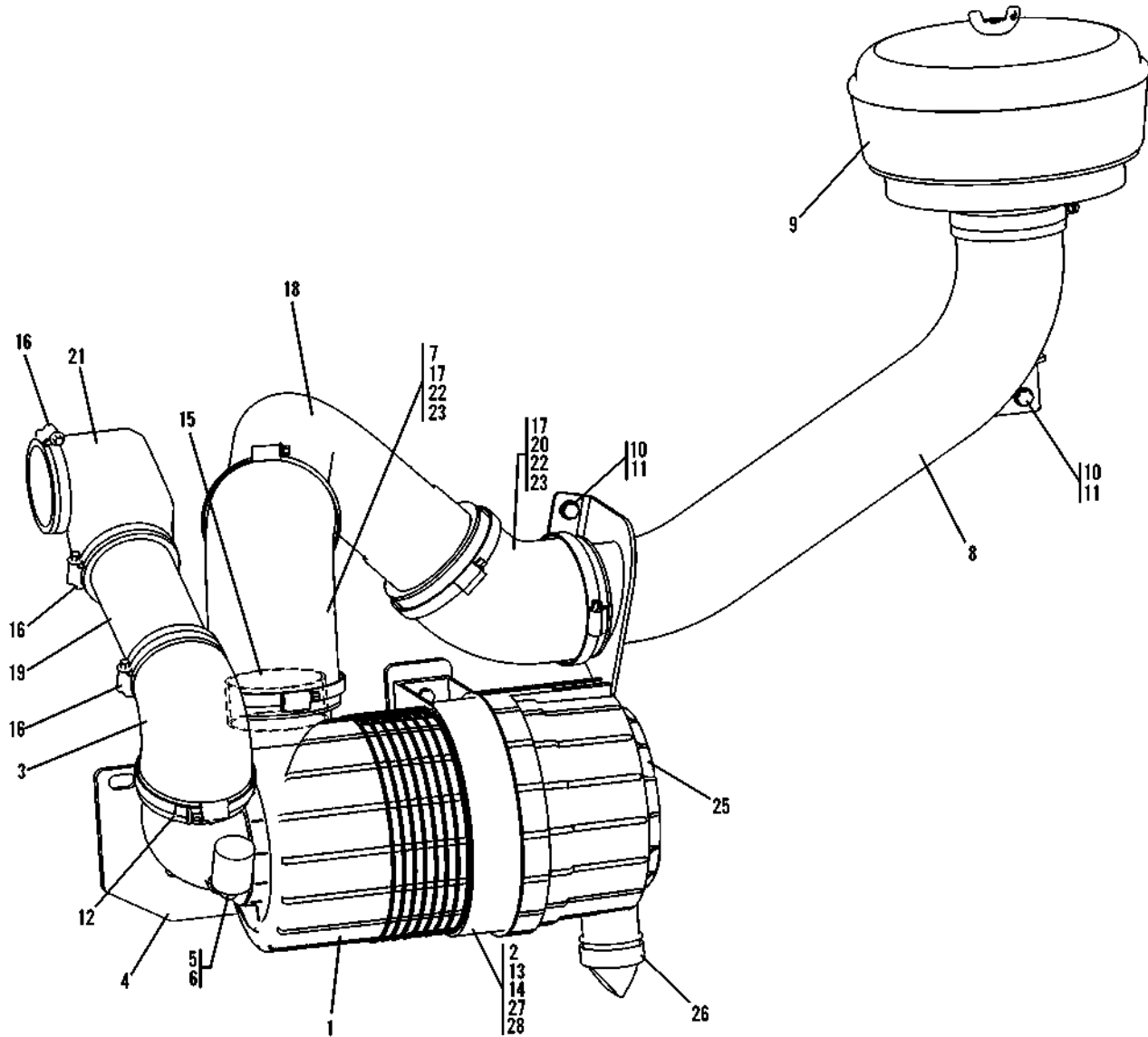




Figure 4-5 Air Cleaner Installation

Item	Part Number	Qty.	Description	Rev.
	2120188	Ref	NATURALLY ASPIRATED AIR CLEANER INSTALLATION, (includes all items)	B
1	2120186	1	AIR CLEANER ASSY, (includes item 25 thru 28)	
2	3929780	1	CLAMP, MOUNTING	
3	91083129	1	REDUCING ELBOW	
4	3574617	1	MOUNT PLATE	
5	2988212	1	ELBOW FITTING	
6	2913166	1	LOW PRESSURE INDICATOR	
7	09523572	1	ELBOW, 90 DEGREES	
8	4805794	1	PIPE, SUCTION	
9	8002927	1	PRECLEANER	
	7028095	1	COVER	
	7028096	1	BOWL	
	7028097	1	CLAMP	
10	4811900	4	FLAT WASHER, 8mm	
11	0760812	4	HEX HD CAPSCREW, M8X25, GR8.8	
12	1349717	1	CLAMP	
13	5220800	2	NUT, 8mm	
14	0760814	2	HEX HD CAPSCREW, M8X30, GR8.8	
15	2973384	1	REINFORCEMENT RING	
16	2991568	3	CLAMP	
17	1380161	4	CLAMP	
18	4568860	1	INTAKE TUBE	
19	4568905	1	TUBE	
20	77383126	1	ELBOW, 45 DEGREES	
21	91083126	1	AIR INTAKE ELBOW	
22	4100083	4	REDUCING INSERT SLEEVE	
23	0100085	AR	GLUE ADHESIVE	
25	7028118	1	COVER	
26	10733183	1	VACUATOR	
27	80273010	1	PRIMARY ELEMENT, (outer)	
28	80273042	1	SAFETY ELEMENT, (inner)	



Figure 4-5 Air Cleaner Installation

Turbo

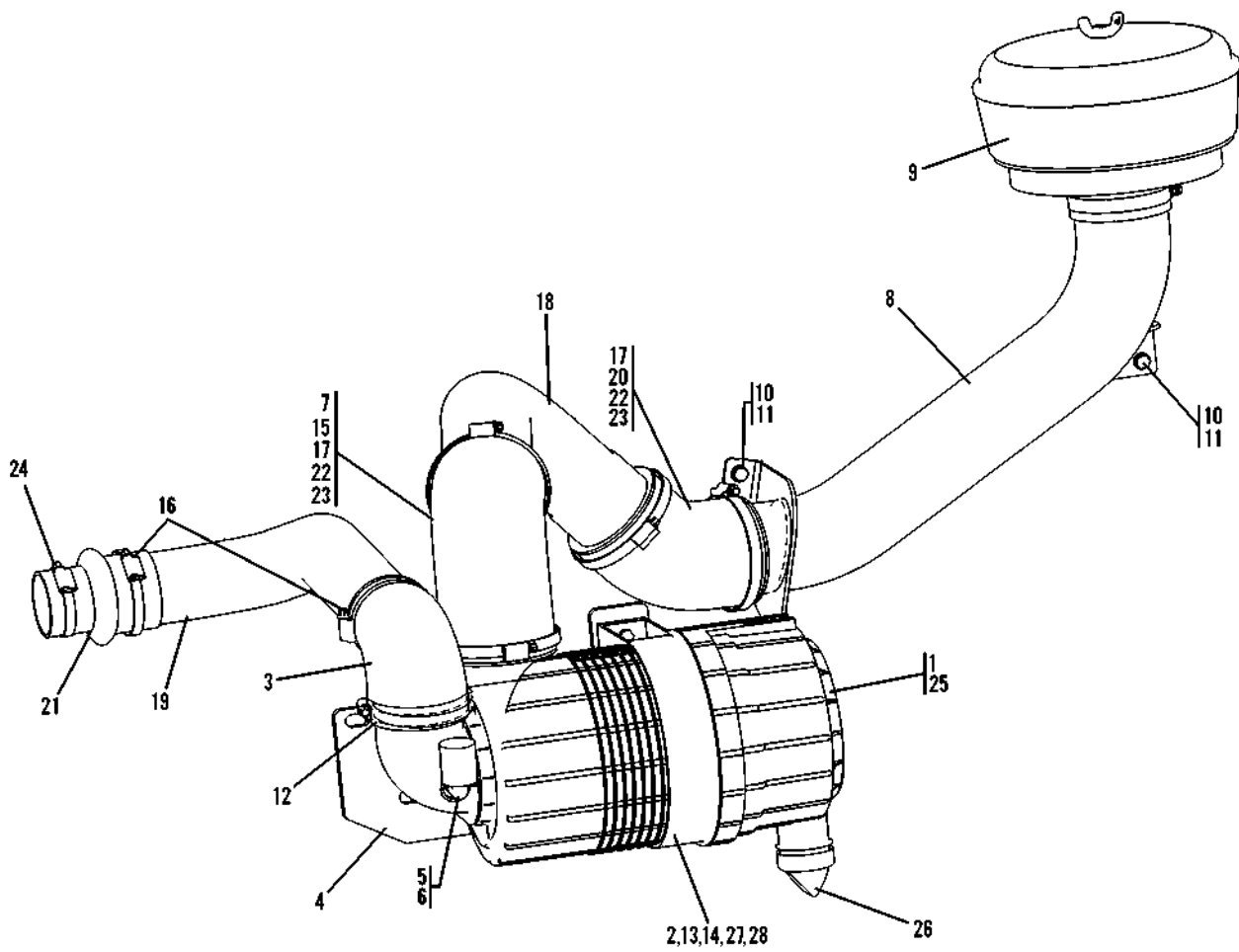




Figure 4-5 Air Cleaner Installation

Item	Part Number	Qty.	Description	Rev.
	2120187	Ref	TURBO AIR CLEANER INSTALLATION, (includes items 1 thru 24)	C
1	2120186	1	AIR CLEANER ASSY, (includes item 25-28)	
2	3929780	1	CLAMP, MOUNTING	
3	91083129	1	REDUCING ELBOW	
4	3574617	1	MOUNT PLATE	
5	2988212	1	ELBOW FITTING	
6	8004981	1	LOW PRESSURE INDICATOR	
7	09523572	1	ELBOW, 90 DEGREES	
8	4805794	1	PIPE, SUCTION	
9	8002927	1	PRECLEANER	
	7028095	1	COVER	
	7028096	1	BOWL	
	7028097	1	CLAMP	
10	4811900	4	FLAT WASHER, 8mm	
11	0760812	4	HEX HD CAPSCREW, M8X25, GR8.8	
12	1349717	1	CLAMP	
13	5220800	2	NUT, 8mm	
14	0760814	2	HEX HD CAPSCREW, M8X30, GR8.8	
15	2973384	1	REINFORCEMENT RING	
16	2991568	2	CLAMP	
17	1380161	4	CLAMP	
18	4568860	1	INTAKE TUBE	
19	4568838	1	TURBO TUBE	
20	77383126	1	ELBOW, 45 DEGREES	
21	4100072	1	REDUCER SLEEVE	
22	4100083	4	REDUCING INSERT SLEEVE	
23	0100085	AR	GLUE ADHESIVE	
24	8005376	1	CLAMP	
25	7028118	1	COVER	
26	10733183	1	VACUATOR	
27	80273010	1	PRIMARY ELEMENT, (outer)	
28	80273042	1	SAFETY ELEMENT, (inner)	



Figure 4-6 Muffler Installation

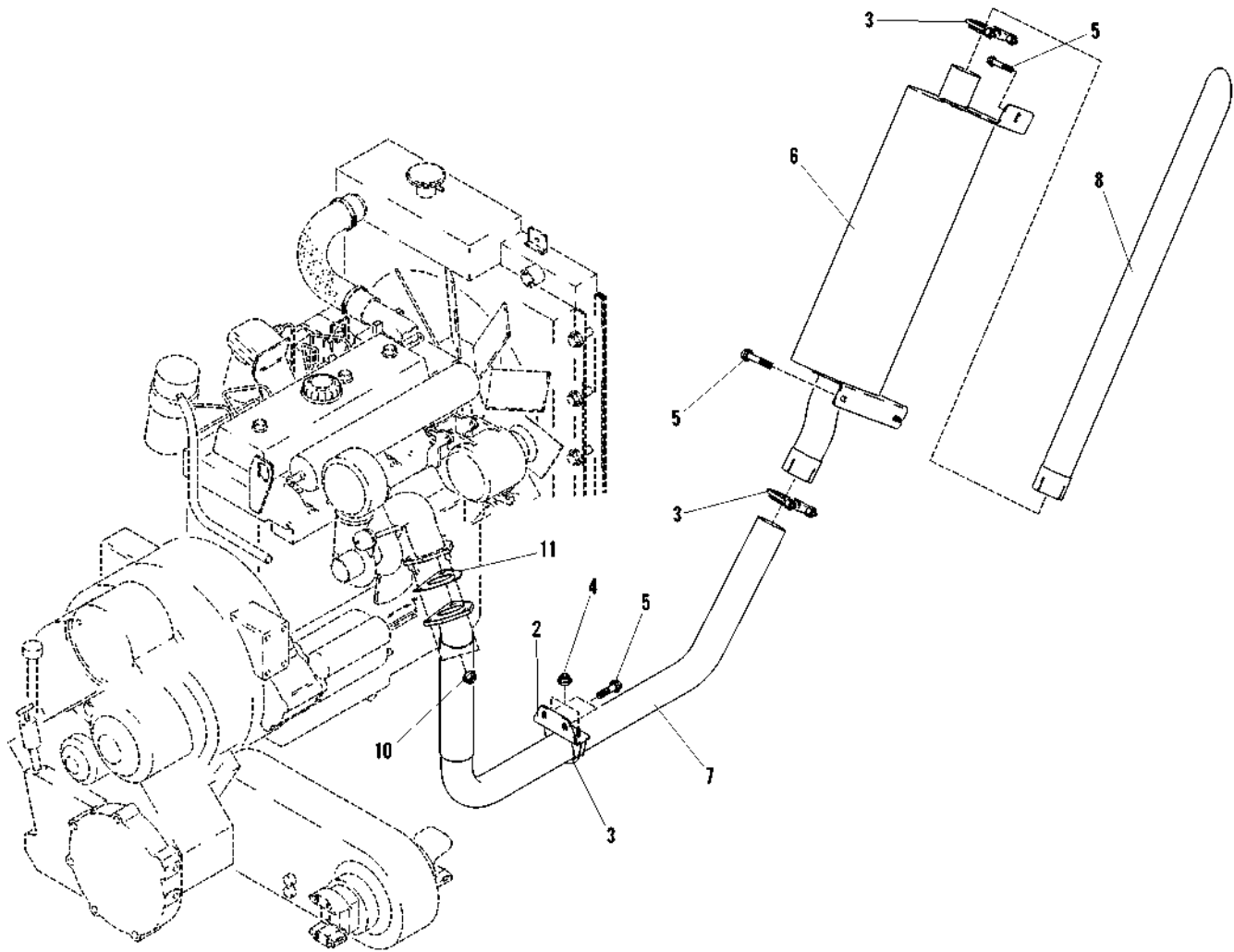




Figure 4-6 Muffler Installation

Item	Part Number	Qty.	Description	Rev.
	8001557	Ref	MUFFLER INSTALLATION, (includes all items)	B
2	4806580	1	BRACKET	
3	1686997	3	CLAMP, MUFFLER	
4	1722787	2	NUT, 8mm	
5	5200808	5	BOLT, 8X16mm	
6	8001550	1	SOUND ABSORBER	
7	4804986	1	EXHAUST PIPE, NATURALLY ASPIRATED ENGINE FOR 7, 8 & 12M	
	8001551	1	EXHAUST PIPE, TURBO ENGINE FOR 7, 8 & 12M	
	8007491	1	EXHAUST PIPE, NATURALLY ASPIRATED ENGINE FOR 9 & 13M	
	8007734	1	EXHAUST PIPE, TURBO ENGINE FOR 9 & 13M	
8	8002693	1	TAILPIPE	
10		3	NUT, (supplied with engine)	
11		1	GASKET, (supplied with engine)	



Figure 4-6 Muffler Installation

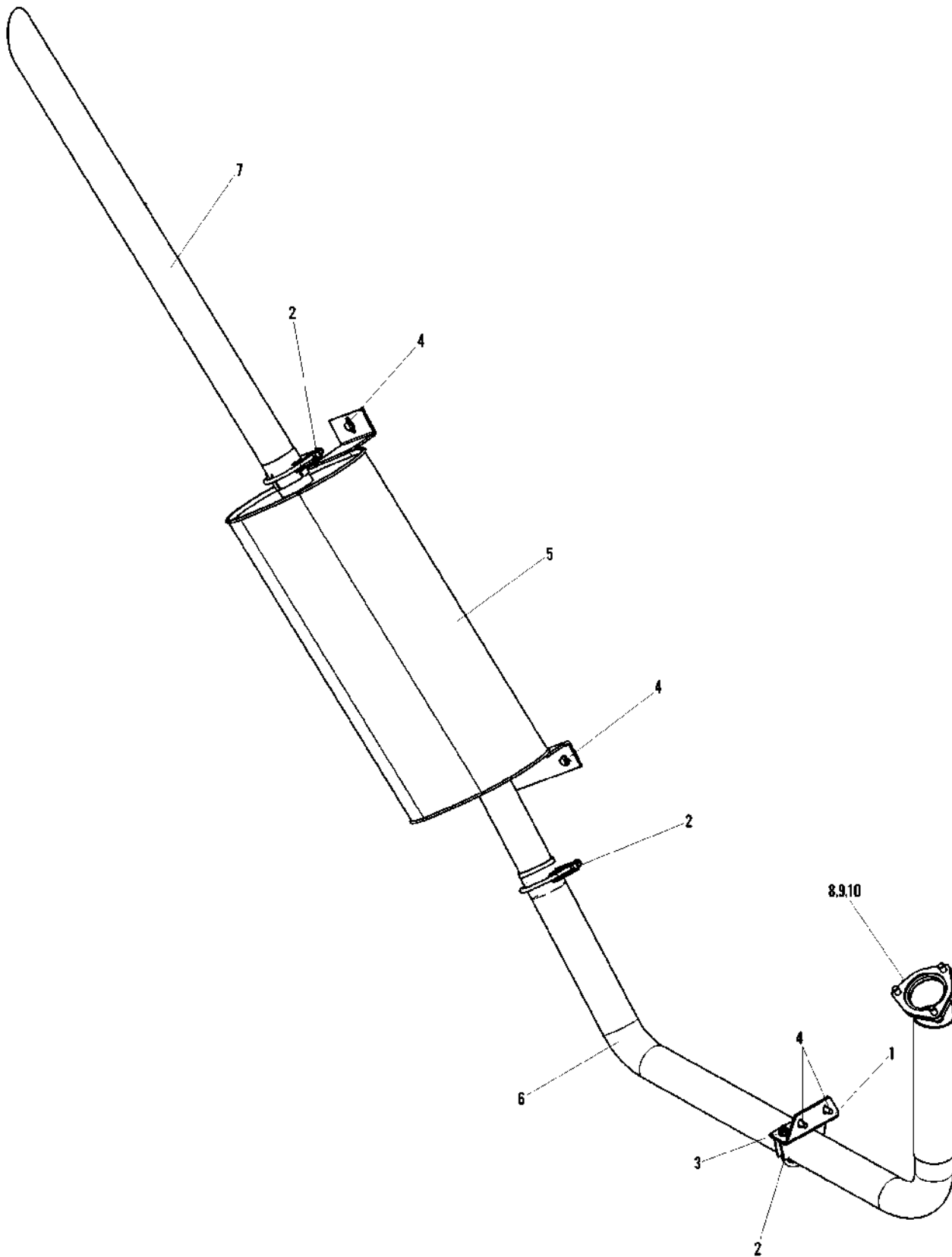




Figure 4-6 Muffler Installation

Item	Part Number	Qty.	Description	Rev.
	3220135	Ref	MUFFLER INSTALLATION, TURBO, 7, 8 & 12M, (includes all items)	B
	3220138	Ref	MUFFLER INSTALLATION, TURBO, 9 & 13M, (includes all items)	B
	3220136	Ref	MUFFLER INSTALLATION, NA, 7, 8 & 12M, (includes all items)	
	3220139	Ref	MUFFLER INSTALLATION, NA, 9 & 13M, (includes all items)	
1	4806580	1	BRACKET	
2	1686997	3	CLAMP, MUFFLER	
3	5220800	2	NUT, 8mm	
4	5200808	5	BOLT, 8X16mm	
5	3220137	1	SOUND ABSORBER	
6	8001551	1	EXHAUST PIPE, TURBO ENGINE FOR 7, 8 & 12M	
	8007734	1	EXHAUST PIPE, TURBO ENGINE FOR 9 & 13M	
	3460342	1	EXHAUST PIPE, NA ENGINE FOR 7, 8 & 12M	
	3460343	1	EXHAUST PIPE, NA ENGINE FOR 9 & 13M	
7	3460346	1	TAILPIPE	
8	0630582	3	ENGINE EXHAUST BOLT	
9	3960586	1	ENGINE EXHAUST SEAL	
10	3300486	3	HEX NUT, M10X1.5	



Figure 4-7 Air Collector, Condenser & Radiator

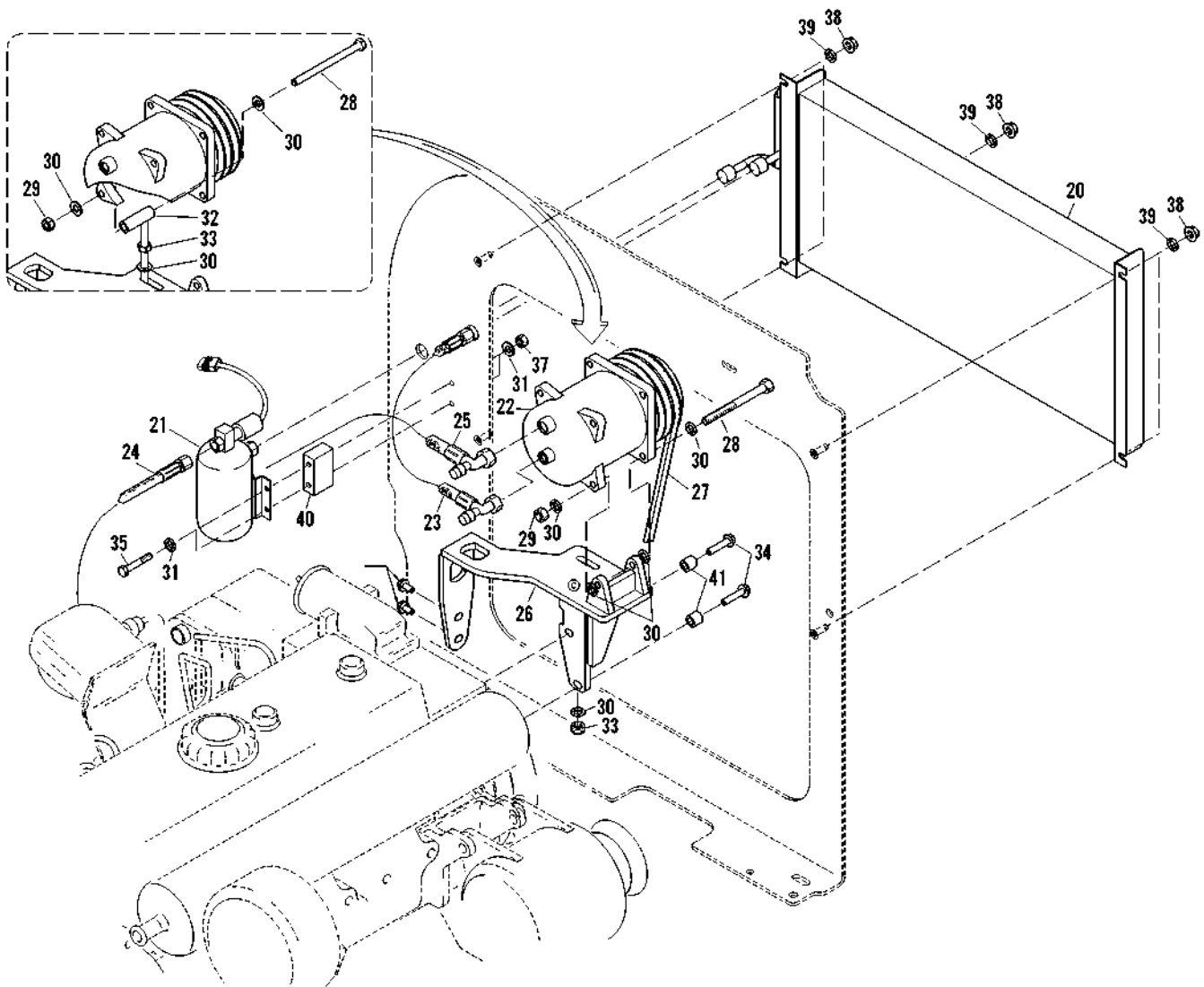




Figure 4-7 Air Collector, Condenser & Radiator

Item	Part Number	Qty.	Description	Rev.
	8006358	Ref	AIR CONDITIONING CONDENSOR, COLLECTOR & RADIATOR INSTALLATION, (includes all items)	D
20	8003165	1	RADIATOR	
21	8003166	1	COLLECTOR DRYER ASSY	
	70021482	1	DRYER	
	70021483	1	CLAMP	
	70021484	1	DRYER CLAMP	
	70020721	1	PRESSURE SWITCH	
22	8003167	1	COMPRESSOR	
23	8005786	1	HOSE	
24	8005787	1	HOSE	
25	8005788	1	HOSE	
26	8006117	1	BRACKET	
27	8006115	1	V-BELT	
28	0701030	2	BOLT, M10X130, GR8.8	
29	3291007	2	LOCKNUT, 10mm	
30	4812000	8	FLAT WASHER, 10mm	
31	4811700	4	FLAT WASHER, 6mm	
32	0120008	1	ADJUSTER	
33	3291001	2	HEX NUT, 10mm	
34	5201017	4	BOLT, M10X45	
35	0700618	2	HEX HD SCREW, M6X50	
37	3290607	2	HEX NUT, 6mm	
38	3290807	4	NUT, 8mm	
39	1356341	4	WASHER, 8.4mm	
40	8006450	1	SPACER	
41	2976912	4	PIPE	



Figure 4-7 Air Collector, Condenser & Radiator

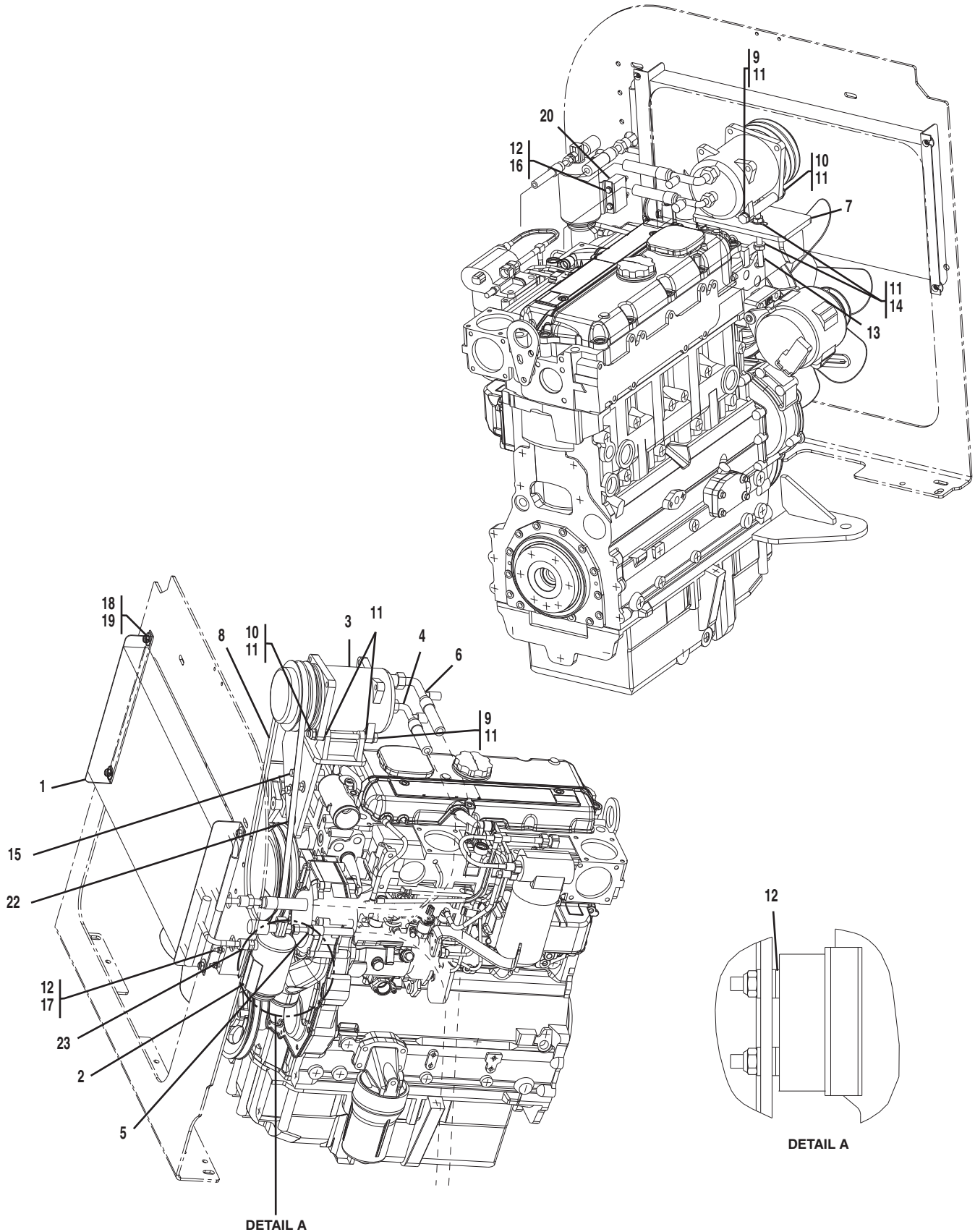




Figure 4-7 Air Collector, Condenser & Radiator

Item	Part Number	Qty.	Description	Rev.
	3600402	Ref	AIR CONDITIONING CONDENSOR, COLLECTOR & RADIATOR INSTALLATION, (includes all items)	D
1	8003165	1	CONDENSER	
2	8003166	1	COLLECTOR DRYER ASSY	
	70021482	1	DRYER	
	70021483	1	CLAMP	
	70021484	1	DRYER CLAMP	
	70020721	1	PRESSURE SWITCH	
3	8003167	1	COMPRESSOR	
4	8005786	1	HOSE	
5	8005787	1	HOSE	
6	8005788	1	HOSE	
7	0902966	1	BRACKET	
8	0480138	1	V-BELT	
9	0701030	2	BOLT, M10X130, GR8.8	
10	3291005	2	LOCKNUT, 10mm	
11	4812000	8	FLAT WASHER, 10mm	
12	4811700	8	FLAT WASHER, 6mm	
13	0120008	1	ADJUSTER	
14	3291001	2	HEX NUT, 10mm	
15	5201012	3	BOLT, M10X25, (torque to 85 Nm)	
16	0700617	2	BOLT, M6X45	
17	3290605	2	HEX LOCKNUT, 6mm	
18	3290805	4	LOCKNUT, 8mm	
19	1356341	4	WASHER, 8.4mm	
20	8006450	1	SPACER	
22	5201010	1	BOLT, M10X20	
23	3780202	1	O-RING	



Figure 4-8 Transmission Assembly

3 & 4 SPEED

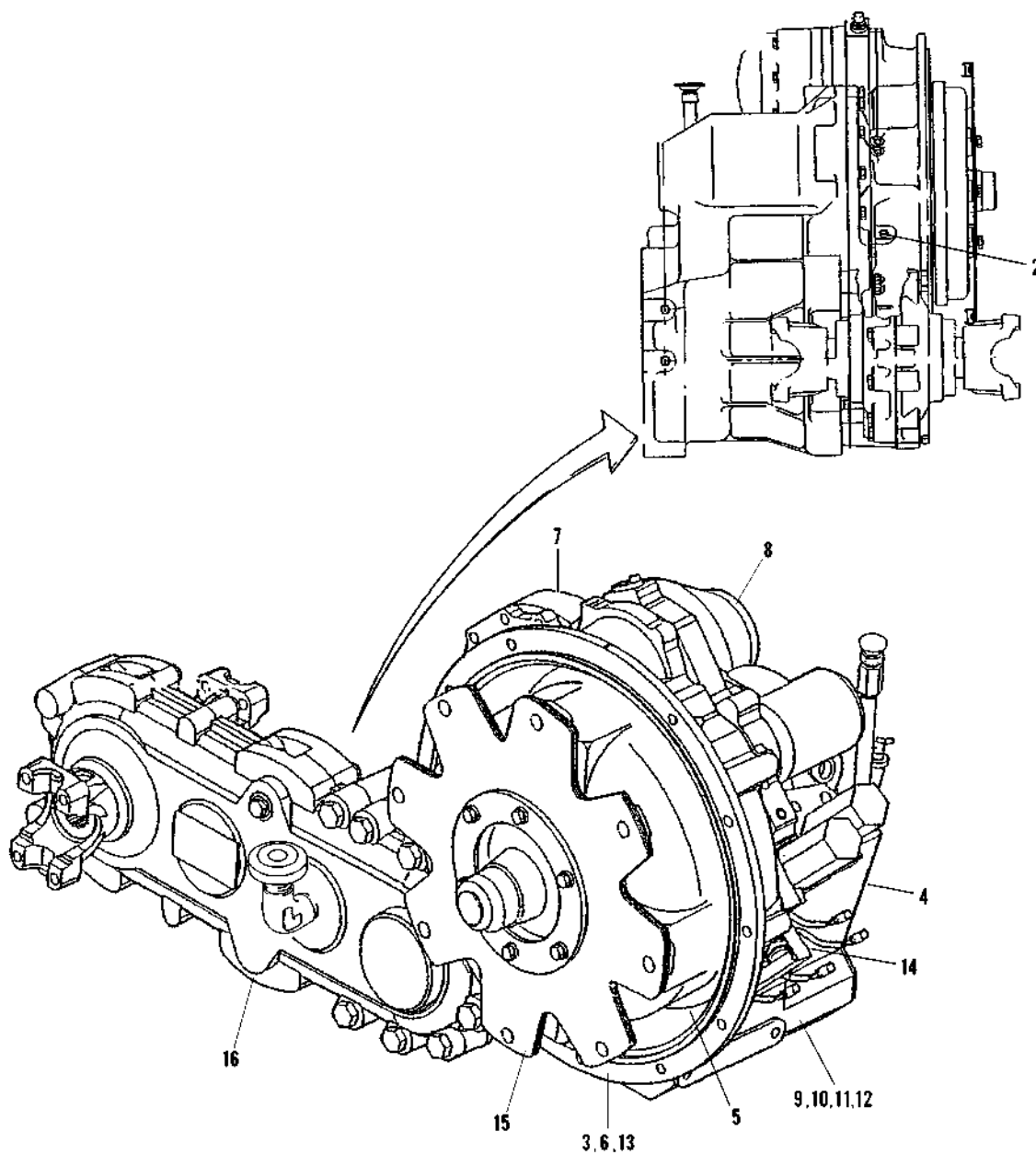




Figure 4-8 Transmission Assembly

Item	Part Number	Qty.	Description	Rev.
	8007257	Ref	TRANSMISSION ASSY, (3 speed), (Before S/N 1160000533 excluding 1160000516, 1160000517, 1160000520 & 1160000523 thru 1160000531), (includes items 1 thru 16)	B
	4803361	Ref	TRANSMISSION ASSY, (4 speed), (Before S/N 1160000533 excluding 1160000516, 1160000517, 1160000520 & 1160000523 thru 1160000531), (includes items 1 thru 16)	B
	4540015	Ref	TRANSMISSION ASSY, (3 speed), (S/N 1160000533 & After including 1160000516, 1160000517, 1160000520 & 1160000523 thru 1160000531), (includes items 1 thru 16)	A
	4540016	Ref	TRANSMISSION ASSY, (4 speed), (S/N 1160000533 & After including 1160000516, 1160000517, 1160000520 & 1160000523 thru 1160000531), (includes items 1 thru 16)	A
2	8006318	1	TEMPERATURE SWITCH	
3		Ref	CONVERTER HOUSING, (see Figure 4-9 for details)	
4		Ref	CASE & PLATE, (see Figure 4-10 for details)	
5		Ref	TORQUE CONVERTER, (see Figure 4-11 for details)	
6		Ref	GEAR GROUP, (see Figure 4-12 for details)	
7		Ref	PUMP DRIVE GROUP, (see Figure 4-13 for details)	
8		Ref	CHARGE PUMP, (see Figure 4-14 for details)	
9		Ref	REVERSE IDLER, (see Figure 4-15 for details)	
10		Ref	FORWARD & REVERSE SHAFT, (see Figure 4-16 for details)	
11		Ref	HIGH 4TH & 3RD SHAFT, (see Figure 4-17 for details)	
12		Ref	1ST & 2ND SHAFT, (see Figure 4-18 for details)	
13		Ref	OUTPUT SHAFT, (see Figure 4-19 for details)	
14		Ref	CONTROL & MODULATION VALVE ASSY, (see Figure 4-20 for details)	
15		Ref	DRIVE PLATE, (see Figure 4-21 for details)	
16		Ref	DROP BOX, (see Figure 4-22 for details)	
	7028110		GASKET & SEAL KIT, (contains gaskets & seals for entire transmission with the exception of the Drop Box)	
		Ref	DROP BOX GASKET & SEAL KIT, (see Figure 4-22 for details)	



Figure 4-9 Transmission Assembly - Converter Housing

3 & 4 SPEED

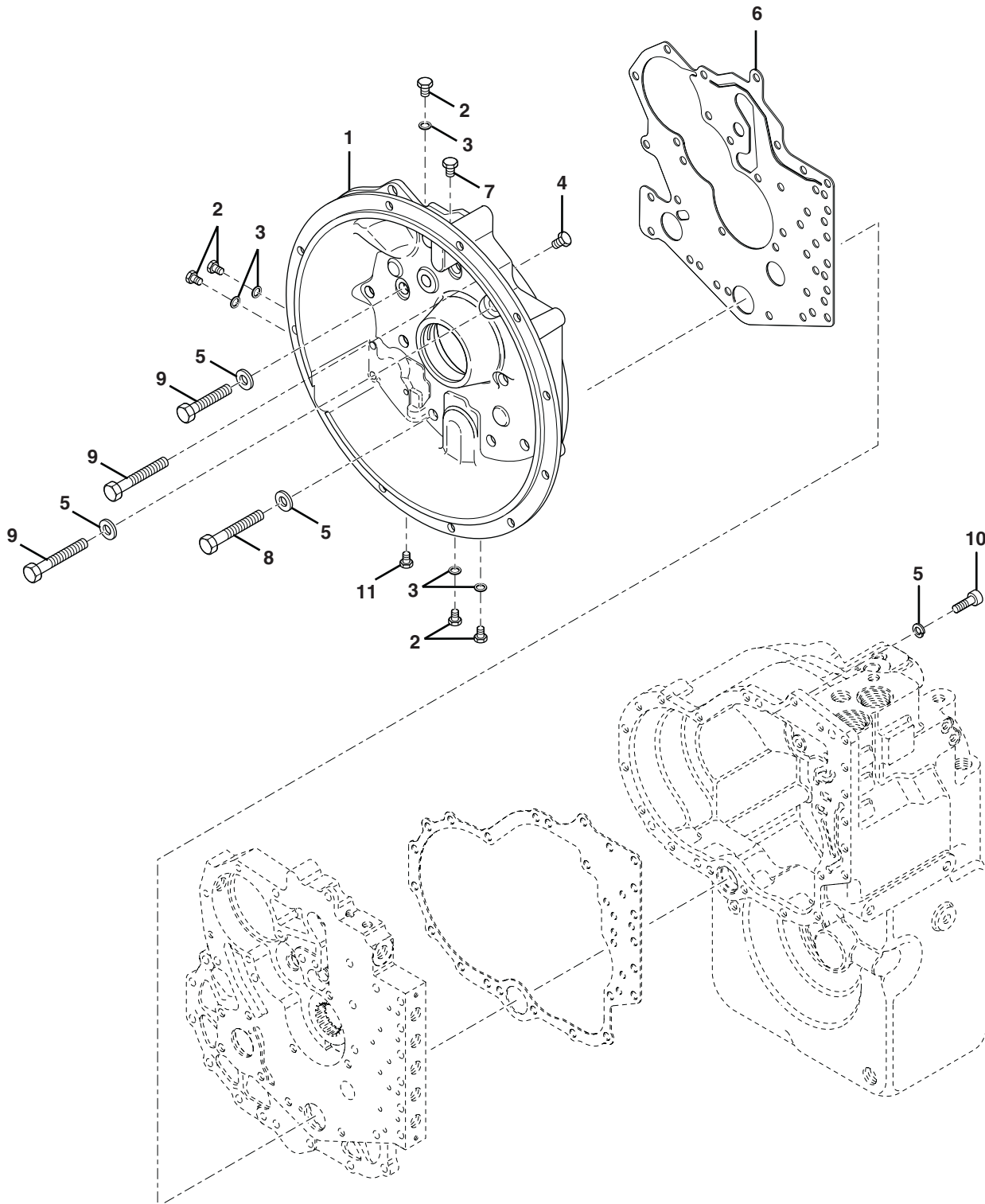




Figure 4-9 Transmission Assembly - Converter Housing

Item	Part Number	Qty.	Description	Rev.
1	91474186	1	HOUSING, CONVERTER	
2	8032526	5	PLUG, (includes item 3)	
3		5	O-RING	
4	91474189	1	PLUG	
5	91474265	23	LOCKWASHER	
6	91474191	1	GASKET	
7	91474192	1	PLUG, CHECK VALVE	
8	91474193	6	SCREW	
9	91474194	16	SCREW	
10	91474195	1	SCREW	
11	8035092	1	PLUG	



Figure 4-10 Transmission Assembly - Case & Plate

3 & 4 SPEED

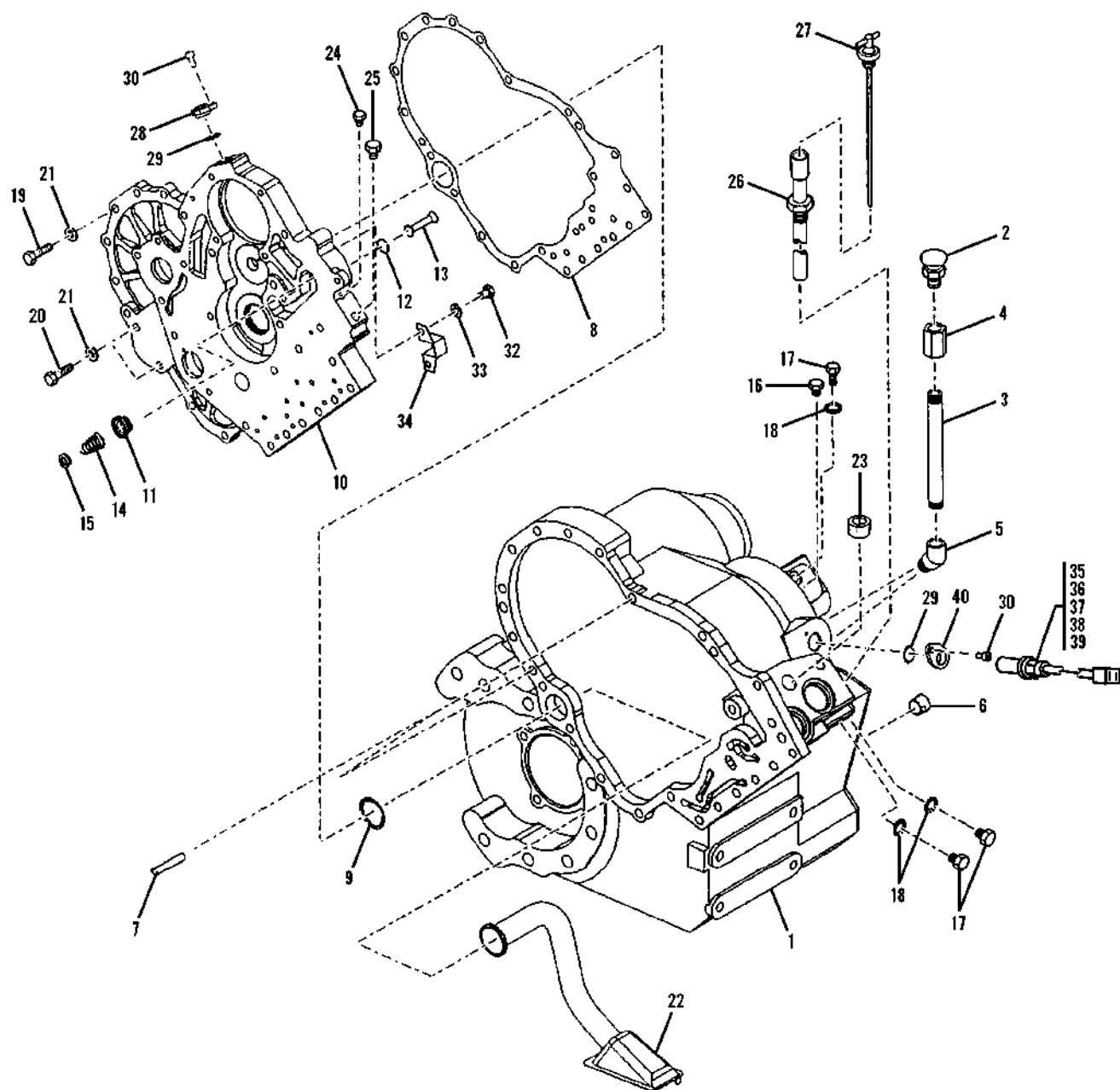




Figure 4-10 Transmission Assembly - Case & Plate

Item	Part Number	Qty.	Description	Rev.
1	70020402	1	TRANSMISSION CASE	
2	8032509	1	BREATHER	
3	7028058	1	NIPPLE, PIPE	
4	91474198	1	COUPLING, PIPE	
5	91474199	1	FITTING, ELBOW	
6	8032528	2	PLUG, MAGNETIC DRAIN	
7	91474200	2	DOWEL PIN	
8	91474201	1	GASKET	
9	10837074	1	RING, OIL SUPPLY TUBE SEAL	
10		1	PLATE	
11	91474204	1	SEAT, SAFETY VALVE	
12	91474205	1	SNAP RING, SEAT	
13	91474206	1	POPPET, CONVERTER SAFETY VALVE	
14	77104056	1	SPRING, CONVERTER SAFETY VALVE	
15	91474207	1	WASHER, POPPET RETAINING	
16	91474189	1	PLUG	
17	8032526	3	PLUG, (includes item 18)	
18		3	O-RING	
19	91474208	7	SCREW	
20	91474209	2	SCREW	
21	91474265	9	LOCKWASHER	
22	91474210	1	SUCTION TUBE ASSY	
23	91474211	1	PLUG, FILLER	
24	91474189	1	PLUG	
25	91474192	1	PLUG	
26	90204823	1	DIPSTICK TUBE ASSY	
27	91474212	1	DIPSTICK	
28	91474213	1	PLUG	
29	91474214	2	O-RING	
30	8034940	2	SCREW	
32		2	CAPSCREW	
33		2	WASHER	
34		1	BAFFLE, SAFETY VALVE	
35	8007875	1	SPEED SENSOR ASSY, (includes one of items 29, 30 & items 36 thru 40)	C
36	4461118	1	CONNECTOR	
37	1001107854	2	CONTACT	
38	1001104498	1	SEAL	
39		1	SENSOR	
40	7028927	1	CLIP	



Figure 4-11 Transmission Assembly - Torque Converter

3 & 4 SPEED

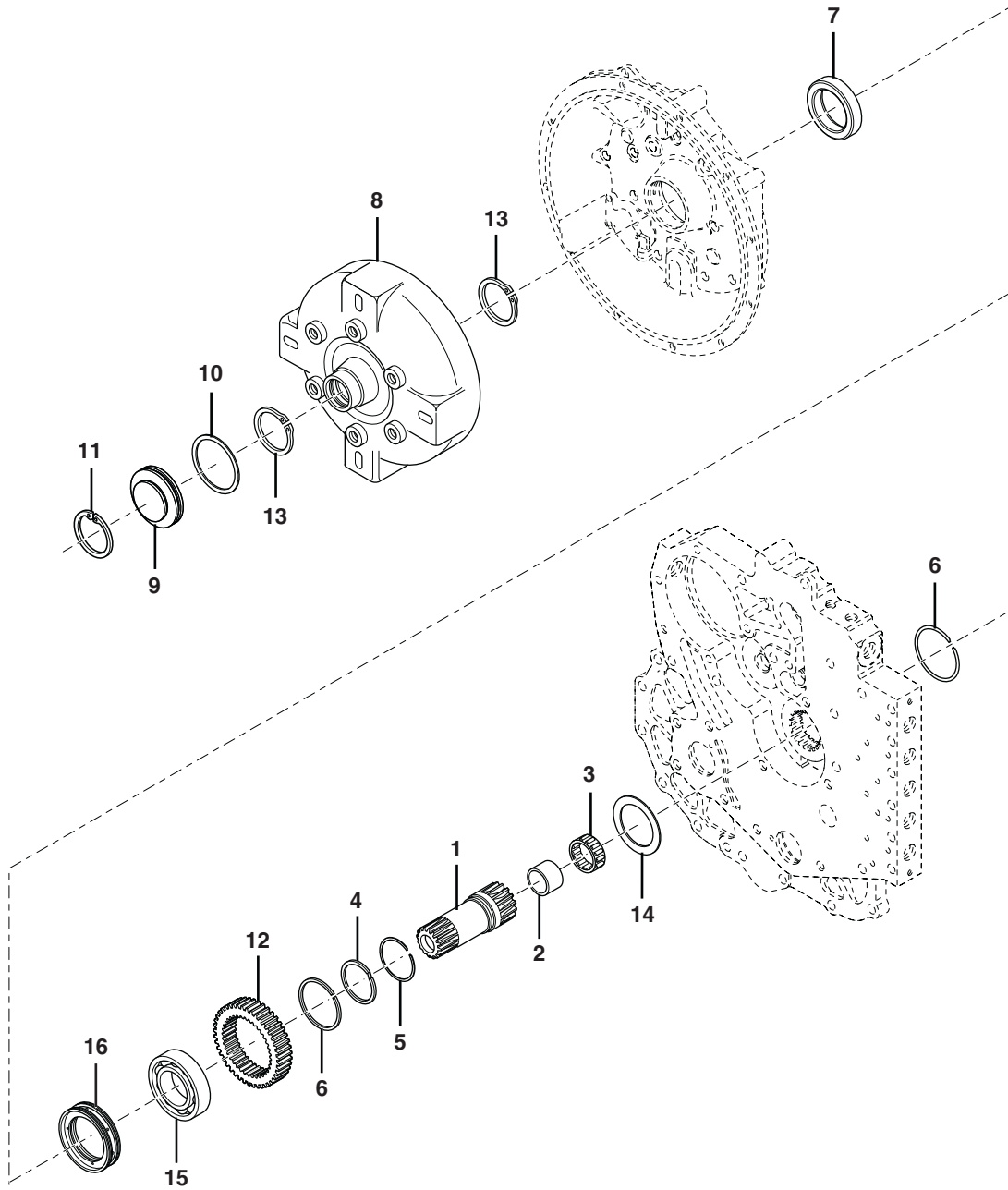




Figure 4-11 Transmission Assembly - Torque Converter

Item	Part Number	Qty.	Description	Rev.
1	91474216	1	STATOR SUPPORT ASSY, (includes items 2 & 3)	
2	91474217	1	BUSHING	
3	91474218	1	BEARING	
4	91474219	1	RING, STATOR SUPPORT PISTON	
5	91474220	1	EXPANDER, STATOR SUPPORT PISTON RING	
6	91474221	2	SNAP RING, STATOR SUPPORT	
7	10837072	1	SEAL, OIL	
8	7028055	1	TORQUE CONVERTER ASSY	
9	90204781	1	PLUG, TORQUE CONVERTER	
10	77104039	1	O-RING, TORQUE CONVERTER PLUG	
11	77104041	1	SNAP RING, TORQUE CONVERTER PLUG	
12	91474224	1	GEAR, IMPELLER HUB	
13	8034968	2	SNAP RING, IMPELLER HUB	
14	91474226	1	WASHER, IMPELLER HUB GEAR	
15	10868235	1	BEARING, TORQUE CONVERTER	
16	91474228	1	RING, OIL DISTRIBUTOR	



Figure 4-12 Transmission Assembly - Gear Group

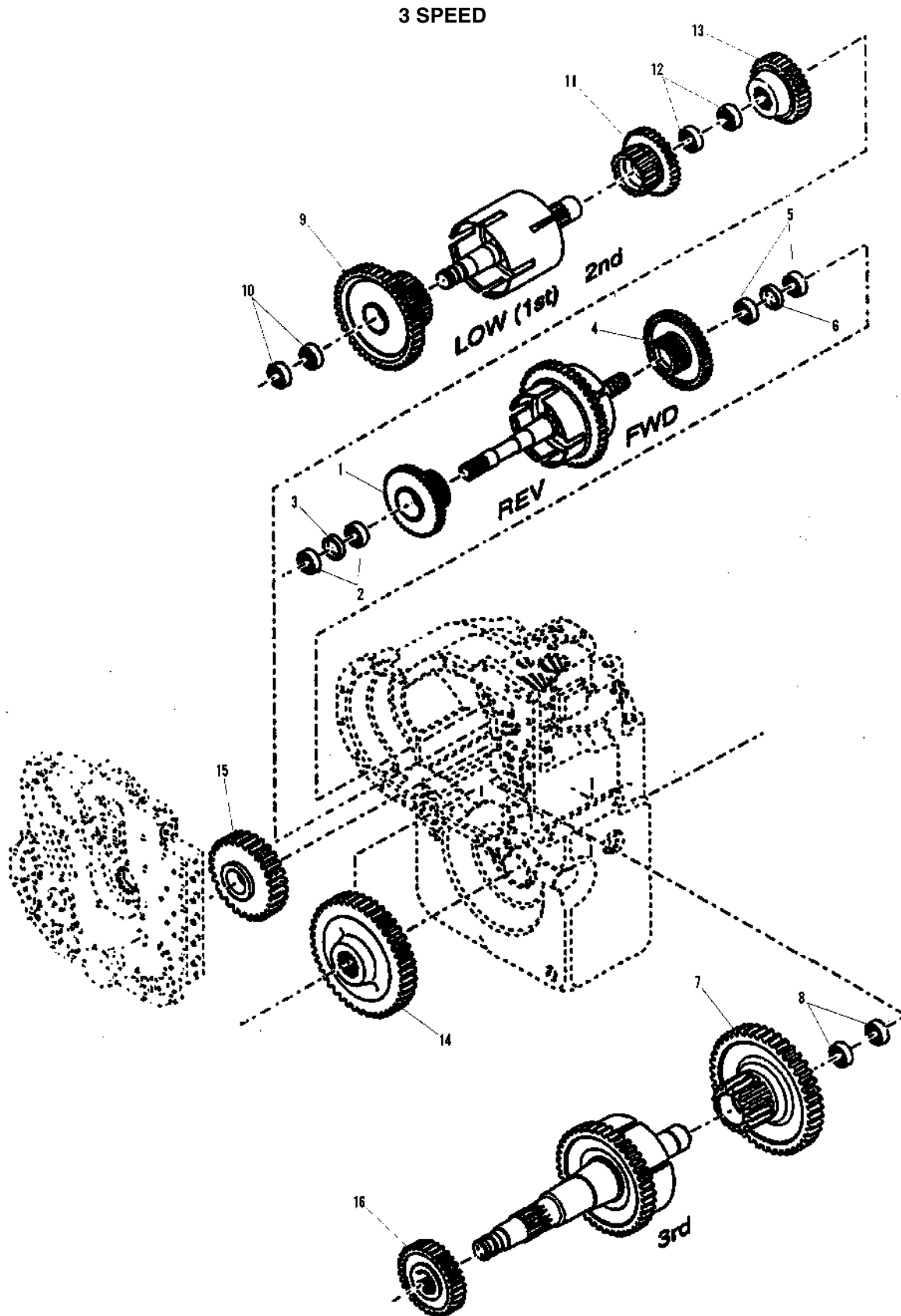




Figure 4-12 Transmission Assembly - Gear Group

Item	Part Number	Qty.	Description	Rev.
1	7028060	1	REVERSE GEAR & BEARING ASSY, (includes items 2 & 3)	
2	91474230	2	BEARING, REVERSE CLUTCH GEAR	
3	91474231	1	SPACER, REVERSE CLUTCH GEAR BEARING	
4	91474232	1	FORWARD CLUTCH GEAR & BEARING ASSY, (includes items 5 & 6)	
5	91474230	2	BEARING, FORWARD CLUTCH GEAR	
6	91474231	1	SPACER, FORWARD CLUTCH GEAR BEARING	
7	91474389	1	3RD CLUTCH GEAR & BEARING ASSY, (includes item 8)	
8	91474236	2	BEARING, NEEDLE	
9	91474390	1	1ST CLUTCH GEAR & BEARING ASSY, (includes item 10)	
10	91474230	2	BEARING, 1ST GEAR	
11	91474239	1	2ND CLUTCH GEAR & BEARING ASSY, (includes item 12)	
12	91474230	2	BEARING, 2ND GEAR	
13	91474393	1	GEAR, 3RD DRIVEN	
14	91474394	1	GEAR, OUTPUT SHAFT	
15	91474395	1	GEAR, REVERSE IDLER	
16	91474396	1	GEAR, FIRST DRIVE	



Figure 4-12 Transmission Assembly - Gear Group

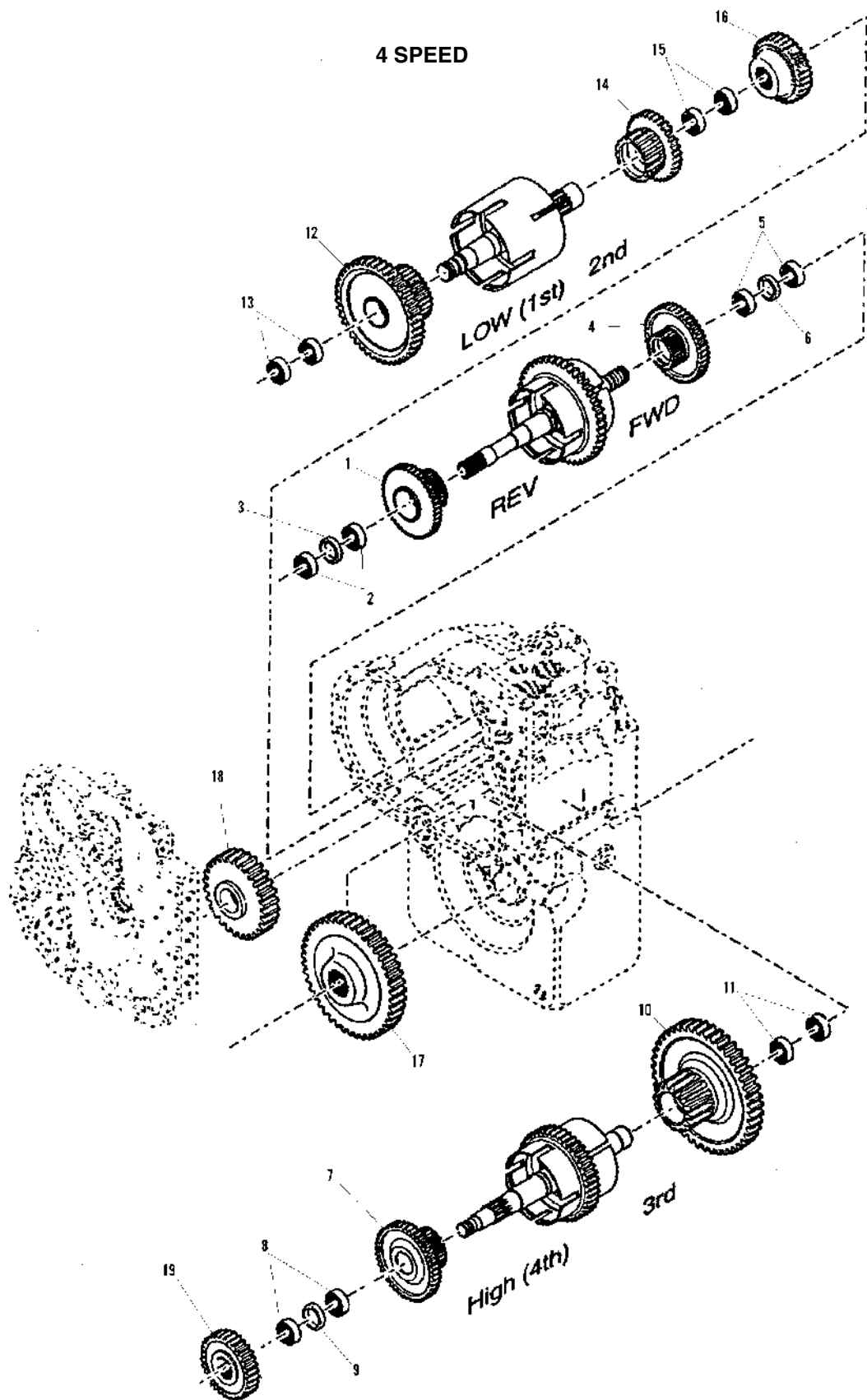




Figure 4-12 Transmission Assembly - Gear Group

Item	Part Number	Qty.	Description	Rev.
1	7028060	1	REVERSE GEAR & BEARING ASSY, (includes items 2 & 3)	
2	91474230	2	BEARING, REVERSE CLUTCH GEAR	
3	91474231	1	SPACER, REVERSE CLUTCH GEAR BEARING	
4	91474232	1	FORWARD CLUTCH GEAR & BEARING ASSY, (includes items 5 & 6)	
5	91474230	2	BEARING, FORWARD CLUTCH GEAR	
6	91474231	1	SPACER, FORWARD CLUTCH GEAR BEARING	
7	7028061	1	4TH CLUTCH GEAR & BEARING ASSY, (includes items 8 & 9)	
8	91474387	2	BEARING, NEEDLE	
9	91474388	1	SPACER, HIGH CLUTCH GEAR BEARING	
10	91474389	1	3RD CLUTCH GEAR & BEARING ASSY, (includes item 11)	
11	91474236	2	BEARING, NEEDLE	
12	91474390	1	1ST CLUTCH GEAR & BEARING ASSY, (includes item 13)	
13	91474230	2	BEARING, 1ST GEAR	
14	91474239	1	2ND CLUTCH GEAR & BEARING ASSY, (includes item 15)	
15	91474230	2	BEARING, 2ND GEAR	
16	91474393	1	GEAR, 3RD DRIVEN	
17	91474394	1	GEAR, OUTPUT SHAFT	
18	91474395	1	GEAR, REVERSE IDLER	
19	91474396	1	GEAR, FIRST DRIVE	



Figure 4-13 Transmission Assembly - Pump Drive Group

3 & 4 SPEED

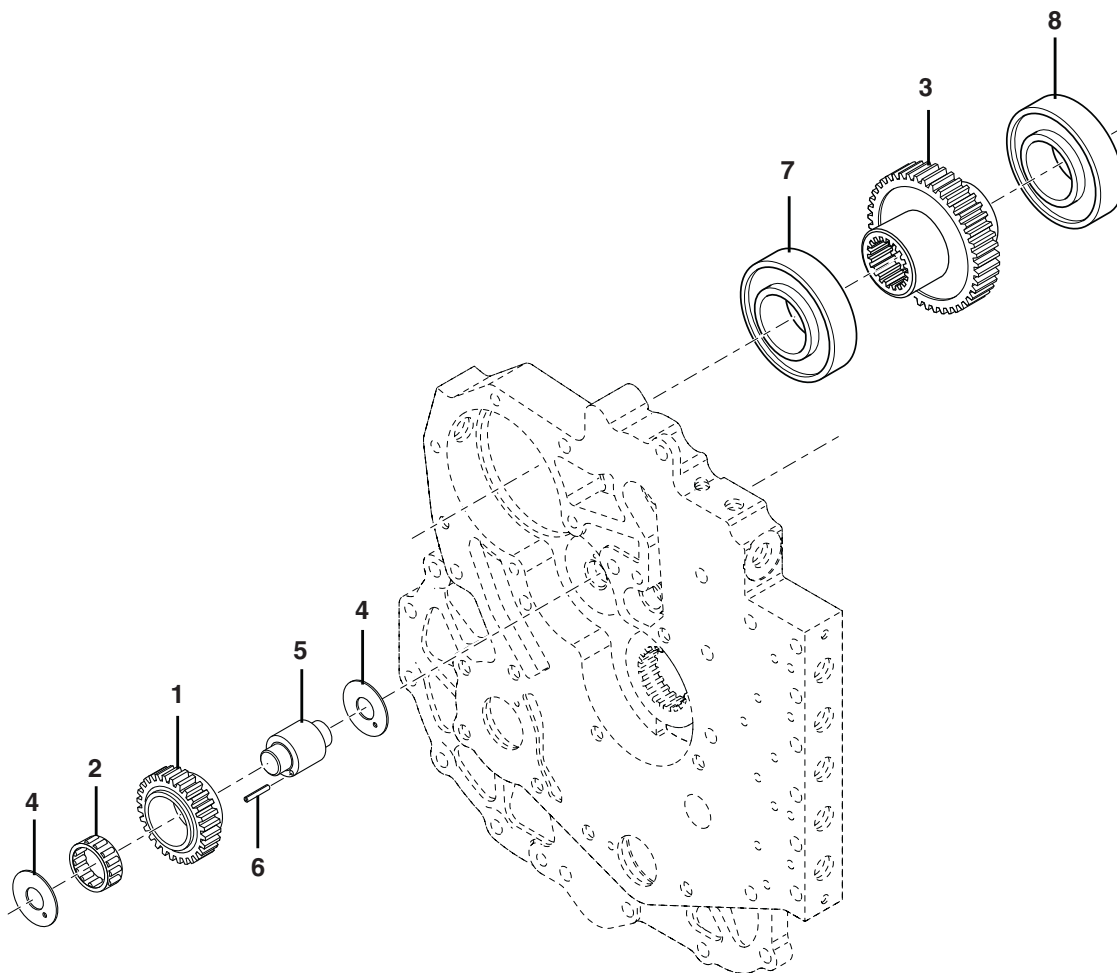




Figure 4-13 Transmission Assembly - Pump Drive Group

Item	Part Number	Qty.	Description	Rev.
1	91474241	1	GEAR, PUMP DRIVE IDLER	
2	91474242	1	BEARING, IDLER GEAR	
3	91474243	1	GEAR, PUMP DRIVE	
4	10868243	2	WASHER, PUMP DRIVE IDLER THRUST	
5	91474245	1	PUMP DRIVE SHAFT & PIN ASSY, (includes item 6)	
6		1	PIN, ROLL	
7	91474247	1	BEARING, PUMP DRIVE GEAR	
8	91474248	1	BEARING, PUMP DRIVE GEAR	



Figure 4-14 Transmission Assembly - Charge Pump

3 & 4 SPEED

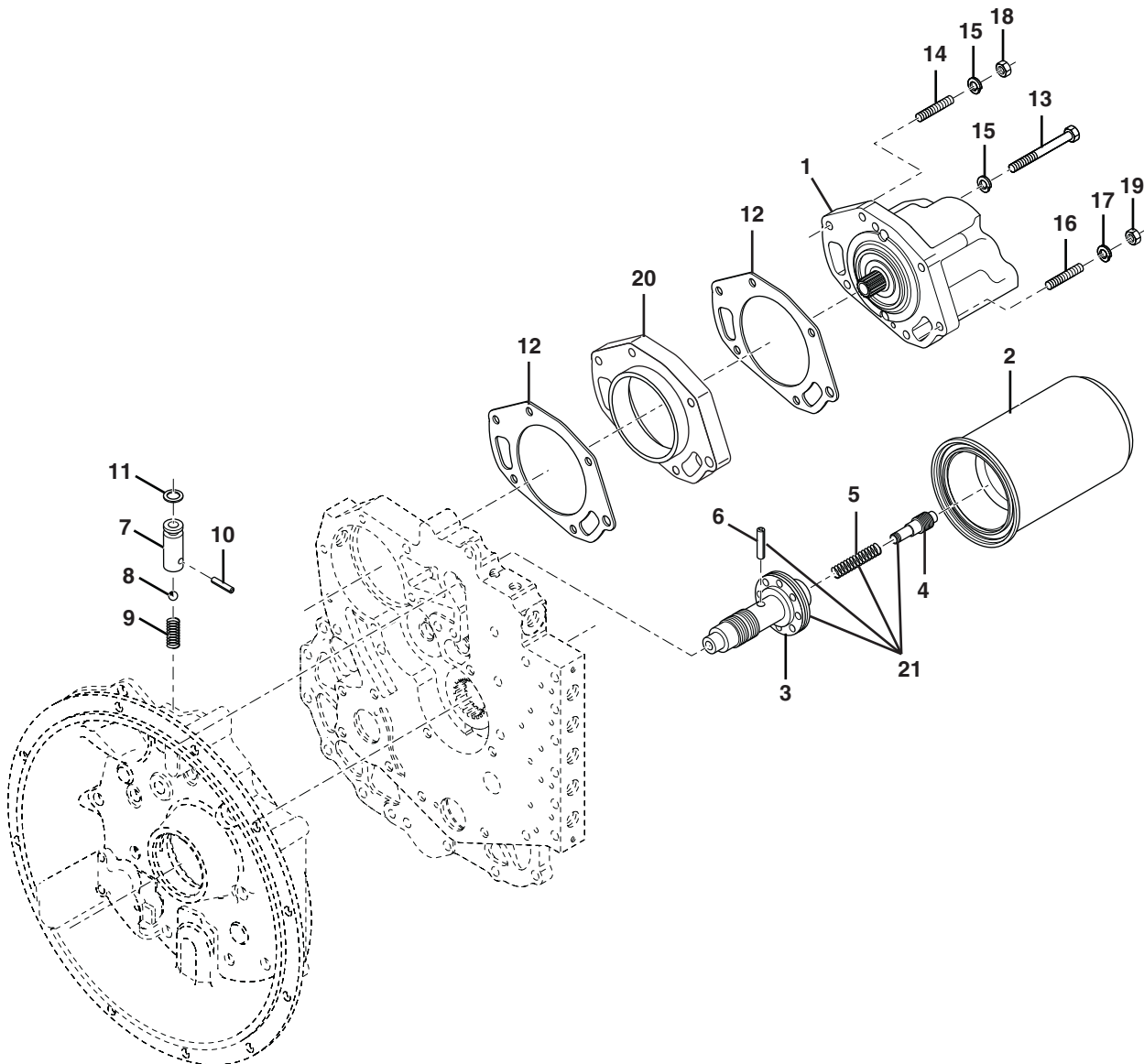




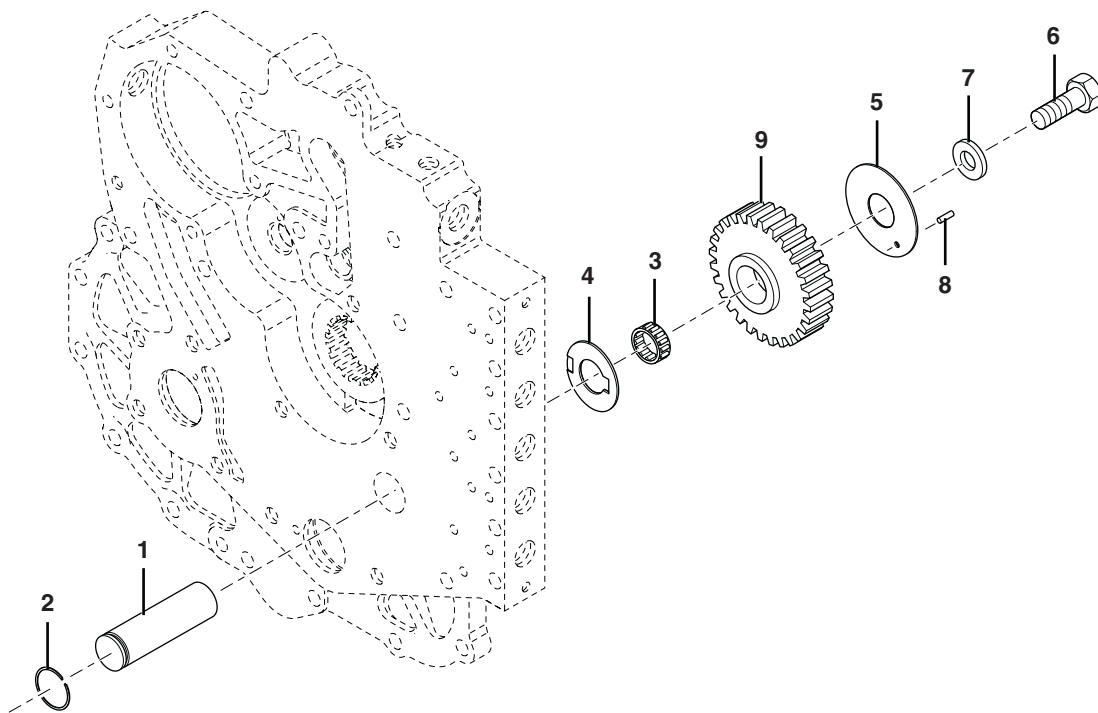
Figure 4-14 Transmission Assembly - Charge Pump

Item	Part Number	Qty.	Description	Rev.
1	70020407	1	CHARGE PUMP ASSY	
	70021830	1	O-RING, (located between two halves of charge pump)	
2	8008101	1	HYDRAULIC SPIN FILTER ASSY	
3	91474251	1	SLEEVE, REGULATOR VALVE	
4	91474252	1	PISTON, REGULATOR VALVE	
5	91474253	1	SPRING, REGULATOR VALVE	
6	91474254	1	PIN	
7	91474255	1	BALL CHECK VALVE ASSY, (includes items 8 thru 11)	
8	91474256	1	BALL	
9	91474257	1	SPRING, CHECK VALVE	
10	91474258	1	PIN, CHECK VALVE	
11	91474259	1	O-RING	
12	10868254	2	GASKET, PUMP & ADAPTER	
13	7028063	4	SCREW	
14	91474262	1	STUD	
15	91474263	5	LOCKWASHER	
16	91474264	1	STUD	
17	91474265	1	LOCKWASHER	
18	91474266	1	NUT	
19	91474274	1	NUT	
20	91474268	1	ADAPTER	
21	91474273	1	REGULATOR VALVE ASSY, (includes items 3 thru 6)	



Figure 4-15 Transmission Assembly - Reverse Idler

3 & 4 SPEED



**Figure 4-15 Transmission Assembly - Reverse Idler**

Item	Part Number	Qty.	Description	Rev.
1	91474275	1	SHAFT, IDLER & PILOT	
2	91474276	1	SNAP RING, IDLER SHAFT	
3	91474277	1	BEARING, REVERSE IDLER GEAR	
4	91474278	1	WASHER, THRUST	
5	91474279	1	PLATE, END	
6	91474280	1	CAPSCREW	
7	91474281	1	WASHER	
8	91474282	1	ROLL PIN	
9		Ref	REVERSE IDLER GEAR, (see Figure 4-12 for details)	



Figure 4-16 Transmission Assembly - Forward & Reverse Shaft

3 & 4 SPEED

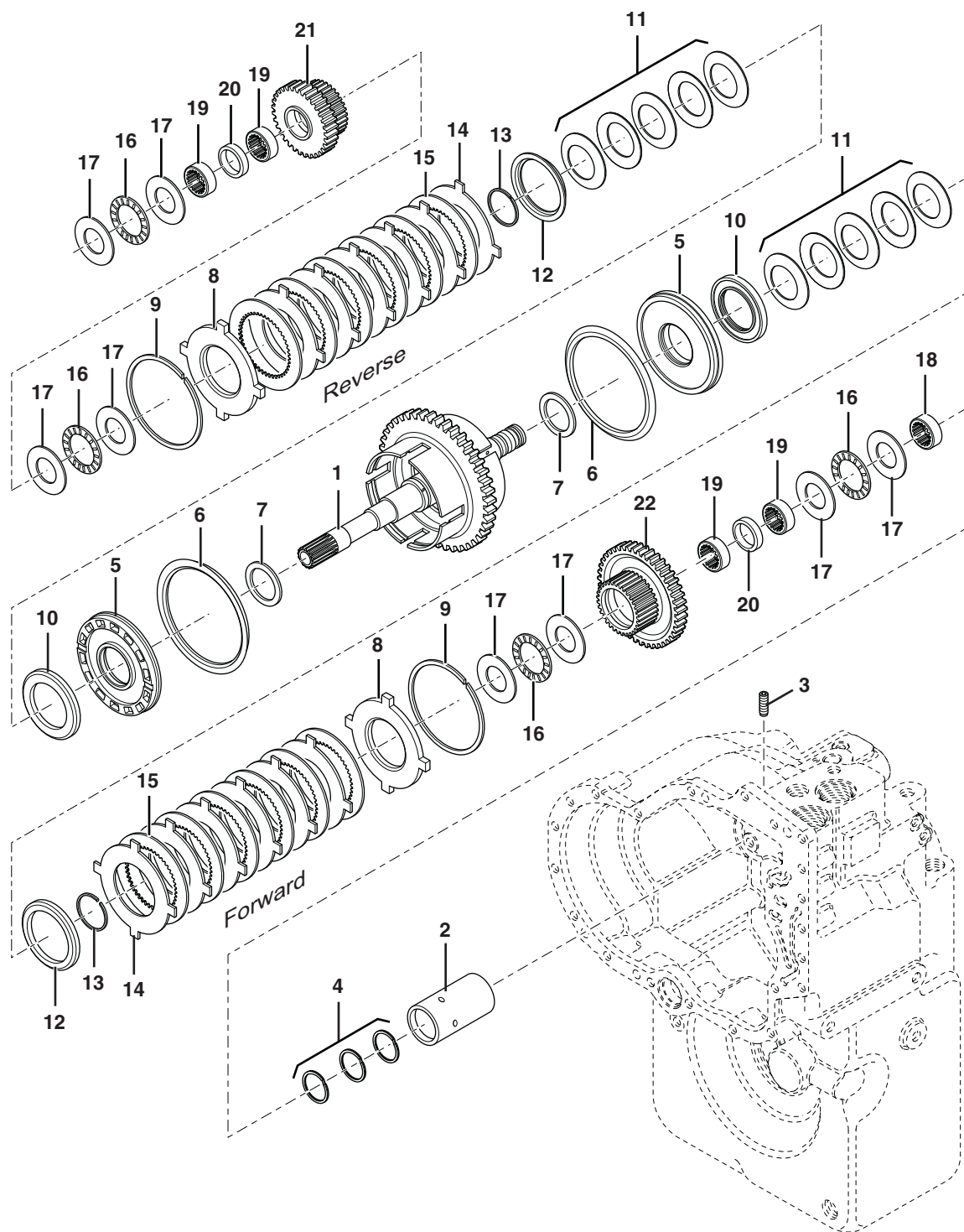




Figure 4-16 Transmission Assembly - Forward & Reverse Shaft

Item	Part Number	Qty.	Description	Rev.
1		1	TURBINE SHAFT, DRUM & PLUG ASSY	
	91474283	1	3 SPEED	
	8035031	1	4 SPEED	
2	91474284	1	SLEEVE, OIL DISTRIBUTOR	
3	91474285	1	SCREW, RETAINER	
4	10837060	3	RING, PISTON	
5	91474287	2	PISTON & SEALS ASSY, (includes items 6 & 7)	
6	91474288	2	SEAL, CLUTCH PISTON, (outer)	
7	91474289	2	SEAL, CLUTCH PISTON, (inner)	
8	91474308	2	PLATE, END	
9	91474309	2	SNAP RING	
10	10868277	2	PLATE, CLUTCH PISTON WEAR	
11	91474310	2	DISC SPRING ASSY, (includes 5 washers)	
12	91474294	2	RETAINER, SNAP RING	
13	91474295	2	SNAP RING, RETAINER	
14	91474296	12	DISC, OUTER, (6 forward, 6 reverse)	
15	91474297	12	DISC, INNER, (6 forward, 6 reverse)	
16	91474298	4	BEARING, CLUTCH GEAR THRUST	
17	91474299	8	WASHER, CLUTCH GEAR THRUST	
18	91474300	1	BEARING, TURBINE SHAFT REAR	
19		Ref	BEARING, CLUTCH GEAR, (see Figure 4-12 for details)	
20		Ref	SPACER, CLUTCH GEAR, (see Figure 4-12 for details)	
21		Ref	GEAR, REVERSE CLUTCH, (see Figure 4-12 for details)	
22		Ref	GEAR, FORWARD CLUTCH, (see Figure 4-12 for details)	



Figure 4-17 Transmission Assembly - High 4th & 3rd Shaft

3 SPEED

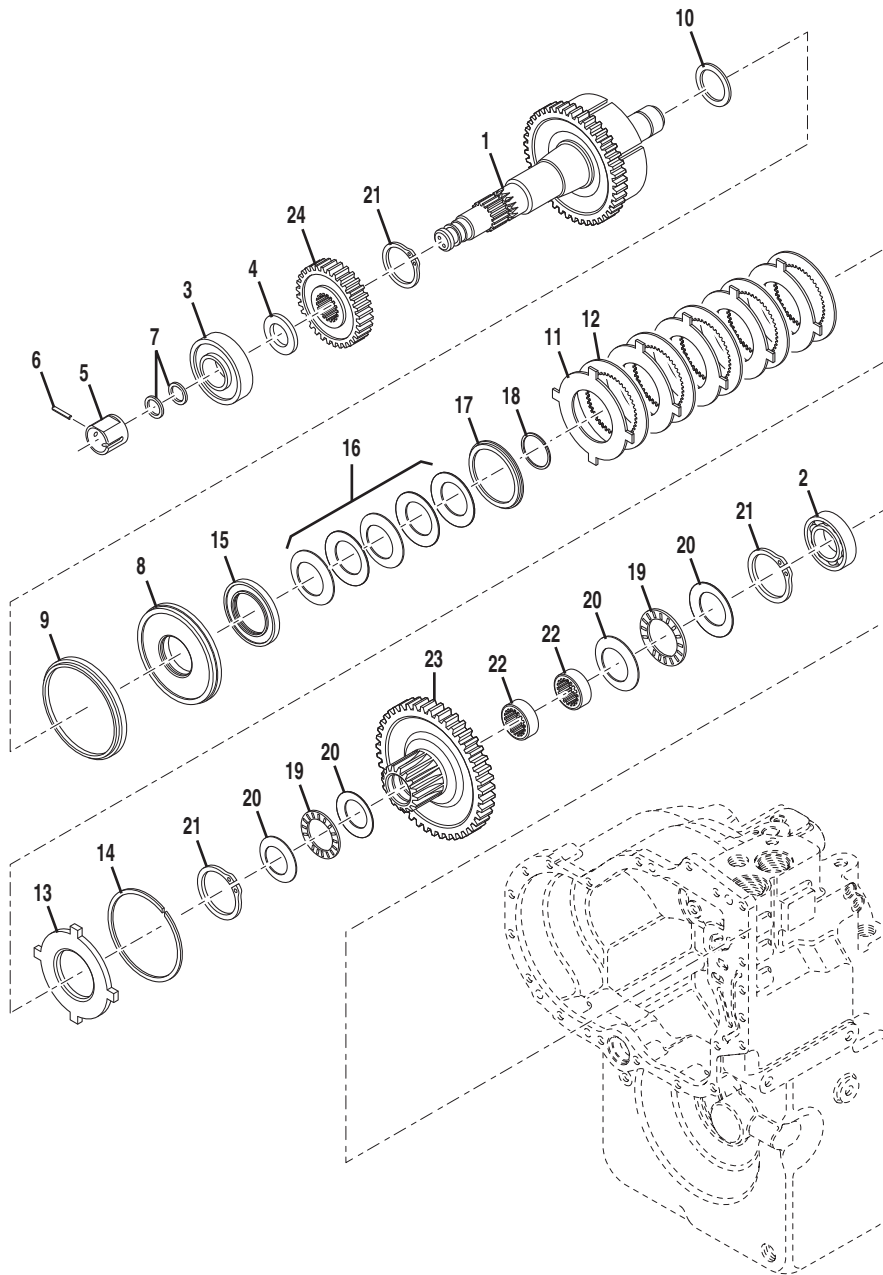




Figure 4-17 Transmission Assembly - High 4th & 3rd Shaft

Item	Part Number	Qty.	Description	Rev.
1	91474301	1	3RD SHAFT ASSY	
2	91474302	1	BEARING, ROLLER	
3	91474303	1	BEARING & SEAL ASSY	
4	91474304	1	WASHER, BEARING SUPPORT	
5	10868284	1	SLEEVE, OIL DISTRIBUTOR	
6	91474306	1	SCREW, SLEEVE RETAINING	
7	10837060	2	RING, PISTON	
8	91474307	1	PISTON & SEALS ASSY, (includes items 9 & 10)	
9	91474288	1	SEAL, CLUTCH PISTON, (outer)	
10	91474289	1	SEAL, CLUTCH PISTON, (inner)	
11	91474296	5	DISC, OUTER, (3rd)	
12	91474297	5	DISC, INNER, (3rd)	
13	91474308	1	PLATE, END	
14	91474309	1	SNAP RING, END PLATE	
15	10868277	1	PLATE, CLUTCH PISTON WEAR	
16	91474310	1	DISC SPRING ASSY, (3rd)	
17	91474294	1	RETAINER, SNAP RING	
18	91474295	1	SNAP RING, RETAINER	
19	91474311	2	BEARING, THRUST NEEDLE ROLLER	
20	91474312	4	WASHER, CLUTCH GEAR THRUST	
21	91474313	3	SNAP RING, GEAR HUB	
22		Ref	BEARING, 3RD CLUTCH GEAR, (see Figure 4-12 for details)	
23		Ref	GEAR, 3RD CLUTCH, (see Figure 4-12 for details)	
24		Ref	GEAR, 1ST DRIVE, (see Figure 4-12 for details)	



Figure 4-17 Transmission Assembly - High 4th & 3rd Shaft

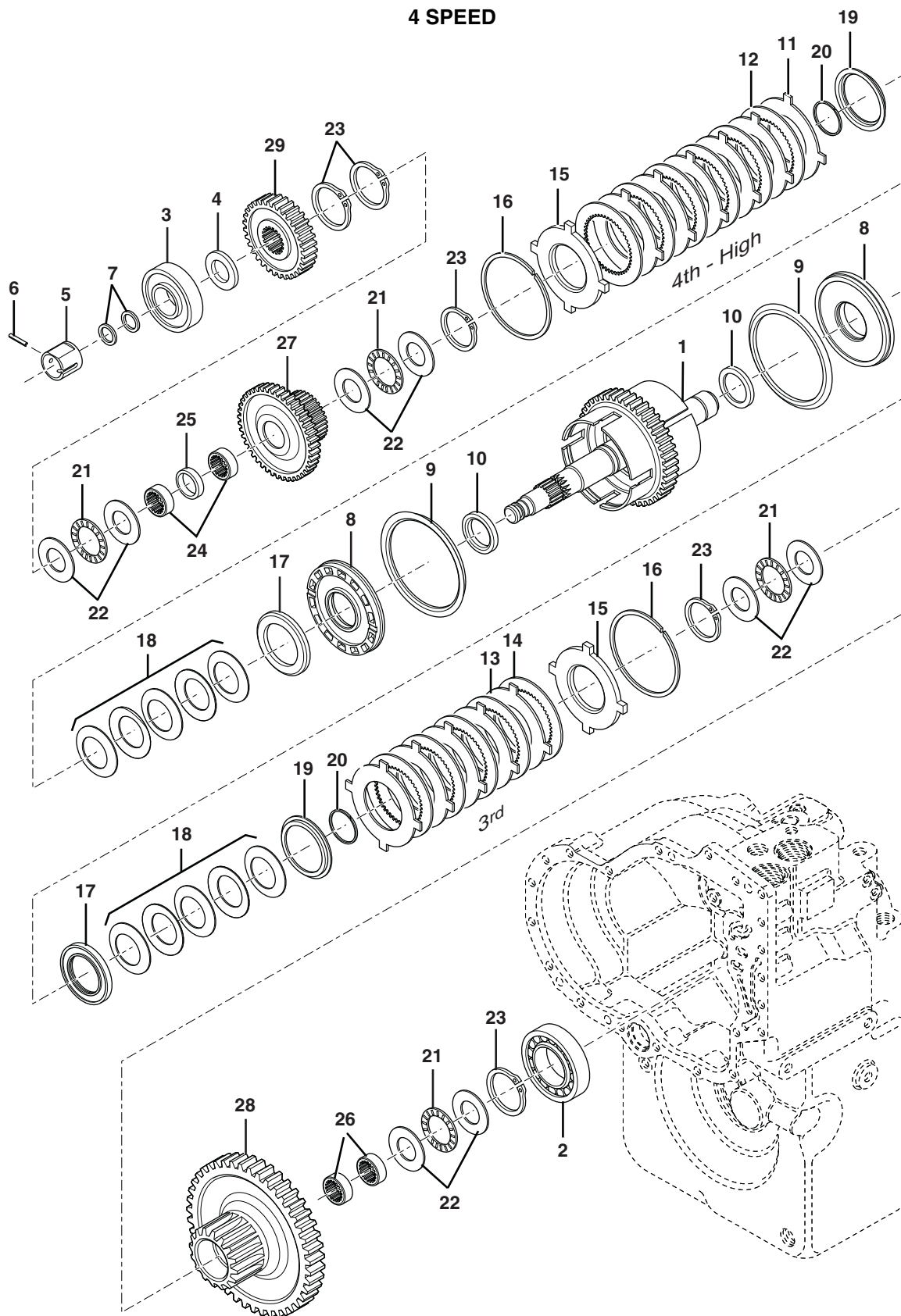




Figure 4-17 Transmission Assembly - High 4th & 3rd Shaft

Item	Part Number	Qty.	Description	Rev.
1	91474399	1	HIGH & 3RD SHAFT ASSY	
2	91474302	1	BEARING, ROLLER	
3	91474303	1	BEARING & SEAL ASSY	
4	91474304	1	WASHER, BEARING SUPPORT	
5	10868284	1	SLEEVE, OIL DISTRIBUTOR	
6	91474306	1	SCREW, SLEEVE RETAINING	
7	10837060	2	RING, PISTON	
8	91474307	2	PISTON & SEALS ASSY, (includes items 9 & 10)	
9	91474288	2	SEAL, CLUTCH PISTON, (outer)	
10	91474289	2	SEAL, CLUTCH PISTON, (inner)	
11	91474296	6	DISC, OUTER, (high)	
12	91474297	6	DISC, INNER, (high)	
13	91474296	5	DISC, OUTER,(3rd)	
14	91474297	5	DISC, INNER, (3rd)	
15	91474308	2	PLATE, END	
16	91474309	2	SNAP RING, END PLATE	
17	10868277	2	PLATE, CLUTCH PISTON WEAR	
18	91474310	2	DISC SPRING ASSY, (high & 3rd), (includes 5 washers)	
19	91474294	2	RETAINER, SNAP RING	
20	91474295	2	SNAP RING, RETAINER	
21	91474311	4	BEARING, THRUST NEEDLE ROLLER	
22	91474312	8	WASHER, CLUTCH GEAR THRUST	
23	91474313	5	SNAP RING, GEAR HUB	
24		Ref	BEARING, 4TH CLUTCH GEAR, (see Figure 4-12 for details)	
25		Ref	SPACER, CLUTCH GEAR BEARING, (see Figure 4-12 for details)	
26		Ref	BEARING, 3RD CLUTCH GEAR, (see Figure 4-12 for details)	
27		Ref	GEAR, 4TH CLUTCH, (see Figure 4-12 for details)	
28		Ref	GEAR, 3RD CLUTCH, (see Figure 4-12 for details)	
29		Ref	GEAR, 1ST DRIVE, (see Figure 4-12 for details)	



Figure 4-18 Transmission Assembly - 1st & 2nd Shaft

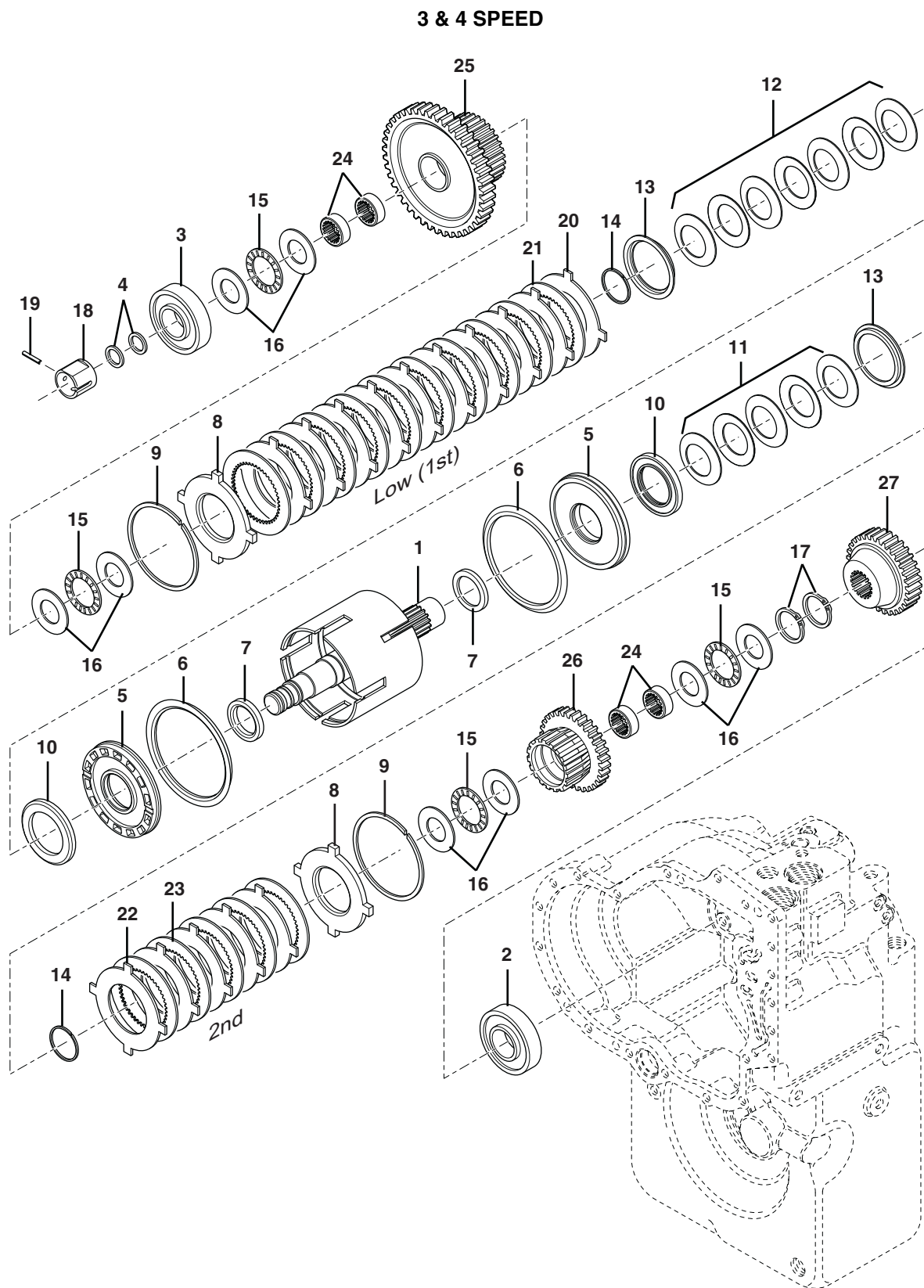




Figure 4-18 Transmission Assembly - 1st & 2nd Shaft

Item	Part Number	Qty.	Description	Rev.
1	91474314	1	1ST & 2ND SHAFT ASSY	
2	91474315	1	BEARING, ROLLER	
3	91474303	1	BEARING & SEAL ASSY	
4	10837060	2	RING, PISTON	
5	91474316	2	PISTON & SEALS ASSY, (includes items 6 & 7)	
6	91474288	2	SEAL, CLUTCH PISTON, (outer)	
7	91474289	2	SEAL, CLUTCH PISTON, (inner)	
8	91474308	2	PLATE, END	
9	91474309	2	SNAP RING, END PLATE	
10	10868277	2	PLATE, CLUTCH PISTON WEAR	
11	91474310	1	DISC SPRING ASSY, (2nd), (includes 5 washers)	
12	91474317	1	DISC SPRING ASSY, (1st), (includes 7 washers)	
13	91474294	2	RETAINER, SNAP RING	
14	91474295	2	SNAP RING, RETAINER	
15	91474298	4	BEARING, CLUTCH GEAR THRUST	
16	91474299	8	WASHER, CLUTCH GEAR THRUST	
17	91474318	2	SNAP RING, 2ND CLUTCH GEAR HUB	
18	91474319	1	SLEEVE, OIL DISTRIBUTOR	
19	91474306	1	SCREW, SLEEVE RETAINING	
20	91474296	10	DISC, OUTER, (1st)	
21	91474297	10	DISC, INNER, (1st)	
22	91474296	5	DISC, OUTER, (2nd)	
23	91474297	5	DISC, INNER, (2nd)	
24		Ref	BEARING, CLUTCH, (see Figure 4-12 for details)	
25		Ref	GEAR, 1ST CLUTCH, (see Figure 4-12 for details)	
26		Ref	GEAR, 2ND CLUTCH, (see Figure 4-12 for details)	
27		Ref	GEAR, 3RD DRIVEN, (see Figure 4-12 for details)	



Figure 4-19 Transmission Assembly - Output Shaft

3 & 4 SPEED

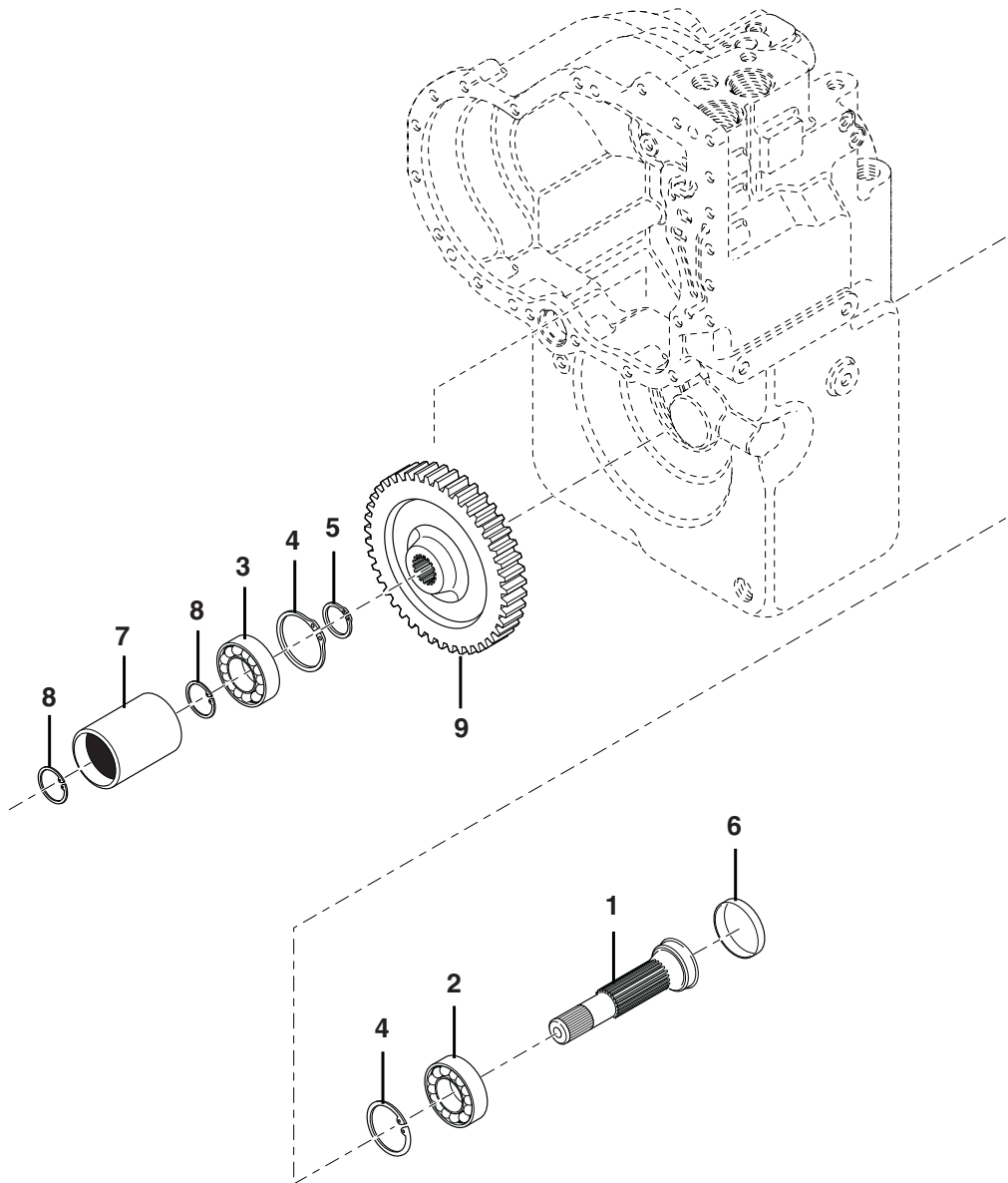




Figure 4-19 Transmission Assembly - Output Shaft

Item	Part Number	Qty.	Description	Rev.
1	91474320	1	SHAFT, OUTPUT	
2	77104140	1	BALL BEARING	
3	77104081	1	BEARING	
4	91474321	2	RING, SNAP	
5	91474322	1	SNAP RING	
6	91474323	1	PLUG, END	
7	91474324	1	COUPLING, DRIVE	
8	91474313	2	SNAP RING, EXTERNAL	
9		Ref	GEAR, OUTPUT SHAFT, (see Figure 4-12 for details)	



Figure 4-20 Transmission Assembly - Control & Modulation Valve Assembly

3 SPEED

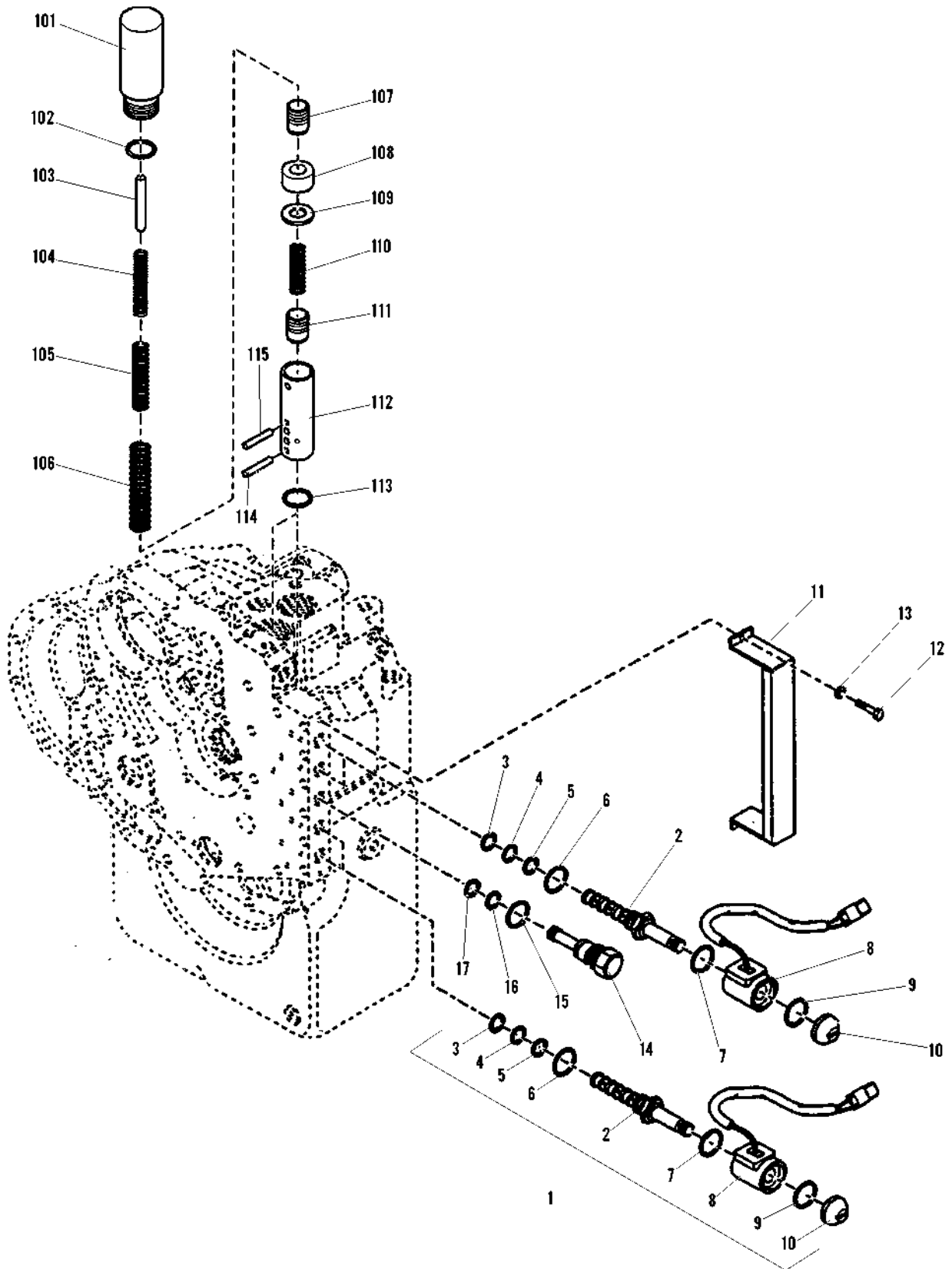




Figure 4-20 Transmission Assembly - Control & Modulation Valve Assembly

Item	Part Number	Qty.	Description	Rev.
		Ref	CONTROL GROUP, (includes items 1 thru 17)	
1	8007821	4	SOLENOID ASSY, (includes items 2 thru 10)	
2	91474326	4	CARTRIDGE, VALVE 4-WAY, (includes items 3 thru 6)	
3		4	O-RING, CARTRIDGE	
4		4	O-RING, CARTRIDGE	
5		4	O-RING, CARTRIDGE	
6		4	O-RING, CARTRIDGE	
7	91474331	4	O-RING, COIL TO CARTRIDGE	
8	7028067	4	COIL, SOLENOID 12V	
9	91474331	4	O-RING, NUT TO COIL	
10	91474334	4	NUT, SOLENOID	
11	91474335	1	COVER, PROTECTIVE	
12	91474336	2	SCREW	
13	8035075	2	LOCKWASHER	
14	91474353	1	PLUG	
15	10868330	1	O-RING	
16	10868329	1	O-RING	
17	8035081	1	O-RING	
	7028056	2	MODULATION VALVE ASSY, (includes items 101 thru 115)	
101	91474338	1	HOUSING, MODULATION VALVE	
102	91474339	1	O-RING, MODULATION HOUSING	
103	91474345	1	PIN, STOP	
104	91474340	1	SPRING, INNER	
105	91474341	1	SPRING, MIDDLE	
106	91474342	1	SPRING, OUTER	
107	91474346	1	SPOOL, ACCUMULATOR	
108	91474349	1	RETAINER, SPRING	
109	91474350	1	SPACER, SPRING	
110	91474348	1	SPRING, MODULATION VALVE	
111	91474347	1	SPOOL, REGULATOR	
112	91474343	1	SLEEVE, MODULATION VALVE	
113	91474344	1	O-RING, SLEEVE	
114	91474351	1	PIN, UPPER	
115	91474352	1	PIN, LOWER	



Figure 4-20 Transmission Assembly - Control & Modulation Valve Assembly

3 SPEED

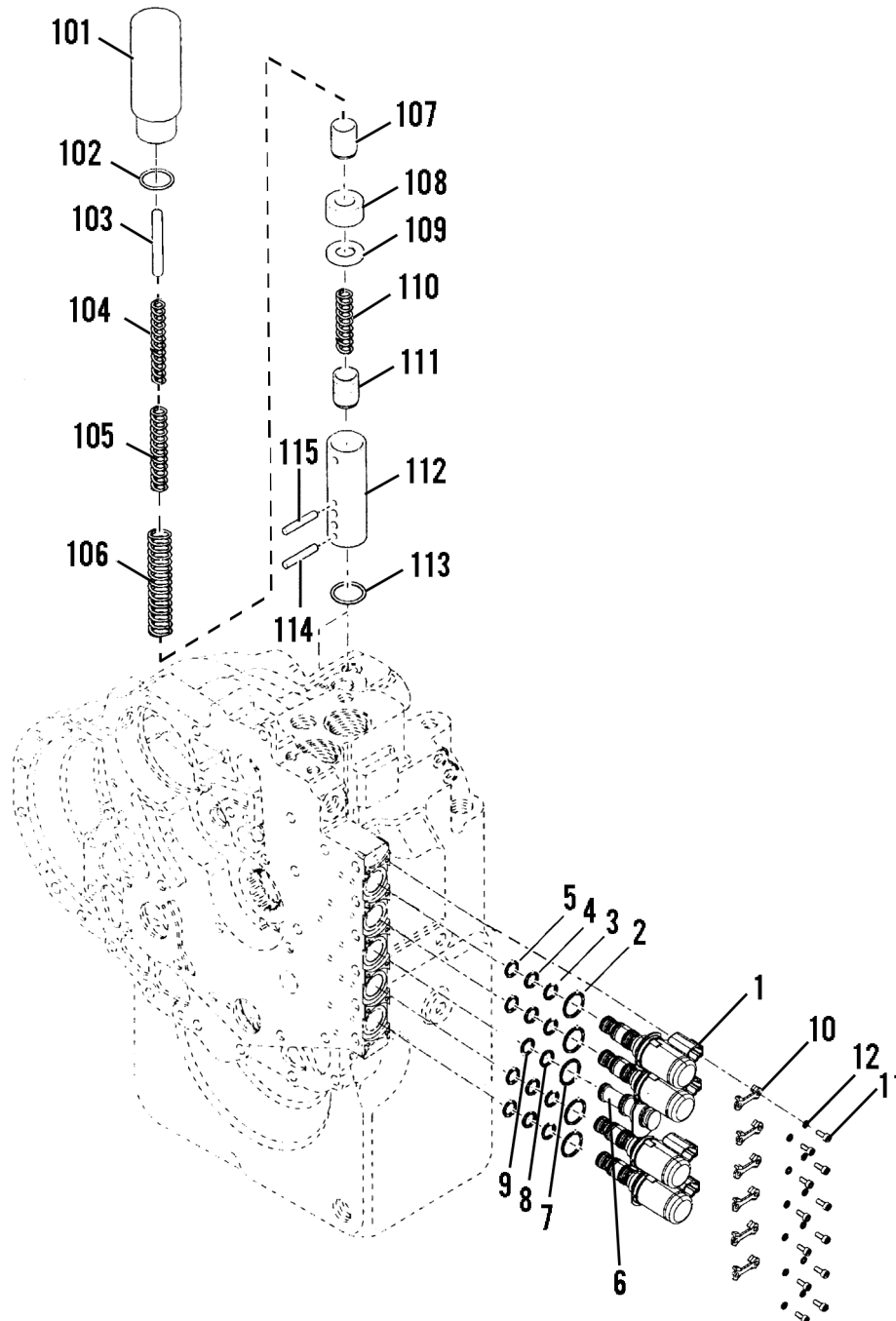




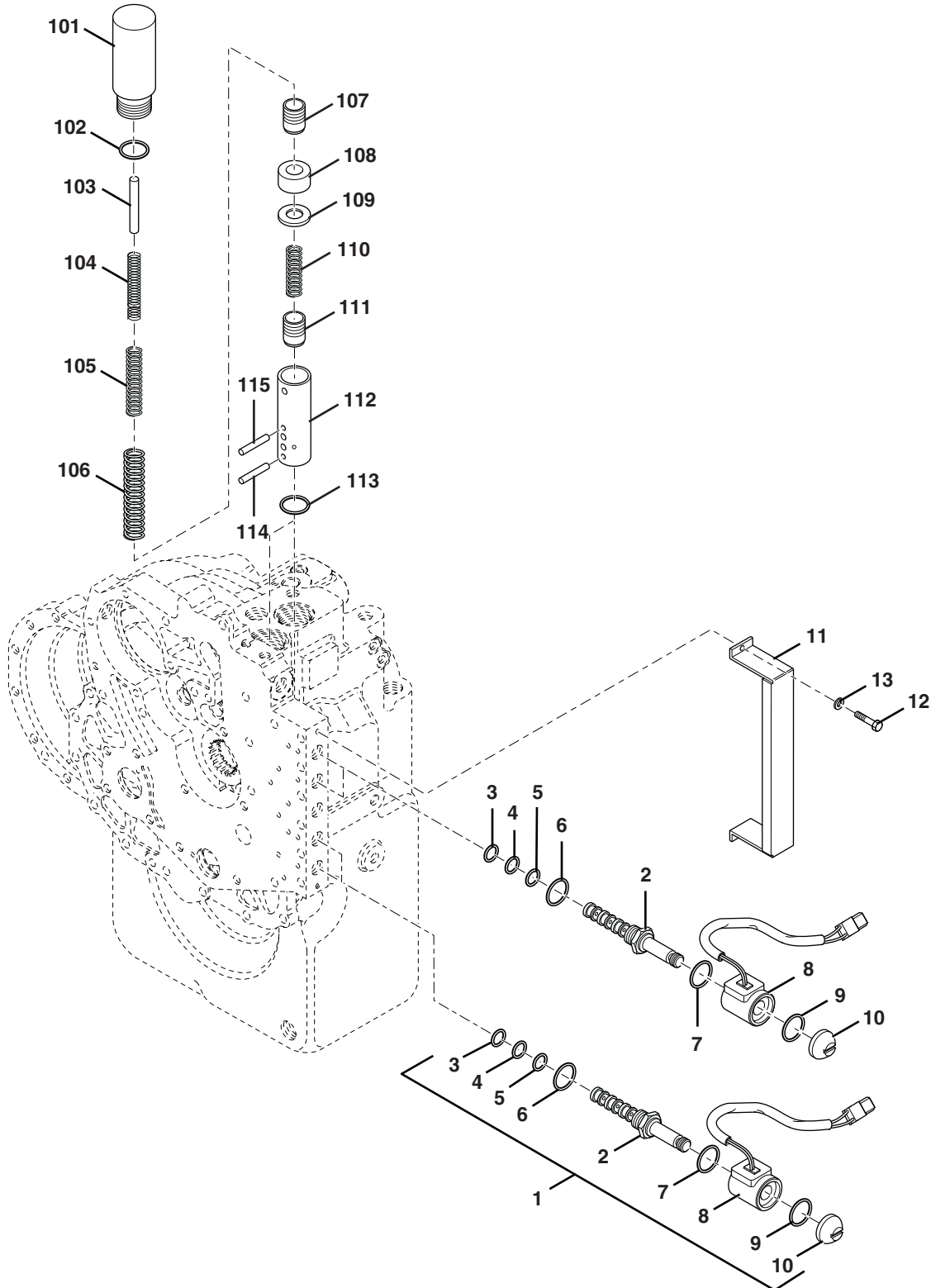
Figure 4-20 Transmission Assembly - Control & Modulation Valve Assembly

Item	Part Number	Qty.	Description	Rev.
		Ref	CONTROL GROUP, (includes items 1 thru 12)	
1	91514287	4	DROP IN w/AMP SOLENOID ASSY, (includes items 2 thru 5)	
2		4	O-RING	
3		4	O-RING	
4		4	O-RING	
5		4	O-RING	
6	7029459	1	SOLENOID BORE PLUG, (includes items 7, 8 & 9)	
7		1	O-RING	
8		1	O-RING	
9		1	O-RING	
10	91514292	6	SOLENOID CLAMP	
11	91514293	12	CAPSCREW	
12	91514294	12	PLAIN WASHER	
	7028056	2	MODULATION VALVE ASSY, (includes items 101 thru 115)	
101	91474338	1	HOUSING, MODULATION VALVE	
102	91474339	1	O-RING, MODULATION HOUSING	
103	91474345	1	PIN, STOP	
104	91474340	1	SPRING, INNER	
105	91474341	1	SPRING, MIDDLE	
106	91474342	1	SPRING, OUTER	
107	91474346	1	SPOOL, ACCUMULATOR	
108	91474349	1	RETAINER, SPRING	
109	91474350	1	SPACER, SPRING	
110	91474348	1	SPRING, MODULATION VALVE	
111	91474347	1	SPOOL, REGULATOR	
112	91474343	1	SLEEVE, MODULATION VALVE	
113	91474344	1	O-RING, SLEEVE	
114	91474351	1	PIN, UPPER	
115	91474352	1	PIN, LOWER	



Figure 4-20 Transmission Assembly - Control & Modulation Valve Assembly

4 SPEED



Before S/N 1160000533 excluding 1160000516,
 1160000517, 1160000520 & 1160000223 thru
 1160000531

ENGINE & ATTACHING PARTS



Figure 4-20 Transmission Assembly - Control & Modulation Valve Assembly

Item	Part Number	Qty.	Description	Rev.
		Ref	CONTROL GROUP, (includes items 1 thru 13)	
1	8007821	5	SOLENOID ASSY, (includes items 2 thru 10)	
2	91474326	5	CARTRIDGE, VALVE 4-WAY, (includes items 3 thru 6)	
3		5	O-RING, CARTRIDGE	
4		5	O-RING, CARTRIDGE	
5		5	O-RING, CARTRIDGE	
6		5	O-RING, CARTRIDGE	
7	91474331	5	O-RING, COIL TO CARTRIDGE	
8	7028067	5	COIL, SOLENOID 12V	
9	91474331	5	O-RING, NUT TO COIL	
10	91474334	5	NUT, SOLENOID	
11	10868323	1	COVER, PROTECTIVE	
12	91474336	2	SCREW	
13	91474337	2	LOCKWASHER	
	7028056	2	MODULATION VALVE ASSY, (includes items 101 thru 115)	
101	91474338	1	HOUSING, MODULATION VALVE	
102	91474339	1	O-RING, MODULATION HOUSING	
103	91474345	1	PIN, STOP	
104	91474340	1	SPRING, INNER	
105	91474341	1	SPRING, MIDDLE	
106	91474342	1	SPRING, OUTER	
107	91474346	1	SPOOL, ACCUMULATOR	
108	91474349	1	RETAINER, SPRING	
109	91474350	1	SPACER, SPRING	
110	91474348	1	SPRING, MODULATION VALVE	
111	91474347	1	SPOOL, REGULATOR	
112	91474343	1	SLEEVE, MODULATION VALVE	
113	91474344	1	O-RING, SLEEVE	
114	91474351	1	PIN, UPPER	
115	91474352	1	PIN, LOWER	



Figure 4-20 Transmission Assembly - Control & Modulation Valve Assembly

4 SPEED

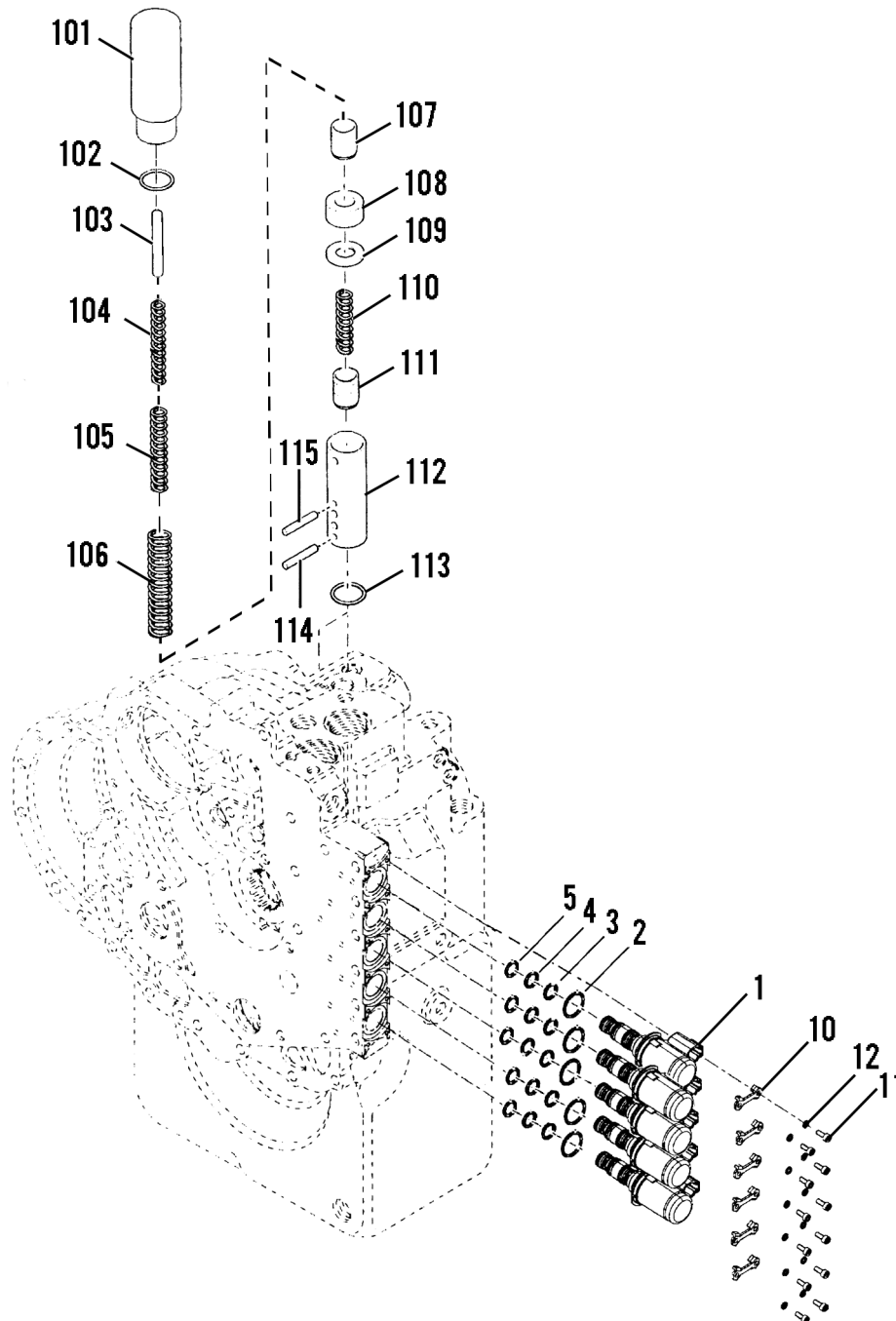




Figure 4-20 Transmission Assembly - Control & Modulation Valve Assembly

Item	Part Number	Qty.	Description	Rev.
		Ref	CONTROL GROUP, (includes items 1 thru 12)	
1	91514287	5	DROP IN w/AMP SOLENOID ASSY, (includes items 2 thru 5)	
2		5	O-RING	
3		5	O-RING	
4		5	O-RING	
5		5	O-RING	
10	91514292	6	SOLENOID CLAMP	
11	91514293	12	CAPSCREW	
12	91514294	12	PLAIN WASHER	
	7028056	2	MODULATION VALVE ASSY, (includes items 101 thru 115)	
101	91474338	1	HOUSING, MODULATION VALVE	
102	91474339	1	O-RING, MODULATION HOUSING	
103	91474345	1	PIN, STOP	
104	91474340	1	SPRING, INNER	
105	91474341	1	SPRING, MIDDLE	
106	91474342	1	SPRING, OUTER	
107	91474346	1	SPOOL, ACCUMULATOR	
108	91474349	1	RETAINER, SPRING	
109	91474350	1	SPACER, SPRING	
110	91474348	1	SPRING, MODULATION VALVE	
111	91474347	1	SPOOL, REGULATOR	
112	91474343	1	SLEEVE, MODULATION VALVE	
113	91474344	1	O-RING, SLEEVE	
114	91474351	1	PIN, UPPER	
115	91474352	1	PIN, LOWER	



Figure 4-21 Transmission Assembly - Drive Plate

3 & 4 SPEED

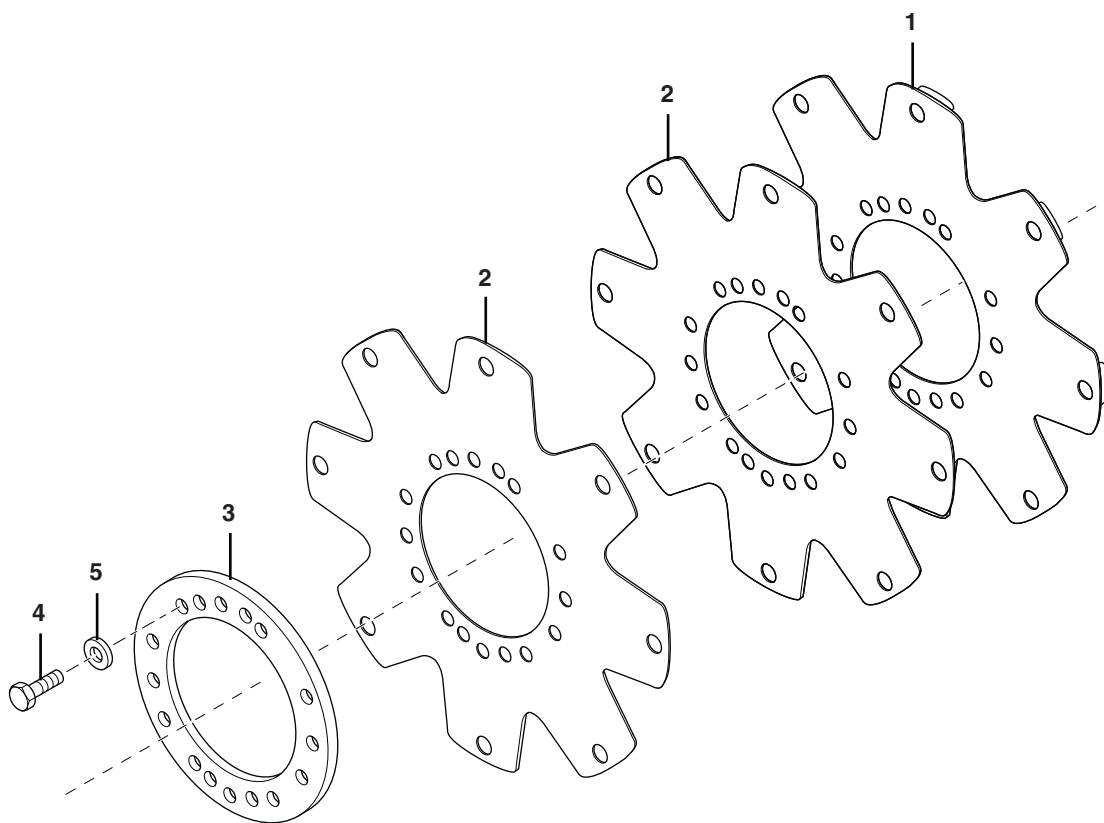


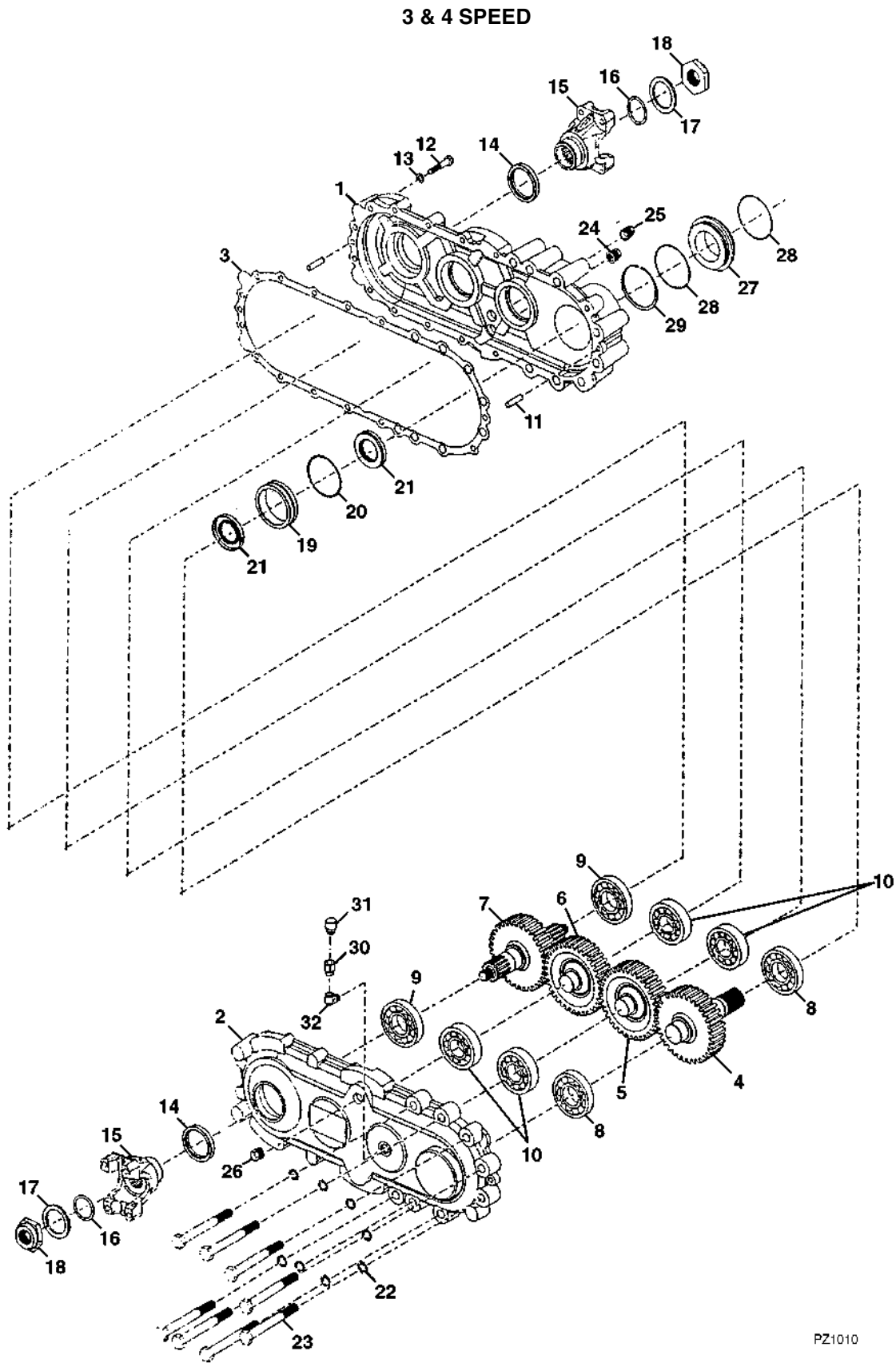


Figure 4-21 Transmission Assembly - Drive Plate

Item	Part Number	Qty.	Description	Rev.
1		1	DRIVE PLATE ASSY	
2		2	PLATE, DRIVE	
3	77104044	1	RING, BACKING	
4	91474356	6	CAPSCREW	
5	77104007	6	LOCKWASHER	
	7028057	1	DRIVE PLATE KIT, (includes items 1 thru 5)	



Figure 4-22 Transmission Assembly - Drop Box



PZ1010



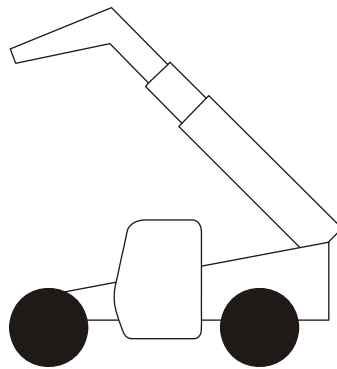
Figure 4-22 Transmission Assembly - Drop Box

Item	Part Number	Qty.	Description	Rev.
	70020869	1	DROP BOX ASSY, (includes all items)	
1	70023065	1	COVER, REAR	
2	70023066	1	COVER, FRONT	
3	7028069	1	GASKET	
4	7028070	1	SHAFT, INPUT	
5	7028071	1	GEAR, IDLER	
6	91474362	1	GEAR, IDLER	
7	7028085	1	SHAFT, OUTPUT	
8	91474364	2	BEARING	
9	91474365	2	REAR BEARING	
10	91474366	4	BEARING, ROLLER	
11	91474200	2	PIN, ROLL	
12	91474209	13	CAPSCREW	
13	91474265	13	LOCKWASHER	
14	91474367	2	OIL SEAL	
15	7028086	2	FLANGE, YOKE	
16	91474369	2	O-RING	
17	91474370	2	WASHER	
18	91474371	2	NUT, IDLER SHAFT	
19	91474372	1	SLEEVE, OIL SEAL	
20	91474373	1	O-RING	
21	91474374	2	SEAL, OIL	
22	91474375	8	LOCKWASHER	
23	91474376	8	SCREW	
24	8007824	1	PLUG, MAGNETIC DRAIN	
25	91474377	1	OIL LEVEL GLASS	
26	8007822	1	PLUG	
27	91474381	1	SLEEVE PILOT	
28	91474382	2	O-RING	
29	91474321	1	RING, SNAP	
30	91474600	1	ADAPTER	
31	91474601	1	BREATHER	
32	91474383	1	FITTING, ELBOW 90 DEGREE STREET	
	70020412	1	SEAL KIT, (includes items 3, 14, 16, 20, 21 & 28)	



This Page Intentionally Left Blank

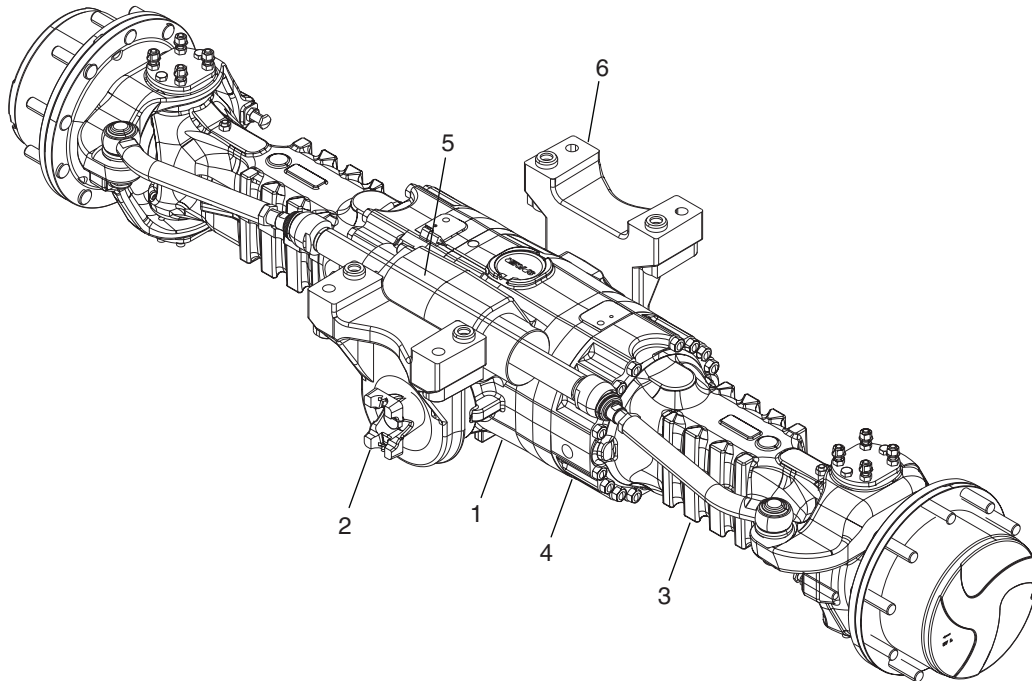
SECTION 5 DRIVE TRAIN





DRIVE TRAIN

Figure 5-1 Front Axle Assembly



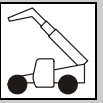


Figure 5-1 Front Axle Assembly

Item	Part Number	Qty.	Description	Rev.
	8004521	Ref	FRONT AXLE, (fixed), (includes items 1 thru 5)	
	4803372	Ref	FRONT AXLE, (oscillating), (includes all items)	
1		Ref	DIFFERENTIAL HOUSING COMPONENTS, (see Figure 5-2 for details)	
2		Ref	INTERNAL DIFFERENTIAL COMPONENTS, (see Figure 5-3 for details)	
3		Ref	EXTERNAL AXLE COMPONENTS, (see Figure 5-4 for details)	
4		Ref	BRAKE COMPONENTS, (see Figure 5-5 for details)	
5		Ref	STEERING COMPONENTS, (see Figure 5-6 for details)	
6		Ref	OSCILLATION SUPPORT COMPONENTS, (see Figure 5-7 for details)	

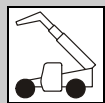
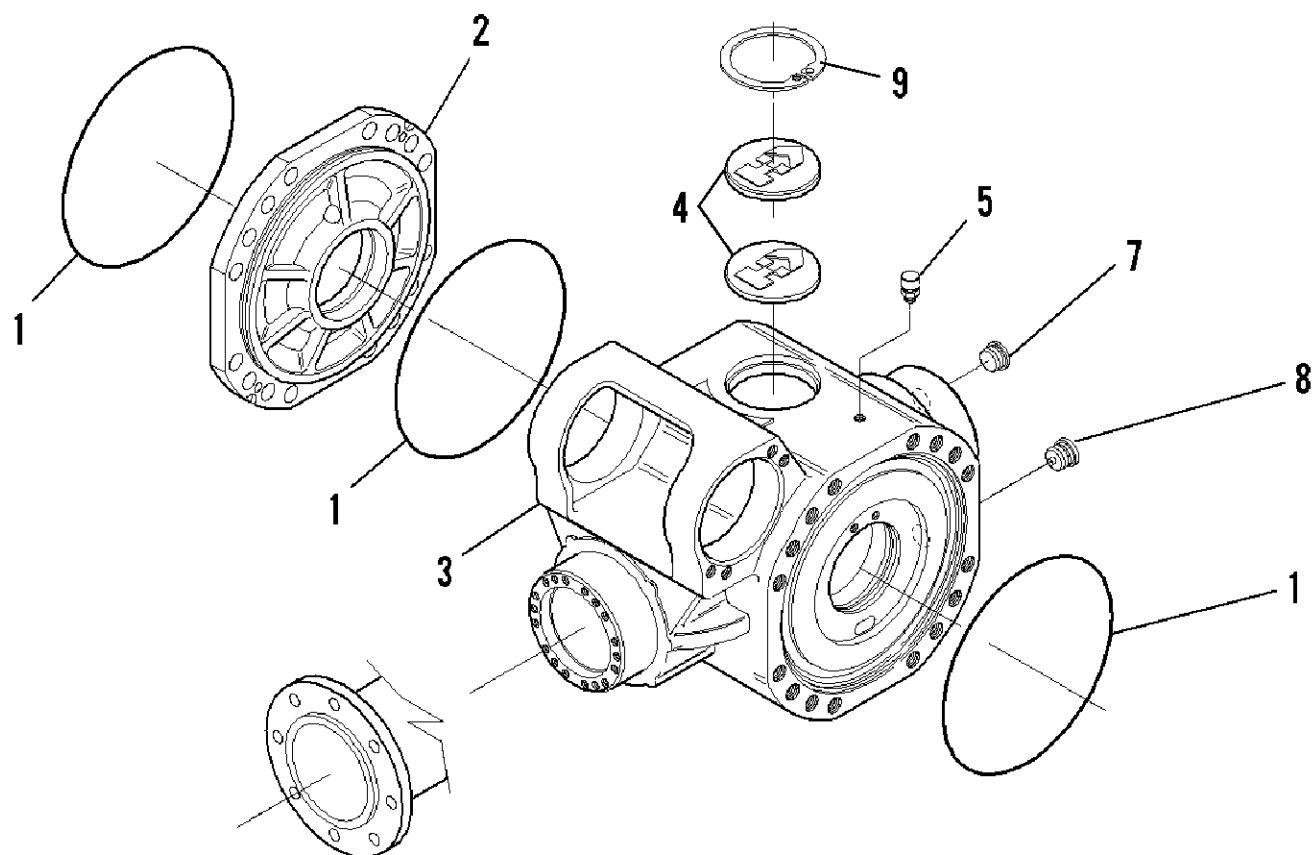


Figure 5-2 Front Axle Assembly - Differential Housing Components



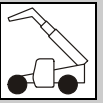


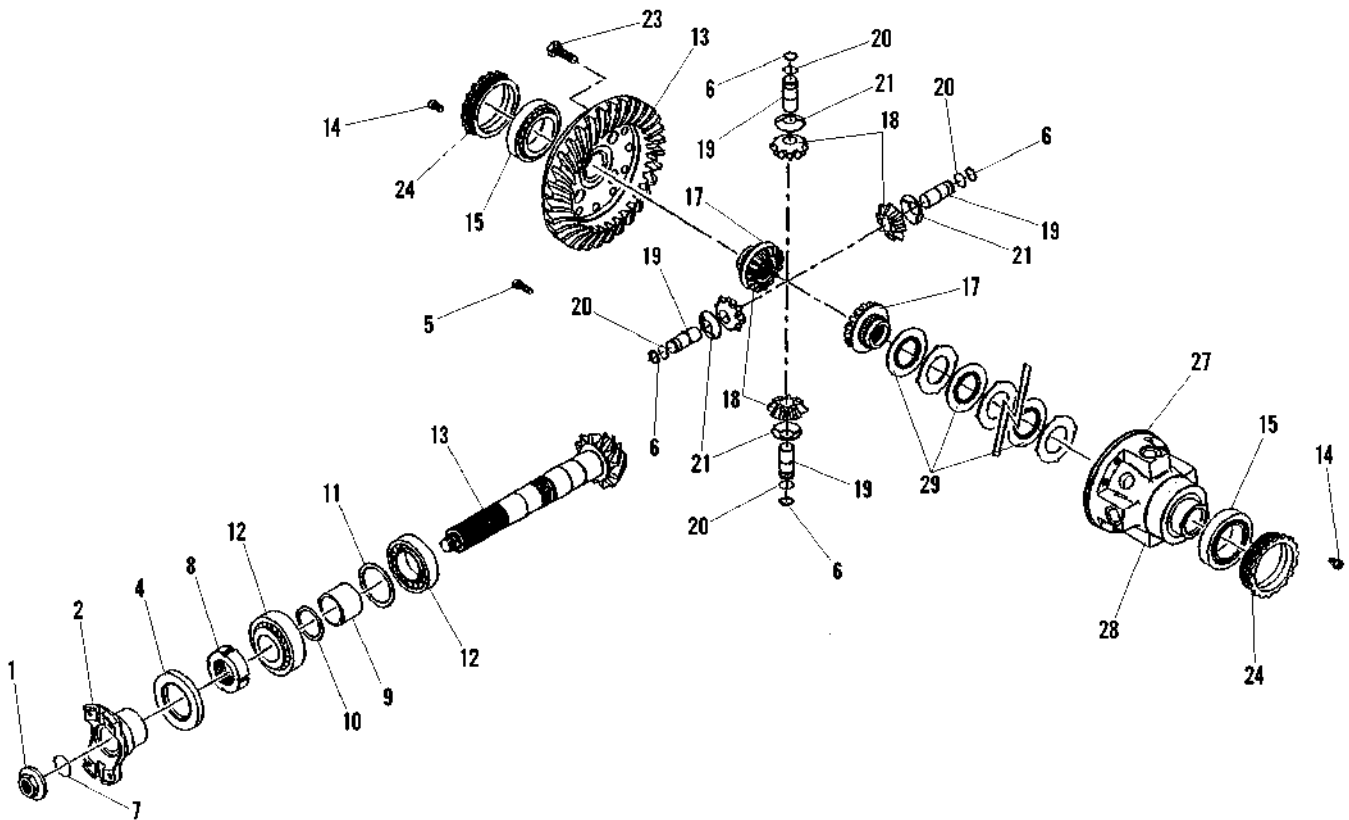
Figure 5-2 Front Axle Assembly - Differential Housing Components

Item	Part Number	Qty.	Description	Rev.
	8004521	Ref	FRONT AXLE ASSY, (fixed)	B
	4803372	Ref	FRONT AXLE ASSY, (oscillating)	B
		Ref	DIFFERENTIAL HOUSING COMPONENTS, (includes all items)	
1	91474507	3	O-RING	
2	91474509	1	INTERMEDIATE COVER	
3		1	HOUSING, (Before Axle S/N GITA745764), (8007744 is no longer available; order 7029426 housing, 91514098 plug & 80204005 circlip)	
	7029426	1	HOUSING, (Axle S/N GITA745764 & After)	
4	91514098	1	PLUG	
5	91474512	1	AIR VENT	
7	3968856	1	PLUG	
8	91474513	1	PLUG, (includes seal)	
9	80204005	1	CIRCLIP, (Axle S/N GITA745764 & After)	



DRIVE TRAIN

Figure 5-3 Front Axle Assembly - Internal Differential Housing Components



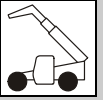


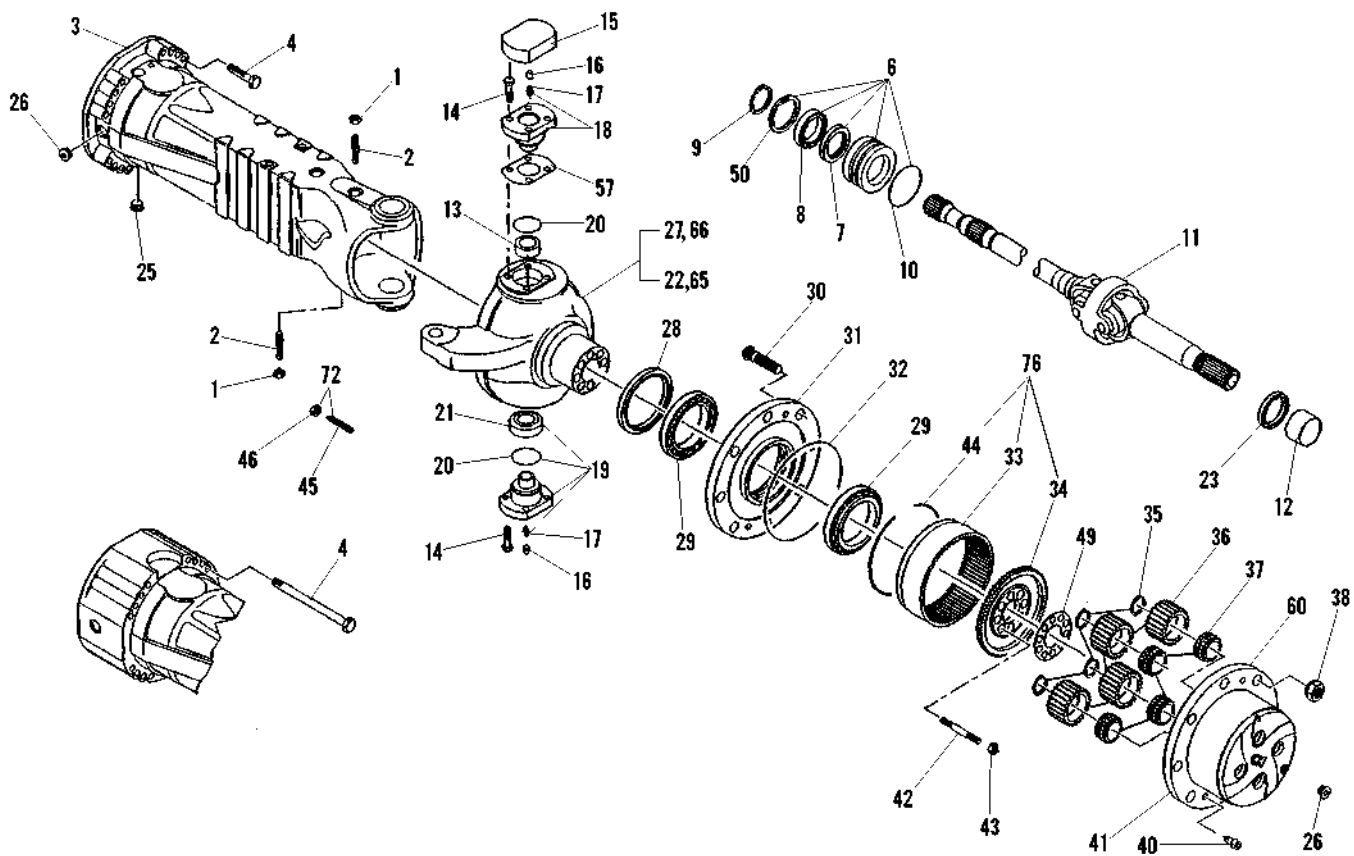
Figure 5-3 Front Axle Assembly - Internal Differential Housing Components

Item	Part Number	Qty.	Description	Rev.
	8004521	Ref	FRONT AXLE ASSY, (fixed)	B
	4803372	Ref	FRONT AXLE ASSY, (oscillating)	B
		Ref	INTERNAL DIFFERENTIAL COMPONENTS, (includes all items)	
1	91474528	1	NUT	
2	8007745	1	FLANGE, (Before Axle S/N GITA738344)	
	7029427	1	FLANGE, (Axle S/N GITA738344 & After)	
4	91474531	1	COVER PLATE, (Before Axle S/N GITA738344)	
5	91474591	4	FILLISTER HD SCREW	
6	91474550	4	CIRCLECLIP	
7	91474529	1	O-RING	
8	91474533	1	NUT	
9	91474539	1	SPACER	
10	91474535	1	SHIM	
	91474536	1	SHIM, 20mm	
	91474537	1	SHIM, 40mm	
	91474538	1	SHIM	
11	91474540	1	SHIM, 20mm	
	91474541	1	SHIM, 30mm	
	91474542	1	SHIM, 15mm	
	91474543	1	SHIM, 10mm	
12	3968141	2	BEARING, ROLLER	
13	8007749	1	BEVEL GEAR SET	
14	91474134	2	CYLINDER BOLT	
15	91474548	2	ROLLER BEARING	
17	91474549	2	GEAR, SIDE SHAFT	
18	91474554	4	DIFFERENTIAL PINION, (Before Fixed Axle S/N GITA738344; Before Oscillating Axle S/N FITA730584)	
	7028709	4	DIFFERENTIAL PINION, (Fixed Axle S/N GITA738344; Oscillating Axle S/N FITA730584 thru FITA779150)	
	7029129	4	DIFFERENTIAL PINION, (Fixed Axle S/N GITA738344 & After; Oscillating Axle S/N FITA779150 & After)	
19	3983537	4	PIN, (Before Fixed Axle S/N GITA738344; Before Oscillating Axle S/N FITA779150)	
	7029131	4	PIN, (Fixed Axle S/N GITA738344 & After; Oscillating Axle S/N FITA779150 & After)	
20	91474551	4	CIRCLECLIP	
21	91474553	4	DISK	
23	91514123	12	BOLT	
24	91474547	2	RING NUT	
27	8007751	1	HOUSING, DIFFERENTIAL	
28	8007752	1	LIMITED SLIP DIFFERENTIAL KIT, (Before Fixed Axle S/N FITA730584; Before Oscillating Axle S/N GITA738344) , (includes items 6, 17 thru 21, 27 & 29)	
	7028710		LIMITED SLIP DIFFERENTIAL KIT, (Fixed Axle S/N FITA730584 & After; Oscillating Axle S/N GITA738344 & After) , (includes items 6, 17 thru 21, 27 & 29)	
29	8007755	2	DISC KIT	



DRIVE TRAIN

Figure 5-4 Front Axle Assembly - External Axle Components



PZ4390

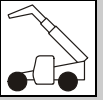


Figure 5-4 Front Axle Assembly - External Axle Components

Item	Part Number	Qty.	Description	Rev.
	8004521	Ref	FRONT AXLE ASSY, (fixed)	B
	4803372	Ref	FRONT AXLE ASSY, (oscillating)	B
1	91514082	2	NUT	
2	2400600	2	THREADED PIN	
3	8007758	2	AXLE HOUSING	
4	7029428	32	BOLT	
6	8007759	2	REDUCTION BUSHING, (includes items 7, 8, 10 & 50)	
7	91514147	2	OIL SEAL	
8	91514146	2	BALL BEARING	
9	80204071	2	CIRCLIP	
10	91514148	2	O-RING	
11	8007770	2	JOINT, (Before axle S/N KITA786982)	
	7029811	AR	CROSS KIT, (includes cross for double joint, circlips & needle bearings), (Before axle S/N KITA786982)	
	70023105	2	JOINT, (Axle S/N KITA786982 & After)	
	70021898	AR	CROSS KIT, (includes cross for double joint, circlips, bearings & grease seal), (Axle S/N KITA786982 & After)	
12	8004468	1	BUSHING	
13	70020173	2	BUSHING	
14	8006604	20	BOLT	
15	91474524	2	COVER	
16	80204117	4	PLUG	
17	7028115	2	GREASE FITTING	
18	8006603	2	KINGPIN, (top), (includes item 17)	
19	8006605	2	KINGPIN, (bottom), (includes items 17, 20 & 21)	
20	2401043	2	GASKET	
21	2401258	2	BUSHING	
22	7028049	1	SPINDLE, (right), (Before Fixed Axle S/N CITA711908; Before Oscillating Axle S/N CITA703949)	
	8007775	1	SPINDLE, (right), (Fixed Axle S/N CITA711908 & After; Oscillating Axle S/N CITA703949 & After)	
23	8007771	2	GASKET	
25	91474513	2	PLUG, (includes seal)	
26	91514188	4	PLUG, (includes seal)	
27	7028036	1	SPINDLE, (left), (Before Fixed Axle S/N CITA711908; Before Oscillating Axle S/N CITA703949)	
	7029429	1	SPINDLE, (left), (Fixed Axle S/N CITA711908 & After; Oscillating Axle S/N CITA703949 & After)	
28	7029430	2	OIL SEAL	
29	3984301	4	BALL BEARING	
30	8000877	20	BOLT, WHEEL	
31	8005801	2	WHEEL HUB	
32	80204002	2	O-RING	
33	91474580	2	RING GEAR	
34	3983720	2	RING GEAR SUPPORT	
35	91474585	8	CIRCLIP	
36	91474586	8	GEAR, PLANET	
37	91474587	8	BEARING, NEEDLE	
38		Ref	LUGNUT, (see Figure 1-1, item 41 for details)	
40	91514189	4	COUNTERSUNK SCREW	



DRIVE TRAIN

Figure 5-4 Front Axle Assembly - External Axle Components (Continued)

Item	Part Number	Qty.	Description	Rev.
41	7029286	2	HOUSING, PLANETARY, (was p/n 8005802)	
42	91474583	16	STUD	
43	91474584	16	NUT	
44	91474579	2	SNAP RING	
45	91514117	4	SETSCREW, (Before Fixed Axle S/N GITA738344; Before Oscillating Axle S/N FITA706669)	
	7028733	4	SETSCREW, (Fixed Axle S/N GITA738344 & After; Oscillating Axle S/N FITA706669 & After)	
46	80204065	4	NUT, (Before Fixed Axle S/N GITA738344; Before Oscillating Axle S/N FITA706669)	
49	3983731	2	PLATE, LOCKING	
50	80204005	2	CIRCLECLIP	
57	8007779	2	SHIM	
	8007780	2	SHIM	
	8007782	2	SHIM	
60	8007783	2	PLANETARY HOUSING ASSY, (includes items 33 thru 37, 41 & 44), (Before fixed axle S/N GITA738344; Before Oscillating axle S/N GITA706731)	
	7029431	2	PLANETARY HOUSING ASSY, (includes items 35, 36, 37 & 41), (Fixed axle S/N GITA738344 & After; Oscillating axle S/N GITA706731 & After)	
65	8007774	1	SPINDLE ASSY, (right), (includes items 12 & 22)	
66	8007777	1	SPINDLE ASSY, (left), (includes items 12 & 27)	
72	7028733	4	STEERING ADJUST BOLT, (includes items 45 & 46)	
76	7029432	2	RING GEAR SUPPORT KIT, (includes items 33, 34 & 44), (Fixed axle S/N GITA738344 & After; Oscillating axle S/N GITA706731 & After)	

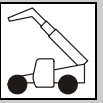


Figure 5-4 Front Axle Assembly - External Axle Components (Continued)

Item	Part Number	Qty.	Description	Rev.

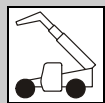
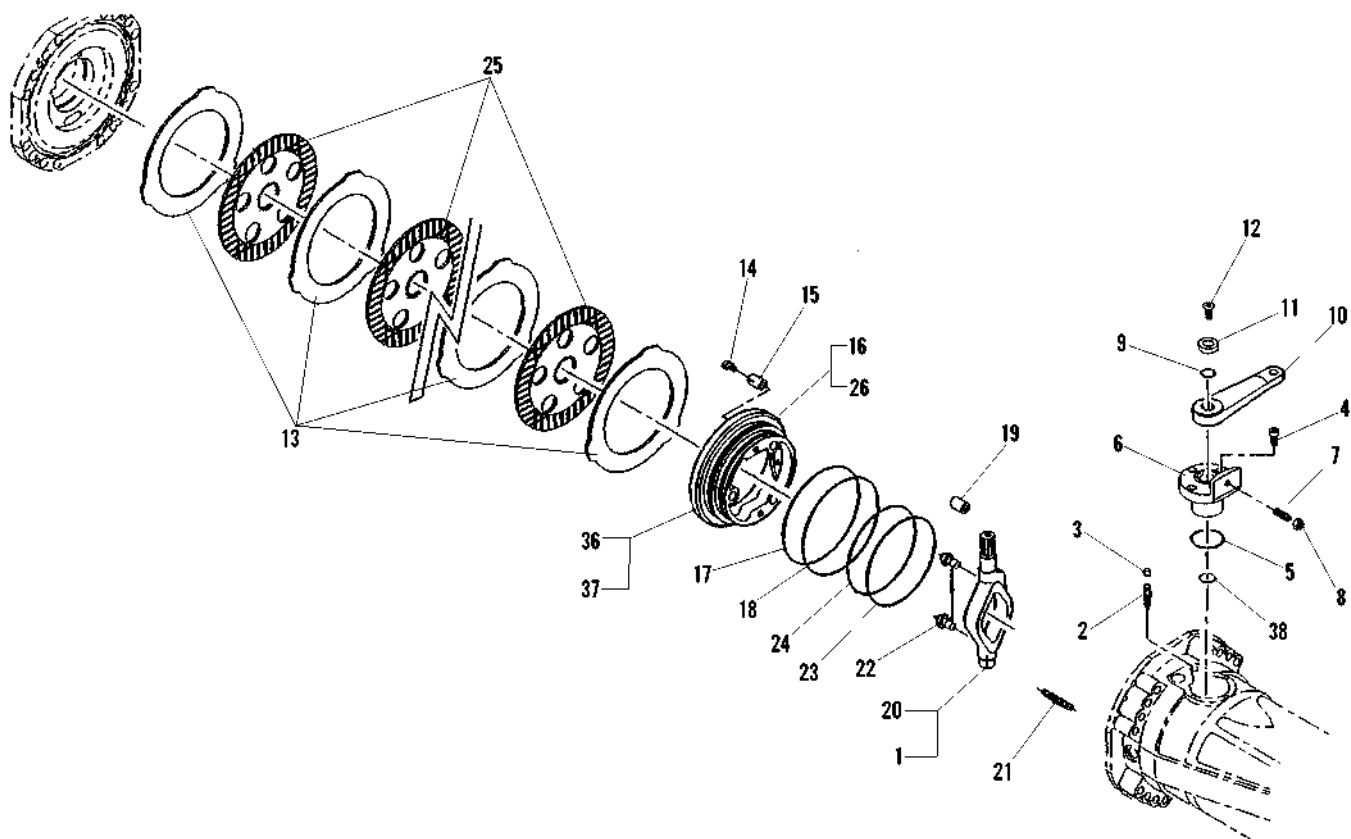


Figure 5-5 Front Axle Assembly - Brake Components



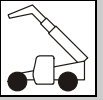


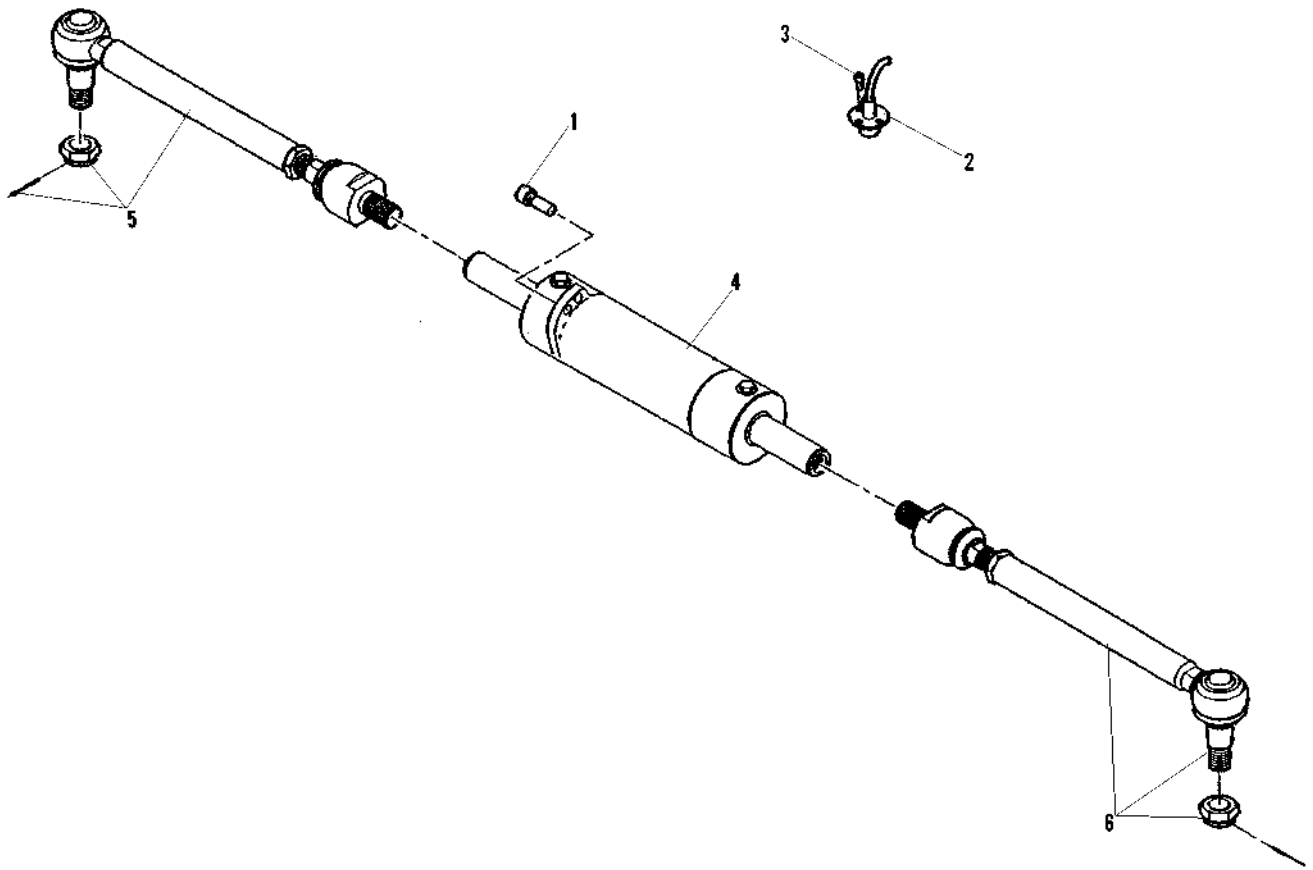
Figure 5-5 Front Axle Assembly - Brake Components

Item	Part Number	Qty.	Description	Rev.
	8004521	Ref	FRONT AXLE ASSY, (fixed)	B
	4803372	Ref	FRONT AXLE ASSY, (oscillating)	B
		Ref	BRAKE COMPONENTS, (includes all items)	
1	8007785	1	LEVER, (left)	
2	80204281	2	BLEEDER	
3	80204117	2	DUST CAP	
4	2401736	6	SCREW	
5	3986405	2	O-RING	
6	8007788	2	INTERMEDIATE BUSHING	
7	8002798	2	SETSCREW	
8	8008168	2	NUT	
9	7028038	2	O-RING	
10	8006699	2	LEVER	
11	2902969	2	SPACER, (Before Oscillating Axle S/N GITA754614)	
	7028039	2	WASHER, (Oscillating axle S/N GITA754614 & After; all Fixed Axles)	
12	8008169	2	COUNTERSUNK SCREW	
13	91474569	10	DISK PLATE	
14	8008171	6	SCREW	
15	91514165	3	TUBE	
16	8007794	1	PISTON, (right)	
17	3984436	1	BACK-UP RING	
18	3984458	1	O-RING	
19	7029433	2	DOWEL	
20	8007786	1	LEVER, (right)	
21	3984425	6	SPRING	
22	2903197	2	THRUST PIN	
23	3984447	1	BACK-UP RING	
24	3984469	1	O-RING	
25	91474568	8	BRAKE DISC	
26	8007798	1	PISTON, (left)	
36	8007800	1	PISTON KIT, (right), (includes items 15 thru 18, 22, 23 & 24)	
37	8007801	1	PISTON KIT, (left), (includes items 15, 17, 18, 22, 23, 24 & 26)	
38	8007802	2	O-RING, OSCILLATING AXLE, (Before axle S/N GITA754614)	
	7028038	2	O-RING, OSCILLATING AXLE (S/N GITA754614 & After; all Fixed Axles)	



DRIVE TRAIN

Figure 5-6 Front Axle Assembly - Steering Components



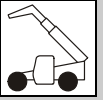


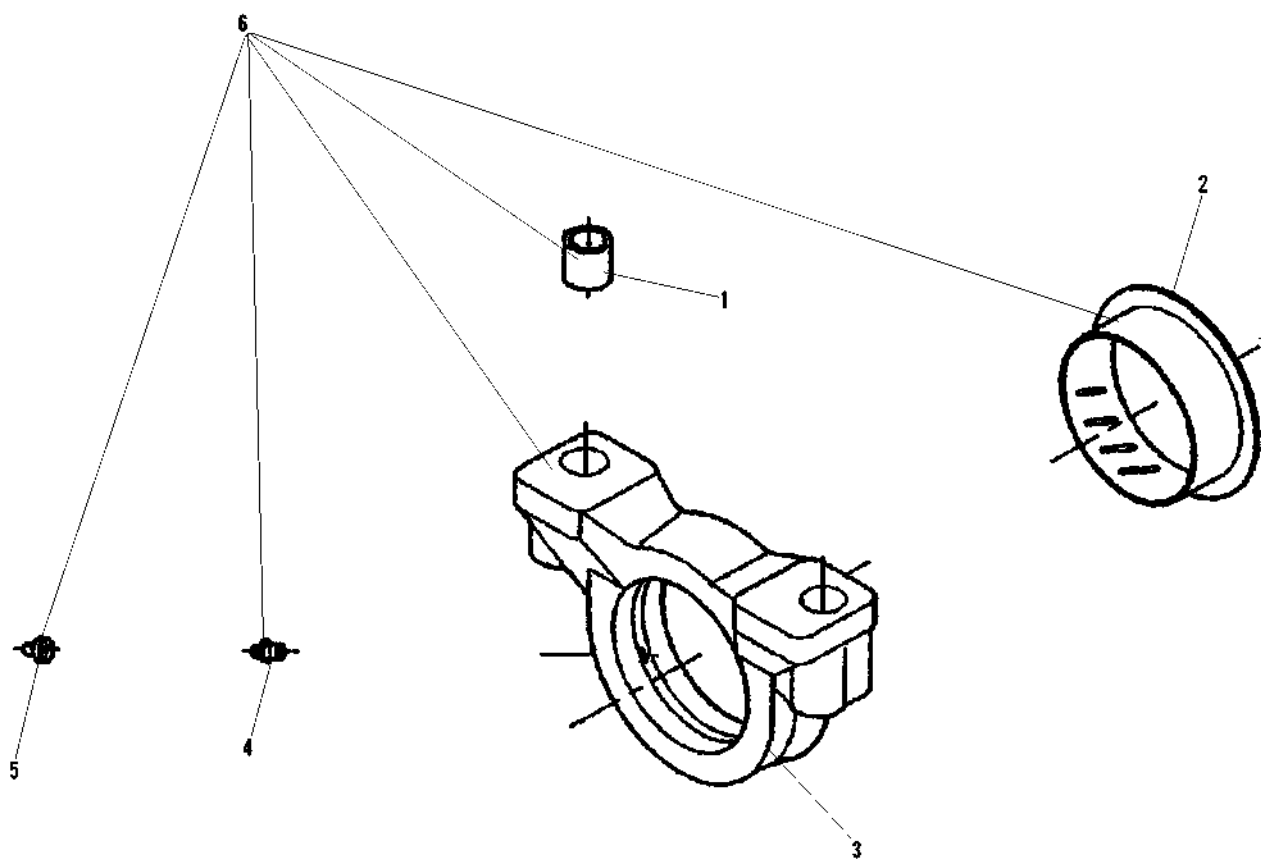
Figure 5-6 Front Axle Assembly - Steering Components

Item	Part Number	Qty.	Description	Rev.
	8004521	Ref	FRONT AXLE ASSY, (fixed)	B
	4803372	Ref	FRONT AXLE ASSY, (oscillating)	B
		Ref	STEERING COMPONENTS, (includes all items)	
1	91474522	4	ALLEN SCREW	
2	7028707	1	SENSOR	
3	8008175	3	ALLEN SCREW	
4	7028079	1	STEER CYLINDER ASSY, (From Fixed Axle S/N CITA711908 to Axle S/N GITA738344; From Oscillating Axle S/N CITA703949 to FITA719586)	
	7029527	1	SEAL KIT	
	8007805	1	STEER CYLINDER ASSY, (Before Fixed Axle S/N GITA738344; Before Oscillating Axle S/N FITA719586)	
	7028885	1	SEAL KIT	
	7028708	1	STEER CYLINDER ASSY, (Fixed Axle S/N GITA738344 & After; Oscillating Axle S/N FITA719586 & After)	
	7029920	1	SEAL KIT	
5	7028081	1	TIE ROD, (left), (Before Fixed Axle S/N CITA711908; Before Oscillating Axle S/N CITA703949)	
	8007803	1	TIE ROD, (left), (Fixed Axle S/N CITA711908 & After; Oscillating Axle S/N CITA703949 & After)	
6	7028080	1	TIE ROD, (right), (Before Fixed Axle S/N CITA711908; Before Oscillating Axle S/N CITA703949)	
	8007804	1	TIE ROD, (right), (Fixed Axle S/N CITA711908 & After; Oscillating Axle S/N CITA703949 & After)	
	91514275	1	NUT & COTTER PIN KIT	



DRIVE TRAIN

Figure 5-7 Front Axle Assembly - Oscillation Support Components



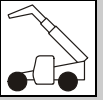


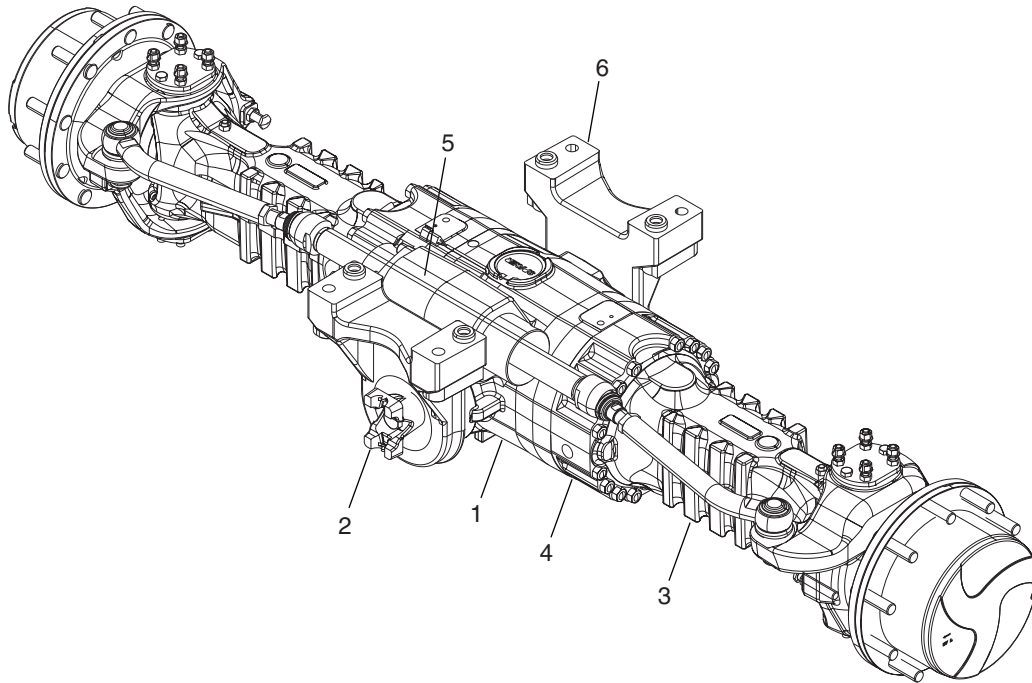
Figure 5-7 Front Axle Assembly - Oscillation Support Components

Item	Part Number	Qty.	Description	Rev.
	4803372	Ref	FRONT AXLE ASSY, (oscillating)	
		Ref	OSCILLATION SUPPORT COMPONENTS, (includes all items)	
1	91474516	4	BUSHING	
2	91474515	2	THRUST BUSHING	
3	7028083	2	SUPPORT	
4	7028115	2	GREASE FITTING	
5	80204117	2	PLUG	
6	7028084	2	SUPPORT, (includes items 1 thru 5)	



DRIVE TRAIN

Figure 5-8 Rear Axle Assembly



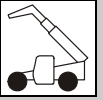


Figure 5-8 Rear Axle Assembly

Item	Part Number	Qty.	Description	Rev.
1	4803383	Ref	REAR AXLE ASSY, (includes all items)	
2		Ref	DIFFERENTIAL HOUSING COMPONENTS, (see Figure 5-9 for details)	
3		Ref	INTERNAL DIFFERENTIAL COMPONENTS, (see Figure 5-10 for details)	
4		Ref	EXTERNAL AXLE COMPONENTS, (see Figure 5-11 for details)	
5		Ref	BRAKE COMPONENTS, (see Figure 5-12 for details)	
6		Ref	STEERING COMPONENTS, (see Figure 5-13 for details)	
		Ref	OSCILLATION SUPPORT COMPONENTS, (see Figure 5-14 for details)	

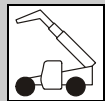
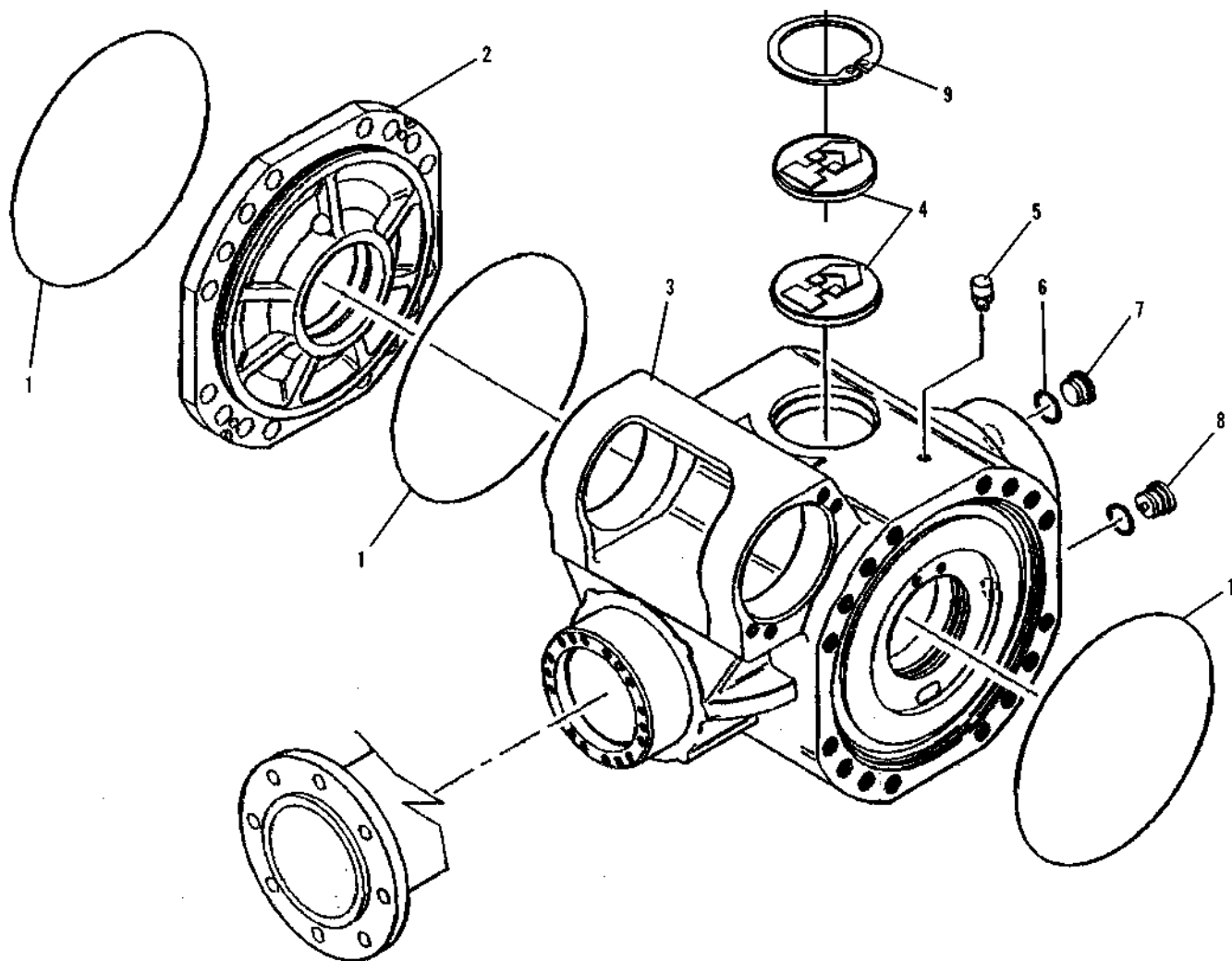


Figure 5-9 Rear Axle Assembly - Differential Housing Components



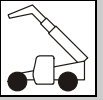


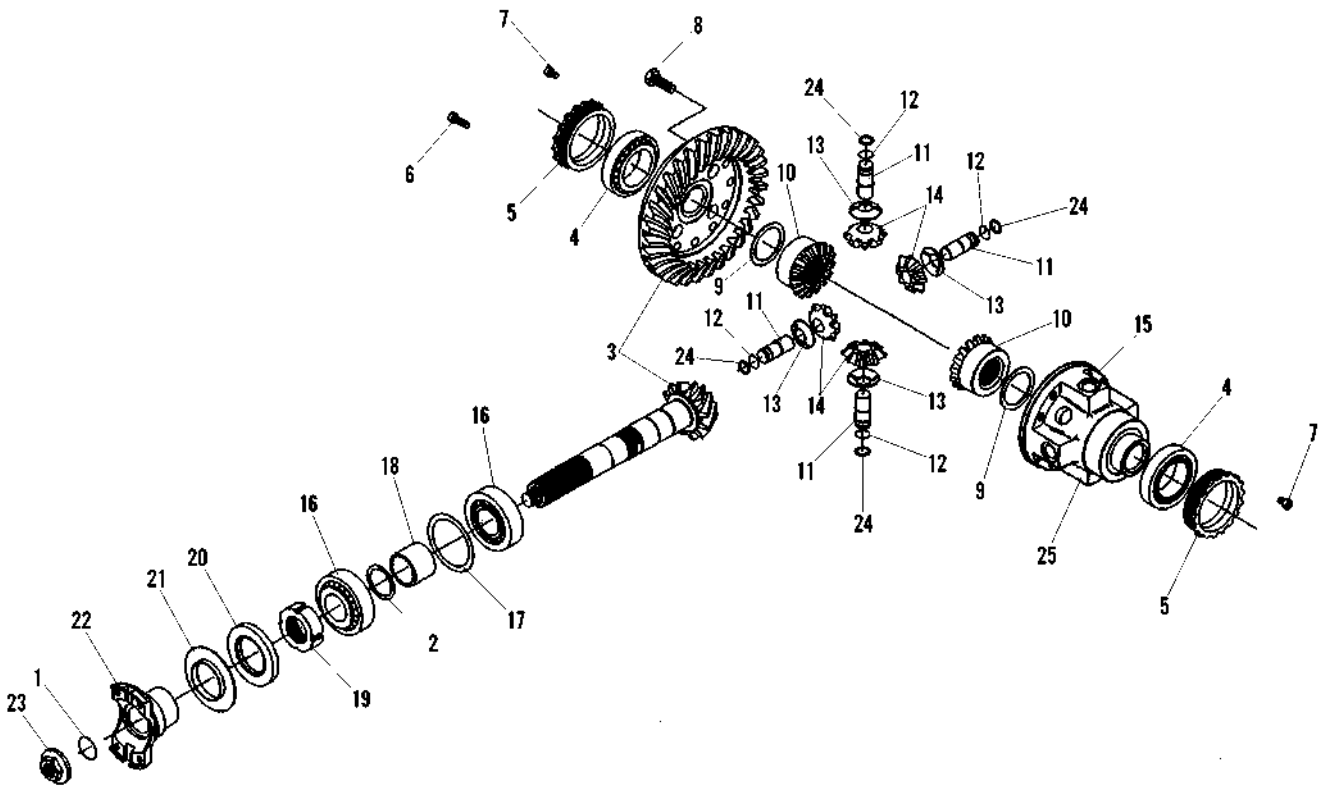
Figure 5-9 Rear Axle Assembly - Differential Housing Components

Item	Part Number	Qty.	Description	Rev.
	4803383	Ref	REAR AXLE ASSY	C
		Ref	DIFFERENTIAL HOUSING COMPONENTS, (includes all items)	
1	91474507	3	O-RING	
2	91474509	1	INTERMEDIATE COVER	
3		1	HOUSING, (Before axle S/N GITA741822), (8007744 is no longer available; order 7029426 housing, 91514098 plug & 80204005 circlip)	
	7029426	1	HOUSING, (Axle S/N GITA741822 & After)	
4	91514098	1	PLUG	
5	91474512	1	AIR VENT	
6		1	SEAL	
7	91514188	1	PLUG, (includes item 6)	
8	91474513	1	PLUG, (includes seal)	
9	80204005	1	CIRCLIP, (Axle S/N GITA741822 & After)	



DRIVE TRAIN

Figure 5-10 Rear Axle Assembly - Internal Differential Components



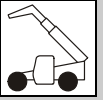


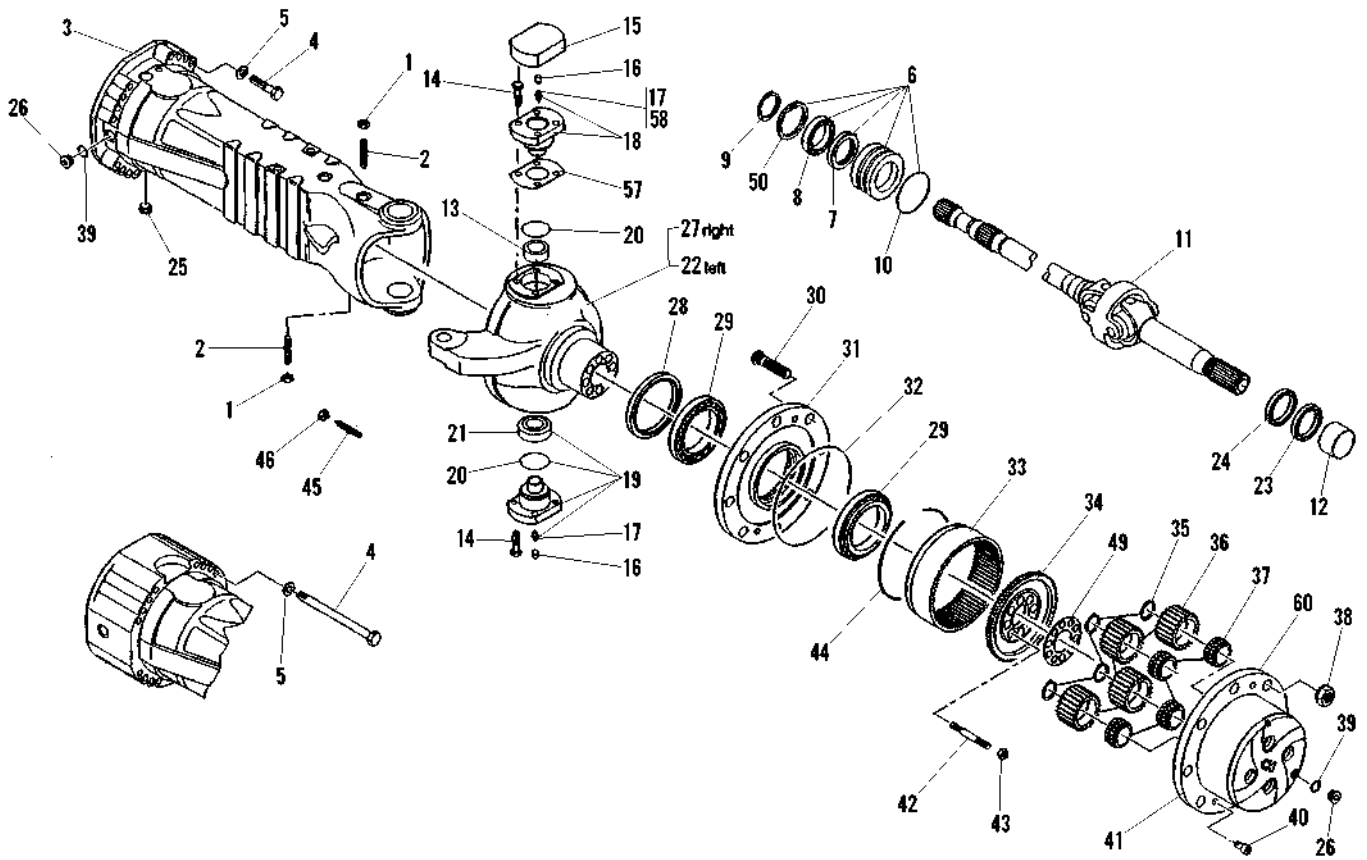
Figure 5-10 Rear Axle Assembly - Internal Differential Components

Item	Part Number	Qty.	Description	Rev.
	4803383	Ref	REAR AXLE ASSY	C
		Ref	INTERNAL DIFFERENTIAL COMPONENTS, (includes all items)	
1	91474529	1	O-RING	
2	91474535	1	SHIM	
	91474536	1	SHIM, 20mm	
	91474537	1	SHIM, 40mm	
	91474538	1	SHIM	
3	7028043	1	BEVEL GEAR SET	
4	91474548	2	BEARING, ROLLER	
5	91474547	2	RING NUT	
6	91474591	4	CYLINDER BOLT	
7	91474134	2	CYLINDER BOLT	
8	91514123	12	BOLT	
9		2	WASHER	
10		2	GEAR, SIDE SHIFT	
11		4	PIN	
12	91474551	4	CIRCLIP	
13		4	DISC	
14		4	DIFFERENTIAL PINION	
15		1	HOUSING, DIFFERENTIAL	
16	3968141	2	BEARING, ROLLER	
17	91474540	1	SHIM, 20mm	
	91474541	1	SHIM, 30mm	
	91474542	1	SHIM, 15mm	
	91474543	1	SHIM, 10mm	
18	91474539	1	SPACER	
19	91474533	1	NUT	
20	91474532	1	SEAL, OIL	
21	91474531	1	COVERPLATE, (Before Axle S/N GITA738344)	
22	7029427	1	FLANGE	
23	91474528	1	NUT	
24		4	CIRCLIP	
25	91474596	1	LIMITED SLIP DIFFERENTIAL KIT, (includes items 9 thru 15 & 24)	
	70021140	1	DIFFERENTIAL ASSY, (Axle S/N IITA776942 & After), (includes items 9, 10, 11, 13, 14, 15 & 24)	



DRIVE TRAIN

Figure 5-11 Rear Axle Assembly - External Axle Components



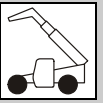


Figure 5-11 Rear Axle Assembly - External Axle Components

Item	Part Number	Qty.	Description	Rev.
	4803383	Ref	REAR AXLE ASSY	C
1	91514082	2	NUT	
2	2400600	2	THREADED PIN	
3	7028048	2	AXLE HOUSING	
4	7029428	32	BOLT	
5	91514084	32	WASHER	
6	91514149	2	REDUCTION BUSHING, (includes items 7, 8, 9, 10 & 50)	
7	91514147	2	OIL SEAL	
8	91514146	2	BALL BEARING	
9	80204071	2	CIRCLECLIP	
10	91514148	2	O-RING	
11	8007770	2	JOINT, (Before axle S/N KITA783471)	
	7029811	AR	CROSS KIT, (includes cross for double joint, circlips & needle bearings), (Before axle S/N KITA783471)	
	70023105	2	JOINT, (Axle S/N KITA783471 & After)	
	70021898	AR	CROSS KIT, (includes cross for double joint, circlips, bearings & grease seal), (Axle S/N KITA783471 & After)	
12	8004468	1	BUSHING	
13	70020173	2	BUSHING	
14	8006604	20	BOLT	
15	91474524	2	COVER	
16	80204117	4	PLUG	
17	91514099	2	GREASE FITTING	
18	8006603	2	KINGPIN, (top), (includes item 17)	
19	8006605	2	KINGPIN, (bottom), (includes items 17, 20 & 21)	
20	2401043	2	GASKET	
21	2401258	2	BUSHING	
22	7028049	1	STEERING CASE, (left), (Before Axle S/N CITA703951)	
	8007775	1	STEERING CASE, (left), (Axle S/N CITA703951 & After)	
23	7028076	2	GASKET	
24	7028035	2	DUST SEAL	
25	91474513	2	MAGNETIC PLUG	
26	91514188	4	PLUG, (includes item 39)	
27	7028036	1	STEERING CASE, (right), (Before Axle S/N CITA703951)	
	7029429	1	STEERING CASE, (right), (Axle S/N CITA703951 & After)	
28	7029430	2	OIL SEAL	
29	3984301	4	BALL BEARING	
30	8000877	20	BOLT, WHEEL	
31	8005801	2	WHEEL HUB	
32	80204002	2	O-RING	
33	91474580	2	RING GEAR	
34	3983720	2	RING GEAR SUPPORT	
35	91474585	8	CIRCLIP	
36	91474586	8	PLANET GEAR	
37	91474587	8	NEEDLE BEARING	
38		Ref	LUGNUT, (see Figure 1-1 for details)	
39		6	SEAL	
40	91514189	4	COUNTERSUNK SCREW	
41	7029286	2	PLANET GEAR	



DRIVE TRAIN

Figure 5-11 Rear Axle Assembly - External Axle Components (Continued)

Item	Part Number	Qty.	Description	Rev.
42	91474583	16	STUD	
43	91474584	16	NUT	
44	91474579	2	CIRCLIP	
45	91514117	4	SETSCREW, (Before Axle S/N FITA706681)	
	7028733	4	BOLT, (Axle S/N FITA 706681 & After)	
46	80204065	4	NUT, (Before Axle S/N FITA706681)	
49	3983731	2	PLATE, LOCKING	
50	80204005	2	CIRCLIP	
57	8007779	2	SHIM	
	8007780	2	SHIM	
	8007782	2	SHIM	
58	7028115	2	GREASE FITTING	
60	7029431		PLANET GEAR CARRIER ASSY, (includes items 35, 36, 37 & 41)	
	8007774	1	STEERING CASE ASSY, (left), (includes items 12 & 22)	
	8007777	1	STEERING CASE ASSY, (right), (includes items 12 & 27)	
	7028733	4	STEERING ADJUST BOLT ASSY, (Axle S/N FITA 706681 & After), (includes items 45 & 46)	
	7029432	2	RING GEAR SUPPORT ASSY, (includes items 33, 34 & 44)	

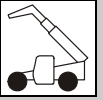
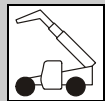


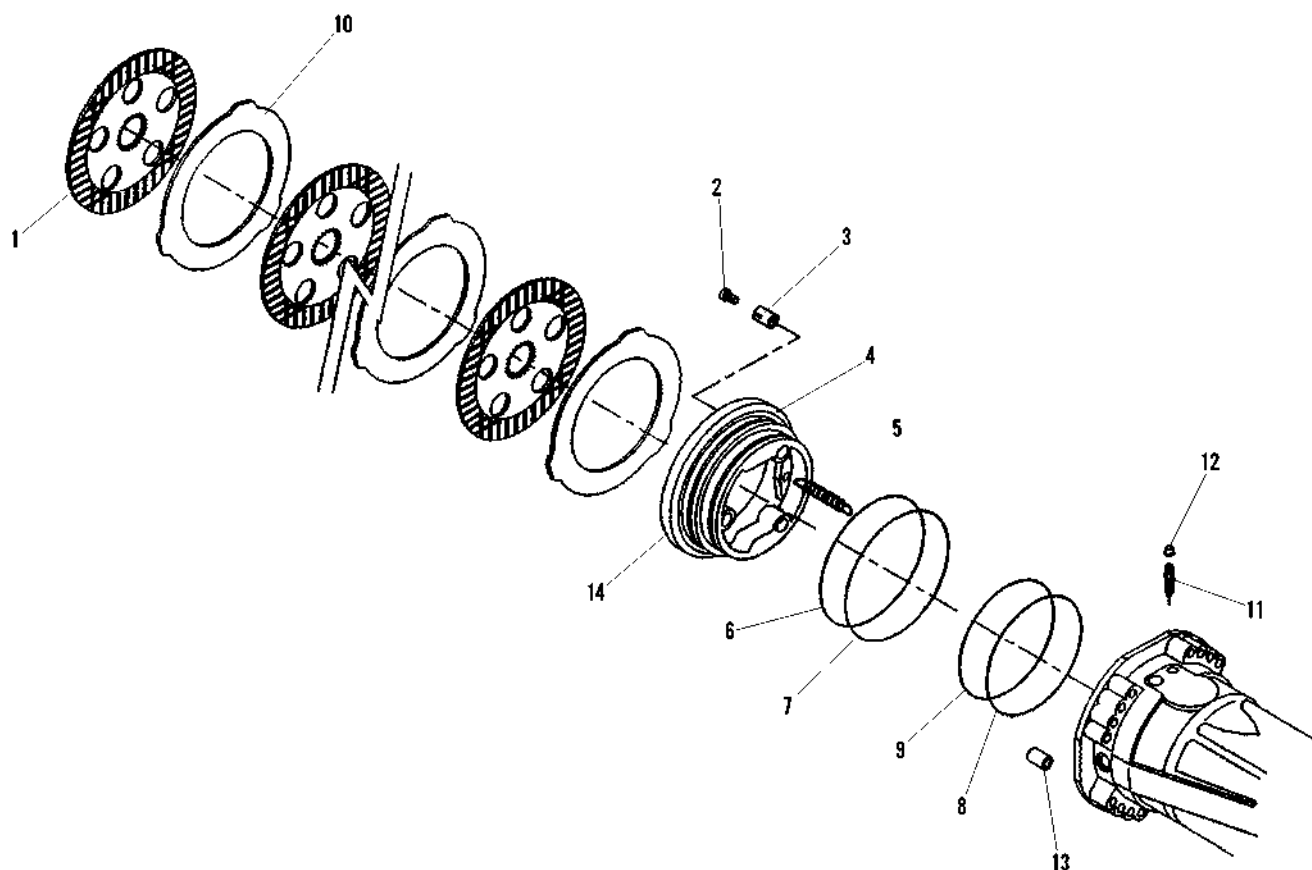
Figure 5-11 Rear Axle Assembly - External Axle Components (Continued)

Item	Part Number	Qty.	Description	Rev.



DRIVE TRAIN

Figure 5-12 Rear Axle Assembly - Brake Components



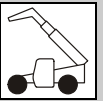
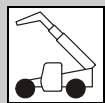


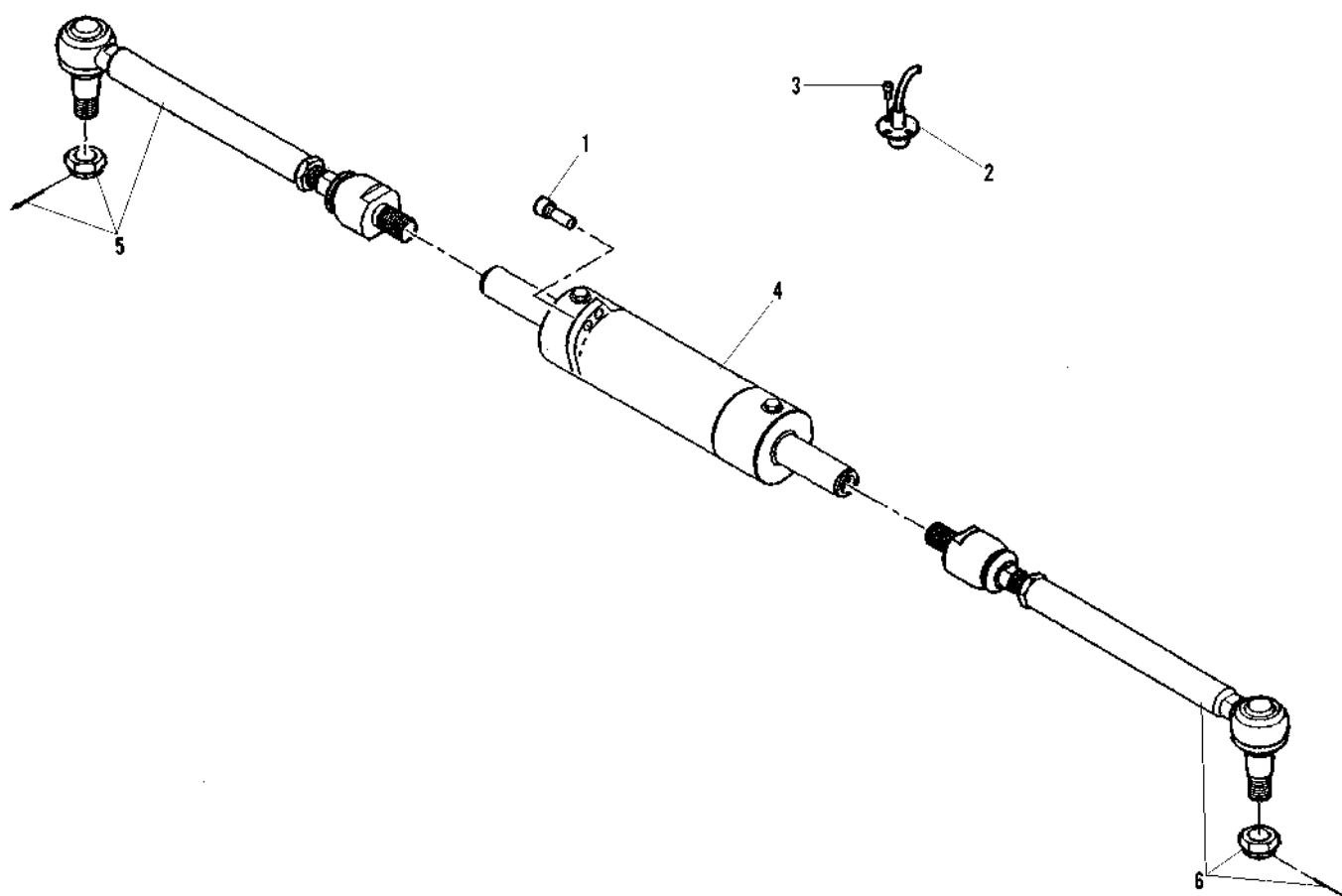
Figure 5-12 Rear Axle Assembly - Brake Components

Item	Part Number	Qty.	Description	Rev.
	4803383	Ref	REAR AXLE ASSY	
		Ref	BRAKE COMPONENTS, (includes all items)	
1	91474568	6	BRAKE DISC	
2	7029786	6	ADJUSTING BOLT	
3	91514165	6	SPRING	
4	7028052	2	PISTON	
5	3984425	6	SPRING	
6	3984436	2	BACK-UP RING	
7	3984458	2	O-RING	
8	3984447	2	BACK-UP RING	
9	3984469	2	O-RING	
10	91474569	8	DISC PLATE	
11	80204281	2	BLEEDING BOLT	
12	80204117	2	PLUG	
13	7029433	2	DOWEL	
14	7028053	2	PISTON KIT, (includes items 4 thru 9)	



DRIVE TRAIN

Figure 5-13 Rear Axle Assembly - Steering Components



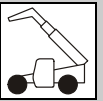


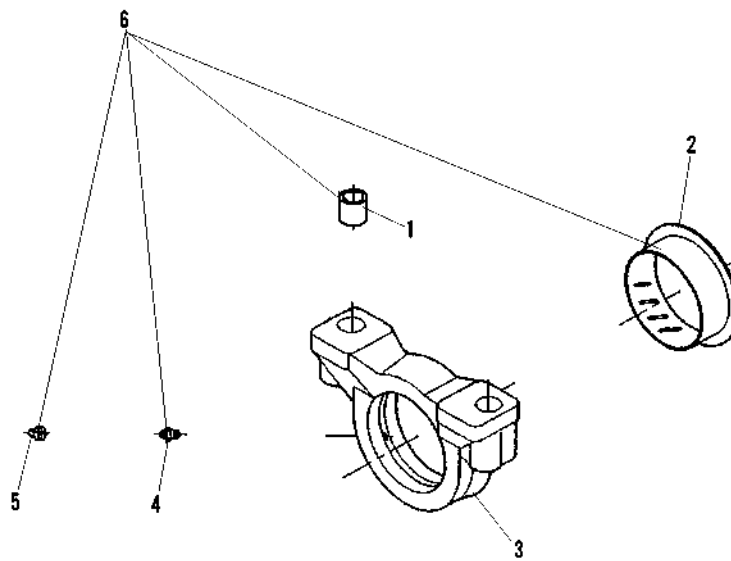
Figure 5-13 Rear Axle Assembly - Steering Components

Item	Part Number	Qty.	Description	Rev.
	4803383	Ref	REAR AXLE ASSY	C
		Ref	STEERING COMPONENTS, (includes all items)	
1	91474522	4	CYLINDER BOLT	
2	7028707	1	ELECTRIC SENSOR	
3	8008175	3	BOLT	
4	7028079	1	STEER CYLINDER ASSY, (Before Axle S/N CITA703951)	
	7029527	1	SEAL KIT	
		1	STEER CYLINDER ASSY, (Axle S/N CITA703951 thru FITA719610), (no longer available, order 7028708)	
	7028885	1	SEAL KIT	
	7028708	1	STEER CYLINDER ASSY, (Axle S/N CITA703951 & After)	
	7029920	1	SEAL KIT	
5	7028081	1	TIE ROD, (right), (Before Axle S/N CITA703951)	
	8007803	1	TIE ROD, (right), (Axle S/N CITA703951 & After)	
6	7028080	1	TIE ROD, (left), (Before Axle S/N CITA703951)	
	8007804	1	TIE ROD, (left), (Axle S/N CITA703951 & After)	
	91514275	1	NUT & COTTER PIN KIT	



DRIVE TRAIN

Figure 5-14 Rear Axle Assembly - Oscillation Support Components



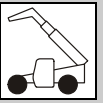


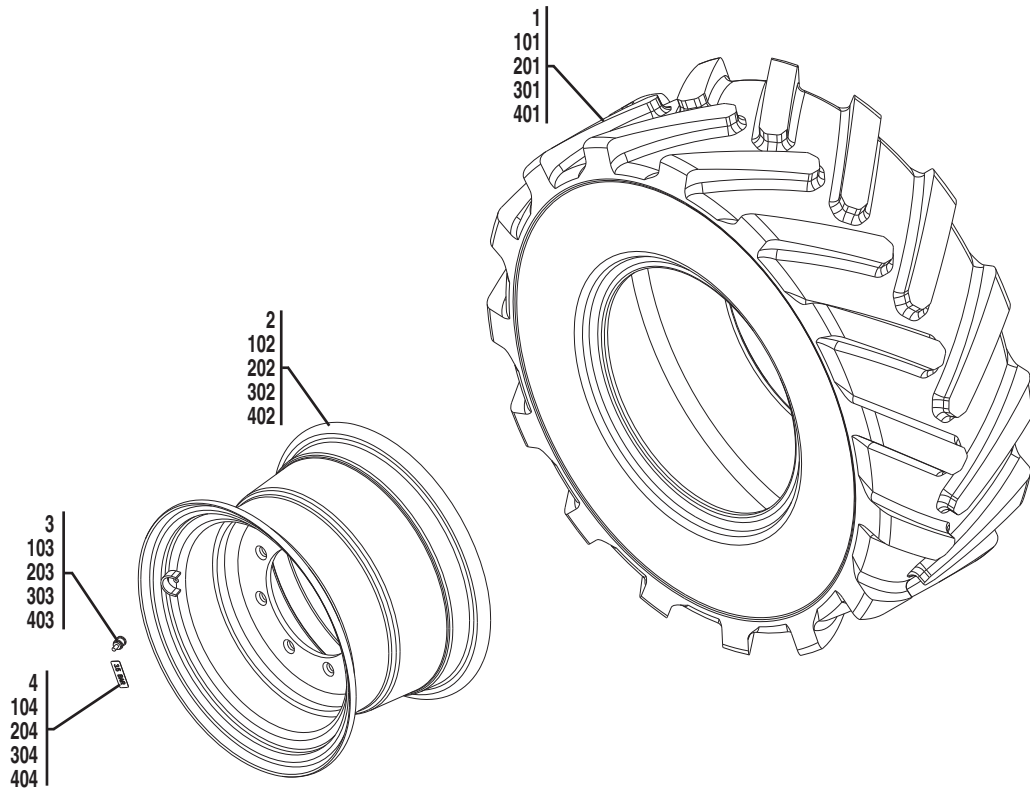
Figure 5-14 Rear Axle Assembly - Oscillation Support Components

Item	Part Number	Qty.	Description	Rev.
	4803383	Ref	REAR AXLE ASSY	
		Ref	OSCILLATION SUPPORT COMPONENTS, (includes all items)	
1	91474516	4	REDUCTION BUSHING	
2	91474515	2	THRUST BUSHING	
3	7028083	2	SUPPORT	
4	91514099	2	GREASE FITTING	
5	80204117	2	PLUG	
6	7028084	2	SUPPORT, (includes items 1 thru 5)	



DRIVE TRAIN

Figure 5-15 Tire & Wheel Assembly



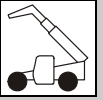


Figure 5-15 Tire & Wheel Assembly

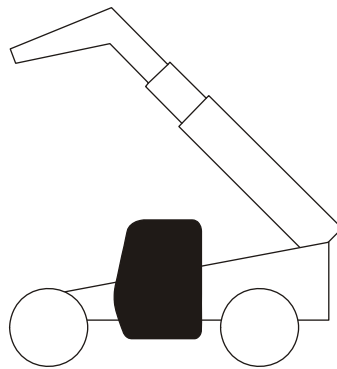
Item	Part Number	Qty.	Description	Rev.
	8002770	Ref	TIRE ASSY, 16/70-20 MITAS TIRE	
	8002762	2	L.H. TIRE ASSY, (7, 8 & 9M), (includes items 1 thru 4)	
	4520331	2	R.H. TIRE ASSY, (7, 8 & 9M), (includes items 1 thru 4)	
1	3767057	1	TIRE, CONSTRUCTION, (inflate to 3.5 BAR)	
2	8000809	1	RIM	
3	8008675	1	VALVE	
4	8005825	1	DECAL, 3.5 BAR	
	8002771	Ref	TIRE ASSY, 405/70-20 MITAS TIRE	5
	4520332	2	L.H. TIRE ASSY, (7, 8 & 9M), (includes items 101 thru 104)	
	4520333	2	R.H. TIRE ASSY, (7, 8 & 9M), (includes items 101 thru 104)	
101	3767853	1	TIRE, AGRICULTURAL, (inflate to 3.5 BAR)	
102	8000809	1	RIM	
103	8008675	1	VALVE	
104	8005825	1	DECAL, 3.5 BAR	
	8002772	Ref	TIRE ASSY, 405/70-24 MITAS TIRE	4
	4520334	2	L.H. TIRE ASSY, (includes items 201 thru 204)	
	4520335	2	R.H. TIRE ASSY, (includes items 201 thru 204)	
201	3767864	1	TIRE, AGRICULTURAL, (inflate to 4.0 BAR)	
202	8001143	1	RIM	
203	8008675	1	VALVE	
204	8005827	1	DECAL, 4.0 BAR	
	8002777	Ref	TIRE ASSY, 405/70-24 MITAS TIRE	4
	4520336	2	L.H. TIRE ASSY, (includes items 301 thru 304)	
	4520337	2	R.H. TIRE ASSY, (includes items 301 thru 304)	
301	8002778	1	TIRE, CONSTRUCTION, (inflate to 4.0 BAR)	
302	8001143	1	RIM	
303	8008675	1	VALVE	
304	8005827	1	DECAL, 4.0 BAR	
	8002774	Ref	TIRE ASSY, 16/70-20 DUNLOP TIRE	5
	4520383	2	L.H. TIRE ASSY, (7, 8 & 9M), (includes items 401 thru 404)	
	4520350	2	R.H. TIRE ASSY, (7, 8 & 9M), (includes items 401 thru 404)	
401	2987959	1	TIRE, RADIAL, (inflate to 6.0 BAR)	
402	8000809	1	RIM	
403	8008675	1	VALVE	
404	8005828	1	DECAL, 6.0 BAR	



DRIVE TRAIN

This Page Intentionally Left Blank

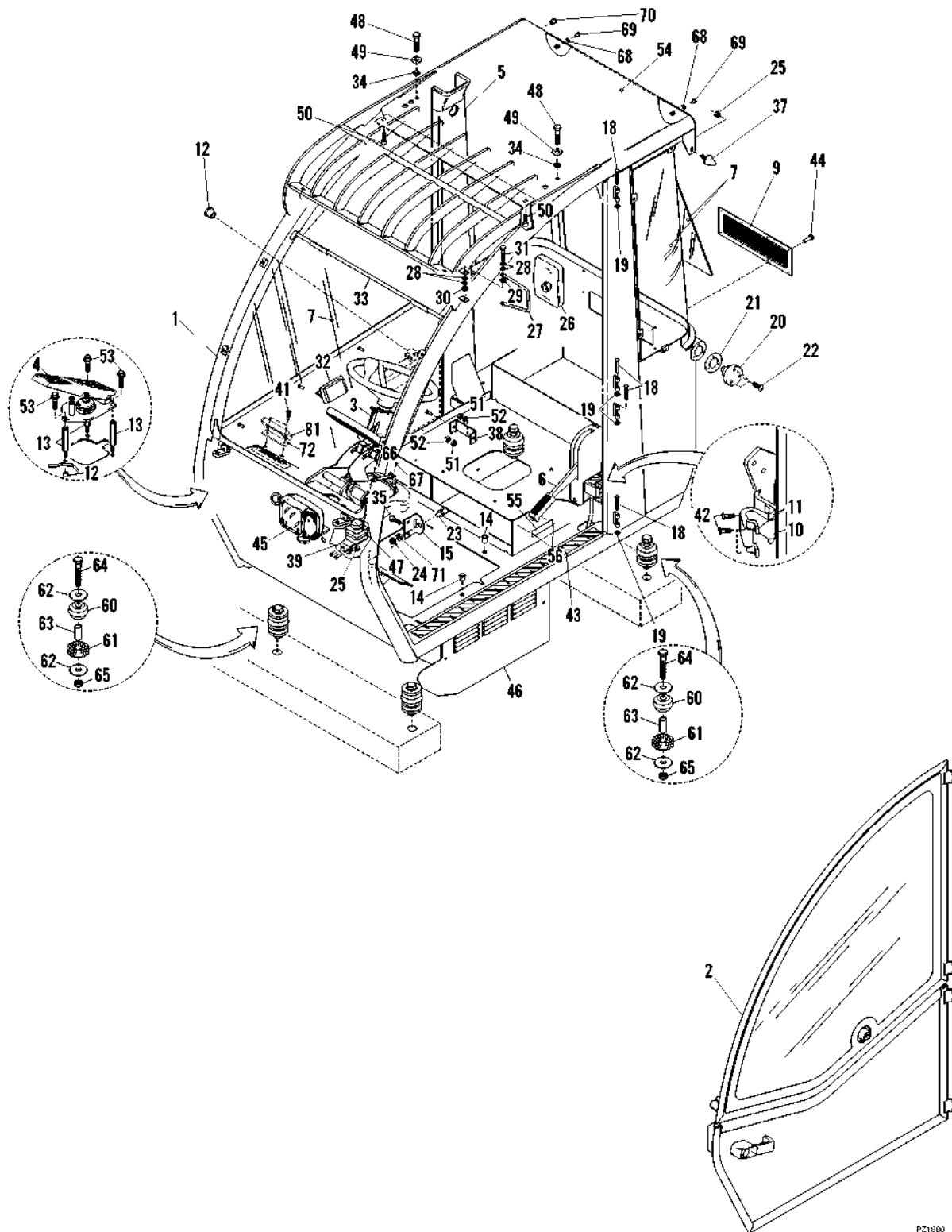
SECTION 6 CAB





CAB

Figure 6-1 Cab Installation



PZ1960



Figure 6-1 Cab Installation

Item	Part Number	Qty.	Description	Rev.
	8000336	Ref	CAB INSTALLATION, (includes items 1 thru 72)	K, 10
1	8009703		CAB	
2		1	CAB DOOR ASSY, (see Figure 6-3 for details)	
3		1	STEERING COLUMN ASSY, (see Figure 7-1 for details)	
4		1	ACCELERATOR PEDAL ASSY, (see Figure 7-3 for details)	
5		1	INTERIOR INSTALLATION, (see Figure 6-2 for details)	
6		1	PARKING BRAKE ASSY, (see Figure 7-4 for details)	
7		1	CAB WINDOWS INSTALLATION, (see Figure 6-4 for details)	
9	8001330	1	VENTILATOR	
10	8001331	1	DOOR HOLDER, (not illustrated)	
11	8001332	2	DOOR HOLDER CRANK	
12	3939475	9	RIVET	
13	8000337	3	SPACER	
14	3939486	4	BLIND RIVET, 8mm	
15	4807616	1	ANGLE	
18	879192	4	PIN	
19	498748	4	LOCKWASHER, 7mm	
20	3975855	1	DOOR SHIFT LOCK	
21	3975833	1	DISC	
22	4010612	3	MACHINE SCREW, 6X25mm	
23	8000803	1	PIN	
24	3300497	1	HEX NUT, M12-1	
25	5220800	3	NUT, 8mm	
26	3949091	1	MIRROR, OUTSIDE REARVIEW	
27	3945575	1	ROD, MIRROR MOUNTING	
28	885849	8	CUP, SPRING	
29	1042977	4	DISK, SPRING	
30	3290805	2	LOCKNUT, M8	
31	0760812	2	HEX HD CAPSCREW, M8-16, GR8.8	
32	1780754	1	ASH-TRAY	
33	8003009	1	SUNVISORS	
34	321779	2	RING	
35	0760808	2	HEX HD CAPSCREW, M8X16, GR8.8	
37	8005276	1	STOP, RUBBER	
38	8003140	1	BRACKET	
39	1001093893	1	BRACKET	
41	1001094077	2	SCREW	
42	3978381	4	SCREW, 5X16mm	
43	3986530	AR	TAPE, NONSKID	
44	2983091	8	SELF-TAPPING SCREW, 5X12mm	
45		1	ELECTRIC SYSTEM INSTRUMENT, (see Figure 10-1 for details)	
46		1	HVAC SYSTEM INSTALLATION, (see Figure 6-10 for details)	
47		1	HYDRAULIC SYSTEM, (CABIN) , (see Figure 8-1 for details)	
48	0761008	2	HEX HD CAPSCREW, M10X16, GR8.8	
49	4812000	2	FLAT WASHER, 10mm	
50	4010408	2	MACHINE SCREW, 4X16mm	
51	3290601	2	HEX NUT, 6mm	
52	4811700	2	FLAT WASHER, 6mm	
53	5200608	3	BOLT, 6X16mm	



CAB

Figure 6-1 Cab Installation (Continued)

Item	Part Number	Qty.	Description	Rev.
54		1	ELECTRIC SYSTEM CABIN ROOF, (see Figure 10-2 for details)	
55	8004990	1	CABIN NAME PLATE	
56	845749	2	RIVET	
60	8000567	4	ELEMENT, RUBBER	
61	8000565	4	WASHER, RUBBER, 70X15mm	
62	1781813	8	DISK	
63	4806626	4	BUSHING	
64	0712030	4	HEX HD CAPSCREW, M20X130, GR10.9, (torque to 150 Nm)	
65	8005205	4	NUT, 20mm, (torque to 150 Nm)	
66	1001005960	1	BINDER FOR LIFTCHARTS	
67	8008862	2	RIVET	
68	4811900	2	FLAT WASHER, 8mm	
69	0760808	2	HEX HD CAPSCREW, M8X16, GR8.8	
70	8009464	1	PROTECTING CAP	
71	4812100	1	FLAT WASHER, M12	
72	1001093344	1	LEVEL INDICATOR BRACKET	
81	1001094094	1	LEVEL INDICATOR GAUGE	

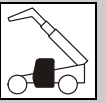


Figure 6-1 Cab Installation (Continued)

Item	Part Number	Qty.	Description	Rev.



Figure 6-2 Interior Installation

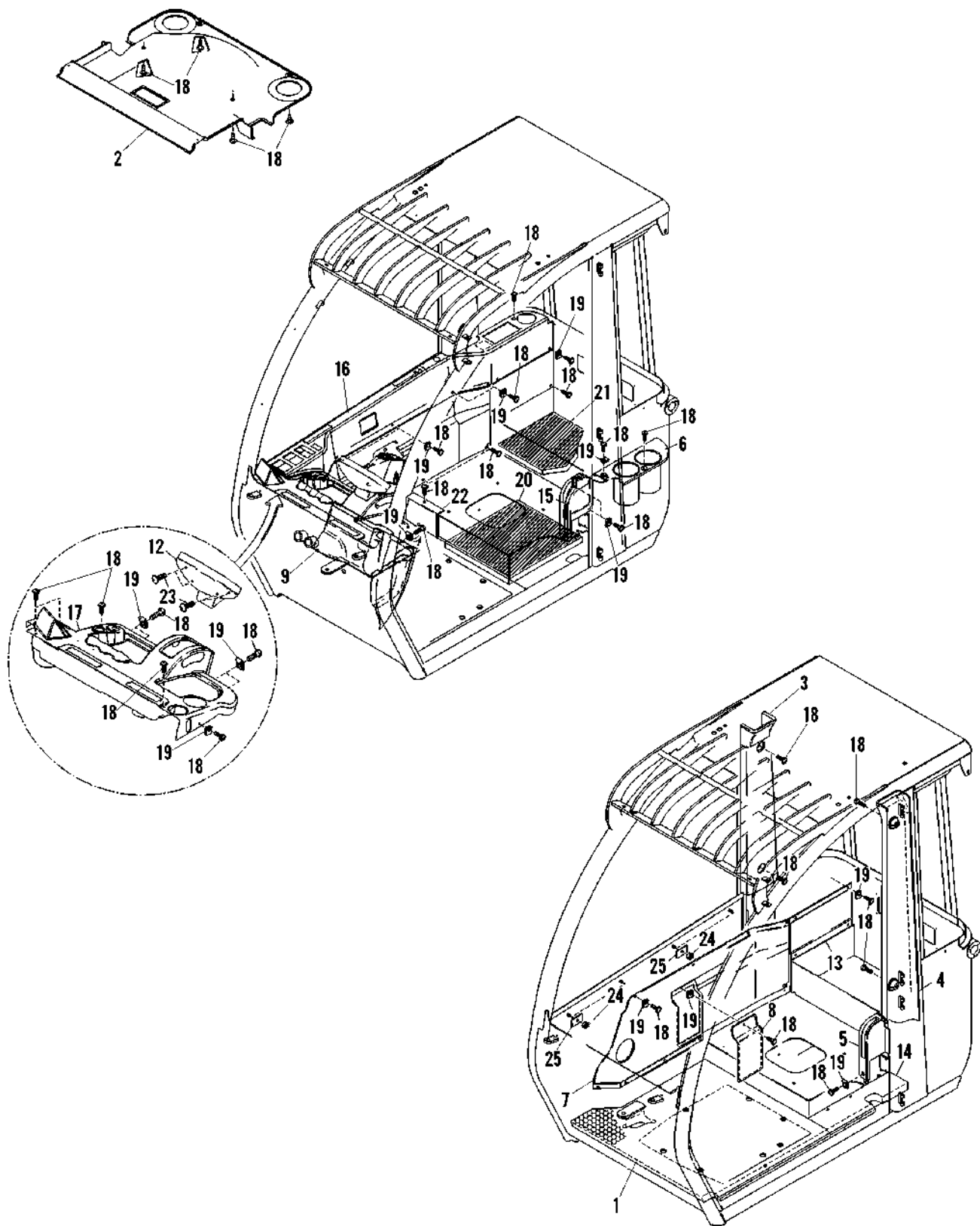




Figure 6-2 Interior Installation

Item	Part Number	Qty.	Description	Rev.
	8000346	Ref	INTERIOR INSTALLATION, (includes all items)	B
1	8000078	1	MAT	
2	8003026	1	INSIDE ROOF LINING	
3	8003027	1	COVERING, PILLAR, (left)	
4	8003028	1	COVERING, PILLAR, (right)	
5	8003029	1	COVER	
6	8003309	1	CUPHOLDER	
7	8003032	1	COVER	
8	8003033	1	COVER	
9	8003035	1	COVER, FRONT BOTTOM	
12	8003038	1	COVER, DISPLAY	
13	8003191	1	COVER	
14	8003281	1	MAT	
15	8004253	1	COVER	
16		1	COVER	
	8004887		WITHOUT AC	
	8007811		WITH AC	
17	8004886	1	COVER, DASH	
18	3934378	47	LENS HD SCREW, 4.8X16mm	
19	3933468	18	CLIP	
20	8006261	1	MAT, RUBBER	
21	8006262	1	MAT, RUBBER	
22	8005408	1	PLATE, COVER	
23	3978370	4	LENS HD SCREW, 5X20mm	
24	1722787	4	NUT, 8mm	
25	8007568	4	PLATE	

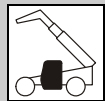


Figure 6-3 Cab Door Installation

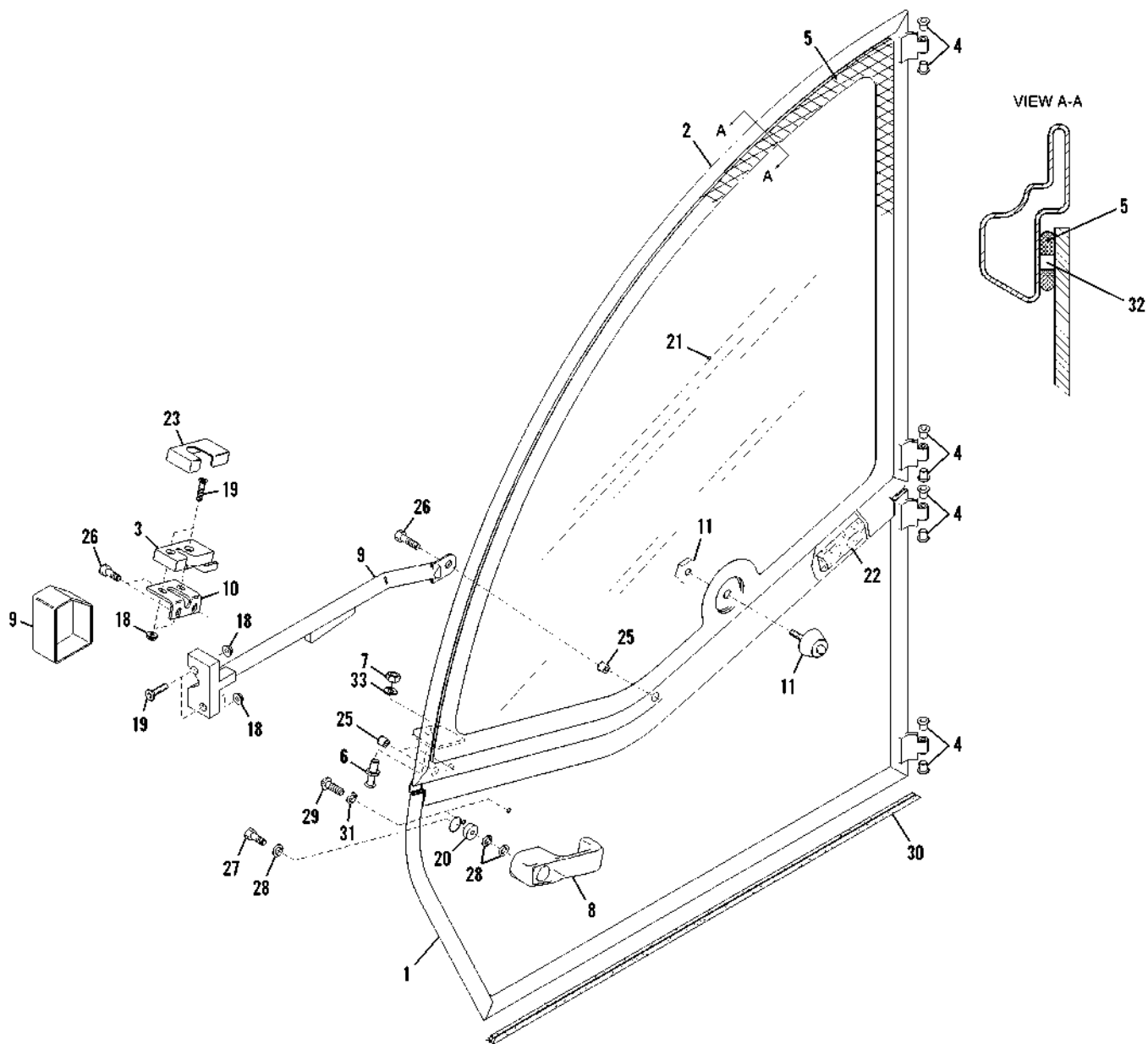




Figure 6-3 Cab Door Installation

Item	Part Number	Qty.	Description	Rev.
	8000339	Ref	CAB DOOR INSTALLATION, (includes all items)	D
1	8009784	1	LOWER DOOR	
2	8009783	1	UPPER DOOR	
3	8001144	1	LATCH	
4	1749733	8	BUSHING	
5	3976925	AR	GLUE	
6	8003293	1	PIN	
7	3300497	1	HEX NUT, M12-1	
8	8000799	1	PUSH-BUTTON HANDLE	
		Ref	KEY, (same key used for ignition), (see Figure 10-1 for details)	
9	8000802	1	LATCH	
10	8001833	1	ANGLE	
11	3975866	1	PIN	
18	5220800	4	NUT, 8mm	
19	1398374	4	COUNTERSUNK SCREW, 8X35mm	
20	3946123	1	SPACER	
21	8002022	1	WINDOW, DOOR	
22	8000871	AR	TRIM	
23	8005553	1	COVER	
25	3939486	3	BLIND RIVET, 8mm	
26	5200808	3	BOLT, 8X16mm	
27	4010510	1	MACHINE SCREW, 5X20mm	
28	1356352	3	WASHER, 5.3mm	
29	4010608	2	MACHINE SCREW, 6X16mm	
30	8000797	AR	TRIM	
31	447985	2	WASHER, 6.4mm	
32	3942436	8	SPACER	
33	4812100	1	FLAT WASHER, M12	



CAB

Figure 6-4 Cab Windows Installation

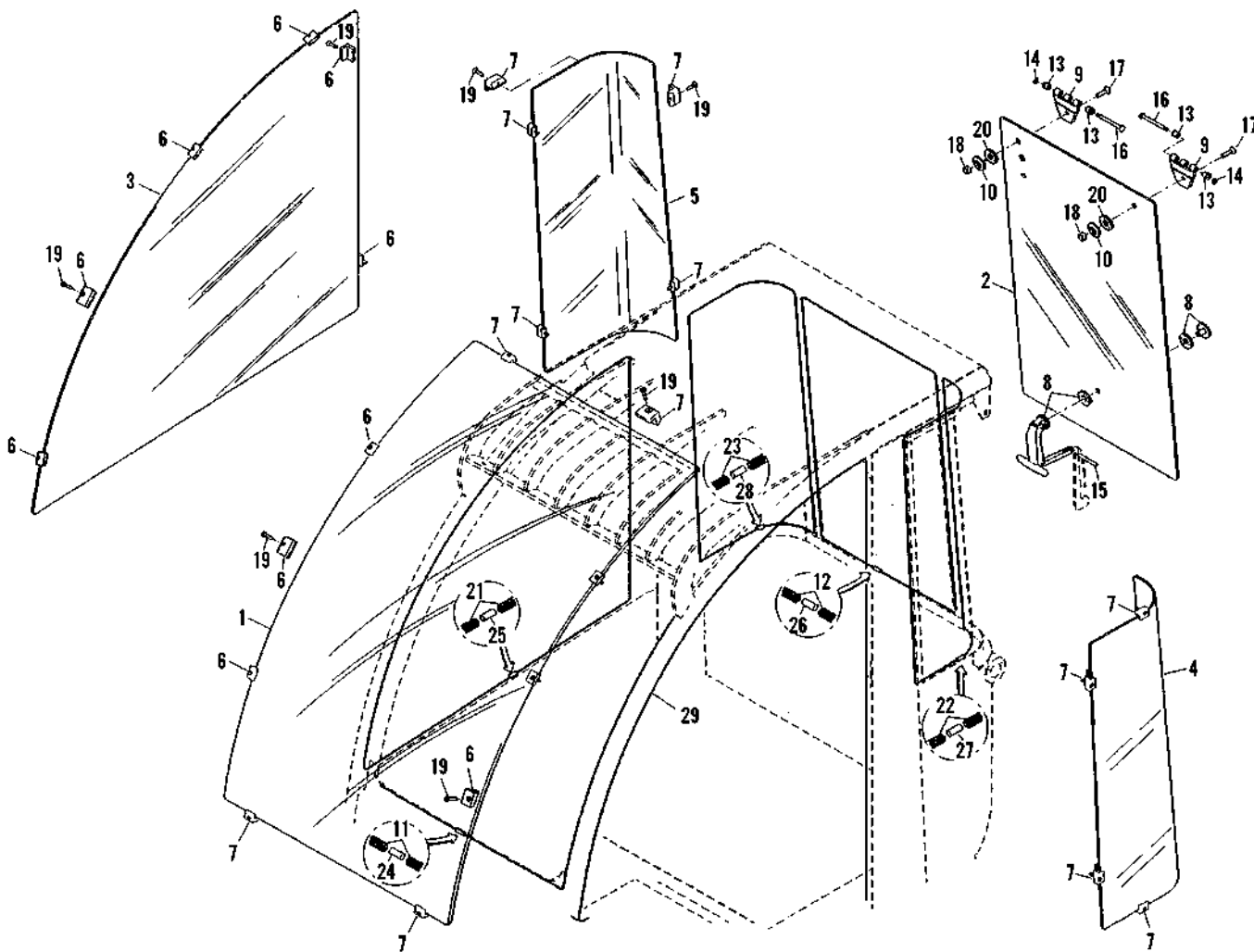




Figure 6-4 Cab Windows Installation

Item	Part Number	Qty.	Description	Rev.
	8000424	Ref	CAB WINDOWS COMPLETE, (includes all items)	A
1	4805954	1	WINDOW, (front)	
2	4805998	1	WINDOW, (rear)	
3	4805965	1	WINDOW, (side)	
4	4805976	1	WINDOW, (corner left)	
5	4805987	1	WINDOW, (corner right)	
6	4806024	15	CLAMP	
7	4806035	16	CLAMP	
8	8000343	1	LATCH ASSY	
9	8000344	2	HINGE	
10	8000759	2	WASHER, NYLON	
11	8000797	AR	TRIM	
12	8000798	AR	TRIM	
13	1749733	4	BUSHING	
14	498748	2	LOCKWASHER, 7mm	
15	8004392	1	PIN	
16	8004393	2	PIN	
17	1398385	2	COUNTERSUNK SCREW, 8X30mm, GR8.8	
18	3290805	2	LOCKNUT, M8	
19	8004876	31	COUNTERSUNK SCREW, 5X25mm, GR8.8	
20	8004398	2	WASHER, NYLON	
21	8000797	AR	TRIM	
22	8000798	AR	TRIM	
23	8000798	AR	TRIM	
24	2099716	AR	TRIM	
25	2099716	AR	TRIM	
26	3935835	AR	TRIM	
27	3935835	AR	TRIM	
28	3935835	AR	TRIM	
29	8000797	AR	TRIM	



CAB

Figure 6-5 Wiper System Installation

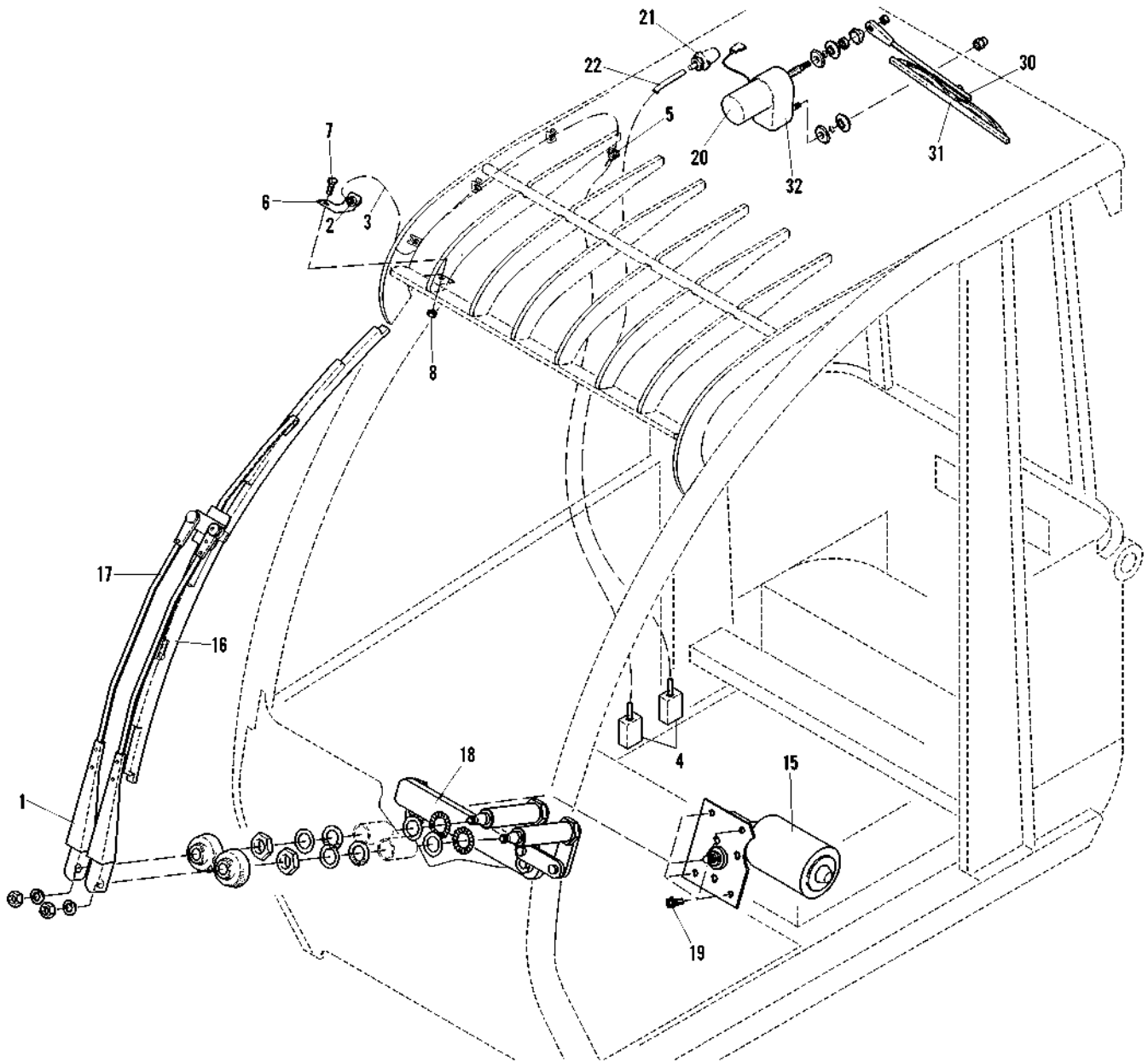




Figure 6-5 Wiper System Installation

Item	Part Number	Qty.	Description	Rev.
	8007808	Ref	WIPER SYSTEM INSTALLATIONS, (includes all items)	C
	8000340	Ref	WIPER SYSTEM FRONT, (includes items 1, 2, 3, one of item 4 & 5 thru 8)	
	8000341	Ref	WIPER SYSTEM REAR, (includes one of item 4 & items 20 thru 22)	
1	4807707	1	FRONT WIPER ASSY, (includes items 15 thru 19)	
2	3746392	1	DOUBLE NOZZLE	
3	3746405	6	HOSE	
4	1366865	2	NON RETURN VALVE	
5	8002985	1	DUCT SOCKET	
6	8005447	1	ANGLE	
7	5200810	1	BOLT, 8X20mm	
8	5220800	1	NUT, 8mm	
15	4807752	1	WIPER MOTOR	
16	4807729	2	WIPER BLADE	
17	4807730	1	WIPER ARM	
18	4807741	1	WIPER DRIVE ARM ASSY	
19	5200608	4	BOLT, 6X16mm	
20	4807661	1	REAR WIPER ASSY, (includes items 30 thru 32)	
21	3746392	1	DOUBLE NOZZLE	
22	3746405	6	HOSE	
30	4807694	1	WIPER ARM	
31	4807718	1	WIPER BLADE	
32	4807763	1	WIPER MOTOR	



Figure 6-6 Driver Seat Assembly

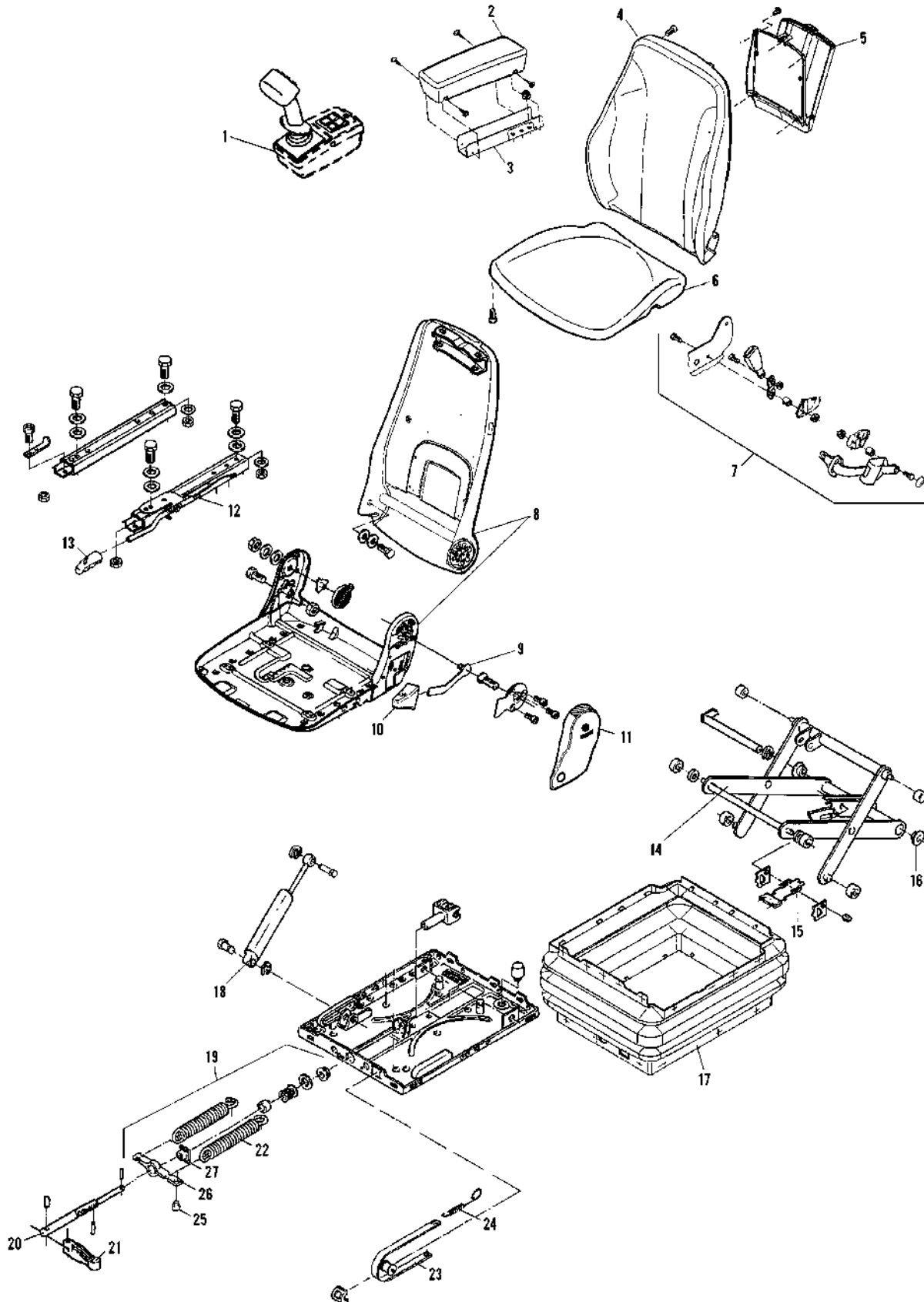


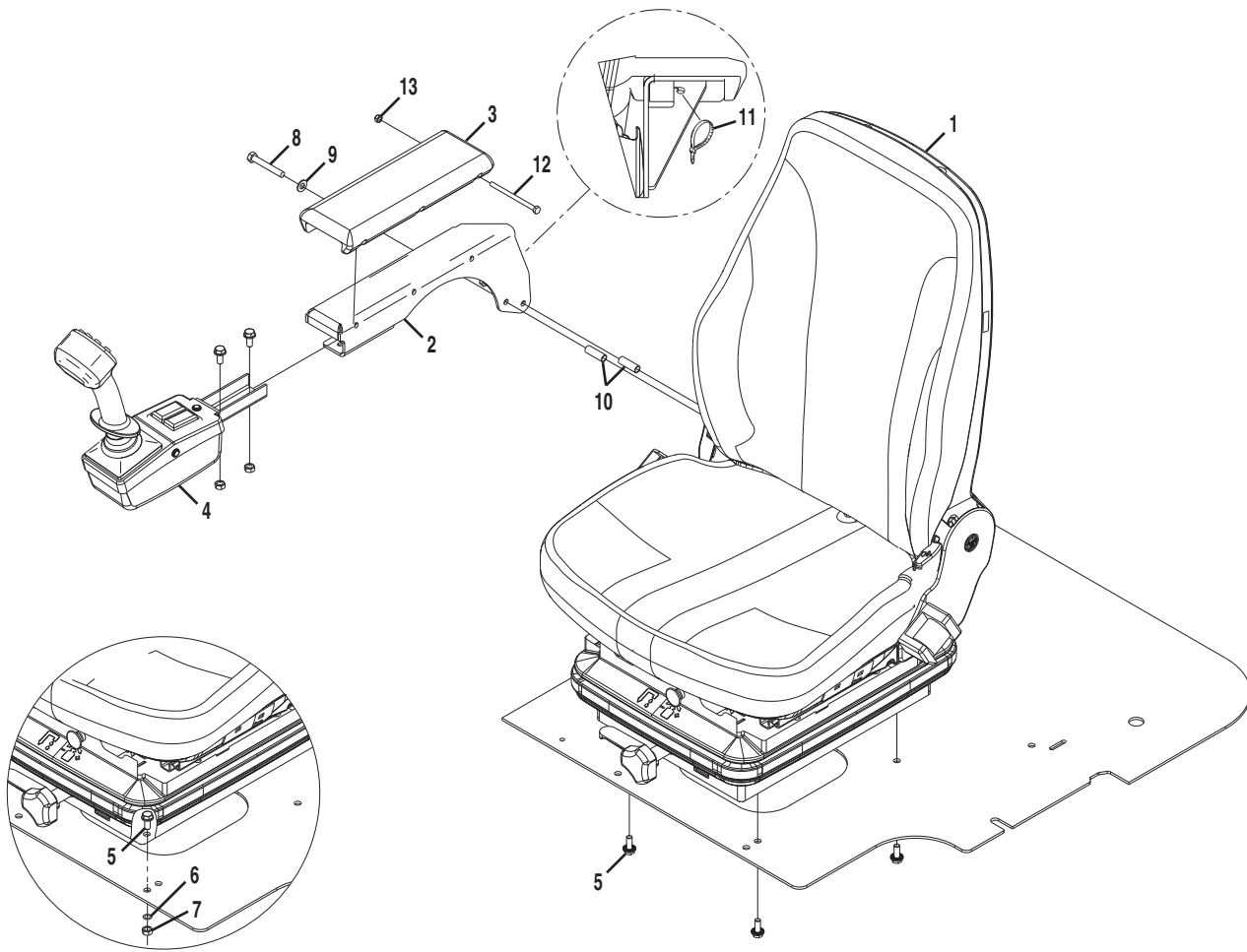


Figure 6-6 Driver Seat Assembly

Item	Part Number	Qty.	Description	Rev.
	8000364	1	DRIVER SEAT ASSY, (includes all items except item 1)	
1		Ref	CONSOLE ASSY, (see Figure 7-2 for details)	
2	8007741	1	ARMREST, (includes item 3)	
3	8007739	1	BRACKET, ARMREST	
4	3986654	1	CUSHION, BACKREST	
5	8007737	1	LITERATURE BOX	
6	3986676	1	CUSHION, SEAT	
7	8007345	1	SAFETY BELT ASSY	
8	3990343	1	SEAT FRAME ASSY, (includes items 9 & 10)	
9	7028620	1	LEVER	
10	7028621	1	HANDLE	
11	3986621	1	COVER	
12	3986643	1	ADJUSTING RAIL SET, (includes item 13)	
13	3986610	1	HANDLE	
14	3981820	1	ROCKER ARM ASSY, (includes items 15 & 16)	
15	3981853	2	SPRING	
16	3966956	2	BUSHING	
17	3986632	1	BELLOWS	
18	3981842	1	SHOCK ABSORBER	
19	3981808	1	WEIGHT ADJUSTMENT, (includes items 22, 25, 26 & 27)	
20	3981819	1	ADJUSTING PIVOT ASSY, (includes item 21)	
21	4623976	1	LEVER	
22	3981831	2	SPRING	
23	7028617	1	WEIGHT ADJUSTMENT, (includes item 24)	
24	7028619	1	SPRING	
25	7029477	1	RETAINER PLUG	
26	7029478	1	SPRING BRACKET	
27	7029479	1	NUT, M12	



Figure 6-7 Mechanical Seat Installation



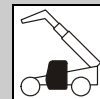


Figure 6-7 Mechanical Seat Installation

Item	Part Number	Qty.	Description	Rev.
	8009724	Ref	MECHANICAL SEAT INSTALLATION, (includes all items)	C
1	8009667	1	MECHANICAL SUSPENSION SEAT, (see Figure 6-8 for details)	
2	3980038	1	BRACKET	
3	8010452	1	PLASTIC FOAM PROFILE	
4		1	CONSOLE ASSY, (see Figure 7-2 for details)	
5	5200810	4	BOLT, M8X20	
6	4811900	4	FLAT WASHER, 8mm, (used before S/N 1160000365)	
7	3290807	4	NUT, 8mm, (used before S/N 1160000365)	
8	0700818	2	HEX HD CAPSCREW, 8X50mm, GR8.8	
9	5211902	2	FLAT WASHER, 8mm	
10	4569078	2	SPACER	
11	471678	1	CABLE BAND	
12	0700626	3	HEX HD CAPSCREW, 6X90mm, GR8.8	
13	3290605	3	HEX LOCKNUT, 6mm	



Figure 6-8 Mechanical Suspension Seat Assembly

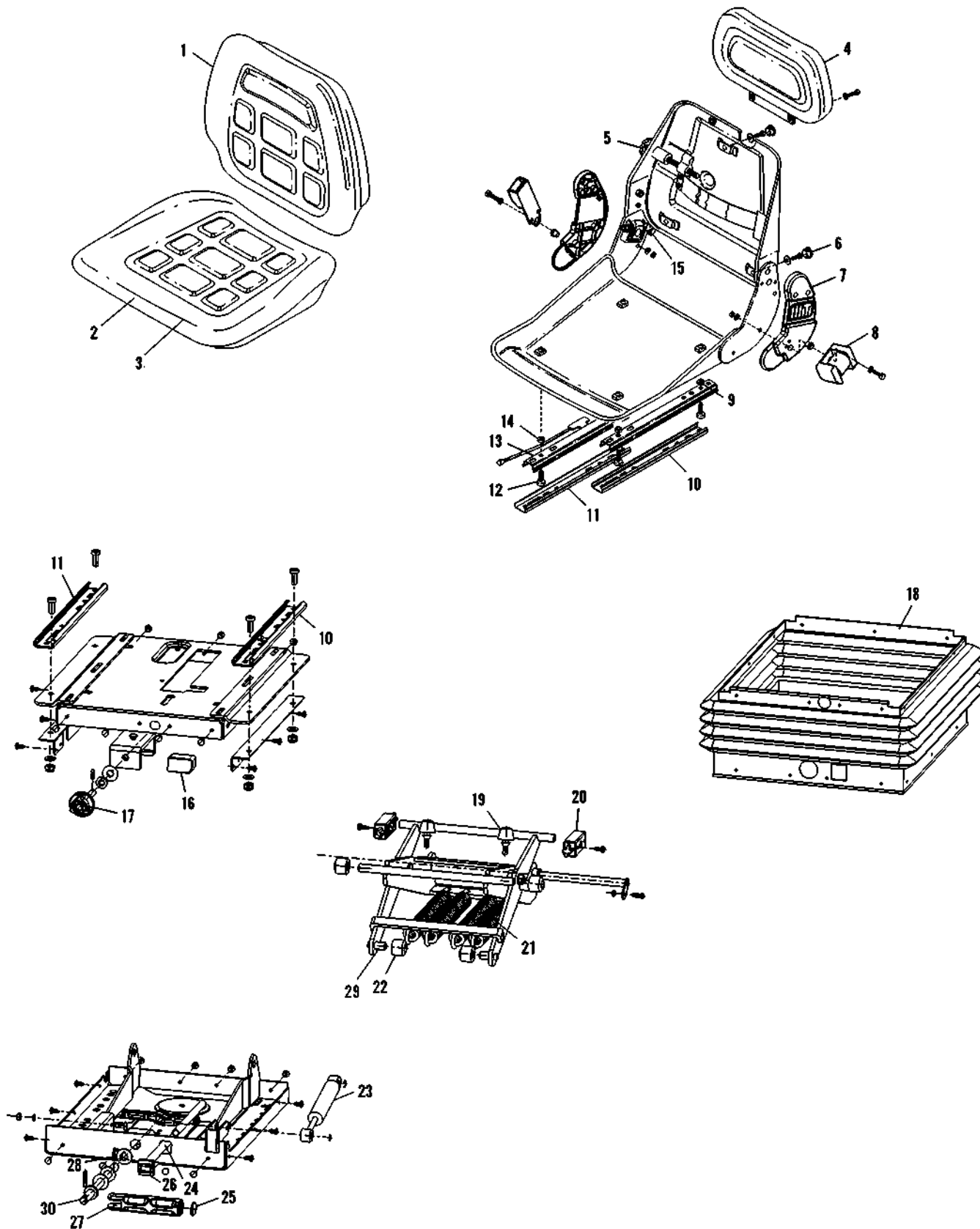


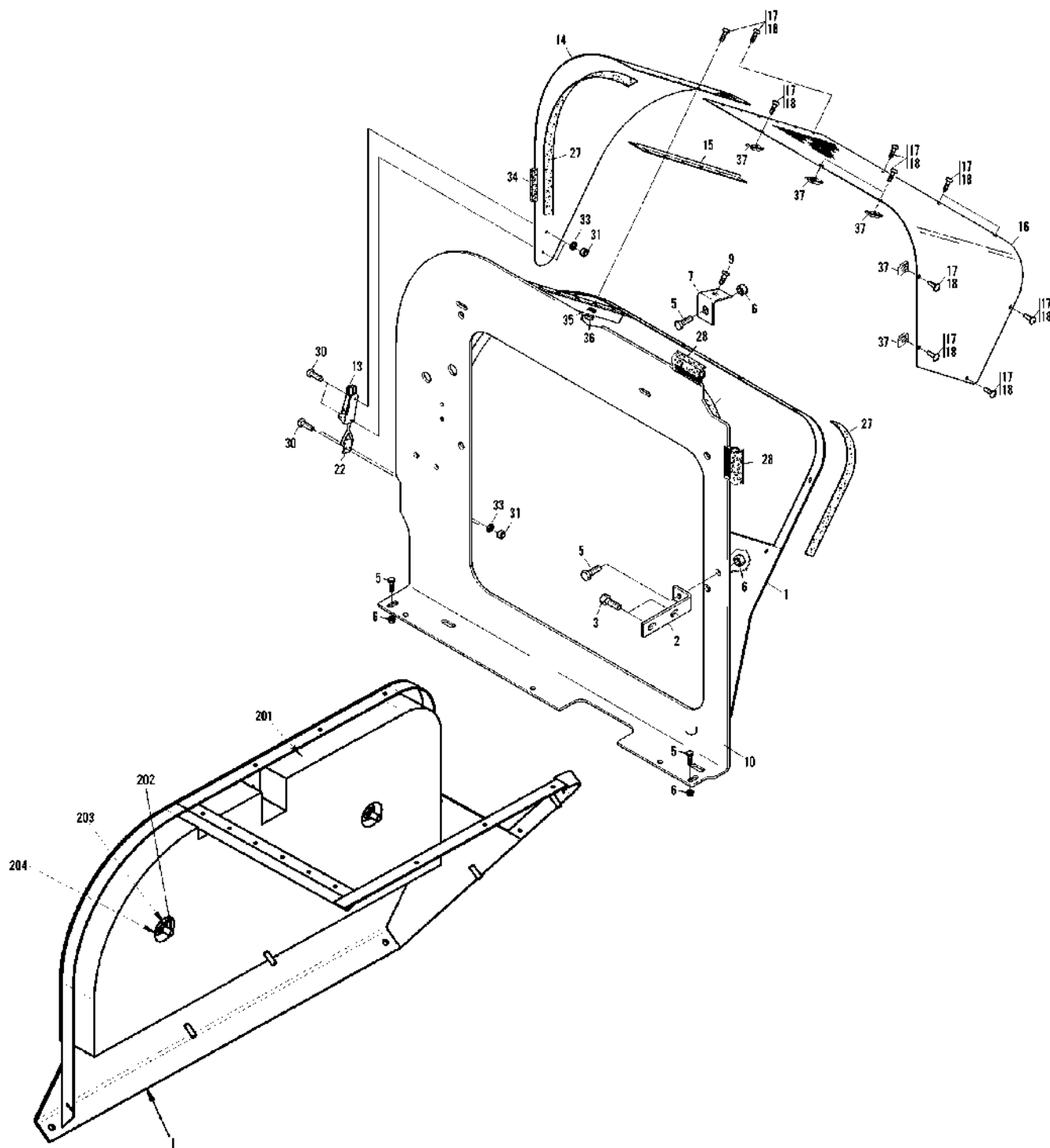


Figure 6-8 Mechanical Suspension Seat Assembly

Item	Part Number	Qty.	Description	Rev.
	8009667	Ref	MECHANICAL SUSPENSION SEAT ASSY, (includes all items)	B
1	7028742	1	BACKREST	
2	7028743	1	CUSHION	
3	7028744	1	SPRING	
4	7028745	1	BACKREST EXTENSION, (optional)	
5	7028746	1	KNOB	
6	7028747	3	CAP	
7	7028748	1	COVERING, RIGHT SIDE	
	7028749	1	COVERING, LEFT SIDE	
8	7028750	1	RETRACTABLE SEAT BELT	
9	7028751	1	INTERNAL SLIDE	
10	7028752	1	EXTERNAL SLIDE	
11	7028753	1	EXTERNAL SLIDE	
12	7028754	4	SCREW	
13	7028755	1	SLIDE ASSY	
14	7028756	4	SLIDE SPACER	
15	7028757	1	TILT ADJUSTER HANDLE	
16	7028758	1	HEIGHT ADJUSTING BUMPER	
17	7028759	1	HEIGHT ADJUSTING KNOB KIT	
18	7028760	1	RUBBER BODY	
19	7028761	2	BUMPER STOP	
20	7028762	2	SUSPENSION RUNNER	
21	7028763	4	SPRING	
22	7028764	4	SUSPENSION WHEEL	
23	7028765	1	SHOCK ABSORBER	
24	7028766	1	WEIGHT ADJUST STRIP	
25	7028767	1	WEIGHT INDICATOR DISPLAY	
26	7028768	1	HANDLE CAP	
27	7028769	1	ADJUSTING HANDLE	
28	7028770	1	WASHER	
29	7029827	1	SPRING SHAFT	
30	7029828	1	SHAFT	



Figure 6-9 Air Duct Installation



P24420



Figure 6-9 Air Duct Installation

Item	Part Number	Qty.	Description	Rev.
	0274108	Ref	AIR DUCT INSTALLATION, (heat only), (includes items 1 thru 38)	E
	0274125	Ref	AIR DUCT INSTALLATION, (heat & air conditioning), (includes items 1 thru 38)	D
1	4805432	1	AIR DUCT ASSY, (heat only), (includes items 13 thru 38)	G
	1560015	1	AIR DUCT ASSY, (heat & air conditioning), (includes items 13 thru 38)	C
2	4806477	1	ANGLE	
3	5200810	2	BOLT, 8X20mm	
5	5201010	4	BOLT, M10X20	
6	5221000	4	NUT, M10	
7	8007467	1	BRACKET	
9	0761008	1	HEX HD CAPSCREW, M10X16	
10	8006452	1	RADIATOR MOUNTING SEAT, (heat only)	
	4806604	1	RADIATOR MOUNTING SEAT, (heat & air conditioning only)	
13	8003294	1	LATCH	
14	4803394	1	COVER	
15	4806568	1	HINGE	
16	4802837	1	COVER	
17	8002211	22	SOCKET HD SCREW, 5X16mm, (Before S/N 1160000375)	
18	3820019	22	RIVET, (S/N 1160000375 & After)	
22	8003295	1	HOOK, LATCH	
27	1898686	AR	TRIM	
28	3960927	AR	TRIM	
30	4010405	4	MACHINE SCREW, M4X10	
31	3290405	4	HEX NUT, 4X0.7mm	
33	4811400	4	WASHER, 4mm	
34	935113	AR	TRIM	
35	1335675	6	WASHER, (Before S/N 1160000375)	
36	327286	6	NUT, (Before S/N 1160000375)	
37	3976618	16	NUT HOLDER, (Before S/N 1160000375)	
			RADIATOR MOUNTING SEAT	
	0273836	Ref	AIR INTAKE SOUND ABSORBING INSTALLATION, (S/N 1160000358 & After) , (includes items 201-204)	
201	2820169	1	INSULATION	
202	0701024	2	HEX HD CAPSCREW, M10-80, GR8.8	
203	3291005	2	LOCKNUT, 10mm	
204	1629567	2	FLAT WASHER, 10mm	



Figure 6-10 Air Circulation Installation

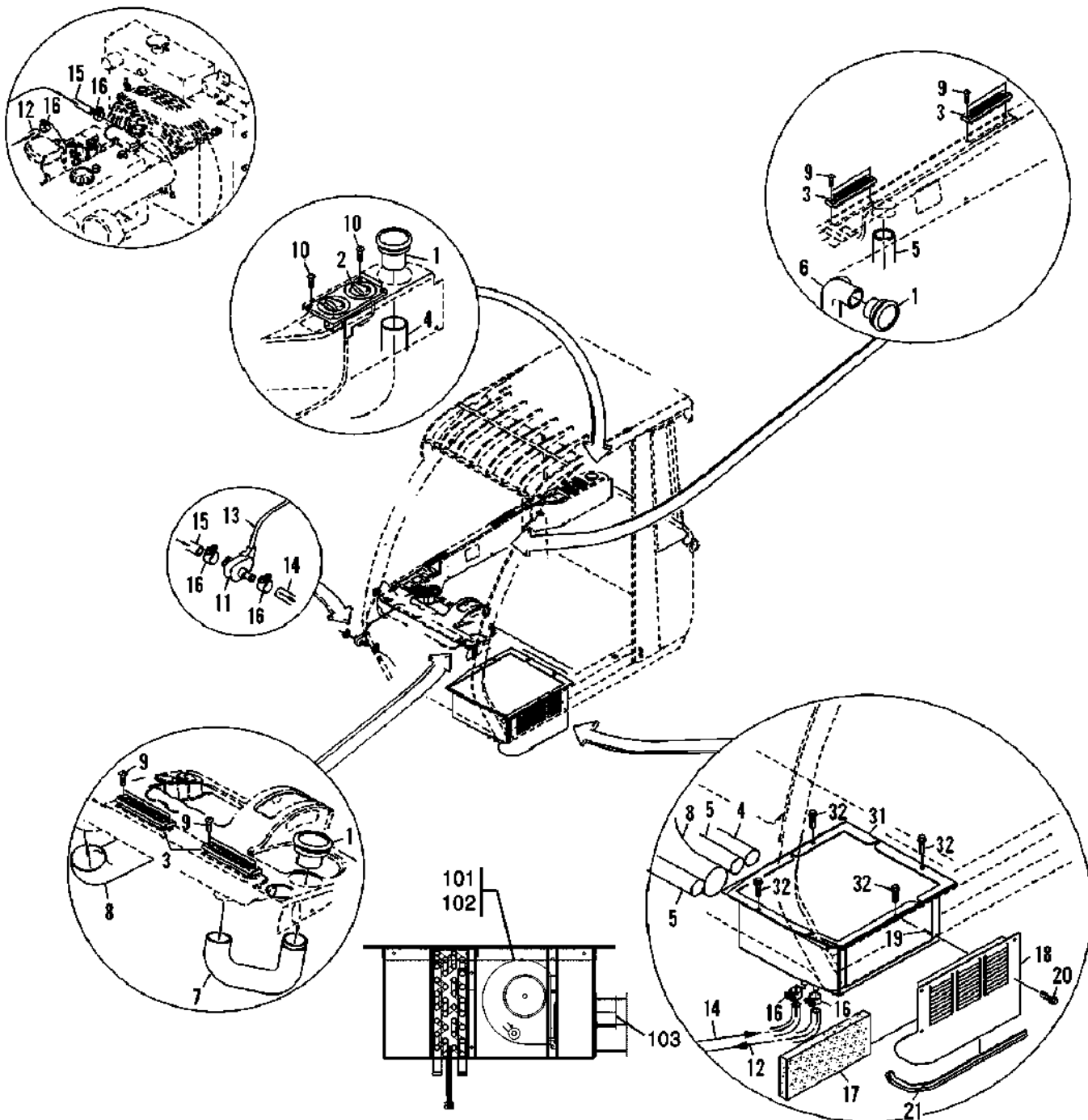




Figure 6-10 Air Circulation Installation

Item	Part Number	Qty.	Description	Rev.
	8002765	Ref	HEATING/AIR CONDITIONING UNIT INSTALLATION, (includes all items on Figures 6-10 & 6-11)	C
	8003161	Ref	AIR DIFFUSER, (for heat or air conditioning), (includes items 1 thru 21)	
1	8003008	3	NOZZLE	
2	8003163	1	CONTROL, HEAT	
3	3953973	4	NOZZLE	
4	8003171	AR	HOSE, HEAT DUCT	
5	8003171	AR	HOSE, HEAT DUCT	
6	8003171	AR	HOSE, HEAT DUCT	
7	8003171	AR	HOSE, HEAT DUCT	
8	8003172	AR	HOSE, HEAT DUCT	
9	885236	8	SCREW, 3.5X16mm	
10	2686762	4	SCREW, 3.5X13mm	
11	8003164	1	VALVE, WATER	
12	8003173	AR	HOSE, HEATER	
13	8003174	1	CABLE PULL	
14	8003173	AR	HOSE, HEATER	
15	8003173	AR	HOSE, HEATER	
16	3759535	6	CLAMP	
17	3929100	1	FILTER, AIR	
18	8001236	1	COVER	
19	8003524	4	NUT HOLDER	
20	2982534	4	BOLT, 6X16mm	
21	8001565	AR	TRIM	
31	8009295	1	HEATING UNIT ASSY, (includes items 101 thru 103)	B
32	5200808	4	BOLT, 8X16mm	
101	8008218	1	VENTILATOR	
102	70021125	1	RESISTOR	
103	1001091537	1	HOSE ADAPTER	

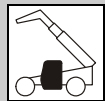


Figure 6-11 Air Conditioning Unit Installation

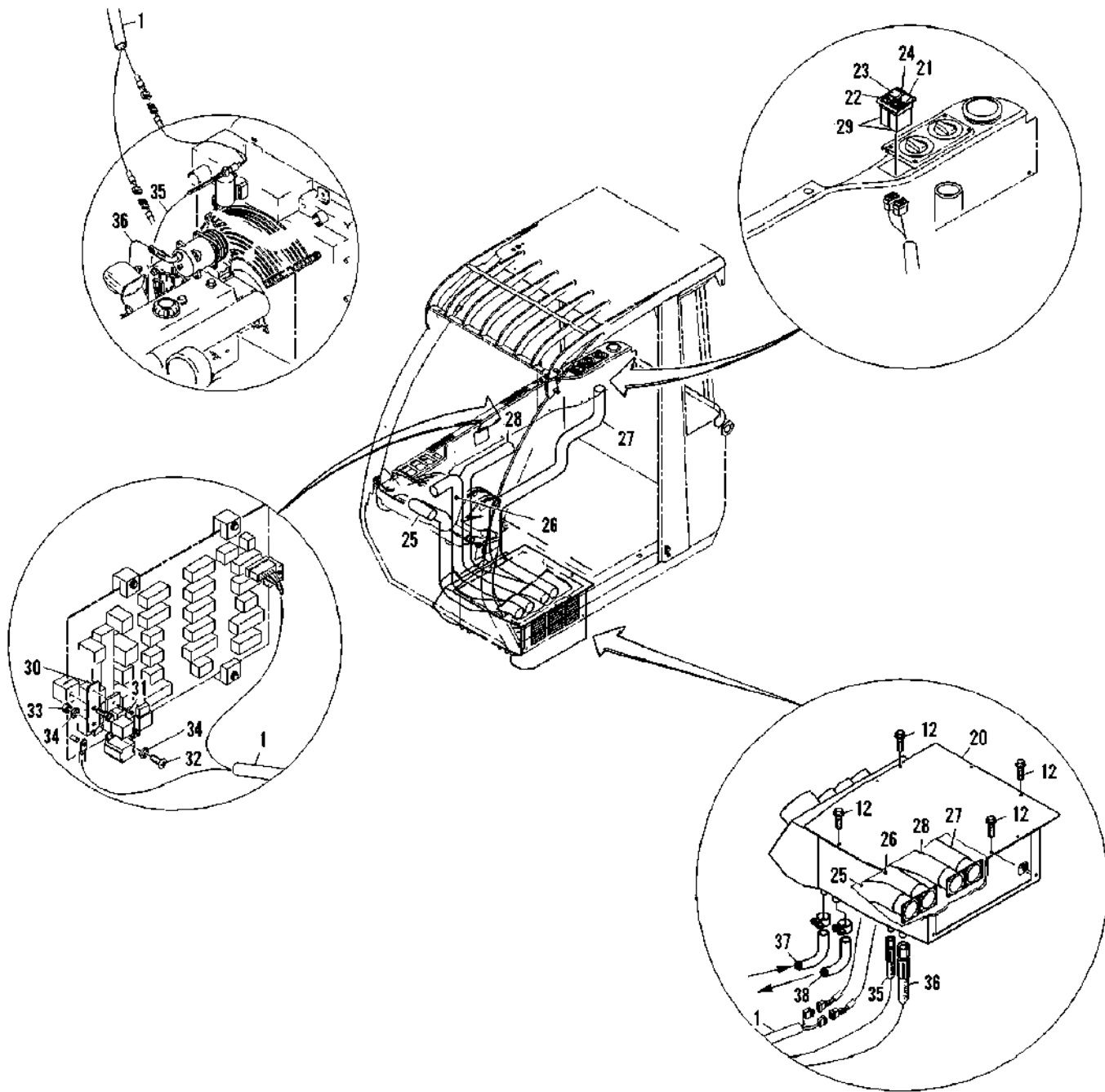




Figure 6-11 Air Conditioning Unit Installation

Item	Part Number	Qty.	Description	Rev.
	8006357	Ref	AIR CONDITIONING UNIT INSTALLATION, (includes all items)	A
1	8004600	1	HARNESS	
12	5200810	4	BOLT, M8X20	
20	8009296	1	AIR CONDITIONING UNIT ASSY	
	8008237	1	HEAT EXCHANGER	
	8008218	1	VENTILATOR	
	8008238	1	EVAPORATING UNIT	
	8008239	1	THERMOSTAT	
	8008236	1	ELECTRIC MOTOR	
21	4674353	1	SWITCH	
22	3951006	1	DECAL - AC	
23	8006599	1	SWITCH	
24	8006658	1	DECAL - FRESH AIR	
25	8003171	AR	HOSE, AC DUCT	
26	8003171	AR	HOSE, AC DUCT	
27	8003171	AR	HOSE, AC DUCT	
28	8003171	AR	HOSE, AC DUCT	
29	8004763	2	COVER, SWITCH	
30	8007985	1	BRACKET	
31	876406	1	SCREW, 3.5X13mm	
32	4010506	1	MACHINE SCREW, 5X12mm	
33	3290501	1	HEX NUT, M5	
34	4811600	2	FLAT WASHER, M5	
35		Ref	HOSE, (see Figure 4-7, item 24 for details)	
36		Ref	HOSE, (see Figure 4-7, item 25 for details)	
37		Ref	HOSE, (see Figure 6-10, item 14 for details)	
38		Ref	HOSE, (see Figure 6-10, item 12 for details)	



CAB

This Page Intentionally Left Blank

SECTION 7 CONTROLS

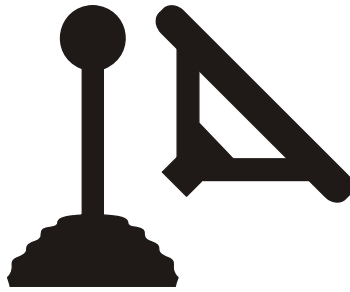
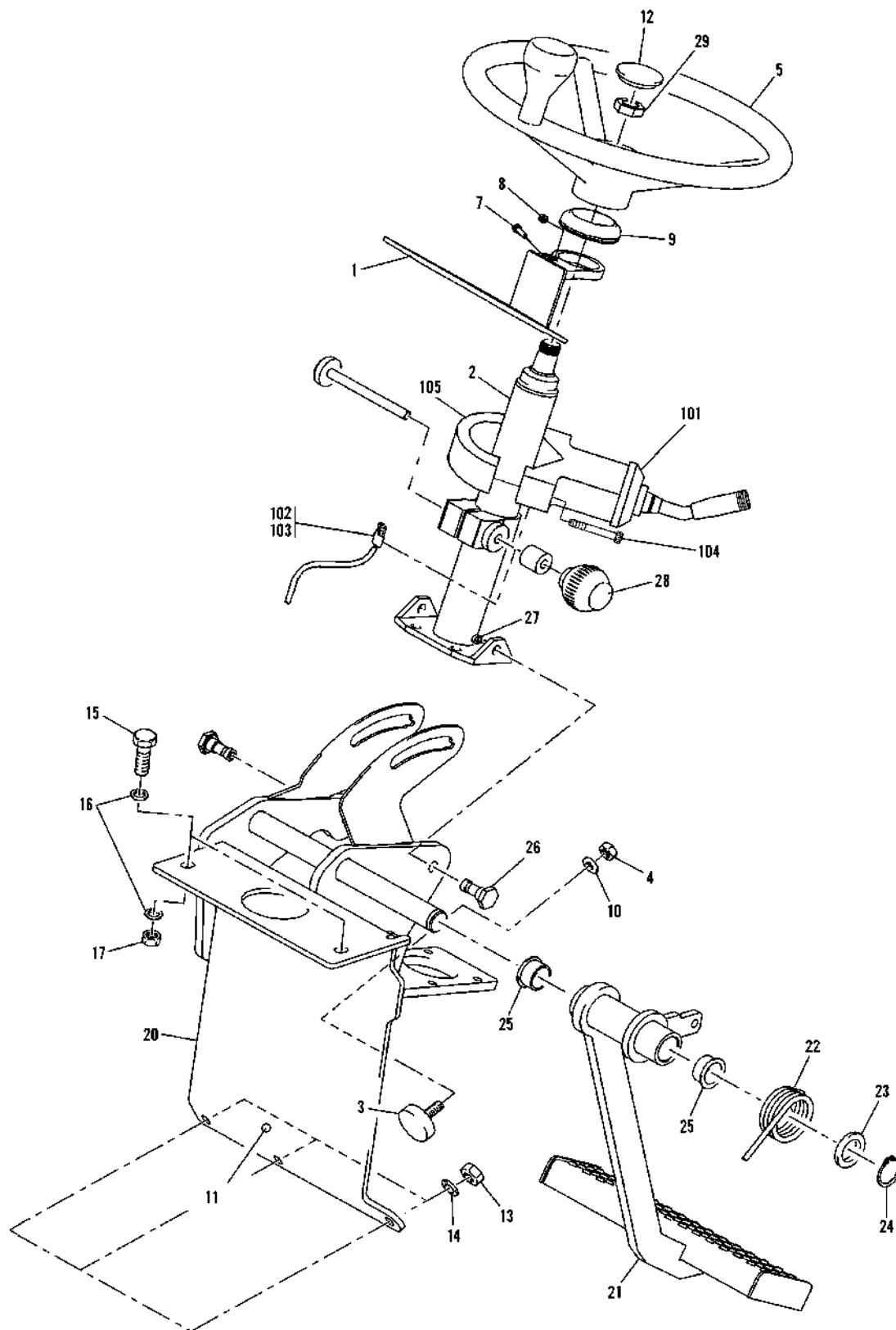




Figure 7-1 Steering Column Assembly & Attaching Parts



P24780



Figure 7-1 Steering Column Assembly & Attaching Parts

Item	Part Number	Qty.	Description	Rev.
	8003739	Ref	STEERING COLUMN ASSY, (includes items 1 thru 29)	E
1	8008663	1	BRACKET	
2	8001885	1	STEERING COLUMN ASSY, (includes bracket & hardware items 28 & 29)	
3	1000331	1	STOP, RUBBER	
4	3290605	1	HEX LOCKNUT, 6mm	
5	8007753	1	STEERING WHEEL	
	7028091		SPINNER KNOB	
7	4031608	1	SOCKET HD CAPSCREW, M5X20, GR8.8	
8	3290501	1	HEX NUT, M5	
9	8009046	1	RING	
10	5211702	1	WASHER, 6X18.2X1.4mm	
11	4805534	1	BRACKET ASSY, (includes items 20 thru 25)	
12	2912132	1	COVER CAP	
13	3290805	3	LOCKNUT, 8mm	
14	5211902	3	FLAT WASHER, 8mm	
15	0761014	2	HEX HD CAPSCREW, 10X30mm, GR8.8	
16	4812000	4	FLAT WASHER, 10mm	
17	3291005	2	LOCKNUT, 10mm	
20	4805250	1	BRACKET	
21	4807321	1	PEDAL, BRAKE	
22	4160212	1	SPRING, RETURN	
23	899276	1	WASHER, 25mm	
24	1398443	1	CIRCLECLIP	
25	3976436	2	BUSHING	
26	NSS	2	PIN	
27	NSS	2	NUT	
28	8007965	1	KNOB, ROTARY	
29	1630253	1	NUT, (torque to 25 Nm)	
101	8007862	1	SHIFTER KIT, 3 SPEED, (includes 91473061 shifter & items 102 thru 105)	
	91473031	1	SHIFTER, 4 SPEED, (includes items 104 & 105)	
102	2892808	1	CABLE	
103	3853176	1	CONTACT	
104	83191059	2	SOCKET HD CAPSCREW, M5X0.8, (torque to 41-47 Nm)	
105	NSS	1	CLAMP SET	



Figure 7-2 Console Box Assembly

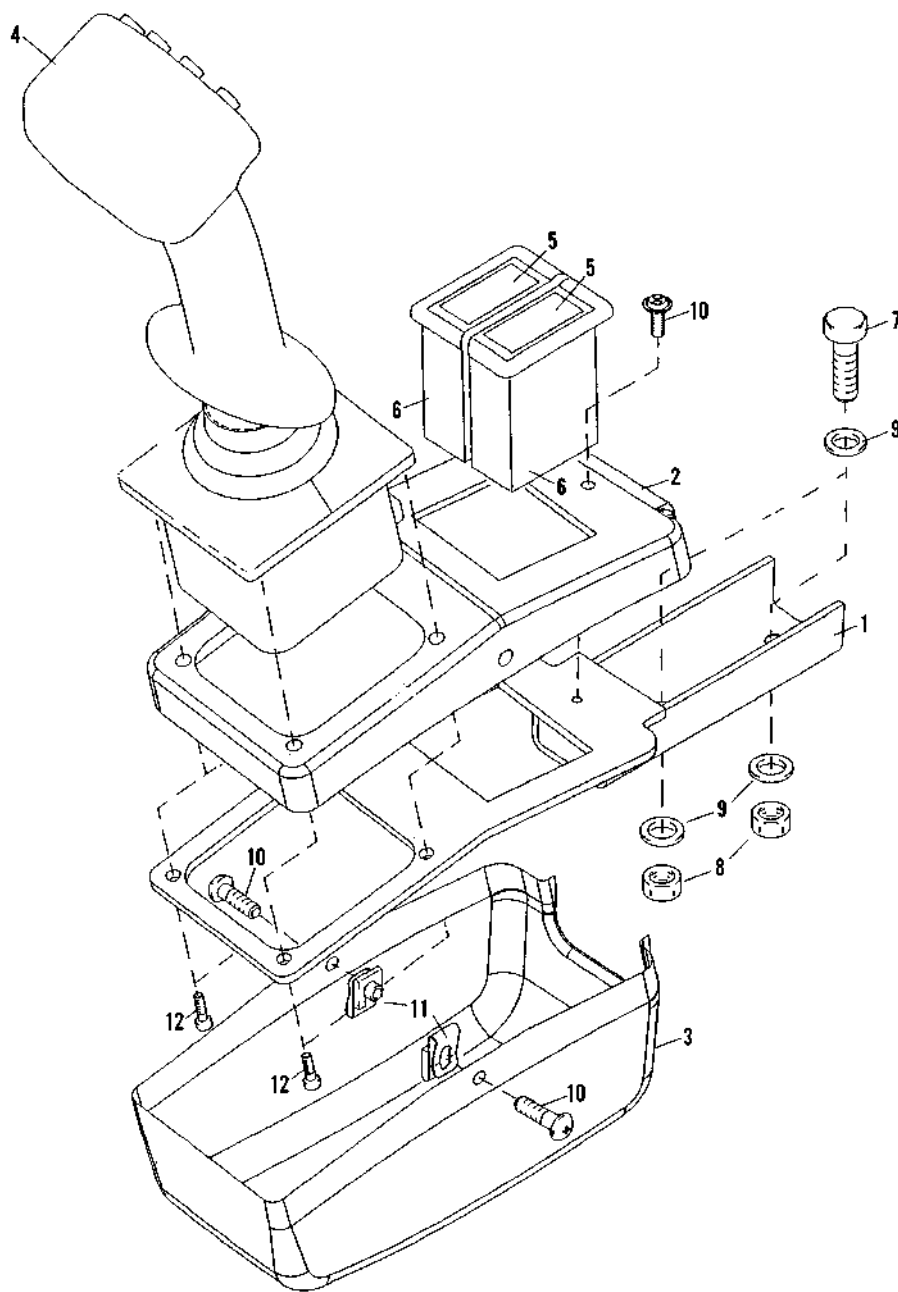


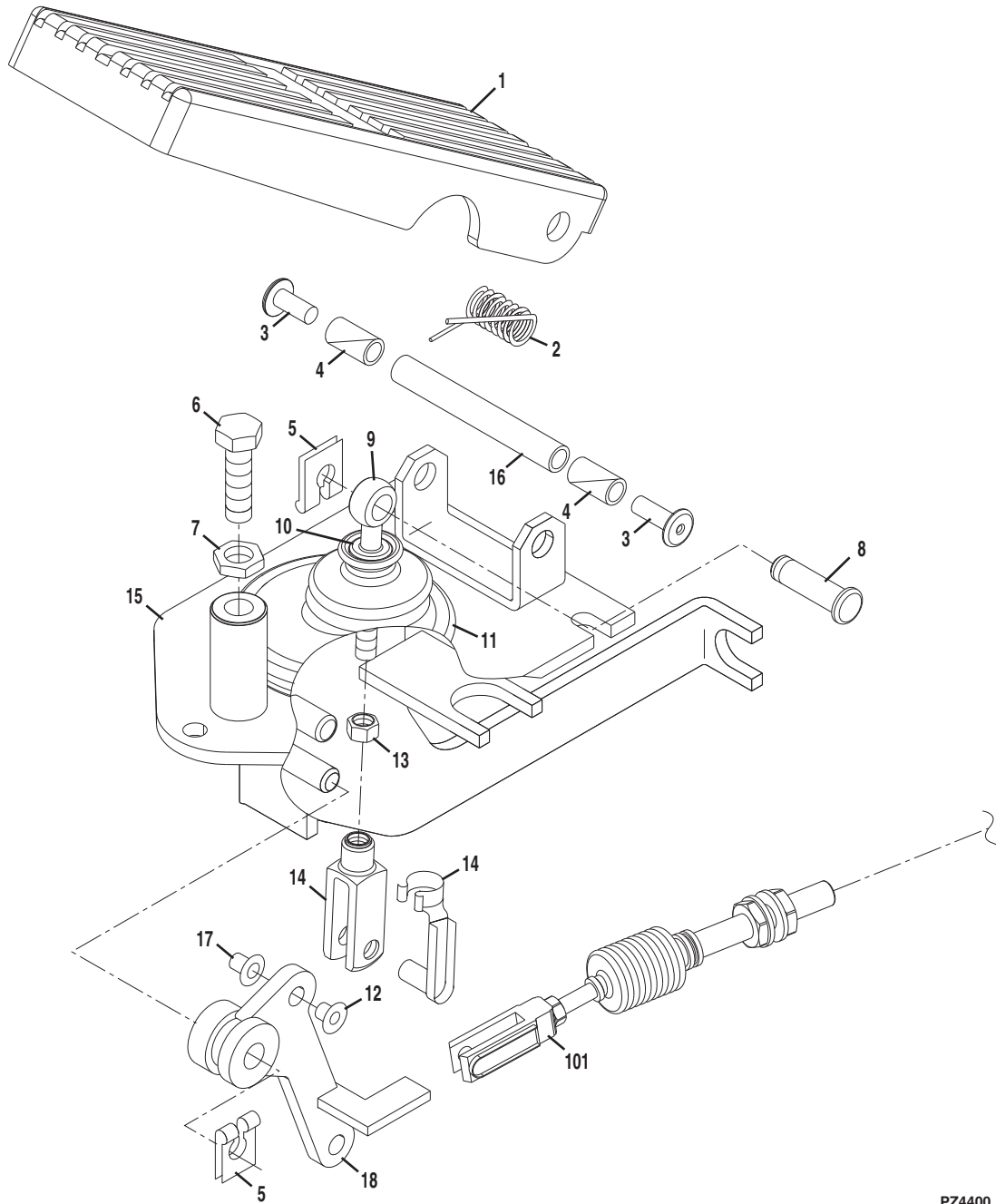


Figure 7-2 Console Box Assembly

Item	Part Number	Qty.	Description	Rev.
	8002407	Ref	CONSOLE BOX ASSY, (includes all items except item 4)	
1	8000796	1	SUPPORT	
2	8004762	1	LID	
3	8004672	1	BOX	
4	8002822	1	JOYSTICK	
5	1359720	2	COVERING	
6	8004763	2	END PIECE	
7	0760810	2	HEX HD CAPSCREW, M8X20, GR8.8	
8	3290801	2	HEX NUT, M8X1.25	
9	5211902	4	FLAT WASHER, 8mm	
10	3934378	3	LENS HD SCREW, 4.8X16mm	
11	3933468	2	CLIP	
12	2983091	4	SELF-TAPPING SCREW, 5X12mm	



Figure 7-3 Accelerator Pedal Assembly



PZ4400



Figure 7-3 Accelerator Pedal Assembly

Item	Part Number	Qty.	Description	Rev.
	8000345	1	ACCELERATOR PEDAL ASSEMBLY, (includes items 1 thru 18)	B
1	7028526	1	GAS PEDAL	
2	7028527	1	SPRING	
3	7028528	2	BLIND RIVIT WITH FLAT ROUND HEAD	
4	7028529	2	SLIDING BEARING	
5	7028530	2	SAFETY DEVICE	
6	7028531	1	HEX SCREW	
7	7028532	1	HEX NUT	
8	7028533	1	PIN	
9	7028534	1	EYE BOLT	
10	7028535	1	RING	
11	7028536	1	BOOT	
12	7028537	1	BUSHING	
13	7028538	1	HEX NUT	
14	7028539	1	FORK LINK & CLIP	
15	7029137	1	BRACKET WELDMENT	
16	7029138	1	SHAFT	
17	7028540	1	FRICTION BEARING	
18	7028541	1	LEVER	
101		Ref	THROTTLE CABLE, (see Figure 4-1 for details)	



Figure 7-4 Parking Brake Installation

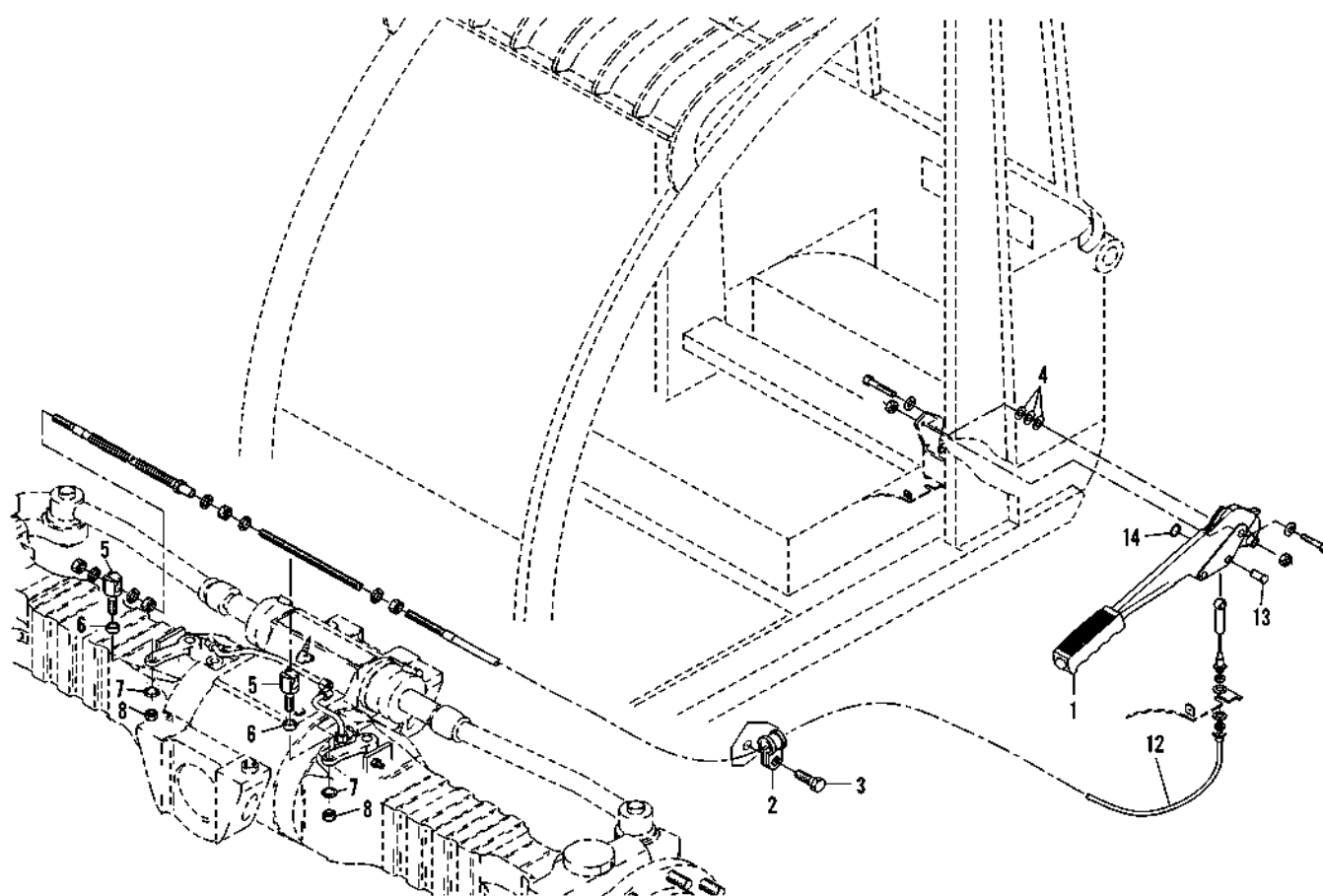




Figure 7-4 Parking Brake Installation

Item	Part Number	Qty.	Description	Rev.
	8008365	Ref	PARKING BRAKE INSTALLATION, (includes all items)	C
	8005106	Ref	PARKING BRAKE ASSY, (includes items 1 & 4)	
1	8000347	1	LEVER, HAND BRAKE, (includes items 12 thru 14)	
2	2443576	1	CLAMP	
3	5200808	1	BOLT, 8X16mm	
4	4811900	10	FLAT WASHER, 8mm	
5	2454999	2	SPECIAL SCREW	
6	2905871	2	BUSHING	
7	4812000	2	FLAT WASHER, 10mm	
8	3291007	2	LOCKNUT, 10mm	
12	8008251	1	CABLE, PULL	
13		1	PIN	
14		1	LOCKWASHER	
15	8008252	1	SWITCH, (supplied with cab), (not illustrated)	

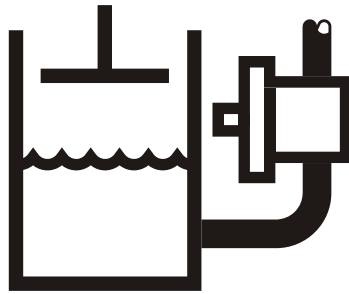


CONTROLS

This Page Intentionally Left Blank

SECTION 8

HYDRAULIC CIRCUITS



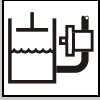
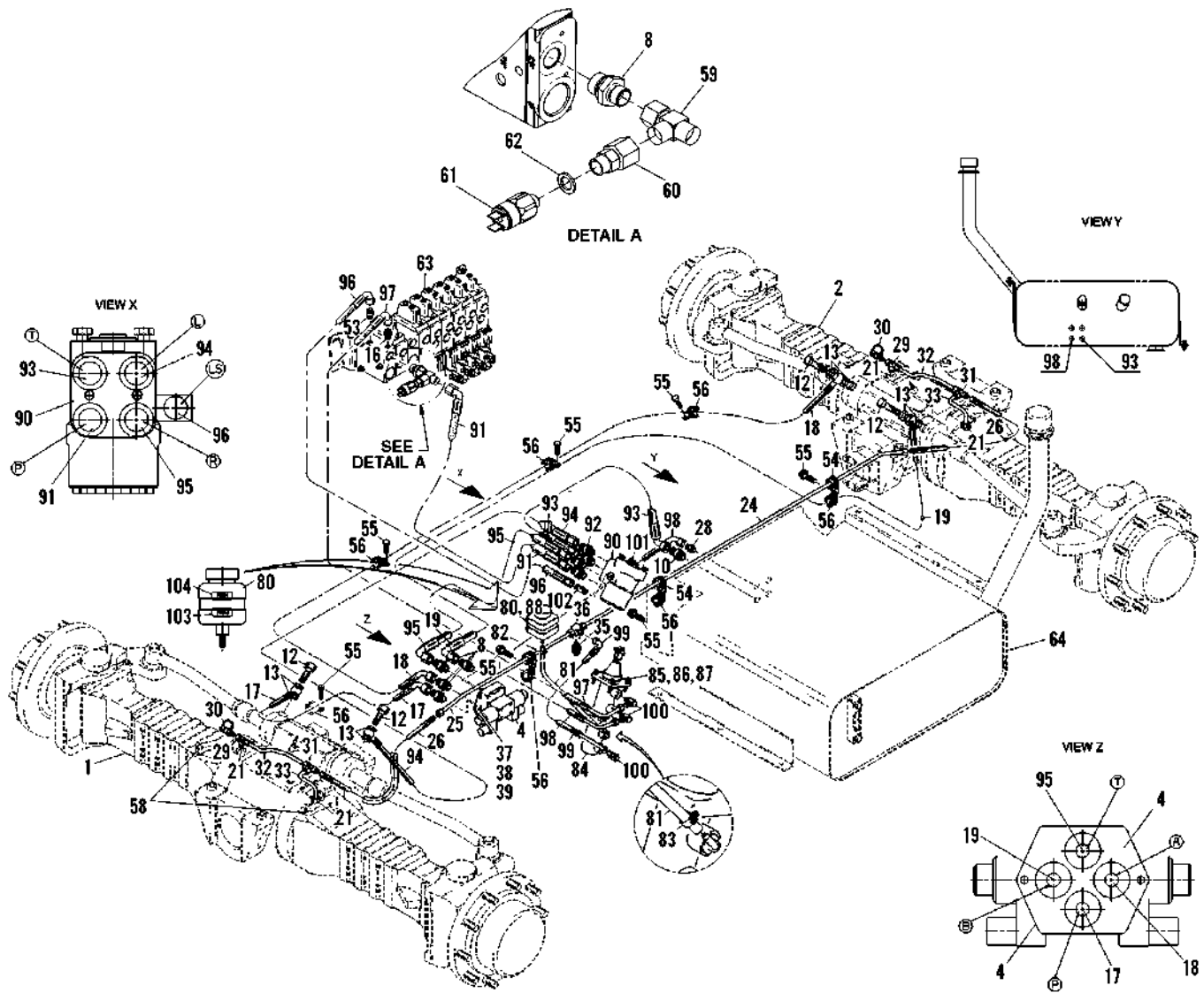


Figure 8-1 Frame & Cab



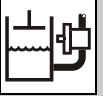
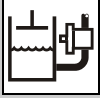


Figure 8-1 Frame & Cab

Item	Part Number	Qty.	Description	Rev.
	8001852	Ref	HYDRAULIC SYSTEM, (frame & cab), (includes items 1 thru 58)	0
1		Ref	FRONT AXLE, (see Figure 5-1 for details)	
2		Ref	REAR AXLE, (see Figure 5-8 for details)	
4	8001645	1	DIRECTIONAL VALVE ASSY	
	8007879	2	COIL	
	7024014	2	POLE TUBE	
	8007877	2	SEAL KIT	
8	2142713	5	FITTING	
10	2140224	1	FITTING	
12	2471354	4	FEMALE SCREW, 18X1.5X32mm	
13	462780	8	SEAL RING	
16	2656664	1	FITTING	
17	8001629	1	HOSE	
18	8001631	1	HOSE	
19	8001632	1	HOSE	
21	2902527	4	FITTING	
24	8002096	1	TUBE	
25	8002097	1	TUBE	
26	2477156	2	HOSE	
28	2140223	1	FITTING	
29	2142103	2	FITTING	
30	1616551	2	FITTING, PRESSURE CHECK	
31	1631629	2	FITTING	
32	8002323	2	TUBE	
33	8002324	2	TUBE	
35	8005789	1	PRESSURE SWITCH	
36	8002838	1	FITTING, BULKHEAD	
37	0760614	2	HEX HD CAPSCREW, 6X30mm, GR8.8	
38	3290601	2	HEX NUT, 6mm	
39	4811700	2	FLAT WASHER, 6mm	
53	3970214	1	FITTING	
54	2966454	4	CLIP	
55	5200810	8	BOLT, 8X20mm	
56	2443576	8	CLIP	
58		Ref	PARKING BRAKE, (see Figure 7-4 for details)	
59	2142204	1	SWIVEL NUT RUN TEE, (S/N 1160001630 & After), (see Figure 8-2 for Before S/N 1160001630)	
60	2131216	1	PRESSURE GAUGE ADAPTER, (S/N 1160001630 & After), (see Figure 8-2 for Before S/N 1160001630)	
61	4360585	1	PRESSURE SWITCH, (S/N 1160001630 & After), (see Figure 8-2 for Before S/N 1160001630)	
62	1074306	1	O-RING, (S/N 1160001630 & After), (see Figure 8-2 for Before S/N 1160001630)	
63		Ref	MAIN VALVE ASSY, (see Figure 9-8 for details)	
64		Ref	HYDRAULIC TANK, (see Figure 9-10 for details)	
75	8006329	Ref	HYDRAULIC SYSTEM, (cab), (includes items 80 thru 104)	
80	8002321	1	RESERVOIR, COMPENSATOR	
81	8007622	1	BRAKE HOSE	
82	2985639	1	CLIP	



HYDRAULIC CIRCUITS

Figure 8-1 Frame & Cab (Continued)

Item	Part Number	Qty.	Description	Rev.
83	2985617	1	CLIP	
84	0920120	1	MAIN BRAKE CYLINDER, (includes following two items)	
	7028112	1	BOOSTER	
	7028113	1	MASTER CYLINDER	
85	0700816	4	BOLT, 8X40mm	
86	3290805	4	LOCKNUT, 8mm	
87	4811900	4	FLAT WASHER, 8mm	
88	2974454	1	CLAMP	
90	8007258	1	STEERING VALVE	
91	8001702	1	HOSE	
92	2142713	4	FITTING	
93	8001699	1	HOSE	
94	8001693	1	HOSE	
95	8001694	1	HOSE	
96	8001692	1	HOSE	
97	8001837	1	HOSE	
98	8001838	1	HOSE	
99	8002095	1	HOSE	
100	8003047	3	FITTING	
101	0761008	4	HEX HD CAPSCREW, M10X16, (torque to 35 Nm)	
102	8004777	1	FITTING	
103	8006515	1	DECAL	
104	8006516	1	DECAL	

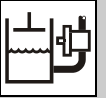


Figure 8-1 Frame & Cab (Continued)

Item	Part Number	Qty.	Description	Rev.

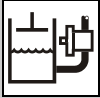
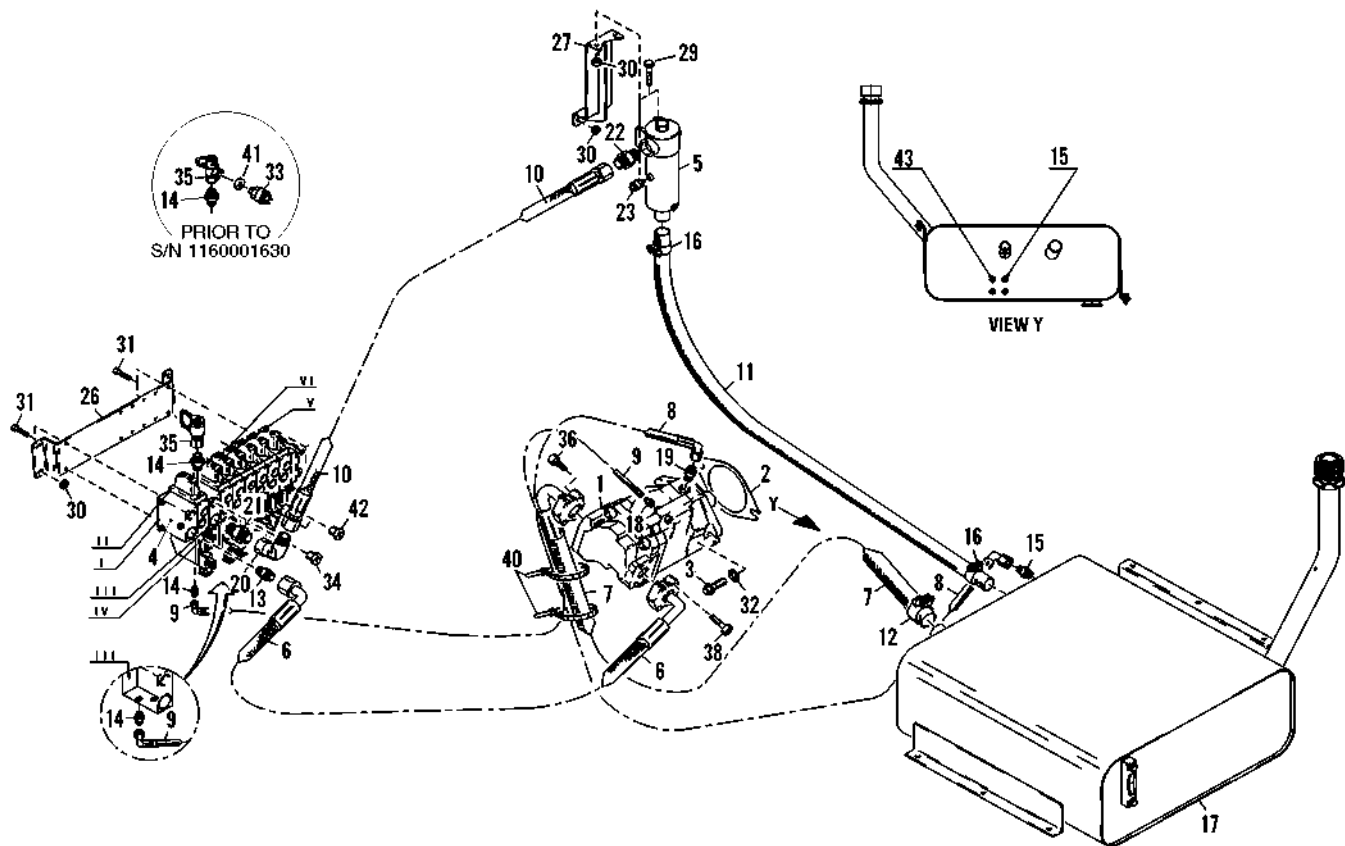


Figure 8-2 Drive Pump to Main Valve



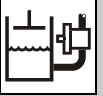


Figure 8-2 Drive Pump to Main Valve

Item	Part Number	Qty.	Description	Rev.
		Ref	HYDRAULIC SYSTEM, (drive pump to main valve), (includes all items)	J
1		Ref	ENGINE DRIVE PUMP ASSY, (see Figure 9-9 for details)	
2	4804306	1	SHIM	
3	0681812	2	HEX HD CAPSCREW, 0.5-13X1.5, GR8	
4		Ref	MAIN VALVE ASSY, (see Figure 9-8 for details)	
5		Ref	RETURN FILTER ASSY, (see Figure 9-11 for details)	
6	8001641	1	HOSE, Before S/N 1160000384 & S/N 1160000476 & After	
	2720530	1	HOSE, S/N 1160000384 Thru 1160000476	
7	8001635	1	HOSE, Before S/N 1160000384 & S/N 1160000476 & After	
	2720529	1	HOSE, S/N 1160000384 Thru 1160000476	
8	8001642	1	HOSE	
9	2754320	1	HOSE	
10	8001627	1	HOSE	
11	8001628	1	HOSE	
12	3625158	1	CLIP	
13	2904676	1	FITTING	
14	3970214	2	FITTING	
15	2140225	1	FITTING	
16	3737879	2	CLIP	
17		Ref	HYDRAULIC TANK, (see Figure 9-10 for details)	
18	2142755	1	FITTING	
19	8001908	1	FITTING	
20	2143409	1	FITTING	
21	8001905	1	FITTING	
22	8001906	1	FITTING	
23	8005174	1	PRESSURE SWITCH	
26	4805852	1	BRACKET	
27	8004631	1	BRACKET, FILTER	
29	0700826	2	SOCKET HD CAPSCREW, 8X1.25X90mm	
30	5220800	8	NUT, 8mm, (torque to 30 Nm)	
31	5200808	4	BOLT, 8X16mm	
32	4740532	2	WASHER, 12mm	
33	8004908	1	PRESSURE SWITCH, (Before S/N 1160001630), (see Figure 8-1 for S/N 1160001630 & After)	
34	2985515	1	PLUG	
35	8006090	1	FITTING, Before S/N 1160001630	
	2988632	1	FITTING, S/N 1160001630 & After	
36	5201215	4	BOLT	
38	5201014	4	BOLT	
40	1062255	20	CABLE BAND	
41	1074306	1	O-RING, (Before S/N 1160001630), (see Figure 8-1 for S/N 1160001630 & After)	
42	1309275	2	PLUG, (models without auxiliary hydraulics)	
43	2180840	1	PLUG, (models without auxiliary hydraulics)	
44		Ref	LEVELING HYDRAULICS SYSTEM, MODELS WITH OSCILLATING AXLE, (see Figure 8-6 for details)	

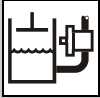
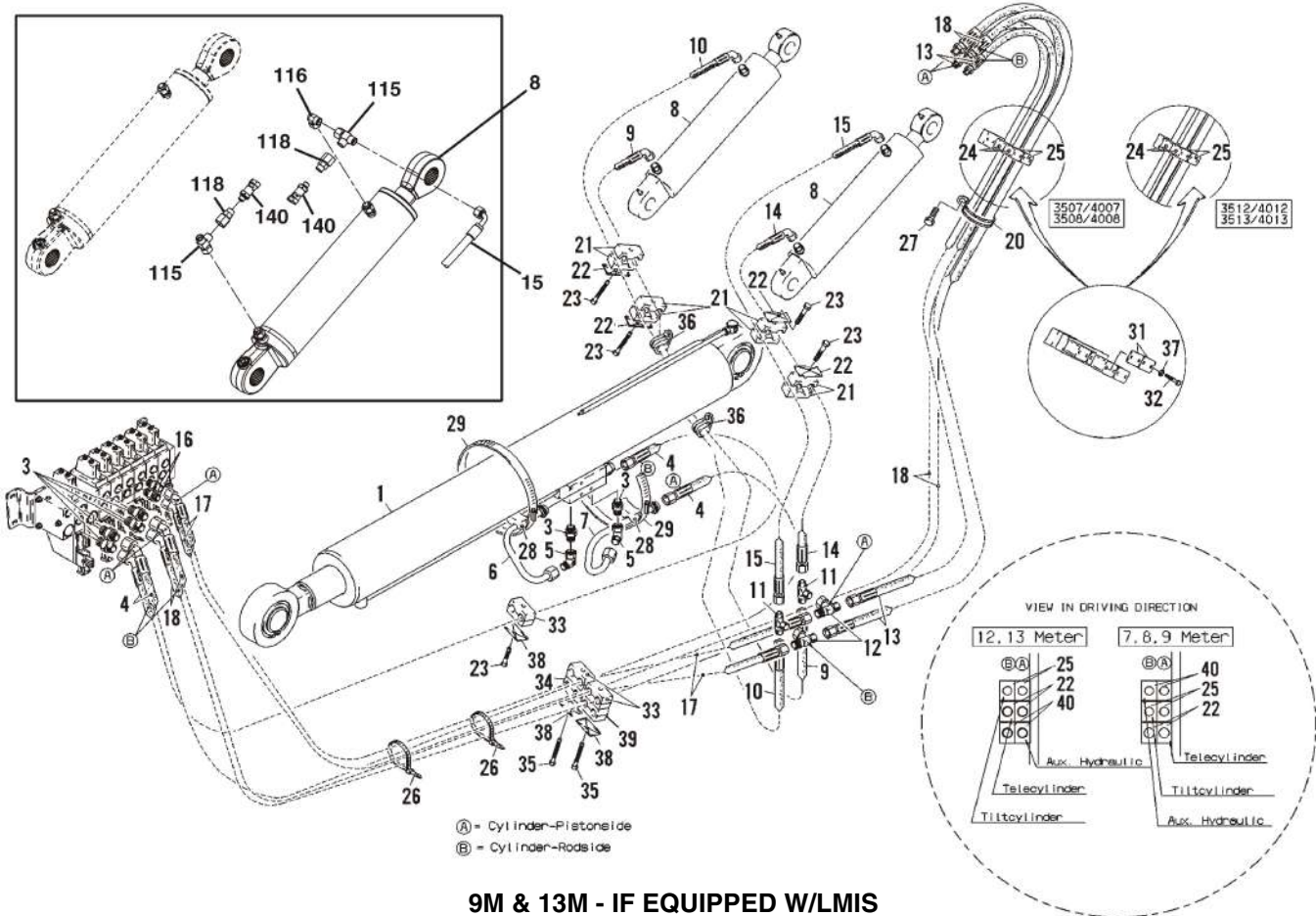
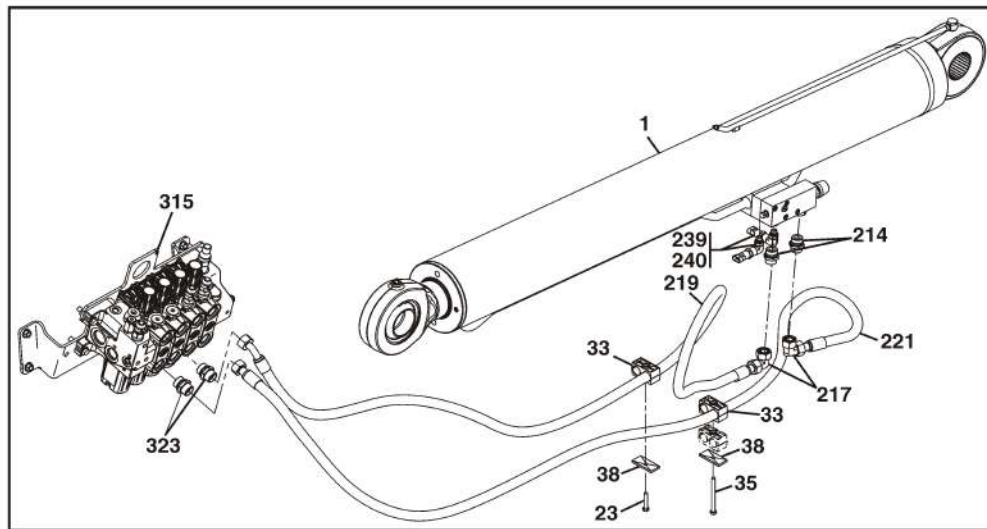


Figure 8-3 Lifting Hydraulics

9M & 13M - IF EQUIPPED W/LMIS



9M & 13M - IF EQUIPPED W/LMIS



PAP167

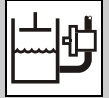
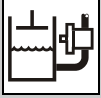


Figure 8-3 Lifting Hydraulics

Item	Part Number	Qty.	Description	Rev.
		Ref	HYDRAULIC SYSTEM, (lifting hydraulics), (includes items 1 thru 38)	I
1		Ref	LIFT CYLINDER ASSY, (see Figure 9-1 for details)	
3	1686475	6	FITTING	
4	8002353	2	HOSE	
5	2143406	2	FITTING	
6	8002716	1	TUBE	
7	8002718	1	TUBE	
8		Ref	COMPENSATING CYLINDER ASSY, (see Figure 9-4 for details)	
9	8002372	1	HOSE	
10	8002373	1	HOSE	
11	2904789	2	FITTING	
12	2980565	2	FITTING	
13	8002360	2	HOSE, MODELS 7M, 8M & 12M	
	8008278	2	HOSE, MODELS 9M & 13M	
14	8002359	1	HOSE	
15	8002371	1	HOSE	
16	2481696	2	FITTING	
17	8002355	2	HOSE	
18	8002354	2	HOSE, MODELS 7M, 8M & 12M	
	8008279	2	HOSE, MODELS 9M & 13M	
20	3962930	1	CLIP	
21	2912085	4	CLIP BODY	
22	874960	4	COVER	
23	0700817	5	HEX HD CAPSCREW, 8X45mm, GR8.8	
24	1321285	2	CLAMP	
25	1321323	2	CLAMP	
26		10	TIE-STRAP	
27	5200812	1	BOLT, 8X25mm	
28	3924730	3	CLIP	
29	8009759	2	CLIP	
31	1377299	2	COVER, CLAMP	
32	0700626	4	HEX HD CAPSCREW, 6X90mm, GR8.8	
33	1321329	3	CLAMP	
34	1321324	2	CLAMP	
35	0700826	2	SOCKET HD CAPSCREW, 8X1.25X90mm, (Before S/N 1160000348)	
	0700827	2	SOCKET HD CAPSCREW, 8X1.25X100mm, (S/N 1160000348 & After)	
36	1009352	2	CLIP	
37	4811700	4	FLAT WASHER, 6mm	
38	1309435	3	COVER	
39		Ref	CLAMP, (see Figure 8-5, item 29, for details)	
40		Ref	CLAMP, (See Figure 8-5, Item 24 for details)	
105	2142204	2	TEE FITTING, (if equipped with LMIS)	
106	2143404	1	ELBOW, 90 DEGREES, (if equipped with LMIS)	
107	2180864	2	SWIVEL GAUGE ADAPTER, (if equipped with LMIS)	
116	1001101954	2	PRESSURE SENSOR, (if equipped with LMIS)	
214	1001092511	2	CONNECTOR, (includes o-ring), (if equipped with LMIS)	
217	2143406	2	ELBOW, 90 DEGREES, (swivel nut), (if equipped with LMIS)	
219	2754619	1	HOSE ASSY, (if equipped with LMIS)	
221	2754620	1	HOSE ASSY, (if equipped with LMIS)	



HYDRAULIC CIRCUITS

Figure 8-3 Lifting Hydraulics

Item	Part Number	Qty.	Description	Rev.
239	1001101855	2	ELBOW, 90 DEGREES, (if equipped with LMIS)	
240	1001101954	2	PRESSURE SENSOR, (if equipped with LMIS)	
315		Ref	MAIN CONTROL VALVE, (see Figure 9-8 for details)	
323	1001092511	2	CONNECTOR, (includes o-ring), (if equipped with LMIS)	

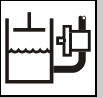


Figure 8-3 Lifting Hydraulics

Item	Part Number	Qty.	Description	Rev.

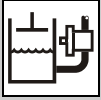
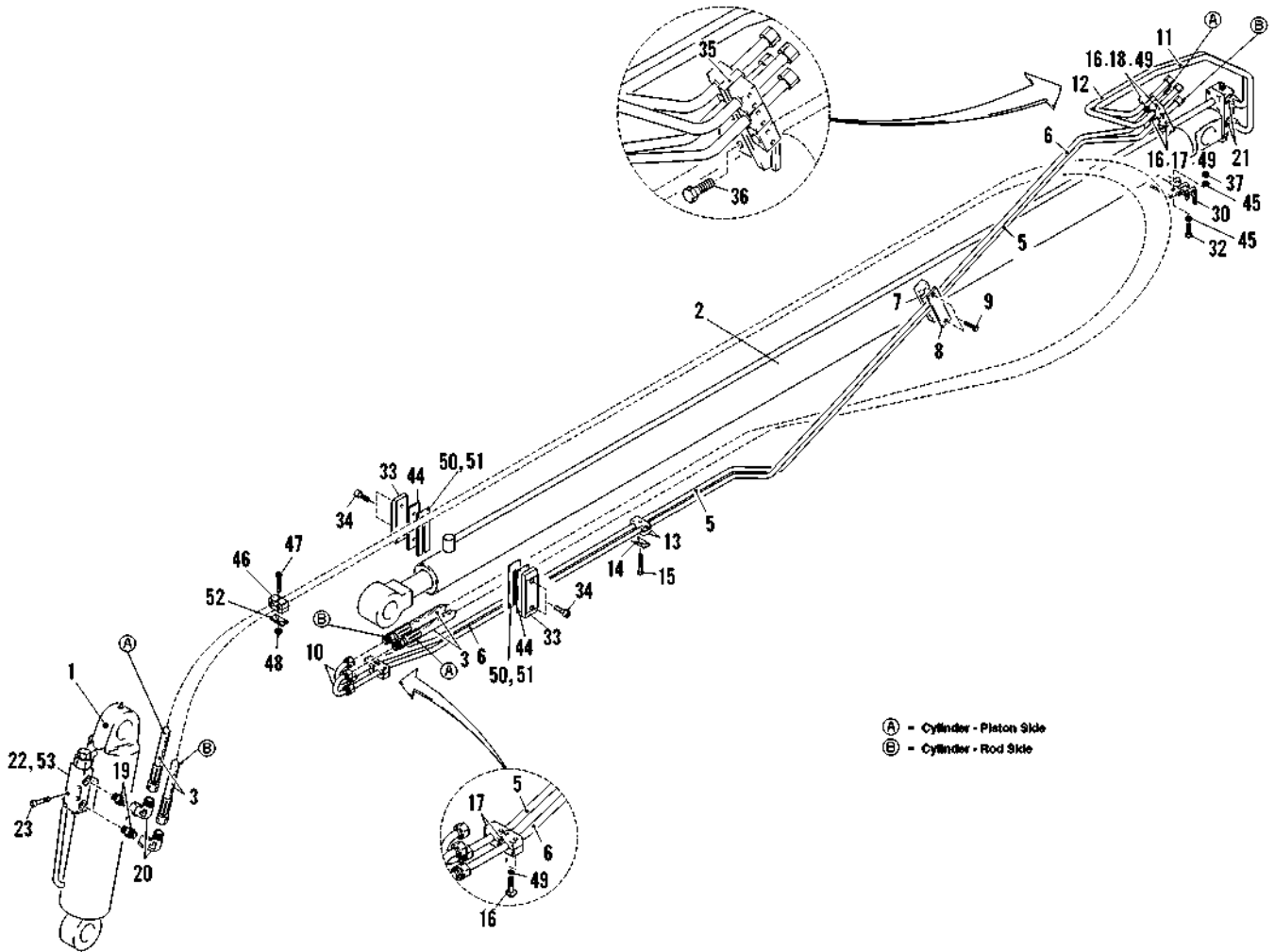


Figure 8-4 Working Hydraulics

7, 8 & 9M



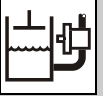
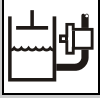


Figure 8-4 Working Hydraulics

Item	Part Number	Qty.	Description	Rev.
	8001855	Ref	HYDRAULIC SYSTEM, (working hydraulics) 7 & 8M, (Before S/N 1160000798)	H
	0273112	Ref	HYDRAULIC SYSTEM, (working hydraulics) 7 & 8M, (S/N 1160000798 & After)	D
	8007284	Ref	HYDRAULIC SYSTEM, (working hydraulics) 9M	C
1		Ref	TILT CYLINDER ASSY, (see Figure 9-3 for details)	
2		Ref	EXTEND/RETRACT CYLINDER ASSY, (see Figure 9-2 for details)	
3		1	HOSE ASSY, (7/8M), (no longer available; order kit 1001097996 on Figure 12-17 before S/N 1160001692)	
	1001111730	1	TWINLINE HOSE ASSY, 7M & 8M MACHINES, (S/N 1160001692 & After)	
		2	HOSE ASSY, (9M), (no longer available; order kit 1001097997 on Figure 12-17 before S/N 1160001692)	
	1001111731	1	TWINLINE HOSE ASSY, 9M MACHINES, (S/N 11600001692 & After)	
5	8000999		TUBE, 7M & 8M MACHINES, (Before S/N 1160000798)	
	8009358		TUBE, 7M & 8M MACHINES, (S/N 1160000798 & After)	
	8007355		TUBE, 9M MACHINES	
6	8000995		TUBE, 7M & 8M MACHINES, (Before S/N 1160000798)	
	8009359		TUBE, 7M & 8M MACHINES, (S/N 1160000798 & After)	
	8007352		TUBE, 9M MACHINES	
7	8005639	1	BLOCK	
8	8005640	1	PRESSURE PLATE	
9	8005252	2	COUNTERSUNK SCREW, 8X50mm	
10	8000778	2	U PIPE	
11	8000997		TUBE, 7M & 8M MACHINES, (Before S/N 1160000798)	
	8007353		TUBE, ALL 9M MACHINES; 7M & 8M MACHINES WITH S/N 1160000798 & AFTER	
12	8000998		TUBE, 7M & 8M MACHINES, (Before S/N 1160000798)	
	8007354		TUBE, ALL 9M MACHINES; 7M & 8M MACHINES WITH S/N 1160000798 & AFTER	
13	874993	1	CLAMP	
14	874960	1	COVER, CLAMP	
15	0700816	1	BOLT, 8X40mm	
16	4010615	4	MACHINE SCREW, 6X35mm	
	4010614	8	MACHINE SCREW, 6X30mm	
17	877203	4	CLAMP	
18	1024044	2	CLAMP	
19	2481696	2	FITTING	
20	2903062	2	FITTING	
21	2990158	2	FITTING	
22	8005222	1	LOAD HOLDING VALVE	
23	4031913	4	SOCKET HD CAPSCREW, 8X45mm, GR8.8	
30	8004449	1	PLATE, SHIM, (Before S/N 1160001692)	
	0903601	1	HOSE GUIDE BRACKET, (S/N 1160001692 & After)	
32	0761214	4	HEX HD CAPSCREW, 12X30mm, GR8.8, (torque to 90 Nm)	
33	8010148	2	GUIDE	
34	8010123	4	HEX SOCKET HD CAPSCREW, 8X30mm	
35	8005792	1	BRACKET	
36	0761010	3	HEX HD CAPSCREW, 10X20mm, GR8.8	
37	3291201	4	HEX NUT, 12mm, 7M & 8M MACHINES	
	3291201	2	HEX NUT, 12mm, 9M MACHINES	
44	8002972	4	SHIM	



HYDRAULIC CIRCUITS

Figure 8-4 Working Hydraulics (Continued)

Item	Part Number	Qty.	Description	Rev.
45	4740532	8	WASHER, 12mm	
46	1686282	1	CLAMP, (Before S/N 1160001692)	
	1321324	1	DOUBLE CLAMP, (S/N 1160001692 & After)	
47	0700819	1	HEX HD CAPSCREW, 8-1.25X55mm, GR8.8, (Before S/N 1160001692)	
	0700820	1	HEX HD CAPSCREW, 8-1.25X60mm, GR8.8, (S/N 1160001692 & After)	
48	3290807	1	NUT, 8mm	
49	1302325	12	WASHER, 6X1mm	
50	8009987	2	SHIM	
51	8009988	2	SHIM	
52	874960	1	COVER, CLAMP, (Before S/N 1160001692)	
	1309345	1	COVER, CLAMP, (S/N 1160001692 & After)	
53	1001102080	4	O-RING	

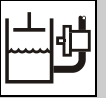


Figure 8-4 Working Hydraulics (Continued)

Item	Part Number	Qty.	Description	Rev.

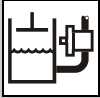
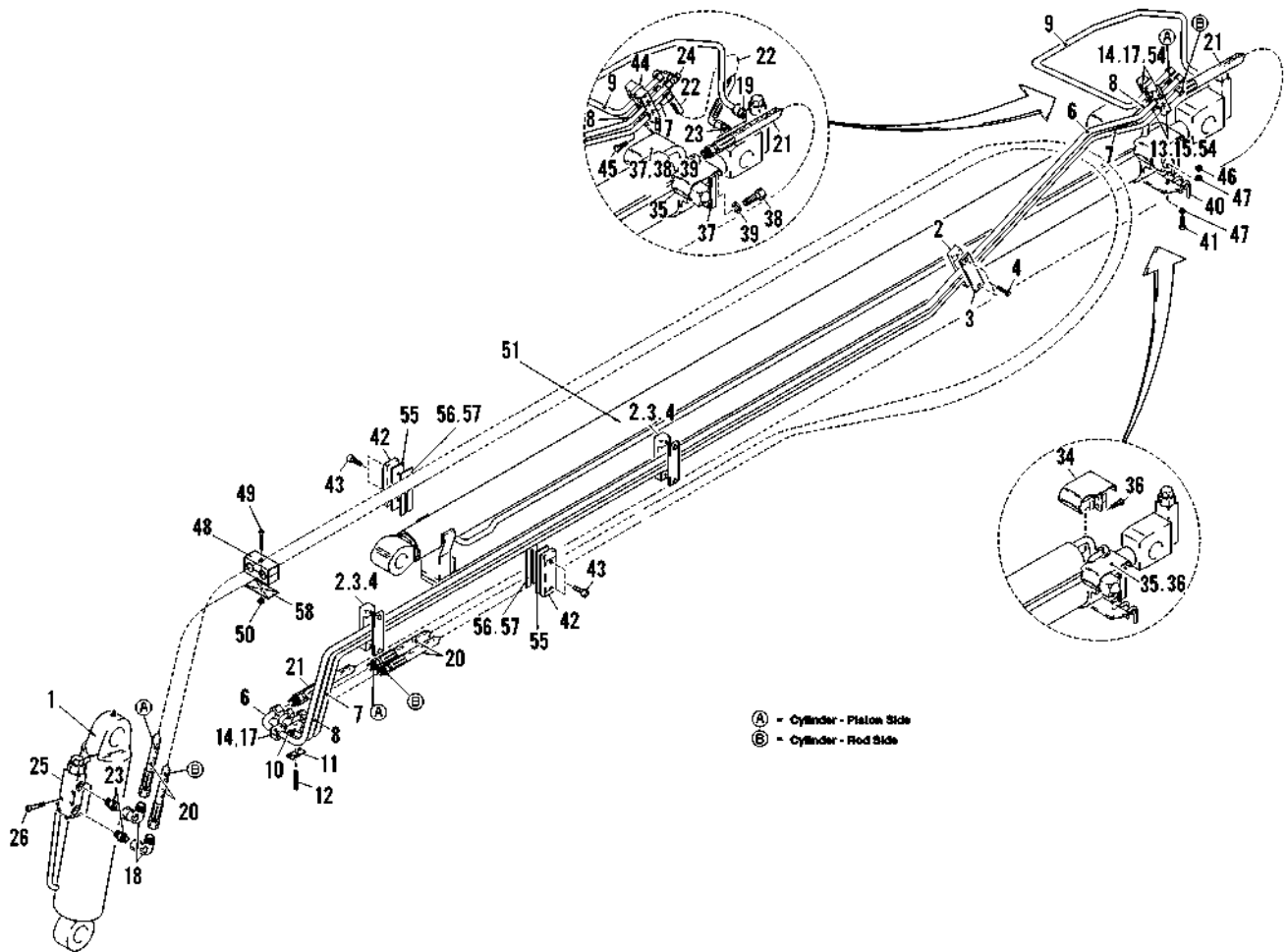


Figure 8-4 Working Hydraulics

12 & 13M



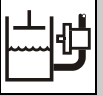
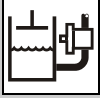


Figure 8-4 Working Hydraulics

Item	Part Number	Qty.	Description	Rev.
	8002965	Ref	HYDRAULIC SYSTEM, (working hydraulics) 12M, (Before S/N 1160000798)	H
	0273116	Ref	HYDRAULIC SYSTEM, (working hydraulics) 12M, (S/N 1160000798 & After)	D
	8007277	Ref	HYDRAULIC SYSTEM, (working hydraulics) 13M	C
1		Ref	TILT CYLINDER ASSY, (see Figure 9-3 for details)	
2	8002581	3	BLOCK	
3	8002794	3	PRESSURE PLATE	
4	8005252	6	COUNTERSUNK SCREW, 8X50mm	
6	8005624		TUBE ASSY, (12M) , (Before S/N 1160000798)	
	8009353		TUBE ASSY, (12M) , (S/N 1160000798 & After)	
	8007162		TUBE ASSY, (13M)	
7	8005626		TUBE ASSY, (12M) , (Before S/N 1160000798)	
	8009355		TUBE ASSY, (12M) , (S/N 1160000798 & After)	
	8007164		TUBE ASSY, (13M)	
8	8005625		TUBE ASSY, (12M) , (Before S/N 1160000798)	
	8009354		TUBE ASSY, (12M) , (S/N 1160000798 & After)	
	8007163		TUBE ASSY, (13M)	
9	8005627		TUBE ASSY, (12M) , (Before S/N 1160000798)	
	8007165		TUBE ASSY, (12M S/N 1160000798 & After, 13M)	
10	874993	1	CLAMP	
11	874960	1	COVER, CLAMP	
12	0700816	1	BOLT, 8X40mm	
13	4010614	4	MACHINE SCREW, 6X30mm	
14	1024044	3	CLAMP	
15	877203	2	CLAMP	
17	4010615	6	MACHINE SCREW, 6X35mm	
18	2903062	2	FITTING	
19	2990158	1	FITTING	
20		2	HOSE ASSY, (12M) , (no longer available; order kit 1001097998 on Figure 12-17 Before S/N 1160001692)	
	2754700	1	TWINLINE HOSE ASSY, (12M) , (S/N 1160001692 & After)	
		2	HOSE ASSY, (13M) , (no longer available; order kit 2915209 on Figure 12-17 Before S/N 1160001692)	
	2754342	1	TWINLINE HOSE ASSY, (13M) , (S/N 1160001692 & After)	
21	1001100799		HOSE ASSY, (12M)	
	1001100754		HOSE ASSY, (13M)	
22	8003001	1	HOSE	
23	2481696	3	FITTING	
24	2904472	1	FITTING	
25	8005222	1	LOAD HOLDING VALVE	
26	4031913	4	SOCKET HD CAPSCREW, 8X45mm, GR8.8	
34	4804806	1	SHIELD RIGHT	
35	4804760	1	SHIELD LEFT	
36	0760810	4	HEX HD CAPSCREW, M8X20, GR8.8	
37	8002627	2	PRESSURE PLATE	
38	0712020	4	HEX HD CAPSCREW, M20X60	
39	4812500	4	FLAT WASHER, 20mm	
40	8002626	1	PLATE, SHIM, (Before S/N 1160001692)	
	0903602	1	HOSE GUIDE BRACKET, (S/N 1160001692 & After)	
41	0761214	4	HEX HD CAPSCREW, 12X30mm, GR8.8, (torque to 90 Nm)	



HYDRAULIC CIRCUITS

Figure 8-4 Working Hydraulics (Continued)

Item	Part Number	Qty.	Description	Rev.
42	8010148	2	GUIDE	
43	8010123	4	HEX SOCKET HD CAPSCREW, 8X30mm	
44	8002570	1	BRACKET	
45	0761010	3	HEX HD CAPSCREW, 10X20mm, GR8.8	
46	3291201	4	HEX NUT, 12mm	
47	4740532	8	WASHER, 12mm	
48	1686282	1	CLAMP, (Before S/N 1160001692)	
	1321324	1	DOUBLE CLAMP, (S/N 1160001692 & After)	
49	0700819	1	HEX HD CAPSCREW, 8-1.25X55mm, GR8.8, (Before S/N 1160001692)	
	0700820	1	HEX HD CAPSCREW, 8-1.25X60mm, GR8.8, (S/N 1160001692 & After)	
50	3290807	1	NUT, 8mm	
51		Ref	EXTEND/RETRACT CYLINDER ASSY, (see Figure 9-2 for details)	
54	1302325	10	WASHER, 6X1mm	
55	8002972	4	SHIM	
56	8009987	2	SHIM	
57	8009988	2	SHIM	
58	874960	1	COVER, CLAMP, (Before S/N 1160001692)	
	1309435	1	COVER, CLAMP, (S/N 1160001692 & After)	

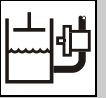
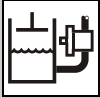


Figure 8-4 Working Hydraulics (Continued)

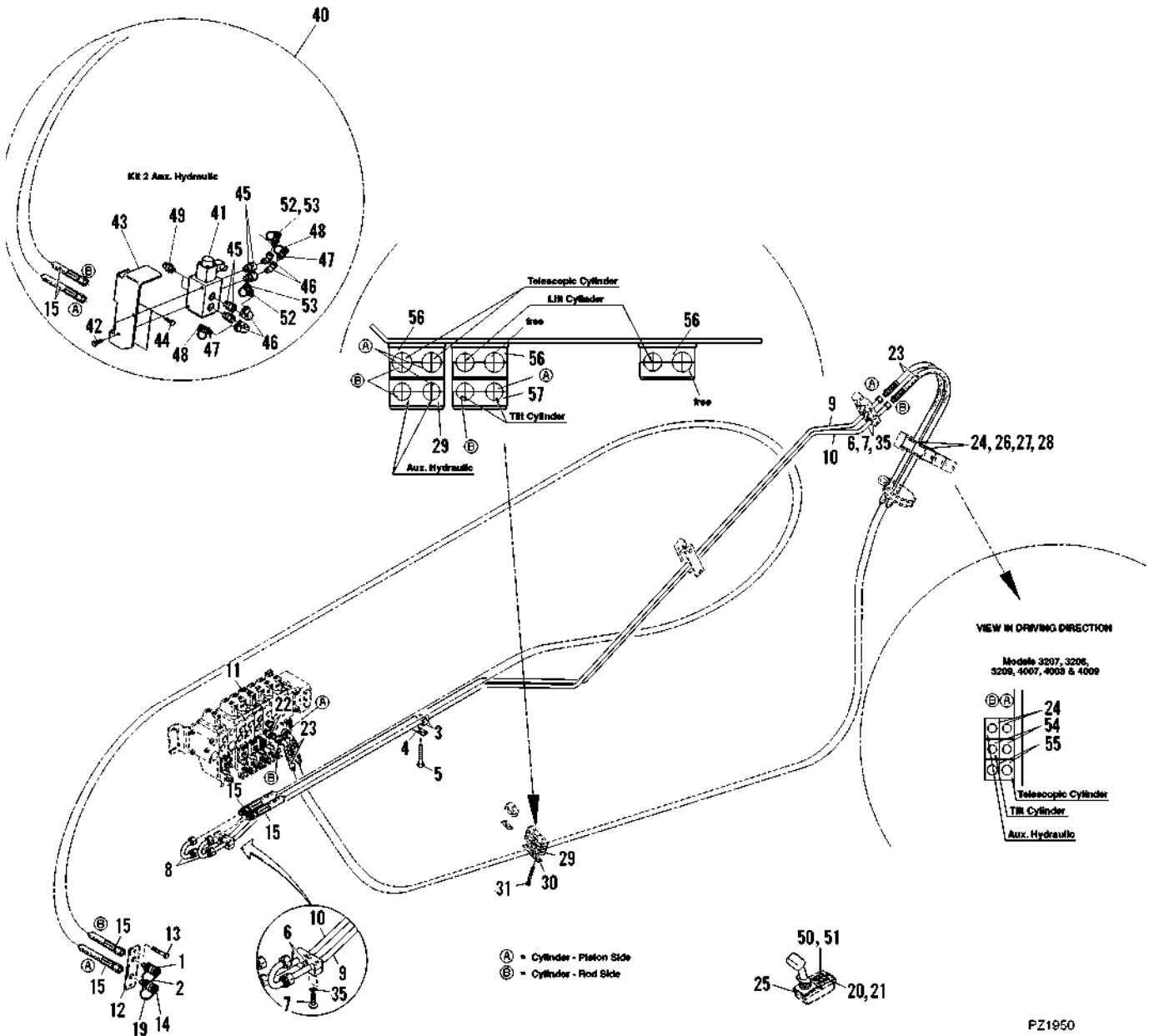
Item	Part Number	Qty.	Description	Rev.



HYDRAULIC CIRCUITS

Figure 8-5 Hydraulic System w/Auxiliary

7, 8 & 9M



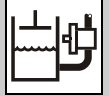
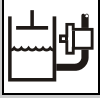


Figure 8-5 Hydraulic System w/Auxiliary

Item	Part Number	Qty.	Description	Rev.
	8002836	Ref	7M & 8M HYDRAULIC SYSTEM w/AUX, (Before S/N 1160000798)	G
	0274075	Ref	7M & 8M HYDRAULIC SYSTEM w/AUX, (S/N 1160000798 & After)	D, 5
	8007285	Ref	9M HYDRAULIC SYSTEM w/AUX	D, 7
1		1	FEMALE SCREW COUPLING, (no longer available, order 1001097287 kit)	
	1001094555	1	FEMALE QUICK DISCONNECT FITTING	
2	3977460	1	DUST PLUG, (use with female screw type coupling)	
	1001093827	1	DUST PLUG, (use with female quick disconnect type coupling)	
3	874993	1	CLAMP	
4	874960	1	COVER, CLAMP	
5	0700817	1	HEX HD CAPSCREW, 8X45mm, GR8.8	
6	877203	4	CLAMP	
7	4010614	8	MACHINE SCREW, 6X30mm	
8	8000778	2	U-PIPE	
9	8000993	1	TUBE, 7M & 8M MACHINES, (Before S/N 1160000798)	
	8009360	1	TUBE, 7M & 8M MACHINES, (S/N 1160000798 & After)	
	8007351	1	TUBE, 9M MACHINES	
10	8000992	1	TUBE, 7M & 8M MACHINES, (Before S/N 1160000798)	
	8009361	1	TUBE, 7M & 8M MACHINES, (S/N 1160000798 & After)	
	8007350	1	TUBE, 9M MACHINES	
11		Ref	MAIN CONTROL VALVE ASSY, (see Figure 9-8 for details)	
12	8001275	1	BRACKET	
13	0761010	2	HEX HD CAPSCREW, 10X20mm, GR8.8	
14		1	MALE SCREW COUPLING, (no longer available, order 1001097287 kit)	
	1001094556	1	MALE QUICK DISCONNECT FITTING	
15		2	HOSE ASSY, (7/8M) , (no longer available; order kit 1001097996 on Figure 12-17 before S/N 1160001692)	
	2754348	1	TWINLINE HOSE ASSY, (7/8M) , (S/N 1160001692 & After)	
		2	HOSE ASSY, (9M) , (no longer available; order kit 1001097997 on Figure 12-17 before S/N 1160001692)	
	2754346	1	HOSE ASSY, (9M) , (S/N 1160001692 & After)	
19	3977459	1	DUST CAP, (use with male screw type coupling)	
	1001093826	1	DUST CAP, (use with male quick disconnect type coupling)	
20	8002834	1	SENSOR 12V	
21	8002832	1	DECAL	
22	2481696	2	FITTING	
23	8002356	2	HOSE, ALL 7M & 8M MACHINES; 9M WITH S/N 1160000798 & After	
	8008004	2	HOSE, 9M MACHINES, (Before S/N 1160000798)	
24	1321323	2	CLAMP	
25		Ref	JOYSTICK, (see Figure 7-1 for details)	
26	1377299	1	COVER, CLAMP	
27	0700626	2	HEX HD CAPSCREW, 6X90mm, GR8.8	
28	4811700	2	FLAT WASHER, 6mm	
29	1321324	1	CLAMP	
30	1309435	1	COVER, CLAMP	
31	0700826	1	SOCKET HD CAPSCREW, 8X1.25X90mm	
35	1302325	8	WASHER, 6X1mm	
40	8006211	1	ADDITIONAL HYDRAULIC KIT FOR HYDRAULIC MOUNTING UNITS, (optional), (includes items 41 thru 53)	
41	3759579	1	FLOW CONTROL VALVE ASSY	



HYDRAULIC CIRCUITS

Figure 8-5 Hydraulic System w/Auxiliary (Continued)

Item	Part Number	Qty.	Description	Rev.
42	1614979	2	BOLT, 8X12mm	
43	8003199	1	BRACKET	
44	0761010	2	HEX HD CAPSCREW, 10X20mm, GR8.8	
45	8003065	4	FITTING	
46	2903062	4	FITTING	
47		2	MALE SCREW COUPLING, (no longer available, order 1001097287 kit)	
	1001094556	2	MALE QUICK DISCONNECT FITTING	
48	3977459	2	DUST CAP, (use with male screw type coupling)	
	1001093826	2	DUST CAP, (use with male quick disconnect type coupling)	
49	2481696	2	FITTING	
50	4674353	1	SWITCH 12V	
51	8002833	1	DECAL	
52		2	FEMALE SCREW COUPLING, (no longer available, order 1001097287 kit), (9M machines require qty. 1)	
	1001094555	2	FEMALE QUICK DISCONNECT FITTING, (9M machines require qty. 1)	
53	3977460	2	DUST PLUG, (use with female screw type coupling), (9M machines require qty. 1)	
	1001093827	2	DUST PLUG, (use with female quick disconnect type coupling), (9M machines require qty. 1)	
54		Ref	CLAMP, (see Figure 8-3, item 25, for details)	
55		Ref	COVER, (see Figure 8-3, item 22, for details)	
56		Ref	CLAMP, (see Figure 8-3, item 34, for details)	
57		Ref	CLAMP, (see Figure 8-3, item 33, for details)	
	1001097287	1	QUICK DISCONNECT ADAPTER KIT, (includes items 1, 14, dust plug & dust cap)	

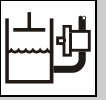
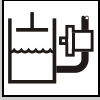


Figure 8-5 Hydraulic System w/Auxiliary (Continued)

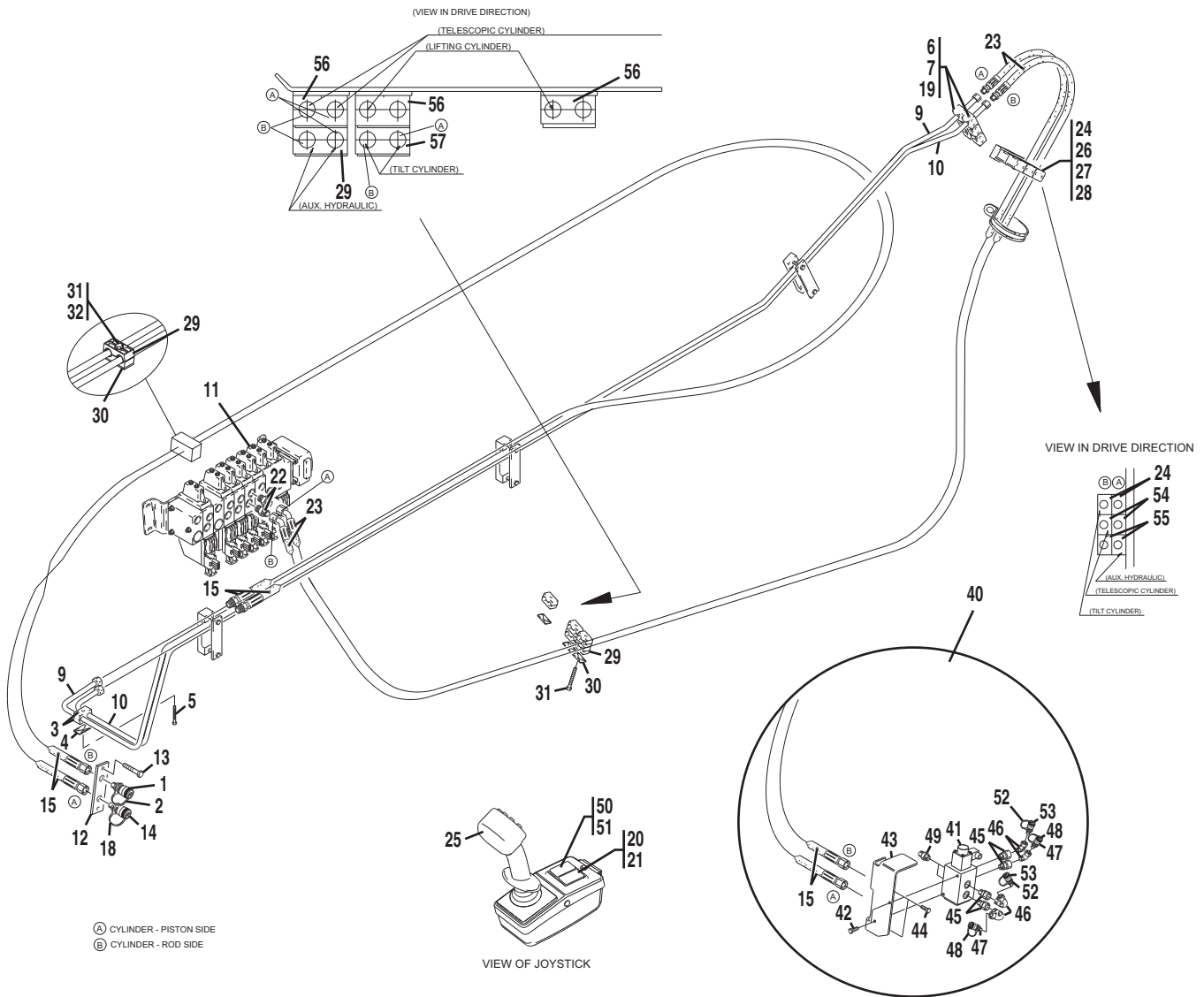
Item	Part Number	Qty.	Description	Rev.



HYDRAULIC CIRCUITS

Figure 8-5 Hydraulic System w/Auxiliary

12 & 13M



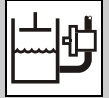
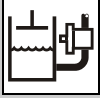


Figure 8-5 Hydraulic System w/Auxiliary

Item	Part Number	Qty.	Description	Rev.
	8002922	Ref	12M HYDRAULIC SYSTEM w/AUX	K, 9
	8007278	Ref	13M HYDRAULIC SYSTEM w/AUX	C
1		1	FEMALE SCREW COUPLING, (no longer available, order 1001097287 kit)	
	1001094555	1	FEMALE QUICK DISCONNECT FITTING	
2	3977460	1	DUST PLUG, (use with female screw type coupling)	
	1001093827	1	DUST PLUG, (use with female quick disconnect type coupling)	
3	874993	1	CLAMP	
4	874960	1	COVER, CLAMP	
5	0700817	1	HEX HD CAPSCREW, 8X45mm, GR8.8	
6	877203	2	CLAMP	
7	4010614	4	MACHINE SCREW, 6X30mm	
9	8005621	1	TUBE ASSY, (12M), (Before S/N 1160000798)	
	8009356	1	TUBE ASSY, (12M), (S/N 1160000798 & After)	
	8007160	1	TUBE ASSY, (13M)	
10	8005622	1	TUBE ASSY, (13M), (Before S/N 1160000798)	
	8009357	1	TUBE ASSY, (12M), (S/N 1160000798 & After)	
	8007161	1	TUBE ASSY, (13M)	
11		Ref	MAIN CONTROL VALVE ASSY, (see Figure 9-8 for details)	
12	8001275	1	BRACKET	
13	0761010	2	HEX HD CAPSCREW, 10X20mm, GR8.8	
14		1	MALE SCREW COUPLING, (no longer available, order 1001097287 kit)	
	1001094556	1	MALE QUICK DISCONNECT FITTING	
15		2	HOSE ASSY, (12M), (no longer available; order kit 1001097998 Figure 12-17 before S/N 1160001692)	
	2754701	1	HOSE ASSY, (12M), (S/N 1160001692 & After)	
		2	HOSE ASSY, (13M), (no longer available; order kit 2915209 on Figure 12-17 before S/N 1160001692)	
	2754343	1	HOSE ASSY, (13M), (S/N 1160001692 & After)	
18	3977459	1	DUST CAP, (use with male screw type coupling)	
	1001093826	1	DUST CAP, (use with male quick disconnect type coupling)	
19	1302325	4	WASHER, 12X6X1mm	
20		Ref	SENSOR 12V	
21		Ref	DECAL	
22	2481696	2	FITTING	
23	8008004	2	HOSE, 12M MACHINES, (used on 13M S/N 1160000798 & After)	
	8002356	2	HOSE, 13M MACHINES, (Before S/N 1160000798)	
24	1321323	2	CLAMP	
25		Ref	JOYSTICK, (see Figure 7-1 for details)	
26	1377299	1	COVER, CLAMP	
27	0700626	2	HEX HD CAPSCREW, 6X90mm, GR8.8	
28	4811700	2	FLAT WASHER, 6mm	
29	1321324	2	DOUBLE CLAMP	
30	1309435	2	COVER, CLAMP	
31	0700820	2	HEX HD CAPSCREW, 8X60mm	
32	3290807	1	HEX LOCKNUT, 8X1.25mm	
40	8006211	1	HYDRAULIC KIT SET FOR HYDRAULIC MOUNTING UNITS, (optional), (includes items 41 thru 53)	
41	3759579	1	FLOW CONTROL VALVE ASSY	
42	1614979	2	BOLT, 8X12mm	



HYDRAULIC CIRCUITS

Figure 8-5 Hydraulic System w/Auxiliary (Continued)

Item	Part Number	Qty.	Description	Rev.
43	8003199	1	BRACKET	
44	0761010	2	HEX HD CAPSCREW, 10X20mm, GR8.8	
45	8003065	4	FITTING	
46	2903062	4	FITTING	
47		2	MALE SCREW COUPLING, (no longer available, order 1001097287 kit)	
	1001094556	2	MALE QUICK DISCONNECT FITTING	
48	3977459	2	DUST CAP, (use with male screw type coupling)	
	1001093826	2	DUST CAP, (use with male quick disconnect type coupling)	
49	2481696	2	FITTING	
50	4674353	1	SWITCH 12V	
51	8002833	1	DECAL	
52		2	FEMALE SCREW COUPLING, (no longer available, order 1001097287 kit)	
	1001094555	2	FEMALE QUICK DISCONNECT FITTING	
53	3977460	2	DUST PLUG, (use with female screw type coupling)	
	1001093827	2	DUST PLUG, (use with female quick disconnect type coupling)	
54		Ref	CLAMP, (see Figure 8-3, item 22, for details)	
55		Ref	COVER, (see Figure 8-3, item 24, for details)	
56		Ref	CLAMP, (see Figure 8-3, item 34, for details)	
57		Ref	CLAMP, (see Figure 8-3, item 33, for details)	
	1001097287	1	QUICK DISCONNECT ADAPTER KIT, (includes items 1, 14, dust plug & dust cap)	

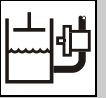


Figure 8-5 Hydraulic System w/Auxiliary (Continued)

Item	Part Number	Qty.	Description	Rev.

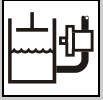
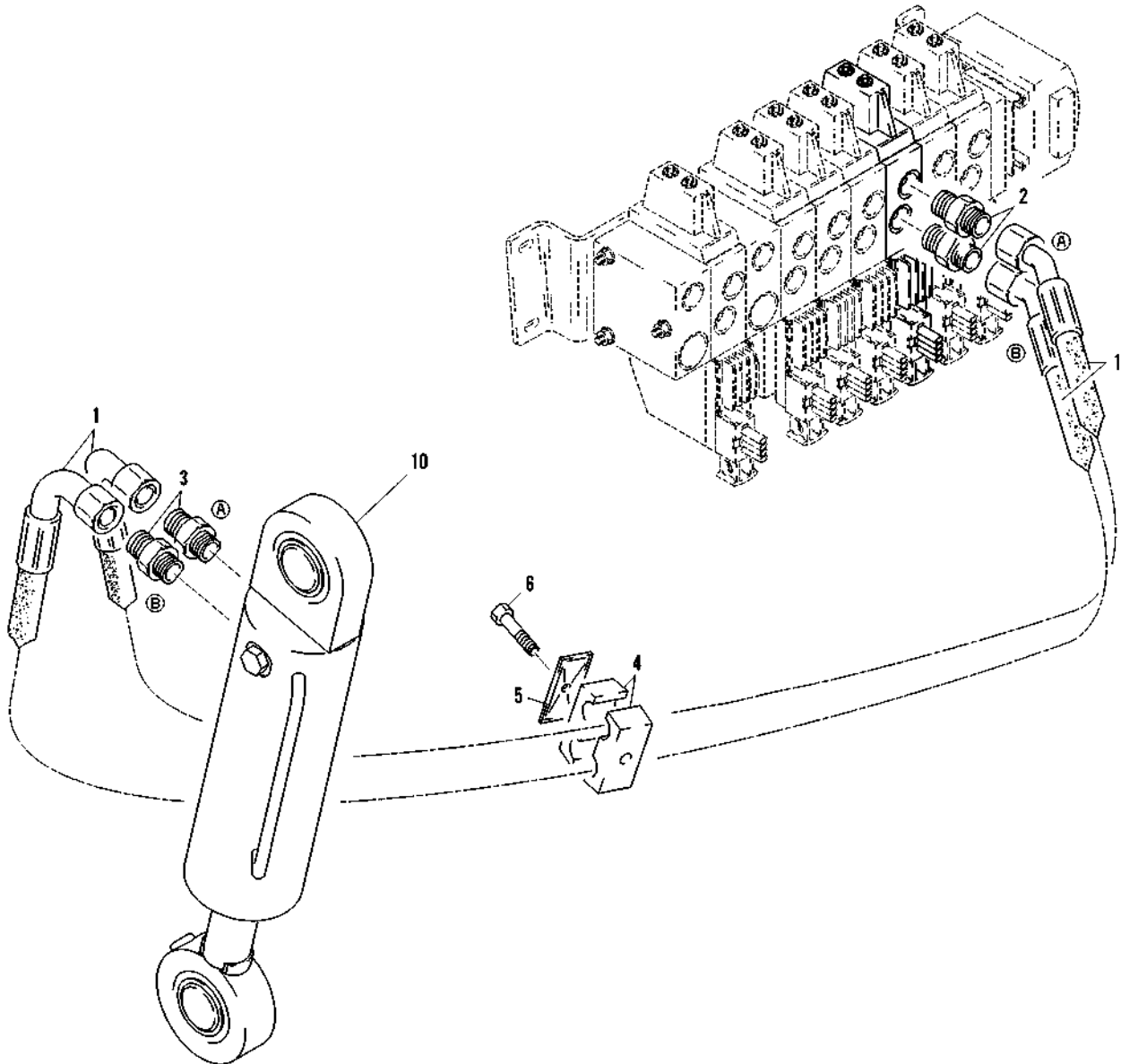


Figure 8-6 Leveling Hydraulics



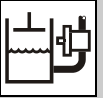


Figure 8-6 Leveling Hydraulics

Item	Part Number	Qty.	Description	Rev.
	8001854	Ref	HYDRAULIC SYSTEM, (includes all items)	A
1	8003045	2	HOSE	
2	2142713	2	FITTING	
3	1689207	2	FITTING	
4	2912085	1	CLAMP	
5	874960	1	COVER, CLAMP	
6	0700817	1	HEX HD CAPSCREW, 8X45mm, GR8.8	
10		Ref	SWAY CYLINDER ASSY, (see Figure 9-5 for details)	

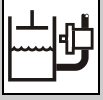
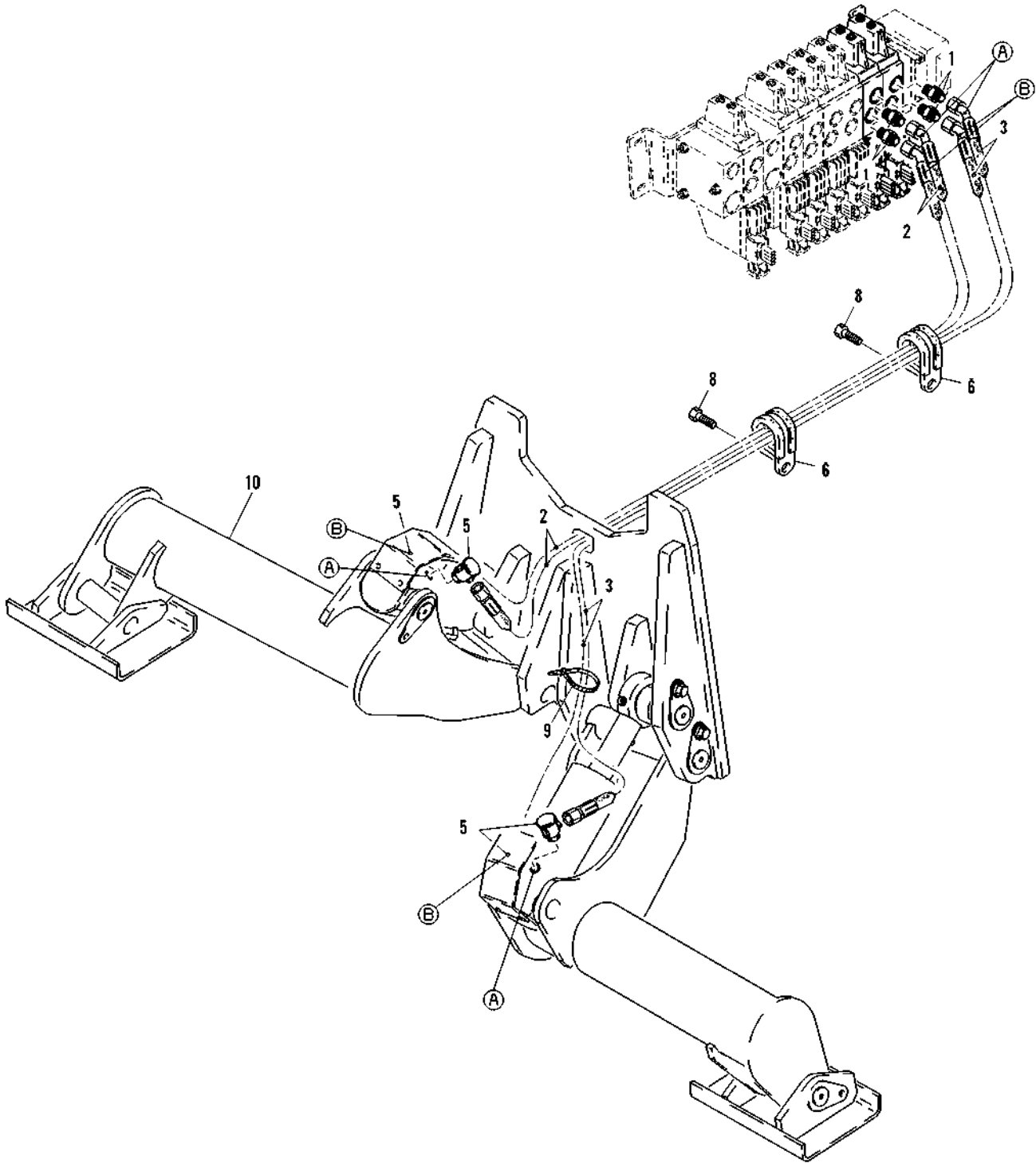


Figure 8-7 Stabilizing Hydraulics



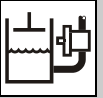
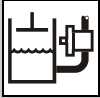


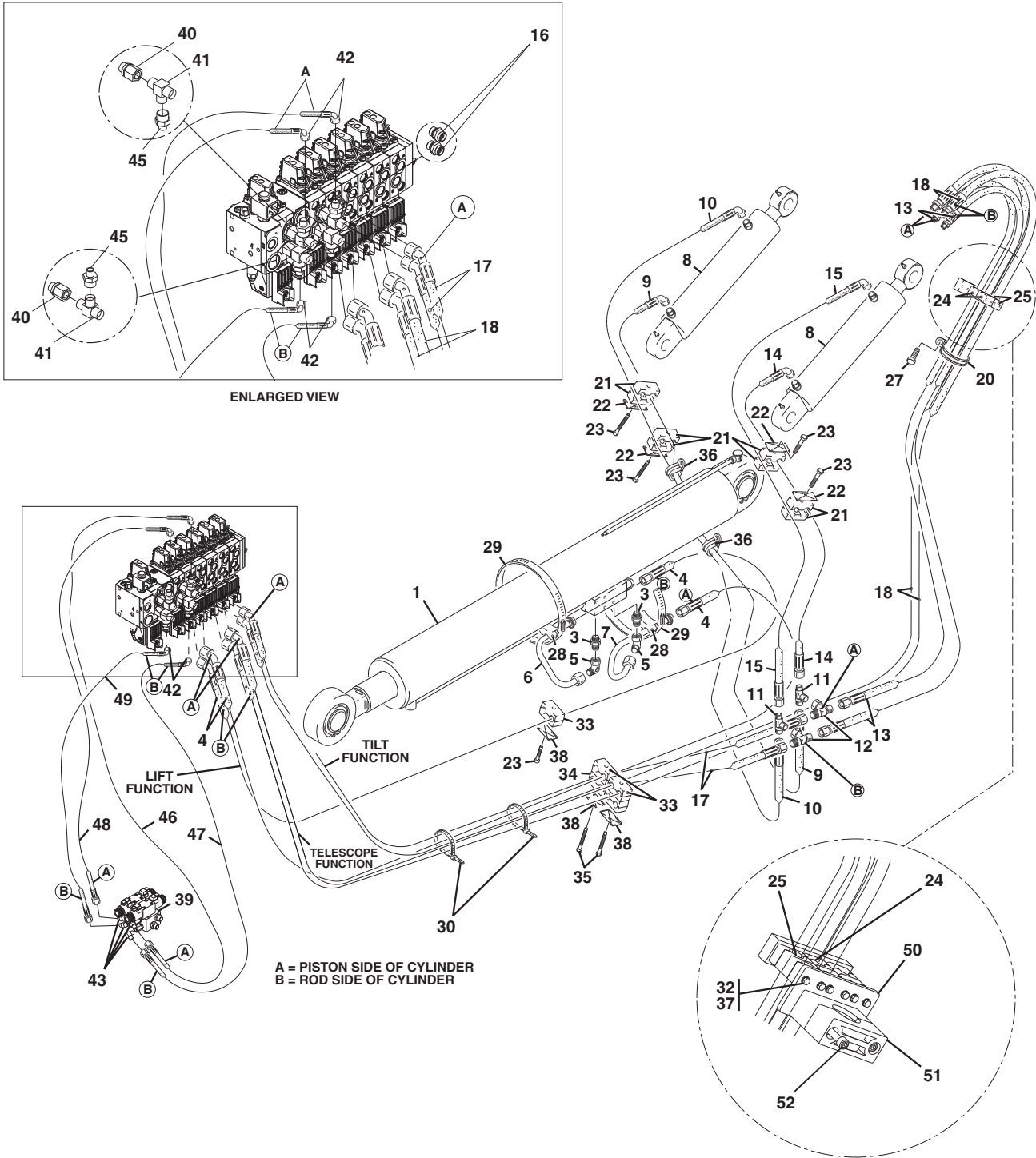
Figure 8-7 Stabilizing Hydraulics

Item	Part Number	Qty.	Description	Rev.
	8002710	1	HYDRAULIC SYSTEM, (includes all items)	B
1	2142713	4	FITTING	
2	8003024	2	HOSE	
3	8003025	2	HOSE	
5	2141105	4	FITTING	
6	1003721	2	CLIP	
8	5200810	2	BOLT, 8X20mm	
9	1062255	10	TIE-STRAP	
10		1	STABILIZER ASSY, (see Figure 1-10 for details)	



HYDRAULIC CIRCUITS

Figure 8-8 Lift System Equipped For Platform



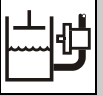
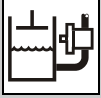


Figure 8-8 Lift System Equipped For Platform

Item	Part Number	Qty.	Description	Rev.
	0274376	1	PLATFORM HYDRAULIC LIFT SYSTEM	C
1		Ref	LIFT CYLINDER ASSY, (see Figure 9-1 for details)	
3	1686475	6	MALE CONNECTOR	
4	8002353	2	HOSE ASSY	
5	2143406	2	SWIVEL NUT FITTING	
6	8002716	1	TUBE ASSY	
7	8002718	1	TUBE ASSY	
8		Ref	COMPENSATION CYLINDER ASSY, (see Figure 9-4 for details)	
9	8002372	1	HOSE ASSY	
10	8002373	1	HOSE ASSY	
11	2904789	2	REDUCING TEE	
12	2980565	2	SWIVEL NUT TEE FITTING	
13	8008278	2	HOSE ASSY	
14	8002359	1	HOSE ASSY	
15	8002371	1	HOSE ASSY	
16	2481696	2	MALE CONNECTOR	
17	8002355	2	HOSE ASSY	
18	8008279	2	HOSE ASSY	
20	3962930	1	CLIP	
21	2912085	4	CLAMP	
22	874960	4	COVER PLATE	
23	0700817	5	HEX HD CAPSCREW, M8-45, GR8.8	
24	1321285	2	CLAMP	
25	1321323	2	CLAMP	
27	5200812	1	BOLT, 8X25mm	
28	3924730	3	CLIP	
29	8009759	2	HOSE CLAMP	
30		AR	TIE STRAP	
32	0700626	4	HEX HD CAPSCREW, 6X90mm, GR8.8	
33	1321329	3	DOUBLE CLAMP	
34	1321324	1	DOUBLE CLAMP	
35	0700827	2	HEX HD CAPSCREW, 8-1.25X100mm, GR8.8	
36	1009352	2	CLIP	
37	4811700	4	FLAT WASHER, 6mm	
38	1309435	3	COVER PLATE	
39		Ref	ERS VALVE ASSY, (see Figure 9-12 for details)	
40	2142806	4	SWIVEL CONNECTOR	
41	2141911	4	UNION TEE	
42	2141712	4	REDUCING CONNECTOR	
43	2142712	4	ELBOW CONNECTOR	
45	2143606	4	SWIVEL UNION	
46	2754505	1	HOSE ASSY	
47	2754506	1	HOSE ASSY	
48	2754507	1	HOSE ASSY	
49	2754508	1	HOSE ASSY	
50	4341233	1	PLATE SUPPORT, LIQUID CONDUIT	
51	1321620	1	CLAMP, PIPE HANGER	
52	4032020	2	SOCKET HED CAPSCREW, M10X80, GR8.8	



HYDRAULIC CIRCUITS

Figure 8-8 Lift System Equipped For Platform (Continued)

Item	Part Number	Qty.	Description	Rev.

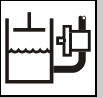
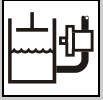


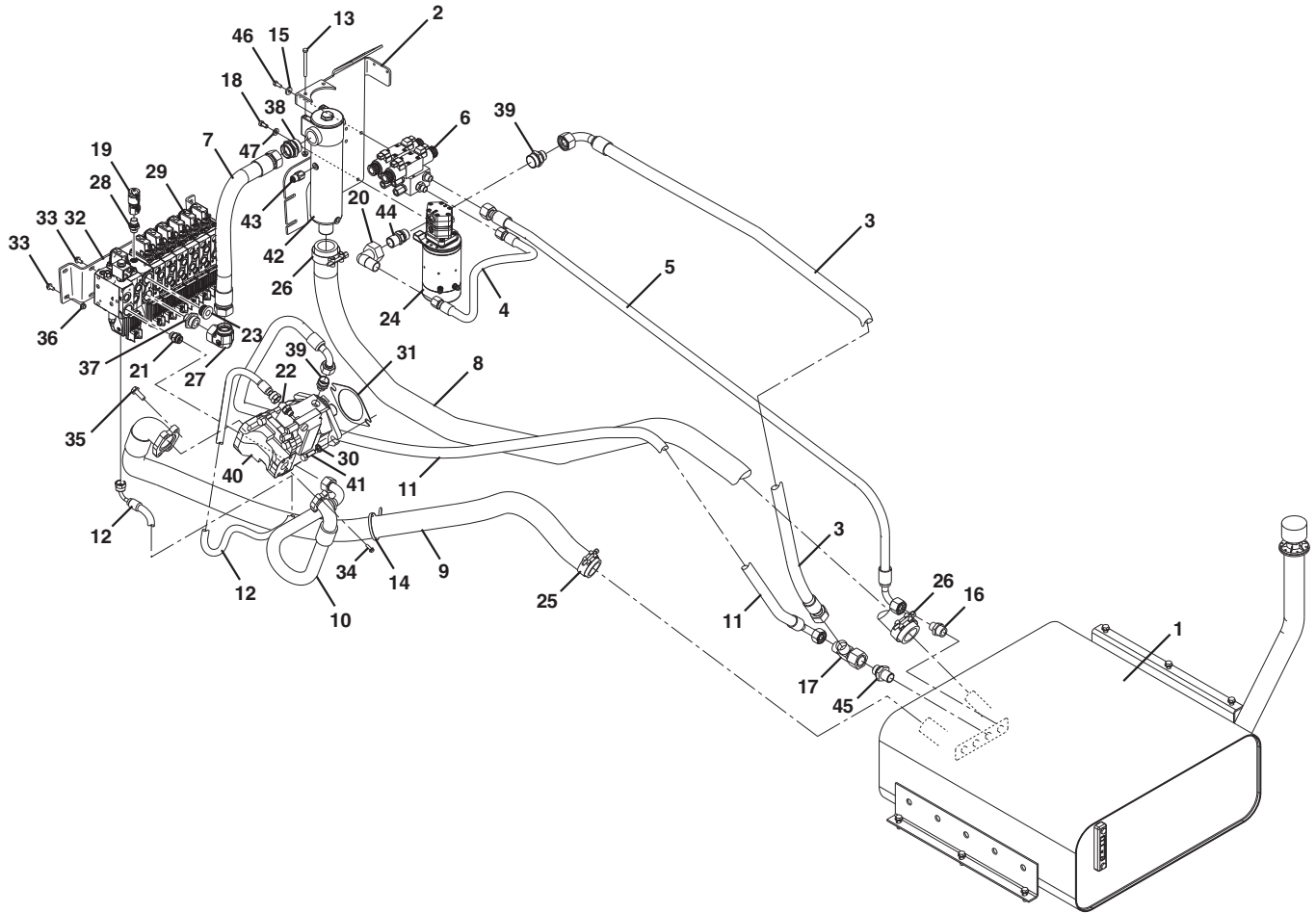
Figure 8-8 Lift System Equipped For Platform (Continued)

Item	Part Number	Qty.	Description	Rev.



HYDRAULIC CIRCUITS

Figure 8-9 Drive Pump to Main Valve Equipped For Platform



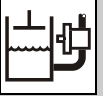
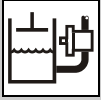


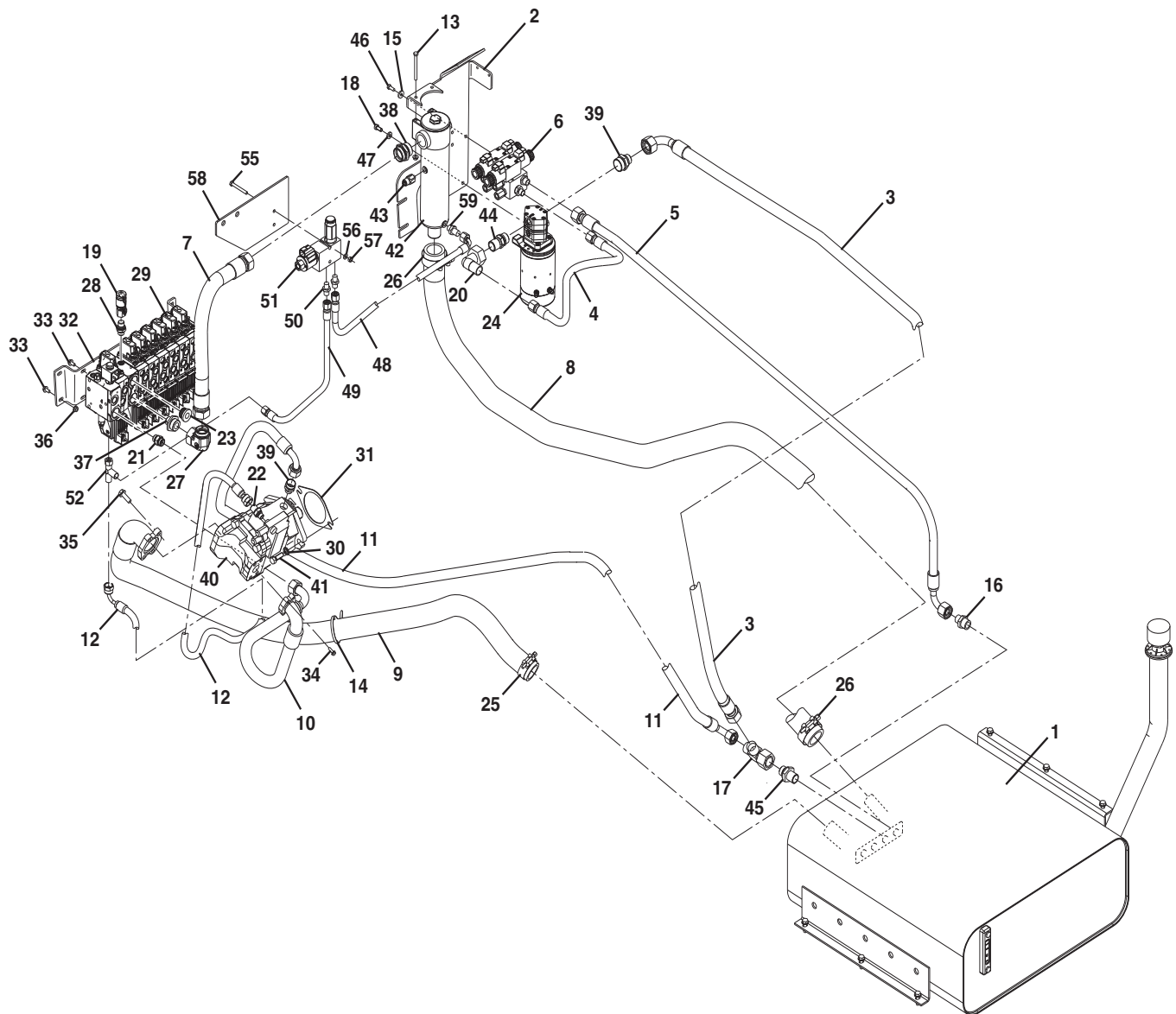
Figure 8-9 Drive Pump to Main Valve Equipped For Platform

Item	Part Number	Qty.	Description	Rev.
	0274377	Ref	PLATFORM HYDRAULIC INSTALLATION with LEVELING & STABILIZER OPTION	E
1		Ref	HYDRAULIC TANK, (see Figure 9-10 for details)	
2	0903122	1	WELDMENT BRACKET	
3	2754315	1	HOSE ASSY	
4	2754316	1	HOSE ASSY	
5	2754502	1	HOSE ASSY	
6		Ref	ERS CONTROL VALVE ASSY, (see Figure 9-12 for details)	
7	8001627	1	HOSE ASSY	
8	8001628	1	HOSE ASSY	
9	8001635	1	HOSE ASSY	
10	8001641	1	HOSE ASSY	
11	8001642	1	HOSE ASSY	
12	2754320	1	HOSE ASSY	
13	0700826	2	HEX HD CAPSCREW, 8X90mm	
14	1062255	1	TIE STRAP	
15	4740557	3	WASHER, 4X23X4	
16	2140808	1	CONNECTOR, 22X1.5mm	
17	2142207	1	SWIVEL RUN TEE	
18	0641606	2	HEX HD CAPSCREW, 3/8-16X3/4	
19	2988632	1	FITTING	
20	2143404	1	FITTING	
21	2904676	1	FITTING	
22	2142755	1	MALE CONNECTOR	
23	2985515	1	PLUG	
24		Ref	AUXILIARY POWER PUMP, (see Figure 9-13 for details)	
25	3625158	1	CLIP	
26	3737879	2	CLIP	
27	2143409	1	SWIVEL NUT ELBOW FITTING	
28	3970214	2	METRIC TUBE FITTING	
29		Ref	MAIN CONTROL VALVE ASSY, (see Figure 9-8 for details)	
30	4740532	2	WASHER, 12mm	
31	4804306	1	SPACER	
32	4805852	1	BRACKET	
33	5200808	4	RIPP BOLT, 8X16mm	
34	5201014	4	RIPP BOLT, 10X30mm	
35	5201215	4	RIPP BOLT, 12X35mm	
36	5220800	8	RIPP NUT, 8mm	
37	8001905	1	MALE CONNECTOR	
38	8001906	1	METRIC TUBE FITTING	
39	8001908	2	MALE CONNECTOR	
40		Ref	ENGINE DRIVE PUMP ASSY, (see Figure 9-9 for details)	
41	0681812	2	HEX HD CAPSCREW, 1/2-13X1-1/2	
42		Ref	RETURN FILTER, (see Figure 9-11 for details)	
43	8005174	1	PRESSURE SWITCH	
44	2180855	1	SPECIAL FITTING	
45	2140225	1	MALE STUD CONNECTOR, 22X1.5mm	
46	0760810	3	HEX HD CAPSCREW, 8X20mm	
47	4891600	2	WASHER	



HYDRAULIC CIRCUITS

Figure 8-10 Drive Pump to Main Valve Equipped For Platform (Australia)



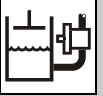
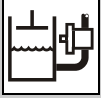


Figure 8-10 Drive Pump to Main Valve Equipped For Platform (Australia)

Item	Part Number	Qty.	Description	Rev.
	0274838	Ref	PLATFORM HYDRAULIC INSTALLATION with LEVELING & STABILIZER OPTION FOR AUSTRALIA	B
1		Ref	HYDRAULIC TANK, (see Figure 9-10 for details)	
2	0903122	1	WELDMENT BRACKET	
3	2754315	1	HOSE ASSY	
4	2754316	1	HOSE ASSY	
5	2754502	1	HOSE ASSY	
6		Ref	ERS CONTROL VALVE ASSY, (see Figure 9-12 for details)	
7	8001627	1	HOSE ASSY	
8	8001628	1	HOSE ASSY	
9	8001635	1	HOSE ASSY	
10	8001641	1	HOSE ASSY	
11	8001642	1	HOSE ASSY	
12	2754320	1	HOSE ASSY	
13	0700826	2	HEX HD CAPSCREW, 8X90mm	
14	1062255	AR	TIE STRAP	
15	4740557	3	WASHER, 4X23X4	
16	2140808	1	CONNECTOR, 22X1.5mm	
17	2142207	1	SWIVEL RUN TEE	
18	0641606	2	HEX HD CAPSCREW, 3/8-16X3/4	
19	2988632	1	FITTING	
20	2143404	1	FITTING	
21	2904676	1	FITTING	
22	2142755	1	MALE CONNECTOR	
23	2985515	1	PLUG	
24		Ref	AUXILIARY POWER PUMP, (see Figure 9-13 for details)	
25	3625158	1	CLIP	
26	3737879	2	CLIP	
27	2143409	1	SWIVEL NUT ELBOW FITTING	
28	3970214	2	METRIC TUBE FITTING	
29		Ref	MAIN CONTROL VALVE ASSY, (see Figure 9-8 for details)	
30	4740532	2	WASHER, 12mm	
31	4804306	1	SPACER	
32	4805852	1	BRACKET	
33	5200808	4	RIPP BOLT, 8X16mm	
34	5201014	4	RIPP BOLT, 10X30mm	
35	5201215	4	RIPP BOLT, 12X35mm	
36	5220800	8	RIPP NUT, 8mm	
37	8001905	1	MALE CONNECTOR	
38	8001906	1	METRIC TUBE FITTING	
39	8001908	2	MALE CONNECTOR	
40		Ref	ENGINE DRIVE PUMP ASSY, (see Figure 9-9 for details)	
41	0681812	2	HEX HD CAPSCREW, 1/2-13X1-1/2	
42		Ref	RETURN FILTER, (see Figure 9-11 for details)	
43	8005174	1	PRESSURE SWITCH	
44	2180855	1	SPECIAL FITTING	
45	2140225	1	MALE STUD CONNECTOR, 22X1.5mm	
46	0760810	3	HEX HD CAPSCREW, 8X20mm	
47	4891600	2	WASHER	



HYDRAULIC CIRCUITS

Figure 8-10 Drive Pump to Main Valve Equipped For Platform (Australia) (Continued)

Item	Part Number	Qty.	Description	Rev.
48	2754617	1	HOSE ASSY	
49	2754616	1	HOSE ASSY	
50	2140802	2	CONNECTOR	
51	4641425	1	VALVE	
52	2142202	1	SWIVEL RUN TEE	
55	0700618	2	HEX HD CAPSCREW, 6X50mm	
56	4811700	2	WASHER, 6mm	
57	3290601	2	HEX NUT, 6X1mm	
58	3576270	1	SOLENOID VALVE PLATE	
59	2142706	1	MALE CONNECTOR	

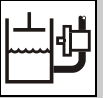
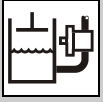


Figure 8-10 Drive Pump to Main Valve Equipped For Platform (Australia) (Continued)

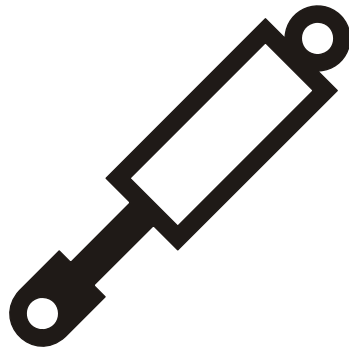
Item	Part Number	Qty.	Description	Rev.



This Page Intentionally Left Blank

SECTION 9

HYDRAULIC COMPONENTS

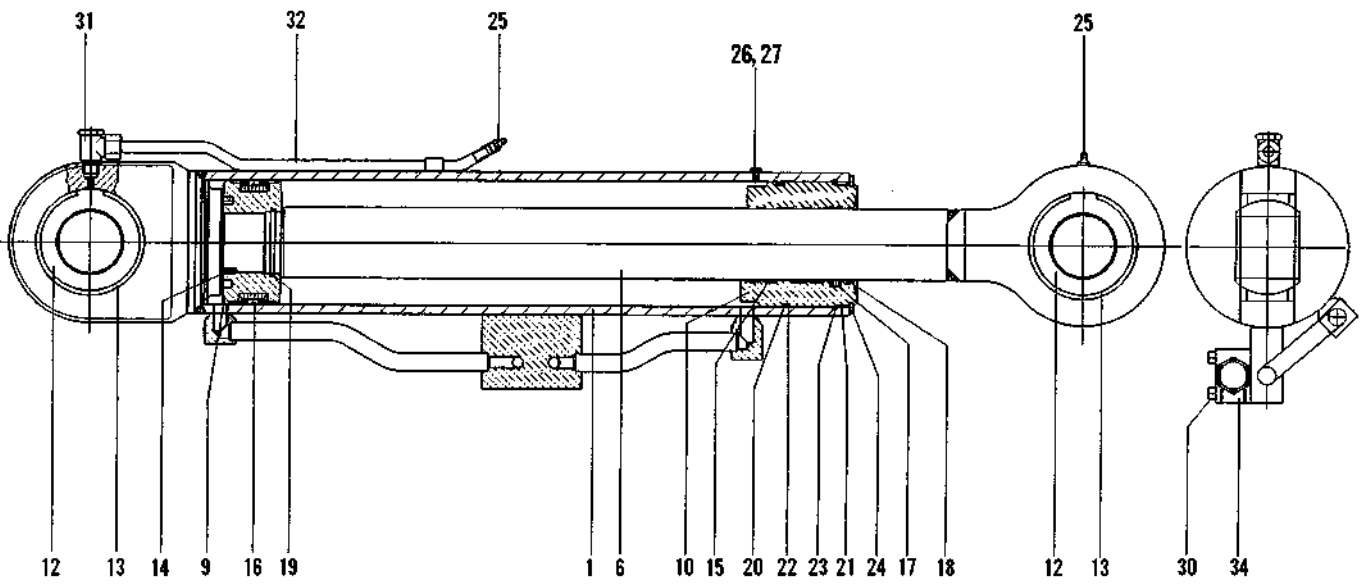




HYDRAULIC COMPONENTS

Figure 9-1 Lift Cylinder Assembly

7M



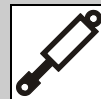


Figure 9-1 Lift Cylinder Assembly

Item	Part Number	Qty.	Description	Rev.
	8004602	Ref	LIFT CYLINDER ASSY, (7M machines), (includes all items)	
1	8007695	1	BARREL	
6	8007696	1	ROD	
9	8007697	1	PISTON	
10	8007698	1	HEAD	
12	1360370	2	SPHERICAL BEARING	
13	1630855	4	CIRCLECLIP	
14		2	ADAPTOR SLEEVE	
15		4	THRUST RING	
16		1	PACKING SET	
17		1	U-RING	
18		1	WIPER SEAL	
19		1	O-RING	
20		1	O-RING	
21		1	O-RING	
22		1	THRUST RING	
23	8007705	1	SNAP RING	
24	8007706	1	CIRCLECLIP	
25	324590	2	GREASE FITTING	
26	0342650	2	BOLT	
27	1051843	2	PACKING	
30	8007707	1	LOWERING BRAKE VALVE	
31	1631083	1	FITTING	
32	8007708	1	PIPE	
34	2601272	4	ALLEN SCREW	
	8007709	1	SEAL KIT, (includes items 14 thru 22)	



Figure 9-1 Lift Cylinder Assembly

7M

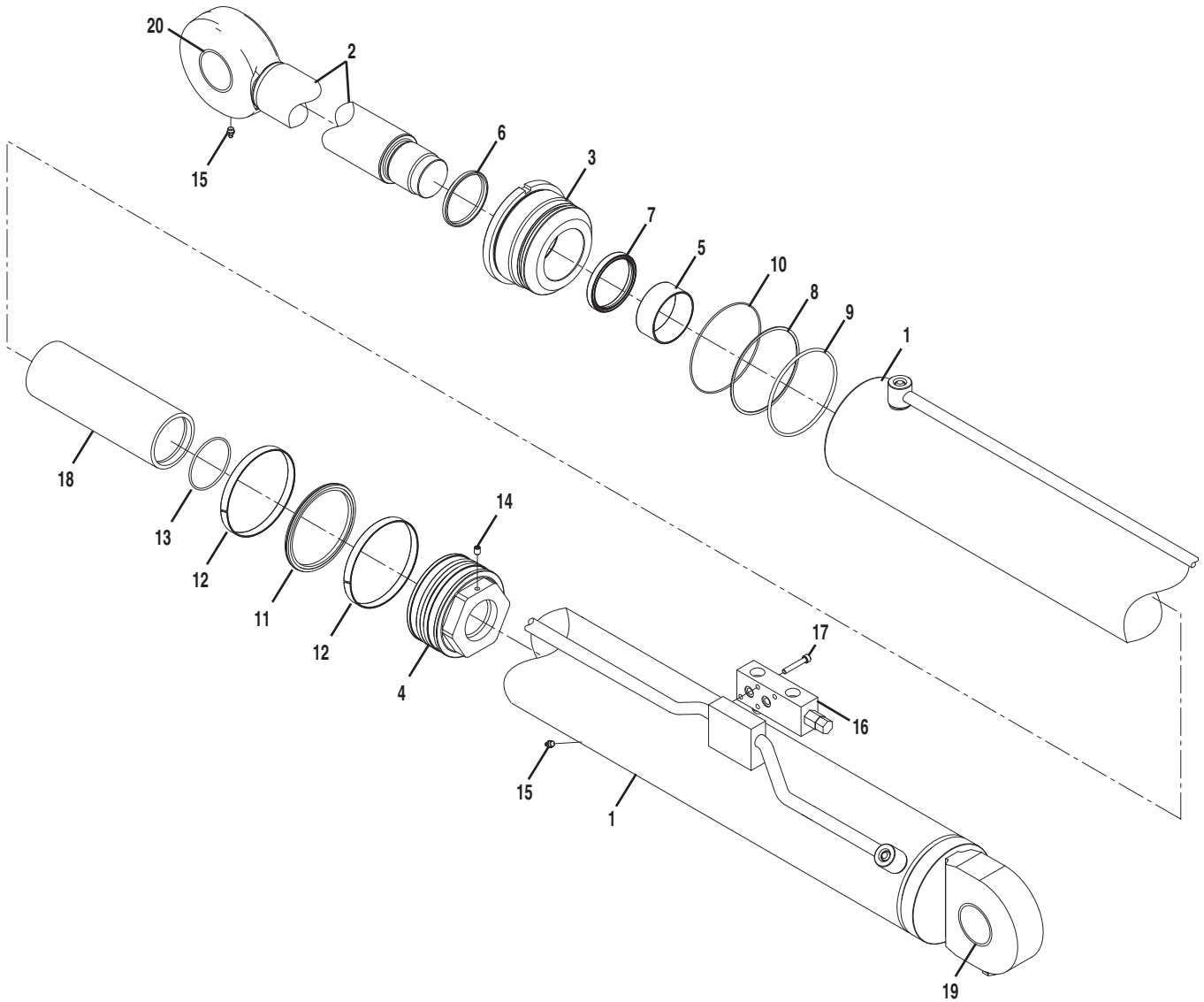




Figure 9-1 Lift Cylinder Assembly

Item	Part Number	Qty.	Description	Rev.
	8009342	Ref	LIFT CYLINDER ASSY, (7M machines), (includes all items)	
1	7029434	1	CYLINDER HOUSING	
2	7028547	1	PISTON ROD ASSY	
3		1	GLAND	
4	7029435	1	PISTON	
5		1	BEARING	
6		1	WIPER	
7		1	ROD SEAL	
8		1	BACK-UP RING	
9		1	O-RING	
10		1	O-RING	
11		1	PISTON SEAL	
12		2	PISTON GUIDE RING	
13		2	O-RING	
14		1	SET SCREW	
15	7028314	2	GREASE NIPPLE	
16	8007707	1	LOAD CONTROL VALVE	
17	7028584	4	HEX SOCKET HD SCREW	
18	7029436	1	SPACER	
19	7029231	1	BUSHING	
20	7029439	1	BUSHING	
	7029437	1	SEAL KIT, (includes items 6 thru 14)	
	7029438	1	GLAND ASSY, (includes items 3 & 5)	



HYDRAULIC COMPONENTS

Figure 9-1 Lift Cylinder Assembly

8M

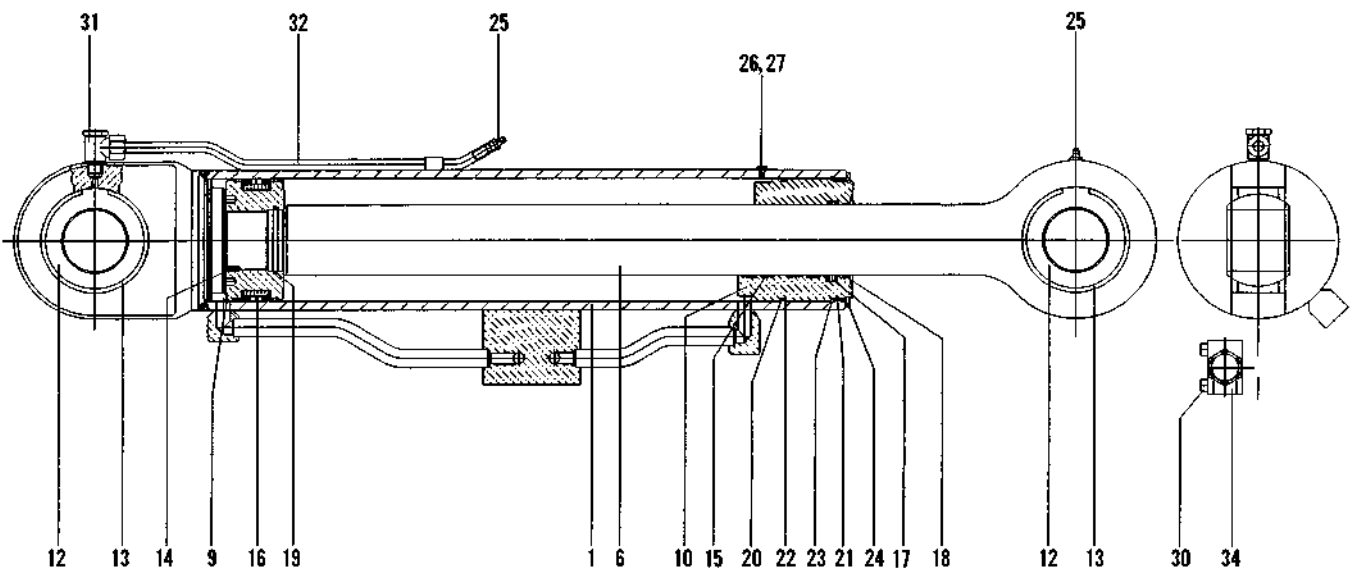




Figure 9-1 Lift Cylinder Assembly

Item	Part Number	Qty.	Description	Rev.
	8005266	Ref	LIFT CYLINDER ASSY, (8M machines), (includes all items)	
1	8007712	1	BARREL	
6	8007696	1	ROD	
9	8007697	1	PISTON	
10	8007698	1	HEAD	
12	1360370	2	SPHERICAL BEARING	
13	1630855	4	CIRCLECLIP	
14		2	ADAPTOR SLEEVE	
15		4	THRUST RING	
16		1	PACKING SET	
17		1	U-RING	
18		1	WIPER SEAL	
19		1	O-RING	
20		1	O-RING	
21		1	O-RING	
22		1	THRUST RING	
23	8007705	1	SNAP RING	
24	8007706	1	CIRCLECLIP	
25	324590	2	GREASE FITTING	
26	0342650	2	BOLT	
27	1051843	2	PACKING	
30	8007707	1	LOWERING BRAKE VALVE	
31	1631083	1	FITTING	
32	8007708	1	PIPE	
34	2601272	4	ALLEN SCREW	
	8007709	1	SEAL KIT, (includes items 14 thru 22)	



Figure 9-1 Lift Cylinder Assembly

8M

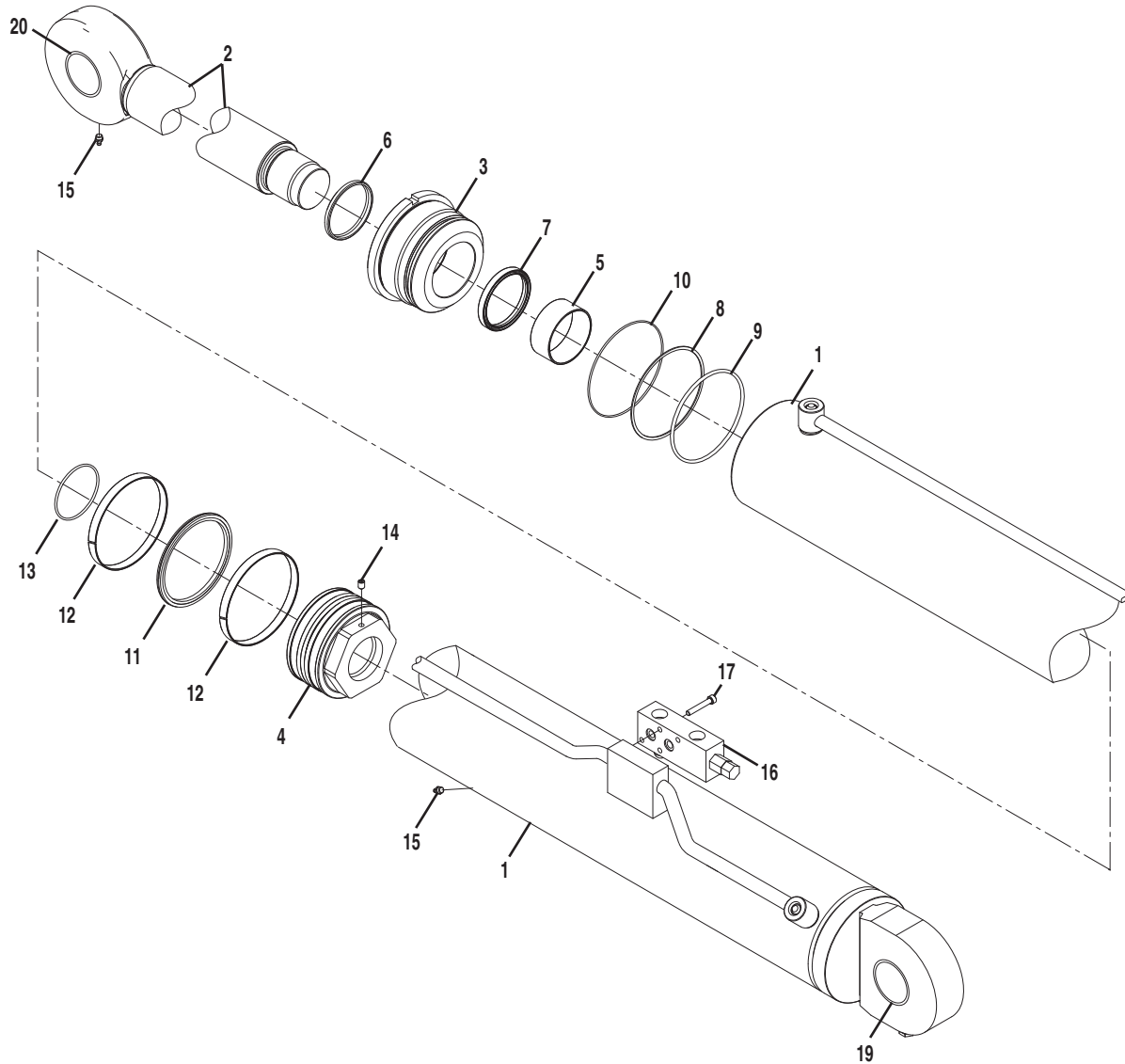




Figure 9-1 Lift Cylinder Assembly

Item	Part Number	Qty.	Description	Rev.
	8009343	Ref	LIFT CYLINDER ASSY, (8M machines), (includes all items)	
1	7029434	1	CYLINDER HOUSING	
2	7028547	1	PISTON ROD ASSY	
3		1	GLAND	
4	7029435	1	PISTON	
5		1	BEARING	
6		1	WIPER	
7		1	ROD SEAL	
8		1	BACK-UP RING	
9		1	O-RING	
10		1	O-RING	
11		1	PISTON SEAL	
12		2	PISTON GUIDE RING	
13		1	O-RING	
14		1	SET SCREW	
15	7028314	2	GREASE NIPPLE	
16	8007707	1	LOAD CONTROL VALVE	
17	7028584	4	HEX SOCKET HD SCREW	
19	7029231	1	BUSHING	
20	7029439	1	BUSHING	
	7029437	1	SEAL KIT, (includes items 6 thru 14)	
	7029438	1	GLAND ASSY, (includes items 3 & 5)	



HYDRAULIC COMPONENTS

Figure 9-1 Lift Cylinder Assembly

12M

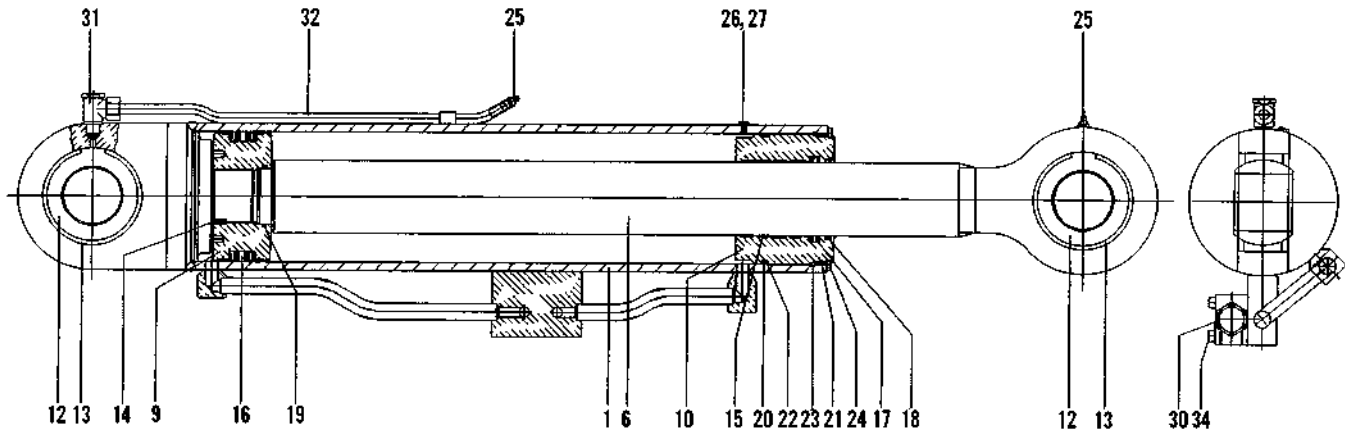




Figure 9-1 Lift Cylinder Assembly

Item	Part Number	Qty.	Description	Rev.
	4803032	Ref	LIFT CYLINDER ASSY, (12M machines), (includes all items)	
1	8007713	1	BARREL	
6	8007715	1	ROD	
9	8007716	1	PISTON	
10	8007717	1	HEAD	
12	1360370	2	SPHERICAL BEARING	
13	1630855	4	CIRCLECLIP	
14		1	ADAPTOR SLEEVE	
15		4	THRUST RING	
16		1	PACKING SET	
17		1	U-RING	
18		1	WIPER SEAL	
19		1	O-RING	
20		1	O-RING	
21		1	O-RING	
22		1	BACK UP RING	
23	8007724	1	SNAP RING	
24	1386701	1	CIRCLECLIP	
25	324590	2	GREASE FITTING	
26	0342650	2	BOLT	
27	1051843	2	PACKING	
30	8007707	1	LOWERING BRAKE VALVE	
31	1631083	1	FITTING	
32	8007708	1	PIPE	
34	2601272	4	ALLEN SCREW	
	8007711	1	SEAL KIT, (includes items 14 thru 22)	



Figure 9-1 Lift Cylinder Assembly

12M

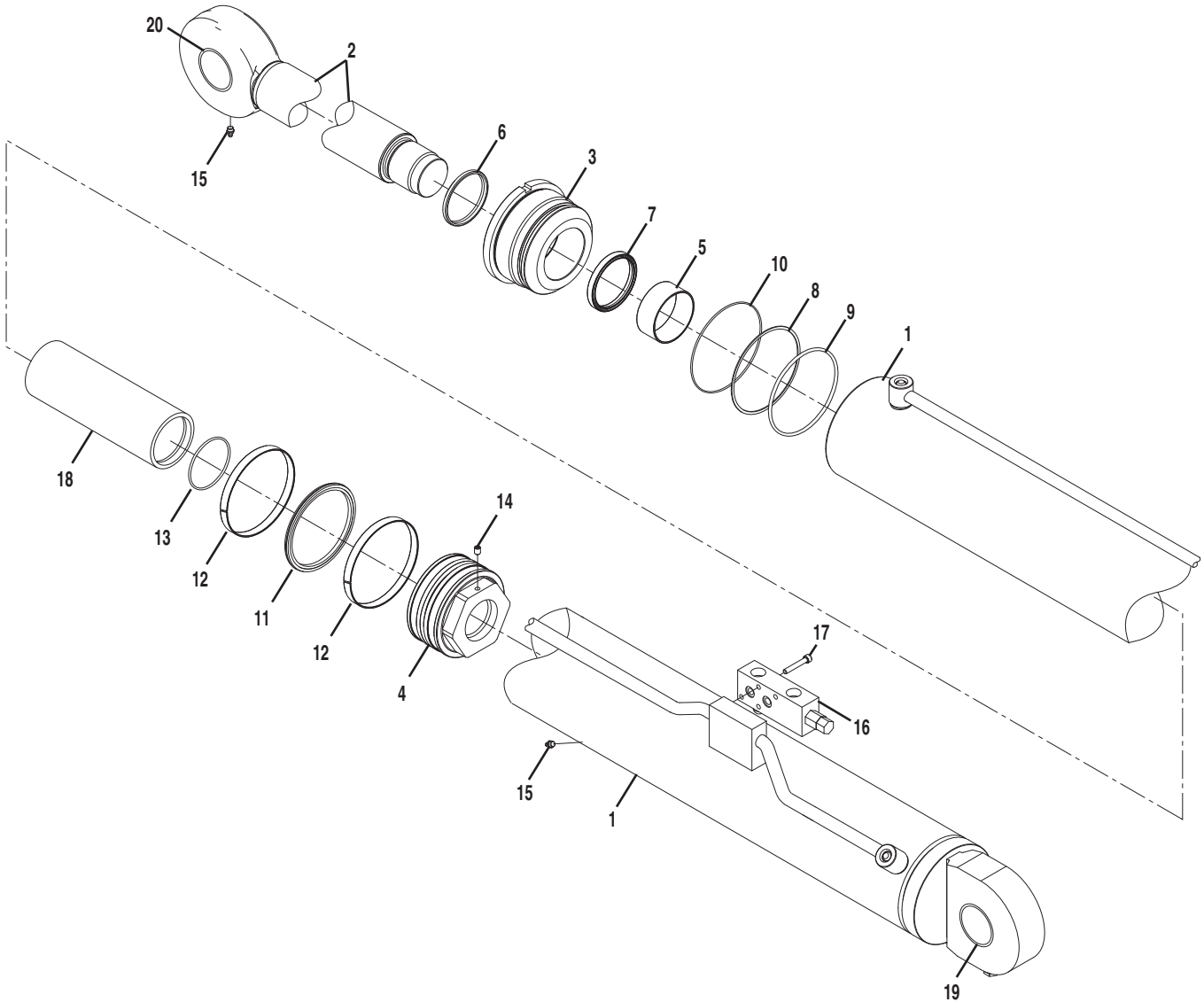




Figure 9-1 Lift Cylinder Assembly

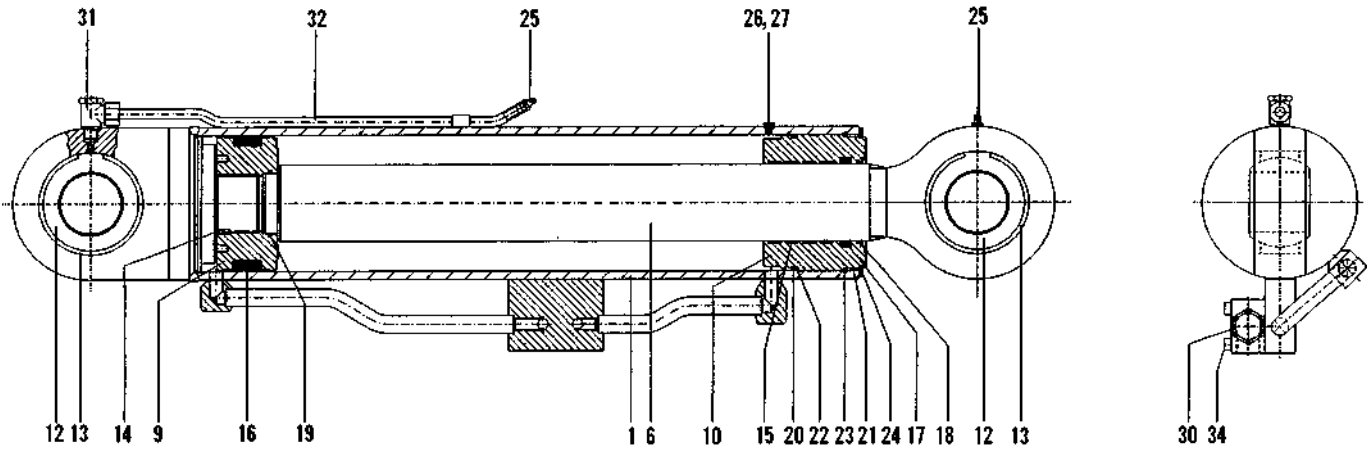
Item	Part Number	Qty.	Description	Rev.
	8009344	Ref	LIFT CYLINDER ASSY, (12M machines), (includes all items)	
1	7029442	1	CYLINDER HOUSING	
2	7028547	1	PISTON ROD	
3		1	GLAND	
4	7028549	1	PISTON	
5		1	BEARING	
6		1	WIPER	
7		1	ROD SEAL	
8		1	BACK-UP RING	
9		1	O-RING	
10		1	O-RING	
11		1	PISTON SEAL	
12		2	WEAR RING	
13		2	O-RING	
14		1	SET SCREW	
15	7028314	2	GREASE NIPPLE	
16	8007707	1	LOAD CONTROL VALVE	
17	7028584	4	HEX SOCKET HD SCREW	
18	7029444	1	SPACER	
19	7029231	1	BUSHING	
20	7029439	1	BUSHING	
	7028545	1	SEAL KIT, (includes items 6 thru 14)	
	7029443	1	GLAND ASSY, (includes items 3 & 5)	



HYDRAULIC COMPONENTS

Figure 9-1 Lift Cylinder Assembly

9 & 13M



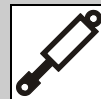


Figure 9-1 Lift Cylinder Assembly

Item	Part Number	Qty.	Description	Rev.
	8007200	Ref	LIFT CYLINDER ASSY, (9M & 13M machines), (includes all items)	
1	8007728	1	BARREL	
6	8007729	1	ROD	
9	8007716	1	PISTON	
10	8007717	1	HEAD	
12	1360370	2	SPHERICAL BEARING	
13	1630855	4	CIRCLECLIP	
14		1	ADAPTOR SLEEVE	
15		4	THRUST RING	
16		1	PACKING SET	
17		1	U-RING	
18		1	WIPER SEAL	
19		1	O-RING	
20		1	O-RING	
21		1	O-RING	
22		1	BACK UP RING	
23	8007724	1	SNAP RING	
24	1386701	1	CIRCLECLIP	
25	324590	2	GREASE FITTING	
26	0342650	2	BOLT	
27	1051843	2	PACKING	
30	8007707	1	LOWERING BRAKE VALVE	
31	1631083	1	FITTING	
32	8007708	1	PIPE	
34	2601272	4	ALLEN SCREW	
	8007711	1	SEAL KIT, (includes items 14 thru 22)	



Figure 9-1 Lift Cylinder Assembly

9 & 13M

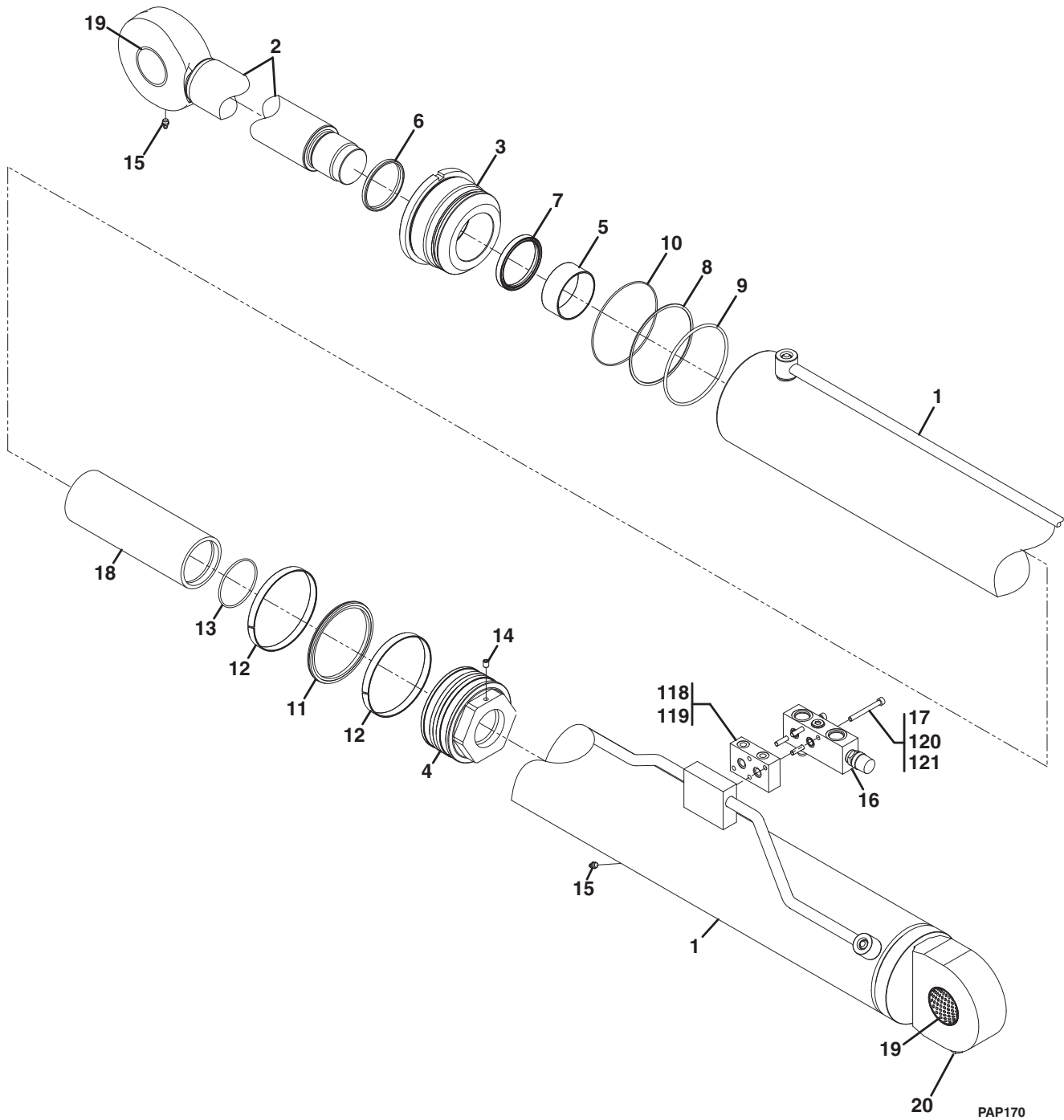




Figure 9-1 Lift Cylinder Assembly

Item	Part Number	Qty.	Description	Rev.
	1684384	Ref	LIFT CYLINDER ASSY, (9M & 13M), (includes items 1 thru 20)	B
	1001106760	Ref	LIFT CYLINDER ASSY, (9M & 13M - if equipped with LMIS), (includes all items)	B
1	7029442	1	CYLINDER HOUSING	
2	7028547	1	PISTON ROD	
3		1	GLAND	
4	7028549	1	PISTON	
5		1	BEARING	
6		1	WIPER	
7		1	ROD SEAL	
8		1	BACK-UP RING	
9		1	O-RING	
10		1	O-RING	
11		1	PISTON SEAL	
12		2	WEAR RING	
13		1	O-RING	
14		1	SET SCREW	
15	7028314	2	GREASE NIPPLE	
16	8007707	1	LOAD CONTROL VALVE	
17	7028584	4	HEX SOCKET HD SCREW	
19	7029231	2	BUSHING	
20	70022791	1	BANJO BOLT	
118	1001101830	1	LMIS MANIFOLD VALVE, (if equipped with LMIS)	
119	1001102080	2	O-RING, (if equipped with LMIS)	
120	1001095650	AR	LOCTITE, #243, (if equipped with LMIS)	
121	4031919	4	HEX SOCKET HD SCREW, M8X75, (if equipped with LMIS)	
	7028545	1	SEAL KIT, (includes items 6 thru 14)	
	7029443	1	GLAND ASSY, (includes items 3 & 5)	



HYDRAULIC COMPONENTS

Figure 9-2 Extend/Retract Cylinder Assembly

7 & 8M

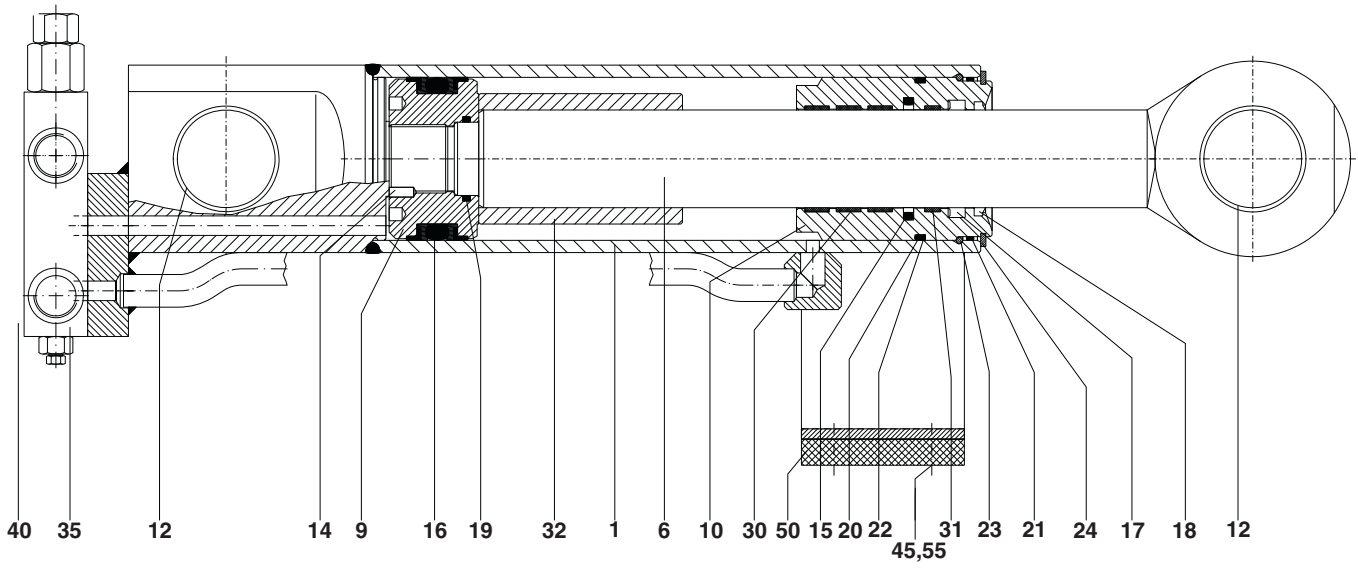




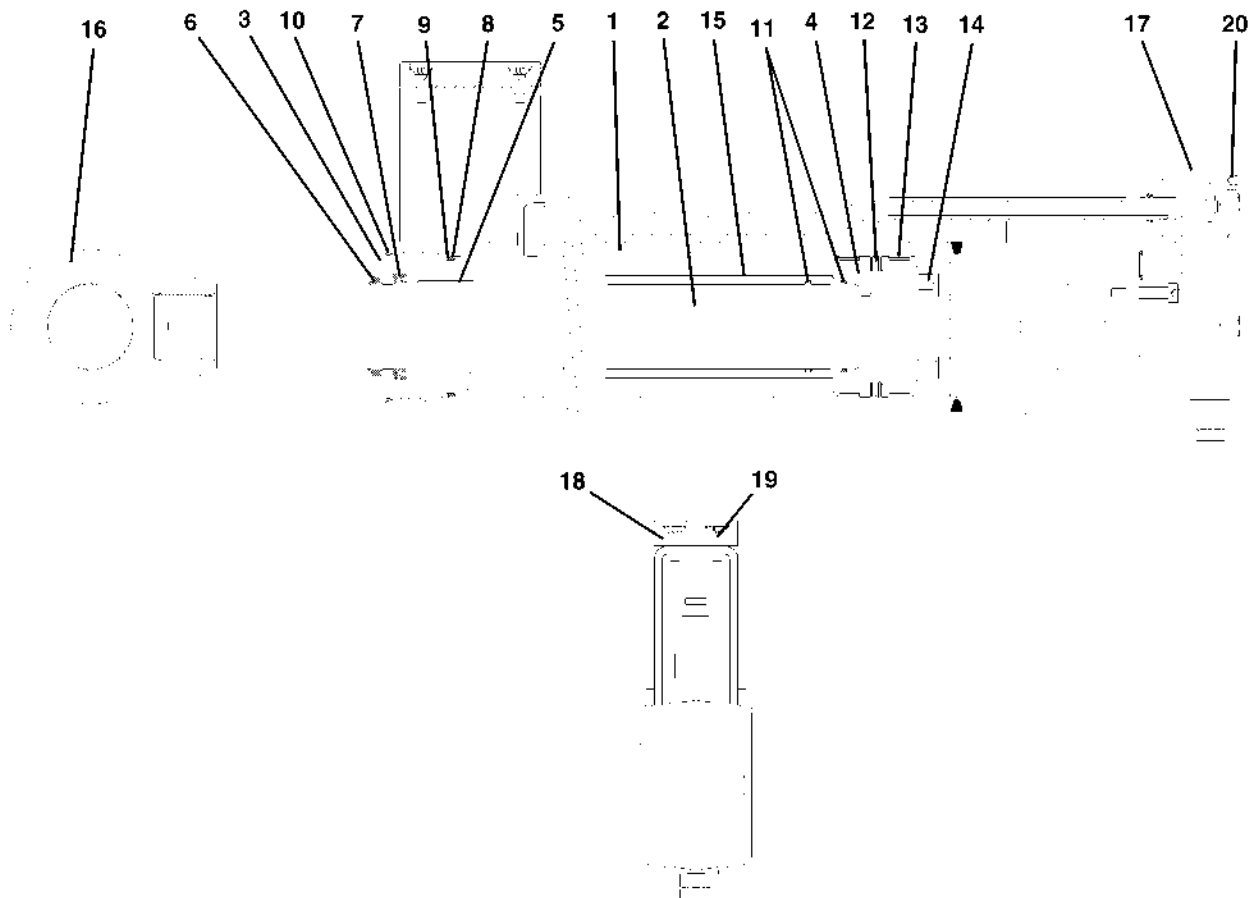
Figure 9-2 Extend/Retract Cylinder Assembly

Item	Part Number	Qty.	Description	Rev.
	4802815	Ref	EXTEND/RETRACT CYLINDER ASSY, (7M & 8M machines), (includes all items)	B
1	8007968	1	BARREL	
6	8007969	1	ROD	
9	8007676	1	PISTON	
10	8007678	1	HEAD	
12	8007679	4	BUSHING	
14		1	ADAPTOR SLEEVE	
15		1	TURCON GLYD RING	
16		1	PACKING SET	
17		1	U-RING	
18		1	WIPER SEAL	
19		1	O-RING	
20		1	O-RING	
21		1	O-RING	
22		1	BACK UP RING	
23	8007689	1	SNAP RING	
24	1618713	1	RETAINING RING	
30		3	THRUST RING	
31		1	THRUST RING	
32	8007693	1	SPACER	
35	8007655	1	LOWERING BRAKE VALVE	
40	0857390	4	ALLEN SCREW	
45	7028116	4	COUNTERSUNK SCREW	
50	7028117	1	GUIDE PLATE	
55	7028114	2	WASHER	
	8007694	1	SEAL KIT, (includes items 14 thru 22, 30 & 31)	



Figure 9-2 Extend/Retract Cylinder Assembly

7 & 8M



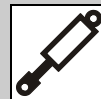


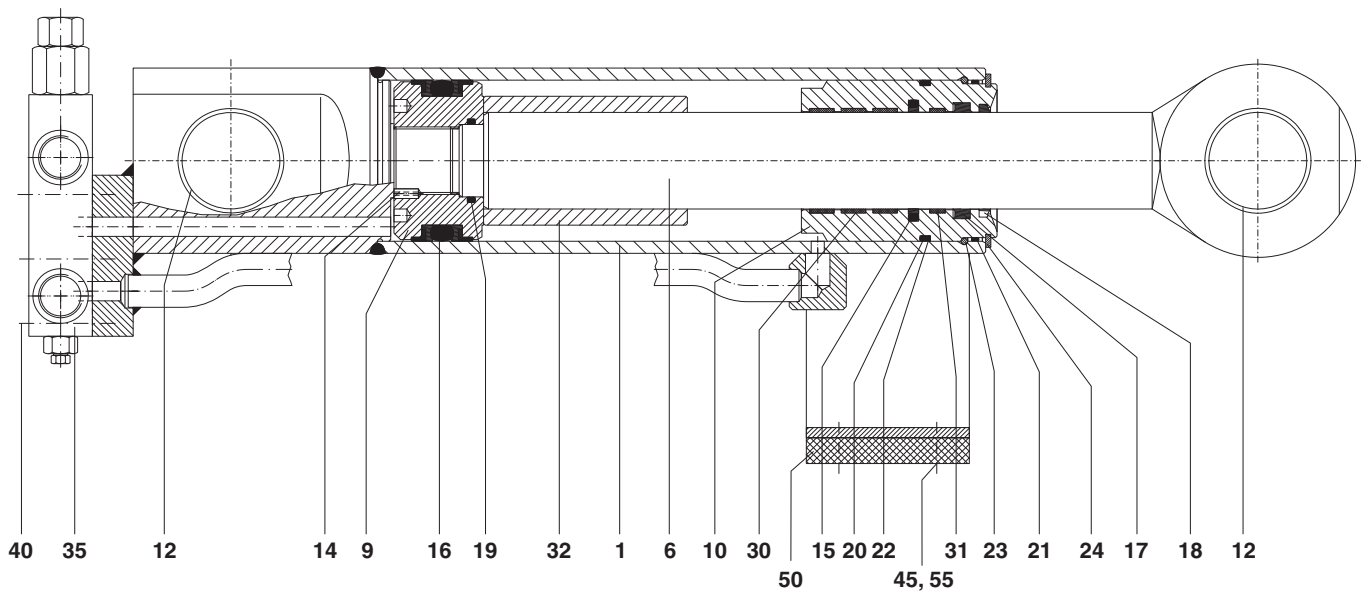
Figure 9-2 Extend/Retract Cylinder Assembly

Item	Part Number	Qty.	Description	Rev.
	1684441	Ref	EXTEND/RETRACT CYLINDER ASSY, (7M & 8M machines), (includes all items)	
1	7029729	1	CYLINDER HOUSING ASSY	
2	7029730	1	PISTON ROD	
3	7028355	1	GLAND	
4	7028356	1	PISTON	
5	7028357	1	BEARING	
6		1	WIPER	
7		1	ROD SEAL	
8		1	O-RING	
9		1	BACK-UP RING	
10		1	O-RING	
11		2	O-RING	
12		1	PISTON SEAL	
13		2	WEAR RING	
14		1	SET SCREW	
15		1	SPACER	
16		1	ROD HEAD	
17	8007655	1	LOAD CONTROL VALVE	
18	7029728	1	BUFFER DISC	
19	7029626	4	COUNTERSUNK SCREW	
20	7028584	4	HEX SOCKET HD SCREW	
	7028352	AR	SEAL KIT, (includes items 6 thru 14)	



Figure 9-2 Extend/Retract Cylinder Assembly

9M



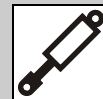


Figure 9-2 Extend/Retract Cylinder Assembly

Item	Part Number	Qty.	Description	Rev.
	8007326	Ref	EXTEND/RETRACT CYLINDER ASSY, (9M machines), (includes all items)	B
1	8007674	1	BARREL	
6	8007675	1	ROD	
9	8007676	1	PISTON	
10	8007678	1	HEAD	
12	8007679	4	BUSHING	
14		1	ADAPTOR SLEEVE	
15		1	TURCON GLYD RING	
16		1	PACKING SET	
17		1	U-RING	
18		1	WIPER SEAL	
19		1	O-RING	
20		1	O-RING	
21		1	O-RING	
22		1	BACK UP RING	
23	8007689	1	SNAP RING	
24	1618713	1	RETAINING RING	
30		3	THRUST RING	
31		1	THRUST RING	
32	8007693	1	SPACER	
35	8007655	1	LOWERING BRAKE VALVE	
40	0857390	4	ALLEN SCREW	
45	7028116	4	COUNTERSUNK SCREW	
50	7028117	1	GUIDE PLATE	
55	7028114	2	WASHER	
	8007694	1	SEAL KIT - 8007326 CYLINDER, (includes items 14 thru 22, 30 & 31)	



Figure 9-2 Extend/Retract Cylinder Assembly

9M

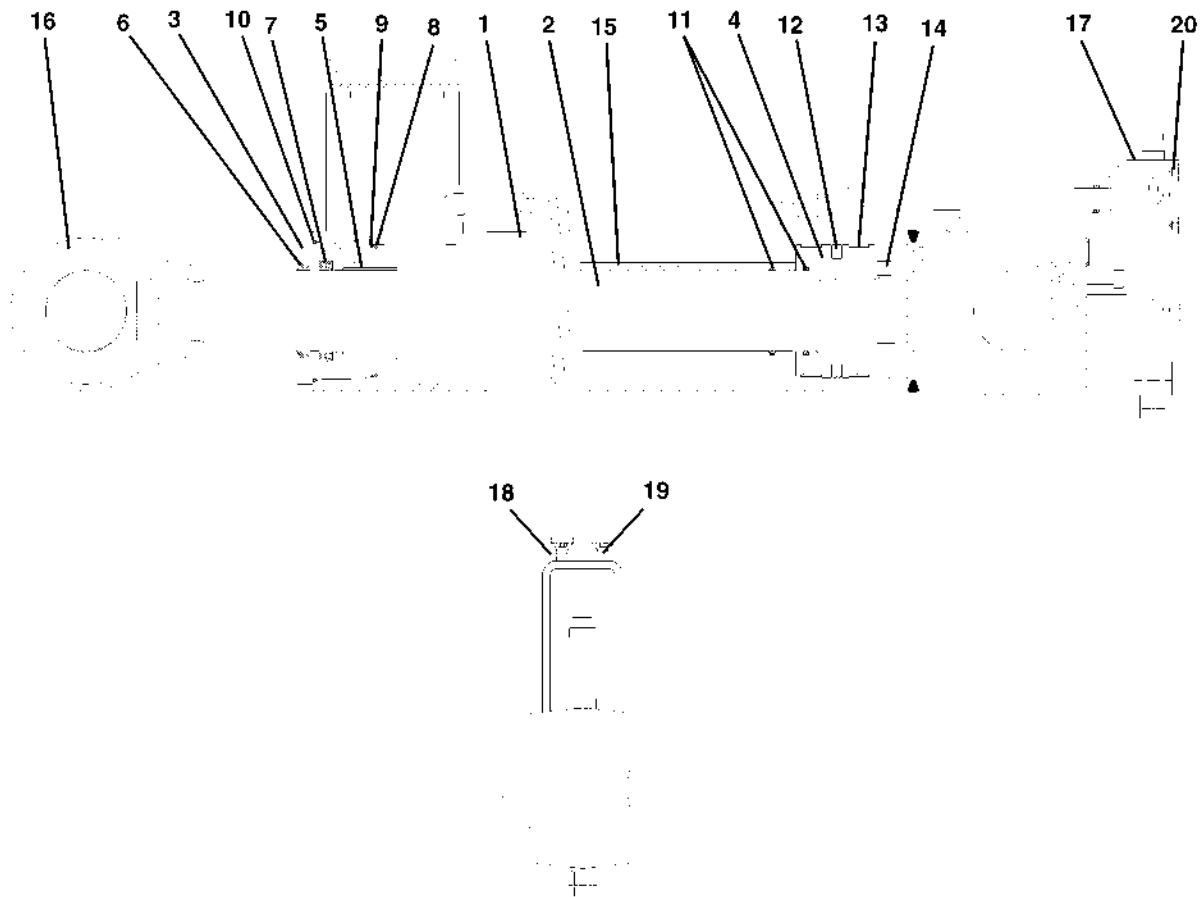




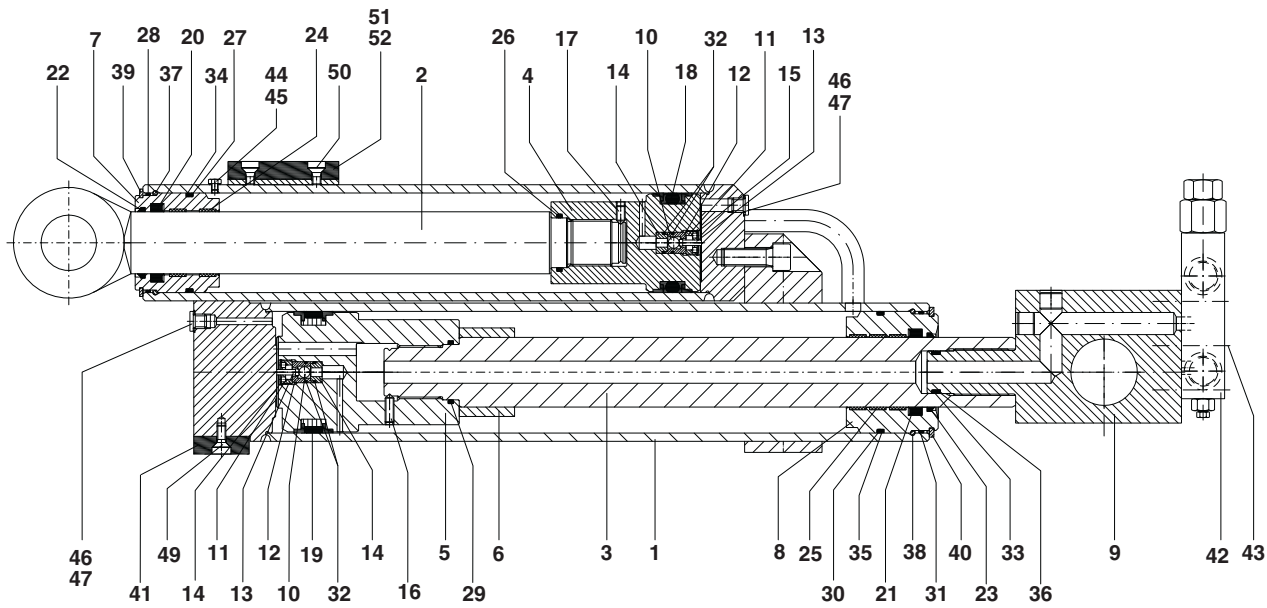
Figure 9-2 Extend/Retract Cylinder Assembly

Item	Part Number	Qty.	Description	Rev.
	1684440	Ref	EXTEND/RETRACT CYLINDER ASSY, (9M machines), (includes all items)	
1	7029725	1	CYLINDER HOUSING ASSY	
2	7029726	1	PISTON ROD	
3	7028355	1	GLAND	
4	7028356	1	PISTON	
5	7028357	1	BEARING	
6		1	WIPER	
7		1	ROD SEAL	
8		1	O-RING	
9		1	BACK-UP RING	
10		1	O-RING	
11		2	O-RING	
12		1	PISTON SEAL	
13		2	WEAR RING	
14		1	SET SCREW	
15	7029727	1	SPACER	
16		1	ROD EYE	
17	8007655	1	LOAD CONTROL VALVE	
18	7029728	1	BUFFER DISC	
19	7029626	4	COUNTERSUNK SCREW	
20	7028584	4	HEX SOCKET HD SCREW	
	7028352	AR	SEAL KIT, (includes items 6 thru 14)	



Figure 9-2 Extend/Retract Cylinder Assembly

12M



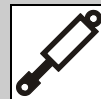


Figure 9-2 Extend/Retract Cylinder Assembly

Item	Part Number	Qty.	Description	Rev.
	4803281	Ref	ETEND/RETRACT CYLINDER ASSY, (12M machine), (includes all items)	B
1	8007623	1	BARREL	
2	8007625	1	ROD	
3	8007624	1	ROD	
4	8007626	1	PISTON	
5	8007627	1	PISTON	
6	8007628	1	SPACER	
7	8007629	1	HEAD	
8	8007630	1	HEAD	
9	8007631	1	BLOCK	
10	0422931	2	BALL	
11	8007632	2	THROTTLE	
12	8007633	2	VALVE HOUSING	
13	8007634	2	POPPET	
14	8007635	2	VALVE SEAT	
15	1379951	2	RETAINING RING	
16	1620853	1	THREADED PIN, (secure with loctite # 242)	
17	3830022	1	THREADED PIN, (secure with loctite #242)	
18		1	PISTON PACKING	
19		1	PACKING SET	
20		1	U-RING	
21		1	U-RING	
22		1	WIPER SEAL	
23		1	WIPER SEAL	
24		2	GUIDE RING	
25		3	GUIDE RING	
26		1	O-RING	
27		1	O-RING	
28		1	O-RING	
29		1	O-RING	
30		1	O-RING	
31		1	O-RING	
32		4	O-RING	
33		1	O-RING	
34		1	BACK UP RING	
35		1	BACK UP RING	
36		1	BACK UP RING	
37	8007651	1	SNAP RING	
38	8007652	1	SNAP RING	
39	1398034	1	RETAINING RING	
40	1630640	1	RETAINING RING	
41	8007653	1	GUIDE PLATE	
42	8007655	1	LOWERING BRAKE VALVE	
43	0857390	4	ALLEN SCREW	
44	0342650	1	BOLT	
45	1051843	1	PACKING	
46	1631856	2	PLUG	
47	2675009	2	GASKET	
48	8007658	2	SPACER, (not illustrated)	



HYDRAULIC COMPONENTS

Figure 9-2 Extend/Retract Cylinder Assembly (Continued)

Item	Part Number	Qty.	Description	Rev.
49	1305033	2	COUNTERSUNK SCREW, (secure with loctite #242)	
50	7028116	4	COUNTERSUNK SCREW	
51	7028117	1	GUIDE PLATE	
52	7028114	2	WASHER	
	8007671	1	SEAL KIT - 4803281 CYLINDER, (includes items 18 thru 36)	



Figure 9-2 Extend/Retract Cylinder Assembly (Continued)

Item	Part Number	Qty.	Description	Rev.



Figure 9-2 Extend/Retract Cylinder Assembly

12M

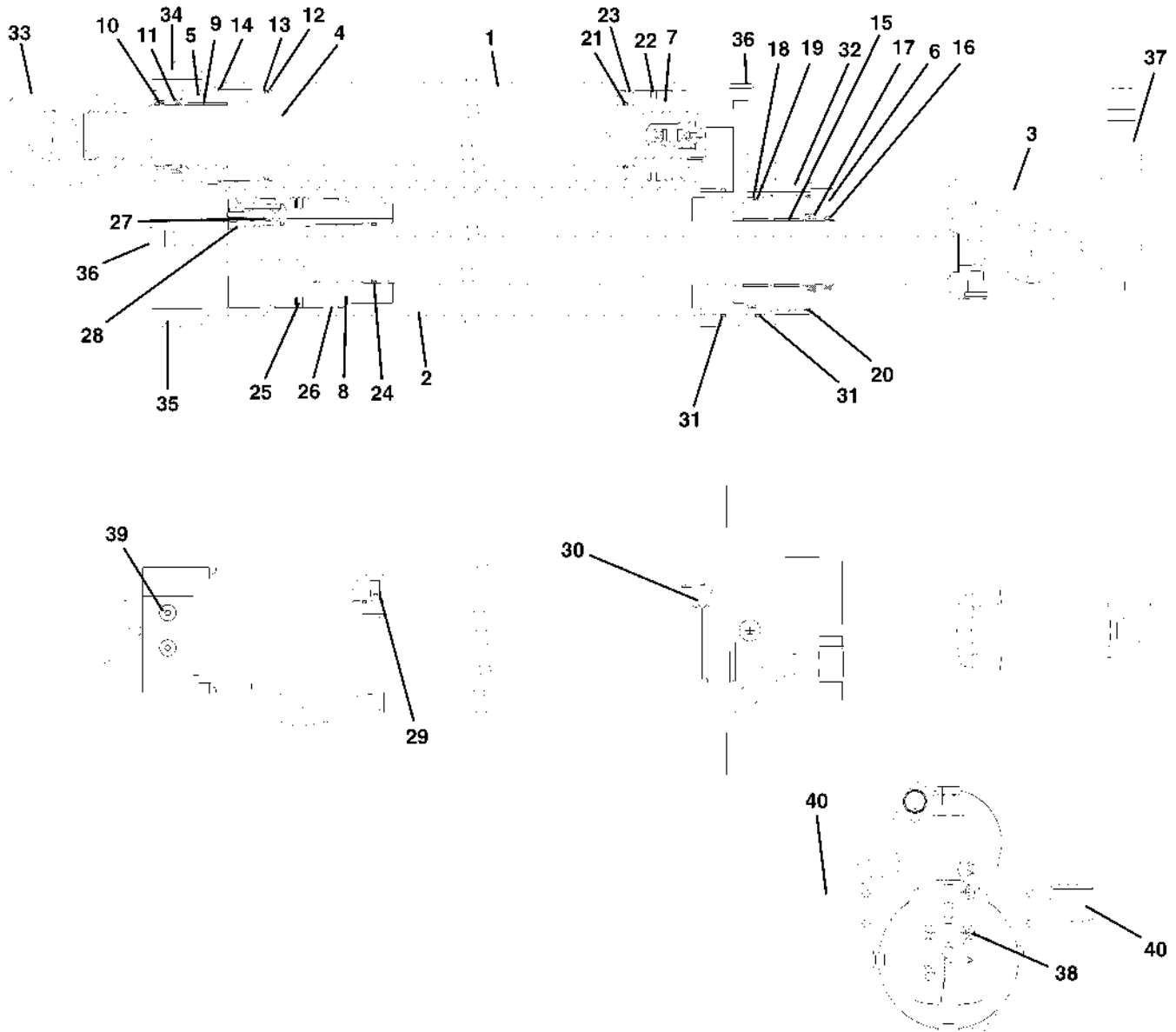




Figure 9-2 Extend/Retract Cylinder Assembly

Item	Part Number	Qty.	Description	Rev.
	1684438	Ref	EXTEND/RETRACT CYLINDER ASSY, (12M machines), (includes all items)	
1	7029628	1	CYLINDER HOUSING ASSY	
2	7029629	1	CYLINDER HOUSING ASSY	
3	7029630	1	PISTON ROD ASSY	
4	7029631	1	PISTON ROD ASSY	
5		1	GLAND	
6	7029615	1	GLAND	
7	7029616	1	PISTON	
8	7029617	1	PISTON	
9		1	BEARING	
10		1	WIPER	
11		1	ROD SEAL	
12		1	O-RING	
13		1	BACK-UP RING	
14		1	O-RING	
15		2	ROD GUIDE RING	
16		1	WIPER RING	
17		1	ROD SEAL	
18		1	O-RING	
19		1	BACK-UP RING	
20		1	O-RING	
21		1	O-RING	
22		1	PISTON SEAL	
23		2	WEAR RING	
24		1	O-RING	
25		1	PISTON SEAL	
26		2	WEAR RING	
27	7029618	1	CHECK VALVE	
28	7029619	1	SNAP RING	
29		1	SET SCREW	
30		1	SET SCREW	
31		2	DUAL SEAL	
32	7029620	1	SPACER	
33		1	ROD EYE	
34	7029622	1	BUFFER DISC	
35	7029623	1	BUFFER DISC	
36	7029624	2	PLUG	
37	8007655	1	LOAD CONTROL VALVE	
38	7028584	4	HEX SOCKET HD SCREW	
39	7029626	4	COUNTERSUNK SCREW	
40	7029627	2	BEARING	
	7029632	AR	SEAL KIT, (includes items 10 thru 26 & 29 thru 31)	
	7029614	AR	GLAND ASSY, (includes items 5 & 9)	



HYDRAULIC COMPONENTS

Figure 9-2 Extend/Retract Cylinder Assembly

13M

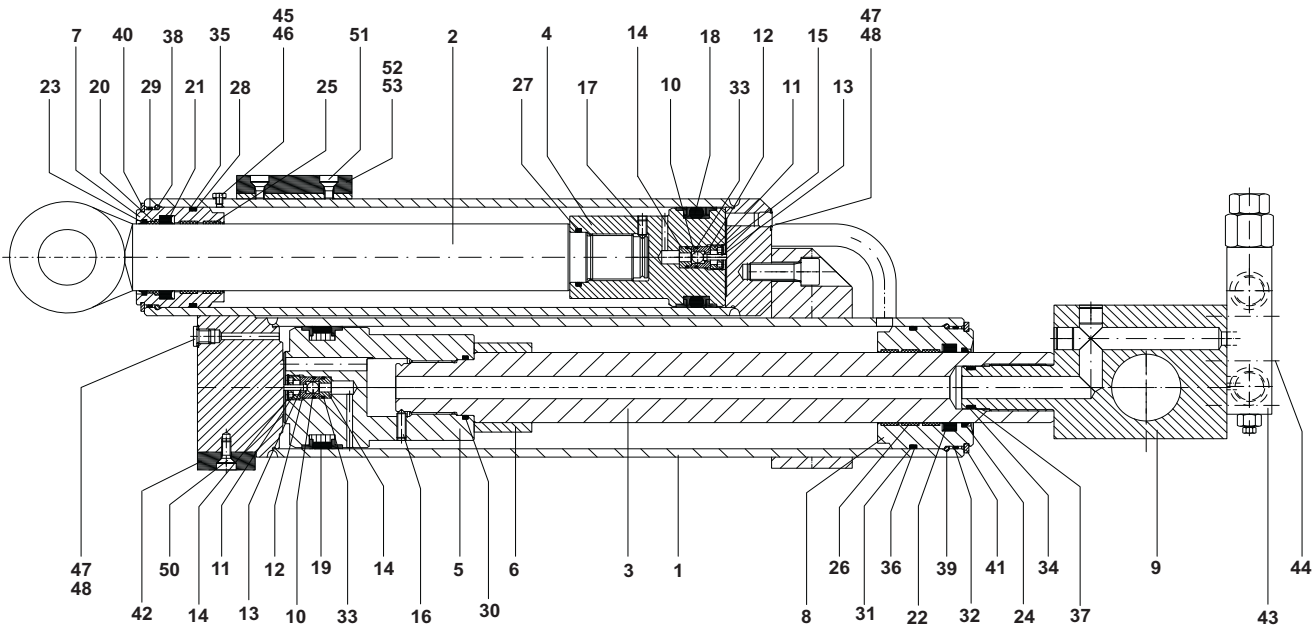




Figure 9-2 Extend/Retract Cylinder Assembly

Item	Part Number	Qty.	Description	Rev.
	8007201	Ref	EXTEND/RETRACT CYLINDER ASSY, (13M machines), (includes all items)	B
1	8007661	1	BARREL	
2	8007662	1	ROD	
3	7028583	1	ROD	
4	8007626	1	PISTON	
5	8007627	1	PISTON	
6	8007628	1	SPACER	
7	8007665	1	HEAD	
8	8007630	1	HEAD	
9	8007631	1	BLOCK	
10	0422931	2	BALL	
11	8007632	2	THROTTLE	
12	8007633	2	VALVE HOUSING	
13	8007634	2	POPPET	
14	8007635	2	VALVE SEAT	
15	1379951	2	RETAINING RING	
16	1620853	1	THREADED PIN, (secure with loctite #242)	
17	3830022	1	THREADED PIN, (secure with loctite #242)	
18		1	PISTON PACKING	
19		1	PACKING SET	
20		1	THRUST RING	
21		1	U-RING	
22		1	U-RING	
23		1	WIPER SEAL	
24		1	WIPER SEAL	
25		2	GUIDE RING	
26		3	GUIDE RING	
27		1	O-RING	
28		1	O-RING	
29		1	O-RING	
30		1	O-RING	
31		1	O-RING	
32		1	O-RING	
33		4	O-RING	
34		1	O-RING	
35		1	BACK UP RING	
36		1	BACK UP RING	
37		1	BACK UP RING	
38	8007651	1	SNAP RING	
39	8007652	1	SNAP RING	
40	1398034	1	RETAINING RING	
41	1630640	1	RETAINING RING	
42	8007653	1	GUIDE PLATE	
43	8007655	1	LOWERING BRAKE VALVE	
44	0857390	4	ALLEN SCREW	
45	0342650	1	BOLT	
46	1051843	1	PACKING	
47	1631856	2	PLUG	
48	2675009	2	GASKET	



HYDRAULIC COMPONENTS

Figure 9-2 Extend/Retract Cylinder Assembly (Continued)

Item	Part Number	Qty.	Description	Rev.
49	8007658	2	SPACER, (not illustrated)	
50	1305033	2	COUNTERSUNK SCREW, (secure with loctite #242)	
51	7028116	4	COUNTERSUNK SCREW	
52	7028117	1	GUIDE PLATE	
53	7028114	2	WASHER	
	8007673	1	SEAL KIT - 8007201 CYLINDER, (includes items 18 thru 37)	



Figure 9-2 Extend/Retract Cylinder Assembly (Continued)

Item	Part Number	Qty.	Description	Rev.



Figure 9-2 Extend/Retract Cylinder Assembly

13M

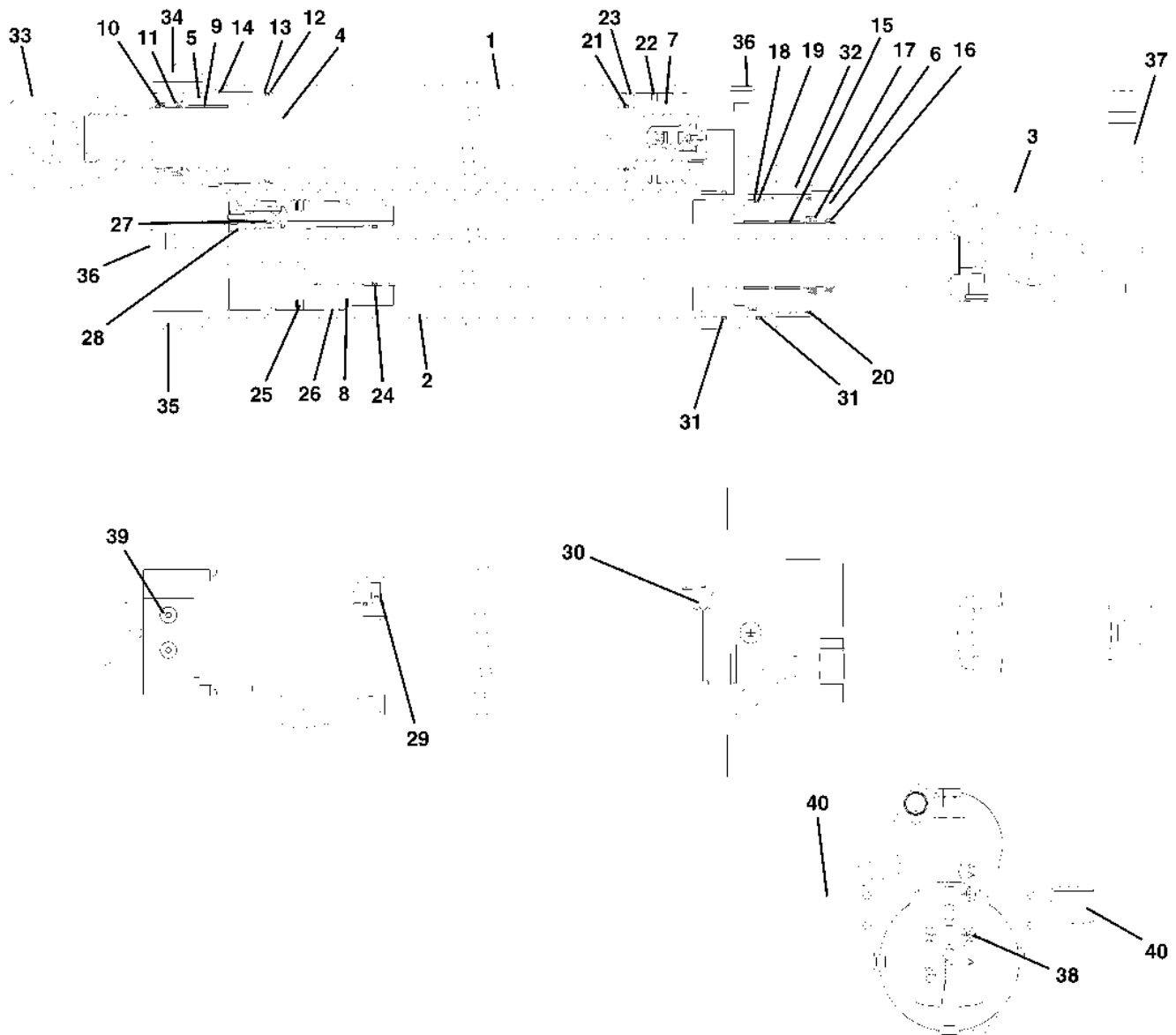




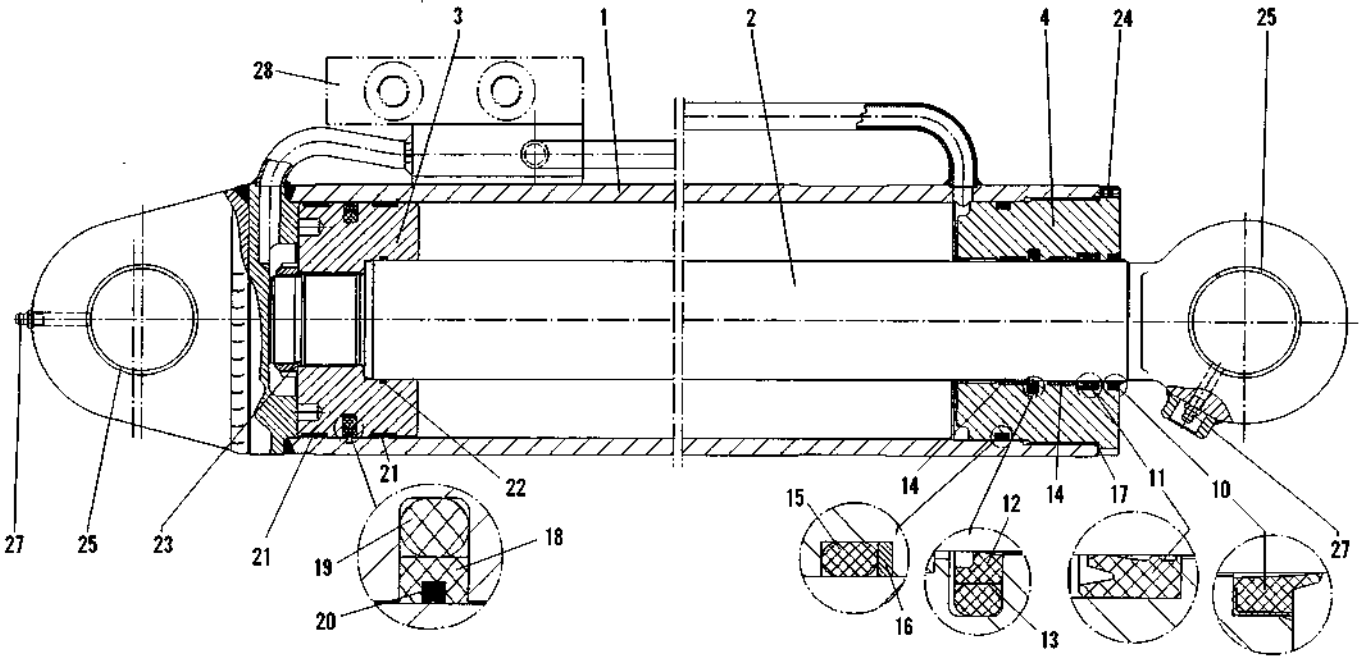
Figure 9-2 Extend/Retract Cylinder Assembly

Item	Part Number	Qty.	Description	Rev.
	1684409	Ref	EXTEND/RETRACT CYLINDER ASSY, (13M machines), (includes all items)	
1	7029610	1	CYLINDER HOUSING ASSY	
2	7029611	1	CYLINDER HOUSING ASSY	
3	7029612	1	PISTON ROD ASSY	
4	7029613	1	PISTON ROD ASSY	
5		1	GLAND	
6	7029615	1	GLAND	
7	7029616	1	PISTON	
8	7029617	1	PISTON	
9		1	BEARING	
10		1	WIPER	
11		1	ROD SEAL	
12		1	O-RING	
13		1	BACK-UP RING	
14		1	O-RING	
15		2	ROD GUIDE RING	
16		1	WIPER RING	
17		1	ROD SEAL	
18		1	O-RING	
19		1	BACK-UP RING	
20		1	O-RING	
21		1	O-RING	
22		1	PISTON SEAL	
23		2	WEAR RING	
24		1	O-RING	
25		1	PISTON SEAL	
26		2	WEAR RING	
27	7029618	1	CHECK VALVE	
28	7029619	1	SNAP RING	
29		1	SET SCREW	
30		1	SET SCREW	
31		2	DUAL SEAL	
32	7029620	1	SPACER	
33		1	ROD EYE	
34	7029622	1	BUFFER DISC	
35	7029623	1	BUFFER DISC	
36	7029624	2	PLUG	
37	8007655	1	LOAD CONTROL VALVE	
38	7028584	4	HEX SOCKET HD SCREW	
39	7029626	4	COUNTERSUNK SCREW	
40	7029627	2	BEARING	
	7029632	AR	SEAL KIT, (includes items 10 thru 26 & 29 thru 31)	
	7029614	AR	GLAND ASSY, (includes items 5 & 9)	



HYDRAULIC COMPONENTS

Figure 9-3 Tilt Cylinder Assembly



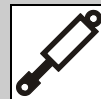


Figure 9-3 Tilt Cylinder Assembly

Item	Part Number	Qty.	Description	Rev.
	4802768	Ref	TILT CYLINDER ASSY, (includes items 1 thru 27)	
1	8007377	1	BARREL	
2	8007379	1	ROD	
3	8007381	1	PISTON	
4	8007382	1	HEAD	
10		1	WIPER	
11		1	U-RING	
12		1	TURCON STEPSEAL	
13		1	O-RING	
14		2	ROD WEAR RING	
15		1	O-RING	
16		1	BACK-UP RING	
17		1	O-RING	
18		1	SEAL	
19		1	O-RING	
20		1	QUAD RING	
21		2	PISTON WEAR RING	
22		1	O-RING	
23	8007479	1	NUT	
24	0442902	1	THREADED PIN	
25	8007376	2	BUSHING	
27	7029473	2	GREASE FITTING	
28		Ref	LOAD HOLDING VALVE, (see Figure 8-4 for details)	
	8007375	1	SEAL KIT - 4802768 CYLINDER, (includes items 10 thru 22)	



Figure 9-3 Tilt Cylinder Assembly

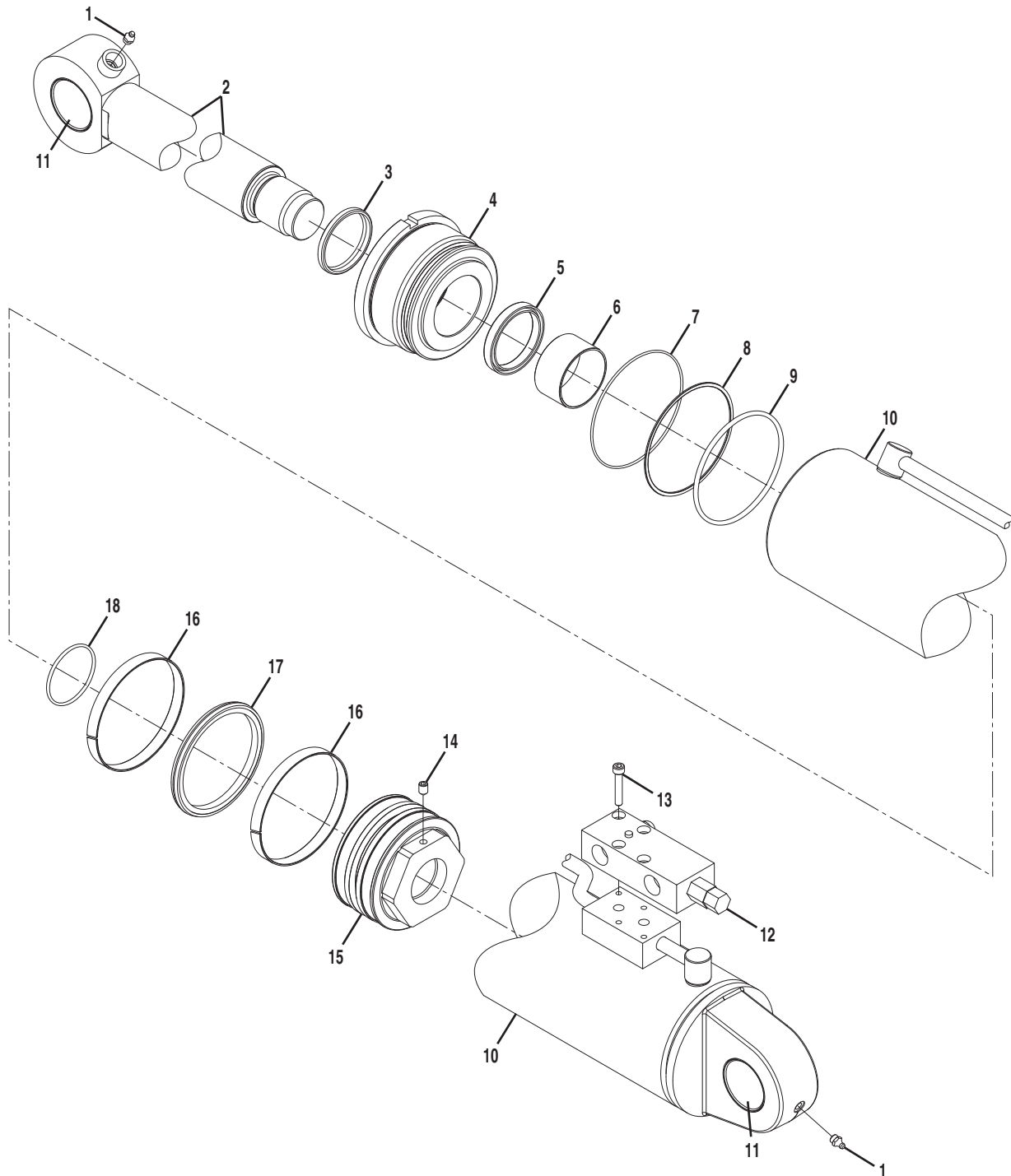


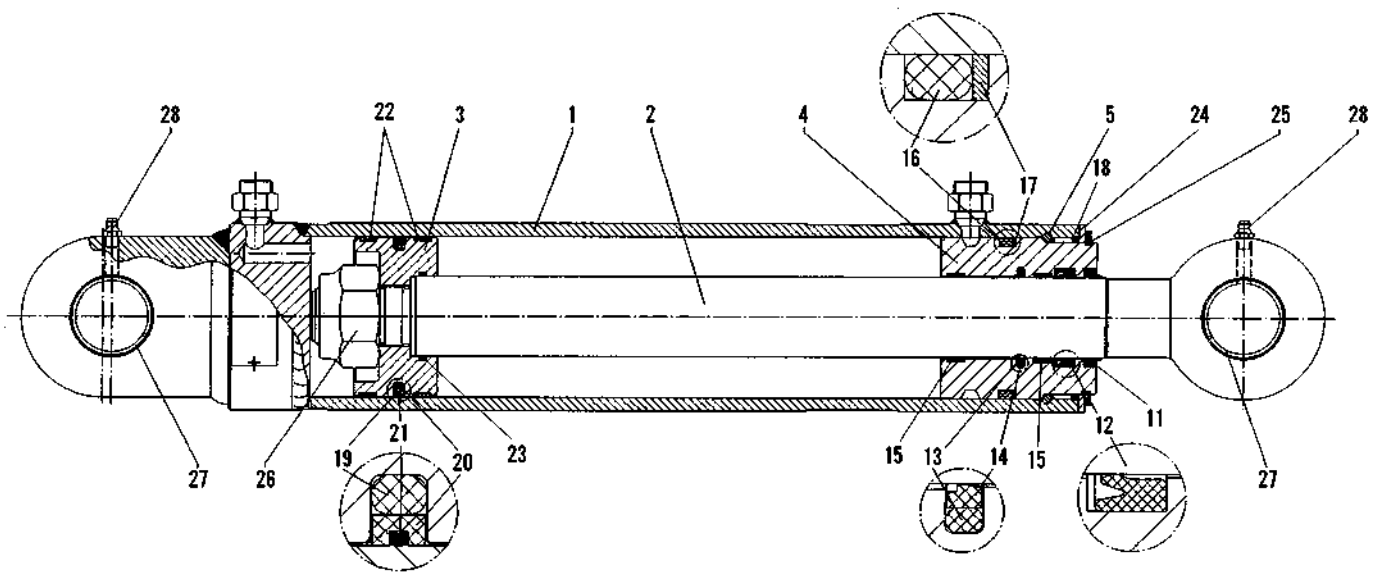


Figure 9-3 Tilt Cylinder Assembly

Item	Part Number	Qty.	Description	Rev.
	1684396	1	TILT CYLINDER, (includes all items)	
1	7028314	2	GREASE NIPPLE	
2	7028574	1	PISTON ROD ASSY	
3		1	WIPER RING	
4	7028575	1	GLAND	
5		1	ROD SEAL	
6	7028856	2	BEARING	
7		1	O-RING	
8		1	BACKRING	
9		1	O-RING	
10	7028573	1	CYLINDER HOUSING	
11	7028840	2	BUSHING	
12	7028558	1	LOAD CONTROL VALVE	
13	7028584	4	HEX HD SOCKET SCREW	
14		1	SET SCREW	
15	7028576	1	PISTON	
16		2	PISTON GUIDE	
17		1	PISTON SEAL	
18		1	O-RING	
	7028572	1	SEAL KIT, (includes items 3, 5, 7 thru 9, 14 & 16 thru 18)	



Figure 9-4 Compensation Cylinder Assembly



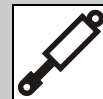


Figure 9-4 Compensation Cylinder Assembly

Item	Part Number	Qty.	Description	Rev.
	4802780	Ref	COMPENSATION CYLINDER ASSY, (includes all items)	
1	8007384	1	BARREL	
2	8007385	1	ROD	
3	8007386	1	PISTON	
4	8007387	1	HEAD	
5	8007486	1	SNAP RING	
11		1	WIPER	
12		1	U-RING	
13		1	TURCON STEPSEAL	
14		1	O-RING	
15		2	ROD WEAR RING	
16		1	O-RING	
17		1	BACK-UP RING	
18		1	O-RING	
19		1	SEAL	
20		1	O-RING	
21		1	QUAD SEAL	
22		2	PISTON WEAR RING	
23		1	O-RING	
24	8007388	1	SUPPORTING PLATE	
25	1398034	1	CIRCLECLIP	
26	8007484	1	NUT	
27	8007389	2	BUSHING	
28	7029473	2	GREASE FITTING	
	8007390	1	SEAL KIT, (includes items 11 thru 23)	



Figure 9-4 Compensation Cylinder Assembly

NOTE: CHECK CYLINDER FOR PART NUMBER PRIOR TO ORDERING REPLACEMENT PARTS

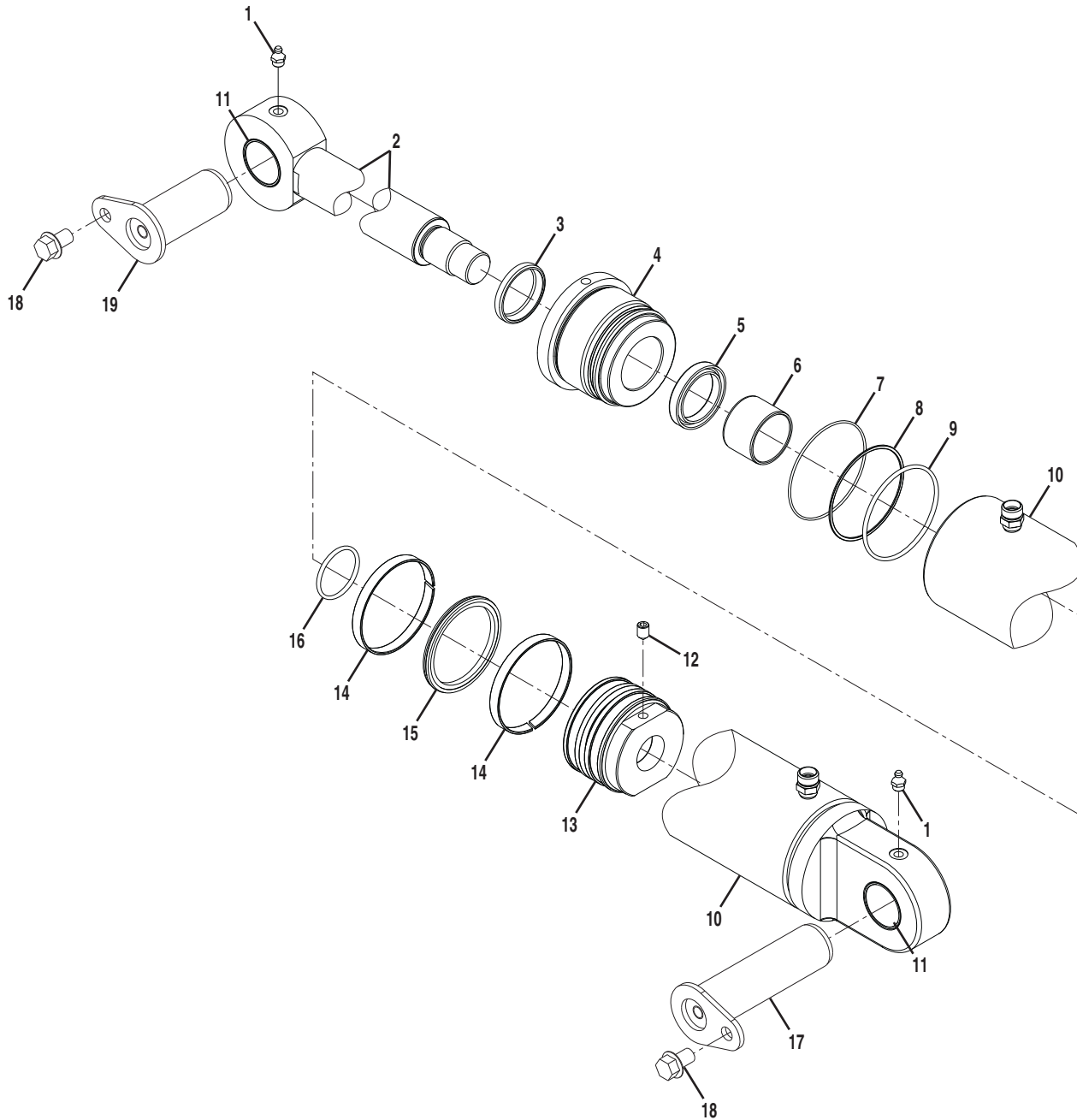




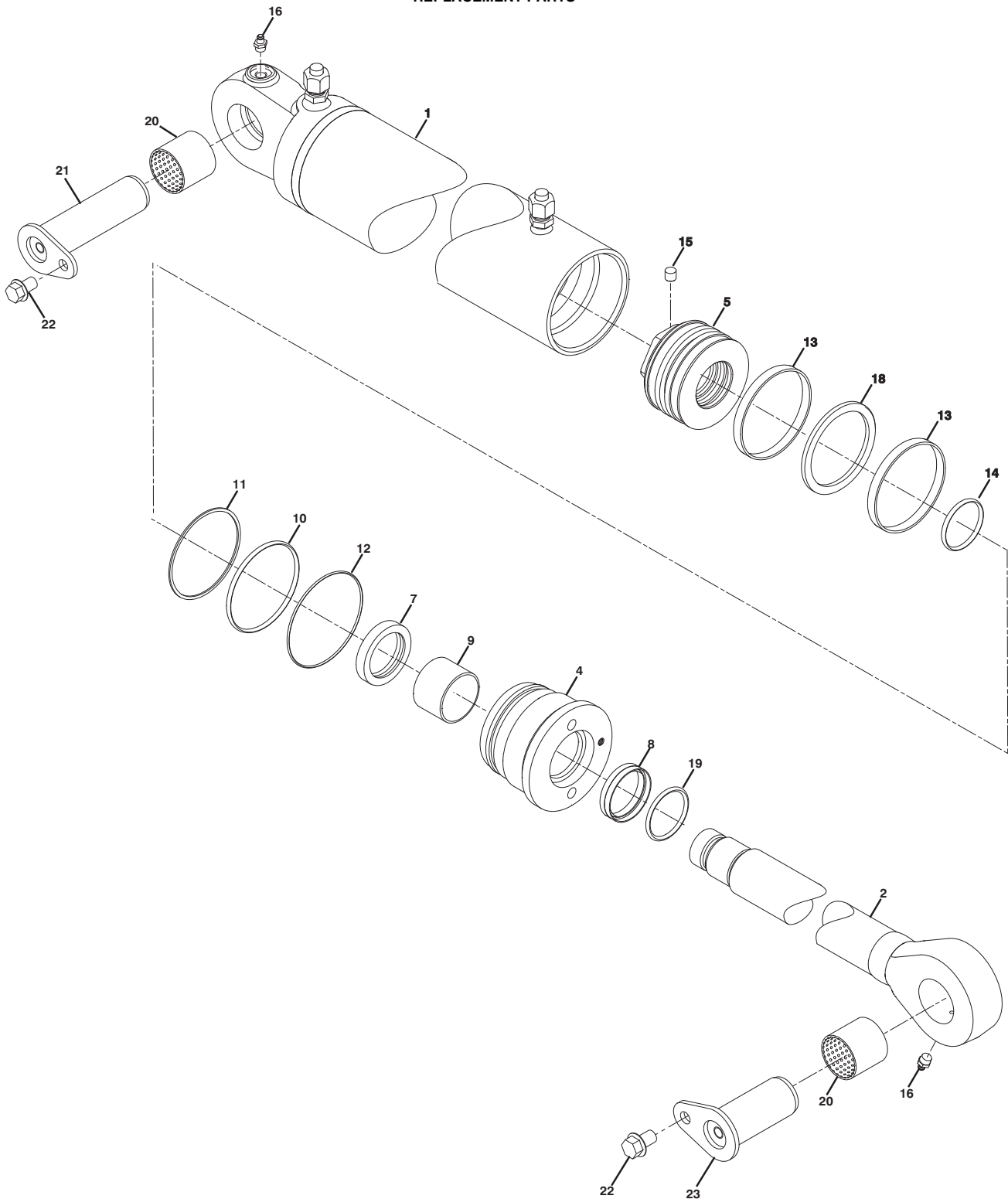
Figure 9-4 Compensation Cylinder Assembly

Item	Part Number	Qty.	Description	Rev.
		2	COMPENSATION CYLINDER, (includes items 1 thru 16), (1684383 is no longer available; order 1001107508 for service replacement)	D
1	7028314	2	GREASE NIPPLE	
2	7029445	1	PISTON ROD ASSY	
3		1	WIPER RING	
4		1	GLAND	
5		1	ROD SEAL	
6		1	BEARING	
7		1	O-RING	
8		1	BACK-UP RING	
9		1	O-RING	
10	7028586	1	CYLINDER HOUSING	
11	7028857	2	BUSHING	
12		1	SET SCREW	
13	7028589	1	PISTON	
14		2	PISTON GUIDE	
15		1	PISTON SEAL	
16		1	O-RING	
17		Ref	PIN, (see Figure 1-1 for details)	
18		Ref	BOLT, 12X20mm, (see Figure 1-1 for details)	
19		Ref	PIN, (see Figure 1-1 for details)	
	7028585	1	SEAL KIT, (includes items 3, 5, 7 thru 9, 12 & 14 thru 16)	
	7029446	1	GLAND ASSY, (includes items 4 & 6)	



Figure 9-4 Compensation Cylinder Assembly

NOTE: CHECK CYLINDER FOR PART NUMBER PRIOR TO ORDERING REPLACEMENT PARTS



PAP1010

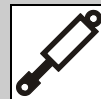
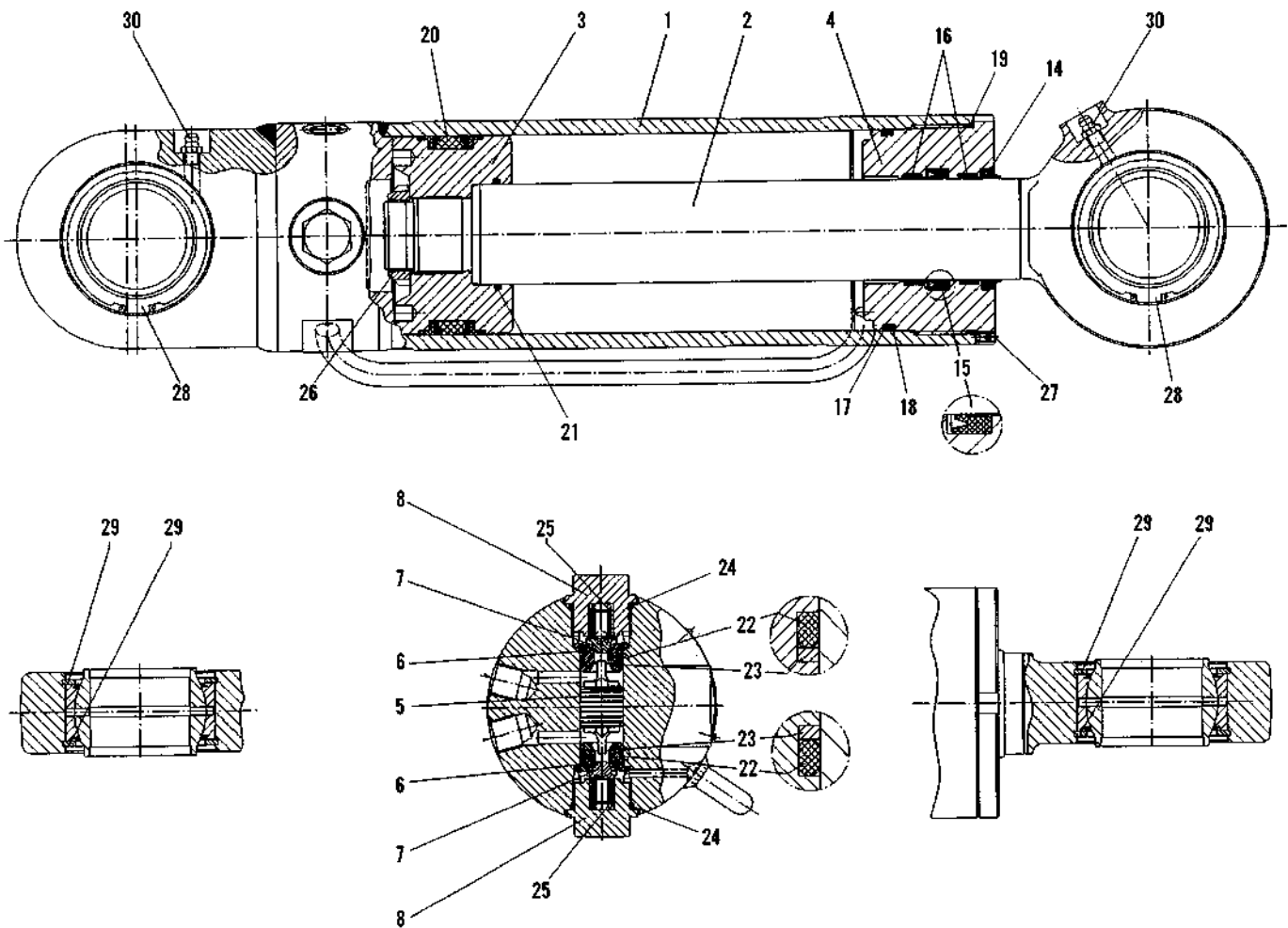


Figure 9-4 Compensation Cylinder Assembly

Item	Part Number	Qty.	Description	Rev.
	1001107508	2	COMPENSATION CYLINDER, (includes items 1 thru 20)	A
1	70029943	1	CYLINDER HOUSING	
2	70029944	1	PISTON ROD ASSY	
4	70029937	1	GLAND	
5	70029938	1	PISTON	
7		1	ROD SEAL	
8		1	WIPER SEAL	
9		1	BEARING	
10		1	BACK-UP RING	
11		1	O-RING	
12		1	O-RING	
13		2	PISTON GUIDE	
14		1	O-RING	
15	70029940	1	SET SCREW	
16	70029941	2	GREASE NIPPLE	
18		1	PISTON SEAL	
19		1	O-RING	
20	70029942	2	BUSHING	
21		Ref	PIN, (see Figure 1-1 for details)	
22		Ref	BOLT, 12X20mm, (see Figure 1-1 for details)	
23		Ref	PIN, (see Figure 1-1 for details)	
	70029972	1	SEAL KIT, (includes items 7 thru 14, 18 & 19)	



Figure 9-5 Sway Cylinder Assembly



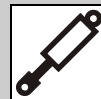


Figure 9-5 Sway Cylinder Assembly

Item	Part Number	Qty.	Description	Rev.
	4802791	Ref	SWAY CYLINDER ASSY, (includes all items)	
1	8007394	1	BARREL	
2	8007395	1	ROD	
3	8007396	1	PISTON	
4	8007397	1	HEAD	
5	8007363	1	CONTROL VALVE PISTON	
6	8007398	2	CONTROL VALVE SEAT	
7	8007367	2	CONTROL VALVE CONE	
8	8007481	2	CONTROL VALVE PLUG	
14		1	WIPER	
15		1	U-RING	
16		2	ROD WEAR RING	
17		1	O-RING	
18		1	BACK-UP RING	
19		1	O-RING	
20		1	PISTON WEAR RING	
21		1	O-RING	
22		2	O-RING	
23		2	BACK-UP RING	
24		2	O-RING	
25	8007365	2	CONTROL VALVE COMPRESSION SPRING	
26	8007476	1	NUT	
27	0442902	1	THREADED PIN	
28	8007399	2	SPHERICAL BEARING	
29	1399251	4	CIRCLECLIP	
30	7029473	4	GREASE FITTING	
	8007400	1	SEAL KIT - 4802791 CYLINDER, (includes items 14 thru 24)	



Figure 9-5 Sway Cylinder Assembly

NOTE: CHECK CYLINDER FOR PART NUMBER PRIOR TO ORDERING REPLACEMENT PARTS

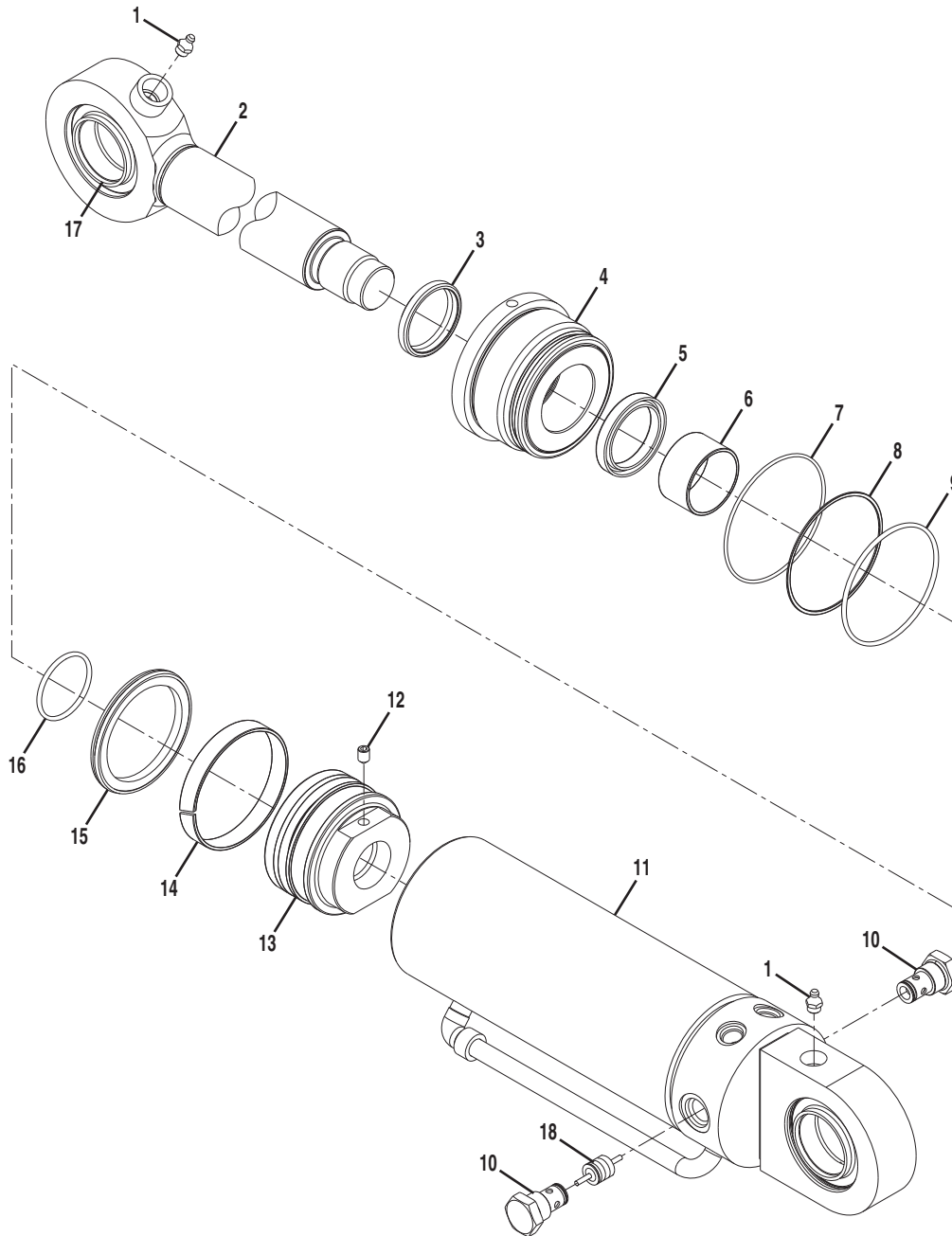


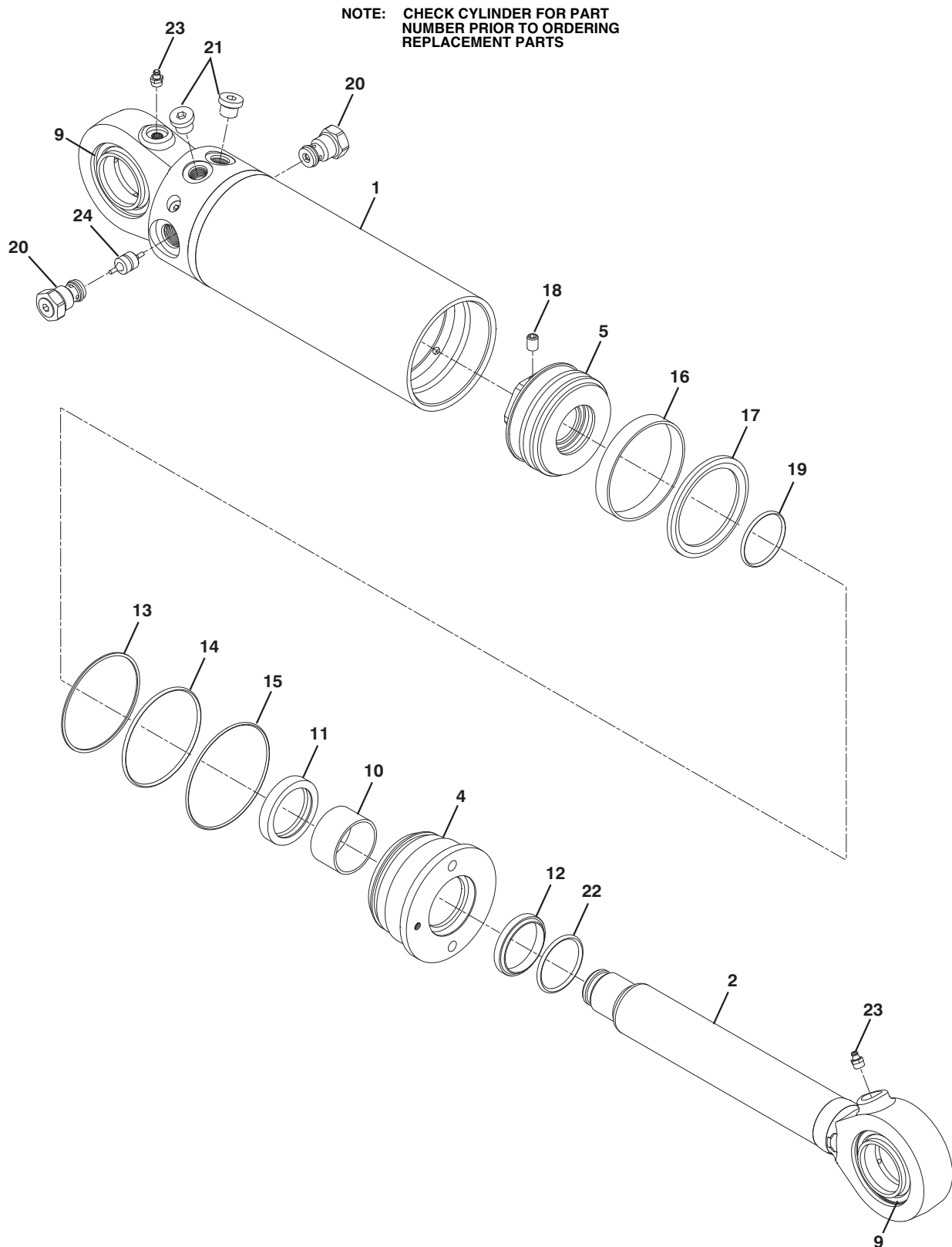


Figure 9-5 Sway Cylinder Assembly

Item	Part Number	Qty.	Description	Rev.
		1	SWAY CYLINDER, (includes items 1 thru 17), (1684405 is no longer available; order 1001107511 for service replacement)	E
1	7028314	2	GREASE NIPPLE	
2	7028601	1	PISTON ROD ASSY	
3		1	WIPER RING	
4		1	GLAND	
5		1	ROD SEAL	
6		1	BEARING	
7		1	O-RING	
8		1	BACK-UP RING	
9		1	O-RING	
10	7028606	2	CHECK VALVE, USE WITH CYLINDER 500531M91	
	7029845	2	CHECK VALVE, USE WITH CYLINDER 500531M92	
11	7028600	1	CYLINDER HOUSING ASSY	
12		1	SET SCREW	
13	7028858	1	PISTON	
14		1	WEAR RING	
15		1	PISTON SEAL	
16		1	O-RING	
17	7028860	2	BUSHING	
18	7028605	1	VALVE PISTON, USE WITH CYLINDER 500531M91	
	7029847	1	VALVE PISTON, USE WITH CYLINDER 500531M92	
	7028599	1	SEAL KIT, (includes items 3, 5, 7 thru 9, 12 & 14 thru 16)	
	7028602	1	GLAND ASSY, (includes items 4 & 6)	



Figure 9-5 Sway Cylinder Assembly



PAP1020

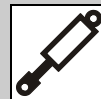


Figure 9-5 Sway Cylinder Assembly

Item	Part Number	Qty.	Description	Rev.
	1001107511	1	SWAY CYLINDER, (includes items 1 thru 17)	A
1	70029960	1	CYLINDER HOUSING ASSY	
2	70029961	1	PISTON ROD ASSY	
4	70029956	1	GLAND	
5	70029957	1	PISTON	
9	70002222	4	SNAP RING	
10	70029958	1	BEARING	
11		1	ROD SEAL	
12		1	WIPER RING	
13		1	O-RING	
14		1	BACK-UP RING	
15		1	O-RING	
16		1	WEAR RING	
17		1	PISTON SEAL	
18	70029940	1	SET SCREW	
19		1	O-RING	
20	70029948	2	CHECK VALVE	
21		2	PLUG	
22		1	O-RING	
23	70029941	2	GREASE NIPPLE	
24	70029949	1	VALVE PISTON	
	70029959	1	SEAL KIT, (includes items 11 thru 17, 19 & 22)	



Figure 9-6 Stabilizer Cylinder Assembly

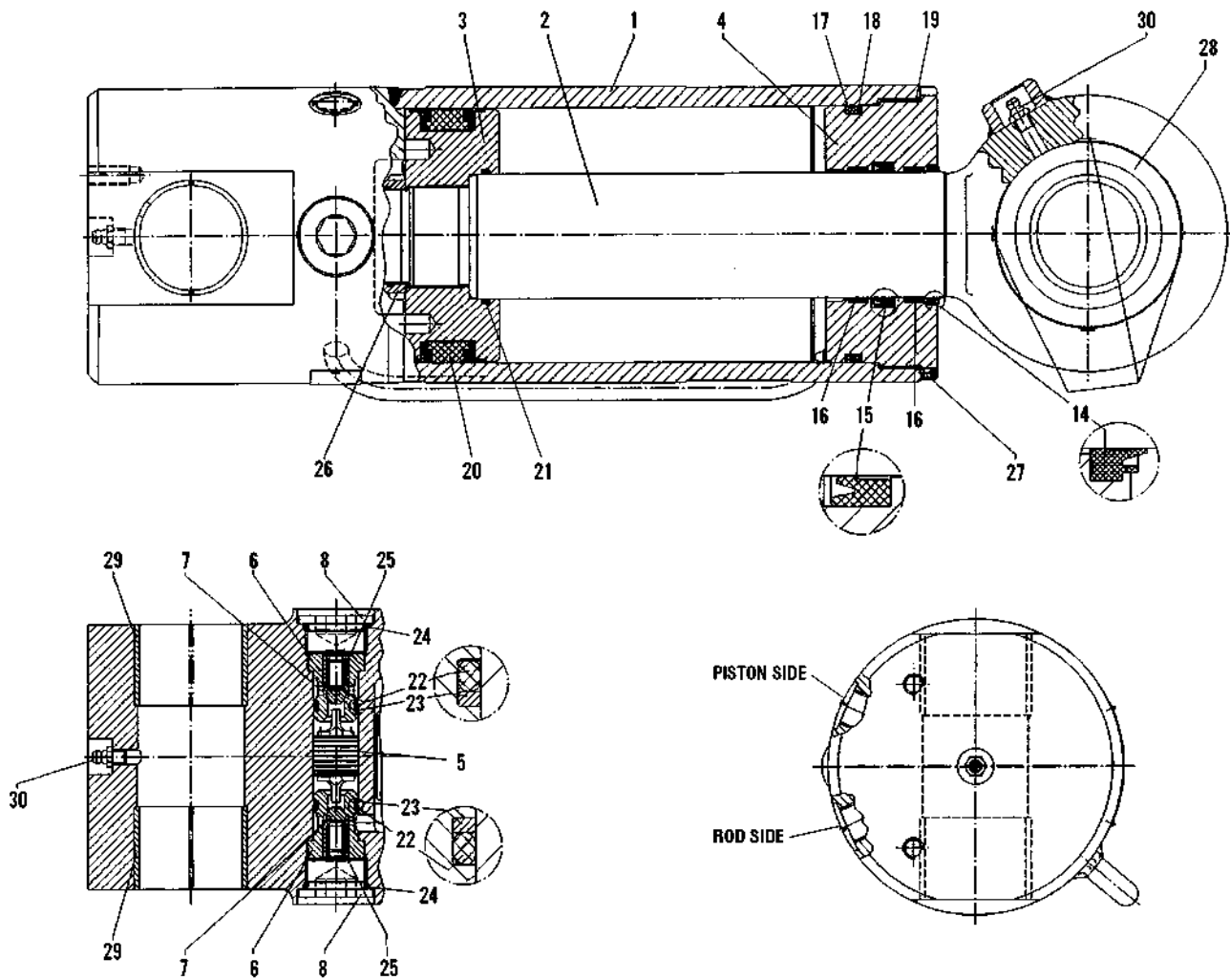




Figure 9-6 Stabilizer Cylinder Assembly

Item	Part Number	Qty.	Description	Rev.
	4802757	Ref	STABILIZER CYLINDER ASSY, (includes all items)	
1	8007359	1	BARREL	
2	8007358	1	ROD	
3	8007360	1	PISTON	
4	8007362	1	HEAD	
5	8007363	1	CONTROL VALVE PISTON	
6	8007369	2	CONTROL VALVE SEAT	
7	8007367	2	CONTROL VALVE CONE	
8	8007480	2	CONTROL VALVE PLUG	
14		1	WIPER	
15		1	U-RING	
16		2	ROD WEAR RING	
17		1	O-RING	
18		1	BACK-UP RING	
19		1	O-RING	
20		1	PISTON O-RING	
21		1	O-RING	
22		2	O-RING	
23		2	BACK-UP RING	
24		2	O-RING	
25	8007365	2	CONTROL VALVE COMPRESSION SPRING	
26	8007478	1	NUT	
27	0442902	1	THREADED PIN	
28	8007361	1	SPHERICAL BEARING	
29	8007364	2	BUSHING	
30	7029473	2	GREASE FITTING	
	8007357	1	SEAL KIT - 4802757 CYLINDER, (includes items 14 thru 24)	



Figure 9-6 Stabilizer Cylinder Assembly

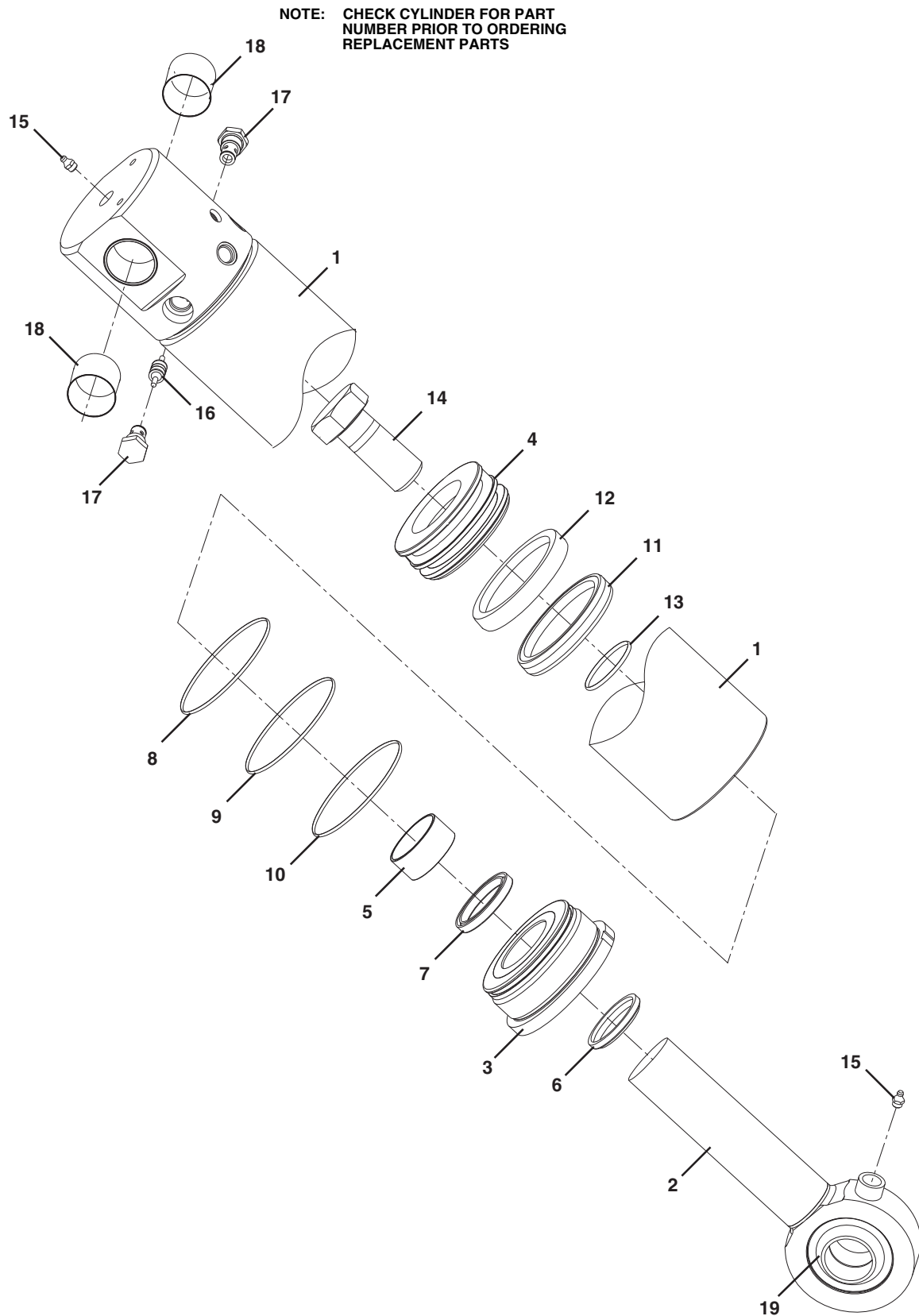




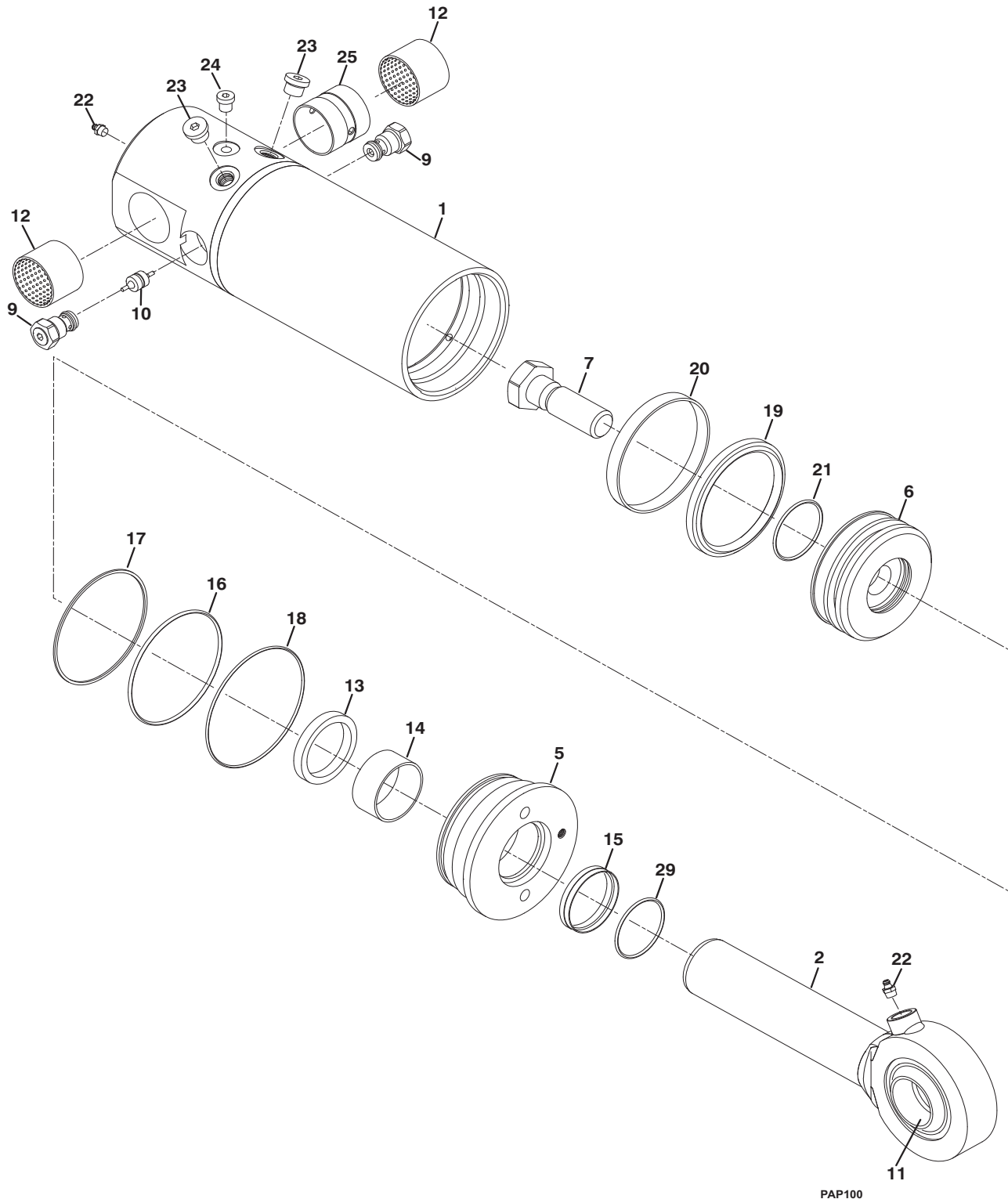
Figure 9-6 Stabilizer Cylinder Assembly

Item	Part Number	Qty.	Description	Rev.
		Ref.	STABILIZER CYLINDER ASSY, (includes all items), (1684411 is no longer available; order 1001107516 for service replacement)	C
1	7028895	1	CYLINDER HOUSING ASSY	
2	7028896	1	PISTON ROD ASSY	
3		1	GLAND	
4	7028898	1	PISTON	
5		1	BEARING	
6		1	WIPER	
7		1	ROD SEAL	
8		1	O-RING	
9		1	BACK-UP RING	
10		1	O-RING	
11		1	PISTON SEAL	
12		1	PISTON GUIDE RING	
13		1	O-RING	
14	7028902	1	HEXAGON SCREW	
15	7028314	2	GREASE NIPPLE	
16	7028605	1	VALVE PISTON, USE WITH CYLINDER 5000524M91	
	7029847	1	VALVE PISTON, USE WITH CYLINDER 5000524M92	
17	7028606	2	CHECK VALVE, USE WITH CYLINDER 5000524M91	
	7029845	2	CHECK VALVE, USE WITH CYLINDER 5000524M92	
18	7028899	2	BEARING	
19	7028900	1	SPHERICAL BEARING	
	7028901	1	SEAL KIT, (includes items 5 thru 13)	
	7028897	1	GLAND ASSY, (includes items 3 & 5)	



Figure 9-6 Stabilizer Cylinder Assembly

NOTE: CHECK CYLINDER FOR PART NUMBER PRIOR TO ORDERING REPLACEMENT PARTS



PAP100



Figure 9-6 Stabilizer Cylinder Assembly

Item	Part Number	Qty.	Description	Rev.
	1001107516	Ref.	STABILIZER CYLINDER ASSY, (includes all items)	C
1	70029954	1	CYLINDER HOUSING ASSY	
2	70029955	1	PISTON ROD ASSY	
5	70029945	1	GLAND	
6	70029946	1	PISTON	
7	70029947	1	HEXAGON SCREW	
9	70029948	2	CHECK VALVE	
10	70029949	1	VALVE PISTON	
11		1	BEARING	
12	70029950	2	BEARING	
13		1	ROD SEAL	
14	70029952	1	BEARING	
15		1	WIPER	
16		1	BACK-UP RING	
17		1	O-RING	
18		1	O-RING	
19		1	PISTON SEAL	
20		1	PISTON GUIDE RING	
21		1	O-RING	
22	70029941	2	GREASE NIPPLE	
23		2	PLUG	
24		1	PLUG	
25	70029951	1	SPACER	
29		1	O-RING	
	70029953	1	SEAL KIT, (includes items 13, 15 thru 21 & 29)	



Figure 9-7 Attachment Lock Cylinder Assembly

NOTE: CHECK CYLINDER FOR PART NUMBER PRIOR TO ORDERING REPLACEMENT PARTS

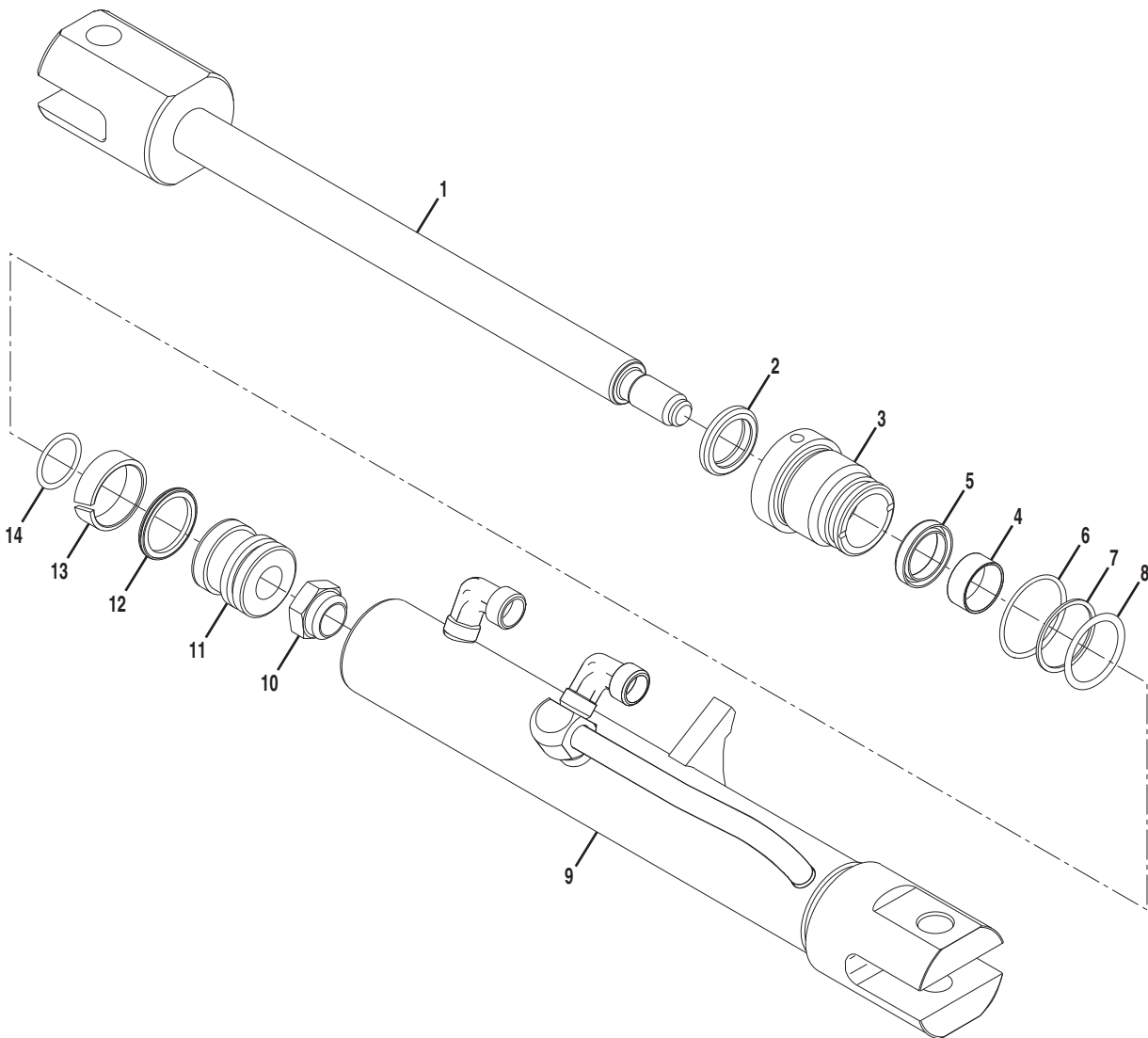


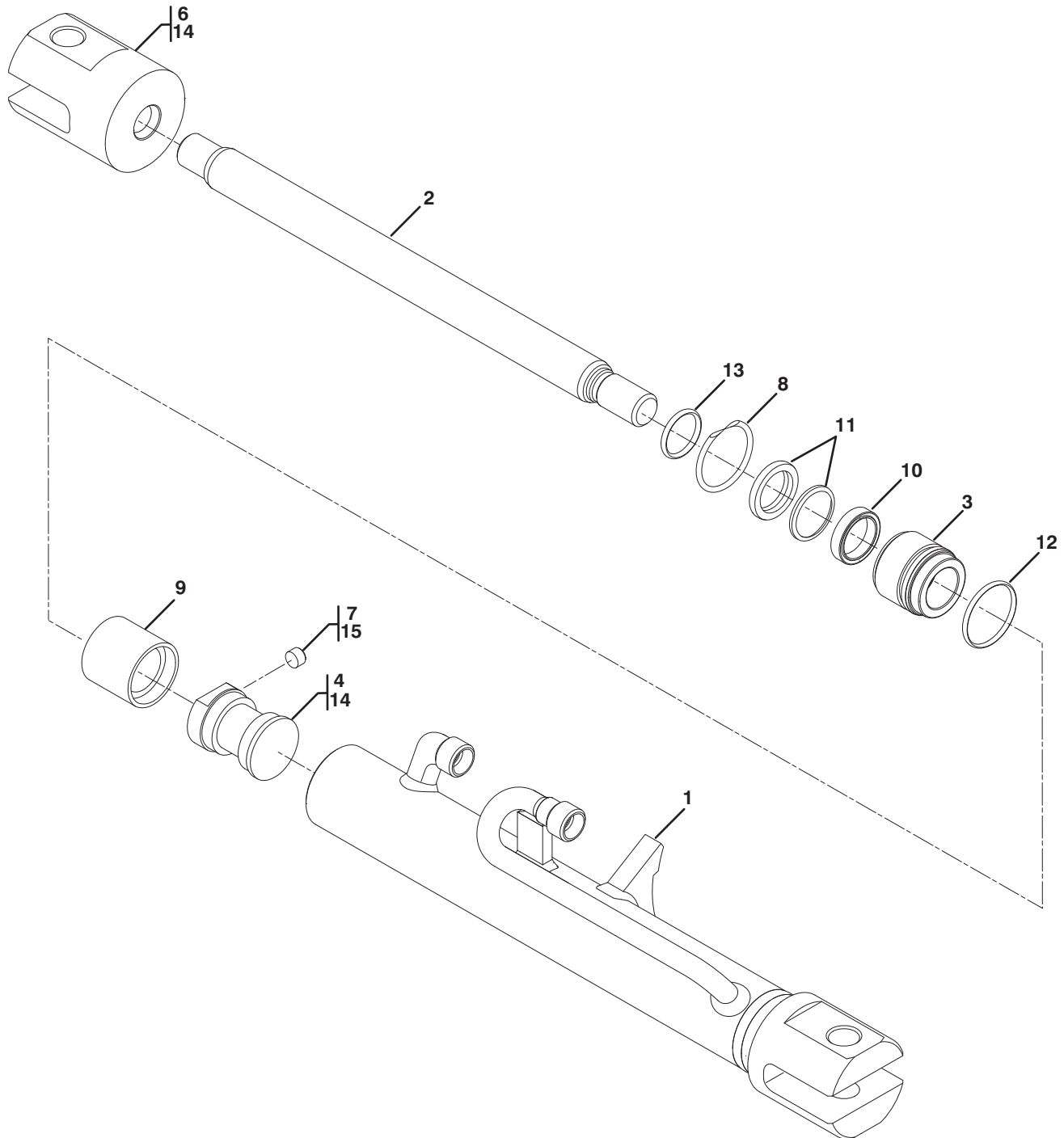
Figure 9-7 Attachment Lock Cylinder Assembly

Item	Part Number	Qty.	Description	Rev.
		1	FORK LOCKING CYLINDER, (includes items 1 thru 14), (1684404 is no longer available; order 1001107513 for service replacement)	E
1	7028784	1	PISTON ROD	
2		1	WIPER	
3	7028786	1	GLAND	
4	7028787	1	BEARING	
5		1	ROD SEAL	
6		1	O-RING	
7		1	BACK-UP RING	
8		1	O-RING	
9	7028792	1	CYLINDER HOUSING	
10		1	LOCKNUT	
11	7028794	1	PISTON	
12		1	PISTON SEAL	
13		1	WEAR RING	
14		1	O-RING	
	7029225	1	SEAL KIT, (includes items 2, 5 thru 8, 10 & 12 thru 14)	



Figure 9-7 Attachment Lock Cylinder Assembly

NOTE: CHECK CYLINDER FOR PART NUMBER PRIOR TO ORDERING REPLACEMENT PARTS



PAP0950



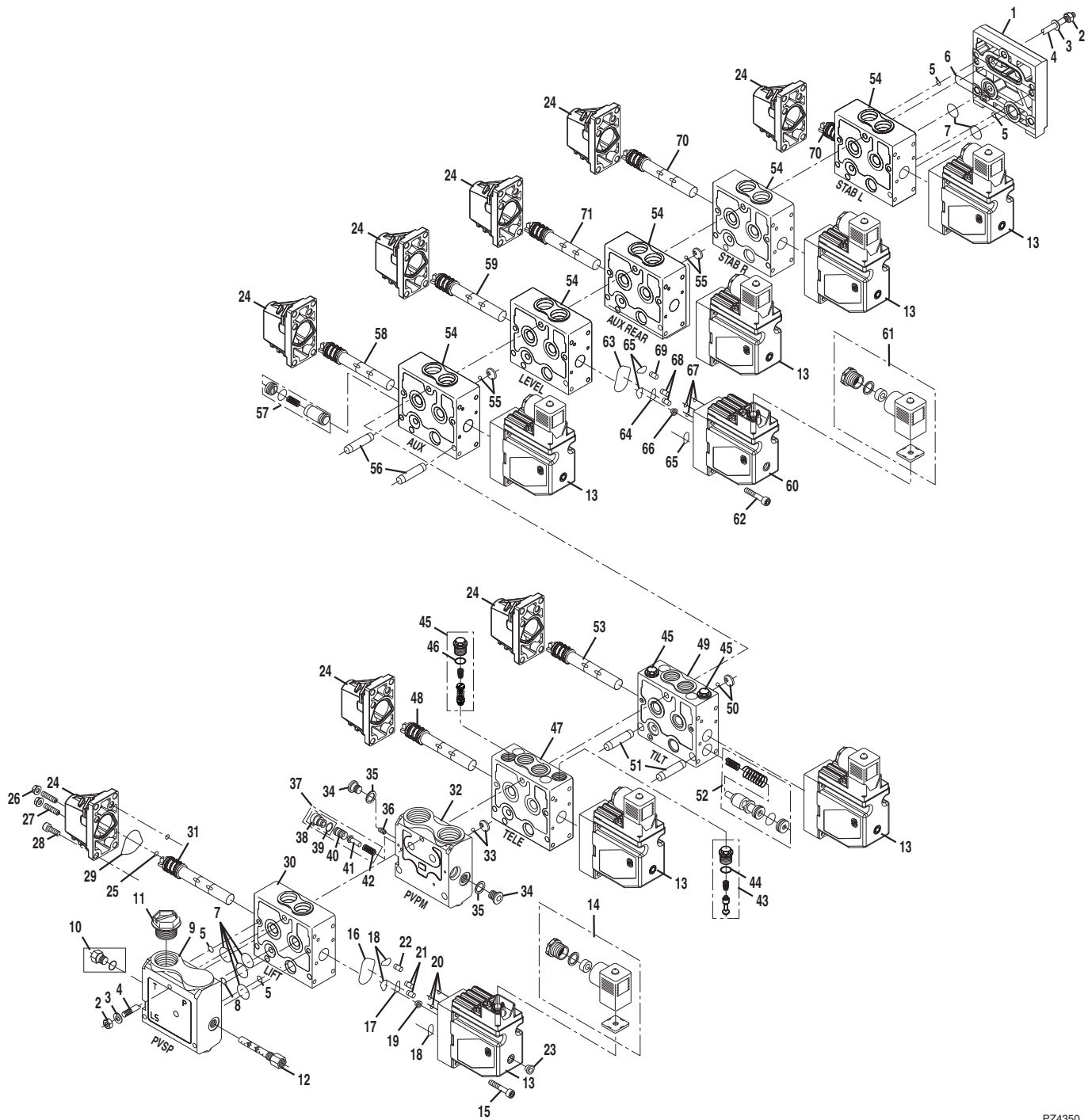
Figure 9-7 Attachment Lock Cylinder Assembly

Item	Part Number	Qty.	Description	Rev.
	1001107513	1	FORK LOCKING CYLINDER, (includes items 1 thru 13)	A
1	70022698	1	CYLINDER HOUSING	
2	70022690	1	PISTON ROD	
3	70022704	1	GLAND	
4	70022703	1	PISTON, (torque to 36Nm)	
6	70022701	1	CLEVIS, (torque to 36Nm)	
7	70022702	1	SETSCREW, (torque to 20Nm)	
8	70022700	1	RETAINER RING	
9		1	PISTON SEAL	
10		1	ROD SEAL	
11		1	2 PIECE SEAL	
12		1	O-RING	
13		1	O-RING	
14	0100011	AR	LOCTITE, #242, (apply to items 4 & 6)	
15	0100035	AR	LOCTITE, #222, (apply to item 7)	
	70022705	1	SEAL KIT, (includes items 9 thru 13)	



HYDRAULIC COMPONENTS

Figure 9-8 Main Control Valve Assembly



PZ4350



Figure 9-8 Main Control Valve Assembly

Item	Part Number	Qty.	Description	Rev.
	4641375	Ref	4 SECTION VALVE, (includes items 1 thru 13 & 15 thru 58)	E
	4641376	Ref	5 SECTION VALVE, (includes items 1 thru 13 & 15 thru 69)	E
	4641377	Ref	6 SECTION VALVE, (includes all items except items 14, 59 thru 69 & 71)	E
	4641378	Ref	7 SECTION VALVE, (includes all items except items 14 & 71)	F
	4641308	Ref	5 SECTION VALVE, AGRICULTURAL, (includes items 1 thru 13, 15 thru 58 & 71)	D
	4641309	Ref	6 SECTION VALVE, AGRICULTURAL, (includes all items except item 14)	D
	4641382	Ref	7 SECTION VALVE, PLATFORM, (includes all items except items 14 & 71)	B
	8003062	Ref	TIE ROD ASSY, 4 SECTION, (includes section seal kit & items 2 thru 4)	
	8003063	Ref	TIE ROD ASSY, 5 SECTION, (includes section seal kit & items 2 thru 4)	
	8003064	Ref	TIE ROD ASSY, 6 SECTION, (includes section seal kit & items 2 thru 4)	
	8007925	Ref	TIE ROD ASSY, 7 SECTION, (includes section seal kit & items 2 thru 4)	
	7028848	AR	SECTION SEAL KIT, (includes items 5 thru 8)	
1	8007924	1	END SECTION	
2	0443549	6	NUT	
3	1380625	6	WASHER	
4	8007926	3	STAY BOLT, 4 SECTION	
	8007927	3	STAY BOLT, 5 SECTION	
	8007928	3	STAY BOLT, 6 SECTION	
	8007929	3	STAY BOLT, 7 SECTION	
5	NSS	14	O-RING, 4 SECTION	
	NSS	16	O-RING, 5 SECTION	
	NSS	18	O-RING, 6 SECTION	
	NSS	20	O-RING, 7 SECTION	
6	NSS	1	O-RING	
7	NSS	28	O-RING, 4 SECTION	
	NSS	32	O-RING, 5 SECTION	
	NSS	36	O-RING, 6 SECTION	
	NSS	40	O-RING, 7 SECTION	
8	NSS	6	O-RING, 4 SECTION	
	NSS	7	O-RING, 5 SECTION	
	NSS	8	O-RING, 6 & 7 SECTION	
		Ref	PRIORITY INLET SECTION, (PVSP), (includes items 9 & 12)	
9	8007959	1	INLET MODULE, USED WITH ALL VALVES EXCEPT PLATFORM, (includes items 10 & 11)	
	7029531	1	INLET MODULE, 7 SECTION PLATFORM VALVE ONLY	
	8007935	AR	SEAL KIT BETWEEN SECTIONS	
10	7028861	1	PLUG	
11	NSS	1	PLUG	
12	7028862	1	INLET COMPENSATOR	
		Ref	LIFT SECTION, (includes items 13 thru 31)	
13	1001105362	1	PROPORTIONAL SOLENOID MODULE COIL, USED WITH ALL VALVES EXCEPT PLATFORM, (includes items 16 thru 23)	
	7028629	Ref	PROPORTIONAL SOLENOID MODULE COIL, 7 SECTION PLATFORM VALVE ONLY, (no longer available, use valve 4641382 or see items 14 & 15 for service)	
	8007954	AR	PROPORTIONAL SOLENOID SEAL KIT, (includes items 16, 17, 18 & 20)	
14	7028849	1	CONNECTOR	
15	7028846	4	MOUNTING SCREW	



HYDRAULIC COMPONENTS

Figure 9-8 Main Control Valve Assembly (Continued)

Item	Part Number	Qty.	Description	Rev.
16	NSS	1	O-RING	
17	NSS	1	O-RING	
18	NSS	3	O-RING	
19	NSS	1	FILTER	
20	NSS	3	O-RING	
21	NSS	2	CHECK VALVE	
22	NSS	1	ORIFICE	
23	NSS	1	PLUG	
24	8007899	1	ACTUATOR MODULE, (includes items 25 thru 29)	
	8007894	AR	ACTUATOR SEAL KIT, (includes items 25, 26 & 29)	
25	NSS	2	O-RING	
26	NSS	2	SEAL NUT	
27	8007915	2	THREADED PIN	
28	0318854	4	SCREW	
29	NSS	1	PROFILE O-RING	
30	8007917	1	PRESSURE COMPENSATOR VALVE	
31	7028894	1	CONTROL SPOOL MODULE	
		Ref	MID-INLET SECTION, (PVPM), (includes items 32 thru 42)	
32	8007936	1	VALVE, (includes items 33 thru 42)	
	8007939	AR	VALVE SEAL KIT	
33	NSS	1	SHUTTLE ASSY	
34	7028630	2	PLUG	
35	8007941	2	WASHER	
36	8007942	1	ORIFICE	
37	8007944	1	PILOT SUPPLY, (includes items 38 thru 42)	
38	8007943	1	PLUG, (includes item 39)	
39	NSS	1	O-RING	
40	NSS	1	SPOOL	
41	NSS	1	CONE	
42	NSS	1	SPRING	
		Ref	TELESCOPE SECTION, (includes items 13, 24 & 43 thru 48)	
43	8007919	1	ANTI-CAVITATION VALVE, (includes item 44)	
44	NSS	1	O-RING	
45	8007918	1	SHOCK VALVE, (includes item 46)	
46	NSS	1	O-RING	
47	8007920	1	PRESSURE COMPENSATOR VALVE	
48	70022769	1	MODIFIED CONTROL SPOOL MODULE	
		Ref	TILT SECTION, (includes items 13, 24, 2 of 45 & 49 thru 53)	
49	7028847	1	PRESSURE COMPENSATOR VALVE, (includes items 50, 51 & 52)	
50	NSS	1	SHUTTLE ASSY	
51	NSS	2	PIPE	
52	NSS	1	COMPENSATOR VALVE ASSY	
53	8007956	1	CONTROL SPOOL MODULE	
		Ref	AUXILIARY SECTION, (includes items 13, 24 & 54 thru 58)	
54	8007922	1	VALVE, (includes items 55, 56 & 57)	
55	NSS	1	SHUTTLE ASSY	
56	NSS	2	PIPE	
57	NSS	1	CHECK VALVE ASSY	
58	8007947	1	CONTROL SPOOL MODULE	

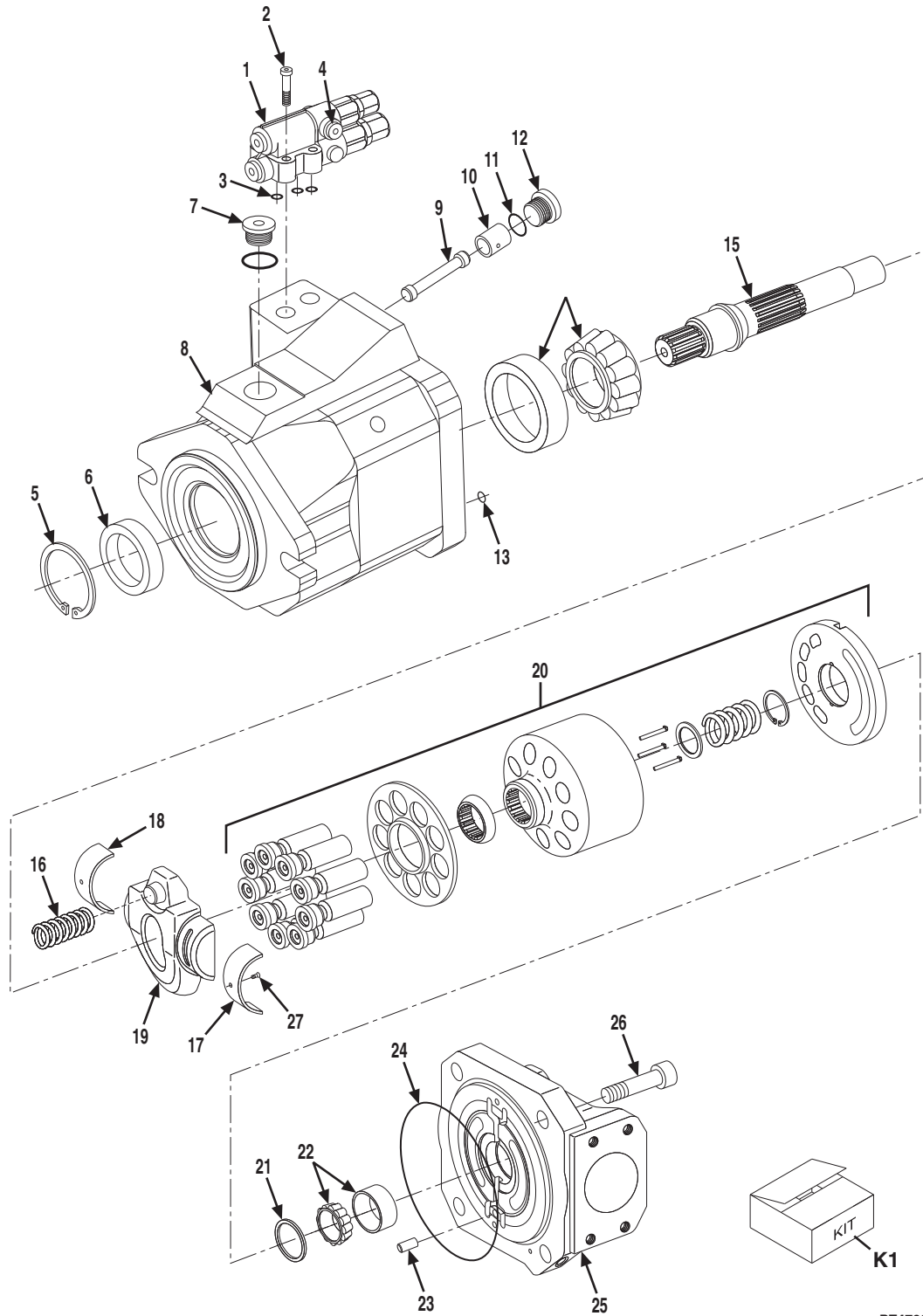


Figure 9-8 Main Control Valve Assembly (Continued)

Item	Part Number	Qty.	Description	Rev.
		Ref	LEVEL CONTROL SECTION, (includes items 24, 54 & 59 thru 69)	
59	8007946	1	CONTROL SPOOL MODULE	
60	7028845	1	ON/OFF SOLENOID MODULE VALVE, (includes items 61 thru 69)	
	8007954	AR	ON/OFF SOLENOID SEAL KIT, (includes items 63, 64, 65 & 67)	
61	7028849	1	CONNECTOR	
62	7028846	4	MOUNTING SCREW	
63	NSS	1	O-RING	
64	NSS	1	O-RING	
65	NSS	3	O-RING	
66	NSS	1	FILTER	
67	NSS	3	O-RING	
68	NSS	2	CHECK VALVE	
69	NSS	1	ORIFICE	
70	8007945	1	CONTROL SPOOL MODULE	
71	7029208	1	CONTROL SPOOL MODULE	
		Ref	STABILIZER RIGHT SECTION, (standard 6 & both 7 section valves only), (includes items 13, 24, 54 & 70)	
		Ref	STABILIZER LEFT SECTION, (standard 6 & both 7 section valves only), (includes items 13, 24, 54 & 70)	
		Ref	AUXILIARY SECTION, REAR, (for both agricultural valves), (includes items 13, 24, 54 & 71)	



Figure 9-9 Engine Drive Pump Assembly



PZ4790

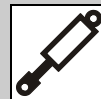


Figure 9-9 Engine Drive Pump Assembly

Item	Part Number	Qty.	Description	Rev.
	8001912	Ref	ENGINE DRIVE PUMP ASSY, 60cc, (includes all items)	
1	8007838	1	PILOT VALVE, (includes items 2, 3 & 4)	
2	7024954	4	SOCKET SCREW, M6X30, GR10.9	
3	7028670	3	O-RING	
4	Use Kit K1	1	PLUG	
5	80334277	1	SAFETY RING	
6	7024947	1	SHAFT SEAL	
7	NSS	1	PLUG	
8	7028647	1	PUMP HOUSING	
9	7024935	1	PISTON ROD	
10	7024934	1	CONTROL PISTON	
11	7024949	1	O-RING	
12	7024940	1	SCREW PLUG	
13	7024950	1	O-RING	
14	7024943	1	TAPERED ROLLER BEARING	
15	7028648	1	DRIVE SHAFT	
16	7024941	1	SPRING	
17	7024945	1	CRADLE SHELL, RH	
18	7024946	1	CRADLE SHELL, LH	
19	7028649	1	SWASH PLATE	
20	7028650	1	ROTARY GROUP	
21	7024942	1	SHIM	
22	7024944	1	TAPERED ROLLER BEARING	
23	7024952	1	DOWEL PIN	
24	7024948	1	O-RING	
25	7028651	1	PORT PLATE	
26	7024951	4	SOCKET SCREW, M14X35, GR10.9	
27	7024953	2	COUNTERSUNK SCREW, M5X16	
K1	7029165	1	SEAL KIT, (includes items 2 thru 6, 11, 12, 13 & 24)	



Figure 9-9 Engine Drive Pump Assembly

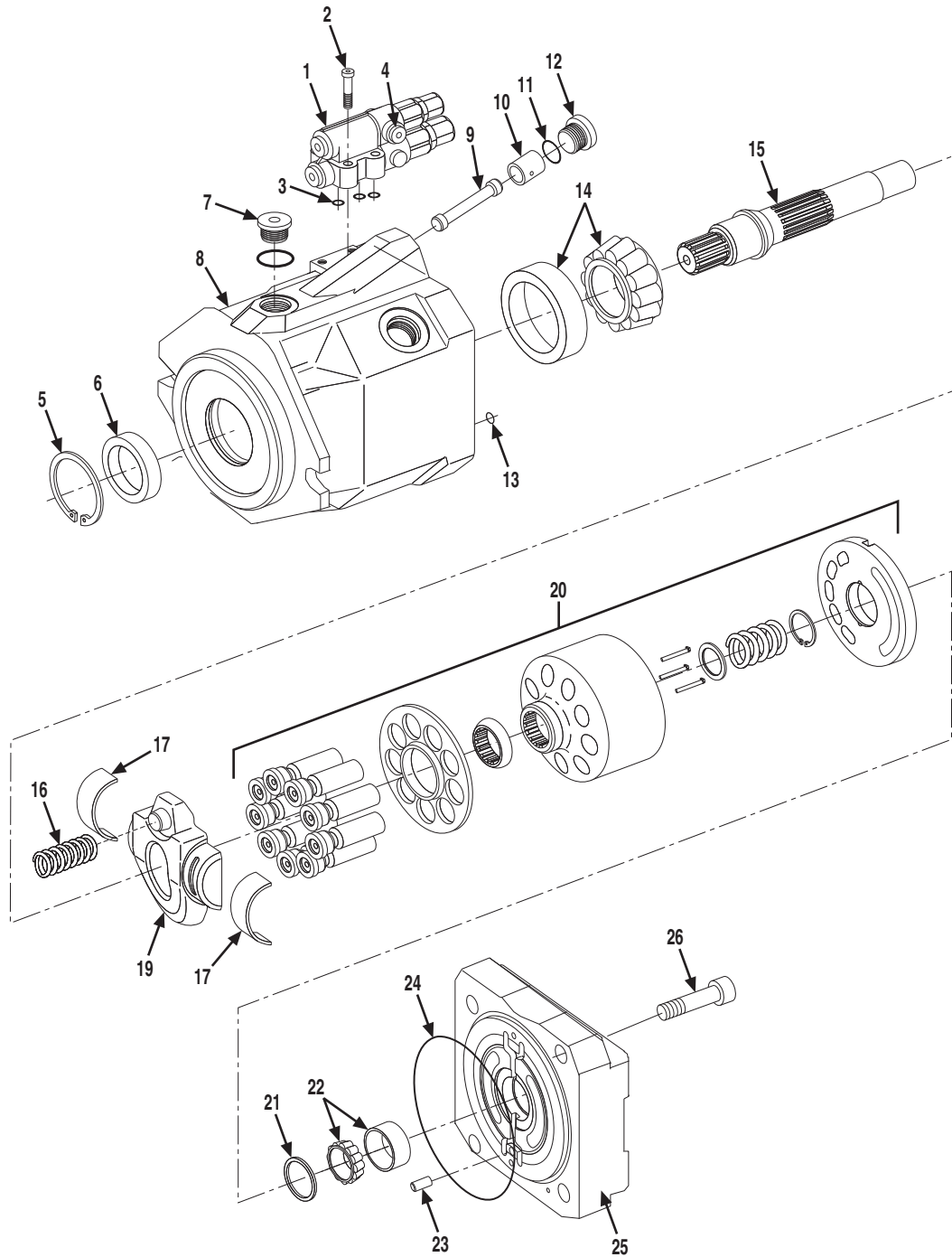




Figure 9-9 Engine Drive Pump Assembly

Item	Part Number	Qty.	Description	Rev.
	3600419	Ref	ENGINE DRIVE PUMP ASSY, 45cc, (includes all items)	
1	7028671	1	PILOT VALVE, (includes items 2, 3 & 4)	
2	7024954	4	SOCKET SCREW, M6X30, GR10.9	
3	7024922	3	O-RING	
4		1	PLUG	
5	7012715	1	V-RING	
6	7024918	1	SHAFT SEAL	
7		1	PLUG	
8	7028699	1	PUMP HOUSING	
9	7024935	1	PISTON ROD	
10	7028700	1	CONTROL PISTON	
11	7024920	1	O-RING	
12	7028701	1	SCREW PLUG	
13	7024921	1	O-RING	
14	7024038	1	TAPERED ROLLER BEARING	
15	7028702	1	DRIVE SHAFT	
16	7028703	1	SPRING	
17	7024917	2	CRADLE SHELL	
19	7024915	1	SWASH PLATE	
20	7024914	1	ROTARY GROUP	
21	7012709	1	SHIM	
22	7012706	1	TAPERED ROLLER BEARING	
23	7024952	1	DOWEL PIN	
24	7024919	1	O-RING	
25	7028704	1	PORT PLATE	
26	7028705	4	SOCKET SCREW, M12X45, GR10.9	
	7029166	1	SEAL KIT, (includes items 2 thru 6, 11, 12, 13 & 24)	



HYDRAULIC COMPONENTS

Figure 9-10 Hydraulic Tank Assembly

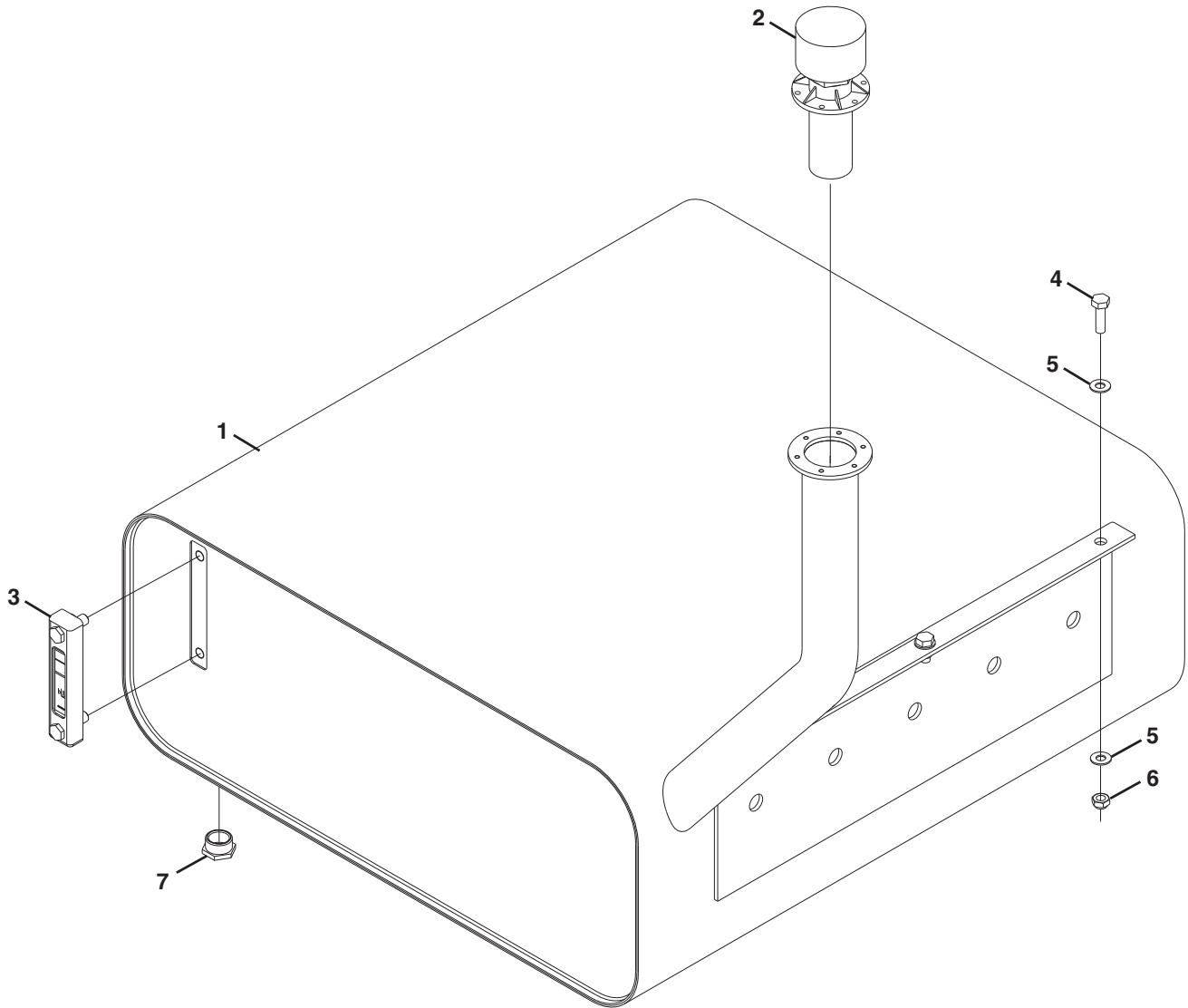




Figure 9-10 Hydraulic Tank Assembly

Item	Part Number	Qty.	Description	Rev.
	0273825	Ref	HYDRAULIC TANK INSTALLATION, (includes all items)	C
1	4400465	1	HYDRAULIC TANK, (includes item 7)	
2	1120586	1	FILLING VENT FILTER, MACHINES WITHOUT TOOLBOX, (Before S/N 1160000486),	
	1120587	1	FILLING VENT FILTER, MACHINES WITH TOOLBOX, (Before S/N 1160000486)	
3	8005248	1	SIGHT GLASS	
4	0761015	6	HEX HD CAPSCREW, M10X35	
5	5212000	12	WASHER, 10X22mm	
6	3291005	6	LOCKNUT, 10mm	
7	7028782	1	PLUG	



Figure 9-11 Return Filter Assembly

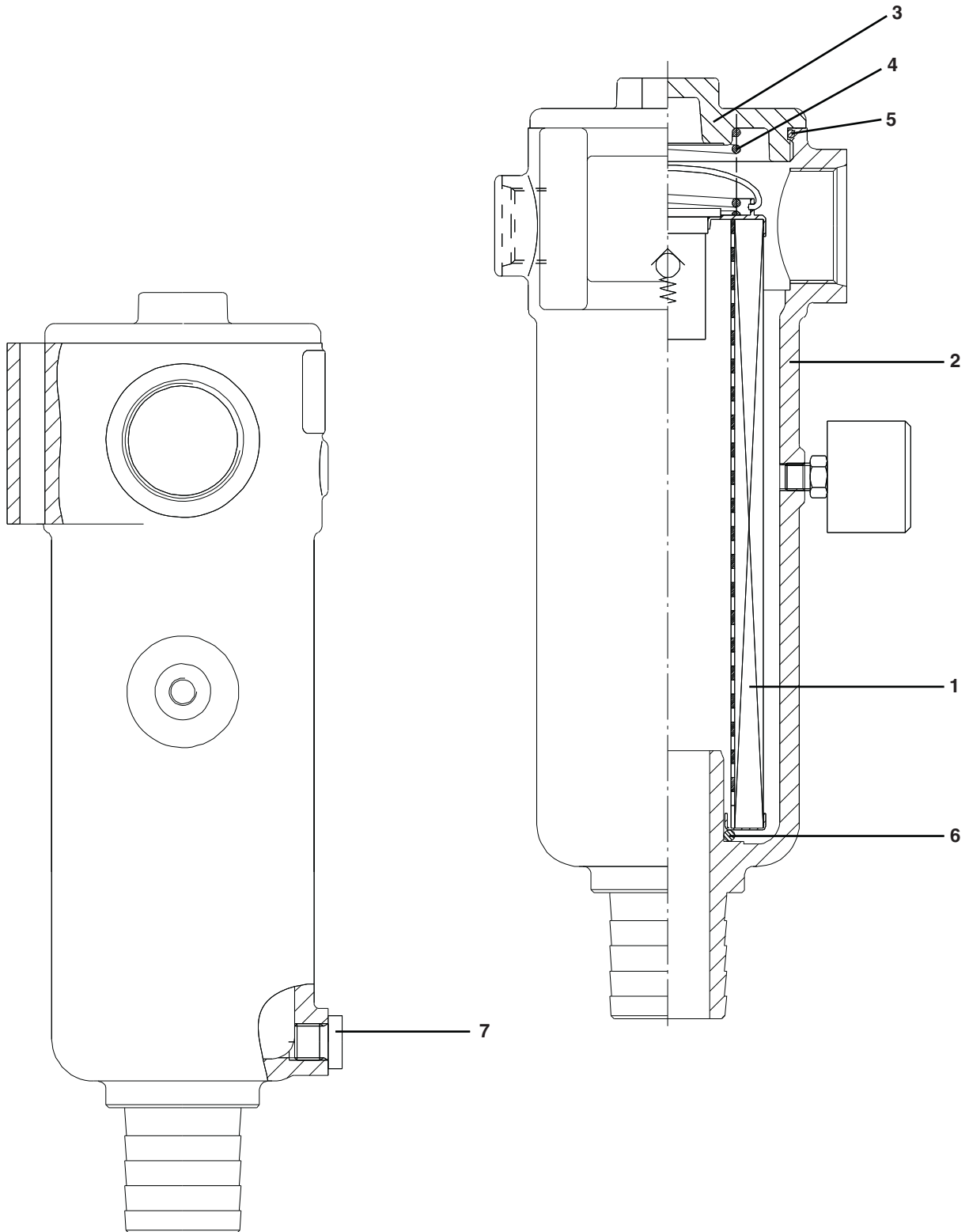




Figure 9-11 Return Filter Assembly

Item	Part Number	Qty.	Description	Rev.
	8004054	Ref	RETURN FILTER ASSY, (includes all items)	
1	8007563	1	FILTER ELEMENT	
2	8007554	1	FILTER HOUSING	
3	8007564	1	COVER	
4	8007555	1	COMPRESSION SPRING	
5	8007562	1	O-RING	
6	0330101	1	O-RING	
7	2904687	1	PLUG	



HYDRAULIC COMPONENTS

Figure 9-12 ERS Control Valve Assembly

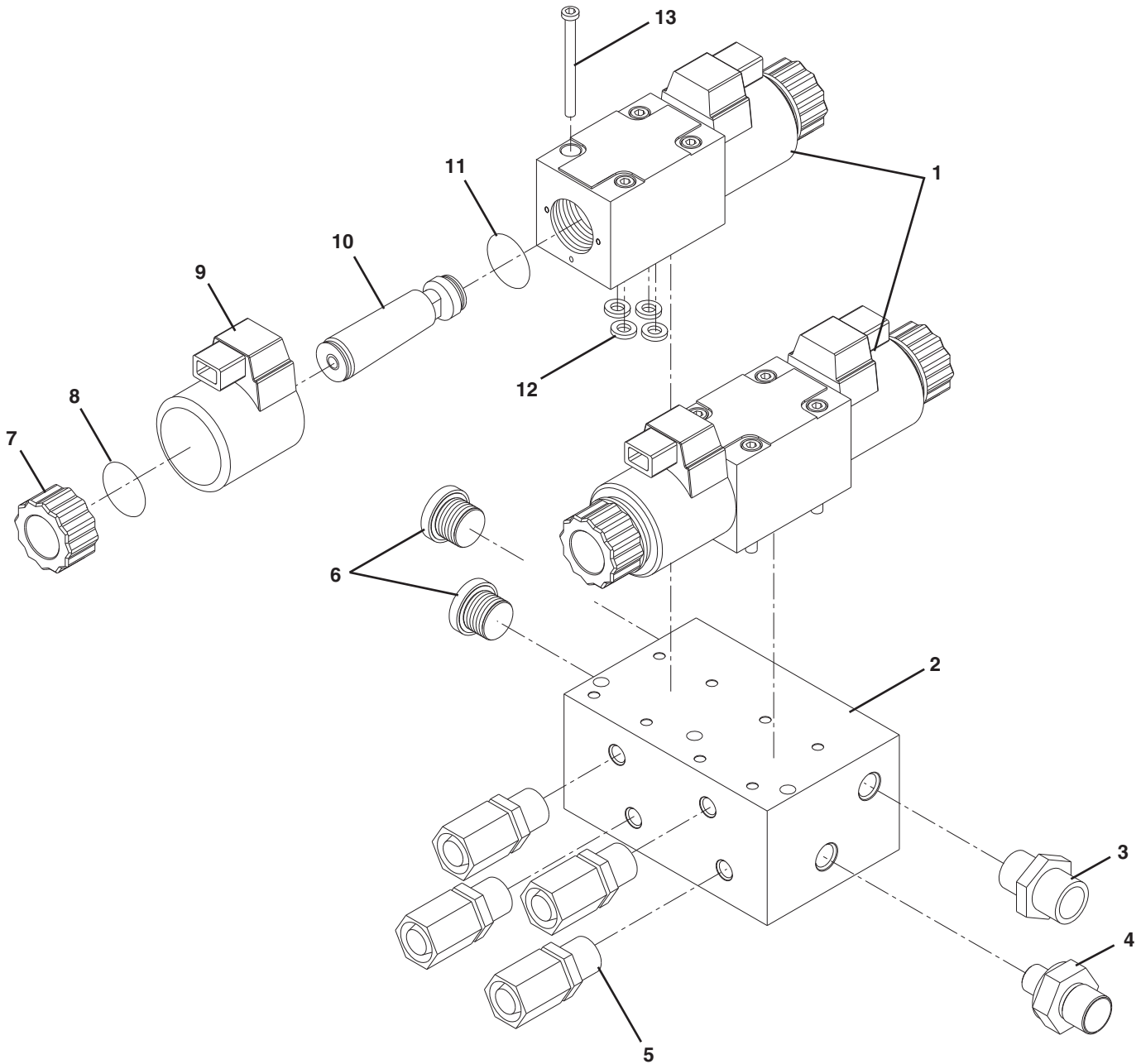




Figure 9-12 ERS Control Valve Assembly

Item	Part Number	Qty.	Description	Rev.
	4641363	1	ERS CONTROL VALVE ASSEMBLY, (includes all items)	C
1	7029519	2	DIRECTIONAL VALVE, (includes items 7 thru 12)	
2		1	MANIFOLD BLOCK	
3	2142715	1	MALE CONNECTOR	
4	2142713	1	MALE CONNECTOR	
5	2142804	4	SWIVEL CONNECTOR	
6	1309275	2	PLUG	
7	91504035	2	NUT	
8		2	O-RING	
9	7029515	2	COIL, 12V	
10	7024014	2	POLE TUBE	
11		2	O-RING	
12		4	O-RING	
13	4031614	4	SOCKET HD CAPSCREW, M5X50, GR8.8	
	91504041	1	SEAL KIT, (includes items 8, 11 & 12)	



HYDRAULIC COMPONENTS

Figure 9-13 Auxiliary Power Pump

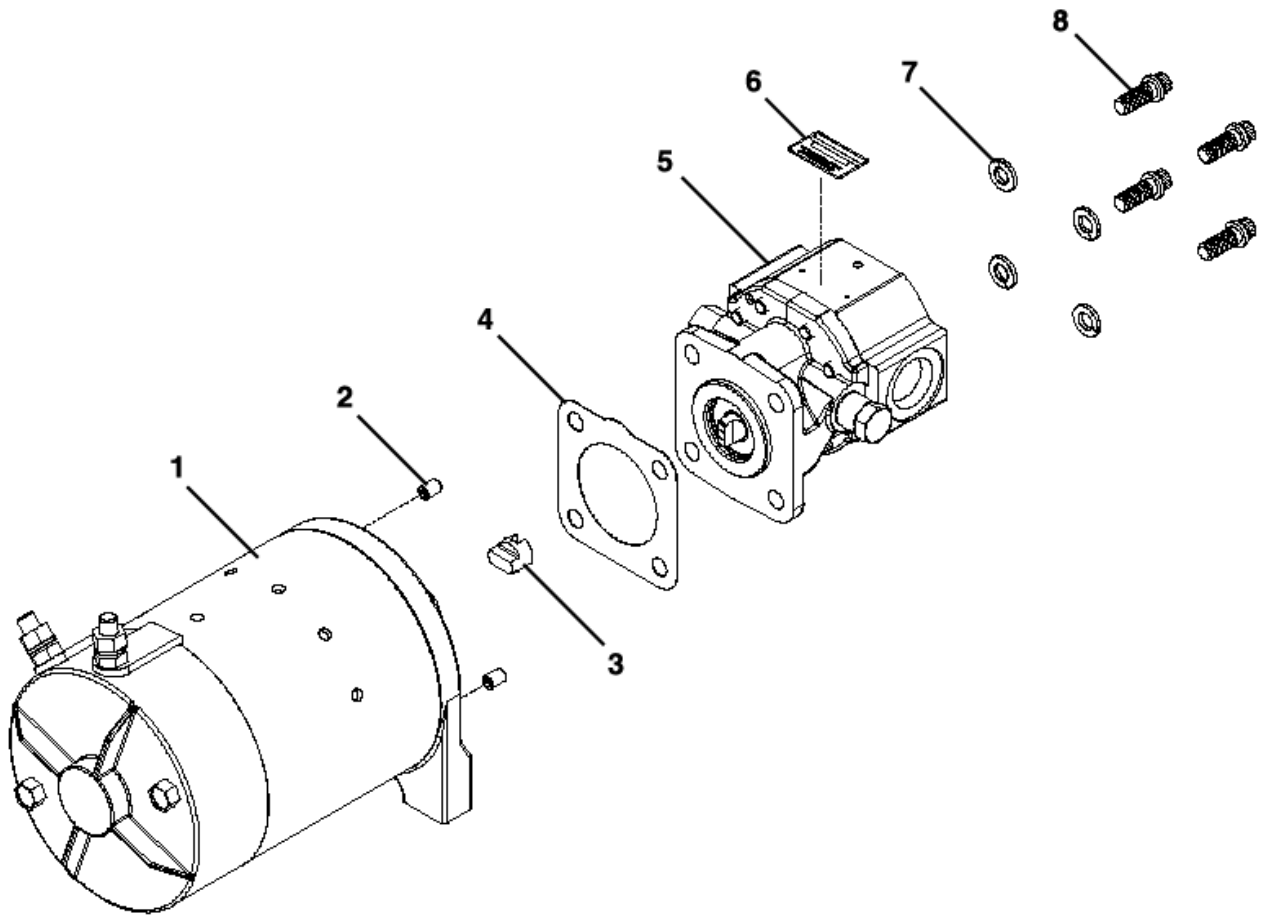




Figure 9-13 Auxiliary Power Pump

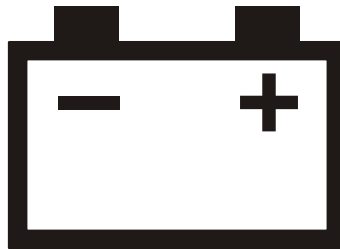
Item	Part Number	Qty.	Description	Rev.
	3600422	1	AUXILIARY POWER PUMP, (includes all items)	C
1	7011067	1	MOTOR w/END HEAD	
2	7029592	2	SET SCREW	
3	7011016	1	COUPLING	
4	7011044	1	GASKET	
5	7029593	1	PUMP ASSY	
6	NS	1	LABEL	
7	7011048	4	WASHER	
8	7011043	4	SCREW	

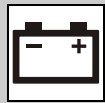


HYDRAULIC COMPONENTS

This Page Intentionally Left Blank

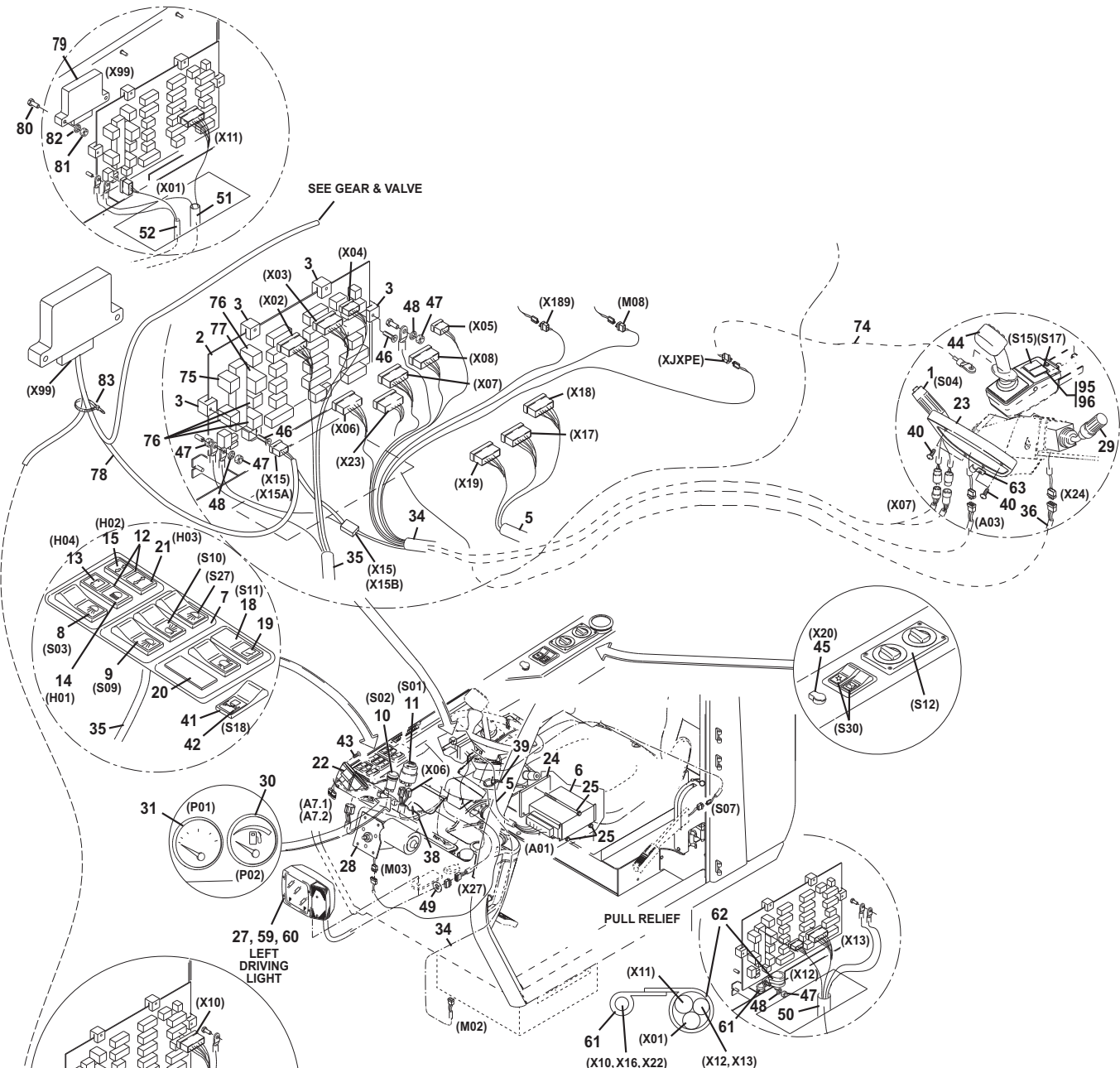
SECTION 10 ELECTRICAL





ELECTRICAL

Figure 10-1 Instrument Panel Assembly



- A01 ESX
- A03 DISPLAY
- A7.1, 7.2 LMI
- H01 HIGH BEAM PILOT LIGHT
- H02 DIRECTION INDICATOR PILOT LIGHT
- H03 INDICATOR PILOT LIGHT TRAILER, (TOW PLUG KIT)
- H04 CHARGING WARNING LIGHT
- M02 HEATER FAN (FOR HEATER & AIR CONDITIONER)
- M03 WIPER FRONT
- M08 AIR SUSPENSION SEAT OPTION
- P01 TEMPERATURE DISPLAY ENGINE
- P02 FUEL GAUGE
- S01 SWITCH IGNITION
- S02 WARNING FLASHER SWITCH
- S03 DRIVING LIGHT SWITCH
- S04 SIGNAL and WIPER CONTROL
- S07 SWITCH PARKING BRAKE
- S09 SWITCH WORK LIGHTS FRONT
- S10 SWITCH WORK LIGHTS REAR
- S11 SWITCH WIPER REAR
- S12 SWITCH HEATER FAN (FOR HEATER & AIR CONDITIONER)
- S14 SWITCH WARNING LIGHT
- S15 SWITCH 2. ONLY USED WITH AUXILIARY HYDRAULIC
- S17 SWITCH 1. ONLY USED WITH AUXILIARY HYDRAULIC CONTINUOUS OPERATION
- S18 SWITCH LEVELING
- S27 SWITCH WORK FLASHER BOOM (WORKLIGHT BOOM KIT)
- S30 SWITCH AIR CONDITIONING
- X01 POWER SUPPLYS
- X02-04 CABLE INSTRUMENT PANEL
- X05-08 CABLE STEAR COLUMN CABIN BOTTOM
- X10, 16, 16.1, 22 CABLE FRONT END GEAR UNIT
- X11 CABLE ENGINE
- X12, 13 CABLE REAR
- X15 JOYSTICK
- X15A SDIO CAN BUS
- X15B TEE'D INTO JOYSTICK CONNECTION
- X16.1, 17-19 CABLE ESX
- X20 12V POWER OUTLET IN CAB
- X23, 24 CABLE FNR GEAR SHIFT CONTROL
- X27 LEFT DRIVING LIGHT
- X99 SDIO MODULE
- X189 AIR CONDITIONING OPTION
- XJXPE JOYSTICK CASE GROUND

PAP072

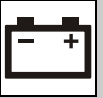
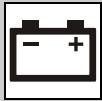


Figure 10-1 Instrument Panel Assembly

Item	Part Number	Qty.	Description	Rev.
	8006348	Ref	ELECTRIC SYSTEM, (instrument panel assy), (Before S/N 1160000354)	D
	0273756	Ref	ELECTRIC SYSTEM, (instrument panel assy), (S/N 1160000354 & After)	L
1	3749975	1	SWITCH	
2	8000926	1	PRINTED CIRCUIT MODULE, Before S/N 116000089	
	8009328	1	PRINTED CIRCUIT MODULE, S/N 116000089 & After	
3	8000924	6	HOLDER	
5	8003394	1	HARNESS, Before S/N 116000089	
	8009326	1	HARNESS, S/N 116000089 & After	
6	8008173	1	CONTROLLER, ESX	
	4170090	1	STANDARD COMPATIBLE ESX VERSION	
	7029813	1	HARDWARE PACKET, X-FLASH CORD, (not illustrated)	
	7002845	1	POWERCORD FOR ESX, (not illustrated)	
7	1663821	3	MOUNTING FRAME	
8	3972909	1	SWITCH	
9	1719033	1	DECAL	
10	3933128	1	SWITCH 12V	
11	8002820	1	KEYSWITCH	
	8008049	1	IGNITION KEY, (also for cab door, rear cover & engine cover)	
12	1719204	2	CONTROL LIGHT INDICATOR	
13	1719088	1	DECAL	
14	1719113	1	DECAL	
15	1719124	1	DECAL	
18	8005424	1	SWITCH	
19	1718985	1	DECAL	
20	1359720	7	COVER	
21	1663796	1	INSET	
22	8002819	1	WEIGHT INDICATOR	
	7029105	1	REPLACEMENT SYMBOL PLATE	
23	8002954	1	DISPLAY, (see Figure 10-6 for details)	
24	8000984	1	PLATE	
25	0700836	3	BOLT, 8X190mm	
27	3928789	1	HEADLIGHT ASSY, (left), (see Figure 1-6 for right headlight)	
	7028000	1	LENS RETAINING RIM WITHOUT INDICATOR	
	7028001	1	LENS RETAINING RIM WITH INDICATOR	
	7028002	1	LENS FOR INDICATOR FRONT	
	7028003	1	LENS FOR INDICATOR REAR	
	7028004	1	SOCKET FOR BLADE RECEPTACLES 6 POLE	
	7028005	1	RUBBER CAP FOR AMP PLUG CONNECTOR	
	7028006	1	TERMINALS	
	0409672	1	INCANDESCENT LAMP, (12V 55W)	
	0377300	1	INCANDESCENT LAMP, (12V 4W)	
	3981604	1	INCANDESCENT LAMP, (12V 55W)	
	0388450	1	INCANDESCENT LAMP, (12V 21W)	
28		1	WIPER MOTOR, (front), (see Figure 6-5 for details)	
29		1	SHIFTER, (see Figure 7-1 for details)	
30	8005257	1	FUEL GAUGE	
31	8005258	1	TEMPERATURE GAUGE	
34	8005556	1	HARNESS	
35	8003388	1	HARNESS, (instrument panel), Before S/N 116000089	



ELECTRICAL

Figure 10-1 Instrument Panel Assembly (Continued)

Item	Part Number	Qty.	Description	Rev.
	8009324	1	HARNESS, (instrument panel), S/N 116000089 & After	
36	8003738	1	CABLE, STEERING GEAR, Before S/N 116000089	
	8009327	1	CABLE, STEERING GEAR, S/N 116000089 & After	
38	471678	30	TIE-STRAP	
39	1062255	20	TIE-STRAP	
40	8002211	4	SOCKET HD SCREW, 5X16mm	
41	8008007	1	SWITCH, (optional)	
42	8002831	1	DECAL, (optional)	
43	2686762	4	SCREW, 3.5X13mm	
44		1	CONSOLE BOX ASSY, (see Figure 7-2 for details)	
45	1719419	1	SOCKET	
46	4010614	6	MACHINE SCREW, 6X30mm	
47	3290805	4	LOCKNUT, 8mm	
48	5211702	7	WASHER, 6X18.2X1.4mm	
49	8003385	1	HARNESS	
50	8009329	1	HARNESS	
51	8003384	1	ENGINE HARNESS, Before S/N 1160000164 , (used on machines with 65a alternator & without start relay)	
	8009330	1	ENGINE HARNESS, S/N 1160000138 Thru S/N 1160000209 , (used on machines with 65a alternator & start relay)	
	8009835	1	ENGINE HARNESS, S/N 1160000210 Thru S/N 1160000357	
	4923002	1	ENGINE HARNESS, S/N 1160000358 & After, (see Figure 10-10 for details)	
52	8003387	1	HARNESS	
55	8003392	1	GROUND CABLE	
56	492935	1	LOCKWASHER, 10mm	
57	5212000	1	WASHER, 10X22mm	
58	3291005	1	LOCKNUT, 10mm	
59	3933082	1	CAP	
60	2685181	1	SOCKET HOUSING	
61	2906123	1	CLIP	
62	8000103	1	CLIP	
63	1320324	1	CLAMP	
74	4923262	1	GROUND CABLE, JOYSTICK CASE	
75	7029903	1	RELAY, 12V, 40-60A, K01	
76	7029904	4	RELAY, 12V 20-30A, K02, K04, K05, K06	
77	7029905	1	RELAY, 12V, BLINKING, K03	
78	1001105098	1	HARNESS, PVG	
79	1001105097	1	MODULE, SD10	
80	1001096653	2	BOLT, 6mm X 70mm	
81	3290605	2	LOCKNUT, 6mm	
82	4811700	2	WASHER, 6mm	
83	4240099S	A/R	CABLE TIE	
95	8002834	1	SWITCH, 12V,	
96	8002832	1	SYMBOL	

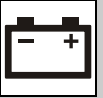


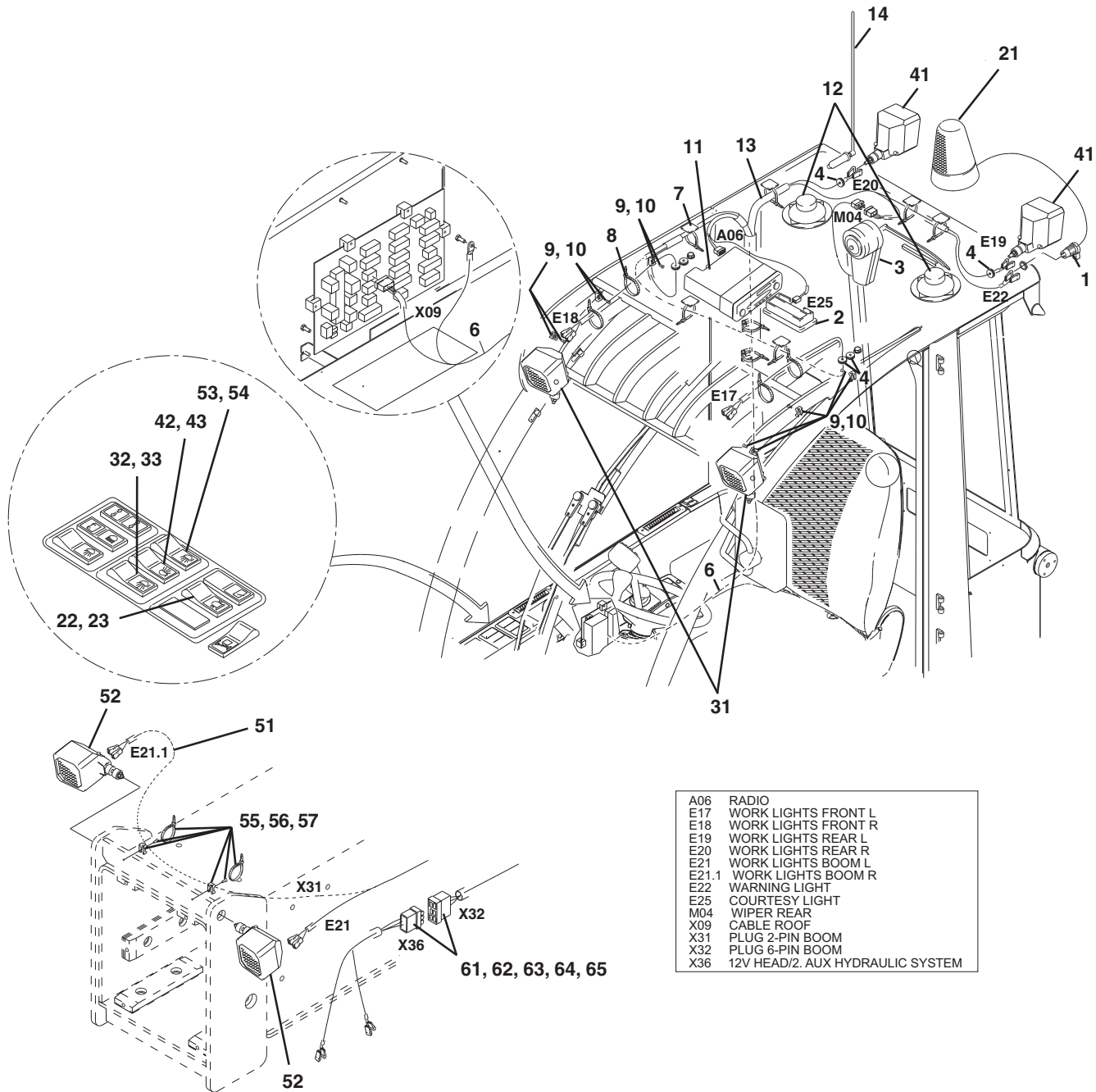
Figure 10-1 Instrument Panel Assembly (Continued)

Item	Part Number	Qty.	Description	Rev.



ELECTRICAL

Figure 10-2 Accessories Panel Assembly



A06	RADIO
E17	WORK LIGHTS FRONT L
E18	WORK LIGHTS FRONT R
E19	WORK LIGHTS REAR L
E20	WORK LIGHTS REAR R
E21	WORK LIGHTS BOOM L
E21.1	WORK LIGHTS BOOM R
E22	WARNING LIGHT
E25	COURTESY LIGHT
M04	WIPER REAR
X09	CABLE ROOF
X31	PLUG 2-PIN BOOM
X32	PLUG 6-PIN BOOM
X36	12V HEAD/2. AUX HYDRAULIC SYSTEM

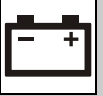
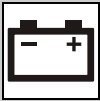


Figure 10-2 Accessories Panel Assembly

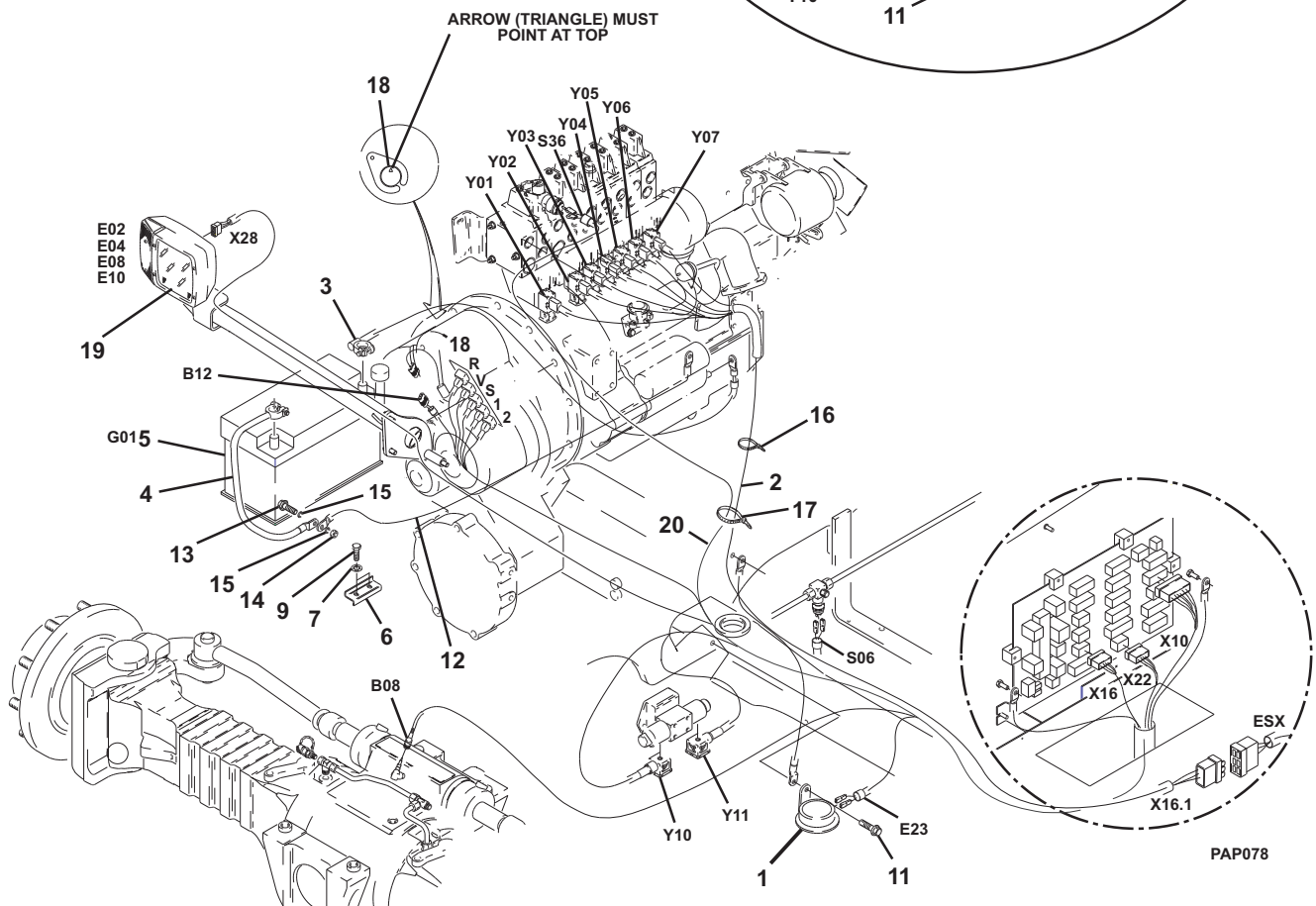
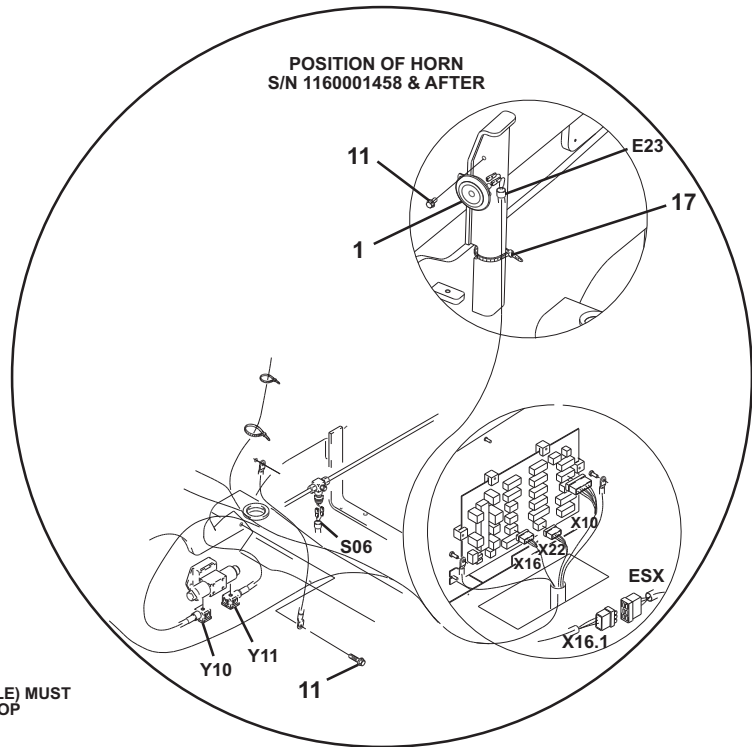
Item	Part Number	Qty.	Description	Rev.
	8006347	Ref	ELECTRIC SYSTEM, (accessories installation), (includes all items)	E
1	1719419	1	SOCKET	
2	3927186	1	INSIDE LIGHT 12V	
3		1	WIPER SYSTEM, (rear), (see Figure 6-5 for details)	
4	8002985	6	DUCT SOCKET	
6	8003382	1	HARNESS	
7	3977119	20	PLATE TIE-STRAP	
8	471678	40	TIE-STRAP	
9	8008862	6	RIVET	
10	8007986	6	MOUNTING PLATE	
11	2913406	1	RADIO STERERO CASSETTE	
12	3938394	2	SPEAKER	
13	3938407	1	HARNESS	
14	8005901	1	ANTENNA	
	8100074	1	WARNING LIGHT KIT, (optional), (includes items 21 thru 23)	
21	3963146	1	WARNING LIGHT, YELLOW,	
	7028090	1	BULB, 12V-55W	
22	4674353	1	SWITCH 12V	
23	1360585	1	DECAL - WARNING LIGHT	
31	8002787	2	WORKING HEADLIGHT	
32	4674353	1	SWITCH 12V	
33	1718996	1	DECAL - HEADLIGHT	
41	8002787	2	WORKING HEADLIGHT	
42	4674353	1	SWITCH 12V	
43	1719000	1	DECAL - CAB REAR WORKLIGHT	
51	8005249	1	HARNESS	
52	8002787	2	WORKING HEADLIGHT	
53	4674353	1	SWITCH 12V	
54	1718996	1	DECAL - BOOM MOUNTED WORKLIGHT	
55	471678	20	TIE-STRAP	
56	8008862	2	RIVET	
57	8007986	2	MOUNTING PLATE	
61	8005295	1	ADDITIONAL HYDRAULIC KIT, (includes items 64, 65 & item 40 from Figure 8-5)	
62	8005296	1	HYDRAULIC SYSTEM KIT, (includes items 64 & 65)	
63	8005297	1	HYDRAULIC ADDITIONAL KIT, (includes items 64, 65 & item 40 from Figure 8-5)	
64	8005293	1	HARNESS	
65	8006212	1	KIT SET 12V COMPLETE, (includes items 1, 22 & 66)	
66	8005294	1	DECAL, (not illustrated)	
	8002790	1	RADIO KIT, (includes items 11-14)	
	8005277	1	WORKLIGHT KIT, CAB - FRONT MOUNTED, (optional), (includes items 31 thru 33)	
	8005280		WORKLIGHT KIT, CAB - REAR MOUNTED, (optional), (includes items 41 thru 43)	
	8005251	1	WORKLIGHT KIT, BOOM MOUNTED, (optional), (includes items 51 thru 57)	



ELECTRICAL

Figure 10-3 Gear & Valve

ENGLISH		GERMAN	
B08	ANGLE FRONT AXLE (INDUCTIVE)	B08	Winkel Vorderachse
B12	TRANSMISSION SPEED	B12	Getriebedrehza
G01	BATTERY	G01	Batterie
E02	LOW BEAM LIGHT RIGHT	E02	Abblendlicht
E04	DRIVING LIGHT RIGHT	E04	Fernlicht
E08	PARKING LIGHT RIGHT	E08	Standlicht
E10	INDICATOR FRONT RIGHT	E10	Blinklicht vorne
E23	SIGNAL HORN	E23	Hupe
S06	STOP LIGHT SWITCH	S06	Bremslichtschalt
S36	HYDRAULIC PRESSURE	S36	Hydraulikdru
X10	CABLE LIGHTING FRONT RIGHT	X10	Kabel Beleuchtung vorne
X16	CONNECTOR STEERING	X16	Stecker
X16.1	CONNECTOR HYDRAULIC BLOCK	X16.1	Stecker
X22	MAGNETS TRANSMISSION	X22	Magnete Getriebe
X28	CONNECTOR LIGHTING RIGHT	X28	Stecker Fahrlicht
Y01	LIFTING	Y01	Heben
Y02	TELESCOPE	Y02	Teleskopieren
Y03	TILT	Y03	Kippe
Y04	AUXILIARY HYDRAULIC	Y04	Zusatzhydrauli
Y05	LEVELING	Y05	Niveaueausgleic
Y06	STABILIZER RIGHT	Y06	Pratzæ rechts
Y07	STABILIZER LEFT	Y07	Pratzæ
Y10	CRAB STEER	Y10	Lenkart
Y11	4 WHEEL STEER	Y11	Lenkart



PAP078

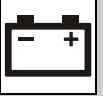


Figure 10-3 Gear & Valve

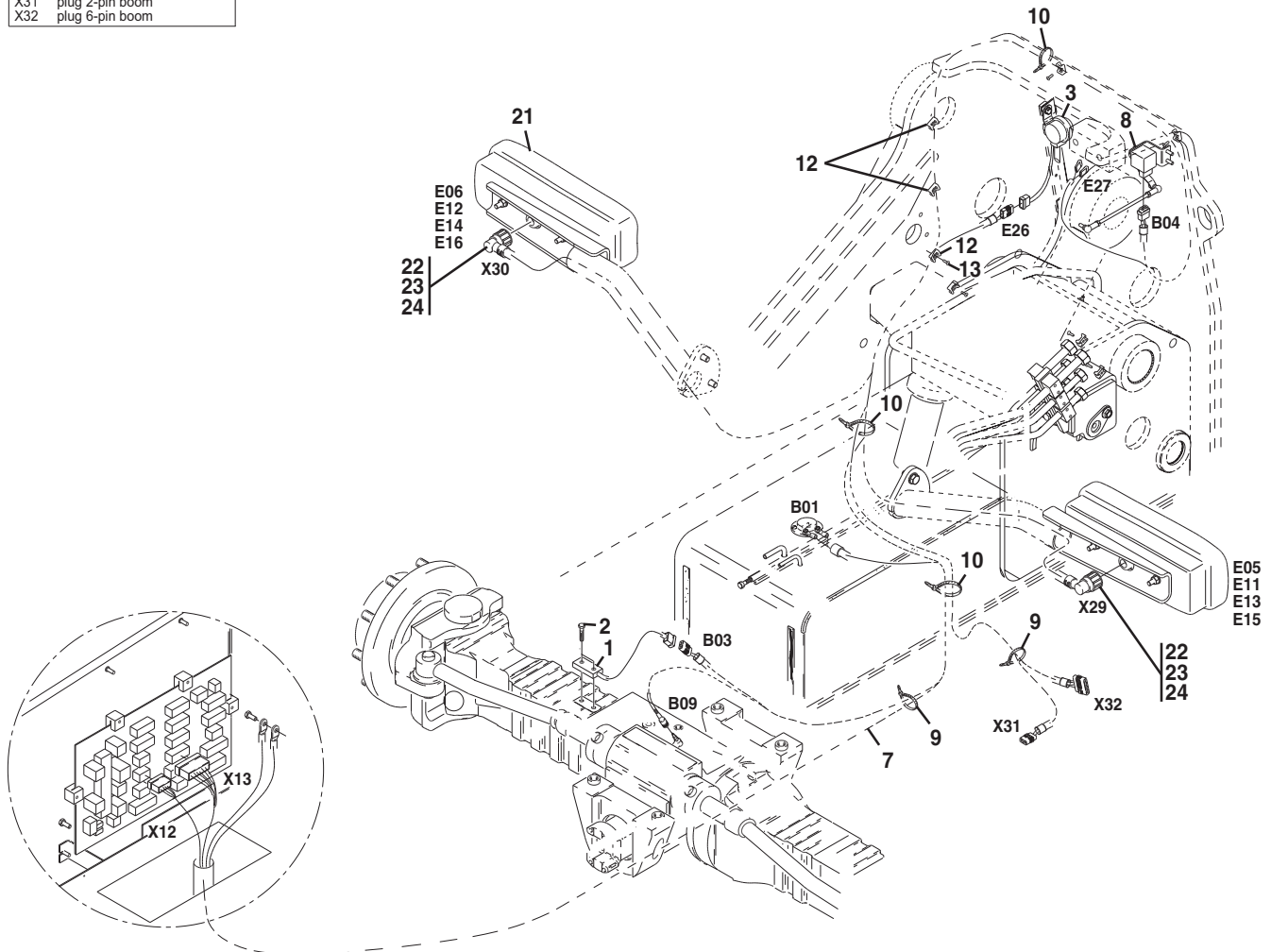
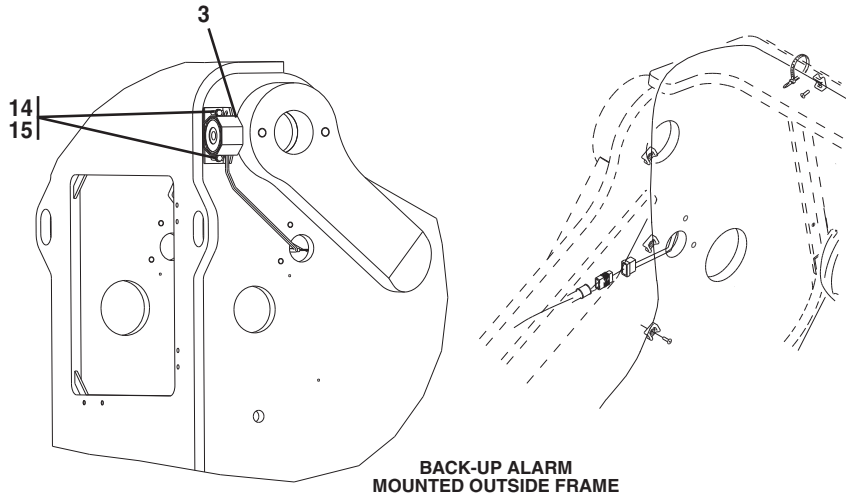
Item	Part Number	Qty.	Description	Rev.
	8006356	Ref	ELECTRIC SYSTEM, (gear & valve), (includes items 1 & 3 thru 18)	F
1	8009766	1	SIGNAL HORN 12V	
2		Ref	HARNESS, (see Figure 10-1 for details)	
3	8003391	1	BATTERY CABLE, POSITIVE	
4	8003389	1	BATTERY CABLE, NEGATIVE	
5	8008750	1	BATTERY	
6	1787217	1	BATTERY HOLDER	
7	4811900	2	FLAT WASHER, 8mm	
9	0760814	2	BOLT, 8X30mm, GR8.8	
11	5201010	2	BOLT, 10X20mm	
12	8003393	1	HARNESS, (ground)	
13	5201014	1	BOLT, 10X30mm	
14	3291001	1	NUT, 10mm	
15	4812000	1	FLAT WASHER, 10mm	
16	471678	20	TIE-STRAP	
17	1062255	21	TIE-STRAP	
18		Ref	SPEED SENSOR ASSY, (see Figure 4-10 for details)	
19		1	LAMP INSTALLATION, (front), (see Figure 1-6 for details)	
20		Ref	HARNESS, (see Figure 10-1 for details)	



ELECTRICAL

Figure 10-4 Rear of Machine

- | | |
|-----|-----------------------------|
| B01 | Tauchrohrgeber |
| B03 | Biegesensor |
| B04 | Winkelsensor Hubarm |
| B09 | Winkel Hinterachse induktiv |
| E05 | Rücklicht links |
| E06 | Rücklicht rechts |
| E11 | Blinklicht hinten links |
| E12 | Blinklicht hinten rechts |
| E13 | Bremslicht links |
| E14 | Bremslicht rechts |
| E15 | Rückfahrcheinwerfer links |
| E16 | Rückfahrcheinwerfer rechts |
| E26 | Rückfahrsummer |
| E27 | Kennzeichenbeleuchtung |
| X12 | Kabel Beleuchtung hinten |
| X13 | Kabel Teleskop |
| X29 | Stecker Rücklicht links |
| X30 | Stecker Rücklicht rechts |
| X31 | Stecker 2-polig Hubarm |
| X32 | Stecker 6-polig Hubarm |
-
- | | |
|-----|-----------------------------|
| B01 | immers tube contact |
| B03 | transducer |
| E04 | angle-sensor boom |
| B09 | angle rear-axle inductively |
| E05 | tail-light left |
| E06 | tail-light right |
| E11 | indicator tail left |
| E12 | indicator tail right |
| E13 | brake-light left |
| E14 | brake-light right |
| E15 | back-up light left |
| E16 | back-up light right |
| E26 | back-driving-buzzer |
| E27 | registration-plate light |
| X12 | cable lights tail |
| X13 | cable teleskop |
| X29 | plug tail-light left |
| X30 | plug tail-light right |
| X31 | plug 2-pin boom |
| X32 | plug 6-pin boom |



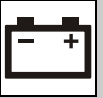
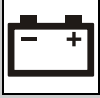


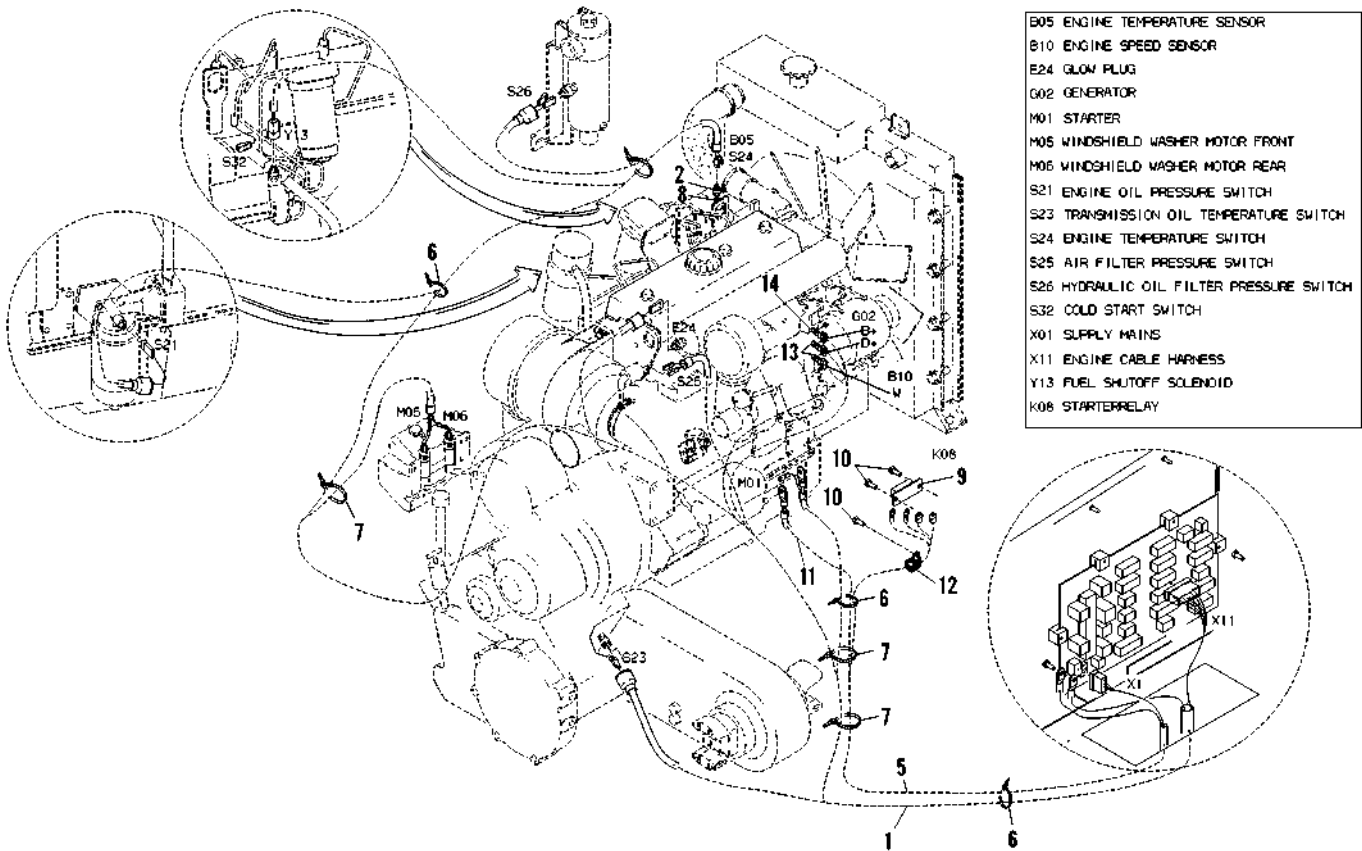
Figure 10-4 Rear of Machine

Item	Part Number	Qty.	Description	Rev.
	0274440	Ref	ELECTRIC SYSTEM, (rear), (7, 8 & 9M), (includes items 1 thru 15)	H
	8006382	Ref	ELECTRIC SYSTEM, (rear), (12 & 13M), (includes items 1 thru 15)	H
	1001094566	Ref	ELECTRICAL SYSTEM, (rear), (12 & 13M), W/PLATFORM, (includes items 1 thru 15)	A, 1
1	8002843	1	SENSOR	
2	0771016	2	BOLT, (torque to 70 Nm)	
3	8002859		ALARM, BACK-UP, (mounted inside frame)	
	0140047	1	ALARM, BACK-UP, (mounted outside frame)	
7	8003386	1	HARNESS, (includes items 22, 23 & 24)	
8		Ref	SENSOR ASSY, (see Figure 10-8 for details)	
9	471678	20	TIE-STRAP	
10	1062255	20	TIE-STRAP	
12	8007986	8	MOUNTING PLATE	
13	845749	6	RIVET	
14	0760614	2	HEX HD CAPSCREW, M30X1	
15	4811700	2	FLAT WASHER, 6mm	
21		Ref	LAMP INSTALLATION, (rear), (see Figure 10-7 for details)	
22	4461134	2	CONNECTOR	
23	4461006	10	SEAL	
24	7029636	4	PLUG	



ELECTRICAL

Figure 10-5 Engine



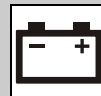


Figure 10-5 Engine

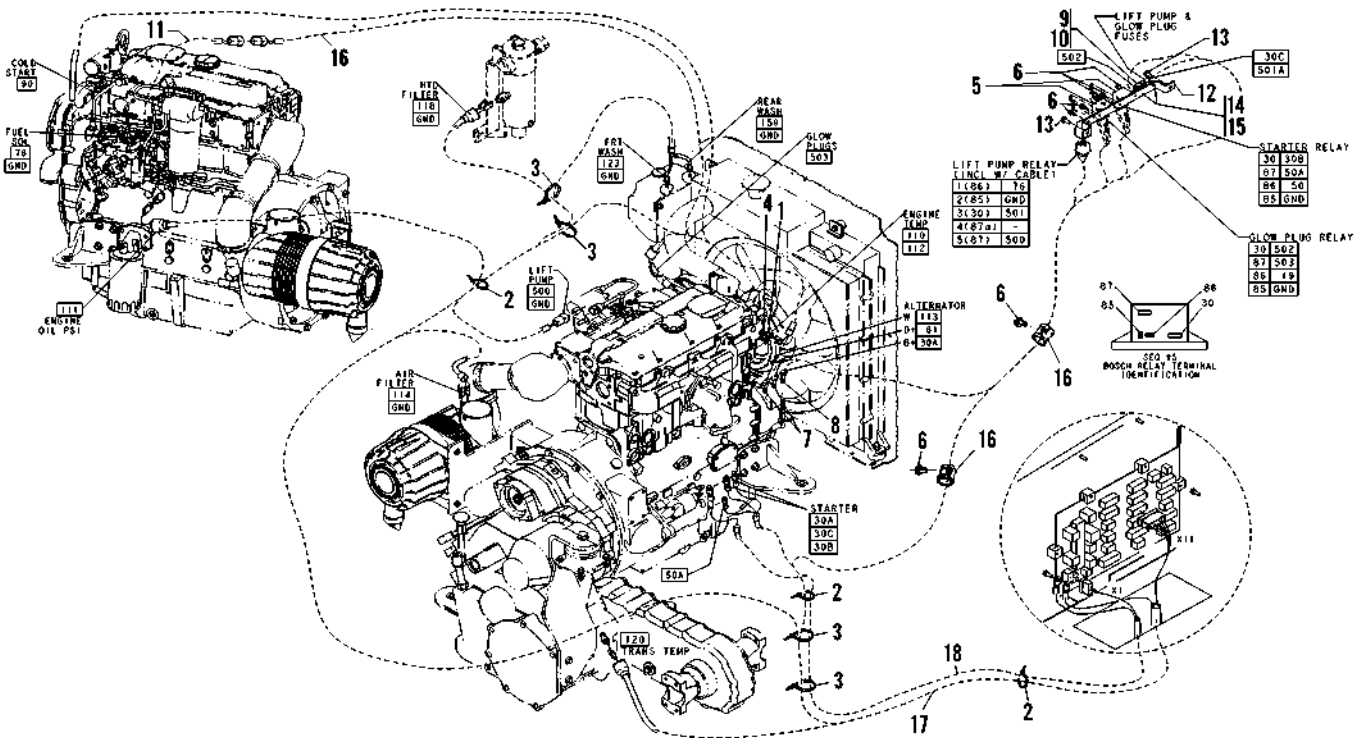
Item	Part Number	Qty.	Description	Rev.
	8006388	Ref	ELECTRIC SYSTEM, (includes all items)	E
1		Ref	HARNESS, ENGINE, (see Figure 10-1, item 51 for details)	
2	8002846	1	SWITCH, TEMPERATURE	
5		Ref	HARNESS, (see Figure 10-1, item 52 for details)	
6	471678	20	CABLE BAND	
7	1062255	20	CABLE BAND	
8	300172	1	GASKET	
9	8009323	1	STARTER RELAY	
10	5200605	3	BOLT, 6X10mm	
11	8009652	1	STARTER RELAY CABLE SET, (Before S/N 1160000164), used with 8003384)	
12	2966454	1	CLAMP, (S/N 1160000150 & After)	
13	3300480	2	HEX NUT, 5mm	
14	3300481	1	HEX NUT, 6mm	



ELECTRICAL

S/N 1160000358 & After

Figure 10-5 Engine



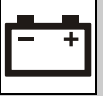
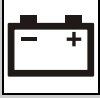


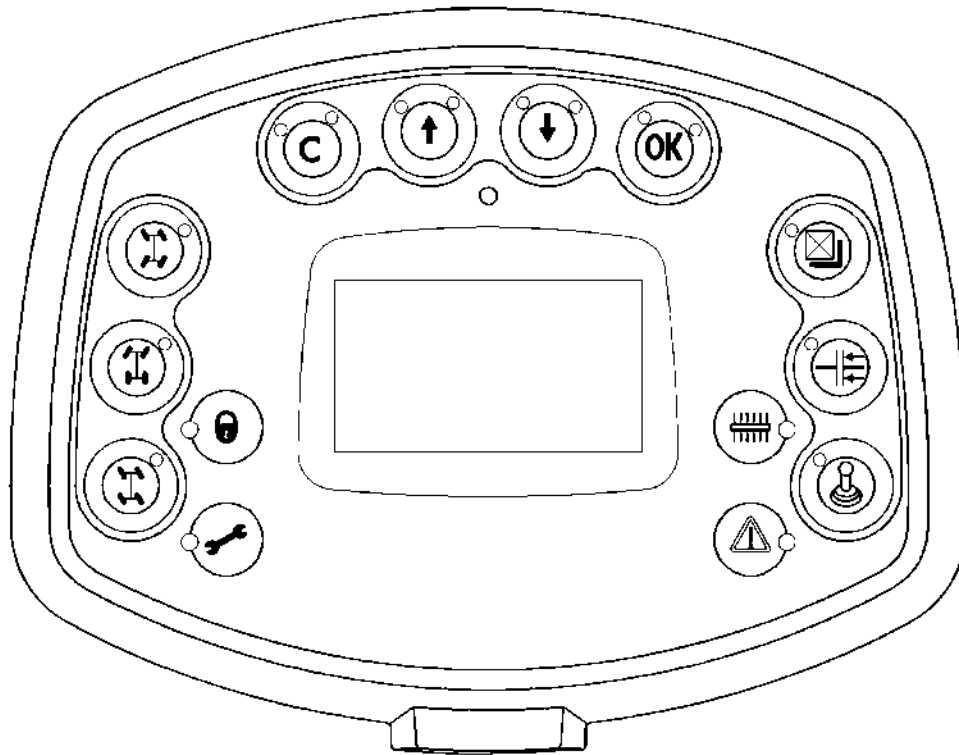
Figure 10-5 Engine

Item	Part Number	Qty.	Description	Rev.
	4923031	Ref	ELECTRIC SYSTEM FOR NA ENGINE, (includes items 1 thru 16)	D
	4923032	Ref	ELECTRIC SYSTEM FOR TURBO ENGINE, (S/N 1160000358 & After) , (includes items 1 thru 16)	D
1	4360560	1	SWITCH, TEMPERATURE	
2	471678	20	CABLE BAND	
3	1062255	20	CABLE BAND	
4	4740534	1	SPECIAL WASHER	
5	3740112	2	STARTER RELAY, 75 AMP	
6	5200605	7	BOLT	
7	3300480	2	HEX NUT, 5mm	
8	3300481	1	HEX NUT, 6mm	
9	2400073	1	HOLDER FUSE	
10	2400074	1	FUSE, 50 AMP	
11	4923004	1	TIER II FUEL SOLENOID WIRE, NA ENGINE, (see Figure 10-9 for details)	
	4923003	1	TIER II FUEL SOLENOID WIRE, TURBO ENGINE, (see Figure 10-9 for details)	
12	0902991	1	BRACKET	
13	5200810	2	BOLT, 8X20mm	
14	4010308	2	SCREW	
15	3290305	2	LOCKNUT	
16	2443576	2	HOSE CLAMP, (S/N 1160000593 & After)	
17		Ref	HARNESS, (see Figure 10-1, item 52)	
18		Ref	ENGINE HARNESS, (see Figure 10-1, item 51)	



ELECTRICAL

Figure 10-6 Display Panel



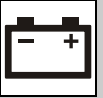


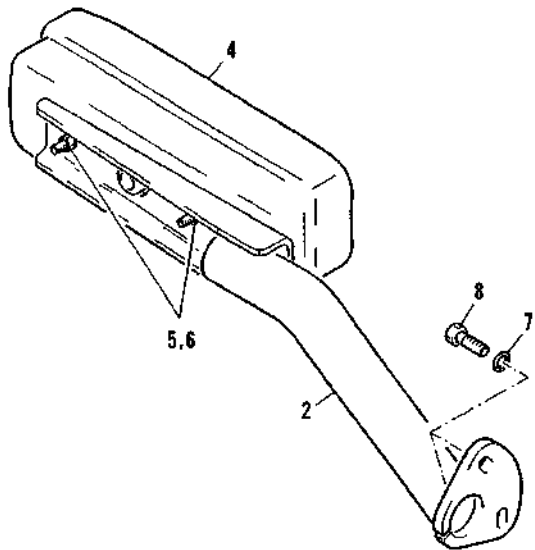
Figure 10-6 Display Panel

Item	Part Number	Qty.	Description	Rev.
	8002954	Ref	DISPLAY PANEL, (includes standard e-prom)	A, 9
	1001112126	1	STANDARD E-PROM, NORTH VERSION 17, (includes German, English, Dutch, Swedish, Norwegian, Belgian, & Danish)	
	1001112127	1	OPTIONAL E-PROM, SOUTH VERSION 17, (includes German, English, Dutch, Portuguese, Spanish, French, & Italian)	
	1001112128	1	PLATFORM E-PROM, NORTH VERSION 03-004, (includes German, English, Dutch, Swedish, Norwegian, Belgian, & Danish)	
	1001112129	1	PLATFORM E-PROM, SOUTH VERSION 03-004, (includes German, English, Dutch, Portuguese, Spanish, French, & Italian)	

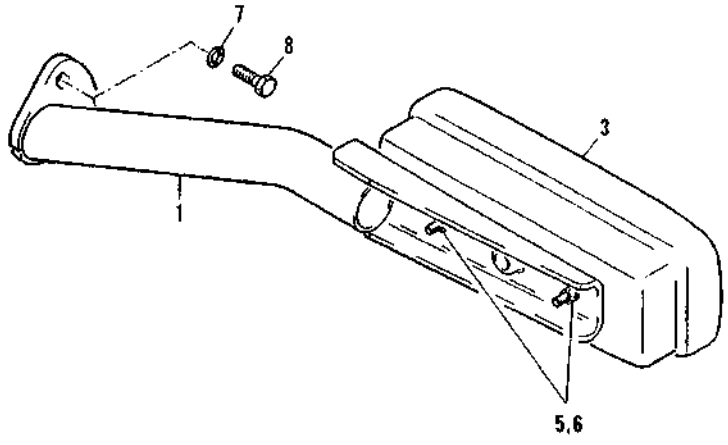


ELECTRICAL

Figure 10-7 Tail Light & Bracket Installation



THERE ARE TWO TYPES OF
TAILLIGHT & BRACKET
INSTALLATIONS. IF THE TAILLIGHTS
ON YOUR MACHINE FOLD, SEE
FOLLOWING FIGURE 10-7 FOR
CORRECT INSTALLATION.



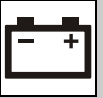
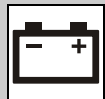


Figure 10-7 Tail Light & Bracket Installation

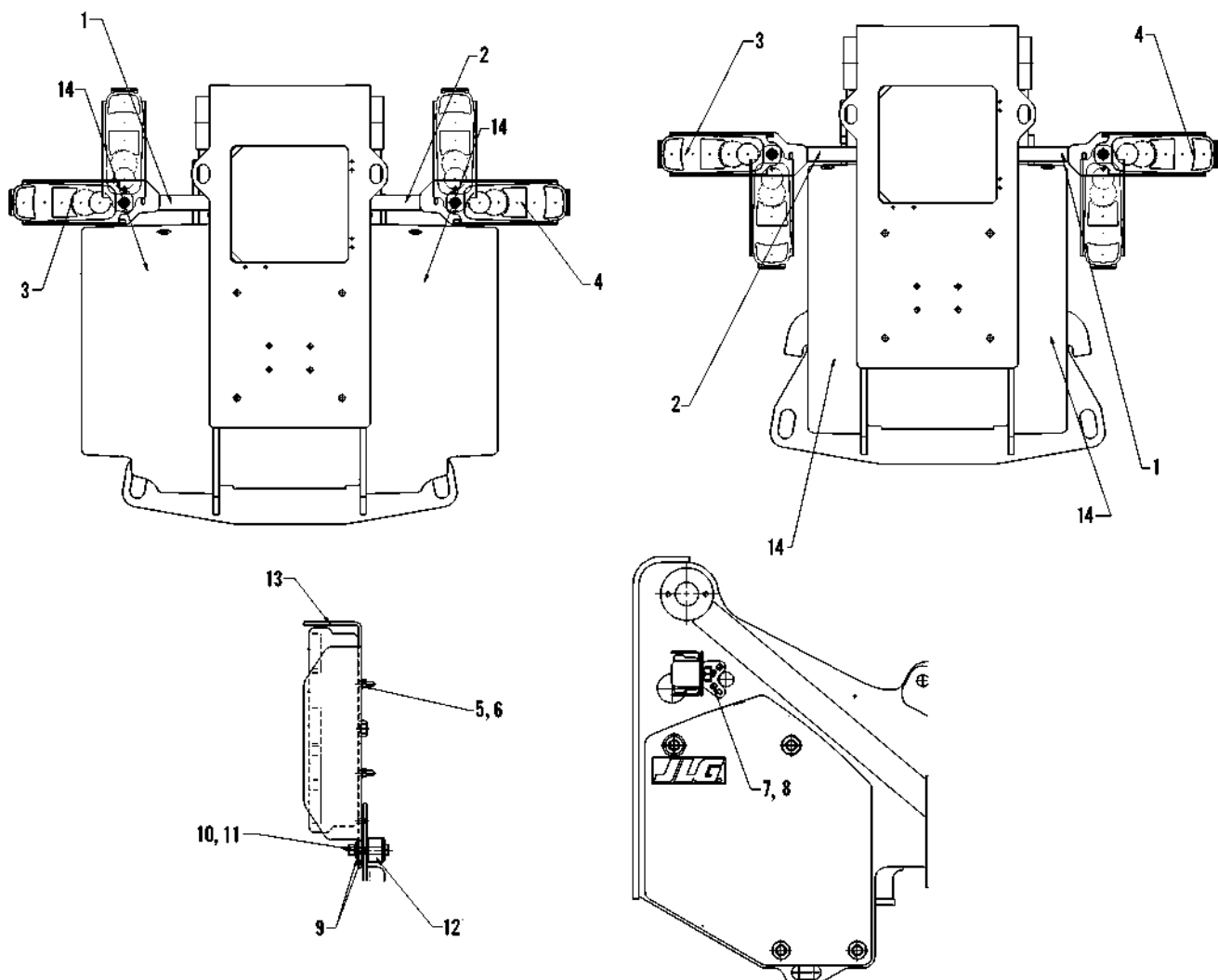
Item	Part Number	Qty.	Description	Rev.
	8002003	Ref	LAMP BRACKET, (rear), (includes all items)	A
1	8001992	1	BRACKET, (rear left)	
2	8002000	1	BRACKET, (rear right)	
3	8001991	1	TAILLIGHT, (left)	
	0313279	2	REPLACEMENT BULB 12V-10W	
	0388450	4	REPLACEMENT BULB 12V-21W	
4	8001989	1	TAILLIGHT, (right)	
	0313279	2	REPLACEMENT BULB 12V-10W	
	0388450	4	REPLACEMENT BULB 12V-21W	
5	4811900	4	FLAT WASHER, 8mm	
6	3290805	4	LOCKNUT, 8mm	
7	5212000	4	WASHER, 10X22mm	
8	0761012	4	HEX HD CAPSCREW, 10X25mm, GR8.8	



ELECTRICAL

Figure 10-7 Tail Light & Bracket Installation

THERE ARE TWO TYPES OF TAILLIGHT & BRACKET INSTALLATIONS. IF THE TAILLIGHTS ON YOUR MACHINE DO NOT FOLD, SEE PREVIOUS FIGURE 10-7 FOR CORRECT INSTALLATION.



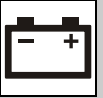


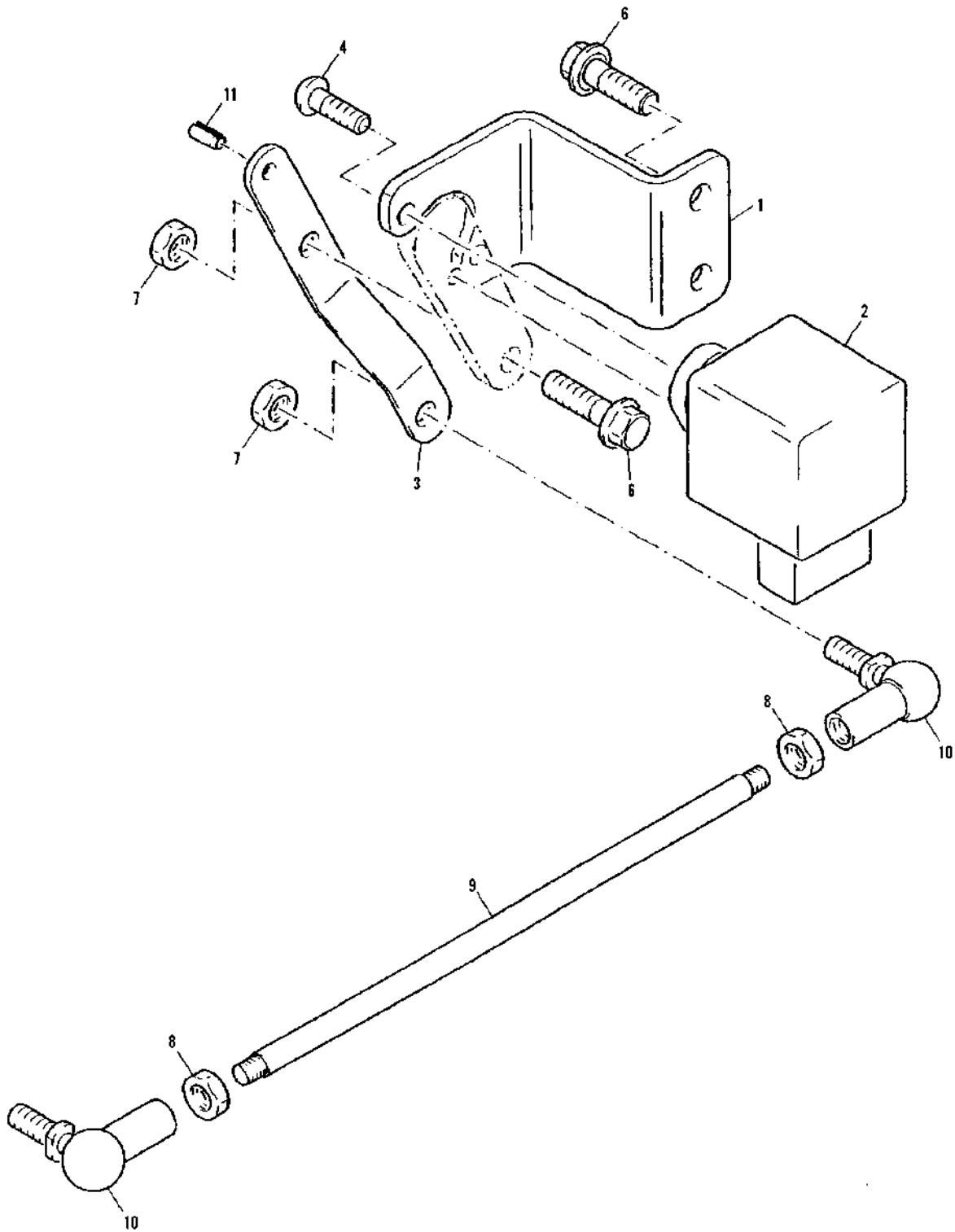
Figure 10-7 Tail Light & Bracket Installation

Item	Part Number	Qty.	Description	Rev.
	8009366	Ref	LAMP BRACKET, (rear), (includes all items), (Before S/N 1160002610)	B
	2920210	Ref	LAMP BRACKET, (rear), (includes all items), (S/N 1160002610 & After)	B
1	8009228	1	BRACKET, (rear left), (Before S/N 1160002610)	
	0903501	1	BRACKET, (rear left), (S/N 1160002610 & After)	
2	8009230	1	BRACKET, (rear right), (Before S/N 1160002610)	
	0903502	1	BRACKET, (rear right), (S/N 1160002610 & After)	
3	8001991	1	TAILLIGHT, (left)	
	0313279	2	REPLACEMENT BULB 12V-10W	
	0388450	4	REPLACEMENT BULB 12V-21W	
4	8001989	1	TAILLIGHT, (right)	
	0313279	2	REPLACEMENT BULB 12V-10W	
	0388450	4	REPLACEMENT BULB 12V-21W	
5	4811900	4	FLAT WASHER, 8mm	
6	3290807	4	NUT, 8mm	
7	5212000	4	WASHER, 10X22mm	
8	0761012	4	HEX HD CAPSCREW, 10X25mm, GR8.8	
9	1356294	4	WASHER, 13mm	
10	0701219	2	HEX HD CAPSCREW, 12X55mm, GR8.8	
11	3291207	2	NUT, 12X8mm	
12	8009517	2	RUBBER METAL BUFFER	
13	8009226	2	PLATE	
14		Ref	COUNTERWEIGHT ASSEMBLIES, (see Figure 1-5 for details)	



Figure 10-8 Sensor Assembly

7, 8 & 12M



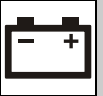


Figure 10-8 Sensor Assembly

Item	Part Number	Qty.	Description	Rev.
	4807263	Ref	SENSOR ASSY, (models 7, 8 & 12M), (includes all items)	B
1	4806944	1	SEAT	
2	4806922	1	SENSOR	
3	4806955	1	EXTENSION, (12M machines)	
4	1039369	2	LENS HD SCREW, 5X12mm	
6	2982534	3	BOLT, 6X16mm	
7	487336	2	NUT	
8	893178	2	NUT	
9	8005267	1	THREADED ROD	
10	466104	2	ANGLE JOINT	
11	1620784	1	ADAPTOR SLEEVE	

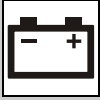
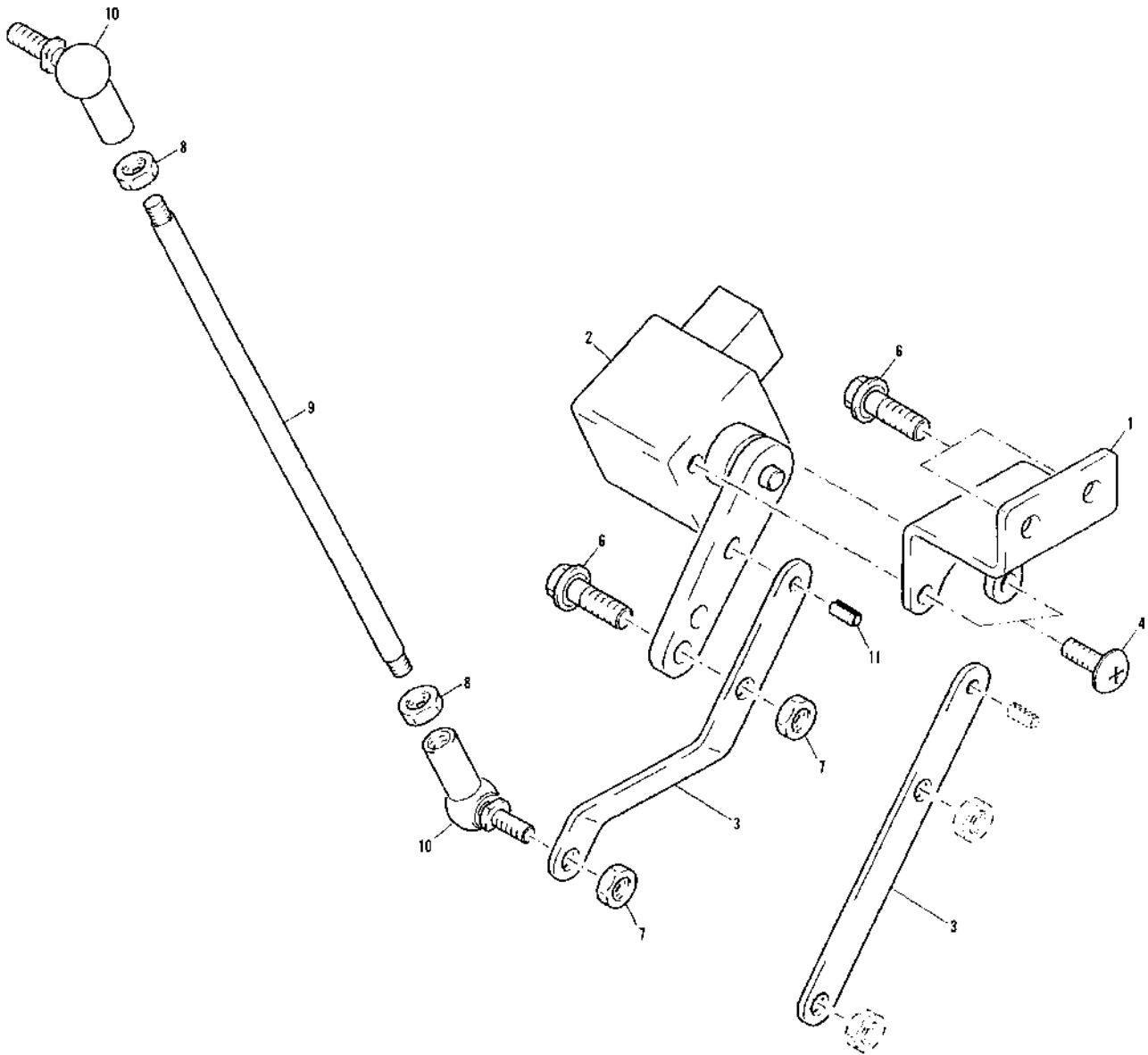


Figure 10-8 Sensor Assembly

9 & 13M



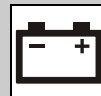


Figure 10-8 Sensor Assembly

Item	Part Number	Qty.	Description	Rev.
	8007710	Ref	SENSOR ASSY, (models 9 & 13M), (includes all items)	B
1	8007618	1	SENSOR SEAT	
2	4806922	1	SENSOR	
3	8007619	1	EXTENSION, FLAT BAR, (13M)	
	8007620	1	EXTENSION, BEND BAR, (9M)	
4	1039369	2	LENS HD SCREW, 5X12mm	
6	2982534	3	BOLT, 6X16mm	
7	487336	2	NUT	
8	893178	2	NUT	
9	8005267	1	THREADED ROD	
10	466104	2	ANGLE JOINT	
11	1620784	1	ADAPTOR SLEEVE	

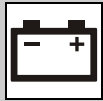


Figure 10-8 Sensor Assembly

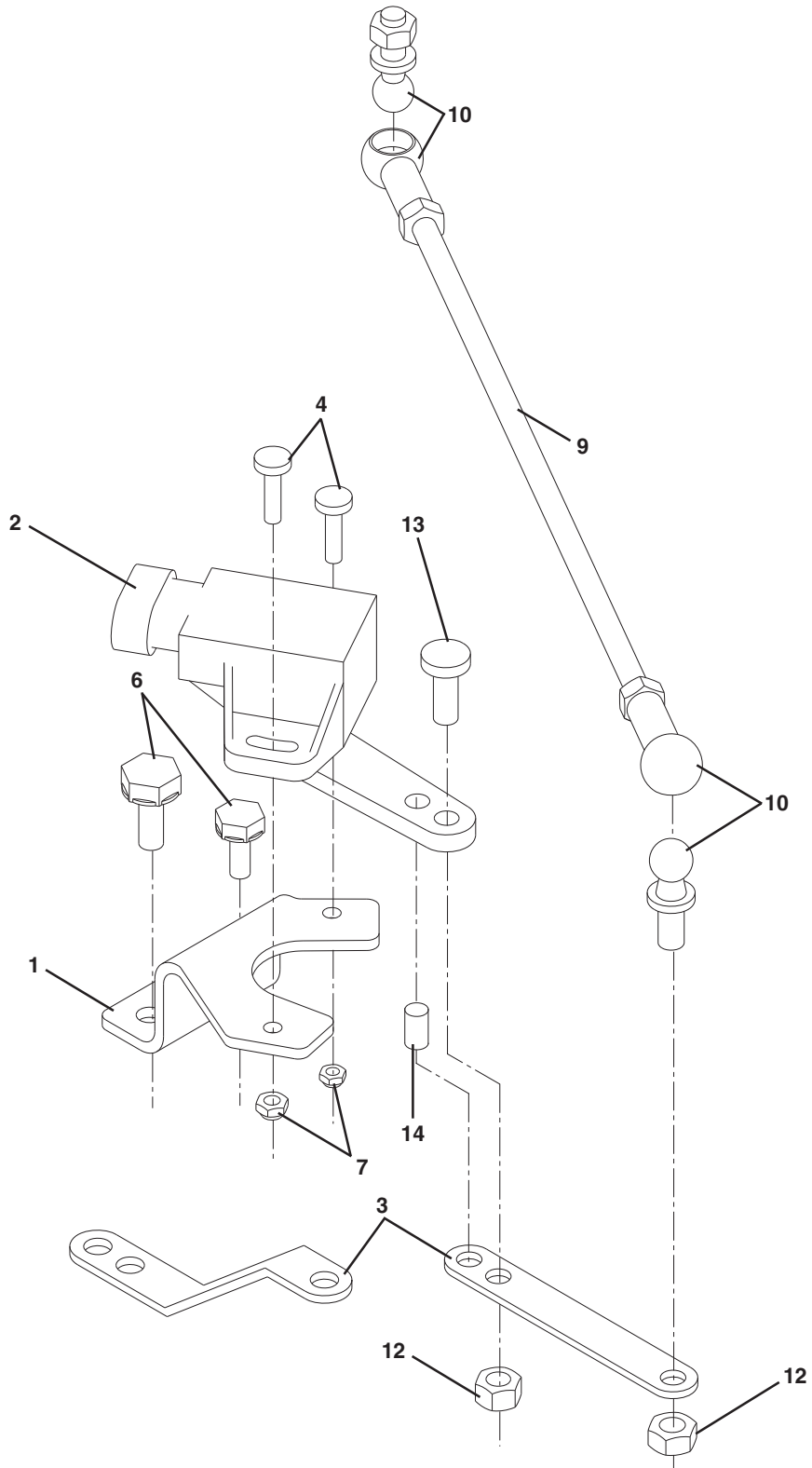
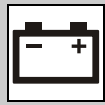




Figure 10-8 Sensor Assembly

Item	Part Number	Qty.	Description	Rev.
	8008863	Ref	SENSOR ASSY, (models 12 & 13M), (includes all items)	C
	1810004	Ref	SENSOR ASSY, (models 7, 8 & 9M), (includes all items)	
1	8008890	1	SENSOR SEAT	
2	8008893	1	SENSOR	
3	8008883	1	EXTENSION, FLAT BAR, (12 & 13M)	
	8008884	1	EXTENSION, BEND BAR, (7, 8 & 9M)	
4	4010408	2	SCREW, 4X16mm	
6	5200608	2	BOLT, 6X16mm	
7	3290405	2	HEX NUT, 4X0.7mm	
9	8008885	1	THREADED ROD	
10	466104	2	ANGLE JOINT	
12	3290607	2	HEX NUT, 6mm	
13	4010608	1	MACHINE SCREW, 6X16mm	
14	3370610	1	PIN	



ELECTRICAL

Figure 10-9 Tier II Fuel Solenoid Wire

Tier II Naturally Aspirated

76	5 RING TERMINAL	WHITE
----	--------------------	-------

CONN POS	WIRE DESIGNATION	WIRE COLOR
1	76	WHITE
2	PLUGGED	-



Tier II Turbo

CONN POS	WIRE DESIGNATION	WIRE COLOR
1	76	WHITE
2	GND	BROWN

CONN POS	WIRE DESIGNATION	WIRE COLOR
1	76	WHITE
2	GND	BROWN



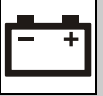


Figure 10-9 Tier II Fuel Solenoid Wire

Item	Part Number	Qty.	Description	Rev.
	4923004	Ref	TIER II FUEL SOLENOID WIRE, NATURALLY ASPIRATED ENGINE, (includes items 1 thru 4)	A
	4923003	Ref	TIER II FUEL SOLENOID WIRE, TURBO ENGINE, (includes all items except 4)	
1	7026408	1	CONNECTOR	
2	80604018	1	CONNECTOR LOCK	
3	77363229	1	CONTACT	
4	4460466	1	PLUG	
5	91474468	1	CONNECTOR, (turbo engine only)	
6	91474469	1	TERMINAL, (turbo engine only)	



ELECTRICAL

S/N 1160000358 & After

Figure 10-10 Tier II Engine Harness Wire

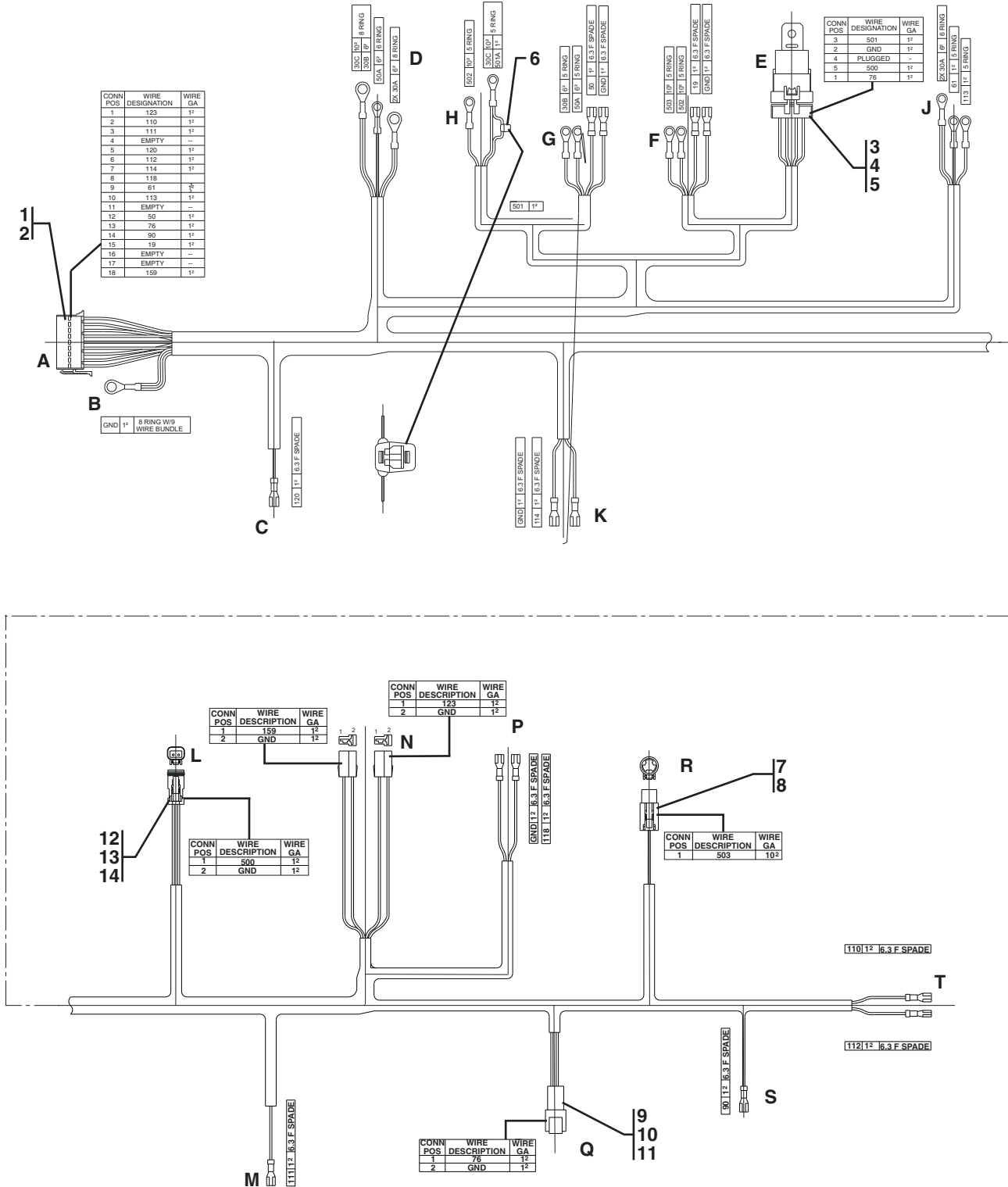
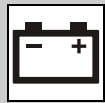




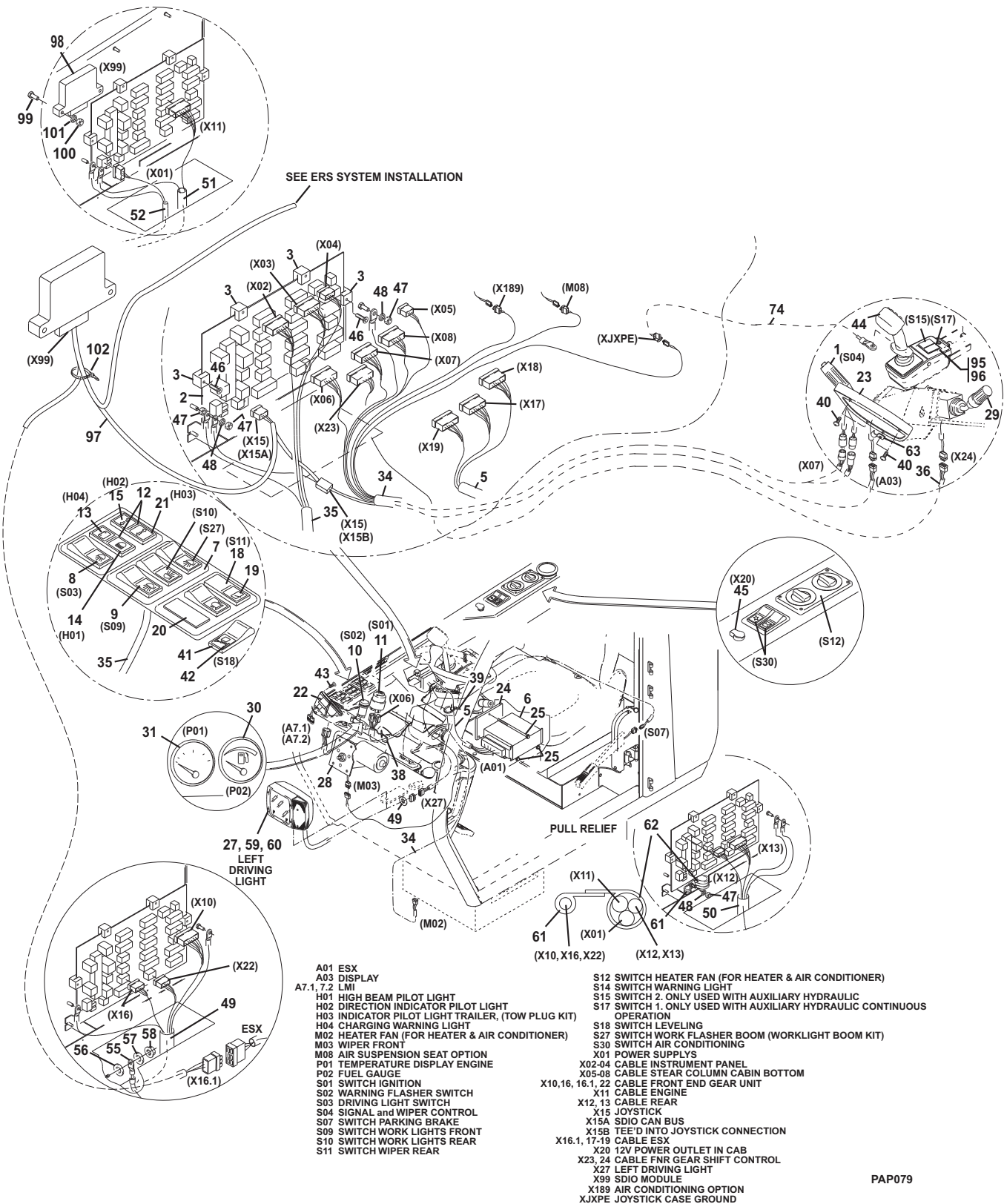
Figure 10-10 Tier II Engine Harness Wire

Item	Part Number	Qty.	Description	Rev.
	4923002	Ref	TIER II ENGINE HARNESS WIRE, (includes all items)	B
1	1001117009	1	CONNECTOR	
2	7028904	1	TERMINAL	
3	7028905	1	RELAY, LIFT PUMP	
4	7028906	1	RELAY SOCKET	
5	7029139	1	FEMALE TERMINAL	
6	7028907	1	FUSE HOLDER	
7	1001116707	1	PLUG	
8	91143340	1	#8 SOCKET CONTACT	
9	7028909	1	CONNECTOR	
10	80604017	1	WEDGELOCK	
11	77363228	1	TERMINAL	
12	7026408	1	CONNECTOR	
13	80604018	1	CONNECTOR LOCK	
14	77363229	1	CONTACT	



ELECTRICAL

Figure 10-11 Cab Electrical Installation with Platform



PAP079

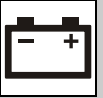
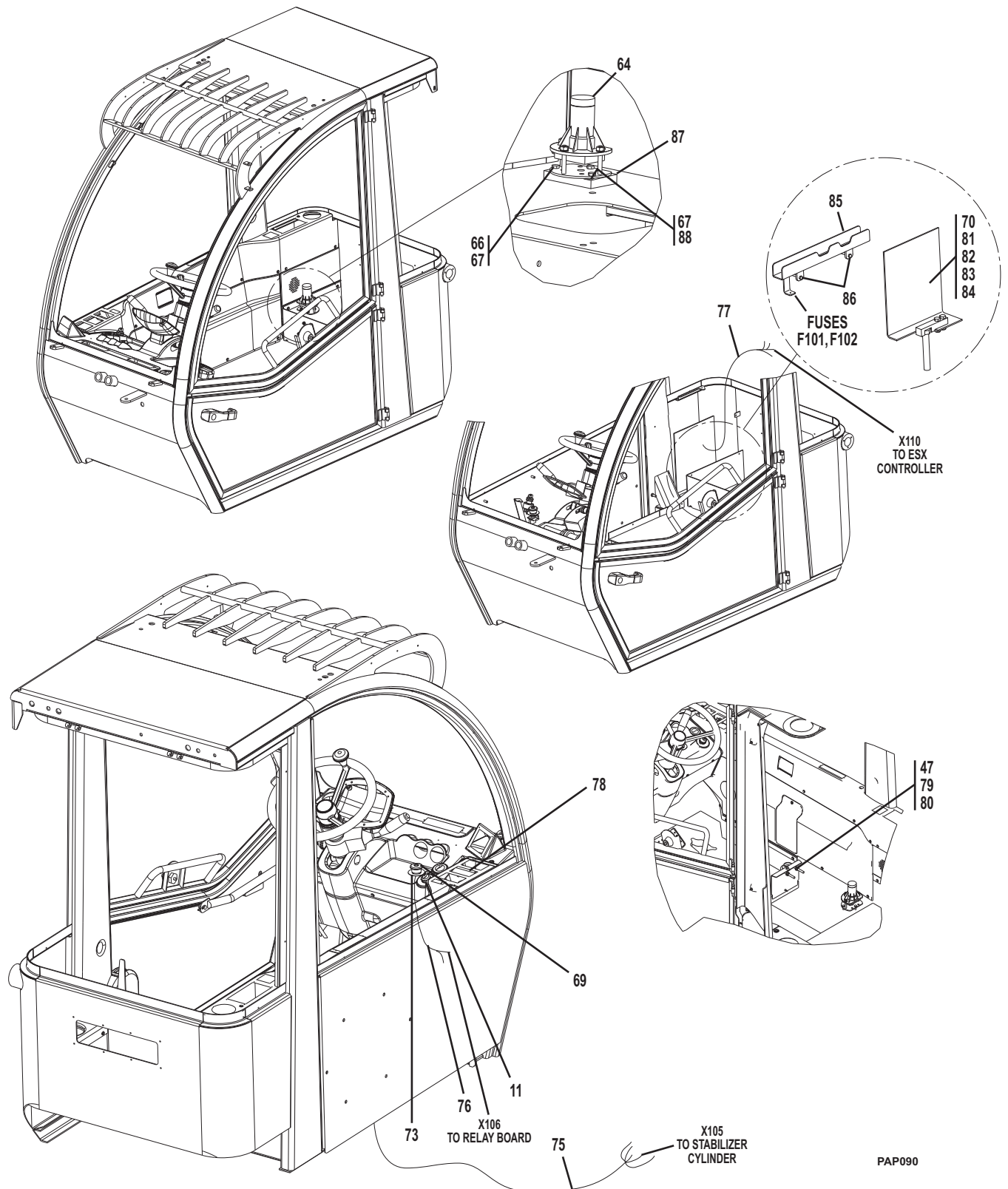


Figure 10-11 Cab Electrical Installation with Platform (Continued)



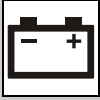
PAP090



ELECTRICAL

Figure 10-11 Cab Electrical Installation with Platform

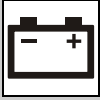
Item	Part Number	Qty.	Description	Rev.
	0274274	1	PLATFORM CAB ELECTRICAL INSTALLATION, (includes items 1 thru 96)	L,6
1	3749975	1	SWITCH	
2	0610175	1	PRINTED CIRCUIT MODULE	
3	8000924	6	HOLDER	
5	8009326	1	HARNESS	
6	1600399	1	CONTROLLER, ESX-SAFETY	
	4170100	1	PLATFORM EQUIPPED COMPATIBLE ESX VERSION	
	7002844	1	HARDWARE PACKET, X-FLASH CORD, (not illustrated)	
	7002845	1	POWERCORD FOR ESX, (not illustrated)	
7	1663821	3	MOUNTING FRAME	
8	3972909	1	SWITCH	
9	1719033	1	DECAL	
10	3933128	1	SWITCH 12V	
11	4360583	1	IGNITION	
	8008049	1	IGNITION KEY, (also for cab door, rear cover & engine cover)	
12	1719204	2	CONTROL LIGHT INDICATOR	
13	1719088	1	DECAL	
14	1719113	1	DECAL	
15	1719124	1	DECAL	
18	8005424	1	SWITCH	
19	1718985	1	DECAL	
20	1359720	6	COVER	
21	1663796	1	INSET	
22	8002819	1	WEIGHT INDICATOR	
23		Ref	DISPLAY, (see Figure 10-6 for details)	
24	8000984	1	PLATE	
25	0700836	3	BOLT, 8X190mm	
27		Ref	HEADLIGHT ASSEMBLY, (left), (see Figure 10-1 for details)	
28		Ref	WIPER MOTOR, (front), (see Figure 6-5 for details)	
29		Ref	SHIFTER, (see Figure 7-1 for details)	
30	8005257	1	FUEL GAUGE	
31	8005258	1	TEMPERATURE GAUGE	
34	8005556	1	HARNESS	
35	8009324	1	HARNESS, (instrument panel)	
36	8009327	1	CABLE, STEERING GEAR	
38	471678	30	TIE-STRAP	
39	1062255	20	TIE-STRAP	
40	8002211	4	SOCKET HD CAPSCREW, 5X16mm	
41	8008007	1	SWITCH, (leveling)	
42	8002831	1	DECAL, (leveling)	
43	2686762	4	SCREW, 3.5X16mm	
44		Ref	CONSOLE BOX ASSEMBLY, (see Figure 7-2 for details)	
45	1719419	1	SOCKET	
46	4010614	6	MACHINE SCREW, 6X30mm	
47	3290805	6	LOCKNUT, 8mm	
48	5211702	7	WASHER, 6X18.2X1.4mm	
49	8003385	1	HARNESS	
50	8009329	1	HARNESS	
51		Ref	ENGINE HARNESS, TIER II, (see Figure 10-10 for details)	



ELECTRICAL

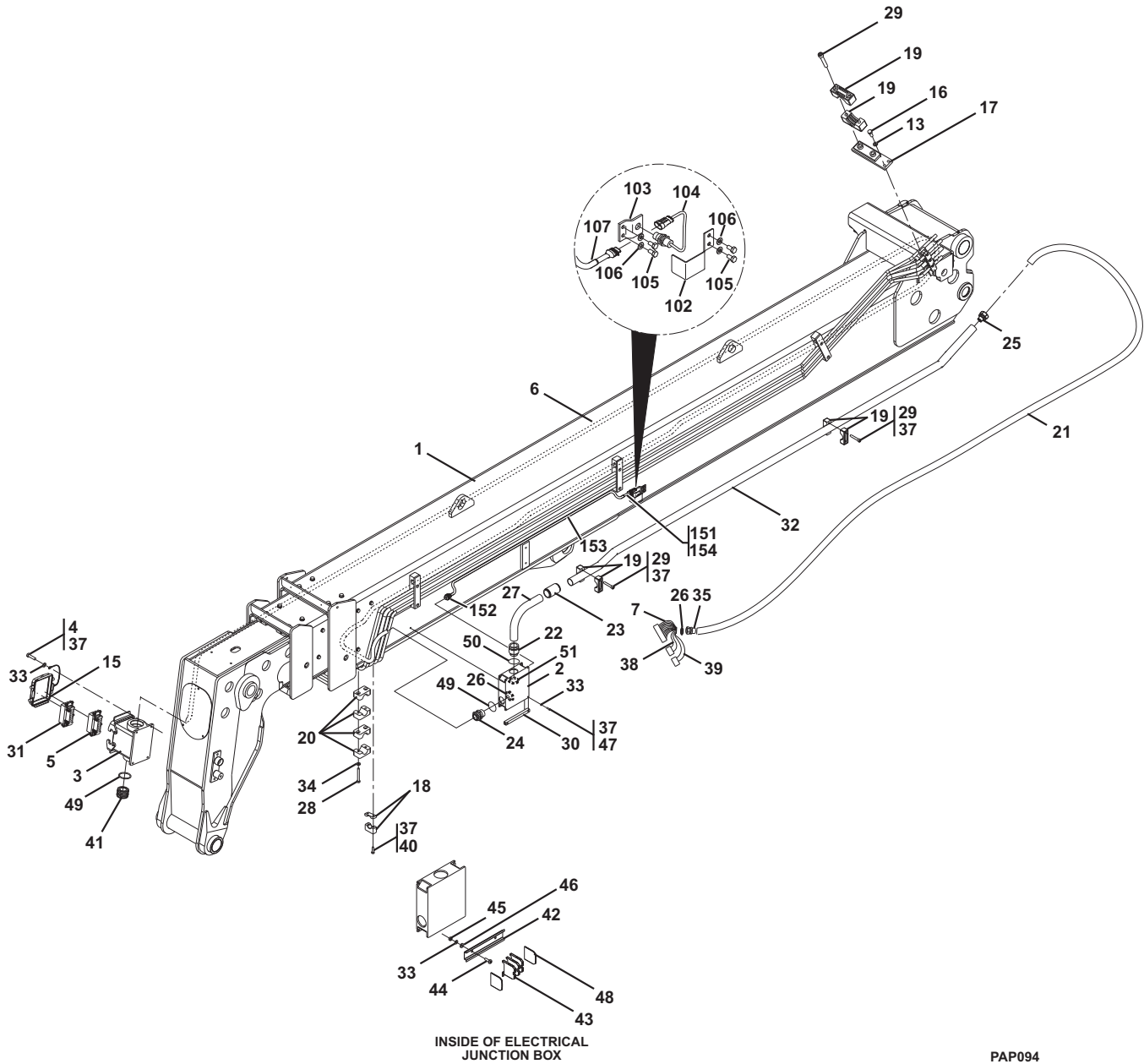
Figure 10-11 Cab Electrical Installation with Platform (Continued)

Item	Part Number	Qty.	Description	Rev.
52	8003387	1	HARNES	
53		Ref	WARNING LIGHT KIT, (optional), (see Figure 10-2 for details)	
54		Ref	DECAL, (optional), (see Figure 10-2 for details)	
55	8003392	1	GROUND CABLE	
56	492935	1	LOCKWASHER, 10mm	
57	5212000	1	WASHER, 10X22mm	
58	3291005	1	LOCKNUT, 10mm	
59	3933082	1	CAP	
60	2685181	1	SOCKET HOUSING	
61	2906123	1	CLIP	
62	8000103	1	CLIP	
63	1320324	1	CLAMP	
64	1001107789	1	LEVEL SENSING SWITCH	
66	0760608	4	HEX HD CAPSCREW, M6X1X16	
67	4831700	7	LOCKWASHER, M6	
69	4360475	1	EMERGENCY STOP SWITCH	
70		Ref	PLATFORM ELECTRICAL ASSY	
73	1704260	1	EMERGENCY STOP DECAL	
74	4923262	1	HARNES, JOYSTICK CASE GROUND	
75	4923313	1	CABLE	
76	4923314	1	CABLE	
77	4923312	1	CABLE	
78	2920193	1	INDICATOR LIGHT, PLATFORM READY	
79	4811900	2	WASHER, 8mm	
80	0630601	1	U-BOLT, 8mm	
81	4220298	1	BOLT BLOCK	
82	0761016	2	HEX HD CAPSCREW, M10X40	
83	4832000	2	LOCKWASHER, M10	
84	3291001	2	NUT, M10	
85	4341392	1	HARNES SUPPORT, (S/N 1160002452 and After)	
86	0700615	2	HEX HD CAPSCREW, M6X1 X 35, (S/N 1160002452 and After)	
87	1001093700	1	LEVELING PAD	
88	4031707	3	BOLT, M6X1 X 16mm	
95	8002834	1	SWITCH, 12V, (S/N 1160001978 and After)	
96	8002832	1	SYMBOL, (S/N 1160001978 and After)	
97	1001105098	1	HARNES, PVG	
98	1001105097	1	MODULE, SD10	
99	1001096653	2	BOLT, 6mm X 70mm	
100	3290605	2	LOCKNUT, 6mm	
101	4811700	2	WASHER, 6mm	
102	4240099S	A/R	CABLE TIE	



ELECTRICAL

Figure 10-12 Electrical Installation on Boom with Platform



PAP094

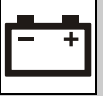


Figure 10-12 Electrical Installation on Boom with Platform

Item	Part Number	Qty.	Description	Rev.
	0801466	1	ELECTRICAL INSTALLATION ON BOOM WITH PLATFORM	L
1		Ref	BOOM ASSEMBLY, 13M, (see Figure 2-1 for details)	
2	0861679	1	ELECTRICAL JUNCTION BOX	
3	0861794	1	BOOM ELECTRICAL BOX	
4	0700510	4	HEX HD CAPSCREW, 5X20mm	
5	4461045	1	BOOM HEAD PLATFORM TERMINAL	
6	4923167	1	CABLE, (inside boom)	
7	4923168	1	CABLE, (outside boom)	
13	4831900	2	LOCKWASHER, 8mm	
15	1671183	1	ELECTRICAL BOX COVER	
16	0760810	2	HEX HD CAPSCREW, 8X20mm	
17	0903280	1	BRACKET, CLAMP MOUNT WELDMENT	
18	1321343	1	WIRE CLAMP ASSY	
19	1321344	6	PIPE HANGER CLAMP	
20	1321366	4	BOOM BOTTOM CLAMP	
21	1560021	1	FLEXIBLE SHEATH	
22	2180850	1	PIPE BOX SPECIAL FITTING	
23	2180851	1	PIPE FITTING	
24	2180852	1	BOX SPECIAL FITTING	
25	2221219	1	SHEATH HYDRAULIC FITTING	
26	3300499	2	NUT RING	
27	3460477	1	QUARTER BEND PIPE	
28	4031718	2	SOCKET HD CAPSCREW, 6X70mm	
29	4032016	6	SOCKET HD CAPSCREW, 10X60mm	
30	4341096	4	SUPPORT SPACER	
31	4461096	1	PLATFORM BOOM TERMINAL	
32	4569239	1	TUBE	
33	4811600	10	WASHER, 5mm	
34	4811700	2	WASHER, 6mm	
35	2132020	1	CONDUIT CONNECTOR	
37	0100011	AR	LOCTITE, 242	
38	4923513	1	CABLE, (outside boom)	
39	4923514	1	CABLE, (outside boom)	
40	4031914	2	SOCKET HD CAPSCREW, M8X50	
41	2180875	1	CABLE CONNECTOR FITTING	
42	4341263	1	RAIL SUPPORT	
43	4461235	27	BLOCK TERMINAL	
44	3900381	2	PAN HD SCREW, 5X16mm	
45	3290501	2	HEX NUT, M5X0.8	
46	4740565	2	SPECIAL WASHER	
47	0760514	4	HEX HD CAPSCREW, M5X30	
48	4461236	2	END CAP TERMINAL	
49	3960618	2	O-RING SEAL	
50	3960619	1	O-RING SEAL	
51	3300498	1	NUT RING	
	0274809	1	ELECTRICAL INSTALLATION ON BOOM WITH PLATFORM, (Australian machines only)	D
102	0903335	1	BRACKET, PROXIMITY GUARD	
103	3576278	1	PLATE, PROXIMITY SUPPORT	



ELECTRICAL

Figure 10-12 Electrical Installation on Boom with Platform

Item	Part Number	Qty.	Description	Rev.
104	80363166	1	SENSOR, PROXIMITY, (Before S/N 1160001979)	
	4000017	1	SENSOR, PROXIMITY, (S/N 1160001979 & After)	
105	0760808	4	HEX HD CAPSCREW, M8X16	
106	4811900	2	WASHER, 8mm	
107	4923534	1	BOOM CABLE, (includes items 151 thru 154)	
108	471678	5	TIE STRAP	
151	0840065	1	BOOT	
152	2180891	1	FITTING	
153	2820251	1	SHEATH, CABLE	
154	4461262	1	CONNECTOR	

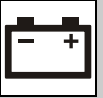


Figure 10-12 Electrical Installation on Boom with Platform

Item	Part Number	Qty.	Description	Rev.

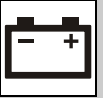
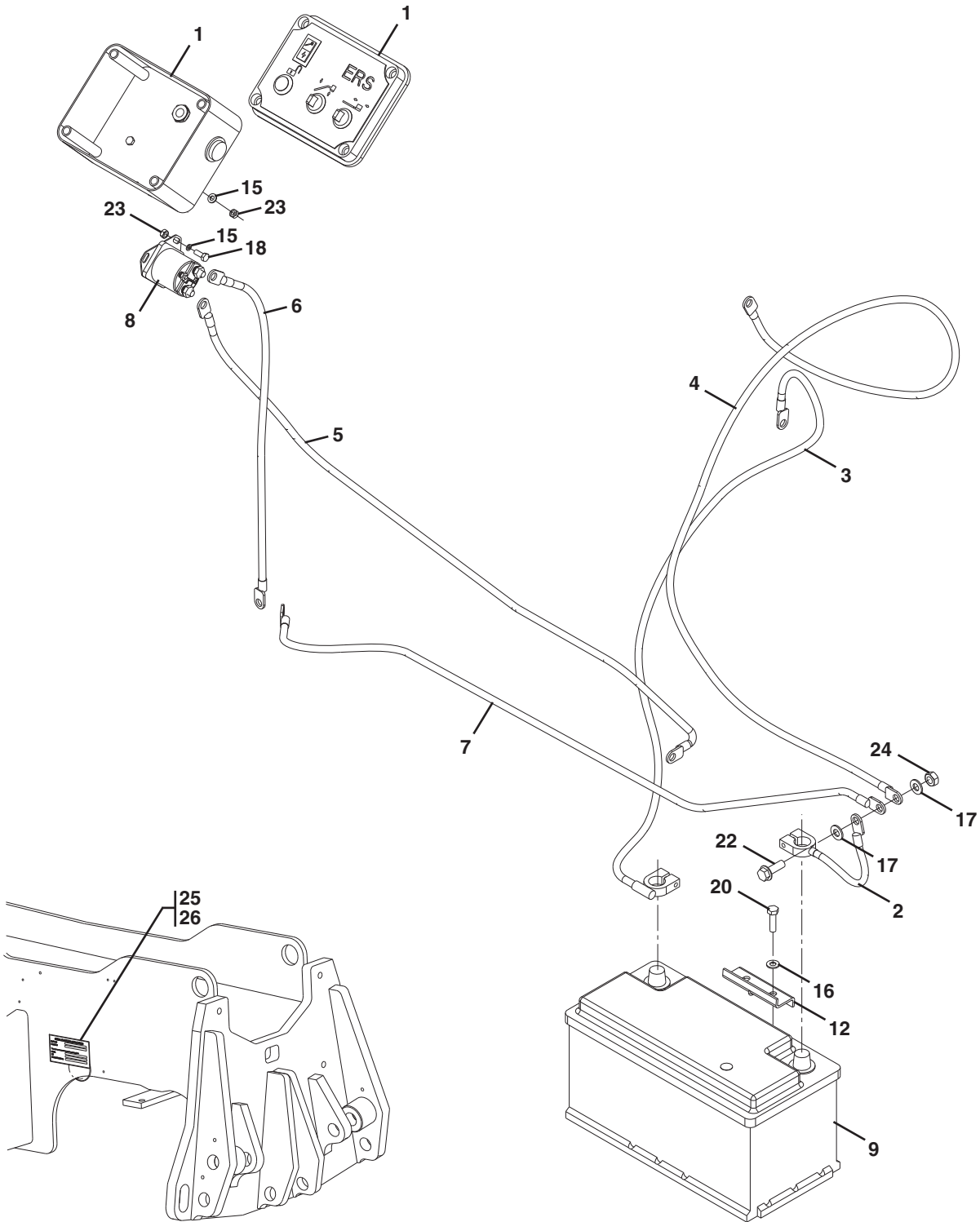


Figure 10-13 ERS System Installation



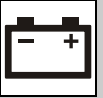
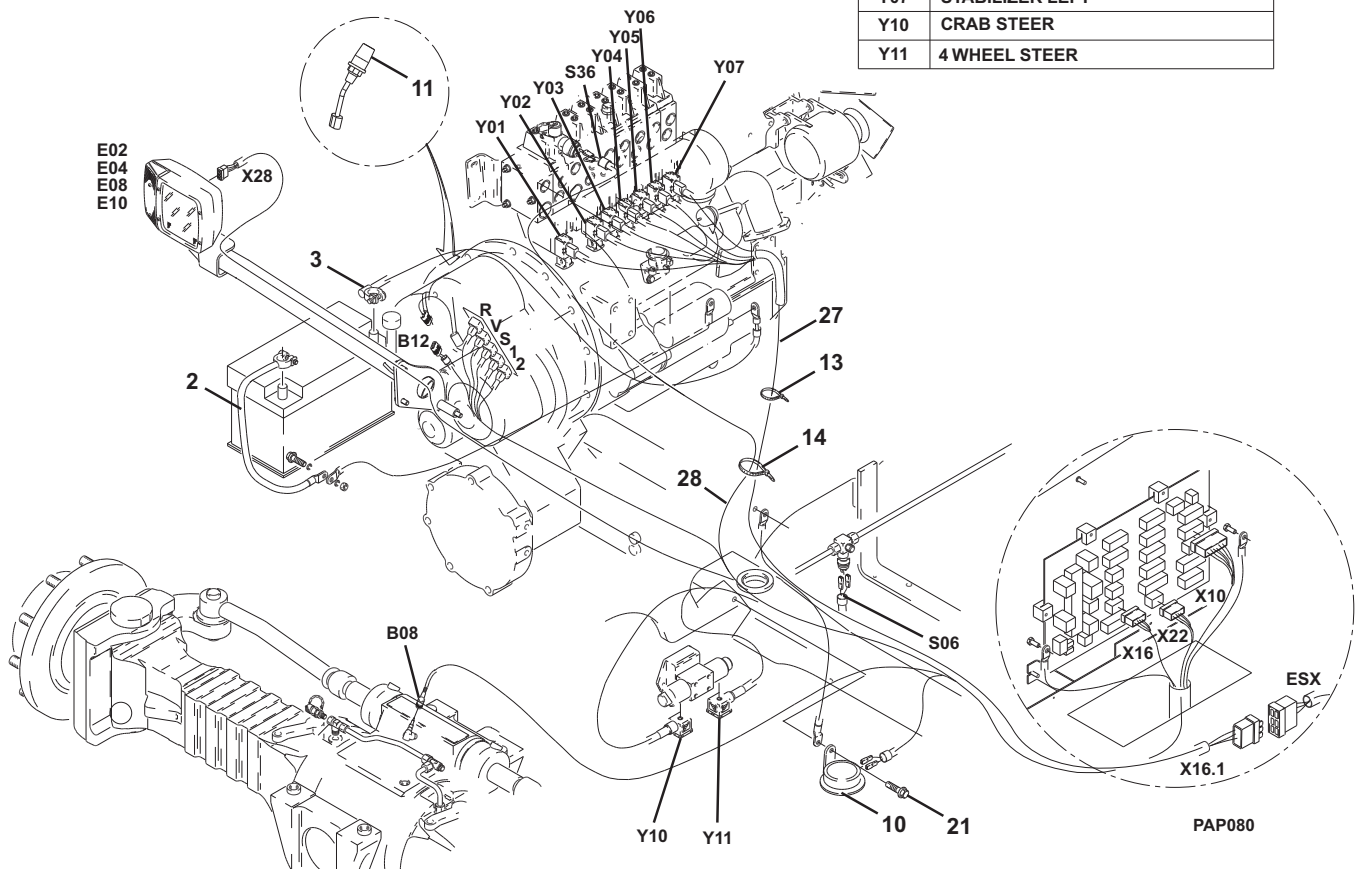


Figure 10-13 ERS System Installation (Continued)

WIRE DESIGNATIONS	
B08	ANGLE FRONT AXLE (INDUCTIVE)
B12	TRANSMISSION SPEED
G01	BATTERY
E02	LOW BEAM LIGHT RIGHT
E04	DRIVING LIGHT RIGHT
E08	PARKING LIGHT RIGHT
E10	INDICATOR FRONT RIGHT
E23	SIGNAL HORN
S06	STOP LIGHT SWITCH
S36	HYDRAULIC PRESSURE
X10	CABLE LIGHTING FRONT RIGHT
X16	CONNECTOR STEERING
X16.1	CONNECTOR HYDRAULIC BLOCK
X22	MAGNETS TRANSMISSION
X28	CONNECTOR LIGHTING RIGHT
Y01	LIFTING
Y02	TELESCOPE
Y03	TILT
Y04	AUXILIARY HYDRAULIC
Y05	LEVELING
Y06	STABILIZER RIGHT
Y07	STABILIZER LEFT
Y10	CRAB STEER
Y11	4 WHEEL STEER





ELECTRICAL

Figure 10-13 ERS System Installation

Item	Part Number	Qty.	Description	Rev.
	0274304	Ref	ERS SYSTEM INSTALLATION	D
1	1810024	1	ERS SYSTEM ELECTRICAL ASSY	
2	8003389	1	NEGATIVE BATTERY CABLE SET	
3	8003391	1	CABLE SET	
4	8003393	1	CABLE SET	
5	4923319	1	ERS RELAY CABLE	
6	4923320	1	ERS RELAY CABLE	
7	4923321	1	ERS RELAY CABLE	
8	3740067	1	SOLENOID RELAY ASSY	
	100111424	2	WASHER, COPPER	
9	0400229	1	MAGIC EYE BATTERY	
10	8009766	1	HORN, 12V	
11	8007875	1	SPEED CONTACT	
12	1787217	1	BATTERY HOLD DOWN CLAMP	
13	471678	20	CABLE BAND	
14	1062255	20	TIE STRAP	
15	4811700	4	WASHER, 6mm	
16	4811900	2	WASHER, 8mm	
17	4812000	2	WASHER, 10mm	
18	0760608	2	HEX HD CAPSCREW, M6X16	
20	0760814	2	HEX HD CAPSCREW, M8X30	
21	5201010	1	RIPP BOLT, 10X20mm	
22	5201014	1	RIPP BOLT, 10X30mm	
23	3290601	4	HEX NUT, M6X1	
24	3291001	1	HEX NUT, M10X1.5	
25	1706628	1	PLATFORM MACHINE NAMEPLATE	
26	2080057	4	FASTENER	
27		Ref	HARNESS, (see Figure 10-11 for details)	
28		Ref	HARNESS, (see Figure 10-11 for details)	

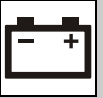
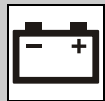


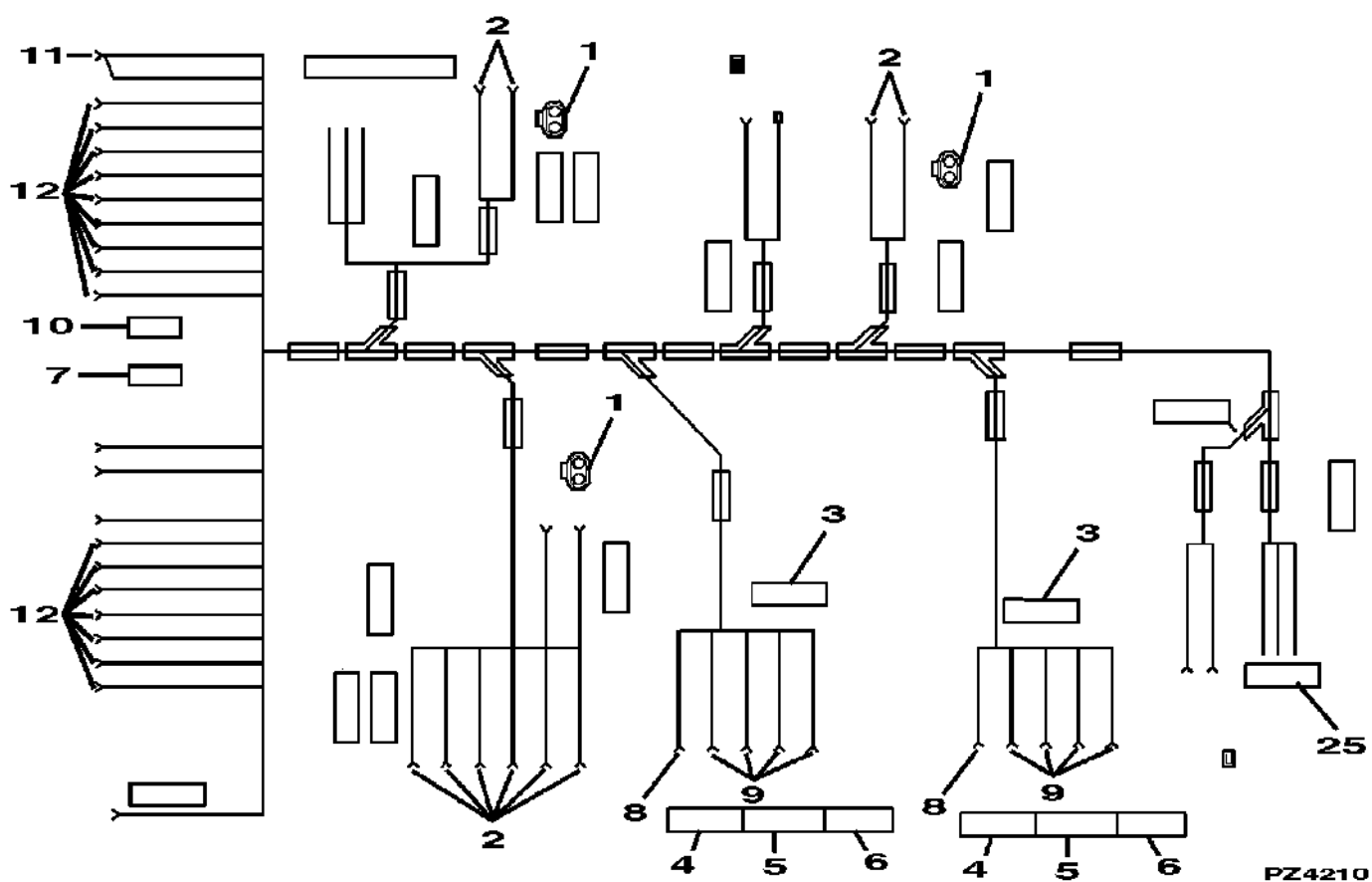
Figure 10-13 ERS System Installation (Continued)

Item	Part Number	Qty.	Description	Rev.



ELECTRICAL

Figure 10-14 Rear Harness



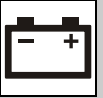
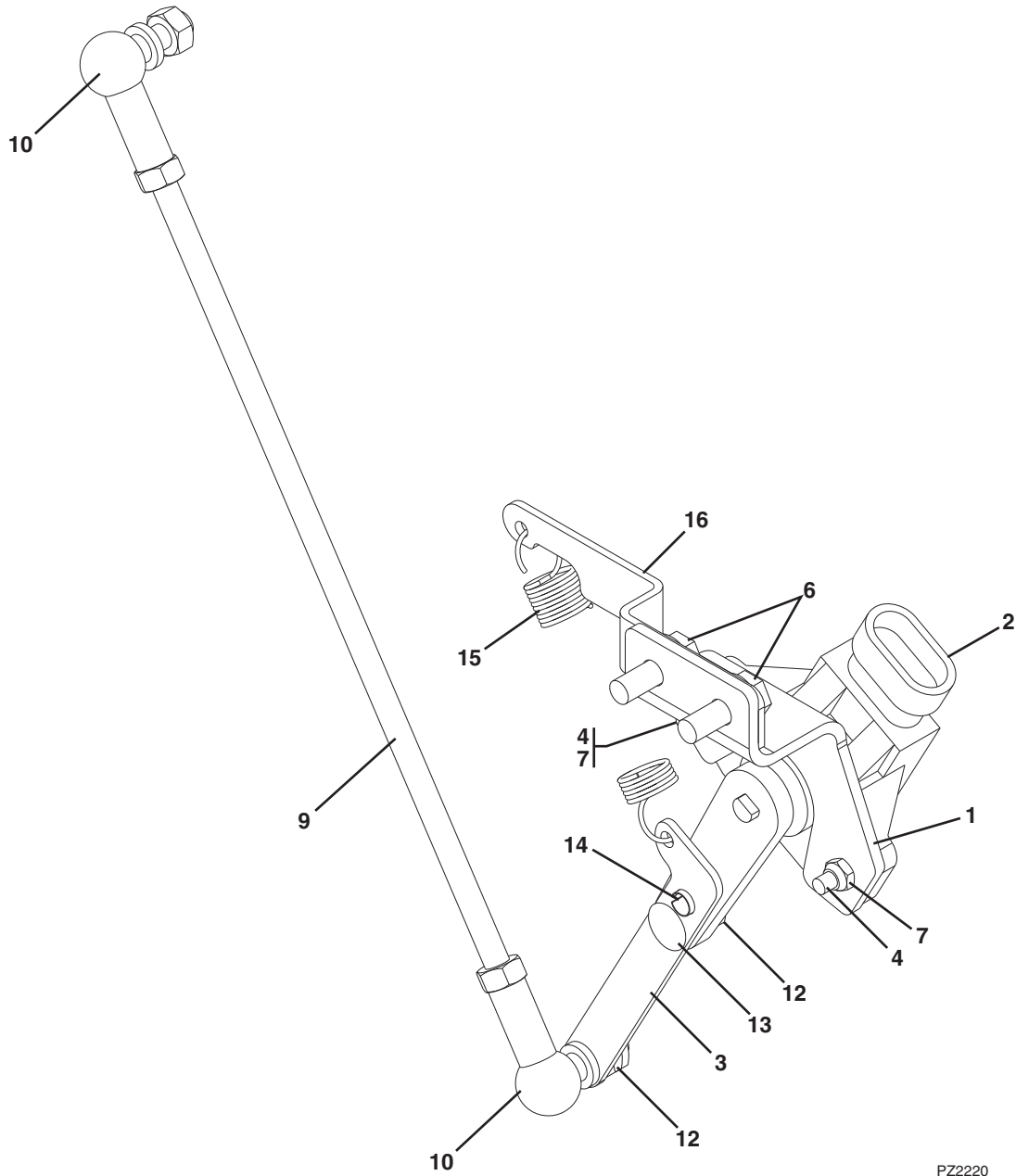


Figure 10-14 Rear Harness

Item	Part Number	Qty.	Description	Rev.
	8003386	1	REAR HARNESS, (includes all items)	B
1	4461118	2	CONNECTOR	
2	1001107854	12	CONTACT	
3	7028639	2	CAP	
4	4461134	2	CONNECTOR	
5	4461006	2	SEAL	
6	4461008	2	PLUG	
7	1001117009	10	CONNECTOR	
8	1001118392	2	TERMINAL	
9	1001118393	8	TERMINAL	
10	7029319	1	CONNECTOR, 10 POSITION	
11	70021925	1	TIMER CONTACT	
12	70021926	17	TIMER CONTACT	
25	70021230	1	CONNECTOR	
	7029008	AR	PLUG KIT, (includes quantity of one each of items 3, 4 & 8; two of item 6; four of item 9 and five of item 5)	



Figure 10-15 Sensor Assembly with Platform



PZ2220

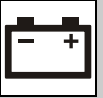
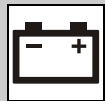


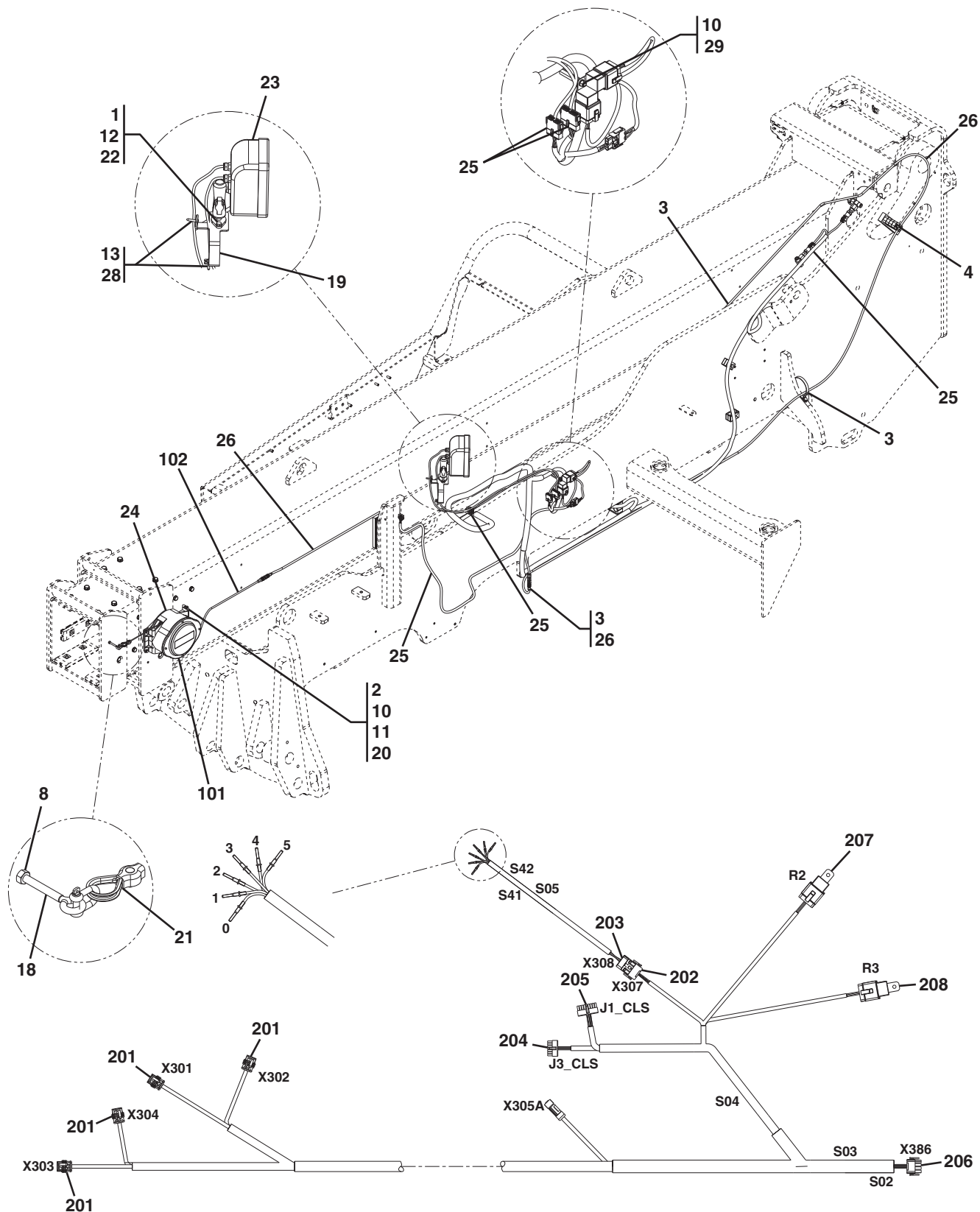
Figure 10-15 Sensor Assembly with Platform

Item	Part Number	Qty.	Description	Rev.
	1001094565	1	SENSOR ASSEMBLY W/PLATFORM, (includes all items)	A
1	8008890	1	SENSOR SEAT	
2	8008893	1	SENSOR	
3	1001093947	1	EXTENSION BAR	
4	4010408	2	LENS HD SCREW	
6	5200608	2	BOLT	
7	3290405	2	NUT	
9	8008885	1	THREADED BOLT	
10	466104	2	ANGLE JOINT	
12	3290607	2	NUT	
13	4010608	1	SCREW	
14	3370610	1	PIN	
15	1001093875	1	SPRING	
16	1001093946	1	SPRING SUPPORT BRACKET	



ELECTRICAL

Figure 10-16 LMIS Installation



NOTE: PORTIONS OF THE FRAME & CAB HIDDEN OR REMOVED FOR CLAIRITY

PAP174

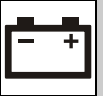


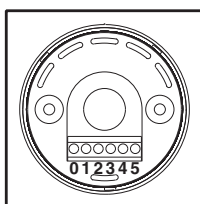
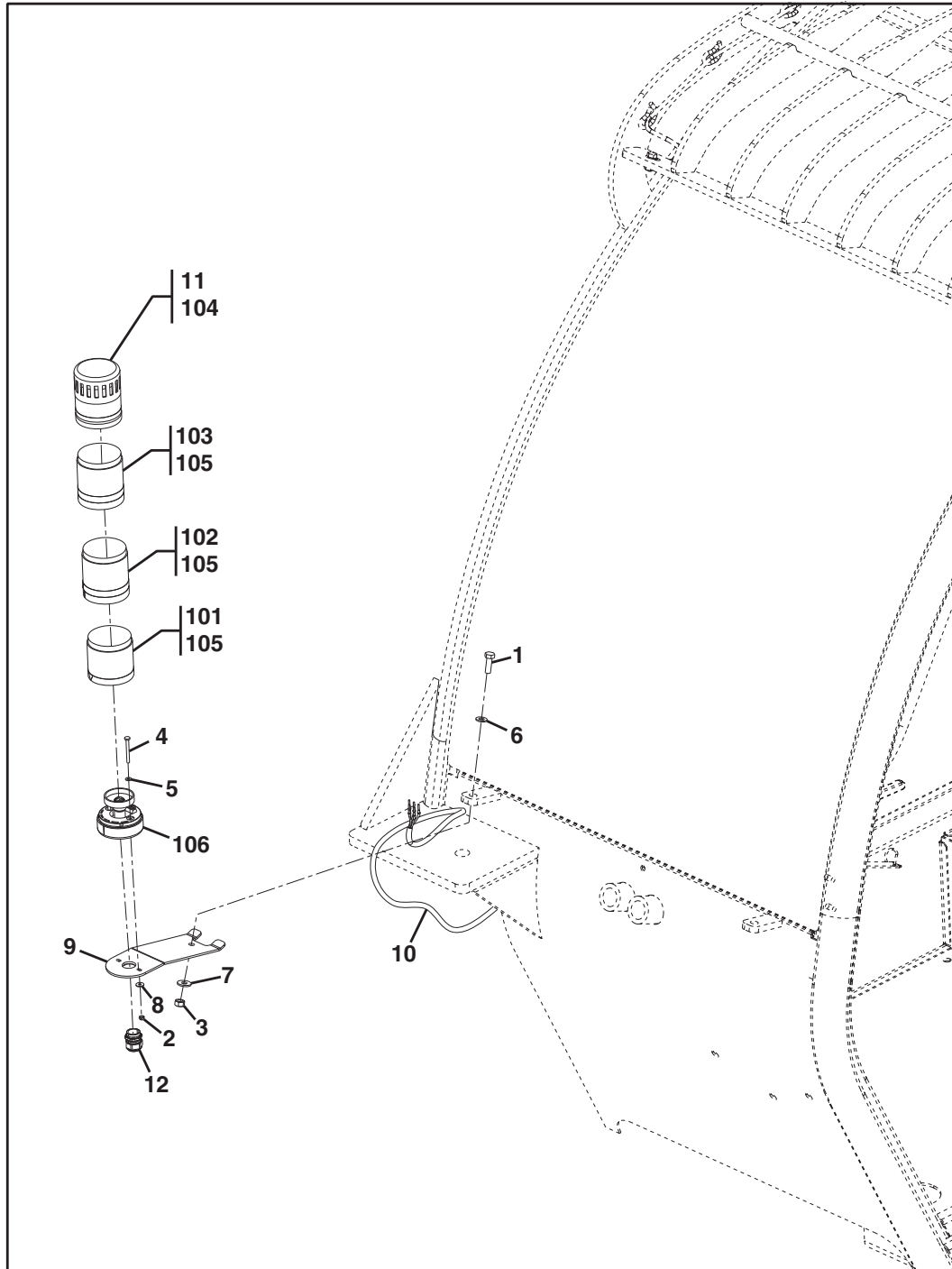
Figure 10-16 LMIS Installation

Item	Part Number	Qty.	Description	Rev.
	1001107647	Ref	LMIS INSTALLATION, (if equipped), (not available to order, see items 1 thru 29 for service)	B
1	0760508	2	BOLT, M5X16	
2	0760615	4	HEX HD CAPSCREW, M6X35, GR8.8	
3	1062255	AR	TIR STRAP	
4	2966454	1	HOSE CLAMP	
8	3290601	1	HEX NUT, M6X1	
10	4811700	5	WASHER, 6mm	
11	4831700	4	LOCKWASHER, 6mm	
12	5220500	2	NUT, 5mm	
13	1001095650	AR	LOCTITE, #243	
18	1001102633	1	SPECIAL SCREW, M6X60	
19	1001103180	1	BRACKET	
20	1001103807	2	SPACER	
21	1001104341	1	LMIS CABLE REEL KIT	
22	1001104344	1	PIVOT ARM SUPPORT	
23	1001104415	1	LMIS DISPLAY GUAGE	
24	1001106385	1	LMIS CABLE REEL ASSY, (includes items 101 & 102)	A
25	1001106805	1	LMIS TRANSDUCER HARNESS, (includes items 201 thru 208)	D
26	1001107622	1	LMIS EXTENSION HARNESS	B
28	1001107982	2	SCREW, 4.8X25	
29	1001113432	1	STANDOFF, M6	
101	1001104342	1	LMIS BOOM CABLE REEL	
102	1001106386	1	LMIS REEL PIGTAIL HARNESS	
201	4461262	4	CONNECTOR	
202	4460321	1	CONNECTOR	
203	4460761	1	CONNECTOR	
204	4460920	1	CONNECTOR	
205	250216	1	CONNECTOR	
206	4460343	1	CONNECTOR	
207	1001117057	1	CONNECTOR	
208	4460374	1	CONNECTOR	
	3740080	1	RELAY	
301		Ref	LMIS BOOM HYDRAULICS, (not shown), (see Figure 8-3 for details)	
302		Ref	LMIS AUDIBLE TOWER BEACON, (not shown), (see Figure 10-17 for details)	



ELECTRICAL

Figure 10-17 LMIS Audible Tower/Beacon Installation



BEACON ALARM WIRING CONFIGURATION

PAP175

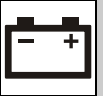


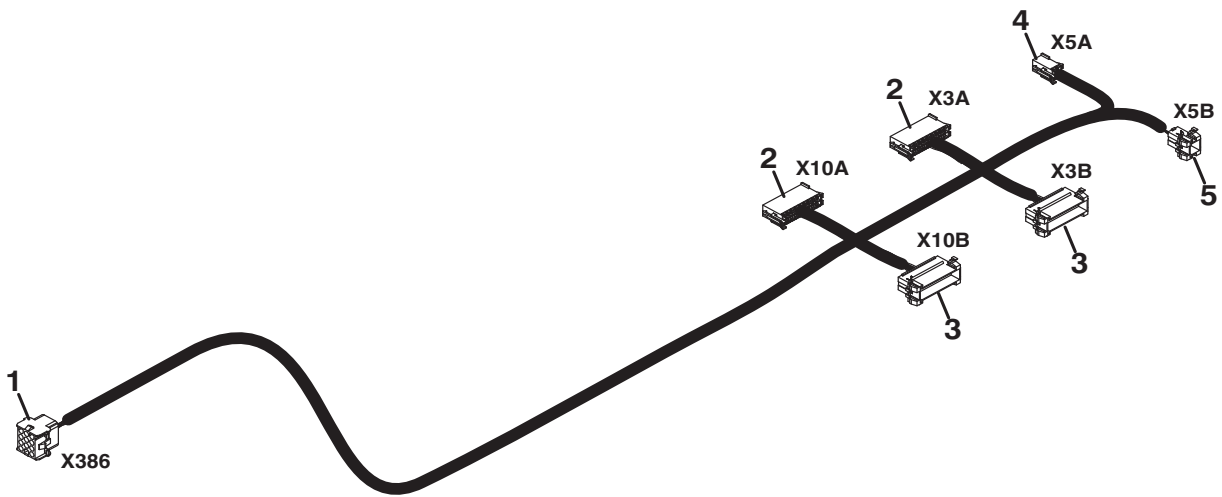
Figure 10-17 LMIS Audible Tower/Beacon Installation

Item	Part Number	Qty.	Description	Rev.
	1001108700	Ref	LMIS AUDIBLE TOWER/BEACON INSTALLATION, (if equipped), (not available to order, see items 1 thru 12 for service)	B
1	0760812	1	HEX HD CAPSCREW, M8X25, GR8.8	
2	3290405	2	HEX LOCKNUT, M4X0.7	
3	3290807	1	HEX LOCKNUT, M8X1.25	
4	4010416	2	PAN HD CAPSCREW, M4X40	
5	4811400	2	WASHER, 4mm	
6	4811900	1	WASHER, 8mm	
7	4811902	1	WASHER, 8mm	
8	1001091102	2	WASHER, 4mm	
9	1001106464	1	BEACON BRACKET	
10		Ref	LMIS TRANSDUCER HARNESS, (see Figure 10-16 for details)	
11	1001108661	1	LMIS WARNING BEACON ASSY, (includes items 101 thru 106)	A
12	E000269	1	CABLE GLAND, M20X1.5	
101	1001108683	1	GREEN LIGHT GLOBE SECTION, (includes o-ring)	
102	1001108684	1	YELLOW LIGHT GLOBE SECTION, (includes o-ring)	
103	1001108685	1	REG LIGHT GLOBE SECTION, (includes o-ring)	
104	1001108686	1	BUZZER ALARM	
105	1001108687	3	LIGHT BULB, 5W-12V	
106	1001108689	1	BUZZER ALARM BASE	



ELECTRICAL

Figure 10-18 LMIS Harness



PAP177

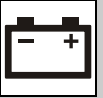


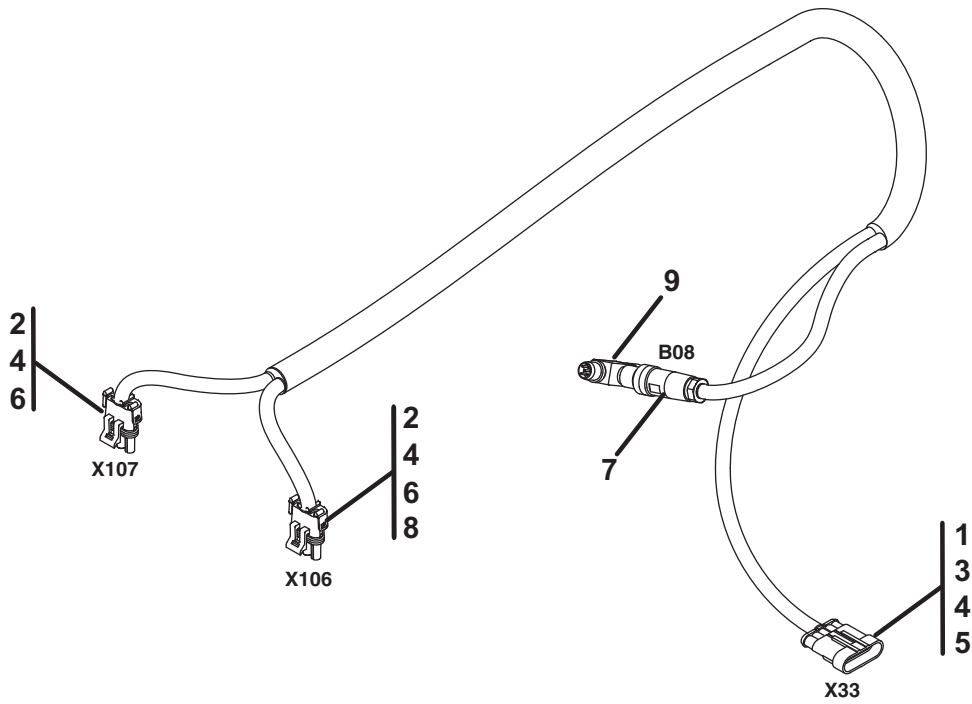
Figure 10-18 LMIS Harness

Item	Part Number	Qty.	Description	Rev.
	1001108472	1	LMIS HARNESS, (if equipped)	A
1	4460367	1	CONNECTOR - 12 PIN	
2		2	CONNECTOR - 18 PIN	
3	1001117009	2	CONNECTOR - 18 PIN	
4		1	CONNECTOR - 4 PIN	
5		1	CONNECTOR - 4 PIN	

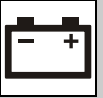


ELECTRICAL

Figure 10-19 Stabilizer Harness Equipped W/LMIS



PAP180

**Figure 10-19 Stabilizer Harness Equipped W/LMIS**

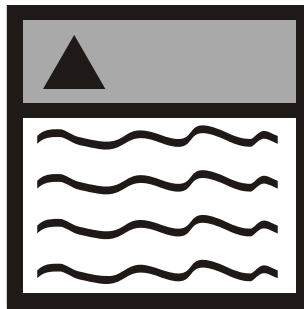
Item	Part Number	Qty.	Description	Rev.
	1001107855	1	OUTRIGGER HARNESS, (13M, if equipped), (includes all items)	B
1	4461229	1	CONNECTOR	
2	4461262	2	CONNECTOR	
3	1001104497	2	TERMINAL	
4	1001104498	7	SEAL	
5	1001104499	4	TERMINAL, CAVITY PLUG	
6	1001107854	6	TERMINAL	
7	1001107894	1	CONNECTOR	
8	1001107906	1	RESISTOR, 150 OHM	
9	1001108122	1	CONNECTOR	



ELECTRICAL

This Page Intentionally Left Blank

SECTION 11 DECALS





DECALS

Figure 11-1 Decals - Main

SEE FIGURE 3-11 FOR PLATFORM DECALS

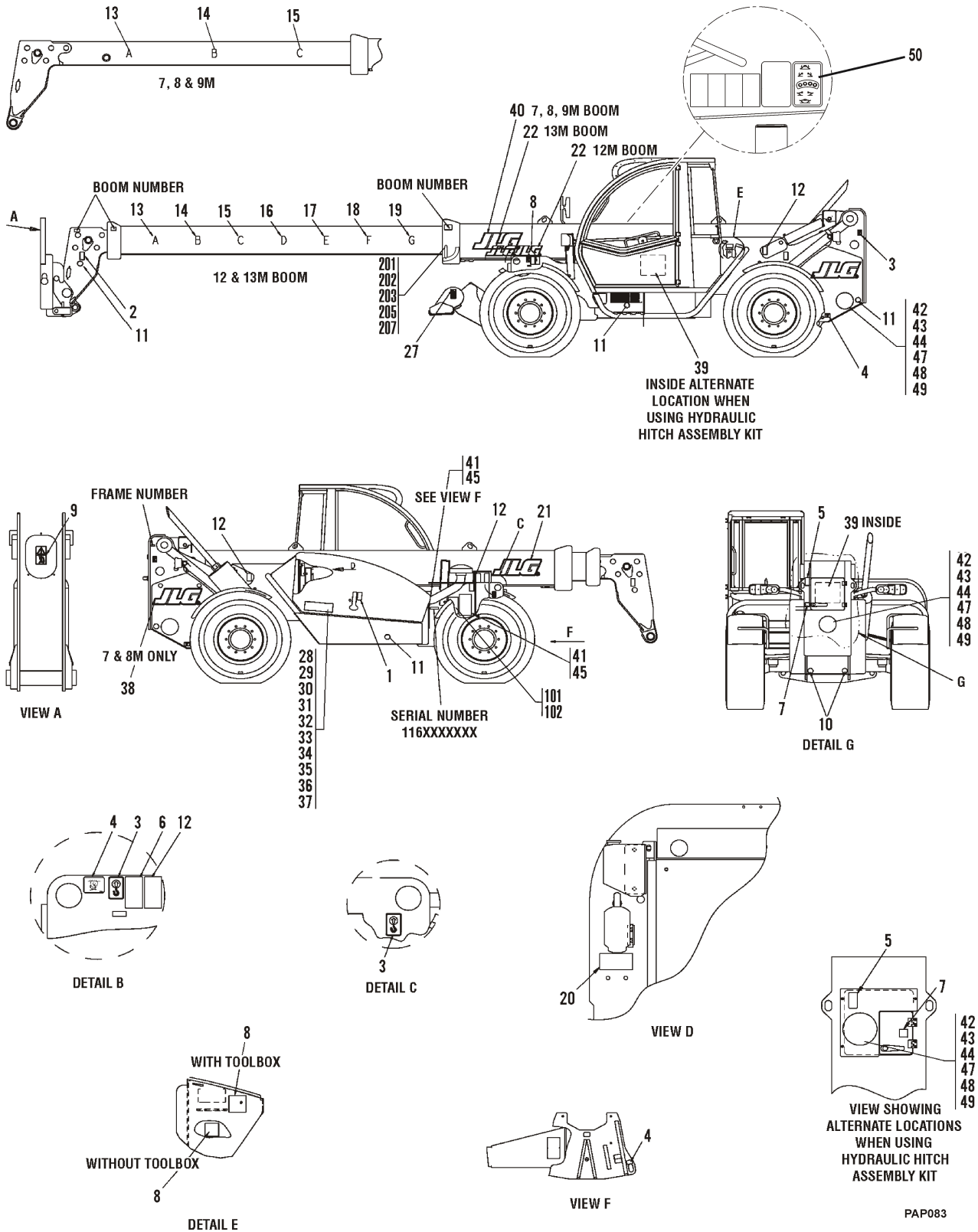




Figure 11-1 Decals - Main

Item	Part Number	Qty.	Description	Rev.
	8003341	Ref	DECAL INSTALLATION, (includes items 1 thru 49)	M
1	8005670	1	DECAL	
2	8005675	2	DECAL	
3	8005616	4	DECAL - LIFT	
4	8005617	4	DECAL - ATTACHMENTS	
5	8006612	1	DECAL	
6	8005671	1	DECAL	
7	8009815	1	DECAL - DIESEL	
8	8009816	1	DECAL - HYDRAULIC OIL	
9	8006038	2	DECAL - FORK CARRIER	
10	3931579	2	REAR REFLECTOR - RED	
11	8003198	6	SIDE REFLECTOR - YELLOW	
12	8008657	4	DECAL	
13	1706753	1	DECAL A	
14	1706754	1	DECAL B	
15	1706755	1	DECAL C	
16	1706756	1	DECAL D	
17	1706757	1	DECAL E	
18	1706758	1	DECAL F	
19	1706759	1	DECAL G	
20	8005869	1	DECAL	
21	8008629	1	LARGE JLG DECAL	
22	1702773	1	SMALL JLG DECAL, (12 & 13M only)	
27	8008195	2	DECAL - STABILIZER	
28	8008533	1	MODEL DECAL 4013	
29	8008523	1	MODEL DECAL 3507	
30	8008525	1	MODEL DECAL 3508	
31	8008526	1	MODEL DECAL 3509	
32	8008527	1	MODEL DECAL 3512	
33	8008528	1	MODEL DECAL 3513	
34	8008529	1	MODEL DECAL 4007	
35	8008530	1	MODEL DECAL 4008	
36	8008531	1	MODEL DECAL 4009	
37	8008532	1	MODEL DECAL 4012	
38	8008629	2	LARGE JLG DECAL, (3507 & 3508 only)	
39	8008793	1	LUBRICATION CHART	
40	8008629	1	LARGE JLG DECAL, (7, 8, & 9M only)	
41	1706227	1	NAMEPLATE	
42	2603207	3	DECAL, (20 kph)	
43	2999964	3	DECAL, (40 kph), (7, 8, & 9M only)	
44	8004165	3	DECAL, (25 kph), (Ireland & UK), (7, 8, & 9M)	
45	2080057	4	FASTENER	
47	8009377	3	DECAL, (35 kph), (Ireland & UK), (12 & 13M only)	
48	8009885	3	DECAL, (12 kph), (Ireland & UK)	
49	8009890	3	DECAL, (22 kph), (Ireland & UK)	
50	8005609	1	DECAL, STABILIZER OPERATION, (12 & 13M only)	



DECALS

Figure 11-1 Decals - Main (Continued)

Item	Part Number	Qty.	Description	Rev.
			DECAL - BOOM EXTENSION INSTALLATION	
	0275145	1	MODEL 3507, 4007, 3508, 4008, 3509 & 4009, DECAL INSTALLATION, (includes items 13 thru 15)	A
	0275144	1	MODEL 3512 & 4012, DECAL INSTALLATION, (includes items 13 thru 18)	A
	0275143	1	MODEL 3513 & 4013, DECAL INSTALLATION, (includes items 13 thru 19)	A
			DECAL KIT OPTIONS	
	8100076	1	CE - MODEL 3507 , OSCILLATING AXLE, (includes items 1 thru 12, 20, 21, 29, 38 thru 41, 45 & also items 32 & 47 from Figure 11-2)	4
	8100077	1	CE - MODEL 3508 , OSCILLATING AXLE, (includes items 1 thru 12, 20, 21, 30, 38 thru 41, 45 & also items 33 & 43 from Figure 11-2)	4
	8100078	1	AUS & CE - MODEL 3509 , OSCILLATING AXLE, (includes items 1 thru 12, 20, 21, 31, 39, 40, 41, 45 & also items 29 & 34 from Figure 11-2)	4
	1001096762	1	AUS - MODEL 3509 , DERATED, OSCILLATING AXLE, (includes items 1 thru 12, 20, 21, 31, 39, 40, 41, 45 & also items 29 & 34 from Figure 11-2)	1
	8100079	1	CE - MODEL 3512 , OSCILLATING AXLE, (includes items 1 thru 12, 20, 21, 22, 27, 32, 39, 41, 45 & items 27 & 35 from Figure 11-2)	5
	1001092503	1	AUS - MODEL 3512 , OSCILLATING AXLE, (includes items 1 thru 12, 20, 21, 22, 27, 32, 39, 41, 45 & items 21, 27 & 35 from Figure 11-2)	1
	8100080	1	CE - MODEL 3513 , OSCILLATING AXLE, (includes items 1 thru 12, 20, 21, 22, 27, 33, 39, 41, 45 & items 23 & 36 from Figure 11-2)	5
	1001092502	1	AUS - MODEL 3513 , OSCILLATING AXLE, (includes items 1 thru 12, 20, 21, 22, 23, 27, 33, 39, 41, 45 & items 21, 23 & 36 from Figure 11-2)	1
	1001096763	1	AUS - MODEL 3513 , DERATED, OSCILLATING AXLE, (includes items 1 thru 12, 20, 21, 22, 23, 27, 33, 39, 41, 45 & items 21, 23 & 36 from Figure 11-2),	1
	8100081	1	CE - MODEL 4007 , OSCILLATING AXLE, (includes items 1 thru 12, 20, 21, 34, 39 thru 41, 45 & items 37 & 45 from Figure 11-2)	4
	8100082	1	CE - MODEL 4008 , OSCILLATING AXLE, (includes items 1 thru 12, 20, 21, 35, 39 thru 41, 45 & items 31 & 38 from Figure 11-2)	4
	8100083	1	AUS & CE - MODEL 4009 , OSCILLATING AXLE, (includes items 1 thru 12, 20, 21, 36, 39 thru 41, 45 & items 28 & 39 from Figure 11-2)	4
	8100084	1	AUS & CE - MODEL 4012 , OSCILLATING AXLE, (includes items 1 thru 12, 20, 21, 22, 27, 37, 39, 41, 45 & items 25 & 40 from Figure 11-2)	5
	8100085	1	AUS & CE - MODEL 4013 , OSCILLATING AXLE, (includes items 1 thru 12, 20, 21, 22, 27, 28, 39, 41, 45, 50 & items 22 & 41 from Figure 11-2)	5
	1001099759	1	AUS - MODEL 4013 , 3B6, OSCILLATING AXLE, (includes items 1 thru 12, 20, 21, 22, 27, 28, 39, 41, 45, 50 & items 22 & 41 from Figure 11-2)	1
	1001100795	1	AUS - MODEL 4013 , OSCILLATING AXLE, (includes items 1 thru 12, 20, 21, 22, 27, 28, 39, 41, 45, 50 & items 22 & 41 from Figure 11-2)	1
	8100086	1	CE - MODEL 3507 , FIXED AXLE, (includes items 1 thru 12, 20, 21, 29, 38 thru 41, 45 & items 32 & 46 from Figure 11-2)	4
	8100087	1	CE - MODEL 3508 , FIXED AXLE, (includes items 1 thru 12, 20, 21, 30, 38 thru 41, 45 & items 33 & 42 from Figure 11-2)	4
	8100088	1	CE - MODEL 3512 , FIXED AXLE, (includes items 1 thru 12, 20, 21, 22, 27, 32, 39, 41, 45 & items 26 & 35 from Figure 11-2)	5
	8100089	1	CE - MODEL 4007 , FIXED AXLE, (includes items 1 thru 12, 20, 21, 34, 39 thru 41, 45 & items 37 & 44 from Figure 11-2)	4
	8100090	1	CE - MODEL 4008 , FIXED AXLE, (includes items 1 thru 12, 20, 21, 35, 39 thru 41, 45 & items 30 & 38 from Figure 11-2)	4
	8100091	1	AUS & CE - MODEL 4012 , FIXED AXLE, (includes items 1 thru 12, 20, 21, 22, 27, 37, 39, 41, 45 & items 24 & 40 from Figure 11-2)	5



Figure 11-1 Decals - Main (Continued)

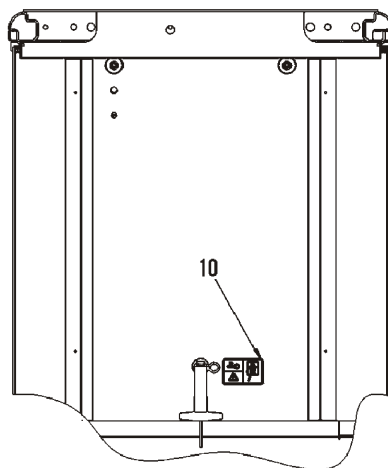
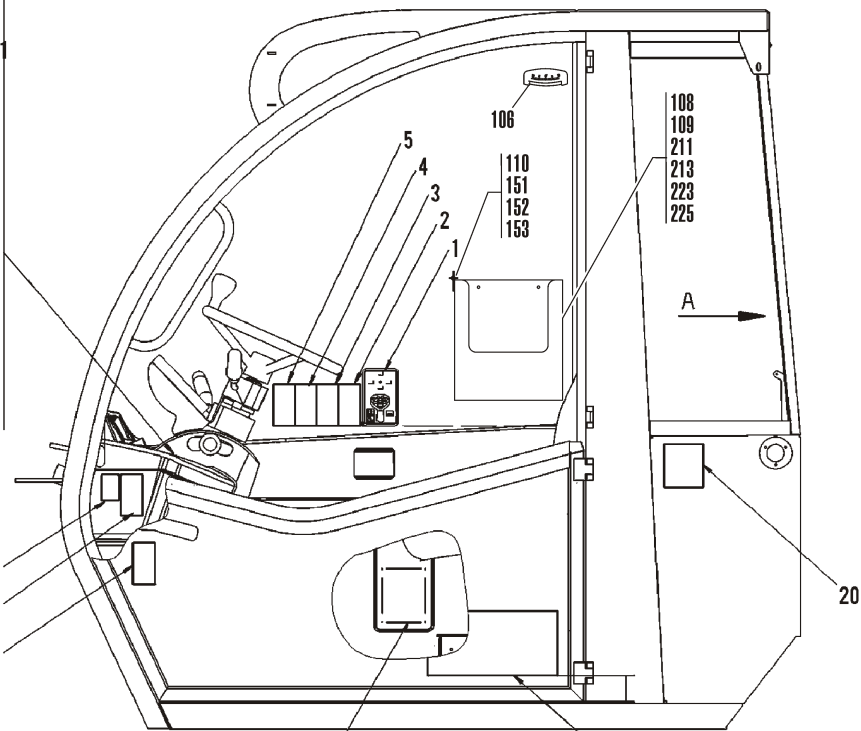
Item	Part Number	Qty.	Description	Rev.
	1001091697	Ref	IDENTIFICATION PLATE INSTALLATION, (GER & ITA)	E
101	1001009178	4	FASTENER	
102	1001003536	1	NAME PLATE	
	1001109161	Ref	BOOM ANGLE INDICATOR, (13M), (AUS)	B
201	4811900	2	WASHER, 8mm, (AUS)	
202	1001094171	1	BOOM ANGLE INDICATOR DECAL, (AUS)	
203	1001094172	1	BOOM ANGLE PENDULUM, (AUS)	
205	063585	1	SHOULDER BOLT, M8X16, (AUS)	
207	0100011	AR	LOCTITE , #242, (AUS)	



DECALS

Figure 11-2 Decals - Cab

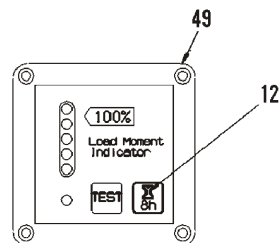
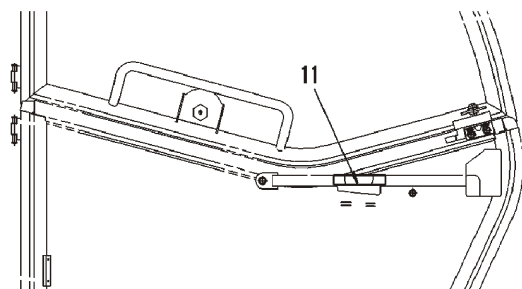
- 201
- 202
- 203
- 204
- 205
- 206
- 207
- 208
- 209
- 210
- 212
- 214
- 215
- 216
- 217
- 218
- 219
- 220
- 221
- 222
- 224
- 226
- 227
- 228



VIEW A

9
INSIDE COVER 48

- 32
- 33
- 34
- 35
- 36
- 37
- 38
- 39
- 40
- 41



PAP084



Figure 11-2 Decals - Cab

Item	Part Number	Qty.	Description	Rev.
	8008178	Ref	DECAL INSTALLATION, (cab), (includes items 1 thru 47)	B
1	8005608	1	DECAL JOYSTICK	
2	8005671	2	DECAL	
3	8005672	1	DECAL	
4	8005673	1	DECAL	
5	8005674	1	DECAL	
6	2447967	1	DECAL - OIL	
7	8005670	1	DECAL	
8	8008651	1	DECAL	
9	8008196	1	DECAL - FUSE	
10	8005870	1	DECAL - ESCAPE HATCH	
11	8008804	1	DECAL	
12	8008805	1	DECAL	
20	1705979	1	DECAL, 105 DB	
	1705980	1	DECAL, 106 DB	
			DECAL - MODEL OPTIONS, (includes items 32-41)	
32	8008523	1	MODEL 3507	
33	8008525	1	MODEL 3508	
34	8008526	1	MODEL 3509	
35	8008527	1	MODEL 3512	
36	8008528	1	MODEL 3513	
37	8008529	1	MODEL 4007	
38	8008530	1	MODEL 4008	
39	8008531	1	MODEL 4009	
40	8008532	1	MODEL 4012	
41	8008533	1	MODEL 4013	
48		Ref	COVER, RIGHT SIDE, (see Figure 6-2, item 8 for details)	
49		Ref	WEIGHT INDICATOR, (see Figure 10-1, item 22 for details)	
106	8466306	1	LEVEL INDICATOR GAUGE, (AUS)	
108	1001095303	1	WALL MOUNT CONTAINER, (AUS)	
109	1001104090	.4m	TAPE, (AUS)	
110	1001110729	1	LANYARD ASSEMBLY, (AUS) (includes items 251 thru 253)	
151	1001104090	AR	TAPE, (AUS)	
152	1001104541	1	KEY RING, (AUS)	
153	1001110722	1	WIRE LANYARD, (AUS)	
201	8009119	1	CAPACITY CHART BOOKLET, (CE - 3507, FIXED AXLE)	7
	8008822	1	FORKS CAPACITY CHART	
	8008853	1	1m ³ BUCKET CAPACITY CHART	
	8008854	1	2m ³ BUCKET CAPACITY CHART	
	8009160	1	3,4m & 3,9m TRUSS BOOM CAPACITY CHART	
	8009515	1	FORK MOUNTED HOOK CAPACITY CHART	
	1706275	1	3,6m TRUSS BOOM CAPACITY CHART	
	1706420	1	SIDE SHIFT CARRIAGE CAPACITY CHART	
202	8009120	1	CAPACITY CHART BOOKLET, (CE - 3507, OSCILLATING AXLE)	7
	8003342	1	FORKS CAPACITY CHART	
	8008855	1	1m ³ BUCKET CAPACITY CHART	
	8008856	1	2m ³ BUCKET CAPACITY CHART	
	8009161	1	3,4m & 3,9m TRUSS BOOM CAPACITY CHART	



DECALS

Figure 11-2 Decals - Cab (Continued)

Item	Part Number	Qty.	Description	Rev.
203	8009516	1	FORK MOUNTED HOOK CAPACITY CHART	7
	1706276	1	3,6m TRUSS BOOM CAPACITY CHART	
	1706393	1	SIDE SHIFT CARRIAGE CAPACITY CHART	
	8009117	1	CAPACITY CHART BOOKLET, (CE - 4007, FIXED AXLE)	
	8003345	1	FORKS CAPACITY CHART	
	8008849	1	1m ³ BUCKET CAPACITY CHART	
	8008850	1	2m ³ BUCKET CAPACITY CHART	
	8009158	1	3,4m & 3,9m TRUSS BOOM CAPACITY CHART	
	8009513	1	FORK MOUNTED HOOK CAPACITY CHART	
	1706273	1	3,6m TRUSS BOOM CAPACITY CHART	
204	1706421	1	SIDE SHIFT CARRIAGE CAPACITY CHART	7
	8009118	1	CAPACITY CHART BOOKLET, (CE - 4007, OSCILLATING AXLE)	
	8008821	1	FORKS CAPACITY CHART	
	8008851	1	1m ³ BUCKET CAPACITY CHART	
	8008852	1	2m ³ BUCKET CAPACITY CHART	
	8009159	1	3,4m & 3,9m TRUSS BOOM CAPACITY CHART	
	8009514	1	FORK MOUNTED HOOK CAPACITY CHART	
	1706274	1	3,6m TRUSS BOOM CAPACITY CHART	
	1706394	1	SIDE SHIFT CARRIAGE CAPACITY CHART	
	8009115	1	CAPACITY CHART BOOKLET, (CE - 3508, FIXED AXLE)	
8003346	1	FORKS CAPACITY CHART		
8008844	1	1m ³ BUCKET CAPACITY CHART		
8008845	1	2m ³ BUCKET CAPACITY CHART		
8009156	1	3,4m & 3,9m TRUSS BOOM CAPACITY CHART		
8009511	1	FORK MOUNTED HOOK CAPACITY CHART		
1706271	1	3,6m TRUSS BOOM CAPACITY CHART		
1706422	1	SIDE SHIFT CARRIAGE CAPACITY CHART		
8009116	1	CAPACITY CHART BOOKLET, (CE - 3508, OSCILLATING AXLE)	7	
8003343	1	FORKS CAPACITY CHART		
8008846	1	1m ³ BUCKET CAPACITY CHART		
8008848	1	2m ³ BUCKET CAPACITY CHART		
8009157	1	3,4m & 3,9m TRUSS BOOM CAPACITY CHART		
8009512	1	FORK MOUNTED HOOK CAPACITY CHART		
1706272	1	3,6m TRUSS BOOM CAPACITY CHART		
1706395	1	SIDE SHIFT CARRIAGE CAPACITY CHART		
8009113	1	CAPACITY CHART BOOKLET, (CE - 4008, FIXED AXLE)		7
8003349	1	FORKS CAPACITY CHART		
8008839	1	1m ³ BUCKET CAPACITY CHART		
8008840	1	2m ³ BUCKET CAPACITY CHART		
8009154	1	3,4m & 3,9m TRUSS BOOM CAPACITY CHART		
8009509	1	FORK MOUNTED HOOK CAPACITY CHART		
1706269	1	3,6m TRUSS BOOM CAPACITY CHART		
1706423	1	SIDE SHIFT CARRIAGE CAPACITY CHART		
8009114	1	CAPACITY CHART BOOKLET, (CE - 4008, OSCILLATING AXLE)	7	
8008820	1	FORKS CAPACITY CHART		
8008841	1	1m ³ BUCKET CAPACITY CHART		
8008843	1	2m ³ BUCKET CAPACITY CHART		



Figure 11-2 Decals - Cab (Continued)

Item	Part Number	Qty.	Description	Rev.
209	8009155	1	3,4m & 3,9m TRUSS BOOM CAPACITY CHART	8
	8009510	1	FORK MOUNTED HOOK CAPACITY CHART	
	1706270	1	3,6m TRUSS BOOM CAPACITY CHART	
	1706396	1	SIDE SHIFT CARRIAGE CAPACITY CHART	
	8009112	1	CAPACITY CHART BOOKLET, (AUS & CE - 3509, OSCILLATING AXLE)	
	8003347	1	FORKS CAPACITY CHART	
	8008837	1	1m ³ BUCKET CAPACITY CHART	
	8008838	1	2m ³ BUCKET CAPACITY CHART	
	8009153	1	3,4m & 3,9m TRUSS BOOM CAPACITY CHART	
	8009508	1	FORK MOUNTED HOOK CAPACITY CHART	
210	1706268	1	3,6m TRUSS BOOM CAPACITY CHART	3
	1706397	1	SIDE SHIFT CARRIAGE CAPACITY CHART	
	1706715	1	ADJUSTABLE TRUSS BOOM CAPACITY CHART	
	1001096764	1	CAPACITY CHART BOOKLET, (AUS - 3509, DERATED, OSCILLATING AXLE)	
	1001094978	1	FORKS CAPACITY CHART	
	1001095163	1	EXTENDING TRUSS BOOM CAPACITY CHART	
	1001099415	1	1m ³ BUCKET CAPACITY CHART	
211	1001100937	1	FORK MOUNTED HOOK CAPACITY CHART	5
	1001105131	1	CAPACITY CHART BOOKLET, (AUS - 3509, if equipped with LMIS)	
	1001104953	1	TRUSS BOOM CAPACITY CHART	
212	1001109966	1	CAPACITY CHART COVER	7
	8009111	1	CAPACITY CHART BOOKLET, (AUS & CE - 4009, OSCILLATING AXLE)	
	8003344	1	FORKS CAPACITY CHART	
	8008835	1	1m ³ BUCKET CAPACITY CHART	
	8008836	1	2m ³ BUCKET CAPACITY CHART	
	8009152	1	3,4m & 3,9m TRUSS BOOM CAPACITY CHART	
	8009507	1	FORK MOUNTED HOOK CAPACITY CHART	
	1706267	1	3,6m TRUSS BOOM CAPACITY CHART	
	1706398	1	SIDE SHIFT CARRIAGE CAPACITY CHART	
	213	1001109278	1	
1001108406		1	TRUSS BOOM CAPACITY CHART	
1001109966		1	CAPACITY CHART COVER	
214	8009109	1	CAPACITY CHART BOOKLET, (CE - 3512, FIXED AXLE)	8
	8003350	1	FORKS CAPACITY CHART	
	8008828	1	1m ³ BUCKET CAPACITY CHART	
	8008832	1	2m ³ BUCKET CAPACITY CHART	
	8009577	1	0.8m ³ BUCKET CAPACITY CHART	
	1705845	1	FORK MOUNTED HOOK CAPACITY CHART	
	1705876	1	3,4m TRUSS BOOM CAPACITY CHART	
	1706250	1	3,6m TRUSS BOOM CAPACITY CHART	
	1706424	1	SIDE SHIFT CARRIAGE CAPACITY CHART	
	215	8009110	1	
8008819		1	FORKS CAPACITY CHART	
8008829		1	1m ³ BUCKET CAPACITY CHART	
8008831		1	2m ³ BUCKET CAPACITY CHART	
8009578		1	0.8m ³ BUCKET CAPACITY CHART	
1705846		1	FORK MOUNTED HOOK CAPACITY CHART	



DECALS

Figure 11-2 Decals - Cab (Continued)

Item	Part Number	Qty.	Description	Rev.
216	1705877	1	3,4m TRUSS BOOM CAPACITY CHART	1
	1706249	1	3,6m TRUSS BOOM CAPACITY CHART	
	1706321	1	SIDE SHIFT CARRIAGE CAPACITY CHART	
	1001092450	1	CAPACITY CHART BOOKLET, (AUS - 3512, OSCILLATING AXLE)	
	1001092443	1	FORKS CAPACITY CHART	
	8008829	1	1m ³ BUCKET CAPACITY CHART	
	8008831	1	2m ³ BUCKET CAPACITY CHART	
	8009578	1	0.8m ³ BUCKET CAPACITY CHART	
	1001092445	1	FORK MOUNTED HOOK CAPACITY CHART	
217	1705877	1	3,4m TRUSS BOOM CAPACITY CHART	9
	1706249	1	3,6m TRUSS BOOM CAPACITY CHART	
	1001092447	1	SIDE SHIFT CARRIAGE CAPACITY CHART	
	8009107	1	CAPACITY CHART BOOKLET, (CE - 4012, FIXED AXLE)	
	8008744	1	FORKS CAPACITY CHART	
	8008825	1	1m ³ BUCKET CAPACITY CHART	
	8008834	1	2m ³ BUCKET CAPACITY CHART	
	8009575	1	0.8m ³ BUCKET CAPACITY CHART	
	1705843	1	FORK MOUNTED HOOK CAPACITY CHART	
218	1705872	1	3,4m TRUSS BOOM CAPACITY CHART	8
	1706252	1	3,6m TRUSS BOOM CAPACITY CHART	
	1706425	1	SIDE SHIFT CARRIAGE CAPACITY CHART	
	8009108	1	CAPACITY CHART BOOKLET, (CE - 4012, OSCILLATING AXLE)	
	8003348	1	FORKS CAPACITY CHART	
	8008827	1	1m ³ BUCKET CAPACITY CHART	
	8008833	1	2m ³ BUCKET CAPACITY CHART	
	8009576	1	0.8m ³ BUCKET CAPACITY CHART	
	1705844	1	FORK MOUNTED HOOK CAPACITY CHART	
219	1705873	1	3,4m TRUSS BOOM CAPACITY CHART	12
	1706251	1	3,6m TRUSS BOOM CAPACITY CHART	
	1706399	1	SIDE SHIFT CARRIAGE CAPACITY CHART	
	8009106	1	CAPACITY CHART BOOKLET, (CE - 3513, OSCILLATING AXLE)	
	8008627	1	FORKS CAPACITY CHART	
	8008628	1	1m ³ BUCKET CAPACITY CHART	
	8008745	1	2m ³ BUCKET CAPACITY CHART	
	8009574	1	0.8m ³ BUCKET CAPACITY CHART	
	1705842	1	FORK MOUNTED HOOK CAPACITY CHART	
220	1705875	1	3,4m TRUSS BOOM CAPACITY CHART	1
	1706207	1	SIDE SHIFT CARRIAGE CAPACITY CHART	
	1706233	1	3,6m TRUSS BOOM CAPACITY CHART	
	1706714	1	ADJUSTABLE TRUSS BOOM CAPACITY CHART	
	1707166	1	CRANE HOOK CAPACITY CHART	
	1707171	1	EXTENDING BOOM CAPACITY CHART	
	1001098890	1	FORK POSITIONING CARRIAGE CAPACITY CHART	
	1001092451	1	CAPACITY CHART BOOKLET, (AUS - 3513, OSCILLATING AXLE)	
	1001092444	1	FORKS CAPACITY CHART	
8008628	1	1m ³ BUCKET CAPACITY CHART		



Figure 11-2 Decals - Cab (Continued)

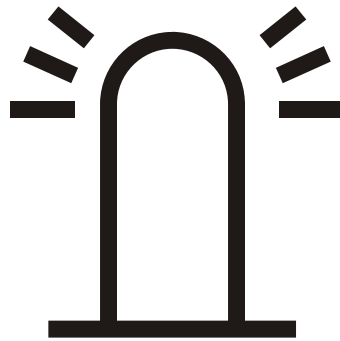
Item	Part Number	Qty.	Description	Rev.
	8008745	1	2m ³ BUCKET CAPACITY CHART	
	8009574	1	0.8m ³ BUCKET CAPACITY CHART	
	1001092446	1	FORK MOUNTED HOOK CAPACITY CHART	
	1705875	1	3,4m TRUSS BOOM CAPACITY CHART	
	1001092448	1	SIDE SHIFT CARRIAGE CAPACITY CHART	
	1706233	1	3,6m TRUSS BOOM CAPACITY CHART	
	1706714	1	ADJUSTABLE TRUSS BOOM CAPACITY CHART	
221	1001096765	1	CAPACITY CHART BOOKLET, (AUS - 3513, DERATED, OSCILLATING AXLE)	1
	1001096179	1	FORKS CAPACITY CHART	
	1001095503	1	EXTENDING TRUSS BOOM CAPACITY CHART	
222	8009105	1	CAPACITY CHART BOOKLET, (CE - 4013, OSCILLATING AXLE)	
	8008746	1	FORKS CAPACITY CHART	
	8008747	1	1m ³ BUCKET CAPACITY CHART	
	8003351	1	2m ³ BUCKET CAPACITY CHART	
	8009573	1	0.8m ³ BUCKET CAPACITY CHART	
	1705841	1	FORK MOUNTED HOOK CAPACITY CHART	
	1705874	1	3,4m TRUSS BOOM CAPACITY CHART	
	1706132	1	SIDE SHIFT CARRIAGE CAPACITY CHART	
	1706234	1	3,6m TRUSS BOOM CAPACITY CHART	
	1706713	1	ADJUSTABLE TRUSS BOOM CAPACITY CHART	
	1707165	1	CRANE HOOK CAPACITY CHART	
	1707170	1	EXTENDING BOOM CAPACITY CHART	
	1001098889	1	FORK POSITIONING CARRIAGE CAPACITY CHART	
223	1001109276	1	CAPACITY CHART BOOKLET, (AUS - 3513, if equipped with LMIS)	4
	1001108403	1	TRUSS BOOM CAPACITY CHART	
	1001109966	1	CAPACITY CHART COVER	
224	1001099758	1	CAPACITY CHART BOOKLET, (AUS - 4013, OSCILLATING AXLE, (if equipped with LMIS))	1
	1001099583	1	FORKS CAPACITY CHART	
	1001099584	1	2m ³ BUCKET CAPACITY CHART	
	1001099581	1	FORK MOUNTED HOOK CAPACITY CHART	
	1001099582	1	3,4m TRUSS BOOM CAPACITY CHART	
225	1001109274	1	CAPACITY CHART BOOKLET, (AUS - 4013, if equipped with LMIS)	4
	1001108400	1	TRUSS BOOM CAPACITY CHART	
	1001109966	1	CAPACITY CHART COVER	
226	1001100797	1	CAPACITY CHART BOOKLET, (AUS - 4013, OSCILLATING AXLE)	1
	1001100693	1	FORKS CAPACITY CHART	
227	1706266	1	CAPACITY CHART BOOKLET, (AUS & CE - 3513 & 4013, (if equipped with platform))	
228	1001094196	1	CAPACITY CHART BOOKLET, (AUS - 3513 & 4013, (if equipped with platform))	
		Ref	DECAL KIT, (see Figure 11-1 for details)	



DECALS

This Page Intentionally Left Blank

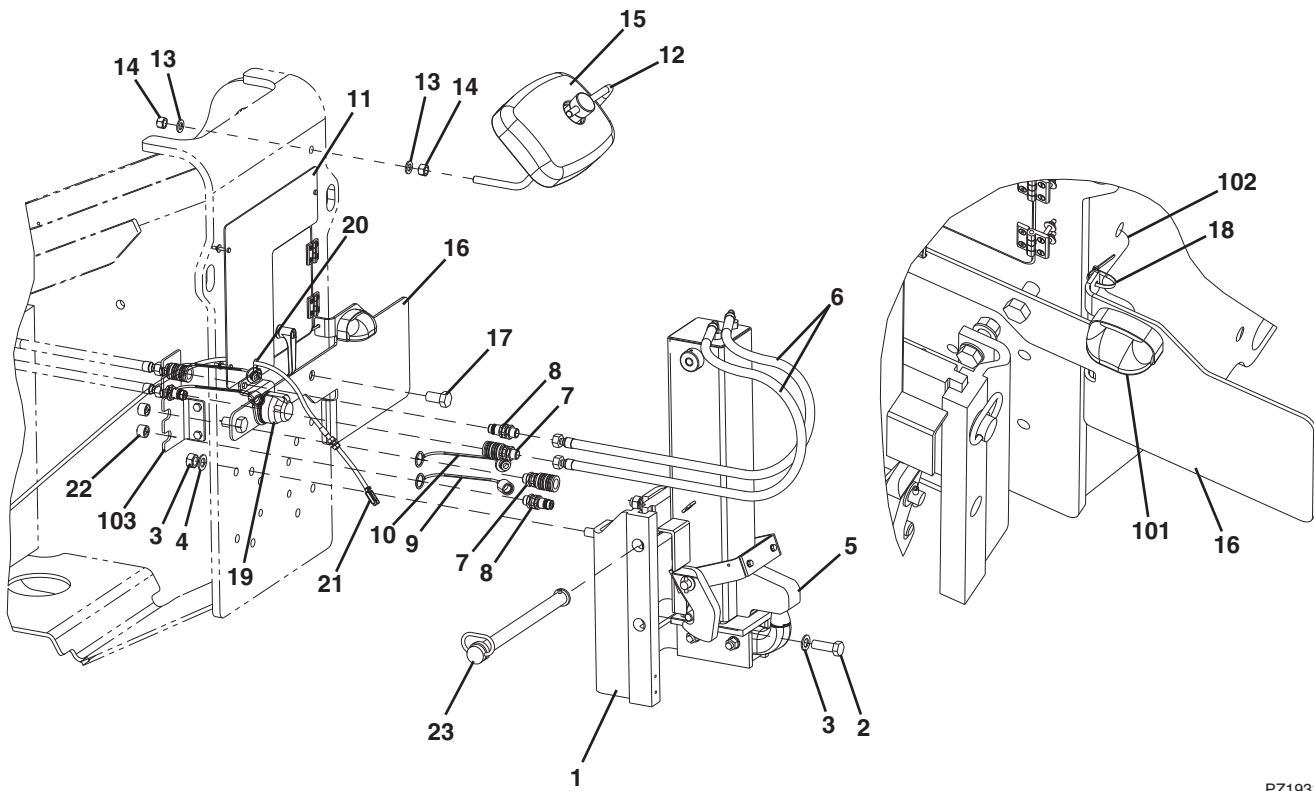
SECTION 12 OPTIONS





OPTIONS

Figure 12-1 Hydraulic Hitch Kit



PZ1931



Figure 12-1 Hydraulic Hitch Kit

Item	Part Number	Qty.	Description	Rev.
	0273601	1	HYDRAULIC HITCH KIT, (for use with agriculture hydraulic system kit), (includes all items)	F, 6
1	0902987	1	MOUNTING BRACKET	
2	0762020	4	HEX HD SCREW, M20X60, GR8.8	
3	4812500	8	FLAT WASHER, 20mm	
4	3292001	4	HEX NUT, M20, GR8.8	
5	2620048	1	TRAILER COUPLING HITCH, (includes item 23)	
6	2754009	2	HOSE ASSY	
7		1	FEMALE SCREW COUPLING, (no longer available, order 1001097287 kit)	
	1001094555	1	FEMALE QUICK DISCONNECT FITTING	
8		1	MALE SCREW COUPLING, (no longer available, order 1001097287 kit)	
	1001094556	1	MALE QUICK DISCONNECT FITTING	
9	3977459	1	DUST CAP, (use with male screw type coupling)	
	1001093826	1	DUST CAP, (use with male quick disconnect type coupling)	
10	3977460	1	DUST PLUG, (use with female screw type coupling)	
	1001093827	1	DUST PLUG, (use with female quick disconnect type coupling)	
11		Ref	REAR ACCESS COVER, (see Figure 12-9 for details)	
12	3841634	1	MIRROR ATTACHMENT ROD	
13	4812300	2	FLAT WASHER, M16	
14	3291607	2	HEX NUT, M16, GR8.8	
15	80363195	1	MIRROR	
16	0903051	1	LICENSE PLATE BRACKET	
17	0762216	2	HEX HD SCREW, M22X40, GR8.8	
18	471678	1	TIE-STRAP	
19		Ref	TOW PLUG INSTALLATION KIT, (Before S/N 1160003018), (see Figure 12-8 for details)	
		Ref	7-PIN TRAILER SOCKET INSTALLATION, (S/N 1160003018 & After), (see Figure 12-16 for details)	
20	935113	.07m	TRIM	
21	3890067	1	CABLE	
22	2142505	2	CAP	
23	1001005240	1	PIN ASSY	
101		Ref	LICENSE PLATE LIGHT INSTALLATION, (Before S/N 1160003018), (see Figure 12-8 for details)	
102		Ref	LICENSE PLATE LIGHT CABLE	
103		Ref	AGRICULTURAL KIT, (see Figure 12-11 for details)	
	1001097287	1	QUICK DISCONNECT ADAPTOR KIT, (includes items 5, 6, dust cap & dust plug)	



OPTIONS

Figure 12-2 Field Hitch Assembly

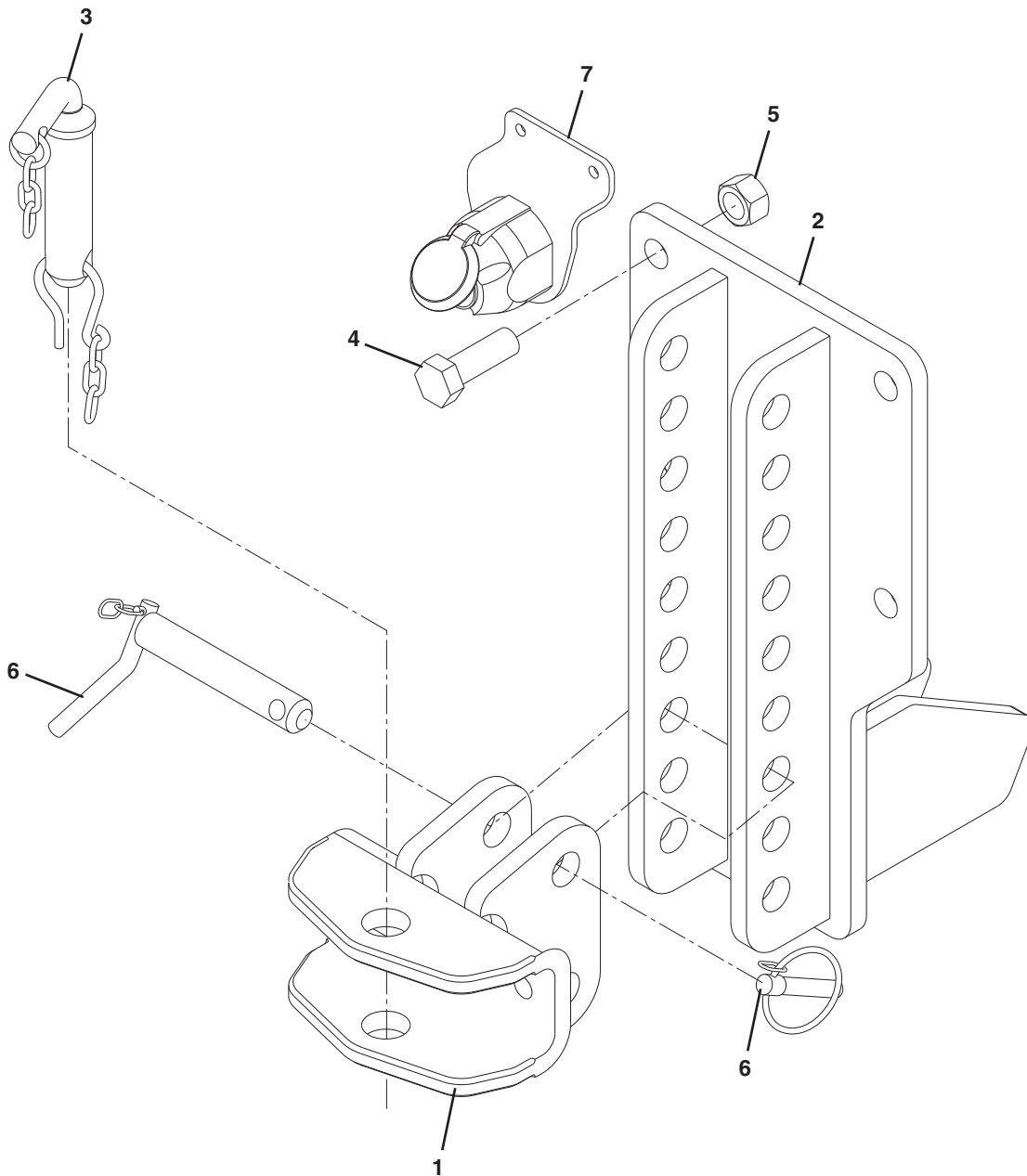




Figure 12-2 Field Hitch Assembly

Item	Part Number	Qty.	Description	Rev.
	8010199	1	FIELD HITCH ASSY, (includes all items)	B
1	8010200	1	TOWING ATTACHMENT	
2	8010228	1	BRACKET	
3	3944574	1	PIN	
4	0712020	4	HEX HD CAPSCREW, M20-60	
5	3332017	4	NUT, M20-10	
6	8010204	2	PIN	
7		Ref	TOW PLUG INSTALLATION KIT, (see Figure 12-8 for details)	



OPTIONS

Figure 12-3 Trailer Coupling Assembly

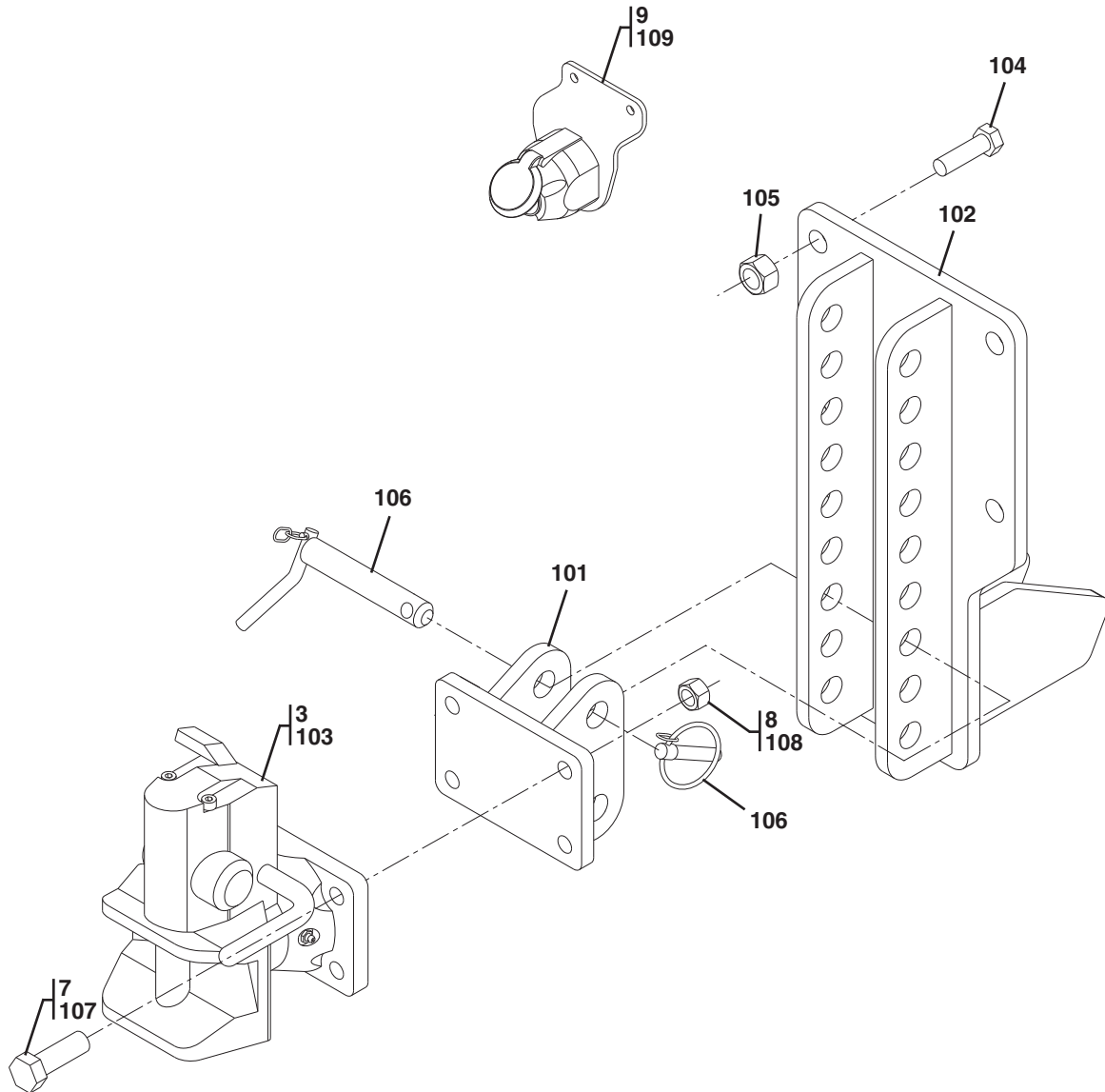




Figure 12-3 Trailer Coupling Assembly

Item	Part Number	Qty.	Description	Rev.
	8002824	1	TRAILER COUPLING ASSY, (Before S/N 1160000353), (includes items 1 thru 9)	A
3	8002789	1	TRAILER COUPLING	
7	1655490	4	CAPSCREW, 16X60mm	
8	327311	4	NUT, 16mm	
9		Ref	TOW PLUG INSTALLATION KIT, (see Figure 12-8 for details)	
	8010198	1	TRAILER COUPLING ASSY, (S/N 1160000353 & After), (includes items 101 thru 109)	B
101	8010234	1	CONNECTOR	
102	8010228	1	BRACKET	
103	8002789	1	TRAILER COUPLING	
104	0712020	4	HEX HD CAPSCREW, M20-60	
105	3332017	4	NUT, M20-10	
106	8010204	2	PIN	
107	0711619	4	HEX HD CAPSCREW, M16-55	
108	3331607	4	NUT, M16-12	
109		Ref	TOW PLUG INSTALLATION KIT, (see Figure 12-8 for details)	



OPTIONS

Figure 12-4 Front Cab Glass Shield

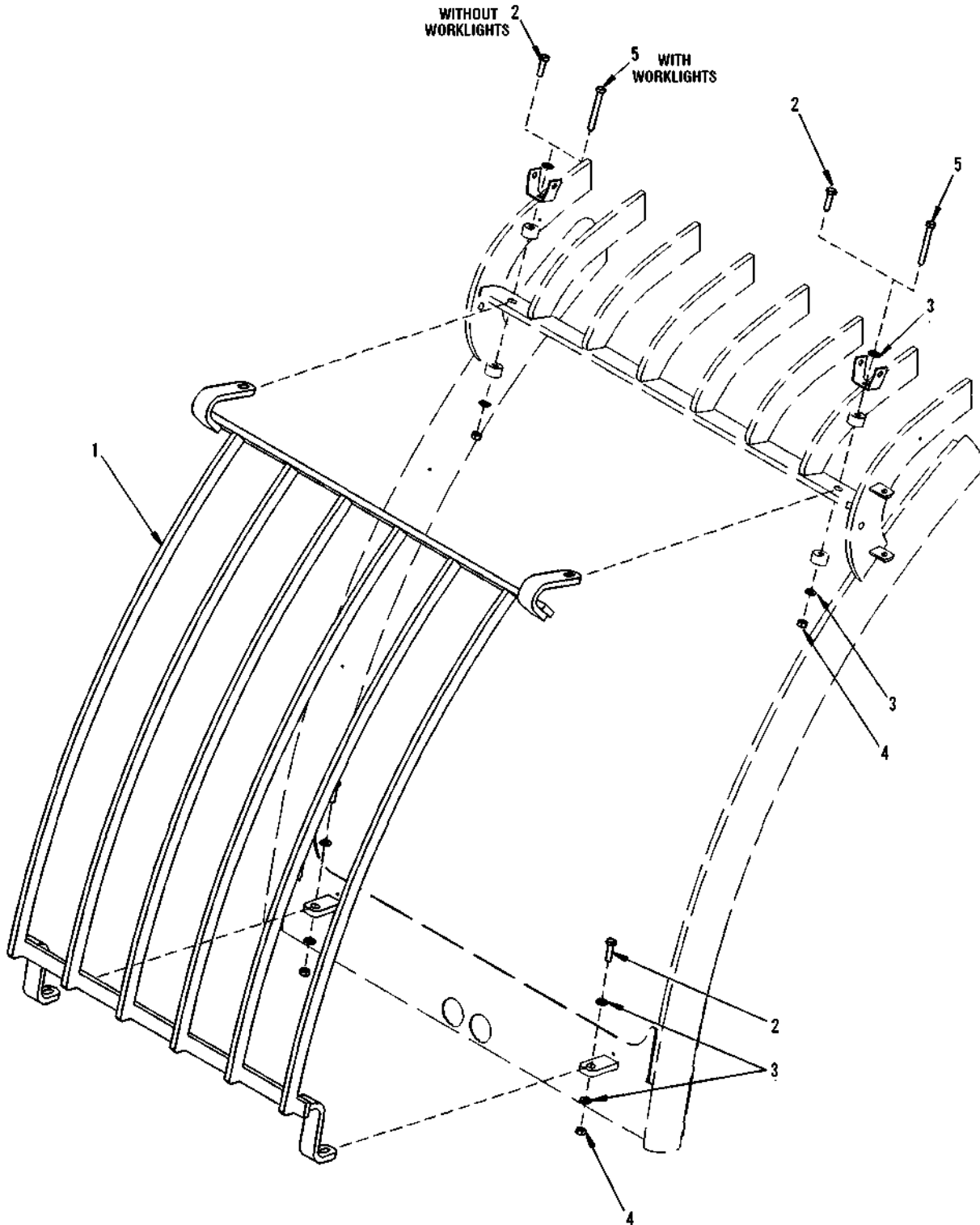




Figure 12-4 Front Cab Glass Shield

Item	Part Number	Qty.	Description	Rev.
	8009532	1	FRONT CAB GLASS SHIELD, (includes all items)	A
1	8009533	1	SCREEN GRID	
2	0700815	4	BOLT, M8-1.25X35, GR8.8	
3	4811900	8	FLAT WASHER, 8mm	
4	3290807	4	NUT, 8mm	
5	1391297	2	BOLT, M8X65	



OPTIONS

Figure 12-5 Air Suspension Seat Installation

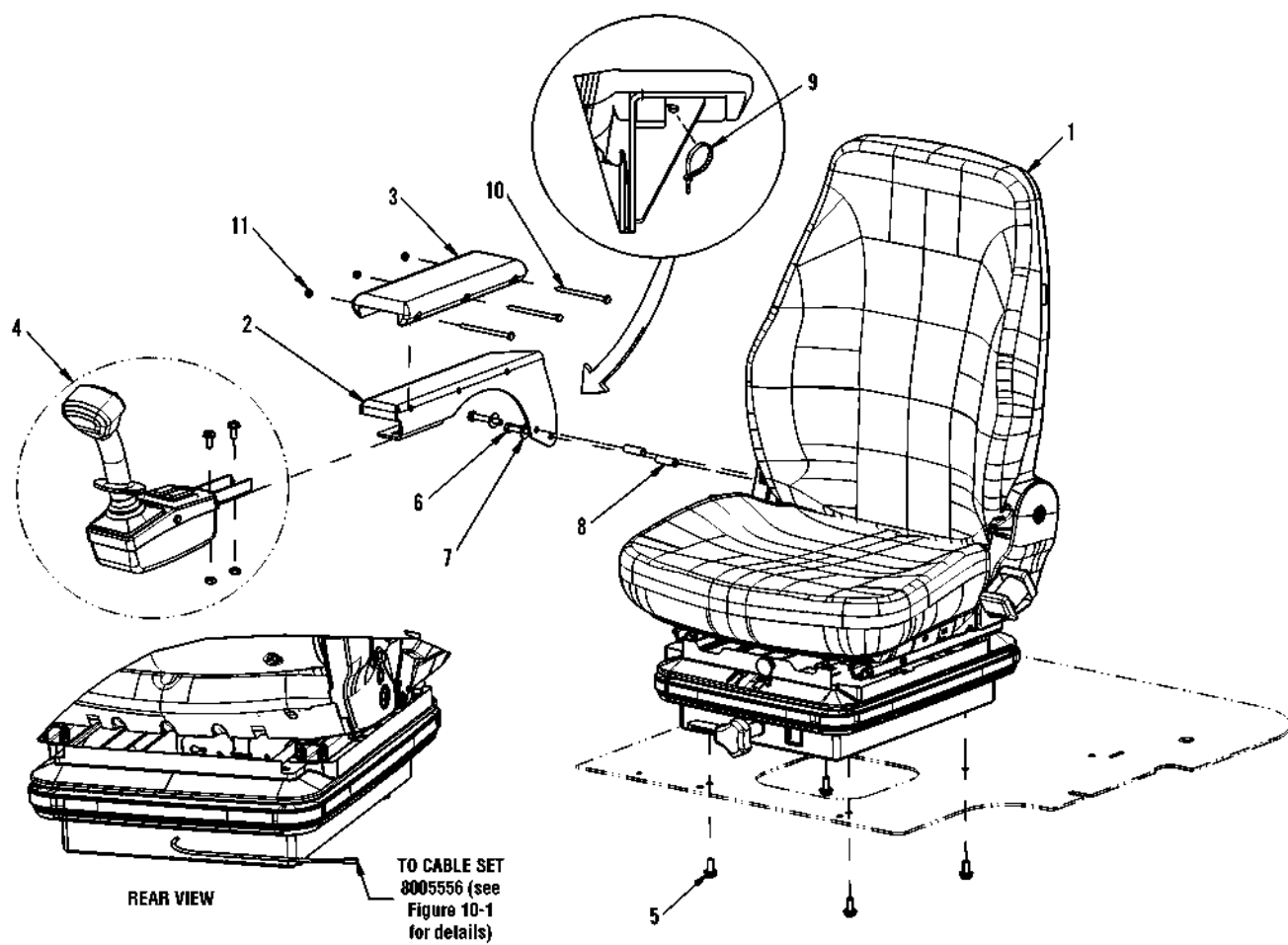




Figure 12-5 Air Suspension Seat Installation

Item	Part Number	Qty.	Description	Rev.
	0273519	1	AIR SUSPENSION SEAT INSTALLATION, (includes all items)	B
1	3980036	1	AIR SUSPENSION SEAT, (see Figure 12-7 for details)	
2	3980038	1	BRACKET	
3	8010452	1	PLASTIC FOAM PROFILE	
4		Ref	CONSOLE BOX ASSY, (see Figure 7-2 for details)	
5	5200810	4	BOLT, M8X20	
6	0700818	2	HEX HD CAPSCREW, 8X50mm, GR8.8	
7	2481254	2	WASHER, 8X22.3X1.4mm	
8	4569078	2	SPACER	
9	471678	1	CABLE BAND	
10	0700626	3	HEX HD CAPSCREW, 6X90mm, GR8.8	
11	3290605	3	HEX LOCKNUT, 6mm	



OPTIONS

Figure 12-6 Air Suspension Seat

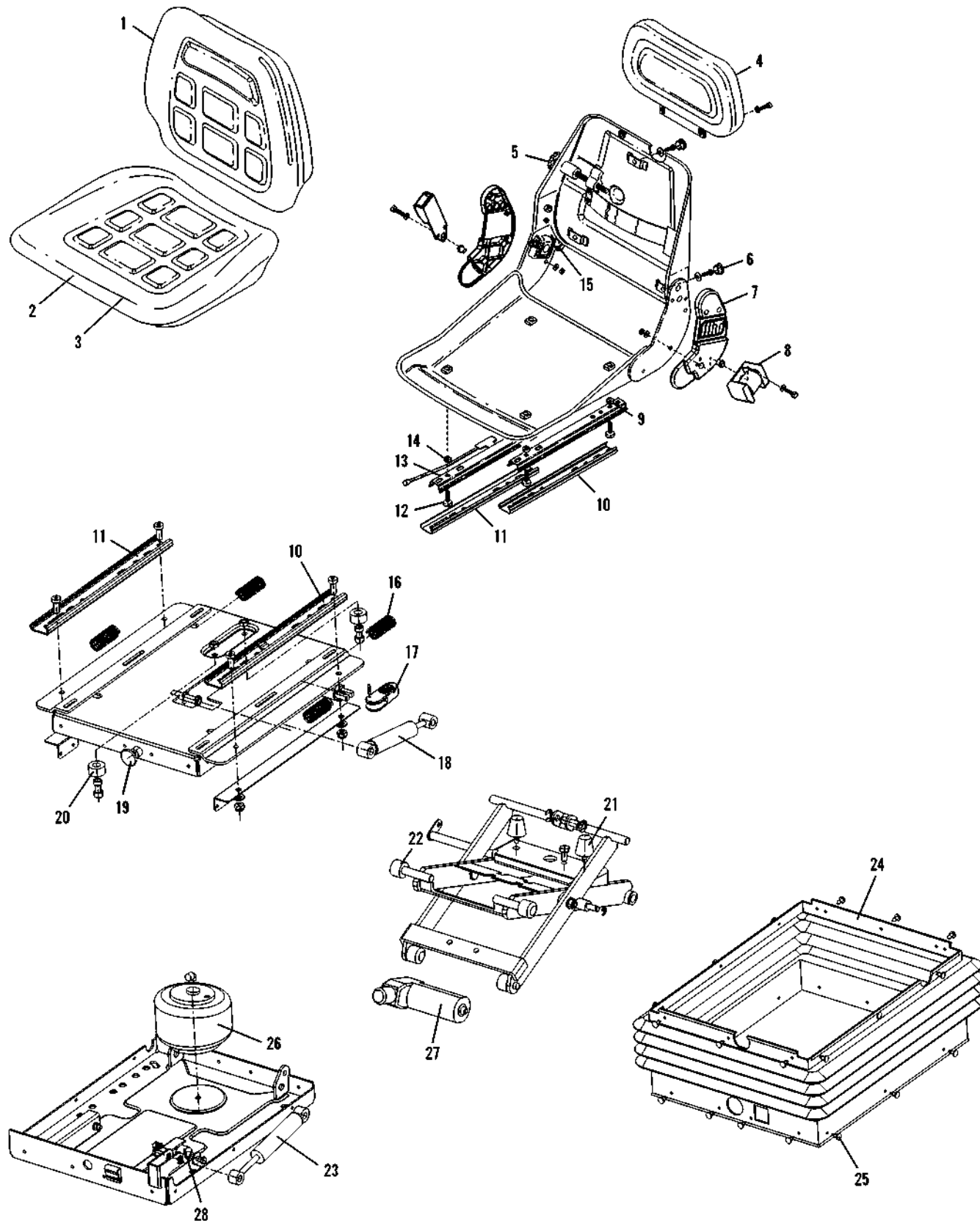




Figure 12-6 Air Suspension Seat

Item	Part Number	Qty.	Description	Rev.
	3980036	1	AIR SUSPENSION SEAT, (includes all items)	
1	7028742	1	BACKREST	
2	7028743	1	CUSHION	
3	7028744	1	SPRING	
4	7028745	1	BACKREST EXTENSION, (optional)	
5	7028746	1	KNOB	
6	7028747	3	CAP	
7	7028748	1	COVERING, RIGHT SIDE	
	7028749	1	COVERING, LEFT SIDE	
8	7028750	1	RETRACTABLE SEAT BELT	
9	7028751	1	INTERNAL SLIDE	
10	7028752	1	EXTERNAL SLIDE	
11	7028753	1	EXTERNAL SLIDE	
12	7028754	4	SCREW	
13	7028755	1	SLIDE ASSY	
14	7028756	4	SLIDE SPACER	
15	7028757	1	TILT ADJUSTER HANDLE	
16	7028771	4	SPRING	
17	7028772	1	LEVER KIT	
18	7028773	1	SHOCK ASBORBER	
19	7028774	1	SWITCH	
20	7028775	2	BUMPER	
21	7028763	2	BUMPER STOP	
22	7028764	4	SUSPENSION WHEEL	
23	7028765	1	SHOCK ABSORBER	
24	7028777	1	RUBBER BODY	
25	7028778	29	SNAP FASTENER	
26	7028779	1	AIR SPRING	
27	7028780	1	COMPRESSOR, 12 VOLT	
28	7028781	2	BUMPER	



OPTIONS

Figure 12-7 Draw Bar Coupling

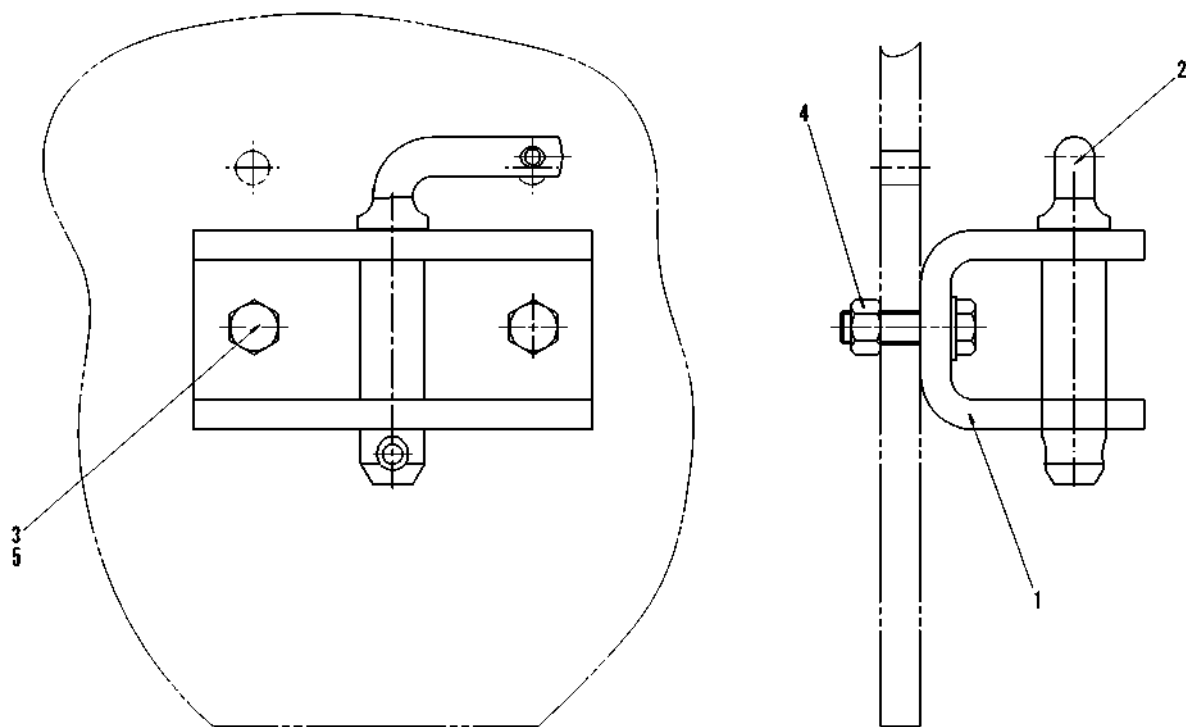




Figure 12-7 Draw Bar Coupling

Item	Part Number	Qty.	Description	Rev.
	4805932	1	DRAW BAR COUPLING, (includes all items)	B
1	4804533	1	TOWING ATTACHMENT	
2	3944574	1	PIN	
3	0771619	2	HEX HD CAPSCREW, 16X55mm	
4	4805921	2	NUT, 16mm	
5	4812300	2	WASHER, 16mm	



OPTIONS

Before S/N 1160003018, (7/8M Only)

Figure 12-8 License Plate Light & Towing Plate Installation

SOCKET 13 PINS		CONNECTOR IN THE CABIN	
1	green	Indicator left	X14/01
2	Free	Free	Free
3	brown	Ground	X14/03
4	red	Indicator right	X14/04
5	grey/black	Parkinglight right	X14/05
6	black/green	Brake	X14/06
7	grey	Parkinglight left	X14/07
8	Free	Backuplight	
9	Free	Free	

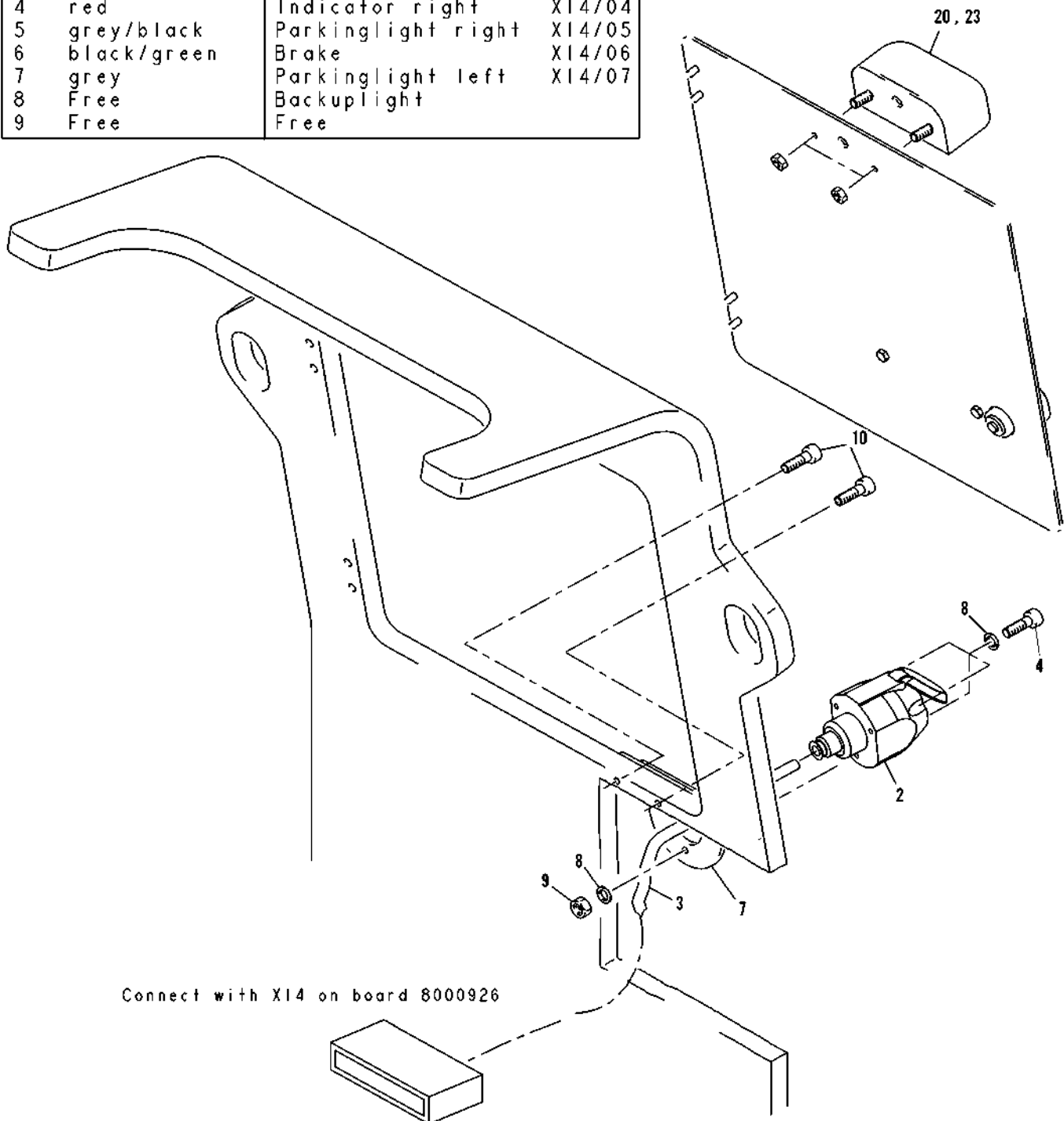




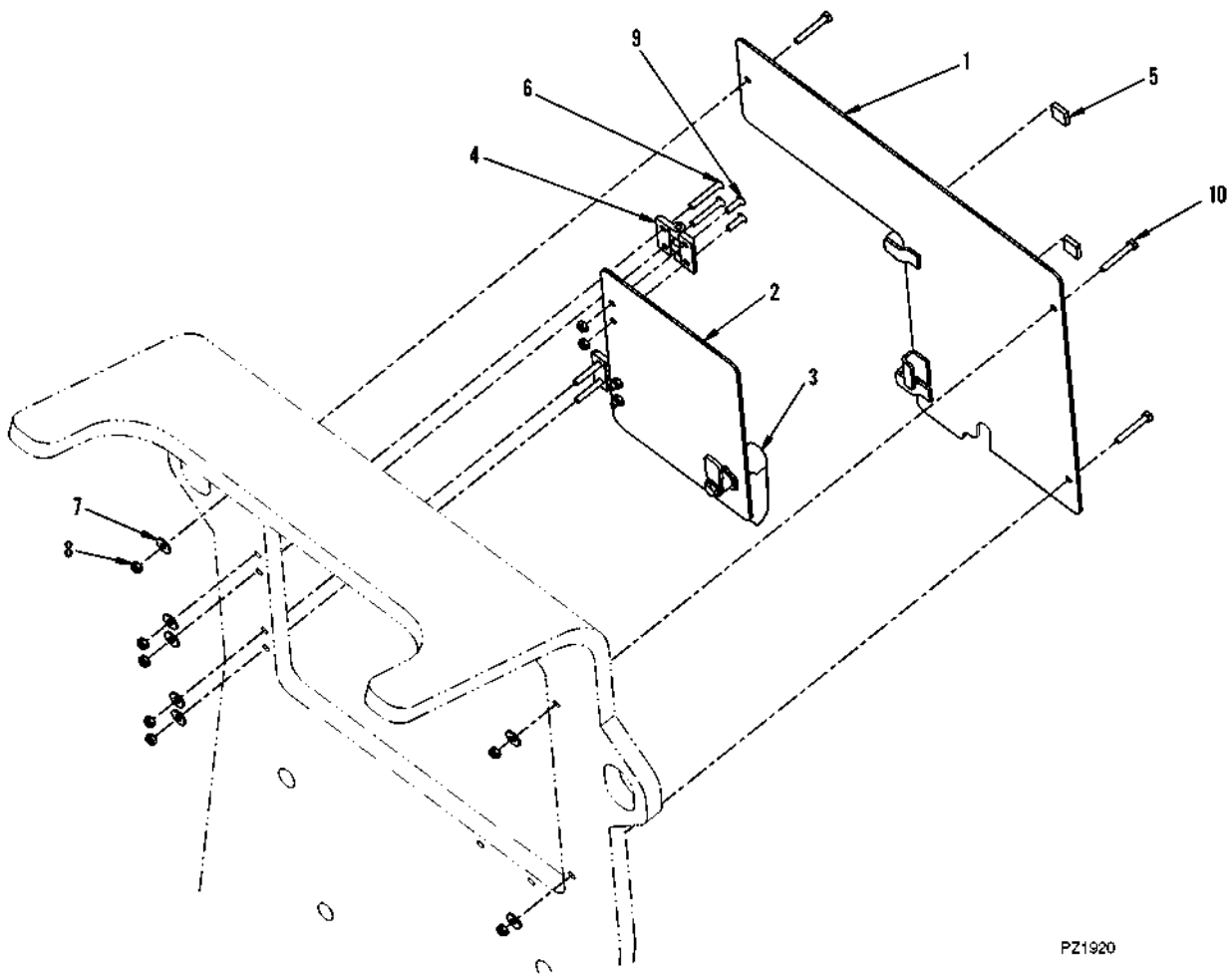
Figure 12-8 License Plate Light & Towing Plate Installation

Item	Part Number	Qty.	Description	Rev.
	8005289	1	TOW PLUG INSTALLATION, (includes items 1 thru 10)	E, 3
2	4461021	1	PLUG, TOW	
3	8005288	1	HARNESS	
4	4031612	3	SOCKET HD CAPSCREW, 5X40mm, GR8.8	
5	1719204	1	INDICATOR, (not illustrated), (see Figure 10-1, item 12 for details)	
6	8002826	1	DECAL, (not illustrated)	
7	8007433	1	BRACKET, PLUG	
8	4811600	6	FLAT WASHER, M5	
9	3290501	3	HEX NUT, M5	
10	0760806	2	HEX HD CAPSCREW, 8X12mm, GR8.8	
	8006309	1	LICENSE PLATE LIGHT INSTALLATION, (includes items 20 & 23)	
20	448920	1	LICENSE PLATE LIGHT, (includes mounting hardware)	
23	2920164	1	BULB, 12V-5W	



OPTIONS

Figure 12-9 Rear Access Door Kit



PZ1920



Figure 12-9 Rear Access Door Kit

Item	Part Number	Qty.	Description	Rev.
	2902295	1	REAR ACCESS DOOR KIT, (for use with agriculture hydraulic system kit), (includes all items)	B
1	3380506	1	PANEL ASSY	
2	3380509	1	ACCESS DOOR	
3	2940155	1	HANDLE	
4	8006105	2	HINGE	
5	909304	AR	TRIM	
6	8006242	4	COUNTERSUNK SCREW, 6X40mm	
7	5211702	7	WASHER, 6X18.2X1.4mm	
8	3290605	11	HEX LOCKNUT, 6mm	
9	0630576	4	COUNTERSUNK SCREW, 6X20mm	
10	0700616	3	HEX HD CAPSCREW, 6X40mm, GR8.8	



OPTIONS

Figure 12-10 Knurl Function Kit

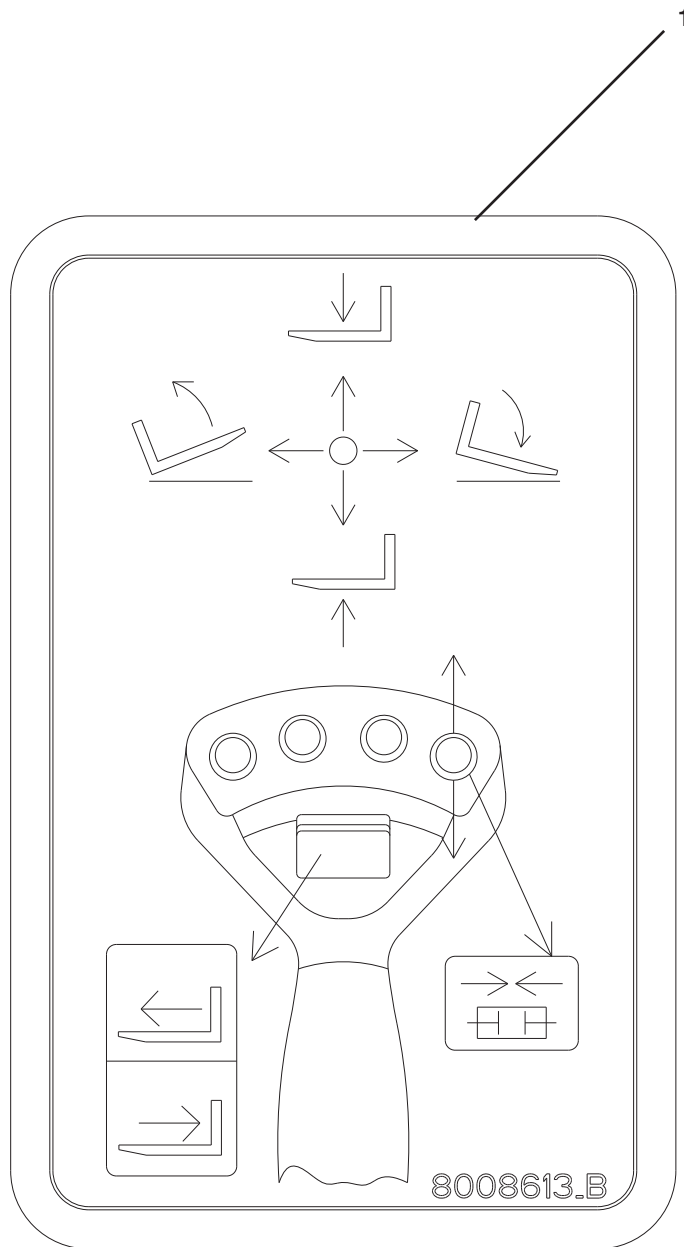




Figure 12-10 Knurl Function Kit

Item	Part Number	Qty.	Description	Rev.
1	8010351	1	KNURL FUNCTION KIT, (includes item 1)	
	8008613	1	DECAL	



OPTIONS

Figure 12-11 Agricultural Kit

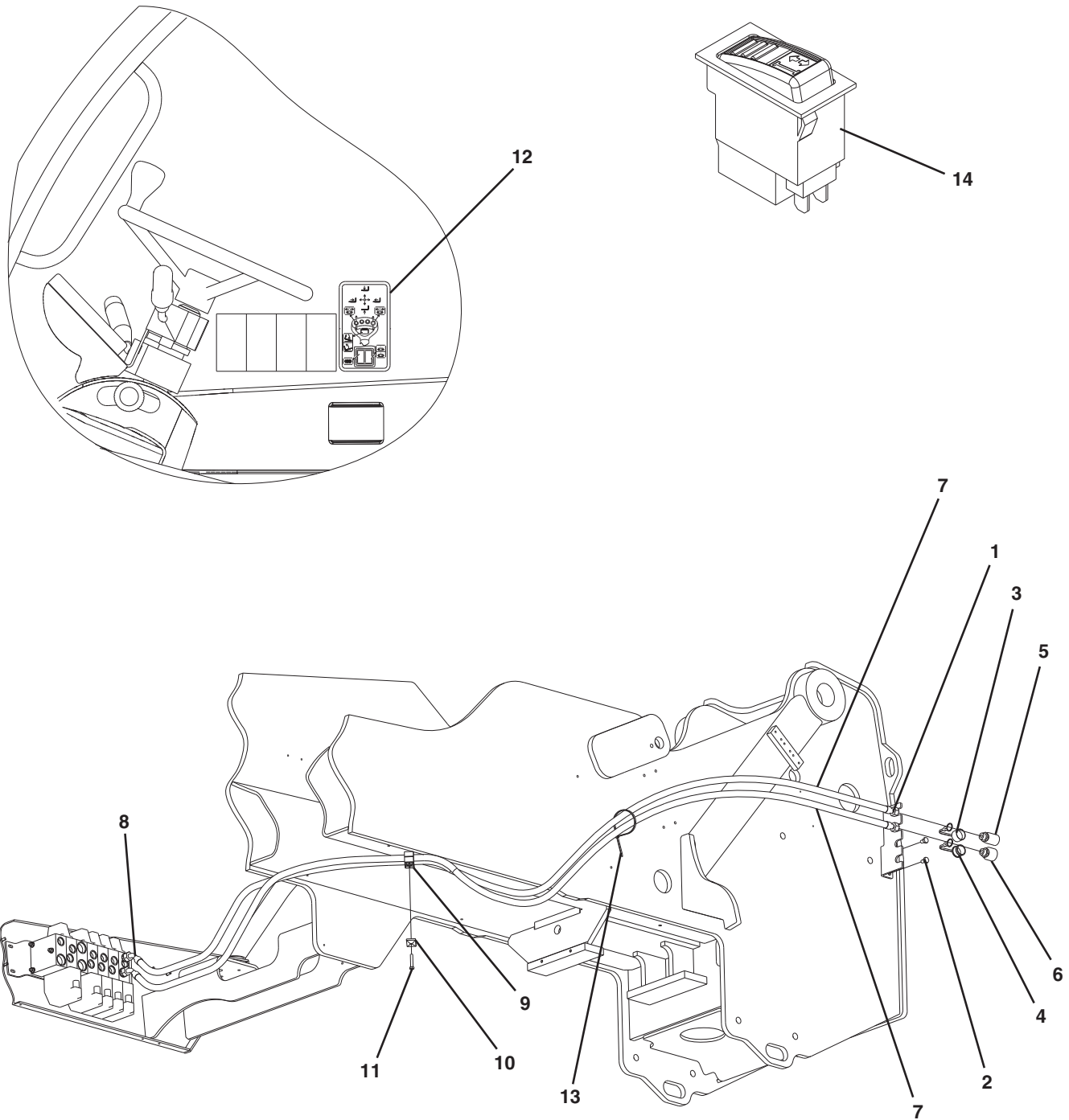




Figure 12-11 Agricultural Kit

Item	Part Number	Qty.	Description	Rev.
	0273602	1	AGRICULTURAL KIT, (includes all items)	C,5
1	3574521	1	REAR BULKHEAD PLATE	
2	0761008	2	HEX HD CAPSCREW, 10X16mm, GR8.8	
3	3977460	1	DUST PLUG, (use with female screw type coupling)	
	1001093827	1	DUST PLUG, (use with female quick disconnect type coupling)	
4	3977459	1	DUST CAP, (use with male screw type coupling)	
	1001093826	1	DUST CAP, (use with male quick disconnect type coupling)	
5		1	FEMALE SCREW COUPLING, (no longer available, order 1001097287 kit)	
	1001094555	1	FEMALE QUICK DISCONNECT FITTING	
6		1	MALE SCREW COUPLING, (no longer available, order 1001097287 kit)	
	1001094556	1	MALE QUICK DISCONNECT FITTING	
7	2754008	2	HOSE ASSY	
8	2481696	2	COUPLING	
9	1321324	1	HOSE CLAMP	
10	1309435	1	COVER PLATE	
11	0700817	1	HEX HD CAPSCREW, 8X45mm, GR8.8	
12	1705871	1	OPERATORS DECAL	
13	1062255	1	TIE WRAP	
14	4360605	1	SWITCH ASSY	
	1001097287	1	QUICK DISCONNECT ADAPTOR KIT, (includes items 5, 6, dust cap & dust plug)	



Figure 12-12 Hydraulic Agricultural Kit

Item	Part Number	Qty.	Description	Rev.
	7772433	1	HYDRAULIC AGRICULTURAL KIT, (fixed axle), (includes all items)	
	7772434	1	HYDRAULIC AGRICULTURAL KIT, (oscillating axle), (includes all items plus all items on Figure 8-1, Figure 8-2, Figure 8-3, Figure 8-6 & Figure 8-7)	
1		Ref	ENGINE DRIVE PUMP ASSY, (see Figure 9-9 for details)	
2	4804306	1	SHIM	
3	0681812	2	HEX HD CAPSCREW, 0.5-13X1.5, GR8	
4		Ref	MAIN VALVE ASSY, (see Figure 9-8 for details)	
5		Ref	RETURN FILTER ASSY, (see Figure 9-11 for details)	
6	8001641	1	HOSE	
7	8001635	1	HOSE	
8	8001642	1	HOSE	
9	2754320	1	HOSE	
10	8001627	1	HOSE	
11	8001628	1	HOSE	
12	3625158	1	CLIP	
13	2904676	1	FITTING	
14	3970214	2	FITTING	
15	2140225	1	FITTING	
16	3737879	2	CLIP	
17		Ref	HYDRAULIC TANK, (see Figure 9-10 for details)	
18	2142755	1	FITTING	
19	8001908	1	FITTING	
20	2143409	1	FITTING	
21	8001905	1	FITTING	
22	8001906	1	FITTING	
23	8005174	1	PRESSURE SWITCH	
26	4805852	1	BRACKET	
27	8004631	1	BRACKET, FILTER	
29	0700826	2	SOCKET HD CAPSCREW, 8X1.25X90mm	
30	5220800	8	NUT, 8mm, (torque to 30 Nm)	
31	5200808	4	BOLT, 8X16mm	
32	4740532	2	WASHER, 12mm	
33	8004908	1	PRESSURE SWITCH	
34	2985515	1	PLUG	
35	8006090	1	FITTING	
36	5201215	4	BOLT, 12X35mm	
38	5201014	4	BOLT, 10X30mm	
40	1062255	20	CABLE BAND	
41	1074306	1	SEAL RING	
42	1309275	2	PLUG	
43	2180840	1	PLUG	



OPTIONS

Figure 12-13 Battery Switch

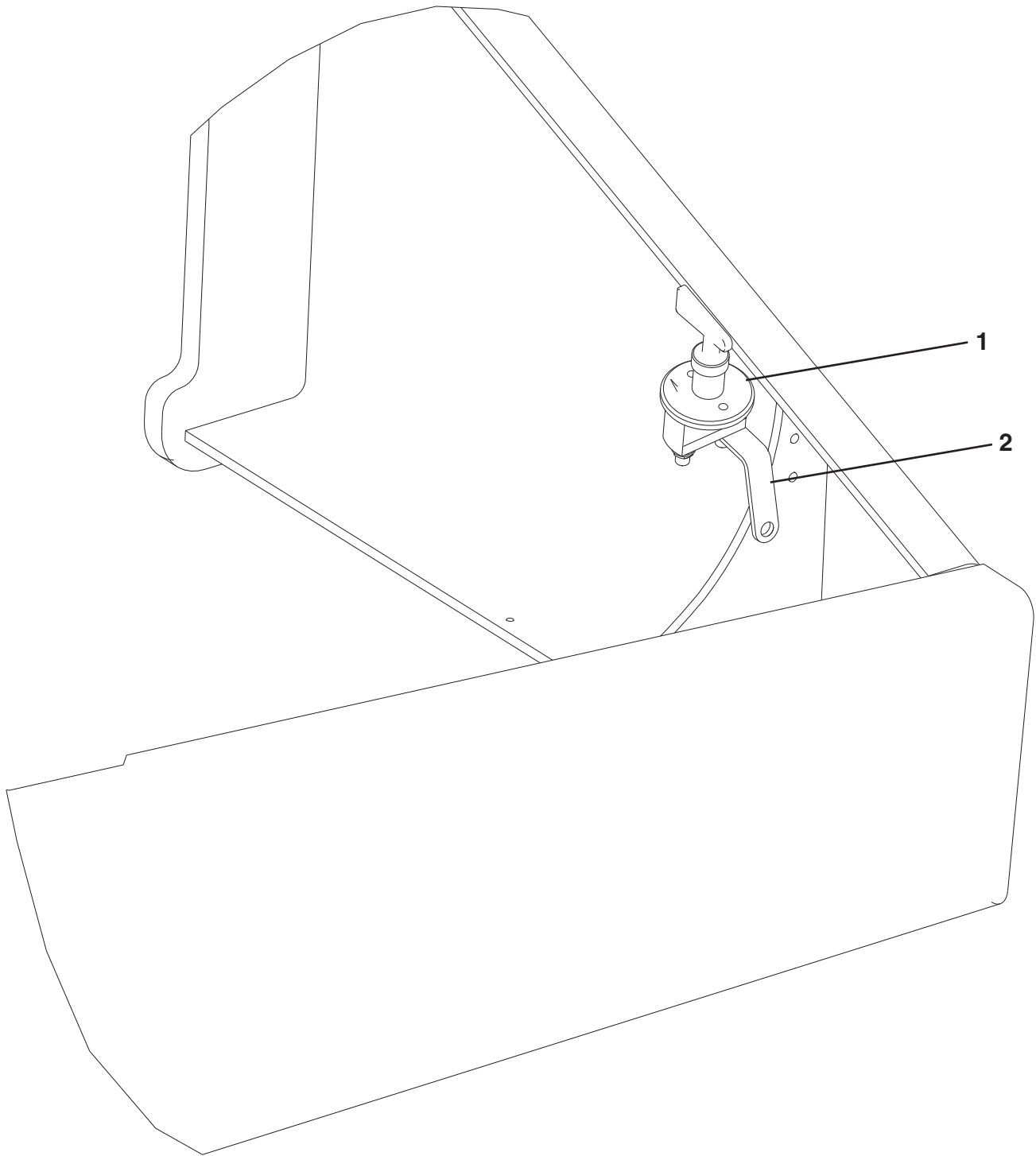




Figure 12-13 Battery Switch

Item	Part Number	Qty.	Description	Rev.
	8002791	1	BATTERY SWITCH OPTION	
1	1786385	1	BATTERY SWITCH	
2	8006680	1	PLATE	



OPTIONS

Figure 12-14 Boom Stop Installation

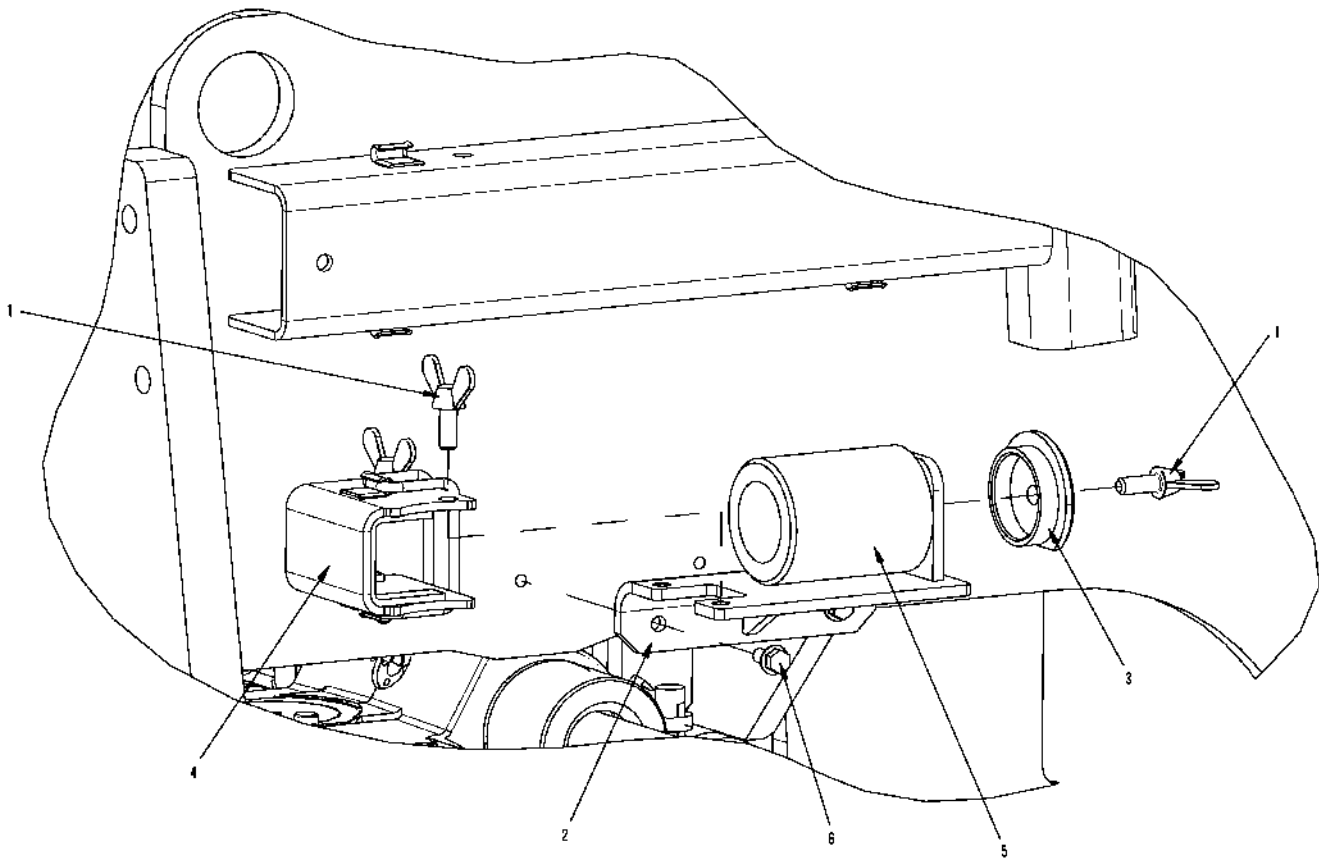




Figure 12-14 Boom Stop Installation

Item	Part Number	Qty.	Description	Rev.
	0274498	1	BOOM STOP INSTALLATION OPTION, (used in Italy only)	A
1	443630	3	WING SCREW, M12X30	
2	0903232	1	BOOM STOP MOUNT BRACKET	
3	1321370	1	BOOM STOP CLAMP	
4	2902424	1	LEVEL CYLINDER STOP KIT	
5	4220251	1	BOOM LEVEL STOP	
6	5201010	2	BOLT, 10X20mm	



OPTIONS

Figure 12-15 Ground Wire Installation

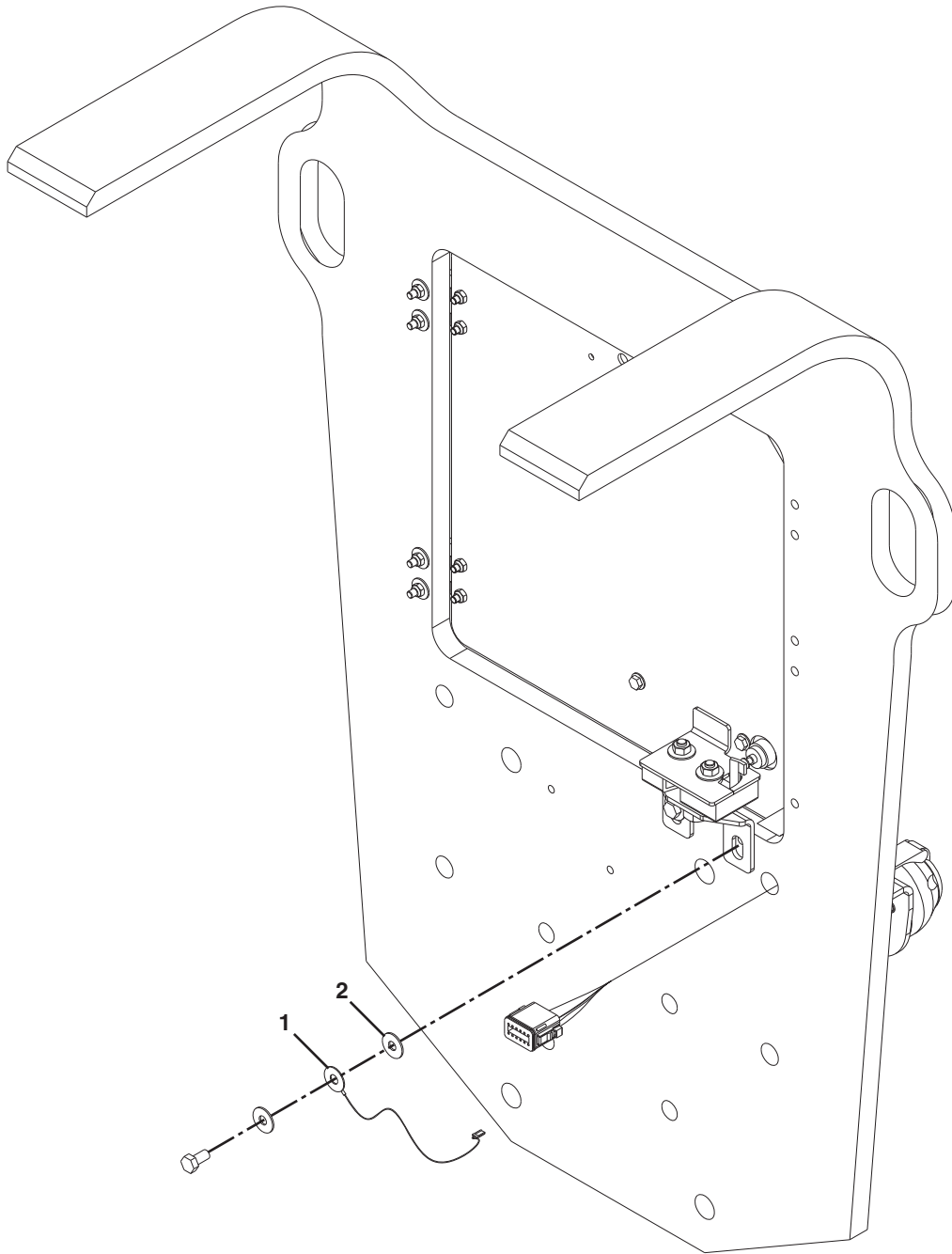




Figure 12-15 Ground Wire Installation

Item	Part Number	Qty.	Description	Rev.
	0275345	1	GROUND WIRE INSTALLATION, (includes all items)	
1	4923512	1	GROUND WIRE	
2	5211902	1	LOCKWASHER, 8mm	

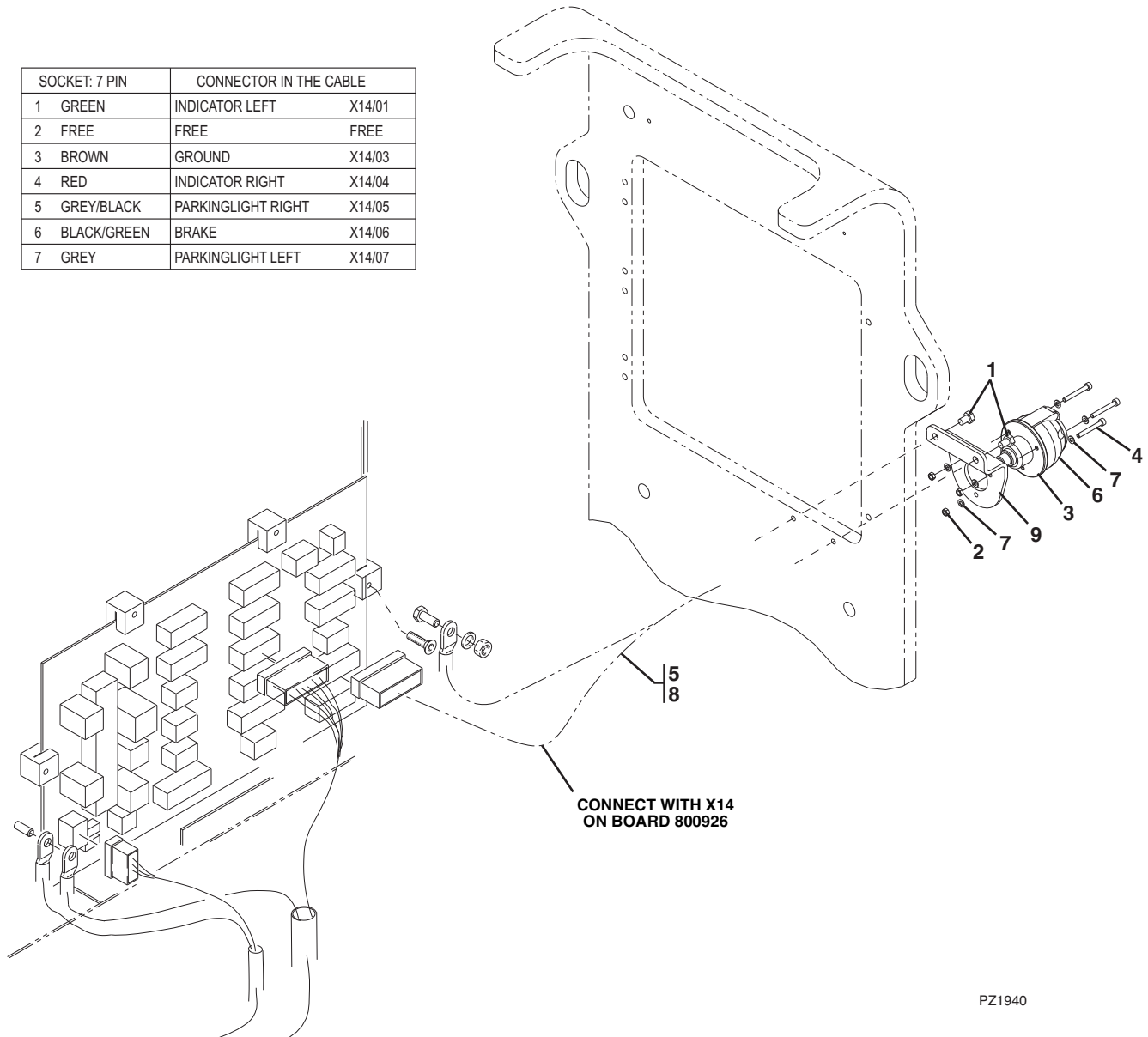


OPTIONS

S/N 1160003018 & After, (7/8M Only)

Figure 12-16 7-Pin Trailer Socket Installation

SOCKET: 7 PIN		CONNECTOR IN THE CABLE	
1	GREEN	INDICATOR LEFT	X14/01
2	FREE	FREE	FREE
3	BROWN	GROUND	X14/03
4	RED	INDICATOR RIGHT	X14/04
5	GREY/BLACK	PARKINGLIGHT RIGHT	X14/05
6	BLACK/GREEN	BRAKE	X14/06
7	GREY	PARKINGLIGHT LEFT	X14/07



PZ1940



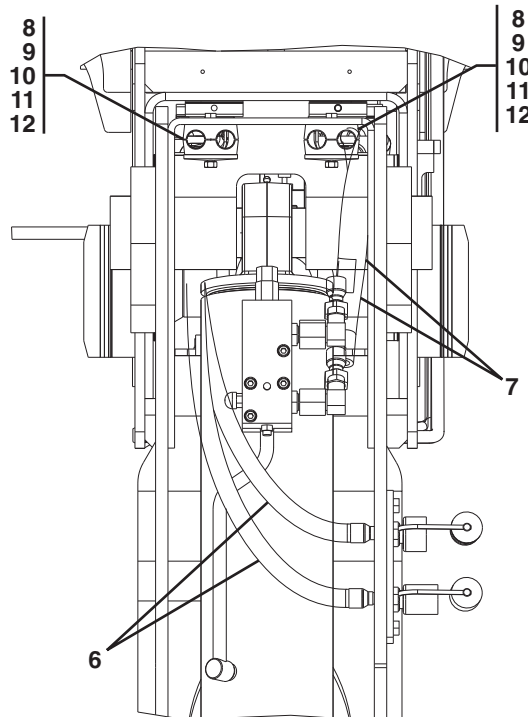
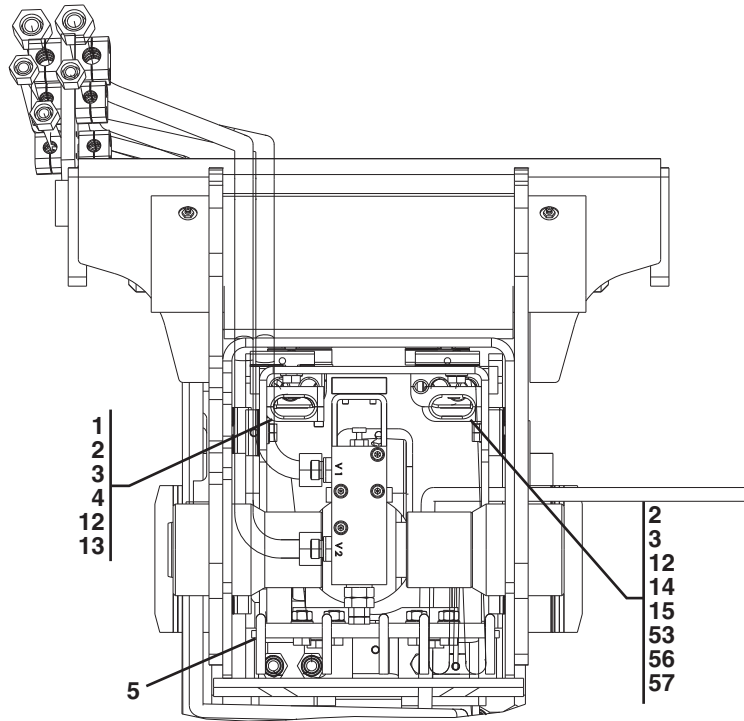
Figure 12-16 7-Pin Trailer Socket Installation

Item	Part Number	Qty.	Description	Rev.
	1001093945	1	7-PIN TRAILER SOCKET INSTALLATION, (Includes all items)	A
1	0760806	2	HEX HD CAPSCEW, M8X12	
2	3290501	3	HEX NUT, M5X0.8	
3	3960600	1	GASKET	
4	4031612	3	SOCKET HD CAPSCREW, M5X40	
5	4460185	6	TERMINAL	
6	4461021	1	PLUG	
7	4811600	6	FLAT WASHER, 5mm	
8	8005288	1	CABLE	
9	8007433	1	BRACKET	



OPTIONS

Figure 12-17 Twinline Hose Assembly Retrofit Kit



PZ2290



Figure 12-17 Twinline Hose Assembly Retrofit Kit

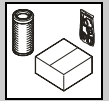
Item	Part Number	Qty.	Description	Rev.
	1001097996	1	TWINLINE HOSE ASSY RETROFIT KIT, (7/8M) , (includes items 1 thru 15)	A
	1001097997	1	TWINLINE HOSE ASSY RETROFIT KIT, (9M) , (includes items 1 thru 15)	A
	1001097998	1	TWINLINE HOSE ASSY RETROFIT KIT, (12M) , (includes items 1 thru 15)	A
	2915209	1	TWINLINE HOSE ASSY RETROFIT KIT, (13M) , (includes items 1 thru 15 & 53, 56 & 57)	C
1	1321641	1	CLAMP	
2	4031908	4	HEX SOCKET HD CAPSCREW, M8X20	
3	4031709	3	HEX SOCKET HD CAPSCREW, M6X25	
4	4031710	1	HEX SOCKET HD CAPSCREW, M6X30	
5	0903601	1	HOSE GUIDE BRACKET, (7/8M & 9M)	
	0903602	1	HOSE GUIDE BRACKET, (12M & 13M)	
6	1001111730	1	TWINLINE HOSE ASSY, (7/8M)	
	1001111731	1	TWINLINE HOSE ASSY, (9M)	
	2754700	1	TWINLINE HOSE ASSY, (12M)	
	2754342	1	TWINLINE HOSE ASSY, (13M)	
7	2754348	1	TWINLINE HOSE ASSY, (7/8M)	
	2754346	1	TWINLINE HOSE ASSY, (9M)	
	2754701	1	TWINLINE HOSE ASSY, (12M)	
	2754343	1	TWINLINE HOSE ASSY, (13M)	
8	0700820	2	HEX HD CAPSCREW, M8X60, GR8.8	
9	1309435	2	CLAMP COVER PLATE	
10	1321324	2	DOUBLE CLAMP	
11	3290807	2	HEX LOCKNUT, M8X1.25	
12	0100011	AR	LOCTITE, #242	
13	1001094665	1	CLAMP	
14	1001094668	1	CLAMP	
15	1001094669	1	CLAMP	
53	1321697	1	CLAMP, (13M)	
56	4031708	1	HEX SOCKET HD CAPSCREW, M6X20, (13M)	
57	4031714	1	HEX SOCKET HD CAPSCREW, M6X50, (13M)	



OPTIONS

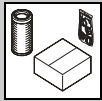
This Page Intentionally Left Blank

RECOMMENDED SPARE PARTS



The following list will service fleets of machines (built to current production per date on the front cover) with repair parts which can be installed in the field. Parts from the list should be replaced when inventory is depleted to keep service parts stock supplied. For further information, contact your JLG dealer or the JLG Industries Parts Department.

Part Number	Description	Qty./Machine
BOOM ASSEMBLY		
100111730	Tilt Cylinder Hoses (7 & 8M), (see Figure 12-17)	2
100111731	Tilt Cylinder Hoses (9), (see Figure 12-17)	2
2754700	Tilt Cylinder Hoses (12M), (see Figure 12-17)	2
2754342	Tilt Cylinder Hoses (13M), (see Figure 12-17)	2
8002201	Pad, (see Section 2)	3
8002200	Pad, (see Section 2)	8
8002199	Pad, (see Section 2)	8
8002907	Shim, (see Section 2)	8
8008070	Shim, (see Section 2)	12
8003242	Shim, (see Section 2)	3
8008069	Shim, (see Section 2)	3
8002637	Shim, (see Section 2)	AR
8002914	Shim, (12 & 13M), (see Section 2)	6
3964987	Quick Release Pin, (see Figure 2-5)	1
ENGINE		
91034006	Oil Filter, (3 speed engine), (Before S/N 1160000358), (see Figure 4-2)	1
8006013	Oil Filter, (4 speed engine), (Before S/N 1160000358), (see Figure 4-2)	2
7028009	Fuel Filter, (Before S/N 1160000358), (see Figure 4-2)	1
7028655	Fuel Filter, (S/N 1160000358 & After), (see Figure 4-2)	1
2981124	Air Filter Element, (Before S/N 1160000358), (see Figure 4-5)	1
2981113	Air Filter Element, (Before S/N 1160000358), (see Figure 4-5)	1
80273010	Primary Element, (S/N 1160000358 & After), (outer), (see Figure 4-5)	1
80273042	Safety Element, (S/N 1160000358 & After), (inner), (see Figure 4-5)	1
7028681	Oil Cap, (see Figure 4-2)	1
8003285	Fuel Tank Cap, (Before S/N 1160000822), (see Figure 4-3)	1
7029215	Fuel Tank Cap, (S/N 1160000822 & After), (see Figure 4-3)	1
3971793	Radiator Cap, (Before S/N 1160000545), (see Figure 4-4)	1
7029722	Radiator Cap, (S/N 1160000545 & After), (see Figure 4-4)	1
8004872	Fan, (see Figure 4-1)	1
2060033	Fan, 20 inch, (see Figure 4-1)	1
8006014	Alternator Belt, (Before S/N 1160000358), (see Figure 4-2)	1
7028656	Alternator Belt, (Before to S/N 1160000358), (see Figure 4-2)	1
7028686	Alternator Belt, (S/N 1160000358 & After), (4 speed), (see Figure 4-2)	1
7028672	Dipstick, (S/N 160000358 & After), (see Figure 4-2)	1
91474212	Transmission Dipstick, (see Figure 4-10)	1
1001108810	Engine Filter Kit, (3 speed engine), (Before S/N 1160000358), (see Figure 4-2)	1
1001108811	Engine Filter Kit, (4 speed engine), (Before S/N 1160000358), (see Figure 4-2)	1
1001108812	Engine Filter Kit, (S/N 160000358 & After), (see Figure 4-2)	1
1001108815	Combined Filter Kit, (3 speed engine), (Before S/N 1160000358), (see Figure 4-2)	1
1001108816	Combined Filter Kit, (4 speed engine), (Before S/N 1160000358), (see Figure 4-2)	1
1001108818	Combined Filter Kit, (S/N 160000358 & After), (see Figure 4-2)	1
DRIVE TRAIN		
91473061	FNR Shifter, (3 speed), (see Figure 7-1)	1
91473031	FNR Shifter, (4 speed), (see Figure 7-1)	1

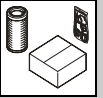


RECOMMENDED SPARE PARTS

The following list will service fleets of machines (built to current production per date on the front cover) with repair parts which can be installed in the field. Parts from the list should be replaced when inventory is depleted to keep service parts stock supplied. For further information, contact your JLG dealer or the JLG Industries Parts Department.

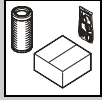
Part Number	Description	Qty./Machine
8002599	Pull Cable, (see Figure 4-1)	1
8008101	Transmission Filter, (see Figure 4-14)	1
8004468	Bushing, (see Section 5)	2
7029430	Oil Seal, (see Section 5)	4
91514147	Oil Seal, (see Section 5)	4
7028076	Gasket, (see Section 5)	4
7028110	Gasket & Seal Kit, (see Figure 4-8)	1
70020412	Drop Box Seal Kit, (see Figure 4-22)	1
8005079	Driveshaft Attachment Kit, (see Figure 4-1)	8
HYDRAULIC SYSTEM		
7029437	Lift Cylinder Seal Kit, (see Figure 9-1)	1
7028545	Lift Cylinder Seal Kit, (see Figure 9-1)	1
8007707	Lowering Brake Valve, (see Figure 9-1)	1
7028352	Extend/Retract Cylinder Seal Kit, (7, 8 & 9M), (see Figure 9-2)	1
7029632	Extend/Retract Cylinder Seal Kit, (see Figure 9-2)	1
8007655	Lowering Brake Valve, (see Figure 9-2)	1
7028572	Tilt Cylinder Seal Kit, (see Figure 9-3)	1
70029972	Comp Cylinder Seal Kit, (13M), (see Figure 9-4)	1
70029959	Sway Cylinder Seal Kit, (see Figure 9-5)	1
70029953	Stabilizing Cylinder Seal Kit, (see Figure 9-6)	1
8007894	Actuator Seal Kit, (see Figure 9-8)	1
8007939	Mid-Inlet Section Valve Seal Kit, (see Figure 9-8)	1
7029166	Drive Pump Seal Kit, (see Figure 9-9)	1
8007935	Seal Kit Between Inlet, Solenoid Coil, & Actuator Sections, (see Section 9)	A/R
8007563	Hydraulic Filter Element, (see Figure 9-11)	1
8005248	Sight Glass, (see Figure 9-10)	1
8007877	Directional Valve Seal Kit, (see Figure 8-1)	2
8007879	Directional Valve Coil, (see Figure 8-1)	2
8005174	Drive Pump to Main Valve Pressure Switch, (see Sections 8 & 12)	2
4360585	Drive Pump to Main Valve Pressure Switch, (see Section 8)	2
8004908	Drive Pump to Main Valve Pressure Switch, (see Section 12)	2
8005222	Load Holding Valve, (see Sections 8 & 9)	2
1001108798	Hydraulic/Air Filter Kit, (Before 1160000358), (see Figure 4-2)	1
1001108800	Hydraulic/Air Filter Kit, (S/N 1160000358 & After), (see Figure 4-2)	1
ELECTRICAL		
8002822	Boom Joystick, (see Figure 7-2)	1
7028141	Oil Pressure Switch, (see Figure 4-2)	1
8002019	Fuel Gauge Sender, (see Figure 4-3)	1
0140047	Backup Alarm, (see Figure 10-4)	1
8002820	Keyswitch, (see Figure 10-1)	1
7028108	Alternator, 85A, (Before 1160000358), (see Figure 4-2)	
1001090078	Alternator, 85A, (S/N 1160000358 & After), (see Figure 4-2)	1
8006019	Starter Motor, (Before S/N 1160000358), (see Figure 4-2)	
70021786	Starter Motor, (S/N 1160000358 & After), (see Figure 4-2)	1
8009766	Signal Horn, 12V, (see Figure 10-3)	1

RECOMMENDED SPARE PARTS



The following list will service fleets of machines (built to current production per date on the front cover) with repair parts which can be installed in the field. Parts from the list should be replaced when inventory is depleted to keep service parts stock supplied. For further information, contact your JLG dealer or the JLG Industries Parts Department.

Part Number	Description	Qty./Machine
8006318	Temperature Switch, (see Figure 4-8)	1
91514287	Solenoid Assy, (see Figure 4-20)	4
3749975	Switch, (see Figure 10-1)	1
3972909	Switch, (see Figure 10-1)	1
3933128	Switch, (see Figure 10-1)	1
8005424	Switch, (see Figure 10-1)	1
8008007	Switch, (see Figure 10-1)	1
8007875	Speed Sensor Assy, (see Figure 4-10)	1
8002843	Sensor, (see Figure 10-4)	1
8002846	Temperature Switch, (Before S/N 116000358), (see Figure 10-5)	1
4360560	Temperature Switch, (S/N 116000358 & After), (see Figure 10-5)	1
4674353	Switch, (see Sections 6, 8, 10)	6
8002834	Sensor, 12V, (see Figure 8-5)	1
8005789	Frame & Cab Pressure Switch, (see Figure 8-1)	1
MISC.		
8008049	Ignition Key, (also for cab door, rear cover & engine cover), (see Figure 10-1)	1
8008049	Toolbox Key Replacement, (see Figure 1-4)	1
8002836	Hydraulic Test Kit, (7 & 8M), (see Figure 8-5)	1
8007285	Hydraulic Test Kit, (9M), (see Figure 8-5)	1
8002922	Hydraulic Test Kit, (12M), (see Figure 8-5)	1
8007278	Hydraulic Test Kit, (13M), (see Figure 8-5)	1
3121851	Operating & Safety Manual	1
3121852	Service Manual	1
3121853	Parts Manual	1



RECOMMENDED SPARE PARTS

The following list will service fleets of machines (built to current production per date on the front cover) with repair parts which can be installed in the field. Parts from the list should be replaced when inventory is depleted to keep service parts stock supplied. For further information, contact your JLG dealer or the JLG Industries Parts Department.

Part Number	Description	Qty./Machine



Part Number	Page	Part Number	Page	Part Number	Page	Part Number	Page
01000111-3, 1-21, 1-25, 1-29, 2-7, 2-9, 2-11, 2-13, 2-15, 2-17, 2-19, 9-63, 10-37, 11-5, 12-35		0314725.....	4-19	0760612.....	1-7, 1-9	0903109.....	2-19
0100035.....	9-63	0318854.....	9-66	0760614.....	8-3, 10-11	0903122.....	8-37, 8-39
0100085.....	4-23, 4-25	0330101.....	9-75	0760615.....	10-49	0903159.....	1-21
0120008.....	4-31, 4-33	0342650.9-3, 9-7, 9-11, 9-15, 9-27, 9-33		0760806.....	12-17, 12-33	0903232.....	12-29
0140047.....	10-11	0377300.....	1-15, 10-3	0760807.....	2-3, 2-5	0903280.....	10-37
0240053.....	3-9	0388450....	1-15, 10-3, 10-19, 10-21	0760808 1-17, 6-3, 6-4, 10-38		0903295.....	1-31, 1-33
0240063.....	3-21	0400229.....	10-42	07608101-5, 1-11, 1-31, 1-33, 2-19, 4-3, 4-5, 4-15, 4-17, 7-5, 8-17, 8-37, 8-39, 10-37		0903296.....	1-31, 1-33
0240064.....	1-11	0409672.....	1-15, 10-3	0760812.....	2-11, 2-15, 4-21, 4-23, 4-25, 6-3, 10-51	0903335.....	10-37
0240110.....	3-21	0422931.....	9-27, 9-33	0760814.....	2-11, 4-21, 4-23, 4-25, 10-9, 10-42	0903366.....	3-11
0240143.....	3-11	0442902.....	9-39, 9-49, 9-55			0903501.....	10-21
0240145.....	3-39	0443549.....	9-65			0903502.....	10-21
0240158.....	3-33	0480138.....	4-33			0903601.....	8-13, 12-35
0273112.....	8-13	0610175.....	10-34			0903602.....	8-17, 12-35
0273113.....	2-3	0630571.....	1-27			0920120.....	8-4
0273114.....	2-11	06305741-19, 1-21, 1-23, 1-25				0930003.....	3-5
0273115.....	2-7	0630576.....	1-17, 12-19			0930004.....	3-3
0273116.....	8-17	0630582.....	4-29			0930015.....	3-9
0273117.....	2-5	06305891-19, 1-21, 1-23, 1-25				0930016.....	3-9
0273118.....	2-15	0630601.....	10-35			09523572.....	4-23, 4-25
0273119.....	2-13	063585.....	11-5			1000331.....	7-3
0273120.....	2-9	0641606.....	8-37, 8-39			1001003536.....	11-5
0273241.....	1-29	06818128-7, 8-37, 8-39, 12-25				1001005240.....	12-3
0273519.....	12-11	0700507.....	1-9			1001005960.....	6-4
0273601.....	12-3	0700510.....	10-37			1001009178.....	11-5
0273602.....	12-23	0700615.....	10-35			1001090078.....	4-11
0273756.....	10-3	0700616.....	12-19			1001091102.....	10-51
0273825.....	9-73	0700617.....	4-33			1001091313.....	3-15
0273835.....	1-5	0700618.....	4-31, 8-40			1001091537.....	6-23
0273836.....	6-21	07006266-17, 8-9, 8-21, 8-25, 8-33, 12-11				1001091697.....	11-5
0273981.....	1-9	0700815.....	12-9			1001092224.....	1-31
0274075.....	8-21	0700816.....	8-4, 8-13, 8-17			1001092443.....	11-10
0274108.....	6-21	07008178-9, 8-21, 8-25, 8-29, 8-33, 12-23				1001092444.....	11-10
0274125.....	6-21	0700818.....	1-27, 6-17, 12-11			1001092445.....	11-10
0274131.....	1-11	0700819.....	8-14, 8-18			1001092446.....	11-11
0274274.....	10-34	0700820.....	8-14, 8-18, 8-25, 12-35			1001092447.....	11-10
0274304.....	10-42	0700826.8-7, 8-9, 8-21, 8-37, 8-39, 12-25				1001092448.....	11-11
0274366.....	1-25	0700827.....	3-11, 8-9, 8-33			1001092450.....	11-10
0274367.....	1-21	0700828.....	4-15			1001092451.....	11-10
0274368.....	1-25	0700836.....	10-3, 10-34			1001092502.....	11-4
0274369.....	1-21	0701024.....	1-15, 6-21			1001092503.....	11-4
0274376.....	8-33	0701029.....	3-11, 3-13			1001092511.....	8-9, 8-10
0274377.....	8-37	0701030.....	4-31, 4-33			1001093344.....	6-4
0274440.....	10-11	0701033.....	10-21			1001093700.....	10-35
0274498.....	12-29	0701219.....	1-13			1001093826 2-19, 3-15, 8-21, 8-22, 8-25, 8-26, 12-3, 12-23	
0274744.....	1-31	0702037.....	1-13			1001093827 2-19, 3-15, 8-21, 8-22, 8-25, 8-26, 12-3, 12-23	
0274747.....	1-31	0711619.....	12-7			1001093875.....	10-47
0274809.....	10-37	0712020.....	8-17, 12-5, 12-7			1001093893.....	6-3
0274838.....	8-39	0712030.....	6-4			1001093945.....	12-33
0275143.....	11-4	0712242.....	1-21, 1-25			1001093946.....	10-47
0275144.....	11-4	0760508.....	10-49			1001093947.....	10-47
0275145.....	11-4	0760514.....	10-37			1001094077.....	6-3
0275345.....	12-31	0760605.....	1-31, 1-33			1001094094.....	6-4
0275381.....	1-25	0760608.....	1-7, 1-9, 4-3, 4-5, 10-35, 10-42			1001094171.....	11-5
0313279.....	10-19, 10-21					1001094172.....	11-5
						1001094196.....	11-11



PART NUMBER INDEX

Part Number	Page	Part Number	Page	Part Number	Page	Part Number	Page
1001094268	1-31, 1-33	1001103807	10-49	1001109966	11-9, 11-11	13094358-9	8-18, 8-21, 8-25, 8-33, 12-23, 12-35
1001094555	2-19, 3-3, 3-5, 3-15, 8-21, 8-22, 8-25, 8-26, 12-3, 12-23	1001104090	11-7	1001110722	11-7	1320324	10-4, 10-35
1001094556	2-19, 3-3, 3-5, 3-15, 8-21, 8-22, 8-25, 8-26, 12-3, 12-23	1001104341	10-49	1001110729	11-7	1321141	2-19
1001094565	10-47	1001104342	10-49	1001111730	8-13, 12-35	1321285	8-9, 8-33
1001094566	10-11	1001104344	10-49	1001111731	8-13, 12-35	1321291	1-5
1001094612	3-9	1001104415	10-49	1001112126	10-17	1321301	4-17
1001094665	12-35	1001104497	10-55	1001112127	10-17	1321323	8-9, 8-21, 8-25, 8-33
1001094668	12-35	1001104498	4-39, 10-55	1001112128	10-17	13213248-9	8-14, 8-18, 8-21, 8-25, 8-33, 12-23, 12-35
1001094669	12-35	1001104499	10-55	1001112129	10-17	1321329	8-9, 8-33
1001094978	11-9	1001104541	11-7	1001112559	3-19	1321343	10-37
1001095163	11-9	1001104953	11-9	1001113432	10-49	1321344	10-37
1001095303	11-7	1001105097	10-4, 10-35	100111424	10-42	1321366	10-37
1001095503	11-11	1001105098	10-4, 10-35	1001116707	10-31	1321370	12-29
10010956501-33	9-17, 10-49	1001105131	11-9	1001117009	10-31, 10-45	1321620	8-33
1001096179	11-11	1001105362	9-65	1001117057	10-49	1321641	12-35
1001096653	10-4, 10-35	1001106349	1-33	1001118392	10-45	1321681	2-15
1001096762	11-4	1001106385	10-49	1001118393	10-45	1321697	12-35
1001096763	11-4	1001106386	10-49	10037214-15	4-17, 4-19, 8-31	1335675	6-21
1001096764	11-9	1001106464	10-51	1009352	8-9, 8-33	1349717	4-21, 4-23, 4-25
1001096765	11-11	1001106760	9-17	1024044	8-13, 8-17	1356294	10-21
1001097287	2-19, 3-3, 3-5, 8-22, 8-26, 12-3, 12-23	1001106805	10-49	1039369	10-23, 10-25	1356341	4-3, 4-5, 4-19, 4-31, 4-33
1001097296	1-11	1001107508	9-47	1042977	6-3	1356352	6-9
1001097996	12-35	1001107511	9-53	1051843	9-3, 9-7, 9-11, 9-15, 9-27, 9-33	1359720	7-5, 10-3, 10-34
1001097997	12-35	1001107513	9-63	10622554-15	4-17, 8-7, 8-31, 8-37, 8-39, 10-4, 10-9, 10-11, 10-13, 10-15, 10-34, 10-42, 10-49, 12-23, 12-25	1360370	9-3, 9-7, 9-11, 9-15
1001097998	12-35	1001107516	9-59	10733183	4-23, 4-25	1360585	10-7
1001098889	11-11	1001107622	10-49	1074306	8-3, 8-7, 12-25	1366865	6-13
1001098890	11-10	1001107647	10-49	10837060	4-53, 4-55, 4-57, 4-59	1377299	8-9, 8-21, 8-25
1001099193	2-7, 2-9, 2-11, 2-13, 2-15	1001107789	10-35	10837072	4-41	1379951	9-27, 9-33
1001099415	11-9	1001107854	4-39, 10-45, 10-55	10837074	4-39	1380161	4-23, 4-25
1001099581	11-11	1001107855	1-33, 10-55	10868235	4-41	1380625	9-65
1001099582	11-11	1001107894	10-55	10868243	4-47	1386701	9-11, 9-15
1001099583	11-11	1001107906	10-55	10868254	4-49	1391297	12-9
1001099584	11-11	1001107982	10-49	10868277	4-53, 4-55, 4-57, 4-59	1398034	9-27, 9-33, 9-43
1001099758	11-11	1001108122	10-55	10868284	4-55, 4-57	1398374	6-9
1001099759	11-4	1001108400	11-11	10868323	4-67	1398385	1-17, 6-11
1001100693	11-11	1001108403	11-11	10868329	4-63	1398443	7-3
1001100694	3-17	1001108406	11-9	10868330	4-63	1399251	9-49
1001100754	8-17	1001108472	10-53	1120586	9-73	1560015	6-21
1001100795	11-4	1001108661	10-51	1120587	9-73	1560021	10-37
1001100797	11-11	1001108683	10-51	1170001	3-11	1600387	3-23
1001100799	8-17	1001108684	10-51	1170002	3-13	1600399	10-34
1001100937	11-9	1001108685	10-51	1170028	3-11	1614979	8-22, 8-25
1001101830	9-17	1001108686	10-51	1170029	3-11	1616551	8-3
1001101855	8-10	1001108687	10-51	1170058	3-35	1618713	9-19, 9-23
1001101954	8-9, 8-10	1001108688	10-51	1302325	2-19, 8-14, 8-18, 8-21, 8-25	1620784	10-23, 10-25
1001102080	8-14, 9-17	1001108689	10-51	1302552	1-23	1620853	9-27, 9-33
1001102633	10-49	1001108700	10-51	1305033	9-28, 9-34	1629567	4-19, 6-21
1001103180	10-49	1001108798	4-9	1309275	8-7, 9-77, 12-25	1630253	7-3
1001103530	3-15	1001108798	4-9	1309345	8-14	1630640	9-27, 9-33
1001103533	3-15	1001108810	4-9			1630855	9-3, 9-7, 9-11, 9-15
		1001108811	4-9			1631083	9-3, 9-7, 9-11, 9-15
		1001108812	4-12			1631629	8-3
		1001108815	4-9			1631856	9-27, 9-33
		1001108816	4-9			1655490	12-7
		1001108818	4-12				
		1001109161	11-5				
		1001109274	11-11				
		1001109276	11-11				
		1001109278	11-9				
		1001109467	1-33				



Part Number	Page	Part Number	Page	Part Number	Page	Part Number	Page
1663796	10-3, 10-34	1706395	11-8	2000227	4-5	2360768	1-25
1663821	10-3, 10-34	1706396	11-9	2000231	4-5	2400073	10-15
1671157	1-9	1706397	11-9	2002006	4-21	2400074	10-15
1671174	1-5	1706398	11-9	2014226	1-5	2400600	5-9, 5-25
1671183	10-37	1706399	11-10	2060033	4-5	2401043	5-9, 5-25
1684384	9-17	1706420	11-7	2080057	10-42, 11-3	2401258	5-9, 5-25
1684396	9-41	1706421	11-8	2099716	6-11	2401736	5-13
1684409	9-37	1706422	11-8	2120186	4-23, 4-25	2420202	3-27
1684438	9-31	1706423	11-8	2120187	4-25	2443576	7-9, 8-3, 10-15
1684440	9-25	1706424	11-9	2120188	4-23	2447967	11-7
1684441	9-21	1706425	11-10	2131216	8-3	2454999	7-9
1686282	8-14, 8-18	1706595	3-31	2132020	10-37	2471354	8-3
1686475	8-9, 8-33	1706596	3-31	2140223	8-3	2477156	8-3
1686997	4-27, 4-29	1706600	3-31	2140224	8-3	2478782	1-3
1689207	8-29	1706601	3-31	21402258-7, 8-37, 8-39, 12-25		2481254	12-11
1701509	3-31	1706602	3-31	2140802	8-40	24816968-9, 8-13, 8-17, 8-21,	
1702773	11-3	1706603	3-31	2140808	8-37, 8-39	8-22, 8-25, 8-26,	
1704260	10-35	1706604	3-31	2140810	4-19	8-33, 12-23	
1704277	3-31	1706605	3-31	2141102	1-31	250216	10-49
1705828	3-31	1706628	10-42	2141105	8-31	2601272	9-3, 9-7, 9-11, 9-15
1705841	11-11	1706702	3-11	2141712	8-33	2603207	11-3
1705842	11-10	1706713	11-11	2141911	8-33	2620048	12-3
1705843	11-10	1706714	11-10, 11-11	2142103	8-3	2656664	8-3
1705844	11-10	1706715	11-9	2142202	8-40	2675009	9-27, 9-33
1705845	11-9	1706753	11-3	2142204	8-3, 8-9	2685181	10-4, 10-35
1705846	11-9	1706754	11-3	2142207	8-37, 8-39	2686762	6-23, 10-4, 10-34
1705871	12-23	1706755	11-3	2142505	2-19, 12-3	2700118	3-7
1705872	11-10	1706756	11-3	2142706	8-40	2720519	4-17
1705873	11-10	1706757	11-3	2142712	8-33	2720529	8-7
1705874	11-11	1706758	11-3	2142713	8-3, 8-4, 8-29, 8-31,	2720530	8-7
1705875	11-10, 11-11	1706759	11-3	9-77		2754008	12-23
1705876	11-9	1707165	11-11	2142715	9-77	2754009	12-3
1705877	11-10	1707166	11-10	21427558-7, 8-37, 8-39, 12-25		2754151	2-19
1705979	11-7	1707170	11-11	2142804	9-77	2754315	8-37, 8-39
1705980	11-7	1707171	11-10	2142806	8-33	2754316	8-37, 8-39
1706132	11-11	1718985	10-3, 10-34	2143401	1-31	27543208-7, 8-37, 8-39, 12-25	
1706207	11-10	1718996	10-7	2143404	8-9, 8-37, 8-39	2754342	8-17, 12-35
1706227	11-3	1719000	10-7	2143406	8-9, 8-33	2754343	8-25, 12-35
1706233	11-10, 11-11	1719033	10-3, 10-34	21434098-7, 8-37, 8-39, 12-25		2754346	8-21, 12-35
1706234	11-11	1719088	10-3, 10-34	2143511	2-19	2754348	8-21, 12-35
1706249	11-10	1719113	10-3, 10-34	2143602	1-31	2754502	8-37, 8-39
1706250	11-9	1719124	10-3, 10-34	2143606	8-33	2754505	8-33
1706251	11-10	1719204	10-3, 10-34, 12-17	2180840	8-7, 12-25	2754506	8-33
1706252	11-10	1719419	10-4, 10-7, 10-34	2180850	10-37	2754507	8-33
1706266	11-11	1722787	4-27, 6-7	2180851	10-37	2754508	8-33
1706267	11-9	1733787	3-37	2180852	10-37	2754616	8-40
1706268	11-9	1749733	6-9, 6-11	2180855	8-37, 8-39	2754617	8-40
1706269	11-8	1780754	6-3	2180864	8-9	2754619	8-9
1706270	11-9	1781813	6-4	2180875	10-37	2754620	8-9
1706271	11-8	1783337	1-23, 1-31, 4-3	2180891	10-38	2754700	8-17, 12-35
1706272	11-8	1784861	1-3	2221219	10-37	2754701	8-25, 12-35
1706273	11-8	1786385	12-27	2221242	1-31	2820166	1-5
1706274	11-8	1787217	10-9, 10-42	2340029	3-17	2820167	1-5
1706275	11-7	1810004	10-27	2340030	3-17	2820168	1-5
1706276	11-8	1810024	10-42	2340034	3-19	2820169	6-21
1706321	11-10	1898686	1-3, 1-7, 1-9, 6-21	2340040	3-17	2820251	10-38
1706323	3-31	2000200	4-11	2340041	3-17	2892808	7-3
1706393	11-8	2000201	4-11	2360714	1-21, 1-25	2902295	12-19
1706394	11-8	2000226	4-5	2360715	1-21, 1-25	2902399	2-19



PART NUMBER INDEX

Part Number	Page	Part Number	Page	Part Number	Page	Part Number	Page
2902424	12-29		2-11, 2-15, 2-17,	3380538	1-9	3935835	6-11
2902438	2-19		2-19, 9-3, 9-7,	3380559	1-11	3938394	10-7
2902527	8-3		9-11, 9-15	3380567	1-3	3938407	10-7
2902969	5-13	3252801	3-31	3380608	1-31	3939475	6-3
29030628-13, 8-17, 8-22, 8-26		327286	6-21	3380688	1-31	3939486	6-3, 6-9
2903197	5-13	327311	12-7	3391410	2-19	3942436	6-9
2904472	8-17	328027	1-27	3423258	3-11	3944574	12-5, 12-15
29046768-7, 8-37, 8-39, 12-25		3290305	10-15	3460342	4-29	3945575	6-3
2904687	9-75	3290405	6-21, 10-27, 10-47,	3460343	4-29	3946123	6-9
2904789	8-9, 8-33		10-51	3460346	4-29	3949091	6-3
2905871	7-9	3290501	6-25, 7-3, 10-37,	3460477	10-37	3951006	6-25
2906123	10-4, 10-35		12-17, 12-33	35108713-23, 3-25, 3-27, 3-31		3953973	6-23
2912085	8-9, 8-29, 8-33	32906016-3, 8-3, 8-40, 10-42,		3574521	12-23	3960586	4-29
2912132	7-3		10-49	3574617	4-23, 4-25	3960600	12-33
2913166	4-21, 4-23	3290605	1-17, 4-3, 4-5, 4-33,	3576026	1-21, 1-25	3960618	10-37
2913406	10-7		6-17, 7-3, 10-4,	3576151	1-31	3960619	10-37
2915209	12-35		10-35, 12-11,	3576152	1-31	3960927	1-3, 6-21
2920164	12-17		12-19	3576193	1-31, 1-33	3961951	4-21
2920193	10-35	3290607	1-5, 4-31, 10-27,	3576194	1-31, 1-33	3962930	8-9, 8-33
2920210	10-21		10-47	3576270	8-40	3963146	10-7
2940155	12-19	3290801	1-17, 7-5	3576278	10-37	3964987	2-17
2966421	1-7, 1-9	32908053-11, 4-19, 4-33, 6-3,		3600402	4-33	3966956	6-15
2966454	8-3, 10-13, 10-49		6-11, 7-3, 8-4,	3600419	9-71	3968141	5-7, 5-23
2969548	4-19		10-4, 10-19,	3600422	9-79	3968856	5-5
2973384	4-21, 4-23, 4-25		10-34	36251588-7, 8-37, 8-39, 12-25		3970214	8-3, 8-7, 8-37, 8-39,
2974454	8-4	3290807	4-31, 6-17, 8-14,	37378798-7, 8-37, 8-39, 12-25			12-25
2976912	1-3, 4-31		8-18, 8-25,	3740067	10-42	3971793	4-19
2980565	8-9, 8-33		10-21, 10-51,	3740080	10-49	3972909	10-3, 10-34
2981099	4-21		12-9, 12-35	3740112	10-15	3975833	6-3
2981113	4-21	3291001	2-19, 4-31, 4-33,	3746392	6-13	3975855	6-3
2981124	4-21		10-9, 10-35,	3746405	6-13	3975866	6-9
2981135	4-21		10-42	3749975	10-3, 10-34	3976436	7-3
2981146	4-21	3291005	3-11, 3-13, 4-19,	3759535	6-23	3976618	6-21
2982534	6-23, 10-23, 10-25		4-33, 6-21, 7-3,	3759579	8-21, 8-25	3976925	6-9
2982603	2-17, 2-19		9-73, 10-4,	3760463	2-3, 2-5	3977119	10-7
2983091	6-3, 7-5		10-35	3760493	1-21, 1-25	3977459	2-19, 8-21, 8-22,
2984649	4-21	3291007	4-15, 4-31, 7-9	3760508	3-11		8-25, 8-26, 12-3,
29855158-7, 8-37, 8-39, 12-25		3291201	8-13, 8-18	3760652	1-29, 1-31		12-23
2985617	4-15, 8-4	3291205	3-11	3767057	5-35	3977460	2-19, 8-21, 8-22,
2985639	8-3	3291207	10-21	3767853	5-35		8-25, 8-26, 12-3,
2987959	5-35	3291607	12-3	3767864	5-35		12-23
2988212	4-21, 4-23, 4-25	3292001	1-15, 12-3	3780202	4-33	3978370	6-7
2988632	8-7, 8-37, 8-39	3292007	1-13	3820019	6-21	3978381	6-3
2990158	8-13, 8-17	33004781-19, 1-21, 1-23, 1-25		3830022	9-27, 9-33	3980036	12-11, 12-13
2991568	4-21, 4-23, 4-25	33004791-19, 1-21, 1-23, 1-25		3841634	12-3	3980038	6-17, 12-11
2995299	4-3, 4-5	3300480	10-13, 10-15	3853176	7-3	3981604	1-15, 10-3
2997326	4-21	3300481	10-13, 10-15	3890067	12-3	3981808	6-15
2999964	11-3	3300486	4-29	3900381	10-37	3981819	6-15
300172	10-13	3300497	1-17, 6-3, 6-9	3924730	8-9, 8-33	3981820	6-15
3140007	1-15	3300498	10-37	3927186	10-7	3981831	6-15
3140008	1-15	3300499	10-37	3928789	10-3	3981842	6-15
314689	2-5	3300500	1-21, 1-25	3928790	1-15	3981853	6-15
321779	6-3	3331607	12-7	3929100	6-23	3983537	5-7
3220135	4-29	3332017	12-5, 12-7	3929780	4-21, 4-23, 4-25	3983720	5-9, 5-25
3220136	4-29	3370610	10-27, 10-47	3931579	11-3	3983731	5-10, 5-26
3220137	4-29	3380506	12-19	3933082	10-4, 10-35	3984301	5-9, 5-25
3220138	4-29	3380509	12-19	3933128	10-3, 10-34	3984425	5-13, 5-29
3220139	4-29	3380533	1-3	3933468	6-7, 7-5	3984436	5-13, 5-29
324590	1-29, 1-31, 2-7, 2-9,	3380534	1-9	3934378	6-7, 7-5	3984447	5-13, 5-29



Part Number	Page	Part Number	Page	Part Number	Page	Part Number	Page
3984458	5-13, 5-29	4300159	1-5	4641363	9-77	4804135	4-3, 4-5
3984469	5-13, 5-29	4341096	10-37	4641375	9-65	48043068-7, 8-37, 8-39, 12-25	
3986405	5-13	4341221	1-21, 1-23, 1-25	4641376	9-65	4804511	1-27
3986530	6-3	4341233	8-33	4641377	9-65	4804522	1-27
3986610	6-15	4341263	10-37	4641378	9-65	4804533	12-15
3986621	6-15	4341392	10-35	4641382	9-65	4804566	1-3
3986632	6-15	4360031	3-31	4641425	8-40	4804715	4-3, 4-5
3986643	6-15	4360475	10-35	4661044-3, 4-5, 10-23, 10-25, 10-27, 10-47		4804760	8-17
3986654	6-15	4360560	10-15	466364	1-29, 1-31	4804806	8-17
3986676	6-15	4360583	3-27, 10-34	46743536-25, 8-22, 8-26, 10-7		4804986	4-27
398929	4-3, 4-5	4360585	8-3	4716786-17, 10-4, 10-7, 10-9, 10-11, 10-13, 10-15, 10-34, 10-38, 10-42, 12-3, 12-11		4805250	7-3
3990343	6-15	4360605	12-23	4740532	1-27, 2-7, 2-9, 2-11, 2-13, 2-15, 8-7, 8-14, 8-18, 8-37, 8-39, 12-25	4805432	6-21
4000017	1-31, 1-33, 10-38	4360606	1-31	4740534	10-15	4805534	7-3
4010308	10-15	4400464	4-17	4740555	1-21, 1-25	4805590	2-3
4010405	6-21	4400465	9-73	4740557	8-37, 8-39	4805614	4-21
4010408	6-3, 10-27, 10-47	4400471	4-17	4740565	10-37	4805625	4-21
4010416	10-51	4420008	3-27	4800006	4-9	4805670	3-9
4010506	6-25	443630	1-3, 12-29	4800164	4-9	4805794	4-21, 4-23, 4-25
4010508	4-15, 4-17	4460185	12-33	4800482	1-29, 1-31	4805807	4-21
4010510	6-9	4460321	10-49	4800493	1-29, 1-31	4805818	4-21
4010608	6-9, 10-27, 10-47	4460343	10-49	4800539	1-29	4805829	4-21
4010612	1-29, 1-31, 6-3	4460374	10-49	4800562	1-29, 1-31	4805830	1-7
4010614	8-13, 8-17, 8-21, 8-25, 10-4, 10-34	4460466	10-29	4800788	2-17, 2-19	48058528-7, 8-37, 8-39, 12-25	
4010615	8-13, 8-17	4460761	10-49	4800948	2-17, 2-19	4805896	1-7, 1-9
4031608	7-3	4460920	10-49	4800959	2-17, 2-19	4805921	12-15
4031612	12-17, 12-33	4461006	10-11, 10-45	4801154	4-3, 4-5	4805932	12-15
4031614	9-77	4461008	10-45	4801176	4-3, 4-5	4805954	6-11
4031707	10-35	4461021	12-17, 12-33	4801654	1-3	4805965	6-11
4031708	12-35	4461045	10-37	4802008	1-21, 1-23, 1-25	4805976	6-11
4031709	12-35	4461096	10-37	4802100	3-9	4805987	6-11
4031710	12-35	4461118	4-39, 10-45	4802111	3-11	4805998	6-11
4031714	12-35	4461134	10-11, 10-45	4802122	1-21, 1-23, 1-25	4806024	6-11
4031716	2-19	4461229	10-55	4802757	9-55	4806035	6-11
4031718	10-37	4461235	10-37	4802768	9-39	4806046	4-19
4031908	12-35	4461262	10-38, 10-49, 10-55	4802780	9-43	4806057	4-19
4031909	1-3	447985	6-9	4802791	9-49	4806126	4-3
4031911	1-3	448920	12-17	4802815	9-19	4806308	1-5
4031912	1-3	4520331	5-35	4802837	6-21	4806386	4-3, 4-5
4031913	8-13, 8-17	4520332	5-35	4803032	9-11	4806397	4-3, 4-5
4031914	10-37	4520333	5-35	4803076	1-3	4806400	1-5
4031919	9-17	4520334	5-35	4803178	4-19	4806422	1-5
4032016	10-37	4520335	5-35	4803281	9-27	4806433	1-5
4032020	8-33	4520336	5-35	4803361	4-35	4806444	1-5
4040283	3-11	4520337	5-35	4803372	5-3, 5-5, 5-7, 5-9, 5-13, 5-15, 5-17	4806477	6-21
4100072	4-25	4520350	5-35	4803383	5-19, 5-21, 5-23, 5-25, 5-29, 5-31, 5-33	4806568	6-21
4100083	4-23, 4-25	4520383	5-35	4803394	6-21	4806580	4-27, 4-29
4160212	7-3	4540015	4-35	4803929	1-3	4806604	6-21
4170090	10-3	4540016	4-35	4803941	1-3	4806615	1-7, 1-9
4170100	10-34	4568838	4-25			4806626	6-4
4210033	1-31	4568860	4-23, 4-25			4806659	1-15
4210034	1-31	4568905	4-23			4806693	1-15
4210041	1-31	4569078	6-17, 12-11			4806808	1-15
4220251	12-29	4569239	10-37			4806922	10-23, 10-25
4220272	2-5	4623976	6-15			4806944	10-23
4220298	10-35	462780	8-3			4806955	10-23
4240099S	10-4, 10-35	463929	2-17			4807149	1-5
429063	4-19	4641308	9-65			4807263	10-23
		4641309	9-65			4807321	7-3
						4807616	6-3



PART NUMBER INDEX

Part Number	Page	Part Number	Page	Part Number	Page	Part Number	Page
4807661	6-13	492935	10-4, 10-35	70020047	3-23	70020107	3-25
4807694	6-13	498748	6-3, 6-11	70020048	3-23	70020108	3-25
4807707	6-13	5200605	1-3, 1-17, 2-17,	70020049	3-23	70020109	3-25
4807718	6-13		10-13, 10-15	70020050	3-23	70020110	3-27
4807729	6-13	5200608	1-3, 1-11, 6-3, 6-13,	70020051	3-23	70020111	3-27
4807730	6-13		10-27, 10-47	70020052	3-23	70020112	3-27
4807741	6-13	5200808	4-3, 4-5, 4-19, 4-27,	70020053	3-23	70020113	3-27
4807752	6-13		4-29, 6-9, 6-23,	70020054	3-23, 3-25, 3-27	70020114	3-27
4807763	6-13		7-9, 8-7, 8-37,	70020055	3-23	70020115	3-27
4811400	6-21, 10-51		8-39, 12-25	70020057	3-23	70020116	3-27
48116001-9, 4-15, 4-17, 6-25,		52008104-5, 6-13, 6-17, 6-21,		70020058	3-23	70020117	3-27
	10-37, 12-17,		6-25, 8-3, 8-31,	70020059	3-23	70020118	3-27
	12-33		10-15, 12-11	70020060	3-23	70020119	3-27
4811700	1-5, 4-31, 4-33, 6-3,	5200812	8-9, 8-33	70020061	3-23	70020120	3-27
	8-3, 8-9, 8-21,	5200813	4-3	70020062	3-23	70020121	3-27
	8-25, 8-33, 8-40,	5200814	1-3	70020063	3-23	70020122	3-27
	10-4, 10-11,	52010104-3, 4-33, 6-21, 10-9,		70020064	3-23	70020123	3-27
	10-35, 10-37,		10-42, 12-29	70020065	3-23	70020124	3-27
	10-42, 10-49	5201012	1-3, 4-33	70020066	3-23	70020125	3-27
48119001-5, 1-27, 4-15, 4-21,		5201014	4-3, 4-5, 8-7, 8-37,	70020067	3-23	70020126	3-27
	4-23, 4-25, 6-4,		8-39, 10-9,	70020068	3-23, 3-31	70020128	3-27
	6-17, 7-9, 8-4,		10-42, 12-25	70020069	3-23	70020129	3-27
	10-9, 10-19,	5201017	4-31	70020070	3-23	70020130	3-27
	10-21, 10-35,	52012101-3, 1-21, 1-25, 1-29,		70020071	3-23	70020131	3-27
	10-38, 10-42,		2-17, 2-19, 4-5	70020072	3-25	70020132	3-27
	10-51, 11-5,	5201215	4-3, 4-5, 8-7, 8-37,	70020073	3-25	70020133	3-27, 3-31
	12-9		8-39, 12-25	70020074	3-25	70020134	3-27
4811902	2-19, 10-51	5201612	1-3	70020075	3-25	70020135	3-27
4812000	1-5, 1-15, 2-7, 2-9,	5211702	1-7, 1-9, 1-17, 7-3,	70020076	3-25	70020136	3-27
	2-11, 2-13, 2-15,		10-4, 10-34,	70020077	3-25	70020137	3-27
	4-15, 4-19, 4-31,		12-19	70020078	3-25	70020138	3-27
	4-33, 6-3, 7-3,	5211900	1-11, 1-31, 1-33	70020079	3-25	70020139	3-27
	7-9, 10-9, 10-42	5211902	1-17, 6-17, 7-3, 7-5,	70020080	3-25	70020140	3-27
4812100	1-17, 6-4, 6-9		12-31	70020081	3-25	70020141	3-27
4812300	4-3, 4-5, 12-3, 12-15	5212000	1-9, 4-3, 4-5, 9-73,	70020082	3-25	70020142	3-28
48125001-13, 1-15, 8-17, 12-3			10-4, 10-19,	70020083	3-25	70020143	3-23
4831700	10-35, 10-49		10-21, 10-35	70020084	3-25	70020144	3-25
4831900	10-37	5220500	10-49	70020085	3-25	70020145	3-25
4832000	1-29, 1-31, 10-35	5220600	1-11	70020086	3-25	70020146	3-31
487336	10-23, 10-25	5220800	1-5, 1-11, 1-27, 4-3,	70020087	3-25	70020147	3-27
4891600	8-37, 8-39		4-5, 4-15, 4-17,	70020088	3-25	70020148	3-31
4923002	10-4, 10-31		4-19, 4-21, 4-23,	70020089	3-25	70020149	3-31
4923003	10-15, 10-29		4-25, 4-29, 6-3,	70020090	3-25	70020150	3-31
4923004	10-15, 10-29		6-9, 6-13, 8-7,	70020091	3-25	70020151	3-31
4923031	10-15		8-37, 8-39,	70020092	3-25	70020152	3-31
4923032	10-15		12-25	70020093	3-25	70020153	3-31
4923167	10-37	5221000	4-3, 4-5, 6-21	70020094	3-25	70020154	3-31
4923168	10-37	5221200	4-3, 4-5	70020095	3-25	70020155	3-31
4923262	10-4, 10-35	5271809	2-9	70020096	3-25	70020156	3-31
4923312	10-35	70002222	9-53	70020097	3-25	70020157	3-31
4923313	10-35	70020038	3-23	70020098	3-25	70020158	3-31
4923314	10-35	70020039	3-23	70020099	3-25	70020159	3-31
4923319	10-42	70020040	3-23	70020100	3-25	70020160	3-31
4923320	10-42	70020041	3-23	70020101	3-25	70020161	3-31
4923321	10-42	70020042	3-23	70020102	3-25	70020162	3-31
4923512	12-31	70020043	3-23	70020103	3-25	70020163	3-31
4923513	10-37	70020044	3-23	70020104	3-25	70020164	3-31
4923514	10-37	70020045	3-23	70020105	3-25	70020165	3-31
4923534	10-38	70020046	3-23	70020106	3-25	70020166	3-31



Part Number	Page	Part Number	Page	Part Number	Page	Part Number	Page
70020167	3-31	70021576	4-3, 4-5	70029953	9-59	7028036	5-9, 5-25
70020168	3-31	70021786	4-11	70029954	9-59	7028038	5-13
70020169	3-31	70021830	4-49	70029955	9-59	7028039	5-13
70020173	5-9, 5-25	70021835	3-15	70029956	9-53	7028043	5-23
70020201	3-7, 3-35	70021836	3-15	70029957	9-53	7028048	5-25
70020202	3-7	70021838	3-15	70029958	9-53	7028049	5-9, 5-25
70020203	3-7, 3-33	70021839	3-15	70029959	9-53	7028052	5-29
70020204	3-7, 3-33	70021840	3-15	70029960	9-53	7028053	5-29
70020205	3-7, 3-35	70021841	3-15	70029961	9-53	7028055	4-41
70020206	3-7, 3-35	70021842	3-15	70029972	9-47	70280564-63, 4-65, 4-67, 4-69	
70020209	4-11	70021843	3-15	7011016	9-79	7028057	4-71
70020304	3-23	70021898	5-9, 5-25	7011043	9-79	7028058	4-39
70020392	3-9	70021925	10-45	7011044	9-79	7028060	4-43, 4-45
70020402	4-39	70021926	10-45	7011048	9-79	7028061	4-45
70020407	4-49	70022690	9-63	7011067	9-79	7028063	4-49
70020412	4-73	70022698	9-63	7012706	9-71	7028067	4-63, 4-67
70020417	3-35	70022700	9-63	7012709	9-71	7028069	4-73
70020421	3-21	70022701	9-63	7012715	9-71	7028070	4-73
70020422	3-21	70022702	9-63	7017165	3-23	7028071	4-73
70020423	3-21	70022703	9-63	7017172	3-23	7028076	5-25
70020424	3-21	70022704	9-63	7017192	3-23	7028079	5-15, 5-31
70020721	4-31, 4-33	70022705	9-63	7024014	8-3, 9-77	7028080	5-15, 5-31
70020723	3-33	70022769	9-66	7024038	9-71	7028081	5-15, 5-31
70020724	3-33	70022791	9-17	7024914	9-71	7028083	5-17, 5-33
70020725	3-33	70022831	3-19	7024915	9-71	7028084	5-17, 5-33
70020726	3-33	70022906	3-15	7024917	9-71	7028085	4-73
70020727	3-33	70022907	3-15	7024918	9-71	7028086	4-73
70020728	3-33	70022922	3-15	7024919	9-71	7028090	10-7
70020729	3-33	70022923	3-15	7024920	9-71	7028091	7-3
70020730	3-15, 3-33	70022924	3-15	7024921	9-71	7028092	3-9
70020731	3-15, 3-33	70022925	3-15	7024922	9-71	7028093	3-9
70020732	3-33	70022927	3-15	7024934	9-69	7028094	3-9
70020733	3-33	70022928	3-15	7024935	9-69, 9-71	7028095	4-21, 4-23, 4-25
70020734	3-33	70022929	3-15	7024940	9-69	7028096	4-21, 4-23, 4-25
70020869	4-73	70022930	3-15	7024941	9-69	7028097	4-21, 4-23, 4-25
70021027	3-27	70023065	4-73	7024942	9-69	7028098	3-11
70021125	6-23	70023066	4-73	7024943	9-69	7028108	4-9
70021140	5-23	70023105	5-9, 5-25	7024944	9-69	7028110	4-35
70021142	4-11	70023276	3-15	7024945	9-69	7028112	8-4
70021143	4-11	70023277	3-15	7024946	9-69	7028113	8-4
70021144	4-11	70023278	3-15	7024947	9-69	70281149-19, 9-23, 9-28, 9-34	
70021145	4-11	70023484	3-3	7024948	9-69	7028115	5-9, 5-17, 5-26
70021230	10-45	7002844	10-34	7024949	9-69	70281169-19, 9-23, 9-28, 9-34	
70021241	3-15	7002845	10-3, 10-34	7024950	9-69	70281179-19, 9-23, 9-28, 9-34	
70021482	4-31, 4-33	70029937	9-47	7024951	9-69	7028118	4-23, 4-25
70021483	4-31, 4-33	70029938	9-47	7024952	9-69, 9-71	7028121	3-7
70021484	4-31, 4-33	70029940	9-47, 9-53	7024953	9-69	7028122	3-7
70021487	4-11	70029941	9-47, 9-53, 9-59	7024954	9-69, 9-71	7028123	3-7
70021488	4-11	70029942	9-47	7026408	10-29, 10-31	7028124	3-3, 3-7
70021489	4-11	70029943	9-47	7028000	1-15, 10-3	7028125	3-3
70021490	4-11	70029944	9-47	7028001	1-15, 10-3	7028126	3-3
70021501	4-12	70029945	9-59	7028002	1-15, 10-3	7028127	3-3
70021502	4-12	70029946	9-59	7028003	1-15, 10-3	7028128	3-3
70021558	3-13	70029947	9-59	7028004	1-15, 10-3	7028129	3-3
70021559	3-13	70029948	9-53, 9-59	7028005	1-15, 10-3	7028130	3-3
70021560	3-13	70029949	9-53, 9-59	7028006	1-15, 10-3	7028131	3-3, 3-5
70021561	3-13	70029950	9-59	7028009	4-9	7028132	3-3
70021562	3-13	70029951	9-59	7028033	4-9	7028133	3-3
70021563	3-13	70029952	9-59	7028035	5-25	7028134	3-3



PART NUMBER INDEX

Part Number	Page	Part Number	Page	Part Number	Page	Part Number	Page
7028135	3-3	7028648	9-69	7028749	6-19, 12-13	7028900	9-57
7028136	3-11, 3-13	7028649	9-69	7028750	6-19, 12-13	7028901	9-57
7028137	3-11, 3-13	7028650	9-69	7028751	6-19, 12-13	7028902	9-57
7028141	4-9, 4-11	7028651	9-69	7028752	6-19, 12-13	7028904	10-31
7028314	9-5, 9-9, 9-13, 9-17, 9-41, 9-45, 9-51, 9-57	7028654	4-11	7028753	6-19, 12-13	7028905	10-31
7028352	9-21, 9-25	7028655	4-11	7028754	6-19, 12-13	7028906	10-31
7028355	9-21, 9-25	7028656	4-11	7028755	6-19, 12-13	7028907	10-31
7028356	9-21, 9-25	7028659	4-11	7028756	6-19, 12-13	7028909	10-31
7028357	9-21, 9-25	7028660	4-11	7028757	6-19, 12-13	7028910	3-3, 3-5
7028526	7-7	7028661	4-11	7028758	6-19	7028911	3-5
7028527	7-7	7028662	4-11	7028759	6-19	7028912	3-5
7028528	7-7	7028663	4-11	7028760	6-19	7028913	3-5
7028529	7-7	7028664	4-12	7028761	6-19	7028914	3-5
7028530	7-7	7028665	4-11	7028762	6-19	7028915	3-5
7028531	7-7	7028666	4-11	7028763	6-19, 12-13	7028916	3-5
7028532	7-7	7028668	4-11	7028764	6-19, 12-13	7028917	3-5
7028533	7-7	7028669	4-11	7028765	6-19, 12-13	7028918	3-5
7028534	7-7	7028670	9-69	7028766	6-19	7028919	3-5
7028535	7-7	7028671	9-71	7028767	6-19	7028920	3-5
7028536	7-7	7028672	4-11	7028768	6-19	7028921	3-5
7028537	7-7	7028673	4-11	7028769	6-19	7028922	3-5
7028538	7-7	7028674	4-11	7028770	6-19	7028923	3-5
7028539	7-7	7028675	4-11	7028771	12-13	7028927	4-39
7028540	7-7	7028676	4-11	7028772	12-13	7028929	4-3, 4-5
7028541	7-7	7028677	4-11	7028773	12-13	7028982	3-5
7028545	9-13, 9-17	7028678	4-11	7028774	12-13	7028983	3-5
7028547	9-5, 9-9, 9-13, 9-17	7028679	4-11	7028775	12-13	7028984	3-3, 3-5
7028549	9-13, 9-17	7028680	4-11	7028777	12-13	7028985	3-5
7028558	9-41	7028681	4-11	7028778	12-13	7028986	3-3
7028572	9-41	7028682	4-11	7028779	12-13	7028987	3-3
7028573	9-41	7028683	4-11	7028780	12-13	7028988	3-3
7028574	9-41	7028684	4-11	7028781	12-13	7028989	3-3
7028575	9-41	7028685	4-11	7028782	4-15, 4-17, 9-73	7028990	3-5
7028576	9-41	7028686	4-11	7028784	9-61	7028991	3-5
7028583	9-33	7028687	4-9, 4-11	7028786	9-61	7029008	10-45
7028584	9-5, 9-9, 9-13, 9-17, 9-21, 9-25, 9-31, 9-37, 9-41	7028688	4-11	7028787	9-61	7029105	10-3
7028585	9-45	7028689	4-11	7028792	9-61	7029129	5-7
7028586	9-45	7028690	4-11	7028794	9-61	7029131	5-7
7028589	9-45	7028691	4-11	7028840	9-41	7029137	7-7
7028599	9-51	7028692	4-11	7028845	9-67	7029138	7-7
7028600	9-51	7028699	9-71	7028846	9-65, 9-67	7029139	10-31
7028601	9-51	7028700	9-71	7028847	9-66	7029165	9-69
7028602	9-51	7028701	9-71	7028848	9-65	7029166	9-71
7028605	9-51, 9-57	7028702	9-71	7028849	9-65, 9-67	7029208	9-67
7028606	9-51, 9-57	7028703	9-71	7028856	9-41	7029215	4-17
7028617	6-15	7028704	9-71	7028857	9-45	7029216	4-17
7028619	6-15	7028705	9-71	7028858	9-51	7029217	4-17
7028620	6-15	7028707	5-15, 5-31	7028860	9-51	7029218	4-17
7028621	6-15	7028708	5-15, 5-31	7028861	9-65	7029220	4-17
7028626	3-17	7028709	5-7	7028862	9-65	7029221	4-17
7028628	3-17	7028710	5-7	7028863	3-19	7029225	9-61
7028629	9-65	7028733	5-10, 5-26	7028864	3-19	7029231	9-5, 9-9, 9-13, 9-17
7028630	9-66	7028742	6-19, 12-13	7028885	5-15, 5-31	7029286	5-10, 5-25
7028639	10-45	7028743	6-19, 12-13	7028894	9-66	7029319	10-45
7028647	9-69	7028744	6-19, 12-13	7028895	9-57	7029356	3-3
		7028745	6-19, 12-13	7028896	9-57	7029426	5-5, 5-21
		7028746	6-19, 12-13	7028897	9-57	7029427	5-7, 5-23
		7028747	6-19, 12-13	7028898	9-57	7029428	5-9, 5-25
		7028748	6-19, 12-13	7028899	9-57	7029429	5-9, 5-25



Part Number	Page	Part Number	Page	Part Number	Page	Part Number	Page
7029430	5-9, 5-25	7029749	3-3	8000782	1-3	8001912	9-69
7029431	5-10, 5-26	7029786	5-29	8000796	7-5	8001918	2-19
7029432	5-10, 5-26	7029811	5-9, 5-25	8000797	6-9, 6-11	8001935	1-11
7029433	5-13, 5-29	7029813	10-3	8000798	6-11	8001989	10-19, 10-21
7029434	9-5, 9-9	7029827	6-19	8000799	6-9	8001991	10-19, 10-21
7029435	9-5, 9-9	7029828	6-19	8000801	1-5	8001992	10-19
7029436	9-5	7029845	9-51, 9-57	8000802	6-9	8002000	10-19
7029437	9-5, 9-9	7029847	9-51, 9-57	8000803	6-3	8002003	10-19
7029438	9-5, 9-9	7029888	3-25	8000809	5-35	8002005	2-17, 2-19
7029439	9-5, 9-9, 9-13	7029903	10-4	8000871	6-9	8002019	4-15, 4-17
7029442	9-13, 9-17	7029904	10-4	8000873	3-9	8002021	2-19
7029443	9-13, 9-17	7029905	10-4	8000877	5-9, 5-25	8002022	6-9
7029444	9-13	7029920	5-15, 5-31	8000924	10-3, 10-34	8002027	2-17
7029445	9-45	7029926	3-27	8000926	10-3	8002045	2-19
7029446	9-45	7029927	3-27	8000984	10-3, 10-34	8002072	2-17
7029459	4-65	7029928	3-27	8000992	8-21	8002095	8-4
70294739-39, 9-43, 9-49, 9-55		7029929	3-27	8000993	8-21	8002096	8-3
7029477	6-15	7029930	3-27	8000995	8-13	8002097	8-3
7029478	6-15	7029931	3-27	8000997	8-13	8002110	2-19
7029479	6-15	7029932	3-27	8000998	8-13	8002145	2-17, 2-19
7029515	9-77	7029933	3-27	8000999	8-13	8002197	2-15
7029519	9-77	7029935	3-27	8001143	5-35	8002199	2-7, 2-9, 2-11, 2-13, 2-15
7029527	5-15, 5-31	7029938	4-9	8001144	6-9	8002200	2-7, 2-9, 2-11, 2-13, 2-15
7029531	9-65	7029939	4-9	8001236	6-23	8002201	2-7, 2-9, 2-11, 2-13
7029592	9-79	7029962	3-25	8001275	8-21, 8-25	8002211	6-21, 10-4, 10-34
7029593	9-79	77104007	4-71	8001330	6-3	8002214	2-15
7029610	9-37	77104039	4-41	8001331	6-3	8002263	1-17
7029611	9-37	77104041	4-41	8001332	6-3	8002319	1-11
7029612	9-37	77104044	4-71	8001550	4-27	8002320	2-3, 2-5
7029613	9-37	77104056	4-39	8001551	4-27, 4-29	8002321	8-3
7029614	9-31, 9-37	77104081	4-61	8001557	4-27	8002323	8-3
7029615	9-31, 9-37	77104140	4-61	8001565	6-23	8002324	8-3
7029616	9-31, 9-37	77363228	10-31	8001626	1-3	8002331	2-3, 2-5
7029617	9-31, 9-37	77363229	10-29, 10-31	80016278-7, 8-37, 8-39, 12-25		8002332	1-11
7029618	9-31, 9-37	77383126	4-23, 4-25	80016288-7, 8-37, 8-39, 12-25		8002345	2-9
7029619	9-31, 9-37	7772433	12-25	8001629	8-3	8002353	8-9, 8-33
7029620	9-31, 9-37	7772434	12-25	8001631	8-3	8002354	8-9
7029622	9-31, 9-37	8000078	6-7	8001632	8-3	8002355	8-9, 8-33
7029623	9-31, 9-37	8000103	10-4, 10-35	80016358-7, 8-37, 8-39, 12-25		8002356	8-21, 8-25
7029624	9-31, 9-37	8000336	6-3	80016418-7, 8-37, 8-39, 12-25		8002359	8-9, 8-33
70296269-21, 9-25, 9-31, 9-37		8000337	6-3	80016428-7, 8-37, 8-39, 12-25		8002360	8-9
7029627	9-31, 9-37	8000339	6-9	8001645	8-3	8002371	8-9, 8-33
7029628	9-31	8000340	6-13	8001692	8-4	8002372	8-9, 8-33
7029629	9-31	8000341	6-13	8001693	8-4	8002373	8-9, 8-33
7029630	9-31	8000343	6-11	8001694	8-4	8002374	4-19
7029631	9-31	8000344	6-11	8001699	8-4	8002375	4-19
7029632	9-31, 9-37	8000345	7-7	8001702	8-4	8002407	7-5
7029636	10-11	8000346	6-7	8001833	6-9	8002423	1-7, 1-9
7029717	4-11	8000347	7-9	8001837	8-4	8002476	2-13
7029722	4-19	8000364	6-15	8001838	8-4	8002570	8-18
7029723	4-19	8000382	1-5	8001852	8-3	8002581	8-17
7029724	4-19	8000420	1-5	8001854	8-29	8002584	4-3, 4-5
7029725	9-25	8000424	6-11	8001855	8-13	8002585	4-3, 4-5
7029726	9-25	8000515	4-3	8001885	7-3	8002591	1-3
7029727	9-25	8000565	6-4	8001888	2-19	8002599	4-3, 4-5
7029728	9-21, 9-25	8000567	6-4	80019058-7, 8-37, 8-39, 12-25		8002626	8-17
7029729	9-21	8000704	1-15	80019068-7, 8-37, 8-39, 12-25		8002627	8-17
7029730	9-21	8000759	6-11	80019084-19, 8-7, 8-37, 8-39, 12-25			
7029748	3-5	8000778	8-13, 8-21				



PART NUMBER INDEX

Part Number	Page	Part Number	Page	Part Number	Page	Part Number	Page
8002637	2-11, 2-13, 2-15	8003026	6-7	8003392	10-4, 10-35	8005267	10-23, 10-25
8002639	2-5	8003027	6-7	8003393	10-9, 10-42	8005276	6-3
8002640	2-3, 2-5	8003028	6-7	8003394	10-3	8005277	10-7
8002641	2-3, 2-5	8003029	6-7	8003524	6-23	8005280	10-7
8002648	2-15	8003032	6-7	8003568	4-9, 4-15	8005288	12-17, 12-33
8002649	2-13	8003033	6-7	8003738	10-4	8005289	12-17
8002650	2-9	8003035	6-7	8003739	7-3	8005293	10-7
8002693	4-27	8003038	6-7	8004054	9-75	8005294	10-7
8002710	8-31	8003045	8-29	8004069	4-3, 4-5	8005295	10-7
8002716	8-9, 8-33	8003047	8-4	8004070	4-3, 4-5	8005296	10-7
8002718	8-9, 8-33	8003062	9-65	8004078	4-21	8005297	10-7
8002757	1-3	8003063	9-65	8004165	11-3	8005315	1-13
8002758	1-19, 1-23	8003064	9-65	8004253	6-7	8005316	1-13
8002762	5-35	8003065	8-22, 8-26	8004285	2-13	8005317	1-13
8002765	6-23	8003140	6-3	8004310	2-11	8005318	1-13
8002770	5-35	8003161	6-23	8004375	2-7	8005376	4-19, 4-21, 4-25
8002771	5-35	8003163	6-23	8004392	6-11	8005408	6-7
8002772	5-35	8003164	6-23	8004393	6-11	8005424	10-3, 10-34
8002774	5-35	8003165	4-31, 4-33	8004398	6-11	8005447	6-13
8002777	5-35	8003166	4-31, 4-33	8004444	2-11	8005472	1-3
8002778	5-35	8003167	4-9, 4-31, 4-33	8004449	8-13	8005553	6-9
8002779	2-5	8003171	6-23, 6-25	8004468	5-9, 5-25	8005556	10-3, 10-34
8002780	2-3	8003172	6-23	8004521	5-3, 5-5, 5-7, 5-9, 5-13, 5-15	8005608	11-7
8002785	4-3	8003173	6-23	8004600	6-25	8005609	11-3
8002787	10-7	8003174	6-23	8004602	9-3	8005616	11-3
8002789	12-7	8003191	6-7	8004603	4-19	8005621	8-25
8002790	10-7	8003198	11-3	8004631	8-7, 12-25	8005622	8-25
8002791	12-27	8003199	8-22, 8-26	8004672	7-5	8005624	8-17
8002794	8-17	8003242	2-7, 2-9, 2-15	8004762	7-5	8005625	8-17
8002798	5-13	8003243	2-15	8004763	6-25, 7-5	8005626	8-17
8002819	10-3, 10-34	8003281	6-7	8004777	8-4	8005627	8-17
8002820	10-3	8003285	4-15, 4-17	8004847	1-17	8005639	8-13
8002822	3-27, 7-5	8003293	1-17, 6-9	8004853	1-17	8005640	8-13
8002824	12-7	8003294	6-21	8004872	4-3	8005670	11-3, 11-7
8002826	12-17	8003295	6-21	8004876	6-11	8005671	11-3, 11-7
8002831	10-4, 10-34	8003301	4-15	8004879	1-7, 1-9	8005672	11-7
8002832	8-21, 10-4, 10-35	8003302	4-15	8004882	1-17	8005673	11-7
8002833	8-22, 8-26	8003303	4-15	8004886	6-7	8005674	11-7
8002834	8-21, 10-4, 10-35	8003309	6-7	8004887	6-7	8005675	11-3
8002836	8-21	8003320	4-3, 4-5	8004908	8-7, 12-25	8005741	4-19
8002838	8-3	8003341	11-3	8004980	4-19	8005743	4-19
8002843	10-11	8003342	11-7	8004981	4-21, 4-25	8005786	4-31, 4-33
8002846	10-13	8003343	11-8	8004982	4-3, 4-5	8005787	4-31, 4-33
8002859	10-11	8003344	11-9	8004990	6-4	8005788	4-31, 4-33
8002907	2-7, 2-11, 2-13, 2-15	8003345	11-8	8005079	4-3, 4-5	8005789	8-3
8002914	2-9, 2-13	8003346	11-8	8005106	7-9	8005792	8-13
8002922	8-25	8003347	11-9	8005154	4-15	8005801	5-9, 5-25
8002927	4-21, 4-23, 4-25	8003348	11-10	80051748-7, 8-37, 8-39, 12-25		8005825	5-35
8002954	10-3, 10-17	8003349	11-8	8005197	4-15, 4-19	8005827	5-35
8002965	8-17	8003350	11-9	8005205	6-4	8005828	5-35
8002969	2-11	8003351	11-11	8005222	8-13, 8-17	8005869	11-3
8002970	2-7	8003382	10-7	8005248	9-73	8005870	11-7
8002972	2-9, 8-13, 8-18	8003384	10-4	8005249	10-7	8005901	10-7
8002985	6-13, 10-7	8003385	10-4, 10-34	8005251	10-7	8006012	4-9
8003001	8-17	8003386	10-11, 10-45	8005252	8-13, 8-17	8006013	4-9, 4-11
8003008	6-23	8003387	10-4, 10-35	8005257	10-3, 10-34	8006014	4-9
8003009	6-3	8003388	10-3	8005258	10-3, 10-34	8006016	4-9
8003024	8-31	8003389	10-9, 10-42	8005266	9-7	8006017	4-9
8003025	8-31	8003391	10-9, 10-42				



Part Number	Page	Part Number	Page	Part Number	Page	Part Number	Page
8006018	4-9	8007283	2-7	8007568	6-7	8007733	4-19
8006019	4-9	8007284	8-13	8007618	10-25	8007734	4-27, 4-29
8006038	11-3	8007285	8-21	8007619	10-25	8007736	1-27
8006090	8-7, 12-25	8007324	3-21	8007620	10-25	8007737	6-15
8006105	1-17, 12-19	8007326	9-23	8007622	8-3	8007739	6-15
8006115	4-31	8007345	6-15	8007623	9-27	8007741	6-15
8006117	4-31	8007350	8-21	8007624	9-27	8007745	5-7
8006211	8-21, 8-25	8007351	8-21	8007625	9-27	8007749	5-7
8006212	10-7	8007352	8-13	8007626	9-27, 9-33	8007751	5-7
8006242	1-17, 12-19	8007353	8-13	8007627	9-27, 9-33	8007752	5-7
8006258	2-3, 2-5	8007354	8-13	8007628	9-27, 9-33	8007753	7-3
8006261	6-7	8007355	8-13	8007629	9-27	8007755	5-7
8006262	6-7	8007357	9-55	8007630	9-27, 9-33	8007758	5-9
8006309	12-17	8007358	9-55	8007631	9-27, 9-33	8007759	5-9
8006318	4-35	8007359	9-55	8007632	9-27, 9-33	8007770	5-9, 5-25
8006329	8-3	8007360	9-55	8007633	9-27, 9-33	8007771	5-9
8006347	10-7	8007361	9-55	8007634	9-27, 9-33	8007774	5-10, 5-26
8006348	10-3	8007362	9-55	8007635	9-27, 9-33	8007775	5-9, 5-25
8006356	10-9	8007363	9-49, 9-55	8007651	9-27, 9-33	8007777	5-10, 5-26
8006357	6-25	8007364	9-55	8007652	9-27, 9-33	8007779	5-10, 5-26
8006358	4-31	8007365	9-49, 9-55	8007653	9-27, 9-33	8007780	5-10, 5-26
8006382	10-11	8007367	9-49, 9-55	8007655	9-19, 9-21, 9-23, 9-25, 9-27, 9-31, 9-33, 9-37	8007782	5-10, 5-26
8006388	10-13	8007369	9-55			8007783	5-10
8006450	4-31, 4-33	8007375	9-39			8007785	5-13
8006452	6-21	8007376	9-39	8007658	9-27, 9-34	8007786	5-13
8006491	1-17	8007377	9-39	8007661	9-33	8007788	5-13
8006515	8-4	8007379	9-39	8007662	9-33	8007794	5-13
8006516	8-4	8007381	9-39	8007665	9-33	8007798	5-13
8006580	1-27	8007382	9-39	8007671	9-28	8007800	5-13
8006599	6-25	8007384	9-43	8007673	9-34	8007801	5-13
8006603	5-9, 5-25	8007385	9-43	8007674	9-23	8007802	5-13
8006604	5-9, 5-25	8007386	9-43	8007675	9-23	8007803	5-15, 5-31
8006605	5-9, 5-25	8007387	9-43	8007676	9-19, 9-23	8007804	5-15, 5-31
8006612	3-31, 11-3	8007388	9-43	8007678	9-19, 9-23	8007805	5-15
8006658	6-25	8007389	9-43	8007679	9-19, 9-23	8007808	6-13
8006680	12-27	8007390	9-43	8007689	9-19, 9-23	8007811	6-7
8006699	5-13	8007394	9-49	8007693	9-19, 9-23	8007821	4-63, 4-67
8007152	2-13	8007395	9-49	8007694	9-19, 9-23	8007822	4-73
8007159	2-9	8007396	9-49	8007695	9-3	8007824	4-73
8007160	8-25	8007397	9-49	8007696	9-3, 9-7	8007838	9-69
8007161	8-25	8007398	9-49	8007697	9-3, 9-7	8007862	7-3
8007162	8-17	8007399	9-49	8007698	9-3, 9-7	8007875	4-39, 10-42
8007163	8-17	8007400	9-49	8007705	9-3, 9-7	8007877	8-3
8007164	8-17	8007430	1-17	8007706	9-3, 9-7	8007879	8-3
8007165	8-17	8007433	12-17, 12-33	8007707	9-3, 9-5, 9-7, 9-9, 9-11, 9-13, 9-15, 9-17	8007894	9-66
8007200	9-15	8007467	6-21			8007899	9-66
8007201	9-33	8007476	9-49			8007915	9-66
8007257	4-35	8007478	9-55	8007708	9-3, 9-7, 9-11, 9-15	8007917	9-66
8007258	8-4	8007479	9-39	8007709	9-3, 9-7	8007918	9-66
8007259	2-11	8007480	9-55	8007710	10-25	8007919	9-66
8007260	2-7	8007481	9-49	8007711	9-11, 9-15	8007920	9-66
8007267	2-15	8007484	9-43	8007712	9-7	8007922	9-66
8007268	2-13	8007486	9-43	8007713	9-11	8007924	9-65
8007269	2-9	8007491	4-27	8007715	9-11	8007925	9-65
8007271	2-5	8007554	9-75	8007716	9-11, 9-15	8007926	9-65
8007277	8-17	8007555	9-75	8007717	9-11, 9-15	8007927	9-65
8007278	8-25	8007562	9-75	8007724	9-11, 9-15	8007928	9-65
8007281	2-3	8007563	9-75	8007728	9-15	8007929	9-65
8007282	2-11	8007564	9-75	8007729	9-15	8007935	9-65



PART NUMBER INDEX

Part Number	Page	Part Number	Page	Part Number	Page	Part Number	Page
8007936	9-66	8008239	6-25	8008829	11-9, 11-10	8009115	11-8
8007939	9-66	8008251	7-9	8008831	11-9, 11-10	8009116	11-8
8007941	9-66	8008252	7-9	8008832	11-9	8009117	11-8
8007942	9-66	8008278	8-9, 8-33	8008833	11-10	8009118	11-8
8007943	9-66	8008279	8-9, 8-33	8008834	11-10	8009119	11-7
8007944	9-66	8008365	7-9	8008835	11-9	8009120	11-7
8007945	9-67	8008420	3-9	8008836	11-9	8009124	1-13
8007946	9-67	8008421	3-9	8008837	11-9	8009125	1-13
8007947	9-66	8008422	3-11	8008838	11-9	8009152	11-9
8007954	9-65, 9-67	8008423	3-7	8008839	11-8	8009153	11-9
8007956	9-66	8008424	3-9	8008840	11-8	8009154	11-8
8007959	9-65	8008523	11-3, 11-7	8008841	11-8	8009155	11-9
8007965	7-3	8008525	11-3, 11-7	8008843	11-8	8009156	11-8
8007968	9-19	8008526	11-3, 11-7	8008844	11-8	8009157	11-8
8007969	9-19	8008527	11-3, 11-7	8008845	11-8	8009158	11-8
8007985	6-25	8008528	11-3, 11-7	8008846	11-8	8009159	11-8
8007986	10-7, 10-11	8008529	11-3, 11-7	8008848	11-8	8009160	11-7
8008004	8-21, 8-25	8008530	11-3, 11-7	8008849	11-8	8009161	11-7
8008007	10-4, 10-34	8008531	11-3, 11-7	8008850	11-8	8009217	3-9
8008009	2-13	8008532	11-3, 11-7	8008851	11-8	8009226	10-21
8008014	3-17	8008533	11-3, 11-7	8008852	11-8	8009228	10-21
80080462-11, 2-15, 2-17, 2-19		8008613	12-21	8008853	11-7	8009230	10-21
8008047	2-7, 2-9	8008627	11-10	8008854	11-7	8009295	6-23
8008049	1-11, 10-3, 10-34	8008628	11-10	8008855	11-7	8009296	6-25
8008051	1-29, 1-31	8008629	11-3	8008856	11-7	8009323	10-13
8008054	2-13	8008633	2-15	8008862	6-4, 10-7	8009324	10-4, 10-34
8008055	2-13	8008634	2-7, 2-9, 2-11, 2-13, 2-15	8008863	10-27	8009326	10-3, 10-34
8008069	2-7, 2-9, 2-11, 2-13, 2-15	8008640	2-7, 2-9, 2-11, 2-13, 2-15	8008868	10-27	8009327	10-4, 10-34
8008070	2-7, 2-9, 2-11, 2-13, 2-15	8008641	2-7, 2-9, 2-11, 2-13, 2-15	8008884	10-27	8009328	10-3
8008072	4-9	8008642	2-7, 2-9, 2-11, 2-13, 2-15	8008885	10-27, 10-47	8009329	10-4, 10-34
8008074	4-9	8008644	2-7, 2-9, 2-11, 2-13, 2-15	8008890	10-27, 10-47	8009330	10-4
8008075	4-9			8008893	10-27, 10-47	8009342	9-5
8008076	4-9			8008961	1-13	8009343	9-9
8008077	4-9			8008962	1-13	8009344	9-13
8008078	4-9			8008963	1-13	8009353	8-17
8008080	4-9			8008964	1-13	8009355	8-17
8008083	4-9	8008651	11-7	8008969	1-13	8009356	8-25
8008091	4-9	8008657	11-3	8008971	1-13	8009357	8-25
8008101	4-49	8008663	7-3	8009046	7-3	8009358	8-13
8008157	1-23	8008675	5-35	8009078	1-13	8009359	8-13
8008159	1-19	8008701	1-11	8009085	1-29, 1-31	8009360	8-21
8008160	1-19	8008721	1-3	8009086	1-29, 1-31	8009361	8-21
8008168	5-13	8008744	11-10	8009087	1-29, 1-31	8009366	10-21
8008169	5-13	8008745	11-10, 11-11	8009089	1-29	8009377	11-3
8008171	5-13	8008746	11-11	8009095	2-15	8009464	6-4
8008173	10-3	8008747	11-11	8009097	2-13	8009507	11-9
8008175	5-15, 5-31	8008750	10-9	8009099	2-9	8009508	11-9
8008178	11-7	8008793	11-3	8009101	2-11	8009509	11-8
8008195	11-3	8008804	11-7	8009103	2-7	8009510	11-9
8008196	11-7	8008805	11-7	8009105	11-11	8009511	11-8
8008199	1-23	8008819	11-9	8009106	11-10	8009512	11-8
8008200	1-23	8008820	11-8	8009107	11-10	8009513	11-8
8008201	1-23	8008821	11-8	8009108	11-10	8009514	11-8
8008218	6-23, 6-25	8008822	11-7	8009109	11-9	8009515	11-7
8008236	6-25	8008825	11-10	8009110	11-9	8009516	11-8
8008237	6-25	8008827	11-10	8009111	11-9	8009517	10-21
8008238	6-25	8008828	11-9	8009112	11-9	8009532	12-9
				8009113	11-8	8009533	12-9
				8009114	11-8	8009573	11-11



Part Number	Page	Part Number	Page	Part Number	Page	Part Number	Page
8009574	11-10, 11-11	8035081	4-63	91474199	4-39	91474282	4-51
8009575	11-10	8035092	4-37	91474200	4-39, 4-73	91474283	4-53
8009576	11-10	80363166	1-31, 10-38	91474201	4-39	91474284	4-53
8009577	11-9	80363195	12-3	91474204	4-39	91474285	4-53
8009578	11-9, 11-10	80604017	10-31	91474205	4-39	91474287	4-53
8009652	10-13	80604018	10-29, 10-31	91474206	4-39	91474288	4-53, 4-55, 4-57, 4-59
8009653	3-17	806264	1-3	91474207	4-39	91474289	4-53, 4-55, 4-57, 4-59
8009666	4-19	8100074	10-7	91474208	4-39	91474294	4-53, 4-55, 4-57, 4-59
8009667	6-17, 6-19	8100076	11-4	91474209	4-39, 4-73	91474295	4-53, 4-55, 4-57, 4-59
8009703	6-3	8100077	11-4	91474210	4-39	91474296	4-53, 4-55, 4-57, 4-59
8009724	6-17	8100078	11-4	91474211	4-39	91474297	4-53, 4-55, 4-57, 4-59
8009759	8-9, 8-33	8100079	11-4	91474212	4-39	91474298	4-53, 4-59
8009766	10-9, 10-42	8100080	11-4	91474213	4-39	91474299	4-53, 4-59
8009783	6-9	8100081	11-4	91474214	4-39	91474300	4-53
8009784	6-9	8100082	11-4	91474216	4-41	91474301	4-55
8009815	11-3	8100083	11-4	91474217	4-41	91474302	4-55, 4-57
8009816	11-3	8100084	11-4	91474218	4-41	91474303	4-55, 4-57, 4-59
8009835	10-4	8100085	11-4	91474219	4-41	91474304	4-55, 4-57
8009883	1-13	8100086	11-4	91474220	4-41	91474306	4-55, 4-57, 4-59
8009885	11-3	8100087	11-4	91474221	4-41	91474307	4-55, 4-57
8009890	11-3	8100088	11-4	91474224	4-41	91474308	4-53, 4-55, 4-57, 4-59
8009939	2-3, 2-5	8100089	11-4	91474226	4-41	91474309	4-53, 4-55, 4-57, 4-59
8009974	4-3	8100090	11-4	91474228	4-41	91474310	4-53, 4-55, 4-57, 4-59
8009975	4-3	8100091	11-4	91474230	4-43, 4-45	91474311	4-55, 4-57
8009983	1-3	816186	4-19	91474231	4-43, 4-45	91474312	4-55, 4-57
8009986	1-3	8277095	4-9	91474232	4-43, 4-45	91474313	4-55, 4-57, 4-61
8009987	1-3, 2-9, 8-14, 8-18	83191059	7-3	91474236	4-43, 4-45	91474314	4-59
8009988	1-3, 2-9, 8-14, 8-18	845749	6-4, 10-11	91474239	4-43, 4-45	91474315	4-59
8010123	2-9, 8-13, 8-18	8466306	11-7	91474241	4-47	91474316	4-59
8010148	2-9, 8-13, 8-18	874960	8-9, 8-13, 8-14, 8-17, 8-18, 8-21, 8-25, 8-29, 8-33	91474242	4-47	91474317	4-59
8010198	12-7			91474243	4-47	91474318	4-59
8010199	12-5			91474245	4-47	91474319	4-59
8010200	12-5	874993	8-13, 8-17, 8-21, 8-25	91474247	4-47	91474320	4-61
8010204	12-5, 12-7	876406	6-25	91474248	4-47	91474321	4-61, 4-73
8010228	12-5, 12-7	877203	8-13, 8-17, 8-21, 8-25	91474251	4-49	91474322	4-61
8010234	12-7	879192	6-3	91474252	4-49	91474323	4-61
8010351	12-21	885236	6-23	91474253	4-49	91474324	4-61
8010452	6-17, 12-11	885849	6-3	91474254	4-49	91474326	4-63, 4-67
8010519	1-27	893178	10-23, 10-25	91474255	4-49	91474331	4-63, 4-67
8010524	1-27	899276	7-3	91474256	4-49	91474334	4-63, 4-67
8010525	1-27	90204781	4-41	91474257	4-49	91474335	4-63
8010526	1-27	90204823	4-39	91474258	4-49	91474336	4-63, 4-67
80204002	5-9, 5-25	909304	1-3, 1-17, 4-15, 4-17, 4-19, 12-19	91474259	4-49	91474337	4-67
802040055-5, 5-10, 5-21, 5-26				91474262	4-49	91474338	4-63, 4-65, 4-67, 4-69
80204065	5-10, 5-26	91034006	4-9	91474263	4-49	91474339	4-63, 4-65, 4-67, 4-69
80204071	5-9, 5-25	91083126	4-23	91474264	4-49	91474340	4-63, 4-65, 4-67, 4-69
80204117	5-9, 5-13, 5-17, 5-25, 5-29, 5-33	91083129	4-23, 4-25	91474265	4-37, 4-39, 4-49, 4-73	91474341	4-63, 4-65, 4-67,
80204281	5-13, 5-29	91143340	10-31				
80273010	4-23, 4-25	914210	1-11	91474266	4-49		
80273042	4-23, 4-25	91473031	7-3	91474268	4-49		
8032509	4-39	91474134	5-7, 5-23	91474273	4-49		
8032526	4-37, 4-39	91474186	4-37	91474274	4-49		
8032528	4-39	91474189	4-37, 4-39	91474275	4-51		
80334277	9-69	91474191	4-37	91474276	4-51		
8034940	4-39	91474192	4-37, 4-39	91474277	4-51		
8034968	4-41	91474193	4-37	91474278	4-51		
8035031	4-53	91474194	4-37	91474279	4-51		
8035075	4-63	91474195	4-37	91474280	4-51		
		91474198	4-39	91474281	4-51		



PART NUMBER INDEX

Part Number	Page	Part Number	Page	Part Number	Page	Part Number	Page
	4-69	91474522.....	5-15, 5-31				
91474342	4-63, 4-65, 4-67,	91474524.....	5-9, 5-25				
	4-69	91474528.....	5-7, 5-23				
91474343	4-63, 4-65, 4-67,	91474529.....	5-7, 5-23				
	4-69	91474531.....	5-7, 5-23				
91474344	4-63, 4-65, 4-67,	91474532.....	5-23				
	4-69	91474533.....	5-7, 5-23				
91474345	4-63, 4-65, 4-67,	91474535.....	5-7, 5-23				
	4-69	91474536.....	5-7, 5-23				
91474346	4-63, 4-65, 4-67,	91474537.....	5-7, 5-23				
	4-69	91474538.....	5-7, 5-23				
91474347	4-63, 4-65, 4-67,	91474539.....	5-7, 5-23				
	4-69	91474540.....	5-7, 5-23				
91474348	4-63, 4-65, 4-67,	91474541.....	5-7, 5-23				
	4-69	91474542.....	5-7, 5-23				
91474349	4-63, 4-65, 4-67,	91474543.....	5-7, 5-23				
	4-69	91474547.....	5-7, 5-23				
91474350	4-63, 4-65, 4-67,	91474548.....	5-7, 5-23				
	4-69	91474549.....	5-7				
91474351	4-63, 4-65, 4-67,	91474550.....	5-7				
	4-69	91474551.....	5-7, 5-23				
91474352	4-63, 4-65, 4-67,	91474553.....	5-7				
	4-69	91474554.....	5-7				
91474353	4-63	91474568.....	5-13, 5-29				
91474356	4-71	91474569.....	5-13, 5-29				
91474362	4-73	91474579.....	5-10, 5-26				
91474364	4-73	91474580.....	5-9, 5-25				
91474365	4-73	91474583.....	5-10, 5-26				
91474366	4-73	91474584.....	5-10, 5-26				
91474367	4-73	91474585.....	5-9, 5-25				
91474369	4-73	91474586.....	5-9, 5-25				
91474370	4-73	91474587.....	5-9, 5-25				
91474371	4-73	91474591.....	5-7, 5-23				
91474372	4-73	91474596.....	5-23				
91474373	4-73	91474600.....	4-73				
91474374	4-73	91474601.....	4-73				
91474375	4-73	91504035.....	9-77				
91474376	4-73	91504041.....	9-77				
91474377	4-73	91514082.....	5-9, 5-25				
91474381	4-73	91514084.....	5-25				
91474382	4-73	91514098.....	5-5, 5-21				
91474383	4-73	91514099.....	5-25, 5-33				
91474387	4-45	91514117.....	5-10, 5-26				
91474388	4-45	91514123.....	5-7, 5-23				
91474389	4-43, 4-45	91514146.....	5-9, 5-25				
91474390	4-43, 4-45	91514147.....	5-9, 5-25				
91474393	4-43, 4-45	91514148.....	5-9, 5-25				
91474394	4-43, 4-45	91514149.....	5-25				
91474395	4-43, 4-45	91514165.....	5-13, 5-29				
91474396	4-43, 4-45	91514188.....	5-9, 5-21, 5-25				
91474399	4-57	91514189.....	5-9, 5-25				
91474468	10-29	91514275.....	5-15, 5-31				
91474469	10-29	91514287.....	4-65, 4-69				
91474507	5-5, 5-21	91514292.....	4-65, 4-69				
91474509	5-5, 5-21	91514293.....	4-65, 4-69				
91474512	5-5, 5-21	91514294.....	4-65, 4-69				
91474513	5-5, 5-9, 5-21, 5-25	933940.....	2-17				
91474515	5-17, 5-33	935113	4-15, 4-17, 6-21, 12-3				
91474516	5-17, 5-33	E000269	10-51				



3121853



An Oshkosh Corporation Company

JLG Industries, Inc.
1 JLG Drive
McConnellsburg PA. 17233-9533
USA
Phone: +1-717-485-5161
Customer Support Toll Free: 1-877-554-5438
Fax: +1-717-485-6417

JLG Worldwide Locations

JLG Industries (Australia)
P.O. Box 5119
11 Bolwarra Road
Port Macquarie
N.S.W. 2444
Australia
Phone: +61 265 811 111
Fax: +61 265 810 122

JLG Latino Americana Ltda.
Rua Eng. Carlos Stevenson,
80-Suite 71
13092-310 Campinas-SP
Brazil
Phone: +55 193 295 0407
Fax: +55 193 295 1025

JLG Industries (UK) Ltd
Bentley House
Bentley Avenue
Middleton
Greater Manchester
M24 2GP
England
Phone: +44 (0)161 654 1000
Fax: +44 (0)161 654 1001

JLG France SAS
Z.I. de Baulieu
47400 Fauillet
France
Phone: +33 (0)5 53 88 31 70
Fax: +33 (0)5 53 88 31 79

JLG Deutschland GmbH
Max-Planck-Str. 21
D - 27721 Ritterhude-Ihlpohl
Germany
Phone: +49 (0)421 69 350 20
Fax: +49 (0)421 69 350 45

JLG Equipment Services Ltd.
Rm 1107 Landmark North
39 Lung Sum Avenue
Sheung Shui N.T.
Hong Kong
Phone: +852 2639 5783
Fax: +852 2639 5797

JLG Industries (Italia) s.r.l.
Via Po. 22
20010 Pregnana Milanese - MI
Italy
Phone: +39 029 359 5210
Fax: +39 029 359 5845

JLG Europe B.V.
Polaris Avenue 63
2132 JH Hoofddorp
The Netherlands
Phone: +31 (0)23 565 5665
Fax: +31 (0)23 557 2493

JLG Polska
Ul. Krolewska
00-060 Warszawa
Poland
Phone: +48 (0)914 320 245
Fax: +48 (0)914 358 200

Plataformas Elevadoras
JLG Iberica, S.L.
Trapadella, 2
P.I. Castellbisbal Sur
08755Castellbisbal, Barcelona
Spain
Phone: +34 93 772 4 700
Fax: +34 93 771 1762

JLG Sverige AB
Enkopingsvagen 150
Box 704
SE - 176 27 Jarfalla
Sweden
Phone: +46 (0)850 659 500
Fax: +46 (0)850 659 534