



Illustrated Parts Manual

Models **600A** **600AJ**

SN 0300069000 to
SN 0300087000

P/N
3121855

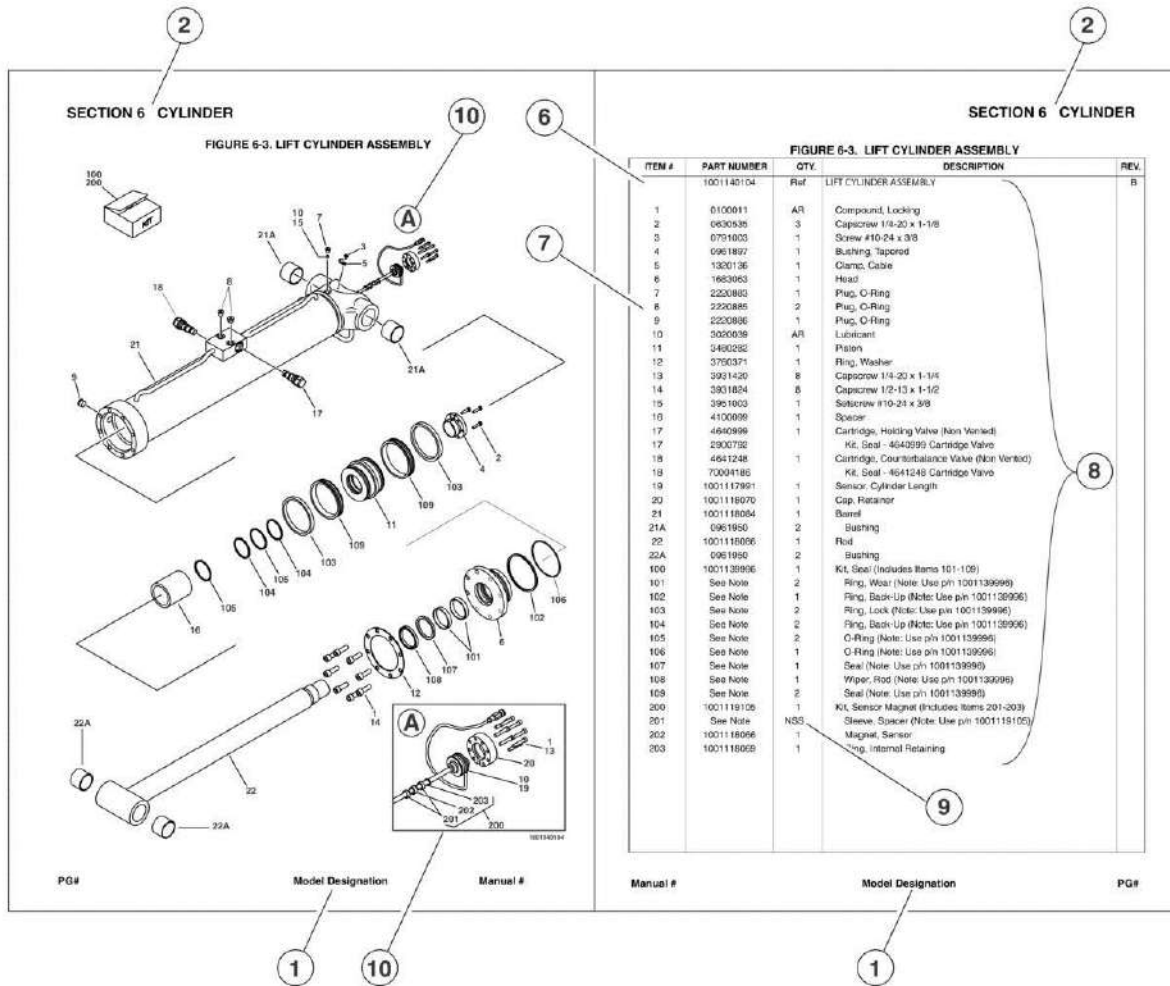
December 14, 2015



REVISION LOG

March 6, 2003 - Original Issue Of Manual (Manual edited to 0010577 Revision 27)
June 16, 2003 - Revised Manual (Edited to 0010577 Revision 31)
September 12, 2003 - Revised Manual (Edited to 0010577 Revision 37)
January 12, 2004 - Revised Manual (Edited to 0010577 Revision 39)
May 5, 2004 - Revised Manual (Edited to 0010577 Revision 42)
September 9, 2004 - Revised Manual (Edited to 0010577 Revision 44)
December 6, 2004 - Revised Manual (Edited to 0010577 Revision 50 & 0010629 Rev 3)
April 12, 2005 - Revised Manual (Edited to 0010577 Revision 51 & 0010629 Rev 11)
June 1, 2005 - Revised Manual (Edited to 0010577 Revision 51 & 0010629 Rev 14)
August 26, 2005 - Revised Manual (Edited to 0010577 Revision 51 & 0010629 Rev 17)
November 15, 2005 - Revised Manual
April 18, 2006 - Revised Manual
July 19, 2006 - Revised Manual
December 12, 2006 - Revised Manual
May 1, 2007 - Revised Manual
August 16, 2007 - Revised Manual
December 4, 2007 - Revised Manual
March 31, 2008 - Revised Manual
September 15, 2008 - Revised Manual
February 15, 2009 - Revised Manual
August 1, 2009 - Revised Manual
March 25, 2010 - Revised Manual
August 15, 2010 - Revised Manual
February 24, 2011 - Revised Manual
May 27, 2011 - Revised Manual
August 29, 2011 - Revised Manual
December 23, 2011 - Revised Manual
April 27, 2012 - Revised Manual
July 24, 2012 - Revised Manual
November 2, 2012 - Revised Manual
March 7, 2013 - Revised Manual
June 6, 2013 - Revised Manual
September 1, 2013 - Revised Manual
June 1, 2015 - Revised Manual
December 14, 2015 - Revised Manual (Revision 4)

GENERAL INFORMATION



1) MACHINE IDENTIFICATION

Machines are identified by model and in some cases a combination of models, serial number (SN) or regional standard (i.e. ANSI, CE, CSA). Components may also be identified by SN or manufacturer. Common components that may be identified by these characteristics are engines and hydraulic components.

2) PARTS MANUAL ORGANIZATION

Product information in this manual is organized under section titles. Frame, Cylinder, Hydraulic and Electrical are a few examples. Each section is organized by figure and page number. The information within the Figure is then organized by item number, part number, description and corresponding illustration (s).

3) TABLE OF CONTENTS

A table of contents is found toward the beginning of the manual. Figure number, description and page number are provided for quick reference to the page containing the related information.

4) RECOMMENDED SPARE PARTS

The Recommended Spare Parts, located near the end of the manual, reference most frequently used maintenance parts.

5) PART NUMBER INDEX

A numerical index listing all part numbers and the corresponding page number(s) appears at the back of the manual.

GENERAL INFORMATION

6) NON-SERVICED PARTS

In some instances, it is necessary to display non-serviced parts, assemblies or installations. In the case of assemblies and installations there will be a Ref in the Qty column. In case of parts that are not available for service within assemblies or components, there will be a NSS (Not Sold Separately) or NLA (No Longer Available) listed in the Qty. column of the manual.

7) PARTS LIST ITEM NUMBERS

Numbers shown in the item# column correspond to numbers used in the associated illustration (s). Item numbers which are missing from the sequence in the parts list are not used on that page

8) INDENTED PARTS DESCRIPTION

An indented part description is included in the item under which it is indented.

9) ABBREVIATION AND SYMBOLS

AC.....	.. Alternating Current	LCD Liquid Crystal Display
ADE.....	.. Advanced Design Electronics	LED Light Emitting Diodes
ANSI American National Standards Institute	LH.....	.. Left Hand
AR.....	.. As Required	LSS Load Sensing System
ASSY Assembly	M(m).....	.. Metric/Meter
AUX.....	.. Auxiliary	MM (mm) Milimeter
AWG.....	.. American Wire Gauge	mA.....	.. Milliamps
B/M.....	.. Bill of Material	NLA.....	.. No Longer Available
CE.....	.. European Conformity	NPT.....	.. National Pipe Threads
CCW Counter Clockwise	NSS Not Sold Separately
cm.....	.. Centimeter	OD.....	.. Outside Diameter
CW.....	.. Clockwise	ORB.....	.. O-Ring Boss
CSA.....	.. Canadian Standards Association	ORFS O-Ring Face Seal
CYL.....	.. Cylinder	OZ (oz).....	.. Ounces
DIA.....	.. Diameter	PG.....	.. Page
DC.....	.. Direct Current	P/N.....	.. Part Number
EMS Emergency Stop	qt.....	.. Quarts
ENG Engine	QTY.....	.. Quantity
FT(ft).....	.. Feet	REF Reference
GA(Ga).....	.. Gauge	REV Revision Level
HYD.....	.. Hydraulic	RH.....	.. Right Hand
Hz.....	.. Hertz	SAE.....	.. Society of Automotive Engineers
ID.....	.. Inside Diameter	SN.....	.. Serial Number
in.....	.. inches	SPEC(S).....	.. Specifications
ISO.....	.. International Organization for Standards	T/T.....	.. Turntable
JIC.....	.. Joint Industry Council	UGM Universal Ground Module
KG.....	.. Kilogram	V.....	.. Volts
L.....	.. Liter	W.....	.. Watts
LB.....	.. Pounds	#.....	.. Number

10) ILLUSTRATION REFERENCE LETTERS

When necessary, illustrations may contain reference letters that are intended to track information (i. e. hoses, harnesses) from one point to another or to track visual enlargement of components to show details that may be located in another area on the illustration.

Note: Due to continuous product improvements, JLG Industries, Inc. reserves the right to make specification changes without prior notification. Contact JLG Industries, Inc. for updated information.

TABLE OF CONTENTS

SECTION 1 - FRAME.....	9
FIGURE 1-1. 2WD FRONT AXLE AND STEERING INSTALLATIONS (SN 0300069000 through 0300081835).....	10
FIGURE 1-2. 2WD FRONT AXLE AND STEERING INSTALLATIONS (SN 0300081836 through 0300087000).....	14
FIGURE 1-3. 4WD FRONT AXLE AND STEERING INSTALLATIONS (SN 0300069000 through 0300081835).....	18
FIGURE 1-4. 4WD FRONT AXLE AND STEERING INSTALLATIONS (SN 0300081836 through 0300087000).....	22
FIGURE 1-5. 4WS REAR STEERING INSTALLATIONS (SN 0300069000 through 0300081835).....	26
FIGURE 1-6. 4WS REAR STEERING INSTALLATIONS (SN 0300081836 through 0300087000).....	28
FIGURE 1-7. TIRE AND WHEEL DRIVE INSTALLATIONS.....	30
FIGURE 1-8. DRIVE HUB ASSEMBLY (SN 0300069000 through 0300081835).....	34
FIGURE 1-9. DRIVE HUB/BRAKE ASSEMBLY (SN 0300081836 through 0300087000).....	36
FIGURE 1-10. DRIVE MOTOR ASSEMBLY (2WD MACHINES) (SN 0300069000 through 0300071019).....	40
FIGURE 1-11. DRIVE MOTOR ASSEMBLY (2WD MACHINES) (SN 0300071020 through 0300081836).....	42
FIGURE 1-12. DRIVE MOTOR ASSEMBLY (4WD MACHINES) (SN 0300069000 through 0300081835).....	44
FIGURE 1-13. DRIVE MOTOR ASSEMBLY (2WD & 4WD MACHINES) (ORIGINAL EQUIPMENT) (SN 0300081836 through 0300087000).....	46
FIGURE 1-14. DRIVE MOTOR ASSEMBLY (2WD & 4WD MACHINES) (SERVICE REPLACEMENT).....	48
FIGURE 1-15. DRIVE VALVES AND SHIELDS INSTALLATION (FRAME MOUNTED) (SN 0300069000 through 0300081835).....	50
FIGURE 1-16. DRIVE VALVES AND SHIELDS INSTALLATION (FRAME MOUNTED) (SN 0300081836 through 0300087000).....	52
FIGURE 1-17. TOW PACKAGE INSTALLATION (OPTIONAL) (SN 0300069000 through 0300081835).....	56
FIGURE 1-18. TOW PACKAGE INSTALLATION (OPTIONAL) (SN 0300081836 through 0300087000).....	58
SECTION 2 - TURNTABLE.....	61
FIGURE 2-1. CONTROL VALVES INSTALLATIONS.....	62
FIGURE 2-2. MAIN VALVE BLOCK ASSEMBLY.....	68
FIGURE 2-3. ACCESSORY VALVE ASSEMBLIES.....	72
FIGURE 2-4. SWING DRIVE, TURNTABLE BEARING AND LOCK INSTALLATIONS.....	74
FIGURE 2-5. SWING HUB ASSEMBLY.....	76
FIGURE 2-6. SWING MOTOR ASSEMBLY.....	78
FIGURE 2-7. CATERPILLAR ENGINE INSTALLATION.....	80
FIGURE 2-8. GENERATOR INSTALLATION (CATERPILLAR ENGINE MACHINES) (OPTIONAL).....	88
FIGURE 2-9. DEUTZ ENGINE INSTALLATION (SN 0300069000 through 0300077489).....	92
FIGURE 2-10. DEUTZ ENGINE INSTALLATION (SN 0300077490 through 0300087000).....	98
FIGURE 2-11. GENERATOR INSTALLATION (DEUTZ ENGINE MACHINES) (OPTIONAL).....	106
FIGURE 2-12. PISTON PUMP ASSEMBLY (SN 0300069000 through 0300079887).....	110
FIGURE 2-13. PISTON PUMP ASSEMBLY (SN 0300079888 through 0300087000).....	116
FIGURE 2-14. GEAR PUMP ASSEMBLY.....	120
FIGURE 2-15. TANK INSTALLATIONS.....	122
FIGURE 2-16. ROTARY COUPLING INSTALLATIONS (SN 0300069000 through 0300081835).....	124
FIGURE 2-17. ROTARY COUPLING INSTALLATIONS (SN 0300081836 through 0300087000).....	126
FIGURE 2-18. GROUND CONTROL BOX ASSEMBLIES.....	130
FIGURE 2-19. ELECTRICAL OPTIONS INSTALLATIONS (TURNTABLE MOUNTED).....	134
FIGURE 2-20. ENGINE TRAY JACK INSTALLATIONS (OPTIONAL).....	138
FIGURE 2-21. HOODS INSTALLATIONS.....	140
SECTION 3 - BOOM.....	145
FIGURE 3-1. BOOMS AND CYLINDERS INSTALLATION - 600A.....	146
FIGURE 3-2. BOOMS AND CYLINDERS INSTALLATION - 600AJ.....	150
FIGURE 3-3. TOWER BOOM ASSEMBLIES.....	156
FIGURE 3-4. MAIN BOOM ASSEMBLIES.....	160
FIGURE 3-5. ROTATOR ASSEMBLIES (FRONT ENTRY PLATFORM).....	164
FIGURE 3-6. ROTATOR ASSEMBLIES (SIDE ENTRY PLATFORM).....	168
FIGURE 3-7. VALVES AND SWITCHES INSTALLATION (BOOM MOUNTED).....	170
SECTION 4 - PLATFORM.....	175
FIGURE 4-1. PLATFORM ASSEMBLIES (FRONT ENTRY PLATFORM).....	176
FIGURE 4-2. PLATFORM ASSEMBLIES - SIDE ENTRY.....	180
FIGURE 4-3. PLATFORM COMPONENTS INSTALLATION (FALL ARREST PLATFORM).....	184
FIGURE 4-4. PLATFORM CONSOLE ASSEMBLY.....	186
FIGURE 4-5. CONTROLLER ASSEMBLY (LIFT AND SWING).....	190
FIGURE 4-6. CONTROLLER ASSEMBLY (LIFT AND SWING).....	192
FIGURE 4-7. CONTROLLER ASSEMBLY (LIFT AND SWING).....	194
FIGURE 4-8. CONTROLLER ASSEMBLY (DRIVE AND STEER).....	198

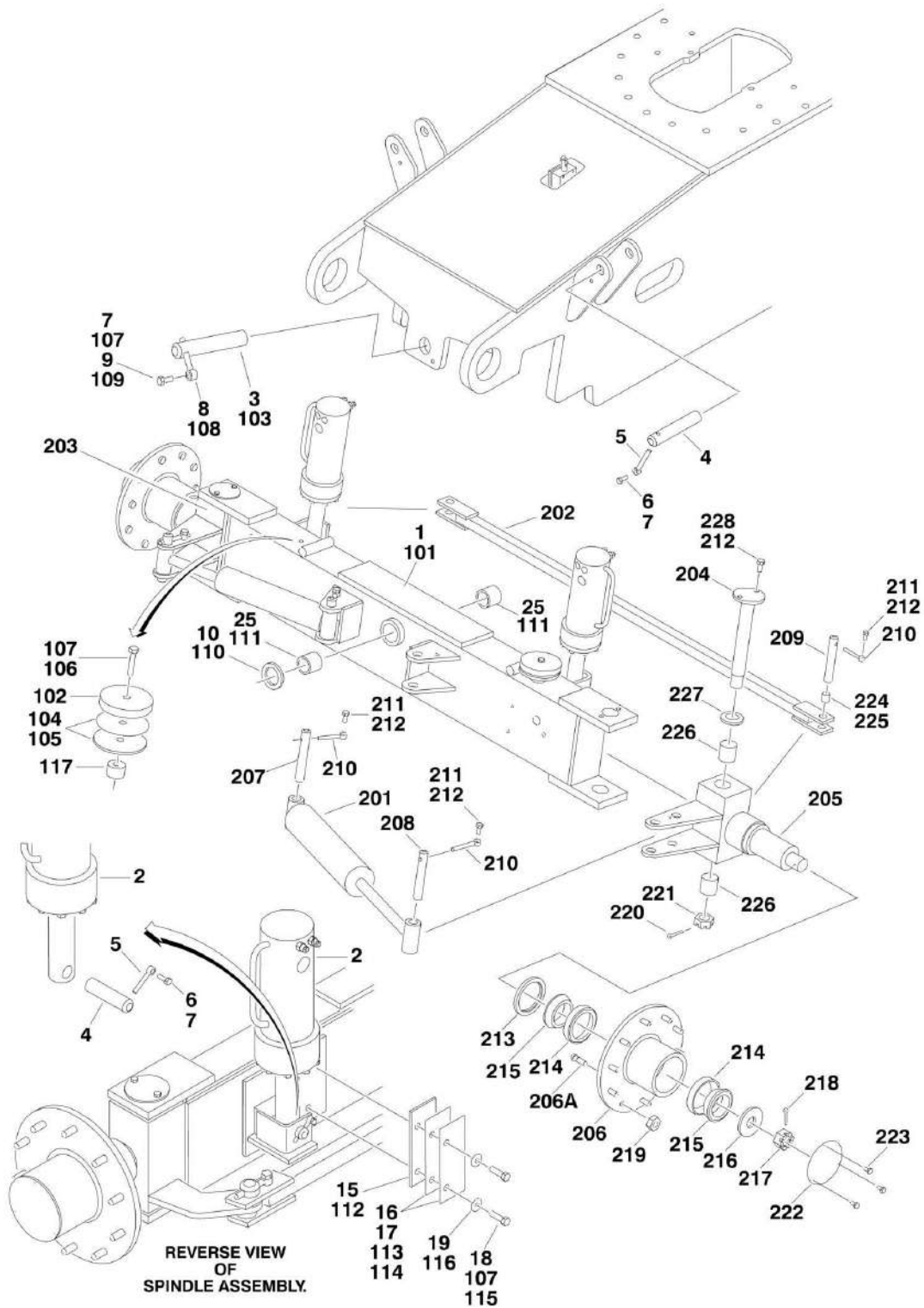
TABLE OF CONTENTS

FIGURE 4-9. CONTROLLER ASSEMBLY (DRIVE AND STEER)	200
FIGURE 4-10. CONTROLLER ASSEMBLY (DRIVE AND STEER)	202
FIGURE 4-11. SOFT TOUCH SYSTEM INSTALLATION (OPTIONAL)	204
FIGURE 4-12. PLATFORM PADDING INSTALLATION (SIDE ENTRY PLATFORM) (OPTIONAL)	206
SECTION 5 - CYLINDER	209
FIGURE 5-1. AXLE LOCKOUT CYLINDER ASSEMBLY (SN 0300069000 through 0300081835)	210
FIGURE 5-2. AXLE LOCKOUT CYLINDER ASSEMBLY (SN 0300081836 through 0300087000)	212
FIGURE 5-3. PLATFORM LEVEL CYLINDER ASSEMBLY	214
FIGURE 5-4. LEVEL CYLINDER ASSEMBLY - UPRIGHT	218
FIGURE 5-5. LIFT CYLINDER ASSEMBLY - ARTICULATING JIB - 600AJ	220
FIGURE 5-6. LIFT CYLINDER ASSEMBLY - MAIN BOOM	222
FIGURE 5-7. LIFT CYLINDER ASSEMBLY - TOWER BOOM	224
FIGURE 5-8. MASTER CYLINDER ASSEMBLY	226
FIGURE 5-9. STEER CYLINDER ASSEMBLY	228
FIGURE 5-10. TELESCOPE CYLINDER ASSEMBLY - MAIN BOOM	230
FIGURE 5-11. TELESCOPE CYLINDER ASSEMBLY - TOWER BOOM	232
FIGURE 5-12. CYLINDER BELLOWS INSTALLATION (OPTIONAL)	234
SECTION 6 - HYDRAULIC	237
FIGURE 6-1. DRIVE HYDRAULIC DIAGRAM - 2WD/2WS (SN 0300069000 through 0300081835)	238
FIGURE 6-2. DRIVE HYDRAULIC DIAGRAM - 2WD/2WS (SN 0300081836 through 0300087000)	240
FIGURE 6-3. DRIVE HYDRAULIC DIAGRAM - 4WD/2WS (SN 0300069000 through 0300081835)	242
FIGURE 6-4. DRIVE HYDRAULIC DIAGRAM - 4WD/2WS (SN 0300081836 through 0300087000)	246
FIGURE 6-5. HYDRAULIC DIAGRAM - OSCILLATING AXLE (SN 0300069000 through 0300081835)	248
FIGURE 6-6. HYDRAULIC DIAGRAM - OSCILLATING AXLE (SN 0300081836 through 0300087000)	250
FIGURE 6-7. HYDRAULIC DIAGRAM - STANDARD (SN 0300069000 through 0300081835)	252
FIGURE 6-8. HYDRAULIC DIAGRAM - STANDARD (SN 0300081836 through 0300087000)	256
FIGURE 6-9. HYDRAULIC DIAGRAM LIST	260
SECTION 7 - ELECTRICAL	263
FIGURE 7-1. ELECTRICAL DIAGRAM LIST	264
FIGURE 7-2. ELECTRICAL SCHEMATIC (DEUTZ AND ALL CATERPILLAR) (SN 0300069000 through 0300084711)	266
FIGURE 7-3. ELECTRICAL SCHEMATIC - DEUTZ ENGINE (SN 0300084827 through 0300087000)	272
FIGURE 7-4. HARNESS COMPONENTS INSTALLATION	276
SECTION 8 - DECALS	287
FIGURE 8-1. DECAL INSTALLATION (SN 0300069000 through 0300086149)	288
FIGURE 8-2. DECAL INSTALLATION (SN 0300086150 through 0300087000)	292
SECTION 9 - RECOMMENDED SERVICE PARTS STOCK	295
FIGURE 9-1. MODEL 600A/600AJ STANDARD PARTS	296
FIGURE 9-2. MODEL 600A/600AJ VARIABLE PARTS	298
SECTION 10 - SPECIAL OPTIONS	299
FIGURE 10-1. SPECIAL OPTIONS	300
PART NUMBER INDEX	305

SECTION 1 - FRAME

SECTION 1 - FRAME

FIGURE 1-1. 2WD FRONT AXLE AND STEERING INSTALLATIONS (SN 0300069000 through 0300081835)



SECTION 1 - FRAME

FIGURE 1-1. 2WD FRONT AXLE AND STEERING INSTALLATIONS (SN 0300069000 through 0300081835)

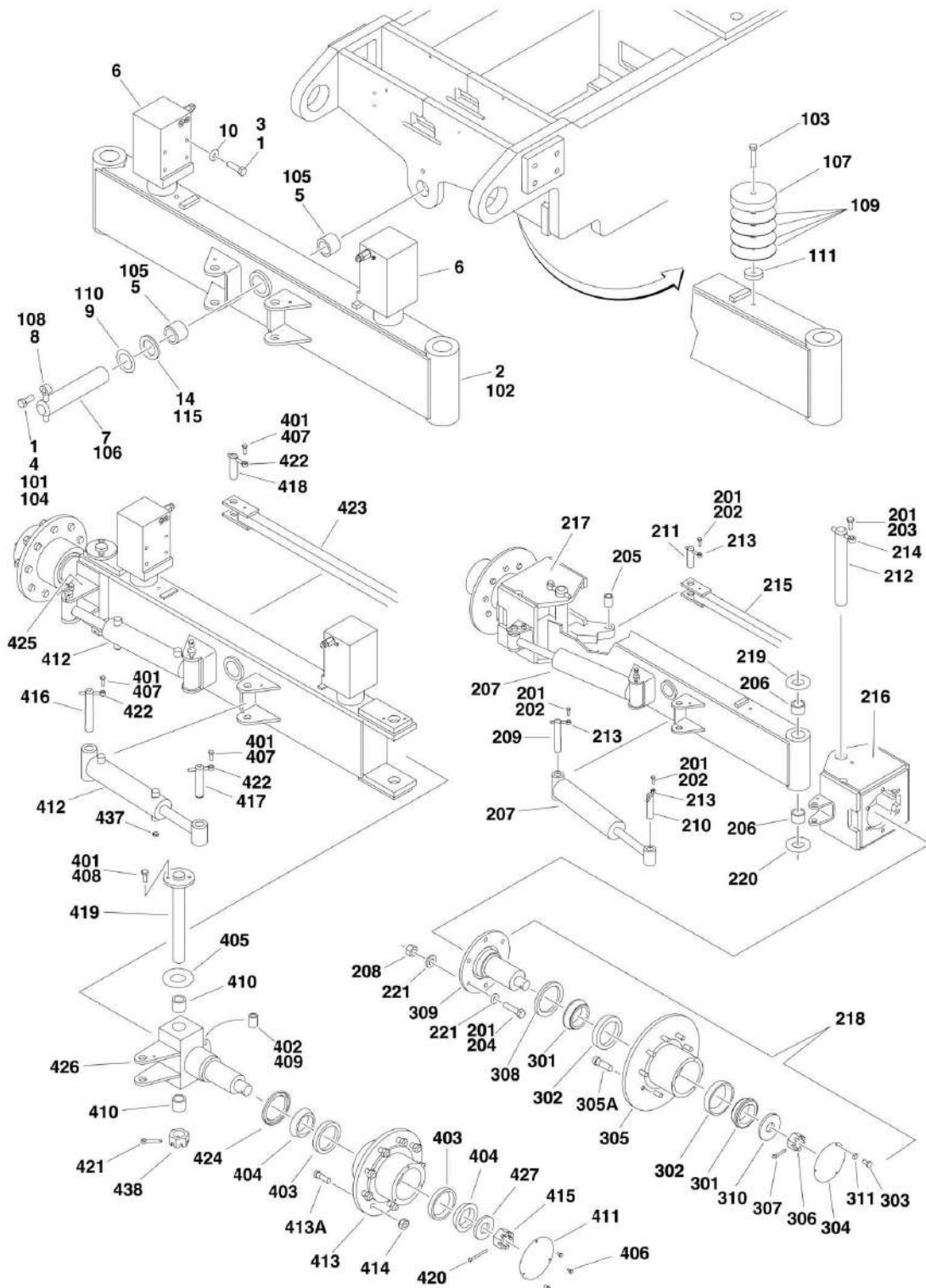
ITEM	PART NUMBER	QTY	DESCRIPTION	REV
		Ref	AXLE INSTALLATIONS - OSCILLATING	
	0256398	Ref	8ft/2.4m Wide Machines	3
	0256397	Ref	7ft/2.1m Wide Machines	4
1		Ref	Axle Weldment Options:	
1	4844929	1	8ft/2.4m Wide Machine	
1	4844960	1	7ft/2.1m Wide Machine	
2	1683280	2	Lockout Cylinder Assembly (See CYLINDER SECTION for Breakdown)	
3	3422592	1	Pin, Pivot	
4	3422426	4	Pin, Cylinder	
5	3841143	4	Keeper, Pin	
6	0641608	4	Bolt 3/8in-16NC x 1in	
7	0100011	AR	Compound, Locking	
8	3841258	1	Keeper, Pin	
9	0642012	1	Bolt 5/8in-11NC x 1-1/2in	
10	4740158	1	Thrustwasher	
15	3538047	2	Plate, Wear	
16	4070878	4	Shim, (.06)	
17	4070879	4	Shim, (.12)	
18	0641612	4	Bolt 3/8in-16NC x 1-1/2in	
19	4711600	4	Flatwasher 3/8in Thin	
25	0961950	2	Bushing	
		Ref	AXLE INSTALLATIONS - FIXED	
	0256623	Ref	8ft/2.4m Wide Machines	3
	0256624	Ref	7ft/2.1m Wide Machines	2
101		Ref	Axle Weldment Options:	
101	4844929	1	8ft/2.4m Wide Machines	
101	4844960	1	7ft/2.1m Wide Machines	
102	3539877	2	Plate, Stop	
103	3422592	1	Pin, Pivot	
104	4070944	AR	Shim (.06)	
105	4070945	AR	Shim (.25)	
106	0641826	4	Bolt 1/2in-13NC x 3-1/4in	
107	0100019	AR	Compound, Locking	
108	3841258	1	Keeper, Pin	
109	0642012	1	Bolt 5/8in-11NC x 1-1/2in	
110	4740158	1	Thrustwasher	
111	0961950	2	Bushing	
112	3538047	2	Plate, Wear	
113	4070878	AR	Shim (.06)	
114	4070879	AR	Shim (.12)	
115	0641612	4	Bolt 3/8in-16NC x 1-1/2in	
116	4711600	4	Flatwasher 3/8in Thin	
117	3539879	2	Plate, Stop	
		Ref	STEERING INSTALLATIONS	
	0256388	Ref	8ft/2.4m Wide Machines	4
	0256391	Ref	7ft/2.1m Wide Machines	4
201		Ref	Steer Cylinder Assembly Options (See CYLINDER SECTION for Breakdown):	

SECTION 1 - FRAME

ITEM	PART NUMBER	QTY	DESCRIPTION	REV
201	1683208	2	8ft/2.4m Wide Machines	
201	1683304	2	7ft/2.1m Wide Machines	
202		Ref	Tie-Rod Options:	
202	3841262	1	8ft/2.4m Wide Machines	
202	3841263	1	7ft/2.1m Wide Machines	
203	4130341	1	Spindle (Right Side)	
204	3422427	2	Kingpin	
205	4130340	1	Spindle (Left Side)	
206	2780212	2	Hub	
206A	0630490	16	Stud, Wheel (8 Per Hub)	
207	3422426	2	Pin	
208	3422429	2	Pin	
209	3422430	2	Pin	
210	3841143	6	Keeper	
211	0641608	6	Bolt 3/8in-16NC x 1in	
212	0100011	AR	Compound, Locking	
213	3960098	2	Seal	
214	0440019	4	Cone, Bearing	
215	0440018	4	Cup, Bearing	
216	4740016	2	Washer, Hardened	
217	3323403	2	Nut, Slotted 1-1/2in-12NF	
218	3450810	2	Pin, Cotter 1/4in x 2-1/2in	
219	3300106	16	Lugnut 5/8in	
220	3451012	2	Pin, Cotter 1/4in x 3in	
221	3313403	2	Nut, Slotted 1-1/2in-6NC	
222	1120460	2	Cap, Hub	
223	0641404	6	Bolt 1/4in-20NC x 1/2in	
224	0962005	2	Bushing	
225	0100063	AR	Loctite, #RC609	
226	0962272	4	Bushing	
227	0440161	2	Thrustwasher	
228	0681608	4	Bolt 3/8in-16NC x 1in (Grade 8)	
	2890245	1	Wheel Bearing Retention Washer Replacement Kit (Includes Items 216 & 218)	

SECTION 1 - FRAME

FIGURE 1-2. 2WD FRONT AXLE AND STEERING INSTALLATIONS (SN 0300081836 through 0300087000)



SECTION 1 - FRAME

FIGURE 1-2. 2WD FRONT AXLE AND STEERING INSTALLATIONS (SN 0300081836 through 0300087000)

ITEM	PART NUMBER	QTY	DESCRIPTION	REV
		Ref	AXLE INSTALLATIONS - OSCILLATING	
	0273954	Ref	8ft/2.4m Wide Machines without Tow Package	D
	0274234	Ref	8ft/2.4m Wide Machines with Tow Package	A
	0274047	Ref	7ft/2.1m Wide Machines without Tow Package	A
	0274256	Ref	7ft/2.1m Wide Machines with Tow Package	A
1	0100011	AR	Compound, Locking	
2		Ref	Axle Weldment Options:	
2	0280167	1	8ft/2.4m Wide Machine without Tow Package	
2	0280183	1	8ft/2.4m Wide Machine with Tow Package	
2	0280171	1	7ft/2.1m Wide Machine without Tow Package	
2	0280185	1	7ft/2.1m Wide Machine with Tow Package	
3	0641814	8	Bolt 1/2in-13NC x 1-3/4in	
4	0642012	1	Bolt 5/8in-11NC x 1-1/2in	
5	0961950	2	Bushing	
6	1684280	2	Lockout Cylinder Assembly (See CYLINDER SECTION for Breakdown)	
7	3422592	1	Pin, Pivot	
8	3841258	1	Keeper, Pin	
9	4740158	1	Thrustwasher	
10	4891800	8	Flatwasher 1/2in Hardened	
14	4071101	AR	Shim	
		Ref	AXLE INSTALLATIONS - FIXED	
	0273959	Ref	8ft/2.4m Wide Machines	D
	0274054	Ref	7ft/2.1m Wide Machines	B
101	0100011	AR	Compound, Locking	
102		Ref	Axle Weldment Options:	
102	0280167	1	8ft/2.4m Wide Machines	
102	0280171	1	7ft/2.1m Wide Machines	
103		Ref	Bolt 1/2in-13NC Options:	
103	0641818	2	8ft/2.4m Wide Machines (2-1/4in Length)	
103	0641816	2	7ft/2.1m Wide Machines (2in Length)	
104	0642012	1	Bolt 5/8in-11NC x 1-1/2in	
105	0961950	2	Bushing	
106	3422592	1	Pin, Pivot	
107	3539877	2	Plate, Stop	
108	3841258	1	Keeper, Pin	
109		Ref	Shim Options:	
109	4070944	12	Shim (.06) for 8ft/2.4m Wide Machines	
109	4070945	2	Shim (.25) for 7ft/2.1m Wide Machines	
110	4740158	1	Thrustwasher	
111		Ref	Spacer Options:	
111	4740542	2	8ft/2.4m Wide Machines (SN 0300081836 through 0300084828)	
111	4071101	2	8ft/2.4m Wide Machines (SN 0300084829 through 0300087000)	
111	4740543	2	7ft/2.1m Wide Machines	
115	4071101	AR	Shim	
	0274132	Ref	STEERING INSTALLATION (8FT/2.4M WIDTH MACHINES)	B
201	0100011	AR	Compound, Locking	

SECTION 1 - FRAME

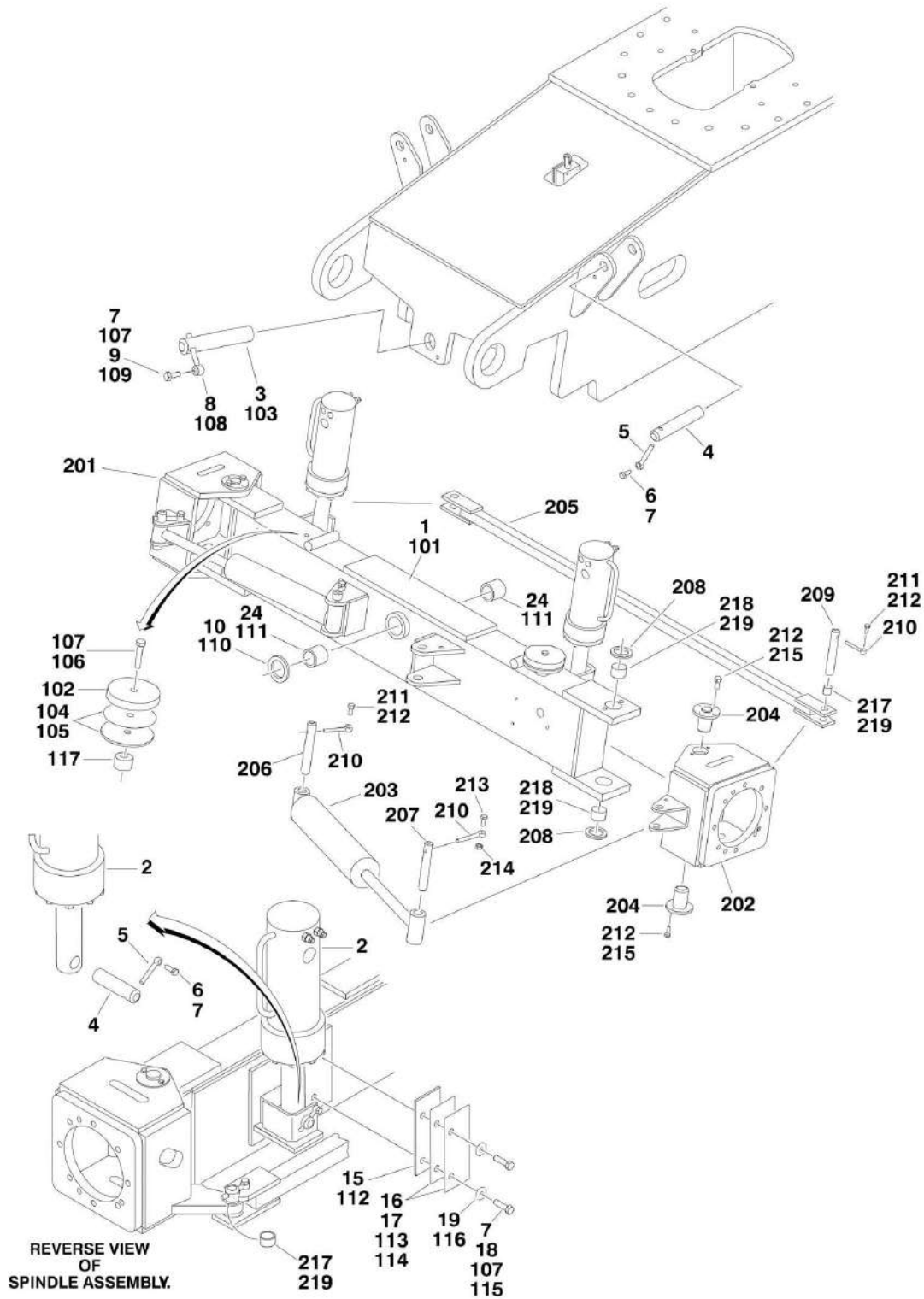
ITEM	PART NUMBER	QTY	DESCRIPTION	REV
202	0641608	6	Bolt 3/8in-16NC x 1in	
203	0642012	2	Bolt 5/8in-11NC x 1-1/2in	
204	0682020	12	Bolt 5/8in-11NC x 2-1/2in (Grade 8)	
205	0962005	2	Bushing	
206	0962131	4	Bushing	
207	1683208	2	Steer Cylinder Assembly (See CYLINDER SECTION for Breakdown)	
208	3272001	12	Nut 5/8in-11NC (Grade 8)	
209	3422426	2	Pin	
210	3422429	2	Pin	
211	3422430	2	Pin	
212	3422900	2	Kingpin	
213	3841143	6	Keeper	
214	3841258	2	Keeper	
215	3841285	1	Tie-Rod	
216	4130401	1	Spindle (Left Side)	
217	4130402	1	Spindle (Right Side)	
218	4130410	2	Hub Assembly (See Items 301-311 for Breakdown)	
219	4740256	2	Thrustwasher	
220	4740463	2	Thrustwasher	
221	4892000	2	Flatwasher 5/8in Hardened	
	4130410	Ref	HUB ASSEMBLY (8FT/2.4M WIDTH MACHINES)	A
		Ref	Note: Qty is Per Assembly	
301	0440170	2	Cone, Bearing	
302	0440171	2	Cup, Bearing	
303	0721003	3	Screw #10-24NC x 3/8in	
304	1120304	2	Cap, Hub	
305	2780271	1	Hub	
305A	0630490	9	Stud, Wheel	
306	3323403	1	Nut, Slotted 1-1/2in-12NF	
307	3451010	1	Pin, Cotter 5/16in x 2-1/2in	
308	3960343	1	Seal	
309	4130409	1	Adapter, Spindle	
310	4740283	1	Flatwasher, Hardened	
311	4761000	3	Lockwasher #10	
		Ref	STEERING INSTALLATION (7FT/2.1M WIDTH MACHINES)	
	0274257	Ref	2WS with 7ft/2.1m Wide Frame with Tow Package	B
	0274062	Ref	4WS with 7ft/2.1m Width Frame without Tow Package	G
401	0100011	AR	Compound, Locking	
402	0100063	AR	Loctite # RC609	
403	0440018	4	Cup, Bearing	
404	0440019	4	Cone, Bearing	
405	0440161	2	Thrustwasher	
406	0641404	6	Bolt 1/4in-20NC x 1/2in	
407	0641608	4	Bolt 3/8in-16NC x 1in	
408	0681608	4	Bolt 3/8in-16NC x 1in (Grade 8)	
409	0962005	4	Bushing	
410	0962272	4	Bushing	
411	1120460	2	Cap, Hub	
412	1684418	2	Steer Cylinder Assembly (See CYLINDER SECTION for Breakdown)	
413		Ref	Hub Options:	

SECTION 1 - FRAME

ITEM	PART NUMBER	QTY	DESCRIPTION	REV
413	2780276	2	Without Tow Package	
413	4130413	1	With Tow Package (Left Side)	
413	4130415	1	With Tow Package (Right Side)	
413A	0630490	18	Stud, Wheel (9 Per Hub)	
414	3300106	18	Nut, Wheel	
415	3323403	2	Nut, Slotted 1-1/2in-12NF	
416	3422426	2	Pin	
417		Ref	Pin Options:	
417	3422429	2	Without Tow Package	
417	3422429	1	With Tow Package	
417	3422427	1	With Tow Package	
418	3422430	2	Pin	
419	3423175	2	Kingpin	
420	3450810	2	Pin, Cotter 1/4in x 2-1/2in	
421	3451010	2	Pin, Cotter 5/16in x 2-1/2in	
422	3841143	6	Keeper	
423	3841263	1	Tie-Rod	
424	3960098	2	Seal	
425	4130413	1	Spindle (Right Side)	
426	4130414	1	Spindle (Left Side)	
427	4740016	2	Flatwasher, Hardened	
428	0642012	2	Bolt 5/8in-11NC x 1-1/2in	
437	2220237	2	Plug	
438	3313403	2	Nut, Slotted 1-1/2in-6NC	
	2890245	1	Wheel Bearing Retention Washer Replacement Kit (Includes Items 420 & 427)	

SECTION 1 - FRAME

FIGURE 1-3. 4WD FRONT AXLE AND STEERING INSTALLATIONS (SN 0300069000 through 0300081835)



SECTION 1 - FRAME

FIGURE 1-3. 4WD FRONT AXLE AND STEERING INSTALLATIONS (SN 0300069000 through 0300081835)

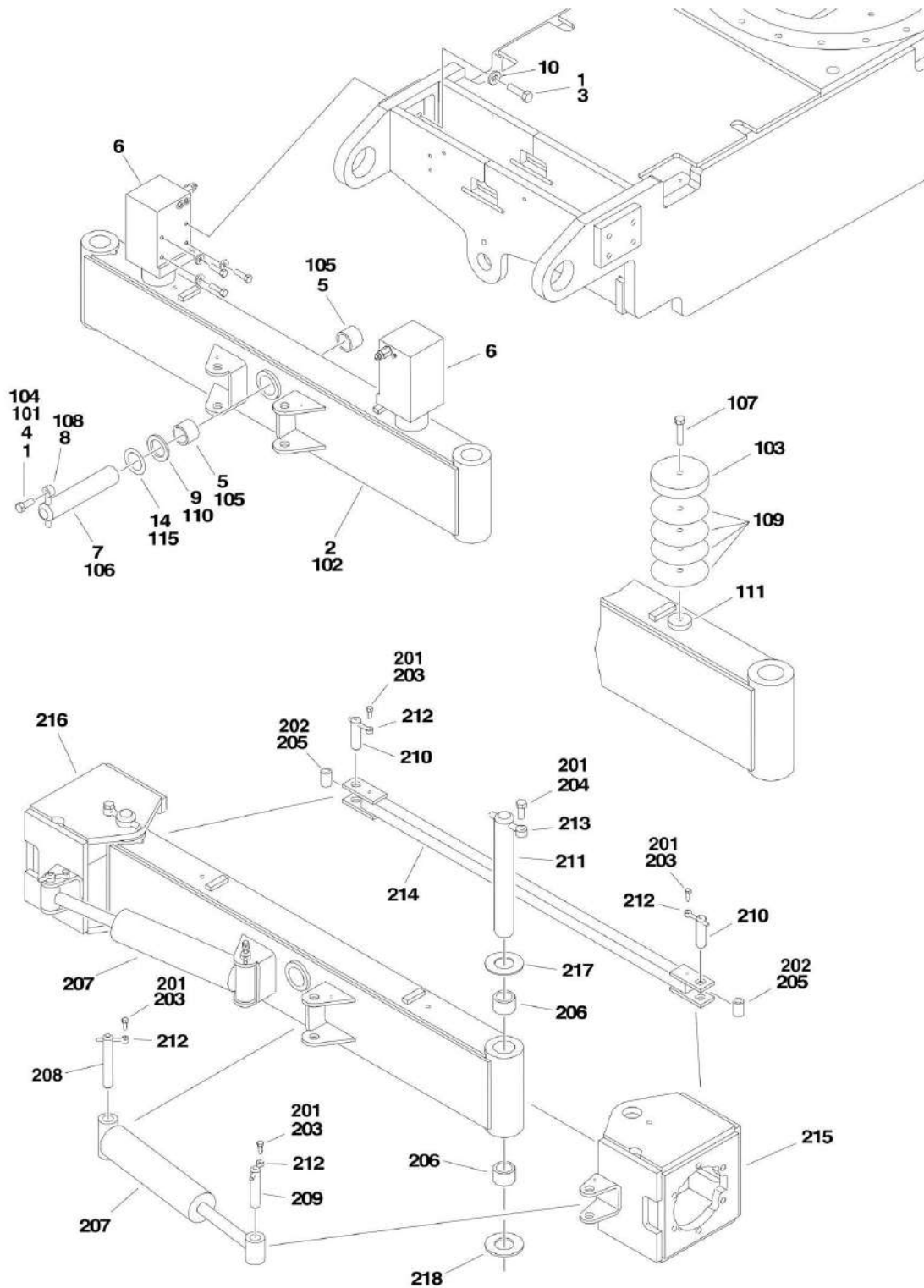
ITEM	PART NUMBER	QTY	DESCRIPTION	REV
	0256392	Ref	AXLE INSTALLATIONS - OSCILLATING	3
1	4845041	1	Axle Weldment	
2	1683280	2	Lockout Cylinder Assembly (See CYLINDER SECTION for Breakdown)	
3	3422592	1	Pin, Pivot	
4	3422426	4	Pin, Cylinder	
5	3841143	4	Keeper, Pin	
6	0641608	4	Bolt 3/8in-16NC x 1in	
7	0100011	AR	Compound, Locking	
8	3841258	1	Keeper	
9	0642012	1	Bolt 5/8in-11NC x 1-1/2in	
10	4740158	1	Thrustwasher	
15	3538047	2	Plate, Axle Wear	
16	4070878	AR	Shim (.06)	
17	4070879	AR	Shim (.12)	
18	0641608	4	Bolt 3/8in-16NC x 1in	
19	4711600	4	Flatwasher 3/8in Thin	
24	0961950	2	Bushing, Bronze	
	0256625	Ref	AXLE INSTALLATIONS - FIXED	3
101	4845041	1	Axle Weldment	
102	3539877	2	Plate, Stop	
103	3422592	1	Pin, Pivot	
104	4070944	AR	Shim (.06)	
105	4070945	AR	Shim (.25)	
106	0641820	2	Bolt 1/2in-13NC x 2-1/2in	
107	0100019	AR	Compound, Locking	
108	3841258	1	Keeper, Pin	
109	0642012	1	Bolt 5/8in-11NC x 1-1/2in	
110	4740158	1	Thrustwasher	
111	0961950	2	Bushing	
112	3538047	2	Plate, Wear	
113	4070878	AR	Shim (.06)	
114	4070879	AR	Shim (.12)	
115	0641612	4	Bolt 3/8in-16NC x 1-1/2in	
116	4711600	4	Flatwasher 3/8in Thin	
117	3539879	2	Plate, Stop	
	0256399	Ref	STEERING INSTALLATION	4
201	4130330	1	Spindle - Right Side	
202	4130331	1	Spindle - Left Side	
203	1683208	2	Steer Cylinder Assembly (See CYLINDER SECTION for Breakdown)	
204	3422802	1	Pin, Pivot	
205	3841285	1	Tie-Rod	
206	3422426	2	Pin, Steer Cylinder	
207	3422429	2	Pin, Steer Cylinder	
208	0440161	4	Thrustwasher	
209	3422430	2	Pin, Tie-Rod	
210	3841143	6	Keeper, Pin	
211	0641608	4	Bolt 3/8in-16NC x 1in	

SECTION 1 - FRAME

ITEM	PART NUMBER	QTY	DESCRIPTION	REV
212	0100011	AR	Compound, Locking	
213	0641610	2	Bolt 3/8in-16NC x 1-1/4in	
214	3311605	2	Locknut 3/8in-16NC	
215	0681608	8	Bolt 3/8in-16NC x 1in (Grade 8)	
217	0962005	2	Bushing, Bronze	
218	0962272	4	Bushing	
219	0100063	AR	Loctite-RC609	

SECTION 1 - FRAME

FIGURE 1-4. 4WD FRONT AXLE AND STEERING INSTALLATIONS (SN 0300081836 through 0300087000)



SECTION 1 - FRAME

FIGURE 1-4. 4WD FRONT AXLE AND STEERING INSTALLATIONS (SN 0300081836 through 0300087000)

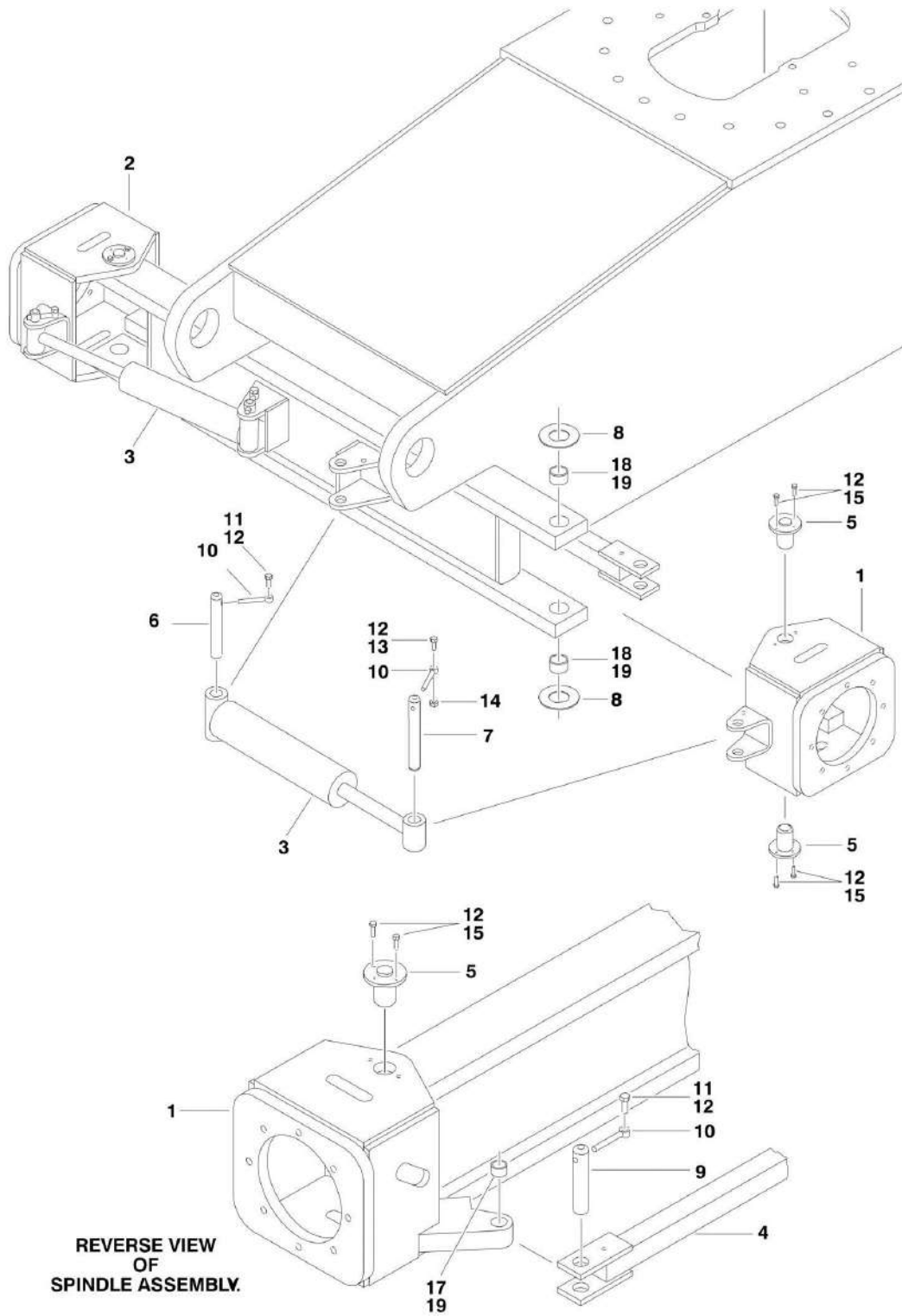
ITEM	PART NUMBER	QTY	DESCRIPTION	REV
		Ref	AXLE INSTALLATIONS - OSCILLATING	
	0273954	Ref	8ft/2.4m Wide Machines without Tow Package	D
	0274234	Ref	8ft/2.4m Wide Machines with Tow Package	A
1	0100011	AR	Compound, Locking	
2		Ref	Axle Weldment Options:	
2	0280167	1	8ft/2.4m Wide Machine without Tow Package	
2	0280183	1	8ft/2.4m Wide Machine with Tow Package	
3	0641814	8	Bolt 1/2in-13NC x 1-3/4in	
4	0642012	1	Bolt 5/8in-11NC x 1-1/2in	
5	0961950	2	Bushing	
6	1684280	2	Lockout Cylinder Assembly (See CYLINDER SECTION for Breakdown)	
7	3422592	1	Pin, Pivot	
8	3841258	1	Keeper, Pin	
9	4740158	1	Thrustwasher	
10	4891800	8	Flatwasher 1/2in Hardened	
14	4071101	AR	Shim	
	0273959	Ref	AXLE INSTALLATIONS - FIXED	C
101	0100011	AR	Compound, Locking	
102	0280167	1	Axle Weldment	
103	0641818	2	Bolt 1/2in-13NC x 2-1/4in	
104	0642012	1	Bolt 5/8in-11NC x 1-1/2in	
105	0961950	2	Bushing	
106	3422592	1	Pin, Pivot	
107	3539877	2	Plate, Stop	
108	3841258	1	Keeper, Pin	
109	4070944	8	Shim (.06)	
110	4740158	1	Thrustwasher	
111	4740542	2	Spacer	
115	4071101	AR	Shim	
		Ref	STEERING INSTALLATION	
	0273940	Ref	2WS without Tow Package	B
	0274220	Ref	2WS with Tow Package	B
	0274121	Ref	4WS without Tow Package	B
	0274220	Ref	4WS with Tow Package	B
201	0100011	AR	Compound, Locking	
202	0100063	AR	Loctite # RC609	
203	0641608	6	Bolt 3/8in-16NC x 1in	
204	0642012	2	Bolt 5/8in-11NC x 1-1/2in	
205	0962005	2	Bushing	
206	0962131	4	Bushing	
207	1683208	2	Steer Cylinder Assembly (See CYLINDER SECTION for Breakdown)	
208	3422426	2	Pin	
209		Ref	Pin Options:	
209	3422429	2	Without Tow Package	
209	3422429	1	With Tow Package	
209	3422427	1	With Tow Package	
210	3422430	2	Pin	

SECTION 1 - FRAME

ITEM	PART NUMBER	QTY	DESCRIPTION	REV
211	3422900	2	Kingpin	
212	3841143	6	Keeper	
213	3841258	2	Keeper	
214	3841285	1	Tie-Rod	
215	4130401	1	Spindle (Left Side)	
216		Ref	Spindle (Right Side) Options:	
216	4130402	1	Without Tow Package	
216	4130412	1	With Tow Package	
217	4740256	2	Thrustwasher	
218	4740463	2	Thrustwasher	

SECTION 1 - FRAME

FIGURE 1-5. 4WS REAR STEERING INSTALLATIONS (SN 0300069000 through 0300081835)



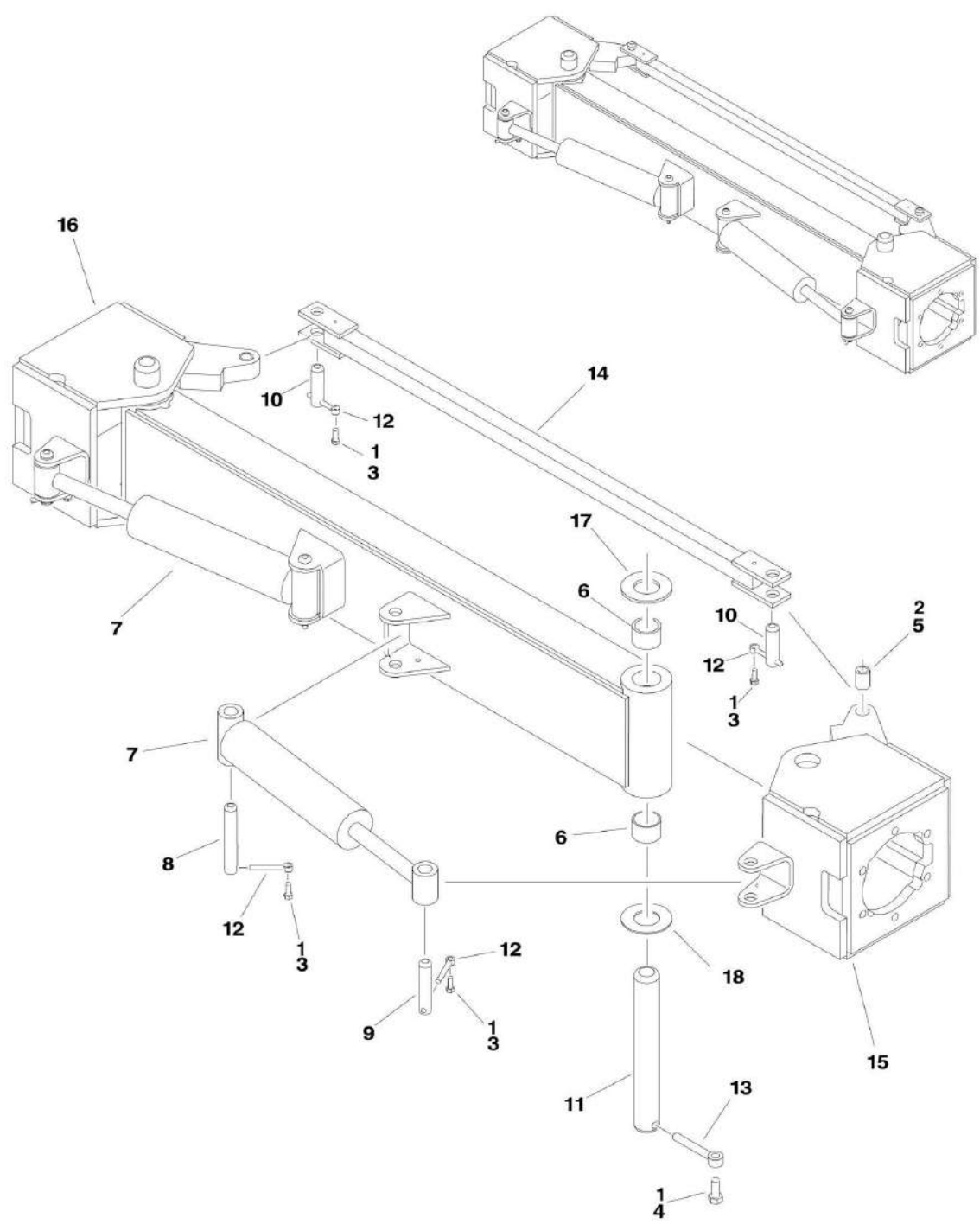
SECTION 1 - FRAME

FIGURE 1-5. 4WS REAR STEERING INSTALLATIONS (SN 0300069000 through 0300081835)

ITEM	PART NUMBER	QTY	DESCRIPTION	REV
		Ref	4WS REAR STEERING INSTALLATIONS OPTIONS:	
	0256717	Ref	2WD/4WS 8ft/2.4m Wide Machines	2
	0256523	Ref	2WD/4WS 7ft/2.1m Wide Machines	2
	0256715	Ref	4WD/4WS Machines	2
		Ref	REAR STEERING INSTALLATION	
	0256399	Ref	8ft/2.4m Width Frame	4
	0256400	Ref	7ft/2.1m Width Frame	4
1	4130331	1	Spindle - Right Side	
2	4130330	1	Spindle - Left Side	
3		Ref	Steer Cylinder Assembly (See CYLINDER SECTION for Breakdown)	
3	1683208	2	8ft/2.4m Wide Machine	
3	1683304	2	7ft/2.1m Wide Machine	
4		Ref	Tie-Rod Options:	
4	3841285	1	8ft/2.4m Wide Machine	
4	3841291	1	7ft/2.1m Wide Machine	
5	3422802	4	Kingpin	
6	3422426	2	Pin, Steer Cylinder	
7	3422429	2	Pin, Steer Cylinder	
8	0440161	4	Thrustwasher	
9	3422430	2	Pin, Tie-Rod	
10	3841143	6	Keeper, Pin	
11	0641608	4	Bolt 3/8in-16NC x 1in	
12	0100011	AR	Compound, Locking	
13	0641610	2	Bolt 3/8in-16NC x 1-1/4in	
14	3311605	2	Locknut 3/8in-16NC	
15	0681608	8	Bolt 3/8in-16NC x 1in (Grade 8)	
17	0962005	2	Bushing, Bronze	
18	0962272	4	Bushing	
19	0100063	AR	Loctite, #RC609	

SECTION 1 - FRAME

FIGURE 1-6. 4WS REAR STEERING INSTALLATIONS (SN 0300081836 through 0300087000)



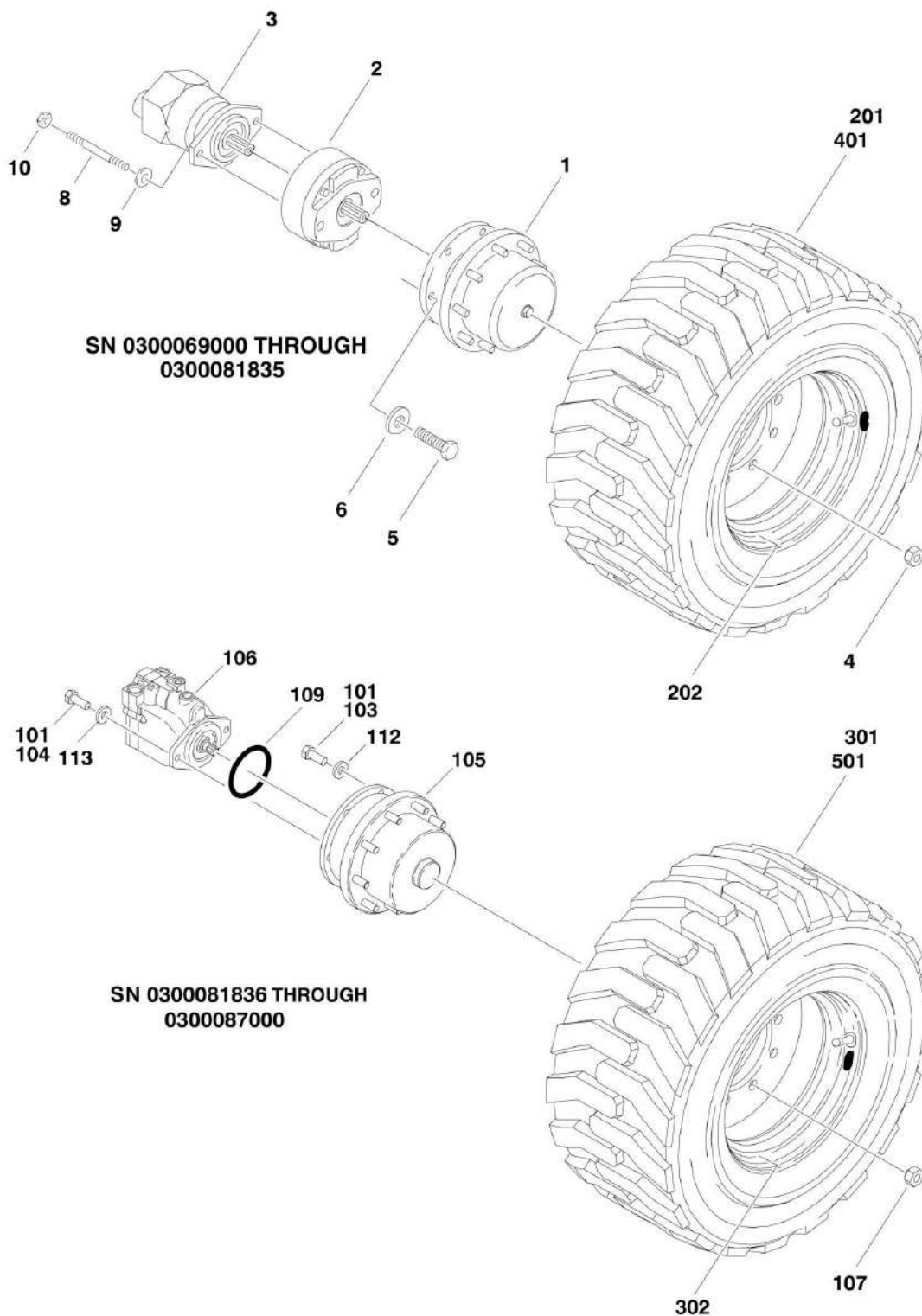
SECTION 1 - FRAME

FIGURE 1-6. 4WS REAR STEERING INSTALLATIONS (SN 0300081836 through 0300087000)

ITEM	PART NUMBER	QTY	DESCRIPTION	REV
		Ref	4WS REAR STEERING INSTALLATIONS OPTIONS:	
	See Note	NLA	2WD/4WS 8ft/2.4m Wide Machines (Note: No Longer Available)	
	0274062	Ref	2WD/4WS 7ft/2.1m Wide Machines	G
	0274121	Ref	4WD/4WS Machines	2
1	0100011	AR	Compound, Locking	
2	0100063	AR	Loctite # RC609	
3	0641608	6	Bolt 3/8in-16NC x 1in	
4	0642012	2	Bolt 5/8in-11NC x 1-1/2in	
5	0962005	2	Bushing	
6	0962131	4	Bushing	
7		Ref	Steer Cylinder Assembly Option (See CYLINDER SECTION for Breakdown):	
7	1684418	2	7ft/2.1m Wide Machines	
7	1683208	2	8ft/2.4m Wide Machines	
8	3422426	2	Pin	
9	3422429	2	Pin	
10	3422430	2	Pin	
11	3422900	2	Kingpin	
12	3841143	6	Keeper	
13	3841258	2	Keeper	
14		Ref	Tie-Rod Options:	
14	3841677	1	7ft/2.1m Wide Machines	
14	3841285	1	8ft/2.4m Wide Machines	
15	4130401	1	Spindle (Left Side)	
16	4130402	1	Spindle (Right Side)	
17	4740256	2	Thrustwasher	
18	4740463	2	Thrustwasher	

SECTION 1 - FRAME

FIGURE 1-7. TIRE AND WHEEL DRIVE INSTALLATIONS



SECTION 1 - FRAME

FIGURE 1-7. TIRE AND WHEEL DRIVE INSTALLATIONS

ITEM	PART NUMBER	QTY	DESCRIPTION	REV
		Ref	WHEEL DRIVE INSTALLATIONS (SN 0300069000 through 0300081835)	
	0270123	Ref	Wheel Drive Installations 2WD	3-B
	0270124	Ref	Wheel Drive Installations 4WD	3-E
1	2780213	AR	Drive Hub Assembly (1 Per Drive Wheel) (See DRIVE HUB ASSEMBLY for Breakdown)	
2	0920117	NLA	Drive Brake Assembly (1 Per Drive Wheel) (Use p/n 0920119)	
2	7018612	AR	Repair Kit - 0920117 & 0920119 Brakes (Includes Case Seal, Piston Inner and Outer O-Rings and Back-up Rings, Stator Disc, Rotor Disc, Return Plate, Springs, Oil Seal, Bearing, 2 Retaining Rings and 2 Mounting Face Gaskets) (1 Per Assy)	
2	7000731	AR	Gasket, Mounting Face	
		Ref	Note: No Other Parts Available.	
3		Ref	Drive Motor Assembly (1 Per Wheel Drive) Options:	
3	3160205	2	Drive Motor Assembly (1 Per Wheel Drive) 2WD (See DRIVE MOTOR ASSEMBLY for Breakdown) (SN 0300069000 through 0300071019)	
3	3160297	2	Drive Motor Assembly (1 Per Wheel Drive) 2WD (See DRIVE MOTOR ASSEMBLY for Breakdown) (SN 0300071020 through 0300081836)	
3	3160204	4	Drive Motor Assembly (1 Per Wheel Drive) 4WD (See DRIVE MOTOR ASSEMBLY for Breakdown)	
4	3300106	AR	Lugnut (8 Per Wheel)	
5	0682016	AR	Bolt 5/8in-11NC x 2in (8 Per Drive Wheel) (Grade 8)	
6	4895000	AR	Flatwasher 5/8in Hardened (8 Per Drive Wheel)	
8	4300097	AR	Stud 1/2in-13NC x 5-1/8in (2 Per Drive Wheel)	
9	4891800	AR	Flatwasher 1/2in Hardened (2 Per Drive Wheel)	
10	3311801	AR	Nut 1/2in-13NC (2 Per Wheel Drive)	
		Ref	WHEEL DRIVE INSTALLATIONS (SN 0300081836 through 0300087000)	
	0273049	Ref	Wheel Drive Installations 2WD/2WS	D
	0274441	Ref	Wheel Drive Installations 2WD/4WS	B
	0273048	Ref	Wheel Drive Installations 4WD/2WS	F
	0273366	Ref	Wheel Drive Installations 4WD/4WS	E
		Ref	Note: 2WD Qty Shown. For 4WD, Double Qty Shown.	
101	0100011	AR	Compound, Locking	
103	0681810	4	Bolt 1/2in-13NC x 1-1/4in (Grade 8)	
104	0682016	12	Bolt 5/8in-11NC x 2in (Grade 8)	
105	2780269	2	Drive Hub Assembly (See DRIVE HUB/BRAKE ASSEMBLY for Breakdown)	
106		Ref	Drive Motor Assembly Options (See DRIVE MOTOR ASSEMBLY for Breakdown):	
106	3160299	NLA	2WD (Use p/n 3160249)	
106	3160300	NLA	4WD (Use p/n 3160350)	
107	3300106	18	Nut, Wheel	
109	3790045	1	O-Ring	
112	4891800	4	Flatwasher 1/2in Hardened	
113	4740393	12	Flatwasher 5/8in Hardened	
		Ref	FOAM-FILLED TIRE AND WHEEL INSTALLATIONS (8FT/2.4M WIDTH MACHINES)	
		Ref	Foam-Filled Tire and Wheel Installations (SN 0300069000 through 0300081835)	
	0255421	Ref	Tire and Wheel Installation - Foam Filled	-

SECTION 1 - FRAME

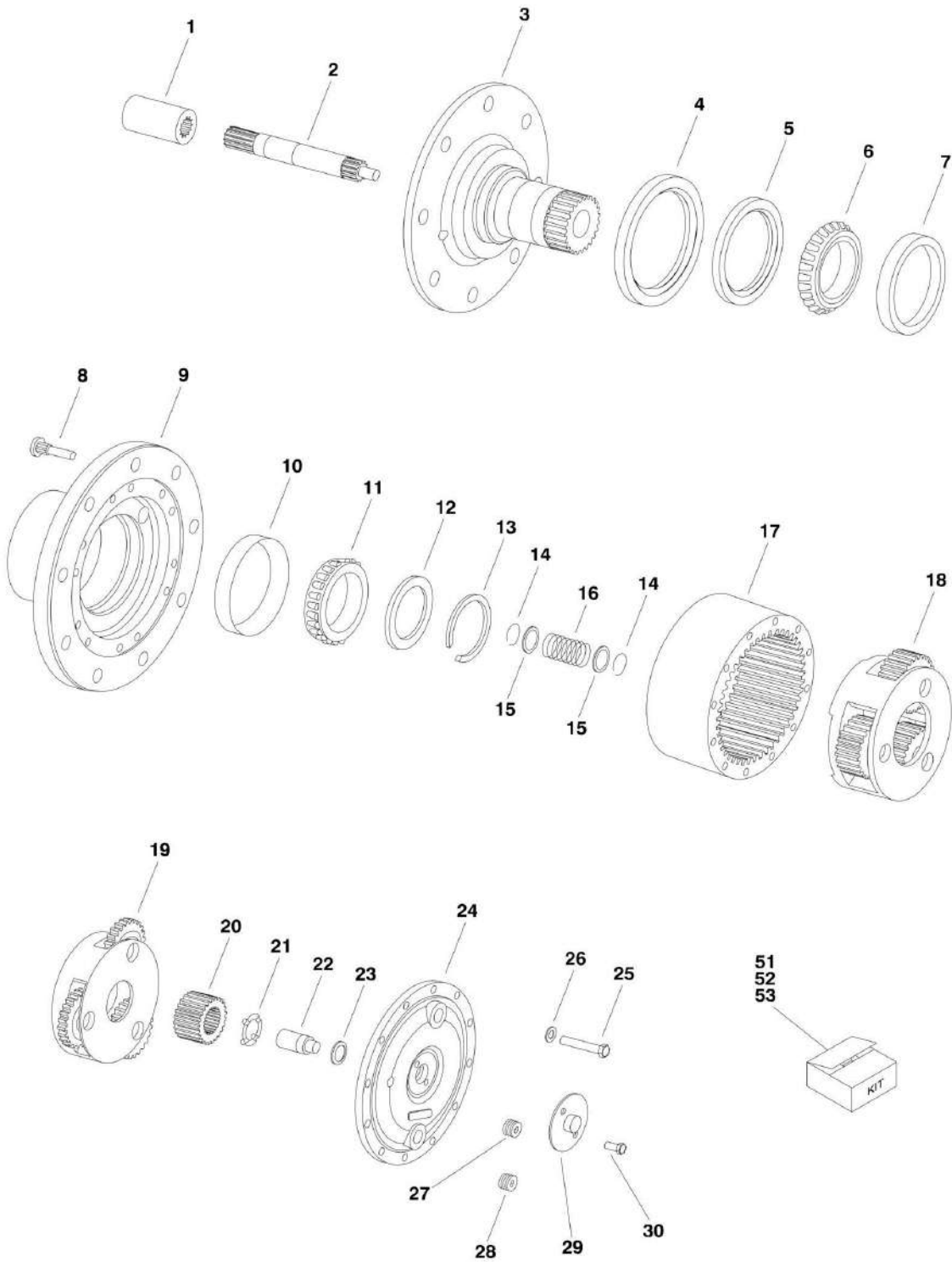
ITEM	PART NUMBER	QTY	DESCRIPTION	REV
	0271613	Ref	Tire and Wheel Installation - Foam Filled	1
		Ref	Note: Assemblies may require ballast/foam filling to manufacturer's specifications prior to installing on a machine. Refer to Operation and Safety or Service and Maintenance Manuals.	
		Ref	Purchase individual tire and/or rim only if able to foam fill tire and wheel assembly, otherwise, purchase complete assembly.	
	0255605	2	Tire and Wheel Assembly - Galaxy Foam-Filled (Right Side)	-/B
	0271611	2	Tire and Wheel Assembly - OTR Foam-Filled (Right Side)	A
	0255606	2	Tire and Wheel Assembly - Galaxy Foam-Filled (Left Side)	-/B
	0271610	2	Tire and Wheel Assembly - OTR Foam-Filled (Left Side)	A
201		Ref	Tire 14 x 17.5 Options:	
201	4520171	AR	Galaxy (1 Per Assembly)	
201	4520259	AR	OTR (1 Per Assembly)	
202	4860158	AR	Rim, Wheel (1 Per Assembly)	
		Ref	FOAM-FILLED TIRE AND WHEEL INSTALLATIONS (8FT/2.4M WIDTH MACHINES)	
		Ref	Foam-Filled Tire and Wheel Installations (SN 0300081836 through 0300087000)	
	4520346	Ref	Tire and Wheel Installation - Foam Filled	1
		Ref	Note: Assemblies may require ballast/foam filling to manufacturer's specifications prior to installing on a machine. Refer to Operation and Safety or Service and Maintenance Manuals.	
		Ref	Purchase individual tire and/or rim only if able to foam fill tire and wheel assembly, otherwise, purchase complete assembly.	
	4520344	2	Tire and Wheel Assembly - Foam-Filled (Left Side)	A
	4520345	2	Tire and Wheel Assembly - Foam-Filled (Right Side)	A
301	4520288	AR	Tire - IN355/55D625 (1 Per Assembly)	
302	4520287	AR	Rim, Wheel (1 Per Assembly)	
401		Ref	SOLID AIRBOSS TIRE AND WHEEL INSTALLATIONS (8FT/2.4M & 7FT/2.1M WIDTH MACHINES)	
401		Ref	Solid Airboss Tire and Wheel Installations (SN 0300069000 through 0300081835)	
401	0255422	Ref	Tire and Wheel Installation - Air-Boss	-
401	0258764	Ref	Tire and Wheel Installation - Air-Boss (Non-Marking)	2
401		Ref	Tire and Wheel Assembly - Right Side Options:	
401	4520172	2	Air-Boss	
401	4520210	2	Air-Boss (Non-Marking)	
401		Ref	Tire and Wheel Assembly - Left Side Options:	
401	4520173	2	Air-Boss	
401	4520211	2	Air-Boss (Non-Marking)	
401		Ref	Tire Repair Section (20 Per Assembly) Options:	
401	7016206	80	Air-Boss	
401	7020135	80	Air-Boss (Non-Marking)	
501		Ref	AIRBOSS TIRE AND WHEEL INSTALLATIONS (8FT/2.4M & 7FT/2.1M WIDTH MACHINES)	
501		Ref	Airboss Tire and Wheel Installations (SN 0300081836 through 0300087000)	
501	4520341	Ref	Tire and Wheel Installation - Air-Boss	A
501	4520284	2	Tire and Wheel Assembly - Right Side	
501	4520283	2	Tire and Wheel Assembly - Left Side	
501	7016206	80	Tire Repair Section (20 Per Assembly)	

SECTION 1 - FRAME

ITEM	PART NUMBER	QTY	DESCRIPTION	REV
	0255397	Ref	WHEEL COVER INSTALLATION (OPTIONAL) (NOT SHOWN) Note: Used on Machines SN 0300069000 to SN 0300081836 with Pneumatic or Foam-Filled Tires and Wheels only. Not Available for Machines SN 0300081836 to SN 0300087000.	2-A
		Ref		
601	1670777	4	Cover, Wheel	
602	0641542	16	Bolt 5/16in-18NC x 5-1/4in	
603	0100011	AR	Compound, Locking (Used on Item 602)	

SECTION 1 - FRAME

FIGURE 1-8. DRIVE HUB ASSEMBLY (SN 0300069000 through 0300081835)



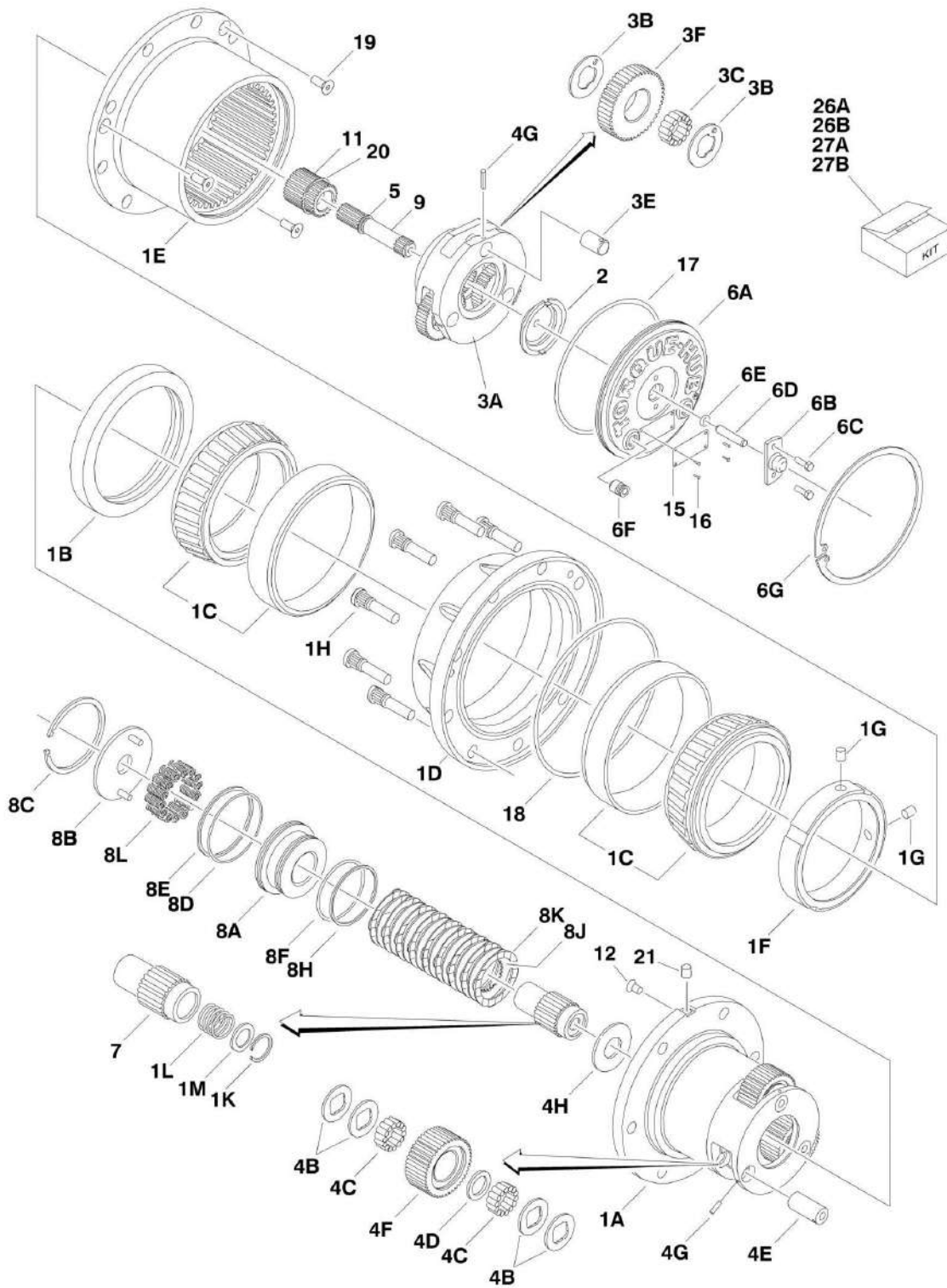
SECTION 1 - FRAME

FIGURE 1-8. DRIVE HUB ASSEMBLY (SN 0300069000 through 0300081835)

ITEM	PART NUMBER	QTY	DESCRIPTION	REV
	2780213	Ref	DRIVE HUB ASSEMBLY	B
1	7014700	1	Coupling - 13 Teeth	
2	7014701	1	Shaft, Input - 13 Teeth	
3		Ref	Spindle Options:	
3	7014702	1	With Threaded Holes	
3	7014731	1	Without Threaded Holes	
4	7014728	1	Seal, Boot	
5	See Note	NSS	Seal, Oil (Note: Use Item 51 or 52)	
6	See Note	NSS	Cone, Bearing (Note: Use Item 52)	
7	See Note	NSS	Cup, Bearing (Note: Use Item 52)	
8	7014727	8	Bolt, Wheel 5/8in	
9	7014706	1	Hub	
10	See Note	NSS	Cup, Bearing (Note: Use Item 52)	
11	See Note	NSS	Cone, Bearing (Note: Use Item 52)	
12	7001711	1	Thrustwasher	
13	See Note	NSS	Retaining Ring Kit (Note: Use Item 51 or 52)	
14	7014711	2	Ring, Retaining	
15	7014712	2	Thrustwasher	
16	7014710	1	Spring	
17	7014713	1	Gear, Ring	
18	7014714	1	Secondary Carrier Assembly	
19	7014715	1	Primary Carrier Assembly	
20	7014716	1	Gear, Sun - 15 Teeth	
21	7014722	1	Thrustwasher	
22	7014717	1	Plunger, Disengage	
23	7014718	1	O-Ring	
24	7014719	1	Cover, Hub	
25	7014721	12	Bolt	
26	7014720	12	Flatwasher	
27	7014725	1	Plug, Magnetic	
28	7014726	1	Plug, Pipe	
29	7014723	1	Cover, Disengage	
30	7014724	2	Bolt	
51	7014730	1	Seal Kit (Includes Items 5 & 13)	
52	7014729	1	Bearing and Seal Kit (Includes Items 5, 6, 7, 10, 11 & 13)	
53	7014709	1	Retaining Ring Kit (Includes Qty 6 Retaining Rings)	

SECTION 1 - FRAME

FIGURE 1-9. DRIVE HUB/BRAKE ASSEMBLY (SN 0300081836 through 0300087000)



SECTION 1 - FRAME

FIGURE 1-9. DRIVE HUB/BRAKE ASSEMBLY (SN 0300081836 through 0300087000)

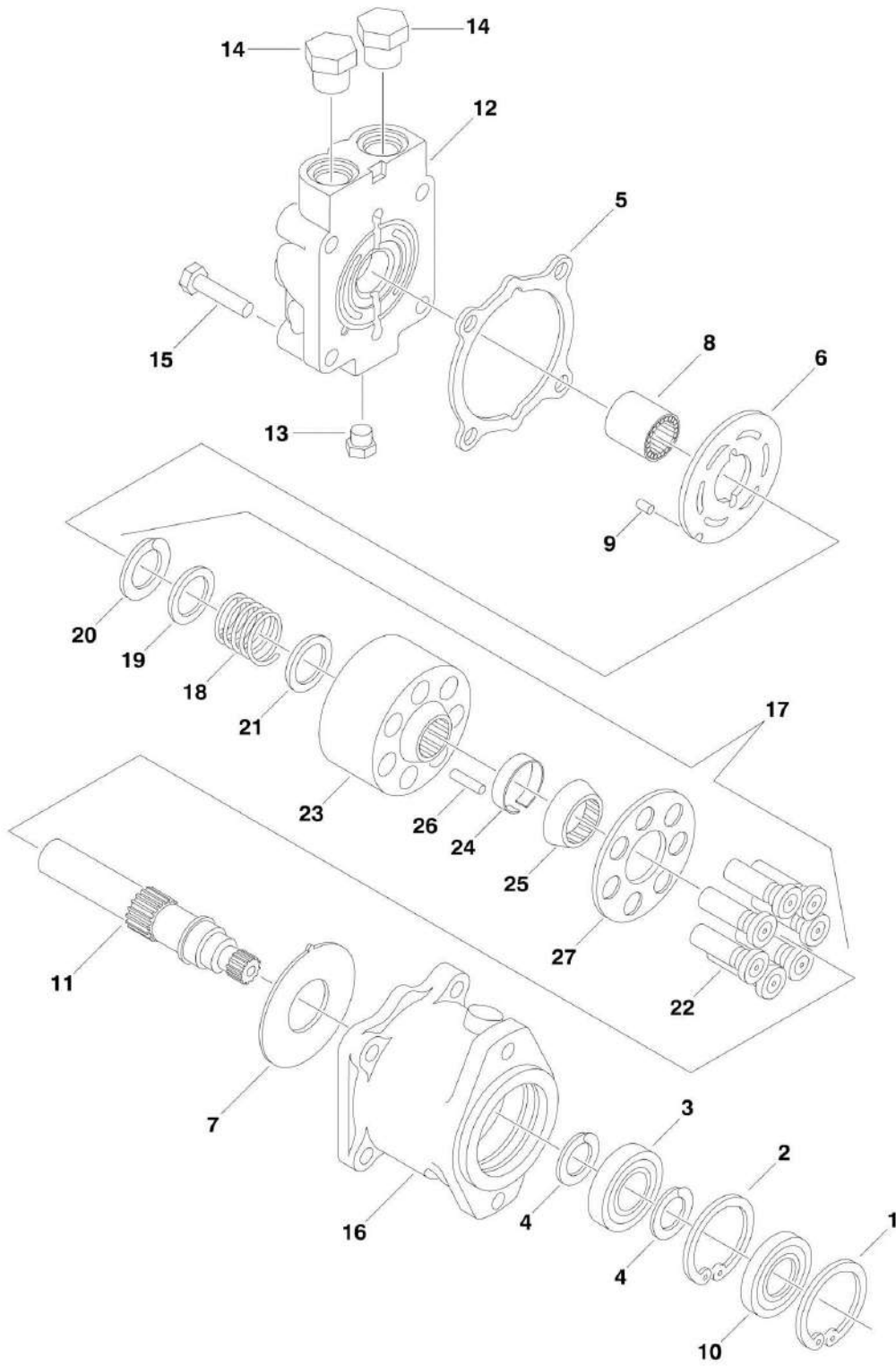
ITEM	PART NUMBER	QTY	DESCRIPTION	REV
	2780269	Ref	DRIVE HUB/BRAKE ASSEMBLY	B
1	See Note	1	Spindle/Housing Assembly (Note: Not Available - Purchase Individual Components)	
1A	7024729	1	Spindle	
1B	70001119	1	Seal, Lip	
1C	7024735	2	Bearing (Includes Cup and Cone)	
1D	See Note	1	Housing (Note: Not Available - Purchase Complete Assembly)	
1E	7024730	1	Ring, Gear	
1F	See Note	NSS	Nut, Bearing (Note: Use Item 26A)	
1G	See Note	2	Setscrew 1/4in-28NF x 1/2in (Note: Use Items 26A, 26B, 27A or 27B)	
1H	7024732	9	Stud, Wheel	
1K	7024125	1	Ring, Retaining	
1L	7024124	1	Spring	
1M	7024129	1	Thrustwasher	
2	7024741	1	Thrustwasher	
3	See Note	1	Carrier Assembly (Note: Not Available - Purchase Individual Components)	
3A	7024725	1	Carrier	
3B	7024127	6	Thrustwasher	
3C	7024733	42	Bearing, Needle	
3E	7024724	3	Shaft, Planet	
3F	7024727	3	Gear, Planet	
4	See Note	1	Planet Gear Sub-Assembly (Note: Not Available - Purchase Individual Components)	
4B	7024740	12	Thrustwasher	
4C	7024734	84	Bearing, Needle	
4D	7024736	3	Spacer, Thrust	
4E	7024726	3	Shaft, Planet	
4F	7024728	3	Gear, Planet	
4G	7001913	6	Roll Pin	
4H	7024742	1	Thrustwasher	
5	7017027	1	Ring, Retaining	
6	See Note	1	Cover Assembly (Note: Not Available - Purchase Individual Components)	
6A	7024731	1	Plate, Cover	
6B	7017093	1	Cap, Disengage	
6C	7000216	2	Bolt 1/2in-20NC x 1/2in	
6D	7024739	1	Pin, Dowel	
6E	7017095	1	O-Ring	
6F	7017072	2	Plug, Pipe with O-Ring	
6G	7024738	1	Ring, Retaining	
7	7024722	1	Coupling	
8	See Note	1	Brake, Input (Note: Not Available - Purchase Individual Components)	
8A	70000782	1	Piston, Brake	
8B	7024743	1	Plate, Pressure	
8C	See Note	1	Ring, Retaining (Note: Use Items 26B, 27A or 27B)	
8D	See Note	1	O-Ring (Note: Use Item 26B or 27A)	
8E	See Note	1	Ring, Back-up (Note: Use Item 26B or 27A)	
8F	See Note	1	O-Ring (Note: Use Item 26B or 27A)	

SECTION 1 - FRAME

ITEM	PART NUMBER	QTY	DESCRIPTION	REV
8H	See Note	1	Ring, Back-up (Note: Use Item 26B or 27A)	
8J	See Note	8	Rotor, Brake (Note: Use Item 27A)	
8K	See Note	9	Stator, Brake (Note: Use Item 27A)	
8L	See Note	AR	Spring, Brake (Note: Use Item 27B)	
9	7024721	1	Shaft, Input	
11	7024723	1	Gear, Sun	
12	See Note	1	Plug (Note: Not Available for Purchase)	
15	See Note	1	Plate, ID (Not Shown) (Note: Not Available for Purchase)	
16	7000281	4	Screw, Drive	
17	7024134	1	O-Ring	
18	7024744	1	O-Ring	
19	7017022	3	Screw, Countersunk 3/8in-16NC	
20	7024737	1	Ring, Retaining	
21	See Note	1	Plug (Note: Not Available for Purchase)	
26		Ref	Seal Kit Options:	
26A	7024744	1	Hub Seal Kit (Includes Items 1B, 1F, 1G, 17, 18 & 19)	
26B	7024765	1	Brake Seal Kit (Includes Items 1G, 8C, 8D, 8E, 8F & 8H)	
27		Ref	Repair Kit Options:	
27A	7024764	1	Brake Lining Kit (Includes Items 1G, 8C, 8D, 8E, 8F, 8H, 8J & 8K)	
27B	7024766	1	Brake Spring Kit (Includes Items 1G, 8C & 8L)	

SECTION 1 - FRAME

FIGURE 1-10. DRIVE MOTOR ASSEMBLY (2WD MACHINES) (SN 0300069000 through 0300071019)



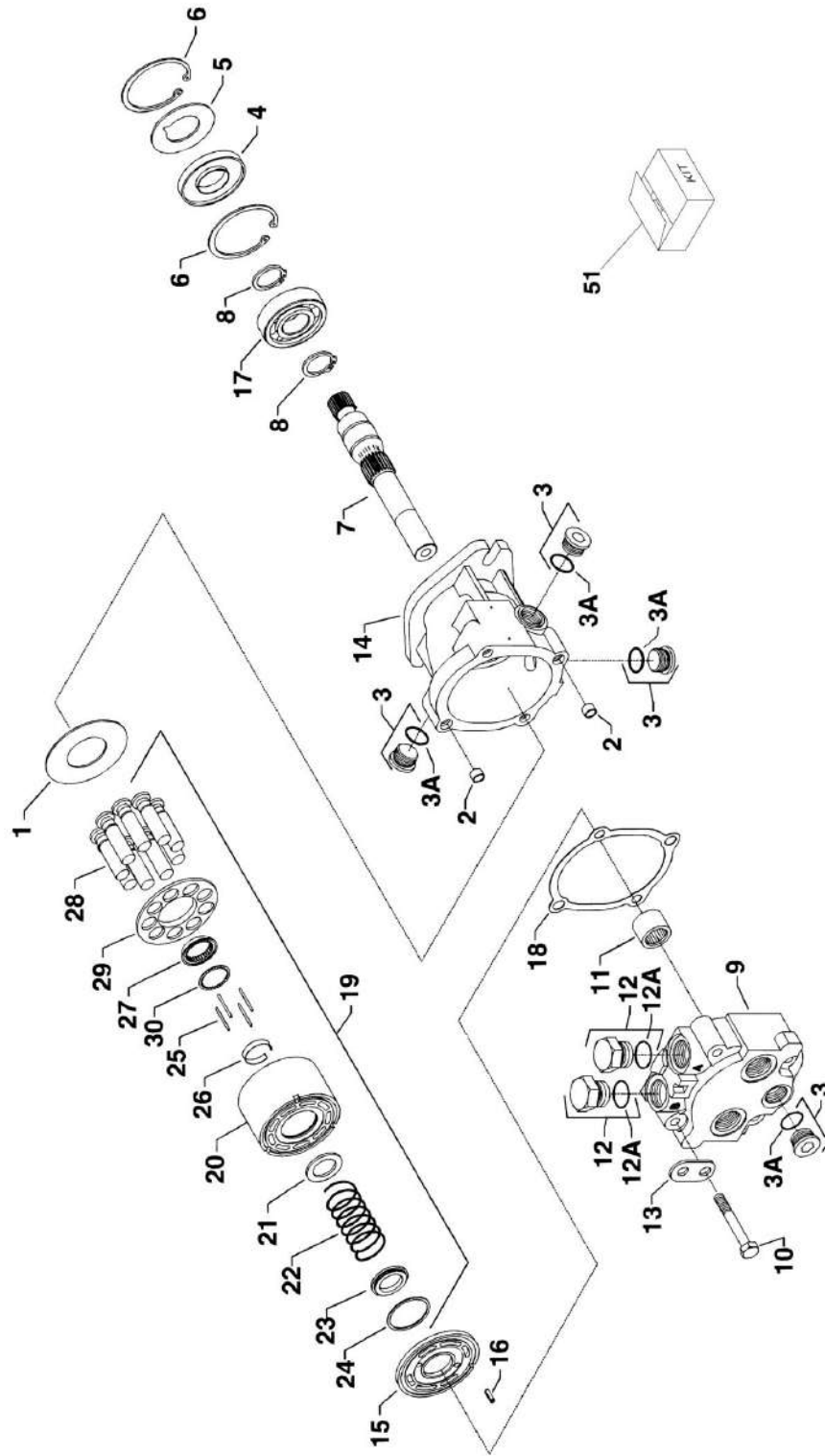
SECTION 1 - FRAME

FIGURE 1-10. DRIVE MOTOR ASSEMBLY (2WD MACHINES) (SN 0300069000 through 0300071019)

ITEM	PART NUMBER	QTY	DESCRIPTION	REV
	3160205	Ref	DRIVE MOTOR ASSEMBLY - SUNSTRAND (2WD)	B
1	7007438	1	Ring, Retaining	
2	7007438	1	Ring, Retaining	
3	7007437	1	Bearing, Ball	
4	7007439	2	Ring, Retaining	
5	7010108	1	Gasket, End Cap	
6	7010109	1	Plate, Motor Valve	
7	7010110	1	Plate, Thrust	
8	7007425	1	Bearing, Needle	
9	7007446	1	Pin	
10	7007459	1	Seal, Lip	
11	7010111	1	Shaft	
12	7010112	1	Cap, End	
13	7010113	1	Plug	
14	7010114	2	Plug	
15	7010115	4	Screw	
16	3160205	1	Housing (Note: Not Available for Purchase)	
17	7010116	1	Cylinder Block Assembly (Includes Items 18-27)	
18	7007428	1	Spring	
19	7007427	1	Washer	
20	7007426	1	Ring, Retaining	
21	7007429	1	Washer	
22	7010117	7	Piston Assembly	
23	7010118	1	Block, Cylinder	
24	7007430	1	Retainer, Pin	
25	7007434	1	Guide, Slip Retainer	
26	7007431	3	Pin, Slip Retainer	
27	7010119	1	Retainer, Slip	

SECTION 1 - FRAME

FIGURE 1-11. DRIVE MOTOR ASSEMBLY (2WD MACHINES) (SN 0300071020 through 0300081836)



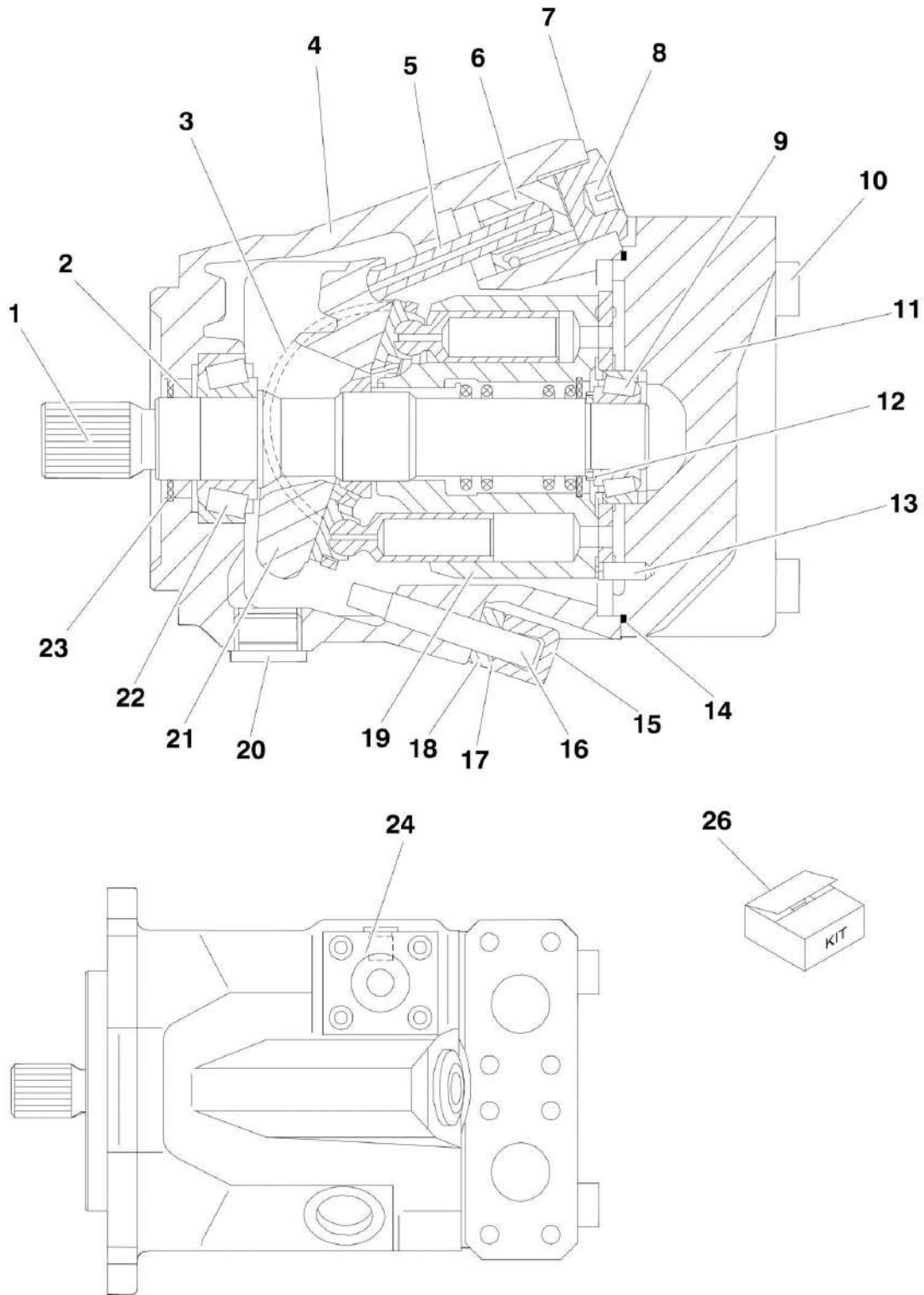
SECTION 1 - FRAME

FIGURE 1-11. DRIVE MOTOR ASSEMBLY (2WD MACHINES) (SN 0300071020 through 0300081836)

ITEM	PART NUMBER	QTY	DESCRIPTION	REV
	3160297	Ref	DRIVE MOTOR ASSEMBLY - SUNSTRAND (2WD)	A
1	7024834	1	Plate, Thrust	
2	7007435	2	Pin, Spring	
3	7023964	4	Plug	
3A	7007415	4	O-Ring	
4	7007459	1	Seal, Lip	
5	7022371	1	Washer, Support	
6	7007438	2	Ring, Retaining	
7	7024835	1	Shaft	
8	7007439	2	Ring, Retaining	
9	7024836	1	Cap, End	
10	7024837	4	Screw	
11	7024838	1	Bearing, Needle	
12	7007419	2	Plug	
12A	7007418	2	O-Ring	
13	7024839	1	Bracket, Lifting	
14	3160297	1	Housing (Note: Not Available for Purchase)	
15	7024841	1	Plate, Motor Valve	
16	7024842	1	Pin, Slotted	
17	7007437	1	Bearing, Ball	
18	See Note	NSS	Gasket, End Cap (Note: Use Item 51)	
19	7024840	1	Cylinder Block Assembly (Includes Items 20-30)	
20	See Note	NSS	Block, Cylinder (Note: Use Item 19)	
21	See Note	NSS	Washer (Note: Use Item 19)	
22	See Note	NSS	Spring (Note: Use Item 19)	
23	7007427	1	Washer	
24	7007426	1	Ring, Retaining	
25	See Note	NSS	Pin, Slip Retainer (Note: Use Item 19)	
26	See Note	NSS	Retainer, Pin (Note: Use Item 19)	
27	See Note	NSS	Guide, Slip Retainer (Note: Use Item 19)	
28	See Note	NSS	Piston Assembly (Note: Use Item 19)	
29	See Note	NSS	Retainer, Slip (Note: Use Item 19)	
30	See Note	NSS	Thrustwasher (Note: Use Item 19)	
51	7024843	1	Seal Kit (Includes Items 3A, 4, 12A & 18)	

SECTION 1 - FRAME

FIGURE 1-12. DRIVE MOTOR ASSEMBLY (4WD MACHINES) (SN 0300069000 through 0300081835)



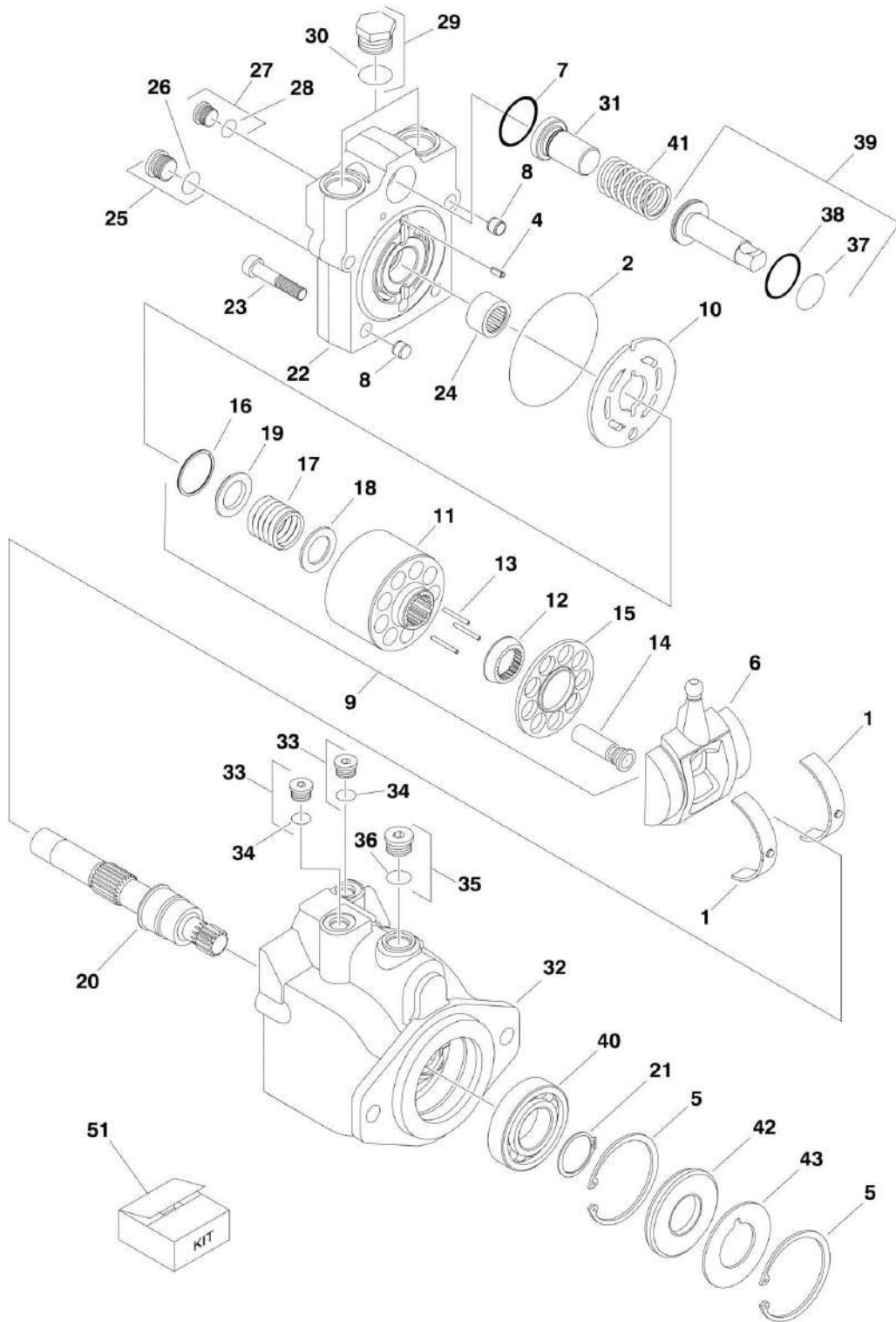
SECTION 1 - FRAME

FIGURE 1-12. DRIVE MOTOR ASSEMBLY (4WD MACHINES) (SN 0300069000 through 0300081835)

ITEM	PART NUMBER	QTY	DESCRIPTION	REV
	3160204	Ref	DRIVE MOTOR ASSEMBLY - REXROTH (4WD)	A
1	7012701	1	Shaft - 13 Teeth	
2	See Note	NSS	Seal, Shaft (Note: Use Item 26)	
3	7012702	2	Bearing, Cradle	
4	3160204	1	Housing (Note: Not Available for Purchase)	
5	7012703	1	Rod, Piston	
6	7012704	1	Piston, Stroking	
7	See Note	NSS	O-Ring (Note: Use Item 26)	
8	7012705	1	Nut, Adaptor	
9	7012706	1	Bearing, Roller	
10	7012707	4	Bolt, Socket Head M12 x 65	
11	7012708	1	Block, Port	
12	7012709	1	Shim	
13	7012710	1	Pin, Dowel M6 x 18	
14	See Note	NSS	O-Ring (Note: Use Item 26)	
15	7012711	1	Nut, Cap M10 x 1	
16	7012712	1	Screw, Adjusting	
17	See Note	NSS	O-Ring (Note: Use Item 26)	
18	7012713	1	Nut, Jam M10 x 1	
19	7012716	1	Rotary Group Assembly	
20	See Note	1	Plug (Note: Not Available for Purchase)	
21	7024036	1	Plate, Swash	
22	7012714	1	Bearing, Roller	
23	7012715	1	V-Ring	
24	7012700	1	Control Plate Assembly (SN 0300069000 through 0300029852)	
26	2900788	1	Seal Kit (Includes Items 2, 7, 14, 17 and O-Rings under Item 24)	

SECTION 1 - FRAME

FIGURE 1-13. DRIVE MOTOR ASSEMBLY (2WD & 4WD MACHINES) (ORIGINAL EQUIPMENT) (SN 0300081836 through 0300087000)



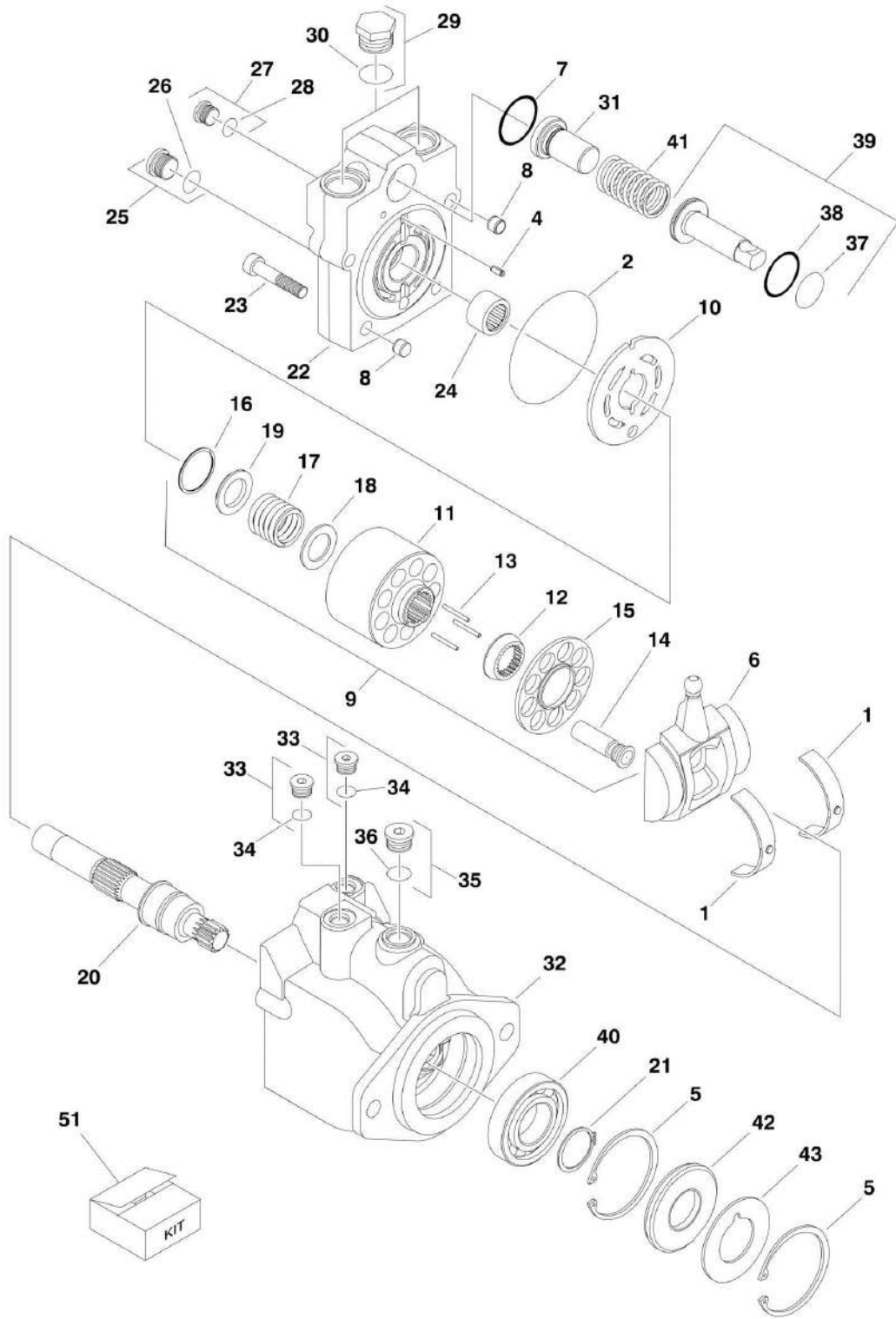
SECTION 1 - FRAME

FIGURE 1-13. DRIVE MOTOR ASSEMBLY (2WD & 4WD MACHINES) (ORIGINAL EQUIPMENT) (SN 0300081836 through 0300087000)

ITEM	PART NUMBER	QTY	DESCRIPTION	REV
		Ref	DRIVE MOTOR ASSEMBLY (ORIGINAL EQUIPMENT)	
	3160299	Ref	Drive Motor Assembly (Original Equipment) 2WD	C
	3160300	Ref	Drive Motor Assembly (Original Equipment) 4WD	C
1	7022302	2	Bearing, Journal	
2	See Note	NSS	O-Ring (Note: Use Item 51)	
3	See Note	NSS	O-Ring (Note: Use Item 51)	
4	7007446	1	Pin	
5	7007438	2	Ring, Retaining	
6	7024861	1	Swash Plate	
7	See Note	NSS	O-Ring (Note: Use Item 51)	
8	7007435	2	Pin	
9	7022320	1	Cylinder Block Kit (Includes Items 11-19)	
10	7024862	1	Plate, Valve	
11	7024863	1	Block, Cylinder	
12	7024864	1	Guide, Slipper Retainer	
13	7021275	3	Pin, Slipper Hold Down	
14	7024865	9	Piston Assembly	
15	7024866	1	Retainer, Slipper	
16	7022311	1	Ring, Retaining	
17	7024867	1	Spring	
18	7024868	1	Washer	
19	7022314	1	Retainer, Spring	
20	7023910	1	Shaft	
21	7007439	1	Ring, Retaining	
22	7024869	1	Cap, End - Axial	
23	7022368	4	Screw	
24	7021249	1	Bearing, Needle	
25	7022321	1	Plug (Includes Item 26)	
26	See Note	NSS	O-Ring (Note: Use Item 25 or 51)	
27	7022318	1	Plug (Includes Item 28)	
28	See Note	NSS	O-Ring (Note: Use Item 27 or 51)	
29	7027419	2	Plug (Includes Item 30)	
30	See Note	NSS	O-Ring (Note: Use Item 29 or 51)	
31		Ref	Seat, Spring Options:	
31	7024853	1	Seat, Spring 2WD/2WS	
31	7022372	1	Seat, Spring 2WD/4WS, 4WD/2WS & 4WD/4WS	
32	7022370	1	Housing	
33	7022318	2	Plug (Includes Item 34)	
34	See Note	NSS	O-Ring (Note: Use Item 33 or 51)	
35	7022321	1	Plug (Includes Item 36)	
36	See Note	NSS	O-Ring (Note: Use Item 35 or 51)	
37	See Note	NSS	O-Ring (Note: Use Item 51)	
38	See Note	NSS	Ring, Seal (Note: Use Item 51)	
39	7024871	1	Piston, Servo	
40	7007437	1	Bearing	
41	7022326	1	Spring	
42	See Note	NSS	Seal, Lip (Note: Use Item 51)	
43	7022371	1	Washer, Support	
51	7022328	1	Seal Kit (Includes Items 2, 3, 7, 26, 28, 30, 34, 36, 37, 38 & 42)	

SECTION 1 - FRAME

FIGURE 1-14. DRIVE MOTOR ASSEMBLY (2WD & 4WD MACHINES) (SERVICE REPLACEMENT)



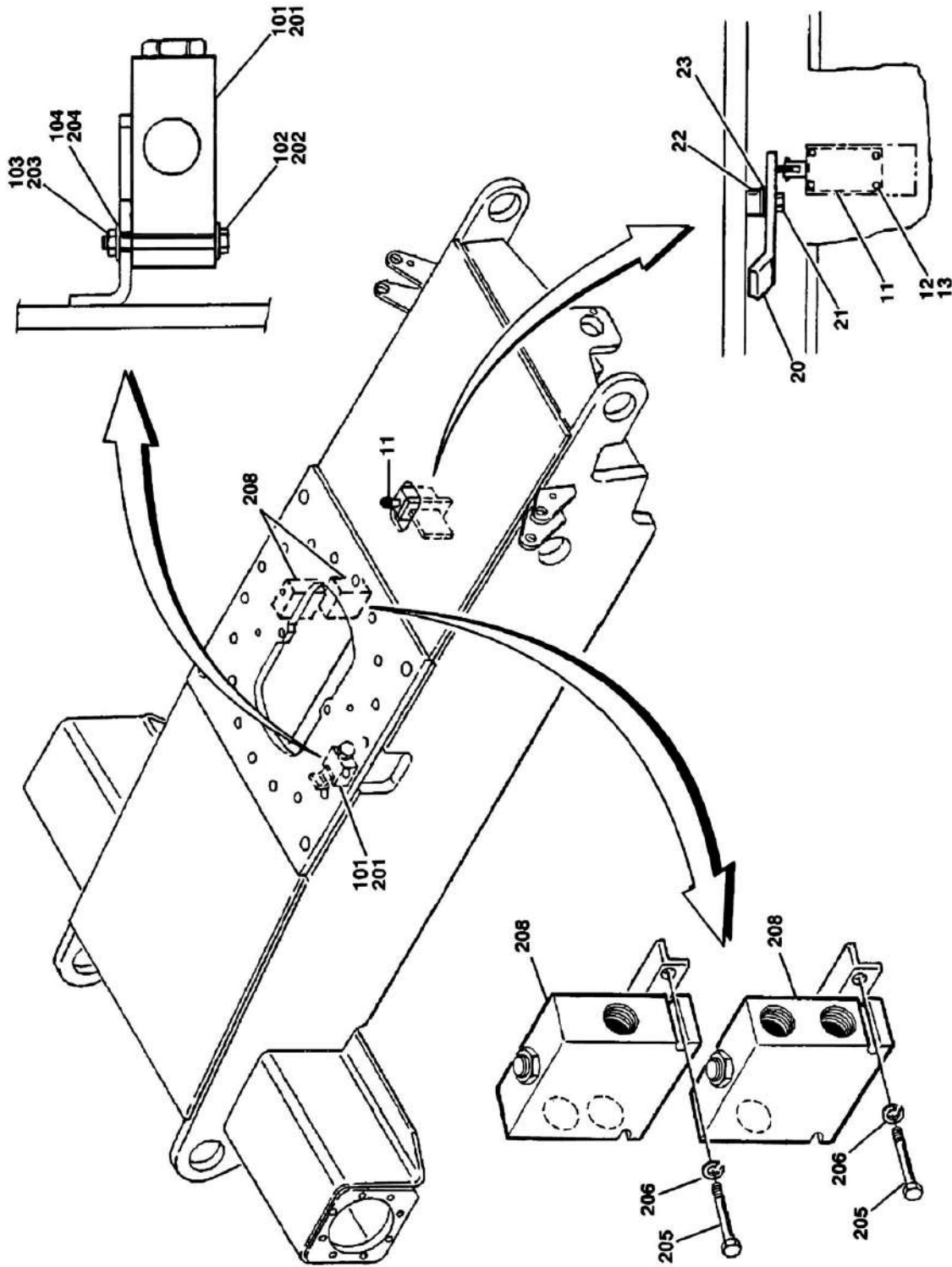
SECTION 1 - FRAME

FIGURE 1-14. DRIVE MOTOR ASSEMBLY (2WD & 4WD MACHINES) (SERVICE REPLACEMENT)

ITEM	PART NUMBER	QTY	DESCRIPTION	REV
		Ref	DRIVE MOTOR ASSEMBLY (SERVICE REPLACEMENT)	
	3160349	Ref	2WD (Service Replacement Motor for p/n 3160299)	B
	3160350	Ref	4WD (Service Replacement Motor for p/n 3160300)	B
1	7022302	2	Bearing, Journal	
2	7007446	1	Pin	
3	7007438	2	Ring, Retaining	
4	70000794	1	Swash Plate	
5	See Note	2	Pin (Note: Not Available for Purchase)	
6	See Note	NSS	Gasket (Note: Use Item 51)	
7	7027740	1	Cylinder Block Kit (Includes Items 9-17)	
8	7024862	1	Plate, Valve	
9	7027740	1	Block, Cylinder	
10	7027740	1	Guide, Slipper Retainer	
11	7021275	3	Pin, Slipper Hold Down	
12	7024865	9	Piston Assembly	
13	7027740	1	Retainer, Slipper	
14	7022311	1	Ring, Retaining	
15	7024867	1	Spring	
16	7022313	1	Washer	
17	7022314	1	Retainer, Spring	
18	7023910	1	Shaft	
19	7007439	1	Ring, Retaining	
20	70000795	1	Cap, End - Axial	
21	7022368	5	Screw	
22	7021249	1	Bearing, Needle	
23	2220886	1	Plug (Includes Item 24)	
24	See Note	NSS	O-Ring (Note: Use Item 23 or 51)	
25	2220883	1	Plug (Includes Item 26)	
26	See Note	NSS	O-Ring (Note: Use Item 25 or 51)	
27	7027419	2	Plug (Includes Item 28)	
28	See Note	NSS	O-Ring (Note: Use Item 27 or 51)	
29		Ref	Seat, Spring Options:	
29	7024853	1	Seat, Spring 2WD/2WS	
29	7022372	1	Seat, Spring 2WD/4WS, 4WD/2WS & 4WD/4WS	
30	See Note	1	Housing (Note: Not Available - Purchase Complete Assy)	
31	2220883	2	Plug (Includes Item 32)	
32	See Note	NSS	O-Ring (Note: Use Item 31 or 51)	
33	2220886	1	Plug (Includes Item 34)	
34	See Note	NSS	O-Ring (Note: Use Item 33 or 51)	
35	See Note	NSS	O-Ring (Note: Use Item 51)	
36	See Note	NSS	Ring, Seal (Note: Use Item 51)	
37	7024871	1	Piston, Servo	
38	7007437	1	Bearing	
39	7022326	1	Spring	
40	See Note	NSS	Seal, Lip (Note: Use Item 51)	
41	7022371	1	Washer, Support	
51	7022328	1	Seal Kit (Includes Items 6, 24, 26, 28, 32, 34, 35, 36 & 40)	

SECTION 1 - FRAME

FIGURE 1-15. DRIVE VALVES AND SHIELDS INSTALLATION (FRAME MOUNTED) (SN 0300069000 through 0300081835)



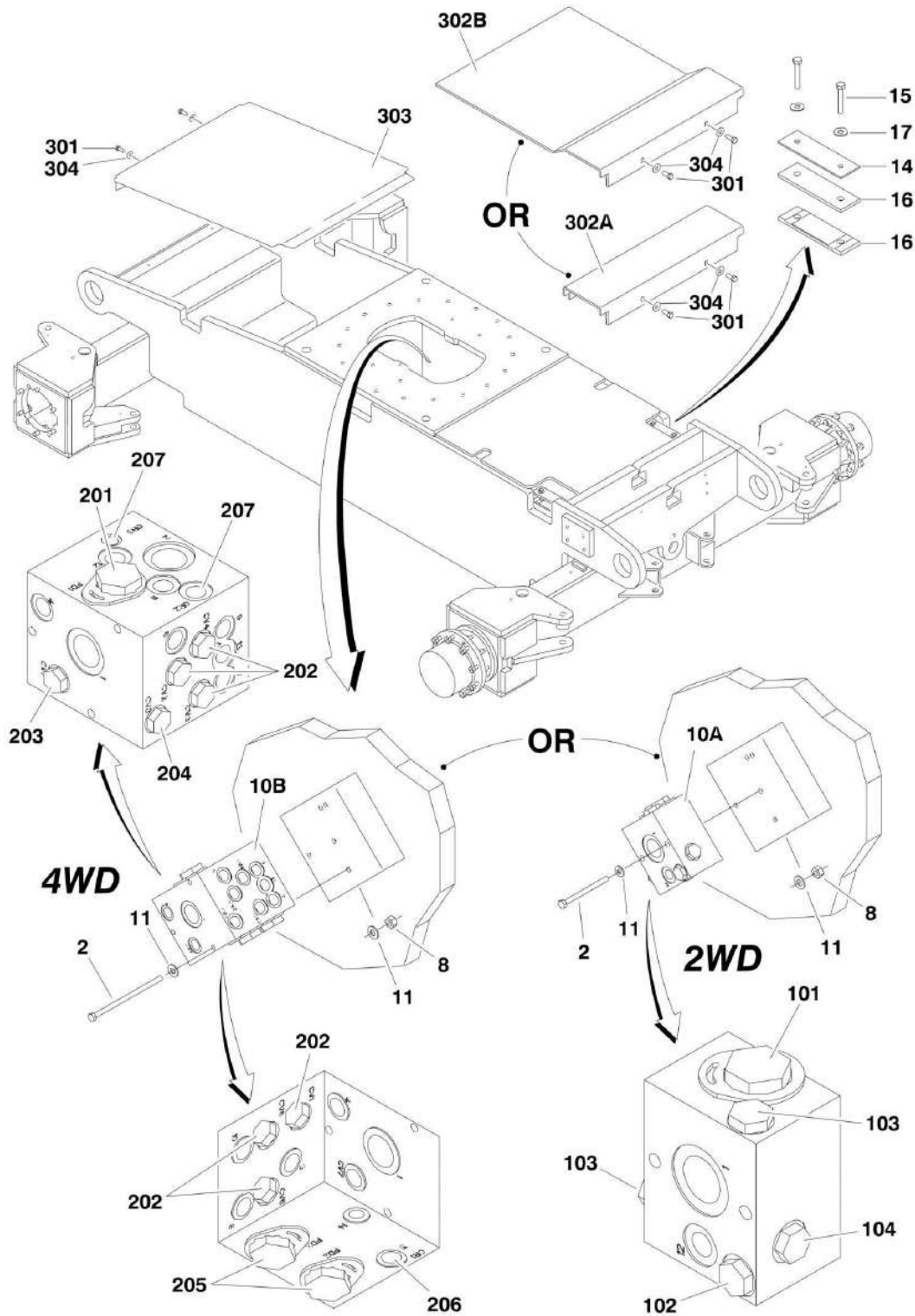
SECTION 1 - FRAME

FIGURE 1-15. DRIVE VALVES AND SHIELDS INSTALLATION (FRAME MOUNTED) (SN 0300069000 through 0300081835)

ITEM	PART NUMBER	QTY	DESCRIPTION	REV
		Ref	OSCILLATING AXLE LOCKOUT VALVE INSTALLATIONS	
	0256398	Ref	2WD with 8ft/2.4m Wide Frame	3
	0256397	Ref	2WD with 7ft/2.1m Wide Frame	4
	0256392	Ref	4WD	3
11	4640871	1	Valve, Cam	
11	7012693	1	Seal Kit - 4640871 Valve	
11	7002840	1	Tool, Pin Removal	
12	0641414	4	Bolt 1/4in-20NC x 1-7/8in	
13	4711400	8	Flatwasher 1/4in Thin	
20	1100098	1	Cam, Lockout	
21	0641816	3	Bolt 1/2in-13NC x 2in	
22	4751800	9	Flatwasher 1/2in Regular	
23	4566832	3	Tube, Spacer	
	0270123	Ref	FRAME VALVE INSTALLATIONS (2WD)	3-B
101	4640923	1	Valve, Flow Divider	
101	7012442	1	Cartridge	
101	7012980	1	Seal Kit - 7012442 Cartridge	
101	7012993	1	Orifice	
102	0641522	2	Bolt 5/16in-18NC x 2-3/4in	
103	3311505	2	Locknut 5/16in-18NC	
104	4751500	4	Flatwasher 5/16in Regular	
105	4060808	3.5 ft/1.1m	Shield, Flex Trim (Not Shown)	
	0270124	Ref	FRAME VALVE INSTALLATIONS (4WD)	3-E
201	4640923	1	Valve, Flow Divider	
201	7012992	1	Cartridge	
201	7012980	1	Seal Kit - 7012992 Cartridge	
201	7012993	1	Orifice	
202	0641522	2	Bolt 5/16in-18NC x 2-3/4in	
203	3311505	2	Locknut 5/16in-18NC	
204	4751500	4	Flatwasher 5/16in Regular	
205	0641520	4	Bolt 5/16in-18NC x 2-1/2in	
206	4751500	4	Flatwasher 5/16in Regular	
208	4640937	2	Valve, Flow Divider	
208	7012978	1	Cartridge	
208	7012980	1	Seal Kit - 7012978 Cartridge	
208	7012994	1	Orifice	
209	4060808	3/5ft/1.1m	Shield, Flex Trim (Not Shown)	

SECTION 1 - FRAME

FIGURE 1-16. DRIVE VALVES AND SHIELDS INSTALLATION (FRAME MOUNTED) (SN 0300081836 through 0300087000)



SECTION 1 - FRAME

FIGURE 1-16. DRIVE VALVES AND SHIELDS INSTALLATION (FRAME MOUNTED) (SN 0300081836 through 0300087000)

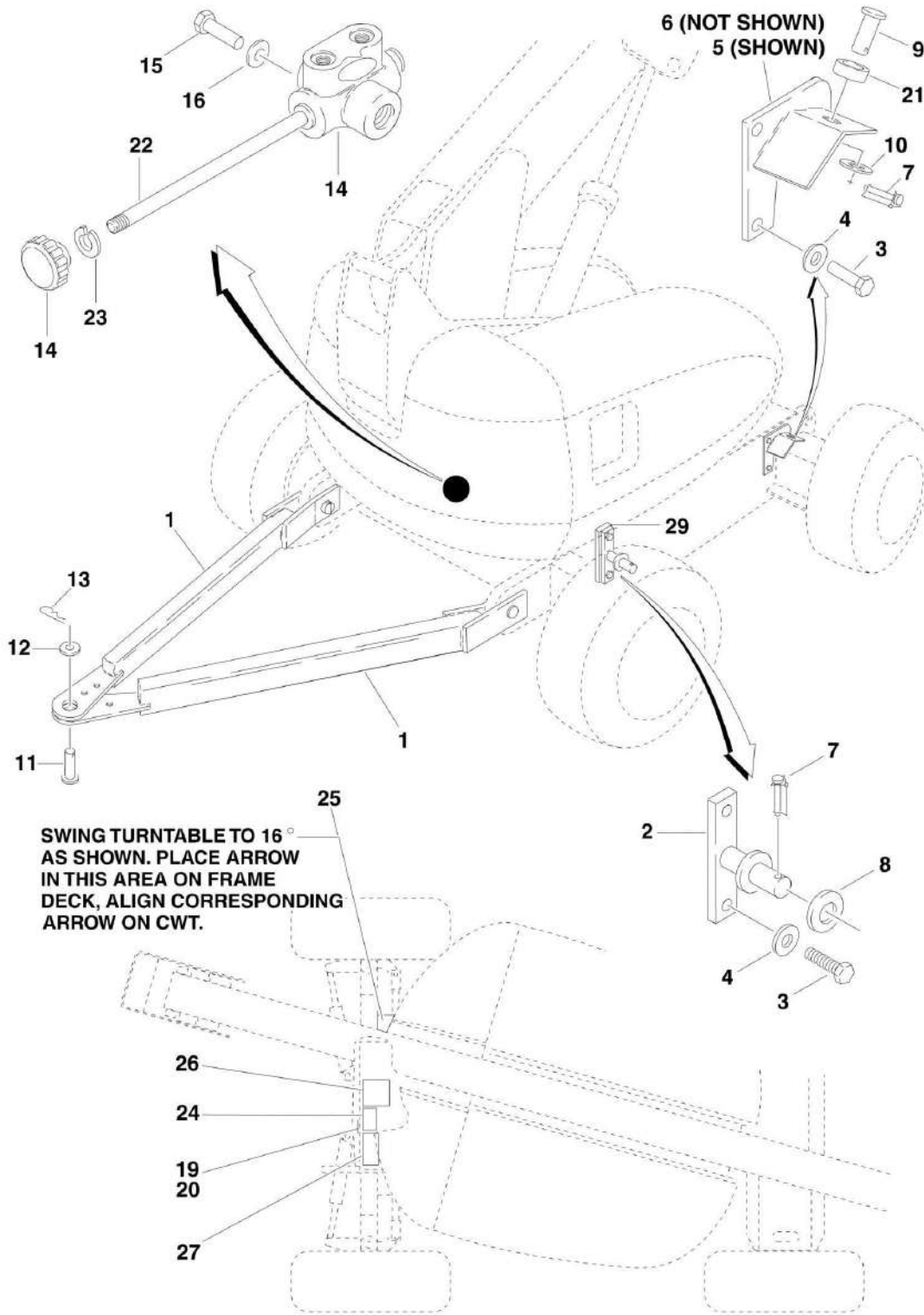
ITEM	PART NUMBER	QTY	DESCRIPTION	REV
		Ref	DRIVE VALVES INSTALLATION OPTIONS:	
	0273049	Ref	Drive Valves Installation 2WD/2WS	D
	0274441	Ref	Drive Valves Installation 2WD/4WS	B
	0273048	Ref	Drive Valves Installation 4WD/2WS	F
	0273366	Ref	Drive Valves Installation 4WD/4WS	E
2		Ref	Bolt 5/16in-18NC Options:	
2	0641532	2	4in Length (2WD)	
2	0641552	3	6-1/2in Length (4WD)	
8	3311505	AR	Locknut 5/16in-18NC	
10		Ref	Flow Divider Valve Assembly Options:	
10A		Ref	Flow Divider Valve Assembly 2WD Options (See Items 101-104 for Breakdown):	
10A	4641287	NLA	Flow Divider Valve Assembly (Use p/n 1001100120) (Original Equipment) (SN 0300081836 through 0300086893)	
10A	4641409	NLA	Flow Divider Valve Assembly (Use p/n 1001100120) (Original Equipment) (SN 0300081836 through 0300086893)	
10A	4641409	NLA	Flow Divider Valve Assembly (Use p/n 1001100120) (Original Equipment) (SN 0300086894 through 0300087000)	
10A	1001100120	1	Service Replacement	
		Ref	Note: Original Equipment Valve may have been replaced with Service Replacement Valve. Identify p/n stamped on valve before ordering parts.	
10B		Ref	Flow Divider Valve Assembly 4WD Options (See Items 201-205 for Breakdown):	
10B	4641280	NLA	Flow Divider Valve Assembly (Use p/n 1001098503) (Original Equipment) (SN 0300081836 through 0300086893)	
10B	4641410	NLA	Flow Divider Valve Assembly (Use p/n 1001098503) (Original Equipment) (SN 0300081836 through 0300086893)	
10B	4641410	NLA	Flow Divider Valve Assembly (Use p/n 1001098503) (Original Equipment) (SN 0300086894 through 0300087000)	
10B	1001098503	1	Service Replacement	
		Ref	Note: Original Equipment Valve may have been replaced with Service Replacement Valve. Identify p/n stamped on valve before ordering parts.	
11	4711500	AR	Flatwasher 5/16in Thin	
14		Ref	Bar, Clamping	
14	Not Required	0	Bar, Clamping 2WD/2WS	
14	0363012	2	Bar, Clamping 2WD/2WS, 4WD/2WS & 4WD/4WS	
15	0641618	4	Bolt 3/8in-16NC x 2-1/4in	
16	3340911	4	Rubber, Clamp	
17	4751600	4	Flatwasher 3/8in Regular	
		Ref	FLOW DIVIDER ASSEMBLY (2WD)	
	4641287	Ref	Flow Divider Assembly (Original Equipment) (SN 0300081836 through 0300086893)	C
	4641409	Ref	Flow Divider Assembly (Original Equipment) (SN 0300086894 through 0300087000)	B
	1001100120	Ref	Service Replacement	A
101	7023933	1	Valve, Cartridge (Flow Divider)	
101	7021625	1	Seal Kit - Flow Divider Cartridge	
101	70000781	1	Locking Kit	
102		Ref	Valve, Cartridge (Check) Options:	
102	7024850	1	Valve, Cartridge (Check) (Used with p/n 4641287) (SN	

SECTION 1 - FRAME

ITEM	PART NUMBER	QTY	DESCRIPTION	REV
102	7024892	1	0300081836 through 0300086893 Valve, Cartridge (Check) (Used with p/n 4641409 & p/n 1001100120) (SN 0300086894 through 0300087000)	
102	7023936	1	Seal Kit - Check Cartridge	
103	7022397	2	Valve, Cartridge (Check)	
103	7022399	2	Seal Kit - Check Cartridge	
104	7023935	1	Valve, Cartridge (Check)	
104	7023936	1	Seal Kit - Check Cartridge	
		Ref	FLOW DIVIDER ASSEMBLY (4WD)	
	4641280	Ref	Flow Divider Assembly (4WD) (Original Equipment) (SN 0300081836 through 0300086893)	C
	4641410	Ref	Flow Divider Assembly (4WD) (Original Equipment) (SN 0300086894 through 0300087000)	B
	1001098503	Ref	Service Replacement	A
201	7023933	1	Valve, Cartridge (Flow Divider)	
201	7021625	1	Seal Kit - Flow Divider Cartridge	
202		Ref	Valve, Cartridge (Check) Options:	
202	7022397	6	Valve, Cartridge (p/n 4641280 & p/n 4641410)	
202	7022399	6	Seal Kit - Check Cartridge	
202	70003408	6	Valve, Cartridge (p/n 1001098503)	
202	7022399	6	Seal Kit - Check Cartridge	
203	7023935	1	Valve, Cartridge (Check)	
203	7023936	1	Seal Kit - Check Cartridge	
204		Ref	Valve, Cartridge (Check) Options:	
204	7024850	1	Valve, Cartridge (Check) (Used with p/n 4641280) (SN 0300081836 through 0300086893)	
204	7024892	1	Valve, Cartridge (Check) (Used with p/n 4641410 & p/n 1001098503) (SN 0300086894 through 0300087000)	
204	7023936	1	Seal Kit - Check Cartridge	
205	7023917	2	Valve, Cartridge (Flow Divider)	
205	7021625	2	Seal Kit - Flow Divider Cartridge	
206	70002063	1	Plug, Orifice	
207	70002064	2	Plug, Orifice	
		Ref	FRAME SHIELDS INSTALLATION	
	0274349	Ref	Frame Shields Installation 2WD/2WS	C
	0274229	Ref	Frame Shields Installation 2WD/4WS (n600A/AJ Only)	A
	0274349	Ref	Frame Shields Installation 4WD/2WS	E
	0274348	Ref	Frame Shields Installation 4WD/4WS	D
301	0641608	AR	Bolt, 3/8in-6NC x 7/8in	
302		Ref	Shield, Frame - Front Options:	
302A	3380557	1	Machines with 8ft/2.4m Wide Frames	
302B	3380560	1	Machines with 7ft/2.1m Wide Frames	
303		Ref	Shield, Frame - Rear Options:	
303	Not Required	0	2WS Machines with 8ft/2.4m Wide Frames	
303	3380573	1	4WS Machines with 8ft/2.4m Wide Frames	
303	3380558	1	Machines with 7ft/2.1m Wide Frames	
304	4751600	AR	Flatwasher, 3/8in Regular	

SECTION 1 - FRAME

FIGURE 1-17. TOW PACKAGE INSTALLATION (OPTIONAL) (SN 0300069000 through 0300081835)



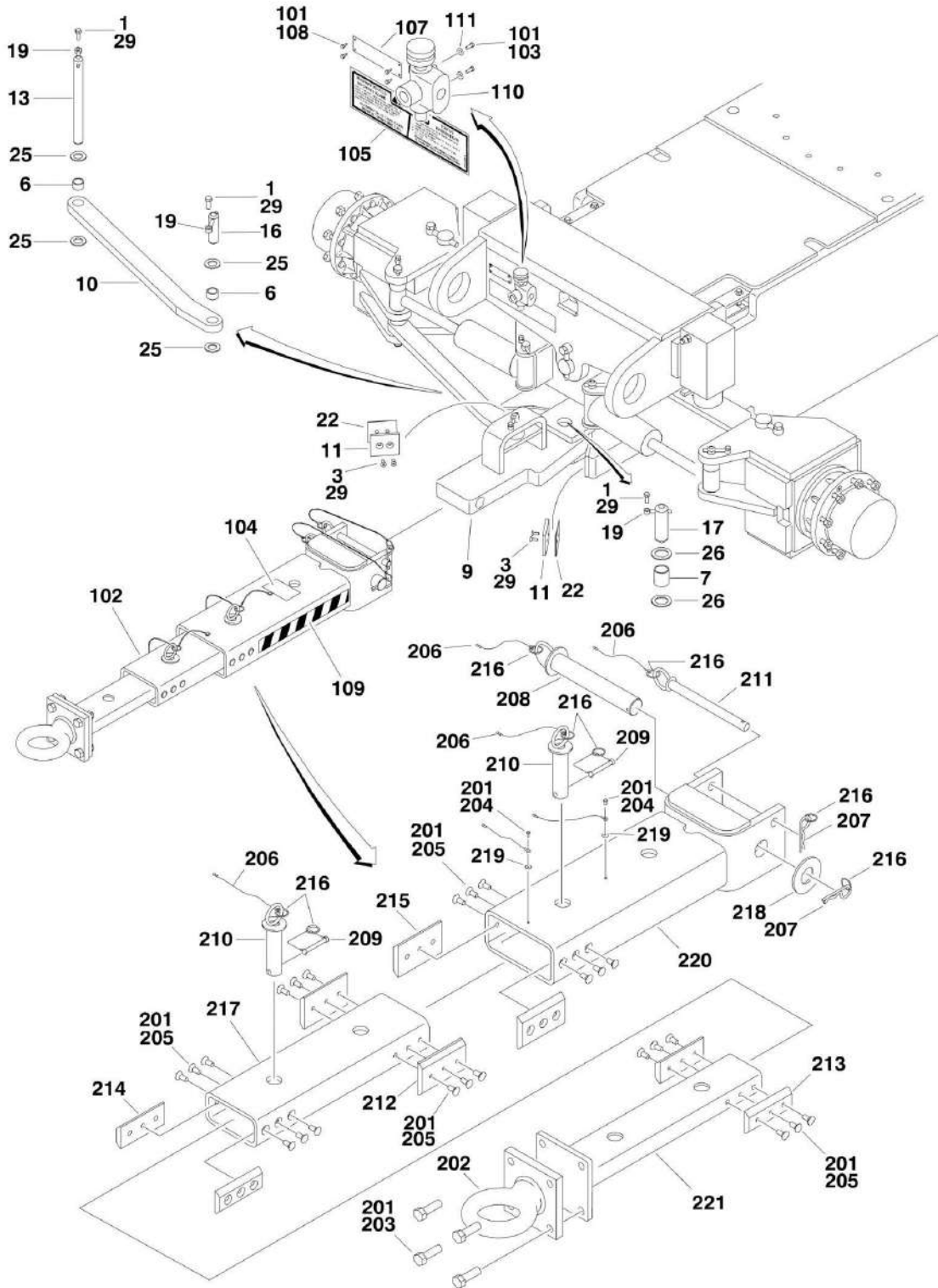
SECTION 1 - FRAME

FIGURE 1-17. TOW PACKAGE INSTALLATION (OPTIONAL) (SN 0300069000 through 0300081835)

ITEM	PART NUMBER	QTY	DESCRIPTION	REV
		Ref	TOW INSTALLATIONS	
	0257436	Ref	7ft/2.1m width machines	3
	0257101	Ref	8ft/2.4m width machines	2
1	4845281	1	Tow Bar Weldment	
2		Ref	Bracket, Tow Bar Options:	
2	Not Required	0	7ft/2.1m Width Machines	
2	4845283	2	8ft/2.4m width machines	
3		Ref	Bolt 3/8in-16NC x 1in Options:	
3	Not Required	0	7ft/2.1m Width Machines	
3	0641608	8	8ft/2.4m width machines	
4		Ref	Flatwasher 3/8in Thin Options:	
4	Not Required	0	7ft/2.1m Width Machines	
4	4711600	8	8ft/2.4m width machines	
5		Ref	Bracket, Tow Bar Options:	
5	Not Required	0	7ft/2.1m Width Machines	
5	4845450	1	8ft/2.4m width machines	
6		Ref	Bracket, Tow Bar Options:	
6	Not Required	0	7ft/2.1m Width Machines	
6	4845451	1	8ft/2.4m width machines	
7	3421453	4	Pin, Snap	
8	4712600	AR	Flatwasher 1in Thin	
9	3422553	2	Pin, Tow Bar	
10	4713400	2	Flatwasher 1-1/2in Thin	
11	3422553	1	Pin, Tow Bar	
12	4713000	2	Flatwasher 1-1/4in Thin	
13	3420592	1	Hairpin	
14	4640261	1	Diversion Valve Assembly	
15	0641505	2	Bolt 5/16in-18NC x 5/8in	
16	4711500	2	Flatwasher 5/16in Thin	
19	3250872	1	Nameplate	
20	3820001	4	Rivet	
21	4567172	2	Tube, Spacer	
22	3841329	1	Rod Extension	
23	4761600	1	Lockwasher 3/8in	
24	1703403	1	Decal - Instruction	
25	1703404	2	Decal - Match Arrow	
26	1703444	1	Decal	
27	1703450	1	Decal	
28	3539662	1	Plate, Valve Mounting (Not Shown)	
29		Ref	Bar, Tow Clamp Options:	
29	Not Required	0	7ft/2.1m Width Machines	
29	0362519	4	8ft/2.4m width machines	

SECTION 1 - FRAME

FIGURE 1-18. TOW PACKAGE INSTALLATION (OPTIONAL) (SN 0300081836 through 0300087000)



SECTION 1 - FRAME

FIGURE 1-18. TOW PACKAGE INSTALLATION (OPTIONAL) (SN 0300081836 through 0300087000)

ITEM	PART NUMBER	QTY	DESCRIPTION	REV
		Ref	TOW INSTALLATIONS	
	0274257	Ref	7ft/2.1m Width Machines	A
	0274220	Ref	8ft/2.4m Width Machines	B
1	0641608	3	Bolt 3/8in-16NC x 1in	
3	0741607	8	Bolt 3/8in-16NC x 1in Options:	
6	0962292	2	Bushing	
7	0962348	1	Bushing	
9	2980125	1	Pivot	
10		Ref	Link, Tow Options:	
10	2575716	1	7ft/2.1m Width Machines	
10	3010141	1	8ft/2.4m Width Machines	
11	3340966	2	Pad, Stop	
13	3422327	1	Pin	
16	3422813	1	Pin	
17	3422848	1	Pin	
19	3841143	3	Keeper, Pin	
22	4071059	2	Shim	
25		Ref	Thrustwasher Options:	
25	4740184	1	7ft/2.1m Width Machines	
25	4740111	2	8ft/2.4m Width Machines	
26	4740155	2	Thrustwasher	
29	0100011	AR	Compound, Locking	
	0274235	Ref	TOW BAR INSTALLATION	B
101	0100011	AR	Compound, Locking	
102	0270528	1	Bar Assembly (See Items 201-221 for Breakdown)	
103	0641516	2	Bolt 5/16in-18NC x 2in	
104	1704578	2	Decal - Crushing	
105	1705090	1	Decal - Towing Instructions	
107	3250872	1	Nameplate, Steer/Tow Select Valve	
108	3940604	4	Screw, Self-Tapping #6-32NF x 1/2in	
109	4420051	AR	Tape, Safety	
110	4640261	1	Valve, Float Position	
111	4751500	2	Flatwasher 5/16in Regular	
	0270528	Ref	TOW BAR ASSEMBLY	A
201	0100011	AR	Compound, Locking	
202	0362910	1	Pintle, Draw Eye	
203	0642010	4	Bolt 5/8in-11NC x 1-1/4in	
204	0721004	2	Screw, Hex Machine	
205	0741607	24	Screw, Countersunk 3/8in-16NC x 7/8in	
206	1060584	6	Cable, Lanyard	
207	3420372	2	Pin, Cotter	
208	3420447	1	Pin, Towing	
209	3421565	2	Pin, Snap	
210	3422841	2	Pin	
211	3422847	1	Pin	
212	3572009	2	Plate, Slide Stop	
213	3572010	2	Plate, Slide Stop	
214	3572011	2	Plate, Slide Stop	
215	3572012	2	Plate, Slide Stop	
216	3760170	8	Ring, Split	

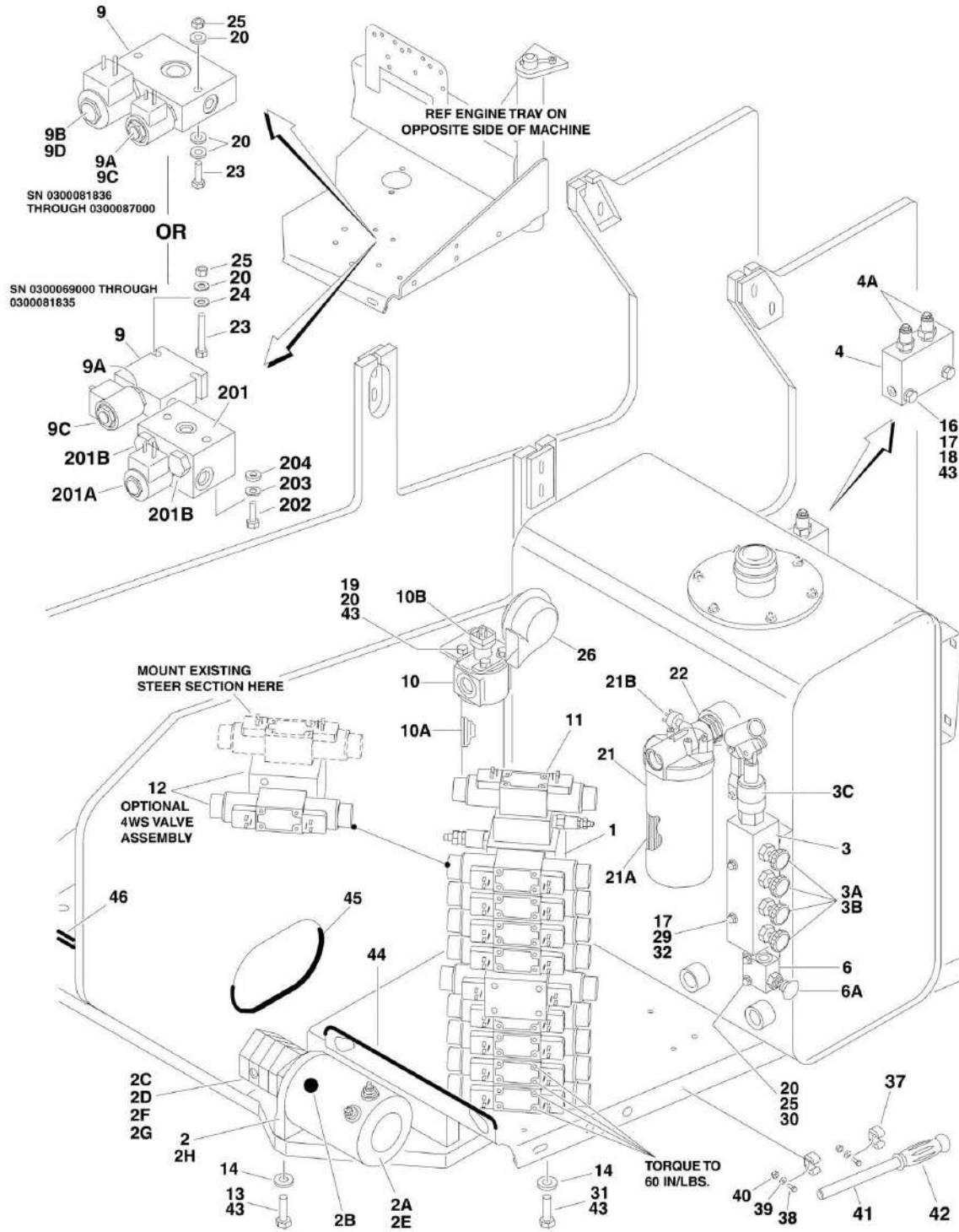
SECTION 1 - FRAME

ITEM	PART NUMBER	QTY	DESCRIPTION	REV
217	4568133	1	Tube, Tow Bar	
218	4740036	1	Flatwasher, Special	
219	4751000	2	Flatwasher #10 Regular	
220	4846295	1	Tow Bar Attach Weldment	
221	4846296	1	Pintle Attach Weldment	

SECTION 2 - TURNTABLE

SECTION 2 - TURNTABLE

FIGURE 2-1. CONTROL VALVES INSTALLATIONS



SECTION 2 - TURNTABLE

FIGURE 2-1. CONTROL VALVES INSTALLATIONS

ITEM	PART NUMBER	QTY	DESCRIPTION	REV
		Ref	CONTROL VALVES INSTALLATIONS	
	0255440	Ref	Control Valves Installations 600A 2WS (SN 0300069000 through 0300081835)	13
	0274276	Ref	Control Valves Installations 600A 2WS (SN 0300081836 through 0300084828)	1
	0274309	Ref	Control Valves Installations 600A 2WS (SN 0300084829 through 0300087000)	1
	0255442	Ref	Control Valves Installations 600A 4WS (SN 0300069000 through 0300081835)	12
	0274278	Ref	Control Valves Installations 600A 4WS (SN 0300081836 through 0300084828)	1
	0274311	Ref	Control Valves Installations 600A 4WS (SN 0300084829 through 0300087000)	1
	0255441	Ref	Control Valves Installations 600AJ 2WS (SN 0300069000 through 0300081835)	15
	0274277	Ref	Control Valves Installations 600AJ 2WS (SN 0300081836 through 0300084828)	1
	0274310	Ref	Control Valves Installations 600AJ 2WS (SN 0300084829 through 0300087000)	1
	0255443	Ref	Control Valves Installations 600AJ 4WS (SN 0300069000 through 0300081835)	12
	0274279	Ref	Control Valves Installations 600AJ 4WS (SN 0300081836 through 0300084828)	1
	0274312	Ref	Control Valves Installations 600AJ 4WS (SN 0300084829 through 0300087000)	1
1	4641097	1	Main Valve Block Assembly (See MAIN VALVE BLOCK ASSEMBLY for Breakdown)	
2		Ref	Auxiliary Pump Assembly Options:	
2	3600243	1	Auxiliary Pump Assembly (SN 0300069000 through 0300070783)	B
2	3600365	1	Auxiliary Pump Assembly (SN 0300070784 through 0300087000)	B
2A		Ref	Replacement Motor Options:	
2A	7013755	1	Replacement Motor for Pump p/n 3600243	
2A	7013799	1	Brush Kit - 7013755 Motor	
2A	7004290	1	Replacement Motor with Endhead Item 2H for Pump p/n 3600365 (was p/n 7011067)	
2A	7004248	1	Replacement Motor without Endhead Item 2H for Pump p/n 3600365	
2A	7011065	1	Brush Kit - 7011067 Motor	
2B		Ref	Coupling Options:	
2B	7013711	1	Coupling for Pump p/n 3600243	
2B	7011063	1	Coupling for Pump p/n 3600365	
2C		Ref	Replacement Pump Options:	
2C	7013796	1	Replacement Pump for Pump p/n 3600243	
2C	See Note	1	Seal Kit (Note: Not Available - Purchase Individual Components)	
2C	7016700	1	Seal, Oil	
2C	7016701	1	O-Ring	
2C	7016702	1	O-Ring	
2C	7011064	1	Replacement Pump for Pump p/n 3600365	
2C	7011066	1	Seal Kit	
2C	See Note	1	Relief Valve (Replace Complete Pump) (Note: Not Available for Purchase)	

SECTION 2 - TURNTABLE

ITEM	PART NUMBER	QTY	DESCRIPTION	REV
2D		Ref	Bolt (Pump to Bracket) Options:	
2D	7022203	4	Bolt for Pump p/n 3600243	
2D	7011043	4	Bolt for Pump p/n 3600365	
2E		Ref	Bolt (Motor to Bracket) Options:	
2E	7016744	2	Bolt for Pump p/n 3600243	
2E	See Note	2	Bolt for Pump p/n 3600365 (Note: Not Available for Purchase)	
2F		Ref	Gasket Options:	
2F	7016746	1	Gasket for Pump p/n 3600243	
2F	7011044	1	Gasket for Pump p/n 3600365	
2G		Ref	Lockwasher Options:	
2G	Not Required	0	Lockwasher for Pump p/n 3600243	
2G	7011048	4	Lockwasher for Pump p/n 3600365	
2H		Ref	Endhead, Motor Options:	
2H	7016747	4	Endhead for Pump p/n 3600243	
2H	7011062	4	Endhead for Pump p/n 3600365	
3	4640930	1	Manual Descent Valve Assembly (SN 0300069000 through 0300070977)	
3A	7012954	4	Cartridge, Needle	
3A	7012953	4	Seal, Kit - 7012954 Cartridge	
3B	7012961	4	Knob	
3C	7012694	1	Cartridge, Pump	
3C	7012699	1	Seal Kit - 7012694 Cartridge	
4	4640908	1	Counterbalance Valve Assembly	
4A	7011328	2	Cartridge, Counterbalance	
4A	2900770	2	Seal Kit - 7011328 Cartridge	
6	4640866	1	Manual Pull Valve Assembly	
6	2900708	1	Seal Kit - 4640866 Valve	
6A	7012959	1	Knob	
9		Ref	Brake Valve Assembly Options:	
9	4640907	1	Brake Valve Assembly (SN 0300069000 through 0300081835)	
9	4641108	NLA	Brake Valve Assembly (Use p/n 1001099391) (SN 0300081836 through 0300086999)	
9		Ref	Brake Valve Assembly (SN 0300087000 through 03000137663)	
9A	7012941	1	Cartridge without Coil Options:	
9A	7012907	1	Seal Kit - 7012941 Cartridge (Brake Valve p/n 4640907)	
9A	7010543	1	Seal Kit - 7012941 Cartridge (Brake Valve p/n 4641108 & 1001099391)	
9B		Ref	Cartridge without Coil Options:	
9B	Not Required	0	Brake Valve p/n 4640907	
9B	7012995	1	Brake Valve p/n 4641108 & 1001099391	
9B	7012518	1	Seal Kit - 7012995 Cartridge (Brake Valve p/n 4641108)	
9C	7012944	1	Coil	
9D		Ref	Coil Options:	
9D	Not Required	0	Brake Valve p/n 4640907	
9D	7012943	1	Brake Valve p/n 4641108 & 1001099391	
10		Ref	Hydraulic Pressure Filter Assembly Options:	
10	2120146	1	Hydraulic Pressure Filter Assembly (SN 0300069000 through 0300084828)	
10	2120209	1	Hydraulic Pressure Filter Assembly (SN 0300084829 through 0300087000)	
10A	2120150	1	Element, Filter - p/n 2120146	

SECTION 2 - TURNTABLE

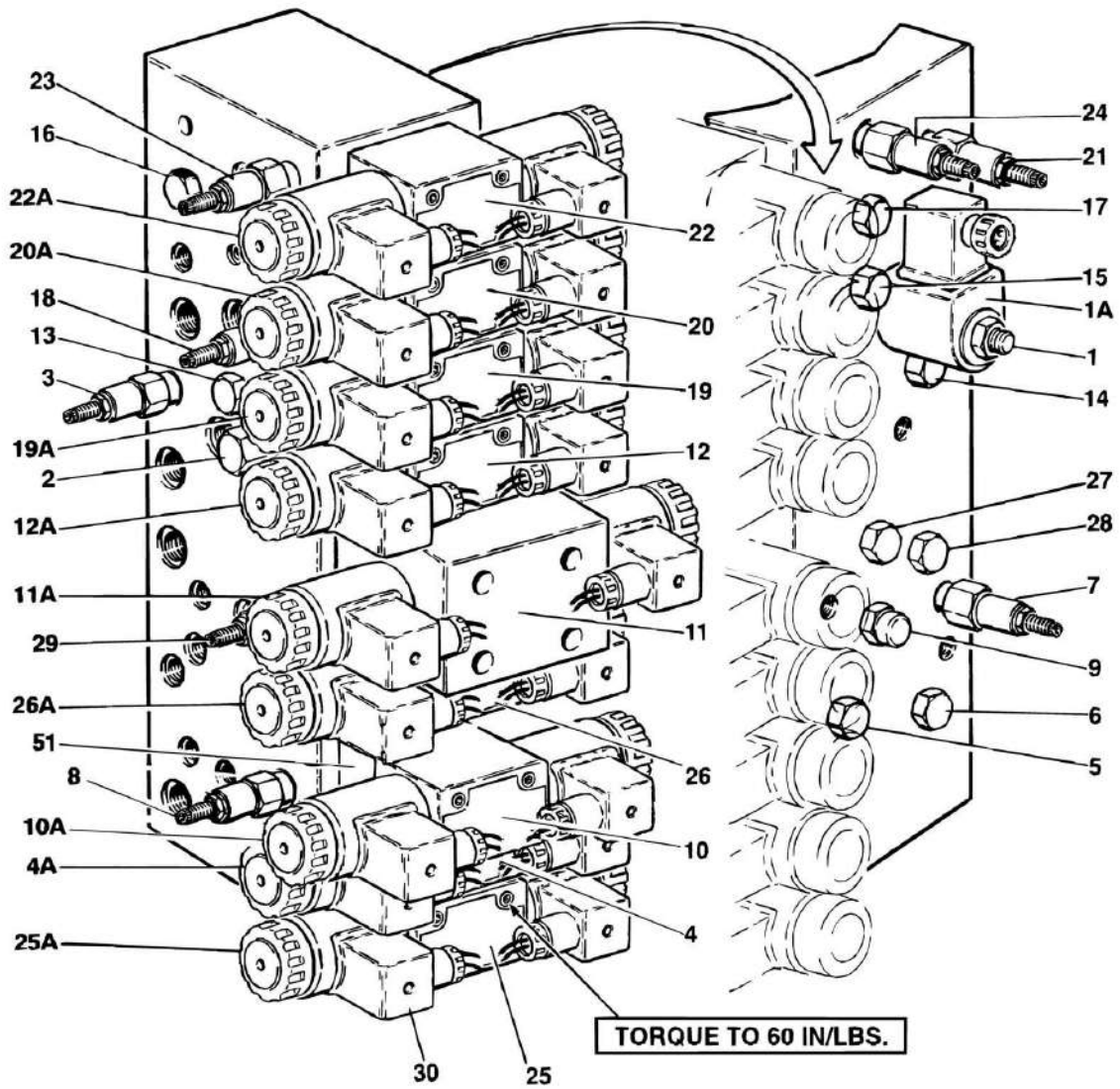
ITEM	PART NUMBER	QTY	DESCRIPTION	REV
10A	2120210	1	Element, Filter - p/n 2120209	
10B	7016312	1	Switch, Clog Indicator - p/n 2120146	
10B	7020020	1	Manual Indicator - p/n 2120209	
10C	7023206	1	O-Ring, Filter Bowl - p/n 2120146 (Not Shown)	
10C	70000934	1	O-Ring, Filter Bowl - p/n 2120209 (Not Shown)	
11		Ref	Articulating Jib Valve Kit (See ACCESSORY VALVE ASSEMBLIES for Breakdown) Options:	
11	Not Required	0	Articulating Jib Valve Kit 600A - 2WS/600A - 4WS	
11	4640921	1	Articulating Jib Valve Kit 600AJ - 2WS/600AJ - 4WS	
11	4921927	1	Harness, Articulating Jib (Not Shown - See ELECTRICAL SECTION for Breakdown)	
12		Ref	4WS Valve Assembly Options (See ACCESSORY VALVE ASSEMBLIES for Breakdown):	
12	Not Required	0	4WS Valve Assembly 600A - 2WS/600AJ - 2WS	
12	4640922	1	4WS Valve Assembly 600A - 4WS/600AJ - 4WS	
12	4921928	1	Harness, 4WS (Not Shown - See ELECTRICAL SECTION for Breakdown)	
13	0641613	2	Bolt 3/8in-16NC x 1-5/8in	
14	4711600	2	Flatwasher 3/8in Thin	
16	4891800	2	Flatwasher 1/2in Hardened (SN 0300069000 through 0300074392)	
17	4711500	AR	Flatwasher 5/16in Thin	
18		Ref	Hardware Options:	
18	3311501	2	Hardware Nut 5/16in-18NC (SN 0300069000 through 0300074391)	
18	0641514	2	Hardware Bolt 5/16in-18NC x 1-3/4in (SN 0300074392 through 0300087000)	
19	0651406	4	Hardware Bolt 1/4in-28NF x 3/4in	
20	4711400	14	Flatwasher 1/4in Thin	
21		Ref	Return Filter Assembly Options:	
21	2120145	1	Return Filter Assembly (SN 0300069000 through 0300084828)	B
21	2120164	1	Return Filter Assembly (SN 0300084829 through 0300087000)	B
21A	2120149	1	Element, Filter	
21B	7016313	1	Switch, Clog Indicator - p/n 2120145	
21B	7020021	1	Manual Indicator - p/n 2120164	
22	2220893	1	Fitting, Adaptor	
23	0641416	2	Bolt 1/4in-20NC x 2in	
24	4891400	2	Flatwasher 1/4in Hardened	
25	3311405	6	Locknut 1/4in x 20NC	
26	0140001	1	Horn	
29	0641522	2	Bolt 5/16in-18NC x 2-3/4in (SN 0300069000 through 0300070977)	
30	0641414	2	Bolt 1/4in-20NC x 1-3/4in	
31	0641608	3	Bolt 3/8in-16NC x 1in	
32	3311505	2	Locknut 5/16in-18NC (SN 0300069000 through 0300070977)	
37	1380136	2	Clip, Gripper (SN 0300069000 through 0300070977)	
38	3910806	2	Screw #8 x 3/4in (SN 0300069000 through 0300070977)	
39	4750800	4	Flatwasher #8 Regular (SN 0300069000 through 0300070977)	
40	3310805	2	Locknut #8 (SN 0300069000 through 0300070977)	
41	2560122	1	Handle (SN 0300069000 through 0300070977)	
42	2560123	1	Grip, Handle (SN 0300069000 through 0300070977)	
43	0100011	AR	Compound, Locking	
44	4060804	16	Trim-Loc 3/16in	

SECTION 2 - TURNTABLE

ITEM	PART NUMBER	QTY	DESCRIPTION	REV
45	4060918	in/40cm 79 in/1.9m	Trim-Loc 5/8in	8
46	4060807	18 in/46cm	Trim-Loc 3/8in	
	2792195	Ref	4WD DRIVE HYDRAULIC DIAGRAM (SN 0300069000 through 0300081836)	
201	4640906	1	Valve, 2-Speed Motor Control	
201A	7012974	1	Cartridge without Coil	
201A	7012905	1	Seal Kit	
201A	7012944	1	Coil	
201B	See Note	2	Cartridge, Check Valve (Note: Not Available - Purchase Complete Valve)	
201B	7012972	2	Seal Kit	
202	0641508	2	Bolt 5/16in-18NC x 1in	
203	4891500	2	Flatwasher 5/16in Hardened	
204	4711500	2	Flatwasher 5/16in Thin	

SECTION 2 - TURNTABLE

FIGURE 2-2. MAIN VALVE BLOCK ASSEMBLY



SECTION 2 - TURNTABLE

FIGURE 2-2. MAIN VALVE BLOCK ASSEMBLY

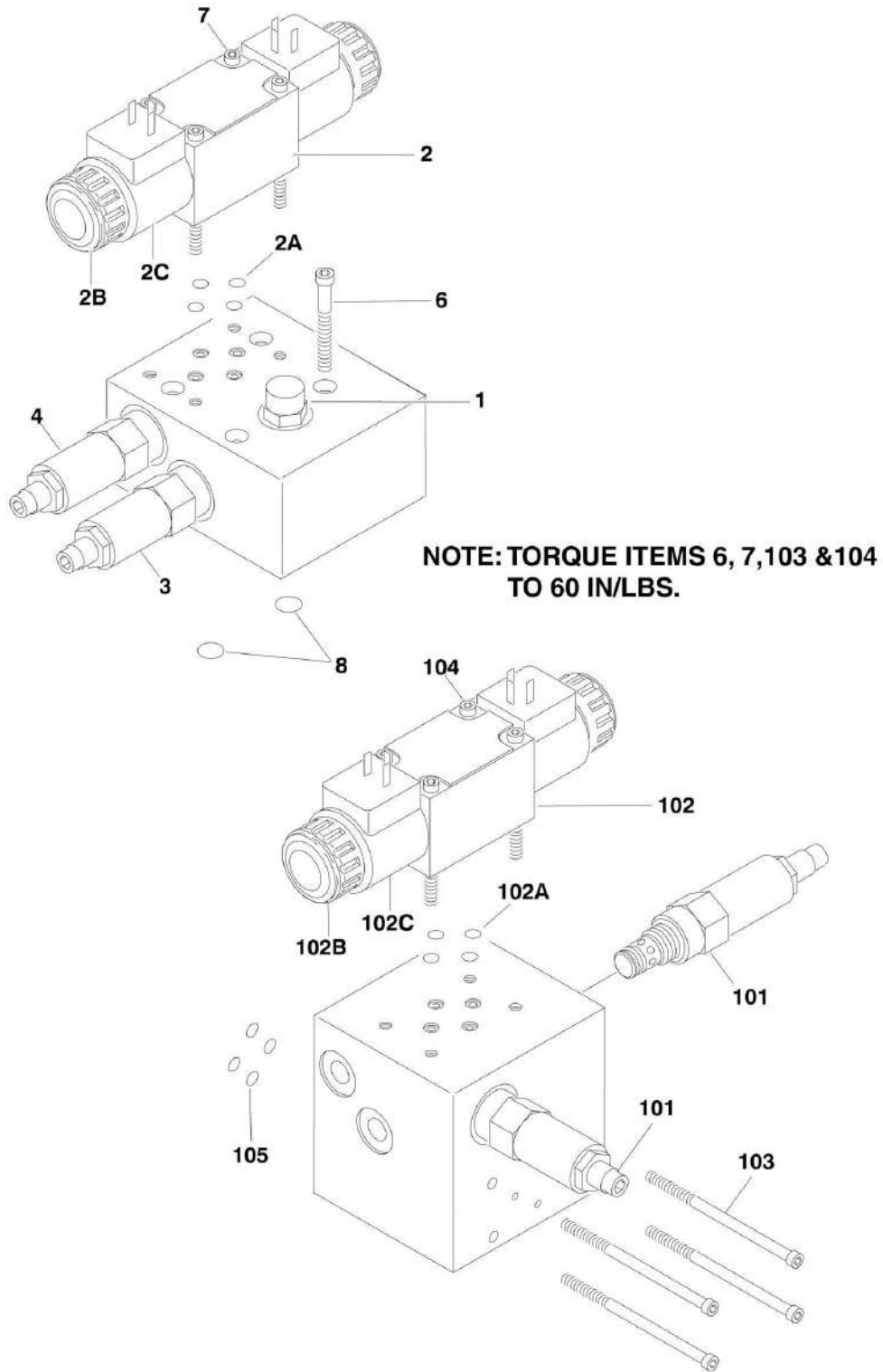
ITEM	PART NUMBER	QTY	DESCRIPTION	REV
	4641097	Ref	MAIN VALVE BLOCK ASSEMBLY	B
1	7017410	1	Cartridge, without Coil	
1	7012967	1	Seal Kit - 7017410 Cartridge	
1A	7012944	1	Coil	
2	7017411	1	Cartridge, Pressure Sensing	
2	7012518	1	Seal Kit	
3	7017418	1	Cartridge (Main Relief)	
3	7012998	1	Seal Kit	
4	70001976	1	Control Valve Assembly (Platform Level) (was p/n 7012770)	
4	7012773	1	Seal Kit	
4A	7012772	2	Coil	
4A	7018912	2	Nut	
5	7012914	1	Cartridge, Check Valve	
5	7012918	1	Seal Kit - 7012914 Cartridge	
6	7012914	1	Cartridge, Check Valve	
6	7012918	1	Seal Kit - 7012914 Cartridge	
7	7017428	1	Cartridge, Relief Valve (Platform Level Backward Relief)	
7	7012998	1	Seal Kit - 7017428 Cartridge	
8	7017427	1	Cartridge, Relief Valve (Platform Level Forward Relief)	
8	7012998	1	Seal Kit - 7012912 Cartridge	
9	7012989	1	Cartridge, Flow Control	
9	7012953	1	Seal Kit - 7012989 Cartridge	
10	70001976	1	Control Valve Assembly (Platform Rotate) (was p/n 7012770)	
10	7012773	1	Seal Kit	
10A	7012772	2	Coil	
10A	7018912	2	Nut	
11		Ref	Control Valve Assembly Options (Upper Tele):	
11	70000579	1	Control Valve Assembly (was p/n 7012766) (SN 0300069000 through 0300092880)	
11	70000579	1	Control Valve Assembly (SN 0300092881 through 0300087000)	
		Ref	Note: Refer to Vendor P/N on Valve Nameplate before ordering Parts. 7012766 is RR00567495 or R900567495. 70000579 is R900930080.	
11		Ref	Seal Kit Options:	
11	7012769	1	7012766 Valve	
11	70000583	1	70000579 Valve	
11A		Ref	Coil Options:	
11A	7012772	1	7012766 Valve (was p/n 7012768)	
11A	70000582	1	70000579 Valve	
11A		Ref	Nut, Coil Options:	
11A	7018912	1	7012766 Valve	
11A	70000580	1	70000579 Valve	
12	7012775	1	Control Valve Assembly (Flow Control)	
12	7012773	1	Seal Kit	
12A	7012772	2	Coil	
12A	7018912	2	Nut	
13	7010542	1	Cartridge, Shuttle	
13	7010543	1	Seal Kit - 7010542 Cartridge	
14	7010542	1	Cartridge, Shuttle	
14	7010543	1	Seal Kit - 7010542 Cartridge	

SECTION 2 - TURNTABLE

ITEM	PART NUMBER	QTY	DESCRIPTION	REV
15	7010542	1	Cartridge, Shuttle	
15	7010543	1	Seal Kit - 7010542 Cartridge	
16	7010542	1	Cartridge, Shuttle	
16	7010543	1	Seal Kit - 7010542 Cartridge	
17	7010542	1	Cartridge, Shuttle	
17	7010543	1	Seal Kit - 7010542 Cartridge	
18	7017420	1	Cartridge, Relief Valve	
18	7012998	1	Seal Kit - 7017420 Cartridge	
19	7012775	1	Control Valve Assembly (Upper Lift)	
19	7012773	1	Seal Kit	
19	7012799	1	Lanyard Assembly (Not Shown)	
19A	7012772	2	Coil	
19A	7018912	2	Nut	
20	7012775	1	Control Valve Assembly (Swing)	
20	7012773	1	Seal Kit	
20A	7012772	2	Coil	
20A	7018912	2	Nut	
21	7017423	1	Cartridge, Relief Valve (Swing Right/Left Relief)	
21	7012998	1	Seal Kit - 7017423 Cartridge	
22	7012774	1	Control Valve Assembly (Steer)	
22	7012773	1	Seal Kit	
22A	7012772	2	Coil	
22A	7018912	2	Nut	
23	7017428	1	Cartridge, Relief Valve (Steer Left Relief)	
23	7012998	1	Seal Kit - 7017428 Cartridge	
24	7017428	1	Cartridge, Relief Valve (Steer Right Relief)	
24	7012998	1	Seal Kit - 7017428 Cartridge	
25	70001976	1	Control Valve Assembly (Lower Tele) (was p/n 7012770)	
25	7012773	1	Seal Kit	
25A	7012772	2	Coil	
25A	7018912	2	Nut	
26	7018952	1	Control Valve Assembly (Lower Lift)	
26	7012769	1	Seal Kit	
26A	7012772	2	Coil	
26A	7018912	2	Nut	
26A	7012799	1	Lanyard Cable Assembly	
27	7012969	1	Cartridge, Check	
27	7012967	1	Seal Kit - 7012969 Cartridge	
28	7012914	1	Cartridge, Check	
28	7012918	1	Seal Kit - 7012914 Cartridge	
30	4460499	19	Connector, Din with Diode (Part of Valve Harness)	
	2901763	1	ROTATE SANDWICH VALVE KIT	A
51	7021310	1	Block, Valve	

SECTION 2 - TURNTABLE

FIGURE 2-3. ACCESSORY VALVE ASSEMBLIES



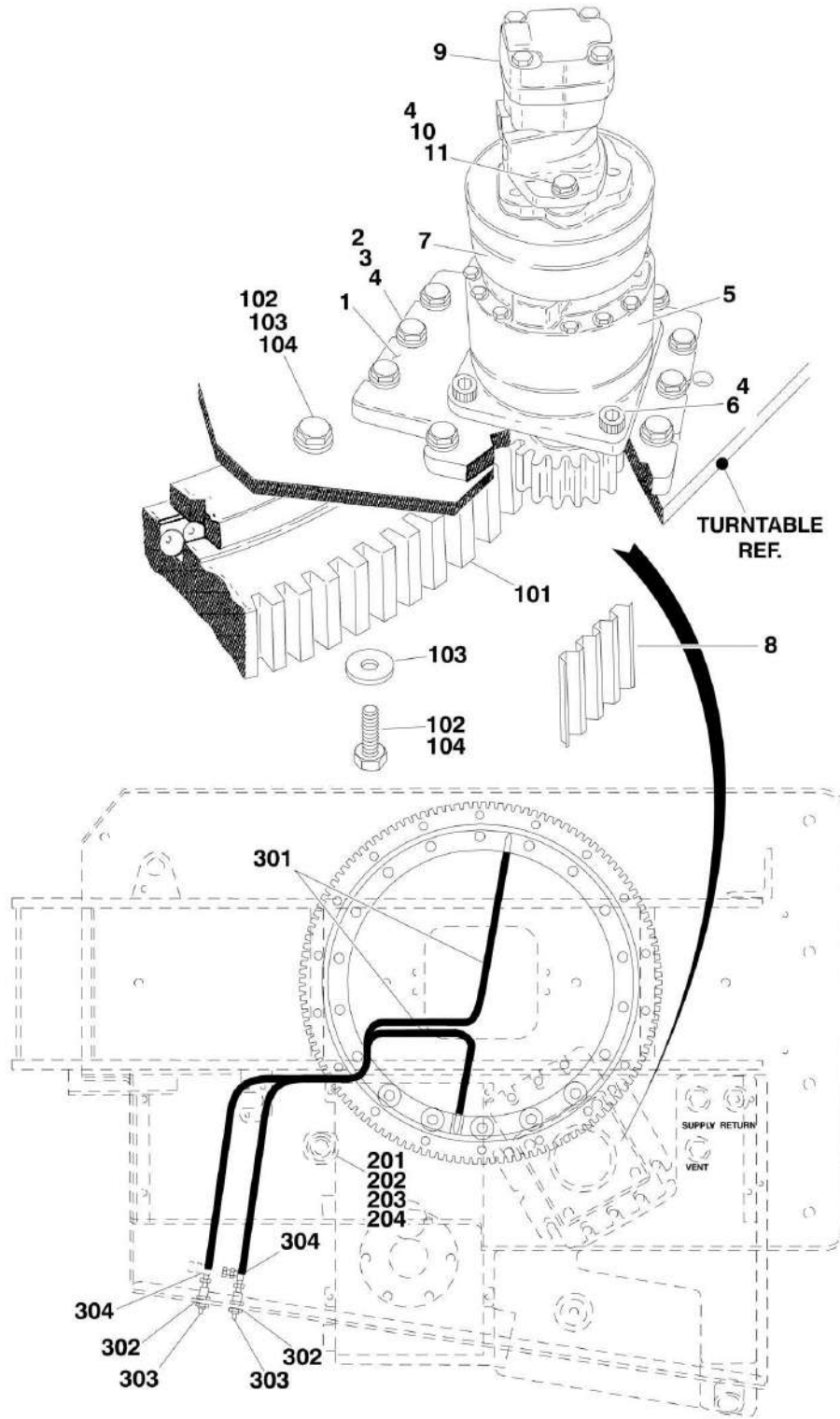
SECTION 2 - TURNTABLE

FIGURE 2-3. ACCESSORY VALVE ASSEMBLIES

ITEM	PART NUMBER	QTY	DESCRIPTION	REV
	4640921	Ref	ARTICULATING JIB VALVE ASSEMBLY	D
1	7012965	1	Cartridge, Flow Control	
1	7012953	1	Seal Kit - 7012965 Cartridge	
2	70001976	1	Directional Control Valve Assembly (was p/n 7012770)	
2	7012773	1	Seal Kit	
2A	7018945	4	O-Ring	
2B	7018912	2	Nut	
2C	7012772	2	Coil	
3	7017421	1	Cartridge, Relief	
3	7012998	1	Seal Kit - 7017421 Cartridge	
4	7017422	1	Cartridge, Relief	
4	7012998	1	Seal Kit - 7017422 Cartridge	
5	4460499	2	Connector, Din with Diode (Part of Valve Harness)	
6	7018946	4	Capscrew, Socket Head #10-24NC x 5in (Not Shown - Used to Mount Valve Assembly)	
7	7018942	4	Capscrew, Socket Head #10-24NC x 2in	
8	7012776	4	O-Ring (Used to Mount to Main Valve)	
	4640922	Ref	4WS VALVE ASSEMBLY	B
101	7017420	2	Cartridge, Flow Control	
101	7012998	2	Seal Kit - 7017420 Cartridge	
102	7012774	1	Directional Control Valve Assembly	
102	7012773	1	Seal Kit	
102A	7018945	4	O-Ring	
102B	7018912	2	Nut	
102C	7012772	2	Coil	
103	7018946	4	Capscrew, Socket Head #10-24NC x 5in (Used to Mount Valve Assembly)	
104	7018942	4	Capscrew, Socket Head #10-24NC x 2in	
105	7018948	4	O-Ring (Used to Mount to Main Valve)	

SECTION 2 - TURNTABLE

FIGURE 2-4. SWING DRIVE, TURNTABLE BEARING AND LOCK INSTALLATIONS



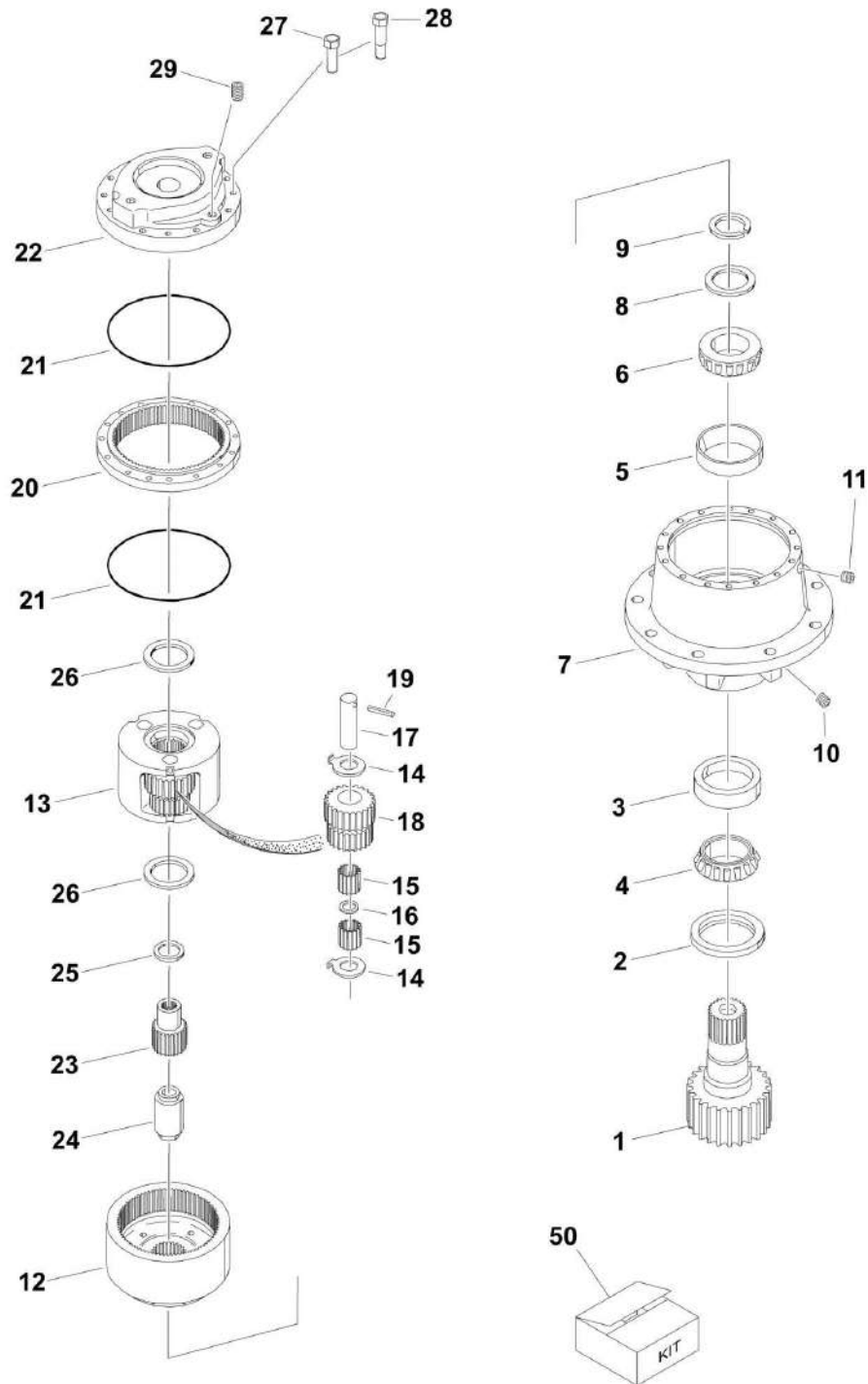
SECTION 2 - TURNTABLE

FIGURE 2-4. SWING DRIVE, TURNTABLE BEARING AND LOCK INSTALLATIONS

ITEM	PART NUMBER	QTY	DESCRIPTION	REV
	0270329	Ref	SWING DRIVE INSTALLATIONS	A
1	3537318	1	Plate, Swing Drive Mounting	
2	0642018	10	Bolt 5/8in - 11NC x 2-1/4in	
3	4892000	10	Flatwasher 5/8in Hardened	
4	0100011	AR	Compound, Locking	
5	2780205	1	Swing Hub Assembly (See SWING HUB ASSEMBLY for Breakdown)	
6	3932224	4	Bolt 1/2in - 13NC x 1-1/2in	
7	0920119	1	Swing Brake Assembly	
7	7018612	1	Repair Kit - 0920119 Brake (Note: Kit is only repair part available)	
9	3160273	1	Swing Motor Assembly (See SWING MOTOR ASSEMBLY for Breakdown)	
10	0681836	2	Bolt 1/2in - 13NC x 4-1/2in	
11	4891800	2	Flatwasher 1/2in Hardened	
	0254798	Ref	TURNTABLE BEARING INSTALLATION	1-A
101	0440207	NLA	Bearing Kit (Use p/n 2915087) (Kit Includes Bearing and Mounting Hardware)	
102	0682016	36	Bolt 5/8in - 11NC x 2in (Grade 8)	
103	4892000	36	Flatwasher 5/8in Hardened	
104	0100019	AR	Compound, Locking	
	0255410	Ref	TURNTABLE LOCK INSTALLATION	-
201	4844958	1	Pin	
202	3421565	1	Pin, Snap	
203	3760170	2	Ring, Quick Release	
204	1260017	9 in/23cm	Chain	
	0255444	Ref	REMOTE BEARING LUBE INSTALLATION	1-D
301	2751032	2	Hose, Grease	
302	2180344	2	Fitting, Bulkhead	
303	2160002	2	Fitting, Grease	
304	2220001	2	Fitting, Straight	

SECTION 2 - TURNTABLE

FIGURE 2-5. SWING HUB ASSEMBLY



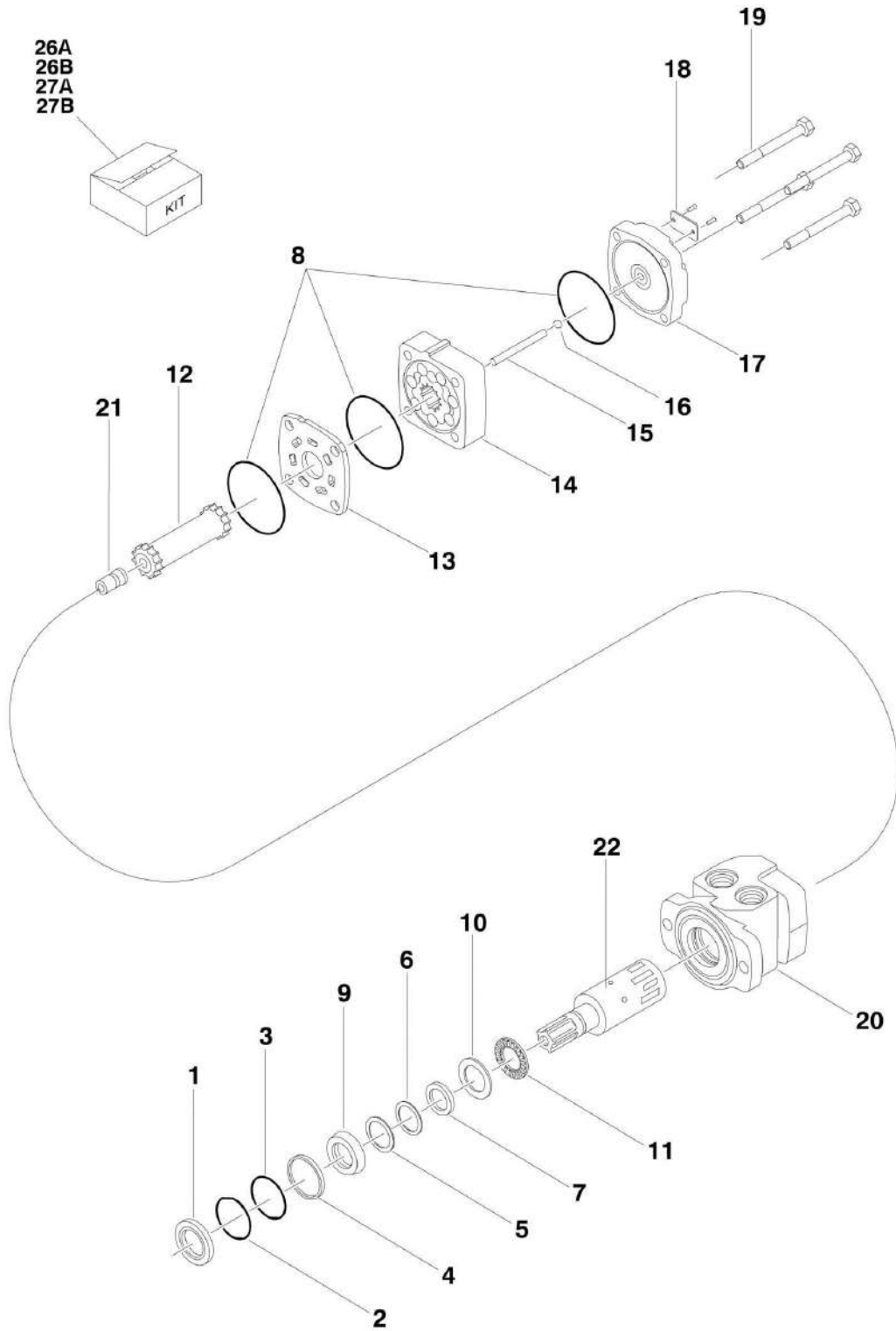
SECTION 2 - TURNTABLE

FIGURE 2-5. SWING HUB ASSEMBLY

ITEM	PART NUMBER	QTY	DESCRIPTION	REV
	2780205	Ref	SWING HUB ASSEMBLY	-
		Ref	HOUSING ASSEMBLY	
1	7010492	1	Shaft, Output	
2	7000228	1	Seal, Lip	
3	7000255	1	Cup, Bearing	
4	7000256	1	Cone, Bearing	
5	7000257	1	Cup, Bearing	
6	7000258	1	Cone, Bearing	
7	7017089	1	Housing	
8	7007633	1	Thrustwasher	
9	7000229	1	Ring, Retaining	
10	7010494	2	Pipe, Plug	
11	7001928	2	Pipe, Plug	
12	7000246	2	Gear, Internal	
13		Ref	CARRIER ASSEMBLY	
13	7001931	1	Carrier	
14	7001985	6	Thrustwasher, Tanged	
15	7001909	96	Bearing, Needle	
16	7000263	3	Spacer, Thrust	
17	7001911	3	Shaft, Planet	
18	7001987	3	Gear, Cluster	
19	7010474	3	Roll Pin	
20	7001988	1	Ring Gear	
21	7000230	2	O-Ring	
22	7000209	1	Cover, Input	
23	7010488	1	Gear, Sun	
24	7000269	1	Spacer, Input	
25	7000270	1	Thrustwasher	
26	7000253	2	Thrustwasher	
27	7000217	8	Bolt	
28	7000214	4	Bolt, Shoulder	
29	7000242	1	Pipe, Plug	
50	7024100	1	Seal Kit (Includes Items 2, 9, 21 & 26)	

SECTION 2 - TURNTABLE

FIGURE 2-6. SWING MOTOR ASSEMBLY



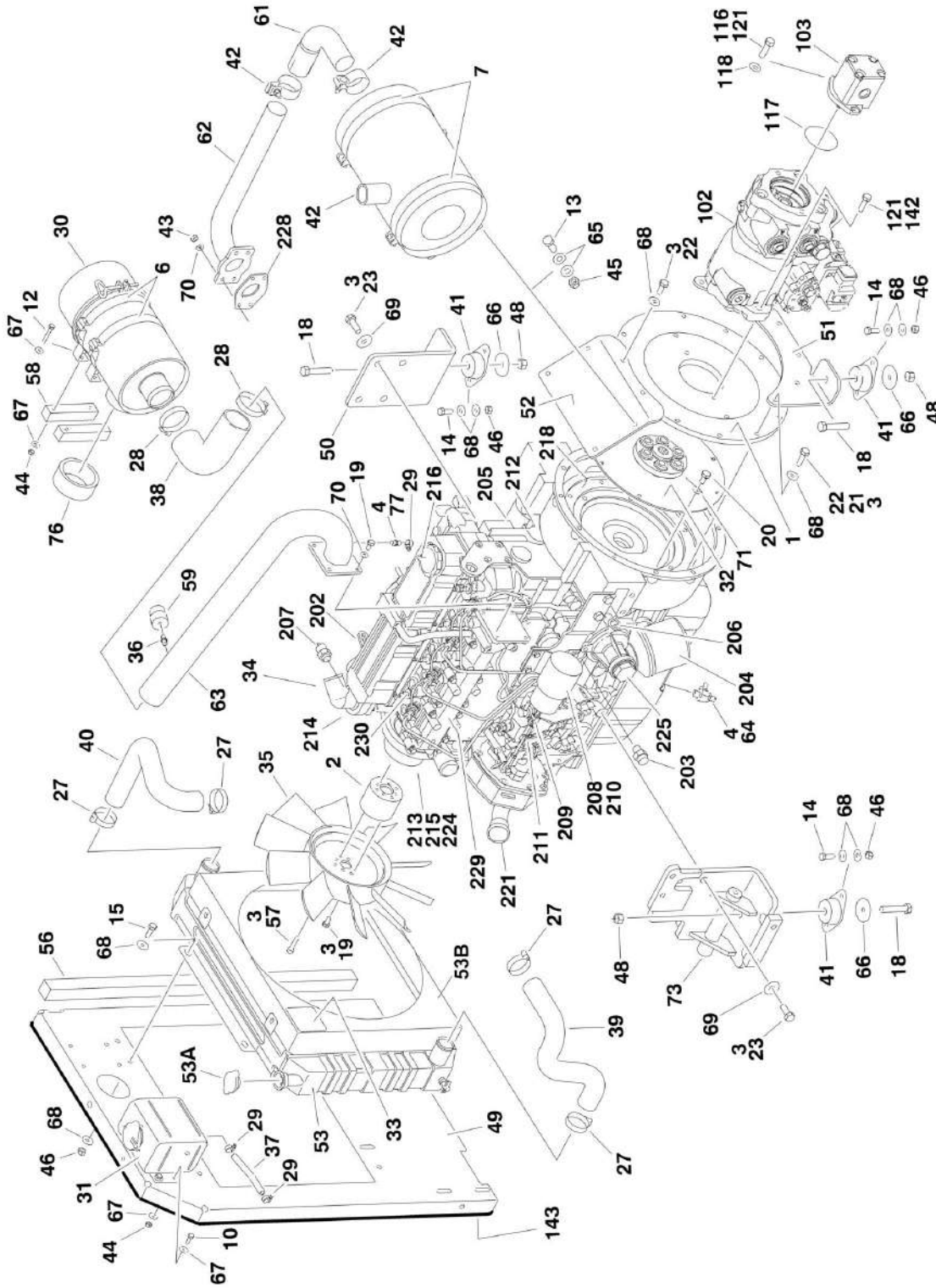
SECTION 2 - TURNTABLE

FIGURE 2-6. SWING MOTOR ASSEMBLY

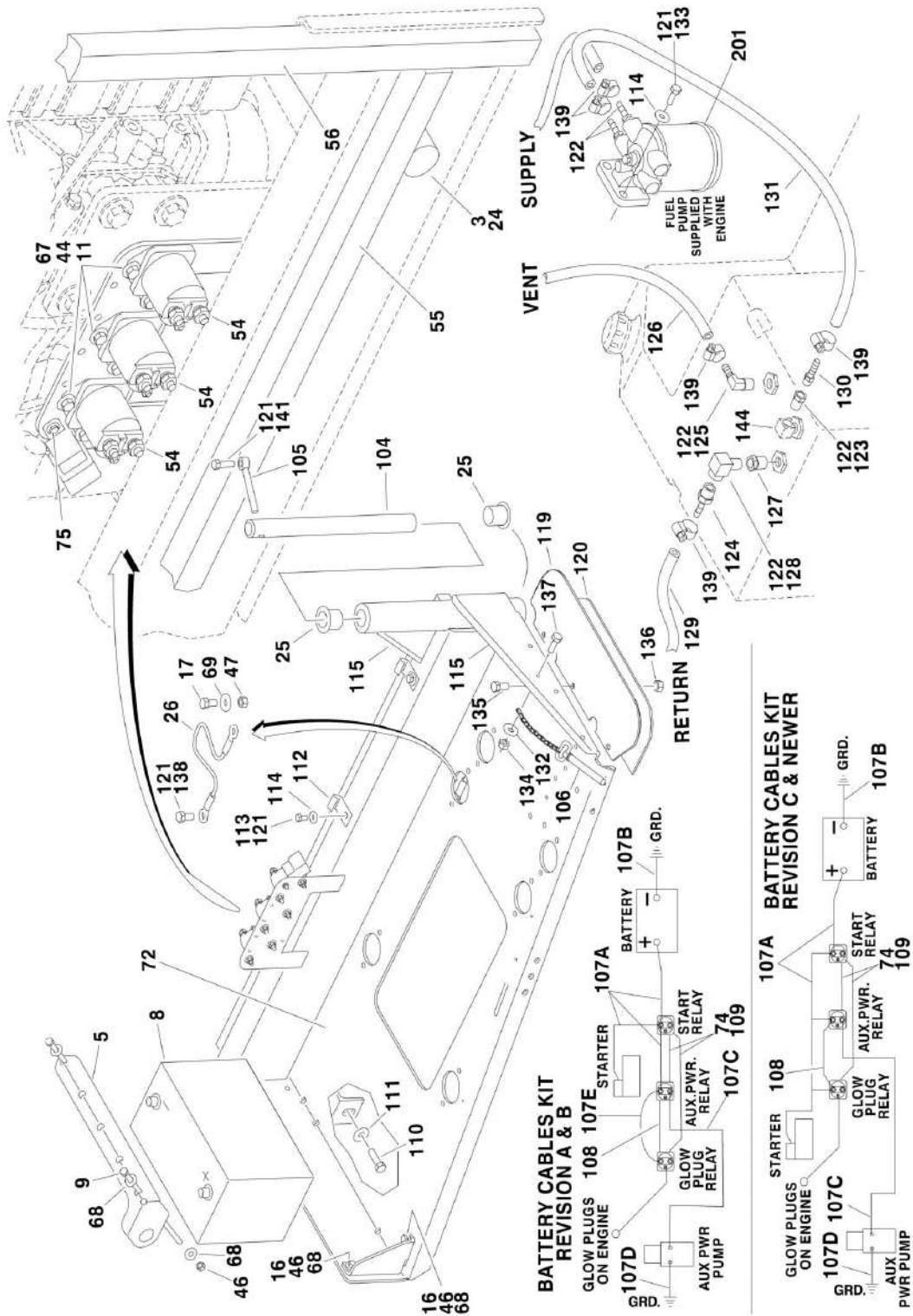
ITEM	PART NUMBER	QTY	DESCRIPTION	REV
	3160273	Ref	SWING MOTOR ASSEMBLY	B
1	See Note	NSS	Seal, Dust (Note: Use Item 26A)	
2	See Note	NSS	Ring, Split Wire (Note: Use Item 26A)	
3	See Note	NSS	Shim, Metal Back-up (Note: Use Item 26A)	
4	See Note	NSS	Seal, High Pressure (Note: Use Item 26A)	
5	See Note	NSS	Shim, Metal Back-up (Note: Use Item 26A)	
6	See Note	NSS	Seal, Teflon Back-up (Note: Use Item 26A)	
7	See Note	NSS	Seal, Shaft (Note: Use Item 26A)	
8	See Note	NSS	Seal, Body (Note: Use Item 26A)	
9	See Note	NSS	Carrier, Seal (Note: Use Item 26B)	
10	See Note	NSS	Thrustwasher (Note: Use Item 26B)	
11	7016422	1	Bearing, Thrust	
12	7005889	1	Link, Drive	
13	7016423	1	Plate, Wear	
14	7005890	1	Rotor Assembly	
15	7005891	1	Pin, Drive Link	
16	See Note	NSS	Ball (Note: Use Item 27A)	
17	See Note	NSS	Cover, End (Note: Use Item 27A)	
18	See Note	1	Tag, I.D. (Note: Not Available for Purchase)	
19	7005892	4	Bolt	
20	7016425	1	Housing	
21	7005893	1	Plug, Cooling	
22	7016426	1	Shaft	
26		Ref	Seal Kit Options:	
26A	7005881	1	Seal Kit (Includes Items 1-8)	
26B	7005882	1	Seal Carrier Kit (Includes Items 9 & 10)	
27		Ref	Repair Kit Options:	
27A	7016424	1	End Cover Kit (Includes Items 16 & 17)	
27B	7016427	1	Housing/Shaft Kit (Includes Items 20-22)	

SECTION 2 - TURNTABLE

FIGURE 2-7. CATERPILLAR ENGINE INSTALLATION



SECTION 2 - TURNTABLE



SECTION 2 - TURNTABLE

FIGURE 2-7. CATERPILLAR ENGINE INSTALLATION

ITEM	PART NUMBER	QTY	DESCRIPTION	REV
		Ref	CATERPILLAR ENGINE ASSEMBLY	
	0272796	Ref	Caterpillar Engine Assembly (SN 0300069000 through 0300084828)	F
	0274491	Ref	Caterpillar Engine Assembly (SN 0300084829 through 0300087000)	B
1	0080181	1	Adaptor, Pump Mounting Plate	
2	0080243	1	Adaptor, Fan Spacer	
3	0100011	AR	Compound, Locking	
4	0100020	AR	Sealant, Thread	
5	0181727	1	Hold-Down, Battery	
6	0340041	2	Band, Mounting	
7	0340046	2	Band, Muffler	
8	0400075	1	Battery	
9	0630498	2	Rod, Hold-Down	
10	0641406	4	Bolt 1/4in-20NC x 3/4in	
11	0641407	6	Bolt 1/4in-20NC x 7/8in	
12	0701414	4	Bolt 1/4in-20NC x 3/4in	
13	0641507	4	Bolt 5/16in-18NC x 7/8in	
14	0641608	8	Bolt 3/8-16NC x 1in	
15	0641609	4	Bolt 3/8-16NC x 1-1/8in	
16	0641610	4	Bolt 3/8-16NC x 1-1/4in	
17	0641808	1	Bolt 1/2in-13NC x 1in	
18	0641828	4	Bolt 1/2in-13NC x 2-1/2in	
19	0700808	8	Bolt M8 x 16mm	
20	0701010	8	Bolt M10 x 20mm	
21	0701012	4	Bolt M10 x 25mm	
22	0701015	8	Bolt M10 x 35mm	
23	0701214	8	Bolt M12 x 30mm	
24	0940070	1	Bumper, Rubber	
25	0961986	2	Bearing, Flange	
26	1060637	1	Lanyard	
27		Ref	Clamp, Hose Options:	
27	1320012	4	Clamp, Hose (SN 0300069000 through 0300084828)	
27	8405104	4	Clamp, Hose (SN 0300084829 through 0300087000)	
28	1320016	2	Clamp, Hose	
29		Ref	Clamp, Hose Options:	
29	1320022	3	Clamp, Hose (SN 0300069000 through 0300084828)	
29	8405009	2	Clamp, Hose (SN 0300084829 through 0300087000)	
30	1340060	1	Air Cleaner Assembly	
30	7012664	1	Element, Air Cleaner	
31	1580011	1	Container, Coolant Overflow	
32	1660239	1	Coupling, Pump	
33	1703162	2	Decal - Fan Blade	
34	2000194	1	Caterpillar Engine Assembly	
35	2060025	1	Fan	
36	2180798	1	Fitting (SN 0300069000 through 0300084828)	
37	2720058	0.33 ft	Hose	
38	2720434	1	Elbow, Rubber	
39	2720509	1	Hose, Radiator (Bottom)	
40	2720510	1	Hose, Radiator (Top)	

SECTION 2 - TURNTABLE

ITEM	PART NUMBER	QTY	DESCRIPTION	REV
41	3200406	4	Mount, Engine	
42	3220113	1	Muffler, Spark Arresting	
42	70001017	1	Clamp	
43	3290801	4	Nut M8 x 1.25	
44	3311405	14	Locknut 1/4in-20NC	
45	3311505	4	Locknut 5/16in-18NC	
46	3311605	18	Locknut 3/8in-16NC	
47	3311801	1	Nut 1/2in-13NC	
48	3311805	4	Locknut 1/2in-13NC	
49	3539872	1	Plate, Radiator Mounting	
50	3574206	1	Plate, Motor Mount	
51	3574207	1	Plate, Engine Mount (Rear)	
52	3574208	1	Bracket, Muffler	
53	3620047	1	Radiator	
53A	7027412	1	Cap	
53B	70004182	1	Shroud, Fan	
54	3740067	3	Relay, Solenoid Assembly	
55	3960468	1	Seal, Foam Gasket	
56	3960469	1	Seal, Foam Gasket	
57	4031911	4	Bolt M8 x 35mm	
58	4220191	2	Block, Spacer	
59	4360392	1	Switch, Restrictor Indicator (SN 0300069000 through 0300084828)	
61	4567073	1	Tube, Exhaust	
62	4568721	1	Exhaust Tube Weldment	
63		Ref	Tube, Air Intake Weldment Options:	
63	4568788	1	Tube, Air Intake Weldment (SN 0300069000 through 0300084828)	
63	4569177	1	Tube, Air Intake Weldment (SN 0300084829 through 0300087000)	
64	4640750	1	Valve, Oil Drain	
65	4711500	8	Flatwasher 5/16in Thin	
66	4740274	4	Washer, Snubbing	
67	4751400	28	Flatwasher 1/4in Regular	
68	4751600	48	Flatwasher 3/8in Regular	
69	4751800	8	Flatwasher 1/2in Regular	
70	4811900	8	Flatwasher M8	
71	4832000	8	Lockwasher M10	
72	4846790	1	Tray Engine	
73	4846805	1	Mount, Engine/Generator - Left	
74	4922737	1	Harness, Relay Ground	
75	0721006	1	Bolt #10-24NC x 3/4in	
76	2720515	1	Seal, Air Cleaner	
77	2220767	1	Fitting (SN 0300075603 through 0300087000)	
		Ref	CATERPILLAR ENGINE INSTALLATIONS	
	0273520	Ref	Caterpillar Engine Installations (SN 0300069000 through 0300081835)	3
	0273972	Ref	Caterpillar Engine Installations (SN 0300081836 through 0300084828)	1
	0274525	Ref	Caterpillar Engine Installations (SN 0300084829 through 0300087000)	1-A
102		Ref	Piston Pump Assembly Options:	
102	3600260	1	Piston Pump Assembly (See PISTON PUMP ASSEMBLY for	

SECTION 2 - TURNTABLE

ITEM	PART NUMBER	QTY	DESCRIPTION	REV
102	3600381	1	Breakdown) (SN 0300069000 through 0300081835) Piston Pump Assembly (See GEAR PUMP ASSEMBLY for Breakdown) (SN 0300081836 through 0300087000)	
103	3600242	1	Gear Pump Assembly (See TANK INSTALLATIONS for Breakdown)	
104	3422448	1	Pin, Pivot	
105	3841143	1	Keeper, Pin	
106	3422553	1	Pin, Hitch	
107	2902296	1	Battery Cable Kit	
		Ref	Note: 2902296 Rev A version is no longer available. Verify whether machine is equipped with 2 or 3 relays on the engine tray. If there are 3 relays, purchase latest revision of 2902296 kit. If there are 2 relays, purchase individual items as replacement.	
107A		Ref	Cable, Battery (Red)	
107A	1001116241	1	Machines with 2 Relays on Engine Tray (was p/n 7027000)	
107A	1001116240	1	Machines with 3 Relays on Engine Tray (was p/n 7027000)	
107B	7027004	1	Cable, Battery (Black)	
107C	7027002	1	Cable (Red)	
107D	7027003	1	Cable (Black)	
107E	7027001	1	Cable (Red) (No Longer Part of 2902296 Kit.)	
108	1060904	1	Cable, Battery	
109	4922737	1	Harness, Relay Ground	
110	0642010	1	Bolt 5/8in-11NC x 1-1/4in	
111	4752000	1	Flatwasher 5/8in Regular	
112	1320223	2	J-Clip 1/2in	
113	0641606	2	Bolt 3/8in-16NC x 3/4in	
114	4711600	4	Flatwasher 3/8in Thin	
115	4060805	2	Flex-Trim 1/4in	
		ft/0.7mm		
116	3931620	2	Bolt 3/8in-16NC x 1-1/4in	
117	3790152	1	O-Ring	
118	4891600	2	Flatwasher 3/8in Hardened	
119	3380428	1	Panel, Rubber	
120	3539956	1	Plate, Support	
121	0100011	AR	Compound, Locking	
122	0100020	AR	Sealant, Thread	
123	2220273	1	Fitting, Reducer	
124		Ref	Fitting, Straight Options:	
124	2180536	1	Fitting, Straight (SN 0300069000 through 0300075350)	
124	2220794	1	Fitting, Straight (SN 0300075351 through 0300087000)	
125	2220313	1	Fitting, 90	
126	2750532	6 ft/1.8m	Hose 3/8in	
127	2220250	1	Fitting, Reducer	
128	2220459	1	Fitting, 90	
129		Ref	Hose Options:	
129	2720271	15 ft/4.6m	Hose (SN 0300069000 through 0300075350)	
129	2720058	15 ft/4.6m	Hose (SN 0300075351 through 0300087000)	
130	2220794	1	Fitting, Barbed	
131	2720058	30 ft/9.1m	Hose	
132	4751400	4	Flatwasher 1/4in Regular	
133	0641608	2	Bolt 3/8in-16NC x 1in	
134	3311405	2	Locknut 1/4in-20NC	

SECTION 2 - TURNTABLE

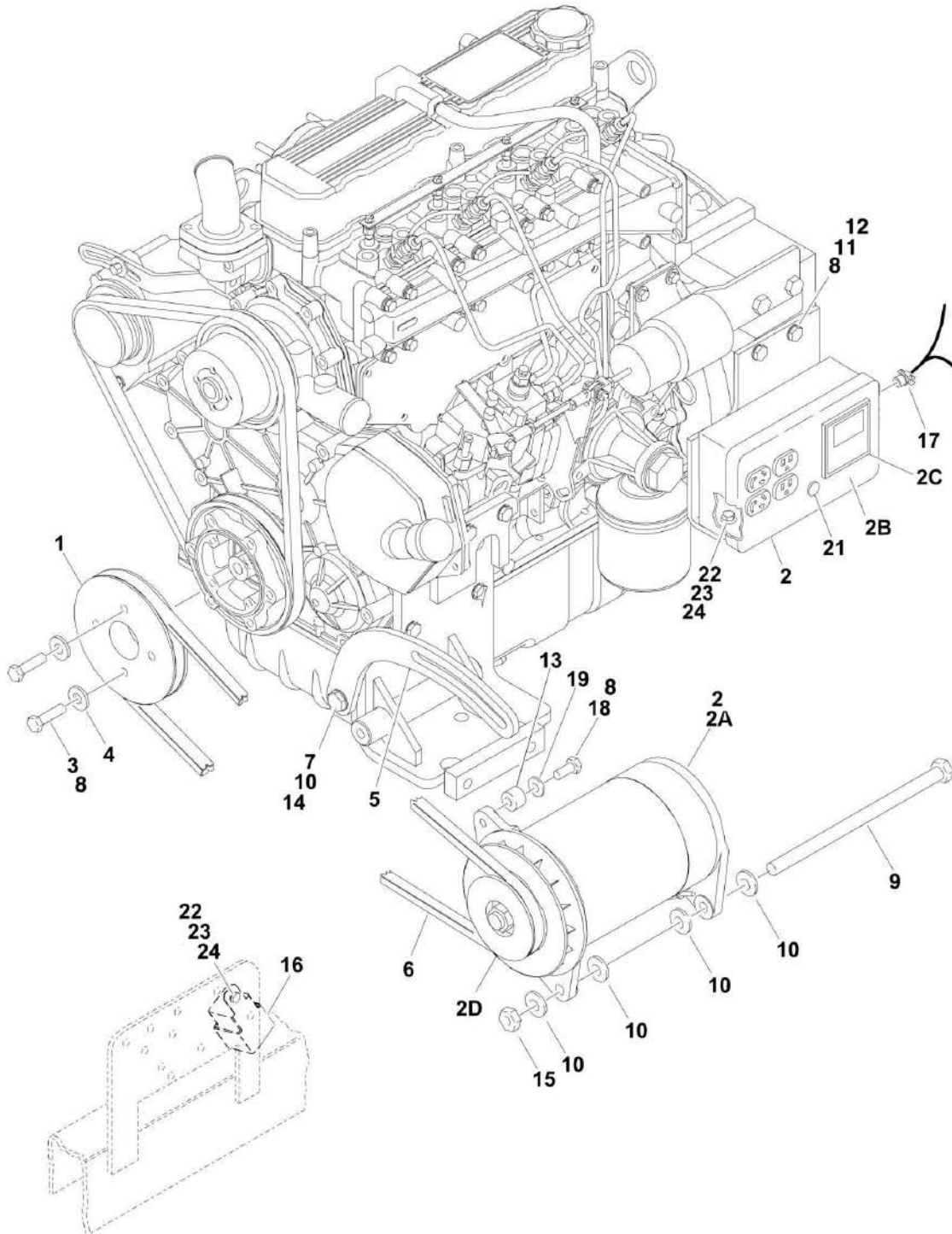
ITEM	PART NUMBER	QTY	DESCRIPTION	REV
135	0641507	3	Bolt 5/16in-18NC x 1-1/4in	
136	3311505	3	Locknut 5/16in-18NC	
137	0641407	1	Bolt 1/4in-20NC x 7/8in	
138	0641808	1	Bolt 1/2in-13NC x 1in	
139	1320022	7	Clamp, Hose	
140	1701505	1	Decal - Diesel (Not Shown - Located on Hood)	
141	0641610	1	Bolt 3/8in-16NC x 1-1/4in	
142	0641812	2	Bolt 1/2in-18NC x 1-3/4in	
143	3960389	5 ft/1.5m	Seal, Hood	
144	7019658	1	90 Fitting W/Pick-Up Tube	
	2000194	Ref	ENGINE COMPONENTS	C
201	7026830	1	Filter, Fuel	
202	7026831	1	Alternator	
203	7026814	1	Relief Valve, Oil Pressure	
203	7026815		Gasket, Relief Valve	
203	1001097554		Sensor, Oil Pressure (Not Shown)	
204	7026811	1	Filter, Oil	
205	7026833	1	Starter	
206	7026834	1	Dipstick Oil Level	
207	7026840	1	Sensor, Water Temperature	
207	7026882	1	Seal, Sensor	
208	1600361	1	Actuator, Throttle (was p/n 7026842)	
208	7026835	1	Connector, Actuator	
209	7026843	1	Actuator, Linkage Kit	
210	0902910	NLA	Mounting Bracket, Actuator (Use p/n 7026887)	
211	7026839	1	Pump, Fuel Supply	
212	7026841	1	Sensor, Tach	
212	7026836	1	Connector, Speed Sensor	
213		Ref	Pump, Water Options:	
213	7026823	1	Caterpillar Engine SNs (Not Machine SN) Prior to SN 3440833	
213	70001120	1	Caterpillar Engine SNs (Not Machine SN) SN 344083 to Present	
213	7026824	1	Gasket, Water Pump Cover	
213	7026825	1	Gasket, Water Pump	
214	7026822	1	Thermostat	
214	7026820	1	Gasket, Thermostat Housing	
214	7026821	1	Gasket, Coolant	
215	70001742	1	Pulley, Water Pump	
216	7026800	1	Cap, Filler	
217	7026801	1	Gasket, Valve Cover (Not Shown)	
218	7026802	1	Flywheel Assy (W/Gear)	
218	7026803	1	Gear, Flywheel	
219	7026804	1	Gasket (Not Shown - Located Between Engine Block and Bellhousing)	
220	7026805	1	Seal, Rear Main (Not Shown - Located on Rear of Engine Block)	
221	7026806	1	Cap, Filler	
222	7026807	1	Seal, Front Main (Not Shown - Located on Front of Engine Block)	
223	7026809	1	Gasket, Oil Pan (Not Shown)	
224	7026810	1	Belt	
225	7026813	1	Seal, Oil Filter Head (Between Oil Filter Head and Engine Block)	
225	7026812	1	Seal, Oil Filter Head Bolt	
226	7026819	1	Cooler, Oil (Not Shown)	
226	7026816	2	O-Ring (Not Shown - Located Between Oil Cooler and Cover)	

SECTION 2 - TURNTABLE

ITEM	PART NUMBER	QTY	DESCRIPTION	REV
226	7026817	4	O-Ring (Not Shown - Located Between Oil Cooler and Cover)	
226	7026818	1	Gasket (Not Shown - Located Between Oil Cooler Cover and Engine Block)	
227	7026826	1	Gasket, Exhaust Manifold to Engine Block (Not Shown)	
228	7026827	1	Gasket, Exhaust Manifold to Exhaust Pipe	
229	7026829	1	Gasket, Intake Manifold to Engine Block	
229	7026828	1	Gasket, Intake Manifold to Air Intake Tube	
230	7026832	4	Plug, Glow	
231	7026845	1	Block Heater Kit (Not Shown)	
231	7026838	1	Gasket, Block Heater (Not Shown)	

SECTION 2 - TURNTABLE

FIGURE 2-8. GENERATOR INSTALLATION (CATERPILLAR ENGINE MACHINES) (OPTIONAL)



SECTION 2 - TURNTABLE

FIGURE 2-8. GENERATOR INSTALLATION (CATERPILLAR ENGINE MACHINES) (OPTIONAL)

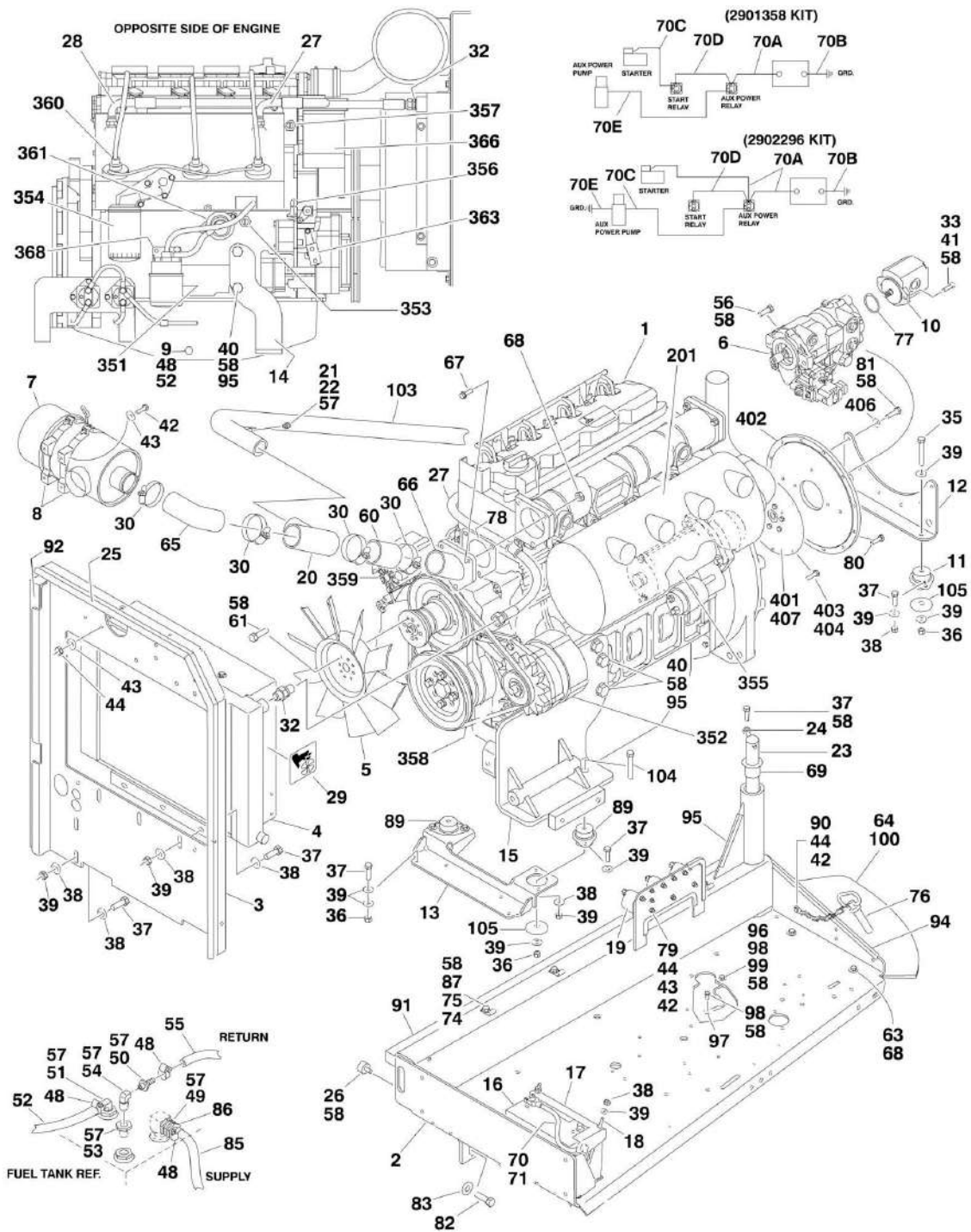
ITEM	PART NUMBER	QTY	DESCRIPTION	REV
		Ref	GENERATOR INSTALLATION OPTIONS:	
	0273538	Ref	Generator Installation Options 110V/50Hz (SN 0300069000 through 0300081835)	2-B
	0274091	Ref	Generator Installation Options 110V/50Hz (SN 0300081836 through 0300087000)	1-A
	0273539	Ref	Generator Installation Options 220V/50Hz (SN 0300069000 through 0300081835)	2-B
	0274087	Ref	Generator Installation Options 220V/50Hz (SN 0300081836 through 0300087000)	1-A
1	3580322	1	Pulley	
2		Ref	Generator and Control Box Assembly Options:	
2	2460039	1	Generator and Control Box Assembly 110V/50Hz (SN 0300069000 through 0300081835)	
2	2460057	1	Generator and Control Box Assembly 110V/50Hz (SN 0300081836 through 0300087000)	
2	2460013	1	Generator and Control Box Assembly 220V/50Hz (SN 0300069000 through 0300081835)	
2	2460056	1	Generator and Control Box Assembly 220V/50Hz (SN 0300081836 through 0300087000)	
2A	2460049	1	Generator Only - 110V	
2A	1001100321	1	Generator Only - 220V	
2A		Ref	Armature with Slip Rings Options:	
2A	70000122	1	Armature with Slip Rings - 110V/50Hz	
2A	70000123	1	Armature with Slip Rings - 220V/50Hz	
2A	7012513	4	Cap, Brush Holder	
2A	7020108	4	Brush	
2A	7020109	4	Holder, Brush	
2A	7012514	1	Fan	
2A	7020110	1	Bell, Front	
2A	7020111	1	Bell, Rear	
2A	7020190	2	Bearing	
2B	70002239	1	Box, Control - 110V (SN 0300069000 through 0300081835)	
2B	7019680	1	Box, Control - 110V (SN 0300081836 through 0300087000)	
2B	70002235	1	Box, Control - 220V (SN 0300069000 through 0300081835)	
2B	70002235	1	Box, Control - 220V (SN 0300081836 through 0300087000)	
2B		Ref	Receptacle Options:	
2B	4460190	1	Receptacle, Standard (110V Only)	
2B	4460027	1	Receptacle, Twistlock (110V Only)	
2B	70000124	1	Receptacle, Double (220V Only)	
2B	70000125	1	Receptacle, Single (220V Only)	
2B		Ref	Breaker, Circuit Options:	
2B	70002240	1	Breaker, Circuit - 110V (SN 0300069000 through 0300081835)	
2B	4360542	1	Breaker, Circuit - 110V (SN 0300081836 through 0300087000)	
2B	70000126	1	Breaker - 220V	
2B	3520028	1	Plug, Hole	
2C		Ref	Voltmeter Options:	
2C	2420203	1	Voltmeter - 110V	
2C	7020192	1	Voltmeter - 220V	
2D	3580134	1	Pulley	
2D	7027887	1	Key, Woodruff	

SECTION 2 - TURNTABLE

ITEM	PART NUMBER	QTY	DESCRIPTION	REV
3	0700816	4	Bolt M8 x 40mm	
4	4811900	4	Flatwasher M8	
5		Ref	Arm, Adjusting Options:	
5	0200742	1	Arm, Adjusting (SN 0300069000 through 0300074394)	
5	0200819	1	Arm, Adjusting (SN 0300074395 through 0300087000)	
6	1480120	1	V-Belt	
7	0641610	1	Bolt 3/8in-16NC x 1-1/4in	
8	0100011	AR	Compound, Locking	
9	0641772	1	Bolt 7/16in-14NC x 9in	
10	4751600	6	Flatwasher 3/8in Regular	
11	3574684	1	Plate, Powermite Box Mounting	
12	0701210	2	Bolt M12 x 20mm	
13		Ref	Bushing, Spacer Options:	
13	0962653	1	Bushing, Spacer (SN 0300069000 through 0300074394)	
13	0962563	1	Bushing, Spacer (SN 0300074395 through 0300087000)	
14	3311605	1	Locknut 3/8in-16NC	
15	3311705	1	Locknut 7/16in-14NC	
16	3740080	1	Relay	
17	4460023	1	Connector, Strain Relief (SN 0300069000 through 0300081835)	
18	0641508	1	Bolt 5/16in-18NC x 1in	
19	4751500	1	Flatwasher 5/16in Regular	
21	3520028	1	Plug, Hole	
22	0721006	3	Bolt #10-24NC x 3/4in	
23	3311005	3	Locknut #10-24NC	
24	4751000	6	Flatwasher #10 Regular	
25	4360336	1	Switch, Toggle (Not Shown - Located at Platform)	
26	4740397	1	Bushing (Not Shown - Located at Platform) (SN 0300069000 through 0300074394)	
27	4060802	1	Guard, Switch (Not Shown - Located at Platform)	
28	1705325	1	Decal - 120V-50Hz (Not Shown - Located at Turntable) (110V, 50Hz Generator Only)	
28	3252507	1	Decal - 220V-50/60Hz (Not Shown - Located at Turntable) (220V, 50Hz Generator Only)	
29	2820031	4 in/10cm	Heat Shrink (Not Shown - Located at Platform)	
30	3251102	1	Decal (Not Shown - Located at Platform)	

SECTION 2 - TURNTABLE

FIGURE 2-9. DEUTZ ENGINE INSTALLATION (SN 0300069000 through 0300077489)



SECTION 2 - TURNTABLE

FIGURE 2-9. DEUTZ ENGINE INSTALLATION (SN 0300069000 through 0300077489)

ITEM	PART NUMBER	QTY	DESCRIPTION	REV
	0270850	Ref	ENGINE ASSEMBLY AND INSTALLATIONS	11-J
1	2000189	1	Engine - Deutz F4M1011F Diesel	
2	4845404	1	Tray Engine	
3	3539872	1	Plate, Radiator Mounting	
4	3620033	1	Cooler, Oil	
5	2060025	1	Fan	
6	3600260	1	Piston Pump Assembly (See PISTON PUMP ASSEMBLY for Breakdown)	
7	1340060	1	Air Cleaner Assembly	
7A	7012664	1	Element	
8	0340041	2	Band, Mounting	
9	4640751	1	Valve, Oil Drain	
10	3600242	1	Gear Pump Assembly (See PISTON PUMP ASSEMBLY for Breakdown)	
11	3200378	2	Mount, Rubber Engine (Rear)	
12	3537420	1	Bracket, Engine Mounting - Rear	
13	3539971	1	Bracket, Engine Mounting - Front	
14	3537416	1	Support, Engine - Right	
15	4846566	1	Support, Engine - Left	
16	0400075	1	Battery	
17	0181727	1	Hold-Down, Battery	
18	0630498	2	Rod, Hold-Down	
19	3740067	2	Relay	
21	4360392	1	Switch, Restrictor Indicator	
22	2180798	1	Fitting	
23	3422448	1	Pin, Pivot	
24	3841143	1	Keeper, Pin	
25	3960389	5 ft/1.5m	Seal	
26	0940070	1	Bumper, Rubber	
27	2720398	1	Hose, Oil Cooler - Left	
28	2720398	1	Hose, Oil Cooler - Right	
29	1703162	2	Nameplate - Fan Caution	
30	1320016	4	Clamp, Hose	
32	2220451	2	Fitting, Straight	
33	3931620	2	Capscrew, Socket Head 3/8in-16NC x 1-1/4in	
35	0641818	2	Bolt 1/2in-13NC x 2-1/4in	
36	3311805	4	Locknut 1/2in-13NC	
37	0641610	AR	Bolt 3/8in-16NC x 1-1/4in	
38	3311605	AR	Locknut 3/8in-16NC	
39	4751600	AR	Flatwasher 3/8in Regular	
40	0701414	AR	Bolt 1/4in-20NC x 3/4in	
41	4891600	2	Flatwasher 3/8in Hardened	
42	0641407	AR	Bolt 1/4in-20NC x 7/8in	
43	4751400	AR	Flatwasher 1/4in Regular	
44	3311405	AR	Locknut 1/4in-20NC	
48	1320022	6	Clamp, Hose	
49	2220273	2	Fitting, Reducer	
50	2180536	1	Fitting, Straight	
51	2220313	1	Fitting, 90	
52	2750532	6 ft/1.83m	Hose 3/8in	

SECTION 2 - TURNTABLE

ITEM	PART NUMBER	QTY	DESCRIPTION	REV
53	2220250	1	Fitting, Reducer	
54	2220459	1	Fitting, 90	
55	2720271	15 ft/4.6m	Hose 3/16in	
56	0641812	4	Bolt 1/2in-13NC x 1-1/2in	
57	0100020	AR	Sealant, Thread	
58	0100011	AR	Compound, Locking	
60	2720449	AR	Coupling, Rubber Intake	
61	0700808	4	Bolt, Metric M8 x 16mm	
63	0641507	AR	Bolt 5/16in-18NC x 7/8in	
64	3380428	1	Panel, Rubber	
65	2720434	1	Elbow, Rubber	
66	4845395	1	Air Intake Adapter Weldment	
67	0641510	3	Bolt 5/16in-18NC x 1-1/4in	
68	3311505	7	Locknut 5/16in-18NC	
69	0961986	2	Bushing, Flanged	
70	2901358	1	Battery Cable Kit (SN 0300069000 through 0300074732)	
70	2902296	1	Battery Cable Kit (SN 0300074733 through 0300077490)	
		Ref	Note: 2902296 Rev A version is no longer available. Verify whether machine is equipped with 2 or 3 relays on the engine tray.	
		Ref	If there are 3 relays, purchase latest revision of 2902296 kit. If there are 2 relays, purchase individual items as replacement.	
70A	7016800	1	Cable, Battery (Red) (p/n kit 2901358)	
70A	1001116241	1	Cable, Battery (Red) (Machines with 2 Relays on Engine Tray) (was p/n 7027000) (p/n kit 2902296)	
70A	1001116240	1	Cable, Battery (Red) (Machines with 3 Relays on Engine Tray) (was p/n 7027000) (p/n kit 2902296)	
70B	7016812	1	Cable, Battery (Black) (p/n kit 2901358)	
70B	7027004	1	Cable, Battery (Black) (p/n kit 2902296)	
70C	7016802	1	Cable (Red) (p/n kit 2901358)	
70C	7027002	1	Cable (Red) (p/n kit 2902296)	
70D	7016803	1	Cable (Red) (p/n kit 2901358)	
70D	7027001	NLA	Cable (Red) (No Longer Part of 2902296 Kit.)	
70E	7016824	1	Cable (Red) (p/n kit 2901358)	
70E	7027003	1	Cable (Black) (p/n kit 2902296)	
70F	Not Required	0	Cable (p/n kit 2901358/p/n kit 2902296)	
71	4460611	1	Terminal, Battery Jumper Post (SN 0300069000 through 0300074732)	
72	4360294	1	Breaker, Circuit 30A Self Resetting	
73	1320222	1	J-Clip 3/8in	
74	1320223	4	J-Clip 1/2in	
75	0641606	3	Bolt 3/8in-16NC x 3/4in	
76	3422532	1	Pin, Hitch	
77	3790152	1	O-Ring	
78	3960407	1	Gasket	
79	4791400	4	Starwasher 1/4in	
80	0701012	4	Bolt, Metric M10 x 25mm	
81	0701015	4	Bolt, Metric M10 x 35mm	
82	0642010	1	Bolt 5/8in-11NC x 1-1/4in	
83	4752000	1	Flatwasher 5/8in Regular	
84	1701505	1	Decal - Diesel (Not Shown - Located on Hood)	
85	2720058	16 ft/4.9m	Hose	

SECTION 2 - TURNTABLE

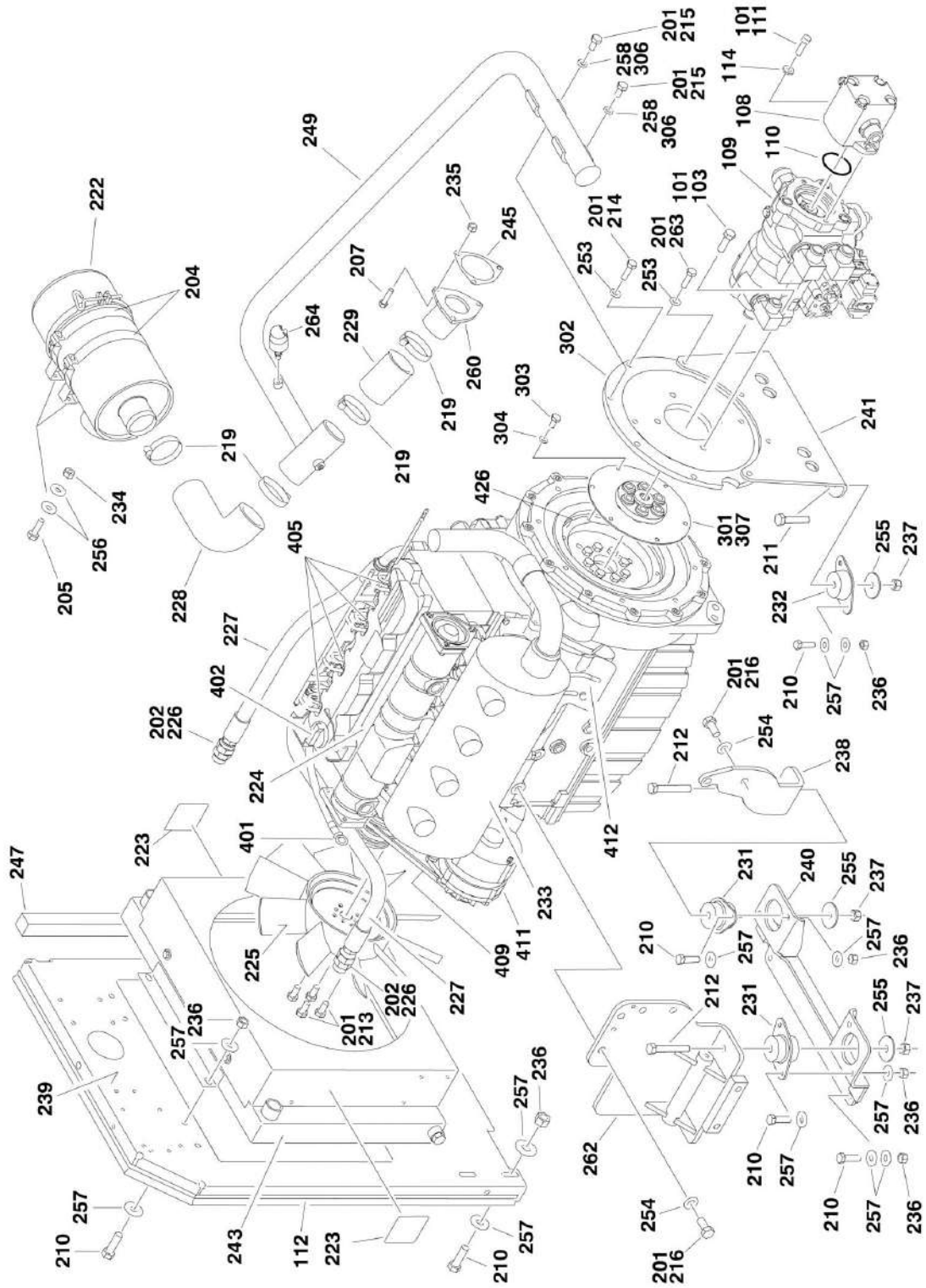
ITEM	PART NUMBER	QTY	DESCRIPTION	REV
86	2220794	1	Fitting, Barbed	
87	4711600	3	Flatwasher 3/8in Thin	
89	3200362	2	Mount, Rubber Engine (Front)	
90	4711400	1	Flatwasher 1/4in Thin	
91	3960468	1	Seal, Foam Gasket	
92	3960469	1	Seal, Foam Gasket	
94	4060805	2.9 ft/0.88m	Flex-Trim 1/4in	
96	4751800	2	Flatwasher 1/2in Regular	
97	1060637	1	Lanyard	
98	0641808	2	Bolt 1/2in-13NC x 1in	
99	3311801	1	Nut 1/2in-13NC	
100	3539956	1	Plate, Support	
103	4567815	1	Tuning Tube Weldment	
104	0641826	2	Bolt 1/2in-13NC x 3-1/4in	
105	4740274	4	Washer, Snubbing	
106	7019658	1	90 Fitting W/Pick-Up Tube	
		Ref	MUFFLER INSTALLATIONS (NON UL MACHINES)	
	0256689	Ref	Standard Equipment (Spark Arresting)	-
	0256690	Ref	Optional Equipment (Catalytic)	-
201		Ref	Muffler Options:	
201	3220103	1	Spark Arresting	
201	3220104	1	Catalytic	
201		Ref	Clamp Options:	
201	1320176	1	Muffler p/n 3220103	
201	70001017	1	Muffler p/n 3220104	
201	7024398	1	Tube, Exhaust	
201	7024560	1	Plug, Brass	
	2000189	Ref	ENGINE COMPONENTS	
351	7016328	1	Filter, Fuel	
352	7000663	1	Alternator (was p/n 7020410)	
352	7020464	1	Regulator	
352	70003556	1	Pulley, Alternator	
352	70002234	1	Bracket, Adjustable	
353	7020461	1	Switch, Oil Pressure	
354	7016331	1	Filter, Oil	
355	7020479	1	Starter	
355	See Note	1	Relay (Note: Not Available for Purchase)	
355	7026608	2	Bolt, Starter Mounting	
355	70001498	1	Shield, Starter Heat (Not Shown)	
356	7026631	1	Dipstick Oil Level	
356	7020487	1	Seal, Dipstick (Not Shown)	
356	70001002		Tube, Dipstick	
357	7020168	1	Switch, Engine Temperature	
357	7020480	1	Seal, Temp Switch	
358	7020408	1	V-Belt	
359	7020458	1	Fuel, Solenoid	
360	7020462	4	Fuel Injection Pump	
360	7026522	4	Injector, Fuel (Includes Nozzle Element) (Not Shown)	
361	7024413	1	Fuel Pump Supply	
361	7020411	1	Seal, Pump to Block (Not Shown)	
362	7020465	2	Cap, Oil Fill (Not Shown - Located on Top and Left Sides)	

SECTION 2 - TURNTABLE

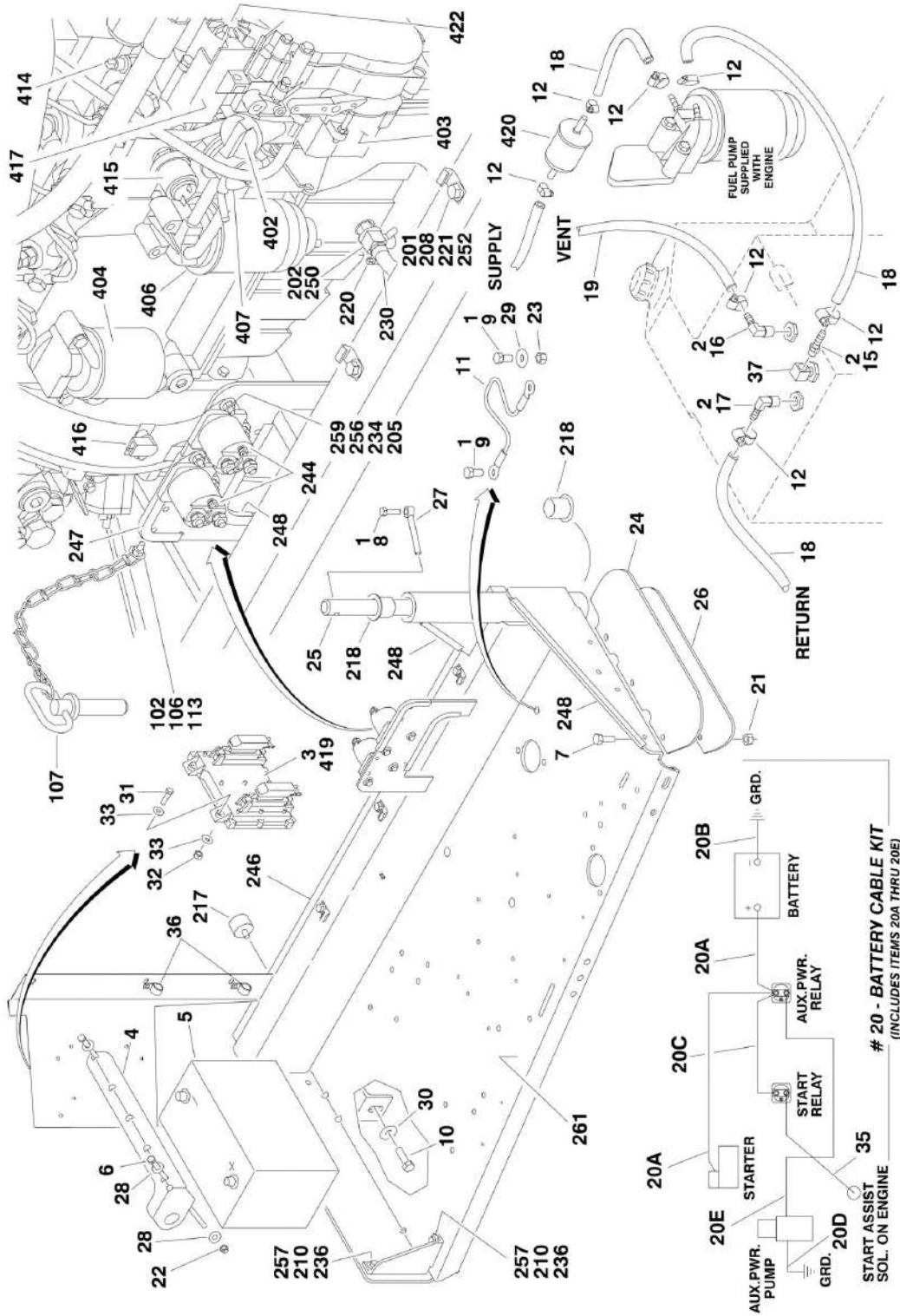
ITEM	PART NUMBER	QTY	DESCRIPTION	REV
363	7020474	1	Pump, Oil Lube	
363	7020468	1	Ring, Pump Sealing	
364	7020449	4	Gasket, Intake Manifold to Engine Block (Not Shown)	
365	7024565	1	Sensor, Tach (Not Shown - Located on Flywheel Housing) (was p/n 7020481)	
366	7020458	1	Actuator	
366	7026607	1	Spring, Actuator (was p/n 7027276)	
367	7020471	4	Gasket, Exhaust Manifold to Engine Block (Not Shown)	
368	70001423	1	Head, Fuel Filter	
369		Ref	Gasket, Head Options (Not Shown):	
369	70001681	1	1 Notch Gasket	
369	70002411	1	2 Notch Gasket	
369	70002530	1	3 Notches	
370	See Note	1	Flywheel (Not Shown) (Note: Not Available for Purchase)	
370	7024579		Ring Gear (Not Shown)	
	0256847	Ref	PUMP COUPLING INSTALLATION	-
401	1660234	1	Coupling, Hayes	
402	0080163	1	Plate, Pump Adapter	
403	0700810	6	Bolt M8 x 20mm	
404	4831900	6	Lockwasher M8	
406	4832000	8	Lockwasher M10	
407	3020021	AR	Grease, Coupling	

SECTION 2 - TURNTABLE

FIGURE 2-10. DEUTZ ENGINE INSTALLATION (SN 0300077490 through 0300087000)



SECTION 2 - TURNTABLE



SECTION 2 - TURNTABLE

FIGURE 2-10. DEUTZ ENGINE INSTALLATION (SN 0300077490 through 0300087000)

ITEM	PART NUMBER	QTY	DESCRIPTION	REV
		Ref	DEUTZ ENGINE INSTALLATIONS	
	0273685	Ref	Deutz Engine Installations (SN 0300077490 through 0300081835)	3-A
	0273970	Ref	Deutz Engine Installations (SN 0300081836 through 0300087000)	3-B
	0274299	Ref	Deutz Engine Installations (SN 0300081836 through 0300087000)	C
1	0100011	AR	Compound, Locking	
2	0100020	AR	Sealant, Pipe	
3	0100048	AR	Grease, Dielectric	
4	0181727	1	Hold-Down, Battery	
5	0400075	1	Battery	
6	0630498	2	Bolt, Battery Hold-Down	
7	0641507	3	Bolt 5/16in-18NC x 7/8in	
8	0641610	1	Bolt 3/8in-16NC x 1-1/4in	
9	0641808	2	Bolt 1/2in-13NC x 1in	
10	0642010	1	Bolt 5/8in-11NC x 1-1/4in	
11	1060637	1	Cable, Lanyard	
12	1320022	AR	Clamp, Hose	
13	1701505	1	Decal - Diesel (Not Shown - Located on Hood)	
15	2180348	1	Fitting, Straight Barbed	
16	2220313	1	Fitting, 90	
17	2221176	1	Fitting, Straight Barbed	
18	2720058	30 ft/9.2m	Hose	
19	2750532	6 ft/1.8m	Hose	
20	2902296	1	Battery Cable Kit	B
		Ref	Note: 2902296 Rev A version is no longer available. Verify whether machine is equipped with 2 or 3 relays on the engine tray.	
		Ref	If there are 3 relays, purchase latest revision of 2902296 kit. If there are 2 relays, purchase individual items as replacement.	
20A	1001116241	1	Cable, Battery (Red) (Machines with 2 Relays on Engine Tray) (was p/n 7027000)	
20A	1001116240	1	Cable, Battery (Red) (Machines with 3 Relays on Engine Tray) (was p/n 7027000)	
20B	7027004	1	Cable, Battery (Black)	
20C	7027001	1	Cable (Red) (No Longer Part of 2902296 Kit.)	
20D	7027003	1	Cable (Black)	
20E	7027002	1	Cable (Red)	
21	3311505	10	Locknut 5/16in-18NC	
22	3311605	2	Locknut 3/8in-16NC	
23	3311801	1	Nut 1/2in-13NC	
24	3380428	1	Panel, Rubber	
25	3422448	1	Pin, Pivot	
26	3539956	1	Plate, Support	
27	3841143	1	Pin, Keeper	
28	4751600	4	Flatwasher 3/8in Regular	
29	4751800	1	Flatwasher 1/2in Regular	
30	4752000	1	Flatwasher 5/8in Regular	
32	0641409	4	Bolt 1/4in-20NC x 1-1/8in (SN 0300084829 through 0300087000)	

SECTION 2 - TURNTABLE

ITEM	PART NUMBER	QTY	DESCRIPTION	REV
33	3311405	4	Locknut 1/4in-20NC (SN 0300084829 through 0300087000)	
34	4711400	8	Flatwasher 1/4in Thin (SN 0300084829 through 0300087000)	
35	4922978	1	Harness, Start Assist Solenoid (See ELECTRICAL SECTION for Breakdown) (SN 0300077490 through 0300084828)	
36	85941017	2	Clamp (Not Shown - Located on Turntable) (SN 0300084829 through 0300087000)	
37	7019658	1	90 Fitting W/Pick-Up Tube	
		Ref	ENGINE AND PUMP ASSEMBLIES:	
	2000224	Ref	Engine and Pump Assemblies (SN 0300077490 through 0300081835)	C
	2000221	Ref	Engine and Pump Assemblies (SN 0300081836 through 0300084828)	D
	2000280	Ref	Engine and Pump Assemblies (SN 0300084829 through 0300087000)	B
101	0100011	AR	Compound, Locking	
102	0641407	1	Bolt 1/4in-20NC x 7/8in	
103	0641812	2	Bolt 1/2in-13NC x 1-1/2in	
105	3020016	3.75 gal	Oil, Motor (Not Shown)	
106	3311405	1	Locknut 1/4in-20NC	
107	3422532	1	Pin, Hitch	
108	3600395	1	Gear Pump Assembly with Fittings (See TANK INSTALLATIONS for Breakdown)	
109		Ref	Piston Pump Assembly with Fittings Options:	
109	3600397	1	Piston Pump Assembly (See PISTON PUMP ASSEMBLY for Breakdown) (SN 0300077490 through 0300081835)	
109	3600396	1	Piston Pump Assembly (See GEAR PUMP ASSEMBLY for Breakdown) (SN 0300081836 through 0300087000)	
110	3790152	1	O-Ring	
111	3931620	2	Capscrew 3/8in-16NC x 1-1/4in	
112	3960389	5 ft/1.5m	Seal	
113	4751400	1	Flatwasher 1/4in Regular	
114	4891600	2	Flatwasher 3/8in Hardened	
		Ref	ENGINE AND PUMP ASSEMBLIES OPTIONS:	
	2000219	Ref	Engine and Pump Assemblies (SN 0300077490 through 0300084828)	F
	2000279	Ref	Engine and Pump Assemblies (SN 0300084829 through 0300087000)	C
	0256689	Ref	MUFFLER INSTALLATION - SPARK ARRESTING (STANDARD)	-
	0256690	Ref	MUFFLER INSTALLATION - CATALYTIC (OPTIONAL)	-
201	0100011	AR	Compound, Locking	
202	0100020	AR	Sealant, Pipe	
204	0340041	2	Band, Air Cleaner	
205	0641407	8	Bolt 1/4in-20NC x 7/8in	
207	0641510	3	Bolt 5/16in-18NC x 1-1/4in	
208	0641606	3	Bolt 3/8in-16NC x 3/4in	
210	0641610	20	Bolt 3/8in-16NC x 1-1/4in	
211	0641818	2	Bolt 1/2in-13NC x 2-1/4in	
212	0641826	2	Bolt 1/2in-13NC x 3-1/4in	
213	0700808	4	Bolt M8 x 16mm	
214	0701012	2	Bolt M10 x 25mm	
215	0701015	2	Bolt M10 x 35mm	
216	0701414	6	Bolt M14 x 130mm	
217	0940070	1	Bumper	
218	0961986	2	Bushing, Flanged	

SECTION 2 - TURNTABLE

ITEM	PART NUMBER	QTY	DESCRIPTION	REV
219	1320016	4	Clamp	
220	1320022	1	Clamp, Hose	
221	1320223	3	J-Clip	
222	1340060	1	Air Cleaner Assembly Filter Element	
222	7012664	1	Element, Filter (Not Shown)	
223	1703162	2	Decal - Caution Fan Blade	
224		Ref	Engine, Deutz - F4M2011 Tier II Options:	
224	2000216	1	Engine Components (SN 0300077490 through 0300084828)	
224	2000274	1	Engine Components (SN 0300084829 through 0300087000)	
225	2060025	1	Fan	
226	2220451	2	Fitting, Straight	
227	2720398	2	Hose, Oil Cooler	
228	2720434	1	Elbow, Rubber	
229	2720449	1	Hose, Air Cleaner	
230	2750532	1 ft/30cm	Hose, Oil Drain	
231	3200362	2	Mount, Motor	
232	3200406	2	Mount, Motor	
233		Ref	Muffler Options:	
233	3220103	1	Spark Arresting (Standard)	
233	3220104	1	Catalytic (Optional)	
233		Ref	Clamp Options:	
233	1320176	1	Muffler p/n 3220103	
233	70001017	1	Muffler p/n 3220104	
233	7024398	1	Tube, Exhaust	
233	7024560	1	Plug, Brass	
234	3311405	8	Locknut 1/4in-20NC	
235	3311505	3	Locknut 5/16in-18NC	
236	3311605	AR	Locknut 3/8in-16NC	
237	3311805	4	Locknut 1/2in-13NC	
238	3537416	1	Plate, Engine Mounting (Front Right Side)	
239	3539872	1	Plate, Radiator Mounting	
240	3539971	1	Plate, Engine Mounting (Front Bottom)	
241	3534978	1	Plate, Engine Mounting (Rear)	
243	3620033	1	Radiator	
244	3740067	2	Relay	
245	3960407	1	Gasket, Air Intake	
246	3960468	1	Seal	
247	3960369	1	Seal	
248	4060805	37 in/1m	Flex-Trim	
249		Ref	Tube, Tuning Options:	
249	4567815	1	Tube, Tuning (SN 0300077490 through 0300084828)	
249	4569171	1	Tube, Tuning (SN 0300084829 through 0300087000)	
250	4640751	1	Valve, Oil Drain	
252	4711600	3	Flatwasher 3/8in Thin	
253	4711700	6	Flatwasher 7/16in Thin (SN 0300084829 through 0300087000)	
254	4711900	6	Flatwasher 9/16in Thin	
255	4740274	4	Washer, Snubbing	
256	4751400	AR	Flatwasher 1/4in Regular	
257	4751600	40	Flatwasher 3/8in Regular	
258	4751700	2	Flatwasher 7/16in Regular (SN 0300084829 through 0300087000)	
259	4791400	4	Starwasher 1/4in	

SECTION 2 - TURNTABLE

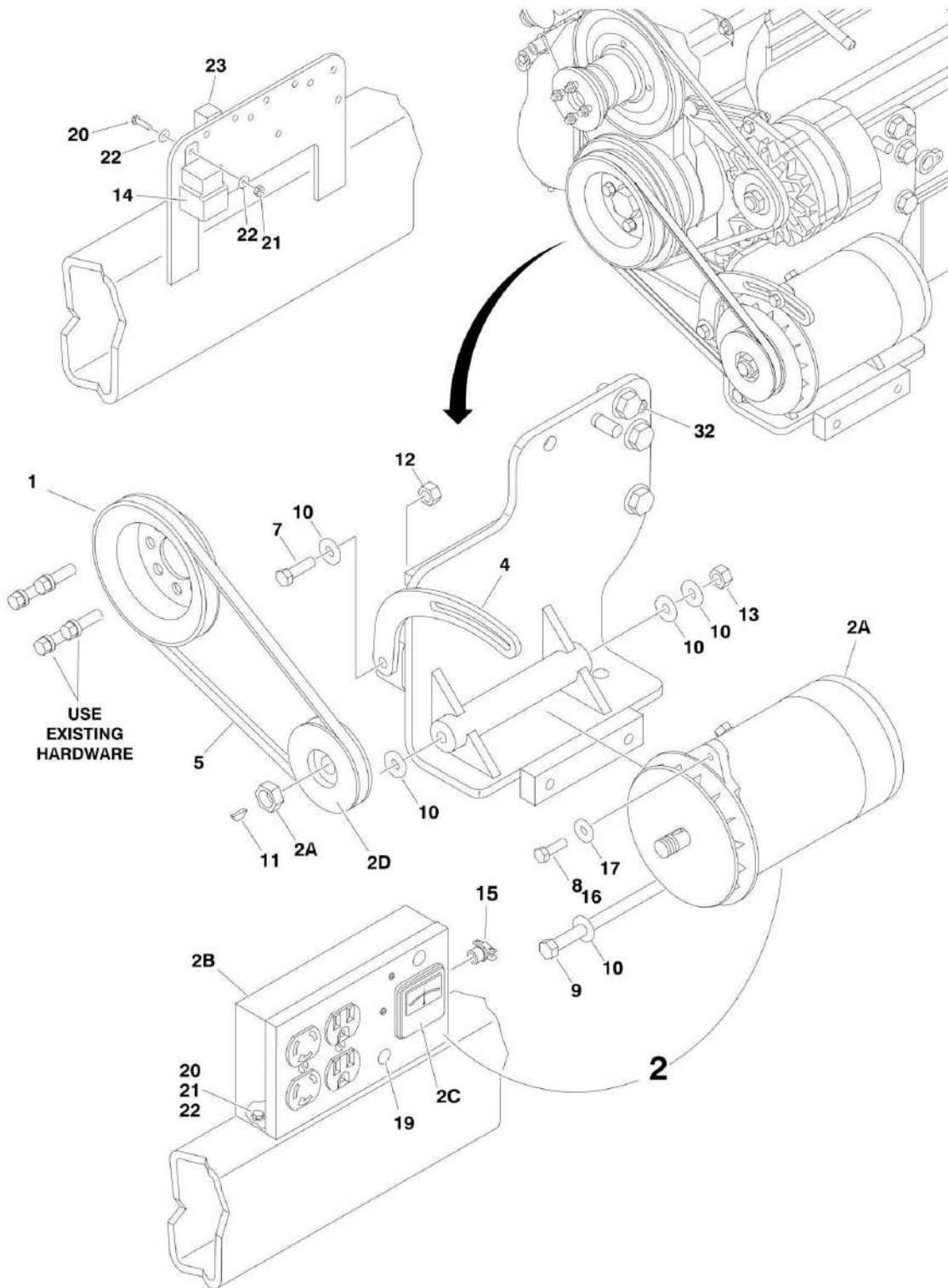
ITEM	PART NUMBER	QTY	DESCRIPTION	REV
260	4845395	1	Adapter, Air Intake	
261	4845404	1	Tray, Engine	
262	4846566	1	Plate, Engine Mounting (Front Left Side)	
263	0701014	4	Bolt M10 x 30mm (SN 0300084829 through 0300087000)	
264	4360392	1	Indicator, Restriction (SN 0300077490 through 0300084829)	
264	2180798	1	Fitting	
	0256847	Ref	PUMP COUPLING INSTALLATION	2
301	1660234	1	Coupling, Hayes	
302	0080163	1	Plate, Pump Adapter	
303	0700810	63	Bolt Metric M8 x 20mm	
304	4831900	6	Lockwasher M8	
306	4832000	8	Lockwasher M10 (SN 0300077490 through 0300084829)	
307	3020021	AR	Grease, Coupling	
		Ref	ENGINE COMPONENTS	
401	7026631	1	Dipstick	
401	7020487	1	O-Ring, Dipstick	
402	7020465	1	Cap, Filler	
403	70001850	1	Pump, Oil Lube (was p/ns 7020484 & 70000045)	
403	7020468	1	Seal Between Oil Pump and Engine Block (Not Shown)	
404	7016331	1	Filter, Oil (was p/n 7016641)	
405		Ref	Pump, Injector Options:	
405	7027246	4	Series A Injector	
405	7027608	4	Series B Injector	
405	7027609	4	Series C Injector	
405	7027610	4	Series D Injector	
405	7020447	4	Gasket (1 per Injector)	
406	7016328	1	Filter, Fuel	
407	70000916	1	Pump, Fuel Supply (was p/n 7027238)	
407	7020411	1	O-Seal Between Fuel Pump and Engine Block (Not Shown)	
408	7020449	4	Gasket, Intake Manifold (Not Shown)	
409	7020408	1	V-Belt	
410	7020471	4	Gasket, Exhaust Manifold to Engine Block (Not Shown)	
410	See Note	1	Gasket, Exhaust Manifold to Exhaust Pipe (Not Shown) (Note: Not Available for Purchase)	
410	70002200	8	Stud, Muffler Attaching	
411	7000663	1	Alternator (was p/n 7020410)	
411	7020464		Regulator, Voltage (Not Shown)	
411	70002234	1	Bracket, Adjusting (Not Shown):	
412	7020479	1	Starter	
412	7026608	1	Solenoid	
412	70001498	1	Shield, Starter Heat	
413	See Note	2	Plug- In Connector (Not Shown) (Note: Not Available for Purchase)	
414	7027241	1	Transmitter, Temperature (Used on p/n 2000216)	
414	7027791	1	Transmitter, Temperature (Used on p/n 2000274)	
414	See Note	1	Ring, Sealing (Note: Not Available for Purchase)	
415	7020461	1	Sensor, Oil Pressure (Used on p/n 2000216)	
415	7027790	1	Sensor, Oil Pressure (Used on p/n 2000274)	
416	7024565	1	Sensor, Speed	
417	7020458	1	Actuator, Throttle (Used on p/n 2000216)	
417	7027792	1	Actuator, Throttle (Used on p/n 2000274)	
417	7026607	2	Spring, Actuator (was p/n 7027276)	

SECTION 2 - TURNTABLE

ITEM	PART NUMBER	QTY	DESCRIPTION	REV
418	7027236	1	Sensor, Temperature (Not Shown)	
419	7027795	1	Deutz EMR2 Controller, Module (SN 0300084829 through 0300087000)	
419	7027796	1	Harness. EMR2 Module (SN 0300084829 through 0300087000)	
420	7027245	1	Filter, Fuel In-line	
421	70000800	1	Timing Belt/Idler Kit Options (Used on p/n 2000216) (Not Shown)	
422	7027239	1	Solenoid, Throttle	
423	See Note	1	Gasket, Valve Cover (Not Shown) (Note: Not Available for Purchase)	
424	See Note	1	2000216 Engines (Note: Not Available for Purchase)	
424		Ref	200274 Engines:	
424	70003001	1	1 Notch	
424	70003002	1	2 Notches	
424	70003003	1	3 Notches	
425		Ref	Harness, Engine Options (Not Shown):	
425	See Note	1	Harness, Engine (Note: Not Available for Purchase) (SN 0300077490 through 0300084828)	
425	7027794	1	Harness. Engine (SN 0300084829 through 0300087000)	
425	7027793	1	Plug, Connector	
426	70000264	1	Flywheel	
426	7024579	1	Ring Gear	
427	7020459	1	Thermostat (Located at rear of engine block - Not Shown)	
427	7020460	1	Spring, Compression (Not Shown)	

SECTION 2 - TURNTABLE

FIGURE 2-11. GENERATOR INSTALLATION (DEUTZ ENGINE MACHINES) (OPTIONAL)



SECTION 2 - TURNTABLE

FIGURE 2-11. GENERATOR INSTALLATION (DEUTZ ENGINE MACHINES) (OPTIONAL)

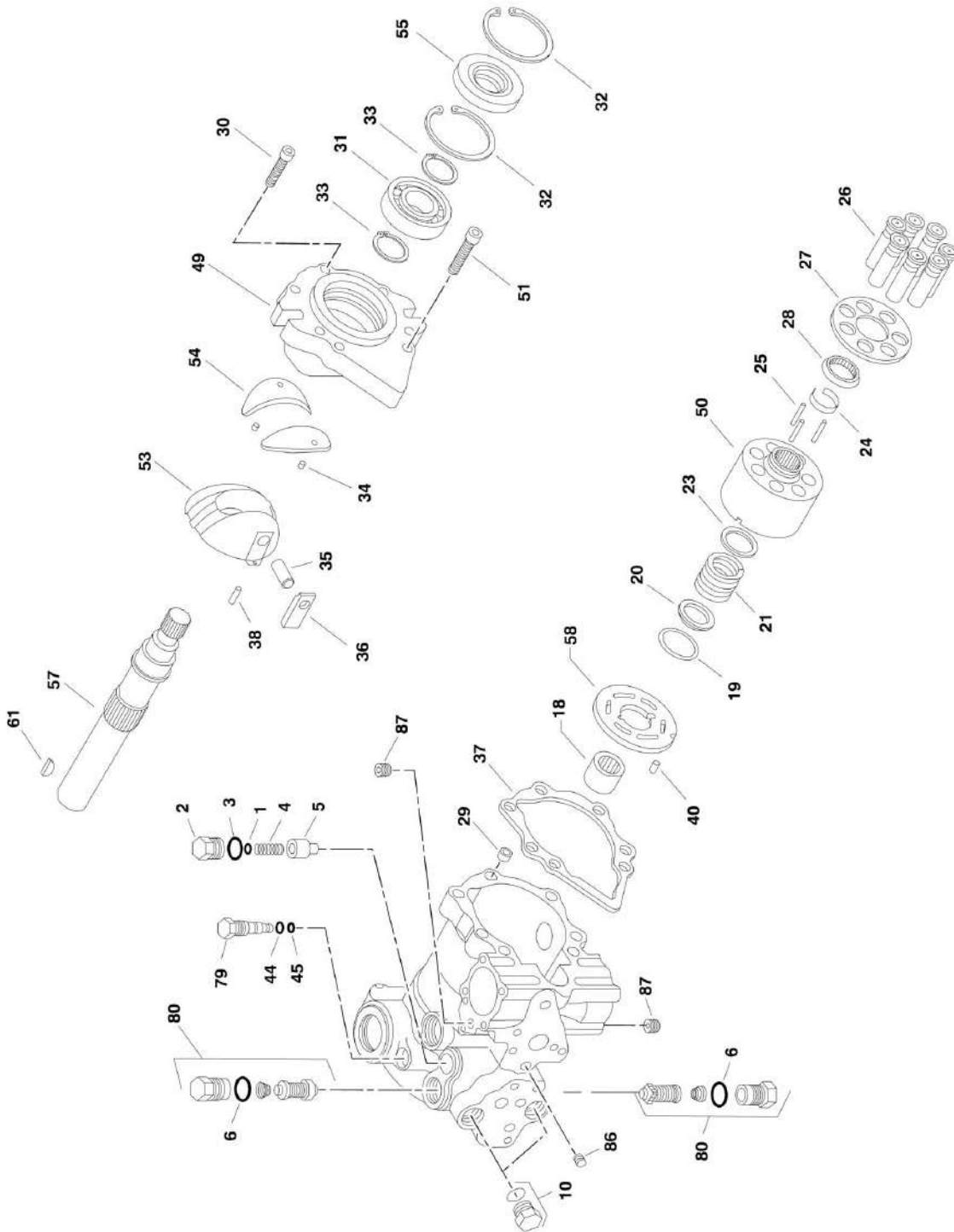
ITEM	PART NUMBER	QTY	DESCRIPTION	REV
		Ref	GENERATOR INSTALLATION OPTIONS:	
	0272482	Ref	110V Generator (SN 0300069000 through 0300081835)	2
	0274090	Ref	110V Generator (SN 0300081836 through 0300087000)	1
	0272481	Ref	220V Generator (SN 0300069000 through 0300081835)	2
	0274086	Ref	220V Generator (Note: Refer to SkyPower Accessories Manual p/n 3124242) (SN 0300081836 through 0300087000)	1
1	3580158	1	Pulley	
2		Ref	Generator and Control Box Assembly Options:	
2	2460039	1	110Volt Assembly (SN 0300069000 through 0300081835)	B
2	2460057	1	110Volt Assembly (SN 0300081836 through 0300087000)	A
2	2460013	1	220Volt Assembly (SN 0300069000 through 0300081835)	B
2	2460056	1	220Volt Assembly (SN 0300081836 through 0300087000)	A
2A	2460049	1	Generator Only - 110V	
2A	1001100321	1	Generator Only - 220V	
2A		Ref	Armature with Slip Rings Options:	
2A	70000122	1	Armature with Slip Rings - 110V/50Hz	
2A	70000123	1	Armature with Slip Rings - 220V/50Hz	
2A	7012513	4	Cap, Brush Holder	
2A	7020108	4	Brush	
2A	7020109	4	Holder, Brush	
2A	7012514	1	Fan	
2A	7020110	1	Bell, Front	
2A	7020111	1	Bell, Rear	
2A	7020190	2	Bearing	
2B	70002239	1	Box, Control - 110V (SN 0300069000 through 0300081835)	
2B	7019680	1	Box, Control - 110V (SN 0300081836 through 0300087000)	
2B	70002235	1	Box, Control - 220V (SN 0300069000 through 0300081835)	
2B	70000127	1	Box, Control - 220V (SN 0300081836 through 0300087000)	
2B		Ref	Receptacle Options:	
2B	4460190	1	Receptacle, Standard (110V Only)	
2B	4460027	1	Receptacle, Twistlock (110V Only)	
2B	70000124	1	Receptacle, Double (220V Only)	
2B	70000125	1	Receptacle, Single (220V Only)	
2B		Ref	Breaker, Circuit Options:	
2B	70002240	1	Breaker, Circuit - 110V (SN 0300069000 through 0300081835)	
2B	4360542	1	Breaker, Circuit- 110V (SN 0300081836 through 0300087000)	
2B	70000126	1	Breaker - 220V	
2B	3520028	1	Plug, Hole	
2C		Ref	Voltmeter Options:	
2C	2420203	1	Voltmeter - 110V	
2C	7020192	1	Voltmeter - 220V	
2D	3580134	1	Pulley	
2D	7027887	1	Key, Woodruff	
4	0200742	1	Arm, Adjusting	
5	0480121	1	V-Belt	
7	0641610	1	Bolt 3/8in-16NC x 1-1/4in	
8	0100011	AR	Compound, Locking	
9	0641772	1	Bolt 7/16in-14NC x 9in	

SECTION 2 - TURNTABLE

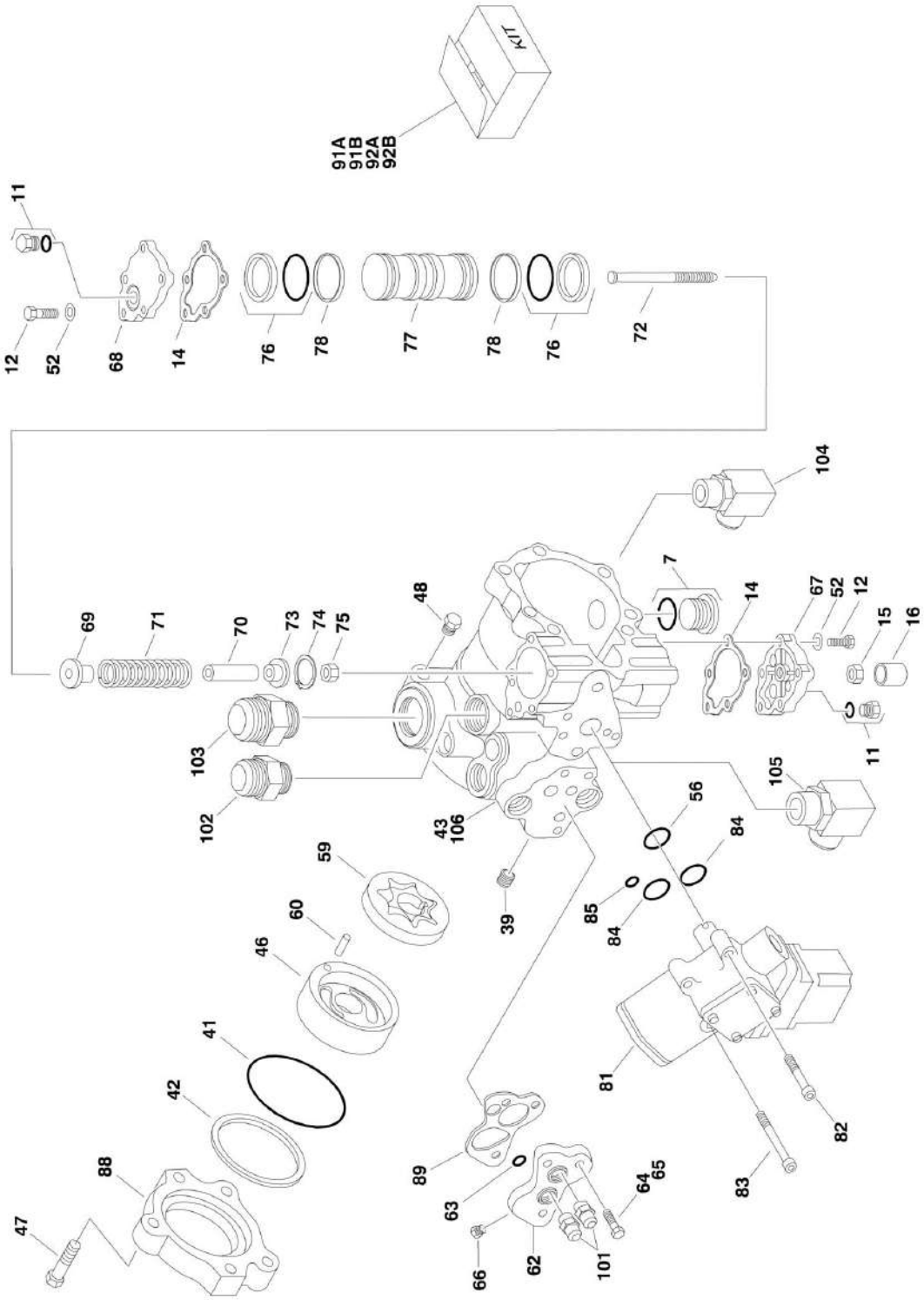
ITEM	PART NUMBER	QTY	DESCRIPTION	REV
10	4751600	6	Flatwasher 3/8in Regular	
11	2860012	1	Key, Woodruff	
12	3311605	1	Locknut 3/8in-16NC	
13	3311705	1	Locknut 7/16in-14NC	
14	3740080	1	Relay	
15	4460023	1	Connector, Strain Relief	
16	0641508	1	Bolt 5/16in-18NC x 1in	
17	4751500	AR	Flatwasher 5/16in Regular	
19	3520028	1	Plug, Hole (SN 0300069000 through 0300081835)	
20	0721006	4	Bolt #10-24NC x 3/4in	
21	3311005	4	Locknut #10-24NC	
22	4751000	9	Flatwasher #10 Regular	
23	4360294	1	Breaker, Circuit - 30 Amp (SN 0300069000 through 0300081835)	
25	4360336	1	Switch, Toggle (Not Shown - Located at Platform)	
26	4740397	1	Bushing (Not Shown - Located at Platform)	
27	4060802	1	Guard, Switch (Not Shown - Located at Platform)	
28	3252507	1	Decal - 220V - 50/60Hz (Not Shown - Located on Turntable)	
29	2820031	4 in/10cm	Heat Shrink (Not Shown - Located at Platform)	
30	3251102	1	Decal (Not Shown - Located at Platform)	
	2902085	1	Kit, Powermite Generator	

SECTION 2 - TURNTABLE

FIGURE 2-12. PISTON PUMP ASSEMBLY (SN 0300069000 through 0300079887)



SECTION 2 - TURNTABLE



SECTION 2 - TURNTABLE

FIGURE 2-12. PISTON PUMP ASSEMBLY (SN 0300069000 through 0300079887)

ITEM	PART NUMBER	QTY	DESCRIPTION	REV
	3600260	Ref	PISTON PUMP ASSEMBLY	B
1	7007413	1	Shim Kit	
2	7007414	1	Plug	
3	See Note	NSS	O-Ring (Note: Use Item 91A)	
4	7007416	1	Spring, Relief Valve	
5	7007417	1	Valve, Relief	
6	See Note	NSS	O-Ring (Note: Use Item 91A)	
7	7007419	2	Plug	
10	7007420	2	Plug	
11	7007208	2	Plug	
12	7007421	10	Screw	
14	See Note	NSS	Gasket, Servo Cover (Note: Use Item 91A)	
15	7007423	1	Nut, Special	
16	7007424	1	Cover, Adjustment	
18	7007425	1	Bearing, Needle	
19	See Note	NSS	Ring, Retaining (Note: Use Item 92B)	
20	See Note	NSS	Washer (Note: Use Item 92B)	
21	See Note	NSS	Spring (Note: Use Item 92B)	
23	See Note	NSS	Washer (Note: Use Item 92B)	
24	See Note	NSS	Retainer (Note: Use Item 92B)	
25	See Note	NSS	Pin, Slipper Holddown (Note: Use Item 92B)	
26	See Note	NSS	Piston Assembly (Note: Use Item 92B)	
27	See Note	NSS	Retainer, Slipper (Note: Use Item 92B)	
28	See Note	NSS	Guide, Retainer (Note: Use Item 92B)	
29	7007435	1	Pin, Spring	
30	7007436	1	Screw, 12 Point Head	
31	7007437	1	Bearing, Ball	
32	7007438	2	Ring, Retainer	
33	7007439	2	Ring	
34	7007440	2	Pin, Spring	
35	7007441	1	Handle, Pin	
36	7007442	1	Sleeve, Bearing	
37	See Note	NSS	Gasket, Front Cover (Note: Use Item 91A)	
38	7007444	1	Pin	
39	7007445	1	Plug, Expansion	
40	See Note	NSS	Pin (Note: Use Item 92B)	
41	See Note	NSS	O-Ring (Note: Use Item 91A or 92A)	
42	See Note	NSS	Ring, Load Temper (Note: Use Item 91A or 92A)	
43	7007449	1	Housing, Pump	
44	See Note	NSS	Ring, Back-up (Note: Use Item 91A)	
45	See Note	NSS	O-Ring (Note: Use Item 91A)	
46	See Note	NSS	Cover, Gerotor (Note: Use Item 92A)	
47	7007453	3	Bolt, Hex	
48	7007208	1	Plug	
49	7007454	1	Cover, Front	
50	See Note	NSS	Block, Cylinder (Note: Use Item 92B)	
51	7007456	6	Screw	
52	7001438	10	Washer	
53	See Note	NSS	Swash Plate (Note: Use Item 92B)	
54	7007458	1	Journal, Bearing	

SECTION 2 - TURNTABLE

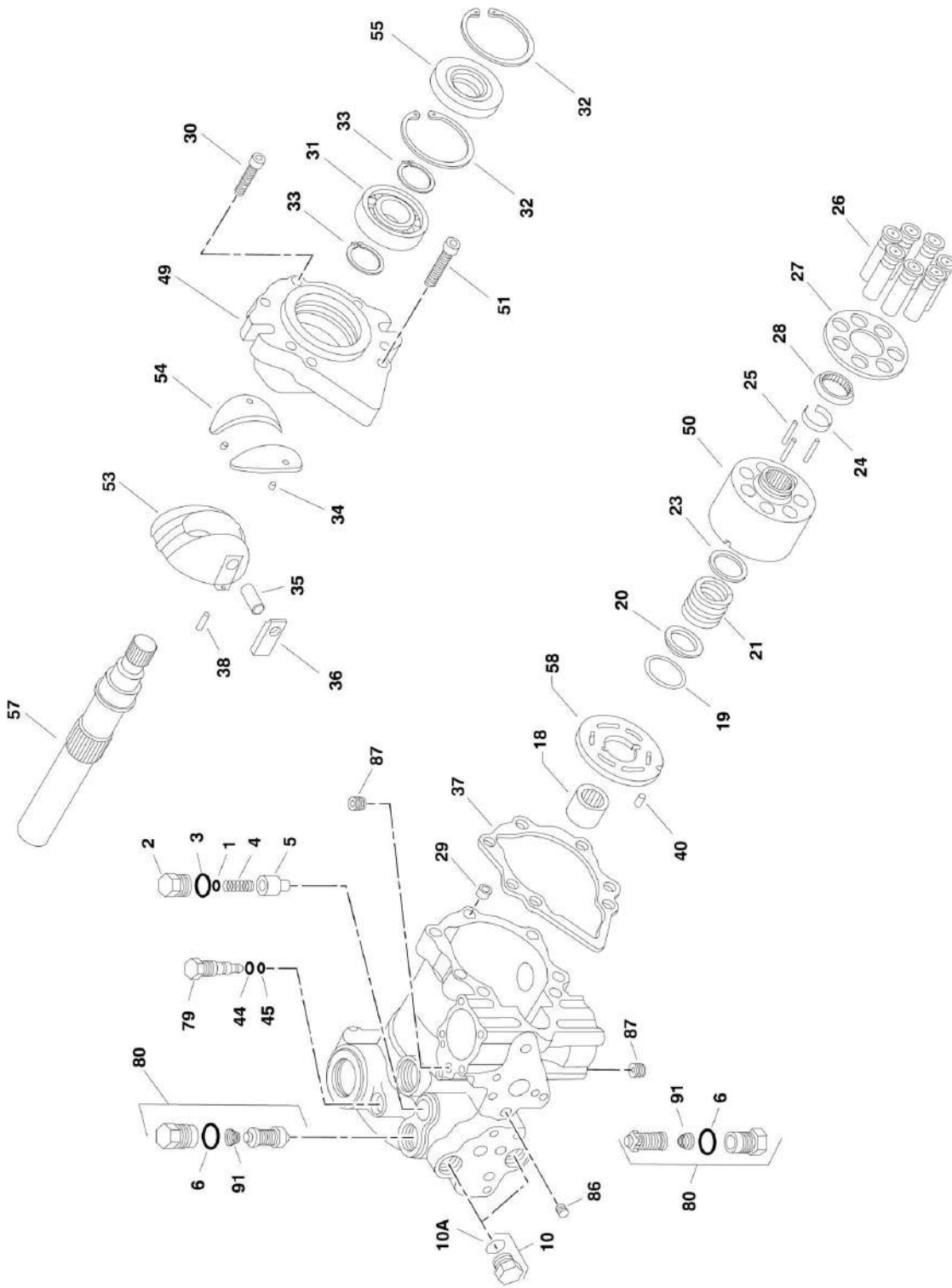
ITEM	PART NUMBER	QTY	DESCRIPTION	REV
55	7007459	1	Seal, Lip	
56	See Note	NSS	O-Ring (Note: Use Item 91A)	
57	7010121	1	Shaft, Main Pump	
58	7021214	1	Plate, Valve	
59	7007463	1	Gerotor Assembly	
60	See Note	NSS	Pin (Note: Use Item 92A)	
61	See Note	NSS	Key, Woodruff (Note: Use Item 92A)	
62	7007466	1	Adaptor, Remote Filtration (Without By-Pass)	
63	See Note	NSS	O-Ring (Note: Use Item 91A)	
64	7007468	2	Screw	
65	7007469	2	Screw	
66	7007470	1	Plug	
67	7007471	1	Cover, Servo (With Adjuster)	
67	7007490	2	Stop, Servo (Not Shown)	
67	7007491	2	Nut, Special (Not Shown)	
67	7007492	2	Ring, External (Not Shown)	
68	7007482	1	Cover, Servo (Without Adjuster)	
69	7007483	1	Guide, Spring	
70	7007484	1	Stop, Servo	
71	7007485	1	Spring	
72	7007486	1	Screw	
73	7007487	1	Guide, Spring	
74	7007488	1	Ring, Retaining	
75	7007499	1	Locknut	
76	See Note	NSS	Ring, Piston (Note: Use Item 91A or 91B)	
77	7007494	1	Piston, Servo	
78	See Note	NSS	O-Ring (Note: Use Item 91A or 91B)	
79	7007472	1	Valve, Bypass	
80	7010122	2	Valve, Pressure Relief (Includes Item 6) (was p/n 7007473)	
81	7007474	1	Control, Dual Oil-Filled	
81	7007496	1	Coil Assembly (Pilot)	
81	7007497	1	Plug (Pump)	
81	7007498	1	Plug (Valve Harness)	
82	7007478	2	Screw	
83	7001498	2	Screw	
84	See Note	NSS	O-Ring (Note: Use Item 91A)	
85	See Note	NSS	O-Ring (Note: Use Item 91A)	
86	7007475	1	Plug, Orifice/Screen (.156)	
87	7007477	2	Plug, Orifice (.37)	
88	7007476	1	Adapter, Auxiliary Pump	
89	7010120	1	Spacer/Gasket	
91		Ref	Seal Kit Options:	
91A	2900752	1	Seal Kit - Complete (Includes Items 3, 6, 14, 37, 41, 42, 44, 45, 55, 56, 63, 76, 78, 84 & 85)	
91B	7007412	1	Seal Kit - Servo Piston (Includes Items 76 & 78)	
92		Ref	Repair Kit Options:	
92A	2900826	1	Charge Pump Kit (Includes Items 41, 42, 46, 59, 60 & 61)	
92B	2900827	1	Cylinder Block Kit (Includes Items 19-28, 40, 50, 53 & 58)	
	3600397	Ref	PISTON PUMP AND FITTING ASSEMBLY	A
101	2220374	2	Fitting, Straight	
102	2220375	1	Fitting, Straight	
103	2220377	1	Fitting, Straight	

SECTION 2 - TURNTABLE

ITEM	PART NUMBER	QTY	DESCRIPTION	REV
104	2220578	1	Fitting, 90	
105	2220646	2	Fitting, 90	
106	3600260	1	Pump, Piston (Includes Items 1-89)	

SECTION 2 - TURNTABLE

FIGURE 2-13. PISTON PUMP ASSEMBLY (SN 0300079888 through 0300087000)



SECTION 2 - TURNTABLE

FIGURE 2-13. PISTON PUMP ASSEMBLY (SN 0300079888 through 0300087000)

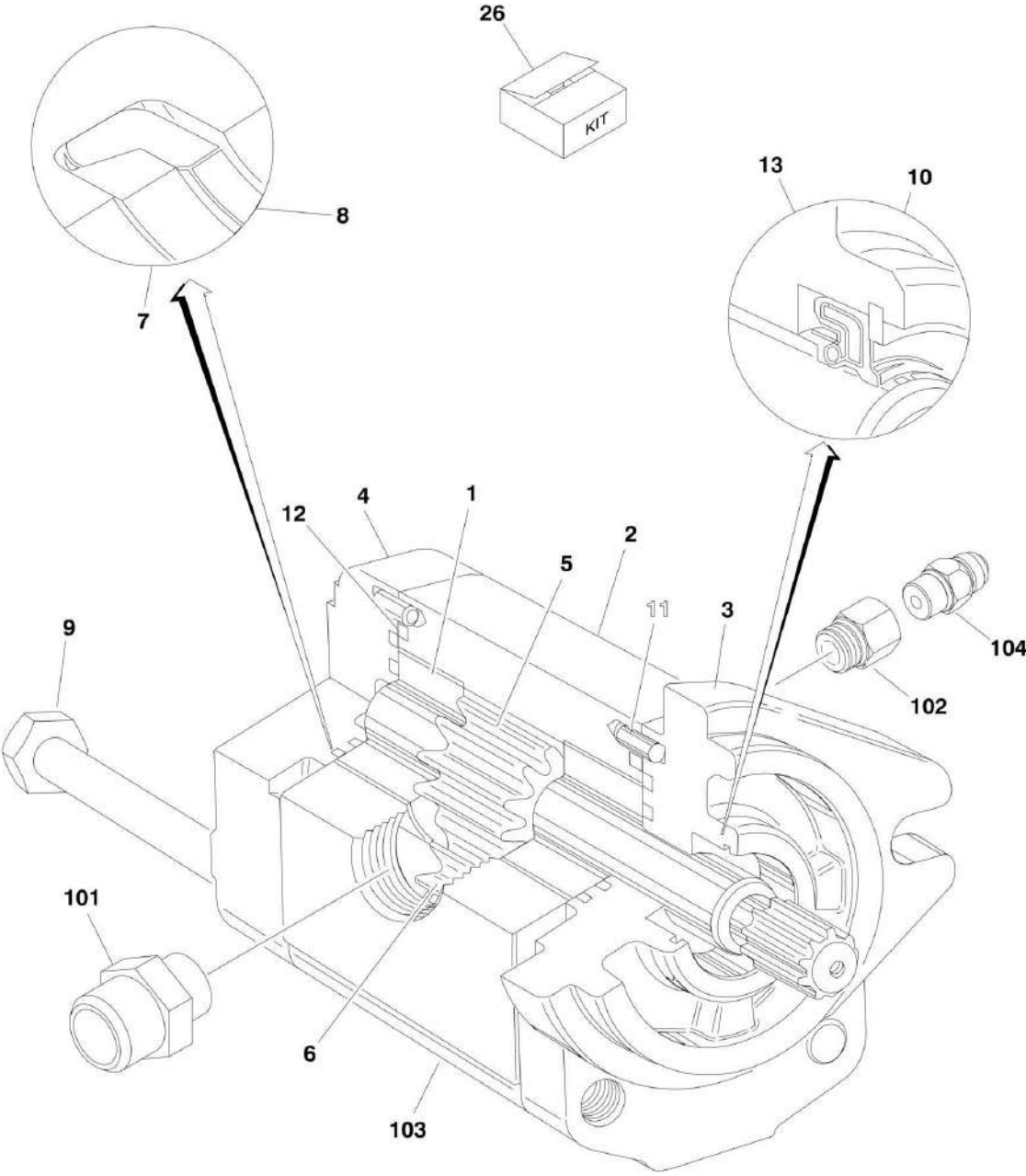
ITEM	PART NUMBER	QTY	DESCRIPTION	REV
	3600381	Ref	PISTON PUMP ASSEMBLY	A
1	7007413	1	Shim Kit	
2	7007414	1	Plug	
3	See Note	NSS	O-Ring (Note: Use Item 94A)	
4	7021200	1	Spring, Relief Valve	
5	7007417	1	Valve, Relief	
6	See Note	NSS	O-Ring (Note: Use Item 94A)	
7	7007419	2	Plug	
7A	7007418	2	O-Ring	
10	7007470	2	Plug	
10A	7021256	2	O-Ring	
11	7007470	2	Plug	
11A	7021256	2	O-Ring	
12	7021223	10	Screw	
14	See Note	NSS	Gasket, Servo Cover (Note: Use Item 94A)	
15	7007423	1	Nut, Special	
18	7007425	1	Bearing, Needle	
19	See Note	NSS	Ring, Retaining (Note: Use Item 95)	
20	See Note	NSS	Washer (Note: Use Item 95)	
21	See Note	NSS	Spring (Note: Use Item 95)	
23	See Note	NSS	Washer (Note: Use Item 95)	
24	See Note	NSS	Retainer (Note: Use Item 95)	
25	See Note	NSS	Pin, Slipper Holddown (Note: Use Item 95)	
26	See Note	NSS	Piston Assembly (Note: Use Item 95)	
27	See Note	NSS	Retainer, Slipper (Note: Use Item 95)	
28	See Note	NSS	Guide, Retainer (Note: Use Item 95)	
29	7007435	1	Pin, Spring	
30	7021202	1	Screw	
31	7007437	1	Bearing, Ball	
32	7007438	2	Ring, Retainer	
33	7007439	2	Ring	
34	7021203	2	Pin, Spring	
35	7007441	1	Handle, Pin	
36	7007442	1	Sleeve, Bearing	
37	See Note	NSS	Gasket, Front Cover (Note: Use Item 94A)	
38	7007444	1	Pin	
40	7007446	1	Pin	
41	See Note	NSS	O-Ring (Note: Use Item 94A)	
42	See Note	NSS	Ring, Load Temper (Note: Use Item 94A)	
43	7023977	1	Housing, Pump	
44	See Note	NSS	Ring, Back-up (Note: Use Item 94A)	
45	See Note	NSS	O-Ring (Note: Use Item 94A)	
46	7007452	1	Cover, Gerotor	
47	7007453	3	Bolt, Hex	
48	7007208	1	Plug	
48A	7007207	1	O-Ring	
49	7007454	1	Cover, Front	
50	See Note	NSS	Block, Cylinder (Note: Use Item 95)	
51	7021207	6	Screw	
53	7007457	1	Swash Plate	

SECTION 2 - TURNTABLE

ITEM	PART NUMBER	QTY	DESCRIPTION	REV
54	7021212	1	Journal, Bearing	
55	7007459	1	Seal, Lip	
56	See Note	NSS	O-Ring (Note: Use Item 94A)	
57	7010121	1	Shaft, Main Pump	
58	7021214	1	Plate, Valve	
59	7007463	1	Gerotor Assembly	
60	7007464	1	Pin	
61	7007465	1	Key, Woodruff	
62	7007466	1	Adaptor, Remote Filtration (Without By-Pass)	
64	7021218	3	Screw	
67	7021220	1	Cover, Servo (Without Adjuster)	
68	7021219	1	Cover, Servo (Without Adjuster)	
69	7023979	1	Guide, Spring	
70	7007484	1	Stop, Servo	
71	7007485	1	Spring	
72	7021221	1	Screw	
73	7007487	1	Guide, Spring	
74	7007488	1	Ring, Retaining	
75	7021222	1	Locknut	
76	See Note	NSS	Ring, Piston (Note: Use Item 94A or 94B)	
77	7007494	1	Piston, Servo	
78	See Note	NSS	O-Ring (Note: Use Item 94A or 94B)	
79	7007472	1	Valve, Bypass	
80	7024851	2	Valve, Pressure Relief (Includes Item 6)	
81	7007474	1	Control, Dual Oil-Filled	
81	7007496	1	Coil Assembly (Pilot)	
81	7007497	1	Plug (Pump)	
81	7007498	1	Plug (Valve Harness)	
82	7001498	2	Screw	
83	7007478	2	Screw	
84	7001433	2	O-Ring	
86	7007475	1	Plug, Orifice/Screen (.156)	
87	7007477	2	Plug, Orifice (.37)	
88	7007476	1	Adapter, Auxiliary Pump	
89	7021217	1	Spacer/Gasket	
90	7021206	1	Nut	
91	7024800	2	Spring	
92	7021201	1	Bracket, Lifting	
94		Ref	Seal Kit Options:	
94A	7021232	1	Seal Kit - Complete (Includes Items 3, 6, 14, 37, 41, 42, 44, 45, 55, 56, 76, 78 & 89)	
94B	7007412	1	Seal Kit - Servo Piston (Includes Items 76 & 78)	
95	7010116	1	Cylinder Block Kit (Includes Items 19-28 & 50)	
	3600396	Ref	PISTON PUMP AND FITTING ASSEMBLY	A
101	2220479	1	Fitting, Straight	
102	2220578	1	Fitting, 90	
103	2220646	2	Fitting, 90	
104	2220947	2	Fitting, Straight	
105	3600381	1	Pump Options (Includes Items 1-92)	

SECTION 2 - TURNTABLE

FIGURE 2-14. GEAR PUMP ASSEMBLY



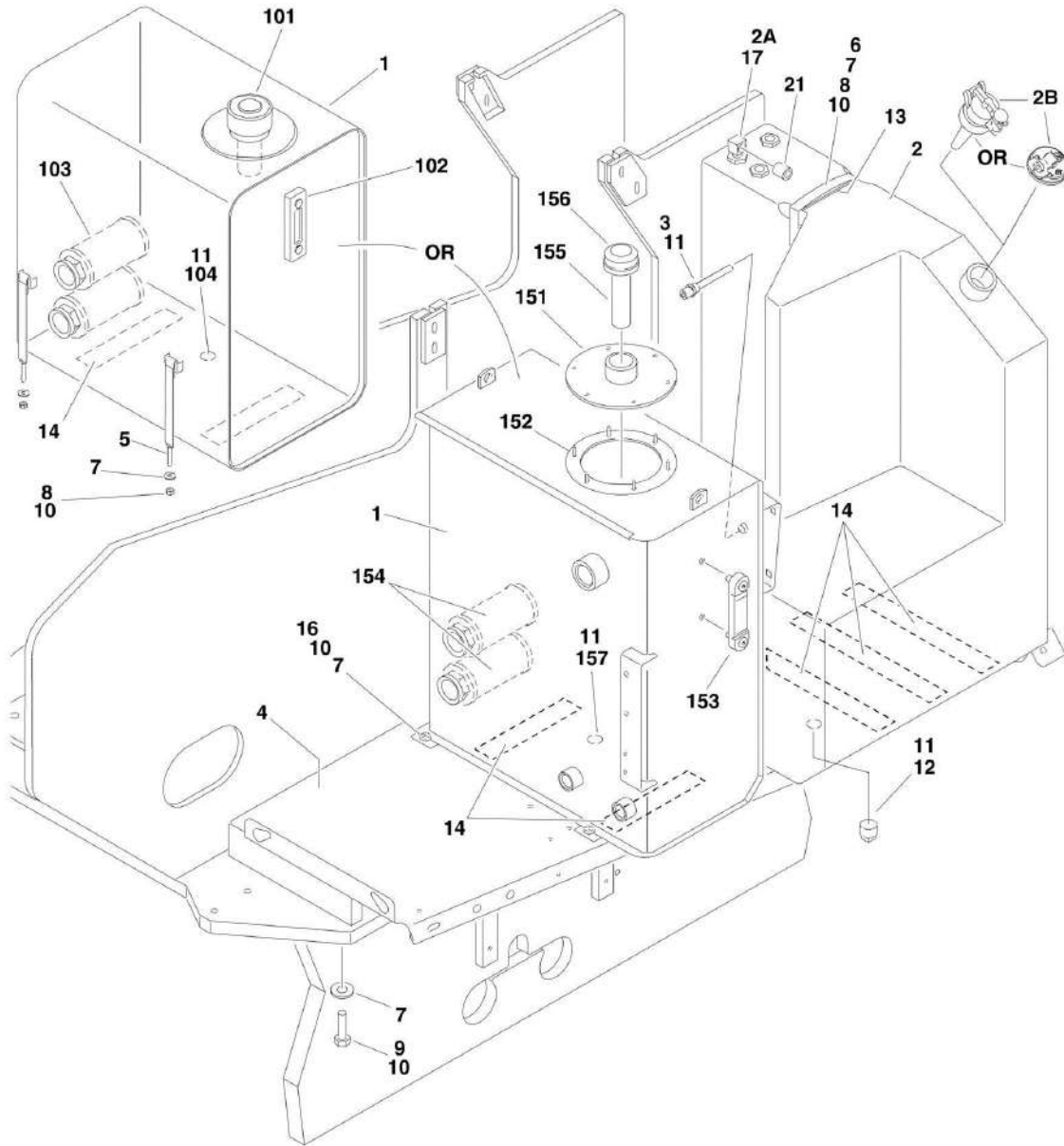
SECTION 2 - TURNTABLE

FIGURE 2-14. GEAR PUMP ASSEMBLY

ITEM	PART NUMBER	QTY	DESCRIPTION	REV
	3600242	Ref	GEAR PUMP ASSEMBLY	
1	7010105	2	Bearing/Bushing	
2	See Note	NSS	Housing (Note: Use p/n 3600242)	
3	See Note	NSS	Flange (Note: Use p/n 3600242)	
4	7010103	1	Cover	
5	7012987	1	Gear, Drive	
6	7012988	1	Gear, Idler	
7	See Note	NSS	Ring, Anti-Extrusion (Note: Use Item 26)	
8	See Note	NSS	Seal (Note: Use Item 26)	
9	See Note	4	Bolt (Note: Not Available for Purchase)	
10	7010104	1	Ring, Retaining	
11	See Note	4	Pin, Dowel (Note: Not Available for Purchase)	
12	See Note	NSS	Seal, O-Ring (Note: Use Item 26)	
13	See Note	NSS	Seal, Shaft (Note: Use Item 26)	
26	7007489	1	Seal Kit (Includes Items 7, 8, 12 & 13)	
	3600395	Ref	GEAR PUMP AND FITTING ASSEMBLY	A
101	2220376	1	Fitting, Straight	
102	2220810	1	Fitting, Reducer	
103	3600242	1	Pump (Includes Items 1-13)	
104	4640744	1	Fitting, Check Valve	

SECTION 2 - TURNTABLE

FIGURE 2-15. TANK INSTALLATIONS



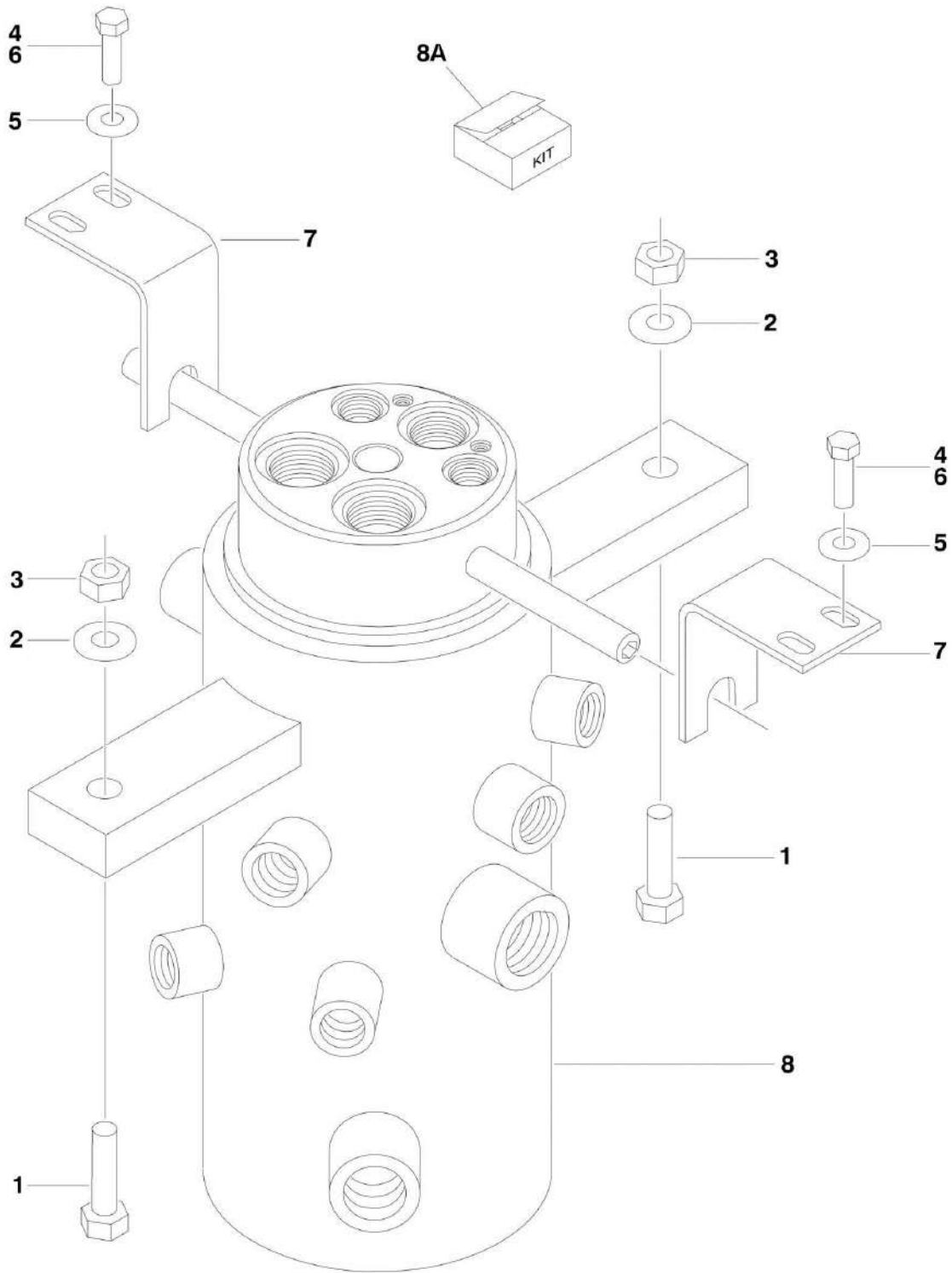
SECTION 2 - TURNTABLE

FIGURE 2-15. TANK INSTALLATIONS

ITEM	PART NUMBER	QTY	DESCRIPTION	REV
		Ref	TANKS INSTALLATION	
	0255409	Ref	Machines without Locking Cap	7
	0257482	Ref	Machines with Locking Cap	1
1		Ref	Hydraulic Tank Assembly Options:	
1	4400372	1	SN 0300069000 through 0300072294 (See Items 101-104 for Breakdown)	
1	4400454	1	SN 0300072295 through 0300087000 (See Items 151-157 for Breakdown)	
2	4400399	1	Tank, Fuel	
2A	7019658	1	90 Fitting W/Pick-Up Tube	
2B		Ref	Cap, Fuel Tank Options:	
2B	7016314	1	Standard Non-Locking Cap (Part of Item 2)	
2B	1120487	1	Blue Lockable Cap - Diesel Machines (Not Included with Tank - Purchase Separately) (Lock Not Included)	
3	4360436	1	Switch, Fuel Level	
4	4844964	1	Hydraulic Tray Weldment	
5	4240112	4	Strap, Tank	
6	4240102	1	Strap, Tank	
7	4751600	AR	Flatwasher 3/8in Regular	
8	3311601	6	Nut 3/8in-16NC	
9	0641614	6	Bolt 3/8in-16NC x 1-3/4in	
10	0100011	AR	Compound, Locking	
11	0100079	AR	Sealant, Pipe	
12	2200222	1	Plug	
13	4280295	25	Strip, Protective	
		in/44cm		
14	4420038	AR	Tape, Rubber	
16	0641606	4	Bolt 3/8in-16NC x 3/4in (SN 0300072295 through 0300087000)	
	4400372	Ref	HYDRAULIC OIL TANK ASSEMBLY (SN 0300069000 through 0300072294)	J
101	7014810	1	Filler/Breather Assembly	
101	7014811	1	Cap, Breather	
102	7014802	1	Gauge, Sight	
103	7014801	2	Strainer	
104	7014800	1	Plug, Magnetic	
	4400454	Ref	HYDRAULIC OIL TANK ASSEMBLY (SN 0300072295 through 0300087000)	C
151	7024439	1	Cover	
152	7024440	1	Gasket	
153	7024441	1	Gauge, Sight	
154	7024442	1	Strainer 1-1/4in NPT	
155	7024443	1	Neck, Fill (Helgesen Brand)	
155	See Note	NSS	Neck, Fill (Hydac Brand) (Note: Use p/n 70004862)	
155	7024445	1	Screen (Helgesen Brand)	
155	See Note	NSS	Screen (Hydac Brand) (Note: Use p/n 70004862)	
156	7024444	1	Breather/Fill Cap (Helgesen Brand)	
156	70004862	1	Breather/Fill Cap/Strainer Kit (Hydac Brand)	
157	7024446	1	Plug, Magnetic (Not Shown - Located on Bottom of Tank)	

SECTION 2 - TURNTABLE

FIGURE 2-16. ROTARY COUPLING INSTALLATIONS (SN 0300069000 through 0300081835)



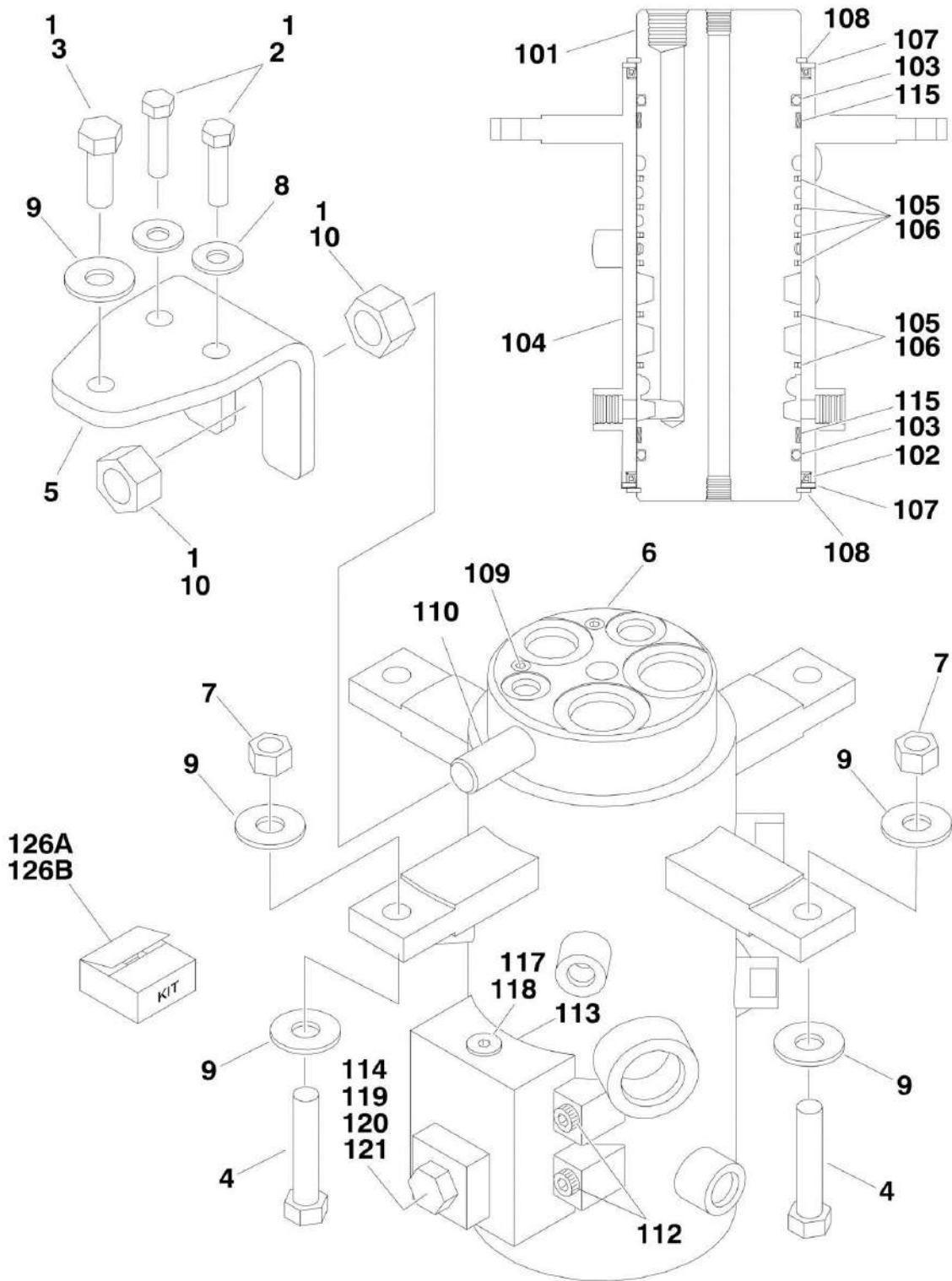
SECTION 2 - TURNTABLE

FIGURE 2-16. ROTARY COUPLING INSTALLATIONS (SN 0300069000 through 0300081835)

ITEM	PART NUMBER	QTY	DESCRIPTION	REV
		Ref	ROTARY COUPLING INSTALLATIONS	
	0255262	Ref	2WS	5
	0255294	Ref	4WS	2
1	0641820	2	Bolt 1/2in-13NC x 2-1/2in	
2	4751800	4	Flatwasher 1/2in Regular	
3	3311805	2	Locknut 1/2in-13NC	
4	0641611	4	Bolt 3/8in-16NC x 1-3/8in	
5	4751600	4	Flatwasher 3/8in Regular	
6	0100011	AR	Compound, Locking	
7	0902520	2	Bracket	
8		Ref	Coupling, Rotary Options:	
8	1660219	1	2WS	
8	1660223	1	4WS	
8A		Ref	Seal Kit Options:	
8A	7013187	1	2WS	
8A	7016342	1	4WS	
8A		Ref	Rebuilt Coupling Options:	
8A	1660219RR	1	2WS	
8A	1660223RR	1	4WS	

SECTION 2 - TURNTABLE

FIGURE 2-17. ROTARY COUPLING INSTALLATIONS (SN 0300081836 through 0300087000)



SECTION 2 - TURNTABLE

FIGURE 2-17. ROTARY COUPLING INSTALLATIONS (SN 0300081836 through 0300087000)

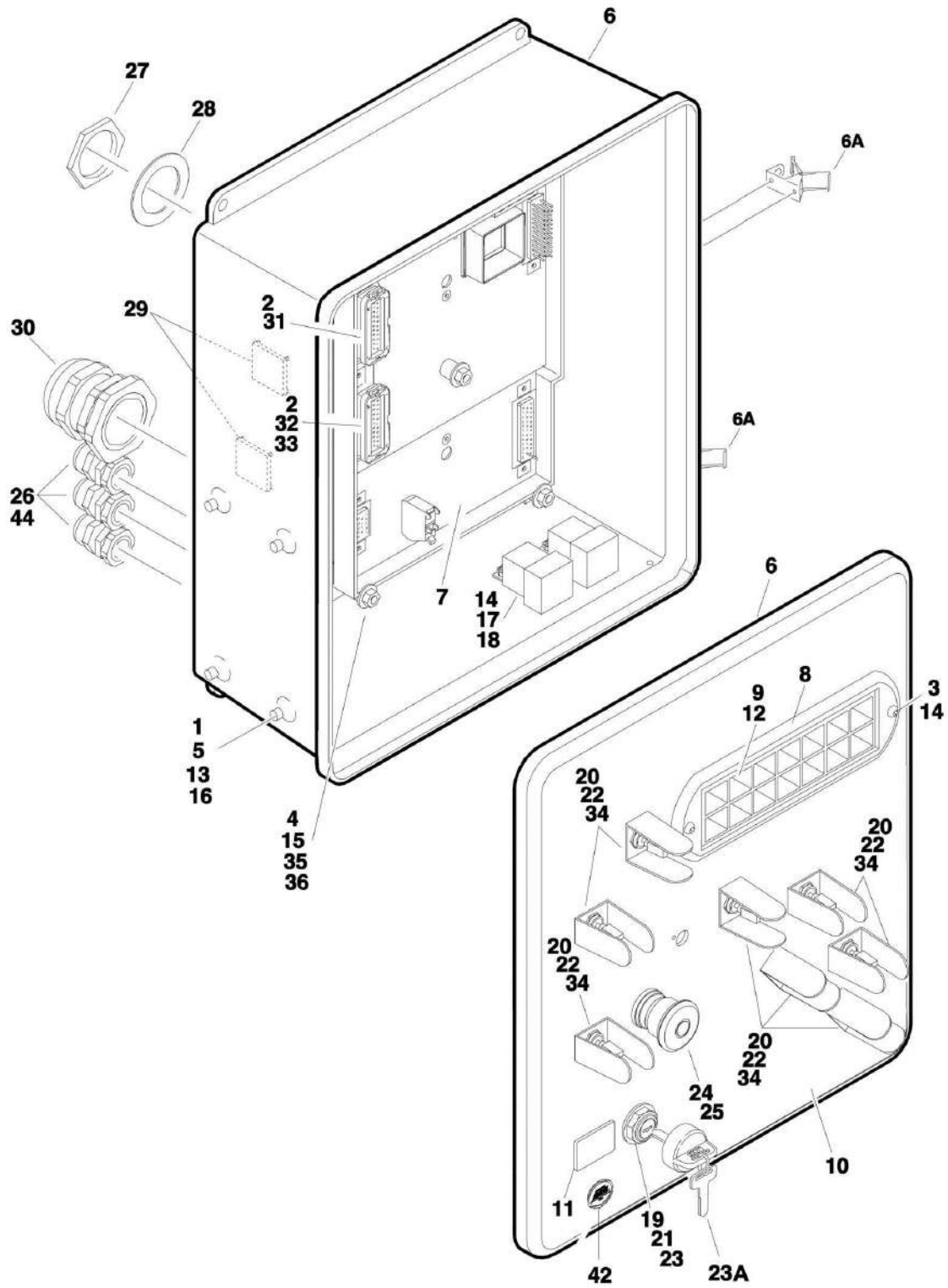
ITEM	PART NUMBER	QTY	DESCRIPTION	REV
		Ref	ROTARY COUPLING INSTALLATIONS	
	0273052	Ref	2WS	D
	0273161	Ref	4WS	D
1	0100011	AR	Compound, Locking	
2	0641612	2	Bolt 3/8in-16NC x 1-1/2in	
3	0641811	1	Bolt 1/2in-13NC x 1-3/8in	
4	0641820	2	Bolt 1/2in-13NC x 2-1/2in	
5	0903056	1	Bracket	
6		Ref	Coupling, Rotary Options (See Items 101-121 for Breakdown):	
6		Ref	2WS	
6	1660257	NLA	Original Equipment (Use p/n 1660303)	
6	1660303	1	Service Replacement	
		Ref	Note: Original Equipment Rotary may have been replaced with Service Replacement Rotary. Identify p/n stamped on rotary before ordering parts.	
6		Ref	4WS	
6	1660258	NLA	Original Equipment (Use p/n 1660304)	
6	1660304	1	Service Replacement	
		Ref	Note: Original Equipment Rotary may have been replaced with Service Replacement Rotary. Identify p/n stamped on rotary before ordering parts.	
7	3271805	2	Locknut 1/2in-13NC	
8	4751600	2	Flatwasher 3/8in Regular	
9	4751800	5	Flatwasher 1/2in Regular	
10	3322201	2	Nut 3/4in-16NC	
		Ref	ROTARY COUPLING ASSEMBLIES	
		Ref	2WS	
	1660257	Ref	Original Equipment	D
	1660303	Ref	Service Replacement	B
		Ref	4WS	
	1660258	Ref	Original Equipment	D
	1660304	Ref	Service Replacement	A
101	See Note	1	Body (Note: Not Available - Purchase Complete Assy)	
102		Ref	Seal Options:	
102		Ref	2WS	
102	7026189	2	Original Equipment (p/n 1660257)	
102	See Note	2	Service Replacement (p/n 1660303) (Note: Use Item 126A)	
102	See Note	2	4WS (Note: Use Item 126B)	
103	See Note	2	O-Ring (Note: Use Items 126A or 126B)	
104	See Note	1	Housing (Note: Not Available - Purchase Complete Assy)	
105	See Note	AR	Seal, Cap (Note: Use Item 126A or 126B)	
105		Ref	2WS	
105		Ref	4WS	
106	See Note	AR	O-Ring (Note: Use Item 126A or 126B)	
106		Ref	2WS	
106		Ref	4WS	
107		Ref	Ring Options:	
107	7026503	2	2WS	
107	7026511	2	4WS	
108		Ref	Ring, Retaining Options:	

SECTION 2 - TURNTABLE

ITEM	PART NUMBER	QTY	DESCRIPTION	REV
108	7026504	2	2WS	
108	7013189	2	4WS	
109		Ref	Plug Options:	
109		Ref	2WS	
109	See Note	2	Original Equipment (Note: Not Available for Purchase)	
109	80934561	2	Service Replacement	
109		Ref	4WS	
109	See Note	4	Original Equipment (Note: Not Available for Purchase)	
109	80934561	4	Service Replacement	
110	See Note	1	Lug, Torque (Note: Not Available for Purchase)	
112	7026197	4	Bolt 5/16in-18NC x 1-1/4in	
113	See Note	3	O-Ring (Note: Use Item 126A or 126B)	
114	See Note	1	O-Ring (Note: Use Item 126A or 126B)	
115	See Note	2	Bearing (Note: Use Item 126A or 126B)	
116	7024404	1	Block Valve Assembly	
117	7026505	1	Plug	
118	7026506	1	Valve, Check	
119	7026507	1	Plug	
120		Ref	Plunger, Valve Options:	
120	7026508	1	Original Equipment	
120	7024404	1	Service Replacement	
121	7026509	1	Spring, Compression	
122	See Note	AR	Protective Netting (Not Shown) (Original Equipment Only) (Note: Not Available for Purchase)	
		Ref	Seal Kit Options:	
126A		Ref	2WS	
126A	7026510	1	Original Equipment (Includes Items 103, 105, 106, 113, 114 & 115)	
126A	70001248	1	Service Replacement (Includes Items 102, 103, 105, 106, 113, 114 & 115)	
126B		Ref	4WS	
126B	7026512	1	Original Equipment (Includes Items 102, 103, 105, 106, 113, 114 & 115)	
126B	70002212	1	Service Replacement (Includes Items 102, 103, 105, 106, 113, 114 & 115) (was p/n 70001249)	

SECTION 2 - TURNTABLE

FIGURE 2-18. GROUND CONTROL BOX ASSEMBLIES



SECTION 2 - TURNTABLE

FIGURE 2-18. GROUND CONTROL BOX ASSEMBLIES

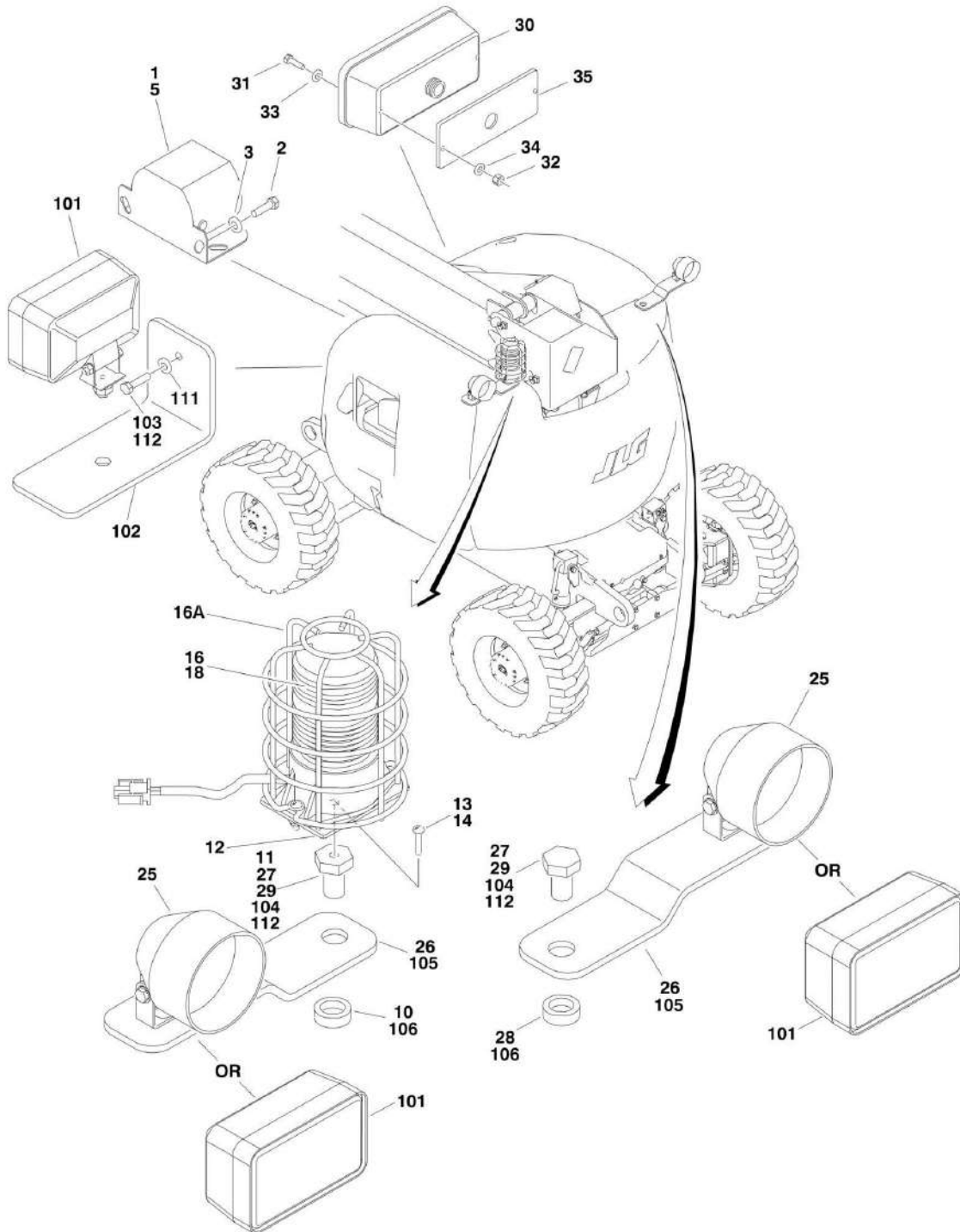
ITEM	PART NUMBER	QTY	DESCRIPTION	REV
		Ref	GROUND CONTROL BOX ASSEMBLIES	
		Ref	Caterpillar Engine Machines	
	0861610	Ref	Assembly, Ground Control (600A SN 0300069000 through 0300084828)	C
	0861702	Ref	Assembly, Ground Control (600A SN 0300084829 through 0300087000)	A
	0861611	Ref	Assembly, Ground Control (600AJ SN 0300069000 through 0300084828)	C
	0861703	Ref	Assembly, Ground Control (600AJ SN 0300084829 through 0300087000)	A
		Ref	Deutz Engine Machines	
	0861472	Ref	Assembly, Ground Control (600A SN 0300069000 through 0300084828)	H
	0861691	Ref	Assembly, Ground Control (600A SN 0300084829 through 0300087000)	A
	0861473	Ref	Assembly, Ground Control (600AJ SN 0300069000 through 0300084828)	G
	0861692	Ref	Assembly, Ground Control (600AJ SN 0300084829 through 0300087000)	A
1	0100011	AR	Compound, Locking	
2	0100048	AR	Grease, Dielectric	
3	0630518	2	Capscrew, Button Head	
4	0630548	5	Tap, Bolt 2-1/2in	
5	0641506	4	Bolt 5/16in-18NC x 3/4in	
6	0861407	1	Box, Fiberglass	
6A	7020246	2	Latch	
7		Ref	Module, Ground Control (Re-calibration Required when Replaced) Options:	
7	1600327	NLA	Caterpillar/Deutz Engine (Use p/n 2915014) (SN 0300069000 through 0300077489)	
7	1600364	1	Caterpillar Engine (SN 0300077490 through 0300087000)	
7	1600364	1	Deutz Engine (SN 0300077490 through 0300084829)	
7	1600411	1	Deutz Engine (SN 0300084829 through 0300087000)	
8	1670829	1	Bezel	
9		Ref	Decal - Ground Control Display Options:	
9	1702610	1	Decal, Light Panel (SN 0300069000 through 0300072229)	
9	1705752	1	Decal, Light Panel (SN 0300072230 through 0300084829)	
9	1705753	1	Decal, Light Panel (SN 0300084829 through 0300087000)	
10		Ref	Decal - Faceplate Options:	
10	1703467	1	600A	
10	1703468	1	600AJ	
11	2420172	1	Gauge, Hourmeter	
12	2760105	1	Housing, Display Light	
13	3300205	4	Nut, Retainer	
14	3300408	4	Locknut, Plastic Insert	
15	3311401	10	Nut 1/4in-20NC	
16	3539219	1	Plate, Reinforcement	
17	3740049	2	Relay	
18	3900268	2	Screw, Flange #10 x 1/2in	
19	3910804	6	Screw #8-32NC x 1/4in	
20	4060906	8	Shield, Toggle Switch	
21	4070987	1	Shim (.125in)	

SECTION 2 - TURNTABLE

ITEM	PART NUMBER	QTY	DESCRIPTION	REV
22	4360328	8	Switch, Toggle	
23	4360470	1	Switch, Key	
23A	2860030	1	Key Replacement	
24	4360475	1	Switch, Emergency Stop	
25	4360476	1	Switch, Contact Block	
26	4460426	AR	Connector, Strain Relief	
27	4460470	1	Nut, Terminal	
28	4460471	1	Lockwasher, Terminal	
29	4460488	7	Mounting Base, Terminal	
30	4460526	1	Connector, Strain Relief	
31	4460874	1	Connector, Natural	
32	4460875	1	Connector, Gray	
33	4460905	4	Connector, Amp Seal Plug	
34	4740444	8	Washer, Special	
35	4751400	20	Flatwasher 1/4in Regular	
36	4761400	10	Lockwasher 1/4in	
40	4922666	1	Harness, Analyzer Cable (Not Shown) (SN 0300069000 through 0300084829)	
42	1705132	1	Decal - Control ADE	
43	3520035	1	Plug, Cap	

SECTION 2 - TURNTABLE

FIGURE 2-19. ELECTRICAL OPTIONS INSTALLATIONS (TURNTABLE MOUNTED)



SECTION 2 - TURNTABLE

FIGURE 2-19. ELECTRICAL OPTIONS INSTALLATIONS (TURNTABLE MOUNTED)

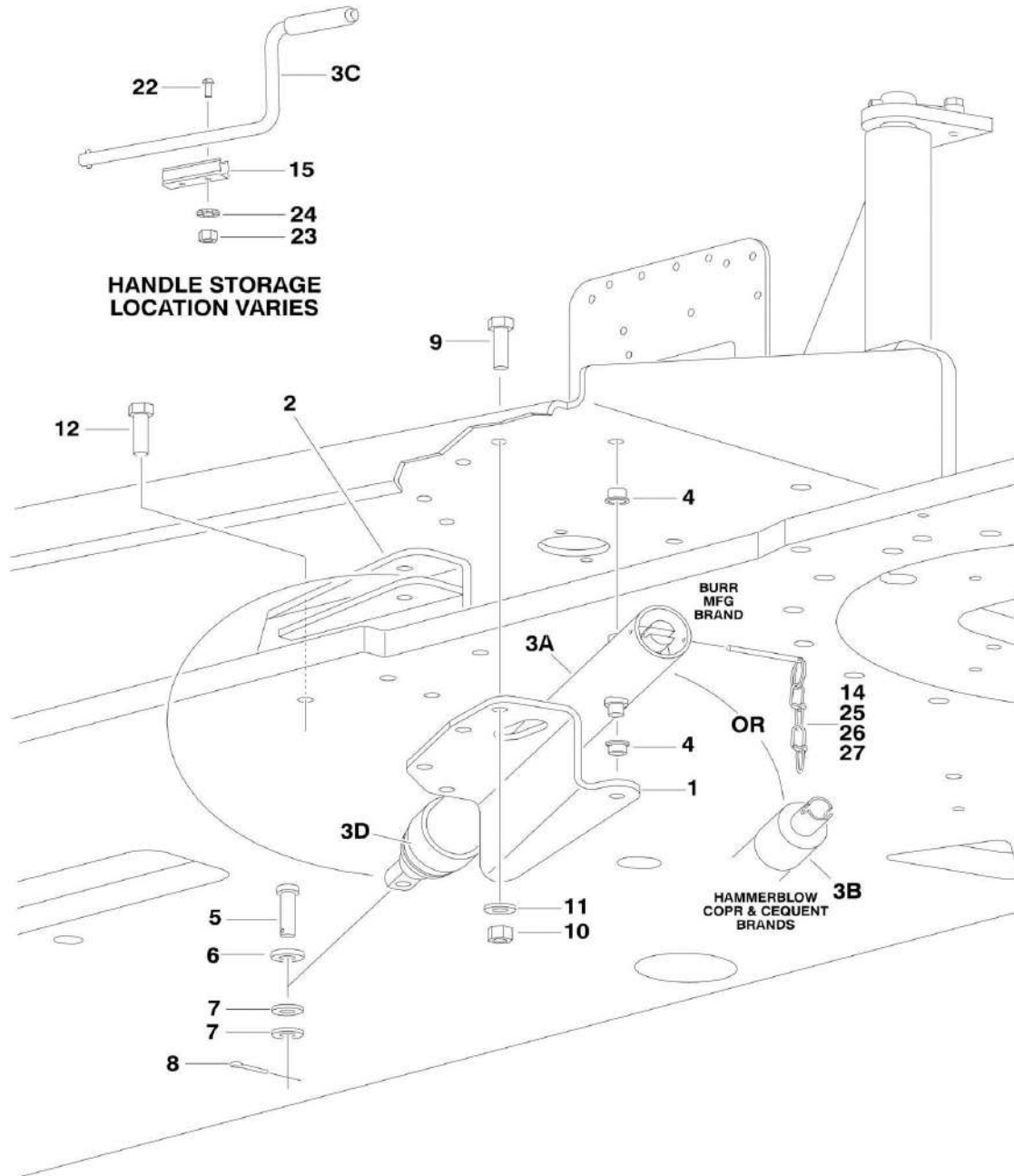
ITEM	PART NUMBER	QTY	DESCRIPTION	REV
	0270833	Ref	ALARMS INSTALLATIONS	
1	0257887	1	Alarm/Harness Assembly	
1	0140032	1	Alarm	
1	2820035	6 in/15cm	Loom	
1	4460424	1	Plug	
1	4460268	2	Socket	
2	0641406	2	Bolt 1/4in-20NC x 3/4in	
3	4711400	2	Flatwasher 1/4in Thin	
5	0100048	AR	Sealant, Silicone	
	0270805	Ref	STROBE LIGHT INSTALLATIONS (AMBER) (OPTIONAL)	2
10	4220162	1	Spacer, Stop (Used with ECCO Model 6640 Only)	
11		Ref	Adapter Options:	
11	0630491	1	Adapter used with ECCO Model 6640	
11	0080241	1	Adapter used with ECCO Model 6650	
12	3539281	1	Plate, Mounting (Used with ECCO Model 6640 Only)	
13	0741606	1	Screw, Flathead Countersunk 3/8in-16NC x 3/4in (Used with ECCO Model 6640 Only)	
14	0100011	AR	Compound, Locking	
15	4240032	1	Wire-Tie (Not Shown)	
16	0255917	NLA	Strobe Light/Guard/Harness Assembly (Use p/n 0272507) (Includes Item 11 also)	
16	2920130	NLA	Strobe Light/Guard/Harness Assembly (Use p/n 0272507) (Includes Item 11 also)	
16	2920214	NLA	Strobe Light/Guard/Harness Assembly (Use p/n 0272507) (Includes Item 11 also)	
16		Ref	Bulb, Replacement Options:	
16	7016380	1	Bulb, Replacement used with ECCO Model 6640	
16	70001941	1	Bulb, Replacement used with ECCO Model 6650	
16A		Ref	Guard Options:	
16A	4060907	1	Guard used with ECCO Model 6640	
16A	2920215	1	Guard used with ECCO Model 6650	
17	4460234	1	Clamp (Not Shown)	
18	0100048	AR	Sealant, Silicone	
	0271552	Ref	LIGHTS INSTALLATIONS (OPTIONAL)	2
25	2920110	2	Headlight	
26	0902206	2	Bracket, Mounting	
27	0642612	1	Bolt 1in-8NC x 1-1/2in (Note: Use Item 11 if Strobe Light uses the same mount)	
28	4220162	2	Spacer	
29	0100011	AR	Compound, Locking	
30	2920113	2	Taillight	
31	3911040	4	Screw, Machine #10-24NC x 2 1/2	
32	3311005	4	Nut #10-24NC	
33	4751000	4	Flatwasher #10 Regular	
34	4740362	4	Washer, Fender	
35	3960461	2	Gasket	
37	4240032	21	Tie-Strap (Not Shown)	
38	4460234	21	Mount, Tie-Strap (Not Shown)	
39	4360336	1	Switch, Toggle (Not Shown - Located on Console)	
40	3790012	1	O- Ring (Not Shown - Located on Console)	
41	3820001	11	Pop Rivet (Not Shown)	

SECTION 2 - TURNTABLE

ITEM	PART NUMBER	QTY	DESCRIPTION	REV
	0274200	Ref	CHASSIS ILLUMINATION LIGHT INSTALLATION	1-A
101	2920157	4	Lamp, Worklight	
102	0903119	2	Bracket, Light Mounting	
103	0642612	4	Bolt 1/4in-20NC x 7/8in	
104	0642612	2	Bolt 1in-8NC x 1-1/2in (Note: Use Item 11 if Strobe Light uses the same mount)	
105	0902206	2	Bracket, Light Mounting	
106	4220162	2	Spacer	
108	3790012	1	O-Ring (Not Shown - Located at Platform Console Box)	
109	4360336	1	Switch, Toggle (Not Shown - Located at Platform Console Box)	
110	4460234	10	Mount, Cable (Not Shown)	
111	4751400	2	Flatwasher 1/4in Regular	
112	0100011	AR	Compound, Locking	
113	4240032	21	Strap, Tie (Not Shown)	
114	1705170	1	Decal, Lights (Not Shown - Located at Platform Console Box)	

SECTION 2 - TURNTABLE

FIGURE 2-20. ENGINE TRAY JACK INSTALLATIONS (OPTIONAL)



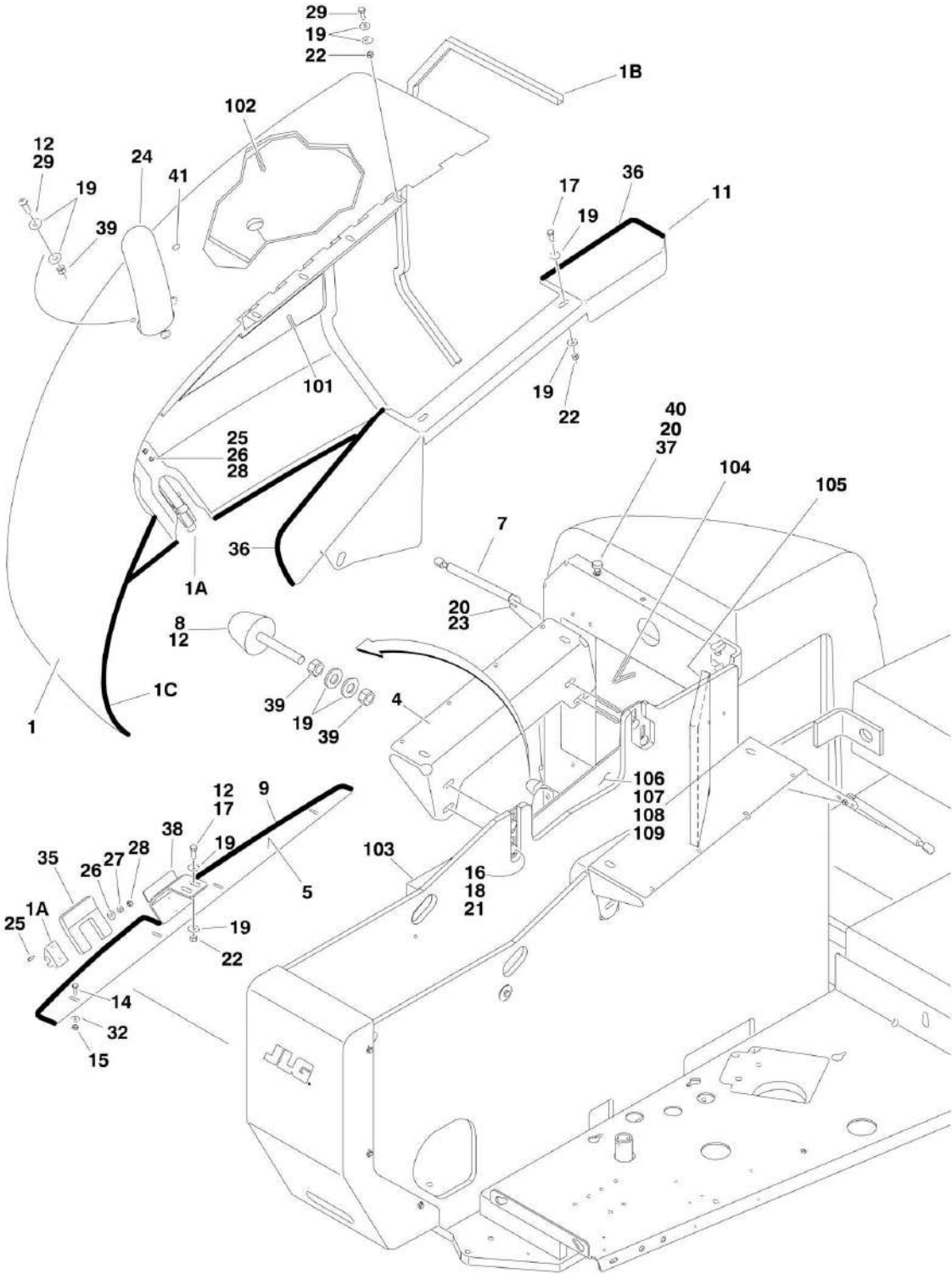
SECTION 2 - TURNTABLE

FIGURE 2-20. ENGINE TRAY JACK INSTALLATIONS (OPTIONAL)

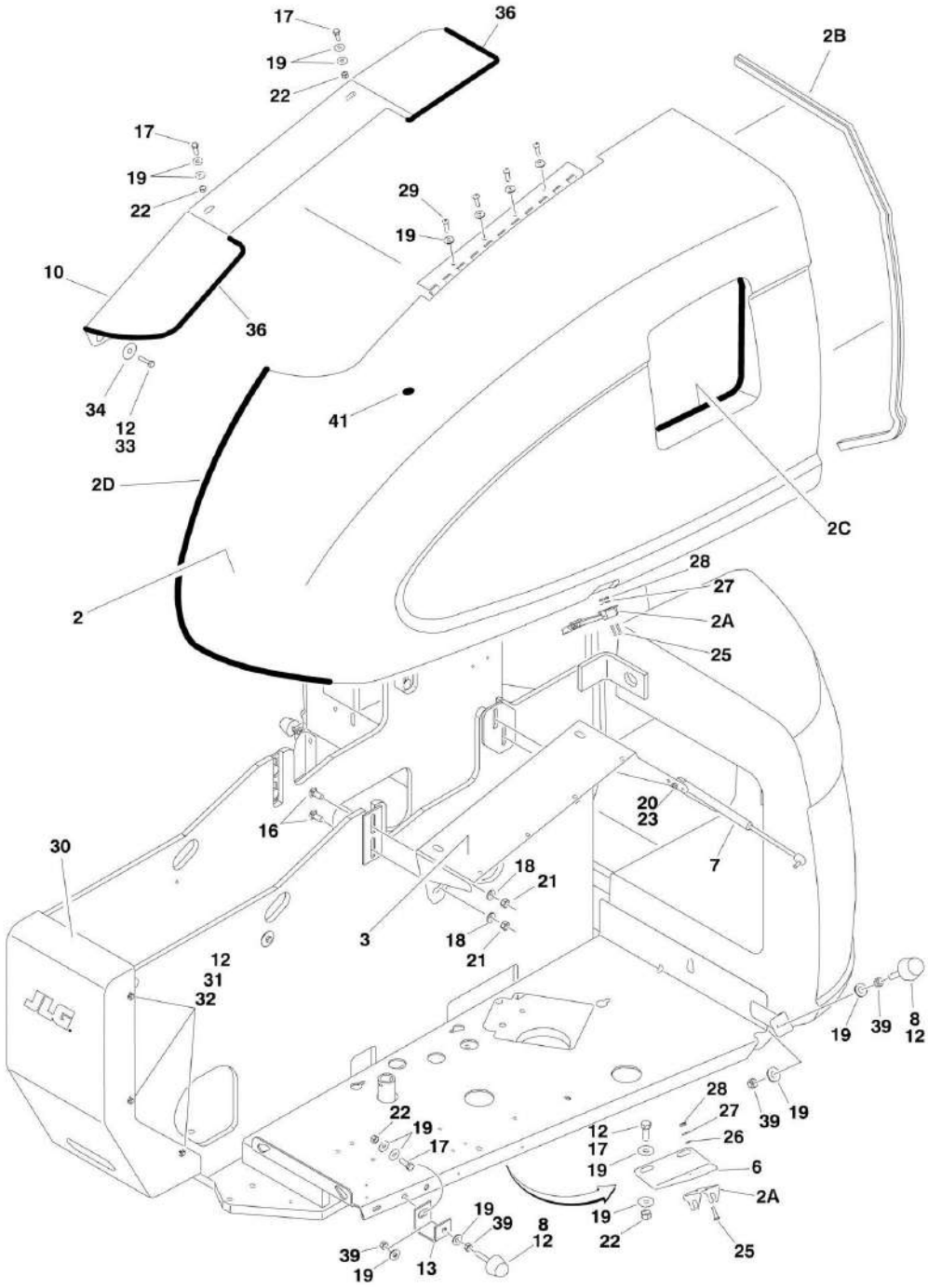
ITEM	PART NUMBER	QTY	DESCRIPTION	REV
	0255880	Ref	ENGINE TRAY JACK INSTALLATION	6-H
1	3537445	1	Bracket	
2	4845163	1	Bracket	
3	2840018	1	Hydraulic Jack Assembly	
3A		Ref	Burr Manufacturing Brand	
3B		Ref	Hammerblow Corp and Cequent Brands	
3C		Ref	Handle Options:	
3C	7016374	1	Burr Manufacturing Brand	
3C	7024598	1	Hammerblow Corp and Cequent Brands	
3D	7016322	1	Wiper (Burr Manufacturing Brand Only)	
4	0962051	2	Bushing, Flanged	
5	3430816	1	Pin, Clevis	
6	4891800	1	Flatwasher 1/2in Hardened	
7	4711800	AR	Flatwasher 1/2in Thin	
8	3450404	1	Pin, Cotter 1/8in x 1in	
9	0641609	4	Bolt 3/8in-16NC x 1-1/8in	
10	3311605	4	Locknut 3/8in-16NC	
11	4891600	4	Flatwasher 3/8in Hardened	
12	0641810	4	Bolt 1/2in-13NC x 1-1/4in	
14	3422530	1	Pins and Chain (SN 0300069000 through 0300070917)	
15	1380147	1	Clip, Spring	
22	3910608	2	Screw #6-32NC x 1in	
23	3310601	2	Nut #6-32NC	
24	4770600	2	Starwasher #6	
25	0641406	1	Bolt 1/4in-20NC x 3/4in (SN 0300069000 through 0300070917)	
26	4751400	2	Flatwasher 1/4in Regular (SN 0300069000 through 0300070917)	
27	3311405	1	Locknut 1/4in-20NC (SN 0300069000 through 0300070917)	

SECTION 2 - TURNTABLE

FIGURE 2-21. HOODS INSTALLATIONS



SECTION 2 - TURNTABLE



SECTION 2 - TURNTABLE

FIGURE 2-21. HOODS INSTALLATIONS

ITEM	PART NUMBER	QTY	DESCRIPTION	REV
	0256821	Ref	HOODS INSTALLATIONS	4
1	2680440	1	Hood - Engine Side	
1A	2940088	1	Latch, Hood	
1B	3960462	AR	Trim	
1C	3960389	AR	Seal	
2	2680441	NLA	Hood - Tank Side (Use p/n 1671216)	
2A	2940088	1	Latch, Hood	
2B	3960462	AR	Trim	
2C	3960438	AR	Trim	
2D	3960389	AR	Seal	
3	4845203	1	Mount - Tank Side	
4	4845414	1	Mount - Engine Side	
5	3539923	1	Plate, Seal	
6	0902242	1	Bracket, Latch - Tank Side	
7	4160143	2	Spring, Gas	
8	0940071	4	Bumper	
10	2680434	1	Spacer, Hood (Tank Side)	
11	2680433	1	Spacer, Hood (Engine Side)	
12	0100011	AR	Compound, Locking	
13	0902219	1	Bracket, Bumper	
14	0641407	4	Bolt 1/4in-20NC x 7/8in	
15	3311405	4	Locknut 1/4in-20NC	
16	0630507	8	Bolt, Carriage 1/2in-13NC x 1-1/4in	
17	0641608	11	Bolt 3/8in-16NC x 1in	
18	4740171	8	Flatwasher 1/2in Hardened	
19	4751600	40	Flatwasher 3/16in Regular	
20	4751500	4	Flatwasher 5/16in Regular	
21	3311805	8	Locknut 1/2in-13NC	
22	3311605	23	Locknut 3/8in-16NC	
23	3311505	2	Locknut 5/16in-18NC	
24	4845194	1	Outlet, Exhaust	
25	0721006	4	Bolt #10-24NC x 3/4in	
26	4751000	4	Flatwasher #10 Regular	
27	4761000	4	Lockwasher #10	
28	3311001	4	Bolt #10-24NC	
28	3311005	4	Locknut #10-24NC	
29	3900232	11	Bolt, Button Head 3/8in-16NC x 1in	
30	1670767	1	Cover, Turntable	
31	0641404	6	Bolt 1/4in-20NC x 1/2in	
32	4751400	6	Flatwasher 1/4in Regular	
34	4740076	2	Washer, Fender	
35	3960467	1	Seal, Foam	
36	3960418	7 ft/2.1m	Seal	
37	0940049	1	Bumper	
38	0902335	1	Bracket, Latch - Engine Side	
39	3311601	11	Nut 3/8in-16NC	
40	3311501	2	Nut 5/16in-18NC	
41	3520033	2	Plug	
	0256822	Ref	NOISE REDUCTION INSTALLATION	-
101	2820076	1	Foam, Acoustical	

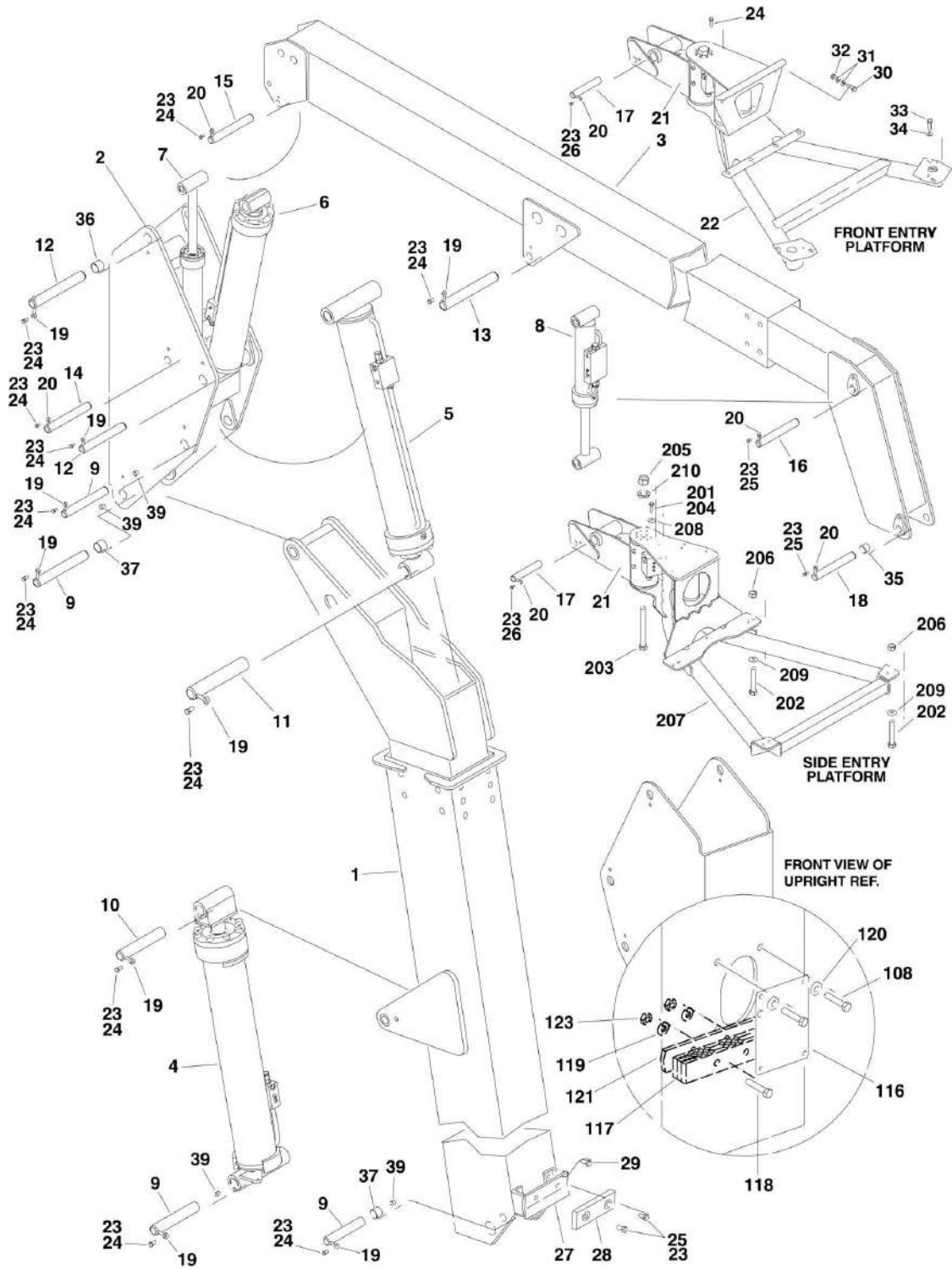
SECTION 2 - TURNTABLE

ITEM	PART NUMBER	QTY	DESCRIPTION	REV
102	2820077	1	Foam, Acoustical	
103	2820078	1	Foam, Acoustical	
104	2820082	1	Foam, Acoustical	
105	2820083	1	Foam, Acoustical	
106	3539988	1	Plate, Baffle	
107	0641606	5	Bolt 3/8in-16NC x 3/4in	
108	4751600	5	Flatwasher 3/8in Regular	
109	0100011	AR	Compound, Locking	

SECTION 3 - BOOM

SECTION 3 - BOOM

FIGURE 3-1. BOOMS AND CYLINDERS INSTALLATION - 600A



SECTION 3 - BOOM

FIGURE 3-1. BOOMS AND CYLINDERS INSTALLATION - 600A

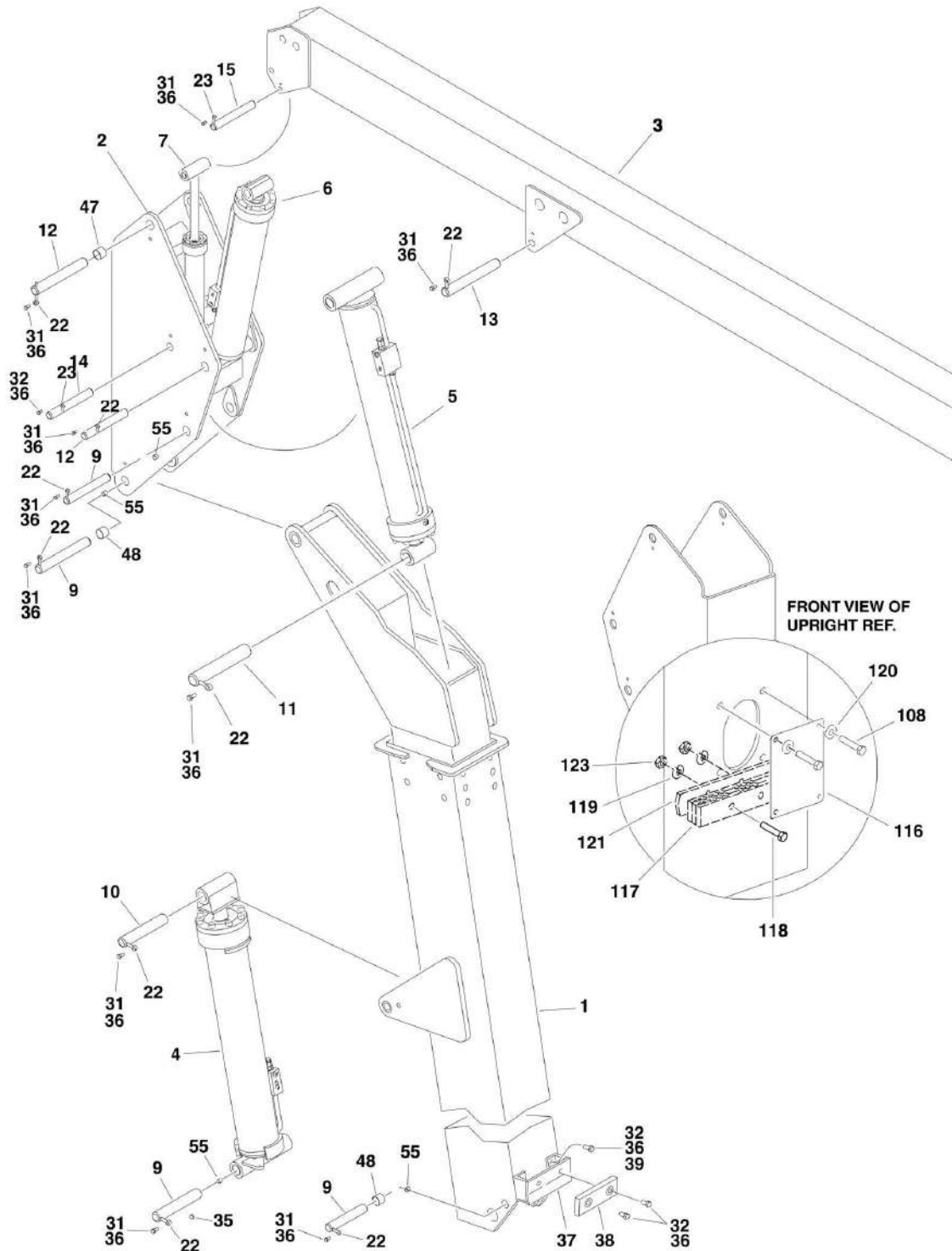
ITEM	PART NUMBER	QTY	DESCRIPTION	REV
		Ref	BOOMS AND CYLINDERS INSTALLATION - 600A	
	0258694	Ref	CE Spec Machines with Front Entry Platform	8
	0256321	Ref	Australian Spec Machines with Front Entry Platform	5
	0272326	Ref	CE/Australian Spec Machines with Side Entry Platform	1
1	0801019	1	Tower Boom Assembly - Tower (See TOWER BOOM ASSEMBLIES for Breakdown)	
2	4846005	1	Upright Weldment	
3	0801022	1	Main Boom Assembly (See MAIN BOOM ASSEMBLIES for Breakdown)	
4	1683288	1	Tower Lift Cylinder Assembly (See CYLINDER SECTION for Breakdown)	
5	1683299	NLA	Upright Level Cylinder Assembly (Use p/n 1684498) (See CYLINDER SECTION for Breakdown)	
6	1683294	1	Main Lift Cylinder Assembly (See CYLINDER SECTION for Breakdown)	
7	1683266	1	Master Cylinder Assembly (See CYLINDER SECTION for Breakdown)	
8	1683415	1	Platform Level Cylinder Assembly (See CYLINDER SECTION for Breakdown)	
9	3422571	4	Pin	
10	3422573	1	Pin	
11	3422575	1	Pin	
12	3422572	2	Pin	
13	3422576	1	Pin	
14	3422565	1	Pin	
15	3422577	1	Pin	
16	3422578	1	Pin	
17	3422580	1	Pin	
19	3841203	9	Keeper, Pin - 1/2in	
20	3841143	5	Keeper, Pin - 3/8in	
21		Ref	Rotator Assembly Options:	
21	0060076	1	Front Entry Platform (p/n was 0060035) (See ROTATOR ASSEMBLIES (FRONT ENTRY PLATFORM) for Breakdown)	
21	0060068	1	Side Entry Platform (See ROTATOR ASSEMBLIES (SIDE ENTRY PLATFORM) for Breakdown)	
22		Ref	Platform Support Weldment Options:	
22	4844790	1	CE Spec Machines with Front Entry Platform	
22	4846081	1	Australian Spec Machines with Front Entry Platform	
22	See Note	1	Side Entry Platform Machines (Note: See Items 201-210)	
23	0100011	AR	Compound, Locking	
24	0641810	15	Bolt 1/2in-13NC x 1-1/4in	
25	0641607	AR	Bolt 3/8in-16NC x 7/8in	
26	3900166	1	Screw, Socket Head Countersunk - 3/8in-16NC x 7/8in	
27	4845127	1	Boom Rest Weldment (Front Entry Platform)	
28	0561076	1	Block, Boom Rest	
29	0641605	4	Bolt 3/8in-16NC x 5/8in	
30	0641820	4	Bolt 1/2in-13NC x 2-1/2in (Front Entry Platform)	
31	4711800	8	Flatwasher 1/2in Thin (Front Entry Platform)	
32	3311805	4	Locknut 1/2in-13NC (Front Entry Platform)	
33	0681610	4	Bolt 3/8in-16NC x 1-1/4in (Grade 8) (Front Entry Platform)	
34	4711600	4	Flatwasher 3/8in Thin (Front Entry Platform)	
35	0961951	2	Bushing	

SECTION 3 - BOOM

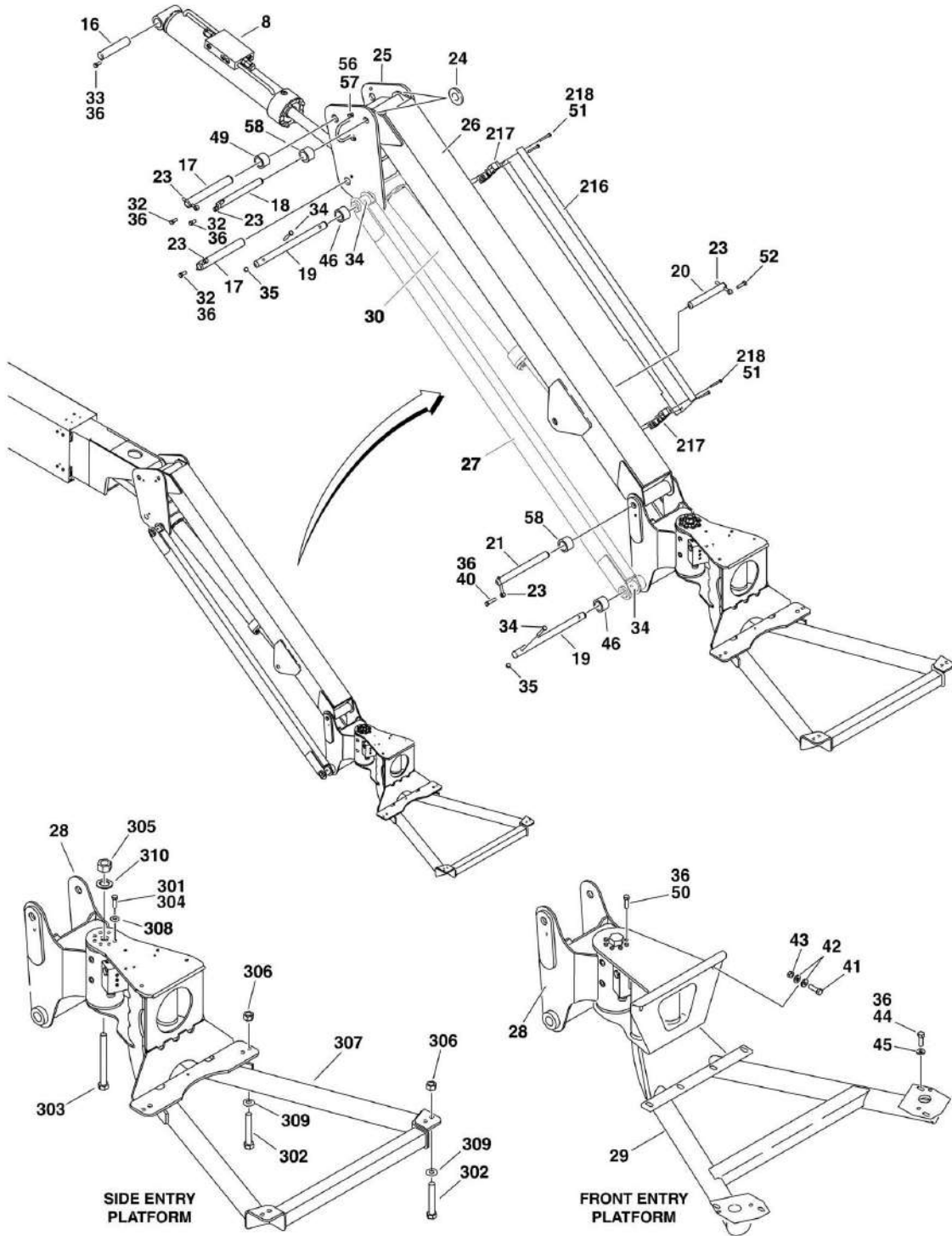
ITEM	PART NUMBER	QTY	DESCRIPTION	REV
36	0961948	2	Bushing	
37	0961949	4	Bushing	
38	3422582	1	Pin	
39	3900239	4	Setscrew	
	0255423	Ref	POWER TRACK INSTALLATION	12-K
108	0641403	4	Bolt 1/4in-20NC x 3/8in	
116	3539779	1	Plate, Cover	
117	1320243	1	Clamp, Block	
118	0641532	2	Bolt 5/16in-18NC x 4in	
119	4751600	2	Flatwasher 3/8in Regular (SN 0300069000 through 0300084623)	
120	4751400	4	Flatwasher 1/4in Regular	
121	3570374	1	Plate	
123	3311505	2	Nut 5/16in-18NC	
125	4751500	2	Flatwasher 5/16in Regular (SN 0300084624 through 0300087000)	
	0272070	Ref	PLATFORM SUPPORT INSTALLATIONS (SIDE ENTRY PLATFORM MACHINES)	C
	See Note	Ref	CE Spec Machines (Note: For Replacement Parts, Contact JLG Customer Service and Request Manual p/n 3124287.)	
201	0100011	AR	Compound, Locking	
202	0641812	8	Bolt 1/2in-13NC x 1-1/2in	
203	0642684	1	Bolt 1in-8NC x 10-1/2in	
204	0681608	8	Bolt 3/8in-16NC x 1in	
205	3272605	1	Locknut 1in-8NC	
206	3311805	8	Locknut 1/2in-13NC	
207	4846573	1	Support Weldment	
208	4891600	8	Flatwasher 3/8in Hardened	
209	4891800	8	Flatwasher 1/2in Hardened	
210	4892600	1	Flatwasher 1in Hardened	

SECTION 3 - BOOM

FIGURE 3-2. BOOMS AND CYLINDERS INSTALLATION - 600AJ



SECTION 3 - BOOM



SECTION 3 - BOOM

FIGURE 3-2. BOOMS AND CYLINDERS INSTALLATION - 600AJ

ITEM	PART NUMBER	QTY	DESCRIPTION	REV
		Ref	BOOMS AND CYLINDERS INSTALLATION - 600AJ	
	0271339	Ref	Front Entry Platform Machines	5
	0272135	Ref	Side Entry Platform Machines	3
1	0801019	1	Tower Boom Assembly - Tower (See TOWER BOOM ASSEMBLIES SECTION for Breakdown)	
2	4846006	1	Upright Weldment	
3	0801025	1	Main Boom Assembly (See MAIN BOOM ASSEMBLIES SECTION for Breakdown)	
4	1683288	1	Tower Lift Cylinder Assembly (See CYLINDER SECTION for Breakdown)	
5	1683299	NLA	Upright Level Cylinder Assembly (See CYLINDER SECTION for Breakdown) (Use p/n 1684498)	
6	1683294	1	Main Lift Cylinder Assembly (See CYLINDER SECTION for Breakdown)	
7	1683263	1	Master Cylinder Assembly (See CYLINDER SECTION for Breakdown)	
8	1683418	1	Platform Level Cylinder Assembly (See CYLINDER SECTION for Breakdown)	
9	3422571	4	Pin	
10	3422573	1	Pin	
11	3422575	1	Pin	
12	3422572	2	Pin	
13	3422576	1	Pin	
14	3422566	1	Pin	
15	3422579	1	Pin	
16	3422583	1	Pin	
17	3422561	2	Pin	
18	3422860	1	Pin	
19	3422861	2	Pin	
20	3422867	1	Pin	
21	3422563	1	Pin (Front Entry Platform)	
21	3422860	1	Pin (Side Entry Platform)	
22	3841203	9	Keeper, Pin - 1/2in	
23	3841143	7	Keeper, Pin - 3/8in	
24	4740439	2	Thrustwasher	
25	4844815	1	Pivot Weldment	
26	4844816	1	Tube Weldment - Top	
27	4844817	2	Tube Weldment - Bottom	
28		Ref	Rotator Assembly Options:	
28	0060031	NLA	Front Entry Platform (Use p/n 0060074) (See ROTATOR ASSEMBLIES SECTION for Breakdown)	
28	0060066	1	Side Entry Platform (See ROTATOR ASSEMBLIES SECTION for Breakdown)	
29		Ref	Support Weldment Options:	
29	4844790	1	CE Spec Machines with Front Entry Platform	
29	4846081	1	Australian Spec Machines with Front Entry Platform	
29	See Note	1	All Machines with Side Entry Platform (Note: See Items 301-310)	
30		Ref	Extend-A-Reach Lift Cylinder Assembly Options (See CYLINDER SECTION for Breakdown):	
30	1683258	1	Extend-A-Reach Lift Cylinder Assembly (SN 0300069000 through 0300070976)	

SECTION 3 - BOOM

ITEM	PART NUMBER	QTY	DESCRIPTION	REV
30	1683609	1	Extend-A-Reach Lift Cylinder Assembly (SN 0300070977 through 0300087000)	
31	0641810	9	Bolt 1/2in-13NC x 1-1/4in	
32	0641607	AR	Bolt 3/8in-16NC x 7/8in	
33	0741607	1	Screw, Countersunk 3/8in-16NC x 7/8in	
34	0641618	4	Bolt 3/8in-16NC x 2-1/4in	
35	3311605	5	Locknut 3/8in-16NC	
36	0100011	AR	Compound, Locking	
37	4845127	1	Boom Rest Weldment (Front Entry Platform) (SN 0300069000 through 0300070976)	
38	0561076	1	Block, Boom Rest	
39	0641605	4	Bolt 3/8in-16NC x 5/8in	
40	0461614	1	Bolt 3/8in-16NC x 1-3/4in	
41	0641820	4	Bolt 1/2in-13NC x 2-1/2in (Front Entry Platform)	
42	4711800	8	Flatwasher 1/2in Thin (Front Entry Platform)	
43	3311805	4	Locknut 1/2in-13NC (Front Entry Platform)	
44	0681610	4	Bolt 3/8in-16NC x 1-1/4in (Grade 8) (Front Entry Platform)	
45	4711600	4	Flatwasher 3/8in Thin (Front Entry Platform)	
46	0961947	6	Bushing	
47	0961948	2	Bushing	
48	0961949	4	Bushing	
49	0961951	2	Bushing	
50	0641810	6	Bolt 1/2in-13NC x 1in	
51	2080044	4	Rivnut	
52	0641611	1	Bolt 3/8in-16NC x 1-3/8in	
55	3900239	4	Setscrew	
56	3841340	1	Loop, Hose	
57	0641606	2	Bolt 3/8in-16NC x 3/4in	
58	0962335	4	Bushing	
	0255423	Ref	POWER TRACK INSTALLATION	12-K
108	0641403	4	Bolt 1/4in-20NC x 3/8in	
116	3539779	1	Plate, Cover	
117	1320243	1	Clamp, Block	
118	0641532	2	Bolt 5/16in-18NC x 4in	
119	4751600	2	Flatwasher 3/8in Regular (SN 0300069000 through 0300084623)	
120	4751400	4	Flatwasher 1/4in Regular	
121	3570374	1	Plate	
123	3311505	2	Nut 5/16in-18NC	
125	4751500	2	Flatwasher 5/16 Regular (SN 0300084624 through 0300087000)	
	0270821	Ref	CABLE INSTALLATION	7-F
216	1670769	1	Cover	
217	0561237	2	Clamp, Block	
218	0641416	4	Bolt 1/4in-20NC x 2in	
	0272070	Ref	PLATFORM SUPPORT INSTALLATIONS (SIDE ENTRY PLATFORM) (AUSTRALIAN SPEC)	C
	See Note	Ref	CE Spec Machines (Note: For Replacement Parts, Contact JLG Customer Service and Request Manual p/n 3124287.)	
301	0100011	AR	Compound, Locking	
302	0641812	8	Bolt 1/2in-13NC x 1-1/2in	
303	0642684	1	Bolt 1in-8NC x 10-1/2in	
304	0681608	8	Bolt 3/8in-16NC x 1in	
305	3272605	1	Locknut 1in-8NC	

SECTION 3 - BOOM

ITEM	PART NUMBER	QTY	DESCRIPTION	REV
306	3311805	8	Locknut 1/2in-13NC	
307	4846573	1	Support Weldment	
308	4891600	8	Flatwasher 3/8in Hardened	
309	4891800	8	Flatwasher 1/2in Hardened	
310	4892600	1	Flatwasher 1in Hardened	

SECTION 3 - BOOM

FIGURE 3-3. TOWER BOOM ASSEMBLIES

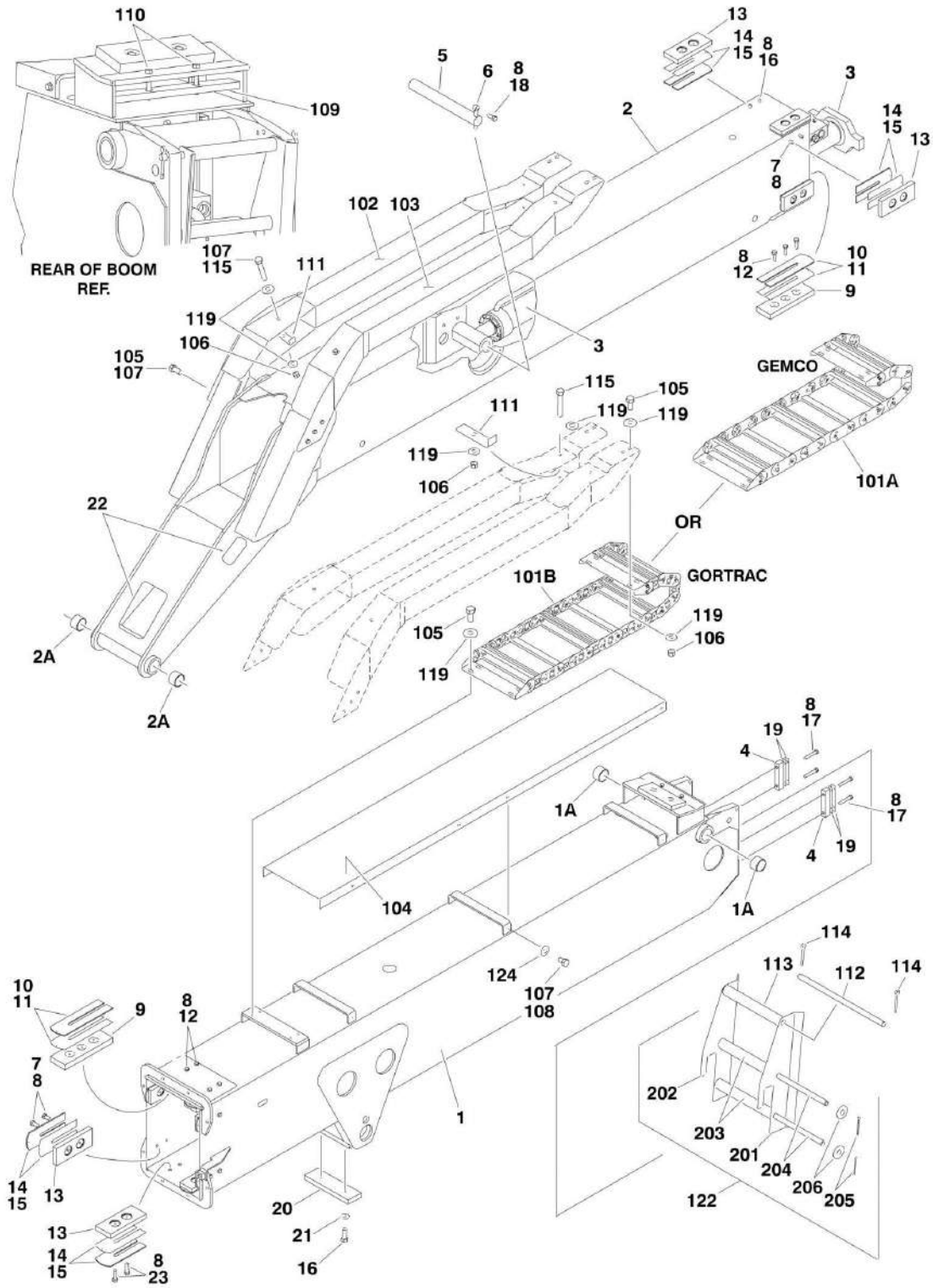


FIGURE 3-3. TOWER BOOM ASSEMBLIES

ITEM	PART NUMBER	QTY	DESCRIPTION	REV
	0801019	Ref	TOWER BOOM ASSEMBLY	8-I
1	0801085	1	Base Weldment	
1A	0961949	2	Bushing	
2	0801021	1	Fly Weldment	
2A	0961949	2	Bushing	
3	1683312	1	Cylinder Assembly - Tower Telescope (See ROTATOR ASSEMBLIES SECTION for Breakdown)	
4	0561185	2	Block, Attach	
5	3422575	1	Pin	
6	3841203	1	Keeper, Pin	
7	0641606	26	Bolt 3/8in-16NC x 3/4in	
8	0100011	AR	Compound, Locking	
9	3340871	4	Pad, Wear	
10	4070863	AR	Shim .12	
11	4070864	AR	Shim .05	
12	0641612	12	Bolt 3/8in-16NC x 1-1/2in	
13	3340881	12	Pad, Wear	
14	4070897	AR	Shim .05	
15	4070898	AR	Shim .12	
16	0641608	6	Bolt 3/8in-16NC x 1in	
17	0641618	4	Bolt 3/8in-16NC x 2-1/4in	
18	0641809	1	Bolt 3/8in-16NC x 1-1/8in	
19	4070929	AR	Shim	
20	0561248	1	Block, Boom Rest	
21	4711600	2	Flatwasher 3/8in Thin	
22	4060808	54	Flex-Trim	
		in/137cm		
23	0641610	4	Bolt 3/8in-16NC x 1-1/4in	
	0255423	Ref	POWER TRACK INSTALLATION	12-K
101		Ref	Power Track Assembly Options:	
		Ref	Note: Various Power Tracks use on this model. Identify brand before ordering parts.	
101A	1180339	NLA	Gemco Brand Power Track (Use p/n 1001099835)	
101A		Ref	Replacement Parts:	
101A	7016502	AR	Repair Section (Includes 10 Link Pin, 4 Radius Links, 4 Carrier Links, 1 Carrier Weldment, 10 Slugs and 20 Bearing Plates)	
101A	7016510	2 Pair	Feet, Mounting	
101A	7006152	AR	Pin Kit (Includes 1 pin, 1 Retaining Ring and 4 Washers)	
101B	1180339	NLA	Gortrac Brand Power Track (Use p/n 1001099835)	
101B		Ref	Replacement Parts:	
101B	70002001	AR	Repair Section	
101B	70002002	1	Mounting Bracket Kit	
102	4844984	NLA	Tube Weldment (Right Side) (Use p/n 1001151542)	
103	4844983	NLA	Tube Weldment (Left Side) (Use p/n 1001151586)	
104	3539228	1	Plate, Cover	
105	0641607	14	Bolt 3/8in-16NC x 7/8in	
106	3311605	6	Locknut 3/8in-16NC	
107	0100011	AR	Compound, Locking	
108	0641403	10	Bolt 1/4in-20NC x 3/8in	
109	3539236	1	Plate, Hose Clamp	

SECTION 3 - BOOM

ITEM	PART NUMBER	QTY	DESCRIPTION	REV
110	0641516	2	Bolt 5/16in-18NC x 2in	1-A
111	3570375	2	Plate	
112	3841295	1	Rod	
113	4567241	1	Tube	
114	3450606	2	Pin, Cotter	
115	0641618	2	Bolt 3/8in-16NC x 2-1/4in	
119	4751600	14	Flatwasher 3/8in Regular (SN 0300084624 through 0300087000)	
122	0257573	1	Roller Hanger Assembly (Includes Items 201-205)	
124	4711400	6	Flatwasher 1/4in Thin (SN 0300082634 through 0300087000)	
	0257573	Ref	ROLLER HANGER ASSEMBLY	
201	3570277	1	Plate (Left Side)	
202	3570270	1	Plate (Right Side)	
203	4567241	2	Roller, Tube	
204	3841347	2	Rod	
205	3450306	4	Pin, Cotter	
206	4751800	4	Flatwasher 1/2in Regular	

SECTION 3 - BOOM

FIGURE 3-4. MAIN BOOM ASSEMBLIES

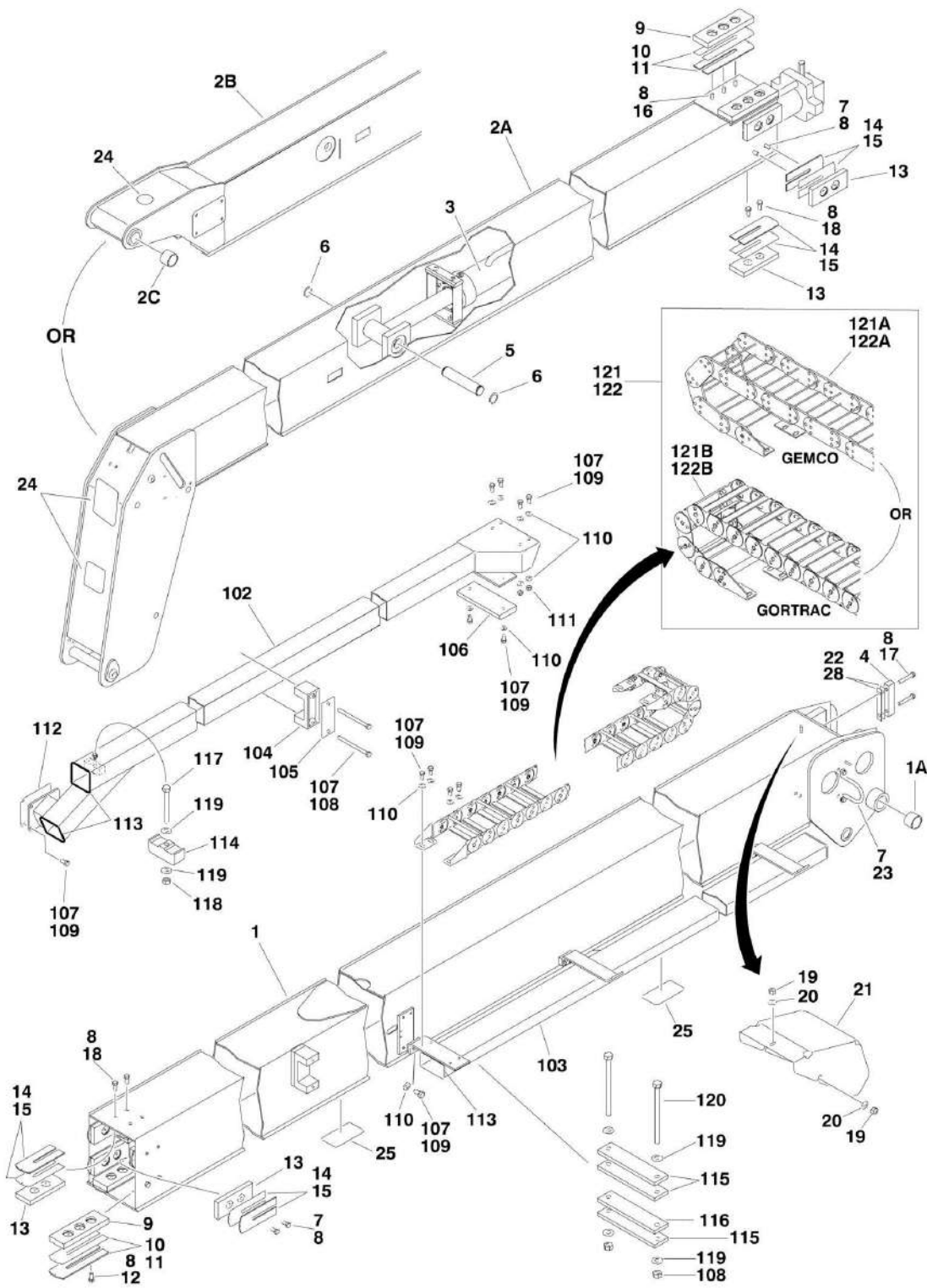


FIGURE 3-4. MAIN BOOM ASSEMBLIES

ITEM	PART NUMBER	QTY	DESCRIPTION	REV
	0801022	Ref	BOOM ASSEMBLY - 600A	13-G
	0801025	Ref	BOOM ASSEMBLY - 600AJ	8-E
1		Ref	Base Weldment Options:	
1	0801023	1	Base Weldment 600A	
1	0801026	1	Base Weldment 600AJ	
1A	0961948	2	Bushing (Note: Must be Purchased Separately)	
2		Ref	Fly Weldment Options:	
2A	0801228	1	Fly Weldment 600A	
2B	0801027	1	Fly Weldment 600AJ	
2C		Ref	Bushing Options (Note: Must be Purchased Separately):	
2C	Not Required	0	Bushing 600A	
2C	0961951	2	Bushing 600AJ	
3		Ref	Telescope Cylinder Assembly Options: (See ROTATOR ASSEMBLIES section for Breakdown)	
3	1683307	1	Telescope Cylinder Assembly 600A	
3	1683317	1	Telescope Cylinder Assembly 600AJ	
4	0561185	2	Block	
5	3422457	1	Pin	
6	3760133	2	Ring, Retaining	
7	0641606	18	Bolt 3/8in-16NC 3/4in	
8	0100011	AR	Compound, Locking	
9	3340871	4	Pad, Wear	
10	4070863	AR	Shim .12	
11	4070864	AR	Shim .05	
12	0641610	6	Bolt 3/8in-16NC x 1-1/4in	
13	3340881	12	Pad, Wear	
14	4070897	AR	Shim .05	
15	4070898	AR	Shim .12	
16	0641608	6	Bolt 3/8in-16NC x 1in	
17	0641618	4	Bolt 3/8in-16NC x 2-1/4in	
18	0641607	8	Bolt 3/8in-16NC x 7/8in	
19	3311401	3	Nut 1/4in-20NC	
20	4751400	3	Flatwasher 1/4in Regular	
21	1670768	1	Cover, Boom	
22	4070929	AR	Shim	
23	3841340	1	Clamp, Hose	
24	4060805	AR	Flex-Trim	
25	1670836	6	Cover, Boom	
26	See Note	AR	Tape, Two Sided Foam (Note: See Valves and Switches Installation for Usage).	
27	See Note	AR	Bar, Fiberglass (Note: See Valves and Switches Installation for Usage.)	
28	4071007	AR	Shim	
	0255281	Ref	POWER TRACK INSTALLATION - 600A	7-F
	0255288	Ref	POWER TRACK INSTALLATION - 600AJ	6-E
102		Ref	Tube Weldment Options:	
102	4844969	1	Tube Weldment 600A	
102	4844978	1	Tube Weldment 600AJ	
103		Ref	Support, Power Track Options:	
103	4844972	1	Support, Power Track 600A	

SECTION 3 - BOOM

ITEM	PART NUMBER	QTY	DESCRIPTION	REV
103	4844979	1	Support, Power Track 600AJ	
104	3340764	2	Pad, Wear	
105	3538758	1	Plate, Cover Support	
106	Not Required	Ref	Pad Options:	
106	3340787	1	Pad 600A	
106	3340765	1	Pad 600AJ	
107	0100011	AR	Compound, Locking	
108	0641640	2	Bolt 3/8in-16NC x 5in	
109	0641606	22	Bolt 3/8in-16NC x 3/4in	
110	4711600	18	Flatwasher 3/8in Thin	
111	3311605	4	Locknut 3/8in-16NC	
112	4070932	AR	Shim	
113	4060804	AR	Flex-Trim	
114	1320314	1	Clamp, Hose/Cable (SN 0300070977 through 0300087000)	
115		Ref	Plate Options: (SN 0300070977 through 0300087000)	
115	3574171	3	Plate 600A	
115	3574185	3	Plate 600AJ	
116		Ref	Shim Options: (SN 0300070977 through 0300087000)	
116	4071061	3	Shim 600A	
116	4071062	3	Shim 600AJ	
117	0641522	1	Bolt 5/16in-18NC x 2-3/4in (SN 0300070977 through 0300087000)	
118	3311505	3	Locknut 5/16in-18NC (SN 0300070977 through 0300087000)	
119	4711500	6	Flatwasher 5/16in Thin	
120	0641536	2	Bolt 5/16in-18NC x 4-1/2in (SN 0300070977 through 0300087000)	
121		Ref	600A Power Track Assembly Options:	
		Ref	Note: Various Power Tracks use on this model. Identify brand before ordering parts.	
121A	1180336	NLA	Gemco Brand Power Track (Use p/n 1001107153) (600A)	
121A	7006140	AR	Repair Section (Includes 10 Link Pin, 4 Radius Links, 8 Carrier Links, 4 Rod Carrier, 8 Screws, 10 Slugs and 20 Bearing Plates) (600A)	
121A	7006151	2 Pair	Feet, Mounting (600A)	
121A	7006161	AR	Rod (600A)	
121A	7006152	AR	Pin Kit (Includes 1 pin, 1 Retaining Ring and 4 Washers) (600A)	
121B	1001107153	1	Gortrac Brand Power Track (600A)	
121B	70002011	AR	Repair Section (600A)	
121B	70002012	1	Mounting Bracket Kit (600A)	
122		Ref	600AJ Power Track Assembly Options:	
		Ref	Note: Various Power Tracks use on this model. Identify brand before ordering parts.	
122	1180338	NLA	Gemco Brand Power Track (Use p/n 1001099836) (600AJ)	
122A	7016519	AR	Repair Section (Includes 10 Link Pin, 4 Radius Links, 8 Carrier Links, 4 Rod Carrier, 8 Screws, 10 Slugs and 20 Bearing Plates) (600AJ)	
122A	7006151	2 Pair	Feet, Mounting (600AJ)	
122A	7016521	AR	Rod (600AJ)	
122A	7006158	AR	Screw (600AJ)	
122A	7006152	AR	Pin Kit (Includes 1 pin, 1 Retaining Ring and 4 Washers) (600AJ)	
122B	1001099836		Gortrac Brand Power Track (600AJ)	
122B	70001999	AR	Repair Section (600AJ)	

SECTION 3 - BOOM

ITEM	PART NUMBER	QTY	DESCRIPTION	REV
122B	70002000	1	Mounting Bracket Kit (600AJ)	

SECTION 3 - BOOM

FIGURE 3-5. ROTATOR ASSEMBLIES (FRONT ENTRY PLATFORM)

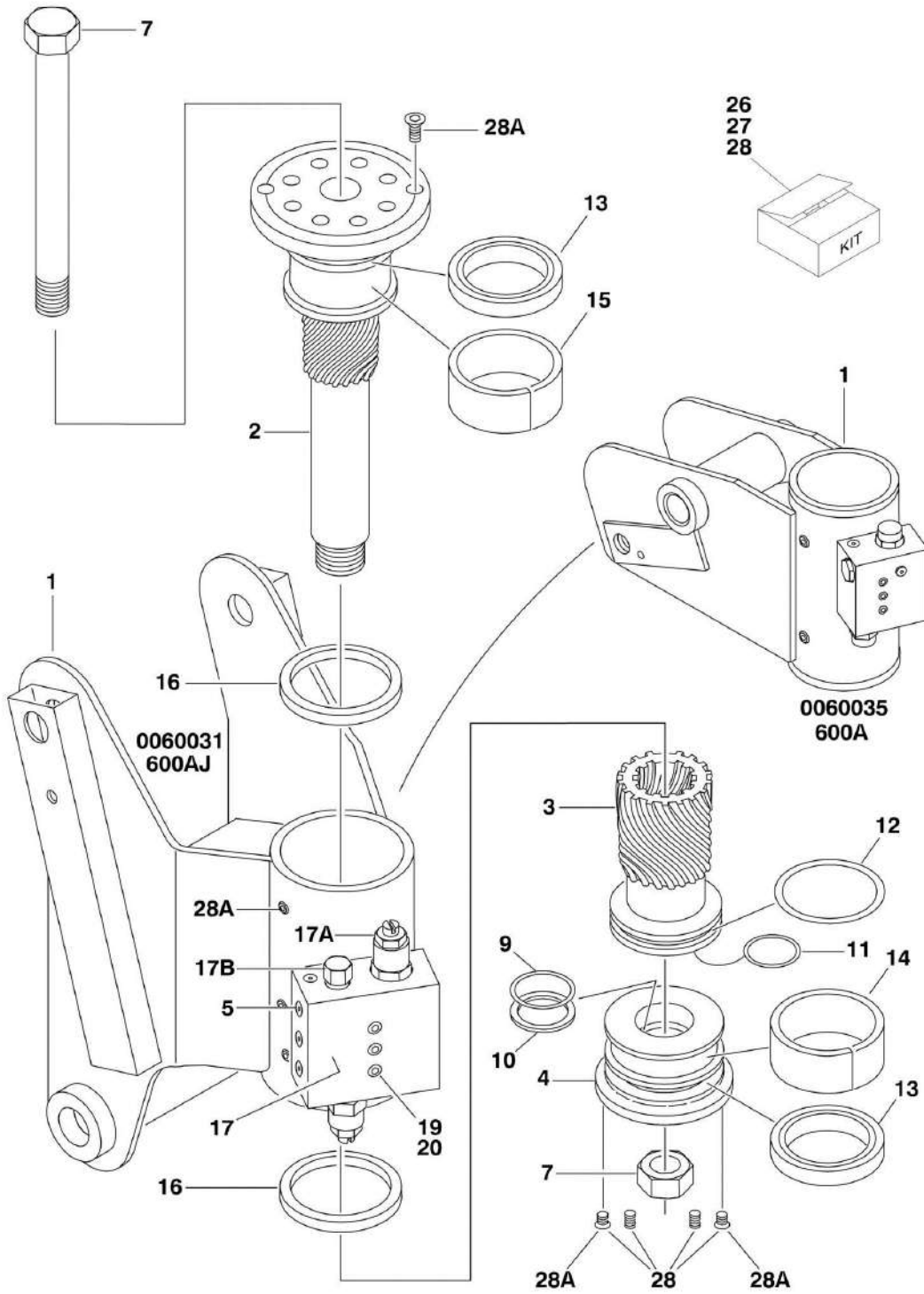


FIGURE 3-5. ROTATOR ASSEMBLIES (FRONT ENTRY PLATFORM)

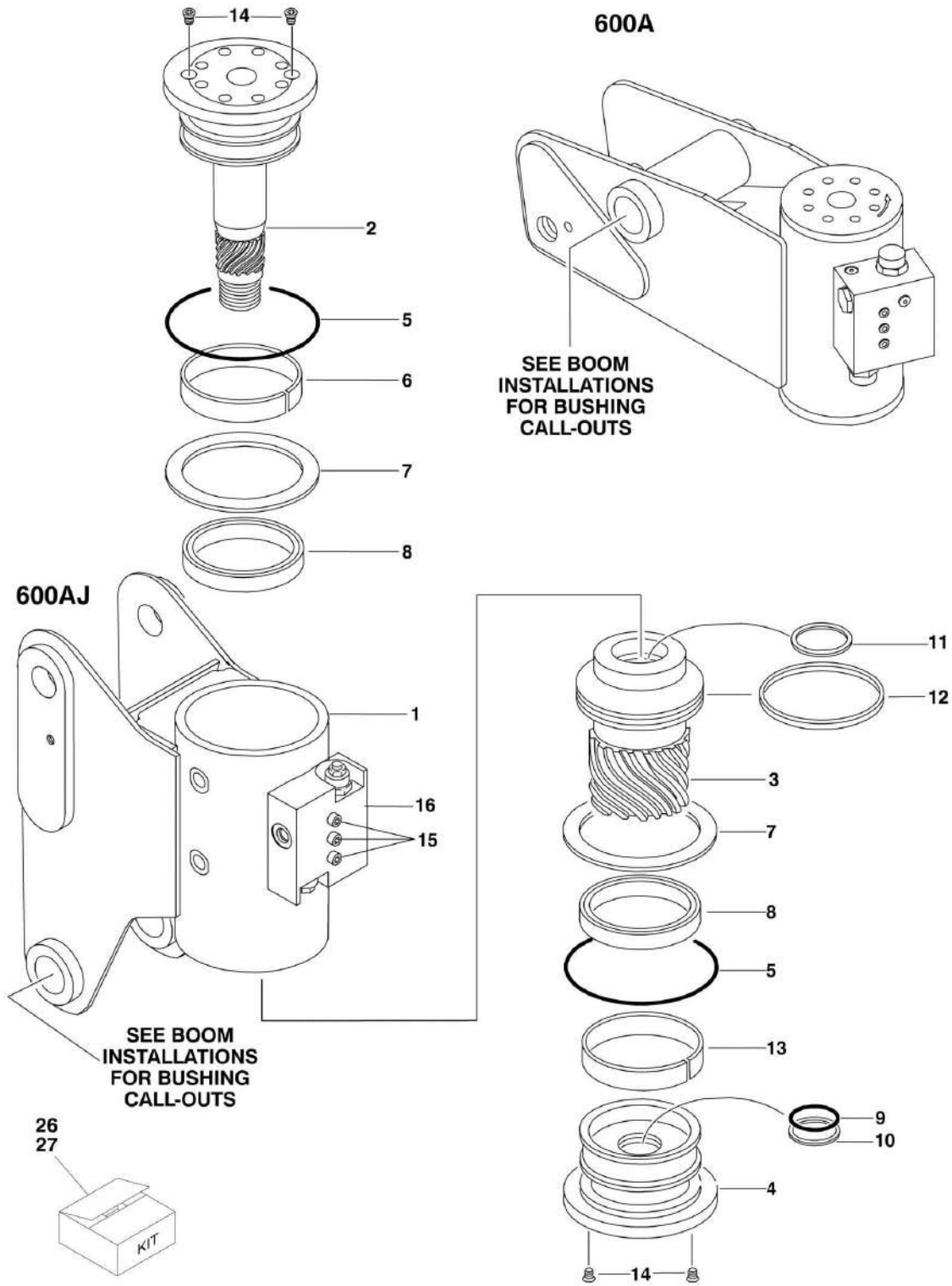
ITEM	PART NUMBER	QTY	DESCRIPTION	REV
		Ref	ROTATOR ASSEMBLIES	
	0060035	Ref	Rotator Assemblies 600A (Original Equipment)	G
	0060076	Ref	Rotator Assemblies 600A (Service Replacement)	B
	0060031	Ref	Rotator Assemblies 600AJ (Original Equipment)	H
	0060074	Ref	Rotator Assemblies 600AJ (Service Replacement)	B
		Ref	Note: Before ordering parts, identify whether original equipment rotator has been replaced with service replacement. Service replacement rotator uses spacer plate bolted on the top with 8 capscrews (Not shown - located at item 2). Original equipment rotator does not use spacer plate.	
1	See Note	1	Housing/Ring Gear Assembly (Note: Not Available - Purchase Complete Assembly)	
2		Ref	Shaft Options:	
2	7017177	1	Shaft 0060035 Rotators	
2	7017117	1	Shaft 0060031 Rotators	
2	7017162	1	Shaft 0060076 & 0060074 Rotators	
2	See Note	1	Plate, Spacer (Not Shown) (0060076 & 0060074 Rotators Only) (Note: Not Available for Purchase)	
3		Ref	Piston/Sleeve Options:	
3	7017115	1	Piston/Sleeve 0060035 & 0060031 Rotators	
3	7017163	1	Piston/Sleeve 0060076 & 0060074 Rotators	
4		Ref	Cap, End Options:	
4	7017174	1	Cap, End 0060035 Rotators	
4	7017116	1	Cap, End 0060031 Rotators	
4	7017164	1	Cap, End 0060076 & 0060074 Rotators	
5	See Note	6	Plug, Port (Note: Not Available for Purchase)	
6	7017142	2	Plug	
7	7017119	1	Bolt 1in-8NC x 11in	
7	3272605	AR	Locknut 1in-8NC	
9	See Note	1	Seal, Cap (Note: Use Item 26)	
10	See Note	1	Ring, Back-up (Cap) (Note: Use Item 26)	
11	See Note	1	Seal, Rod (Note: Use Item 26)	
12	See Note	1	Seal, Piston (Note: Use Item 26)	
13	See Note	2	Packing, Bearing (Note: Use Item 26)	
14	See Note	1	Bearing, Cap (Note: Use Item 27)	
15	See Note	1	Bearing, Shaft (Note: Use Item 27)	
16	See Note	2	Thrustwasher (Note: Use Item 27)	
17		Ref	Valve Assembly Options:	
17	7017101	1	Valve Assembly 0060035 & 0060031 Rotators	
17	7017183	1	Valve Assembly 0060076 & 0060074 Rotators	
17A		Ref	Cartridge, Valve Options:	
17A	7011331	2	Cartridge for Helac p/n 24736	
17A	7017193	2	Cartridge for Helac p/n 27600	
17A	2900770	2	Seal Kit - 7011331 Valve	
17A	See Note	2	Seal Kit - 7017193 Valve (Note: Not Available for Purchase)	
17B		Ref	Cartridge, Valve Options:	
17B	7011332	AR	Cartridge for Helac p/n 24736	
17B	See Note	1	Cartridge for Helac p/n 27600 (Not Shown - Located on Side of Valve Block) (Note: Not Available for Purchase)	
17B	7011346	2	Seal Kit - 7011332 Valve	

SECTION 3 - BOOM

ITEM	PART NUMBER	QTY	DESCRIPTION	REV
17B	See Note	1	Seal Kit - Valve Located on Side of Block (Note: Not Available for Purchase)	
18	7017118	2	Setscrew (0060035 & 0060031 Rotators Only)	
19	See Note	3	Bolt 1/4 x 1-1/2 (Grade 8) (Note: Not Available for Purchase)	
20	3790110	3	O-Ring (Not Shown - Located between Valve and Actuator Housing)	
26		Ref	Seal Kit Options (Includes Items 9-13):	
26	7017157	1	Seal Kit 0060035 & 0060031 Rotators	
26	7017158	1	Seal Kit 0060076 & 0060074 Rotators (Includes Hardware Kit)	
27		Ref	Bearing Kit Options (Includes Items 14-16):	
27	7017106	1	Bearing Kit 0060035 Rotators (600A Actual Production)	
27	7017156	1	Bearing Kit 0060031 Rotators (600AJ Actual Production)	
27	7017159	1	Bearing Kit 0060076 & 0060074 Rotators (Recommended Replacement)	
28	7017142	1	Hardware Kit for 0060035 & 0060031 Rotators (Includes End Cap Dowel Pins and Items 6 & 28A)	
28	See Note	1	Hardware Kit for 0060075 & 0060076 Rotators (Note: Use p/n 7017158)	
28A	70001697	6	Screw, Countersunk 1/4in-20NC x 3/8in Grade 8	

SECTION 3 - BOOM

FIGURE 3-6. ROTATOR ASSEMBLIES (SIDE ENTRY PLATFORM)



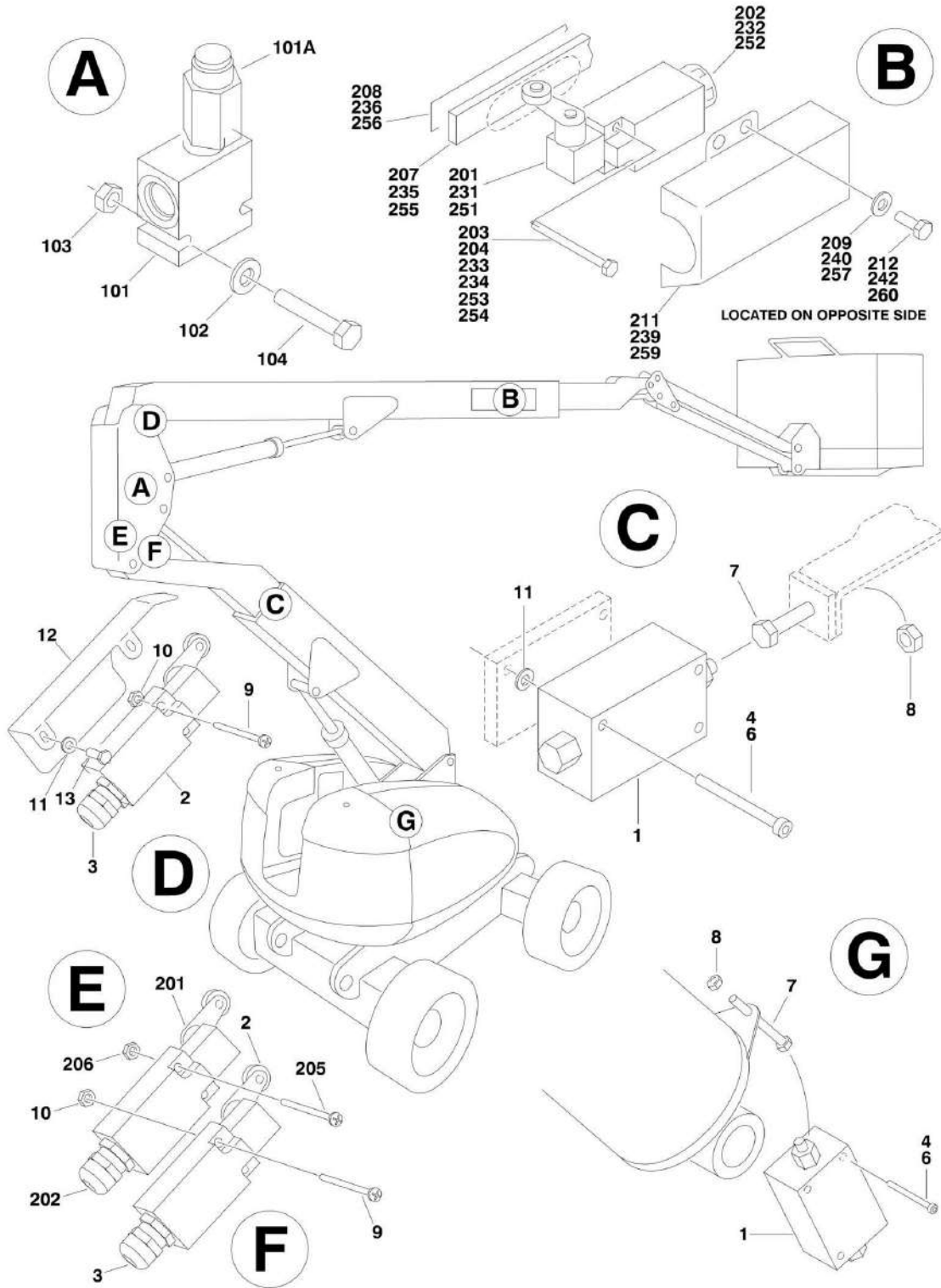
SECTION 3 - BOOM

FIGURE 3-6. ROTATOR ASSEMBLIES (SIDE ENTRY PLATFORM)

ITEM	PART NUMBER	QTY	DESCRIPTION	REV
		Ref	ROTATOR ASSEMBLIES	
	0060068	Ref	Rotator Assemblies 600A	A
	0060066	Ref	Rotator Assemblies 600AJ	C
1	See Note	1	Housing/Ring Gear Assembly (Note: Not Available - Purchase Complete Assembly)	
2	7017162	1	Weldment, Shaft	
3	7017163	1	Piston/Sleeve Assembly	
4	7017164	1	Cap, End	
5	See Note	NSS	O-Ring (Note: Use Item 26)	
6	See Note	NSS	Bearing, Shaft (Note: Use Item 27)	
7	See Note	NSS	Thrustwasher (Note: Use Item 27)	
8	See Note	NSS	Packing, Bearing (Note: Use Item 26)	
9	See Note	NSS	Seal, Cap (Note: Use Item 26)	
10	See Note	NSS	Ring, Back-up Cap (Note: Use Item 26)	
11	See Note	NSS	Seal, Rod (Note: Use Item 26)	
12	See Note	NSS	Seal, Piston (Note: Use Item 26)	
13	See Note	NSS	Bearing, Cap (Note: Use Item 27)	
14	70001697	6	Capscrew 1/4in-20NC x 3/8in (Grade 8)	
15	See Note	3	Bolt 1/4 x 1-1/2 (Grade 8) (Note: Not Available for Purchase)	
16	7017183	1	Valve Assembly	
16	7017193	2	Cartridge, Valve	
16	See Note	2	Seal Kit - 7017193 Valve (Note: Not Available - Purchase Complete Assembly)	
16	See Note	1	Cartridge, Valve (Not Shown - Located on Side of Block) (Note: Not Available - Purchase Complete Assembly)	
16	See Note	1	Seal Kit - Valve Located on Side of Block (Note: Not Available - Purchase Complete Assembly)	
26	7017158	1	Seal Kit (Includes Items 5, 8-12 and Hardware Kit)	
27	7017159	1	Bearing Kit (Includes Items 6, 7 & 13)	

SECTION 3 - BOOM

FIGURE 3-7. VALVES AND SWITCHES INSTALLATION (BOOM MOUNTED)



SECTION 3 - BOOM

FIGURE 3-7. VALVES AND SWITCHES INSTALLATION (BOOM MOUNTED)

ITEM	PART NUMBER	QTY	DESCRIPTION	REV
	0255438	Ref	BOOM VALVES AND LIMIT SWITCHES INSTALLATION (STANDARD)	9-I
1	4641139	2	Valve, Manual 2-Way	
2		Ref	Switch, Limit Options: (Note: P/N 4360578 does not include #3 Connector - Purchase Separately)	
2	4360322	NLA	Switch, Limit (Use p/n 4360578) (SN 0300069000 through 0300074444)	
2	4360549	NLA	Switch, Limit (Use p/n 4360578) (SN 0300074445 through 0300080874)	
2	4360578	2	Switch, Limit (SN 0300080875 through 0300087000)	
3		Ref	Connector, Strain Relief Options:	
3	4460428	2	Use with p/n 4360322 Switch	
3	4460968	2	Use with p/n 4360549 & 4360578 Switches	
4	3931430	6	Bolt, Socket Head 1/4in-20NC x 1-7/8in	
6	0100011	AR	Compound, Locking	
7	0630427	2	Bolt, Special	
8	3311801	3	Nut 1/2in-13NC	
9	3930824	4	Bolt, Socket Head #8-32NC x 1-1/2in	
10	3310801	4	Nut #8-32NC	
11	4751400	8	Flatwasher 1/4in Regular	
12	1670819	1	Cover, Switch	
13	3931408	2	Bolt, Socket 1/4in-20NC x 1/2in	
		Ref	VALVES INSTALLATION	
	0255440	Ref	Valves Installation 600A 2WS (SN 0300069000 through 0300081835)	13
	0274276	Ref	Valves Installation 600A 2WS (SN 0300081836 through 0300084828)	1
	0274309	Ref	Valves Installation 600A 2WS (SN 0300084829 through 0300087000)	1
	0255442	Ref	Valves Installation 600A 4WS (SN 0300069000 through 0300081835)	12
	0274278	Ref	Valves Installation 600A 4WS (SN 0300081836 through 0300084828)	1
	0274311	Ref	Valves Installation 600A 4WS (SN 0300084829 through 0300087000)	1
	0255441	Ref	Valves Installation 600AJ 2WS (SN 0300069000 through 0300081835)	15
	0274277	Ref	Valves Installation 600AJ 2WS (SN 0300081836 through 0300084828)	1
	0274310	Ref	Valves Installation 600AJ 2WS (SN 0300084829 through 0300087000)	1
	0255443	Ref	Valves Installation 600AJ 4WS (SN 0300069000 through 0300081835)	12
	0274279	Ref	Valves Installation 600AJ 4WS (SN 0300081836 through 0300084828)	1
	0274312	Ref	Valves Installation 600AJ 4WS (SN 0300084829 through 0300087000)	1
101	4640929	1	Valve Assembly (Relief)	
101A	7012970	1	Cartridge	
101A	7012953	1	Seal Kit - 7012970 Cartridge	
102	4711400	2	Flatwasher 1/4in Thin	
103	3311405	2	Locknut 1/4in-20NC	
104	0641424	2	Bolt 1/4in-20NC x 3in	

SECTION 3 - BOOM

ITEM	PART NUMBER	QTY	DESCRIPTION	REV
	0255699	Ref	LIMIT SWITCHES INSTALLATION - 600A DUAL CAPACITY	5-C
201		Ref	Switch, Limit Options: (Note: P/N 4360578 does not include #3 Connector - Purchase Separately)	
201	4360322	NLA	Switch, Limit (Use p/n 4360578) (SN 0300069000 through 0300074444)	
201	4360549	NLA	Switch, Limit (Use p/n 4360578) (SN 0300074445 through 0300080874)	
201	4360578	2	Switch, Limit (SN 0300080875 through 0300087000)	
202		Ref	Connector, Strain Relief Options:	
202	4460428	2	Use with p/n 4360322 Switch	
202	4460968	2	Use with p/n 4360549 & 4360578 Switches	
203	0100035	AR	Compound, Locking	
204	3930816	2	Bolt, Socket Head #8-32NC x 1in	
205	3930824	2	Bolt, Socket Head #8-32NC x 1-1/2in	
206	3310805	2	Locknut #8-32NC	
207	0362529	1	Bar, Fiberglass	
208	4420060	9.8 ft/3m	Tape, Foam	
209	4751400	4	Flatwasher 1/4in Regular	
211	1670824	1	Cover, Switch	
212	0641403	4	Bolt 1/4in-20NC x 3/8in	
	0257894	Ref	8 METER SWITCH INSTALLATIONS	4
231		Ref	Switch, Limit Options:	
231	4360322	NLA	Switch, Limit (Use p/n 4360578) (SN 0300069000 through 0300074444)	
231	4360549	NLA	Switch, Limit (Use p/n 4360578) (SN 0300074445 through 0300080874)	
231	4360578	2	Switch, Limit (SN 0300080875 through 0300087000)	
232	4460428	1	Connector, Strain Relief	
233	0100035	AR	Compound, Locking	
234	3930816	2	Bolt, Socket Head #8-32NC x 1in	
235	0362612	1	Bar, Fiberglass	
236	4420060	7.1 in/2.2m	Tape, Foam	
237	1060016	18 ft/5.5m	Cable, Electrical - 16/3	
239	1670820	1	Cover, Switch	
240	4751400	4	Flatwasher 1/4in Regular	
242	0641403	4	Bolt 3/8in-16NC x 3/8in	
243	3539055	1	Plate (Welded on part) (Not Shown)	
		Ref	TRANSPORT POSITION SWITCHES INSTALLATION (CE SPEC ONLY)	
	0256331	Ref	Transport Position Switches Installation 600A	4-A
	0256336	Ref	Transport Position Switches Installation 600AJ	4-A
251		Ref	Switch, Limit Options: (Note: P/N 4360578 does not include #3 Connector - Purchase Separately)	
251	4360322	NLA	Switch, Limit (Use p/n 4360578) (SN 0300069000 through 0300074444)	
251	4360549	NLA	Switch, Limit (Use p/n 4360578) (SN 0300074445 through 0300080874)	
251	4360578	2	Switch, Limit (SN 0300080875 through 0300087000)	
252		Ref	Connector, Strain Relief Options:	
252	4460428	2	Use with p/n 4360322 Switch	
252	4460968	2	Use with p/n 4360549 & 4360578 Switches	
253	0100035	AR	Compound, Locking	
254	3930816	2	Bolt, Socket Head #8-32NC x 1in	

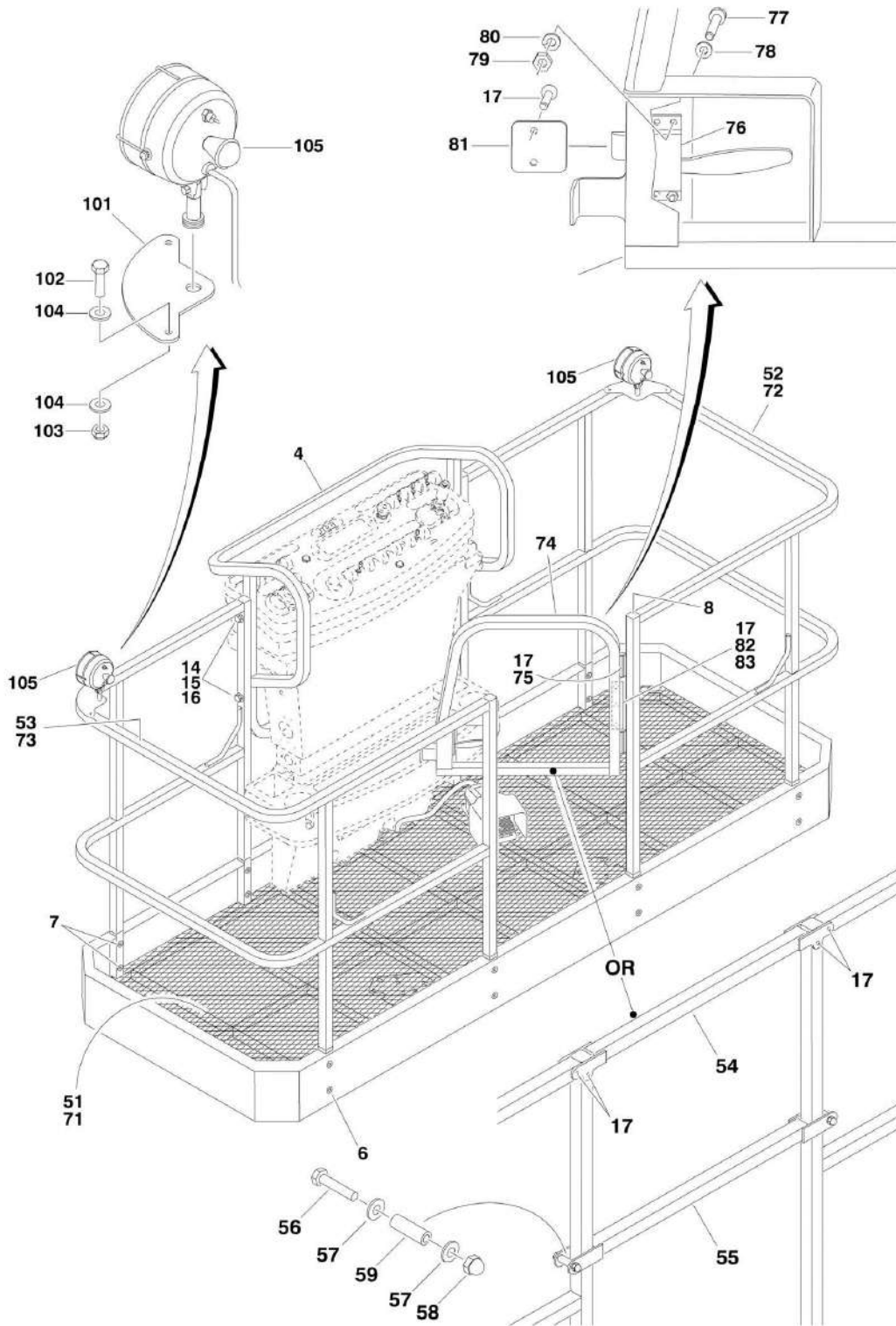
SECTION 3 - BOOM

ITEM	PART NUMBER	QTY	DESCRIPTION	REV
255		Ref	Bar, Fiberglass Options:	
255	0362611	1	Bar, Fiberglass 600A	
255	0362529	1	Bar, Fiberglass 600AJ	
256	4420060	AR	Tape, Foam	
256	4420060	161 in/4m	Tape, Foam 600A	
256	4420060	127 in/3.2m	Tape, Foam 600AJ	
257	4751400	4	Flatwasher 1/4in Regular	
259	1670824	1	Cover, Switch	
260	0641403	4	Bolt 3/8in-16NC x 3/8in	

SECTION 4 - PLATFORM

SECTION 4 - PLATFORM

FIGURE 4-1. PLATFORM ASSEMBLIES (FRONT ENTRY PLATFORM)



SECTION 4 - PLATFORM

FIGURE 4-1. PLATFORM ASSEMBLIES (FRONT ENTRY PLATFORM)

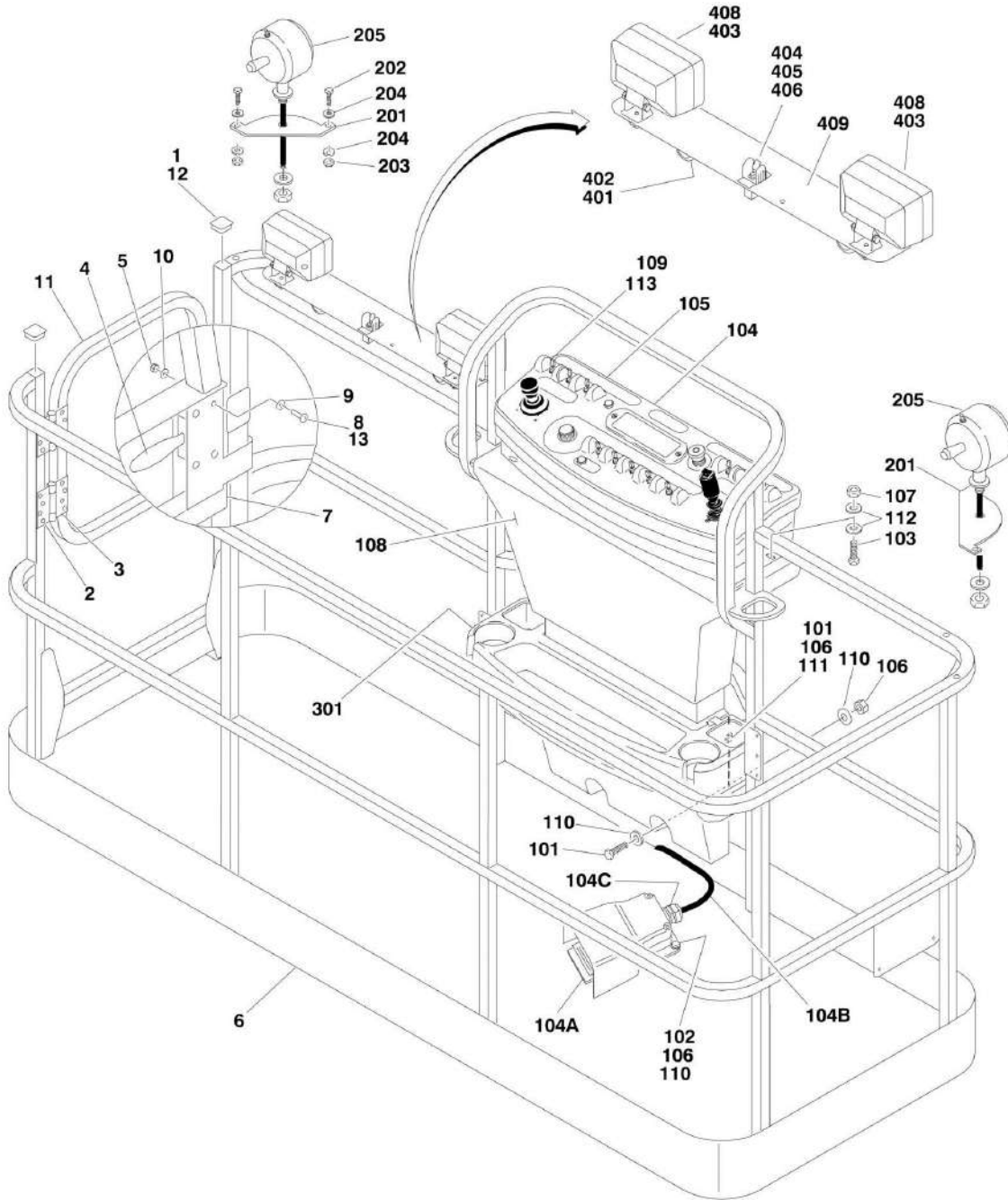
ITEM	PART NUMBER	QTY	DESCRIPTION	REV
		Ref	PLATFORM OPTIONS:	
	3510751	Ref	5ft/1.52m - With Self-Closing Gate (CE Specs)	2
	3510728	Ref	5ft/1.52m - With Self-Closing Gate (Australian Spec)	3
	3510499	Ref	6ft/1.83m - With Drop Bar (CE Specs)	3-A
	3510763	Ref	6ft/1.83m - With Drop Bar (Mesh to Mid Rail) (CE Specs)	1-A
	3510537	Ref	6ft/1.83m - With Self-Closing Gate (CE Spec)	2
	3510542	Ref	6ft/1.83m - (Australian Spec)	3
	3510500	Ref	8ft/2.44m - With Drop Bar (CE Specs)	2-A
	3510764	Ref	8ft/2.44m - With Drop Bar (Mesh to Mid Rail) (CE Specs)	1-A
	3510538	Ref	8ft/2.44m - With Self-Closing Gate (CE Spec)	2
	3510543	Ref	8ft/2.44m - (Australian Spec)	3
		Ref	PLATFORM ASSEMBLY (STANDARD PARTS)	
4	4845328	1	Rail Weldment - Back	
6	3900207	AR	Fastener	
		Ref	Note: P/N 3900207 Fastener may be replaced with p/n 0641416 bolt, p/n 4751400 flatwasher, p/n 3311405 locknut and p/n 3300151 acorn type nut. Acorn type nut required to meet industry safety requirements.	
7	3300393	AR	Collar	
8	3520072	4	Plug, Cap	
14	0641524	4	Bolt 5/16in-18NC x 3in	
15	3311505	4	Locknut 5/16in-18NC	
16	4751500	4	Flatwasher 5/16in Regular	
17	2080040	AR	Fastener	
17	7016652	1	Fastener Tool (Small Fasteners Only)	
		Ref	PLATFORM ASSEMBLIES - WITH DROP BAR (VARIABLE PARTS)	
51		Ref	Floor Weldment Options:	
51	4846184	1	5ft/1.52m Platforms	
51	4845290	1	6ft/1.83m Platforms	
51	4845289	1	8ft/2.44m Platforms	
52		Ref	Rail Weldment - Right Side Options:	
52	4846194	1	5ft/1.52m Platforms	
52	4844955	1	6ft/1.83m Platforms	
52	4846228	1	6ft/1.83m Platforms (Mesh to Mid Rail)	
52	4844924	1	8ft/2.44m Platforms	
52	4846240	1	8ft/2.44m Platforms (Mesh to Mid Rail)	
53		Ref	Rail Weldment - Left Side Options:	
53	4846195	1	5ft/1.52m Platforms	
53	4844956	1	6ft/1.83m Platforms	
53	4846229	1	6ft/1.83m Platforms (Mesh to Mid Rail)	
53	4844925	1	8ft/2.44m Platforms	
53	4846241	1	8ft/2.44m Platforms (Mesh to Mid Rail)	
54	4845287	1	Rail Weldment - Top	
55	4845288	1	Bar, Drop	
56	0641418	2	Bolt 1/4in-20NC x 2-1/4in	
57	4740411	4	Washer, Nylon	
58	3300151	2	Nut, Acorn 1/4in-20NC	
59	0961845	2	Bushing	
60	4420055	7 in/18cm	Tape	

SECTION 4 - PLATFORM

ITEM	PART NUMBER	QTY	DESCRIPTION	REV
		Ref	PLATFORM ASSEMBLIES WITH SELF-CLOSING GATE (VARIABLE PARTS)	
71		Ref	Floor Weldment Options:	
71	4846101	1	5ft/1.52m Platforms (Australian Spec)	
71	4845290	1	6ft/1.83m Platforms (CE Specs)	
71	4844954	1	6ft/1.83m Platforms (Australian Spec)	
71	4845289	1	8ft/2.44m Platforms (CE Spec)	
71	4844928	1	8ft/2.44m Platforms (Australian Spec)	
72		Ref	Rail Weldment - Right Side Options:	
72	4846194	1	5ft/1.52m Platforms	
72	4844955	1	6ft/1.83m Platforms	
72	4844924	1	8ft/2.44m Platforms	
73		Ref	Rail Weldment - Left Side Options:	
73	4846195	1	5ft/1.52m Platforms	
73	4844956	1	6ft/1.83m Platforms	
73	4844925	1	8ft/2.44m Platforms	
74	4845426	1	Gate Weldment	
75	2600287	2	Hinge	
76	2940074	1	Latch	
77	3911016	4	Screw, Machine #10-24NC x 2in	
78	4751000	4	Flatwasher #10 Regular	
79	3311005	4	Locknut #10-24NC	
80	Not Required	0	Lockwasher	
81	3539685	1	Plate, Catch	
82		Ref	Stop, Gate Options:	
82	4220168	1	CE Spec	
82	4220165	1	Australian Spec	
83	4060803	6 ft/1.8m	Trimlock	
		Ref	WORKLIGHTS INSTALLATIONS (OPTIONAL)	
	0270814	Ref	Worklights Installation (SN 0300069000 through 0300074444)	3-E
	0273492	Ref	Worklights Installation (SN 0300074445 through 0300087000)	C
101	3536089	2	Plate, Mounting	
102	0641414	4	Bolt 1/4in-20NC x 1-3/4in	
103	3311405	4	Locknut 1/4in-20NC	
104	4711400	8	Flatwasher 1/4in Thin	
105	2920140	2	Worklight	
105	7016399	2	Bulb, Replacement (1 Per Worklight)	
106	4240099	10	Tie-Strap	
107	2820035	9 ft/2.8m	Loom, Vinyl (Not Shown)	
108	4460042	2	End, Terminal (Not Shown)	
109		Ref	Connector, Strain Relief Options (Not Shown):	
109	4460598	1	Connector, Strain Relief (SN 0300069000 through 0300074444)	
109	4460426	1	Connector, Strain Relief (SN 0300074445 through 0300087000)	

SECTION 4 - PLATFORM

FIGURE 4-2. PLATFORM ASSEMBLIES - SIDE ENTRY



SECTION 4 - PLATFORM

FIGURE 4-2. PLATFORM ASSEMBLIES - SIDE ENTRY

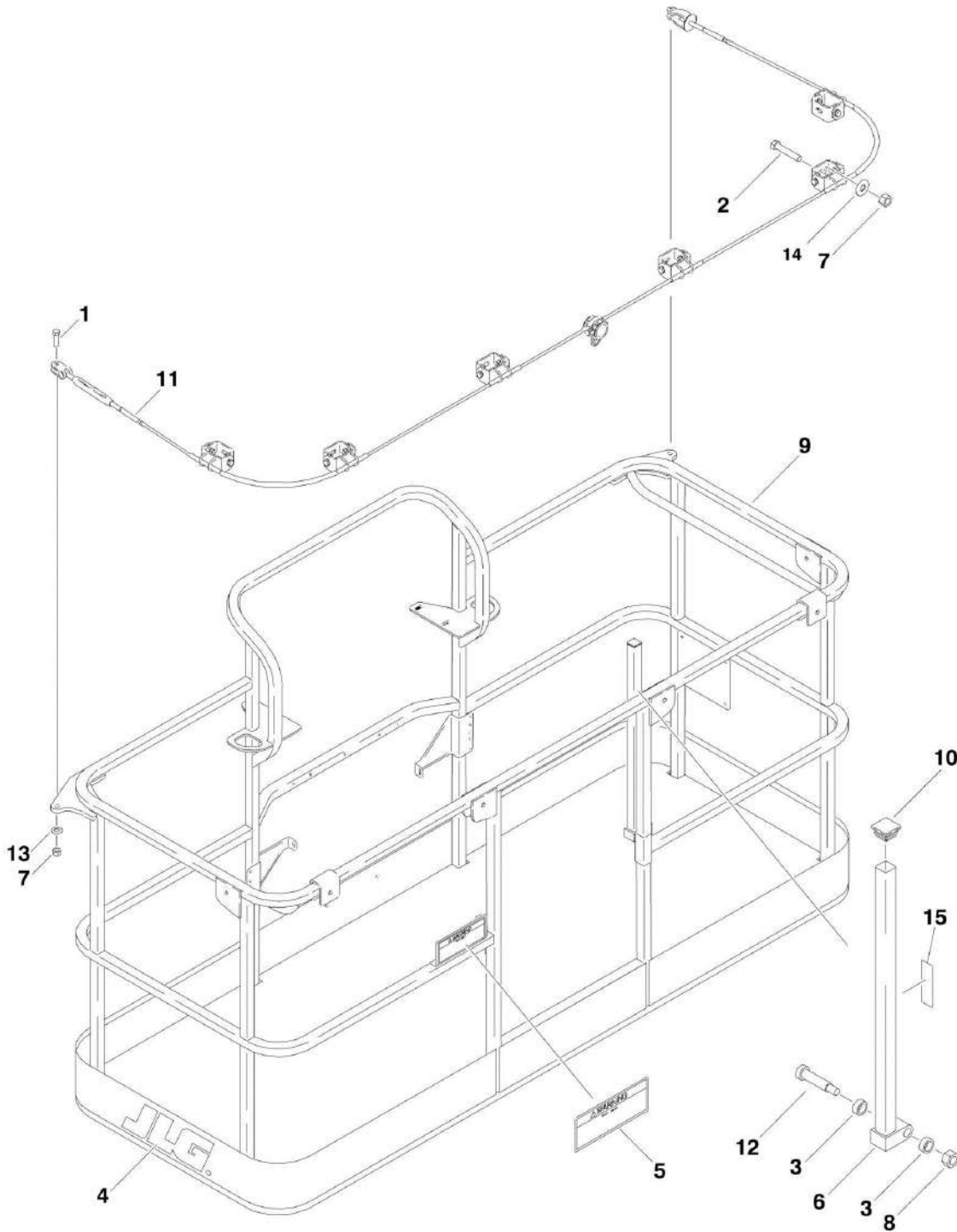
ITEM	PART NUMBER	QTY	DESCRIPTION	REV
		Ref	PLATFORM ASSEMBLIES:	
	3510830	NLA	2.6ft x 4ft (0.70m x 1.22m) with No Mesh (Use p/n 1001144027)	B-E
	3510831	NLA	2.6ft x 5ft (0.70m x 1.52m) with No Mesh (Use p/n 1001144026)	B-E
	3510832	Ref	2.6ft x 6ft (0.70m x 1.83m) with No Mesh) (SN 0300069000 through 0300077490)	E
	3510833	NLA	3ft x 6ft (0.9m x 1.83m) with No Mesh (Use p/n 1001144024)	B-E
	3510822	NLA	3ft x 8ft (0.9m x 2.44m) with No Mesh (Use p/n 1001144023)	B-E
		Ref	Note: Original Equipment platform may have been replaced with Service Replacement platform. Identify platform before ordering parts.	
		Ref	Note: Platform and Mesh must be ordered separately for Platforms with Mesh. See SPECIAL OPTIONS SECTION for Mesh Installations.	
		Ref	Note: When replacing 8ft/2.44m platform with Soft Touch option, new Soft Touch Rail p/n 4846673 must be purchased to accommodate limit switch locations.	
		Ref	Note: When replacing platform on machines with SkyCutter option, new bracket p/n 1001145405 must be purchased to accommodate SkyCutter components.	
1	0100040	AR	Sealant, Adhesive (SN 0300069000 through 0300073445)	
2	2080040	16	Fastener, Huck	
3	2600281	2	Hinge, Self-Closing	
4	2940074	1	Latch	
5	3311001	4	Nut #10-24NC (SN 0300069000 through 0300077334)	
6	See Note	1	Platform Weldment (Note: Purchase Platform Assembly)	
7	3520072	AR	Cap-Plug	
8		Ref	Hardware Options:	
8	3911008	4	Screw #10-24NC x 1in (SN 0300069000 through 0300077334)	
8	3820020	4	Pop Rivet (SN 0300077335 through 0300087000)	
9	4751000	4	Flatwasher #10 Regular	
10	4761000	4	Lockwasher #10 (SN 0300069000 through 0300077334)	
11		Ref	Gate Weldment Options:	
11	4846452	1	Gate for Original Equipment Platform p/n 3510822, 3510830, 3510831, 3510833	
11	1001144629	1	Gate for Service Replacement Platform p/ns 1001144023, 1001144024, 1001144026, 1001144027	
12	3520198	2	Square-Plug (SN 0300073445 through 0300087000)	
13	0100011	AR	Compound, Locking (SN 0300069000 through 0300077334)	
		Ref	CONSOLE BOX INSTALLATIONS	
	0271945	Ref	Console Box Installations 2WD	A
	0271941	Ref	Console Box Installations 4WD	A
101	0641406	4	Bolt 1/4in-20NC x 3/4in	
102	0641408	3	Bolt 1/4in-20NC x 1in	
103	0641610	4	Bolt 3/8in-16NC x 1-1/4in	
104	0861517	1	Platform Console Box Assembly (See PLATFORM CONSOLE ASSEMBLY for Breakdown)	
104A	0272970	1	Footswitch Assembly (Includes Footswitch and Items 104B & 104C)	B
		Ref	Note: Assembly p/n 0272970 may use either p/n 4360031 or p/n 1001117320. If Original Equipment was replaced as an "assembly," p/n 1001117320 may have been used as part of the Service Replacement. Identify component before ordering parts.	

SECTION 4 - PLATFORM

ITEM	PART NUMBER	QTY	DESCRIPTION	REV
104A		Ref	Footswitch Less Cable Options:	
104A	4360031	1	Original Equipment	
104A	1001117320	1	Service Replacement	
104A		Ref	Block, Contact Options (See Note Above):	
104A	7000625	2	Contact Block for 4360031 Footswitch	
104A	70003483	1	Contact Block for 1001117320 Footswitch	
104B	1060918	7 ft/2.14m	Cable, Electrical - 18/3	
104C	4460071	1	Connector, Strain Relief	
105		Ref	Decal - Horn Options:	
105	1702563	1	Decal - Horn 2WD	
105	1702676	1	Decal - Horn 4WD	
106	3311405	7	Locknut 1/4in-20NC	
107	3311605	4	Locknut 3/8in-16NC	
108	3380434	1	Panel, Decal Mount	
109	4360331	1	Switch (4WD)	
110	4740362	7	Washer, Fender 1/4in	
111	4751400	4	Flatwasher 1/4in Regular	
112	4751600	8	Flatwasher 3/8in Regular	
113	3790012	1	O-Ring	
		Ref	WORKLIGHTS INSTALLATIONS (optional)	
	0270814	Ref	Worklights Installations (SN 0300069000 through 0300074444)	3-E
	0273492	Ref	Worklights Installations (SN 0300074445 through 0300087000)	B
201	3536089	2	Plate, Mounting	
202	0641414	4	Bolt 1/4in-20NC x 1-3/4in	
203	3311405	4	Locknut 1/4in-20NC	
204	4711400	8	Flatwasher 1/4in Thin	
205	2920140	2	Worklight	
205	7016399	2	Bulb, Replacement (1 Per Worklight)	
206	4240099	10	Tie-Strap (Not Shown)	
207	2820035	9	Loom, Vinyl (Not Shown)	
209		Ref	Connector, Strain Relief Options (Not Shown - Located at Console Box):	
209	4460598	1	Relief, Strain (SN 0300069000 through 0300074444)	
209	4460426	1	Connector, Strain Relief (SN 0300074445 through 0300087000)	
		Ref	TRAY INSTALLATIONS (OPTIONAL)	
301	1580012	1	Tray, Storage (Center)	
302	1580013	1	Tray, Storage (Rail Mounted - Not Shown)	
	0274180	Ref	FLOODLIGHT INSTALLATION	A
401	0641518	2	Bolt 5/16in-18NC x 2-1/4in	
402	2560173	2	Handle	
403	2920157	2	Lamp, Work Light	
404	3250585	1	Nameplate - Light On	
405	4060802	1	Guard, Switch	
406	4360336	1	Switch, Toggle	
407	4420037	1	Tape, Insulation (Not Shown)	
408	4751800	2	Flatwasher 1/2in Regular	
409	4846561	1	Mount, Light	
410	4922892	1	Harness 12/3 (Lower Boom) (Not Shown)	
411	4922894	1	Harness 12/3 (Upper Boom) (Not Shown)	

SECTION 4 - PLATFORM

FIGURE 4-3. PLATFORM COMPONENTS INSTALLATION (FALL ARREST PLATFORM)



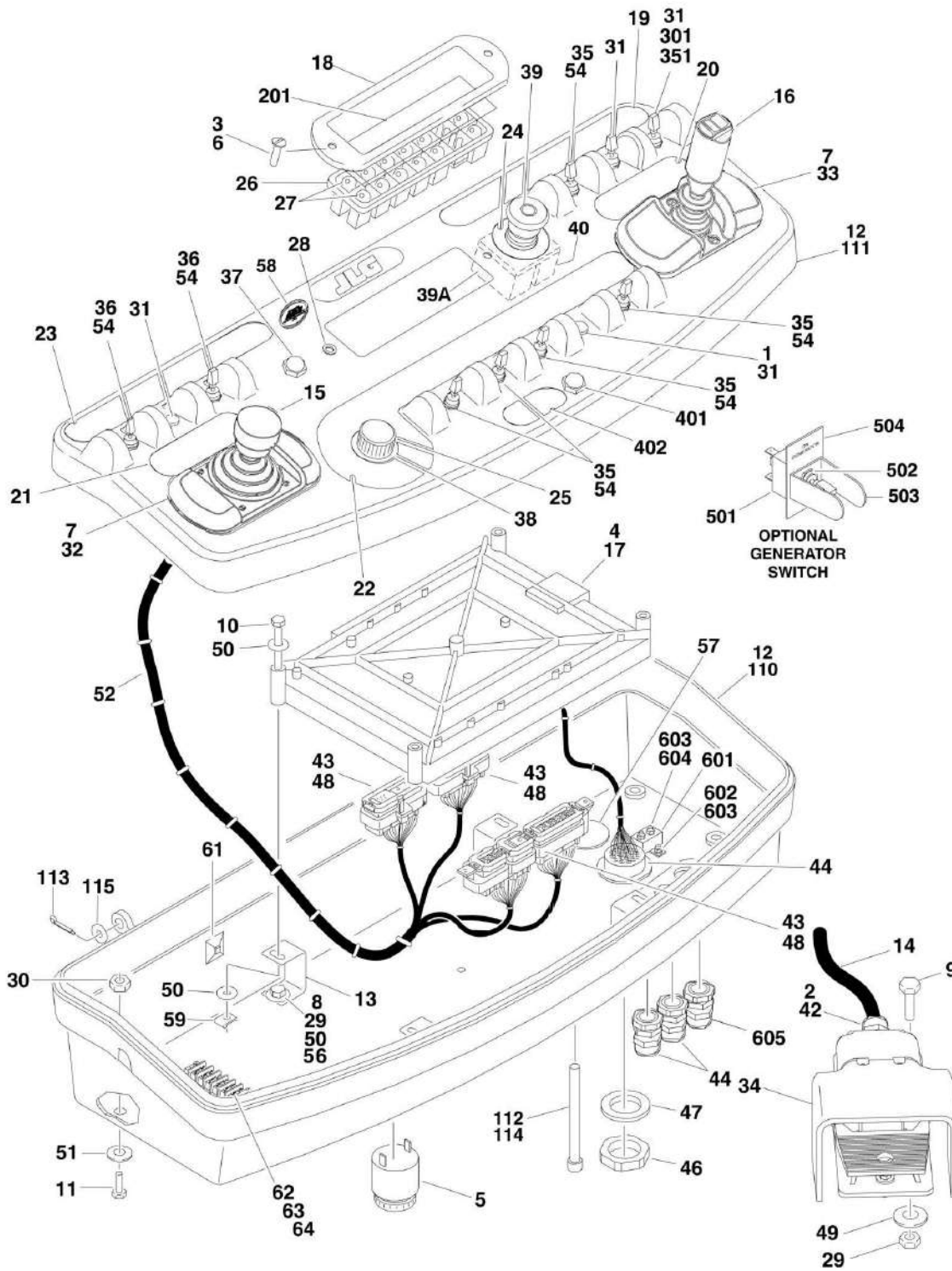
SECTION 4 - PLATFORM

FIGURE 4-3. PLATFORM COMPONENTS INSTALLATION (FALL ARREST PLATFORM)

ITEM	PART NUMBER	QTY	DESCRIPTION	REV
	3510868	Ref	PLATFORM ASSEMBLY (FALL ARREST)	B
1	0681814	2	Bolt 1/2in-13NC x 1-3/4in (Grade 8)	
2	0681822	6	Bolt 1/2in-13NC x 2-3/4in (Grade 8)	
3	0962270	2	Bearing, Oilite	
4	1702773	1	Decal - JLG	
5	1705014	1	Decal - Safety	
6	2410014	1	Gate Weldment	
7	3271805	8	Locknut 1/2in-13NC (Grade 8)	
8	3311605	1	Locknut 3/8in-16NC	
9	See Note	1	Platform Weldment (Note: Purchase Platform Assembly)	
10	3520072	1	Cap-Plug	
11	3890040	1	Cable, Fall Arrest	
12	3900054	1	Bolt 1/2in-13NC x 1-3/4in	
13	4711800	2	Flatwasher 1/2in Thin	
14	4751800	6	Flatwasher 1/2in Regular	
15	1706385	1	Decal - Drop Bar (SN 0300085921 through 0300087000)	

SECTION 4 - PLATFORM

FIGURE 4-4. PLATFORM CONSOLE ASSEMBLY



SECTION 4 - PLATFORM

FIGURE 4-4. PLATFORM CONSOLE ASSEMBLY

ITEM	PART NUMBER	QTY	DESCRIPTION	REV
	0861517	Ref	CONSOLE BOX AND FOOTSWITCH ASSEMBLIES	G
1	0100009	AR	Sealant	
2	0100020	AR	Sealant	
3	0100035	AR	Compound, Locking	
4	0100048	AR	Grease, Dielectric	
5	0140011	1	Alarm	
6	0630464	2	Screw, Button Head #10-24NC x 1/2in	
7	0641404	8	Bolt 1/4in-20NC x 1/2in	
8	0641406	4	Bolt 1/4in-20NC x 3/4in	
9	0641408	3	Bolt 1/4in-20NC x 1in	
10	0641414	4	Bolt 1/4in-20NC x 1-3/4in	
11	0641610	4	Bolt 3/8in-16NC x 1-1/4in	
12	0861537	1	Box, Console (See Items 101-115 for Breakdown)	
13	0902751	4	Bracket, Card Support	
14	1060918	8 ft/2.4m	Cable	
15	1600317	NLA	Controller Assembly (Lift and Swing) (See CONTROLLER ASSEMBLY (LIFT AND SWING) for Breakdown) (Use p/n 1001129555)	
15	1001118417	NLA	Controller Assembly (Lift and Swing) (See CONTROLLER ASSEMBLY (LIFT AND SWING) for Breakdown) (Use p/n 1001129555)	
16	1600318	NLA	Controller Assembly (Drive and Steer) (See CONTROLLER ASSEMBLY (DRIVE AND STEER) for Breakdown) (Use p/n 1001212415)	
17		Ref	Controller, Module (Re-calibration Required when Replaced) Options:	
17	1600313	NLA	Controller, Module (Use p/n 1600375) (SN 0300069000 through 0300077489)	
17	1600375	1	Controller, Module (SN 0300077490 through 0300087000)	
18	1670829	1	Bezel	
19		Ref	Decal (Stop) Options:	
19	1702564	1	Decal (Stop) (SN 0300069000 through 0300073027)	
19	1704997	1	Decal (Stop) (SN 0300073028 through 0300087000)	
20	1702565	1	Decal (Drive and Steer)	
21	1702566	1	Decal (Lift and Swing)	
22	1702567	1	Decal (Function Speed)	
23	1702676	1	Decal (Horn)	
24	1704260	1	Decal - EMS	
25	2560136	1	Handle, Knob	
26	2760105	1	Housing, Display Light	
27	2920129	12	Bulb, Light	
28	3300408	2	Locknut, Nylon Insert	
29	3311405	11	Locknut 1/4in-20NC	
30	3311605	4	Locknut 3/8in-16NC	
31	3520054	4	Plug, Hole	
32	4340678	1	Support, Hand	
33	4340684	1	Support, Hand	
34	4360031	1	Footswitch	
34	7000625	2	Block, Contact	
35	4360328	6	Switch, Toggle	
36	4360331	1	Switch, Toggle	

SECTION 4 - PLATFORM

ITEM	PART NUMBER	QTY	DESCRIPTION	REV
37	4360387	1	Switch, Pushbutton	
38	4360407	1	Controller, Speed	
38	See Note	1	Gasket "Top Hat" (Included with Switch) (Note: Not Available - Purchase Complete Controller)	
		Ref	(Note: Not Available - Purchase Complete Controller.)	
38	70003784	1	Seal	
39	4360475	1	Switch, Emergency Stop	
39	7020175	1	Cap, Red	
39A	7020176	1	Contact Block	
40	4360476	1	Block, Contact	
41	4460042	3	Terminal, Ring (Not Shown)	
42	4460071	1	Connector, Strain Relief	
43	4460226	2	Socket, Contact	
44	4460428	2	Connector, Strain Relief	
45	4460464	1	Terminal, Deutsch	
46	4460470	1	Nut, Terminal	
47	4460471	1	Lockwasher, Terminal	
48	4460905	5	Connector, Amp Seal Plug	
49	4740362	3	Washer 1/4in (Fender)	
50	4751400	16	Flatwasher 1/4in Regular	
51	4751600	4	Flatwasher 3/8in Regular	
52	4922639	1	Harness, Platform Box	
53	4922666	1	Harness, Analyzer Cable (Not Shown)	
53	4460871	4	Terminal, Socket	
53	4460761	1	Housing - 4 Position	
53	4460227	4	Pin	
54	3790012	7	O-Ring	
55	4460708	2	Connector, Female - 15 Position (Not Shown -See ELECTRICAL SECTION for Location)	
56	0100081	AR	Adhesive	
57	1671037	1	Cover	
58	1705132	1	Decal - ADE	
59	3300353	4	Nut, Tinnerman	
60	4460226	3	Wire, Tie (Not Shown)	
61	4460488	1	Base, Mounting	
62	0721008	1	Bolt #10-24NC x 1 (SN 0300071584 through 0300087000)	
63	3311001	1	Nut #10-24NC (SN 0300071584 through 0300087000)	
64	4460007	1	Bar, Buss (SN 0300071584 through 0300087000)	
	0272970	1	Preassembled Footswitch Kit (Includes Items 2, 14, 34, 41, 42, 43 & 45)	
	0861537	Ref	CONSOLE BOX ASSEMBLY	C
110	0861537	1	Console Bottom (Note: Not Available for Purchase)	
111	0861537	1	Console Top (Note: Not Available for Purchase)	
112	3311601	1	Nut 3/8in-16NC	
113		Ref	Pin Options:	
113	3450304	2	Pin, Cotter (SN 0300069000 through 0300073731)	
113	3420156	2	Hair Pin, Cotter (SN 0300073731 through 0300087000)	
114	0630568	1	Screw 3/8in-16NC x 4-1/2in	
115	4711500	2	Flatwasher 5/16in Thin	
		Ref	LIGHT PANEL DECAL INSTALLATION	
	0256632	Ref	Euro Spec	-
	0256633	Ref	Australian Spec	-

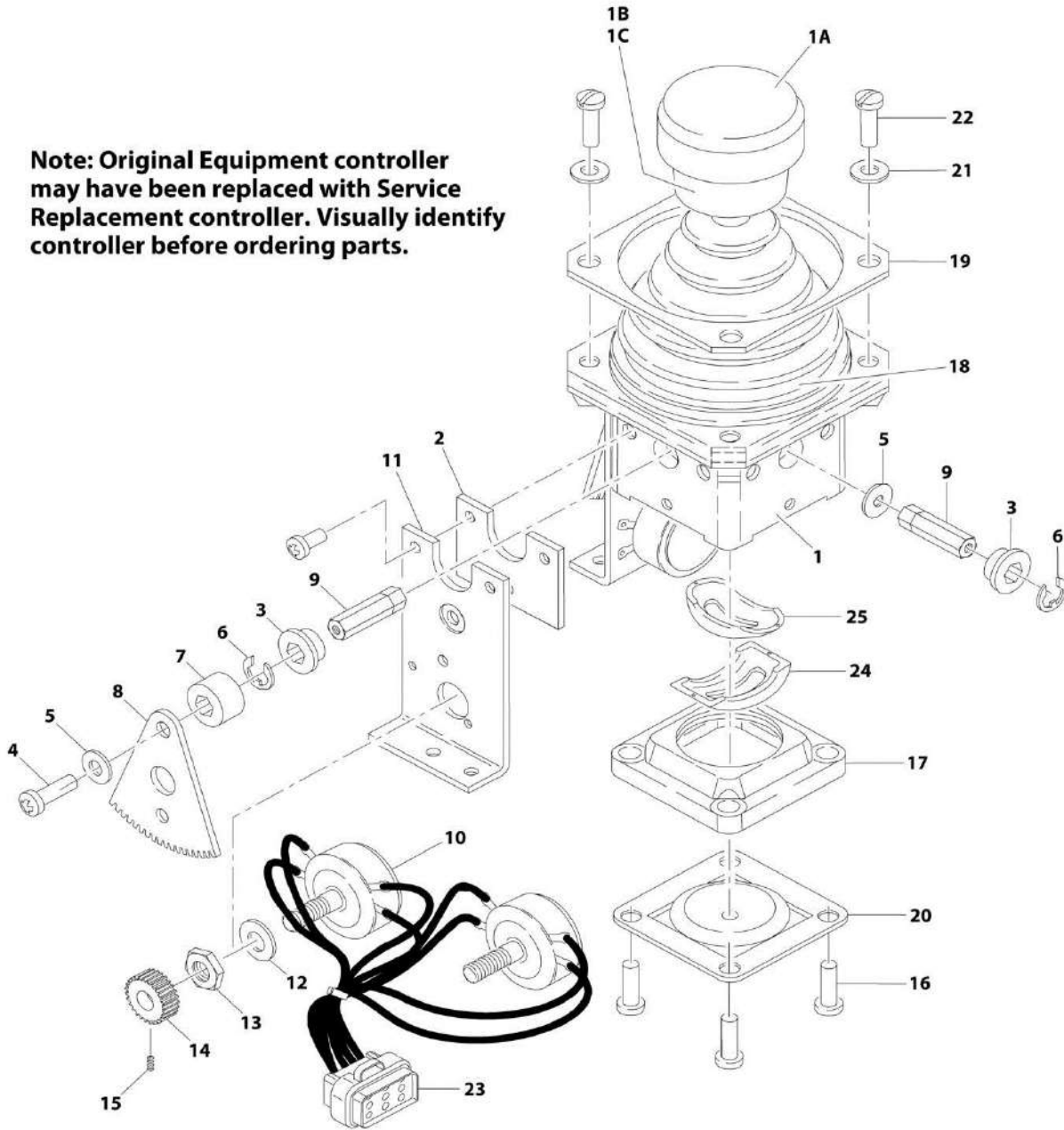
SECTION 4 - PLATFORM

ITEM	PART NUMBER	QTY	DESCRIPTION	REV
201		Ref	Decal - Display Options:	
201	1703084	1	Euro Spec	
201	1703085	1	Australian Spec	
	0271552	Ref	HEAD AND TAIL LIGHTS INSTALLATION (OPTIONAL)	2
301	4360336	1	Switch, Toggle	
301	3790012	1	O-Ring	
	0274200	Ref	CHASSIS ILLUMINATION LIGHT INSTALLATION	1-A
351	4360336	1	Switch, Toggle	
351	3790012	1	O-Ring	
		Ref	SOFT TOUCH SYSTEM INSTALLATION (OPTIONAL)	
	0273824	Ref	Soft Touch - 36 x 72	A
	0272427	Ref	Soft Touch - 36 x 96	C
401	4360387	1	Switch, Pushbutton	
402	1702938	1	Decal - Soft Touch Override	
		Ref	GENERATOR INSTALLATION (OPTIONAL)	
	0273538	Ref	110V/50Hz - Caterpillar	1-A
	0273539	Ref	220V/50Hz - Caterpillar	1-A
	0272482	Ref	100V/50Hz - Deutz	2
	0272481	Ref	220V/50Hz - Deutz	2
501	4360336	1	Switch, Toggle	
502	4740397	1	Bushing	
503	4060802	1	Guard, Switch	
504	3251102	1	Decal - Generator ON/OFF	
		Ref	PLATFORM WORKLIGHT INSTALLATION (OPTIONAL)	
	0270814	Ref	Worklights Installation (SN 0300069000 through 0300074444)	3-E
	0273492	Ref	Worklights Installation (SN 0300074445 through 0300087000)	B
601	4360232	1	Breaker, Circuit - 15Amp (SN 0300069000 through 0300074445)	
602	0721003	2	Bolt #10-24NC x 3/8in (SN 0300069000 through 0300074445)	
603	4761000	4	Lockwasher #10 (SN 0300069000 through 0300074445)	
604	3311001	2	Nut #10-24NC (SN 0300069000 through 0300074445)	
605		Ref	Connector, Strain Relief Options:	
605	4460598	1	Connector, Strain Relief (SN 0300069000 through 0300074424)	
605	4460426	1	Connector, Strain Relief (SN 0300074425 through 0300087000)	

SECTION 4 - PLATFORM

FIGURE 4-5. CONTROLLER ASSEMBLY (LIFT AND SWING)

Note: Original Equipment controller may have been replaced with Service Replacement controller. Visually identify controller before ordering parts.



ART_1600317

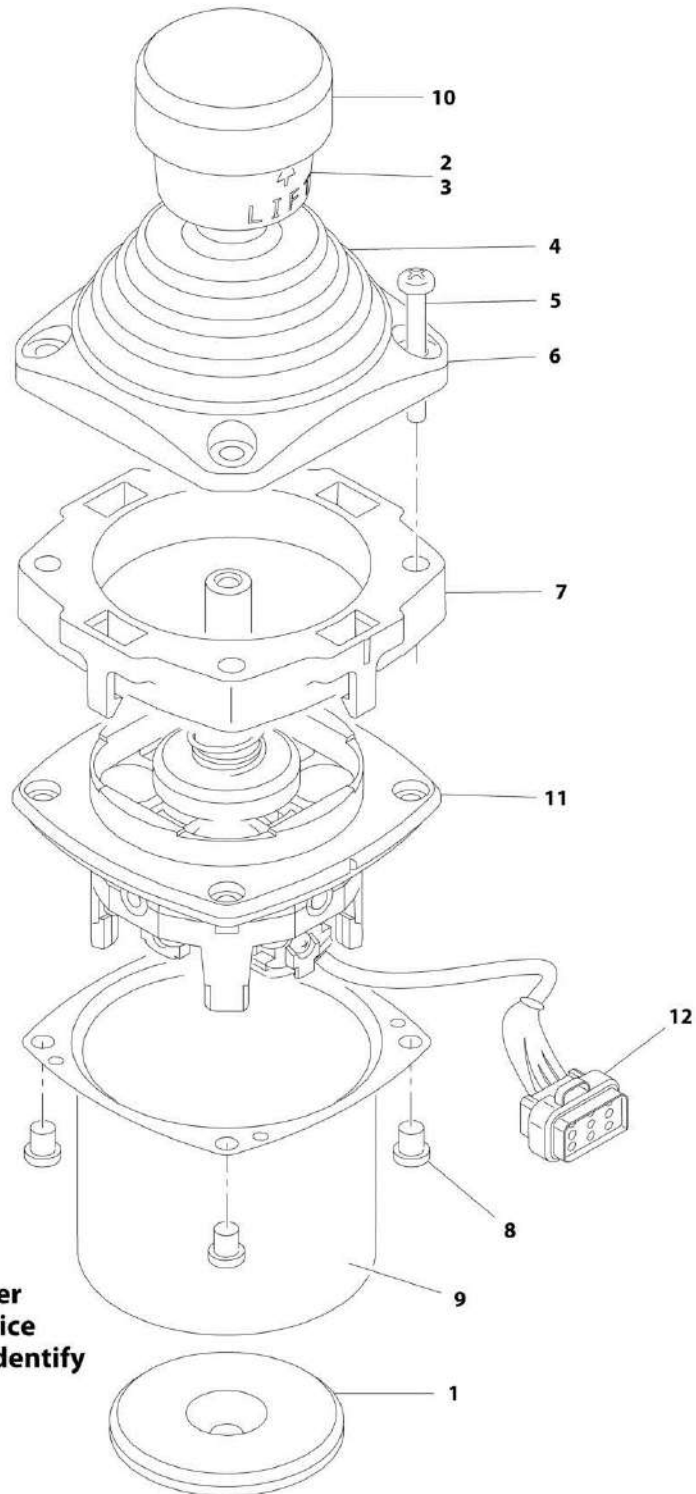
SECTION 4 - PLATFORM

FIGURE 4-5. CONTROLLER ASSEMBLY (LIFT AND SWING)

ITEM	PART NUMBER	QTY	DESCRIPTION	REV
		Ref	Note: Original Equipment controller may have been replaced with Service Replacement controller. Visually identify controller before ordering parts.	
	1600317	Ref	CONTROLLER ASSEMBLY	C
		Ref	Note: Use p/n 1001129555 Kit as Replacement.	
1	7019141	1	Mechanical Assembly (Includes Base, Handle Stem and Items 1A, 1B, 1C & 18)	
1A	7019197	1	Handle Cap and Rod	
1B	7003928	1	Spring	
1C	7022808	1	Cap, Lift	
2	7019171	2	Plate	
3	7019111	4	Bearing, Gear	
4	7019143	2	Screw	
5	7019144	2	Spacer, Cam	
6	7019145	4	E-Clip	
7	7019174	2	Spacer	
8	7003977	2	Gear, Drive	
9		Ref	Shaft Options:	
9	7019147	2	Shaft, Short	
9	7019177	2	Shaft, Long	
10	7022818	2	Potentiometer	
11	7019142	2	Plate	
12	7003992	2	Washer	
13	7003993	2	Nut	
14	7003976	2	Gear, Slave	
15	7019149	2	Setscrew	
16	7022816	4	Screw	
17	7019150	1	Gate	
18	7022814	1	Boot	
19	7022815	1	Bezel	
20	See Note	NSS	Center, Detent (Note: Use p/n 1001129555)	
21	7003953	4	Washer	
22	7022817	4	Screw	
23	7022819	1	Plug, Male - 8 Position (Natural)	
23	4460871	8	Socket, Female	
24	7019122	1	Gimble, Outer	
25	7019123	1	Gimble, Inner	

SECTION 4 - PLATFORM

FIGURE 4-6. CONTROLLER ASSEMBLY (LIFT AND SWING)



Note: Original Equipment controller may have been replaced with Service Replacement controller. Visually identify controller before ordering parts.

ART_100118417

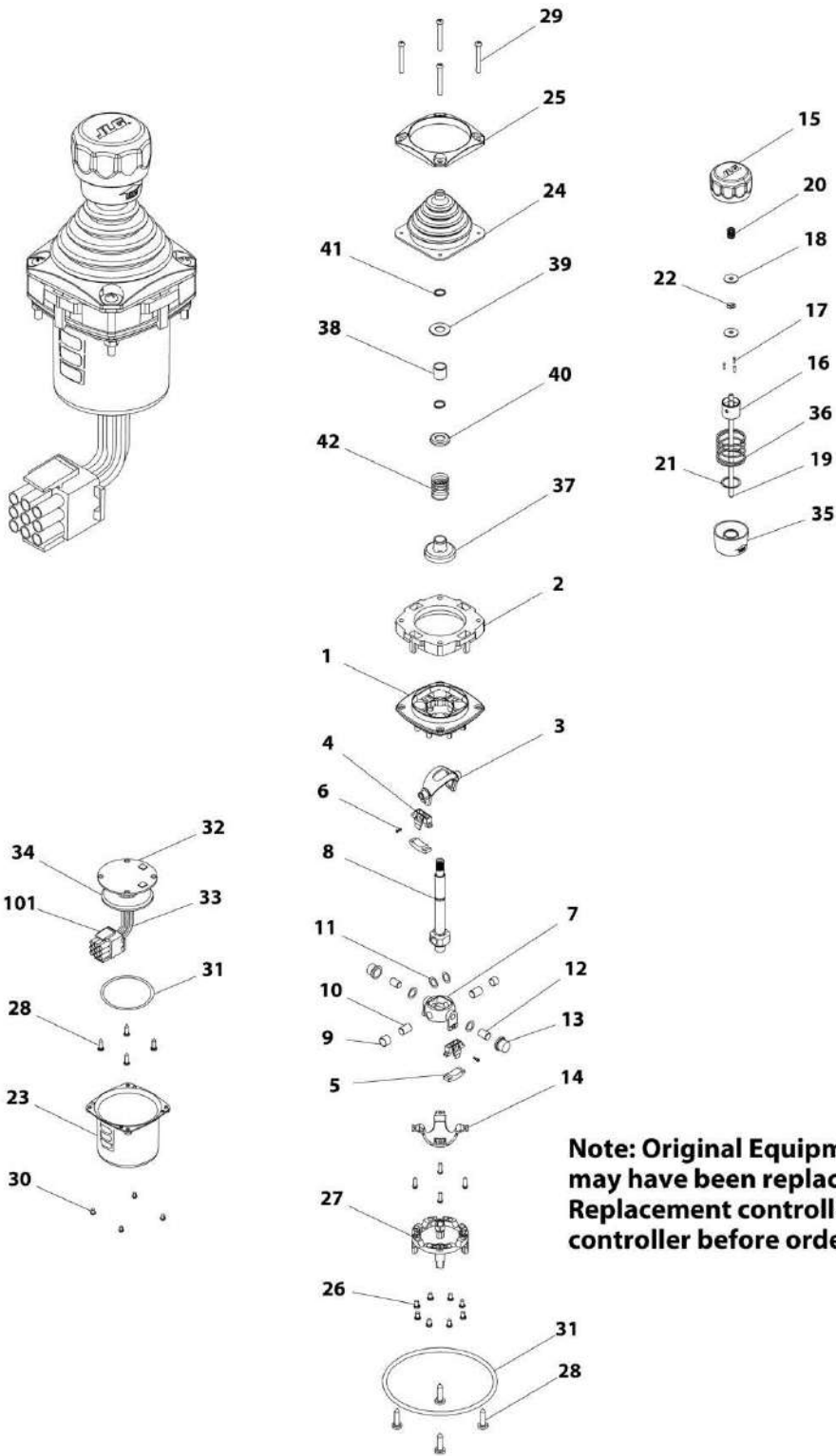
SECTION 4 - PLATFORM

FIGURE 4-6. CONTROLLER ASSEMBLY (LIFT AND SWING)

ITEM	PART NUMBER	QTY	DESCRIPTION	REV
		Ref	Note: Original Equipment controller may have been replaced with Service Replacement controller. Visually identify controller before ordering parts.	
	1001118417	Ref	CONTROLLER ASSEMBLY	E
		Ref	Note: Use p/n 1001129555 as Replacement.	
1	70002730	1	Gasket	
2	7003928	1	Spring	
3	7022808	1	Cap, Lift	
4	70002731	1	Boot	
5	70002732	4	Screw	
6	7022815	1	Bezel	
7	70002733	1	Adapter	
8	70002734	4	Screw	
9	70002735	1	Can, Enclosure	
10	70002906	1	Cap	
11	See Note	NSS	Mechanical Assembly (Note: Use p/n 1001129555)	
12	7022819	1	Connector - 8 Position	
12	4460871	6	Socket, Female	

SECTION 4 - PLATFORM

FIGURE 4-7. CONTROLLER ASSEMBLY (LIFT AND SWING)



Note: Original Equipment controller may have been replaced with Service Replacement controller. Visually identify controller before ordering parts.

ART_1001166539

SECTION 4 - PLATFORM

FIGURE 4-7. CONTROLLER ASSEMBLY (LIFT AND SWING)

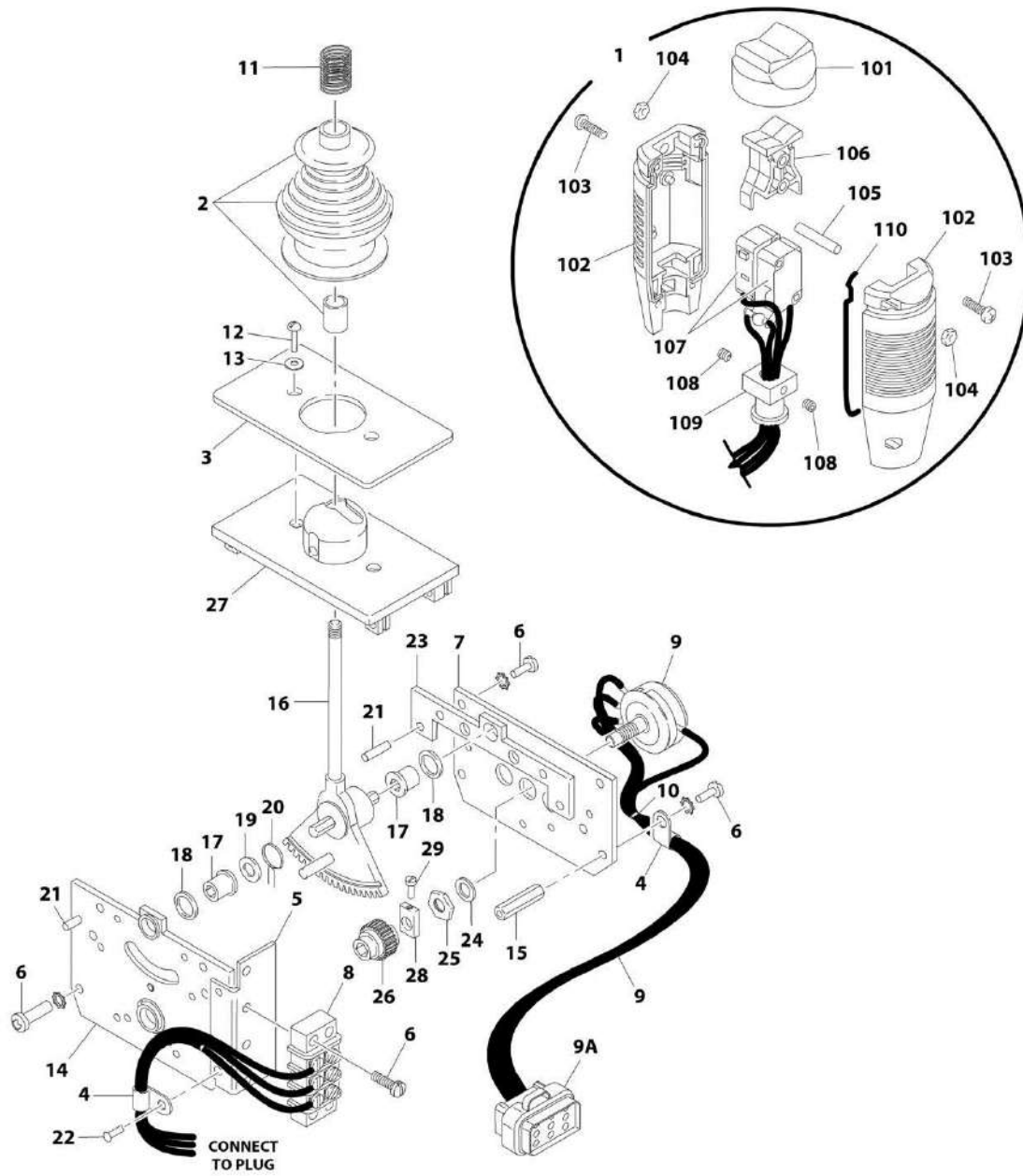
ITEM	PART NUMBER	QTY	DESCRIPTION	REV
		Ref	Note: Original Equipment controller may have been replaced with Service Replacement controller. Visually identify controller before ordering parts.	
	1001166539	Ref	CONTROLLER ASSEMBLY	D
		Ref	Note: Use p/n 1001129555 as Replacement.	
1	See Note	NSS	Main Cast Body (Note: Not Available - Purchase Complete Assembly)	
2	70004752	1	Adapter	
3	See Note	NSS	Pivot Arm, Plastic (Note: Not Available - Purchase Complete Assembly)	
4	See Note	NSS	Holder, Magnet (Note: Not Available - Purchase Complete Assembly)	
5	See Note	NSS	Arc, Magnet (Note: Not Available - Purchase Complete Assembly)	
6	See Note	NSS	Screw (Note: Not Available for Purchase)	
7	See Note	NSS	Pivot Arm, Cast (Note: Not Available - Purchase Complete Assembly)	
8	See Note	NSS	Shaft, Main (Note: Not Available - Purchase Complete Assembly)	
9	See Note	NSS	Bearing (Note: Not Available - Purchase Complete Assembly)	
10	See Note	NSS	Pin (Note: Not Available - Purchase Complete Assembly)	
11	See Note	NSS	Shim (Note: Not Available - Purchase Complete Assembly)	
12	See Note	NSS	Pin (Note: Not Available - Purchase Complete Assembly)	
13	See Note	NSS	Bearing (Note: Not Available - Purchase Complete Assembly)	
14	See Note	NSS	Dome, Centering (Note: Not Available - Purchase Complete Assembly)	
15	70004753	1	Cap	
16	70004754	1	Insert, Cap	
17	70004755	3	Pin	
18	70004756	2	Washer	
19	70004757	1	Pin, Centering	
20	70004758	1	Spring	
21	70004759	1	Ring, Retaining	
22	70004760	1	E-Ring	
23	70004761	1	Can, Enclosure	
24	70004762	1	Boot	
25	70004763	1	Bezel	
26	See Note	NSS	Screw (Note: Not Available for Purchase)	
27	See Note	NSS	Base, Mounting (Note: Not Available - Purchase Complete Assembly)	
28	See Note	NSS	Screw (Note: Not Available for Purchase)	
29	70004764	4	Screw	
30	70004765	4	Screw	
31	70004766	1	O-Ring	
32	See Note	NSS	Plate (Note: Not Available - Purchase Complete Assembly)	
33	See Note	NSS	Harness (Note: Not Available - Purchase Complete Assembly)	
34	70004767	1	Grommet, Rubber	
35	70004768	1	Housing	
36	70004769	1	Spring	
37	70004770	1	Stopper	
38	70004771	1	Spacer	
39	70004772	1	Washer	
40	70004773	1	Disc	

SECTION 4 - PLATFORM

ITEM	PART NUMBER	QTY	DESCRIPTION	REV
41	70004774	2	Ring, Retaining	
42	70004775	1	Spring	
101	4460265	1	Connector - 9 Position	
101	4460226	6	Socket, Female	

SECTION 4 - PLATFORM

FIGURE 4-8. CONTROLLER ASSEMBLY (DRIVE AND STEER)



Note: Original Equipment controller may have been replaced with Service Replacement controller. Visually identify controller before ordering parts.

ART_1600318

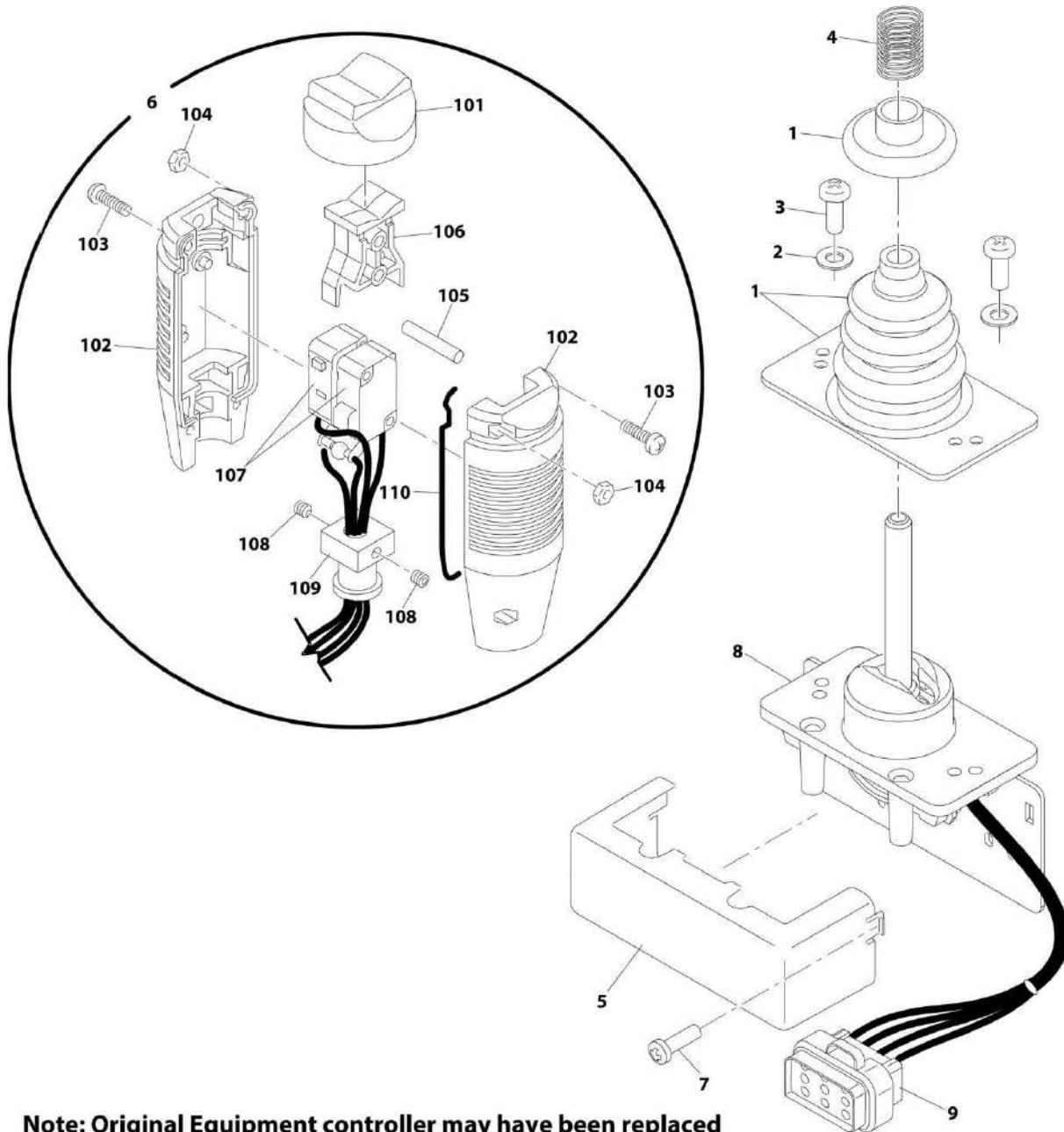
SECTION 4 - PLATFORM

FIGURE 4-8. CONTROLLER ASSEMBLY (DRIVE AND STEER)

ITEM	PART NUMBER	QTY	DESCRIPTION	REV
		Ref	Note: Original Equipment controller may have been replaced with Service Replacement controller. Visually identify controller before ordering parts.	
	1600318	Ref	CONTROLLER ASSEMBLY	C
		Ref	Note: Use p/n 1001212415 as Replacement.	
1	7022812	1	Handle Assembly (See Items 101-110 for Breakdown)	
2	7019161	1	Boot and Sleeve	
3	7003933	1	Gasket	
4	7019154	2	Clamp, Wire	
5	7022823	1	Bracket, Mounting	
6	7003994	1	Screw	
7	7022822	1	Plate, Pot Mounting	
8	7003986	1	Strip, Terminal - 3 Position	
9	7022824	1	Electric Assembly	
9A	1001113961	1	Plug, Male - 8 Position (Black) (was p/n 7022825)	
9A	4460871	7	Socket, Female	
10	7019151	AR	Tie-Strap	
11	7019162	1	Spring	
12	7003969	2	Screw	
13	7003941	2	Washer	
14	See Note	NSS	Plate, Mounting (Left Side) (Note: Not Available for Purchase)	
15	7019115	2	Stand-Off	
16	7019155	1	Shaft 8mm	
17	7019111	2	Bearing	
18	7019110	2	Spacer, Head Gear	
19	7019112	1	Washer	
20	7003946	1	Spring, Return	
21	7019103	4	Pin	
22	See Note	NSS	Rivet (Note: Not Available - Purchase Locally)	
23	7019168	1	Plate, Mounting (Right Side)	
24	7003992	1	Washer	
25	7003993	1	Nut	
26	7003935	1	Gear, Slave	
27	7019160	1	Plate, Base	
28	7019114	1	Coupling, Potentiometer	
29	See Note	NSS	Cup Point Screw (Note: Not Available for Purchase)	
	7022812	Ref	HANDLE ASSEMBLY	
101	7003972	1	Boot, Switch	
102	7003973	2	Half, Handle	
103	7003980	4	Screw	
104	7019167	4	Nut	
105	7019164	1	Axle	
106	7019165	1	Rocker	
107	See Note	NSS	Wiring for Controller Assembly p/n 1600318 (Note: Use p/n 1001166538)	
107	7019166	2	Switch, Micro	
108	7003983	2	Setscrew	
109	7019194	1	Coupling	
110	7003989	2	Gasket	

SECTION 4 - PLATFORM

FIGURE 4-9. CONTROLLER ASSEMBLY (DRIVE AND STEER)



Note: Original Equipment controller may have been replaced with Service Replacement controller. Visually identify controller before ordering parts.

ART_1001118416

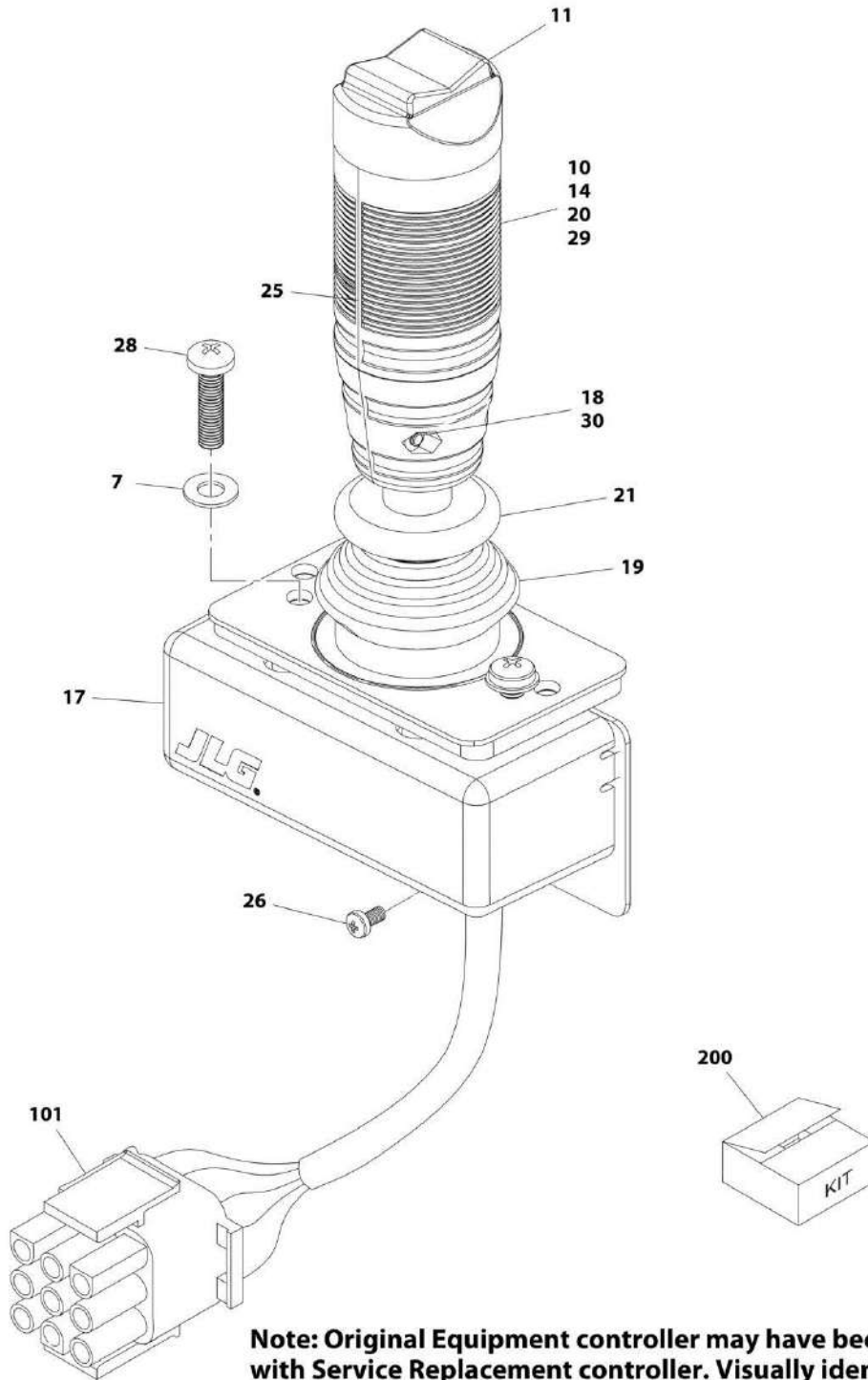
SECTION 4 - PLATFORM

FIGURE 4-9. CONTROLLER ASSEMBLY (DRIVE AND STEER)

ITEM	PART NUMBER	QTY	DESCRIPTION	REV
		Ref	Note: Original Equipment controller may have been replaced with Service Replacement controller. Visually identify controller before ordering parts.	
	1001118416	Ref	CONTROLLER ASSEMBLY	D
		Ref	Note: Use p/n 1001212415 as Replacement.	
1	70002724	1	Boot and Control Lock Assembly	
2	7003941	2	Washer	
3	70002725	2	Screw	
4	7019162	1	Spring	
5	70002726	1	Enclosure	
6	70002727	1	Handle Assembly (See Items 101-110 for Breakdown)	
7	70002728	1	Screw	
8	See Note	NSS	Mechanical Assembly (Note: Use p/n 1001166538)	
9	1001113961	1	Plug, Male - 8 Position (Black) (was p/n 7022825)	
9	4460871	7	Socket, Female	
	70002727	Ref	HANDLE ASSEMBLY	
101	7003972	1	Boot, Switch	
102	7003973	2	Half, Handle	
103	7003980	4	Screw	
104	7019167	4	Nut	
105	7019164	1	Axle	
106	7019165	1	Rocker	
107	70002729	1	Wiring Assembly	
107	7003982	2	Switch, Micro	
108	7003983	2	Set Screw	
109	7019194	1	Coupling	
110	7003989	2	Gasket	

SECTION 4 - PLATFORM

FIGURE 4-10. CONTROLLER ASSEMBLY (DRIVE AND STEER)



Note: Original Equipment controller may have been replaced with Service Replacement controller. Visually identify controller before ordering parts.

ART_1001166538

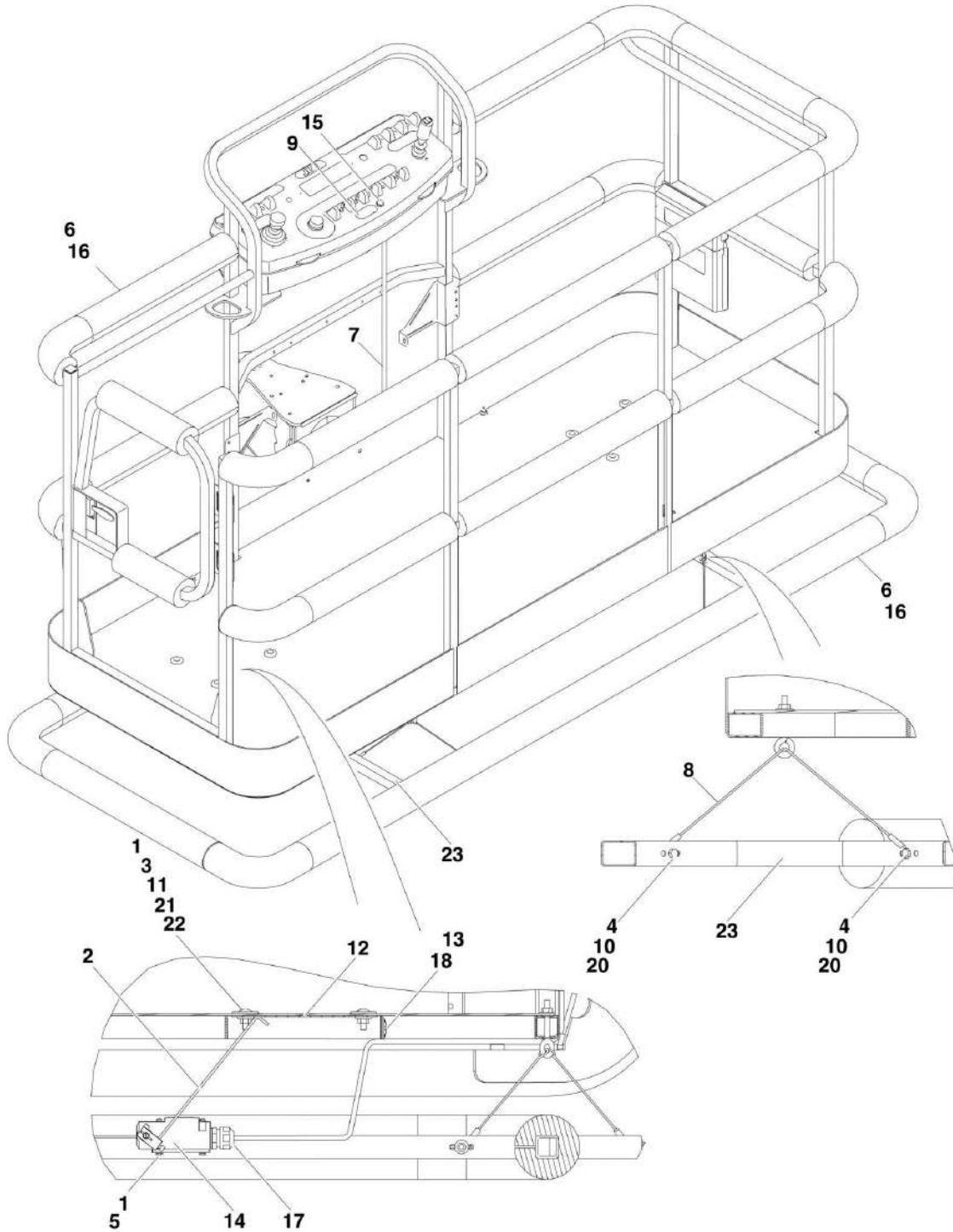
SECTION 4 - PLATFORM

FIGURE 4-10. CONTROLLER ASSEMBLY (DRIVE AND STEER)

ITEM	PART NUMBER	QTY	DESCRIPTION	REV
		Ref	Note: Original Equipment controller may have been replaced with Service Replacement controller. Visually identify controller before ordering parts.	
	1001166538	Ref	CONTROLLER ASSEMBLY	E
		Ref	Note: Use p/n 1001212415 as Replacement.	
7	70004738	2	Washer	
10	70004739	1	Roller	
11	70004740	1	Boot, Switch	
14	70004741	2	Half, Handle	
17	70004742	1	Enclosure	
18	70004743	4	Nut	
19	70004744	NLA	Boot, Controller (Note: Use Item 200)	
20	70004745	NLA	Tube, Locking (Note: Use Item 200)	
21	70004746	NLA	Disc, Locking (Note: Use Item 200)	
25	70004747	2	Seal, Rope	
26	70004748	1	Screw, M3 x 6	
28	70004749	2	Screw, M5 x 20	
29	70004750	1	Pin, Dowel	
30	70004751	4	Screw, M3 x 16	
101	4460265	1	Connector - 9 Position	
101	4460226	7	Socket, Female	
200	70005230	1	Boot Kit (Includes Items 19-21)	

SECTION 4 - PLATFORM

FIGURE 4-11. SOFT TOUCH SYSTEM INSTALLATION (OPTIONAL)



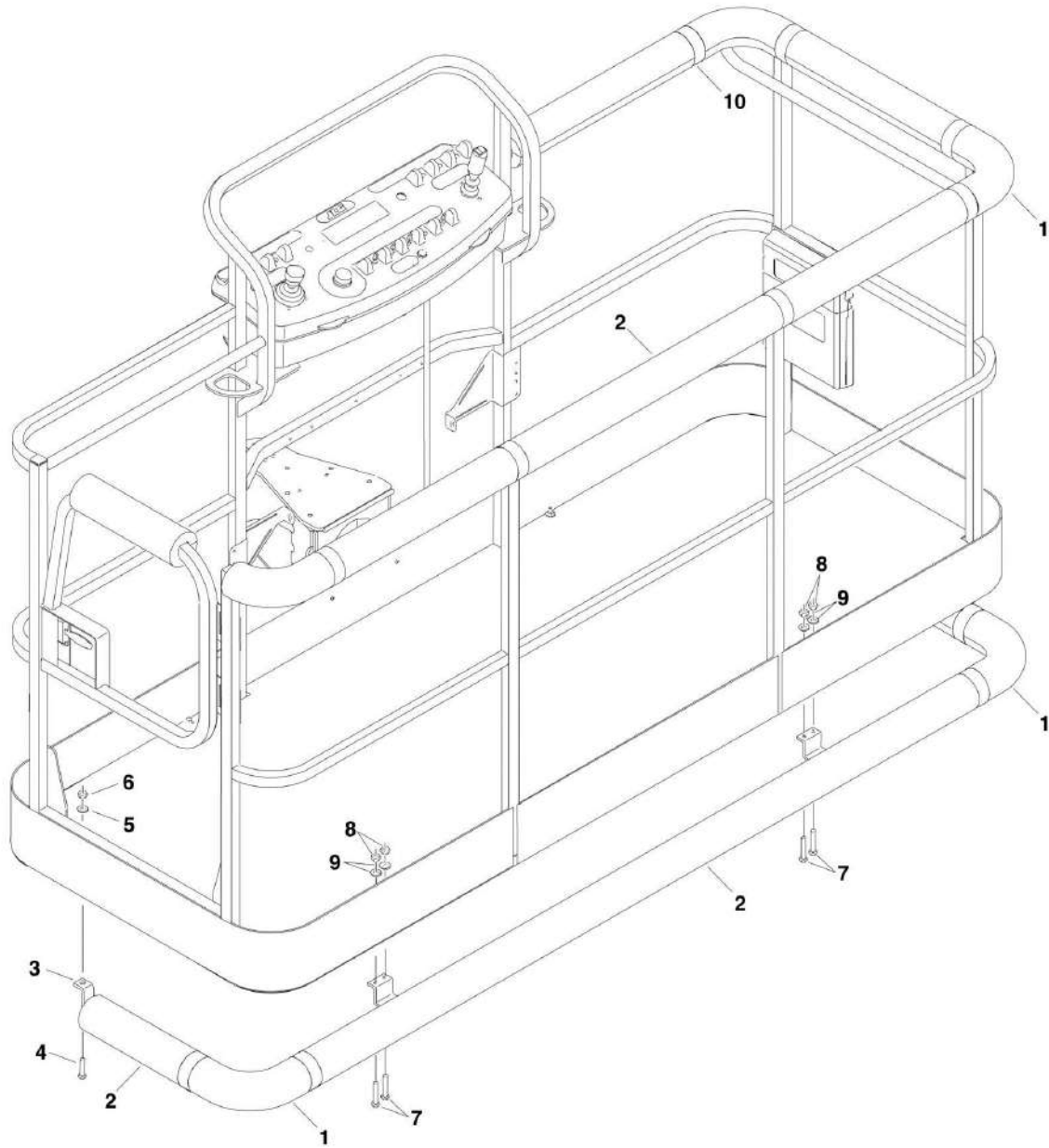
SECTION 4 - PLATFORM

FIGURE 4-11. SOFT TOUCH SYSTEM INSTALLATION (OPTIONAL)

ITEM	PART NUMBER	QTY	DESCRIPTION	REV
		Ref	SOFT TOUCH SYSTEM INSTALLATIONS	
	0273824	Ref	Soft Touch System - 36 x 72	A
	0272427	Ref	Soft Touch System - 36 x 96	C
	0273706	Ref	8ft/2.4m Platforms with Fall Arrest	A
1	0100011	AR	Compound, Locking	
2	0200048	2	Arm, Switch	
3	0630462	8	Bolt, Carriage	
4	0641414	8	Bolt 1/4in-20NC x 1 3/4in	
5	0721005	4	Bolt #10-24NC x 5/8in	
6		Ref	Bumper Kits (Includes Corners and Enough Straight Material for One Platform)	
6	0940134	1	6ft Platform	
6	0940103	1	8ft Platform	
6	0940133	1	8ft/2.4m Platforms with Fall Arrest	
6	0940092	Ref	Bumper (Corner) Options:	
6	0940092	12	Bumper, 6ft/8ft Platform	
6	0940092	8	Bumper, 8ft/2.4m Platforms with Fall Arrest	
6	0940094	AR	Bumper (12ft Length)	
7	1060341	Ref	Cable, Electrical - 16/2 Options:	
7	1060341	22 ft/6.7m	Cable, Electrical - 16/2 , 6ft Platform	
7	1060341	23 ft/7m	Cable, Electrical - 16/2 , 8ft Platform	
8	1060903	4	Wire Rope and Eyebolt Assembly	
9	1702938	1	Decal - Soft Touch Override	
10	3311401	8	Nut 1/4in-20NC	
11	3311501	8	Nut 5/16in-18NC	
12		Ref	Plate, Switch Strike Options:	
12	3575359	2	6ft Platform	
12	3574091	2	8ft Platform	
13	4240099	7	Tie-Strap	
14	4360057	2	Switch, Limit	
15	4360387	1	Switch, Push Button	
16	4420068	1	Tape, Adhesive	
17	4460049	2	Connector, Strain Relief	
18	4460234	7	Tie-Strap	
19	4460425	1	Connector, Strain Relief	
20	4751400	8	Flatwasher 1/4in	
21	4751500	12	Flatwasher 5/16in	
22	4751800	8	Flatwasher 1/2in	
23		Ref	Rail, Soft Touch Options:	
23	3641569	1	6ft Platform	
23	4846673	1	8ft Platform	
24		Ref	Soft-Touch Installation Kit Options (Not Shown) (Includes Items 2-23):	
		Ref	Note: May not be available for all machines depending on existing options. Contact JLG Parts Dept before ordering.	
24	1001121592	1	Kit - 6ft Platform without Fall Arrest	
24	1001121593	1	Kit - 8ft Platform without Fall Arrest	

SECTION 4 - PLATFORM

FIGURE 4-12. PLATFORM PADDING INSTALLATION (SIDE ENTRY PLATFORM) (OPTIONAL)



SECTION 4 - PLATFORM

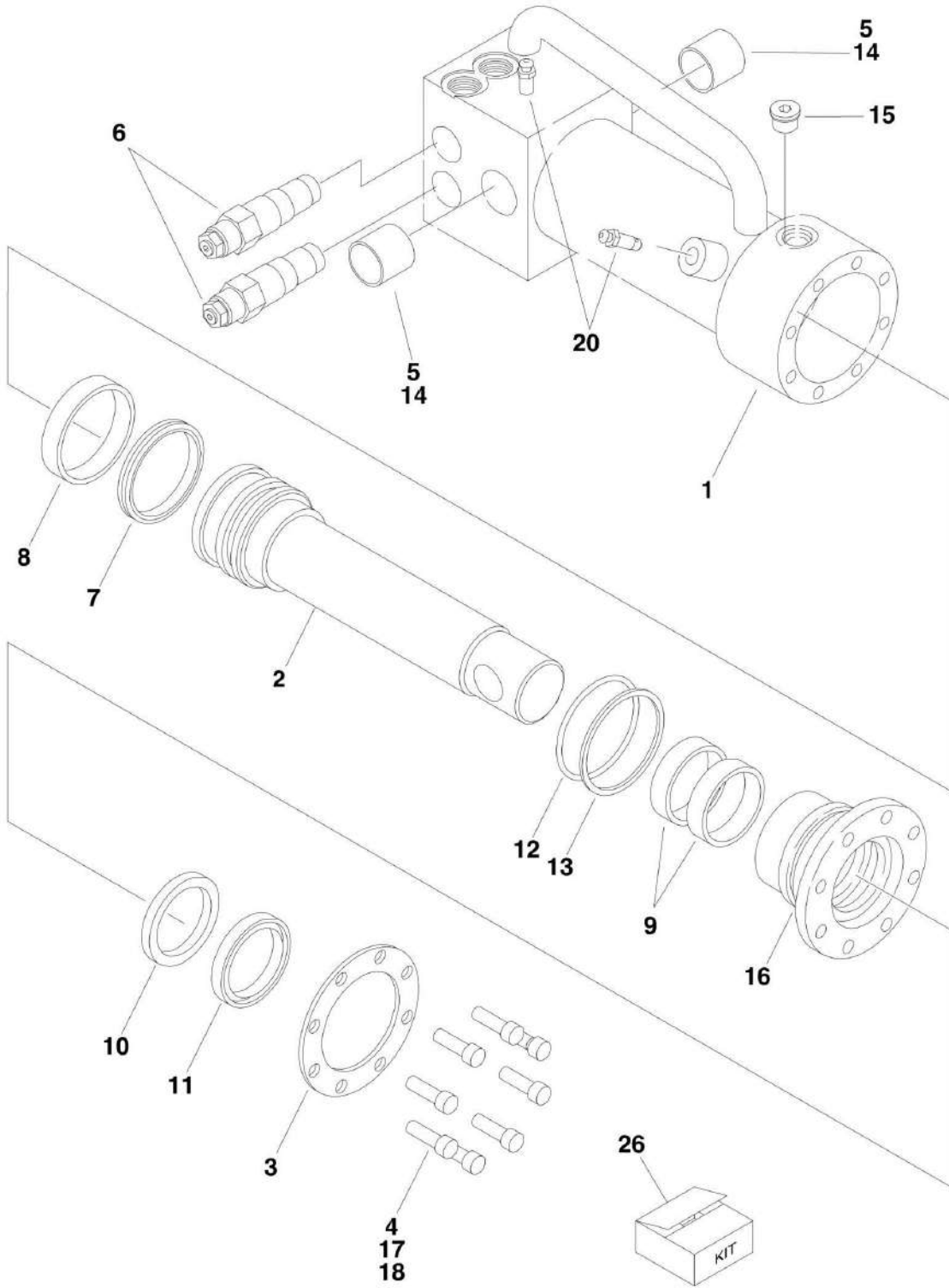
FIGURE 4-12. PLATFORM PADDING INSTALLATION (SIDE ENTRY PLATFORM) (OPTIONAL)

ITEM	PART NUMBER	QTY	DESCRIPTION	REV
	0273542	Ref	PADDING INSTALLATION (30 X 48 SIDE ENTRY PLATFORM)	A
1	0940092	4	Bumper, Pad (Corner)	
2	0940094	9 ft/2.7m	Bumper, Pad (Square Tubing)	
3	0940131	1	Bumper, Rail	
4	0641516	2	Bolt 5/16in-18NC x 2in	
5	4751500	2	Flatwasher 5/16in	
6	3311505	2	Locknut 5/16in-18NC	
7	0641813	4	Bolt 1/2in-13NC x 1 5/8in	
8	3311805	4	Locknut 1/2in-13NC	
9	4891800	4	Flatwasher 1/2in (Hardened)	
10	4420068	30 ft/9.1m	Tape	

SECTION 5 - CYLINDER

SECTION 5 - CYLINDER

FIGURE 5-1. AXLE LOCKOUT CYLINDER ASSEMBLY (SN 0300069000 through 0300081835)



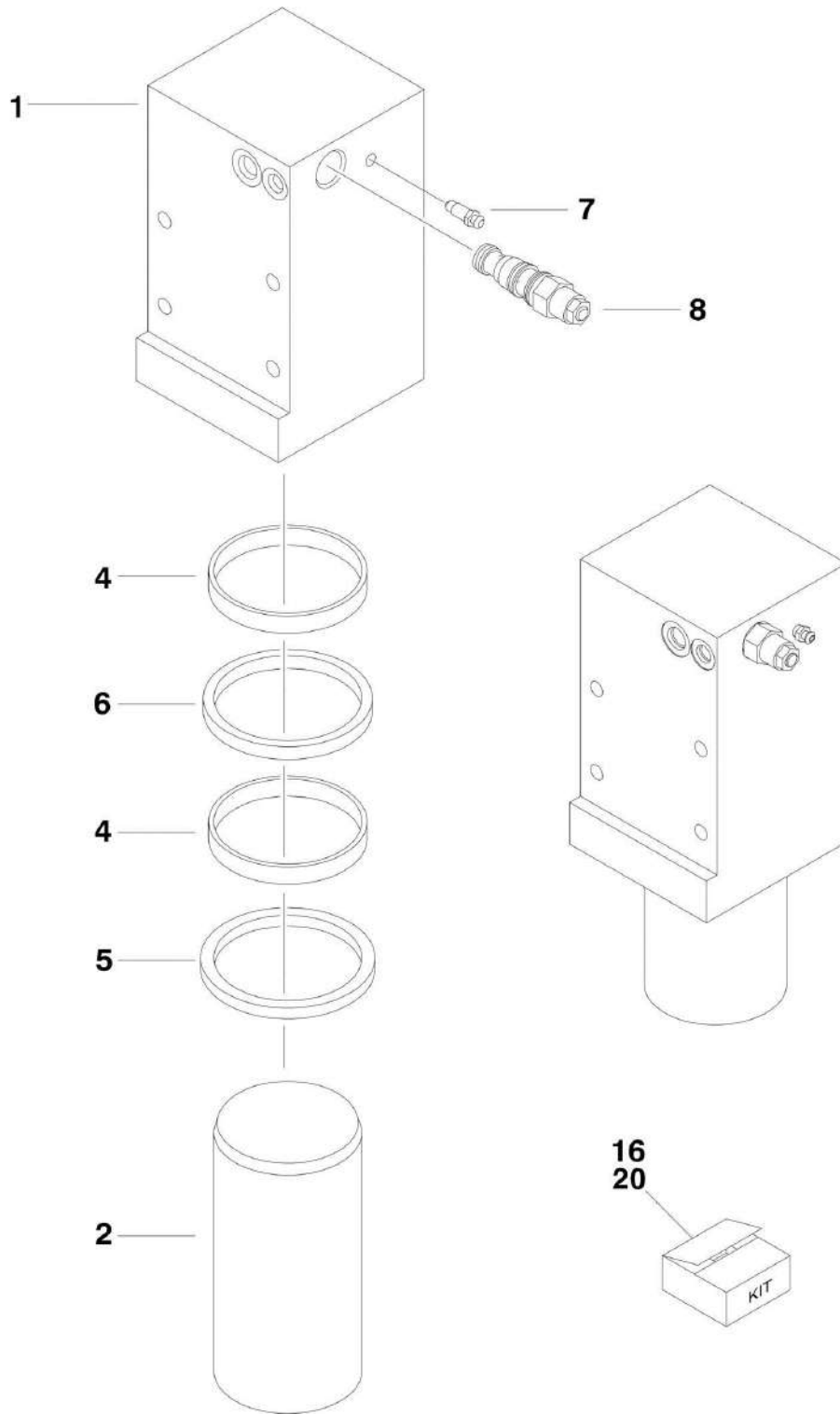
SECTION 5 - CYLINDER

FIGURE 5-1. AXLE LOCKOUT CYLINDER ASSEMBLY (SN 0300069000 through 0300081835)

ITEM	PART NUMBER	QTY	DESCRIPTION	REV
	1683280	Ref	AXLE LOCKOUT CYLINDER ASSEMBLY	6-D
1	1683281	1	Barrel Weldment	
2	1683283	1	Rod Weldment	
3	3760369	1	Ring, Washer	
4	0681610	8	Bolt 3/8in-16NC x 1-1/4in (Grade 8)	
5	0962474	4	Bushing	
6	4641162	2	Valve, Cartridge	
6	2900770	2	Seal Kit - 4640525 Valve	
7	See Note	NSS	Seal (Note: Use Item 26)	
8	See Note	NSS	Ring, Wear (Note: Use Item 26)	
9	See Note	NSS	Ring, Wear (Note: Use Item 26)	
10	See Note	NSS	Seal, Rod (Note: Use Item 26)	
11	See Note	NSS	Wiper, Rod (Note: Use Item 26)	
12	See Note	NSS	O-Ring (Note: Use Item 26)	
13	See Note	NSS	Ring, Back-up (Note: Use Item 26)	
14	0100063	AR	Adhesive	
15	2220885	1	Plug, O-Ring	
16	1683057	1	Head	
17	0100011	AR	Compound, Locking	
18	0100038	AR	Primer, Locking	
20	4640858	2	Valve, Bleeder	
26	2901321	1	Seal Kit (Includes Items 7-13)	

SECTION 5 - CYLINDER

FIGURE 5-2. AXLE LOCKOUT CYLINDER ASSEMBLY (SN 0300081836 through 0300087000)



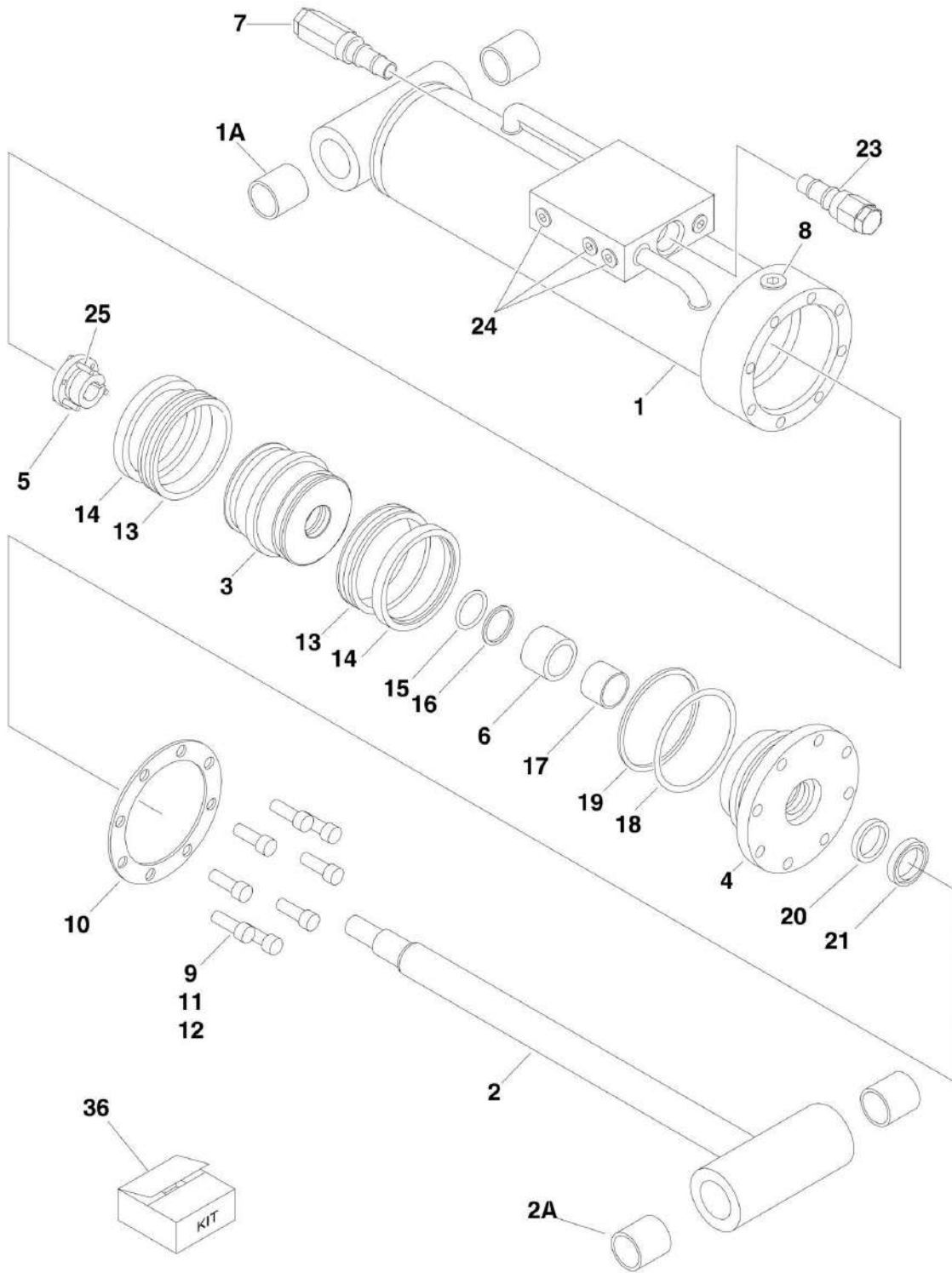
SECTION 5 - CYLINDER

FIGURE 5-2. AXLE LOCKOUT CYLINDER ASSEMBLY (SN 0300081836 through 0300087000)

ITEM	PART NUMBER	QTY	DESCRIPTION	REV
	1684280	Ref	AXLE LOCKOUT CYLINDER ASSEMBLY	E
1	1684289	1	Barrel	
2	1684290	1	Rod	
4	See Note	NSS	Ring, Wear (Note: Use Item 16)	
5	See Note	NSS	Wiper (Note: Use Item 16)	
6	See Note	NSS	Seal, Rod (Note: Use Item 16)	
7	4640858	1	Bleeder	
8	4641319	1	Cartridge, Valve	
8	7024879	1	Seal Kit	
16	2902266	1	Seal Kit (Includes Items 4-6)	
20	1001167359	1	Cylinder Replacement Kit (Kit Replaces p/n 1684280 with Current Design)	

SECTION 5 - CYLINDER

FIGURE 5-3. PLATFORM LEVEL CYLINDER ASSEMBLY



SECTION 5 - CYLINDER

FIGURE 5-3. PLATFORM LEVEL CYLINDER ASSEMBLY

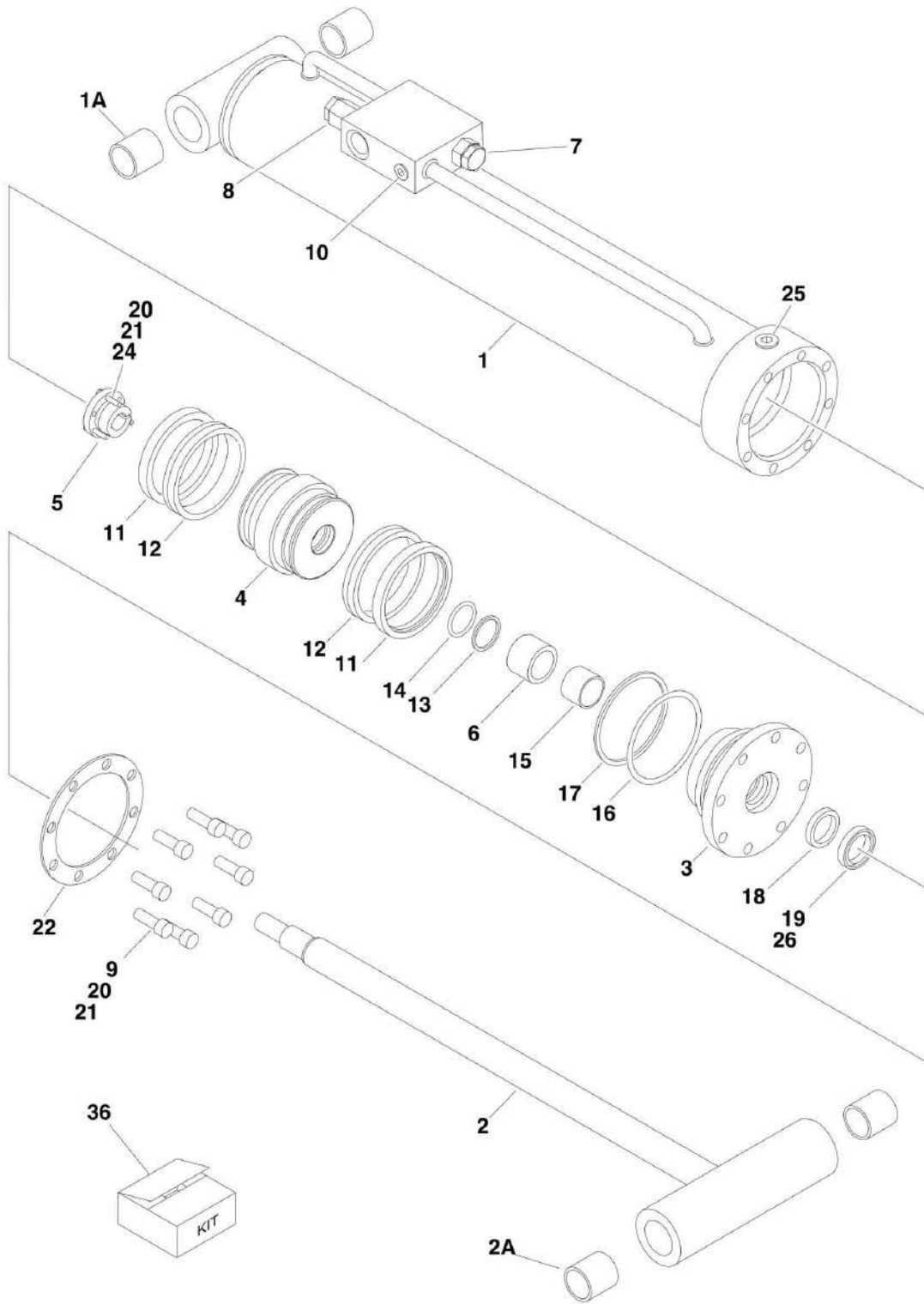
ITEM	PART NUMBER	QTY	DESCRIPTION	REV
	1683415	Ref	PLATFORM LEVEL CYLINDER ASSEMBLY - 600A	C
	1683418	Ref	PLATFORM LEVEL CYLINDER ASSEMBLY - 600AJ	D
1		Ref	Barrel Weldment Options:	
1	1683977	1	Barrel Weldment 600A (Note: Includes Item 1A)	
1	1683952	1	Barrel Weldment 600AJ (Note: Item 1A not included. Purchase Separately)	
1A		Ref	Bushing Options:	
1A	0961947	2	Bushing 600A	
1A	0961951	2	Bushing 600AJ	
2		Ref	Rod Weldment Options:	
2	1683976	1	Rod Weldment 600A (Note: Includes Item 2A)	
2	1683963	1	Rod Weldment 600AJ (Note: Item 2A not included. Purchase Separately)	
2A		Ref	Bushing Options:	
2A	0961947	2	Bushing 600A	
2A	0961951	2	Bushing 600AJ	
3		Ref	Piston Options:	
3	3480210	1	Piston 600A	
3	3480188	1	Piston 600AJ	
4		Ref	Head Options:	
4	1683053	1	Head 600A	
4	1683055	1	Head 600AJ	
5		Ref	Bushing, Tapered (Includes Item 25) Options:	
5	0961893	1	Bushing, Tapered 600A	
5	0961894	1	Bushing, Tapered 600AJ	
6	4566468	1	Spacer	
7	4640509	1	Cartridge, Valve	
7	2900792	1	Seal Kit - 4640509 Valve	
8	2220885	1	Plug, O-Ring	
9		Ref	Capscrew, Socket Head Options:	
9	3931516	8	Capscrew, Socket Head 600A - Capscrew 5/16in-18NC x 1in	
9	3931620	8	Capscrew, Socket Head 600AJ - Capscrew 3/8in-16NC x 1-1/4in	
10		Ref	Ring, Washer Options:	
10	3760368	1	Ring, Washer 600A	
10	3760369	1	Ring, Washer 600AJ	
11	0100011	AR	Compound, Locking	
12	0100038	AR	Primer, Locking	
13	See Note	2	Seal (Note: Use Item 36)	
14	See Note	2	Ring, Lock (Note: Use Item 36)	
15	See Note	1	O-Ring (Note: Use Item 36)	
16	See Note	1	Ring, Back-up (Note: Use Item 36)	
17	See Note	1	Ring, Wear (Note: Use Item 36)	
18	See Note	1	O-Ring (Note: Use Item 36)	
19	See Note	1	Ring, Back-up (Note: Use Item 36)	
20	See Note	1	Seal, Rod (Note: Use Item 36)	
21	See Note	1	Wiper (Note: Use Item 36)	
23	4640932	1	Cartridge, Valve	
23	7011112	1	Seal Kit - 4640932 Valve	
24	2220883	8	Plug, O-Ring	
25		Ref	Bolt Options:	

SECTION 5 - CYLINDER

ITEM	PART NUMBER	QTY	DESCRIPTION	REV
25	0630534	3	Bolt 600A - Bolt #10 - 24NC x 1in	
25	0630535	3	Bolt 600AJ - Bolt 1/4in - 20NC x 1-1/8in	
36		Ref	Seal Kit Options (Includes Items 13-21):	
36	2901303	1	Seal Kit 600A	
36	2901301	1	Seal Kit 600AJ	

SECTION 5 - CYLINDER

FIGURE 5-4. LEVEL CYLINDER ASSEMBLY - UPRIGHT



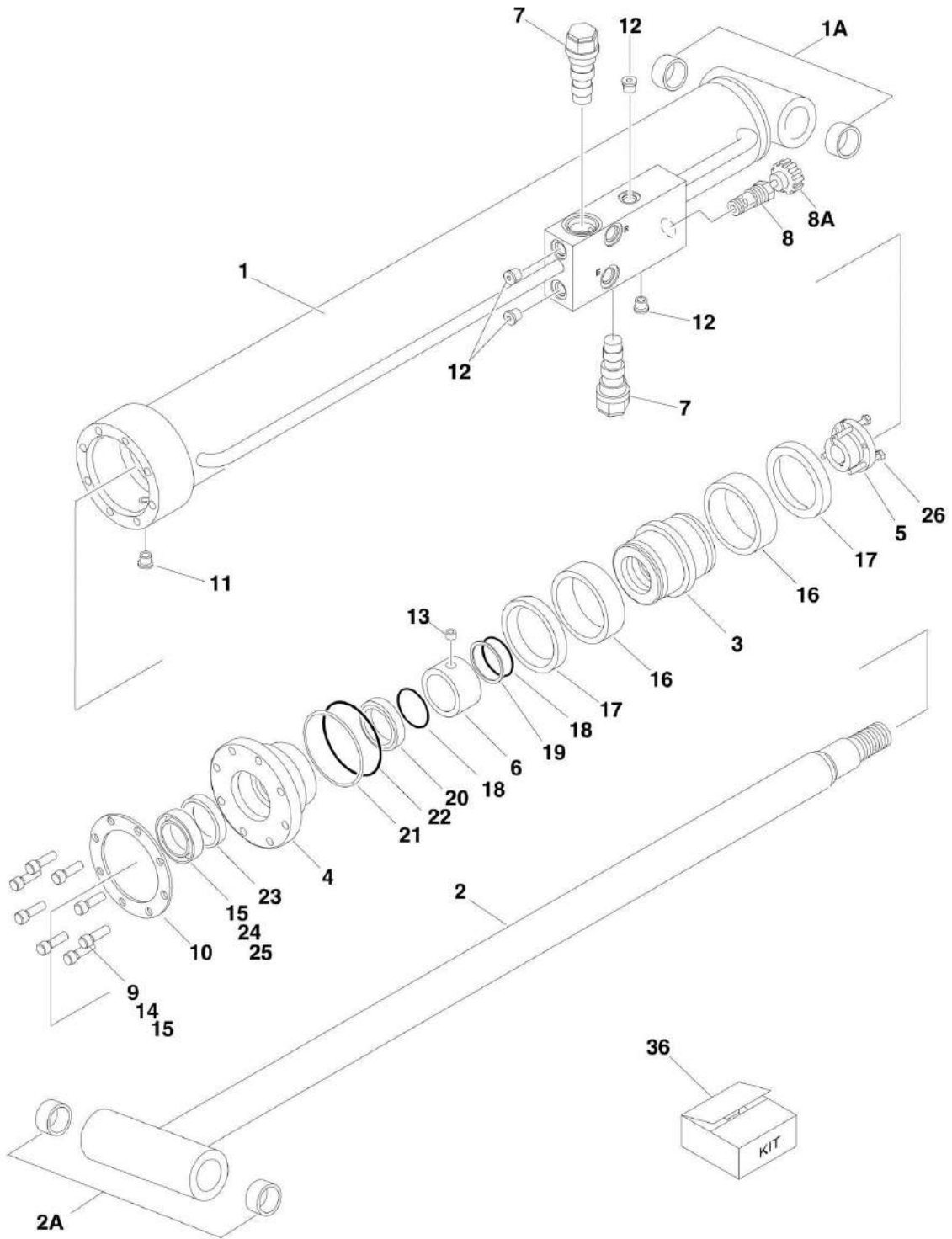
SECTION 5 - CYLINDER

FIGURE 5-4. LEVEL CYLINDER ASSEMBLY - UPRIGHT

ITEM	PART NUMBER	QTY	DESCRIPTION	REV
		Ref	LEVEL CYLINDER ASSEMBLY - UPRIGHT OPTIONS:	
	1683299	Ref	Original Equipment	F
	1684498	Ref	Service Replacement	C
		Ref	Note: Original Equipment components may have been replaced with Service Replacement components part. Identify p/n stamped on cylinder before ordering parts.	
1		Ref	Barrel Weldment	
1	1684014	NLA	Original Equipment (Use p/n 0370035)	
1	0370035	1	Service Replacement	
1A	0961949	2	Bushing	
2	1684015	1	Rod Weldment	
2A	0961949	2	Bushing	
3	1683067	1	Head	
4	3480206	1	Piston	
5	0961898	1	Bushing, Tapered (Use Item #24 in place of supplied bolts)	
6	4566501	1	Spacer, Tube	
7	4640509	1	Cartridge, Valve	
7	2900792	1	Seal Kit - 4640509 Valve	
8	4640605	1	Cartridge, Valve	
8	2900792	1	Seal Kit - 4640605 Valve	
9	3932032	8	Bolt, Socket Head 5/16in-11NC x 2in	
10	2220883	2	Plug, O-Ring	
11	See Note	NSS	Ring, Lock (Note: Use Item 36)	
12	See Note	NSS	Seal, Hydrolock (Note: Use Item 36)	
13	See Note	NSS	O-Ring (Note: Use Item 36)	
14	See Note	NSS	Ring, Back-up (Note: Use Item 36)	
15	See Note	NSS	Ring, Wear (Note: Use Item 36)	
16	See Note	NSS	O-Ring (Note: Use Item 36)	
17	See Note	NSS	Ring, Back-up (Note: Use Item 36)	
18	See Note	NSS	Seal, Rod (Note: Use Item 36)	
19	See Note	NSS	Wiper (Note: Use Item 36)	
20	0100011	AR	Compound, Locking	
21	0100038	AR	Primer, Locking	
22	3760372	1	Washer, Ring	
24	0630536	3	Bolt 3/8in-16NC x 1-1/2in	
25	2220886	1	Plug, O-Ring	
26	0100063	AR	Adhesive	
36	2901285	1	Seal Kit (Includes Items 11-19)	

SECTION 5 - CYLINDER

FIGURE 5-5. LIFT CYLINDER ASSEMBLY - ARTICULATING JIB - 600AJ



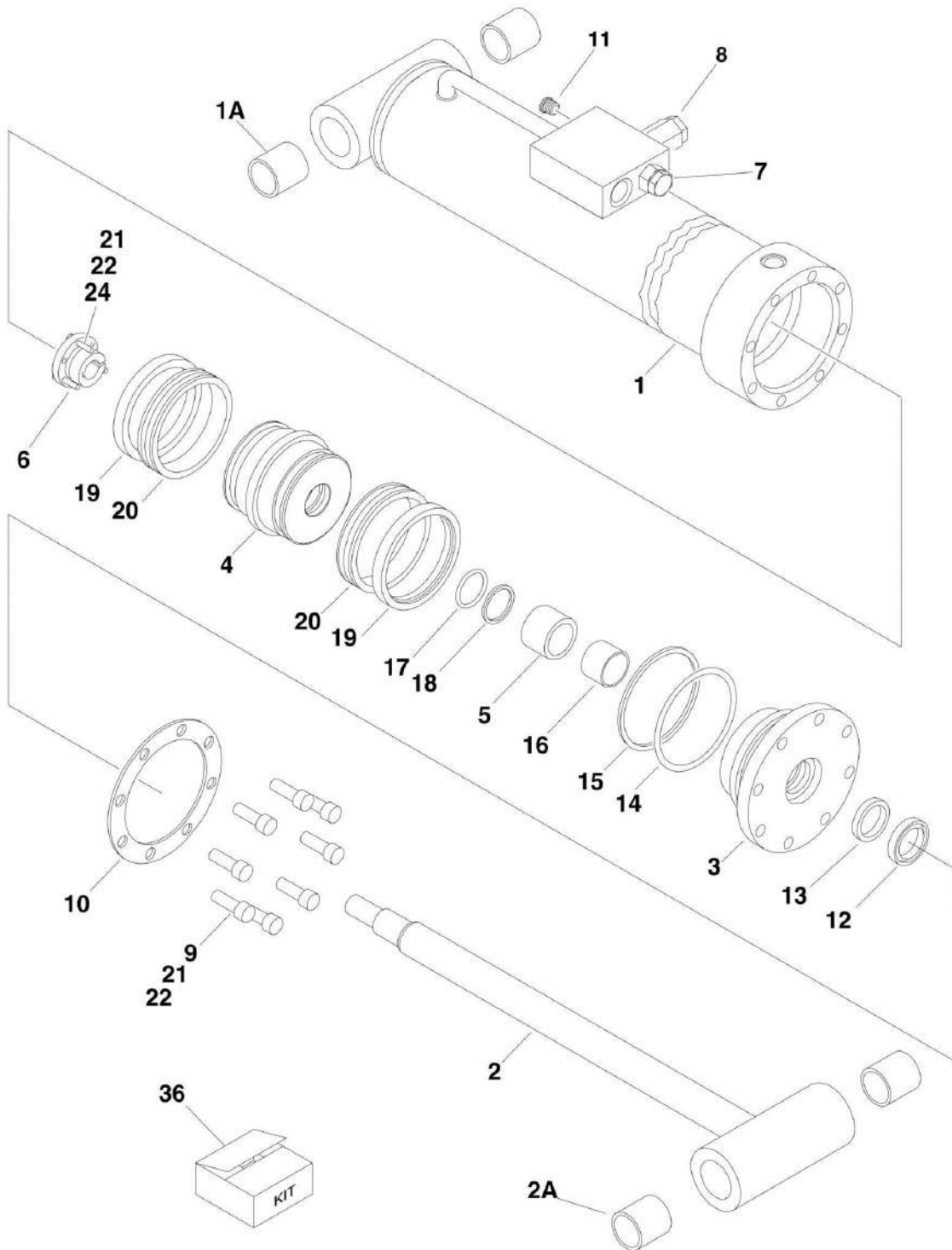
SECTION 5 - CYLINDER

FIGURE 5-5. LIFT CYLINDER ASSEMBLY - ARTICULATING JIB - 600AJ

ITEM	PART NUMBER	QTY	DESCRIPTION	REV
		Ref	LIFT CYLINDER ASSEMBLY - 600AJ OPTIONS:	
	1683258	Ref	Lift Cylinder Assembly (SN 0300069000 through 0300070976)	E
	1683609	Ref	Lift Cylinder Assembly (SN 0300070977 through 0300087000)	H
1		Ref	Barrel Options:	
1	1684092	1	Barrel (SN 0300069000 through 0300070976)	
1	1684089	1	Barrel (SN 0300070977 through 0300087000)	
1A	0962336	2	Bushing	
2	1684090	1	Rod	
2A	0962336	2	Bushing	
3	3480210	1	Piston	
4	1683053	1	Head	
5	0961893	1	Bushing, Tapered	
6		Ref	Spacer, Tube Options:	
6	4566471	NLA	Spacer, Tube (Use p/n 4100100) (SN 0300069000 through 0300079598)	
6	4100100	1	Spacer, Tube (SN 0300079599 through 0300087000)	
7	4640509	2	Cartridge, Valve	
7	2900792	2	Seal Kit - 4640509 Valve	
8	4640902	1	Cartridge, Valve Only (SN 0300069000 through 0300070977)	
8	7012953	1	Seal Kit - 4640902 Valve	
8A	7012961	1	Knob	
9	3931516	8	Capscrew, Socket Head 5/16in-18NC x 1in	
10	3760368	1	Ring, Washer	
11	2220885	1	Plug, O-Ring #6	
12	2220883	4	Plug, O-Ring #4	
13	3900141	1	Setscrew 1/4in-20NC x 3/8in (SN 0300069000 through 0300079601)	
14	0100011	AR	Compound, Locking	
15	0100038	AR	Primer, Locking	
16	See Note	NSS	Seal (Note: Use Item 36)	
17	See Note	NSS	Ring, Lock (Note: Use Item 36)	
18	See Note	NSS	O-Ring (Note: Use Item 36)	
19	See Note	NSS	Ring, Back-up (Note: Use Item 36)	
20	See Note	NSS	Ring, Wear (Note: Use Item 36)	
21	See Note	NSS	O-Ring (Note: Use Item 36)	
22	See Note	NSS	Ring, Back-up (Note: Use Item 36)	
23	See Note	NSS	Seal, Rod (Note: Use Item 36)	
24	See Note	NSS	Wiper (Note: Use Item 36)	
25	0100063	AR	Adhesive	
26	0630534	3	Bolt #10 - 24NC x 1in	
36	2901303	1	Seal Kit (Includes Items 16-24)	

SECTION 5 - CYLINDER

FIGURE 5-6. LIFT CYLINDER ASSEMBLY - MAIN BOOM



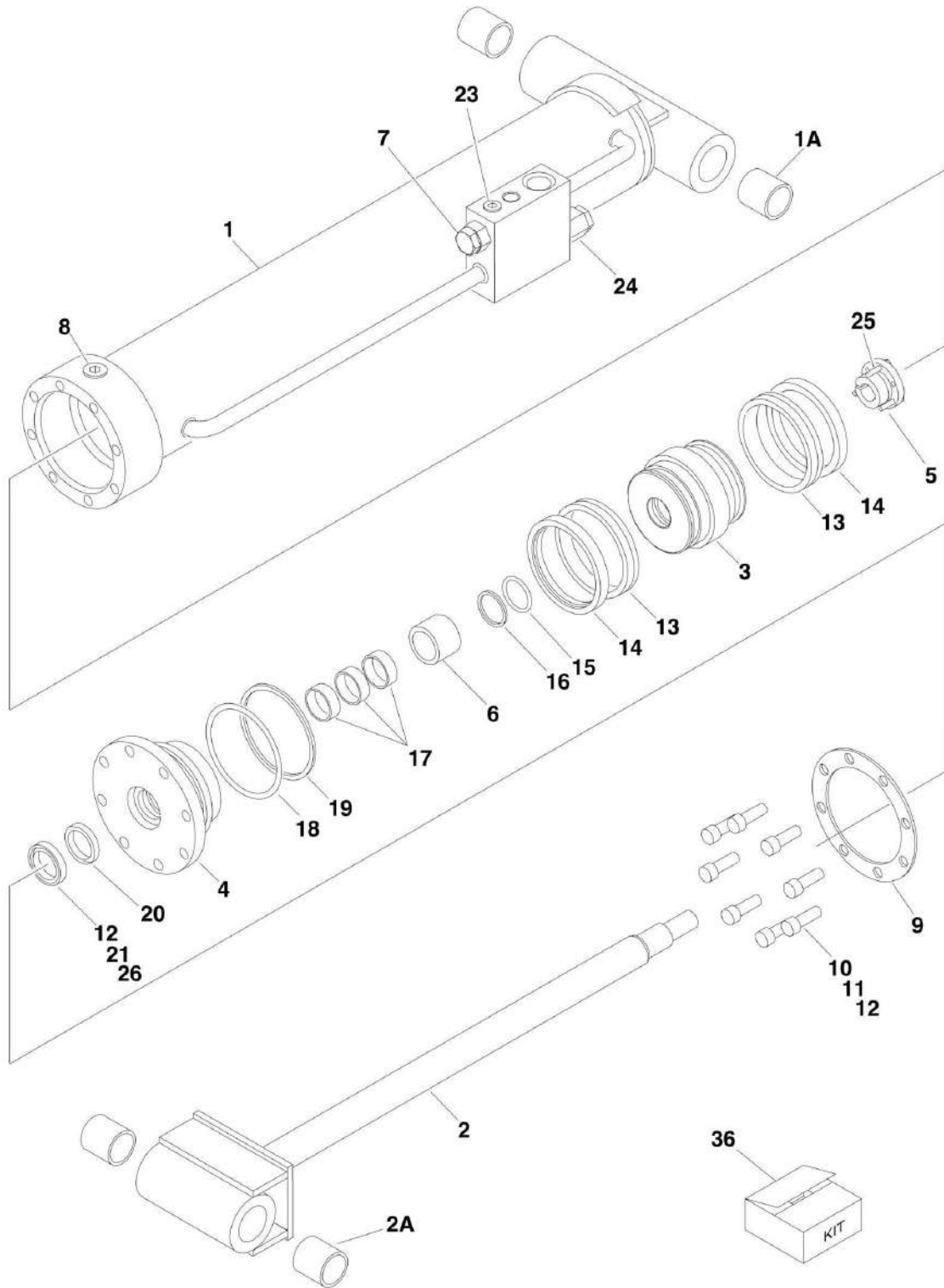
SECTION 5 - CYLINDER

FIGURE 5-6. LIFT CYLINDER ASSEMBLY - MAIN BOOM

ITEM	PART NUMBER	QTY	DESCRIPTION	REV
	1683294	Ref	LIFT CYLINDER ASSEMBLY - MAIN BOOM	G
1	1684001	1	Barrel	
1A	0961948	2	Bushing	
2	1684005	1	Rod	
2A	0961948	2	Bushing	
3	1683061	1	Head	
4	3480211	1	Piston	
5	4566408	1	Spacer	
6	0961897	1	Bushing, Tapered	
7	4640438	1	Cartridge, Valve	
7	2900770	1	Seal Kit - 4640438 Valve	
8	4640509	1	Cartridge, Valve	
8	2900792	1	Seal Kit - 4640509 Valve	
9	3931720	8	Capscrew, Socket Head 7/16in-14NC x 1-1/4in	
10	3760370	1	Ring, Washer	
11	2220883	1	Plug, O-Ring #6	
12	See Note	NSS	Wiper (Note: Use Item 36)	
13	See Note	NSS	Seal, Rod (Note: Use Item 36)	
14	See Note	NSS	O-Ring (Note: Use Item 36)	
15	See Note	NSS	Ring, Back-up (Note: Use Item 36)	
16	See Note	NSS	Ring, Wear (Note: Use Item 36)	
17	See Note	NSS	O-Ring (Note: Use Item 36)	
18	See Note	NSS	Ring, Back-up (Note: Use Item 36)	
19	See Note	NSS	Ring, Lock (Note: Use Item 36)	
20	See Note	NSS	Seal (Note: Use Item 36)	
21	0100011	AR	Compound, Locking	
22	0100038	AR	Primer, Locking	
24	0630535	3	Bolt 1/4in-20NC x 1-1/8in	
36	2901273	1	Seal Kit (Includes Items 12-20)	

SECTION 5 - CYLINDER

FIGURE 5-7. LIFT CYLINDER ASSEMBLY - TOWER BOOM



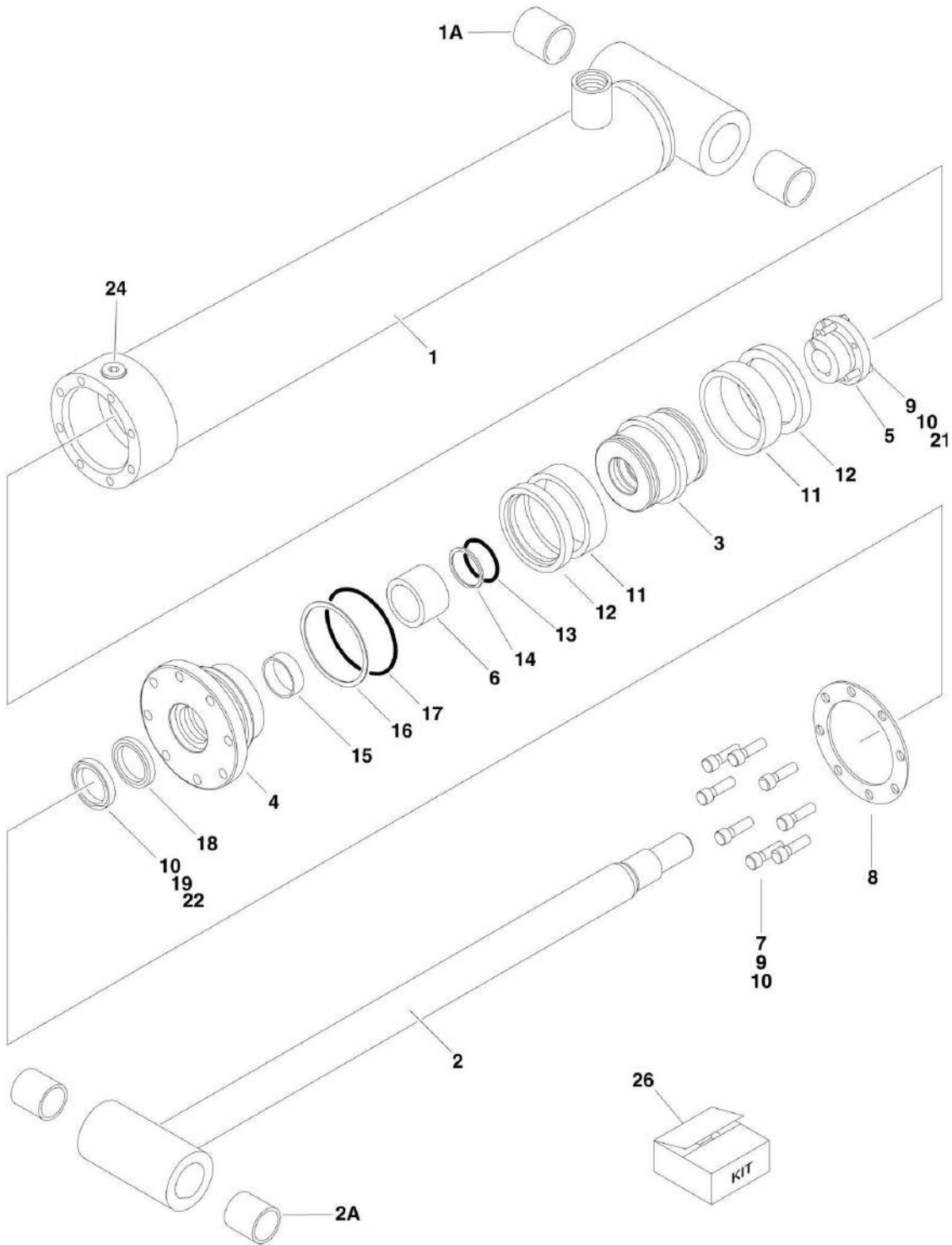
SECTION 5 - CYLINDER

FIGURE 5-7. LIFT CYLINDER ASSEMBLY - TOWER BOOM

ITEM	PART NUMBER	QTY	DESCRIPTION	REV
	1683288	Ref	LIFT CYLINDER ASSEMBLY - TOWER BOOM	L
1	1684017	1	Barrel	
1A	0961949	2	Bushing	
2	1684019	1	Rod	
2A	0961949	2	Bushing	
3	3480216	1	Piston	
4	1683069	1	Head	
5	0961899	1	Bushing, Tapered	
6	4566667	1	Spacer	
7	4640605	1	Cartridge, Valve	
7	2900792	1	Seal Kit - 4640605	
8	2220888	1	Plug, O-Ring #12	
9	3760384	1	Ring, Washer	
10	3932240	8	Capscrew, Socket Head 3/4in-10NC x 2-1/2in	
11	0100011	AR	Compound, Locking	
12	0100038	AR	Primer, Locking	
13	See Note	NSS	Seal (Note: Use Item 36)	
14	See Note	NSS	Ring, Lock (Note: Use Item 36)	
15	See Note	NSS	O-Ring (Note: Use Item 36)	
16	See Note	NSS	Ring, Back-up (Note: Use Item 36)	
17	See Note	NSS	Ring, Wear (Note: Use Item 36)	
18	See Note	NSS	O-Ring (Note: Use Item 36)	
19	See Note	NSS	Ring, Back-up (Note: Use Item 36)	
20	See Note	NSS	Seal, Rod (Note: Use Item 36)	
21	See Note	NSS	Wiper (Note: Use Item 36)	
23	2220883	2	Plug, O-Ring #4	
24	4640509	1	Counterbalance	
24	2900792	1	Seal Kit - 4640509	
25	0630536	3	Bolt 3/8in-16NC x 1-1/2in	
26	0100063	AR	Adhesive	
36	2901322	1	Seal Kit (Includes Items 13-21)	

SECTION 5 - CYLINDER

FIGURE 5-8. MASTER CYLINDER ASSEMBLY



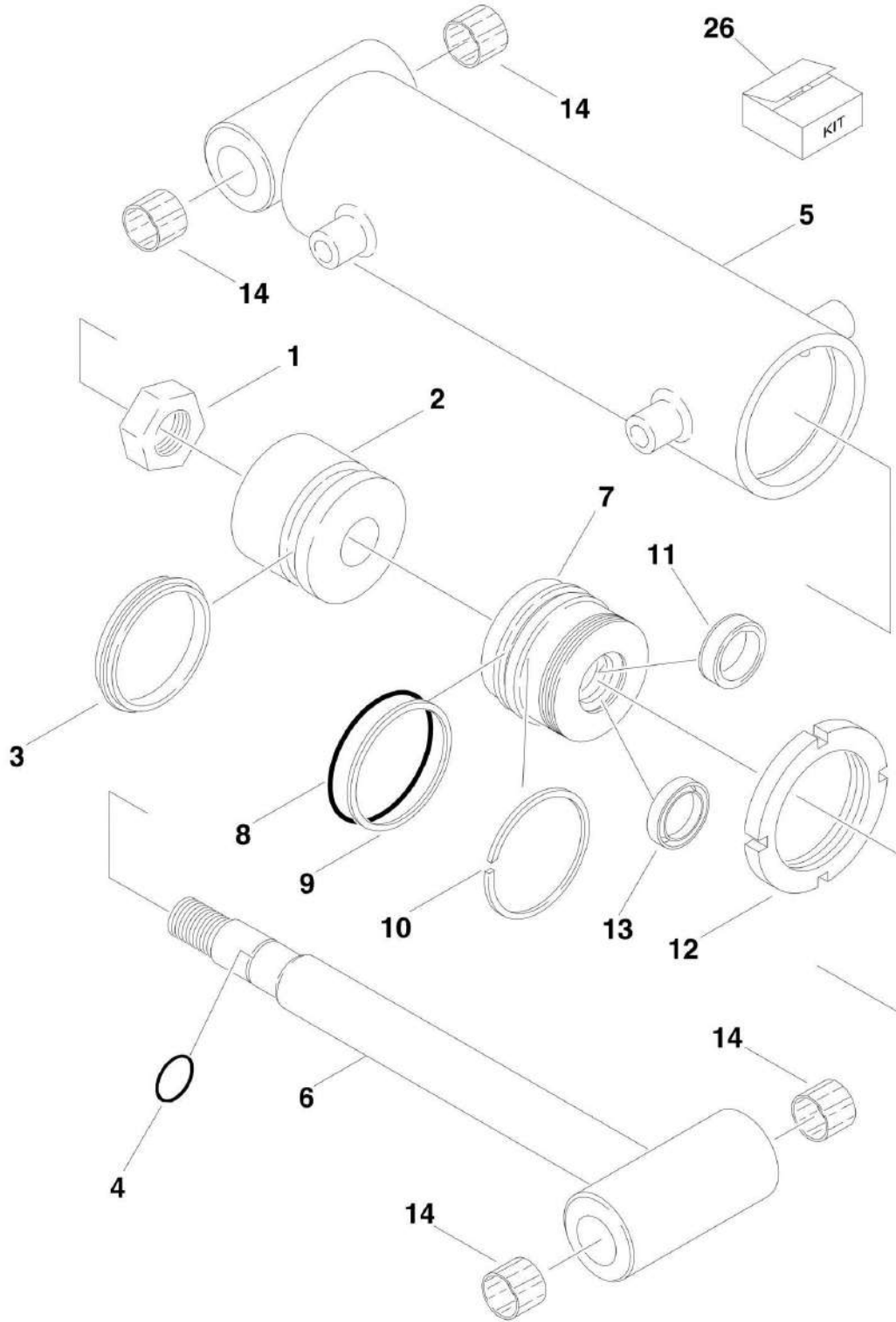
SECTION 5 - CYLINDER

FIGURE 5-8. MASTER CYLINDER ASSEMBLY

ITEM	PART NUMBER	QTY	DESCRIPTION	REV
	1683266	Ref	MASTER CYLINDER ASSEMBLY - 600A	C
	1683263	Ref	MASTER CYLINDER ASSEMBLY - 600AJ	E
1		Ref	Barrel Options:	
1	1683972	1	Barrel 600A (Note: Includes Item 1A)	
1	1683949	1	Barrel 600AJ (Note: Item 1A not included. Purchase Separately)	
1A		Ref	Bushing Options:	
1A	0961947	2	Bushing 600A	
1A	0961951	2	Bushing 600AJ	
2		Ref	Rod Options:	
2	1683973	1	Rod 600A (Note: Includes Item 2A)	
2	1683962	1	Rod 600AJ (Note: Item 2A not included. Purchase Separately)	
2A		Ref	Bushing Options:	
2A	0961947	2	Bushing 600A	
2A	0961951	2	Bushing 600AJ	
3		Ref	Piston Options:	
3	3480210	1	Piston 600A	
3	3480188	1	Piston 600AJ	
4		Ref	Head Options:	
4	1683053	1	Head 600A	
4	1683055	1	Head 600AJ	
5		Ref	Bushing, Tapered Options (Use item 21 in place of supplied bolts):	
5	0961893	1	Bushing, Tapered Options 600A	
5	0961894	1	Bushing, Tapered Options 600AJ	
6	4566468	1	Spacer	
7		Ref	Capscrew, Socket Head Options:	
7	3931516	8	Capscrew, Socket Head 5/16in-18NC x 1in / 600A	
7	3931620	8	Capscrew, Socket Head 3/8in-16NC x 1-1/4in / 600AJ	
8		Ref	Ring, Washer Options:	
8	3760368	1	Ring, Washer 600A	
8	3760369	1	Ring, Washer 600AJ	
9	0100011	AR	Compound, Locking	
10	0100038	AR	Primer, Locking	
11	See Note	2	Seal (Note: Use Item 26)	
12	See Note	2	Ring, Lock (Note: Use Item 26)	
13	See Note	1	O-Ring (Note: Use Item 26)	
14	See Note	1	Ring, Back-up (Note: Use Item 26)	
15	See Note	1	Ring, Wear (Note: Use Item 26)	
16	See Note	1	O-Ring (Note: Use Item 26)	
17	See Note	1	Ring, Back-up (Note: Use Item 26)	
18	See Note	1	Seal, Rod (Note: Use Item 26)	
19	See Note	1	Wiper (Note: Use Item 26)	
21		Ref	Bolt Options:	
21	0630534	3	Bolt #10 - 24NC x 1in / 600A	
21	0630535	3	Bolt 1/4in-20NC x 1-1/8in / 600AJ	
22	0100063	AR	Adhesive	
24	2220885	1	Plug, O-Ring #6 (600AJ Only)	
26		Ref	Seal Kit Options (Includes Items 11-19):	
26	2901303	1	Seal Kit 600A	
26	2901301	1	Seal Kit 600AJ	

SECTION 5 - CYLINDER

FIGURE 5-9. STEER CYLINDER ASSEMBLY



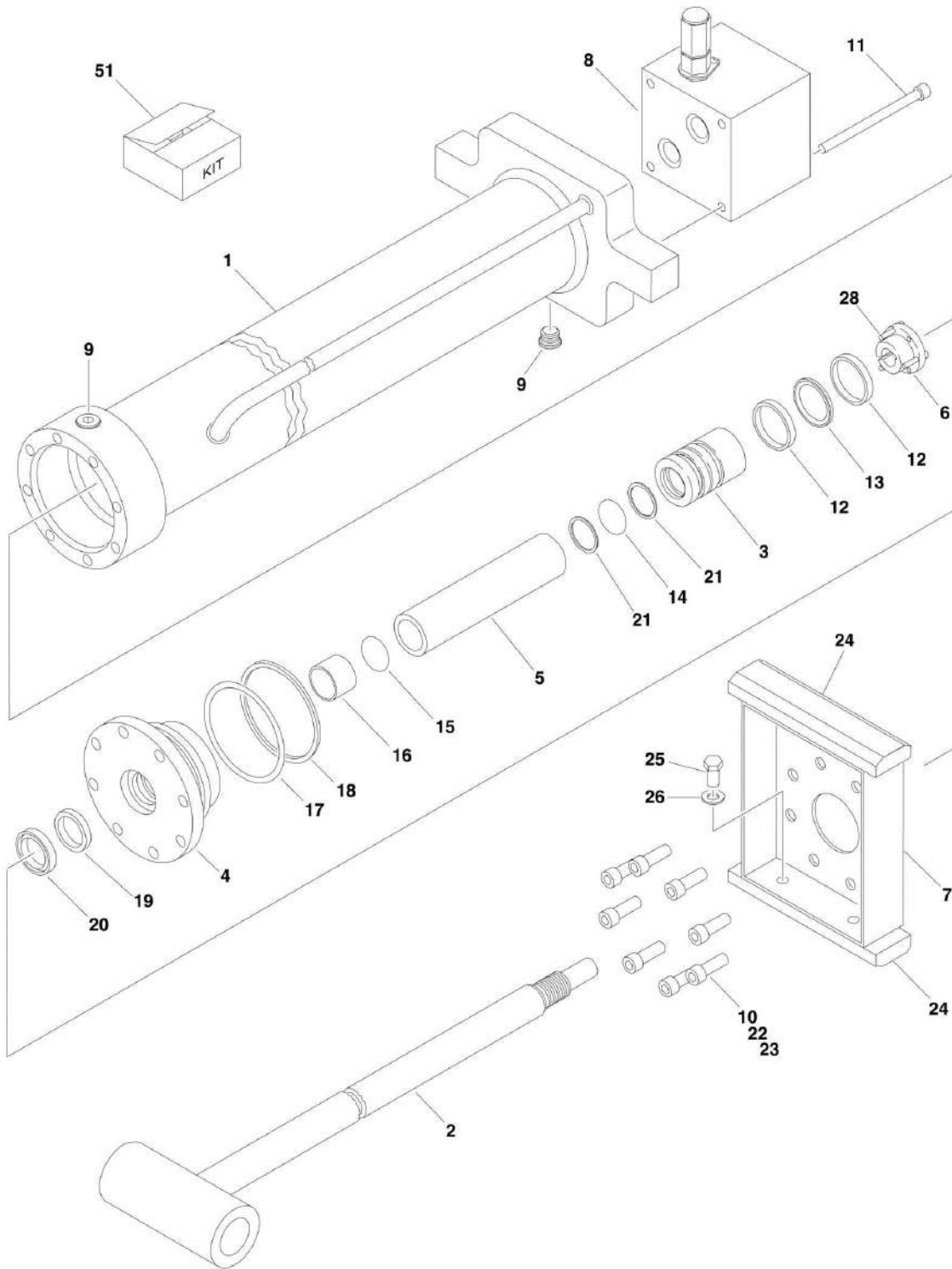
SECTION 5 - CYLINDER

FIGURE 5-9. STEER CYLINDER ASSEMBLY

ITEM	PART NUMBER	QTY	DESCRIPTION	REV
		Ref	STEER CYLINDER ASSEMBLIES	
	1683208	Ref	Steer Cylinder Assemblies 8ft/2.4m Width Machines	C
	1683304	Ref	Steer Cylinder Assemblies 7ft/2.1m Width Machines (SN 0300069000 through 0300081835)	A
	1684418	Ref	Steer Cylinder Assemblies 7ft/2.1m Width Machines (SN 0300081836 through 0300087000)	A
1	7001626	1	Locknut	
2	7001627	1	Piston	
3	See Note	1	Seal (Note: Use Item 26)	
4	See Note	1	O-Ring (Note: Use Item 26)	
5	See Note	1	Barrel (Note: Not Available for Purchase)	
6		Ref	Rod Options:	
6	7001633	1	Rod 8ft/2.4m Width Machines	
6	7001628	1	Rod 7ft/2.1m Width Machines (SN 0300069000 through 0300081835)	
6	7023038	1	Rod 7ft/2.1m Width Machines (SN 0300081836 through 0300087000)	
7	7001629	1	Guide	
8	See Note	NSS	O-Ring (Note: Use Item 26)	
9	See Note	NSS	Ring, Back-up (Note: Use Item 26)	
10	See Note	NSS	Ring, Retaining (Note: Use Item 26)	
11	See Note	NSS	Seal, Lip (Note: Use Item 26)	
12	7001630	1	Nut, Spanner	
13	See Note	NSS	Ring, Wiper (Note: Use Item 26)	
14		Ref	Bushing Options:	
14	0961977	4	Bushing 8ft/2.4m Width Machines	
14	0961890	4	Bushing 7ft/2.1m Width Machines	
26	7001625	1	Seal Kit (Includes Items 3, 4, 8-11 & 13)	

SECTION 5 - CYLINDER

FIGURE 5-10. TELESCOPE CYLINDER ASSEMBLY - MAIN BOOM



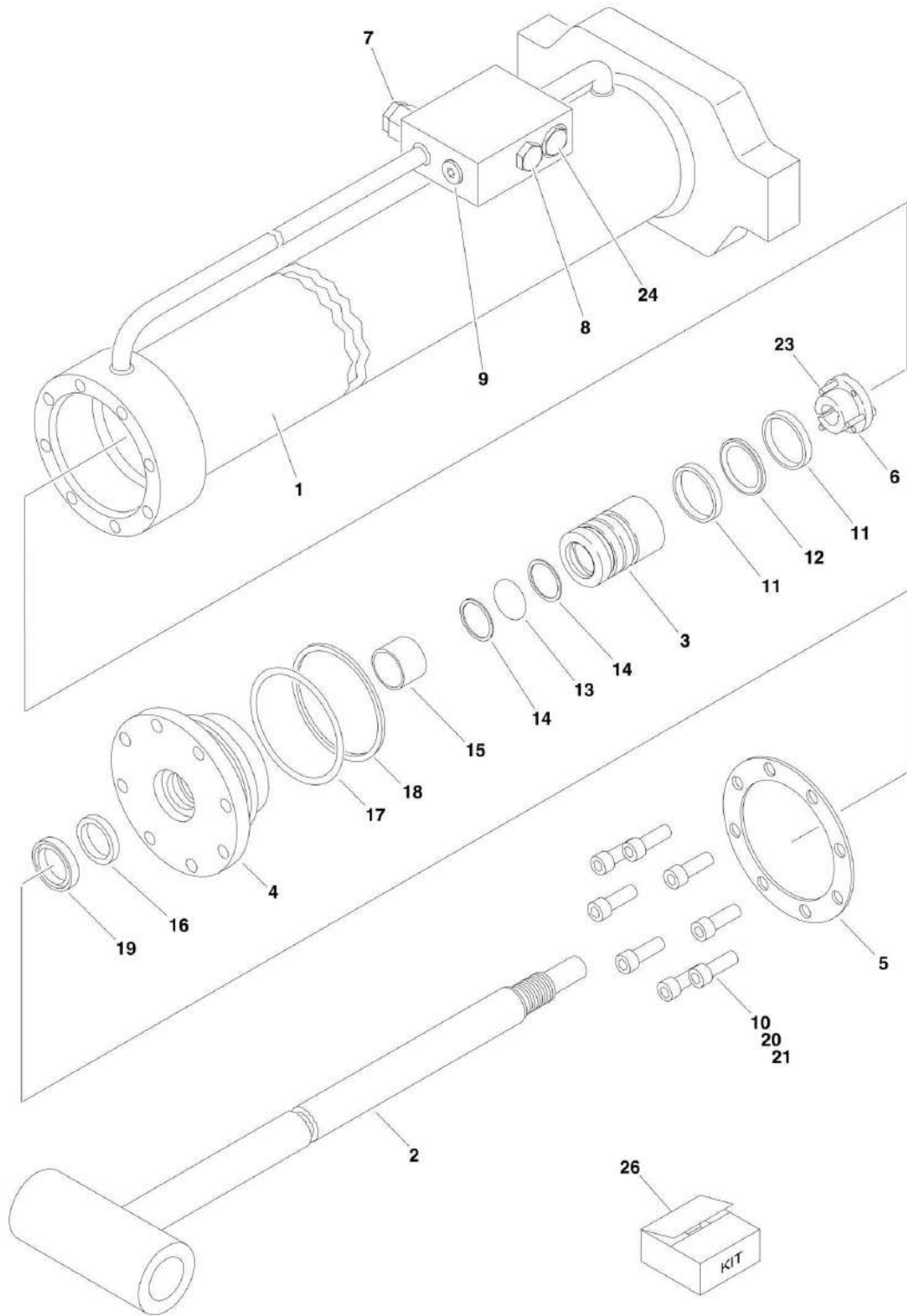
SECTION 5 - CYLINDER

FIGURE 5-10. TELESCOPE CYLINDER ASSEMBLY - MAIN BOOM

ITEM	PART NUMBER	QTY	DESCRIPTION	REV
	1683307	Ref	TELESCOPE CYLINDER ASSEMBLY - 600A	6-F
	1683317	Ref	TELESCOPE CYLINDER ASSEMBLY - 600AJ	6-F
1		Ref	Barrel Options:	
1	1683308	1	Barrel 600A	
1	1683318	1	Barrel 600AJ	
2		Ref	Rod Options:	
2	1683310	NLA	Rod 600A (Use p/n 1684308) (SN 0300069000 through 0300073901)	
2	1684308	1	Rod 600A (SN 0300073902 through 0300087000)	
2	1683320	NLA	Rod 600AJ (Use p/n 1684310) (SN 0300069000 through 0300073901)	
2	1684310	1	Rod 600AJ (SN 0300073902 through 0300087000)	
3	3480212	1	Piston	
4	1683054	1	Head	
5	4566425	1	Spacer	
6	0961896	1	Bushing, Tapered	
7		Ref	Plate, Wear Pad Mounting Options:	
7	3538771	1	Plate, Wear Pad Mounting 600A	
7	3538247	1	Plate, Wear Pad Mounting 600AJ	
8	4640862	1	Valve Block Assembly (No Service Parts Available -Replace Complete Assembly)	
9	2220885	2	Plug, O-Ring	
10	3931516	8	Capscrew, Socket Head 5/16in-18NC x 1in	
11	3931448	4	Capscrew, Socket Head 1/4in-20NC x 3in	
12	See Note	2	Ring, Wear (Note: Use Item 51)	
13	See Note	1	Seal (Note: Use Item 51)	
14	See Note	1	O-Ring (Note: Use Item 51)	
15	See Note	1	O-Ring (Note: Use Item 51)	
16	See Note	1	Ring, Wear (Note: Use Item 51)	
17	See Note	1	O-Ring (Note: Use Item 51)	
18	See Note	1	Ring, Back-up (Note: Use Item 51)	
19	See Note	1	Seal, Rod (Note: Use Item 51)	
20	See Note	1	Wiper (Note: Use Item 51)	
21	See Note	2	Ring, Back-up (Note: Use Item 51)	
22	0100038	AR	Primer, Locking	
23	0100011	AR	Compound, Locking	
24	3340608	2	Pad, Wear	
25	0641604	4	Bolt 3/8in-16NC x 1/2in	
26	4751600	4	Flatwasher 3/8in Regular	
28	0630535	3	Bolt 1/4in-20NC x 1-1/8in	
51		Ref	Seal Kit Options (Includes Items 12-21):	
51	2901278	1	Seal Kit (SN 0300069000 through 0300070401)	
51	2901861	1	Seal Kit (SN 0300070402 through 0300087000)	

SECTION 5 - CYLINDER

FIGURE 5-11. TELESCOPE CYLINDER ASSEMBLY - TOWER BOOM



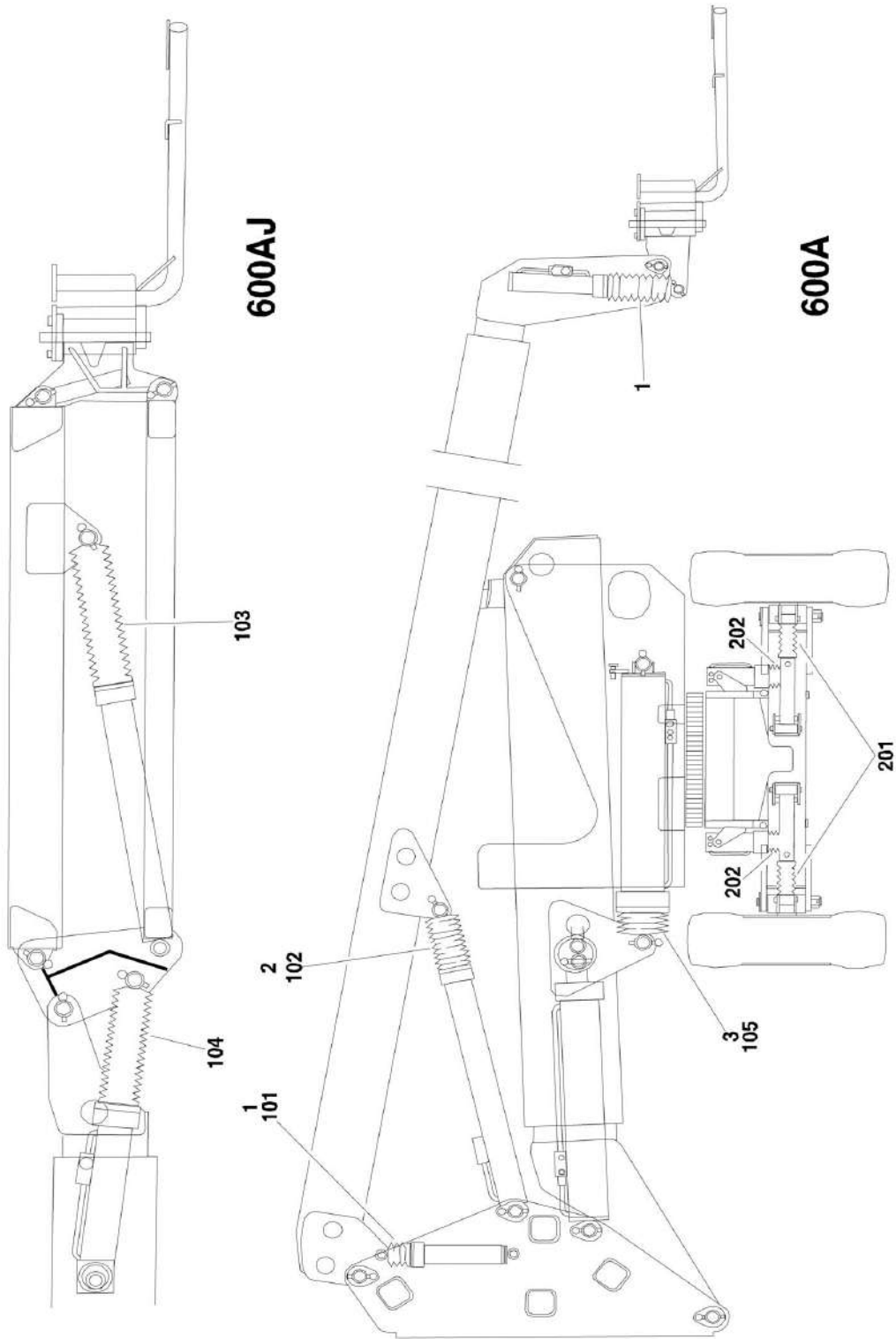
SECTION 5 - CYLINDER

FIGURE 5-11. TELESCOPE CYLINDER ASSEMBLY - TOWER BOOM

ITEM	PART NUMBER	QTY	DESCRIPTION	REV
	1683312	Ref	TELESCOPE (TOWER BOOM) CYLINDER ASSEMBLY	5-E
1	1683313	1	Barrel	
2	1683314	1	Rod	
3	3480212	1	Piston	
4	1683054	1	Head	
5	3760368	1	Ring, Washer	
6	0961896	1	Bushing, Tapered	
7	4640509	2	Cartridge, Valve	
7	2900792	2	Seal Kit - 4640509 Valve	
8	4640647	1	Cartridge, Valve	
8	2900770	1	Seal Kit - 4640647 Valve	
9	2220883	1	Plug, O-Ring	
10	3931516	8	Capscrew, Socket Head 5/16in-18NC x 1in	
11	See Note	2	Ring, Wear (Note: Use Item 26)	
12	See Note	1	T-Seal (Note: Use Item 26)	
13	See Note	1	O-Ring (Note: Use Item 26)	
14	See Note	2	Ring, Back-up (Note: Use Item 26)	
15	See Note	1	Ring, Wear (Note: Use Item 26)	
16	See Note	1	Seal, Rod (Note: Use Item 26)	
17	See Note	1	O-Ring (Note: Use Item 26)	
18	See Note	1	Ring, Back-up (Note: Use Item 26)	
19	See Note	1	Wiper (Note: Use Item 26)	
20	0100038	AR	Primer, Locking	
21	0100011	AR	Compound, Locking	
23	0630535	3	Bolt 1/4in-20NC x 1-1/8in	
24	4640999	1	Cartridge, Valve	
24	7011185	1	Seal Kit - 4640999 Valve	
26		Ref	Seal Kit Options (Includes Items 11-19):	
26	2901278	1	Seal Kit (SN 0300069000 through 0300070401)	
26	2901861	1	Seal Kit (SN 0300070402 through 0300087000)	

SECTION 5 - CYLINDER

FIGURE 5-12. CYLINDER BELLOWS INSTALLATION (OPTIONAL)



SECTION 5 - CYLINDER

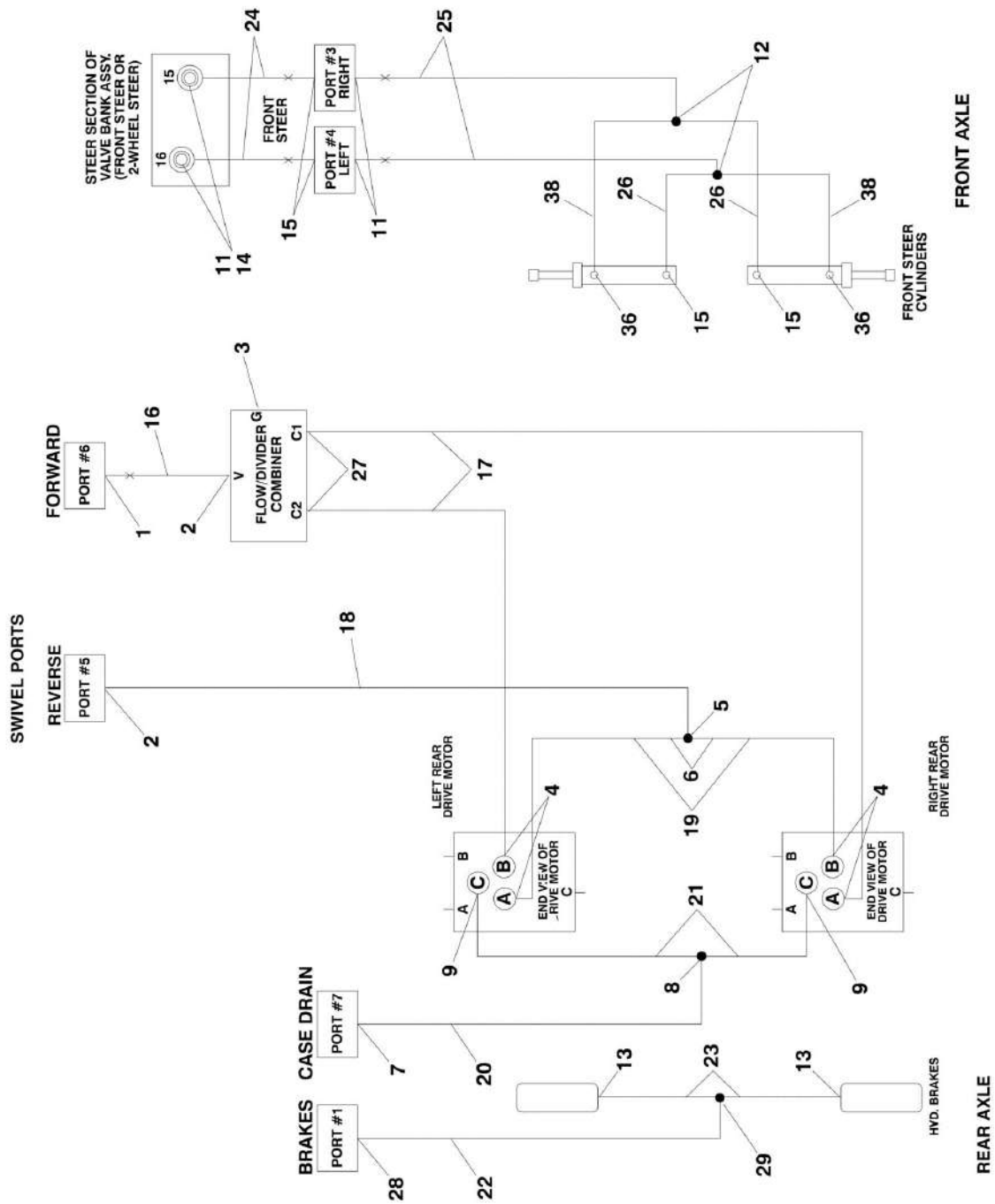
FIGURE 5-12. CYLINDER BELLOWS INSTALLATION (OPTIONAL)

ITEM	PART NUMBER	QTY	DESCRIPTION	REV
	0255927	Ref	CYLINDER BELLOWS INSTALLATION (600A)	1
1	0460152	2	Bellows, Cylinder (Master and Platform Level Cylinders)	
2	0460155	1	Bellows, Cylinder (Main Lift Cylinder)	
3	0460154	1	Bellows, Cylinder (Tower Lift Cylinder)	
	0255928	Ref	CYLINDER BELLOWS INSTALLATION (600AJ)	2
101	0460151	1	Bellows, Cylinder (Master and Platform Level Cylinders)	
102	0460155	1	Bellows, Cylinder (Main Lift Cylinder)	
103	0460161	1	Bellows, Cylinder (Articulating Jib Lift Cylinder)	
104	0460160	1	Bellows, Cylinder (Articulating Jib Level Cylinder)	
105	0460154	1	Bellows, Cylinder (Tower Lift Cylinder)	
		Ref	CYLINDER BELLOWS INSTALLATION (FRAME)	
	0255482	Ref	2WD/2WS & 4WD/2WS 8ft/2.4m Width Machines with Oscillating Axle	-
	0255483	Ref	2WD/2WS & 4WD/2WS 8ft/2.4m Width Machines with Fixed Axle	-
	0255486	Ref	2WD/4WS & 4WD/2WS 8ft/2.4m Width Machines with Oscillating Axle	-
	0255487	Ref	2WD/4WS & 4WD/4WS 8ft/2.4m Width Machines with Fixed Axle	-
	0255484	Ref	2WD/2WS 7ft/2.1m Width Machines with Oscillating Axle	-
	0255485	Ref	2WD/2WS 7ft/2.1m Width Machines with Fixed Axle	-
	0255488	Ref	2WD/4WS 7ft/2.1m Width Machines with Oscillating Axle	-
	0255489	Ref	2WD/4WS 7ft/2.1m Width Machines with Fixed Axle	-
201		Ref	Bellows, Cylinder (Steer Cylinder)	
201	0460150	AR	8ft/2.4m Width Machines	
201	0460157	AR	7ft/2.1m Width Machines	
202		Ref	Bellows, Cylinder (Oscillating Axle Cylinders)	
202	0460159	AR	With Oscillating Axle	
202	Not Required	0	Without Oscillating Axle	

SECTION 6 - HYDRAULIC

SECTION 6 - HYDRAULIC

FIGURE 6-1. DRIVE HYDRAULIC DIAGRAM - 2WD/2WS (SN 0300069000 through 0300081835)



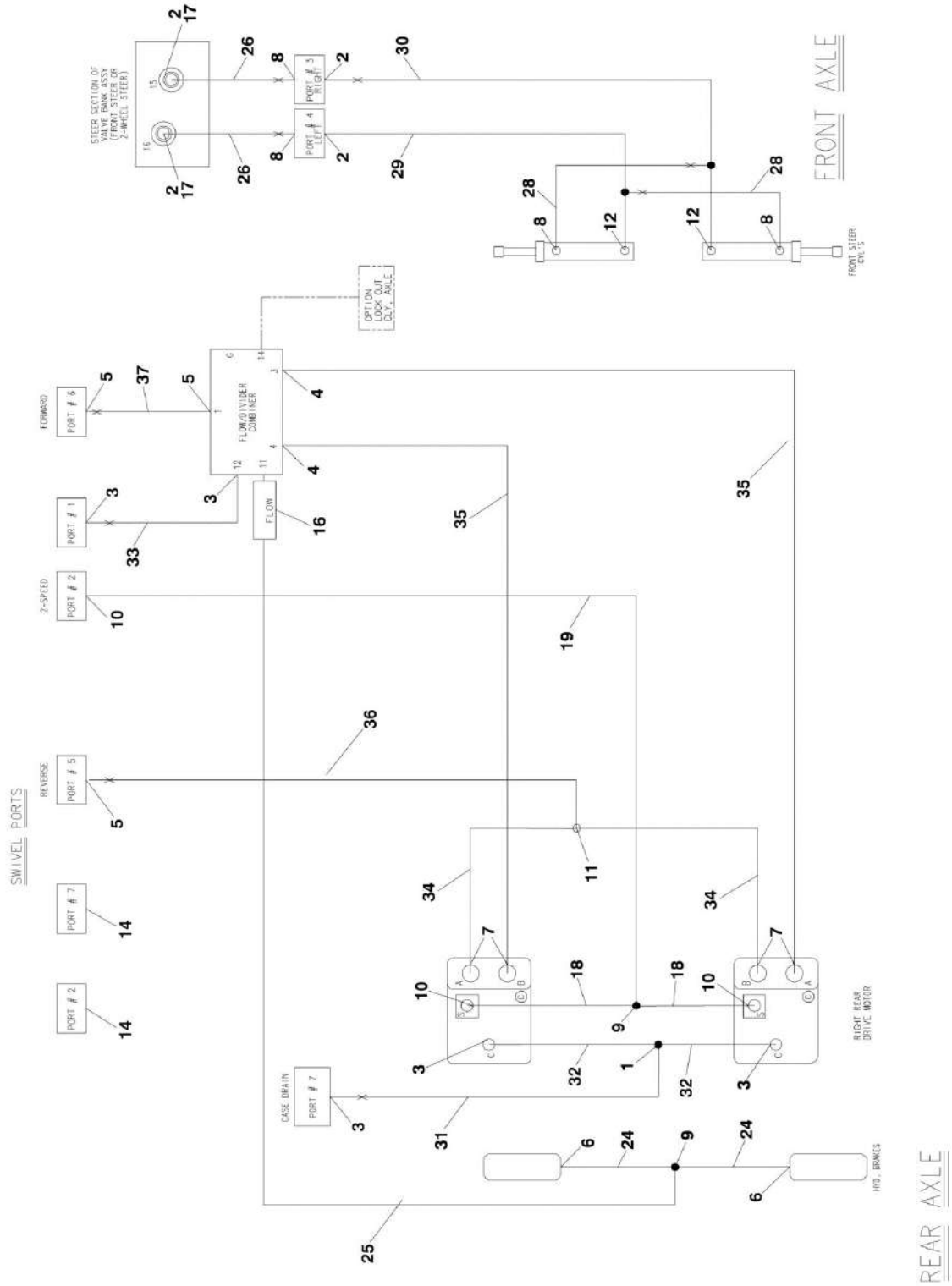
SECTION 6 - HYDRAULIC

FIGURE 6-1. DRIVE HYDRAULIC DIAGRAM - 2WD/2WS (SN 0300069000 through 0300081835)

ITEM	PART NUMBER	QTY	DESCRIPTION	REV
	2792193	Ref	DRIVE HYDRAULIC DIAGRAM - 2WD/2WS	5
1	2220377	1	Fitting, Straight	
2	2220365	2	Fitting, 45	
3	2220235	1	Fitting, Plug	
4	2220451	4	Fitting, Straight	
5	2220363	1	Fitting, Tee	
6	2220710	2	Fitting, Reducer	
7	2220375	1	Fitting, Straight	
8	2220362	1	Fitting, Tee	
9	2220373	2	Fitting, Straight	
11	2220371	4	Fitting, Straight	
12	2220490	2	Fitting, Tee	
13	2220466	2	Fitting, 90	
14	2220507	2	Fitting, 90	
15	2220473	4	Fitting, 90	
16	2752354	1	Hose	
17	2752258	2	Hose	
18	2752324	1	Hose	
19	2752245	2	Hose	
20	2752813	1	Hose	
21	2752814	2	Hose	
22	2752602	1	Hose	
23	2752459	2	Hose	
24	2752620	2	Hose	
25	2752473	2	Hose	
26	2752966	2	Hose	
27	2220435	2	Fitting, Straight	
28	2220582	1	Fitting, Straight	
29	2220504	1	Fitting, Straight	
36	2220501	2	Fitting, 45	
38	2752970	2	Hose	

SECTION 6 - HYDRAULIC

FIGURE 6-2. DRIVE HYDRAULIC DIAGRAM - 2WD/2WS (SN 0300081836 through 0300087000)



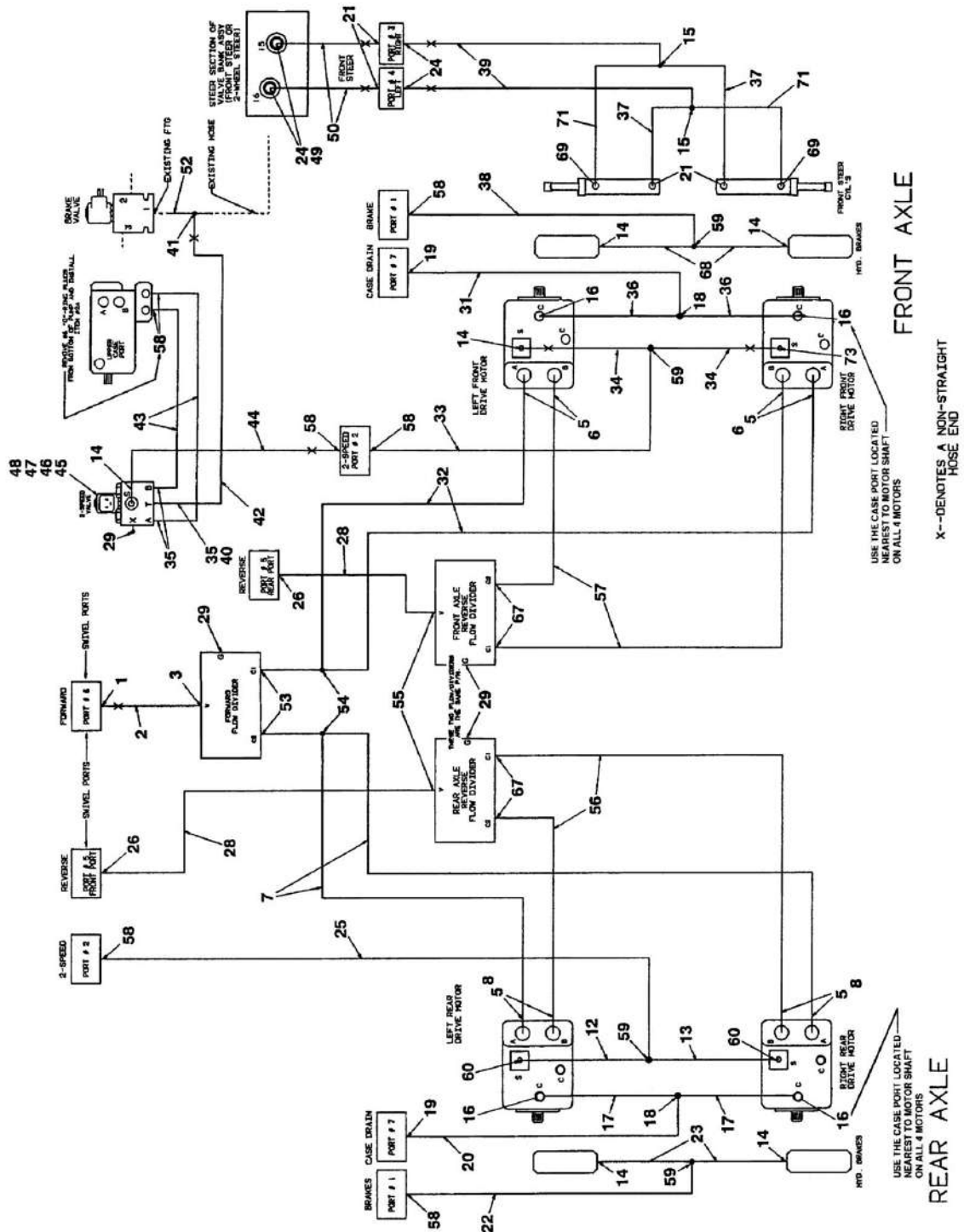
SECTION 6 - HYDRAULIC

FIGURE 6-2. DRIVE HYDRAULIC DIAGRAM - 2WD/2WS (SN 0300081836 through 0300087000)

ITEM	PART NUMBER	QTY	DESCRIPTION	REV
	2792692	Ref	DRIVE HYDRAULIC DIAGRAM - 2WD/2WS	2
1	2220362	1	Fitting, Tee	
2	2220371	4	Fitting, Straight	
3	2220373	5	Fitting, Straight	
4	2220498	2	Fitting, 45 (SN 0300081851 through 0300087000)	
5	2220377	3	Fitting, Straight	
6	2220415	2	Fitting, Straight	
7	2220451	4	Fitting, Straight	
8	2220473	4	Fitting, 90	
9	2220504	2	Fitting, Tee	
10	2220582	3	Fitting, Straight	
11	2221170	1	Fitting, Tee	
12	2220606	2	Fitting, Tee	
14	2220237	2	Fitting, Plug	
16	4641307	1	Valve, Check	
17	2220507	2	Fitting, 90	
18	2753925	2	Hose	
19	2753924	1	Hose	
24	2752592	2	Hose	
25	2752910	1	Hose	
26	2752620	2	Hose	
28		Ref	Hose Options:	
28	2753397	2	Hose (SN 0300081836 through 0300081850)	
28	2754235	2	Hose (SN 0300081851 through 0300087000)	
29	2752475	1	Hose	
30	2752611	1	Hose	
31	2752928	1	Hose	
32	2753929	2	Hose	
33	2752929	1	Hose	
34	2753969	2	Hose	
35	2753967	2	Hose	
36	2752341	1	Hose	
37	2753435	1	Hose	

SECTION 6 - HYDRAULIC

FIGURE 6-3. DRIVE HYDRAULIC DIAGRAM - 4WD/2WS (SN 0300069000 through 0300081835)



SECTION 6 - HYDRAULIC

FIGURE 6-3. DRIVE HYDRAULIC DIAGRAM - 4WD/2WS (SN 0300069000 through 0300081835)

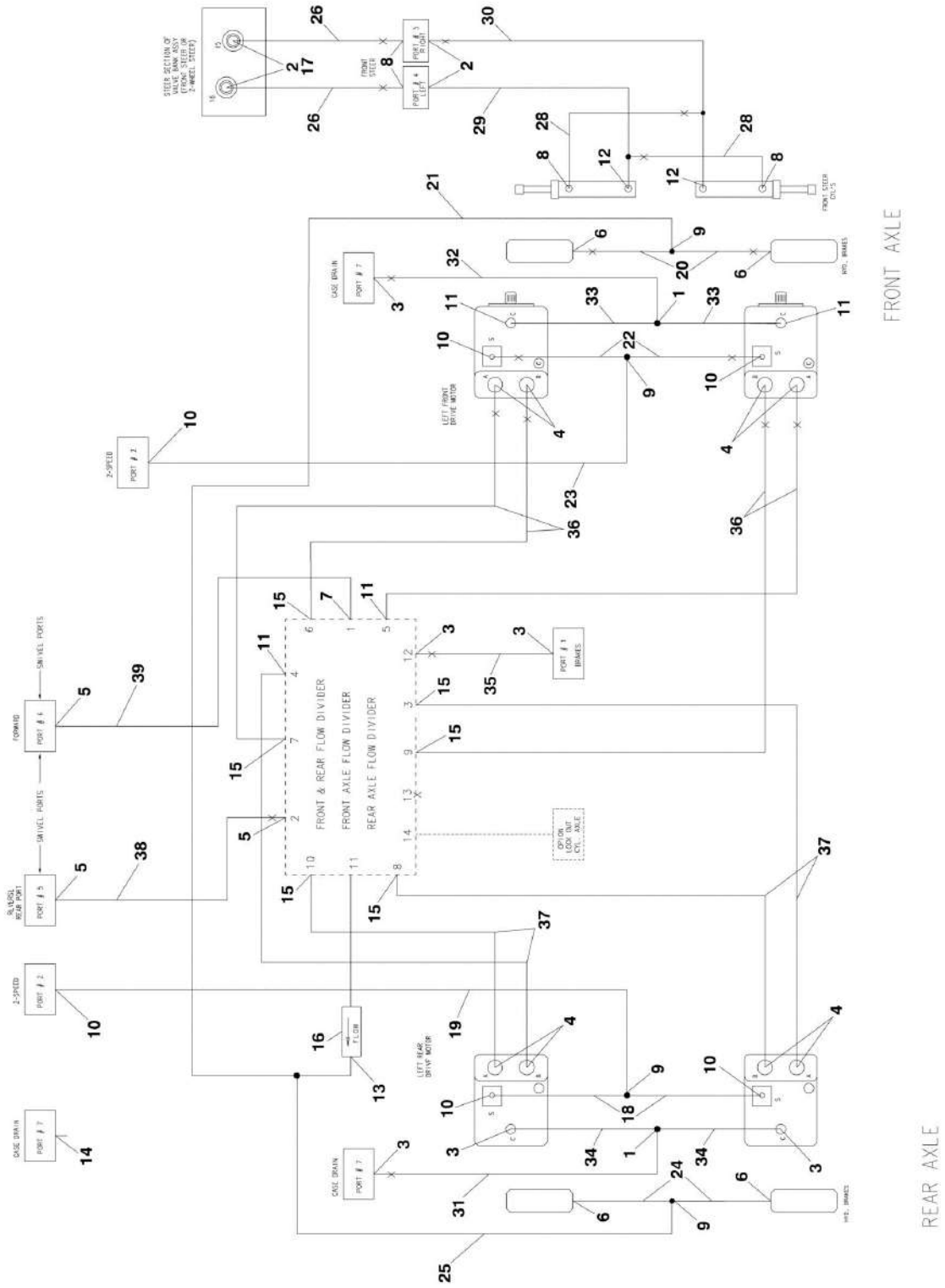
ITEM	PART NUMBER	QTY	DESCRIPTION	REV
	2792195	Ref	DRIVE HYDRAULIC DIAGRAM - 4WD/2WS	8
1	2220377	1	Fitting, Straight	
2	2752349	1	Hose	
3	2220365	1	Fitting, 45	
5	2220833	8	Fitting, Reducer	
6	2220500	4	Fitting, 45	
7	2752398	2	Hose	
8	2220596	4	Fitting, 90	
12	2751013	1	Hose	
13	2751013	1	Hose	
14	2220466	6	Fitting, 90	
15	2220490	2	Fitting, Tee	
16	2220671	4	Fitting, 90	
17	2752807	2	Hose	
18	2220362	2	Fitting, Tee	
19	2220375	2	Fitting, Straight	
20	2752813	1	Hose	
21	2220473	6	Fitting, 90	
22	2752602	1	Hose	
23	2752592	2	Hose	
24	2220371	4	Fitting, Straight	
25	2750756	1	Hose	
26	2220568	2	Fitting, 45	
28	2752249	2	Hose	
29	2220235	4	Fitting, Plug	
31	2752807	1	Hose	
32	2752890	2	Hose	
33	2750790	1	Hose	
34	2752919	2	Hose	
35	2220415	3	Fitting, Straight	
36	2752899	2	Hose	
37	2752966	2	Hose	
38	2752593	1	Hose	
39	2752473	2	Hose	
40	2220909	1	Fitting, Office (.015)	
41	2220605	1	Fitting, Tee	
42	2752573	1	Hose	
43	2751427	2	Hose	
44	2751396	1	Hose	
45	4640906	1	Valve, 2-Speed Motor Control	
45	7012974	1	Cartridge without Coil	
45	7012905	1	Seal Kit	
45	7012944	1	Coil	
45	4640906	2	Cartridge, Check Valve (Note: Not Available for Purchase)	
45	7012972	2	Seal Kit	
46	0641508	2	Bolt 5/16in-18NC x 1in	
47	4891500	2	Flatwasher 5/16in Hardened	
48	4711500	2	Flatwasher 5/16in Thin	
49	2220507	2	Fitting, 90	
50	2752620	2	Hose	

SECTION 6 - HYDRAULIC

ITEM	PART NUMBER	QTY	DESCRIPTION	REV
52	2220914	1	Orifice (.043)	
53	2220833	2	Fitting, Reducer	
54	2220602	2	Fitting, Tee	
55	2220435	2	Fitting, Straight	
56	2752398	2	Hose	
57	2752889	2	Hose	
58	2220582	5	Fitting, Straight	
59	2220504	4	Fitting, Tee	
60	2220466	2	Fitting, Straight	
67	2220800	4	Fitting, Straight	
68	2752912	2	Hose	
69	2220501	2	Fitting, 45	
71	2752970	2	Hose	
73	2220502	1	Fitting, 45	

SECTION 6 - HYDRAULIC

FIGURE 6-4. DRIVE HYDRAULIC DIAGRAM - 4WD/2WS (SN 0300081836 through 0300087000)



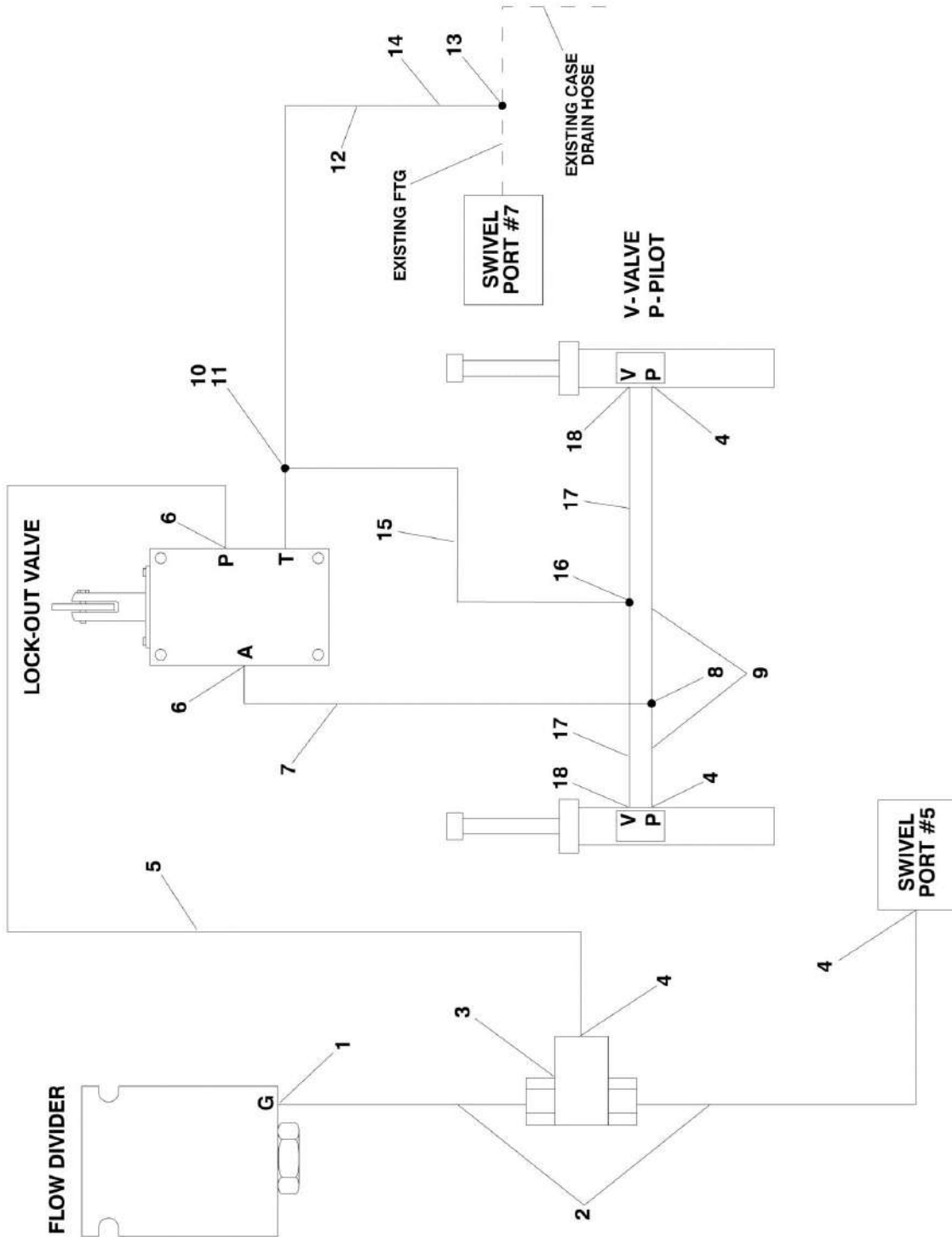
SECTION 6 - HYDRAULIC

FIGURE 6-4. DRIVE HYDRAULIC DIAGRAM - 4WD/2WS (SN 0300081836 through 0300087000)

ITEM	PART NUMBER	QTY	DESCRIPTION	REV
	2792687	Ref	DRIVE HYDRAULIC DIAGRAM - 4WD/2WS	1
1	2220362	2	Fitting, Tee	
2	2220371	4	Fitting, Straight	
3	2220373	6	Fitting, Straight	
4	2220375	8	Fitting, Straight	
5	2220377	3	Fitting, Straight	
6	2220415	4	Fitting, Straight	
7	2220646	1	Fitting, 90	
8	2220473	4	Fitting, 90	
9	2220504	4	Fitting, Tee	
10	2220582	6	Fitting, Straight	
11	2220596	4	Fitting, 90	
12	2220606	2	Fitting, Tee	
13	2220861	1	Fitting, Tee	
14	2220237	1	Fitting, Plug	
15	2220500	6	Fitting, 45	
16	4641284	1	Valve, Check	
17	2220507	2	Fitting, 90	
18	2753925	2	Hose	
19	2753924	1	Hose	
20	2753926	2	Hose	
21	2754229	1	Hose	
22	2752574	2	Hose	
23	2754230	1	Hose	
24	2752592	2	Hose	
25	2752910	1	Hose	
26	2752620	2	Hose	
28	2754235	2	Hose	
29	2754234	1	Hose	
30	2754233	1	Hose	
31	2752928	1	Hose	
32	2754231	1	Hose	
33	2753928	2	Hose	
34	2753929	2	Hose	
35	2752929	1	Hose	
36	2754232	4	Hose	
37	2753930	4	Hose	
38	2754227	1	Hose	
39	2754228	1	Hose	

SECTION 6 - HYDRAULIC

FIGURE 6-5. HYDRAULIC DIAGRAM - OSCILLATING AXLE (SN 0300069000 through 0300081835)



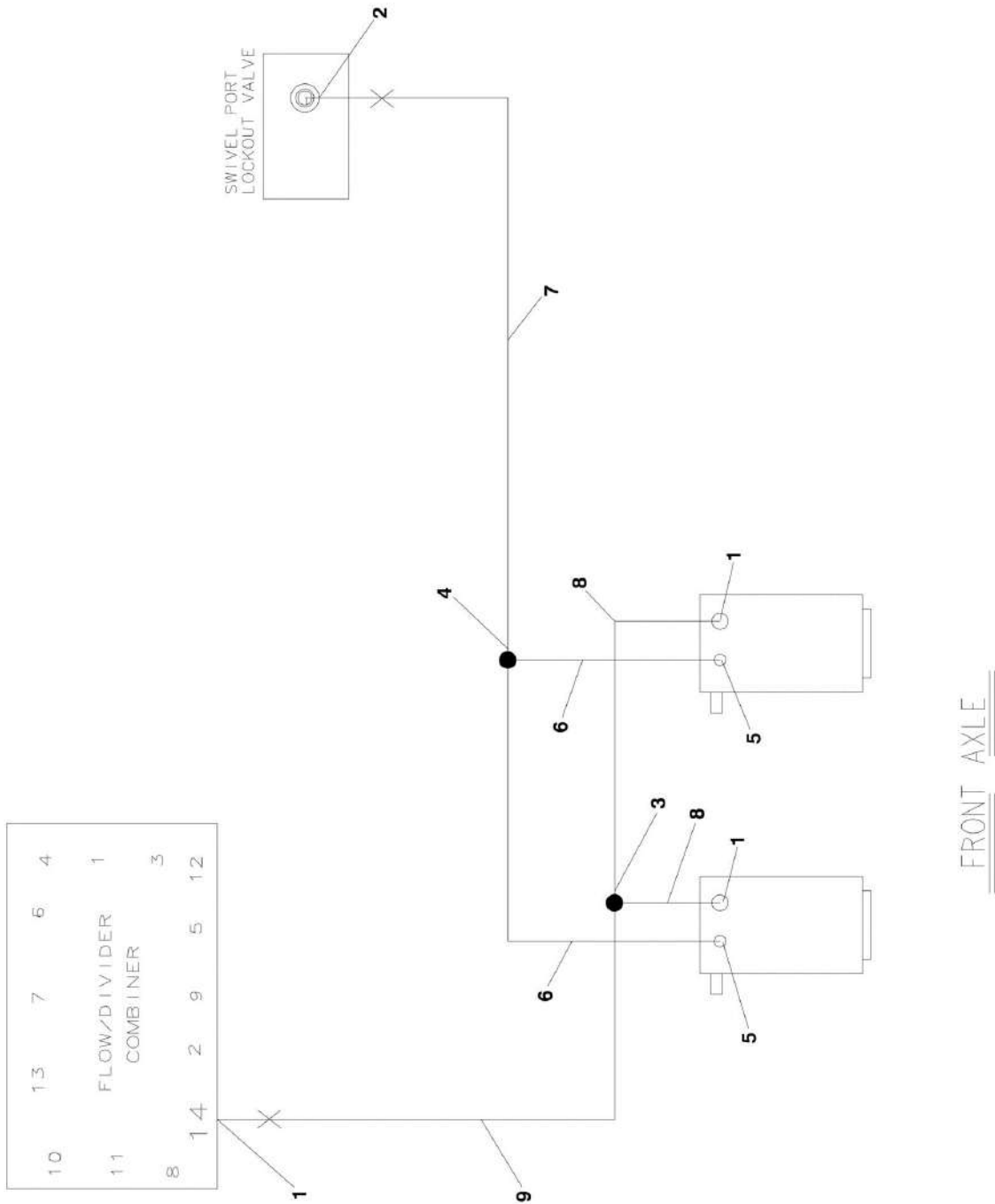
SECTION 6 - HYDRAULIC

FIGURE 6-5. HYDRAULIC DIAGRAM - OSCILLATING AXLE (SN 0300069000 through 0300081835)

ITEM	PART NUMBER	QTY	DESCRIPTION	REV
	2792230	Ref	HYDRAULIC DIAGRAM - OSCILLATING AXLE	-
1	2220466	1	Fitting, 90	
2	2751020	2	Hose	
3	4640939	1	Valve, Shuttle	
4	2220582	6	Fitting, Straight	
5	2751013	1	Hose	
6	2220415	2	Fitting, Straight	
7	2750900	1	Hose	
8	2220504	1	Fitting, Tee	
9	2752920	2	Hose	
10	2220603	1	Fitting, Straight	
11	2220635	1	Fitting, Tee	
12	2752824	1	Hose	
13	2220385	1	Fitting, Tee	
14	2220619	1	Fitting, Reducer	
15	2752823	1	Hose	
16	2220490	1	Fitting, Tee	
17	2752962	2	Hose	
18	2220371	2	Fitting, Straight	

SECTION 6 - HYDRAULIC

FIGURE 6-6. HYDRAULIC DIAGRAM - OSCILLATING AXLE (SN 0300081836 through 0300087000)



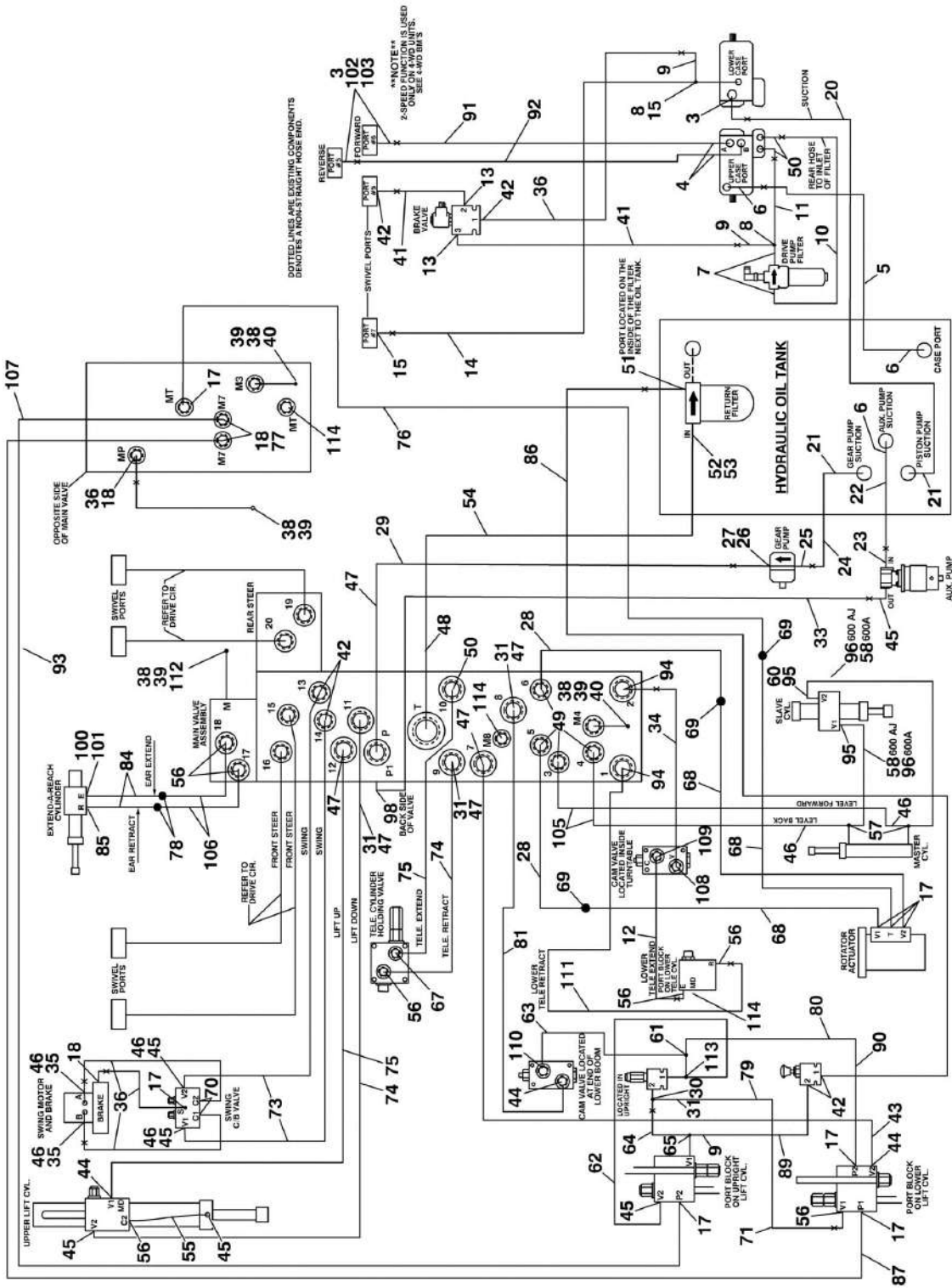
SECTION 6 - HYDRAULIC

FIGURE 6-6. HYDRAULIC DIAGRAM - OSCILLATING AXLE (SN 0300081836 through 0300087000)

ITEM	PART NUMBER	QTY	DESCRIPTION	REV
	2792690	Ref	HYDRAULIC DIAGRAM - OSCILLATING AXLE	1
1	2220371	3	Fitting, Straight	
2	2220468	1	Fitting, Straight	
3	2220490	1	Fitting, Tee	
4	2220504	1	Fitting, Tee	
5	2220415	2	Fitting, Straight	
6	2751434	2	Hose	
7	2751410	1	Hose	
8	2753933	2	Hose	
9	2752462	1	Hose	

SECTION 6 - HYDRAULIC

FIGURE 6-7. HYDRAULIC DIAGRAM - STANDARD (SN 030069000 through 0300081835)



SECTION 6 - HYDRAULIC

FIGURE 6-7. HYDRAULIC DIAGRAM - STANDARD (SN 0300069000 through 0300081835)

ITEM	PART NUMBER	QTY	DESCRIPTION	REV
	2792188	Ref	HYDRAULIC DIAGRAM - STANDARD (600A)	21
	2792189	Ref	HYDRAULIC DIAGRAM - STANDARD (600AJ)	22
3	2220377	3	Fitting, Straight	
4	2220646	2	Fitting, 90	
5	2752655	1	Hose	
6	2220578	3	Fitting, 90	
7	2220366	2	Fitting, 90	
8	2220385	2	Fitting, Tee	
9	2220618	3	Fitting, Reducer	
10	2752500	1	Hose	
11	2752519	1	Hose	
12	2753132	1	Hose	
13	2220472	2	Fitting, 90	
14	2752928	1	Hose	
15	2220375	2	Fitting, Straight	
16	2752591	1	Hose (SN 0300069000 through 0300070977)	
17	2220466	8	Fitting, 90	
18	2220415	5	Fitting, Straight	
20	2752723	1	Hose	
21	2220379	2	Fitting, Straight	
22	2752656	1	Hose	
23	2220567	1	Fitting, 90	
24	2752724	1	Hose	
25	2220376	1	Fitting, Straight	
26	2220810	1	Fitting, Reducer	
27	4640744	1	Valve, Check	
28	2752604	2	Hose (Note: Also Requires #69 & #68 for Complete Run Up Boom)	
29	2752929	1	Hose	
30	2220602	2	Fitting, Tee	
31	2220619	6	Fitting, Reducer	
32	2220416	1	Fitting, 90 (SN 0300069000 through 0300070977)	
33	2752635	1	Hose	
34	2753133	1	Hose	
35	2220497	2	Fitting, Straight	
36	2752573	5	Hose	
38	2220428	AR	Fitting, Quick Coupling (600A - Qty.3 /600AJ - Qty.4)	
39	2220429	AR	Cap, Dust (600A - Qty.3 /600AJ - Qty.4)	
40	2220873	2	Fitting	
41	2752600	2	Hose	
42	2220582	6	Fitting, Straight	
43	2752506	1	Hose (600A)	
43	2752516	1	Hose (600AJ)	
44	2220596	3	Fitting, 90	
45	2220628	6	Fitting, 90	
46	2220609	AR	Fitting, Reducer	
47	2220381	AR	Fitting, Long Straight (600A - Qty.5 /600AJ - Qty.6)	
48	2220974	1	Fitting, Long Straight	
49	2220923	4	Fitting, Long Straight	
50	2220374	3	Fitting	
51	2220574	1	Fitting, Straight	

SECTION 6 - HYDRAULIC

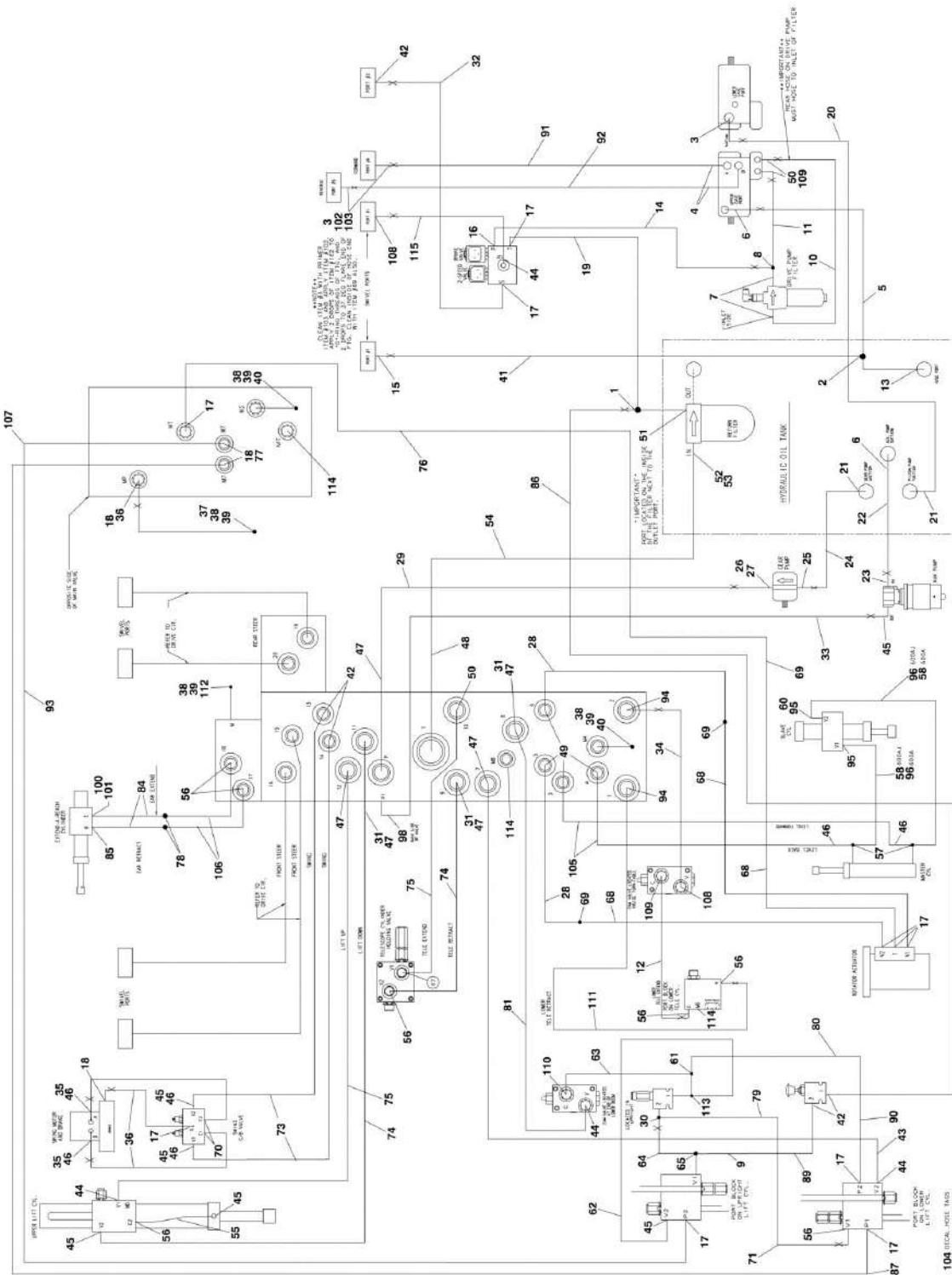
ITEM	PART NUMBER	QTY	DESCRIPTION	REV
52	2220921	1	Fitting, Reducer	
53	2220498	1	Fitting, 45	
54	2752783	1	Hose	
55	2752469	1	Hose	
56	2220372	AR	Fitting, Straight (600A - Qty.5 /600AJ - Qty.7)	
57	2220899	2	Fitting, Tee	
58	2752636	1	Hose (600A)	
58	2752468	1	Hose (600AJ)	
60	2220657	1	Fitting, 45 (600A Only)	
61	2221065	1	Fitting, Tee	
62	2752462	1	Hose	
63	2753134	1	Hose	
63	2753134	1	Hose	
64	2752497	1	Hose	
65	2220999	1	Fitting, Tee	
67	2220500	1	Fitting, 45	
68	2752601	3	Hose (Note: Also Requires #69 & #28 or #76 for Complete Run Up Boom)	
69	2220510	3	Fitting, Coupling	
70	2220468	2	Fitting, Straight	
71	2753052	1	Hose	
72	2220502	4	Fitting, 45 (SN 0300069000 through 0300070977)	
73	2752603	2	Hose	
74	2753055	1	Hose	
75	2752939	2	Hose	
76	2752579	1	Hose (Note: Also Requires #69 & #68 for Complete Run Up Boom)	
77	2220654	2	Fitting, 90	
78	2220511	1	Fitting, Coupling (600AJ Only)	
79	2753056	1	Hose	
80	2752991	1	Hose	
81	2753135	1	Hose	
82	2752434	1	Hose (SN 0300069000 through 0300070977)	
84	2753047	2	Hose (600AJ Only) (Note: Also Requires #78 & #106 for Complete Run Up Boom)	
85	2220473	1	Fitting, 90 (600AJ Only)	
86	2752453	1	Hose	
87	2752593	1	Hose	
88	2752988	1	Hose (SN 0300069000 through 0300070977)	
89	2752990	1	Hose	
90	2752985	1	Hose	
91	2752343	1	Hose	
92	2752341	1	Hose	
93	2752592	1	Hose (SN 0300069000 through 0300070977)	
94	2220998	2	Fitting, Straight	
95	2220603	2	Fitting, Straight	
96	2753046	1	Hose (600A)	
96	2752650	1	Hose (600AJ)	
98	2220473	1	Fitting, 90	
100	2180724	1	Fitting, Modified 90 (600AJ Only)	
101	2180380	1	Plug, Orifice.06 (600AJ Only)	
102	0100011	AR	Compound, Locking	
103	0100038	AR	Primer, Locking	

SECTION 6 - HYDRAULIC

ITEM	PART NUMBER	QTY	DESCRIPTION	REV
104	1703534	2	Decal, Hose Tags (Not Shown)	
105	2752989	2	Hose	
106	2752618	2	Hose (600AJ Only) (Note: Also Requires #78 & #84 for Complete Run Up Boom)	
107	2752987	1	Hose	
108	2220373	1	Fitting, Straight	
109	2220947	1	Fitting, Straight	
110	2221036	1	Fitting, O-Ring	
111	2752484	1	Hose	
112	2220873	1	Fitting, Nipple	
113	2221053	1	Fitting, Tee	
114	2220235	3	Plug (SN 0300070977 through 0300081836)	

SECTION 6 - HYDRAULIC

FIGURE 6-8. HYDRAULIC DIAGRAM - STANDARD (SN 0300081836 through 0300087000)



SECTION 6 - HYDRAULIC

FIGURE 6-8. HYDRAULIC DIAGRAM - STANDARD (SN 0300081836 through 0300087000)

ITEM	PART NUMBER	QTY	DESCRIPTION	REV
	2792688	Ref	HYDRAULIC DIAGRAM - STANDARD (600A)	5
	2792689	Ref	HYDRAULIC DIAGRAM - STANDARD (600AJ)	3
1	2220605	1	Fitting, Tee	
2	2220409	1	Fitting, 45	
3	2220377	3	Fitting, Straight	
4	2220646	2	Fitting, 90	
5	2752655	1	Hose	
6	2220578	2	Fitting, 90	
7		Ref	Fitting, 90 Options:	
7	2220366	2	Fitting, 90 (SN 0300081836 through 0300084828)	
7	2221042	2	Fitting, 90 (SN 0300084829 through 0300087000)	
8		Ref	Fitting, Tee Options:	
8	2220385	1	Fitting, Tee (SN 0300081836 through 0300084828)	
8	2220948	1	Fitting, Tee (SN 0300084829 through 0300087000)	
9	2220618	1	Fitting, Reducer	
10		Ref	Hose Options:	
10	2752500	1	Hose (SN 0300081836 through 0300084828)	
10	2754329	1	Hose (SN 0300084829 through 0300087000)	
11		Ref	Hose	
11	2752519	1	Hose (SN 0300081836 through 0300084828)	
11	2754330	1	Hose (SN 0300084829 through 0300087000)	
12	2753132	1	Hose	
13	2220738	1	Fitting, Tee	
14		Ref	Hose Options:	
14	2752928	1	Hose (SN 0300081836 through 0300084828)	
14	2754328	1	Hose (SN 0300084829 through 0300087000)	
15	2220375	AR	Fitting, Straight (600A - Qty.1 /600AJ - Qty.2)	
16	2220474	1	Fitting, 90	
17	2220466	10	Fitting, 90	
18	2220415	4	Fitting, Straight	
19	2753325	1	Hose	
20	2752723	1	Hose	
21	2220379	2	Fitting, Straight	
22	2752656	1	Hose	
23	2220567	1	Fitting, 90	
24	2752724	1	Hose	
25	2220376	1	Fitting, Straight	
26	2220810	1	Fitting, Reducer	
27	4640744	1	Valve, Check	
28	2752604	2	Hose (Note: Also Requires #69 & #68 for Complete Run Up Boom)	
29	2752929	1	Hose	
30	2220602	1	Fitting, Tee	
31	2220619	3	Fitting, Reducer	
32	2751396	1	Hose	
33	2752635	1	Hose	
34	2753133	1	Hose	
35	2220497	2	Fitting, Straight	
36	2752573	AR	Hose (600A - Qty.4 /600AJ - Qty.3)	
37	2220414	1	Fitting, Straight	
38	2220428	AR	Fitting, Quick Coupling (600A - Qty.3 /600AJ - Qty.4)	

SECTION 6 - HYDRAULIC

ITEM	PART NUMBER	QTY	DESCRIPTION	REV
39	2220429	AR	Cap, Dust (600A - Qty.3 /600AJ - Qty.4)	
40	2220873	2	Fitting	
41	2752600	1	Hose (600A) (SN 0300081836 through 0300084828)	
41	2753968	1	Hose (600A) (SN 0300084829 through 0300087000)	
41	2753968	1	Hose (600AJ)	
42	2220582	6	Fitting, Straight	
43	2752506	1	Hose (600A)	
43	2752516	1	Hose (600AJ)	
44	2220596	4	Fitting, 90	
45	2220628	6	Fitting, 90	
46	2220609	6	Fitting, Reducer	
47	2220381	6	Fitting, Long Straight	
48	2220974	1	Fitting, Long Straight	
49	2220923	4	Fitting, Long Straight	
50	2220374	AR	Fitting Options:	
50		Ref	Fitting (SN 0300081836 through 0300084828)	
50		Ref	Fitting (SN 0300084829 through 0300087000)	
51	2220574	1	Fitting, Straight	
52	2220921	1	Fitting, Reducer	
53	2220498	1	Fitting, 45	
54	2752783	1	Hose	
55	2752469	1	Hose	
56	2220372	AR	Fitting, Straight (600A - Qty.5 /600AJ - Qty.7)	
57	2220899	2	Fitting, Tee	
58	2752636	1	Hose (600A)	
58	2752468	1	Hose (600AJ)	
60	2220657	1	Fitting, 45 (600A Only)	
61	2221065	1	Fitting, Tee	
62	2752462	1	Hose	
63	2753134	1	Hose	
64	2752497	1	Hose	
65	2220999	1	Fitting, Tee	
67	2220500	1	Fitting, 45	
68	2752601	3	Hose (Note: Also Requires #69 & #28 or #76 for Complete Run Up Boom)	
69	2220510	3	Fitting, Coupling	
70	2220468	2	Fitting, Straight	
71	2753052	1	Hose	
73	2752603	2	Hose	
74	2753055	2	Hose	
75	2752939	2	Hose	
76	2752579	1	Hose (Note: Also Requires #69 & #68 for Complete Run Up Boom)	
77	2220654	2	Fitting, 90	
78	2220511	1	Fitting, Coupling (600AJ Only)	
79	2753056	1	Hose	
80	2752991	1	Hose	
81	2753135	1	Hose	
84	2753047	2	Hose (600AJ Only) (Note: Also Requires #78 & #106 for Complete Run Up Boom)	
85	2220473	1	Fitting, 90 (600AJ Only)	
86	2752453	1	Hose	
87	2752593	1	Hose	

SECTION 6 - HYDRAULIC

ITEM	PART NUMBER	QTY	DESCRIPTION	REV
89	2752990	1	Hose	
90	2752985	1	Hose	
91		Ref	Hose Options:	
91	2752343	1	72in/1.83m Length	
91	2752341	1	66in/1.68m Length	
92		Ref	Hose Options:	
92	2752343	1	72in/1.83m Length	
92	2752341	1	66in/1.68m Length	
94	2220998	2	Fitting, Straight	
95	2220603	2	Fitting, Straight	
96	2753046	1	Hose (600A)	
96	2752650	1	Hose (600AJ)	
98	2220473	1	Fitting, 90	
100	2180724	1	Fitting, Modified 90 (600AJ Only)	
101	2180380	1	Plug, Orifice.06 (600AJ Only)	
102	0100011	AR	Compound, Locking	
103	0100038	AR	Primer, Locking	
104	1703534	2	Decal, Hose Tags (Not Shown)	
105	2752989	2	Hose	
106	2752618	2	Hose (600AJ Only) (Note: Also Requires #78 & #84 for Complete Run Up Boom)	
107	2752987	1	Hose	
108	2220373	AR	Fitting, Straight (600A - Qty.1 /600AJ - Qty.2)	
109	2220947		Fitting, Straight Options:	
109		Ref	Fitting, Straight (SN 0300081836 through 0300084828)	
109		Ref	Fitting, Straight (SN 0300084829 through 0300087000)	
110	2221036	1	Fitting, O-Ring	
111	2752484	1	Hose	
112	2220873	1	Fitting, Nipple	
113	2221053	1	Fitting, Tee	
114	2220235	3	Plug	
115	2752519	1	Hose	

SECTION 6 - HYDRAULIC

FIGURE 6-9. HYDRAULIC DIAGRAM LIST

ITEM	PART NUMBER	QTY	DESCRIPTION	REV
		Ref	Note: Diagrams not shown in manual are available from JLG Service/Parts Department.	
	1282396	Ref	Drive Hydraulic Diagrams	
		Ref	Drive Hydraulic Diagrams 600A & 600AJ with 8ft/2.4m Width Frame:	
	2792193	Ref	Drive Hydraulic 2WD/2WS (SN 0300069000 through 0300081835)	
	2792692	Ref	Drive Hydraulic 2WD/2WS (SN 0300081836 through 0300087000)	
	2792194	Ref	Drive Hydraulic 2WD/4WS (SN 0300069000 through 0300081835)	
	2792702	Ref	Drive Hydraulic 2WD/4WS (SN 0300081836 through 0300087000)	
	2792195	Ref	Drive Hydraulic 4WD/2WS (SN 0300069000 through 0300081835)	
	2792687	Ref	Drive Hydraulic 4WD/2WS (SN 0300081836 through 0300087000)	
	2792196	Ref	Drive Hydraulic 4WD/4WS (SN 0300069000 through 0300081835)	
	2792697	Ref	Drive Hydraulic 4WD/4WS (SN 0300081836 through 0300087000)	
		Ref	Drive Hydraulic Diagrams 600A & 600AJ with 7ft/2.1m Width Frame:	
	2792191	Ref	Drive Hydraulic 2WD/2WS	
	2792192	Ref	Drive Hydraulic 2WD/2WS	
		Ref	OSCILLATING AXLE HYDRAULIC DIAGRAMS	
	2792230	Ref	Hydraulic Diagram - Oscillating Axle (SN 0300069000 through 0300081835)	
	2792690	Ref	Hydraulic Diagram - Oscillating Axle (SN 0300081836 through 0300087000)	
		Ref	STANDARD HYDRAULIC DIAGRAM - 600A	
	2792188	Ref	Standard Hydraulic Diagram (SN 0300069000 through 0300081835)	
	1282396	Ref	Standard Hydraulic Diagram (SN 0300069000 through 0300081835)	
	2792688	Ref	Standard Hydraulic Diagram (SN 0300081836 through 0300087000)	
	1283429	Ref	Standard Hydraulic Diagram (SN 0300081836 through 0300087000)	
		Ref	STANDARD HYDRAULIC DIAGRAM - 600AJ	
	2792189	Ref	Standard Hydraulic Diagram (SN 0300069000 through 0300081835)	
	1282396	Ref	Standard Hydraulic Diagram (SN 0300069000 through 0300081835)	
	2792689	Ref	Standard Hydraulic Diagram (SN 0300081836 through 0300087000)	
	1283429	Ref	Standard Hydraulic Diagram (SN 0300081836 through 0300087000)	
		Ref	Standard Hydraulic Schematic	
	2792177	Ref	Standard Hydraulic Diagram (SN 0300069000 through 0300081835)	
	2792691	Ref	Standard Hydraulic Diagram (SN 0300081836 through 0300087000)	

SECTION 6 - HYDRAULIC

ITEM	PART NUMBER	QTY	DESCRIPTION	REV
	2792405	Ref	Tool Circuit Hydraulic Diagram	
	2792315	Ref	Tow Hydraulic Diagram	

SECTION 7 - ELECTRICAL

SECTION 7 - ELECTRICAL

FIGURE 7-1. ELECTRICAL DIAGRAM LIST

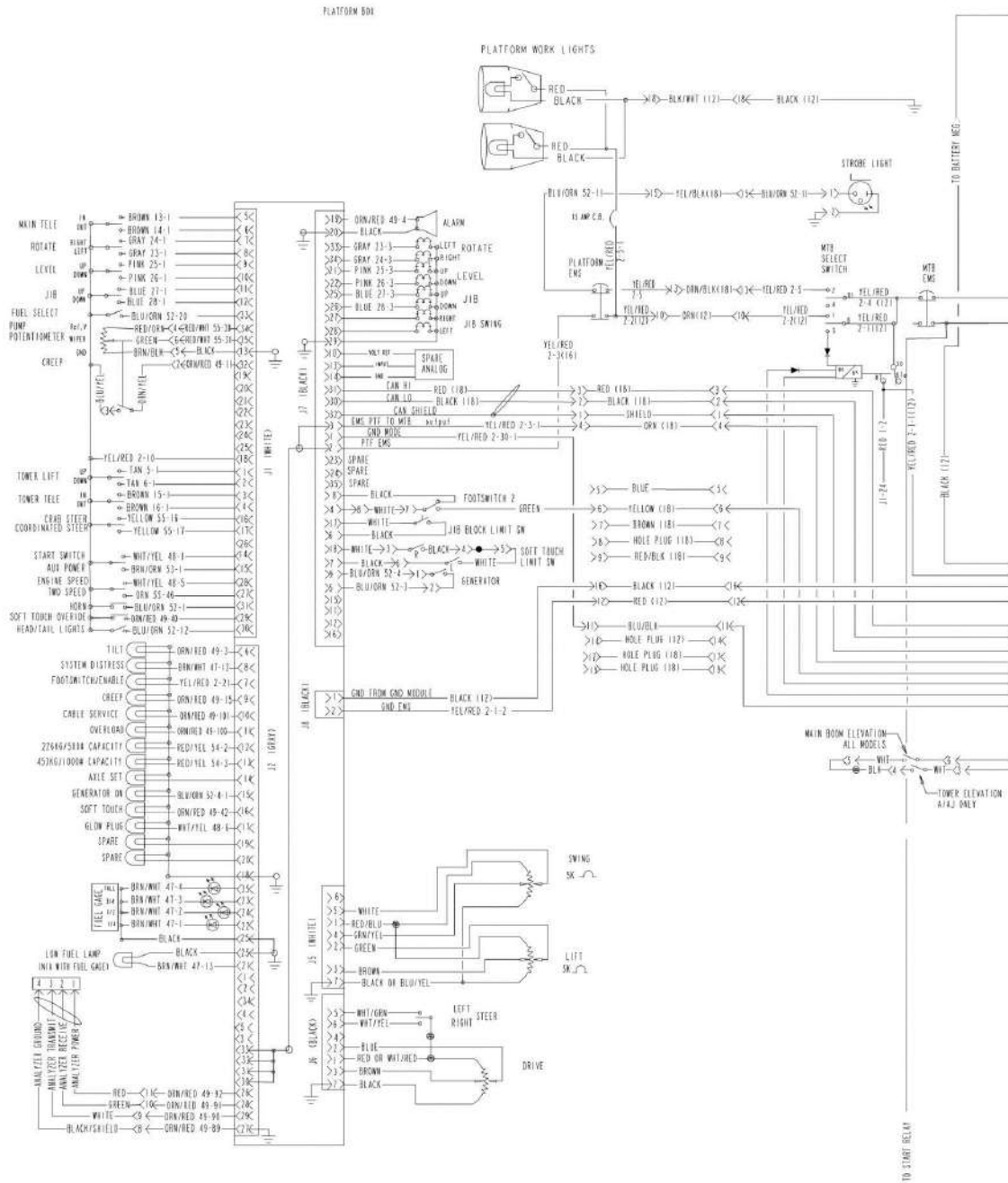
ITEM	PART NUMBER	QTY	DESCRIPTION	REV
		Ref	Note: Diagrams not shown in manual are available from JLG Service/Parts Department.	
		Ref	ALARM ELECTRICAL DIAGRAMS	
	4933025	Ref	Motion	1
	1282937	Ref	Motion	A
	4933026	Ref	Travel	1
	1282937	Ref	Travel	A
	1282571	Ref	COLD WEATHER START ELECTRICAL DIAGRAM (DEUTZ)	J
		Ref	DRIVE CUT-OUT ELECTRICAL DIAGRAM	
	4932990	Ref	Above Elevation Tilt or Beyond Transport	2
	1282828	Ref	Above Elevation Tilt or Beyond Transport	B
	4932993	Ref	Above Elevation Tilt	2
	1282828	Ref	Above Elevation Tilt	B
	4932992	Ref	8 Meter - 600A	2
	1282828	Ref	8 Meter - 600A	B
	4932992	Ref	8 Meter - 600AJ	2
	1282828	Ref	8 Meter - 600AJ	B
	3640493	1	Rail, Mounting	
	4460607	2	Stop, Terminal	
	4120013	1	Socket, Relay	
	3740058	1	Relay 4PDT	
	2740063	1	Spring, Relay	
	4933307	Ref	DRIVE/STEER CUT-OUT ELECTRICAL DIAGRAMS	A
	4932986	Ref	ENGINE LOW OIL SHUTDOWN ELECTRICAL DIAGRAM	2-B
	4933308	Ref	FLOOD LIGHTS ELECTRICAL DIAGRAM	1-A
		Ref	GENERATOR ELECTRICAL DIAGRAMS	
	4933215	Ref	110V (SN 0300069000 through 0300081835)	1-B
	4933216	Ref	220V (SN 0300069000 through 0300081835)	1-B
	4933300	Ref	110V/220V (SN 0300081836 through 0300087000)	1-A
	4933219	Ref	HEADLIGHTS/TAILLIGHTS ELECTRICAL DIAGRAM	1-B
	4933312	Ref	CHASSIS ILLUMINATION ELECTRICAL DIAGRAM	1-A
	4922484	1	Harness (Located in Ground Console Box)	
	3740049	1	Relay	
		Ref	OIL COOLER ELECTRICAL DIAGRAMS	
	0256765	Ref	Deutz Machines	5
	1282665	Ref	Deutz Machines	E
	0270723	Ref	PLATFORM BEACON ELECTRICAL DIAGRAM	1-A
	4922639	Ref	PLATFORM ELECTRICAL DIAGRAMS	F
	4933218	Ref	PLATFORM SOFT TOUCH SYSTEM ELECTRICAL DIAGRAM	1-B
	3740057	1	Relay (Located in Platform Console Box)	
	4120012	1	Socket, Relay (Located in Platform Console Box)	
	3740066	1	Spring, Relay (Located in Platform Console Box)	
	3740049	1	Relay (Located in Platform Console Box)	
	4460600	1	Block, Terminal (Located in Platform Console Box)	
		Ref	Note: Diagrams not shown in manual are available from JLG Service/Parts Department.	
		Ref	PLATFORM WORKLIGHTS ELECTRICAL DIAGRAM	
	0270814	Ref	Worklights Installation (Optional) (SN 0300069000 through 0300074444)	3-E

SECTION 7 - ELECTRICAL

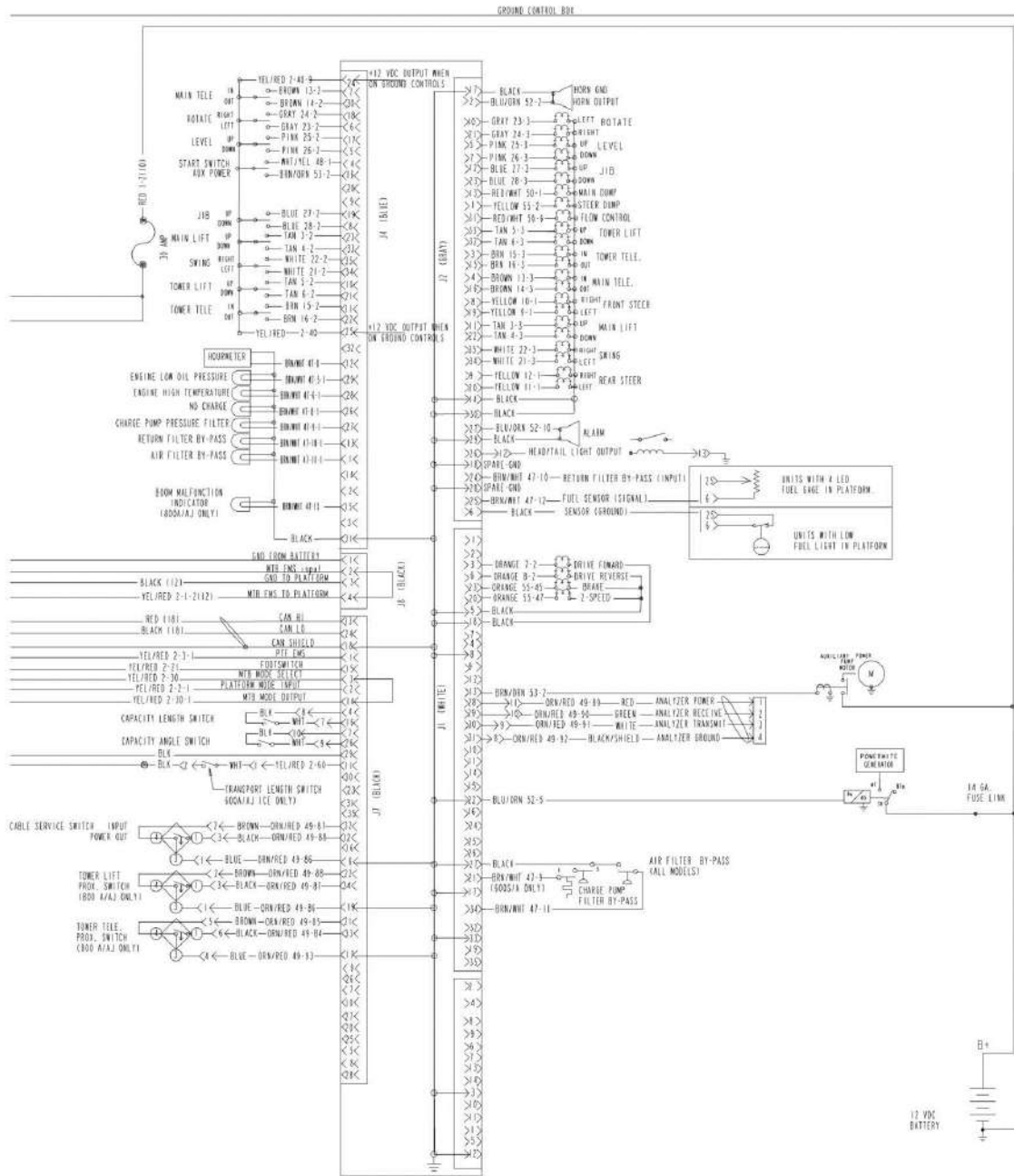
ITEM	PART NUMBER	QTY	DESCRIPTION	REV
	0273492	Ref	Worklights Installation (Optional) (SN 0300074445 through 0300087000)	B
	4933263	Ref	POWER TOOL ELECTRICAL DIAGRAM	1-B
		Ref	STANDARD ELECTRICAL DIAGRAMS	
	4933290	Ref	Caterpillar Engine (SN 0300069000 through 0300084828)	2-B
	4933330	Ref	Caterpillar Engine (SN 0300084829 through 0300087000)	1-A
	4933214	Ref	Deutz Engine (SN 0300069000 through 0300084828)	3-C
	4933319	Ref	Deutz Engine (SN 0300084829 through 0300087000)	D
		Ref	STANDARD ELECTRICAL SCHEMATIC	
	1870132	Ref	Caterpillar and Ford Engine Machines	H
	1870132	Ref	Deutz Engine Machines (SN 0300069000 through 0300084828)	H
	1870191	Ref	Deutz Engine Machines (SN 0300084829 through 0300087000)	A

SECTION 7 - ELECTRICAL

FIGURE 7-2. ELECTRICAL SCHEMATIC (DEUTZ AND ALL CATERPILLAR) (SN 030069000 through 0300084711)

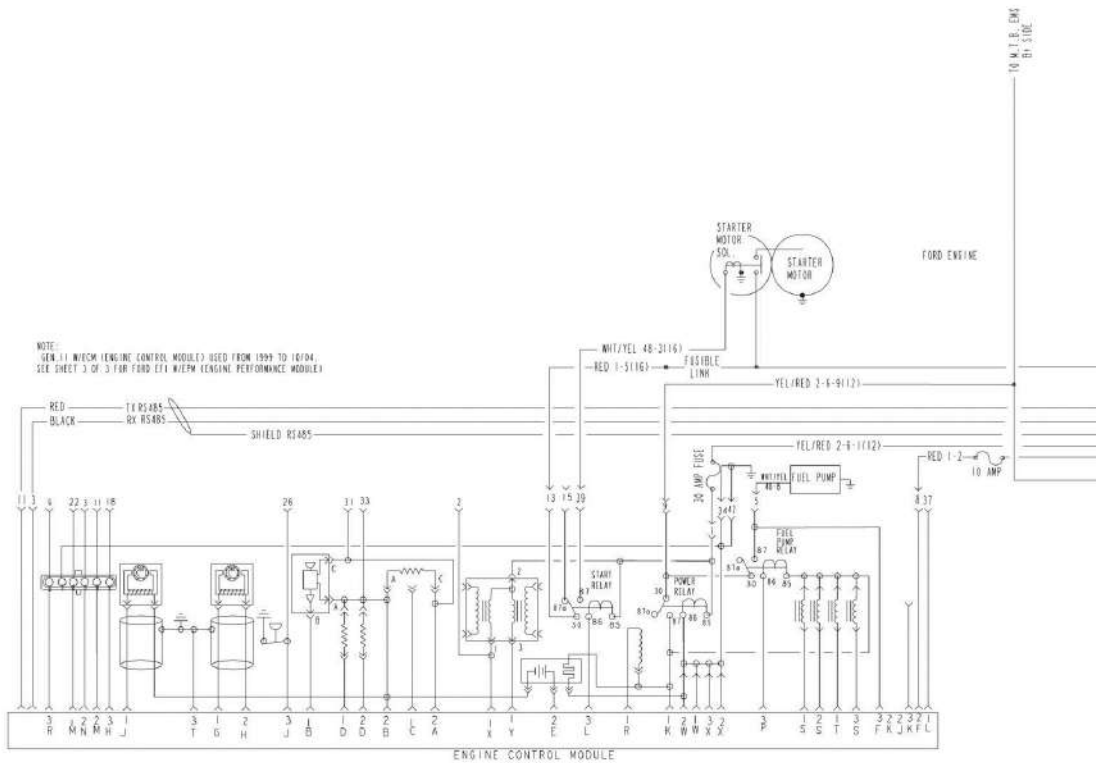
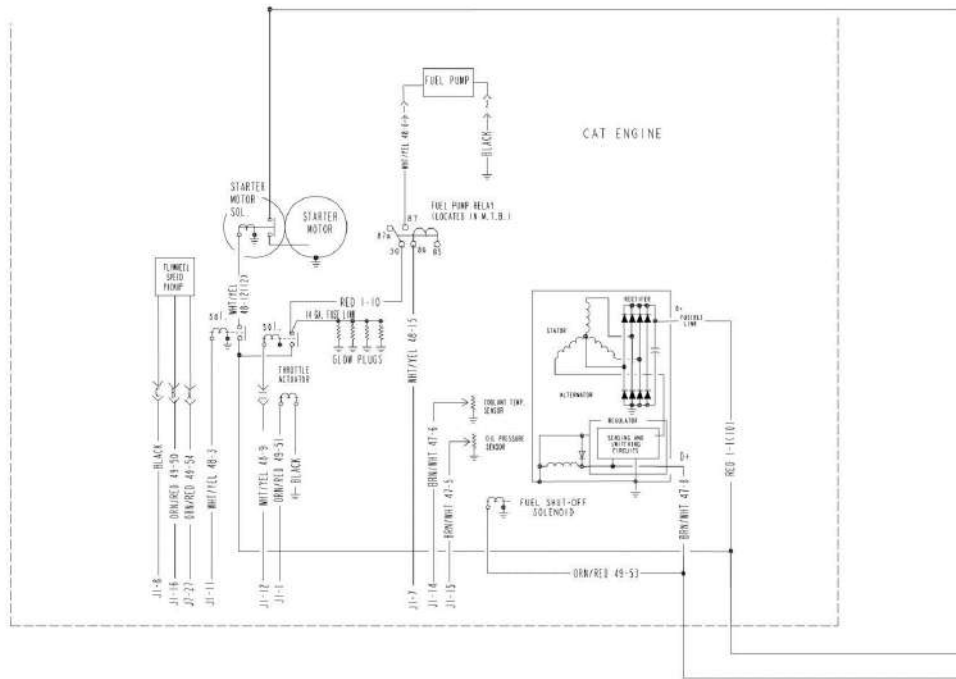


SECTION 7 - ELECTRICAL

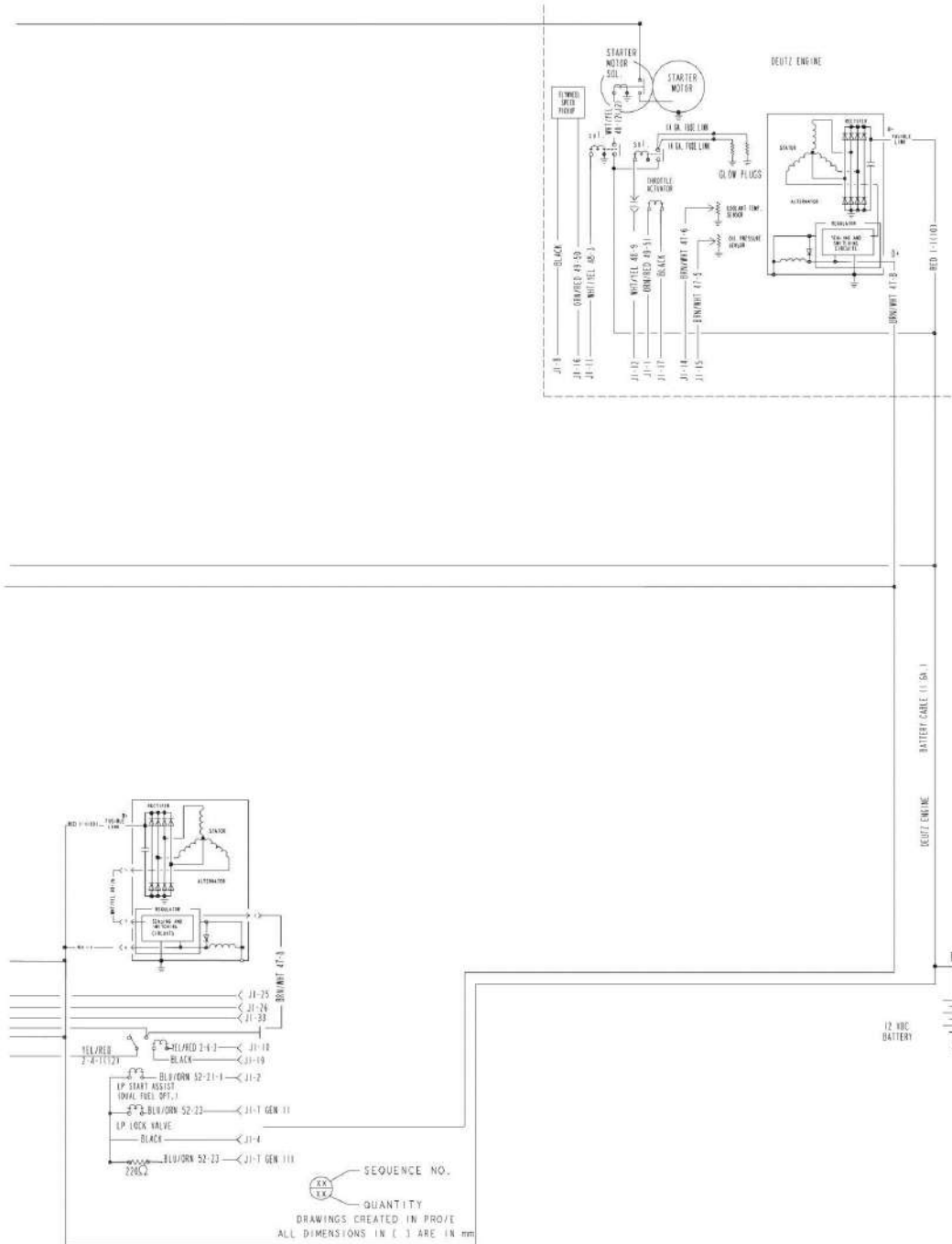


1870132 - H

SECTION 7 - ELECTRICAL

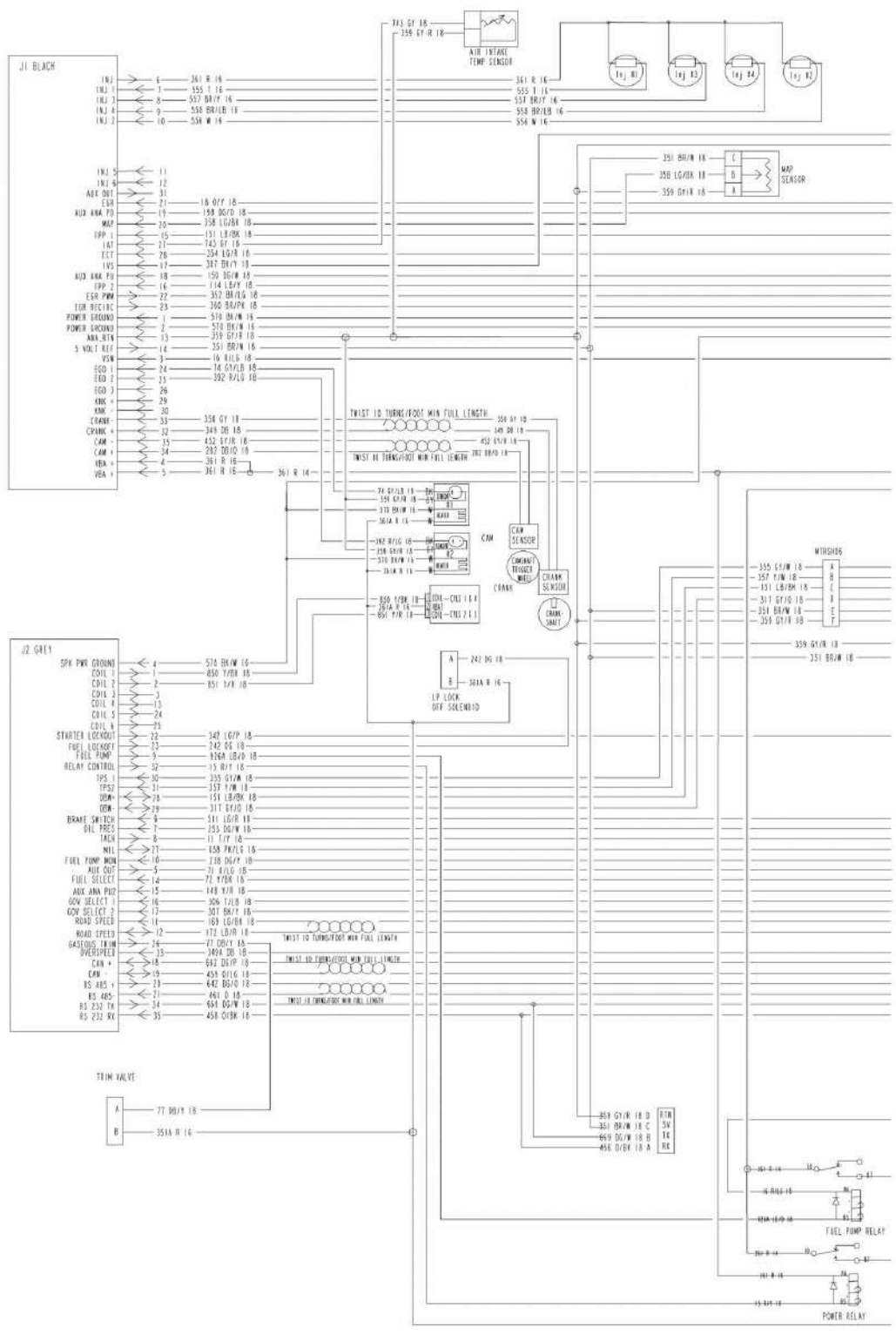


SECTION 7 - ELECTRICAL

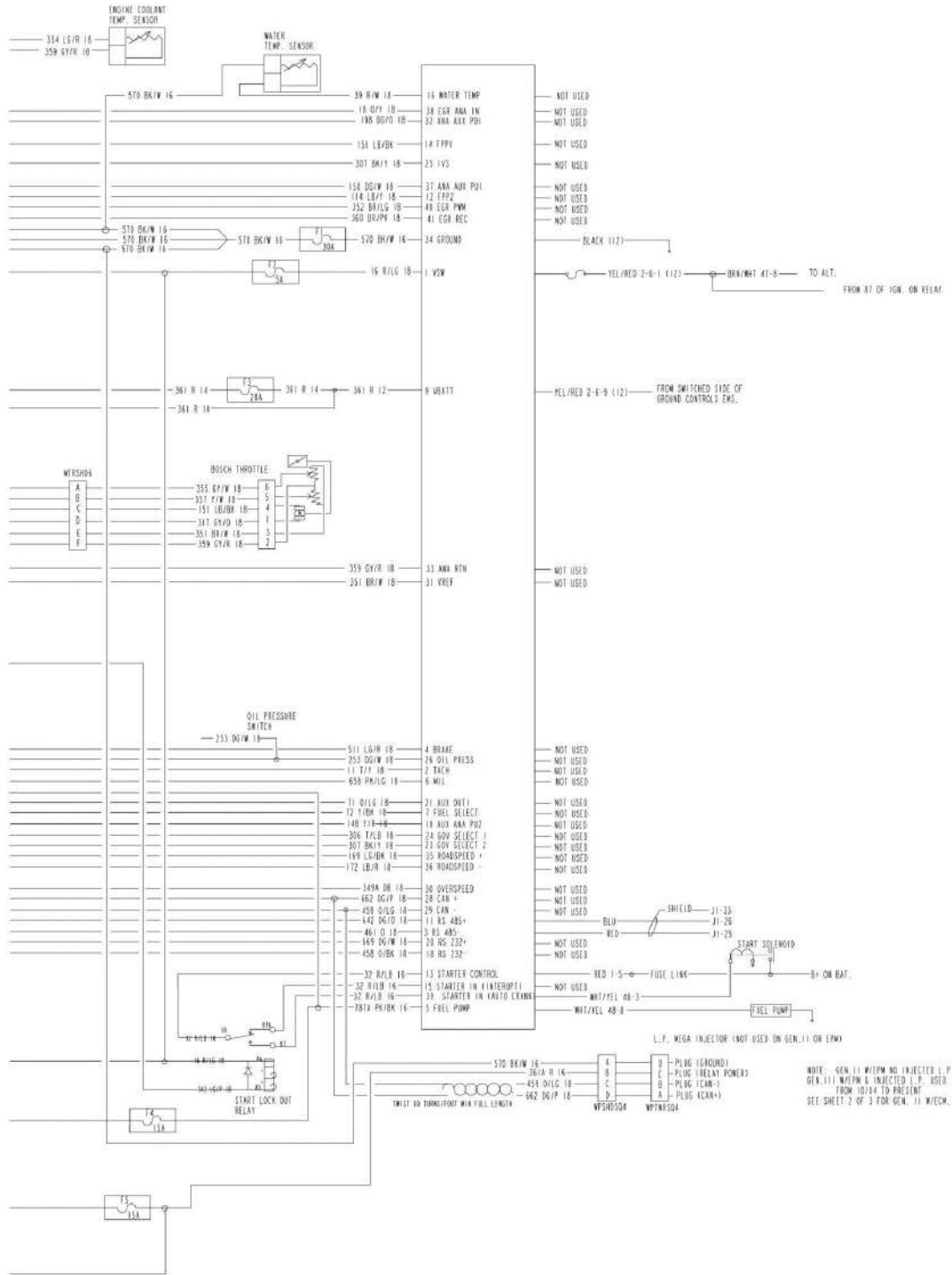


1870132 - H

SECTION 7 - ELECTRICAL

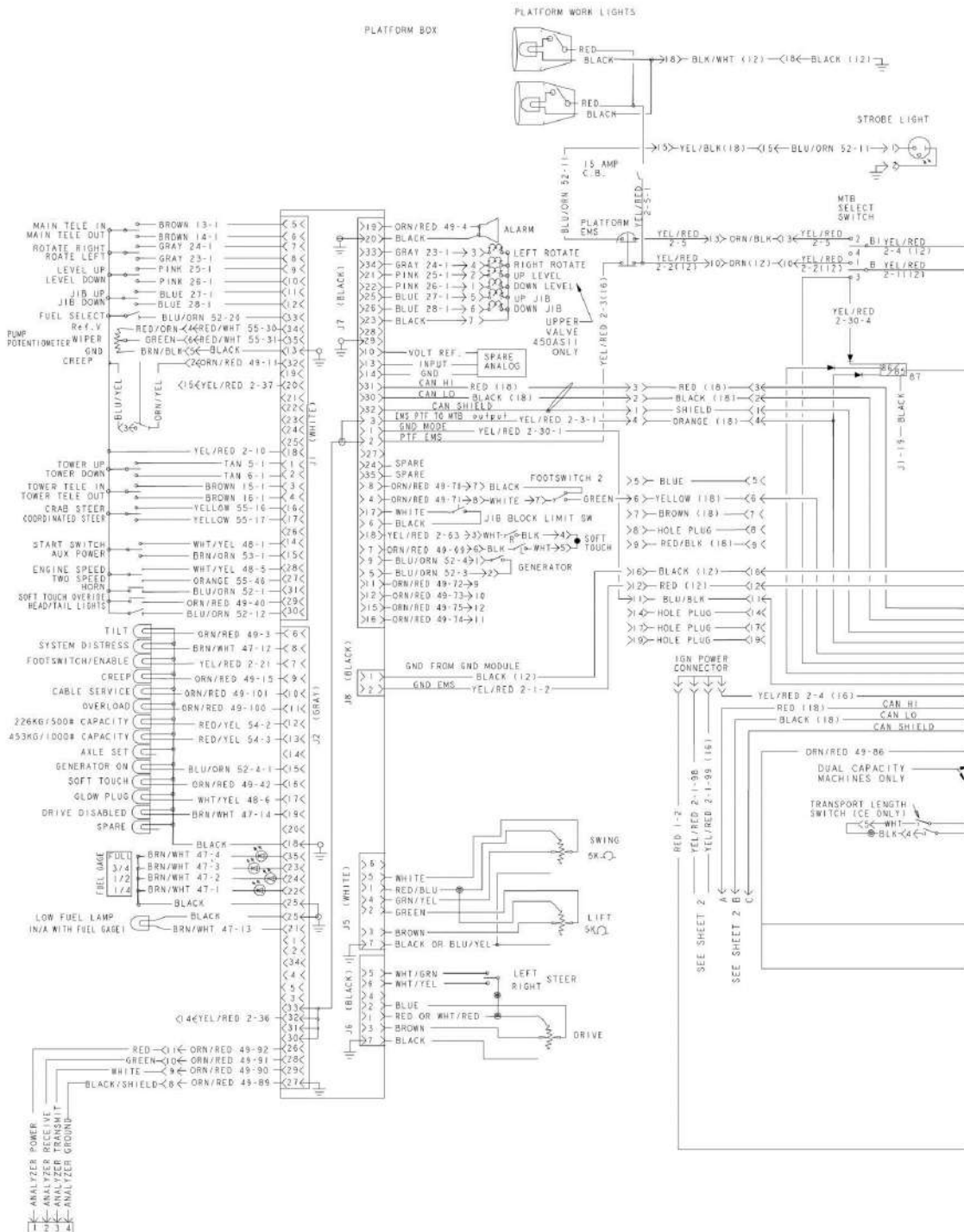


SECTION 7 - ELECTRICAL

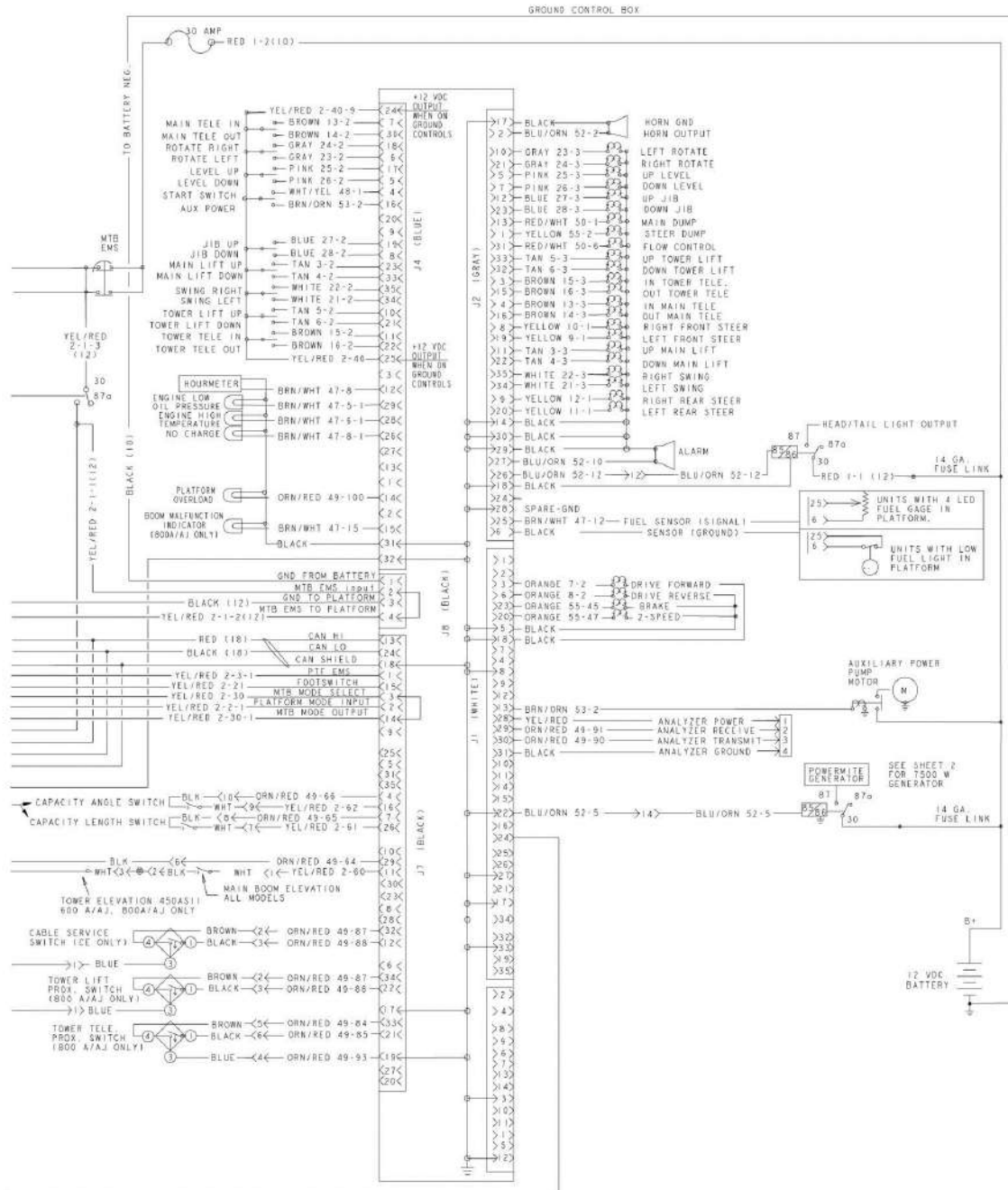


SECTION 7 - ELECTRICAL

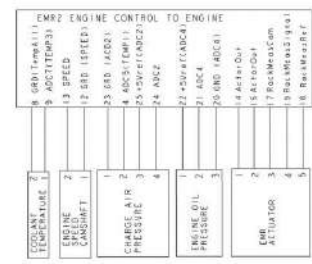
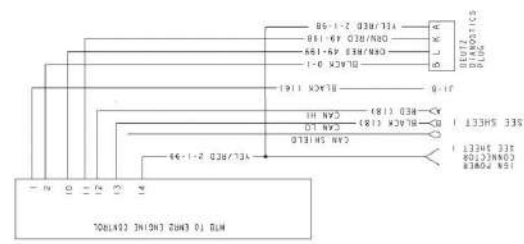
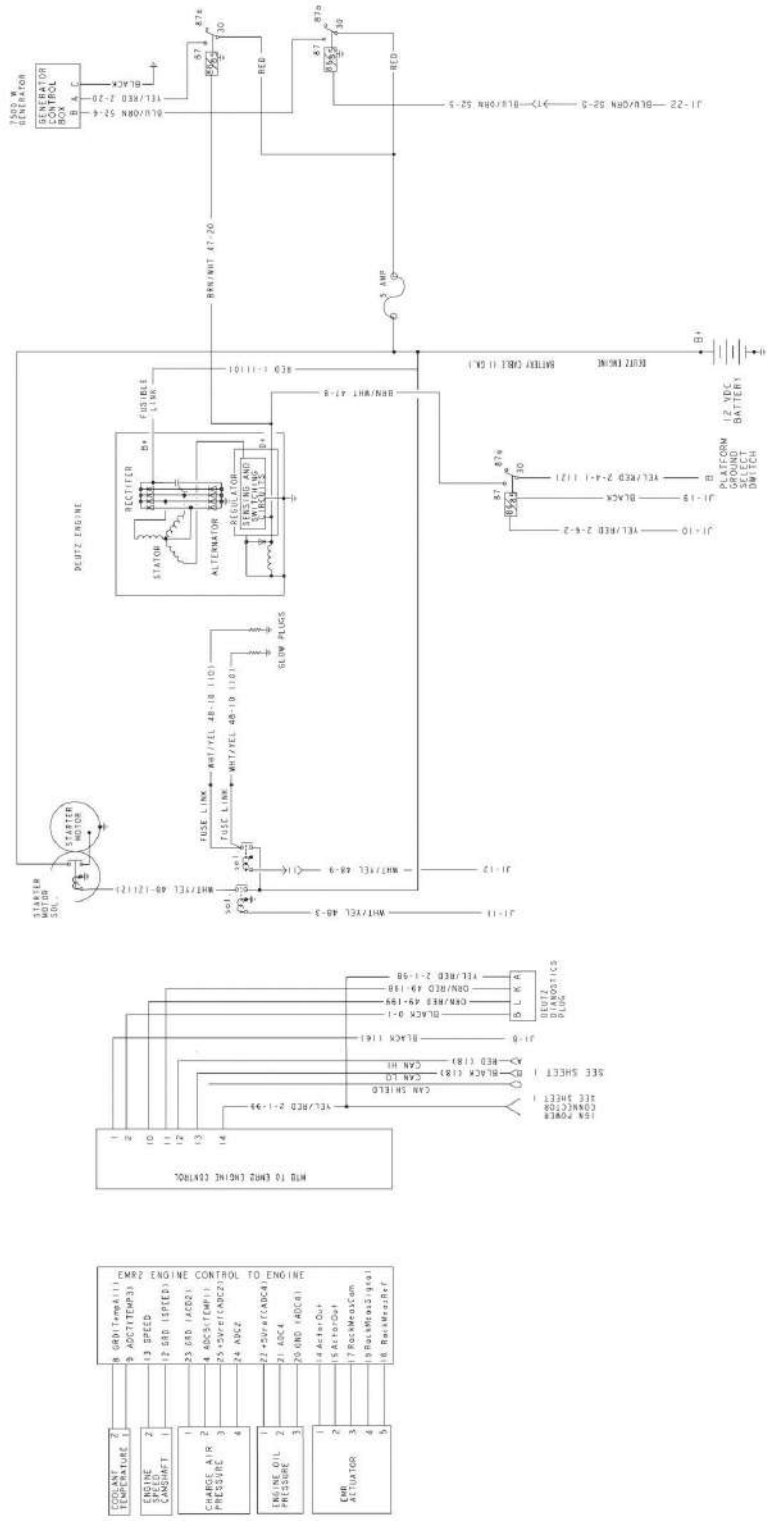
FIGURE 7-3. ELECTRICAL SCHEMATIC - DEUTZ ENGINE (SN 0300084827 through 0300087000)



SECTION 7 - ELECTRICAL

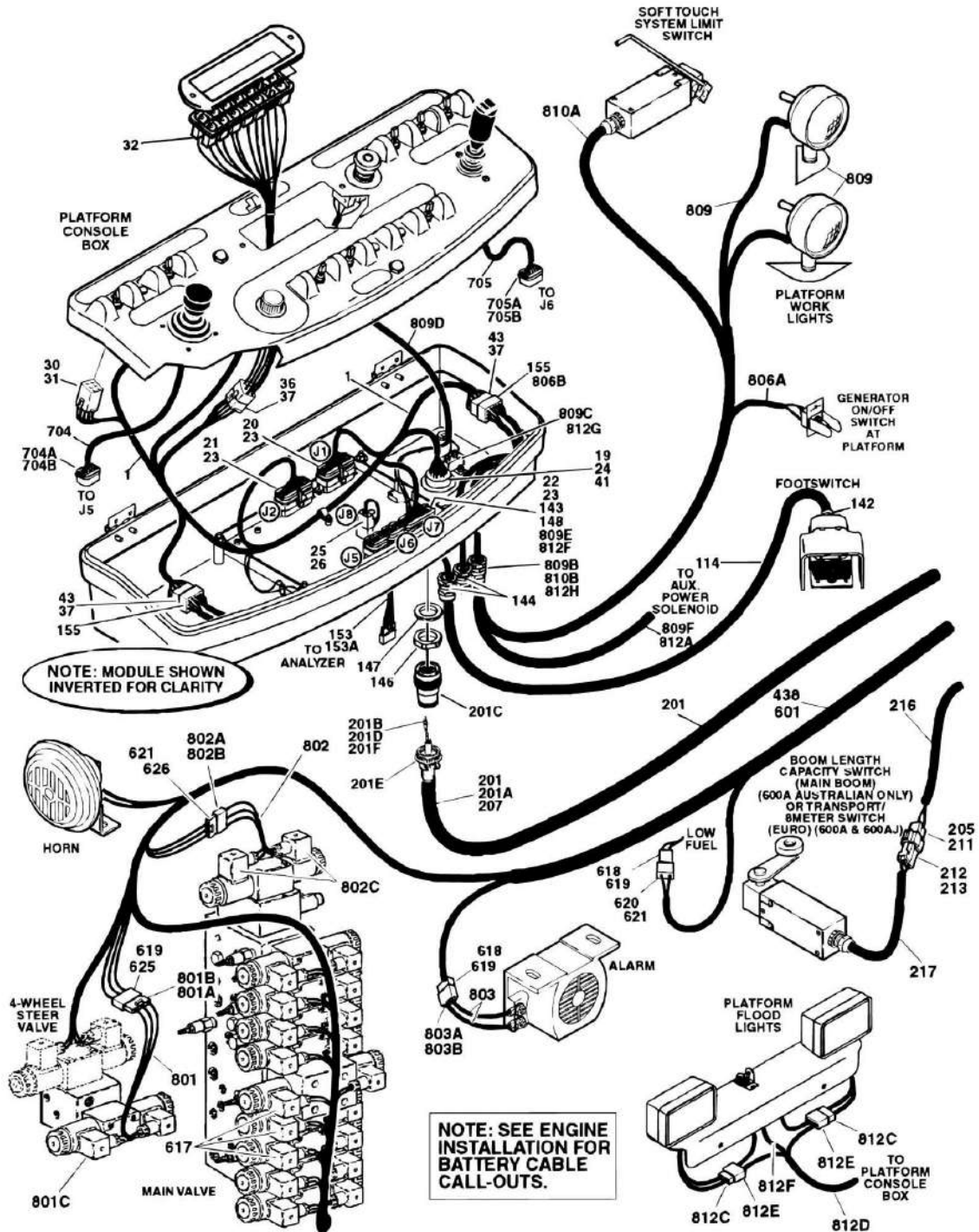


SECTION 7 - ELECTRICAL

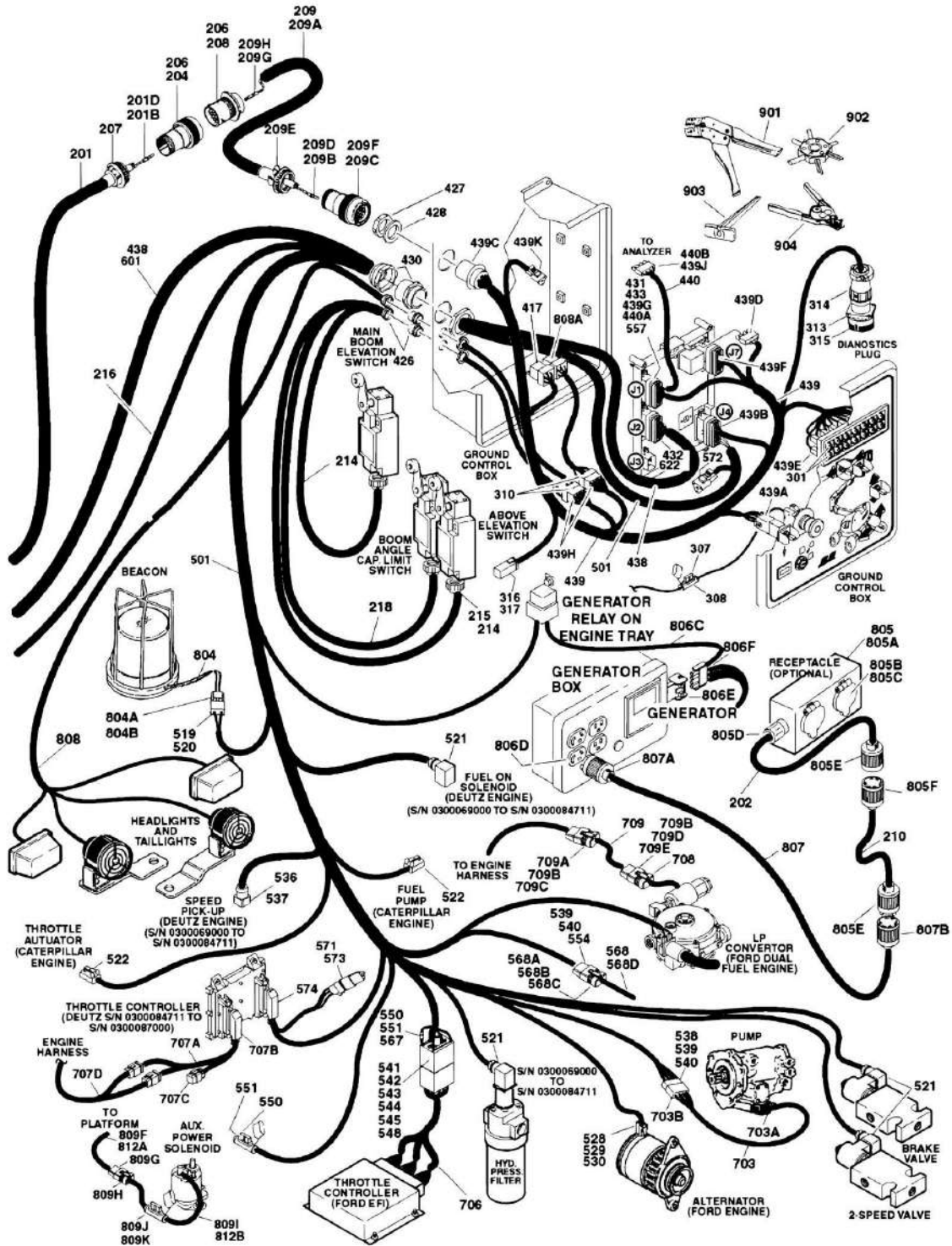


SECTION 7 - ELECTRICAL

FIGURE 7-4. HARNESS COMPONENTS INSTALLATION



SECTION 7 - ELECTRICAL



SECTION 7 - ELECTRICAL

FIGURE 7-4. HARNESS COMPONENTS INSTALLATION

ITEM	PART NUMBER	QTY	DESCRIPTION	REV
	4922639	Ref	PLATFORM BOX HARNESS ASSEMBLY	5
1	4922639	1	Harness, Console Box	
19	4460866	1	Connector - 19 Position	
20	4460874	1	Connector - 35 Position (Natural)	
21	4460875	1	Connector - 35 Position (Gray)	
22	4460873	1	Connector - 35 Position (Black)	
23	4460871	70	Socket, Female	
24	4460464	7	Pin, Male (16 Gauge)	
25	4460879	1	Terminal, Housing 2 Position	
26	4460887	2	Terminal, (12 Gauge)	
30	4460418	8	Connector - 6 Position	
31	4460419	24	Terminal, Female	
32	4120035	12	Base, Light	
36	4460225	1	Connector - 6 Position	
37	4460227	28	Pin, Male	
41	4460508	3	Pin, Male (12 Gauge)	
43	4460434	2	Connector - 15 Position	
44	2920129	12	Lamp, Indicator	
		Ref	PLATFORM BOX ASSEMBLY COMPONENTS	
104	0100048	AR	Grease, Dielectric (Used at Module Connections)	
114	1060918	8 ft/2.4m	Cable, Electrical - 18/3	
142	4460071	1	Connector, Strain Relief	
143	4460226	2	Socket, Female	
144	4460428	2	Connector, Strain Relief	
146	4460470	1	Nut, Terminal	
147	4460471	1	Lockwasher, Terminal	
148	4460905	5	Seal, Plug	
153	4922666	1	Harness, Analyzer Cable	2-B
153	4460226	4	Socket, Female (Not Shown - Located at J2)	
153A	4460761	1	Connector, Female - 4 Position	
153A	4460227	4	Pin, Male	
155	4460708	2	Terminal, 15 Pin Mate-N-Loc	
		Ref	BOOM CABLES INSTALLATION	
	0273427	Ref	Boom Cables Installation 600A (Australian Spec)	1
	0270819	Ref	Boom Cables Installation 600A (CE Spec)	6
	0273428	Ref	Boom Cables Installation 600AJ (Australian Spec)	1
	0270821	Ref	Boom Cables Installation 600AJ (CE Spec)	7
	0273429	Ref	Boom Cables Installation 600A (With 7500W Generator) (SkyPower) (Australian Spec)	1
	0272626	Ref	Boom Cables Installation 600A (With 7500W Generator) (SkyPower) (CE Spec)	2
	0273430	Ref	Boom Cables Installation 600AJ (With 7500W Generator) (SkyPower) (Australian Spec)	1
	0272627	Ref	Boom Cables Installation 600AJ (With 7500W Generator) (SkyPower) (CE Spec)	2
201	4922493	1	Harness, Main Boom	
201A	1060896	45.5 ft/13.9m	Cable	
201B	4460465	22	Socket, Female - #16	
201C	4460865	1	Connector - 19 Position	
201D	4460509	8	Socket, Female - #12	

SECTION 7 - ELECTRICAL

ITEM	PART NUMBER	QTY	DESCRIPTION	REV
201E	4460473	1	Clamp, Cable	
201F	4460466	4	Seal, Plug	
202		Ref	Cable, Electrical - 12/3 Options (Does not include plug ends):	
202	1060461	46 ft/14m	Cable, Electrical (SN 0300069000 through 0300071457)	
202	4922895	1	Cable, Electrical (SN 0300071458 through 0300087000)	
202	4922810	1	Harness, Electrical - 8/5 (Does not include plug ends) (With SkyPower 7500W Generator)	
202	1060945	47 ft/14.3m	Cable, Electrical - 8/5 (With 7500W Generator)	
204	4460865	1	Connector - 19 Position	
205	4460465	2	Socket, Female - #18 (SN 0300069000 through 0300071457)	
206	4460466	8	Seal, Plug	
207	4460473	1	Clamp, Cable	
208	4460866	1	Connector - 19 Position	
209	4922494	1	Harness, Lower Boom Cable	
209A	1060896	35.5 ft/10.8m	Cable	
209B	4460465	22	Socket, Female - #16	
209C	4460865	1	Connector - 19 Position	
209D	4460509	8	Socket, Female - #12	
209E	4460473	1	Clamp, Cable	
209F	4460466	4	Seal, Plug	
209G	4460464	11	Pin, Male (16 Gauge)	
209H	4460508	4	Pin, Male (12 Gauge)	
210		Ref	Cable, Electrical - 12/3 Options (Does not include plug ends):	
210	1060461	33 ft/10m	Cable, Electrical (SN 0300069000 through 0300071457)	
210	4922893	1	Cable, Electrical (SN 0300071458 through 0300087000)	
210	4922811	1	Harness, Electrical - 8/5 (Does not include plug ends) (With SkyPower 7500W Generator)	
210	1060945	36 ft/10.9m	Cable, Electrical - 8/5 (With 7500W Generator)	
211	4460891	1	Connector, Terminal (600A Only) (SN 0300069000 through 0300071457)	
212	4460897	1	Plug, Terminal (600A Only) (SN 0300069000 through 0300071457)	
213	4460464	3	Pin, Male (16 Gauge) (SN 0300069000 through 0300071457)	
214		Ref	Cable, Electrical - 18/2 Main Boom Limit Switch	
214	1060902	37 ft/11.3m	Cable, Electrical (SN 0300069000 through 0300071457)	
214	1061033	AR	Cable, Electrical (600A - Qty.3 /600AJ - Qty.2) (SN 0300071458 through 0300087000)	
215	1060902	AR	Cable, Electrical - 18/2 Tower Boom Limit Switch	
215	1060902	37 ft/11.3m	Cable, Electrical - 18/2 Tower Boom Limit Switch 600A (SN 0300069000 through 0300071458)	
215	1060902	18 ft/5.5m	Cable, Electrical - 18/2 Tower Boom Limit Switch 600AJ (SN 0300069000 through 0300071458)	
216		Ref	Cable, Electrical - 18/2 Main Boom Length Options (600A Only):	
216	1060902	37 ft/11.3m	Cable, Electrical (SN 0300069000 through 0300071457)	
216	4922891	1	Cable, Electrical (SN 0300071458 through 0300087000)	
216	Not Required	0	Australian Spec	
217		Ref	Cable, Electrical - 18/2 Main Boom Length Options:	
217	1060902	19 ft/5.8m	Cable, 18/2 Control (600A SN 0300069000 through 0300071457)	

SECTION 7 - ELECTRICAL

ITEM	PART NUMBER	QTY	DESCRIPTION	REV
217	4922890	1	Harness, Limit SW Upper (600A SN 0300071458 through 0300087000)	
217	1060902	16.5 ft/5.0m	Cable, 18/2 Control (600AJ SN 0300069000 through 0300071458)	
217	4922896	1	Harness, Limit SW Upper (600AJ SN 0300071458 through 0300087000)	
217	Not Required	0	Australian Spec	
		Ref	GROUND CONTROL BOX DIAGRAMS	
	4933290	Ref	Caterpillar Engine (SN 0300069000 through 0300084828)	2-B
	4933330	Ref	Caterpillar Engine (SN 0300084829 through 0300087000)	1-A
	4933214	Ref	Deutz Engine (SN 0300069000 through 0300084828)	3-C
	4933319	Ref	Deutz Engine (SN 0300084829 through 0300087000)	D
301	2920129	AR	Bulb, Light	
307	2400065	1	Fuse, 30Amp	
308	2400066	1	Fuse, Holder W/Cover	
310	4460708	AR	Receptacle, Female - 15 Position	
310	4460226	AR	Socket, Female	
310	4922637	1	Harness, Jumper (Not Shown)	
		Ref	Note: Items 313-318 is used on Deutz Engine (S/N 0300084829 to S/N 0300087000).	
313	4461072	1	Connector, Flange Mount Receptacle (Part of 2902443 Kit)	
314	4461074	1	Connector, Backshell (Part of 2902443 Kit)	
314	4461071	4	Socket, Female (Part of 2902443 Kit)	
315	4461073	1	Cap, Dust (Part of 2902443 Kit)	
316	4460894	1	Plug, Connector (6 Pin)	
317	4460892	1	Junction, Connector (6 Pin)	
	2902443	1	Connector Kit (Includes Items 313-315)	
		Ref	GROUND CONTROL HARNESS ASSEMBLY	
417	3740049	2	Relay	
426	4460426	AR	Connector, Strain Relief	
427	4460470	1	Nut, Terminal	
428	4460471	1	Lockwasher, Terminal	
430	4460526	1	Connector, Strain Relief	
431	4460874	1	Connector (Natural)	
432	4460875	1	Connector (Gray)	
433	4460905	4	Connector, Amp Seal Plug	
437		Ref	Engine Harness Assembly (Not Shown - See Items 501-566 for Breakdown)	
437	4922921	1	Caterpillar Engine Machines (SN 0300069000 through 0300084828)	
437	4923227	1	Caterpillar Engine Machines (SN 0300084829 through 0300087000)	
437	4922515	1	Deutz Engine Machines (SN 0300069000 through 0300084828)	
437	4923212	1	Deutz Engine Machines (SN 0300084829 through 0300087000)	
438	4922508	1	Valve Harness Assembly (See Items 601-628 for Breakdown)	
439		Ref	Ground Control Box Harness Assembly Options	
439	4922638	1	Caterpillar/Deutz Engine (SN 0300069000 through 0300084828)	5-F
439	4923231	1	Caterpillar Engine (SN 0300084829 through 0300087000)	2-B
439	4923223	1	Deutz Engine (SN 0300084829 through 0300087000)	D
439A	4460418	AR	Connector, Female - 6 Position	
439A	4460419	AR	Socket, Female	
439B	4460876	1	Connector, 35 - Position	
439B	4460871	AR	Socket, Female	

SECTION 7 - ELECTRICAL

ITEM	PART NUMBER	QTY	DESCRIPTION	REV
439B	4460905	2	Seal, Plug	
439C	4460866	1	Connector - 19 Position	
439C	4460464	AR	Pin, Male Deutsch (16 Gauge)	
439D	4460878	1	Housing, Terminal - 4 Position	
439D	4460887	3	Terminal (12 Gauge)	
439E	4120035	AR	Base, Light	
439E	4460634	AR	Terminal (16 Gauge)	
439F	4460873	1	Connector, 35 - Position (Black)	
439F	4460871	AR	Socket, Female	
439F	4460635	5	Terminal (12 Gauge)	
439G	4460871	AR	Socket, Female	
439H	4460434	2	Plug, Male 15 - Position	
439H	4460227	AR	Pin	
439I	3990010	2	Diode - 6 Amp (Not Shown)	
439J	4460761	1	Connector, Female 4 - Position (SN 0300084829 through 0300087000)	
439J	4460227	4	Pin, Male (SN 0300084829 through 0300087000)	
439K	4460536	1	Connector, Female 3 - Position (Deutz Engine Only) (SN 0300084829 through 0300087000)	
439K	4460943	3	Pin, Male (Deutz Engine Only) (SN 0300084829 through 0300087000)	
440	4922666	1	Cable, Analyzer (SN 0300069000 through 0300084828)	2-B
440A	4460226	4	Socket, Female	
440B	4460761	1	Connector, Female 4 - Position	
440B	4460227	4	Pin, Male	
441		Ref	Ground Control Box Wiring Diagram (Not Shown - See Items 301-310 for Breakdown)	
441	4933290	1	Caterpillar Engine (SN 0300069000 through 0300084828)	
441	4933330	1	Caterpillar Engine (SN 0300084829 through 0300087000)	
441	4933214	1	Deutz Engine (SN 0300069000 through 0300084828)	
441	4933319	1	Deutz Engine (SN 0300084829 through 0300087000)	
		Ref	ENGINE HARNESS ASSEMBLIES	
	4922921	Ref	CATERPILLAR ENGINE (SN 0300069000 through 0300084828)	3-C
	4923227	Ref	CATERPILLAR ENGINE (SN 0300084829 through 0300087000)	1-A
	4922515	Ref	DEUTZ ENGINE (SN 0300069000 through 0300084828)	5-E
	4923212	Ref	DEUTZ ENGINE (SN 0300084829 through 0300087000)	C
501		Ref	Harness, Assembly Options:	
501	4922921	1	Caterpillar Engine (SN 0300069000 through 0300084828)	
501	4923227	1	Caterpillar Engine (SN 0300084829 through 0300087000)	
501	4922515	1	Deutz Engine (SN 0300069000 through 0300084828)	
501	4923212	1	Deutz Engine (SN 0300084829 through 0300087000)	
519	4460424	1	Plug, Male - 2 Position	
520	4460268	AR	Socket, Female	
521	4460880	AR	DIN Connector without Diode	
522	4460891	2	Connector, Male - 2 Position (Caterpillar Engine Only)	
522	4460465	7	Socket, Female	
536	4460890	1	Housing - 2 Position	
537	4460889	2	Terminal	
538	4460460	1	Connector, Male - 4 Position	
539	4460457	AR	Terminal, Female	
540	4460458	AR	Seal, Terminal	
557	4460871	AR	Socket, Female	

SECTION 7 - ELECTRICAL

ITEM	PART NUMBER	QTY	DESCRIPTION	REV
		Ref	Note: Items 571-575 is used on Deutz Engine (S/N 0300084829 to S/N 0300087000).	
571	4461070	1	Connector, Receptacle W/Resistor (3 Position)	
572	4460539	1	Connector, Male - 3 Position	
572	4460944	3	Socket, Female	
573	4461095	1	Connector, Male - 3 Position	
573	4460944	3	Socket, Female	
574	4461052	1	Connector, Receptacle - 25 Position	
574	4461005	5	Terminal (Gold)	
574	4461006	5	Seal, Terminal	
574	4461060	2	Terminal (Tin)	
574	4461054	2	Seal, Terminal	
574	4461053	1	Cover, Plug	
574	4461008	18	Plug, Hole	
		Ref	VALVE HARNESS ASSEMBLIES	
	4922508	Ref	Harness, Valve (SN 0300069000 through 0300084828)	5-E
	4923224	Ref	Harness, Valve (SN 0300084829 through 0300087000)	4-D
601	4922508	1	Harness, Assembly (SN 0300069000 through 0300084828)	
601	4923224	1	Harness, Assembly (SN 0300084829 through 0300087000)	
617	4460880	AR	DIN Connector	
618	4460320	AR	Connector, Female - 2 Position	
619	4460267	AR	Pin, Male	
620	4460424	1	Connector, Male - 2 Position	
621	4460268	5	Socket, Female	
622	4460871	AR	Socket, Female	
625	4460326	1	Connector, Male - 3 Position	
626	4460445	1	Connector, Female - 3 Position	
		Ref	STANDARD HARNESS COMPONENTS	
703	See Note	1	Pump Harness (Note: Not Available for Purchase)	
703A	7007497	1	Plug (Pump End)	
703B	7007498	1	Plug (Engine Harness End)	
704	See Note	1	Controller Harness Assembly (Lift and Swing) (Note: Not Available for Purchase)	
704A	7022819	1	Plug, Male - 8 Position (Natural)	
704B	4460871	8	Socket, Female	
705	See Note	1	Controller Harness/Circuit Board Assembly (Drive and Steer) (Note: Not Available for Purchase)	
705A	7022825	1	Plug, Male - 8 Position (Black)	
705B	4460871	7	Socket, Female	
706	Not Required	0	Not Required	
707		Ref	Deutz Engine Harness Components (For replacement parts refer to Deutz engine dealer) (SN 0300084829 through 0300087000)	
707A	7027796	1	Deutz Engine Harness (Not Shown) (For replacement parts refer to Deutz engine dealer) (SN 0300084829 through 0300087000)	
707B	4461052	1	Connector, Receptacle - 25 Position (SN 0300084829 through 0300087000)	
707B	4461053	1	Cover, Plug (SN 0300084829 through 0300087000)	
707B	4461005	5	Terminal (Gold) (SN 0300084829 through 0300087000)	
707B	4461006	5	Seal, Terminal (SN 0300084829 through 0300087000)	
707B	4461060	2	Terminal (Tin) (SN 0300084829 through 0300087000)	
707B	4461054	2	Seal, Terminal (SN 0300084829 through 0300087000)	
707B	4461008	18	Plug, Hole (SN 0300084829 through 0300087000)	
707C	7027793	1	Connector (SN 0300084829 through 0300087000)	

SECTION 7 - ELECTRICAL

ITEM	PART NUMBER	QTY	DESCRIPTION	REV
707D	7027794	1	Deutz Engine Harness (SN 0300084829 through 0300087000)	
708 to 709	Not Required	0	Not Required	
		Ref	OPTIONAL HARNESS COMPONENTS	
801	4921928	1	4WS Valve Harness	
801A	4460268	3	Socket, Female	
801B	4460445	1	Connector, Female - 3 Position	
801C	4460499	2	Connector, DIN with Diode	
802	4921927	1	Jib Valve Harness (600AJ Only)	
802A	4460326	1	Plug, Male - 3 Position	
802B	4460267	3	Pin, Male	
802C	4460499	2	Connector, DIN with Diode	
803	0257887	1	Alarm Harness (Includes Alarm)	
803	0140032	1	Alarm	
803	2820035	6 in/15cm	Loom	
803	4460424	1	Plug	
803	4460268	2	Socket	
803A	4460424	1	Plug, Male - 2 Position	
803B	4460268	2	Socket, Female	
804		Ref	Strobe Light Harness Options (Includes Strobe Light):	
804	0255917	1	Strobe Light Harness (SN 0300069000 through 0300069717)	
804	0272507	1	Strobe Light Harness (SN 0300069718 through 0300087000)	
804A	4460320	1	Connector, Female - 2 Position	
804B	4460267	2	Pin, Male	
805	0256202	Ref	AC to Platform Receptacle Components	5
805	0272433	Ref	7500W Generator (SkyPower) Connectors Installation	1
805A	0860038	1	Box, Switch	
805B	Not Required	0	Receptacle	
805C	Not Required	0	Shield, Cover	
805D	Not Required	0	Connector, Strain Relief	
805E		Ref	Plug, Male Options:	
805E	4460709	2	Without SkyPower	
805E	4460959	1	With SkyPower	
805E	1671092	1	Cover (Optional on SkyPower)	
805F		Ref	Connector, Female Options:	
805F	4460710	1	Without SkyPower	
805F	4460960	1	With SkyPower	
805F	1671093	1	Cover (Optional on SkyPower)	
806		Ref	Generator Electrical Components	
806	4933215	AR	110V (SN 0300069000 through 0300077490)	1-B
806	4933216	AR	220V (SN 0300069000 through 0300077490)	1-B
806	4933300	AR	110V/220V (SN 0300077490 through 0300087000)	1-A
806	3990010	1	Diode - 6 Amp (Not Shown)	
806A	4922641	1	Harness - On/Off Switch	
806B	4460226	2	Socket, Female	
806C		Ref	Powermite Control Box to Relay Options:	
806C	4922482	1	Powermite Control Box to Relay (SN 0300069000 through 0300079611)	
806C	4922970	1	Powermite Control Box to Relay (SN 0300079612 through 0300087000)	
806D	4460027	1	Receptacle, Twist Lock (110V Only)	
806E	4460961	1	Connector, Female - 4 Position (SN 0300077490 through 0300087000)	

SECTION 7 - ELECTRICAL

ITEM	PART NUMBER	QTY	DESCRIPTION	REV
806E	4460705	4	Pin, Male	
806F	4460321	1	Connector, Male - 4 Position (SN 0300077490 through 0300087000)	
806F	4460906	4	Socket, Female	
807	4921957	1	Generator to Rear of Boom Harness (110V/220V)	
		Ref	Note: Harness used to connect AC at platform harness to generator receptacle to power platform receptacle.	
807	1060461	6 ft/1.8m	Cable, Electrical - 12/3	
807A	Not Required	0	Plug, Male	
807B	Not Required	0	Receptacle, Female	
807B	4460960	1	With 7500W Generator (SkyPower)	
808	See Note	1	Lights Harness Options (Note: Not Available for Purchase):	
808		Ref	Headlights Harness	
808	1060341	37 ft/11.3m	Cable, Electrical - 16/3	
808		Ref	Chassis Illumination Lights Harness	
808	1060341	40 ft/12.2m	Cable, Electrical - 16/3	
808A	3740049	1	Relay	
808B	4922643	1	Harness, Bag (Located at Ground Control Box) (Not Shown)	
809		Ref	Platform Worklights Components	
809A	2920140	2	Platform Worklights External Harness (Includes Light and Wire Only)	
809B	4460598	1	Connector, Strain Relief	
809C	4360232	1	Circuit Breaker, 15Amp (SN 0300069000 through 0300074444)	
809D	4922498	1	Platform Worklights Internal Harness (SN 0300069000 through 0300074444)	
809E	4460871	3	Socket, Female (SN 0300069000 through 0300074444)	
		Ref	Note: Items 807F-807K SN 0300074445 to SN 0300087000.	
809F	4922894	1	Platform Worklights Harness	
809F	1060494	47 ft/14.3mm	Cable, Electrical - 12/3	
809G	4460459	1	Connector, Female - 3 Position	
809G	4460789	3	Terminal, Seal	
809G	4460790	3	Socket, Female	
809H	4460476	1	Connector, Male - 3 Position	
809H	4460789	3	Terminal, Seal	
809H	4460850	3	Pin, Male	
809I	4922892	1	Worklights Harness to Aux. Power Solenoid	
809I	1060494	33 ft/10.1mm	Cable, Electrical - 12/3	
809J	2400070	1	Fuse	
809K	2400066	1	Holder, Fuse	
810	See Note	1	Soft-Touch System Harness (Note: Not Available for Purchase)	
810A	1060341	23 ft/7m	Cable, Electrical - 16/3	
810B	4460425	1	Connector, Strain Relief	
812	4933308	1	Floodlights Harness Components	
812A	1060494	33 ft/10.1m	Electrical Cable 12/3 (Lower to Aux Relay)	
812B	1060494	47 ft/14.3m	Electrical Cable 12/3 (Upper to Console Box)	
812C	4460320	2	Plug, Male - 2 Position	
812C	4460227	4	Pin, Male	
812D	4922764	1	Floodlight Harness (Lights to Switch)	

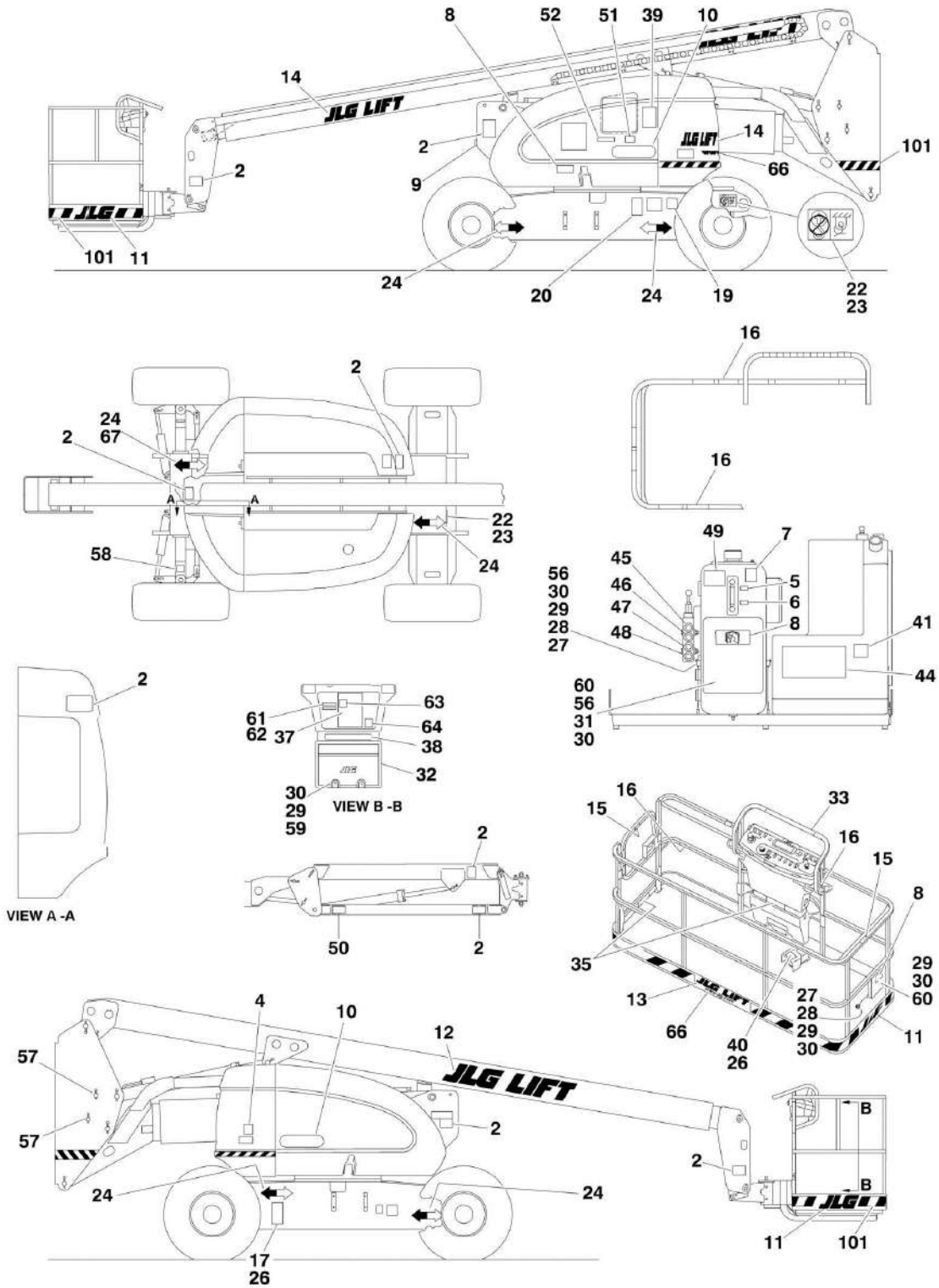
SECTION 7 - ELECTRICAL

ITEM	PART NUMBER	QTY	DESCRIPTION	REV
812E	4460424	2	Connector, Female - 2 Position	
812E	4460226	4	Socket, Female	
812F	1060977	1	Cord, 2 Wire Coiled (Console Box Circuit Breaker to Switch)	
812G	4360232	1	Circuit Breaker - 15 Amp	
812H	4460425	1	Strain, Relief	
		Ref	TOOLS	
901	7002821	1	Crimper (For Wire to Pin/Socket Connections)	
902	7002823	1	Extractor (For Removal of Pin/Socket from Connectors)	
903	4460467	1	Extractor, Pin (Blue 16-18 Gauge) (For Removal of Pin/Socket from Connectors)	
903	4460510	1	Extractor, Pin (Yellow 12-14 Gauge) (For Removal of Pin/Socket from Connectors)	
904	7002828	1	Stripper, Wire	
905	2901443	1	Analyzer Kit (Not Shown)	
906	1001137005	1	Software Cable Kit (Not Shown)	

SECTION 8 - DECALS

SECTION 8 - DECALS

FIGURE 8-1. DECAL INSTALLATION (SN 0300069000 through 0300086149)



SECTION 8 - DECALS

FIGURE 8-1. DECAL INSTALLATION (SN 0300069000 through 0300086149)

ITEM	PART NUMBER	QTY	DESCRIPTION	REV
		Ref	DECAL INSTALLATIONS	
	0271010	Ref	Decals - JLG LOGO	3
	0255453	Ref	Decal Installations 600A Common Decals	15
	0256626	Ref	Decal Installations 600A Australian Spec	8
	0256282	Ref	Decal Installations 600A Dutch Spec	5
	0256279	Ref	Decal Installations 600A French Spec	6
	0256280	Ref	Decal Installations 600A German Spec	5
	0256281	Ref	Decal Installations 600A Italian Spec	5
	0273188	Ref	Decal Installations 600A Norwegian Spec	2
	0256283	Ref	Decal Installations 600A Spanish Spec	5
	0256278	Ref	Decal Installations 600A UK English Spec	7
	0255457	Ref	Decal Installations 600AJ Common Decals	15
	0256627	Ref	Decal Installations 600AJ Australian Spec	8
	0256289	Ref	Decal Installations 600AJ Dutch Spec	5
	0256286	Ref	Decal Installations 600AJ French Spec	6
	0256287	Ref	Decal Installations 600AJ German Spec	5
	0273188	Ref	Decal Installations 600AJ Norwegian Spec	2
	0256288	Ref	Decal Installations 600AJ Italian Spec	5
	0256290	Ref	Decal Installations 600AJ Spanish Spec	5
	0256285	Ref	Decal Installations 600AJ UK English Spec	7
2	1701518	6	Decal - Crushing	
4		Ref	Decal Options:	
4	Not Required	0	Australian Specs	
4	1705084	1	Decal - Sound Power Level - Dutch/ French/ German/ Italian/ Norwegian/ Spanish/ UK Spec	
5	1701502	1	Decal - High Oil Level	
6	1701503	1	Decal - Low Oil Level	
7	1701504	1	Decal - Hydraulic Oil	
8	1701509	1	Decal - Manual	
9		Ref	Nameplate - Voltage Options:	
9	Not Required	0	Dutch/ French/ German/ Italian/ Norwegian/ Spanish/ UK Spec	
9	3251242	1	Australian Spec (240V-50Hz)	
10		Ref	Decal - Model Designation Options:	
10	1702818	2	Decal - Model Designation 600A	
10	1702819	2	Decal - Model Designation 600AJ	
11	1702773	AR	Decal - JLG (5in Height)	
12	1702861	2	Decal - JLG Lift (8in Height)	
13	1702774	1	Decal - JLG (3-1/2in Height)	
14	1702860	2	Decal - JLG Lift (5in Height)	
16		Ref	Decal - Attach Lanyard Here Options:	
16	Not Required	0	Dutch/ French/ German/ Italian/ Norwegian/ Spanish/ UK Spec	
16	1704277	4	Australian Spec	
17	See Note	1	Nameplate - Serial Number (Note: Not Available for Purchase)	
19	See Note	1	Decal - Bar Code (Note: Not Available for Purchase)	
20	1700584	1	Decal - Patent	
22	1702300	4	Decal - Tie Down/Lift	
23	1701500	4	Decal - Tie Down/Lift	
24	1701529	AR	Decal - Arrow	
26		Ref	Rivet Options:	
26	Not Required	0	UK/Norwegian Specs	

SECTION 8 - DECALS

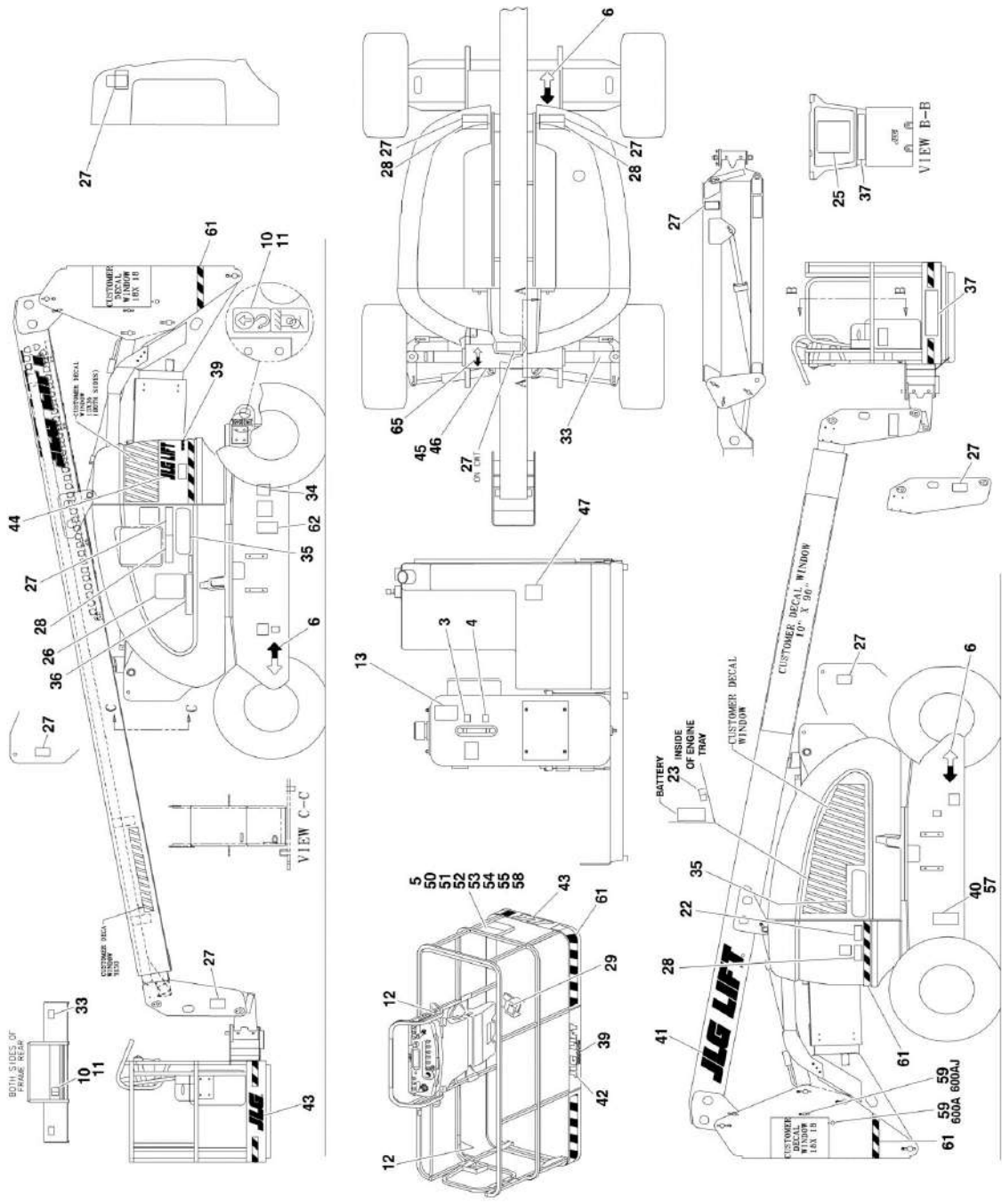
ITEM	PART NUMBER	QTY	DESCRIPTION	REV
26	3820001	4	Australian/ Dutch/ French/ German/ Italian/ Spanish Specs	
27	0641408	1	Bolt 1/4in-20NC x 1in	
28	1060279	1	Cable, Lanyard	
29	3311401	AR	Nut 1/4in-20NC	
30	4751400	AR	Flatwasher 1/4in Regular	
31	0860520	1	Box, Manual Storage	
32	3380434	1	Panel, Pedestal	
37		Ref	Decal - Capacity Options:	
37	1690697	1	Australian/ French/ German/ Italian/ Norwegian/ Spanish/ UK Spec	
37	1701596	1	Dutch Spec	
38		Ref	Decal - Caution Options:	
38	1703183	1	Australian and UK Spec	
38	1703186	1	Dutch Spec	
38	1703184	1	French Spec	
38	1703190	1	German Spec	
38	1703185	1	Italian Spec	
38	1705250	1	Norwegian Spec	
38	1703187	1	Spanish Spec	
39		Ref	Decal - Caution Options:	
39	1691483	1	Australian and UK Spec	
39	1701596	1	Dutch Spec	
39	1693289	1	French Spec	
39	1693291	1	German Spec	
39	1701602	1	Italian Spec	
39	1705232	1	Norwegian Spec	
39	1701798	1	Spanish Spec	
40		Ref	Decal - Footswitch Options:	
40	3252347	1	Australian and UK Spec	
40	1703518	1	Dutch Spec	
40	1693292	1	French Spec	
40	1693294	1	German Spec	
40	1701600	1	Italian Spec	
40	1705275	1	Norwegian Spec (SN 0300073028 through 0300086149)	
40	1701791	1	Spanish Spec	
41	1701505	1	Decal - Fuel (Diesel)	
44		Ref	Decal - Instructions Options:	
44	1702926	1	Australian and UK Spec (SN 0300069000 through 0300070977)	
44	1702999	1	Dutch Spec (SN 0300069000 through 0300070977)	
44	1702987	1	French Spec (SN 0300069000 through 0300070977)	
44	1702991	1	German Spec (SN 0300069000 through 0300070977)	
44	1702995	1	Italian Spec (SN 0300069000 through 0300070977)	
44	Not Required	0	Norwegian Spec	
44	1703003	1	Spanish Spec (SN 0300069000 through 0300070977)	
45	1702903	1	Decal - #1 (SN 0300069000 through 0300070977)	
46	1702927	1	Decal - #2 (SN 0300069000 through 0300070977)	
47	1702924	1	Decal - #3 (SN 0300069000 through 0300070977)	
48	1702925	1	Decal - #4 (SN 0300069000 through 0300070977)	
49		Ref	Decal Options:	
49	1702265	1	Australian and UK Spec	
49	1702268	1	Dutch Spec	

SECTION 8 - DECALS

ITEM	PART NUMBER	QTY	DESCRIPTION	REV
49	1702270	1	French Spec	
49	1702267	1	German Spec	
49	1702269	1	Italian Spec	
49	1705240	1	Norwegian Spec	
49	1702266	1	Spanish Spec	
50		Ref	Decal - Manual Descent Options:	
50	1702908	2	Decal - Manual Descent 600AJ Australian and UK Spec (SN 0300069000 through 0300070977)	
50	1702998	2	Decal - Manual Descent 600AJ Dutch Spec (SN 0300069000 through 0300070977)	
50	1702986	2	Decal - Manual Descent 600AJ French Spec (SN 0300069000 through 0300070977)	
50	1702990	2	Decal - Manual Descent 600AJ German Spec (SN 0300069000 through 0300070977)	
50	1702994	2	Decal - Manual Descent 600AJ Italian Spec (SN 0300069000 through 0300070977)	
50	Not Required	0	Norwegian Spec	
50	1703002	2	Decal - Manual Descent 600AJ Spanish Spec (SN 0300069000 through 0300070977)	
51		Ref	Decal - Manual Descent Options:	
51	1702901	1	Australian and UK Spec (SN 0300069000 through 0300070977)	
51	1702996	1	Dutch Spec (SN 0300069000 through 0300070977)	
51	1702984	1	French Spec (SN 0300069000 through 0300070977)	
51	1702988	1	German Spec (SN 0300069000 through 0300070977)	
51	1702992	1	Italian Spec (SN 0300069000 through 0300070977)	
51	Not Required	0	Norwegian Spec	
51	1703000	1	Spanish Spec (SN 0300069000 through 0300070977)	
56	0100011	AR	Compound, Locking	
57		Ref	Plug Options:	
57	3520032	2	Plug 600A	
57	3520033	2	Plug 600AJ	
58	1703469	4	Decal - Maximum Tire Load	
59	0641414	2	Bolt 1/4in-20NC x 1-3/4in	
60	0641406	4	Bolt 1/4in-20NC x 3/4in	
61		Ref	Decal - Maintenance Options:	
61	1703663	1	Australian Spec	
61	Not Required	0	Dutch/ French/ German/ Italian/ Norwegian/ Spanish/ UK Spec	
62		Ref	Decal - Caution Options:	
62	1703664	1	Australian Spec	
62	Not Required	0	Dutch/ French/ German/ Italian/ Norwegian/ Spanish/ UK Spec	
63		Ref	Decal - Platform Capacity Options:	
63	1703675	1	Australian Spec	
63	Not Required	0	Dutch/ French/ German/ Italian/ Norwegian/ Spanish/ UK Spec	
64		Ref	Decal - Danger Options:	
64	1703665	1	Australian Spec	
64	Not Required	0	Dutch/ French/ German/ Italian/ Norwegian/ Spanish/ UK Spec	
66	1704885	2	Decal - Website	
67	1703687	1	Decal - Arrow (SN 0300081836 through 0300086149)	
	0257734	Ref	SAFETY STRIPES INSTALLATION	1
101	4420051	20 ft/6.1m	Decal - Corner Warning Stripe	

SECTION 8 - DECALS

FIGURE 8-2. DECAL INSTALLATION (SN 0300086150 through 0300087000)



SECTION 8 - DECALS

FIGURE 8-2. DECAL INSTALLATION (SN 0300086150 through 0300087000)

ITEM	PART NUMBER	QTY	DESCRIPTION	REV
		Ref	DECAL INSTALLATION	
	0274094	Ref	Decal Installations - JLG LOGO	1
	0273895	Ref	Decal Installations 600A CE/Australian Spec	1
	0273896	Ref	Decal Installations 600AJ CE/Australian Spec	1
3	1701502	1	Decal - High Oil Level	
4	1701503	1	Decal - Low Oil Level	
5	1701509	1	Decal - Manual	
6	1701529	6	Decal - Arrow	
10	1703811	4	Decal - Tie Down/Lift	
11	1703814	6	Decal - Tie Down	
12	1704277	4	Decal - Attach Lanyard Here	
13	1704412	1	Decal - Hydraulic Oil Chart	
14 to 22	Not Required	0	Not Required	
23	1706098	1	Decal - Warning Explosion/Fire	
24	Not Required	0	Decal - No Hands	
25	1705921	1	Decal - Tipping/Electrical Platform	
26	1705822	1	Decal - Electrical/Safety Manual	
27	1701518	10	Decal - Warning Crushing	
28	1705961	4	Decal - Danger Electrocution	
29	1705828	1	Decal - Footswitch	
33	1703469	4	Decal - Max Tire Load	
34	See Note	1	Decal - Bar Code (Note: Not Available for Purchase)	
35		Ref	Decal Options:	
35	1702818	2	Decal - 600A	
35	1702819	2	Decal - 600AJ	
36	1705978	1	Decal - 230kg Capacity	
37	1705978	2	Decal - 230kg Capacity	
39	1704885	2	Decal - Website	
40	See Note	1	Nameplate, Manufacturers (Note: Not Available for Purchase)	
41	1702861	2	Decal - JLG Lift (8in Height)	
42	1702774	1	Decal - JLG Lift (3-1/2in Height)	
43	1702773	2	Decal - JLG (5in Height)	
44	1702860	1	Decal - JLG Lift (5in Height)	
45	3250872	1	Nameplate - Steer/Tow Selector	
46	1705090	1	Decal - Towing Instructions	
47	1701505	1	Decal - Fuel (Diesel)	
50	0100011	AR	Compound, Locking	
51	0641406	4	Bolt 1/4in-20NC x 3/4in	
52	0641408	1	Bolt 1/4in-20NC x 1in	
53	0860520	1	Box, Manual Storage	
54	1060279	1	Cable, Lanyard	
55	3311405	5	Locknut 1/4in-20NC	
57	3820001	4	Rivet	
58	4751400	10	Flatwasher 1/4in Regular	
59	3250033	2	Plug	
61	4420051	22 ft/6.7m	Decal - Warning Stripe	
62	1700584	1	Decal - Patent	
65	1703687	1	Decal - Direction Arrow (6-3/4in)	
	2902303	1	Master Decal Kit (Includes Items 5-17)	

SECTION 9 - RECOMMENDED SERVICE PARTS STOCK

SECTION 9 - RECOMMENDED SERVICE PARTS STOCK

SECTION 9 - RECOMMENDED SERVICE PARTS STOCK

FIGURE 9-1. MODEL 600A/600AJ STANDARD PARTS

ITEM	PART NUMBER	QTY	DESCRIPTION	REV
	Note	Ref	Note: The following list will service one machine (built to current production per date on the front cover) with emergency repair parts which can be installed in the field. Parts from the list should be replaced when inventory is depleted to keep service parts stock supplied. For further information, contact your JLG dealer or the JLG Industries Parts Department.	
		Ref	STANDARD PARTS	
	7012944	1	Coil	
	2120150	12	Element Filter	
	7016312	1	Switch, Indicator	
	2120149	1	Element, Filter	
	7016313	1	Switch, Indicator	
	7012772	1	Coil	
	7012768	1	Coil	
	7012664	1 Dozen	Element, Air Cleaner	
	3740067	1	Relay	
	4360392	1	Switch, Indicator	
	7014810	3	Breather	
	4360475	1	Switch, Mushroom	
	4360470	1	Switch, Key	
	2860030	1	Key, Replacement	
	4360328	1	Switch, Toggle	
	4360476	1	Contact, Switch Block	
	3740049	1	Relay	
	7016502	2	Power Track Repair Section	
	7006140	2	Power Track Repair Section	
	7006152	24	Power Track Pin Kit	
	2940074	1	Latch	
	4360331	1	Switch, Toggle	
	4360336	1	Switch, Toggle	
	7022818	1	Potentiometer	
	7022824	1	Electric Assembly	
	7019166	1	Switch, Micro	
	2400065	2	Fuse, 30Amp	
	3990010	2	Diode	

SECTION 9 - RECOMMENDED SERVICE PARTS STOCK

FIGURE 9-2. MODEL 600A/600AJ VARIABLE PARTS

ITEM	PART NUMBER	QTY	DESCRIPTION	REV
	Note	Ref	Note: The following list will service one machine (built to current production per date on the front cover) with emergency repair parts which can be installed in the field. Parts from the list should be replaced when inventory is depleted to keep service parts stock supplied. For further information, contact your JLG dealer or the JLG Industries Parts Department.	
		Ref	VARIABLE PARTS	
	7026830	12	Filter, Fuel (Machines with Caterpillar Engine)	
	7026811	12	Filter, Oil (Machines with Caterpillar Engine)	
	3740080	1	Relay, Bosch (Machines with Generator)	
	7016328	12	Filter, Fuel (Machines with Deutz Engine)	
	7016331	12	Filter, Oil (Machines with Deutz Engine)	
	7027795	1	Deutz EMR2 Controller, Module	
	1600364	1	Module, Ground Control	
	4360578	1	Switch, Limit	
	4360387	1	Switch, Push Button (Machines with Soft-Touch Platform)	
	1600375	1	Controller, Module	
	4360057	1	Switch, Limit	
	4360232	1	Breaker, Circuit - 15 Amp (Machines with Platform Floodlights)	

SECTION 10 - SPECIAL OPTIONS

SECTION 10 - SPECIAL OPTIONS

FIGURE 10-1. SPECIAL OPTIONS

ITEM	PART NUMBER	QTY	DESCRIPTION	REV
		Ref	Note: This list is to accommodate machines ordered with special equipment. Options may not be applicable to all models. For more specific parts information contact JLG Parts Department.	
		Ref	MISCELLANEOUS SPECIAL OPTIONS	
		Ref	Airline to Platform Installation Options:	
	0256342	Ref	1/2in - 600A	
	0271475	Ref	1/2in Airline and (1) Welding Cable - 600A	
	0258966	Ref	1/2in - 600AJ	
		Ref	Biodegradable Hydraulic Fluid Decals Options:	
	1702788	1	Decal - Biodegradable Hydraulic Fluid (All except German Spec)	
	1704174	1	Decal - Synthetic Biodegradable Hydraulic Fluid (All except German Spec)	
	1703479	1	Decal - Biodegradable Hydraulic Fluid (German Spec Only)	
	1704175	1	Decal - Synthetic Biodegradable Hydraulic Fluid (German Spec Only)	
	0256276	Ref	Boom Wiper Installation - 600A	
	0256366	Ref	Boom Wiper Installation - 600AJ	
	0256789	Ref	Camera Mount Assembly	
	1282518	Ref	Capacity Rating Decal Installations	
	0256760	Ref	Capacity Rating Decal Installations 600A	
	0256761	Ref	Capacity Rating Decal Installations 600A	
	0256769	Ref	Capacity Rating Decal Installations 600AJ	
	0256772	Ref	Capacity Rating Decal Installations 600AJ	
		Ref	ClearSky (Telematics) Kits	
	1001139130	Ref	Australian Spec	
	1001104983	Ref	CE Spec	
		Ref	Note: Refer to ClearSky (Telematics) Manual p/n 3128499 for Serviceable Parts.	
	0273575	Ref	Cold Weather Package - Caterpillar Engine	
	0256060	Ref	Cold Weather Package - Deutz	
	0258927	Ref	Cold Weather Package with Glow Plugs - Deutz	
	0271912	Ref	Cold Weather Package with Glow Plugs - Deutz	
	0257157	Ref	Cold Weather Package with Ether Start - Deutz	
		Ref	Container - Tray Storage Options:	
	1580012	1	Center	
	1580013	1	Rail	
		Ref	Decal Kits	
	2902307	Ref	Decal Kit - Australian/CE Spec (600A/600AJ) (SN 0300086150 through 030008700)	
	2900975	Ref	Decal Kit - Master (SN 0300069000 through 0300086149)	
	2902303	Ref	Decal Kit - Master (SN 0300086150 through 0300087000)	
	1001119561	Ref	Decal Kit - Platform	
	2902350	Ref	Decal Kit - Tire Load (SN 0300086150 through 030008700)	
	2902395	Ref	Drive/Steer Cutout Kit	
	2580055	Ref	Engine Block Heater Installation (Caterpillar Engine Machines)	
		Ref	Filter Kits:	
		Ref	Combined Filter Kit (Hydraulic/Air and Fuel/Engine Oil)	
		Ref	Caterpillar Engine	
	2915137	NLA	Combined Filter Kit (Use p/n 1001110994) (SN 0300069000)	

SECTION 10 - SPECIAL OPTIONS

ITEM	PART NUMBER	QTY	DESCRIPTION	REV
			through 0300084828)	
	1001114031	NLA	Combined Filter Kit (Use p/n 1001110994) (SN 0300069000 through 0300084828)	
	1001114123	NLA	Combined Filter Kit (Use p/n 1001110991) (SN 0300084829 through 0300087000)	
	1001114124	NLA	Combined Filter Kit (Use p/n 1001110991) (SN 0300084829 through 0300087000)	
		Ref	Deutz Engine	
	2910463	NLA	Combined Filter Kit (Use p/n 1001110993) (SN 0300069000 through 0300084828)	
	1001110990	1	Kit(Service),Combined Filter B-C8 (SN 0300084829 through 0300087000)	
		Ref	Hydraulic/Air Filter	
	2910924	NLA	Caterpillar Engine (Use p/n 1001109692) (SN 0300069000 through 0300086999)	
	1001109684	1	Caterpillar Engines (SN 0300087000 through 0300089000)	
	2910924	NLA	Deutz Engines (Use p/n 1001109692) (SN 0300069000 through 0300084828)	
	1001109684	1	Deutz Engines (SN 0300084828 through 0300089000)	
		Ref	Fuel/Engine Oil Filter	
	1001110137	1	Caterpillar Engine	
	1001110133	1	Deutz Engine	
	4060959	Ref	Footswitch Shield	
	0271548	Ref	Glow Plug Installation (Deutz Engine Machines)	
	2910100	Ref	Hose/Cable Chafe Kit	
	1001204923	Ref	Hostile Environment Package (600A) (SN 0300087000 through 0300089000)	
	1001204924	Ref	Hostile Environment Package (600AJ) (SN 0300087000 through 0300089000)	
		Ref	Hydraulic Fluids	
	2300014	Ref	Mobil 424	
	2300027	Ref	Mobil 224H Bio	
	2300029	Ref	Mobil EAL ISO 46 Bio	
	2300016	Ref	Mobil Delvac 15W-40	
	2300019	Ref	Quaker State Quintolubric 888-46 Fire Resistant	
		Ref	Light Installation at Control Panels	
	0256632	Ref	CE Spec	
	0256633	Ref	Australian Spec	
	0271543	Ref	Load Sensing System Installation	
	0256765	Ref	Oil Cooler Installation - Deutz	
	1282665	Ref	Oil Cooler Installation - Deutz	
	0256343	Ref	Oxy-Acetylene Lines to Platform Installation	
	0270723	Ref	Platform Beacon Installation	
	0258703	Ref	Platform Console Cover Installation	
	1001205175	Ref	Platform Console Cover Add-on Kit	
		Ref	Platform Entry Kit	
	1001142504	Ref	Kit, Replace Swing Gate with Drop Bar	
	1001142505	Ref	Kit, Replace Drop Bar with Swing Gate	
	3510868	Ref	Platform (36in x 96in) W/Fall Arrest (Front Entry Platform)	
		Ref	Platform Mesh Installations	
	0273145	Ref	36in x 8ft (91.5cm x 2.44m)	
	0273148	Ref	30in x 6ft (76cm x 1.83m)	
	0273149	Ref	36in x 6ft (91.5cm x 1.83m)	

SECTION 10 - SPECIAL OPTIONS

ITEM	PART NUMBER	QTY	DESCRIPTION	REV
	0273146	Ref	30in x 5ft (76cm x 1.52m)	
	0273147	Ref	30in x 4ft (76cm x 1.22m)	
	0256829	Ref	Platform Self-Closing Gate Installation (GM Spec)	
		Ref	Platform, Top Rail Extension (W/Front Entry)	
	0270511	Ref	3ft x 6ft Platforms	
	0271771	Ref	3ft x 8ft Platforms	
		Ref	Platform, Top Rail Extension (W/Side Entry)	
	0272733	Ref	3ft x 6ft Platforms	
	0272725	Ref	3ft x 8ft Platforms	
	0274597	Ref	Rain Cap Installation	
	0256202	Ref	Receptacle at Platform Installation	
		Ref	Platform Huck Fasteners Replacement Hardware	
	0641614	AR	Bolt 1/4in-20NC x 2in	
	3311405	AR	Locknut 1/4in-20NC	
	4711400	AR	Flatwasher 1/4in	
	3300151	AR	Acorn Nut 1/4in-20NC	
		Ref	Sky Accessory:	
		Ref	Note: For Breakdown of Sky Accessories Refer to Accessory Manual p/n 3124242	
	0272606	Ref	Plasma Cutter (SkyCutter)	
	0272607	Ref	Decal - SkyCutter	
	0272619	Ref	SkyPower - 7500W 50Hz	
	0272589	Ref	Decal - SkyPower	
	0272521	Ref	Welder - Stick, 250A	
	0272588	Ref	Decal - SkyWelder	
	0273353	Ref	SkyCutter/SkyWelder Combo	
		Ref	SkyGuard Component Options:	
	1001149560	Ref	SkyGuard Complete Add-On Kit (Non-UGM Machines)	
	1001137672	Ref	SkyGuard Platform Sensor Kit	
	1001143256	Ref	SkyGuard Blue Beacon Kit	
	0273706	Ref	Soft Touch System W/Fall Arrest Platform (Front Entry Platform)	
		Ref	Tools for Service	
	2901443	1	Analyzer Kit	
	7002840	1	Antirotation Pin Removal Tool	
	8896941	1	Wire Stripper	
	7002821	1	Wire Crimper (To install wire ends to wires)	
	7002823	1	Pin/Socket Extractor - Universal (To Remove Pins/Sockets from Connectors)	
	4460467	1	Extractor - 16-18 Gauge (For Removal of Pin/Sockets from Deutsch Connectors)	
	4460510	1	Extractor - 12-14 Gauge (For Removal of Pin/Sockets from Deutsch Connectors)	
	7002822	1	Screwdriver, Potentiometer (To Adjust Drive Controllers)	
	7016654	1	Screwdriver, Magnetic	
	7004275	1	Seal Installation Tool - 1in	
	7004276	1	Seal Installation Tool - 1-1/2in	
	7002826	1	Seal Installation Tool - 2in	
	7016655	1	Wire Rope Sheave Gauge	
	7016652	1	Huck Bolt Faster (For Small Huck Bolts Only)	
	4921850	1	Throttle Service Harness	
	2900838	1	U.S. Standards Fastener (Hardware) Kit	

SECTION 10 - SPECIAL OPTIONS

ITEM	PART NUMBER	QTY	DESCRIPTION	REV
	7014676	1	U.S. Standards Tool Kit	
	1001137005	1	Software Cable Kit	
	7002840	1	Pin Removal Tool (Oscillating Axle Cam Valve)	
	0272350	Ref	Tool (Hydraulic) Circuit Installation	
	0257728	Ref	Tube Rack Installation	
	0258918	Ref	Utility Rack Installation	
	0256344	Ref	Weld Leads Installation - 600A	
	0272772	Ref	Weld Leads Installation - 600AJ (1 Cable)	

PART NUMBER INDEX

PART NUMBER INDEX

0060031.....	152, 165	0255484.....	235	0257436.....	57	0273147.....	302
0060035.....	165	0255485.....	235	0257482.....	123	0273148.....	301
0060066.....	152, 169	0255486.....	235	0257573.....	158	0273149.....	301
0060068.....	147, 169	0255487.....	235	0257728.....	303	0273161.....	127
0060074.....	165	0255488.....	235	0257734.....	291	0273188.....	289
0060076.....	147, 165	0255489.....	235	0257887.....	135, 283	0273353.....	302
0080163.....	96, 103	0255605.....	32	0257894.....	172	0273366.....	31, 53
0080181.....	82	0255606.....	32	0258694.....	147	0273427.....	278
0080241.....	135	0255699.....	172	0258703.....	301	0273428.....	278
0080243.....	82	0255880.....	139	0258764.....	32	0273429.....	278
0100009.....	187	0255917.....	135, 283	0258918.....	303	0273430.....	278
0100011.....	11, 12, 15, 16, 19, 20, 23, 27, 29, 31, 33, 59, 65, 75, 82, 84, 90, 94, 100, 101, 107, 123, 125, 127, 131, 135, 136, 142, 143, 147, 148, 153, 157, 161, 162, 171, 181, 205, 211, 215, 219, 221, 223, 225, 227, 231, 233, 254, 259, 291, 293	0255927.....	235	0258927.....	300	0273492.....	178, 182, 189, 265
0100019.....	11, 19, 75	0255928.....	235	0258966.....	300	0273520.....	83
0100020.....	82, 84, 94, 100, 101, 187	0256060.....	300	0270123.....	31, 51	0273538.....	89, 189
0100035.....	172, 187	0256202.....	283, 302	0270124.....	31, 51	0273539.....	89, 189
0100038.....	211, 215, 219, 221, 223, 225, 227, 231, 233, 254, 259	0256276.....	300	0270329.....	75	0273542.....	207
0100040.....	181	0256278.....	289	0270511.....	302	0273575.....	300
0100048.....	100, 131, 135, 187, 278	0256279.....	289	0270528.....	59	0273685.....	100
0100063.....	12, 16, 20, 23, 27, 29, 211, 219, 221, 225, 227	0256280.....	289	0270723.....	264, 301	0273706.....	205, 302
0100079.....	123	0256281.....	289	0270805.....	135	0273824.....	189, 205
0100081.....	188	0256282.....	289	0270814.....	178, 182, 189, 264	0273895.....	293
0140001.....	65	0256283.....	289	0270819.....	278	0273896.....	293
0140011.....	187	0256285.....	289	0270821.....	153, 278	0273940.....	23
0140032.....	135, 283	0256286.....	289	0270833.....	135	0273954.....	15, 23
0181727.....	82, 93, 100	0256287.....	289	0270850.....	93	0273959.....	15, 23
0200048.....	205	0256288.....	289	0271010.....	289	0273970.....	100
0200742.....	90, 107	0256289.....	289	0271339.....	152	0273972.....	83
0200819.....	90	0256290.....	289	0271475.....	300	0274047.....	15
0254798.....	75	0256321.....	147	0271543.....	301	0274054.....	15
0255262.....	125	0256331.....	172	0271548.....	301	0274062.....	16, 29
0255281.....	161	0256336.....	172	0271552.....	135, 189	0274086.....	107
0255288.....	161	0256342.....	300	0271610.....	32	0274087.....	89
0255294.....	125	0256343.....	301	0271611.....	32	0274090.....	107
0255397.....	33	0256344.....	303	0271613.....	32	0274091.....	89
0255409.....	123	0256366.....	300	0271613.....	32	0274094.....	293
0255410.....	75	0256388.....	11	0271771.....	302	0274121.....	23, 29
0255421.....	31	0256391.....	11	0271912.....	300	0274132.....	15
0255422.....	32	0256392.....	19, 51	0271941.....	181	0274180.....	182
0255423.....	148, 153, 157	0256397.....	11, 51	0271945.....	181	0274200.....	136, 189
0255438.....	171	0256398.....	11, 51	0272070.....	148, 153	0274220.....	23, 59
0255440.....	63, 171	0256399.....	19, 27	02722135.....	152	0274229.....	54
0255441.....	63, 171	0256400.....	27	0272326.....	147	0274234.....	15, 23
0255442.....	63, 171	0256423.....	11	0272350.....	303	0274235.....	59
0255443.....	63, 171	0256523.....	27	0272427.....	189, 205	0274256.....	15
0255444.....	75	0256623.....	11	0272433.....	283	0274257.....	16, 59
0255453.....	289	0256624.....	11	0272481.....	107, 189	0274276.....	63, 171
0255457.....	289	0256625.....	19	0272482.....	107, 189	0274277.....	63, 171
0255482.....	235	0256626.....	289	0272482.....	107, 189	0274278.....	63, 171
0255483.....	235	0256627.....	289	0272507.....	283	0274279.....	63, 171
		0256632.....	188, 301	0272521.....	302	0274299.....	100
		0256633.....	188, 301	0272588.....	302	0274309.....	63, 171
		0256689.....	95, 101	0272589.....	302	0274310.....	63, 171
		0256690.....	95, 101	0272589.....	302	0274311.....	63, 171
		0256715.....	27	0272606.....	302	0274312.....	63, 171
		0256717.....	27	0272607.....	302	0274348.....	54
		0256760.....	300	0272619.....	302	0274349.....	54
		0256761.....	300	0272626.....	278	0274441.....	31, 53
		0256765.....	264, 301	0272627.....	278	0274491.....	82
		0256769.....	300	0272725.....	302	0274525.....	83
		0256772.....	300	0272733.....	302	0274597.....	302
		0256789.....	300	0272772.....	303	0280167.....	15, 23
		0256821.....	142	0272796.....	82	0280171.....	15
		0256822.....	142	0272970.....	181, 188	0280183.....	15, 23
		0256829.....	302	0273048.....	31, 53	0280185.....	15
		0256847.....	96, 103	0273049.....	31, 53	0340041.....	82, 93, 101
		0257101.....	57	0273052.....	127		
		0257157.....	300	0273145.....	301		
				0273146.....	302		

PART NUMBER INDEX

0340046 82	0641520 51	0701214 82	0961977 229
0362519 57	0641522 51, 65, 162	0701414 82, 93, 101	0961986 82, 94, 101
0362529 172, 173	0641524 177	0721003 16, 189	0962005 ... 12, 16, 20, 23, 27, 29
0362611 173	0641532 53, 148, 153	0721004 59	0962051 139
0362612 172	0641536 162	0721005 205	0962131 16, 23, 29
0362910 59	0641542 33	0721006. 83, 90, 108, 142	0962270 185
0363012 53	0641552 53	0721008 188	0962272 ... 12, 16, 20, 27
0370035 219	0641604 231	0741606 135	0962292 59
0400075 82, 93, 100	0641605 147, 153	0741607 59, 153	0962335 153
0440018 12, 16	0641606. 84, 94, 101, 123, 143, 153, 157, 161, 162	0801019 147, 152, 157	0962336 221
0440019 12, 16	0641607 ... 147, 153, 157, 161	0801021 157	0962348 59
0440161 ... 12, 16, 19, 27	0641608 ... 11, 12, 16, 19, 23, 27, 29, 54, 57, 59, 65, 82, 84, 142, 157, 161	0801022 147, 161	0962474 211
0440170 16	0641609 82, 139	0801023 161	0962563 90
0440171 16	0641610 ... 20, 27, 82, 85, 90, 93, 100, 101, 107, 157, 161, 181, 187	0801025 152, 161	0962653 90
0440207 75	0641611 125, 153	0801026 161	1001097554 85
0460150 235	0641612 11, 19, 127, 157	0801027 161	1001098503 53, 54
0460151 235	0641613 65	0801085 157	1001099836 162
0460152 235	0641614 123, 302	0801228 161	1001100120 53
0460154 235	0641618 53, 153, 157, 158, 161	0860038 283	1001100321 89, 107
0460155 235	0641640 162	0860520 290, 293	1001104983 300
0460157 235	0641772 90, 107	0861407 131	1001107153 162
0460159 235	0641808 .. 82, 85, 95, 100	0861472 131	1001109684 301
0460160 235	0641809 157	0861473 131	1001110133 301
0460161 235	0641810 139, 147, 153	0861517 181, 187	1001110137 301
0461614 153	0641811 127	0861537 187, 188	1001110990 301
0480121 107	0641812. 85, 94, 101, 148, 153	0861610 131	1001113961 199, 201
0561076 147, 153	0641813 207	0861611 131	1001114031 301
0561185 157, 161	0641814 15, 23	0861691 131	1001114123 301
0561237 153	0641816 15, 51	0861692 131	1001114124 301
0561248 157	0641818 .. 15, 23, 93, 101	0861702 131	1001116240 .. 84, 94, 100
0630427 171	0641820 19, 125, 127, 147, 153	0861703 131	1001116241 .. 84, 94, 100
0630462 205	0641826 11, 95, 101	0902206 135, 136	1001117320 182
0630464 187	0641828 82	0902219 142	1001118416 201
0630490 12, 16, 17	0642010 .. 59, 84, 94, 100	0902242 142	1001118417 187, 193
0630491 135	0642012 ... 11, 15, 16, 17, 19, 23, 29	0902335 142	1001119561 300
0630498 82, 93, 100	0642018 75	0902520 125	1001121592 205
0630507 142	0642612 135, 136	0902751 187	1001121593 205
0630518 131	0642684 148, 153	0902910 85	1001137005 285, 303
0630534 216, 221, 227	0651406 65	0903056 127	1001137672 302
0630535 ... 216, 223, 227, 231, 233	0681608 ... 12, 16, 20, 27, 148, 153	0903119 136	1001139130 300
0630536 219, 225	0681610 147, 153, 211	0920117 31	1001142504 301
0630548 131	0681810 31	0920119 75	1001142505 301
0630568 188	0681814 185	0940049 142	1001143256 302
0641403 ... 148, 153, 157, 172, 173	0681822 185	0940070 82, 93, 101	1001144629 181
0641404 12, 16, 142, 187	0681836 75	0940071 142	1001149560 302
0641406 82, 135, 139, 181, 187, 291, 293	0682016 31, 75	0940092 205, 207	1001166538 203
0641407 . 82, 85, 93, 101, 142	0682020 16	0940094 205, 207	1001166539 195
0641408 ... 181, 187, 290, 293	0700808 82, 94, 101	0940103 205	1001167359 213
0641409 100	0700810 96, 103	0940131 207	1001204923 301
0641414. 51, 65, 178, 182, 187, 205, 291	0700816 90	0940133 205	1001204924 301
0641416 65, 153	0701010 82	0940134 205	1001205175 301
0641418 177	0701012 82, 94, 101	0961845 177	1060016 172
0641424 171	0701014 103	0961890 229	1060279 290, 293
0641505 57	0701015 82, 94, 101	0961893 215, 221, 227	1060341 205, 284
0641506 131	0701210 90	0961894 215, 227	1060461 279, 284
0641507 .. 82, 85, 94, 100		0961896 231, 233	1060494 284
0641508 66, 90, 108, 243		0961897 223	1060584 59
0641510 94, 101		0961898 219	1060637 82, 95, 100
0641514 65		0961899 225	1060896 278, 279
0641516 59, 158, 207		0961947 153, 215, 227	1060902 279, 280
0641518 182		0961948 148, 153, 161, 223	1060903 205
		0961949 148, 153, 157, 219, 225	1060904 84
		0961950 11, 15, 19, 23	1060918 182, 187, 278
		0961951 147, 153, 161, 215, 227	1060945 279
			1060977 285
			1061033 279

PART NUMBER INDEX

1100098.....51	1683069.....225	1701602.....290	1703664.....291
1120304.....16	1683208... 12, 16, 19, 23, 27, 29, 229	1701791.....290	1703665.....291
1120460.....12, 16	1683258.....152, 221	1701798.....290	1703675.....291
1120487.....123	1683263.....152, 227	1702265.....290	1703687.....291, 293
1180336.....162	1683266.....147, 227	1702266.....291	1703811.....293
1180338.....162	1683280.....11, 19, 211	1702267.....291	1703814.....293
1180339.....157	1683281.....211	1702268.....290	1704174.....300
1260017.....75	1683283.....211	1702269.....291	1704175.....300
1282396.....260	1683288... 147, 152, 225	1702270.....291	1704260.....187
1282518.....300	1683294... 147, 152, 223	1702300.....289	1704277.....289, 293
1282571.....264	1683299... 147, 152, 219	1702563.....182	1704412.....293
1282665.....264, 301	1683304.....12, 27, 229	1702564.....187	1704578.....59
1282828.....264	1683307.....161, 231	1702565.....187	1704885.....291, 293
1282937.....264	1683308.....231	1702566.....187	1704997.....187
1283429.....260	1683310.....231	1702567.....187	1705014.....185
1320012.....82	1683312.....157, 233	1702610.....131	1705084.....289
1320016.....82, 93, 102	1683313.....233	1702676.....182, 187	1705090.....59, 293
1320022..82, 85, 93, 100, 102	1683314.....233	1702773... 185, 289, 293	1705132.....132, 188
1320176.....95, 102	1683317.....161, 231	1702774.....289, 293	1705170.....136
1320222.....94	1683318.....231	1702788.....300	1705232.....290
1320223.....84, 94, 102	1683320.....231	1702818.....289, 293	1705240.....291
1320243.....148, 153	1683415.....147, 215	1702819.....289, 293	1705250.....290
1320314.....162	1683418.....152, 215	1702860.....289, 293	1705275.....290
1340060.....82, 93, 102	1683609.....153, 221	1702861.....289, 293	1705325.....90
1380136.....65	1683949.....227	1702901.....291	1705752.....131
1380147.....139	1683952.....215	1702903.....290	1705753.....131
1480120.....90	1683962.....227	1702908.....291	1705822.....293
1580011.....82	1683963.....215	1702924.....290	1705828.....293
1580012.....182, 300	1683972.....227	1702925.....290	1705921.....293
1580013.....182, 300	1683973.....227	1702926.....290	1705961.....293
1600313.....187	1683976.....215	1702927.....290	1705978.....293
1600317.....187, 191	1683977.....215	1702938.....189, 205	1706098.....293
1600318.....187, 199	1684001.....223	1702984.....291	1706385.....185
1600327.....131	1684005.....223	1702986.....291	1870132.....265
1600361.....85	1684014.....219	1702987.....290	1870191.....265
1600364.....131, 298	1684015.....219	1702988.....291	2000189.....93, 95
1600375.....187, 298	1684017.....225	1702990.....291	2000194.....82, 85
1600411.....131	1684019.....225	1702991.....290	2000216.....102
1660219.....125	1684089.....221	1702992.....291	2000219.....101
1660219RR.....125	1684090.....221	1702994.....291	2000221.....101
1660223.....125	1684092.....221	1702995.....290	2000224.....101
1660223RR.....125	1684280.....15, 23, 213	1702996.....291	2000274.....102
1660234.....96, 103	1684289.....213	1702998.....291	2000279.....101
1660239.....82	1684290.....213	1702999.....290	2000280.....101
1660257.....127	1684308.....231	1703000.....291	2060025.....82, 93, 102
1660258.....127	1684310.....231	1703002.....291	2080040.....177, 181
1660303.....127	1684418.....16, 29, 229	1703003.....290	2080044.....153
1660304.....127	1684498.....219	1703084.....189	2120145.....65
1670767.....142	1690697.....290	1703085.....189	2120146.....64
1670768.....161	1691483.....290	1703162.....82, 93, 102	2120149.....65, 296
1670769.....153	1693289.....290	1703183.....290	2120150.....64, 296
1670777.....33	1693291.....290	1703184.....290	2120164.....65
1670819.....171	1693292.....290	1703185.....290	2120209.....64
1670820.....172	1693294.....290	1703186.....290	2120210.....65
1670824.....172, 173	1700584.....289, 293	1703187.....290	2160002.....75
1670829.....131, 187	1701500.....289	1703190.....290	2180344.....75
1670836.....161	1701502.....289, 293	1703403.....57	2180348.....100
1671037.....188	1701503.....289, 293	1703404.....57	2180380.....254, 259
1671092.....283	1701504.....289	1703444.....57	2180536.....84, 93
1671093.....283	1701505 85, 94, 100, 290, 293	1703450.....57	2180724.....254, 259
1683053.....215, 221, 227	1701509.....289, 293	1703467.....131	2180798.....82, 93, 103
1683054.....231, 233	1701518.....289, 293	1703468.....131	2200222.....123
1683055.....215, 227	1701529.....289, 293	1703469.....291, 293	2220001.....75
1683057.....211	1701596.....290	1703479.....300	2220235... 239, 243, 255, 259
1683061.....223	1701600.....290	1703518.....290	2220237.....17, 241, 247
1683067.....219		1703534.....255, 259	2220250.....84, 94

PART NUMBER INDEX

2780213.....31, 35	2910463 301	3311605 ... 20, 27, 83, 90,	3422860.....152
2780269.....31, 37	2910924 301	93, 100, 102, 108, 139,	3422861.....152
2780271.....16	2915137 300	142, 153, 157, 162,	3422867.....152
2780276.....17	2920110 135	182, 185, 187	3422900.....16, 24, 29
2792177.....260	2920113 135	3311705 90, 108	3423175.....17
2792188.....253, 260	2920129 ... 187, 278, 280	3311801 .31, 83, 95, 100,	3430816.....139
2792189.....253, 260	2920130 135	171	3450304.....188
2792191.....260	2920140 ... 178, 182, 284	331180583, 93, 102, 125,	3450306.....158
2792192.....260	2920157 136, 182	142, 147, 148, 153,	3450404.....139
2792193.....239, 260	2920214 135	154, 207	3450606.....158
2792194.....260	2920215 135	3313403 12, 17	3450810.....12, 17
2792195.....66, 243, 260	2940074 ... 178, 181, 296	3322201 127	3451010.....16, 17
2792196.....260	2940088 142	3323403 12, 16, 17	3451012.....12
2792230.....249, 260	2980125 59	3340608 231	3480188.....215, 227
2792315.....261	3010141 59	3340764 162	3480206.....219
2792405.....261	3020016 101	3340765 162	3480210.....215, 221, 227
2792687.....247, 260	3020021 96, 103	3340787 162	3480211.....223
2792688.....257, 260	3160204 31, 45	3340871 157, 161	3480212.....231, 233
2792689.....257, 260	3160205 31, 41	3340881 157, 161	3480216.....225
2792690.....251, 260	3160273 75, 79	3340911 53	3510499.....177
2792691.....260	3160297 31, 43	3340966 59	3510500.....177
2792692.....241, 260	3160299 31, 47	3380428 84, 94, 100	3510537.....177
2792697.....260	3160300 31, 47	3380434 182, 290	3510538.....177
2792702.....260	3160349 49	3380557 54	3510542.....177
2820031.....90, 108	3160350 49	3380558 54	3510543.....177
2820035....135, 178, 182,	3200362 95, 102	3380560 54	3510728.....177
283	3200378 93	3380573 54	3510751.....177
2820076.....142	3200406 83, 102	3420156 188	3510763.....177
2820077.....143	3220103 95, 102	3420372 59	3510764.....177
2820078.....143	3220104 95, 102	3420447 59	3510822.....181
2820082.....143	3220113 83	3420592 57	3510830.....181
2820083.....143	3250033 293	3421453 57	3510831.....181
2840018.....139	3250585 182	3421565 59, 75	3510832.....181
2860012.....108	3250872 57, 59, 293	3422327 59	3510833.....181
2860030.....132, 296	3251102 90, 108, 189	3422426 ... 11, 12, 16, 17,	3510868.....185, 301
2890245.....12, 17	3251242 289	19, 23, 27, 29	3520028.89, 90, 107, 108
2900708.....64	3252347 290	3422427 12, 17, 23	3520032.....291
2900752.....113	3252507 90, 108	3422429 ... 12, 16, 17, 19,	3520033.....142, 291
2900770.....64, 165, 211,	3271805 127, 185	23, 27, 29	3520035.....132
223, 233	3272001 16	3422430 ... 12, 16, 17, 19,	3520054.....187
2900788.....45	3272605 ... 148, 153, 165	23, 27, 29	3520072....177, 181, 185
2900792....215, 219, 221,	3290801 83	3422448 84, 93, 100	3520198.....181
223, 225, 233	3300106 12, 17, 31	3422457 161	3534978.....102
2900826.....113	3300151 177, 302	3422530 139	3536089.....178, 182
2900827.....113	3300205 131	3422532 94, 101	3537318.....75
2900838.....302	3300353 188	3422553 57, 84	3537416.....93, 102
2900975.....300	3300393 177	3422561 152	3537420.....93
2901273.....223	3300408 131, 187	3422563 152	3537445.....139
2901278.....231, 233	3310601 139	3422565 147	3538047.....11, 19
2901285.....219	3310801 171	3422566 152	3538247.....231
2901301.....216, 227	3310805 65, 172	3422571 147, 152	3538758.....162
2901303....216, 221, 227	3311001 ... 142, 181, 188,	3422572 147, 152	3538771.....231
2901321211	189	3422573 147, 152	3539055.....172
2901322.....225	3311005 90, 108, 135,	3422575 147, 152, 157	3539219.....131
2901358.....94	142, 178	3422576 147, 152	3539228.....157
2901443.....285, 302	3311401 ... 131, 161, 205,	3422577 147	3539236.....157
2901763.....70	290	3422578 147	3539281.....135
2901861.....231, 233	3311405 ... 65, 83, 84, 93,	3422579 152	3539662.....57
2902085.....108	101, 102, 139, 142,	3422580 147	3539685.....178
2902266.....213	171, 178, 182, 187,	3422582 148	3539779.....148, 153
2902296.....84, 94, 100	293, 302	3422583 152	3539872.....83, 93, 102
2902303.....293, 300	3311501 65, 142, 205	3422592 11, 15, 19, 23	3539877....11, 15, 19, 23
2902307.....300	3311505 ... 51, 53, 65, 83,	3422802 19, 27	3539879.....11, 19
2902350.....300	85, 94, 100, 102, 142,	3422813 59	3539923.....142
2902395.....300	148, 153, 162, 177, 207	3422841 59	3539956.....84, 95, 100
2902443.....280	3311601 ... 123, 142, 188	3422847 59	3539971.....93, 102
2910100.....301		3422848 59	3539988.....143

PART NUMBER INDEX

3570270	158	3841340	153, 161	4071007	161	4460042	178, 188
3570277	158	3841347	158	4071059	59	4460049	205
3570374	148, 153	3841677	29	4071061	162	4460071	182, 188, 278
3570375	158	3890040	185	4071062	162	4460190	89, 107
3572009	59	3900054	185	4071101	15, 23	4460225	278
3572010	59	3900141	221	4100100	221	4460226	188, 196, 203, 278, 280, 281, 283, 285
3572011	59	3900166	147	4120012	264	4460227	188, 278, 281, 284
3572012	59	3900207	177	4120013	264	4460234	135, 136, 205
3574091	205	3900232	142	4120035	278, 281	4460265	196, 203
3574171	162	3900239	148, 153	4130330	19, 27	4460267	282, 283
3574185	162	3900268	131	4130331	19, 27	4460268	135, 281, 282, 283
3574206	83	3910608	139	4130340	12	4460320	282, 283, 284
3574207	83	3910804	131	4130341	12	4460321	284
3574208	83	3910806	65	4130401	16, 24, 29	4460326	282, 283
3574684	90	3911008	181	4130402	16, 24, 29	4460418	278, 280
3575359	205	3911016	178	4130409	16	4460419	278, 280
3580134	89, 107	3911040	135	4130410	16	4460424	135, 281, 282, 283, 285
3580158	107	3930816	172	4130412	24	4460425	205, 284, 285
3580322	89	3930824	171, 172	4130413	17	4460426	132, 178, 182, 189, 280
3600242	84, 93, 121	3931408	171	4130414	17	4460428	171, 172, 188, 278
3600243	63	3931430	171	4130415	17	4460434	278, 281
3600260	83, 93, 112, 114	3931448	231	4160143	142	4460445	282, 283
3600365	63	3931516	215, 221, 227, 231, 233	4220162	135, 136	4460457	281
3600381	84, 118, 119	3931620	84, 93, 101, 215, 227	4220165	178	4460459	284
3600395	101, 121	3931720	223	4220168	178	4460460	281
3600396	101, 119	3932032	219	4220191	83	4460464	188, 278, 279, 281
3600397	101, 113	3932224	75	4240032	135, 136	4460465	278, 279, 281
3620033	93, 102	3932240	225	4240099	178, 182, 205	4460466	279
3620047	83	3940604	59	4240102	123	4460467	285, 302
3640493	264	3960098	12, 17	4240112	123	4460470	132, 188, 278, 280
3641569	205	3960343	16	4280295	123	4460471	132, 188, 278, 280
3740049	131, 264, 280, 284, 296	3960369	102	4300097	31	4460473	279
3740057	264	3960389	85, 93, 101, 142	4340678	187	4460476	284
3740058	264	3960407	94, 102	4340684	187	4460488	132, 188
3740066	264	3960418	142	4360031	182, 187	4460499	70, 73, 283
3740067	83, 93, 102, 296	3960438	142	4360057	205, 298	4460508	278, 279
3740080	90, 108, 298	3960461	135	4360232	189, 284, 285, 298	4460509	278, 279
3760133	161	3960462	142	4360294	94, 108	4460510	285, 302
3760170	59, 75	3960467	142	4360322	171, 172	4460526	132, 280
3760368	215, 221, 227, 233	3960468	83, 95, 102	4360328	132, 187, 296	4460536	281
3760369	211, 215, 227	3960469	83, 95	4360331	182, 187, 296	4460539	282
3760370	223	3990010	281, 283, 296	4360336	90, 108, 135, 136, 182, 189, 296	4460598	178, 182, 189, 284
3760372	219	4031911	83	4360387	188, 189, 205, 298	4460600	264
3760384	225	4060802	90, 108, 182, 189	4360392	83, 93, 103, 296	4460607	264
3790012	135, 136, 182, 188, 189	4060803	178	4360407	188	4460611	94
3790045	31	4060804	65, 162	4360436	123	4460634	281
3790110	166	4060805	84, 95, 102, 161	4360470	132, 296	4460635	281
3790152	84, 94, 101	4060807	66	4360475	132, 188, 296	4460705	284
3820001	57, 135, 290, 293	4060808	51, 157	4360476	132, 188, 296	4460708	188, 278, 280
3820020	181	4060906	131	4360542	89, 107	4460709	283
3841143	11, 12, 16, 17, 19, 24, 27, 29, 59, 84, 93, 100, 147, 152	4060907	135	4360549	171, 172	4460710	283
3841203	147, 152, 157	4060918	66	4360578	171, 172, 298	4460761	188, 278, 281
3841258	11, 15, 16, 19, 23, 24, 29	4060959	301	4400372	123	4460789	284
3841262	12	4070863	157, 161	4400399	123	4460790	284
3841263	12, 17	4070864	157, 161	4400454	123	4460850	284
3841285	16, 19, 24, 27, 29	4070878	11, 19	4420037	182	4460865	278, 279
3841291	27	4070879	11, 19	4420038	123		
3841295	158	4070897	157, 161	4420051	59, 291, 293		
3841329	57	4070898	157, 161	4420055	177		
		4070929	157, 161	4420060	172, 173		
		4070932	162	4420068	205, 207		
		4070944	11, 15, 19, 23	4460007	188		
		4070945	11, 15, 19	4460023	90, 108		
		4070987	131	4460027	89, 107, 283		

PART NUMBER INDEX

4460866.....	278, 279, 281	4568788.....	83	4740393.....	31	4845289.....	177, 178
4460871....	188, 191, 193, 199, 201, 278, 280, 281, 282, 284	4569171.....	102	4740397.....	90, 108, 189	4845290.....	177, 178
4460873.....	278, 281	4569177.....	83	4740411.....	177	4845328.....	177
4460874.....	132, 278, 280	4640261.....	57, 59	4740439.....	152	4845395.....	94, 103
4460875.....	132, 278, 280	4640438.....	223	4740444.....	132	4845404.....	93, 103
4460876.....	280	4640509... ..	215, 219, 221, 223, 225, 233	4740463.....	16, 24, 29	4845414.....	142
4460878.....	281	4640605.....	219, 225	4740542.....	15, 23	4845426.....	178
4460879.....	278	4640647.....	233	4740543.....	15	4845450.....	57
4460880.....	281, 282	4640744.... ..	121, 253, 257	4750800.....	65	4845451.....	57
4460887.....	278, 281	4640750.....	83	4751000 60, 90, 108, 135, 142, 178, 181		4846005.....	147
4460889.....	281	4640751.....	93, 102	4751400 . 83, 84, 93, 101, 102, 132, 136, 139, 142, 148, 153, 161, 171, 172, 173, 182, 188, 205, 290, 293		4846006.....	152
4460890.....	281	4640858.....	211, 213	4751500 . 51, 59, 90, 108, 142, 148, 153, 177, 205, 207		4846081.....	147, 152
4460891.....	279, 281	4640862.....	231	4751600 ... 53, 54, 83, 90, 93, 100, 102, 108, 123, 125, 127, 142, 143, 148, 153, 158, 182, 188, 231		4846101.....	178
4460892.....	280	4640866.....	64	4751700.....	102	4846184.....	177
4460894.....	280	4640871.....	51	4751800 . 51, 83, 95, 100, 125, 127, 158, 182, 185, 205		4846194.....	177, 178
4460897.....	279	4640902.....	221	4752000.....	84, 94, 100	4846195.....	177, 178
4460905....	132, 188, 278, 280, 281	4640906.....	66, 243	4761000.....	16, 142, 181, 189	4846228.....	177
4460906.....	284	4640907.....	64	4761400.....	132	4846229.....	177
4460943.....	281	4640908.....	64	4761600.....	57	4846240.....	177
4460944.....	282	4640921.....	65, 73	4770600.....	139	4846241.....	177
4460959.....	283	4640922.....	65, 73	4791400.....	94, 102	4846295.....	60
4460960.....	283, 284	4640923.....	51	4811900.....	83, 90	4846296.....	60
4460961.....	283	4640929.....	171	4831900.....	96, 103	4846452.....	181
4460968.....	171, 172	4640930.....	64	4832000.....	83, 96, 103	4846561.....	182
4461005.....	282	4640932.....	215	4844790.....	147, 152	4846566.....	93, 103
4461006.....	282	4640937.....	51	4844815.....	152	4846573.....	148, 154
4461008.....	282	4640939.....	249	4844816.....	152	4846673.....	205
4461052.....	282	4640999.....	233	4844817.....	152	4846790.....	83
4461053.....	282	4641097.....	63, 69	4844924.....	177, 178	4846805.....	83
4461054.....	282	4641108.....	64	4844925.....	177, 178	4860158.....	32
4461060.....	282	4641139.....	171	4844928.....	178	4891400.....	65
4461070.....	282	4641162.....	211	4844929.....	11	4891500.....	66, 243
4461071.....	280	4641280.....	53, 54	4844954.....	178	4891600 84, 93, 101, 139, 148, 154	
4461072.....	280	4641284.....	247	4844955.....	177, 178	4891800....	15, 23, 31, 65, 75, 139, 148, 154, 207
4461073.....	280	4641287.....	53	4844956.....	177, 178	4892000.....	16, 75
4461074.....	280	4641307.....	241	4844958.....	75	4892600.....	148, 154
4461095.....	282	4641319.....	213	4844960.....	11	4895000.....	31
4520171.....	32	4641409.....	53	4844964.....	123	4921850.....	302
4520172.....	32	4641410.....	53, 54	4844969.....	161	4921927.....	65, 283
4520173.....	32	4711400 . 51, 65, 95, 101, 135, 158, 171, 178, 182, 302		4844972.....	161	4921928.....	65, 283
4520210.....	32	4711500 ... 53, 57, 65, 66, 83, 162, 188, 243		4844978.....	161	4921957.....	284
4520211.....	32	4711600... .. 11, 19, 57, 65, 84, 95, 102, 147, 153, 157, 162		4844979.....	162	4922482.....	283
4520259.....	32	4711700.....	102	4844983.....	157	4922484.....	264
4520283.....	32	4711800 ... 139, 147, 153, 185		4844984.....	157	4922493.....	278
4520284.....	32	4711900.....	102	4845041.....	19	4922494.....	279
4520287.....	32	4712600.....	57	4845127.....	147, 153	4922498.....	284
4520288.....	32	4713000.....	57	4845163.....	139	4922508.....	280, 282
4520341.....	32	4713400.....	57	4845194.....	142	4922515.....	280, 281
4520344.....	32	4740016.....	12, 17	4845203.....	142	4922637.....	280
4520345.....	32	4740036.....	60	4845281.....	57	4922638.....	280
4520346.....	32	4740076.....	142	4845283.....	57	4922639....	188, 264, 278
4566408.....	223	4740111.....	59	4845287.....	177	4922641.....	283
4566425.....	231	4740155.....	59	4845288.....	177	4922643.....	284
4566468.....	215, 227	4740158.... ..	11, 15, 19, 23			4922666....	132, 188, 278, 281
4566471.....	221	4740171.....	142			4922737.....	83, 84
4566501.....	219	4740184.....	59			4922764.....	284
4566667.....	225	4740256.....	16, 24, 29			4922810.....	279
4566832.....	51	4740274.....	83, 95, 102			4922811.....	279
4567073.....	83	4740283.....	16			4922890.....	280
4567172.....	57	4740362.... ..	135, 182, 188			4922891.....	279
4567241.....	158					4922892.....	182, 284
4567815.....	95, 102					4922893.....	279
4568133.....	60					4922894.....	182, 284
4568721.....	83					4922895.....	279

PART NUMBER INDEX

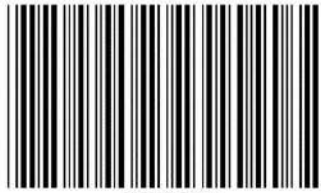
4922896	280	7000209	77	70004758.....	195	7004248.....	63
4922921	280, 281	7000214	77	70004759.....	195	7004275.....	302
4922970	283	7000216	37	70004760.....	195	7004276.....	302
4922978	101	7000217	77	70004761.....	195	7004290.....	63
4923212	280, 281	70002200.....	103	70004762.....	195	7005881.....	79
4923223	280	70002212.....	128	70004763.....	195	7005882.....	79
4923224	282	70002234.....	95, 103	70004764.....	195	7005889.....	79
4923227	280, 281	70002235.....	89, 107	70004765.....	195	7005890.....	79
4923231	280	70002239.....	89, 107	70004766.....	195	7005891.....	79
4932986	264	70002240.....	89, 107	70004767.....	195	7005892.....	79
4932990	264	7000228	77	70004768.....	195	7005893.....	79
4932992	264	7000229	77	70004769.....	195	7006140.....	162, 296
4932993	264	7000230	77	70004770.....	195	7006151.....	162
4933025	264	70002411.....	96	70004771.....	195	7006152....	157, 162, 296
4933026	264	7000242	77	70004772.....	195	7006158.....	162
4933214	265, 280, 281	7000246	77	70004773.....	195	7006161.....	162
4933215	264, 283	7000253	77	70004774.....	196	7007207.....	118
4933216	264, 283	70002530.....	96	70004775.....	196	7007208.....	112, 118
4933218	264	7000255	77	70004862.....	123	7007412.....	113, 119
4933219	264	7000256	77	70005230.....	203	7007413.....	112, 118
4933263	265	7000257	77	7000625.....	182, 187	7007414.....	112, 118
4933290	265, 280, 281	7000258	77	7000663.....	95, 103	7007415.....	43
4933300	264, 283	7000263	77	7000731.....	31	7007416.....	112
4933307	264	7000269	77	7001433.....	119	7007417.....	112, 118
4933308	264, 284	7000270	77	7001438.....	112	7007418.....	43, 118
4933312	264	70002724.....	201	7001498.....	113, 119	7007419.....	43, 112, 118
4933319	265, 280, 281	70002725.....	201	7001625.....	229	7007420.....	112
4933330	265, 280, 281	70002726.....	201	7001626.....	229	7007421.....	112
70000122	89, 107	70002727.....	201	7001627.....	229	7007423.....	112, 118
70000123	89, 107	70002728.....	201	7001628.....	229	7007424.....	112
70000124	89, 107	70002729.....	201	7001629.....	229	7007425....	41, 112, 118
70000125	89, 107	70002730.....	193	7001630.....	229	7007426.....	41, 43
70000126	89, 107	70002731.....	193	7001633.....	229	7007427.....	41, 43
70000127	107	70002732.....	193	7001711.....	35	7007428.....	41
70000264	104	70002733.....	193	7001909.....	77	7007429.....	41
70000579	69	70002734.....	193	7001911.....	77	7007430.....	41
70000580	69	70002735.....	193	7001913.....	37	7007431.....	41
70000582	69	7000281	38	7001928.....	77	7007434.....	41
70000583	69	70002906.....	193	7001931.....	77	7007435...43, 47, 112, 118	
70000781	53	70003001.....	104	7001985.....	77	7007436.....	112
70000782	37	70003002.....	104	7001987.....	77	7007437...41, 43, 47, 49,	
70000794	49	70003003.....	104	7001988.....	77	112, 118	
70000795	49	70003408.....	54	7002821.....	285, 302	7007438...41, 43, 47, 49,	
70000800	104	70003483.....	182	7002822.....	302	112, 118	
70000916	103	70003556.....	95	7002823.....	285, 302	7007439...41, 43, 47, 49,	
70000934	65	70003784.....	188	7002826.....	302	112, 118	
70001002	95	70004182.....	83	7002828.....	285	7007440.....	112
70001017	83, 95, 102	70004738.....	203	7002840.....	51, 302, 303	7007441.....	112, 118
70001119	37	70004739.....	203	7003928.....	191, 193	7007442.....	112, 118
70001120	85	70004740.....	203	7003933.....	199	7007444.....	112, 118
70001248	128	70004741.....	203	7003935.....	199	7007445.....	112
70001423	96	70004742.....	203	7003941.....	199, 201	7007446...41, 47, 49, 118	
70001498	95, 103	70004743.....	203	7003946.....	199	7007449.....	112
70001681	96	70004744.....	203	7003953.....	191	7007452.....	118
70001697	166, 169	70004745.....	203	7003969.....	199	7007453.....	112, 118
70001742	85	70004746.....	203	7003972.....	199, 201	7007454.....	112, 118
70001850	103	70004747.....	203	7003973.....	199, 201	7007456.....	112
70001941	135	70004748.....	203	7003976.....	191	7007457.....	118
70001976	69, 70, 73	70004749.....	203	7003977.....	191	7007458.....	112
70001999	162	70004750.....	203	7003980.....	199, 201	7007459...41, 43, 113, 119	
70002000	163	70004751.....	203	7003982.....	201	7007463.....	113, 119
70002001	157	70004752.....	195	7003983.....	199, 201	7007464.....	119
70002002	157	70004753.....	195	7003986.....	199	7007465.....	119
70002011	162	70004754.....	195	7003989.....	199, 201	7007466.....	113, 119
70002012	162	70004755.....	195	7003992.....	191, 199	7007468.....	113
70002063	54	70004756.....	195	7003993.....	191, 199	7007469.....	113
70002064	54	70004757.....	195	7003994.....	199	7007470.....	113, 118

PART NUMBER INDEX

7007471.....	113	7012693.....	51	7014706.....	35	7017089.....	77
7007472.....	113, 119	7012694.....	64	7014709.....	35	7017093.....	37
7007474.....	113, 119	7012699.....	64	7014710.....	35	7017095.....	37
7007475.....	113, 119	7012700.....	45	7014711.....	35	7017101.....	165
7007476.....	113, 119	7012701.....	45	7014712.....	35	7017106.....	166
7007477.....	113, 119	7012702.....	45	7014713.....	35	7017115.....	165
7007478.....	113, 119	7012703.....	45	7014714.....	35	7017116.....	165
7007482.....	113	7012704.....	45	7014715.....	35	7017117.....	165
7007483.....	113	7012705.....	45	7014716.....	35	7017118.....	166
7007484.....	113, 119	7012706.....	45	7014717.....	35	7017119.....	165
7007485.....	113, 119	7012707.....	45	7014718.....	35	7017142.....	165, 166
7007486.....	113	7012708.....	45	7014719.....	35	7017156.....	166
7007487.....	113, 119	7012709.....	45	7014720.....	35	7017157.....	166
7007488.....	113, 119	7012710.....	45	7014721.....	35	7017158.....	166, 169
7007489.....	121	7012711.....	45	7014722.....	35	7017159.....	166, 169
7007490.....	113	7012712.....	45	7014723.....	35	7017162.....	165, 169
7007491.....	113	7012713.....	45	7014724.....	35	7017163.....	165, 169
7007492.....	113	7012714.....	45	7014725.....	35	7017164.....	165, 169
7007494.....	113, 119	7012715.....	45	7014726.....	35	7017174.....	165
7007496.....	113, 119	7012716.....	45	7014727.....	35	7017177.....	165
7007497.....	113, 119, 282	7012768.....	296	7014728.....	35	7017183.....	165, 169
7007498.....	113, 119, 282	7012769.....	69, 70	7014729.....	35	7017193.....	165, 169
7007499.....	113	7012772.....	69, 70, 73, 296	7014730.....	35	7017410.....	69
7007633.....	77	7012773.....	69, 70, 73	7014731.....	35	7017411.....	69
7010103.....	121	7012774.....	70, 73	7014800.....	123	7017418.....	69
7010104.....	121	7012775.....	69, 70	7014801.....	123	7017420.....	70, 73
7010105.....	121	7012776.....	73	7014802.....	123	7017421.....	73
7010108.....	41	7012799.....	70	7014810.....	123, 296	7017422.....	73
7010109.....	41	7012905.....	66, 243	7014811.....	123	7017423.....	70
7010110.....	41	7012907.....	64	7016206.....	32	7017427.....	69
7010111.....	41	7012914.....	69, 70	7016312.....	65, 296	7017428.....	69, 70
7010112.....	41	7012918.....	69, 70	7016313.....	65, 296	7018612.....	31, 75
7010113.....	41	7012941.....	64	7016314.....	123	7018912.....	69, 70, 73
7010114.....	41	7012943.....	64	7016322.....	139	7018942.....	73
7010115.....	41	7012944.....	64, 66, 69, 243, 296	7016328.....	95, 103, 298	7018945.....	73
7010116.....	41, 119	7012953.....	64, 69, 73, 171, 221	7016331.....	95, 103, 298	7018946.....	73
7010117.....	41	7012954.....	64	7016342.....	125	7018948.....	73
7010118.....	41	7012959.....	64	7016374.....	139	7018952.....	70
7010119.....	41	7012961.....	64, 221	7016380.....	135	7019103.....	199
7010120.....	113	7012965.....	73	7016399.....	178, 182	7019110.....	199
7010121.....	113, 119	7012967.....	69, 70	7016422.....	79	7019111.....	191, 199
7010122.....	113	7012969.....	70	7016423.....	79	7019112.....	199
7010474.....	77	7012970.....	171	7016424.....	79	7019114.....	199
7010488.....	77	7012972.....	66, 243	7016425.....	79	7019115.....	199
7010492.....	77	7012974.....	66, 243	7016426.....	79	7019122.....	191
7010494.....	77	7012978.....	51	7016427.....	79	7019123.....	191
7010542.....	69, 70	7012980.....	51	7016502.....	157, 296	7019141.....	191
7010543.....	64, 69, 70	7012987.....	121	7016510.....	157	7019142.....	191
7011043.....	64	7012988.....	121	7016519.....	162	7019143.....	191
7011044.....	64	7012989.....	69	7016521.....	162	7019144.....	191
7011048.....	64	7012992.....	51	7016652.....	177, 302	7019145.....	191
7011062.....	64	7012993.....	51	7016654.....	302	7019147.....	191
7011063.....	63	7012994.....	51	7016655.....	302	7019149.....	191
7011064.....	63	7012995.....	64	7016700.....	63	7019150.....	191
7011065.....	63	7012998.....	69, 70, 73	7016701.....	63	7019151.....	199
7011066.....	63	7013187.....	125	7016702.....	63	7019154.....	199
7011112.....	215	7013189.....	128	7016744.....	64	7019155.....	199
7011185.....	233	7013711.....	63	7016746.....	64	7019160.....	199
7011328.....	64	7013755.....	63	7016747.....	64	7019161.....	199
7011331.....	165	7013796.....	63	7016800.....	94	7019162.....	199, 201
7011332.....	165	7013799.....	63	7016802.....	94	7019164.....	199, 201
7011346.....	165	7014676.....	303	7016803.....	94	7019165.....	199, 201
7012442.....	51	7014700.....	35	7016812.....	94	7019166.....	199, 296
7012513.....	89, 107	7014701.....	35	7016824.....	94	7019167.....	199, 201
7012514.....	89, 107	7014702.....	35	7017022.....	38	7019168.....	199
7012518.....	64, 69			7017027.....	37	7019171.....	191
7012664.....	82, 93, 102, 296			7017072.....	37	7019174.....	191

PART NUMBER INDEX

7019177	191	7022326	47, 49	7024733	37	7026807	85
7019194	199, 201	7022328	47, 49	7024734	37	7026809	85
7019197	191	7022368	47, 49	7024735	37	7026810	85
7019658	85, 95, 101, 123	7022370	47	7024736	37	7026811	85, 298
7019680	89, 107	7022371	43, 47, 49	7024737	38	7026812	85
7020020	65	7022372	47, 49	7024738	37	7026813	85
7020021	65	7022397	54	7024739	37	7026814	85
7020108	89, 107	7022399	54	7024740	37	7026815	85
7020109	89, 107	7022808	191, 193	7024741	37	7026816	85
7020110	89, 107	7022812	199	7024742	37	7026817	86
7020111	89, 107	7022814	191	7024743	37	7026818	86
7020135	32	7022815	191, 193	7024744	38	7026819	85
7020168	95	7022816	191	7024764	38	7026820	85
7020175	188	7022817	191	7024765	38	7026821	85
7020176	188	7022818	191, 296	7024766	38	7026822	85
7020190	89, 107	7022819	191, 193, 282	7024800	119	7026823	85
7020192	89, 107	7022822	199	7024834	43	7026824	85
7020246	131	7022823	199	7024835	43	7026825	85
7020408	95, 103	7022824	199, 296	7024836	43	7026826	86
7020411	95, 103	7022825	282	7024837	43	7026827	86
7020447	103	7023038	229	7024838	43	7026828	86
7020449	96, 103	7023206	65	7024839	43	7026829	86
7020458	95, 96, 103	7023910	47, 49	7024840	43	7026830	85, 298
7020459	104	7023917	54	7024841	43	7026831	85
7020460	104	7023933	53, 54	7024842	43	7026832	86
7020461	95, 103	7023935	54	7024843	43	7026833	85
7020462	95	7023936	54	7024850	53, 54	7026834	85
7020464	95, 103	7023964	43	7024851	119	7026835	85
7020465	95, 103	7023977	118	7024853	47, 49	7026836	85
7020468	96, 103	7023979	119	7024861	47	7026838	86
7020471	96, 103	7024036	45	7024862	47, 49	7026839	85
7020474	96	7024100	77	7024863	47	7026840	85
7020479	95, 103	7024124	37	7024864	47	7026841	85
7020480	95	7024125	37	7024865	47, 49	7026843	85
7020487	95, 103	7024127	37	7024866	47	7026845	86
7021200	118	7024129	37	7024867	47, 49	7026882	85
7021201	119	7024134	38	7024868	47	7027001	84, 94, 100
7021202	118	7024398	95, 102	7024869	47	7027002	84, 94, 100
7021203	118	7024404	128	7024871	47, 49	7027003	84, 94, 100
7021206	119	7024413	95	7024879	213	7027004	84, 94, 100
7021207	118	7024439	123	7024892	54	7027236	104
7021212	119	7024440	123	7026189	127	7027239	104
7021214	113, 119	7024441	123	7026197	128	7027241	103
7021217	119	7024442	123	7026503	127	7027245	104
7021218	119	7024443	123	7026504	128	7027246	103
7021219	119	7024444	123	7026505	128	7027412	83
7021220	119	7024445	123	7026506	128	7027419	47, 49
7021221	119	7024446	123	7026507	128	7027608	103
7021222	119	7024560	95, 102	7026508	128	7027609	103
7021223	118	7024565	96, 103	7026509	128	7027610	103
7021232	119	7024579	96, 104	7026510	128	7027740	49
7021249	47, 49	7024598	139	7026511	127	7027790	103
7021256	118	7024721	38	7026512	128	7027791	103
7021275	47, 49	7024722	37	7026522	95	7027792	103
7021310	70	7024723	38	7026607	96, 103	7027793	104, 282
7021625	53, 54	7024724	37	7026608	95, 103	7027794	104, 283
7022203	64	7024725	37	7026631	95, 103	7027795	104, 298
7022302	47, 49	7024726	37	7026800	85	7027796	104, 282
7022311	47, 49	7024727	37	7026801	85	7027887	89, 107
7022313	49	7024728	37	7026802	85	80934561	128
7022314	47, 49	7024729	37	7026803	85	8405009	82
7022318	47	7024730	37	7026804	85	8405104	82
7022320	47	7024731	37	7026805	85	85941017	101
7022321	47	7024732	37	7026806	85	8896941	302



3121855



An Oshkosh Corporation Company

JLG Industries, Inc.
1 JLG Drive
McConnellsburg PA. 17233-9533
USA
Phone: +1-717-485-5161
Customer Support Toll Free: 1-877-554-5438
Fax: +1-717-485-6417

JLG Worldwide Locations

JLG Industries (Australia)
P.O. Box 5119
11 Bolwarra Road
Port Macquarie
N.S.W. 2444
Australia
Phone: +61 2 65811111
Fax: +61 2 65813058

JLG Latino Americana Ltd.
Rua Antonia Marlins Luiz, 580
Distrito Industrial João Narezzi
13347-404 Indaiatuba - SP
Brazil
Phone: +55 19 3936 8870
Fax: +55 19 3935 2312

JLG Industries (UK) Ltd
Bentley House
Bentley Avenue
Middleton
Greater Manchester
M24 2GP
England
Phone: +44 (0)161 654 1000
Fax: +44 (0)161 654 1001

JLG France SAS
Z.I. de Baulieu
47400 Fauillet
France
Phone: +33 (0)5 53 88 31 70
Fax: +33 (0)5 53 88 31 79

JLG Deutschland GmbH
Max-Planck-Str. 21
D - 27721 Ritterhude-Ihlpohl
Germany
Phone: +49 (0)421 69 350 20
Fax: +49 (0)421 69 350 45

JLG Equipment Services Ltd.
Rm 1107 Landmark North
39 Lung Sum Avenue
Sheung Shui N.T.
Hong Kong
Phone: +852 2639 5783
Fax: +852 2639 5797

JLG Industries (Italia) s.r.l.
Via Po, 22
20010 Pregnana Milanese - MI
Italy
Phone: +39 029 359 5210
Fax: +39 029 359 5845

JLG Europe B.V.
Polaris Avenue 63
2132 JH Hoofddorp
The Netherlands
Phone: +31 (0)23 565 5665
Fax: +31 (0)23 557 2493

JLG Polska
Ul. Krolewska
00-060 Warszawa
Poland
Phone: +48 (0)914 320 245
Fax: +48 (0)914 358 200

Plataformas Elevadoras
JLG Iberica, S.L.
Trapadella, 2
P.I. Castellbisbal Sur
08755Castellbisbal, Barcelona
Spain
Phone: +34 93 772 4 700
Fax: +34 93 771 1762

JLG Sverige AB
Enkopingsvagen 150
Box 704
SE - 176 27 Jarfalla
Sweden
Phone: +46 (0)850 659 500
Fax: +46 (0)850 659 534

www.jlg.com