



Illustrated Parts Manual

Models ***G10-55A*** ***G12-55A***

Before S/N 0160045636 excluding
0160045082, 0160045094,
0160045209, 0160045295,
0160045296 & 0160045449

3126020

Revised
December 14, 2017



EFFECTIVITY PAGE

December 19, 2003 - A - Original Issue Of Manual
April 16, 2004 - B - Revised Manual
December 30, 2004 - C - Revised Manual
June 3, 2005 - D - Revised Manual
September 30, 2005 - E - Revised Manual
April 24, 2006 - F - Revised Manual
August 25, 2006 - G - Revised Manual
February 23, 2007 - H - Revised Manual
July 6, 2007 - I - Revised Manual
August 8, 2007 - J - Revised Manual Tier III updates
November 14, 2008 - K - Revised Manual
August 10, 2009 - L - Revised Manual
November 6, 2009 - M - Revised Manual
August 13, 2010 - N - Revised Manual
April 13, 2011 - O - Revised Manual
September 20, 2011 - P - Revised Manual
May 2, 2012 - Q - Revised Manual
March 4, 2013 - R - Revised Manual
September 27, 2013 - S - Revised Manual
April 15, 2015 - T - Revised Manual
December 6, 2016 - U - Revised Manual
May 12, 2017 - V - Revised Manual
December 14, 2017 - W - Revised Manual

TABLE OF CONTENTS

SECTION 1 - FRAME AND ATTACHING PARTS.....	11
FIGURE 1-1. FRAME SHROUDING AND TRIM (Prior to SN 0160039451, Excluding 0160039394 and 0160039397)	12
FIGURE 1-2. FRAME SHROUDING AND TRIM (SN 0160039451 to Present, Including 0160039394 and 0160039397)	18
FIGURE 1-3. AXLE AND WHEEL MOUNTING	24
FIGURE 1-4. OUTRIGGER MOUNTING	26
SECTION 2 - BOOM	29
FIGURE 2-1. FIRST BOOM SECTION G10-55A.....	30
FIGURE 2-2. FIRST BOOM SECTION G12-55A.....	32
FIGURE 2-3. BEARINGS, PADS, SPACERS AND SHIMS, (FIRST BOOM SECTION) G10-55A	34
FIGURE 2-4. BEARINGS, PADS, SPACERS AND SHIMS, (FIRST BOOM SECTION) G12-55A	36
FIGURE 2-5. SECOND BOOM SECTION G10-55A.....	38
FIGURE 2-6. SECOND BOOM SECTION G12-55A.....	42
FIGURE 2-7. BEARINGS, PADS, SPACERS AND SHIMS, (SECOND BOOM SECTION) G10-55A	46
FIGURE 2-8. BEARINGS, PADS, SPACERS AND SHIMS, (SECOND BOOM SECTION) G12-55A	50
FIGURE 2-9. THIRD BOOM SECTION G10-55A.....	54
FIGURE 2-10. THIRD BOOM SECTION G12-55A.....	56
FIGURE 2-11. BEARINGS, PADS, SPACERS AND SHIMS, (THIRD BOOM SECTION) G10-55A.....	58
FIGURE 2-12. BEARINGS, PADS, SPACERS AND SHIMS, (THIRD BOOM SECTION) G12-55A.....	60
FIGURE 2-13. FOURTH BOOM SECTION G10-55A	62
FIGURE 2-14. FOURTH BOOM SECTION G12-55A	64
FIGURE 2-15. BEARINGS, PADS, SPACERS AND SHIMS, (FOURTH BOOM SECTION) G10-55A.....	66
FIGURE 2-16. BEARINGS, PADS, SPACERS AND SHIMS, (FOURTH BOOM SECTION) G12-55A.....	68
FIGURE 2-17. QUICK SWITCH ASSEMBLY (Prior to SN 0160037689).....	70
FIGURE 2-18. QUICK SWITCH ASSEMBLY (SN 0160037689 to Present).....	72
SECTION 3 - ATTACHMENTS	75
FIGURE 3-1. TILT CARRIAGE (G10-55A Prior to SN 0160023810; G12-55A Prior to SN 0160024183)	76
FIGURE 3-2. TILT CARRIAGE (G10-55A SN 0160023810 to Present; G12-55A SN 0160024183 to Present).....	78
FIGURE 3-3. BUCKETS	80
FIGURE 3-4. SIDE TILT CARRIAGE (Prior to SN 0160037689).....	82
FIGURE 3-5. SIDE TILT CARRIAGE (SN 0160037689 to Present)	84
FIGURE 3-6. TRUSS BOOM (Prior to SN 0160037689)	86
FIGURE 3-7. TRUSS BOOM (SN 0160037689 to Present)	88
FIGURE 3-8. TRUSS BOOM WITH WINCH (Prior to SN 0160037689).....	90
FIGURE 3-9. TRUSS BOOM WITH WINCH (SN 0160037689 to Present)	92
FIGURE 3-10. ADJUSTABLE TRUSS BOOM.....	94
FIGURE 3-11. 100, SWING CARRIAGE WITH SIDE SHIFT (Prior to SN 0160037689).....	96
FIGURE 3-12. SHEET MATERIAL HANDLER (Prior to SN 0160037689)	100
FIGURE 3-13. SHEET MATERIAL HANDLER (SN 0160037689 to Present).....	102
FIGURE 3-14. 100, DRYWALL SWING CARRIAGE ASSEMBLY (Prior to SN 0160037689)	104
FIGURE 3-15. SWING CARRIAGE (Prior to SN 0160037689)	108
FIGURE 3-16. SWING CARRIAGE (SN 0160037689 to Present).....	112
FIGURE 3-17. SWING CARRIAGE (Prior to SN 0160037689)	114
FIGURE 3-18. SWING CARRIAGE (SN 0160037689 to Present).....	116
FIGURE 3-19. PERSONNEL PLATFORM (Prior to SN 0160037689).....	120
FIGURE 3-20. FORK MOUNTED PLATFORM.....	122
FIGURE 3-21. FORKS.....	126
FIGURE 3-22. FORK MOUNTED LIFTING HOOK (PRIOR TO S/N 2005134-01)	128
FIGURE 3-23. FORK MOUNTED LIFTING HOOK (S/N 2005134-01 TO PRESENT).....	130
FIGURE 3-24. GRAPPLE BUCKET.....	132
FIGURE 3-25. FORK PIN LOCK INSTALLATION (SN 0160037689 to Present)	134
FIGURE 3-26. DUAL FORK POSITIONING CARRIAGE ASSEMBLY (SN 0160037689 to Present).....	136
FIGURE 3-27. 6 FT MAST WITH 72 IN CARRIAGE (Prior to SN 0160037938).....	138
FIGURE 3-28. 8 FT STANDARD MAST (SN 0160037689 to Present).....	140
FIGURE 3-29. 8 FT SIDE TILT ELECTRIC MAST (SN 0160037689 to Present).....	144
FIGURE 3-30. 50 IN SIDE SHIFT CARRIAGE (SN 0160037689 to Present).....	150
SECTION 4 - ENGINE AND ATTACHING PARTS	153
FIGURE 4-1. ENGINE ASSEMBLY - JOHN DEERE.....	154
FIGURE 4-2. ENGINE ASSEMBLY - PERKINS.....	158
FIGURE 4-3. ENGINE ASSEMBLY - CUMMINS.....	164

TABLE OF CONTENTS

FIGURE 4-4. JOHN DEERE ENGINE	168
FIGURE 4-5. PERKINS ENGINE	172
FIGURE 4-6. CUMMINS ENGINE	174
FIGURE 4-7. FUEL TANK AND LINES (Prior to SN 0160020149)	176
FIGURE 4-8. FUEL TANK AND LINES (SN 0160020149 to Present)	178
FIGURE 4-9. RADIATOR ASSEMBLY - JOHN DEERE ENGINE	180
FIGURE 4-10. RADIATOR ASSEMBLY - PERKINS ENGINE	184
FIGURE 4-11. RADIATOR ASSEMBLY - CUMMINS ENGINE	188
FIGURE 4-12. AIR CLEANER INSTALLATION - JOHN DEERE ENGINE G10-55A	192
FIGURE 4-13. AIR CLEANER INSTALLATION - PERKINS ENGINE G10-55A	194
FIGURE 4-14. AIR CLEANER INSTALLATION - JOHN DEERE ENGINE G12-55A	196
FIGURE 4-15. AIR CLEANER INSTALLATION - PERKINS ENGINE G12-55A	198
FIGURE 4-16. AIR CLEANER INSTALLATION - CUMMINS ENGINE	200
FIGURE 4-17. EXHAUST INSTALLATION - JOHN DEERE ENGINE	202
FIGURE 4-18. EXHAUST INSTALLATION - PERKINS ENGINE	204
FIGURE 4-19. EXHAUST INSTALLATION - CUMMINS ENGINE	206
FIGURE 4-20. ZF TRANSMISSION	208
FIGURE 4-21. ZF TRANSMISSION - CONVERTER AND INPUT	210
FIGURE 4-22. ZF TRANSMISSION - GEARBOX HOUSING	212
FIGURE 4-23. ZF TRANSMISSION - FORWARD GEAR GROUP	214
FIGURE 4-24. ZF TRANSMISSION - REVERSE GEAR GROUP	216
FIGURE 4-25. ZF TRANSMISSION - 1ST SHAFT GROUP	218
FIGURE 4-26. ZF TRANSMISSION - 2ND SHAFT GROUP	220
FIGURE 4-27. ZF TRANSMISSION - 3RD SHAFT GROUP	222
FIGURE 4-28. ZF TRANSMISSION - 4TH SHAFT GROUP	224
FIGURE 4-29. ZF TRANSMISSION - POWER TAKE-OFF	226
FIGURE 4-30. ZF TRANSMISSION - CONTROL UNIT AND PRESSURE REGULATOR	228
FIGURE 4-31. ZF TRANSMISSION - GEARSHIFT SYSTEM	230
FIGURE 4-32. ZF TRANSMISSION - OIL PUMP, FILTER AND DIPSTICK	232
FIGURE 4-33. ZF TRANSMISSION - TRANSFER BOX	234
SECTION 5 - DRIVE TRAIN	237
FIGURE 5-1. FRONT AXLE ASSEMBLY	238
FIGURE 5-2. FRONT AXLE - CENTRAL HOUSING AND STEERING	240
FIGURE 5-3. FRONT AXLE - DIFFERENTIAL	242
FIGURE 5-4. FRONT AXLE - HUB REDUCTION	244
FIGURE 5-5. FRONT AXLE - BRAKES	248
FIGURE 5-6. REAR AXLE ASSEMBLY	250
FIGURE 5-7. REAR AXLE - CENTRAL HOUSING AND STEERING	252
FIGURE 5-8. REAR AXLE - DIFFERENTIAL	254
FIGURE 5-9. REAR AXLE - HUB REDUCTION	256
FIGURE 5-10. REAR AXLE - BRAKES (Prior to SN 0160033910)	260
FIGURE 5-11. REAR AXLE - BRAKES (SN 0160033910 to Present)	262
FIGURE 5-12. DRIVE SHAFT	264
FIGURE 5-13. TIRES AND RIMS G10-55A	266
FIGURE 5-14. TIRES AND RIMS G12-55A	270
SECTION 6 - CAB	273
FIGURE 6-1. CAB ASSEMBLY (Prior to SN 0160039451, Excluding 0160039394 and 0160039397)	274
FIGURE 6-2. CAB ASSEMBLY (SN 0160039451 to Present, Including 0160039394 and 0160039397)	278
FIGURE 6-3. CAB (Prior to SN 0160039451, Excluding 0160039394 and 0160039397)	282
FIGURE 6-4. CAB (SN 0160039451 to Present, Including 0160039394 and 0160039397)	286
FIGURE 6-5. SUSPENSION SEAT	290
FIGURE 6-6. INSTRUMENT PANEL (Prior to SN 0160032170, Excluding 0160030878 and 0160030879)	292
FIGURE 6-7. INSTRUMENT PANEL (SN 0160032170 through 0160037176, Including 0160030878 and 0160030879)	294
FIGURE 6-8. INSTRUMENT PANEL (SN 0160037186 to Present)	296
FIGURE 6-9. HEATING COMPONENTS	298
FIGURE 6-10. OPEN CAB HEATER (Prior to SN 0160039103, Excluding 0160038973)	302
FIGURE 6-11. OPEN CAB HEATER (SN 0160039103 to Present, Including 0160038973)	304
FIGURE 6-12. AIR CONDITIONING - JOHN DEERE ENGINE	306
FIGURE 6-13. AIR CONDITIONING - PERKINS ENGINE	310
FIGURE 6-14. CONDITIONING - CUMMINS ENGINE	314
FIGURE 6-15. AIR CONDITIONING COMPONENTS (Prior to SN 0160045292)	320
FIGURE 6-16. AIR CONDITIONING COMPONENTS (SN 0160045292 to Present)	324

TABLE OF CONTENTS

SECTION 7 - CONTROLS	327
FIGURE 7-1. BOOM JOYSTICK WITH ADJUSTABLE TILT	328
FIGURE 7-2. HYDRAULIC CONTROLLER - SWAY	330
FIGURE 7-3. HYDRAULIC CONTROLLER - OUTRIGGER AND SWAY/AUX	332
FIGURE 7-4. STEERING COLUMN AND ATTACHING PARTS	334
FIGURE 7-5. BRAKE PEDAL ASSEMBLY (Prior to SN 0160029245)	336
FIGURE 7-6. BRAKE PEDAL ASSEMBLY (SN 0160029245 to Present)	338
FIGURE 7-7. ACCELERATOR PEDAL	340
SECTION 8 - HYDRAULIC CIRCUITS.....	343
FIGURE 8-1. SUPPLY CIRCUIT - JOHN DEERE ENGINE	344
FIGURE 8-2. SUPPLY CIRCUIT - PERKINS ENGINE (Prior to SN 0160037877)	348
FIGURE 8-3. SUPPLY CIRCUIT - PERKINS ENGINE (SN 0160037877 to Present)	352
FIGURE 8-4. SUPPLY CIRCUIT - CUMMINS ENGINE	356
FIGURE 8-5. DUMP CIRCUIT - JOHN DEERE ENGINE	360
FIGURE 8-6. DUMP CIRCUIT - PERKINS ENGINE (Prior to SN 0160037877).....	364
FIGURE 8-7. DUMP CIRCUIT - PERKINS ENGINE (SN 0160037877 to Present)	368
FIGURE 8-8. DUMP CIRCUIT - CUMMINS ENGINE	372
FIGURE 8-9. STEER SELECT - JOHN DEERE ENGINE	374
FIGURE 8-10. STEER SELECT - PERKINS AND CUMMINS ENGINE	376
FIGURE 8-11. SERVICE/PARK BRAKE - JOHN DEERE ENGINE.....	378
FIGURE 8-12. SERVICE/PARK BRAKE - PERKINS AND CUMMINS ENGINE	380
FIGURE 8-13. BOOM JOYSTICK - JOHN DEERE ENGINE.....	382
FIGURE 8-14. BOOM JOYSTICK - PERKINS AND CUMMINS ENGINE	384
FIGURE 8-15. SWAY CONTROLLER - JOHN DEERE ENGINE	386
FIGURE 8-16. SWAY CONTROLLER - PERKINS ENGINE	388
FIGURE 8-17. SWAY CONTROLLER - CUMMINS ENGINE	390
FIGURE 8-18. AUXILIARY CONTROLLER - JOHN DEERE ENGINE	392
FIGURE 8-19. AUXILIARY CONTROLLER - PERKINS AND CUMMINS ENGINE	394
FIGURE 8-20. OUTRIGGER CONTROLLER - JOHN DEERE ENGINE	396
FIGURE 8-21. OUTRIGGER CONTROLLER - PERKINS AND CUMMINS ENGINE	398
FIGURE 8-22. LIFT CYLINDER - JOHN DEERE ENGINE.....	400
FIGURE 8-23. LIFT CYLINDER - PERKINS AND CUMMINS ENGINE	402
FIGURE 8-24. CROWD CYLINDER - JOHN DEERE ENGINE	404
FIGURE 8-25. CROWD CYLINDER - PERKINS AND CUMMINS ENGINE	406
FIGURE 8-26. TILT AND TILT COMPENSATING CYLINDERS - JOHN DEERE ENGINE	408
FIGURE 8-27. TILT AND TILT COMPENSATING CYLINDERS - PERKINS AND CUMMINS ENGINE	410
FIGURE 8-28. AUXILIARY FUNCTION - JOHN DEERE ENGINE	412
FIGURE 8-29. AUXILIARY FUNCTION - PERKINS AND CUMMINS ENGINE.....	416
FIGURE 8-30. BOOM HYDRAULICS ASSEMBLY (Prior to SN 0160025075, Excluding 0160022656 and 0160025022).....	420
FIGURE 8-31. BOOM HYDRAULICS ASSEMBLY (SN 0160025075 through 0160034499, Including 0160022656 and 0160025022)	422
FIGURE 8-32. BOOM HYDRAULICS ASSEMBLY (SN 0160034500 to Present)	424
FIGURE 8-33. SWAY CYLINDER - JOHN DEERE ENGINE	426
FIGURE 8-34. SWAY CYLINDER - PERKINS ENGINE	428
FIGURE 8-35. SWAY CYLINDER - CUMMINS ENGINE	430
FIGURE 8-36. OUTRIGGER CYLINDERS - JOHN DEERE ENGINE	432
FIGURE 8-37. OUTRIGGER CYLINDERS - PERKINS ENGINE	434
FIGURE 8-38. OUTRIGGER CYLINDERS - CUMMINS ENGINE	436
FIGURE 8-39. QUICK ATTACH INSTALLATION.....	438
SECTION 9 - HYDRAULIC COMPONENTS.....	441
FIGURE 9-1. LIFT CYLINDER (G10-55A Prior to SN 0160033659; Excluding 0160033452)	442
FIGURE 9-2. LIFT CYLINDER (G10-55A SN 0160033659 through 0160035822; Including 0160033452)	444
FIGURE 9-3. LIFT CYLINDER G10-55A	446
FIGURE 9-4. LIFT CYLINDER G10-55A	448
FIGURE 9-5. LIFT CYLINDER (G10-55A SN 0160041374 to Present).....	450
FIGURE 9-6. LIFT CYLINDER	452
FIGURE 9-7. LIFT CYLINDER (G12-55A Prior to SN 0160033659; Excluding 0160033452)	454
FIGURE 9-8. LIFT CYLINDER (G12-55A SN 0160033659 through 0160035879; Including 0160033452)	456
FIGURE 9-9. LIFT CYLINDER G12-55A	458
FIGURE 9-10. LIFT CYLINDER G12-55A	460
FIGURE 9-11. LIFT CYLINDER (G12-55A SN 0160041581 to Present).....	462
FIGURE 9-12. LIFT CYLINDER.....	464

TABLE OF CONTENTS

FIGURE 9-13. CROWD CYLINDER (G10-55A Prior to SN 0160033661; G12-55A Prior to SN 0160033659; Excluding 0160033452).....	466
FIGURE 9-14. CROWD CYLINDER (G10-55A SN 0160033661 through 0160035822; G12-55A SN 0160033659 through 0160035879; Including 0160033452).....	468
FIGURE 9-15. CROWD CYLINDER.....	470
FIGURE 9-16. CROWD CYLINDER.....	472
FIGURE 9-17. CROWD CYLINDER (SN 0160041982 to Present).....	474
FIGURE 9-18. CROWD CYLINDER.....	476
FIGURE 9-19. TILT CYLINDER (G10-55A Prior to SN 0160033661).....	478
FIGURE 9-20. TILT CYLINDER (G10-55A SN 0160033661 through 0160035822).....	480
FIGURE 9-21. TILT CYLINDER (G10-55A SN 0160035822 through 0160037689).....	482
FIGURE 9-22. TILT CYLINDER (G10-55A SN 0160037689 to Present).....	484
FIGURE 9-23. TILT CYLINDER (G12-55A Prior to SN 0160033659; Excluding 0160033452).....	486
FIGURE 9-24. TILT CYLINDER (G12-55A SN 0160033659 through 0160035879; Including 0160033452).....	488
FIGURE 9-25. TILT CYLINDER (G12-55A SN 0160035879 through 0160037689).....	490
FIGURE 9-26. TILT CYLINDER (G12-55A SN 0160037689 to Present).....	492
FIGURE 9-27. COMPENSATING CYLINDER (G10-55A Prior to SN 0160033659; Excluding 0160033452).....	494
FIGURE 9-28. COMPENSATING CYLINDER (G10-55A SN 0160033659 through 0160037689; Including 0160033452).....	496
FIGURE 9-29. COMPENSATING CYLINDER (G10-55A SN 0160037689 through 0160041564).....	498
FIGURE 9-30. COMPENSATING CYLINDER (G10-55A SN 0160041565 to Present).....	500
FIGURE 9-31. COMPENSATING CYLINDER (G12-55A Prior to SN 0160033659; Excluding 0160033452).....	502
FIGURE 9-32. COMPENSATING CYLINDER (G12-55A SN 0160033659 through 0160037689; Including 0160033452).....	504
FIGURE 9-33. COMPENSATING CYLINDER (G12-55A SN 0160037689 through 0160041564).....	506
FIGURE 9-34. COMPENSATING CYLINDER (G12-55A SN 0160041565 to Present).....	508
FIGURE 9-35. SWAY CYLINDER (G10-55A Prior to SN 0160033661; G12-55A Prior to SN 0160033659; Excluding 0160033452).....	510
FIGURE 9-36. SWAY CYLINDER (G10-55A SN 0160033661 through 0160037690; G12-55A SN 0160033659 through 0160037689; Including 0160033452).....	512
FIGURE 9-37. SWAY CYLINDER (G10-55A SN 0160037690 to Present; G12-55A SN 0160037689 to Present).....	514
FIGURE 9-38. STABILIZER CYLINDER (G10-55A Prior to SN 0160033661; G12-55A Prior to SN 0160033659; Excluding 0160033452).....	516
FIGURE 9-39. STABILIZER CYLINDER (G10-55A SN 0160033661 through 0160039837; G12-55A SN 0160033659 through 0160039838).....	518
FIGURE 9-40. STABILIZER CYLINDER (G10-55A SN 0160039838 to Present; G12-55A SN 0160039839 to Present).....	520
FIGURE 9-41. OUTRIGGER CYLINDER ASSEMBLY (Prior to SN 0160039838).....	522
FIGURE 9-42. OUTRIGGER CYLINDER ASSEMBLY (SN 0160039838 to Present).....	526
FIGURE 9-43. MAIN CONTROL VALVE (Prior to SN 0160037877).....	528
FIGURE 9-44. MAIN CONTROL VALVE (SN 0160037877 to Present).....	532
FIGURE 9-45. HYDRAULIC PUMP.....	534
FIGURE 9-46. HYDRAULIC PUMP - CUMMINS ENGINE.....	536
FIGURE 9-47. VARIABLE DISPLACEMENT PUMP.....	540
FIGURE 9-48. HYDRAULIC TANK ASSEMBLY - JOHN DEERE ENGINE.....	542
FIGURE 9-49. HYDRAULIC TANK ASSEMBLY - PERKINS ENGINE.....	544
FIGURE 9-50. HYDRAULIC TANK ASSEMBLY - CUMMINS ENGINE.....	546
FIGURE 9-51. BRAKE VALVE (G10-55A Prior to SN 0160029245; G12-55A Prior to SN 0160029250).....	548
FIGURE 9-52. BRAKE VALVE (G10-55A SN 0160029245 to Present; G12-55A SN 0160029250 to Present).....	552
FIGURE 9-53. HYDRAULIC MANIFOLD.....	556
FIGURE 9-54. STEER SELECT VALVE - JOHN DEERE ENGINE.....	558
FIGURE 9-55. STEER SELECT VALVE - PERKINS AND CUMMINS ENGINE.....	560
FIGURE 9-56. 180, SWING CARRIAGE CYLINDER.....	562
FIGURE 9-57. GRAPPLE BUCKET CYLINDER.....	564
FIGURE 9-58. SIDE TILT CARRIAGE CYLINDER.....	566
FIGURE 9-59. SIDE TILT CARRIAGE CYLINDER.....	568
FIGURE 9-60. 72 IN 90, SWING CARRIAGE CYLINDER.....	570
FIGURE 9-61. 50 IN SIDE SHIFT CARRIAGE CYLINDER (SN 0160037689 to Present).....	572
FIGURE 9-62. QUICK ATTACH VALVE.....	574
FIGURE 9-63. QUICK ATTACH INSTALLATION, G SERIES.....	576
FIGURE 9-64. CYLINDER, QUICK ATTACH ASSEMBLY.....	578
FIGURE 9-65. DIVERTOR VALVE.....	580
FIGURE 9-66. SWAY CYLINDER.....	582
SECTION 10 - ELECTRICAL.....	585
FIGURE 10-1. BATTERY AND CABLES - JOHN DEERE AND PERKINS ENGINE.....	586
FIGURE 10-2. BATTERY AND CABLES - CUMMINS ENGINE.....	590
FIGURE 10-3. ENGINE HARNESS - JOHN DEERE ENGINE.....	592
FIGURE 10-4. ENGINE HARNESS - PERKINS ENGINE (Prior to SN 0160037186).....	594

TABLE OF CONTENTS

FIGURE 10-5. ENGINE HARNESS - PERKINS ENGINE (SN 0160037186 to Present)	598
FIGURE 10-6. ENGINE HARNESS - CUMMINS ENGINE (Prior to SN 0160027498)	602
FIGURE 10-7. ENGINE HARNESS - CUMMINS ENGINE (SN 0160027498 through 0160045636, Including 0160045082, 0160045094, 0160045209, 0160045295, 0160045296 and 0160045449)	604
FIGURE 10-8. VEC GRID HTR PWR HARNESS - CUMMINS ENGINE (SN 0160027498 to Present)	606
FIGURE 10-9. CHASSIS HARNESS - JOHN DEERE ENGINE	608
FIGURE 10-10. CHASSIS HARNESS - PERKINS AND CUMMINS ENGINE (Prior to SN 0160037186)	612
FIGURE 10-11. CHASSIS HARNESS - PERKINS AND CUMMINS ENGINE (SN 0160037186 through 0160037794)	616
FIGURE 10-12. CHASSIS HARNESS - PERKINS AND CUMMINS ENGINE (SN 0160037795 to Present)	620
FIGURE 10-13. DASH HARNESS (G10-55A Prior to SN 0160032061; G12-55A Prior to SN 0160032067)	624
FIGURE 10-14. DASH HARNESS (G10-55A SN 0160032061 through 0160037175; G12-55A SN 0160032067 through 0160037176)	626
FIGURE 10-15. DASH HARNESS (G10-55A SN 0160037186 to Present; G12-55A SN 0160037189 to Present)	628
FIGURE 10-16. TRANSMISSION RELAY HARNESS - JOHN DEERE ENGINE (G10-55A Prior to SN 0160034179; G12-55A Prior to SN 0160034177)	630
FIGURE 10-17. TRANSMISSION RELAY HARNESS - JOHN DEERE ENGINE (G10-55A SN 0160034179 to Present; G12-55A SN 0160034177 to Present)	632
FIGURE 10-18. TRANSMISSION RELAY HARNESS - PERKINS ENGINE (G10-55A Prior to SN 0160034179; G12-55A Prior to SN 0160034177)	634
FIGURE 10-19. TRANSMISSION RELAY HARNESS - PERKINS ENGINE (G10-55A SN 0160034179 to Present; G12-55A SN 0160034177 to Present)	636
FIGURE 10-20. ENCLOSED CAB HARNESS	638
FIGURE 10-21. VEC OPTIONS HARNESS - JOHN DEERE ENGINE	640
FIGURE 10-22. VEC OPTIONS HARNESS - PERKINS ENGINE	644
FIGURE 10-23. AUXILIARY ELECTRICS (Prior to SN 0160037689)	648
FIGURE 10-24. AUXILIARY ELECTRICS (SN 0160037689 to Present)	650
FIGURE 10-25. POWER DISTRIBUTION BOX INSTALLATION	652
FIGURE 10-26. CAB WORK LIGHT HARNESS	654
FIGURE 10-27. AUXILIARY ELECTRIC HARNESS	656
FIGURE 10-28. A/C HARNESS	658
SECTION 11 - DECALS	661
FIGURE 11-1. CAB AND FRAME DECALS (Prior to SN 0160040120)	662
FIGURE 11-2. CAB AND FRAME DECALS (SN 0160040120 to Present)	666
FIGURE 11-3. BOOM DECALS	670
SECTION 12 - OPTIONS	673
FIGURE 12-1. WORK LIGHT PACKAGE (G10-55A Prior to SN 0160031697; G12-55A Prior to SN 0160031708)	674
FIGURE 12-2. WORK LIGHT PACKAGE (G10-55A SN 0160031697 through 0160045635, Including 0160045082; G12-55A SN 0160031708 through 0160045635, Including 0160045094, 0160045209, 0160045296 and 0160045449; SN G10 through 55A; 0160045295)	678
FIGURE 12-3. WORK LIGHT PACKAGE	682
FIGURE 12-4. COLD START INSTALLATION - JOHN DEERE ENGINE	684
FIGURE 12-5. BLOCK HEATER ASSEMBLY - JOHN DEERE ENGINE	686
FIGURE 12-6. BLOCK HEATER ASSEMBLY - PERKINS ENGINE	688
FIGURE 12-7. FENDER INSTALLATION	690
FIGURE 12-8. FUEL/WATER SEPARATOR INSTALLATION - JOHN DEERE	692
FIGURE 12-9. WINCH INSTALLATION (G10-55A Prior to SN 0160024420; G12-55A Prior to SN 0160032083)	694
FIGURE 12-10. WINCH INSTALLATION (G10-55A SN 0160024420 to Present; G12-55A SN 0160032083 to Present)	696
FIGURE 12-11. TRUSS BOOM WINCH	698
FIGURE 12-12. WINCH MOTOR	702
FIGURE 12-13. SWAY CYLINDER VALVE	704
FIGURE 12-14. SWAY CYLINDER	706
FIGURE 12-15. ROAD LIGHTS INSTALLATION	708
FIGURE 12-16. PINTLE HOOK INSTALLATION	712
FIGURE 12-17. SWING CYLINDER	714
FIGURE 12-18. TOP CAB GLASS SHIELD	716
FIGURE 12-19. FRONT CAB GLASS SHIELD	718
FIGURE 12-20. BOOM WORK LIGHT HARNESS	720
FIGURE 12-21. WORK LIGHT CAB HARNESS (G10-55A SN 0160031697 through 0160045635, Including 0160045082 and 0160045295; G12-55A SN 0160031708 through 0160045635, Including 0160045094, 0160045209, 0160045296 and 0160045449)	722
FIGURE 12-22. WORK LIGHT CAB HARNESS	724
FIGURE 12-23. ROAD LIGHT AND FRAME HARNESS	726
FIGURE 12-24. ROAD LIGHT AND CAB HARNESS	728

TABLE OF CONTENTS

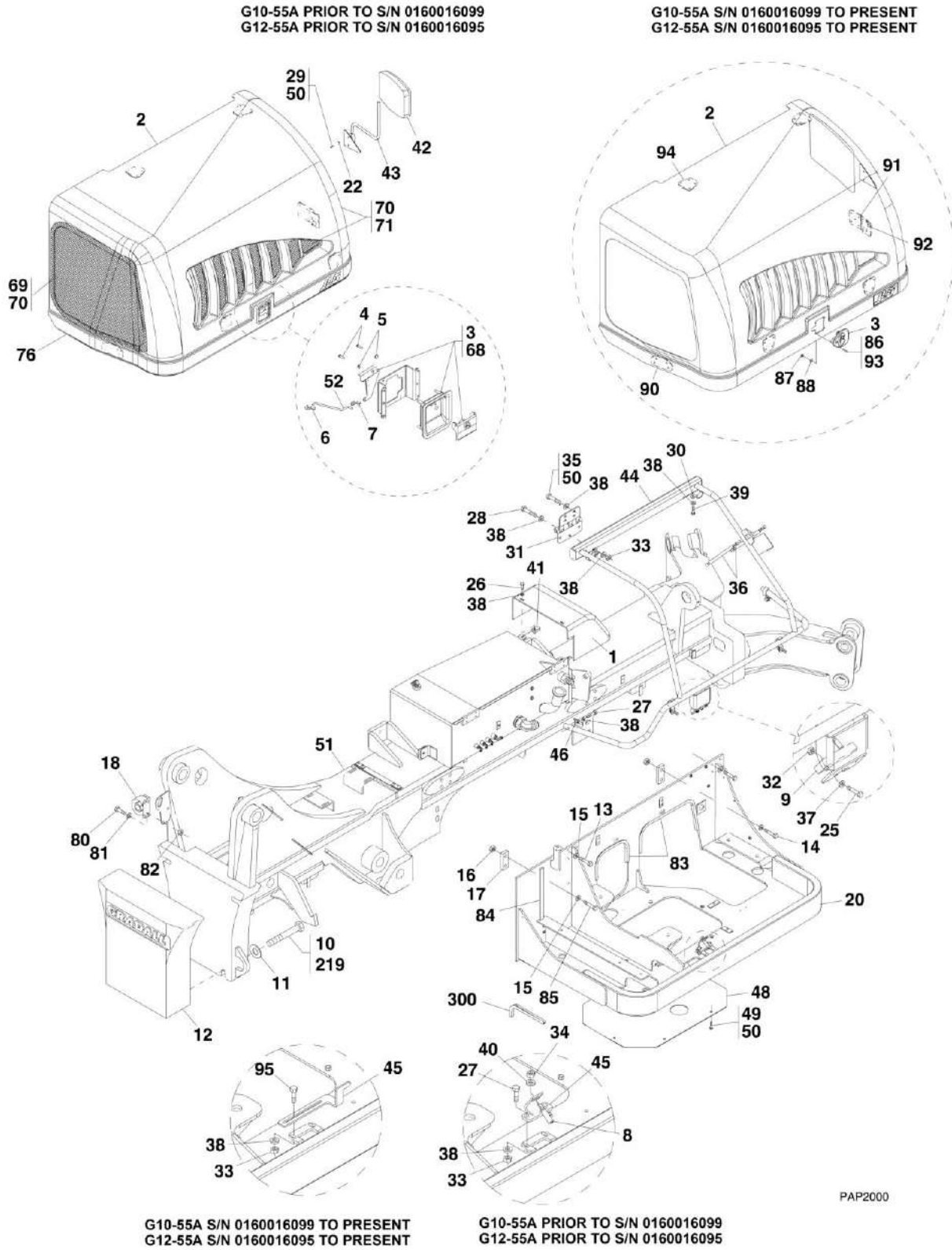
FIGURE 12-25. WINCH	730
FIGURE 12-26. ARCTIC PACKAGE - PERKINS ENGINE	732
FIGURE 12-27. ARCTIC PACKAGE - CUMMINS ENGINE	734
SECTION 13 - RECOMMENDED SPARE PARTS	737
FIGURE 13-1. RECOMMENDED SPARE PARTS	738
PART NUMBER INDEX	743

SECTION 1 - FRAME AND ATTACHING PARTS

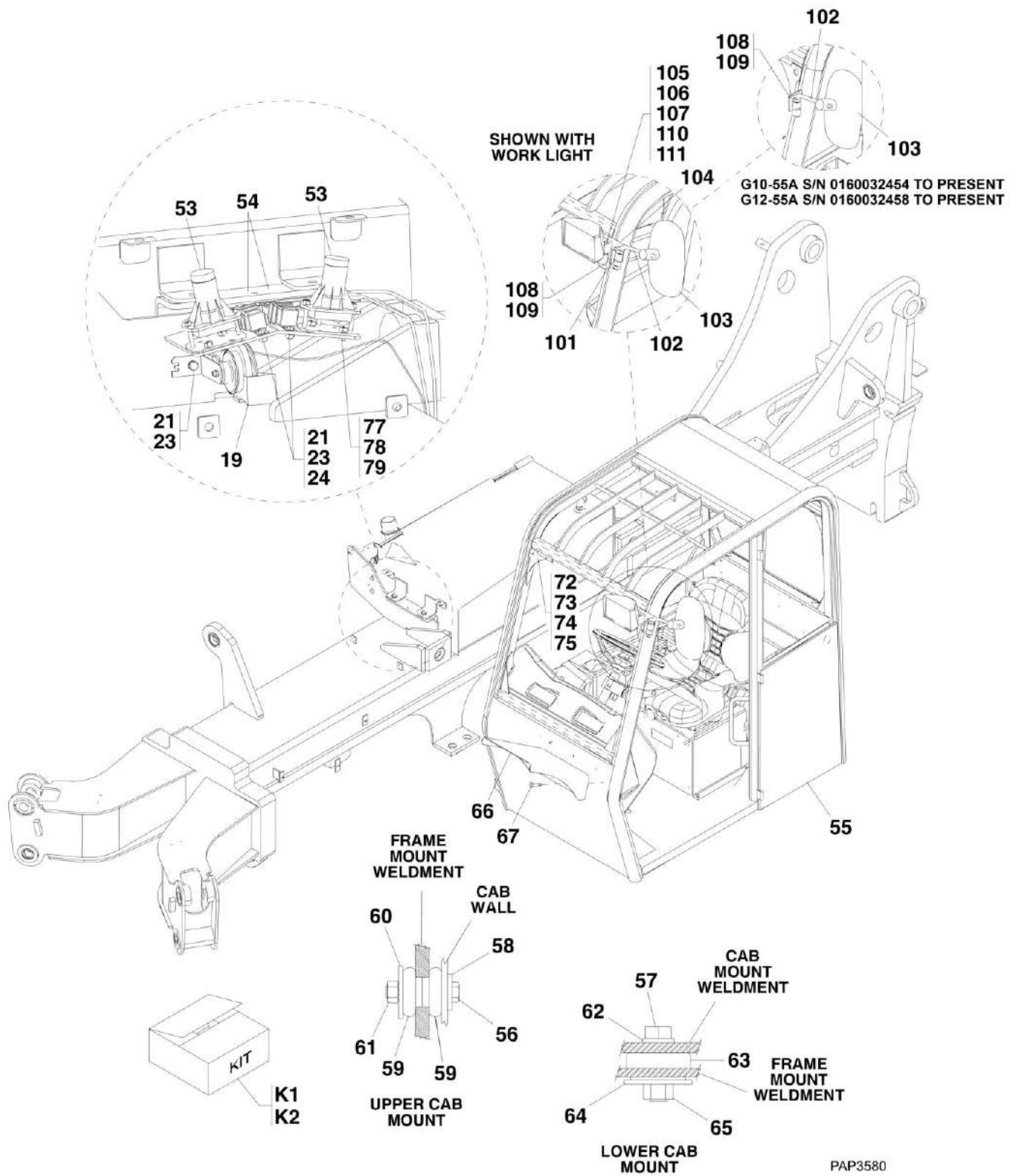
SECTION 1 - FRAME AND ATTACHING PARTS

SECTION 1 - FRAME AND ATTACHING PARTS

FIGURE 1-1. FRAME SHROUDING AND TRIM (Prior to SN 0160039451, Excluding 0160039394 and 0160039397)



SECTION 1 - FRAME AND ATTACHING PARTS



PAP3580

SECTION 1 - FRAME AND ATTACHING PARTS

FIGURE 1-1. FRAME SHROUDING AND TRIM (Prior to SN 0160039451, Excluding 0160039394 and 0160039397)

ITEM	PART NUMBER	QTY	DESCRIPTION	REV
1	91563155	1	FRONT COVER	
2	91563065	NLA	ENGINE COVER, (no longer available, use 1671219 for replacement or items 3 thru 9, 52, 68 thru 71 & 76), (G10-55A Prior to SN 0160016099; G12-55A Prior to SN 0160016095)	
2	1671219	1	ENGINE COVER, (includes items 84 thru 92), (G10-55A SN 0160016099 to Present; G12-55A SN 0160016095 to Present)	
3	7026420	NLA	LATCH BODY ASSY, (no longer available, use Kit K1 for replacement), (G10-55A Prior to SN 0160016099; G12-55A Prior to SN 0160016095)	
3	7300364	1	LATCH BODY ASSY, (includes key), (G10-55A SN 0160016099 to Present; G12-55A SN 0160016095 to Present)	
3	8342813	1	KEY	
4	0721006	4	SCREW, #10-24X3/4, (G10-55A Prior to SN 0160016099; G12-55A Prior to SN 0160016095)	
5	4751000	4	FLAT WASHER, #10, (G10-55A Prior to SN 0160016099; G12-55A Prior to SN 0160016095)	
6	80963149	1	ROD CLIP, LEFT, (G10-55A Prior to SN 0160016099; G12-55A Prior to SN 0160016095)	
7	80963150	1	ROD CLIP, RIGHT, (G10-55A Prior to SN 0160016099; G12-55A Prior to SN 0160016095)	
8	7026421	1	STRICKER BOLT, (G10-55A Prior to SN 0160016099; G12-55A Prior to SN 0160016095)	
9	7026422	1	TWO-ROTOR LATCH, (G10-55A Prior to SN 0160016099; G12-55A Prior to SN 0160016095)	
10	83201147	4	HEX HD CAPSCREW, 1-8X8-1/2, GR8	
11	80241137	4	SPECIAL WASHER	
12	91140001	1	COUNTER WEIGHT, (no pintle hook)	
12	1001091458	1	COUNTER WEIGHT, (with pintle hook)	
13	0682216	8	HEX HD CAPSCREW, 3/4-10X2, GR8, (torque to 240-255 lb-ft)	
14	0642232	2	HEX HD CAPSCREW, 3/4-10X4, GR5, (torque to 240-255 lb-ft)	
15	4892200	12	HARDENED WASHER, 3/4	
16	3312206	4	HEX NUT, 3/4-10	
17	91561175	2	BACKING PLATE	
18	8270621	1	BACKUP ALARM	
19	91143357	1	HORN	
20	91566027	1	ENGINE POD WELDMENT	AA
21	0641506	3	HEX HD CAPSCREW, 5/16-18X3/4, GR5	
22	4751500	2	FLAT WASHER, 5/16	
23	4761500	3	LOCKWASHER, 5/16	
24	3311501	2	HEX NUT, 5/16-18	
25	0641412	4	HEX HD CAPSCREW, 1/4-20X1-1/2, GR5, (G10-55A Prior to SN 0160016099; G12-55A Prior to SN 0160016095)	
26	0641608	8	HEX HD CAPSCREW, 3/8-16X1, GR5	
27	0641610	3	HEX HD CAPSCREW, 3/8-16X1-1/4, GR5, (G10-55A Prior to SN 0160016099; G12-55A Prior to SN 0160016095)	
27	0641610	1	HEX HD CAPSCREW, 3/8-16X1-1/4, GR5, (G10-55A SN 0160016099 to Present; G12-55A SN 0160016095 to Present)	
28	0641622	6	HEX HD CAPSCREW, 3/8-16X2-3/4, GR5	
29	0700610	2	HEX HD CAPSCREW, M6X20	
30	1321384	5	ROUND TUBE CLAMP	
31	2600262	2	OFFSET HINGE	
32	3311405	4	HEX LOCKNUT, 1/4-20, (G10-55A Prior to SN 0160016099; G12-	

SECTION 1 - FRAME AND ATTACHING PARTS

ITEM	PART NUMBER	QTY	DESCRIPTION	REV
			55A Prior to SN 0160016095)	
33	3311605	8	HEX LOCKNUT, 3/8-16	
34	3331205	1	HEX NUT, M12X1.75, (G10-55A Prior to SN 0160016099; G12-55A Prior to SN 0160016095)	
35	3900280	8	BUTTON HD CAPSCREW, 3/8-16X5/8	
36	4160194	2	GAS SPRING	
37	4711400	4	FLAT WASHER, 1/4, (G10-55A Prior to SN 0160016099; G12-55A Prior to SN 0160016095)	
38	4711600	32	HEX HD CAPSCREW, (G10-55A Prior to SN 0160016099; G12-55A Prior to SN 0160016095)	
38	4711600	34	HEX HD CAPSCREW, (G10-55A SN 0160016099 to Present; G12-55A SN 0160016095 to Present)	
39	0641607	5	HEX HD CAPSCREW, 3/8-16X7/8, GR5	
40	4751800	1	FLAT WASHER, 1/2, (G10-55A Prior to SN 0160016099; G12-55A Prior to SN 0160016095)	
41	88662523	6	TINNERMAN NUT	
42	80363195	1	MIRROR	
43	91513194	1	MIRROR BRACKET	
44	91566053	1	ENGINE COVER WELDMENT, (G10-55A Prior to SN 0160016099; G12-55A Prior to SN 0160016095)	
44	4341070	1	ENGINE COVER WELDMENT, (G10-55A SN 0160016099 to Present; G12-55A SN 0160016095 to Present)	
45	91563132	1	STRIKER BOLT MOUNT BRACKET, (G10-55A Prior to SN 0160016099; G12-55A Prior to SN 0160016095)	
45	91561297	1	LATCH CATCH BRACKET, (G10-55A SN 0160016099 to Present; G12-55A SN 0160016095 to Present)	
46	91561262	1	COVER MOUNT BRACKET	
48	91561242	1	OIL PAN COVER	
49	0641809	6	HEX HD CAPSCREW, 1/2-13X7/8, GR5	
50	0100011	AR	LOCTITE 242	
51	N.S.S.	1	FRAME WELDMENT	
52	7026476	NLA	LINKAGE ROD, (no longer available, use Kit K1 for replacement), (G10-55A Prior to SN 0160016099; G12-55A Prior to SN 0160016095)	
53	91563241	2	INCLINOMETER SWITCH	
54		Ref	CHASSIS HARNESS, (See ELECTRICAL SECTION for details)	
55		Ref	CAB ASSY, (See CAB SECTION for details)	
56	0682652	2	HEX HD CAPSCREW, 1-8X6-1/2, (torque to 680-720 lb-ft)	
57	83201058	4	HEX HD CAPSCREW, 3/4-10X3-3/4, (torque to 280-305 lb-ft)	
58	91563060	2	FLAT WASHER	
59	91563061	4	MOUNT, CENTER BONDED	
60	91563062	2	FLAT WASHER	
61	88501016	2	HEX NUT, 1-8	
62	90027473	4	HARDENED WASHER, 3/4	
63	91403097	4	MOUNT, CENTER BONDED	
64	91403098	4	TAIL WASHER	
65	88501012	4	HEX NUT, 3/4-10	
66	1001145702	1	CAB FENDER	
67	0791608	4	WHIZ-LOCK BOLT, 3/8-16X1	
68	91404275	1	ENGINE COVER KEY, (G10-55A Prior to SN 0160016099; G12-55A Prior to SN 0160016095)	
69	91564002	1	PLEATED SCREEN, (G10-55A Prior to SN 0160016099; G12-55A Prior to SN 0160016095)	
70	7027772	1	ADHESIVE KIT, (includes 3 tubes and applicator), (G10-55A Prior	

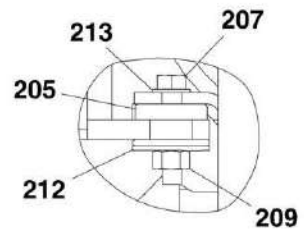
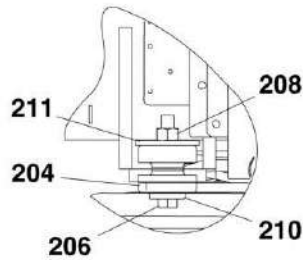
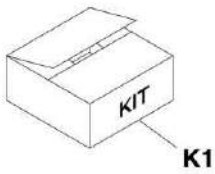
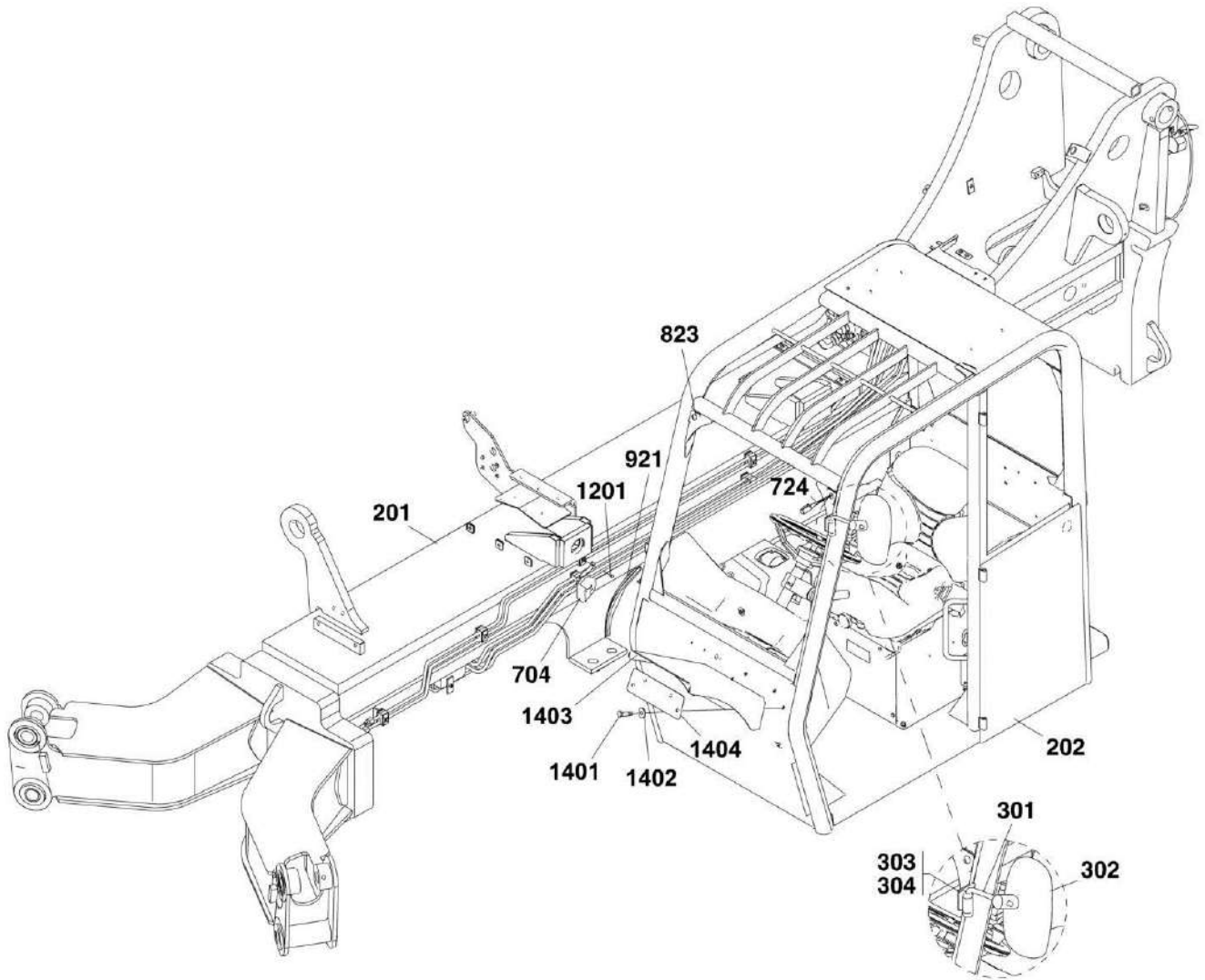
SECTION 1 - FRAME AND ATTACHING PARTS

ITEM	PART NUMBER	QTY	DESCRIPTION	REV
71	91564001	1	to SN 0160016099; G12-55A Prior to SN 0160016095) 8 PIECE SCREEN KIT, (G10-55A Prior to SN 0160016099; G12-55A Prior to SN 0160016095)	
72	91033120	NLA	TILT GAUGE, (no longer available, order 8466306 for replacement), (G10-55A Prior to SN 0160005747; G12-55A Prior to SN 0160005741)	
72	8466306	1	TILT GAUGE, (with adhesive), (G10-55A SN 0160005747 to Present; G12-55A SN 0160005741 to Present)	
73	88201005	1	HEX HD CAPSCREW, 1/4-20X1, (G10-55A Prior to SN 0160005747; G12-55A Prior to SN 0160005741)	
74	88561107	1	FLAT WASHER, 1/4, (G10-55A Prior to SN 0160005747; G12-55A Prior to SN 0160005741)	
75	88521204	1	LOCKNUT, 1/4-20, (G10-55A Prior to SN 0160005747; G12-55A Prior to SN 0160005741)	
76	3960418	90 in	BULB SEAL	
	1001096344	1	LH MIRROR INSTALLATION, (includes items 101 thru 111), (Prior to SN 0160032454)	B
	1001097149	NLA	LH MIRROR INSTALLATION, (no longer available, order 1001115153 for replacement or items 102, 103, 108 & 109 for service), (SN 0160032454 through 0160042299)	B
	1001115153	1	LH MIRROR INSTALLATION, (includes items 102, 103, 108 & 109), (SN 0160042300 to Present)	B
77	0641405	4	HEX HD CAPSCREW, 1/4-20X5/8	
78	4751400	4	FLAT WASHER, 1/4	
79	3311401	4	HEX NUT, 1/4-20	
80	0641406	2	HEX HD CAPSCREW, 1/4-20X3/4	
81	4711400	2	FLAT WASHER, 1/4	
82	8305624	2	HEX LOCKNUT, 1/4-20	
83	91143220	7.3 ft	TRIM-LOCK	
84	3960477	1	FOAM SEAL	
85	0642236	2	HEX HD CAPSCREW, 3/4-10 X 4 1/2	
86	3900395	4	BUTTON HD CAPSCREW, M4X.7X25	
87	4811400	4	FLATWASHER, M4, (G10-55A SN 0160016099 to Present; G12-55A SN 0160016095 to Present)	
88	3290401	4	HEX NUT, M4X.7, (G10-55A SN 0160016099 to Present; G12-55A SN 0160016095 to Present)	
90	0902956	1	HOOD BRACKET, (G10-55A SN 0160016099 to Present; G12-55A SN 0160016095 to Present)	
91	0902955	1	HOOD MOUNTING BRACKET, (G10-55A SN 0160016099 to Present; G12-55A SN 0160016095 to Present)	
92	3340877	5	RUBBER PAD, (G10-55A SN 0160016099 to Present; G12-55A SN 0160016095 to Present)	
93	0100081	AR	LOCTITE 454, (G10-55A SN 0160016099 to Present; G12-55A SN 0160016095 to Present)	
94	0902746	4	MOUNTING BRACKET, (G10-55A SN 0160016099 to Present; G12-55A SN 0160016095 to Present)	
95	0791610	2	SCREW, 3/8-16, (G10-55A SN 0160016099 to Present; G12-55A SN 0160016095 to Present)	
101	1001096327	1	MIRROR BRACKET	
102	8866530	NLA	MIRROR ARM, (no longer available, order Kit K1 for replacement) (Prior to SN 0160042300)	
102	1001114675	1	MIRROR ARM, (SN 0160042300 to Present)	
103	8866514	1	MIRROR, (Prior to SN 0160042300)	
103	3140007	1	MIRROR, (SN 0160042300 to Present)	
104	4420060	AR	DOUBLE SIDED TAPE	
105	1001096728	1	BOLT, 1/2-13	

SECTION 1 - FRAME AND ATTACHING PARTS

ITEM	PART NUMBER	QTY	DESCRIPTION	REV
106	4751800	1	WASHER, 1/2	
107	4761800	1	LOCKWASHER, 1/2	
108	8303799	2	HEX HD CAPSCREW, 6X1X14mm, GR8.8, (Prior to SN 0160042300)	
108	0700610	2	HEX HD CAPSCREW, M6X20, GR8.8, (SN 0160042300 to Present)	
109	8307024	2	LOCKWASHER, M6	
110	88501008	1	HEX NUT, 1/2-13	
111	91403503	1	SPACER	
219	0100019	AR	LOCTITE 271	
300	4060608	AR	FLEXIBLE TRIM SHIELD	
K1	1001125007	1	MIRROR ARM KIT, (includes items 102 & 108), (Prior to SN 0160042300)	
K2	91565093	1	HOOD LATCH REPLACEMENT KIT	

SECTION 1 - FRAME AND ATTACHING PARTS



PAP2232

SECTION 1 - FRAME AND ATTACHING PARTS

FIGURE 1-2. FRAME SHROUDING AND TRIM (SN 0160039451 to Present, Including 0160039394 and 0160039397)

ITEM	PART NUMBER	QTY	DESCRIPTION	REV
	1001116650	1	HOOD INSTALLATION, (includes items 1 thru 26)	F
1	0641409	8	HEX HD CAPSCREW, 1/4-20X1-1/8, GR5	
2	0641608	16	HEX HD CAPSCREW, 3/8-16X1, GR5	
3	0791610	2	SCREW, 3/8-16X1-1/4	
4	0791612	4	SCREW, 3/8-16X1-1/2	
5	4711600	16	WASHER, 3/8	
6	4751600	2	WASHER, 3/8	
7	4761400	8	LOCKWASHER, 1/4	
8	88501006	2	HEX NUT, 3/8-16	
9	88662523	6	TINNERMAN NUT	
11	1001108965	1	LATCH MOUNT BRACKET	
12	1001108966	1	LATCH CATCH BRACKET	
14	1001109338	1	ENGINE COVER, (includes items 101 thru 109)	K
18	1001116461	1	RH MIRROR INSTALLATION, (includes items 1101 thru 1106)	A
19	1001116907	1	FRONT COVER	
20	1001120554	2	ENGINE HOOD SHIM	
21	1001120550	1	HOOD HINGE SUPPORT PLATE	
23	1001121965	1	GAS STRUT REAR BRACKET	
24	1001121659	1	HOOD HINGE MOUNT PLATE	
25	1001121964	1	GAS STRUT FRONT BRACKET	
26	0100011	AR	LOCTITE 242	
101	1001122219	1	COMPRESSION LATCH	
102	3290605	4	HEX LOCKNUT, 6X1mm	
103	4811700	4	WASHER, 6mm	
104	4711600	8	WASHER, 3/8	
105	3900316	8	BUTTON HD CAPSCREW, 3/8-16X1	
106	1001114294	2	GAS SPRING	
107	1001114295	1	ENGINE COVER HINGE, FRONT	
108	1001114296	1	ENGINE COVER HINGE, REAR	
109	1001114297	1	ENGINE COVER SUPPORT BAR	
110	1001120639	AR	BULB SEAL	
115	8342813	1	ENGINE COVER KEY	
	91569003	Ref	CAB INSTALLATION, (not available to order, see items 201 thru 213 for service)	D
201	N.S.S.	1	FRAME WELDMENT	
202		Ref	CAB WELDMENT, (See CAB SECTION for details)	
203		Ref	HYDRAULIC TANK ASSY, (See HYDRAULIC COMPONENTS SECTION for details)	
204	91563061	4	CAB MOUNT ISOLATOR	
205	91403097	4	CENTER BONDED MOUNT	
206	0682652	2	HEX HD CAPSCREW, 1-8X6-1/2, GR8, (torque to 680-720 lb-ft)	
207	83201058	4	HEX HD CAPSCREW, 3/4-10X3-3/4, GR8, (torque to 280-305 lb-ft)	
208	88501016	2	HEX NUT, 1-8	
209	88501012	4	HEX NUT, 3/4-10	
210	1001106614	2	TAIL WASHER	
211	91563062	2	WASHER	
212	91403098	4	TAIL WASHER	
213	90027473	4	HARD WASHER, 3/4	

SECTION 1 - FRAME AND ATTACHING PARTS

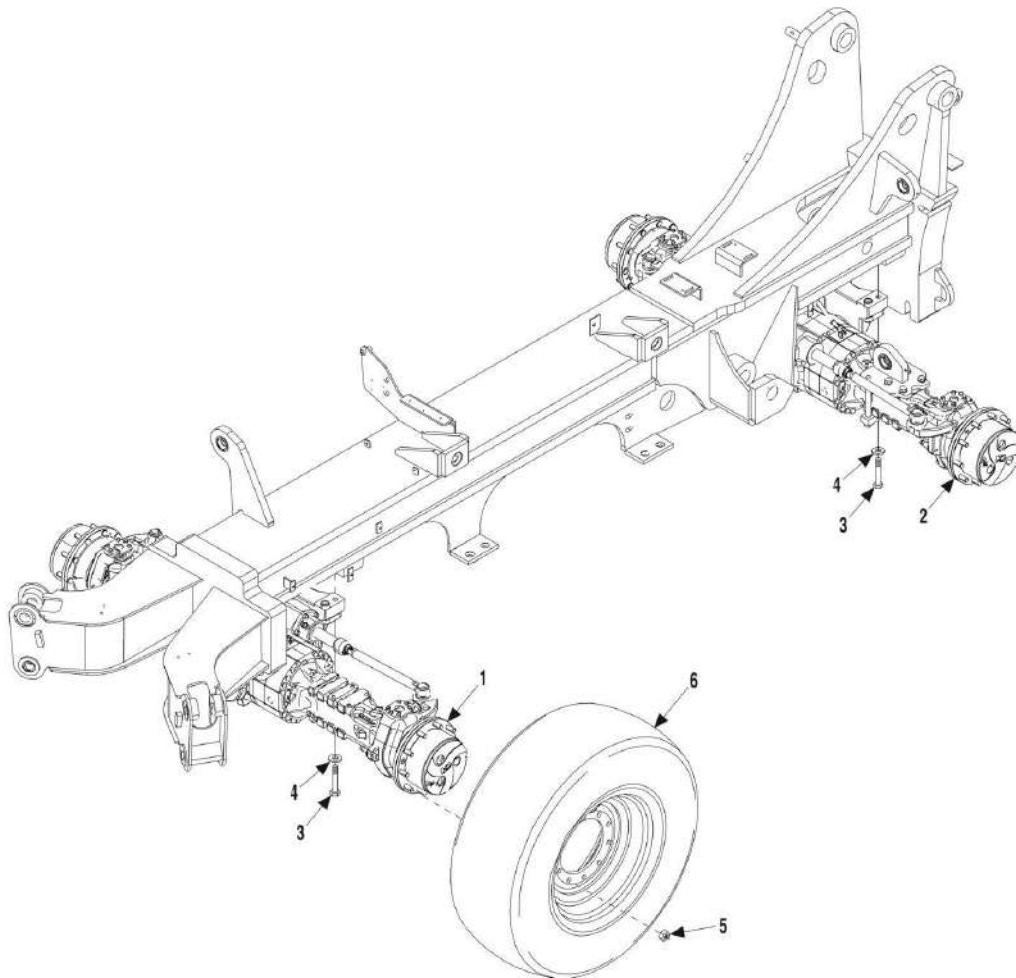
ITEM	PART NUMBER	QTY	DESCRIPTION	REV
	1001097149	NLA	LH MIRROR INSTALLATION, (no longer available, order 1001115153 for replacement or items 301 thru 304 for service), (SN 0160032454 through 0160042299)	B
	1001115153	1	LH MIRROR INSTALLATION, (includes items 301 thru 304) (SN 0160042300 to Present)	B
301	8866530	NLA	MIRROR ARM, (no longer available, order Kit K1 for replacement), (Prior to SN 0160042300)	
301	1001114675	1	MIRROR ARM, (SN 0160042300 to Present)	
302	8866514	1	MIRROR, (Prior to SN 0160042300)	
302	3140007	1	MIRROR, (SN 0160042300 to Present)	
303	8307024	2	LOCKWASHER, 6mm	
304	8303799	2	HEX HD CAPSCREW, 6X1X14mm, GR8.8, (Prior to SN 0160042300)	
304	0700610	2	HEX HD CAPSCREW, M6X20, GR8.8, (SN 0160042300 to Present)	
507	0791506	6	WHIZ-LOCK SCREW, 5/16-18X3/4	
542	1001118101	1	ENGINE DRAIN COVER	
543	1001118102	1	COOLER HOSE COVER	
581	1001127174	1	FILTER COVER PLATE	
640	91140001	1	COUNTERWEIGHT, (without pintle hook)	
640	1001091458	1	COUNTERWEIGHT, (with pintle hook)	
703	8270621	1	BACKUP ALARM	
704	10713707	1	HORN	
705		Ref	PROXIMITY SENSOR, (See ELECTRICAL SECTION for details)	
707	4711400	2	WASHER, 1/4	
716	0641406	2	HEX HD CAPSCREW, 1/4-20X3/4, GR5	
717	8305624	2	LOCKNUT, 1/4-20	
723	1001116274	1	MOULDED RESISTOR	
724		Ref	CAB WORK LIGHT HARNESS, (See ELECTRICAL SECTION for details)	
823	8466306	1	TILT ANGLE GAUGE	
909	0682420	8	HEX HD CAPSCREW, 7/8-9X2-1/2, GR8, (torque to 530-565 lb-ft)	
915	4892400	8	WASHER, 7/8	
921	91143220	AR	TRIM-LOCK	
1011	83201147	4	HEX HD CAPSCREW, 1-8X8-1/2	
1017	80241137	4	SPECIAL WASHER	
1019	0100019	AR	LOCTITE 271	
1101	0641409	2	HEX HD CAPSCREW, 1/4-20X1-1/8, GR5	
1102	3311405	2	HEX LOCKNUT, 1/4-20	
1103	3520176	2	Plug	
1104	4751400	4	WASHER, 1/4	
1105	8866348	1	MIRROR	
1106	1001116318	1	MIRROR BRACKET	
1201		Ref	HEX HD CAPSCREW, (See HYDRAULIC CIRCUITS SECTION for details)	
1301	1001100961	1	ENGINE POD	
	91565067	NLA	CAB FENDER INSTALLATION, (no longer available, order 1001145754 for replacement or items 1401 thru 1404 for service)	B
	1001145754	1	THERMOFORMED FENDER ASSY, (includes items 1401 thru 1404)	A
1401	0641006	4	HEX HD CAPSCREW, 3/8-16X3/4, GR5	
1402	4891700	4	WASHER, 7/16	
1403	1001145702	1	THERMOFORMED FENDER	
1404	1001145753	1	FENDER PLATE	

SECTION 1 - FRAME AND ATTACHING PARTS

ITEM	PART NUMBER	QTY	DESCRIPTION	REV
K1	1001125007	1	MIRROR ARM KIT, (includes items 301 & 304), (Prior to SN 0160042300)	

SECTION 1 - FRAME AND ATTACHING PARTS

FIGURE 1-3. AXLE AND WHEEL MOUNTING



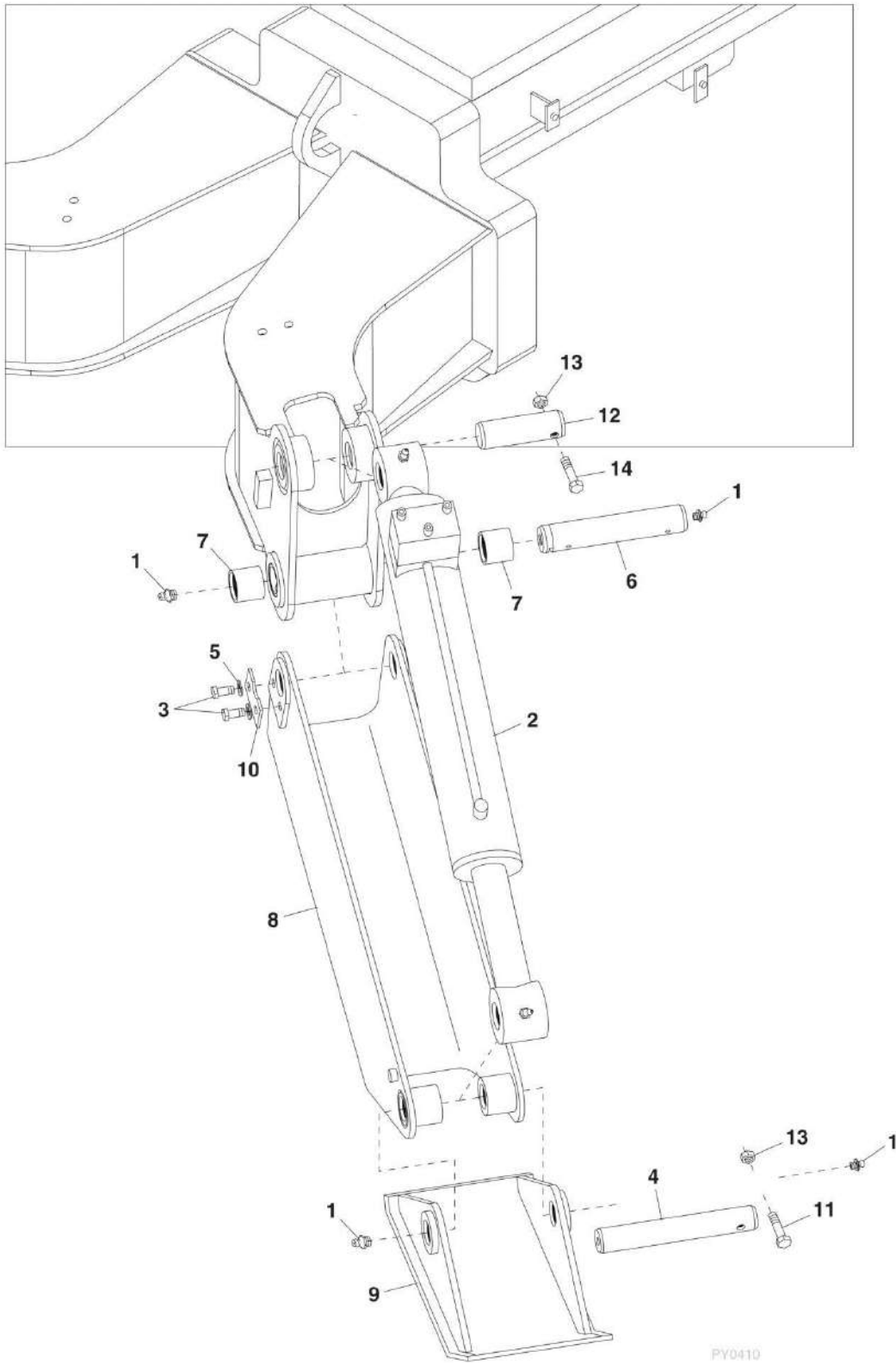
SECTION 1 - FRAME AND ATTACHING PARTS

FIGURE 1-3. AXLE AND WHEEL MOUNTING

ITEM	PART NUMBER	QTY	DESCRIPTION	REV
1		Ref	FRONT AXLE ASSY, (See DRIVE TRAIN SECTION for details)	
2		Ref	REAR AXLE ASSY, (See DRIVE TRAIN SECTION for details)	
3	0682444	16	HEX HD CAPSCREW, 7/8-9X5-1/2, GR5, (torque to 530-565 lb-ft)	
4	4892400	16	HARDENED FLATWASHER, 7/8	
5	91403193	40	LUG NUT, (torque to 350-400 lb-ft)	
6		Ref	TIRE AND RIM ASSY, (See DRIVE TRAIN SECTION for details)	

SECTION 1 - FRAME AND ATTACHING PARTS

FIGURE 1-4. OUTRIGGER MOUNTING



SECTION 1 - FRAME AND ATTACHING PARTS

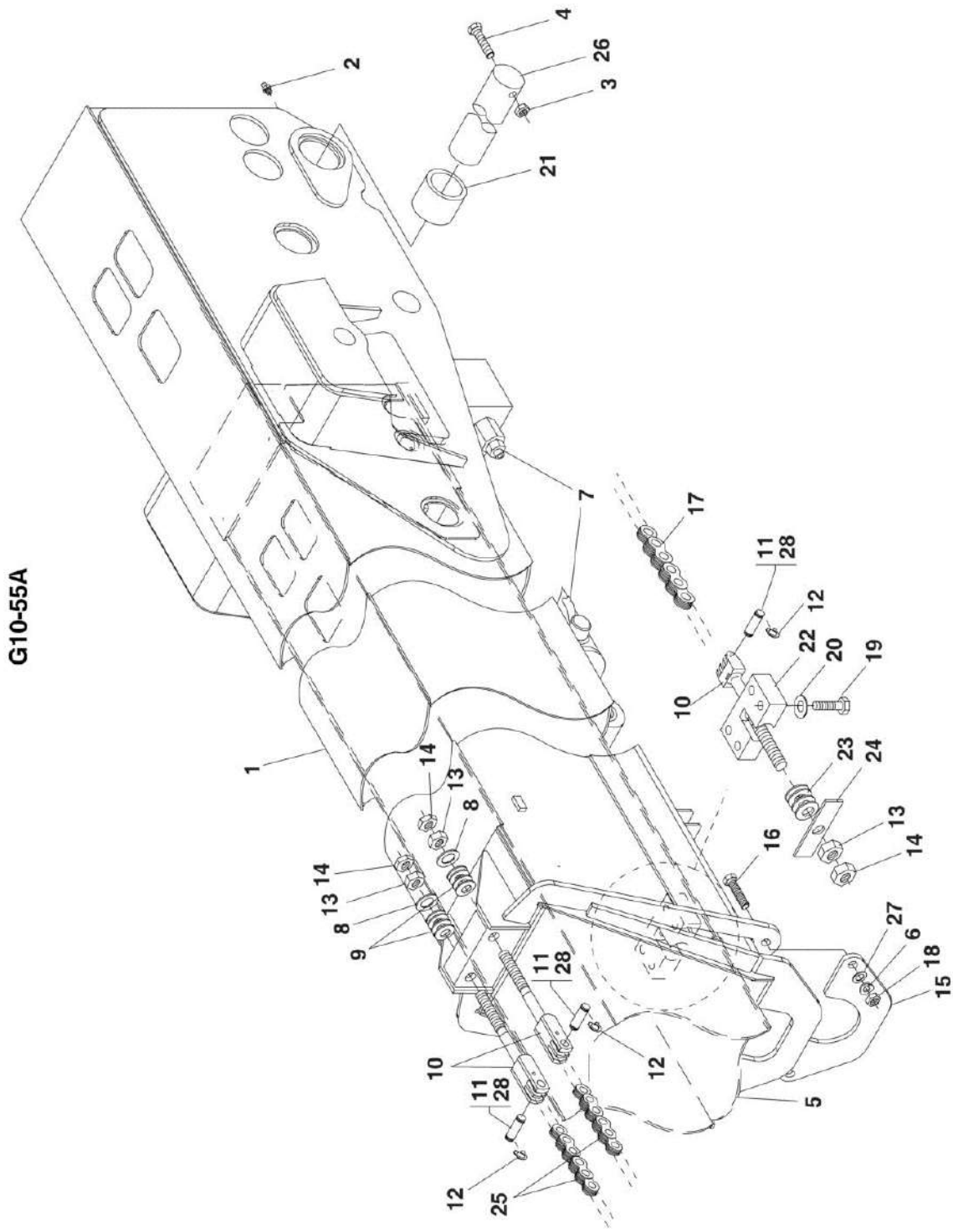
FIGURE 1-4. OUTRIGGER MOUNTING

ITEM	PART NUMBER	QTY	DESCRIPTION	REV
1	88671001	4	LUBE FITTING, STRAIGHT, 1/8	
2		Ref	OUTRIGGER CYLINDER AND VALVE, (See HYDRAULIC COMPONENTS SECTION for details)	
3	0641808	4	HEX HD CAPSCREW, 1/2-13X1, GR5	
4	91563199	2	SHOE PIN	
5	4761800	4	LOCKWASHER, 1/2, (old)	
5	4751800	4	FLAT WASHER, 1/2, (new)	
6	91563198	2	ARM PIN	
7	91163014	4	BUSHING	
8	91566050	2	ARM WELDMENT	
9	91566051	2	OUTRIGGER SHOE	
10	91081313	2	KEEPER	
11	0641634	2	HEX HD CAPSCREW, 3/8-16X4-1/4, GR5	
12	91563197	2	OUTRIGGER CYLINDER PIN	
13	3300143	4	HEX LOCKNUT, 3/8-16	
14	3931672	2	SOCKET HD CAPSCREW, 3/8-16X4-1/2, GR8	

SECTION 2 - BOOM

SECTION 2 - BOOM

FIGURE 2-1. FIRST BOOM SECTION G10-55A



NOTE:
 1. USE LOCTITE® 242™ (0100011) ON ALL BOLT THREADS & JAM NUTS.
 2. COAT STATIC, NON-ROTATING, PIN BORES WITH MOLY-PASTE (3020040). DO NOT COAT THE PIN OR ANY ROTATING PARTS.
 3. COAT ALL BUSHINGS, SHEAVES, AND ROTATING PIN BORES WITH MYSTIK TETRIMOLY GREASE (14404793) PRIOR TO INSTALLATION OF THE PIN.

PAP2830

SECTION 2 - BOOM

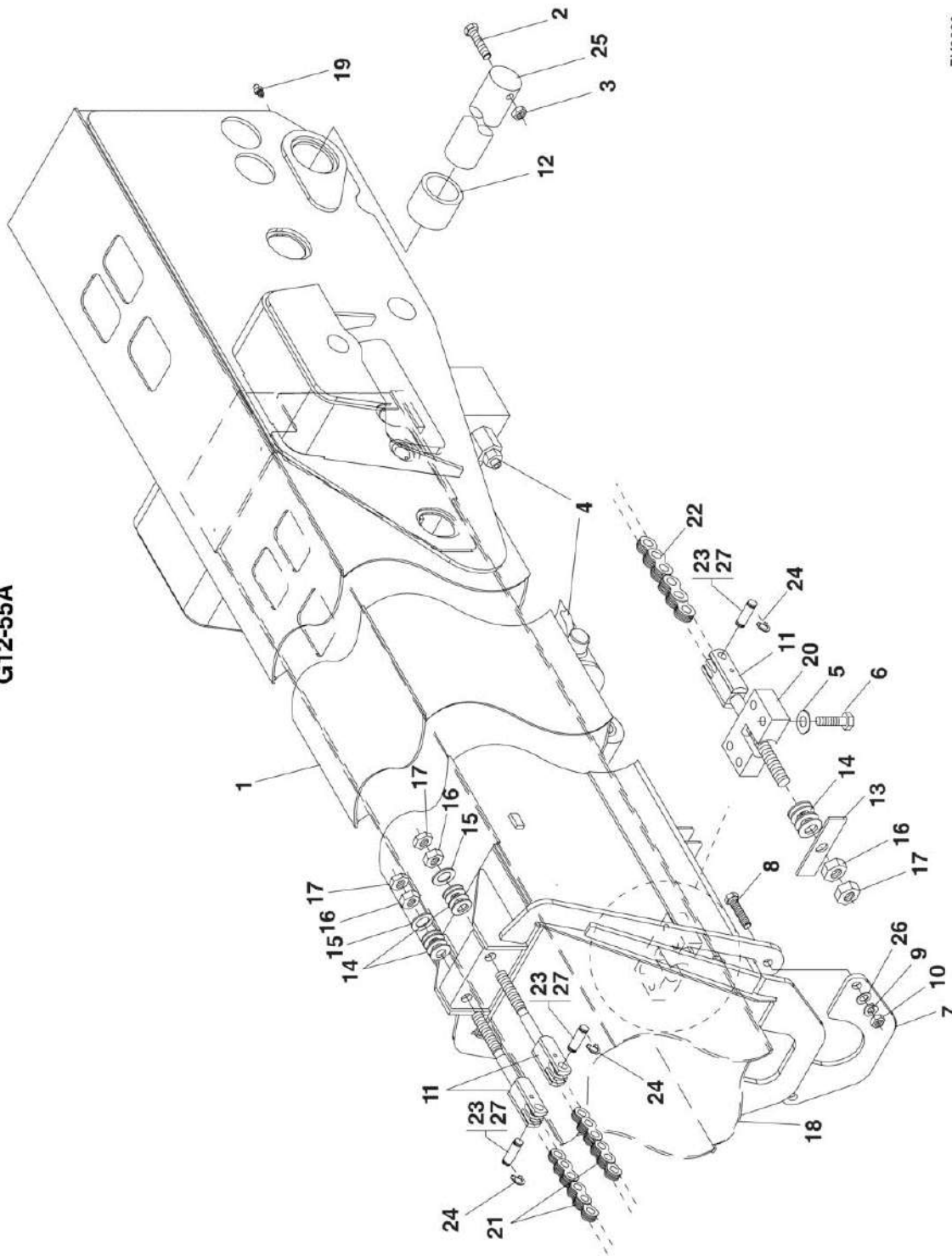
FIGURE 2-1. FIRST BOOM SECTION G10-55A

ITEM	PART NUMBER	QTY	DESCRIPTION	REV
1	91576001	1	FIRST BOOM SECTION, (G10-55A Prior to SN 0160038500, Including 0160038505 and 0160038507, Excluding 0160038324, 0160038489 and 0160038493)	K
1	1001113588	1	FIRST BOOM SECTION, (G10-55A SN 0160038500 to Present; Including 0160038324, 0160038489 and 0160038493, Excluding 0160038505 and 0160038507)	E
2	2160002	2	LUBE FITTING, STRAIGHT, 1/8	
3	8310067	1	HEX LOCKNUT, 3/4-10	
4	88212287	1	SOCKET HD CAPSCREW, 3/4-10X6, GR8	
5		Ref	SECOND BOOM SECTION, (See SECOND BOOM SECTION G10-55A for details)	
6	4761800	2	LOCKWASHER, 1/2	
7		Ref	CROWD CYLINDER, (See HYDRAULIC COMPONENT SECTION for details)	
8	91161218	2	SPECIAL WASHER	
9	91163163	2	SPRING	
10	1360296	3	CHAIN CLEVIS, BL 866	
11	91413122	3	CHAIN PIN	
12	88581112	6	RETAINING RING	
13	88501314	4	HEX NUT, 7/8-14	
14	88501414	3	HEX JAM NUT, 7/8-14, (torque to 100 lb-ft)	
15	91561156	1	CROWD CYLINDER SUPPORT	
16	0641818	2	HEX HD CAPSCREW, 1/2-13X2-1/4, GR5	
17		Ref	RETRACT CHAIN, (See SECOND BOOM SECTION G10-55A for details)	
18	3311801	2	HEX NUT, 1/2-13	
19	0682214	4	HEX HD CAPSCREW, 3/4-10X1-3/4, GR8.8	
20	4892200	4	HARDENED WASHER, 3/4	
21	91141301	2	BUSHING	
22	91161211	1	CABLE ADJUSTING BLOCK	
23	91163161	1	SPRING	
24	91161213	1	STOP BAR	
25		Ref	EXTEND CHAIN, (See THIRD BOOM SECTION G10-55A for details)	
26	3423247	1	BOOM PIVOT PIN	
27	4711800	2	FLAT WASHER, 1/2	
28	8522012	AR	ANTI SIEZE	

SECTION 2 - BOOM

FIGURE 2-2. FIRST BOOM SECTION G12-55A

G12-55A



PY0020

NOTE:
 1. USE LOCTITE® 242™ (0100011) ON ALL BOLT THREADS AND JAM NUTS.
 2. COAT STATIC, NON-ROTATING, PIN BORES WITH MOLY-PASTE (3020040). DO NOT COAT THE PIN OR ANY ROTATING PARTS.
 3. COAT ALL BUSHINGS, SHEAVES, AND ROTATING PIN BORES WITH MYSTIK TETRAMOLY GREASE (14404793) PRIOR TO INSTALLATION OF THE PIN.

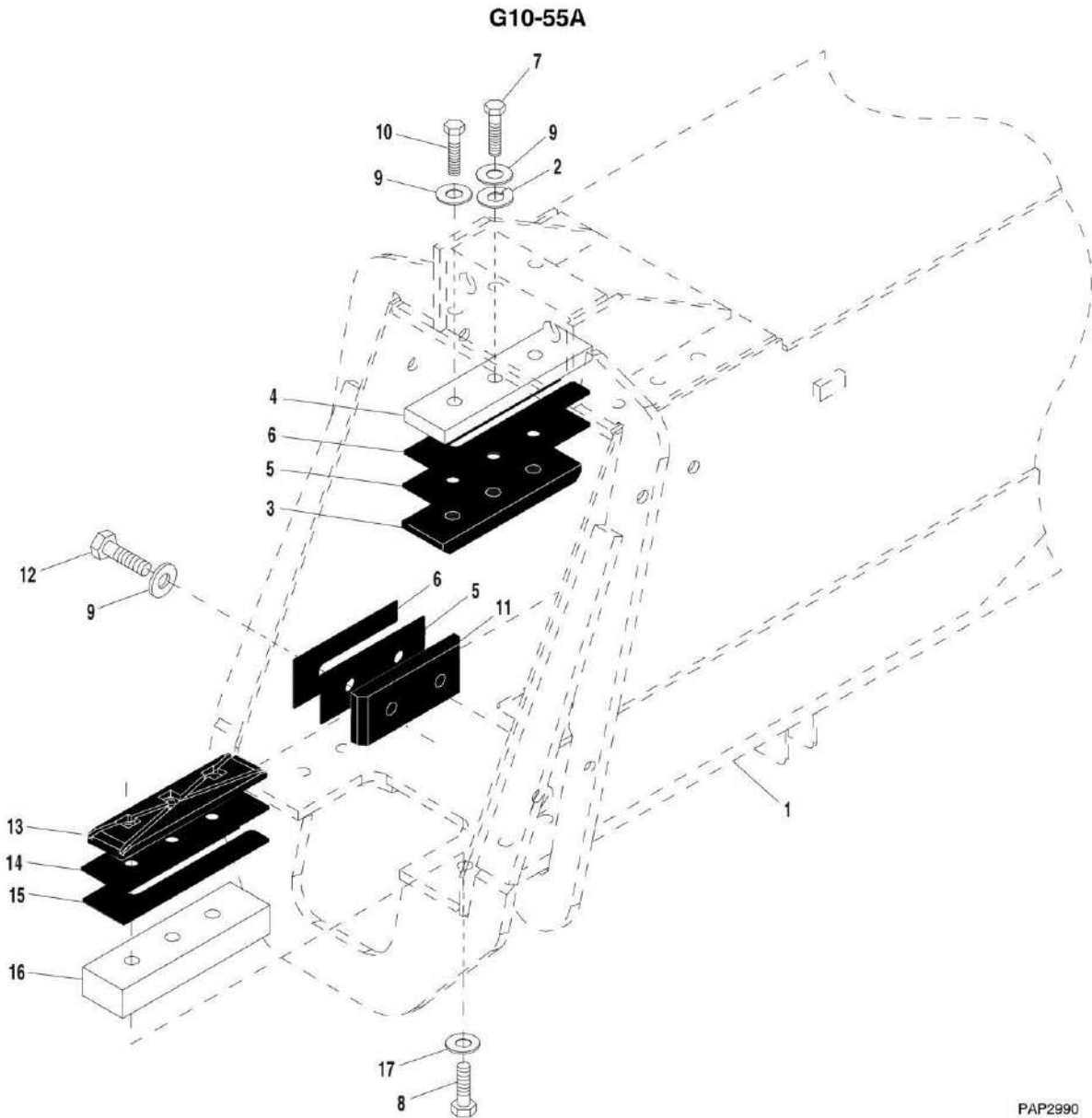
SECTION 2 - BOOM

FIGURE 2-2. FIRST BOOM SECTION G12-55A

ITEM	PART NUMBER	QTY	DESCRIPTION	REV
1	91566006	1	FIRST BOOM SECTION, (G12-55A Prior to SN 0160038538)	U
1	1001113690	1	FIRST BOOM SECTION, (G12-55A SN 0160038538 to Present)	E
2	88212287	1	SOCKET HD CAPSCREW, 3/4-10X6, GR8	
3	8310067	1	HEX LOCKNUT, 3/4-10	
4		Ref	CROWD CYLINDER, (See HYDRAULIC COMPONENTS SECTION for details)	
5	4892200	4	HARDENED WASHER, 3/4	
6	0682214	4	HEX HD CAPSCREW, 3/4-10X1-3/4, GR8	
7	91561156	1	CROWD CYLINDER SUPPORT	
8	0641818	2	HEX HD CAPSCREW, 1/2-13X2-1/4, GR5	
9	4761800	2	LOCKWASHER, 1/2	
10	3311801	2	HEX NUT, 1/2-13	
11	1360301	3	CLEVIS, BL 1066	
12	91141301	2	BUSHING	
13	91561250	1	SPRING STOP	
14	91563219	3	SPRING	
15	91561107	2	SPECIAL WASHER	
16	3313001	3	HEX NUT, 1-1/4-7	
17	3313002	3	HEAVY HEX JAM NUT, 1-1/4-7, (torque to 100 lb-ft)	
18		Ref	SECOND BOOM SECTION, (See SECOND BOOM SECTION G12-55A for details)	
19	2160002	2	LUBE FITTING, STRAIGHT, 1/8	
20	91561090	1	CHAIN ADJ BLOCK	
21		Ref	EXTEND CHAIN, (See THIRD BOOM SECTION G12-55A for details)	
22		Ref	RETRACT CHAIN, (See SECOND BOOM SECTION G12-55A for details)	
23	91513176	3	CHAIN PIN	
24	88581115	6	RETAINING RING	
25	3423247	1	BOOM PIVOT PIN	
26	4711800	2	FLAT WASHER, 1/2	
27	8522012	AR	ANTI-SIEZE	

SECTION 2 - BOOM

FIGURE 2-3. BEARINGS, PADS, SPACERS AND SHIMS, (FIRST BOOM SECTION) G10-55A



PAP2990

NOTE:

1. WEAR PAD SHIMMING:

- a) WHENEVER A SHIM IS USED WITH A PAD, A SPACER WITH HOLES MUST BE INSERTED BETWEEN PAD AND SHIM.
 - b) THE WEAR PAD OR WEAR PAD INSERT MUST NOT SIT DIRECTLY ON THE SLOTTED SURFACE OF SHIMS.
 - c) ADD BEARING PAD SHIMS & SPACERS AS REQUIRED TO SHIM BOOM TO MAINTAIN A TOTAL MINIMUM GAP OF 0.070 TO 0.130 IN BOTH HORIZONTAL AND VERTICAL DIRECTIONS.
 - d) BEARING PAD BOLTS REQUIRE ONE HARDENED WASHER. HOWEVER, UP TO (2) HARDENED WASHERS MAY BE USED EXCEPT WHERE NOTED OTHERWISE. UNDER NO CIRCUMSTANCES SHOULD MORE THAN (2) HARDENED WASHERS EVER BE USED.
 - e) THE LENGTH OF PAD BOLTS DEPENDS ON THE NUMBER OF SHIMS USED. THE BOLT CANNOT EXTEND PAST CHAMFER ON BEARING PAD.
- 2. ADD MYSTIK TETRIMOLY GREASE (14404793) TO ALL BEARING PADS AND ALL BEARING PAD SLIDE PATHWAYS. IF APPLICABLE, THIS INCLUDES ALL PAD GREASE FITTINGS AT THE REAR OF BOOM.**

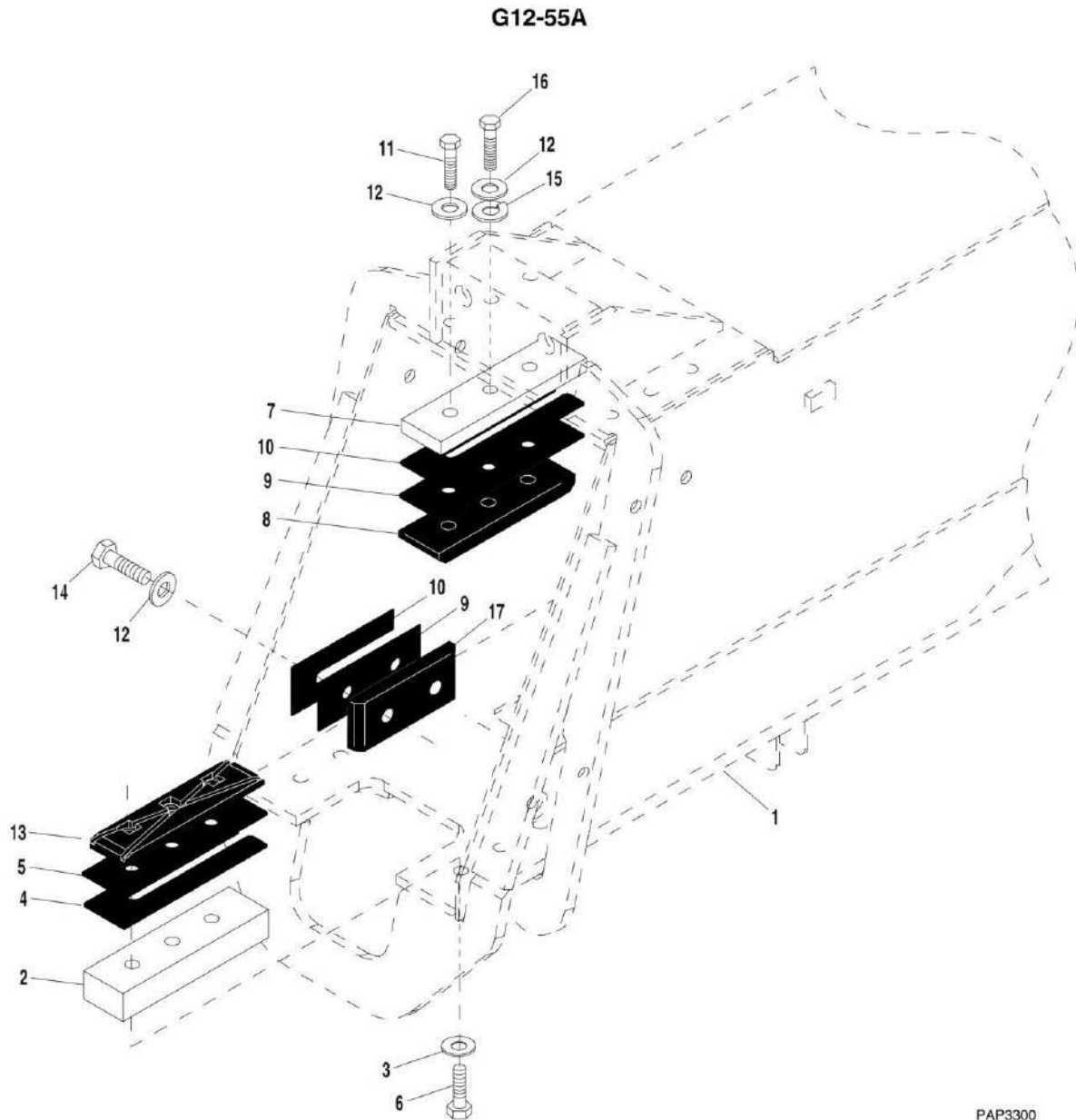
SECTION 2 - BOOM

FIGURE 2-3. BEARINGS, PADS, SPACERS AND SHIMS, (FIRST BOOM SECTION) G10-55A

ITEM	PART NUMBER	QTY	DESCRIPTION	REV
1		Ref	FIRST BOOM SECTION, (G10-55A), (See FIRST BOOM SECTION G10-55A for details)	
2	4761800	2	LOCKWASHER, 1/2	
3	91033189	2	BEARING PAD	
4	91161171	2	BEARING PAD SUPPORT	
5	91031236	6	SPACER, 0.0598	
6	90205870	AR	SHIM, 0.0598	
7	0641810	2	HEX HD CAPSCREW, 1/2-13X1-1/4, GR5, (torque to 76-86 lb-ft)	
8	0651820	6	HEX HD CAPSCREW, 1/2-20X2-1/2, GR5, (torque to 76-86 lb-ft), (as required)	
8	0651822	AR	HEX HD CAPSCREW, 1/2-20X2-3/4, GR5, (torque to 76-86 lb-ft)	
9	4891600	14	HARDENED WASHER, 3/8	
10	0651612	4	HEX HD CAPSCREW, 3/8-24X1-1/2, GR5, (torque to 32-37 lb-ft), (as required)	
10	0651614	AR	HEX HD CAPSCREW, 3/8-24X1-3/4, GR5, (torque to 32-37 lb-ft)	
11	91033186	4	BEARING PAD	
12	0651606	8	HEX HD CAPSCREW, 3/8-24X3/4, GR5, (torque to 32-37 lb-ft), (as required)	
12	0651607	AR	HEX HD CAPSCREW, 3/8-24X7/8, GR5, (torque to 32-37 lb-ft)	
13	1001117653	2	BEARING PAD	
14	91161183	2	SPACER, 0.0598	
15	91161184	AR	SHIM, 0.0598	
16	91161167	2	BEARING PAD SUPPORT	
17	90027471	6	HARDENED WASHER	

SECTION 2 - BOOM

FIGURE 2-4. BEARINGS, PADS, SPACERS AND SHIMS, (FIRST BOOM SECTION) G12-55A



PAP3300

NOTE:

1. WEAR PAD SHIMMING:

- a) WHENEVER A SHIM IS USED WITH A PAD, A SPACER WITH HOLES MUST BE INSERTED BETWEEN PAD AND SHIM.
 - b) THE WEAR PAD OR WEAR PAD INSERT MUST NOT SIT DIRECTLY ON THE SLOTTED SURFACE OF SHIMS.
 - c) ADD BEARING PAD SHIMS & SPACERS AS REQUIRED TO SHIM BOOM TO MAINTAIN A TOTAL MINIMUM GAP OF 0.070 TO 0.130 IN BOTH HORIZONTAL AND VERTICAL DIRECTIONS.
 - d) BEARING PAD BOLTS REQUIRE ONE HARDENED WASHER. HOWEVER, UP TO (2) HARDENED WASHERS MAY BE USED EXCEPT WHERE NOTED OTHERWISE. UNDER NO CIRCUMSTANCES SHOULD MORE THAN (2) HARDENED WASHERS EVER BE USED.
 - e) THE LENGTH OF PAD BOLTS DEPENDS ON THE NUMBER OF SHIMS USED. THE BOLT CANNOT EXTEND PAST CHAMFER ON BEARING PAD.
- 2. ADD MYSTIK TETRIMOLY GREASE (14404793) TO ALL BEARING PADS AND ALL BEARING PAD SLIDE PATHWAYS. IF APPLICABLE, THIS INCLUDES ALL PAD GREASE FITTINGS AT THE REAR OF BOOM.**

SECTION 2 - BOOM

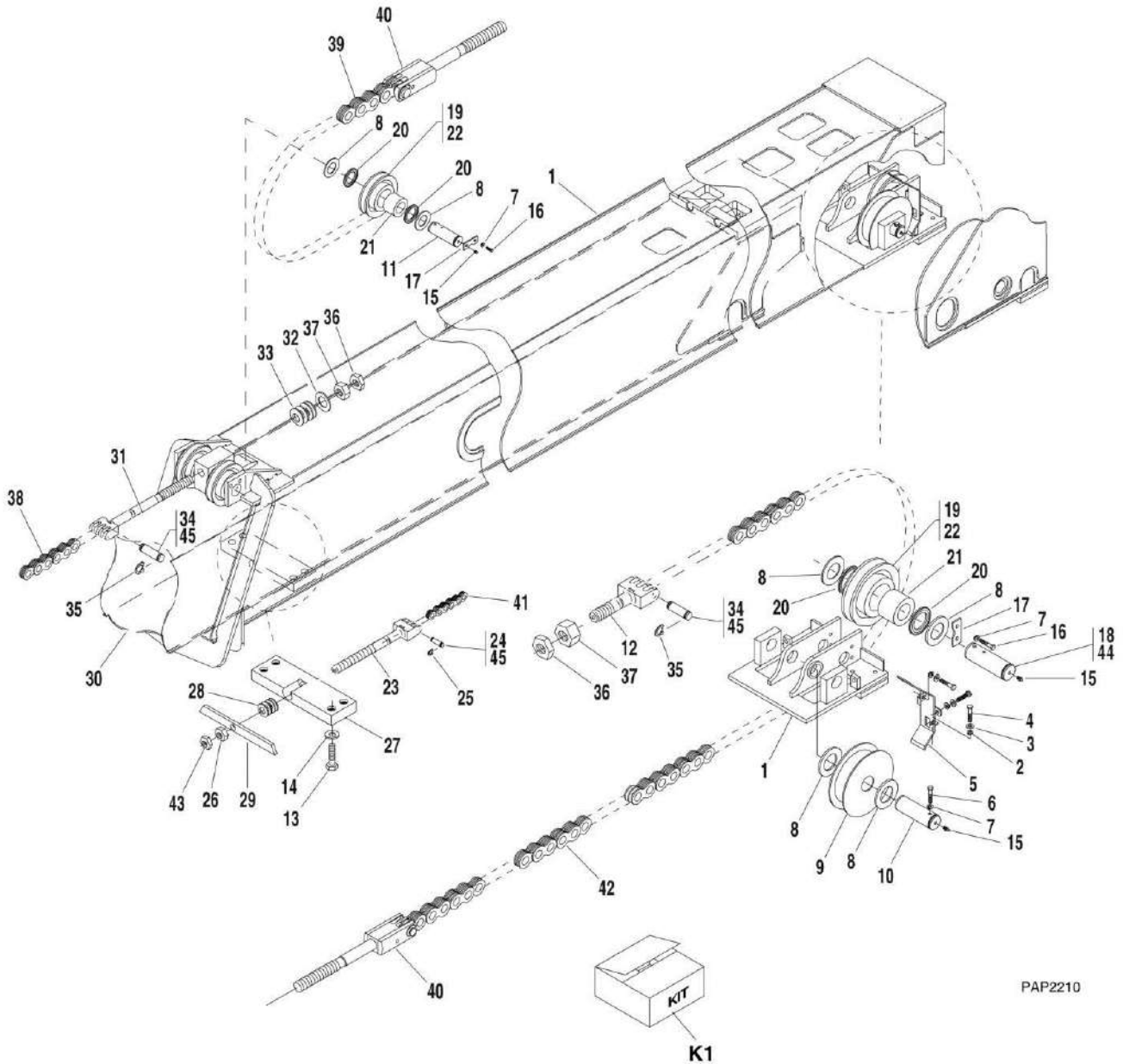
FIGURE 2-4. BEARINGS, PADS, SPACERS AND SHIMS, (FIRST BOOM SECTION) G12-55A

ITEM	PART NUMBER	QTY	DESCRIPTION	REV
1		Ref	FIRST BOOM SECTION, (G12-55A), (See FIRST BOOM SECTION G12-55A for details)	
2	91561101	2	SUPPORT WEAR PAD	
3	90027471	6	HARDENED WASHER, 1/2	
4	91161184	AR	SHIM, 0.0598	
5	91161183	2	SPACER, 0.0598	
6	0651818	6	HEX HD CAPSCREW, 1/2-20X2-1/4, GR5, (torque to 76-86 lb-ft), (as required)	
6	0651820	AR	HEX HD CAPSCREW, 1/2-20X2-1/2, GR5, (torque to 76-86 lb-ft)	
6	0651822	AR	HEX HD CAPSCREW, 1/2-20X2-3/4, GR5, (torque to 76-86 lb-ft)	
7	91161171	2	WEAR PAD SUPPORT	
8	91033189	2	BEARING PAD	
9	91031236	6	SPACER, 0.0598	
10	90205870	AR	SHIM, 0.0598	
11	0651610	AR	HEX HD CAPSCREW, 3/8-24X1-1/4, GR5, (torque to 32-37 lb-ft), (as required)	
11	0651612	AR	HEX HD CAPSCREW, 3/8-24X1-1/2, GR5, (torque to 32-37 lb-ft)	
11	0651614	AR	HEX HD CAPSCREW, 3/8-24X1-3/4, GR5, (torque to 32-37 lb-ft)	
12	4891600	14	HARDENED WASHER, 3/8	
13	1001117653	2	BEARING PAD	
14	0651605	8	HEX HD CAPSCREW, 3/8-24X5/8, GR5, (torque to 32-37 lb-ft), (as required)	
14	0651606	AR	HEX HD CAPSCREW, 3/8-24X3/4, GR5, (torque to 32-37 lb-ft)	
14	0651607	AR	HEX HD CAPSCREW, 3/8-24X7/8, GR5, (torque to 32-37 lb-ft)	
15	4761800	2	LOCKWASHER, 1/2	
16	0641808	2	HEX HD CAPSCREW, 1/2-13X1, GR5, (torque to 76-86 lb-ft)	
17	91033186	4	BEARING PAD	

SECTION 2 - BOOM

FIGURE 2-5. SECOND BOOM SECTION G10-55A

G10-55A



PAP2210

NOTE:

1. USE LOCTITE® 242™ (0100011) ON ALL BOLT THREADS AND JAM NUTS.
2. COAT STATIC, NON-ROTATING, PIN BORES WITH MOLY-PASTE (3020040). DO NOT COAT THE PIN OR ANY ROTATING PARTS.
3. COAT ALL BUSHINGS, SHEAVES, AND ROTATING PIN BORES WITH MYSTIK TETRIMOLY GREASE (14404793) PRIOR TO INSTALLATION OF THE PIN.

SECTION 2 - BOOM

FIGURE 2-5. SECOND BOOM SECTION G10-55A

ITEM	PART NUMBER	QTY	DESCRIPTION	REV
1	91576006	1	SECOND BOOM SECTION, (G10-55A)	E
2	4761600	3	LOCKWASHER, 3/8	
3	4751600	3	FLAT WASHER, 3/8	
4	0641607	3	HEX HD CAPSCREW, 3/8-16X7/8, GR5	
5	91566025	1	HOSE GUIDE BRACKET	
6	0641826	1	HEX HD CAPSCREW, 1/2-13X3-1/4, GR5	
7	4761800	5	LOCKWASHER, 1/2	
8	91041451	8	WASHER, (as required)	
8	91041596	AR	WASHER	
8	91041450	AR	WASHER	
8	91041449	AR	WASHER	
9	91143024	1	HOSE SHEAVE	
10	91161138	NLA	HOSE SHEAVE PIN, (no longer available, order Kit K1 for replacement), (Prior to SN 0160026237, Excluding 0160025994)	
10	3423301	1	HOSE SHEAVE PIN (SN 0160026237 to Present, Including 0160025994)	
11	91161266	1	CHAIN SHEAVE PIN	
12	1360297	1	CLEVIS	
13	0682214	4	HEX HD CAPSCREW, 3/4-10X1-3/4, GR8.8, (torque to 340-365 lb-ft)	
14	4892200	4	HARDENED WASHER, 3/4	
15	2160002	4	LUBE FITTING, STRAIGHT, 1/8	
16	0641808	4	HEX HD CAPSCREW, 1/2-13X1, GR5	
17	91401189	2	PIN KEEPER	
18	91161267	1	CHAIN SHEAVE PIN	
19	91165022	3	CHAIN ROLLER ASSY, (includes items 20 thru 22)	A
20	86921268	2	SEAL	
21	91163204	1	BUSHING	
22	N.S.S.	1	ROLLER	
23	1360292	1	CHAIN CLEVIS	
24	91413129	1	CHAIN PIN	
25	88681344	2	RETAINING RING	
26	88501312	1	HEX NUT, 3/4-16	
27	91161212	1	CABLE ADJUSTING BLOCK	
28	91163162	1	SPRING	
29	91161214	1	STOP BAR	
30		Ref	THIRD BOOM SECTION, (See THIRD BOOM SECTION G10-55A for details)	
31	1360296	1	CHAIN CLEVIS, BL 866	
32	91161218	1	SPECIAL WASHER	
33	91163163	1	SPRING	
34	91413122	2	CHAIN PIN	
35	88581112	4	RETAINING RING	
36	88501414	2	HEX JAM NUT, 7/8-14, (torque to 100 lb-ft)	
37	88501314	2	HEX NUT, 7/8-14	
38		Ref	LEAF CHAIN, (See THIRD BOOM SECTION G10-55A for details)	
39		Ref	LEAF CHAIN, (See THIRD BOOM SECTION G10-55A for details)	
40		Ref	CLEVIS, (See FIRST BOOM SECTION G10-55A for details)	
41		Ref	LEAF CHAIN, (See THIRD BOOM SECTION G10-55A for details)	
42	91163036	1	RETRACT CHAIN BL, 866	

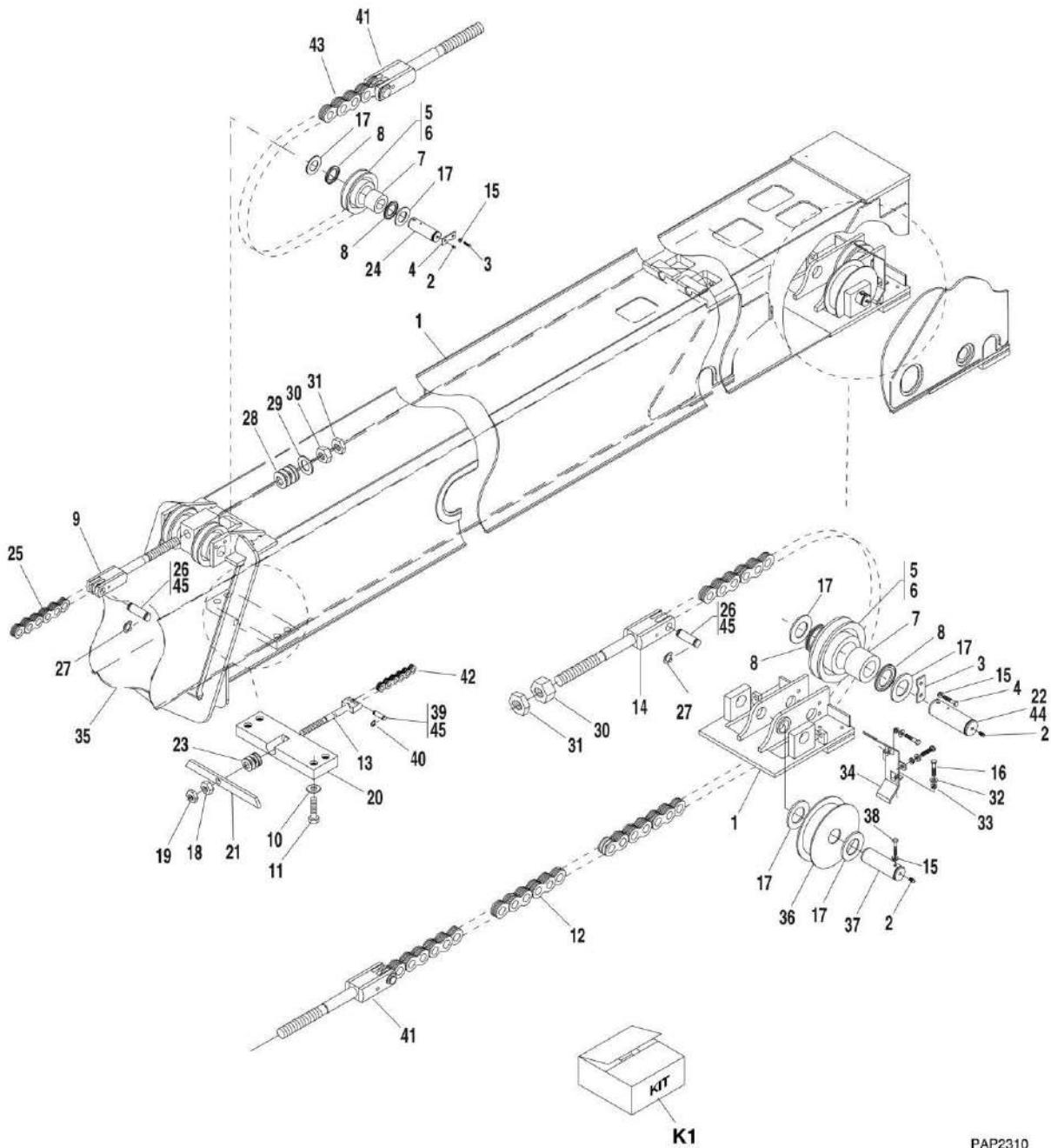
SECTION 2 - BOOM

ITEM	PART NUMBER	QTY	DESCRIPTION	REV
43	88501412	1	HEX JAM NUT, 3/4-16, (torque to 100 lb-ft)	
44	3020040	AR	MOLY PASTE	
45	8522012	AR	ANTI-SIEZE	
K1	2915215	1	HOSE SHEAVE PIN KIT, (includes items 10 & 15)	

SECTION 2 - BOOM

FIGURE 2-6. SECOND BOOM SECTION G12-55A

G12-55A



PAP2310

NOTE:

1. USE LOCTITE® 242™ (0100011) ON ALL BOLT THREADS AND JAM NUTS.
2. COAT STATIC, NON-ROTATING, PIN BORES WITH MOLY-PASTE (3020040). DO NOT COAT THE PIN OR ANY ROTATING PARTS.
3. COAT ALL BUSHINGS, SHEAVES, AND ROTATING PIN BORES WITH MYSTIK TETRIMOLY GREASE (14404793) PRIOR TO INSTALLATION OF THE PIN.

SECTION 2 - BOOM

FIGURE 2-6. SECOND BOOM SECTION G12-55A

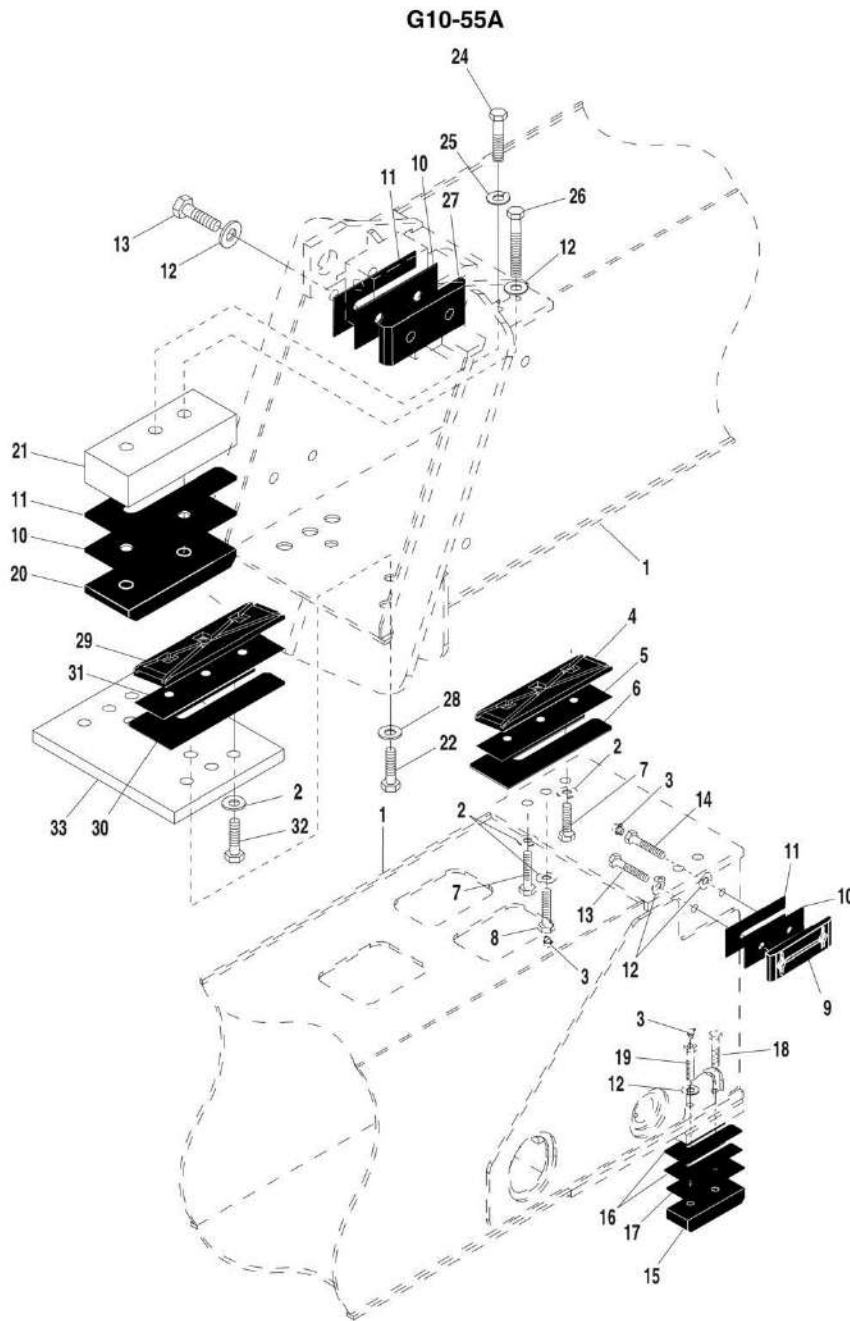
ITEM	PART NUMBER	QTY	DESCRIPTION	REV
1	91566007	1	SECOND BOOM SECTION, (G12-55A)	P
2	2160002	3	LUBE FITTING, STRAIGHT, 1/8	
3	91401189	2	KEEPER	
4	0641808	4	HEX HD CAPSCREW, 1/2-13X1, GR5	
5	91565005	3	EXTEND CHAIN ROLLER ASSY, (includes items 6 thru 8)	D
6	91563026	3	EXTEND ROLLER CHAIN	
7	91563025	3	BUSHING	
8	91403119	6	SEAL	
9	1360301	1	CLEVIS, BL 1066	
10	4892200	4	HARDENED WASHER, 3/4	
11	0682214	4	HEX HD CAPSCREW, 3/4-10X1-3/4, GR8.8, (torque to 340-365 lb-ft)	
12	91563035	1	LEAF CHAIN, BL 1066	
13	1360296	1	CLEVIS, BL 866	
14	1360300	1	CLEVIS, BL 1066	
15	4761800	5	LOCKWASHER, 1/2	
16	0641607	3	HEX HD CAPSCREW, 3/8-16X7/8, GR5	
17	91041451	8	WASHER, (as required)	
17	91041449	AR	WASHER	
17	91041450	AR	WASHER	
17	91041596	AR	WASHER	
18	88501314	1	HEX NUT, 7/8-14	
19	88501414	1	HEX JAM NUT, 7/8-14, (torque to 100 lb-ft)	
20	91561095	1	CHAIN BLOCK, (Prior to SN 0160038538)	
20	1001116033	1	CHAIN BLOCK, (SN 0160038538 to Present)	
21	91161213	1	SPRING STOP, (Prior to SN 0160038538)	
21	1001116125	1	SPRING STOP, (SN 0160038538 to Present)	
22	91563030	1	CHAIN SHEAVE PIN	
23	91163161	1	SPRING	
24	1001129352	1	SHEAVE PIN	
25		Ref	LEAF CHAIN, (See FOURTH BOOM SECTION G12-55A for details)	
26	91513176	2	CHAIN PIN	
27	88581115	4	RETAINING RING	
28	91563219	1	SPRING	
29	91561107	1	SPECIAL WASHER	
30	3313001	2	HEX NUT, 1-1/4-7	
31	3313002	2	HEAVY HEX JAM NUT, 1-1/4-7, (torque to 100 lb-ft)	
32	4751600	3	FLAT WASHER, 3/8	
33	4761600	3	LOCKWASHER, 3/8	
34	91566025	1	HOSE GUIDE BRACKET WELD	
35		Ref	THIRD BOOM SECTION, (See THIRD BOOM SECTION G12-55A for details)	
36	91143024	1	HOSE SHEAVE	
37	91161138	NLA	HOSE SHEAVE PIN, (no longer available, order Kit K1 for replacement), (Prior to SN 0160026237, Excluding 0160025994)	
37	3423301	1	HOSE SHEAVE PIN, (SN 0160026237 to Present, Including 0160025994)	
38	0641826	1	HEX HD CAPSCREW, 1/2-13X3-1/4, GR5	
39	91413122	1	CHAIN PIN	
40	88581112	2	RETAINING RING	

SECTION 2 - BOOM

ITEM	PART NUMBER	QTY	DESCRIPTION	REV
41		Ref	CLEVIS, (See FIRST BOOM SECTION G10-55A for details)	
42		Ref	LEAF CHAIN, (See THIRD BOOM SECTION G12-55A for details)	
43		Ref	LEAF CHAIN, (See THIRD BOOM SECTION G12-55A for details)	
44	3020040	AR	MOLY PASTE	
45	8522012	AR	ANTI-SIEZE	
K1	2915215	1	HOSE SHEAVE PIN KIT, (includes items 10 & 15)	

SECTION 2 - BOOM

FIGURE 2-7. BEARINGS, PADS, SPACERS AND SHIMS, (SECOND BOOM SECTION) G10-55A



PAP2230

NOTE:

1. WEAR PAD SHIMMING:

- a) WHENEVER A SHIM IS USED WITH A PAD, A SPACER WITH HOLES MUST BE INSERTED BETWEEN PAD AND SHIM.
 - b) THE WEAR PAD OR WEAR PAD INSERT MUST NOT SIT DIRECTLY ON THE SLOTTED SURFACE OF SHIMS.
 - c) ADD BEARING PAD SHIMS AND SPACERS AS REQUIRED TO SHIM BOOM TO MAINTAIN A TOTAL MINIMUM GAP OF 0.070 TO 0.130 IN BOTH HORIZONTAL AND VERTICAL DIRECTIONS.
 - d) BEARING PAD BOLTS REQUIRE ONE HARDENED WASHER. HOWEVER, UP TO (2) HARDENED WASHERS MAY BE USED EXCEPT WHERE NOTED OTHERWISE. UNDER NO CIRCUMSTANCES SHOULD MORE THAN (2) HARDENED WASHERS EVER BE USED.
 - e) THE LENGTH OF PAD BOLTS DEPENDS ON THE NUMBER OF SHIMS USED. THE BOLT CANNOT EXTEND PAST CHAMFER ON BEARING PAD.
- 2. ADD MYSTIK TETRIMOLY GREASE (14404793) TO ALL BEARING PADS AND ALL BEARING PAD SLIDE PATHWAYS. IF APPLICABLE, THIS INCLUDES ALL PAD GREASE FITTINGS AT THE REAR OF BOOM.**

SECTION 2 - BOOM

FIGURE 2-7. BEARINGS, PADS, SPACERS AND SHIMS, (SECOND BOOM SECTION) G10-55A

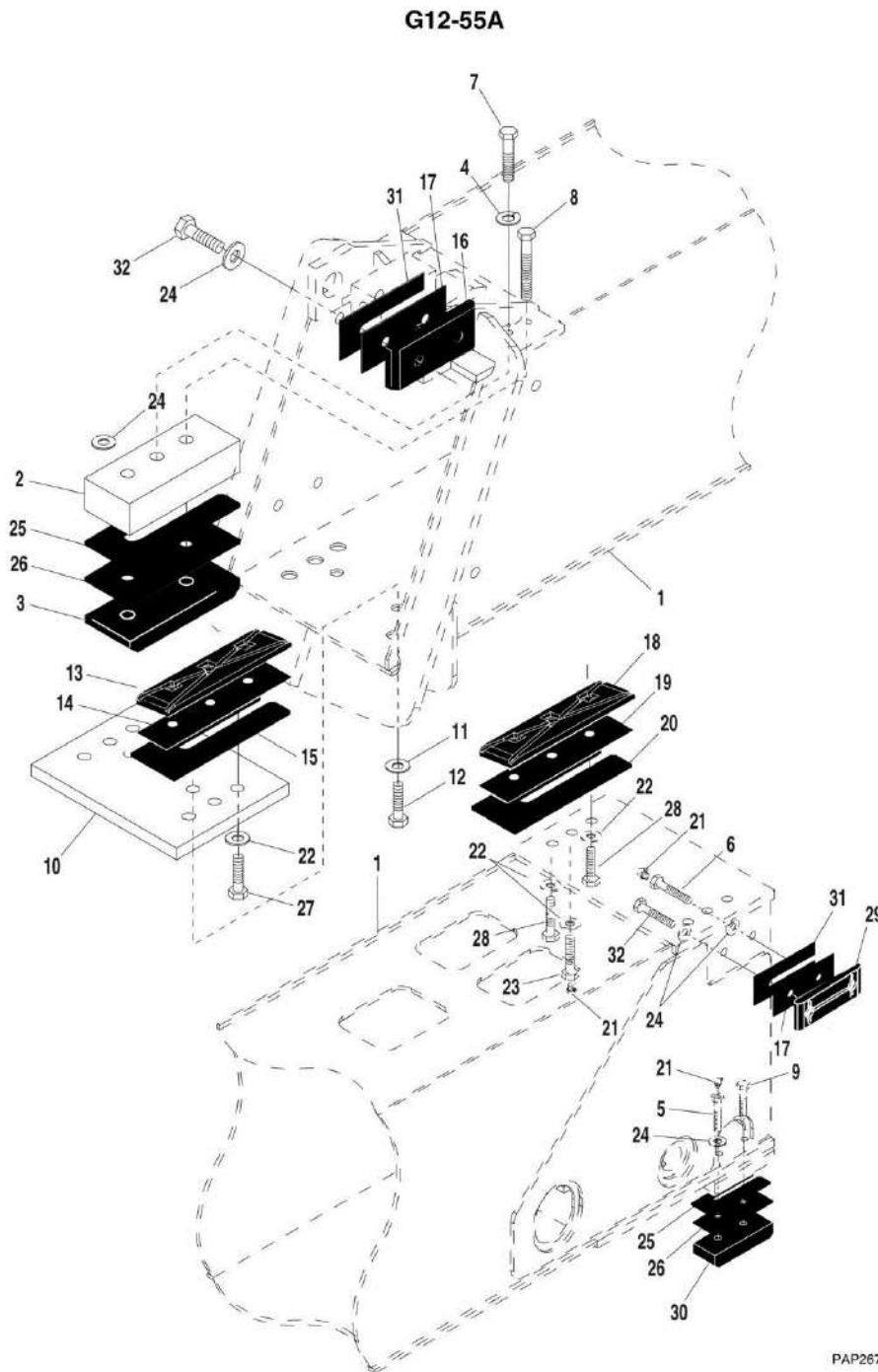
ITEM	PART NUMBER	QTY	DESCRIPTION	REV
1		Ref	SECOND BOOM SECTION, (G10-55A), (See SECOND BOOM SECTION G10-55A for details)	
2	90027471	12	HARDENED WASHER	
3	88671027	6	LUBE FITTING, 90, 1/4-28	
4	1001117653	2	BEARING PAD	
5	91161183	2	SPACER, 0.0598	
6	91161184	AR	SHIM, 0.0598	
7	0651808	4	HEX HD CAPSCREW, 1/2-20X1, GR5, (torque to 76-86 lb-ft), (as required)	
7	0651812	AR	HEX HD CAPSCREW, 1/2-20X1-1/2, GR5, (torque to 76-86 lb-ft)	
7	0651814	AR	HEX HD CAPSCREW, 1/2-20X1-3/4, GR5, (torque to 76-86 lb-ft)	
8	91161222	2	HEX HD CAPSCREW, (hollow), 1/2-20X1-1/2, (torque to 45-50 lb-ft), (as required)	
8	91161221	AR	HEX HD CAPSCREW, (hollow), 1/2-20X1-3/4, (torque to 45-50 lb-ft)	
9	91163188	2	BEARING PAD	
10	91031236	8	SPACER, 0.0598	
11	90205870	AR	SHIM, 0.0598	
12	4891600	20	HARDENED WASHER, 3/8	
13	0651606	10	HEX HD CAPSCREW, 3/8-24X3/4, GR5, (torque to 32-37 lb-ft), (as required)	
13	0651607	AR	HEX HD CAPSCREW, 3/8-24X7/8, GR5, (torque to 32-37 lb-ft)	
14	91161248	2	HEX HD CAPSCREW, (hollow), 3/8-24X3/4, (torque to 15-17 lb-ft), (as required)	
14	91361045	AR	HEX HD CAPSCREW, (hollow), 3/8-24X7/8, (torque to 15-17 lb-ft)	
15	91163214	2	BEARING PAD	
16	91121082	AR	SHIM, 0.0598	
17	91511094	4	SPACER, 0.0598	
18	0651616	2	HEX HD CAPSCREW, 3/8-24X2, GR5, (torque to 32-37 lb-ft), (as required)	
18	0651618	AR	HEX HD CAPSCREW, 3/8-24X2-1/4, GR5, (torque to 32-37 lb-ft)	
19	91161278	2	HEX HD CAPSCREW, (hollow), 3/8-24X2, (torque to 15-17 lb-ft), (as required)	
19	91361046	AR	HEX HD CAPSCREW, (hollow), 3/8-24X2-1/4, (torque to 15-17 lb-ft)	
20	91033189	2	BEARING PAD	
21	91161170	2	BEARING PAD SUPPORT	
22	0642210	2	HEX HD CAPSCREW, 3/4-10X1-1/4, GR5	
24	0641810	2	HEX HD CAPSCREW, 1/2-13X1-1/4, GR5, (torque to 76-86 lb-ft)	
25	4761800	2	LOCKWASHER, 1/2	
26	0651618	4	HEX HD CAPSCREW, 3/8-24X2-1/4, GR5, (torque to 32-37 lb-ft)	
27	91033186	4	BEARING PAD	
28	4892200	2	HARDENED WASHER, 3/4	
29	1001117652	2	BEARING PAD	
30	91141302	AR	SHIM, 0.0598	
31	91141303	2	SPACER, 0.0598	
32	0651812	6	HEX HD CAPSCREW, 1/2-20X1-1/2, GR5, (torque to 76-86 lb-ft), (as required)	
32	0651811	AR	HEX HD CAPSCREW, 1/2-20X1-3/8, GR5, (torque to 76-86 lb-ft)	
33	91161168	1	BEARING PAD SUPPORT (Prior to SN 0160038500, Including 0160038505 and 0160038507, Excluding 0160038324, 0160038489 and 0160038493)	
33	1001113609	1	BEARING PAD SUPPORT (SN 0160038500 to Present, Including 0160038324, 0160038489 and 0160038493, Excluding	

SECTION 2 - BOOM

ITEM	PART NUMBER	QTY	DESCRIPTION	REV
			0160038505 and 0160038507)	

SECTION 2 - BOOM

FIGURE 2-8. BEARINGS, PADS, SPACERS AND SHIMS, (SECOND BOOM SECTION) G12-55A



PAP2670

NOTE:

1. WEAR PAD SHIMMING:
 - a) WHENEVER A SHIM IS USED WITH A PAD, A SPACER WITH HOLES MUST BE INSERTED BETWEEN PAD AND SHIM.
 - b) THE WEAR PAD OR WEAR PAD INSERT MUST NOT SIT DIRECTLY ON THE SLOTTED SURFACE OF SHIMS.
 - c) ADD BEARING PAD SHIMS AND SPACERS AS REQUIRED TO SHIM BOOM TO MAINTAIN A TOTAL MINIMUM GAP OF 0.070 TO 0.130 IN BOTH HORIZONTAL AND VERTICAL DIRECTIONS.
 - d) BEARING PAD BOLTS REQUIRE ONE HARDENED WASHER. HOWEVER, UP TO (2) HARDENED WASHERS MAY BE USED EXCEPT WHERE NOTED OTHERWISE. UNDER NO CIRCUMSTANCES SHOULD MORE THAN (2) HARDENED WASHERS EVER BE USED.
 - e) THE LENGTH OF PAD BOLTS DEPENDS ON THE NUMBER OF SHIMS USED. THE BOLT CANNOT EXTEND PAST CHAMFER ON BEARING PAD.
2. ADD MYSTIK TETRIMOLY GREASE (14404793) TO ALL BEARING PADS AND ALL BEARING PAD SLIDE PATHWAYS. IF APPLICABLE, THIS INCLUDES ALL PAD GREASE FITTINGS AT THE REAR OF BOOM.

SECTION 2 - BOOM

FIGURE 2-8. BEARINGS, PADS, SPACERS AND SHIMS, (SECOND BOOM SECTION) G12-55A

ITEM	PART NUMBER	QTY	DESCRIPTION	REV
1		Ref	SECOND BOOM SECTION, (G12-55A), (See SECOND BOOM SECTION G12-55A for details)	
2	91561023	2	WEAR PAD SUPPORT (Prior to SN 0160038538)	
2	1001116139	2	WEAR PAD SUPPORT (SN 0160038538 through 0160039742)	
2	1001121290	2	SPACER BAR (SN 0160039793 to Present)	
3	91563028	2	BEARING PAD	
4	4761800	2	LOCKWASHER, 1/2	
5	91563147	2	HEX HD CAPSCREW, 3/8-24X2-1/2, (hollow), (torque to 15-17 lb-ft)	
6	91161248	2	HEX HD CAPSCREW, 3/8-24X3/4, (hollow), (torque to 15-17 lb-ft)	
7	3931832	2	SOCKET HD CAPSCREW, 1/2-13X2, (torque to 76-86 lb-ft), (as required) (Prior to SN 0160038538)	
7	3931828	2	SOCKET HD CAPSCREW, 1/2-13X1-3/4, (torque to 76-86 lb-ft), (as required) (SN 0160038538 to Present)	
7	88211550	AR	SOCKET HD CAPSCREW, 3/8-24X2-1/2, (torque to 76-86 lb-ft)	
8	88681343	4	SOCKET HD CAPSCREW, 3/8-24X2-3/4, (torque to 32-37 lb-ft), (as required)	
8	88211551	AR	SOCKET HD CAPSCREW, 3/8-24X3, (torque to 32-37 lb-ft)	
9	0651620	2	HEX HD CAPSCREW, 3/8-24X2-1/2, GR5, (torque to 32-37 lb-ft), (as required)	
9	0651622	AR	HEX HD CAPSCREW, 3/8-24X2-3/4, GR5, (torque to 32-37 lb-ft)	
10	91161168	1	WEAR PAD	
11	4892200	2	HARDENED WASHER, 3/4	
12	0642210	2	HEX HD CAPSCREW, 3/4-10X1-1/4, GR5	
13	1001117652	2	BEARING PAD	
14	91141303	2	SPACER, 0.0598 (Prior to SN 0160038538)	
14	91141303	4	SPACER, 0.0598 (SN 0160038538 to Present)	
15	91141302	AR	SHIM, 0.0598 (Prior to SN 0160038538)	
16	91033186	4	BEARING PAD	
17	91031236	6	SPACER, 0.0598	
18	1001117653	2	BEARING PAD	
19	91161183	2	SPACER, 0.0598	
20	91161184	AR	SHIM, 0.0598	
21	88671027	6	LUBE FITTING, 90, 1/4-28	
22	90027471	12	HARDENED WASHER, 1/2	
23	91161222	2	HEX HD CAPSCREW, (hollow), 1/2-20X1-1/2, (torque to 45-60 lb-ft), (as required)	
23	91161221	AR	HEX HD CAPSCREW, (hollow), 1/2-20X1-3/4, (torque to 45-60 lb-ft)	
24	4891600	20	HARDENED WASHER, 3/8	
25	91121082	AR	SHIM, 0.0598	
26	91511094	4	SPACER, 0.0598	
27	0651810	6	HEX HD CAPSCREW, 1/2-20X1-1/4, GR5, (torque to 76-86 lb-ft), (as required) (Prior to SN 0160038538)	
27	0651812	AR	HEX HD CAPSCREW, 1/2-20X1-1/2, GR5, (torque to 76-86 lb-ft)	
27	0651814	AR	HEX HD CAPSCREW, 1/2-20X1-3/4, GR5, (torque to 76-86 lb-ft)	
28	0651807	AR	HEX HD CAPSCREW, 1/2-20X7/8, GR5, (torque to 76-86 lb-ft), (as required)	
28	0651808	AR	HEX HD CAPSCREW, 1/2-20X1, GR5, (torque to 76-86 lb-ft)	
28	0651810	AR	HEX HD CAPSCREW, 1/2-20X1-1/4, GR5, (torque to 76-86 lb-ft)	
28	0651812	AR	HEX HD CAPSCREW, 1/2-20X1-1/2, GR5, (torque to 76-86 lb-ft)	
28	0651814	AR	HEX HD CAPSCREW, 1/2-20X1-3/4, GR5, (torque to 76-86 lb-ft)	
29	91163188	2	BEARING PAD	

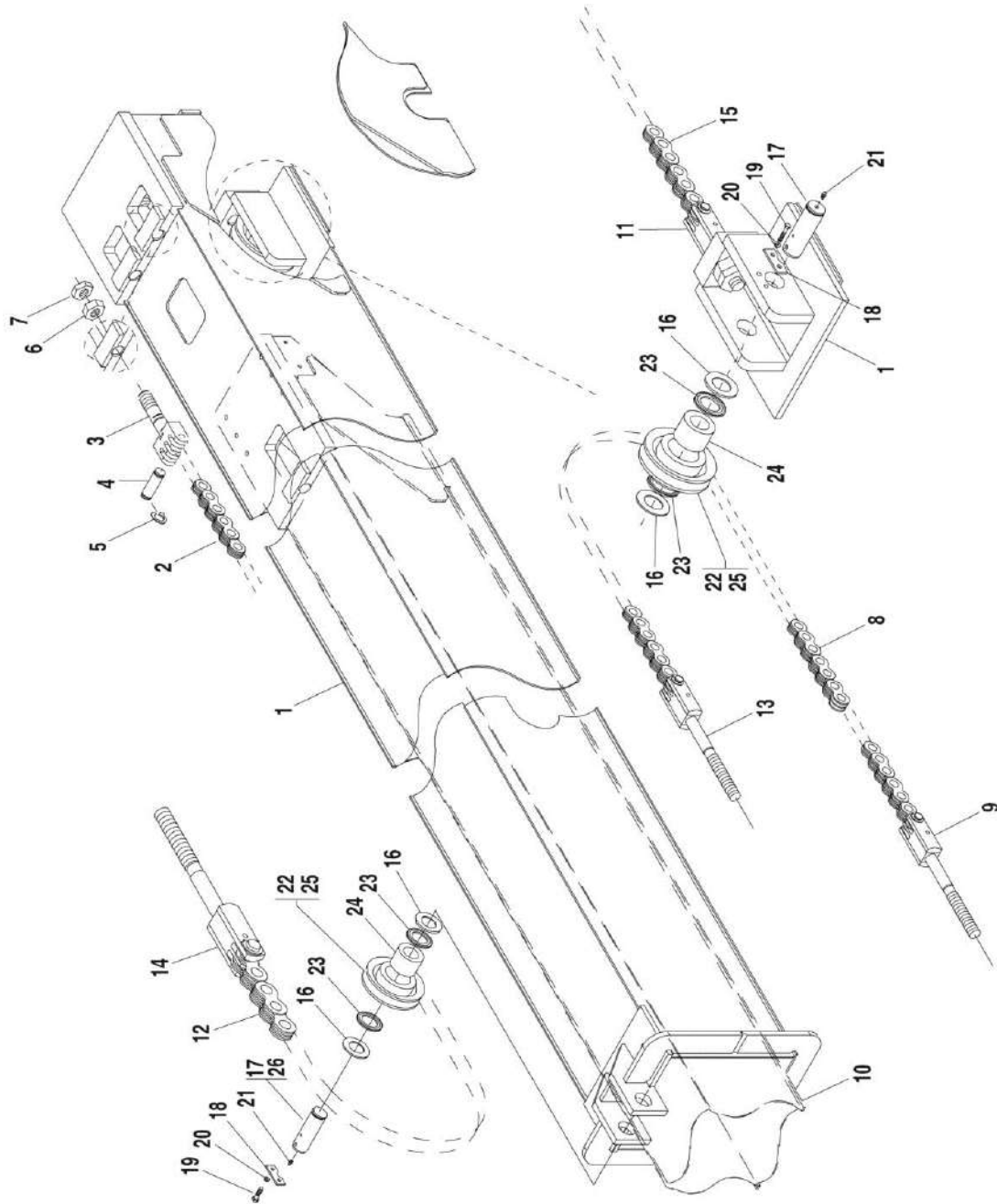
SECTION 2 - BOOM

ITEM	PART NUMBER	QTY	DESCRIPTION	REV
30	91163214	2	BEARING PAD	
31	90205870	AR	SHIM, 0.0598	
32	0651605	10	HEX HD CAPSCREW, 3/8-24X5/8, GR5, (torque to 32-37 lb-ft), (as required)	
32	0651606	AR	HEX HD CAPSCREW, 3/8-24X3/4, GR5, (torque to 32-37 lb-ft)	
32	0651607	AR	HEX HD CAPSCREW, 3/8-24X7/8, GR5, (torque to 32-37 lb-ft)	

SECTION 2 - BOOM

FIGURE 2-9. THIRD BOOM SECTION G10-55A

G10-55A



PAP2820

NOTE:
 1. USE LOCTITE® 242™ (0100011) ON ALL BOLT THREADS AND JAM NUTS.
 2. COAT STATIC, NON-ROTATING, PIN BORES WITH MOLY-PASTE (3020040). DO NOT COAT THE PIN OR ANY ROTATING PARTS.
 3. COAT ALL BUSHINGS, SHEAVES, AND ROTATING PIN BORES WITH MYSTIK TETRIMOLY GREASE (14404793) PRIOR TO INSTALLATION OF THE PIN.

SECTION 2 - BOOM

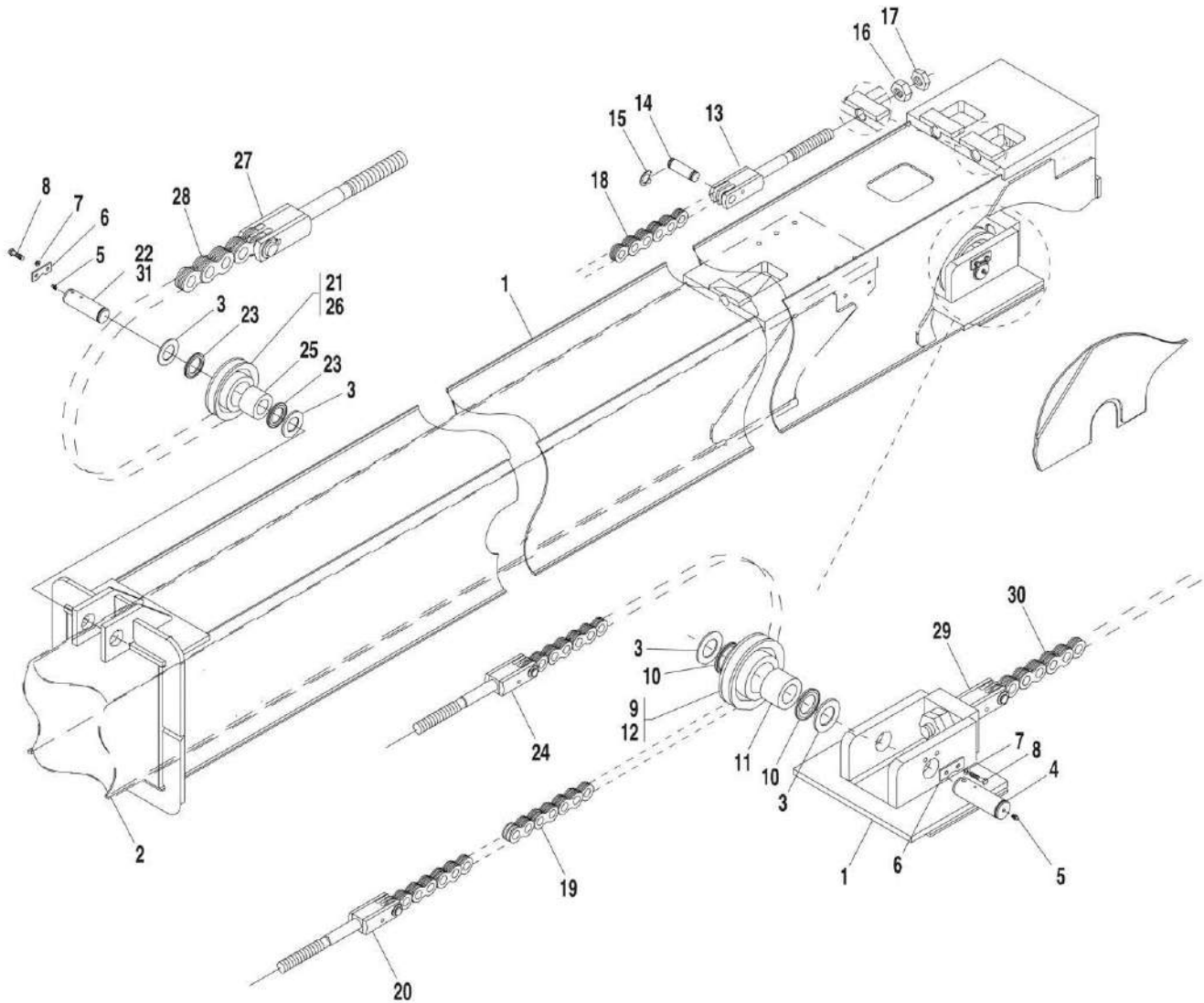
FIGURE 2-9. THIRD BOOM SECTION G10-55A

ITEM	PART NUMBER	QTY	DESCRIPTION	REV
1	91576007	1	THIRD BOOM SECTION, (G10-55A Prior to SN 0160038500; Including 0160038505 and 0160038507, Excluding 0160038324, 0160038489 and 0160038493)	F
1	1001113528	1	THIRD BOOM SECTION, (G10-55A SN 0160038500 to Present; Including 0160038324, 0160038489 and 0160038493, Excluding 0160038505 and 0160038507)	E
2	91163036	2	EXTEND CHAIN, BL 866	
3	1360297	2	CLEVIS, BL 866	
4	91413122	2	CHAIN PIN	
5	88581112	4	RETAINING RING	
6	88501314	2	HEX NUT, 7/8-14	
7	88501414	2	HEX JAM NUT, 7/8-14, (torque to 100 lb-ft)	
8	91163037	1	RETRACT CHAIN, BL 666	
9		Ref	CLEVIS, (See SECOND BOOM SECTION G10-55A for details)	
10		Ref	FOURTH BOOM SECTION, (See FOURTH BOOM SECTION G10-55A for details)	
11		Ref	CLEVIS, (See SECOND BOOM SECTION G10-55A for details)	
12		Ref	LEAF CHAIN, (See FOURTH BOOM SECTION G10-55A for details)	
13		Ref	CLEVIS, (See FOURTH BOOM SECTION G10-55A for details)	
14		Ref	CLEVIS, (See SECOND BOOM SECTION G10-55A for details)	
15		Ref	LEAF CHAIN, (See SECOND BOOM SECTION G10-55A for details)	
16	91041451	4	WASHER, (as required)	
16	91041596	AR	WASHER	
16	91041449	AR	WASHER	
16	91041450	AR	WASHER	
17	91161267	2	CHAIN SHEAVE PIN	
18	91401189	2	PIN KEEPER	
19	0641808	4	HEX HD CAPSCREW, 1/2-13X1, GR5	
20	4761800	4	LOCKWASHER, 1/2	
21	88671001	2	LUBE FITTING, STRAIGHT, 1/8 (Prior to SN 0160037689)	
21	2160002	2	LUBE FITTING, STRAIGHT, 1/8 (SN 0160037689 to Present)	
22	91165022	2	CHAIN ROLLER ASSY, (includes items 23 thru 25)	A
23	86921268	2	SEAL	
24	91163204	1	BUSHING	
25	N.S.S.	1	ROLLER	
26	3020040	AR	MOLY PASTE	

SECTION 2 - BOOM

FIGURE 2-10. THIRD BOOM SECTION G12-55A

G12-55A



PY0230

NOTE:

1. USE LOCTITE® 242™ (0100011) ON ALL BOLT THREADS AND JAM NUTS.
2. COAT STATIC, NON-ROTATING, PIN BORES WITH MOLY-PASTE (3020040). DO NOT COAT THE PIN OR ANY ROTATING PARTS.
3. COAT ALL BUSHINGS, SHEAVES, AND ROTATING PIN BORES WITH MYSTIK TETRIMOLY GREASE (14404793) PRIOR TO INSTALLATION OF THE PIN.

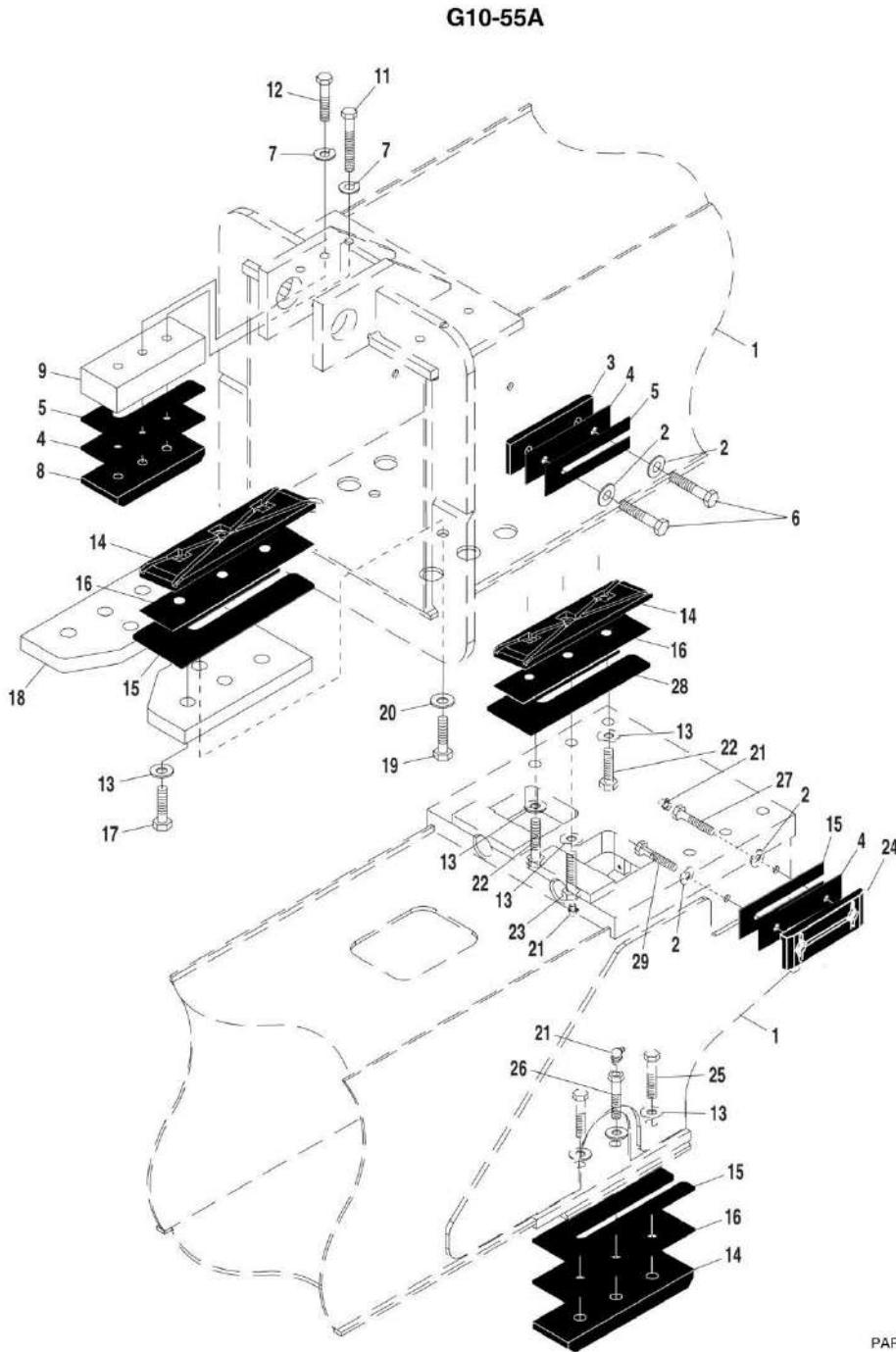
SECTION 2 - BOOM

FIGURE 2-10. THIRD BOOM SECTION G12-55A

ITEM	PART NUMBER	QTY	DESCRIPTION	REV
1	91566008	1	THIRD BOOM SECTION, (G12-55A Prior to SN 0160038538)	L
1	1001114001	1	THIRD BOOM SECTION, (G12-55A SN 0160038538 to Present)	E
2		Ref	FOURTH BOOM SECTION, (See FOURTH BOOM SECTION G12-55A for details)	
3	91041451	4	WASHER, (as required)	
3	91041449	AR	WASHER	
3	91041450	AR	WASHER	
3	91041596	AR	WASHER	
4	91161267	1	CHAIN SHEAVE PIN	
5	88671001	2	LUBE FITTING, STRAIGHT, 1/8 (Prior to SN 0160037689)	
5	2160002	2	LUBE FITTING, STRAIGHT, 1/8 (SN 0160037689 to Present)	
6	91401189	2	KEEPER	
7	4761800	4	LOCKWASHER, 1/2	
8	0641808	4	HEX HD CAPSCREW, 1/2-13X1, GR5	
9	91565004	1	CHAIN ROLLER ASSY, (includes items 10 thru 12)	C
10	86921268	2	SEAL	
11	91163204	1	BUSHING	
12	91563021	1	ROLLER	
13	1360300	2	CLEVIS, BL 1066	
14	91513176	2	CHAIN PIN	
15	88581115	4	RETAINING RING	
16	3313001	2	HEX NUT, 1-1/4-7	
17	3313002	2	HEAVY HEX JAM NUT, 1-1/4-7, (torque to 100 lb-ft)	
18	91563035	2	EXTEND CHAIN, BL 1066	
19	91563036	1	RETRACT CHAIN, BL 866	
20		Ref	CLEVIS, (See SECOND BOOM SECTION G12-55A for details)	
21	91565005	1	EXTEND CHAIN ROLLER ASSY, (includes items 23, 25 & 26)	D
22	91563030	1	CHAIN SHEAVE PIN	
23	91403119	2	SEAL	
24		Ref	CLEVIS, (See FOURTH BOOM SECTION G12-55A for details)	
25	91563025	1	BUSHING	
26	91563026	1	EXTEND CHAIN ROLLER ASSY	
27		Ref	CLEVIS, (See SECOND BOOM SECTION G12-55A for details)	
28		Ref	LEAF CHAIN, (See FOURTH BOOM SECTION G12-55A for details)	
29		Ref	CLEVIS, (See SECOND BOOM SECTION G12-55A for details)	
30		Ref	LEAF CHAIN, (See SECOND BOOM SECTION G12-55A for details)	
31	3020040	AR	MOLY PASTE	

SECTION 2 - BOOM

FIGURE 2-11. BEARINGS, PADS, SPACERS AND SHIMS, (THIRD BOOM SECTION) G10-55A



PAP2650

NOTE:

1. WEAR PAD SHIMMING:

- a) WHENEVER A SHIM IS USED WITH A PAD, A SPACER WITH HOLES MUST BE INSERTED BETWEEN PAD AND SHIM.
 - b) THE WEAR PAD OR WEAR PAD INSERT MUST NOT SIT DIRECTLY ON THE SLOTTED SURFACE OF SHIMS.
 - c) ADD BEARING PAD SHIMS AND SPACERS AS REQUIRED TO SHIM BOOM TO MAINTAIN A TOTAL MINIMUM GAP OF 0.070 TO 0.130 IN BOTH HORIZONTAL AND VERTICAL DIRECTIONS.
 - d) BEARING PAD BOLTS REQUIRE ONE HARDENED WASHER. HOWEVER, UP TO (2) HARDENED WASHERS MAY BE USED EXCEPT WHERE NOTED OTHERWISE. UNDER NO CIRCUMSTANCES SHOULD MORE THAN (2) HARDENED WASHERS EVER BE USED.
 - e) THE LENGTH OF PAD BOLTS DEPENDS ON THE NUMBER OF SHIMS USED. THE BOLT CANNOT EXTEND PAST CHAMFER ON BEARING PAD.
- 2. ADD MYSTIK TETRIMOLY GREASE (14404793) TO ALL BEARING PADS AND ALL BEARING PAD SLIDE PATHWAYS. IF APPLICABLE, THIS INCLUDES ALL PAD GREASE FITTINGS AT THE REAR OF BOOM.**

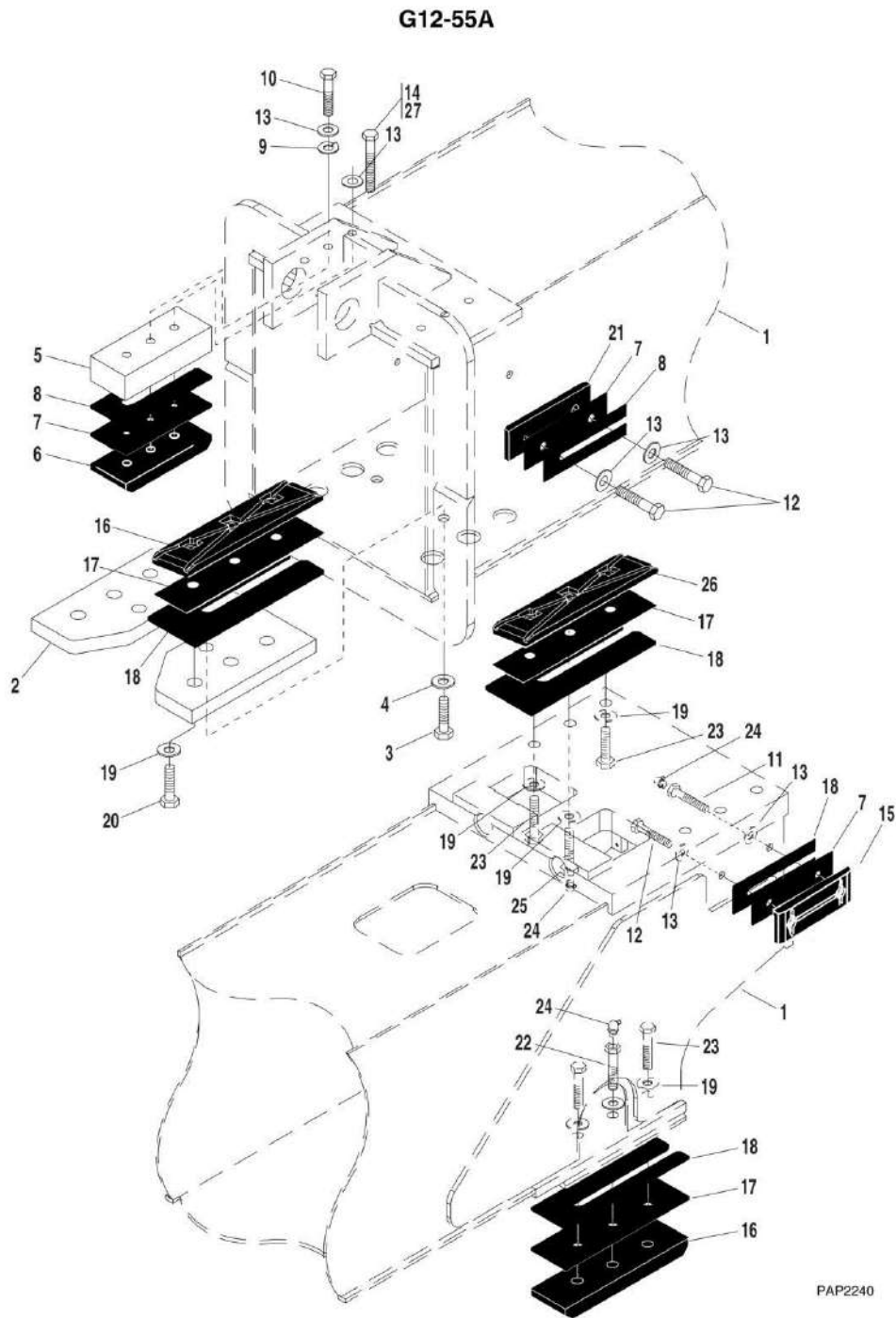
SECTION 2 - BOOM

FIGURE 2-11. BEARINGS, PADS, SPACERS AND SHIMS, (THIRD BOOM SECTION) G10-55A

ITEM	PART NUMBER	QTY	DESCRIPTION	REV
1		Ref	THIRD BOOM SECTION, (G10-55A), (See THIRD BOOM SECTION G10-55A for details)	
2	4891600	16	HARDENED WASHER, 3/8	
3	91033186	4	BEARING PAD	
4	91031236	8	SPACER, 0.0598	
5	90205870	AR	SHIM, 0.0598	
6	0651605	8	HEX HD CAPSCREW, 3/8-24X5/8, GR5, (torque to 32-37 lb-ft), (as required)	
6	0651606	AR	HEX HD CAPSCREW, 3/8-24X3/4, GR5, (torque to 32-37 lb-ft)	
6	0651607	AR	HEX HD CAPSCREW, 3/8-24X7/8, GR5, (torque to 32-37 lb-ft)	
7	4761800	2	LOCKWASHER, 1/2	
8	91033189	2	BEARING PAD	
9	91161170	2	BEARING PAD SUPPORT	
11	0651618	4	HEX HD CAPSCREW, 3/8-24X2-1/4, GR5, (torque to 32-37 lb-ft), (as required)	
11	0651620	AR	HEX HD CAPSCREW, 3/8-24X2-1/2, GR5, (torque to 32-37 lb-ft)	
12	0641810	2	HEX HD CAPSCREW, 1/2-13X1-1/4, GR5, (torque to 76-86 lb-ft)	
13	90027471	18	HARDENED WASHER, 1/2	
14	1001117652	6	BEARING PAD	
15	91141302	AR	SHIM, 0.0598	
16	91141303	6	SPACER, 0.0598	
17	0651806	6	HEX HD CAPSCREW, 1/2-20X3/4, GR5, (torque to 45-50 lb-ft), (as required)	
17	0651808	AR	HEX HD CAPSCREW, 1/2-20X1, GR5, (torque to 45-50 lb-ft)	
18	91161169	1	BEARING PAD SUPPORT	
19	0642008	2	HEX HD CAPSCREW, 5/8-11X1, GR5 (Prior to SN 0160038500, Including 0160038505 and 0160038507, Excluding 0160038324, 0160038489 and 0160038493)	
19	0642010	2	HEX HD CAPSCREW, 5/8-11X1-1/4, GR5 (SN 0160038500 to Present, Including 0160038324, 0160038489 and 0160038493, Excluding 0160038505 and 0160038507)	
20	4892000	2	HARDENED WASHER	
21	88671027	6	LUBE FITTING, 90, 1/4-28	
22	0651810	4	HEX HD CAPSCREW, 1/2-20X1-1/4, GR5, (torque to 76-86 lb-ft), (as required)	
22	0651812	AR	HEX HD CAPSCREW, 1/2-20X1-1/2, GR5, (torque to 76-86 lb-ft)	
22	0651814	AR	HEX HD CAPSCREW, 1/2-20X1-3/4, GR5, (torque to 76-86 lb-ft)	
22	0651816	AR	HEX HD CAPSCREW, 1/2-20X2, GR5, (torque to 76-86 lb-ft)	
23	91361047	2	HEX HD CAPSCREW, 1/2-20X1-1/2, GR5, (HOLLOW), (TORQUE TO 45-50 LB-FT), (AS REQUIRED)	
23	91161221	AR	HEX HD CAPSCREW, 1/2-20X1-3/4, GR5, (HOLLOW), (TORQUE TO 45-50 LB-FT)	
24	91163188	2	BEARING PAD	
25	0651814	4	HEX HD CAPSCREW, 1/2-20X1-3/4, GR5, (torque to 76-86 lb-ft), (as required)	
25	0651816	AR	HEX HD CAPSCREW, 1/2-20X2, GR5, (torque to 76-86 lb-ft)	
26	91161277	2	HEX HD CAPSCREW, 1/2-20X2, (hollow), (torque to 45-50 lb-ft)	
27	91161248	2	HEX HD CAPSCREW, 3/8-24X3/4, (hollow), (torque to 15-17 lb-ft)	
28	91161184	AR	SHIM, 0.0598	
29	0651605	2	HEX HD CAPSCREW, 3/8-24X5/8, GR5, (torque to 32-37 lb-ft), (as required)	
29	0651607	AR	HEX HD CAPSCREW, 3/8-24X7/8, GR5, (torque to 32-37 lb-ft)	

SECTION 2 - BOOM

FIGURE 2-12. BEARINGS, PADS, SPACERS AND SHIMS, (THIRD BOOM SECTION) G12-55A



NOTE:

1. WEAR PAD SHIMMING:

- a) WHENEVER A SHIM IS USED WITH A PAD, A SPACER WITH HOLES MUST BE INSERTED BETWEEN PAD AND SHIM.
 - b) THE WEAR PAD OR WEAR PAD INSERT MUST NOT SIT DIRECTLY ON THE SLOTTED SURFACE OF SHIMS.
 - c) ADD BEARING PAD SHIMS AND SPACERS AS REQUIRED TO SHIM BOOM TO MAINTAIN A TOTAL MINIMUM GAP OF 0.070 TO 0.130 IN BOTH HORIZONTAL AND VERTICAL DIRECTIONS.
 - d) BEARING PAD BOLTS REQUIRE ONE HARDENED WASHER. HOWEVER, UP TO (2) HARDENED WASHERS MAY BE USED EXCEPT WHERE NOTED OTHERWISE. UNDER NO CIRCUMSTANCES SHOULD MORE THAN (2) HARDENED WASHERS EVER BE USED.
 - e) THE LENGTH OF PAD BOLTS DEPENDS ON THE NUMBER OF SHIMS USED. THE BOLT CANNOT EXTEND PAST CHAMFER ON BEARING PAD.
- 2. ADD MYSTIK TETRIMOLY GREASE (14404793) TO ALL BEARING PADS AND ALL BEARING PAD SLIDE PATHWAYS. IF APPLICABLE, THIS INCLUDES ALL PAD GREASE FITTINGS AT THE REAR OF BOOM.**

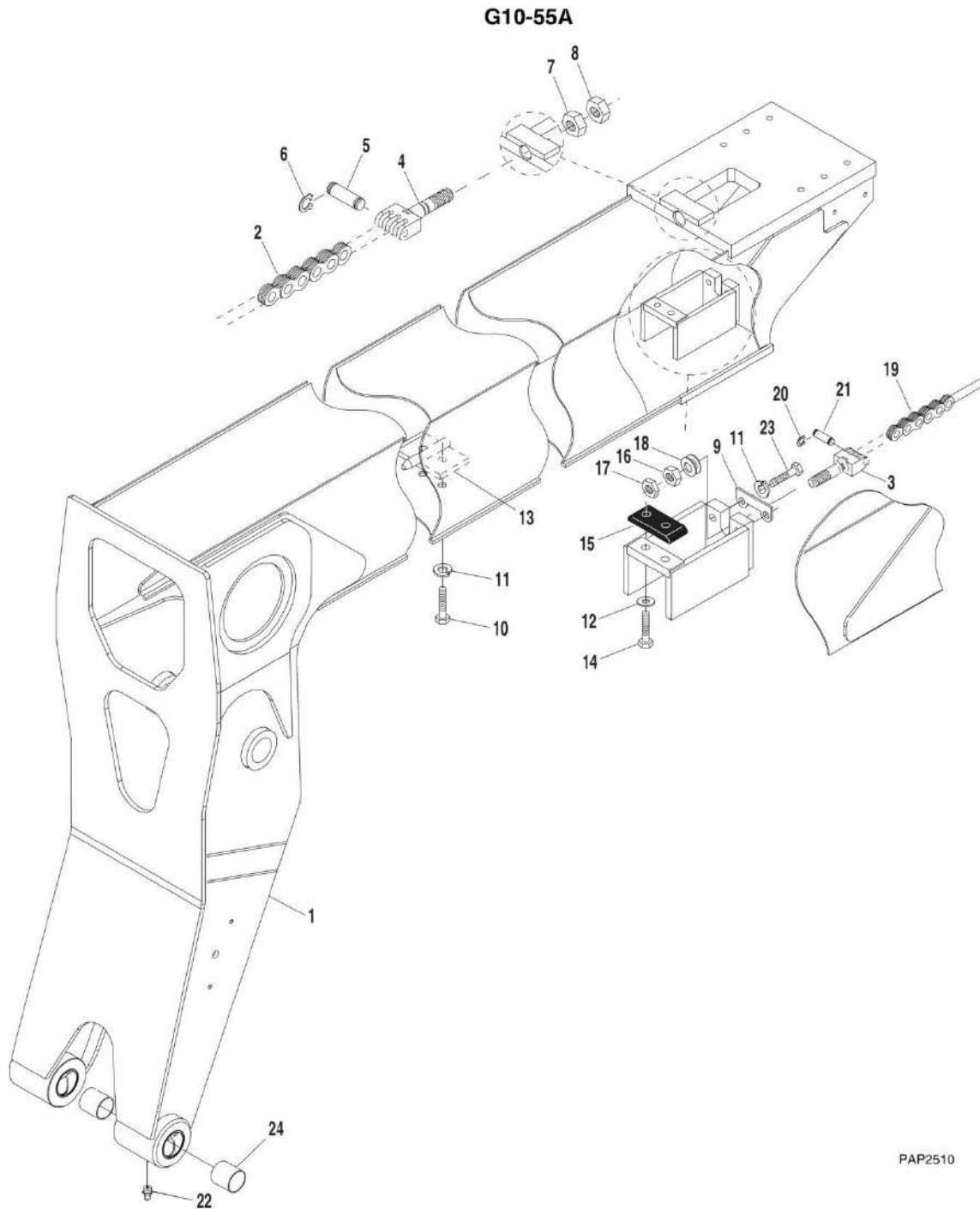
SECTION 2 - BOOM

FIGURE 2-12. BEARINGS, PADS, SPACERS AND SHIMS, (THIRD BOOM SECTION) G12-55A

ITEM	PART NUMBER	QTY	DESCRIPTION	REV
1		Ref	THIRD BOOM SECTION, (G12-55A), (See THIRD BOOM SECTION G12-55A for details)	
2	91161169	1	WEAR PAD SUPPORT	
3	0642008	2	HEX HD CAPSCREW, 5/8-11X1, GR5	
4	4892000	2	HARDENED WASHER, 5/8	
5	91561108	2	THIRD TOP FRT PAD SUPPORT	
6	91033189	2	BEARING PAD	
7	91031236	8	SPACER, 0.0598	
8	90205870	AR	SHIM, 0.0598	
9	4761800	2	LOCKWASHER, 1/2	
10	0641816	AR	HEX HD CAPSCREW, 1/2-13X2, GR5, (torque to 76-86 lb-ft)	
11	91161248	4	HEX HD CAPSCREW, 3/8-24X3/4, (hollow), (torque to 15-17 lb-ft)	
12	0651605	10	HEX HD CAPSCREW, 3/8-24X5/8, GR5, (torque to 32-37 lb-ft), (as required)	
12	0651606	AR	HEX HD CAPSCREW, 3/8-24X3/4, GR5, (torque to 32-37 lb-ft)	
12	0651607	AR	HEX HD CAPSCREW, 3/8-24X7/8, GR5, (torque to 32-37 lb-ft)	
13	4891600	18	WASHER, 3/8	
14	0651620	4	HEX HD CAPSCREW, 3/8-24X2-1/2, GR5, (torque to 32-37 lb-ft), (as required)	
14	0651622	AR	HEX HD CAPSCREW, 3/8-24X2-3/4, GR5, (torque to 32-37 lb-ft)	
14	0651624	AR	HEX HD CAPSCREW, 3/8-24X3, GR5, (torque to 32-37 lb-ft)	
15	91163188	2	BEARING PAD	
16	1001117652	4	BEARING PAD	
17	91141303	6	SPACER, 0.0598	
18	91141302	AR	SHIM, 0.0598	
19	90027471	18	HARDENED WASHER, 1/2	
20	0651807	6	HEX HD CAPSCREW, 1/2-20X7/8, GR5, (torque to 76-86 lb-ft), (as required)	
20	0651808	AR	HEX HD CAPSCREW, 1/2-20X1, GR5, (torque to 76-86 lb-ft)	
20	0651810	AR	HEX HD CAPSCREW, 1/2-20X1-1/4, GR5, (torque to 76-86 lb-ft)	
21	91033186	4	BEARING PAD	
22	91161277	2	HEX HD CAPSCREW, 1/2-20X2, (hollow), (torque to 45-50 lb-ft)	
23	0651814	8	HEX HD CAPSCREW, 1/2-20X1-3/4, GR5, (torque to 76-86 lb-ft), (as required)	
23	0651816	AR	HEX HD CAPSCREW, 1/2-20X2, GR5, (torque to 76-86 lb-ft)	
23	0651818	AR	HEX HD CAPSCREW, 1/2-20X2-1/4, GR5, (torque to 76-86 lb-ft)	
24	88671027	6	LUBE FITTING, 90, 1/4-28	
25	91563161	2	HEX HD CAPSCREW, 1/2-20X2-1/4, (hollow), (torque to 45-50 lb-ft)	
26	91563028	2	BEARING PAD (Prior to SN 0160038538)	
26	1001117660	2	BEARING PAD (SN 0160038538 to Present)	
27	0651618	4	HEX HD CAPSCREW, 3/8-24X2-1/4, GR5, (torque to 32-37 lb-ft), (as required)	
27	0651620	AR	HEX HD CAPSCREW, 3/8-24X2-1/2, GR5, (torque to 32-37 lb-ft)	
27	0651622	AR	HEX HD CAPSCREW, 3/8-24X2-3/4, GR5, (torque to 32-37 lb-ft)	

SECTION 2 - BOOM

FIGURE 2-13. FOURTH BOOM SECTION G10-55A



PAP2510

NOTE:

1. USE LOCTITE® 242™ (0100011) ON ALL BOLT THREADS AND JAM NUTS.
2. COAT STATIC, NON-ROTATING, PIN BORES WITH MOLY-PASTE (3020040). DO NOT COAT THE PIN OR ANY ROTATING PARTS.
3. COAT ALL BUSHINGS, SHEAVES, AND ROTATING PIN BORES WITH MYSTIK TETRIMOLY GREASE (14404793) PRIOR TO INSTALLATION OF THE PIN.

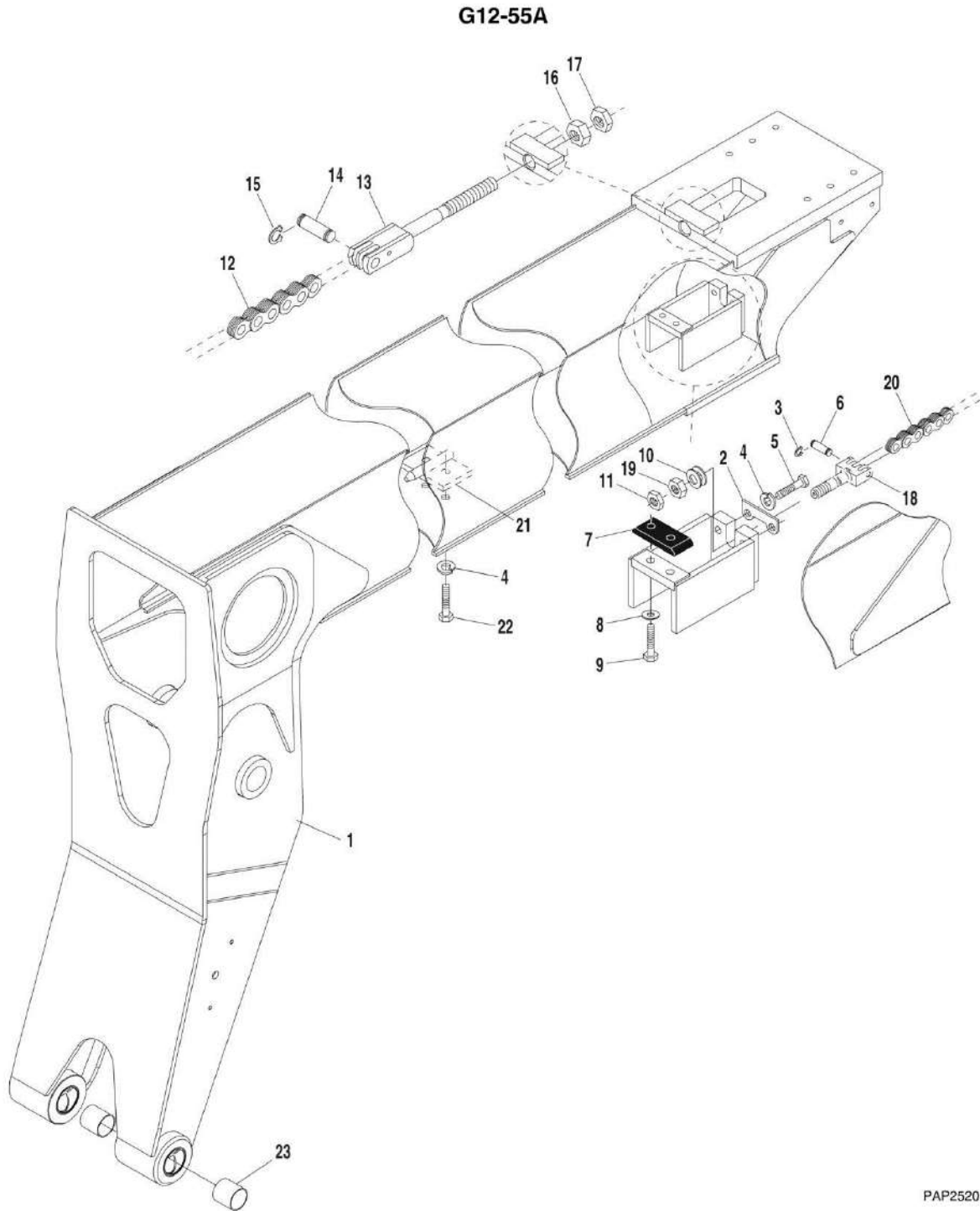
SECTION 2 - BOOM

FIGURE 2-13. FOURTH BOOM SECTION G10-55A

ITEM	PART NUMBER	QTY	DESCRIPTION	REV
1	1001103314	1	FOURTH BOOM SECTION, (G10-55A Prior to SN 0160037689; Excluding 0160034699)	D, 3
1	1001103339	1	FOURTH BOOM SECTION, (G10-55A SN 0160037689 through 0160038486; Including 0160038505 and 0160038507, Excluding 0160038324, 0160038489 and 0160038493)	F
1	1001113745	1	FOURTH BOOM SECTION, (G10-55A SN 0160038500 to Present; Including 0160038324, 0160038489 and 0160038493, Excluding 0160038505 and 0160038507)	C
2	91163036	1	EXTEND CHAIN, BL 866	
3	1360293	1	CLEVIS, BL 666	
4	1360297	1	CLEVIS, BL 866	
5	91413122	1	CHAIN PIN	
6	88581112	2	RETAINING RING, 3/8	
7	88501314	1	HEX NUT, 7/8-14	
8	88501414	1	HEX JAM NUT, 7/8-14, (torque to 100 lb-ft)	
9	91161180	1	KEEPER PLATE	
10	0641608	2	HEX HD CAPSCREW, 3/8-16X1, GR5	
11	4761600	4	LOCKWASHER, 3/8	
12	4891600	2	HARDENED WASHER, 3/8	
13	91166039	1	BRACKET	
14	0651612	2	HEX HD CAPSCREW, 3/8-24X1-1/2, GR5	
15	91033187	1	BEARING PAD	
16	88501312	1	HEX NUT, 3/4-16	
17	88501412	1	HEX JAM NUT, 3/4-16, (torque to 100 lb-ft)	
18	4892200	2	HARDENED WASHER, 3/4	
19		Ref	RETRACT CHAIN, BL 866, (See THIRD BOOM SECTION G10-55A for details)	
20	88681344	2	RETAINING RING, 5/16	
21	91413129	1	CHAIN PIN	
22	88671001	2	LUBE FITTING, STRAIGHT, 1/8	
23	0641606	2	HEX HD CAPSCREW, 3/8-16X3/4, GR5	
24	91563243	4	BUSHING	

SECTION 2 - BOOM

FIGURE 2-14. FOURTH BOOM SECTION G12-55A



PAP2520

NOTE:

1. USE LOCTITE® 242™ (0100011) ON ALL BOLT THREADS AND JAM NUTS.
2. COAT STATIC, NON-ROTATING, PIN BORES WITH MOLY-PASTE (3020040). DO NOT COAT THE PIN OR ANY ROTATING PARTS.
3. COAT ALL BUSHINGS, SHEAVES, AND ROTATING PIN BORES WITH MYSTIK TETRIMOLY GREASE (14404793) PRIOR TO INSTALLATION OF THE PIN.

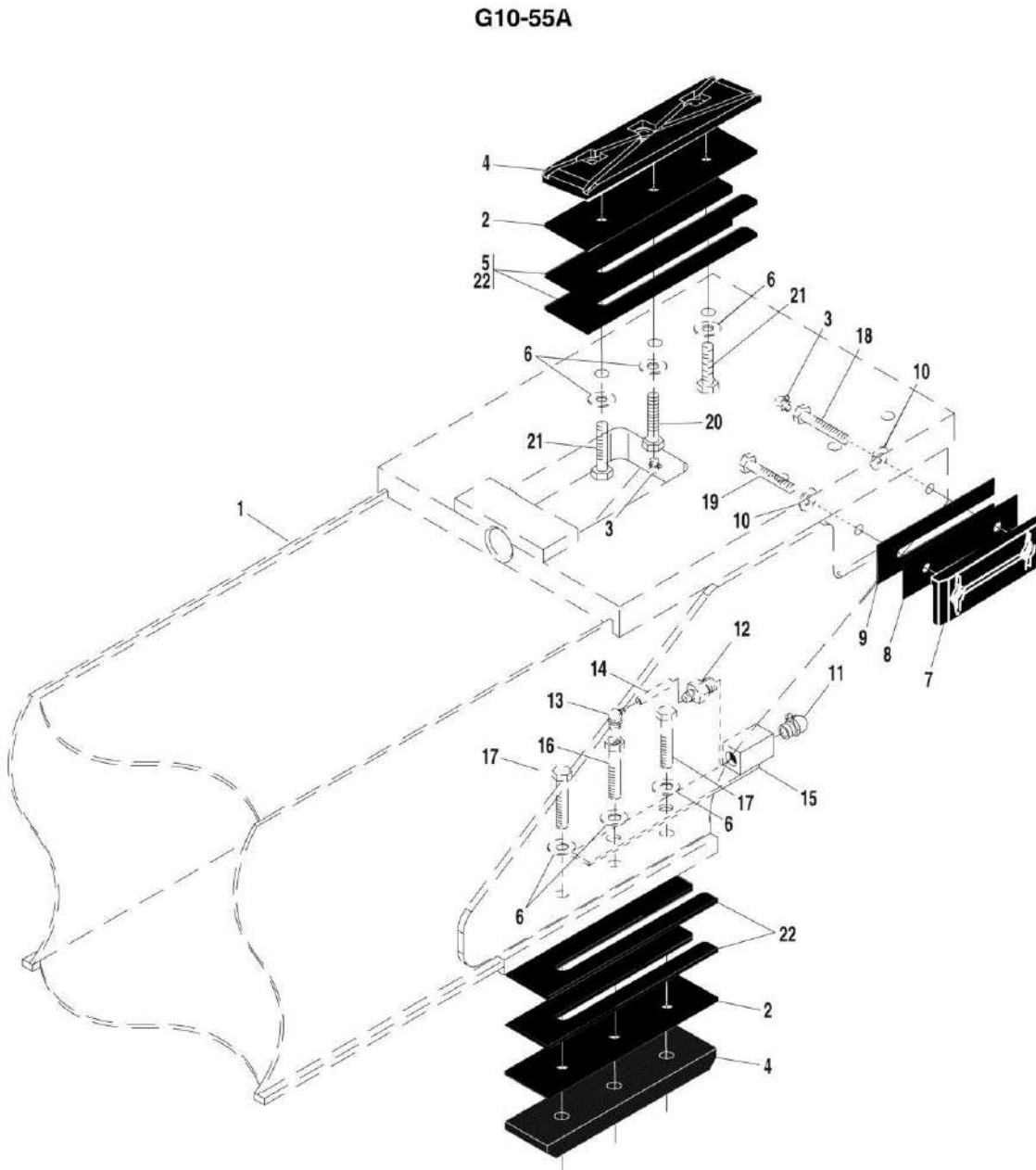
SECTION 2 - BOOM

FIGURE 2-14. FOURTH BOOM SECTION G12-55A

ITEM	PART NUMBER	QTY	DESCRIPTION	REV
1	1001103313	1	FOURTH BOOM SECTION, (G12-55A Prior to SN 0160037689)	D, 3
1	1001102832	1	FOURTH BOOM SECTION, (G12-55A SN 0160037689 through 0160038533)	E
1	1001114008	1	FOURTH BOOM SECTION, (G12-55A SN 0160038538 to Present)	D
2	91161180	1	KEEPER	
3	88581112	2	RETAINING RING, 3/8	
4	4761600	4	LOCKWASHER, 3/8	
5	0641606	2	HEX HD CAPSCREW, 3/8-16X3/4, GR5	
6	91413122	1	CHAIN PIN	
7	91033187	1	BEARING PAD	
8	4891600	2	HARDENED WASHER, 3/8	
9	0651612	2	HEX HD CAPSCREW, 3/8-24X1-1/2, GR5	
10	4892400	2	HARDENED WASHER, 7/8	
11	88501414	1	HEX JAM NUT, 7/8-14, (torque to 100 lb-ft)	
12	91563035	1	EXTEND CHAIN, BL 1066	
13	1360300	1	CLEVIS, BL 1066	
14	91513176	1	CHAIN PIN	
15	88581115	2	RETAINING RING, 7/16	
16	3313001	1	HEX NUT, 1-1/4	
17	3313002	1	HEAVY HEX JAM NUT, 1-1/4-7, (torque to 100 lb-ft)	
18	1360297	1	CLEVIS, BL 866	
19	88501314	1	HEX NUT, 7/8-14	
20		Ref	RETRACT CHAIN, BL 866, (See THIRD BOOM SECTION G12-55A for details)	
21	91166039	1	BRACKET	
22	0641608	2	HEX HD CAPSCREW, 3/8-16X1, GR5	
23	91563243	4	BUSHING	

SECTION 2 - BOOM

FIGURE 2-15. BEARINGS, PADS, SPACERS AND SHIMS, (FOURTH BOOM SECTION) G10-55A



PAP2660

NOTE:

1. WEAR PAD SHIMMING:

- a) WHENEVER A SHIM IS USED WITH A PAD, A SPACER WITH HOLES MUST BE INSERTED BETWEEN PAD AND SHIM.
 - b) THE WEAR PAD OR WEAR PAD INSERT MUST NOT SIT DIRECTLY ON THE SLOTTED SURFACE OF SHIMS.
 - c) ADD BEARING PAD SHIMS AND SPACERS AS REQUIRED TO SHIM BOOM TO MAINTAIN A TOTAL MINIMUM GAP OF 0.070 TO 0.130 IN BOTH HORIZONTAL AND VERTICAL DIRECTIONS.
 - d) BEARING PAD BOLTS REQUIRE ONE HARDENED WASHER. HOWEVER, UP TO (2) HARDENED WASHERS MAY BE USED EXCEPT WHERE NOTED OTHERWISE. UNDER NO CIRCUMSTANCES SHOULD MORE THAN (2) HARDENED WASHERS EVER BE USED.
 - e) THE LENGTH OF PAD BOLTS DEPENDS ON THE NUMBER OF SHIMS USED. THE BOLT CANNOT EXTEND PAST CHAMFER ON BEARING PAD.
- 2. ADD MYSTIK TETRIMOLY GREASE (14404793) TO ALL BEARING PADS AND ALL BEARING PAD SLIDE PATHWAYS. IF APPLICABLE, THIS INCLUDES ALL PAD GREASE FITTINGS AT THE REAR OF BOOM.**

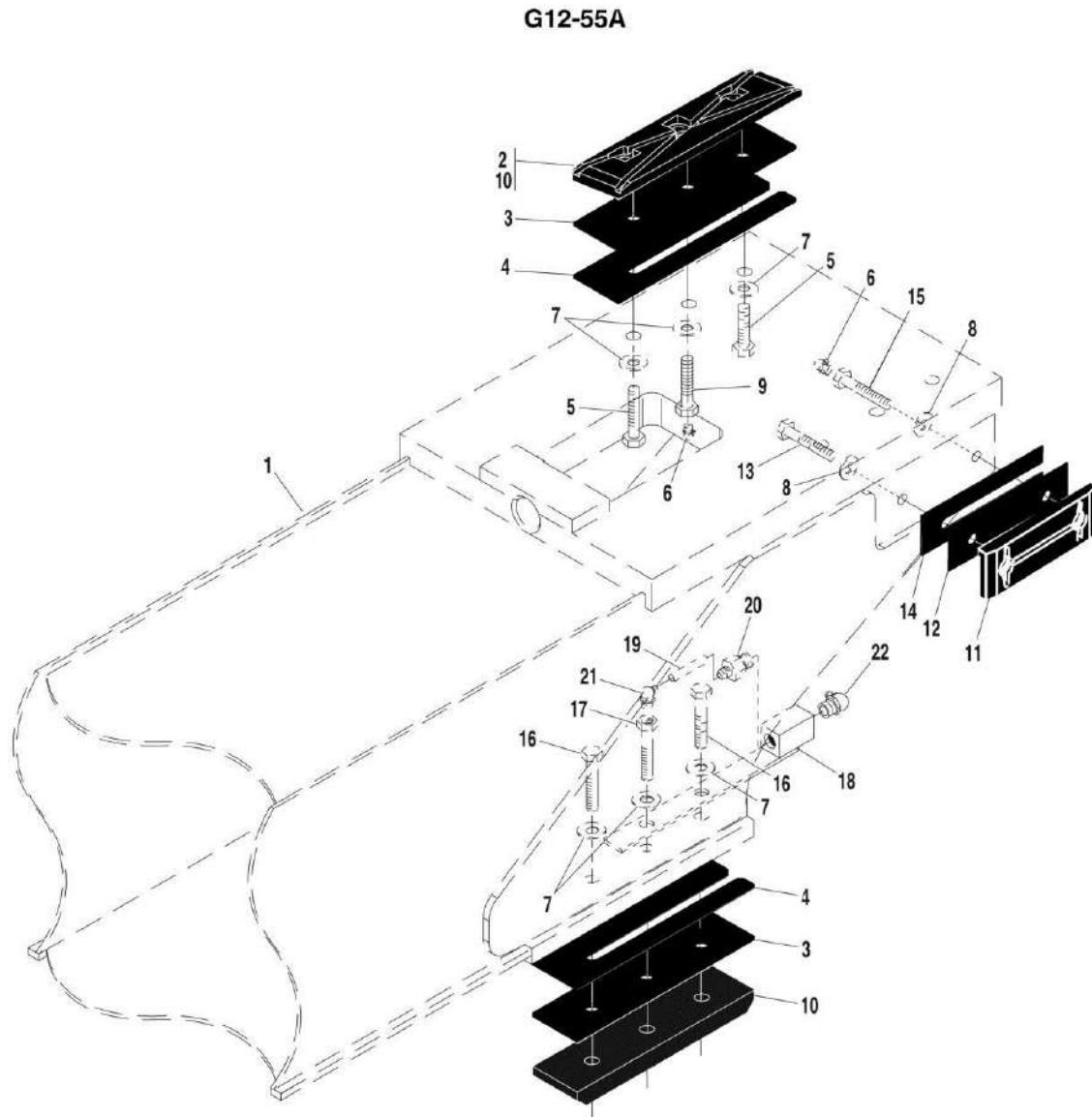
SECTION 2 - BOOM

FIGURE 2-15. BEARINGS, PADS, SPACERS AND SHIMS, (FOURTH BOOM SECTION) G10-55A

ITEM	PART NUMBER	QTY	DESCRIPTION	REV
1		Ref	FOURTH BOOM SECTION, (G10-55A), (See FOURTH BOOM SECTION G10-55A for details)	
2	91141303	4	SPACER, 0.0598	
3	88671027	4	LUBE FITTING, 90, 1/4-28	
4	1001117652	4	BEARING PAD	
5	91161184	AR	SHIM, 0.0598	
6	90027471	12	HARDENED WASHER, 1/2	
7	91163188	2	BEARING PAD	
8	91031236	2	SPACER, 0.0598	
9	90205870	AR	SHIM, 0.0598	
10	4891600	4	HARDENED WASHER, 3/8	
11	88671018	8	LUBE FITTING, 45, 1/8	
12	86881273	2	TUBE FITTING	
13	86881276	2	TUBE FITTING	
14	72088049	15 in	NYLON TUBING, 1/4	
15	91166065	2	BRACKET	
16	91161274	2	HEX HD CAPSCREW, 1/2-20X1-3/4, (hollow), (torque to 45-50 lb-ft)	
17	0651812	4	HEX HD CAPSCREW, 1/2-20X1-1/2, GR5, (torque to 76-86 lb-ft), (as required)	
17	0651814	AR	HEX HD CAPSCREW, 1/2-20X1-3/4, GR5, (torque to 76-86 lb-ft)	
18	91161248	2	HEX HD CAPSCREW, 3/8-24X3/4, (hollow), (torque to 15-17 lb-ft)	
19	0651605	2	HEX HD CAPSCREW, 3/8-24X5/8, GR5, (torque to 32-37 lb-ft), (as required)	
19	0651606	AR	HEX HD CAPSCREW, 3/8-24X3/4, GR5, (torque to 32-37 lb-ft)	
19	0651607	AR	HEX HD CAPSCREW, 3/8-24X7/8, GR5, (torque to 32-37 lb-ft)	
20	91161277	2	HEX HD CAPSCREW, 1/2-20X2, (hollow), (torque to 45-50 lb-ft), (as required)	
20	91161221	AR	HEX HD CAPSCREW, 1-2-20X1-3/4, (hollow), (torque to 45-50 lb-ft)	
21	0651814	4	HEX HD CAPSCREW, 1/2-20X1-3/4, GR5, (torque to 76-86 lb-ft), (as required)	
21	0651816	AR	HEX HD CAPSCREW, 1/2-20X2, GR5, (torque to 76-86 lb-ft)	
22	91141302	AR	SHIM, 0.0598	

SECTION 2 - BOOM

FIGURE 2-16. BEARINGS, PADS, SPACERS AND SHIMS, (FOURTH BOOM SECTION) G12-55A



NOTE:

PAP2640

1. WEAR PAD SHIMMING:

- a) WHENEVER A SHIM IS USED WITH A PAD, A SPACER WITH HOLES MUST BE INSERTED BETWEEN PAD AND SHIM.
 - b) THE WEAR PAD OR WEAR PAD INSERT MUST NOT SIT DIRECTLY ON THE SLOTTED SURFACE OF SHIMS.
 - c) ADD BEARING PAD SHIMS AND SPACERS AS REQUIRED TO SHIM BOOM TO MAINTAIN A TOTAL MINIMUM GAP OF 0.070 TO 0.130 IN BOTH HORIZONTAL AND VERTICAL DIRECTIONS.
 - d) BEARING PAD BOLTS REQUIRE ONE HARDENED WASHER. HOWEVER, UP TO (2) HARDENED WASHERS MAY BE USED EXCEPT WHERE NOTED OTHERWISE. UNDER NO CIRCUMSTANCES SHOULD MORE THAN (2) HARDENED WASHERS EVER BE USED.
 - e) THE LENGTH OF PAD BOLTS DEPENDS ON THE NUMBER OF SHIMS USED. THE BOLT CANNOT EXTEND PAST CHAMFER ON BEARING PAD.
- 2. ADD MYSTIK TETRIMOLY GREASE (14404793) TO ALL BEARING PADS AND ALL BEARING PAD SLIDE PATHWAYS. IF APPLICABLE, THIS INCLUDES ALL PAD GREASE FITTINGS AT THE REAR OF BOOM.**

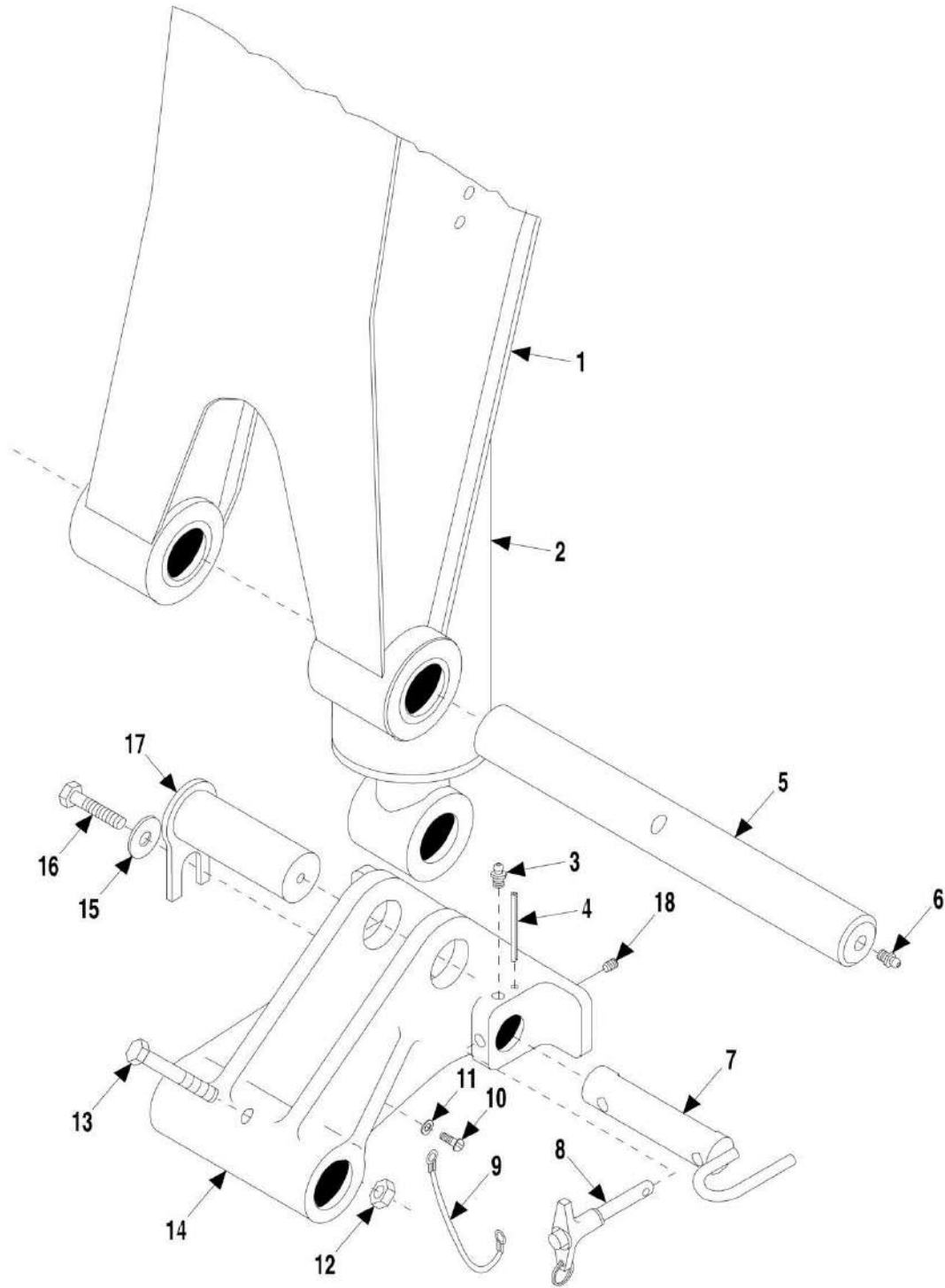
SECTION 2 - BOOM

FIGURE 2-16. BEARINGS, PADS, SPACERS AND SHIMS, (FOURTH BOOM SECTION) G12-55A

ITEM	PART NUMBER	QTY	DESCRIPTION	REV
1		Ref	FOURTH BOOM SECTION, (G12-55A), (See FOURTH BOOM SECTION G12-55A for details)	
2	1001117660	2	BEARING PAD	
3	91141303	4	SPACER, 0.0598	
4	91141302	AR	SHIM, 0.0598	
5	0651818	4	HEX HD CAPSCREW, 1/2-20X2-1/4, GR5, (torque to 76-86 lb-ft), (as required)	
5	0651820	AR	HEX HD CAPSCREW, 1/2-20X2-1/2, GR5, (torque to 76-86 lb-ft)	
5	0651822	AR	HEX HD CAPSCREW, 1/2-20X2-3/4, GR5, (torque to 76-86 lb-ft)	
6	88671027	4	LUBE FITTING, 90, 1/4-28	
7	90027471	12	HARDENED WASHER, 1/2	
8	4891600	4	HARDENED WASHER, 3/8	
9	91563161	2	HEX HD CAPSCREW, 1/2-20X2-1/4, (hollow), (torque to 45-50 lb-ft)	
10	1001117652	4	BEARING PAD	
11	91163188	2	BEARING PAD	
12	91031236	2	SPACER, 0.0598	
13	0651605	2	HEX HD CAPSCREW, 3/8-24X5/8, GR5, (torque to 32-37 lb-ft), (as required)	
13	0651606	AR	HEX HD CAPSCREW, 3/8-24X3/4, GR5, (torque to 32-37 lb-ft)	
13	0651607	AR	HEX HD CAPSCREW, 3/8-24X7/8, GR5, (torque to 32-37 lb-ft)	
14	90205870	AR	SHIM, 0.0598	
15	91161248	2	HEX HD CAPSCREW, 3/8-24X3/4, (hollow), (torque to 15-17 lb-ft)	
16	0651812	4	HEX HD CAPSCREW, 1/2-20X1-1/2, GR5, (torque to 76-86 lb-ft), (as required)	
16	0651814	AR	HEX HD CAPSCREW, 1/2-20X1-3/4, GR5, (torque to 76-86 lb-ft)	
17	91161274	2	HEX HD CAPSCREW, 1/2-20X1-3/4, (hollow), (torque to 45-50 lb-ft)	
18	91166065	2	BRACKET	
19	72088049	15 in	NYLON TUBING, 1/4	
20	86881273	2	STRAIGHT BRASS AIR FITTING, 1/8-27	
21	86881276	2	BRASS AIR FITTING, 90, 1/8-27	
22	88671018	2	GREASE FITTING, 45	

SECTION 2 - BOOM

FIGURE 2-17. QUICK SWITCH ASSEMBLY (Prior to SN 0160037689)



NOTE:
1. USE LOCTITE® 240™ (0100011) ON ALL BOLT THREADS.

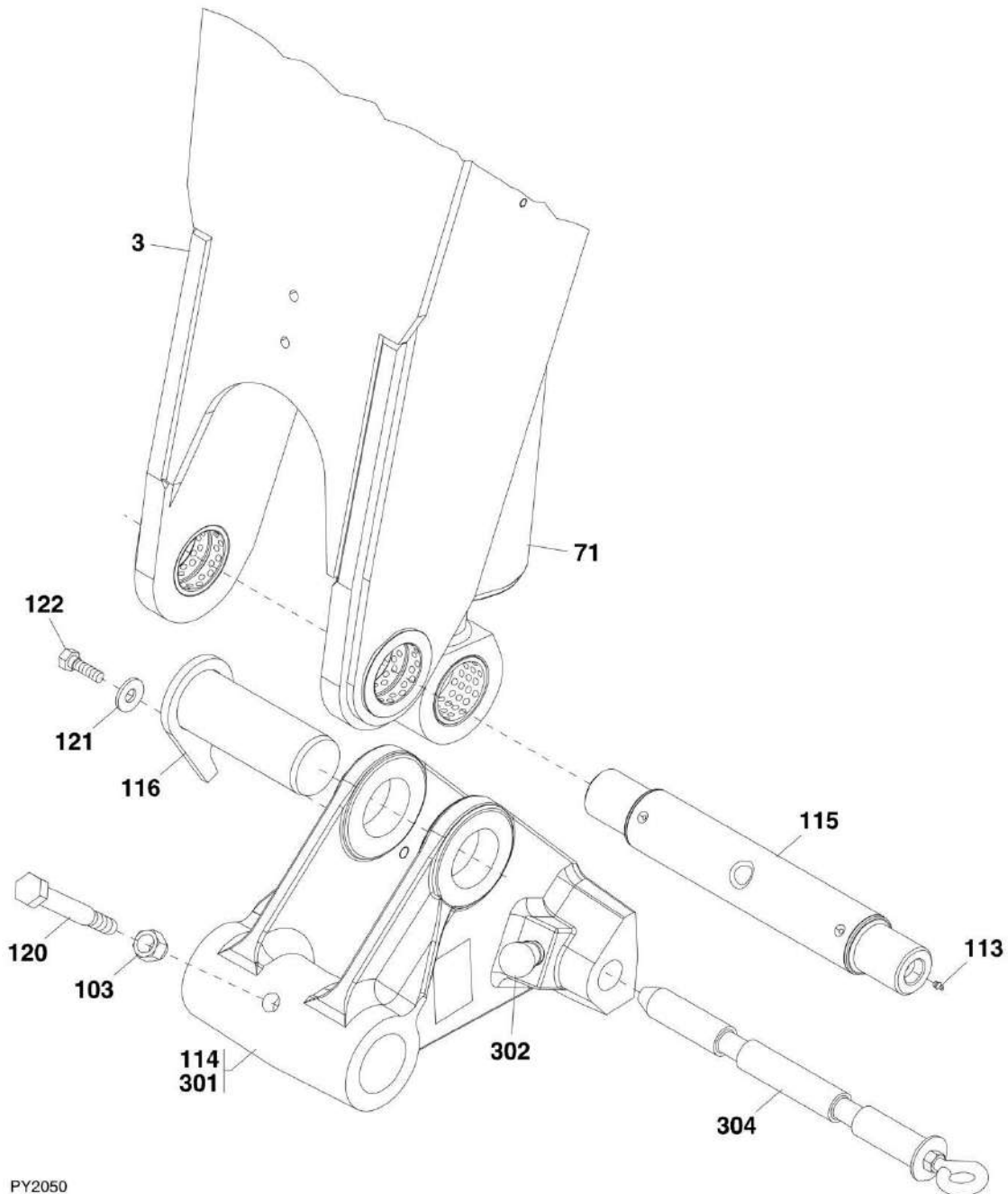
SECTION 2 - BOOM

FIGURE 2-17. QUICK SWITCH ASSEMBLY (Prior to SN 0160037689)

ITEM	PART NUMBER	QTY	DESCRIPTION	REV
1	91405032	1	QUICK SWITCH ASSY, (includes items 3, 4, 7 thru 11, 14 & 18)	F
		Ref	FOURTH BOOM SECTION, (See FOURTH BOOM SECTION G10-55A for details)	
2		Ref	TILT CYLINDER, (See HYDRAULIC COMPONENT SECTION for details)	
3	88671008	1	LUBE FITTING, STRAIGHT, 1/4-28	
4	3440832	1	ROLL PIN, 1/4X2	
5	91403020	1	HEAD PIN	
6	N.S.S.	2	LUBE FITTING	
7	91403404	1	QUICK SWITCH PIN	
8	91403407	1	QUICK RELEASE PIN	
9	91403411	1	TETHER CABLE	
10	88301193	1	ROUND HD MACHINE SCREW, #10-32X1/2	
11	88561105	1	FLAT WASHER, #10	
12	88521012	1	HEX LOCKNUT, 3/4-10	
13	0682244	1	HEX HD CAPSCREW, 3/4-10X5-1/2, GR8	
14	91403060	1	QUICK SWITCH CASTING	
15	8310308	1	FLAT WASHER, 1/2	
16	0641812	1	HEX HD CAPSCREW, 1/2-13X1-1/2, GR5	
17	91403405	1	PIN WELDMENT	
18	88221276	1	SOCKET SET SCREW, (flat point), 1/2-13X1/2	

SECTION 2 - BOOM

FIGURE 2-18. QUICK SWITCH ASSEMBLY (SN 0160037689 to Present)



PY2050

NOTE:

1. USE LOCTITE® 242™ (0100011) ON ALL BOLT THREADS.
2. COAT STATIC, NON-ROTATING, PIN BORES WITH MOLY-PASTE (3020040). DO NOT COAT THE PIN OR ANY ROTATING PARTS.
3. COAT ALL BUSHINGS, SHEAVES, AND ROTATING PIN BORES WITH MYSTIK TETRAMOLY GREASE (14404793) PRIOR TO INSTALLATION OF THE PIN.
4. TILT CYLINDER/QUICK SWITCH SHIMMING:
 - a) SHIM EQUALLY ON BOTH SIDES TO A MAXIMUM TOTAL CLEARANCE OF 0.090.
 - b) IF THERE IS AN UNEVEN QUANTITY OF SHIMS, PLACE THE ODD SHIM ON THE RH SIDE.
 - c) DO NOT SHIM TIGHT.
5. USE LOCTITE® 242™ (0100011) ON KNURLED NUT THREADS AND TIGHTEN INTO QUICK SWITCH CASTING.

SECTION 2 - BOOM

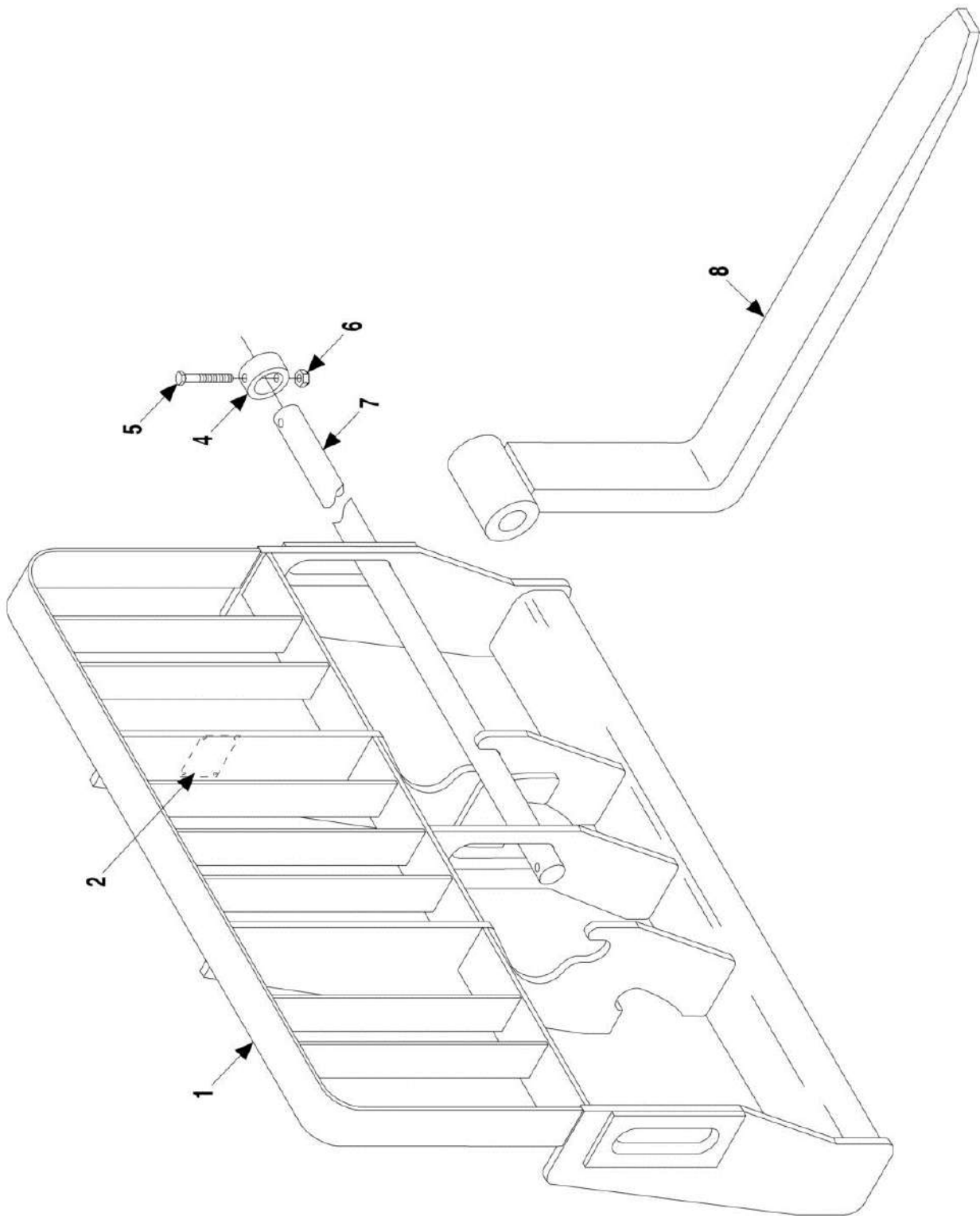
FIGURE 2-18. QUICK SWITCH ASSEMBLY (SN 0160037689 to Present)

ITEM	PART NUMBER	QTY	DESCRIPTION	REV
3		Ref	FOURTH BOOM SECTION, (See FOURTH BOOM SECTION G10-55A for details)	
71		Ref	TILT CYLINDER, (See HYDRAULIC COMPONENT SECTION for details)	
103	8310067	1	LOCKNUT, 3/4-10	
113	2160002	2	GREASE FITTING, (straight)	
114	1001098382	1	QUICK SWITCH COUPLING ASSY, (includes items 301 thru 304)	E
115	1001098233	1	PIVOT PIN	
115	8307916	AR	WASHER, SHIM, (not shown)	
115	8307917	AR	WASHER, SHIM, (not shown)	
116	1001098218	1	PIN WELDMENT	
116	8307916	AR	WASHER, SHIM, (not shown)	
116	8307917	AR	WASHER, SHIM, (not shown)	
120	0682244	1	HEX HD CAPSCREW, 3/4-10X5-1/2, GR8	
121	4740003	1	WASHER, 1/2	
122	0641808	1	HEX HD CAPSCREW, 1/2-13X1, GR5	
301	1001098174	1	QUICK SWITCH COUPLER	
302	1001143692	1	POPPIN PIN ASSY	
304	1001105441	1	QUICK SWITCH LOCK PIN	

SECTION 3 - ATTACHMENTS

SECTION 3 - ATTACHMENTS

FIGURE 3-1. TILT CARRIAGE (G10-55A Prior to SN 0160023810; G12-55A Prior to SN 0160024183)



PY1950

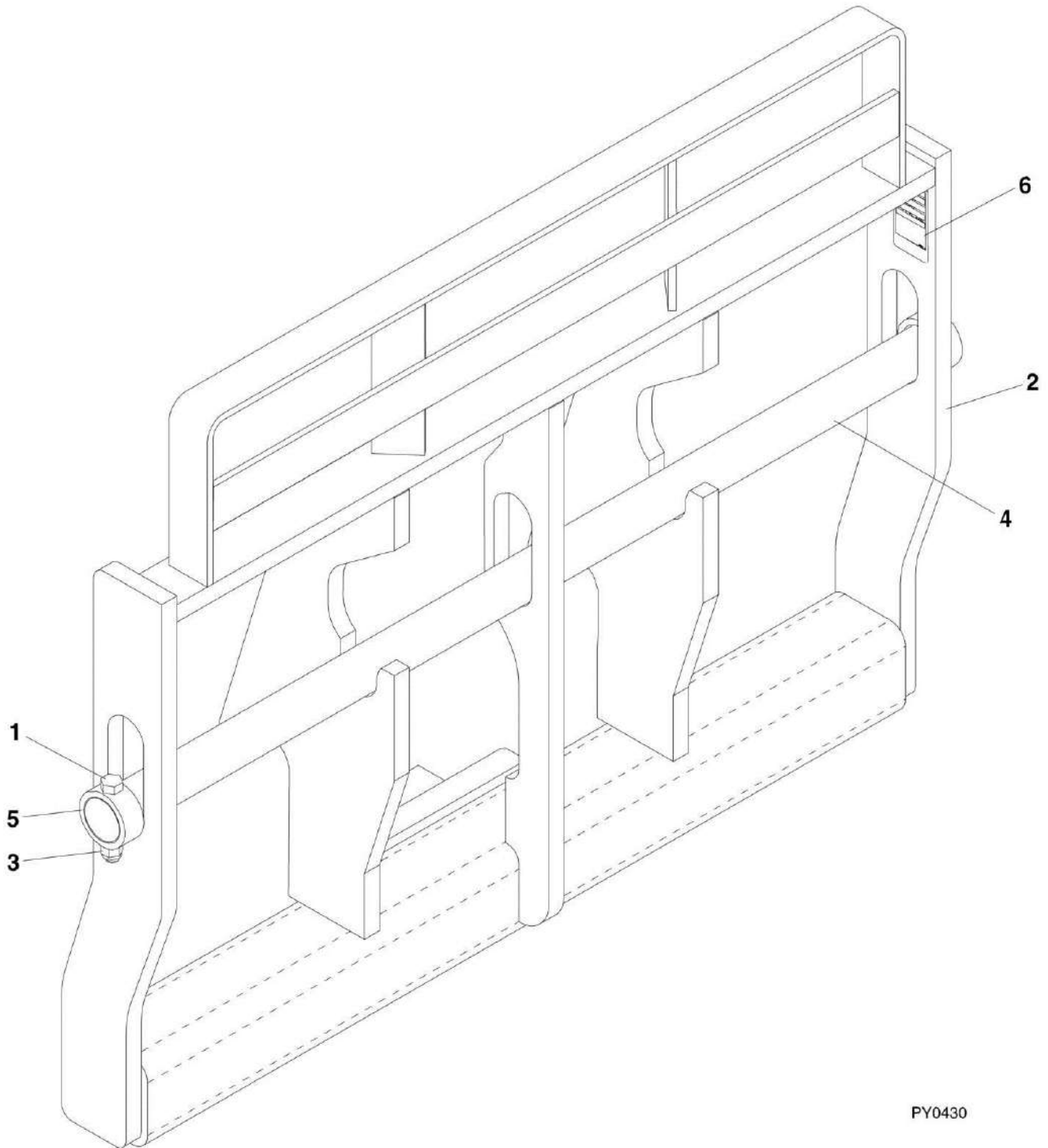
SECTION 3 - ATTACHMENTS

FIGURE 3-1. TILT CARRIAGE (G10-55A Prior to SN 0160023810; G12-55A Prior to SN 0160024183)

ITEM	PART NUMBER	QTY	DESCRIPTION	REV
1	N.S.S.	1	48 IN CARRIAGE WELDMENT	
1	N.S.S.	1	72 IN CARRIAGE WELDMENT	
2	N.S.S.	1	S/N PLATE	
4	90200003	2	COLLAR	
5	88201105	2	HEX HD CAPSCREW, 5/8-11X4, GR5	
6	88521310	2	HEX LOCKNUT, 5/8-11	
7	91401303	1	FORK PIN, (48 in carriage)	
7	91401324	1	FORK PIN, (72 in carriage)	
8		Ref	FORK, (See FORKS for details)	

SECTION 3 - ATTACHMENTS

FIGURE 3-2. TILT CARRIAGE (G10-55A SN 0160023810 to Present; G12-55A SN 0160024183 to Present)



PY0430

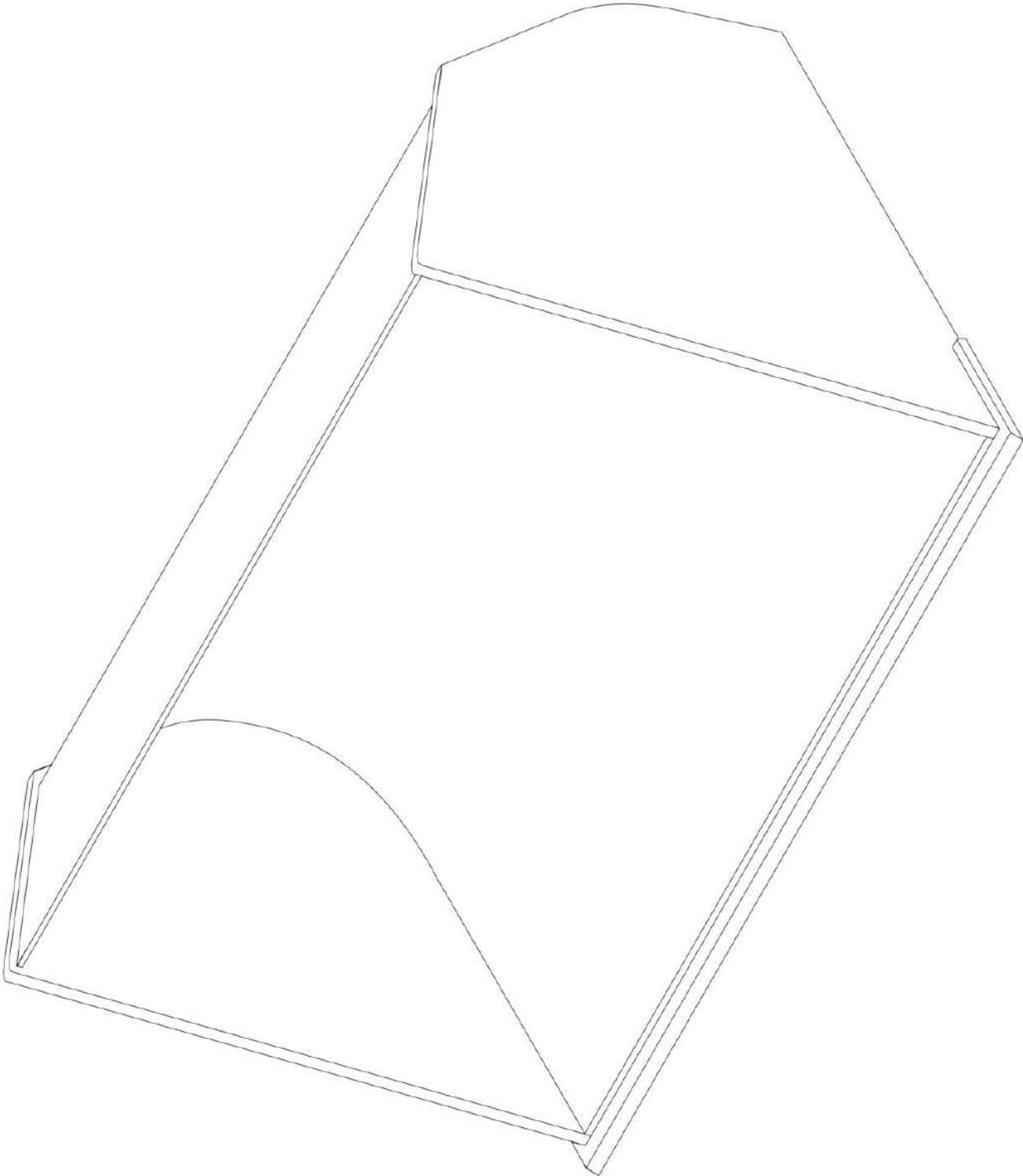
SECTION 3 - ATTACHMENTS

FIGURE 3-2. TILT CARRIAGE (G10-55A SN 0160023810 to Present; G12-55A SN 0160024183 to Present)

ITEM	PART NUMBER	QTY	DESCRIPTION	REV
	1170019	1	50 IN TILT CARRIAGE, (includes all items) (Prior to SN 0160037689)	C
	1170021	1	50 IN TILT CARRIAGE, (includes all items) (SN 0160037689 to Present)	D
	1170022	1	60 IN TILT CARRIAGE, (includes all items) (Prior to SN 0160037689)	C
	1170024	1	60 IN TILT CARRIAGE, (includes all items) (SN 0160037689 to Present)	D
	1170025	1	72 IN TILT CARRIAGE, (includes all items) (Prior to SN 0160037689)	C
	1170027	1	72 IN TILT CARRIAGE, (includes all items) (SN 0160037689 to Present)	D
1	0642032	2	HEX HD CAPSCREW, 5/8-11X4, GR5	
2	N.S.S.	1	TILT CARRIAGE	
3	3300240	2	LOCKNUT, 5/8-11	
4	3423275	1	50 IN FORK PIN	
4	3423242	1	60 IN FORK PIN	
4	3423276	1	72 IN FORK PIN	
5	90200003	2	COLLAR	
6	N.S.S.	1	S/N PLATE	

SECTION 3 - ATTACHMENTS

FIGURE 3-3. BUCKETS



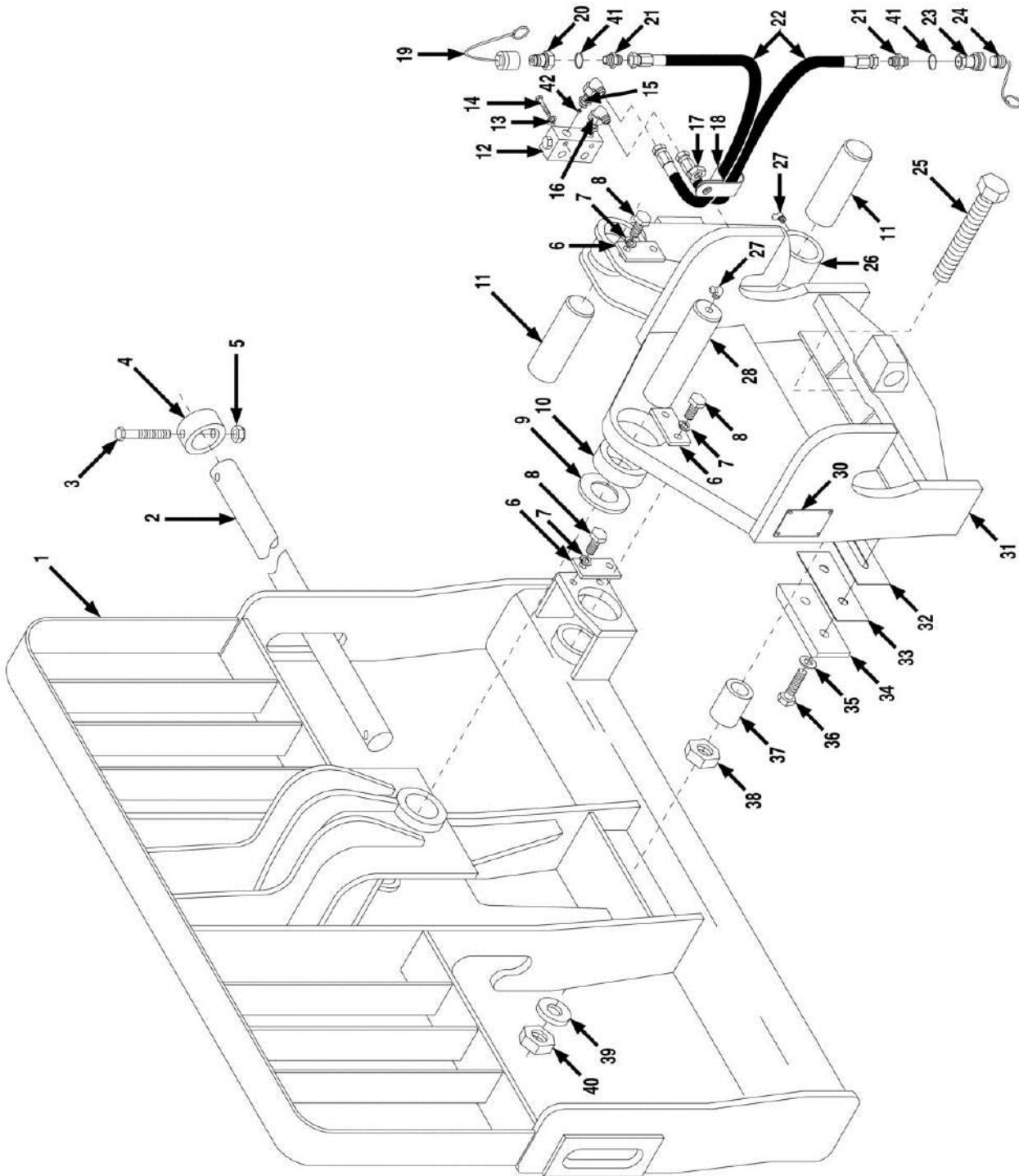
SECTION 3 - ATTACHMENTS

FIGURE 3-3. BUCKETS

ITEM	PART NUMBER	QTY	DESCRIPTION	REV
	91405054	1	60 IN BUCKET, 3/4 ³ YARD (Prior to SN 0160037689)	E
	1001100822	1	72 IN BUCKET, 1.0 ³ YARD (SN 0160037689 to Present)	B
	91405055	1	74 IN BUCKET, 1-1/4 ³ YARD (Prior to SN 0160037689)	E
	1001100823	1	96 IN BUCKET, 1.5 ³ YARD (SN 0160037689 to Present)	B
	91405071	1	102 IN BUCKET, 1-1/4 ³ YARD (Prior to SN 0160037689)	G
	1001100824	1	102 IN BUCKET, 2.0 ³ YARD (SN 0160037689 to Present)	B

SECTION 3 - ATTACHMENTS

FIGURE 3-4. SIDE TILT CARRIAGE (Prior to SN 0160037689)



PY1760

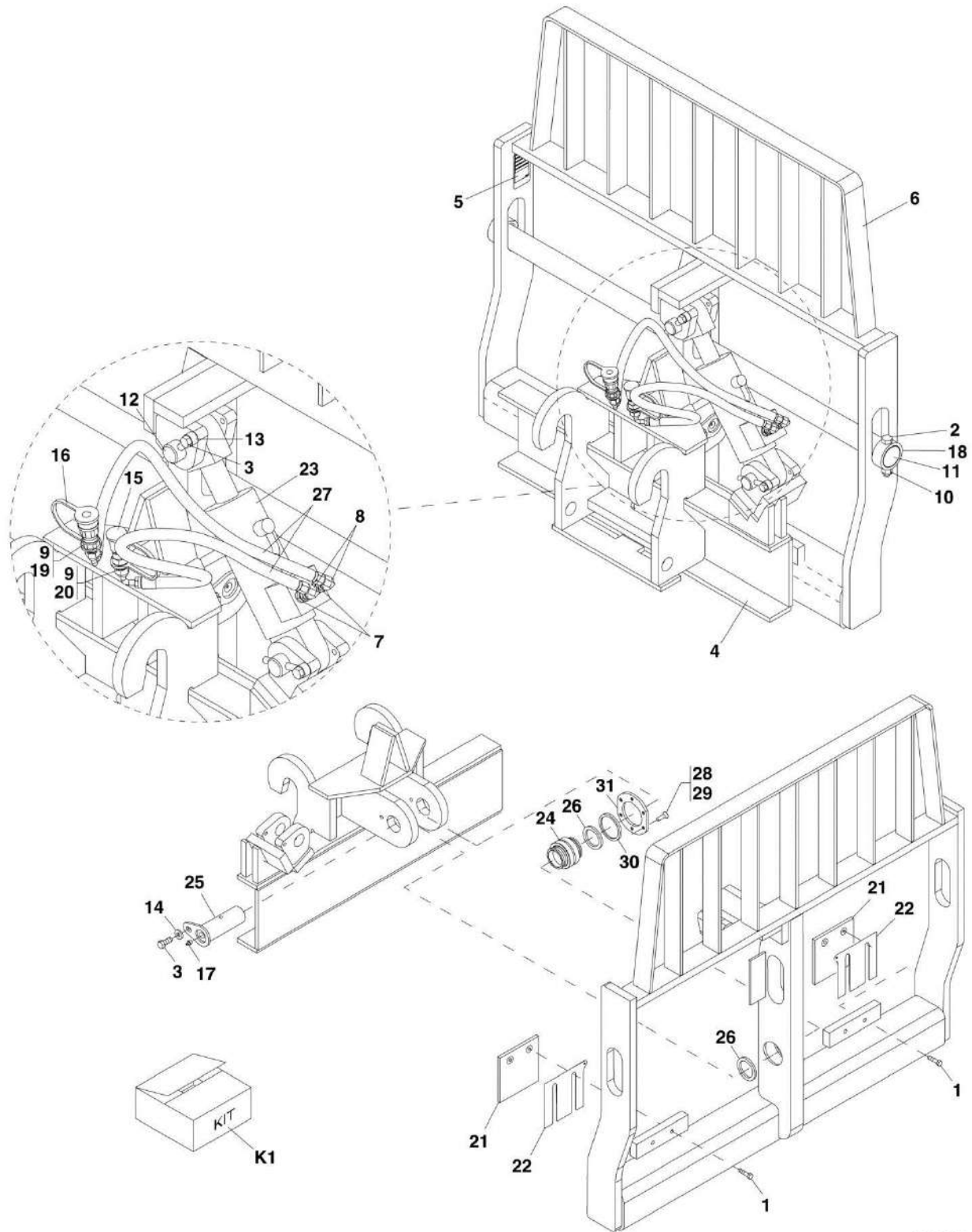
SECTION 3 - ATTACHMENTS

FIGURE 3-4. SIDE TILT CARRIAGE (Prior to SN 0160037689)

ITEM	PART NUMBER	QTY	DESCRIPTION	REV
	91405101	1	48 IN TILT CARRIAGE, (includes all items)	O
	91405079	1	72 IN TILT CARRIAGE, (includes all items)	T
1	N.S.S.	1	72 IN CARRIAGE WELDMENT	
2	91401324	1	FORK PIN, (72 in carriage)	
2	91401303	1	FORK PIN, (48 in carriage)	
3	88201105	2	HEX HD CAPSCREW, 5/8-11X4, GR5	
4	90200003	2	COLLAR	
5	88521310	2	HEX LOCKNUT, 5/8-11	
6	91081313	3	KEEPER PLATE	
7	88551013	6	LOCKWASHER, 1/2	
8	88201065	6	HEX HD CAPSCREW, 1/2-13X1, GR5	
9	91081594	1	THRUST WASHER	
10	91083248	1	BUSHING	
11	3423263	2	PIN, (sway cylinder)	
12		Ref	SWAY CYLINDER VALVE, (See OPTION SECTION for details)	
13	88551009	3	LOCKWASHER, 1/4	
14	88201008	3	HEX HD CAPSCREW, 1/4-20X1-3/4, GR5	
15	91081630	2	MODIFIED CONNECTOR	
16	8760268	2	ELBOW, 90, (swivel nut)	
17	77143015	1	WHIZ-LOCK NUT, 3/8-16	
18	84521062	1	SUPPORT CLAMP	
19	91043126	1	DUST CAP	
20	91403414	1	MALE QUICK DISCONNECT	
21	2220372	2	CONNECTOR, (includes item 41)	
22	84719223	2	HOSE ASSY	
23	91403413	1	FEMALE QUICK DISCONNECT	
24	91043125	1	DUST PLUG	
25	91081577	1	TAP BOLT	
26		Ref	SWAY CYLINDER, (See OPTION SECTION for details)	
27	88671022	2	LUBE FITTING, 90, 1/8	
28	91081622	1	PIN, (adapter weldment)	
30	N.S.S.	1	S/N PLATE	
31	91406048	1	ADAPTER WELDMENT	
32	90205870	AR	SHIM, (16 GA)	
33	91031236	2	SPACER, (.06 thick)	
34	91033186	2	BEARING PAD	
35	88561109	4	FLAT WASHER, 3/8	
36	88201534	4	HEX HD CAPSCREW, 3/8-24X1, GR5	
36	88201535	4	HEX HD CAPSCREW, 3/8-24X1-1/4, GR5	
37	90204007	1	TUBE	
38	88521016	1	HEX LOCKNUT, 1-8	
39	05101441	1	WASHER, 1-1/16	
40	88501016	1	HEX NUT, 1-8	
41	88591205	2	O-RING	
42	91041387	2	ORIFICE PLUG	

SECTION 3 - ATTACHMENTS

FIGURE 3-5. SIDE TILT CARRIAGE (SN 0160037689 to Present)



PAP2971

SECTION 3 - ATTACHMENTS

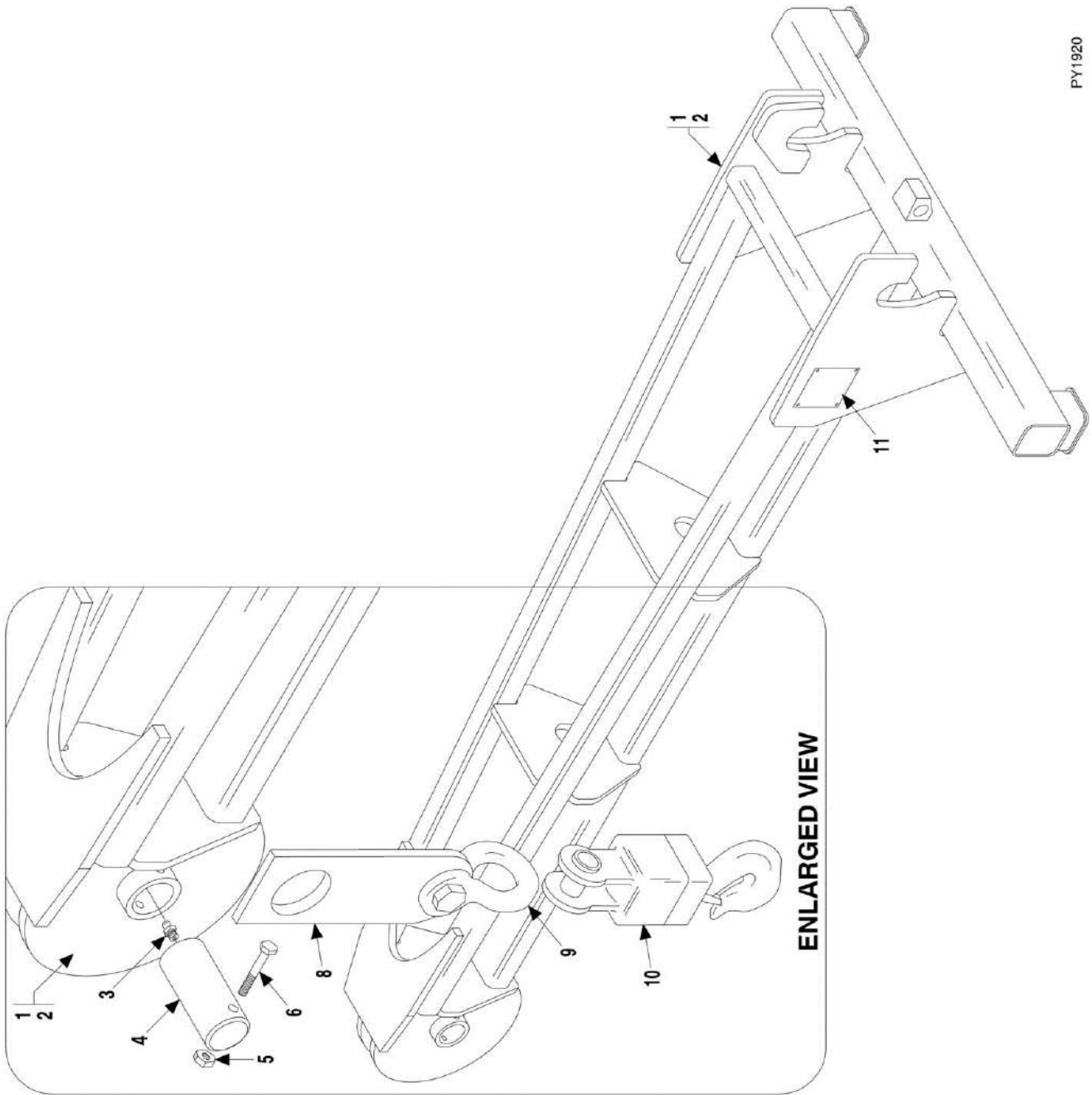
FIGURE 3-5. SIDE TILT CARRIAGE (SN 0160037689 to Present)

ITEM	PART NUMBER	QTY	DESCRIPTION	REV
	1170054	1	50 IN SIDE TILT CARRIAGE, (includes all items)	I
	1001101956	1	60 IN SIDE TILT CARRIAGE, (includes all items)	J
	1170057	1	72 IN SIDE TILT CARRIAGE, (includes all items)	I
1	0641612	4	HEX HD CAPSCREW, 3/8-16X1-1/2	
2	0642032	2	HEX HD CAPSCREW, 5/8-11X4	
3	0681810	3	HEX HD CAPSCREW, 1/2-13X1-1/4	
4	1001133072	1	CARRIAGE BASE	
5	N.S.S.	1	S/N PLATE	
6	N.S.S.	1	CARRIAGE, SIDE TILT	
7	2110606	2	CONNECTOR	
8	2172106	2	ADAPTER, 90	
9	2110808	2	CONNECTOR	
9	2110608	2	CONNECTOR	
10	3300240	2	LOCK NUT, 5/8-11	
11	3423275	1	50 IN FORK PIN	
11	3423242	1	60 IN FORK PIN	
11	3423276	1	72 IN FORK PIN	
12	3423307	2	PIN	
13	3841203	2	KEEPER	
14	4891800	1	WASHER, 1/2	
15	91043126	1	DUST CAP	
16	91043125	1	DUST PLUG	
17	88671001	1	GREASE FITTING	
18	90200003	2	COLLAR	
19	91403413	1	CONNECTOR	
20	91403414	1	CONNECTOR	
21	1001090063	2	WEAR PAD	
22	1001090064	AR	SHIM	
23		Ref	HYDRAULIC CYLINDER, (See HYDRAULIC COMPONENTS SECTION for details)	
24	1001090140	1	BEARING	
25	1001099113	1	PIN	
26	1001099115	2	SLEEVE	
27	1001102378	2	HOSE ASSY, 3/8X39	
28	010 0011	AR	LOCTITE 242	
29	0741610	6	FLAT HEAD SOCKET SCREW, 3/8-16	
30	1001120914	1	BEARING RETAINER SHIM	
31	1001120915	1	BEARING RETAINER PLATE	
K1	2890228	1	SIDE TILT CARRIAGE KIT, (includes items 30 & 31)	C

SECTION 3 - ATTACHMENTS

FIGURE 3-6. TRUSS BOOM (Prior to SN 0160037689)

PY1920



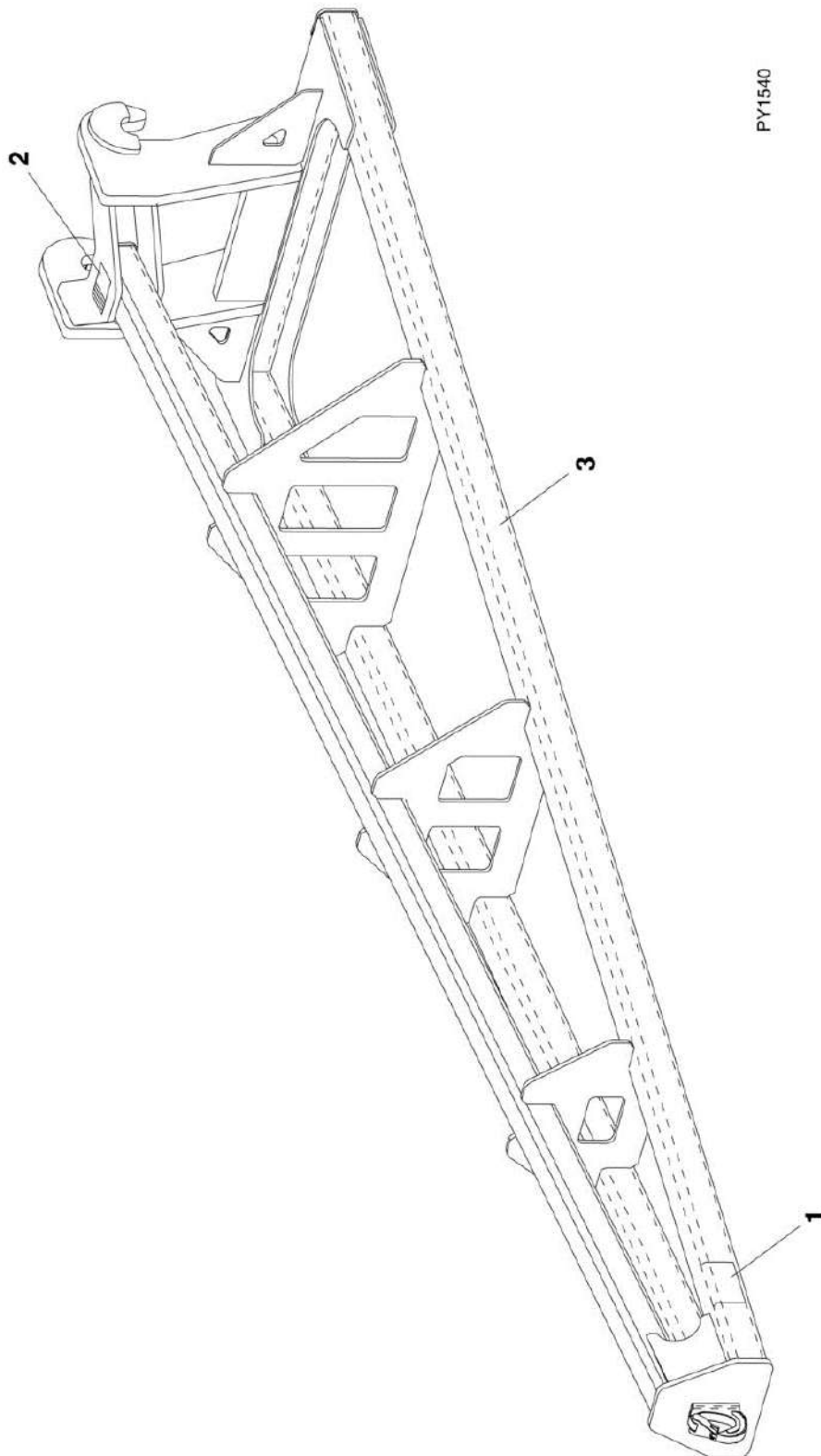
SECTION 3 - ATTACHMENTS

FIGURE 3-6. TRUSS BOOM (Prior to SN 0160037689)

ITEM	PART NUMBER	QTY	DESCRIPTION	REV
	91405083	1	10 FT TRUSS BOOM, (includes items 1 & 3 thru 11)	D
	91405082	1	15 FT TRUSS BOOM, (includes items 2 thru 11)	D
1	N.S.S.	1	10 FT TRUSS BOOM WELDMENT	
2	N.S.S.	1	15 FT TRUSS BOOM WELDMENT	
3	88671001	1	LUBE FITTING, STRAIGHT, 1/8	
4	90402948	1	PIN	
5	88501008	1	HEX NUT, 1/2-13	
6	88201073	1	HEX HD CAPSCREW, 1/2-13X3, GR5	
8	90451053	1	HANGER	
9	90453041	1	SHACKLE	
10	90453040	1	SWIVEL HOOK	
10	91164440	1	SAFETY LATCH KIT	
11	N.S.S.	1	ATTACHMENT S/N PLATE	

SECTION 3 - ATTACHMENTS

FIGURE 3-7. TRUSS BOOM (SN 0160037689 to Present)



PY1540

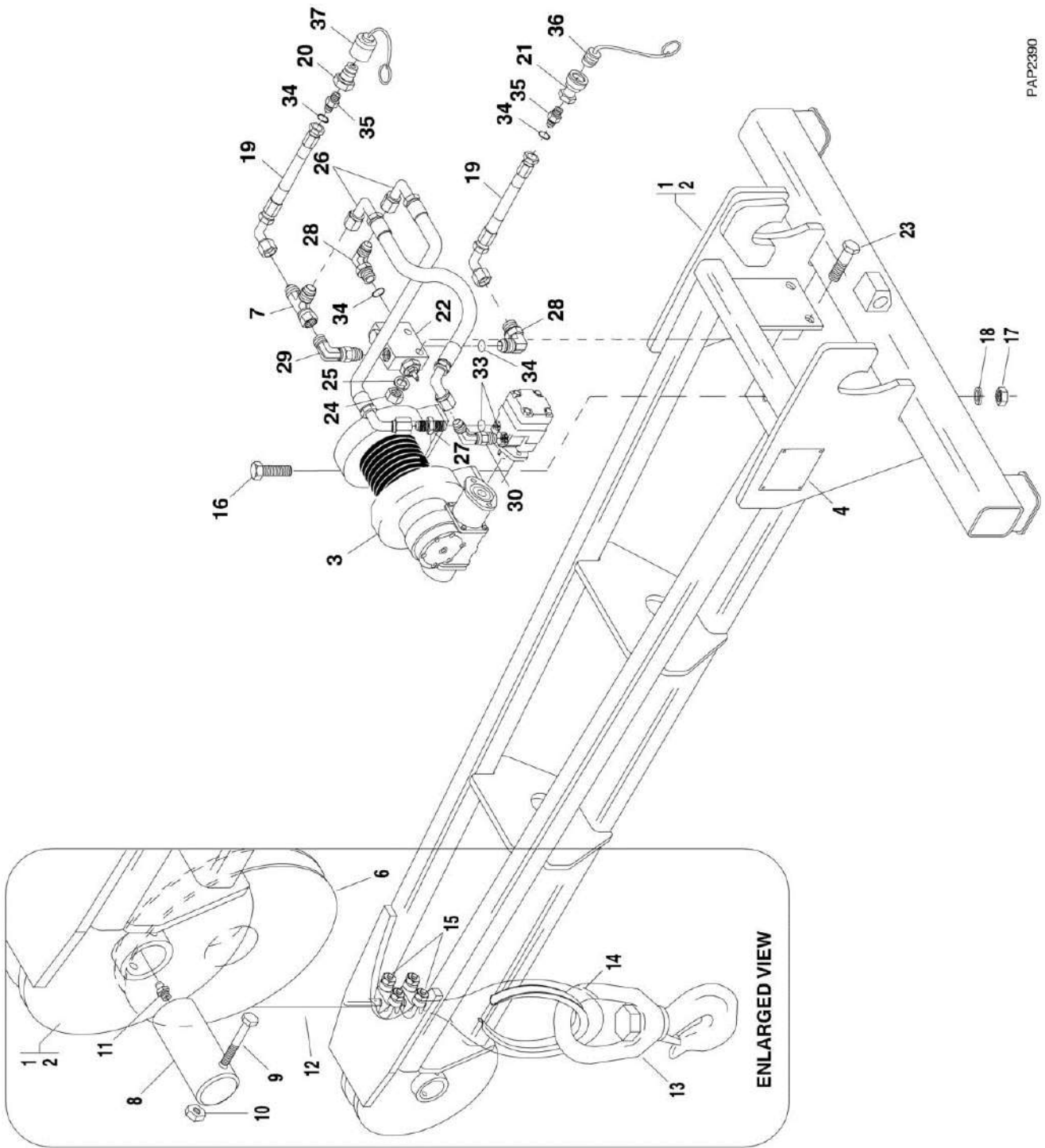
SECTION 3 - ATTACHMENTS

FIGURE 3-7. TRUSS BOOM (SN 0160037689 to Present)

ITEM	PART NUMBER	QTY	DESCRIPTION	REV
	1001099902	1	12 FT TRUSS BOOM, (includes all items)	A
	1001099901	1	15 FT TRUSS BOOM, (includes all items)	A
1	4110422	2	DECAL, WARNING SWINGING LOADS	
2	N.S.S.	1	S/N PLATE	
3	N.S.S.	1	TRUSS BOOM	

SECTION 3 - ATTACHMENTS

FIGURE 3-8. TRUSS BOOM WITH WINCH (Prior to SN 0160037689)



PAP2390

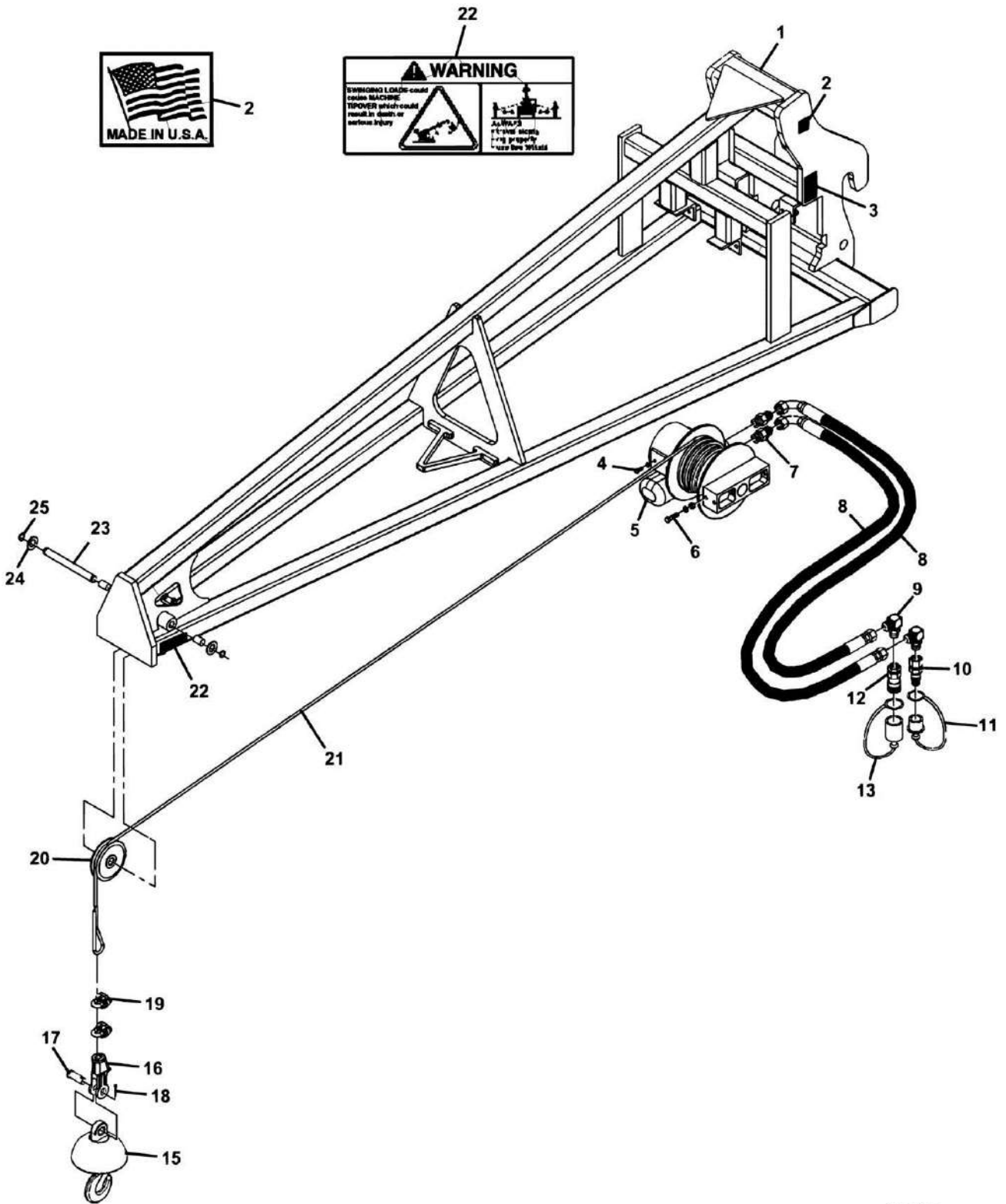
SECTION 3 - ATTACHMENTS

FIGURE 3-8. TRUSS BOOM WITH WINCH (Prior to SN 0160037689)

ITEM	PART NUMBER	QTY	DESCRIPTION	REV
	91405081	1	10 FT TRUSS BOOM WITH WINCH, (includes items 1 & 3 thru 35)	O
	91405080	1	15 FT TRUSS BOOM WITH WINCH, (includes items 2 thru 35)	O
1	N.S.S.	1	10 FT TRUSS BOOM WELDMENT	
2	N.S.S.	1	15 FT TRUSS BOOM WELDMENT	
3		Ref	WINCH WITH MOTOR, (See OPTIONS SECTION for details)	
4	N.S.S.	1	S/N PLATE	
6	90403056	1	SHEAVE	
7	2220385	1	SWIVEL NUT RUN TEE, 1/2 TUBE	
8	90402948	1	PIN	
9	88201073	1	HEX HD CAPSCREW, 1/2-13X3, GR5	
10	88501008	1	HEX NUT, 1/2-13	
11	88671001	1	LUBE FITTING, STRAIGHT, 1/8	
12	90207882	1	WIRE ROPE, 3/8 IA	
13	91403448	1	SWIVEL HOOK	
14	90026965	1	THIMBLE	
15	90028990	2	WIRE ROPE CLIP	
16	83201062	4	HEX HD CAPSCREW, 5/8-11X2-1/4	
17	88501010	4	HEX NUT, 5/8-11	
18	90027472	4	HARDENED WASHER, 5/8	
19	84717593	2	HOSE ASSY	
20	91403414	1	MALE QUICK DISCONNECT	
21	91403413	1	FEMALE QUICK DISCONNECT	
22	91413041	1	TRUSS BOOM PRESSURE REDUCER VALVE, (includes seal kit)	
22	91414045	1	SEAL KIT	
23	88201024	2	HEX HD CAPSCREW, 5/16-18X2, GR5	
24	88501005	2	HEX NUT, 5/16-18	
25	88551010	2	LOCKWASHER, 5/16	
26	84719732	2	HOSE ASSY	
27	2220374	1	CONNECTOR, (includes item 33)	
28	2220596	2	ELBOW, 90, (includes item 34)	
29	2220726	2	ELBOW, 90, DEBREES	
30	2220499	1	ELBOW, 45, (includes item 33)	
33	88591206	2	O-RING	
34	88591205	4	O-RING	
35	2220373	2	CONNECTOR, (includes two of item 34)	
36	91043125	1	DUST PLUG	
37	91043126	1	DUST CAP	

SECTION 3 - ATTACHMENTS

FIGURE 3-9. TRUSS BOOM WITH WINCH (SN 0160037689 to Present)



PAP3440

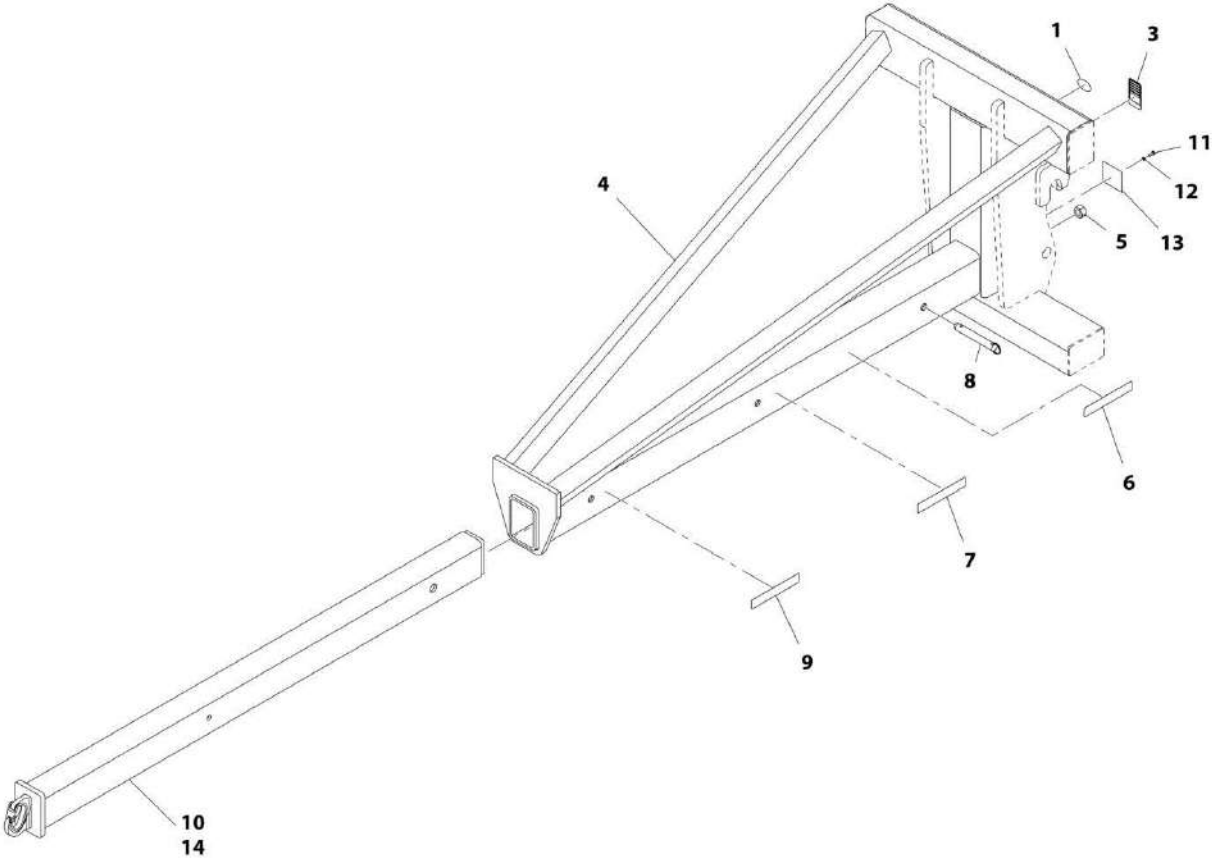
SECTION 3 - ATTACHMENTS

FIGURE 3-9. TRUSS BOOM WITH WINCH (SN 0160037689 to Present)

ITEM	PART NUMBER	QTY	DESCRIPTION	REV
	1001099351	1	12 IN TRUSS BOOM WITH WINCH, (includes all items)	F
1	N.S.S.	1	TRUSS BOOM FRAME	
2	90554016	1	DECAL, MADE IN USA	
3	N.S.S.	1	S/N PLATE	
4	70021349	4	HEX HD CAPSCREW, 3/8X1	
4	90554042	4	LOCK WASHER, 3/8	
5	70021921	1	TRUSS BOOM WINCH MOTOR	
6	N.S.S.	1	HEX HD CAPSCREW, 1/2X1.75	
6	90554020	2	LOCK WASHER, 1/2	
6	90554054	2	HEX NUT, 1/2	
7	70021415	2	CONNECTOR	
8	70021977	2	HOSE ASSY, 3/8X32	
9	70022527	1	ELBOW, 90	
10	7029692	1	MALE QUICK COUPLER	
11	90554062	1	DUST CAP	
12	70021342	1	FEMALE QUICK COUPLER	
13	90554076	1	DUST COVER	
15	70021978	1	BALL SWIVEL WITH SAFETY HOOK	
16	70021979	1	SOCKET ASSY, (includes pin and cotter pin)	
17	N.S.S.	1	PIN	
18	N.S.S.	1	COTTER PIN	
19	70022528	2	CLAMP	
20	70021935	1	PULLEY	
21	70022028	1	CABLE	
22	4110422	2	DECAL, WARNING SWINGING LOADS	
23	70022529	1	PIN	
24	N.S.S.	1	FLAT WASHER, 1	
25	N.S.S.	2	SNAP RING	

SECTION 3 - ATTACHMENTS

FIGURE 3-10. ADJUSTABLE TRUSS BOOM



ART_1001176515-A

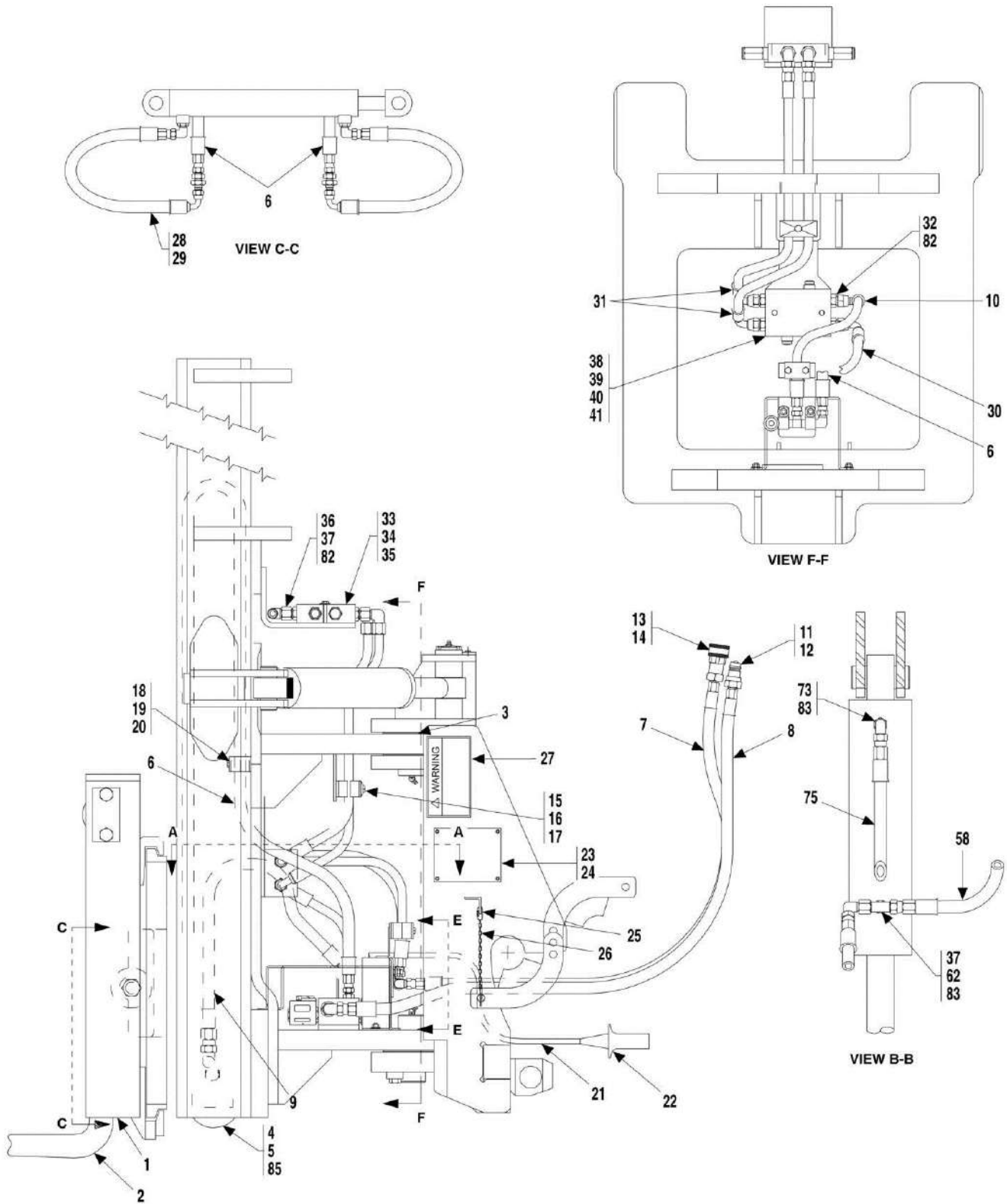
SECTION 3 - ATTACHMENTS

FIGURE 3-10. ADJUSTABLE TRUSS BOOM

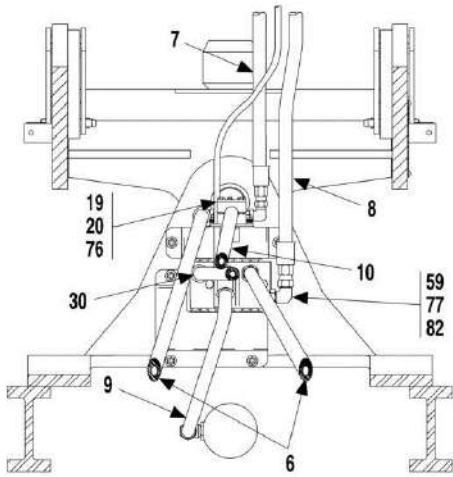
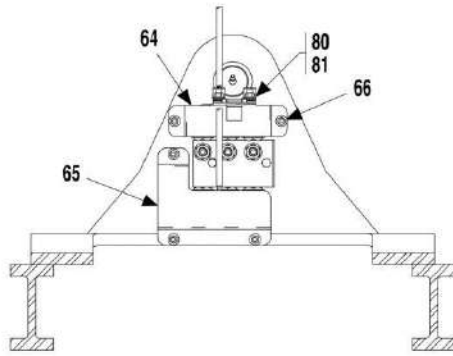
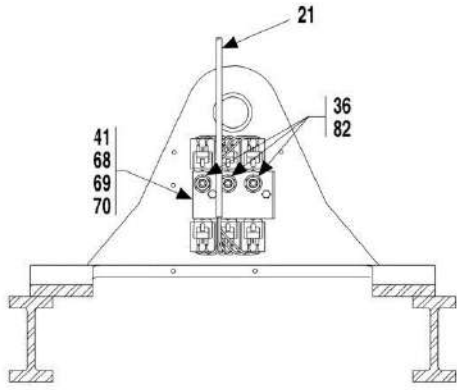
ITEM	PART NUMBER	QTY	DESCRIPTION	REV
	1001176515	1	ADJUSTABLE TRUSS BOOM	A
1	90554016	1	DECAL, MADE IN USA	
3	N.S.S.	1	SN PLATE	
4	N.S.S.	1	TRUSS BOOM, ADJUSTABLE	
5	70021440	1	NUT, LOCK	
6	70024062	2	DECAL, 4000 LBS CAP	
7	70026944	2	DECAL, 3000 LBS CAP	
8	70026946	1	PIN	
9	70026699	2	DECAL, 2000 LBS CAP	
10	70026747	1	STOP ROD, BOOM EXTENSION	
11	90554033	1	BOLT, 3/4X1/4	
12	90554034	1	WASHER, LOCK 1/4	
13	70026948	1	PLATE, STOP	
14	70026949	1	BOOM, TELESCOPIC	

SECTION 3 - ATTACHMENTS

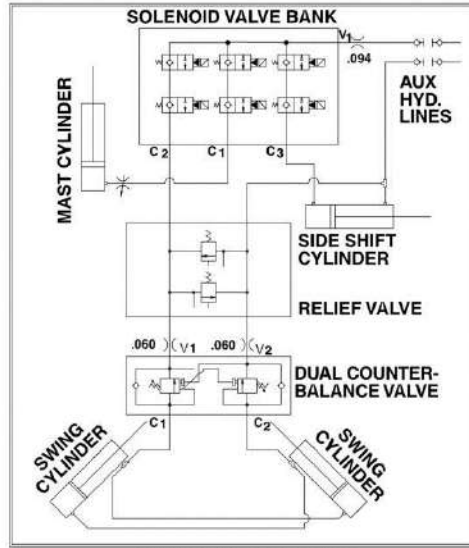
FIGURE 3-11. 100, SWING CARRIAGE WITH SIDE SHIFT (Prior to SN 0160037689)



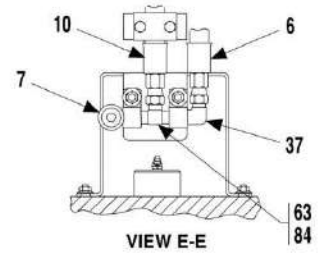
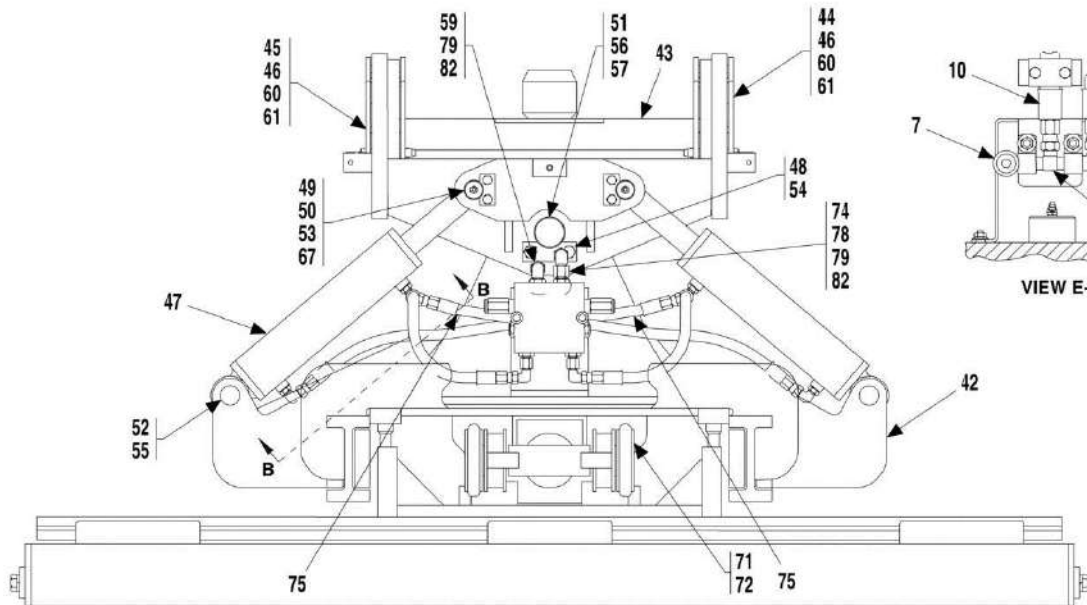
SECTION 3 - ATTACHMENTS



VIEW A-A



HYDRAULIC SCHEMATIC



SECTION 3 - ATTACHMENTS

FIGURE 3-11. 100, SWING CARRIAGE WITH SIDE SHIFT (Prior to SN 0160037689)

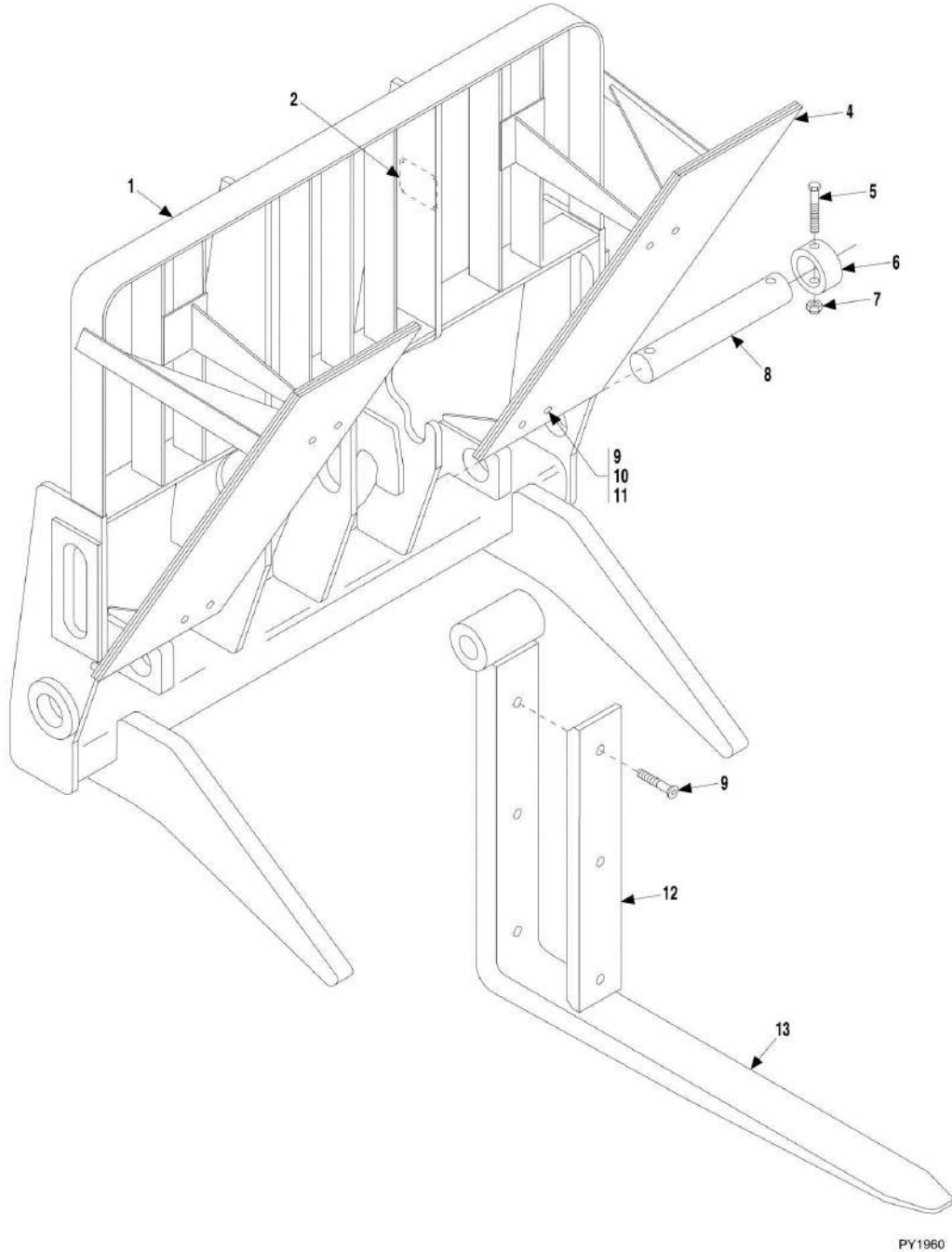
ITEM	PART NUMBER	QTY	DESCRIPTION	REV
	91405070	1	100, SWING CARRIAGE WITH SIDE SHIFT, 48 IN FORKS, (includes all items)	N
	91415026	1	100, SWING CARRIAGE WITH SIDE SHIFT, 60 IN FORKS, (includes all items)	H
1	N.S.S.	1	72 IN SIDE SHIFT CARRIAGE	
2	91403364	2	FORK, 1-3/4X4X48	
2	91403580	2	FORK, 2X6X60	
3	91041356	6	SPACER	
4	91034374	6	LOAD ROLLER	
5	91034375	12	SHIM	
6	84719060	2	HOSE ASSY	
7	84719229	1	HOSE ASSY	
8	84719499	1	HOSE ASSY	
9	84718737	1	HOSE ASSY	
10	84719765	1	HOSE ASSY	
11	91403414	1	MALE QUICK DISCONNECT COUPLING	
12	91043126	1	DUST CAP	
13	91403413	1	FEMALE QUICK DISCONNECT COUPLING	
14	91043125	1	DUST CAP	
15	77133136	1	CLAMP SET	
16	77133137	1	COVER PLATE	
17	88201023	1	HEX HD CAPSCREW, 5/16-18X1-3/4, GR5	
18	77133810	2	STD CLAMP SET	
19	77133052	3	COVER PLATE	
20	77133209	6	HEX HD CAPSCREW, 1/4-20X1-3/8	
21	90453023	1	WIRING HARNESS	
22	90207662	1	6 CONTACT PLUG	
23	N.S.S.	1	S/N PLATE	
25	91033039	2	CHAIN CONNECTION	
26	91033038	24 in	CHAIN	
27	91143282	2	PINCH POINT DECAL	
28	84719185	2	HOSE ASSY	
29	2230024	2	BULKHEAD UNION, 9/16-18X3/8 TUBE	
30	84719766	1	HOSE ASSY	
31	84719767	2	HOSE ASSY	
32	2220373	4	CONNECTOR, (includes item 82)	
33	90453018	1	DUAL COUNTERBALANCE VALVE	
34	88201008	2	HEX HD CAPSCREW, 1/4-20X1-3/4, GR5	
35	88561002	2	FLAT WASHER, 1/4	
36	2220372	5	CONNECTOR, (includes item 82)	
37	8760268	3	ELBOW, 90, SWIVEL NUT	
38	91413099	1	RELIEF VALVE	
39	88201029	2	HEX HD CAPSCREW, 5/16-18X3-1/4, GR5	
40	88501005	2	HEX NUT, 5/16-18	
41	88551010	4	LOCKWASHER, 5/16	
42	91406072	1	MAST WELDMENT	
43	91416018	1	SWING FORK PIVOT WELDMENT	
44	91406069	1	LH PIN SUPPORT WELDMENT	
45	91406070	1	RH PIN SUPPORT WELDMENT	
46	91401266	2	PIN	

SECTION 3 - ATTACHMENTS

ITEM	PART NUMBER	QTY	DESCRIPTION	REV
47	90453034	2	SWING CYLINDER	
47	91144006	2	SEAL KIT	
48	91041322	2	LOCKING PLATE	
49	91411073	2	LOCKING PLATE	
50	91041324	2	PIVOT PIN	
51	91041325	2	PIVOT PIN	
52	91041326	2	PIVOT PIN	
53	83201024	4	HEX HD CAPSCREW, 3/8-16X1, GR8	
54	83201026	4	HEX HD CAPSCREW, 1/2-13X1-1/2, GR8	
55	88581136	4	SNAP RING	
56	88671018	2	LUBE FITTING, 45, 1/8	
57	91041327	2	BUSHING	
58	77133201	2	HOSE ASSY	
59	90203384	2	ELBOW, 90, MODIFIED	
60	88631449	2	ROLL PIN, 1/8X1-1/2	
61	91043221	2	DETENT PIN	
62	2220899	2	BRANCH TEE, (includes item 83)	
63	2220490	1	UNION TEE, 3/8 TUBE	
64	91406155	1	FRONT COVER WELDMENT	
65	90451061	1	BACK COVER SOLENOID VALVE	
66	77143013	5	WHIZ-LOCKNUT, 1/4-20	
67	88671008	2	LUBE FITTING, STRAIGHT, 1/4-28	
68	91403338	1	SOLENOID VALVE BANK	
69	88201025	2	HEX HD CAPSCREW, 5/16-18X2-1/4, GR5	
70	88561108	2	FLAT WASHER, 5/16	
71	91034399	2	HOSE SHEAVE	
72	91034400	2	SHOULDER BOLT	
73	2220473	2	ELBOW, 90, (includes item 83)	
74	91041361	1	MODIFIED FITTING	
75	90204097	2	HOSE ASSY	
76	77133053	1	CLAMP SET	
77	91041362	1	ORIFICE FITTING	
78	8765204	1	ELBOW, 90, SWIVEL NUT	
79	91411050	2	ORIFICE	
80	86521144	2	SUPPORT CLAMP	
81	77143006	2	WHIZ-LOCKNUT, 5/16-18	
82	88591205	9	O-RING	
83	88591204	4	O-RING	
84	91403415	1	ELBOW, 90, SWIVEL NUT	
85	91034377	2	SCREW	

SECTION 3 - ATTACHMENTS

FIGURE 3-12. SHEET MATERIAL HANDLER (Prior to SN 0160037689)



PY1960

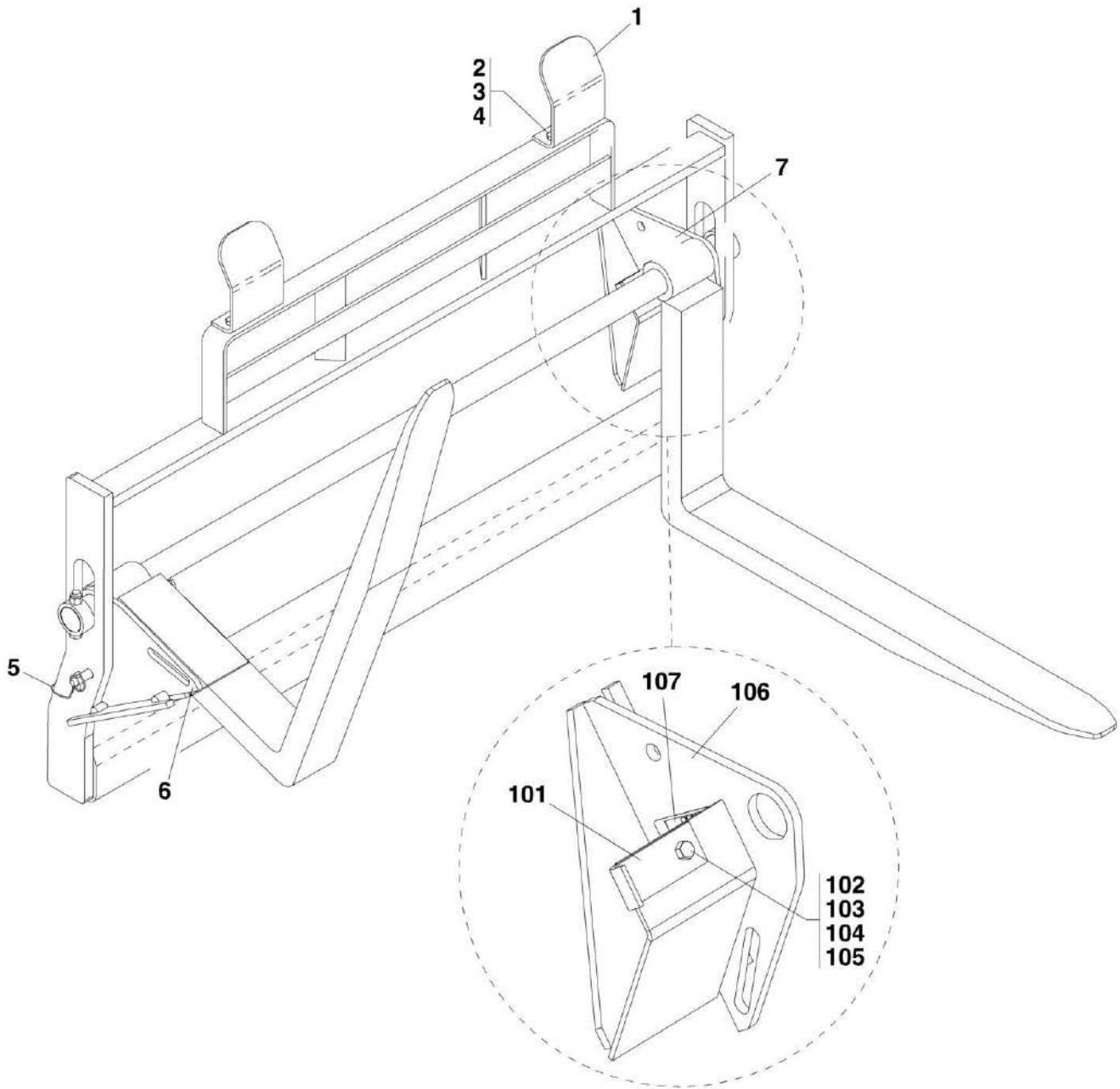
SECTION 3 - ATTACHMENTS

FIGURE 3-12. SHEET MATERIAL HANDLER (Prior to SN 0160037689)

ITEM	PART NUMBER	QTY	DESCRIPTION	REV
	91405077	1	SHEET MATERIAL HANDLER ASSY, (includes all items)	E
1	N.S.S.	1	CARRIAGE WELDMENT	
2	N.S.S.	1	ATTACHMENT S/N PLATE	
4	90553012	2	SIDE DRYWALL GUARD	
5	88201105	4	HEX HD CAPSCREW, 5/8-11X4, GR5	
6	90200003	4	COLLAR	
7	88521310	4	HEX LOCKNUT, 5/8-11	
8	91401340	2	FORK PIN	
9	88241053	14	SOCKET FLAT HD CAPSCREW, 3/8-16X1-1/2	
10	88551011	8	LOCKWASHER, 3/8	
11	88501006	8	HEX NUT, 3/8-16	
12	90553013	2	BOTTOM DRYWALL GAURD	
13	91403366	2	DRYWALL FORK	

SECTION 3 - ATTACHMENTS

FIGURE 3-13. SHEET MATERIAL HANDLER (SN 0160037689 to Present)



LEFT SIDE SHOWN,
RIGHT SIDE OPPOSITE

PY1510

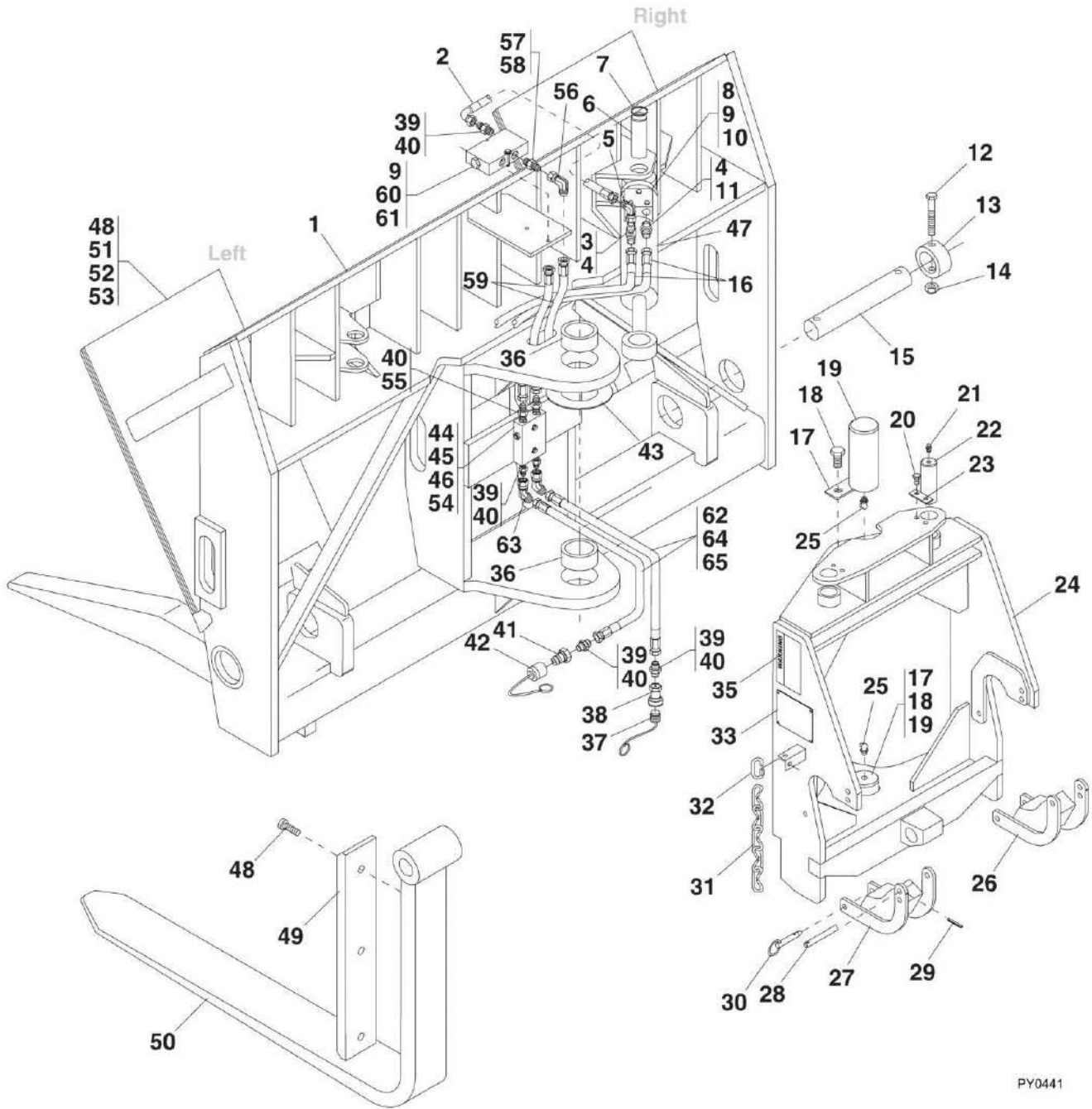
SECTION 3 - ATTACHMENTS

FIGURE 3-13. SHEET MATERIAL HANDLER (SN 0160037689 to Present)

ITEM	PART NUMBER	QTY	DESCRIPTION	REV
	1001100227	1	SHEET MATERIAL HANDLER ASSY, (includes all items)	A
1	7112642	2	BACKREST EXTENSION	
2	8303626	4	HEX HD CAPSCREW, 1/2-13X1-1/2 GR5	
3	8305012	4	HEX NUT, 1/2-13	
4	8307007	4	LOCK WASHER, 1/2	
5	1001093377	2	HITCH PIN	
6	1001101115	1	FORK SUPPORT ASSY, RH, (includes items 101 thru 107)	A
7	1001101116	1	FORK SUPPORT ASSY, LH, (includes items 101 thru 107)	B
101	7114941	1	LOCK BAR	
102	8303626	1	HEX HD CAPSCREW, 1/2-13X1-1/2 GR5	
103	8305644	1	HEX LOCK NUT, 1/2-13	
104	8307007	1	LOCK WASHER, 1/2	
105	8307112	1	WASHER, 1/2	
106	1001100228	1	FORK SUPPORT, RH (not shown)	
106	1001100229	1	FORK SUPPORT, LH (shown)	
107	N.S.S.	1	S/N PLATE	

SECTION 3 - ATTACHMENTS

FIGURE 3-14. 100, DRYWALL SWING CARRIAGE ASSEMBLY (Prior to SN 0160037689)



PY0441

SECTION 3 - ATTACHMENTS

FIGURE 3-14. 100, DRYWALL SWING CARRIAGE ASSEMBLY (Prior to SN 0160037689)

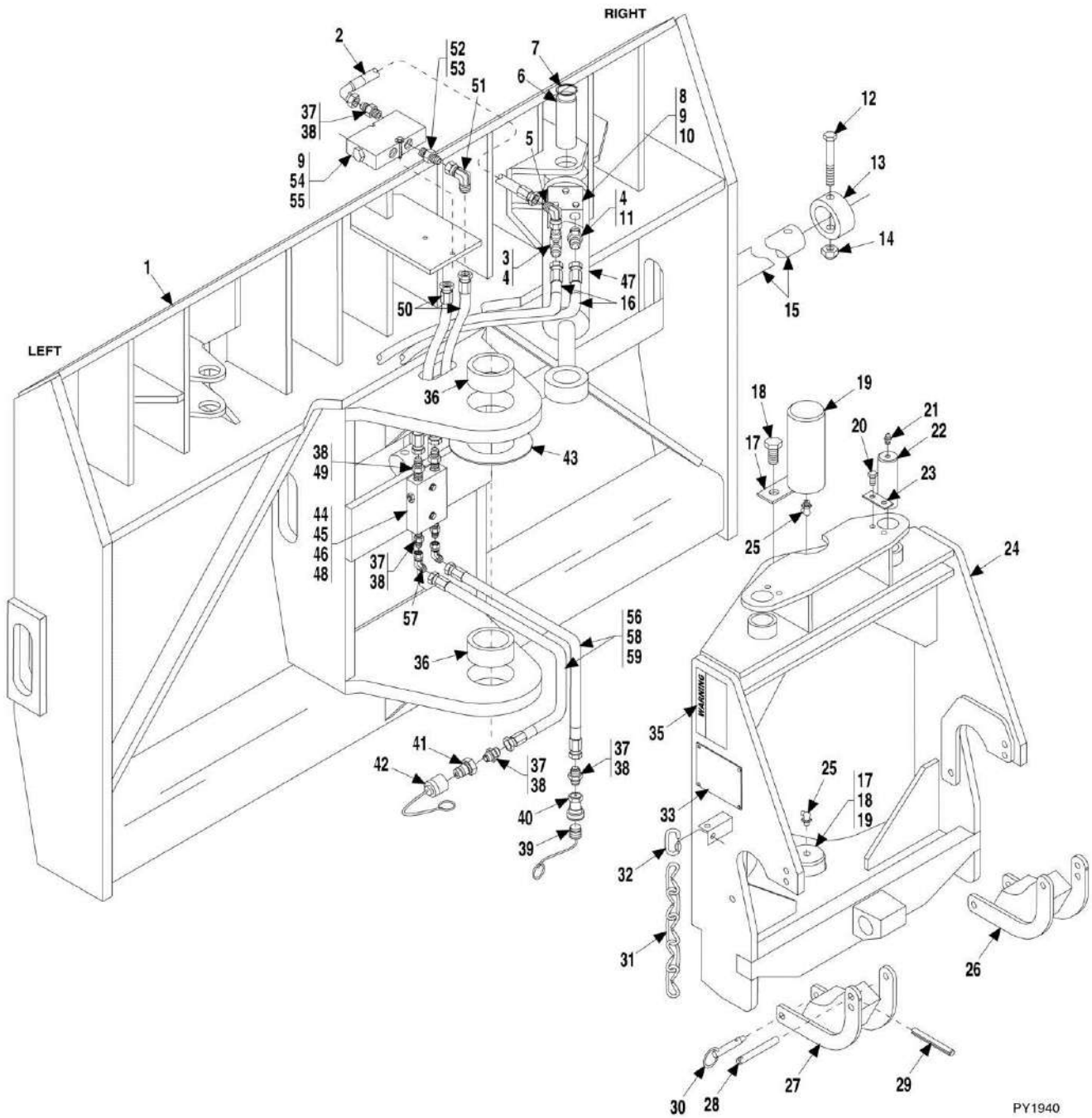
ITEM	PART NUMBER	QTY	DESCRIPTION	REV
	91405078	1	100, DRYWALL SWING CARRIAGE, (includes all items)	O
1	N.S.S.	1	DRYWALL CARRIAGE WELD	
2	84719167	2	HOSE ASSY	
3	2220606	2	RUN TEE, (includes o-ring)	
4	88591204	4	O-RING	
5	8760268	2	ELBOW, 90, (swivel nut)	
6	91041326	2	PIVOT PIN	
7	88581136	4	SNAP RING	
8	91413100	2	MANIFOLD BLOCK	
9	88201008	8	HEX HD CAPSCREW, 1/4-20X1-3/4, GR5	
10	88551009	6	LOCKWASHER, 1/4	
11	2220371	2	CONNECTOR, (includes o-ring)	
12	88201105	4	HEX HD CAPSCREW, 5/8-11X4, GR5	
13	90200003	4	COLLAR	
14	88521310	4	HEX LOCKNUT, 5/8-11	
15	91401340	2	FORK PIN	
16	84719197	2	HOSE ASSY	
17	91041322	2	LOCKING PLATE	
18	83201026	4	HEX HD CAPSCREW, 1/2-13X1-1/2, GR8	
19	91041325	2	PIVOT PIN	
20	83201024	4	HEX HD CAPSCREW, 3/8-16X1, GR8	
21	88671008	2	LUBE FITTING, STRAIGHT, 1/4-28	
22	91041324	2	PIVOT PIN	
23	91411073	2	LOCKING PLATE	
24	N.S.S.	1 1	PIVOT WELDMENT	
25	88671018	2	LUBE FITTING, 45, 1/8	
26	91406070	1	RH SUPPORT BRACKET	
27	91406069	1	LH SUPPORT BRACKET	
28	91401266	2	PIN	
29	88631449	2	ROLL PIN, 1/8X1-1/2	
30	91043221	2	DETENT PIN	
31	91033038	24 in	CHAIN	
32	91033039	2	CHAIN CONNECTION	
33	N.S.S.	1	S/N PLATE	
35	91143282	2	PINCH POINT DECAL	
36	91041327	2	BUSHING	
37	91043125	1	DUST PLUG	
38	91403413	1	FEMALE QUICK DISCONNECT	
39	2220372	6	CONNECTOR	
41	91403414	1	MALE QUICK DISCONNECT	
42	91043126	1	DUST CAP	
43	91041356	6	SPACER	
44	91413099	1	RELIEF VALVE	
45	88201029	2	HEX HD CAPSCREW, 5/16-18X3-1/4, GR5	
46	88501005	2	HEX NUT, 5/16-18	
47	91403322	2	SWING CYLINDER	
47	91404381	2	SEAL KIT	
48	88241053	14	SOCKET FLAT HD CAPSCREW, 3/8-16X1-1/2	
49	90553013	2	BOTTOM DRYWALL GUARD	
50	91403366	2	DRYWALL FORK	

SECTION 3 - ATTACHMENTS

ITEM	PART NUMBER	QTY	DESCRIPTION	REV
51	90553012	2	SIDE DRYWALL GUARD	
52	88551011	8	LOCKWASHER, 3/8	
53	88551006	8	HEX NUT, 3/8-16	
54	88551010	2	LOCKWASHER, 5/16	
55	2220373	2	CONNECTOR	
56	8765204	2	ELBOW, 90, (swivel nut)	
57	91041361	2	MODIFIED FITTING	
58	91411050	2	ORIFICE	
59	84719760	2	HOSE ASSY	
60	91043186	1	DBL PILOT CHECK VALVE	
61	88561002	2	FLAT WASHER, 1/4	
62	84718208	2	HOSE ASSY	
63	2220657	2	ELBOW, 45, (swivel nut)	
64	71492142	24 in	FLEX LOOM	
65	86683122	4	TIE WRAP	

SECTION 3 - ATTACHMENTS

FIGURE 3-15. SWING CARRIAGE (Prior to SN 0160037689)



PY1940

SECTION 3 - ATTACHMENTS

FIGURE 3-15. SWING CARRIAGE (Prior to SN 0160037689)

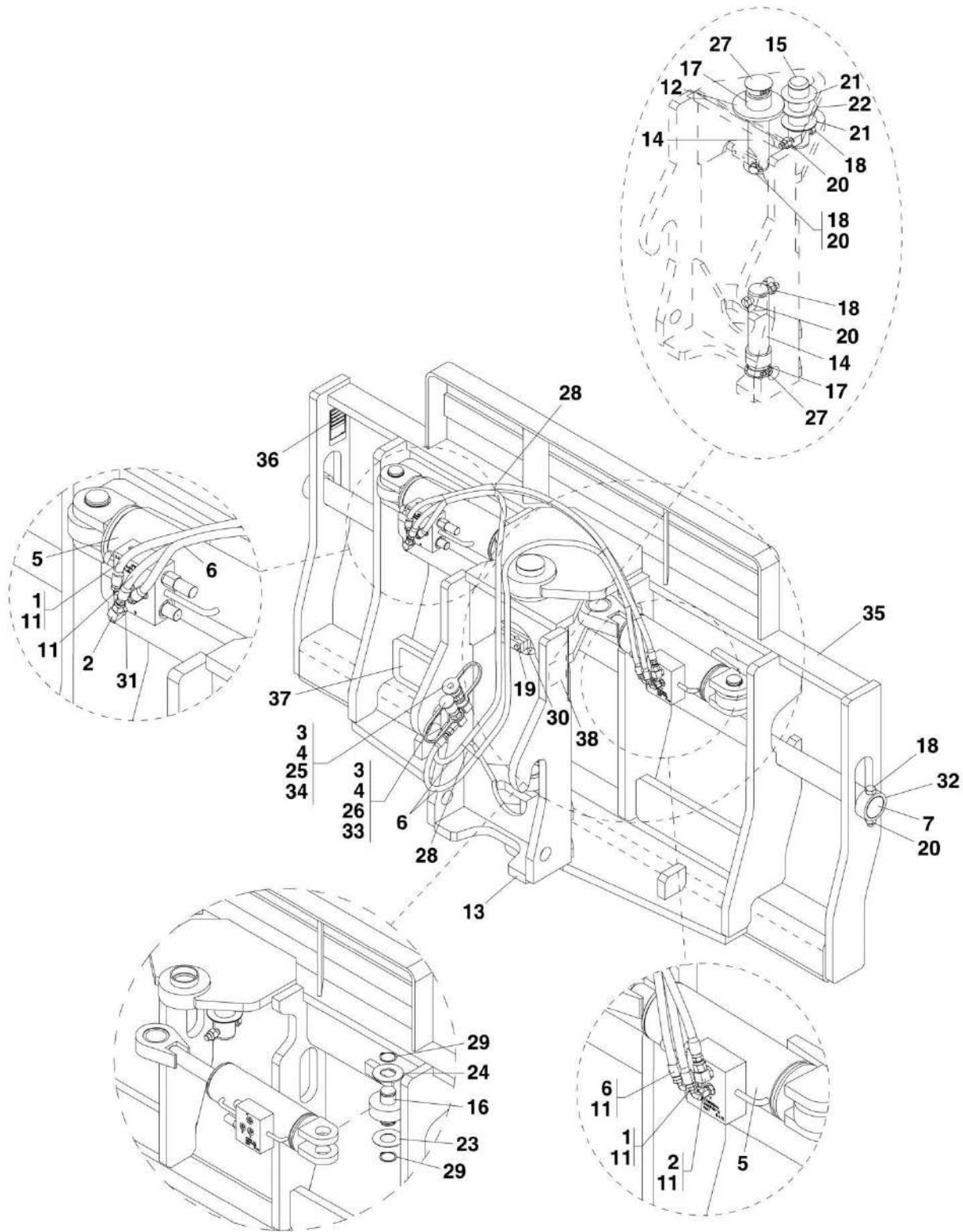
ITEM	PART NUMBER	QTY	DESCRIPTION	REV
	91405075	1	100, SWING CARRIAGE, 72 IN, (includes all items)	O
1	N.S.S.	1	CARRIAGE WELDMENT	
2	84719167	2	HOSE ASSY	
3	2220606	2	RUN TEE, (includes item 4)	
4	88591204	4	O-RING	
5	8760268	2	ELBOW, 90, (swivel nut)	
6	91041326	2	PIVOT PIN, (swing cyl.)	
7	88581136	4	SNAP RING	
8	91413100	2	MANIFOLD BLOCK	
9	88201008	8	HEX HD CAPSCREW, 1/4-20X1-3/4, GR5	
10	88551009	6	LOCKWASHER, 1/4	
11	2220371	2	CONNECTOR, (includes item 4)	
12	88201105	2	HEX HD CAPSCREW, 5/8-11X4, GR5	
13	90200003	2	COLLAR	
14	88521310	2	HEX LOCKNUT, 5/8-11	
15	91401324	1	FORK PIN	
16	84719197	2	HOSE ASSY	
17	91041322	2	LOCKING PLATE	
18	83201026	4	HEX HD CAPSCREW, 1/2-13X1-1/2, GR8	
19	91041325	2	PIVOT PIN	
20	83201024	4	HEX HD CAPSCREW, 3/8-16X1, GR8	
21	88671008	2	LUBE FITTING, STRAIGHT, 1/4-28	
22	91041324	2	PIVOT PIN	
23	91411073	2	LOCKING PLATE	
24	N.S.S.	1	PIVOT WELDMENT	
25	88671018	2	LUBE FITTING, 45, 1/8	
26	91406070	1	RH SUPPORT BRACKET	
27	91406069	1	LH SUPPORT BRACKET	
28	91401266	2	PIN	
29	88631449	2	ROLL PIN, 1/8X1-1/2	
30	91043221	2	DETENT PIN	
31	91033038	24 in	CHAIN	
32	91033039	2	CHAIN CONNECTION	
33	N.S.S.	1	S/N PLATE	
35	91143282	2	PINCH POINT DECAL	
36	91041327	2	BUSHING	
37	2220372	6	CONNECTOR, (includes item 38)	
38	88591205	8	O-RING	
39	91043125	1	DUST PLUG	
40	91403413	1	FEMALE QUICK DISCONNECT	
41	91403414	1	MALE QUICK DISCONNECT	
42	91043126	1	DUST CAP	
43	91041356	6	SPACER	
44	91413099	1	RELIEF VALVE	
45	88201029	2	HEX HD CAPSCREW, 5/16-18X3-1/4, GR5	
46	88551010	2	LOCKWASHER, 5/16	
47		Ref	SWING CYLINDER, (See OPTIONS SECTION for details)	
47	91404381	2	SEAL KIT	
48	88501005	2	HEX NUT, 5/16-18	
49	2220373	2	CONNECTOR, (includes item 38)	

SECTION 3 - ATTACHMENTS

ITEM	PART NUMBER	QTY	DESCRIPTION	REV
50	84719760	2	HOSE ASSY	
51	8765204	2	ELBOW, 90, (swivel nut)	
52	91041361	2	MODIFIED FITTING	
53	91411050	2	ORIFICE	
54	88561002	2	FLAT WASHER, 1/4	
55	91043186	1	DOUBLE PILOT CHECK VALVE	
56	84718208	2	HOSE ASSY	
57	2220657	2	ELBOW, 45, (swivel nut)	
58	71492142	24 in	FLEX LOOM	
59	86683122	4	TIE WRAP	

SECTION 3 - ATTACHMENTS

FIGURE 3-16. SWING CARRIAGE (SN 0160037689 to Present)



PAP3360

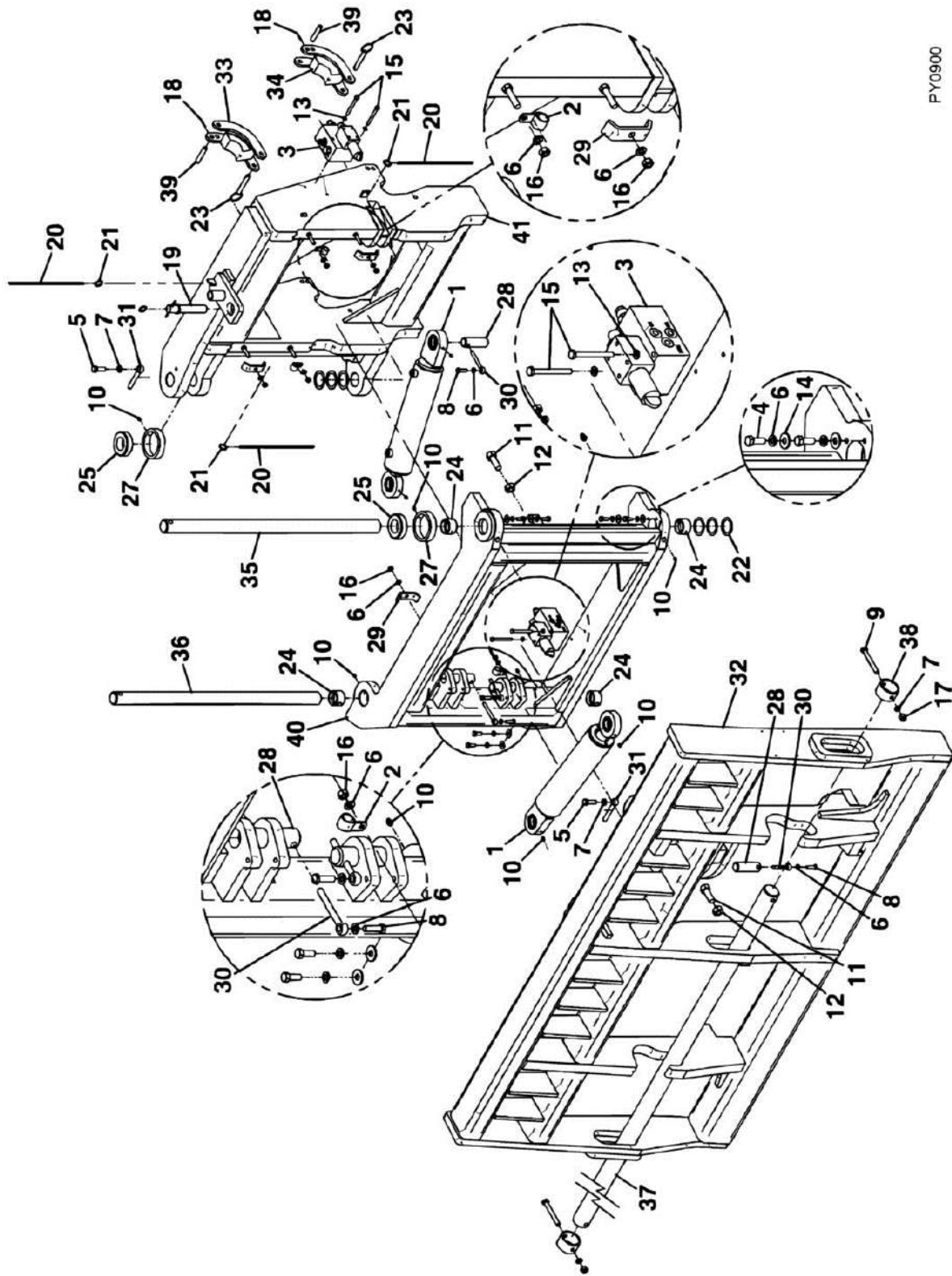
SECTION 3 - ATTACHMENTS

FIGURE 3-16. SWING CARRIAGE (SN 0160037689 to Present)

ITEM	PART NUMBER	QTY	DESCRIPTION	REV
	1001095418	1	90, SWING CARRIAGE, 72 IN (includes all items)	K
1	2220415	4	CONNECTOR	
2	2220473	2	CONNECTOR, 90	
3	2220609	2	CONNECTOR	
4	2220628	2	CONNECTOR, 90	
5		Ref	SWING CYLINDER, (See HYDRAULIC COMPONENTS SECTION for details)	
6	2717287	2	HOSE ASSY, 1/4X58	
7	3423276	1	PIN	
11	6604662	2	HOSE ASSY, 1/4X40.5	
12	7062922	1	WASHER	
13	N.S.S.	1	PIVOT WELDMENT	
14	7110702	2	PIVOT PIN	
15	7110712	1	PIN	
16	7110722	2	PIN	
17	8065062	2	BUSHING	
18	8303634	5	HEX HD CAPSCREW, 5/8-11X4, GR5	
19	8303715	3	HEX HD CAPSCREW, 5/16-18X1.5, GR5	
20	8305643	5	HEX NUT, 5/8-11	
21	8307904	AR	SHIM	
22	8307918	AR	SHIM	
23	8310160	AR	SHIM	
24	8310161	AR	SHIM	
25	91043126	1	DUST CAP	
26	91043125	1	DUST PLUG	
27	8580315	2	PLUG	
28	8584001	5	TIE WRAP	
29	8642207	4	RETAINING RING	
30	8769132	2	CLAMP	
31	8770016	2	CONNECTOR	
32	90200003	2	COLLAR	
33	91403413	1	FEMALE QUICK DISCONNECT	
34	91403414	1	MALE QUICK DISCONNECT	
35	N.S.S.	1	CARRIAGE FRAME	
36	N.S.S.	1	S/N PLATE	
37	1001110704	1	DECAL, WARNING CRUSH HAZARD	
38	1001111190	2	WARNING DECAL	

SECTION 3 - ATTACHMENTS

FIGURE 3-17. SWING CARRIAGE (Prior to SN 0160037689)



PY0900

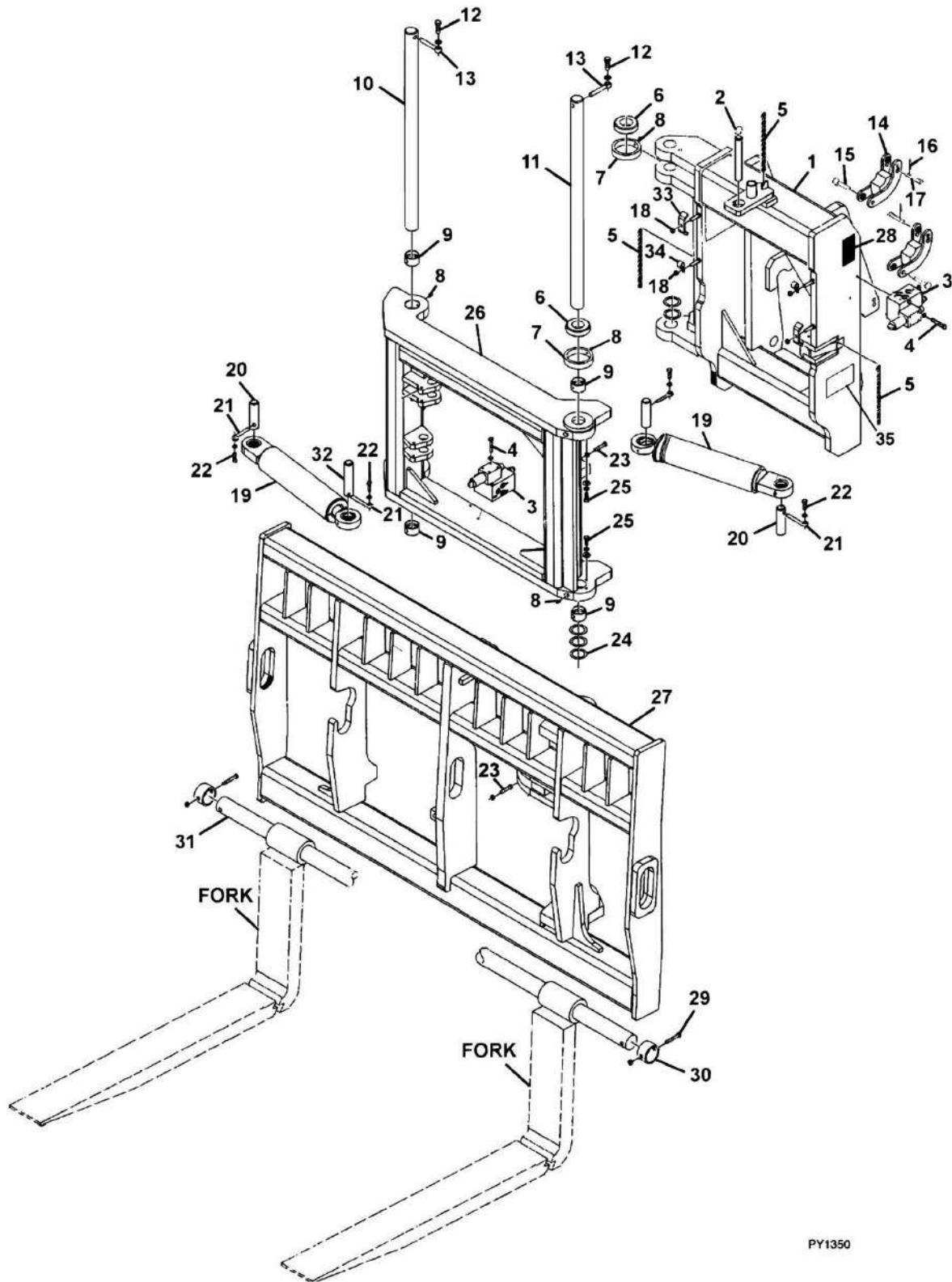
SECTION 3 - ATTACHMENTS

FIGURE 3-17. SWING CARRIAGE (Prior to SN 0160037689)

ITEM	PART NUMBER	QTY	DESCRIPTION	REV
	91563146	1	180, SWING CARRIAGE, 72 IN, (includes all items)	E
1		Ref	CYLINDER ASSY, (See HYDRAULIC COMPONENTS SECTION for details)	
2	7029996	3	HOSE CLAMP, 3/4	
3	91564003	2	SWING CARRIAGE VALVE, (12K)	
3	7029792	1	SEAL KIT	
4	7029997	6	HEX HD CAPSCREW, 3/8-16X1	
5	70021382	2	HEX HD CAPSCREW, 1/2-13X1-1/2	
6	90554042	16	LOCKWASHER, 3/8	
7	90554020	4	LOCKWASHER, 1/2	
8	70021429	4	HEX HD CAPSCREW, 3/8-16X1-1/4	
9	70020002	2	HEX HD CAPSCEW, 1/2-13X4	
10	90554045	10	GREASE FITTING	
11	70020004	2	HEX HD CAPSCREW, 3/4-10X2	
12	90554056	2	HEX NUT, 3/4-10	
13	90554067	4	LOCKWASHER, 5/16	
14	7029703	6	FLAT WASHER, 3/8	
15	90554070	4	HEX HD CAPSCREW, 5/16-18X3	
16	70021367	6	HEX NUT, 3/8-16	
17	90554038	2	HEX NUT, 1/2-13, (nylok)	
18	90554028	2	ROLL PIN	
19	70020011	1	QUICK RELEASE PIN	
20	90554025	3	CHAIN	
21	70020012	4	QUICK RELEASE RING	
22	90554040	6	SHIM	
23	90554035	2	QUICK RELEASE PIN	
24	70020015	4	SPRING BUSHING	
25	90554024	2	THRUST BEARING	
27	70020017	2	BEARING	
28	90554044	4	CYLINDER PIN	
29	90554039	3	HOSE CLAMP	
30	90554043	4	LOCK PIN	
31	90554021	2	LOCK PIN	
32	N.S.S.	1	FORK MOUNTING FRAME	
33	70020023	1	PIN SUPPORT, RIGHT	
34	70020024	1	PIN SUPPORT, LEFT	
35	70020025	1	PIN	
36	70020026	1	PIN	
37	70020027	1	FORK PIN	
38	70020028	2	BUSHING	
39	70020029	2	PIN	
40	N.S.S.	1	INTERMEDIATE FRAME	
41	N.S.S.	1	FIXED BASE FRAME	
42	70020032	1	HOSES AND FITTINGS KIT, (not shown)	

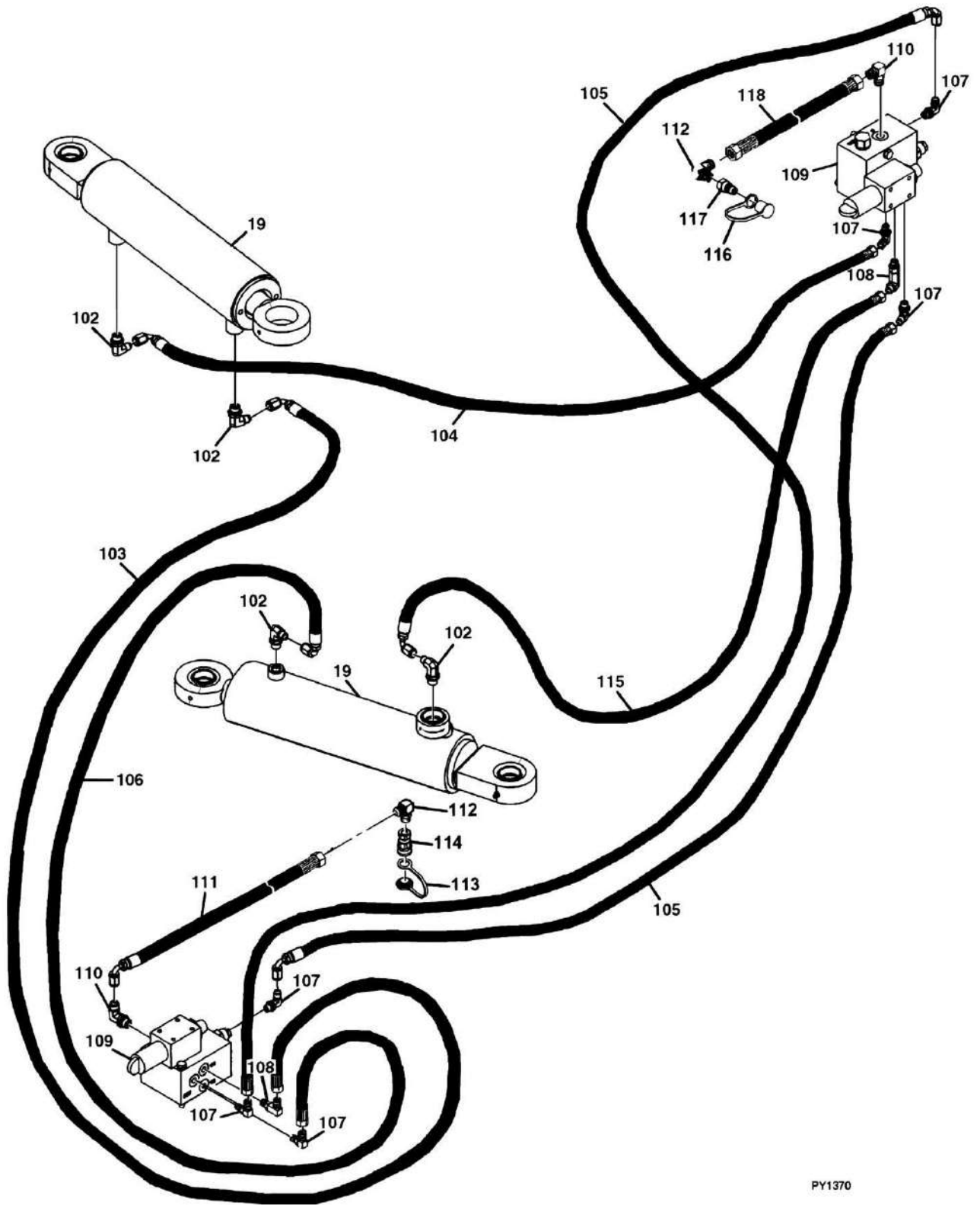
SECTION 3 - ATTACHMENTS

FIGURE 3-18. SWING CARRIAGE (SN 0160037689 to Present)



PY1350

SECTION 3 - ATTACHMENTS



PY1370

SECTION 3 - ATTACHMENTS

FIGURE 3-18. SWING CARRIAGE (SN 0160037689 to Present)

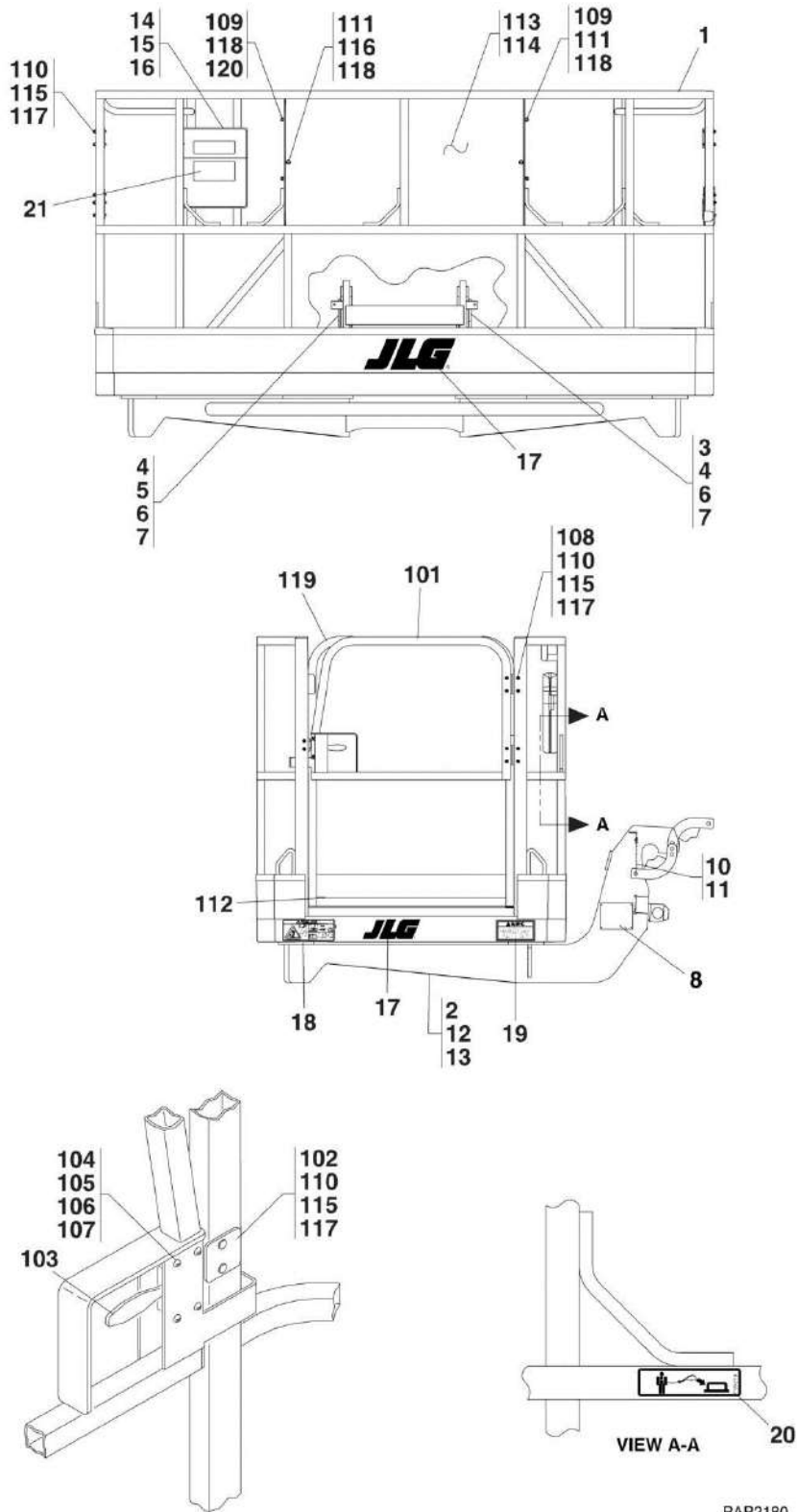
ITEM	PART NUMBER	QTY	DESCRIPTION	REV
	1001104992	1	180, SWING CARRIAGE, 72 IN, (includes all items)	G
1	N.S.S.	1	BACK FRAME	
2	90554026	1	LOCK PIN	
3	91564003	2	VALVE	
4	90554070	4	HEX HD CAPSCREW, 5/16X3	
4	90554067	4	LOCK WASHER, 5/16	
5	90554025	3	CHAIN	
6	90554042	2	BEARING	
7	70020017	2	BEARING	
8	90554045	10	GREASE FITTING	
9	70020015	4	BUSHING	
10	70020026	1	PIN	
11	70020025	1	PIN	
12	70021382	2	HEX HD CAPSCREW, 1/2X1.5	
12	90554020	2	LOCK WASHER, 1/2	
13	90554021	2	PIN	
14	90554027	2	PIN SUPPORT	
15	90554035	2	PIN	
16	1316794	2	COTTER PIN	
17	70020029	2	CLEVIS PIN	
18	70021367	6	LOCK NUT, 3/8	
19		Ref	CYLINDER ASSY, (See HYDRAULIC COMPONENTS SECTION for details)	
20	90554044	3	PIN	
21	90554043	4	PIN	
22	70021429	4	HEX HD CAPSCREW, 3/8X1.25	
22	90554042	4	LOCK WASHER, 3/8	
23	70020004	2	HEX HD CAPSCREW, 3/4X2.5	
23	90554056	2	HEX NUT, 3/4	
24	90554040	5	WASHER	
25	7029997	6	HEX HD CAPSCREW, 3/8X.75	
25	90554042	6	LOCK WASHER, 3/8	
25	7029703	6	FLAT WASHER, 3/8	
26	N.S.S.	1	MIDDLE FRAME	
27	N.S.S.	1	FRONT FRAME	
28	N.S.S.	1	S/N PLATE	
29	70020002	2	HEX HD CAPSCREW, 1/2X3.5	
29	90554038	2	LOCK NUT, 1/2	
30	70020028	2	BUSHING	
31	70020027	1	PIN	
32	70022530	1	PIN	
33	90554039	3	CLAMP	
34	7029996	3	CLAMP	
35	1001110704	1	DECAL, WARNING CRUSH HAZARD	
102	90554057	4	ELBOW, 90	
103	90554058	1	HOSE ASSY, 1/4X20.5	
104	90554059	1	HOSE ASSY, 1/4X63	
105	90554060	2	HOSE ASSY, 1/4X73	
106	90554073	1	HOSE ASSY, 1/4X57	
107	90554069	6	ELBOW, 90	

SECTION 3 - ATTACHMENTS

ITEM	PART NUMBER	QTY	DESCRIPTION	REV
108	90554071	2	ELBOW, 90	
109	91564003	2	VALVE	
110	90554065	2	ELBOW, 90	
111	70021983	1	HOSE ASSY, 3/8X93	
112	70022527	2	ELBOW, 90	
113	8420055	1	DUST PLUG	
114	91403413	1	FEMALE QUICK COUPLER	
115	90554072	1	HOSE ASSY, 1/4X15	
116	8420053	1	DUST CAP	
117	91503414	1	MALE QUICK COUPLER	
118	90554064	1	HOSE ASSY, 3/8X64	

SECTION 3 - ATTACHMENTS

FIGURE 3-19. PERSONNEL PLATFORM (Prior to SN 0160037689)



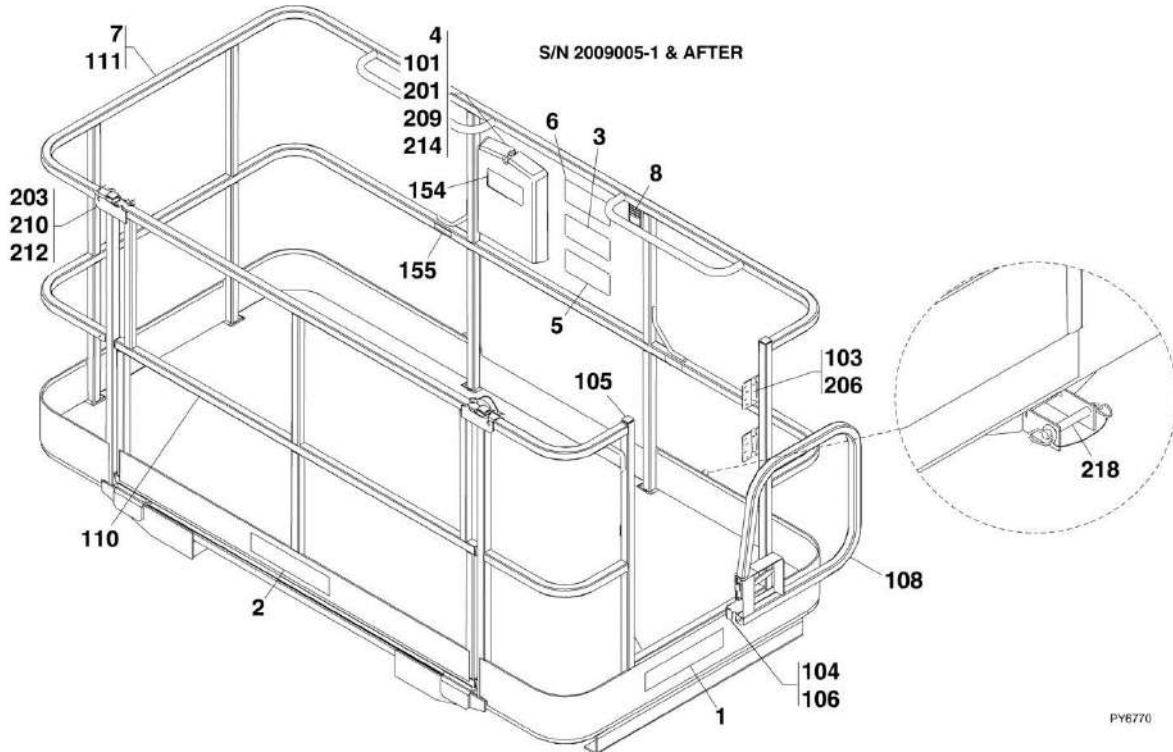
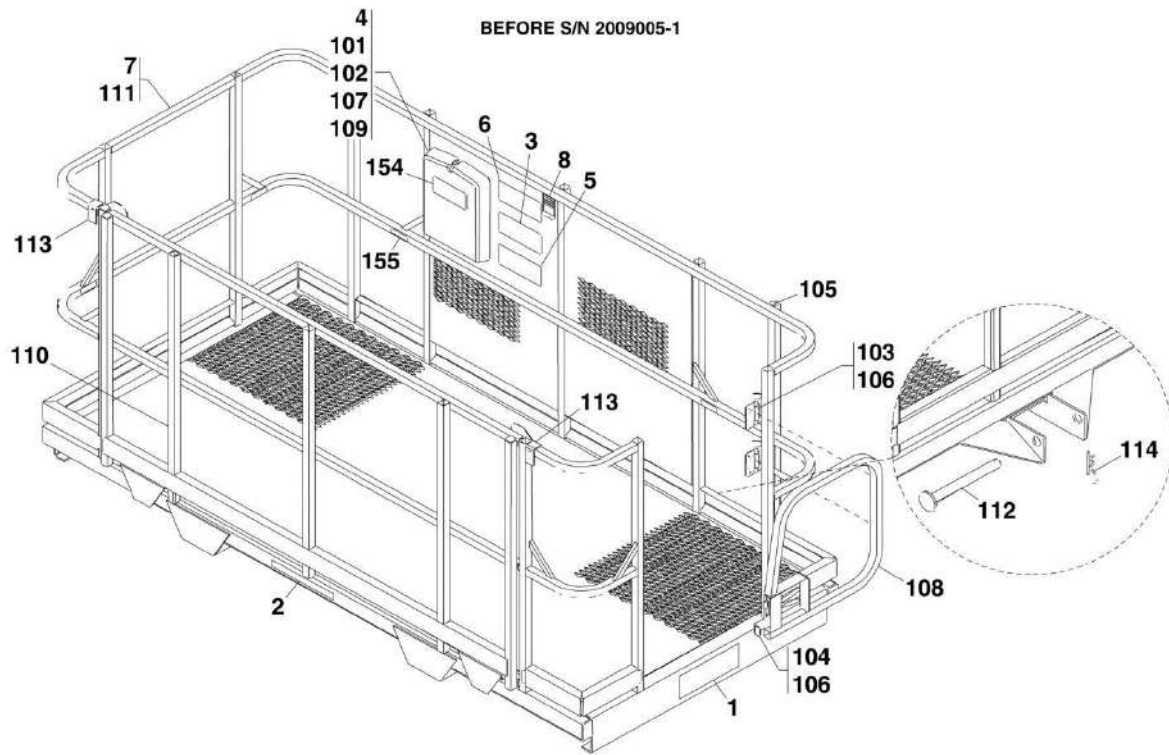
SECTION 3 - ATTACHMENTS

FIGURE 3-19. PERSONNEL PLATFORM (Prior to SN 0160037689)

ITEM	PART NUMBER	QTY	DESCRIPTION	REV
	91415025	1	PERSONNEL PLATFORM, (includes all items)	H
1	N.S.S.	1	106 IN PERSONNEL PLATFORM, (includes items 101 thru 120)	
1	3510809	1	96 IN PERSONNEL PLATFORM, (includes items 101 thru 120)	
1	3510807	1	8 FT PLATFORM WELDMENT	
2	91406156	1	ADAPTER SUPPORT	
3	91406069	1	LH SUPPORT BRACKET	
4	91401266	2	PIN	
5	91406070	1	RH SUPPORT BRACKET	
6	88631449	2	ROLL PIN, 1/8X1-1/2	
7	91043221	2	DETENT PIN	
8	N.S.S.	1	S/N PLATE	
10	91033039	2	CHAIN CONNECTION	
11	91033038	24 in	CHAIN	
12	0682012	8	HEX HD CAPSCREW, 5/8-11X1-1/2	
13	4762000	8	LOCKWASHER, 5/8	
14	91403230	1	MANUAL HOLDER	
15	8310382	4	WHIZ-LOCK NUT, 1/4-20	
16	31200160	1	PERSONNEL WORK PLATFORM MANUAL	
17	1702773	3	JLG DECAL	
18	1706893	1	WARNING DECAL	
19	1706892	1	WARNING DECAL	
20	1704277	6	LANYARD DECAL	
21	1701509	1	MANUAL DECAL	
101	4846265	1	GATE	
102	3539685	1	LATCH PLATE	
103	2940074	1	Latch	
104	3911008	4	ROUND HD SCREW	
105	3311001	4	HEX NUT, #10-24	
106	4751000	4	WASHER, #10	
107	4761000	4	WASHER	
108	2600216	2	Hinge	
109	0641524	4	HEX HD CAPSCREW, 5/16-18X3	
110	2080063	16	NYLON LOCK NUT, 1/4-20	
111	2080064	14	NYLON LOCK NUT, 5/16-18	
112	3520072	5	CAP PLUG	
113	3573363	1	GUARD PLATE	
114	3641438	1	BENT RAIL	
115	3911428	16	ROUND HD SCREW, 1/4-20X1-3/4	
116	3911528	12	ROUND HD SCREW, 5/16-18X1-3/4	
117	4711400	16	WASHER, 1/4	
118	4711500	32	WASHER, 5/16	
119	4846528	1	BASKET END WELDMENT	
120	3311501	2	HEX NUT, 5/16-18	

SECTION 3 - ATTACHMENTS

FIGURE 3-20. FORK MOUNTED PLATFORM



PY6770

SECTION 3 - ATTACHMENTS

FIGURE 3-20. FORK MOUNTED PLATFORM

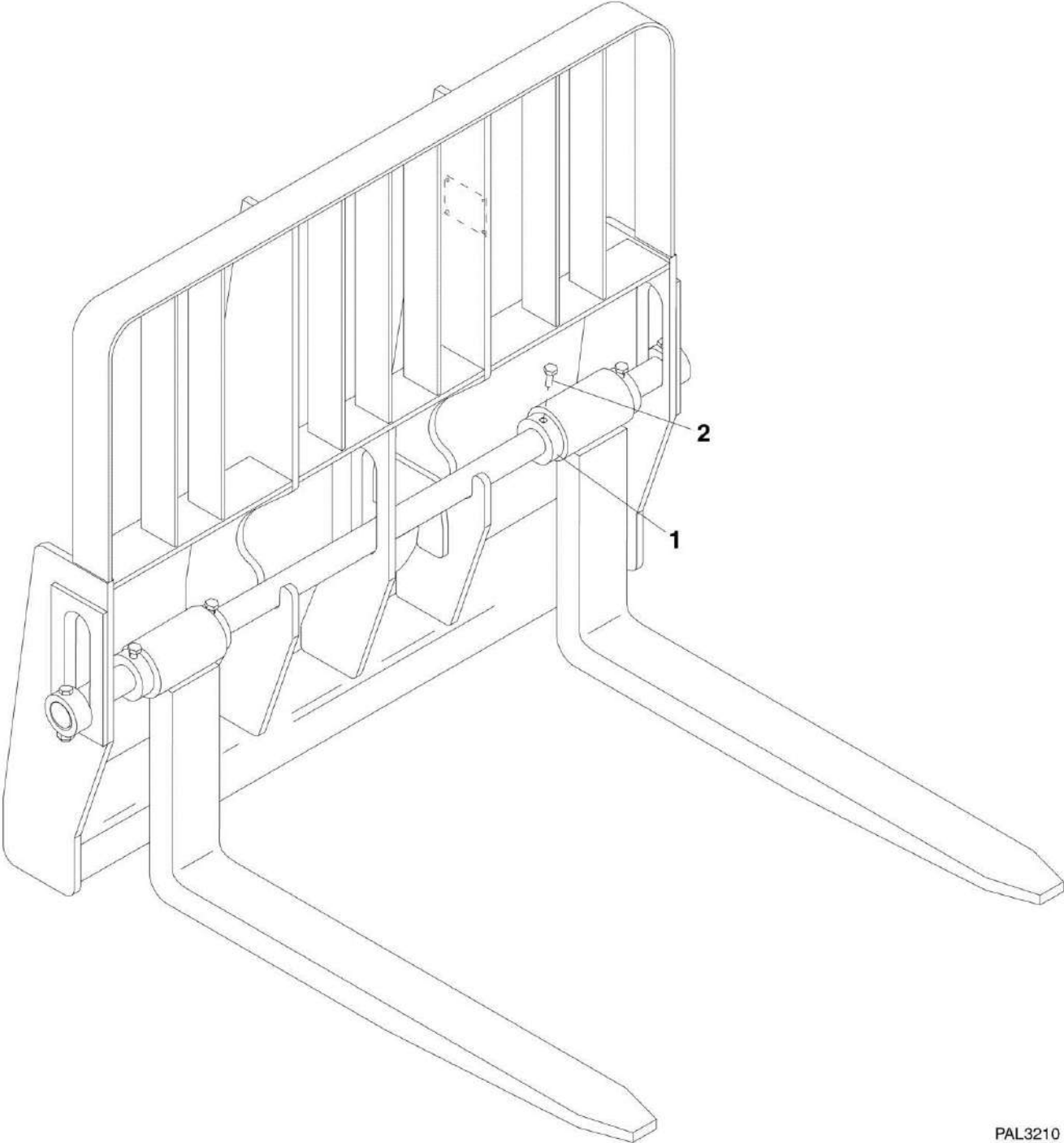
ITEM	PART NUMBER	QTY	DESCRIPTION	REV
	1001092280	NLA	FORK MOUNTED PLATFORM-1, (Prior to S/N 2009005-1), (ASME), (no longer available, order 1001103637 for replacement or items 1 thru 8 for service)	E
	1001103637	1	FORK MOUNTED PLATFORM, (S/N 2009005-1 to Present), (ASME), (includes items 1 thru 8)	B
	1001096306	NLA	FORK MOUNTED PLATFORM-1, (Prior to S/N 2009005-1), (ISO), (no longer available, order 1001103730 for replacement or items 1 thru 8 for service)	C
	1001103730	1	FORK MOUNTED PLATFORM, (S/N 2009005-1 to Present), (ISO), (includes items 1 thru 8)	B
	1001097072	NLA	FORK MOUNTED PLATFORM-1, (Prior to S/N 2009005-1), (ASME - FRENCH), (no longer available, order 1001103736 for replacement or items 1 thru 8 for service)	C
	1001103736	1	FORK MOUNTED PLATFORM, (S/N 2009005-1 to Present), (ASME - FRENCH), (includes 1 thru 8)	B
1	1702773	2	JLG DECAL	
2	1704885	1	WEBSITE DECAL	
3	1706892	1	PLATFORM WARNING DECAL, (ASME)	
3	1001096025	1	PLATFORM WARNING DECAL, (ISO)	
3	1001096024	1	PLATFORM WARNING DECAL, (ASME - FRENCH)	
4	31200160	1	OPERATION AND SAFETY MANUAL, (ASME)	
4	31200387	1	OPERATION AND SAFETY MANUAL, (ISO - SPANISH)	
4	31200388	1	OPERATION AND SAFETY MANUAL, (ISO - PORTUGUESE)	
4	31200336	1	OPERATION AND SAFETY MANUAL, (ASME - FRENCH)	
5	1001092481	1	WARNING DECAL, (ASME)	
5	1001096021	1	WARNING DECAL, (ISO)	
5	1001096019	1	WARNING DECAL, (ASME - FRENCH)	
6	1001092482	1	CAPACITY DECAL, (ASME)	
6	1001096023	1	CAPACITY DECAL, (ISO)	
6	1001096020	1	CAPACITY DECAL, (ASME - FRENCH)	
7	N.S.S.	1	FORK MOUNTED PLATFORM-1, (Prior to S/N 2009005-1), (includes items 101 thru 114, 154 & 155)	B
7	N.S.S.	1	FORK MOUNTED PLATFORM-1, (S/N 2009005 to Present), (includes items 101, 103 thru 106, 108, 110, 111, 154, 155, 201, 203, 206, 210, 212, 214 & 218)	H
8	N.S.S.	1	S/N PLATE	
101	0860520	1	MANUAL STORAGE BOX	
102	2080044	4	RIVNUT FASTENER 1/4-20	
103	2600281	2	HINGE	
104	2940074	1	LATCH	
105	3520198	21	PLUG, (Prior to S/N 2009005-1)	
105	3520072	10	PLUG, (S/N 2009005-1 to Present)	
106	3820020	20	POP RIVET, (Prior to S/N 2009005-1)	
106	3820020	4	POP RIVET, (S/N 2009005-1 to Present)	
107	4751400	4	WASHER, 1/4	
108	4846452	1	GATE WELDMENT	
109	80263012	4	SCREW WHIZ LOCK 1/4-20 X 1/2	
110	1001093140	1	GATE WELDMENT, (Prior to S/N 2009005-1)	
110	1001095810	1	GATE WELDMENT, (S/N 2009005-1 to Present)	
111	N.S.S.	1	PLATFORM WELDMENT	
112	1001093171	2	PIN	
113	1001097168	2	PIN, SAFETY SNAP, WITH LANYARD	

SECTION 3 - ATTACHMENTS

ITEM	PART NUMBER	QTY	DESCRIPTION	REV
114	1001098582	2	LYNCH PIN 3/16 WITH LANYARD	
154	1701509	1	MANUAL DECAL	
155	1704277	3	LANYARD ATTACH DECAL	
201	0641405	4	HEX HD CAPSCREW, 1/4-20X5/8	
203	1060379	2	6 IN LANYARD CABLE	
206	2080040	16	FASTENER	
209	3311405	4	HEX NUT, 1/4-20	
210	3421453	2	PIN	
212	3760170	4	RING	
214	4711400	8	WASHER, 1/4	
218	1001102813	2	HITCH PIN	

SECTION 3 - ATTACHMENTS

FIGURE 3-21. FORKS



PAL3210

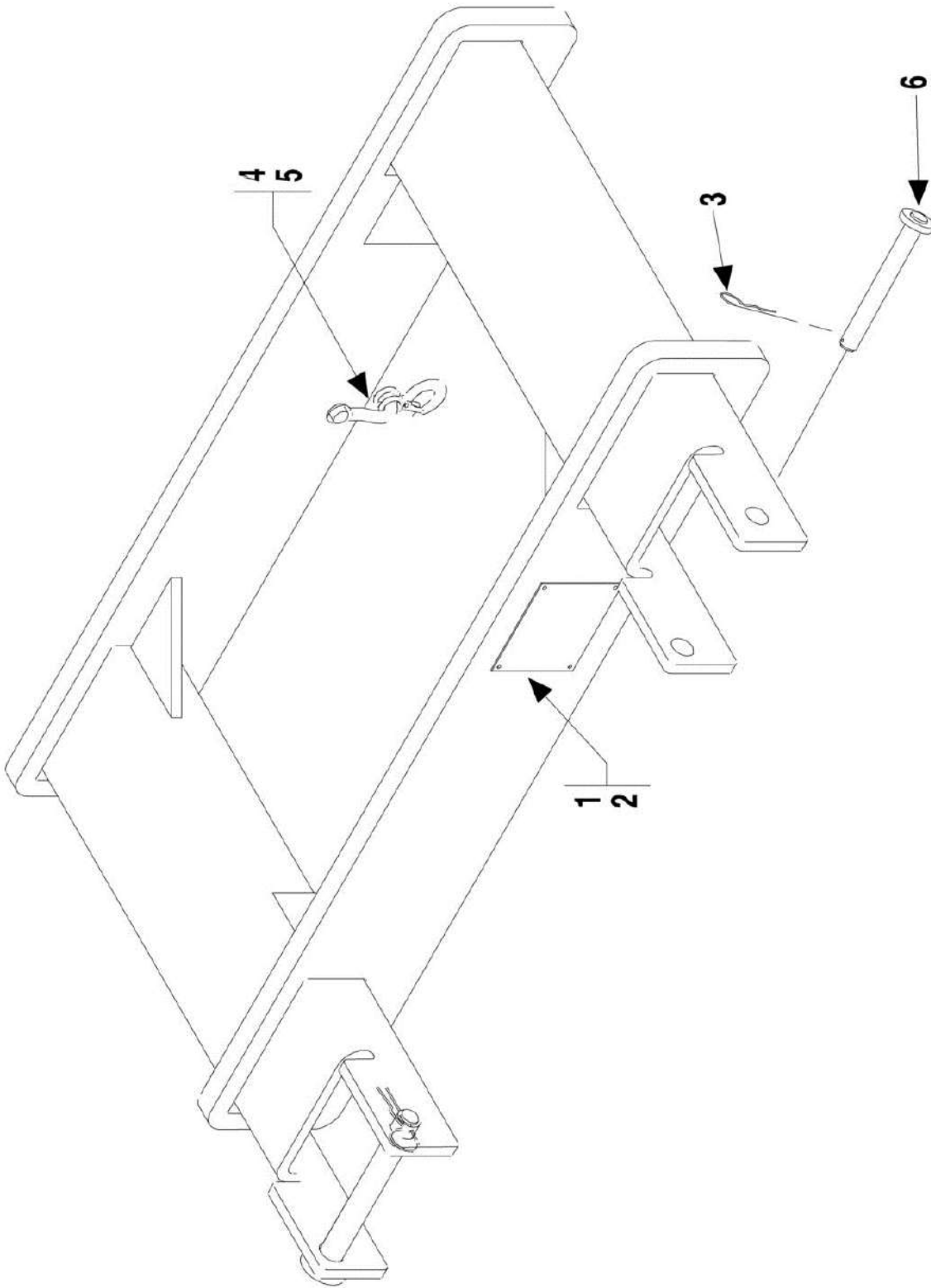
SECTION 3 - ATTACHMENTS

FIGURE 3-21. FORKS

ITEM	PART NUMBER	QTY	DESCRIPTION	REV
	91403359	6	48 IN CUBING FORK, 2X2, 3,880 lbs	B
	2340037	6	48 IN CUBING FORK, 2X2, 3,880 lbs	A
	91403364	2	48 IN PALLET FORK, 1-3/4X4, 6,100 lbs, (only used with 100, Swing Carriage with Side Shift, 91405070 or 91415026)	B
	2340045	2	48 IN PALLET FORK, 2-23/64X4, 10,950 lbs	B
	2340038	2	48 IN PALLET FORK, 2-23/64X5, 13,700 lbs	B
	91563141	2	48 IN PALLET FORK, 2-1/4X5, 13,700 lbs	C
	91403366	2	48 IN DRYWALL CARRIAGE FORK, 2X6, 5,000 lbs, (only used with Drywall Carriage, 91405077 or 100, Drywall Swing Carriage, 91405078)	B
	91513206	2	48 IN PALLET FORK, 2-1/4X4, 10,950 lbs	D
	91403580	2	60 IN PALLET FORK, 2X6, 11,300 lbs, (only used with 100, Swing Carriage with Side Shift, 91405070 or 91415026)	B
	91563142	2	60 IN PALLET FORK, 2-1/4X6, 16,300 lbs	C
	2340046	2	60 IN DUAL TAPER FORK, 1-3/4X7, 10,800 lbs	B
	2340039	2	60 IN DUAL TAPER FORK, 2-23/64X6, 16,300 lbs	B
	91563143	2	72 IN LUMBER FORK, 2-1/4X6, 16,300 lbs	C
	1001092391	2	72 IN DUAL TAPER FORK, 2X6, 11,300 lbs	B
	1001094134	1	FORK CLAMP INSTALLATION, (includes all items)	A
1	1001094136	4	FORK CLAMP	
2	10700681	4	HEX HD CAPSCREW, 5/8-18X1-1/2	
	1001137512	2	90 IN FORK EXTENSION, (not shown), (includes items 101 thru 102)	D
101	70024306	1	PIN, (not shown)	
102	70024307	1	CLIP, (not shown)	
N1	Note	Ref	FORKS RATED LESS THAN THE ATTACHMENT OR MACHINE'S CAPACITY DECREASES CAPACITY OF THE ATTACHMENT OR MACHINE TO THAT OF THE FORKS. FORKS RATED MORE THAN THE ATTACHMENT OR MACHINE'S CAPACITY DO NOT INCREASE ATTACHMENT OR MACHINE'S CAPACITY.	
N2	Note	Ref	PLEASE CONSULT JLG PARTS DEPARTMENT TO DETERMINE THE CORRECT FORKS APPLICABLE TO YOUR SPECIFIC CARRIAGE ASSEMBLY AND APPLICATION.	

SECTION 3 - ATTACHMENTS

FIGURE 3-22. FORK MOUNTED LIFTING HOOK (PRIOR TO S/N 2005134-01)



NOTE: PALLET/LUMBER FORKS OF AN APPROPRIATE LOAD RATING MUST BE USED.

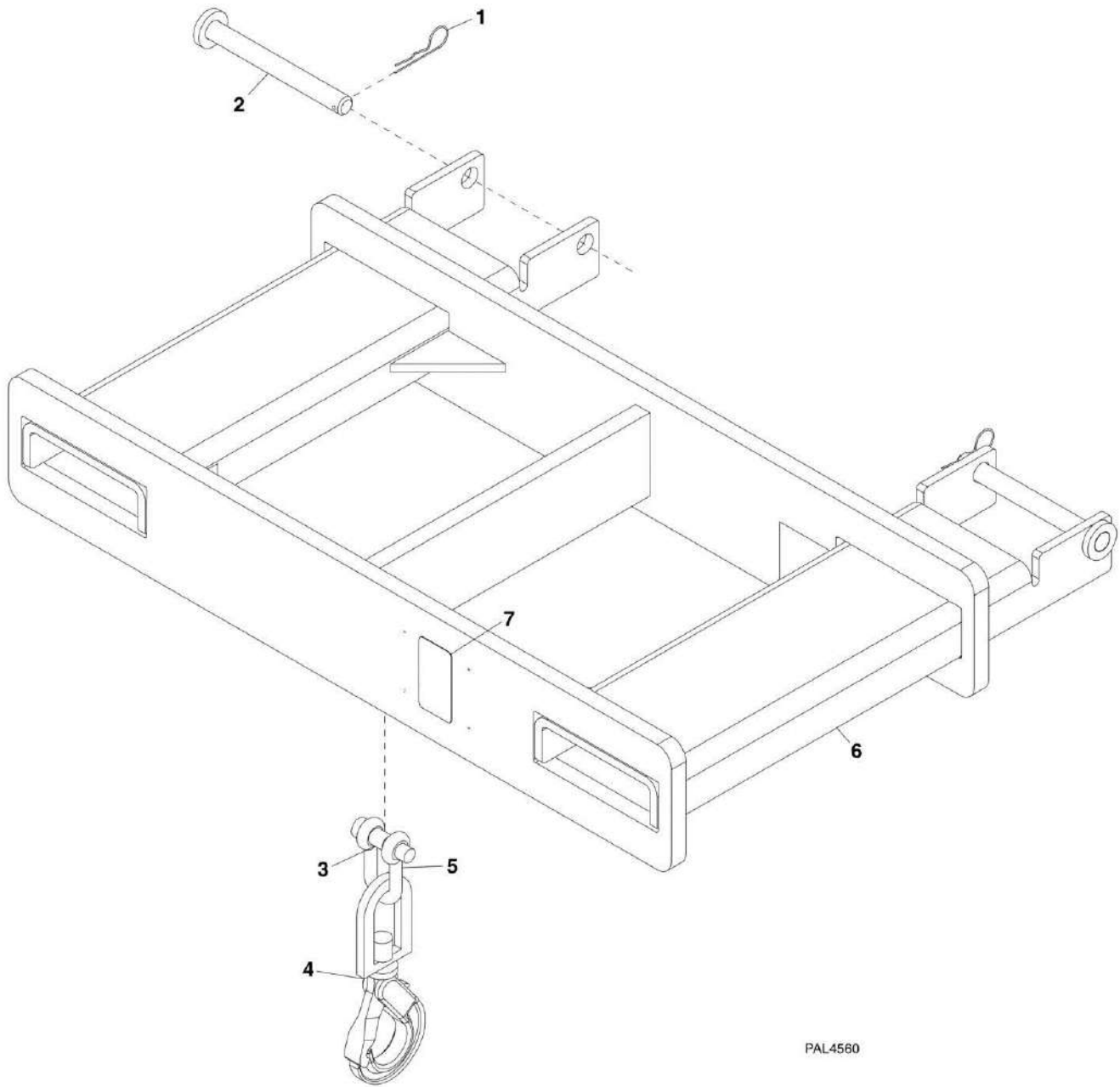
SECTION 3 - ATTACHMENTS

FIGURE 3-22. FORK MOUNTED LIFTING HOOK (PRIOR TO S/N 2005134-01)

ITEM	PART NUMBER	QTY	DESCRIPTION	REV
	90553036	NLA	FORK MOUNTED LIFTING HOOK, (no longer available, order 91565094 for replacement or see item 1 thru 6 for service)	E
1	N.S.S.	1	S/N ATTACHMENT PLATE	
2	88341022	4	DRIVE SCREW, 3/8	
3	7029520	2	HAIRPIN CLIP	
4	90554079	1	CLEVIS CONNECTOR	
5	90554080	1	HOOK	
6	1001093171	2	PIN	

SECTION 3 - ATTACHMENTS

FIGURE 3-23. FORK MOUNTED LIFTING HOOK (S/N 2005134-01 TO PRESENT)



NOTE: PALLET/LUMBER FORKS OF AN APPROPRIATE LOAD RATING MUST BE USED.

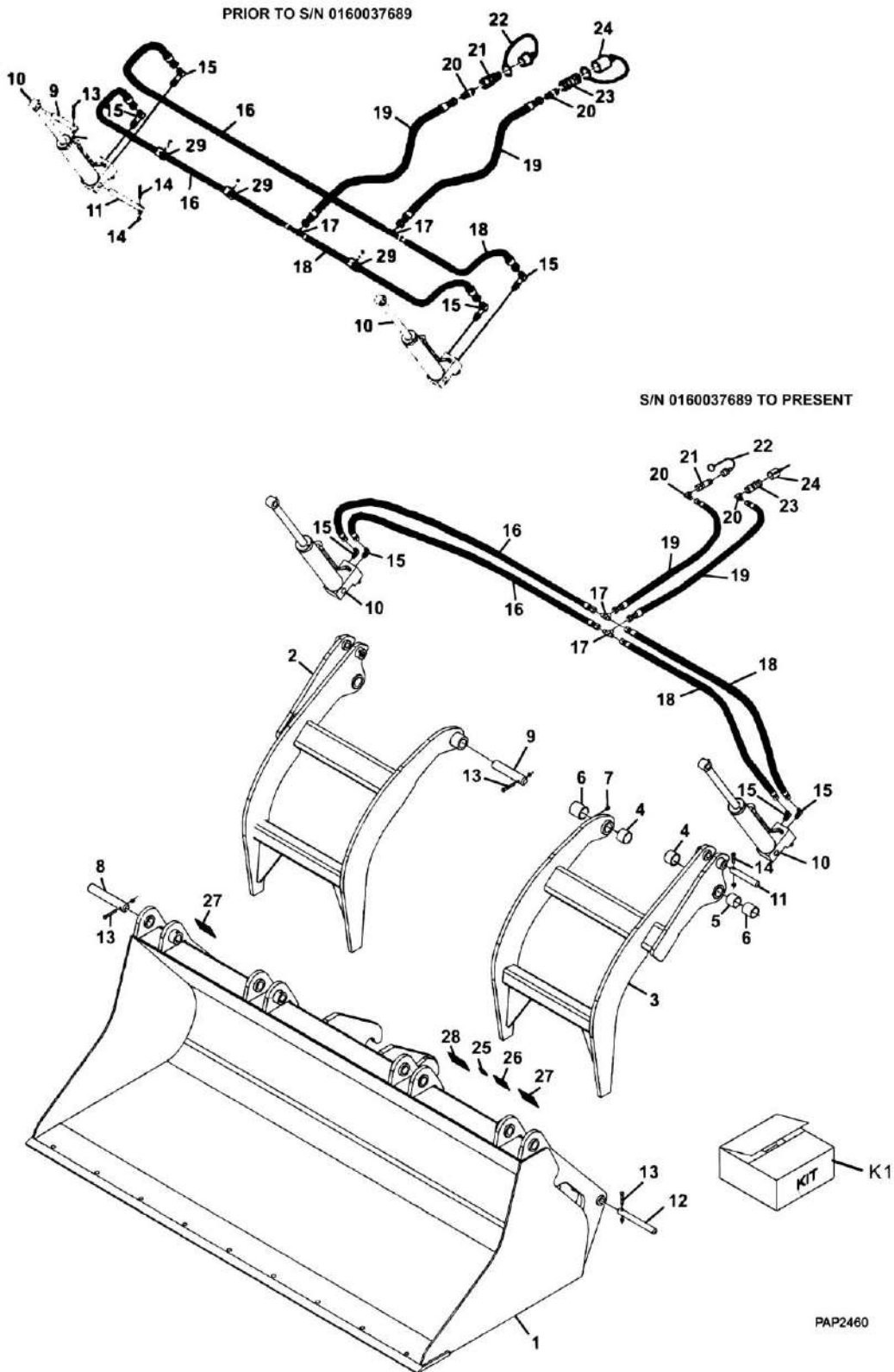
SECTION 3 - ATTACHMENTS

FIGURE 3-23. FORK MOUNTED LIFTING HOOK (S/N 2005134-01 TO PRESENT)

ITEM	PART NUMBER	QTY	DESCRIPTION	REV
	91565094	1	FORK MOUNTED LIFTING HOOK, (includes all items)	F
1	7029520	2	HAIRPIN CLIP	
2	1001093171	2	PIN	
3	70020555	1	SPRING BUSHING	
4	90554080	1	SLING HOOK	
5	7029521	1	CHAIN SHACKLE, 12,000 LB	
6	N.S.S.	1	LIFTING HOOK	
7	N.S.S.	1	S/N PLATE	

SECTION 3 - ATTACHMENTS

FIGURE 3-24. GRAPPLE BUCKET



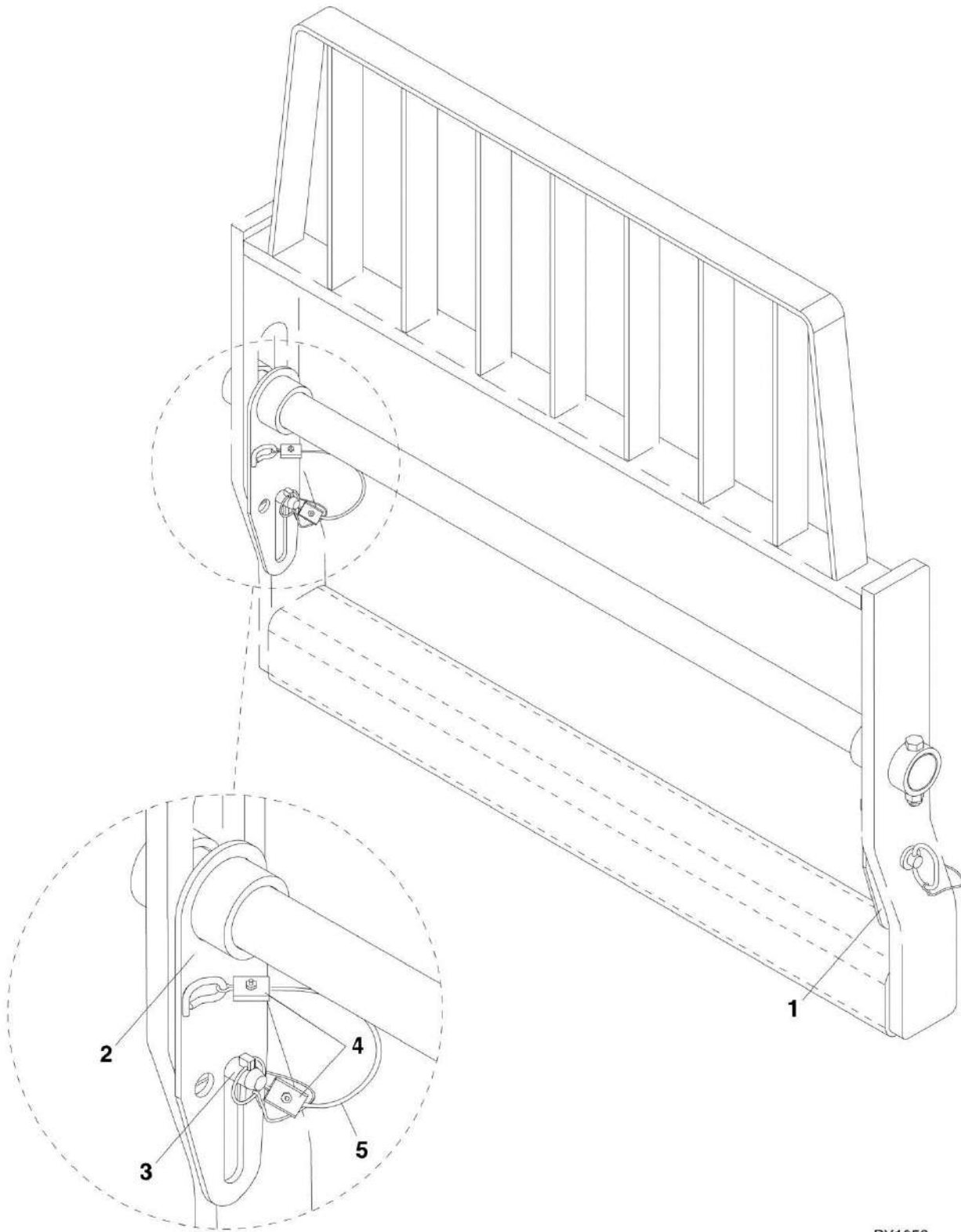
SECTION 3 - ATTACHMENTS

FIGURE 3-24. GRAPPLE BUCKET

ITEM	PART NUMBER	QTY	DESCRIPTION	REV
	0930019	1	GRAPPLE BUCKET, (includes all items) (Prior to SN 0160037689)	B
	0930020	1	GRAPPLE BUCKET, (includes all items) (SN 0160037689 to Present)	G
1	N.S.S.	1	BUCKET	
2	70021391	1	RIGHT GRAPPLE HOOK	
3	70021392	1	LEFT GRAPPLE HOOK	
4	70021358	4	BUSHING	
5	70021359	2	SPACER	
6	70021360	4	BUSHING	
7	7029714	4	GREASE FITTING	
8	70021361	2	OUTER PIVOT PIN	
9	70021362	2	INNER PIVOT PIN	
10		Ref	CYLINDER ASSY, (See HYDRAULIC COMPONENTS SECTION for details)	
11	70021364	2	PIN	
12	70021365	2	PIN	
13	70021366	4	HEX HD CAPSCREW, 3/8X2.75	
13	70021367	4	LOCK NUT, 3/8	
14	N.S.S.	1	HEX HD CAPSCREW, 0.38X2.5	
14	90554042	8	LOCKWASHER, 0.38 (Prior to SN 0160037689)	
14	70021399	4	HEX HD CAPSCREW, 3/8X2.25 (SN 0160037689 to Present)	
14	70021367	4	LOCK NUT, 3/8 (SN 0160037689 to Present)	
15	N.S.S.	1	ELBOW, 90	
15	90554065	4	ELBOW, 90, (SN 0160037689 to Present)	
16	70021395	2	HOSE ASSY, 0.38X64	
16	70021980	2	HOSE ASSY, 3/8X73	
17	70020562	2	FITTING, TEE	
18	70021396	2	HOSE ASSY, 0.38X44 (Prior to SN 0160037689)	
18	70021981	2	HOSE ASSY, 3/8X46 (SN 0160037689 to Present)	
19	70021394	2	HOSE ASSY, 0.38X76 (Prior to SN 0160037689)	
19	70021395	2	HOSE ASSY, 3/8X64 (SN 0160037689 to Present)	
20	90554063	2	STRAIGHT CONNECTOR (Prior to SN 0160037689)	
20	70022527	2	ELBOW, 90, (SN 0160037689 to Present)	
21	90554061	1	MALE QUICK COUPLER (Prior to SN 0160037689)	
21	7029692	1	MALE QUICK COUPLER (SN 0160037689 to Present)	
22	90554062	1	DUST COVER	
23	90554077	1	FEMALE QUICK COUPLER (Prior to SN 0160037689)	
23	70021342	1	FEMALE QUICK COUPLER (SN 0160037689 to Present)	
24	90554076	1	DUST COVER	
25	90554016	1	DECAL, MADE IN USA	
26	N.S.S.	1	S/N PLATE	
27	90554017	2	DECAL, DANGER PINCH POINT	
28	90554018	1	DECAL, WARNING HIGH PRESSURE	
29	70021387	3	HOSE CLAMP (Prior to SN 0160037689)	
29	70021387	4	HOSE CLAMP (SN 0160037689 to Present)	
K1	0930021	1	GRAPPLE BRACKET KIT, (includes 0930019 bucket and the appropriate load chart, See DECALS SECTION for details) (Prior to SN 0160037689)	

SECTION 3 - ATTACHMENTS

FIGURE 3-25. FORK PIN LOCK INSTALLATION (SN 0160037689 to Present)



PY1650

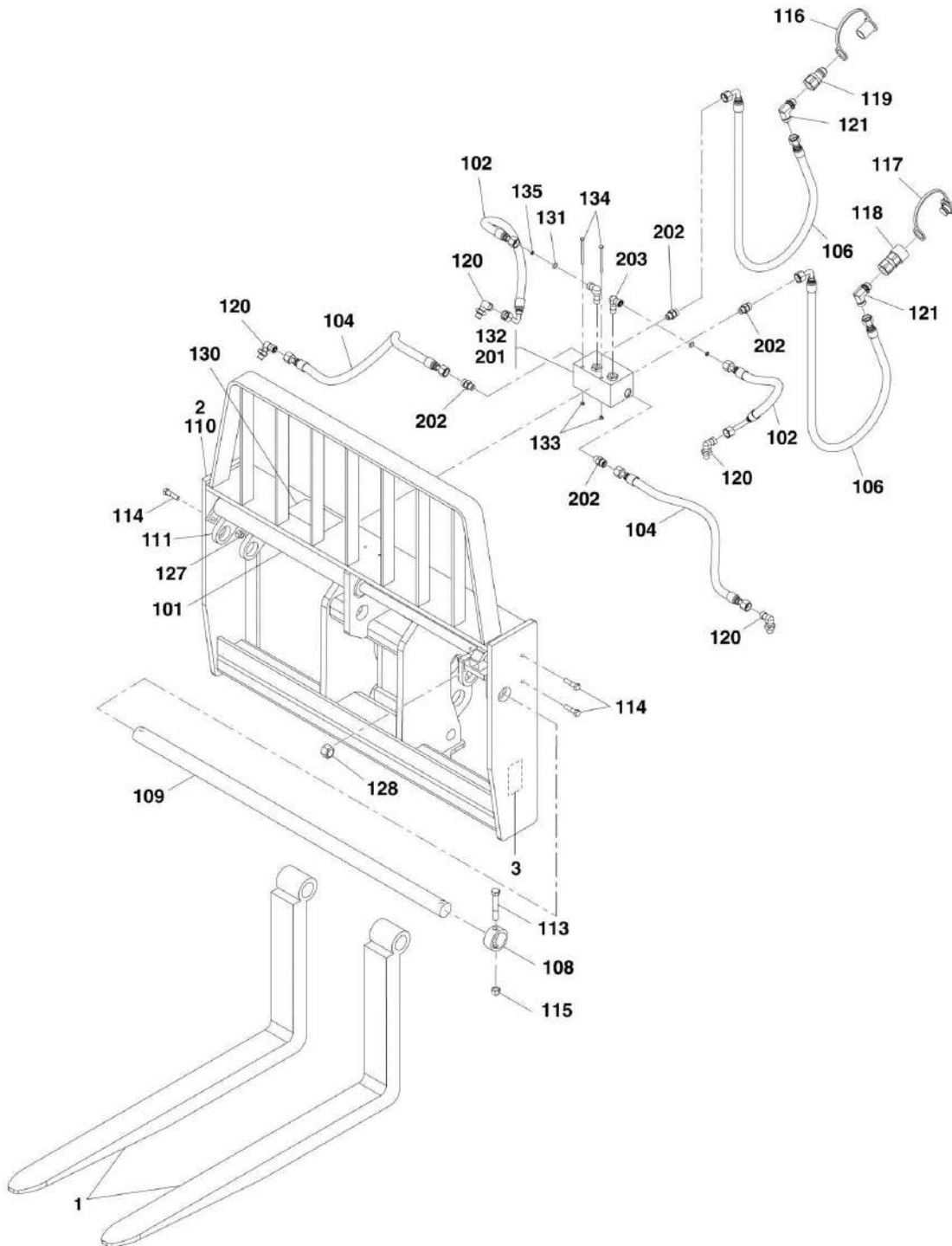
SECTION 3 - ATTACHMENTS

FIGURE 3-25. FORK PIN LOCK INSTALLATION (SN 0160037689 to Present)

ITEM	PART NUMBER	QTY	DESCRIPTION	REV
	1001093465	1	FORK PIN LOCK INSTALLATION, (includes all items)	B
1	0240156	1	FORK PIN LOCK, LH	
2	1001093273	1	FORK PIN LOCK, RH	
3	1001093377	2	HITCH PIN	
4	1001094830	4	CLAMP	
5	1001094330	2	LANYARD	

SECTION 3 - ATTACHMENTS

FIGURE 3-26. DUAL FORK POSITIONING CARRIAGE ASSEMBLY (SN 0160037689 to Present)



ART_7301295-F

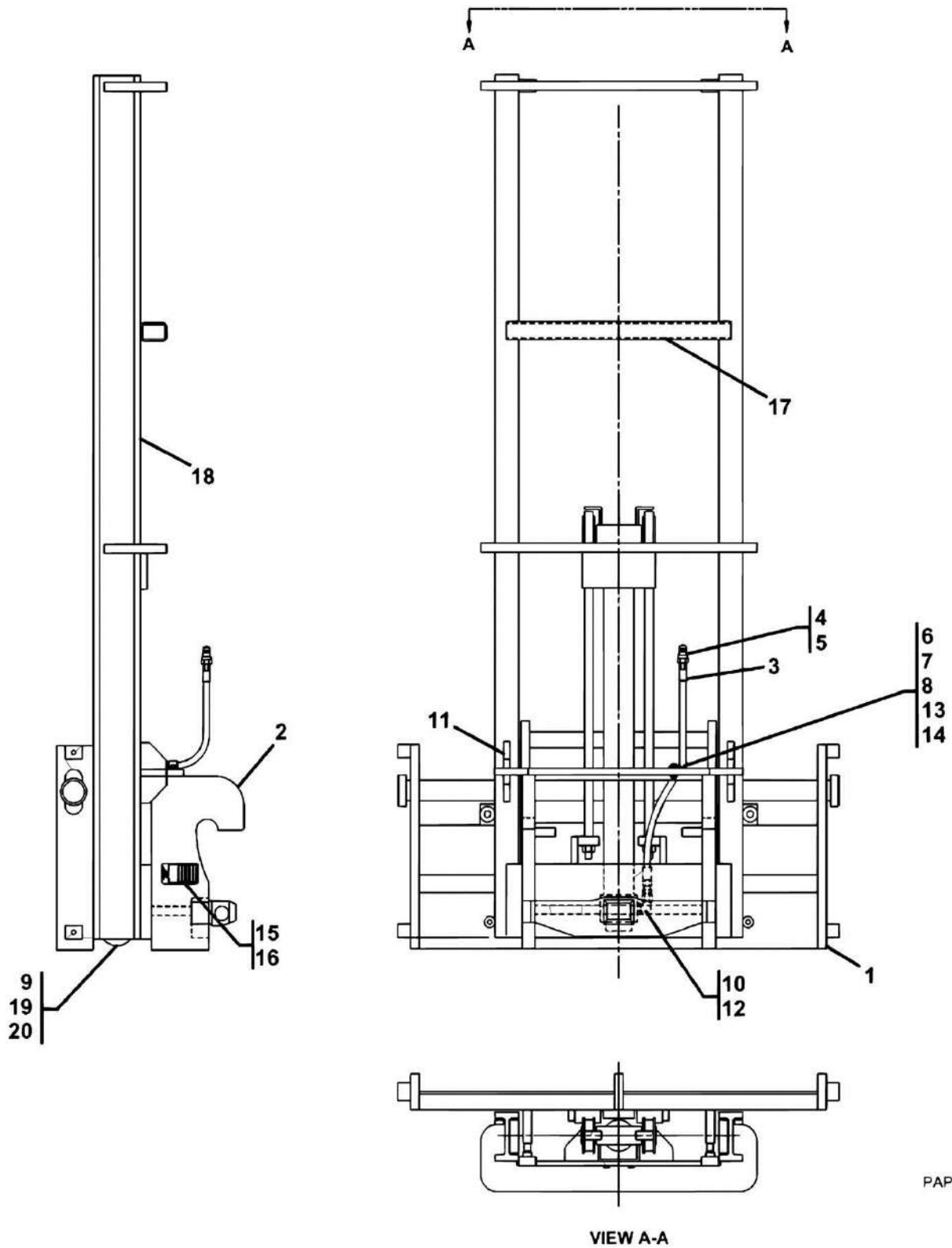
SECTION 3 - ATTACHMENTS

FIGURE 3-26. DUAL FORK POSITIONING CARRIAGE ASSEMBLY (SN 0160037689 to Present)

ITEM	PART NUMBER	QTY	DESCRIPTION	REV
	7301295	1	50 IN DUAL FORK POSITIONING CARRIAGE, (includes items 1 thru 3)	F
1	7301408	2	PALLET FORK, (60X100X1220mm)	
2	N.S.S.	1	50 IN CARRIAGE, (includes items 101 thru 135)	I
3	N.S.S.	1	SN PLATE	
101	2717283	2	FORK POSITIONING CYLINDER	
102	2717160	2	HOSE ASSY	
104	2717161	2	HOSE ASSY	
106	2717162	2	HOSE ASSY	
108	90020003	2	FORK PIN COLLAR	
109	90451058	1	FORK SHAFT	
110	N.S.S.	1	50 IN CARRIAGE WELDMENT	
111	7301579	2	FORK ADAPTER WELDMENT	
113	8303634	2	HEX HD CAPSCREW, 5/8-11X4, GR5	
114	8303658	4	HEX HD CAPSCREW, 1/2-13X2, GR5	
115	8305643	2	HEX LOCKNUT, 5/8-11	
116	8420053	1	DUST CAP	
117	8420055	1	DUST PLUG	
118	91403413	1	CONNECTOR	
119	91403414	1	CONNECTOR	
120	2130606	4	ADAPTER, 90, (includes o-ring)	
121	2130608	2	ADAPTER, 90, (includes o-ring)	
127	8310302	4	HEX LOCKNUT, 1/2-13	
128	10705034	2	HEX LOCKNUT, 1-14	
130	4110473	1	HOSE ROUTING DECAL	
131	7139918	2	ORIFICE DISK	
132	4641502	1	VALVE ASSY, (includes items 201 thru 203)	B
133	8305624	2	HEX LOCKNUT, 1/4-20	
134	8310435	2	HEX HD CAPSCREW, 1/4-20X3-3/4, GR5	
135	8630003	2	O-RING	
201	4641501	1	FLOW DIVIDER VALVE	
202	2110606	4	CONNECTOR	
203	2130606	2	ADAPTER, 90, (includes o-ring)	

SECTION 3 - ATTACHMENTS

FIGURE 3-27. 6 FT MAST WITH 72 IN CARRIAGE (Prior to SN 0160037938)



PAP3780

VIEW A-A

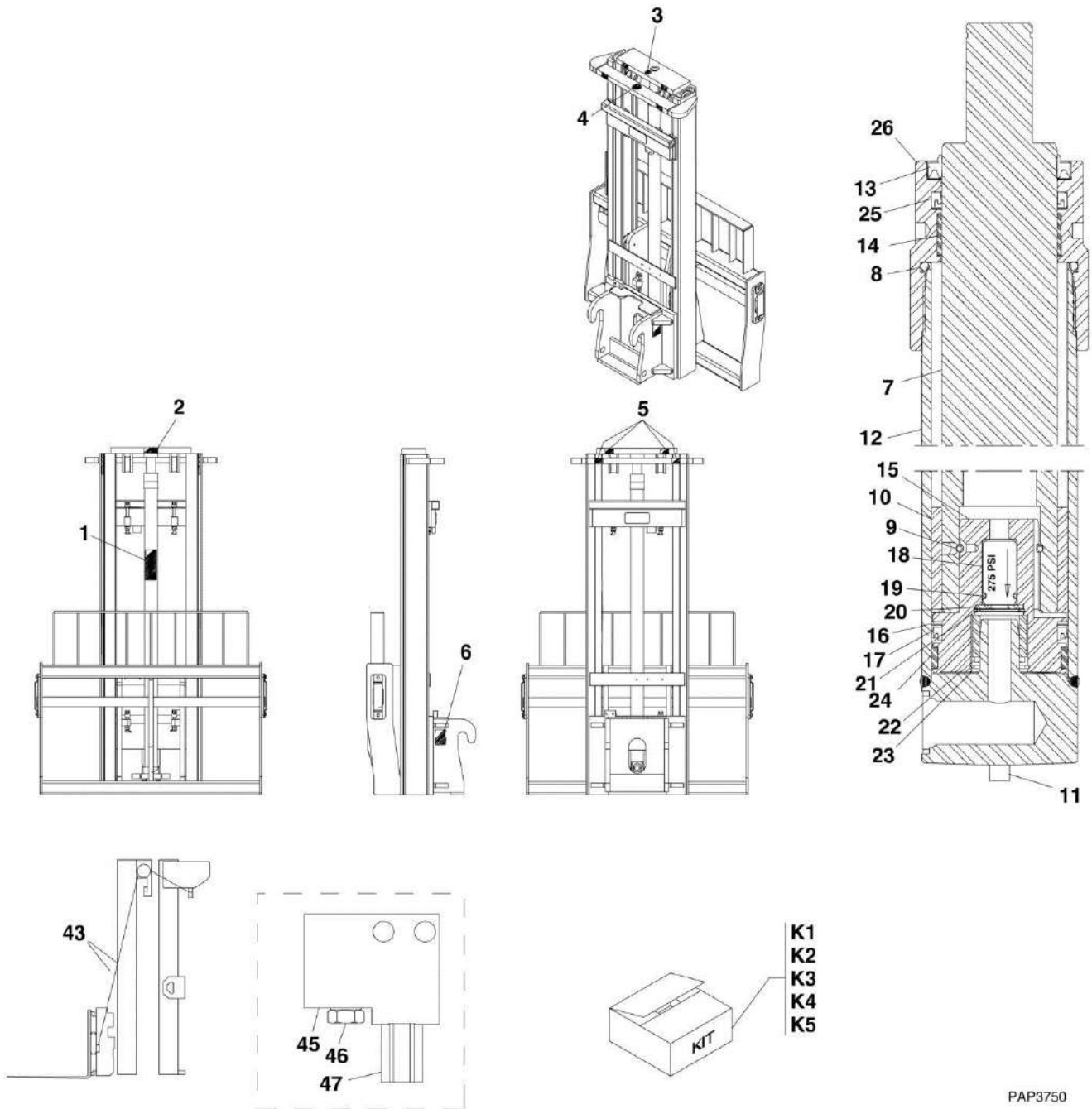
SECTION 3 - ATTACHMENTS

FIGURE 3-27. 6 FT MAST WITH 72 IN CARRIAGE (Prior to SN 0160037938)

ITEM	PART NUMBER	QTY	DESCRIPTION	REV
	91405060	1	6 FT MAST WITH 72 IN CARRIAGE, (includes all items)	L
	91405061	1	6 FT MAST WITH 72 IN CARRIAGE, (includes all items)	H
1	91403408	1	45 1/2 IN CARRIAGE	
1	91403409	1	69 1/2 IN CARRIAGE	
2	N.S.S.	1	ADAPTOR	
3	84719229	1	HOSE ASSY	
4	91403414	1	ADAPTOR	
5	91043126	1	DUST CAP	
6	24431386	1	CLAMP	
7	88201037	1	HEX HD SCREW, 3/8-16	
8	88561004	1	FLAT WASHER	
9	91034377	2	SCREW	
10	1001094695	1	ADAPTOR	
11	N.S.S.	1	GUSSET	
13	88501006	1	HEX NUT, 3/8-16	
14	88551011	1	LOCK WASHER, 3/8	
15	N.S.S.	1	S/N PLATE	
17	N.S.S.	1	STOP TUBE	
18	91403339	1	6 FT MAST	
19	91034374	6	LOAD ROLLER	
20	91034375	12	SHIM	

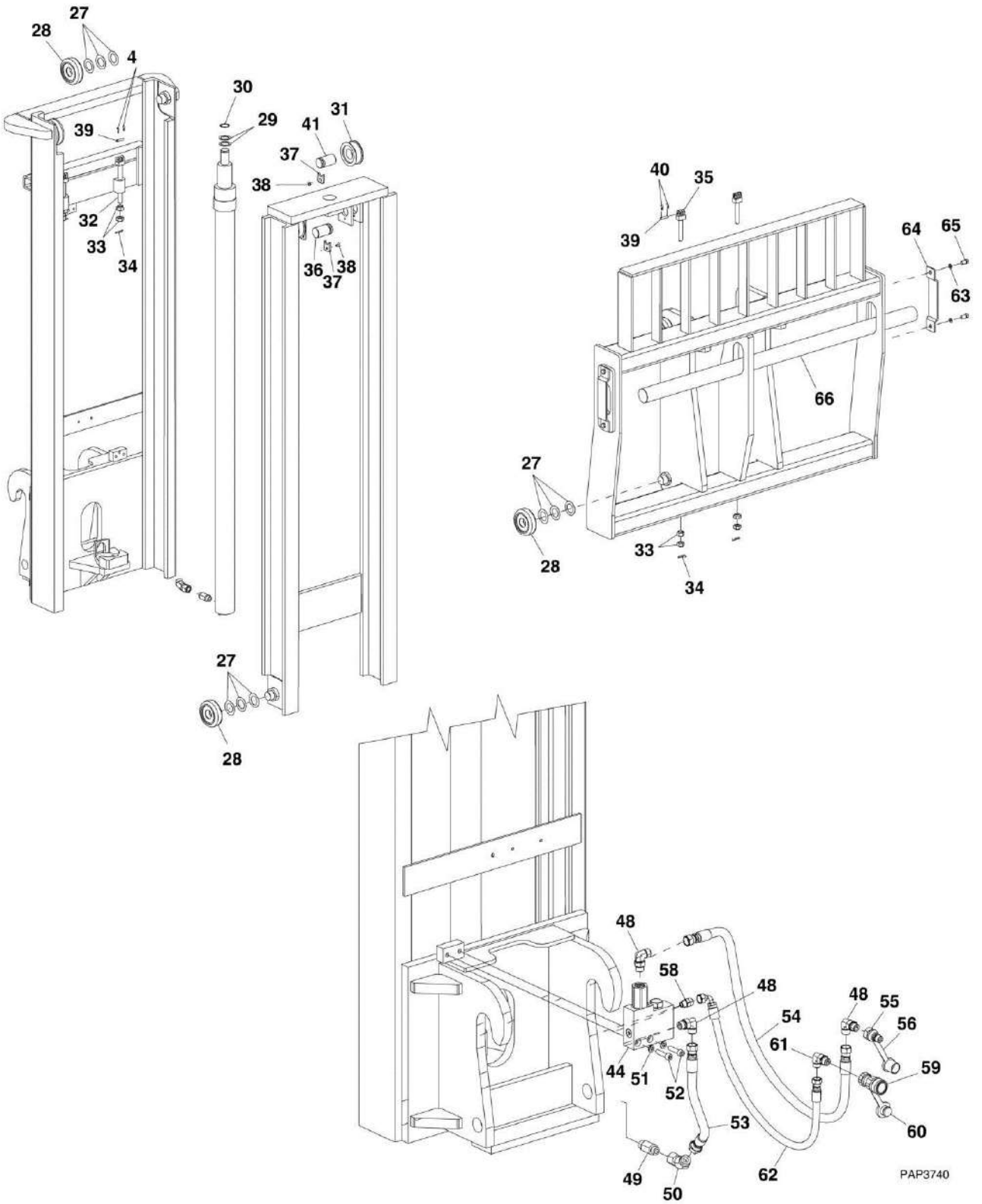
SECTION 3 - ATTACHMENTS

FIGURE 3-28. 8 FT STANDARD MAST (SN 0160037689 to Present)



PAP3750

SECTION 3 - ATTACHMENTS



PAP3740

SECTION 3 - ATTACHMENTS

FIGURE 3-28. 8 FT STANDARD MAST (SN 0160037689 to Present)

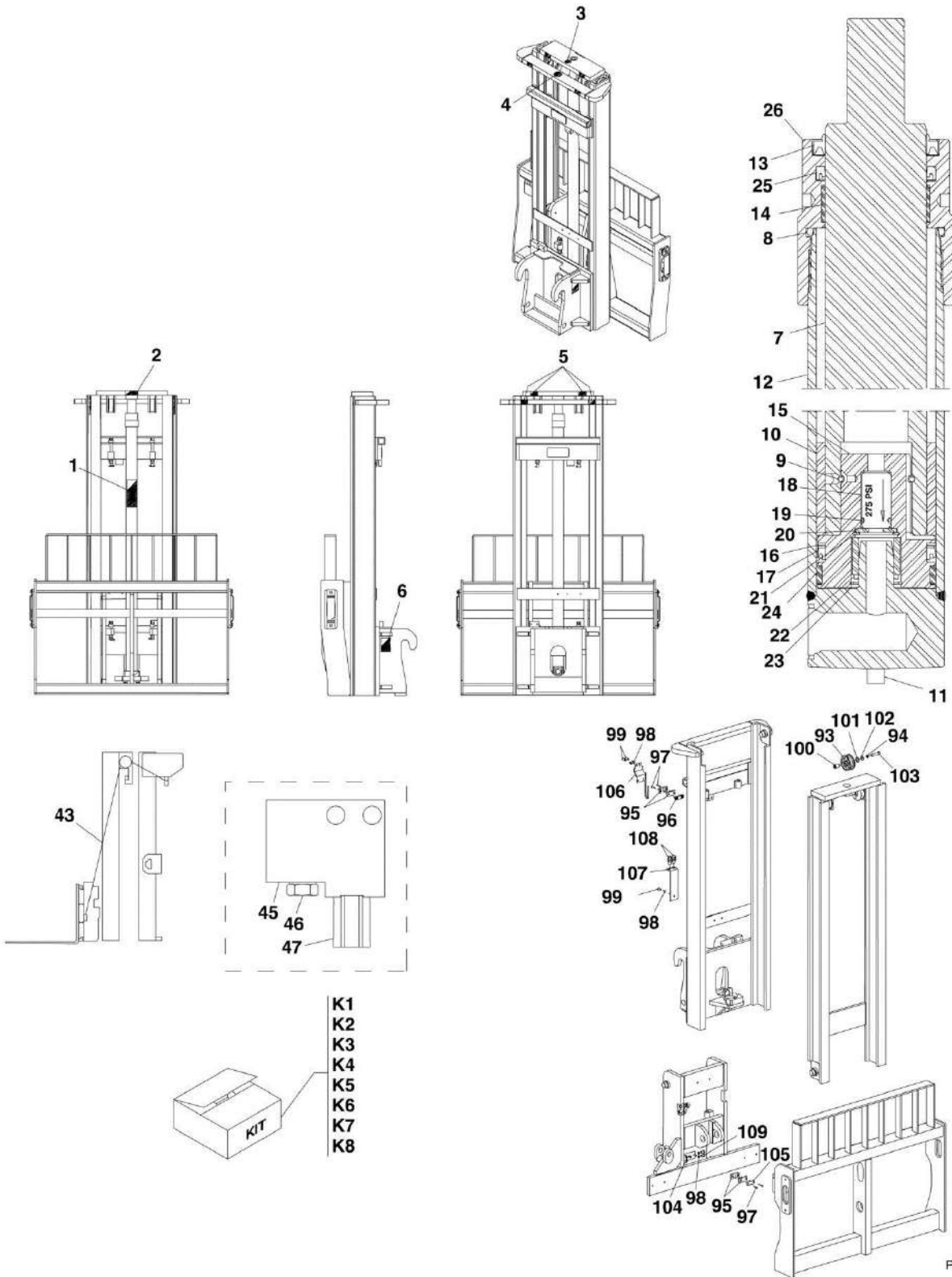
ITEM	PART NUMBER	QTY	DESCRIPTION	REV
	1001108668	1	8 FT STANDARD MAST, (includes all items)	B
1	Kit	1	WARNING DECAL	
2	Kit	1	WARNING DECAL	
3	Kit	1	NO STEP DECAL	
4	Kit	1	NO STEP DECAL	
5	Kit	4	HANDS OFF DECAL	
6	1001111190	2	HOSE ROUTING	
6	70023008	1	MAIN LIFT CYLINDER	
7	N.S.S.	1	ROD/PLUNGER	
8	Kit	1	O-RING	
9	Kit	1	PULL WIRE	
10	N.S.S.	1	SPACER	
11	N.S.S.	1	ROLL PIN	
12	N.S.S.	1	BARREL	
13	Kit	1	WIPER	
14	Kit	1	BUSHING	
15	N.S.S.	1	PISTON	
16	Kit	1	NYLON RING	
17	Kit	1	PISTON SEAL	
18	Kit	1	CHECK VALVE	
19	Kit	1	O-RING	
20	Kit	1	WASHER	
21	Kit	1	CIRCLIP	
22	N.S.S.	1	SLEEVE	
23	Kit	1	RETAINING RING	
24	Kit	1	WEAR RING	
25	Kit	1	ROD SEAL	
26	70023004	1	RETAINER/GLAND	
27	70023014	24	SHIM	
28	70022987	8	BALL BEARING	
29	Kit	2	WASHER SHIM	
30	70023016	1	SNAP RING	
31	70022969	2	SHEAVE ASSY	
32	70022960	2	CHAIN ANCHOR	
33	70022957	8	NUT, 0.625-18UNF	
34	70022993	4	COTTER PIN	
35	70022995	2	CHAIN ANCHOR	
36	70022984	1	SHEAVE SHAFT	
37	70022970	2	RETAINER BAR	
38	70023003	2	FLAT HD CAPSCREW	
39	70022994	4	CHAIN ANCHOR PIN	
40	70022992	8	COTTER PIN	
41	70022985	1	SHEAVE SHAFT	
43	70023009	2	LIFT CHAIN	
44	70022932	1	PO CHECK VALVE ASSY, (includes items 45, 46 & 47)	
44	N.S.S.	1	MANIFOLD	
46	70022931	1	PO CHECK VALVE CARTRIDGE	
47	70023010	1	P.O. CHECK	
48	70022934	3	FITTING, 90	
49	70022936	1	FLOW LIMITER	

SECTION 3 - ATTACHMENTS

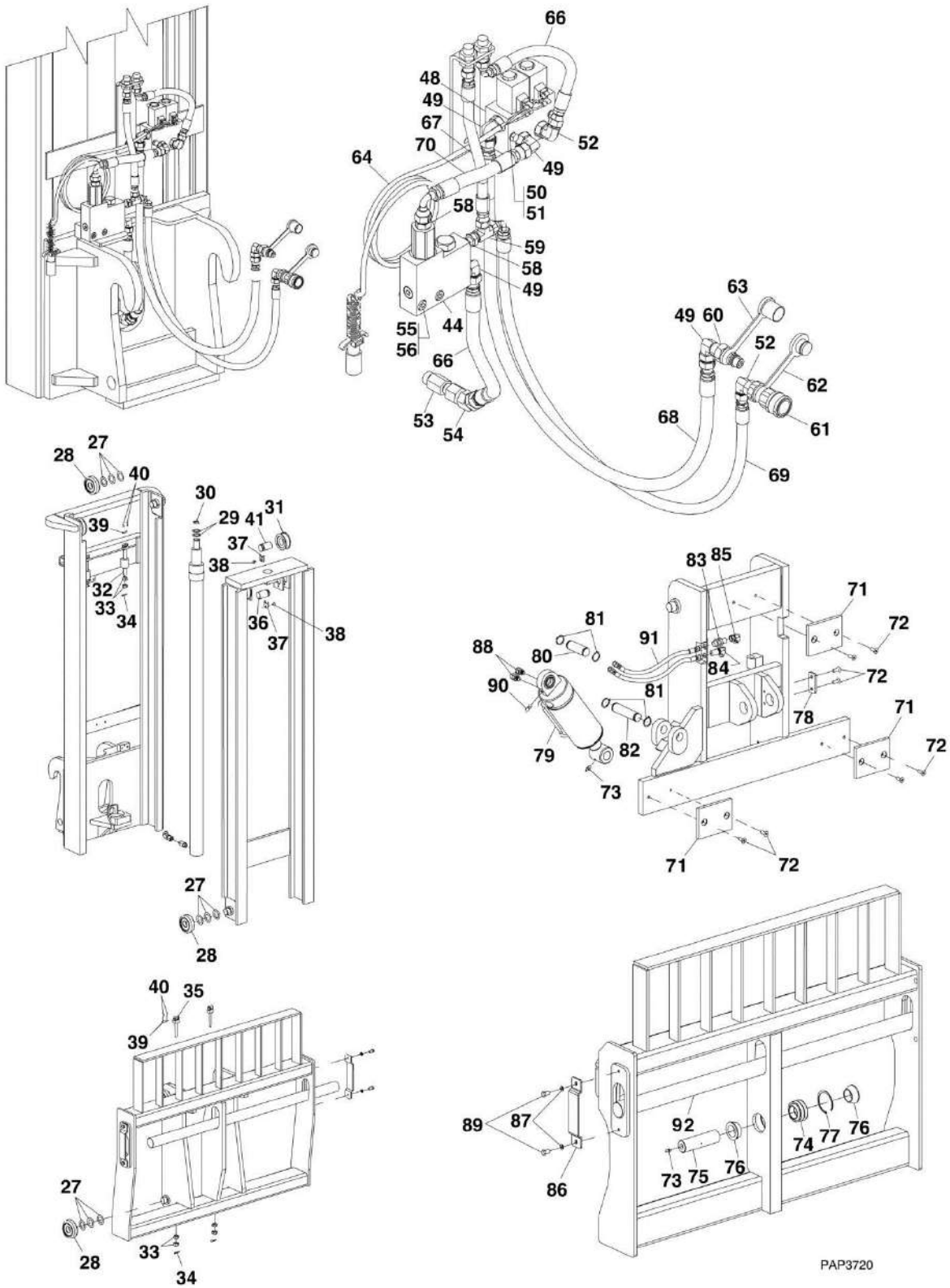
ITEM	PART NUMBER	QTY	DESCRIPTION	REV
50	70022937	1	FITTING, 45	
51	70022949	2	LOCKWASHER, M10	
52	70022950	2	HEX SOCKET CAPSCREW	
53	70022942	1	HOSE ASSY	
54	70022952	1	HOSE ASSY	
55	91403414	1	MALE QUICK DISCONNECT COUPLING	
56	91043126	1	DUST CAP	
58	70022939	1	STRAIGHT FITTING, #6	
59	91403413	1	FEMALE QUICK DISCONNECT COUPLING	
60	91043125	1	DUST PLUG	
61	70022935	1	ELBOW, STRAIGHT THREAD	
62	70022946	1	HOSE ASSY	
63	70022949	4	LOCKWASHER, M10	
64	70022980	2	FORK PIN KEEPER	
65	70022998	4	CAPSCREW, M10X20 LG	
66	70022990	1	FORK PIN	
K1	70023925	1	DECAL KIT, (includes items 1 thru 6)	
K2	70023005	1	SEAL KIT, MAIN LIFT CYLINDER, (includes items 8, 9, 13, 14, 16, 17, 19, 21, 23, 24 & 25)	
K3	70023006	1	CHECK VALVE KIT, (includes items 18, 19, 20, 21 & 23)	
K4	70023007	1	SHIM KIT	
K5	70023015	1	MAST COMMON PARTS KIT, (includes items 27 thru 42)	

SECTION 3 - ATTACHMENTS

FIGURE 3-29. 8 FT SIDE TILT ELECTRIC MAST (SN 0160037689 to Present)



SECTION 3 - ATTACHMENTS



PAP3720

SECTION 3 - ATTACHMENTS

FIGURE 3-29. 8 FT SIDE TILT ELECTRIC MAST (SN 0160037689 to Present)

ITEM	PART NUMBER	QTY	DESCRIPTION	REV
	1001108669	1	8 FT SIDE TILT ELECTRIC MAST, (includes all items)	B
1	Kit	1	WARNING DECAL	
2	Kit	1	WARNING DECAL	
3	Kit	1	NO STEP DECAL	
4	Kit	1	NO STEP DECAL	
5	Kit	4	HANDS OFF DECAL	
6	1001111190	2	HOSE ROUTING	
6	70023008	1	MAIN LIFT CYLINDER	
7	N.S.S.	1	ROD/PLUNGER	
8	Kit	1	O-RING	
9	Kit	1	PULL WIRE	
10	N.S.S.	1	SPACER	
11	N.S.S.	1	ROLL PIN	
12	N.S.S.	1	BARREL	
13	Kit	1	WIPER	
14	Kit	1	BUSHING	
15	N.S.S.	1	PISTON	
16	Kit	1	NYLON RING	
17	Kit	1	PISTON SEAL	
18	Kit	1	CHECK VALVE	
19	Kit	1	O-RING	
20	Kit	1	WASHER	
21	Kit	1	CIRCLIP	
22	N.S.S.	1	SLEEVE	
23	Kit	1	RETAINING RING	
24	Kit	1	WEAR RING	
25	Kit	1	ROD SEAL	
26	70023004	1	RETAINER/GLAND	
27	70023014	24	SHIM	
28	70022987	8	BALL BEARING	
29	Kit	2	WASHER SHIM	
30	70023016	1	SNAP RING	
31	70022969	2	SHEAVE ASSY	
32	70022960	2	CHAIN ANCHOR	
33	70022957	8	NUT, 0.625-18UNF	
34	70022993	4	COTTER PIN	
35	70022995	2	CHAIN ANCHOR	
36	70022984	1	SHEAVE SHAFT	
37	70022970	2	RETAINER BAR	
38	70023003	2	FLAT HD CAPSCREW	
39	70022994	4	PIN, CHAIN ANCHOR	
40	70022992	8	COTTER PIN	
41	70022985	1	SHEAVE SHAFT	
43	70023009	2	LIFT CHAIN	
44	70022932	1	PO CHECK VALVE ASSY, (includes items 45, 46 & 47)	
45	N.S.S.	1	MANIFOLD	
46	70022931	1	PO CHECK VALVE CARTRIDGE	
47	70023010	1	P.O. CHECK	
48	70022933	1	SOLENOID VALVE BANK	
49	70022934	4	FITTING, 90	

SECTION 3 - ATTACHMENTS

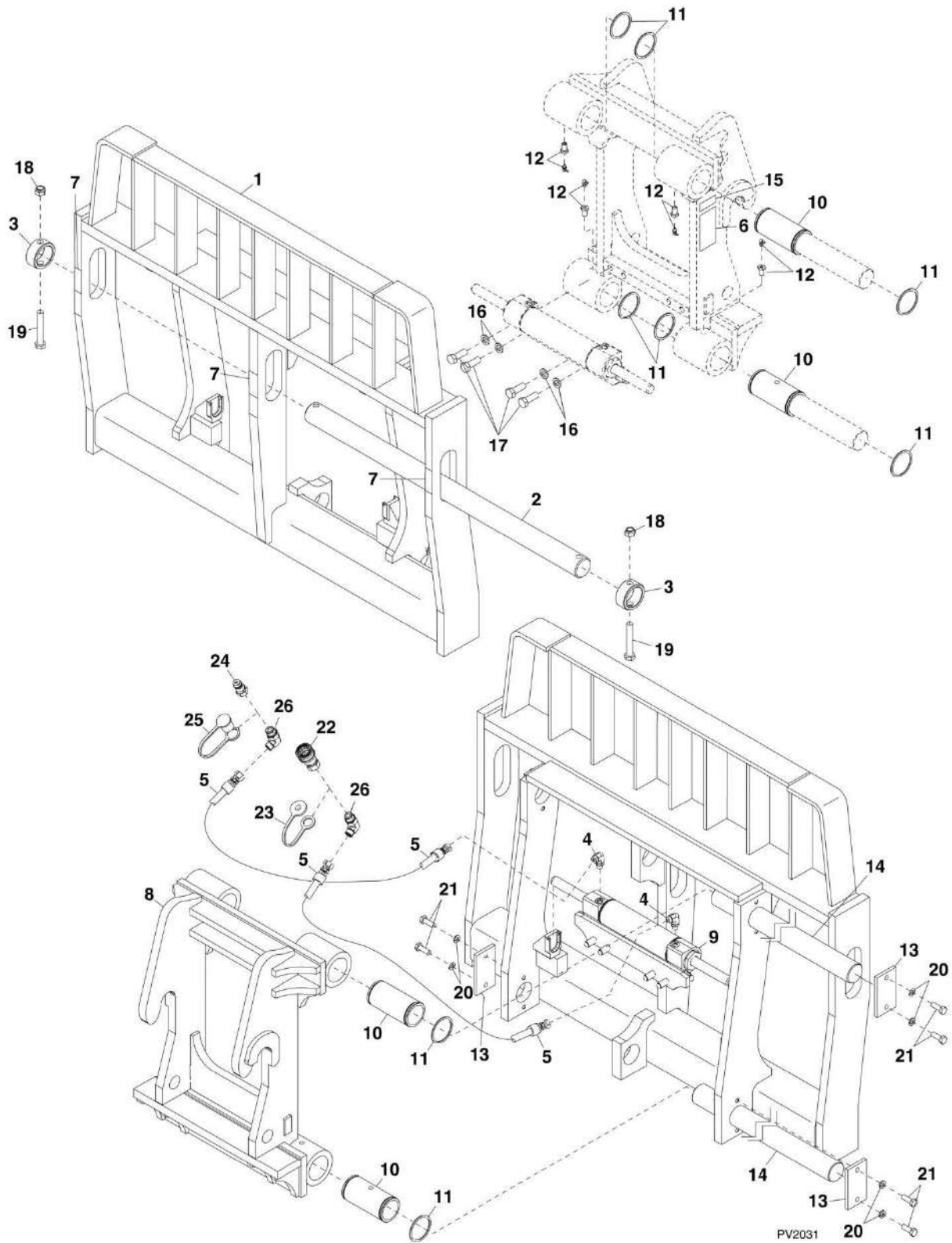
ITEM	PART NUMBER	QTY	DESCRIPTION	REV
50	70022948	2	LOCKWASHER, M8	
51	70022951	2	CAPSCREW, M8X60	
52	70022935	2	STRAIGHT THREAD ELBOW	
53	70022936	1	FLOW LIMITER	
54	70022937	1	FITTING, 45	
55	70022949	2	LOCKWASHER, M10	
56	70022950	2	HEX SOCKET CAPSCREW	
57	70022938	1	STRAIGHT FITTING	
58	70022939	1	STRAIGHT FITTING, #6	
59	70022940	1	TEE FITTING	
60	91403414	1	MALE QUICK DISCONNECT COUPLING	
61	91403413	1	FEMALE QUICK DISCONNECT COUPLING	
62	91043125	1	DUST PLUG	
63	91043126	1	DUST CAP	
64	70022941	1	HARNES	
65	70022942	1	HOSE ASSY	
66	70022943	1	HOSE ASSY	
67	70022944	1	HOSE ASSY	
68	70022945	1	HOSE ASSY	
69	70022946	1	HOSE ASSY	
70	70022947	1	HOSE ASSY	
71	70022972	3	WEAR PAD	
72	70022971	8	FLAT HD CAPSCREW	
73	70023001	2	GREASE FITTING	
74	70022975	1	BEARING	
75	70022973	1	PIVOT SHAFT	
76	70022974	2	BEVELED SPACER	
77	70022988	1	RETAINING RING	
78	70022976	1	RETAINER PLATE	
79	2716143	1	TILT CYLINDER	
80	70022977	1	PIN, 128.1mm	
81	70023016	4	SNAP RING, 1-1/4	
82	70022978	1	PIN, 128.1mm	
83	70023000	1	BULKHEAD UNION, (with locknut)	
84	70022999	1	BULKHEAD UNION ELBOW	
85	70022982	1	STRAIGHT THREAD ELBOW	
86	70022980	2	FORK PIN KEEPER	
87	70022949	4	LOCKWASHER, M10	
88	70022991	2	STRAIGHT THREAD ELBOW, 90	
89	70022998	4	CAPSCREW, M10X20 LG	
90	70022966	1	GREASE FITTING	
91	70022979	2	HOSE ASSY	
92	70022990	1	FORK PIN	
93	70022965	1	SHEAVE	
94	70022997	1	LOCKWASHER, M12	
95	70022967	4	HOSE CLAMP	
96	70022962	1	BAR ASSY	
97	70023002	4	CAPSCREW, M6X25 LG	
98	70022949	5	LOCKWASHER, M10	
99	70022958	3	CAPSCREW, M10X20	
100	70022961	1	SHAFT	

SECTION 3 - ATTACHMENTS

ITEM	PART NUMBER	QTY	DESCRIPTION	REV
101	70022959	1	WASHER	
102	70022989	1	RETAINING RING	
103	70022964	1	CAPSCREW, M12X55	
104	70022981	1	IHR BRACKET	
105	70022968	1	HOSE CLAMP BAR	
106	70023011	1	IHR BRACKET	
107	70022983	1	TERMINATION BRACKET	
108	70023000	2	BULKHEAD UNION AND LOCKNUT	
109	70022996	3	CAPSCREW, M10X16 LG	
110	70022963	2	HOSE ASSY, (not shown)	
K1	70023925	1	DECAL KIT, (includes items 1 thru 6)	
K2	70023005	1	SEAL KIT, MAIN LIFT CYLINDER, (includes items 8, 9, 13, 14, 16, 17, 19, 21, 23, 24 & 25)	
K3	70023006	1	CHECK VALVE KIT, (includes items 18, 19, 20, 21 & 23)	
K4	70023007	1	SHIM KIT	
K5	70023015	1	MAST COMMON PARTS KIT, (includes items 27 thru 42)	
K6	8035831	1	SEAL KIT, TILT CYLINDER	
K7	70023013	1	IHR COMMON PARTS KIT, (includes items 93 thru 109)	
K8	70022986	1	IHR KIT, (includes items 93 thru 110)	

SECTION 3 - ATTACHMENTS

FIGURE 3-30. 50 IN SIDE SHIFT CARRIAGE (SN 0160037689 to Present)



SECTION 3 - ATTACHMENTS

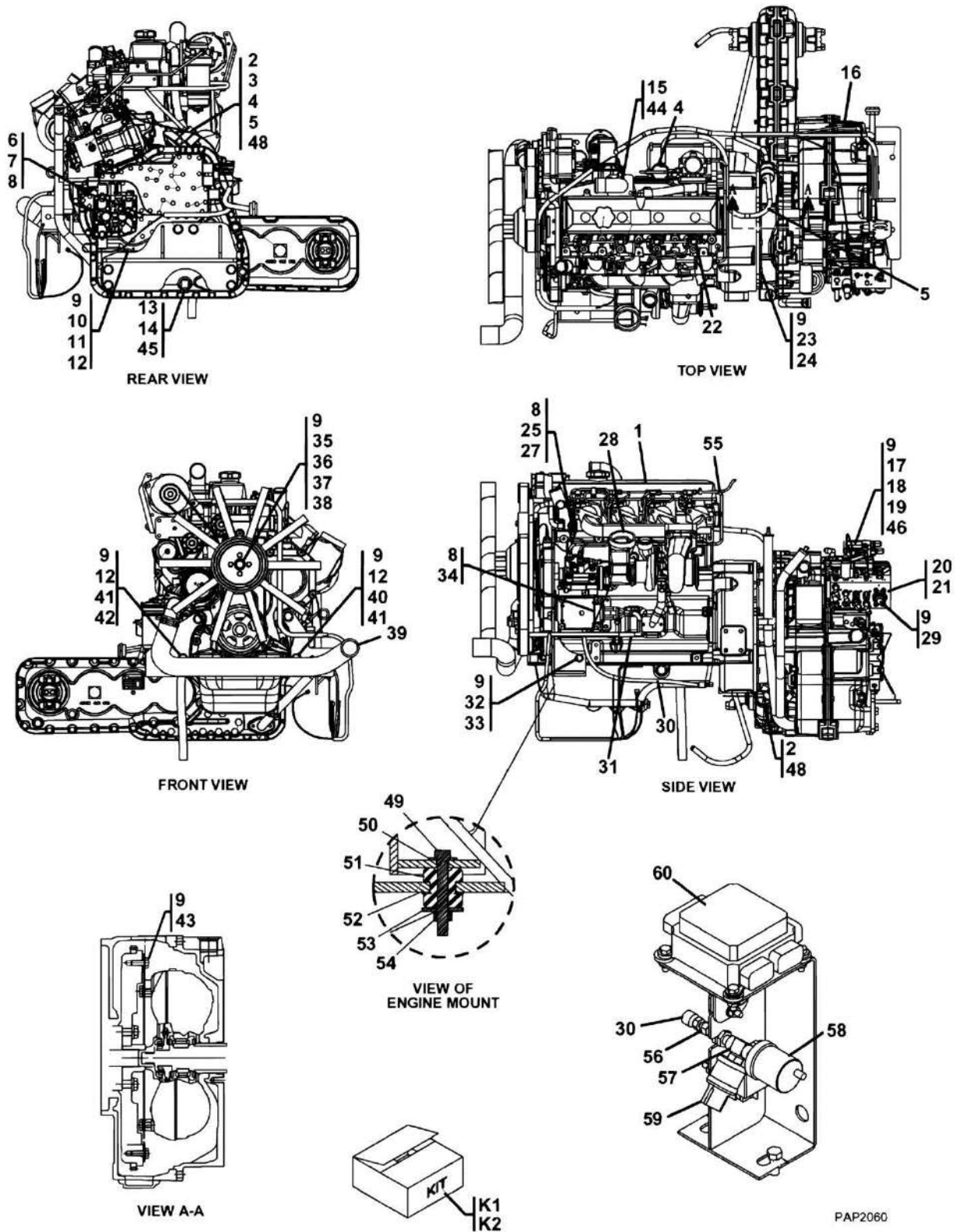
FIGURE 3-30. 50 IN SIDE SHIFT CARRIAGE (SN 0160037689 to Present)

ITEM	PART NUMBER	QTY	DESCRIPTION	REV
	1001142790	1	50 IN SIDE SHIFT CARRIAGE, (includes all items)	B
1	N.S.S.	1	WELDMENT	
2	70024535	1	SHAFT	
3	70024536	2	COLLAR	
4	70024123	2	ADAPTER, 90, (includes o-ring)	
5	70024537	2	HOSE ASSEMBLY	
6	N.S.S.	1	S/N PLATE	
7	70024538	3	WARNING DECAL	
8	N.S.S.	1	WELDMENT	
9		Ref	50 IN SIDE SHIFT CYLINDER, (See HYDRAULIC COMPONENTS SECTION for details)	
10	70024540	4	BUSHING	
11	70024541	8	CIRCLIP	
12	70024542	4	GREASE FITTING	
13	70024543	4	RETAINER	
14	70024544	2	SHAFT	
15	N.S.S.	1	S/N PLATE	
16	70024551	4	LOCKWASHER, 16mm	
17	70024552	4	HEX HD CAPSCREW, M16X45, GR10.9	
18	70024553	2	HEX NUT, M16, GR8	
19	70024554	2	HEX HD CAPSCREW, M16X100, GR10.9	
20	70022997	8	LOCKWASHER, 12mm	
21	70024555	8	HEX HD CAPSCREW, M12X35, GR10.9	
22	91403413	1	FEMALE QUICK DISCONNECT	
23	8420055	1	DUST PLUG	
24	91403414	1	MALE QUICK DISCONNECT	
25	8420053	1	DUST CAP	
26	70024550	2	ADAPTER, 90, (includes o-ring)	
K1	70024545	1	HYDRAULIC REPAIR KIT, (includes items 5, 22 thru 26)	B
K2	70024546	1	RETAINER KIT, (includes items 13, 20 & 21)	B

SECTION 4 - ENGINE AND ATTACHING PARTS

SECTION 4 - ENGINE AND ATTACHING PARTS

FIGURE 4-1. ENGINE ASSEMBLY - JOHN DEERE



SECTION 4 - ENGINE AND ATTACHING PARTS

FIGURE 4-1. ENGINE ASSEMBLY - JOHN DEERE

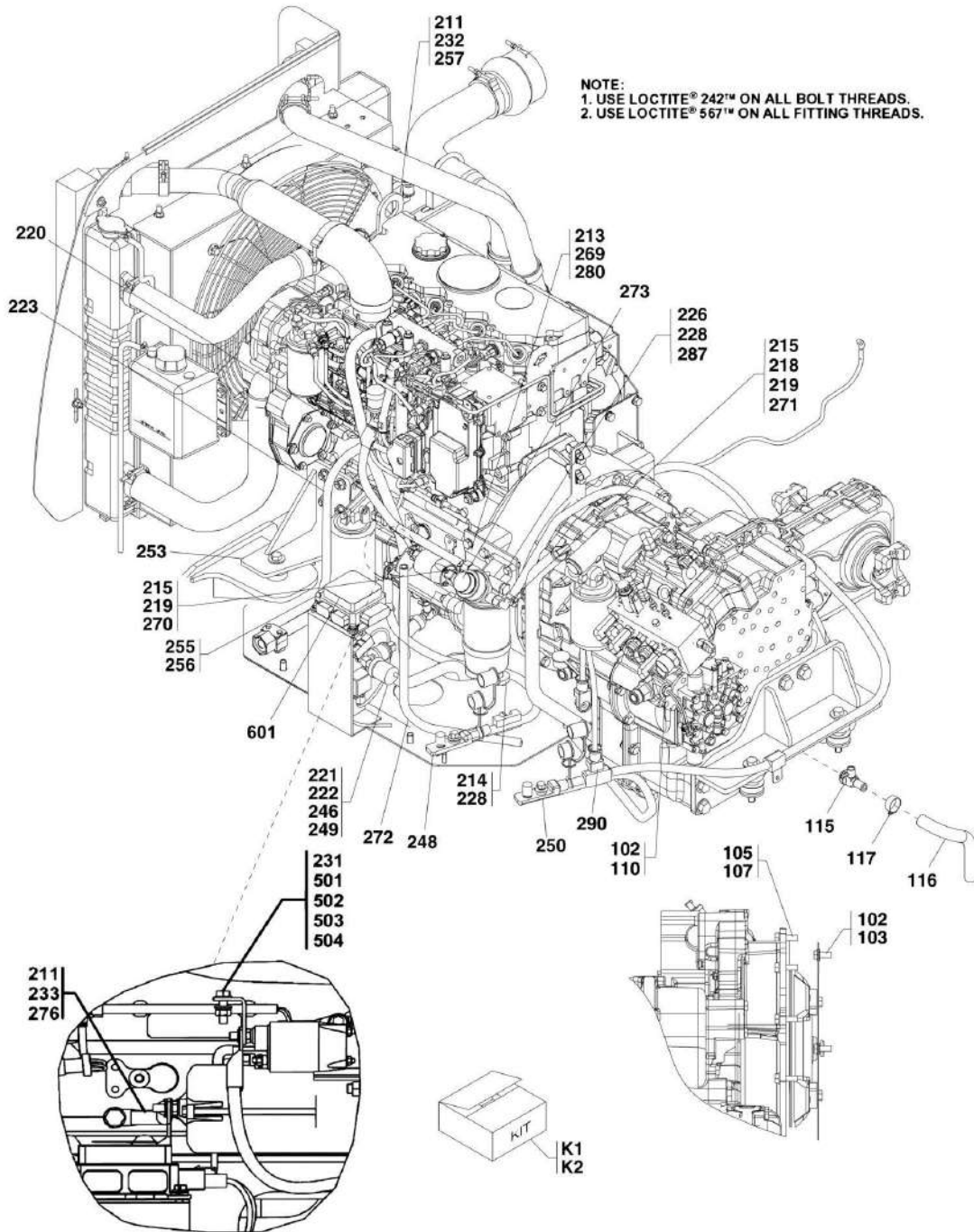
ITEM	PART NUMBER	QTY	DESCRIPTION	REV
	91565009	1	ENGINE ASSY, (includes items 1 thru 55)	V
1		Ref	JOHN DEERE ENGINE, (See JOHN DEERE ENGINE for details)	
2	1320239	2	HOSE CLAMP	
3	91083218	1	FUEL STRAINER	
4	1320022	4	FUEL LINE CLAMP	
5	2750532	8.5 ft	FUEL LINE, 5/16 ID	
6	91563091	1	FITTING	
7	91563121	1	TRANSMISSION OIL TEMP SWITCH	
8	0100020	AR	LOCTITE 567, PIPE SEALANT	
9	0100011	AR	LOCTITE 242	
10	91566028	1	ENGINE MOUNT BRACKET WELDMENT	
11	0701617	6	HEX HD CAPSCREW, M16-2X45, GR8.8, (torque to 125-140 lb-ft)	
12	4712000	10	FLAT WASHER, 5/8	
13	2220671	1	ELBOW, 90, (includes item 45)	
14	2220517	1	HEX CAP, 1/2 TUBE	
15	91553031	1	AIR INLET TUBE	
16		Ref	ZF TRANSMISSION, (See ZF TRANSMISSION for details)	
17		Ref	HYDRAULIC PUMP, (See HYDRAULIC COMPONENTS SECTION for details)	
18	0701215	4	HEX HD CAPSCREW, M12-1.75X35, GR8.8	
19	4891700	4	HARDENED WASHER, 7/16	
20		Ref	PRESSURE REDUCER AND BRAKE VALVE, (See HYDRAULIC COMPONENTS SECTION for details)	
21	91083106	1	O-RING, (between Brake Valve and Pump)	
22	80373025	1	PUSH-LOCK FITTING	
23	0711014	12	HEX HD CAPSCREW, M10-1.50X30, GR10.9, (torque to 53-58 lb-ft)	
24	4812000	12	FLAT WASHER, M10	
25	91403265	1	REDUCER FITTING, 14mm	
27	91143314	1	ENGINE COOLANT TEMP SENDER	
28		Ref	AIR INTAKE INSTALLATION, (See AIR CLEANER INSTALLATION - JOHN DEERE ENGINE for details)	
29	3931648	4	SOCKET HD CAPSCREW, 3/8-16X3	
30	2753000	1	HOSE ASSY	
31		Ref	ENGINE HARNESS, (See ELECTRICAL SECTION for details)	
32	0701214	3	HEX HD CAPSCREW, M12X1.75X30, GR8.8, (torque to 66-76 lb-ft)	
33	4711800	2	FLAT WASHER, 1/2	
34	2220574	1	MALE CONNECTOR, 1/8-1/4 TUBE	
35	91563043	1	ENGINE FAN	
36	91563057	1	FAN SPACER	
37	0700825	4	HEX HD CAPSCREW, M8-1.25X85, GR8.8	
38	4711500	4	FLAT WASHER, 5/16	
39		Ref	COOLING SYSTEM, (See RADIATOR ASSEMBLY - JOHN DEERE ENGINE for details)	
40	91566060	1	LH ENGINE MOUNT WELDMENT	
41	0701614	4	HEX HD CAPSCREW, M16-2X30, GR8.8, (torque to 125-140 lb-ft)	
42	91566057	1	RH ENGINE MOUNT WELDMENT	
43	0701012	4	HEX HD CAPSCREW, M10-1.5X25, GR8.8, (torque to 26-39 lb-ft)	
44	91553057	1	GASKET	
45	88591206	1	O-RING	

SECTION 4 - ENGINE AND ATTACHING PARTS

ITEM	PART NUMBER	QTY	DESCRIPTION	REV
46	80933113	1	O-RING, (between Pump and Transmission)	
48	4751400	2	FLAT WASHER, 1/4	
49	0641830	4	HEX HD CAPSCREW, 1/2-13X3-3/4, GR5	
50	4751800	4	FLAT WASHER, 1/2	
51	91563213	4	ENGINE RUBBER MOUNT	
52	91561240	4	ENGINE MOUNT SHIM	
53	91561241	4	ENGINE MOUNT WASHER	
54	3311805	4	HEX NUT, 1/2-13	
55	2720058	13.3 ft	FUEL LINE HOSE	
56	2221164	1	BULKHEAD FITTING, 1/8-1/4	
57	2221165	1	TEE FITTING, 1/8	
58	91553045	1	OIL PRESSURE SENDER	
59	91563122	1	OIL PRESSURE SWITCH	
60		Ref	POWER DISTRIBUTION BOX, (See ELECTRICAL SECTION for details)	
K1	91535011	1	250 HOUR FILTER KIT, (G10-55A), (includes primary air filter, safety air filter element, fuel strainer, fuel filter, oil filter and oil filter seal)	
K1	91565090	1	250 HOUR FILTER KIT, (G12-55A), (includes primary air filter, safety air filter element, fuel strainer, fuel filter, oil filter and oil filter seal)	
K2	2915177	1	1000 HOUR FILTER KIT, (G10-55A), (includes primary air filter, safety air filter element, fuel strainer, fuel filter, oil filter, oil filter seal, hydraulic return filter, hydraulic breather and transmission filter)	
K2	2915178	1	1000 HOUR FILTER KIT, (G12-55A), (includes primary air filter, safety air filter element, fuel strainer, fuel filter, oil filter and oil filter seal)	

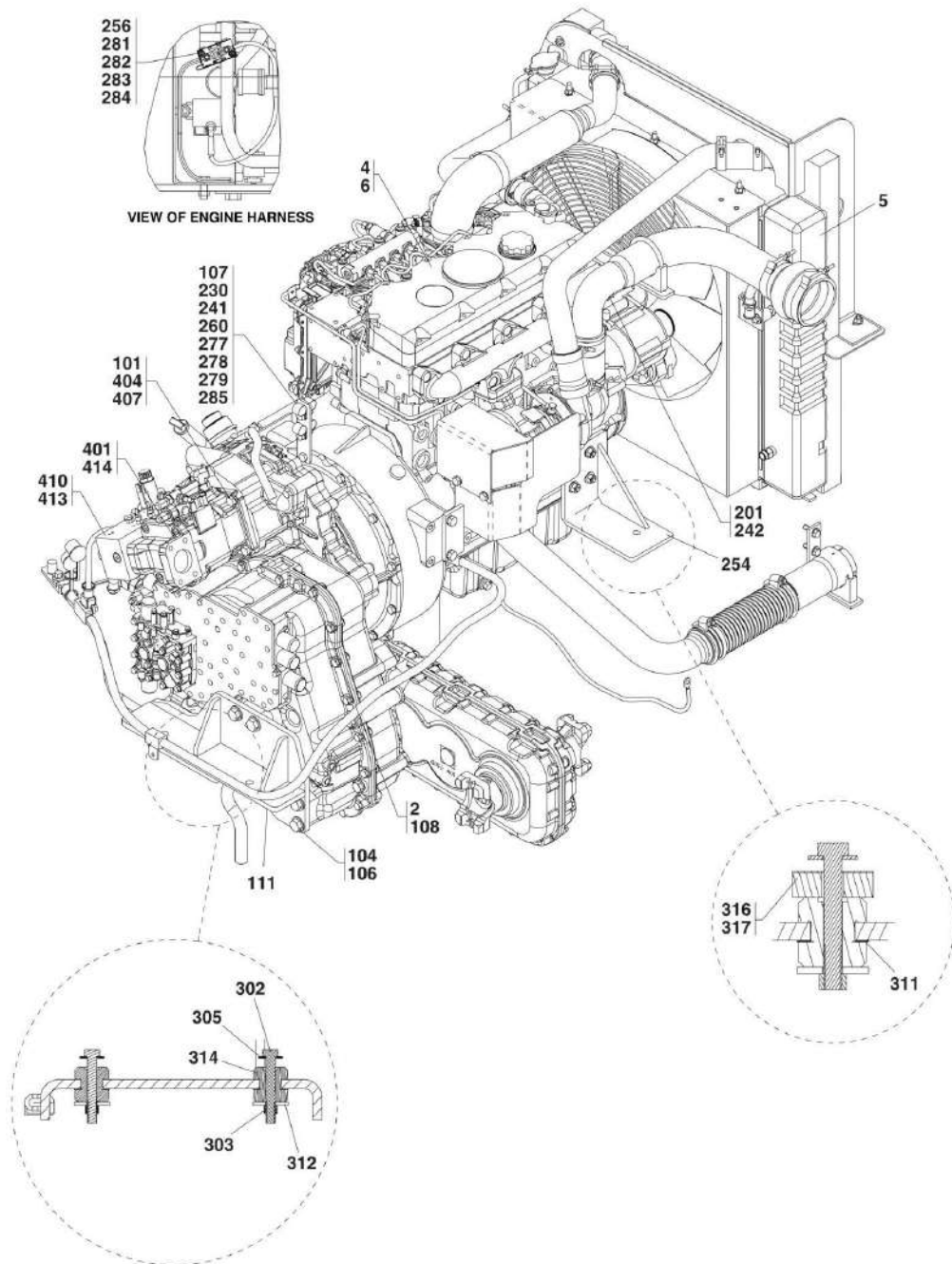
SECTION 4 - ENGINE AND ATTACHING PARTS

FIGURE 4-2. ENGINE ASSEMBLY - PERKINS



ART_3126020-4-2_1

SECTION 4 - ENGINE AND ATTACHING PARTS



ART_3126020-4-2_2

SECTION 4 - ENGINE AND ATTACHING PARTS

FIGURE 4-2. ENGINE ASSEMBLY - PERKINS

ITEM	PART NUMBER	QTY	DESCRIPTION	REV
2	1001001670	1	ZF TRANSMISSION ASSY, (includes items 101 thru 117)	
4	1001098688	1	ENGINE COMPONENTS, (includes items 201 thru 287)	Q
5		Ref	RADIATOR ASSY, (See RADIATOR ASSEMBLY - PERKINS ENGINE for details)	
6		Ref	PERKINS ENGINE, (G10-55A), (See PERKINS ENGINE for details)	
6		Ref	PERKINS ENGINE, (G12-55A), (See PERKINS ENGINE for details)	
101	0100011	AR	LOCTITE 242	
102	0100020	AR	LOCTITE 567	
103	0701012	4	HEX HD CAPSCREW, M10X25, (torque to 26-29 lb-ft)	
104	0761617	6	HEX HD CAPSCREW, M16X45, (torque to 125-140 lb-ft)	
105	0711015	12	HEX HD CAPSCREW, M10X35, (torque to 53-58 lb-ft)	
106	4712000	6	PLAIN WASHER, 5/8	
107	4812000	16	WASHER, 10mm	
108		Ref	ZF AUTOMATIC TRANSMISSION, (See ZF TRANSMISSION for details)	
110	91563121	Ref	TRANSMISSION TEMPERATURE SENSOR, (no longer available, use 1001147072 for replacement)	
110	1001147072	1	TRANSMISSION TEMPERATURE SWITCH	
111	91566028	1	TRANSMISSION MOUNT BRACKET WELDMENT	
115	1001097053	1	VALVE, OIL DRAIN	
116	1001109536	1	HOSE, DRAIN	
117	8405007	1	GEAR CLAMP	
201	80373047	1	PIPE CONNECTOR	
211	0761012	3	HEX HD CAPSCREW, M10X25	
213	0761215	2	HEX HD CAPSCREW, M12X35	
214	0791606	1	SCREW, 3/8-16X3/4	
215	1320030	4	FUEL LINE CLAMP	
218	1001109505	1	FUEL LINE	
219	1001109903	1	FUEL LINE	
220	2220574	1	FITTING, 1/8MP-1/4MJ (Prior to SN 0160037186)	
221	2221164	1	FITTING, 1/8 PT-1/4 JIC BULKHEAD (Prior to SN 0160037186)	
222	2221165	1	FITTING, TEE 1/8 FPT (Prior to SN 0160037186)	
223	2753000	1	HOSE ASSY (Prior to SN 0160037186)	
226	3311605	2	HEX LOCKNUT, 3/8-16 (Prior to SN 0160037186)	
228	4711600	6	PLAIN WASHER, 3/8	
230	4812000	2	Washer, 10mm	
231	4831900	1	SPRING LOCKWASHER, 8mm	
232	4832000	2	SPRING LOCKWASHER, 10mm	
233	4832100	1	SPRING LOCKWASHER, 12mm	
241	91143122	2	SUPPORT CLAMP	
242	1001001535	1	ENGINE COOLANT TEMPERATURE SENSOR (Prior to SN 0160037186)	
246	91143315	1	OIL PRESSURE SENDER (Prior to SN 0160037186)	
248		Ref	POSITIVE BATTERY CABLE, (See ELECTRICAL SECTION for details)	
249	91563122	1	OIL PRESSURE SWITCH (Prior to SN 0160037186)	
250		Ref	NEGATIVE BATTERY CABLE, (See ELECTRICAL SECTION for details)	
253	1001001506	1	RH ENGINE MOUNT	
254	1001001507	1	LH ENGINE MOUNT	
255		Ref	POWER DISTRIBUTION BOX, (See ELECTRICAL SECTION for details)	

SECTION 4 - ENGINE AND ATTACHING PARTS

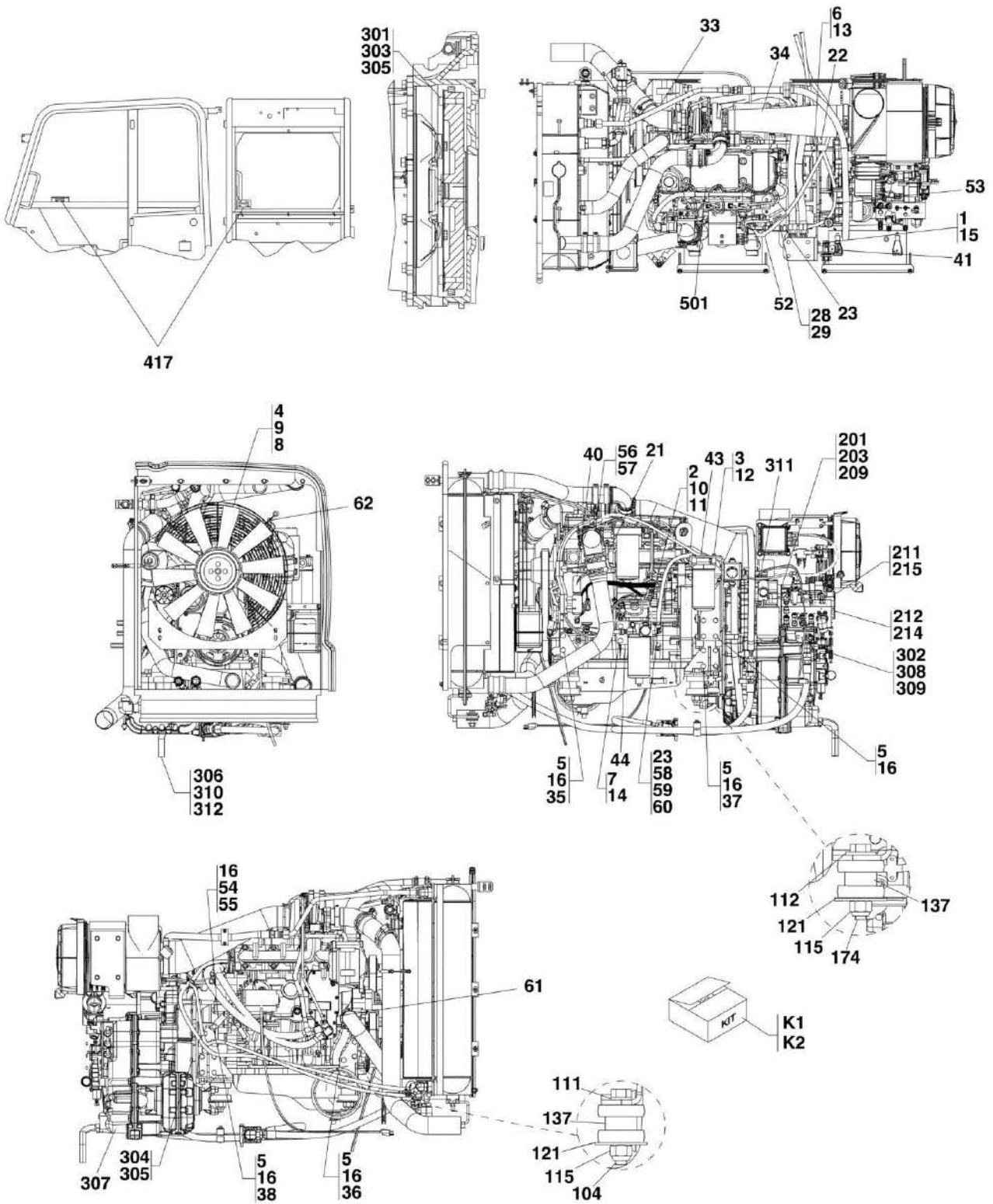
ITEM	PART NUMBER	QTY	DESCRIPTION	REV
			details)	
256		Ref	ENGINE HARNESS, (See ELECTRICAL SECTION for details)	
257	1001001950	1	TURBO INTAKE MOUNTING BRACKET	
260	1001001832	1	SUPPORT CLAMP BAR	
269	1001001942	1	PRIMARY FILTER MOUNT	
270	1001091884	1	FEMALE ELBOW QUICK CONNECTOR	
271	1001091891	2	FEMALE STRAIGHT QUICK CONNECTOR	
272		Ref	OPTIONAL NEGATIVE BATTERY CABLE, (See ELECTRICAL SECTION for details)	
273	1001098627	NLA	PRIMARY FUEL FILTER ASSY, (no longer available for service, order 70022035) (Prior to SN 0160037458)	
273	70021398	NLA	PRIMARY FUEL FILTER ELEMENT, (no longer available for service, order 70022035) (Prior to SN 0160037458)	
273	1001104913	1	FUEL FILTER ASSY (SN 0160037458 to Present)	
273	70022035	1	FILTER/BOWL KIT, (if 70021398 is required it must first be replaced with the 70022035 Filter/Bowl Kit. After that, you can order the 70022036 Filter Element to replace your old filter)	
273	70022036	1	FUEL FILTER ELEMENT	
273	70022037	1	WATER BOWL	
276		Ref	GROUND CABLE, (See ELECTRICAL SECTION for details)	
277	0641510	1	HEX HD CAPSCREW, 5/16-18X1-1/4	
278	3271501	1	HEX NUT, 5/16-18	
279	4761500	1	LOCKWASHER, 5/16	
280	4761800	2	LOCKWASHER, 1/2	
281	3910610	2	ROUND SCREW, #6-32X5/8	
282	4750600	2	PLAIN WASHER, #6	
283	4760600	2	LOCKWASHER, #6	
284	3310601	2	HEX NUT, #6-32	
285	80683013	1	SUPPORT CLAMP	
287	0641612	2	HEX HD CAPSCREW, 3/8-16X1-1/2	
290		Ref	VEC POWER HARNESS, (See ELECTRICAL SECTION for details)	
302	0641830	4	HEX HD CAPSCREW, 1/2-13X3-3/4	
303	3311805	4	HEX LOCKNUT, 1/2-13	
305	4751800	4	PLAIN WASHER, 1/2	
311	91561240	4	ENGINE MOUNT SHIM	
312	91561241	4	ENGINE MOUNT WASHER	
314	91563213	4	RUBBER ENGINE MOUNT	
316	1001001619	2	ENGINE MOUNT SPACER	
317	1001001620	2	ENGINE MOUNT WASHER	
401	80933113	1	O-RING, (between pump and transmission)	
404	0701215	4	HEX HD CAPSCREW, M12X35	
407	4891700	4	WASHER, 7/16	
410	91083106	1	O-RING, (between valve and pump assy)	
413		Ref	PRESSURE REDUCE AND BRAKE VALVE ASSY, (See HYDRAULIC COMPONENTS SECTION for details)	
414		Ref	HYDRAULIC PUMP ASSY, (See HYDRAULIC COMPONENTS SECTION for details)	
501	0700814	1	HEX HD CAPSCREW, M8X30, GR 8.8	
502	3290801	1	HEX NUT, M8X1.25	
503	4811900	1	WASHER, 8mm	
504	6621412	1	STARTER TERMINAL	
601	1001125483	1	NO PRESSURE WASH DECAL	
K1	100111853	1	250 HOUR FILTER KIT, (G10-55A), (includes primary fuel filter,	

SECTION 4 - ENGINE AND ATTACHING PARTS

ITEM	PART NUMBER	QTY	DESCRIPTION	REV
K1	1001111855	1	secondary fuel filter, oil filter, primary air filter and safety air filter) 250 HOUR FILTER KIT, (G12-55A), (includes primary fuel filter, secondary fuel filter, oil filter, primary air filter and safety air filter)	
K2	1001111854	1	1000 HOUR FILTER KIT, (G10-55A), (includes primary fuel filter, secondary fuel filter, oil filter, primary air filter, safety air filter, transmission filter, hydraulic filter element and hydraulic breather)	
K2	1001111856	1	1000 HOUR FILTER KIT, (G12-55A), (includes primary fuel filter, secondary fuel filter, oil filter, primary air filter, safety air filter, transmission filter, hydraulic filter element and hydraulic breather)	

SECTION 4 - ENGINE AND ATTACHING PARTS

FIGURE 4-3. ENGINE ASSEMBLY - CUMMINS



PAP3401

SECTION 4 - ENGINE AND ATTACHING PARTS

FIGURE 4-3. ENGINE ASSEMBLY - CUMMINS

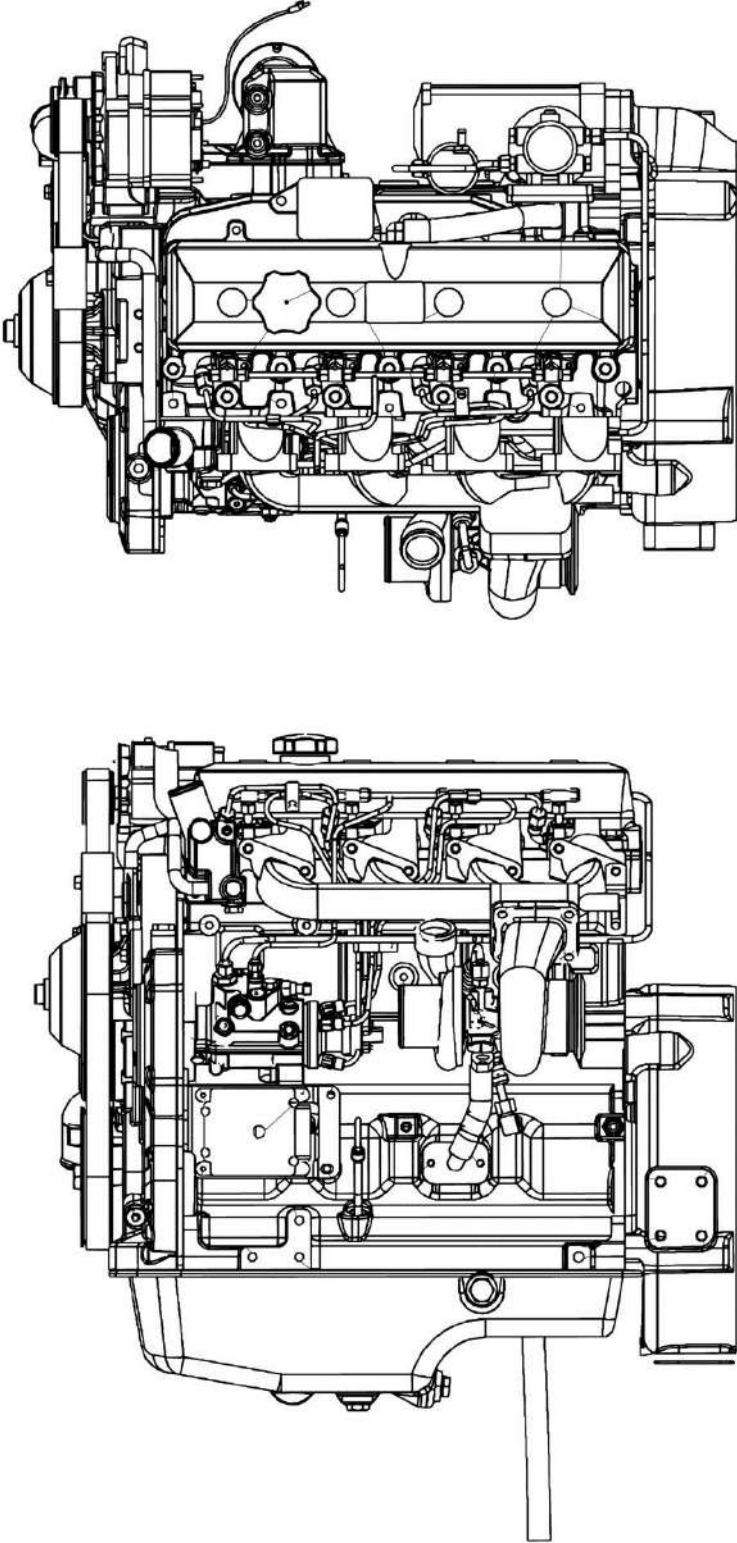
ITEM	PART NUMBER	QTY	DESCRIPTION	REV
	1001114510	1	CUMMINS ENGINE ASSY, (includes items 1 thru 62)	G
	1001134203	1	CUMMINS ENGINE ASSY, (if equipped for JP-8 fuel), (includes items 1 thru 62 & 417)	B
1	0641406	2	HEX HD CAPSCREW, 1/4-20X3/4, GR5	
2	0641708	2	HEX HD CAPSCREW, 7/16-14X1, GR5	
3	0700812	4	HEX HD CAPSCREW, 8X25mm, GR8.8	
4	0701027	4	HEX HD CAPSCREW, 10X100mm, GR8.8	
5	0701215	18	HEX HD CAPSCREW, 12X35mm, GR8.8	
6	0761010	1	HEX HD CAPSCREW, 10X20mm, GR8.8	
7	0761214	2	HEX HD CAPSCREW, 12X30mm, GR8.8	
8	2060045	1	FAN	
9	3575947	2	FAN HUB PLATE	
10	4711700	2	WASHER, 7/16	
11	4761700	2	LOCKWASHER, 7/16	
12	4831900	4	SPRING LOCKWASHER, 8mm	
13	4832000	1	SPRING LOCKWASHER, 10mm	
14	4832100	2	SPRING LOCKWASHER, 12mm	
15	4891400	2	WASHER, 1/4	
16	8307025	19	LOCKWASHER, 12mm	
21		Ref	CLAMP, (See RADIATOR ASSEMBLY - CUMMINS ENGINE for details)	
22	8406302	1	HOSE CLAMP	
23	8410013	6	GEAR CLAMP	
28	1001093892	1	HOSE COUPLING	
29	1001093944	1	SEALING WASHER	
33		Ref	EXHAUST, (See EXHAUST INSTALLATION - CUMMINS ENGINE for details)	
34		Ref	AIR INTAKE HOSE, (See AIR CLEANER INSTALLATION - CUMMINS ENGINE for details)	
35	1001114511	1	ENGINE BRACKET, RF	
36	1001114512	1	ENGINE BRACKET, LF	
37	1001114513	1	ENGINE BRACKET, RR	
38	1001114514	1	ENGINE BRACKET, LR	
40		Ref	ENGINE HARNESS, (See ELECTRICAL SECTION for details)	
41	1001115884	1	BRACKET	
43	1001116552	1	OIL FILTER BRACKET	
44	1001116834	1	FUEL FILTER MOUNT PLATE	
52	1001136897	AR	FUEL LINE, 3/8	
52	8390001	AR	FUEL LINE, 3/8, (if equipped for JP-8 fuel)	
53	8403219	AR	FUEL LINE, 5/16	
54	0761212	1	HEX HD CAPSCREW, 12X25, GR8.8	
55	1320131	1	HOSE CLAMP, (1.750 DIA)	
56	3290601	1	HEX NUT, 6X1	
57	4831700	1	SPRING LOCKWASHER, 6mm	
58	1001105638	1	ADAPTER-MECH, BANJO	
59	1001105639	2	COPPER CRUSH WASHER FLAT METRIC	
60	1001105643	1	BANJO SCREW-SPEC	
61	1001117214	1	ADAPTER, 90, FNPTF/NPTF 8-8 FG	
62	1001119897	1	ALTERNATOR CABLE	
104	0682440	2	HEX HD CAPSCREW, 7/8-9X5, GR8, (torque to 575-635 lb-ft)	

SECTION 4 - ENGINE AND ATTACHING PARTS

ITEM	PART NUMBER	QTY	DESCRIPTION	REV
111	4892400	2	WASHER, 7/8	
112	4892500	2	FLAT WASHER, 7/8	
115	8305634	4	HEX LOCKNUT, 7/8-9	
121	80373049	4	REBOUND WASHER	
137	1001116961	4	ENGINE MOUNT	
174	0682444	2	HEX HD CAPSCREW, 7/8-9X5 1/2, GR8	
201	0100011	AR	LOCTITE 242	
203	0701215	4	HEX HD CAPSCREW, 12X35mm, GR8.8	
209	4891700	4	WASHER, 7/16	
211	80933113	1	O-RING, (located between hyd pump and transmission)	
212	91083106	1	O-RING, (located between hyd pump and manifold)	
214		Ref	HYDRAULIC MANIFOLD, (See HYDRAULIC COMPONENTS SECTION for details)	
215		Ref	HYDRAULIC PUMP, (See HYDRAULIC COMPONENTS SECTION for details)	
301	0100011	AR	LOCTITE 242	
302	0100020	AR	LOCTITE 567	
303	0701012	4	HEX HD CAPSCREW, 10X25mm, GR8.8	
304	0711015	12	HEX HD CAPSCREW, 10X35mm, GR10.9	
305	4812000	16	WASHER, 10mm	
306	8405007	1	GEAR CLAMP, 1-1/4	
307		Ref	ZF TRANSMISSION, (See ZF TRANSMISSION for details)	
308	91563091	1	REDUCER	
309	91563121	1	OIL TEMPERATURE SWITCH	
310	1001097053	1	OIL DRAIN VALVE	
311	1001115528	1	ZF TRANSMISSION HARNESS	
312	1001109536	1	DRAIN HOSE	
416	1001001832	1	SUPPORT CLAMP BAR, (not shown)	
417	1001134868	2	JP-8 FUEL DECAL	
501		Ref	CUMMINS ENGINE, TIER III, (See CUMMINS ENGINE for details)	
K1	1001128963	1	250 HOUR FILTER KIT, (includes primary air filter, secondary air filter element, primary fuel filter, secondary fuel filter and engine oil filter)	
K2	1001128962	1	1000 HOUR FILTER KIT, (includes primary air filter, secondary air filter element, primary fuel filter, secondary fuel filter, engine oil filter, hydraulic filter, hydraulic breather and transmission filter)	

SECTION 4 - ENGINE AND ATTACHING PARTS

FIGURE 4-4. JOHN DEERE ENGINE



PAP2170

SECTION 4 - ENGINE AND ATTACHING PARTS

FIGURE 4-4. JOHN DEERE ENGINE

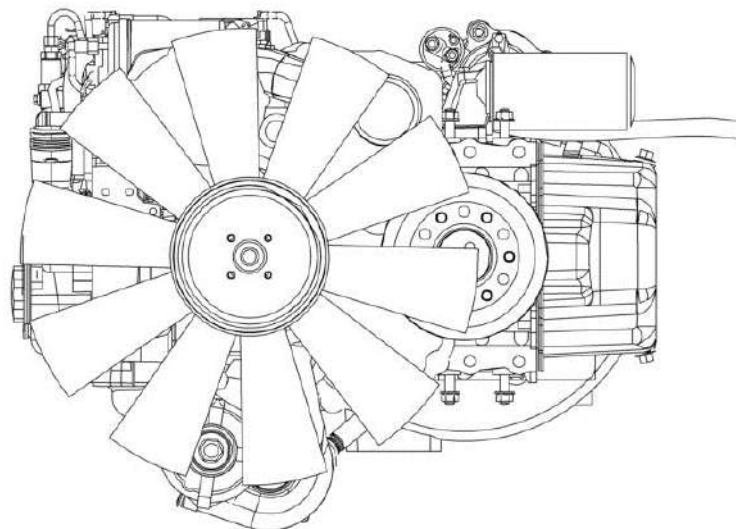
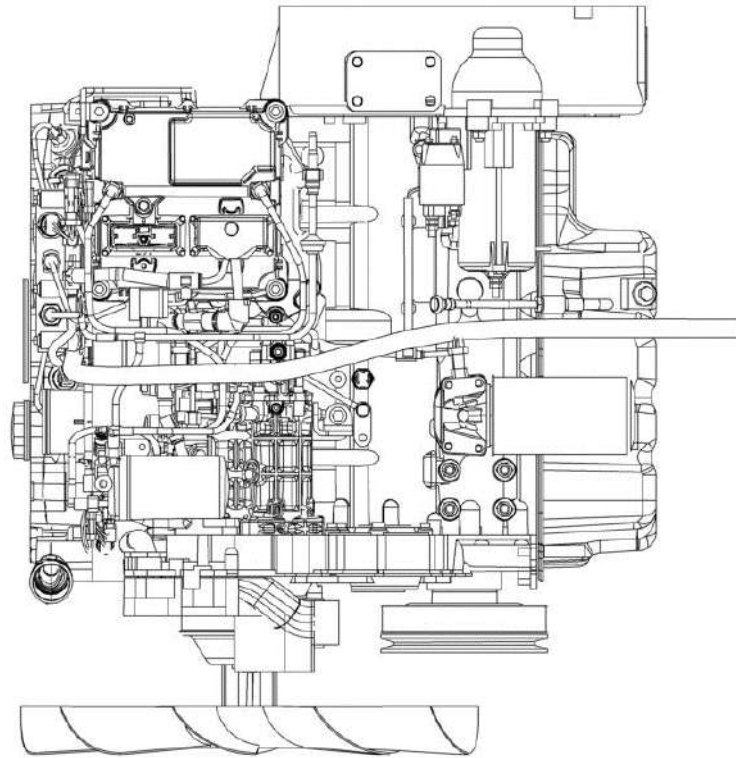
ITEM	PART NUMBER	QTY	DESCRIPTION	REV
	91563066	1	JOHN DEERE ENGINE, 140 HP, (G10-55A & G12-55A), (includes all items)	H
	91573009	NLA	JOHN DEERE ENGINE, 125 HP, (G10-55A), (no longer available, order 91563066 for replacement or see all items for service)	
	91404257	1	GASKET, VALVE COVER	
	91404256	4	PLUG, VALVE COVER	
	91404259	4	O-RING, VALVE COVER PLUG	
	91404258	1	FILLER CAP, VALVE COVER, (includes Packing)	
	91404255	1	PACKING, VALVE COVER FILLER CAP	
	91404253	2	GASKET, OIL FILLER	
	7026915	1	FLYWHEEL, (includes Ring Gear and Sleeve)	
	80374031	1	RING GEAR	
	7026916	1	FUEL INJECTION PUMP	
	7026917	1	O-RING, FUEL INJECTION PUMP	
	7026918	1	GASKET, AIR INLET	
	7026919	1	GASKET, AIR INLET	
	70023458	1	OIL PAN	
	91404242	1	GASKET, OIL PAN	
	80374037	1	O-RING, OIL PUMP INTAKE	
	7026927	1	GASKET, THERMOSTAT COVER	
	7026920	1	THERMOSTAT	
	91404086	1	FAN BELT	
	91404234	4	GASKET, EXHAUST MANIFOLD	
	7026921	1	STARTER MOTOR	
	7026922	1	ALTERNATOR	
	91474629	1	ALTERNATOR BRACKET	
	91474630	1	ALTERNATOR SUPPORT	
	91474631	1	ALTERNATOR STRAP	
	91534004	1	FUEL FILTER ELEMENT	
	80374048	1	O-RING, FUEL FILTER	
	80374054	1	FUEL FILTER KIT	
	80374050	1	FUEL FILTER SEAL KIT	
	91404262	1	FUEL PUMP, (includes o-ring)	
	7026923	1	O-RING, FUEL PUMP	
	91474171	1	DIPSTICK	
	80374033	1	DIPSTICK TUBE	
	91404229	1	O-RING, WATER PUMP INLET	
	91404267	1	GASKET, TURBOCHARGER, (mount to engine)	
	70023461	4	SCREW, (mount to engine)	
	7026924	1	TURBOCHARGER, (Prior to Engine S/N PE4045H46595)	
	70021492	1	TURBOCHARGER, (Engine S/N PE4045H464595 to Present)	
	7026925	1	GASKET, TURBOCHARGER, (Prior to Engine S/N PE4045H46595), (mount to oil line)	
	91404265	1	GASKET, TURBOCHARGER, (Engine S/N PE4045H464595 to Present), (mount to oil line)	
	91404268	1	HOSE ASSY, TURBOCHARGER, (Prior to Engine S/N PE4045H46595)	
	70021493	1	HOSE ASSY, TURBOCHARGER, (Engine S/N PE4045H46595 to Present)	
	91404266	1	O-RING, TURBOCHARGER HOSE ASSY	
	80374021	1	O-RING, TURBOCHARGER FITTING	

SECTION 4 - ENGINE AND ATTACHING PARTS

ITEM	PART NUMBER	QTY	DESCRIPTION	REV
	7026926	1	OIL PRESSURE SENDER	
	91534005	1	OIL FILTER	
	80374036	1	GASKET, OIL FILTER HEAD	
	91474506	1	DRAIN PLUG, OIL FILTER, (includes o-ring)	
	80374020	1	O-RING, DRAIN PLUG	
	91404221	1	BOLT, BELT TENSIONER	
	91404222	1	SCREW, BELT TENSIONER	
	91404223	1	SHEAVE, BELT TENSIONER	
	70021897	1	AIR INTAKE SENSOR	
	80374019	1	O-RING, (use with air intake sensor)	
	91404233	1	WATER PUMP	
	91404232	1	WATER PUMP GASKET	
	91404264	1	WATER PUMP GASKET	
	70022289	4	INJECTOR NOZZLE	
	91404271	4	INJECTOR PACKING	

SECTION 4 - ENGINE AND ATTACHING PARTS

FIGURE 4-5. PERKINS ENGINE



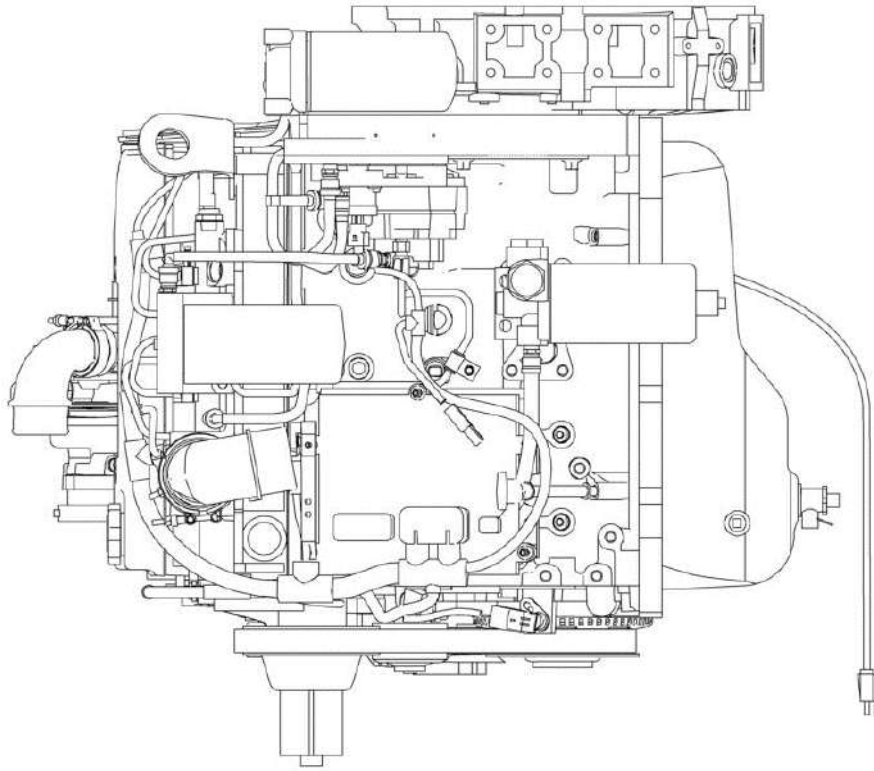
SECTION 4 - ENGINE AND ATTACHING PARTS

FIGURE 4-5. PERKINS ENGINE

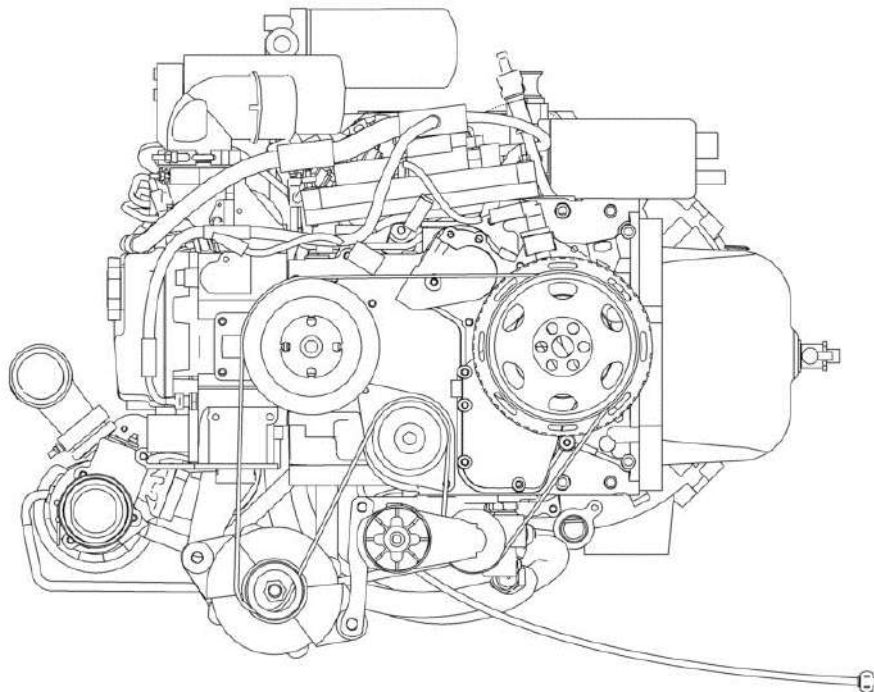
ITEM	PART NUMBER	QTY	DESCRIPTION	REV
	1001096583	1	PERKINS ENGINE, 141 HP, (G12-55A), (includes all items)	
	1001096582	1	PERKINS ENGINE, 126 HP, (G10-55A), (includes all items)	
	70021225	1	SECONDARY FUEL FILTER ASSY, (includes filter)	
	70021226	1	SECONDARY FUEL FILTER	
	7029894	1	DIPSTICK	
	7029895	1	DIPSTICK TUBE	
	8006013	1	OIL FILTER	
	7029782	1	STARTER MOTOR	
	1001090078	1	ALTERNATOR, 85AMP	
	70022300	1	ALTERNATOR PULLEY	
	70021229	1	WATER TEMPERATURE SENDER	
	7029901	1	FAN BELT	
	7029902	1	FAN	
	70022507	1	TENSIONER ARM	
	70022296	1	LIFT PUMP	
	70022297	4	GLOW PLUG	
	70022298	1	TURBOCHARGER	
	70022299	1	SOLENOID	
	70022301	1	FAN DRIVE PULLEY	
	7028666	1	WATER PUMP GASKET	
	7029900	1	THERMOSTAT ASSEMBLY	
	7028681	1	OIL FILLER CAP	
	70022330	1	OIL PRESSURE SENSOR KIT	
	70022331	1	AIR TEMPERATURE SENSOR KIT	
	70022332	1	AIR PRESSURE SENSOR KIT	
	70022333	1	WATER PUMP KIT	
	70023481	1	FLYWHEEL ASSY, (includes starter ring gear)	
	7028680	1	STARTER RING GEAR	
	70026678	4	FUEL INJECTOR, (includes injector, o-ring seal & washer)	

SECTION 4 - ENGINE AND ATTACHING PARTS

FIGURE 4-6. CUMMINS ENGINE



PY4500



SECTION 4 - ENGINE AND ATTACHING PARTS

FIGURE 4-6. CUMMINS ENGINE

ITEM	PART NUMBER	QTY	DESCRIPTION	REV
	1001114516	1	CUMMINS ENGINE, 130HP, (includes all items) (SN 01600039451 to Present, Including 0160039394 and 0160039367)	D
	1001137284	1	CUMMINS ENGINE, 130HP (SN 01600039451 to Present, Including 0160039394 and 0160039367)	B
	1001134204	1	CUMMINS ENGINE, 130HP, (if equipped for JP8) (SN 01600039451 to Present, Including 0160039394 and 0160039367)	C
	1001137518	1	CUMMINS ENGINE, 130HP, (if equipped for JP8) (SN 01600039451 to Present, Including 0160039394 and 0160039367)	A
	70023287	1	ALTERNATOR	
	70021809	1	BELT TENSIONER	
	70023443	1	COOLANT HEATER	
	70023444	1	COOLANT HEATER CABLE	
	70020356	1	COOLANT THERMOSTAT KIT, (includes o-ring)	
	70020351	1	DIPSTICK TUBE	
	70020350	1	DIPSTICK	
	70023446	1	FAN BELT	
	70029919	1	FAN SPACER	
	1322181	4	HEX FLANGE HEAD CAPSCREW, 8X1.25X40mm	
	1322073	1	FAN PULLEY	
	1322064	1	FAN SUPPORT ASSY, (includes hub and support)	
	70023447	1	FAN HUB	
	7028938	1	FAN SUPPORT	
	70020349	1	FUEL FILTER ELEMENT, (primary)	
	70020348	1	FUEL FILTER ELEMENT, (secondary)	
	70020358	1	OIL FILTER ELEMENT	
	70022639	1	OIL FILL CAP	
	70021793	1	GASKET, VALVE COVER	
	70020352	1	STARTER	
	70023448	1	WATER PUMP KIT, (includes o-ring)	
	70021803	1	OIL PAN PLUG	
	70021806	1	RECTANGULAR RING SEAL	
	70023269	2	HEX FLANGE HEAD CAPSCREW	
	1321940	14	HEX FLANGE HEAD CAPSCREW	
	70022636	1	OIL PAN GASKET	
	70021801	1	OIL PAN	
	70022637	1	SEALING WASHER	
	70021804	1	TURBOCHARGER KIT, (includes three gaskets)	
	7029947	1	OIL PRESSURE SENSOR, (1001137284 engine only)	
	70026427	1	OIL PRESSURE SENSOR, (1001114516 engine only)	
	70026429	1	AIR PRESSURE SENSOR, (1001114516 engine only)	
	70026430	1	TEMPERATURE SENSOR	

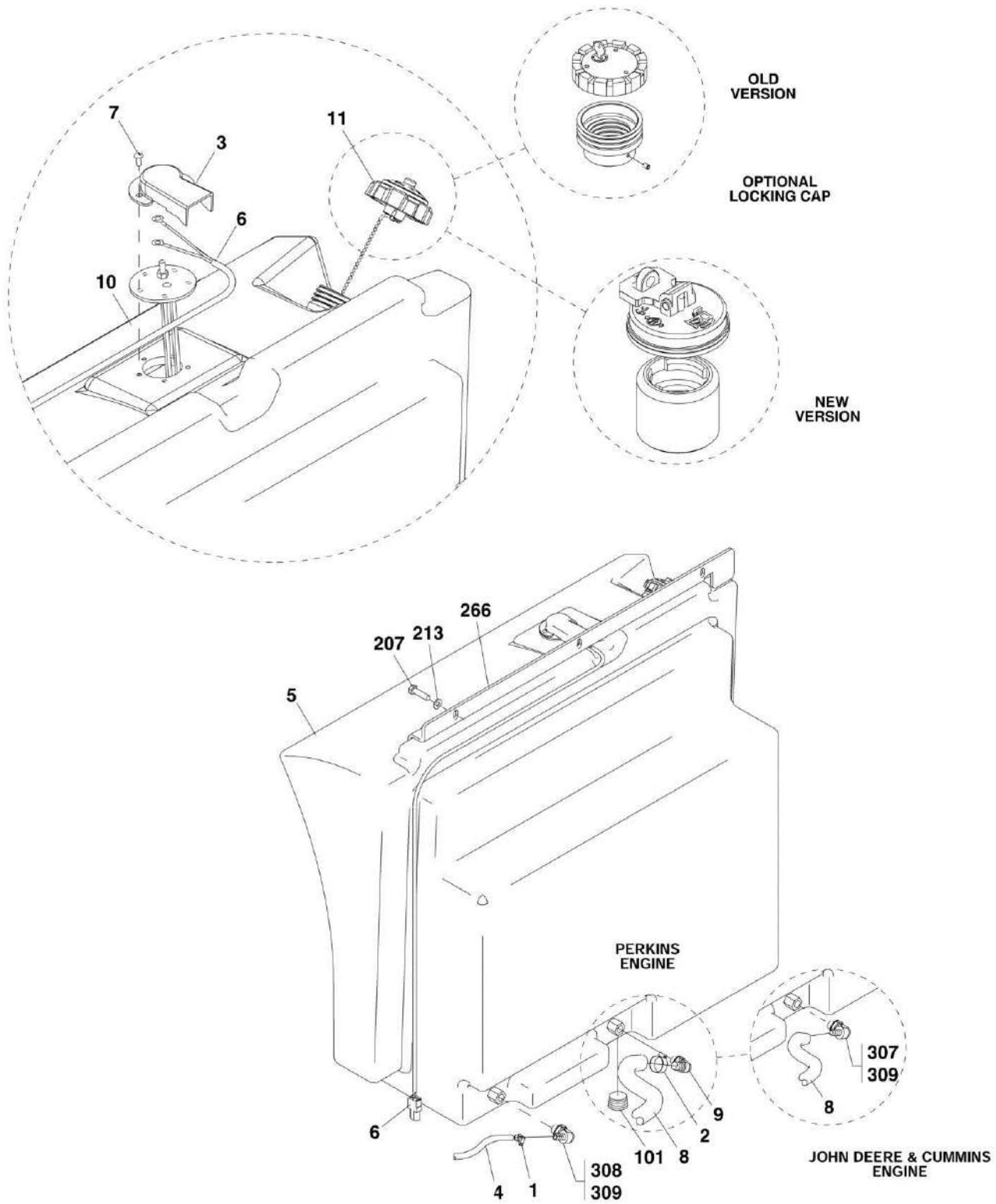
SECTION 4 - ENGINE AND ATTACHING PARTS

FIGURE 4-7. FUEL TANK AND LINES (Prior to SN 0160020149)

ITEM	PART NUMBER	QTY	DESCRIPTION	REV
	91405042	1	FUEL TANK ASSY, (includes items 6 thru 12 & 18)	K
1	0641608	5	HEX HD CAPSCREW, 3/8-16X1, GR5	
2	0791505	4	WHIZ-LOCK CAPSCREW, 5/16-18X5/8	
3	4711600	5	FLAT WASHER, 3/8	
4	91401198	1	FUEL TANK HOLD DOWN	
5	91403254	1	FUEL TANK HOOD	
6	91403176	1	FUEL TANK, (includes items 14 & 15)	
7	91403609	1	FUEL LEVEL SENDER	
8	88301191	5	ROUND HD MACHINE SCREW, #10-32X1/2	
9	91403437	1	FUEL GAUGE HARNESS	
10	91403513	1	FUEL TANK CAP	
10	91403514	1	LOCKING FUEL TANK CAP, (optional), (includes key)	
10	91404443	1	KEY	
11	91403524	1	FILLER NECK	
12	88261014	4	SOCKET BUTTON HD CAPSCREW, 1/4-20X1/2	
13	86883106	2	HOSE CLAMP	
14	88711283	1	HEX SOCKET PIPE PLUG, 1/2	
15	1001113251	2	ELBOW, 90	
16		Ref	FUEL LINE, 5/16 ID, (See ENGINE ASSEMBLY - JOHN DEERE and ENGINE ASSEMBLY - PERKINS for details)	
17	91416014	1	FUEL TANK STRAP WELDMENT	
18	3960616	1	GASKET, FILLER NECK	

SECTION 4 - ENGINE AND ATTACHING PARTS

FIGURE 4-8. FUEL TANK AND LINES (SN 0160020149 to Present)



PAP2121

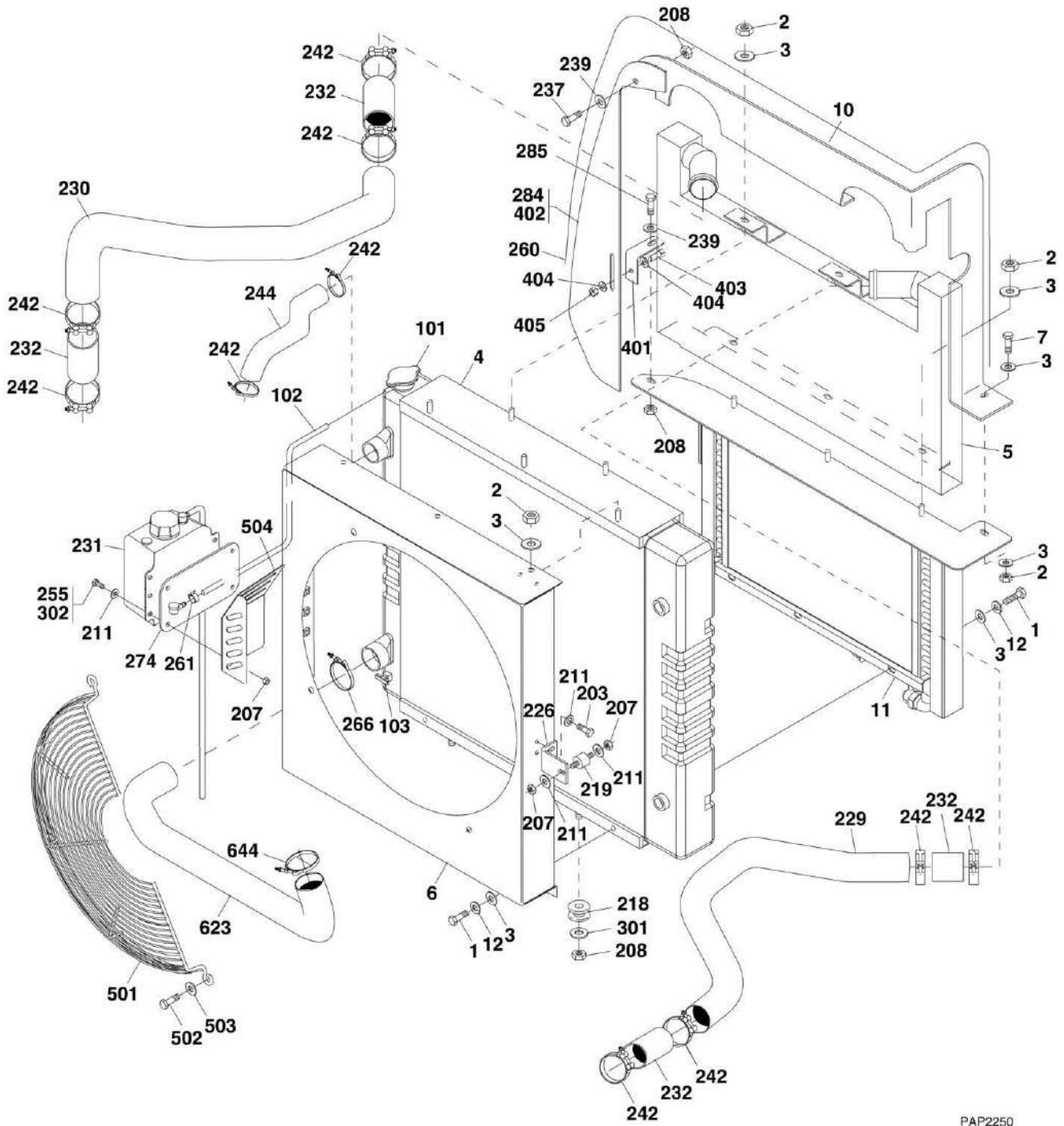
SECTION 4 - ENGINE AND ATTACHING PARTS

FIGURE 4-8. FUEL TANK AND LINES (SN 0160020149 to Present)

ITEM	PART NUMBER	QTY	DESCRIPTION	REV
	4400496	1	FUEL TANK ASSY, (JOHN DEERE & CUMMINS ENGINE), (includes items 3, 5, 6, 7,10, 307, 308 & 309)	F
	1001098934	1	FUEL TANK ASSY, (PERKINS ENGINE), (includes items 1 thru 10, 308 & 309)	C
1	1320022	1	BAND CLAMP	
2	1320030	1	HOSE CLAMP	
3	1671313	1	FUEL SENDER COVER	
4		Ref	FUEL LINE, (JOHN DEERE & CUMMINS ENGINE), (See ENGINE ASSEMBLY - JOHN DEERE for details)	
4	2720058	122 in	FUEL LINE, (PERKINS ENGINE)	
5	1001134413	1	FUEL TANK	
6	4923452	1	FUEL SENDER HARNESS	
7	88302192	5	ROUND HD SLOTTED MACHINE SCREW, #10-32X7/16, (JOHN DEERE & CUMMINS ENGINE)	
7	88302192	4	ROUND HD SLOTTED MACHINE SCREW, #10-32X7/16, (PERKINS ENGINE)	
8		Ref	FUEL LINE, (JOHN DEERE & CUMMINS ENGINE), (See ENGINE ASSEMBLY - JOHN DEERE for details)	
8	1001091892	122 in	FUEL LINE, (PERKINS ENGINE)	
9	1001091893	1	HOSE BARB	
10	1001148837	1	FUEL LEVEL SENDER	
11	1001093641	1	FUEL TANK CAP, NON LOCKING, (optional)	
11	2902446	Ref	LOCKING FUEL TANK CAP, (not available to order, see following for service)	
11	0080272	1	FILLER NECK ADAPTOR	
11	1120591	1	CAP	
11	3900140	2	SET SCREW, 1/4-20X3/8	
11	14404978	AR	LOCTITE 641	
11	8342813	1	KEY	
11	1001102657	1	LOCKING FUEL TANK CAP, (optional)	
11	1001001422	1	FILLER NECK ADAPTOR	
11	1001080707	1	CAP	
11	0100093	AR	LOCTITE 30512	
101	88711283	1	HEX SOCKET PIPE PLUG, 1/2	
207	0641608	3	HEX HD CAPSCREW, 3/8-16X1, GR5	
213	4711600	3	FLAT WASHER, 3/8	
266	91401198	1	FUEL TANK HOLD DOWN	
307	1001130776	1	FITTING, HOSE BARB	
308	1001133019	1	FITTING, HOSE BARB	
309	0100093	AR	LOCTITE 30512	

SECTION 4 - ENGINE AND ATTACHING PARTS

FIGURE 4-9. RADIATOR ASSEMBLY - JOHN DEERE ENGINE



PAP2250

SECTION 4 - ENGINE AND ATTACHING PARTS

FIGURE 4-9. RADIATOR ASSEMBLY - JOHN DEERE ENGINE

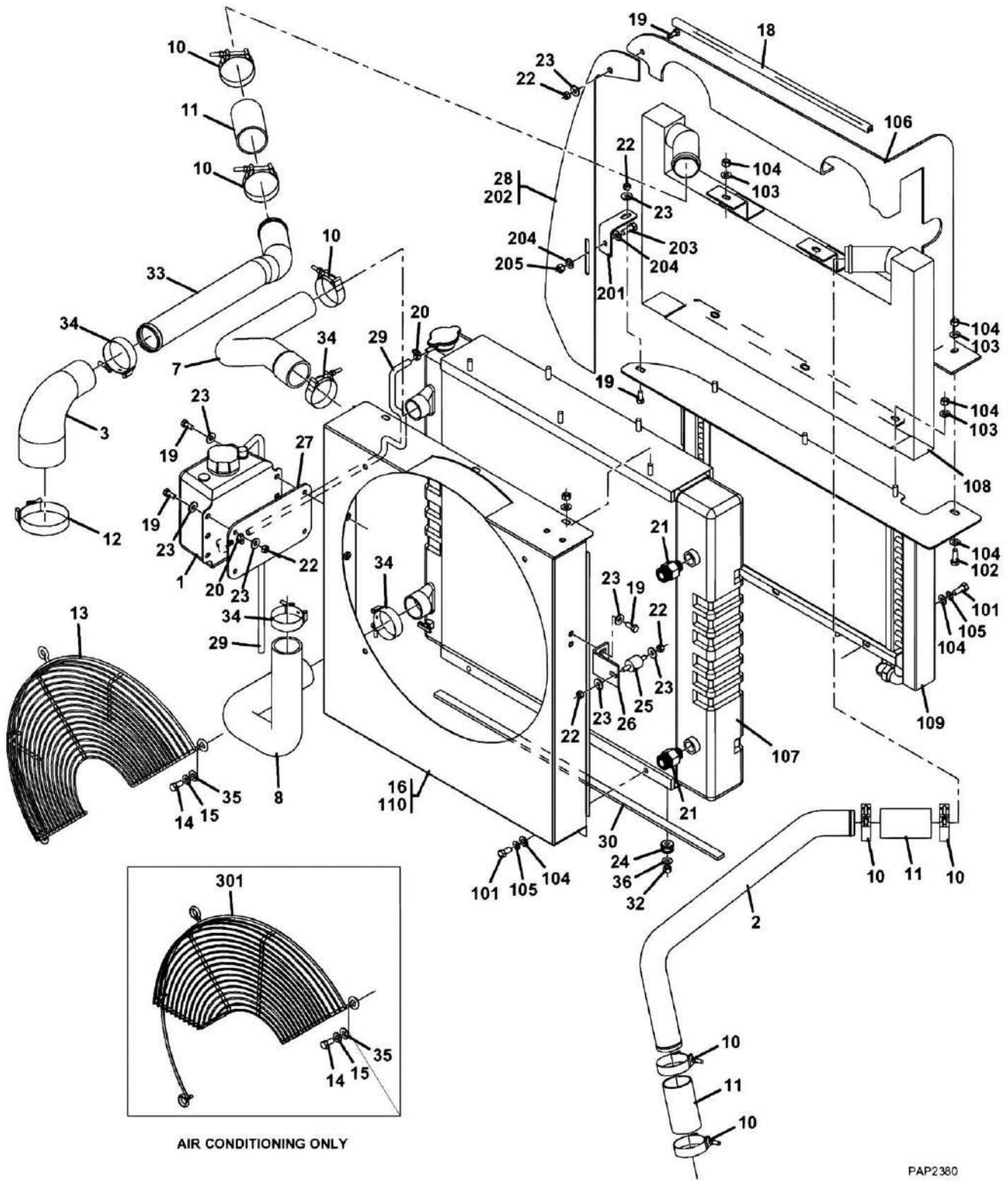
ITEM	PART NUMBER	QTY	DESCRIPTION	REV
	91565010	1	RADIATOR ASSY, (includes items 1 thru 12)	M
1	0641604	6	HEX HD CAPSCREW, 3/8-16X1/2, GR5	
2	3311605	9	LOCKNUT, 3/8-16	
3	4711600	16	FLAT WASHER, 3/8	
4	1001116780	1	RADIATOR COOLER, (includes items 101 thru 103)	
5	91563040	1	CHARGE AIR COOLER	
6	91566032	1	FAN SHROUD WELDMENT	
7	0641608	1	HEX HD CAPSCREW, 3/8-16X1, GR5	
10	91561148	1	HOOD SEAL BAFFLE	
11	91563249	1	HYDRAULIC OIL COOLER	
12	4761600	6	LOCKWASHER, 3/8	
101	7026442	1	RADIATOR CAP, 10PSI	
102	N.S.S.	24 in	OVERFLOW HOSE	
103	84521056	1	DRAIN COCK	
203	0641505	2	HEX HD CAPSCREW, 5/16-18X5/8	
207	3311505	4	LOCKNUT, 5/16-18	
208	3311605	4	LOCKNUT, 3/8-16	
211	4751500	8	FLAT WASHER, 5/16	
218	83683308	2	MOUNTING PAD	
219	91033137	1	SHOCK MOUNT	
226	91561136	1	FAN SHROUD MOUNT PLATE	
229	91563050	1	CHARGE AIR COOLER TUBE	
230	91563051	1	CHARGE AIR COOLER TUBE	
231	1001001413	1	COOLANT RECOVERY TANK	
231	7026726	1	CAP	
232	91563070	4	HOSE COUPLING, 2 IN	
237	0641607	4	HEX HD CAPSCREW, 3/8-16X7/8, GR5	
239	4711600	3	FLAT WASHER, 3/8	
242	80933070	10	BAND CLAMP	
244	91563053	1	UPPER RADIATOR HOSE	
255	0100011	AR	LOCTITE 242	
260	91513197	84 in	BULB SEAL	
261	1320022	1	DRAIN LINE CLAMP	
266	80383134	1	BAND CLAMP	
274	91561236	1	TANK SUPPORT PLATE	
284	91566064	1	BAFFLE WELDMENT, (includes items 401 thru 405)	
285	0641608	1	HEX HD CAPSCREW, 3/8-16X1, GR5	
301	90205918	2	FLAT WASHER, 3/8	
302	0641506	4	HEX HD CAPSCREW, 5/16-18X3/4	
401	91561248	1	BAFFLE MOUNT BRACKET	
402	91561276	1	BAFFLE	
403	0641608	1	HEX HD CAPSCREW, 3/8-16X1, GR5	
404	4711600	2	FLAT WASHER, 3/8	
405	3311605	1	HEX LOCKNUT, 3/8-16	
	0275384	1	FAN GUARD, (without air conditioning), (includes items 501 thru 503)	
501	91473108	1	FAN GUARD	
502	0641607	3	HEX HD CAPSCREW, 3/8-16X7/8, GR5	
503	4711600	3	FLAT WASHER, 3/8	
	0275385	1	FAN GUARD, (with air conditioning), (includes item 504)	

SECTION 4 - ENGINE AND ATTACHING PARTS

ITEM	PART NUMBER	QTY	DESCRIPTION	REV
504	3576628	1	FAN GUARD, A/C	
623	91563052	1	LOWER RADIATOR HOSE	
644	80383134	1	BAND CLAMP	

SECTION 4 - ENGINE AND ATTACHING PARTS

FIGURE 4-10. RADIATOR ASSEMBLY - PERKINS ENGINE



SECTION 4 - ENGINE AND ATTACHING PARTS

FIGURE 4-10. RADIATOR ASSEMBLY - PERKINS ENGINE

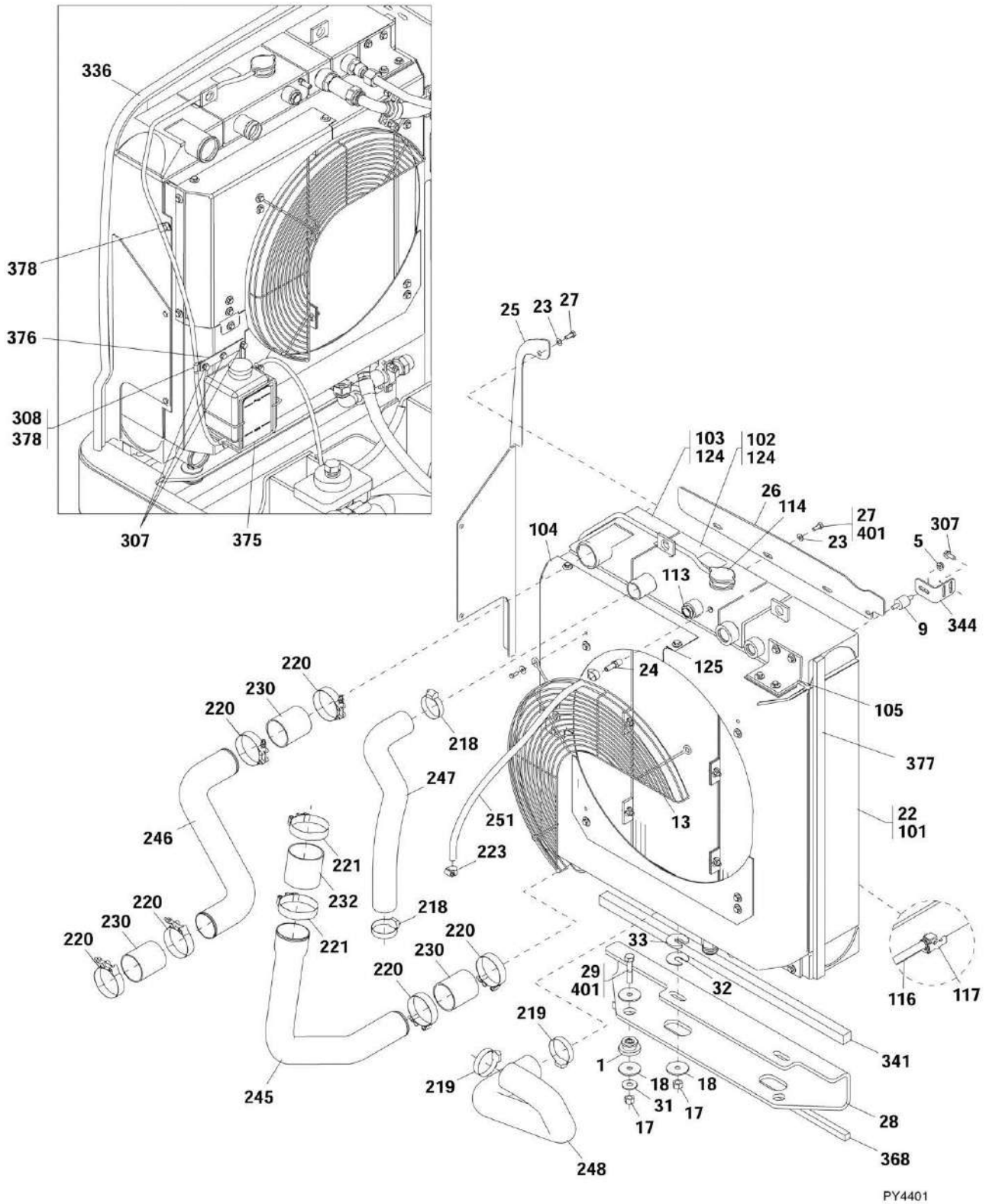
ITEM	PART NUMBER	QTY	DESCRIPTION	REV
	1001001916	1	RADIATOR ASSY, (includes items 1 thru 12, 16 thru 34 & 36)	
1	1001001413	1	COOLANT RECOVERY TANK	
2	1001001902	1	TUBE ASSY	
3	1001100664	1	ELBOW, 90	
7	1001001908	1	UPPER RADIATOR HOSE	
8	1001001905	1	LOWER RADIATOR HOSE	
10	80933070	7	BAND CLAMP	
11	91563070	3	COUPLING	
12	91163129	1	BAND CLAMP	
13	91473108	1	FAN GUARD, NON A/C	
14	0641606	3	HEX HD CAPSCREW, 3/8-16X3/4, GR5	
15	4751600	3	FLAT WASHER, 3/8	
16	1001001070	1	RADIATOR COOLER ASSY, (includes items 101 thru 110)	F
18	91513197	8 ft	BULB SEAL	
19	0641506	8	HEX HD CAPSCREW, 5/16-18X3/4, GR5	
20	1320022	2	CLAMP	
21	2111210	2	CONNECTOR	
22	3311505	6	HEX LOCKNUT, 5/16-18	
23	4751500	12	FLAT WASHER, 5/16	
24	83683308	2	MOUNTING PAD	
25	91033137	1	SHOCK MOUNT	
26	91561136	1	FAN SHROUD MOUNT	
27	91561236	1	TANK SUPPORT	
28	91566064	1	BAFFLE, (includes items 201 thru 205)	C
29	2720058	3 ft	HOSE	
30	90200755	3 ft	GASKA TAPE	
31	0100011	AR	LOCTITE 242	
32	3311605	2	HEX LOCKNUT, 3/8-16	
33	1001100663	1	PIPE	
34	80383134	4	BAND CLAMP	
35	4761600	3	LOCKWASHER, 3/8	
36	7057141	2	FLAT WASHER	
101	0641604	6	HEX HD CAPSCREW, 3/8-16X1/2, GR5	
102	0641608	1	HEX HD CAPSCREW, 3/8-16X1, GR5	
103	3311605	9	HEX LOCKNUT, 3/8-16	
104	4711600	16	FLAT WASHER, 3/8	
105	4761600	6	LOCKWASHER, 3/8	
106	91561148	1	HOOD SEAL	
107	1001116780	1	RADIATOR	
107	7026442	1	RADIATOR CAP, 10PSI	
107	N.S.S.	24 in	OVERFLOW HOSE	
107	84521056	1	DRAIN COCK	
108	91563040	1	CHARGE AIR COOLER	
109	91563249	1	HYDRAULIC OIL COOLER	
110	1001001913	1	SHROUD ASSY	
201	91561248	1	MOUNT BRACKET	
202	91561276	1	BAFFLE PLATE	
203	0641608	1	HEX HD CAPSCREW, 3/8-16X1, GR5	
204	4711600	2	FLAT WASHER, 3/8	
205	3311605	1	HEX LOCKNUT, 3/8-16	

SECTION 4 - ENGINE AND ATTACHING PARTS

ITEM	PART NUMBER	QTY	DESCRIPTION	REV
	1001102649	1	FAN GUARD INSTALLATION, NON A/C, (includes items 13 thru 15 & 35)	A
	1001102654	1	FAN GUARD INSTALLATION, A/C, (includes items 14, 15, 35 & 301)	A
301	91513215	1	FAN GUARD, A/C	

SECTION 4 - ENGINE AND ATTACHING PARTS

FIGURE 4-11. RADIATOR ASSEMBLY - CUMMINS ENGINE



SECTION 4 - ENGINE AND ATTACHING PARTS

FIGURE 4-11. RADIATOR ASSEMBLY - CUMMINS ENGINE

ITEM	PART NUMBER	QTY	DESCRIPTION	REV
	1001114760	1	RADIATOR ASSY, (includes items 1 thru 33)	I
1	1001114803	2	ISOLATOR MOUNT	
5	77143006	1	WHIZ-LOK NUT, 5/16-18	
9	91033137	1	SHOCK MOUNT	
13	1001114560	1	FAN GUARD GRILL	
17	3311801	4	HEX NUT, 1/2-13	
18	4740274	6	SPECIAL WASHER	
22	1001118071	1	RADIATOR, (includes items 101 thru 125)	D
23	4711500	5	WASHER, 5-16	
24	2220767	1	BARBED FITTING	
25	1001118046	1	BOTTOM AIR DAM PLATE	
26	1001118045	1	TOP AIR DAM PLATE	
27	0641506	5	HEX HD CAPSCREW, 5/16-18X3/4, GR5	
28	1001118217	1	RADIATOR MOUNT BRACKET	
29	0641820	2	HEX HD CAPSCREW, 1/2-13X2-1/2, GR5	
31	4751800	2	WASHER, 1/2	
32	1001120376	2	SHIM	
33	1001120377	4	SHIM	
101	70023331	1	HYDRAULIC/TRANSMISSION OIL COOLER	
102	70023332	1	RADIATOR	
103	70023341	1	CHARGE AIR COOLER	
104	70023342	1	SHROUD	
105	70023334	2	MOUNTING ANGLE	
113	70023335	1	SIGHT GUAGE	
114	70023336	1	RADIATOR CAP, 15 PSI	
116	70023337	5 ft	HOSE	
117	70023338	1	PETCOCK	
124	70023339	6 ft	FOAM RUBBER	
125	70023340	1 ft	LOCKING RUBBER SEAL	
218	8405104	2	GEAR CLAMP	
219	8405201	2	GEAR CLAMP	
220	8405212	6	T-BOLT CLAMP	
221	8405306	2	T-BOLT CLAMP	
223	8410013	2	GEAR CLAMP	
230	1001099251	3	HOSE	
232	1001099494	1	HOSE	
245	1001117940	1	OUTLET PIPE	
246	1001117941	1	INLET PIPE	
247	1001117979	1	RADIATOR INLET HOSE	
248	1001117982	1	RADIATOR OUTLET HOSE	
251	1001116572	1	RADIATOR VENT HOSE	
307	0791506	5	SCREW, 5/16-18X3/4	
308	3311508	1	HEX NUT, 5/16-18, GR2	
336	1001116122	69 in	BULB SEAL	
341	1001118092	1	FOAM GASKET SEAL	
344	1001118138	1	ISOLATOR MOUNT SUPPORT	
368	1001120370	1	FOAM GASKET SEAL	
375	4400483	1	COOLANT RETURN SYSTEM RESERVOIR	
376	1001121676	1	COOLANT BOTTLE PLATE	
377	1001121717	1	FOAM GASKET SEAL	

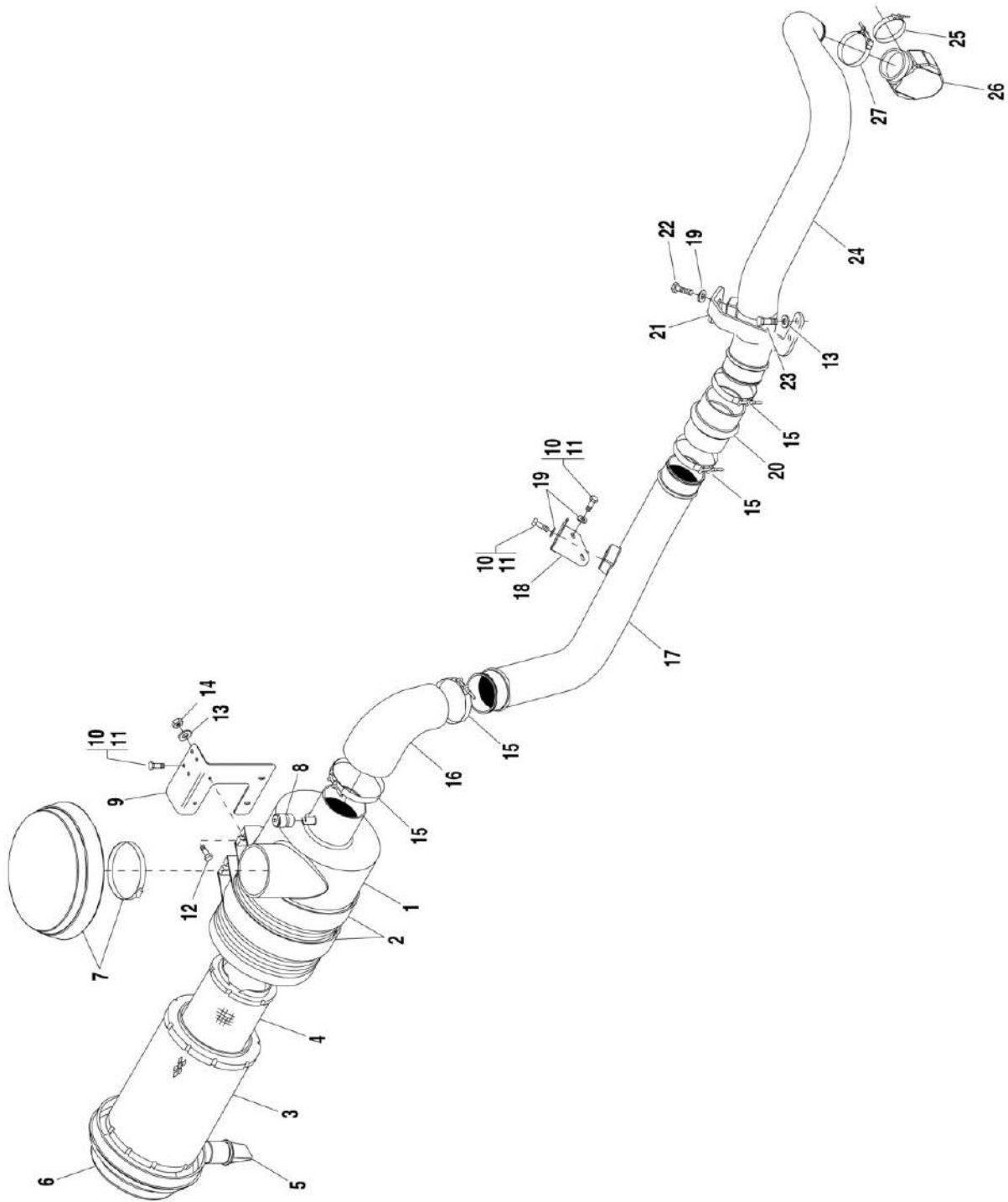
SECTION 4 - ENGINE AND ATTACHING PARTS

ITEM	PART NUMBER	QTY	DESCRIPTION	REV
378	86621230	2	SUPPORT CLAMP	
401	0100011	AR	LOCTITE 242	

SECTION 4 - ENGINE AND ATTACHING PARTS

FIGURE 4-12. AIR CLEANER INSTALLATION - JOHN DEERE ENGINE G10-55A

G10-55A



PAP3310

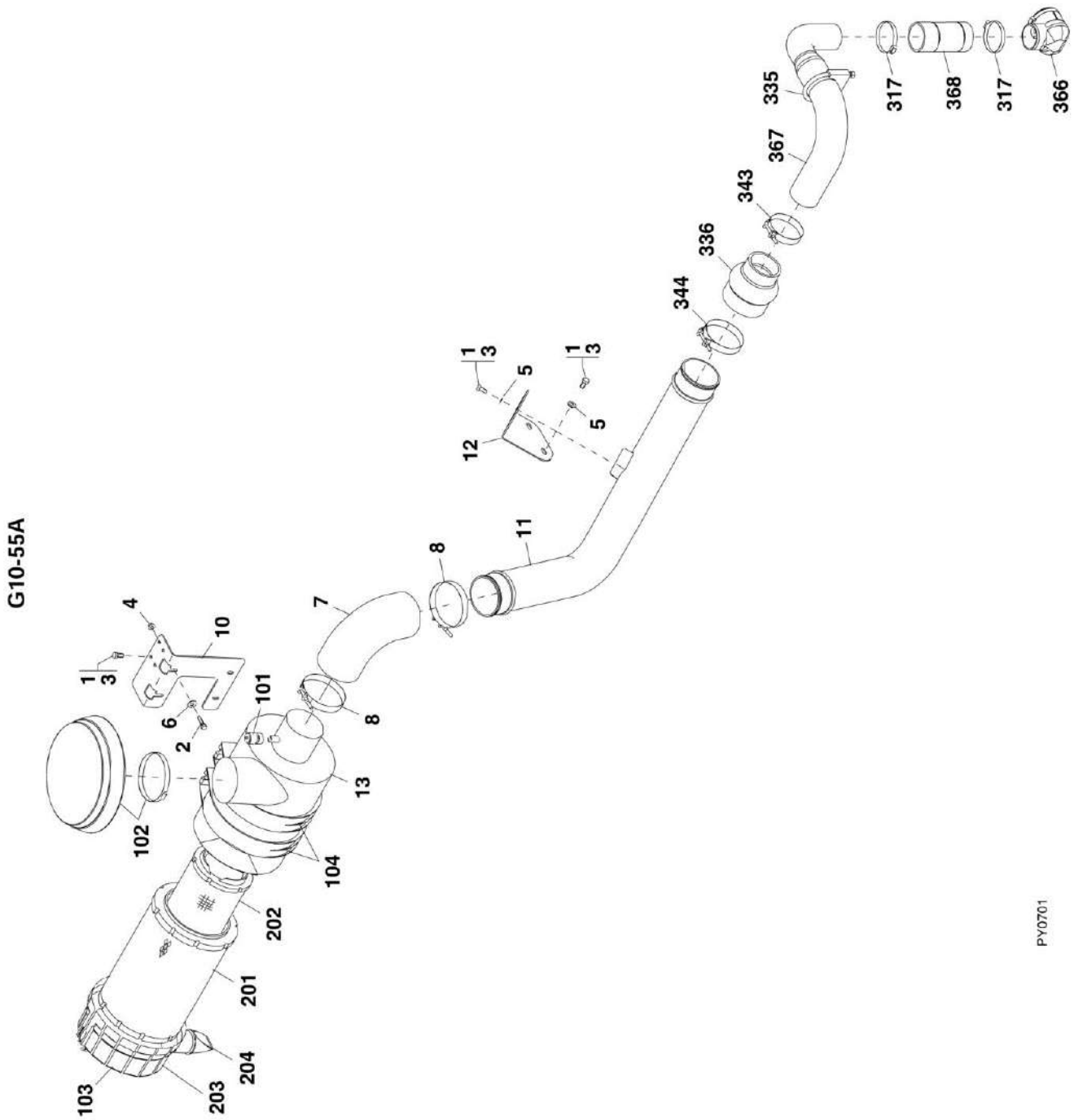
SECTION 4 - ENGINE AND ATTACHING PARTS

FIGURE 4-12. AIR CLEANER INSTALLATION - JOHN DEERE ENGINE G10-55A

ITEM	PART NUMBER	QTY	DESCRIPTION	REV
	91575013	1	AIR CLEANER ASSY, (G10-55A), (includes items 1 thru 8)	
1	8273029	1	AIR CLEANER, 9 IN, (includes items 3 thru 6)	
2	10268516	2	MOUNTING BAND	
3	1101312	1	PRIMARY ELEMENT, (outer)	
4	1101313	1	SAFETY ELEMENT, (inner)	
5	80373094	1	VACUATOR	
6	91364023	1	COVER ASSY	
7	8273257	1	AIR INLET HOOD, (includes clamp)	
8	77383154	1	SERVICE INDICATOR	
9	91561146	1	AIR CLEANER SUPPORT BRACKET	
10	0641606	6	HEX HD CAPSCREW, 3/8-1X3/4, GR5	
11	0100011	AR	LOCTITE 242	
12	0641510	4	HEX HD CAPSCREW, 5/16-18X1-1/4, GR5	
13	4751500	6	FLAT WASHER, 5/16	
14	3311508	4	HEX NUT, 5/16-18	
15	77383790	4	BAND CLAMP	
16	09523572	1	AIR INTAKE ELBOW, 90	
17	91563079	1	AIR INTAKE TUBE	
18	91563163	1	AIR INTAKE BRACKET	
19	4711600	6	FLAT WASHER, 3/8	
20	80973107	1	STRAIGHT HUMP COUPLING	
21	91561244	1	AIR INTAKE TUBE BRACKET	
22	0641607	2	HEX HD CAPSCREW, 3/8-16X7/8, GR5	
23	0641505	2	HEX HD CAPSCREW, 5/16-18X5/8	
24	91563049	1	AIR INTAKE TUBE	
25	91163129	1	BAND CLAMP	
26	91083126	1	RUBBER INTAKE ELBOW	
27	90028631	1	BAND CLAMP	

SECTION 4 - ENGINE AND ATTACHING PARTS

FIGURE 4-13. AIR CLEANER INSTALLATION - PERKINS ENGINE G10-55A



PY0701

SECTION 4 - ENGINE AND ATTACHING PARTS

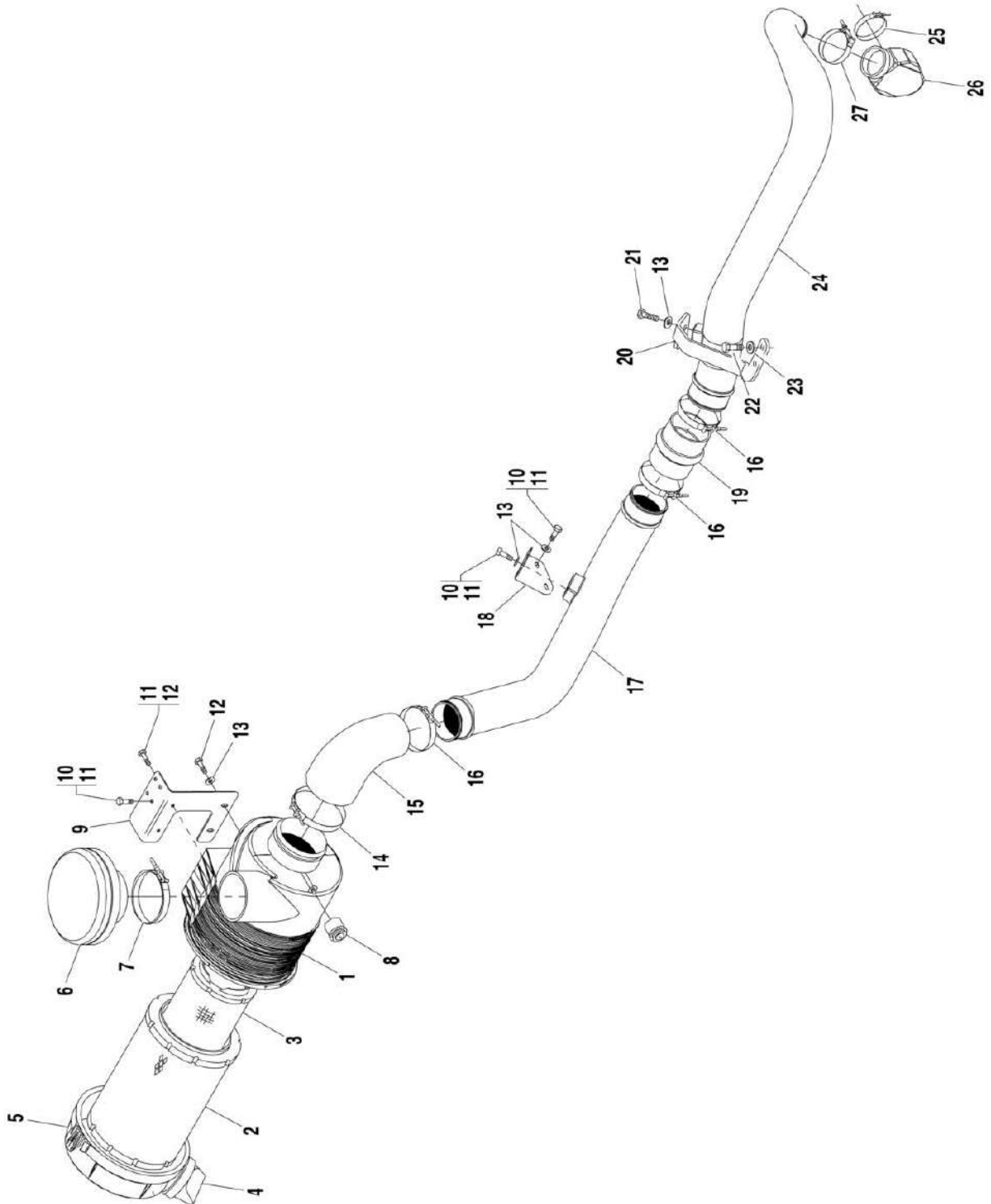
FIGURE 4-13. AIR CLEANER INSTALLATION - PERKINS ENGINE G10-55A

ITEM	PART NUMBER	QTY	DESCRIPTION	REV
	91575012	1	9 IN AIR CLEANER INSTALLATION, (includes items 1 thru 13)	E
1	0100011	AR	LOCTITE 242, (apply to item 3)	
2	0641510	4	HEX HD CAPSCREW, 5/16-18X1-1/4	
3	0641606	6	HEX HD CAPSCREW, 3/8-18X3/4	
4	3311508	4	HEX NUT, 5/16-18	
5	4711600	4	NARROW WASHER, 3/8	
6	4751500	4	WIDE WASHER, 5/16	
7	09523572	1	AIR INTAKE ELBOW, 90	
8	77383790	2	BAND CLAMP, (torque to 30 lb-in)	
10	91561146	1	AIR CLEANER SUPPORT BRACKET	
11	91563079	1	AIR INTAKE TUBE	
12	91563163	1	AIR INTAKE BRACKET	
13	91575013	1	9 IN AIR CLEANER ASSY, (includes items 101 thru 104)	
101	77383154	1	SERVICE INDICATOR	
102	8273257	1	AIR INLET HOOD, (includes clamp)	
103	8273029	1	9 IN AIR CLEANER, (includes items 201 thru 204)	
104	10268516	2	MOUNTING BAND	
201	1101312	1	PRIMARY ELEMENT, (outer)	
202	1101313	1	SAFETY ELEMENT, (inner)	
203	91364023	1	COVER ASSY	
204	80373094	1	VACUATOR	
317	86883327	2	GEAR CLAMP, 3.25 DIA	
335	24921332	1	CLAMP	
336	04100665	1	HUMP HOSE	
343	91163129	1	BAND CLAMP	
344	77383790	1	BAND CLAMP	C
366	1001001926	1	AIR INTAKE ELBOW, 90	
367	1001001929	1	AIR INTAKE TUBE	
368	1001001939	1	FLEX HOSE	

SECTION 4 - ENGINE AND ATTACHING PARTS

FIGURE 4-14. AIR CLEANER INSTALLATION - JOHN DEERE ENGINE G12-55A

G12-55A



PAF3320

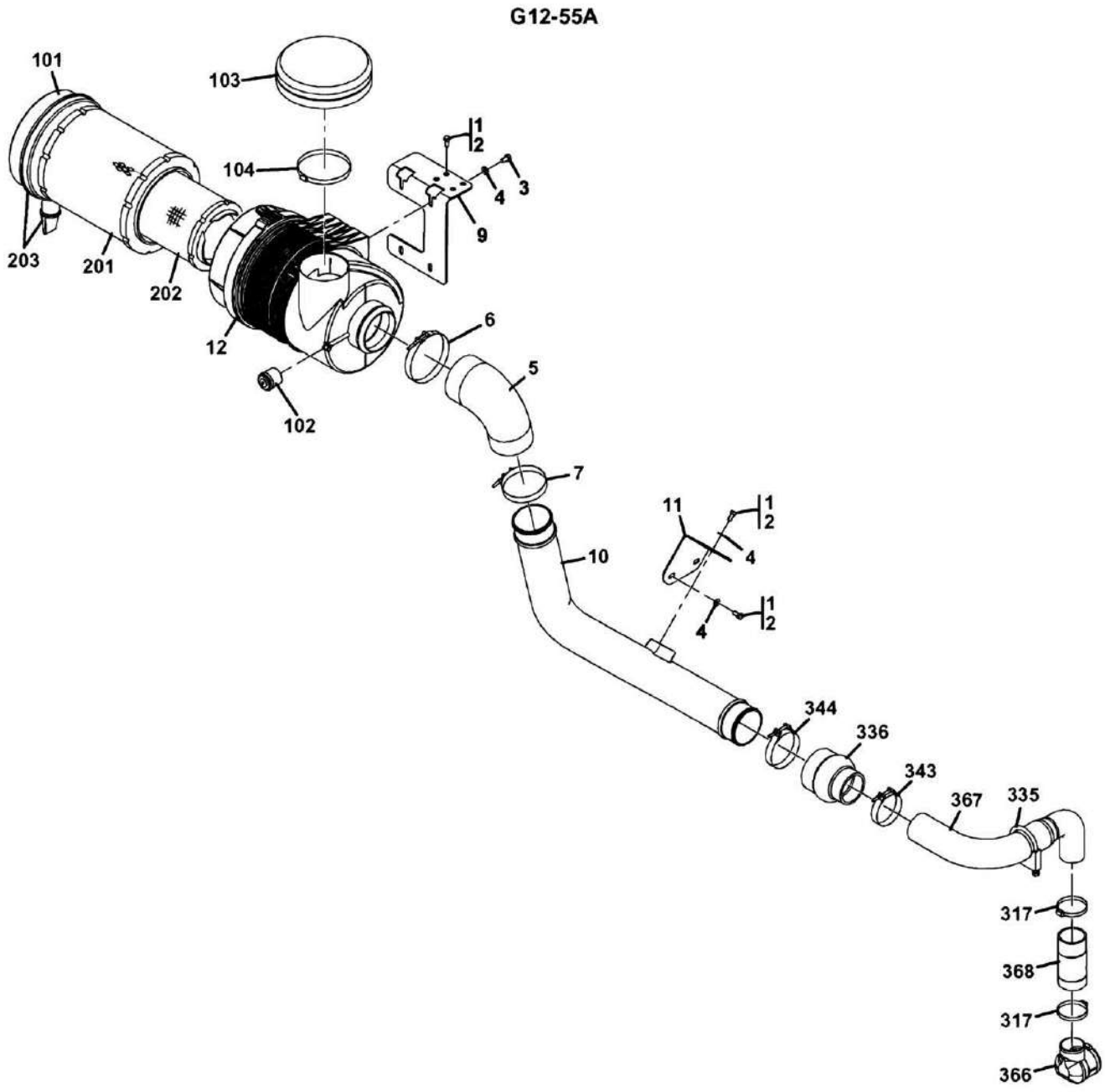
SECTION 4 - ENGINE AND ATTACHING PARTS

FIGURE 4-14. AIR CLEANER INSTALLATION - JOHN DEERE ENGINE G12-55A

ITEM	PART NUMBER	QTY	DESCRIPTION	REV
	91563131	1	AIR CLEANER ASSY, (G12-55A), (includes items 1 thru 8)	
1	91563126	1	AIR CLEANER, 11 IN, (includes items 2 thru 5)	
2	7026573	1	PRIMARY ELEMENT, (outer)	
3	7026572	1	SAFETY ELEMENT, (inner)	
4	8273291	1	VACUATOR	
5	70023195	1	COVER ASSY, (includes item 4)	
6	91563130	1	AIR INLET HOOD	
7	91563134	1	BAND CLAMP	
8	91563129	1	SERVICE INDICATOR	
9	91561146	1	AIR CLEANER SUPPORT BRACKET	
10	0641606	6	HEX HD CAPSCREW, 3/8-1X3/4, GR5	
11	0100011	AR	LOCTITE 242	
12	0700808	4	HEX HD CAPSCREW, M8X1.25X16, GR8.8	
13	4711600	8	FLAT WASHER, 3/8	
14	77383791	1	BAND CLAMP	
15	77173014	1	REDUCER ELBOW, 90	
16	77383790	3	BAND CLAMP	
17	91563079	1	AIR INTAKE TUBE	
18	91563163	1	AIR INTAKE BRACKET	
19	80973107	1	STRAIGHT HUMP COUPLING	
20	91561244	1	AIR INTAKE TUBE BRACKET	
21	0641607	2	HEX HD CAPSCREW, 3/8-16X7/8, GR5	
22	0641505	2	HEX HD CAPSCREW, 5/16-18X5/8	
23	4751500	2	FLAT WASHER, 5/16	
24	91563049	1	AIR INTAKE TUBE	
25	91163129	1	BAND CLAMP	
26	91083126	1	RUBBER INTAKE ELBOW	
27	90028631	1	BAND CLAMP	

SECTION 4 - ENGINE AND ATTACHING PARTS

FIGURE 4-15. AIR CLEANER INSTALLATION - PERKINS ENGINE G12-55A



PAP2040

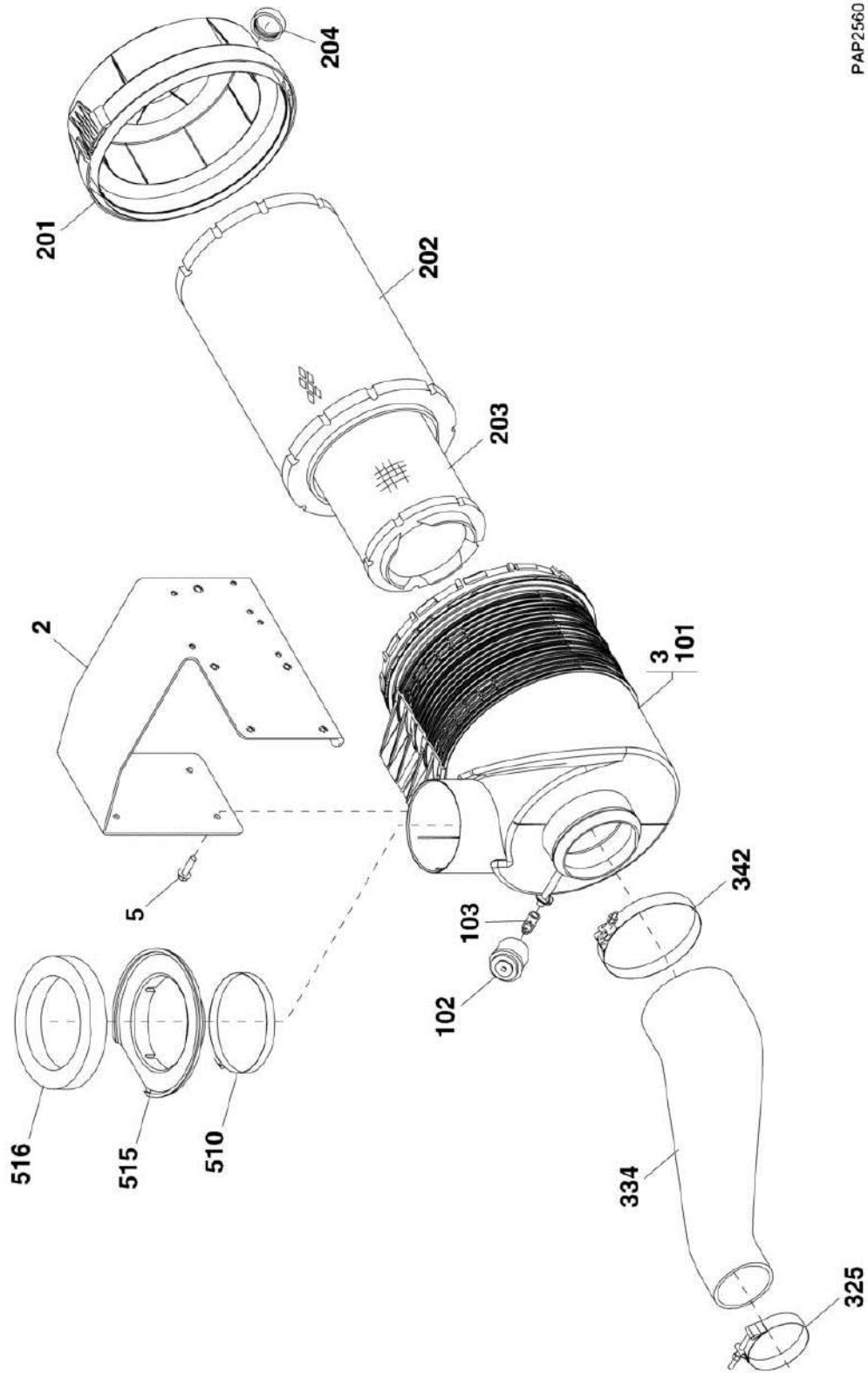
SECTION 4 - ENGINE AND ATTACHING PARTS

FIGURE 4-15. AIR CLEANER INSTALLATION - PERKINS ENGINE G12-55A

ITEM	PART NUMBER	QTY	DESCRIPTION	REV
	91565018	1	11 IN AIR CLEANER INSTALLATION, (includes items 1 thru 12)	G
1	0100011	AR	LOCTITE 242, (apply to item 3)	
2	0641606	6	HEX HD CAPSCREW, 3/8-16X3/4	
3	0700808	4	HEX HD CAPSCREW, M8X16	
4	4711600	8	NARROW WASHER, 3/8	
5	77173014	1	REDUCER ELBOW, 90	
6	77383791	1	BAND CLAMP, (torque to 30 lb-in)	
7	77383790	1	BAND CLAMP, (torque to 30 lb-in)	
9	91561146	1	AIR CLEANER BRACKET	
10	91563079	1	AIR INTAKE TUBE	
11	91563163	1	AIR INTAKE BRACKET	
12	91563131	1	11 IN AIR CLEANER ASSY, (includes items 101 thru 104)	A
101	91563126	1	11 IN AIR CLEANER, (includes items 201 thru 203)	A
102	91563129	1	SERVICE INDICATOR	
103	91563130	1	AIR INLET HOOD	
104	91563134	1	BAND CLAMP	
201	7026573	1	PRIMARY ELEMENT, (outer)	
202	7026572	1	SAFETY ELEMENT, (inner)	
203	70023195	1	COVER, (includes vacuator)	
203	8273291	1	VACUATOR	
317	86883327	2	GEAR CLAMP, 3.25 DIA	
335	24921332	1	CLAMP	
336	04100665	1	HUMP HOSE	
343	91163129	1	BAND CLAMP	
344	77383790	1	BAND CLAMP	
366	1001001926	1	AIR INTAKE ELBOW, 90	
367	1001001929	1	AIR INTAKE TUBE	
368	1001001939	1	FLEX HOSE	

SECTION 4 - ENGINE AND ATTACHING PARTS

FIGURE 4-16. AIR CLEANER INSTALLATION - CUMMINS ENGINE



PAP2560

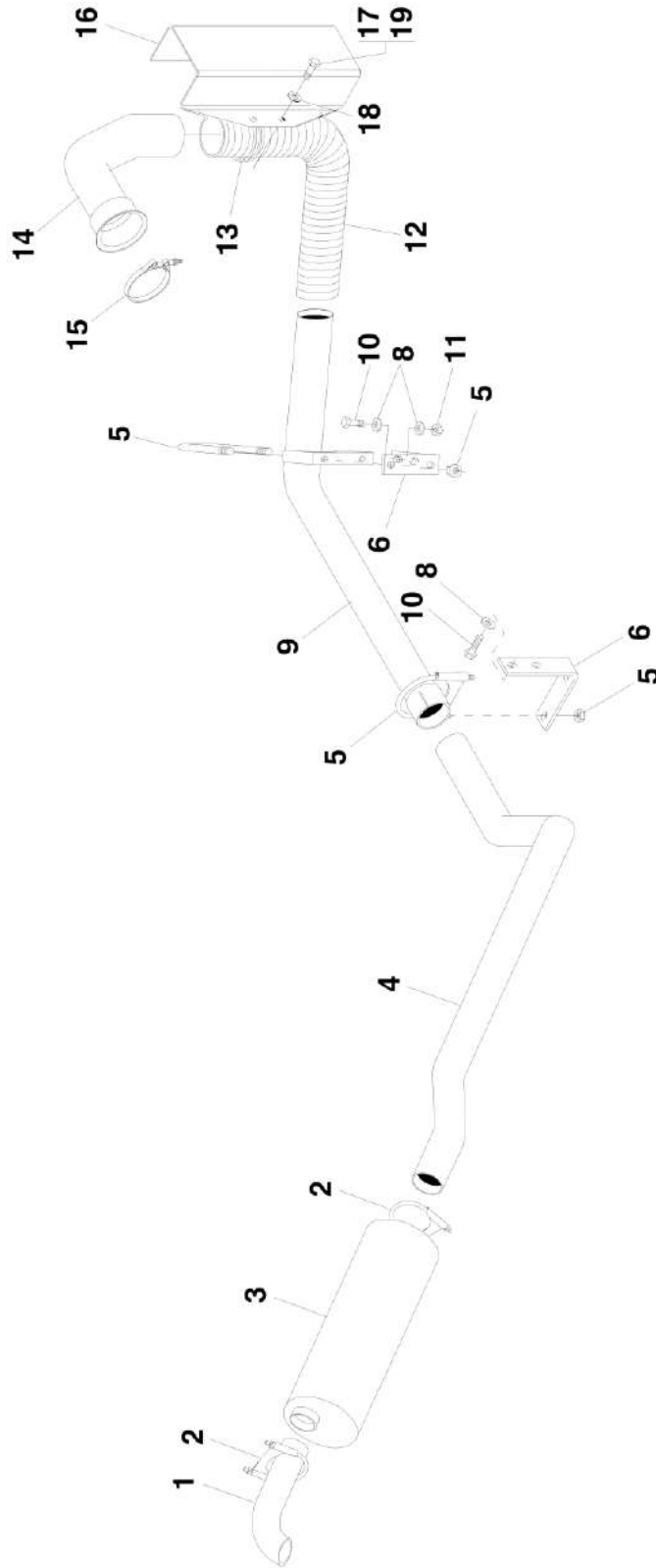
SECTION 4 - ENGINE AND ATTACHING PARTS

FIGURE 4-16. AIR CLEANER INSTALLATION - CUMMINS ENGINE

ITEM	PART NUMBER	QTY	DESCRIPTION	REV
	1001110079	1	AIR CLEANER ASSY, (includes items 2 thru 5)	D
2	1001110055	1	BRACKET	
3	1001116505	Ref	AIR CLEANER INSTALLATION, (not available to order, see items 101 thru 103 for service)	A
5	5200814	4	RIPP BOLT, 8X30mm	
101	1001109038	1	AIR CLEANER, 11 IN, (includes items 201 thru 204)	D
102	91563129	1	RESTRICTION INDICATOR	
103	86983648	1	ELBOW, 90	
201	70023195	1	COVER ASSY, (includes item 204)	
202	7026573	1	PRIMARY ELEMENT	
203	7026572	1	SAFETY ELEMENT	
204	8273291	1	VACUATOR VALVE	
325	90028631	1	BAND CLAMP	
334	1001114490	1	INTAKE HOSE	
342	1001116418	1	T-BOLT BAND CLAMP	
510	91563134	1	BAND CLAMP	
515	1001111903	1	AIR FILTER INTAKE ADAPTER	
516	1001111904	1	FOAM SEAL	

SECTION 4 - ENGINE AND ATTACHING PARTS

FIGURE 4-17. EXHAUST INSTALLATION - JOHN DEERE ENGINE



PAP3330

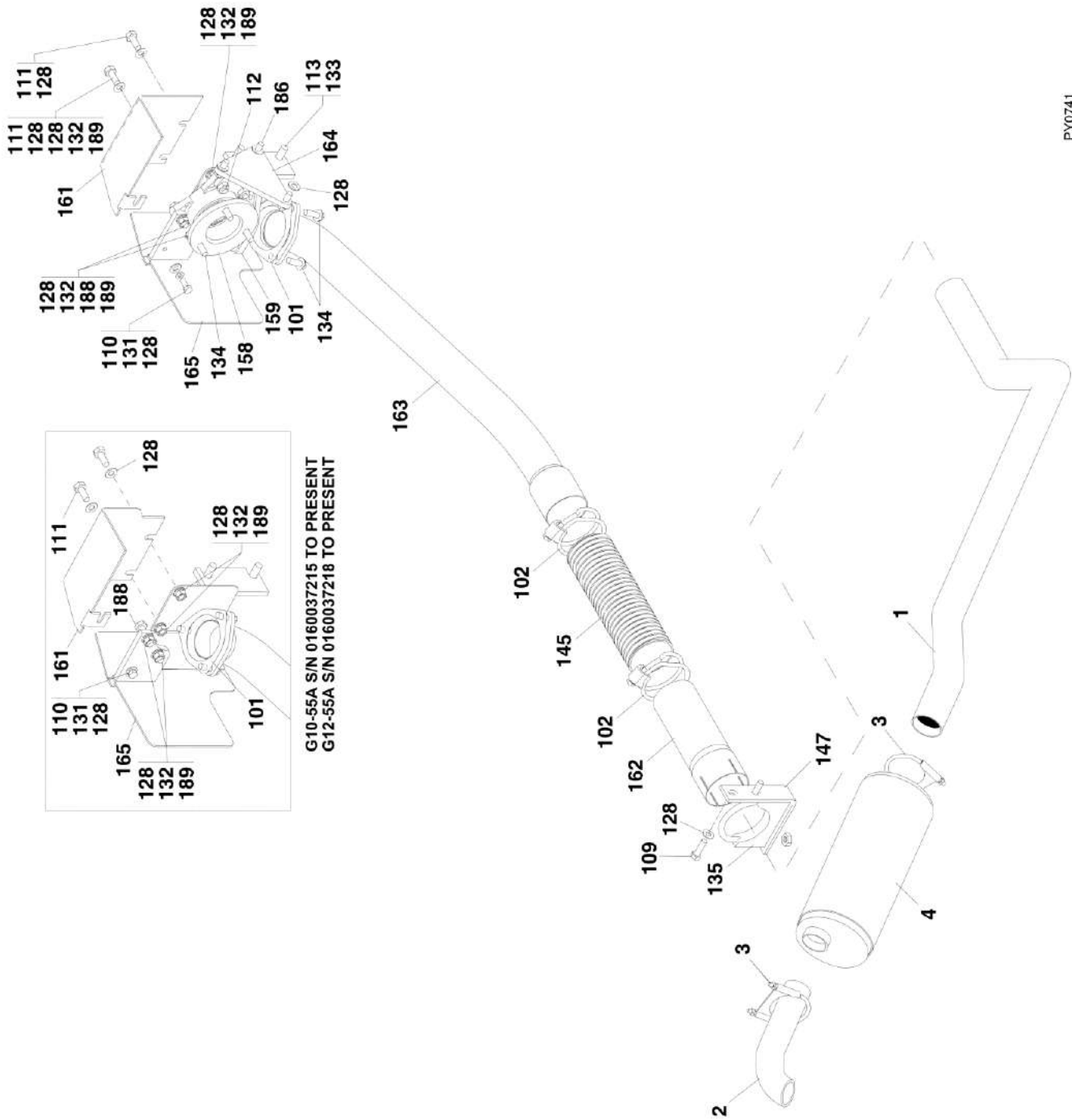
SECTION 4 - ENGINE AND ATTACHING PARTS

FIGURE 4-17. EXHAUST INSTALLATION - JOHN DEERE ENGINE

ITEM	PART NUMBER	QTY	DESCRIPTION	REV
1	91403489	1	TAILPIPE	
2	24921332	2	MUFFLER CLAMP	
3	91163035	1	MUFFLER	
4	91563116	1	MUFFLER EXHAUST TUBE	
5	24921332	2	EXHAUST CLAMP	
6	91563089	2	EXHAUST MOUNT BRACKET	
8	4711600	6	FLAT WASHER, 3/8	
9	91563087	1	EXHAUST TUBE	
10	0641610	4	HEX HD CAPSCREW, 3/8-16X1-1/4, GR5	
11	3311605	2	LOCKNUT, 3/-16	
12	86881761	1	FLEXIBLE EXHAUST TUBE	
13	91403601	1	PIPE CLAMP	
14	91563151	1	UPPER EXHAUST TUBE	
15	91403216	1	V-BAND CLAMP	
16	91561119	1	EXHAUST HEAT SHIELD	
17	0701214	2	HEX HD CAPSCREW, M12X1.75X30, GR8.8	
18	4891800	2	HARDENED WASHER, 1/2	
19	0100011	AR	LOCTITE 242	

SECTION 4 - ENGINE AND ATTACHING PARTS

FIGURE 4-18. EXHAUST INSTALLATION - PERKINS ENGINE



G10-55A S/N 0160037215 TO PRESENT
 G12-55A S/N 0160037218 TO PRESENT

PY0741

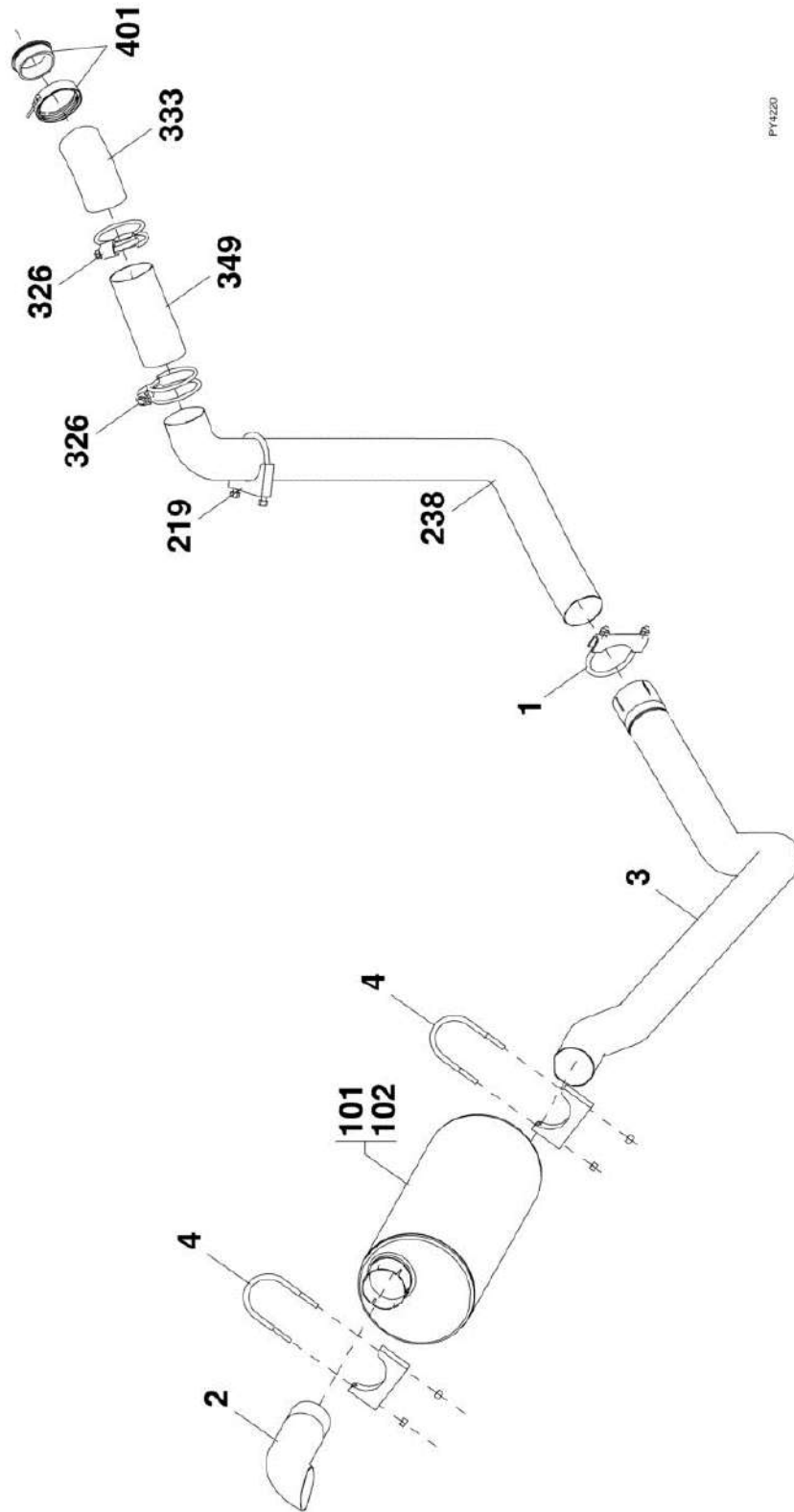
SECTION 4 - ENGINE AND ATTACHING PARTS

FIGURE 4-18. EXHAUST INSTALLATION - PERKINS ENGINE

ITEM	PART NUMBER	QTY	DESCRIPTION	REV
	91565062	1	MUFFLER INSTALLATION, (includes items 1 thru 4)	B
1	91563116	1	EXHAUST MUFFLER TUBE	
2	91403489	1	TAILPIPE	
3	24921332	2	EXHAUST CLAMP	
4	91163035	1	MUFFLER	
101	1001001831	1	EXHAUST JOINT	
102	91403601	2	FLEX PIPE CLAMP, 3 IN	
109	0641610	2	HEX HD CAPSCREW, 3/8-16X1-1/4	
110	0760810	1	HEX HD CAPSCREW, M8X20	
111	0761012	2	HEX HD CAPSCREW, M10X25	
112	0761015	2	HEX HD CAPSCREW, M10X35, (G10-55A Prior to SN 0160037215; G12-55A Prior to SN 0160037218)	
113	0761215	2	HEX HD CAPSCREW, M12X35	
128	4711600	10	NARROW WASHER, 3/8, (G10-55A Prior to SN 0160037215; G12-55A Prior to SN 0160037218)	
128	4711600	7	NARROW WASHER, 3/8, (G10-55A SN 0160037215 to Present; G12-55A SN 0160037218 to Present)	
131	4831900	1	SPRING LOCKWASHER, 8mm	
132	4832000	4	SPRING LOCKWASHER, 10mm	
133	4832100	2	SPRING LOCKWASHER, 12mm	
134	5251014	6	HEX FLANGE BOLT, 10X30mm, (G10-55A Prior to SN 0160037215; G12-55A Prior to SN 0160037218)	
134	5251014	3	HEX FLANGE BOLT, 10X30mm, (G10-55A SN 0160037215 to Present; G12-55A SN 0160037218 to Present)	
135	24921332	1	EXHAUST CLAMP	
145	91473119	1	FLEX TUBE	
147	91563089	1	EXHAUST MOUNT BRACKET	
158	1001001819	1	TURBO EXHAUST OUTLET ADAPTOR, (G10-55A Prior to SN 0160037215; G12-55A Prior to SN 0160037218)	
159	1001001820	1	TURBO EXHAUST OUTLET ELBOW, (G10-55A Prior to SN 0160037215; G12-55A Prior to SN 0160037218)	
161	1001092430	1	EXHAUST HEAT SHIELD	
162	1001092434	1	LOWER EXHAUST TUBE	
163	1001092428	1	TURBO EXHAUST TUBE, (G10-55A Prior to SN 0160037215; G12-55A Prior to SN 0160037218)	
163	1001104096	1	TURBO EXHAUST TUBE, (G10-55A SN 0160037215 to Present; G12-55A SN 0160037218 to Present)	
164	1001092427	1	TURBO MOUNTING BRACKET WELDMENT, (G10-55A Prior to SN 0160037215; G12-55A Prior to SN 0160037218)	
165	1001092429	1	MAIN EXHAUST HEAT SHIELD, (G10-55A Prior to SN 0160037215; G12-55A Prior to SN 0160037218)	
165	1001103059	1	MAIN EXHAUST HEAT SHIELD, (G10-55A SN 0160037215 to Present; G12-55A SN 0160037218 to Present)	
186	5251012	3	HEX FLANGE BOLT, 10X25mm, (G10-55A Prior to SN 0160037215; G12-55A Prior to SN 0160037218)	
188	0761016	2	HEX HD CAPSCREW, 8.8 FULL THD, M10X40	
189	8305038	4	HEX NUT, M10X1.50	

SECTION 4 - ENGINE AND ATTACHING PARTS

FIGURE 4-19. EXHAUST INSTALLATION - CUMMINS ENGINE



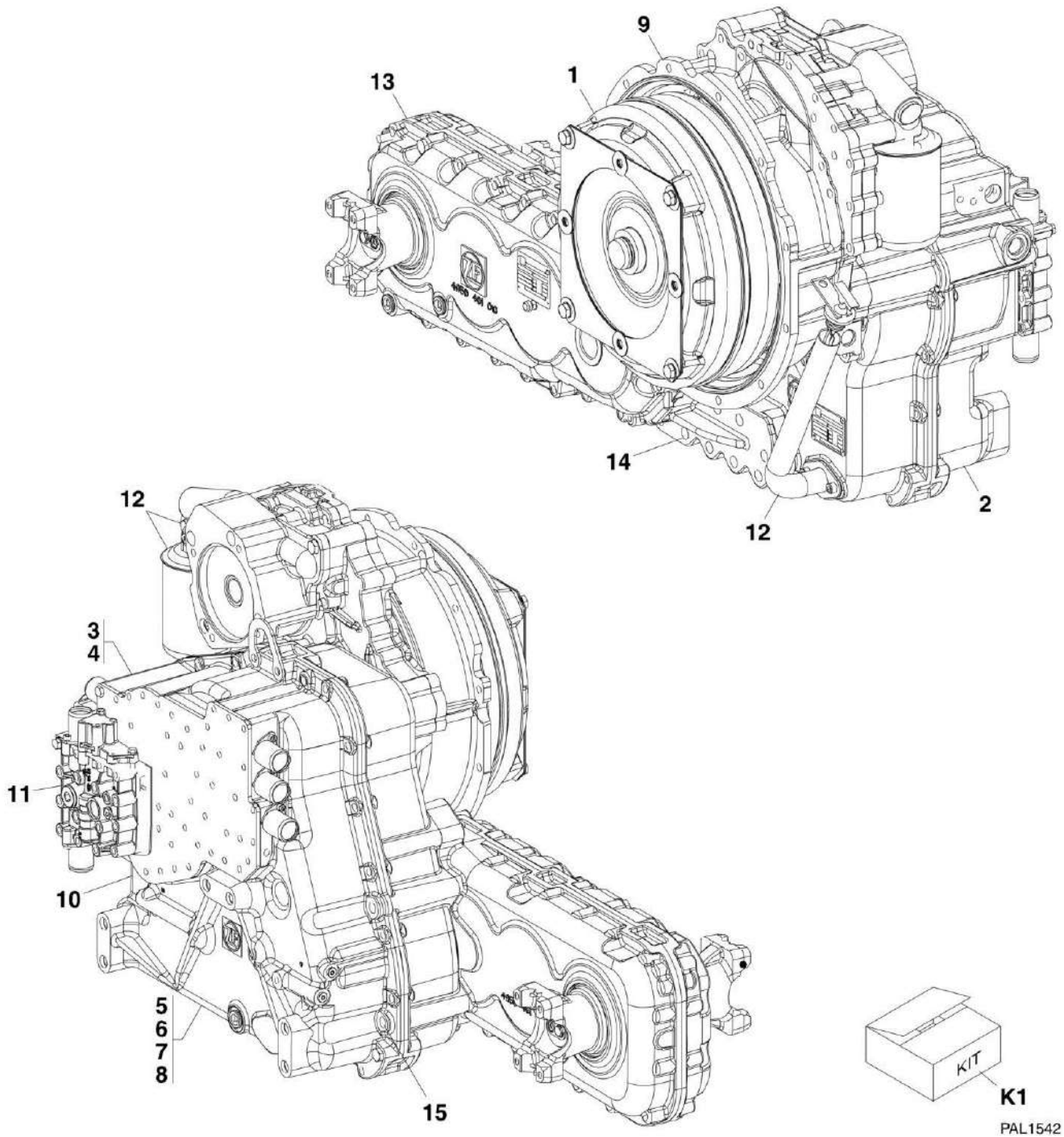
SECTION 4 - ENGINE AND ATTACHING PARTS

FIGURE 4-19. EXHAUST INSTALLATION - CUMMINS ENGINE

ITEM	PART NUMBER	QTY	DESCRIPTION	REV
	1001117226	Ref	EXHAUST INSTALLATION, (not available to order, see items 1 thru 4 for service)	A
1	8275247	1	MUFFLER CLAMP, 3 IN	
2	91403489	1	TAIL PIPE	
3	1001117235	1	EXHAUST PIPE	
4	24921332	2	EXHAST CLAMP, 3 IN	
101	91163035	1	MUFFLER, (if equipped)	
102	H1533001	1	PURI MUFFLER, (if equipped)	
219	24921332	1	EXHAUST CLAMP, 3 IN	
238	1001117232	1	EXHAUST PIPE	
326	91403601	2	PIPE CLAMP	
333	1001104721	1	ELBOW	
349	1001100189	1	FLEX TUBE	
401		Ref	ENGINE ASSY, (See ENGINE ASSEMBLY for details)	

SECTION 4 - ENGINE AND ATTACHING PARTS

FIGURE 4-20. ZF TRANSMISSION



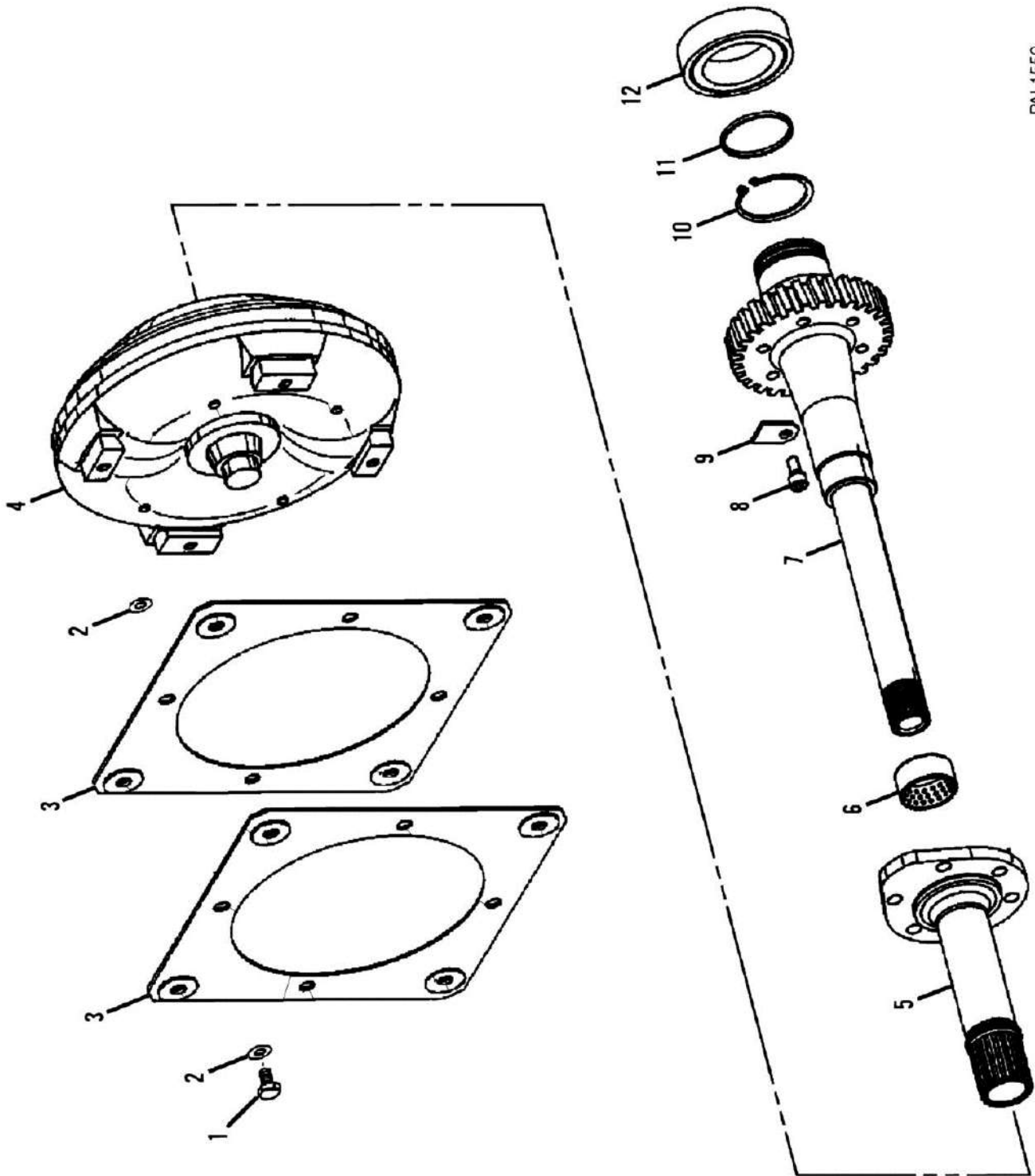
SECTION 4 - ENGINE AND ATTACHING PARTS

FIGURE 4-20. ZF TRANSMISSION

ITEM	PART NUMBER	QTY	DESCRIPTION	REV
	91563008	NLA	ZF TRANSMISSION, (no longer available; order 1001125962 for service), (includes all items) (Prior to SN 0160039617)	E
	1001125962	1	ZF TRANSMISSION, (includes all items) (SN 0160039617 to Present)	C
1		Ref	TORQUE CONVERTER AND INPUT, (See ZF TRANSMISSION - CONVERTER AND INPUT for details)	
2		Ref	GEARBOX HOUSING, (See ZF TRANSMISSION - GEARBOX HOUSING for details)	
3		Ref	FORWARD GEAR GROUP, (See ZF TRANSMISSION - FORWARD GEAR GROUP for details)	
4		Ref	REVERSE GEAR GROUP, (See ZF TRANSMISSION - REVERSE GEAR GROUP for details)	
5		Ref	1ST SHAFT GROUP, (See ZF TRANSMISSION - 1ST SHAFT GROUP for details)	
6		Ref	2ND SHAFT GROUP, (See ZF TRANSMISSION - 2ND SHAFT GROUP for details)	
7		Ref	3RD SHAFT GROUP, (See ZF TRANSMISSION - 3RD SHAFT GROUP for details)	
8		Ref	4TH SHAFT GROUP, (See ZF TRANSMISSION - 4TH SHAFT GROUP for details)	
9		Ref	POWER TAKE-OFF, (See ZF TRANSMISSION - POWER TAKE-OFF for details)	
10		Ref	CONTROL UNIT AND PRESSURE REGULATOR, (See CONTROL UNIT AND PRESSURE REGULATOR for details)	
11		Ref	GEARSHIFT SYSTEM, (See ZF TRANSMISSION - GEARSHIFT SYSTEM for details)	
12		Ref	OIL PUMP, FILTER AND DIPSTICK, (See ZF TRANSMISSION - OIL PUMP, FILTER & DIPSTICK for details)	
13		Ref	TRANSFER BOX, (See ZF TRANSMISSION - TRANSFER BOX for details)	
14	7027254	12	HEX HD CAPSCREW, M14X55	
15	7027255	2	HEX HD CAPSCREW, M14X150	
16	1319571	1	PIN, (not shown)	
K1	7026797	1	SEAL KIT, (includes all seals required for rebuild)	

SECTION 4 - ENGINE AND ATTACHING PARTS

FIGURE 4-21. ZF TRANSMISSION - CONVERTER AND INPUT



PAL1550

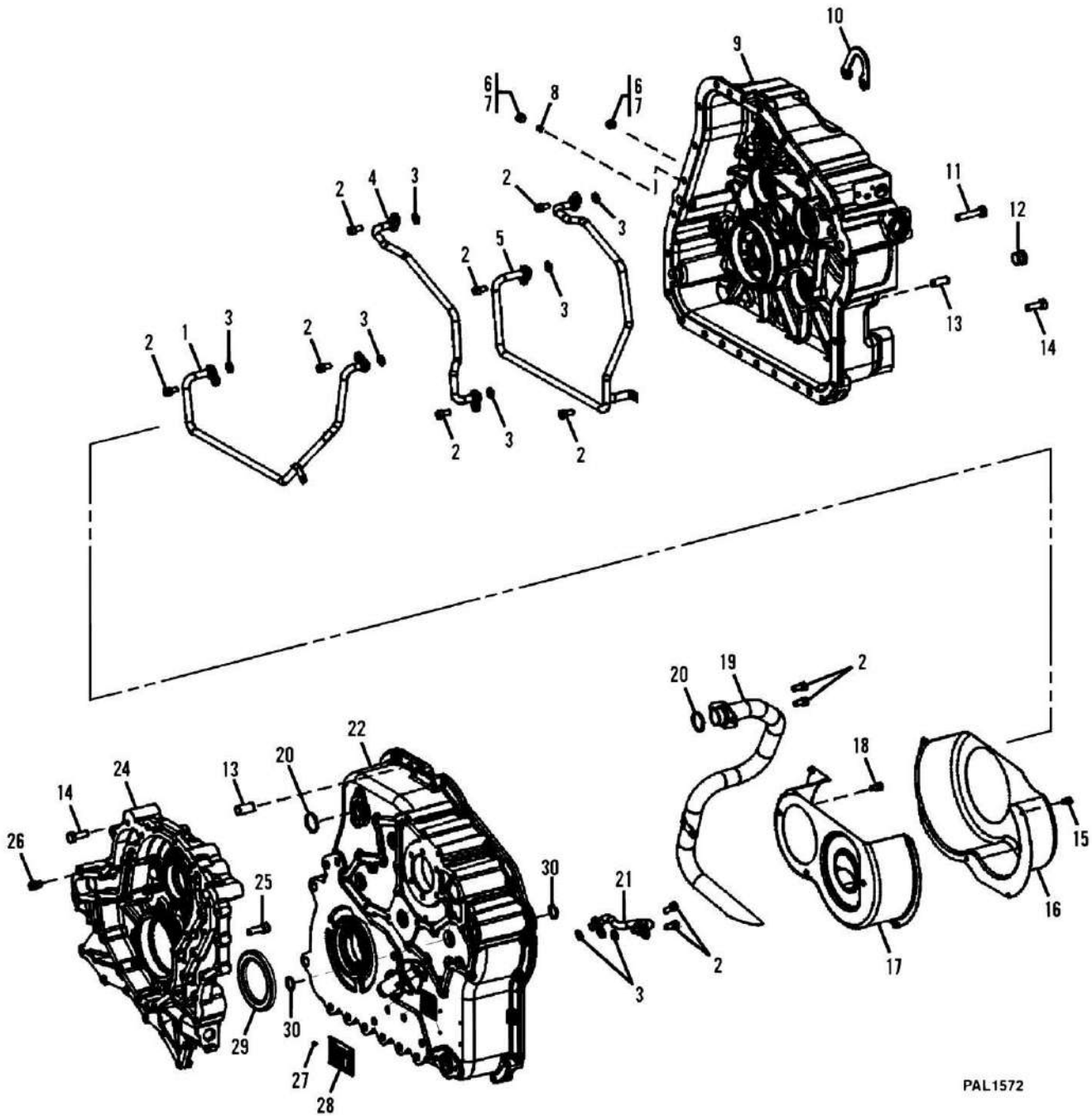
SECTION 4 - ENGINE AND ATTACHING PARTS

FIGURE 4-21. ZF TRANSMISSION - CONVERTER AND INPUT

ITEM	PART NUMBER	QTY	DESCRIPTION	REV
1	7026744	4	HEX HD CAPSCREW, M10X16	
2	7026745	8	WASHER	
3	1319229	2	DIAPHRAGM	
4	7026746	1	CONVERTER	
5	7026748	1	STATOR SHAFT	
6	1319558	1	BEARING BUSHING	
7	7026747	1	TURBINE SHAFT	
8	1319585	2	CAPSCREW, M8X16	
9	N.S.S.	2	SHACKLE	
10	80304405	1	RETAINING RING	
11	7026749	1	PISTON RING	
12	1319563	1	BALL BEARING	

SECTION 4 - ENGINE AND ATTACHING PARTS

FIGURE 4-22. ZF TRANSMISSION - GEARBOX HOUSING



PAL1572

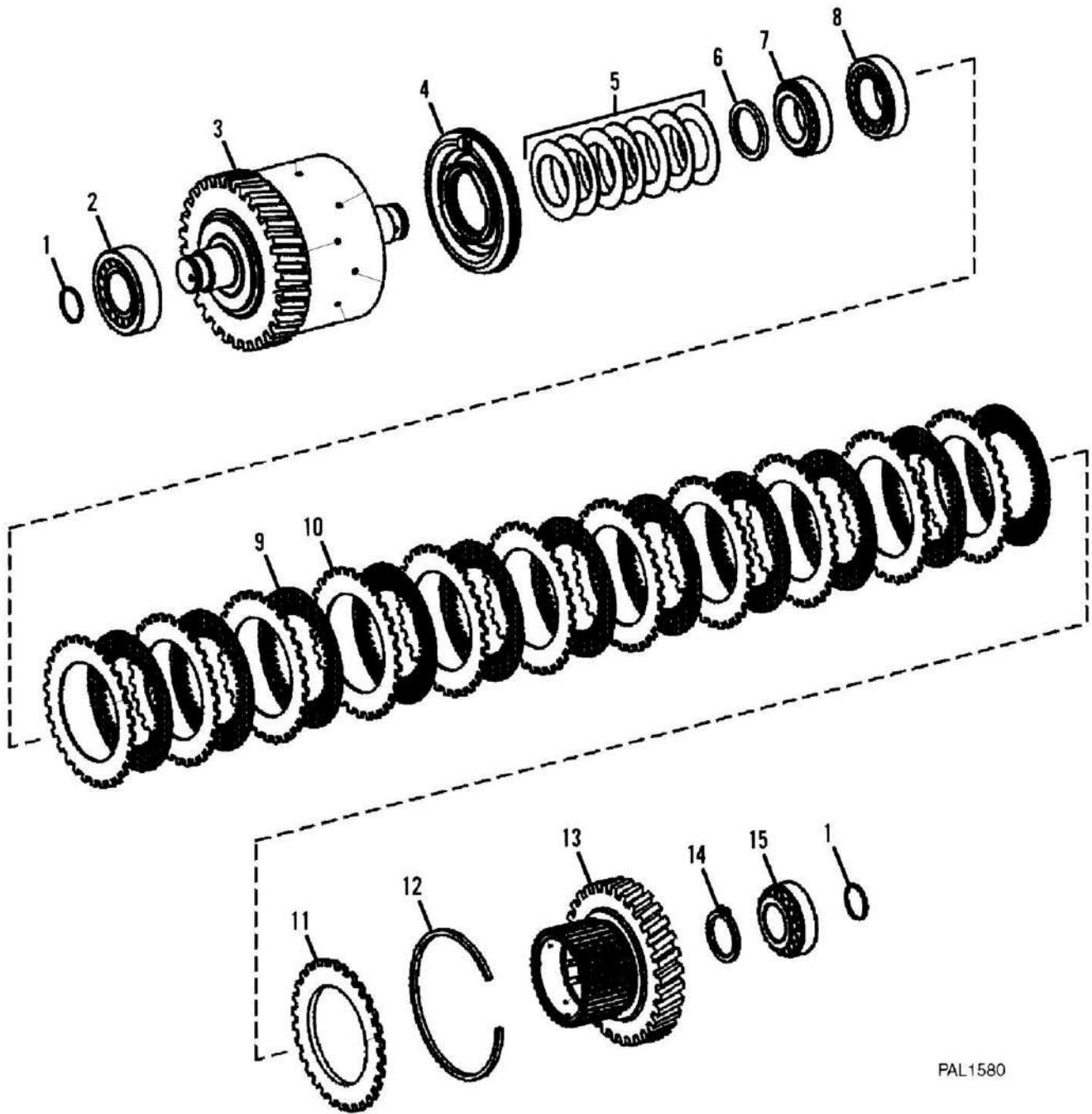
SECTION 4 - ENGINE AND ATTACHING PARTS

FIGURE 4-22. ZF TRANSMISSION - GEARBOX HOUSING

ITEM	PART NUMBER	QTY	DESCRIPTION	REV
1	7026751	1	PIPE	
2	1319585	11	HEX HD CAPSCREW, M8X16	
3	8036847	8	O-RING	
4	7026750	1	PIPE	
5	7026752	1	PIPE	
6	1319670	7	PLUG	
7	10731709	7	O-RING	
8	N.S.S.	1	ORIFICE	
9	N.S.S.	1	HOUSING	
10	1319590	1	BRACKET	
11	7026794	6	HEX HD CAPSCREW, M10X50	
12	70023404	1	PLUG	
13	1319571	4	PIN	
14	80304394	31	HEX HD CAPSCREW, M10X30	
15	1319646	5	HEX HD CAPSCREW	
16	7026756	1	SCREEN SHEET	
17	7026755	1	SCREEN SHEET	
18	N.S.S.	3	CAPSCREW, M8X12	
19	7026753	1	SUCTION TUBE	
20	70023885	2	O-RING	
21	7026754	1	PIPE	
22	N.S.S.	1	HOUSING	
24	70021920	1	HOUSING	
25	N.S.S.	6	CAPSCREW, M10X30	
26	10731744	1	BREATHER	
27	1319573	4	GROOVED STUD, 3X5	
28	N.S.S.	1	TYPE PLATE	
29	1319641	1	SHAFT SEAL	
30	7026792	2	O-RING	

SECTION 4 - ENGINE AND ATTACHING PARTS

FIGURE 4-23. ZF TRANSMISSION - FORWARD GEAR GROUP



PAL1580

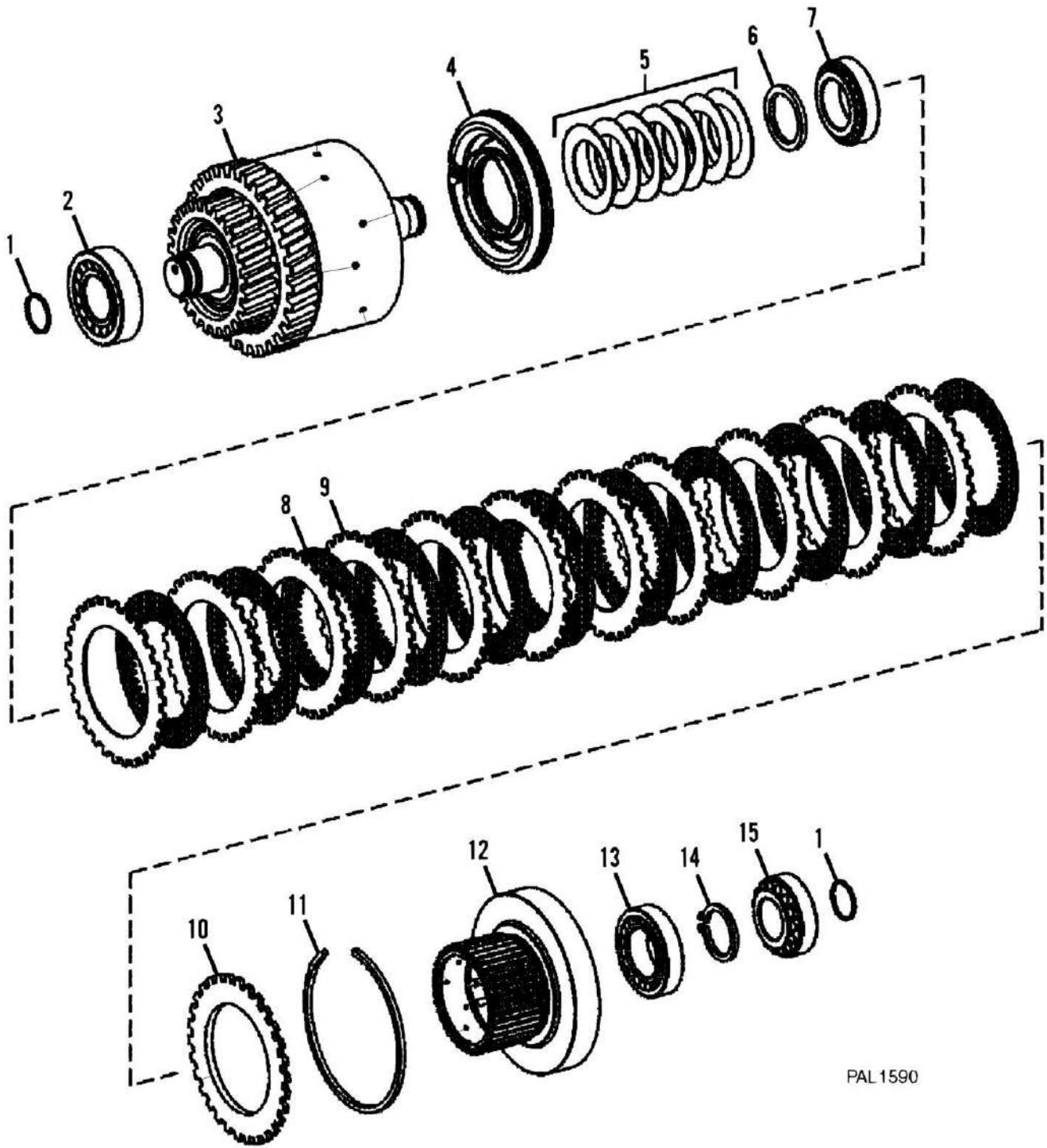
SECTION 4 - ENGINE AND ATTACHING PARTS

FIGURE 4-23. ZF TRANSMISSION - FORWARD GEAR GROUP

ITEM	PART NUMBER	QTY	DESCRIPTION	REV
1	7026761	2	PISTON RING	
2	1319615	1	ROLLER BEARING	
3	7026757	1	COUPLING	
4	8036575	NLA	PISTON, (rubber bonded piston no longer available, replace with the following three parts)	
4	70022075	1	PISTON, (die casted)	
4	1319593	1	O-RING, 52X3	
4	1319594	1	O-RING, 115X3	
5	1319595	7	CUP SPRING	
6	1319617	1	SUPPORT SHIM	
7	1319618	1	ROLLER BEARING	
8	1319620	1	ROLLER BEARING	
9	7026758	11	FRICITION DISC	
10	7026759	11	STATIC DISC	
11	7026760	1	END SHIM	
12	1319600	AR	SNAP RING, 4.0	
12	1319601	AR	SNAP RING, 3.5	
12	1319602	AR	SNAP RING, 3.0	
12	1319603	AR	SNAP RING, 2.5	
12	1319604	AR	SNAP RING, 2.0	
12	7029849	AR	SNAP RING, 3.25	
12	7029850	AR	SNAP RING, 3.75	
12	7029851	AR	SNAP RING, 2.25	
12	7029852	AR	SNAP RING, 2.75	
13	1319638	1	DISC CARRIER	
14	1319621	AR	RETAINING RING, 3.20	
14	1319622	AR	RETAINING RING, 3.10	
14	1319623	AR	RETAINING RING, 3.00	
14	1319624	AR	RETAINING RING, 2.90	
14	1319625	AR	RETAINING RING, 2.80	
14	1319626	AR	RETAINING RING, 2.70	
14	1319627	AR	RETAINING RING, 2.60	
14	1319628	AR	RETAINING RING, 2.50	
14	1319629	AR	RETAINING RING, 2.40	
14	1319630	AR	RETAINING RING, 2.30	
14	1319631	AR	RETAINING RING, 2.20	
14	1319632	AR	RETAINING RING, 2.10	
15	1319636	1	ROLLER BEARING	

SECTION 4 - ENGINE AND ATTACHING PARTS

FIGURE 4-24. ZF TRANSMISSION - REVERSE GEAR GROUP



PAL 1590

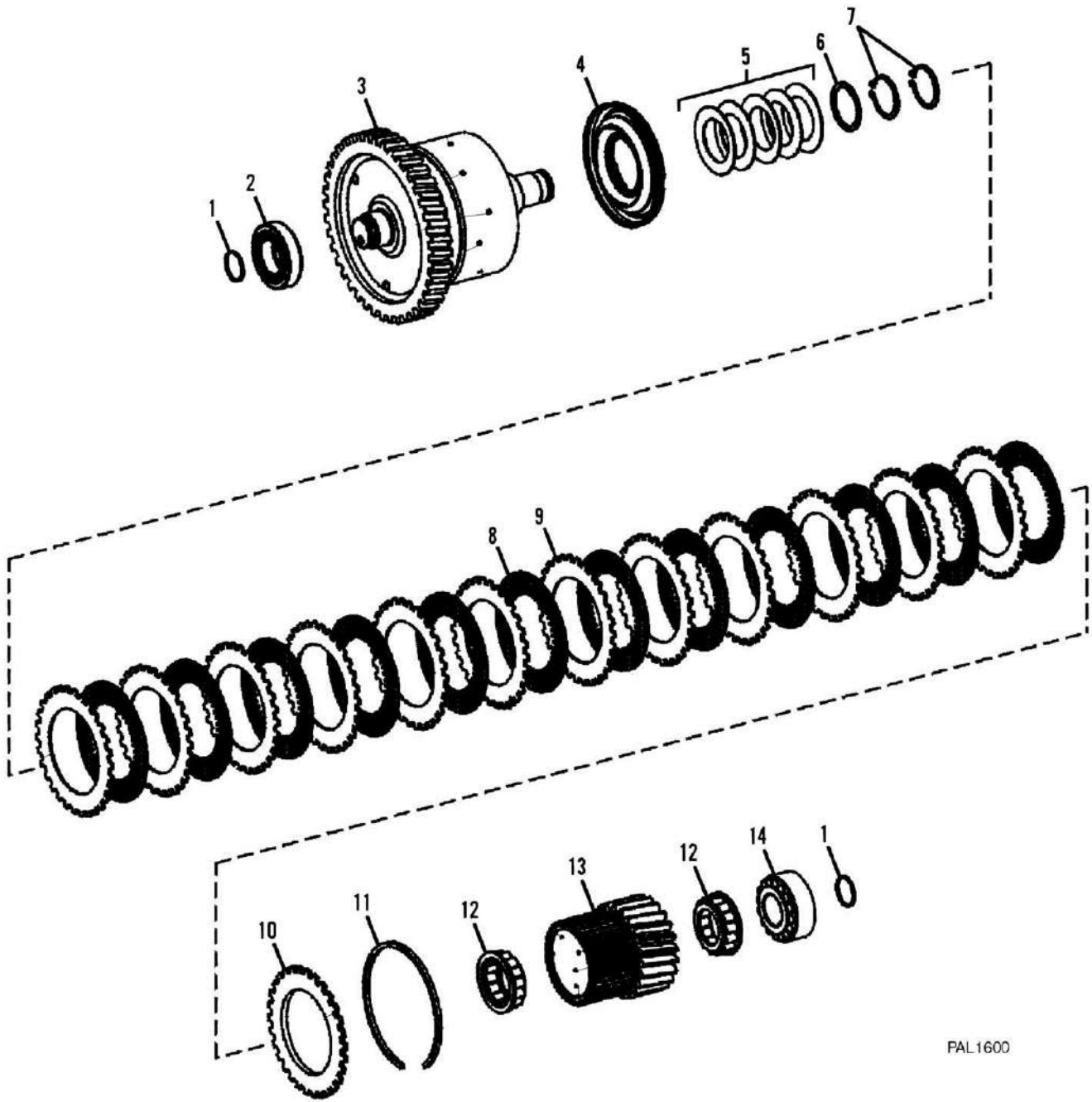
SECTION 4 - ENGINE AND ATTACHING PARTS

FIGURE 4-24. ZF TRANSMISSION - REVERSE GEAR GROUP

ITEM	PART NUMBER	QTY	DESCRIPTION	REV
1	7026761	2	PISTON RING	
2	1319615	1	ROLLER BEARING	
3	7026762	1	COUPLING	
4	8036575	NLA	PISTON, (rubber bonded piston no longer available, replace with the following three parts)	
4	70022075	1	PISTON, (die casted)	
4	1319593	1	O-RING, 52X3	
4	1319594	1	O-RING, 115X3	
5	1319595	7	CUP SPRING	
6	1319617	1	SUPPORT SHIM	
7	1319618	1	ROLLER BEARING	
8	7026758	11	FRICTION DISC	
9	7026759	11	STATIC DISC	
10	7026760	1	END SHIM	
11	1319600	AR	SNAP RING, 4.0	
11	1319601	AR	SNAP RING, 3.5	
11	1319602	AR	SNAP RING, 3.0	
11	1319603	AR	SNAP RING, 2.5	
11	1319604	AR	SNAP RING, 2.0	
11	7029849	AR	SNAP RING, 3.25	
11	7029850	AR	SNAP RING, 3.75	
11	7029851	AR	SNAP RING, 2.25	
11	7029852	AR	SNAP RING, 2.75	
12	1319638	1	DISC CARRIER	
13	1319620	1	ROLLER BEARING	
14	1319621	AR	RETAINING RING, 3.20	
14	1319622	AR	RETAINING RING, 3.10	
14	1319623	AR	RETAINING RING, 3.00	
14	1319624	AR	RETAINING RING, 2.90	
14	1319625	AR	RETAINING RING, 2.80	
14	1319626	AR	RETAINING RING, 2.70	
14	1319627	AR	RETAINING RING, 2.60	
14	1319628	AR	RETAINING RING, 2.50	
14	1319629	AR	RETAINING RING, 2.40	
14	1319630	AR	RETAINING RING, 2.30	
14	1319631	AR	RETAINING RING, 2.20	
14	1319632	AR	RETAINING RING, 2.10	
15	1319636	1	ROLLER BEARING	

SECTION 4 - ENGINE AND ATTACHING PARTS

FIGURE 4-25. ZF TRANSMISSION - 1ST SHAFT GROUP



PAL1600

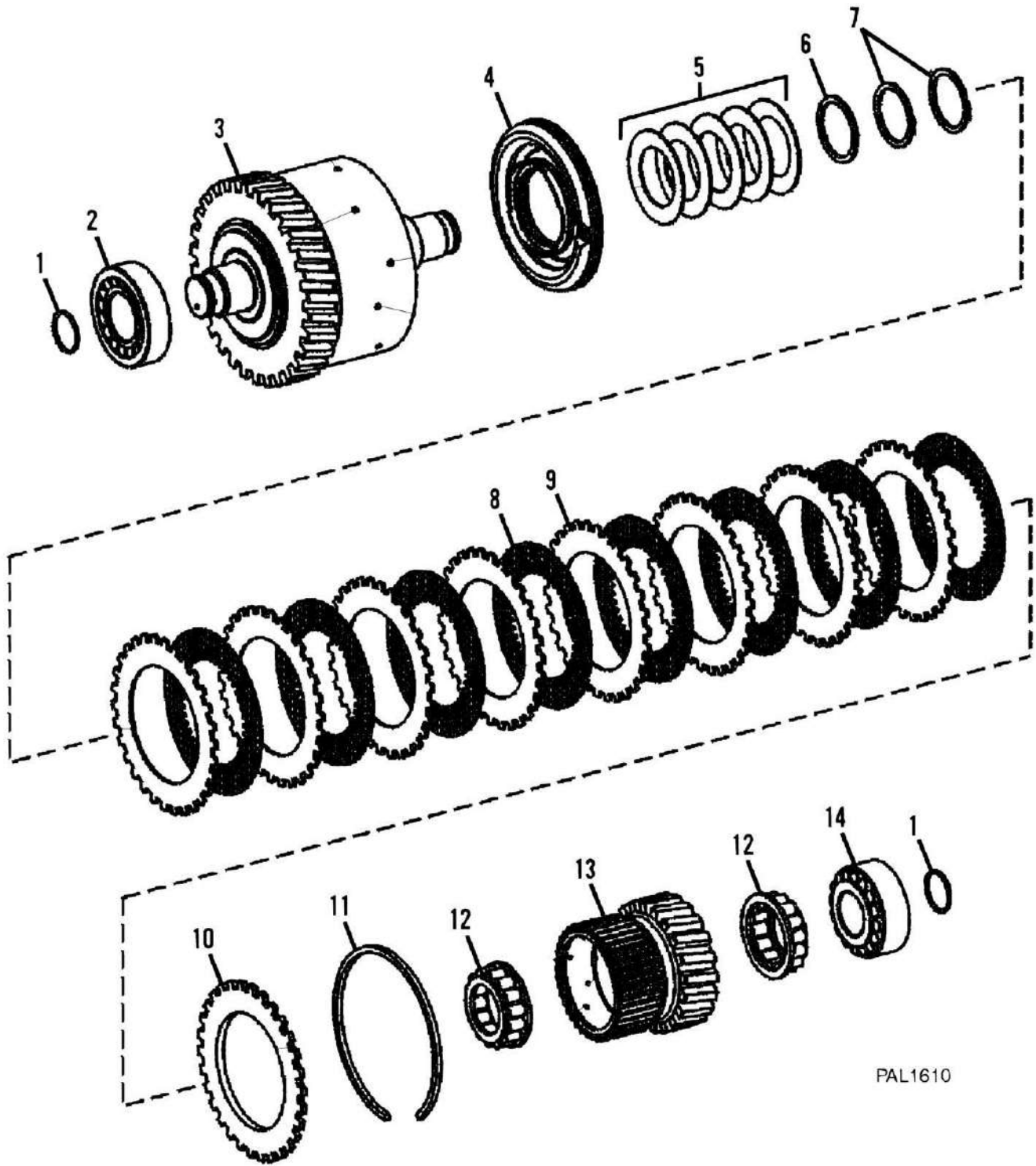
SECTION 4 - ENGINE AND ATTACHING PARTS

FIGURE 4-25. ZF TRANSMISSION - 1ST SHAFT GROUP

ITEM	PART NUMBER	QTY	DESCRIPTION	REV
1	7026761	2	PISTON RING	
2	1319608	1	ROLLER BEARING	
3	1319591	1	COUPLING	
4	8036575	NLA	PISTON, (rubber bonded piston no longer available, replace with the following three parts)	
4	70022075	1	PISTON, (die casted)	
4	1319593	1	O-RING, 52X3	
4	1319594	1	O-RING, 115X3	
5	1319595	5	CUP SPRING	
6	1319596	1	SHIM	
7	10731845	2	RETAINING RING	
8	7026758	12	FRICTION DISC	
9	7026759	12	STATIC DISC	
10	7026760	1	END SHIM	
11	1319600	AR	SNAP RING, 4.0	
11	1319601	AR	SNAP RING, 3.5	
11	1319602	AR	SNAP RING, 3.0	
11	1319603	AR	SNAP RING, 2.5	
11	1319604	AR	SNAP RING, 2.0	
11	7029849	AR	SNAP RING, 3.25	
11	7029850	AR	SNAP RING, 3.75	
11	7029851	AR	SNAP RING, 2.25	
11	7029852	AR	SNAP RING, 2.75	
12	1319606	2	ROLLER CAGE	
13	1319607	1	DISC CARRIER	
14	7029532	1	ROLLER BEARING, (inner ring)	
14	7029533	1	ROLLER BEARING, (outer ring)	

SECTION 4 - ENGINE AND ATTACHING PARTS

FIGURE 4-26. ZF TRANSMISSION - 2ND SHAFT GROUP



PAL1610

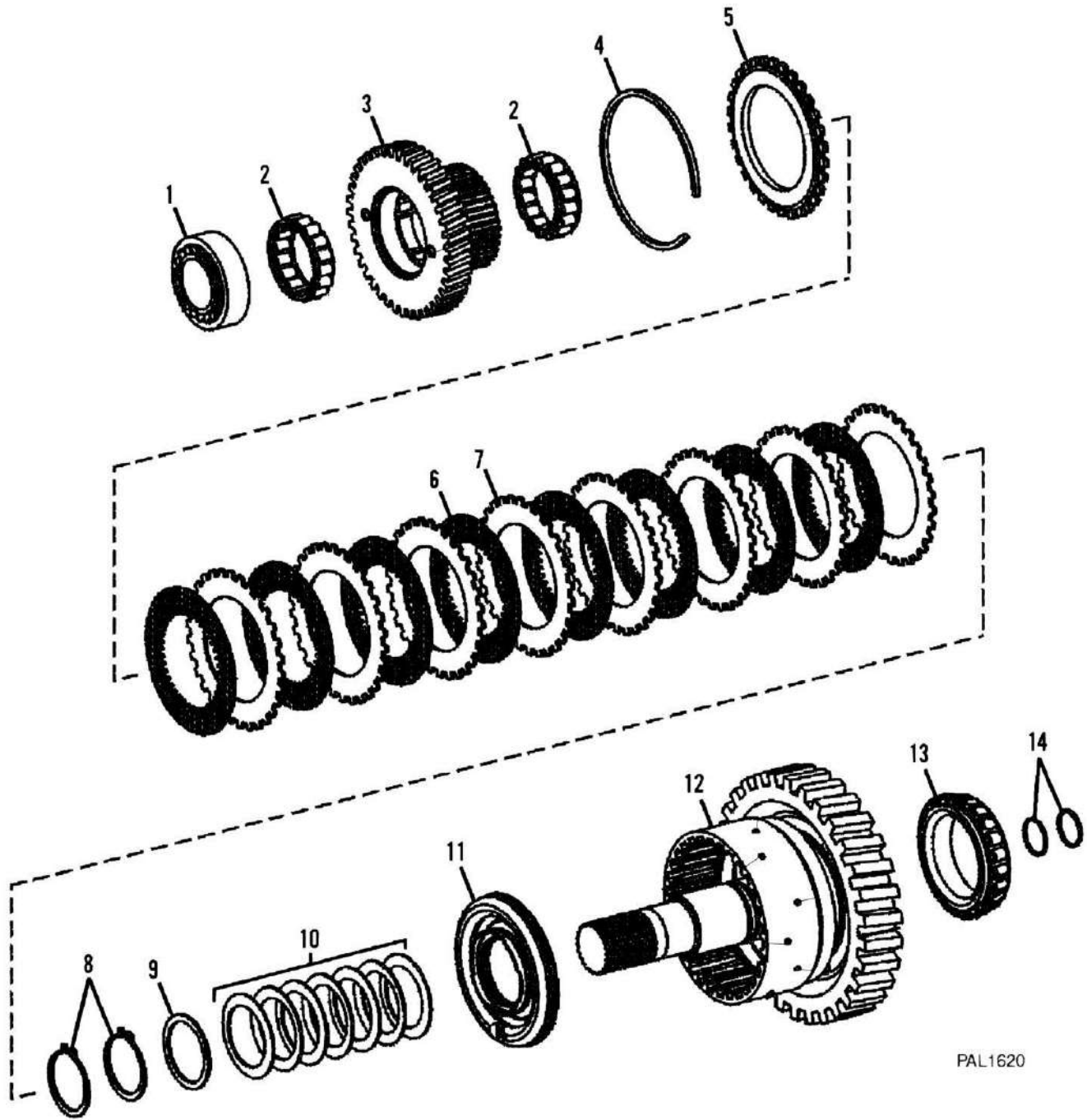
SECTION 4 - ENGINE AND ATTACHING PARTS

FIGURE 4-26. ZF TRANSMISSION - 2ND SHAFT GROUP

ITEM	PART NUMBER	QTY	DESCRIPTION	REV
1	7026761	2	PISTON RING	
2	1319615	1	ROLLER BEARING	
3	7026763	1	COUPLING	
4	8036575	NLA	PISTON, (rubber bonded piston no longer available, replace with the following three parts)	
4	70022075	1	PISTON, (die casted)	
4	1319593	1	O-RING, 52X3	
4	1319594	1	O-RING, 115X3	
5	1319595	5	CUP SPRING	
6	1319596	1	SHIM	
7	10731845	2	RETAINING RING	
8	7026758	8	FRICTION DISC	
9	7026759	8	STATIC DISC	
10	7026760	1	END SHIM	
11	1319600	AR	SNAP RING, 4.0	
11	1319601	AR	SNAP RING, 3.5	
11	1319602	AR	SNAP RING, 3.0	
11	1319603	AR	SNAP RING, 2.5	
11	1319604	AR	SNAP RING, 2.0	
11	7029849	AR	SNAP RING, 3.25	
11	7029850	AR	SNAP RING, 3.75	
11	7029851	AR	SNAP RING, 2.25	
11	7029852	AR	SNAP RING, 2.75	
12	1319606	2	ROLLER CAGE	
13	1319614	1	DISC CARRIER	
14	7029532	1	ROLLER BEARING, (inner ring)	
14	7029533	1	ROLLER BEARING, (outer ring)	

SECTION 4 - ENGINE AND ATTACHING PARTS

FIGURE 4-27. ZF TRANSMISSION - 3RD SHAFT GROUP



PAL1620

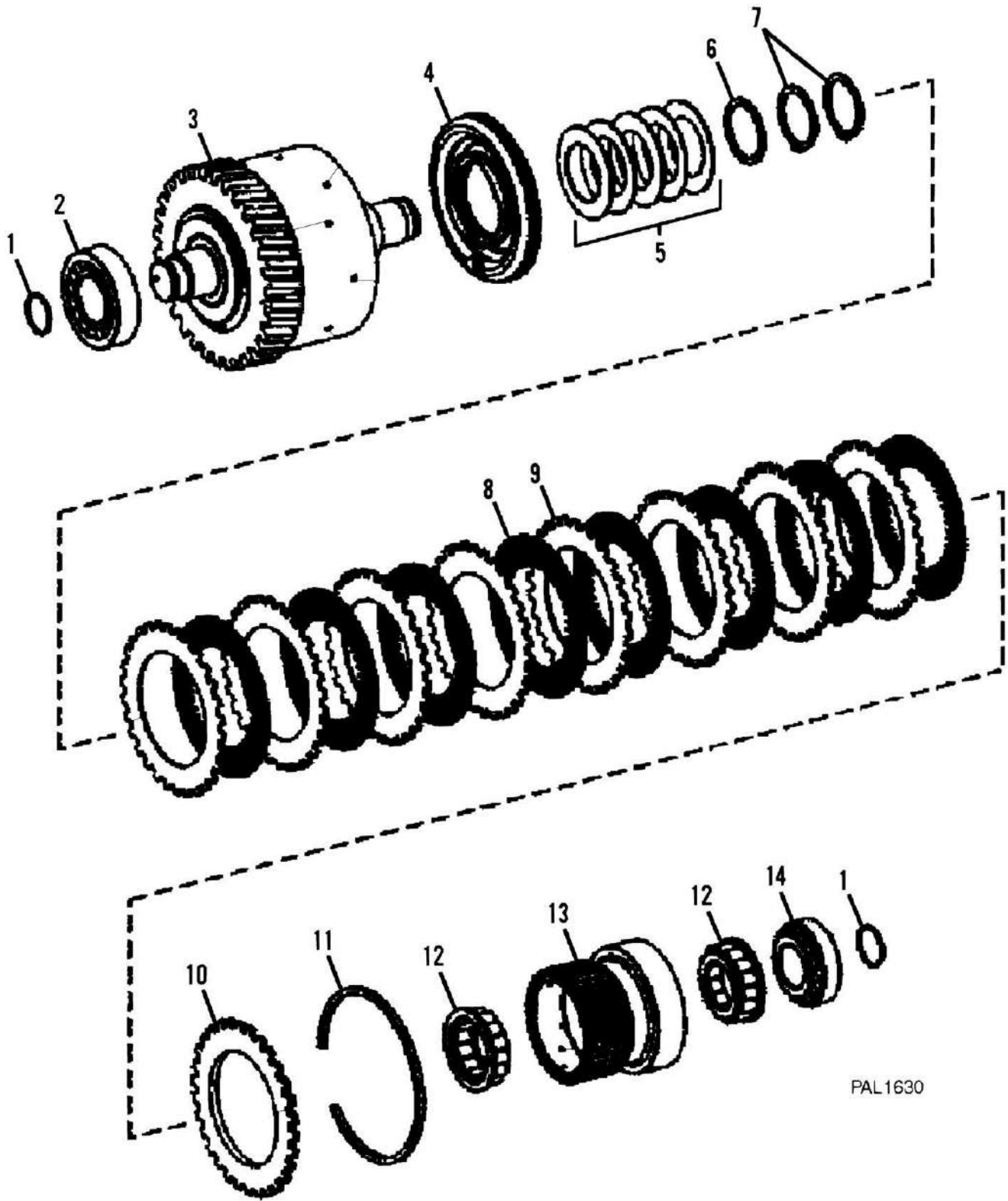
SECTION 4 - ENGINE AND ATTACHING PARTS

FIGURE 4-27. ZF TRANSMISSION - 3RD SHAFT GROUP

ITEM	PART NUMBER	QTY	DESCRIPTION	REV
1		Ref	ROLLER BEARING ASSY	
1	70021268	1	BEARING OUTER RING	
1	70021269	1	BEARING INNER RING	
2		Ref	ROLLER BEARING ASSY	
2	70021227	1	RING	
2	70021228	1	ROLLER CAGE	
3	1319619	1	DISC CARRIER	
4	1319600	AR	SNAP RING, 4.0	
4	1319601	AR	SNAP RING, 3.5	
4	1319602	AR	SNAP RING, 3.0	
4	1319603	AR	SNAP RING, 2.5	
4	1319604	AR	SNAP RING, 2.0	
4	7029849	AR	SNAP RING, 3.25	
4	7029850	AR	SNAP RING, 3.75	
4	7029851	AR	SNAP RING, 2.25	
4	7029852	AR	SNAP RING, 2.75	
5	7026760	1	END SHIM	
6	7026758	8	FRICTION DISC	
7	7026759	8	STATIC DISC	
8	80304227	2	RETAINING RING	
9	7026766	1	WASHER	
10	7026765	7	CUP SPRING	
11	8036575	NLA	PISTON, (rubber bonded piston no longer available, replace with the following three parts)	
11	70022075	1	PISTON, (die casted)	
11	1319593	1	O-RING, 52X3	
11	1319594	1	O-RING, 115X3	
12	7026764	1	COUPLING	
13	7026769	1	ROLLER BEARING	
14	7026761	2	PISTON BEARING	

SECTION 4 - ENGINE AND ATTACHING PARTS

FIGURE 4-28. ZF TRANSMISSION - 4TH SHAFT GROUP



PAL1630

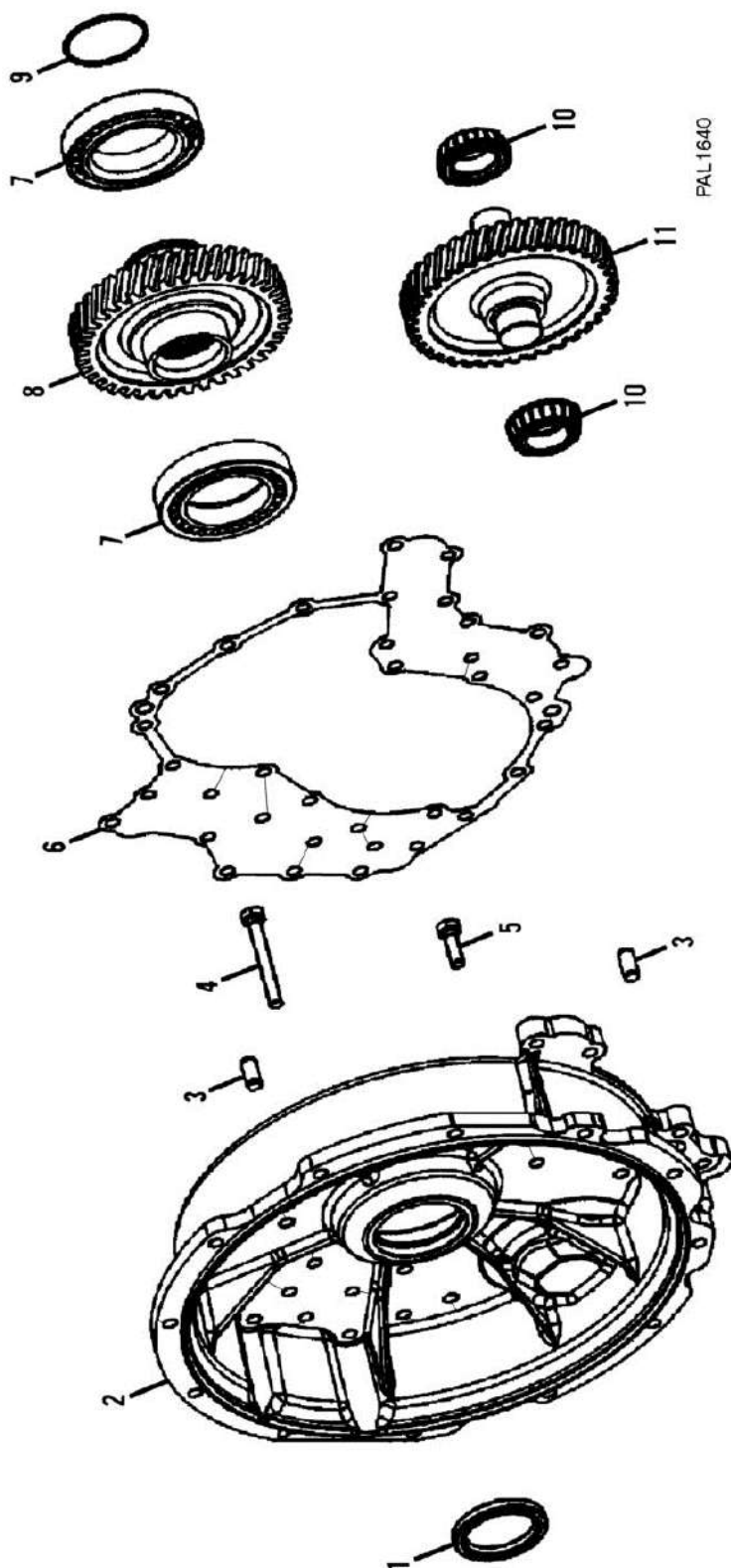
SECTION 4 - ENGINE AND ATTACHING PARTS

FIGURE 4-28. ZF TRANSMISSION - 4TH SHAFT GROUP

ITEM	PART NUMBER	QTY	DESCRIPTION	REV
1	7026761	2	PISTON RING	
2	1319615	1	ROLLER BEARING	
3	7026770	1	COUPLING	
4	8036575	NLA	PISTON, (rubber bonded piston no longer available, replace with the following three parts)	
4	70022075	1	PISTON, (die casted)	
4	1319593	1	O-RING, 52X3	
4	1319594	1	O-RING, 115X3	
5	1319595	5	CUP SPRING	
6	1319596	1	SHIM	
7	10731845	2	RETAINING RING	
8	7026758	8	FRICITION DISC	
9	7026759	8	STATIC DISC	
10	7026760	1	END SHIM	
11	1319600	AR	SNAP RING, 4.0	
11	1319601	AR	SNAP RING, 3.5	
11	1319602	AR	SNAP RING, 3.0	
11	1319603	AR	SNAP RING, 2.5	
11	1319604	AR	SNAP RING, 2.0	
11	7029849	AR	SNAP RING, 3.25	
11	7029850	AR	SNAP RING, 3.75	
11	7029851	AR	SNAP RING, 2.25	
11	7029852	AR	SNAP RING, 2.75	
12	1319606	2	ROLLER CAGE	
13	1319635	1	DISC CARRIER	
14	1319636	1	ROLLER BEARING	

SECTION 4 - ENGINE AND ATTACHING PARTS

FIGURE 4-29. ZF TRANSMISSION - POWER TAKE-OFF



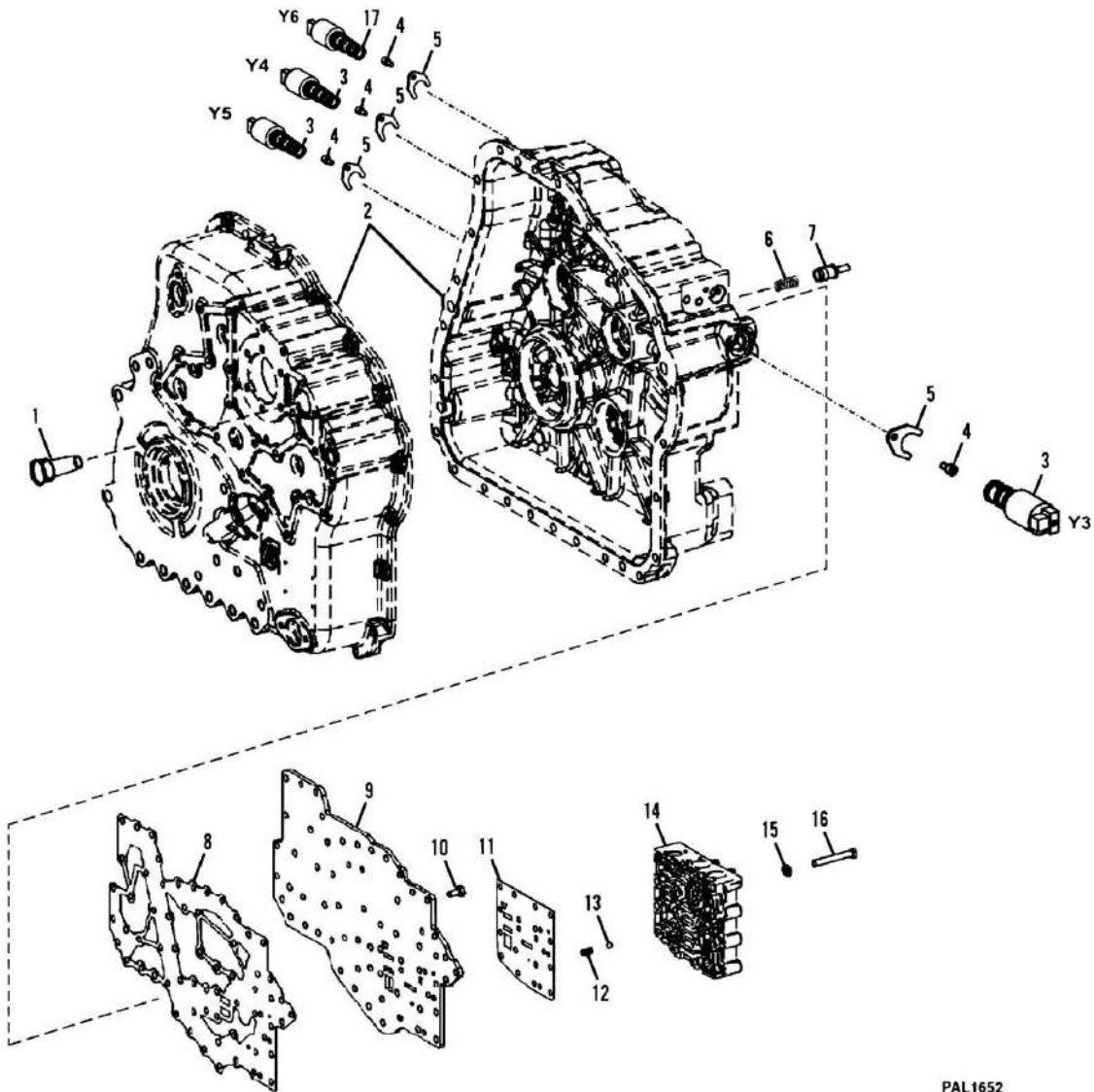
SECTION 4 - ENGINE AND ATTACHING PARTS

FIGURE 4-29. ZF TRANSMISSION - POWER TAKE-OFF

ITEM	PART NUMBER	QTY	DESCRIPTION	REV
1	1319576	1	SHAFT SEAL	
2	70021526	1	HOUSING	
3	1319571	2	CYLINDRICAL PIN	
4	7026775	15	HEX HD CAPSCREW	
5	80304394	21	HEX HD CAPSCREW	
6	7026774	1	GASKET	
7	7026769	2	ROLLER BEARING	
8	7026771	1	SHAFT	
9	7026772	1	PISTON RING	
10	1319608	2	ROLLER BEARING	
11	7026773	1	SHAFT	

SECTION 4 - ENGINE AND ATTACHING PARTS

FIGURE 4-30. ZF TRANSMISSION - CONTROL UNIT AND PRESSURE REGULATOR



PAL1652

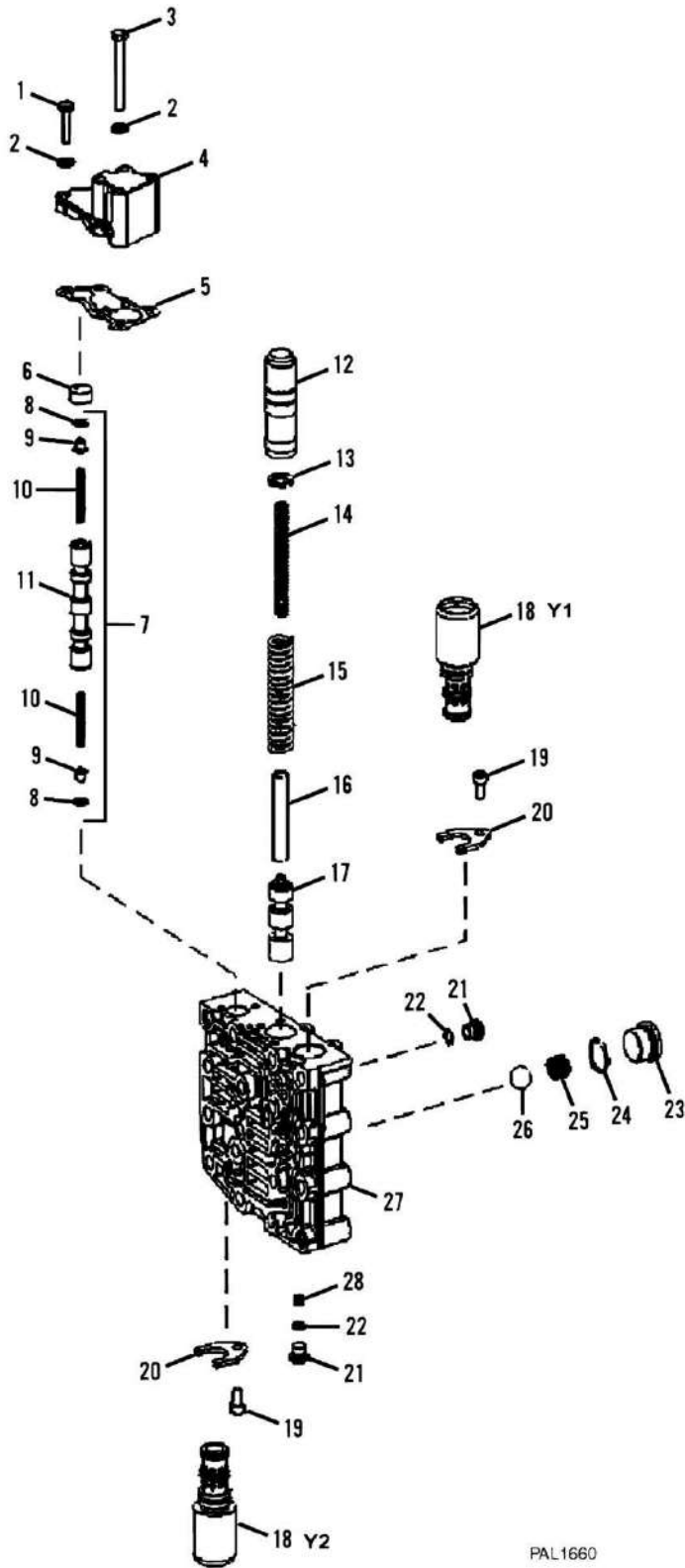
SECTION 4 - ENGINE AND ATTACHING PARTS

FIGURE 4-30. ZF TRANSMISSION - CONTROL UNIT AND PRESSURE REGULATOR

ITEM	PART NUMBER	QTY	DESCRIPTION	REV
1	7026782	1	VALVE	
2		Ref	HOUSING, (See ZF TRANSMISSION - GEARBOX HOUSING for details)	
3	8036529	3	SOLENOID VALVE	
4	N.S.S.	4	CAPSCREW, M6X12	
5	N.S.S.	4	BRACKET	
6	7026784	1	COMPRESSED SPRING	
7	7026783	1	PISTON	
8	7026776	1	GASKET	
9	7026777	1	PLATE	
10	7026780	46	HEX HD CAPSCREW	
11	7026779	1	INTERMEDIATE SHEET	
12	7026778	1	COMPRESSED SPRING	
13	10731761	1	BALL	
14		Ref	VALVE HOUSING, (See ZF TRANSMISSION - GEARSHIFT SYSTEM for details)	
15	10732095	16	WASHER	
16	7026781	16	HEX HD CAPSCREW	
17	8036528	1	SOLENOID VALVE	

SECTION 4 - ENGINE AND ATTACHING PARTS

FIGURE 4-31. ZF TRANSMISSION - GEARSHIFT SYSTEM



PAL1660

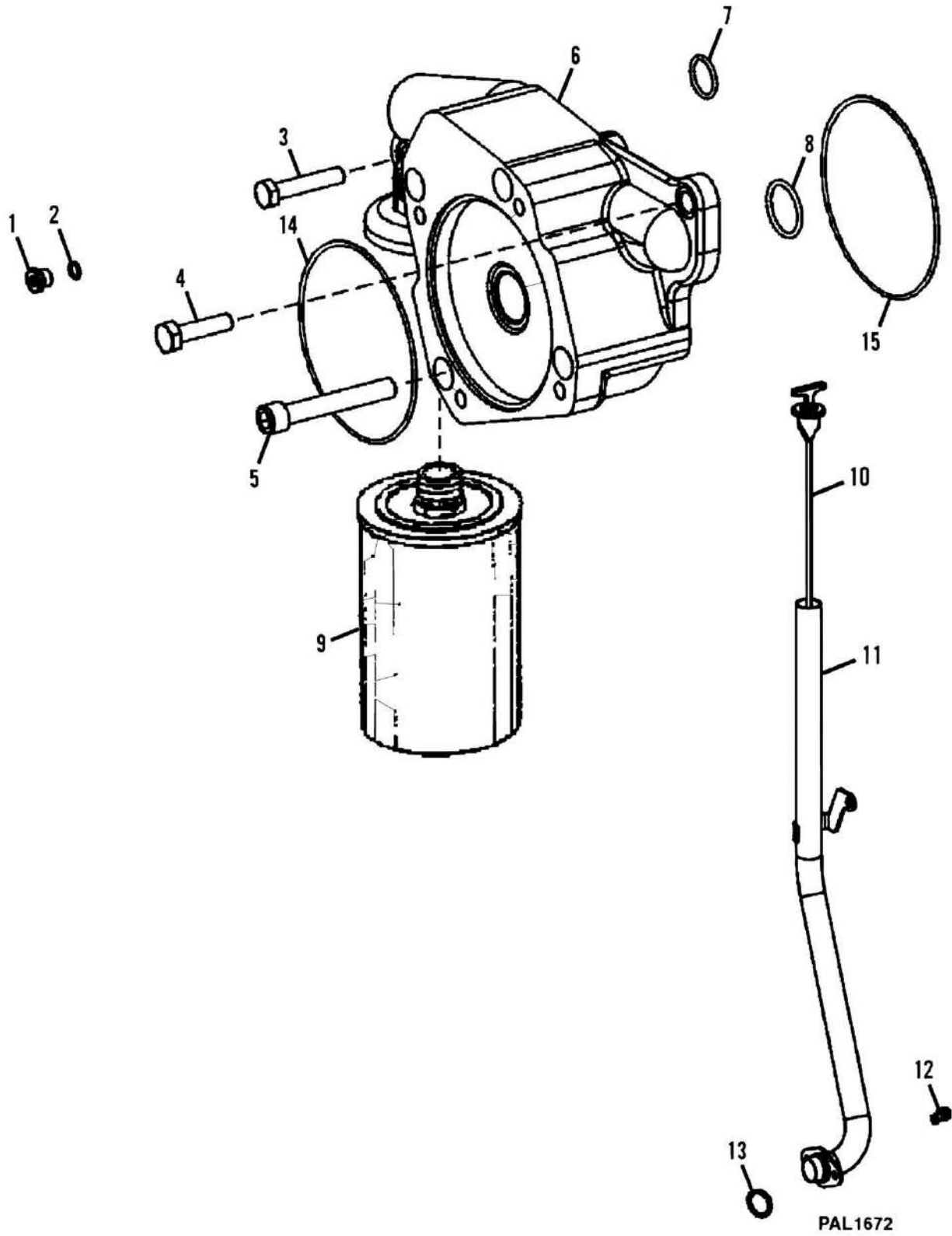
SECTION 4 - ENGINE AND ATTACHING PARTS

FIGURE 4-31. ZF TRANSMISSION - GEARSHIFT SYSTEM

ITEM	PART NUMBER	QTY	DESCRIPTION	REV
1	1319693	2	HEX HD CAPSCREW, M6X25	
2	1319661	6	WASHER	
3	1321265	4	HEX HD CAPSCREW, M6X55	
4	7026789	1	COVER	
5	7026788	1	GASKET	
6	7026787	1	SPACER	
7	1319694	1	VALVE ASSY, (includes items 8 thru 11)	
8	N.S.S.	2	SNAP RING	
9	N.S.S.	2	SPRING SLEEVE	
10	N.S.S.	2	COMPRESSED SPRING	
11	N.S.S.	1	PISTON	
12	7026790	1	PISTON	
13	1319685	AR	WASHER, 2.0	
13	1319686	AR	WASHER, 1.0	
13	1319687	AR	WASHER, 0.5	
13	1319688	AR	WASHER, 0.3	
13	1319689	AR	WASHER, 0.2	
14	1319684	1	COMPRESSED SPRING	
15	1319683	1	COMPRESSED SPRING	
16	7026786	1	SLEEVE	
17	7026785	1	CONTROL PISTON	
18	8036528	2	SOLENOID VALVE	
19	7029715	2	CAPSCREW	
20	7029267	2	BRACKET	
21	1319670	2	PLUG, M10	
22	10731709	2	O-RING	
23	1321268	2	SCREW PLUG, (includes item 24)	
24	70000656	2	O-RING	
25	10732072	2	COMPRESSED SPRING	
26	10732071	2	BALL	
27	70022790	1	VALVE HOUSING	
28	1319652	1	ORIFICE	

SECTION 4 - ENGINE AND ATTACHING PARTS

FIGURE 4-32. ZF TRANSMISSION - OIL PUMP, FILTER AND DIPSTICK



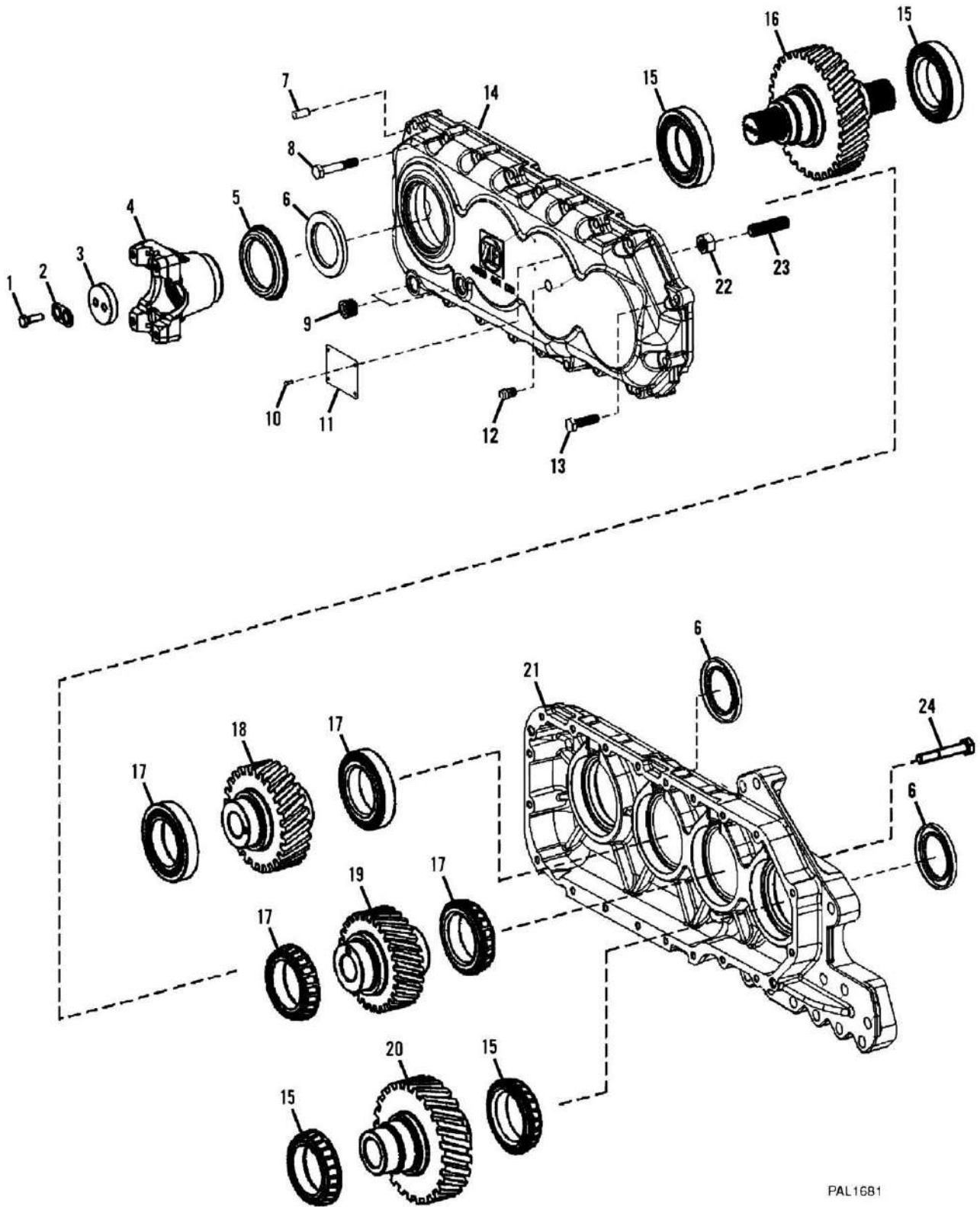
SECTION 4 - ENGINE AND ATTACHING PARTS

FIGURE 4-32. ZF TRANSMISSION - OIL PUMP, FILTER AND DIPSTICK

ITEM	PART NUMBER	QTY	DESCRIPTION	REV
1	1319670	2	PLUG, M10X1	
2	10731709	2	O-RING	
3	7026794	1	HEX HD CAPSCREW, M10X50	
4	80304394	1	HEX HD CAPSCREW, M10X30	
5	7026793	4	CAPSCREW, M12X80	
6	7026791	1	PUMP	
6	7029417	1	O-RING, (located between two halves of oil pump)	
7	7026792	3	O-RING	
8	1319719	1	O-RING	
9	1319726	1	FILTER	
10	8841322	1	DIPSTICK	
11	1001095744	1	DIPSTICK TUBE	
12	1319585	2	CAPSCREW, M8X16	
13	1319581	1	O-RING	
14		Ref	O-RING, (in between oil pump and implement pump), (see ENGINE ASSEMBLY - JOHN DEERE, ENGINE ASSEMBLY - PERKINS or ENGINE ASSEMBLY - CUMMINS for details)	
15	8036250	1	O-RING, (in between oil pump and transmission)	

SECTION 4 - ENGINE AND ATTACHING PARTS

FIGURE 4-33. ZF TRANSMISSION - TRANSFER BOX



PAL1681

SECTION 4 - ENGINE AND ATTACHING PARTS

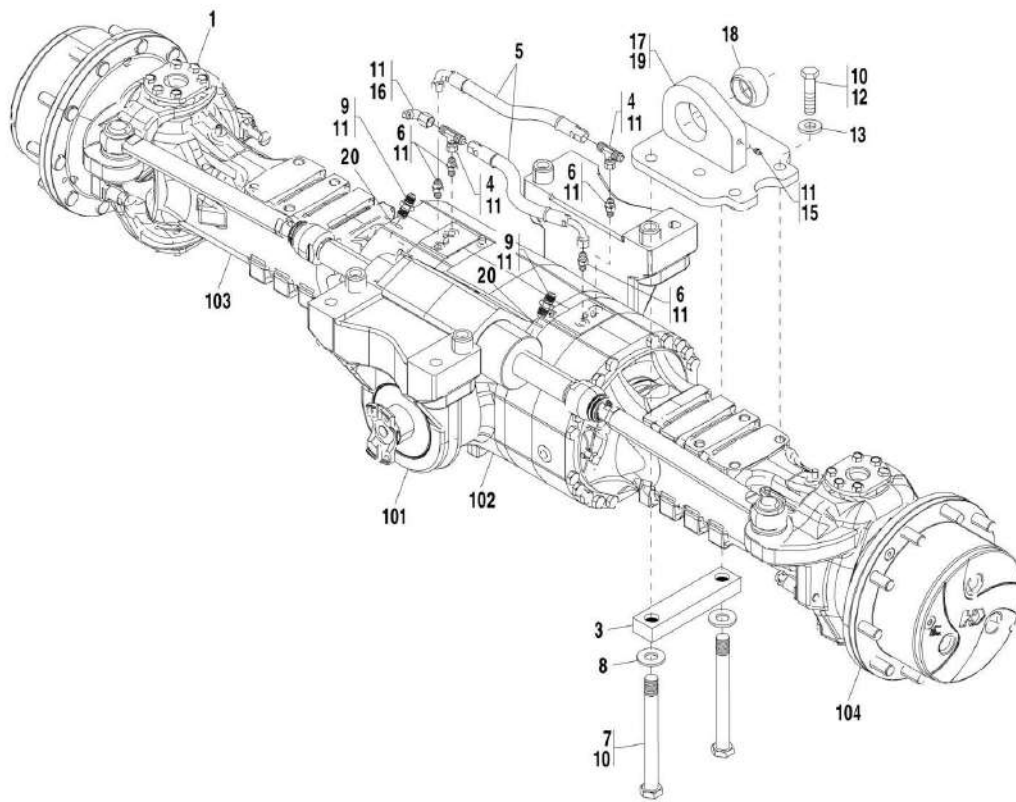
FIGURE 4-33. ZF TRANSMISSION - TRANSFER BOX

ITEM	PART NUMBER	QTY	DESCRIPTION	REV
	7026618	NLA	TRANSFER BOX, (no longer available, order 70023502 or see items 1 thru 23 for service) (Prior to SN 0160039617)	
	70023502	1	TRANSFER BOX, (includes all items) (SN 0160039617 to Present)	
1	10731959	4	HEX HD CAPSCREW, (two per side)	
2	1319649	2	TAB WASHER, (one per side)	
3	1319648	2	WASHER, (one per side)	
4	7027273	2	FLANGE, (one per side)	
5	1319647	2	SCREEN SHEET, (one per side)	
6	1320755	3	SHAFT SEAL	
7	1319571	2	CYLINDRICAL PIN	
8	70023801	19	HEX HD CAPSCREW, M10X50 (Prior to SN 0160039617)	
8	70023801	22	HEX HD CAPSCREW, M10X50 (SN 0160039617 to Present)	
9	1319578	2	PLUG	
10	1319573	4	STUD, 3X5	
11	N.S.S.	1	PLATE	
12	1319436	1	BREATHER	
13	70023800	1	HEX HD CAPSCREW, M10X30	
14	70020355	NLA	HOUSING, (no longer available; order both 70023475 & 70023474 housings, item 24 and quantity 22 of item 8) (Prior to SN 0160039617)	
14	70023475	1	HOUSING (SN 0160039617 to Present)	
15	7026769	4	ROLLER BEARING	
16	7027271	1	OUTPUT SHAFT	
17		Ref	TAPERED ROLLER BEARING	
17	1320748	1	CUP	
17	1320754	1	CONE	
18	7027272	1	IDLER GEAR	
19	7027270	1	IDLER GEAR	
20		Ref	INPUT SHAFT	
20	70020493	1	INPUT GEAR	
20	70020036	1	SEAL	
21	70020354	NLA	HOUSING, (no longer available; order both 70023474 & 70023475 housings, item 24 and quantity 22 of item 8) (Prior to SN 0160039617)	
21	70023474	1	HOUSING (SN 0160039617 to Present)	
22	7026578	1	HEX NUT, M16	
23	7026577	1	SLEEVE	
24	70023476	1	HEX BOLT, M10X65 (SN 0160039617 to Present)	

SECTION 5 - DRIVE TRAIN

SECTION 5 - DRIVE TRAIN

FIGURE 5-1. FRONT AXLE ASSEMBLY



ART_3126020-5-1

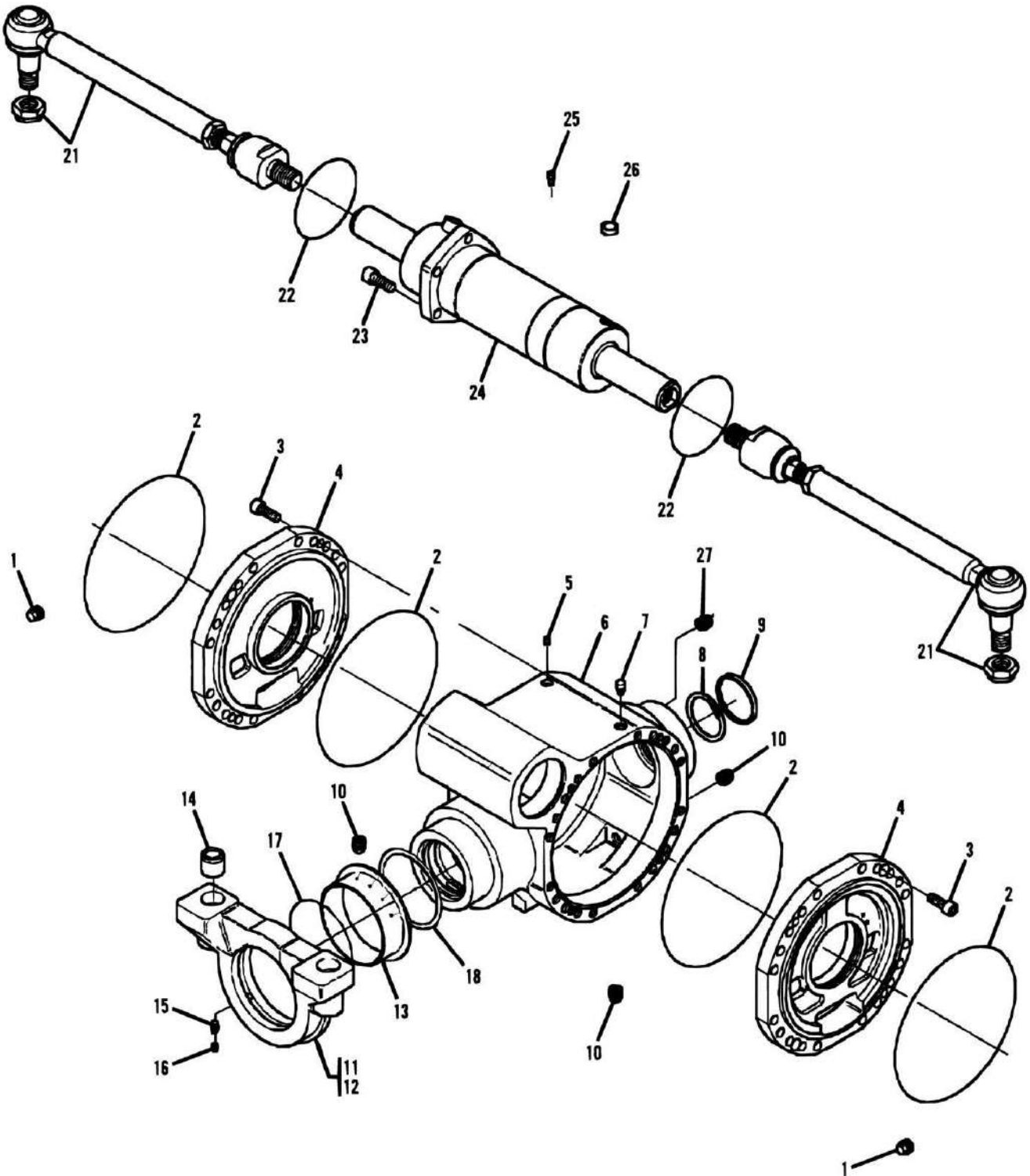
SECTION 5 - DRIVE TRAIN

FIGURE 5-1. FRONT AXLE ASSEMBLY

ITEM	PART NUMBER	QTY	DESCRIPTION	REV
	91565020	1	FRONT AXLE ASSY, (includes all items) (Prior to SN 0160033910)	I
	1001097803	1	FRONT AXLE ASSY, (includes all items) (SN 0160033910 to Present)	B
1	91563067	1	FRONT AXLE, (includes items 101 thru 104) (Prior to SN 0160014551)	D
1	91563282	1	FRONT AXLE, (includes items 101 thru 104) (SN 0160014551 to Present)	C
3	91511105	1	RETAINING PLATE	
4	2220579	2	SWIVEL NUT BRANCH TEE, 3/8 TUBE (Prior to SN 0160033910)	
4	2170806	2	SWIVEL NUT BRANCH TEE, 3/8 TUBE (SN 0160033910 to Present)	
5	84719846	2	HOSE ASSY (Prior to SN 0160033910)	
5	1001097810	2	HOSE ASSY (SN 0160033910 to Present)	
6	8770064	4	FITTING, M14X1.5 (Prior to SN 0160033910)	
6	2144605	4	FITTING, M14X1.5 (SN 0160033910 to Present)	
7	77101143	2	HEX HD CAPSCREW, 1-8UNCX10, (torque to 545-595 lb-ft)	
8	90027475	2	HARDENED FLAT WASHER, 1	
9	2220373	2	CONNECTOR, (includes item 19) (Prior to SN 0160033910)	
9	2110808	2	CONNECTOR, (includes item 19) (SN 0160033910 to Present)	
10	0100011	AR	LOCTITE 242	
11	0100075	AR	LOCTITE 545	
12	80333162	4	HEX HD CAPSCREW, M20X2.5X65, (torque to 290-340 lb-ft)	
13	77383118	4	HARDENED WASHER, 7/8	
15	88671001	1	LUBE FITTING, STRAIGHT 1/8	
16	8760268	1	ELBOW, 90, (swivel nut) (Prior to SN 0160033910)	
16	2172106	1	ELBOW, 90, (swivel nut) (SN 0160033910 to Present)	
	1001097992	NLA	SWAY PIVOT BEARING ASSY, (no longer available, use 1001099602 for replacement or items 17 & 18 for service)	B
	1001099602	1	SWAY PIVOT BEARING ASSY, (includes items 18 & 19)	B
17	91566030	1	SWAY PIVOT WELDMENT	
18	8065640	1	SPHERICAL BEARING	
19	1001199601	1	SWAY PIVOT WELDMENT	
20	88591205	2	O-RING	
101		Ref	FRONT AXLE - CENTRAL HOUSING AND STEERING, (See FRONT AXLE - CENTRAL HOUSING AND STEERING for details)	
102		Ref	FRONT AXLE - DIFFERENTIAL, (See FRONT AXLE - DIFFERENTIAL for details)	
103		Ref	FRONT AXLE - HUB REDUCTION, (See FRONT AXLE - HUB REDUCTION for details)	
104		Ref	FRONT AXLE - BRAKES, (See FRONT AXLE - BRAKES for details)	

SECTION 5 - DRIVE TRAIN

FIGURE 5-2. FRONT AXLE - CENTRAL HOUSING AND STEERING



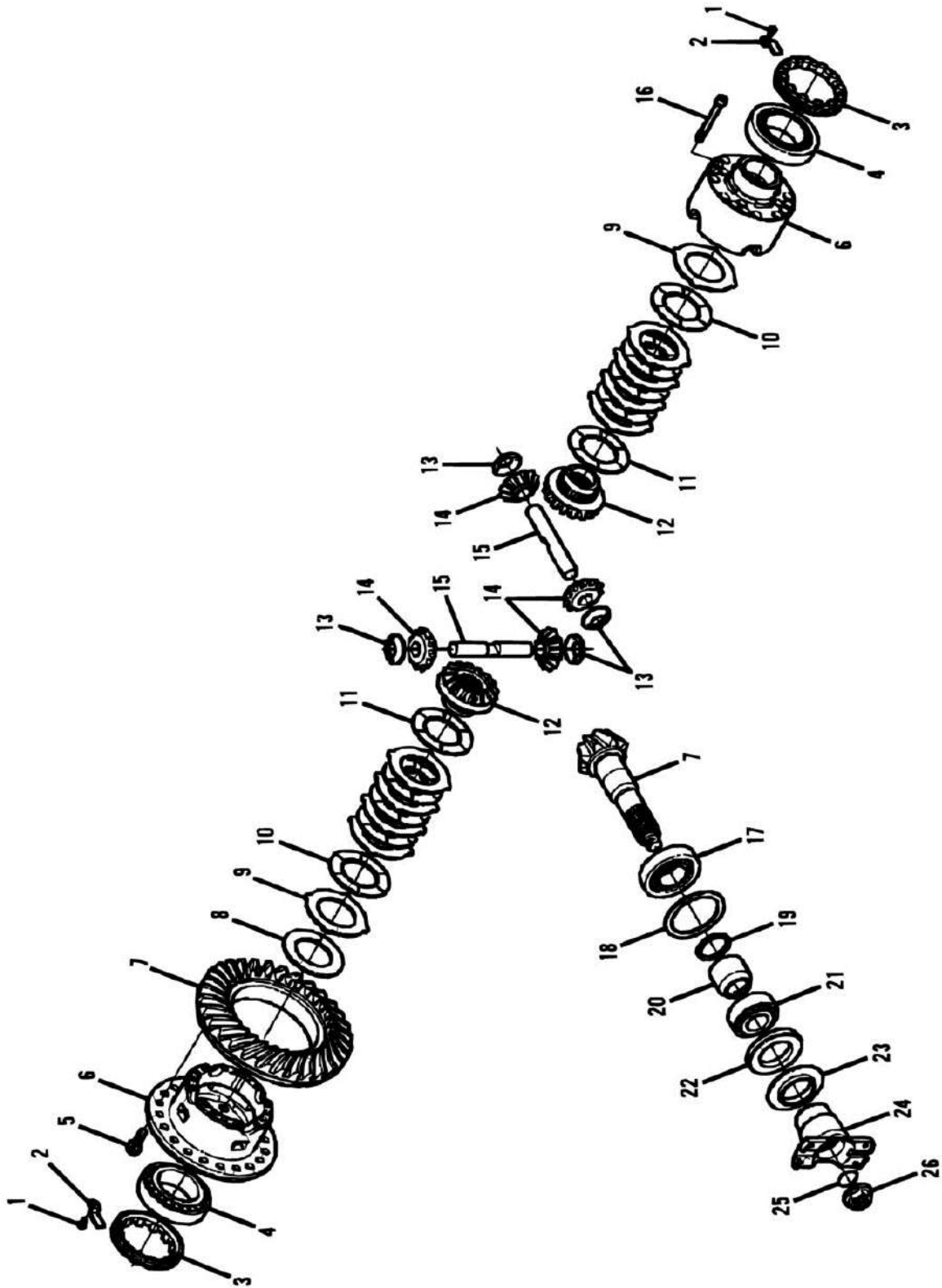
SECTION 5 - DRIVE TRAIN

FIGURE 5-2. FRONT AXLE - CENTRAL HOUSING AND STEERING

ITEM	PART NUMBER	QTY	DESCRIPTION	REV
1	80204016	2	PLUG	F
2	7026487	4	O-RING	
3	80204144	4	CYLINDER BOLT	
4	7026486	2	INTERMEDIATE COVER	
5	80204012	3	PLUG	
6	NLA	NLA	HOUSING, (Prior to Axle S/N FITA716920), (no longer available, use 7029302 along with items 7029291, 7029290, items 17 & 18)	
6	7029302	1	HOUSING, (Axle S/N FITA716920 to Present)	
7	91474512	1	VENT	
8	80204005	1	CIRCLIP	
9	91514098	1	PLUG	
10	80204007	3	MAGNETIC PLUG	
11	91514102	2	SUPPORT ASSY, (includes items 12 thru 16), (Prior to Axle S/N FITA716920)	
11	7029303	2	SUPPORT ASSY, (includes items 12 thru 16), (Axle S/N FITA716920 to Present)	
12	91514091	2	SUPPORT, (Prior to Axle S/N FITA716920)	
12	7029291	2	SUPPORT, (Axle S/N FITA716920 to Present)	
13	91514090	2	THRUST BUSHING	
14	91514103	4	REDUCTION BUSHING, (Prior to Axle S/N FITA7700165)	
14	7029290	4	REDUCTION BUSHING, (Axle S/N FITA700165 to Present)	
15	91514099	2	GREASE FITTING	
16	80204117	2	PLUG	
17	7029304	2	O-RING, (Axle S/N FITA716920 to Present)	
18	7029305	2	DUST EXCLUDER, (Axle S/N FITA716920 to Present)	
21	7026489	2	ARTICULATED TIE ROD, (91563067 front axle only)	
21	7029293	2	ARTICULATED TIE ROD, (91563282 front axle only)	
21	70022773	2	TIE ROD NUT, M27X1.5	
22	80204143	2	O-RING	
23	80204144	5	CYLINDER BOLT	
24	7026490	1	CYLINDER	
24	7029127	1	SEAL KIT	
25	7029306	3	BOLT	
26	7029307	1	PLUG	
27	91514188	1	PLUG	

SECTION 5 - DRIVE TRAIN

FIGURE 5-3. FRONT AXLE - DIFFERENTIAL



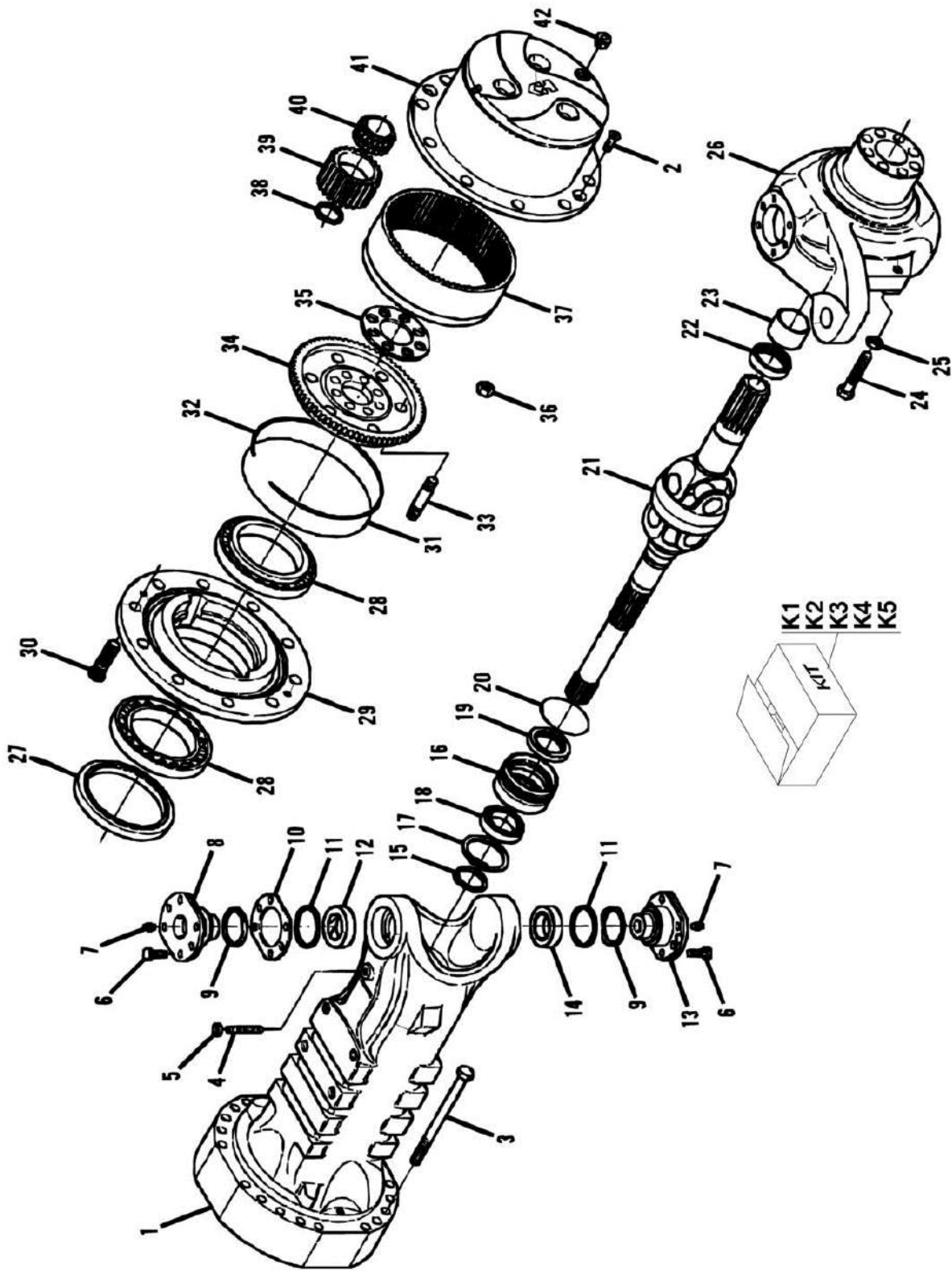
SECTION 5 - DRIVE TRAIN

FIGURE 5-3. FRONT AXLE - DIFFERENTIAL

ITEM	PART NUMBER	QTY	DESCRIPTION	REV
1	7026492	2	HEX BOLT	F
2	7026493	2	LOCKING PLATE	
3	7026491	2	RING NUT	
4	80204033	2	TAPER ROLLER BEARING	
5	91514123	20	BOLT	
6	7026494	1	DIFFERENTIAL CARRIER	
7	7026495	1	BEVEL GEAR SET	
8	91514136	1	SHIM	
8	91514137	1	SHIM	
8	91514138	1	SHIM	
9	91514139	10	DISC	
10	91514144	8	DISC	
11	91514140	2	DISC	
12	91514141	2	DIFFERENTIAL SIDE GEAR	
13	80204026	4	FRICITION WASHER	
14	80204025	4	DIFFERENTIAL PINION	
15	91514142	2	PIN	
16	91514143	16	BOLT	
17	80204035	1	TAPER ROLLER BEARING	
18	80204049	1	SHIM	
18	80204050	1	SHIM	
18	80204051	1	SHIM	
18	80204052	1	SHIM	
19	91514125	1	SHIM	
19	91514126	1	SHIM	
19	91514127	1	SHIM	
19	91514128	1	SHIM	
19	91514129	1	SHIM	
20	91514132	1	SPACER	
21	80204048	1	TAPER ROLLER BEARING	
22	80204047	1	SEAL	
23	91514130	1	COVER PLATE	
24	91514131	1	FLANGE	
25	80204044	1	O-RING	
26	80204043	1	NUT	

SECTION 5 - DRIVE TRAIN

FIGURE 5-4. FRONT AXLE - HUB REDUCTION



SECTION 5 - DRIVE TRAIN

FIGURE 5-4. FRONT AXLE - HUB REDUCTION

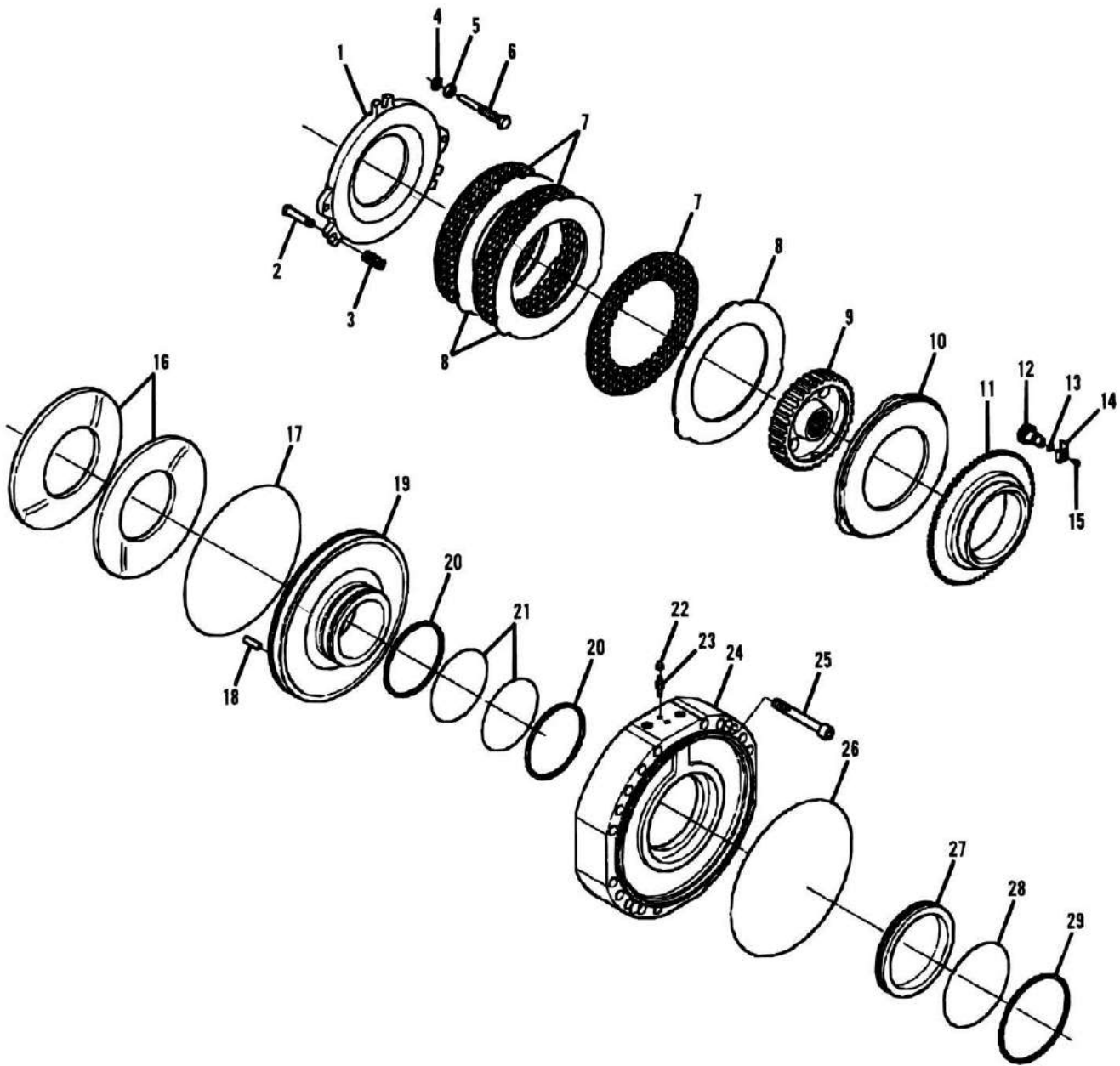
ITEM	PART NUMBER	QTY	DESCRIPTION	REV
1	7026496	2	AXLE CASE	F
2	91514189	4	COUNTERSUNK BOLT	
3	7026498	40	BOLT, (Prior to Axle S/N FITA723897)	
3	7026497	40	SPRING WASHER, (Prior to Axle S/N FITA723897)	
3	7029309	40	BOLT, (Axle S/N FITA723897 to Present)	
4	7026499	2	BOLT	
5	91514082	2	NUT	
6	91514123	24	BOLT	
7	91514099	4	GREASE FITTING	
8	NLA	2	PIVOT PIN, (Prior to Axle S/N EITA739671), (if replacement is needed, order 7029310 plus 7028716 & 7029312)	
8	7029310	2	PIVOT PIN, (Axle S/N EITA739671 to Present)	
9	91514093	4	SPACER, (Prior to Axle S/N EITA739671)	
9	7029311	4	SPACER, (Axle S/N EITA739671 through Axle S/N GITA753800)	
10	91514113	2	SHIM	
10	91514114	2	SHIM	
10	91514115	2	SHIM	
11	91514092	2	DUST SEAL, (Prior to Axle S/N EITA739671)	
11	7028716	2	DUST SEAL, (Axle S/N EITA739671 to Present)	
12	7026704	2	BUSHING, (Prior to Axle S/N EITA739671)	
12	7029312	2	BUSHING, (Axle S/N EITA739671 to Present)	
13	7029313	2	PIVOT PIN, (includes items 11 & 14)	
14	91514095	2	BEARING	
15	80204071	2	CIRCLIP	
16	91514149	2	REDUCTION BUSHING, (includes items 17 thru 20)	
17	80204005	2	CIRCLIP	
18	91514146	2	BALL BEARING	
19	91514147	2	SEAL	
20	91514148	2	O-RING	
21	7029314	2	JOINT AND SHAFT ASSY, (verify if this is stamped with a /1 or /2)	
21	70023114	1	YOKE SHAFT, HUB SIDE, (only serviceable on the /2 assembly, no replacement available for the /1 assembly)	
21	70023115	1	YOKE SHAFT, DIFFERENTIAL SIDE, (only serviceable on the /2 assembly, no replacement available for the /1 assembly)	
21	70023116	1	COMPLETE CENTER BODY ASSY, (only serviceable on the /2 assembly, no replacement available for the /1 assembly), (includes H Member and qty. 2 of 70023829 cross kit)	
21	70021615	2	CROSS KIT, (only serviceable on the /1 assembly), (includes circlips)	
21	70023829	2	CROSS KIT, (only serviceable on the /2 assembly), (includes circlips)	
22	7028718	2	SEAL	
23	91514111	2	THRUST BUSHING	
24	N.S.S.	4	STEERING ADJUST BOLT	
25	N.S.S.	4	NUT	
26	N.S.S.	2	STEERING CASE, (See Position Kits for replacement)	
27	7029300	2	SEAL	
28	80204076	4	TAPER ROLLER BEARING	
29	91514174	2	WHEEL HUB	
30	80214120	20	WHEEL STUD	
31	91514181	2	O-RING	

SECTION 5 - DRIVE TRAIN

ITEM	PART NUMBER	QTY	DESCRIPTION	REV
32	91514175	2	CIRCLIP	
33	91514180	16	STUD	
34	91514177	2	RING GEAR SUPPORT	
35	91514178	2	LOCKING PLATE	
36	91514179	16	NUT	
37	91514176	2	RING GEAR	
38	91514184	8	CIRCLIP	
39	91514185	8	PLANET GEAR	
40	91514186	8	BEARING	
41	7026709	2	PLANET GEAR CARRIER, (Prior to Axle S/N GITA723623)	
41	7029317	2	PLANET GEAR CARRIER, (Axle S/N GITA723523 to Present)	
42	91514188	2	PLUG	
K1	7029318	2	PLANET CARRIER KIT, (Prior to Axle S/N GITA729191), (includes items 32, 34 & 37 thru 41)	
K1	7029743	1	PLANET CARRIER KIT, (Axle S/N GITA729191 to Present), (includes items 38 thru 41)	
K2	7029732	1	RING GEAR SUPPORT, (Axle S/N GITA729191 to Present), (includes items 32, 34 & 37)	
K3	7026710	1	POSITION KIT, (left), (includes one each of items 23 & 26) (Prior to SN 0160014551)	
K3	7029746	1	POSITION KIT, (left), (includes one each of items 23 & 26) (SN 0160014551 to Present)	
K4	7026711	1	POSITION KIT, (right), (includes one each of items 23 & 26) (Prior to SN 0160014551)	
K4	7029747	1	POSITION KIT, (right), (includes one each of items 23 & 26) (SN 0160014551 to Present)	
K5	7028733	4	STEERING ADJUST BOLT KIT, (includes items 24 & 25)	

SECTION 5 - DRIVE TRAIN

FIGURE 5-5. FRONT AXLE - BRAKES



PAL2552

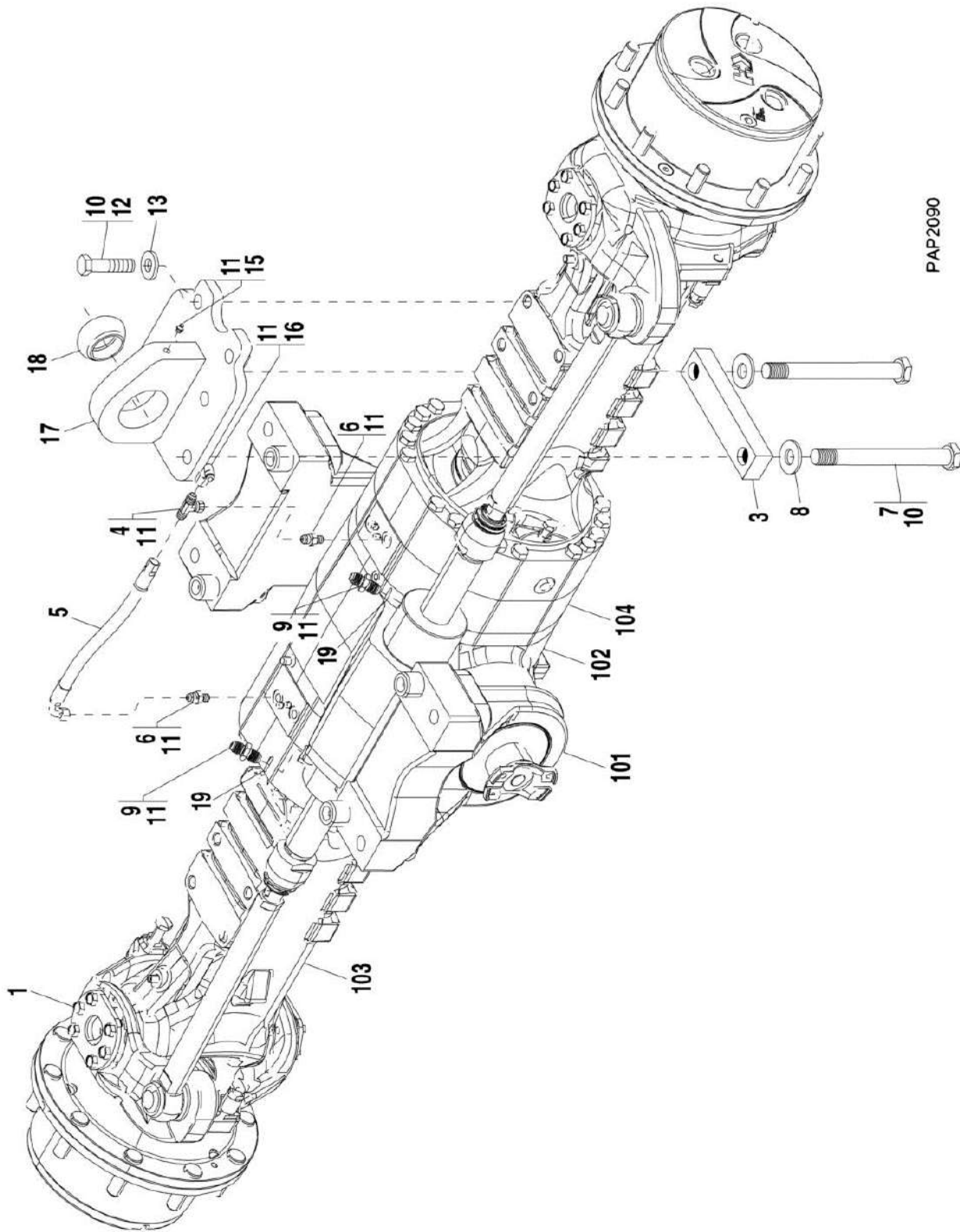
SECTION 5 - DRIVE TRAIN

FIGURE 5-5. FRONT AXLE - BRAKES

ITEM	PART NUMBER	QTY	DESCRIPTION	REV
1	7026721	2	INTERMEDIATE BRAKE DISC	E
2	80204116	6	ADJUSTING BOLT	
3	80204115	6	SPRING	
4	80204108	4	LOCKWASHER	
5	80204060	4	NUT	
6	7026722	4	BOLT	
7	7029299	6	BRAKE DISC, (Prior to Axle S/N GITA742813)	
7	7029735	6	BRAKE DISC, (Axle S/N GITA742813 to Present)	
8	91514161	6	INTERMEDIATE BRAKE DISC	
9	91514163	2	SELECTOR, (Prior to Axle S/N GITA742813)	
9	7029734	2	REDUCTION BUSHING, (Axle S/N GITA742813 to Present)	
10	7026723	2	INTERMEDIATE BRAKE DISC	
11	7026724	2	RING	
12	80204123	2	PINION	
13	80204131	2	O-RING	
14	7026725	2	LOCKING PLATE	
15	80204121	2	HEXAGON BOLT	
16	91514151	1	BELLEVILLE WASHER	
17	7026713	2	O-RING	
18	80204166	2	ROLL PIN	
19	7026712	2	PISTON	
20	7026716	4	BACKUP RING	
21	7026717	4	SEAL	
22	80204117	4	PLUG	
23	80204281	4	BLEEDING BOLT	
24	7026714	2	INTERMEDIATE COVER	
25	7026715	4	CYLINDER BOLT	
26	7026487	2	O-RING	
27	7026718	2	PISTON	
28	7026719	2	O-RING	
29	7026720	2	BACKUP RING	

SECTION 5 - DRIVE TRAIN

FIGURE 5-6. REAR AXLE ASSEMBLY



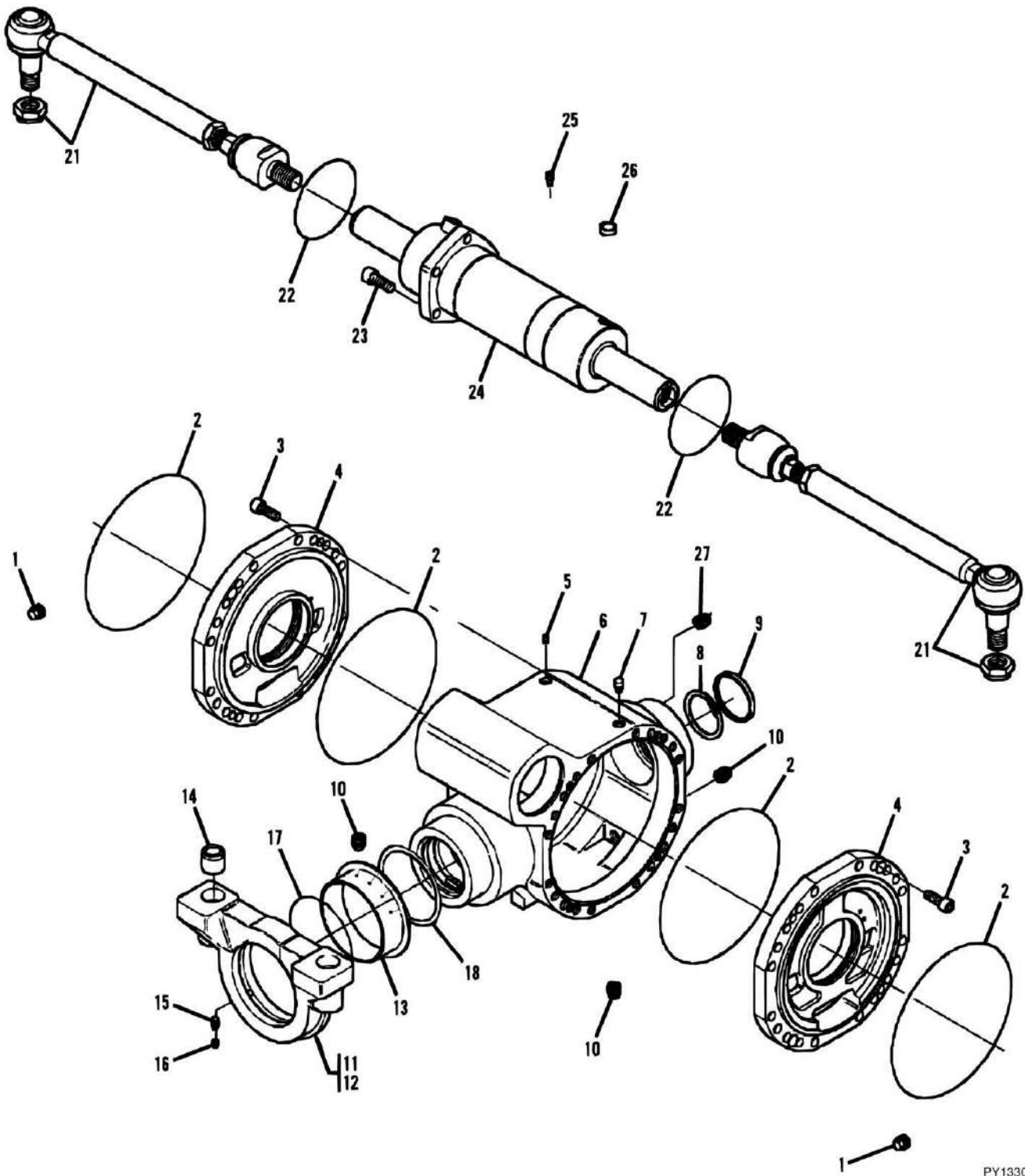
SECTION 5 - DRIVE TRAIN

FIGURE 5-6. REAR AXLE ASSEMBLY

ITEM	PART NUMBER	QTY	DESCRIPTION	REV
	91565021	1	REAR AXLE ASSY, (includes all items) (Prior to SN 0160033910)	J
	1001097804	1	REAR AXLE ASSY, (includes all items) (SN 0160033910 to Present)	D
1	91563068	1	REAR AXLE, (includes items 101 thru 104) (Prior to SN 0160014551)	D
1	91563283	1	REAR AXLE, (includes items 101 thru 104) (SN 0160014551 through 0160033908)	C
1	1001094201	1	REAR AXLE, (includes items 101 thru 104) (SN 0160033910 to Present)	A
3	91511105	1	RETAINING PLATE	
4	2220579	1	SWIVEL NUT BRANCH TEE, 3/8 TUBE (Prior to SN 0160033910)	
4	2170806	1	SWIVEL NUT BRANCH TEE, 3/8 TUBE (SN 0160033910 to Present)	
5	1001102506	1	HOSE ASSY (Prior to SN 0160033910)	
5	1001102509	1	HOSE ASSY (SN 0160033910 to Present)	
6	8770064	2	FITTING, M14X1.5 (Prior to SN 0160033910)	
6	2144605	2	FITTING, M14X1.5 (SN 0160033910 to Present)	
7	77101143	2	HEX HD CAPSCREW, 1-8UNCX10, (torque to 545-595 lb-ft)	
8	90027475	2	HARDENED FLAT WASHER, 1	
9	2220373	2	CONNECTOR, (includes item 19) (Prior to SN 0160033910)	
9	2110808	2	CONNECTOR, (includes item 19) (SN 0160033910 to Present)	
10	0100011	AR	LOCTITE 242	
11	0100075	AR	LOCTITE 545	
12	80333162	4	HEX HD CAPSCREW, M20X2.5X65, (torque to 290-340 lb-ft)	
13	4762400	4	HARDENED WASHER, 7/8 (Prior to SN 0160033910)	
13	77383118	4	HARDENED WASHER, 7/8 (SN 0160033910 to Present)	
15	88671001	1	LUBE FITTING, STRAIGHT 1/8	
16	8760268	1	ELBOW, 90, (swivel nut), (Prior to SN 0160033910)	
16	2172106	1	ELBOW, 90, (swivel nut), (SN 0160033910 to Present)	
	1001097992	1	SWAY PIVOT BEARING ASSY, (includes items 17 & 18)	
17	91566030	1	SWAY PIVOT WELDMENT	
18	8065640	1	SPHERICAL BEARING	
19	88591205	2	O-RING	
101		Ref	REAR AXLE - CENTRAL HOUSING AND STEERING, (See REAR AXLE - CENTRAL HOUSING AND STEERING for details)	
102		Ref	REAR AXLE - DIFFERENTIAL, (See REAR AXLE - DIFFERENTIAL for details)	
103		Ref	REAR AXLE - HUB REDUCTION, (See REAR AXLE - HUB REDUCTION for details)	
104		Ref	REAR AXLE - BRAKES, (See REAR AXLE - BRAKES for details)	

SECTION 5 - DRIVE TRAIN

FIGURE 5-7. REAR AXLE - CENTRAL HOUSING AND STEERING



PY1330

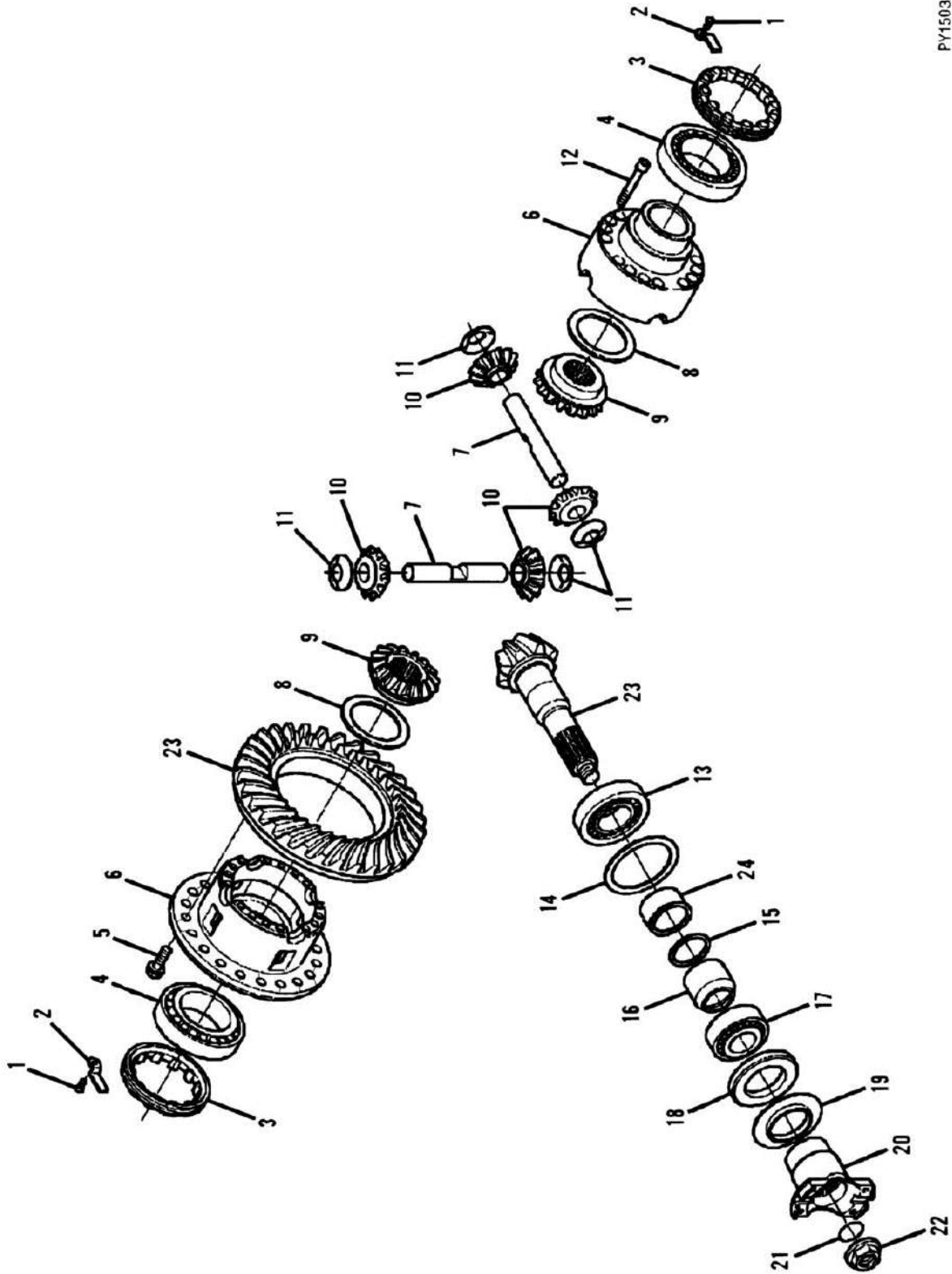
SECTION 5 - DRIVE TRAIN

FIGURE 5-7. REAR AXLE - CENTRAL HOUSING AND STEERING

ITEM	PART NUMBER	QTY	DESCRIPTION	REV
1	80204016	2	PLUG (Prior to SN 0160033910)	
2	7026487	4	O-RING	
3	80204144	4	CYLINDER BOLT	
4	7026486	2	INTERMEDIATE COVER, (Prior to Axle S/N KITA737006)	
4	70022141	2	INTERMEDIATE COVER, (Axle S/N KITA737006 to Present)	
5	80204012	1	PLUG	
6	NLA	1	HOUSING, (Prior to Axle S/N FITA716928), (no longer available, use 7029302 along with items 7029291, 7029290, items 17 & 18)	
6	7029302	1	HOUSING, (Axle S/N FITA716928 to Present)	
7	80204014	1	VENT (Prior to SN 0160033910)	
7	91474512	1	VENT (SN 0160033910 to Present)	
8	80204005	1	CIRCLIP	
9	91514098	1	PLUG	
10	80204007	3	MAGNETIC PLUG	
11	91514102	2	SUPPORT ASSY, (includes items 12 thru 16), (Prior to Axle S/N FITA700173)	
11	7029303	2	SUPPORT ASSY, (includes items 12 thru 16), (Axle S/N FITA700173 to Present)	
12	91514091	2	SUPPORT, (Prior to Axle S/N FITA700173)	
12	7029291	2	SUPPORT, (Axle S/N FITA700173 to Present)	
13	91514090	2	THRUST BUSHING	
14	91514103	4	REDUCTION BUSHING, (Prior to Axle S/N FITA700173)	
14	7029290	4	REDUCTION BUSHING, (Axle S/N FITA700173 to Present)	
15	91514099	2	GREASE FITTING	
16	80204117	2	PLUG	
17	7029304	2	O-RING, (Axle S/N FITA716928 to Present)	
18	7029305	2	DUST EXCLUDER, (Axle S/N FITA716928 to Present)	
21	7026489	2	ARTICULATED TIE ROD (Prior to SN 0160014551)	
21	7029293	2	ARTICULATED TIE ROD (SN 0160014551 through 0160033908)	
21	70021614	2	ARTICULATED TIE ROD (SN 0160033910 to Present)	
21	70022773	2	TIE ROD NUT, M27X1.5	
22	80204143	2	O-RING	
23	80204144	5	CYLINDER BOLT	
24	7026490	1	CYLINDER	
24	7029127	1	SEAL KIT	
25	7029306	3	BOLT	
26	7029307	1	PLUG	
27	91514188	1	PLUG	

SECTION 5 - DRIVE TRAIN

FIGURE 5-8. REAR AXLE - DIFFERENTIAL



PY1503

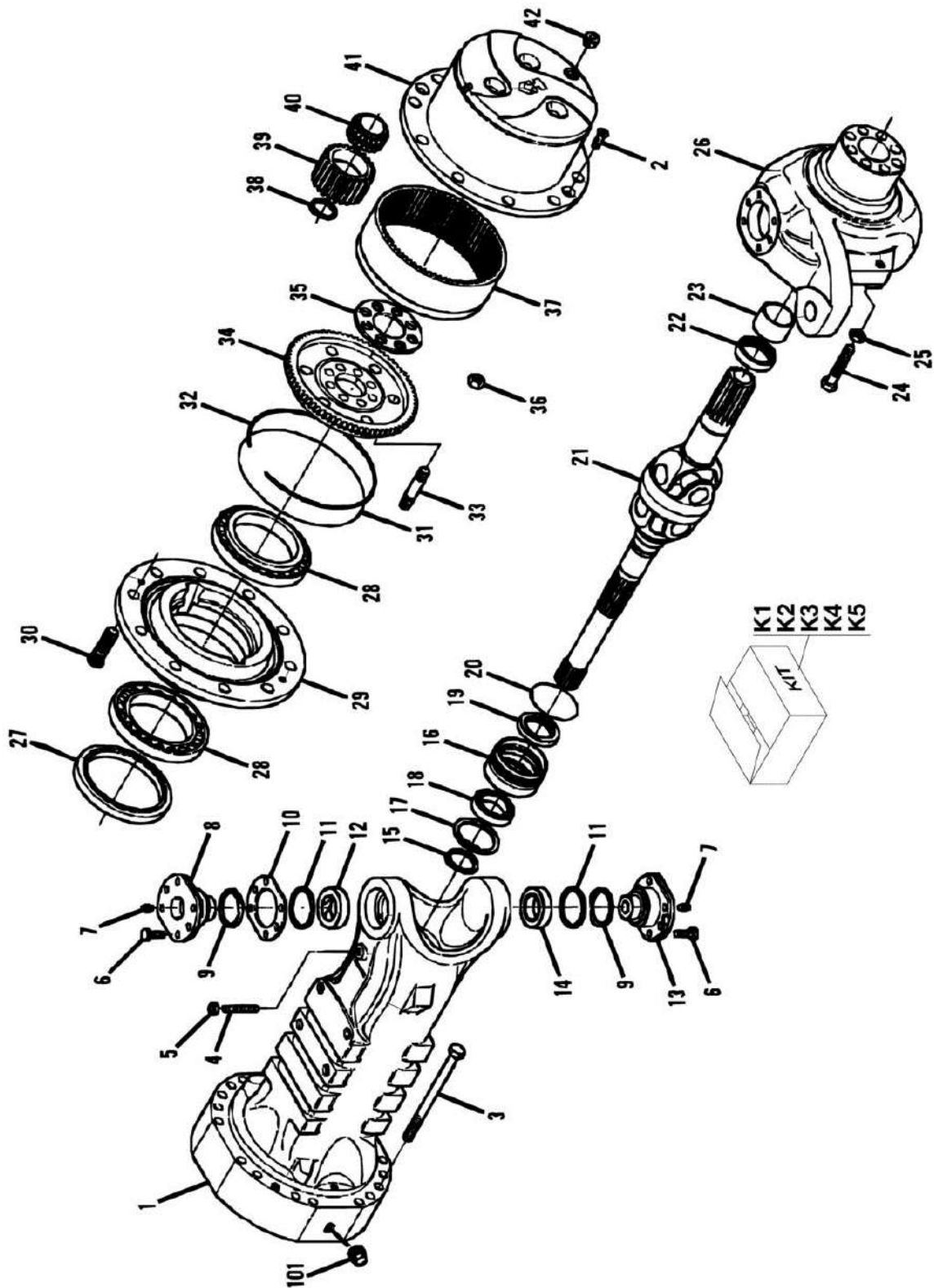
SECTION 5 - DRIVE TRAIN

FIGURE 5-8. REAR AXLE - DIFFERENTIAL

ITEM	PART NUMBER	QTY	DESCRIPTION	REV
1	7026492	2	HEXAGON BOLT	
2	7026493	2	LOCKING PLATE, (Prior to Axle S/N KITA737006)	
2	70022142	2	LOCKING PLATE, (Axle S/N KITA737006 to Present)	
3	7026491	2	RING NUT	
4	80204033	2	TAPER ROLLER BEARING	
5	91514123	20	BOLT	
6	7026727	1	DIFFERENTIAL CARRIER	
7	91514142	2	PIN	
8	80204031	2	FRICITION WASHER	
9	80204030	2	DIFFERENTIAL SIDE GEAR	
10	80204025	4	DIFFERENTIAL PINION	
11	80204026	4	FRICITION WASHER	
12	91514193	15	BOLT	
13	80204035	1	TAPER ROLLER BEARING	
14	80204049	1	SHIM	
14	80204050	1	SHIM	
14	80204051	1	SHIM	
14	80204052	1	SHIM	
15	70022136	1	SPACER, 5.000mm, (as required), (Prior to Axle S/N KITA723448 must replace items 15, 16 & 24 together as they are not interchangeable with prior design)	
15	70022137	1	SPACER, 5.025mm, (as required)	
15	70022138	1	SPACER, 5.050mm, (as required)	
15	70022139	1	SPACER, 5.075mm, (as required)	
16	70022140	1	SPACER, (Prior to Axle S/N KITA723448 must replace items 15, 16 & 24 together as they are not interchangeable with prior design)	
17	80204048	1	TAPER ROLLER BEARING	
18	80204047	1	SEAL	
19	91514130	1	COVER PLATE	
20	91514131	1	FLANGE	
21	80204044	1	O-RING	
22	80204043	1	NUT	
23	7026728	1	BEVEL GEAR SET	
24	70022126	1	SPACER, 60.5X50X11.8mm, (as required)	
24	70022127	1	SPACER, 60.5X50X11.9mm, (as required)	
24	70022128	1	SPACER, 60.5X50X12.0mm, (as required)	
24	70022129	1	SPACER, 60.5X50X12.1mm, (as required)	
24	70022130	1	SPACER, 60.5X50X12.2mm, (as required)	
24	70022131	1	SPACER, 60.5X50X12.3mm, (as required)	
24	70022132	1	SPACER, 60.5X50X12.4mm, (as required)	
24	70022133	1	SPACER, 60.5X50X12.5mm, (as required)	
24	70022134	1	SPACER, 60.5X50X12.6mm, (as required)	
24	70022135	1	SPACER, 60.5X50X12.7mm, (as required)	

SECTION 5 - DRIVE TRAIN

FIGURE 5-9. REAR AXLE - HUB REDUCTION



SECTION 5 - DRIVE TRAIN

FIGURE 5-9. REAR AXLE - HUB REDUCTION

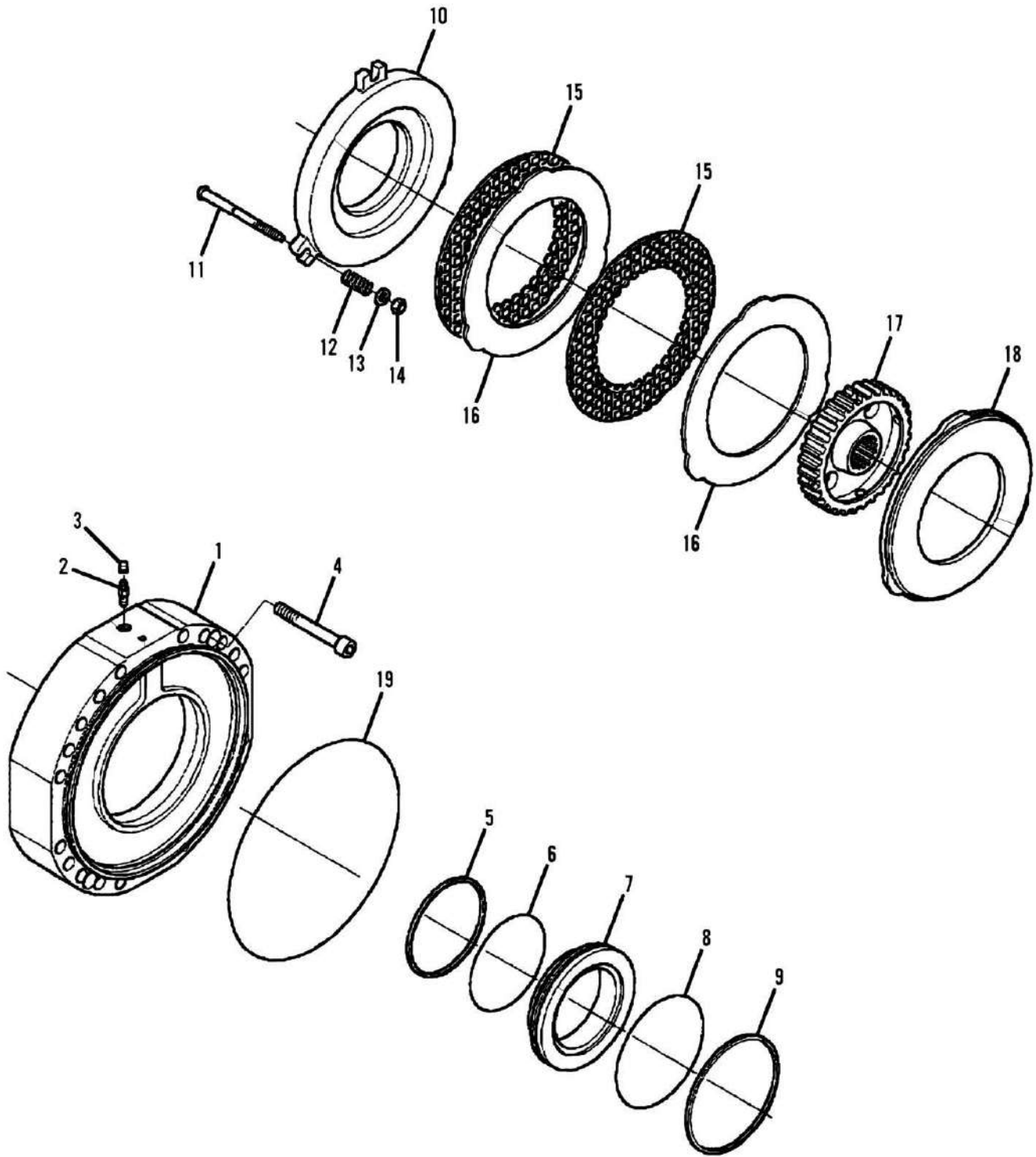
ITEM	PART NUMBER	QTY	DESCRIPTION	REV
1	7026729	2	AXLE CASE, (Prior to axle S/N KITA737006)	
1	70021943	2	AXLE CASE, (Axle S/N KITA737006 through Axle S/N KITA742695)	
1	70021944	2	AXLE CASE, (Axle S/N KITA742695 to Present)	
2	91514189	4	COUNTERSUNK BOLT	
3	7026498	40	BOLT, (Prior to Axle S/N FITA723918)	
3	7026497	40	SPRING WASHER, (Prior to Axle S/N FITA723918)	
3	7029309	40	BOLT, (Axle S/N FITA723918 through Axle S/N KITA737006)	
3	70021604	40	BOLT, (Axle S/N KITA737006 to Present)	
4	7026499	2	BOLT	
5	91514082	2	NUT	
6	91514123	24	BOLT	
7	91514099	4	GREASE FITTING	
8		Ref	PIVOT PIN, (Prior to Axle S/N EITA739671), (no longer available, order 7029310 plus 7028716 & 7029312)	
8	7026700	2	PIVOT PIN, (Axle S/N EITA739671 to Present)	
9	91514093	2	SPACER, (Prior to Axle S/N EITA739671)	
9	7029311	2	SPACER, (Axle S/N EITA739671 through Axle S/N GITA721170)	
10	91514113	2	SHIM	
10	91514114	2	SHIM	
10	91514115	2	SHIM	
11	91514092	2	DUST SEAL, (Prior to Axle S/N EITA739671)	
11	7028716	2	DUST SEAL, (Axle S/N EITA739671 to Present)	
12	7026704	NLA	BUSHING, (Prior to Axle S/N EITA739671), (no longer available, order 7029310 plus 7028716 & 7029312)	
12	7029312	Ref	BUSHING, (Axle S/N EITA739671 to Present)	
13	7029313	2	PIVOT PIN, (includes items 11 & 14)	
14	91514095	2	BEARING	
15	80204071	2	CIRCLIP	
16	91514149	2	REDUCTION BUSHING, (includes items 17 thru 20)	
17	80204005	2	CIRCLIP	
18	91514146	2	BALL BEARING	
19	91514147	2	SEAL	
20	91514148	2	O-RING	
21	7029314	2	JOINT AND SHAFT ASSY, (Prior to Axle S/N KITA737006), (verify if this is stamped with a /1 or /2)	
21	70021602	2	JOINT AND SHAFT ASSY, (Axle S/N KITA737006 to Present), (verify if this is stamped with a /1 or /2)	
21	70023114	1	YOKE SHAFT, (Prior to Axle S/N KITA737006), (hub side), (only serviceable on the /2 assembly, no replacement available for the /1 assembly)	
21	70023115	1	YOKE SHAFT, (Prior to Axle S/N KITA737006), (differential side), (only serviceable on the /2 assembly, no replacement available for the /1 assembly)	
21	70023116	1	CENTER BODY, (Prior to Axle S/N KITA737006), (only serviceable on the /2 assembly, no replacement available for the /1 assembly)	
21	70021615	2	CROSS KIT, (Prior to Axle S/N KITA737006), (only serviceable on the /1 assembly), (includes circlips)	
21	70023829	2	CROSS KIT, (Axle S/N KITA737006 to Present), (only serviceable for the applicable axle s/n or on the /2 assembly)	
22	7028718	2	SEAL	
23	91514111	2	THRUST BUSHING	

SECTION 5 - DRIVE TRAIN

ITEM	PART NUMBER	QTY	DESCRIPTION	REV
24	91514117	4	STEERING ADJUST BOLT (Prior to SN 0160033910)	
24	70021603	4	STEERING ADJUST BOLT (SN 0160033910 to Present)	
25	80204065	4	NUT	
26	Kit	2	STEERING CASE, (see Position Kits for replacement)	
27	7029300	2	SEAL	
28	80204076	4	TAPER ROLLER BEARING	
29	91514174	2	WHEEL HUB	
30	80214120	20	WHEEL STUD	
31	91514181	2	O-RING	
32	91514175	2	CIRCLIP	
33	91514180	16	STUD	
34	91514177	2	RING GEAR SUPPORT	
35	91514178	2	LOCKING PLATE	
36	91514179	16	NUT	
37	91514176	2	RING GEAR (Prior to SN 0160033910)	
37	70021605	2	RING GEAR (SN 0160033910 to Present)	
38	91514184	6	CIRCLIP	
39	91514185	6	PLANETARY GEAR	
40	91514186	6	BEARING	
41	7026731	2	PLANETARY GEAR CARRIER	
42	91514188	2	PLUG	
101	91514087	2	PLUG	
K1	7026730	2	PLANETARY CARRIER KIT, (includes items 32, 34 & 37 thru 41), (Prior to Axle S/N GITA714757)	
K1	7029733	2	PLANETARY CARRIER KIT, (includes items 38 thru 41), (Axle S/N GITA714757 to Present)	
K2	7029732	1	RING GEAR SUPPORT, (Axle S/N GITA714757 to Present), (includes items 32, 34 & 37)	
K3	7026710	1	POSITION KIT, (right), (includes one each of items 23 & 26) (Prior to SN 0160014551)	
K3	7029746	1	POSITION KIT, (right), (includes one each of items 23 & 26) (SN 0160014551 to Present)	
K4	7026711	1	POSITION KIT, (left), (includes one each of items 23 & 26) (Prior to SN 0160014551)	
K4	7029747	1	POSITION KIT, (left), (includes one each of items 23 & 26) (SN 0160014551 to Present)	
K5	7028733	4	STEERING ADJUST BOLT KIT, (includes items 24 & 25)	

SECTION 5 - DRIVE TRAIN

FIGURE 5-10. REAR AXLE - BRAKES (Prior to SN 0160033910)



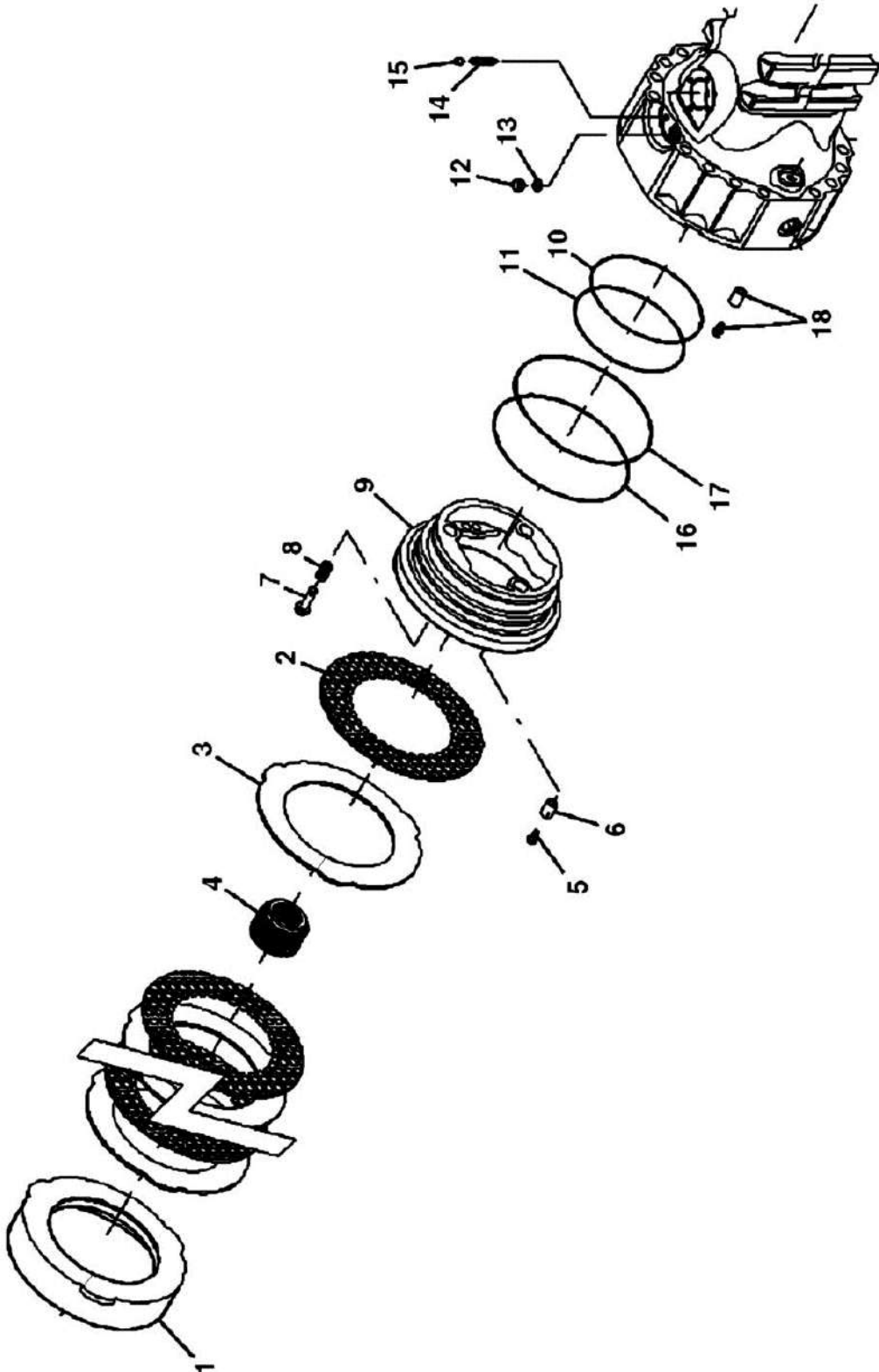
SECTION 5 - DRIVE TRAIN

FIGURE 5-10. REAR AXLE - BRAKES (Prior to SN 0160033910)

ITEM	PART NUMBER	QTY	DESCRIPTION	REV
1	7026732	2	INTERMEDIATE COVER	F
2	80204281	2	BLEEDING BOLT	
3	80204117	2	Plug	
4	7026715	4	CYLINDER BOLT	
5	7026716	2	BACKUP RING	
6	7026717	2	SEAL	
7	7026733	2	PISTON	
8	7026719	2	O-RING	
9	7026720	2	BACKUP RING	
10	7026734	2	INTERMEDIATE BRAKE DISC	
11	7026735	6	ADJUSTING BOLT	
12	80204115	6	SPRING	
13	7026736	6	WASHER	
14	7026737	6	NUT	
15	7029299	NLA	BRAKE DISC, (Prior to Axle S/N GITA742829), (no longer available, order qty 6 of 7029735)	
15	7029735	6	BRAKE DISC, (Axle S/N GITA742829 to Present)	
16	91514161	6	INTERMEDIATE BRAKE DISC	
17	91514163	NLA	SELECTOR, (Prior to Axle S/N GITA742829), (no longer available, order qty 2 of 7029734)	
17	7029734	2	REDUCTION BUSHING, (Axle S/N GITA742829 to Present)	
18	7026723	2	INTERMEDIATE BRAKE DISC	
19	7026487	2	O-RING	

SECTION 5 - DRIVE TRAIN

FIGURE 5-11. REAR AXLE - BRAKES (SN 0160033910 to Present)



PY1490

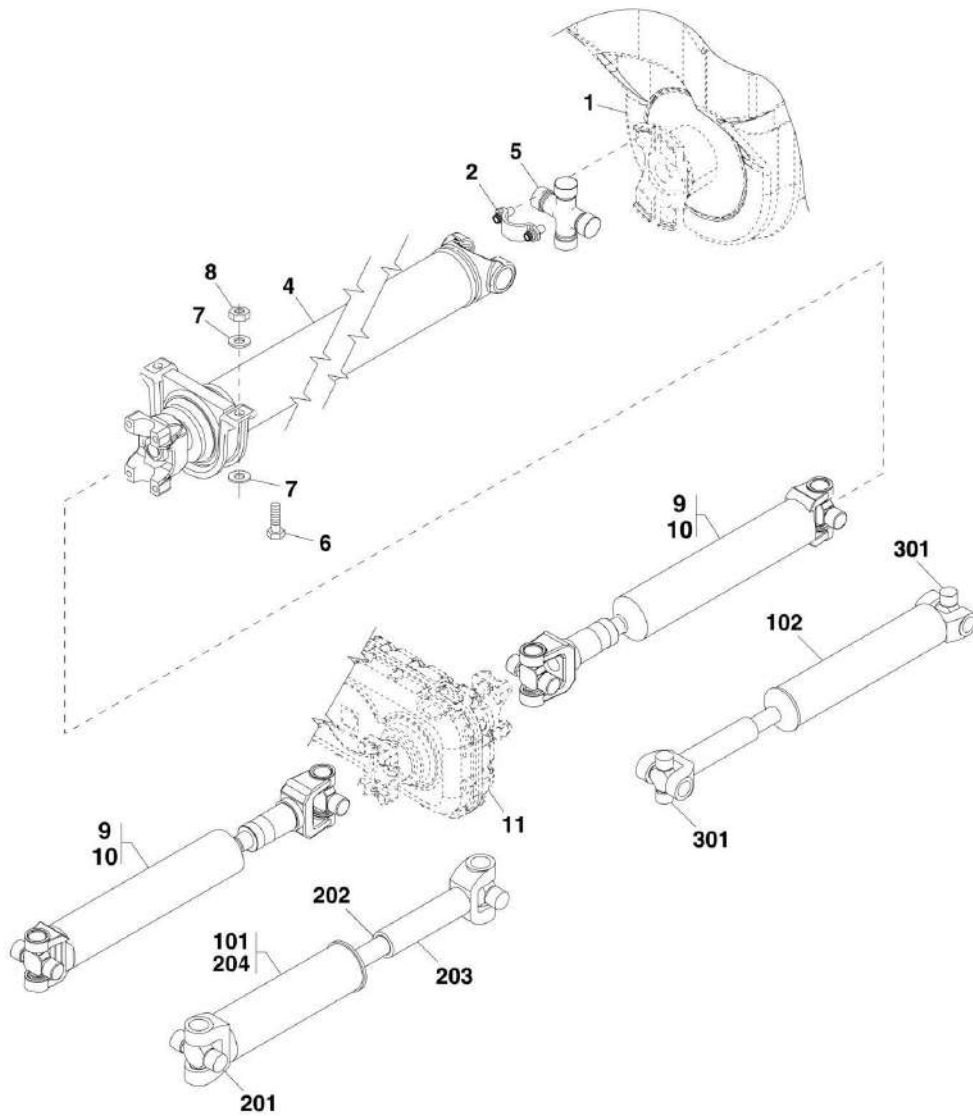
SECTION 5 - DRIVE TRAIN

FIGURE 5-11. REAR AXLE - BRAKES (SN 0160033910 to Present)

ITEM	PART NUMBER	QTY	DESCRIPTION	REV
1	70021606	2	SPACER	
2	7029735	6	BRAKE DISC	
3	91514161	6	INTERMEDIATE BRAKE DISC	
4	7029734	2	REDUCTION BUSHING	
5	70021607	6	ADJUSTING BOLT	
6	91514165	6	SPRING	
7	91514160	6	ADJUSTING BOLT	
8	91514159	6	SPRING	
9	70021608	2	PISTON	
10	70021609	2	BACKUP RING	
11	70021610	2	O-RING	
12	91514154	2	BOLT	
13	91514155	2	SEAL WASHER	
14	80204281	2	BLEEDING BOLT	
15	80204117	2	PLUG	
16	70021611	2	O-RING	
17	70021612	2	BACKUP RING	
18	70021613	2	PILOT BOLT	

SECTION 5 - DRIVE TRAIN

FIGURE 5-12. DRIVE SHAFT



ART_3126020-5-12

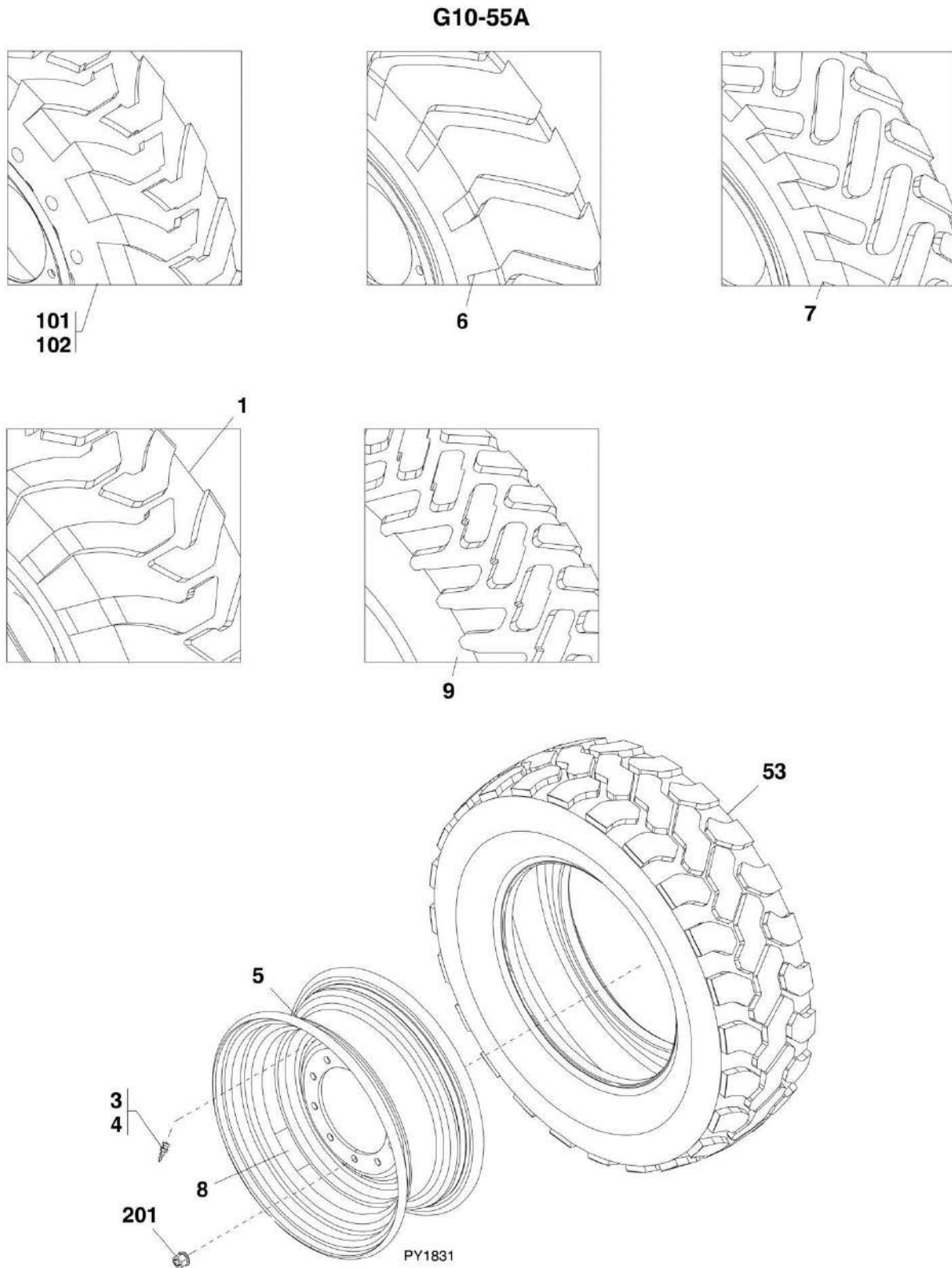
SECTION 5 - DRIVE TRAIN

FIGURE 5-12. DRIVE SHAFT

ITEM	PART NUMBER	QTY	DESCRIPTION	REV
1		Ref	REAR AXLE ASSY, (See REAR AXLE ASSEMBLY for details)	
2	8880218-OM	5	KIT, STRAP (torque to 55-60 lb-ft), (must replace when removed, do not re-torque)	
4	91563209	1	REAR DRIVESHAFT, (includes item 5)	
5	7026911	1	UNIVERSAL JOINT KIT	
6	0641716	2	HEX HD CAPSCREW, 7/16-14X2, GR5	
7	4711700	4	FLAT WASHER, 7/16	
8	3311705	2	LOCKNUT, 7/16-14	
9	91473151	2	DRIVESHAFT, (includes item 10) (Prior to SN 0160039451, Including 0160039394 and 0160039397)	
10	91474035	4	UNIVERSAL JOINT KIT	
11		Ref	TRANSMISSION, (See ENGINE & ATTACHING PARTS SECTION for details)	
101	7150580	1	DRIVESHAFT, (includes items 201 thru 204) (SN 0160039451 to Present, Excluding 0160039394 and 0160039397)	C
102	7139914	1	DRIVESHAFT, (includes item 301) (SN 0160039451 to Present, Excluding 0160039394 and 0160039397)	C
201	8036433	2	CROSS AND BEARING KIT	
202	8035779	1	DUST CAP KIT	
203	N.S.S.	1	SLIP JOINT	
204	N.S.S.	1	YOKE SHAFT	
301	8036433	2	CROSS AND BEARING KIT	

SECTION 5 - DRIVE TRAIN

FIGURE 5-13. TIRES AND RIMS G10-55A



SECTION 5 - DRIVE TRAIN

FIGURE 5-13. TIRES AND RIMS G10-55A

ITEM	PART NUMBER	QTY	DESCRIPTION	REV
	4520481	1	TIRE SET, 14.00-24 BIAS, G-2	B
	91355034	2	RH TIRE AND WHEEL ASSY, 14.00-24 BIAS, G-2, (includes items 1, 4 & 5)	D
	91355035	2	LH TIRE AND WHEEL ASSY, 14.00-24 BIAS, G-2, (includes items 1, 4 & 5)	D
	4520482	1	TIRE SET, 14.00-24 BIAS, FOAM FILLED, G-2	C
	91355037	2	RH TIRE AND WHEEL ASSY, 14.00-24 BIAS, FOAM FILLED, 720 lb, G-2, (includes items 1, 4 & 5)	F
	91355038	2	LH TIRE AND WHEEL ASSY, 14.00-24 BIAS, FOAM FILLED, 720 lb, G-2, (includes items 1, 4 & 5)	F
	4520485	1	TIRE SET, 14.00-24 BIAS, ROCK TRED, G-3	A
	91545010	4	TIRE AND WHEEL ASSY, 14.00-24 BIAS, ROCK TRED, G-3, (includes items 4 thru 6)	F
	4520486	1	TIRE SET, 14.00-24 BIAS, ROCK TRED, FOAM FILLED, G-3	A
	91545008	4	TIRE AND WHEEL ASSY, 14.00-24 BIAS, ROCK TRED, FOAM FILLED, 720 lb, G-3, (includes items 4 thru 6)	G
	4520489	1	TIRE SET, 14.00-24 RADIAL, L-2/G-2	A
	91415072	4	TIRE AND WHEEL ASSY, 14.00-24 RADIAL, L-2/G-2, (includes items 4, 5 & 7)	D
	4520490	1	TIRE SET, 14.00-24 RADIAL, FOAM FILLED, 720 lb, L-2/G-2	A
	91365076	4	TIRE AND WHEEL ASSY, 14.00-24 RADIAL, FOAM FILLED, 720 lb, L-2/G-2, (includes items 4, 5 & 7)	E
	4520518	1	TIRE SET, 17.50-25 BIAS, G-2	B
	91565028	2	RH TIRE AND WHEEL ASSY, 17.50-25 BIAS, G-2, (includes items 1, 3 & 5)	F
	91565029	2	LH TIRE AND WHEEL ASSY, 17.50-25 BIAS, G-2, (includes items 1, 3 & 5)	F
	4520519	1	TIRE SET, 17.50-25 BIAS, FOAM FILLED, G-2	B
	91565040	2	RH TIRE AND WHEEL ASSY, 17.50-25 BIAS, FOAM FILLED, 785 lb, G-2, (includes items 1, 3 & 5)	E
	91565039	2	LH TIRE AND WHEEL ASSY, 17.50-25 BIAS, FOAM FILLED, 785 lb, G-2, (includes items 1, 3 & 5)	E
	4520521	1	TIRE SET, 17.50-25 BIAS, ROCK TRED, G-3	A
	4520515	4	TIRE AND WHEEL ASSY, 17.50-25 BIAS, ROCK TRED, G-3, (includes items 3, 5 & 6)	B
	4520494	1	TIRE SET, 17.50-25 BIAS, ROCK TRED, FOAM FILLED, L-3	A
	4520493	4	TIRE AND WHEEL ASSY, 17.50-25 BIAS, ROCK TRED, FOAM FILLED, 785 lb, L-3, (includes items 3, 5 & 6)	B
	4520523	1	TIRE SET, 17.50-25 RADIAL, E-2/L-2	A
	91565038	4	TIRE AND WHEEL ASSY, 17.50-25 RADIAL, E-2/L-2, (includes items 3, 5 & 9)	F
	4520524	1	TIRE SET, 17.50-25 RADIAL, FOAM FILLED, E-2/L-2	A
	91565041	4	TIRE AND WHEEL ASSY, 17.50-25 RADIAL, FOAM FILLED, 785lb, E-2/L-2, (includes items 3, 5 & 9)	E
	1001121109	1	TIRE SET, 400/75-28, 16 PLY	B
	1001121103	4	TIRE AND RIM ASSY, 400/75-28, 16 PLY, (includes items 4, 5 & 53)	B
	1001125410	1	TIRE SET, 400/75-28, 16 PLY, FOAM FILLED	B
	1001121105	4	TIRE AND RIM ASSY, 400/75-28, 16 PLY, FOAM FILLED, 570 lb, (includes items 4, 5 & 53)	C
1	91043084	1	TIRE, 14.00-24 BIAS, DIRECTIONAL	
1	4520527	1	TIRE, 17.50-25 LOADER, 12 PLY, DIRECTIONAL, L-2	
3	91083385	1	VALVE STEM	

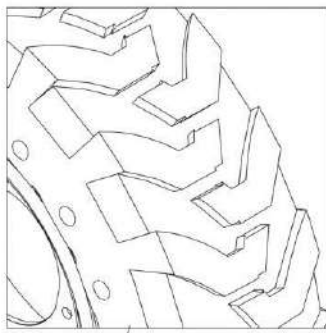
SECTION 5 - DRIVE TRAIN

ITEM	PART NUMBER	QTY	DESCRIPTION	REV
4	8786514	1	VALVE STEM	
5	91473206	1	WHEEL, 24X9, 0.219 OFFSET, (if equipped with 14.00-24)	
5	91563250	1	WHEEL, 25X13, 1.687 OFFSET, (if equipped with 17.50-25)	
5	1001120178	1	WHEEL, 28X12, 0.75 OFFSET, (if equipped with Firestone 400/75-28)	
6	91543002	1	TIRE, 14.00-24 BIAS, ROCK TRED, NON-DIRECTIONAL, 12 PLY	
6	4520314	1	TIRE, 17.50-25 BIAS, ROCK TRED, NON-DIRECTIONAL, E-2/L2, 12 PLY	
7	91363215	1	TIRE, 14.00-24 RADIAL, NON-DIRECTIONAL	
8	91153050	1	DECAL, (if equipped)	
9	8780047	1	TIRE, 17.50-25 BIAS, RADIAL, E-2/L-2	
53	1001120179	1	TIRE, 400/75-28, 16 PLY	
	1001105780	1	TIRE SET, 14-24, SOLID, (includes items 101 & 102)	A
101	1001105782	2	RH TIRE AND WHEEL ASSY, 14-24, SOLID	B
102	1001105781	2	LH TIRE AND WHEEL ASSY, 14-24, SOLID	B
201		Ref	WHEEL NUT, (See FRAME & ATTACHING PARTS SECTION for details)	

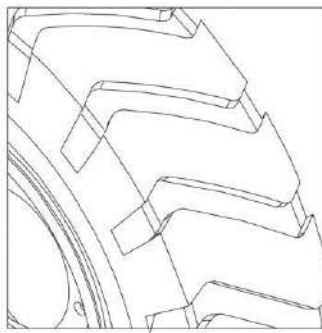
SECTION 5 - DRIVE TRAIN

FIGURE 5-14. TIRES AND RIMS G12-55A

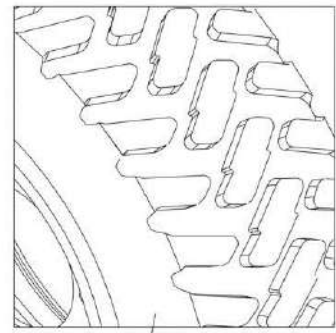
G12-55A



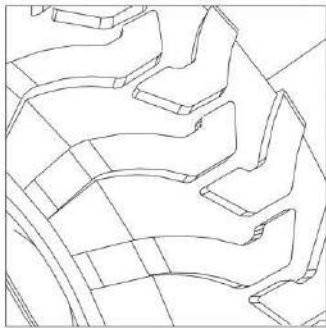
101
102



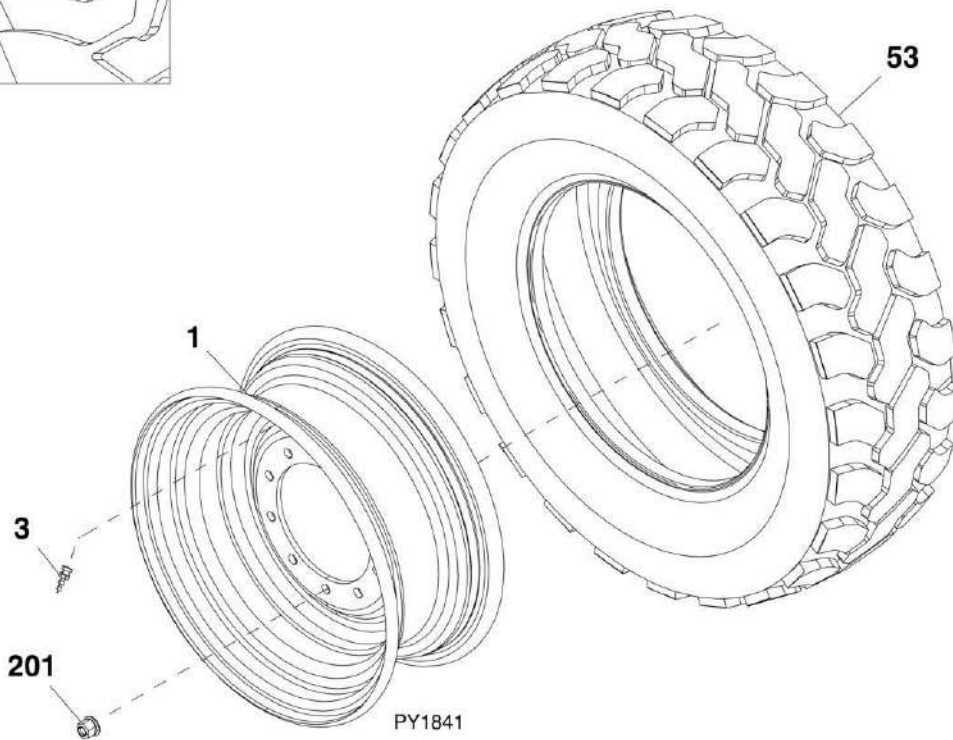
5



4



2



53

1

3

201

PY1841

SECTION 5 - DRIVE TRAIN

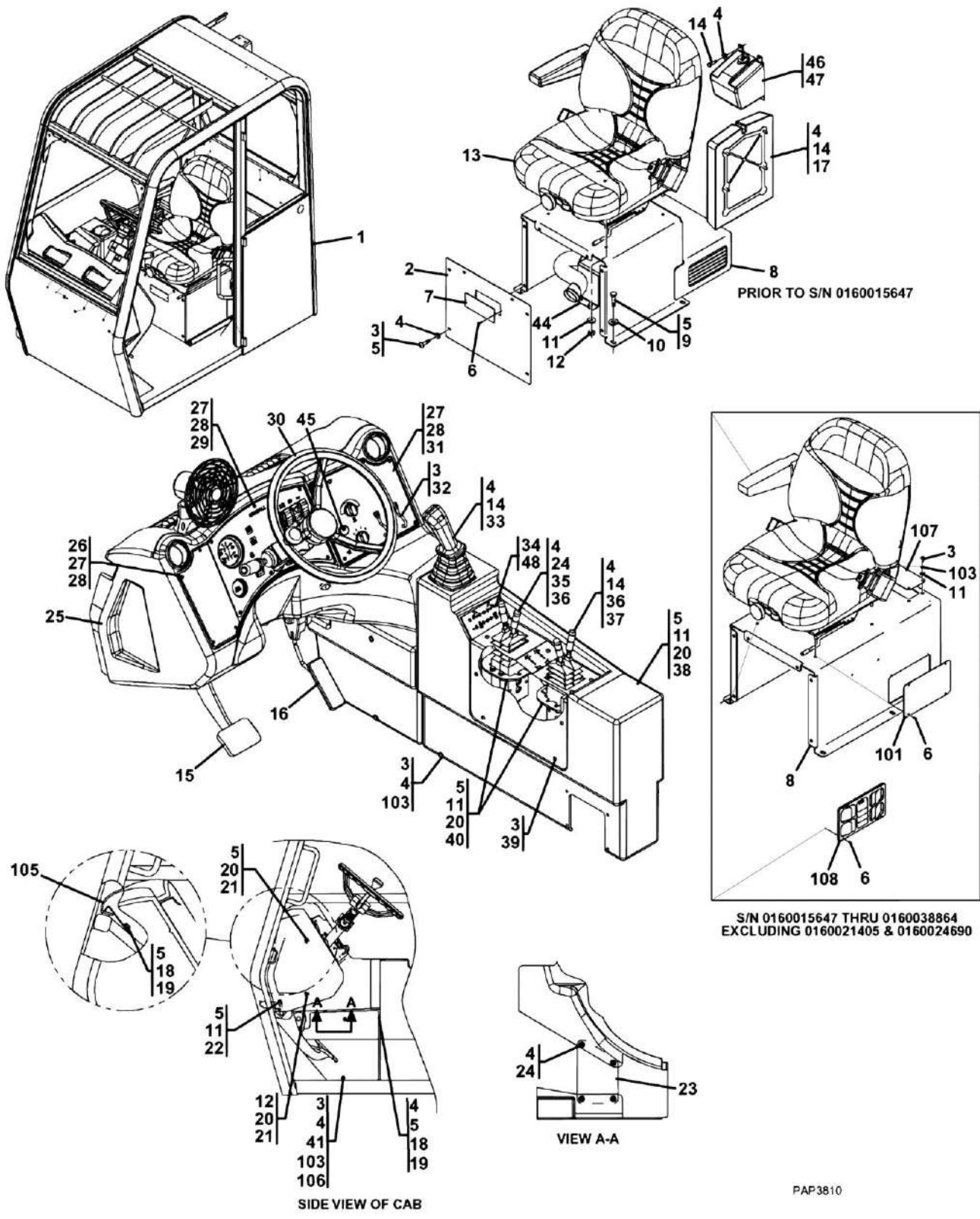
FIGURE 5-14. TIRES AND RIMS G12-55A

ITEM	PART NUMBER	QTY	DESCRIPTION	REV
	4520518	1	TIRE SET, 17.50-25 BIAS, G-2	A
	91565028	2	RH TIRE AND WHEEL ASSY, 17.50-25 BIAS, G-2, (includes items 1 thru 3)	F
	91565029	2	LH TIRE AND WHEEL ASSY, 17.50-25 BIAS, G-2, (includes items 1 thru 3)	F
	4520519	1	TIRE SET, 17.50-25 BIAS, FOAM FILLED, G-2	A
	91565040	2	RH TIRE AND WHEEL ASSY, 17.50-25 BIAS, FOAM FILLED, 785 lb, G-2, (includes items 1 thru 3)	E
	91565039	2	LH TIRE AND WHEEL ASSY, 17.50-25 BIAS, FOAM FILLED, 785 lb, G-2, (includes items 1 thru 3)	E
	4520521	1	TIRE SET, 17.50-25 BIAS, ROCK TRED, G-3	
	4520515	4	TIRE AND WHEEL ASSY, 17.50-25 BIAS, ROCK TRED, G-3, (includes items 1, 3 & 5)	B
	4520494	1	TIRE SET, 17.50-25 BIAS, ROCK TRED, FOAM FILLED, L-3	A
	4520493	4	TIRE AND WHEEL ASSY, 17.50-25 BIAS, ROCK TRED, FOAM FILLED, 785 lb, L-3, (includes items 1, 3 & 5)	B
	4520523	1	TIRE SET, 17.50-25 RADIAL, E-2/L-2	A
	91565038	4	TIRE AND WHEEL ASSY, 17.50-25 RADIAL, E-2/L-2, (includes items 1, 3 & 4)	F
	4520524	1	TIRE SET, 17.50-25 RADIAL, FOAM FILLED, E-2/L-2	A
	91565041	4	TIRE AND WHEEL ASSY, 17.50-25 RADIAL, FOAM FILLED, 785lb, E-2/L-2, (includes items 1, 3 & 4)	E
	1001121109	1	TIRE SET, 400/75-28, 16 PLY	B
	1001121103	4	TIRE AND RIM ASSY, 400/75-28, 16 PLY, (includes items 1, 3 & 53)	B
	1001125410	1	TIRE SET, 400/75-28, 16 PLY, FOAM FILLED	B
	1001121105	4	TIRE AND RIM ASSY, 400/75-28, 16 PLY, FOAM FILLED, 570 lb, (includes items 1, 3 & 53)	C
1	91563250	1	WHEEL, 25X13, 1.687 OFFSET	
1	1001120178	1	WHEEL, 28X12, 0.75 OFFSET, (if equipped with Firestone 400/75-28)	
2	4520527	1	TIRE, 17.50-25 LOADER, 12 PLY, DIRECTIONAL, L-2	
3	91083385	1	VALVE STEM	
3	8786514	1	VALVE STEM, (if equipped with Firestone 400/75-28)	
4	8780047	1	TIRE, 17.50-25 BIAS, RADIAL, E-2/L-2	
5	4520314	1	TIRE, 17.50-25 BIAS, ROCK TRED, NON-DIRECTIONAL, E-2/L-2, 12 PLY	
53	1001120179	1	TIRE, 400/75-28, 16 PLY	
	1001105780	1	TIRE SET, 14X24, SOLID, (includes items 101 & 102)	A
101	1001105782	2	RH TIRE AND WHEEL ASSY, 14-24, SOLID	B
102	1001105781	2	LH TIRE AND WHEEL ASSY, 14-24, SOLID	B
201		Ref	WHEEL NUT, (See FRAME & ATTACHING PARTS SECTION for details)	

SECTION 6 - CAB

SECTION 6 - CAB

FIGURE 6-1. CAB ASSEMBLY (Prior to SN 0160039451, Excluding 0160039394 and 0160039397)



SECTION 6 - CAB

FIGURE 6-1. CAB ASSEMBLY (Prior to SN 0160039451, Excluding 0160039394 and 0160039397)

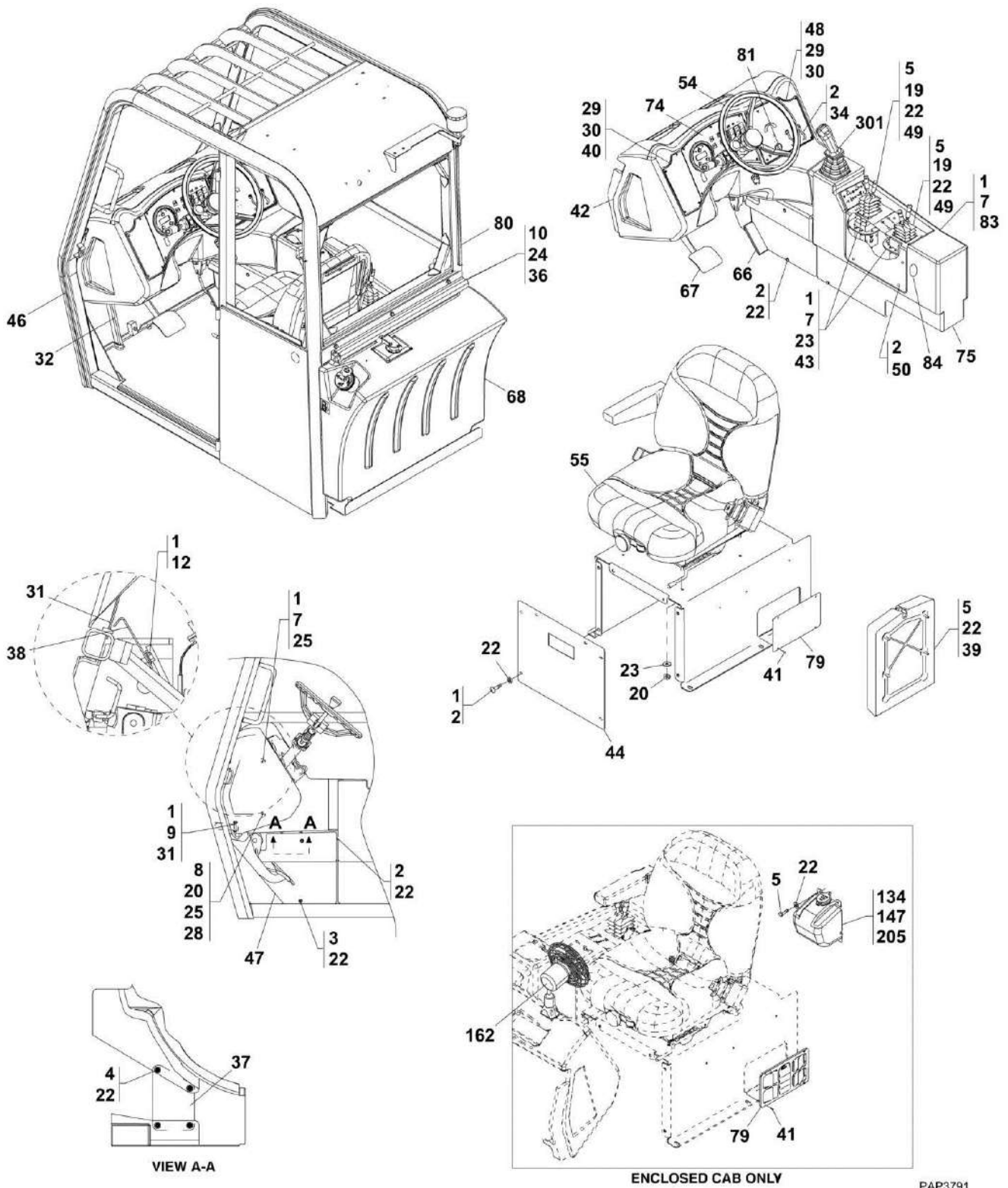
ITEM	PART NUMBER	QTY	DESCRIPTION	REV
		Ref	OPEN CAB ASSY, (includes items 1 thru 43)	
		Ref	ENCLOSED CAB ASSY, (includes items 1 thru 47)	
1		Ref	CAB, (See CAB for details)	
2	91561150	1	ACCESS COVER PLATE (Prior to SN 0160038121)	
2	1001103567	1	ACCESS COVER PLATE (SN 0160038121 to Present)	
3	0630407	19	SOCKET BUTTON HD CAPSCREW, 1/4-20X5/8, (open cab)	
3	0630407	17	SOCKET BUTTON HD CAPSCREW, 1/4-20X5/8, (enclosed cab)	
4	4711400	28	FLAT WASHER, 1/4, (open cab)	
4	4711400	31	FLAT WASHER, 1/4, (enclosed cab)	
5	0100011	AR	LOCTITE 242	
6	91413036	2	SELF-TAPPING SCREW, #6X1/2 (Prior to SN 0160038121)	
6	91413036	4	SELF-TAPPING SCREW, #6X1/2, (open cab) (SN 0160038121 to Present)	
6	91413036	6	SELF-TAPPING SCREW, #6X1/2, (enclosed cab) (SN 0160038121 to Present)	
7	1001104681	1	VENT COVER PLATE, (open cab) (Prior to SN 0160038121)	
7	91413053	1	RECTANGULAR VENT, (enclosed cab) (Prior to SN 0160038121)	
7	1001100279	1	RECTANGULAR VENT, (enclosed cab) (SN 0160038121 to Present)	
8	91566037	1	SEAT RISER WELDMENT (Prior to SN 0160015647)	
8	91516044	1	SEAT RISER WELDMENT (SN 0160015647 through 0160038554)	
8		Ref	SEAT RISER WELDMENT, (See CAB for details)	
9	0641608	4	HEX HD CAPSCREW, 3/8-16X1, GR5 (Prior to SN 0160038864, Excluding 0160021405 and 0160024690)	
10	4711600	4	FLAT WASHER, 3/8 (Prior to SN 0160038864, Excluding 0160021405 and 0160024690)	
11	4711500	12	FLAT WASHER, 5/16, (open cab)	
11	4711500	16	FLAT WASHER, 5/16, (enclosed cab)	
12	3311505	5	LOCKNUT, 5/16-18	
13		Ref	SUSPENSION SEAT, (See SUSPENSION SEAT for details)	
14	0641408	10	HEX HD CAPSCREW, 1/4-20X1, GR5, (open cab)	
14	0641408	13	HEX HD CAPSCREW, 1/4-20X1, GR5, (enclosed cab)	
15		Ref	BRAKE PEDAL ASSY, (See CONTROLS SECTION for details)	
16		Ref	ACCELERATOR PEDAL, (See CONTROLS SECTION for details)	
17	0860520	1	MANUAL STORAGE BOX (Prior to SN 0160004960)	
17	91403230	1	MANUAL STORAGE BOX (SN 0160004960 to Present)	
18	91401590	1	DASH CLAMP, (enclosed cab)	
19	0791608	2	SCREW, 3/8-16X1	
20	0641508	8	HEX HD CAPSCREW, 5/16-18X1, GR5	
21	4751500	2	FLAT WASHER, 5/16	
22	0641514	1	HEX HD CAPSCREW, 5/16-18X1-3/4, GR5	
23	91401516	1	DASH BRACE	
24	0641405	4	HEX HD CAPSCREW, 1/4-20X5/8, GR5	
25	91473211	1	DASH, (open cab)	
25	1001103553	1	DASH, (enclosed cab)	
26	91403324	1	BLANK DASH PANEL	
27	80363033	16	FLAT HD CAPSCREW, #10-24X1	
28	80363034	16	TINNERMAN NUT, #10-24	
29		Ref	INSTRUMENT PANEL, (See INSTRUMENT PANEL for details)	
30		Ref	STEERING COMPONENTS, (See CONTROLS SECTION for details)	

SECTION 6 - CAB

ITEM	PART NUMBER	QTY	DESCRIPTION	REV
31	91563191	NLA	RH INSTRUMENT PANEL, (no longer available, use 1001156272 for replacement)	
31	1001156272	1	RH INSTRUMENT PANEL	
32	91163087	2	LOAD CHART BRACKET	
33		Ref	BOOM JOYSTICK WITH ADJ TILT, (See CONTROLS SECTION for details)	
34	91563206	1	CONTROL PANEL, (Sway)	
34	91563207	1	CONTROL PANEL, (Sway/Aux)	
35		Ref	HYDRAULIC CONTROLLER, (Sway), (See CONTROLS SECTION for details)	
35		Ref	HYDRAULIC CONTROLLER, (Sway/Aux), (See CONTROLS SECTION for details)	
36	3311405	4	LOCKNUT, 1/4-20	
37		Ref	HYDRAULIC CONTROLLER, (Outrigger), (See CONTROLS SECTION for details)	
38	91563072	1	RH CONSOLE (Prior to SN 0160038105)	
38	1001103557	1	RH CONSOLE (SN 0160038105 to Present)	
39	91563205	1	RH CONSOLE COVER	
40	91561140	2	CONTROLLER BRACKET	
41	91563075	1	LOWER RH CONSOLE	
42		Ref	DASH HARNESS, (not shown), (See ELECTRICAL SECTION for details)	
43		Ref	TRANSMISSION RELAY HARNESS, (not shown), (See ELECTRICAL SECTION for details)	
44		Ref	HEATING COMPONENTS, (See HEATING COMPONENTS for details)	
45	80963101	1	WIPER SWITCH	
46	1001111112	1	WINDOW WASHER FLUID TANK	
47	82033997	9 ft	WASHER FLUID HOSE	
48	0741404	2	FLAT HD SOCKET SCREW, 1/4-20X.5	
101	1001106866	1	SEAT RISER SIDE PANEL, (open cab)	
103	4761400	12	LOCKWASHER (SN 0160015647 through 0160038864, Excluding 0160021405 and 0160024690)	
103	4761400	8	LOCKWASHER (SN 0160038865 to Present, Including 0160021405 and 0160024690)	
105	90200755	AR	GASKA-TAPE 32in	
106	0630457	2	BUTTON HD SCREW, 1/4-20X1, (enclosed cab)	
107	1001104327	1	SEAT RISER PANEL (SN 0160015647 through 0160038864, Excluding 0160021405 and 0160024690)	
108	1001106849	1	AIR RETURN VENT, (enclosed cab)	

SECTION 6 - CAB

FIGURE 6-2. CAB ASSEMBLY (SN 0160039451 to Present, Including 0160039394 and 0160039397)



PAP3791

SECTION 6 - CAB

FIGURE 6-2. CAB ASSEMBLY (SN 0160039451 to Present, Including 0160039394 and 0160039397)

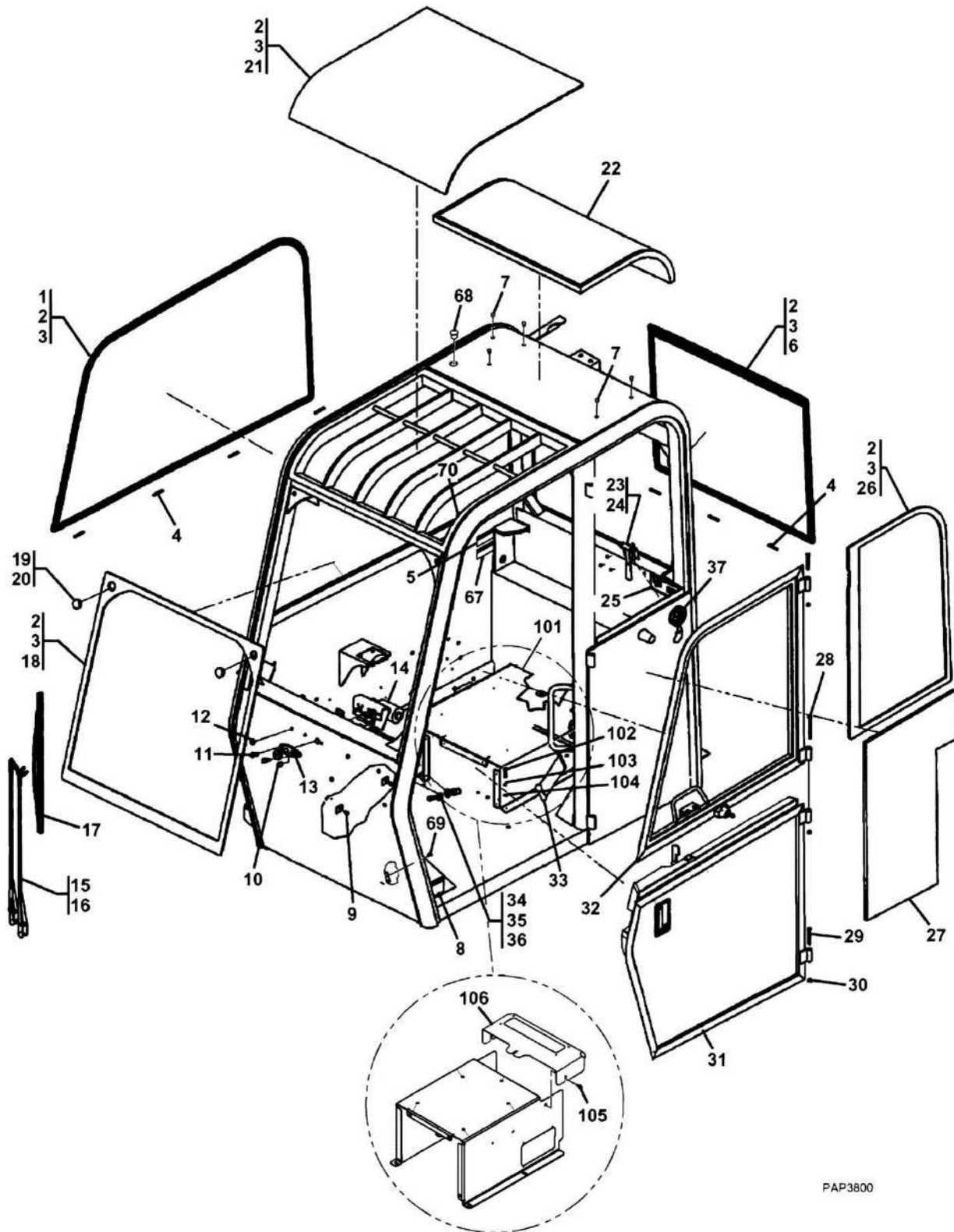
ITEM	PART NUMBER	QTY	DESCRIPTION	REV
1	0100011	AR	LOCTITE 242	
2	0630407	17	BUTTON HD SCREW, 1/4-20X5/8	
3	0630457	2	BUTTON HD SCREW, 1/4-20X1	
4	0641405	4	HEX HD CAPSCREW, 1/4-20x5/8, GR5, (open cab)	
4	0641405	8	HEX HD CAPSCREW, 1/4-20x5/8, GR5, (enclosed cab)	
5	0641408	10	HEX HD CAPSCREW, 14-20X1, GR5, (open cab)	
5	0641408	14	HEX HD CAPSCREW, 14-20X1, GR5, (enclosed cab)	
7	0641508	9	HEX HD CAPSCREW, 5/16-18X1, GR5	
8	0641510	1	HEX HD CAPSCREW, 5/16-18X1/4, GR5	
9	0641514	1	HEX HD CAPSCREW, 5/16-18X1 1/4, GR5	
10	0641608	5	HEX HD CAPSCREW, 3/8-16X1, GR5	
12	0791608	2	SCREW, 3/8-16X1	
19	3311405	4	HEX LOCK NUT, 1/4-20, GR2	
20	3311505	5	HEX LOCK NUT, 5/16-18, GR2	
22	4711400	22	WASHER, 1/4, (open cab)	
22	4711400	30	WASHER, 1/4, (enclosed cab)	
23	4711500	15	WASHER, 5/16	
24	4711600	5	WASHER, 3/8	
25	4751500	2	WIDE WASHER, 5/16	
28	4771500	1	STAR WASHER, 5/16	
29	80363033	16	FLAT HEAD CAP SCREW, #10-24X1, (open cab)	
29	1001100322	16	PAN HEAD SCREW, #10X3/4, (enclosed cab)	
30	80363034	16	TINNERMAN NUT, #10-24	
31	90200755	32 in	GASKA-TAPE	
32	90206198	AR	TRIM-LOCK	
34	91163087	2	LOAD CHART BRACKET	
36	91401198	1	FUEL TANK HOLD DOWN	
37	91401516	1	DASH BRACE	
38	91401590	1	DASH CLAMP	
39	91403230	1	MANUAL STORAGE BOX	
40	91403324	1	DASH PANEL	
41	91413036	4	SELF-TAPPING SCREW, #6X1/2, (open cab)	
41	91413036	10	SELF-TAPPING SCREW, #6X1/2, (enclosed cab)	
42	91473211	1	DASH PANEL, (open cab)	
42	1001103553	1	DASH PANEL, (enclosed cab)	
43	91561140	1	CONTROLLER BASKET	
44	1001103567	1	ACCESS COVER PLATE	
46		Ref	OPEN CAB, (See CAB for details)	
46		Ref	ENCLOSED CAB, (See CAB for details)	
47	91563075	1	LOWER RH CONSOLE	
48	91563191	NLA	RH INSTRUMENT DASH PANEL, (no longer available, use 1001156272 for replacement)	
48	1001156272	1	RH INSTRUMENT PANEL	
49		Ref	HYDRAULIC CONTROLLER, (See CONTROLS SECTION for details)	
50	91563205	1	RH CONSOLE COVER PLATE	
54		Ref	STEERING CONTROL ASSY, (See CONTROLS SECTION for details)	
55		Ref	SUSPENSION SEAT, (See SUSPENSION SEAT for details)	
66		Ref	ACCELERATOR PEDAL ASSY, (See CONTROLS SECTION for	

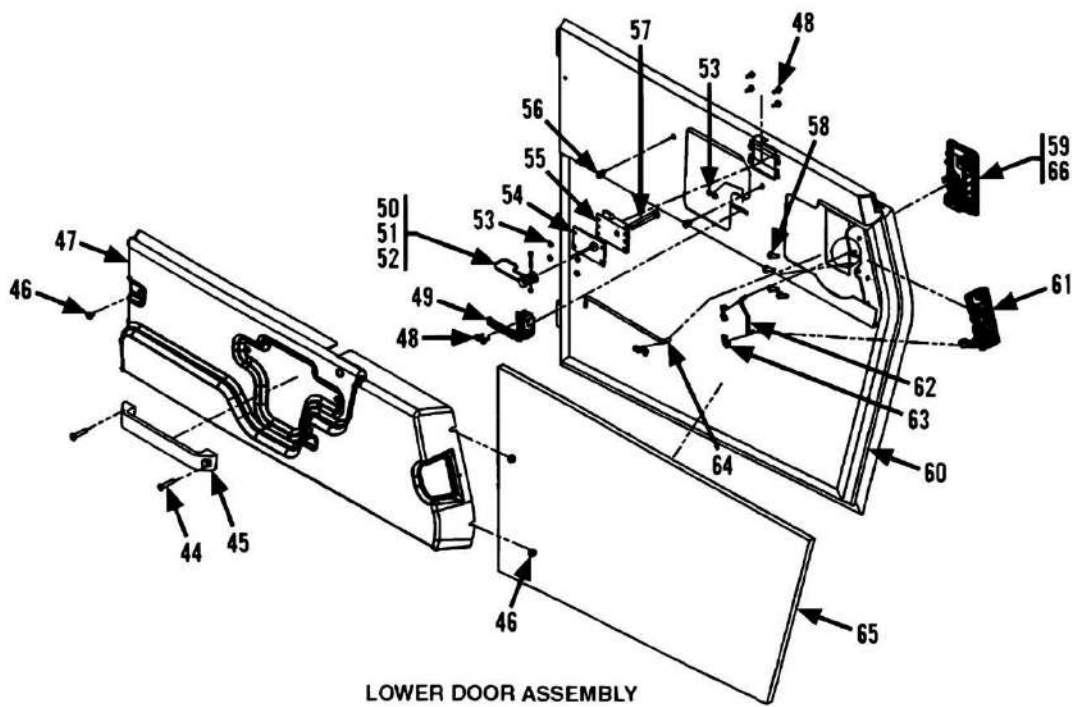
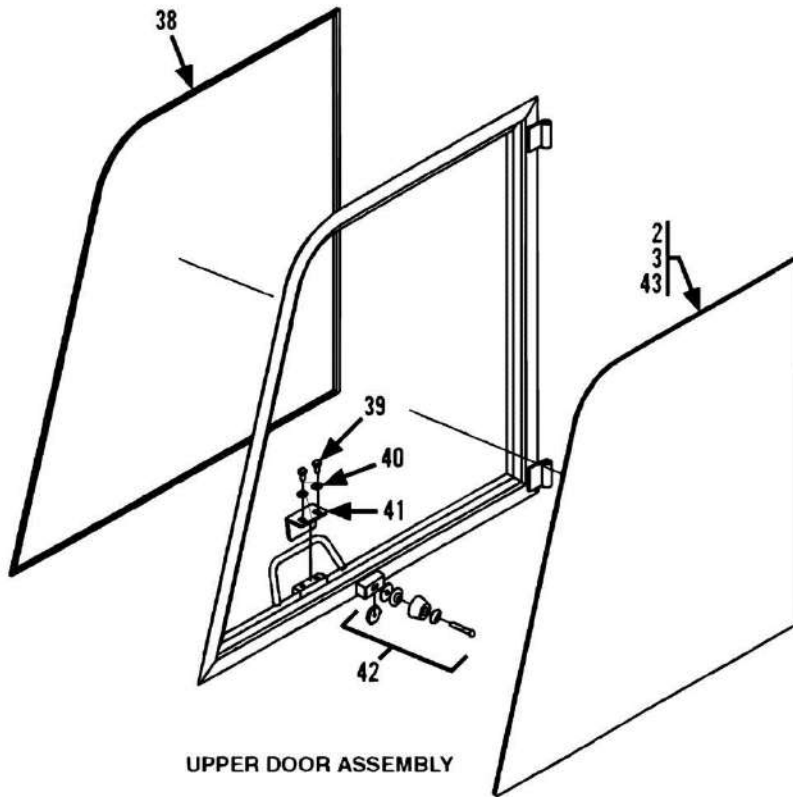
SECTION 6 - CAB

ITEM	PART NUMBER	QTY	DESCRIPTION	REV
			details)	
67		Ref	BRAKE PEDAL ASSY, (See CONTROLS SECTION for details)	
68		Ref	FUEL TANK ASSY, (See ENGINE & ATTACHING PARTS SECTION for details)	
74		Ref	DASH INSTRUMENT PANEL, (See INSTRUMENT PANEL for details)	
75	1001103557	1	RH CONSOLE	
79	1001106866	1	SEAT RISER SIDE PANEL, (open cab)	
79	1001106849	1	RETURN AIR VENT, (enclosed cab)	
80	90206199	51 in	TRIM-LOCK	
81	80963101	1	WIPER SWITCH, (enclosed cab)	
82		Ref	ENCLOSED CAB HARNESS, (not shown), (See ELECTRICAL SECTION for details)	
83	91023098	2	FENDER WASHER	
84	1001131130	2	HOLE PLUG	
134	4791400	1	STAR WASHER, 1/4, (enclosed cab)	
147	82033997	132 in	WASHER FLUID HOSE, (enclosed cab)	
162		Ref	DEFROST FAN, (enclosed cab), (See HEATING COMPONENTS for details)	
205	1001111112	1	WASHER FLUID TANK, (enclosed cab)	
301		Ref	BOOM JOYSTICK WITH ADJ TILT, (See CONTROLS SECTION for details)	
302		Ref	TRANSMISSION RELAY HARNESS, (not shown), (See ELECTRICAL SECTION for details)	
303		Ref	DASH HARNESS, (not shown), (See ELECTRICAL SECTION for details)	

SECTION 6 - CAB

FIGURE 6-3. CAB (Prior to SN 0160039451, Excluding 0160039394 and 0160039397)





SECTION 6 - CAB

FIGURE 6-3. CAB (Prior to SN 0160039451, Excluding 0160039394 and 0160039397)

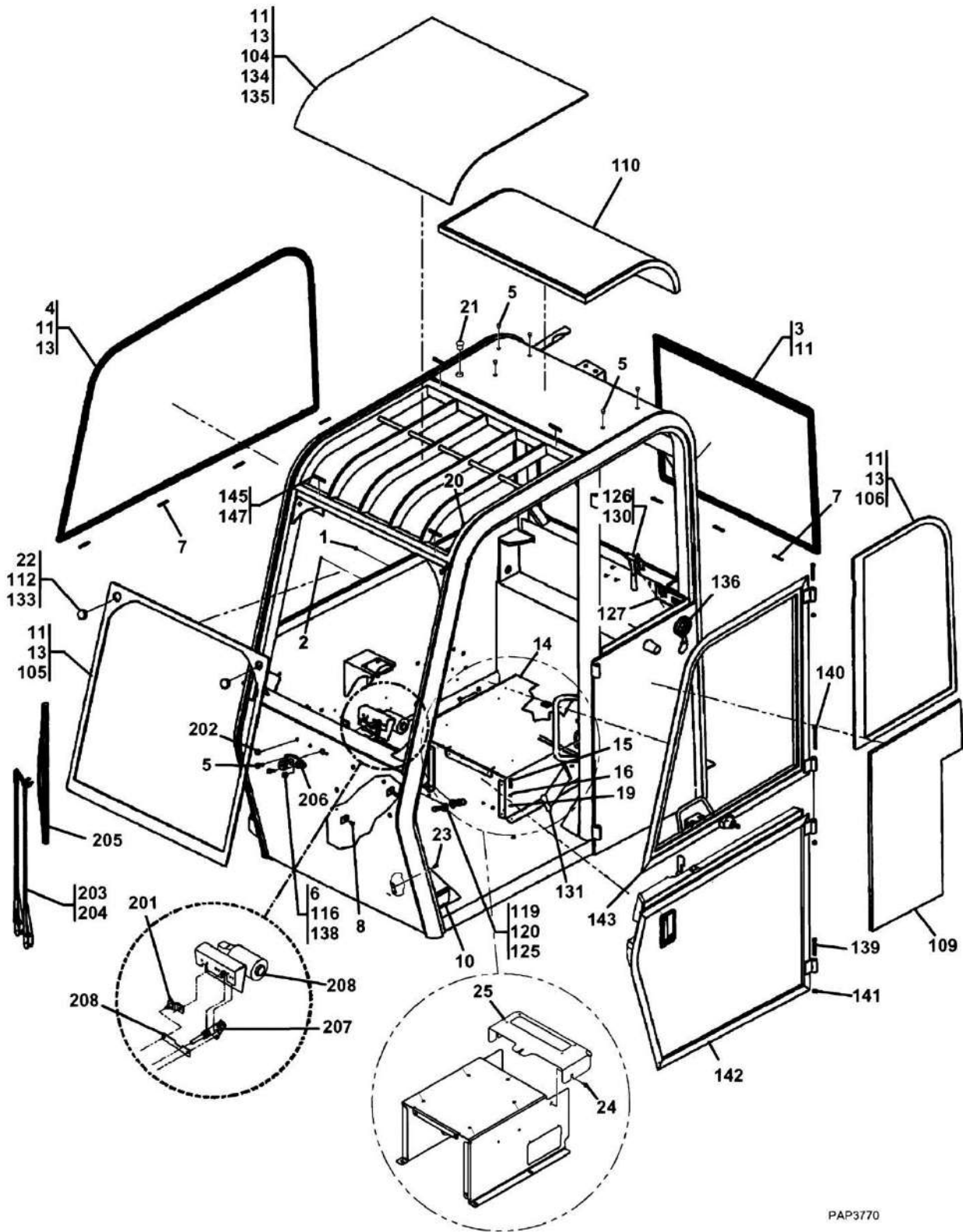
ITEM	PART NUMBER	QTY	DESCRIPTION	REV
	91563012	1	OPEN CAB, (includes items 1 thru 11, 68 thru 70)	O
	91563013	1	ENCLOSED CAB, (includes items 1 thru 66, 68 thru 70)	M
	91473156	1	CAB ENCLOSURE KIT, (includes items 12 thru 67) (Prior to SN 0160015647)	A
	1001116614	1	CAB ENCLOSURE KIT WITH HEAT, (SN 0160015647 through 0160039450, Excluding 0160039394 and 0160039397)	
	1001116615	1	CAB ENCLOSURE KIT WITH HEAT/AC, (SN 0160015647 through 0160039450, Excluding 0160039394 and 0160039397)	
1	91404109	1	RH WINDOW WITH BORDER	
2	8035523	AR	URETHANE	
3	91164089	AR	ACTIVATOR	
4	80264031	13	SETTING BLOCK	
5	N.S.S.	1	SERIAL TAG, (open cab)	
5	N.S.S.	1	SERIAL TAG, (enclosed cab)	
6	91404110	1	REAR WINDOW	
7	8036654	10	PLUG, 5/16	
8	91164094	1	ROPS WARNING DECAL	
9	1001103509	18	RIVNUT, 1/4-20	
10	91164087	1	PLUG, (open cab)	
10	91334035	1	SPACER, (enclosed cab)	
11	91164086	3	PLUG, (open cab)	
11	80384207	2	SCREW, 1/4-28X3/4, (enclosed cab)	
12	1001081310	1	WET ARM SPACER	
13	1001081307	1	WIPER ARM ADAPTER	
14	91404293	1	WIPER SYSTEM ASSY	
14	7029860	1	WIPER MOTOR, 12V	
14	80384203	1	DRIVE ARM	
14	91144478	1	SHAFT AND PIVOT ASSY	
15	1001081311	1	WET ARM KIT	
16	1001081308	1	WIPER ARM	
17	8035392	1	WIPER BLADE, 28 IN	
18	91404291	1	FRONT WINDOW	
19	91404296	2	PLUG, 1-1/4	
20	80364012	AR	CLEAR SEALANT	
21	91404290	1	SKY LIGHT WINDOW	
22	91404295	1	HEADLINER	
23	91404298	3	RIVET, 1/8	
24	91404301	1	EXIT HAMMER WITH CABLE	
25	91404299	1	EMERGENCY EXIT DECAL	
26	80364030	1	LH SIDE REAR WINDOW	
27	91404294	1	FOAM, LH SIDE PANEL	
28	91404305	1	HEX BOLT, 3/8-16X6-1/2	
29	80384205	2	HEX BOLT, 3/8-16X4-1/2	
30	91404306	3	HEX NUT, 3/8-16	
31	91474481	1	LOWER DOOR ASSY, (includes items 44 thru 66)	
31	70023193	1	LOWER DOOR WELDMENT, (includes hinges)	
32	91474482	1	UPPER DOOR ASSY, (includes items 38 thru 43)	
33	80384218	1	DOOR STRAP	
34	91334024	1	HEX BOLT, 3/8-16X7/8	
35	91404297	2	WASHER	

SECTION 6 - CAB

ITEM	PART NUMBER	QTY	DESCRIPTION	REV
36	80364023	1	STRIKER	
37	91404303	1	DOOR HOLD-OPEN, FEMALE	
38	80364001	11 ft	BULB SEAL	
39	91404324	2	HEX BOLT, 5/16-18X5/8	
40	91334032	2	WASHER	
41	91404323	1	SLAM LATCH	
42	91474492	1	DOOR HOLD-OPEN, MALE	
43	91404322	1	UPPER DOOR GLASS	
44	8035461	2	FLAT HD SCREW, 1/4-20X1-1/4	
45	91404316	1	GRAB HANDLE	
46	80264066	3	SCREW, M6X1X12	
47	91404311	1	PLASTIC DOOR COVER	
48	80384191	6	WHIZ-LOCK SCREW, #10-24X0.5	
49	80384192	1	INSIDE HANDLE ASSY, LH	
50	91404315	1	RELEASE LEVER, RH WINDOW AND LH DOOR	
51	91404317	1	SOCKET HD SCREW, #8-32X1.12	
52	91404318	1	NUT, #8-32	
53	91404313	6	LOCKNUT, #10-24	
54	91404320	1	SLAM LATCH STIFFENER	
55	91404319	1	SLAM LATCH, LH	
56	8866334	2	RIVNUT, 1/4-20	
57	91404321	1	LOWER DOOR DRIVE BAR WELDMENT	
58	80384189	4	HEX SCREW, 1/4-20X3/4	
59	1001081241	1	PADDLE LATCH, LH, (includes item 66)	
60	80364001	8 ft	BULB SEAL	
61	80364079	1	CAM LATCH, RH	
62	91404309	1	EXTERIOR RELEASE DOOR ROD	
63	80384187	3	ROD END RETAINER CLIP	
64	91404310	1	INTERIOR RELEASE DOOR ROD	
65	91404312	1	FOAM, LOWER DOOR	
66	80964051	1	DOOR KEY	
67	91474483	1	SERIAL TAG, (cab enclosure kit)	
68	80364011	1	PLUG	
69	7028939	1	RIVNUT	
70	70024001	1	VINYL GRIP	
101	1001103663	1	SEAT RISER WELDMENT (SN 0160038865 to Present, Including 0160021405 and 0160024690)	
102	7029854	1	HEX BOLT (SN 0160038865 to Present, Including 0160021405 and 0160024690)	
103	80364037	4	WASHER (SN 0160038865 to Present, Including 0160021405 and 0160024690)	
104	7029855	4	LOCK WASHER (SN 0160038865 to Present, Including 0160021405 and 0160024690)	
105	8033058	3	BOLT, 0.25-20x75, G5 (SN 0160038865 to Present, Including 0160021405 and 0160024690)	
106	1001117136	1	ACCESS PANEL (SN 0160038865 to Present, Including 0160021405 and 0160024690)	

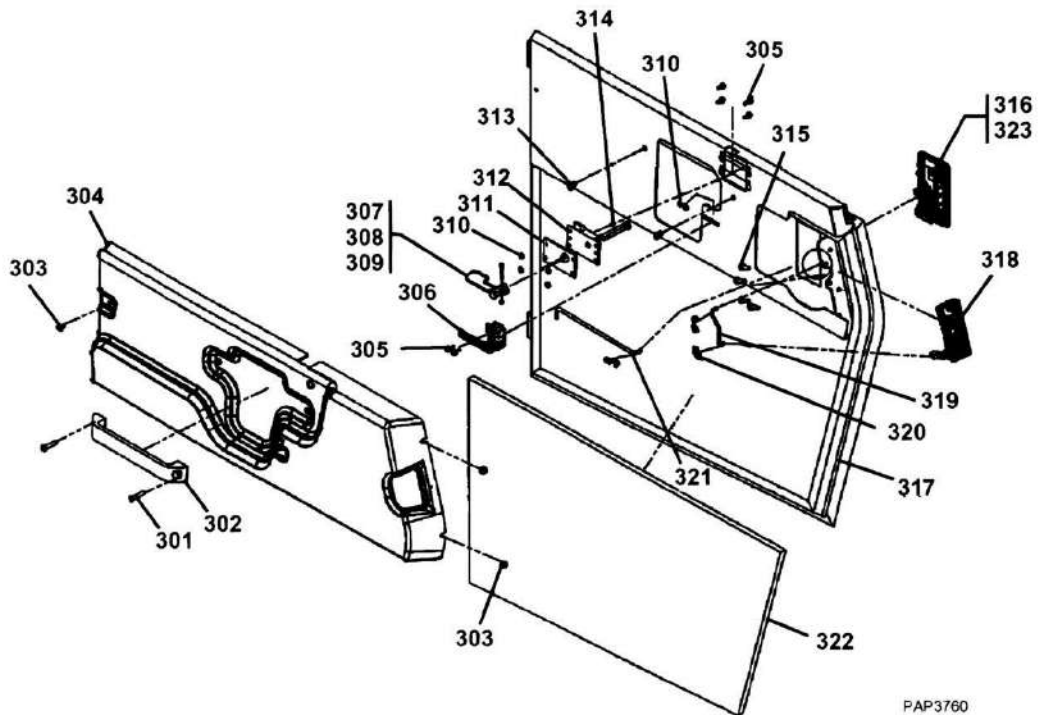
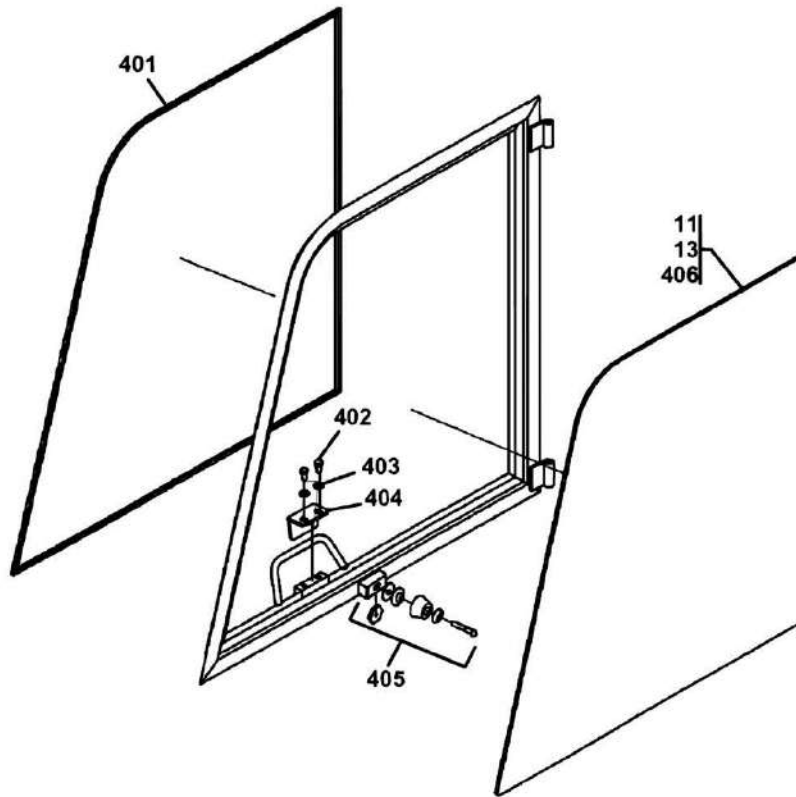
SECTION 6 - CAB

FIGURE 6-4. CAB (SN 0160039451 to Present, Including 0160039394 and 0160039397)



PAP3770

SECTION 6 - CAB



PAP3760

SECTION 6 - CAB

FIGURE 6-4. CAB (SN 0160039451 to Present, Including 0160039394 and 0160039397)

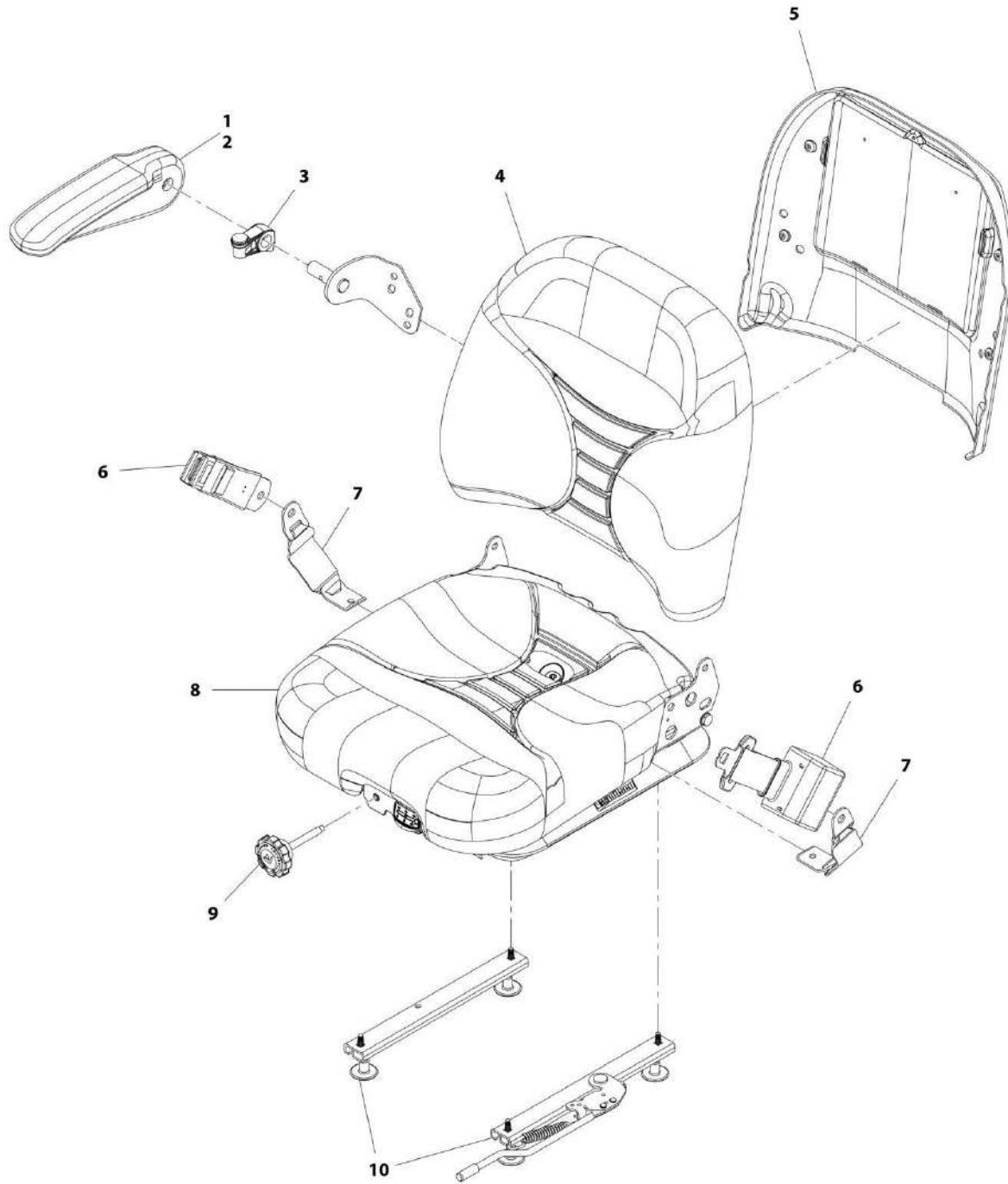
ITEM	PART NUMBER	QTY	DESCRIPTION	REV
	1001117305	1	OPEN CAB, (includes items 1 thru 25)	D
	1001117306	1	ENCLOSED CAB, (includes all items)	D
1	80264035	6	PLUG	
2	8036654	7	PLUG, 5/16	
3	91404110	1	REAR WINDOW	
4	91404109	1	RH SIDE WINDOW	
5	8036654	10	PLUG, 5/16	
6	91164087	1	HOLE PLUG, (open cab)	
7	80264031	13	BLOCK	
8	1001103509	18	RIVNUT	
10	91164094	1	ROPS WARNING DECAL	
11	80364009	AR	URETHANE	
13	91404302	AR	ACTIVATOR	
14	1001103663	1	SEAT RISER WELDMENT	
15	7029854	4	HEX BOLT	
16	80364037	4	WASHER	
19	7029855	4	LOCKWASHER	
20	70024001	1	VINYL GRIP	
21	80364011	1	PLUG	
22	91344046	AR	SEALANT	
23	7028939	1	RIVNUT	
24	0791406	1	BOLT	
25	1001117136	1	ACCESS PANEL	
104	91404290	1	WINDOW SKY LIGHT	
105	91404291	1	FRONT WINDOW	
106	80364030	1	WINDOW	
109	91404294	1	LH SIDE PANEL FOAM	
110	91404295	1	HEAD LINER	
112	91404296	2	HOLE PLUG	
116	80384207	2	SCREW, (enclosed cab)	
119	80364023	1	STRIKER BOLT	
120	91334024	1	HEX BOLT	
125	91404297	2	WASHER	
126	91404298	3	RIVET	
127	91404299	1	EMERGENCY EXIT DECAL	
130	91404301	1	EMERGENCY EXIT HAMMER	
131	80384218	1	STRAP	
133	70020632	AR	SEAM SEAL	
134	91334034	AR	BLACK URETHANE	
135	91404302	AR	ACTIVATOR	
136	91404303	1	DOOR HOLD OPEN	
138	91334035	1	SPACER	
139	80384205	2	BOLT	
140	91404305	1	BOLT	
141	91404306	3	NUT	
142	91474481	1	LOWER DOOR ASSY, (includes items 301 thru 323)	
142	70023193	1	LOWER DOOR WELDMENT, (includes hinges)	
143	91474482	1	UPPER DOOR ASSY, (includes items 401 thru 406)	
145	80264031	15	BLOCK	
147	70020653	4	BLOCK	

SECTION 6 - CAB

ITEM	PART NUMBER	QTY	DESCRIPTION	REV
201	80384203	1	WIPER ARM	
202	1001081310	1	ADAPTER	
203	1001081311	1	ARM ADAPTER	
204	1001081308	1	WIPER ARM	
205	8035392	1	WIPER BLADE	
206	1001081307	1	ADAPTER KIT	
207	91144478	1	SHAFT AND PIVOT ASSEMBLY	
208	7029860	1	WIPER MOTOR, 12V	
301	8035461	2	FLAT HD SCREW, 1/4-20X1-1/4	
302	91404316	1	GRAB HANDLE	
303	80264066	3	SCREW, M6X1X12	
304	91404311	1	PLASTIC DOOR COVER	
305	80384191	6	WHIZ-LOCK SCREW, #10-24X0.5	
306	80384192	1	INSIDE HANDLE ASY, LH	
307	91404315	1	RELEASE LEVER, RH WINDOW AND LH DOOR	
308	91404317	1	SOCKET HD SCREW, #8-32X1.12	
309	91404318	1	NUT, #8-32	
310	91404313	6	LOCKNUT, #10-24	
311	91404320	1	SLAM LATCH STIFFENER	
312	91404319	1	SLAM LATCH, LH	
313	8866334	2	RIVNUT, 1/4-20	
314	91404321	1	LOWER DOOR DRIVE BAR WELDMENT	
315	80384189	4	HEX SCREW, 1/4-20X3/4	
316	1001081241	1	PADDLE LATCH, LH, (includes item 323)	
317	80364001	8 ft	BULB SEAL	
318	80364079	1	CAM LATCH, RH	
319	91404309	1	ETERIOR RELEASE DOOR ROD	
320	80384187	3	ROD END RETAINER CLIP	
321	91404310	1	INTER RELEASE DOOR ROD	
322	91404312	1	FOAM, LOWER DOOR	
323	80964051	1	DOOR KEY	
401	80364001	11 ft	BULB SEAL	
402	91404324	2	HEX BOLT, 5/16-18X5/8	
403	91334032	2	WASHER	
404	91404323	1	SLAM LATCH	
405	91474492	1	DOOR HOLD-OPEN, MALE	
406	91404322	1	UPPER GLASS	

SECTION 6 - CAB

FIGURE 6-5. SUSPENSION SEAT



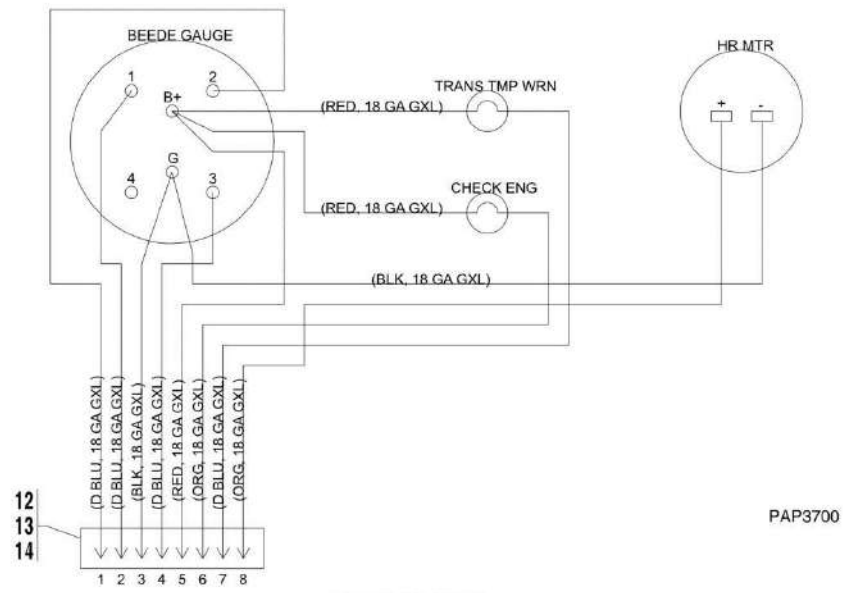
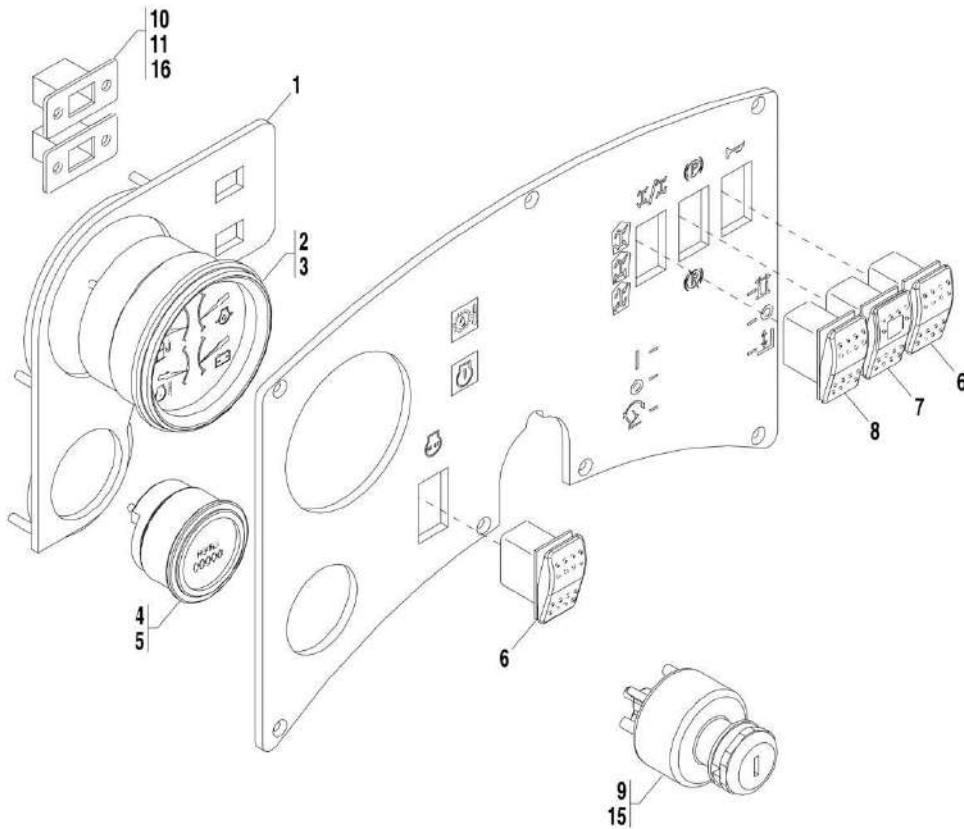
ART_91563158-G

FIGURE 6-5. SUSPENSION SEAT

ITEM	PART NUMBER	QTY	DESCRIPTION	REV
	91563158	Ref	SEAT	G
1	7026904	1	ARMREST, RH, (includes items 2 & 3)	
2	N.S.S.	1	ARMREST	
3	N.S.S.	1	STOP, ARMREST	
4	7026900	1	CUSHION, BACK	
5	7026902	1	PANEL, BACK	
6	7026905	1	BELT, SEAT	
7	7026906	1	TETHER	
8	7026901	1	CUSHION, SEAT	
9	7026799	1	KNOB	
10	7026798	1	SLIDE	

SECTION 6 - CAB

FIGURE 6-6. INSTRUMENT PANEL (Prior to SN 0160032170, Excluding 0160030878 and 0160030879)



WIRING DIAGRAM
(SEE SECTION 10 FOR DASH HARNESS CONNECTIONS)

PAP3700

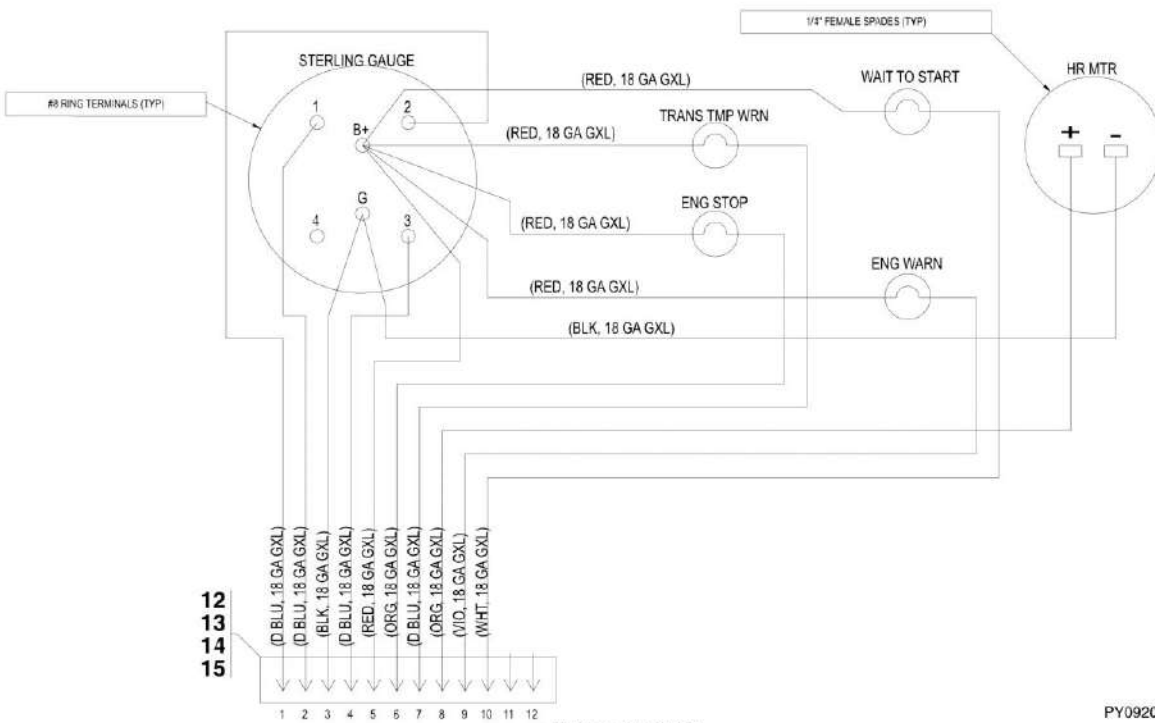
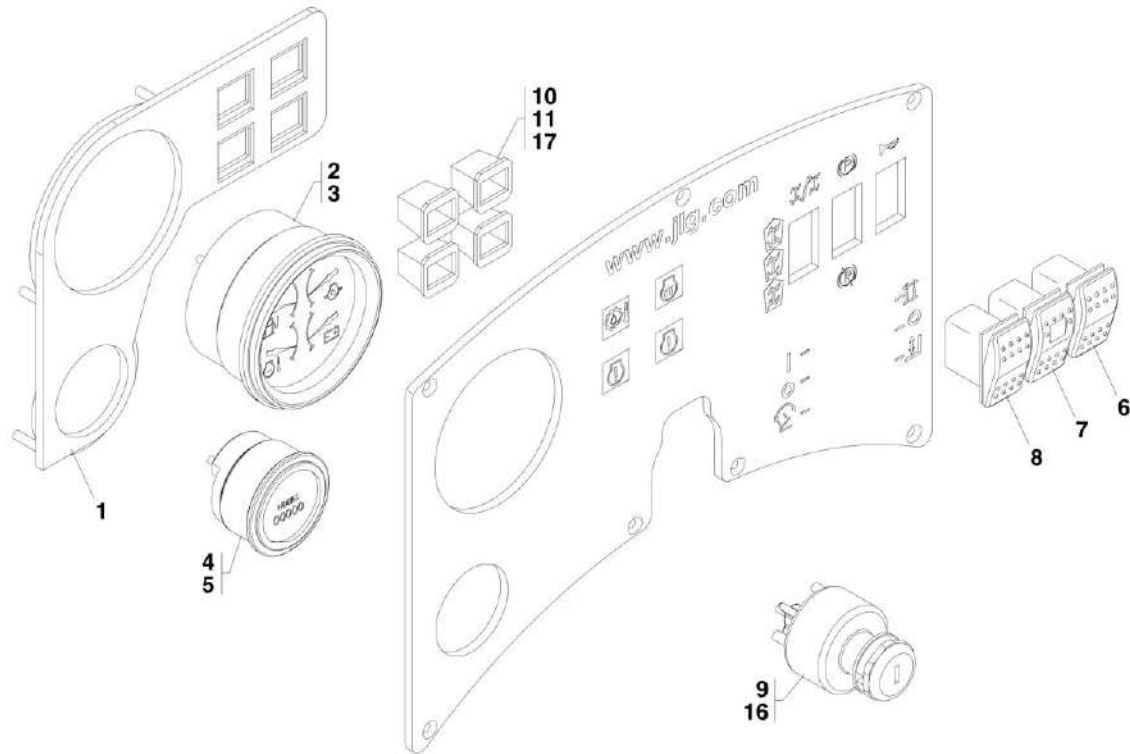
SECTION 6 - CAB

FIGURE 6-6. INSTRUMENT PANEL (Prior to SN 0160032170, Excluding 0160030878 and 0160030879)

ITEM	PART NUMBER	QTY	DESCRIPTION	REV
	91563117	1	INSTRUMENT PANEL, (includes all items)	O
1	N.S.S.	1	SPACER PANEL	
2	7029892	1	4-IN-1 GAUGE	
3	7026913	1	LARGE GAUGE BRACKET	
4	90205688	1	HOURMETER	
5	7026914	1	SMALL GAUGE BRACKET	
6	7026440	2	HORN AND RESET SWITCH, (includes actuator)	
7	91474465	1	PARK BRAKE SWITCH, (includes actuator)	
8	91473127	1	STEER SELECT SWITCH, (includes actuator)	
9	91033317	1	IGNITION SWITCH, (includes item 15)	
10	N.S.S.	2	BULB HOUSING	
11	80484088	2	BULB, #74	
12	91554017	1	DEUTSCH CONNECTOR	
13	91503106	1	DEUTSCH LOCK	
14	77363228	8	DEUTSCH CONTACT, #16	
15	77384578	1	IGNITION KEY	
16	7026438	2	TERMINAL	

SECTION 6 - CAB

FIGURE 6-7. INSTRUMENT PANEL (SN 0160032170 through 0160037176, Including 0160030878 and 0160030879)



WIRING DIAGRAM
(SEE SECTION 10 FOR DASH HARNESS CONNECTIONS)

PY0920

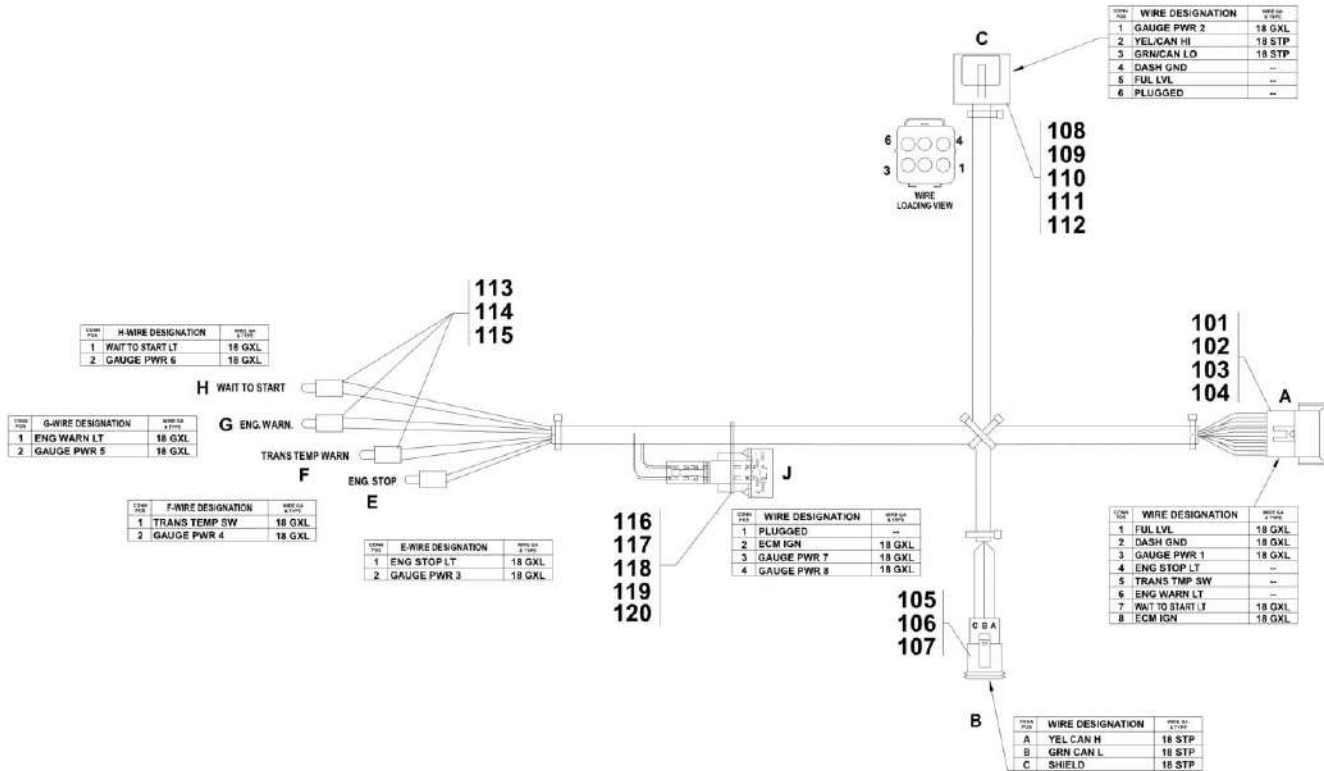
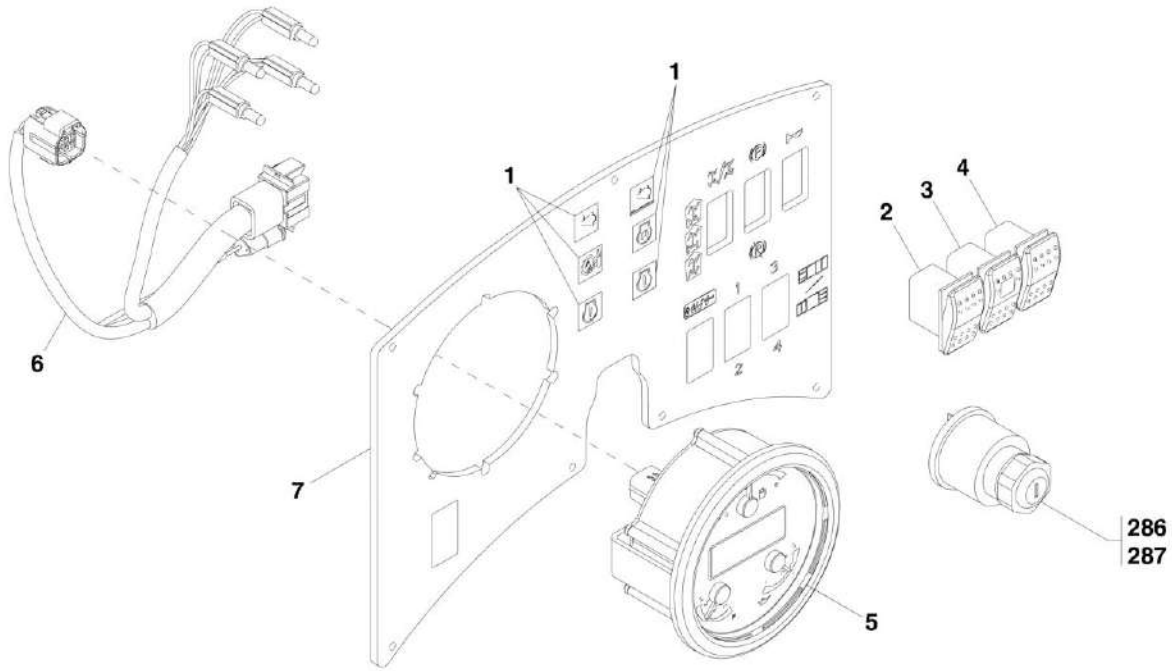
SECTION 6 - CAB

FIGURE 6-7. INSTRUMENT PANEL (SN 0160032170 through 0160037176, Including 0160030878 and 0160030879)

ITEM	PART NUMBER	QTY	DESCRIPTION	REV
	1001098599	1	INSTRUMENT PANEL, (includes items 1 thru 15 & item 17)	E
1	N.S.S.	1	SPACER PANEL	
2	70021231	1	4-IN-1 GAUGE	
3	7026913	1	LARGE GAUGE BRACKET	
4	90205688	1	HOURMETER	
5	7026914	1	SMALL GAUGE BRACKET	
6	7026440	1	HORN SWITCH, (includes actuator)	
7	91474465	1	PARK BRAKE SWITCH, (includes actuator)	
8	91473127	1	STEER SELECT SWITCH, (includes actuator)	
9	91033317	1	IGNITION SWITCH, (includes item 16)	
10	N.S.S.	4	BULB HOUSING	
11	80484088	4	BULB	
12	4460532	1	DEUTSCH CONNECTOR	
13	80363179	1	DEUTSCH LOCK	
14	77363228	10	DEUTSCH CONTACTS	
15	4460466	2	DEUTSCH PLUG	
16	77384578	1	KEY	
17	7026438	4	TERMINAL	

SECTION 6 - CAB

FIGURE 6-8. INSTRUMENT PANEL (SN 0160037186 to Present)



PAP12601

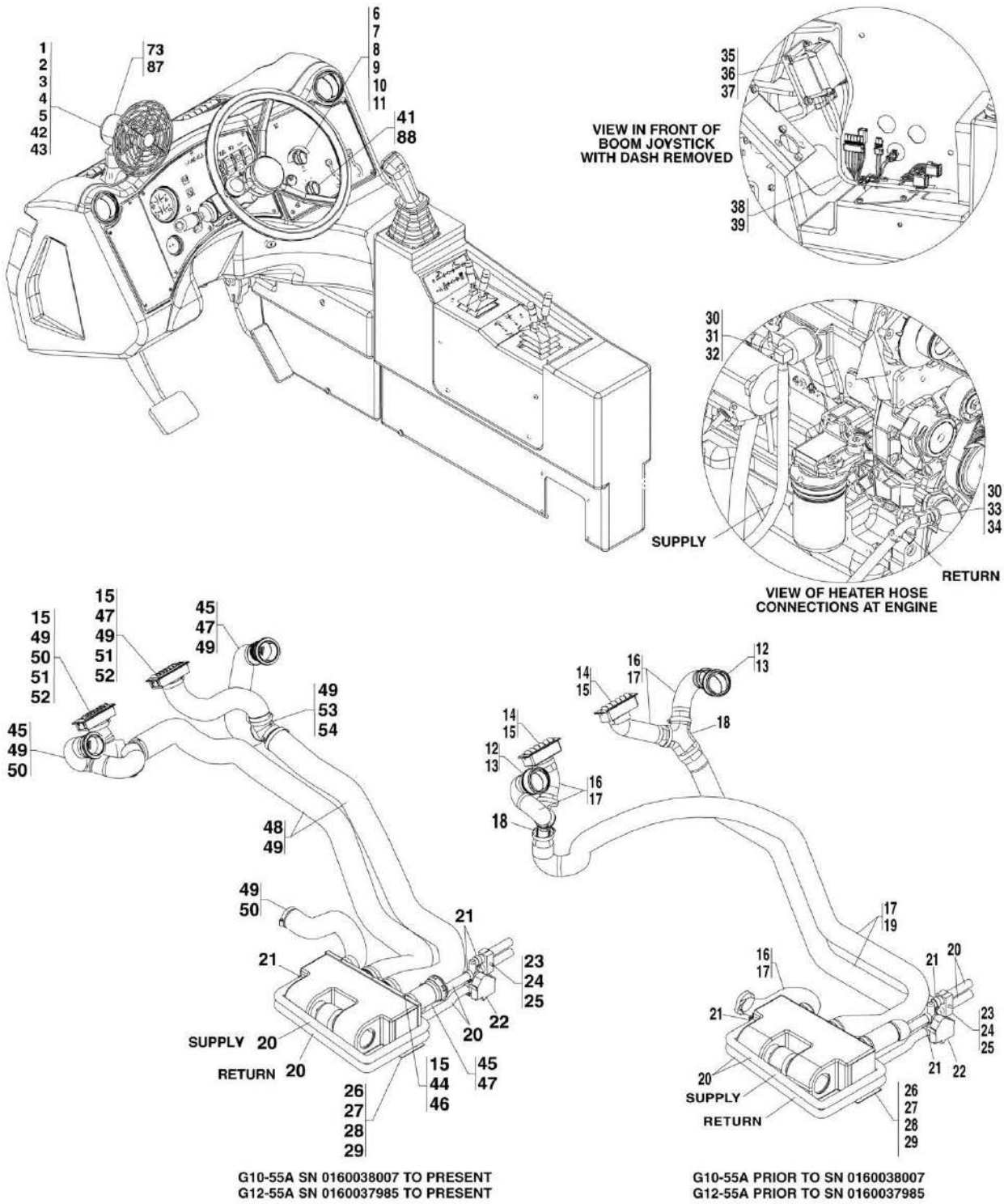
SECTION 6 - CAB

FIGURE 6-8. INSTRUMENT PANEL (SN 0160037186 to Present)

ITEM	PART NUMBER	QTY	DESCRIPTION	REV
	1001101666	1	INSTRUMENT PANEL, (includes items 1 thru 7)	M
1	N.S.S.	6	BULB HOUSING	
2	91473127	1	STEER SELECT SWITCH	
3	91474465	1	PARK BRAKE SWITCH	
4	7026440	1	HORN SWITCH	
5	1001099163	1	3-IN-1 GAUGE	
6	1001102815	1	INSTRUMENT PANEL HARNESS, (includes items 101 thru 120)	C
7	1001099378	1	DASH PANEL	
101	91503105	1	8 PIN RECEPTACLE	
102	91503106	1	WEDGE LOCK	
103	77363228	7	TERMINAL	
104	4460466	1	PLUG	
105	N.S.S.	1	CONNECTOR	
106	70022691	1	WEDGE LOCK	
107	4460944	3	CONTACT	
108	N.S.S.	1	CONNECTOR	
109	N.S.S.	1	DOUBLE LOCK PLATE	
110	N.S.S.	1	SOCKET	
111	N.S.S.	1	WIRE SEAL	
112	N.S.S.	1	PLUG	
113	7026437	4	BULB BASE	
114	7026438	8	TERMINAL	
115	80484088	4	BULB	
116	1001116816	1	DIODE	
117	4460465	3	TERMINAL	
118	80604021	1	WEDGE LOCK	
119	4460884	1	CONNECTOR	
120	4460466	1	PLUG	
286	91033317	1	IGNITION SWITCH, (includes item 287)	
287	77384578	1	KEY	

SECTION 6 - CAB

FIGURE 6-9. HEATING COMPONENTS



ART_3126020-6-9

FIGURE 6-9. HEATING COMPONENTS

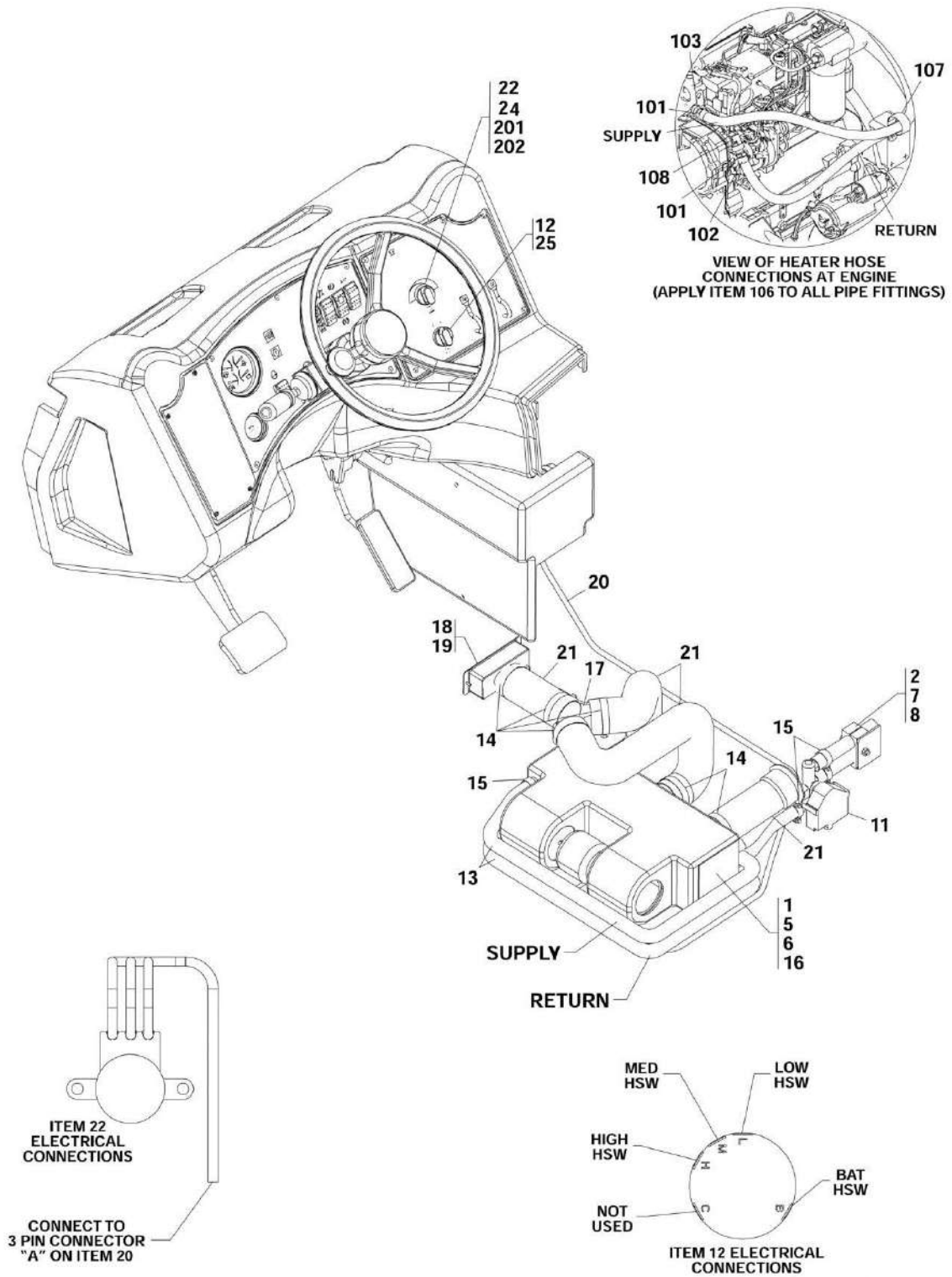
ITEM	PART NUMBER	QTY	DESCRIPTION	REV
1	91033425	1	RUBBER GROMMET	
2	91401443	1	FAN BASE PLATE	
3	3311005	4	SOCKET FLAT HD CAPSCREW, #10-24X3/4	
4	91403608	1	DEFROSTER FAN, (includes item 5)	
5	91044542	1	FAN MOTOR	
5	80365027	1	POTENTIOMETER ASSY, (includes items 6 & 10) (Prior to SN 0160027374)	
5	1001151643	1	POTENTIOMETER ASSY, (includes items 6 & 10) (SN 0160027374 to Present)	
6	80363067	1	POTENTIOMETER, 8 OHM (Prior to SN 0160027374)	
6	1001145206	1	POTENTIOMETER, 10 OHM (SN 0160027374 to Present)	
7	80363069	2	KNOB (Prior to SN 0160027374)	
7	1001151847	1	KNOB (SN 0160027374 to Present)	
8	0740605	2	SOCKET FLAT HD CAPSCREW, #6-32X5/8	
9	3310601	2	HEX NUT, #6-32	
10	80363208	1	POTENTIOMETER HARNESS	
11	88691387	1	TUBING CLIP	
12	1001100278	2	VENT, ROUND	
13	1001101669	2	VENT REDUCER	
14	1001100279	2	RECTANGULAR VENT	
15	91413036	4	SELF-TAPPING SCREW, #6X1/2, (G10-55A Prior to SN 0160038007; G12-55A Prior to SN 0160037985)	
15	91413036	10	SELF-TAPPING SCREW, #6X1/2, (G10-55A SN 0160038007 to Present; G12-55A SN 0160037985 to Present)	
16	1001100447	12.3 ft	FLEXIBLE DUCT, 3 IN I.D.	
17	86883328	16	HOSE CLAMP	
18	1001101688	2	3-WAY CONNECTOR	
19	1001100446	5.6 ft	FLEXIBLE DUCT, 2.5 IN I.D.	
20	82033995	20 ft	HEATER HOSE, 5/8	
21	86683193	6	HOSE CLAMP	
22	80383231	1	HEATER CONTROL VALVE	
23	77133279	1	CLAMP SET	
24	77133137	1	COVER PLATE	
25	0641518	1	HEX HD CAPSCREW, 5/16-18X2-1/4, GR5	
26	91403280	NLA	HEATER UNIT, (no longer available, use 1001114282 for replacement) (G10-55A Prior to SN 0160038007; G12-55A Prior to SN 0160037985)	
26	1001114282	1	HEATER UNIT, (G10-55A SN 0160038007 to Present; G12-55A SN 0160037985 to Present)	
27	0641405	1	HEX HD CAPSCREW, 1/4-20X5/8, GR5, (G10-55A Prior to SN 0160038007; G12-55A Prior to SN 0160037985)	
27	0630407	4	BUTTON HD SCREW, 1/4-20X5/8 LG, (G10-55A SN 0160038007 to Present; G12-55A SN 0160037985 to Present)	
28	4711400	4	FLAT WASHER, 1/4	
29		Ref	ENCLOSED CAB HARNESS, (See ELECTRICAL SECTION for details)	
30	86671187	2	HEATER HOSE CLAMP	
31	80373046	1	REDUCING BUSHING	
32	84712749	1	BRASS ELBOW	
33	80683073	1	ELBOW, 3/7	
34	91403443	1	BARBED FITTING, 90	
35	91563084	1	VEC OPTIONS BOX, (G10-55A Prior to SN 0160032931, SN	D

SECTION 6 - CAB

ITEM	PART NUMBER	QTY	DESCRIPTION	REV
			0160032946 through 0160033118; G12-55A Prior to SN 0160032880, SN 0160033085 through 0160033156, Including 0160032912)	
35	70020898	8	5-PIN MICRO RELAY	
35	80983191	2	MINI FUSE, 10 AMP	
35	8229244	2	MINI FUSE, 15 AMP	
35	8229246	3	MINI FUSE, 20 AMP	
35	8229247	1	MINI FUSE, 25 AMP	
35	1001092849	1	VEC OPTIONS BOX, (G10-55A Prior to SN 0160032931, SN 0160032946 through 0160033118; G12-55A Prior to SN 0160032880, SN 0160033085 through 0160033156, Including 0160032912))	D
35	1001126285	1	POWER DISTRIBUTION BOX (SN 0160040505 to Present)	D
35	70021478	1	COVER	
35	70021485	1	LABEL	
35	70020898	8	MICRO-RELAY, 5 PIN	
35	8229242	1	MINI FUSE, 5 AMP	
35	8229244	2	MINI FUSE, 15 AMP	
35	80983192	1	MINI FUSE, 15 AMP (SN 0160040505 to Present)	
35	8229247	1	MINI FUSE, 25 AMP (SN 0160040505 to Present)	
35	1001165762	8	RELAY (SN 0160040505 to Present)	
35	70024843	1	RELAY, 12V 30 AMP	
36	0641408	4	HEX HD CAPSCREW, 1/4-20X1, GR5	
37	4751200	4	FLAT WASHER, 1/4	
38		Ref	VEC OPTIONS HARNESS, (See ELECTRICAL SECTION for details)	
39	4240033	AR	TIE WRAP	
41	80964001	1	BLOWER SWITCH	
42	3311005	4	HEX LOCK NUT, 10-24 GR2	
43	80963058	1	WEATHERPACK SHROUD	
44	1001090344	AR	NEOPRENE TAPE, (G10-55A SN 0160038007 to Present; G12-55A SN 0160037985 to Present)	
45	1001100278	3	ROUND VENT, (G10-55A SN 0160038007 to Present; G12-55A SN 0160037985 to Present)	
46	1001100282	1	BLOWER UNIT COVER, (G10-55A SN 0160038007 to Present; G12-55A SN 0160037985 to Present)	
47	1001100446	AR	AIR AND MULTI PURPOSE HOSE, (G10-55A SN 0160038007 to Present; G12-55A SN 0160037985 to Present)	
48	1001100447	AR	FLEXIBLE DUCT, 3 IN, (G10-55A SN 0160038007 to Present; G12-55A SN 0160037985 to Present)	
49	86883328	16	WORM DRIVE CLAMP, (G10-55A SN 0160038007 to Present; G12-55A SN 0160037985 to Present)	
50	71492152	2.2 ft	VENT HOSE, 2.5 IN, (G10-55A SN 0160038007 to Present; G12-55A SN 0160037985 to Present)	
51	1001100279	3	DEFROST VENT, (G10-55A SN 0160038007 to Present; G12-55A SN 0160037985 to Present)	
52	1001101216	3	DEFROST BASE VENT, (G10-55A SN 0160038007 to Present; G12-55A SN 0160037985 to Present)	
53	1001101668	2	3-WAY CONDUIT, (G10-55A SN 0160038007 to Present; G12-55A SN 0160037985 to Present)	
54	1001101669	2	CONDUIT, (G10-55A SN 0160038007 to Present; G12-55A SN 0160037985 to Present)	
73	80963069	1	MALE PIN TERMINAL	
87	80963065	1	CABLE SEAL	
88	1001152326	1	KNOB (SN 0160027374 to Present)	

SECTION 6 - CAB

FIGURE 6-10. OPEN CAB HEATER (Prior to SN 0160039103, Excluding 0160038973)



ART_3126020-6-10

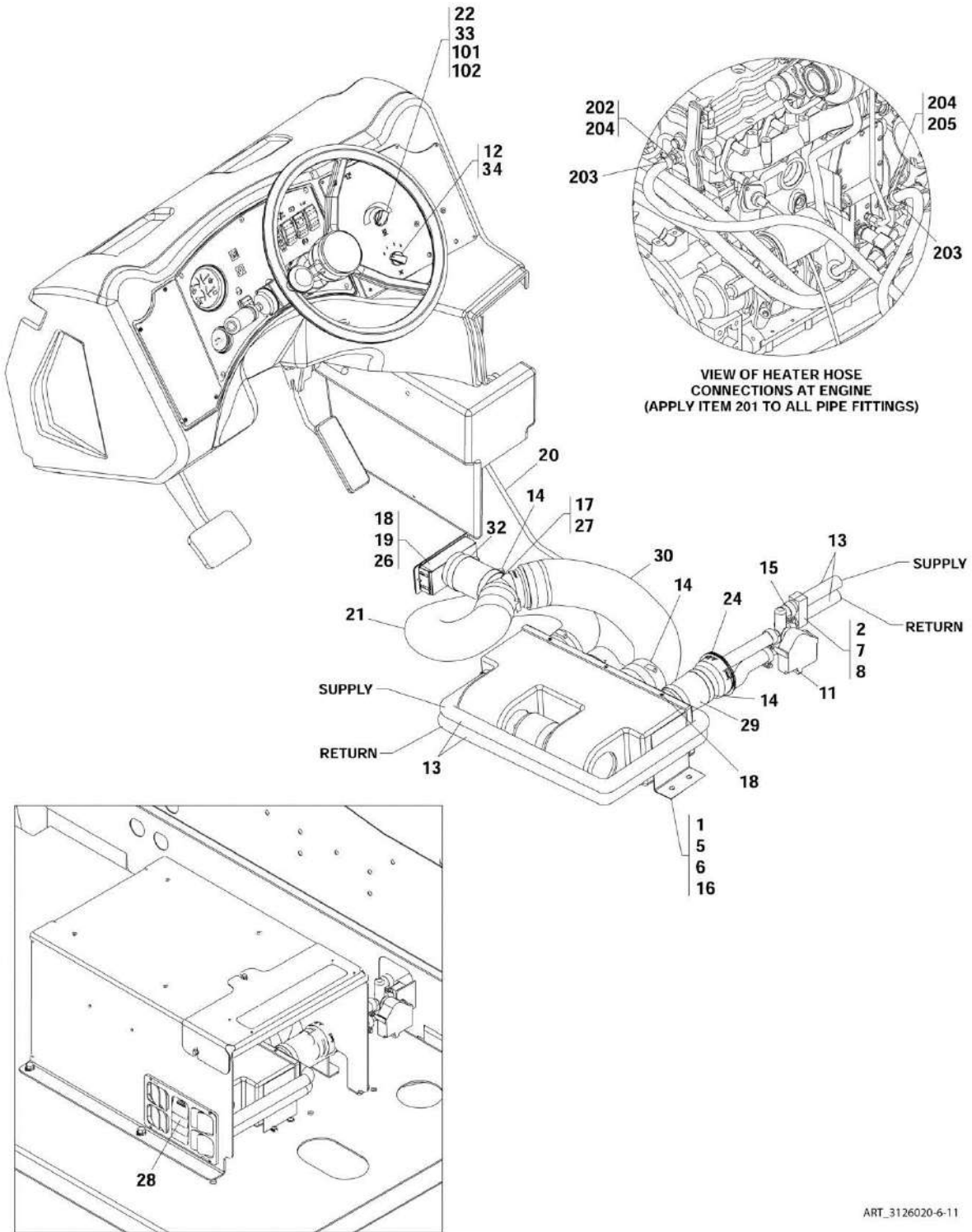
SECTION 6 - CAB

FIGURE 6-10. OPEN CAB HEATER (Prior to SN 0160039103, Excluding 0160038973)

ITEM	PART NUMBER	QTY	DESCRIPTION	REV
	91565065	1	OPEN CAB HEATER ASSY, (includes items 1 thru 25)	D
1	0630407	4	BUTTON HD CAPSCREW, 1/4-20X5/8	
2	0641518	1	HEX HD CAPSCREW, 5/16-18X2 1/4, GR5	
5	4711400	4	WASHER, 1/4	
6	4761400	4	LOCK WASHER, 1/4	
7	77133137	1	COVER PLATE	
8	77133279	1	CLAMP SET	
11	80383231	1	HEATER CONTROL VALVE	
12	80964001	1	BLOWER SWITCH	
13	82033995	20 ft	HEATER HOSE, 5/8	
14	84231107	5	HOSE CLAMP	
15	86683193	6	HOSE CLAMP	
16	91403280	1	HEATER UNIT	
17	91403539	1	CONNECTOR, 3-WAY	
18	91413036	2	SELF TAPPING SCREW, #6X1/2	
19	91413053	1	RECTANGULAR VENT	
20		Ref	ENCLOSED CAB HARNESS, (See ELECTRICAL SECTION for details)	
21	71492152	4 ft	VENT HOSE, 2.5 IN	
22	80365027	Ref	POTENTIOMETER ASSY, (not available to order, see items 201 thru 202 for service) (Prior to SN 0160027374)	D
22	1001151643	Ref	POTENTIOMETER ASSY, (not available to order, see items 201 thru 202 for service), (SN 0160027374 to Present)	A
24	1001151847	1	KNOB (SN 0160027374 to Present)	
25	1001152326	1	KNOB (SN 0160027374 to Present)	
	0275750	1	ENGINE HEATER PARTS, (includes items 101 thru 108)	E
101	8405007	2	GEAR CLAMP	
102	8430048	1	REDUCER BUSHING	
103	77383540	1	COOLANT RESTRICTOR ORAFICE	
106	0100020	AR	LOCTITE 567	
107	90028660	1	LOOP CLAMP	
108	8540218	1	ELBOW, 90	
201	80363208	1	POTENTIOMETER WIRE HARNESS	
202	80363067	1	POTENTIOMETER (Prior to SN 0160027374)	
202	1001145206	1	POTENTIOMETER (SN 0160027374 to Present)	

SECTION 6 - CAB

FIGURE 6-11. OPEN CAB HEATER (SN 0160039103 to Present, Including 0160038973)



ART_3126020-6-11

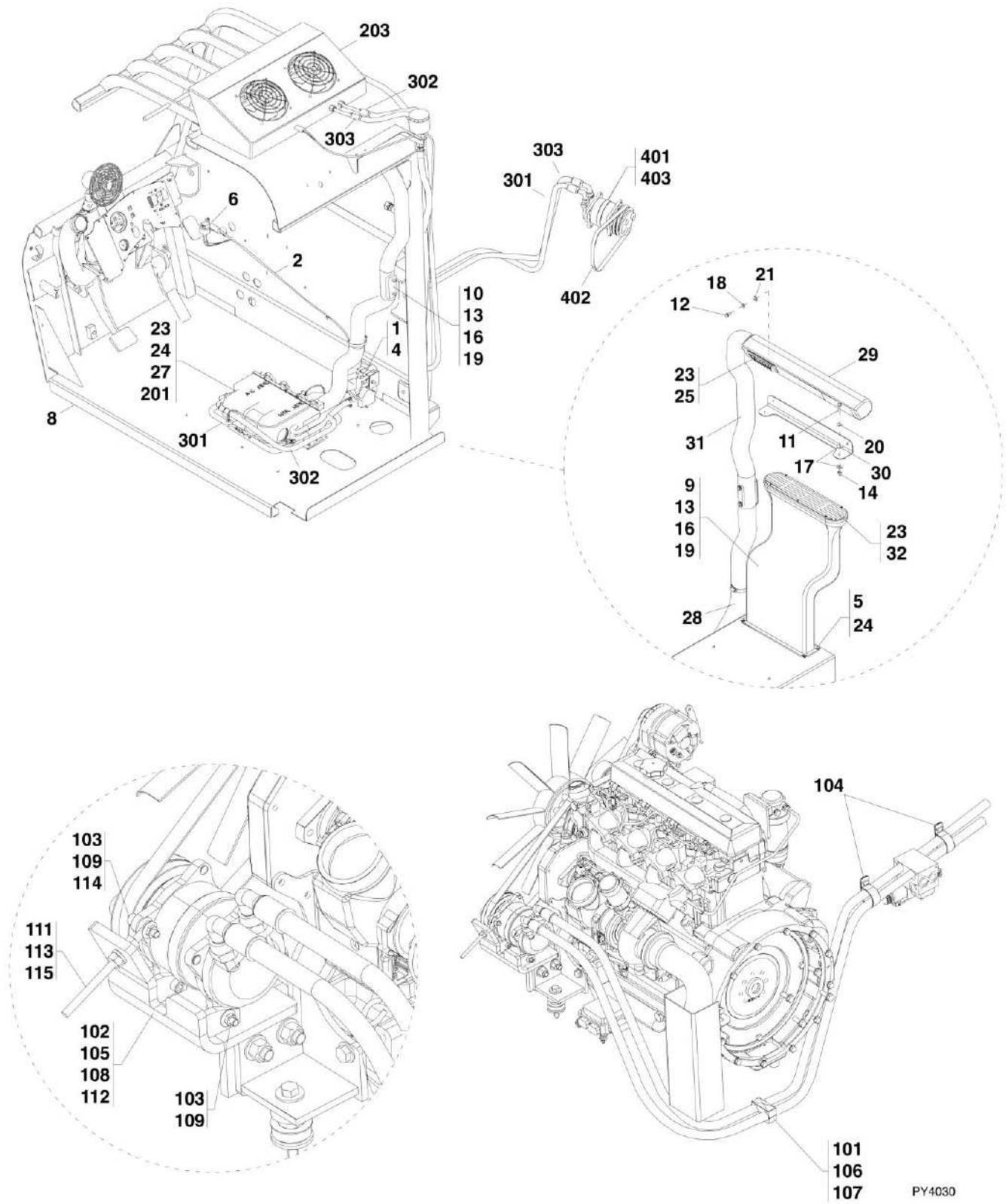
SECTION 6 - CAB

FIGURE 6-11. OPEN CAB HEATER (SN 0160039103 to Present, Including 0160038973)

ITEM	PART NUMBER	QTY	DESCRIPTION	REV
	1001116380	Ref	OPEN CAB HEATER ASSY, (not available to order, see items 1 thru 34 for service)	C
1	0630407	4	BUTTON HD SCREW, 1/4-20X5/8	
2	0641518	1	HEX HD CAPSCREW, 5/16-18X2 1/4, GR5	
5	4711400	4	WASHER, 1/4	
6	4761400	4	LOCK WASHER, 1/4	
7	77133137	1	TWIN CLAMP COVER PLATE	
8	77133279	1	CLAMP SET	
11	80383231	1	HEATER CONTROL VALVE	
12	80964001	1	BLOWER SWITCH	
13	82033995	AR	HEATER HOSE, 5/8	
14	86883328	7	HOSE CLAMP	
15	86683193	6	HOSE CLAMP	
16	1001114282	1	SEALED MOTOR HEATER UNIT	
17	1001101668	1	CONNECTOR, THREE WAY	
18	91413036	8	SELF TAPPING SCREW, #6X1/2	
19	1001100279	1	DEFROST VENT	
20		Ref	ENCLOSED CAB HARNESS, (See ELECTRICAL SECTION for details)	
21	71492152	AR	VENT HOSE, 2.5 IN	
22	1001151643	Ref	POTENTIOMETER ASSY, (not available to order, see items 101 thru 102 for service)	A
24	1001100278	1	ROUND VENT	
26	1001101216	1	DEFROST BASE VENT	
27	1001101669	1	CONNECTOR	
28	1001106849	1	RETURN AIR VENT	
29	1001100446	AR	VENT HOSE	
30	1001100447	AR	VENT HOSE	
32	84231107	1	HOSE CLAMP	
33	1001151847	1	KNOB	
34	1001152326	1	KNOB	
101	80363208	1	POTENTIOMETER WIRE HARNESS	
102	1001145206	1	POTENTIOMETER	
	1001116590	Ref	ENGINE HEATER PARTS, (not available to order, see items 201 thru 205 for service)	C
201	0100020	AR	LOCTITE 567	
202	2220282	1	REDUCER BUSHING	
203	8405007	2	GEAR CLAMP	
204	1001104685	2	REDUCER BUSHING	
205	1001117214	1	ELBOW, 90	

SECTION 6 - CAB

FIGURE 6-12. AIR CONDITIONING - JOHN DEERE ENGINE



PY4030

SECTION 6 - CAB

FIGURE 6-12. AIR CONDITIONING - JOHN DEERE ENGINE

ITEM	PART NUMBER	QTY	DESCRIPTION	REV
	91565063	Ref	AIR CONDITIONING ASSY, (JOHN DEERE), (not available to order, see items 1 thru 32 for service)	G
1	0641532	1	HEX HD CAPSCREW, 5/16-18X4, GR5	
2		Ref	A/C HARNESS, (See ELECTRICAL SECTION for details)	
3	1001114363	1	A/C HEATER ASSY, (includes items 201 thru 403), (not illustrated)	
4	77323029	1	CLAMP SET	
5	1380158	4	CLIP	
6	3740080	1	Relay	
7	4240033	5	WIRE TIE	
8		Ref	ENCLOSED CAB ASSY, (See CAB for details)	
9	0641408	1	HEX HD CAPSCREW, 1/4-20X1, GR5	
10	0641424	2	HEX HD CAPSCREW, 1/4-20X3, GR5	
11	0641507	2	HEX HD CAPSCREW, 5/16-18X7/8	
12	0641605	2	HEX HD CAPSCREW, 3/8-16X5/8, GR5	
13	2080061	2	THREADED INSERT, 1/4-20	
14	2080064	2	LOCK NUT, 5/16-18	
16	4751400	3	WASHER, 1/4	
17	4751500	4	WASHER, 5/16	
18	4751600	2	WASHER, 3/8	
19	4761400	2	LOCK WASHER, 1/4	
20	4761500	2	LOCK WASHER, 5/16	
21	4761600	2	LOCK WASHER, 3/8	
22	86883328	2	HOSE CLAMP	
23	91413036	16	SELF-TAPPING SCREW, #6X1/2	
24	1001090344	AR	NEOPRENE TAPE, 1/16X1/2	
25	1001100279	2	DEFROST VENT	
26	1001100281	1	MAIN SUCTION VENT	
27	1001100282	1	BLOWER UNIT COVER	
28	1001100446	AR	HOSE ASSY	
29	1001100770	AR	TUBE ASSY	
30	1001100773	1	BRACKET	
31	1001101259	1	TUBE ASSY	
32	1001101640	1	SUCTION VENT FILTER	
	91565085	Ref	AIR CONDITIONING ASSY, ENGINE PARTS, (JOHN DEERE), (not available to order, see items 101 thru 115 for service)	C
101	0641516	1	HEX HD CAPSCREW, 5/16-18X2, GR5	
102	0642016	2	HEX HD CAPSCREW, 5/8-11X2, GR5	
103	3931624	3	SOCKET HD CAPSCREW, 3/8-16X1 1/2	
104	4240033	2	WIRE TIE	
105	4712000	4	WASHER, 5/8	
106	77133133	1	CLAMP SET	
107	77133134	1	COVER PLATE	
108	91566061	1	A/C BRACKET MOUNT	
109	77143015	3	LOCKNUT, 5/8	
110	80373112	1	A/C DRIVE PULLEY	
111	88501006	2	HEX NUT, GR5	
112	88521010	2	LOCKNUT, 5/8	
113	88681311	1	THREADED ROD	
114	4751600	1	WASHER, 3/8	
115	4891600	2	WASHER, 3/8	

SECTION 6 - CAB

ITEM	PART NUMBER	QTY	DESCRIPTION	REV
201		Ref	A/C HEATER, (See AIR CONDITIONING COMPONENTS for details)	
203		Ref	CONDENSOR KIT, (See AIR CONDITIONING COMPONENTS for details)	
301	91514268	1	HOSE ASSY, #10	
301	80363104	2	O-RING	
302	1001107428	1	HOSE ASSY, #6	
302	80363102	2	O-RING	
303	91514269	1	HOSE ASSY, #8	
303	80363103	2	O-RING	
401	80963227	1	COMPRESSOR	
402	91564004	1	BELT	
403	91514274	1	SCREW KIT	

SECTION 6 - CAB

FIGURE 6-13. AIR CONDITIONING - PERKINS ENGINE

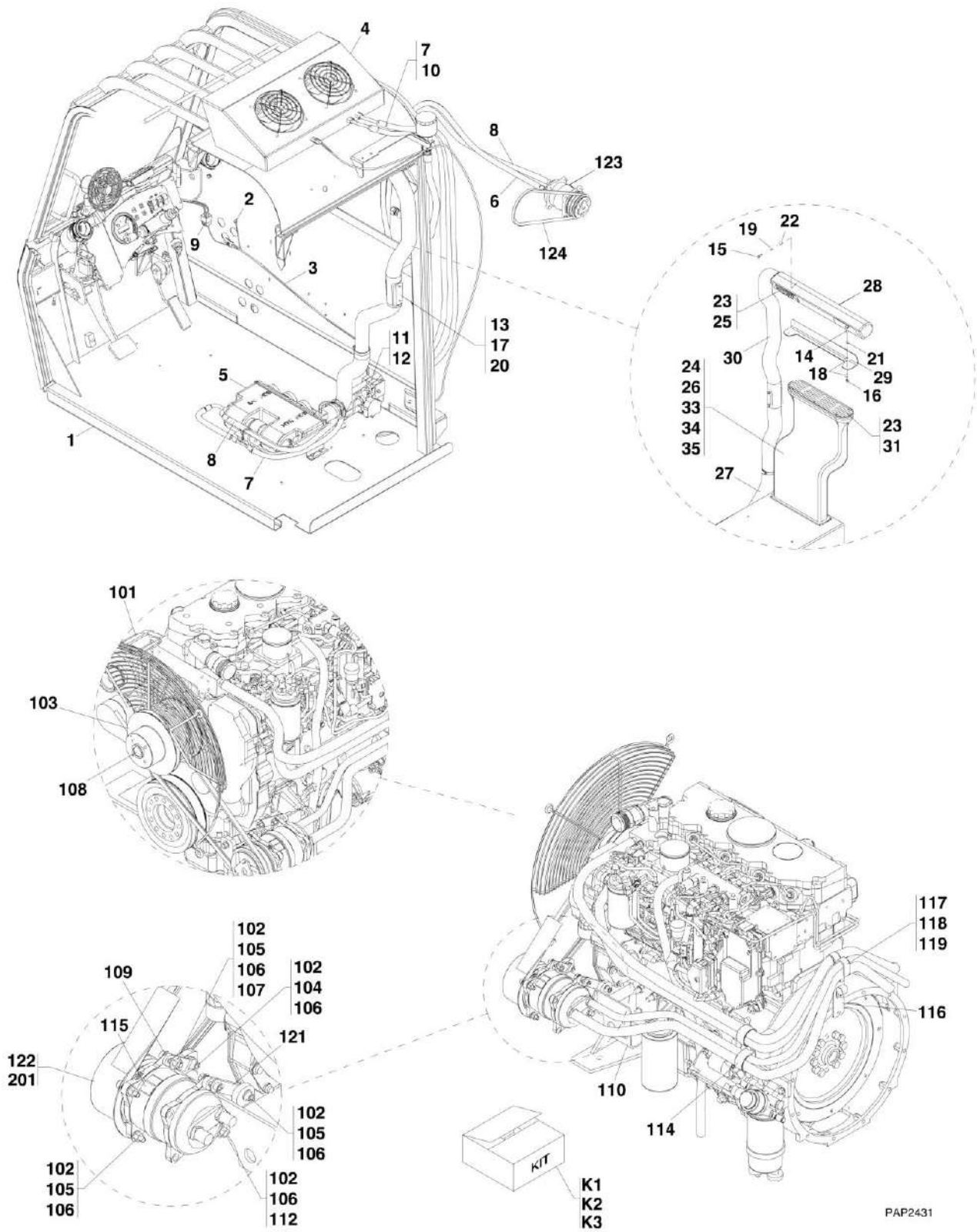


FIGURE 6-13. AIR CONDITIONING - PERKINS ENGINE

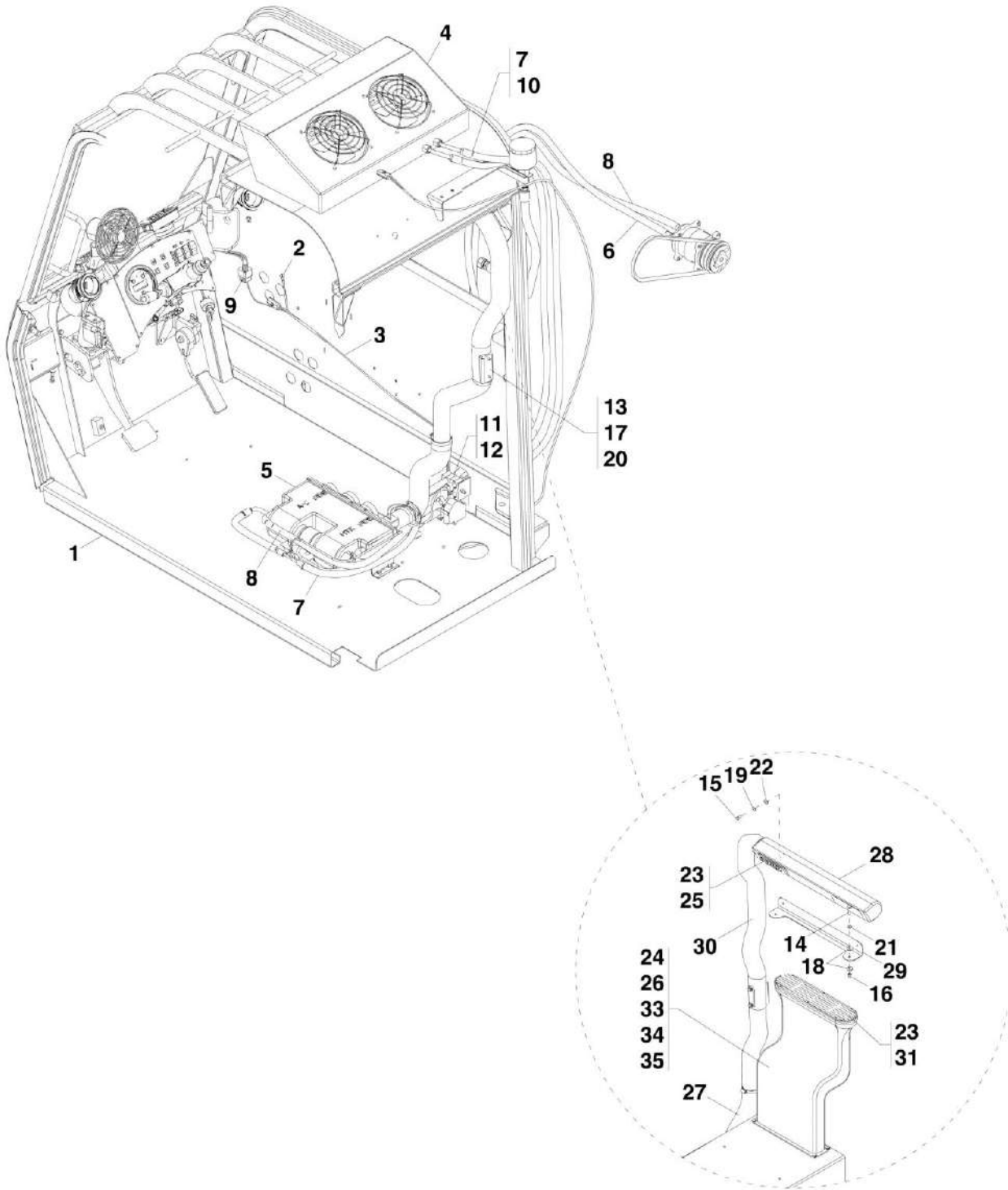
ITEM	PART NUMBER	QTY	DESCRIPTION	REV
	1001096313	Ref	ENCLOSED CAB AIR CONDITIONING ASSY, (not available to order, see items 1 thru 35 for service)	I
1		Ref	ENCLOSED CAB ASSY, (See CAB for details)	
2	1001117095	1	MALE SPADE TERMINAL, 1/4	
3		Ref	A/C HARNESS, (See ELECTRICAL SECTION for details)	
4		Ref	A/C OVERHEAD CONDENSOR, (See AIR CONDITIONING COMPONENTS for details)	
5		Ref	A/C HEATER, (See AIR CONDITIONING COMPONENTS for details)	
6	1001107427	1	HOSE ASSY	
6	80363104	2	O-RING, #10	
7	1001107428	1	HOSE ASSY	
7	80363102	2	O-RING, #6	
8	1001107429	1	HOSE ASSY	
8	80363103	2	O-RING, #8	
9	3740080	1	Relay	
10	4240033	5	WIRE TIE	
11	0641532	1	HEX HD CAPSCREW, 5/16-18X4, GR5	
12	77323029	1	CLAMP SET	
13	0641424	1	HEX HD CAPSCREW, 1/4-20X3, GR5	
14	0641507	2	HEX HD CAPSCREW, 5/16-18X7/8, GR5	
15	0641605	2	HEX HD CAPSCREW, 3/8-16-5/8, GR5	
16	2080063	2	LOCK NUT, 1/4-20	
17	4711400	1	WASHER, 1/4	
18	4751500	4	WASHER, 5-16	
19	4751600	2	WASHER, 3/8	
20	4761400	2	LOCK WASHER, 1/4	
21	4761500	2	LOCK WASHER, 5/16	
22	4761600	2	LOCK WASHER, 3/8	
23	91413036	10	SELF-TAPPING SCREW, #6X1/2	
24	1001090344	AR	NEOPRENE TAPE, 1/16X1/2	
25	1001100279	2	DEFROST VENT	
26	1001100281	1	MAIN SUCTION VENT	
27	1001100446	AR	HOSE ASSY	
28	1001100770	1	TUBE ASSY	
29	1001100773	1	BRACKET	
30	1001101259	1	TUBE ASSY	
31	1001101640	1	A/C FILTER	
32	1001103956	1	A/C DECAL, (not illustrated)	
33	0641408	1	HEX HD CAPSCREW, 1/4-20X1, GR5	
34	4751400	1	WASHER, 1/4	
35	1380158	4	PANEL RETAINER CLIP	
	1001001169	Ref	AIR CONDITIONING ASSY, ENGINE PARTS, (not available to order, see items 101 thru 124 for service)	J
101	0160032	1	ALTERNATOR, 100 AMP	
102	3311605	8	HEX LOCKNUT, 3/8-16	
103	Kit	Ref	PULLEY, (1001092204 is no longer available) (Prior to SN 0160045092)	
103	1001112888	1	PULLEY (SN 0160045092 to Present)	
104	3931616	1	SOCKET HD CAPSCREW, 3/8-16X1	
105	3931624	5	SOCKET HD CAPSCREW, 3/8-16X1-1/2	

SECTION 6 - CAB

ITEM	PART NUMBER	QTY	DESCRIPTION	REV
106	4711600	14	FLAT WASHER, 3/8	
107	4751600	2	FLAT WASHER, 3/8	
108	1001112961	1	FAN GUARD	
109	1001090644	1	ADJUSTMENT BRACKET	
110	1001090646	1	A/C COMPRESSOR BRACKET	
112	3931620	2	SOCKET HEAD CAP SCREW, M12X35 GR8.8	
114	90028660	1	P-CLAMP, 1-3/4" ID	
115	1001093526	1	A/C REFRIGERANT DECAL	
116	1321716	2	DOUBLE P-CLAMP 1 IN	
117	0641510	2	HEX HD CAPSCREW, 5/16-18X1-1/4, GR5	
118	3271501	1	HEX HD CAPSCREW, 3/8-16X1-1/2	
119	4761500	4	LOCKWASHER, 5/16-18	
121	1001097848	1	ADJUST BRACKET	
122	1001097849	1	A/C BELT SHIELD	
123	1001107339	1	COMPRESSOR	
124	1001107344	1	A/C CLUTCH BELT	
201	1001112960	1	A/C PULLEY MECHANICAL ADAPTER	
K1	70020636	1	HOSE KIT, (includes items 6 thru 8)	
K2	70020638	1	COMPRESSOR KIT, (includes items 123 thru 124)	
K3	1001119506	1	PULLEY REPLACEMENT KIT, (includes item 103 & 201)	

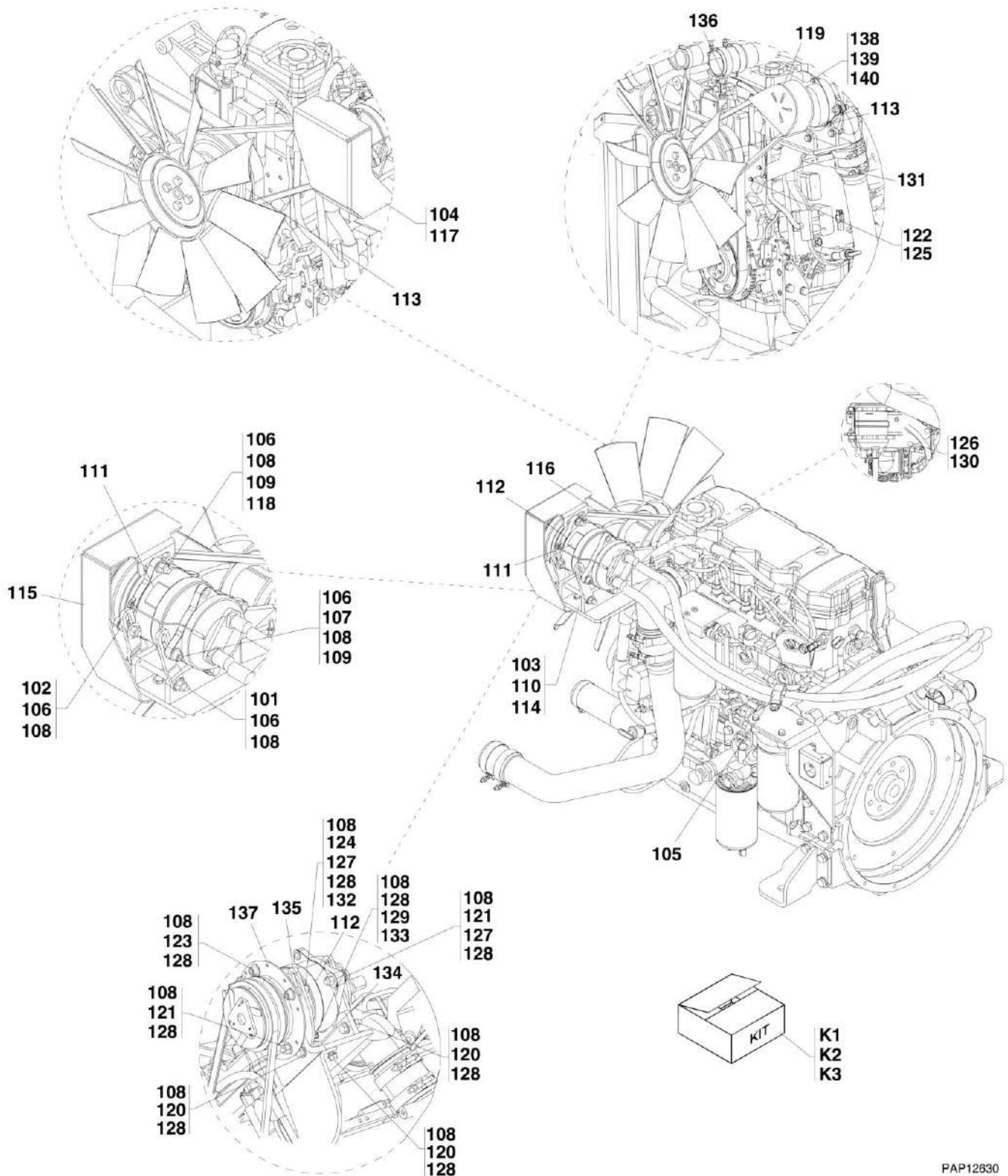
SECTION 6 - CAB

FIGURE 6-14. CONDITIONING - CUMMINS ENGINE



PAP2981

SECTION 6 - CAB



PAP12830

SECTION 6 - CAB

FIGURE 6-14. CONDITIONING - CUMMINS ENGINE

ITEM	PART NUMBER	QTY	DESCRIPTION	REV
	1001116866	Ref	ENCLOSED CAB AIR CONDITIONING ASSY, (not available to order, see items 1 thru 35 for service)	B
1		Ref	ENCLOSED CAB ASSY, (See CAB for details)	
2	1001117095	1	MALE SPADE TERMINAL, 1/4	
3		Ref	A/C HARNESS, (See ELECTRICAL SECTION for details)	
4		Ref	A/C OVERHEAD CONDENSOR, (See AIR CONDITIONING COMPONENTS for details)	
5		Ref	A/C HEATER, (See AIR CONDITIONING COMPONENTS for details)	
6	1001107427	1	HOSE ASSY	
6	80363104	2	O-RING, #10	
7	1001107428	1	HOSE ASSY	
7	80363102	2	O-RING, #6	
8	1001107429	1	HOSE ASSY	
8	80363103	2	O-RING, #8	
9	3740080	1	Relay	
10	4240033	5	WIRE TIE	
11	0641532	1	HEX HD CAPSCREW, 5/16-18X4, GR5	
12	77323029	1	CLAMP SET	
13	0641424	1	HEX HD CAPSCREW, 1/4-20X3, GR5	
14	0641507	2	HEX HD CAPSCREW, 5/16-18X7/8, GR5	
15	0641605	2	HEX HD CAPSCREW, 3/8-16-5/8, GR5	
16	2080063	2	LOCK NUT, 1/4-20	
17	4711400	1	WASHER, 1/4	
18	4751500	4	WASHER, 5-16	
19	4751600	2	WASHER, 3/8	
20	4761400	2	LOCK WASHER, 1/4	
21	4761500	2	LOCK WASHER, 5/16	
22	4761600	2	LOCK WASHER, 3/8	
23	91413036	10	SELF-TAPPING SCREW, #6X1/2	
24	1001090344	AR	NEOPRENE TAPE, 1/16X1/2	
25	1001100279	2	DEFROST VENT	
26	1001100281	1	MAIN SUCTION VENT	
27	1001100446	AR	HOSE ASSY	
28	1001100770	1	TUBE ASSY	
29	1001100773	1	BRACKET	
30	1001101259	1	TUBE ASSY	
31	1001101640	1	A/C FILTER	
32	1001103956	1	A/C DECAL, (not illustrated)	
33	0641408	1	HEX HD CAPSCREW, 1/4-20X1, GR5	
34	4711400	1	WASHER, 1/4	
35	1380158	4	PANEL RETAINER CLIP	
	1001116825	Ref	AIR CONDITIONING ASSY, ENGINE PARTS, (not available to order, see items 101 thru 140 for service)	F
101	0641638	NLA	HEX HD CAPSCREW, 3/8-16 X 4 3/4 LG, (no longer available, order Kit K2 for replacement) (Prior to SN 0160042434)	
102	0641640	NLA	HEX HD CAPSCREW, 3/8-16X5, (no longer available, order Kit K2 for replacement) (Prior to SN 0160042434)	
103	0701013	NLA	BOLT, 10X28mm, GR8.8, (no longer available, order Kit K2 for replacement) (Prior to SN 0160042434)	
104	0791508	NLA	WHIZ-LOCK SCREW, 5/16-18X1, (no longer available, order Kit	

SECTION 6 - CAB

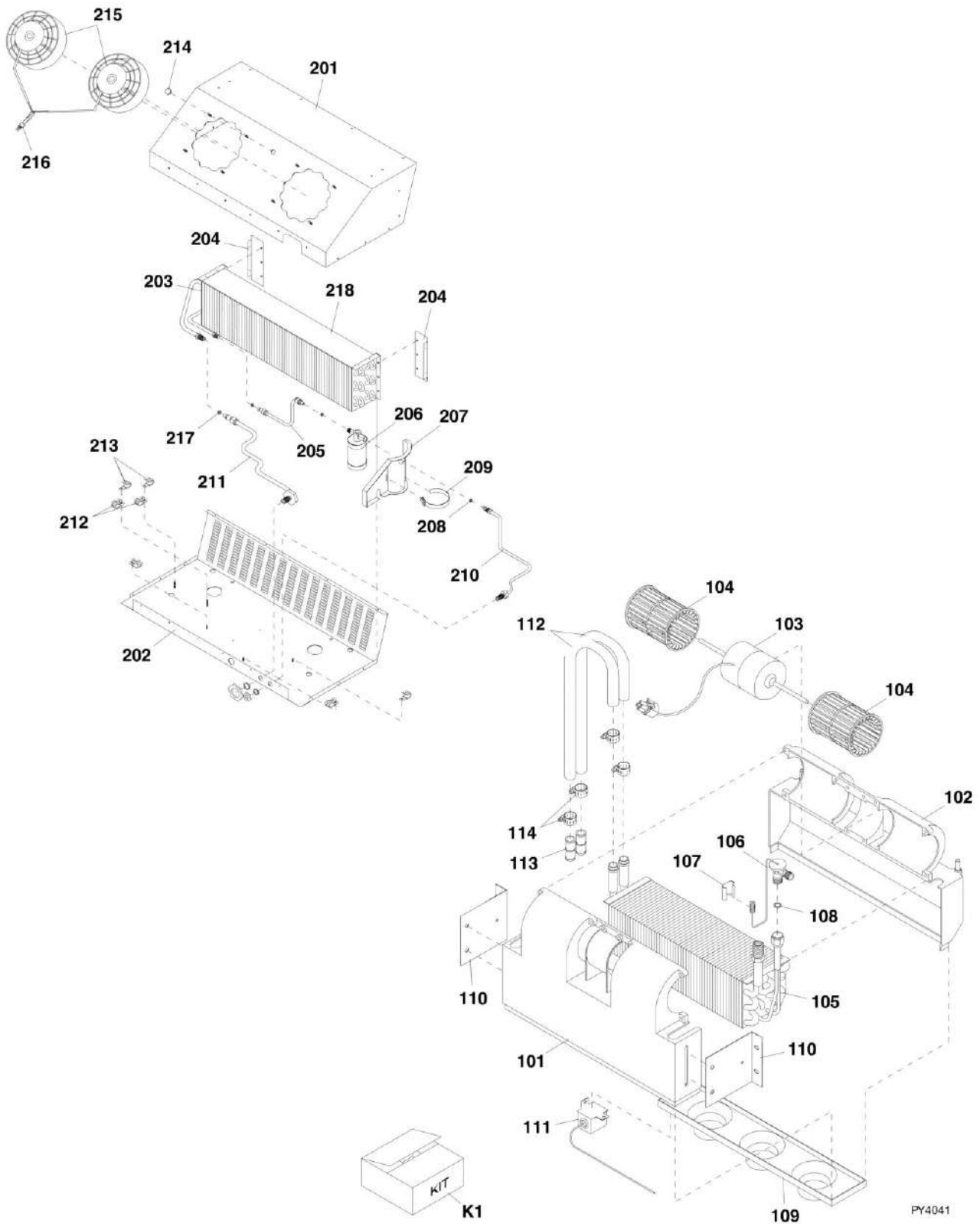
ITEM	PART NUMBER	QTY	DESCRIPTION	REV
105	1321716	1	K2 for replacement) (Prior to SN 0160042434) DOUBLE P-CLAMP, 1 IN	
106	3311605	NLA	HEX LOCKNUT, 3/8-16, (no longer available, order Kit K2 for replacement) (Prior to SN 0160042434)	
107	3931628	NLA	SOCKET HD CAPSCREW, 3/8-16 X 1 3/4 LG, (no longer available, order Kit K2 for replacement) (Prior to SN 0160042434)	
108	4711600	18	FLAT WASHER, 3/8 (SN 0160042434 to Present)	
109	4751600	NLA	FLAT WASHER, 3/8, (no longer available, order Kit K2 for replacement) (Prior to SN 0160042434)	
110	4832000	NLA	LOCKWASHER, 10mm, (no longer available, order Kit K2 for replacement) (Prior to SN 0160042434)	
111	1001093526	1	A/C REFRIGERANT DECAL	
112	1001107339	1	COMPRESSOR	
113	1001116797	1	A/C DRIVE PULLEY	
114	1001116803	NLA	A/C MOUNT BRACKET, (no longer available, order Kit K2 for replacement) (Prior to SN 0160042434)	
115	1001129880	NLA	A/C ADJUST LINK PLATE, (no longer available, order Kit K2 for replacement) (Prior to SN 0160042434)	
116	1001116807	NLA	A/C CLUTCH BELT, (no longer available, order Kit K2 for replacement) (Prior to SN 0160042434)	
117	1001116828	NLA	A/C PULLEY SHIELD, (no longer available, order Kit K2 for replacement) (Prior to SN 0160042434)	
118	0641612	NLA	HEX HD CAPSCREW, 3/8-16X1-1/2, (no longer available, order Kit K2 for replacement) (Prior to SN 0160042434)	
119	1001131801	NLA	A/C BELT GUARD COVER, (no longer available, order Kit K3 for replacement) (SN 0160042434 through 0160045630)	
119	1001138945	1	COMPRESSOR COVER (SN 0160045636 to Present)	
120	0681612	5	HEX HD CAPSCREW, 3/8-16X1 1/2 LG (SN 0160042434 to Present)	
121	0681614	2	HEX HD CAPSCREW, 3/8-16X1 3/4 LG (SN 0160042434 to Present)	
122	0770810	2	HEX HD CAPSCREW, 10.9 FULLTHD, M8X20 LG (SN 0160042434 to Present)	
123	3931624	1	SOCKET HD CAPSCREW, 3/8-16X1 1/2 (SN 0160042434 to Present)	
124	3931632	1	SOCKET HD CAPSCREW, 3/8-16X2 (SN 0160042434 to Present)	
125	4811900	2	WASHER, 8mm (SN 0160042434 to Present)	
126	4832000	3	SPRING LOCKWASHER, 10mm (SN 0160042434 to Present)	
127	4891600	2	HARDENED WASHER, 3/8 (SN 0160042434 to Present)	
128	8305645	10	HEX LOCKNUT, 3/4-16 (SN 0160042434 to Present)	
129	83201057	1	HEX HD CAPSCREW, 3/8-16X2.00 G8 (SN 0160042434 to Present)	
130	91513234	3	SOCKET HD CAPSCREW, M10X1.5X30, GR10.9, (torque to 53-58 lb-ft) (SN 0160042434 to Present)	
131	1001135181	1	A/C BRACKET SUPPORT PLATE (SN 0160042434 to Present)	
132	1001135193	1	A/C SPACER TUBE (SN 0160042434 to Present)	
133	1001131818	1	SPLIT BUSHING SLEEVE (SN 0160042434 to Present)	
134	1001135202	1	A/C MOUNT BRACKET (SN 0160042434 to Present)	
135	1001135268	2	A/C ADJUST LINK PLATE (SN 0160042434 to Present)	
136	7301815	1	A/C COMPRESSOR DRIVE BELT (SN 0160042434 to Present)	
137	1001138944	1	A/C COVER SUPPORT (SN 0160045636 to Present)	
138	0641406	3	HEX HD CAPSCREW, 1/4-20X3/4, GR5 (SN 0160045636 to Present)	
139	4711400	3	WASHER, 1/4 (SN 0160045636 to Present)	

SECTION 6 - CAB

ITEM	PART NUMBER	QTY	DESCRIPTION	REV
140	3311405	3	HEX LOCKNUT, 1/4-20 (SN 0160045636 to Present)	
K1	70020636	1	HOSE KIT, (includes items 6 thru 8)	
K2	1001135029	1	A/C COMPRESSOR BRACKET KIT, (includes items 108,119 thru 140) (Prior to SN 0160042434)	B
K3	1001139425	1	COMPRESSOR COVER KIT, (includes items 108,119,120,128,137 thru 140) (SN 0160042434 through 0160045360)	A

SECTION 6 - CAB

FIGURE 6-15. AIR CONDITIONING COMPONENTS (Prior to SN 0160045292)



SECTION 6 - CAB

FIGURE 6-15. AIR CONDITIONING COMPONENTS (Prior to SN 0160045292)

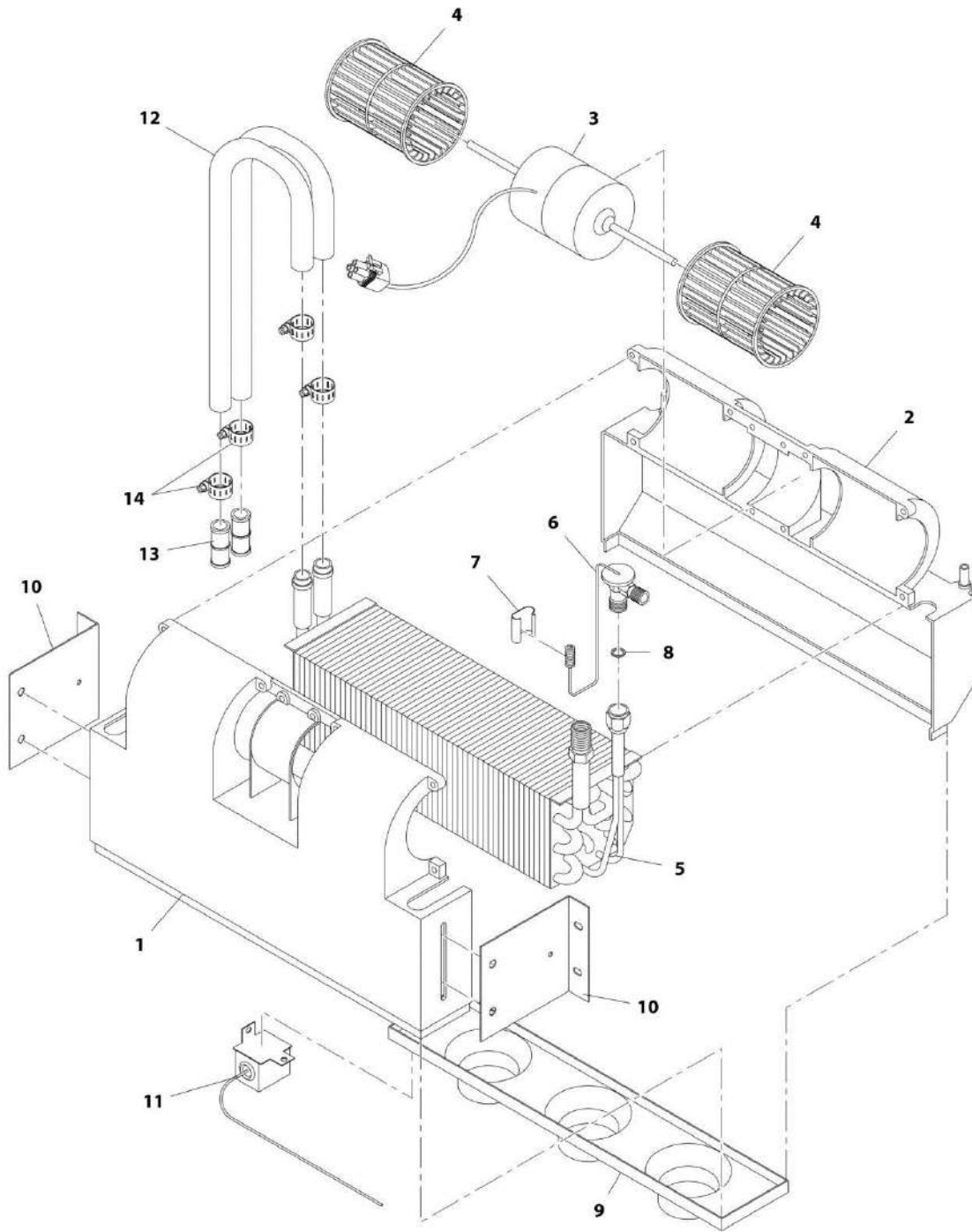
ITEM	PART NUMBER	QTY	DESCRIPTION	REV
1	1001114283	1	EVAPORATOR/HEATER UNIT, (includes items 101 thru 121) (Prior to SN 0160045292)	
1	91514264	1	POWER HEAD ONLY, (includes items 101 thru 105, 109 & 110)	
2	1001107340	1	CONDENSOR, (includes items 201 thru 225)	
101	70022552	1	CASE TOP	
102	70022553	1	CASE BOTTOM	
103	N.S.S.	NLA	BLOWER MOTOR, (no longer available; order Kit K1 for replacement) (G10-55A Prior to SN 0160037952, Excluding 0160034699; G12-55A Prior to SN 0160038347, Excluding 0160037731)	
103	70022805	1	BLOWER MOTOR, (G10-55A SN 0160037952 to Present; G12-55A SN 0160038347 to Present; Including 0160034699 and 0160037731)	
104	91404439	1	BLOWER WHEEL	
105	70022876	1	HEATER/COOLER COIL	
106	91514272	1	VALVE	
107	70022877	1	BULB CLAMP	
108	80363103	1	O-RING, #8	
109	N.S.S.	1	3 HOLE DEFROST TOP	
110	70022878	2	LEG	
111	91514265	1	THERMOSTAT	
112	70020639	2	HEATER HOSE	
113	N.S.S.	2	HEATER SPLICE	
114	70022879	4	WORM GEAR CLAMP	
115	70022555	1	AIR RESTRICTER, (not illustrated)	
116	91514296	1	METRO SWITCH, (not illustrated)	
117	70020640	1	12 VOLT RELAY, (not illustrated)	
118	70022556	3 ft	DRAIN HOSE, 3/8, (not illustrated)	
119	70022557	1	DRAIN ELBOW, 3/8, (not illustrated)	
120	70022558	1	DRAIN TEE, 3/8, (not illustrated)	
121	80363099	1	PRESSURE SWITCH, (not illustrated)	
201	70020643	1	CASE TOP	
202	70022880	1	CASE BOTTOM	
203	70020644	1	OVERHEAD CONDENSER COIL	
204	70022881	2	MOUNTING BRACKET	
205	91514270	1	TUBE ASSY	
206	91514266	1	DRIER	
207	70022882	1	DRIER MOUNT	
208	80363102	1	O-RING	
209	70022883	1	HOSE CLAMP	
210	70020645	1	TUBE ASSY	
211	70020646	1	TUBE ASSY	
212	70022884	4	HOSE CLAMP	
213	70022885	3	CUSHION CLAMP	
214	70022886	1	HOLE PLUG	
215	91514295	2	CONDENSER FAN	
216	70020647	1	HARNES PIGTAIL	
217	80363103	1	O-RING, #8	
218	70022891	2 ft	CLOSED CELL FOAM	
219	70020648	4	WELL NUT, (not illustrated)	
220	70022887	8	NYLON INSERT NUT, 1/4-20, (not illustrated)	

SECTION 6 - CAB

ITEM	PART NUMBER	QTY	DESCRIPTION	REV
221	70020649	1	RELAY, (not illustrated)	
222	70022890	4	HEX HD CAPSCREW, 3/8-16X3, (not illustrated)	
223	70020650	1	HARNESS, (not illustrated)	
224	70022888	4	FLAT WASHER, 3/8, (not illustrated)	
225	70022889	4	LOCKWASHER, 3/8, (not illustrated)	
301	70023109	1	WHITE MOTOR GASKET, (not illustrated)	
302	N.S.S.	2	BLACK FOAM, (not illustrated)	
303	70023110	1	RESISTOR, (not illustrated)	
304	N.S.S.	1	BOLT, (not illustrated)	
305	N.S.S.	1	NUT, (not illustrated)	
306	N.S.S.	1	CORK TAPE, (not illustrated)	
307	N.S.S.	2	CORK TAPE, (not illustrated)	
K1	70022804	1	BLOWER MOTOR KIT, (includes items 103 & 301 thru 307)	

SECTION 6 - CAB

FIGURE 6-16. AIR CONDITIONING COMPONENTS (SN 0160045292 to Present)



ART_1001142350-C

SECTION 6 - CAB

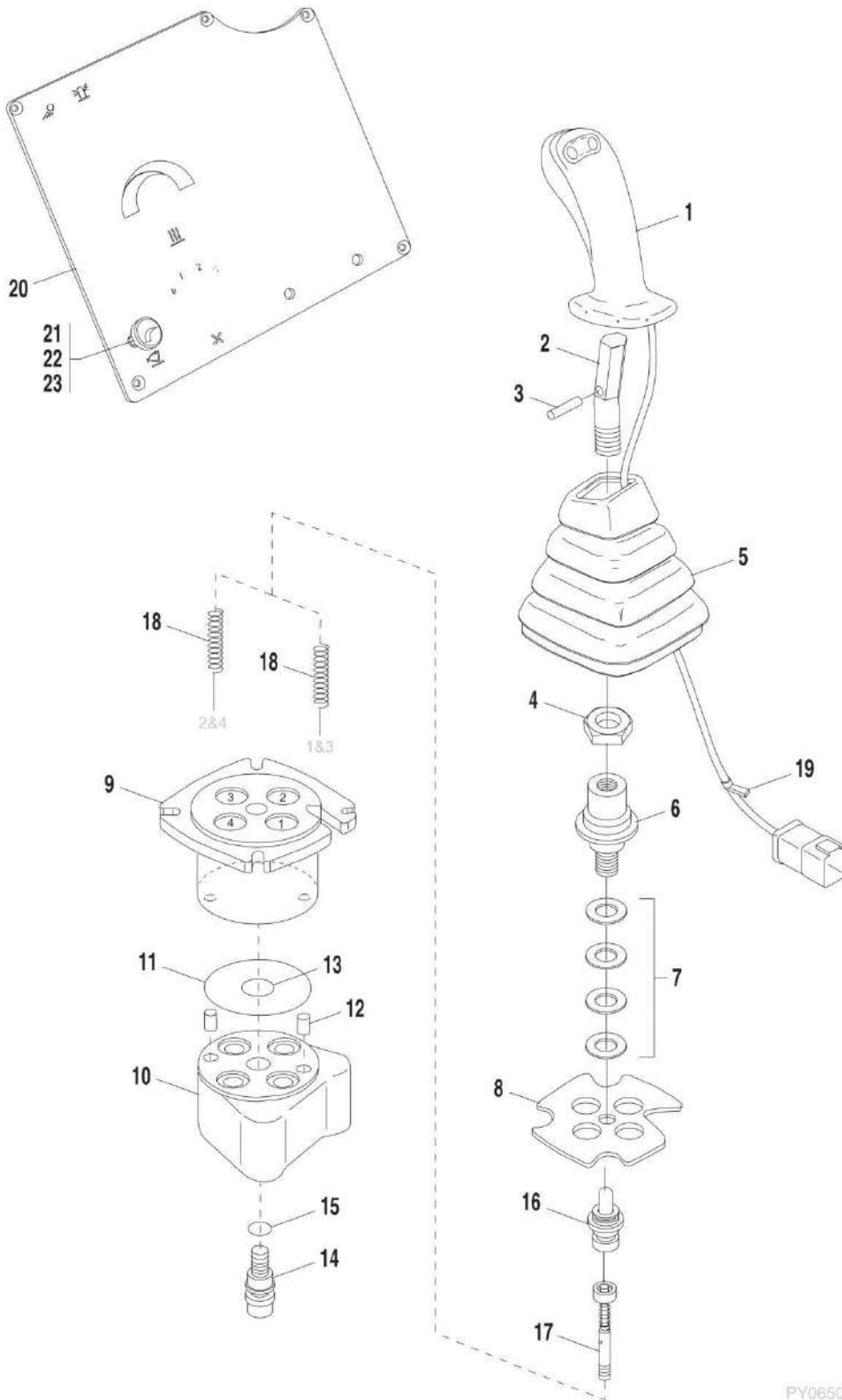
FIGURE 6-16. AIR CONDITIONING COMPONENTS (SN 0160045292 to Present)

ITEM	PART NUMBER	QTY	DESCRIPTION	REV
	1001142350	Ref	AC/HEATER MOTOR, 3 SPEED	C
1	70022552	1	TOP, CASE	
2	70022553	1	BOTTOM, CASE	
3	70022805	1	MOTOR, BLOWER	
4	91404439	1	WHEEL, BLOWER	
5	70022876	1	COIL, HEATER/COOLER	
6	91514272	1	VALVE, EXPANSION	
7	70022877	1	CLAMP, BULB	
8	80363103	1	O-RING	
9	N.S.S.	1	TOP, 3 HOLE	
10	N.S.S.	2	LEG	
11	N.S.S.	1	THEROSTAT	
12	N.S.S.	2	HOSE	
13	N.S.S.	2	SPLICE, HOSE	
14	70022879	4	CLAMP, WORM GEAR	
15	70022555	1	RESTRICTER, AIR, (not shown)	
16	91514296	1	SWITCH, METRO, (not shown)	
17	70020640	1	RELAY, 12V, (not shown)	
18	70022556	1	HOSE, DRAIN, (not shown)	
19	70022557	1	ELOBOW, DRAIN, (not shown)	
20	70022558	1	TEE, DRAIN, (not shown)	
21	80363099	1	SWITCH, PRESSURE, (not shown)	
22	70023108	2	GASKET, BLOWER WHEEL, (not shown)	

SECTION 7 - CONTROLS

SECTION 7 - CONTROLS

FIGURE 7-1. BOOM JOYSTICK WITH ADJUSTABLE TILT



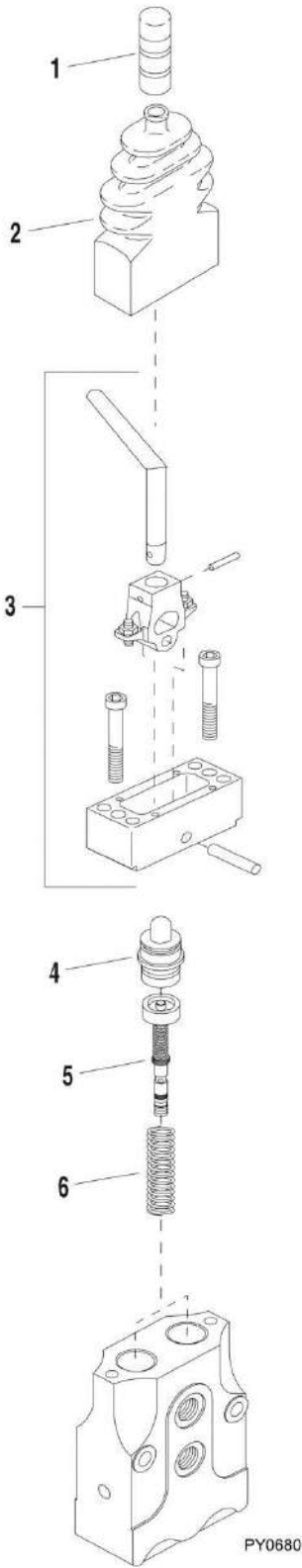
SECTION 7 - CONTROLS

FIGURE 7-1. BOOM JOYSTICK WITH ADJUSTABLE TILT

ITEM	PART NUMBER	QTY	DESCRIPTION	REV
	91513212	1	BOOM JOYSTICK WITH ADJUSTABLE TILT, (includes items 1 thru 19)	1
	91404326	AR	SEAL KIT, (includes items 11 thru 15)	
1	91404325	1	GRIP ASSY	
2	91404011	1	BENT LEVER KIT, (includes items 3 & 4)	
3	N.S.S.	1	SPRING PIN	
4	N.S.S.	1	HEX NUT	
5	80364095	1	BOOT	
6	80264138	1	CARDON KIT, (includes item 7)	
7	N.S.S.	AR	SHIM	
8	91404013	1	RETAINING PLATE	
9	91404016	1	UPPER BODY, (includes item 10)	
10	N.S.S.	1	LOWER BODY	
11	N.S.S.	1	O-RING	
12	N.S.S.	2	DOWEL PIN	
13	N.S.S.	1	O-RING	
14	N.S.S.	1	SCREW ASSY	
15	N.S.S.	1	O-RING	
16	80934498	4	PLUNGER & GUIDE KIT	
17	91514224	4	REGULATING UNIT	
18	91504028	1	SPRING, (ports 1 & 3), (pack of two)	
18	91504029	1	SPRING, (ports 2 & 4), (pack of two)	
19	80264139	1	GROMMET WITH CABLE TIE KIT	
20		Ref	RH INSTRUMENT PANEL, (See CAB SECTION for details)	
21	80964002	1	RHEOSTAT SWITCH, (G10-55A Prior to SN 0160033661; G12-55A Prior to SN 0160033659)	
21	1001099174	1	RHEOSTAT SWITCH, (G10-55A SN 0160033661 through 0160037863; G12-55A SN 0160033659 through 0160037871)	
21	1001106688	1	RHEOSTAT SWITCH (SN 0160037877 to Present)	
22	86983193	1	BULLET CONNECTOR, (G10-55A Prior to SN 0160033661; G12-55A Prior to SN 0160033659)	
23	77163105	1	RECEPTACLE CONNECTOR, (G10-55A Prior to SN 0160033661; G12-55A Prior to SN 0160033659)	

SECTION 7 - CONTROLS

FIGURE 7-2. HYDRAULIC CONTROLLER - SWAY



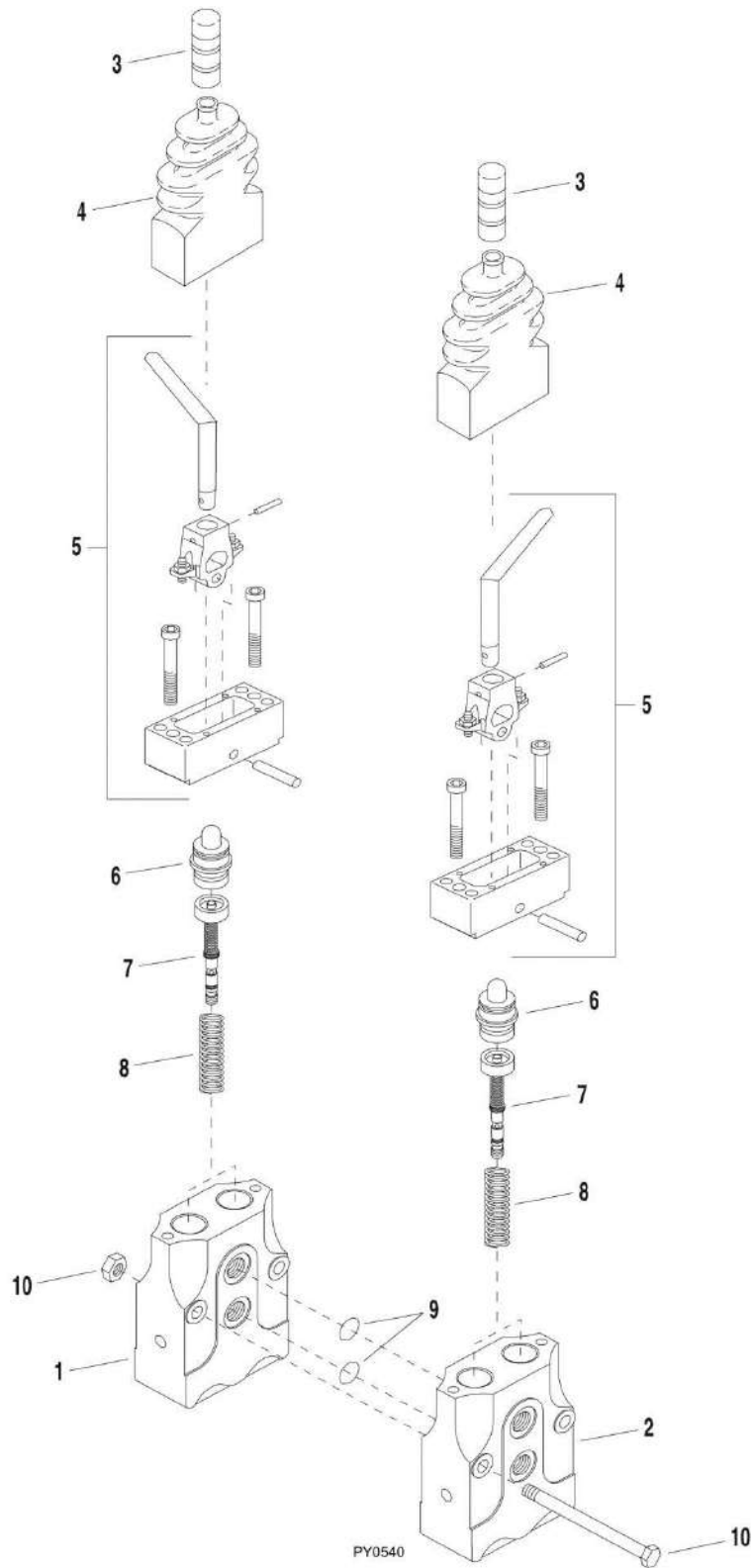
SECTION 7 - CONTROLS

FIGURE 7-2. HYDRAULIC CONTROLLER - SWAY

ITEM	PART NUMBER	QTY	DESCRIPTION	REV
	91563201	1	HYDRAULIC CONTROLLER - SWAY, (includes all items)	B
1	91504030	1	GRIP	
2	91504031	1	RUBBER BOOT	
3	7026739	1	LEVER OPERATION KIT	
4	80934498	1	PLUNGER KIT	
5	7026740	1	REGULATING UNIT KIT	
6	91504029	1	RETURN SPRING	

SECTION 7 - CONTROLS

FIGURE 7-3. HYDRAULIC CONTROLLER - OUTRIGGER AND SWAY/AUX



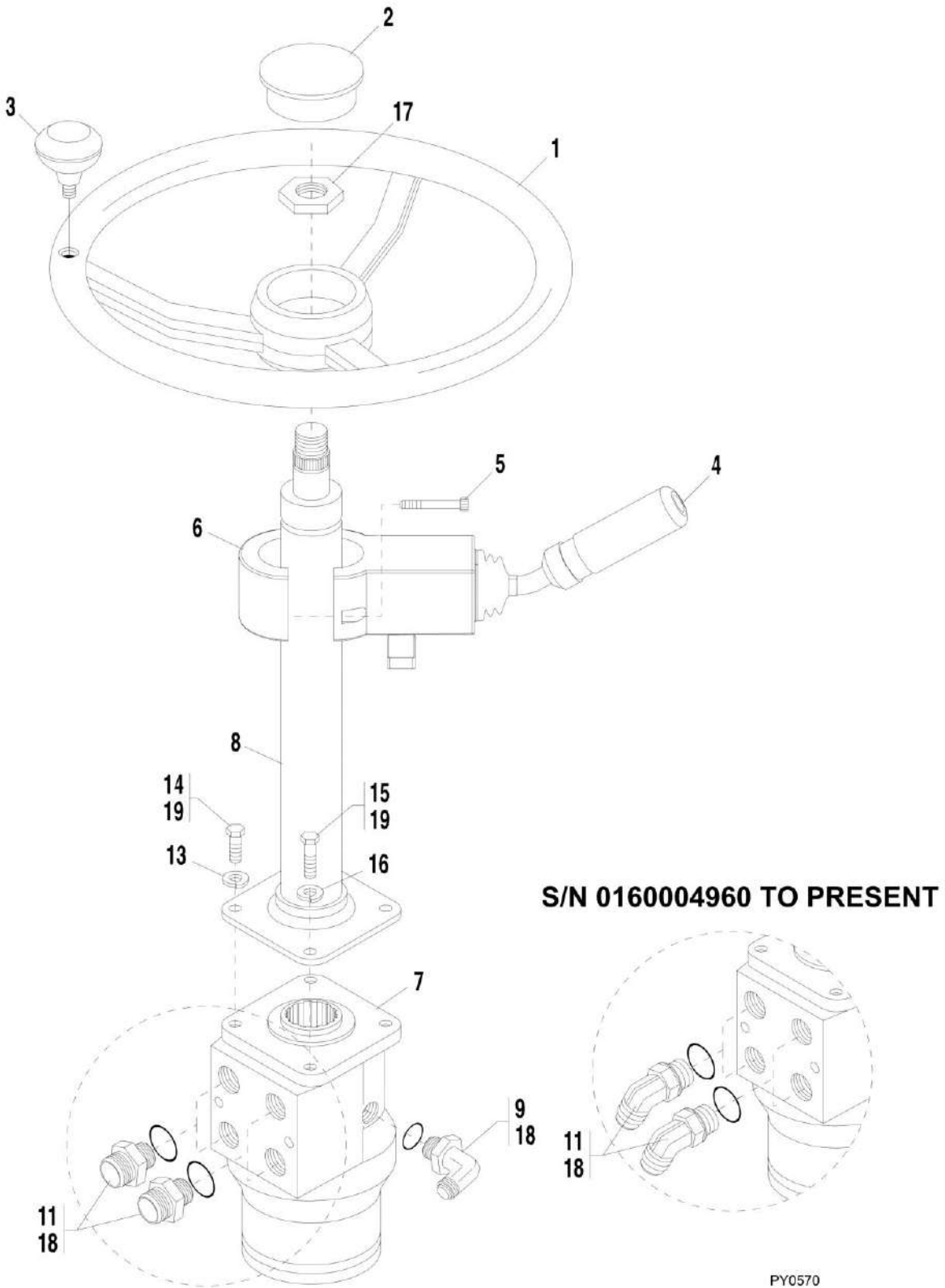
SECTION 7 - CONTROLS

FIGURE 7-3. HYDRAULIC CONTROLLER - OUTRIGGER AND SWAY/AUX

ITEM	PART NUMBER	QTY	DESCRIPTION	REV
	91563200	1	HYDRAULIC CONTROLLER - OUTRIGGER & SWAY/AUX, (includes all items)	A
1	91563201	1	HYDRAULIC CONTROLLER, (includes one each of items 3 thru 8)	
2	7026741	1	HYDRAULIC CONTROLLER, (includes one each of items 3 thru 8)	
3	91504030	2	GRIP	
4	91504031	2	RUBBER BOOT	
5	7026739	2	LEVER OPERATION KIT	
6	80934498	2	PLUNGER KIT	
7	7026740	2	REGULATING UNIT KIT	
8	91504029	2	RETURN SPRING	
9	7026742	2	O-RING	
10	7026743	1	BOLT & NUT KIT	

SECTION 7 - CONTROLS

FIGURE 7-4. STEERING COLUMN AND ATTACHING PARTS



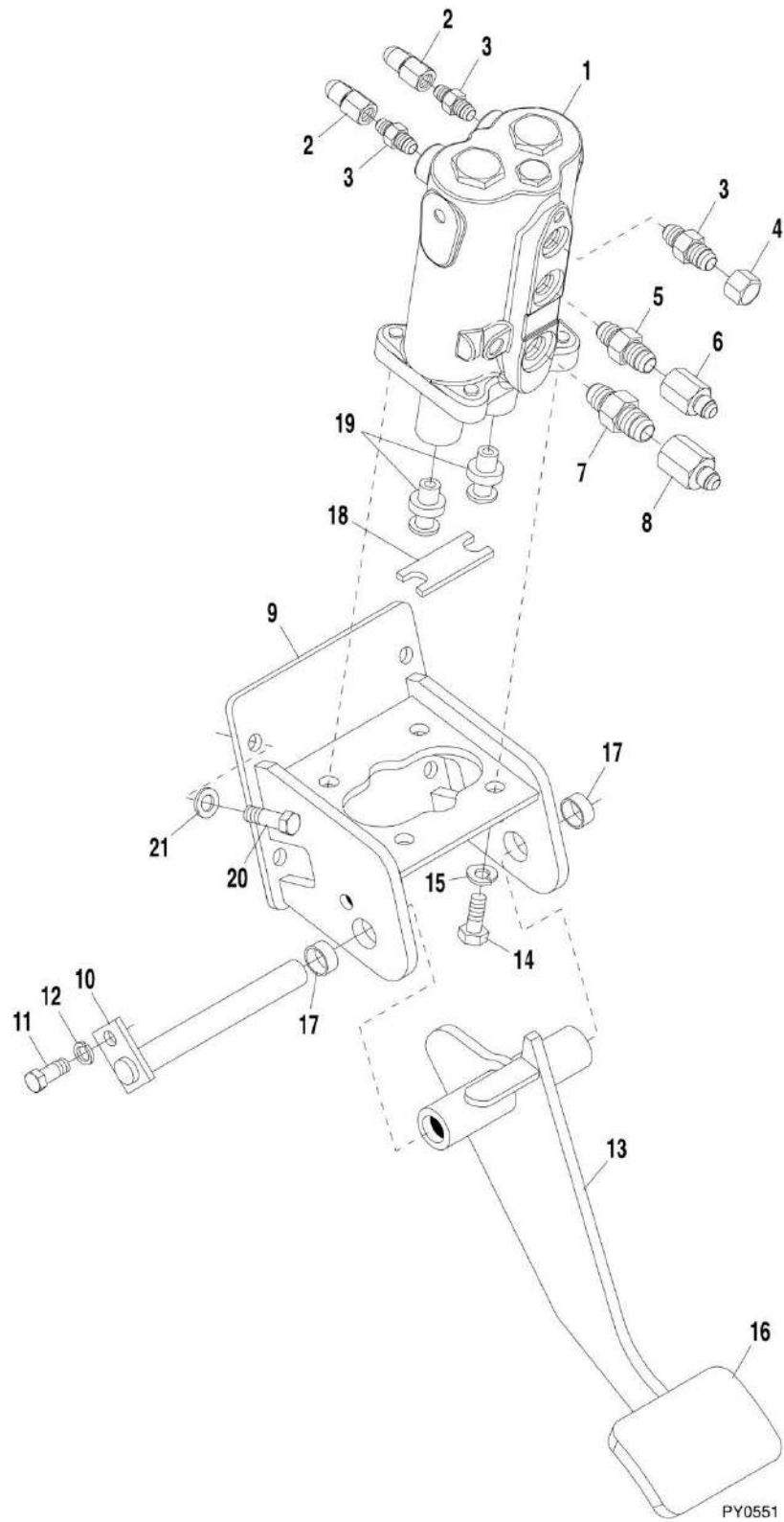
SECTION 7 - CONTROLS

FIGURE 7-4. STEERING COLUMN AND ATTACHING PARTS

ITEM	PART NUMBER	QTY	DESCRIPTION	REV
	91515033	1	STEERING CONTROL ASSY, (includes items 7 thru 14, 18 & 19) (Prior to SN 0160004960)	B
	91565083	1	STEERING CONTROL ASSY, (JOHN DEERE ENGINE), (includes items 7 thru 14) (SN 0160004960 to Present)	A
	1001001213	1	STEERING CONTROL ASSY, (PERKINS & CUMMINS ENGINE), (includes items 7 thru 14)	A
	91144190	Ref	STEERING CONTROL UNIT SEAL KIT	
1	91563208	1	STEERING WHEEL, (includes items 2 & 3)	
2	7026477	1	CENTER CAP	
3	7026478	1	SPINNER KNOB	
4	91563226	1	F-N-R SHIFTER, (includes items 5 & 6)	
5	N.S.S.	2	HEX HD CAPSCREW, (torque to 30-35 lb-ft)	
6	N.S.S.	1	CLAMP SET	
7	91123126	1	STEERING CONTROL UNIT	
8	91513125	1	STEERING COLUMN, (includes item 17)	
9	2220466	1	ELBOW, 90, (includes o-ring), (JOHN DEERE ENGINE)	
9	2130404	1	ELBOW, 90, (includes o-ring), (PERKINS & CUMMINS ENGINE)	
11	2220373	4	CONNECTOR, (includes o-ring) (Prior to SN 0160004960)	
11	2220500	4	ELBOW, 45, (includes o-ring), (JOHN DEERE ENGINE) (SN 0160004960 to Present)	
11	2150808	4	ELBOW, 45, (includes o-ring), (PERKINS & CUMMINS ENGINE)	
13	88551011	4	LOCKWASHER, 3/8 (Prior to SN 0160004960)	
13	4761600	2	LOCKWASHER, 3/8 (SN 0160004960 to Present)	
14	88201033	2	HEX HD CAPSCREW, 3/8-16X3/4, GR5 (Prior to SN 0160004960)	
14	0641606	2	HEX HD CAPSCREW, 3/8-16X3/4, GR5 (SN 0160004960 to Present)	
15	0641608	2	HEX HD CAPSCREW, 3/8-16X1, GR5	
16	4711600	2	FLAT WASHER, 3/8	
17	70020923	1	STEERING WHEEL NUT, (torque to 29-34 lb-ft)	
18	0100075	AR	LOCTITE 545	
19	0100011	AR	LOCTITE 242	

SECTION 7 - CONTROLS

FIGURE 7-5. BRAKE PEDAL ASSEMBLY (Prior to SN 0160029245)



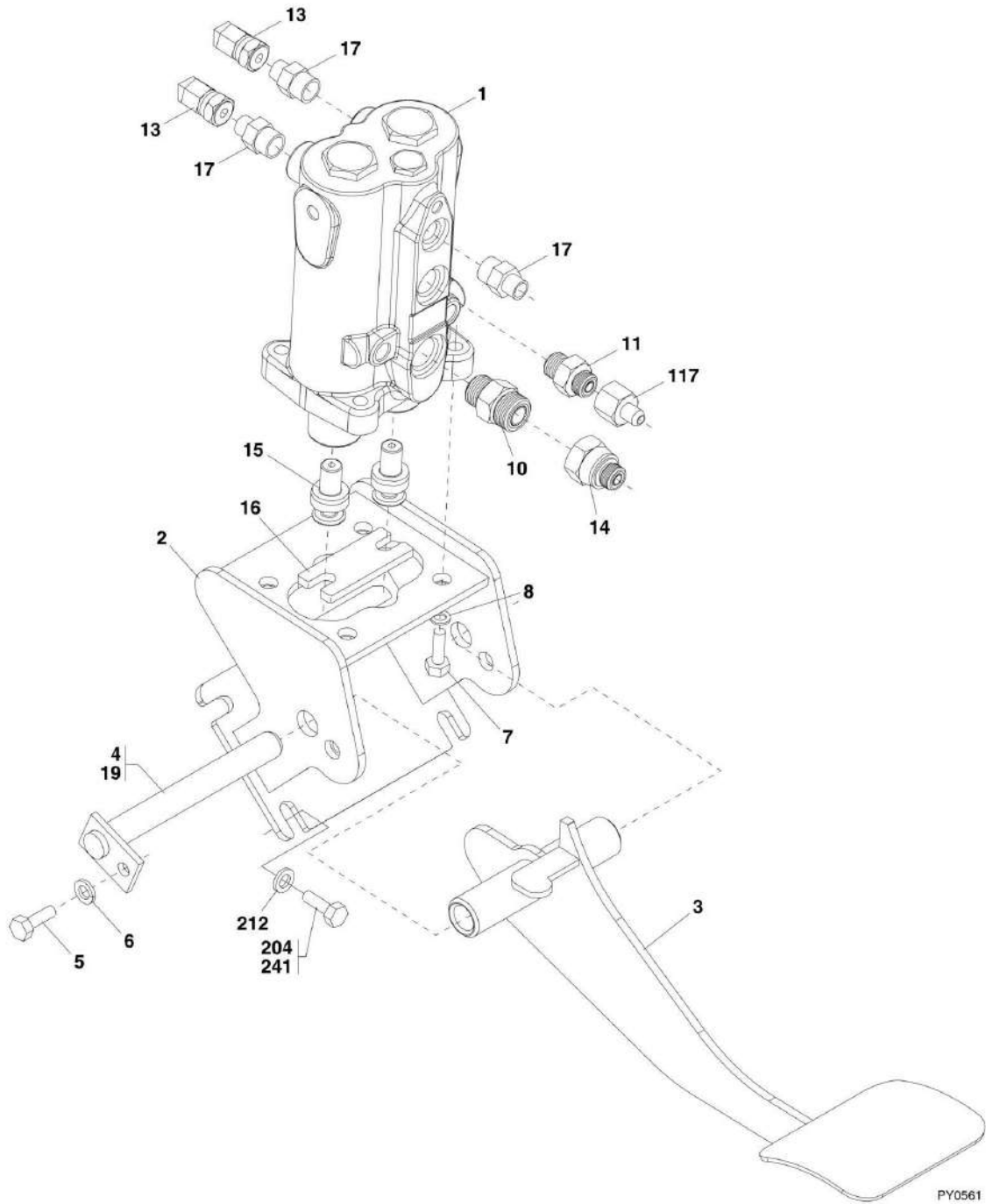
SECTION 7 - CONTROLS

FIGURE 7-5. BRAKE PEDAL ASSEMBLY (Prior to SN 0160029245)

ITEM	PART NUMBER	QTY	DESCRIPTION	REV
1	91515048	1 Ref	POWER BRAKE ASSY, (includes items 1 thru 19) POWER BRAKE VALVE, (See HYDRAULIC COMPONENTS SECTION for details)	D
2	88662105	2	ELBOW, 90, (swivel nut)	
3	8770064	3	CONNECTOR	
4	88661364	1	HEX CAP	
5	83193018	1	CONNECTOR	
6	86883469	1	REDUCER FITTING	
7	80233142	1	CONNECTOR	
8	88661343	1	REDUCER FITTING	
9	91516029	1	BRAKE BRACKET	
10	91476031	1	PIVOT PIN	
11	88201035	1	HEX HD CAPSCREW, 3/8-16X1, GR5	
12	88551011	1	LOCKWASHER, 3/8	
13	91516030	1	BRAKE PEDAL	
14	83191021	4	HEX HD CAPSCREW, M10-1.5X30	
15	83191013	4	LOCKWASHER, M10	
16	80263108	1	PEDAL PAD	
17	91403247	2	BUSHING	
18	91511145	1	TIE BAR	
19	91513180	2	ACTUATOR	
20	0641506	4	HEX HD CAPSCREW, 5/16-18X3/4, GR5	
21	4711500	4	FLAT WASHER, 5/16	

SECTION 7 - CONTROLS

FIGURE 7-6. BRAKE PEDAL ASSEMBLY (SN 0160029245 to Present)



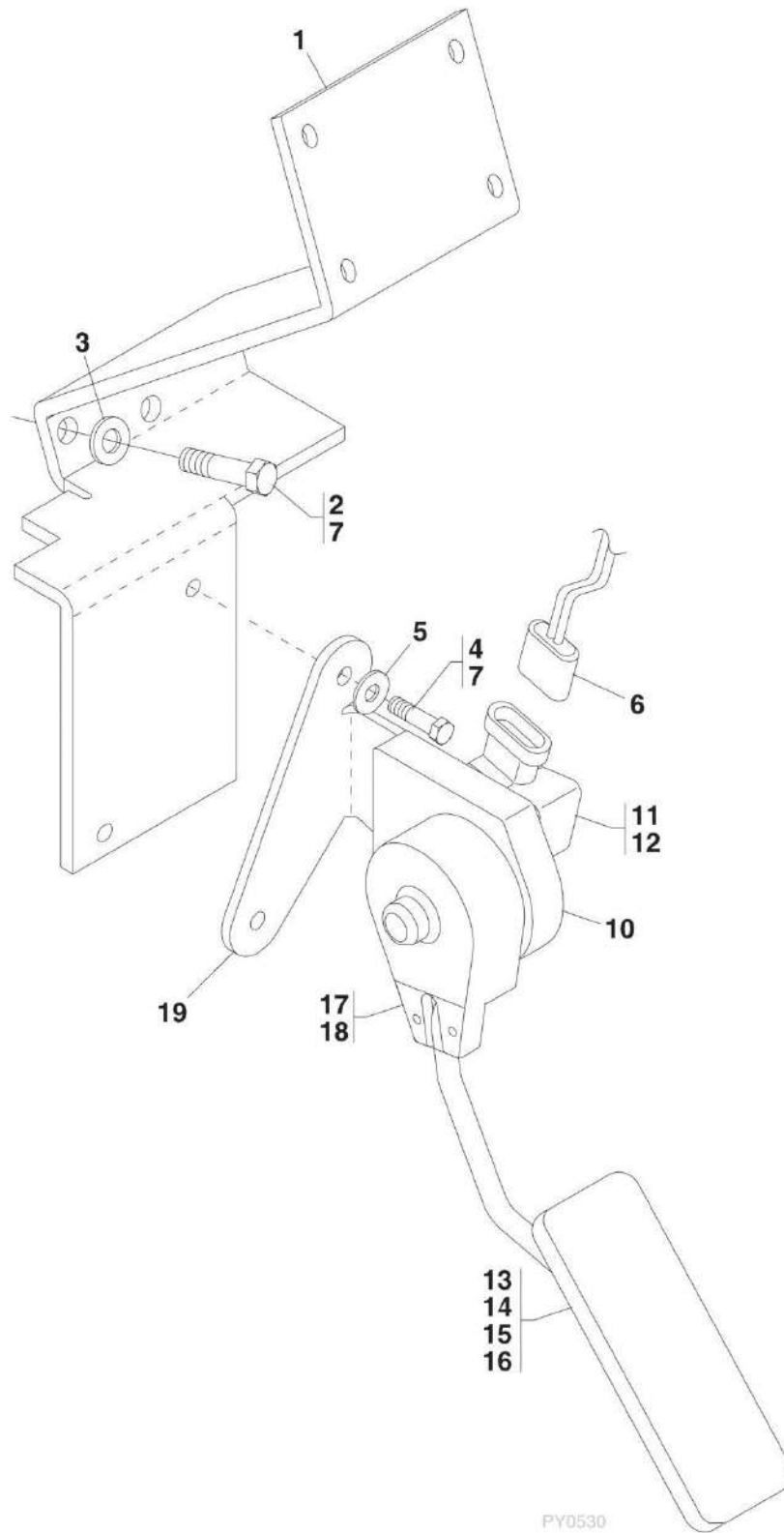
SECTION 7 - CONTROLS

FIGURE 7-6. BRAKE PEDAL ASSEMBLY (SN 0160029245 to Present)

ITEM	PART NUMBER	QTY	DESCRIPTION	REV
	1001091359	1	POWER BRAKE ASSY, (JOHN DEERE ENGINE), (includes items 1 thru 19 & 117)	D
	1001091173	1	POWER BRAKE ASSY, (PERKINS AND CUMMINS ENGINE), (includes items 1 thru 19)	F
1		Ref	POWER BRAKE VALVE, (See HYDRAULIC COMPONENTS SECTION for details)	
2	1001091118	1	BRAKE BRAKET	
3	1001090741	1	BRAKE PEDAL	
4	91476031	1	PIVOT PIN	
5	0641608	1	HEX HD CAPSCREW, 3/8-16X1, GR5	
6	4761600	1	LOCKWASHER, 3/8	
7	0701014	4	HEX HD CAPSCREW, 10X30mm, GR8.8	
8	4832000	4	SPRING LOCKWASHER, 10mm	
10	80233142	1	CONNECTOR, (JOHN DEERE ENGINE)	
10	2221257	1	CONNECTOR, (PERKINS & CUMMINS ENGINE)	
11	83193018	1	CONNECTOR, (JOHN DEERE ENGINE)	
11	8770258	1	CONNECTOR, (PERKINS & CUMMINS ENGINE)	
13	8760268	2	ELBOW, 90, (swivel nut), (JOHN DEERE ENGINE)	
13	2172106	2	ELBOW, 90, (swivel nut), (PERKINS AND CUMMINS ENGINE)	
14	2220620	1	ADAPTER, (JOHN DEERE ENGINE)	
14	2221244	1	ADAPTER, (PERKINS & CUMMINS ENGINE)	
15	91513180	2	ACTUATOR	
16	91511145	1	TIE BAR	
17	8770064	3	CONNECTOR, (JOHN DEERE ENGINE)	
17	2144605	3	CONNECTOR, (PERKINS & CUMMINS ENGINE)	
19	3020039	AR	MOLY PASTE	
117	2220619	1	ADAPTER	
204	0641506	4	HEX HD CAPSCREW, 5/16-18X3/4, GR5	
212	4711500	4	FLAT WASHER, 5/16	
241	0100011	AR	LOCTITE 242	

SECTION 7 - CONTROLS

FIGURE 7-7. ACCELERATOR PEDAL



SECTION 7 - CONTROLS

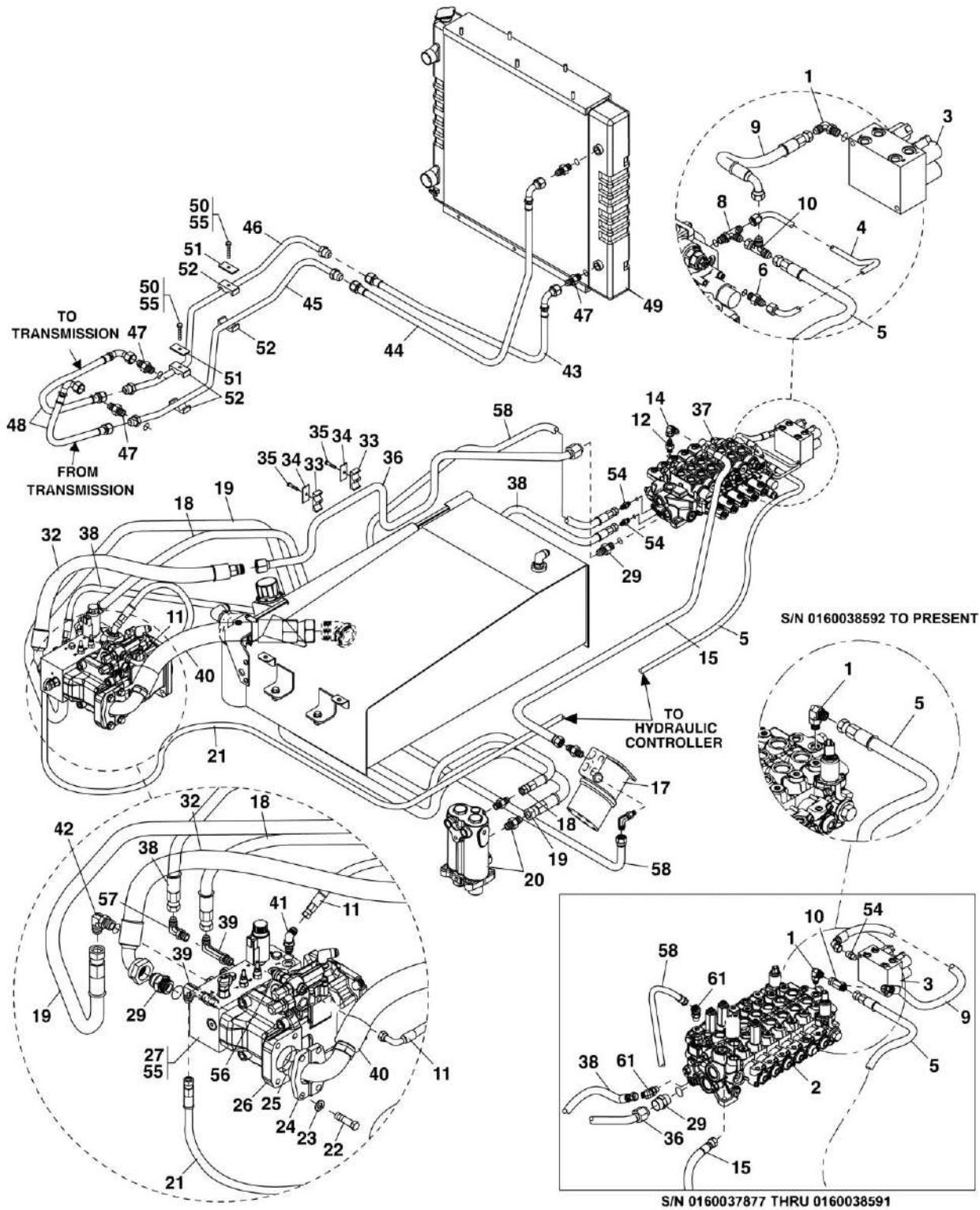
FIGURE 7-7. ACCELERATOR PEDAL

ITEM	PART NUMBER	QTY	DESCRIPTION	REV
1	91561192	1	ACCELERATOR BRACKET	
2	0641508	3	HEX HD CAPSCREW, 5/16-18X1, GR5	
3	4711500	3	FLAT WASHER, 5/16	
4	0641408	2	HEX HD CAPSCREW, 1/4-20X1, GR5	
5	4711400	2	FLAT WASHER, 1/4	
6		Ref	ENGINE HARNESS, (See ELECTRICAL SECTION for details)	
7	0100011	AR	LOCTITE 242	
10	91563044	1	ACCELERATOR PEDAL, (JOHN DEERE ENGINE), (includes items 11 thru 18)	B
10	1001090003	1	ACCELERATOR PEDAL, (PERKINS ENGINE), (includes items 11 thru 16 & 19)	C
10	80383410	1	ACCELERATOR PEDAL, (CUMMINS ENGINE), (includes items 11 thru 16)	1
10	70023325	1	PEDAL KIT, (includes items 13, 14 & 16)	
10	7026485	1	SENSOR KIT, (JOHN DEERE ENGINE), (includes items 11 & 12)	
10	7029908	1	SENSOR KIT, (PERKINS ENGINE), (includes items 11 & 12)	
10	70020551	1	SENSOR KIT, (CUMMINS ENGINE), (includes items 11 & 12)	
11	N.S.S.	2	SCREW	
12	N.S.S.	1	SENSOR	
13	N.S.S.	1	PEDAL	
14	N.S.S.	1	PEDAL SPRING	
15	7026481	1	PEDAL ARM	
16	N.S.S.	1	PEDAL PIN	
17	N.S.S.	1	CLAMP	
18	N.S.S.	2	SCREW	
19	N.S.S.	1	MOUNTING BRACKET	

SECTION 8 - HYDRAULIC CIRCUITS

SECTION 8 - HYDRAULIC CIRCUITS

FIGURE 8-1. SUPPLY CIRCUIT - JOHN DEERE ENGINE



PAP3520

SECTION 8 - HYDRAULIC CIRCUITS

FIGURE 8-1. SUPPLY CIRCUIT - JOHN DEERE ENGINE

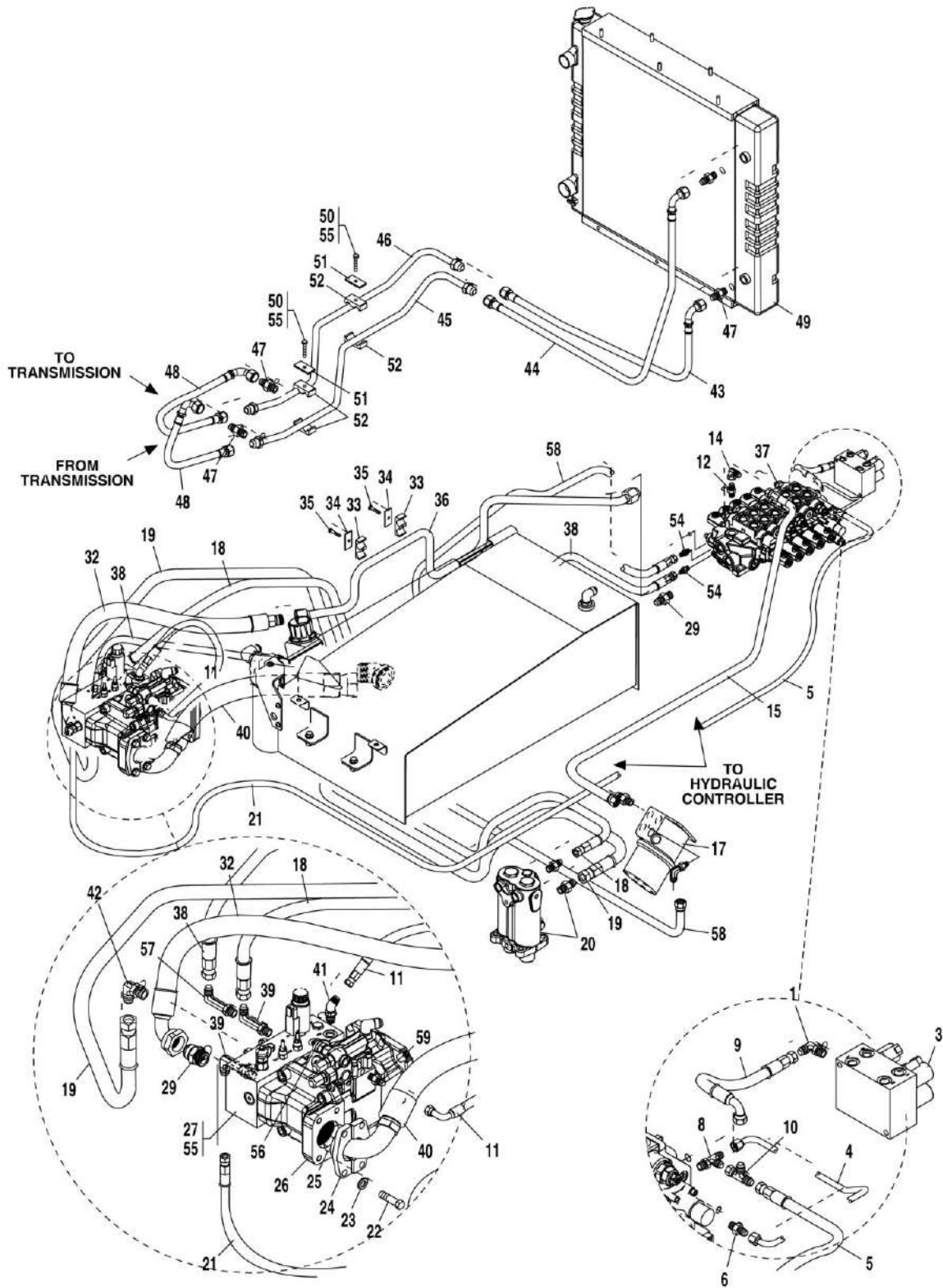
ITEM	PART NUMBER	QTY	DESCRIPTION	REV
1	2220473	2	ELBOW, 90, (includes o-ring)	
3		Ref	COMBINATION VALVE, (See SWAY CONTROLLER - JOHN DEERE for details)	
4	91563211	1	TUBE ASSY (Prior to SN 0160037877)	
5		Ref	HOSE ASSY, (See BOOM JOYSTICK - JOHN DEERE ENGINE and BOOM JOYSTICK - PERKINS & CUMMINS ENGINE for details)	
6	2220603	1	CONNECTOR, (includes o-ring)	
8	2220606	1	RUN TEE, (includes o-ring)	
9	84719185	1	HOSE ASSY (Prior to SN 0160037877)	
9	1001108474	1	HOSE ASSY (SN 0160037877 through 0160038591)	
10	2220635	1	SWIVEL NUT RUN TEE, 3/8 TUBE (Prior to SN 0160038592)	
11	2754097	1	HOSE ASSY	
12	2220375	1	CONNECTOR, (includes o-ring)	
14	8765204	1	ELBOW, 90, (swivel nut)	
15	2754059	1	HOSE ASSY	
17		Ref	STEERING CONTROL ASSY, (See CONTROLS SECTION for details)	
18	2753952	1	HOSE ASSY	
19	2754058	1	HOSE ASSY	
20		Ref	POWER BRAKE VALVE, (See CONTROLS SECTION for details)	
21	2753955	1	HOSE ASSY	
22	0641812	4	HEX HD CAPSCREW, 1/2-13X1-1/2, GR5	
23	4761800	4	LOCKWASHER, 1/2	
24	10717672	2	FLANGE HALF	
25	80003294	1	O-RING	
26		Ref	HYDRAULIC PUMP, (See HYDRAULIC COMPONENTS for details)	
27		Ref	HYDRAULIC MANIFOLD, (See HYDRAULIC COMPONENTS for details)	
29	2220377	1	CONNECTOR, (includes o-ring)	
32	2754192	1	HOSE ASSY	
33	77133073	2	CLAMP	
34	77133052	2	COVER PLATE	
35	0641412	2	HEX HD CAPSCREW, 1/2-20x1-1/2, GR5	
36	91563265	1	TUBE ASSY (Prior to SN 0160037877)	
36	1001106637	1	TUBE ASSY (SN 0160037877 to Present)	
37		Ref	MAIN CONTROL VALVE, (See HYDRAULIC COMPONENTS for details)	
38	2754098	1	HOSE ASSY	
39	2220819	2	FITTING	
40	2754018	1	HOSE ASSY	
41	2220501	1	ELBOW, 45, (includes o-ring)	
42	2220628	1	CONNECTOR, (includes o-ring)	
43	2754046	1	HOSE ASSY	
44	2754045	1	HOSE ASSY	
45	91563255	1	TUBE ASSY	
46	91563254	1	TUBE ASSY	
47	2220408	4	CONNECTOR, (includes o-ring)	
48	2753973	2	HOSE ASSY	
49		Ref	RADIATOR, (See ENGINE & ATTACHING PARTS SECTION for details)	

SECTION 8 - HYDRAULIC CIRCUITS

ITEM	PART NUMBER	QTY	DESCRIPTION	REV
50	0641514	2	HEX HD CAPSCREW, 5/16-18X1-3/4, GR5	
51	77133137	2	COVER PLATE	
52	77133136	2	CLAMP	
54	2220371	2	LOCTITE 242	
54	2220371	1	CONNECTOR, (includes o-ring) (SN 0160037877 through 0160038591)	
55	0100011	AR	LOCTITE 242	
56	91053020	1	COUPLING	
57	2220473	1	ELBOW, 90, (includes o-ring)	
58	2754099	1	HOSE ASSY	
59	2220603	1	CONNECTOR, (includes o-ring)	
60	2220671	1	ELBOW, 90, (includes o-ring) (SN 0160037877 to Present)	
61	2221040	2	ELBOW, 45, (includes o-ring) (SN 0160037877 to Present)	

SECTION 8 - HYDRAULIC CIRCUITS

FIGURE 8-2. SUPPLY CIRCUIT - PERKINS ENGINE (Prior to SN 0160037877)



PY0910

SECTION 8 - HYDRAULIC CIRCUITS

FIGURE 8-2. SUPPLY CIRCUIT - PERKINS ENGINE (Prior to SN 0160037877)

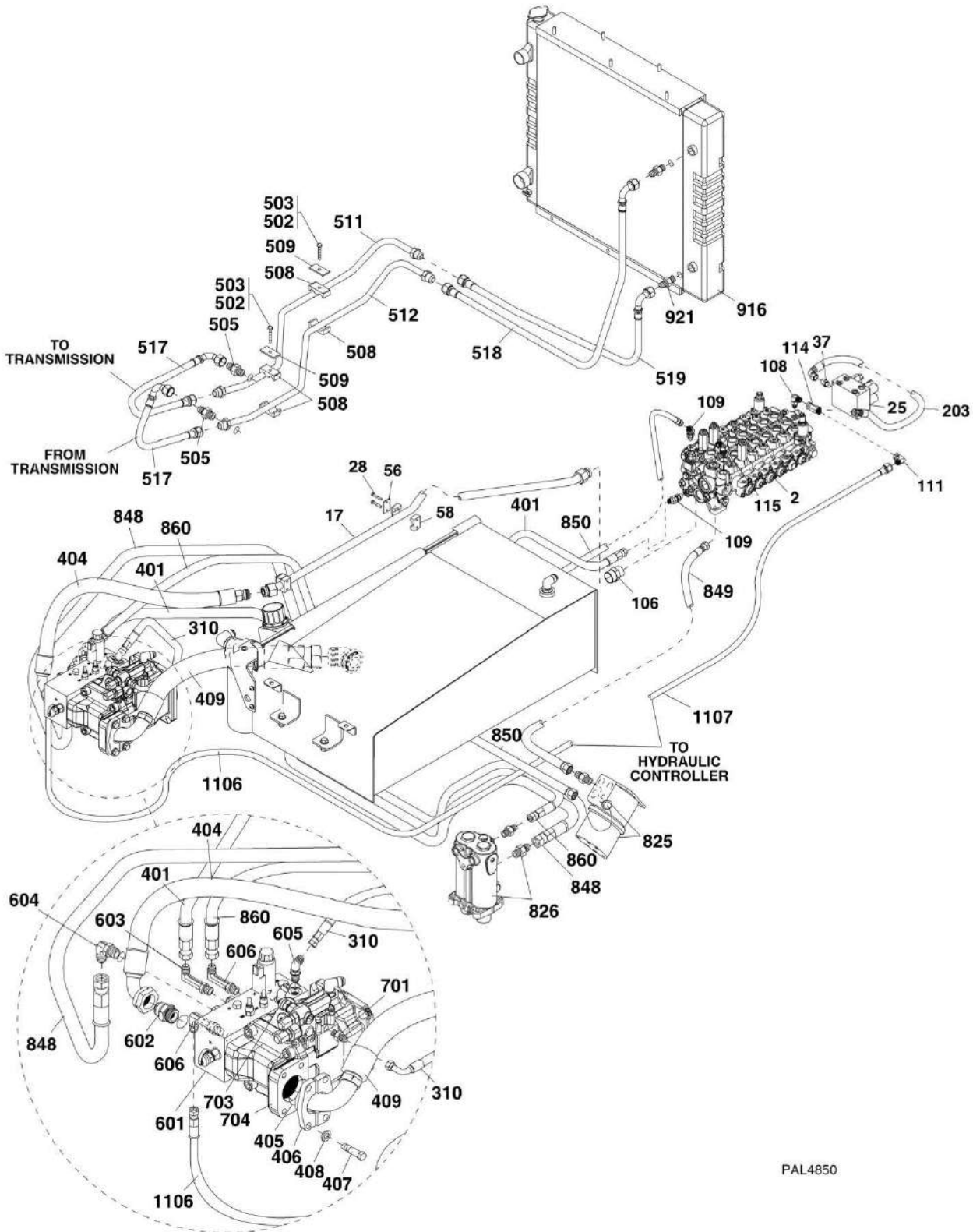
ITEM	PART NUMBER	QTY	DESCRIPTION	REV
1	2170206	1	ELBOW, 90, (includes o-ring)	
3		Ref	COMBINATION VALVE, (See SWAY CONTROLLER - PERKINS ENGINE for details)	
4	1001001465	1	TUBE ASSY	
5		Ref	HOSE ASSY, (See BOOM JOYSTICK - PERKINS & CUMMINS ENGINE for details)	
6	2110406	1	CONNECTOR, (includes o-ring)	
8	2170306	1	RUN TEE, (includes o-ring)	
9	1001095440	1	HOSE ASSY	
10	2170706	1	SWIVEL NUT RUN TEE, 3/8 TUBE	
11	1001095437	1	HOSE ASSY	
12	2110812	1	CONNECTOR, (includes o-ring)	
14	2172108	1	ELBOW, 90, (swivel nut)	
15	1001096393	1	HOSE ASSY	
17		Ref	STEERING CONTROL ASSY, (See CONTROLS SECTION for details)	
18	1001096397	1	HOSE ASSY	
19	1001096392	1	HOSE ASSY	
20		Ref	POWER BRAKE VALVE, (See CONTROLS SECTION for details)	
21	1001097927	1	HOSE ASSY	
22	0641812	4	HEX HD CAPSCREW, 1/2-13X1-1/2, GR5	
23	4761800	4	LOCKWASHER, 1/2	
24	10717672	2	FLANGE HALF	
25	80003294	1	O-RING	
26		Ref	HYDRAULIC PUMP, (See HYDRAULIC COMPONENTS SECTION for details)	
27		Ref	HYDRAULIC MANIFOLD, (See HYDRAULIC COMPONENTS SECTION for details)	
29	2111616	2	CONNECTOR, (includes o-ring)	
32	1001095454	1	HOSE ASSY	
33	77133073	2	CLAMP	
34	77133052	2	COVER PLATE	
35	0641412	2	HEX HD CAPSCREW, 1/2-20x1-1/2, GR5	
36	1001091340	1	TUBE ASSY	
37		Ref	MAIN CONTROL VALVE, (See HYDRAULIC COMPONENTS SECTION for details)	
38	1001095451	1	HOSE ASSY	
39	2170206	2	FITTING	
40	1001095455	1	HOSE ASSY	
41	2150606	1	ELBOW, 45, (includes o-ring)	
42	2150608	1	CONNECTOR, (includes o-ring)	
43	1001097773	1	HOSE ASSY	
44	1001097772	1	HOSE ASSY	
45	1001097990	1	TUBE ASSY	
46	1001097991	1	TUBE ASSY	
47	2111210	4	CONNECTOR, (includes o-ring)	
48	1001097771	2	HOSE ASSY	
49		Ref	RADIATOR, (See ENGINE & ATTACHING PARTS SECTION for details)	
50	0641514	2	HEX HD CAPSCREW, 5/16-18X1-3/4, GR5	
51	77133137	2	COVER PLATE	

SECTION 8 - HYDRAULIC CIRCUITS

ITEM	PART NUMBER	QTY	DESCRIPTION	REV
52	8769139	2	CLAMP	
54	2110604	2	CONNECTOR, (includes o-ring)	
55	0100011	AR	LOCTITE 242	
56	91053020	1	COUPLING	
57	2130606	1	ELBOW, 90, (includes o-ring)	
58	1001096394	1	HOSE ASSY	
59	2110604	1	CONNECTOR, (includes o-ring)	

SECTION 8 - HYDRAULIC CIRCUITS

FIGURE 8-3. SUPPLY CIRCUIT - PERKINS ENGINE (SN 0160037877 to Present)



PAL4850

SECTION 8 - HYDRAULIC CIRCUITS

FIGURE 8-3. SUPPLY CIRCUIT - PERKINS ENGINE (SN 0160037877 to Present)

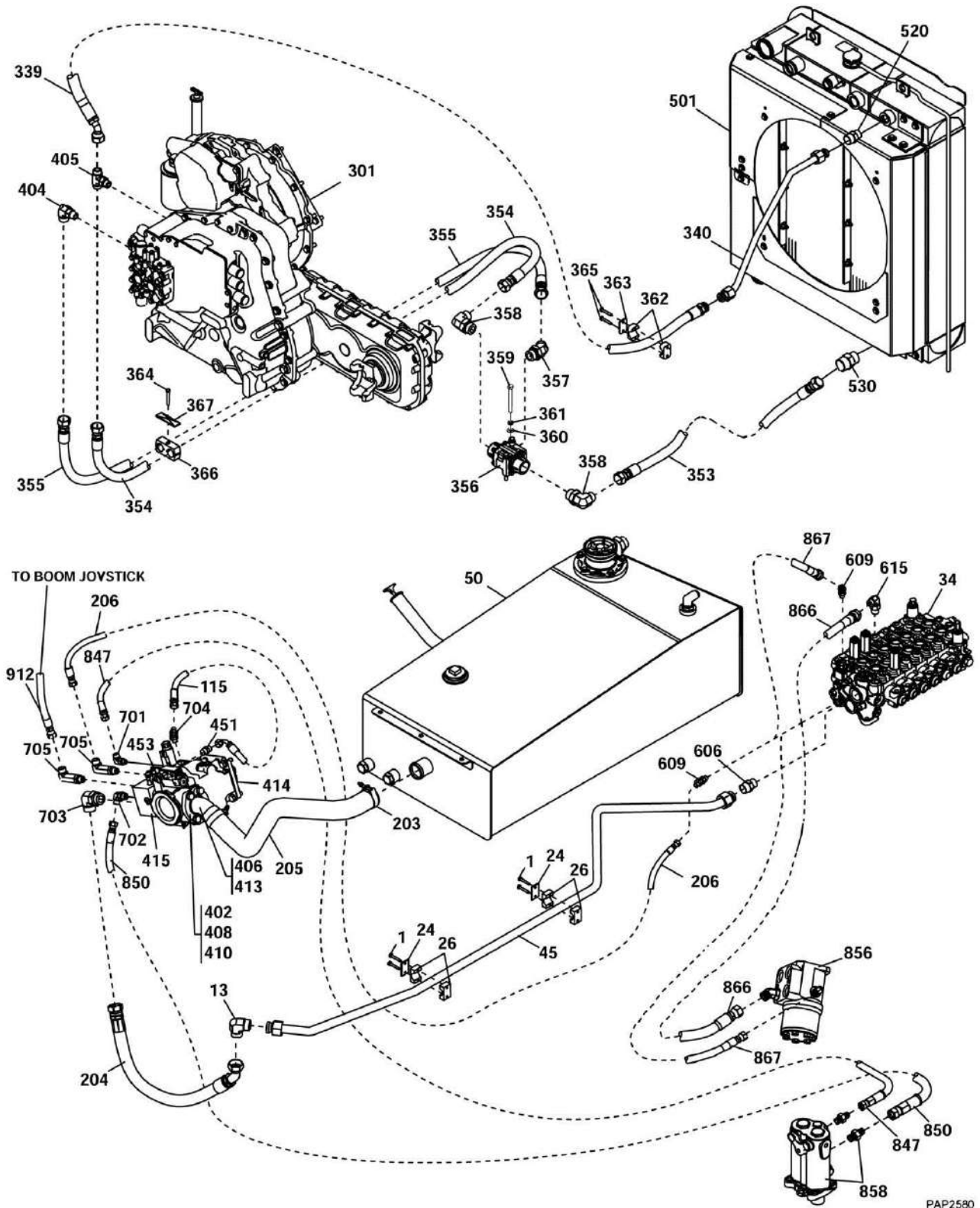
ITEM	PART NUMBER	QTY	DESCRIPTION	REV
2		Ref	MAIN CONTROL VALVE, (See HYDRAULIC COMPONENTS SECTION for details)	
17	1001105126	1	PRESSURE TUBE ASSY	
25		Ref	SWAY VALVE, (See STEER SELECT - PERKINS & CUMMINS ENGINE for details)	
28	0641412	4	HEX HD CAPSCREW, 1/4-20X1-3/4, GR5	
37	2110606	1	FITTING, STRAIGHT (Prior to SN 0160038592, Excluding 0160014344)	
56	77133052	2	COVER PLATE	
58	77133073	2	CLAMP SET	
106	2111616	1	CONNECTOR, (includes o-ring)	
108	2130606	1	FITTING, 90, (includes o-ring)	
109	2150406	2	FITTING, 45, (includes o-ring)	
111	2172106	1	FITTING, 90, (includes o-ring)	
114	2170706	1	FITTING, TEE, (includes o-ring)	
115	2130810	1	FITTING, 90, (includes o-ring)	
203	1001107175	1	HOSE ASSY (Prior to SN 0160038592, Excluding 0160014344)	
310	1001095437	1	HOSE ASSY	
401	1001095451	1	HOSE ASSY	
404	1001095454	1	HOSE ASSY	
405	80003294	1	O-RING	
406	10717672	2	FLANGE HALF	
407	0641812	4	HEX HD CAPSCREW, 1/2-13X1-1/2, GR5	
408	4761800	4	LOCKWASHER, 1/2	
409	1001095455	1	HOSE ASSY	
502	0100011	AR	LOCTITE 242	
503	0641514	2	HEX HD CAPSCREW, 5/16-18X1-3/4, GR5	
505	2111210	2	FITTING, STRAIGHT, (includes o-ring)	
508	8769139	2	CLAMP SET	
509	77133137	2	COVER PLATE	
511	1001097991	1	TUBE ASSY	
512	1001097990	1	TUBE ASSY	
517	1001097771	2	HOSE ASSY	
518	1001097772	1	HOSE ASSY	
519	1001097773	1	HOSE ASSY	
601		Ref	HYDRAULIC MANIFOLD, (See HYDRAULIC COMPONENTS SECTION for details)	
602	2111616	1	FITTING, STRAIGHT, (includes o-ring)	
603	2130606	1	FITTING, 90, (includes o-ring)	
604	2150608	1	FITTING, 90, (includes o-ring)	
605	2150606	1	FITTING, 45, (includes o-ring)	
606	2170206	2	FITTING, 90, (long), (includes o-ring)	
701	2110604	1	FITTING, STRAIGHT, (includes o-ring)	
703	91053020	1	TEST PORT COUPLING	
704		Ref	HYDRAULIC PUMP, (See HYDRAULIC COMPONENTS SECTION for details)	
825		Ref	STEERING CONTROL ASSY, (See CONTROL SECTION for details)	
826		Ref	POWER BRAKE VALVE, (See CONTROL SECTION for details)	
848	1001096392	1	HOSE ASSY	
849	1001096393	1	HOSE ASSY	

SECTION 8 - HYDRAULIC CIRCUITS

ITEM	PART NUMBER	QTY	DESCRIPTION	REV
850	1001096394	1	HOSE ASSY	
860	1001096397	1	HOSE ASSY	
916		Ref	RADIATOR ASSY, (See ENGINE & ATTACHING PARTS for details)	
921	2110210	2	FITTING, STRAIGHT, (includes o-ring)	
1106	1001097927	1	HOSE ASSY	
1107		Ref	HOSE ASSY, (See BOOM JOYSTICK - PERKINS & CUMMINS ENGINE for details)	

SECTION 8 - HYDRAULIC CIRCUITS

FIGURE 8-4. SUPPLY CIRCUIT - CUMMINS ENGINE



SECTION 8 - HYDRAULIC CIRCUITS

FIGURE 8-4. SUPPLY CIRCUIT - CUMMINS ENGINE

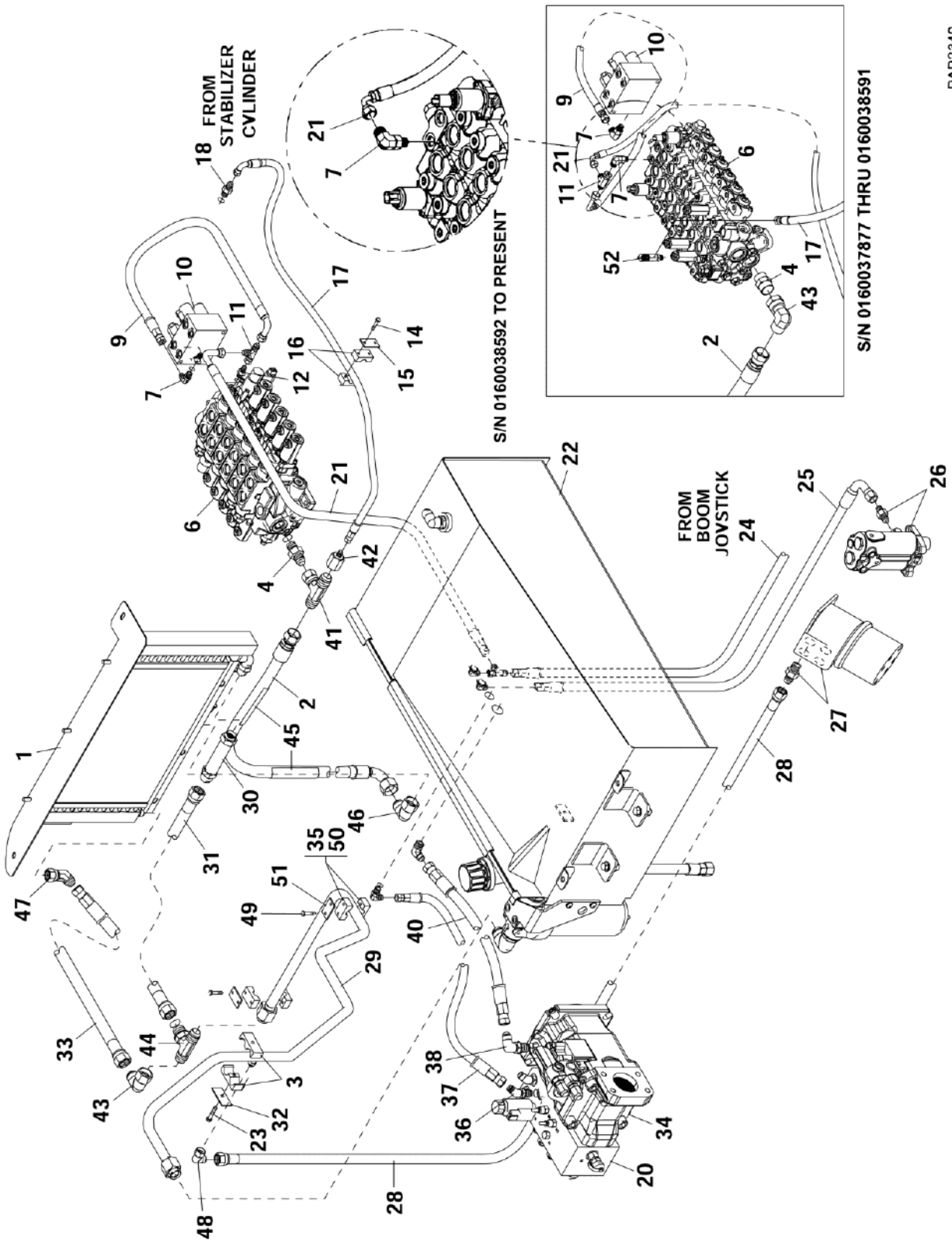
ITEM	PART NUMBER	QTY	DESCRIPTION	REV
1	0641412	4	HEX HD CAPSCREW, 1/4-20X1.5	
13	2172016	1	ELBOW, 90, (includes o-ring)	
24	77133052	2	COVER PLATE	
26	77133073	2	CLAMP	
34		Ref	MAIN CONTROL VALVE	
45	1001114522	1	TUBE ASSY	
50		Ref	HYDRAULIC TANK, (See HYDRAULIC COMPONENTS SECTION for details)	
115	1001116005	1	HOSE ASSY	
203	8410012	2	T-BOLT CLAMP	
204	1001114528	1	HOSE ASSY	
205	1001115277	1	SUCTION HOSE ASSY	
206	1001115885	1	HOSE ASSY	
301		Ref	ZF TRANSMISSION, (See ENGINE & ATTACHING PARTS SECTION for details)	
339	1001118060	1	HOSE ASSY	
340	1001118068	1	PIPE ASSY	
353	1001119828	1	HOSE ASSY	
354	1001119815	1	HOSE ASSY	
355	1001119809	1	HOSE ASSY	
356	1001119801	1	THERMAL BYPASS VALVE	
357	2151216	1	ELBOW, 45, (includes o-ring)	
358	2131216	2	ELBOW, 90, (includes o-ring)	
359	0641628	2	HEX HD CAP SCREW, 3/8-16 X 3 1/2 LG	
360	4711600	2	WASHER	
361	4761600	2	WASHER	
362	8750005	1	CLAMP SET, 1.25	
363	8750001	1	CLAMP SET	
364	0641520	1	HEX HD CAPSCREW, 5/16-18X2-1/2, GR5	
365	0641420	2	HEX HD CAPSCREW, 1/4-20X2-1/2, GR5	
366	8750022	1	CLAMP SET, 1.26	
367	8750025	1	COVER PLATE	
402	0641812	4	HEX HD CAPSCREW, 1/2-13X1-1/2, GR5	
404	2131210	1	ELBOW, 90, (includes o-ring)	
405	2170410	1	FITTING, TEE, (includes o-ring)	
406	3790228	1	O-Ring	
408	4761800	4	LOCKWASHER, 1/2	
410	8546407	2	FLANGE HALF	
413	1001107814	1	ELBOW, 45	
414		Ref	HYDRAULIC PUMP, (See HYDRAULIC COMPONENTS SECTION for details)	
415		Ref	HYDRAULIC MANIFOLD, (See HYDRAULIC COMPONENTS SECTION for details)	
451	2110604	1	ELBOW, 90, (includes o-ring)	
453	91053020	1	TEST PORT COUPLING	
501		Ref	RADIATOR, (See ENGINE & ATTACHING PARTS for details)	
520	2111212	1	CONNECTOR, (includes o-ring)	
530	2151212	1	ELBOW, 45, (includes o-ring)	
606	2111616	1	CONNECTOR, (includes o-ring)	
609	2150406	1	ELBOW, 45, (includes o-ring)	

SECTION 8 - HYDRAULIC CIRCUITS

ITEM	PART NUMBER	QTY	DESCRIPTION	REV
615	2130810	1	ELBOW, 90, (includes o-ring)	
701	2130606	1	ELBOW, 90, (includes o-ring)	
702	2150608	1	ELBOW, 90, (includes o-ring)	
703	2151616	1	ELBOW, 45, (includes o-ring)	
704	2150606	1	ELBOW, 45, (includes o-ring)	
705	2170206	2	ELBOW, 90, (includes o-ring)	
847	1001116009	1	HOSE ASSY	
850	1001116011	1	HOSE ASSY	
856		Ref	STEERING CONTROL ASSY, (See CONTROLS SECTION for details)	
858		Ref	POWER BRAKE VALVE, (See CONTROLS SECTION for details)	
866	1001096393	1	HOSE ASSY	
867	1001096394	1	HOSE ASSY	
912	1001115999	1	HOSE ASSY	

SECTION 8 - HYDRAULIC CIRCUITS

FIGURE 8-5. DUMP CIRCUIT - JOHN DEERE ENGINE



PAP2340

SECTION 8 - HYDRAULIC CIRCUITS

FIGURE 8-5. DUMP CIRCUIT - JOHN DEERE ENGINE

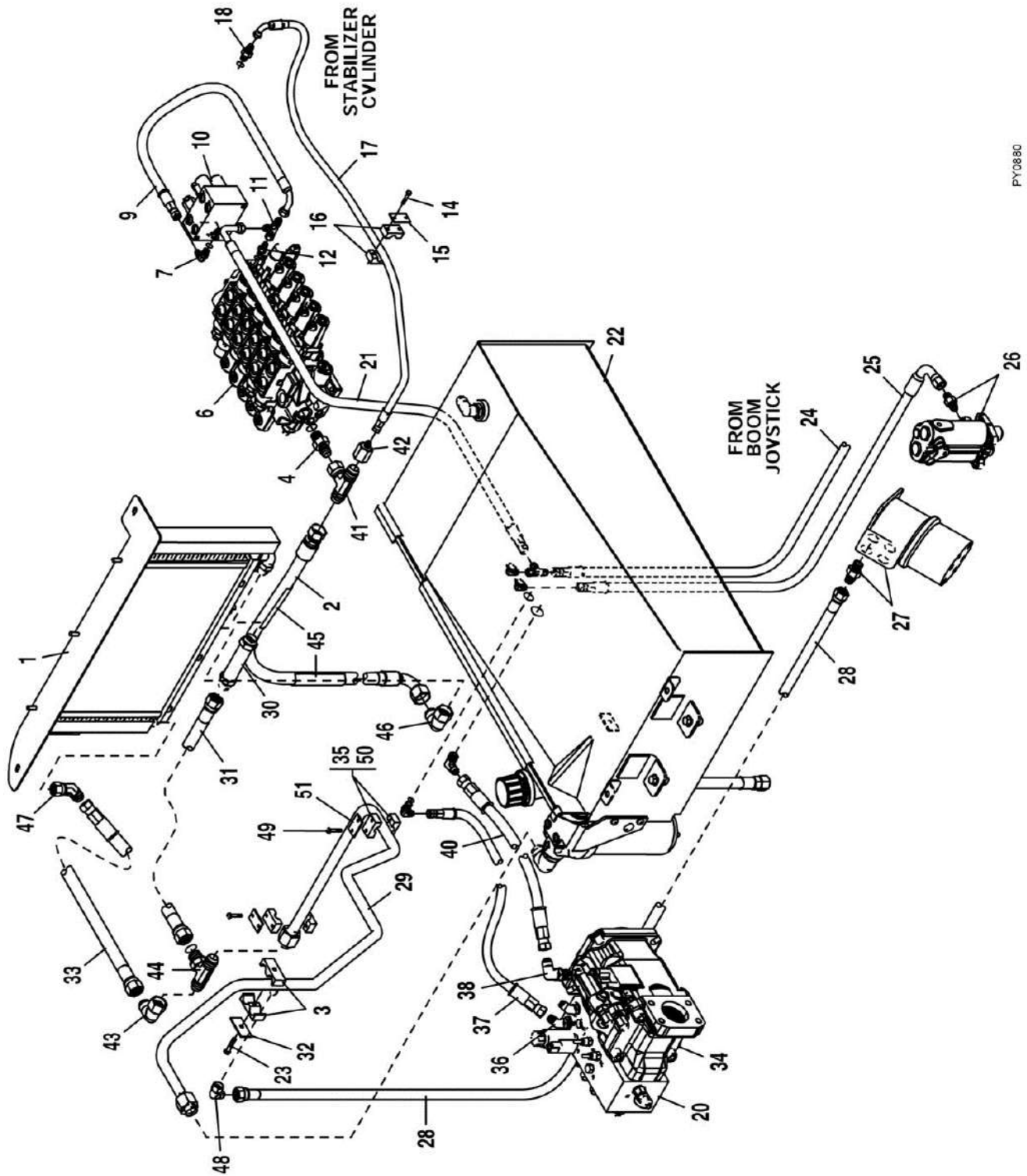
ITEM	PART NUMBER	QTY	DESCRIPTION	REV
1		Ref	OIL COOLER, (See ENGINE & ATTACHING PARTS SECTION for details)	
2	2754282	1	TUBE ASSY	
3	77133279	1	CLAMP	
4	2220377	1	CONNECTOR, (includes o-ring)	
6		Ref	MAIN CONTROL VALVE, (See HYDRAULIC COMPONENTS SECTION for details)	
7	2220473	1	ELBOW, 90, (includes o-ring) (Prior to SN 0160037877)	
7	2220473	2	ELBOW, 90, (includes o-ring) (SN 0160037877 through 0160038591)	
7	2220473	1	ELBOW, 90, (includes o-ring) (SN 0160038592 to Present)	
9	84719166	1	HOSE ASSY (Prior to SN 0160037877)	
9	1001108475	1	HOSE ASSY (SN 0160037877 through 0160038591)	
10		Ref	COMBINATION VALVE, (See SWAY CONTROLLER - JOHN DEERE ENGINE for details)	
11	2220635	1	SWIVEL NUT RUN TEE, 3/8 TUBE (Prior to SN 0160038592)	
12	2220603	1	CONNECTOR, (includes o-ring),	
14	0641412	6	HEX HD CAPSCREW, 1/4-20X1-1/2, GR5	
15	77133052	3	COVER PLATE	
16	77133073	1	CLAMP	
17	2754021	1	HOSE ASSY	
18	2220372	1	CONNECTOR, (includes o-ring)	
20		Ref	HYDRAULIC MANIFOLD, (See HYDRAULIC COMPONENTS SECTION for details)	
21	84719545	1	HOSE ASSY	
22		Ref	HYDRAULIC TANK ASSY, (See HYDRAULIC COMPONENTS SECTION for details)	
23	0641514	1	HEX HD CAPSCREW, 5/16-18X1-3/4, GR5	
24		Ref	HOSE ASSY, (See BOOM JOYSTICK - JOHN DEERE ENGINE and BOOM JOYSTICK - PERKINS AND CUMMINS ENGINE for details)	
25	2754057	1	HOSE ASSY	
26		Ref	POWER BRAKE VALVE, (See CONTROLS SECTION for details)	
27		Ref	STEERING CONTROL ASSY, (See CONTROLS SECTION for details)	
28	2754146	1	HOSE ASSY	
29	91563278	1	TUBE ASSY	
30	91563256	1	CHECK VALVE	
31	2754278	1	HOSE ASSY	
32	77133137	1	COVER PLATE	
33	2754279	1	TUBE ASSY	
34		Ref	HYDRAULIC PUMP, (See HYDRAULIC COMPONENTS SECTION for details)	
35	8750002	2	CLAMP	
36	2220501	1	ELBOW, 45, (includes o-ring)	
37	84717835	1	HOSE ASSY	
38	2220671	1	ELBOW, 90, (includes o-ring)	
40	84717517	1	HOSE ASSY	
41	2220384	1	BRANCH TEE, (swivel nut)	
42	2220623	1	ADAPTER	
43	2220878	1	ELBOW, 90, (swivel nut) (Prior to SN 0160037877)	
43	2220878	2	ELBOW, 90, (swivel nut) (SN 0160037877 to Present)	

SECTION 8 - HYDRAULIC CIRCUITS

ITEM	PART NUMBER	QTY	DESCRIPTION	REV
44	220363	1	RUN TEE	
45	91403528	2	HOSE GUARD	
46	2220878	1	ELBOW, 90	
47	8760273	1	ELBOW, 45, (swivel nut)	
48	8765204	1	ELBOW, 90, (swivel nut)	
49	0700617	4	HEX HD CAPSCREW, 6X1X45mm	
50	8750044	4	RAIL NUT	
51	8769153	2	COVER PLATE (Prior to SN 0160035171)	
51	7713052	2	COVER PLATE (SN 0160035171 to Present)	
52	2220819	1	FITTING, 90, (long), (includes o-ring) (SN 0160035171 to Present)	

SECTION 8 - HYDRAULIC CIRCUITS

FIGURE 8-6. DUMP CIRCUIT - PERKINS ENGINE (Prior to SN 0160037877)



PY0880

SECTION 8 - HYDRAULIC CIRCUITS

FIGURE 8-6. DUMP CIRCUIT - PERKINS ENGINE (Prior to SN 0160037877)

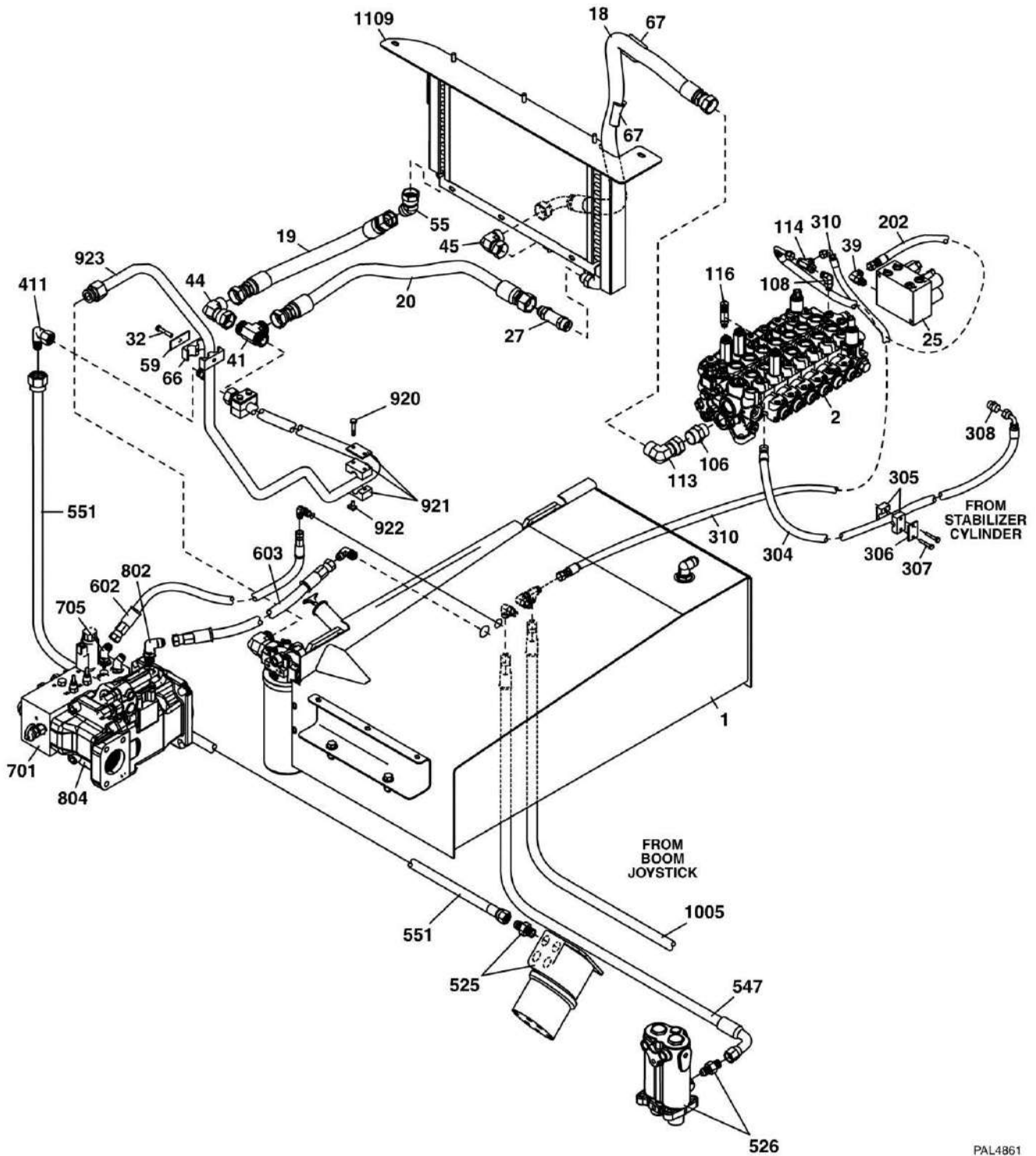
ITEM	PART NUMBER	QTY	DESCRIPTION	REV
1		Ref	OIL COOLER, (See ENGINE & ATTACHING PARTS SECTION for details)	
2	1001095443	1	TUBE ASSY	
3	77133279	1	CLAMP	
4	2111616	1	CONNECTOR, (includes o-ring)	
6		Ref	MAIN CONTROL VALVE, (See HYDRAULIC COMPONENTS SECTION for details)	
7	2130606	1	ELBOW, 90, (includes o-ring)	
9	1001095439	1	HOSE ASSY	
10		Ref	COMBINATION VALVE, (See SWAY CONTROLLER - JOHN DEERE ENGINE and SWAY CONTROLLER - PERKINS ENGINE for details)	
11	2170706	1	SWIVEL NUT RUN TEE, 3/8 TUBE	
12	2110406	1	CONNECTOR, (includes o-ring)	
14	0641412	6	HEX HD CAPSCREW, 1/4-20X1-1/2, GR5	
15	77133052	3	COVER PLATE	
16	77133073	1	CLAMP	
17	1001095431	1	HOSE ASSY	
18	2110608	1	CONNECTOR, (includes o-ring)	
20		Ref	HYDRAULIC MANIFOLD, (See HYDRAULIC COMPONENTS SECTION for details)	
21	1001095433	1	HOSE ASSY	
22		Ref	HYDRAULIC TANK ASSY, (See HYDRAULIC COMPONENTS SECTION for details)	
23	0641514	1	HEX HD CAPSCREW, 5/16-18X1-3/4, GR5	
24		Ref	HOSE ASSY, (See BOOM JOYSTICK - JOHN DEERE ENGINE and BOOM JOYSTICK - PERKINS AND CUMMINS ENGINE for details)	
25	1001096391	1	HOSE ASSY	
26		Ref	POWER BRAKE VALVE, (See CONTROLS SECTION for details)	
27		Ref	STEERING CONTROL ASSY, (See CONTROLS SECTION for details)	
28	1001096395	1	HOSE ASSY	
29	1001001460	1	TUBE ASSY	
30	91563256	1	CHECK VALVE	
31	1001095445	1	HOSE ASSY	
32	77133137	1	COVER PLATE	
33	1001095444	1	TUBE ASSY	
34		Ref	HYDRAULIC PUMP, (See HYDRAULIC COMPONENTS SECTION for details)	
35	8750002	2	CLAMP	
36	2150606	1	ELBOW, 45, (includes o-ring)	
37	1001095452	1	HOSE ASSY	
38	2130810	1	ELBOW, 90, (includes o-ring)	
40	1001095453	1	HOSE ASSY	
41	2170816	1	BRANCH TEE, (swivel nut)	
42	2221271	1	ADAPTER	
43	2172116	1	ELBOW, 90, (swivel nut)	
44	2170516	1	RUN TEE	
45	91403528	2	HOSE GUARD	
46	2221259	1	ELBOW, 90	
47	8760273	1	ELBOW, 45, (swivel nut)	

SECTION 8 - HYDRAULIC CIRCUITS

ITEM	PART NUMBER	QTY	DESCRIPTION	REV
48	2172108	1	ELBOW, 90, (swivel nut)	
49	0700617	4	HEX HD CAPSCREW, 6X1X45mm	
50	8750044	4	RAIL NUT	
51	8769153	2	COVER PLATE	

SECTION 8 - HYDRAULIC CIRCUITS

FIGURE 8-7. DUMP CIRCUIT - PERKINS ENGINE (SN 0160037877 to Present)



PAL4861

SECTION 8 - HYDRAULIC CIRCUITS

FIGURE 8-7. DUMP CIRCUIT - PERKINS ENGINE (SN 0160037877 to Present)

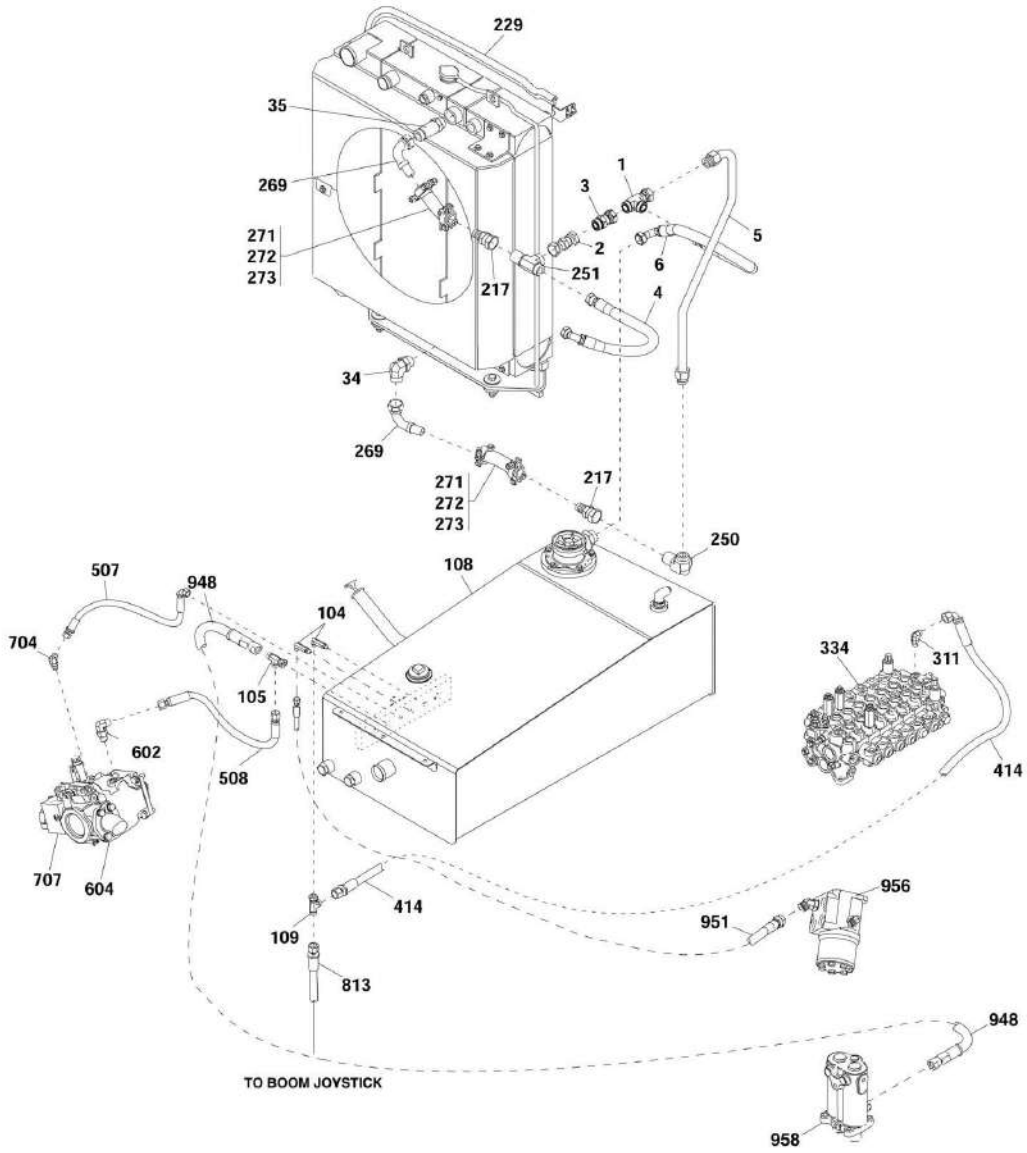
ITEM	PART NUMBER	QTY	DESCRIPTION	REV
1		Ref	HYDRAULIC TANK ASSY, (See HYDRAULIC COMPONENTS SECTION for details)	
2		Ref	MAIN CONTROL VALVE ASSY, (See HYDRAULIC COMPONENTS SECTION for details)	
18	1001095443	1	HYDRAULIC HOSE	
19	1001095444	1	HYDRAULIC HOSE	
20	1001095445	1	HYDRAULIC HOSE	
25		Ref	SWAY VALVE, (See SWAY CONTROLLER - PERKINS ENGINE for details)	
27	91563256	1	CHECK VALVE	
32	0641514	1	HEX HD CAPSCREW, 5/16-18X1-3/4, GR5	
39	2130606	1	FITTING, 90, (includes o-ring) (Prior to SN 0160038592, Excluding 0160014344)	
41	2170516	1	FITTING, TEE, (includes o-ring)	
44	2172116	1	FITTING, 90, (includes o-ring)	
45	2221259	1	FITTING, 90, (includes o-ring)	
55	8760273	1	FITTING, 45	
59	77133137	1	COVER PLATE	
66	77133279	1	CLAMP SET	
67	91403528	2	HOSE GUARD	
106	2111616	1	FITTING, STRAIGHT, (includes o-ring)	
108	2130606	1	FITTING, 90, (includes o-ring)	
113	2172116	1	FITTING, 90, (includes o-ring)	
114	2170706	1	FITTING, TEE, (includes o-ring)	
116	2170206	1	FITTING, 90, (long), (includes o-ring)	
202	1001107174	1	HOSE ASSY (Prior to SN 0160038592, Excluding 0160014344)	
304	1001095431	1	HOSE ASSY	
305	77133053	1	CLAMP SET	
306	77133052	1	COVER PLATE	
307	0641412	2	HEX HD CAPSCREW, 1/4-20X1-1/2, GR5	
308	2110608	1	FITTING, STRAIGHT, (includes o-ring)	
310	1001095433	1	HOSE ASSY	
411	2172108	1	ELBOW, 90, (swivel nut)	
525		Ref	STEERING CONTROL ASSY, (See CONTROLS SECTION for details)	
526		Ref	POWER BRAKE VALVE, (See CONTROLS SECTION for details)	
547	1001096391	1	HOSE ASSY	
551	1001096395	1	HOSE ASSY	
602	1001095452	1	HOSE ASSY	
603	1001095453	1	HOSE ASSY	
701		Ref	HYDRAULIC MANIFOLD, (See HYDRAULIC COMPONENTS SECTION for details)	
705	2150606	1	FITTING, 45, (includes o-ring)	
802	2130810	1	FITTING, 90, (includes o-ring)	
804		Ref	HYDRAULIC PUMP, (See HYDRAULIC COMPONENTS SECTION for details)	
920	0700617	4	HEX HD CAPSCREW, M6X45	
921	8750002	2	CLAMP SET	
922	8750044	4	RAIL NUT, M6	
923	1001001460	1	TUBE ASSY	
1005		Ref	HOSE ASSY, (See BOOM JOYSTICK - PERKINS & CUMMINS	

SECTION 8 - HYDRAULIC CIRCUITS

ITEM	PART NUMBER	QTY	DESCRIPTION	REV
1109		Ref	ENGINE for details) OIL COOLER, (See ENGINE & ATTACHING PARTS SECTION for details)	

SECTION 8 - HYDRAULIC CIRCUITS

FIGURE 8-8. DUMP CIRCUIT - CUMMINS ENGINE



ART_3126020-8-8

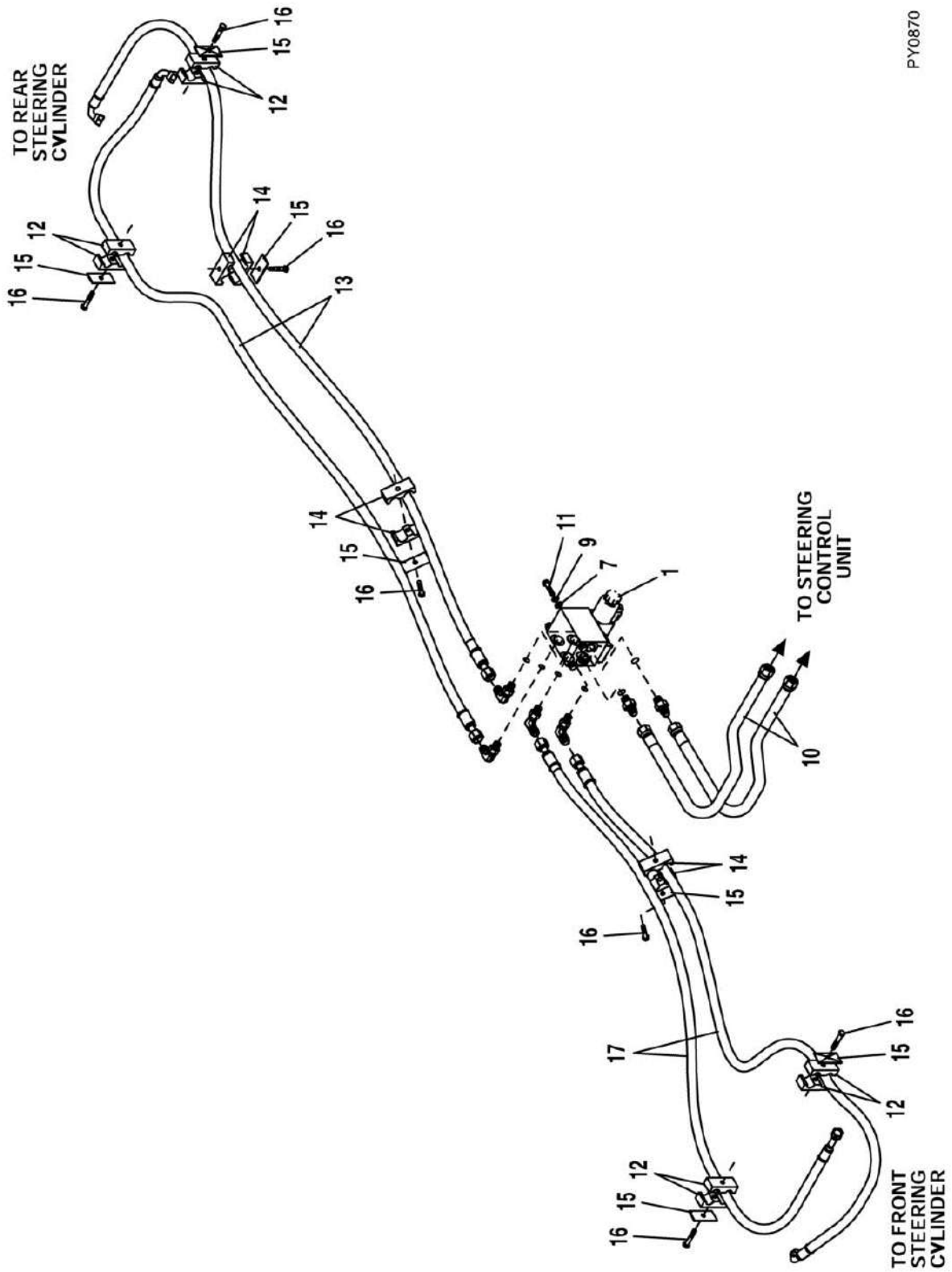
SECTION 8 - HYDRAULIC CIRCUITS

FIGURE 8-8. DUMP CIRCUIT - CUMMINS ENGINE

ITEM	PART NUMBER	QTY	DESCRIPTION	REV
1	2170716	1	RUN TEE, (includes o-ring)	
2	2172416	1	CONNECTOR, (includes o-ring)	
3	1001108436	NLA	CHECK VALVE, (no longer available, use 1001159129 for replacement)	
3	1001159129	1	CHECK VALVE	
4	1001118012	NLA	OUTLET PIPE, (no longer available, use 1001125933 for replacement)	
4	1001125933	1	HOSE ASSY	
5	1001118028	1	COOLER RETURN PIPE	
6	1001118032	NLA	TANK RETURN PIPE, (no longer available, use 1001125926 for replacement)	
6	1001125926	1	HOSE ASSY	
34	2131616	1	ELBOW, 90, (includes o-ring)	
35	2170116	1	CONNECTOR, (includes o-ring)	
104		Ref	ELBOW, 90, (includes o-ring), (See HYDRAULIC COMPONENTS SECTION for details)	
105		Ref	RUN TEE, (includes o-ring), (See HYDRAULIC COMPONENTS SECTION for details)	
108		Ref	HYDRAULIC TANK, (See HYDRAULIC COMPONENTS SECTION for details)	
109		Ref	RUN TEE, (includes o-ring), (See HYDRAULIC COMPONENTS SECTION for details)	
217	1001118194	2	CONNECTOR, (includes o-ring)	
229		Ref	RADIATOR ASSY, (See ENGINE & ATTACHING PARTS SECTION for details)	
250	2171216	1	ELBOW, 90, (includes o-ring)	
251	1001118061	1	RUN TEE, (includes o-ring)	
269	1001120620	2	CONNECTOR, (includes o-ring)	
271	1001120625	4	CLAMP	
272	1001149659	2	HOSE ASSY	
273	88521206	8	LOCKNUT, 3/8-16	
311	2130606	1	ELBOW, 90, (includes o-ring)	
334		Ref	MAIN CONTROL VALVE, (See HYDRAULIC COMPONENTS SECTION for details)	
414	1001116004	1	HOSE ASSY	
507	1001115886	1	HOSE ASSY	
508	1001115887	1	DRAIN HOSE	
602	2130810	1	ELBOW, 90, (includes o-ring)	
604		Ref	HYDRAULIC PUMP, (See HYDRAULIC COMPONENTS SECTION for details)	
704	2150606	1	ELBOW, 45, (includes o-ring)	
707		Ref	HYDRAULIC MANIFOLD, (See HYDRAULIC COMPONENTS SECTION for details)	
813	1001116000	1	HOSE ASSY	
948	1001116010	1	HOSE ASSY	
951	1001116012	1	HOSE ASSY	
956		Ref	STEERING CONTROL VALVE, (See CONTROLS SECTION for details)	
958		Ref	POWER BRAKE VALVE, (See CONTROLS SECTION for details)	

SECTION 8 - HYDRAULIC CIRCUITS

FIGURE 8-9. STEER SELECT - JOHN DEERE ENGINE



PY0870

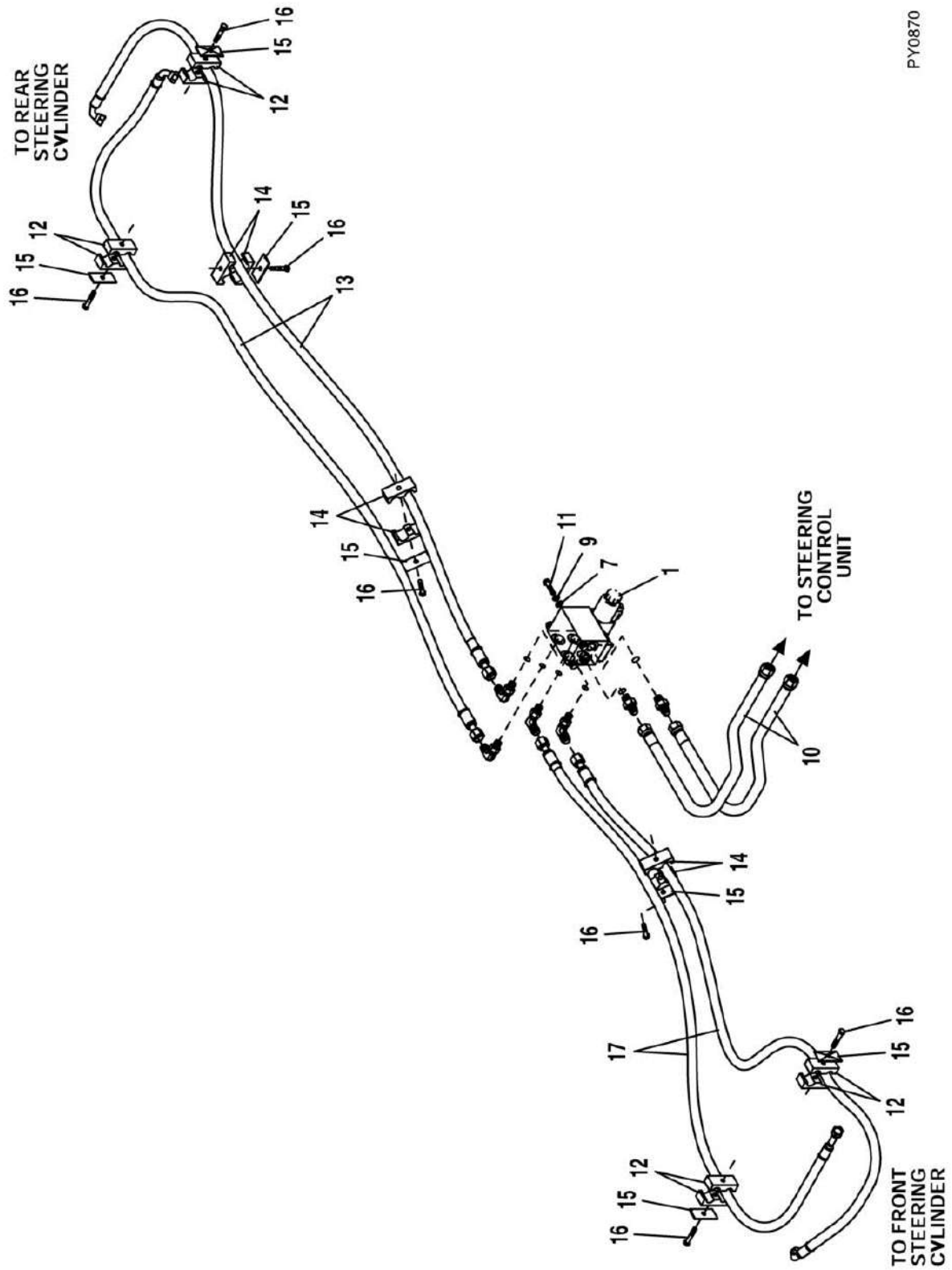
SECTION 8 - HYDRAULIC CIRCUITS

FIGURE 8-9. STEER SELECT - JOHN DEERE ENGINE

ITEM	PART NUMBER	QTY	DESCRIPTION	REV
1		Ref	STEER SELECT VALVE, (See HYDRAULIC COMPONENTS SECTION for details)	
7	4711500	4	FLAT WASHER, 5/16	
9	4761500	4	LOCKWASHER, 5/16	
10	84719614	2	HOSE ASSY	
11	0641506	4	HEX HD CAPSCREW, 5/16-18X3/4, GR5	
12	80933140	4	CLAMP	
13	2754049	2	HOSE ASSY	
14	77323029	3	CLAMP	
15	77133137	7	COVER PLATE	
16	0641514	7	HEX HD CAPSCREW, 5/16-18X1-3/4, GR5	
17	2754048	2	HOSE ASSY	

SECTION 8 - HYDRAULIC CIRCUITS

FIGURE 8-10. STEER SELECT - PERKINS AND CUMMINS ENGINE



PY0870

SECTION 8 - HYDRAULIC CIRCUITS

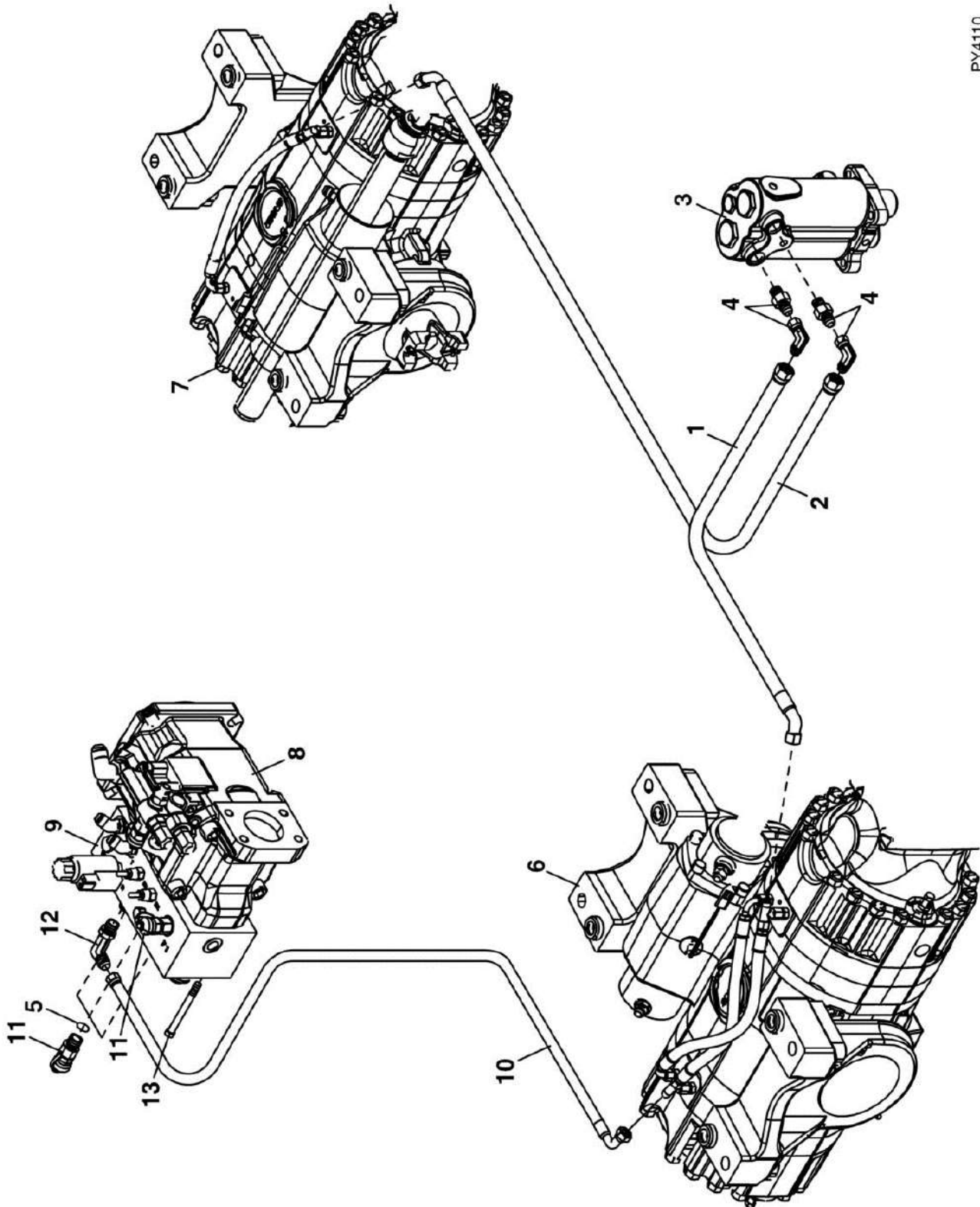
FIGURE 8-10. STEER SELECT - PERKINS AND CUMMINS ENGINE

ITEM	PART NUMBER	QTY	DESCRIPTION	REV
1		Ref	STEER SELECT VALVE, (See HYDRAULIC COMPONENTS SECTION for details)	
7	4711500	4	FLAT WASHER, 5/16	
9	4761500	4	LOCKWASHER, 5/16	
10	1001096390	2	HOSE ASSY	
11	0641506	4	HEX HD CAPSCREW, 5/16-18X3/4, GR5	
12	83663119	4	CLAMP	
13	1001095436	2	HOSE ASSY	
14	77133279	3	CLAMP	
15	77133137	7	COVER PLATE	
16	0641514	7	HEX HD CAPSCREW, 5/16-18X1-3/4, GR5	
17	1001095434	2	HOSE ASSY	

SECTION 8 - HYDRAULIC CIRCUITS

FIGURE 8-11. SERVICE/PARK BRAKE - JOHN DEERE ENGINE

PY4110



SECTION 8 - HYDRAULIC CIRCUITS

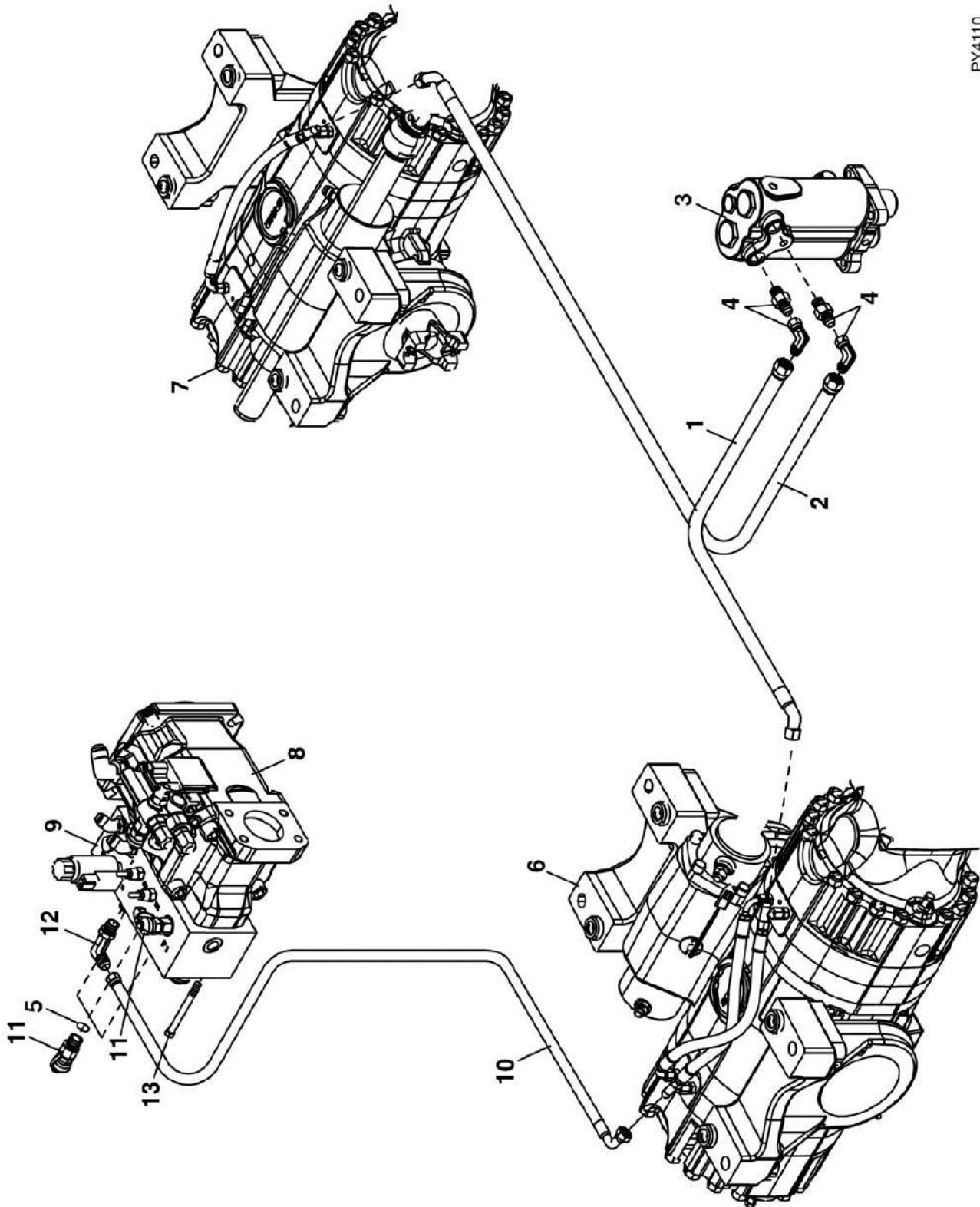
FIGURE 8-11. SERVICE/PARK BRAKE - JOHN DEERE ENGINE

ITEM	PART NUMBER	QTY	DESCRIPTION	REV
1	2753907	1	HOSE ASSY	
2	2753908	1	HOSE ASSY	
3		Ref	POWER BRAKE VALVE, (See HYDRAULIC COMPONENTS SECTION for details)	
4		Ref	FITTING, (See CONTROLS SECTION for details)	
5	83763056	4	O-RING, (lubricate lightly)	
6		Ref	FRONT AXLE ASSY, (See DRIVE TRAIN SECTION for details)	
7		Ref	REAR AXLE ASSY, (See DRIVE TRAIN SECTION for details)	
8		Ref	HYDRAULIC PUMP, (See HYDRAULIC COMPONENTS SECTION for details)	
9		Ref	HYDRAULIC MANIFOLD, (See HYDRAULIC COMPONENTS SECTION for details)	
10	2754051	1	HOSE ASSY	
11	77133089	4	MINI-CHECK, (includes item 5)	
12	2220819	1	ELBOW, 90, (long)	
13	3931648	4	SOCKET HD CAPSCREW, 3/8-16X3	

SECTION 8 - HYDRAULIC CIRCUITS

FIGURE 8-12. SERVICE/PARK BRAKE - PERKINS AND CUMMINS ENGINE

PY4110



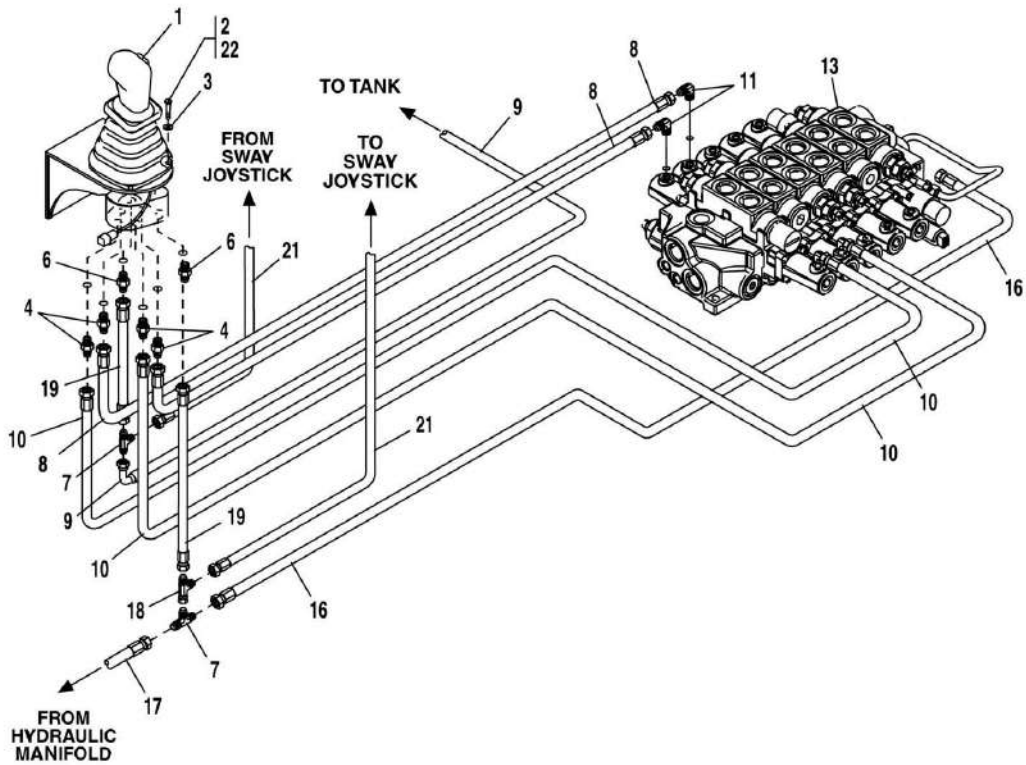
SECTION 8 - HYDRAULIC CIRCUITS

FIGURE 8-12. SERVICE/PARK BRAKE - PERKINS AND CUMMINS ENGINE

ITEM	PART NUMBER	QTY	DESCRIPTION	REV
1	1001096388	1	HOSE ASSY	
2	1001096389	1	HOSE ASSY	
3		Ref	POWER BRAKE VALVE, (See HYDRAULIC COMPONENTS SECTION for details)	
4		Ref	FITTING, (See CONTROLS SECTION for details)	
5	83763056	4	O-RING, (lubricate lightly)	
6		Ref	FRONT AXLE ASSY, (See DRIVE TRAIN SECTION for details)	
7		Ref	REAR AXLE ASSY, (See DRIVE TRAIN SECTION for details)	
8		Ref	HYDRAULIC PUMP, (See HYDRAULIC COMPONENTS SECTION for details)	
9		Ref	HYDRAULIC MANIFOLD, (See HYDRAULIC COMPONENTS SECTION for details)	
10	1001095432	1	HOSE ASSY, (Perkins)	
10	1001116003	1	HOSE ASSY, (Cummins)	
11	77133089	4	MINI-CHECK, (includes item 5)	
12	2170206	1	ELBOW, 90, (long)	
13	3931648	4	SOCKET HD CAPSCREW, 3/8-16X3	

SECTION 8 - HYDRAULIC CIRCUITS

FIGURE 8-13. BOOM JOYSTICK - JOHN DEERE ENGINE



PV0660

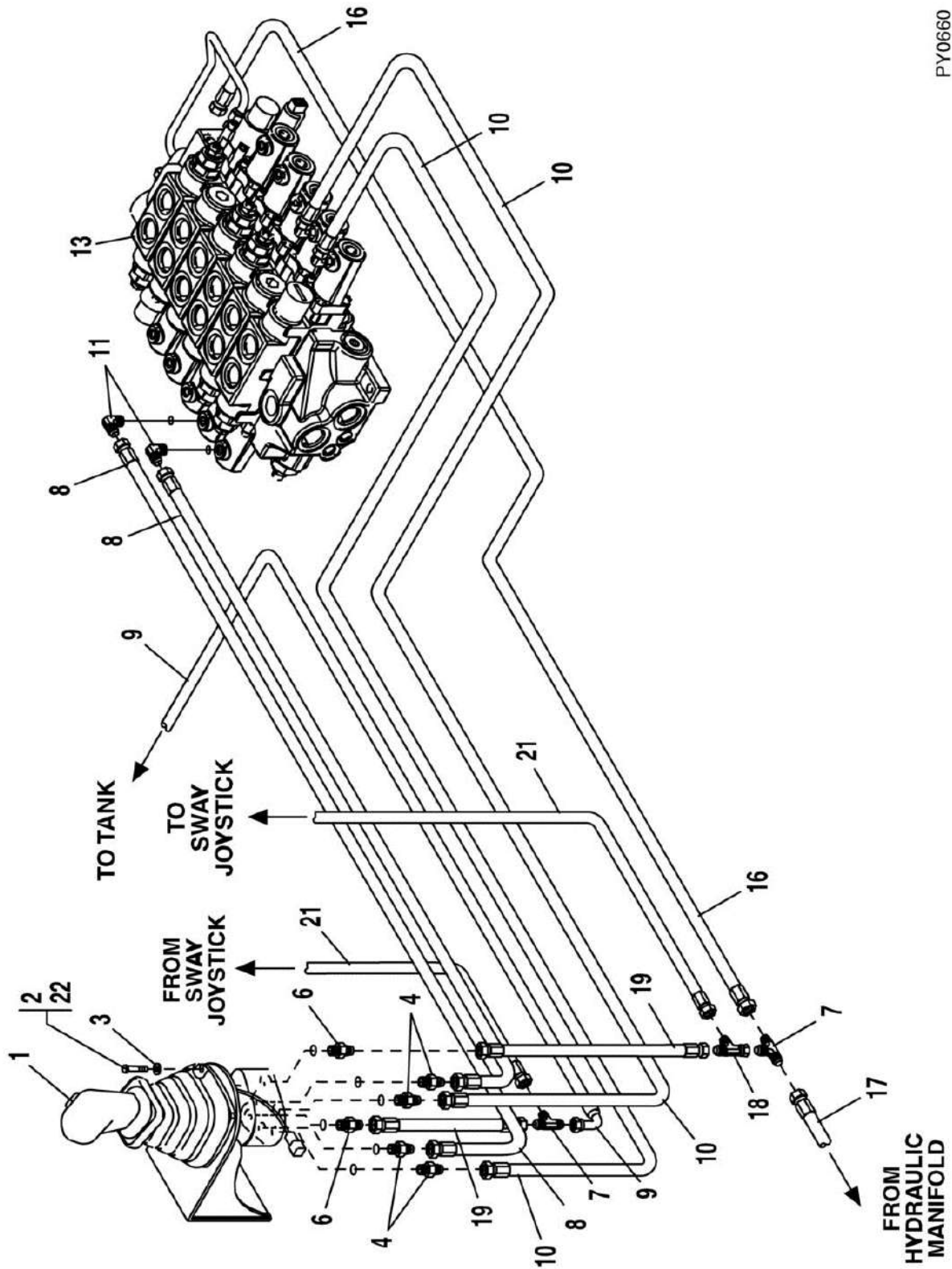
SECTION 8 - HYDRAULIC CIRCUITS

FIGURE 8-13. BOOM JOYSTICK - JOHN DEERE ENGINE

ITEM	PART NUMBER	QTY	DESCRIPTION	REV
1		Ref	BOOM JOYSTICK, (See CONTROLS SECTION for details)	
2	0641408	4	HEX HD CAPSCREW, 1/4-20X1, GR5	
3	4711400	4	FLAT WASHER, 1/4	
4	2220582	4	CONNECTOR, (includes o-ring)	
6	2220371	2	CONNECTOR, (includes o-ring)	
7	2220490	2	UNION TEE, 3/8 TUBE	
8	2754055	2	HOSE ASSY	
9	2753958	1	HOSE ASSY	
10	2754054	2	HOSE ASSY	
11	2220466	4	ELBOW, 90, (includes o-ring) (Prior to SN 0160037877)	
11	2220472	4	ELBOW, 90, (includes o-ring) (SN 0160037877 to Present)	
13		Ref	MAIN CONTROL VALVE, (See HYDRAULIC COMPONENTS SECTION for details)	
16	2753956	1	HOSE ASSY	
17		Ref	HOSE ASSY, (See SUPPLY CIRCUIT - JOHN DEERE ENGINE and SUPPLY CIRCUIT - PERKINS ENGINE for details)	
18	2220635	1	SWIVEL NUT RUN TEE, 3/8 TUBE	
19	2753954	2	HOSE ASSY	
21		Ref	HOSE ASSY, (See SWAY CONTROLLER - JOHN DEERE ENGINE and SWAY CONTROLLER - PERKINS ENGINE for details)	
22	0100011	AR	LOCTITE 242	

SECTION 8 - HYDRAULIC CIRCUITS

FIGURE 8-14. BOOM JOYSTICK - PERKINS AND CUMMINS ENGINE



PY0660

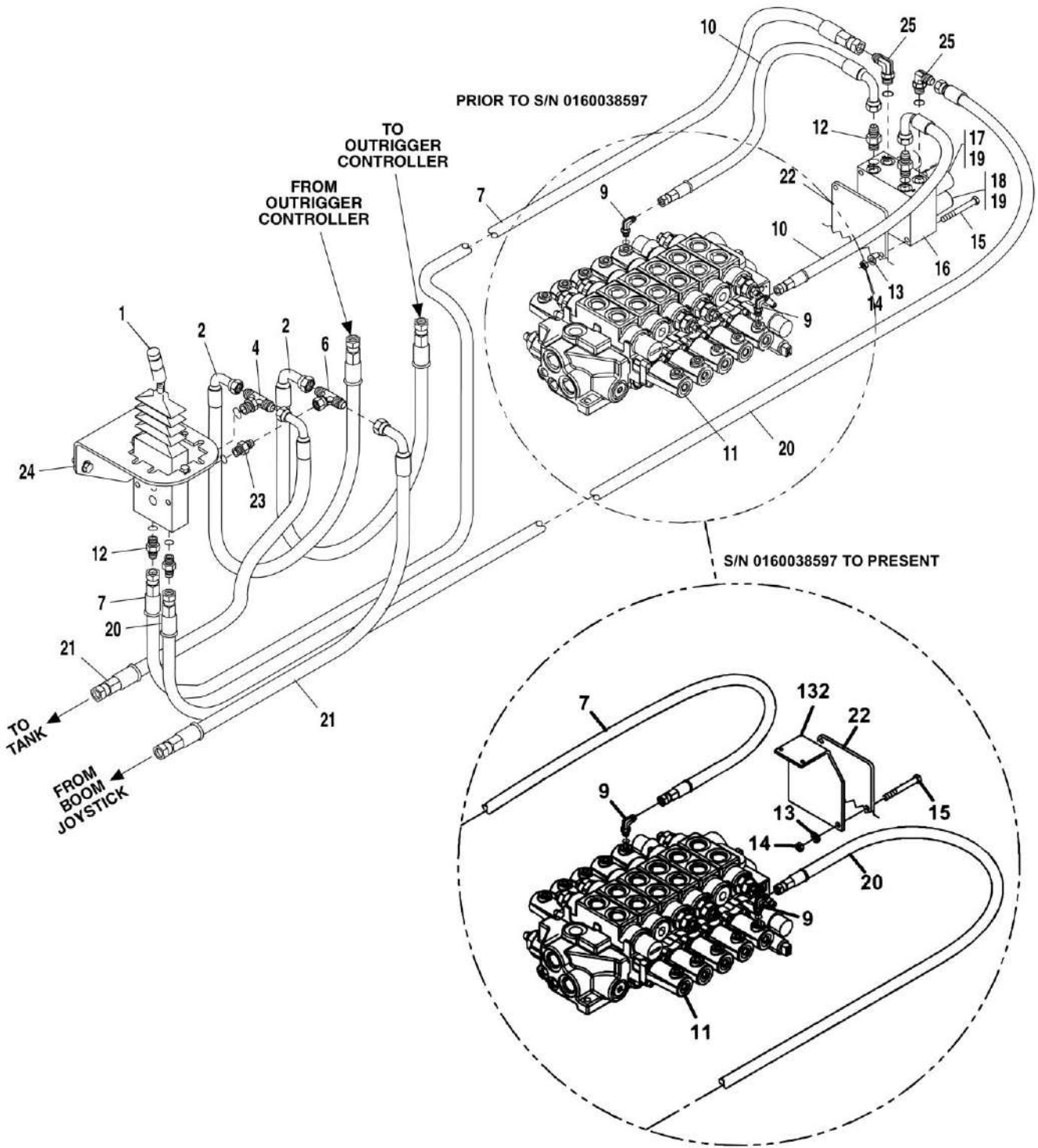
SECTION 8 - HYDRAULIC CIRCUITS

FIGURE 8-14. BOOM JOYSTICK - PERKINS AND CUMMINS ENGINE

ITEM	PART NUMBER	QTY	DESCRIPTION	REV
1		Ref	BOOM JOYSTICK, (See CONTROLS SECTION for details)	
2	0641408	4	HEX HD CAPSCREW, 1/4-20X1, GR5	
3	4711400	4	FLAT WASHER, 1/4	
4	2110406	4	CONNECTOR, (includes o-ring)	
6	2110606	2	CONNECTOR, (includes o-ring)	
7	2170506	2	UNION TEE, 3/8 TUBE	
8	1001097925	2	HOSE ASSY	
9	1001097929	1	HOSE ASSY	
10	1001097924	2	HOSE ASSY	
11	2130404	4	ELBOW, 90, (includes o-ring) (Prior to SN 0160037877)	
11	2130406	4	ELBOW, 90, (includes o-ring) (SN 0160037877 to Present)	
13		Ref	MAIN CONTROL VALVE, (See HYDRAULIC COMPONENTS SECTION for details)	
16	1001097928	1	HOSE ASSY	
17		Ref	HOSE ASSY, (See SUPPLY CIRCUIT - PERKINS ENGINE and SUPPLY CIRCUIT - CUMMINS ENGINE for details)	
18	2170706	1	SWIVEL NUT RUN TEE, 3/8 TUBE	
19	1001097926	2	HOSE ASSY	
21		Ref	HOSE ASSY, (See SWAY CONTROLLER - PERKINS ENGINE for details)	
22	0100011	AR	LOCTITE 242	

SECTION 8 - HYDRAULIC CIRCUITS

FIGURE 8-15. SWAY CONTROLLER - JOHN DEERE ENGINE



PAP3530

SECTION 8 - HYDRAULIC CIRCUITS

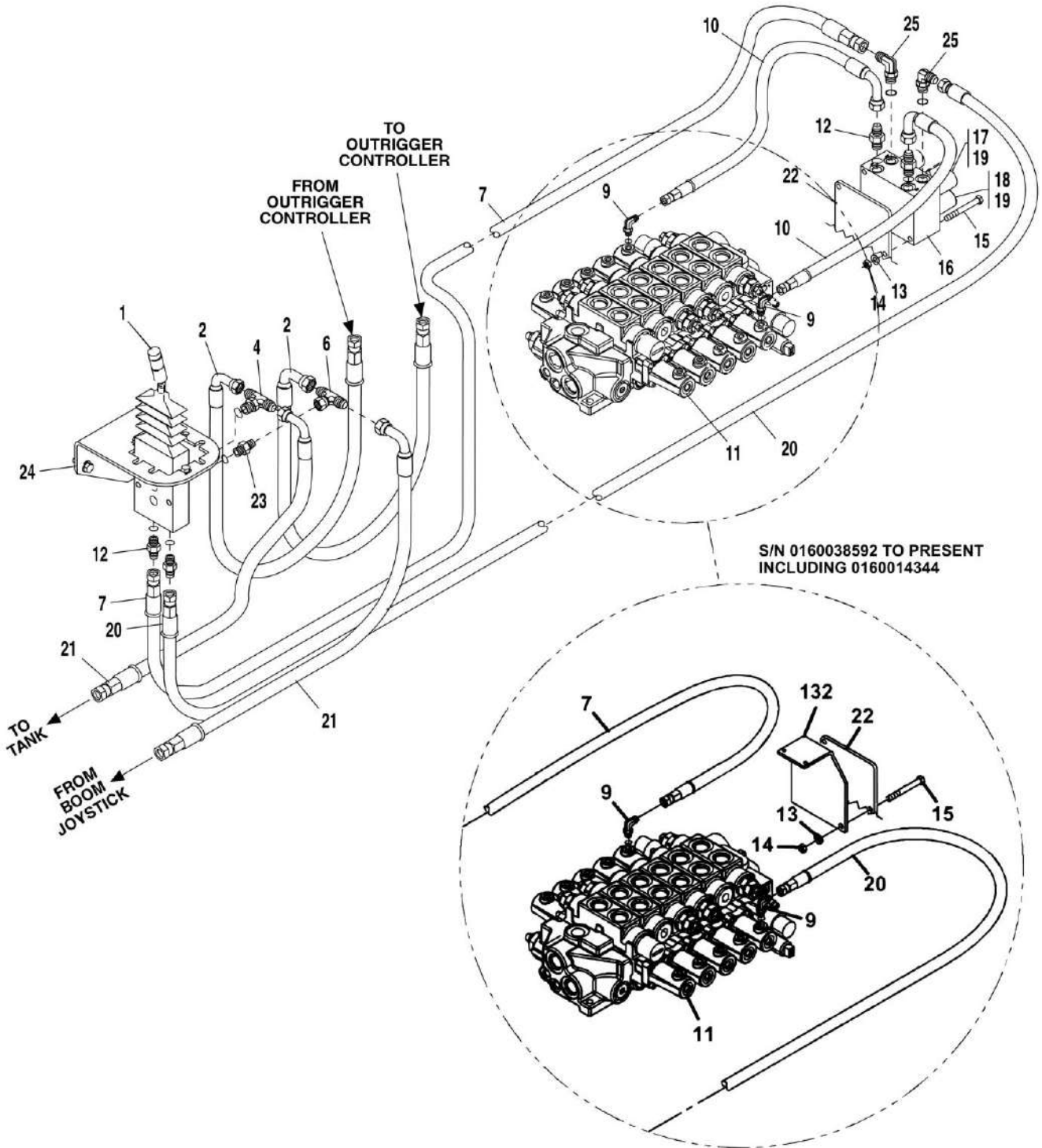
FIGURE 8-15. SWAY CONTROLLER - JOHN DEERE ENGINE

ITEM	PART NUMBER	QTY	DESCRIPTION	REV
1		Ref	SWAY CONTROLLER, (See CONTROLS SECTION for details)	F
2		Ref	HOSE ASSY, (See OUTRIGGER CONTROLLER - JOHN DEERE ENGINE and OUTRIGGER CONTROLLER - PERKINS & CUMMINS ENGINE for details)	
4	2220899	1	BRANCH TEE, (includes o-ring)	
6	2220579	1	SWIVEL NUT BRANCH TEE, 3/8 TUBE	
7	2753962	1	HOSE ASSY	
9	2220466	4	ELBOW, 90, (includes o-ring) (Prior to SN 0160037877)	
9	2220472	4	ELBOW, 90, (includes o-ring) (SN 0160037877 to Present)	
10	84719843	2	HOSE ASSY	
11		Ref	MAIN CONTROL VALVE, (See HYDRAULIC COMPONENTS SECTION for details)	
12	2220582	4	CONNECTOR, (includes o-ring) (Prior to SN 0160037877)	
12	2220582	2	CONNECTOR, (includes o-ring) (SN 0160037877 through 0160038592)	
13	4761500	2	LOCKWASHER, 5/16 (Prior to SN 0160038592)	
14	88501005	2	HEX NUT, 5/16-18 (Prior to SN 0160038592)	
15	0641526	2	HEX HD CAPSCREW, 5/16-18X3-1/4, GR5 (Prior to SN 0160038592)	
15	0641508	2	HEX HD CAPSCREW, 5/16-18X1, GR5 (SN 0160038592 to Present)	
16	91563242	1	COMBINATION VALVE, (includes items 17 thru 19) (Prior to SN 0160038592)	B
17	7012941	3	SOLENOID, (SV1, SV2 & SV3)	
17	7010543	3	Seal Kit	
18	7021612	2	SOLENOID, (SV4 & SV5)	
18	7010543	2	Seal Kit	
19	7024872	5	COIL	
20	2753961	1	HOSE ASSY	
21	2753953	2	HOSE ASSY	
22		Ref	FRAME, (See FRAME & ATTACHING PARTS SECTION for details)	
23	2220371	1	CONNECTOR, (includes o-ring)	
24		Ref	CONTROLLER BRACKET, (See CAB SECTION for details)	
25	2220472	2	ELBOW, 90, (includes o-ring) (Prior to SN 0160038592)	
132		Ref	BRACKET PLATE, (See AUXILIARY FUNCTION - JOHN DEERE ENGINE for details)	

SECTION 8 - HYDRAULIC CIRCUITS

FIGURE 8-16. SWAY CONTROLLER - PERKINS ENGINE

PRIOR TO S/N 0160038592
EXCLUDING 0160014344



PAP3530

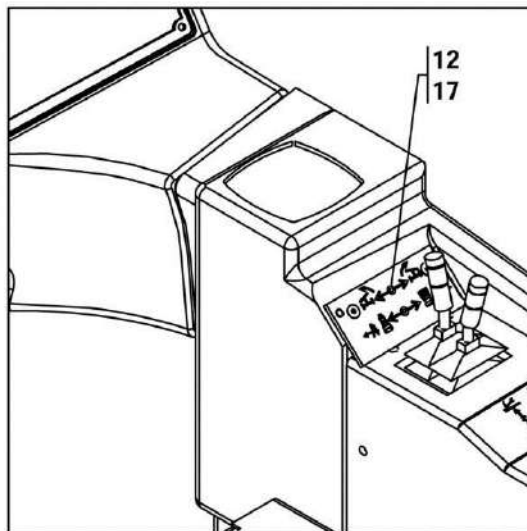
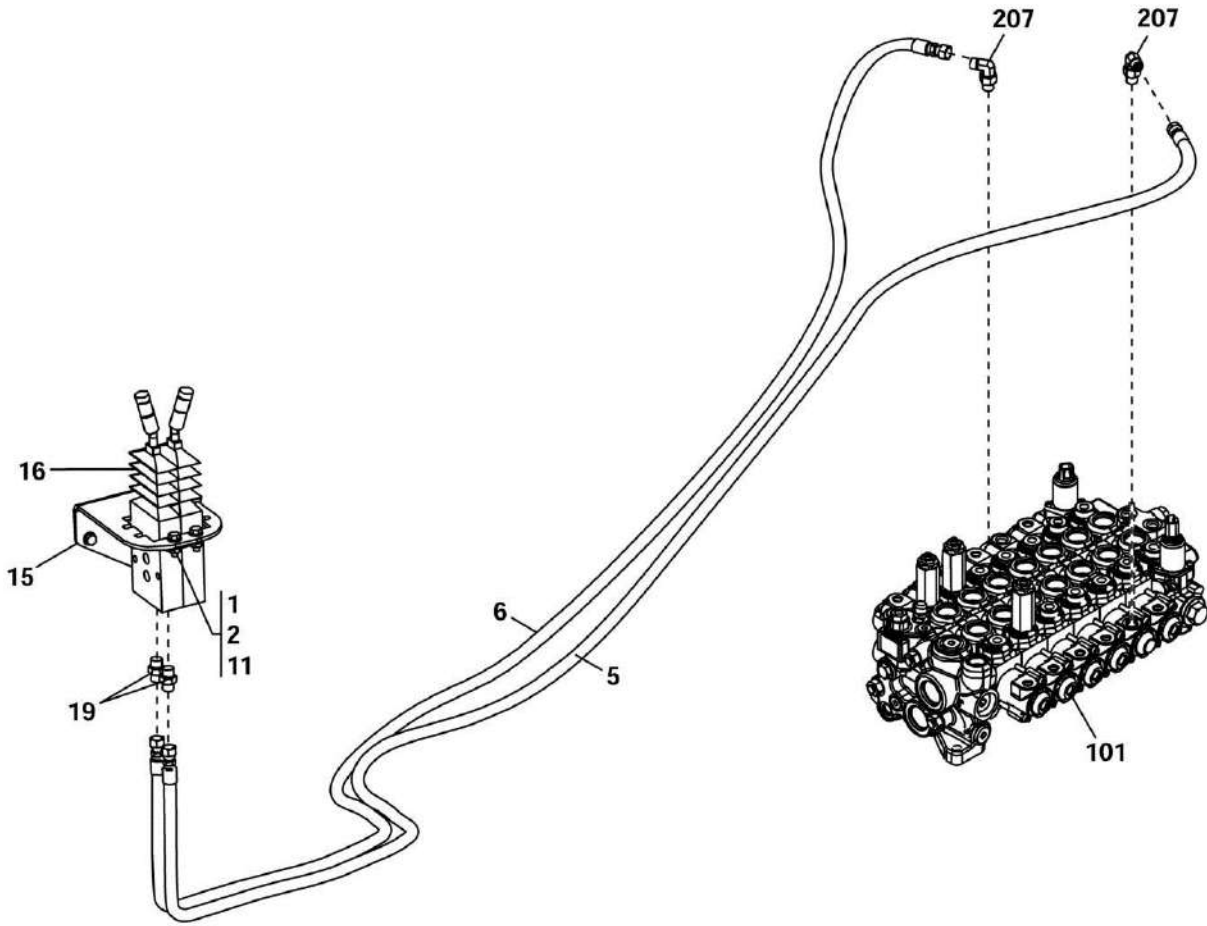
SECTION 8 - HYDRAULIC CIRCUITS

FIGURE 8-16. SWAY CONTROLLER - PERKINS ENGINE

ITEM	PART NUMBER	QTY	DESCRIPTION	REV
1		Ref	SWAY CONTROLLER, (See CONTROLS SECTION for details)	F
2		Ref	HOSE ASSY, (See OUTRIGGER CONTROLLER - JOHN DEERE ENGINE and OUTRIGGER CONTROLLER - PERKINS & CUMMINS ENGINE for details)	
4	2170406	1	BRANCH TEE, (includes o-ring)	
6	2170806	1	SWIVEL NUT BRANCH TEE, 3/8 TUBE	
7	1001097931	1	HOSE ASSY	
9	2130404	2	ELBOW, 90, (includes o-ring) (Prior to SN 0160037877)	
9	2130406	2	ELBOW, 90, (includes o-ring) (SN 0160037877 to Present)	
10	1001095438	2	HOSE ASSY (Prior to SN 0160038592)	
11		Ref	MAIN CONTROL VALVE, (See HYDRAULIC COMPONENTS SECTION for details)	
12	2110406	4	CONNECTOR, (includes o-ring) (Prior to SN 0160038592)	
12	2110406	2	CONNECTOR, (includes O-ring) (SN 0160038592 to Present)	
13	4761500	2	LOCKWASHER, 5/16	
14	88501005	2	HEX NUT, 5/16-18	
15	0641526	2	HEX HD CAPSCREW, 5/16-18X3-1/4, GR5 (Prior to SN 0160038592)	
15	0641508	2	HEX HD CAPSCREW, 5/16-18X1, GR5 (SN 0160038592 to Present)	
16	91563242	1	COMBINATION VALVE, (includes items 17 thru 19) (Prior to SN 0160038592)	
17	7012941	3	SOLENOID, (SV1, SV2 & SV3) (Prior to SN 0160038592)	
17	7010543	3	SEAL KIT (Prior to SN 0160038592)	
18	7021612	2	SOLENOID, (SV4 & SV5) (Prior to SN 0160038592)	
18	7010543	2	SEAL KIT (Prior to SN 0160038592)	
19	7024872	5	COIL (Prior to SN 0160038592)	
20	1001097930	1	HOSE ASSY	
21	1001096396	2	HOSE ASSY	
22		Ref	FRAME, (see FRAME & ATTACHING PARTS SECTION for details)	
23	2110606	1	CONNECTOR, (includes o-ring)	
24		Ref	CONTROLLER BRACKET, (See CAB SECTION for details)	
25	2130406	2	ELBOW, 90, (includes o-ring) (Prior to SN 0160038592)	
132		Ref	BRACKET PLATE, (See AUXILIARY FUNCTION - PERKINS & CUMMINS ENGINE for details)	

SECTION 8 - HYDRAULIC CIRCUITS

FIGURE 8-17. SWAY CONTROLLER - CUMMINS ENGINE



PY4560

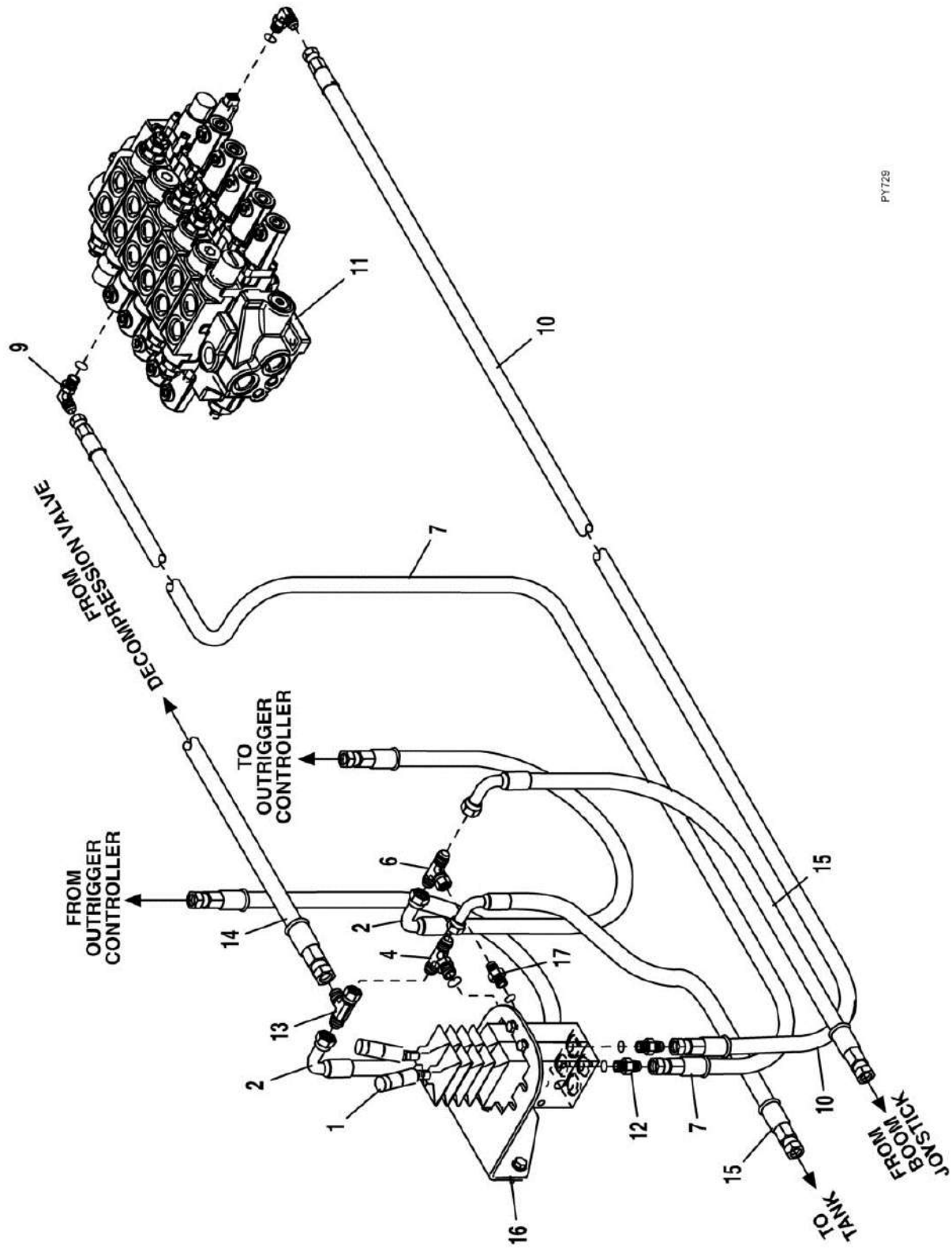
SECTION 8 - HYDRAULIC CIRCUITS

FIGURE 8-17. SWAY CONTROLLER - CUMMINS ENGINE

ITEM	PART NUMBER	QTY	DESCRIPTION	REV
1	3311508	2	HEX NUT, GR2	
2	0641508	2	HEX HD CAPSCREW, 5/16-18X1	
5	1001097930	1	HOSE ASSY	
6	1001097931	1	HOSE ASSY	
11	4711500	2	WASHER, 5/16	
12		Ref	FLAT HEAD SOCKET SCREW, 1/4-20X0.5, (See CAB SECTION for details)	
15		Ref	BRACKET, (See CAB SECTION for details)	
16		Ref	CONTROLLER, (See CONTROLS SECTION for details)	
17		Ref	CONTROL PANEL, (See CAB SECTION for details)	
19	N.S.S.	2	CONNECTOR, (includes o-ring)	
101		Ref	MAIN CONTROL VALVE, (See HYDRAULIC COMPONENTS SECTION for details)	
207	2130406	2	CONNECTOR, (includes o-ring)	

SECTION 8 - HYDRAULIC CIRCUITS

FIGURE 8-18. AUXILIARY CONTROLLER - JOHN DEERE ENGINE



PYT29

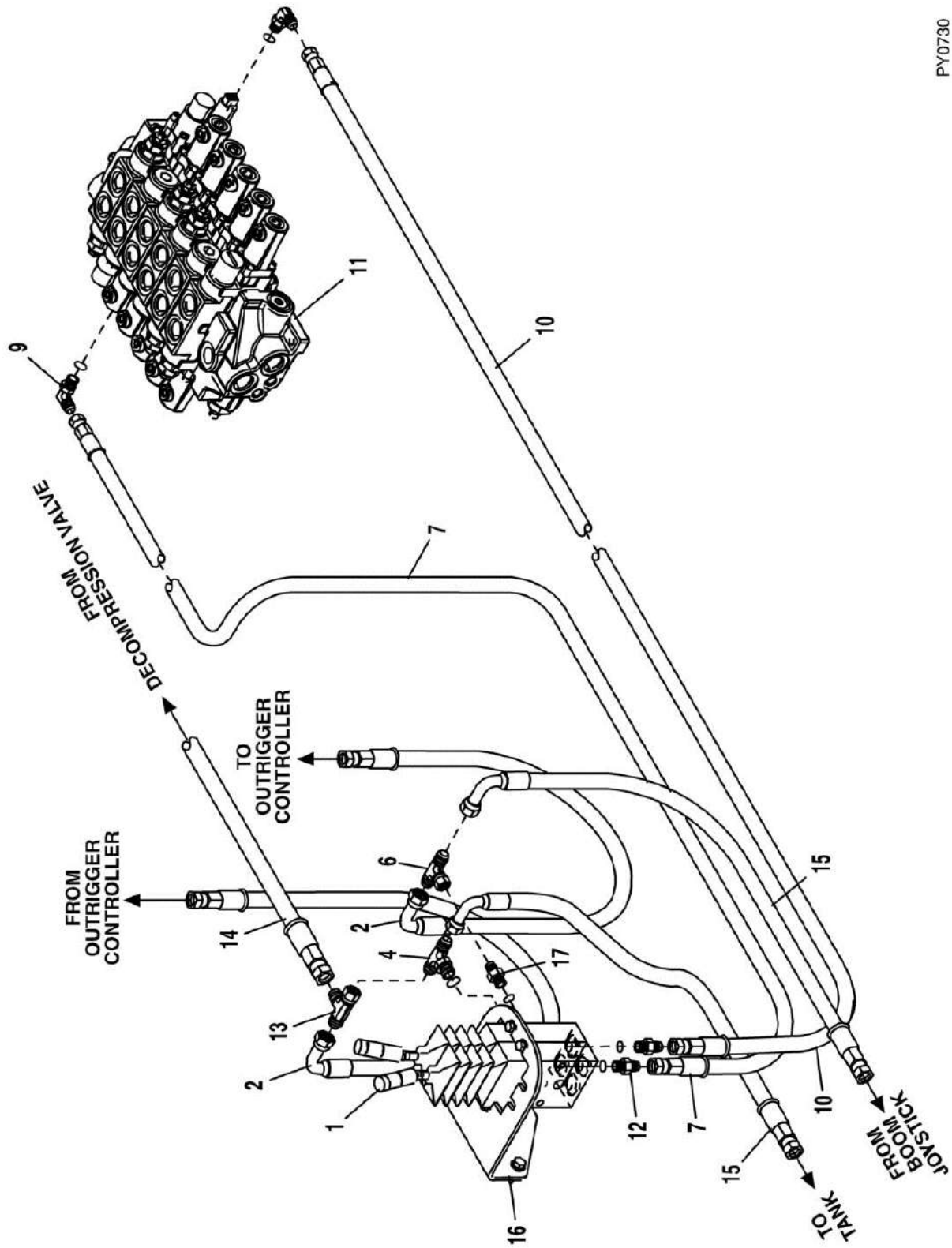
SECTION 8 - HYDRAULIC CIRCUITS

FIGURE 8-18. AUXILIARY CONTROLLER - JOHN DEERE ENGINE

ITEM	PART NUMBER	QTY	DESCRIPTION	REV
1		Ref	SWAY/AUX CONTROLLER, (See CONTROLS SECTION for details)	I
2		Ref	HOSE ASSY, (See OUTRIGGER CONTROLLER - JOHN DEERE ENGINE for details)	
4	2220899	1	BRANCH TEE, (includes o-ring)	
6	2220579	1	SWIVEL NUT BRANCH TEE, 3/8 TUBE	
7	2753966	1	HOSE ASSY	
9	2220466	4	ELBOW, 90, (includes o-ring) (Prior to SN 0160037877)	
9	2220472	4	ELBOW, 90, (includes o-ring) (SN 0160037877 to Present)	
10	2753965	1	HOSE ASSY	
11		Ref	MAIN CONTROL VALVE, (See HYDRAULIC COMPONENTS SECTION for details)	
12	2220582	2	CONNECTOR, (includes o-ring)	
13	2220635	1	SWIVEL NUT RUN TEE, 3/8 TUBE	
14		Ref	HOSE ASSY, (See AUXILIARY FUNCTION - JOHN DEERE ENGINE for details)	
15	2753953	2	HOSE ASSY	
16		Ref	CONTROLLER BRACKET, (See CAB SECTION for details)	
17	2220371	1	CONNECTOR, (includes o-ring)	

SECTION 8 - HYDRAULIC CIRCUITS

FIGURE 8-19. AUXILIARY CONTROLLER - PERKINS AND CUMMINS ENGINE



PY0730

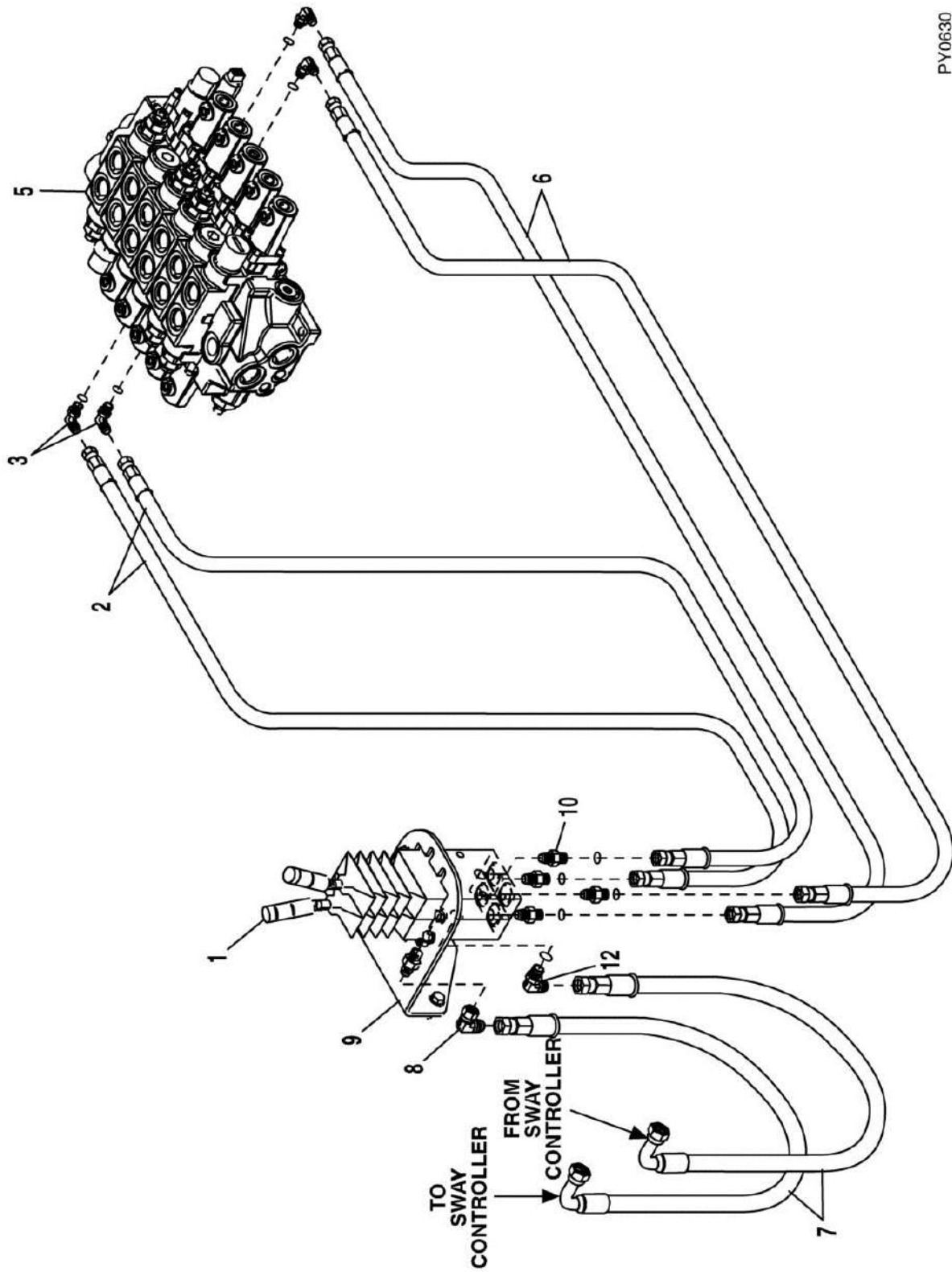
SECTION 8 - HYDRAULIC CIRCUITS

FIGURE 8-19. AUXILIARY CONTROLLER - PERKINS AND CUMMINS ENGINE

ITEM	PART NUMBER	QTY	DESCRIPTION	REV
1		Ref	SWAY/AUX CONTROLLER, (See CONTROLS SECTION for details)	
2		Ref	HOSE ASSY, (See OUTRIGGER CONTROLLER - PERKINS & CUMMINS ENGINE for details)	
4	2170406	1	BRANCH TEE, (includes o-ring)	
6	2170806	1	SWIVEL NUT BRANCH TEE, 3/8 TUBE	
7	1001097933	1	HOSE ASSY	
9	2130404	2	ELBOW, 90, (includes o-ring) (Prior to SN 0160037877)	
9	2130406	2	ELBOW, 90, (includes o-ring) (SN 0160037877 to Present)	
10	1001097932	1	HOSE ASSY	
11		Ref	MAIN CONTROL VALVE, (See HYDRAULIC COMPONENTS SECTION for details)	
12	2110406	2	CONNECTOR, (includes o-ring)	
13	2170706	1	SWIVEL NUT RUN TEE, 3/8 TUBE	
14		Ref	HOSE ASSY, (See AUXILIARY FUNCTION - PERKINS & CUMMINS ENGINE for details)	
15	1001096396	2	HOSE ASSY	
16		Ref	CONTROLLER BRACKET, (See CAB SECTION for details)	
17	2110606	1	CONNECTOR, (includes o-ring)	

SECTION 8 - HYDRAULIC CIRCUITS

FIGURE 8-20. OUTRIGGER CONTROLLER - JOHN DEERE ENGINE



PY0630

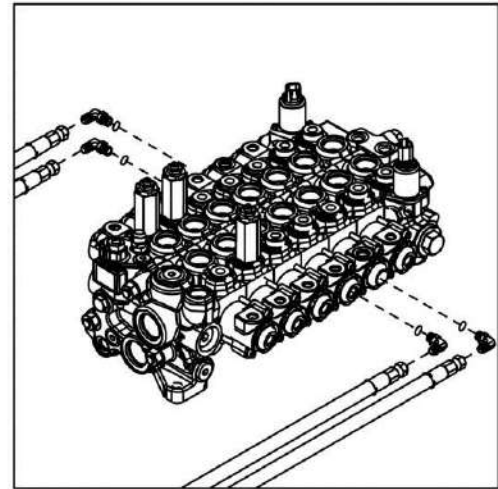
SECTION 8 - HYDRAULIC CIRCUITS

FIGURE 8-20. OUTRIGGER CONTROLLER - JOHN DEERE ENGINE

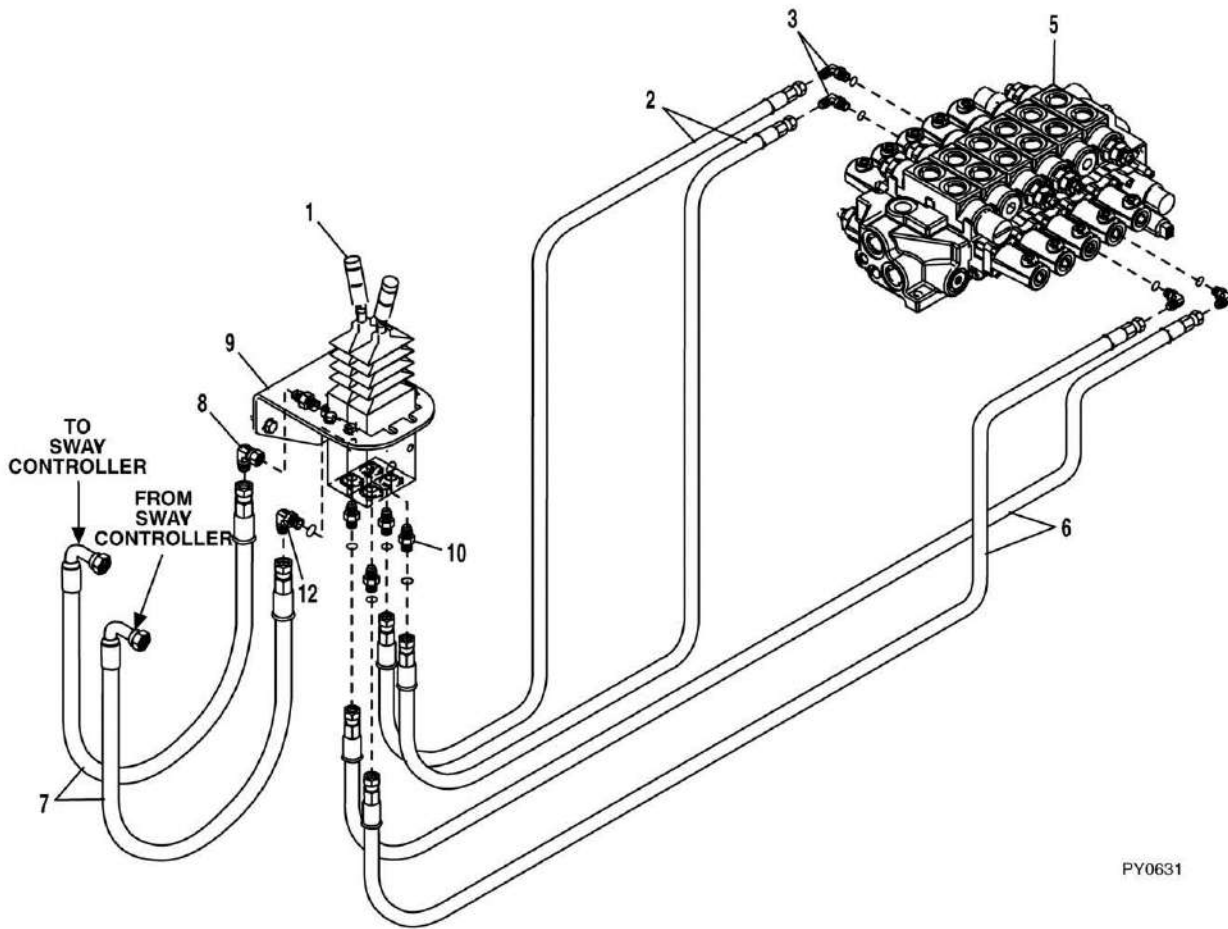
ITEM	PART NUMBER	QTY	DESCRIPTION	REV
1		Ref	OUTRIGGER CONTROLLER, (See CONTROLS SECTION for details)	
2	2753947	2	HOSE ASSY	
3	2220466	4	ELBOW, 90, (includes o-ring) (Prior to SN 0160037877)	
3	2220472	4	ELBOW, 90, (includes o-ring) (SN 0160037877 to Present)	
5		Ref	MAIN CONTROL VALVE, (See HYDRAULIC COMPONENTS SECTION for details)	
6	2753948	2	HOSE ASSY	
7	2753953	2	HOSE ASSY	
8	2220819	1	ELBOW, 90, (includes o-ring)	
9		Ref	CONTROLLER BRACKET, (See CAB SECTION for details)	
10	2220582	4	CONNECTOR, (includes o-ring)	
12	2220473	1	ELBOW, 90, (includes o-ring)	

SECTION 8 - HYDRAULIC CIRCUITS

FIGURE 8-21. OUTRIGGER CONTROLLER - PERKINS AND CUMMINS ENGINE



7 SECTION MAIN CONTROL VALVE



PY0631

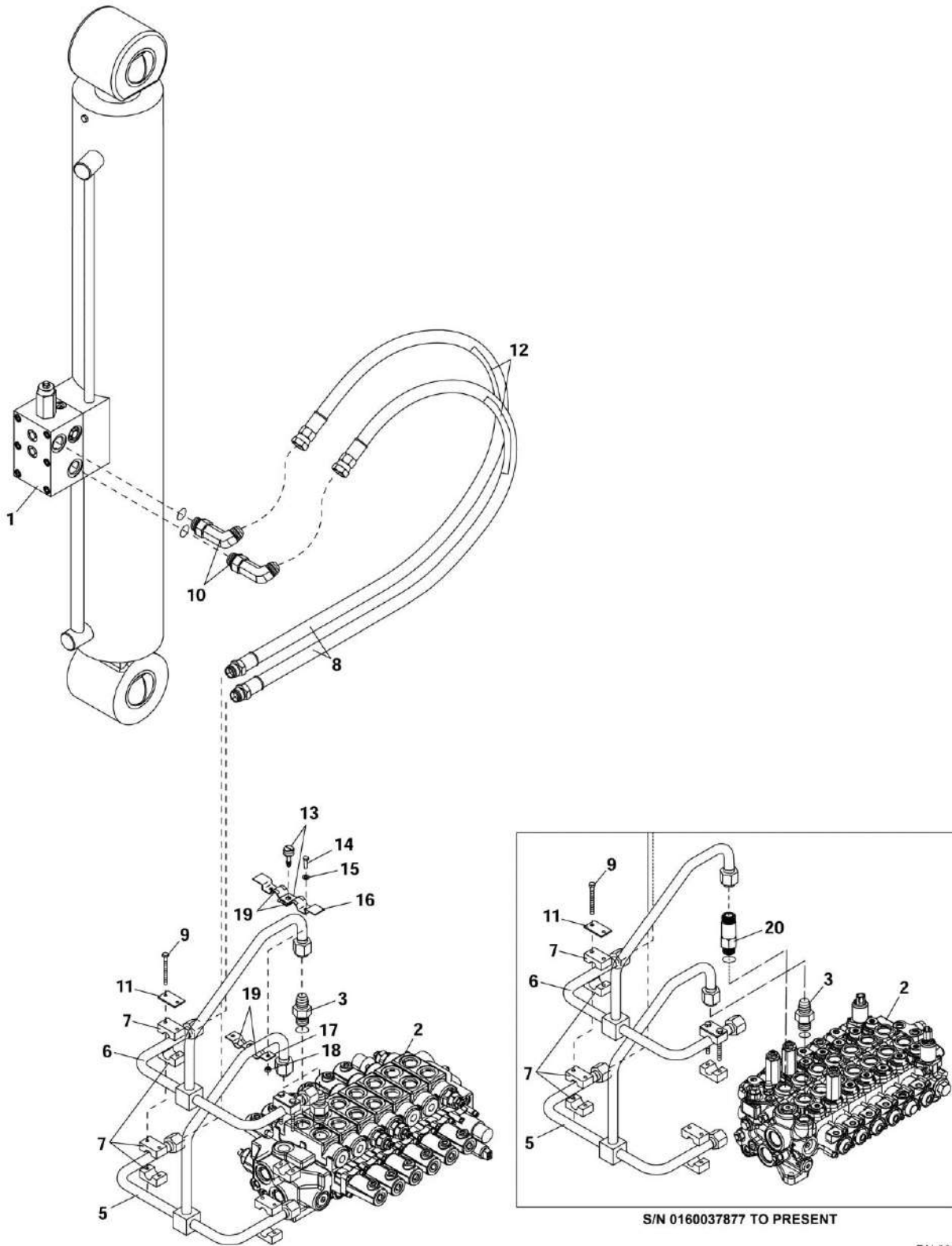
SECTION 8 - HYDRAULIC CIRCUITS

FIGURE 8-21. OUTRIGGER CONTROLLER - PERKINS AND CUMMINS ENGINE

ITEM	PART NUMBER	QTY	DESCRIPTION	REV
1		Ref	OUTRIGGER CONTROLLER, (See CONTROLS SECTION for details)	
2	1001096386	2	HOSE ASSY	
3	2130404	4	ELBOW, 90, (includes o-ring) (Prior to SN 0160037877)	
3	2130406	4	ELBOW, 90, (includes o-ring) (SN 0160037877 to Present)	
5		Ref	MAIN CONTROL VALVE, (See HYDRAULIC COMPONENTS SECTION for details)	
6	1001096387	2	HOSE ASSY	
7	1001096396	2	HOSE ASSY	
8	2170206	1	ELBOW, 90, (includes o-ring)	
9		Ref	CONTROLLER BRACKET, (See CAB SECTION for details)	
10	2110406	4	CONNECTOR, (includes o-ring)	
12	2130606	1	ELBOW, 90, (includes o-ring)	

SECTION 8 - HYDRAULIC CIRCUITS

FIGURE 8-22. LIFT CYLINDER - JOHN DEERE ENGINE



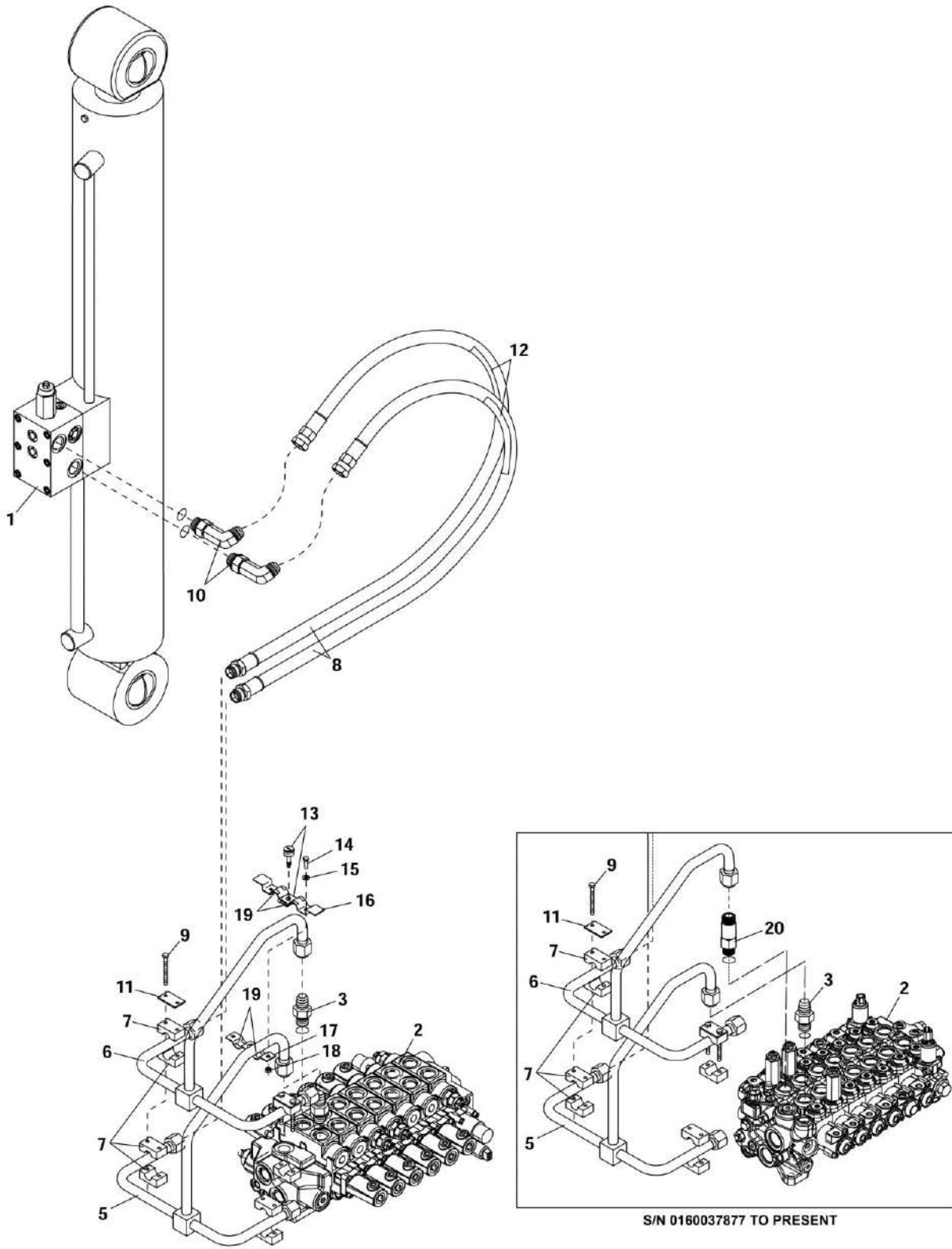
SECTION 8 - HYDRAULIC CIRCUITS

FIGURE 8-22. LIFT CYLINDER - JOHN DEERE ENGINE

ITEM	PART NUMBER	QTY	DESCRIPTION	REV
1		Ref	LIFT CYLINDER, (See HYDRAULIC COMPONENTS SECTION for details)	
2		Ref	MAIN CONTROL VALVE, (See HYDRAULIC COMPONENTS SECTION for details)	
3	2220451	2	CONNECTOR, (includes o-ring)	
5	91563169	1	HYDRAULIC TUBE (Prior to SN 0160037877)	
5	1001106623	1	HYDRAULIC TUBE (SN 0160037877 to Present)	
6	91563170	1	HYDRAULIC TUBE (Prior to SN 0160037877)	
6	1001106624	1	HYDRAULIC TUBE (SN 0160037877 to Present)	
7	77133053	4	CLAMP	
8	2754020	4	HOSE ASSY (Prior to SN 0160034300)	
8	1001102185	4	HOSE ASSY (SN 0160034300 to Present)	
9	0641424	4	HEX HD CAPSCREW, 1/4-20X3, GR5	
10	8770157	4	ELBOW, 45, (includes o-ring)	
11	77133052	2	COVER PLATE	
12	91403528	2	HOSE GUARD	
13		Ref	FASTENER, (See CROWD CYLINDER - JOHN DEERE ENGINE and CROWD CYLINDER - PERKINS & CUMMINS ENGINE for details)	
14	0641405	2	HEX HD CAPSCREW, 1/4-20X5/8, GR5 (Prior to SN 0160034300)	
15	4711400	4	FLAT WASHER, 1/4 (Prior to SN 0160034300)	
16	1001001612	1	HYDRAULIC BRACKET, TOP (Prior to SN 0160034300)	
17	1001001613	1	HYDRAULIC BRACKET, BOTTOM (Prior to SN 0160034300)	
18	3311405	2	LOOKNUT, 1/4-20 (Prior to SN 0160034300)	
19	1001090344	AR	NEOPRENE TAPE, 1/16X1/2 (Prior to SN 0160034300)	
20	2170112	1	HOSE ASSY (SN 0160037877 to Present)	

SECTION 8 - HYDRAULIC CIRCUITS

FIGURE 8-23. LIFT CYLINDER - PERKINS AND CUMMINS ENGINE



PAL2922

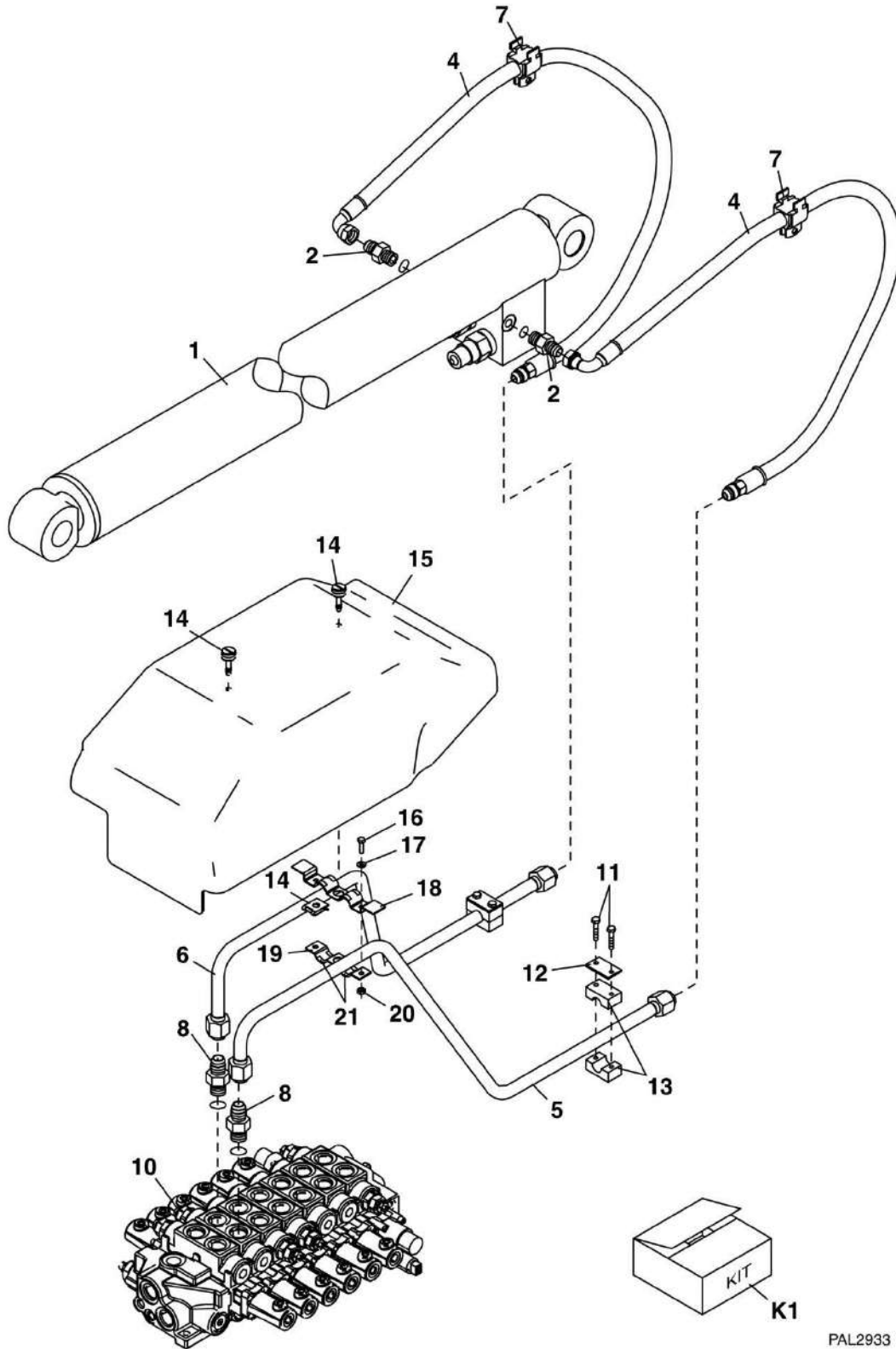
SECTION 8 - HYDRAULIC CIRCUITS

FIGURE 8-23. LIFT CYLINDER - PERKINS AND CUMMINS ENGINE

ITEM	PART NUMBER	QTY	DESCRIPTION	REV
1		Ref	LIFT CYLINDER, (See HYDRAULIC COMPONENTS SECTION for details)	
2		Ref	MAIN CONTROL VALVE, (See HYDRAULIC COMPONENTS SECTION for details)	
3	2111212	2	CONNECTOR, (includes o-ring) (Prior to SN 0160037877)	
3	2111212	1	CONNECTOR, (includes o-ring) (SN 0160037877 to Present)	
5	1001001453	1	HYDRAULIC TUBE (Prior to SN 0160037877)	
5	1001105120	1	HYDRAULIC TUBE (SN 0160037877 to Present)	
6	1001001454	1	HYDRAULIC TUBE (Prior to SN 0160037877)	
6	1001105121	1	HYDRAULIC TUBE (SN 0160037877 to Present)	
7	77133053	4	CLAMP	
8	1001095442	4	HOSE ASSY (Prior to SN 0160034300)	
8	1001102185	4	HOSE ASSY (SN 0160034300 to Present)	
9	0641412	4	HEX HD CAPSCREW, 1/4-20X1-1/2, GR5 (Prior to SN 0160037877)	
9	0641424	4	HEX HD CAPSCREW, 1/4-20X3, GR5 (SN 0160037877 to Present)	
10	2131212	4	ELBOW, 45, (includes o-ring)	
11	77133052	2	COVER PLATE	
12	91403528	2	HOSE GUARD	
13	1001001614	2	FASTENER (Prior to SN 0160034300)	
14	0641405	2	HEX HD CAPSCREW, 1/4-20X5/8, GR5 (Prior to SN 0160034300)	
15	4711400	4	FLAT WASHER, 1/4 (Prior to SN 0160034300)	
16	1001001612	1	HYDRAULIC BRACKET, TOP (Prior to SN 0160034300)	
17	1001001613	1	HYDRAULIC BRACKET, BOTTOM (Prior to SN 0160034300)	
18	3311405	2	LOOKNUT, 1/4-20 (Prior to SN 0160034300)	
19	1001090344	AR	NEOPRENE TAPE, 1/16X1/2 (Prior to SN 0160034300)	
20	2170112	1	CONNECTOR, (includes o-ring) (SN 0160037877 to Present)	

SECTION 8 - HYDRAULIC CIRCUITS

FIGURE 8-24. CROWD CYLINDER - JOHN DEERE ENGINE



PAL2933

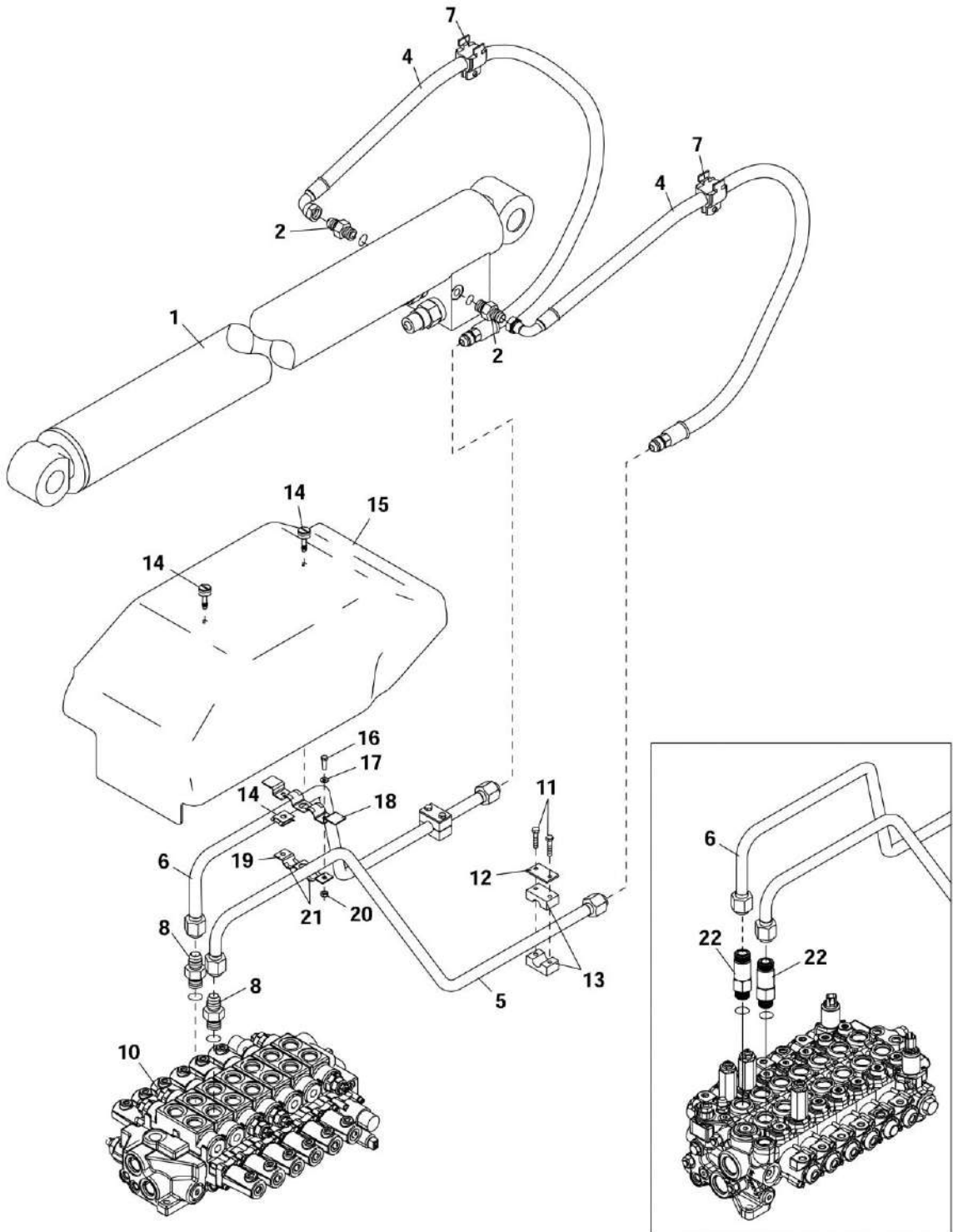
SECTION 8 - HYDRAULIC CIRCUITS

FIGURE 8-24. CROWD CYLINDER - JOHN DEERE ENGINE

ITEM	PART NUMBER	QTY	DESCRIPTION	REV
1		Ref	CROWD CYLINDER, (See HYDRAULIC COMPONENTS SECTION for details)	
2	2220435	2	CONNECTOR, (includes o-ring)	
4	2753912	2	HOSE ASSY	
5	91563168	1	HYDRAULIC TUBE (Prior to SN 0160037689)	
5	1001111488	1	HYDRAULIC TUBE (SN 0160037689 through 0160037863)	
5	1001106625	1	HYDRAULIC TUBE (SN 0160037877 to Present)	
6	91563167	1	HYDRAULIC TUBE (Prior to SN 0160037689)	
6	1001111487	1	HYDRAULIC TUBE (SN 0160037689 through 0160037863)	
6	1001106626	1	HYDRAULIC TUBE (SN 0160037877 to Present)	
7	90205792	2	CUSHION CLAMP	
8	2220451	2	CONNECTOR, (includes o-ring)	
10		Ref	MAIN CONTROL VALVE, (See HYDRAULIC COMPONENTS SECTION for details)	
11	0641412	4	HEX HD CAPSCREW, 1/4-20X1-1/2, GR5	
12	77133052	2	COVER PLATE	
13	77133053	2	CLAMP	
14	1001001614	2	COVER FASTENER (Prior to SN 0160034300)	
15	1001001441	1	MAIN VALVE COVER (Prior to SN 0160034300)	
16	0641405	2	HEX HD CAPSCREW, 1/4-20X5/8, GR5 (Prior to SN 0160034300)	
17	4711400	4	FLAT WASHER, 1/4 (Prior to SN 0160034300)	
18	1001001612	1	HYDRAULIC BRACKET, TOP (Prior to SN 0160034300)	
19	1001001613	1	HYDRAULIC BRACKET, BOTTOM (Prior to SN 0160034300)	
20	3311405	2	LOCKNUT, 1/4-20 (Prior to SN 0160034300)	
21	1001090344	AR	NEOPRENE TAPE, 1/16X1/2 (Prior to SN 0160034300)	
K1	1001105880	1	HYDRAULIC ADAPTER KIT, (JOHN DEERE ENGINE ONLY)	

SECTION 8 - HYDRAULIC CIRCUITS

FIGURE 8-25. CROWD CYLINDER - PERKINS AND CUMMINS ENGINE



S/N 0160037877 TO PRESENT

PAL2932

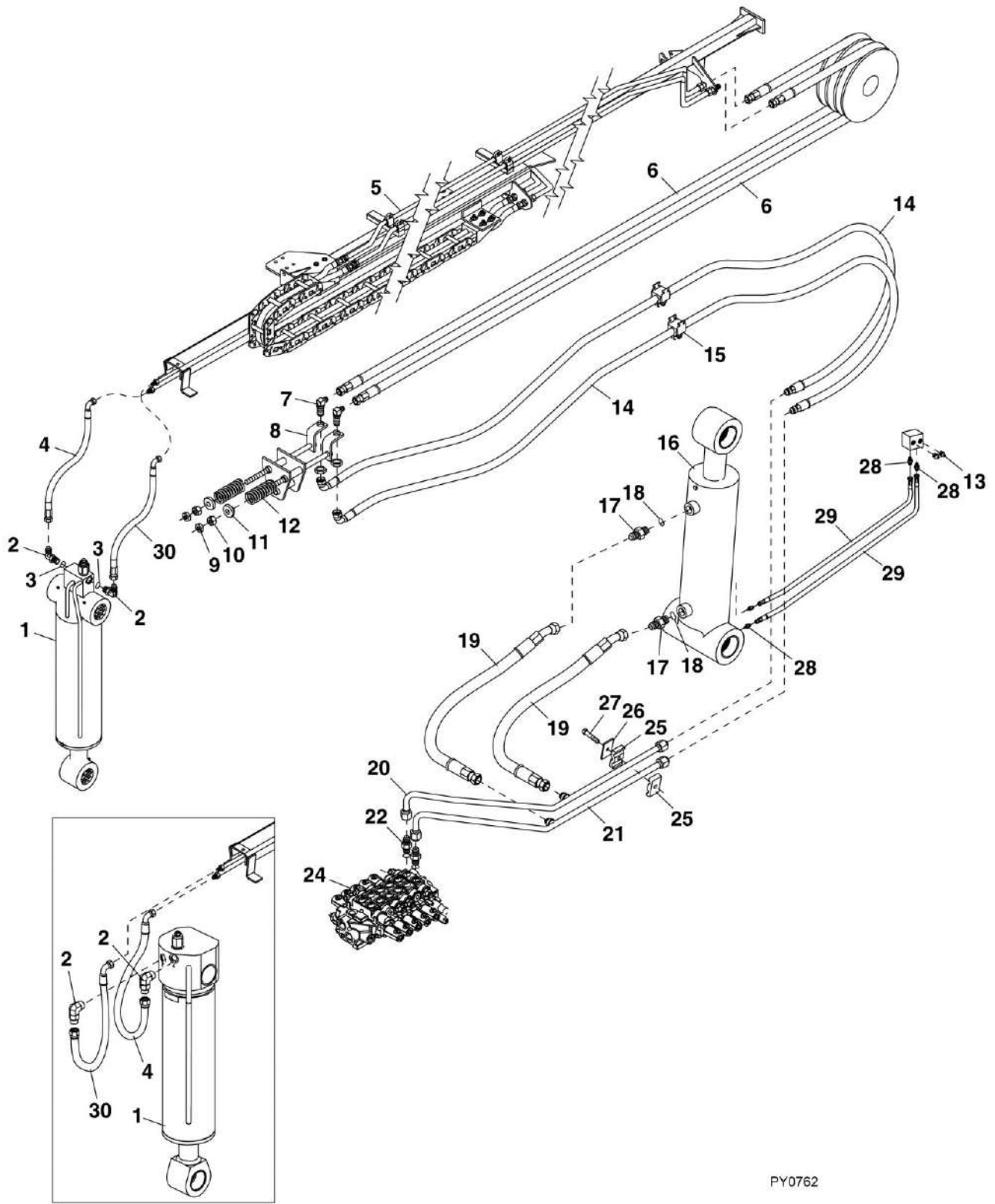
SECTION 8 - HYDRAULIC CIRCUITS

FIGURE 8-25. CROWD CYLINDER - PERKINS AND CUMMINS ENGINE

ITEM	PART NUMBER	QTY	DESCRIPTION	REV
1		Ref	CROWD CYLINDER, (See HYDRAULIC COMPONENTS SECTION for details)	
2	2111212	2	CONNECTOR, (includes o-ring)	
4	1001097036	2	HOSE ASSY	
5	1001001452	1	HYDRAULIC TUBE (Prior to SN 0160037877)	
5	1001105119	1	HYDRAULIC TUBE (SN 0160037877 to Present)	
6	1001001451	1	HYDRAULIC TUBE (Prior to SN 0160037877)	
6	1001105118	1	HYDRAULIC TUBE (SN 0160037877 to Present)	
7	90205792	2	CUSHION CLAMP	
8	2111212	2	CONNECTOR, (includes o-ring) (Prior to SN 0160037877)	
10		Ref	MAIN CONTROL VALVE, (See HYDRAULIC COMPONENTS SECTION for details)	
11	0641412	4	HEX HD CAPSCREW, 1/4-20X1-1/2, GR5	
12	77133052	2	COVER PLATE	
13	77133053	2	CLAMP	
14	1001001614	2	COVER FASTENER (Prior to SN 0160034300)	
15	1001001441	1	MAIN VALVE COVER (Prior to SN 0160034300)	
16	0641405	2	HEX HD CAPSCREW, 1/4-20X5/8, GR5 (Prior to SN 0160034300)	
17	4711400	4	FLAT WASHER, 1/4 (Prior to SN 0160034300)	
18	1001001612	1	HYDRAULIC BRACKET, TOP (Prior to SN 0160034300)	
19	1001001613	1	HYDRAULIC BRACKET, BOTTOM (Prior to SN 0160034300)	
20	3311405	2	LOCKNUT, 1/4-20 (Prior to SN 0160034300)	
21	1001090344	AR	NEOPRENE TAPE, 1/16X1/2 (Prior to SN 0160034300)	
22	2170112	1	CONNECTOR, (includes o-ring) (SN 0160037877 to Present)	

SECTION 8 - HYDRAULIC CIRCUITS

FIGURE 8-26. TILT AND TILT COMPENSATING CYLINDERS - JOHN DEERE ENGINE



S/N 0160037689 TO PRESENT

PY0762

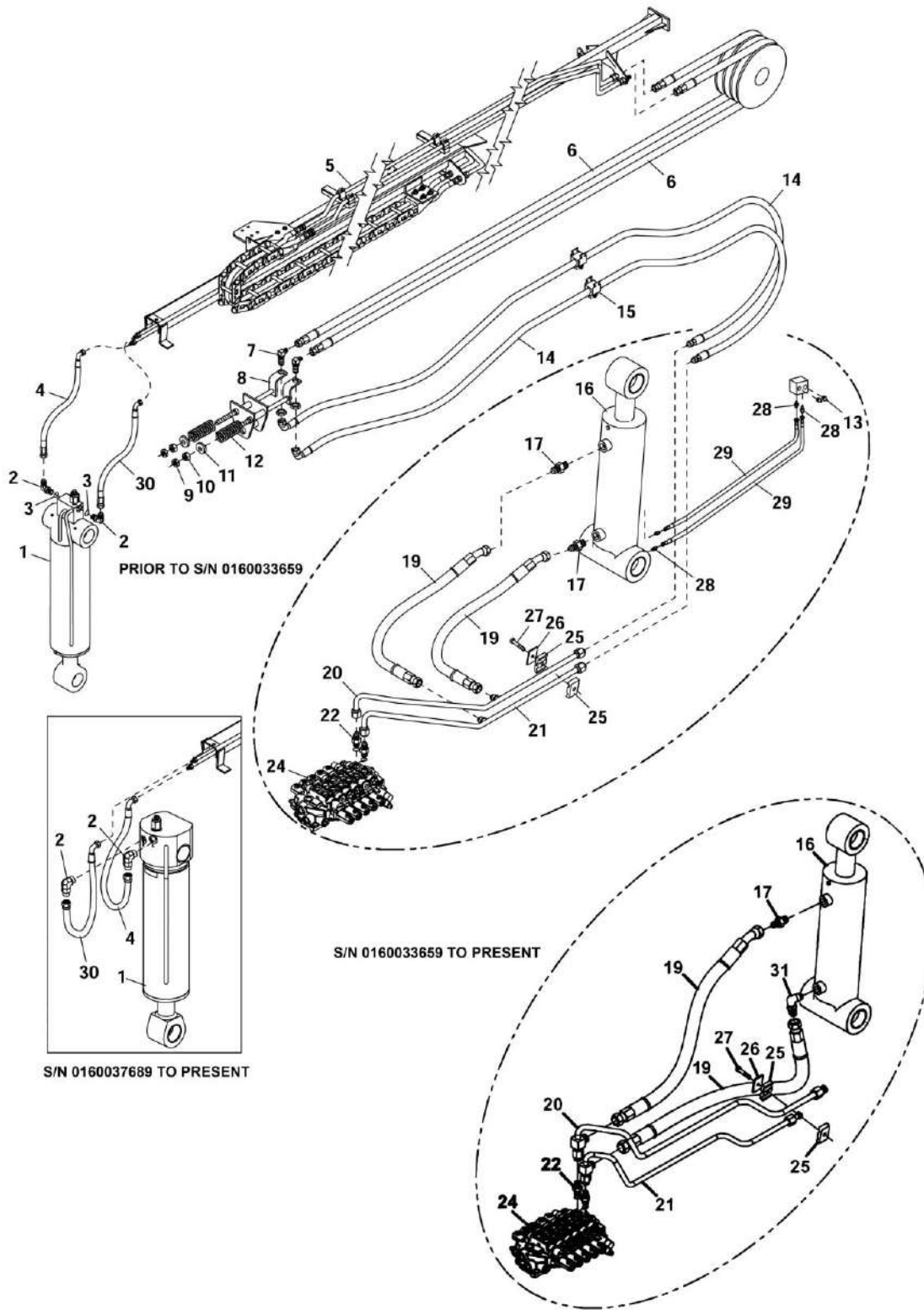
SECTION 8 - HYDRAULIC CIRCUITS

FIGURE 8-26. TILT AND TILT COMPENSATING CYLINDERS - JOHN DEERE ENGINE

ITEM	PART NUMBER	QTY	DESCRIPTION	REV
1		Ref	TILT CYLINDER, (See HYDRAULIC COMPONENTS SECTION for details)	
2	2131010	2	ELBOW, 90, (includes o-ring)	
3	N.S.S.	2	O-RING	
4	2754107	1	HOSE ASSY (Prior to SN 0160037689)	
4	1001098179	1	HOSE ASSY (SN 0160037689 to Present)	
5		Ref	BOOM HYDRAULICS ASSY, (See BOOM HYDRAULIC ASSEMBLY for details)	
6	84719455	2	HOSE ASSY	
7	2230044	2	BULKHEAD FITTING, 90	
8	91166068	2	HOSE TENSION ROD	
9	88501108	2	HEAVY HEX JAM NUT, 1/2-13	
10	88501008	2	HEAVY HEX NUT, 1/2-13	
11	91121134	2	SPRING RETAINER	
12	91123054	2	COMPRESSION SPRING	
13	88671001	2	LUBE FITTING, STRAIGHT, 1/8	
14	2753941	2	HOSE ASSY	
15	90207463	6	HYDRA-ZORB CLAMP	
16		Ref	COMP CYLINDER, (G10-55A), (See HYDRAULIC COMPONENTS SECTION for details)	
17	2220374	2	CONNECTOR, (includes o-ring)	
19	2754052	2	HOSE ASSY (Prior to SN 0160034300)	
19	1001102400	NLA	HOSE ASSY, (no longer available, use 1001165230 for replacement) (SN 0160034300 through 0160045636, Including 0160045082, 0160045094, 0160045209, 0160045295, 0160045296 and 0160045449)	
19	1001165230	2	HOSE ASSY	
20	91563179	1	HYDRAULIC TUBE (Prior to SN 0160037877)	
20	1001106636	1	HYDRAULIC TUBE (SN 0160037877 to Present)	
21	91563180	1	HYDRAULIC TUBE (Prior to SN 0160037877)	
21	1001106635	1	HYDRAULIC TUBE (SN 0160037877 to Present)	
22	2220375	2	CONNECTOR, (includes o-ring)	
24		Ref	MAIN CONTROL VALVE, (See HYDRAULIC COMPONENTS SECTION for details)	
25	77133168	1	CLAMP	
26	77133140	1	COVER PLATE	
27	0641511	1	HEX HD CAPSCREW, 5/16-18X1-3/8, GR5	
28	88661002	2	MALE CONNECTOR, 3/16X1/8 TUBE	
29	84719940	2	HOSE ASSY	
30	2754108	1	HOSE ASSY (Prior to SN 0160037689)	
30	1001098180	1	HOSE ASSY (SN 0160037689 to Present)	
		Ref	HYDRAULIC ADAPTER KIT, (JOHN DEERE ENGINE ONLY), (See CROWD CYLINDER - JOHN DEERE ENGINE for details)	

SECTION 8 - HYDRAULIC CIRCUITS

FIGURE 8-27. TILT AND TILT COMPENSATING CYLINDERS - PERKINS AND CUMMINS ENGINE



PAP2410

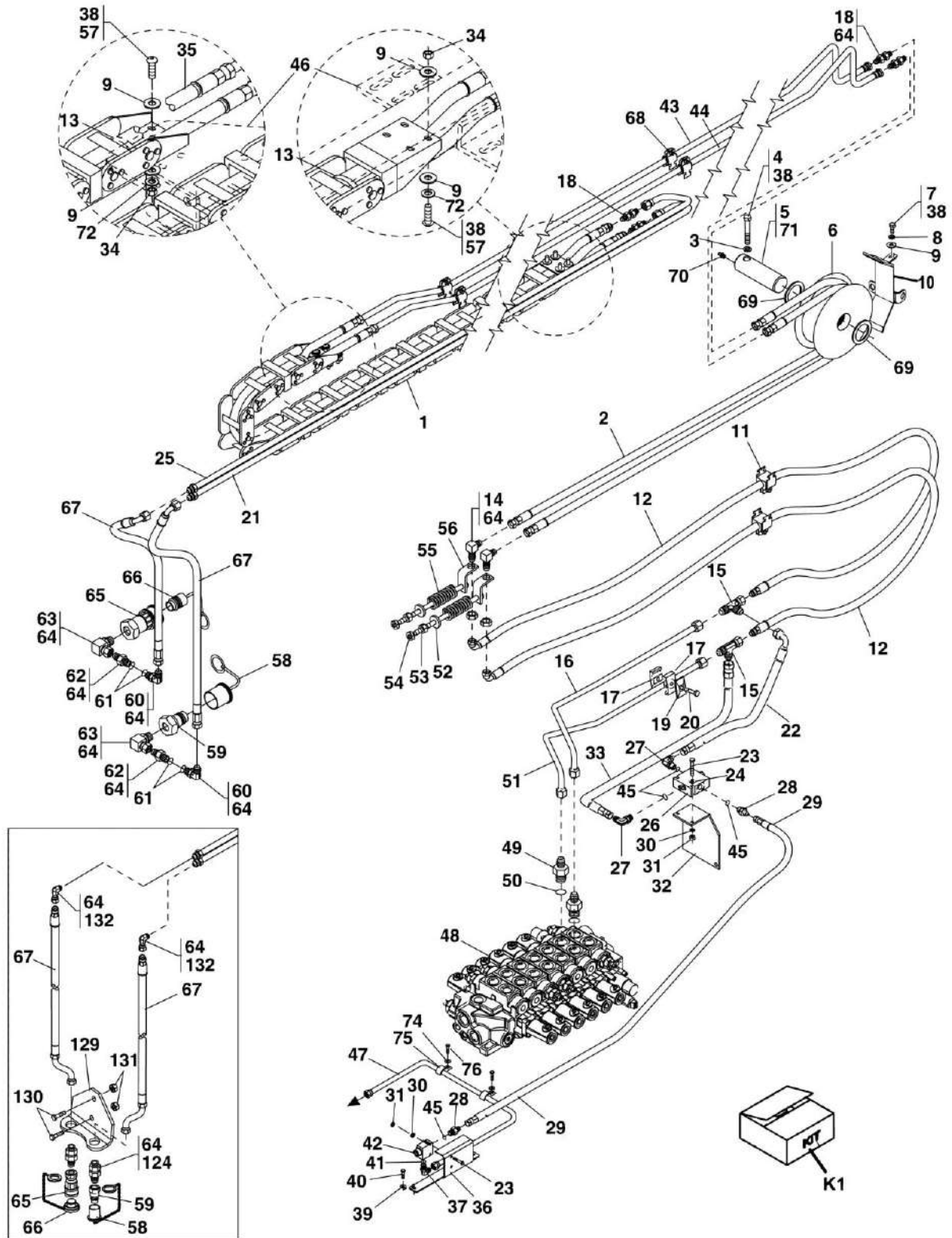
SECTION 8 - HYDRAULIC CIRCUITS

FIGURE 8-27. TILT AND TILT COMPENSATING CYLINDERS - PERKINS AND CUMMINS ENGINE

ITEM	PART NUMBER	QTY	DESCRIPTION	REV
1		Ref	TILT CYLINDER, (See HYDRAULIC COMPONENTS SECTION for details)	
2	2131010	2	ELBOW, 90, (includes o-ring)	
3	N.S.S.	1	O-RING	
4	1001097039	1	HOSE ASSY (Prior to SN 0160037689)	
4	1001098179	1	HOSE ASSY (SN 0160037689 to Present)	
5		Ref	BOOM HYDRAULICS ASSY, (See BOOM HYDRAULIC ASSEMBLY for details)	
6	1001097038	2	HOSE ASSY	
7	2171208	2	BULKHEAD FITTING, 90	
8	1001091306	2	HOSE TENSION ROD	
9	88501108	2	HEAVY HEX JAM NUT, 1/2-13	
10	88501008	2	HEAVY HEX NUT, 1/2-13	
11	91121134	2	SPRING RETAINER	
12	91123054	2	COMPRESSION SPRING	
13	88671001	2	LUBE FITTING, STRAIGHT, 1/8 (Prior to SN 0160037689)	
13	2160002	2	LUBE FITTING, STRAIGHT, 1/8 (SN 0160037689 to Present)	
14	1001097037	NLA	HOSE ASSY, (no longer available, use 1001165212 for replacement)	
14	1001165212	2	HOSE ASSY	
15	90207464	6	HYDRA-ZORB CLAMP	
16		Ref	COMP CYLINDER, (See HYDRAULIC COMPONENTS SECTION for details)	
17	2110810	2	CONNECTOR, (includes o-ring) (Prior to SN 0160034300)	
17	2110810	1	CONNECTOR, (includes o-ring) (SN 0160034300 to Present)	
19	1001095441	2	HOSE ASSY (Prior to SN 0160034300)	
19	1001102400	NLA	HOSE ASSY, (no longer available, use 1001165230 for replacement) (SN 0160034300 through 0160045636, Including 0160045082, 0160045094, 0160045209, 0160045295, 0160045296 and 0160045449)	
19	1001165230	2	HOSE ASSY	
20	1001001463	1	HYDRAULIC TUBE (Prior to SN 0160033659)	
20	1001098356	1	HYDRAULIC TUBE (SN 0160033659 through 0160037863)	
20	1001105122	1	HYDRAULIC TUBE (SN 0160037877 to Present)	
21	1001001464	1	HYDRAULIC TUBE (Prior to SN 0160033659)	
21	1001098357	1	HYDRAULIC TUBE (SN 0160033659 through 0160037863)	
21	1001105123	1	HYDRAULIC TUBE (SN 0160037877 to Present)	
22	2110812	2	CONNECTOR, (includes o-ring)	
24		Ref	MAIN CONTROL VALVE, (See HYDRAULIC COMPONENTS SECTION for details)	
25	77133168	1	CLAMP	
26	77133140	1	COVER PLATE	
27	0641511	1	HEX HD CAPSCREW, 5/16-18X1-3/8, GR5	
28	88661002	2	MALE CONNECTOR, 3/16X1/8 TUBE	
29	84719940	2	HOSE ASSY	
30	1001097040	1	HOSE ASSY (Prior to SN 0160037689)	
30	1001098180	1	HOSE ASSY (SN 0160037689 to Present)	
31	2130810	1	CONNECTOR, (includes o-ring) (SN 0160034300 to Present)	
32	2172108	2	ADAPTER, 90, (includes o-ring), (not shown) (SN 0160034300 to Present)	

SECTION 8 - HYDRAULIC CIRCUITS

FIGURE 8-28. AUXILIARY FUNCTION - JOHN DEERE ENGINE



S/N 0160037689 TO PRESENT

PAP2370

SECTION 8 - HYDRAULIC CIRCUITS

FIGURE 8-28. AUXILIARY FUNCTION - JOHN DEERE ENGINE

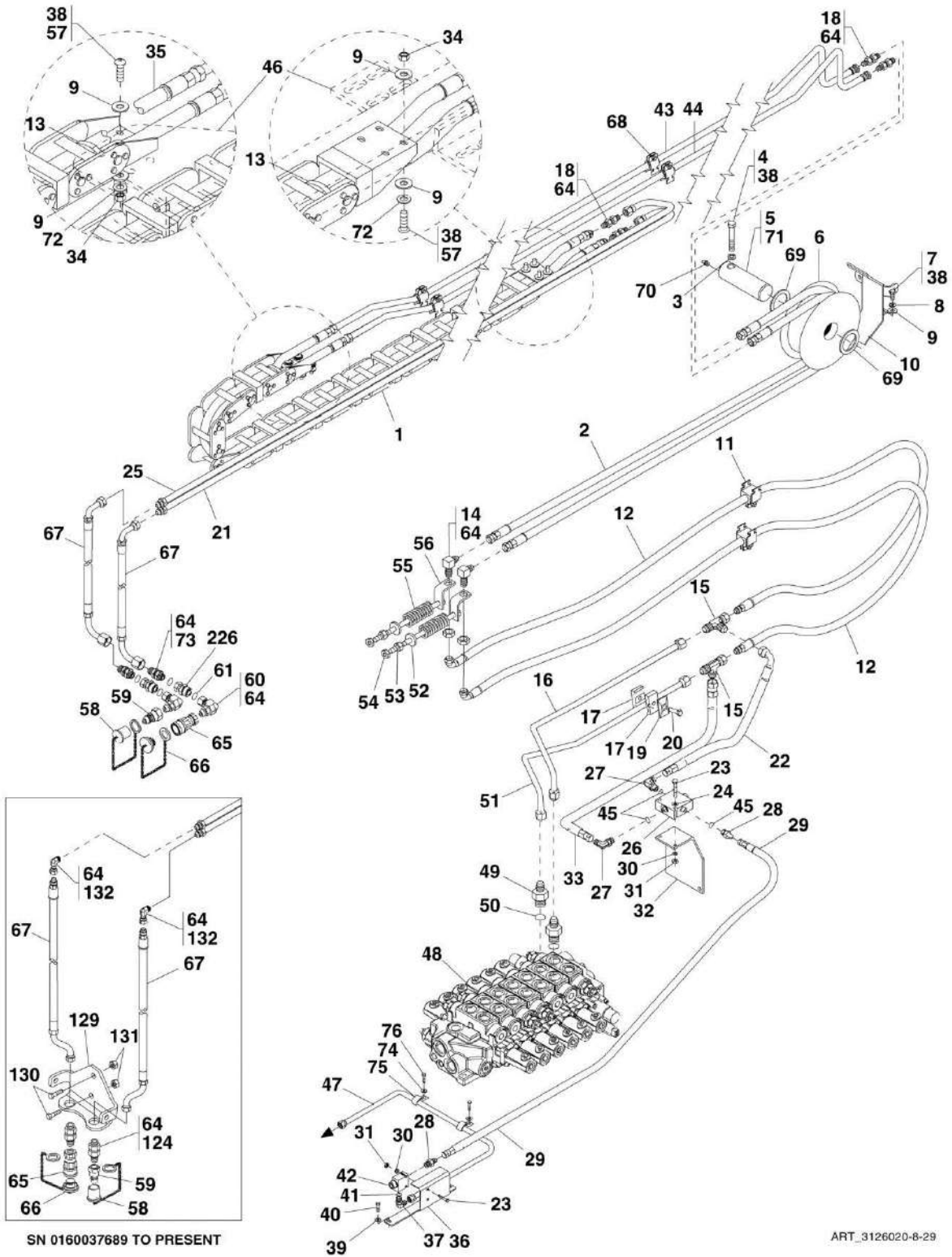
ITEM	PART NUMBER	QTY	DESCRIPTION	REV
1	91363203	NLA	HOSE CARRIER, (no longer available, use 1001176342 for replacement)	
1	1001176342	1	HOSE CARRIER	
2	84719455	2	HOSE ASSY	
3	4761800	1	LOCKWASHER, 1/2	
4	0641826	1	HEX HD CAPSCREW, 1/2-13X3-1/4, GR5	
5	91161138	NLA	HOSE SHEAVE PIN , (no longer available, order Kit K1 for replacement) (Prior to SN 0160026237, Excluding 0160025994)	
5	3423301	1	HOSE SHEAVE PIN (SN 0160026237 to Present, Including 0160025994)	
6	91143024	1	HOSE SHEAVE	
7	0641607	3	HEX HD CAPSCREW, 3/8-16X7/8, GR5	
8	4761600	3	LOCKWASHER, 3/8	
9	4751600	16	FLAT WASHER, 3/8	
10	91166038	1	AUX HOSE GUIDE BRACKET WELD, (G10-55A)	
10	91566043	1	AUX HOSE GUIDE BRACKET WELD, (G12-55A)	
11	90207463	6	HYDRA ZORB CLAMP	
12	2753941	2	HOSE ASSY	
13	90027187	4	TY-RAP	
14	2230044	2	BULKHEAD FITTING, 90	
15	2220385	2	SWIVEL NUT RUN TEE, 1/2 TUBE	
16	91563166	1	TUBE ASSY (Prior to SN 0160037877)	
16	1001106634	1	TUBE ASSY (SN 0160037877 to Present)	
17	77133168	1	CLAMP	
18	2230025	4	BULKHEAD UNION, 3/4-16X1/2 TUBE	
19	77133140	1	COVER PLATE	
20	77133177	1	HEX HD CAPSCREW, 5/16-18X1-3/8	
21	91163060	1	TUBE ASSY	
22	84719765	1	HOSE ASSY	
23	88201008	4	HEX HD CAPSCREW, 1/4-20X1-3/4, GR5	
24	88561107	2	FLAT WASHER, 1/4	
25	91163059	1	TUBE ASSY	
26	91503094	1	DECOMPRESSION SHUTTLE VALVE	
27	2130606	2	ELBOW, 90, (includes o-ring)	
28	2220582	2	CONNECTOR, (includes o-ring)	
29	84719783	1	HOSE ASSY (Prior to SN 0160015647)	
29	2754629	1	HOSE ASSY (SN 0160015647 to Present)	
30	88551009	4	LOCK WASHER, 1/4	
31	88501004	4	HEX NUT, 1/4-20	
32	91561268	1	BRACKET PLATE	
33	2754080	1	HOSE ASSY	
34	88521306	8	HEX LOCKNUT, 3/8-16	
35	84718959	2	HOSE ASSY	
36	91501064	1	DECOMPRESSION COVER PLATE	
37	2220472	1	ELBOW, 90, (includes item 41)	
38	0100011	AR	LOCTITE 242	
39	4711600	2	FLAT WASHER, 3/8	
40	0641608	2	HEX HD CAPSCREW, 3/8-16X1, GR5	
41	N.S.S.	1	O-RING	
42	91503093	1	DECOMPRESSION VALVE	

SECTION 8 - HYDRAULIC CIRCUITS

ITEM	PART NUMBER	QTY	DESCRIPTION	REV
43	91163061	1	TUBE ASSY	
44	91163062	1	TUBE ASSY	
44	1001001480	1	TUBE ASSY	
46		Ref	BOOM HYDRAULICS ASSY, (See BOOM HYDRAULIC ASSEMBLY for details)	
47	2754015	1	HOSE ASSY (Prior to SN 0160015647)	
47	2754651	1	HOSE ASSY (SN 0160015647 to Present)	
48		Ref	MAIN CONTROL VALVE, (See HYDRAULIC COMPONENTS SECTION for details)	
49	2220375	2	CONNECTOR, (includes o-ring)	
50	N.S.S.	2	O-RING	
51	91563165	1	TUBE ASSY (Prior to SN 0160037877)	
51	1001106633	1	TUBE ASSY (SN 0160037877 to Present)	
52	91121134	2	SPRING RETAINER	
53	88501008	2	HEX NUT, 1/2-13	
54	88501108	2	JAM NUT, 1/2-13	
55	91123054	2	COMPRESSION SPRING	
56	91166068	2	HOSE TAKE-UP WELDMENT	
57	3900232	8	SOCKET BUTTON HD CAPSCREW, 3/8-16X1-1/4	
58	91043126	1	DUST CAP	
59	91403414	1	MALE QUICK CONNECT	
60	2220596	2	ELBOW, 90, (includes o-ring) (Prior to SN 0160037689)	
61	N.S.S.	2	O-RING	
62	2220373	2	CONNECTOR, (includes o-ring) (Prior to SN 0160037689)	
63	91513106	2	ELBOW, 90 (Prior to SN 0160037689)	
64	0100075	AR	LOCTITE 545	
65	91403413	1	FEMALE QUICK CONNECT	
66	91043125	1	DUST PLUG	
67	2753900	2	HOSE ASSY (Prior to SN 0160037689)	
67	1001098181	2	HOSE ASSY (SN 0160037689 to Present)	
68	91083217	6	HYDRA-ZORB CLAMP	
69	91041451	2	THRUST WASHER	
69	91041449	AR	THRUST WASHER	
69	91041450	AR	THRUST WASHER	
69	91041596	AR	THRUST WASHER	
70	88671001	1	LUBE FITTING, STRAIGHT	
71	14404793	AR	MYSTIK TETRIMOLY GREASE	
72	4711600	8	FLAT WASHER, 3/8	
74	4711000	2	FLAT WASHER, #10 (SN 0160015650 to Present)	
75	85941017	2	P-CLAMP (SN 0160015650 to Present)	
76	91413036	2	SELF TAPPING SCREW, #6X1/2 (SN 0160015650 to Present)	
124	2180849	2	CONNECTOR (SN 0160037689 to Present)	
129	1001098425	1	BRACKET (SN 0160037689 to Present)	
130	0641612	2	HEX HD CAPSCREW, 3/4X1-1/2 (SN 0160037689 to Present)	
131	8305645	2	HEX LOCKNUT, 3/4-16 (SN 0160037689 to Present)	
132	2172108	2	ELBOW, 90 (SN 0160037689 to Present)	
		Ref	HYDRAULIC ADAPTER KIT, (JPHN DEERE ENGINE ONLY), (See CROWD CYLINDER - JOHN DEERE ENGINE for details)	
K1	2915215	1	HOSE SHEAVE PIN KIT, (includes items 10 & 15)	

SECTION 8 - HYDRAULIC CIRCUITS

FIGURE 8-29. AUXILIARY FUNCTION - PERKINS AND CUMMINS ENGINE



SECTION 8 - HYDRAULIC CIRCUITS

FIGURE 8-29. AUXILIARY FUNCTION - PERKINS AND CUMMINS ENGINE

ITEM	PART NUMBER	QTY	DESCRIPTION	REV
1	91363203	NLA	HOSE CARRIER, (no longer available, use 1001176342 for replacement)	
1	1001176342	1	HOSE CARRIER	
2	1001097038	2	HOSE ASSY	
3	4761800	1	LOCKWASHER, 1/2	
4	0641826	1	HEX HD CAPSCREW, 1/2-13X3-1/4, GR5	
5	3423301	1	HOSE SHEAVE PIN	
6	91143024	1	HOSE SHEAVE	
7	0641607	3	HEX HD CAPSCREW, 3/8-16X7/8, GR5	
8	4761600	3	LOCKWASHER, 3/8	
9	4751600	16	FLAT WASHER, 3/8	
10	91166038	1	AUX HOSE GUIDE BRACKET WELD, (G10-55A), (PERKINS)	
10	91566043	1	AUX HOSE GUIDE BRACKET WELD, (G12-55A), (PERKINS)	
10	91566025	1	AUX HOSE GUIDE BRACKET WELD, (CUMMINS)	
11	90207464	6	HYDRA ZORB CLAMP,	
12	1001097037	NLA	HOSE ASSY, (no longer available, use 1001165212 for replacement)	
12	1001165212	2	HOSE ASSY	
13	90027187	4	TY-RAP	
14	2171208	2	BULKHEAD FITTING, 90	
15	2170708	2	SWIVEL NUT RUN TEE, 1/2 TUBE	
16	1001001466	1	TUBE ASSY, (PERKINS) (G10-55A Prior to SN 0160033766; G12-55A Prior to SN 0160037770)	
16	1001098358	1	TUBE ASSY, (PERKINS) (G10-55A SN 0160033766 through 0160035880; G12-55A SN 0160037770 through 0160037970)	
16	1001105102	1	TUBE ASSY, (PERKINS) (G10-55A SN 0160035880 to Present; G12-55A SN 0160037970 to Present)	
17	77133168	1	CLAMP	
18	2171110	4	BULKHEAD UNION, 3/4-16X1/2 TUBE	
19	77133140	1	COVER PLATE	
20	77133177	1	HEX HD CAPSCREW, 5/16-18X1-3/8	
21	1001001478	1	TUBE ASSY	
22	1001097988	NLA	HOSE ASSY, (no longer available, use 1001165218 for replacement)	
22	1001165218	1	HOSE ASSY	
23	88201008	4	HEX HD CAPSCREW, 1/4-20X1-3/4, GR5	
24	4711400	2	FLAT WASHER, 1/4	
25	1001001477	1	TUBE ASSY	
26	91503094	1	DECOMPRESSION SHUTTLE VALVE	
27	2130606	2	ELBOW, 90, (includes o-ring)	
28	2110406	2	CONNECTOR, (includes o-ring)	
29	1001001396	1	HOSE ASSY, (PERKINS)	
29	1001098743	1	HOSE ASSY, (CUMMINS)	
30	88551009	4	LOCK WASHER, 1/4	
31	88501004	4	HEX NUT, 1/4-20	
32	91561268	1	BRACKET PLATE	
33	1001097987	NLA	HOSE ASSY, (no longer available, use 1001165216 for replacement)	
33	1001165216	1	HOSE ASSY	
34	88521306	8	HEX LOCKNUT, 3/8-16	
35	1001091746	2	HOSE ASSY	

SECTION 8 - HYDRAULIC CIRCUITS

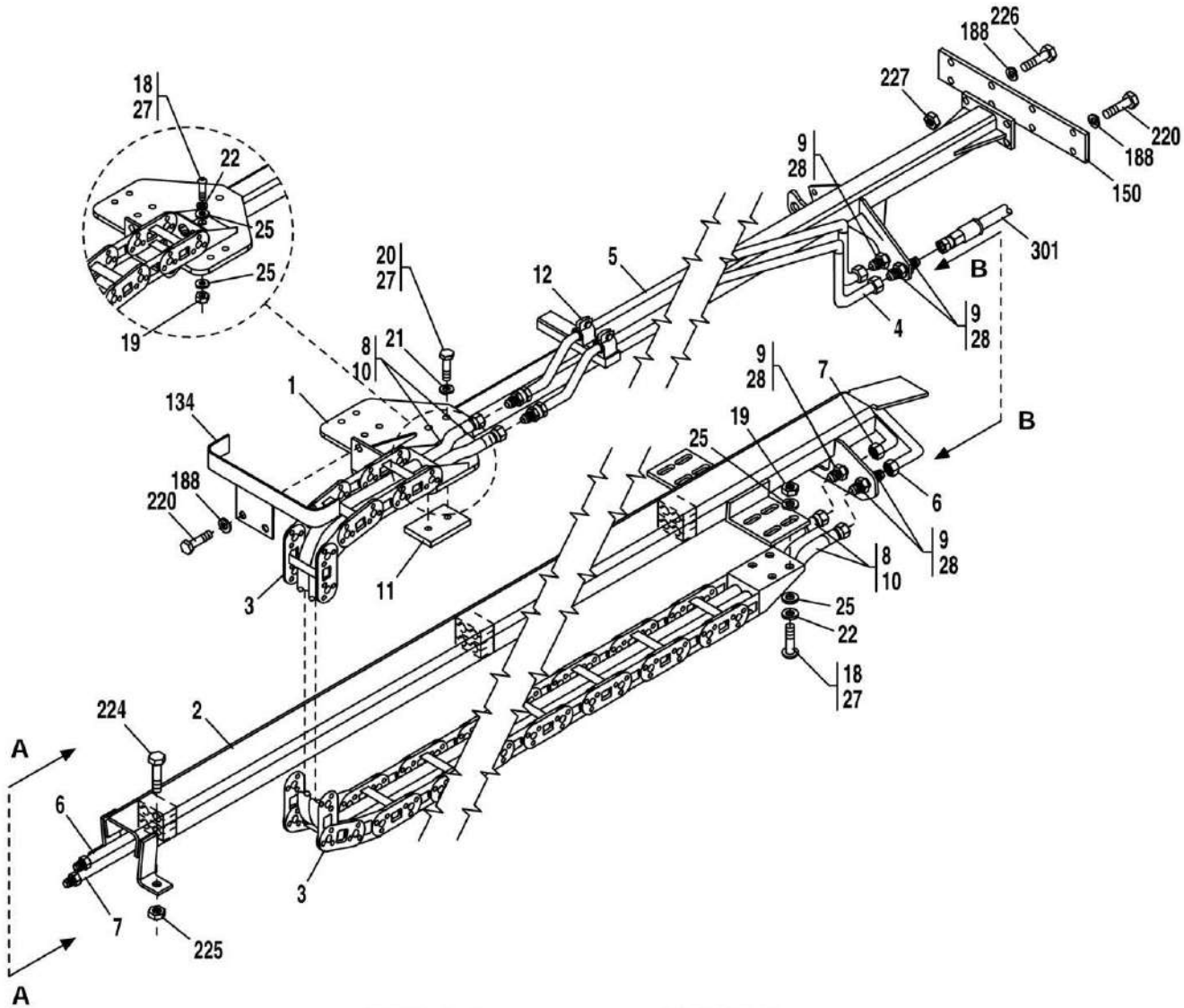
ITEM	PART NUMBER	QTY	DESCRIPTION	REV
36	91501064	1	DECOMPRESSION COVER PLATE	
37	2130406	1	ELBOW, 90, (includes o-ring)	
38	0100011	AR	LOCTITE 242	
39	4711600	2	FLAT WASHER, 3/8	
40	0641608	2	HEX HD CAPSCREW, 3/8-16X1, GR5	
41	N.S.S.	1	O-RING	
42	91503093	1	DECOMPRESSION VALVE	
43	1001001479	1	TUBE ASSY	
44	1001001480	1	TUBE ASSY	
45	N.S.S.	1	O-RING	
46		Ref	BOOM HYDRAULICS ASSY, (See BOOM HYDRAULIC ASSEMBLY for details)	
47	1001001395	1	HOSE ASSY, (PERKINS)	
47	1001098742	1	HOSE ASSY, (CUMMINS)	
48		Ref	MAIN CONTROL VALVE, (See HYDRAULIC COMPONENTS SECTION for details)	
49	2110812	2	CONNECTOR, (includes o-ring)	
50	N.S.S.	2	O-RING	
51	1001001467	1	TUBE ASSY, (PERKINS) (G10-55A Prior to SN 0160033766; G12-55A Prior to SN 0160037770)	
51	1001098359	1	TUBE ASSY, (PERKINS) (G10-55A SN 0160033766 through 0160035880; G12-55A SN 0160037770 through 0160037970)	
51	1001105103	1	TUBE ASSY, (PERKINS and CUMMINS) (G10-55A SN 0160035880 to Present; G12-55A SN 0160037970 to Present)	
52	91121134	2	SPRING RETAINER	
53	88501008	2	HEX NUT, 1/2-13	
54	88501108	2	JAM NUT, 1/2-13	
55	91123054	2	COMPRESSION SPRING	
56	1001091306	2	HOSE TAKE-UP WELDMENT	
57	3900232	8	SOCKET BUTTON HD CAPSCREW, 3/8-16X1-1/4	
58	91043126	1	DUST CAP	
59	91403414	1	MALE QUICK CONNECT	
60	8770139	2	ELBOW, 90, (includes o-ring) (Prior to SN 0160037689)	
61	N.S.S.	4	O-RING	
64	0100075	AR	LOCTITE 545	
65	91403413	1	FEMALE QUICK CONNECT	
66	91043125	1	DUST PLUG	
67	1001097934	2	HOSE ASSY (Prior to SN 0160034300)	
67	1001103099	2	HOSE ASSY (SN 0160034300 through 0160037689)	
67	1001098181	2	HOSE ASSY (SN 0160037689 to Present)	
68	91083217	6	HYDRA-ZORB CLAMP	
69	91041451	2	THRUST WASHER	
69	91041449	AR	THRUST WASHER	
69	91041450	AR	THRUST WASHER	
69	91041596	AR	THRUST WASHER	
70	2160002	1	LUBE FITTING, STRAIGHT	
71	14404793	AR	MYSTIK TETRIMOLY GREASE	
72	4711600	8	FLAT WASHER, 3/8	
73	2171110	2	BULKHEAD FITTING (Prior to SN 0160037689)	
74	4711000	2	FLAT WASHER, #10	
75	85941017	2	P-CLAMP	
76	91413036	2	SELF TAPPING SCREW, #6X1/2	

SECTION 8 - HYDRAULIC CIRCUITS

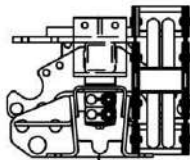
ITEM	PART NUMBER	QTY	DESCRIPTION	REV
124	2180849	2	CONNECTOR (SN 0160037689 to Present)	
129	1001098425	1	BRACKET (SN 0160037689 to Present)	
130	0641612	2	HEX HD CAPSCREW, 3/4X1-1/2 (SN 0160037689 to Present)	
131	8305645	2	HEX LOCKNUT, 3/4-16 (SN 0160037689 to Present)	
132	2172108	2	ELBOW, 90, (SN 0160037689 to Present)	
226	8770296	2	ADAPTER, TUBE END REDUCER (Prior to SN 0160037689)	

SECTION 8 - HYDRAULIC CIRCUITS

FIGURE 8-30. BOOM HYDRAULICS ASSEMBLY (Prior to SN 0160025075, Excluding 0160022656 and 0160025022)

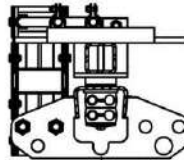


VIEW A-A



- 13
- 14
- 15
- 16
- 17

VIEW B-B



- 13
- 14
- 15
- 16
- 17

PY0130

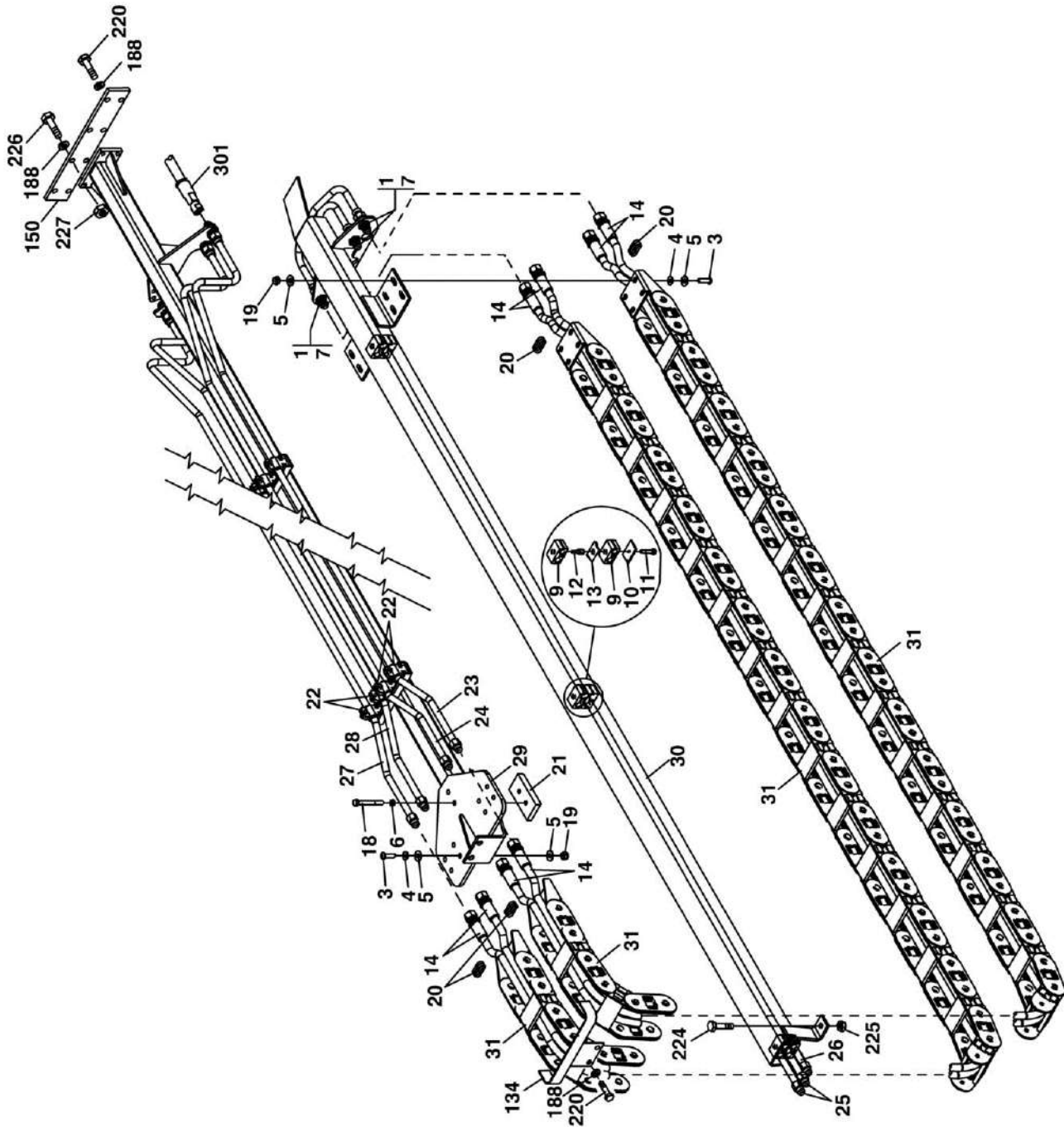
SECTION 8 - HYDRAULIC CIRCUITS

FIGURE 8-30. BOOM HYDRAULICS ASSEMBLY (Prior to SN 0160025075, Excluding 0160022656 and 0160025022)

ITEM	PART NUMBER	QTY	DESCRIPTION	REV
	91165007	1	BOOM HYDRAULIC SUB ASSEMBLY, (includes items 1 thru 28)	K
1	91166032	1	HYDRAULICS CARRIER	
2	91166067	1	HYDRAULICS CARRIER	
3	91363203	NLA	HOSE CARRIER, (no longer available, use 1001176342 for replacement)	
3	1001176342	1	HOSE CARRIER	
4	91163057	1	TUBE ASSY	
5	91163058	1	TUBE ASSY	
6	91163059	1	TUBE ASSY	
7	91163060	1	TUBE ASSY	
8	84718959	2	HOSE ASSY	
9	2230025	4	BULKHEAD UNION, 3/4-16X1/2 TUBE	
10	90027187	4	TY-RAP	
11	91033187	1	BEARING PAD	
12	91083217	6	TUBE CLAMP	
13	77133139	6	CLAMP SET	
14	77133140	3	COVER PLATE	
15	77133389	3	STACK BOLT	
16	77133390	3	SAFETY CLIP	
17	77133177	3	HEX HD CAPSCREW	
18	88261030	8	SOCKET BUTTON HD CAPSCREW, 3/8-16X1-1/4	
19	88521306	8	HEX LOCKNUT, 3/8-16	
20	0651624	2	HEX HD CAPSCREW, 3/8-24X3, GR5	
21	88551011	2	LOCKWASHER, 3/8,	
22	88561109	4	FLAT WASHER, 3/8	
25	88561004	12	FLAT WASHER, 3/8	
26	14404793	AR	MYSTIK TETRIMOLY GREASE	
27	0100011	AR	LOCTITE 242	
28	0100075	AR	LOCTITE 545	
134	91161172	1	GUIDE BRACKET	
150	91161173	1	BRACKET	
188	4761600	10	LOCKWASHER, 3/8	
220	0641610	6	HEX HD CAPSCREW, 3/8-16X1-1/4, GR5	
224	0691812	2	HEX HD CAPSCREW, 1/2-20X1-1/2, GR8	
225	88521408	2	HEX LOCKNUT, 1/2-20	
226	0641612	4	HEX HD CAPSCREW, 3/8-16X1-1/2, GR5	
227	3311601	4	HEX NUT, 3/8-16	
301		Ref	HOSE ASSY, (See TILT & TILT COMPENSATING CYLINDER - JOHN DEERE ENGINE)	

SECTION 8 - HYDRAULIC CIRCUITS

FIGURE 8-31. BOOM HYDRAULICS ASSEMBLY (SN 0160025075 through 0160034499, Including 0160022656 and 0160025022)



PAP2810

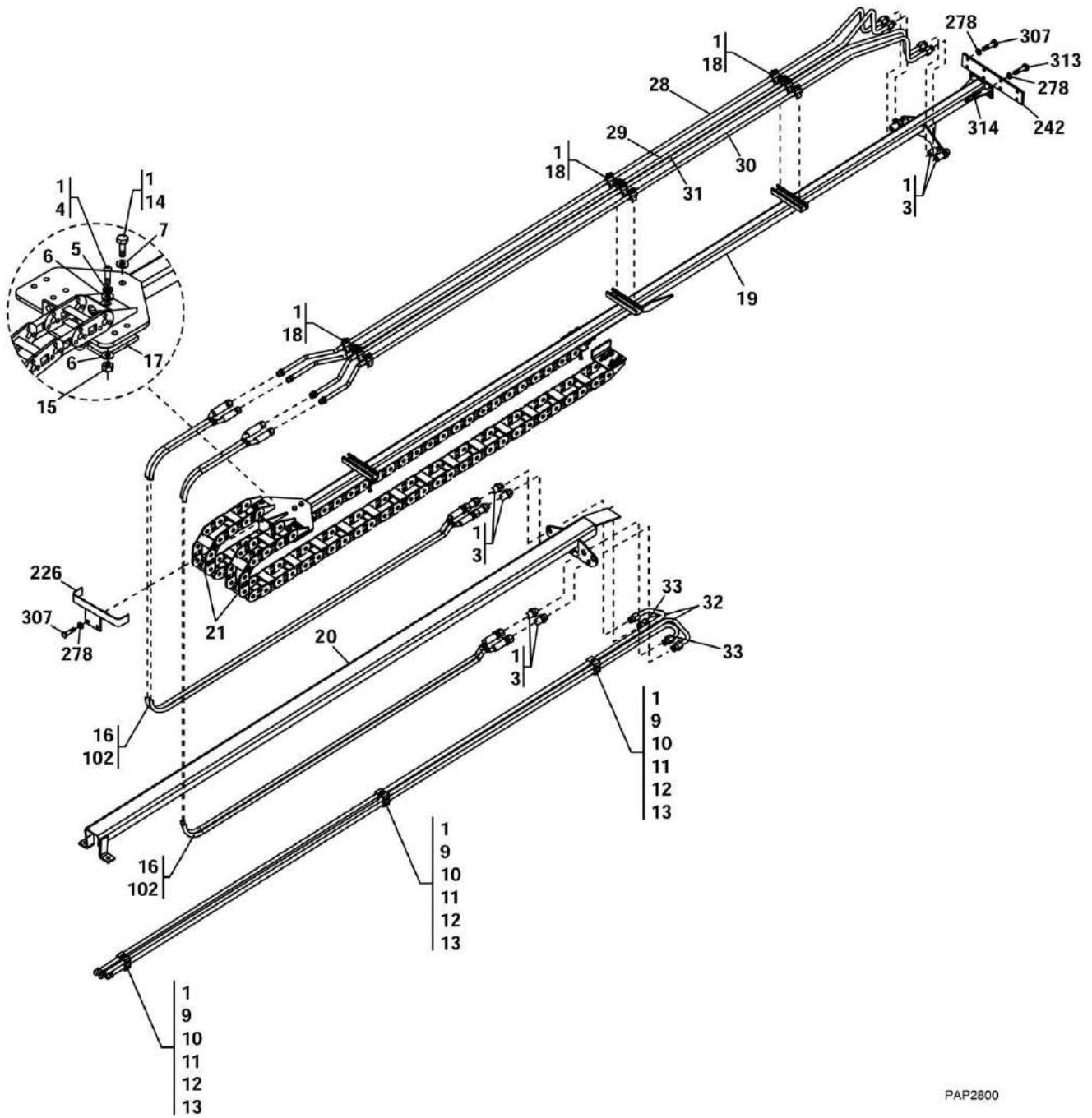
SECTION 8 - HYDRAULIC CIRCUITS

FIGURE 8-31. BOOM HYDRAULICS ASSEMBLY (SN 0160025075 through 0160034499, Including 0160022656 and 0160025022)

ITEM	PART NUMBER	QTY	DESCRIPTION	REV
	0275822	1	BOOM HYDRAULIC SUB ASSEMBLY, (includes items 1 thru 31)	D
1	0100011	AR	LOCTITE 242	
3	3900232	16	BUTTON HD SCREW	
4	4711600	16	WASHER	
5	4751600	32	WASHER	
6	4761600	2	WASHER	
7	2230025	8	WASHER	
8	14404793	AR	MYSTIK TETRIMOLY GREASE	
9	77133139	6	CLAMP SET	
10	77133140	3	COVER PLATE	
11	77133177	3	HEX HD CAPSCREW	
12	77133389	3	BOLT	
13	77133390	3	SAFETY CLIP	
14	84718959	4	HOSE ASSY	
18	0651624	2	HEX HD CAPSCREW	
19	88521306	16	NUT	
20	90027187	8	STRAP	
21	91033187	1	BEARING PAD	
22	91083217	12	CUSHION CLAMP	
23	91163057	1	TUBE ASSY	
24	91163058	1	TUBE ASSY	
25	91163059	1	TUBE ASSY	
26	91163060	1	TUBE ASSY	
27	91163061	1	TUBE ASSY	
28	91163062	1	TUBE ASSY	
29	91166032	1	HYDRAULICS CARRIER	
30	91166067	1	HYDARULICS CARRIER	
31	91363203	NLA	HOSE CARRIER, (no longer available, use 1001176342 for replacement)	
31	1001176342	2	HOSE CARRIER	
134	91161172	1	GUIDE BRACKET	
150	91161173	1	BRACKET	
188	4761600	10	LOCKWASHER, 3/8	
220	0641610	6	HEX HD CAPSCREW, 3/8-16X1-1/4, GR5	
224	0691812	2	HEX HD CAPSCREW, 1/2-20X1-1/2, GR8	
225	88521408	2	HEX LOCKNUT, 1/2-20	
226	0641612	4	HEX HD CAPSCREW, 3/8-16X1-1/2, GR5	
227	3311601	4	HEX NUT, 3/8-16	
301		Ref	HOSE ASSY, (See TILT & TILT COMPENSATING CYLINDER - PERKINS & CUMMINS ENGINE for details)	

SECTION 8 - HYDRAULIC CIRCUITS

FIGURE 8-32. BOOM HYDRAULICS ASSEMBLY (SN 0160034500 to Present)



PAP2800

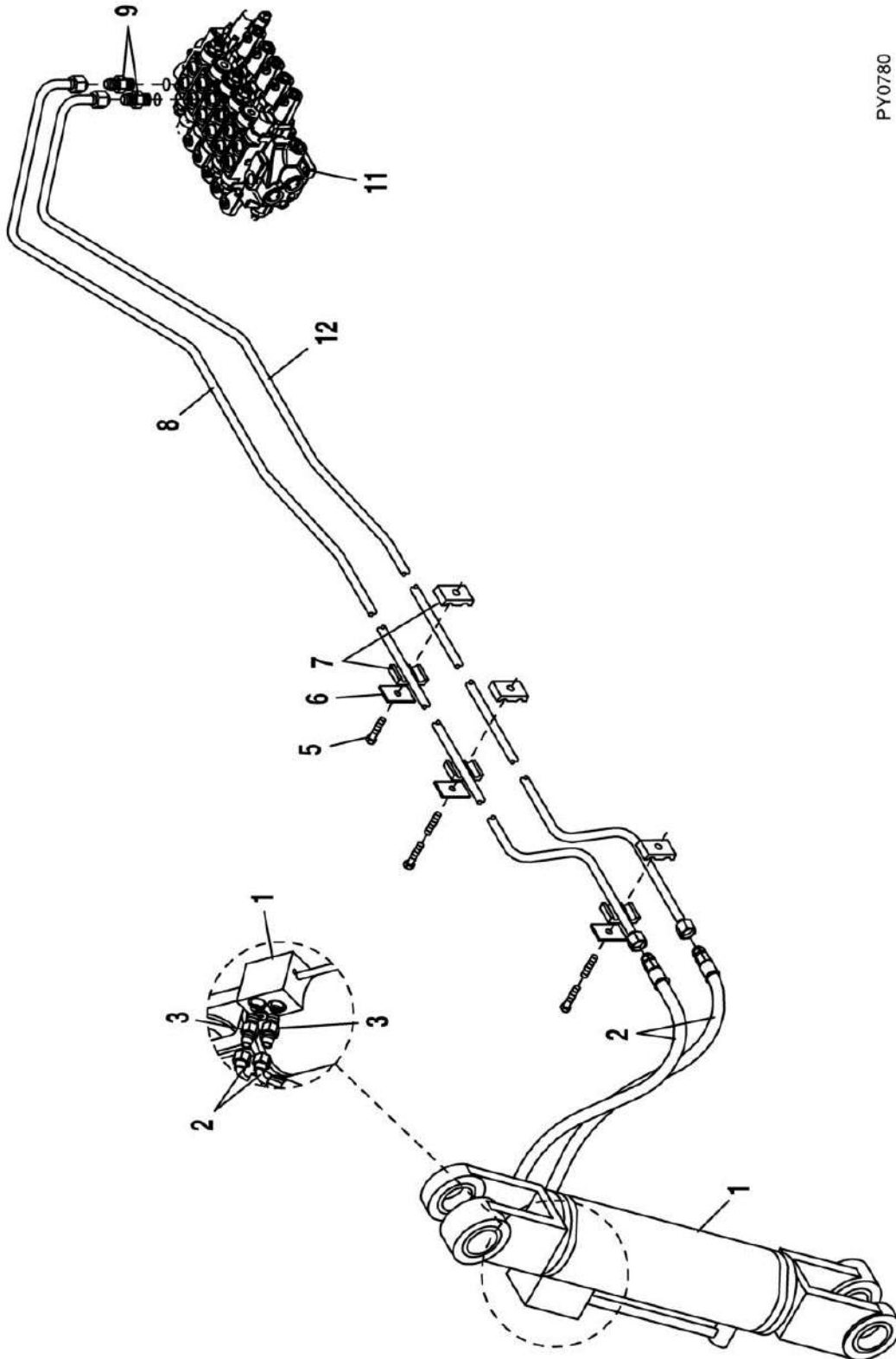
SECTION 8 - HYDRAULIC CIRCUITS

FIGURE 8-32. BOOM HYDRAULICS ASSEMBLY (SN 0160034500 to Present)

ITEM	PART NUMBER	QTY	DESCRIPTION	REV
	1001090033	1	BOOM HYDRAULIC SUB ASSEMBLY, (includes items 1 thru 33	H
1	0100011	AR	LOCTITE 242	
3	2171110	8	BULKHEAD UNION, 3/4-16X1/2	
4	3900232	16	BUTTON HD SCREW, 3/8-16x1 1/4	
5	4711600	16	WASHER, 3/8	
6	4751600	32	FLAT WASHER, 3/8	
7	4761600	2	LOCKWASHER, 3/8	
8	14404793	AR	MYSTIK TETRIMOLY GREASE	
9	77133139	6	CLAMP SET	
10	77133140	3	COVER PLATE	
11	77133177	3	HEX HD CAPSCREW, 3/8-24X1 3/4	
12	77133389	3	STACK BOLT	
13	77133390	3	SAFETY CLIP	
14	0641624	2	HEX HD CAPSCREW, 3/8-24X1 3/4, GR5	
15	88521306	16	HEX LOCKNUT, 1/2-20	
16	90027187	8	CABLE TIE STRAP	
17	91033187	1	BEARING PAD	
18	91083217	12	CUSHION CLAMP, 5/8	
19	1001001524	1	HYDRAULIC CARRIER	
20	1001001525	1	HYDRAULIC CARRIER	
21	91363203	NLA	HOSE CARRIER, (no longer available, use 1001176342 for replacement)	
21	1001176342	2	HOSE CARRIER	
28	1001001479	1	TUBE ASSY	
29	1001001480	1	TUBE ASSY	
30	1001001481	1	TUBE ASSY	
31	1001001482	1	TUBE ASSY	
32	1001001477	2	TUBE ASSY	
33	1001001478	2	TUBE ASSY	
102	1001091746	4	HOSE ASSY	
226	91161172	1	GUIDE BRACKET (SN 0160034500 through 0160038537)	
226	1001113692	1	GUIDE BRACKET (SN 0160038538 to Present)	
242	91161173	1	BRACKET	
278	4761600	10	LOCKWASHER	
307	0641610	6	HEX HD CAPSCREW, 0.375-16X1.25, GR5	
313	0641612	4	HEX HD CAPSCREW, 0.375-16X1.5, GR5	
314	3311601	4	HEX NUT, 0.375-16, GR2	

SECTION 8 - HYDRAULIC CIRCUITS

FIGURE 8-33. SWAY CYLINDER - JOHN DEERE ENGINE



PY0780

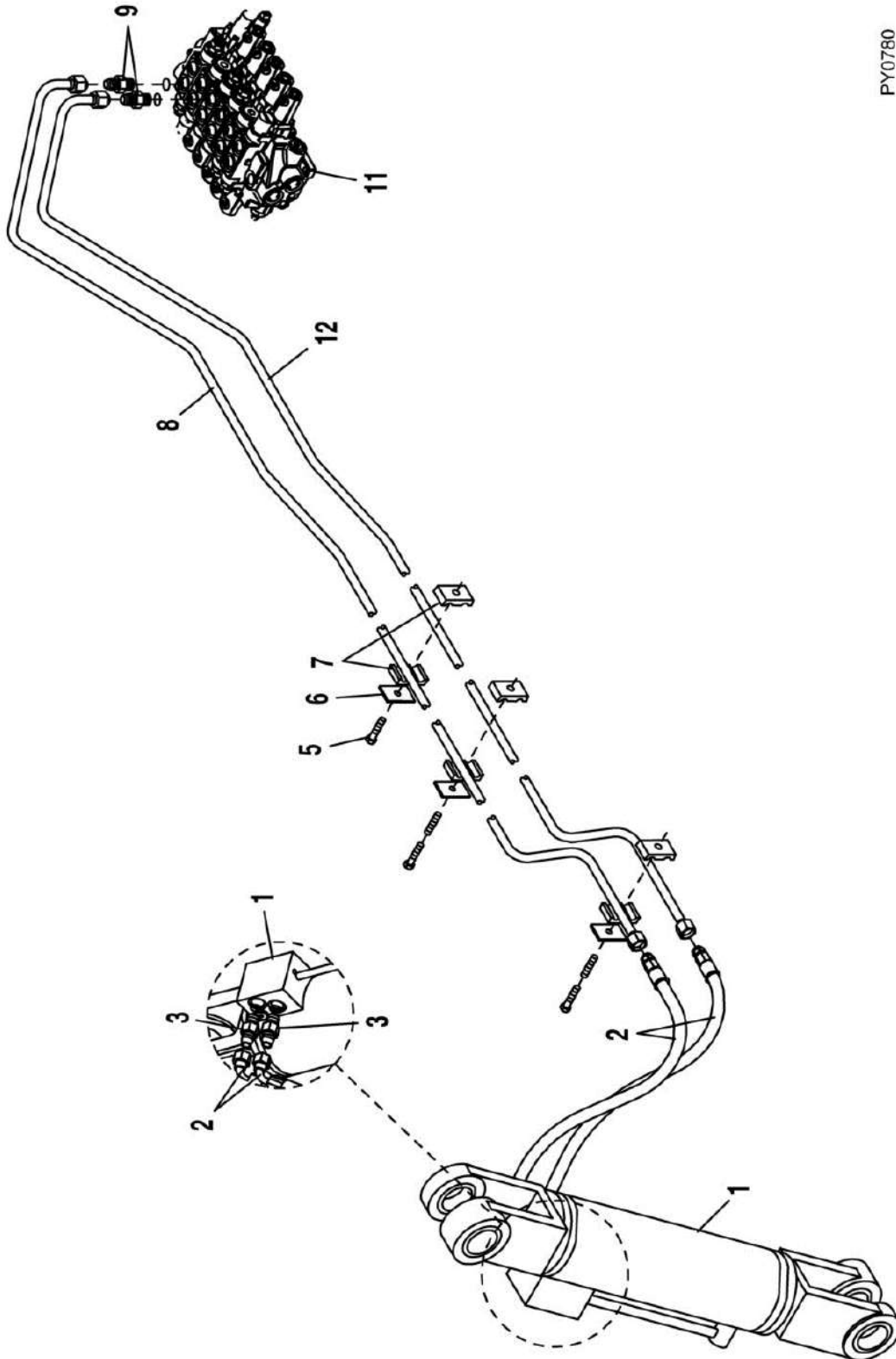
SECTION 8 - HYDRAULIC CIRCUITS

FIGURE 8-33. SWAY CYLINDER - JOHN DEERE ENGINE

ITEM	PART NUMBER	QTY	DESCRIPTION	REV
1		Ref	SWAY CYLINDER, (See HYDRAULIC COMPONENTS SECTION for details)	
2	2754047	2	HOSE ASSY	
3	2220371	2	CONNECTOR, (includes o-ring)	
5	0641511	3	HEX HD CAPSCREW, 5/16-18X1-3/8	
6	77133140	3	COVER PLATE	
7	77133168	3	CLAMP	
8	91563178	1	HYDRAULIC TUBE (Prior to SN 0160037877)	
8	1001106631	1	HYDRAULIC TUBE (SN 0160037877 to Present)	
9	2220375	2	CONNECTOR, (includes o-ring)	
11		Ref	MAIN CONTROL VALVE, (See HYDRAULIC COMPONENTS SECTION for details)	
12	91563177	1	HYDRAULIC TUBE (Prior to SN 0160037877)	
12	1001106632	1	HYDRAULIC TUBE (SN 0160037877 to Present)	

SECTION 8 - HYDRAULIC CIRCUITS

FIGURE 8-34. SWAY CYLINDER - PERKINS ENGINE



PY0780

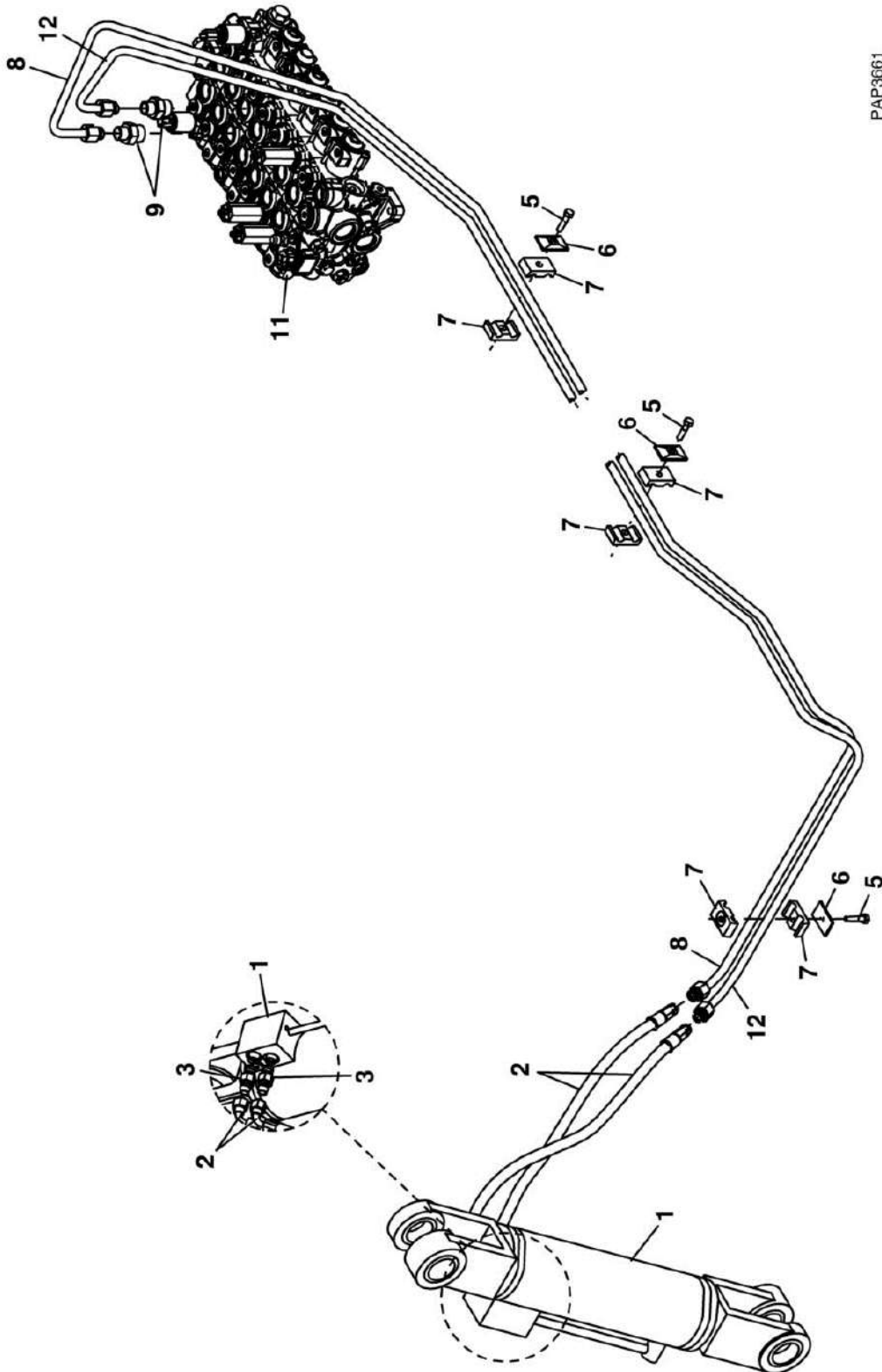
SECTION 8 - HYDRAULIC CIRCUITS

FIGURE 8-34. SWAY CYLINDER - PERKINS ENGINE

ITEM	PART NUMBER	QTY	DESCRIPTION	REV
1		Ref	SWAY CYLINDER, (See HYDRAULIC COMPONENTS SECTION for details)	
2	1001095448	NLA	HOSE ASSY, (no longer available, use 1001165143 for replacement)	
2	1001165143	2	HOSE ASSY	
3	2110606	2	CONNECTOR, (includes o-ring)	
5	0641511	3	HEX HD CAPSCREW, 5/16-18X1-3/8	
6	77133140	3	COVER PLATE	
7	77133168	3	CLAMP	
8	1001001462	1	HYDRAULIC TUBE (Prior to SN 0160037877)	
8	1001105158	1	HYDRAULIC TUBE (SN 0160037877 to Present)	
9	2110812	2	CONNECTOR, (includes o-ring)	
11		Ref	MAIN CONTROL VALVE, (See HYDRAULIC COMPONENTS SECTION for details)	
12	1001001461	1	HYDRAULIC TUBE (Prior to SN 0160037877)	
12	1001105124	1	HYDRAULIC TUBE (SN 0160037877 to Present)	

SECTION 8 - HYDRAULIC CIRCUITS

FIGURE 8-35. SWAY CYLINDER - CUMMINS ENGINE



PAP3661

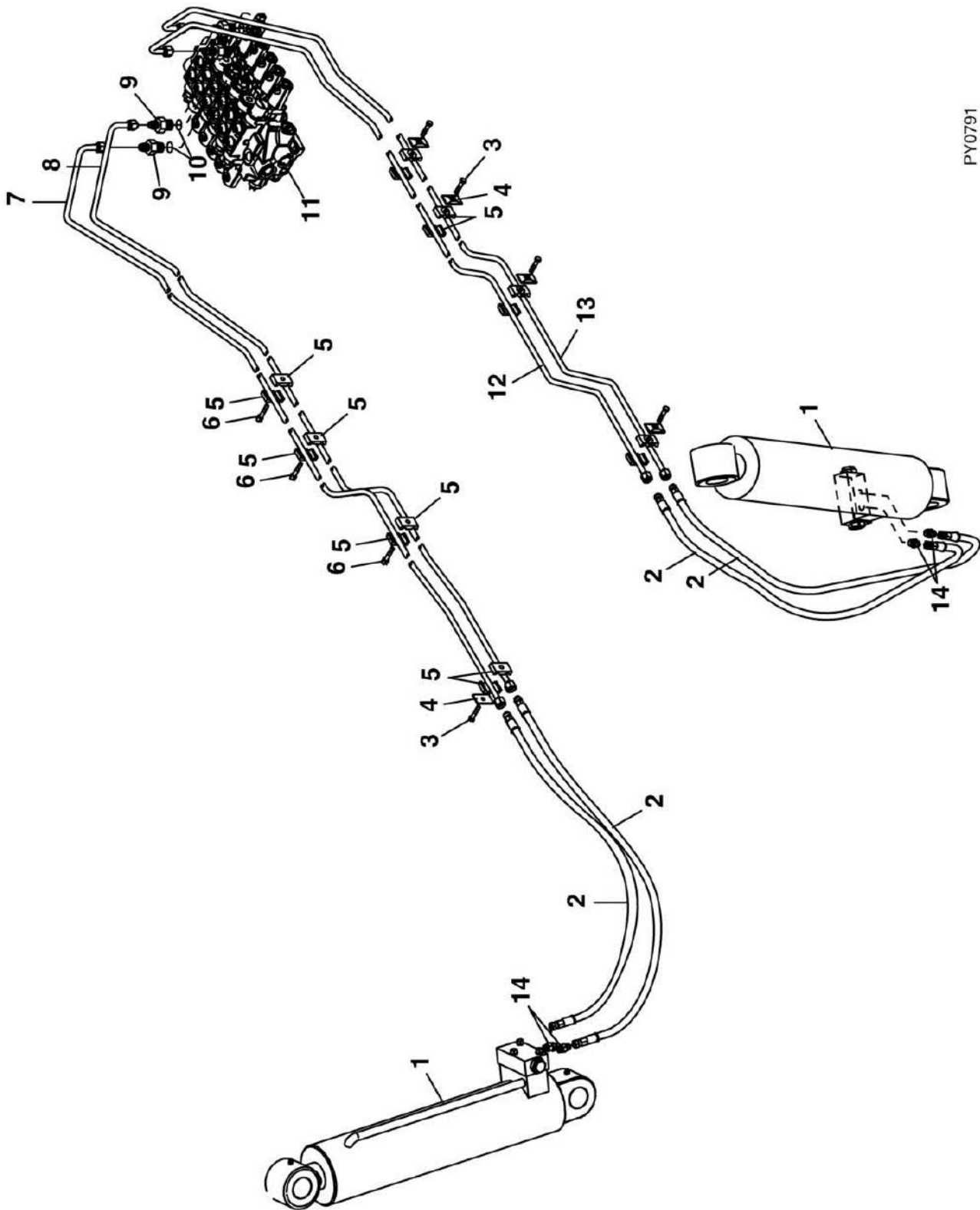
SECTION 8 - HYDRAULIC CIRCUITS

FIGURE 8-35. SWAY CYLINDER - CUMMINS ENGINE

ITEM	PART NUMBER	QTY	DESCRIPTION	REV
1		Ref	SWAY CYLINDER, (See HYDRAULIC COMPONENTS SECTION for details)	
2	1001095448	NLA	HOSE ASSY, (no longer available, use 1001165143 for replacement)	
2	1001165143	2	HOSE ASSY	
3	2110606	2	CONNECTOR, (includes o-ring)	
5	77133389	3	HEX HD CAPSCREW, 5/16-18X1-3/8	
6	77133140	3	COVER PLATE	
7	77133168	3	CLAMP	
8	1001114524	1	HYDRAULIC TUBE	
9	2110812	2	CONNECTOR, (includes o-ring)	
11		Ref	MAIN CONTROL VALVE, (See HYDRAULIC COMPONENTS SECTION for details)	
12	1001114523	1	HYDRAULIC TUBE	

SECTION 8 - HYDRAULIC CIRCUITS

FIGURE 8-36. OUTRIGGER CYLINDERS - JOHN DEERE ENGINE



PY0791

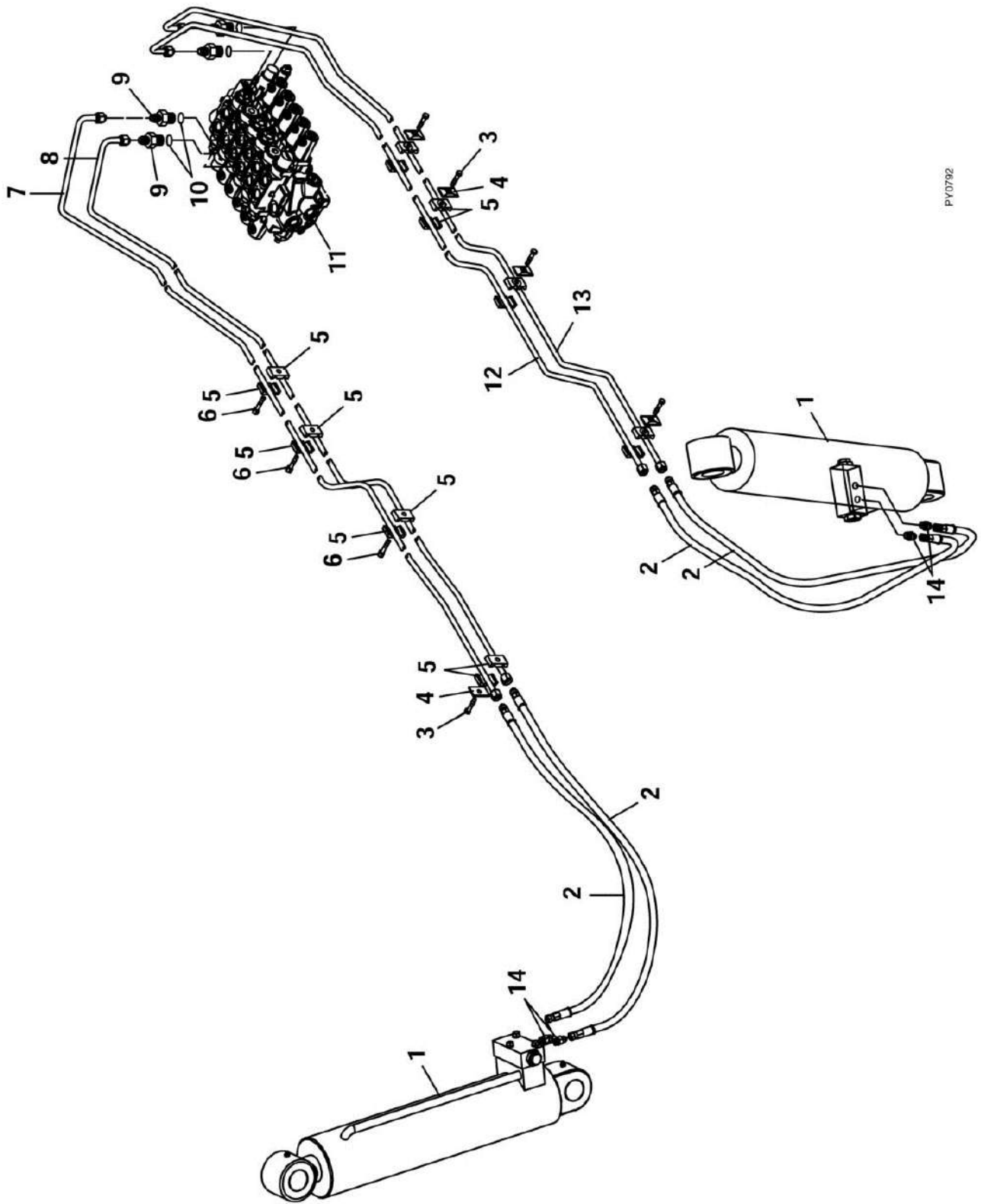
SECTION 8 - HYDRAULIC CIRCUITS

FIGURE 8-36. OUTRIGGER CYLINDERS - JOHN DEERE ENGINE

ITEM	PART NUMBER	QTY	DESCRIPTION	REV
1		Ref	OUTRIGGER CYLINDER, (See HYDRAULIC COMPONENTS SECTION for details)	
2	2754017	4	HOSE ASSY	
3	0641511	5	HEX HD CAPSCREW, 5/16-18X1-3/8, GR5	
4	77133140	5	COVER PLATE	
5	77133168	8	CLAMP	
6	77133389	3	STACK BOLT	
7	91563171	1	TUBE ASSY (Prior to SN 0160037877)	
7	1001106629	1	TUBE ASSY (SN 0160037877 to Present)	
8	91563172	1	TUBE ASSY (Prior to SN 0160037877)	
8	1001106630	1	TUBE ASSY (SN 0160037877 to Present)	
9	2220375	4	CONNECTOR, (includes o-ring)	
10	N.S.S.	4	O-RING	
11		Ref	MAIN CONTROL VALVE, (See HYDRAULIC COMPONENTS SECTION for details)	
12	91563173	1	TUBE ASSY (Prior to SN 0160037877)	
12	1001106628	1	TUBE ASSY (SN 0160037877 to Present)	
13	91563174	1	TUBE ASSY (Prior to SN 0160037877)	
13	1001106627	1	TUBE ASSY (SN 0160037877 to Present)	
14		Ref	ADAPTER, (See HYDRAULIC COMPONENTS SECTION for details)	

SECTION 8 - HYDRAULIC CIRCUITS

FIGURE 8-37. OUTRIGGER CYLINDERS - PERKINS ENGINE



PV0792

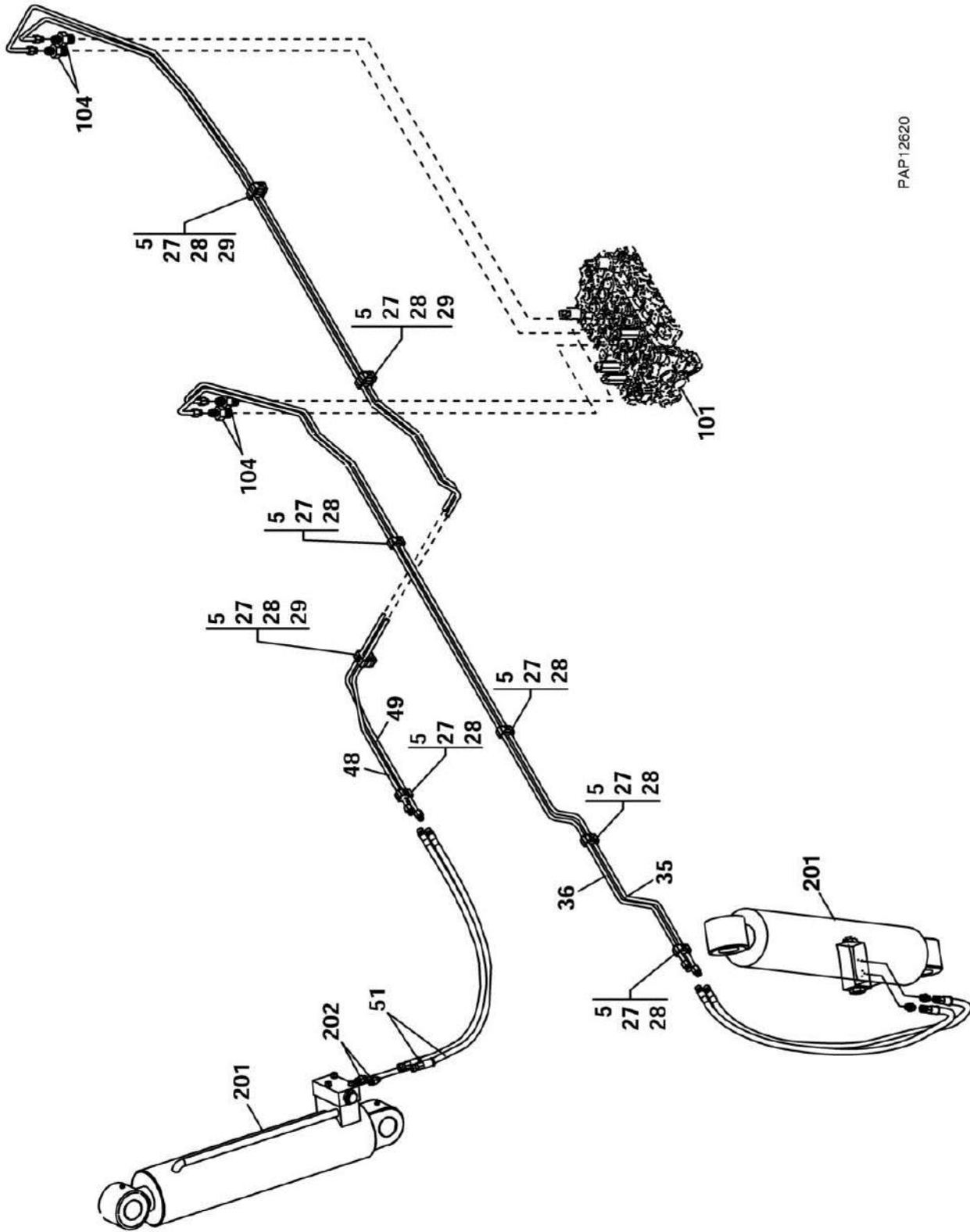
SECTION 8 - HYDRAULIC CIRCUITS

FIGURE 8-37. OUTRIGGER CYLINDERS - PERKINS ENGINE

ITEM	PART NUMBER	QTY	DESCRIPTION	REV
1		Ref	OUTRIGGER CYLINDER, (See HYDRAULIC COMPONENTS SECTION for details)	
2	1001095446	NLA	HOSE ASSY, (no longer available, use 1001165142 for replacement)	
2	1001165142	4	HOSE ASSY	
3	0641511	8	HEX HD CAPSCREW, 5/16-18X1-3/8, GR5	
4	77133140	8	COVER PLATE	
5	77133168	8	CLAMP	
6	77133389	3	STACK BOLT	
7	1001001455	1	TUBE ASSY (Prior to SN 0160037877)	
7	1001105047	1	TUBE ASSY (SN 0160037877 to Present)	
8	1001001456	1	TUBE ASSY (Prior to SN 0160037877)	
8	1001105048	1	TUBE ASSY (SN 0160037877 to Present)	
9	2110812	4	CONNECTOR, (includes o-ring)	
10	N.S.S.	1	O-RING	
11		Ref	MAIN CONTROL VALVE, (See HYDRAULIC COMPONENTS SECTION for details)	
12	1001001457	1	TUBE ASSY (Prior to SN 0160037877)	
12	1001105046	1	TUBE ASSY (SN 0160037877 to Present)	
13	1001001458	1	TUBE ASSY (Prior to SN 0160037877)	
13	1001105038	1	TUBE ASSY (SN 0160037877 to Present)	
14		Ref	ADAPTER, (See HYDRAULIC COMPONENTS SECTION for details)	

SECTION 8 - HYDRAULIC CIRCUITS

FIGURE 8-38. OUTRIGGER CYLINDERS - CUMMINS ENGINE



PAP12620

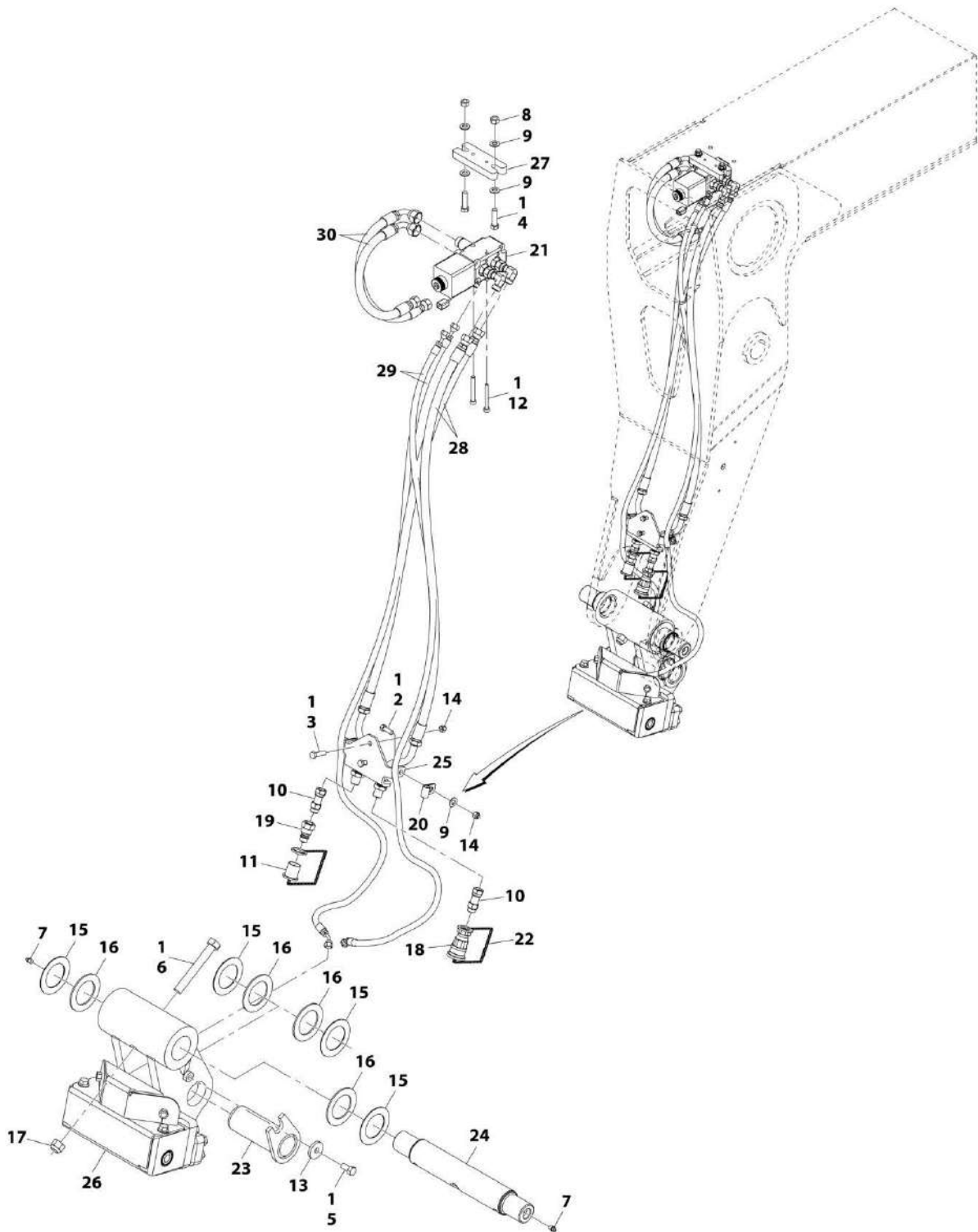
SECTION 8 - HYDRAULIC CIRCUITS

FIGURE 8-38. OUTRIGGER CYLINDERS - CUMMINS ENGINE

ITEM	PART NUMBER	QTY	DESCRIPTION	REV
5	0641511	10	HEX HD CAPSCREW, 5/16-18X1-3/8, GR5	
27	77133140	10	COVER PLATE	
28	77133168	13	CLAMP SET	
29	77133389	3	STACKING BOLT	
35	1001105038	1	TUBE ASSY	
36	1001105046	1	TUBE ASSY	
48	1001114525	1	TUBE ASSY	
49	1001114526	1	TUBE ASSY	
51	1001095446	NLA	HOSE ASSY, (no longer available, use 1001165142 for replacement)	
51	1001165142	4	HOSE ASSY	
101		Ref	MAIN CONTROL VALVE, (See HYDRAULIC COMPONENTS SECTION for details)	
104	2110812	4	ADAPTER	
201		Ref	OUTRIGGER CYLINDER, (See HYDRAULIC COMPONENTS SECTION for details)	
202		Ref	ADAPTER, (See HYDRAULIC COMPONENTS SECTION for details)	

SECTION 8 - HYDRAULIC CIRCUITS

FIGURE 8-39. QUICK ATTACH INSTALLATION



ART_1001129467-A

SECTION 8 - HYDRAULIC CIRCUITS

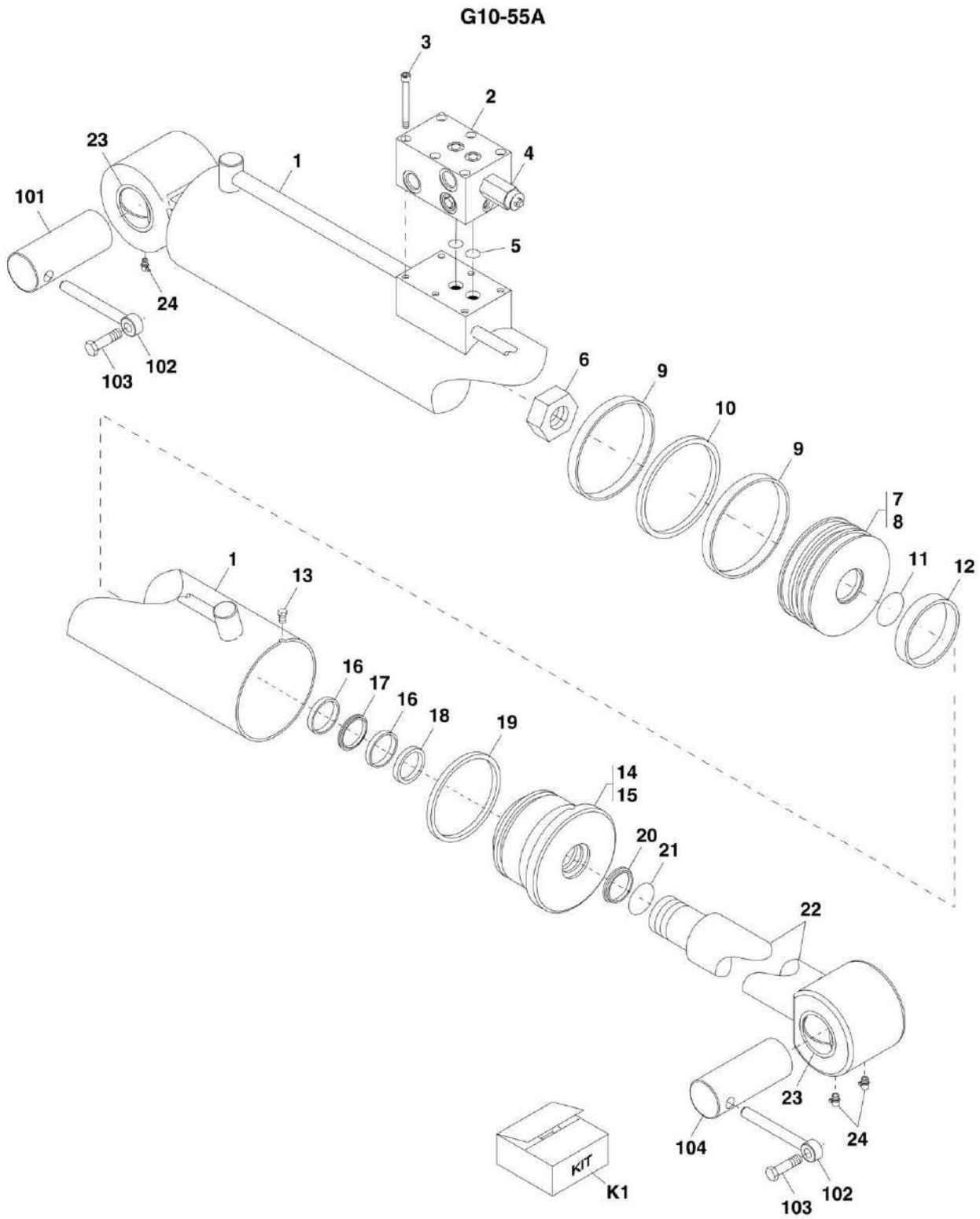
FIGURE 8-39. QUICK ATTACH INSTALLATION

ITEM	PART NUMBER	QTY	DESCRIPTION	REV
	1001129467	Ref	QUICK ATTACH INSTALLATION	A
1	0100011	AR	LOCTITE 242	
2	0641608	2	HEX HD CAPSCREW, 3/8-16X1, GR5	
3	0641612	2	HEX HD CAPSCREW, 3/8-16X1-1/2, GR5	
4	0641714	2	HEX HD CAPSCREW, 7/16-14X1-3/4, GR5	
5	0641808	1	HEX HD CAPSCREW, 1/2-13X1, GR5	
6	0682244	1	HEX HD CAPSCREW, 3/4-10X5-1/2, GR8	
7	2160002	2	GREASE FITTING	
8	3311701	2	HEX NUT, 7/16-14, GR2	
9	4711700	6	WASHER, 7/16	
10	2180849	2	STRAIGHT FITTING	
11	91043126	1	DUST CAP	
12	4031918	2	HEX HD SCREW, M8X70	
13	4740003	1	WASHER	
14	8305645	4	HEX LOCKNUT, 3/8-16	
15	8307916	AR	SHIM	
16	8307917	AR	SHIM	
17	8310067	1	HEX LOCKNUT, 3/4-10	
18	91403413	1	CONNECTOR	
19	91403414	1	CONNECTOR	
20	1001080996	2	CLAMP	
21	1001127006	1	QUICK ATTACH VALVE, (See Separate Breakdown in HYDRAULIC COMPONENTS Section)	
22	91043125	1	DUST PLUG	
23	1001098218	1	PIN	
24	1001098233	1	PIN	
25	1001098425	1	BRACKET	
26	1001120135	1	QUICK ATTACH, G SERIES, (See Separate Breakdown in HYDRAULIC COMPONENTS Section)	
27	1001127353	1	PLATE, VALVE ATTACHMENT	
28	1001127008	2	HOSE ASSEMBLY	
29	1001127009	2	HOSE ASSEMBLY	
30	1001127366	2	HOSE ASSEMBLY	

SECTION 9 - HYDRAULIC COMPONENTS

SECTION 9 - HYDRAULIC COMPONENTS

FIGURE 9-1. LIFT CYLINDER (G10-55A Prior to SN 0160033659; Excluding 0160033452)



PAP3710

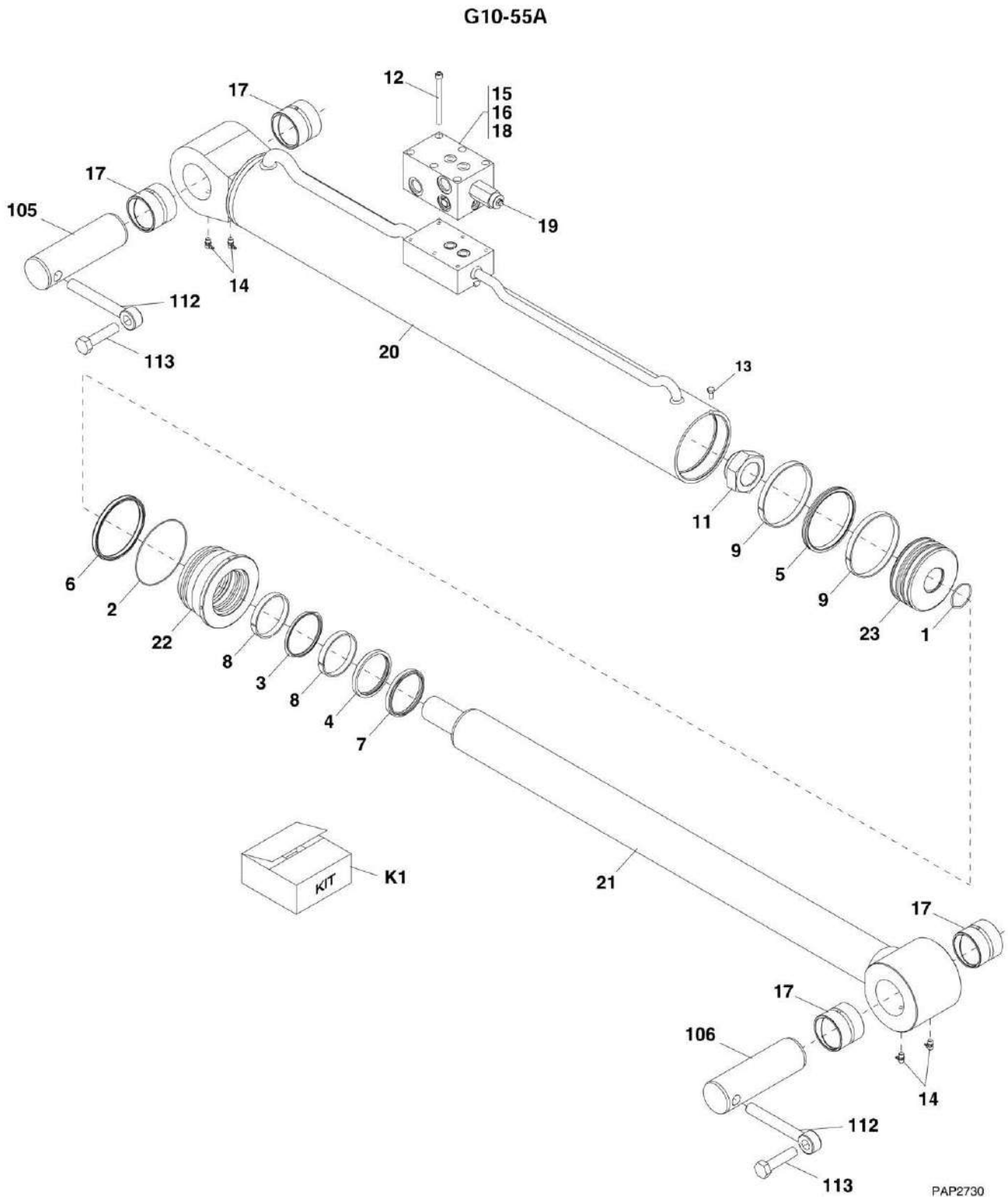
SECTION 9 - HYDRAULIC COMPONENTS

FIGURE 9-1. LIFT CYLINDER (G10-55A Prior to SN 0160033659; Excluding 0160033452)

ITEM	PART NUMBER	QTY	DESCRIPTION	REV
	91573015	NLA	LIFT CYLINDER, (G10-55A), (no longer available, use 1001125154 for replacement or items 1 thru 24 for service), (included item quantities are per single cylinder)	E, B
1	7026954	1	CASE ASSY, (includes two of item 23)	
2	7026959	1	VALVE BLOCK ASSY	
3	7026958	6	SOCKET HD CAPSCREW, 3/8-16X3-3/4, (LOCTITE and torque to 28-30 lb-ft)	
4	7028890	1	CARTRIDGE VALVE, (torque to 45-50 lb-ft)	
5	80933066	2	O-Ring	
6	7026960	1	LOCKNUT, (torque to 2125-2175 lb-ft)	
7	7026952	1	PISTON ASSY, (includes items 8 thru 11)	
8	7026962	1	PISTON	
9	Kit	2	WEAR RING	
10	Kit	1	PISTON SEAL	
11	Kit	1	O-RING	
12	7026956	1	SPACER	
13	91124096	1	SELF-TAPPING CAPSCREW	
14	7026955	1	HEAD ASSY, (includes items 15 thru 20), (torque to 550-600 lb-ft)	
15	7026964	1	HEAD	
16	Kit	2	WEAR RING	
17	Kit	1	STEP SEAL	
18	Kit	1	U-CUP	
19	Kit	1	U-CUP	
20	Kit	1	CANNED WIPER	
21	7026458	1	O-RING	
22	7026953	1	SHAFT ASSY, (includes two of item 23)	
23	7026963	4	BUSHING	
24	91144125	4	GREASE FITTING	
101	91563046	2	LOWER LIFT CYLINDER PIN	
102	3841287	4	ROD KEEPER	
103	0682216	4	HEX HD CAPSCREW, 3/4-10X2, GR8	
104	1001101595	2	UPPER LIFT CYLINDER PIN	
K1	7026961	1	SEAL KIT, (includes items 9, 10, 11 & 16 thru 20)	

SECTION 9 - HYDRAULIC COMPONENTS

FIGURE 9-2. LIFT CYLINDER (G10-55A SN 0160033659 through 0160035822; Including 0160033452)



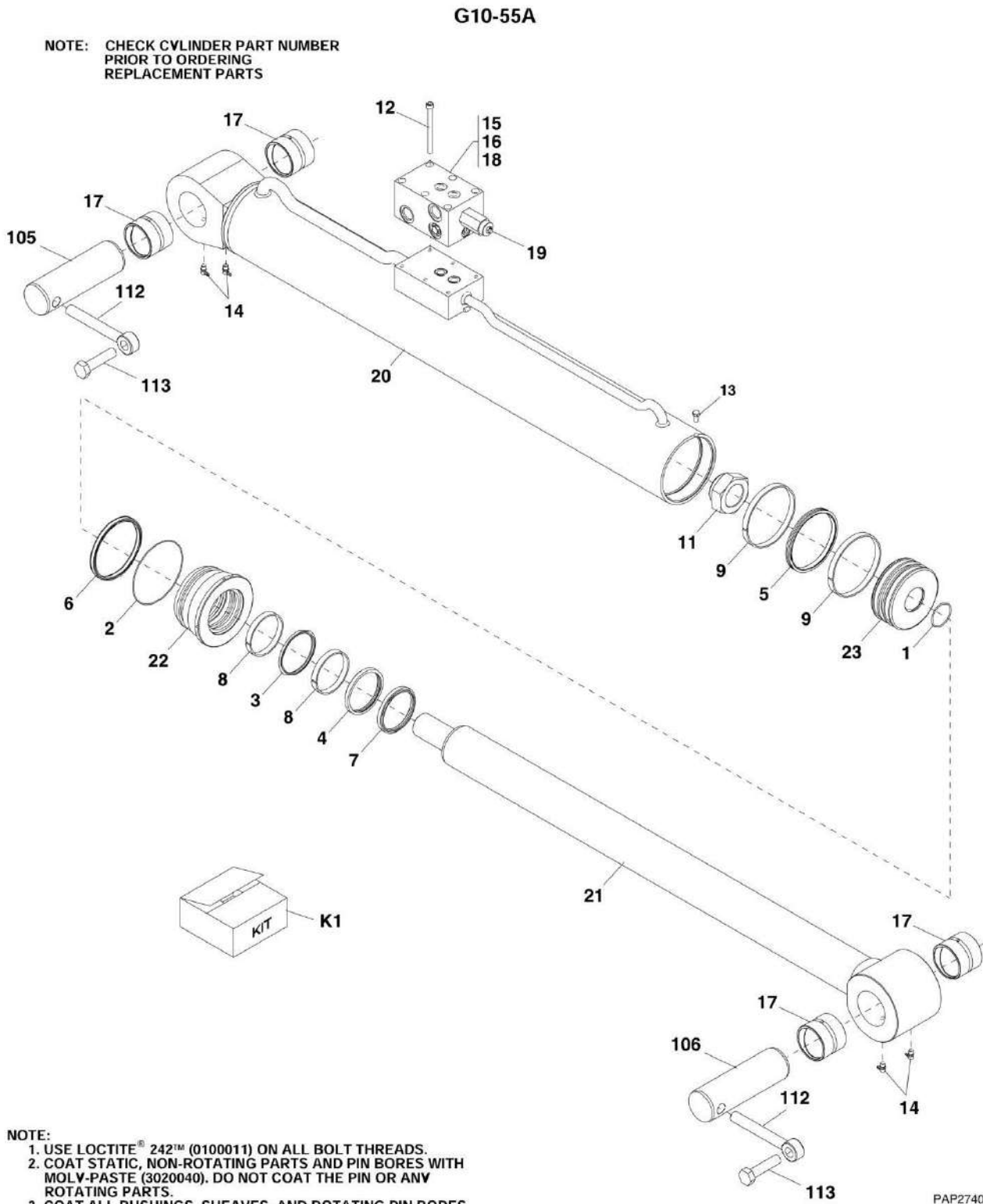
SECTION 9 - HYDRAULIC COMPONENTS

FIGURE 9-2. LIFT CYLINDER (G10-55A SN 0160033659 through 0160035822; Including 0160033452)

ITEM	PART NUMBER	QTY	DESCRIPTION	REV
	91573028	NLA	LIFT CYLINDER, (G10-55A), (no longer available, use 1001125154 for replacement or items 1 thru 23 for service), (included item quantities are per single cylinder)	B, 02
1	Kit	1	O-RING	
2	Kit	1	O-RING	
3	Kit	1	SEAL	
4	Kit	1	SEAL	
5	Kit	1	SEAL	
6	Kit	1	SEAL	
7	Kit	1	WIPER	
8	Kit	2	WEAR RING	
9	Kit	2	WEAR RING	
11	7005314	1	LOCKNUT, (torque to 1600-2000 lb-ft)	
12	70021631	6	CAPSCREW, (torque to 24-27 lb-ft)	
13	70021630	1	SELF TAPPING SCREW	
14	7005322	4	LUBE FITTING	
15	7005365	2	PORT PLUG	
16	70021629	2	PORT PLUG	
17	70021628	4	BUSHING	
18	70021623	1	VALVE BLOCK	
19	7028890	1	COUNTERBALANCE VALVE, (torque to 30-35 lb-ft)	
20	70021627	NLA	TUBE ASSY, (no longer available, replace with both 70021959 head and 70021960 tube assy)	
21	70021626	1	ROD ASSY	
22	70021625	NLA	HEAD, (no longer available, replace with both 70021959 head and 70021960 tube assy)	
23	70021624	1	PISTON	
105	91563046	2	CYLINDER PIN	
106	1001101595	2	CYLINDER PIN	
112	3841287	4	ROD KEEPER	
113	0682216	4	HEX HD CAPSCREW, 3/4-10X2, GR8, (torque to 380 lb-ft)	
K1	70021632	1	SEAL KIT, (includes items 1 thru 9)	

SECTION 9 - HYDRAULIC COMPONENTS

FIGURE 9-3. LIFT CYLINDER G10-55A



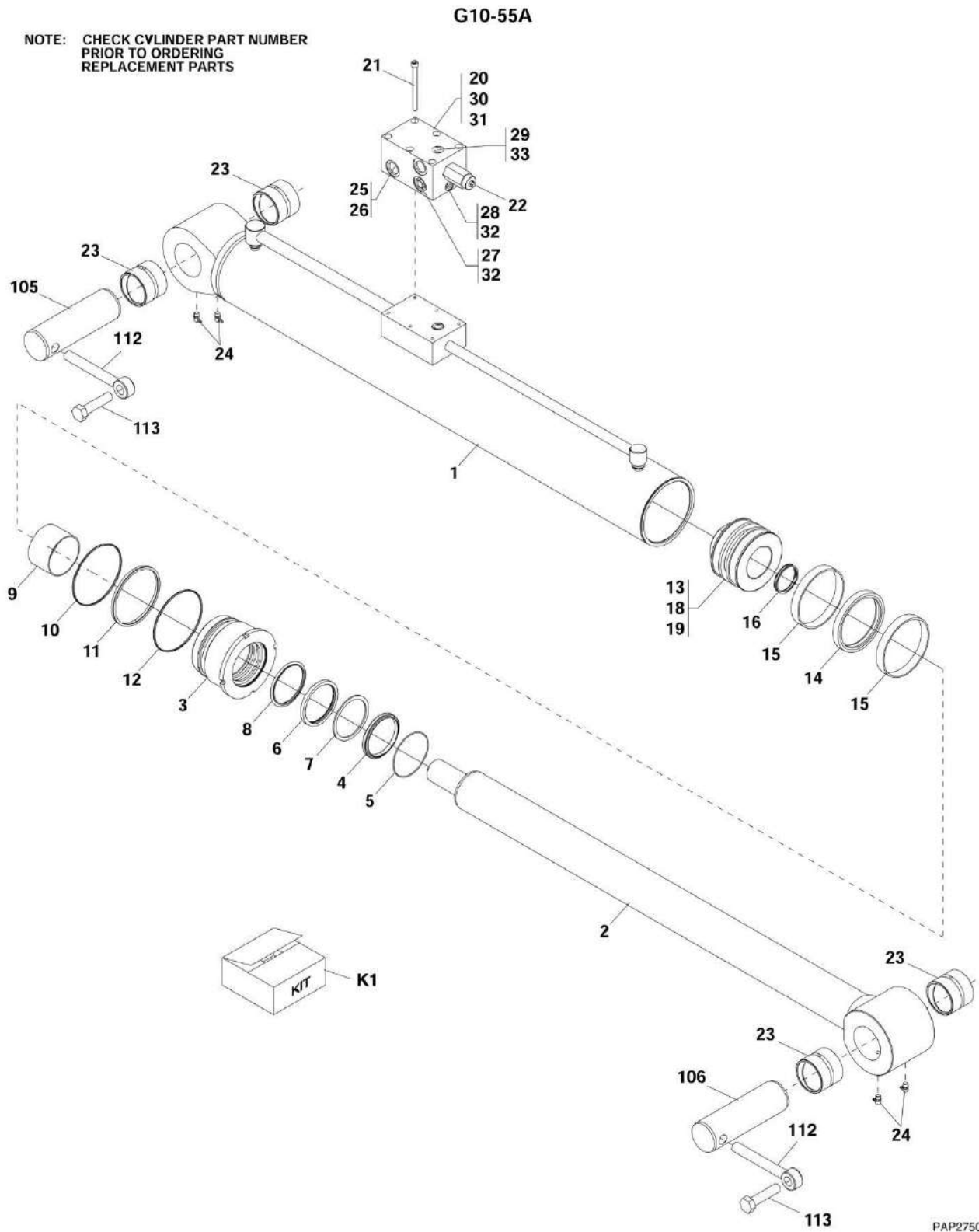
SECTION 9 - HYDRAULIC COMPONENTS

FIGURE 9-3. LIFT CYLINDER G10-55A

ITEM	PART NUMBER	QTY	DESCRIPTION	REV
	1001101285	NLA	LIFT CYLINDER, (G10-55A), (check cylinder part number prior to ordering replacement parts), (no longer available, use 1001125154 for replacement or items 1 thru 23 for service), (included item quantities are per single cylinder)	D
1	Kit	1	O-RING	
2	Kit	1	O-RING	
3	Kit	1	SEAL	
4	Kit	1	SEAL	
5	Kit	1	SEAL	
6	Kit	1	SEAL	
7	Kit	1	WIPER	
8	Kit	2	WEAR RING	
9	Kit	2	WEAR RING	
11	7005314	1	LOCKNUT, (torque to 1600-2000 lb-ft)	
12	70021631	6	CAPSCREW, (torque to 24-27 lb-ft)	
13	70021630	1	SELF TAPPING SCREW	
14	7005322	4	LUBE FITTING	
15	7005365	2	PORT PLUG	
16	70021629	2	PORT PLUG	
17	70021628	4	BUSHING	
18	70021623	1	VALVE BLOCK	
19	7028890	1	COUNTERBALANCE VALVE, (torque to 30-35 lb-ft)	
20	70021960	1	TUBE ASSY	
21	70021626	1	ROD ASSY	
22	70021959	1	HEAD	
23	70021624	1	PISTON	
105	91563046	2	CYLINDER PIN	
106	1001101595	2	LIFT CYLINDER PIN	
112	3841287	4	ROD KEEPER	
113	0682216	4	HEX HD CAPSCREW, 3/4-10X2, GR8, (torque to 380 lb-ft)	
K1	70021632	1	SEAL KIT, (includes items 1 thru 9)	

SECTION 9 - HYDRAULIC COMPONENTS

FIGURE 9-4. LIFT CYLINDER G10-55A



PAP2750

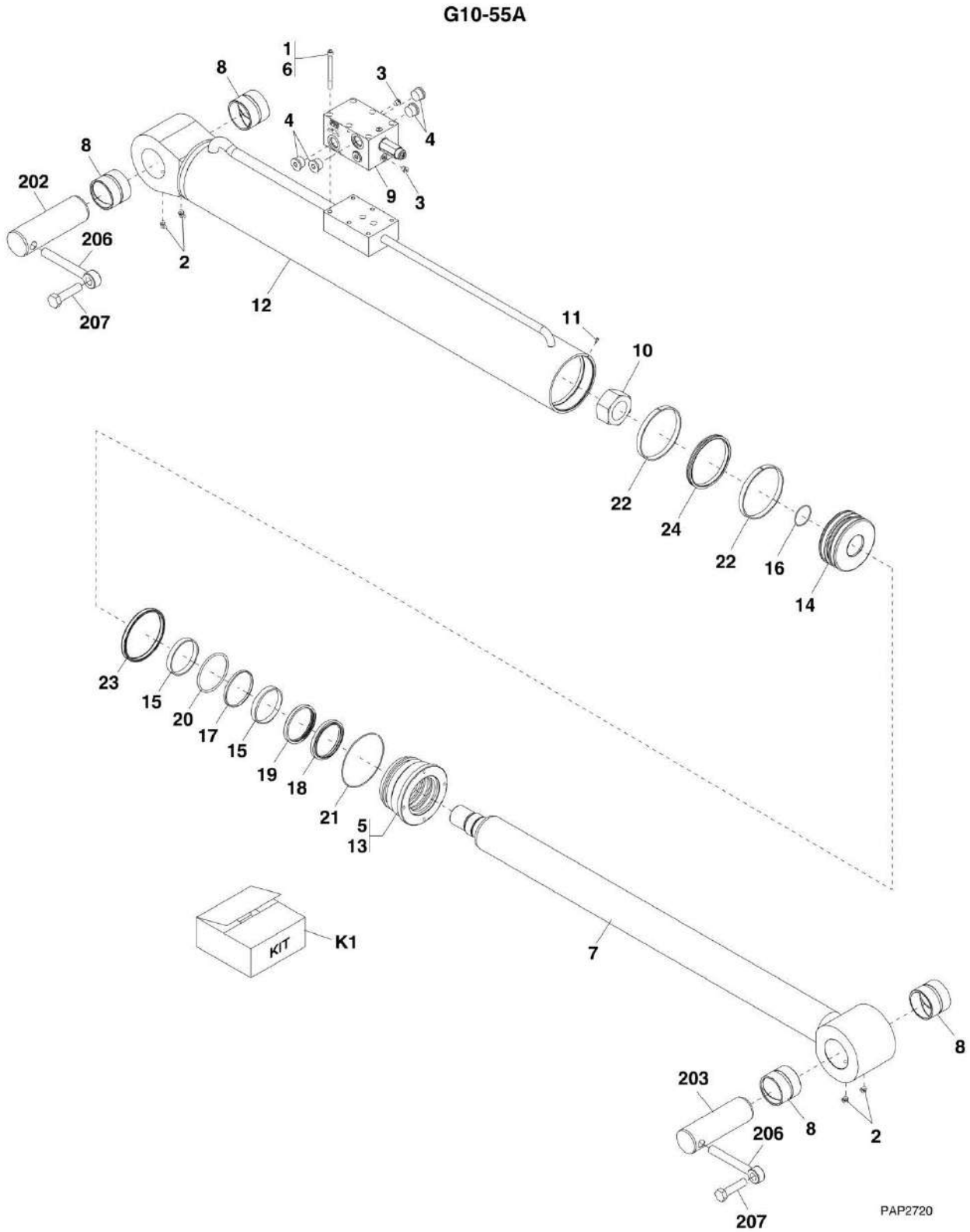
SECTION 9 - HYDRAULIC COMPONENTS

FIGURE 9-4. LIFT CYLINDER G10-55A

ITEM	PART NUMBER	QTY	DESCRIPTION	REV
	1001116447	NLA	LIFT CYLINDER, (G10-55A), (check cylinder part number prior to ordering replacement parts), (no longer available, use 1001125154 for replacement or items 1 thru 33 for service), (included item quantities are per single cylinder)	B
1	70023394	1	TUBE ASSY	
2	70023389	1	ROD ASSY	
3	70023395	1	GLAND	
4	Kit	1	DUST WIPER	
5	70023380	1	RETAINING RING	
6	Kit	1	ROD SEAL	
7	Kit	1	BACKUP RING	
8	Kit	1	BUFFER RING	
9	70023378	1	BEARING	
10	Kit	1	O-RING	
11	Kit	1	BACKUP RING	
12	Kit	1	O-RING	
13	70023396	1	PISTON	
14	Kit	1	PISTON SEAL	
15	Kit	2	WEAR RING	
16	Kit	1	O-RING	
17	Kit	2	BACKUP RING	
18	70022564	1	STEEL BALL	
19	70023369	1	SET SCREW	
20	70023392	1	MANIFOLD	
21	70023368	6	HEX SOCKET BOLT, M10X1.5-100	
22	7028890	1	COUNTERBALANCE VALVE	
23	70023381	4	BUSHING	
24	70023376	4	GREASE NIPPLE	
25	70023374	4	HEX PLUG	
26	Kit	4	O-RING	
27	70023372	1	HEX PLUG	
28	70023373	3	SOCKET PLUG	
29	70023371	1	SOCKET PLUG	
30	Kit	1	O-RING	
31	Kit	1	O-RING	
32	70023972	3	O-RING	
33	70023971	1	O-RING	
105	91563046	2	LOWER LIFT CYLINDER PIN	
106	1001101595	2	UPPER LIFT CYLINDER PIN	
112	3841287	4	ROD KEEPER	
113	0682216	4	HEX HD CAPSCREW, 3/4-10X2, GR8, (TORQUE TO 380 LB-FT)	
K1	70023393	1	SEAL KIT, (includes items 4, 6, 7, 8, 10, 11, 12, 14 thru 17, 26, 30 & 31)	

SECTION 9 - HYDRAULIC COMPONENTS

FIGURE 9-5. LIFT CYLINDER (G10-55A SN 0160041374 to Present)



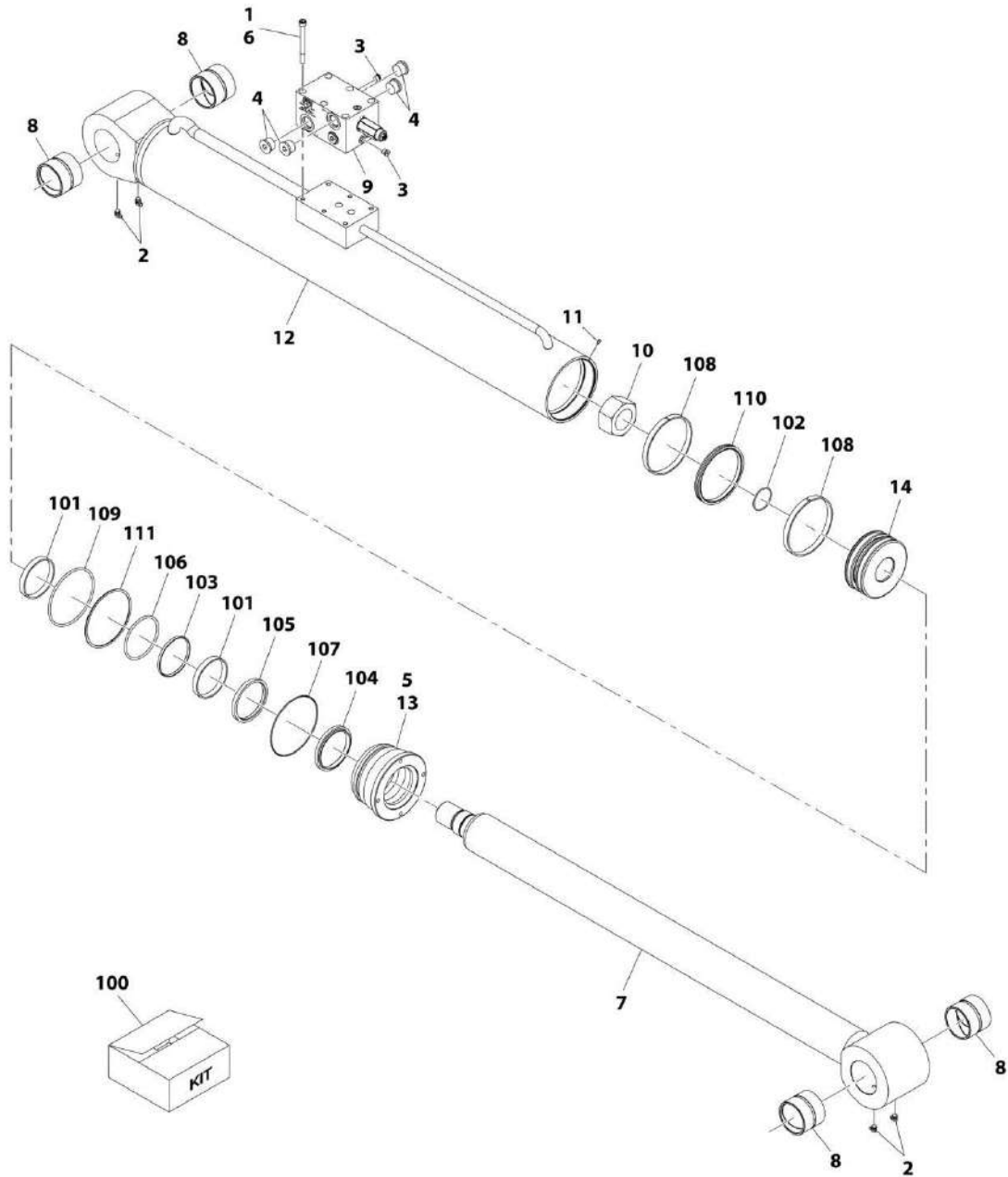
SECTION 9 - HYDRAULIC COMPONENTS

FIGURE 9-5. LIFT CYLINDER (G10-55A SN 0160041374 to Present)

ITEM	PART NUMBER	QTY	DESCRIPTION	REV
	1001125154	NLA	LIFT CYLINDER, (G10-55A), (no longer available, see 1001163570 or replacement or items 1 thru 24 for service), (included item quantities are per single cylinder)	G
1	0100011	AR	LOCTITE 242	
2	2160001	4	LUBE FITTING, STRAIGHT, 1/8	
3	2220883	2	HEX SOCKET PLUG	
4	2220888	4	HEX SOCKET PLUG	
5	3020043	1	ANTI-SEIZE LUBE	
6	3931664	6	HEX HD CAPSCREW, 3/8-16 X 4, LG	
7	1001121425	1	ROD ASSY	
8	1001121429	4	ALUM BRONZE BEARING	
9	1001172288	1	VALVE ASSY	
10	1001122453	1	LOCKNUT, (torque to 2682 lb-ft)	
11	1001125137	1	SELF TAPPING SCREW	
12	1001125155	1	TUBE ASSY	
13	1001125158	1	HEAD, (torque to 120 lb-ft)	
14	1001125159	1	PISTON	
15	Kit	2	WEAR RING	
16	Kit	1	O-RING	
17	Kit	1	SEAL BUFFER	
18	Kit	1	ROD WIPER RING	
19	Kit	2	ROD SEAL	
20	Kit	1	O-RING	
21	Kit	1	O-RING	
22	Kit	2	WEAR RING	
23	Kit	1	HEAD SEAL	
24	Kit	1	PISTON SEAL	
202	91563046	2	CYLINDER PIN	
203	1001101595	2	LIFT CYLINDER PIN	
206	3841287	4	ROD KEEPER	
207	0682216	4	HEX HD CAPSCREW	
K1	1001125160	1	SEAL KIT, (includes items 15 to 24)	

SECTION 9 - HYDRAULIC COMPONENTS

FIGURE 9-6. LIFT CYLINDER



ART_1001163570-C

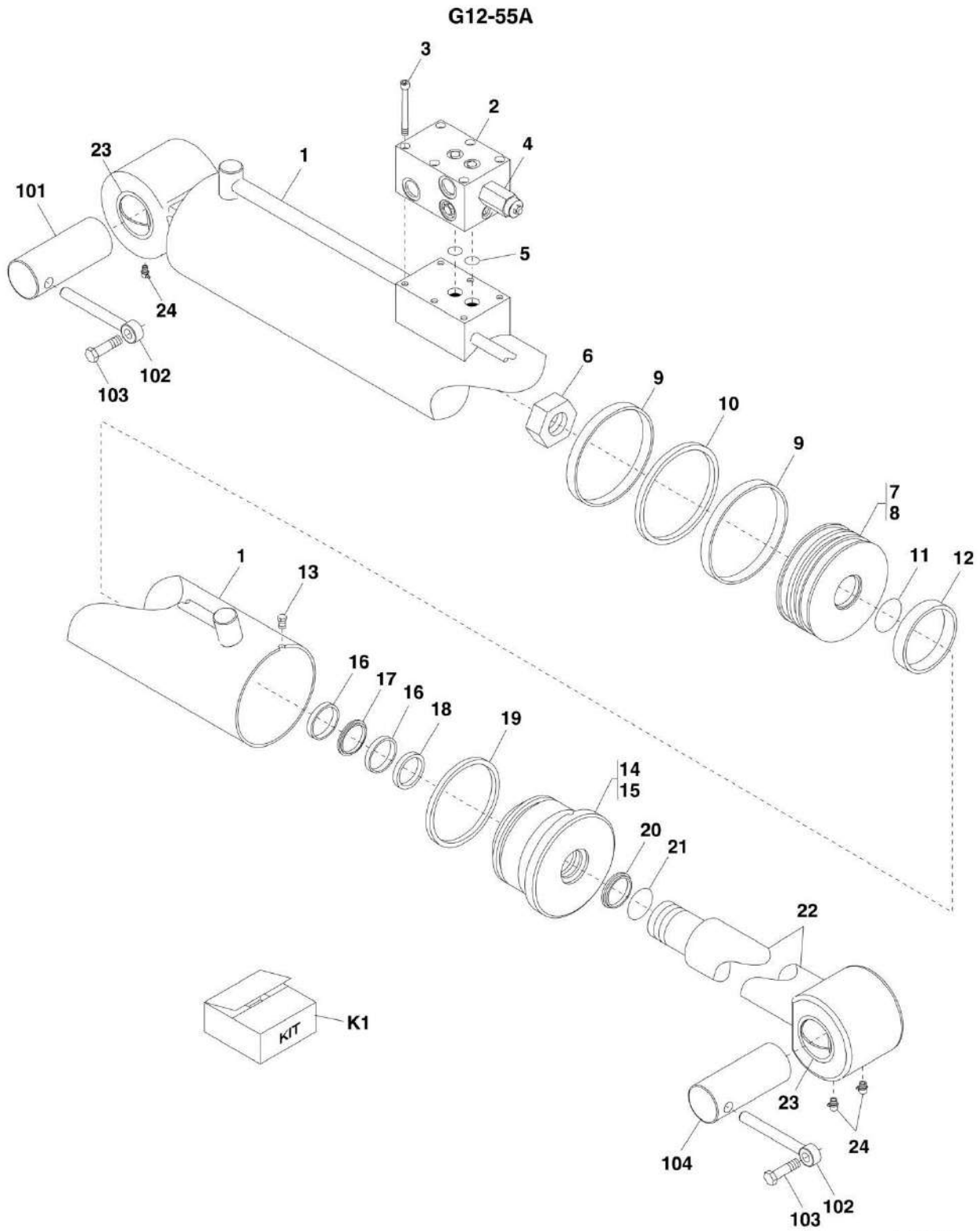
SECTION 9 - HYDRAULIC COMPONENTS

FIGURE 9-6. LIFT CYLINDER

ITEM	PART NUMBER	QTY	DESCRIPTION	REV
	1001163570	2	LIFT CYLINDER, (G10-55A), (included item quantities are per single cylinder)	C
1	0100011	AR	LOCTITE 242	
2	2160001	4	LUBE FITTING, STRAIGHT, 1/8	
3	2220883	2	HEX SOCKET PLUG	
4	2220888	4	HEX SOCKET PLUG	
5	3020043	1	ANTI-SEIZE LUBE	
6	3931664	6	HEX HD CAPSCREW, 3/8-16 X 4, LG	
7	1001121425	1	ROD ASSY	
8	1001121429	4	ALUM BRONZE BEARING	
9	1001172288	1	VALVE BLOCK ASSY	
10	1001122453	1	LOCKNUT, (torque to 2682 lb-ft)	
11	1001125137	1	SELF TAPPING SCREW	
12	1001125155	1	TUBE ASSY	
13	1001163567	1	HEAD	
14	1001125159	1	PISTON	
100	1001163543	1	SEAL KIT, (includes items 101 thru 111)	
101	Kit	2	WEAR RING	
102	Kit	1	O-RING	
103	Kit	1	SEAL BUFFER	
104	Kit	1	ROD WIPER RING	
105	Kit	1	ROD SEAL	
106	Kit	1	O-RING	
107	Kit	1	O-RING	
108	Kit	2	WEAR RING	
109	Kit	1	O-RING	
110	Kit	1	PISTON SEAL	
111	Kit	1	BACKUP RING	

SECTION 9 - HYDRAULIC COMPONENTS

FIGURE 9-7. LIFT CYLINDER (G12-55A Prior to SN 0160033659; Excluding 0160033452)



PAP2440

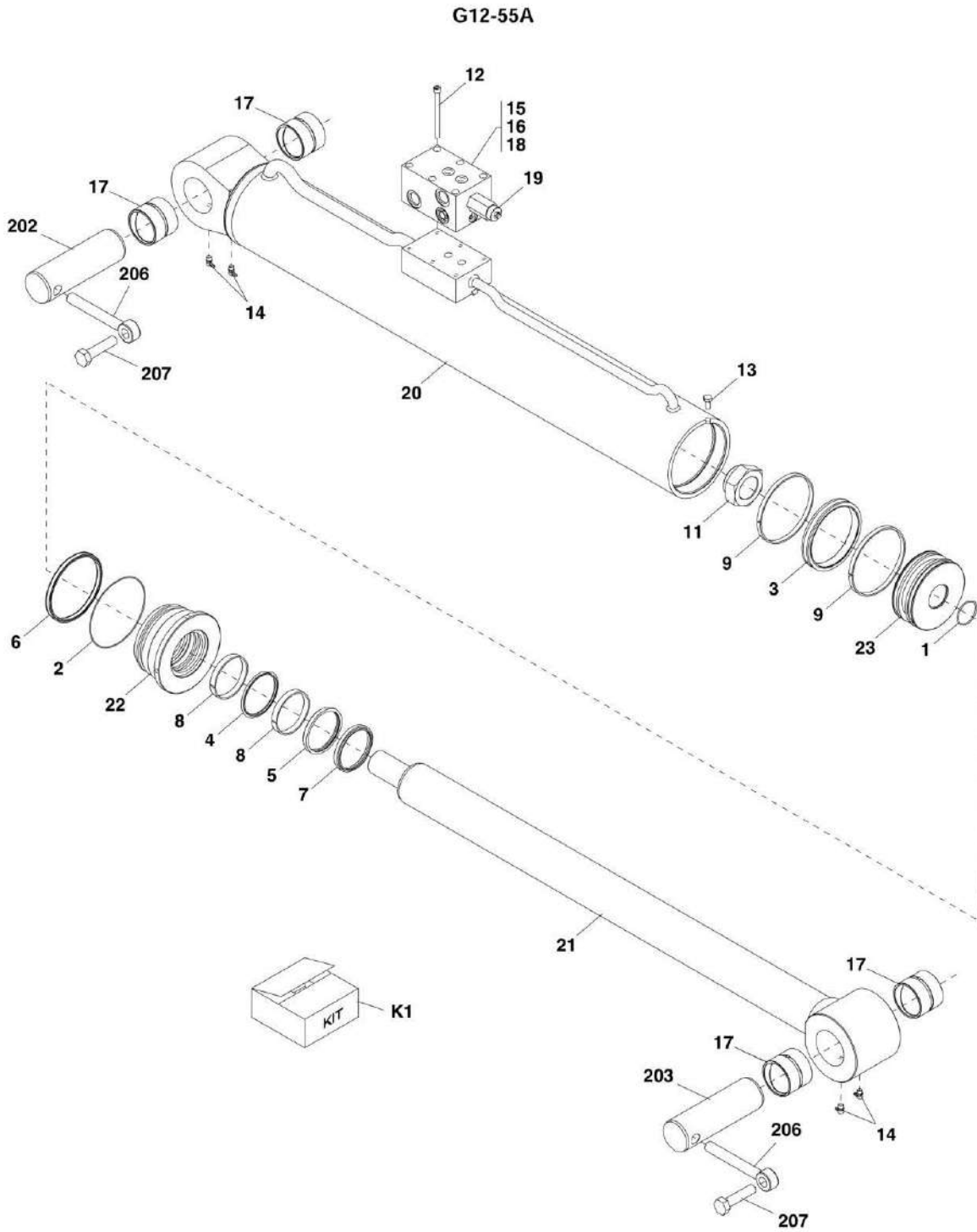
SECTION 9 - HYDRAULIC COMPONENTS

FIGURE 9-7. LIFT CYLINDER (G12-55A Prior to SN 0160033659; Excluding 0160033452)

ITEM	PART NUMBER	QTY	DESCRIPTION	REV
	91563214	NLA	LIFT CYLINDER, (G12-55A), (no longer available, use 1001121417 for replacement or items 1 thru 24 for service), (included item quantities are per single cylinder)	E, C
1	7026966	NLA	CASE ASSY, (no longer available, order 1001121417)	
2	7026959	1	VALVE BLOCK ASSY	
3	7026958	6	SOCKET HD CAPSCREW, 3/8-16X3-3/4, (loctite and torque to 28-30 lb-ft)	
4	7028890	1	CARTRIDGE VALVE, (torque to 45-50 lb-ft)	
5	80933066	2	O-Ring	
6	7026972	1	LOCKNUT, (torque to 2850-2900 lb-ft)	
7	7026965	1	PISTON ASSY, (includes items 8 thru 11)	
8	7026970	1	PISTON	
9	Kit	2	WEAR RING	
10	Kit	1	PISTON SEAL	
11	Kit	1	O-RING	
12	7026956	1	SPACER	
13	91124096	1	SELF-TAPPING CAPSCREW	
14	7026967	1	HEAD ASSY, (includes items 15 thru 20), (torque to 550-600 lb-ft)	
15	7026971	1	HEAD	
16	Kit	2	WEAR RING	
17	Kit	1	STEP SEAL	
18	Kit	1	U-CUP	
19	Kit	1	U-CUP	
20	Kit	1	CANNED WIPER	
21	7026458	1	O-RING	
22	7026968	1	SHAFT ASSY, (includes two of item 23)	
23	7026963	4	BUSHING	
24	91144125	4	GREASE FITTING	
101	91563046	2	LOWER LIFT CYLINDER PIN	
102	3841287	4	ROD KEEPER	
103	0682216	4	HEX HD CAPSCREW, 3/4-10X2, GR8	
104	1001101595	2	UPPER LIFT CYLINDER PIN	
K1	7026969	1	SEAL KIT, (includes items 9, 10, 11 & 16 thru 20)	

SECTION 9 - HYDRAULIC COMPONENTS

FIGURE 9-8. LIFT CYLINDER (G12-55A SN 0160033659 through 0160035879; Including 0160033452)



PAP2490

SECTION 9 - HYDRAULIC COMPONENTS

FIGURE 9-8. LIFT CYLINDER (G12-55A SN 0160033659 through 0160035879; Including 0160033452)

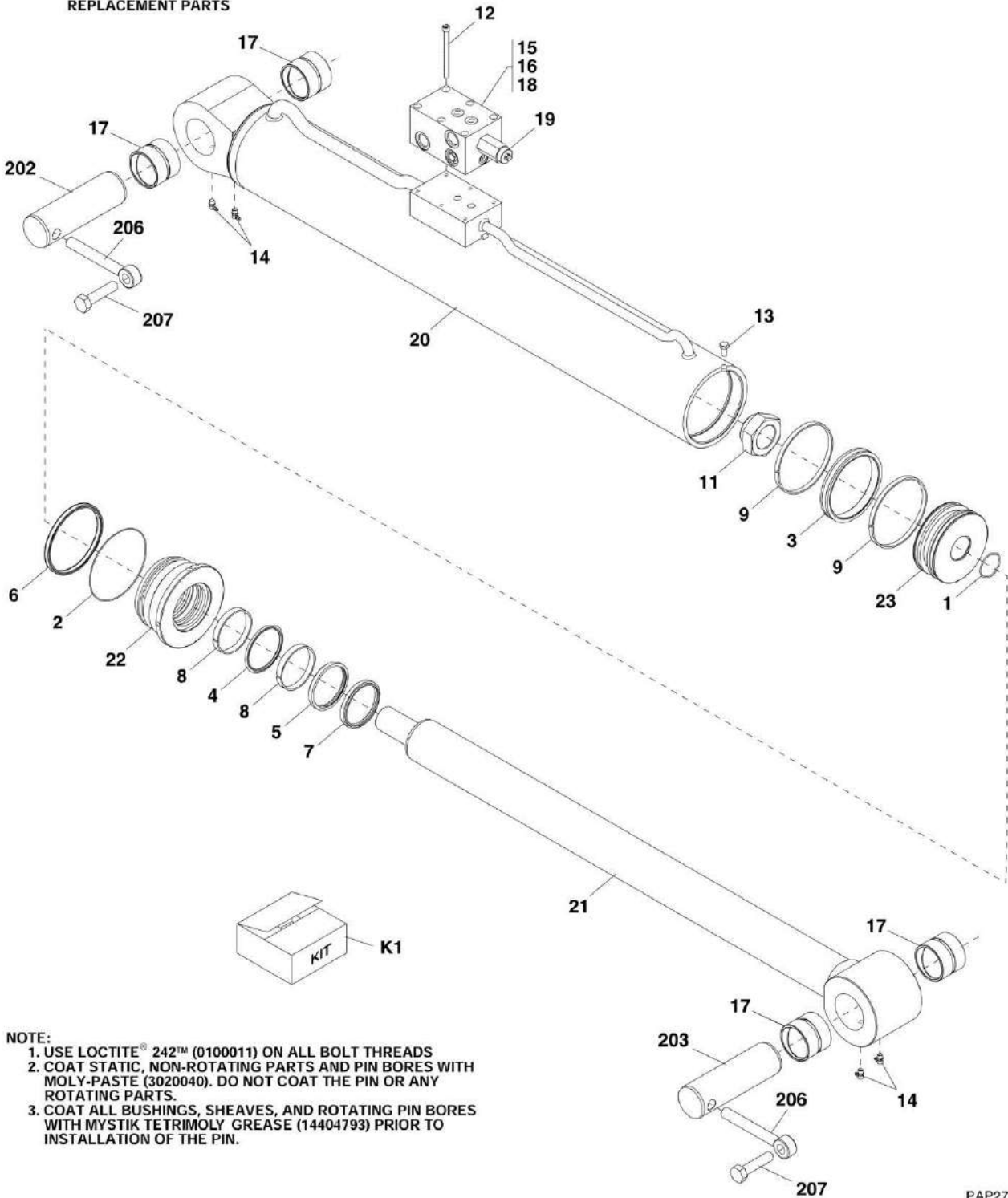
ITEM	PART NUMBER	QTY	DESCRIPTION	REV
	91563270	NLA	LIFT CYLINDER, (G12-55A), (no longer available, use 1001121417 for replacement or items 1 thru 23 for service), (included item quantities are per single cylinder)	B, 01
1	Kit	1	O-RING	
2	Kit	1	O-RING	
3	Kit	1	SEAL	
4	Kit	1	SEAL	
5	Kit	1	SEAL	
6	Kit	1	SEAL	
7	Kit	1	WIPER	
8	Kit	2	WEAR RING	
9	Kit	2	WEAR RING	
11	7005314	1	LOCKNUT, (torque to 1600-2000 lb-ft)	
12	70021631	6	CAPSCREW, (torque to 24-27 lb-ft)	
13	70021630	1	SELF TAPPING SCREW	
14	7005322	4	LUBE FITTING	
15	7019803	2	PORT PLUG	
16	70021657	2	PORT PLUG	
17	70021628	4	BUSHING	
18	70021623	1	VALVE BLOCK	
19	7028890	1	COUNTERBALANCE VALVE, (torque to 45-50 lb-ft)	
20	70021660	NLA	TUBE ASSY, (no longer available, replace with both 70021949 head and 70021950 tube assy)	
21	70021661	1	ROD ASSY	
22	70021658	NLA	HEAD, (no longer available, replace with both 70021949 head and 70021950 tube assy)	
23	70021659	1	PISTON	
202	91563046	2	CYLINDER PIN	
203	1001101595	2	CYLINDER PIN	
206	3841287	4	ROD KEEPER	
207	0682216	4	HEX HD CAPSCREW, 3/4-10X2, GR8	
K1	70021641	1	SEAL KIT, (includes items 1 thru 9)	

SECTION 9 - HYDRAULIC COMPONENTS

FIGURE 9-9. LIFT CYLINDER G12-55A

G12-55A

NOTE: CHECK CYLINDER PART NUMBER
PRIOR TO ORDERING
REPLACEMENT PARTS



NOTE:

1. USE LOCTITE® 242™ (0100011) ON ALL BOLT THREADS
2. COAT STATIC, NON-ROTATING PARTS AND PIN BORES WITH MOLY-PASTE (3020040). DO NOT COAT THE PIN OR ANY ROTATING PARTS.
3. COAT ALL BUSHINGS, SHEAVES, AND ROTATING PIN BORES WITH MYSTIK TETRIMOLY GREASE (14404793) PRIOR TO INSTALLATION OF THE PIN.

PAP2740

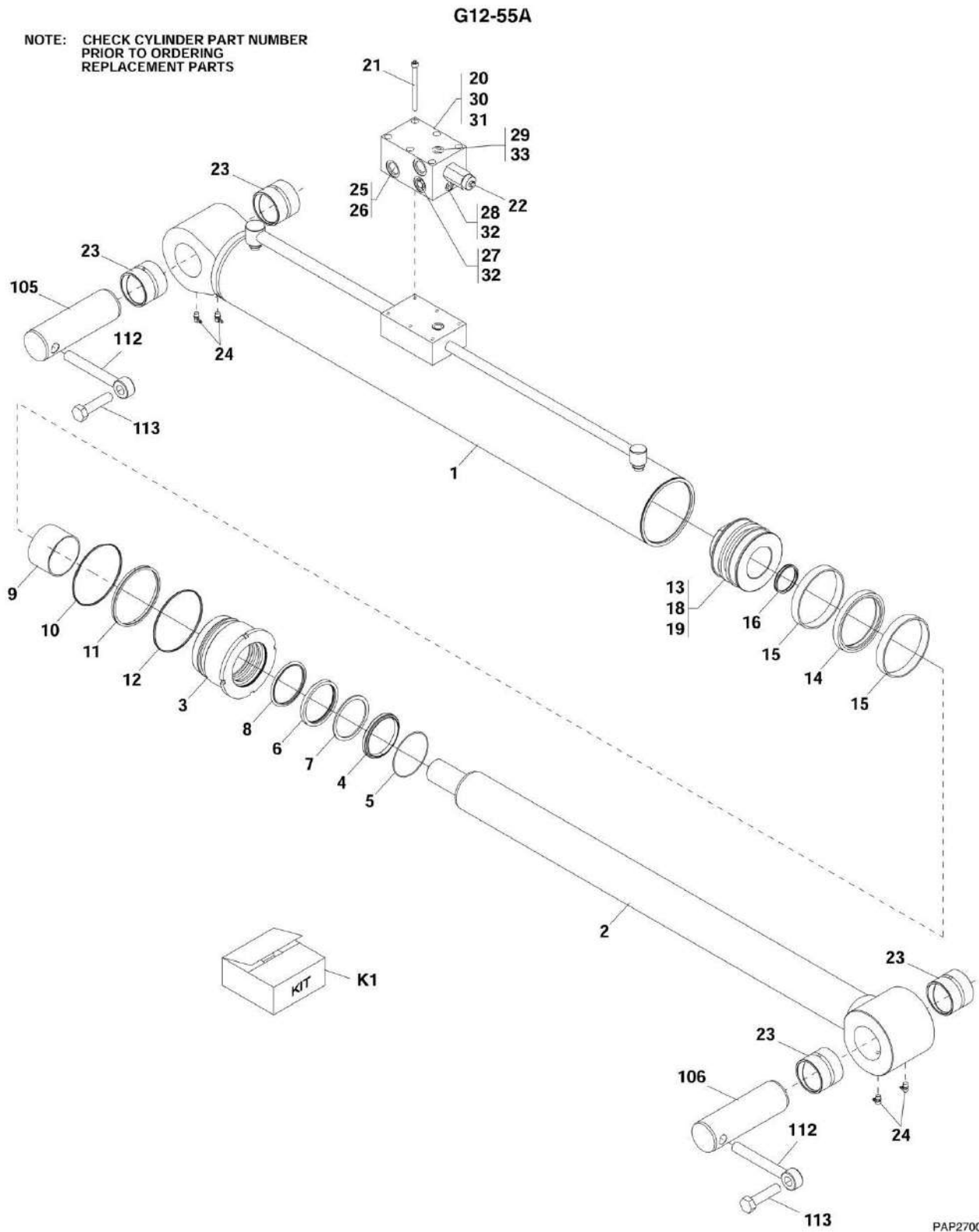
SECTION 9 - HYDRAULIC COMPONENTS

FIGURE 9-9. LIFT CYLINDER G12-55A

ITEM	PART NUMBER	QTY	DESCRIPTION	REV
	1001101283	NLA	LIFT CYLINDER, (G12-55A), (check cylinder part number prior to ordering replacement parts), (no longer available, use 1001121417 for replacement or items 1 thru 23 for service), (included item quantities are per single cylinder)	D
1	Kit	1	O-RING	
2	Kit	1	O-RING	
3	Kit	1	SEAL	
4	Kit	1	SEAL	
5	Kit	1	SEAL	
6	Kit	1	SEAL	
7	Kit	1	WIPER	
8	Kit	2	WEAR RING	
9	Kit	2	WEAR RING	
11	7005314	1	LOCKNUT, (torque to 1600-2000 lb-ft)	
12	70021631	6	CAPSCREW, (torque to 24-27 lb-ft)	
13	70021630	1	SELF TAPPING SCREW	
14	7005322	4	LUBE FITTING	
15	7019803	2	PORT PLUG	
16	70021657	2	PORT PLUG	
17	70021628	4	BUSHING	
18	70021623	1	VALVE BLOCK	
19	7028890	1	COUNTERBALANCE VALVE, (torque to 45-50 lb-ft)	
20	70021950	1	TUBE ASSY	
21	70021661	1	ROD ASSY	
22	70021949	1	HEAD	
23	70021659	1	PISTON	
202	91563046	2	CYLINDER PIN	
203	1001101595	2	LIFT CYLINDER PIN	
206	3841287	4	ROD KEEPER	
207	0682216	4	HEX HD CAPSCREW, 3/4-10X2, GR8, (torque to 380 lb-ft)	
K1	70021641	1	SEAL KIT, (includes items 1 thru 9)	

SECTION 9 - HYDRAULIC COMPONENTS

FIGURE 9-10. LIFT CYLINDER G12-55A



SECTION 9 - HYDRAULIC COMPONENTS

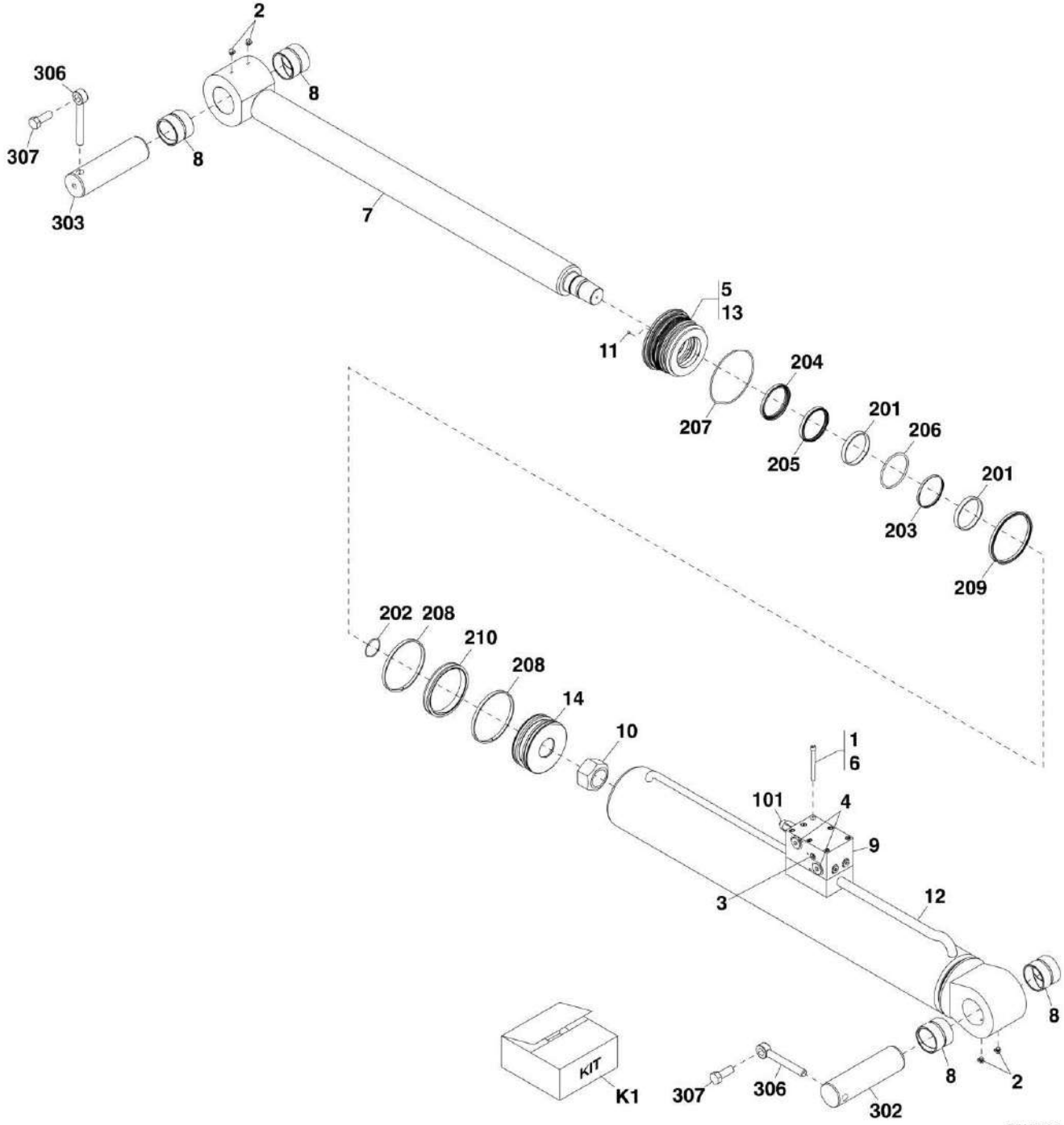
FIGURE 9-10. LIFT CYLINDER G12-55A

ITEM	PART NUMBER	QTY	DESCRIPTION	REV
	1001116446	NLA	LIFT CYLINDER, (G12-55A), (check cylinder part number prior to ordering replacement parts), (no longer available, use 1001121417 for replacement or items 1 thru 33 for service), (included item quantities are per single cylinder)	B
1	70023394	1	TUBE ASSY	
2	70023389	1	ROD ASSY	
3	70023395	1	GLAND	
4	Kit	1	DUST WIPER	
5	70023380	1	RETAINING RING	
6	Kit	1	ROD SEAL	
7	Kit	1	BACKUP RING	
8	Kit	1	BUFFER RING	
9	70023378	1	BEARING	
10	Kit	1	O-RING	
11	Kit	1	BACKUP RING	
12	Kit	1	O-RING	
13	70023396	1	PISTON	
14	Kit	1	PISTON SEAL	
15	Kit	2	WEAR RING	
16	Kit	1	O-RING	
17	Kit	2	BACKUP RING	
18	70022564	1	STEEL BALL	
19	70023369	1	SET SCREW	
20	70023392	1	MANIFOLD	
21	70023368	6	HEX SOCKET BOLT, M10X1.5-100	
22	7028890	1	COUNTERBALANCE VALVE	
23	70023381	4	BUSHING	
24	70023376	4	GREASE NIPPLE	
25	70023374	2	HEX PLUG	
26	Kit	2	O-RING	
27	70023372	1	HEX PLUG	
28	70023373	3	SOCKET PLUG	
29	70023371	1	SOCKET PLUG	
30	Kit	1	O-RING	
31	Kit	1	O-RING	
32	70023972	3	O-RING	
33	70023971	1	O-RING	
105	91563046	2	LOWER LIFT CYLINDER PIN	
106	1001101595	2	UPPER LIFT CYLINDER PIN	
112	3841287	4	ROD KEEPER	
113	0682216	4	HEX HD CAPSCREW, 3/4-10X2, GR8, (torque to 380 lb-ft))	
K1	70023397	1	SEAL KIT, (includes items 4, 6 thru 8, 10 thru 12, 14 thru 17, 26, 30 & 31)	

SECTION 9 - HYDRAULIC COMPONENTS

FIGURE 9-11. LIFT CYLINDER (G12-55A SN 0160041581 to Present)

G12-55A



PAL6100

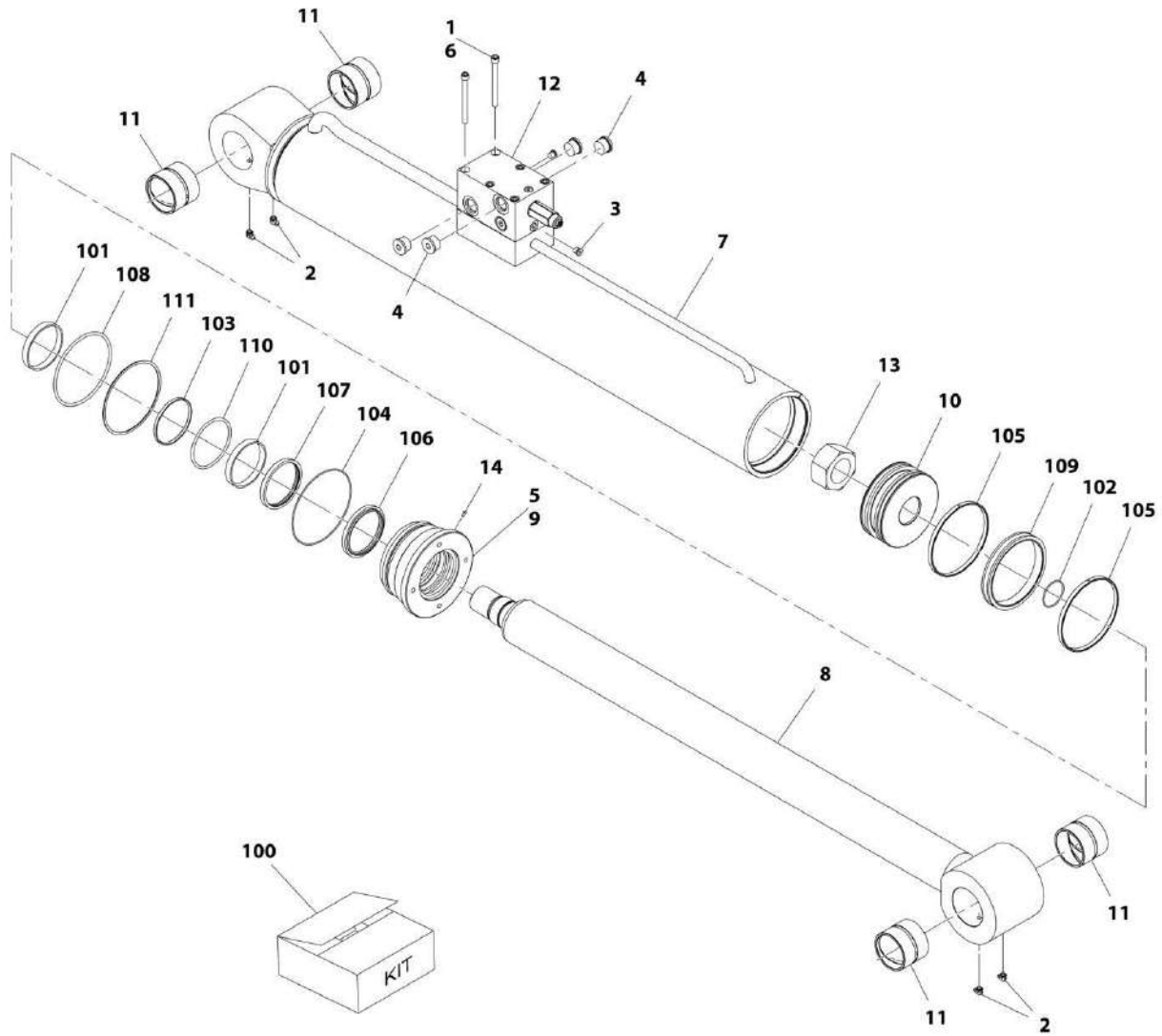
SECTION 9 - HYDRAULIC COMPONENTS

FIGURE 9-11. LIFT CYLINDER (G12-55A SN 0160041581 to Present)

ITEM	PART NUMBER	QTY	DESCRIPTION	REV
	1001121417	NLA	LIFT CYLINDER, (G12-55A), (no longer available, see 1001163568 or replacement or items 1 thru 210 for service), (included items quantities are per single cylinder)	G
1	0100011	AR	LOCTITE 242	
2	2160001	4	GREASE FITTING	
3	2220883	2	PLUG, (includes o-ring)	
4	2220888	4	PLUG, (includes o-ring)	
5	3020043	AR	ANTI-SEIZE LUBE	
6	3931664	6	SOCKET HD CAPSCREW, 3/8-16X4, (torque to 35 lb-ft/47 Nm)	
7	1001121425	1	ROD	
8	1001121429	4	BEARING	
9	1001172288	1	VALVE ASSY	
10	1001122453	1	LOCKNUT, (torque to 2682 lb-ft/3636 Nm)	
11	1001125137	1	SET SCREW, #8-32	
12	1001121418	1	BARREL	
13	1001121427	1	GLAND, (torque to 120 lb-ft/163 Nm)	
14	1001121428	1	PISTON	
101	70024071	1	CARTRIDGE, (includes o-ring), (torque to 45-50 lb-ft/61-67 Nm)	
201	Kit	1	WEAR RING	
202	Kit	1	O-RING	
203	Kit	1	BUFFER SEAL	
204	Kit	1	WIPER RING	
205	Kit	1	ROD SEAL	
206	Kit	1	O-RING	
207	Kit	1	O-RING	
208	Kit	2	WEAR RING	
209	Kit	1	GLAND SEAL	
210	Kit	1	PISTON SEAL	
302	91563046	2	PIN	
303	1001101595	2	PIN	
306	3841287	4	ROD KEEPER	
307	0682216	4	HEX HD CAPSCREW, 3/4-10X2, GR8	
K1	1001121434	1	SEAL KIT, (includes items 201 thru 210)	

SECTION 9 - HYDRAULIC COMPONENTS

FIGURE 9-12. LIFT CYLINDER



ART_1001163568-C

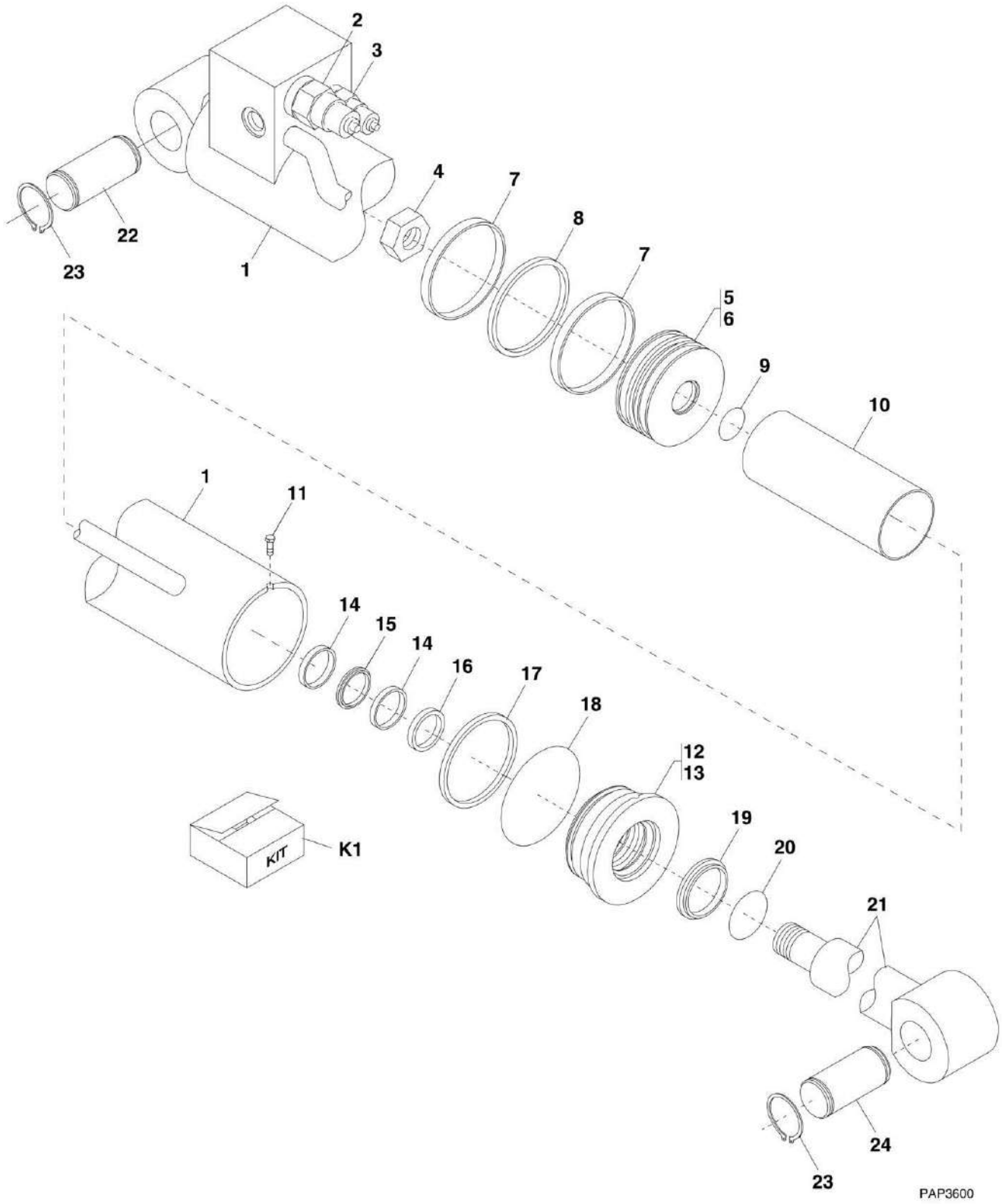
SECTION 9 - HYDRAULIC COMPONENTS

FIGURE 9-12. LIFT CYLINDER

ITEM	PART NUMBER	QTY	DESCRIPTION	REV
	1001163568	2	LIFT CYLINDER, (G12-55A), (included items quantities are per single cylinder)	C
1	0100011	AR	LOCTITE 242	
2	2160001	4	GREASE FITTING	
3	2220883	2	PLUG, (includes o-ring)	
4	2220888	4	PLUG, (includes o-ring)	
5	3020043	AR	ANTI-SEIZE LUBE	
6	3931664	6	SOCKET HD CAPSCREW, 3/8-16X4, (torque to 35 lb-ft/47 Nm)	
7	1001121418	1	BARREL	
8	1001121425	1	ROD	
9	1001163565	1	GLAND	
10	1001121428	1	PISTON	
11	1001121429	4	BEARING	
12	1001172288	1	VALVE ASSY, (includes o-rings)	
12	1001167902	1	MANIFOLD, HYDRAULIC CYLINDER	
12	1001172274	NLA	VALVE, COUNTERBALANCE, (no longer available, use 1001231674 for replacement)	
12	1001231674	1	VALVE, COUNTERBALANCE	
13	1001122453	1	LOCKNUT, (torque to 2682 lb-ft/3636 Nm)	
14	1001125137	1	SET SCREW, 8-32	
100	1001163541	1	SEAL KIT, (includes items 101 thru 111)	
101	Kit	2	WEAR RING	
102	Kit	1	O-RING	
103	Kit	1	BUFFER SEAL	
104	Kit	1	WIPER RING	
105	Kit	2	ROD SEAL	
106	Kit	1	O-RING	
107	Kit	1	O-RING	
108	Kit	1	O-RING	
109	Kit	1	GLAND SEAL	
110	Kit	1	PISTON SEAL	
111	Kit	1	BACKUP RING	

SECTION 9 - HYDRAULIC COMPONENTS

FIGURE 9-13. CROWD CYLINDER (G10-55A Prior to SN 0160033661; G12-55A Prior to SN 0160033659; Excluding 0160033452)



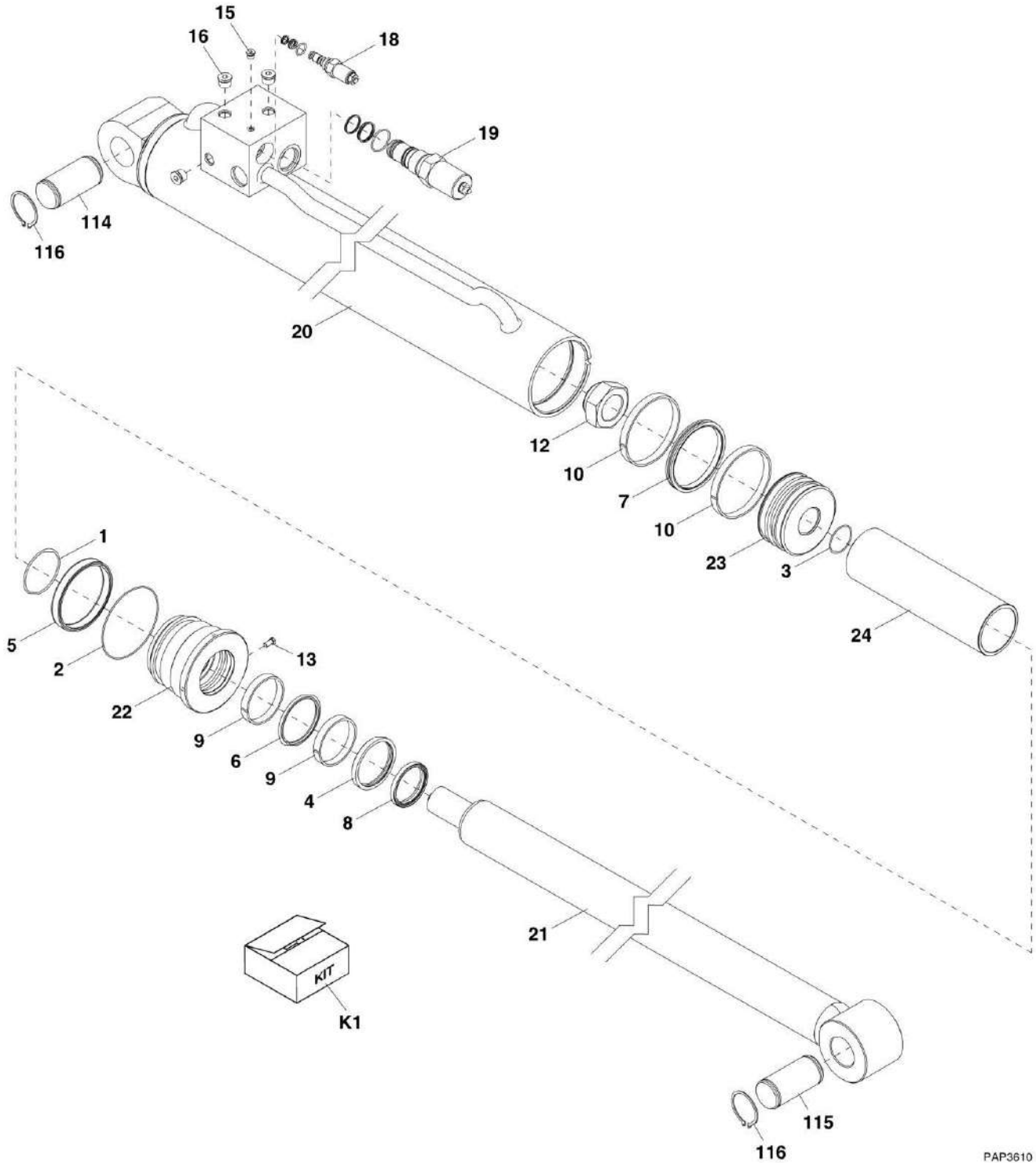
SECTION 9 - HYDRAULIC COMPONENTS

FIGURE 9-13. CROWD CYLINDER (G10-55A Prior to SN 0160033661; G12-55A Prior to SN 0160033659; Excluding 0160033452)

ITEM	PART NUMBER	QTY	DESCRIPTION	REV
	91573008	1	CROWD CYLINDER, (includes items 1 thru 21)	J
1	7026466	1	CASE ASSY	
2	1001123014	1	CARTRIDGE VALVE, (large), (torque to 110 lb-ft)	
2	91514251	1	SEAL KIT	
3	1001123015	1	CARTRIDGE VALVE, (small), (torque to 35 lb-ft)	
3	91574001	1	SEAL KIT	
4	91034153	1	LOCKNUT, (torque to 1325-1375 lb-ft)	
5	7026462	1	PISTON ASSY, (includes items 6 thru 9)	
6	7026463	1	PISTON	
7	Kit	2	WEAR RING	
8	Kit	1	CAP SEAL	
9	Kit	1	O-RING	
10	7026464	1	SPACER	
11	91124096	1	SELF-TAPPING CAPSCREW	
12	7026461	1	HEAD ASSY, (includes items 13 thru 19), (torque to 500-550 lb-ft)	
13	N.S.S.	1	HEAD	
14	Kit	2	WEAR RING	
15	Kit	1	STEP SEAL	
16	Kit	1	U-CUP	
17	Kit	1	U-CUP	
18	Kit	1	O-RING	
19	Kit	1	WIPER	
20	7026458	1	O-RING	
21	7026465	1	SHAFT ASSY	
22	91161136	1	PIN	
23	88581149	4	RETAINING RING	
24	91161137	1	PIN	
K1	7026467	1	SEAL KIT, (includes items 7, 8, 9 & 14 thru 19)	

SECTION 9 - HYDRAULIC COMPONENTS

FIGURE 9-14. CROWD CYLINDER (G10-55A SN 0160033661 through 0160035822; G12-55A SN 0160033659 through 0160035879; Including 0160033452)



SECTION 9 - HYDRAULIC COMPONENTS

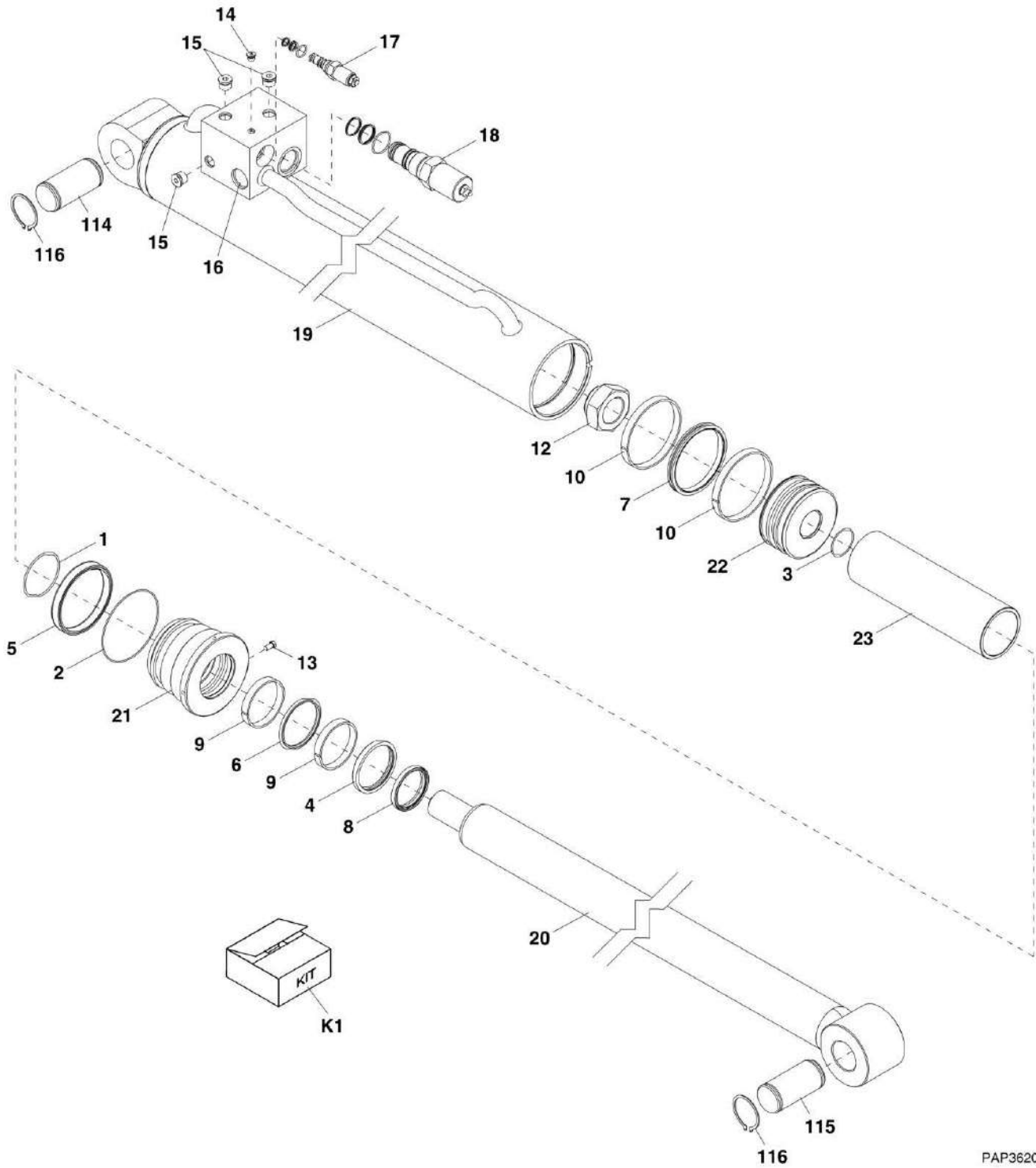
FIGURE 9-14. CROWD CYLINDER (G10-55A SN 0160033661 through 0160035822; G12-55A SN 0160033659 through 0160035879; Including 0160033452)

ITEM	PART NUMBER	QTY	DESCRIPTION	REV
	91573029	1	CROWD CYLINDER, (includes items 1 thru 24)	B
1	Kit	1	O-RING	
2	Kit	1	O-RING	
3	Kit	1	O-RING	
4	Kit	1	SEAL	
5	Kit	1	SEAL	
6	Kit	1	SEAL	
7	Kit	1	SEAL	
8	Kit	1	WIPER	
9	Kit	2	WEAR RING	
10	Kit	2	WEAR RING	
12	7003236	1	LOCKNUT, (torque to 1400-1700 lb-ft)	
13	70021630	1	SELF TAPPING SCREW	
15	7005365	1	PORT PLUG	
16	7023593	3	PORT PLUG	
18	1001123015	1	COUNTERBALANCE VALVE, (torque to 33 lb-ft)	
18	91574001	1	SEAL KIT	
19	1001123014	1	COUNTERBALANCE VALVE, (torque to 110 lb-ft)	
19	91514251	1	SEAL KIT	
20	70021677	NLA	TUBE ASSY, (no longer available, replace with both 70021961 head and 70021962 tube assy)	
21	70021678	1	ROD ASSY	
22	70021675	NLA	HEAD, (no longer available, replace with both 70021961 head and 70021962 tube assy)	
23	70021676	1	PISTON	
24	70021679	1	SPACER	
114	91161136	1	CYLINDER PIN	
115	91563263	1	CYLINDER PIN	
116	88581149	4	RETAINING RING	
K1	70021598	1	SEAL KIT, (includes items 1 thru 10)	

SECTION 9 - HYDRAULIC COMPONENTS

FIGURE 9-15. CROWD CYLINDER

NOTE: CHECK CYLINDER PART NUMBER
PRIOR TO ORDERING
REPLACEMENT PARTS



PAP3620

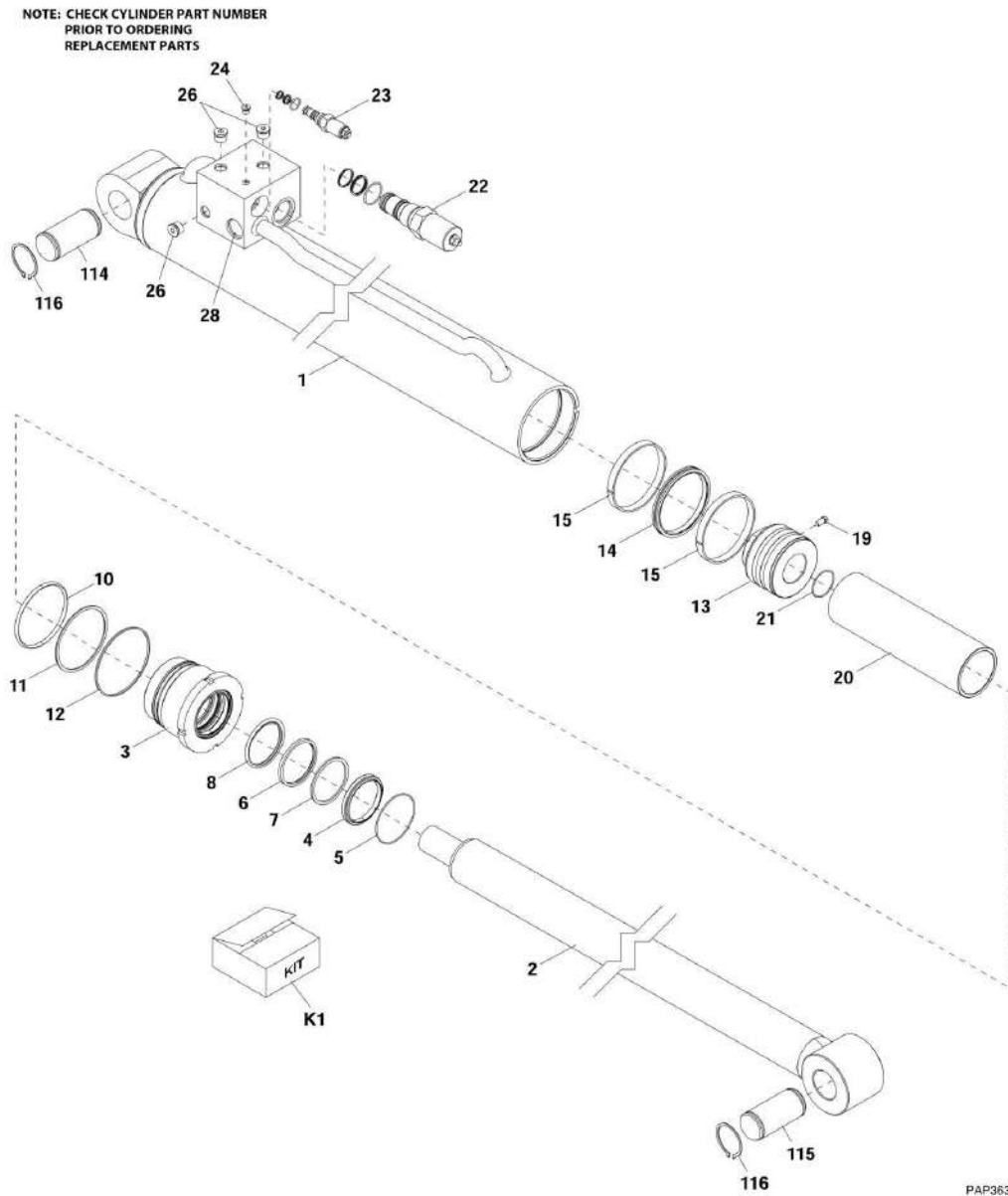
SECTION 9 - HYDRAULIC COMPONENTS

FIGURE 9-15. CROWD CYLINDER

ITEM	PART NUMBER	QTY	DESCRIPTION	REV
	1001101286	1	CROWD CYLINDER, (check cylinder part number prior to ordering replacement parts), (includes items 1 thru 23)	B
1	Kit	1	O-RING	
2	Kit	1	O-RING	
3	Kit	1	O-RING	
4	Kit	1	SEAL	
5	Kit	1	SEAL	
6	Kit	1	SEAL	
7	Kit	1	SEAL	
8	Kit	1	WIPER	
9	Kit	2	WEAR RING	
10	Kit	2	WEAR RING	
12	7003236	1	LOCKNUT, (torque to 1400-1700 lb-ft)	
13	70021630	1	SELF TAPPING SCREW	
14	7005365	1	PORT PLUG	
15	7023593	3	PORT PLUG	
16	70021674	2	PORT PLUG	
17	1001123015	1	COUNTERBALANCE VALVE, (torque to 33 lb-ft)	
17	91574001	1	SEAL KIT	
18	1001123014	1	COUNTERBALANCE VALVE, (torque to 110 lb-ft)	
18	91514251	1	SEAL KIT	
19	70021962	1	TUBE ASSY	
20	70021678	1	ROD ASSY	
21	70021961	1	HEAD	
22	70021676	1	PISTON	
23	70021679	1	SPACER	
114	91161136	1	CYLINDER PIN	
115	91563263	1	CYLINDER PIN	
116	88581149	4	RETAINING RING	
K1	70021598	1	SEAL KIT, (includes items 1 thru 10)	

SECTION 9 - HYDRAULIC COMPONENTS

FIGURE 9-16. CROWD CYLINDER



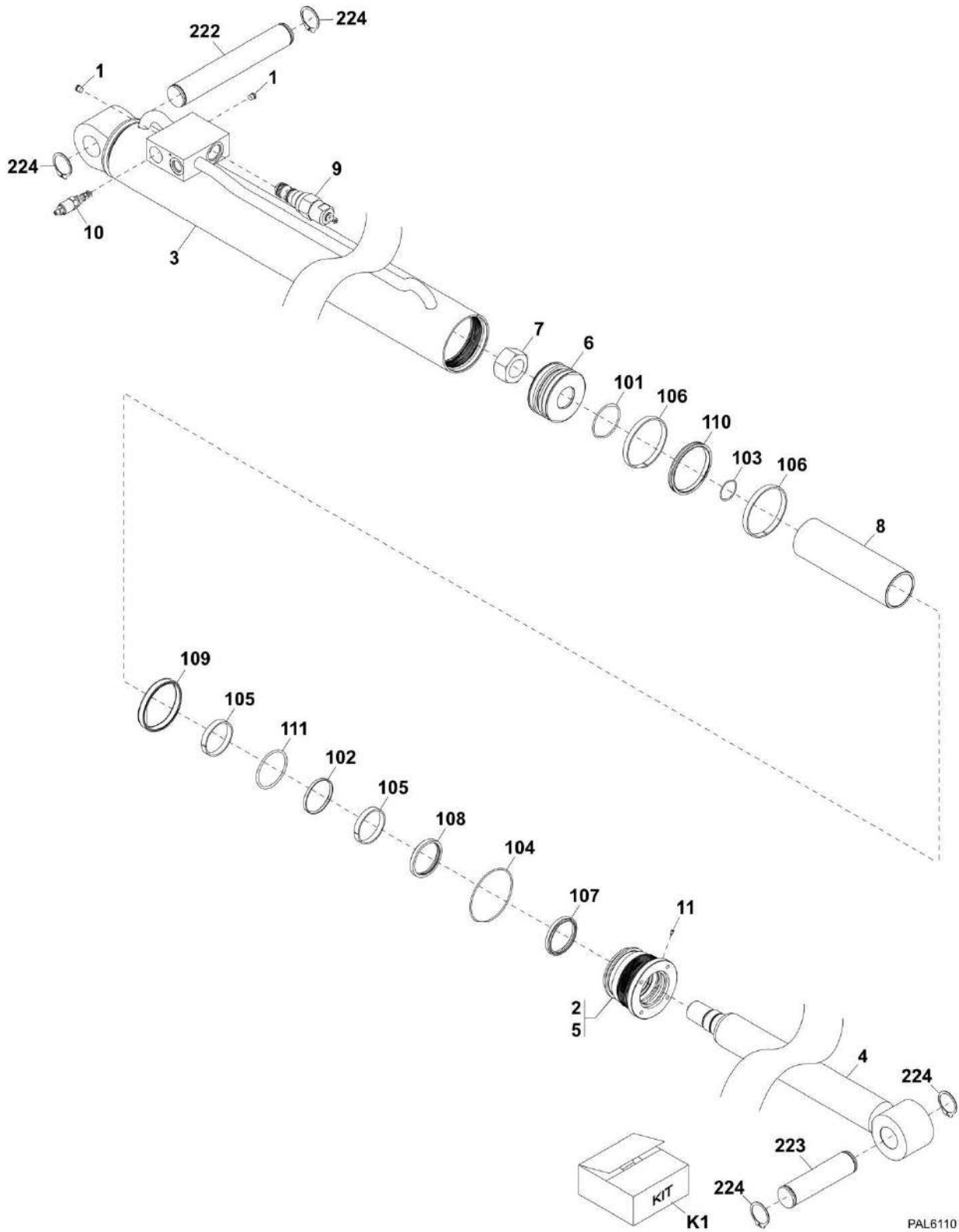
SECTION 9 - HYDRAULIC COMPONENTS

FIGURE 9-16. CROWD CYLINDER

ITEM	PART NUMBER	QTY	DESCRIPTION	REV
	1001116448	1	CROWD CYLINDER, (check cylinder part number prior to ordering replacement parts), (includes items 1 thru 26)	B
1	70023382	1	TUBE ASSY	
2	70023383	1	ROD ASSY	
3	70023384	1	GLAND	
4	Kit	1	DUST WIPER	
5	70023379	1	RETAINING RING	
6	Kit	1	ROAD SEAL	
7	Kit	1	BACKUP RING	
8	Kit	1	BUFFER RING	
9	70023377	1	BUSHING	
10	Kit	1	O-RING	
11	Kit	1	BACKUP RING	
12	Kit	1	O-RING	
13	70023385	1	PISTON	
14	Kit	1	PISTON SEAL	
15	Kit	2	WEAR RING	
16	Kit	1	O-RING	
17	Kit	2	BACKUP RING	
18	70022564	1	STEEL BALL	
19	70023369	1	SET SCREW, M8X1.25-10	
20	70023386	1	SPACER	
21	Kit	1	O-RING	
22	1001123014	1	COUNTERBALANCE VALVE, (torque to 33 lb-ft)	
22	91514251	1	SEAL KIT	
23	1001123015	1	COUNTERBALANCE VALVE, (torque to 110 lb-ft)	
23	91574001	1	SEAL KIT	
24	70023370	1	SOCKET PLUG, 7/16-20 UNF	
25	70023371	3	SOCKET PLUG, 9/16-18 UNF	
26	70023375	2	HEX PLUG, 1 5/16-12 UNF	
114	91161136	1	CYLINDER PIN	
115	91563263	1	CYLINDER PIN	
116	88581149	4	RETAINING RING	
K1	70023387	1	SEAL KIT, (includes items 4, 6 thru 8, 10 thru 12, 14 thru 17 & 21)	

SECTION 9 - HYDRAULIC COMPONENTS

FIGURE 9-17. CROWD CYLINDER (SN 0160041982 to Present)



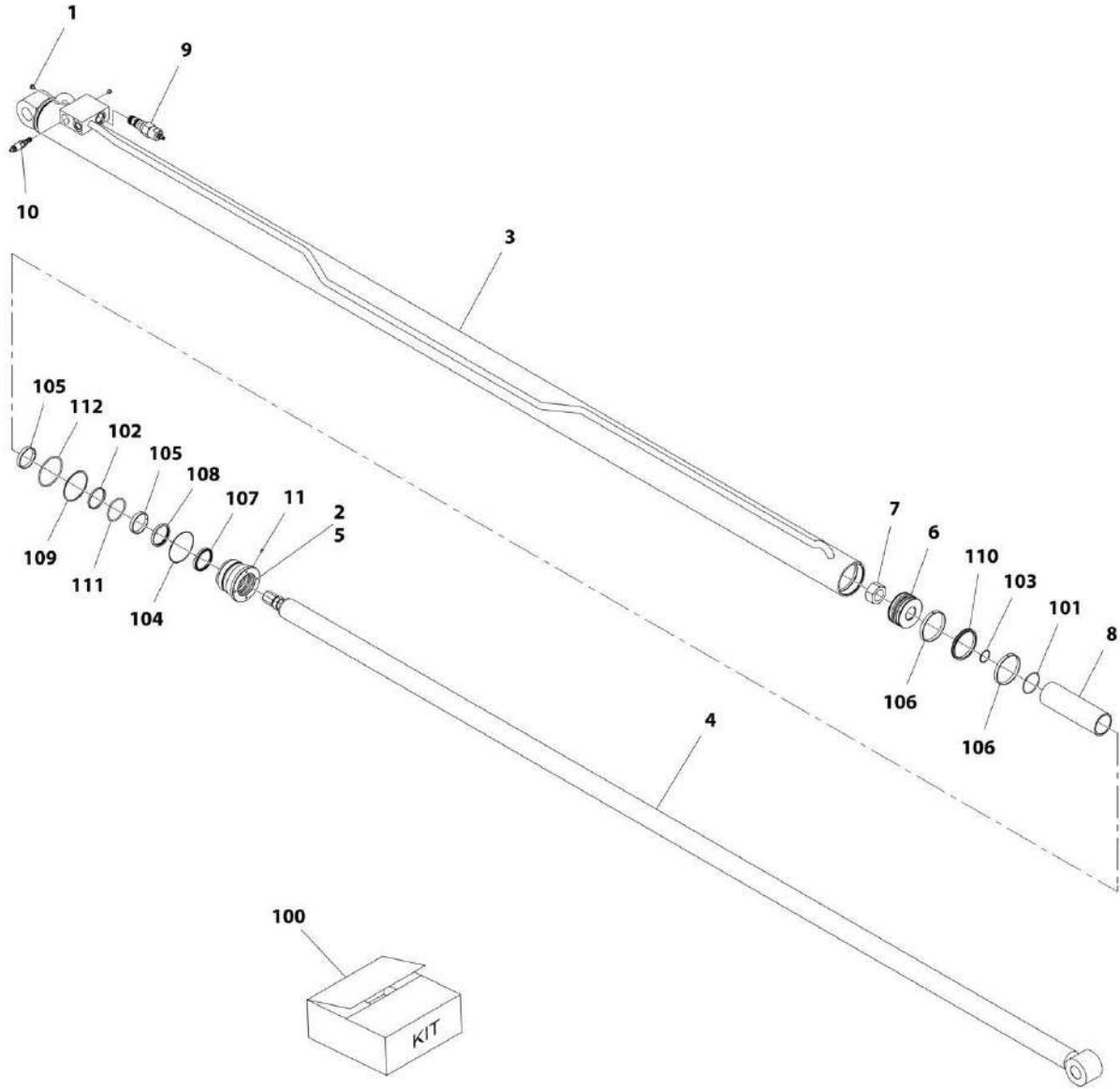
SECTION 9 - HYDRAULIC COMPONENTS

FIGURE 9-17. CROWD CYLINDER (SN 0160041982 to Present)

ITEM	PART NUMBER	QTY	DESCRIPTION	REV
	1001122483	NLA	CROWD CYLINDER, (no longer available, see 1001163569 for replacement or items 1 thru 111 for service)	F
1	2220883	2	PLUG, (includes o-ring)	
2	3020043	AR	ANTI-SIEZE LUBE	
3	1001122484	1	BARREL	
4	1001122491	1	ROD	
5	1001122494	1	GLAND, (torque to 100 lb-ft/136 Nm)	
6	1001122495	1	PISTON	
7	1001122505	1	LOCKNUT, (torque to 1376 lb-ft/1865 Nm)	
8	1001123013	1	SPACER	
9	1001123014	1	COUNTERBALANCE VALVE, (includes o-ring), (torque to 110 lb-ft/149 Nm)	
9	91514251	1	SEAL KIT	
10	1001123015	1	COUNTERBALANCE VALVE, (includes o-ring), (torque to 33 lb-ft/44 Nm)	
10	91574001	1	SEAL KIT	
11	1001125137	1	SET SCREW, #8-32	
101	Kit	1	O-RING	
102	Kit	1	BUFFER SEAL	
103	Kit	1	O-RING	
104	Kit	1	O-RING	
105	Kit	2	WEAR RING	
106	Kit	2	WEAR RING	
107	Kit	1	WIPER RING	
108	Kit	1	ROD SEAL	
109	Kit	1	GLAND SEAL	
110	Kit	1	PISTON SEAL	
111	Kit	1	O-RING	
222	91161136	1	PIN	
223	91563263	1	PIN	
224	88581149	4	RETAINING RING	
K1	1001122496	1	SEAL KIT, (includes items 101 thru 111)	

SECTION 9 - HYDRAULIC COMPONENTS

FIGURE 9-18. CROWD CYLINDER



ART_1001163569-B

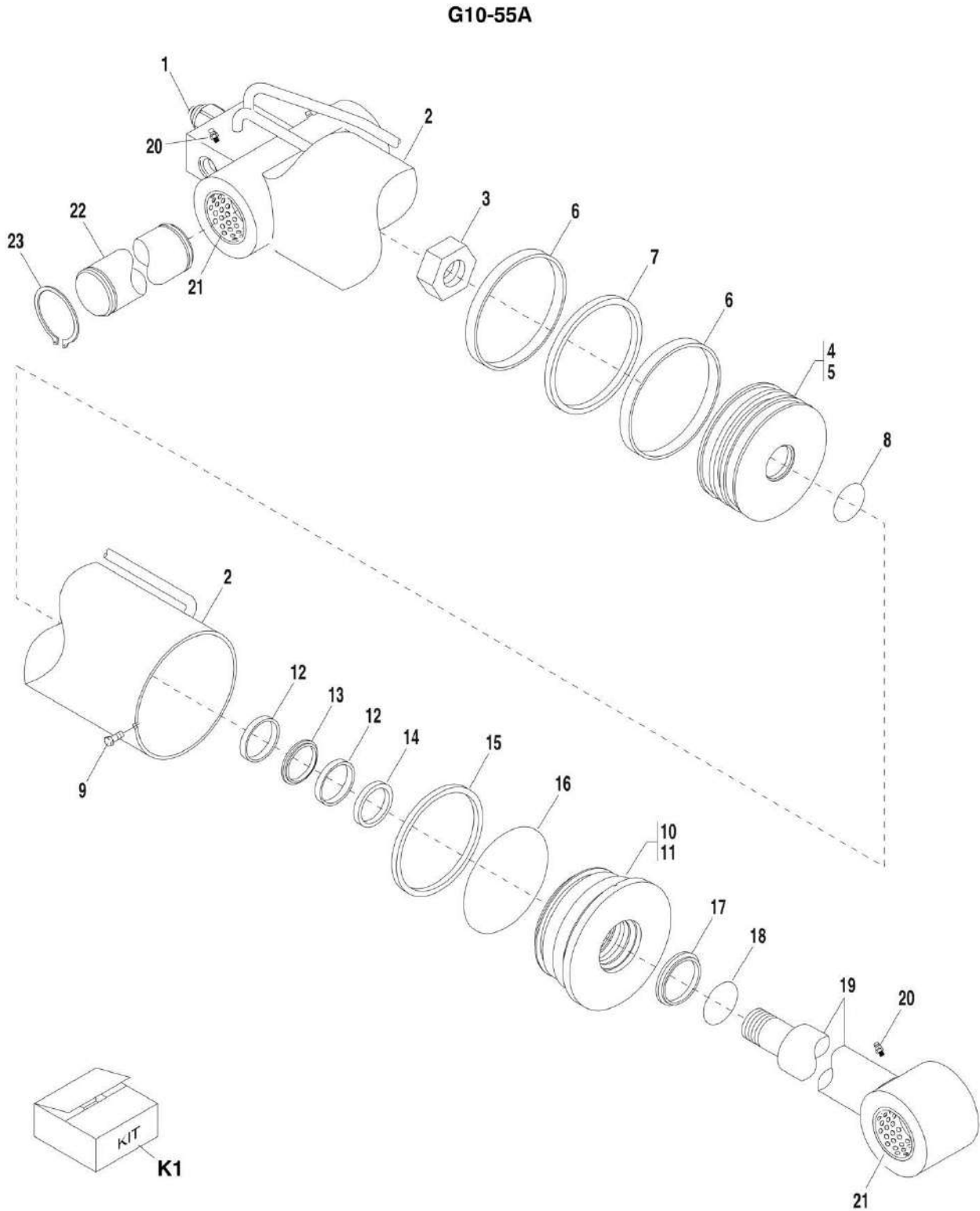
SECTION 9 - HYDRAULIC COMPONENTS

FIGURE 9-18. CROWD CYLINDER

ITEM	PART NUMBER	QTY	DESCRIPTION	REV
	1001163569	1	CROWD CYLINDER	B
1	2220883	2	PLUG, (includes o-ring)	
2	3020043	AR	ANTI-SIEZE LUBE	
3	1001122484	1	BARREL	
4	1001122491	1	ROD	
5	1001163566	1	GLAND	
6	1001122495	1	PISTON	
7	1001122505	1	LOCKNUT, (torque to 1376 lb-ft/1865 Nm)	
8	1001123013	1	SPACER	
9	1001123014	1	COUNTERBALANCE VALVE, (includes o-ring), (torque to 110 lb-ft/149 Nm)	
9	91514251	1	SEAL KIT	
10	1001123015	1	COUNTERBALANCE VALVE, (includes o-ring), (torque to 33 lb-ft/44 Nm)	
10	91574001	1	SEAL KIT	
11	1001125137	1	SET SCREW, #8-32	
100	1001163542	1	SEAL KIT, (includes items 101 thru 112)	
101	Kit	1	O-RING	
102	Kit	1	BUFFER SEAL	
103	Kit	1	O-RING	
104	Kit	1	O-RING	
105	Kit	2	WEAR RING	
106	Kit	2	WEAR RING	
107	Kit	1	WIPER RING	
108	Kit	1	ROD SEAL	
109	Kit	1	GLAND SEAL	
110	Kit	1	PISTON SEAL	
111	Kit	1	O-RING	
112	Kit	1	O-RING	

SECTION 9 - HYDRAULIC COMPONENTS

FIGURE 9-19. TILT CYLINDER (G10-55A Prior to SN 0160033661)



PAL0791

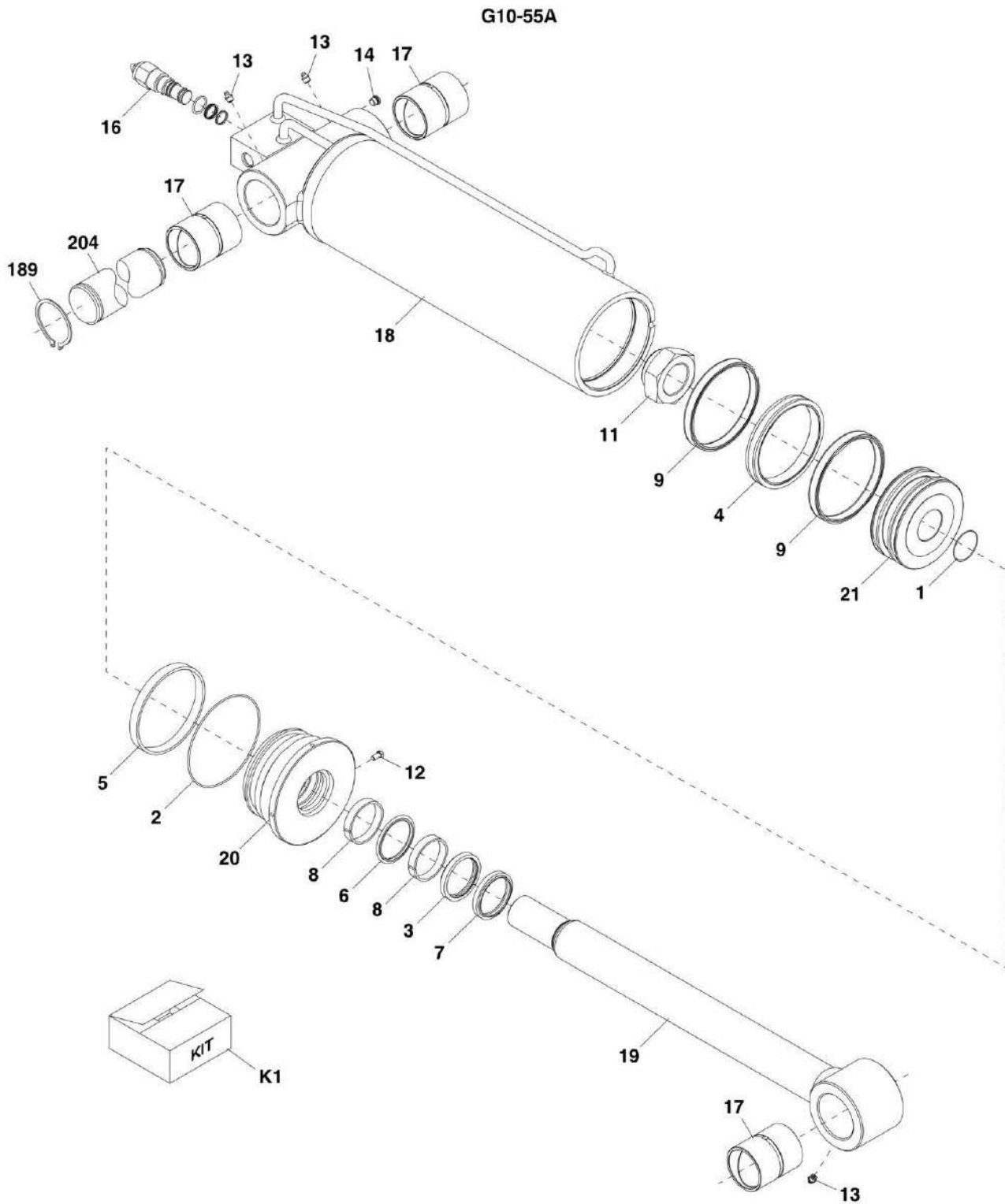
SECTION 9 - HYDRAULIC COMPONENTS

FIGURE 9-19. TILT CYLINDER (G10-55A Prior to SN 0160033661)

ITEM	PART NUMBER	QTY	DESCRIPTION	REV
	91573013	1	TILT CYLINDER, (G10-55A), (includes items 1 thru 21)	D
1	7026947	1	CARTRIDGE VALVE, (torque to 44 lb-ft)	
2	7026949	1	CASE ASSY, (includes two of item 21)	
3	91034153	1	LOCKNUT, (torque to 2050-2100 lb-ft)	
4	7026942	1	PISTON ASSY, (includes items 5 thru 8)	
5	7026945	1	PISTON	
6	Kit	2	WEAR RING	
7	Kit	1	CAP SEAL	
8	Kit	1	O-RING	
9	91124096	1	SELF-TAPPING CAPSCREW	
10	7026941	1	HEAD ASSY, (includes items 11 thru 17), (torque to 550-600 lb-ft)	
11	7026946	1	HEAD	
12	Kit	2	WEAR RING	
13	Kit	1	STEP SEAL	
14	Kit	1	U-CUP	
15	Kit	1	U-CUP	
16	Kit	1	O-RING	
17	Kit	1	WIPER	
18	7026474	1	O-RING	
19	7026948	1	SHAFT ASSY, (includes one of item 21)	
20	91144128	3	GREASE FITTING	
21	91563244	3	BUSHING	
22	91563078	1	PIN	
23	88581157	2	RETAINING RING, 2-1/2	
K1	7026944	1	SEAL KIT, (includes items 6, 7, 8 & 12 thru 17)	

SECTION 9 - HYDRAULIC COMPONENTS

FIGURE 9-20. TILT CYLINDER (G10-55A SN 0160033661 through 0160035822)



PAP12640

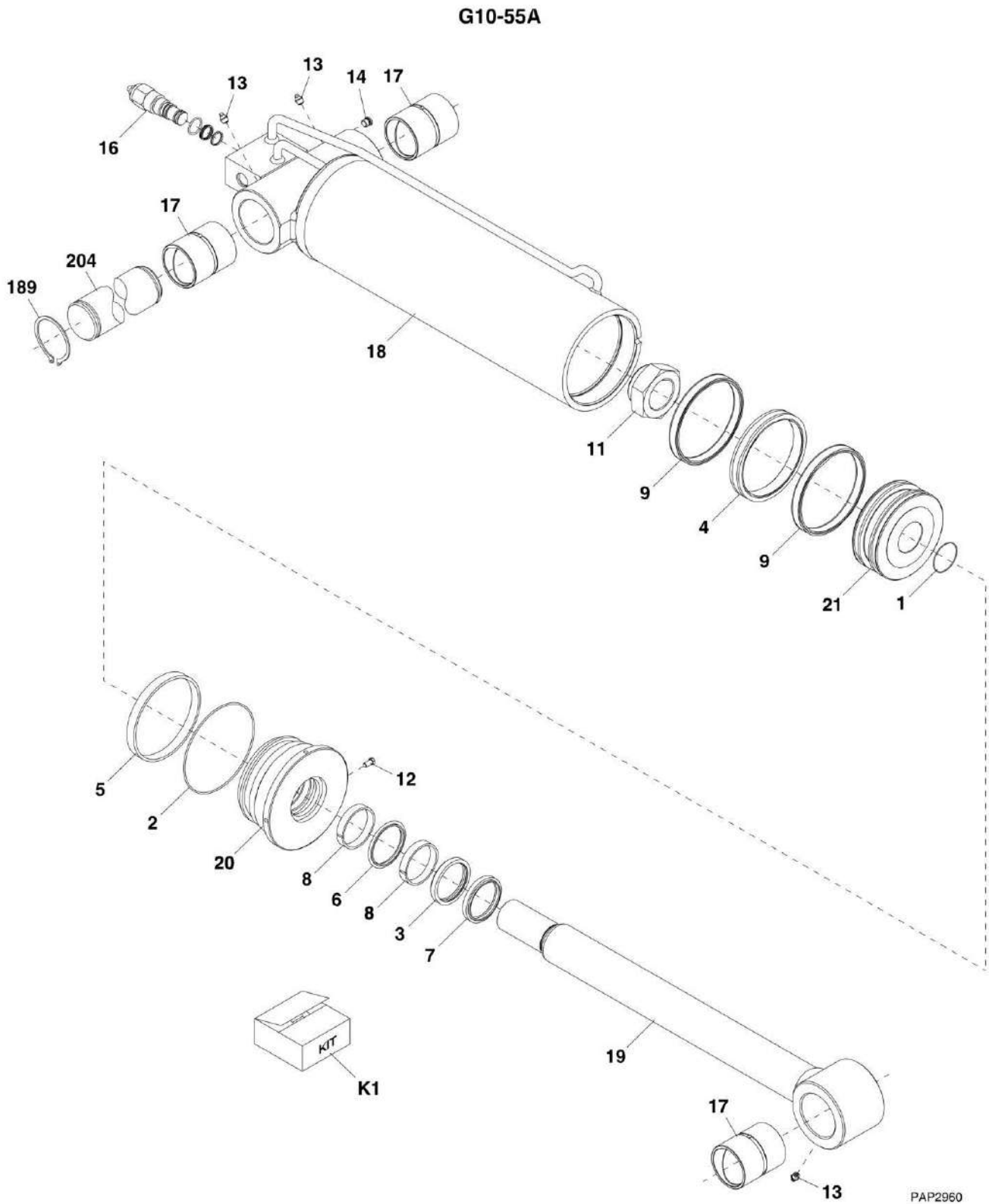
SECTION 9 - HYDRAULIC COMPONENTS

FIGURE 9-20. TILT CYLINDER (G10-55A SN 0160033661 through 0160035822)

ITEM	PART NUMBER	QTY	DESCRIPTION	REV
	91573030	1	TILT CYLINDER, (G10-55A), (includes items 1 thru 21)	B
1	Kit	1	O-RING	
2	Kit	1	O-RING	
3	Kit	1	SEAL	
4	Kit	1	SEAL	
5	Kit	1	SEAL	
6	Kit	1	SEAL	
7	Kit	1	WIPER	
8	Kit	2	WEAR RING	
9	Kit	2	WEAR RING	
11	7005314	1	LOCKNUT, (torque to 2200-2400 lb-ft)	
12	70021630	1	SELF TAPPING SCREW	
13	7003242	3	LUBE FITTING	
14	7005365	1	PORT PLUG	
16	7026947	1	COUNTERBALANCE VALVE, (torque to 44 lb-ft)	
16	91404382	1	SEAL KIT	
17	91563244	3	BUSHING	
18	70021651	NLA	TUBE ASSY, (no longer available, replace with both 70021954 head and 70021955 tube assy)	
19	70021652	1	ROD ASSY	
20	70021649	NLA	HEAD, (no longer available, replace with both 70021954 head and 70021955 tube assy)	
21	70021650	1	PISTON	
189	88581157	2	RETAINING RING	
204	91563078	1	CYLINDER PIN	
K1	70021574	1	SEAL KIT, (includes items 1 thru 9)	

SECTION 9 - HYDRAULIC COMPONENTS

FIGURE 9-21. TILT CYLINDER (G10-55A SN 0160035822 through 0160037689)



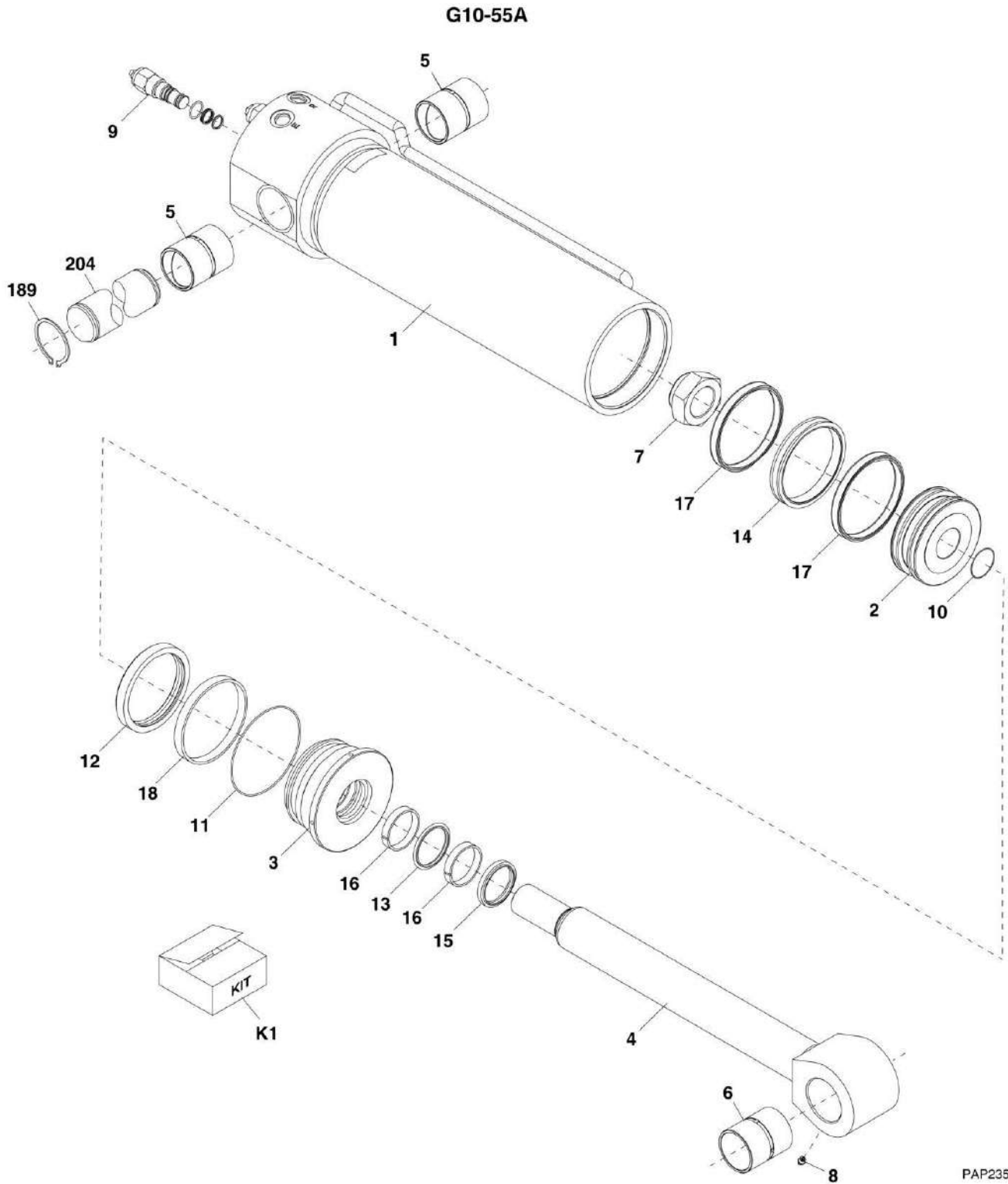
SECTION 9 - HYDRAULIC COMPONENTS

FIGURE 9-21. TILT CYLINDER (G10-55A SN 0160035822 through 0160037689)

ITEM	PART NUMBER	QTY	DESCRIPTION	REV
	1001101287	Ref	TILT CYLINDER, (G10-55A), (not available to order, see items 1 thru 21 for service)	B
1	Kit	1	O-RING	
2	Kit	1	O-RING	
3	Kit	1	SEAL	
4	Kit	1	SEAL	
5	Kit	1	SEAL	
6	Kit	1	SEAL	
7	Kit	1	WIPER	
8	Kit	2	WEAR RING	
9	Kit	2	WEAR RING	
11	7005314	1	LOCKNUT, (torque to 2200-2400 lb-ft)	
12	70021630	1	SELF TAPPING SCREW	
13	7003242	3	LUBE FITTING	
14	7005365	1	PORT PLUG	
16	1001109225	1	COUNTERBALANCE VALVE, (torque to 44 lb-ft)	
16	91404382	1	SEAL KIT	
17	91563244	3	BUSHING	
18	70021955	1	TUBE ASSY	
19	70021652	1	ROD ASSY	
20	70021954	1	HEAD	
21	70021650	1	PISTON	
189	88581157	2	RETAINING RING	
204	91563078	1	CYLINDER PIN	
K1	70021574	1	SEAL KIT, (includes items 1 thru 9)	

SECTION 9 - HYDRAULIC COMPONENTS

FIGURE 9-22. TILT CYLINDER (G10-55A SN 0160037689 to Present)



PAP2351

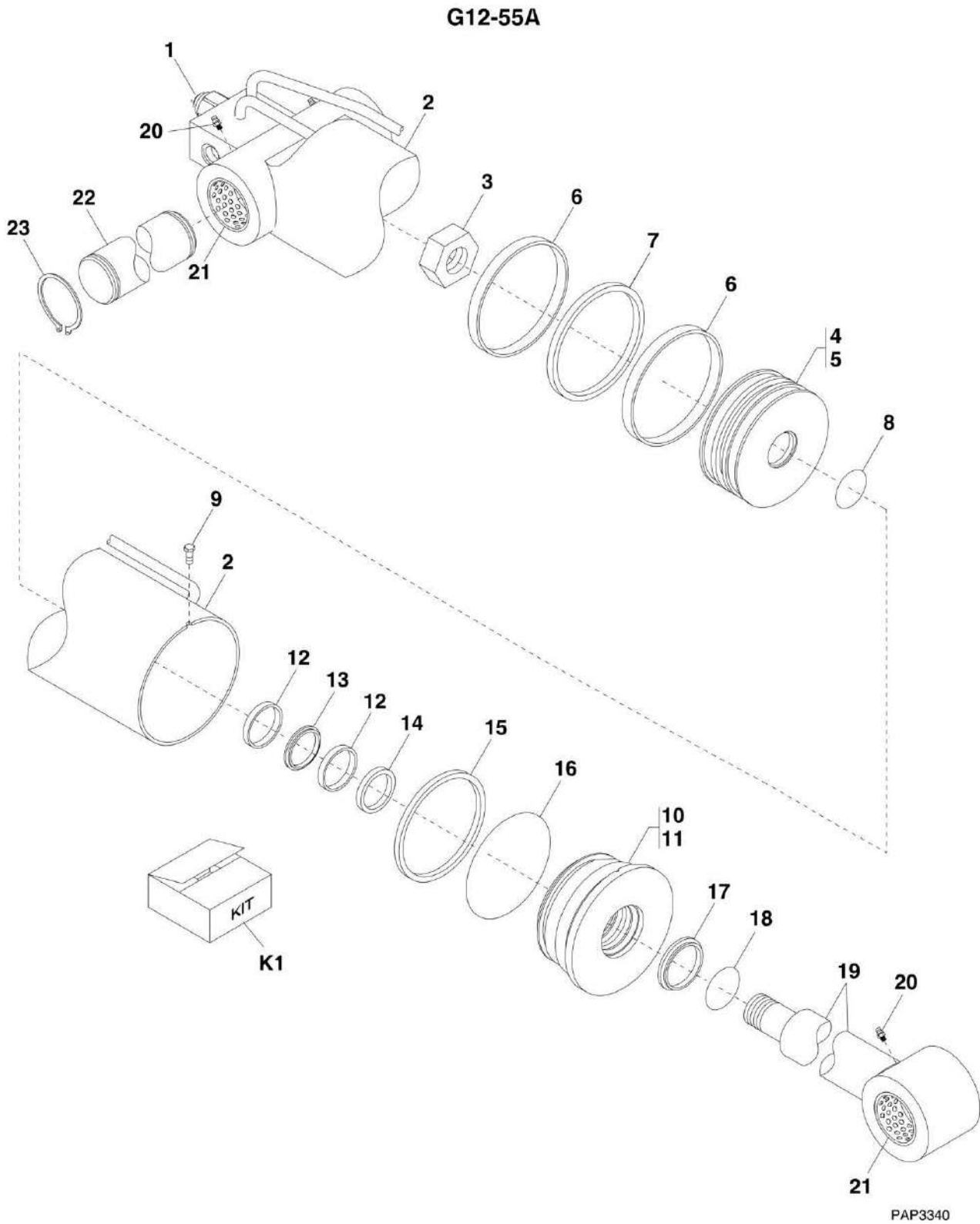
SECTION 9 - HYDRAULIC COMPONENTS

FIGURE 9-22. TILT CYLINDER (G10-55A SN 0160037689 to Present)

ITEM	PART NUMBER	QTY	DESCRIPTION	REV
	1684539	1	TILT CYLINDER, (G10-55A), (includes items 1 thru 18)	G
1	70022089	1	TUBE WELDMENT	
2	70022090	1	PISTON	
3	70022091	3	HEAD GLAND, (torque to 500-600 lb-ft)	
4	70022092	1	ROD WELDMENT	
5	1001098409	2	BEARING	
6	91563244	1	BUSHING	
7	8036394	1	LOCKNUT, (torque to 2200-2500 lb-ft)	
8	70020375	1	LUBE FITTING	
9	70023965	1	COUNTERBALANCE VALVE, (torque to 40-45 lb-ft)	
9	70024003	1	SEAL KIT	
10	Kit	1	O-RING	
11	Kit	1	O-RING	
12	Kit	1	SEAL	
13	Kit	1	SEAL	
14	Kit	1	SEAL	
15	Kit	1	WIPER	
16	Kit	1	WEAR RING	
17	Kit	2	WEAR RING	
18	Kit	2	INSERT	
189	88581157	2	RETAINING RING	
204	1001098220	1	CYLINDER PIN	
235	8307916	AR	WASHER, SHIM, (not shown)	
236	8307917	AR	WASHER, SHIM, (not shown)	
K1	70022093	1	SEAL KIT, (includes items 10 thru 18)	

SECTION 9 - HYDRAULIC COMPONENTS

FIGURE 9-23. TILT CYLINDER (G12-55A Prior to SN 0160033659; Excluding 0160033452)



SECTION 9 - HYDRAULIC COMPONENTS

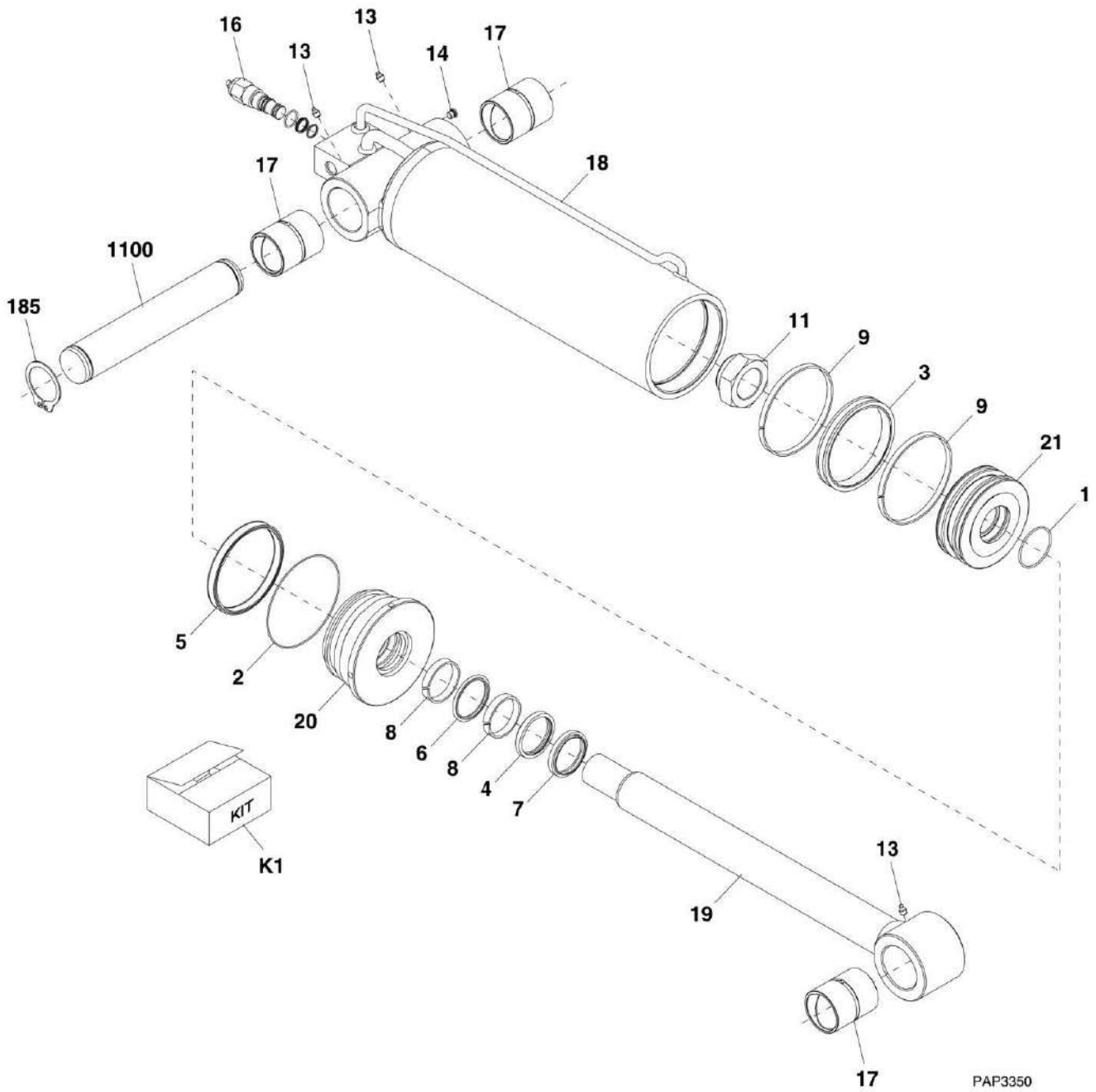
FIGURE 9-23. TILT CYLINDER (G12-55A Prior to SN 0160033659; Excluding 0160033452)

ITEM	PART NUMBER	QTY	DESCRIPTION	REV
	91563137	1	TILT CYLINDER, (G12-55A), (includes items 1 thru 21)	H
1	7026947	1	CARTRIDGE VALVE, (torque to 44 lb-ft)	
2	7026951	1	CASE ASSY, (includes two of item 21)	
3	91034153	1	LOCKNUT, (torque to 2250-2300 lb-ft)	
4	7026469	1	PISTON ASSY, (includes items 5 thru 8)	
5	7026470	1	PISTON	
6	Kit	2	WEAR RING	
7	Kit	1	CAP SEAL	
8	Kit	1	O-RING	
9	91124096	1	SELF-TAPPING CAPSCREW	
10	7026468	1	HEAD ASSY, (includes items 11 thru 17), (torque to 550-600 lb-ft)	
11	7026939	1	HEAD	
12	Kit	2	WEAR RING	
13	Kit	1	STEP SEAL	
14	Kit	1	U-CUP	
15	Kit	1	U-CUP	
16	Kit	1	O-RING	
17	Kit	1	WIPER	
18	7026474	1	O-RING	
19	7026948	1	SHAFT ASSY, (includes one of item 21)	
20	91144128	3	LUBE FITTING	
21	91563244	3	BUSHING	
22	91563078	1	PIN	
23	88581157	2	RETAINING RING, 2-1/2	
K1	7026475	1	SEAL KIT, (includes items 6, 7, 8 & 12 thru 17)	

SECTION 9 - HYDRAULIC COMPONENTS

FIGURE 9-24. TILT CYLINDER (G12-55A SN 0160033659 through 0160035879; Including 0160033452)

G12-55A



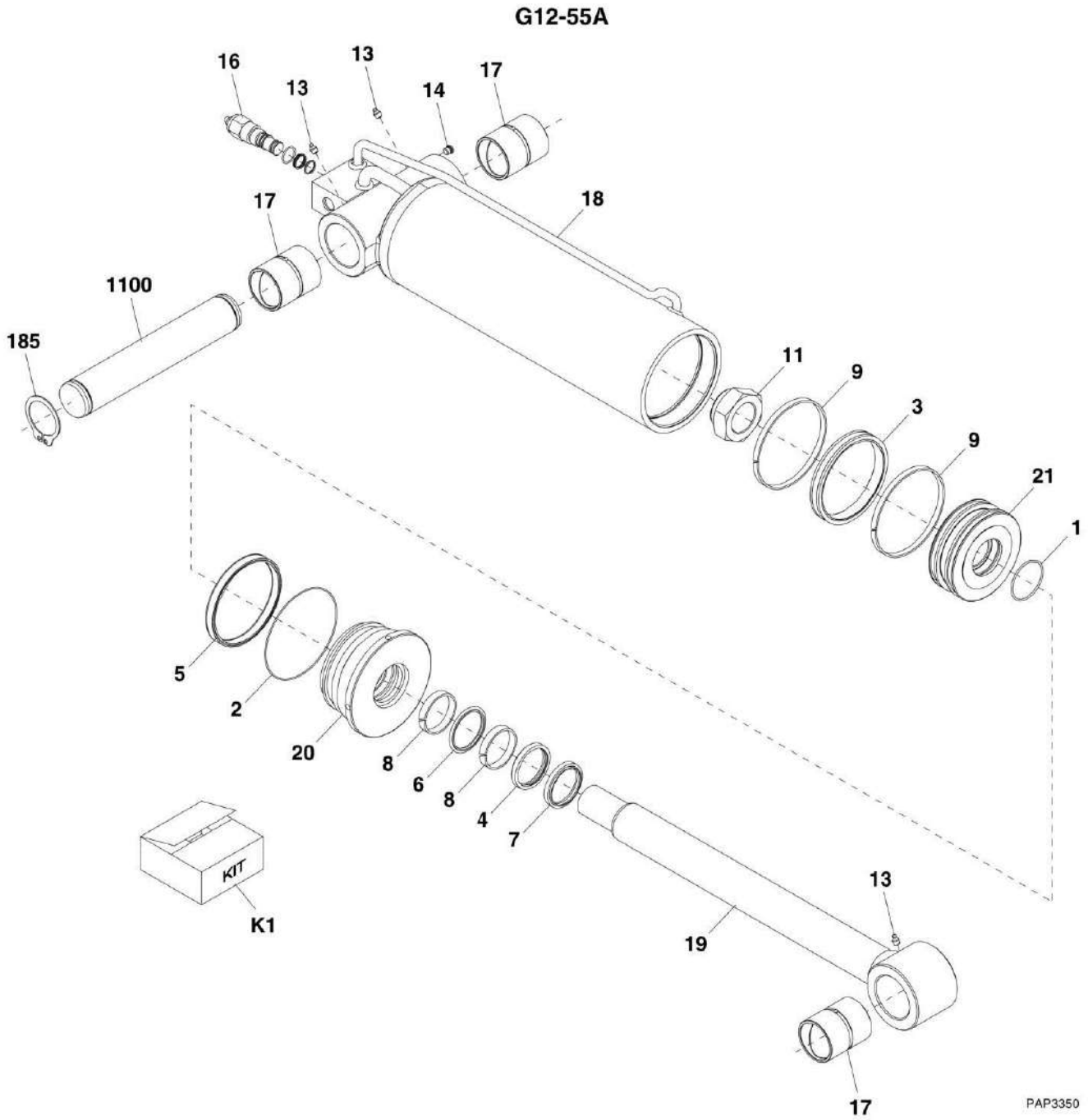
SECTION 9 - HYDRAULIC COMPONENTS

FIGURE 9-24. TILT CYLINDER (G12-55A SN 0160033659 through 0160035879; Including 0160033452)

ITEM	PART NUMBER	QTY	DESCRIPTION	REV
	91563271	1	TILT CYLINDER, (G12-55A), (includes items 1 thru 21)	B
1	Kit	1	O-RING	
2	Kit	1	O-RING	
3	Kit	1	SEAL	
4	Kit	1	SEAL	
5	Kit	1	SEAL	
6	Kit	1	SEAL	
7	Kit	1	WIPER	
8	Kit	2	WEAR RING	
9	Kit	2	WEAR RING	
11	7005314	1	LOCKNUT, (torque to 2400-2600 lb-ft)	
12	70021630	1	SELF TAPPING SCREW	
13	7003242	3	LUBE FITTING	
14	7005365	1	PORT PLUG	
16	1001109225	1	COUNTERBALANCE VALVE, (torque to 44 lb-ft)	
17	91563244	3	BUSHING	
18	70021667	NLA	TUBE ASSY, (no longer available; replace with both 70021951 head and 70021952 tube assy)	
19	70021668	1	ROD ASSY	
20	70021665	NLA	HEAD, (no longer available; replace with both 70021951 head and 70021952 tube assy)	
21	70021666	1	PISTON	
185	88581157	2	RETAINING RING	
1100	91563078	1	CYLINDER PIN	
K1	70021548	1	SEAL KIT, (includes items 1 thru 9)	

SECTION 9 - HYDRAULIC COMPONENTS

FIGURE 9-25. TILT CYLINDER (G12-55A SN 0160035879 through 0160037689)



PAP3350

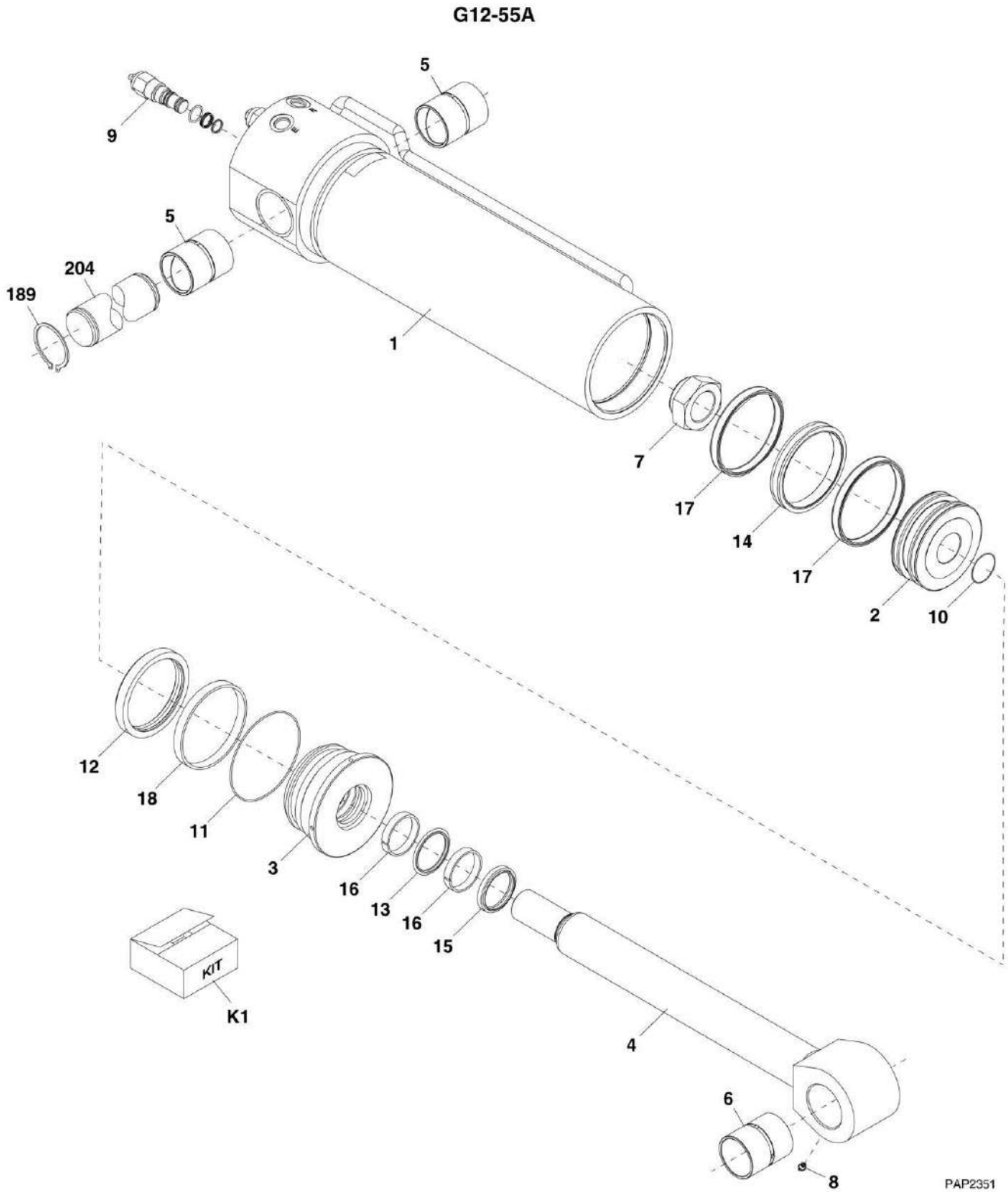
SECTION 9 - HYDRAULIC COMPONENTS

FIGURE 9-25. TILT CYLINDER (G12-55A SN 0160035879 through 0160037689)

ITEM	PART NUMBER	QTY	DESCRIPTION	REV
	1001101284	NLA	TILT CYLINDER, (G12-55A), (no longer available, order 1001106331 for replacement or see items 1 thru 21 for service)	B
	1001106331	1	TILT CYLINDER, (G12-55A), (includes items 1 thru 21)	D
1	Kit	1	O-RING	
2	Kit	1	O-RING	
3	Kit	1	SEAL	
4	Kit	1	SEAL	
5	Kit	1	SEAL	
6	Kit	1	SEAL	
7	Kit	1	WIPER	
8	Kit	1	WEAR RING	
9	Kit	1	WEAR RING	
11	7005314	1	LOCKNUT, (torque to 2400-2600 lb-ft)	
12	70021630	1	SELF TAPPING SCREW	
13	7003242	3	LUBE FITTING	
14	7005365	1	PORT PLUG	
16	1001109225	NLA	COUNTERBALANCE VALVE, (no longer available, order 70023965 for replacement), (torque to 44 lb-ft)	
16	70023965	1	COUNTERBALANCE VALVE, (torque to 44 lb-ft)	
16	70024003	1	SEAL KIT	
17	91563244	3	BUSHING	
18	70021952	1	TUBE ASSY	
19	70021668	1	ROD ASSY	
20	70021951	1	HEAD	
21	70021666	1	PISTON	
185	88581157	2	RETAINING RING	
1100	91563078	1	CYLINDER PIN	
K1	70021548	1	SEAL KIT, (includes items 1 thru 9)	

SECTION 9 - HYDRAULIC COMPONENTS

FIGURE 9-26. TILT CYLINDER (G12-55A SN 0160037689 to Present)



PAP2351

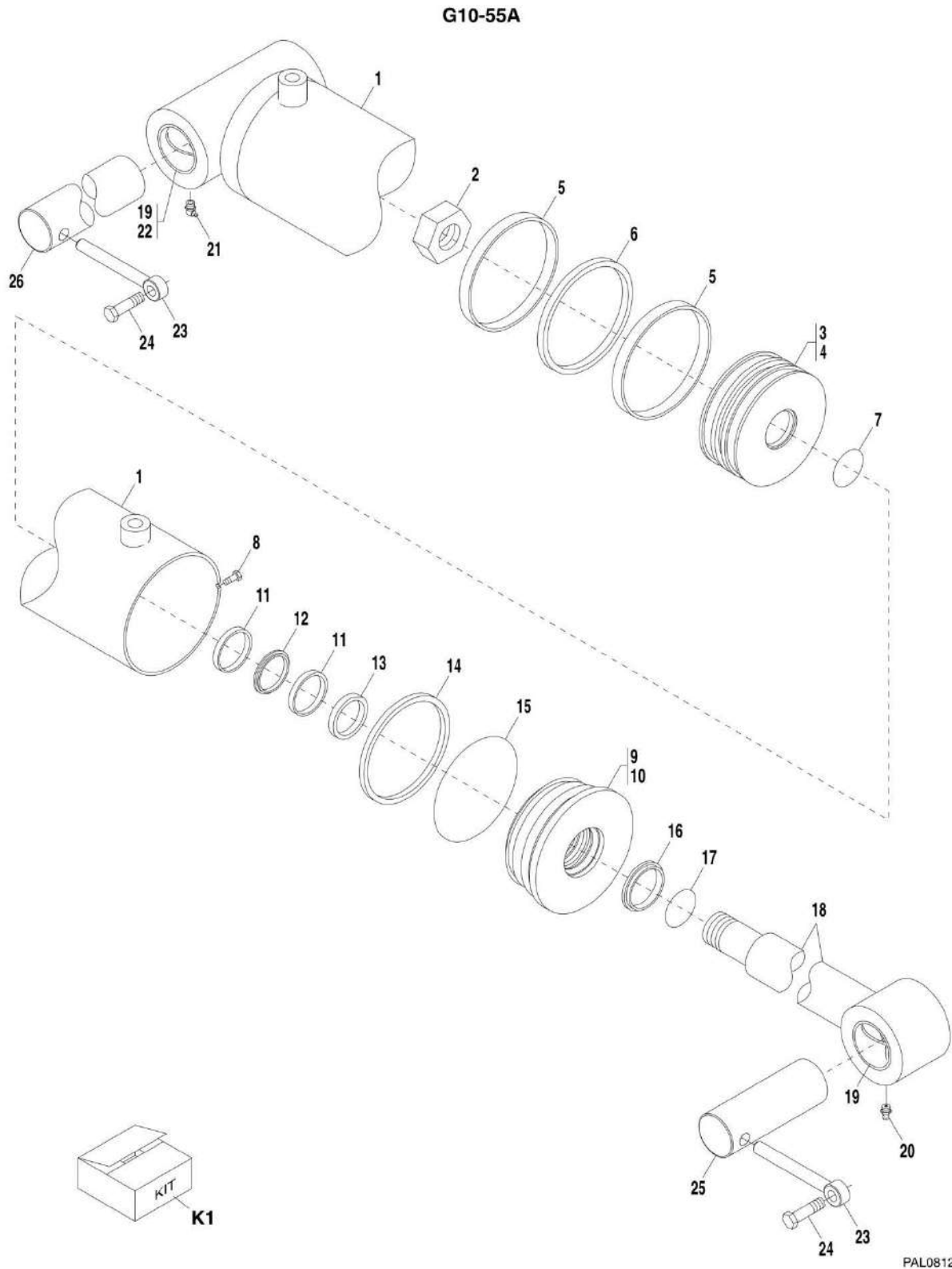
SECTION 9 - HYDRAULIC COMPONENTS

FIGURE 9-26. TILT CYLINDER (G12-55A SN 0160037689 to Present)

ITEM	PART NUMBER	QTY	DESCRIPTION	REV
	1684538	1	TILT CYLINDER, (G12-55A), (includes items 1 thru 18)	G
1	70022094	1	TUBE WELDMENT	
2	70022095	1	PISTON	
3	70022096	3	HEAD GLAND, (torque to 500-600 lb-ft)	
4	70022092	1	ROD WELDMENT	
5	1001098409	2	BEARING	
6	91563244	1	BUSHING	
7	8036394	1	LOCKNUT, (torque to 2200-2500 lb-ft)	
8	70020375	1	LUBE FITTING	
9	70023965	1	COUNTERBALANCE VALVE, (torque to 40-45 lb-ft)	
9	70024003	1	SEAL KIT	
10	Kit	1	O-RING	
11	Kit	1	O-RING	
12	Kit	1	SEAL	
13	Kit	1	SEAL	
14	Kit	1	SEAL	
15	Kit	1	SEAL	
16	Kit	1	WIPER	
17	Kit	2	WEAR RING	
18	Kit	2	WEAR RING	
189	88581157	2	RETAINING RING	
204	1001098220	1	CYLINDER PIN	
235	8307916	AR	WASHER, SHIM, (not shown)	
236	8307917	AR	WASHER, SHIM, (not shown)	
K1	70022098	1	SEAL KIT, (includes items 10 thru 18)	

SECTION 9 - HYDRAULIC COMPONENTS

FIGURE 9-27. COMPENSATING CYLINDER (G10-55A Prior to SN 0160033659; Excluding 0160033452)



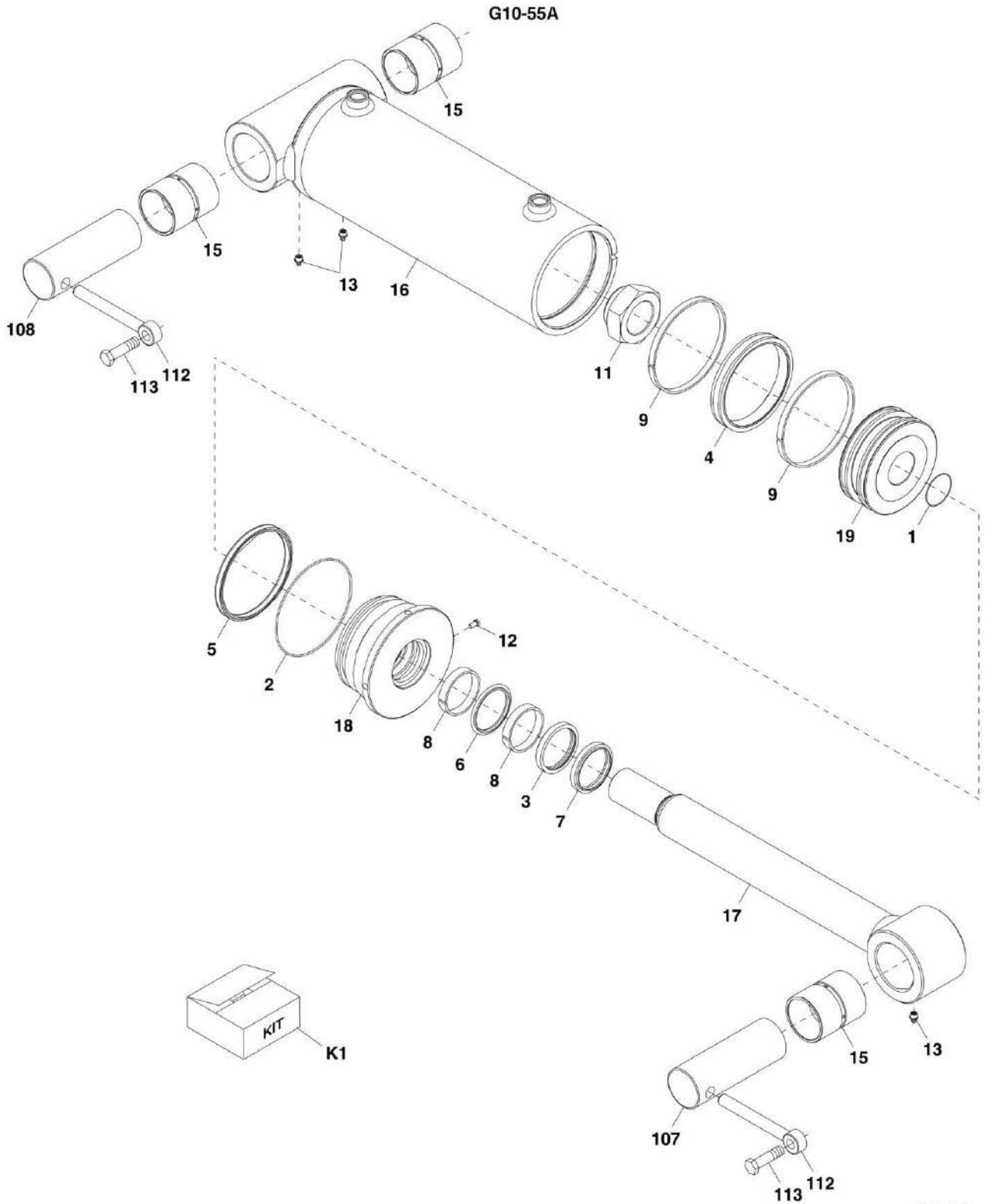
SECTION 9 - HYDRAULIC COMPONENTS

FIGURE 9-27. COMPENSATING CYLINDER (G10-55A Prior to SN 0160033659; Excluding 0160033452)

ITEM	PART NUMBER	QTY	DESCRIPTION	REV
	91573014	1	COMPENSATING CYLINDER, (G10-55A), (includes items 1 thru 22)	C
1	7026943	1	CASE ASSY, (includes two of item 19)	
2	91034153	1	LOCKNUT, (torque to 2050-2100 lb-ft)	
3	7026942	1	PISTON ASSY, (includes items 4 thru 7)	
4	7026945	1	PISTON	
5	Kit	2	WEAR RING	
6	Kit	1	CAP SEAL	
7	Kit	1	O-RING	
8	91124096	1	SELF-TAPPING CAPSCREW	
9	7026941	1	HEAD ASSY, (includes items 10 thru 16), (torque to 550-600 lb-ft)	
10	7026946	1	HEAD	
11	Kit	2	WEAR RING	
12	Kit	1	STEP SEAL	
13	Kit	1	U-CUP	
14	Kit	1	U-CUP	
15	Kit	1	O-RING	
16	Kit	1	WIPER	
17	7026474	1	O-RING	
18	7026940	1	SHAFT ASSY, (includes one of item 19)	
19	91404287	3	BUSHING	
20	91144128	1	GREASE FITTING	
21	91404203	2	GREASE FITTING, 45	
22	7026473	1	SPACER	
23	3841287	2	ROD KEEPER	
24	0682216	2	HEX HD CAPSCREW, 3/4-10X2, GR8	
25	91563077	1	UPPER COMP CYLINDER PIN	
26	91563047	1	LOWER COMP CYLINDER PIN	
K1	7026944	1	SEAL KIT, (includes items 5, 6, 7 & 11 thru 16)	

SECTION 9 - HYDRAULIC COMPONENTS

FIGURE 9-28. COMPENSATING CYLINDER (G10-55A SN 0160033659 through 0160037689; Including 0160033452)



PAP12660

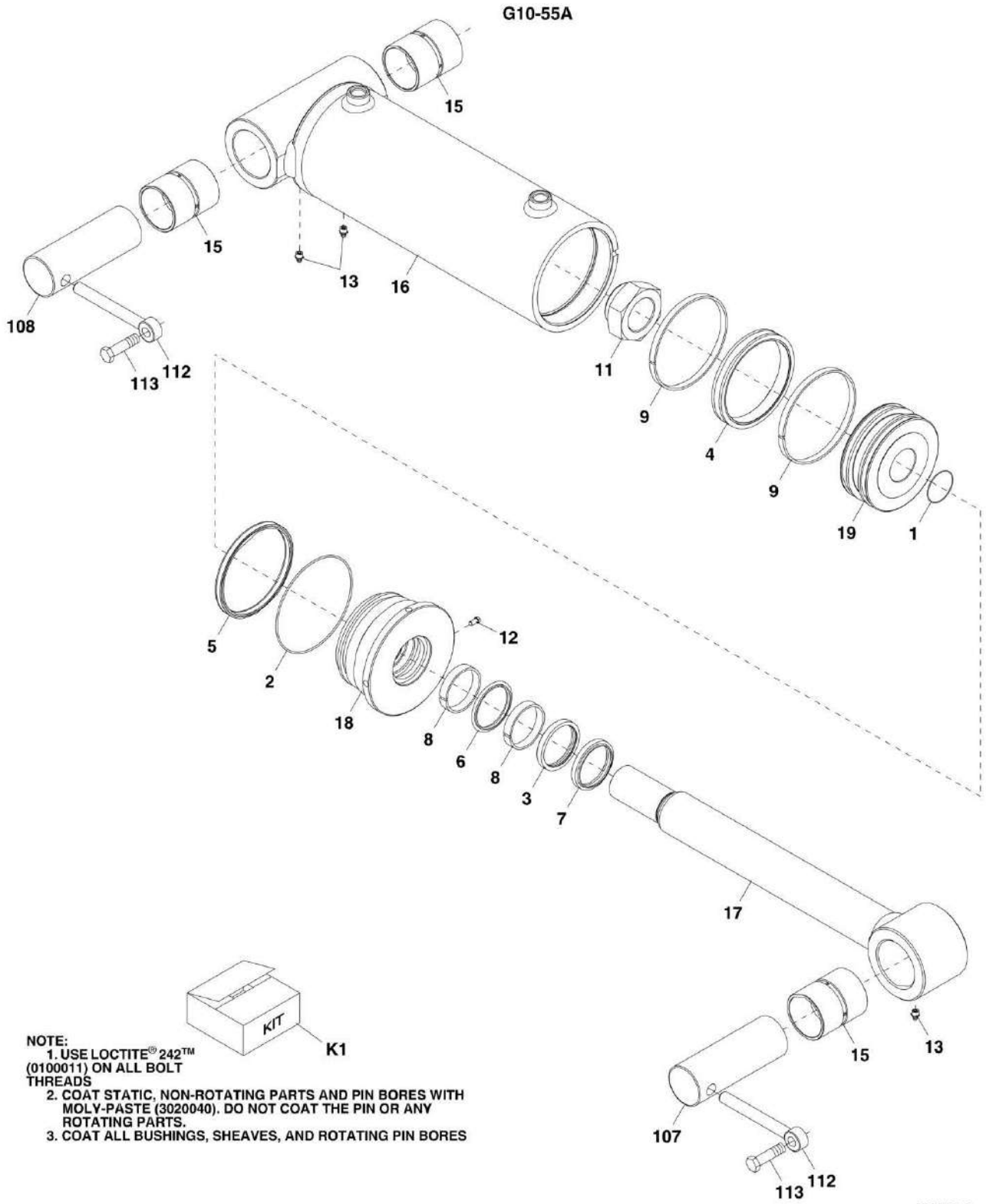
SECTION 9 - HYDRAULIC COMPONENTS

FIGURE 9-28. COMPENSATING CYLINDER (G10-55A SN 0160033659 through 0160037689; Including 0160033452)

ITEM	PART NUMBER	QTY	DESCRIPTION	REV
	91573031	1	COMPENSATING CYLINDER, (G10-55A), (includes items 1 thru 19)	B
1	Kit	1	O-RIING	
2	Kit	1	O-RIING	
3	Kit	1	SEAL	
4	Kit	1	SEAL	
5	Kit	1	SEAL	
6	Kit	1	SEAL	
7	Kit	1	WIPER	
8	Kit	1	WEAR RING	
9	Kit	1	WEAR RING	
11	7005314	1	LOCKNUT, (torque to 2200-2400 lb-ft)	
12	70021630	1	SELF TAPPING SCREW	
13	7003242	3	LUBE FITTING	
15	91563244	3	BUSHING	
16	70021669	NLA	TUBE ASSY, (no longer available; replace with both 70021954 head and 70021956 tube assy)	
17	70021670	1	ROD ASSY	
18	70021649	NLA	HEAD, (no longer available; replace with both 70021954 head and 70021956 tube assy)	
19	70021650	1	PISTON	
107	91563077	1	UPPER COMP CYLINDER PIN	
108	91563047	1	LOWER COMP CYLINDER PIN	
112	3841287	2	ROD KEEPER	
113	0682216	2	HEX HD CAPSCREW, 3/4-10X2, GR8	
K1	70021574	1	SEAL KIT, (includes items 1 thru 9)	

SECTION 9 - HYDRAULIC COMPONENTS

FIGURE 9-29. COMPENSATING CYLINDER (G10-55A SN 0160037689 through 0160041564)



PAP12660

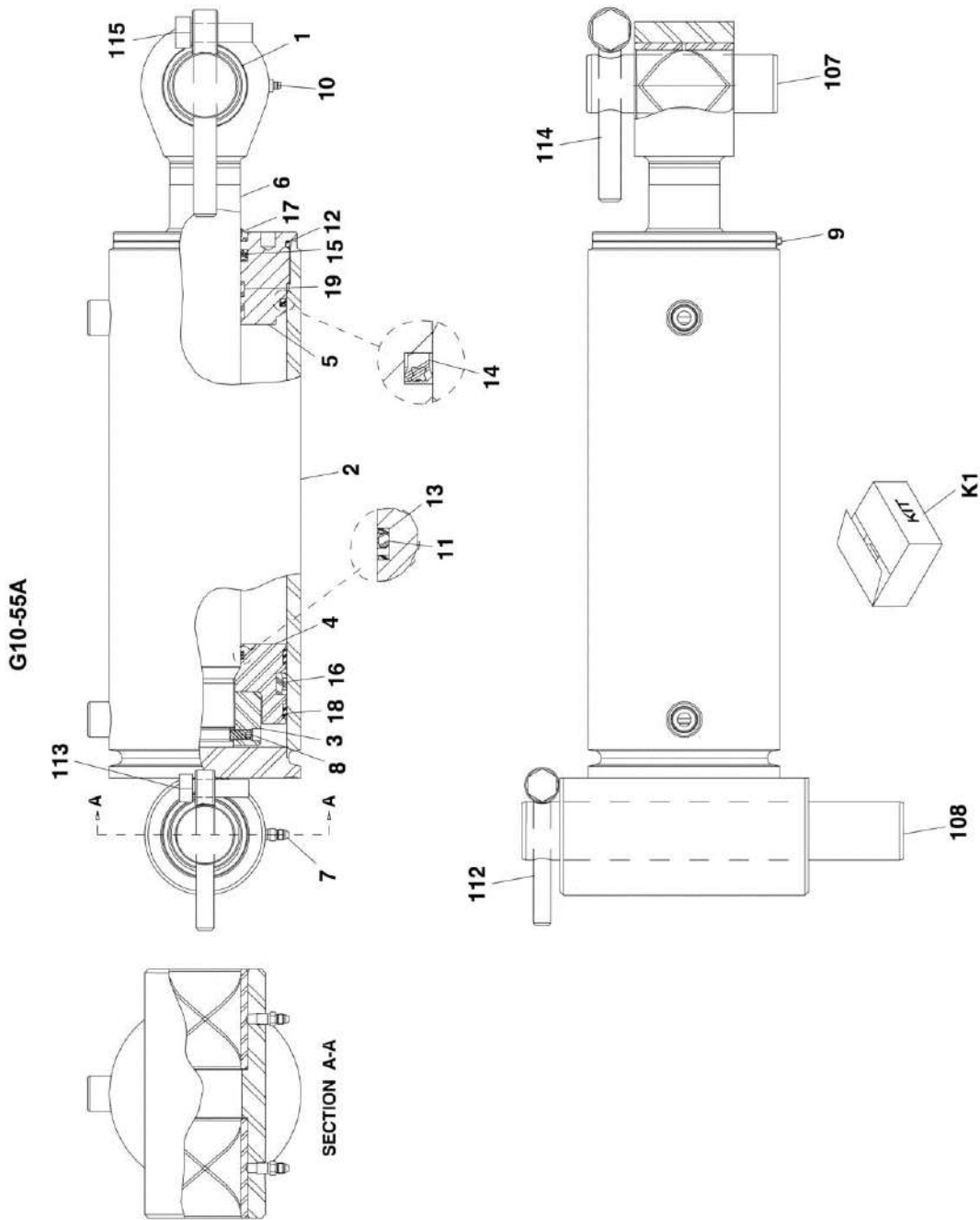
SECTION 9 - HYDRAULIC COMPONENTS

FIGURE 9-29. COMPENSATING CYLINDER (G10-55A SN 0160037689 through 0160041564)

ITEM	PART NUMBER	QTY	DESCRIPTION	REV
	1001101288	1	COMPENSATING CYLINDER, (G10-55A), (includes items 1 thru 19)	D
1	Kit	1	O-RIING	
2	Kit	1	O-RIING	
3	Kit	1	SEAL	
4	Kit	1	SEAL	
5	Kit	1	SEAL	
6	Kit	1	SEAL	
7	Kit	1	WIPER	
8	Kit	2	WEAR RING	
9	Kit	2	WEAR RING	
11	7005314	1	LOCKNUT, (torque to 2200-2400 lb-ft)	
12	70021630	1	SELF TAPPING SCREW	
13	7003242	3	LUBE FITTING	
15	91563244	3	BUSHING	
16	70021956	1	TUBE ASSY	
17	70021670	1	ROD ASSY	
18	70021954	1	HEAD	
19	70021650	1	PISTON	
107	91563077	1	UPPER COMP CYLINDER PIN	
108	91563047	1	LOWER COMP CYLINDER PIN	
112	3841287	2	ROD KEEPER	
113	0682216	2	HEX HD CAPSCREW, 3/4-10X2, GR8, (torque to 380 lb-ft)	
K1	70021574	1	SEAL KIT, (includes items 1 thru 9)	

SECTION 9 - HYDRAULIC COMPONENTS

FIGURE 9-30. COMPENSATING CYLINDER (G10-55A SN 0160041565 to Present)



PAP3480

NOTE:
 1. USE LOCTITE® 242™ (0100011) ON ALL BOLT THREADS
 2. COAT STATIC, NON-ROTATING PARTS AND PIN BORES WITH MOLY-PASTE (3020040). DO NOT COAT THE PIN OR ANY ROTATING PARTS.
 3. COAT ALL BUSHINGS, SHEAVES, AND ROTATING PIN BORES WITH MYSTIK TETRIMOLY GREASE (14404793) PRIOR TO NST L AT O OF THE P N

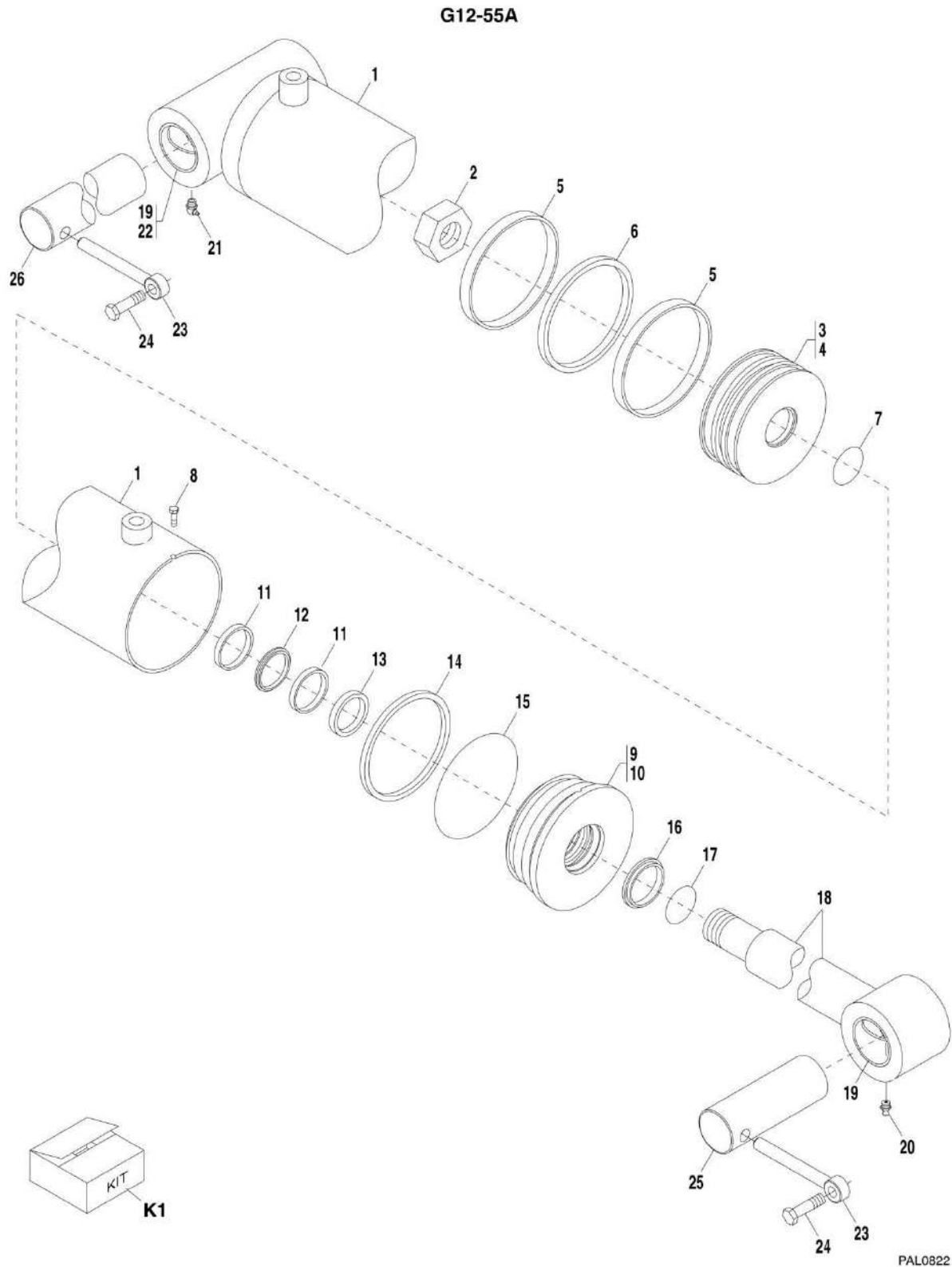
SECTION 9 - HYDRAULIC COMPONENTS

FIGURE 9-30. COMPENSATING CYLINDER (G10-55A SN 0160041565 to Present)

ITEM	PART NUMBER	QTY	DESCRIPTION	REV
	1001116442	1	COMPENSATING CYLINDER, (G10-55A), (includes items 1 thru 19)	D
1	70023979	3	BEARING	
2	70023980	1	TUBE WELDMENT	
3	70023981	1	LOCKING COLLAR	
4	70023982	1	PISTON	
5	70023983	1	HEAD GLAND	
6	70023984	1	ROD WELDMENT	
7	70023985	2	TUBE ADAPTER	
8	8036629	4	SET SCREW	
9	70023896	1	SELF TAPPING SCREW	
10	70020375	1	LUBE FITTING	
11	Kit	1	O-RING	
12	Kit	1	O-RING	
13	Kit	2	BACKUP RING	
14	Kit	1	POLYPAK	
15	Kit	1	SEAL	
16	Kit	1	CAP SEAL	
17	Kit	1	ROD WIPER	
18	Kit	2	WEARBAND	
19	Kit	2	PRECISION WEARBAND	
107	1001127962	1	UPPER COMP CYLINDER PIN	
108	91563047	1	LOWER COMP CYLINDER PIN	
112	3841287	1	ROD KEEPER	
113	0682216	1	HEX HD CAPSCREW	
114	3841356	1	ROD KEEPER	
115	0682618	1	HEX HD CAPSCREW	
K1	70023986	1	SEAL KIT, (includes items 11 thru 19)	

SECTION 9 - HYDRAULIC COMPONENTS

FIGURE 9-31. COMPENSATING CYLINDER (G12-55A Prior to SN 0160033659; Excluding 0160033452)



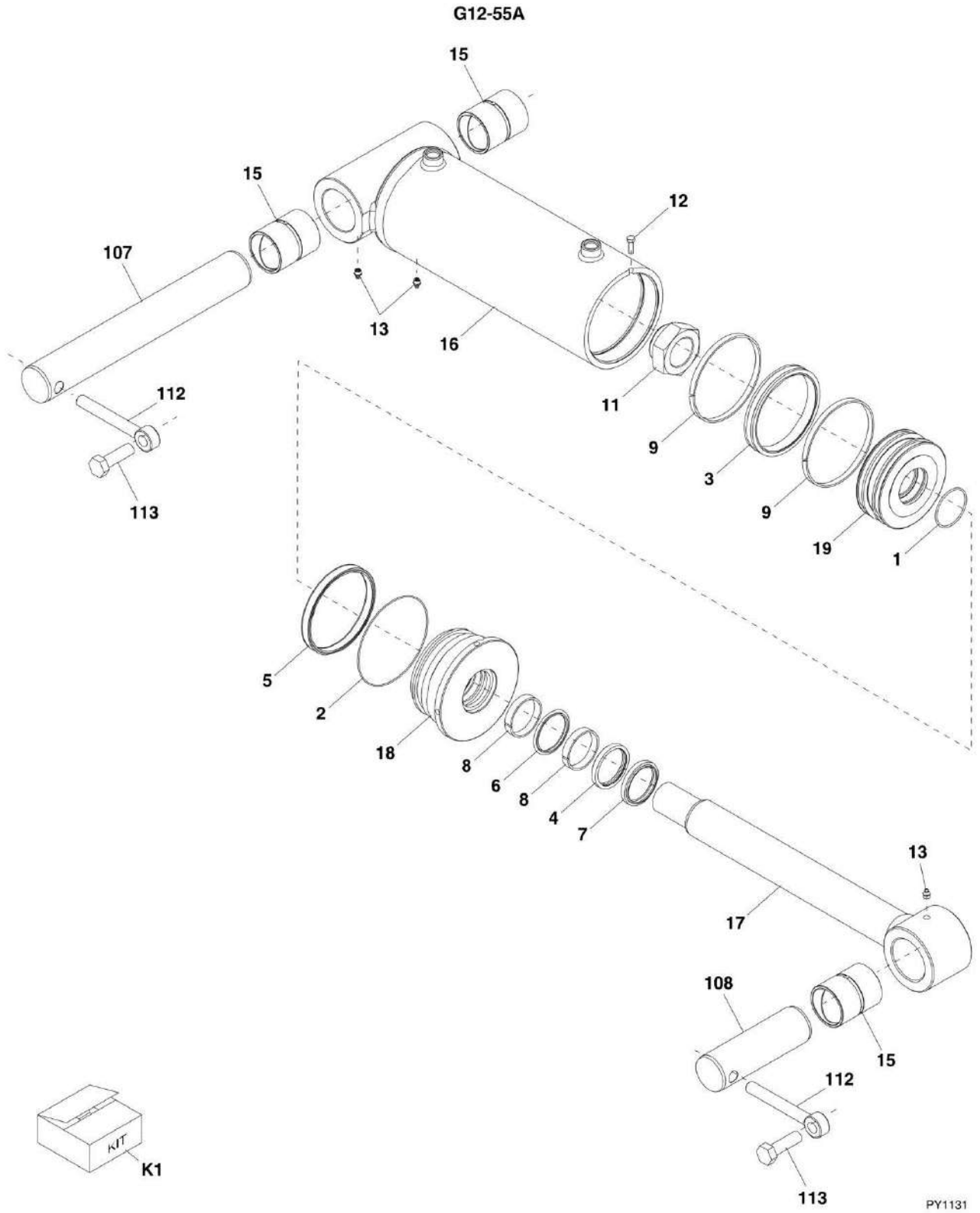
SECTION 9 - HYDRAULIC COMPONENTS

FIGURE 9-31. COMPENSATING CYLINDER (G12-55A Prior to SN 0160033659; Excluding 0160033452)

ITEM	PART NUMBER	QTY	DESCRIPTION	REV
	91563138	1	COMPENSATING CYLINDER, (G12-55A), (includes items 1 thru 22)	D
1	7026472	1	CASE ASSY, (includes two of item 19)	
2	91034153	1	LOCKNUT, (torque to 2250-2300 lb-ft)	
3	7026469	1	PISTON ASSY, (includes items 4 thru 7)	
4	7026470	1	PISTON	
5	Kit	2	WEAR RING	
6	Kit	1	CAP SEAL	
7	Kit	1	O-RING	
8	91124096	1	SELF-TAPPING CAPSCREW	
9	7026468	1	HEAD ASSY, (includes items 10 thru 16), (torque to 600 lb-ft)	
10	7026939	1	HEAD	
11	Kit	2	WEAR RING	
12	Kit	1	STEP SEAL	
13	Kit	1	U-CUP	
14	Kit	1	U-CUP	
15	Kit	1	O-RING	
16	Kit	1	WIPER	
17	7026474	1	O-RING	
18	7026471	1	SHAFT ASSY, (includes one of item 19)	
19	91404287	3	BUSHING	
20	91144128	1	GREASE FITTING	
21	91404203	2	GREASE FITTING, 45	
22	7026473	1	SPACER	
23	3841287	2	ROD KEEPER	
24	0682216	2	HEX HD CAPSCREW, 3/4-10X2, GR8	
25	91563077	1	UPPER COMP CYLINDER PIN	
26	91563047	1	LOWER COMP CYLINDER PIN	
K1	7026475	1	SEAL KIT, (includes items 5, 6, 7 & 11 thru 16)	

SECTION 9 - HYDRAULIC COMPONENTS

FIGURE 9-32. COMPENSATING CYLINDER (G12-55A SN 0160033659 through 0160037689; Including 0160033452)



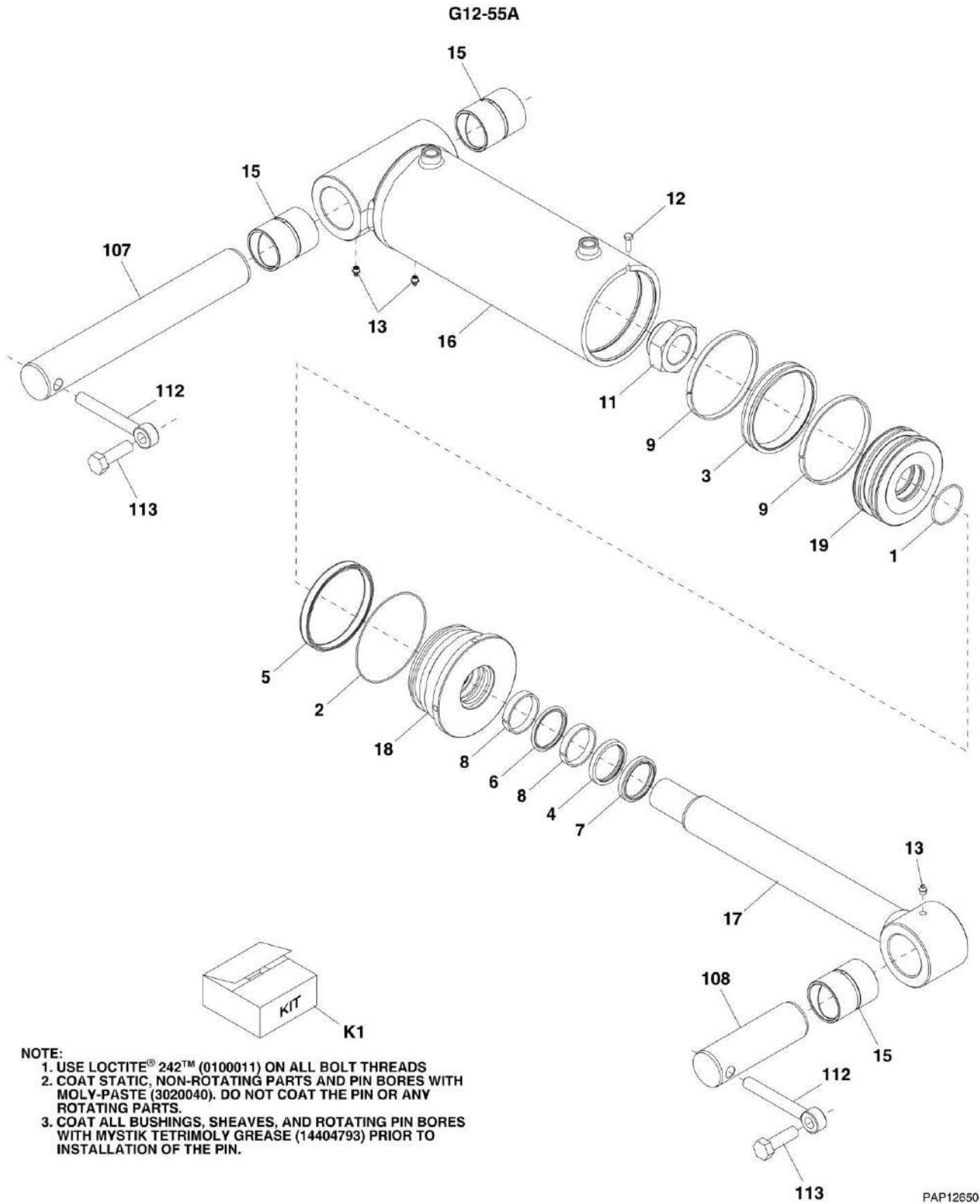
SECTION 9 - HYDRAULIC COMPONENTS

FIGURE 9-32. COMPENSATING CYLINDER (G12-55A SN 0160033659 through 0160037689; Including 0160033452)

ITEM	PART NUMBER	QTY	DESCRIPTION	REV
	91563269	1	COMPENSATING CYLINDER, (G12-55A), (includes items 1 thru 19)	B
1	Kit	1	O-RING	
2	Kit	1	O-RING	
3	Kit	1	SEAL	
4	Kit	1	SEAL	
5	Kit	1	SEAL	
6	Kit	1	SEAL	
7	Kit	1	WIPER	
8	Kit	2	WEAR RING	
9	Kit	2	WEAR RING	
11	7005314	1	LOCKNUT, (torque to 1600-2000 lb-ft)	
12	70021630	1	SELF TAPPING SCREW	
13	7003242	3	LUBE FITTING	
15	91563244	3	BUSHING	
16	70021671	NLA	TUBE ASSY, (no longer available; replace with both 70021951 head and 70021953 tube assy)	
17	70021672	1	ROD ASSY	
18	70021665	NLA	HEAD, (no longer available; replace with both 70021951 head and 70021953 tube assy)	
19	70021666	1	PISTON	
107	91563047	1	LOWER COMP CYLINDER PIN	
108	91563077	1	UPPER COMP CYLINDER PIN	
112	3841287	2	ROD KEEPER	
113	0682216	2	HEX HD CAPSCREW, 3/4-10X2, GR8	
K1	70021548	1	SEAL KIT, (includes items 1 thru 9)	

SECTION 9 - HYDRAULIC COMPONENTS

FIGURE 9-33. COMPENSATING CYLINDER (G12-55A SN 0160037689 through 0160041564)



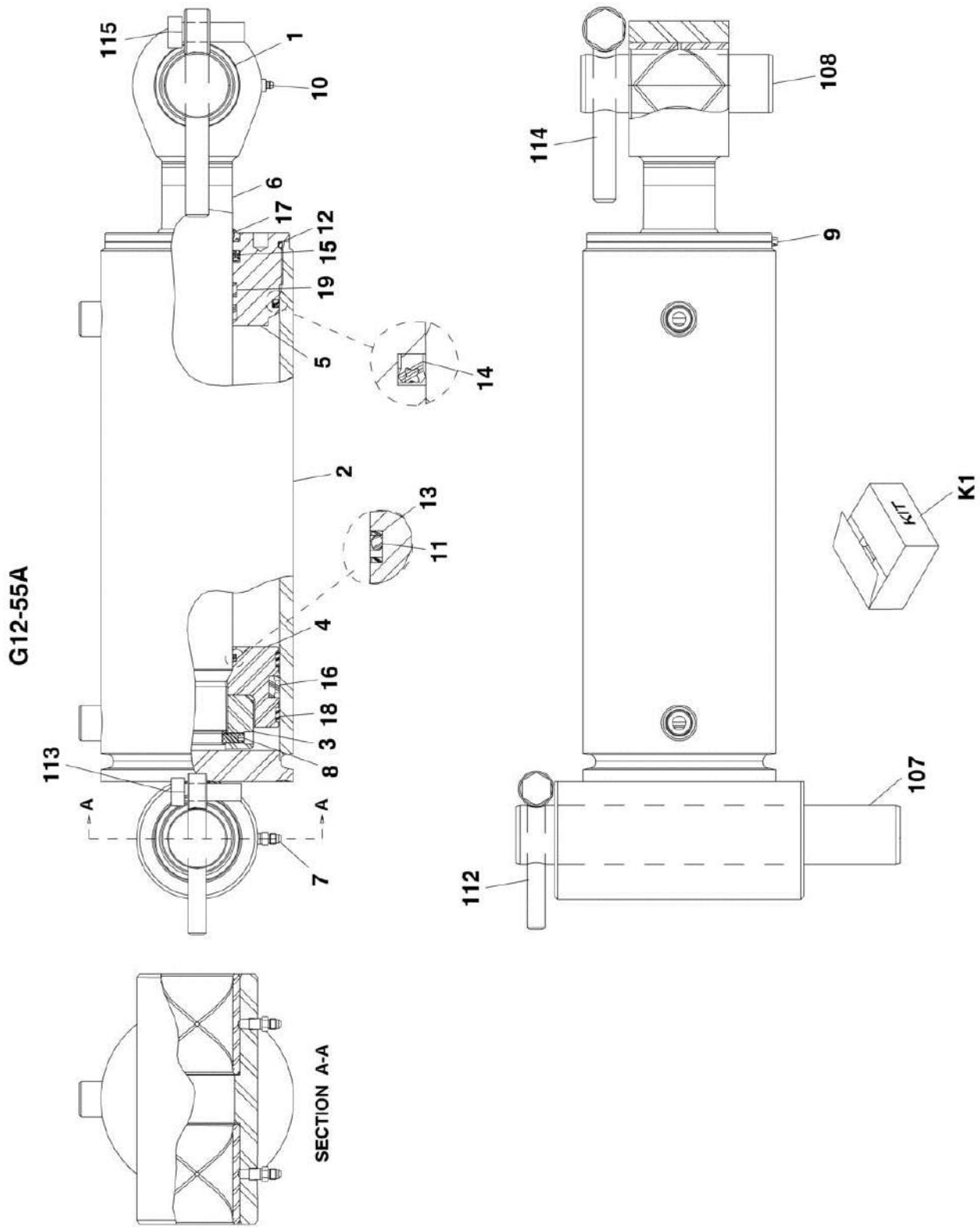
SECTION 9 - HYDRAULIC COMPONENTS

FIGURE 9-33. COMPENSATING CYLINDER (G12-55A SN 0160037689 through 0160041564)

ITEM	PART NUMBER	QTY	DESCRIPTION	REV
	1001101282	1	COMPENSATING CYLINDER, (G12-55A), (includes items 1 thru 19)	D
1	Kit	1	O-RING	
2	Kit	1	O-RING	
3	Kit	1	SEAL	
4	Kit	1	SEAL	
5	Kit	1	SEAL	
6	Kit	1	SEAL	
7	Kit	1	WIPER	
8	Kit	2	WEAR RING	
9	Kit	2	WEAR RING	
11	7005314	1	LOCKNUT, (torque to 1600-2000 lb-ft)	
12	70021630	1	SELF TAPPING SCREW	
13	7003242	3	LUBE FITTING	
15	91563244	3	BUSHING	
16	70021953	1	TUBE ASSY	
17	70021672	1	ROD ASSY	
18	70021951	1	HEAD	
19	70021666	1	PISTON	
107	91563047	1	LOWER COMP CYLINDER PIN	
108	91563077	1	UPPER COMP CYLINDER PIN	
112	3841287	2	ROD KEEPER	
113	0682216	2	HEX HD CAPSCREW, 3/4-10X2, GR8, (torque to 380 lb-ft)	
K1	70021548	1	SEAL KIT, (includes items 1 thru 9)	

SECTION 9 - HYDRAULIC COMPONENTS

FIGURE 9-34. COMPENSATING CYLINDER (G12-55A SN 0160041565 to Present)



PAP3500

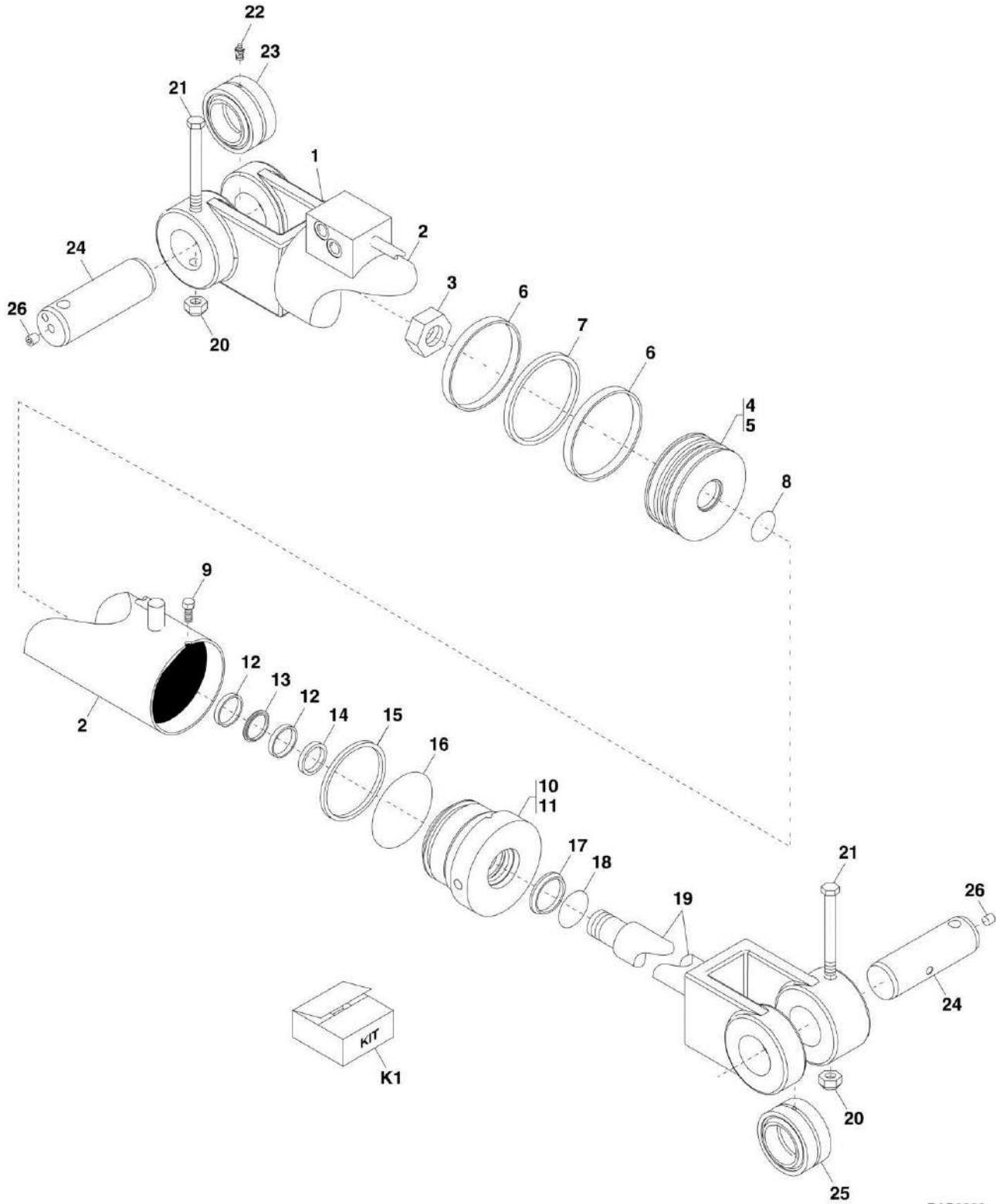
SECTION 9 - HYDRAULIC COMPONENTS

FIGURE 9-34. COMPENSATING CYLINDER (G12-55A SN 0160041565 to Present)

ITEM	PART NUMBER	QTY	DESCRIPTION	REV
	1001116441	1	COMPENSATING CYLINDER, (G12-55A), (includes items 1 thru 19)	D
1	70023979	3	BEARING	
2	70023987	1	TUBE WELDMENT	
3	70023981	1	LOCKING COLLAR	
4	70023988	1	PISTON	
5	70023989	1	HEAD GLAND	
6	70023990	1	ROD WELDMENT	
7	70023985	2	TUBE ADAPTER	
8	8036629	4	SET SCREW	
9	70023896	1	SELF TAPPING SCREW	
10	70020375	1	LUBE FITTING	
11	Kit	1	O-RING	
12	Kit	1	O-RING	
13	Kit	2	BACKUP RING	
14	Kit	1	POLYPAK	
15	Kit	1	SEAL	
16	Kit	1	CAP SEAL	
17	Kit	1	ROD WIPER	
18	Kit	2	WEARBAND	
19	Kit	2	PRECISION WEARBAND	
107	91563047	1	LOWER COMP CYLINDER PIN	
108	1001127962	1	UPPER COMP CYLINDER PIN	
112	3841287	1	ROD KEEPER	
113	0682216	1	HEX HD CAPSCREW	
114	3841356	1	ROD KEEPER	
115	0682618	1	HEX HD CAPSCREW	
K1	70023991	1	SEAL KIT, (includes items 11 thru 19)	

SECTION 9 - HYDRAULIC COMPONENTS

FIGURE 9-35. SWAY CYLINDER (G10-55A Prior to SN 0160033661; G12-55A Prior to SN 0160033659; Excluding 0160033452)



PAP2280

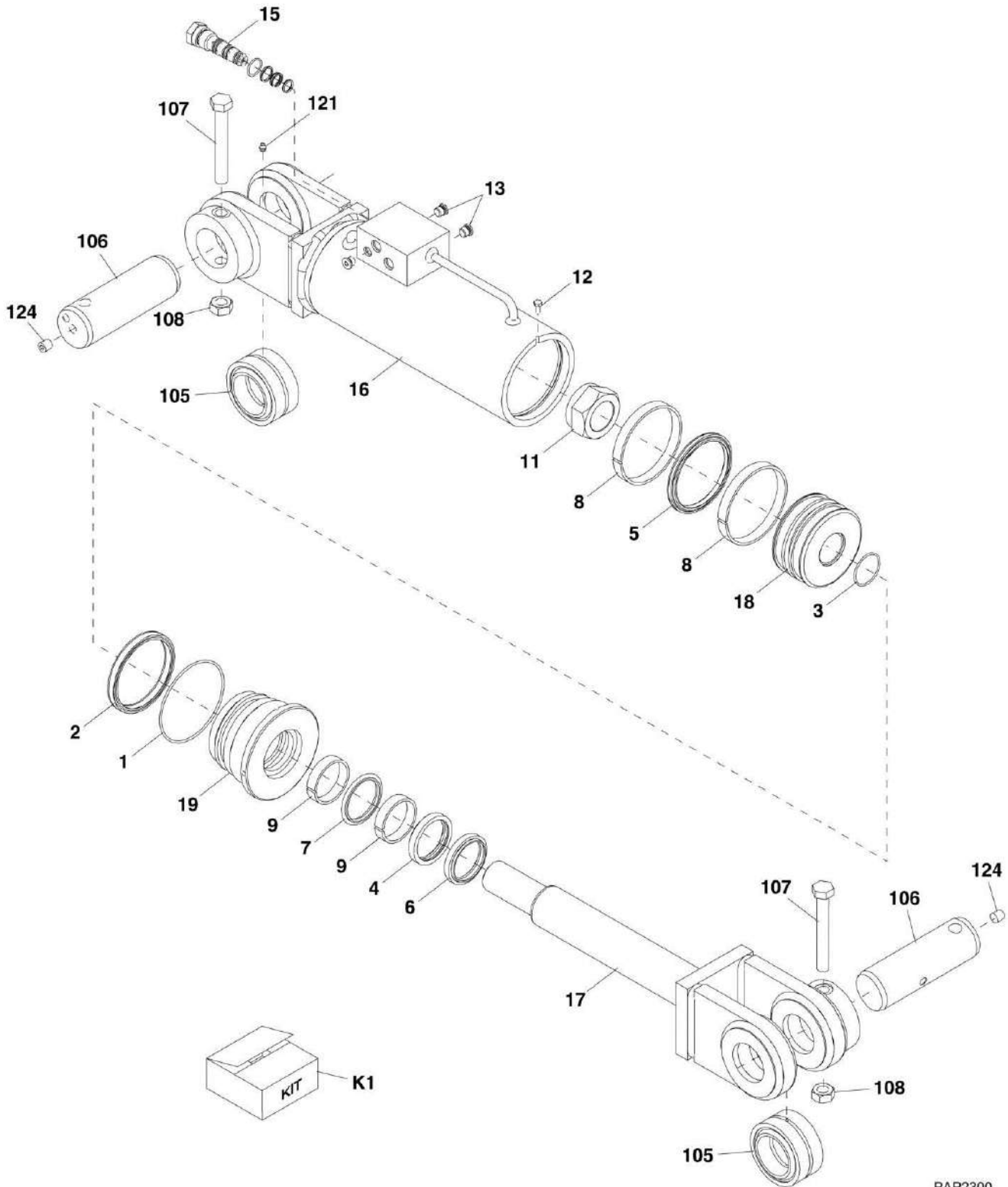
SECTION 9 - HYDRAULIC COMPONENTS

FIGURE 9-35. SWAY CYLINDER (G10-55A Prior to SN 0160033661; G12-55A Prior to SN 0160033659; Excluding 0160033452)

ITEM	PART NUMBER	QTY	DESCRIPTION	REV
	91563005	NLA	SWAY CYLINDER, (no longer available, order 1001116440 for replacement or items 1 thru 19 for service)	G
1	7026938	1	DUAL P.O. CHECK VALVE ASSY, (torque to 15 lb-ft)	
2	7026936	1	CASE ASSY	
3	91064017	1	LOCKNUT, (torque to 750-800 lb-ft)	
4	7026929	1	PISTON ASSY, (includes items 5 thru 8)	
5	7026935	1	PISTON	
6	Kit	2	WEAR RING	
7	Kit	1	CAP SEAL	
8	Kit	1	O-RING	
9	91124096	1	SELF-TAPPING SCREW	
10	7026928	1	HEAD ASSY, (includes items 11 thru 17), (torque to 300-325 lb-ft)	
11	91514059	1	HEAD	
12	Kit	2	WEAR RING	
13	Kit	1	STEP SEAL	
14	Kit	1	U-CUP	
15	Kit	1	U-CUP	
16	Kit	1	O-RING	
17	Kit	1	WIPER	
18	91514070	1	O-RING	
19	7026937	1	SHAFT ASSY	
20	88521208	2	HEX LOCKNUT, 1/2-13	
21	0641832	2	HEX HD CAPSCREW, 1/2-13X4	
22	88671001	1	GREASE FITTING	
23	8065640	1	SPHERICAL BEARING	
24	3423227	2	CYLINDER PIN	
25		Ref	SPHERICAL BEARING, (See DRIVE TRAIN SECTION for details)	
26	2200221	2	FITTING PIPE PLUG	
K1	7026934	1	SEAL KIT, (includes items 6, 7, 8 & 12 thru 17)	

SECTION 9 - HYDRAULIC COMPONENTS

FIGURE 9-36. SWAY CYLINDER (G10-55A SN 0160033661 through 0160037690; G12-55A SN 0160033659 through 0160037689; Including 0160033452)



PAP2300

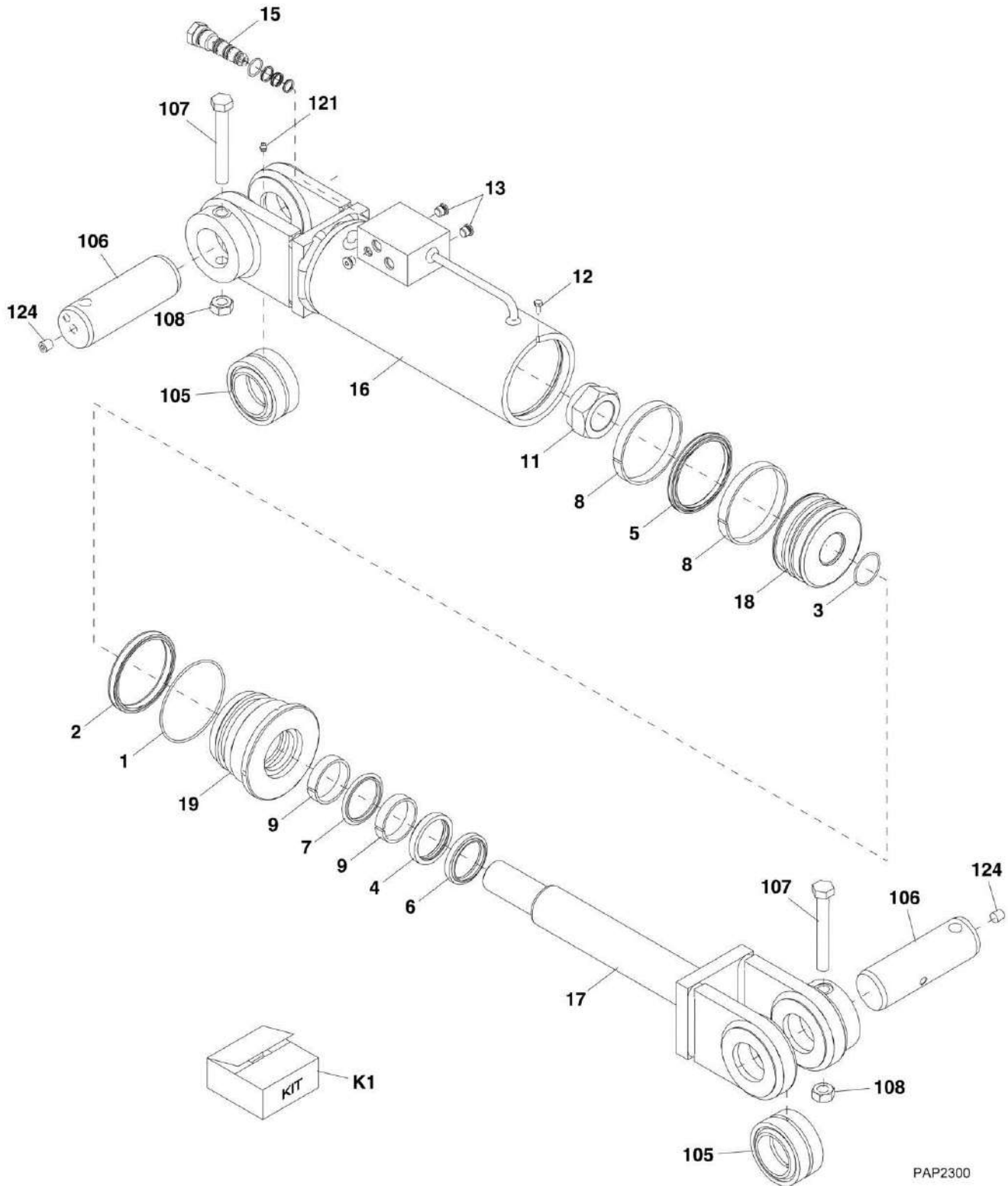
SECTION 9 - HYDRAULIC COMPONENTS

FIGURE 9-36. SWAY CYLINDER (G10-55A SN 0160033661 through 0160037690; G12-55A SN 0160033659 through 0160037689; Including 0160033452)

ITEM	PART NUMBER	QTY	DESCRIPTION	REV
	91563268	NLA	SWAY CYLINDER, (no longer available, order 1001116440 for replacement or items 1 thru 19 for service)	B
1	Kit	1	O-RING	
2	Kit	1	SEAL	
3	Kit	1	O-RING	
4	Kit	1	SEAL	
5	Kit	1	SEAL	
6	Kit	1	WIPER	
7	Kit	1	SEAL	
8	Kit	2	WEAR RING	
9	Kit	2	WEAR RING	
11	7003226	1	LOCKNUT, (torque to 1125-1375 lb-ft)	
12	70021630	1	SELF TAPPING SCREW	
13	7005365	3	PORT PLUG	
15	7026938	1	P.O. CHECK VALVE, (torque to 33 lb-ft)	
16	70021663	NLA	TUBE ASSY, (no longer available, replace with both 70021963 head and 70021965 tube assy)	
17	70021664	1	ROD ASSY	
18	70021642	1	PISTON	
19	70021643	NLA	HEAD, (no longer available, replace with both 70021963 head and 70021965 tube assy)	
105	8065640	2	SPHERICAL BEARING	
106	3423227	2	CYLINDER PIN	
107	0641840	2	HEX HD CAPSCREW, 1/2-13X5, GR5	
108	88521208	2	LOCKNUT, 1/2-13	
121	88671001	1	GREASE FITTING	
124	2200221	2	PIPE PLUG FITTING	
K1	70021639	1	SEAL KIT, (includes items 1 thru 9)	

SECTION 9 - HYDRAULIC COMPONENTS

FIGURE 9-37. SWAY CYLINDER (G10-55A SN 0160037690 to Present; G12-55A SN 0160037689 to Present)



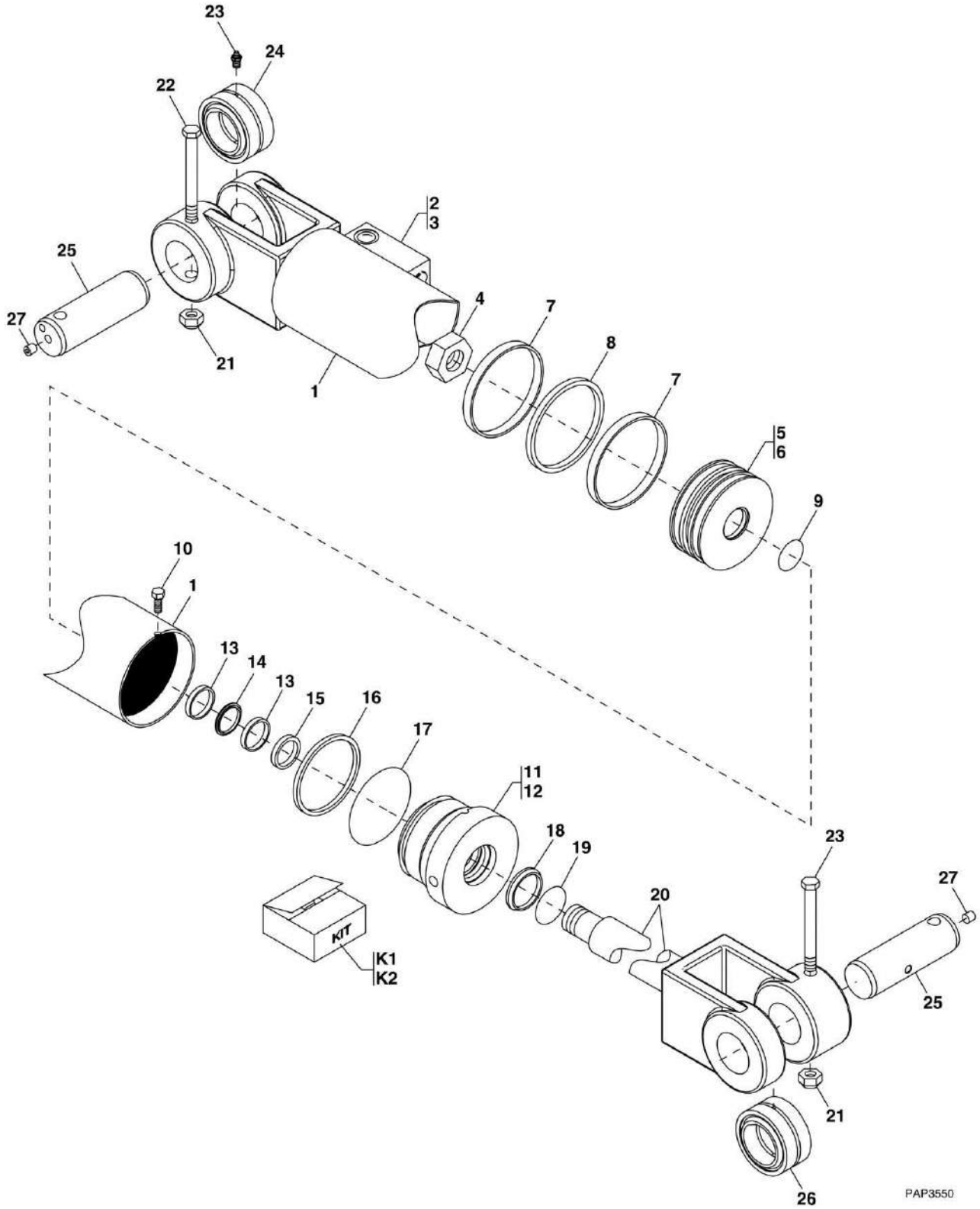
SECTION 9 - HYDRAULIC COMPONENTS

FIGURE 9-37. SWAY CYLINDER (G10-55A SN 0160037690 to Present; G12-55A SN 0160037689 to Present)

ITEM	PART NUMBER	QTY	DESCRIPTION	REV
	1001101281	NLA	SWAY CYLINDER, (no longer available, order 1001116440 for replacement or items 1 thru 19 for service).	B
1	Kit	1	O-RING	
2	Kit	1	SEAL	
3	Kit	1	O-RING	
4	Kit	1	SEAL	
5	Kit	1	SEAL	
6	Kit	1	WIPER	
7	Kit	1	SEAL	
8	Kit	2	WEAR RING	
9	Kit	2	WEAR RING	
11	7003226	1	LOCKNUT, (torque to 1125-1375 lb-ft)	
12	70021630	1	SELF TAPPING SCREW	
13	7005365	3	PORT PLUG	
15	7026938	1	P.O. CHECK VALVE, (torque to 33 lb-ft)	
16	70021965	1	TUBE ASSY	
17	70021664	1	ROD ASSY	
18	70021642	1	PISTON	
19	70021963	1	HEAD	
105	8065640	2	SPHERICAL BEARING	
106	3423227	2	CYLINDER PIN	
107	0641840	2	HEX HD CAPSCREW, 1/2-13X5, GR5	
108	88521208	2	LOCKNUT, 1/2-13	
121	88671001	1	GREASE FITTING	
124	2200221	2	PIPE PLUG FITTING	
K1	70021639	1	SEAL KIT, (includes items 1 thru 9)	

SECTION 9 - HYDRAULIC COMPONENTS

FIGURE 9-38. STABILIZER CYLINDER (G10-55A Prior to SN 0160033661; G12-55A Prior to SN 0160033659; Excluding 0160033452)



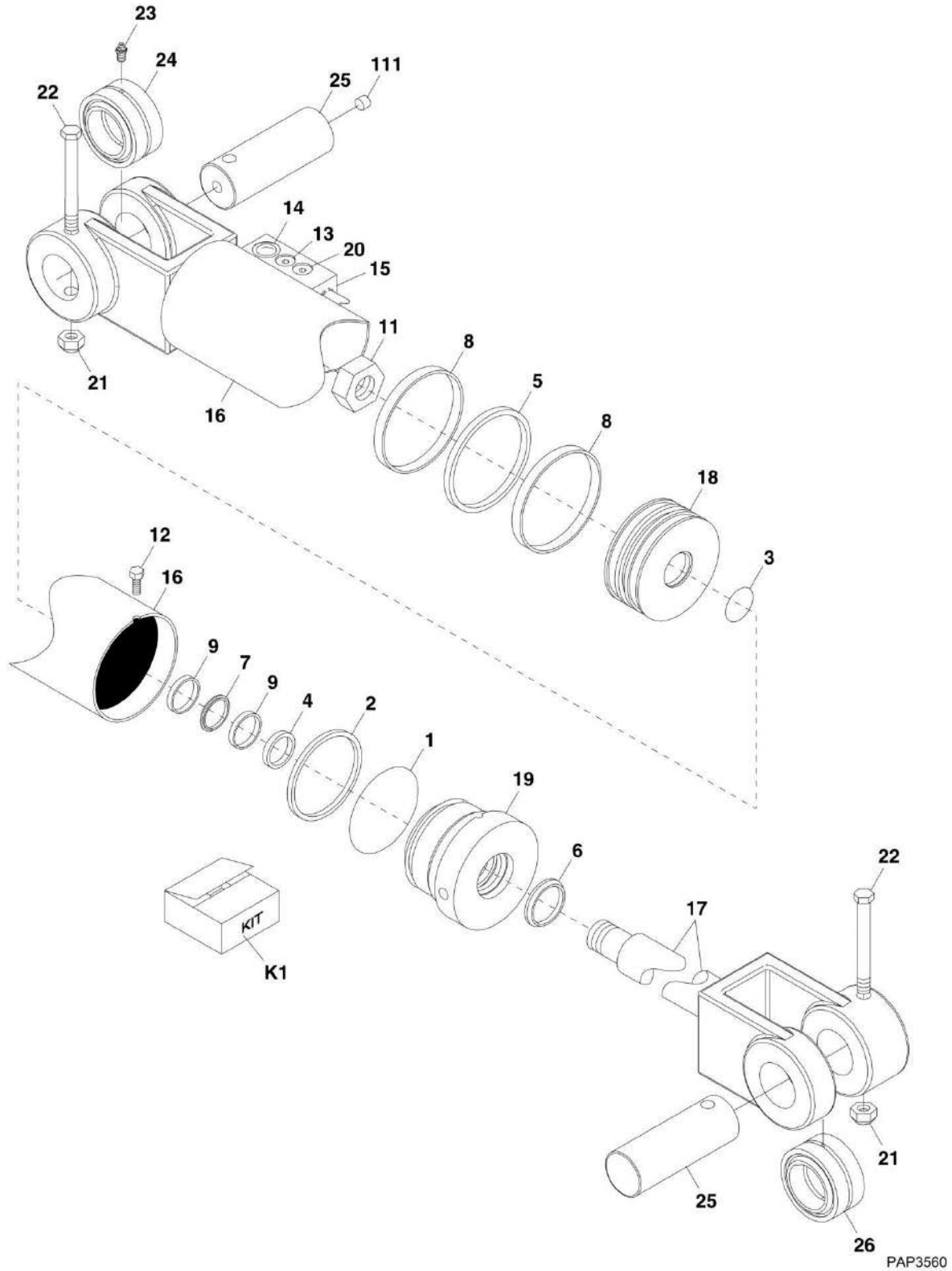
SECTION 9 - HYDRAULIC COMPONENTS

FIGURE 9-38. STABILIZER CYLINDER (G10-55A Prior to SN 0160033661; G12-55A Prior to SN 0160033659; Excluding 0160033452)

ITEM	PART NUMBER	QTY	DESCRIPTION	REV
	91563006	1	STABILIZER CYLINDER, (includes items 1 thru 20)	J
1	7026931	1	CASE ASSY	
2	7026932	2	SOLENOID CARTRIDGE, (Integrated Hydraulics), (torque to 22 lb-ft), (torque nut to 2.5 lb-ft)	
2	7017414	2	SOLENOID CARTRIDGE, (Hydraforce), (torque to 22 lb-ft), (torque nut to 2.5 lb-ft)	
3	7026933	2	SOLENOID COIL, (Integrated Hydraulics)	
3	7021610	2	SOLENOID COIL, (Hydraforce)	
4	91064017	1	LOCKNUT, (torque to 775-825 lb-ft)	
5	7026929	1	PISTON ASSY, (includes items 6 thru 9)	
6	7026935	1	PISTON	
7	Kit	2	WEAR RING	
8	Kit	1	CAP SEAL	
9	Kit	1	O-RING	
10	91124096	1	SELF-TAPPING CAPSCREW	
11	7026928	1	HEAD ASSY, (includes items 12 thru 18), (torque to 300-325 lb-ft)	
12	91514059	1	HEAD	
13	Kit	2	WEAR RING	
14	Kit	1	STEP SEAL	
15	Kit	1	U-CUP	
16	Kit	1	U-CUP	
17	Kit	1	O-RING	
18	Kit	1	WIPER	
19	91514070	1	O-RING	
20	7026930	NLA	SHAFT ASSY, (no longer available; order 1001116443)	
21	88521208	2	HEX LOCKNUT, 1/2-13	
22	0641832	2	HEX HD CAPSCREW, 1/2-13X4	
23	88671001	1	GREASE FITTING	
24	8065640	1	SPHERICAL BEARING	
25	3423227	2	CYLINDER PIN	
26		Ref	SPHERICAL BEARING, (See DRIVE TRAIN SECTION for details)	
27	2200221	2	FITTING PIPE PLUG, (not shown)	
K1	7026934	1	SEAL KIT, (includes items 7, 8, 9 & 13 thru 18)	
K2	70020200	2	SOLENOID CARTRIDGE AND COIL KIT, (includes items 2 & 3)	

SECTION 9 - HYDRAULIC COMPONENTS

FIGURE 9-39. STABILIZER CYLINDER (G10-55A SN 0160033661 through 0160039837; G12-55A SN 0160033659 through 0160039838)



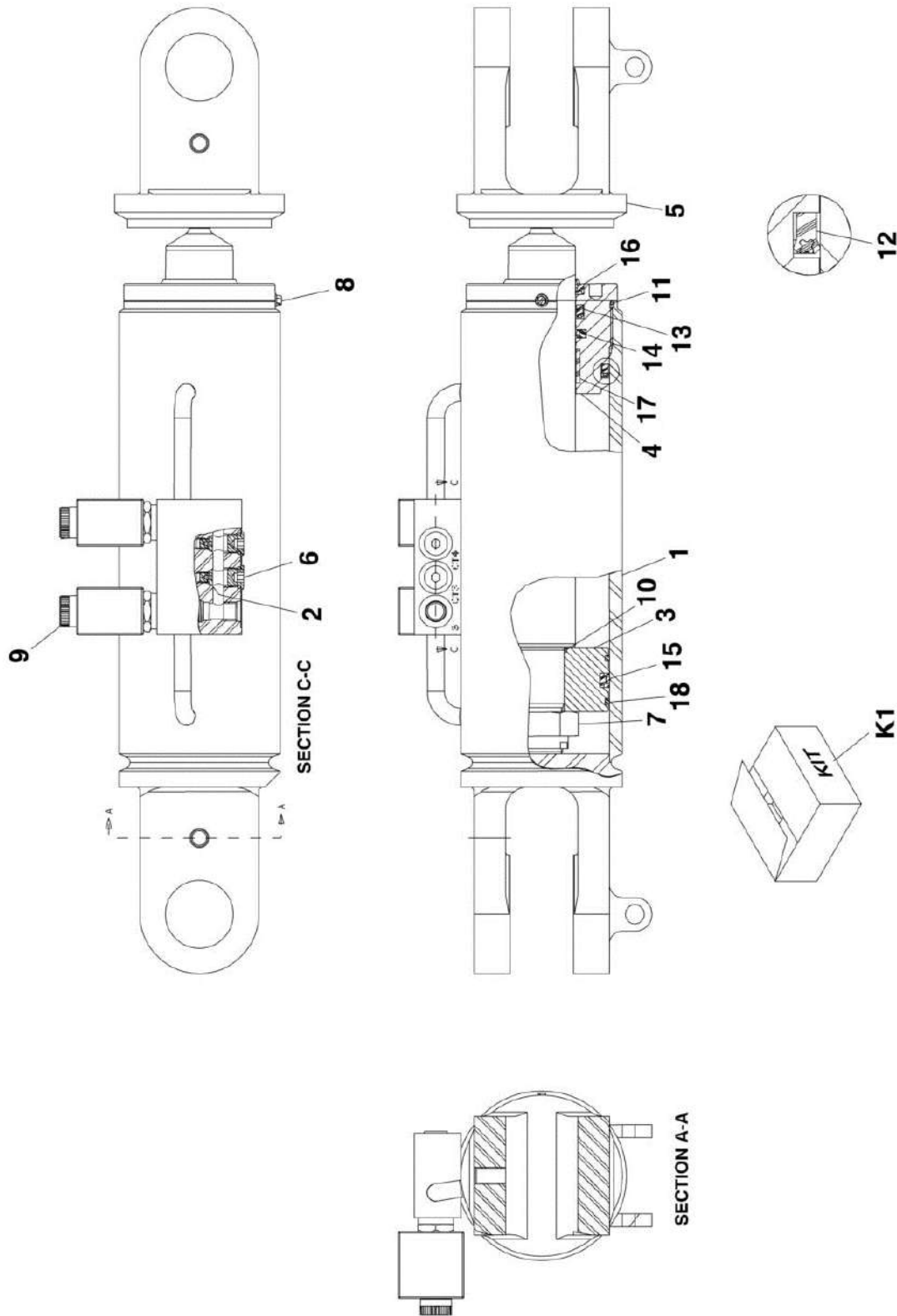
SECTION 9 - HYDRAULIC COMPONENTS

FIGURE 9-39. STABILIZER CYLINDER (G10-55A SN 0160033661 through 0160039837; G12-55A SN 0160033659 through 0160039838)

ITEM	PART NUMBER	QTY	DESCRIPTION	REV
	91563272	1	STABILIZER CYLINDER, (includes items 1 thru 20), (G10-55A SN 0160033661 through 0160035822; G12-55A SN 0160033659 through 0160035879)	B
	1001101289	1	STABILIZER CYLINDER, (includes items 1 thru 20), (G10-55A SN 0160035822 to Present; G12-55A SN 0160035879 to Present)	A
1	Kit	1	O-RING	
2	Kit	1	SEAL	
3	Kit	1	O-RING	
4	Kit	1	SEAL	
5	Kit	1	SEAL	
6	Kit	1	WIPER	
7	Kit	1	SEAL	
8	Kit	2	WEAR RING	
9	Kit	2	WEAR RING	
11	7003226	1	LOCKNUT, (torque to 800-1000 lb-ft)	
12	70021630	1	SELF TAPPING SCREW	
13	70021648	3	PORT PLUG	
14	7023593	1	PORT PLUG	
15	7026932	2	SOLENOID VALVE, (torque to 22 lb-ft)	
15	7026933	2	COIL	
16	70021645	NLA	TUBE ASSY, (no longer available; replace with both 70021963 head and 70021964 tube assy), (G10-55A SN 0160033661 through 0160035822; G12-55A SN 0160033659 through 0160035879)	
16	70021964	1	TUBE ASSY, (G10-55A SN 0160035822 to Present; G12-55A SN 0160035879 to Present)	
17	70021646	1	ROD ASSY	
18	70021642	1	PISTON	
19	70021643	NLA	HEAD, (no longer available; replace with both 70021963 head and 70021964 tube assy), (G10-55A SN 0160033661 through 0160035822; G12-55A SN 0160033659 through 0160035879)	
19	70021963	1	HEAD, (G10-55A SN 0160035822 to Present; G12-55A SN 0160035879 to Present)	
20	70021644	2	PIPE PLUG	
21	88521208	2	HEX LOCKNUT, 1/2-13	
22	0641840	2	HEX HD CAPSCREW, 1/2-13X5, GR5	
23	88671001	1	GREASE FITTING	
24	8065640	2	SPHERICAL BEARING	
25	3423227	2	CYLINDER PIN	
26		Ref	SPHERICAL BEARING, (See DRIVE TRAIN SECTION for details)	
111	2200221	2	PIPE PLUG FITTING	
K1	70021639	1	SEAL KIT, (includes items 1 thru 9)	

SECTION 9 - HYDRAULIC COMPONENTS

FIGURE 9-40. STABILIZER CYLINDER (G10-55A SN 0160039838 to Present; G12-55A SN 0160039839 to Present)



PAP3570

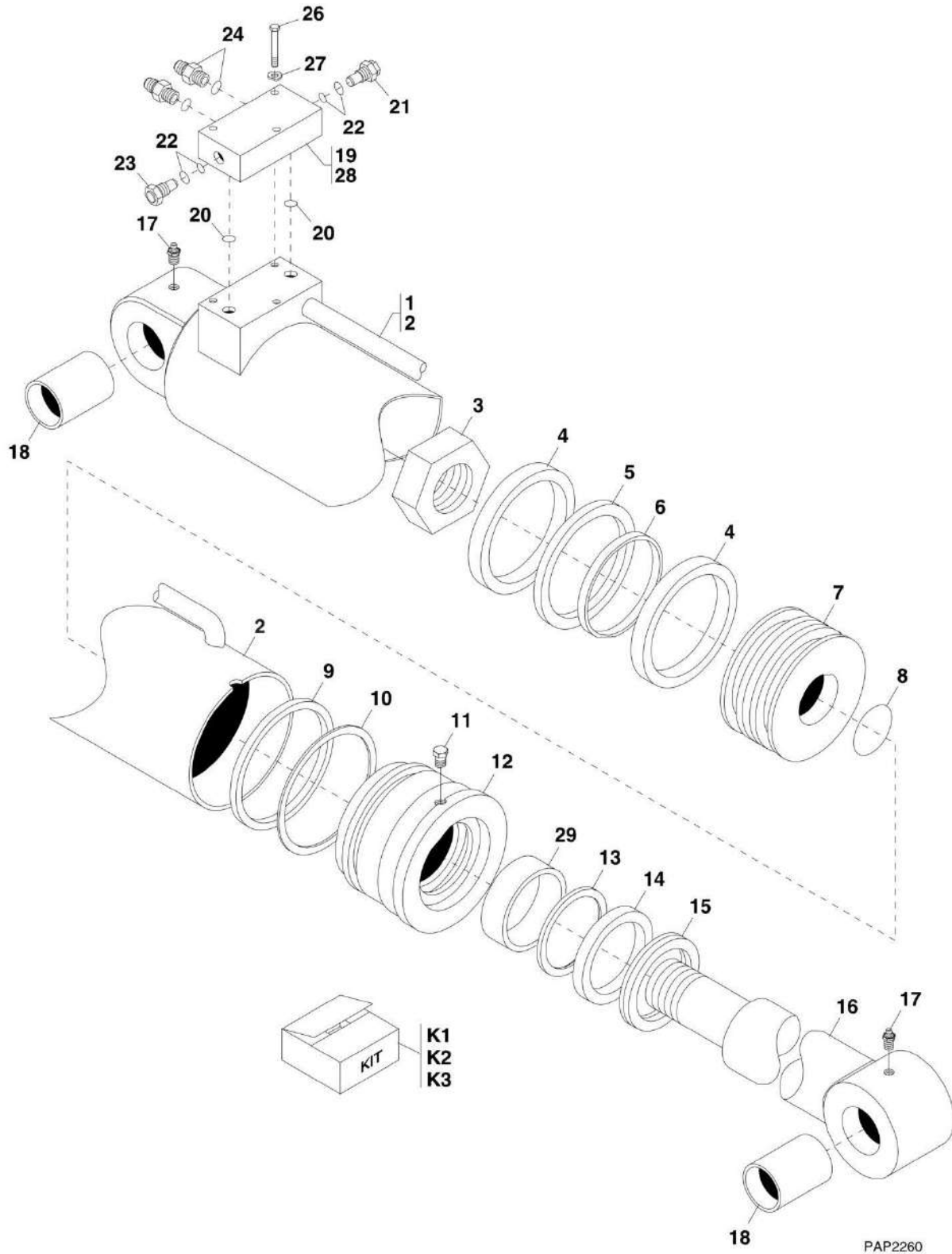
SECTION 9 - HYDRAULIC COMPONENTS

FIGURE 9-40. STABILIZER CYLINDER (G10-55A SN 0160039838 to Present; G12-55A SN 0160039839 to Present)

ITEM	PART NUMBER	QTY	DESCRIPTION	REV
	1001116443	1	STABILIZER CYLINDER, (includes items 1 thru 18)	D
1	70023939	1	TUBE WELDMENT	
2	8035782	2	ORIFICE PLUG	
3	70022861	1	PISTON	
4	70023940	1	HEAD GLAND	
5	70023941	1	ROD WELDMENT	
6	8035784	2	HEX PLUG	
7	8035865	1	LOCKNUT	
8	70023896	1	SELF TAPPING SCREW	
9	70023963	2	SOLENOID VALVE, (torque to 20-22 lb-ft)	
10	Kit	1	O-RING	
11	Kit	1	O-RING	
12	Kit	1	POLYPAK	
13	Kit	1	U-CUP	
14	Kit	1	BUFFER SEAL	
15	Kit	1	CAP SEAL	
16	Kit	1	ROD WIPER	
17	Kit	1	PRECISION WEARBAND	
18	Kit	2	PRECISION WEARBAND	
K1	70023943	1	SEAL KIT, (includes items 10 thru 18)	

SECTION 9 - HYDRAULIC COMPONENTS

FIGURE 9-41. OUTRIGGER CYLINDER ASSEMBLY (Prior to SN 0160039838)



SECTION 9 - HYDRAULIC COMPONENTS

FIGURE 9-41. OUTRIGGER CYLINDER ASSEMBLY (Prior to SN 0160039838)

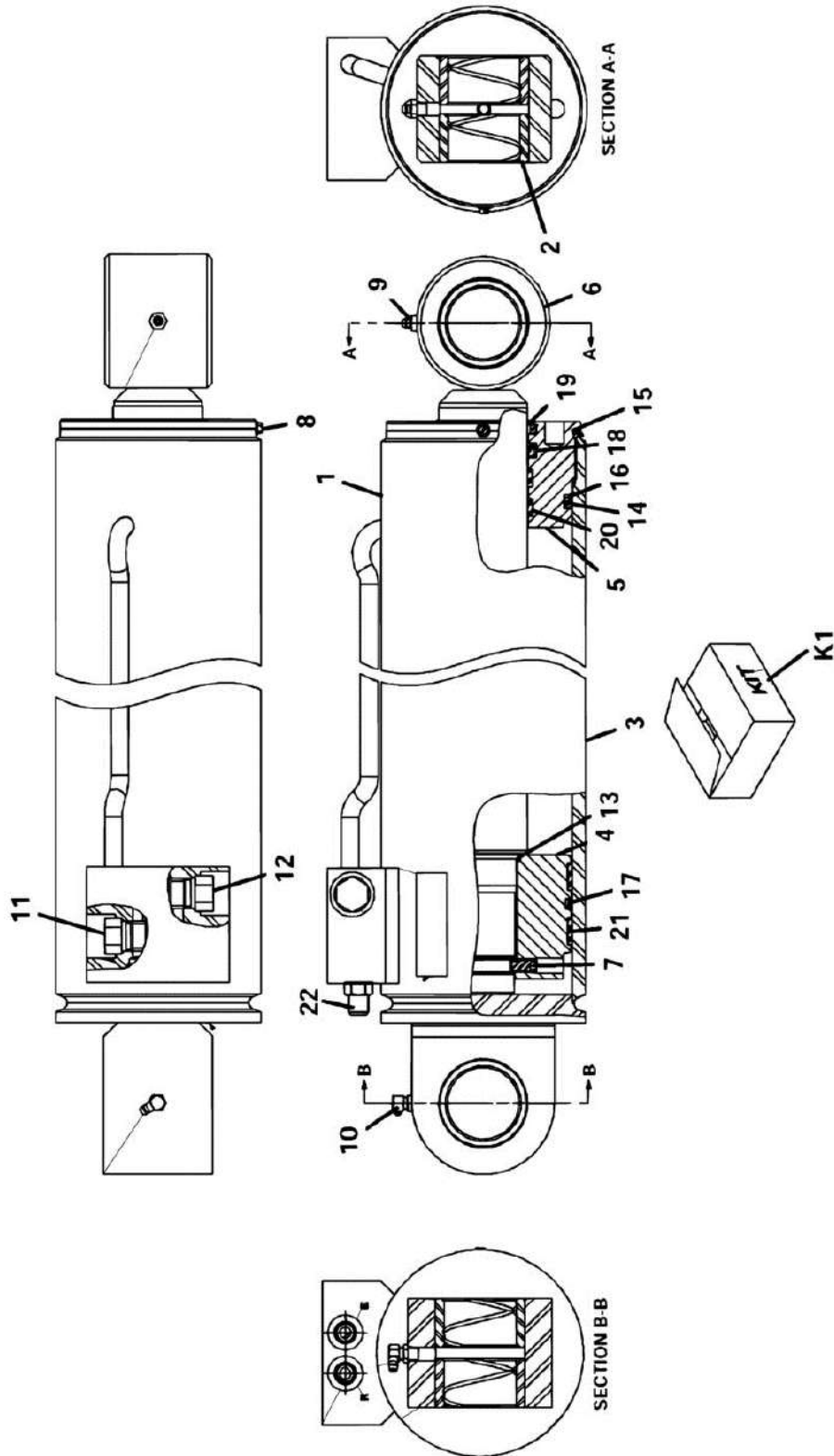
ITEM	PART NUMBER	QTY	DESCRIPTION	REV
	91165040	Ref	OUTRIGGER CYLINDER ASSY, (DEERE & CUMMINS ENGINE), (not available to order, see items 1 thru 29 for service)	D
	1001001211	Ref	OUTRIGGER CYLINDER ASSY, (PERKINS ENGINE), (not available to order, see items 1 thru 29 for service)	A
1	91163016	NLA	OUTRIGGER CYLINDER, (no longer available, use 1001116439 for replacement or items 1 thru 18 for service), (included item quantities are per single cylinder) (Prior to SN 0160017504, Including 0160017537)	
1	91343235	NLA	OUTRIGGER CYLINDER, (no longer available, use 1001116439 for replacement or items 1 thru 5, 7 thru 18 & 29 for service), (included item quantities are per single cylinder) (SN 0160017504 to Present, SN 0160017504 through 0160039813, Excluding 0160017537)	
2	91164033	1	CASE ASSY , (includes item 18) (Prior to SN 0160017504, Including 0160017537)	
2	7029968	1	CASE ASSY , (includes item 18) (SN 0160017504 through 0160039813, Excluding 0160017537)	
3	91034153	1	LOCKNUT , (torque to 1300-1350 lb-ft) (Prior to SN 0160017504, Including 0160017537)	
3	91014066	1	LOCKNUT , (torque to 1300-1350 lb-ft) (SN 0160017504 through 0160039813, Excluding 0160017537)	
4	Kit	2	WEAR RING	
5	Kit	1	PISTON SEAL	
6	Kit	1	EXPANDER SQ	
7	91034139	1	PISTON (Prior to SN 0160017504, Including 0160017537)	
7	7029815	1	PISTON (SN 0160017504 through 0160039813, Excluding 0160017537)	
8	Kit	1	O-RING	
9	Kit	1	O-RING	
10	Kit	1	BACKUP RING	
11	91124096	1	CAPSCREW (Prior to SN 0160017504, Including 0160017537)	
11	7029760	1	CAPSCREW (SN 0160017504 through 0160039813, Excluding 0160017537)	
12	91164035	1	HEAD (Prior to SN 0160017504, Including 0160017537)	
12	7029816	1	HEAD (SN 0160017504 through 0160039813, Excluding 0160017537)	
13	Kit	1	STEP SEAL	
14	Kit	1	U-CUP	
15	Kit	1	CANNED WIPER	
16	91164036	1	SHAFT ASSY , (includes item 18) (Prior to SN 0160017504, Including 0160017537)	
16	7029814	1	SHAFT ASSY , (includes item 18) (SN 0160017504 through 0160039813, Excluding 0160017537)	
17	91144128	2	GREASE FITTING (Prior to SN 0160017504, Including 0160017537)	
17	91044080	2	GREASE FITTING (SN 0160017504 through 0160039813, Excluding 0160017537)	
18	91164032	2	BUSHING (Prior to SN 0160017504, Including 0160017537)	
18	7029817	2	BUSHING to (SN 0160017504 to Present, SN 0160017504 through 0160039813, Excluding 0160017537 and 0160017537)	
19	91163245	1	OUTRIGGER CYLINDER VALVE, (includes items 20 thru 23)	
20	88591012	2	O-RING	
21	91034107	1	THERMAL RELIEF VALVE	

SECTION 9 - HYDRAULIC COMPONENTS

ITEM	PART NUMBER	QTY	DESCRIPTION	REV
22	91164083	2	VALVE SEAL KIT	
23	91164107	1	CHECK CARTRIDGE	
24	2220371	2	ADAPTER, (DEERE & CUMMINS ENGINE), (includes o-ring)	
24	2110606	2	ADAPTER, (PERKINS ENGINE), (includes o-ring)	
26	0641618	3	HEX HD CAPSCREW, 3/8-16X2-1/4, GR5, (torque to 30-35 lb-ft)	
27	4761600	3	LOCKWASHER, 3/8	
28	91163246	1	ORIFICE, (C2 port)	
29	Kit	1	WEAR RING	
K1	91144004	2	SEAL KIT , (includes items 4, 5, 6, 8, 9, 10, 14 & 15) (Prior to SN 0160017504, Including 0160017537)	
K2	7029959	2	PISTON SEAL KIT , (includes items 4, 5, 6 & 8) (SN 0160017504 through 0160039813, Excluding 0160017537)	
K3	7029980	2	PISTON SEAL KIT , (includes items 9, 10, 13, 14, 15 & 29) (SN 0160017504 through 0160039813, Excluding 0160017537)	

SECTION 9 - HYDRAULIC COMPONENTS

FIGURE 9-42. OUTRIGGER CYLINDER ASSEMBLY (SN 0160039838 to Present)



PAP2620

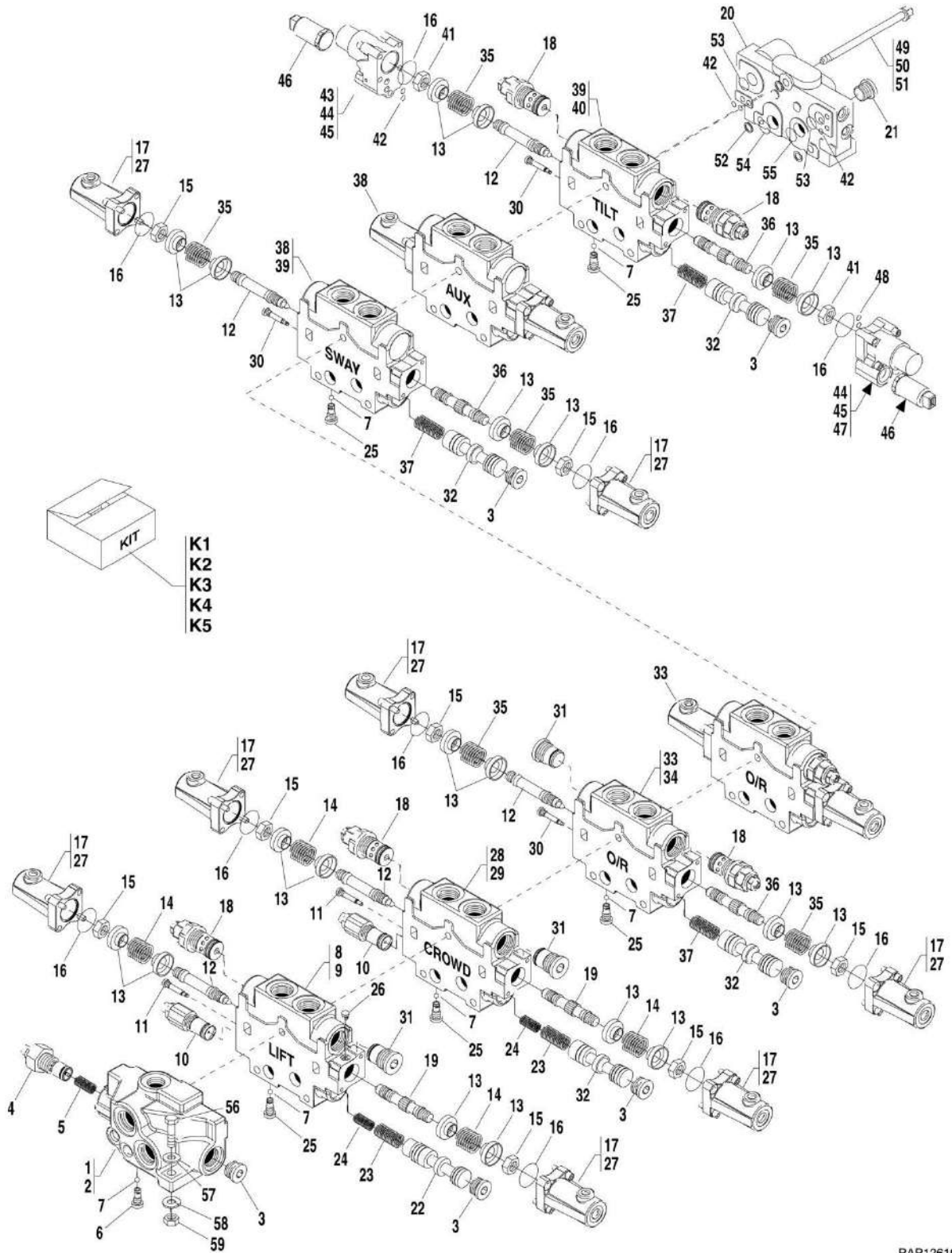
SECTION 9 - HYDRAULIC COMPONENTS

FIGURE 9-42. OUTRIGGER CYLINDER ASSEMBLY (SN 0160039838 to Present)

ITEM	PART NUMBER	QTY	DESCRIPTION	REV
	91165040	Ref	OUTRIGGER CYLINDER ASSY, (not available to order, see items 1 thru 22 for service)	E
1	1001116439	2	OUTRIGGER CYLINDER, (includes items 1 thru 21), (included item quantities are per single cylinder)	
2	70020370	4	BUSHING	
3	70023892	1	TUBE WELDMENT	
4	70023893	1	PISTON, (torque to 2350-2600 lb-ft)	
5	70023894	1	HEAD GLAND, (torque to 300-400 lb-ft)	
6	70023895	1	ROD WELDMENT	
7	8036629	1	SET SCREW, 3/8-16x3/4, (torque to 16-18 lb-ft)	
8	70023896	1	TAPPING SCREW	
9	70023897	1	LUBE FITTING	
10	8520021	1	LUBE FITTING, 90	
11	8036750	1	PO CHECK VALVE, (torque to 30-35 lb-ft)	
12	70023898	1	PO CHECK VALVE with THERMAL RELIEF, (torque to 30-35 lb-ft)	
13	Kit	1	O-RING	
14	Kit	1	O-RING	
15	Kit	1	O-RING	
16	Kit	1	BACKUP RING	
17	Kit	1	PAC SEAL	
18	Kit	1	SEAL	
19	Kit	1	ROD WIPER	
20	Kit	2	WEARBAND	
21	Kit	2	WEARBAND	
22	2220371	2	ADAPTOR, (Includes o-ring)	
K1	70023899	2	SEAL KIT, (includes items 13 thru 21)	

SECTION 9 - HYDRAULIC COMPONENTS

FIGURE 9-43. MAIN CONTROL VALVE (Prior to SN 0160037877)



PAP12610

SECTION 9 - HYDRAULIC COMPONENTS

FIGURE 9-43. MAIN CONTROL VALVE (Prior to SN 0160037877)

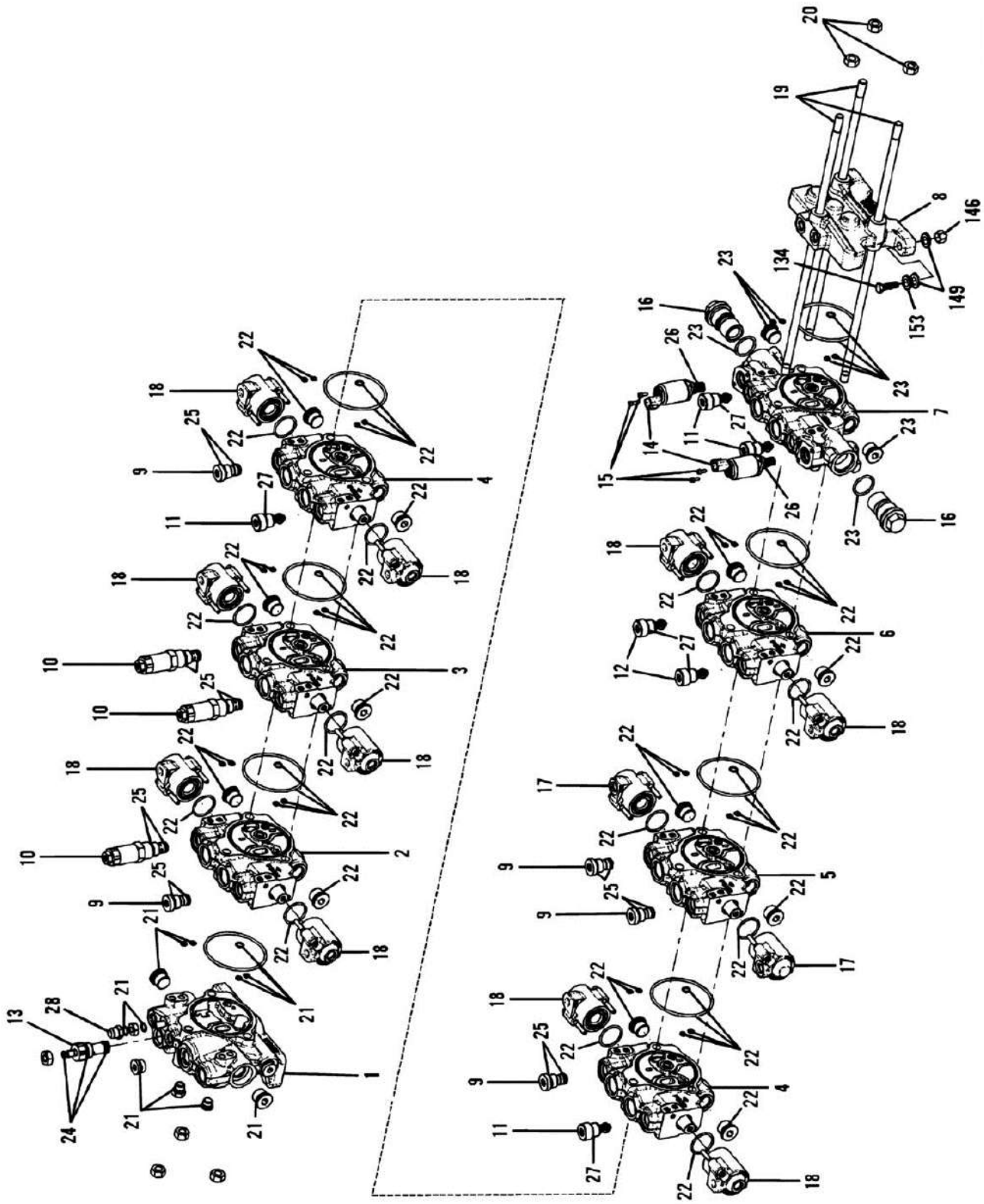
ITEM	PART NUMBER	QTY	DESCRIPTION	REV
	91563182	1	MAIN CONTROL VALVE, 6 SECTION, (includes items 1 thru 55 except Aux section)	C
	91563184	1	MAIN CONTROL VALVE WITH AUX, 7 SECTION, (includes items 1 thru 55)	D
1	7026973	1	INLET SECTION ASSY, (includes items 2, 4, 5, 6; one of 3 & 7)	
2	N.S.S.	1	SPOOL	
3	7026980	8	SOCKET HD PLUG, (includes o-ring), (torque to 50 lb-ft)	
4	7026982	1	RELIEF VALVE ASSY, (torque to 50 lb-ft)	
5	7026981	1	SPRING	
6	7026983	1	SHUTTLE PLUG AND SEAT ASSY, (torque to 10 lb-ft)	
7	N.S.S.	1	BALL	
8	7026975	1	SECTION ASSY, (LIFT), (includes items 9, 10, 11, 22, 26; one of 3, 7, 12, 18, 19, 20, 23, 24, 25, 31; two of 14, 15, 16, 17; four of 13 & 27)	
9	N.S.S.	1	SPOOL	
10	91564006	2	PRESSURE REGULATOR ASSY, (torque to 50 lb-ft)	
11	80234089	2	PRIMARY SHUTTLE VALVE, (torque to 10 lb-ft)	
12	80934336	7	SOLENOID COUPLING	
13	80934334	28	SPRING RETAINER	
14	7026986	4	SPRING	
15	80934333	12	HEX NUT, (torque to 8 lb-ft)	
16	80934332	14	O-RING	
17	7026985	12	ACTUATOR HOUSING	
18	80634055	6	RELIEF VALVE ASSY, (includes Seal Kit), (torque to 50 lb-ft)	
18	80934495	6	SEAL KIT	
19	80934339	2	SOLENOID COUPLING	
20	7026974	1	END COVER ASSY, (includes item 21)	
21	80334079	1	SOCKET HD PLUG, (includes o-ring), (torque to 12 lb-ft)	
22	N.S.S.	1	SPOOL	
23	7026984	2	COMPENSATOR SPRING	
24	80234088	2	COMPENSATOR SPRING	
25	80934344	7	SHUTTLE PLUG ASSY, (includes item 7), (torque to 10 lb-ft)	
26	7026988	1	PLUG ASSY, (torque to 3 lb-ft)	
27	7026987	24	SOCKET HD CAPSCREW, (torque to 6 lb-ft)	
28	7026976	1	SECTION ASSY, (CROWD), (includes one of 3, 7, 10, 11, 12, 18, 19, 23, 24, 25, 29, 31, 32; two of 14, 15, 16, 17; four of 13 & 27)	
29	N.S.S.	1	SPOOL	
30	80234123	5	PRIMARY SHUTTLE VALVE, (torque to 10 lb-ft)	
31	80934350	3	PLUG ASSY, (includes Seal Kit), (torque to 50 lb-ft)	
31	80934495	3	SEAL KIT	
32	N.S.S.	1	SPOOL	
33	7026977	2	SECTION ASSY, (OUTRIGGER), (includes one of 3, 7, 12, 18, 25, 30, 31, 32, 34, 36, 37; two of 15, 16, 17, 35; four of 13 & 27)	
34	N.S.S.	1	SPOOL	
35	7026989	10	SPRING	
36	80934379	5	SOLENOID COUPLING	
37	80234087	5	COMPENSATOR SPRING	
38	7026978	2	SECTION ASSY, (SWAY and AUX), (includes one of 3, 7, 12, 25, 30, 32, 36, 37, 39; two of 15, 16, 17, 35; four of 13 & 27)	
39	N.S.S.	1	SPOOL	
40	7026979	1	SECTION ASSY, (TILT), (includes items 41, 43, 44, 45, 46, 47, 48;	

SECTION 9 - HYDRAULIC COMPONENTS

ITEM	PART NUMBER	QTY	DESCRIPTION	REV
			one of 3, 7, 12, 25, 30, 32, 36, 37, 39; two of 16, 18, 35, 42; four of 13)	
41	7026992	2	HEX NUT, 5/16-18, (slotted), (torque to 8 lb-ft)	
42	80934365	6	O-RING	
43	80234103	1	SOLENOID HOUSING	
44	7026993	5	SOCKET HD CAPSCREW, (torque to 6 lb-ft)	
45	7026990	5	WASHER	
46	7026991	2	SOLENOID VALVE, (torque to 9 lb-ft)	
47	80234102	1	SOLENOID HOUSING	
48	Kit	2	O-RING	
49	Kit	3	STUD, 6 SECTION	
50	Kit	3	STUD, 7 SECTION	
50	Kit	3	FLAT WASHER	
51	Kit	3	HEX NUT, (torque to 30 lb-ft)	
52	Kit	24	ROUND SHIM	
53	Kit	16	O-RING	
54	Kit	8	O-RING	
55	Kit	8	O-RING	
56	0641614	3	HEX HD CAPSCREW, 3/8-16X1-3/4, GR5	
57	4711600	3	FLAT WASHER, 3/8	
58	4761600	3	LOCKWASHER, 3/8	
59	3311601	3	HEX NUT, 3/8-16	
K1	7026997	AR	SEAL KIT, (includes one of 54, 55; two of 53; three of 52)	
K2	80233080	AR	TILT SECTION SEAL KIT, (includes items 42 & 48)	
K3	7026994	AR	INLET SECTION SEAL KIT	
K4	7026995	AR	STUD KIT, 6 SECTION, (includes three of items 49, 50 & 51)	
K5	7026996	AR	STUD KIT, 7 SECTION, (includes three of items 49, 50 & 51)	

SECTION 9 - HYDRAULIC COMPONENTS

FIGURE 9-44. MAIN CONTROL VALVE (SN 0160037877 to Present)



PAL4971

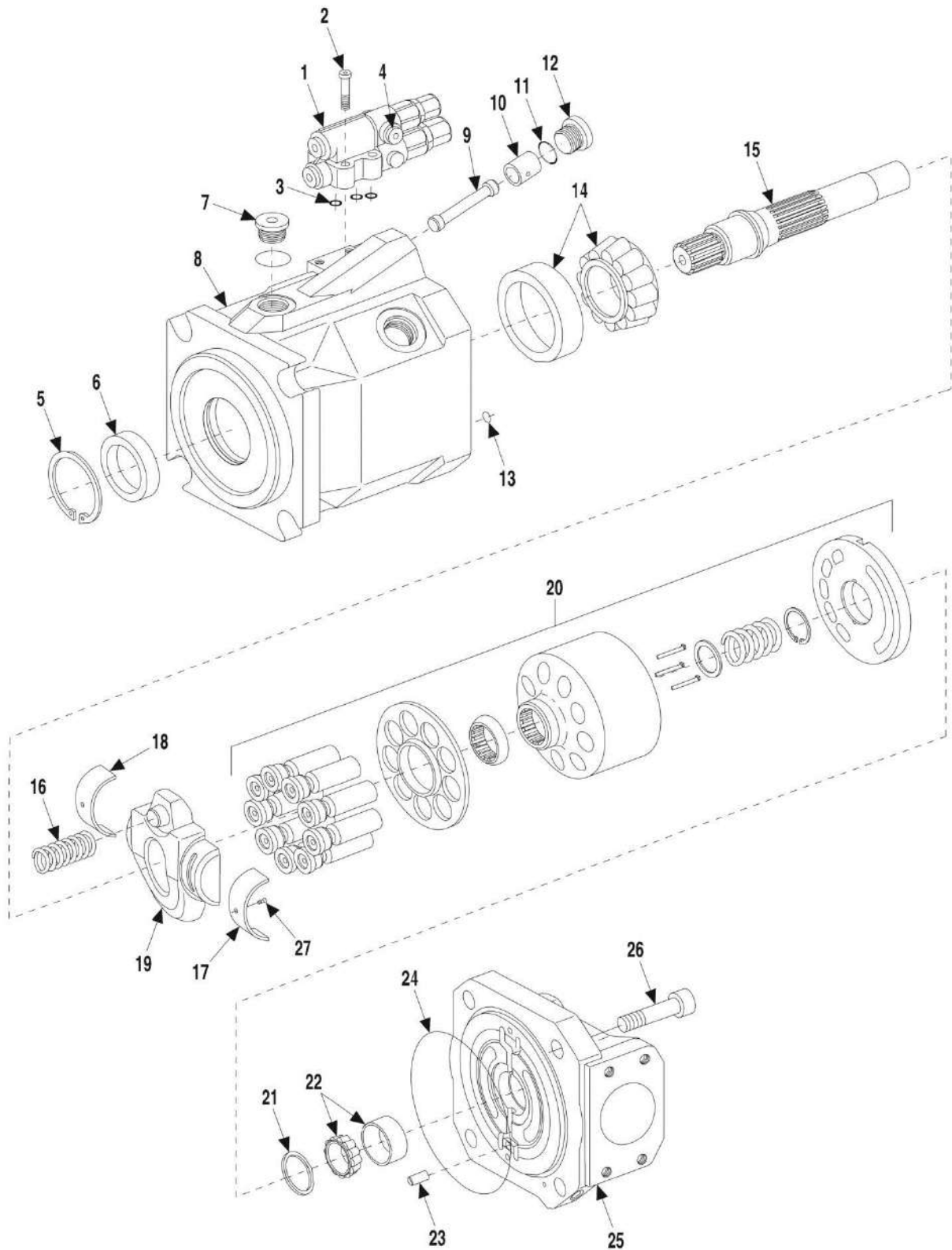
SECTION 9 - HYDRAULIC COMPONENTS

FIGURE 9-44. MAIN CONTROL VALVE (SN 0160037877 to Present)

ITEM	PART NUMBER	QTY	DESCRIPTION	REV
	1001104918	1	MAIN CONTROL VALVE ASSY, 7 SECTION, (includes items 1 thru 28)	D
1	70022000	1	INLET SECTION ASSY, (includes items 21, 28 and all items required to replace the Inlet Section Assembly)	
2	70022001	1	SPOOL SECTION ASSY, LIFT, (includes items 18, 22 and all other seals required to replace one Lift Section Assembly)	
3	70022002	1	SPOOL SECTION ASSY, CROWD, (includes items 18, 22 and all other seals required to replace one Crowd Section Assembly)	
4	70022003	2	SPOOL SECTION ASSY, OUTRIGGER, (includes items 18, 22 and all other seals required to replace one Outrigger Section Assembly)	
5	70022004	1	SPOOL SECTION ASSY, SWAY, (includes items 17, 22 and all other seals required to replace one Sway Section Assembly)	
6	70022005	1	SPOOL SECTION ASSY, AUX, (includes items 18, 22 and all other seals required to replace one Aux Section Assembly)	
7	70022006	1	SPOOL SECTION ASSY, TILT, (includes items 14 thru 16, 23, 26 and all other seals required to replace one Tilt Section Assembly)	
8	70022007	1	OUTLET SECTION ASSY, (includes all items required to replace one Outlet Section Assembly)	
9	70022008	5	SHUT-OFF PLUG ASSY	
10	70022009	3	RELIEF VALVE, FULL FLOW	
11	70022010	4	RELIEF VALVE, 280	
12	70022011	2	RELIEF VALVE, 185	
13	70022012	1	DRAIN REGULATOR ASSY	
14	70022013	2	CARTRIDGE VALVE SOLENOID	
15	70022014	4	HEX HD CAPSCREW, METRIC	
16	70022015	2	END MECHANISM KIT, (includes all components and seals required to replace one End Mechanism)	
17	70022016	2	END MECHANISM PO KIT, (includes all components and seals required to replace one End Mechanism PO)	
18	70022017	10	SPOOL END GROUP, (includes all components and seals required to replace one Spool End)	
19	70022018	3	TIE ROD, METRIC	
20	70022019	6	TIE ROD NUT, METRIC	
21	70022020	1	INLET SEAL KIT	
22	70022021	1	PO SECTION SEAL KIT	
23	70022022	1	EH SECTION SEAL KIT	
24	8036508	1	DRAIN REGULATOR SEAL KIT	
25	70022023	1	SHUT-OFF PLUG/FULL FLOW RV SEAL KIT	
26	70022024	1	PPRV SEAL KIT	
27	70022025	1	O-RING	
28	10791807	1	SPECIAL NUT	
134	0641614	3	HEX HD CAPSCREW, 3/8-16X1-3/4, GR5	
146	3311601	3	HEX NUT, 3/8-16	
149	4711600	6	FLAT WASHER, 3/8	
153	4761600	3	LOCKWASHER, 3/8	

SECTION 9 - HYDRAULIC COMPONENTS

FIGURE 9-45. HYDRAULIC PUMP



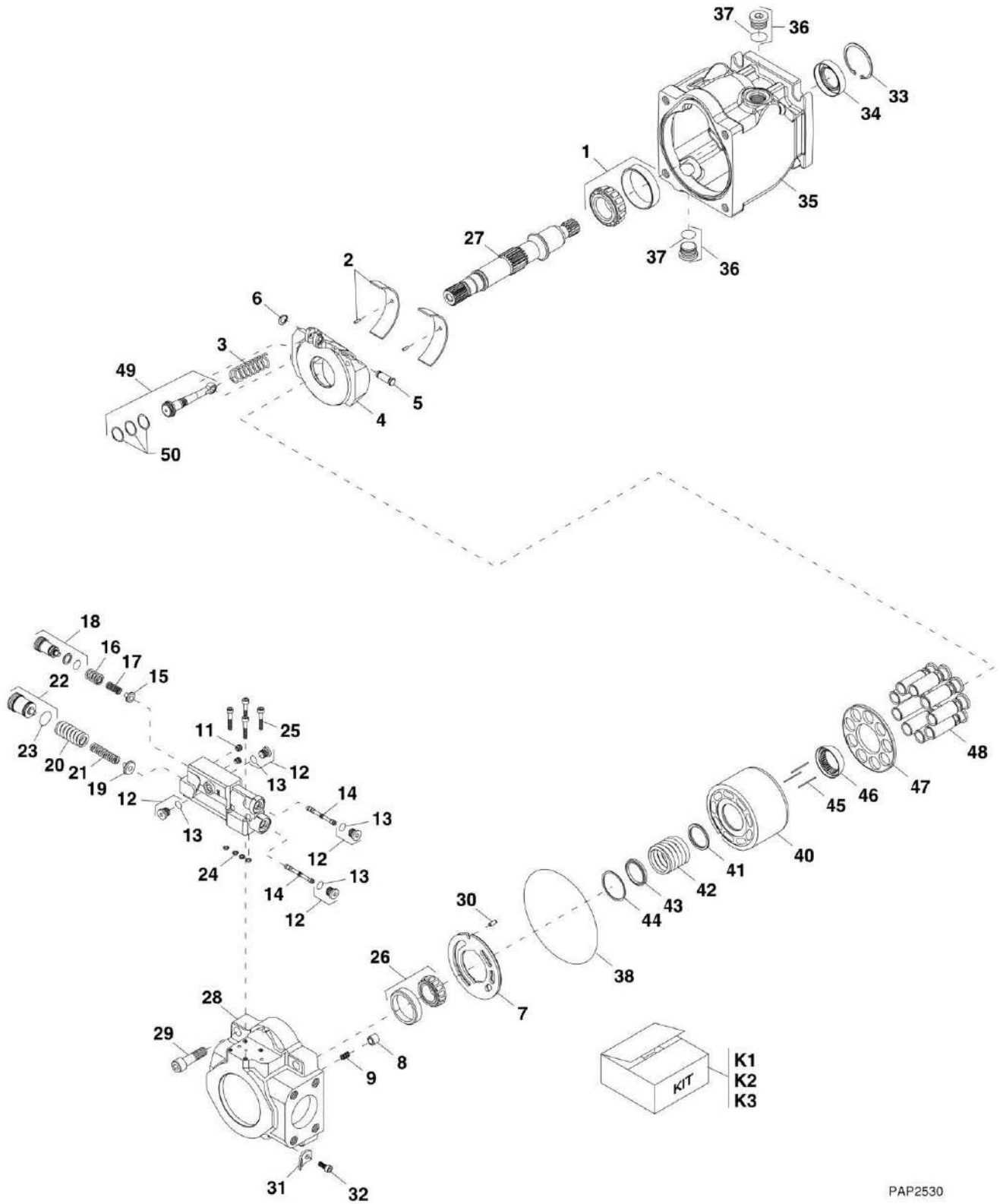
SECTION 9 - HYDRAULIC COMPONENTS

FIGURE 9-45. HYDRAULIC PUMP

ITEM	PART NUMBER	QTY	DESCRIPTION	REV
	91563189	1	HYDRAULIC PUMP, (includes all items)	D
1	7024930	1	PILOT VALVE, (includes items 2, 3 & 4)	
2	7024954	4	SOCKET SCREW, M6X30, GR10.9	
3	7024922	3	O-RING, (option)	
3	70021867	1	GASKET, (one piece design, if needed)	
4	N.S.S.	1	PLUG	
5	80334277	1	SAFETY RING	
6	7024947	1	SHAFT SEAL	
7	N.S.S.	1	PLUG	
8	7024936	1	PUMP HOUSING	
9	7024935	1	PISTON ROD	
10	7024934	1	CONTROL PISTON	
11	7024949	1	O-RING	
12	7024940	1	SCREW PLUG	
13	7024950	2	O-RING	
14	7024943	1	TAPERED ROLLER BEARING	
15	7024939	1	DRIVE SHAFT	
16	7024941	1	SPRING	
17	7024945	1	CRADLE SHELL, RH	
18	7024946	1	CRADLE SHELL, LH	
19	7024938	1	SWASH PLATE	
20	7024933	1	ROTARY GROUP	
21	7024942	1	SHIM	
22	7024944	1	TAPERED ROLLER BEARING	
23	7024952	1	DOWEL PIN	
24	7024948	1	O-RING	
25	7024937	1	PORT PLATE	
26	7024951	4	SOCKET SCREW, M14X35, GR10.9	
27	7024953	2	COUNTERSUNK SCREW, M5X16	

SECTION 9 - HYDRAULIC COMPONENTS

FIGURE 9-46. HYDRAULIC PUMP - CUMMINS ENGINE



PAP2530

SECTION 9 - HYDRAULIC COMPONENTS

FIGURE 9-46. HYDRAULIC PUMP - CUMMINS ENGINE

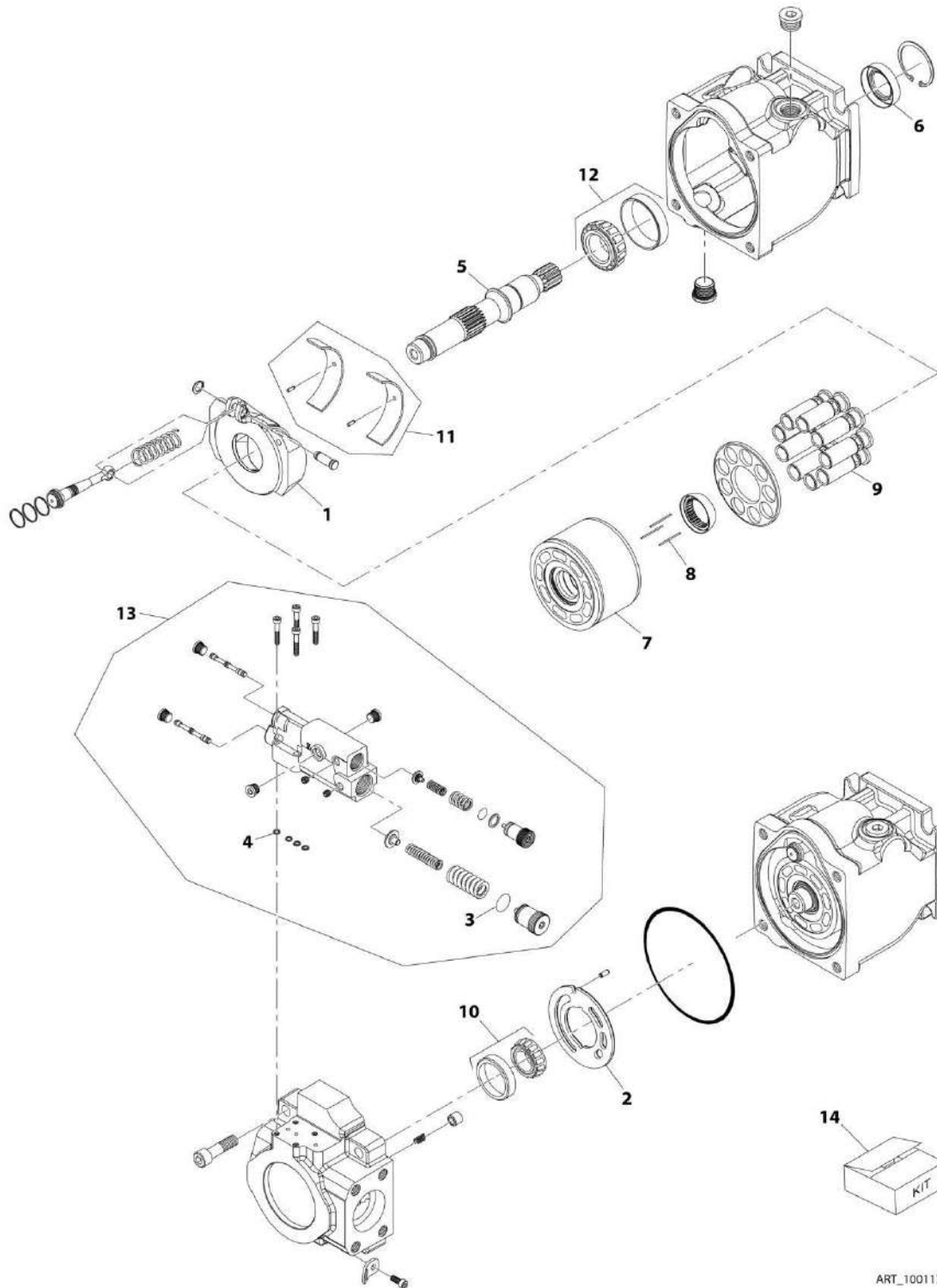
ITEM	PART NUMBER	QTY	DESCRIPTION	REV
	1001105613	NLA	HYDRAULIC PUMP, (no longer available, use 1001170639 for replacement or items 1 thru 50 for service)	D
1	70002578	1	FRONT BEARING KIT	
2	70002579	1	SWATCH PLATE BEARING KIT	
3	70002580	1	SPRING	
4	70002581	1	SWASH PLATE	
5	70002582	1	RETAINER SHAFT	
6	70002583	1	RETAING RING	
7	70023349	1	LH VALVE PLATE	
8	70001956	1	CHECK VALVE POPPET	
9	70001955	1	SPRING	
11	70023351	2	SET SCREW	
12	70002133	4	PLUG	
13	7007207	8	O-RING	
14	70023352	2	SPOOL	
15	70023353	1	SPRING GUIDE, LS	
16	70023354	1	OUTER SPRING, LS	
17	70023355	1	INNER SPRING, LS	
18	70023356	2	ADJUSTING PLUG, LS	
19	70023357	1	SPRING GUIDE, PC	
20	70023358	1	OUTER SPRING, PC	
21	70023359	1	INNER SPRING, PC	
22	70023360	1	ADJUSTING PLUG, PC	
23	70023361	2	O-RING	
24	70023362	8	SEAL RING	
25	70023363	4	SCREW	
26	70002585	1	REAR BEARING KIT	
27	70023364	1	SHAFT	
28	70023365	1	RADIAL END CAP	
29	70002588	4	SCREW	
30	7007446	1	SLOTTED PIN	
31	7022340	1	LIFTING BRACKET	
32	70002590	1	SCREW	
33	7023962	1	RETAINING RING	
34	70022287	2	LIP SEAL	
35	70022288	1	HOUSING	
36	7023964	2	PLUG	
37	7007415	4	O-RING	
38	70002595	2	END CAP SEAL	
40	70023366	1	CYLINDER BLOCK	
41	7007429	1	SPRING SEAT	
42	70002591	1	SPRING	
43	7007427	1	SPRING SEAT	
44	7007426	1	RETAINING RING	
45	7021275	3	HOLD DOWN PIN	
46	70002592	1	SLIPPER RETAINER GUIDE	
47	70002593	1	SLIPPER RETAINER	
48	70002594	9	PISTON ASSY	
49	70023367	1	SERVO PISTON ASSY	
50	70002598	6	PISTON RING	

SECTION 9 - HYDRAULIC COMPONENTS

ITEM	PART NUMBER	QTY	DESCRIPTION	REV
K1	70023350	1	CONTROL KIT, (includes items 11 thru 25)	
K2	70002596	1	CYLINDER BLOCK KIT, (includes items 40 thru 48)	
K3	70002599	1	OVERHAUL SEAL KIT	

SECTION 9 - HYDRAULIC COMPONENTS

FIGURE 9-47. VARIABLE DISPLACEMENT PUMP



ART_1001170639-B

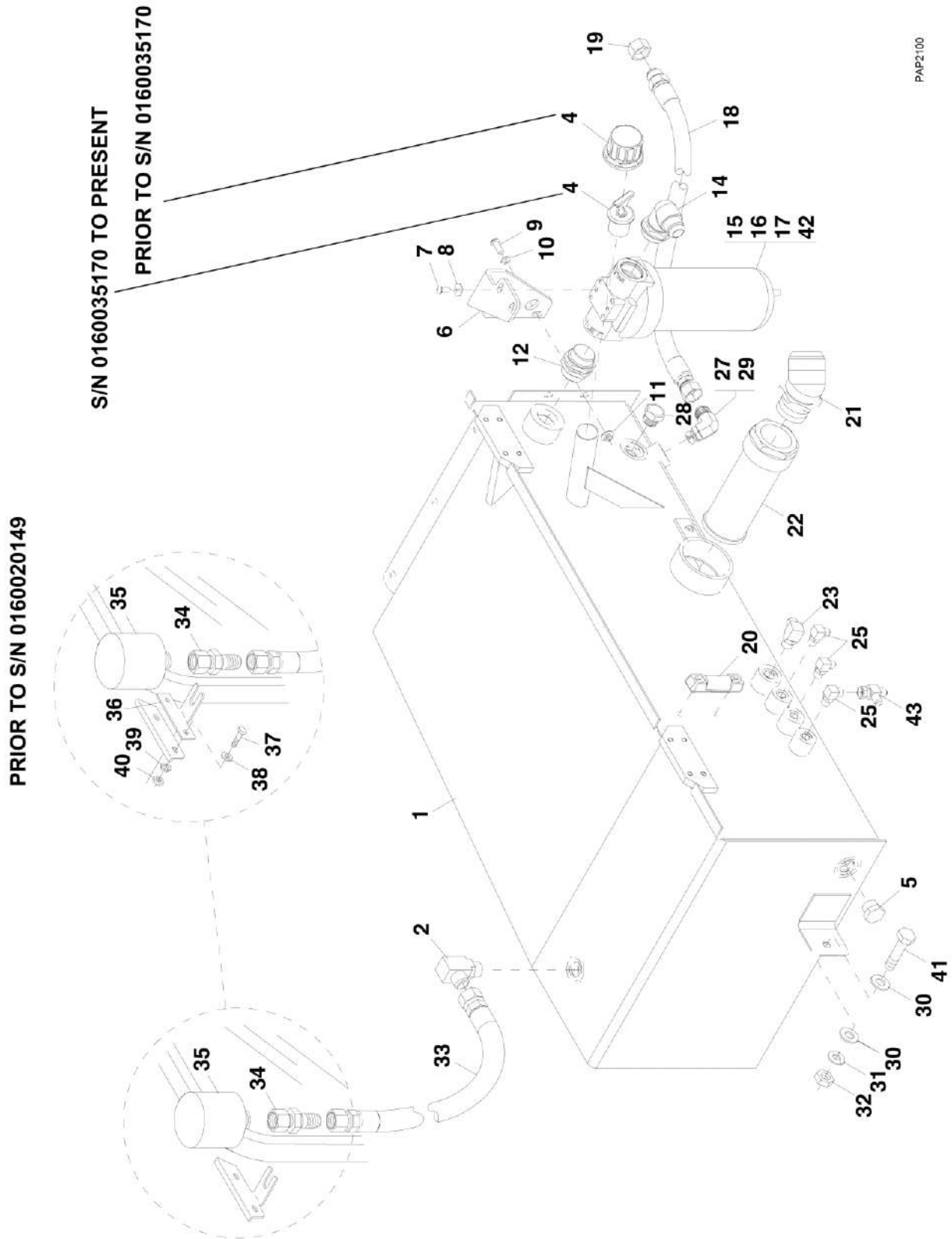
SECTION 9 - HYDRAULIC COMPONENTS

FIGURE 9-47. VARIABLE DISPLACEMENT PUMP

ITEM	PART NUMBER	QTY	DESCRIPTION	REV
	1001170639	Ref	VARIABLE DISPLACEMENT PUMP	B
1	70004416	1	SWASHPLATE	
2	70026714	1	PLATE, VALVE	
3	70023361	4	O-RING	
4	70023362	4	RING, SEAL	
5	70023364	1	SHAFT	
6	70022287	1	SEAL, LIP	
7	70004421	1	CYLINDER	
8	7021275	3	PIN, HOLD DOWN	
9	70004422	9	PISTON	
10	70002585	1	KIT, REAR BEARING	
11	70004426	1	KIT, SWASHPLATE BEARING (Includes Qty 2 Bearings and Retainer)	
12	70002578	1	KIT, FRONT BEARING	
13	70023350	1	KIT, CONTROL	
14	70002599	1	KIT, OVERHAUL SEAL (includes items 3, 4 & 6)	

SECTION 9 - HYDRAULIC COMPONENTS

FIGURE 9-48. HYDRAULIC TANK ASSEMBLY - JOHN DEERE ENGINE



PAP2100

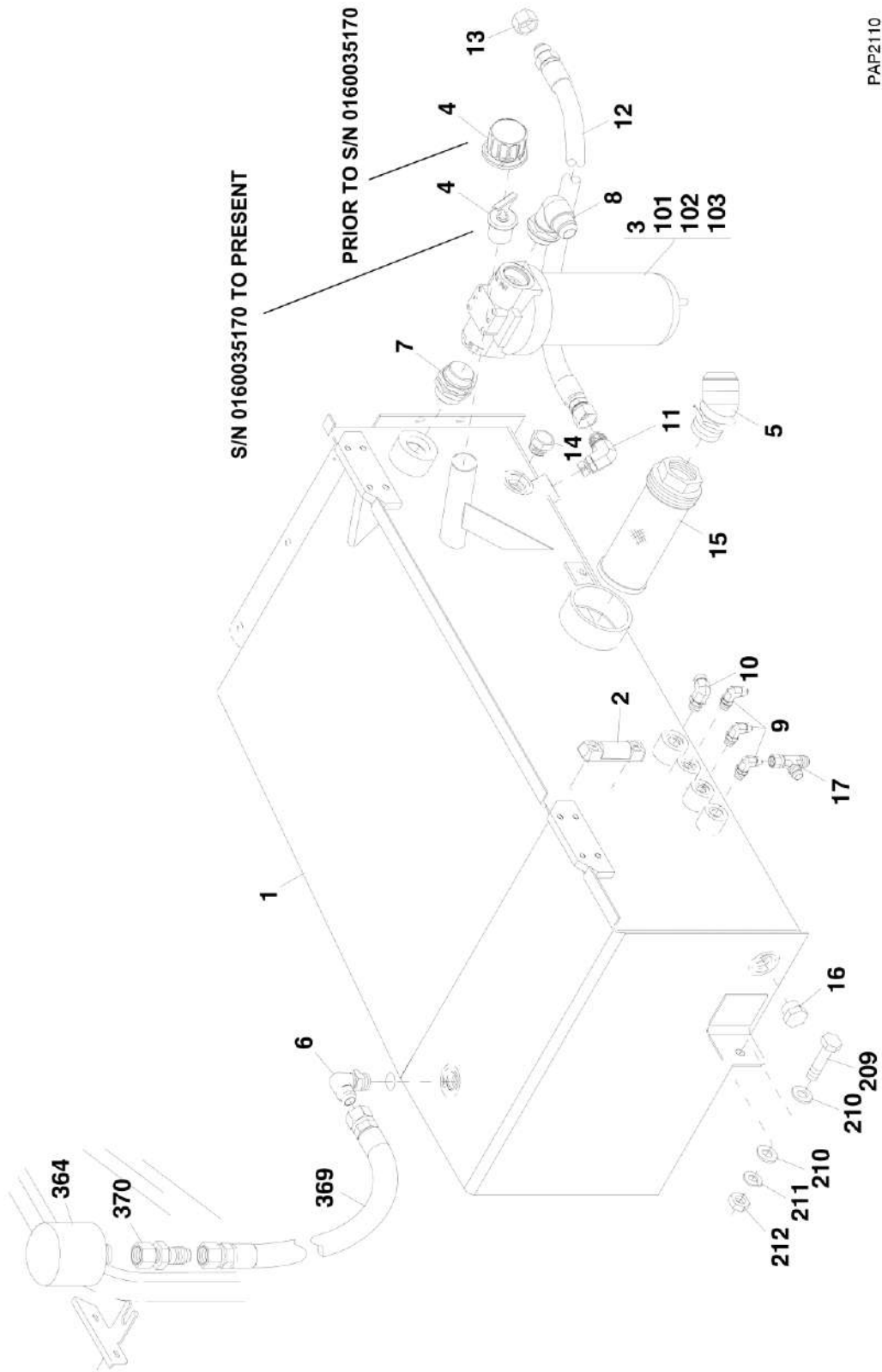
SECTION 9 - HYDRAULIC COMPONENTS

FIGURE 9-48. HYDRAULIC TANK ASSEMBLY - JOHN DEERE ENGINE

ITEM	PART NUMBER	QTY	DESCRIPTION	REV
	91565019	Ref	HYDRAULIC TANK ASSEMBLY, (includes items 1 thru 15, 18 thru 29 & item 43)	L
1	1001098086	1	HYDRAULIC TANK	
2	2220578	1	ELBOW, 90	
4	91563140	1	FILLER CAP (Prior to SN 0160035170)	
4	91403579	1	FILLER CAP (SN 0160035170 to Present)	
5	88662539	1	MAGNETIC PLUG	
6	91561155	1	FILTER BRACKET	
7	3900210	2	SOCKET BUTTON HD CAPSCREW, 5/16-18X3/4	
8	4751500	2	FLAT WASHER, 5/16	
9	3900316	2	SOCKET BUTTON HD CAPSCREW, 3/8-16X1	
10	4761600	2	LOCKWASHER, 3/8	
11	77143015	2	WHIZ LOCKNUT, 3/8	
12	2220893	1	UNION	
14	2220464	1	ELBOW, 90	
15	91403158	1	HYDRAULIC OIL FILTER, (includes items 16, 17 & 42)	
16	1001093626	1	FILTER ELEMENT	
17	91404084	1	BAR GAUGE	
18	84719857	1	HOSE ASSY	
19	2220518	1	HEX CAP, 3/4 TUBE	
20	91563136	1	FLUID LEVEL GAUGE	
21	88662538	1	ELBOW, 45	
22	91563248	1	TANK FILTER	
23	2220596	1	ELBOW, 90	
25	2220473	3	ELBOW, 90	
28	2220240	1	HEX HD PLUG	
29	2220567	1	ELBOW, 45	
30	4711800	6	FLAT WASHER, 1/2	
31	4761800	3	LOCKWASHER, 1/2	
32	3311801	3	HEX NUT, 1/2-13	
33	2752666	1	HOSE ASSY (Prior to SN 0160039451, Excluding 0160039394 and 0160039397)	
33	84719610	1	HOSE ASSY (SN 0160039451 to Present, Including 0160039394 and 0160039397)	
34	91163100	1	ADAPTER, BHST JIC/FNPTF 12-12 FG	
35	1340021	1	BREATHER	
36	91471174	1	BREATHER BRACKET	
37	0641508	2	HEX HD CAPSCREW, 5/16-18X1, GR5	
38	4711500	2	FLAT WASHER, 5/16	
39	4761500	2	LOCKWASHER, 5/16	
40	3311505	2	LOCKNUT, 5/16-18	
41	0641812	3	HEX HD CAPSCREW, 1/2-13X1-1/2, GR5	
42	7029833	1	SEAL RING, (between element and housing)	
43	2220635	1	RUN TEE	

SECTION 9 - HYDRAULIC COMPONENTS

FIGURE 9-49. HYDRAULIC TANK ASSEMBLY - PERKINS ENGINE



PAP2110

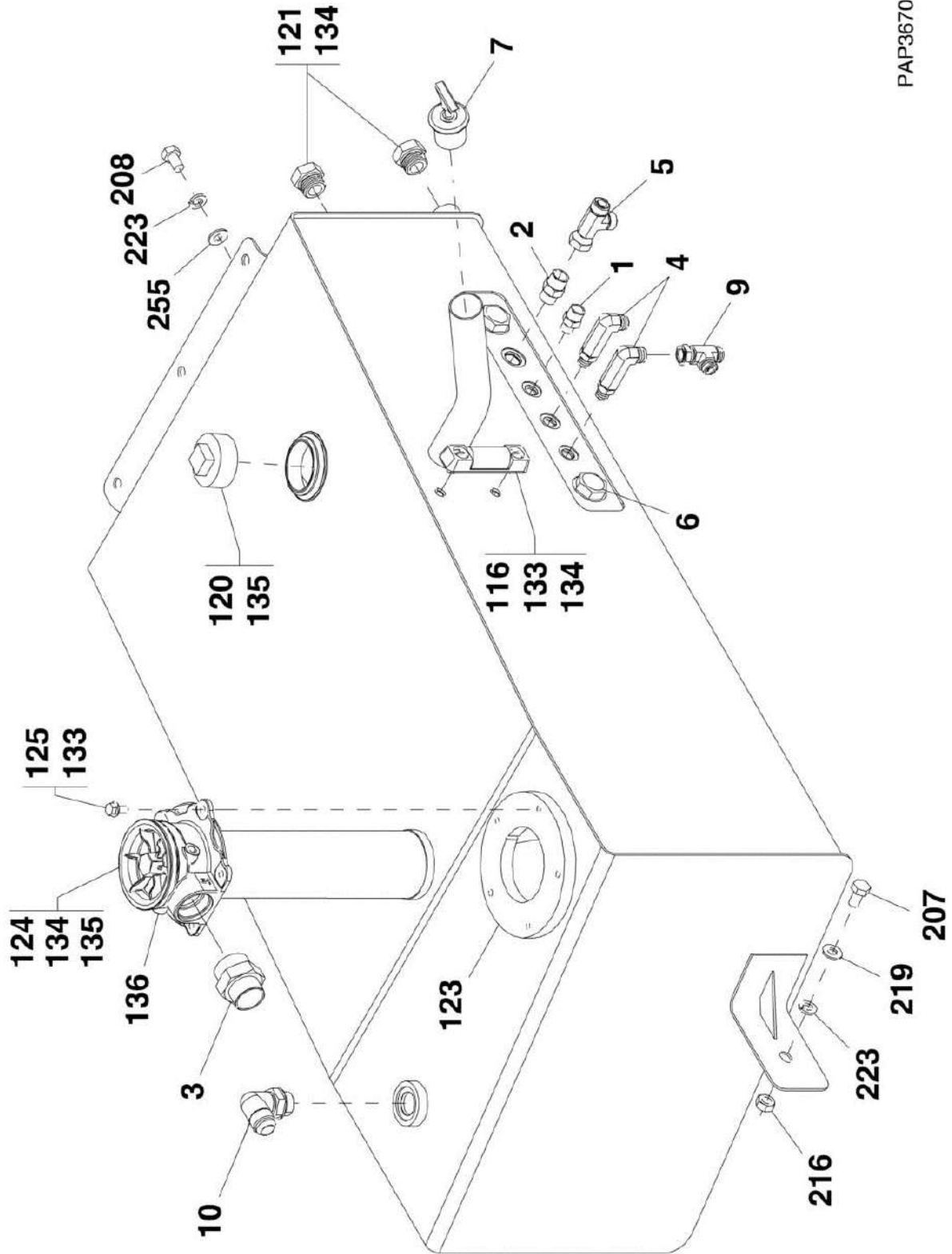
SECTION 9 - HYDRAULIC COMPONENTS

FIGURE 9-49. HYDRAULIC TANK ASSEMBLY - PERKINS ENGINE

ITEM	PART NUMBER	QTY	DESCRIPTION	REV
	1001096878	1	HYDRAULIC TANK ASSEMBLY, (includes items 1 thru 17)	E
1	1001098086	1	HYDRAULIC TANK	
2	91563136	1	FLUID LEVEL GAUGE	
3	91403158	1	HYDRAULIC FILTER, (includes items 101 thru 103)	
4	91563140	1	FILLER CAP (Prior to SN 0160035170)	
4	91403579	1	FILLER CAP (SN 0160035170 to Present)	
5	88662538	1	ELBOW, 45	
6	2220578	1	ELBOW, 90	
7	2220893	1	CONNECTOR	
8	2131620	1	ELBOW, 90	
9	2130606	3	ELBOW, 90	
10	2130808	1	ELBOW, 90	
11	2131210	1	ELBOW, 90	
12	1001095449	1	HOSE ASSEMBLY	
13	2170912	1	CAP FITTING	
14	2220240	1	PLUG	
15	91563248	1	HYDRAULIC TANK FILTER	
16	88662539	1	MAGNETIC PLUG	
17	2170706	1	RUN TEE	
101	1001093626	1	FILTER ELEMENT	
102	91404084	1	BAR GAUGE	
103	7029833	1	SEAL RING, (between element and housing)	
209	0641812	3	HEX HD CAPSCREW, 1/2-13X1-1/2, GR5	
210	4711800	6	FLAT WASHER, 1/2	
211	4761800	3	LOCKWASHER, 1/2	
212	3311801	3	HEX NUT, 1/2-13	
364	1340021	1	BREATHER	
369	1001096398	1	HOSE ASSEMBLY	
370	91163100	1	ADAPTER, BHST JIC/FNPTF 12-12 FG	

SECTION 9 - HYDRAULIC COMPONENTS

FIGURE 9-50. HYDRAULIC TANK ASSEMBLY - CUMMINS ENGINE



PAP3670

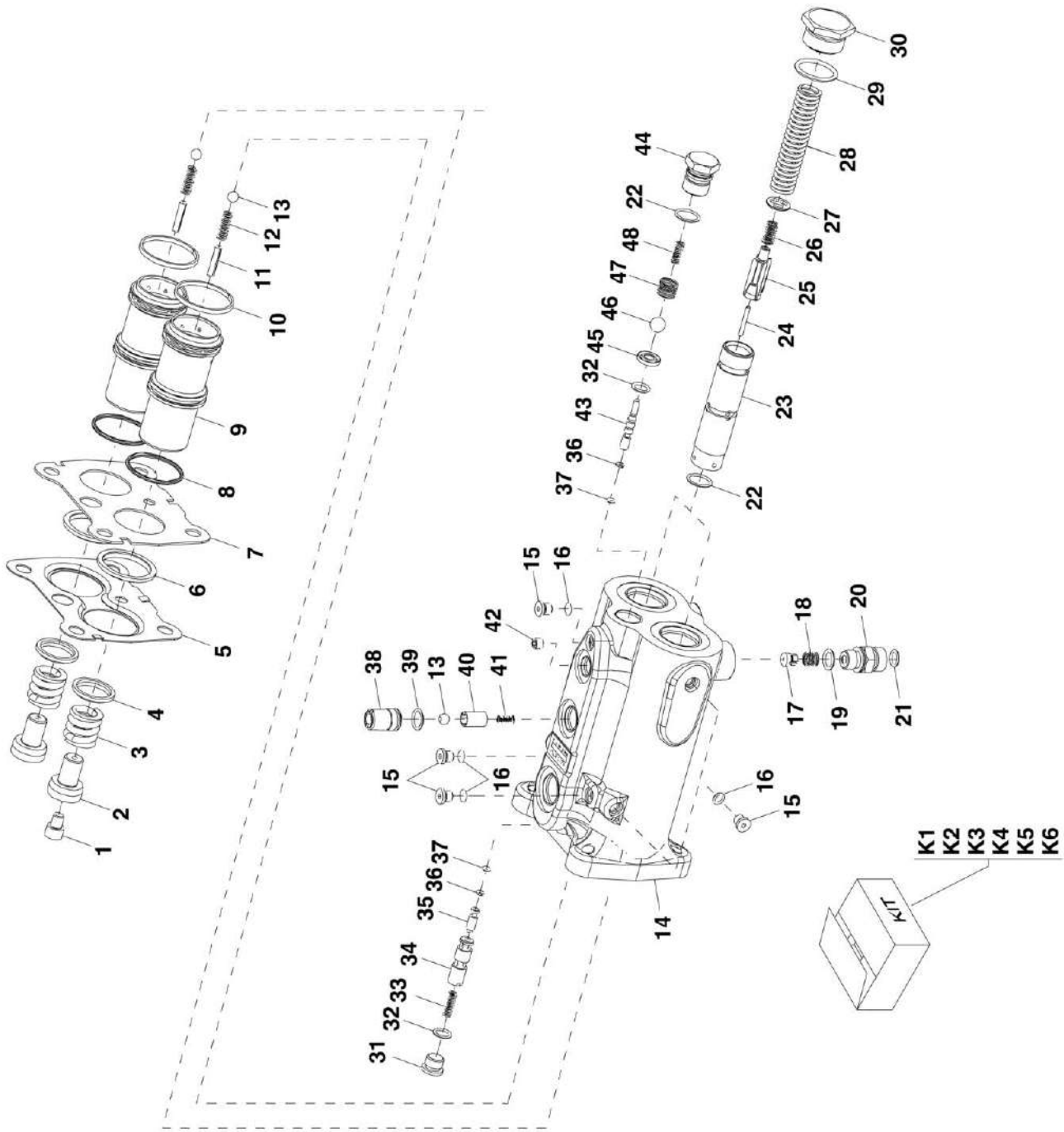
SECTION 9 - HYDRAULIC COMPONENTS

FIGURE 9-50. HYDRAULIC TANK ASSEMBLY - CUMMINS ENGINE

ITEM	PART NUMBER	QTY	DESCRIPTION	REV
	1001116013	1	HYDRAULIC TANK ASSEMBLY, (includes items 1 thru 10)	A
1	2110606	1	CONNECTOR, (includes o-ring)	
2	2110808	1	CONNECTOR, (includes o-ring)	
3	2111620	1	CONNECTOR, (includes o-ring)	
4	2170206	2	ELBOW, 90, (includes o-ring)	
5	2170708	1	RUN TEE, (includes o-ring)	
6	2220240	2	Plug	
7	91403579	1	BREATHER CAP	
8	1001114142	1	HYDRAULIC TANK, (includes items 116 thru 135)	E
9	2170706	1	RUN TEE, (includes o-ring)	
10	2220578	1	ELBOW, 90	
116	91563136	1	SIGHT GAUGE	
120	70023344	1	PIPE PLUG, 2 INCH	
121	70023345	2	HEX HD PLUG	
123	70023346	1	DIE CAST RING	
124	1001097732	1	FILTER	
125	70023347	5	FLANGE HD CAPSCREW, 5/16-18X1/2	
133	1001095650	AR	LOCTITE 243	
134	N.S.S.	AR	LUBRICANT	
135	14404082	AR	LOCTITE 565	
136	70024014	1	FILTER HOUSING	
207	0641812	1	HEX HD CAPSCREW, 1/2-13X1-1/2, GR5	
208	0681807	2	HEX HD CAPSCREW, 1/2-13X7/8, GR8	
216	3311801	1	HEX NUT, 1/2-13	
219	4711800	2	WASHER, 1/2	
223	4761800	3	LOCKWASHER, 1/2	
255	4757800	2	FLAT WASHER, 1/2	

SECTION 9 - HYDRAULIC COMPONENTS

FIGURE 9-51. BRAKE VALVE (G10-55A Prior to SN 0160029245; G12-55A Prior to SN 0160029250)



PAP2270

SECTION 9 - HYDRAULIC COMPONENTS

FIGURE 9-51. BRAKE VALVE (G10-55A Prior to SN 0160029245; G12-55A Prior to SN 0160029250)

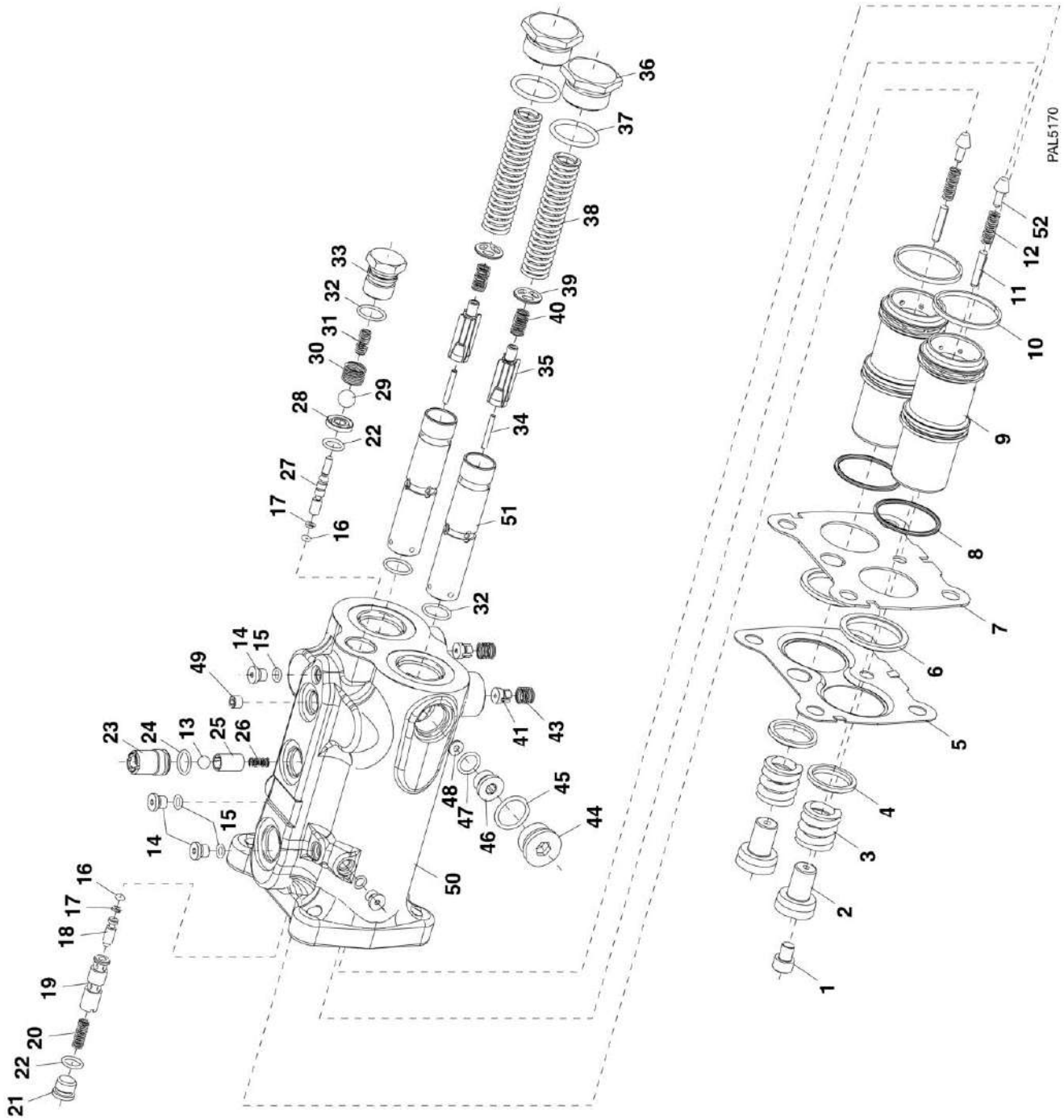
ITEM	PART NUMBER	QTY	DESCRIPTION	REV
	91513072	NLA	POWER BRAKE, (no longer available, order 1001106836 for replacement or see items 1 thru 48 for service)	D
1	91474454	1	BOLT	
2	91474442	2	PIN	
3	Kit	2	SPRING	
4	91474441	2	WIPER	
5	Kit	1	COVER	
6	91474440	2	WIPER	
7	Kit	1	COVER	
8	91474439	2	QUAD-RING	
9	Kit	2	PISTON	
10	Kit	2	RING	
11	Kit	2	SPRING	
12	Kit	2	SPRING	
13	Kit	2	BALL	
14	91514201	1	HOUSING	
15	91474450	5	PLUG	
16	91474451	5	O-RING	
17	Kit	1	ORIFICE	
18	Kit	1	SPRING	
19	91474461	1	O-RING	
20	91514196	1	FITTING	
21	91474444	1	O-RING	
22	91514197	3	O-RING	
23	91474436	2	SPOOL	
24	Kit	2	PIN	
25	Kit	2	MAKE-UP CHECK	
26	Kit	2	SPRING	
27	Kit	2	SPRING GUIDE	
28	Kit	2	SPRING	
29	91474435	2	O-RING	
30	91474434	2	PLUG	
31	91474458	1	PLUG	
32	91514198	2	O-RING	
33	Kit	1	SPRING	
34	91474456	1	SPOOL	
35	91474455	1	PISTON	
36	91514199	2	BACKUP RING	
37	91474453	2	O-RING	
38	Kit	1	SEAT	
39	Kit	1	O-RING	
40	Kit	1	RETAINER	
41	Kit	1	SPRING	
42	91514202	1	ORIFICE	
43	91474447	1	PISTON	
44	91514200	1	PLUG	
45	91474446	1	SEAT	
46	Kit	1	BALL	
47	Kit	1	SPRING	
48	Kit	1	SPRING	

SECTION 9 - HYDRAULIC COMPONENTS

ITEM	PART NUMBER	QTY	DESCRIPTION	REV
K1	91474428	1	PISTON KIT, (includes items 9 thru 11)	
K2	91474429	1	COVER KIT, (includes items 5 & 7)	
K3	91474430	1	MAKE-UP CHECK KIT, (includes items 24 thru 27)	
K4	91474431	1	INLET CHECK KIT, (includes 13 & 38 thru 41)	
K5	91474433	1	ORIFICE KIT, (includes items 17 & 18)	
K6	91474432	1	HARDWARE KIT, (includes items 3, 12, 13, 26, 28, 33, 46, 47 & 48)	

SECTION 9 - HYDRAULIC COMPONENTS

FIGURE 9-52. BRAKE VALVE (G10-55A SN 0160029245 to Present; G12-55A SN 0160029250 to Present)



SECTION 9 - HYDRAULIC COMPONENTS

FIGURE 9-52. BRAKE VALVE (G10-55A SN 0160029245 to Present; G12-55A SN 0160029250 to Present)

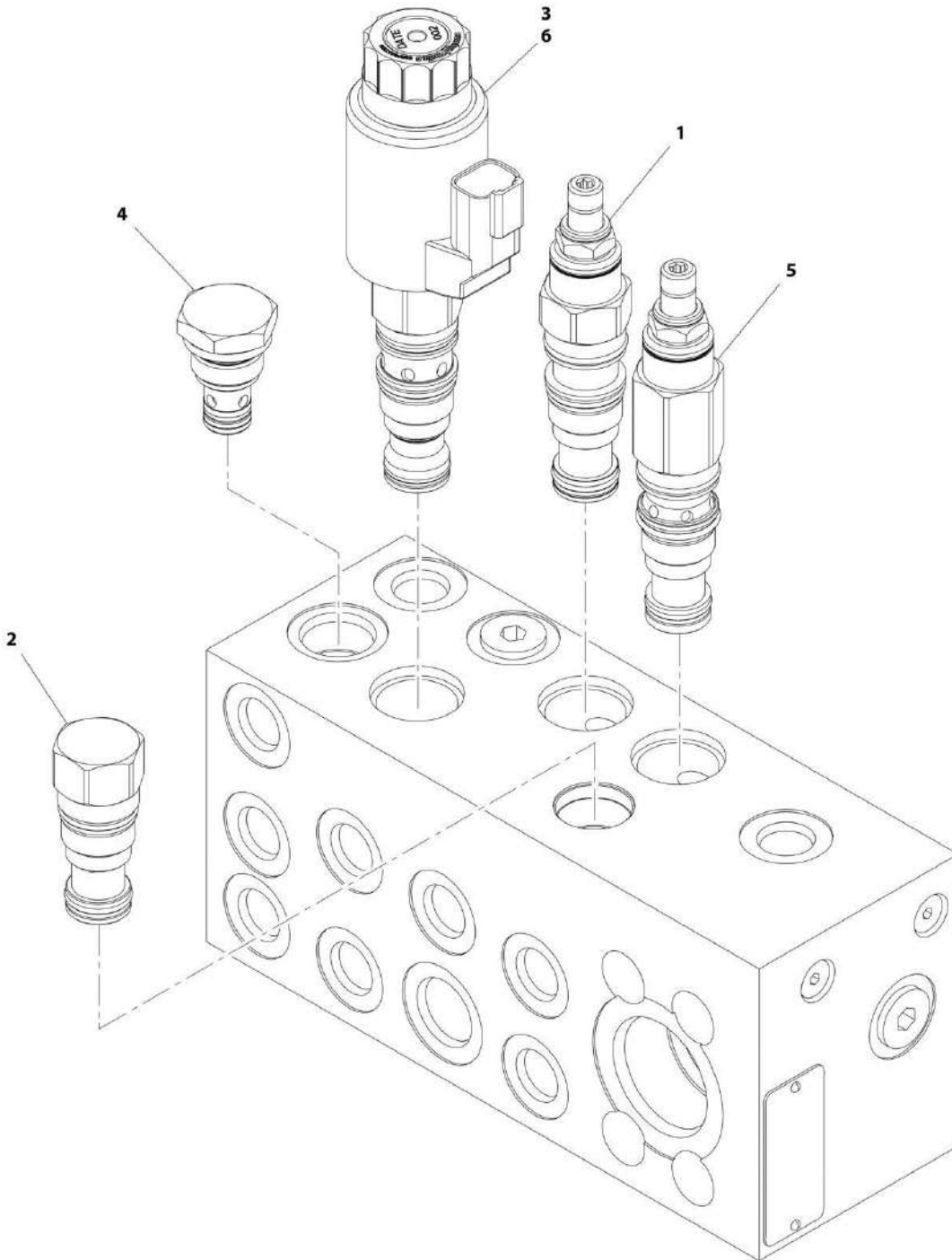
ITEM	PART NUMBER	QTY	DESCRIPTION	REV
	N.S.S.	1	N.S.S.	
	1001091143	NLA	BRAKE VALVE, (no longer available, order 1001106836 for replacement or see all item 1 thru 51 for service) (Prior to SN 0160037744)	E
	1001106836	1	BRAKE VALVE, (includes items 1 thru 52) (SN 0160037753 to Present)	A
1	91474454	1	SCREW	
2	91474442	2	PIN	
3	70020659	2	SPRING	
4	91474441	2	WIPER	
5	70020660	1	COVER	
6	91474440	2	WIPER	
7	70020661	1	COVER	
8	91474439	2	QUAD RING	
9	70020662	2	PISTON	
10	70020663	2	PISTON RING	
11	70020664	2	PIN (Prior to SN 0160037744)	
11	70023037	2	PIN (SN 0160037753 to Present)	
12	91474438	2	SPRING	
13	91474452	1	BALL	
14	91474450	4	PLUG	
15	91474451	4	O-RING	
16	91474453	2	O-RING	
17	91514199	2	BACKUP RING	
18	91474455	1	DUMP PISTON	
19	91474456	1	DUMP SPOOL	
20	70020665	1	SPRING	
21	91474458	1	PLUG	
22	91514198	2	O-RING	
23	70020666	1	INLET SEAT	
24	70020667	1	O-RING	
25	70020668	1	RETAINER	
26	70020669	1	SPRING	
27	91474447	1	PISTON	
28	91474446	1	SEAT	
29	70020670	1	BALL	
30	70020671	1	SPRING	
31	70020672	1	SPRING	
32	91514197	3	O-RING	
33	91474443	1	PLUG	
34	70020673	2	NEEDLE ROLLER	
35	70020674	2	MAKE-UP CHECK	
36	91474434	2	PLUG	
37	91474435	2	O-RING	
38	70020675	2	SPRING	
39	70020676	2	SPRING GUIDE	
40	70020677	2	SPRING	
41	70020678	2	ORIFICE	
43	70020679	2	SPRING	

SECTION 9 - HYDRAULIC COMPONENTS

ITEM	PART NUMBER	QTY	DESCRIPTION	REV
44	91474459	1	PLUG	
45	91474460	1	O-RING	
46	70020680	1	PLUG	
47	70020681	1	O-RING	
48	70020682	1	ORIFICE	
49	70020685	1	ORIFICE (Prior to SN 0160037744)	
49	70023039	1	ORIFICE (SN 0160037753 to Present)	
50	N.S.S.	1	HOUSING	
51	N.S.S.	2	SPOOL	
52	70023038	2	POPPET	

SECTION 9 - HYDRAULIC COMPONENTS

FIGURE 9-53. HYDRAULIC MANIFOLD



ART_91563190-E

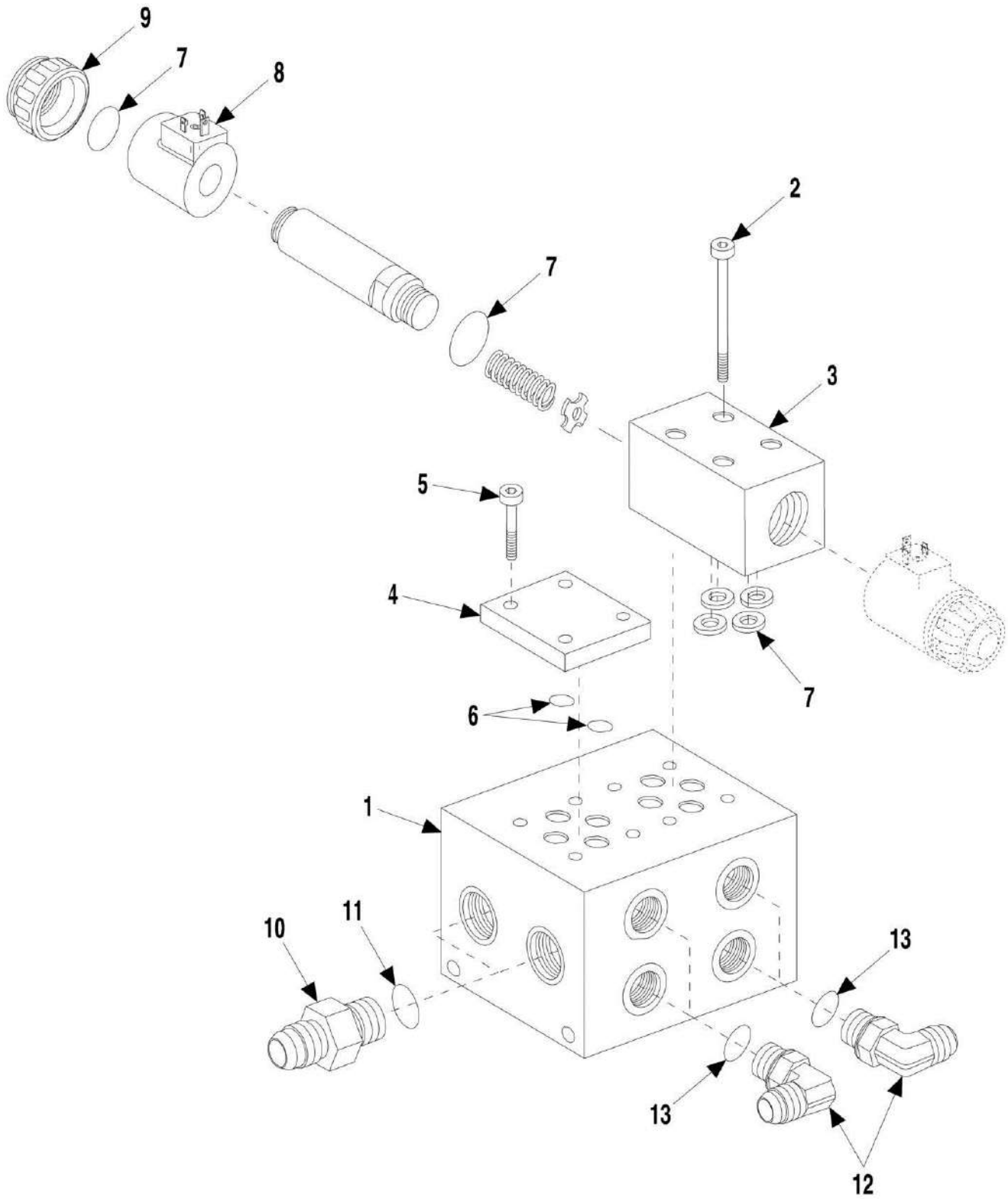
SECTION 9 - HYDRAULIC COMPONENTS

FIGURE 9-53. HYDRAULIC MANIFOLD

ITEM	PART NUMBER	QTY	DESCRIPTION	REV
	91563190	1	HYDRAULIC MANIFOLD, (includes all items)	E
1	7026998	1	PRESSURE REDUCING VALVE	
2	7026999	1	CHECK VALVE	
3	80434145	1	SOLENOID VALVE (Prior to SN 0160068279)	
3	7026022	1	SOLENOID VALVE (SN 0160068279 to Present)	
4	7018300	1	SHUTTLE VALVE	
5	7027100	1	PRESSURE REDUCING VALVE	
6	80434249	1	COIL (Prior to SN 0160068279)	
6	70026348	1	COIL (SN 0160068279 to Present)	

SECTION 9 - HYDRAULIC COMPONENTS

FIGURE 9-54. STEER SELECT VALVE - JOHN DEERE ENGINE



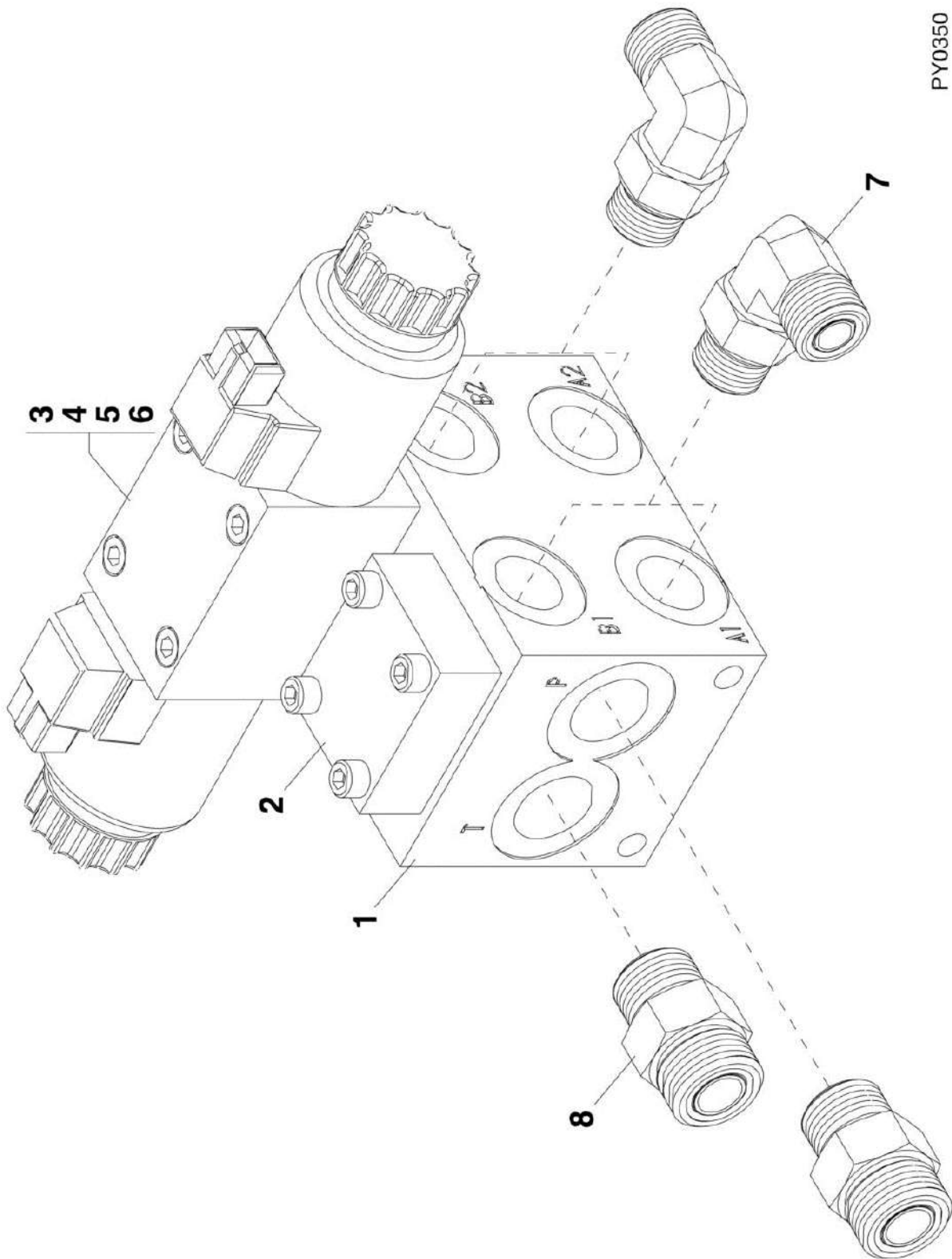
SECTION 9 - HYDRAULIC COMPONENTS

FIGURE 9-54. STEER SELECT VALVE - JOHN DEERE ENGINE

ITEM	PART NUMBER	QTY	DESCRIPTION	REV
	91475051	1	STEER SELECT VALVE, (includes all items)	C
1	91474400	1	STEERING MANIFOLD	
2	91474401	4	CAPSCREW	
3	91474402	1	STEERING CONTROL, (includes items 7 thru 9)	
4	91474403	1	COVER PLATE	
5	91474404	4	CAPSCREW	
6	91474405	2	O-RING	
7	91474406	1	SEAL KIT	
8	91474407	2	SOLENOID	
9	80334379	2	HAND NUT	
10	2220374	2	CONNECTOR, (includes item 11)	
11	88591206	2	O-RING	
12	88662065	4	ELBOW, 90, (includes item 13)	
13	88591205	4	O-RING	

SECTION 9 - HYDRAULIC COMPONENTS

FIGURE 9-55. STEER SELECT VALVE - PERKINS AND CUMMINS ENGINE



PY0350

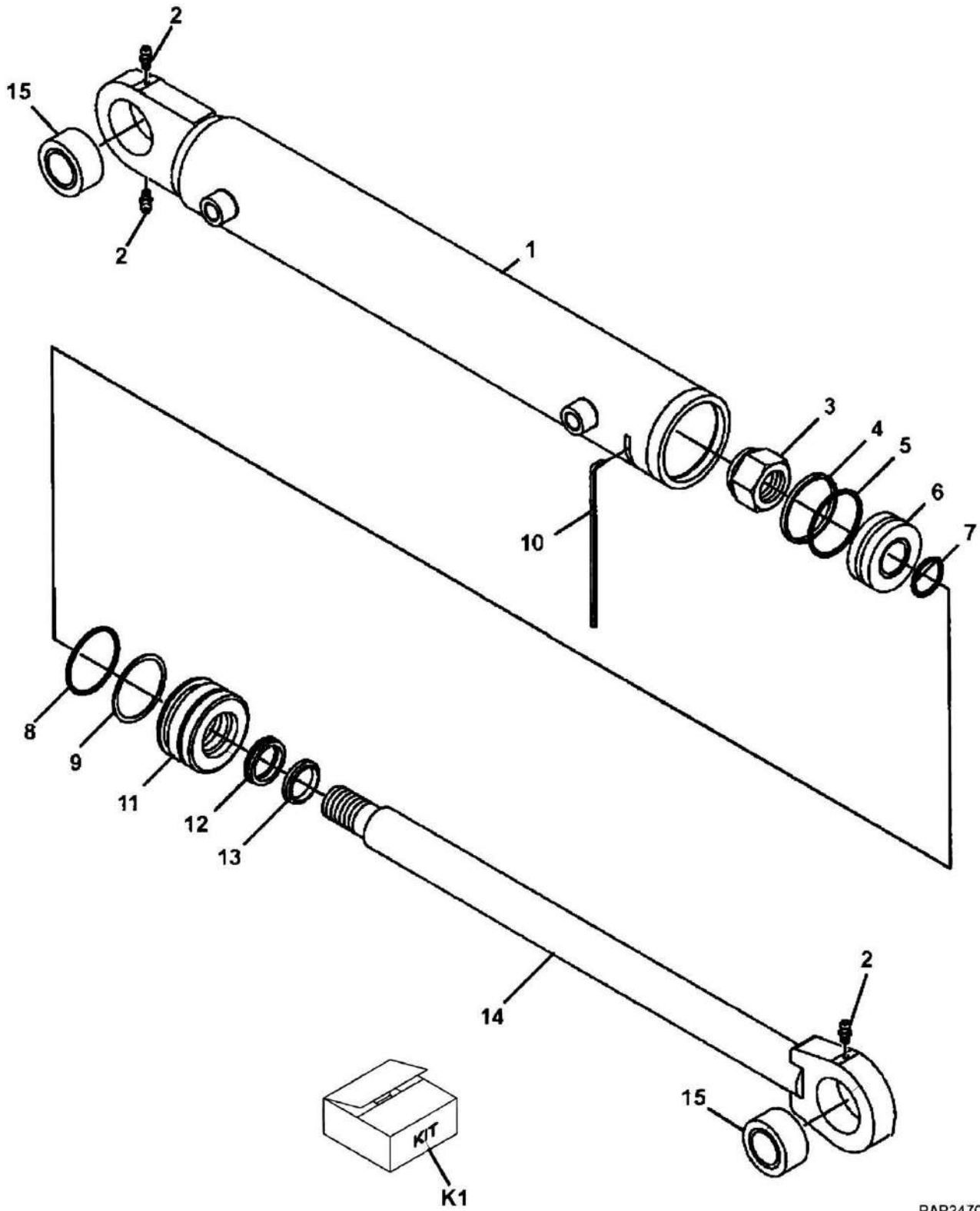
SECTION 9 - HYDRAULIC COMPONENTS

FIGURE 9-55. STEER SELECT VALVE - PERKINS AND CUMMINS ENGINE

ITEM	PART NUMBER	QTY	DESCRIPTION	REV
	1001001016	1	STEERING SELECT VALVE, (includes all items)	C
1	7029915	1	STEERING MANIFOLD	
2	7029916	1	COVER PLATE	
3	91474402	1	DIRECTIONAL CONTROL VALVE, (includes items 4 thru 6)	
4	91474407	2	COIL	
5	7029917	2	NUT	
6	7012773	1	SEAL KIT	
7	88662065	4	ELBOW, 90, (includes o-ring)	
8	2220374	2	CONNECTOR, (includes o-ring)	

SECTION 9 - HYDRAULIC COMPONENTS

FIGURE 9-56. 180, SWING CARRIAGE CYLINDER



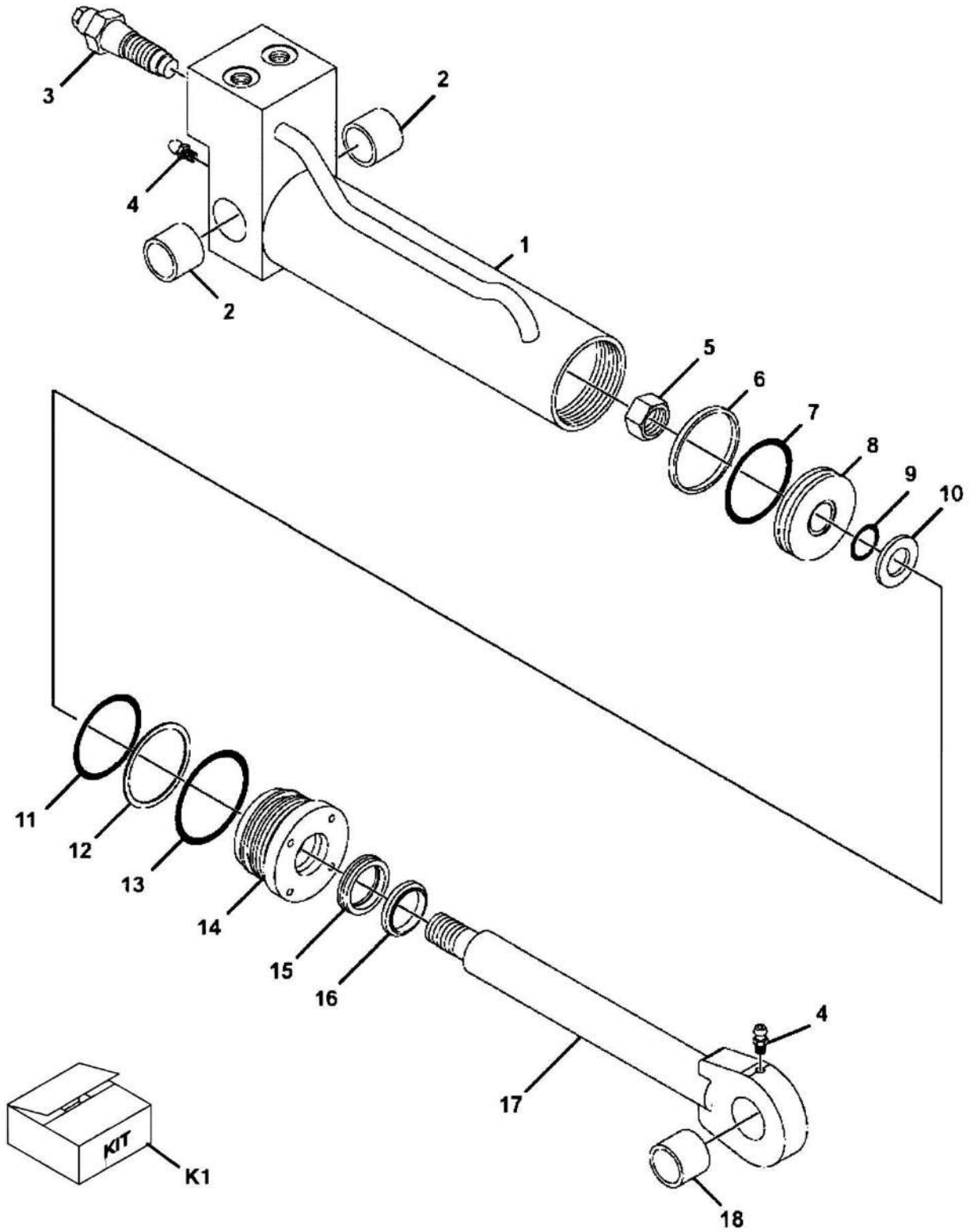
SECTION 9 - HYDRAULIC COMPONENTS

FIGURE 9-56. 180, SWING CARRIAGE CYLINDER

ITEM	PART NUMBER	QTY	DESCRIPTION	REV
	7029995	1	SWING CARRIAGE CYLINDER, (includes all items)	
1	70021441	1	CYLINDER TUBE	
2	90554045	3	GREASE FITTING	
3	70021440	1	HEX NUT	
4	Kit	1	PISTON RING	
5	Kit	1	O-RING	
6	70021976	1	PISTON	
7	Kit	1	O-RING	
8	Kit	1	O-RING	
9	Kit	1	BACKUP WASHER	
10	Kit	1	RETAINER RING	
11	70021443	1	CYLINDER GLAND	
12	Kit	1	POLY-PAK SEAL, TYPE B	
13	Kit	1	ROD WIPER	
14	70021442	1	CYLINDER ROD	
15	90554046	2	BUSHING	
K1	70021453	1	SEAL KIT (includes items 4, 5, 7, 8, 9, 10, 12 & 13)	

SECTION 9 - HYDRAULIC COMPONENTS

FIGURE 9-57. GRAPPLE BUCKET CYLINDER



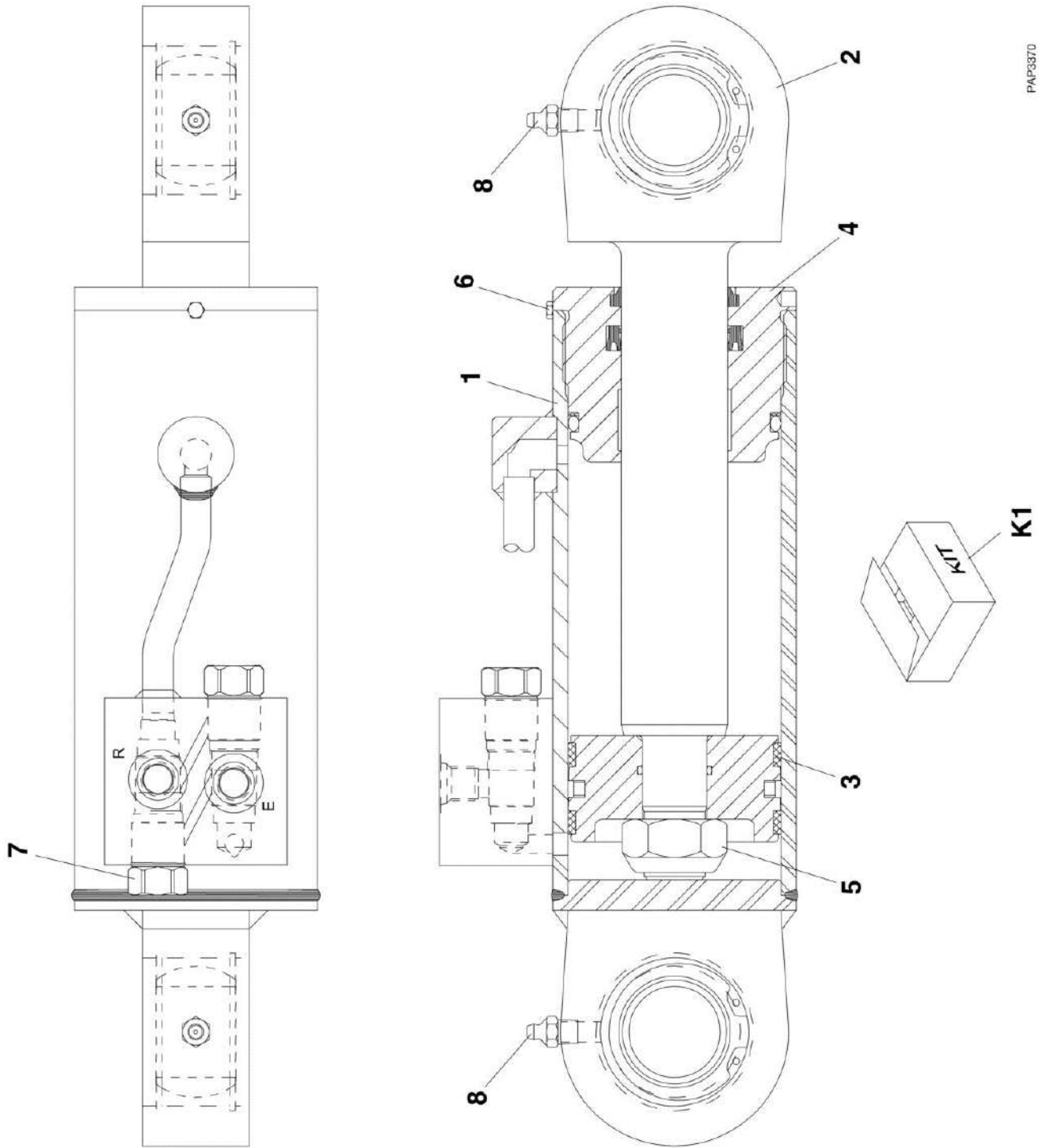
SECTION 9 - HYDRAULIC COMPONENTS

FIGURE 9-57. GRAPPLE BUCKET CYLINDER

ITEM	PART NUMBER	QTY	DESCRIPTION	REV
	70021393	1	GRAPPLE BUCKET CYLINDER, (includes all items)	
1	70021465	1	CYLINDER TUBE	
2	70021448	2	BUSHING	
3	70021464	2	VALVE CARTRIDGE	
4	90554045	2	GREASE FITTING	
5	70021440	1	HEX NUT	
6	Kit	1	PISTON RING	
7	Kit	1	O-RING	
8	70021451	1	PISTON	
9	Kit	1	O-RING	
10	70021444	1	WASHER	
11	Kit	1	O-RING	
12	Kit	1	BACKUP WASHER	
13	Kit	1	O-RING	
14	70021446	1	CYLINDER GLAND	
15	Kit	1	POLY-PAK SEAL	
16	Kit	1	ROD WIPER	
17	70021466	1	PISTON ROD	
18	70021447	1	BUSHING	
K1	70021452	1	SEAL KIT, (includes items 6, 7, 9, 11 thru 13, 15 & 16)	

SECTION 9 - HYDRAULIC COMPONENTS

FIGURE 9-58. SIDE TILT CARRIAGE CYLINDER



PAP3370

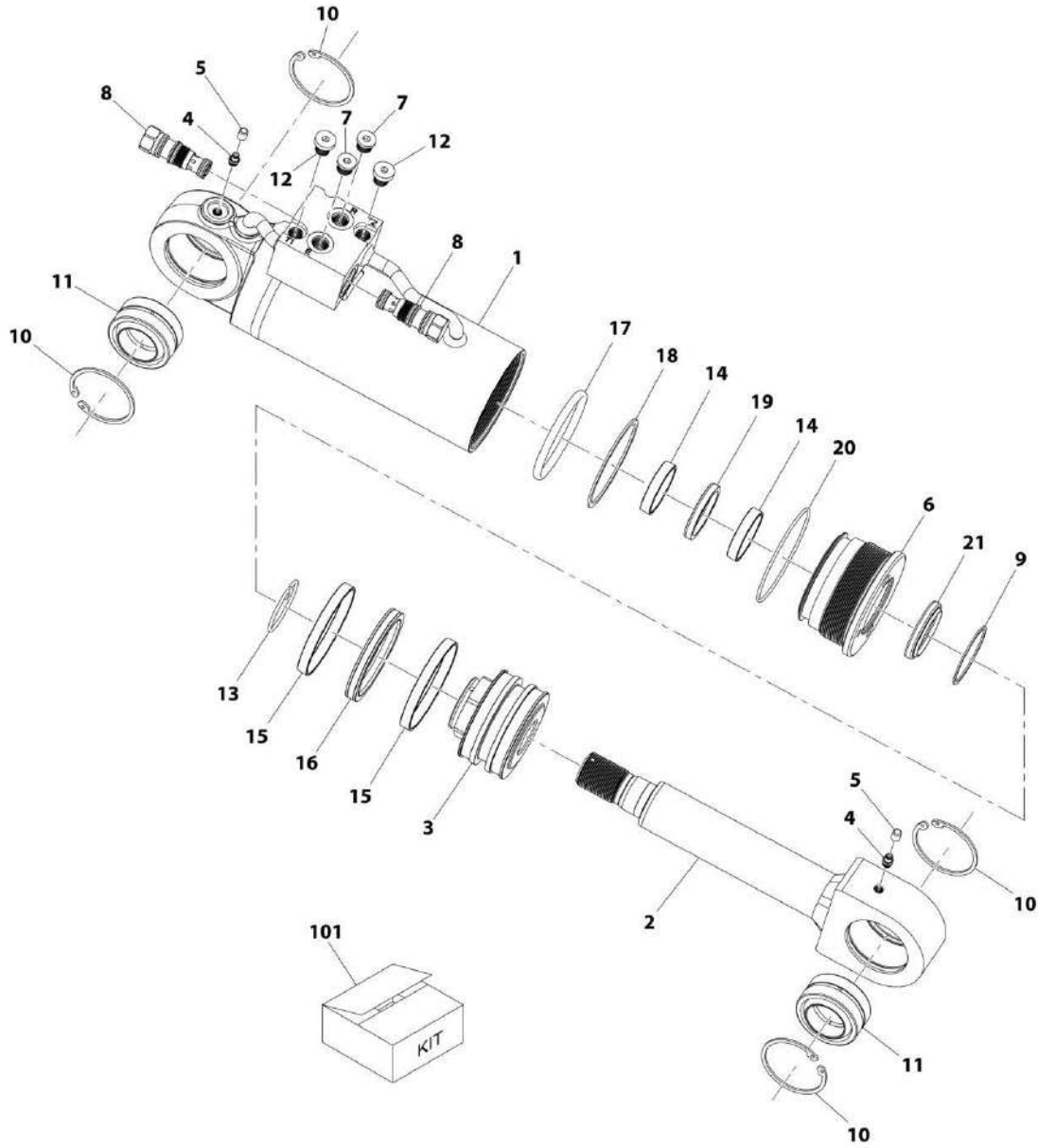
SECTION 9 - HYDRAULIC COMPONENTS

FIGURE 9-58. SIDE TILT CARRIAGE CYLINDER

ITEM	PART NUMBER	QTY	DESCRIPTION	REV
	1001090134	NLA	SIDE TILT CARRIAGE CYLINDER, (includes all items), (no longer available, see 1001163414 for replacement)	C
1	70022038	1	BARREL ASSY	
2	70022039	1	ROD ASSY	
3	70022040	1	PISTON	
3	70022042	1	SEAL KIT	
4	70024002	1	ROD BEARING	
4	70022043	1	SEAL KIT	
5	90022230	1	HEX NUT	
6	7029760	1	CAPSCREW	
7	4640438	2	CHECK VALVE	
7	2900770	1	SEAL KIT	
8	91044080	2	GREASE FITTING	
K1	70022041	1	SEAL KIT, (contains 70022042 & 70022043)	

SECTION 9 - HYDRAULIC COMPONENTS

FIGURE 9-59. SIDE TILT CARRIAGE CYLINDER



ART_1001163414-A

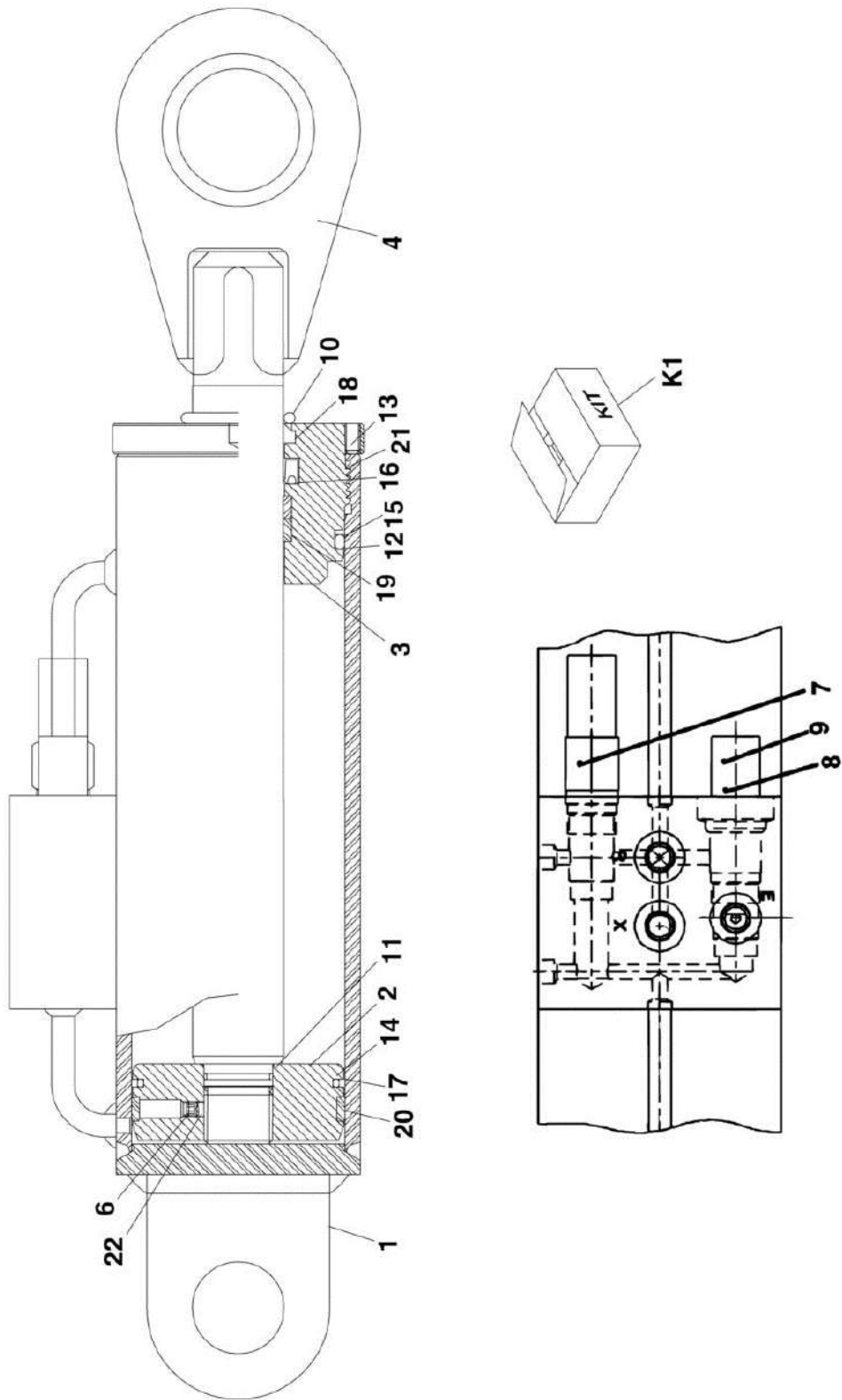
SECTION 9 - HYDRAULIC COMPONENTS

FIGURE 9-59. SIDE TILT CARRIAGE CYLINDER

ITEM	PART NUMBER	QTY	DESCRIPTION	REV
	1001163414	Ref	SIDE TILT CARRIAGE CYLINDER, (includes all items)	A
1	70026056	1	BARREL	
2	70026057	1	ROD	
3	70026058	1	SCREWED PISTON HEAD, 90MM	
4	70025606	2	GREASE NIPPLE	
5	70024020	2	GREASER PROTECTOR	
6	70003849	1	GLAND	
7	70025959	2	BLANKING SCREW	
8	70026059	2	P/O CHECK VALVE	
9	70002219	1	INTERNAL SNAP RING	
10	70026060	4	INTERNAL SNAP RING	
11	70026061	2	SPHERICAL BEARING	
12	70024262	2	BLANKING SCREW	
13	70002224	1	LOCKING RING	
14	Kit	2	ROD BEARING RING	
15	Kit	2	PISTON BEARING RING	
16	Kit	1	PISTON SEAL	
17	Kit	1	O-RING	
18	Kit	1	BACK UP RING	
19	Kit	1	ROD SEAL	
20	Kit	1	O-RING	
21	Kit	1	WIPER SEAL	
101	70026062	1	SEAL KIT, (includes items 14 thru 21)	

SECTION 9 - HYDRAULIC COMPONENTS

FIGURE 9-60. 72 IN 90, SWING CARRIAGE CYLINDER



PAP8480

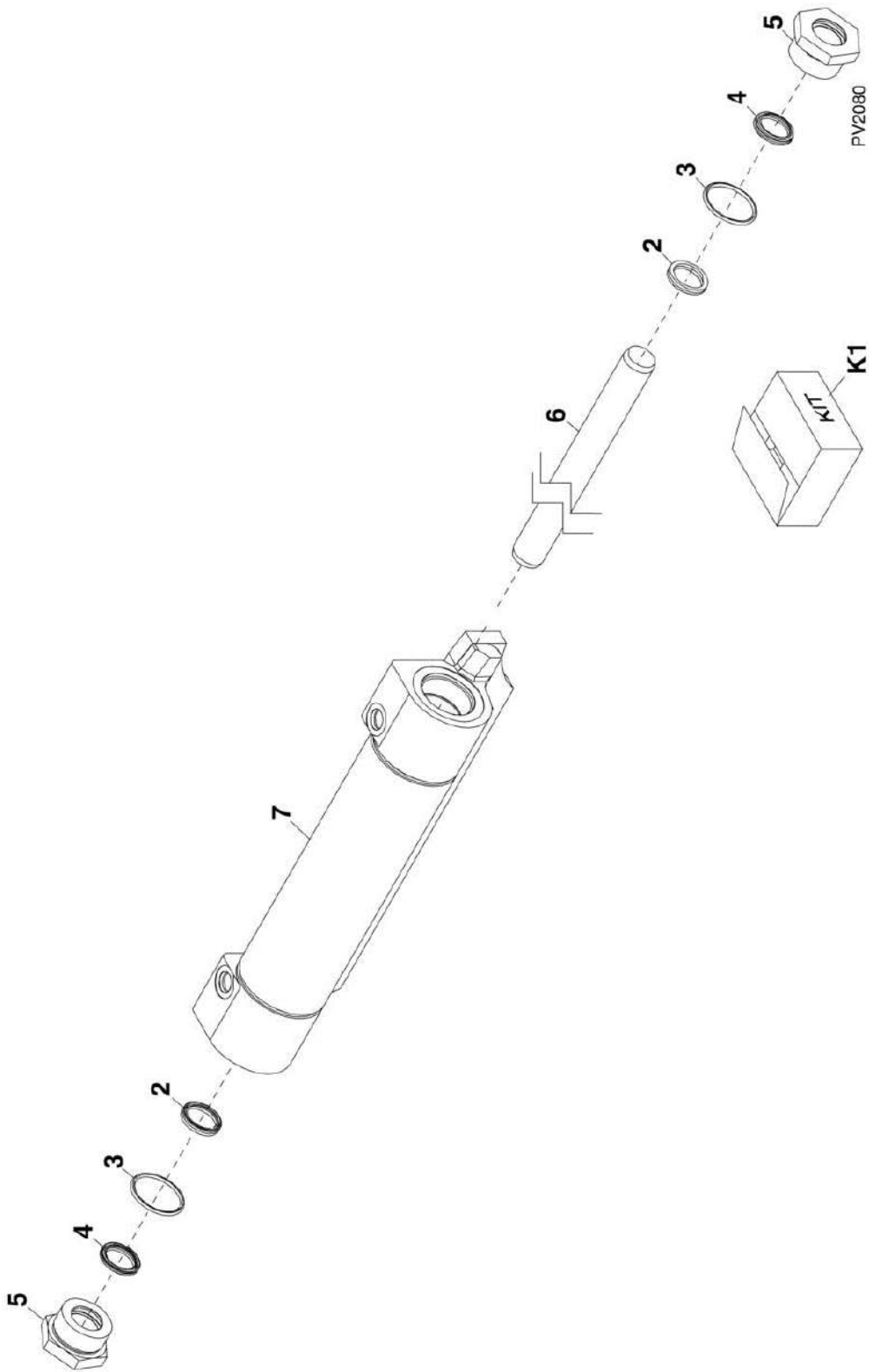
SECTION 9 - HYDRAULIC COMPONENTS

FIGURE 9-60. 72 IN 90, SWING CARRIAGE CYLINDER

ITEM	PART NUMBER	QTY	DESCRIPTION	REV
	1001103182	1	SWING CARRIAGE CYLINDER, (includes items 1 thru 22)	B
1	70022044	1	TUBE ASSY	
2	8035863	1	PISTON	
3	8035862	1	HEAD GLAND	
4	70022045	1	ROD ASSY	
5	70022046	1	BEARING	
6	8035536	2	SET SCREW, 5/16-18X1/2	
7	70020428	1	RELIEF VALVE, (preset to 2000 psi)	
7	7024574	1	SEAL KIT	
8	8033786	1	COUNTER BALANCE VALVE, (preset to 3000 psi)	
8	8205655	1	SEAL KIT	
11	Kit	1	O-RING	
12	Kit	1	O-RING	
13	Kit	1	O-RING	
14	Kit	1	SQUARE RING	
15	Kit	1	BACKUP RING	
16	Kit	1	SEAL	
17	Kit	1	PISTON SEAL	
18	Kit	1	ROD WIPER	
19	Kit	2	WEARBAND	
20	Kit	1	WEARBAND	
21	Kit	2	INSERT	
22	Kit	2	INSERT	
K1	2915023	1	SEAL KIT, (includes items 11 thru 22)	

SECTION 9 - HYDRAULIC COMPONENTS

FIGURE 9-61. 50 IN SIDE SHIFT CARRIAGE CYLINDER (SN 0160037689 to Present)



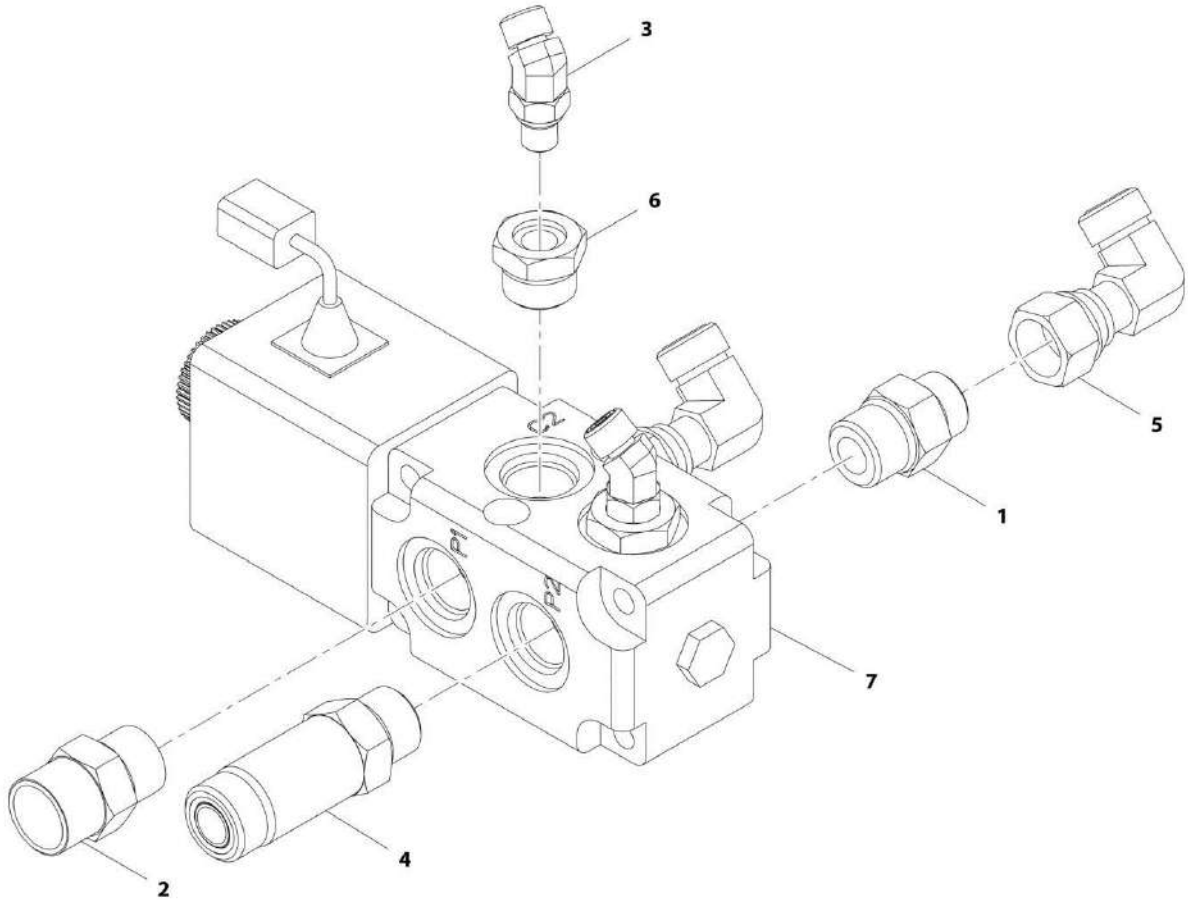
SECTION 9 - HYDRAULIC COMPONENTS

FIGURE 9-61. 50 IN SIDE SHIFT CARRIAGE CYLINDER (SN 0160037689 to Present)

ITEM	PART NUMBER	QTY	DESCRIPTION	REV
	70024539	1	50 IN SIDE SHIFT CARRIAGE CYLINDER, (includes all items)	B
2	Kit	2	ROD SEAL	
3	70024547	2	O-RING	
4	Kit	2	ROD WIPER SEAL	
5	70024548	2	RETAINER SEAL	
6	N.S.S.	1	ROD	
7	N.S.S.	1	BARREL	
K1	70024549	1	SEAL KIT, (includes items 2 & 4)	

SECTION 9 - HYDRAULIC COMPONENTS

FIGURE 9-62. QUICK ATTACH VALVE



ART_1001127006-A

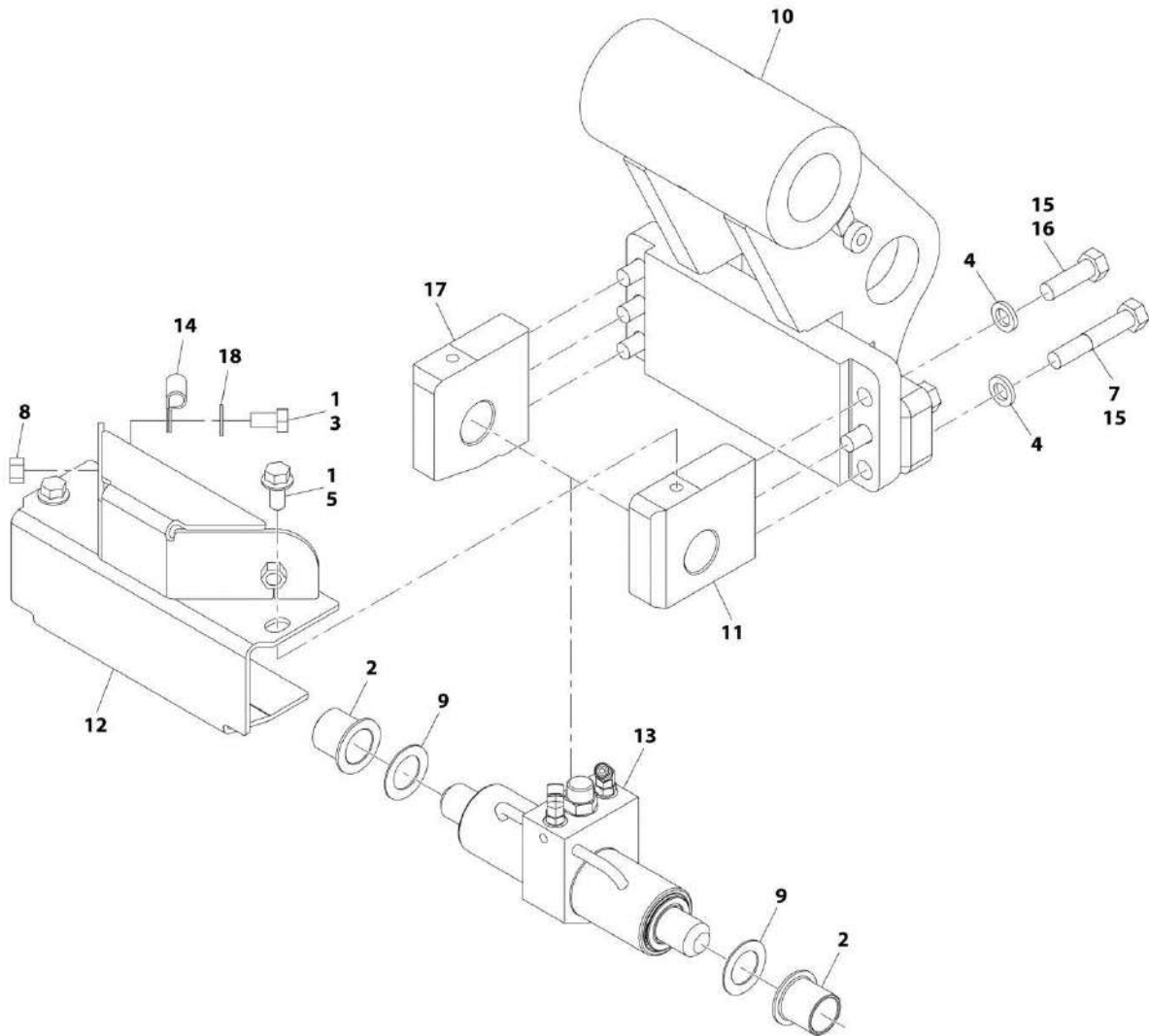
SECTION 9 - HYDRAULIC COMPONENTS

FIGURE 9-62. QUICK ATTACH VALVE

ITEM	PART NUMBER	QTY	DESCRIPTION	REV
	1001127006	Ref	QUICK ATTACH VAVLE	A
1	2110810	2	STRAIGHT FITTING	
2	2111010	1	STRAIGHT FITTING	
3	2150404	2	ADAPTER, 45	
4	2170110	1	STRAIGHT FITTING	
5	2172108	2	ADAPTER, 90	
6	1001001568	2	STRAIGHT FITTING	
7	1001104477	1	DIVERTOR VALVE (See Separate Breakdown in this Section)	

SECTION 9 - HYDRAULIC COMPONENTS

FIGURE 9-63. QUICK ATTACH INSTALLATION, G SERIES



ART_1001120135-C

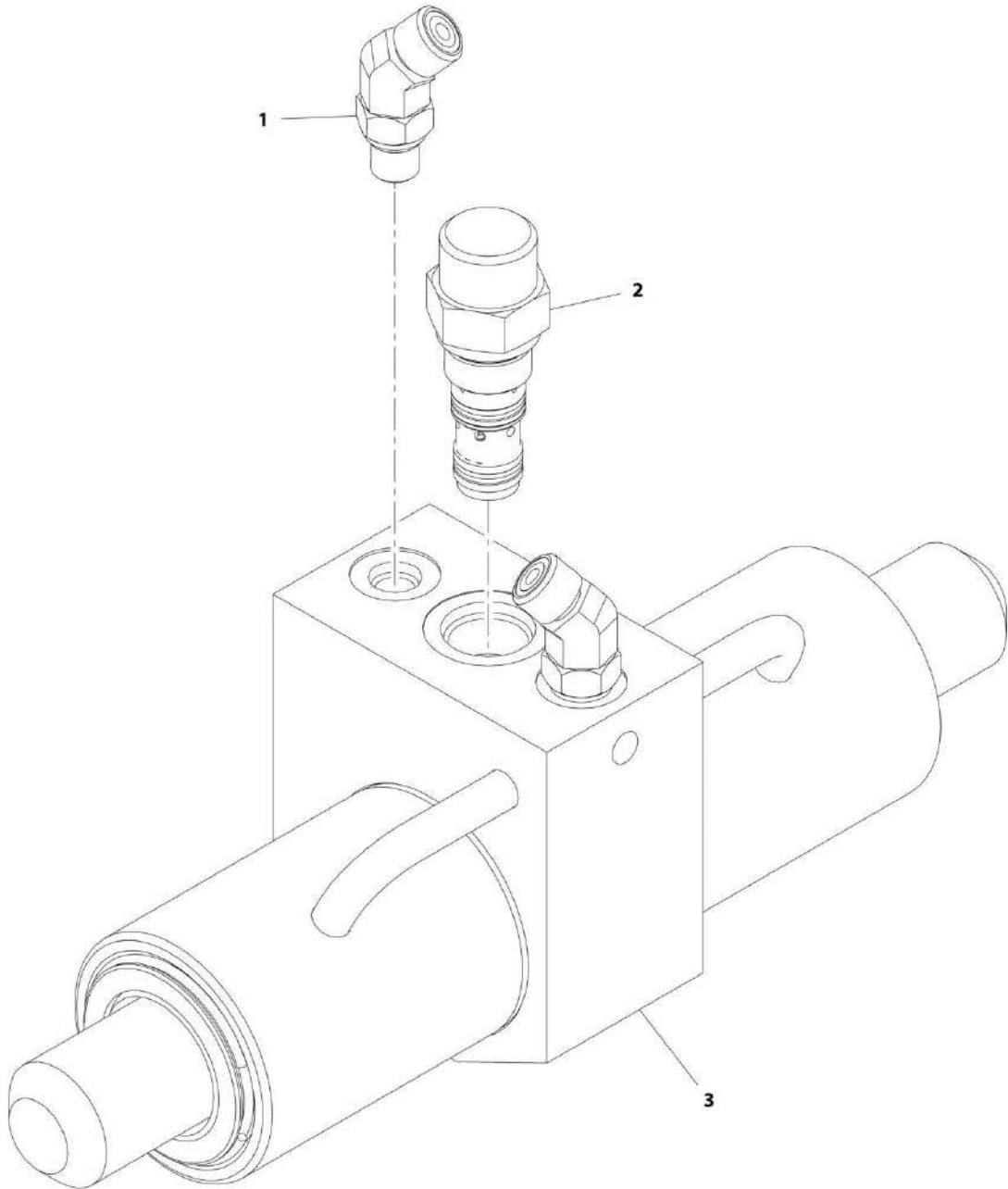
SECTION 9 - HYDRAULIC COMPONENTS

FIGURE 9-63. QUICK ATTACH INSTALLATION, G SERIES

ITEM	PART NUMBER	QTY	DESCRIPTION	REV
	1001120135	Ref	QUICK ATTACH INSTALLATION, G SERIES	C
1	0100011	AR	LOCTITE, 242	
2	0440321	2	BEARING, FLANGE	
3	0641807	2	HEX HD CAP SCREW, 1/2-13X7/8	
4	4762000	6	WASHER, 5/8	
5	0791808	2	SCREW, 1/2-13X1	
7	10700689	4	SCREW CAP, 0.625-18X3.5	
8	3311805	2	HEX LOCKNUT, 1/2-13, GR2	
9	91561240	AR	SHIM	
10	1001120120	1	ADAPTER	
11	1001120124	1	PLATE, CYLINDER ATTACHMENT (left)	
12	1001120130	1	COVER, CYLINDER	
13	1001120164	1	CYLINDER, QUICK ATTACH ASSEMBLY (See Separate Breakdown in this Section)	
14	1001080996	2	CLAMP	
15	0100019	AR	LOCTITE, 271	
16	10700683	2	SCREW CAP, 0.625-18X2	
17	1001145386	1	PLATE, CYLINDER ATTACHMENT (right)	
18	4711800	2	WASHER, 1/2	

SECTION 9 - HYDRAULIC COMPONENTS

FIGURE 9-64. CYLINDER, QUICK ATTACH ASSEMBLY



ART_1001120164-A

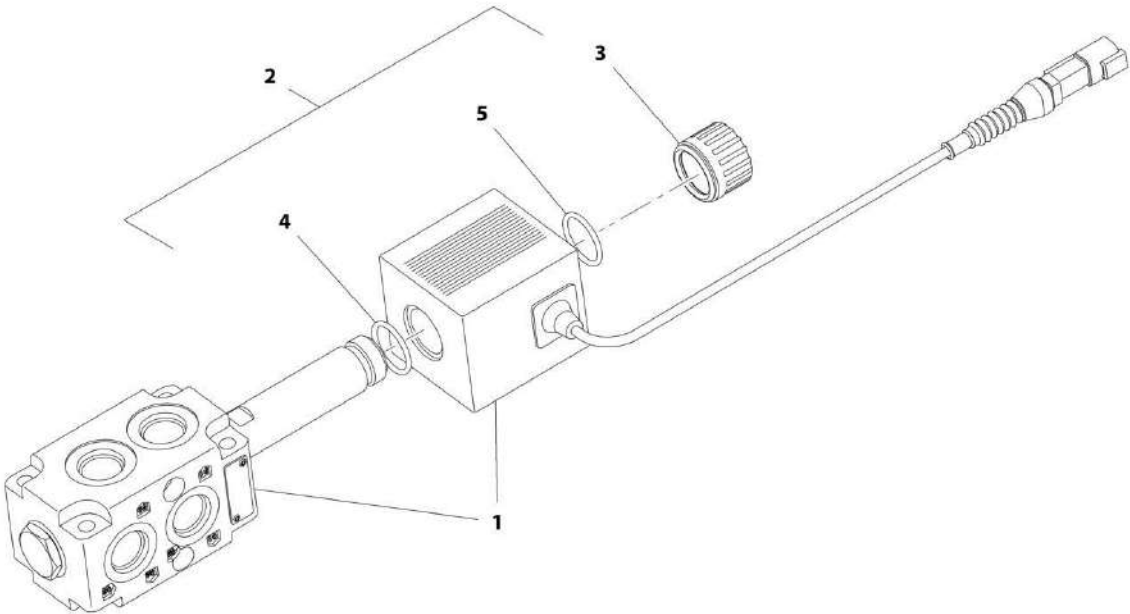
SECTION 9 - HYDRAULIC COMPONENTS

FIGURE 9-64. CYLINDER, QUICK ATTACH ASSEMBLY

ITEM	PART NUMBER	QTY	DESCRIPTION	REV
	1001120164	Ref	CYLINDER, QUICK ATTACH ASSEMBLY	A
1	2150404	2	ADAPTER, 45	
2	1001007056	1	VALVE	
3	1001120163	1	QUICK COUPLER CYLINDER (See Separate Breakdown in this Section)	

SECTION 9 - HYDRAULIC COMPONENTS

FIGURE 9-65. DIVERTOR VALVE



ART_1001104477-D

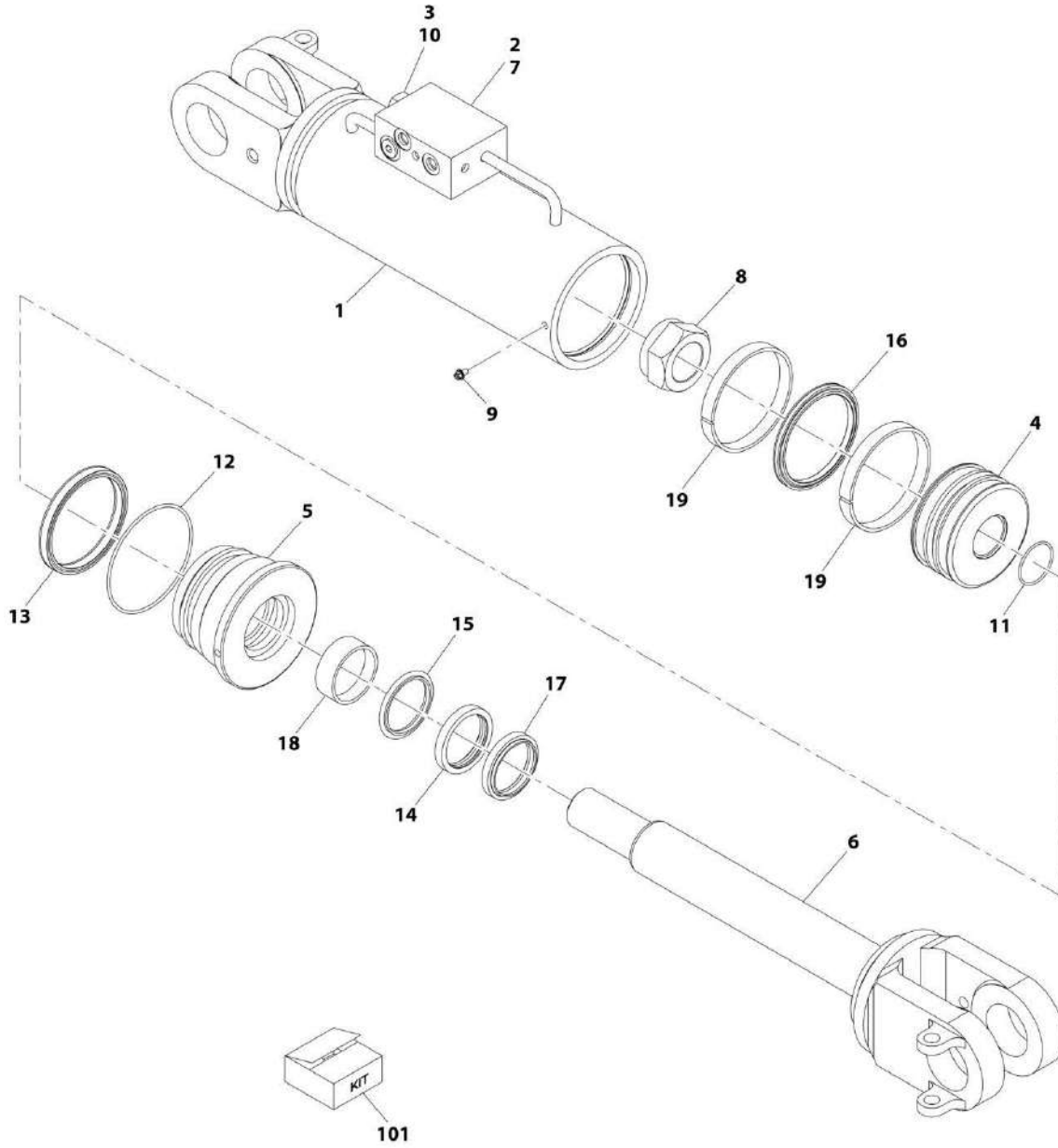
SECTION 9 - HYDRAULIC COMPONENTS

FIGURE 9-65. DIVERTOR VALVE

ITEM	PART NUMBER	QTY	DESCRIPTION	REV
	1001104477	Ref	DIVERTOR VALVE	D
1	70020764	1	COIL	
2	70021531	1	KIT, RETAINER	
3	N.S.S.	1	NUT	
4	N.S.S.	1	O-RING	
5	N.S.S.	1	O-RING	

SECTION 9 - HYDRAULIC COMPONENTS

FIGURE 9-66. SWAY CYLINDER



ART_100116440-D

SECTION 9 - HYDRAULIC COMPONENTS

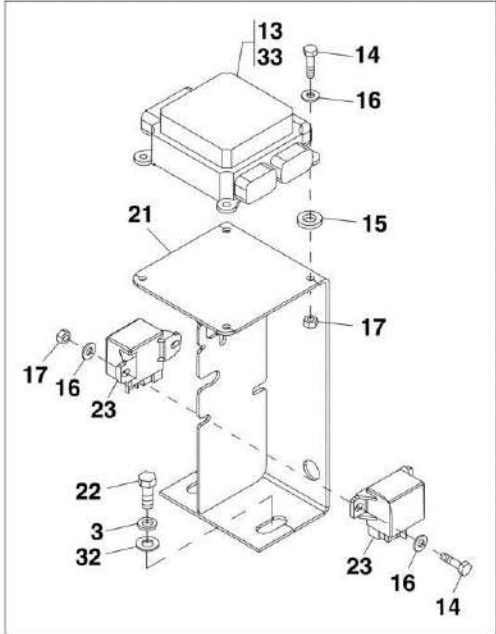
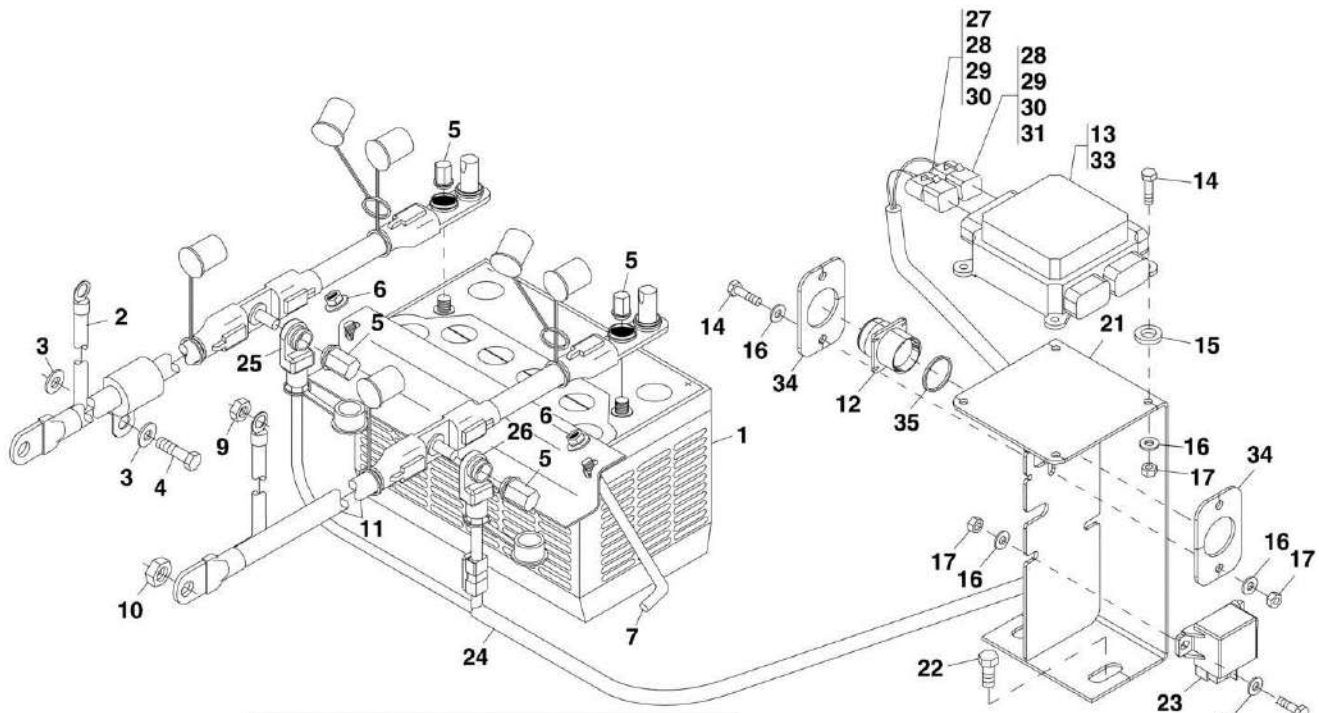
FIGURE 9-66. SWAY CYLINDER

ITEM	PART NUMBER	QTY	DESCRIPTION	REV
	1001116440	Ref	SWAY CYLINDER, (includes items 1 thru 19)	D
1	70023934	1	WELDMENT, TUBE	
2	70023935	1	PLUG	
3	70023936	1	PLUG	
4	70022861	1	PISTON	
5	70023940	1	GLAND, HEAD	
6	70023937	1	ROD, WELDMENT	
7	8035784	1	PLUG	
8	8035865	1	NUT, LOCK	
9	70023896	1	SCREW	
10	7026938	1	VALVE, DUAL P.O. CHECK ASSEMBLY	
11	Kit	1	O-RING	
12	Kit	1	O-RING	
13	Kit	1	SEAL, POLY-PAK	
14	Kit	1	U-CUP	
15	Kit	1	SEAL, BUFFER	
16	Kit	1	T-SEAL	
17	Kit	1	WIPER, ROD	
18	Kit	1	WEARBAND, PRECISION	
19	Kit	2	WEARBAND, PRECISION	
101	70023943	1	KIT, SEAL (includes items 11 thru 19)	

SECTION 10 - ELECTRICAL

SECTION 10 - ELECTRICAL

FIGURE 10-1. BATTERY AND CABLES - JOHN DEERE AND PERKINS ENGINE



PERKINS ENGINE ONLY

PAP2080

SECTION 10 - ELECTRICAL

FIGURE 10-1. BATTERY AND CABLES - JOHN DEERE AND PERKINS ENGINE

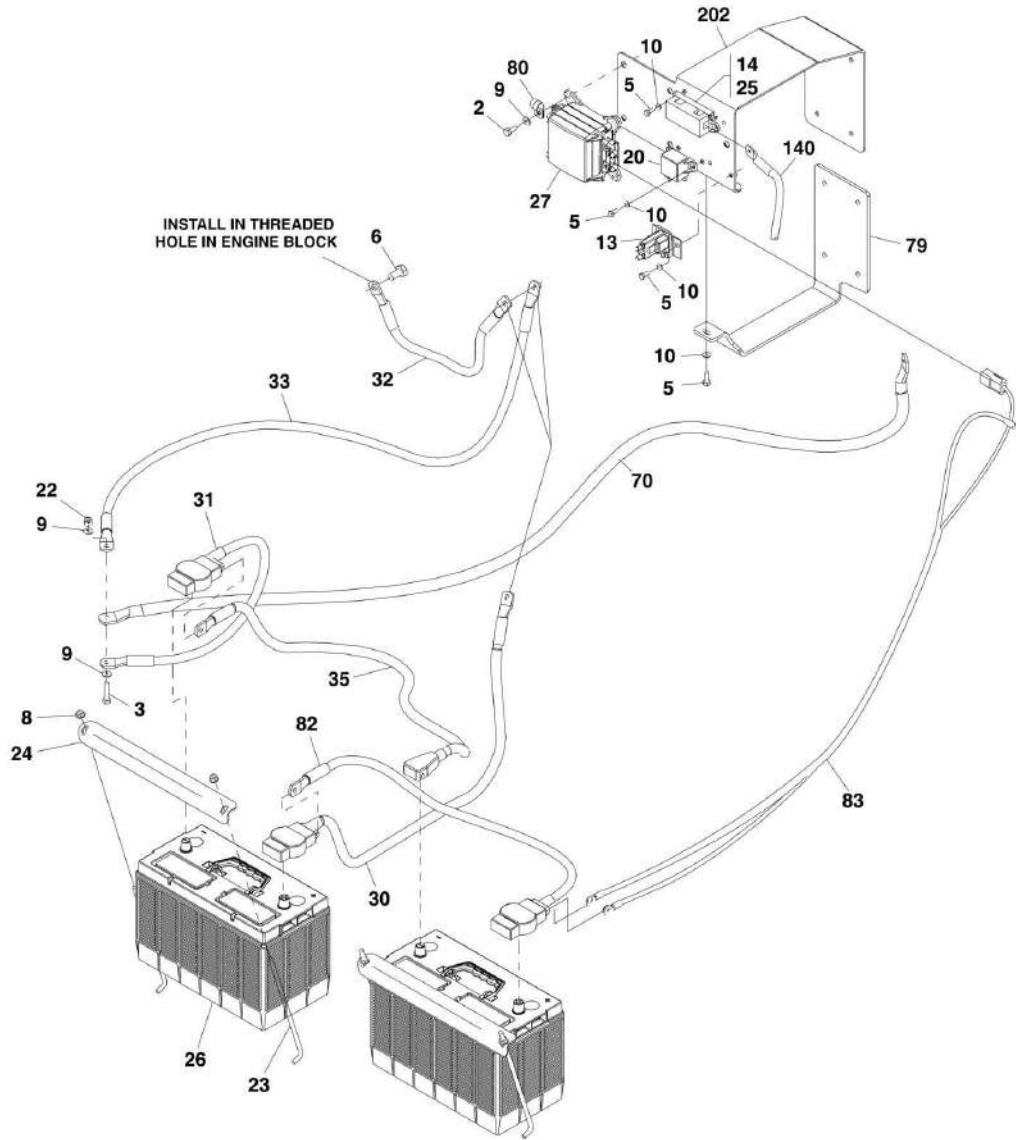
ITEM	PART NUMBER	QTY	DESCRIPTION	REV
1	91083483	1	BATTERY, (12 volt, 1000 amps), TOP STUD, 3/8-16 UNC THREAD, BCI GROUP 31	
2	91563127	1	NEGATIVE BATTERY CABLE, (JOHN DEERE ENGINE)	
2	1001001616	1	NEGATIVE BATTERY CABLE, (PERKINS ENGINE)	
3	4711600	4	FLAT WASHER, 3/8	
4	0791606	1	SCREW, 3/8-16X3/4	
5	77383567	4	TERMINAL NUT	
6	3311508	2	HEX NUT, 5/16-18	
7	91081640	2	HOLD DOWN STUD, 5/16-18	
8	91401281	1	BATTERY HOLD DOWN BRACKET	
9	3290801	1	HEX NUT, M8X1.25, (alternator connection)	
10	3291201	1	HEX NUT, M12X1.75, (starter connection)	
11	91563090	1	POSITIVE BATTERY CABLE, (JOHN DEERE ENGINE)	
11	1001001615	1	POSITIVE BATTERY CABLE, (PERKINS ENGINE)	
12		Ref	ENGINE HARNESS, (See ENGINE HARNESS - JOHN DEERE ENGINE and ENGINE HARNESS - PERKINS ENGINE for details)	
13	91563085	1	POWER DISTRIBUTION BOX, (JOHN DEERE ENGINE)	
13	70021478	1	COVER	
13	70020898	4	MICRO-RELAYS, 5 PIN	
13	8229246	4	MINI FUSE, 20 AMP	
13	8229242	1	MINI FUSE, 5 AMP	
13	8229234	6	MINI FUSE, 10 AMP	
13	8229244	4	MINI FUSE, 15 AMP	
13	8229247	1	MINI FUSE, 25 AMP	
13	1001001565	1	POWER DISTRIBUTION BOX, (PERKINS ENGINE)	
13	8229234	5	MINI FUSE, 10 AMP	
13	8229247	2	MINI FUSE, 25 AMP	
14	0641408	8	HEX HD CAPSCREW, 1/4-20X7/8, GR5	
15	4740397	4	SPACER	
16	4711400	12	FLAT WASHER, 1/4, (JOHN DEERE ENGINE)	
16	4711400	8	FLAT WASHER, 1/4, (PERKINS ENGINE)	
17	3311405	8	LOCKNUT, 1/4-20	
18	3910408	4	ROUND HD MACHINE SCREW, #4-40X1/2	
21	91566070	1	BRACKET WELDMENT	
22	0641608	2	HEX HD CAPSCREW, 3/8-16X7/8, GR5	
23	77383377	1	STARTER RELAY, (JOHN DEERE ENGINE)	
23	77383377	2	STARTER RELAY, (PERKINS ENGINE)	
24	91563145	NLA	VEC POWER/GROUND HARNESS, (no longer available, order 1001125378 for replacement or see items 25 thru 31)	
24	1001125378	1	VEC POWER/GROUND HARNESS, (includes items 25 thru 31)	
25	N.S.S.	1	STACKABLE CONNECTOR, BLACK	
26	N.S.S.	1	STACKABLE CONNECTOR, BLACK	
27	7026401	1	CONNECTOR, BLACK	
28	4461038	2	TERMINAL	
29	1001116771	2	SEAL	
30	7026404	2	BUSSMAN TPA	
31	7026405	1	CONNECTOR, GREY	
32	4761600	2	LOCKWASHER, (PERKINS ENGINE)	
33	0100048	AR	DIELECTRIC GREASE	
34	91561291	2	PLATE, (JOHN DEERE ENGINE)	

SECTION 10 - ELECTRICAL

ITEM	PART NUMBER	QTY	DESCRIPTION	REV
35	3790121	1	O-RING, (JOHN DEERE ENGINE)	

SECTION 10 - ELECTRICAL

FIGURE 10-2. BATTERY AND CABLES - CUMMINS ENGINE



ART_3126020-10-2

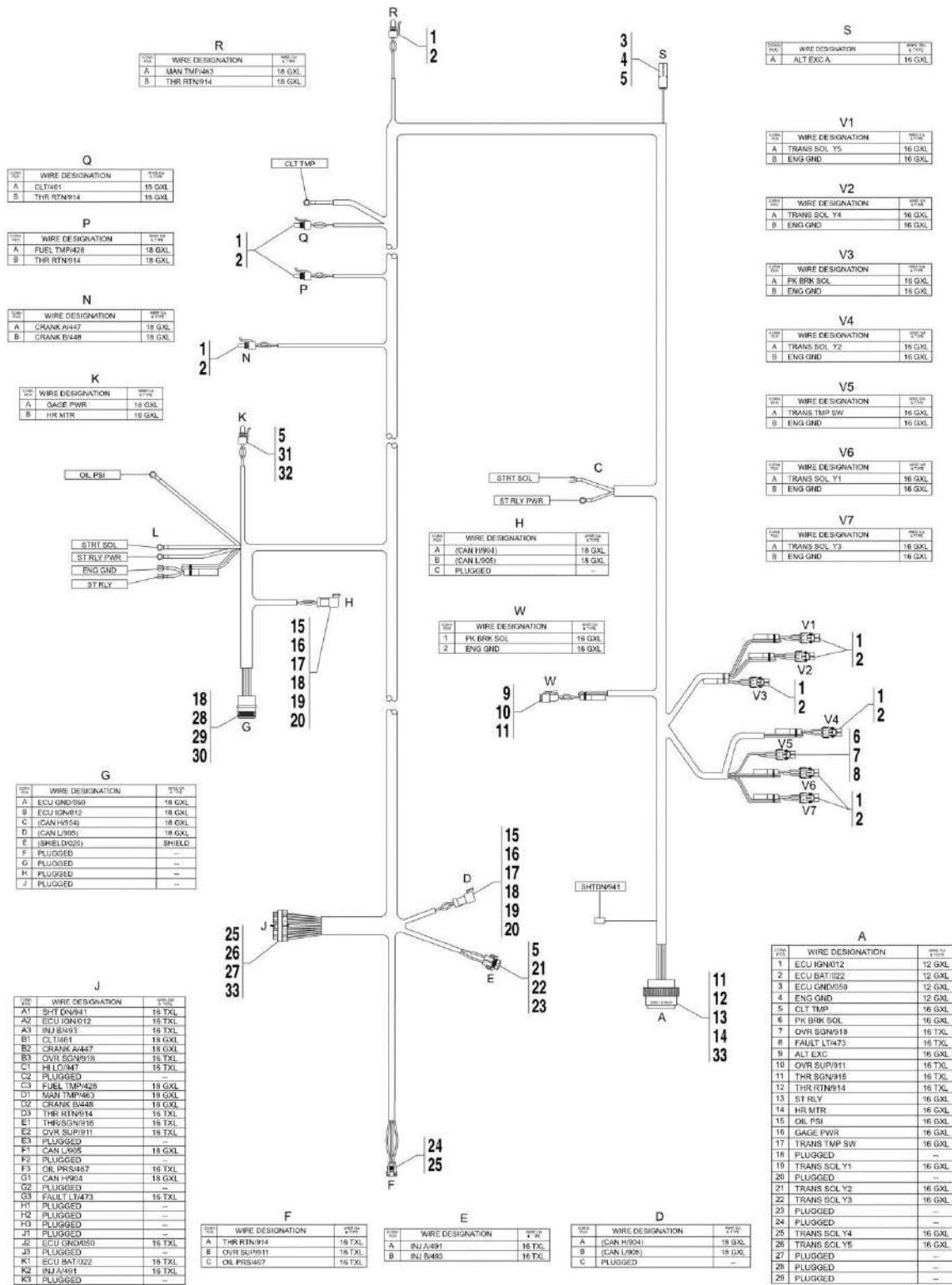
SECTION 10 - ELECTRICAL

FIGURE 10-2. BATTERY AND CABLES - CUMMINS ENGINE

ITEM	PART NUMBER	QTY	DESCRIPTION	REV
2	0641506	4	HEX HD CAPSCREW, 5/16-18X3/4, GR5	
3	0681512	1	HEX HD CAPSCREW, 5/16-181-1/2, GR5	
5	0760608	7	HEX HD CAPSCREW, 6X16MM, GR8.8	
6	0761212	1	HEX HD CAPSCREW, 12X25MM, GR8.8	
8	3311508	5	HEX NUT, 5/16-18	
9	4711500	6	WASHER, 5/16	
10	4811700	7	WASHER, 6mm	
13	8225122	1	RELAY, 100A	
14	8229260	1	FUSE HOLDER	
20	77383377	1	STARTER RELAY	
22	88521205	1	LOCKNUT, 5/16-18	
23	91081640	4	BATTERY HOLD DOWN	
24	91401281	2	BATTERY HOLD DOWN BRACKET	
25	1001095336	1	FUSE, 150A	
26	1001101043	NLA	BATTERY, 12 VOLT, (no longer available, use items 1001155219 for replacement)	
26	1001155219	2	BATTERY, 12 VOLT	
27	1001108433	1	VEC CONTROL MODULE	
27	70024843	4	RELAY, 12V 30 AMP	
30	1001115523	1	POSITIVE BATTERY CABLE	
31	1001115524	1	NEGATIVE BATTERY CABLE	
32	1001115525	1	ENGINE GROUND	
33	1001115635	1	VEHICLE GROUND CABLE	
34	1001115636	NLA	START AIDE CABLE, POSITIVE, (not shown), (no longer available, use items 82 & 83 for replacement)	
35	1001115637	1	START AIDE CABLE, NEGATIVE	
70	1001115371	1	CAB GROUND CABLE	
79	1001122220	1	AIR FILTER SUPPORT	
80	8406101	1	CLIP TUBE	
82	1001131119	1	BATTERY CABLE, POSITIVE	
83		Ref	VEC GRID HARNESS, (See VEC GRID HTR PWR HARNESS-CUMMINS ENGINE for details)	
140		Ref	CUMMINS ENGINE HARNESS, (See ENGINE HARNESS - CUMMINS ENGINE for details)	
202		Ref	BRACKET, (See ENGINE & ATTACHING PARTS for details)	

SECTION 10 - ELECTRICAL

FIGURE 10-3. ENGINE HARNESS - JOHN DEERE ENGINE



PY0670

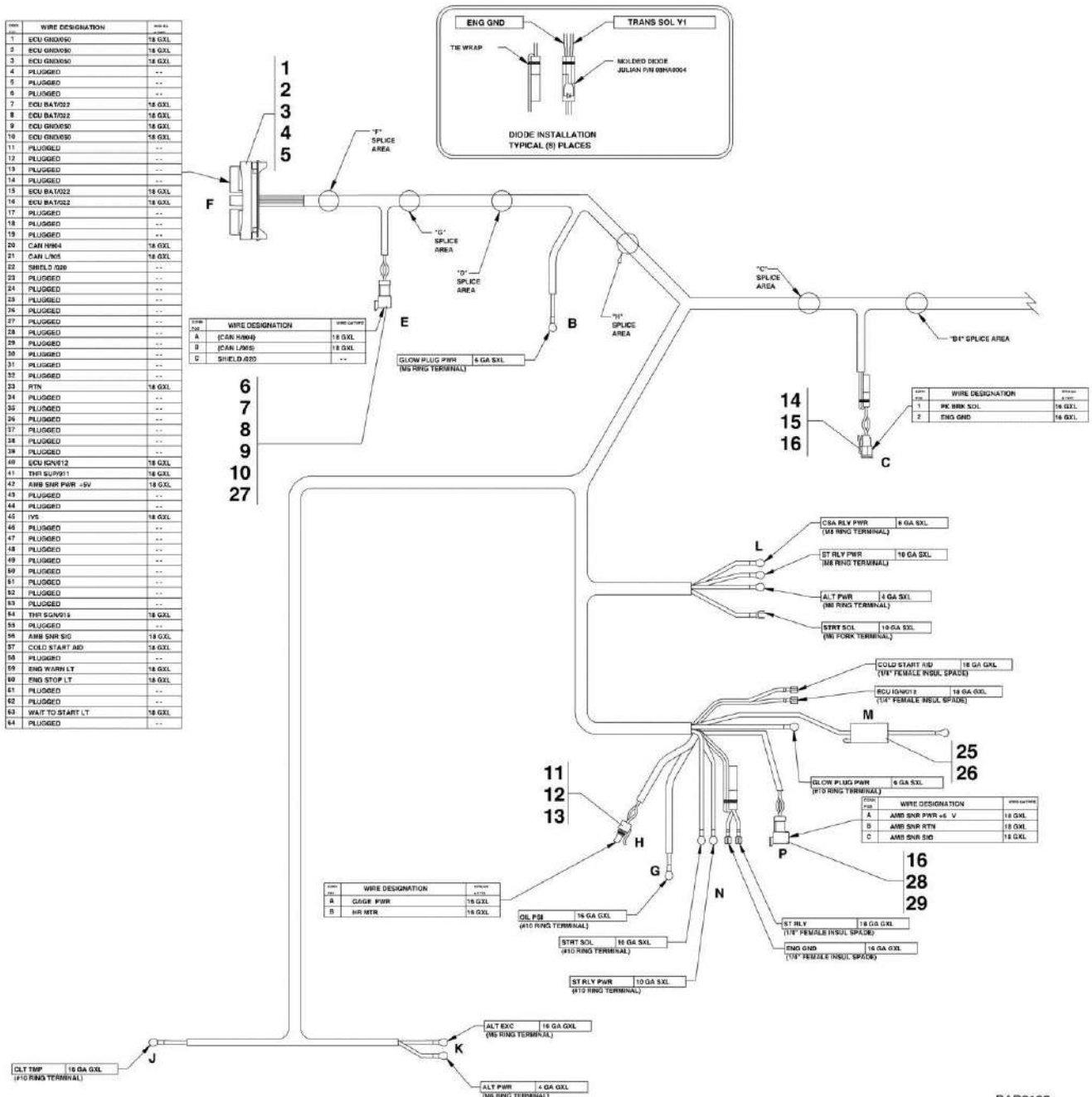
SECTION 10 - ELECTRICAL

FIGURE 10-3. ENGINE HARNESS - JOHN DEERE ENGINE

ITEM	PART NUMBER	QTY	DESCRIPTION	REV
	91563071	1	ENGINE HARNESS, (includes all items)	
1	4460955	10	TOWER	
2	4460842	10	MALE TERMINAL	
3	80963056	1	SHROUD	
4	80963069	1	MALE PIN TERMINAL	
5	80963065	3	CABLE SEAL	
6	1001117073	1	TOWER	
7	4460693	1	MALE TERMINAL	
8	4460608	1	CABLE SEAL	
9	7026408	1	CONNECTOR	
10	80604018	1	WEDGELOCK	
11	77363229	2	SOCKET CONNECTOR, #16	
12	1001116962	1	CONNECTOR	
13	77363347	1	12 AWG SOCKET	
14	77363349	1	SEAL PLUG	
15	77363242	1	CONNECTOR	
16	91554019	1	DEUTSCH LOCK	
17	4460944	1	DEUTSCH CONTACTS	
18	4460466	2	SEAL PLUG	
19	91554021	1	DEUTSCH TERMINATOR	
20	91554022	1	DEUTSCH LOCK	
21	91554026	1	TOWER	
22	91554027	1	TERMINAL	
23	91554028	1	SECONDARY LOCK	
24	1001120899	1	SHROUD	
25	91554014	2	FEMALE TERMINAL	
26	91504086	1	CONNECTOR ASSY	
27	91554023	1	PLUG	
28	1001116975	1	DEUTSCH CONNECTOR	
29	4460943	1	DEUTSCH CONTACT	
30	77363246	1	DUST CAP	
31	1001117021	1	TOWER ASSY	
32	4460746	1	TERMINAL	
33	0100048	AR	DI-ELECTRIC GREASE	

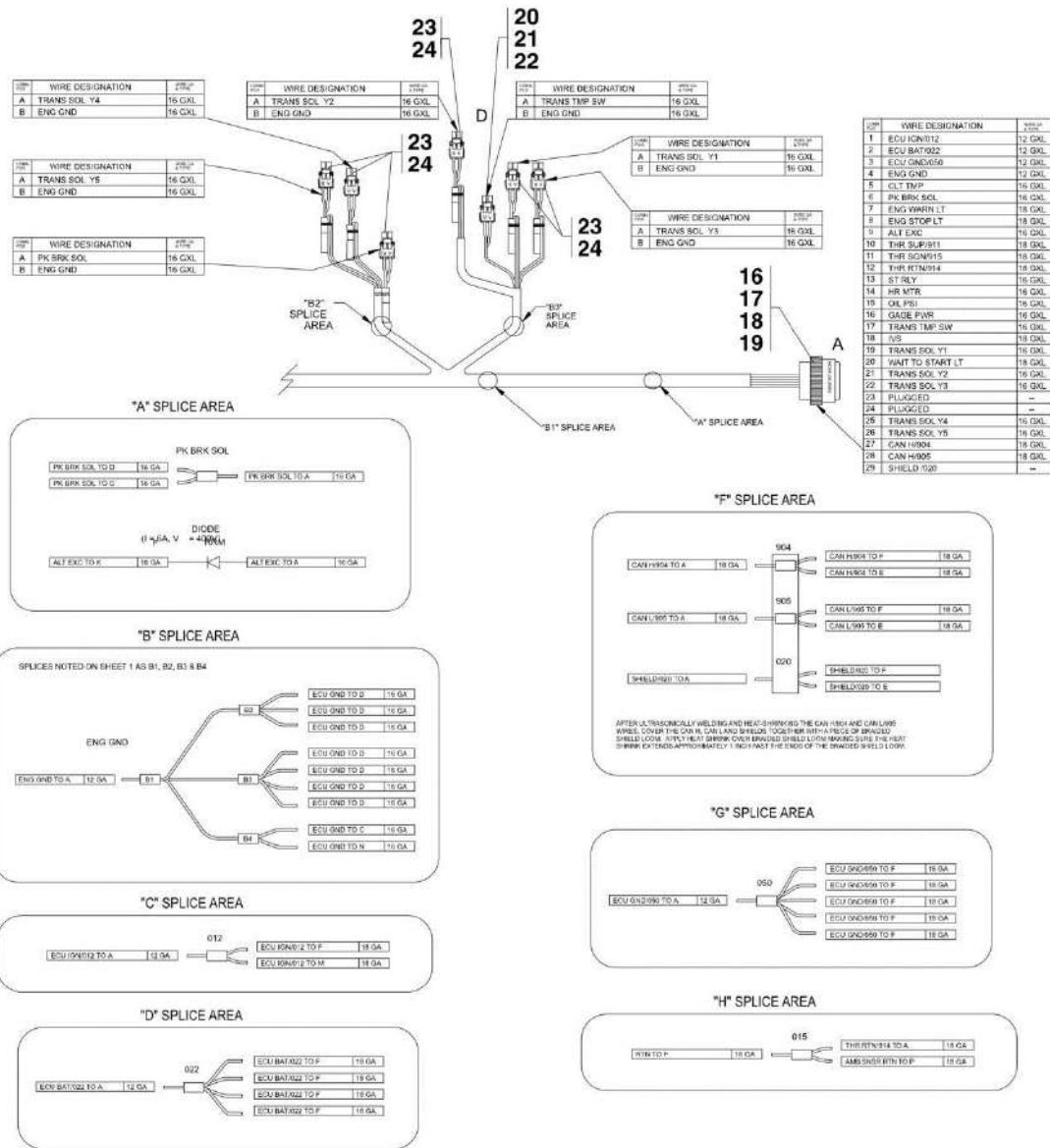
SECTION 10 - ELECTRICAL

FIGURE 10-4. ENGINE HARNESS - PERKINS ENGINE (Prior to SN 0160037186)



PAP2190

SECTION 10 - ELECTRICAL



PAL1981

WIRE DESIGNATION	WIRE COLOR/STRIPS	WIRE GAUGE	WIRE END	WIRE END B	WIRE END C	WIRE END D	WIRE END E	WIRE END F	WIRE END G	WIRE END H	WIRE END I	WIRE END J	WIRE END K	WIRE END L	WIRE END M	WIRE END N	WIRE END O	WIRE END P	WIRE END UNCLASSIFIED	REMARKS
ECU IGN12	RED	12/18	DELTECH/DB																SPRKE AT C	ECU IGNITION POWER
ECU BAT022	RED	12/18	DELTECH/DB																SPRKE AT C	ECU BATTERY
ECU GND050	BLACK	12/18	DELTECH/DB																SPRKE AT C	ECU GROUND
ENG GND	BLACK	12/18	DELTECH/DB																SPRKE AT C	ENGINE GROUND
CLT TMP	DR. BLU	16	DELTECH/DB			DELTECH/DT	INCKAM/ASST												SPRKE AT F	CLUTCH TEMP SENSOR
PK BRK SOL	VIOLET	16	DELTECH/DB																SPRKE AT A	PARK BRAKE VALVE
ENG WARM LT	VIOLET	18	DELTECH/DB																SPRKE AT A	ENGINE WARM LIGHT
ENG STOP LT	ORANGE	18	DELTECH/DB																SPRKE AT A	ENGINE STOP LIGHT
ALT EXC	RED	16	DELTECH/DB																SPRKE AT A	ALTERNATOR EXCITATION
THR SLP/RT1	BROWN	18	DELTECH/DB																SPRKE AT F	THROTTLE POSITION
THR SLP/RT4	VEL. GRN	18	DELTECH/DB																SPRKE AT F	THROTTLE POSITION
THR SLP/RT5	DR. GRN	18	DELTECH/DB																SPRKE AT F	THROTTLE POSITION
ST REY	ORANGE	16	DELTECH/DB																SPRKE AT F	START RELAY SIGNAL
HR WTR	ORANGE	16	DELTECH/DB																SPRKE AT F	WATER TEMP SENSOR
OIL PSI	DR. BLU	16	DELTECH/DB																SPRKE AT F	OIL PRESSURE SENSOR
GAGE PWR	RED	16	DELTECH/DB																SPRKE AT F	GAGE POWER
TRANS TMP SW	PK. BLU	16	DELTECH/DB																SPRKE AT F	TRANSAXLE TEMP SENSOR
T/S	VIOLET	18	DELTECH/DB																SPRKE AT F	SOLENOID VALVE SIGNAL
TRANS SOL Y1	BROWN	16	DELTECH/DB																SPRKE AT F	TRANS SOL Y1
WAIT TO START LT	WH. TE.	18	DELTECH/DB																SPRKE AT F	WAIT TO START LIGHT
TRANS SOL Y2	BROWN	16	DELTECH/DB																SPRKE AT F	TRANS SOL Y2
TRANS SOL Y3	BROWN	16	DELTECH/DB																SPRKE AT F	TRANS SOL Y3
TRANS SOL Y4	BROWN	16	DELTECH/DB																SPRKE AT F	TRANS SOL Y4
TRANS SOL Y5	BROWN	16	DELTECH/DB																SPRKE AT F	TRANS SOL Y5
CAN H004	YELLOW	18	DELTECH/DB																SPRKE AT F	CAN H004
CAN H005	YELLOW	18	DELTECH/DB																SPRKE AT F	CAN H005
SHIELD 1007	YEL	16/18	DELTECH/DB																SPRKE AT F	SHIELD 1007
SOLENOID VALVE	DRY	18	DELTECH/DB																SPRKE AT F	SOLENOID VALVE
ST REY PWR	RED	16																	SPRKE AT F	START RELAY POWER
THROTTLE	ORANGE	16																	SPRKE AT F	THROTTLE POSITION
GAGE PWR PWR	RED	16																	SPRKE AT F	GAGE POWER
OIL PSI PWR	RED	16																	SPRKE AT F	OIL PRESSURE
GLOW PLUG PWR	ORANGE	6																	SPRKE AT F	GLOW PLUG POWER
ALT PWR	RED	4																	SPRKE AT F	ALTERNATOR POWER
A1 SENSOR SUP	ORANGE	18																	SPRKE AT F	A1 SENSOR SUPPLY
A1 SENSOR RTN	BLACK	18																	SPRKE AT F	A1 SENSOR RETURN
A1 SIGNAL	WHITE	18																	SPRKE AT F	A1 SIGNAL

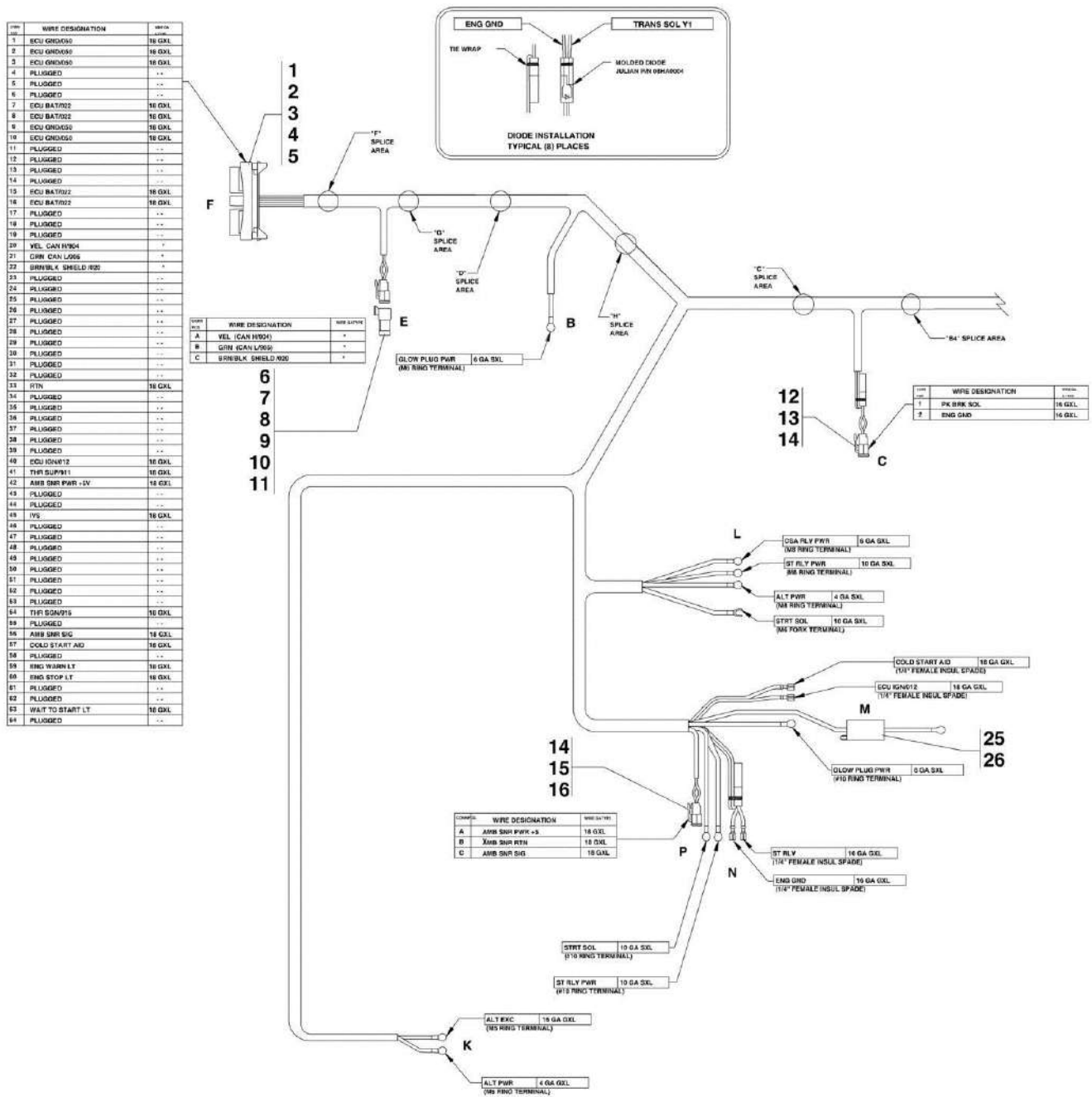
SECTION 10 - ELECTRICAL

FIGURE 10-4. ENGINE HARNESS - PERKINS ENGINE (Prior to SN 0160037186)

ITEM	PART NUMBER	QTY	DESCRIPTION	REV
	1001001610	1	ENGINE HARNESS, (includes all items)	H
1	1001117017	42	PLUG	
2	7029877	1	COVER	
3	7029878	1	LOCK	
4	1001116730	22	CONTACT	
5	1001116731	1	SEAL	
6	91554019	1	LOCK	
7	4460944	2	CONTACT	
8	4460466	1	PLUG	
9	8220553	1	TERMINAL	
10	91554022	1	LOCK	
11	1001117021	1	CONNECTOR	
12	4460746	1	TERMINAL	
13	80963065	1	SEAL	
14	7026408	1	CONNECTOR	
15	80604018	1	LOCK	
16	77363229	27	CONTACT	
17	1001116962	1	CONNECTOR	
18	77363347	4	CONTACT	
19	77363349	3	PLUG	
20	1001117073	1	CONNECTOR	
21	4460693	1	TERMINAL	
22	4460608	1	SEAL	
23	4460955	6	CONNECTOR	
24	4460842	6	TERMINAL	
25	2400074	1	FUSE	
26	70020510	1	FUSE HOLDER	
27	77363242	1	CONNECTOR	
28	70022690	1	CONNECTOR	
29	70022691	1	LOCK	

SECTION 10 - ELECTRICAL

FIGURE 10-5. ENGINE HARNESS - PERKINS ENGINE (SN 0160037186 to Present)



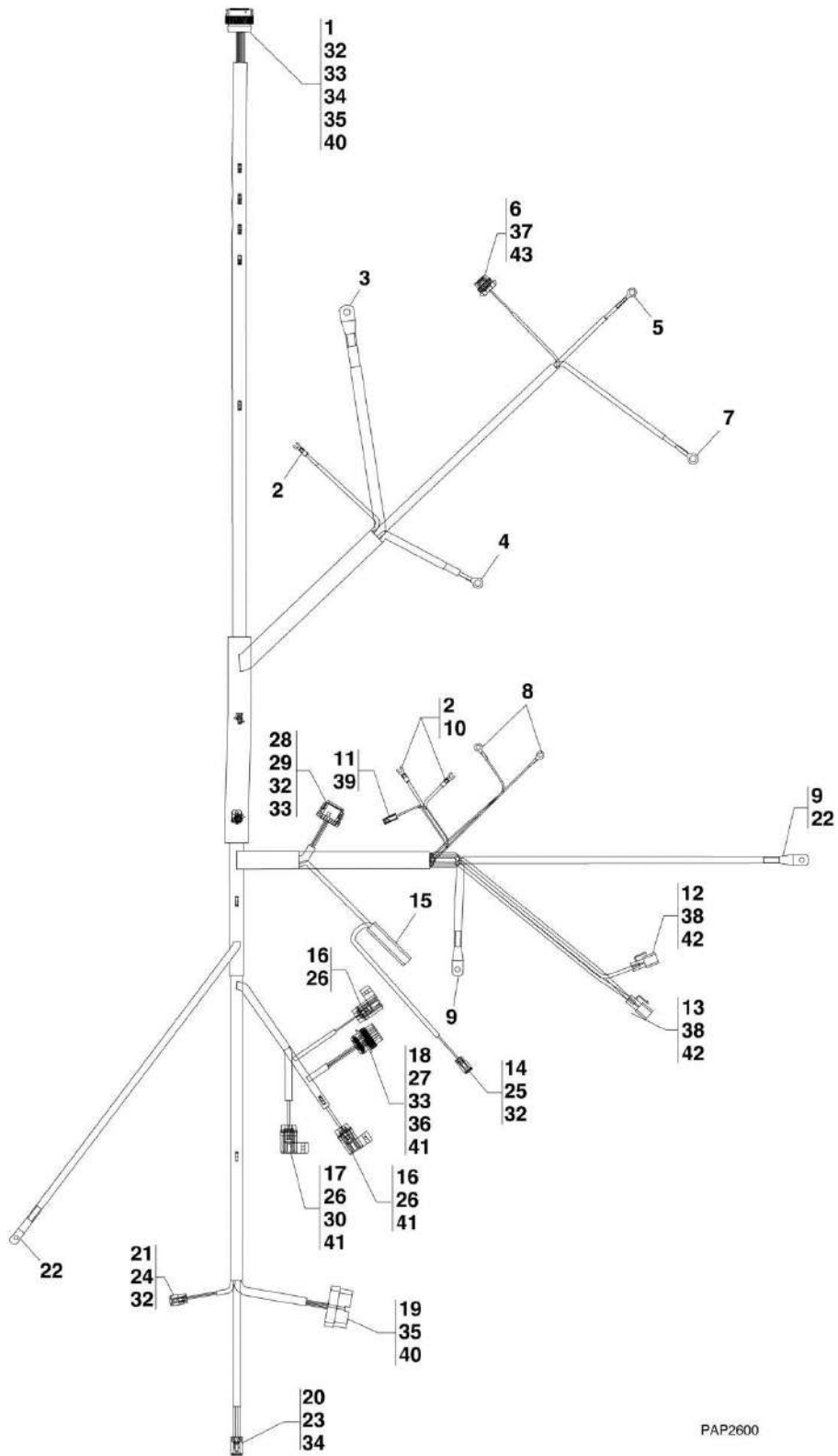
SECTION 10 - ELECTRICAL

FIGURE 10-5. ENGINE HARNESS - PERKINS ENGINE (SN 0160037186 to Present)

ITEM	PART NUMBER	QTY	DESCRIPTION	REV
	1001098241	1	ENGINE HARNESS, (includes all items)	F
1	1001117017	41	PLUG	
2	7029877	1	COVER	
3	7029878	1	LOCK	
4	1001116730	23	CONTACT	
5	1001116731	1	SEAL	
6	77363242	1	CONNECTOR	
7	91554019	1	LOCK	
8	4460944	2	CONTACT	
9	4460466	1	PLUG	
10	8220553	1	TERMINAL	
11	91554022	1	LOCK	
12	7026408	1	CONNECTOR	
13	80604018	1	LOCK	
14	77363229	27	CONTACT	
15	70022690	1	CONNECTOR	
16	70022691	1	LOCK	
17	4460955	1	CONNECTOR	
18	4460842	4	TERMINAL	
19	1001117073	1	CONNECTOR	
20	4460693	1	TERMINAL	
21	4460608	1	SEAL	
22	1001116962	1	CONNECTOR	
23	77363347	4	CONTACT	
24	77363349	3	PLUG	
25	70020510	1	FUSE	
26	2400074	1	FUSE HOLDER	

SECTION 10 - ELECTRICAL

FIGURE 10-6. ENGINE HARNESS - CUMMINS ENGINE (Prior to SN 0160027498)



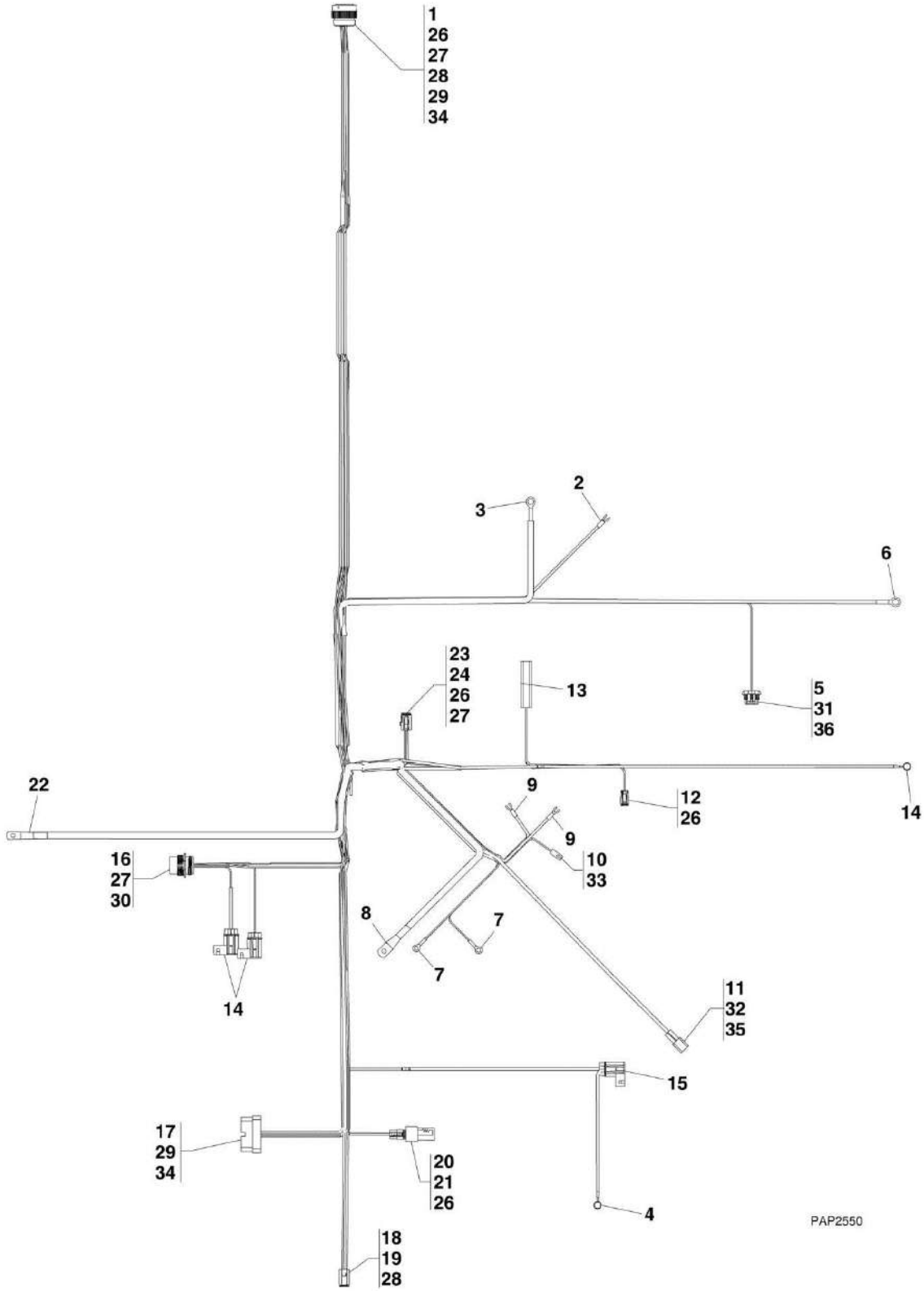
SECTION 10 - ELECTRICAL

FIGURE 10-6. ENGINE HARNESS - CUMMINS ENGINE (Prior to SN 0160027498)

ITEM	PART NUMBER	QTY	DESCRIPTION	REV
	1001115526	NLA	ENGINE HARNESS, (no longer available, order 1001130803, 1001119897 and 1001130907 for replacement or see items 1 thru 43 for service)	D
1	1001116962	1	CONNECTOR	
2	1001117111	3	FORK TERMINAL	
3	4461270	1	RING TERMINAL	
4	1001117112	1	RING TERMINAL	
5	4460019	1	RING TERMINAL	
6	4460590	1	CONNECTOR	
7	1001117107	1	RING TERMINAL	
8	4460247	2	RING TERMINAL	
9	1001117115	4	RING TERMINAL	
10	8220164	2	RING TERMINAL	
11	4460994	1	HOUSING	
12	1001117103	1	CONNECTOR	
13	1001117104	1	CONNECTOR	
14	4460891	1	CONNECTOR, (includes lock wedge and seal)	
15	91363021	1	MOLDED DIODE	
16	1001117078	2	CONNECTOR, (includes 5 amp fuse)	
17	1001117070	1	CONNECTOR, (includes 30 amp fuse)	
18	1001116975	1	CONNECTOR	
19	1001116821	1	CONNECTOR	
20	1001116810	1	CONNECTOR, (includes item 23)	
21	1001116812	1	CONNECTOR, (includes seal and item 24)	
22	1001117114	3	RING TERMINAL	
23	70022746	1	LOCK WEDGE	
24	91554019	1	LOCK WEDGE	
25	80604018	1	LOCK WEDGE	
26	7029771	3	FUSE COVER	
27	77363263	1	LOCKWASHER	
28	4460933	1	CONNECTOR	
29	80604016	1	LOCK WEDGE	
30	77363264	1	NUT	
31	1001106736	1	DUST CAP	
32	4460465	32	SOCKET TERMINAL	
33	4460466	9	PLUG	
34	4460509	6	SOCKET TERMINAL	
35	4460518	34	PLUG	
36	4460944	6	SOCKET TERMINAL	
37	8220124	1	TERMINAL	
38	8220160	4	TERMINAL	
39	1001104519	2	TERMINAL	
40	1001116694	19	TERMINAL	
41	1001116735	6	TERMINAL	
42	1001116750	4	TERMINAL	
43	1001116751	3	PLUG	

SECTION 10 - ELECTRICAL

FIGURE 10-7. ENGINE HARNESS - CUMMINS ENGINE (SN 0160027498 through 0160045636, Including 0160045082, 0160045094, 0160045209, 0160045295, 0160045296 and 0160045449))



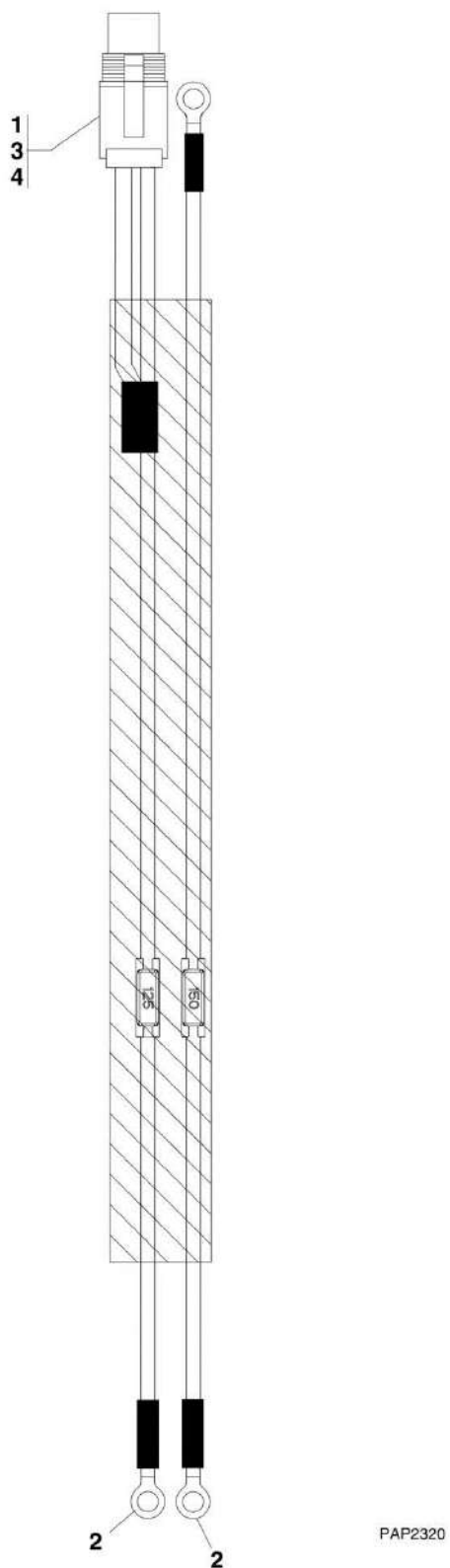
SECTION 10 - ELECTRICAL

FIGURE 10-7. ENGINE HARNESS - CUMMINS ENGINE (SN 0160027498 through 0160045636, Including 0160045082, 0160045094, 0160045209, 0160045295, 0160045296 and 0160045449))

ITEM	PART NUMBER	QTY	DESCRIPTION	REV
	1001130907	1	ENGINE HARNESS, (includes all items)	B
1	1001116962	1	CONNECTOR	
2	1001117111	1	FORK TERMINAL	
3	1001117112	1	RING TERMINAL	
4	4460019	2	RING TERMINAL	
5	4460590	1	CONNECTOR	
6	1001117107	1	RING TERMINAL	
7	4460247	2	RING TERMINAL	
8	1001117115	1	RING TERMINAL	
9	8220164	2	RING TERMINAL	
10	4460994	1	HOUSING	
11	1001117103	1	CONNECTOR	
12	4460891	1	CONNECTOR, (includes lock wedge and seal)	
13	91363021	1	MOLDED DIODE	
14	1001117078	2	CONNECTOR, (includes 5 amp fuse)	
15	1001117070	1	CONNECTOR, (includes 30 amp fuse)	
16	1001116975	1	CONNECTOR	
17	1001116821	1	CONNECTOR	
18	1001116810	1	CONNECTOR, (includes item 19)	
19	70022746	1	LOCK WEDGE	
20	1001116812	1	CONNECTOR, (includes item 21 and seal)	
21	91554019	1	LOCK WEDGE	
22	1001117114	1	RING TERMINAL	
23	4460933	1	CONNECTOR, (includes item 24 and seal)	
24	80604016	1	LOCK WEDGE	
25	1001106736	6	DUST CAP	
26	4460465	32	SOCKET TERMINAL	
27	4460466	9	PLUG	
28	4460509	6	SOCKET TERMINAL	
29	4460518	37	PLUG	
30	4460944	6	SOCKET TERMINAL	
31	8220124	1	TERMINAL	
32	8220160	2	TERMINAL	
33	1001104519	2	TERMINAL	
34	1001116694	19	TERMINAL	
35	1001116750	2	TERMINAL	
36	1001116751	3	PLUG	

SECTION 10 - ELECTRICAL

FIGURE 10-8. VEC GRID HTR PWR HARNESS - CUMMINS ENGINE (SN 0160027498 to Present)



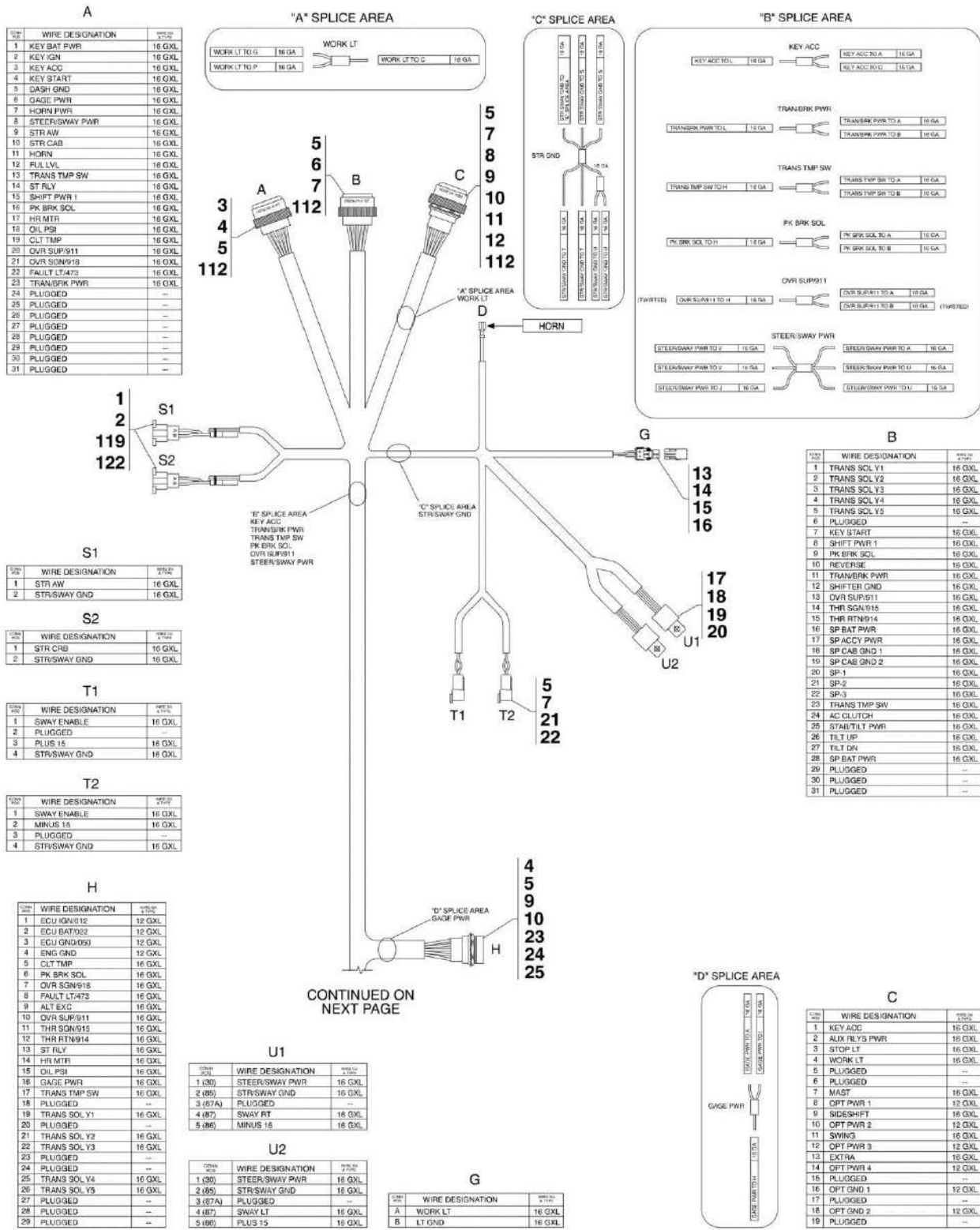
SECTION 10 - ELECTRICAL

FIGURE 10-8. VEC GRID HTR PWR HARNESS - CUMMINS ENGINE (SN 0160027498 to Present)

ITEM	PART NUMBER	QTY	DESCRIPTION	REV
	1001130803	1	VEC GRID HTR PWR HARNESS, (includes all items)	A
1	7026405	1	CONNECTOR	
2	4461038	2	TERMINAL	
3	1001116771	2	SEAL	
4	7026404	1	WEDGE LOCK	

SECTION 10 - ELECTRICAL

FIGURE 10-9. CHASSIS HARNESS - JOHN DEERE ENGINE



PY0322

SECTION 10 - ELECTRICAL

FIGURE 10-9. CHASSIS HARNESS - JOHN DEERE ENGINE

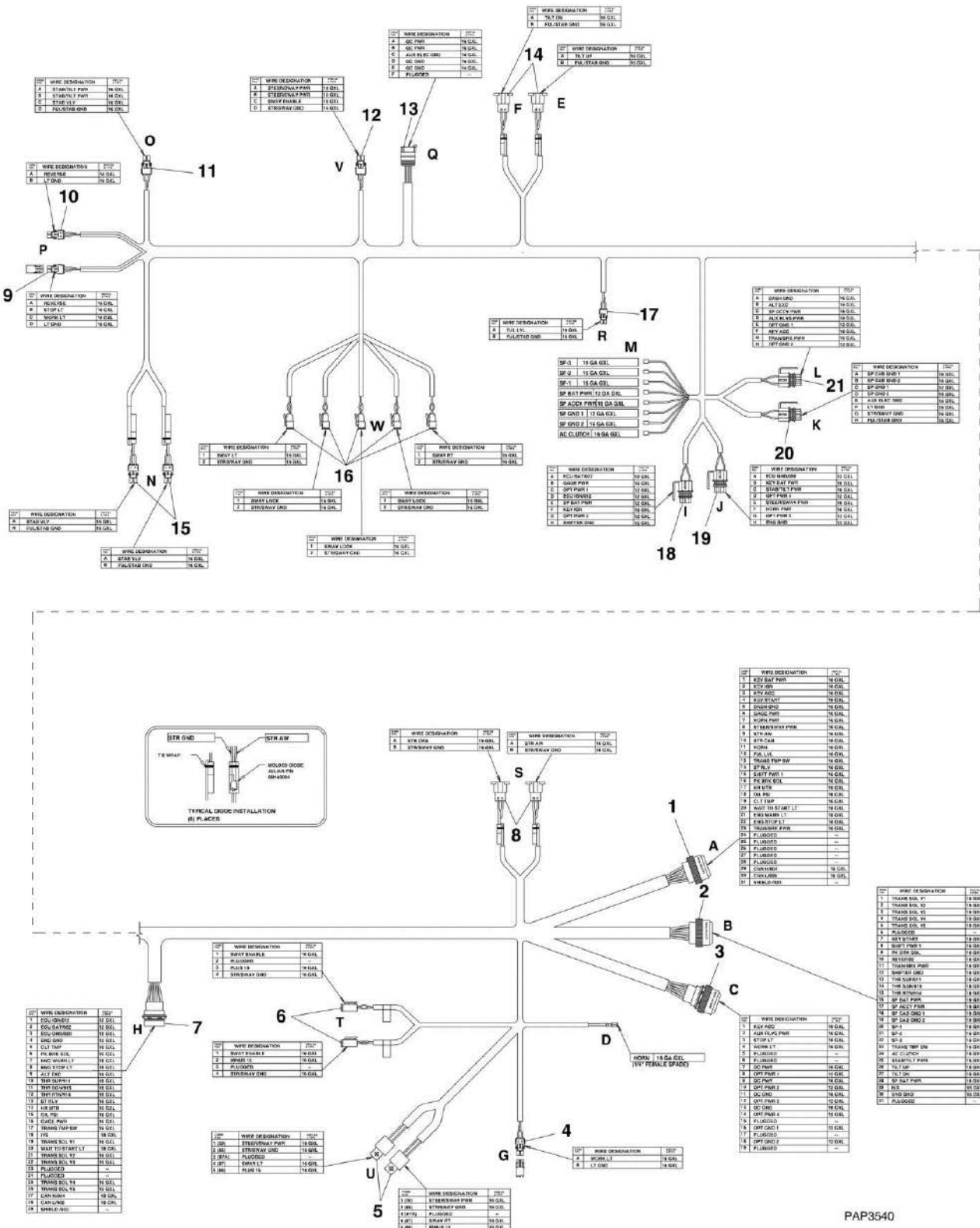
ITEM	PART NUMBER	QTY	DESCRIPTION	REV
	91563124	1	CHASSIS HARNESS, (includes items 1 thru 40), (G10-55A Prior to SN 0160018155; G12-55A Prior to SN 0160018077)	L
	4923405	1	CHASSIS HARNESS, (includes items 1 thru 40), (G10-55A SN 0160018155 through 0160037863; G12-55A SN 0160018077 through 0160037871)	D
	1001108589	1	CHASSIS HARNESS, (includes items 1 thru 40) (SN 0160037877 through 0160039450, Excluding 0160039394 and 0160039397)	C
1	91474468	4	CONNECTOR (Prior to SN 0160037877)	
1	91474468	2	CONNECTOR (SN 0160037877 through 0160039450, Excluding 0160039394 and 0160039397)	
2	91474469	4	TERMINAL (Prior to SN 0160037877)	
2	91474469	2	TERMINAL (SN 0160037877 through 0160039450, Excluding 0160039394 and 0160039397)	
3	7026910	1	CONNECTOR	
4	77363228	3	CONTACT	
5	4460466	7	PLUG	
6	4460502	1	CONNECTOR	
7	77363229	9	CONTACT (Prior to SN 0160037877)	
7	77363229	11	CONTACT (SN 0160037877 through 0160039450, Excluding 0160039394 and 0160039397)	
8	7026415	1	CONNECTOR	
9	83481286	2	NUT	
10	83481285	2	LOCKWASHER	
11	77363347	1	CONTACT	
12	4460469	1	CONNECTOR CAP	
13	80963057	4	CONNECTOR	
14	80963068	7	TERMINAL	
15	80963065	11	SEAL	
16	7026417	1	DUST CAP	
17	3740080	2	RELAY	
18	4460374	2	CONNECTOR ASSY	
19	1001116733	2	TERMINAL	
20	91554023	2	PLUG	
21	80484087	2	CONNECTOR	
22	80604021	2	CONNECTOR LOCK	
23	1001116968	1	CONNECTOR	
24	77363345	1	CONTACT	
25	77363349	1	PLUG	
26	80484081	1	CONNECTOR, (green)	
27	7026414	4	CONNECTOR LOCK	
28	4460746	4	TERMINAL	
29	1001116747	4	TERMINAL	
30	80963067	4	SEAL	
31	80484084	1	CONNECTOR, (blue)	
32	80484085	1	CONNECTOR, (gray)	
33	80484086	1	CONNECTOR, (black)	
34	7026408	5	CONNECTOR (Prior to SN 0160037877)	
34	7026408	7	CONNECTOR (SN 0160037877 through 0160039450, Excluding 0160039394 and 0160039397)	
35	80604018	5	CONNECTOR LOCK (Prior to SN 0160037877)	
35	80604018	7	CONNECTOR LOCK (SN 0160037877 through 0160039450, Excluding 0160039394 and 0160039397)	

SECTION 10 - ELECTRICAL

ITEM	PART NUMBER	QTY	DESCRIPTION	REV
36	80963061	3	CONNECTOR	
37	80963062	1	CONNECTOR	
38	80963070	1	DUST CAP PLUG	
39	7026413	1	CONNECTOR	
40	7026419	1	CONNECTOR CAP	
41	91365037	1	STABILIZER PROXIMITY SENSOR	
42	4460746	1	TERMINAL	
43	1001117021	1	CONNECTOR	
44	7029755	1	SECONDARY LOCK	
45	4460789	1	SEAL	
46	91365037	1	SWAY PROXIMITY SENSOR (Prior to SN 0160038592)	
110	4240033	6	WIRE TIE, (not shown)	
112	0100048	AR	DIELECTRIC GREASE	
118	4460897	5	2 POS RECEPTACLE TERMINAL	
119	4460466	18	DEUTSCH SEALING PLUG TERMINAL	
120	80963062	1	WEATHERPACK SHROUD	
121	80963070	4	SEAL PLUG PACKARD	
122	4460932	2	FEMALE 4-PIN CONNECTOR	

SECTION 10 - ELECTRICAL

FIGURE 10-10. CHASSIS HARNESS - PERKINS AND CUMMINS ENGINE (Prior to SN 0160037186)



SECTION 10 - ELECTRICAL

FIGURE 10-10. CHASSIS HARNESS - PERKINS AND CUMMINS ENGINE (Prior to SN 0160037186)

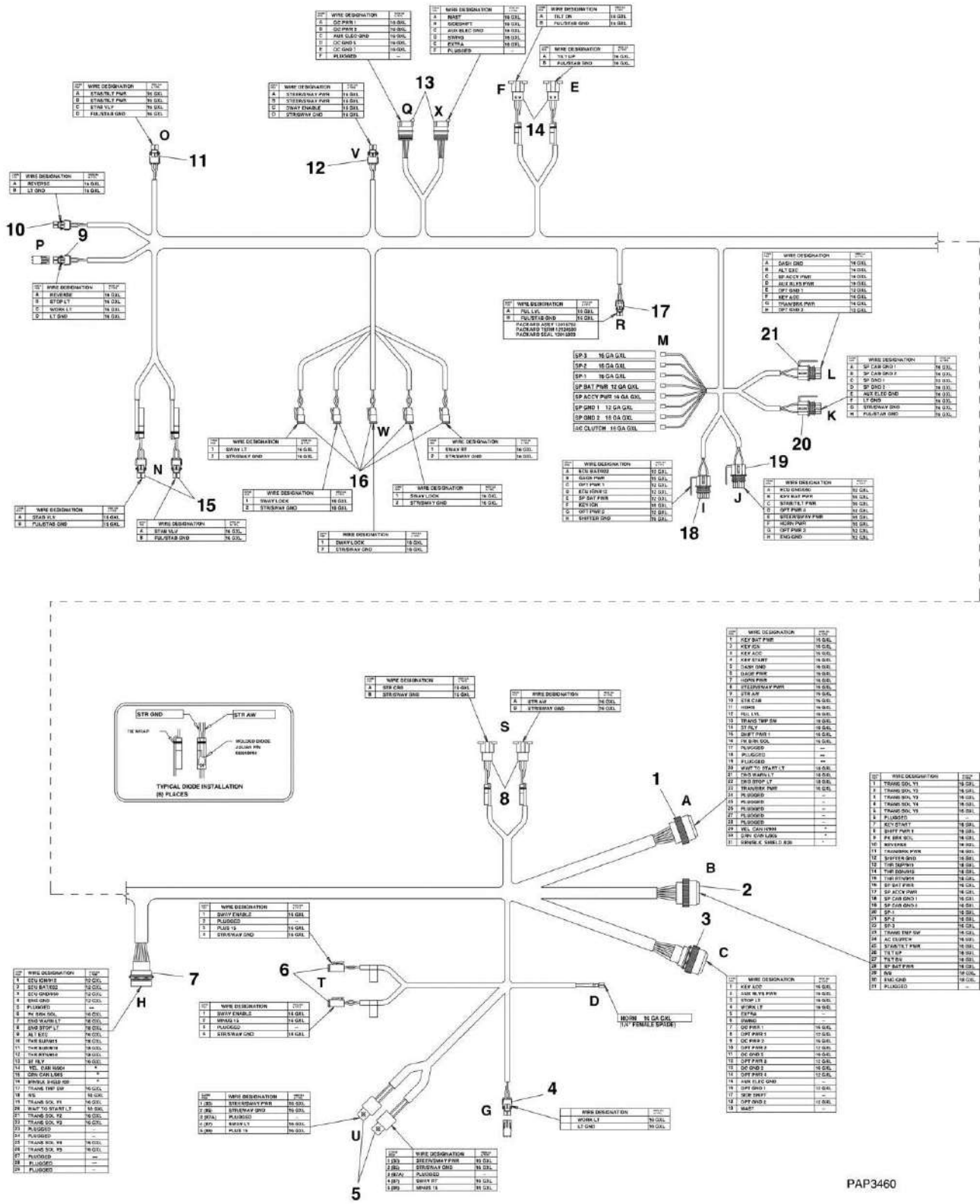
ITEM	PART NUMBER	QTY	DESCRIPTION	REV
	1001001564	1	CHASSIS HARNESS, (includes all items)	D
1	7026910	1	CONNECTOR	
1	77363228	25	CONTACT	
1	4460466	6	PLUG	
2	4460502	1	CONNECTOR	
2	77363229	29	CONTACT	
2	4460466	2	PLUG	
3	7026415	1	CONNECTOR	
3	83481286	1	NUT	
3	83481285	1	LOCK WASHER	
3	77363229	8	CONTACT	
3	77363347	6	CONTACT	
3	4460466	5	PLUG	
3	4460469	1	CAP CONNECTOR	
4	80963057	1	CONNECTOR	
4	80963068	2	TERMINAL	
4	80963065	1	SEAL	
4	7026417	1	DUST CAP	
5	3740080	2	RELAY	
5	4460374	2	CONNECTOR	
5	1001116733	8	TERMINAL	
5	91554023	2	PLUG	
6	80484087	2	CONNECTOR	
6	80604021	2	LOCK, CONNECTOR	
6	77363229	6	CONTACT	
6	4460466	2	PLUG	
7	1001116968	1	CONNECTOR	
7	83481286	1	NUT	
7	83481285	1	LOCKWASHER	
7	77363228	22	TERMINAL	
7	77363345	4	TERMINAL	
7	77363349	2	SEAL	
7	4460466	1	SEAL	
8	91474468	2	CONNECTOR	
8	91474469	4	TERMINAL	
9	80963061	1	CONNECTOR	
9	80963068	3	TERMINAL	
9	4460458	3	SEAL	
10	1001117021	1	CONNECTOR	
10	8220890	1	LOCK	
10	4460746	3	TERMINAL	
10	4460789	3	SEAL	
11	80963061	1	CONNECTOR	
11	80963068	4	TERMINAL	
11	4460458	4	SEAL	
12	80963061	1	CONNECTOR	
12	80963068	4	TERMINAL	
12	4460458	4	SEAL	
13	7026413	1	CONNECTOR	
13	77363228	5	TERMINAL	

SECTION 10 - ELECTRICAL

ITEM	PART NUMBER	QTY	DESCRIPTION	REV
13	4460466	1	PLUG	
13	7026419	1	CAP	
14	91474468	2	CONNECTOR	
14	91474469	4	TERMINAL	
15	80963057	1	CONNECTOR	
15	80963068	4	TERMINAL	
15	4460458	4	SEAL	
16	7026408	5	CONNECTOR	
16	80604018	5	LOCK	
16	77363229	10	TERMINAL	
17	80963057	1	CONNECTOR	
17	80963068	2	TERMINAL	
17	4460458	2	SEAL	
18	80484086	1	CONNECTOR	
18	7026414	1	LOCK	
18	4460746	3	TERMINAL	
18	1001116747	5	TERMINAL	
18	4460458	5	SEAL	
18	80963067	3	SEAL	
19	80484085	1	CONNECTOR	
19	7026414	1	LOCK	
19	4460746	4	TERMINAL	
19	1001116747	4	TERMINAL	
19	4460458	4	SEAL	
19	80963067	4	SEAL	
20	80484084	1	CONNECTOR	
20	7026414	1	LOCK	
20	4460746	7	TERMINAL	
20	1001116747	1	TERMINAL	
20	4460458	1	SEAL	
20	80963067	7	SEAL	
21	80484081	1	CONNECTOR	
21	7026414	1	LOCK	
21	4460746	6	TERMINAL	
21	1001116747	2	TERMINAL	
21	4460458	2	SEAL	
21	80963067	6	SEAL	

SECTION 10 - ELECTRICAL

FIGURE 10-11. CHASSIS HARNESS - PERKINS AND CUMMINS ENGINE (SN 0160037186 through 0160037794)



PAP3460

SECTION 10 - ELECTRICAL

FIGURE 10-11. CHASSIS HARNESS - PERKINS AND CUMMINS ENGINE (SN 0160037186 through 0160037794)

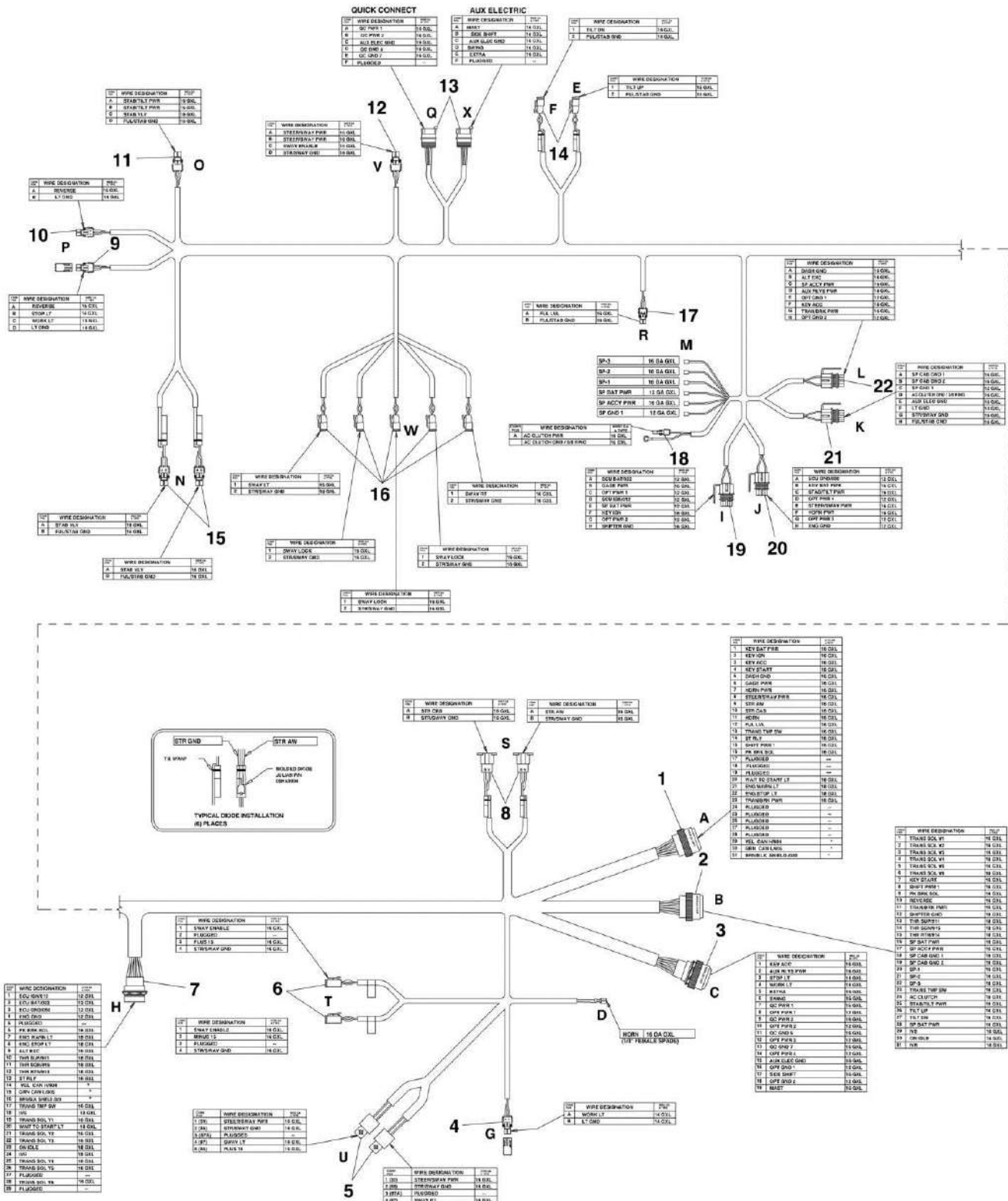
ITEM	PART NUMBER	QTY	DESCRIPTION	REV
	1001098264	1	CHASSIS HARNESS, (includes all items)	E
1	7026910	1	CONNECTOR	
1	77363228	20	CONTACT	
1	4460466	11	PLUG	
2	4460502	1	CONNECTOR	
2	77363229	29	CONTACT	
2	4460466	2	PLUG	
3	7026415	1	CONNECTOR	
3	83481286	1	NUT	
3	83481285	1	LOCKWASHER	
3	77363229	8	CONTACT	
3	77363347	6	CONTACT	
3	4460466	5	PLUG	
3	4460469	1	CAP, CONNECTOR	
4	80963057	1	CONNECTOR	
4	80963068	2	TERMINAL	
4	80963065	1	SEAL	
4	7026417	1	DUST CAP	
5	3740080	2	RELAY	
5	4460374	2	CONNECTOR	
5	1001116733	8	TERMINAL	
5	91554023	2	PLUG	
6	80484087	2	CONNECTOR	
6	80604021	2	LOCK, CONNECTOR	
6	77363229	6	CONTACT	
6	4460466	2	PLUG	
7	1001116968	1	CONNECTOR	
7	83481286	1	NUT	
7	83481285	1	LOCKWASHER	
7	77363228	16	TERMINAL	
7	77363345	4	TERMINAL	
7	77363349	5	SEAL	
7	4460466	4	SEAL	
8	91474468	2	CONNECTOR	
8	91474469	4	TERMINAL	
9	80963061	1	CONNECTOR	
9	80963068	3	TERMINAL	
9	4460458	3	SEAL	
10	1001117021	1	CONNECTOR	
10	8220890	1	LOCK	
10	4460746	3	TERMINAL	
10	4460789	3	SEAL	
11	80963061	1	CONNECTOR	
11	80963068	4	TERMINAL	
11	4460458	4	SEAL	
12	80963061	1	CONNECTOR	
12	80963068	4	TERMINAL	
12	4460458	4	SEAL	
13	7026413	2	CONNECTOR	

SECTION 10 - ELECTRICAL

ITEM	PART NUMBER	QTY	DESCRIPTION	REV
13	77363228	10	TERMINAL	
13	4460466	2	PLUG	
13	7026419	2	CAP	
14	91474468	2	CONNECTOR	
14	91474469	4	TERMINAL	
15	80963057	1	CONNECTOR	
15	80963068	4	TERMINAL	
15	4460458	4	SEAL	
16	7026408	5	CONNECTOR	
16	80604018	5	LOCK	
16	77363229	10	TERMINAL	
17	80963057	1	CONNECTOR	
17	80963068	2	TERMINAL	
17	4460458	2	SEAL	
18	80484086	1	CONNECTOR	
18	7026414	1	LOCK	
18	4460746	3	TERMINAL	
18	1001116747	5	TERMINAL	
18	4460458	5	SEAL	
18	80963067	3	SEAL	
19	80484085	1	CONNECTOR	
19	7026414	1	LOCK	
19	4460746	4	TERMINAL	
19	1001116747	4	TERMINAL	
19	4460458	4	SEAL	
19	80963067	4	SEAL	
20	80484084	1	CONNECTOR	
20	7026414	1	LOCK	
20	4460746	7	TERMINAL	
20	1001116747	1	TERMINAL	
20	4460458	1	SEAL	
20	80963067	7	SEAL	
21	80484081	1	CONNECTOR	
21	7026414	1	LOCK	
21	4460746	6	TERMINAL	
21	1001116747	2	TERMINAL	
21	4460458	2	SEAL	
21	80963067	6	SEAL	

SECTION 10 - ELECTRICAL

FIGURE 10-12. CHASSIS HARNESS - PERKINS AND CUMMINS ENGINE (SN 0160037795 to Present)



PAP3470

SECTION 10 - ELECTRICAL

FIGURE 10-12. CHASSIS HARNESS - PERKINS AND CUMMINS ENGINE (SN 0160037795 to Present)

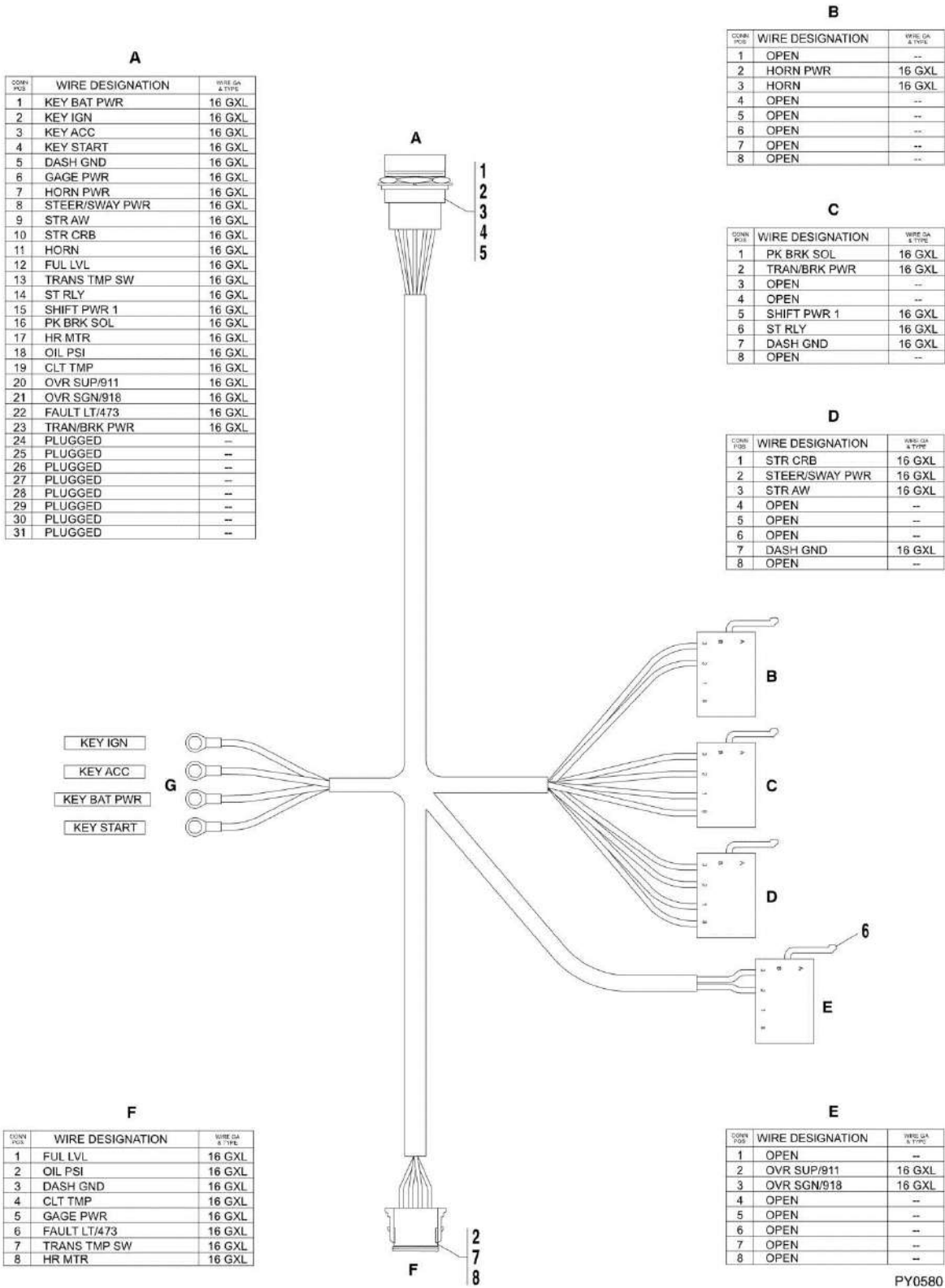
ITEM	PART NUMBER	QTY	DESCRIPTION	REV
	1001108162	NLA	CHASSIS HARNESS, (no longer available, order 1001125381 for replacement or see items 1 thru 22 for service) (SN 0160037877 through 0160040474)	F
	1001125381	1	CHASSIS HARNESS, (includes all items) (SN 0160040475 to Present)	A
1	7026910	1	CONNECTOR	
1	77363228	20	CONTACT	
1	4460466	11	PLUG	
2	4460502	1	CONNECOTR	
2	77363229	31	CONTACT	
3	7026415	1	CONNECTOR	
3	83481286	1	NUT	
3	83481285	1	LOCK WASHER	
3	77363229	11	CONTACT	
3	77363347	6	CONTACT	
3	4460941	2	CONTACT	
3	4460469	1	CAP CONNECTOR	
4	80963057	1	CONNECTOR	
4	80963068	2	TERMINAL	
4	80963065	1	SEAL	
4	7026417	1	DUST CAP	
5	3740080	2	RELAY	
5	4460374	2	CONNECTOR	
5	1001116733	8	TERMINAL	
5	91554023	2	PLUG	
6	80484087	2	CONNECTOR	
6	80604021	2	CONNECTOR LOCK	
6	77363229	6	CONTACT	
6	77363230	2	PLUG	
7	80484073	1	CONNECTOR	
7	83481286	1	NUT	
7	83481285	1	LOCK WASHER	
7	77363228	19	TERMINAL	
7	77363345	4	TERMINAL	
7	77363349	9	PLUG	
7	4460466	14	PLUG	
8	91474468	2	CONNECTOR	
8	91474469	4	TERMINAL	
9	80963061	1	CONNECTOR	
9	80963068	1	TERMINAL	
9	4460458	3	SEAL	
9	1001116747	3	TERMINAL	
9	4460789	1	SEAL	
10	1001117021	1	CONNECTOR	
10	8220890	1	LOCK	
10	4460746	1	TERMINAL	
10	4460789	1	SEAL	
10	1001116747	1	TERMINAL	
10	4460458	1	SEAL	
11	80963061	1	CONNECTOR	

SECTION 10 - ELECTRICAL

ITEM	PART NUMBER	QTY	DESCRIPTION	REV
11	80963068	4	TERMINAL	
11	4460458	4	SEAL	
12	80963061	1	CONNECTOR	
12	80963068	4	TERMINAL	
12	4460458	4	SEAL	
13	7026413	2	CONNECTOR	
13	77363228	10	TERMINAL	
13	4460466	2	PLUG	
13	7026419	2	CAP	
14	7026408	2	CONNECTOR	
14	80604018	2	LOCK	
14	77363229	4	TERMINAL	
15	80963057	1	CONNECTOR	
15	80963068	4	TERMINAL	
15	4460458	4	SEAL	
16	7026408	2	CONNECTOR	
16	80604018	2	LOCK	
16	77363229	4	TERMINAL	
17	80963057	1	CONNECTOR	
17	80963068	4	TERMINAL	
17	4460458	4	SEAL	
18	80963056	1	CONNECTOR	
18	80963069	2	TERMINAL	
18	80963065	2	SEAL	
19	80484086	1	CONNECTOR	
19	7026414	1	LOCK	
19	4460746	3	TERMINAL	
19	1001116747	5	TERMINAL	
19	4460458	5	SEAL	
19	80963067	3	SEAL	
20	80484085	1	CONNECTOR	
20	7026414	1	LOCK	
20	4460746	4	TERMINAL	
20	1001116747	3	TERMINAL	
20	4460458	3	SEAL	
20	80963067	4	SEAL	
21	80484084	1	CONNECTOR	
21	7026414	1	LOCK	
21	4460746	6	TERMINAL	
21	1001116747	2	TERMINAL	
21	4460458	1	SEAL	
21	80963067	6	SEAL	
21	4460789	1	SEAL	
22	80484081	1	CONNECTOR	
22	7026414	1	LOCK	
22	4460746	6	TERMINAL	
22	1001116747	2	TERMINAL	
22	4460458	2	SEAL	
22	80963067	6	SEAL	

SECTION 10 - ELECTRICAL

FIGURE 10-13. DASH HARNESS (G10-55A Prior to SN 0160032061; G12-55A Prior to SN 0160032067)



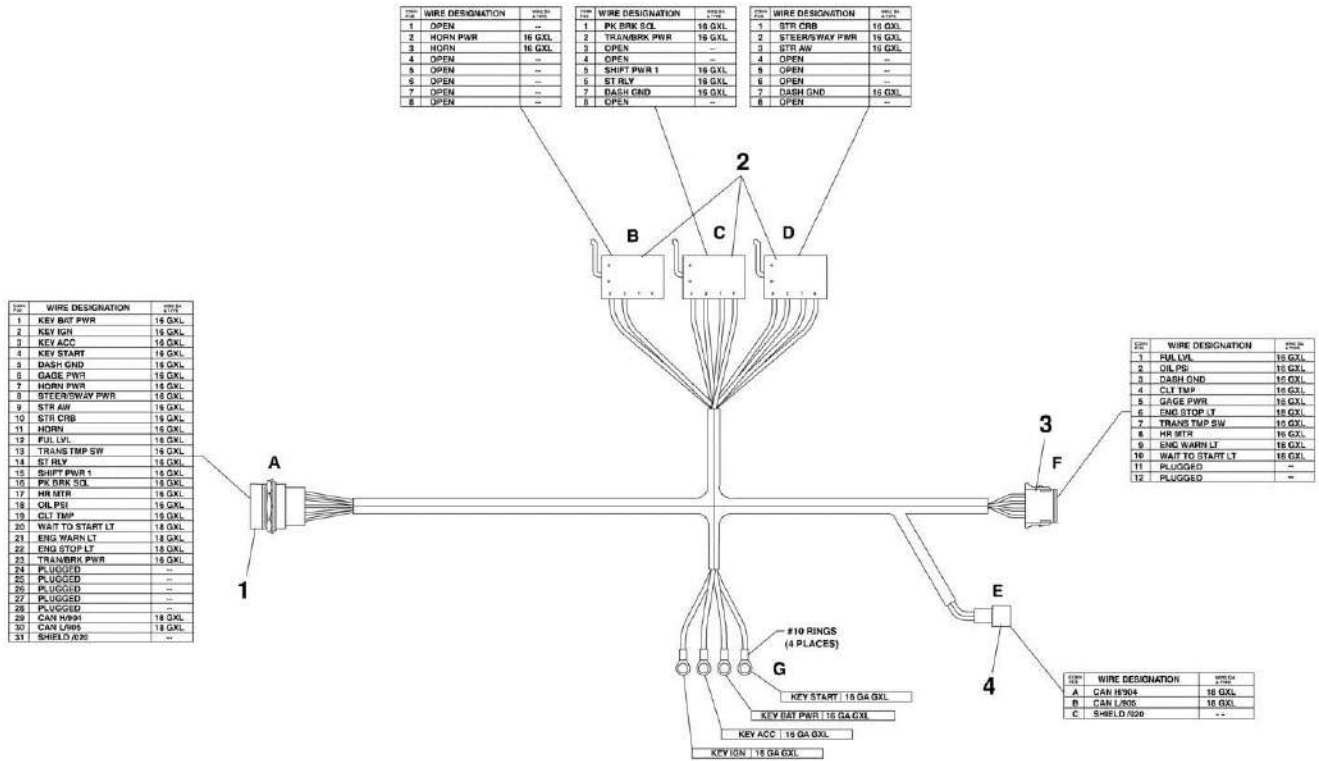
SECTION 10 - ELECTRICAL

FIGURE 10-13. DASH HARNESS (G10-55A Prior to SN 0160032061; G12-55A Prior to SN 0160032067)

ITEM	PART NUMBER	QTY	DESCRIPTION	REV
	91563186	1	DASH HARNESS, (includes all items)	E
1	4460500	1	CONNECTOR	
2	77363229	2	CONTACT	
3	4460466	1	PLUG	
4	83481286	1	NUT	
5	83481285	1	LOCKWASHER	
6	4460419	4	TERMINAL	
7	7026909	1	CONNECTOR	
8	80604025	1	CONNECTOR LOCK	

SECTION 10 - ELECTRICAL

FIGURE 10-14. DASH HARNESS (G10-55A SN 0160032061 through 0160037175; G12-55A SN 0160032067 through 0160037176)



WIRE CHART										
WIRE DESIGNATION	WIRE COLOR	WIRE GAUGE	WIRE END A	WIRE END B	WIRE END C	WIRE END D	WIRE END E	WIRE END F	WIRE END G	REMARKS
CLT TMP	DK BLUE	18	DEUTSCH HD					DEUTSCH DT		COOLANT TEMP
DASH GND	BLACK	18	DEUTSCH HD		CARLINGSWITCH	CARLINGSWITCH		DEUTSCH DT		DASH GROUND
ENT STOP LT	ORANGE	18	DEUTSCH HD					DEUTSCH DT		ENGINE STOP LIGHT
FUL LVL	DK BLUE	18	DEUTSCH HD					DEUTSCH DT		FUEL LEVEL
GAGE PWR	RED	18	DEUTSCH HD					DEUTSCH DT		GAGE POWER
HORN	VIOLET	18	DEUTSCH HD	CARLINGSWITCH						HORN
HORN PWR	RED	18	DEUTSCH HD	CARLINGSWITCH						HORN POWER
HR MTR	ORANGE	18	DEUTSCH HD					DEUTSCH DT		HOUR METER
KEY ACC	VIOLET	18	DEUTSCH HD							KEY ACCESSORY
KEY BAT PWR	RED	18	DEUTSCH HD						#10 RINGS	KEY BATTERY POWER
KEY IGN	VIOLET	18	DEUTSCH HD						#10 RINGS	KEY IGNITION
KEY START	VIOLET	18	DEUTSCH HD						#10 RINGS	KEY START
OIL PSI	DK BLUE	18	DEUTSCH HD					DEUTSCH DT		OIL PSI
ENG WARN LT	VIOLET	18	DEUTSCH HD					DEUTSCH DT		ENGINE WARN LIGHT
WAIT TO START LT	WHITE	18	DEUTSCH HD					DEUTSCH DT		COLD STAR AID WAIT LIGHT
PK BRK SOL	VIOLET	18	DEUTSCH HD		CARLINGSWITCH					PARK BRAKE SOLENOID
SHFT PWR 1	BROWN	18	DEUTSCH HD		CARLINGSWITCH					SHIFT POWER 1
ST RLY	ORANGE	18	DEUTSCH HD		CARLINGSWITCH					START RELAY
STEE/SWAY PWR	ORANGE	18	DEUTSCH HD			CARLINGSWITCH				STEER POWER
STR AW	VIOLET	18	DEUTSCH HD			CARLINGSWITCH				ALL-WHEEL STEER
STR CRB	VIOLET	18	DEUTSCH HD			CARLINGSWITCH				CRAB STEER
TRANBRK PWR	ORANGE	18	DEUTSCH HD		CARLINGSWITCH					TRANS/BRAKE POWER
TRANS TMP SW	DK BLUE	18	DEUTSCH HD					DEUTSCH DT	DEUTSCH DT	TRANSMISSION TEMP SWITCH
CAN H904	YELLOW	18	DEUTSCH HD					DEUTSCH DT		CAN BUS HIGH
CAN L905	GREEN	18	DEUTSCH HD					DEUTSCH DT		CAN BUS LOW
SHIELD #20	--	--	DEUTSCH HD					DEUTSCH DT		CAN BUS SHIELD

PAP3380

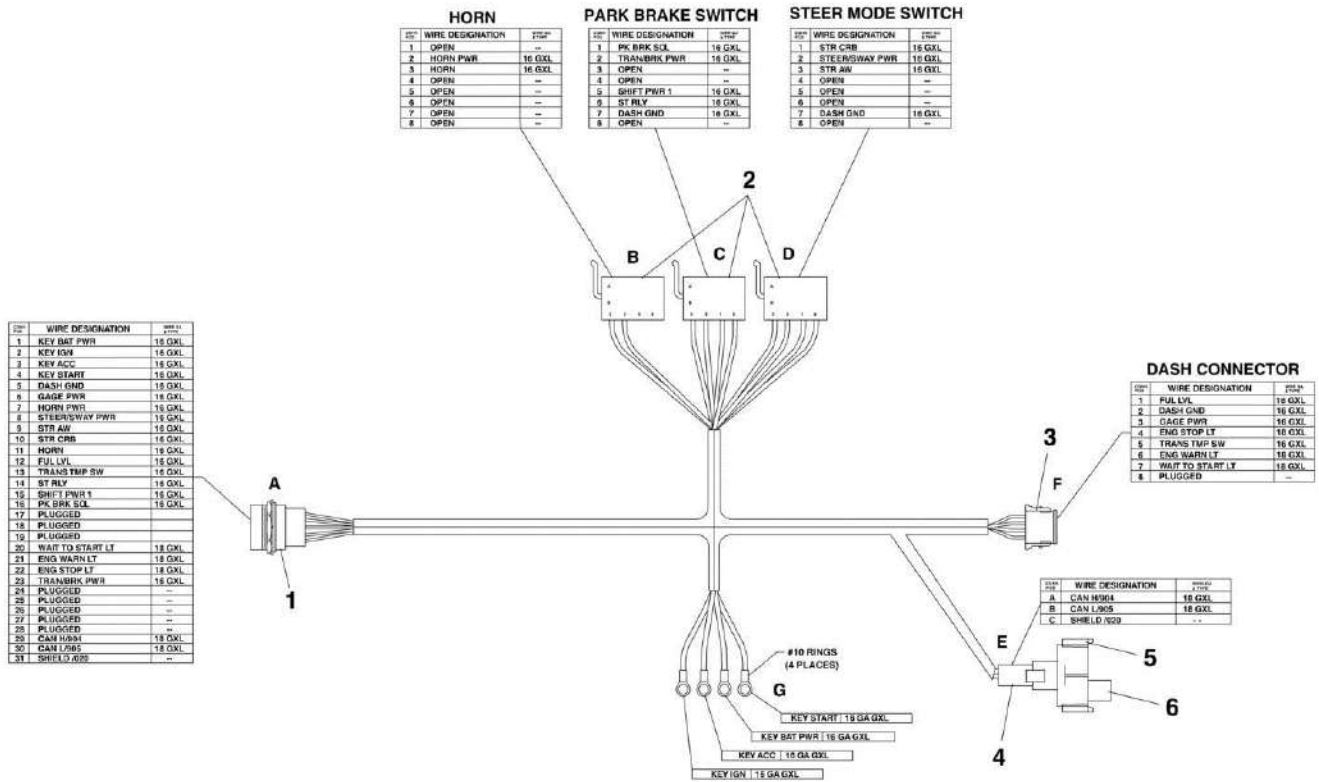
SECTION 10 - ELECTRICAL

FIGURE 10-14. DASH HARNESS (G10-55A SN 0160032061 through 0160037175; G12-55A SN 0160032067 through 0160037176)

ITEM	PART NUMBER	QTY	DESCRIPTION	REV
	1001001563	1	DASH HARNESS, (includes all items)	C
1	4460500	1	CONNECTOR	
1	77363229	25	TERMINAL	
1	4460466	6	PLUG	
1	83481286	1	NUT	
1	83481285	1	WASHER	
2	4460419	3	TERMINAL	
3	7026425	1	CONNECTOR	
3	80604016	1	LOCK	
3	77363229	10	TERMINAL	
3	4460466	2	PLUG	
4	91554018	1	CONNECTOR	
4	91554019	1	LOCK	
4	4460944	2	CONTACTS	

SECTION 10 - ELECTRICAL

FIGURE 10-15. DASH HARNESS (G10-55A SN 0160037186 to Present; G12-55A SN 0160037189 to Present)



PAP3390

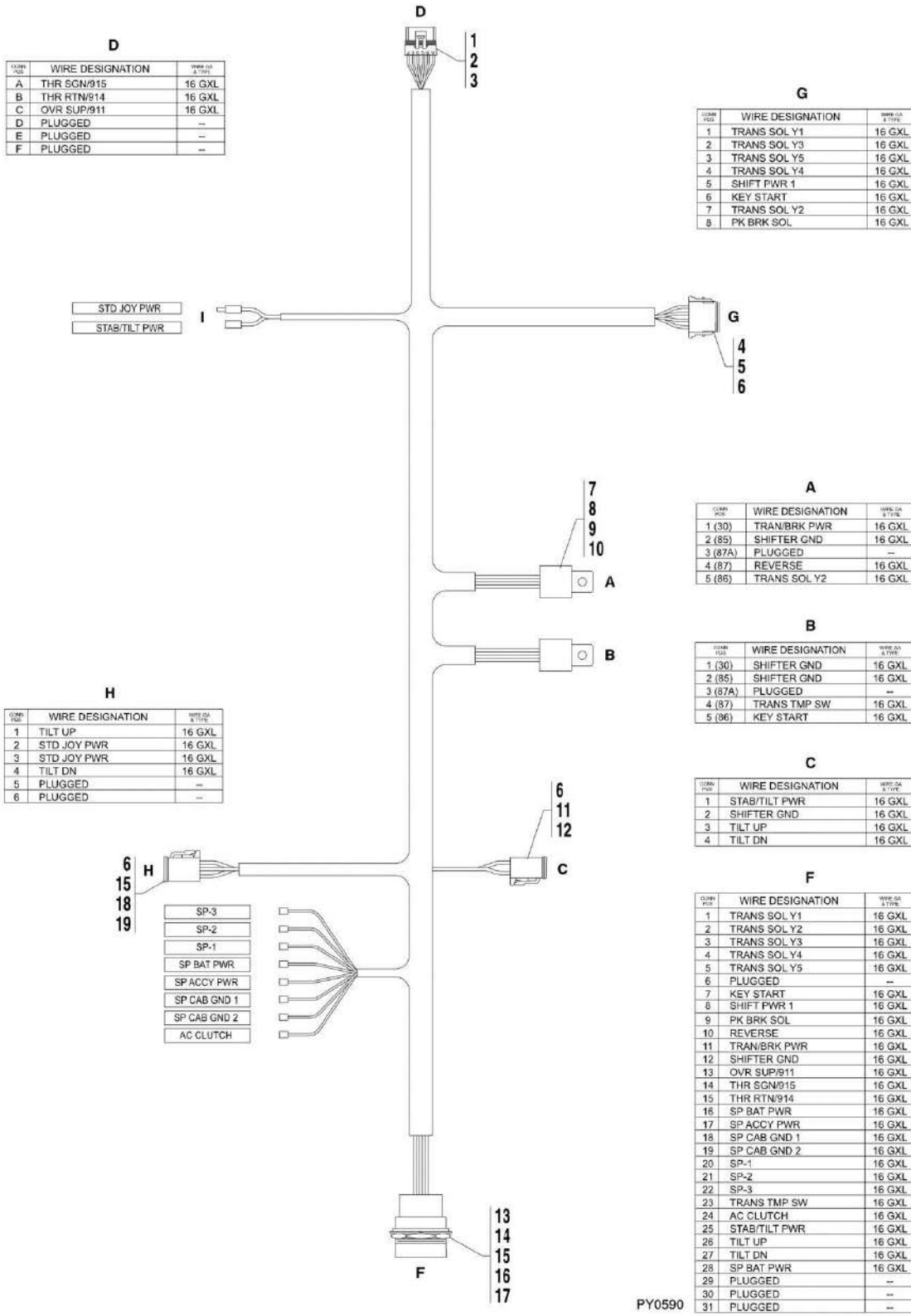
SECTION 10 - ELECTRICAL

FIGURE 10-15. DASH HARNESS (G10-55A SN 0160037186 to Present; G12-55A SN 0160037189 to Present)

ITEM	PART NUMBER	QTY	DESCRIPTION	REV
	1001098240	1	DASH HARNESS, (includes all items)	B
1	4460500	1	CONNECTOR	
1	77363229	22	TERMINAL	
1	4460466	9	PLUG	
1	83481286	1	NUT	
1	83481285	1	WASHER	
2	4460419	3	TERMINAL	
3	8220524	1	CONNECTOR	
3	8220525	1	LOCK	
3	77363229	7	TERMINAL	
3	4460466	1	PLUG	
4	91554018	1	CONNECTOR	
4	91554019	1	LOCK	
4	4460944	2	CONTACTS	
5	4460945	1	CONNECTOR	
6	70022224	1	CONNECTOR	
6	91554019	1	LOCK	

SECTION 10 - ELECTRICAL

FIGURE 10-16. TRANSMISSION RELAY HARNESS - JOHN DEERE ENGINE (G10-55A Prior to SN 0160034179; G12-55A Prior to SN 0160034177)



PY0590

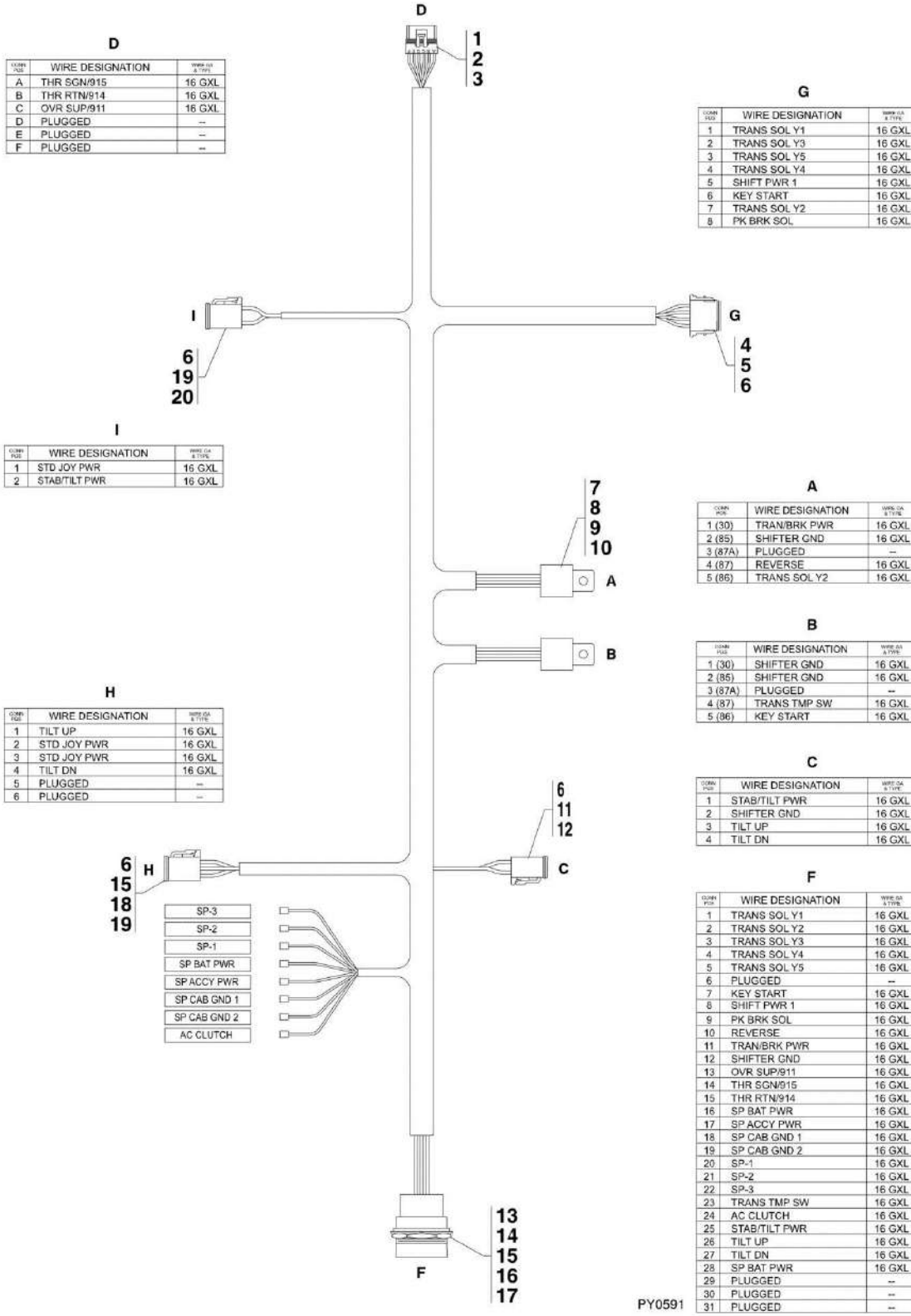
SECTION 10 - ELECTRICAL

FIGURE 10-16. TRANSMISSION RELAY HARNESS - JOHN DEERE ENGINE (G10-55A Prior to SN 0160034179; G12-55A Prior to SN 0160034177)

ITEM	PART NUMBER	QTY	DESCRIPTION	REV
	91563188	1	TRANSMISSION RELAY HARNESS, (includes all items)	D
1	1001117064	1	CONNECTOR ASSY	
2	91554014	1	TERMINAL	
3	4461215	1	PLUG	
4	7026909	1	DEUTSCH CONNECTOR	
5	80604025	1	CONNECTOR LOCK	
6	77363229	3	CONTACT	
7	3740080	2	RELAY	
8	4460374	2	CONNECTOR ASSY	
9	1001116733	2	TERMINAL	
10	91554023	2	PLUG	
11	80484087	1	CONNECTOR	
12	80604021	1	CONNECTOR LOCK	
13	4460503	1	CONNECTOR	
14	77363228	1	TERMINAL	
15	4460466	2	PLUG	
16	83481286	1	NUT	
17	83481285	1	LOCKWASHER	
18	91504088	1	CONNECTOR	
19	91504107	1	CONNECTOR LOCK	

SECTION 10 - ELECTRICAL

FIGURE 10-17. TRANSMISSION RELAY HARNESS - JOHN DEERE ENGINE (G10-55A SN 0160034179 to Present; G12-55A SN 0160034177 to Present)



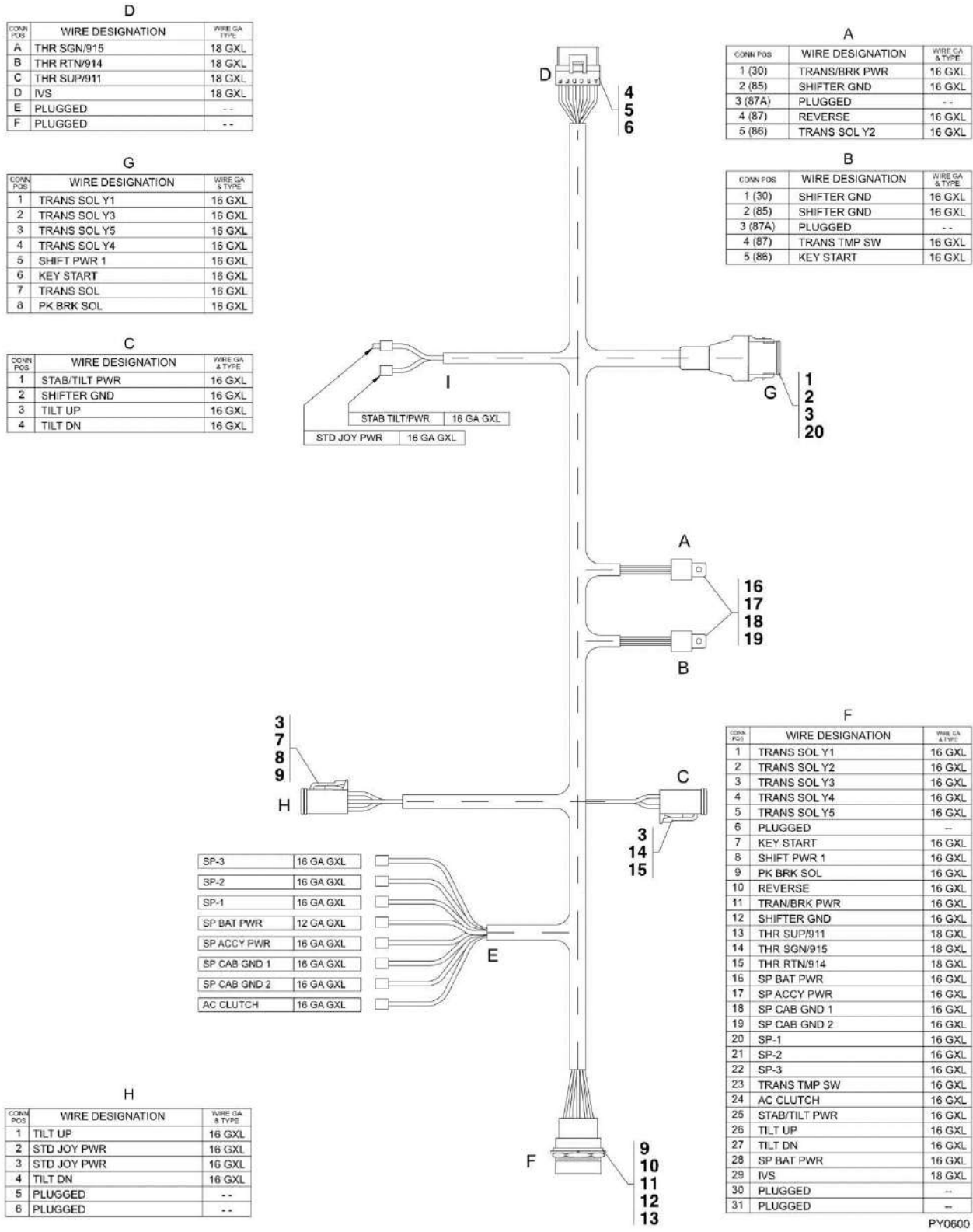
SECTION 10 - ELECTRICAL

FIGURE 10-17. TRANSMISSION RELAY HARNESS - JOHN DEERE ENGINE (G10-55A SN 0160034179 to Present; G12-55A SN 0160034177 to Present)

ITEM	PART NUMBER	QTY	DESCRIPTION	REV
	1001099432	1	TRANSMISSION RELAY HARNESS, (includes all items)	B
1	1001117064	1	CONNECTOR ASSY	
2	91554014	1	TERMINAL	
3	4461215	1	PLUG	
4	7026909	1	DEUTSCH CONNECTOR	
5	80604025	1	CONNECTOR LOCK	
6	77363229	4	CONTACT	
7	3740080	2	RELAY	
8	4460374	2	CONNECTOR ASSY	
9	1001116733	2	TERMINAL	
10	91554023	2	PLUG	
11	80484087	1	CONNECTOR	
12	80604021	1	CONNECTOR LOCK	
13	4460503	1	CONNECTOR	
14	77363228	1	TERMINAL	
15	4460466	2	PLUG	
16	83481286	1	NUT	
17	83481285	1	LOCKWASHER	
18	91504088	1	CONNECTOR	
19	91504107	1	CONNECTOR LOCK	
20	80604018	1	CONNECTOR	
21	7026408	1	CONNECTOR LOCK	

SECTION 10 - ELECTRICAL

FIGURE 10-18. TRANSMISSION RELAY HARNESS - PERKINS ENGINE (G10-55A Prior to SN 0160034179; G12-55A Prior to SN 0160034177)



PY0600

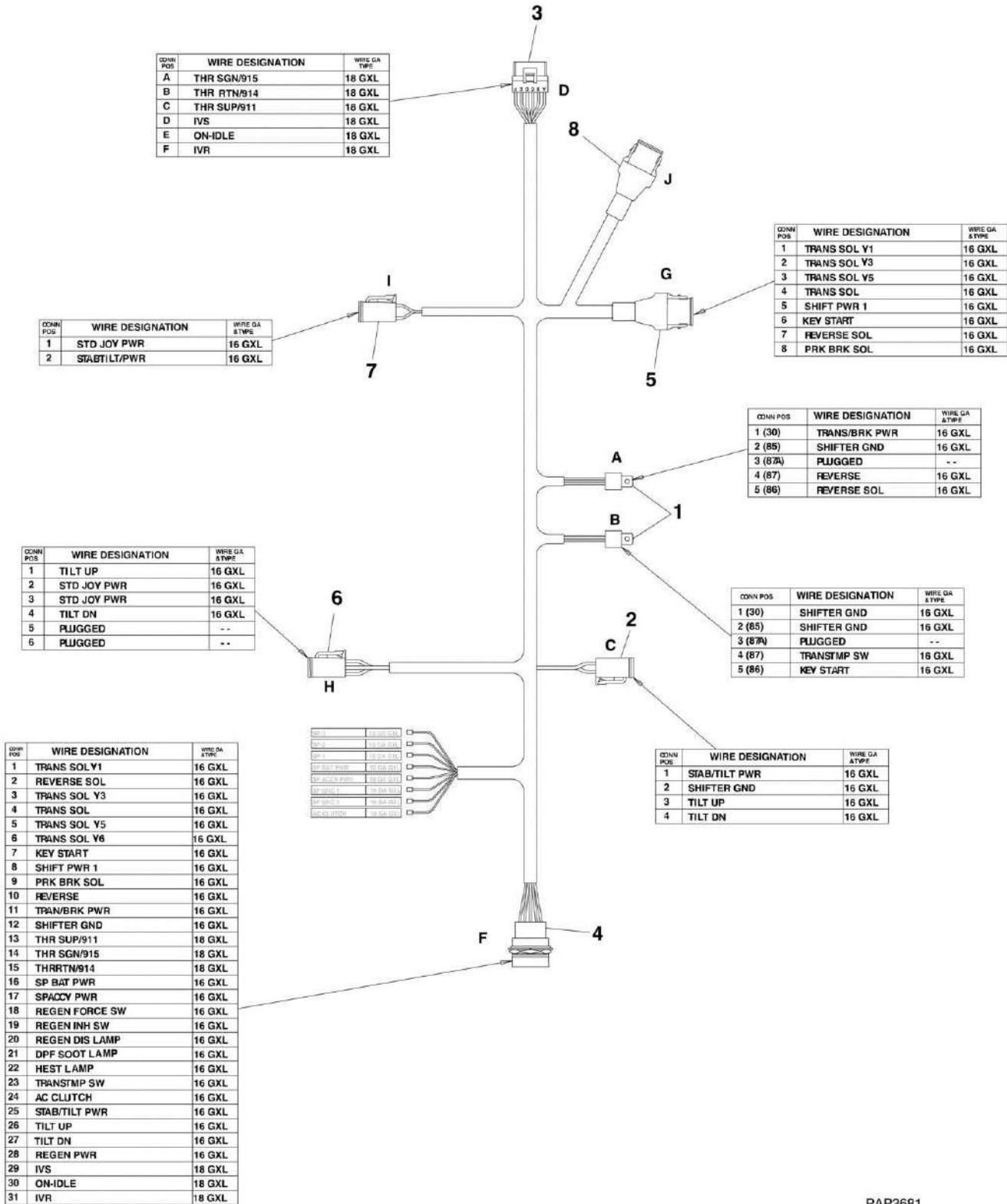
SECTION 10 - ELECTRICAL

FIGURE 10-18. TRANSMISSION RELAY HARNESS - PERKINS ENGINE (G10-55A Prior to SN 0160034179; G12-55A Prior to SN 0160034177)

ITEM	PART NUMBER	QTY	DESCRIPTION	REV
	1001001611	1	TRANSMISSION RELAY HARNESS, (includes all items)	C
1	7026909	1	CONNECTOR	
2	80604025	1	LOCK	
3	77363229	3	CONTACT	
4	1001117064	1	CONNECTOR	
5	91554014	1	TERMINAL	
6	4461215	1	PLUG	
7	91504088	1	CONNECTOR	
8	91504107	1	LOCK	
9	4460466	2	PLUG	
10	4460503	1	CONNECTOR	
11	77363228	1	CONTACT	
12	83481286	1	NUT	
13	83481285	1	WASHER	
14	80484087	1	CONNECTOR	
15	80604021	1	LOCK	
16	3740080	2	RELAY	
17	4460374	2	CONNECTOR	
18	1001116733	2	TERMINAL	
19	91554023	2	PLUG	
20	70020870	1	BOOT	

SECTION 10 - ELECTRICAL

FIGURE 10-19. TRANSMISSION RELAY HARNESS - PERKINS ENGINE (G10-55A SN 0160034179 to Present; G12-55A SN 0160034177 to Present)



PAP3681

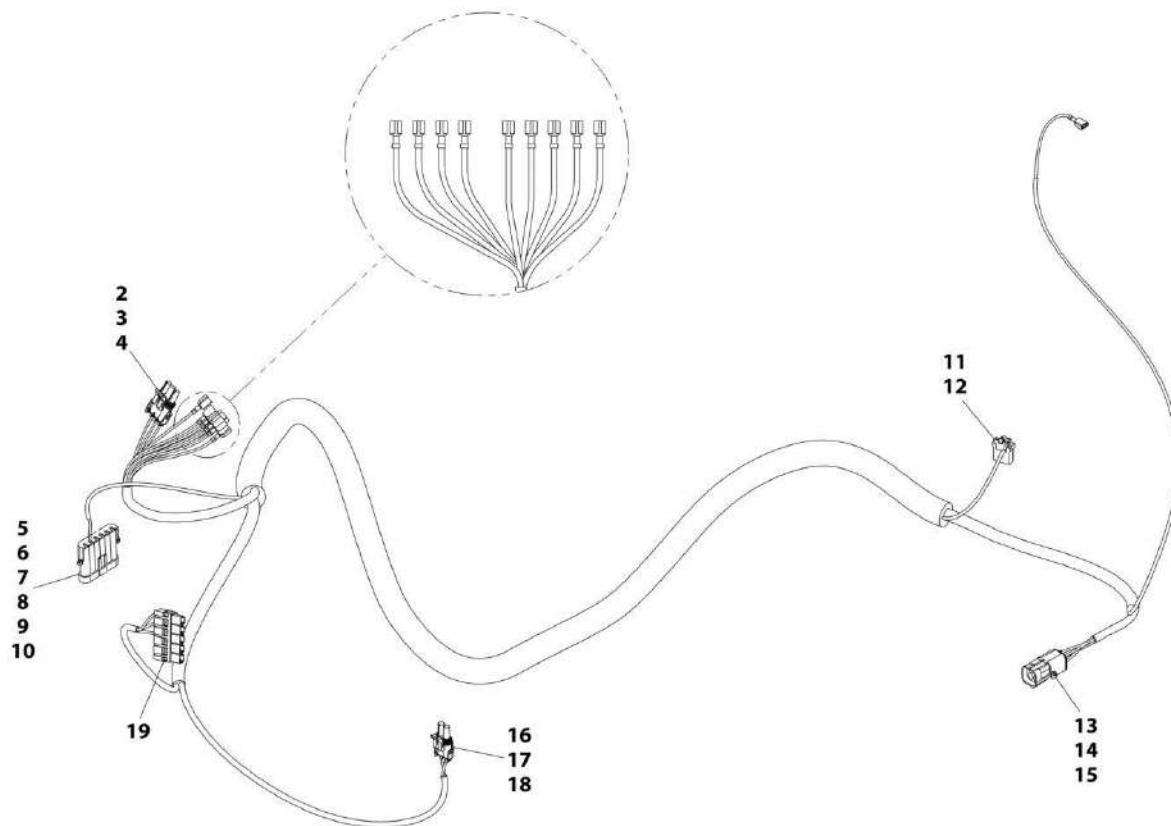
SECTION 10 - ELECTRICAL

FIGURE 10-19. TRANSMISSION RELAY HARNESS - PERKINS ENGINE (G10-55A SN 0160034179 to Present; G12-55A SN 0160034177 to Present)

ITEM	PART NUMBER	QTY	DESCRIPTION	REV
	1001099318	1	TRANSMISSION RELAY HARNESS, (includes all items)	I
1	3740080	2	RELAY	
1	4460374	2	CONNECTOR	
1	1001116733	4	TERMINAL	
1	91554023	1	PLUG	
2	4460884	1	CONNECTOR KIT, (includes rear seal)	
2	80604021	1	WEDGE LOCK	
2	4460465	4	SOCKET TERMINAL	
3	1001117064	1	CONNECTOR	
3	91554014	6	TERMINAL	
4	4460503	1	CONNECTOR	
4	4460464	31	TERMINAL	
4	4460470	1	NUT	
4	4460471	1	LOCKWASHER	
5	4460930	1	CONNECTOR KIT, (includes rear seal)	
5	8220525	1	WEDGE LOCK	
5	4460465	8	CONTACT	
5	70020870	1	BOOT	
6	4460894	1	CONNECTOR KIT, (includes locking seal)	
6	91504107	1	WEDGE LOCK	
6	4460465	4	CONTACT	
6	4460466	2	PLUG	
7	4460891	1	RELAY	
7	80604018	1	WEDGE LOCK	
7	4460465	2	SOCKET TERMINAL	
8	N.S.S.	1	CONNECTOR, (not used)	

SECTION 10 - ELECTRICAL

FIGURE 10-20. ENCLOSED CAB HARNESS



ART_91563185-B

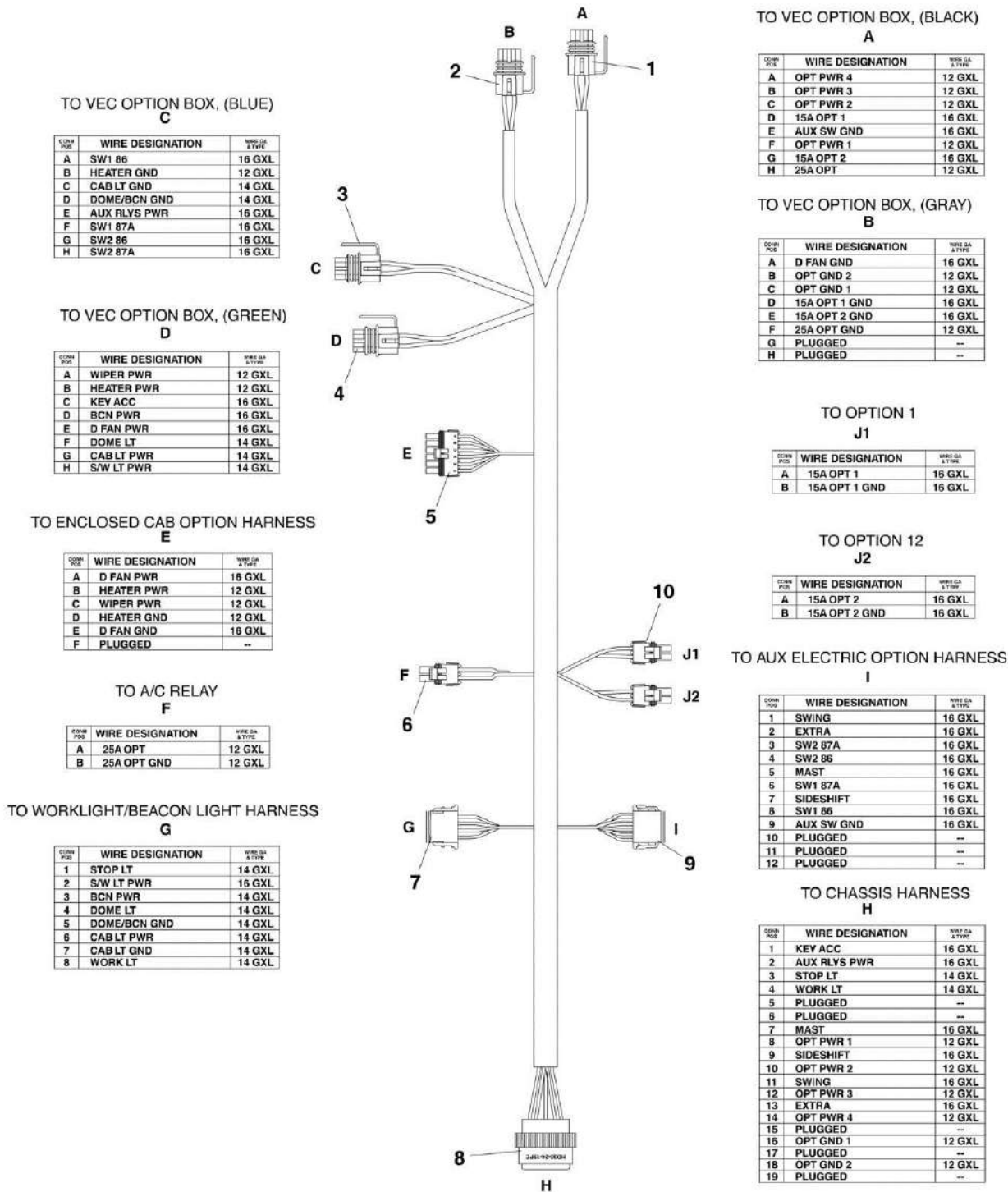
SECTION 10 - ELECTRICAL

FIGURE 10-20. ENCLOSED CAB HARNESS

ITEM	PART NUMBER	QTY	DESCRIPTION	REV
	91563185	Ref	ENCLOSED CAB OPTION HARNESS	B
2	4460459	1	TERMINAL, CONNECTOR	
3	4460743	3	TERMINAL, SOCKET	
4	80963065	1	SEAL, WEATHERPACK CABLE	
5	80963065	1	SEAL, WEATHERPACK CABLE	
6	80963064	1	SHROUD	
7	80963069	2	PIN, WEATHERPACK MALE	
8	4460850	3	TERMINAL, MALE PIN	
9	80963067	1	SEAL	
10	80963070	1	PLUG, DUST CAP	
11	7026429	1	CONNECTOR	
12	7026430	3	TERMINAL	
13	80963065	1	SEAL, WEATHERPACK CABLE	
14	80963069	4	PIN, WEATHERPACK MALE	
15	80963062	1	CONNECTOR	
16	80963057	1	TOWER	
17	80963068	2	TERMINAL	
18	80963065	1	SEAL, WEATHERPACK CABLE	
19	7026431	1	CONNECTOR	

SECTION 10 - ELECTRICAL

FIGURE 10-21. VEC OPTIONS HARNESS - JOHN DEERE ENGINE



TO VEC OPTION BOX, (BLUE)
C

CONN. POS.	WIRE DESIGNATION	WIRE GA. & TYPE
A	SW1 86	16 GXL
B	HEATER GND	12 GXL
C	CAB LT GND	14 GXL
D	DOVE/BCN GND	14 GXL
E	AUX RLYS PWR	16 GXL
F	SW1 87A	16 GXL
G	SW2 86	16 GXL
H	SW2 87A	16 GXL

TO VEC OPTION BOX, (GREEN)
D

CONN. POS.	WIRE DESIGNATION	WIRE GA. & TYPE
A	WIPER PWR	12 GXL
B	HEATER PWR	12 GXL
C	KEY ACC	16 GXL
D	BCN PWR	16 GXL
E	D FAN PWR	16 GXL
F	DOVE LT	14 GXL
G	CAB LT PWR	14 GXL
H	S/W LT PWR	14 GXL

TO ENCLOSED CAB OPTION HARNESS
E

CONN. POS.	WIRE DESIGNATION	WIRE GA. & TYPE
A	D FAN PWR	16 GXL
B	HEATER PWR	12 GXL
C	WIPER PWR	12 GXL
D	HEATER GND	12 GXL
E	D FAN GND	16 GXL
F	PLUGGED	--

TO A/C RELAY
F

CONN. POS.	WIRE DESIGNATION	WIRE GA. & TYPE
A	25A OPT	12 GXL
B	25A OPT GND	12 GXL

TO WORKLIGHT/BEACON LIGHT HARNESS
G

CONN. POS.	WIRE DESIGNATION	WIRE GA. & TYPE
1	STOP LT	14 GXL
2	S/W LT PWR	16 GXL
3	BCN PWR	14 GXL
4	DOVE LT	14 GXL
5	DOVE/BCN GND	14 GXL
6	CAB LT PWR	14 GXL
7	CAB LT GND	14 GXL
8	WORK LT	14 GXL

TO VEC OPTION BOX, (BLACK)
A

CONN. POS.	WIRE DESIGNATION	WIRE GA. & TYPE
A	OPT PWR 4	12 GXL
B	OPT PWR 3	12 GXL
C	OPT PWR 2	12 GXL
D	15A OPT 1	16 GXL
E	AUX SW GND	16 GXL
F	OPT PWR 1	12 GXL
G	15A OPT 2	16 GXL
H	25A OPT	12 GXL

TO VEC OPTION BOX, (GRAY)
B

CONN. POS.	WIRE DESIGNATION	WIRE GA. & TYPE
A	D FAN GND	16 GXL
B	OPT GND 2	12 GXL
C	OPT GND 1	12 GXL
D	15A OPT 1 GND	16 GXL
E	15A OPT 2 GND	16 GXL
F	25A OPT GND	12 GXL
G	PLUGGED	--
H	PLUGGED	--

TO OPTION 1
J1

CONN. POS.	WIRE DESIGNATION	WIRE GA. & TYPE
A	15A OPT 1	16 GXL
B	15A OPT 1 GND	16 GXL

TO OPTION 12
J2

CONN. POS.	WIRE DESIGNATION	WIRE GA. & TYPE
A	15A OPT 2	16 GXL
B	15A OPT 2 GND	16 GXL

TO AUX ELECTRIC OPTION HARNESS
I

CONN. POS.	WIRE DESIGNATION	WIRE GA. & TYPE
1	SWING	16 GXL
2	EXTRA	16 GXL
3	SW2 87A	16 GXL
4	SW2 86	16 GXL
5	MAST	16 GXL
6	SW1 87A	16 GXL
7	SIDESHIFT	16 GXL
8	SW1 86	16 GXL
9	AUX SW GND	16 GXL
10	PLUGGED	--
11	PLUGGED	--
12	PLUGGED	--

TO CHASSIS HARNESS
H

CONN. POS.	WIRE DESIGNATION	WIRE GA. & TYPE
1	KEY ACC	16 GXL
2	AUX RLYS PWR	16 GXL
3	STOP LT	14 GXL
4	WORK LT	14 GXL
5	PLUGGED	--
6	PLUGGED	--
7	MAST	16 GXL
8	OPT PWR 1	12 GXL
9	SIDESHIFT	16 GXL
10	OPT PWR 2	12 GXL
11	SWING	16 GXL
12	OPT PWR 3	12 GXL
13	EXTRA	16 GXL
14	OPT PWR 4	12 GXL
15	PLUGGED	--
16	OPT GND 1	12 GXL
17	PLUGGED	--
18	OPT GND 2	12 GXL
19	PLUGGED	--

PAP2760

SECTION 10 - ELECTRICAL

FIGURE 10-21. VEC OPTIONS HARNESS - JOHN DEERE ENGINE

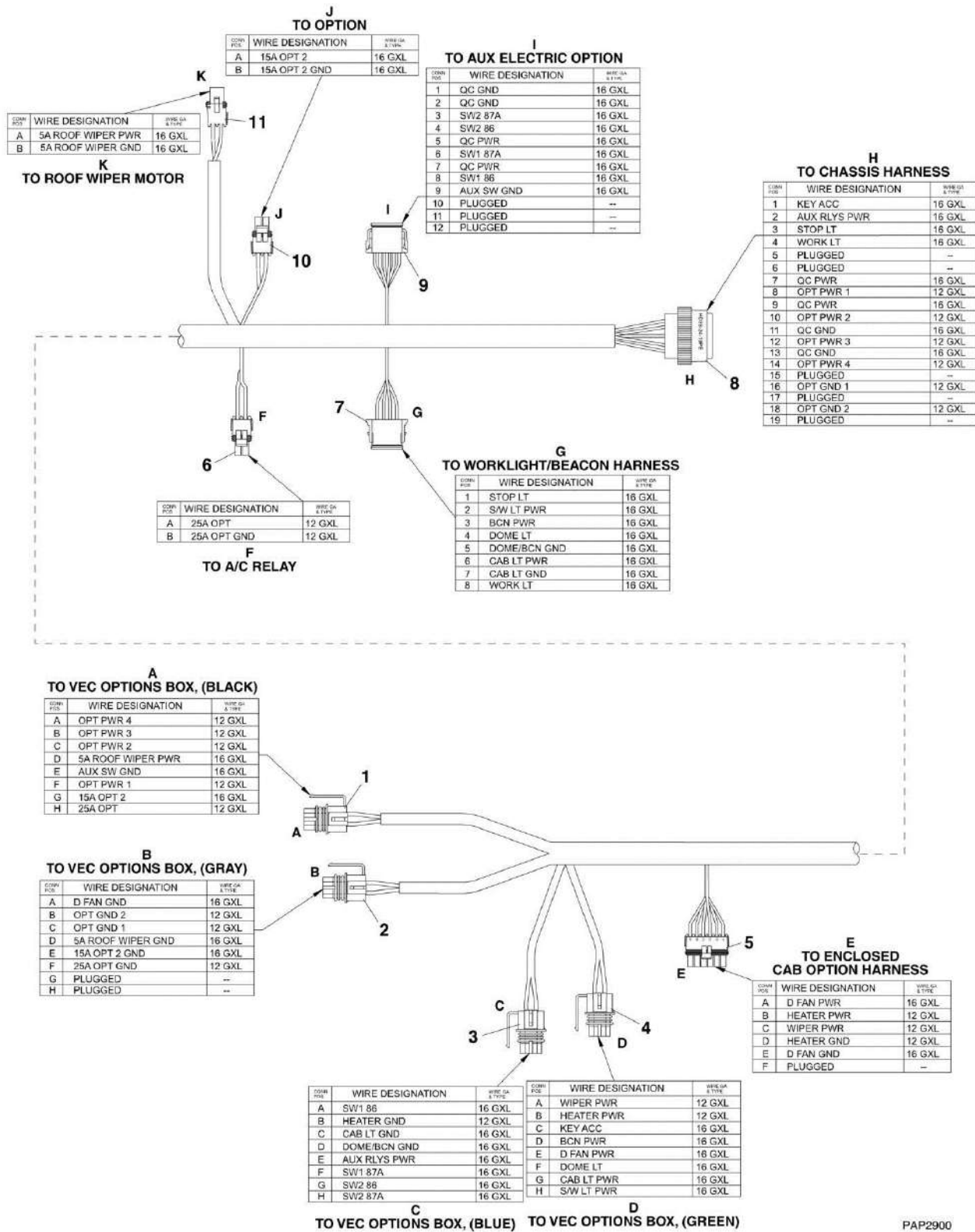
ITEM	PART NUMBER	QTY	DESCRIPTION	REV
	91563187	NLA	VEC OPTIONS HARNESS, (no longer available, order 1001125380 for service) (Prior to SN 0160040475)	C
	1001125380	1	VEC OPTIONS HARNESS, (includes all items) (SN 0160040475 to Present)	A
1	1001121557	1	CONNECTOR, (black)	
1	7026414	1	CONNECTOR LOCK	
1	1001116728	3	TERMINAL	
1	80963065	3	TERMINAL SEAL	
1	1001116747	5	TERMINAL	
1	80963067	5	TERMINAL SEAL	
2	80484085	1	CONNECTOR, (gray)	
2	7026414	1	CONNECTOR LOCK	
2	1001116728	3	TERMINAL	
2	1001116727	2	PLUG	
2	80963065	3	TERMINAL SEAL	
2	1001116747	3	TERMINAL	
2	80963067	3	TERMINAL SEAL	
3	80484084	1	CONNECTOR, (blue)	
3	7026414	1	CONNECTOR LOCK	
3	1001116728	5	TERMINAL	
3	80963065	5	TERMINAL SEAL	
3	1001116747	3	TERMINAL	
3	80963067	1	TERMINAL SEAL	
3	4460789	2	TERMINAL SEAL	
4	80484081	1	CONNECTOR, (green)	
4	7026414	1	CONNECTOR LOCK	
4	1001116728	3	TERMINAL	
4	80963065	3	TERMINAL SEAL	
4	1001116747	5	TERMINAL	
4	80963067	2	TERMINAL SEAL	
4	4460789	3	TERMINAL SEAL	
5	4460461	1	CONNECTOR	
5	4460457	2	TERMINAL	
5	4460790	3	TERMINAL	
5	80963068	2	TERMINAL SEAL	
5	80963067	3	TERMINAL SEAL	
5	1001116727	1	PLUG	
6	4460742	1	CONNECTOR	
6	4460790	2	TERMINAL	
6	80963067	2	TERMINAL SEAL	
7	4460930	1	CONNECTOR, (includes real seal)	
7	8220525	1	WEDGE LOCK	
7	4460465	1	TERMINAL	
7	80463058	7	TERMINAL	
8	91504089	1	CONNECTOR	
8	4460464	6	TERMINAL	
8	4460508	6	TERMINAL	
8	4460466	5	PLUG	
8	80463057	2	TERMINAL	
9	4460933	1	CONNECTOR, (includes real seal)	

SECTION 10 - ELECTRICAL

ITEM	PART NUMBER	QTY	DESCRIPTION	REV
9	80604016	1	WEDGE LOCK	
9	4460465	9	TERMINAL	
9	4460466	3	PLUG	
10	4460742	2	CONNECTOR	
10	4460457	2	TERMINAL	
10	80963065	2	TERMINAL SEAL	

SECTION 10 - ELECTRICAL

FIGURE 10-22. VEC OPTIONS HARNESS - PERKINS ENGINE



PAP2900

SECTION 10 - ELECTRICAL

FIGURE 10-22. VEC OPTIONS HARNESS - PERKINS ENGINE

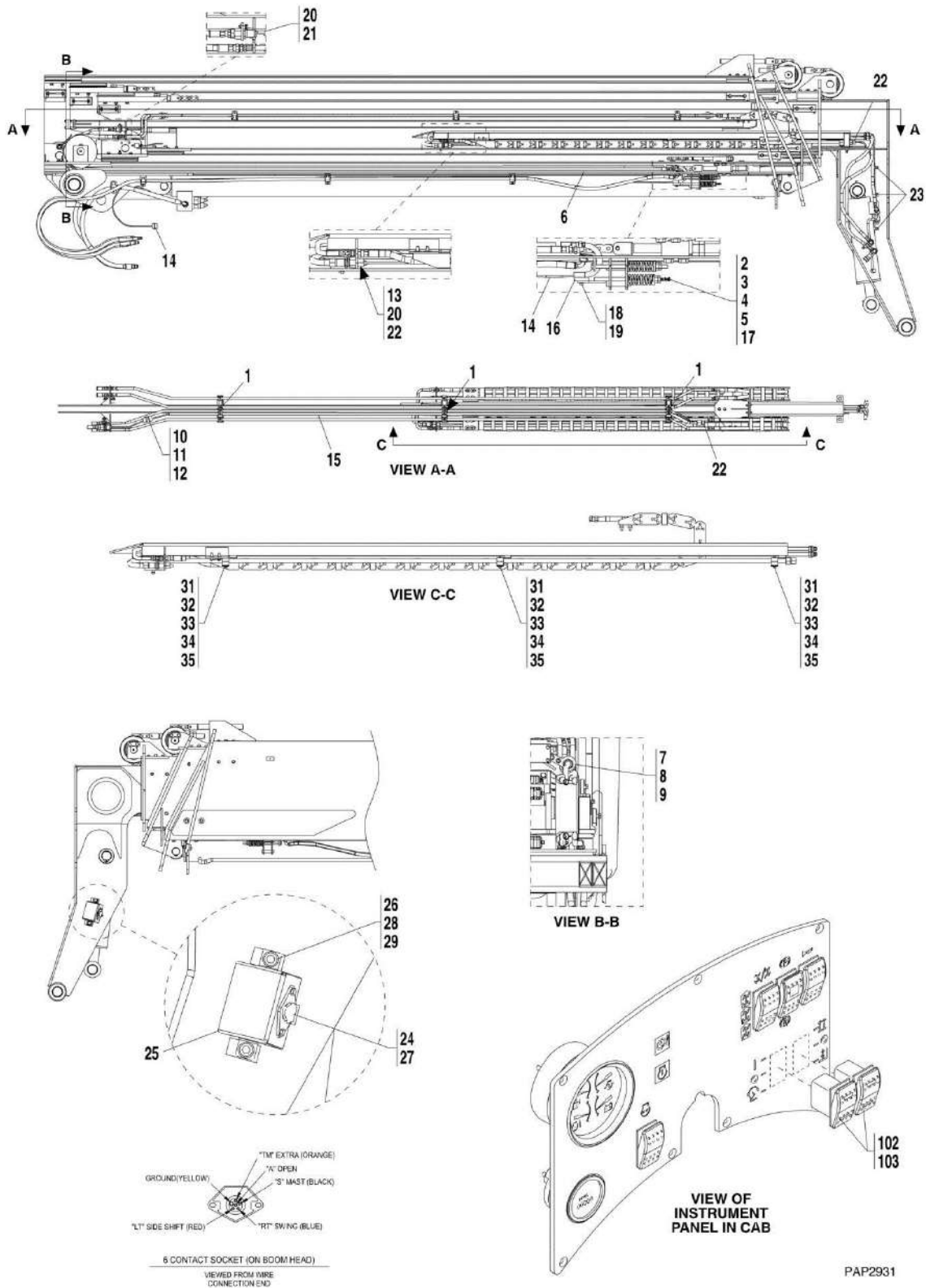
ITEM	PART NUMBER	QTY	DESCRIPTION	REV
	1001001562	NLA	VEC OPTIONS HARNESS, (no longer available, order 1001125383 for service) (Prior to SN 0160040475)	D
	1001125383	1	VEC OPTIONS HARNESS, (includes all items) (SN 0160040475 to Present)	A
1	1001121557	1	CONNECTOR	
1	7026414	1	CONNECTOR LOCK	
1	4460746	3	TERMINAL	
1	4460458	3	TERMINAL SEAL	
1	1001116747	5	TERMINAL	
1	8220089	5	TERMINAL SEAL	
2	80484085	1	CONNECTOR	
2	7026414	1	CONNECTOR LOCK	
2	4460746	3	TERMINAL	
2	1001116727	2	DUST CAP PLUG	
2	4460458	3	TERMINAL SEAL	
2	1001116747	3	TERMINAL	
2	8220089	3	TERMINAL SEAL	
3	80484084	1	CONNECTOR	
3	7026414	1	CONNECTOR LOCK	
3	4460746	5	TERMINAL	
3	4460458	5	TERMINAL SEAL	
3	1001116747	3	TERMINAL	
3	8220089	1	TERMINAL SEAL	
3	8220081	2	TERMINAL SEAL	
4	80484081	1	CONNECTOR	
4	7026414	1	CONNECTOR LOCK	
4	4460746	3	TERMINAL	
4	4460458	3	TERMINAL SEAL	
4	1001116747	5	TERMINAL	
4	8220089	2	TERMINAL SEAL	
4	8220081	3	TERMINAL SEAL	
5	4460461	1	CONNECTOR	
5	4460457	2	TERMINAL	
5	4460790	3	TERMINAL	
5	4460458	2	TERMINAL SEAL	
5	8220089	3	TERMINAL SEAL	
5	1001116727	1	DUST CAP PLUG	
6	4460742	1	CONNECTOR	
6	4460790	2	TERMINAL	
6	8220089	2	TERMINAL SEAL	
7	4460930	1	CONNECTOR, (includes rear seal)	
7	8220525	1	WEDGELOCK	
7	4460465	1	SOCKET TERMINAL	
7	4460942	7	TERMINAL	
8	91504089	1	CONNECTOR	
8	4460464	6	TERMINAL	
8	4460508	6	TERMINAL	
8	4460466	5	PLUG	
8	4460941	2	TERMINAL	
9	4460933	1	PLUG CONNECTOR, (includes rear seal)	

SECTION 10 - ELECTRICAL

ITEM	PART NUMBER	QTY	DESCRIPTION	REV
9	80604016	1	WEDGELOCK	
9	4460465	9	SOCKET TERMINAL	
9	4460466	3	PLUG	
10	4460742	1	CONNECTOR	
10	4460457	2	TERMINAL	
10	4460458	2	TERMINAL SEAL	
11	4460891	1	CONNECTOR, (includes rear seal)	
11	80604018	1	WEDGELOCK	
11	4460465	2	SOCKET TERMINAL	

SECTION 10 - ELECTRICAL

FIGURE 10-23. AUXILIARY ELECTRICS (Prior to SN 0160037689)



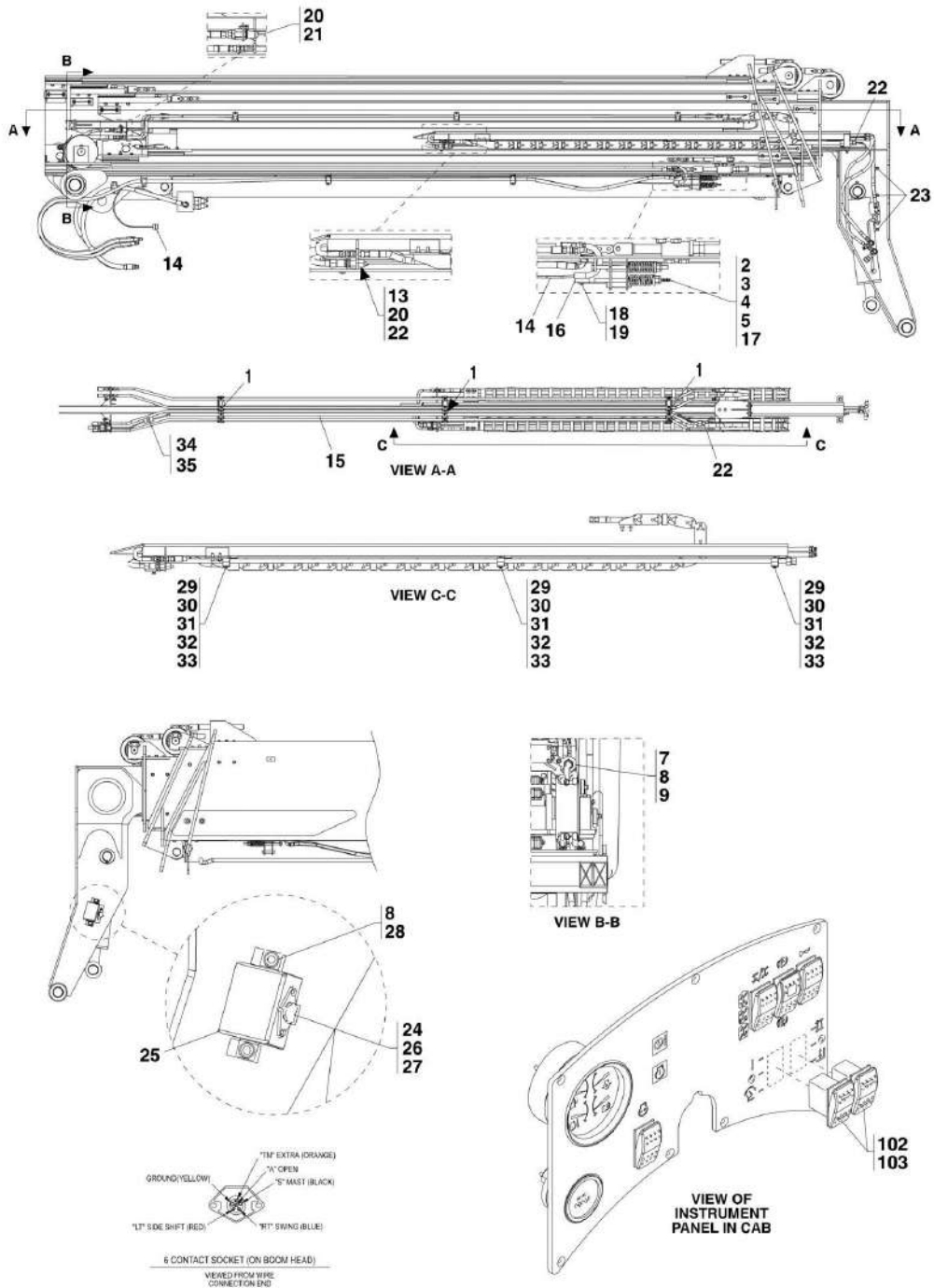
SECTION 10 - ELECTRICAL

FIGURE 10-23. AUXILIARY ELECTRICS (Prior to SN 0160037689)

ITEM	PART NUMBER	QTY	DESCRIPTION	REV
	91575015	1	AUX ELECTRICS BOOM ASSY, (G10-55A), (includes items 1 thru 37)	C
	91565060	1	AUX ELECTRICS BOOM ASSY, (G12-55A), (includes items 1 thru 37)	D
1	90207463	3	CLAMP, 3/4	
2	91123054	1	COMPRESSION SPRING	
3	91121134	1	SPRING RETAINER	
4	3311801	1	HEX NUT, 1/2-13	
5	3311802	1	HEAVY HEX JAM NUT, 1/2-13	
6	84719455	1	HOSE ASSY	
7	91361032	1	DISCONNECT PLATE	
8	0641608	2	HEX HD CAPSCREW, 3/8-16X1, GR5	
9	4761600	2	LOCKWASHER, 3/8	
10	77363232	1	RECEPTACLE CONNECTOR	
11	77363233	1	PLUG CONNECTOR	
12	91363185	1	AUX BOOM WIRE HARNESS	
13	91163066	1	TUBE ASSY	
14	91363151	1	AUX BOOM WIRE HARNESS	
15	91363068	1	TUBE ASSY	
16	91366015	1	HOSE TAKE-UP WELDMENT	
17	91126032	1	CABLE TAKE-UP WELDMENT	
18	0641505	2	HEX HD CAPSCREW, 5/16-18X5/8, GR5	
19	4761500	2	LOCKWASHER, 5/16	
20	91163100	2	ADAPTER, BHST JIC/FNPTF 12-12 FG	
21	2220346	1	MALE CONNECTOR, 3/4X1/2 TUBE	
22	91143141	3	CORD CONNECTOR	
23	91203039	3	SUPPORT CLAMP	
24	90207661	1	6 CONTACT SOCKET	
25	91561177	1	CONNECTOR COVER	
26	0641512	2	HEX HD CAPSCREW, 5/16-18X1/2, GR5	
27	0641408	2	HEX HD CAPSCREW, 1/4-20X1, GR5	
28	4711800	4	FLAT WASHER, 1/2	
29	4751500	2	FLAT WASHER, 5/16	
31	77133136	3	TUBE CLAMP, 3/4	
32	77133389	3	STACK BOLT	
33	0641514	3	HEX HD CAPSCREW, 5/16-18X1-3/4, GR5	
34	77133137	3	COVER PLATE	
35	77133390	3	SAFETY CLIP	
36	0100011	AR	LOCTITE 242, (use on all bolt threads), (not illustrated)	
37	0100075	AR	LOCTITE 545, (use on all tube fittings), (not illustrated)	
	91565066	1	AUX ELECTRICS CAB ASSY, (includes items 102 & 103)	A
102	91473127	2	SWITCH	
103		Ref	AUX ELECTRIC HARNESS, (See AUXILIARY ELECTRIC HARNESS for details)	
104		Ref	POWER DISTRIBUTION BOX, (not shown), (See POWER DISTRIBUTION BOX INSTALLATION for details)	

SECTION 10 - ELECTRICAL

FIGURE 10-24. AUXILIARY ELECTRICS (SN 0160037689 to Present)



ART_3126020-10-24

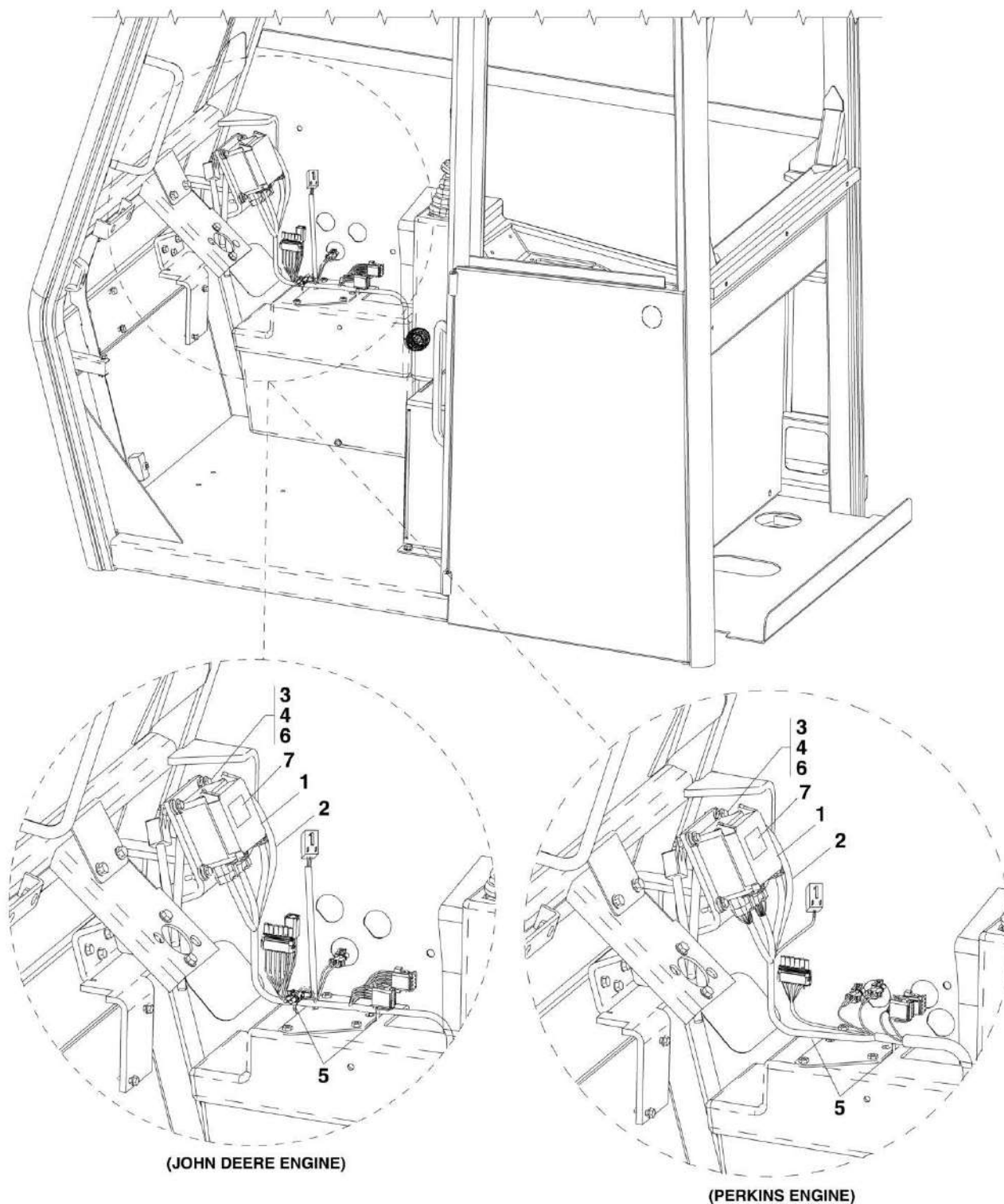
SECTION 10 - ELECTRICAL

FIGURE 10-24. AUXILIARY ELECTRICS (SN 0160037689 to Present)

ITEM	PART NUMBER	QTY	DESCRIPTION	REV
	1001100291	1	AUX ELECTRICS BOOM ASSY, (includes items 1 thru 35)	D
1	90207463	3	CLAMP, 3/4	
2	91123054	1	COMPRESSION SPRING	
3	91121134	1	SPRING RETAINER	
4	3311801	1	HEX NUT, 1/2-13	
5	3311802	1	HEAVY HEX JAM NUT, 1/2-13	
7	91361032	1	DISCONNECT PLATE	
8	0641608	4	HEX HD CAPSCREW, 3/8-16X1, GR5	
9	4761600	2	LOCKWASHER, 3/8	
13	91163066	1	TUBE ASSY	
14	91363151	1	AUX BOOM WIRE HARNESS	
15	91363068	1	TUBE ASSY	
16	91366015	1	HOSE TAKE-UP WELDMENT	
17	91126032	1	CABLE TAKE-UP WELDMENT	
18	0641505	2	HEX HD CAPSCREW, 5/16-18X5/8, GR5	
19	4761500	2	LOCKWASHER, 5/16	
20	91163100	2	ADAPTER, BHST JIC/FNPTF 12-12 FG	
21	2220346	1	MALE CONNECTOR, 3/4X1/2 TUBE	
22	91143141	3	CORD CONNECTOR	
23	8584003	3	TIE WRAP	
24	90207661	1	6 CONTACT SOCKET	
25	1001099812	1	CONNECTOR COVER	
26	4711400	2	FLAT WASHER, 1/4	
27	0641408	2	HEX HD CAPSCREW, 1/4-20X1, GR5	
28	4711600	2	FLAT WASHER, 3/8	
29	77133136	3	TUBE CLAMP, 3/4	
30	77133389	3	STACK BOLT	
31	0641514	3	HEX HD CAPSCREW, 5/16-18X1-3/4, GR5	
32	77133137	3	COVER PLATE	
33	77133390	3	SAFETY CLIP	
34	1001158178	1	HOSE	
35	1001158435	1	BOOM AUX ELECTRIC HARNESS	
	91565066	1	AUX ELECTRICS CAB ASSY, (includes items 102 & 103)	B
102	91473127	2	SWITCH	
103		Ref	AUX ELECTRIC HARNESS, (See AUXILIARY ELECTRIC HARNESS for details)	
104		Ref	POWER DISTRIBUTION BOX, (not shown), (See POWER DISTRIBUTION BOX INSTALLATION for details)	

SECTION 10 - ELECTRICAL

FIGURE 10-25. POWER DISTRIBUTION BOX INSTALLATION



PAP2131

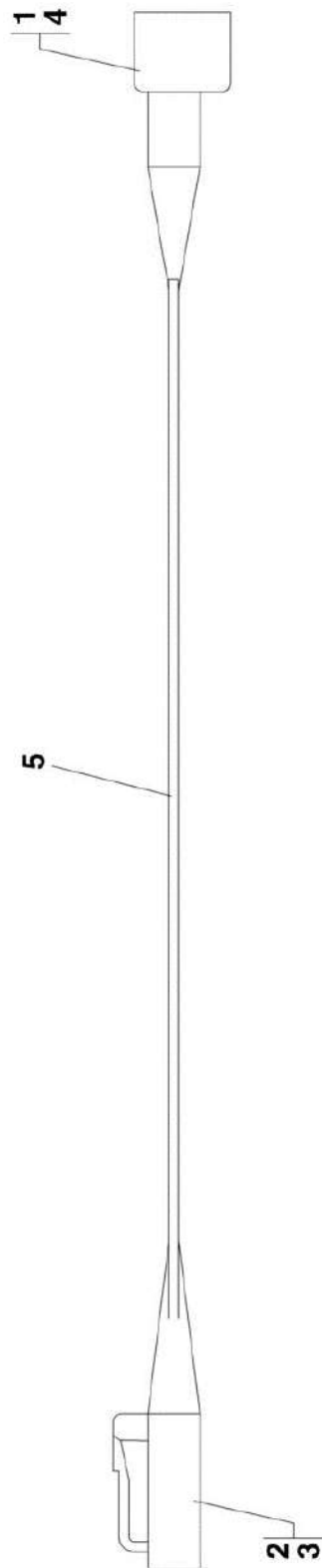
SECTION 10 - ELECTRICAL

FIGURE 10-25. POWER DISTRIBUTION BOX INSTALLATION

ITEM	PART NUMBER	QTY	DESCRIPTION	REV
	91565068	1	POWER DISTRIBUTION BOX, (JOHN DEERE ENGINE), (Includes all items)	D
	1001001186	1	POWER DISTRIBUTION BOX INSTALLATION, (PERKINS ENGINE), (includes all items)	E
1	1001126285	1	POWER DISTRIBUTION BOX, (previously optional)	D
1	70021478	1	COVER	
1	70021485	1	LABEL	
1	1001165762	8	RELAY	
1	8229242	1	MINI FUSE, 5 AMP	
1	8229244	2	MINI FUSE, 10 AMP	
1	80983192	1	MINI FUSE, 15 AMP	
1	8229247	1	MINI FUSE, 25 AMP	
1	70024843	1	RELAY, 12V 30 AMP	
2	1001125380	1	POWER DISTRIBUTION BOX HARNESS, (JOHN DEERE ENGINE), (See VEC OPTIONS HARNESS - JOHN DEERE ENGINE for details)	
2	1001125383	1	POWER DISTRIBUTION BOX HARNESS, (PERKINS ENGINE), (See VEC OPTIONS HARNESS - PERKINS ENGINE for details)	
3	0641412	4	HEX HD CAPSCREW, 1/4-20X1.5	
4	4751200	4	FLAT WASHER, 1/4	
5	4240033	AR	TIE WRAP	
6	3311401	4	NUT, 1/4-20	
7	1001125483	1	PRESSURE WASH DECAL	

SECTION 10 - ELECTRICAL

FIGURE 10-26. CAB WORK LIGHT HARNESS



PY1770

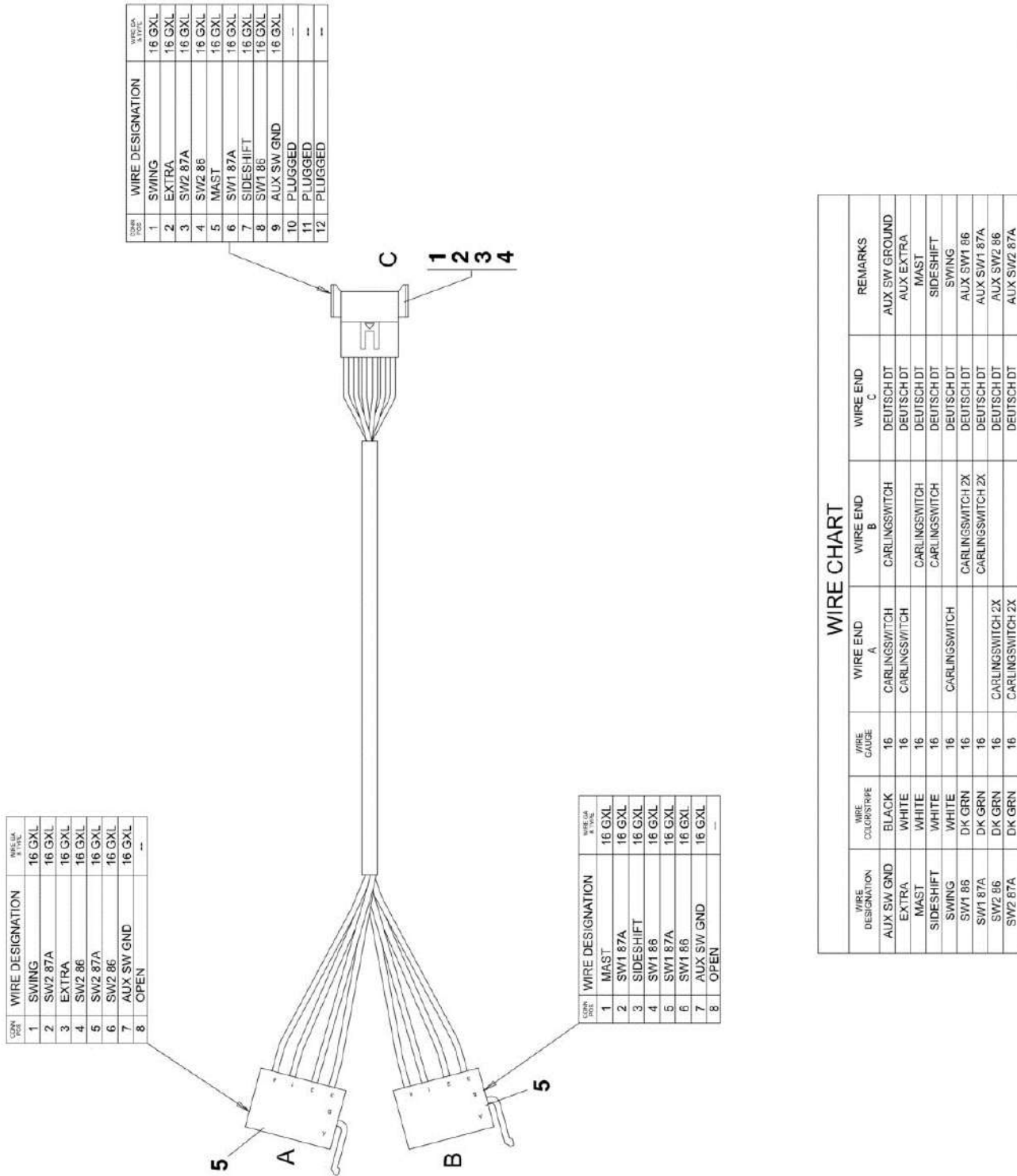
SECTION 10 - ELECTRICAL

FIGURE 10-26. CAB WORK LIGHT HARNESS

ITEM	PART NUMBER	QTY	DESCRIPTION	REV
	1001100895	1	CAB WORK LIGHT HARNESS, (includes all items)	A
1	4460464	2	TERMINAL	
2	4460465	2	TERMINAL	
3	4460891	1	TERMINAL	
4	4460897	1	TERMINAL	
5	4920018	2	WIRE, 16 GA, BLACK	

SECTION 10 - ELECTRICAL

FIGURE 10-27. AUXILIARY ELECTRIC HARNESS



PV2090

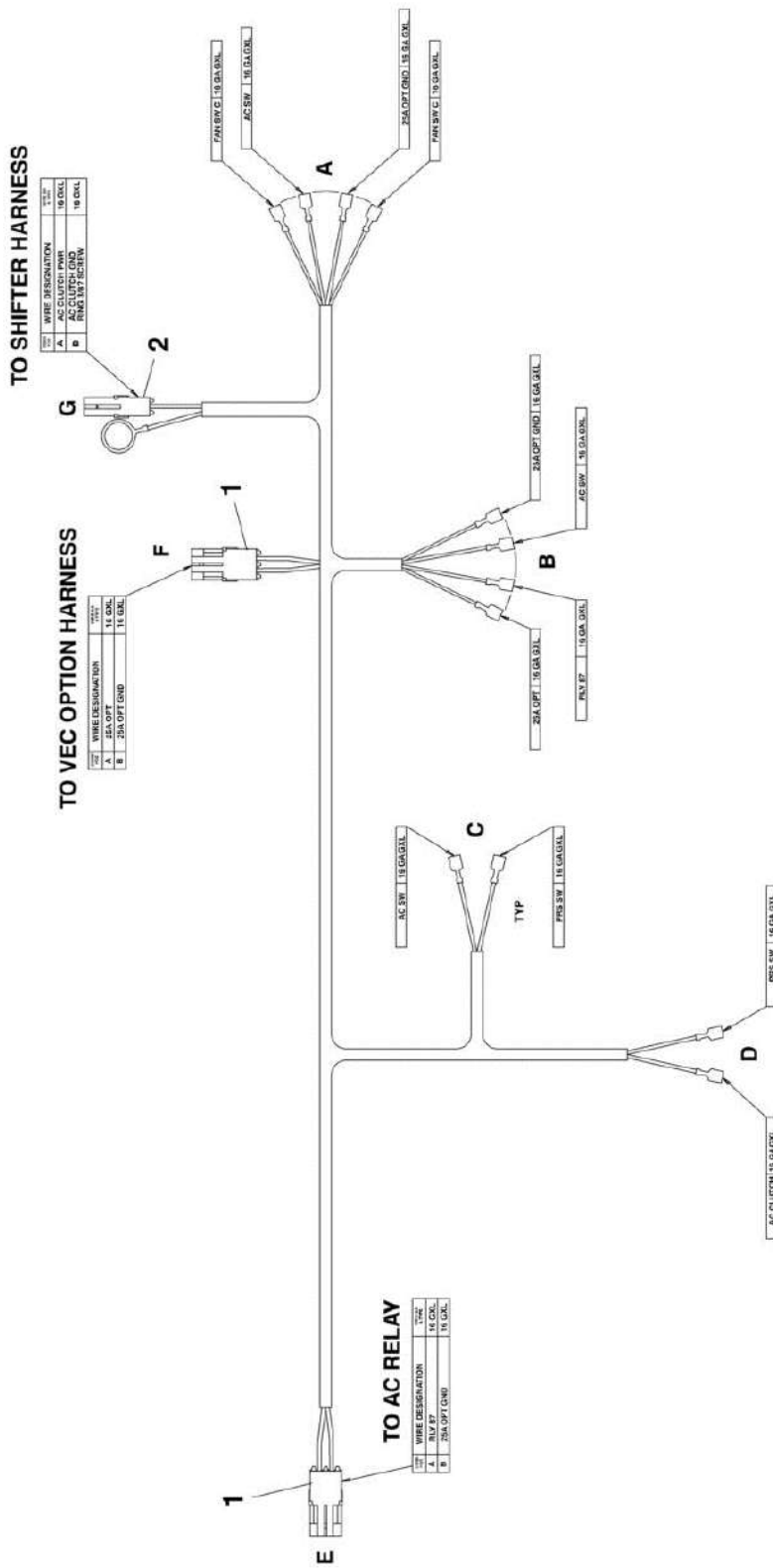
SECTION 10 - ELECTRICAL

FIGURE 10-27. AUXILIARY ELECTRIC HARNESS

ITEM	PART NUMBER	QTY	DESCRIPTION	REV
	91563192	1	AUXILIARY ELECTRICAL HARNESS, (includes all items)	A
1	4460532	1	CONNECTOR	
2	80363179	1	LOCK	
3	77363228	1	CONTACT	
4	4460466	1	PLUG	
5	4460419	2	TERMINAL	

SECTION 10 - ELECTRICAL

FIGURE 10-28. A/C HARNESS



PAP3590

WIRE CHART

WIRE DESIGNATION	WIRE COLOR/STRIPES	WIRE GAUGE	WIRE END A	WIRE END B	WIRE END C	WIRE END D	WIRE END E	WIRE END F	WIRE END G	REMARKS
25A OPT	ORANGE	15	1/4 FEMALE SPADE	1/4 FEMALE SPADE			PACKARD ASSY	PACKARD ASSY	RING 3887 SCREW	25 AMP OPTION
25A OPT GND	BLACK	15	1/4 FEMALE SPADE	1/4 FEMALE SPADE			PACKARD ASSY	PACKARD ASSY		25 AMP OPTION GROUND
AC SW	YELLOW	15	1/4 FEMALE SPADE	1/4 FEMALE SPADE					PACKARD ASSY	AC SWITCH
AC CLUTCH	WHITE	15	1/4 FEMALE SPADE	1/4 FEMALE SPADE						AC CLUTCH
FAN SW C	GREEN	15	1/4 FEMALE SPADE 2K							AC SWITCH TO FAN C
PRS SW	VIOLET	15		1/4 FEMALE SPADE						PRESSURE SWITCH
RLY B7	ORANGE	15		1/4 FEMALE SPADE			PACKARD ASSY			RELAY B7

SECTION 10 - ELECTRICAL

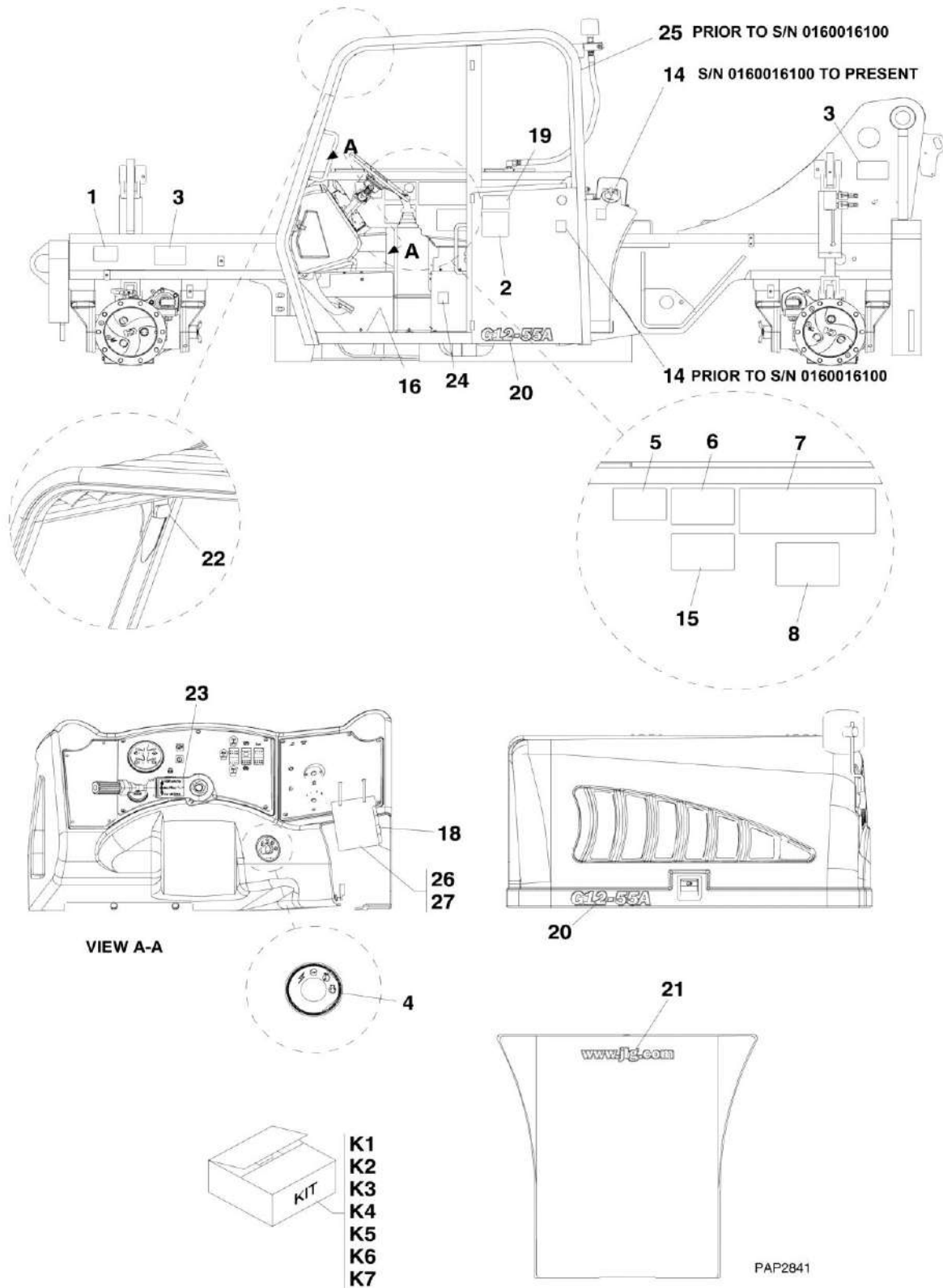
FIGURE 10-28. A/C HARNESS

ITEM	PART NUMBER	QTY	DESCRIPTION	REV
	91563247	1	A/C HARNESS, (includes items 1 thru 2)	D
1	4461157	2	CONNECTOR	
1	4460475	4	PIN	
1	4460789	4	SEAL	
2	80963056	1	CONNECTOR	
2	80963069	2	TERMINAL	
2	80963065	2	SEAL	

SECTION 11 - DECALS

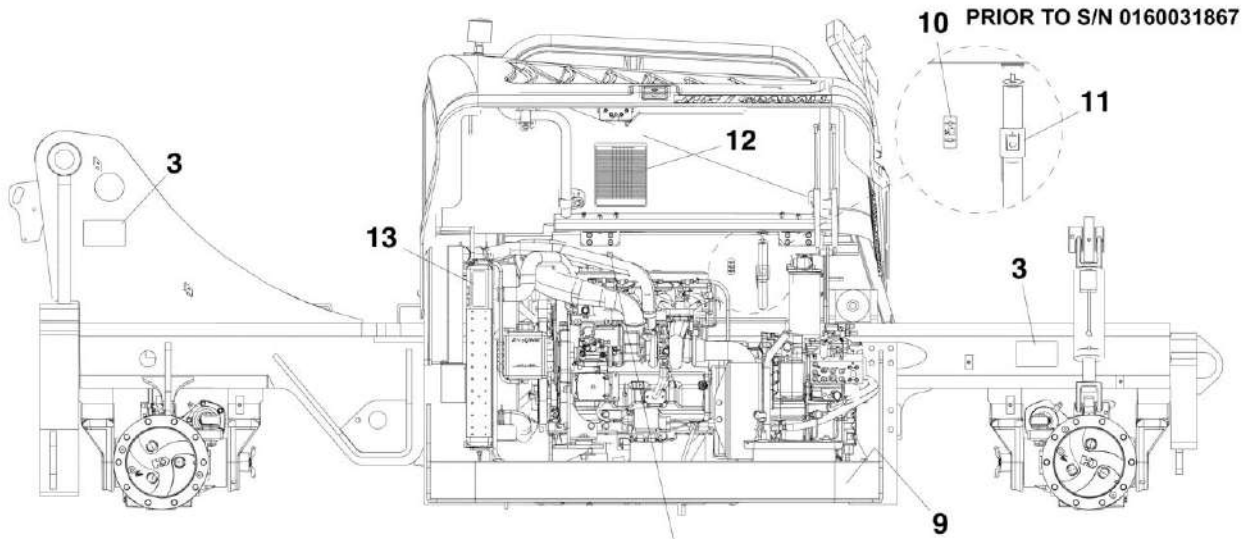
SECTION 11 - DECALS

FIGURE 11-1. CAB AND FRAME DECALS (Prior to SN 0160040120)



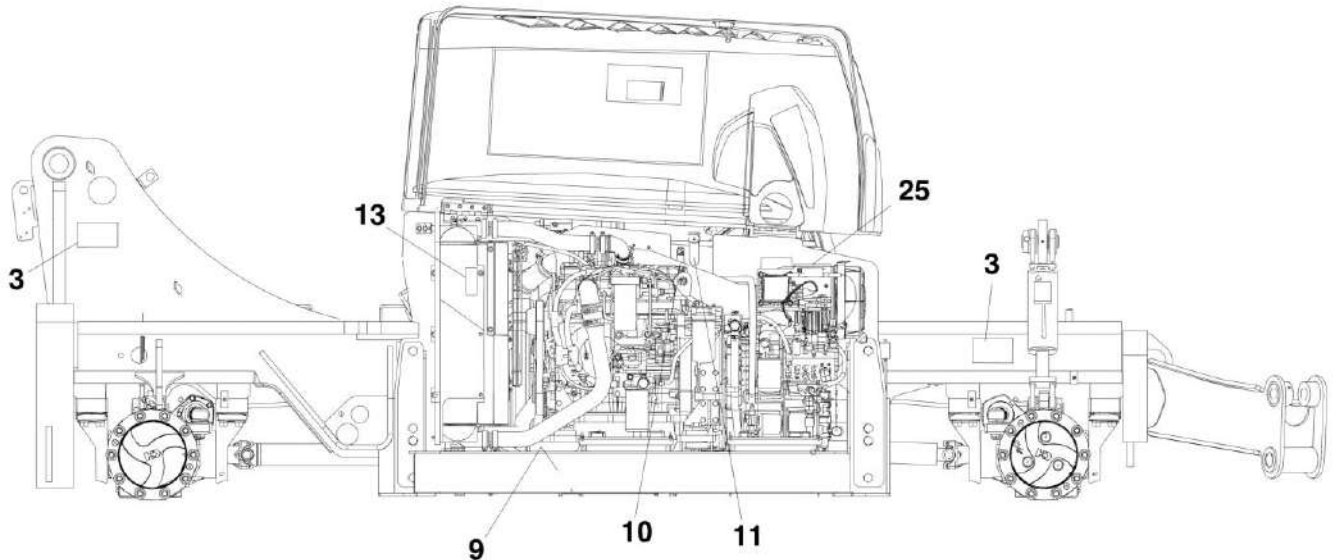
SECTION 11 - DECALS

PRIOR TO S/N 0160039451 EXCLUDING 0160039394 & 0160039397



10 S/N 0160031867 THRU 0160039450
EXCLUDING 0160039394 & 0160039397

S/N 0160039451 THRU 0160040119 INCLUDING 0160039394 & 0160039397



PAP2850

SECTION 11 - DECALS

FIGURE 11-1. CAB AND FRAME DECALS (Prior to SN 0160040120)

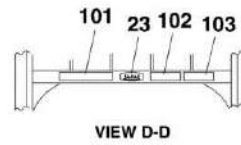
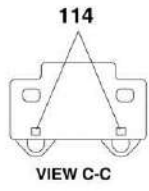
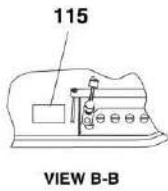
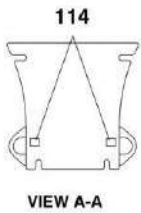
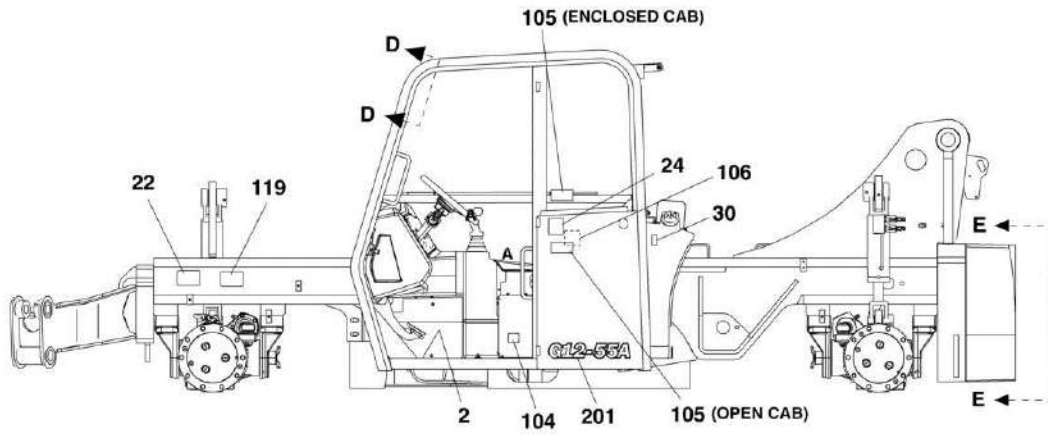
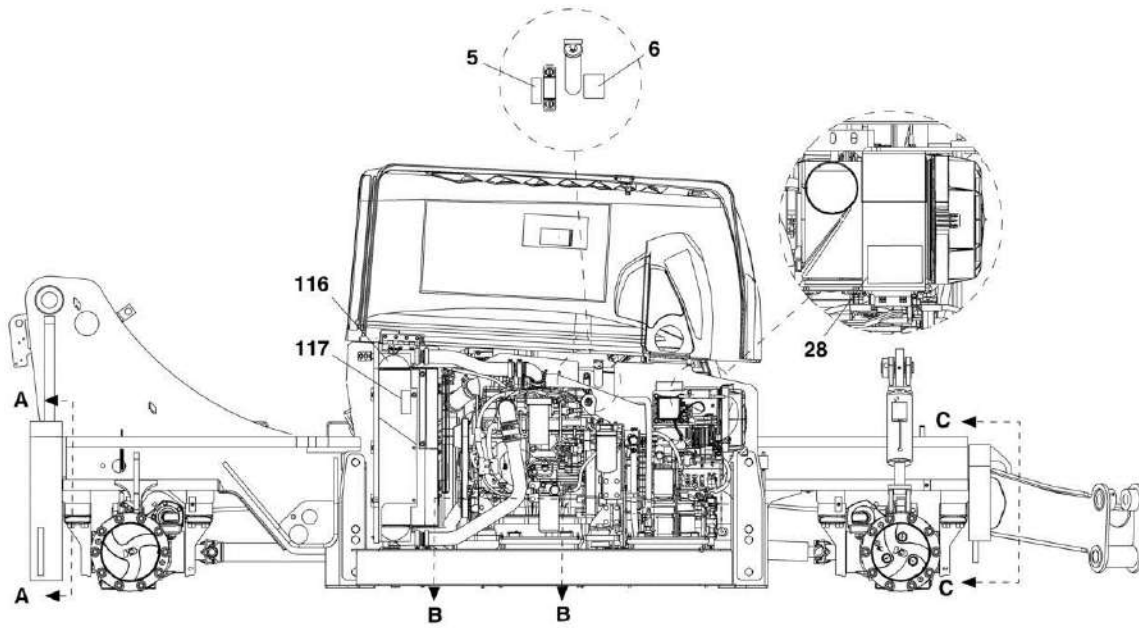
ITEM	PART NUMBER	QTY	DESCRIPTION	REV
1	N.S.S.	1	JLG NAME PLATE	
2	91503109	1	NO RIDERS DECAL	
3	91503108	4	PINCH POINT DECAL	
4	91413061	1	IGNITION SWITCH DECAL	
5	91513201	1	BOOM CONTROL DECAL	
6	91503110	1	HIGH VOLTAGE DECAL	
7	91503098	1	SAFE OPERATION DECAL	
8	91513208	1	LIFTING PERSONNEL DECAL	
9	91503099	1	BATTERY WARNING DECAL	
10	91563220	1	OIL LEVEL DECAL	
11	91513209	1	HYDRAULIC FLUID DECAL	
12	91563227	1	LUBE AND MAINTENANCE DECAL, (Prior to SN 0160039451, Excluding 0160039394 and 0160039397)	
13	91503097	1	MOVING PARTS DECAL	
14	1701505	1	DIESEL FUEL DECAL, (Prior to SN 0160016100)	
14	4105171	1	DIESEL FUEL DECAL, (SN 0160016100 to Present)	
15	91563246	1	OVERSPEED WARNING DECAL	
16	1001001412	1	NON-SKID FLOOR	
18	1001105707	1	LOAD CHART BOOKLET, (G10-55A Prior to SN 0160037690)	2
18	1001104862	1	LOAD CHART, GRAPPLE BUCKET, (G10-55A Prior to SN 0160037690)	
18	1707162	1	LOAD CHART, GRAPPLE BUCKET, (G12-55A Prior to SN 0160037690)	
18	1001106003	1	LOAD CHART BOOKLET, (G10-55A SN 0160037690 through 0160038486; Including 0160038505 and 0160038507, Excluding 0160038324, 0160038489 and 0160038493)	B
18	1001115135	1	LOAD CHART BOOKLET, (G10-55A SN 0160038500 to Present; Including 0160038324, 0160038489 and 0160038493, Excluding 0160038505 and 0160038507)	B
18	1001105326	1	LOAD CHART BOOKLET, (G12-55A Prior to SN 0160037689)	2
18	1001106004	1	LOAD CHART BOOKLET, (G-12-55A SN 0160037689 through 0160038533)	B
18	1001115536	1	LOAD CHART BOOKLET, (G12-55A SN 0160038538 to Present)	B
18	1001110403	1	OPTIONAL LOAD CHART BOOKLET, (G10-55A Prior to SN 0160038486; Including 0160038505 and 0160038507, Excluding 0160038324, 0160038489 and 0160038493)	C
18	1001115138	1	OPTIONAL LOAD CHART BOOKLET, (G10-55A SN 0160038500 to Present; Including 0160038324, 0160038489 and 0160038493, Excluding 0160038505 and 0160038507)	E
18	1001110404	1	OPTION LOAD CHART BOOKLET, (G12-55A Prior to SN 0160038533)	C
18	1001115540	1	OPTION LOAD CHART BOOKLET, (G12-55A SN 0160038538 to Present)	E
19	3251813	1	MADE IN USA DECAL	
20	1706187	2	G10-55A DECAL, (SN 0160006237 to Present)	
20	1706186	2	G12-55A DECAL, (SN 0160006269 to Present)	
21	1704885	1	WEBSITE DECAL, (G10-55A SN 0160006237 to Present; G12-55A SN 0160006269 to Present)	
22	8466306	1	ANGLE GAUGE	
23	91163028	1	SHIFTER DECAL	
24	91503112	1	AUX. HYDRAULIC DE-PRESSURIZATION DECAL	
25	1706300	1	ETHER START WARNING DECAL	
26	1001121125	1	MAINTENANCE CHART DECAL, (SN 0160039451 through	

SECTION 11 - DECALS

ITEM	PART NUMBER	QTY	DESCRIPTION	REV
27	1001121126	1	0160040119, Including 0160039394 and 0160039397) LUBRICATION CHART DECAL, (SN 0160039451 through 0160040119, Including 0160039394 and 0160039397)	
K1	91565070	1	SUNBELT DECAL KIT	
K2	91565071	1	UNITED DECAL KIT	
K3	91565084	1	NATIONS RENT DECAL KIT	
K4	91565088	1	NES RENTALS DECAL KIT	
K5	91565092	1	H AND E DECAL KIT	
K6	1001094478	1	RSC DECALS	
K7	1001128865	1	HERTZ DECAL KIT	

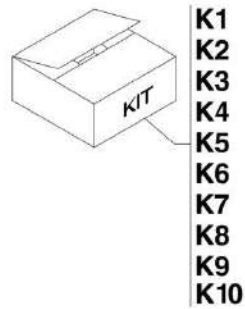
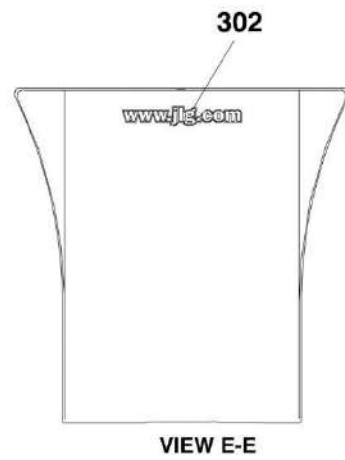
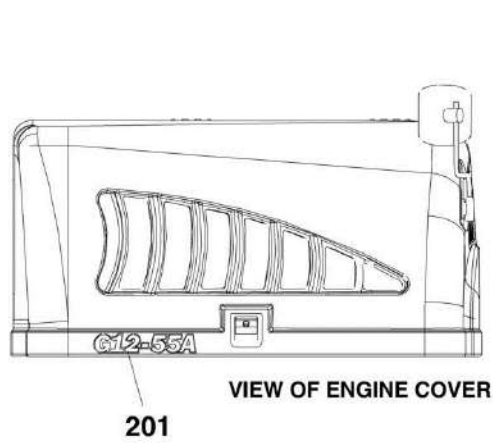
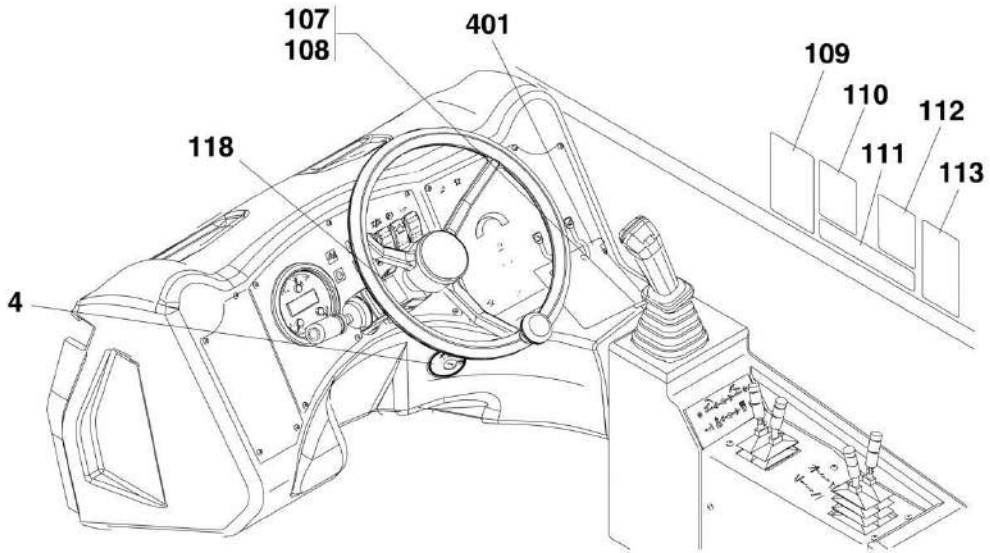
SECTION 11 - DECALS

FIGURE 11-2. CAB AND FRAME DECALS (SN 0160040120 to Present)



PAP2861

SECTION 11 - DECALS



PAP2871

SECTION 11 - DECALS

FIGURE 11-2. CAB AND FRAME DECALS (SN 0160040120 to Present)

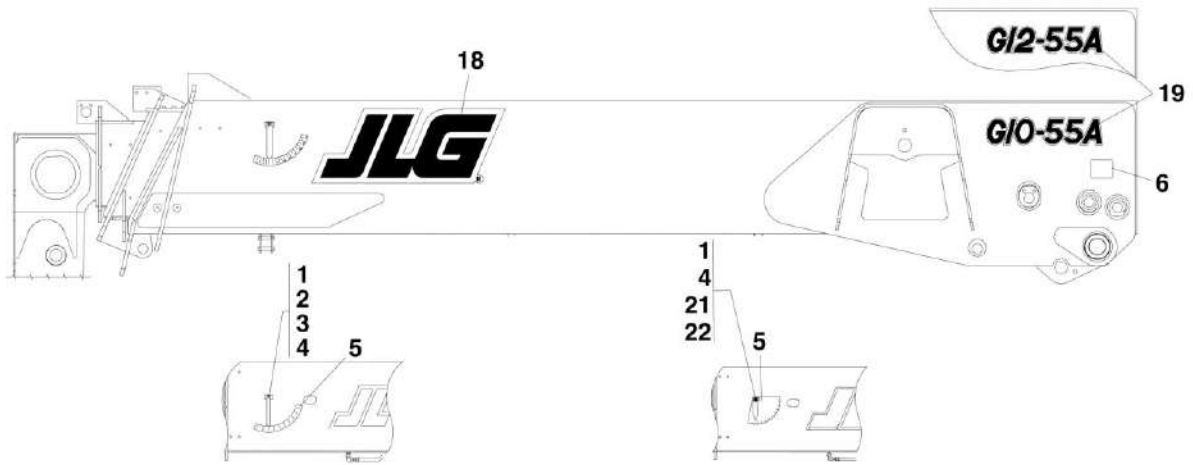
ITEM	PART NUMBER	QTY	DESCRIPTION	REV
2	91473210	1	NON SKID FLOOR	
4	91413061	1	IGNITION SWITCH DECAL	
5	91563220	1	OIL LEVEL DECAL	
6	4100181	1	HYDRAULIC FLUID DECAL	
22	N.S.S.	1	S/N PLATE	
23	8466306	1	TILT ANGLE GAUGE	
24	3251813	1	USA DECAL	
28	1706300	1	ETHER START WARNING DECAL, (ANSI)	
28	1706098	1	ETHER START WARNING DECAL, (ISO)	
29		Ref	PRESSURE WASH DECAL, (not shown), (See ELECTRICAL SECTION for details)	
30	4105171	1	DIESEL FUEL DECAL	
101	1706306	1	TIP OVER WARNING DECAL, (ANSI)	
101	1706288	1	TIP OVER WARNING DECAL, (ISO)	
102	1706299	1	ELECTROCUTION HAZARD DECAL, (ANSI)	
102	1706284	1	ELECTROCUTION HAZARD DECAL, (ISO)	
103	1706850	1	CRUSH HAZARD WARNING DECAL, (ANSI)	
103	1001092877	1	CRUSH HAZARD WARNING DECAL, (ISO)	
104	91503112	1	AUX HYDRAULIC DE-PRESSURIZATION DECAL	
105	1706768	1	NO RIDERS DECAL, (ANSI)	
105	1001092878	1	NO RIDERS DECAL, (ISO)	
106	1701640	1	MANUAL DECAL	
107	1001121125	1	MAINTENANCE CHART DECAL	
108	1001121126	1	LUBRICATION CHART DECAL	
109	1001131745	1	JOYSTICK BOOM DECAL	
110	1706851	1	WARNING DO NOT JUMP DECAL, (ANSI)	
110	1706283	1	WARNING DO NOT JUMP DECAL, (ISO)	
111	1706303	1	READ MANUAL, (ANSI)	
111	1706287	1	READ MANUAL, (ISO)	
112	1706767	1	VEHICLE ROLLAWAY DECAL, (ANSI)	
112	1706289	1	VEHICLE ROLLAWAY DECAL, (ISO)	
113	1706304	1	RUN-OVER HAZARD DECAL, (ANSI)	
113	1706293	1	RUN-OVER HAZARD DECAL, (ISO)	
114	4109801	4	TIE DOWN POINT DECAL	
115	1706296	1	BATTERY WARNING DECAL, (ANSI)	
115	1706281	1	BATTERY WARNING DECAL, (ISO)	
116	1001109053	1	COOLANT FILL DECAL	
117	1706301	1	MOVING PARTS DECAL, (ANSI)	
117	1706285	1	MOVING PARTS DECAL, (ISO)	
118	91163028	1	SHIFTER DECAL	
119	1001131271	1	PATENT TELEHANDLERS DECAL	
201	1706187	2	G10-55A DECAL	
201	1706186	2	G12-55A DECAL	
302	1704885	1	WEBSITE DECAL	
401	1001115135	1	LOAD CHART BOOKLET, (G10-55A), ENGLISH UNIT	B
401	1001115138	1	LOAD CHART BOOKLET, (G10-55A), ENGLISH UNIT, (if equipped)	E
401	1001115175	1	LOAD CHART BOOKLET, (G10-55A), METRIC UNIT	B
401	1001115183	1	LOAD CHART BOOKLET, (G10-55A), METRIC UNIT, (if equipped)	D
401	1001115536	1	LOAD CHART BOOKLET, (G12-55A), ENGLISH UNIT	B

SECTION 11 - DECALS

ITEM	PART NUMBER	QTY	DESCRIPTION	REV
401	1001115540	1	LOAD CHART BOOKLET, (G12-55A), ENGLISH UNIT, (if equipped)	E
401	1001115190	1	LOAD CHART BOOKLET, (G12-55A), METRIC UNIT	B
401	1001115198	1	LOAD CHART BOOKLET, METRIC UNIT, (if equipped)	D
K1	91565070	1	SUNBELT DECAL KIT	
K2	91565071	1	UNITED DECAL KIT	
K3	91565084	1	NATIONS RENT DECAL KIT	
K4	91565088	1	NES RENTALS DECAL KIT	
K5	91565092	1	H AND E DECAL KIT	
K6	1001094478	1	RSC DECALS	
K7	1001128865	1	HERTZ DECAL KIT	
K8	1001090569	1	RIGHT SIDE DASH DECALS KIT, (ANSI), (includes items 109 thru 113)	
K8	1001092887	1	RIGHT SIDE DASH DECALS KIT, (ISO), (includes items 109 thru 113)	
K9	1001115208	1	CAB DECALS KIT, (ANSI), (includes items 24, 101 thru 103, 105)	
K9	1001115209	1	CAB DECALS KIT, (ISO), (includes items 24, 101 thru 103, 105)	
K10	1001140663	1	LEAVITT DECAL KIT	

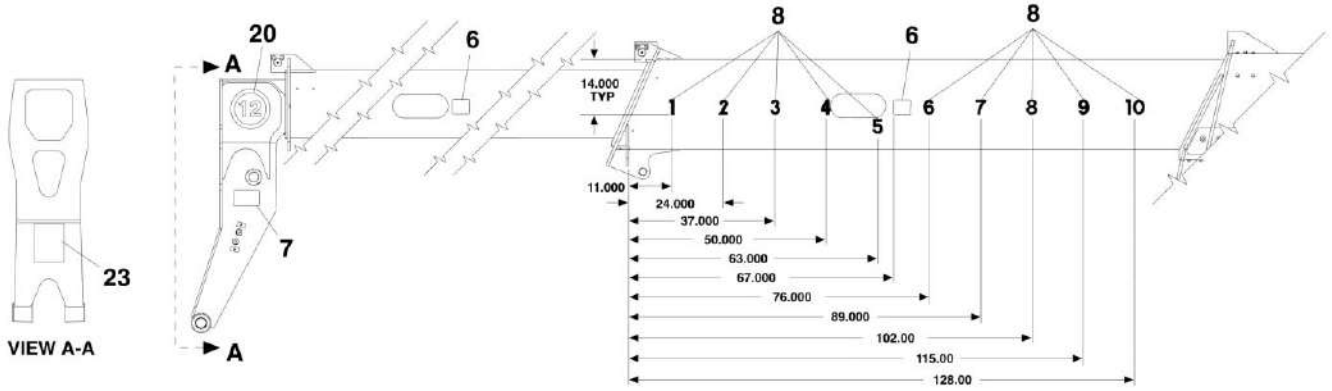
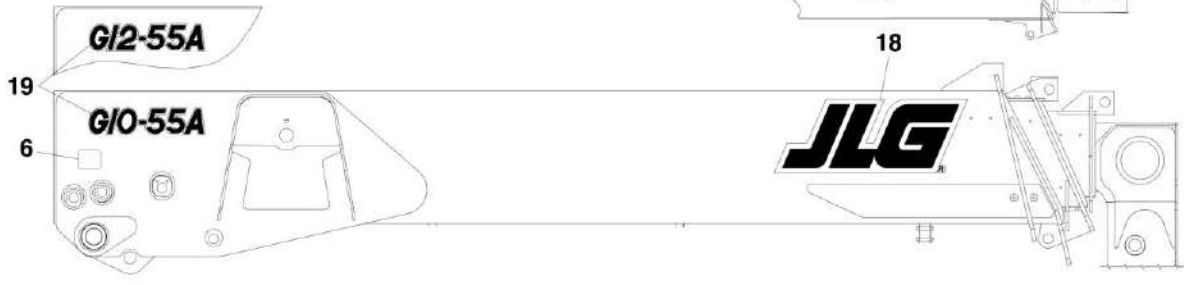
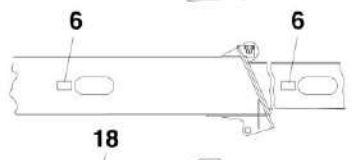
SECTION 11 - DECALS

FIGURE 11-3. BOOM DECALS



VIEW OF BOOM ANGLE INDICATOR
 G10-55A PRIOR TO S/N 0160012584
 G12-55A PRIOR TO S/N 0160012663

VIEW OF BOOM ANGLE INDICATOR
 G10-55A S/N 0160012584 TO PRESENT
 G12-55A S/N 0160012663 TO PRESENT



PAP2880

SECTION 11 - DECALS

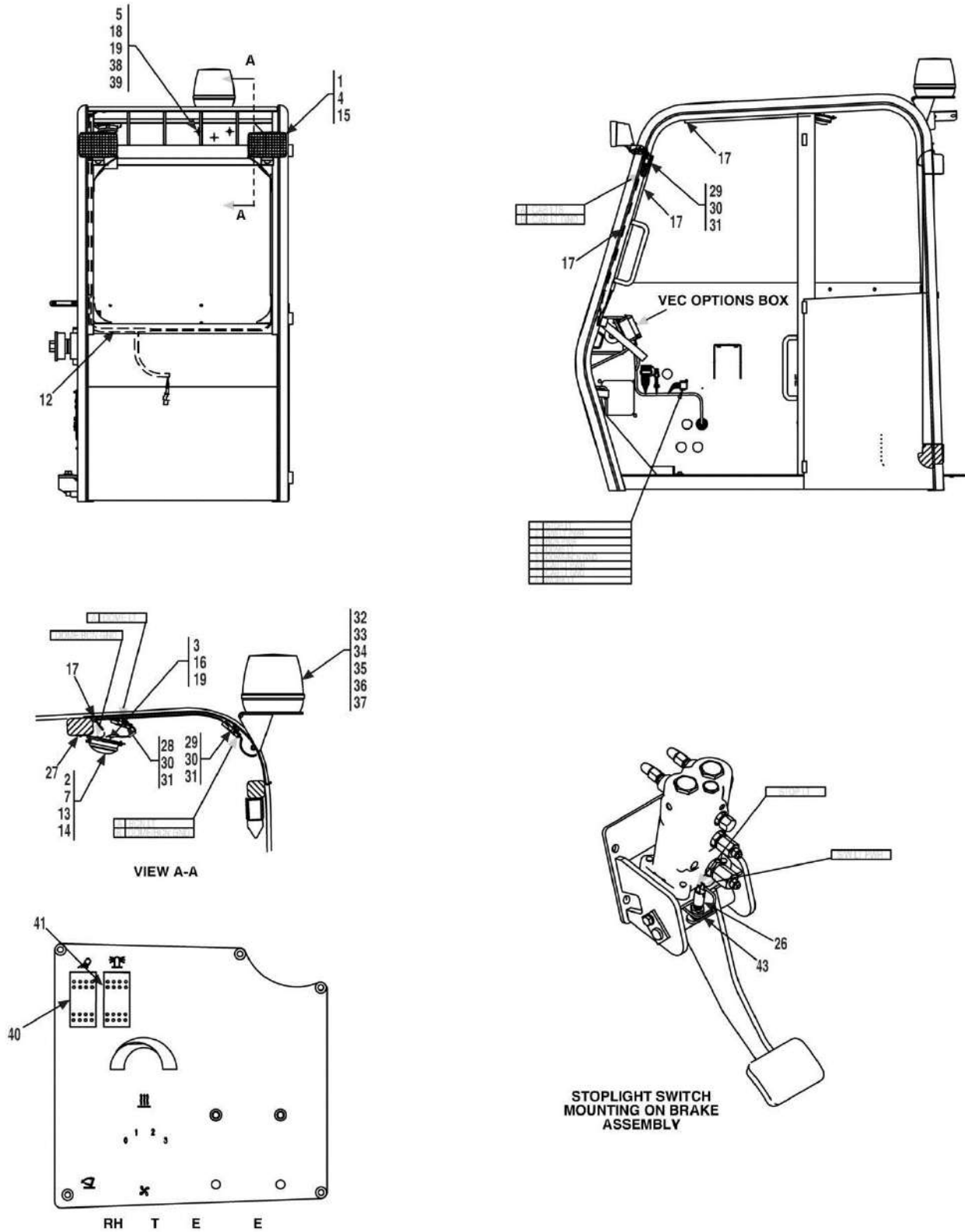
FIGURE 11-3. BOOM DECALS

ITEM	PART NUMBER	QTY	DESCRIPTION	REV
1	90200445	1	PENDULUM, (G10-55A Prior to SN 0160012584; G12-55A Prior to SN 0160012663)	
1	7075611	1	PENDULUM, (G10-55A SN 0160012584 through 0160032082; G12-55A SN 0160012663 through 0160032082; Excluding 0160031751, 0160031861, 0160031751 and 0160031861)	
1	1001098769	1	PENDULUM, (SN 0160032082 to Present, Including 0160031751 and 0160031861)	
2	90200688	1	BEARING, (G10-55A Prior to SN 0160012584; G12-55A Prior to SN 0160012663)	
3	90026491	1	SHOULDER BOLT, 1/4-20, (G10-55A Prior to SN 0160012584; G12-55A Prior to SN 0160012663)	
4	88561108	1	FLAT WASHER, 5/16, (G10-55A Prior to SN 0160012584; G12-55A Prior to SN 0160012663)	
4	8307113	3	WASHER, (G10-55A SN 0160012584 through 0160032082; G12-55A SN 0160012663 through 0160032082; Excluding 0160031751, 0160031861, 0160031751 and 0160031861)	
4	4711600	1	FLAT WASHER, 3/8, (SN 0160032082 to Present, Including 0160031751 and 0160031861)	
5	91003031	1	BOOM ANGLE DECAL, (G10-55A Prior to SN 0160012584; G12-55A Prior to SN 0160012663)	
5	4105262	1	BOOM ANGLE DECAL, (G10-55A SN 0160012584 to Present; G12-55A SN 0160012663 to Present)	
6	91513210	7	PINCH POINT DECAL, (Prior to SN 0160040120)	
6	1706302	7	PINCH POINT DECAL, (ANSI), (SN 0160040120 to Present)	
6	1706292	7	PINCH POINT DECAL, (ISO), (SN 0160040120 to Present)	
7	91563157	1	SWING CARRIAGE DECAL	
8	91553072	1	BOOM NUMBERS DECAL KIT	
18	1706185	2	JLG DECAL	
19	1706187	2	G10-55A DECAL, (Prior to SN 0160006237)	
19	1706186	2	G12-55A DECAL, (Prior to SN 0160006192)	
20	1706100	2	GOOSENECK DECAL, 10, (G10-55A SN 0160006237 through 0160045636; Including 0160045082 and 0160045295)	
20	1706167	2	GOOSENECK DECAL, 12, (G12-55A SN 0160006192 through 0160045636; Including 0160045094, 0160045209, 0160045296 and 0160045449)	
21	8305647	1	HEX LOCKNUT, (G10-55A SN 0160012584 through 0160032082; G12-55A SN 0160012663 through 0160032082; Excluding 0160031751, 0160031861, 0160031751 and 0160031861)	
21	8305645	1	HEX LOCKNUT, 3/8-16, (SN 0160032082 to Present, Including 0160031751 and 0160031861)	
22	1001096404	1	SPACER	
23	1706298	1	CARRY PERSONNEL DECAL, (ANSI), (SN 0160040120 to Present)	
23	1706282	1	CARRY PERSONNEL DECAL, (ISO), (SN 0160040120 to Present)	

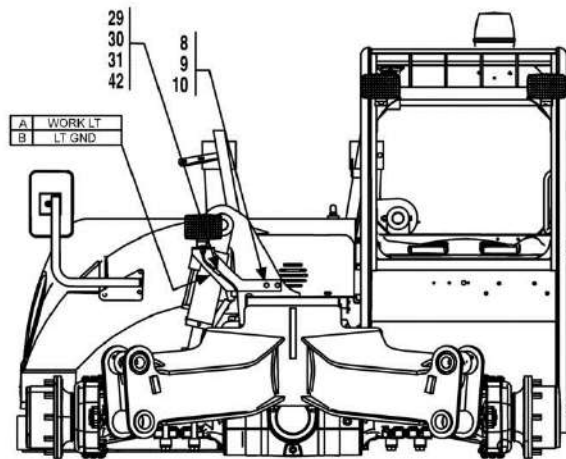
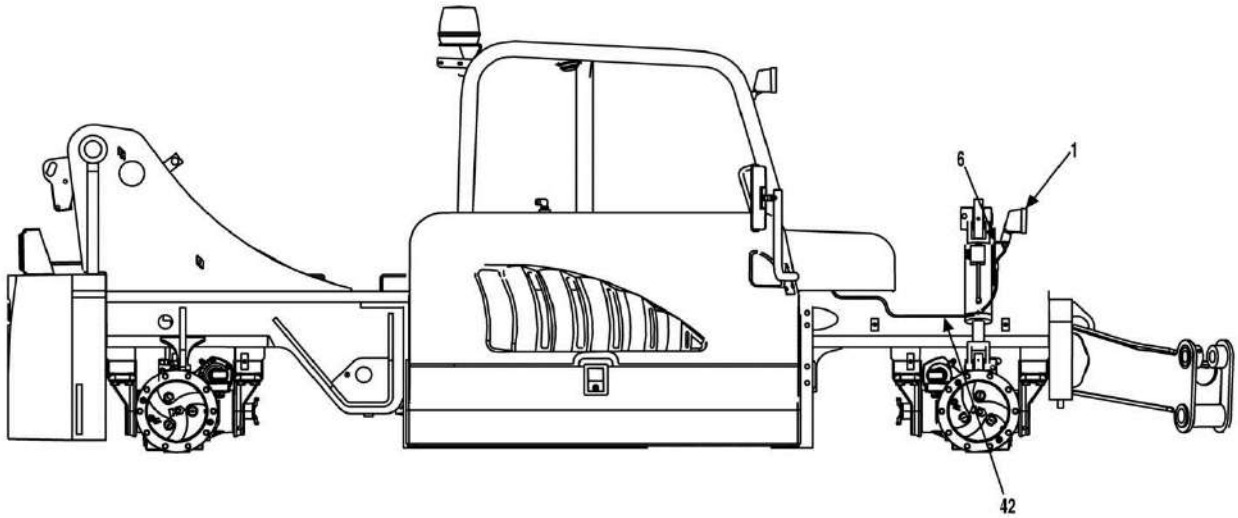
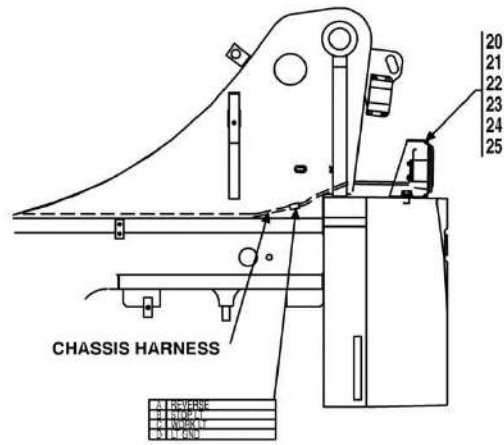
SECTION 12 - OPTIONS

SECTION 12 - OPTIONS

FIGURE 12-1. WORK LIGHT PACKAGE (G10-55A Prior to SN 0160031697; G12-55A Prior to SN 0160031708)



SECTION 12 - OPTIONS



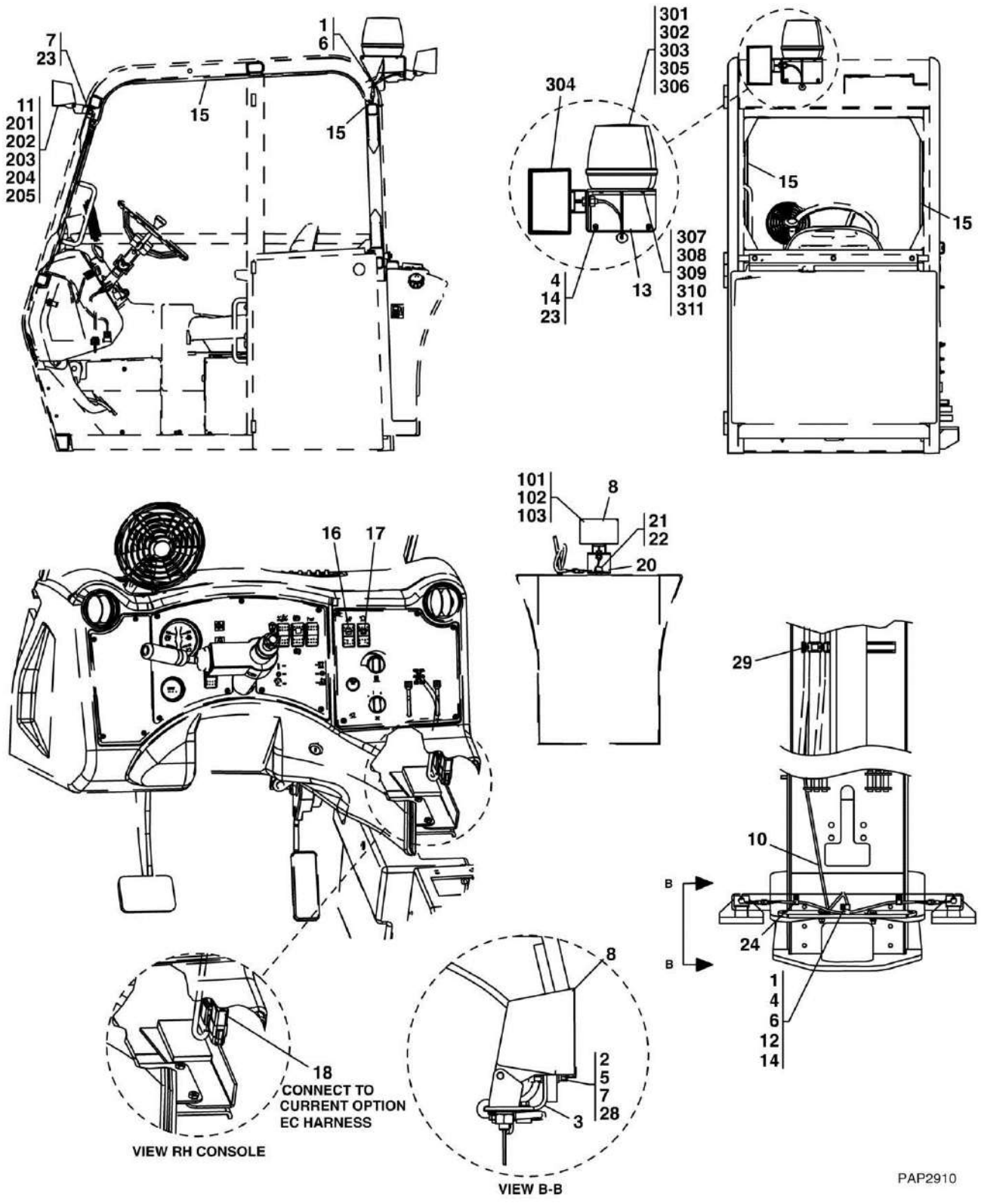
SECTION 12 - OPTIONS

FIGURE 12-1. WORK LIGHT PACKAGE (G10-55A Prior to SN 0160031697; G12-55A Prior to SN 0160031708)

ITEM	PART NUMBER	QTY	DESCRIPTION	REV
	91565047	1	WORK LIGHT PACKAGE, (includes all items)	G
1	80963050	3	UTILITY FLOOD LIGHT	
1	80964070	3	BULB	
2	24861167	1	INTERIOR LIGHT	
3	91361003	1	INTERIOR LIGHT BRACKET	
4	91413052	2	WORK LIGHT MOUNTING BOLT	
5	0641406	2	HEX HD CAPSCREW, 1/4-20X3/4, GR5	
6	91561189	1	FLOOD LIGHT BRACKET	
7	4760800	3	LOCKWASHER, #8	
8	0641820	2	HEX HD CAPSCREW, 1/2-13X2-1/2, GR5	
9	3311801	2	HEX NUT, 1/2-13	
10	4711800	2	LOCKWASHER, 1/2	
11	0100011	AR	LOCTITE 242, (use on all bolt threads)	
12	91563193	1	LIGHT HARNESS	
13	3910806	3	ROUND HD MACHINE SCREW, #8-32X3/8	
14	3310801	3	HEX NUT, #8-32	
15	91403503	2	SPACER	
16	90029955	2	RUBBER GROMMET	
17	80961142	4	ECONOMY WIRING DUCT	
18	4761400	2	LOCKWASHER, 1/4	
19	14404173	AR	SILICONE SEALANT	
20	91121145	1	TAIL LIGHT HOUSING	
21	91121146	1	TAIL LIGHT BRACKET	
22	91565080	1	TAIL LIGHT ASSY	
23	0642210	1	HEX HD CAPSCREW, 3/4-10X1-1/4, GR5	
24	4712200	1	FLAT WASHER, 3/4	
25	4762200	1	LOCKWASHER, 3/4	
26	91143117	1	STOPLIGHT SWITCH	
27	88321022	2	SELF TAPPING SCREW, #8-32X3/8	
28	80963056	1	WEATHERPACK SHROUD	
29	80963058	4	WEATHERPACK SHROUD	
30	80963069	9	MALE PIN TERMINAL	
31	80963066	9	CABLE SEAL	
32	91343031	1	ROTATING BEACON	
32	91344053	1	BULB	
33	91511206	1	BEACON BRACKET	
34	90027214	1	RUBBER GROMMET	
35	88301093	3	ROUND HD MACHINE SCREW, #10-24X3/4	
36	4761000	3	LOCKWASHER, #10	
37	3311001	3	HEX NUT, #10-24	
38	4711400	2	FLAT WASHER, 1/4	
39	3311401	2	HEX NUT, 1/4-20	
40	80383113	1	MODE SWITCH, WORK LIGHTS	
41	91403304	1	MODE SWITCH, BEACON	
42	4240033	7	STRAP, TIE WRAP	
43	91511127	1	STOPLIGHT SW MTG TAB	

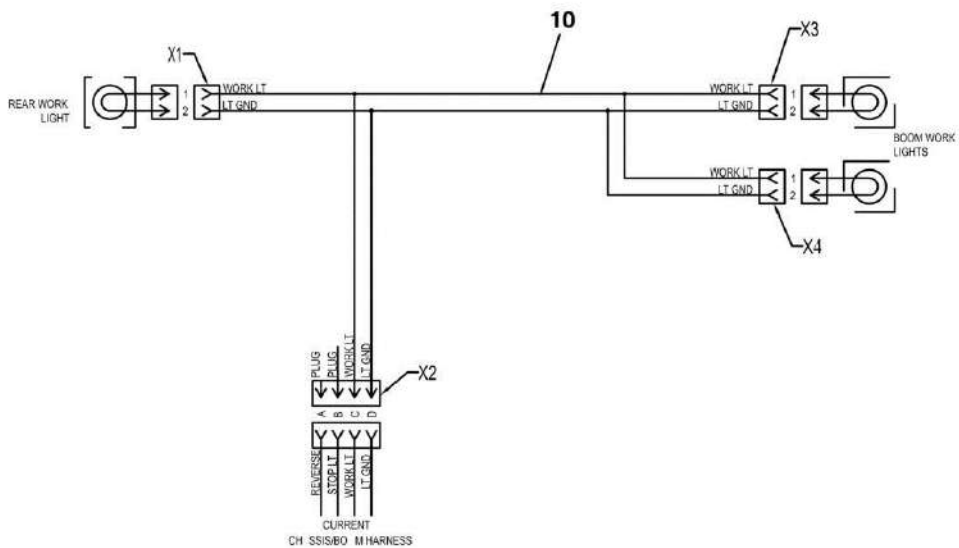
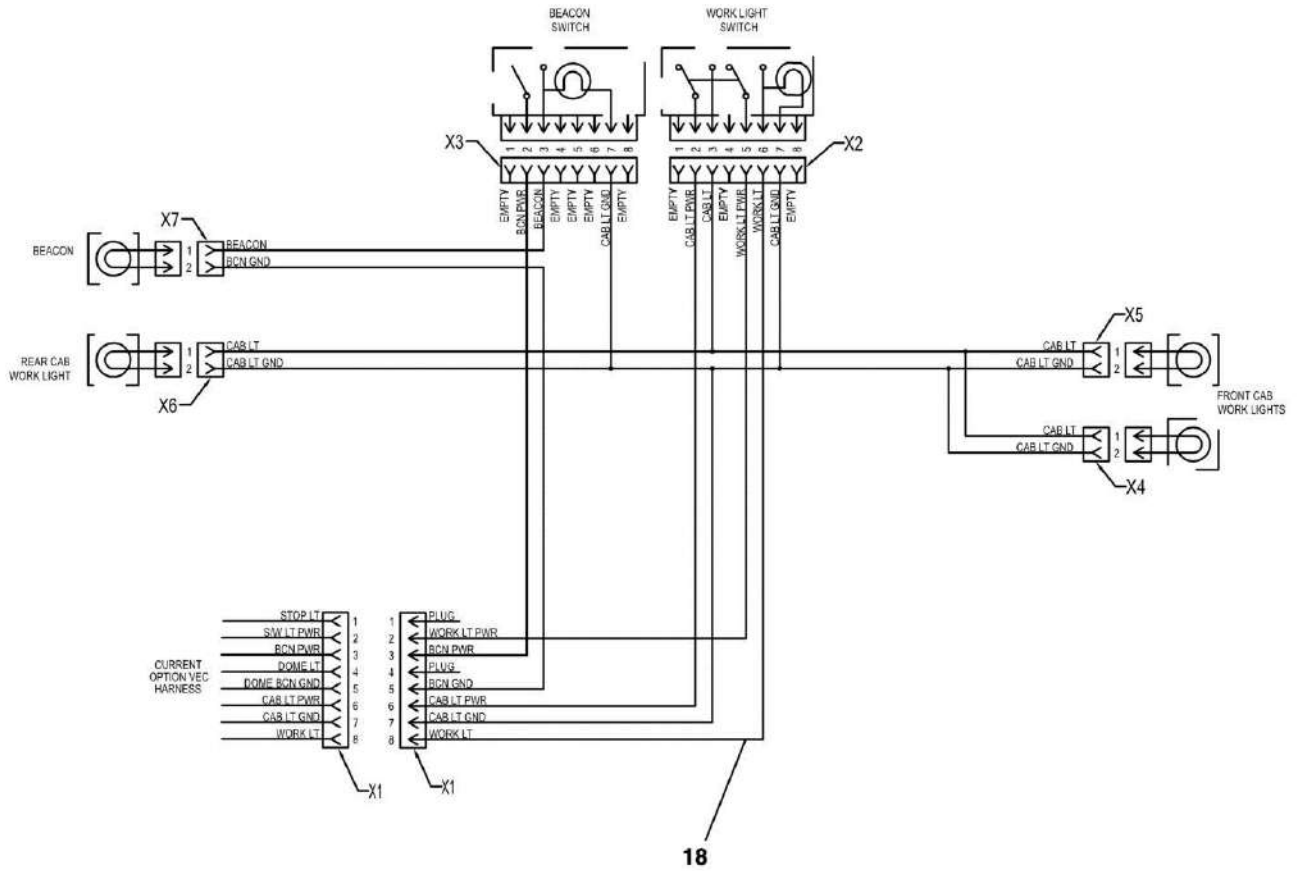
SECTION 12 - OPTIONS

FIGURE 12-2. WORK LIGHT PACKAGE (G10-55A SN 0160031697 through 0160045635, Including 0160045082; G12-55A SN 0160031708 through 0160045635, Including 0160045094, 0160045209, 0160045296 and 0160045449; SN G10 through 55A;0160045295)



PAP2910

SECTION 12 - OPTIONS



PAL3570

SECTION 12 - OPTIONS

FIGURE 12-2. WORK LIGHT PACKAGE (G10-55A SN 0160031697 through 0160045635, Including 0160045082; G12-55A SN 0160031708 through 0160045635, Including 0160045094, 0160045209, 0160045296 and 0160045449; SN G10 through 55A;0160045295)

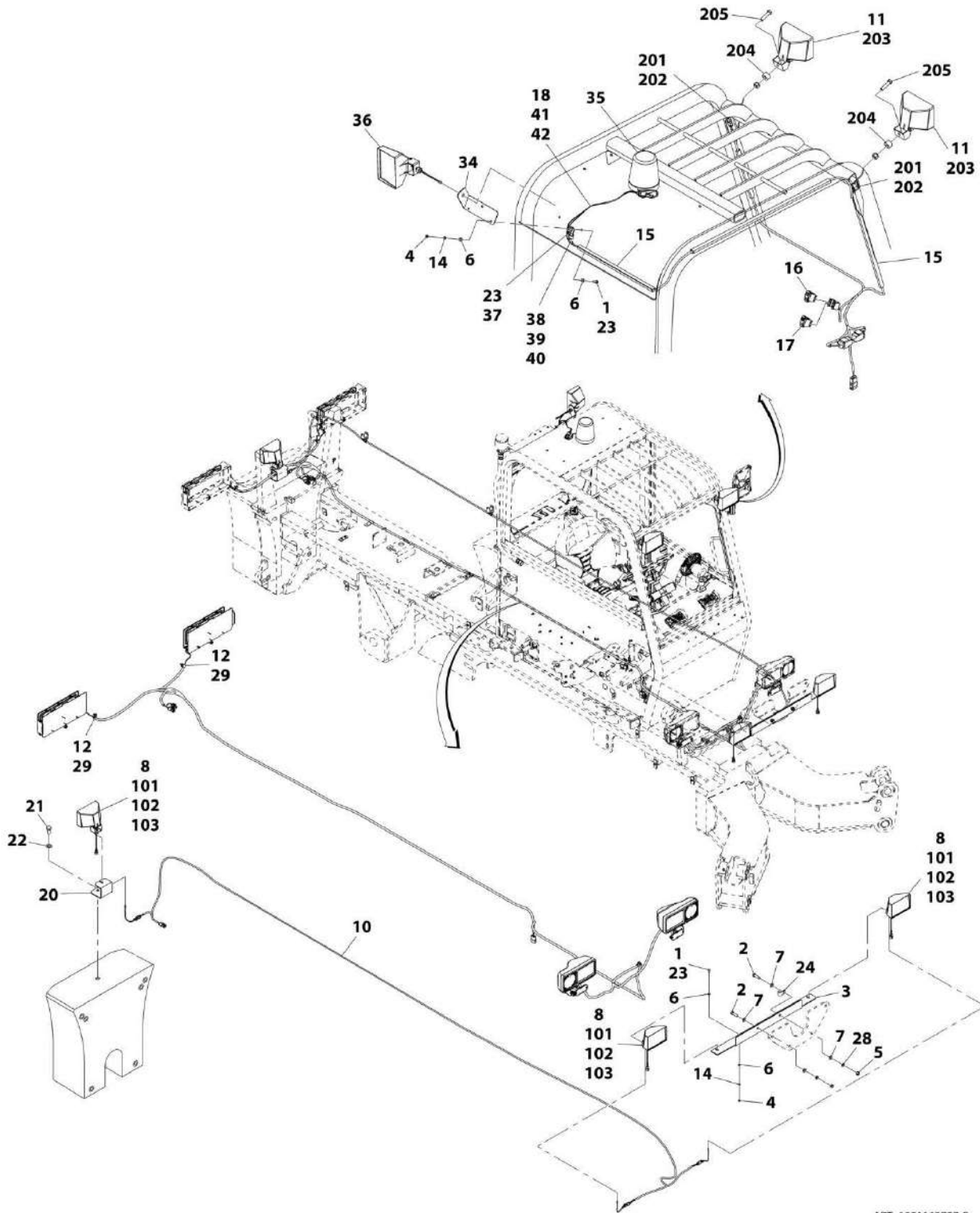
ITEM	PART NUMBER	QTY	DESCRIPTION	REV
	1001110091	NLA	WORK LIGHT PACKAGE, (no longer available, see items 1 thru 29 for service or 1001162757 for replacement)	C
1	0641407	5	HEX HD CAPSCREW, 1/4-20X7/8, GR5	
2	0641814	2	HEX HD CAPSCREW, 1/2-13X1-3/4, GR5	
3	0903661	1	BOOM LIGHT MOUNTING BRACKET	
4	3311401	5	HEX NUT, 1/4-20	
5	3311801	2	HEX NUT, 1/2-13	
6	4711400	8	FLAT WASHER, 1/4	
7	4711800	8	FLAT WASHER, 1/2	
8	1001095342	3	UTILITY FLOOD LIGHT, (includes items 101 thru 103)	B
8	80964070	3	BULB	
10		Ref	BOOM WORK LIGHTS HARNESS, (See BOOM WORK LIGHT HARNESS for details)	
11	1001090580	2	FLOOD LIGHT ASSEMBLY, (includes items 201 thru 205)	B
12	1320263	3	Clamp	
13	1001090581	1	BEACON/FLOOD LIGHT INSTALLATION, (includes items 301 thru 311)	E
14	4761400	5	LOCKWASHER, 1/4	
15	8096D097	7.3 ft	WIRING DUCT	
16	1001090460	1	WORK LIGHTS SWITCH	
17	1001090461	1	BEACON SWITCH	
18		Ref	WORK LIGHTS CAB HARNESS, (See WORK LIGHT CAB HARNESS for details)	
20	1001090522	1	BACKUP LIGHT MOUNTING BRACKET	
21	0642210	1	HEX HD CAPSCREW, 3/4-10X1-1/4, GR5	
22	4712200	1	WASHER, 3/4	
23	14404173	AR	SILICON SEALANT	
24	8406105	1	CLIP	
28	4761800	2	LOCKWASHER, 1/2	
29	1320263	3	SUPPORT CLAMP	
101	4460464	2	PIN TERMINAL	
102	4460897	1	2 POSITION TERMINAL	
103	80963050	1	UTILITY FLOOD LIGHT	A
103	80964070	2	BULB	
201	4460464	2	PIN TERMINAL	
202	4460897	1	2 POSITION TERMINAL	
203	80963050	1	UTILITY FLOOD LIGHT	A
203	80964070	1	BULB	
204	91403503	1	SPACER	
205	91413052	1	WORK LIGHT MOUNTING BOLT	
301	0903669	1	BEACON BRACKET	
302	4460464	4	PIN TERMINAL	
303	4460897	2	2 POSITION TERMINAL	
304	1001099276	1	UTILITY FLOOD LIGHT	A
304	80964070	1	BULB	
305	91343031	1	ROTATING BEACON	
305	91344053	1	BULB	
306	1001090615	1	GROMMET	
307	0721006	3	INDENTED HEX HD MACHINE SCREW, #10-24X3/4	

SECTION 12 - OPTIONS

ITEM	PART NUMBER	QTY	DESCRIPTION	REV
308	3311001	3	NUT, #10-24, GR2	
309	4751000	3	WASHER, #10	
310	4761000	3	LOCKWASHER, #10	
311	2820035	AR	TUBING INSULATE	

SECTION 12 - OPTIONS

FIGURE 12-3. WORK LIGHT PACKAGE



ART_1001162757-B

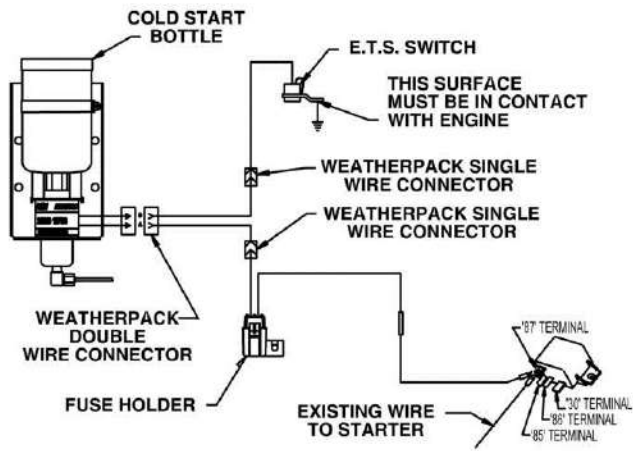
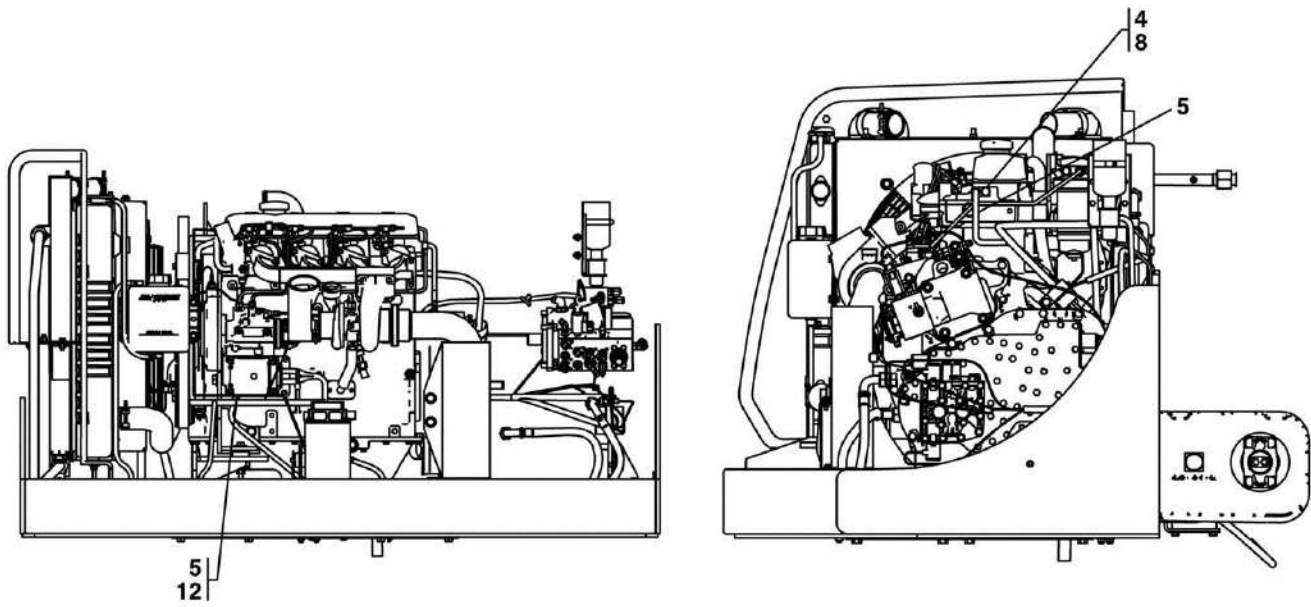
SECTION 12 - OPTIONS

FIGURE 12-3. WORK LIGHT PACKAGE

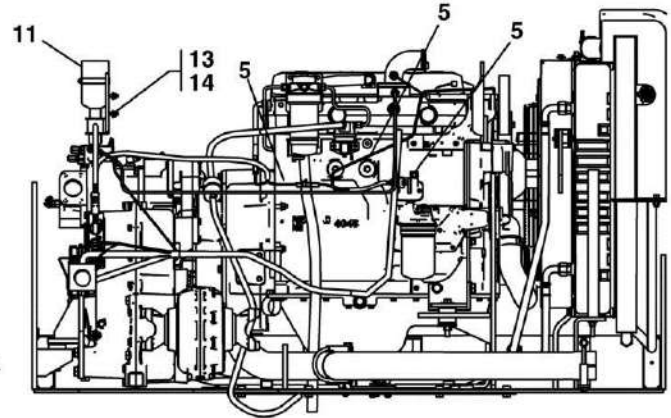
ITEM	PART NUMBER	QTY	DESCRIPTION	REV
	1001162757	Ref	WORK LIGHT PACKAGE, (not available to order; see items 1 thru 42 for service)	A
1	0641407	5	HEX HD CAPSCREW, 1/4-20X7/8, GR5	
2	0641814	2	HEX HD CAPSCREW, 1/2-13X1-3/4, GR5	
3	0903661	1	BOOM LIGHT MOUNTING BRACKET	
4	3311401	5	HEX NUT, 1/4-20	
5	3311801	2	HEX NUT, 1/2-13	
6	4711400	8	FLAT WASHER, 1/4	
7	4711800	8	FLAT WASHER, 1/2	
8	1001095342	3	UTILITY FLOOD LIGHT, (includes items 101 thru 103)	B
8	80964070	3	BULB	
10		Ref	BOOM WORK LIGHTS HARNESS, (See BOOM WORK LIGHT HARNESS for details)	
11	1001090580	2	FLOOD LIGHT ASSEMBLY, (includes items 201 thru 205)	B
12	1320263	3	CLAMP	
14	4761400	5	LOCKWASHER, 1/4	
15	8096D097	7.3 ft	WIRING DUCT	
16	1001090460	1	WORK LIGHTS SWITCH	
17	1001090461	1	BEACON SWITCH	
18		Ref	WORK LIGHTS CAB HARNESS, (See WORK LIGHT CAB HARNESS for details)	
20	1001090522	1	BACKUP LIGHT MOUNTING BRACKET	
21	0642210	1	HEX HD CAPSCREW, 3/4-10X1-1/4, GR5	
22	4712200	1	WASHER, 3/4	
23	14404173	AR	SILICON SEALANT	
24	8406105	1	CLIP	
28	4761800	2	LOCKWASHER, 1/2	
29	1320263	3	SUPPORT CLAMP	
34	1001146009	1	BRACKET, WORKLIGHT	
35	8500066	1	LIGHT, BEACON	
36	1001099276	1	LIGHT, WORK	
37	1001090615	1	GROMMET	
38	4460464	2	PIN TERMINAL	
39	4460897	1	CONNECTOR, 2 POS RECEPTACLE (DT)	
40	2820035	1.2 ft	INSULATE, 1/4" 1.2	
41	1001117021	1	CONNECTOR, METRI-PAK 280 (2 POS)	
42	8220890	1	CONNECTOR, LOCK (METRI-PACK 280, 2 POS)	
101	4460464	2	PIN TERMINAL	
102	4460897	1	2 POSITION TERMINAL	
103	80963050	1	UTILITY FLOOD LIGHT A	
103	80964070	2	BULB	
201	4460464	2	PIN TERMINAL	
202	4460897	1	2 POSITION TERMINAL	
203	80963050	1	UTILITY FLOOD LIGHT A	
203	80964070	1	BULB	
204	91403503	1	SPACER	
205	91413052	1	WORK LIGHT MOUNTING BOLT	

SECTION 12 - OPTIONS

FIGURE 12-4. COLD START INSTALLATION - JOHN DEERE ENGINE



SCHEMATIC



PY0030

- NOTE: 1. USE LOCTITE® 242™ (0100011) ON ALL BOLT THREADS.
 2. USE LOCTITE® 545™ (0100075) ON ALL FITTING THREADS.
 3. USE LOCTITE® PIPE SEALANT (0100020) ON ALL PIPE

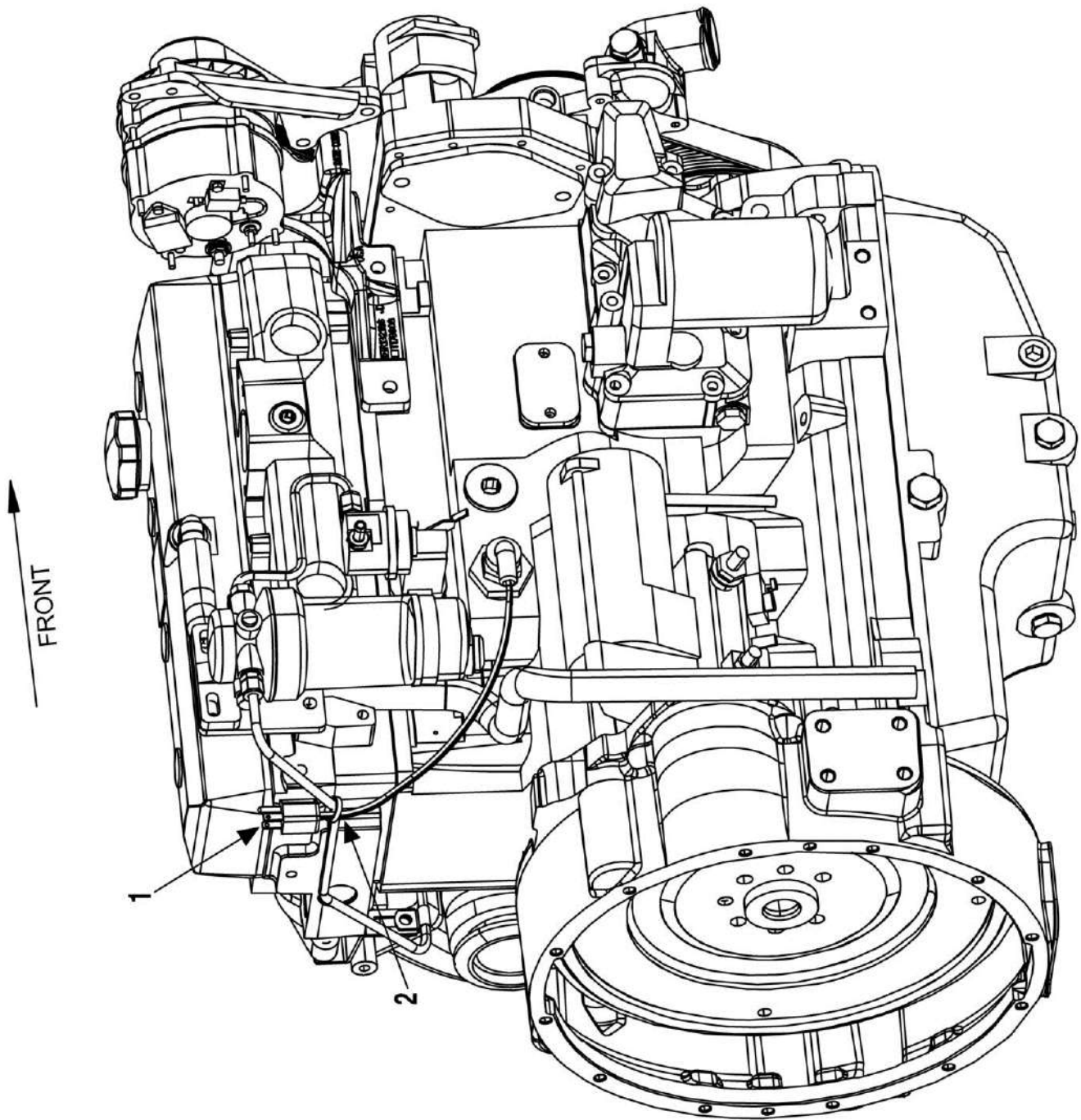
SECTION 12 - OPTIONS

FIGURE 12-4. COLD START INSTALLATION - JOHN DEERE ENGINE

ITEM	PART NUMBER	QTY	DESCRIPTION	REV
	91565045	1	COLD START INSTALLATION, (includes all items)	C
1	0100011	AR	LOCTITE 242	
2	0100020	AR	PIPE SEALANT, LOCTITE 567	
4	0761010	1	HEX HD CAPSCREW, 10-1.5X20mm	
5	4240018	AR	CABLE TIE	
8	4812000	1	FLATWASHER, M10	
9	14404043	AR	LOCTITE 545	
11	91403295	1	COLD START KIT	
11	70023156	1	VALVE, 12VDC	
11	7024399	1	FLUID CYLINDER	
11	70023307	1	NOZZLE	
12	91563277	1	COLD START WIRE	
13	88201016	4	HEX HD CAPSCREW, 5/16-18X1/2	
14	88551010	4	LOCKWASHER, 5/16	

SECTION 12 - OPTIONS

FIGURE 12-5. BLOCK HEATER ASSEMBLY - JOHN DEERE ENGINE



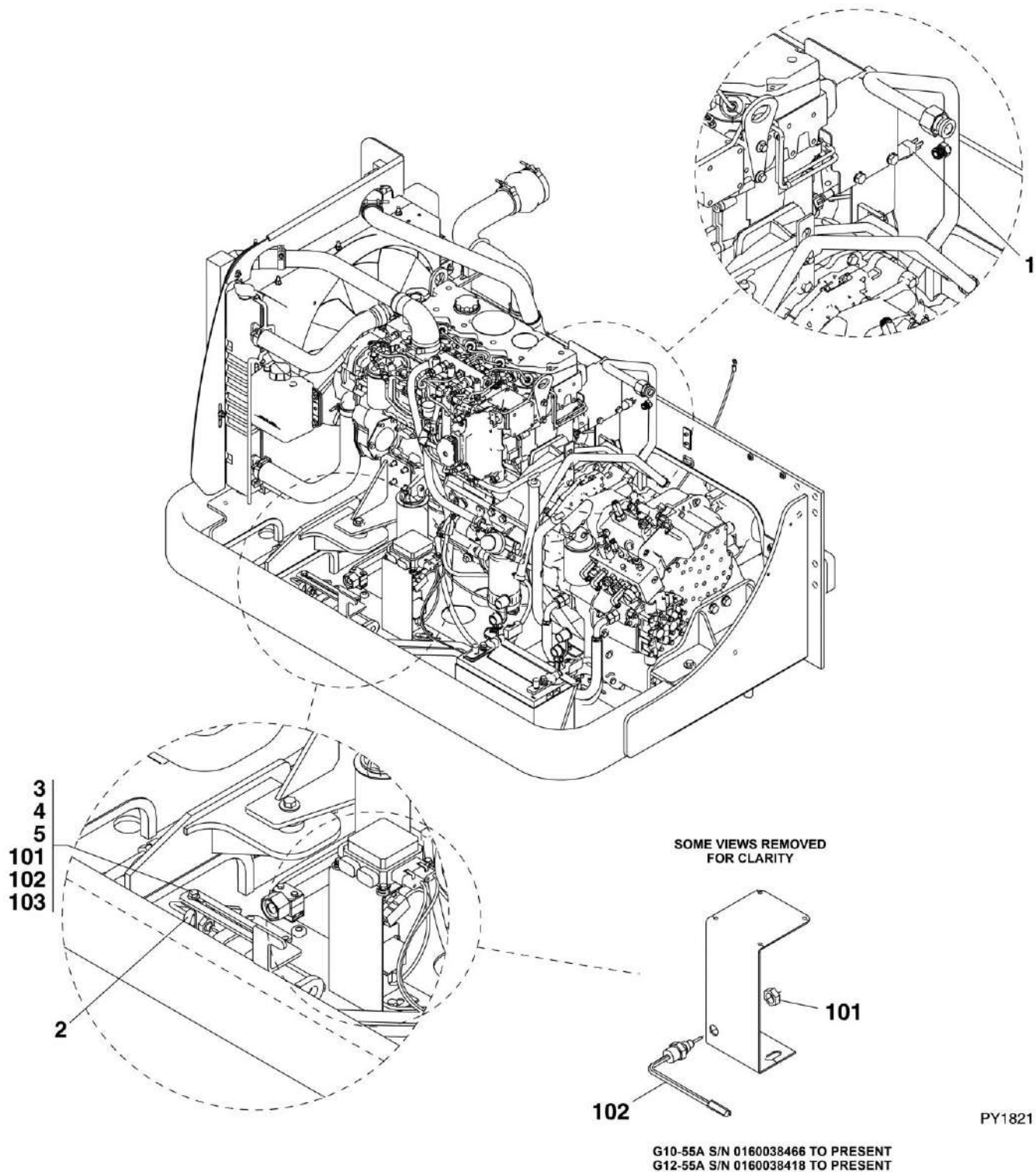
SECTION 12 - OPTIONS

FIGURE 12-5. BLOCK HEATER ASSEMBLY - JOHN DEERE ENGINE

ITEM	PART NUMBER	QTY	DESCRIPTION	REV
	91565046	1	BLOCK HEATER ASSY, (includes all items)	A
1	80373088	1	BLOCK HEATER	
1	N.S.S.	1	TIE WRAP	

SECTION 12 - OPTIONS

FIGURE 12-6. BLOCK HEATER ASSEMBLY - PERKINS ENGINE



PY1821

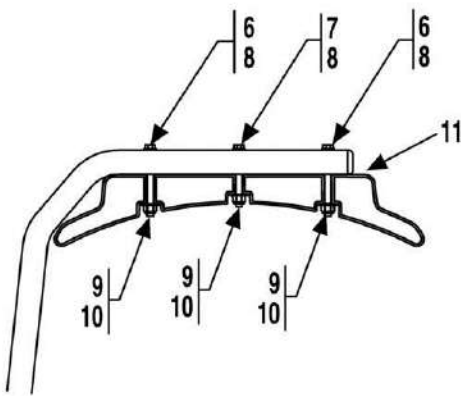
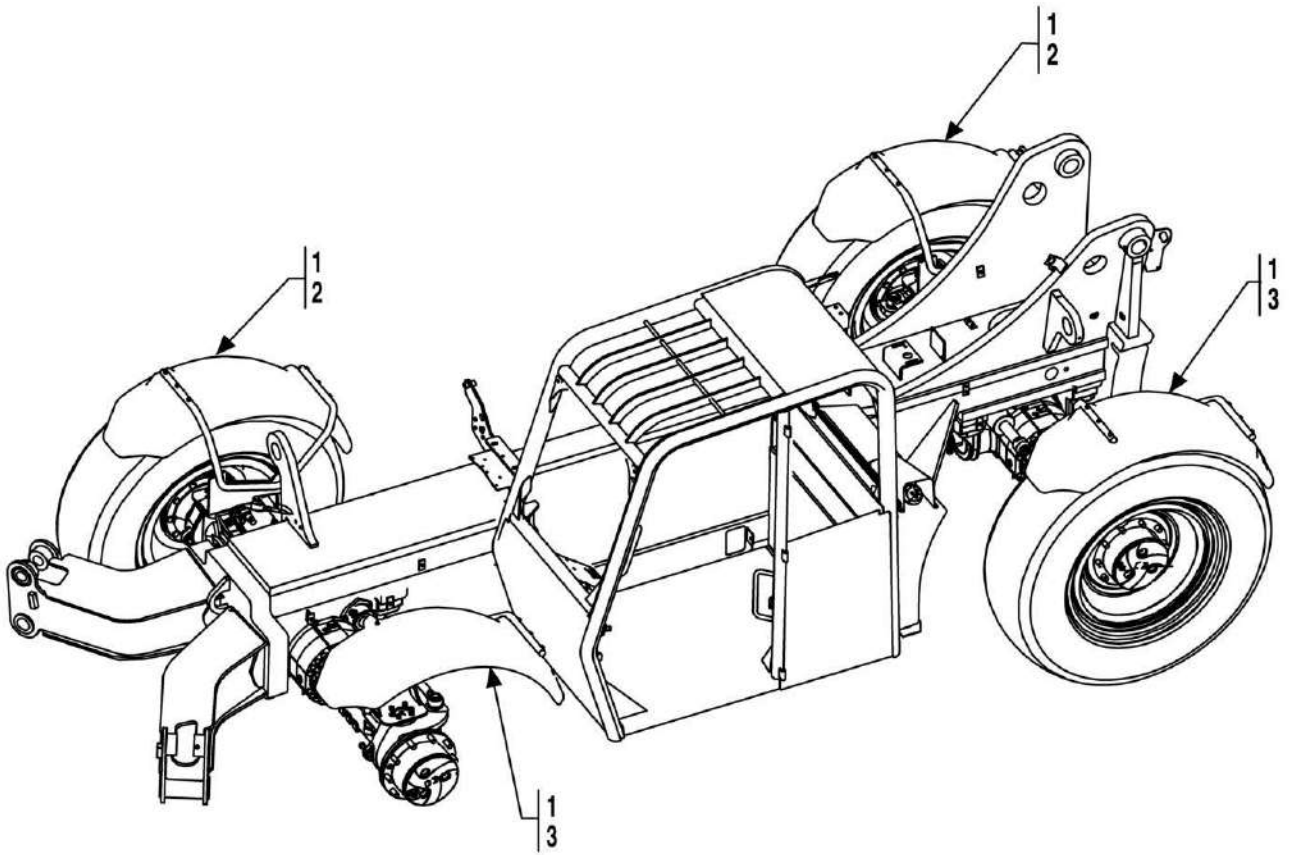
SECTION 12 - OPTIONS

FIGURE 12-6. BLOCK HEATER ASSEMBLY - PERKINS ENGINE

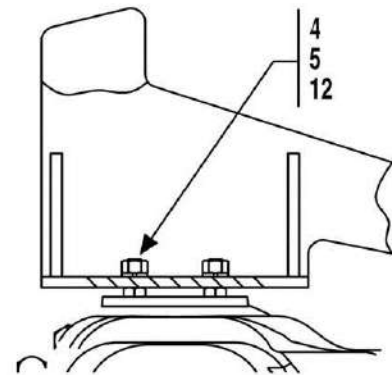
ITEM	PART NUMBER	QTY	DESCRIPTION	REV
	1001093832	Ref	BLOCK HEATER ASSY, (not available to order, use 1001113742 or items 2 thru 5 for service) (G10-55A Prior to SN 0160038466; G12-55A Prior to SN 0160038418)	F
	1001113742	1	BLOCK HEATER ASSY, (includes items 2, 101 & 102) (G10-55A SN 0160038466 to Present; G12-55A SN 0160038418 to Present)	A
2	1001093831	1	SENSOR ASSY, (includes items 101 thru 103)	A
3	0791607	1	SCREW, 3/8-16X7/8	
4	3311605	1	HEX LOCKNUT, 3/8-16 GR2	
5	4711600	1	WASHER, 3/8	
101	88521512	1	LOCKNUT, 3/4-16	
102	1001060434	1	SENSOR	
103	1001093830	1	BRACKET	

SECTION 12 - OPTIONS

FIGURE 12-7. FENDER INSTALLATION



FENDER INSTALLATION



BRACKET INSTALLATION

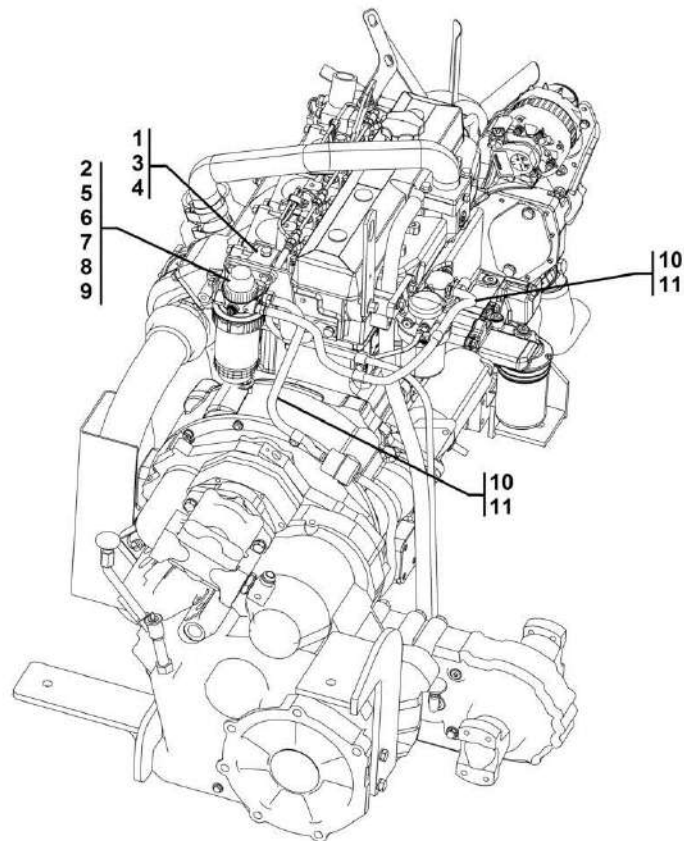
SECTION 12 - OPTIONS

FIGURE 12-7. FENDER INSTALLATION

ITEM	PART NUMBER	QTY	DESCRIPTION	REV
	91565081	1	FENDER INSTALLATION, (includes all items)	F
1	91473126	4	ROTOMOLD FENDER	
2	91566062	2	RH FENDER BRACKET	
3	91566063	2	LH FENDER BRACKET	
4	91514118	16	FENDER STUD, (torque to 94-104 lb-ft)	
5	91513266	16	HEX NUT, M12X1.25	
6	0641528	16	HEX HD CAPSCREW, 5/16-18X3-1/2, GR5	
7	0641524	8	HEX HD CAPSCREW, 5/16-18X3, GR5	
8	4711500	24	WASHER, 5/16	
9	4751500	24	FLAT WASHER, 5/16	
10	88521205	24	LOCKNUT, 5/16-18	
11	3520176	8	PLUG	
12	83191010	16	LOCKWASHER, 5/16	

SECTION 12 - OPTIONS

FIGURE 12-8. FUEL/WATER SEPARATOR INSTALLATION - JOHN DEERE



PAP2220

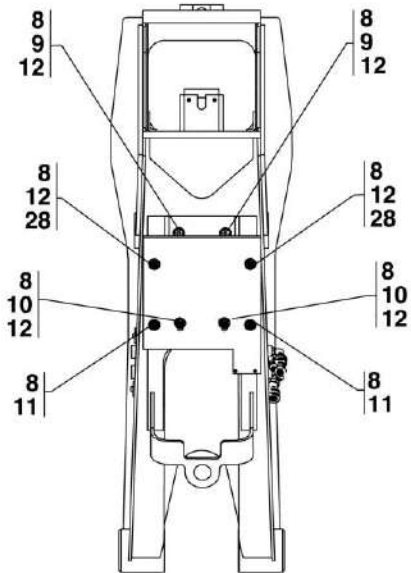
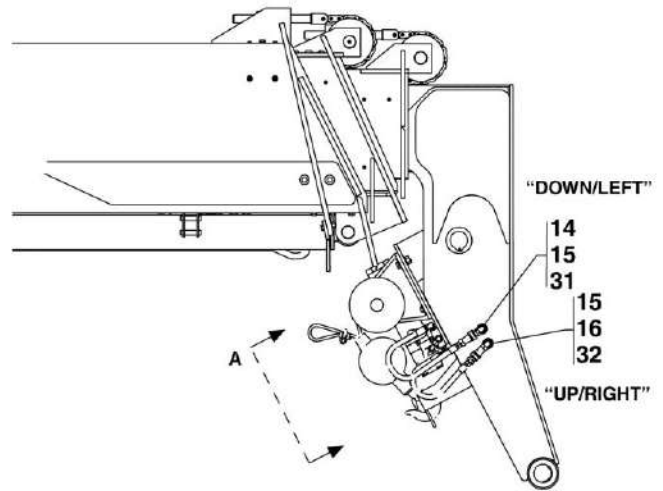
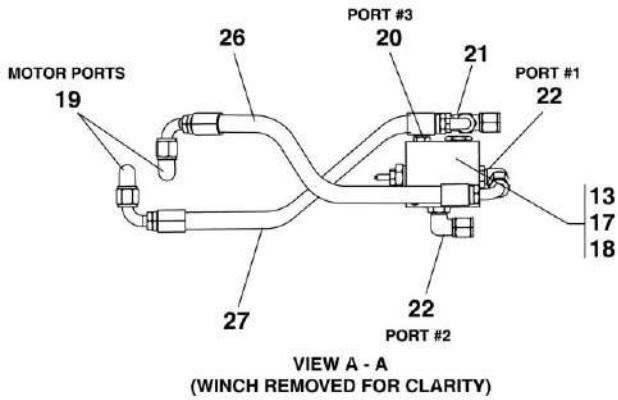
SECTION 12 - OPTIONS

FIGURE 12-8. FUEL/WATER SEPARATOR INSTALLATION - JOHN DEERE

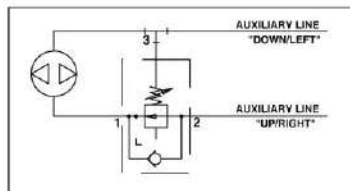
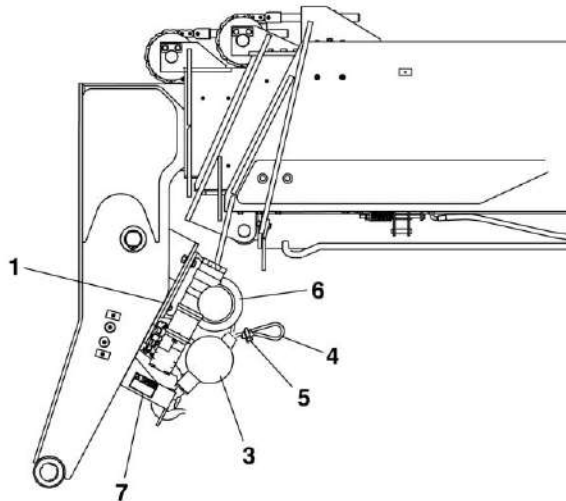
ITEM	PART NUMBER	QTY	DESCRIPTION	REV
	91475107	1	FUEL/WATER SEPARATOR INSTALLATION, (includes all items)	B
1	91471242	1	FILTER BRACKET	
2	91473240	1	FUEL/WATER SEPARATOR	
2	91474633	1	FUEL/WATER SEPARATOR ELEMENT	
2	91474634	1	WATER COLLECTION BOWL	
2	91474635	1	REVERSE FLOW HAND PRIMER	
2	8035811	1	RETAINING RING (between element & cover)	
3	4832000	2	LOCKWASHER, 10mm	
4	0761012	2	HEX HD CAPSCREW, M10X1.5X25, GR5	
5	4761500	2	LOCKWASHER, 5/16	
6	3311501	2	HEX NUT, 5/16-18	
7	0641510	2	HEX HD CAPSCREW, 5/16-18X1-1/4, GR5	
8	2200233	2	SOCKET HD PIPE PLUG, (ports #1 & #2)	
9	2221114	2	BARBED FITTING, (ports #3 & #4)	
10	1320022	4	HOSE CLAMP	
11	2750532	3.83 ft	FUEL LINE, 3/8	
K1	2915111	1	FUEL/WATER SEPARATOR SERVICE KIT	

SECTION 12 - OPTIONS

FIGURE 12-9. WINCH INSTALLATION (G10-55A Prior to SN 0160024420; G12-55A Prior to SN 0160032083)



WINCH, VALVE & HOSE ASSYS
REMOVED FOR CLARITY



NOTE: 1. USE LOCTITE® 242™ (0100011) ON ALL BOLT THREADS.
2. USE LOCTITE® 545™ (0100075) ON ALL FITTING THREADS.

PAP2050

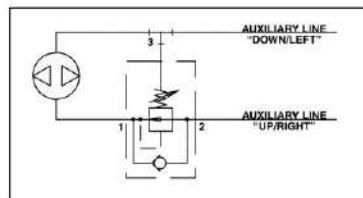
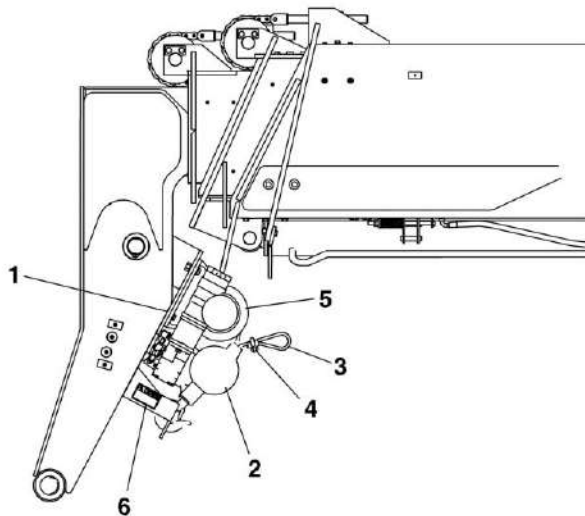
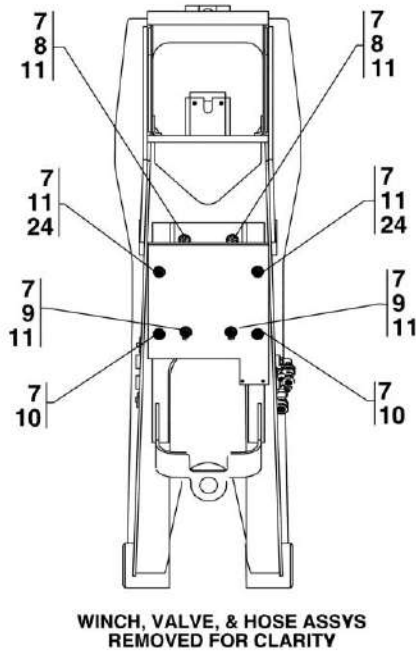
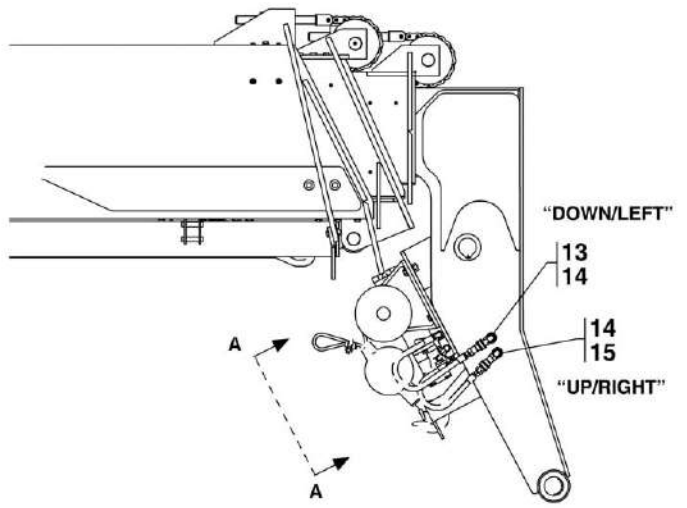
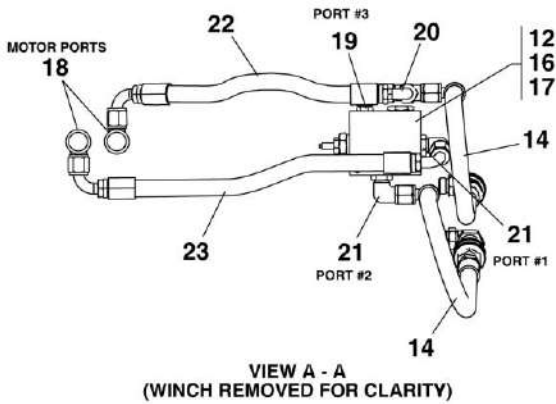
SECTION 12 - OPTIONS

FIGURE 12-9. WINCH INSTALLATION (G10-55A Prior to SN 0160024420; G12-55A Prior to SN 0160032083)

ITEM	PART NUMBER	QTY	DESCRIPTION	REV
	91565037	1	WINCH INSTALLATION, (includes all items)	H
1	91566042	1	WINCH BRACKET WELDMENT	
3	90201443	1	WINCH HOOK AND BALL	
4	91403384	1	WINCH CABLE	
5	90029999	1	WIRE ROPE CLIP	
6		Ref	WINCH WITH MOTOR, (See TRUSS BOOM WINCH, WINCH MOTOR or WINCH for details)	
7	91083535	1	CAUTION DECAL	
8	90027472	14	HARDENED WASHER, 5/8	
9	0682020	2	HEX HD CAPSCREW, 5/8-11X2-1/2, GR8, (torque to 200-215 lb-ft)	
10	0682024	2	HEX HD CAPSCREW, 5/8-11X3, GR8, (torque to 200-215 lb-ft)	
11	0682012	2	HEX HD CAPSCREW, 5/8-11X1-1/2, GR8, (torque to 200-215 lb-ft)	
12	88501010	6	HEAVY HEX NUT, 5/8-11, (torque to 200-215 lb-ft)	
13	91413040	1	PRESSURE REDUCER VALVE	
14	91403413	1	FEMALE QUICK DISCONNECT	
15	84719236	2	HOSE ASSY	
16	91403414	1	MALE QUICK DISCONNECT	
17	4761500	2	LOCKWASHER, 5/16	
18	0641514	2	HEX HD CAPSCREW, 5/16-18X1 3/4	
19	2220671	2	ELBOW, 90, (includes o-ring)	
19	88591205	1	O-RING	
20	2220726	1	ELBOW, 90	
21	2220385	1	SWIVEL NUT RUN TEE, 1/4 TUBE	
22	2220596	2	ELBOW, 90, (includes o-ring)	
22	88591206	1	O-RING	
23	0100011	AR	LOCTITE 242	
24	0100075	AR	LOCTITE 545	
26	2753902	1	HOSE ASSY	
27	1001115014	1	HOSE ASSY	
28	0682016	2	HEX HD CAPSCREW, 5/8-11X2, GR8	
31	91043125	1	DUST PLUG	
32	91043126	1	DUST CAP	

SECTION 12 - OPTIONS

FIGURE 12-10. WINCH INSTALLATION (G10-55A SN 0160024420 to Present; G12-55A SN 0160032083 to Present)



PY1870

- NOTE:** 1. USE LOCTITE® 242™ (0100011) ON ALL BOLT THREADS.
2. USE LOCTITE® 545™ (0100075) ON ALL FITTING THREADS.

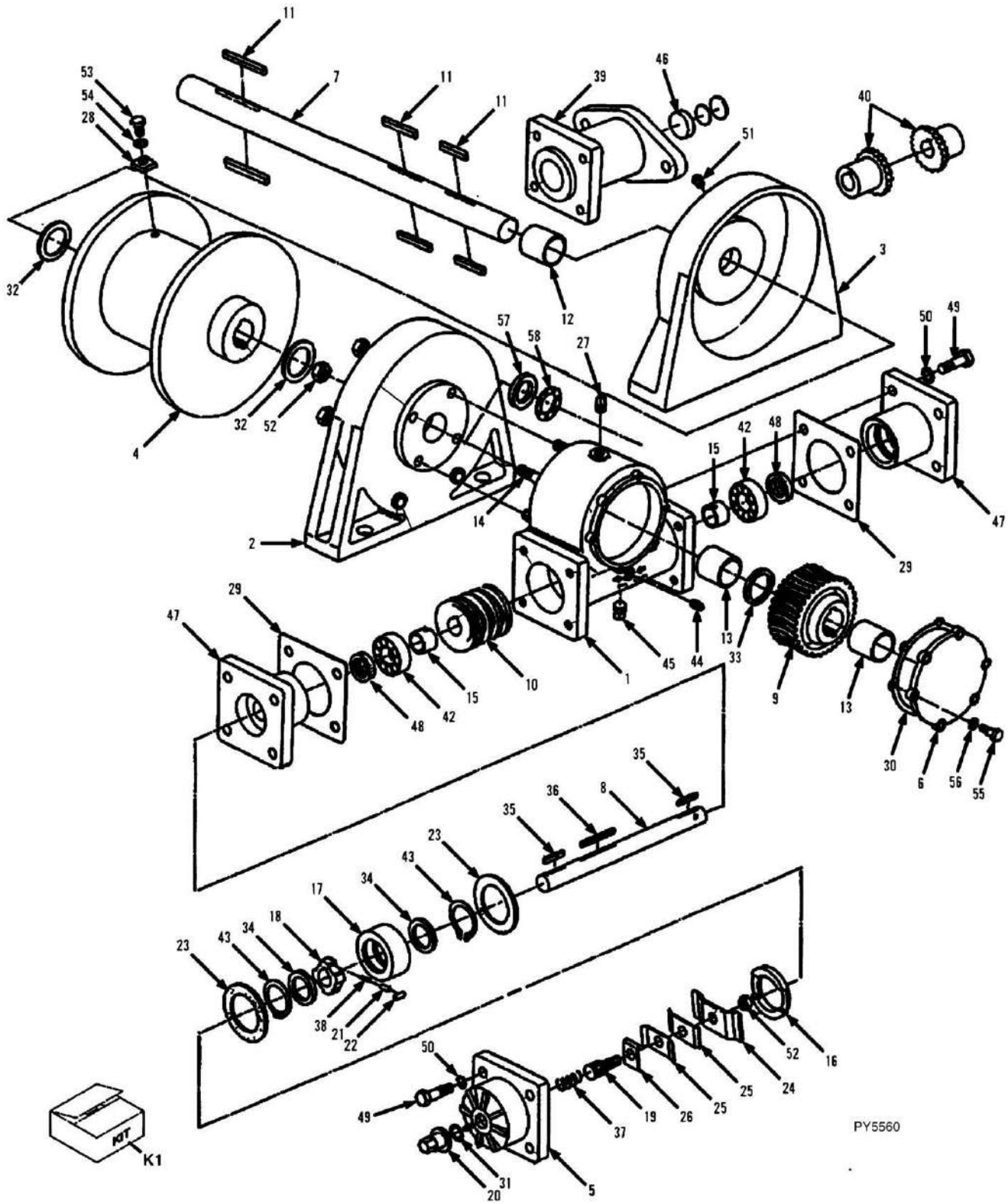
SECTION 12 - OPTIONS

FIGURE 12-10. WINCH INSTALLATION (G10-55A SN 0160024420 to Present; G12-55A SN 0160032083 to Present)

ITEM	PART NUMBER	QTY	DESCRIPTION	REV
	1001097944	1	WINCH INSTALLATION, (includes all items)	A
1	91566042	1	WINCH BRACKET WELDMENT	
2	90201443	1	WINCH HOOK AND BALL	
3	91403384	1	WINCH CABLE	
4	90029999	1	WIRE ROPE CLIP	
5		Ref	WINCH WITH MOTOR, (See TRUSS BOOM WINCH, WINCH MOTOR or WINCH for details)	
6	91083535	1	CAUTION DECAL	
7	90027472	14	HARDENED WASHER, 5/8	
8	0682020	2	HEX HD CAPSCREW, 5/8-11X2-1/2, GR8, (torque to 200-215 lb-ft)	
9	0682024	2	HEX HD CAPSCREW, 5/8-11X3, GR8, (torque to 200-215 lb-ft)	
10	0682012	2	HEX HD CAPSCREW, 5/8-11X1-1/2, GR8, (torque to 200-215 lb-ft)	
11	88501010	6	HEAVY HEX NUT, 5/8-11, (torque to 200-215 lb-ft)	
12	91413040	1	PRESSURE REDUCER VALVE	
13	1001001240	1	FEMALE QUICK DISCONNECT	
14	1001097935	2	HOSE ASSY	
15	1001001241	1	MALE QUICK DISCONNECT	
16	4761500	2	LOCKWASHER, 5/16	
17	0641514	2	HEX HD CAPSCREW, 5/16-18X1 3/4	
18	2130810	2	ELBOW, 90, (includes item 27)	
19	2130806	1	ELBOW, 90	
20	2170708	1	SWIVEL NUT RUN TEE, 1/4 TUBE	
21	2130808	2	ELBOW, 90, (includes item 28)	
22	1001097936	1	HOSE ASSY	
23	1001097937	1	HOSE ASSY	
24	0682016	2	HEX HD CAPSCREW, 5/8-11X2, GR8	
25	0100011	AR	LOCTITE 242	
26	0100075	AR	LOCTITE 545	
27	88591206	2	O-RING, (not shown)	
28	88591205	2	O-RING, (not shown)	

SECTION 12 - OPTIONS

FIGURE 12-11. TRUSS BOOM WINCH



PY5560

SECTION 12 - OPTIONS

FIGURE 12-11. TRUSS BOOM WINCH

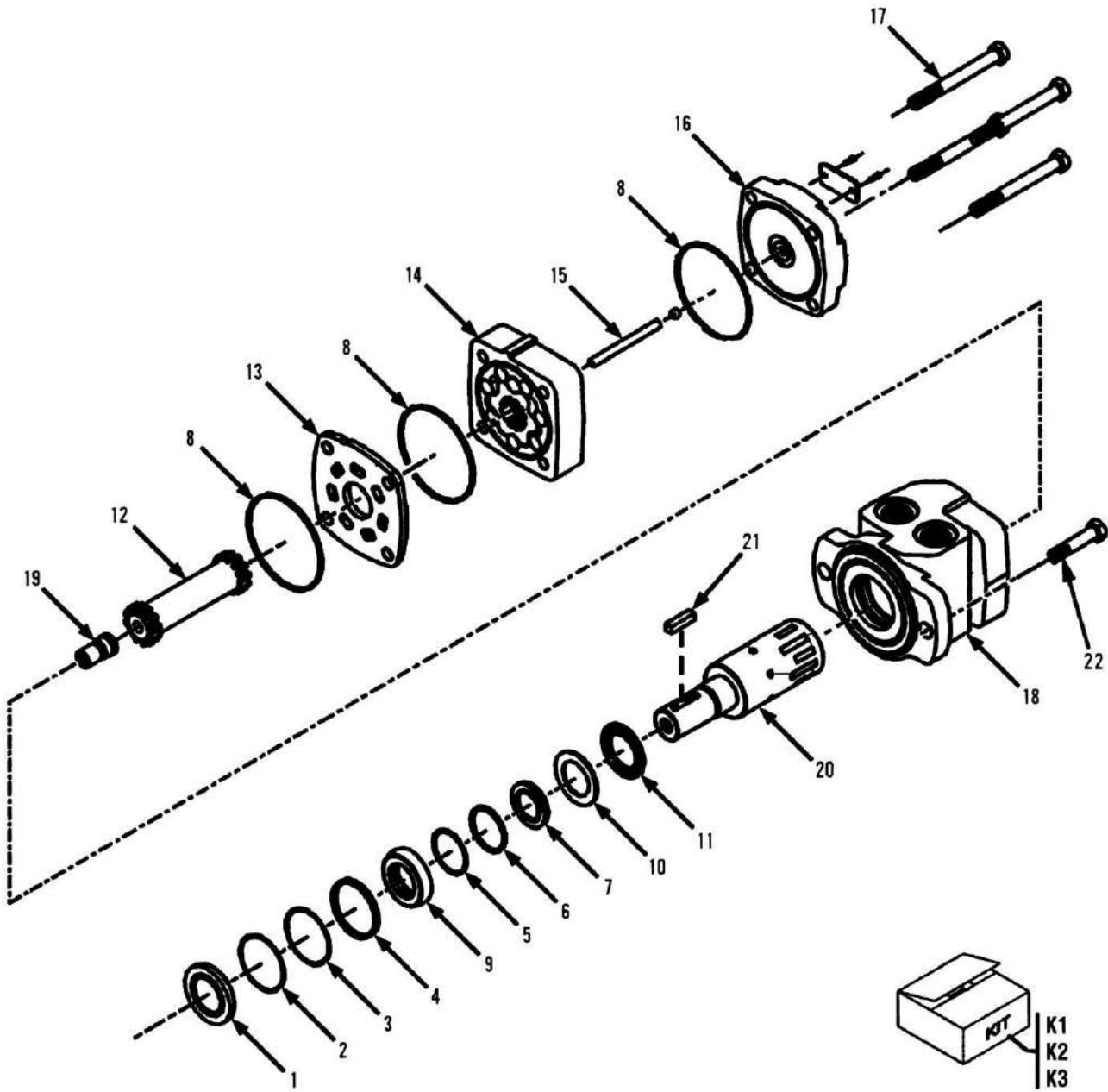
ITEM	PART NUMBER	QTY	DESCRIPTION	REV
	91413160	1	WINCH, 5 IN DRUM, (includes all items on this page & on WINCH MOTOR)	
	91413159	NLA	WINCH, 8 IN DRUM, (no longer available, use 1001114795 on WINCH for replacement), (includes all items on this page and on WINCH MOTOR)	B
1	91404383	1	GEAR CASE	
2	N.S.S.	1	LOCK SET A	
3	91404385	1	LOCK SET B	
4	91404386	1	CABLE DRUM, 5 IN	
4	91404432	1	CABLE DRUM, 8 IN	
5	Kit	1	BRAKE DRUM	
6	91404388	1	GEAR CASE COVER	
7	90208148	1	CABLE DRUM SHAFT, 5 IN	
7	91404433	1	CABLE DRUM SHAFT, 8 IN	
8	91404389	1	WORM SHAFT, (includes item 10)	
9	N.S.S.	1	WORM GEAR	
10	N.S.S.	1	WORM	
11	91404392	6	CABLE DRUM SHAFT KEY	
12	N.S.S.	1	LOCK SEAT A BUSHING	
13	91404394	2	BUSHING	
14	91404395	4	STUD BOLT, 1/2X1-1/2	
15	91404396	2	COLLAR	
16	Kit	1	BRAKE PLATE	
17	Kit	1	BRAKE HOUSING	
18	Kit	1	BRAKE DRUM	
19	Kit	1	ADJUSTING BOLT	
20	Kit	1	ADJUSTING NUT	
21	Kit	1	SPRING SEAT	
22	Kit	1	ROLLER	
23	Kit	2	BRAKE LINING	
24	Kit	1	BRAKE PLATE A	
25	Kit	2	BRAKE PLATE B	
26	Kit	1	FIXING PLATE	
27	N.S.S.	1	OIL FILL PLUG	
28	N.S.S.	1	BEARING SHIM	
29	91404408	2	BEARING HUB GASKET	
30	91404409	1	GEAR CASE GASKET	
31	Kit	1	O-RING	
32	91404411	2	WASHER	
33	91404412	1	BUSHING	
34	Kit	2	SEAL	
35	91404413	2	WORM SHAFT KEY	
36	N.S.S.	1	WORM SHAFT KEY	
37	Kit	1	SPRING	
38	Kit	1	BRAKE DRUM SPRING	
39	N.S.S.	1	MOTOR MOUNT ADAPTER	
40	90208181	1	COUPLER	
42	91404416	2	BEARING	
43	Kit	2	V.C. TYPE LOCK RING	
44	91404418	1	OIL LEVEL PLUG	

SECTION 12 - OPTIONS

ITEM	PART NUMBER	QTY	DESCRIPTION	REV
45	91404419	1	OIL DRAIN PLUG	
46	N.S.S.	1	COUPLER SPACER	
47	91404420	2	BEARING HUB	
48	91404421	2	OIL SEAL	
49	Kit	8	CAP SCREW, 3/8X1-1/2	
50	Kit	8	LOCKWASHER	
51	N.S.S.	1	GREASE FITTING	
52	Kit	5	NUT	
53	91404426	1	HEX HD CAPSCREW, 3/8X1	
54	N.S.S.	1	LOCKWASHER	
55	N.S.S.	1	HEX HD CAPSCREW, 3/8X1	
56	Kit	1	BRAKE COVER GASKET	
57	91404430	1	OIL SEAL	
K1	70020227	1	BRAKE LINING ASSY, (includes items 5, 16 thru 26, 31, 34, 37, 38, 43, 49, 50, 52 & 56)	

SECTION 12 - OPTIONS

FIGURE 12-12. WINCH MOTOR



PY5740

SECTION 12 - OPTIONS

FIGURE 12-12. WINCH MOTOR

ITEM	PART NUMBER	QTY	DESCRIPTION	REV
		Ref	WINCH MOTOR, (includes all items)	
1	91414051	1	DUST SEAL	
2	Kit	1	SPLIT WIRE RING	
3	Kit	1	METAL BACKUP SHIM	
4	Kit	1	HIGH PRESSURE SEAL	
5	Kit	1	METAL BACKUP SHIM	
6	Kit	1	TEFLON BACKUP SHIM	
7	Kit	1	SHAFT SEAL	
8	91414052	1	BODY SEAL	
9	Kit	1	SEAL CARRIER	
10	Kit	1	THRUST WASHER	
11	91414053	1	THRUST BEARRING	
12	91414054	1	DRIVE LINK	
13	91414055	1	MID MOUNT WEAR PLATE	
14	91414056	1	ROTOR KIT	
15	91414057	1	DRIVE LINK PIN	
16	91414058	1	END COVER	
17	91414059	1	BOLT SET	
18	91414060	1	HOUSING	
19	91414061	1	COOLING PLUG	
20	91414062	1	SHAFT, (includes item 21)	
21	91414063	1	KEY	
22	88201024	2	HEX HD CAPSCREW, 5/16-18X2, GR5	
K1	91414049	1	SEAL KIT, (includes items 1 thru 10)	
K2	91414050	1	SEAL KIT, (includes items 1 thru 8)	
K3	90208212	1	SEAL KIT, (includes items 9 & 10)	

SECTION 12 - OPTIONS

FIGURE 12-13. SWAY CYLINDER VALVE

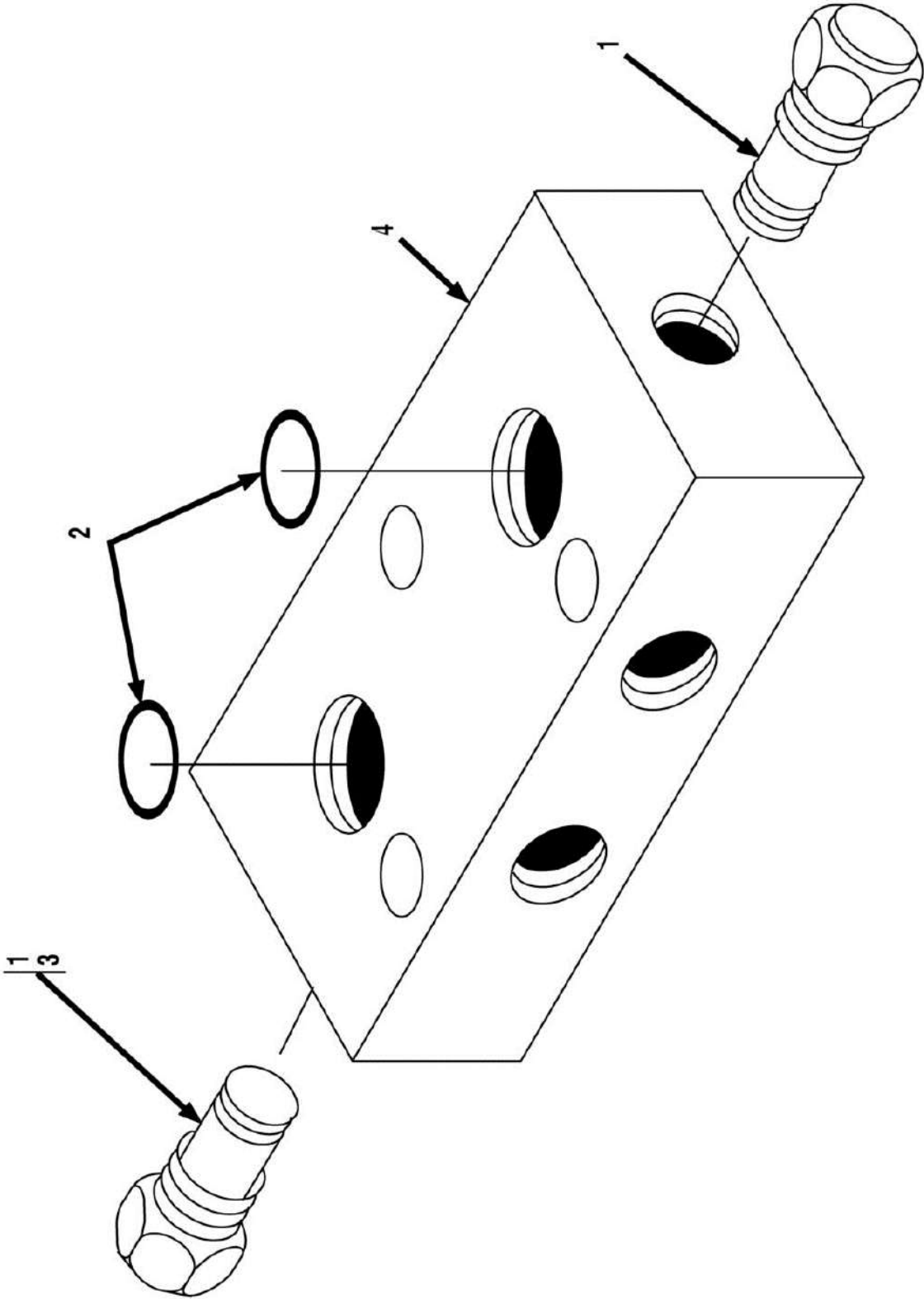
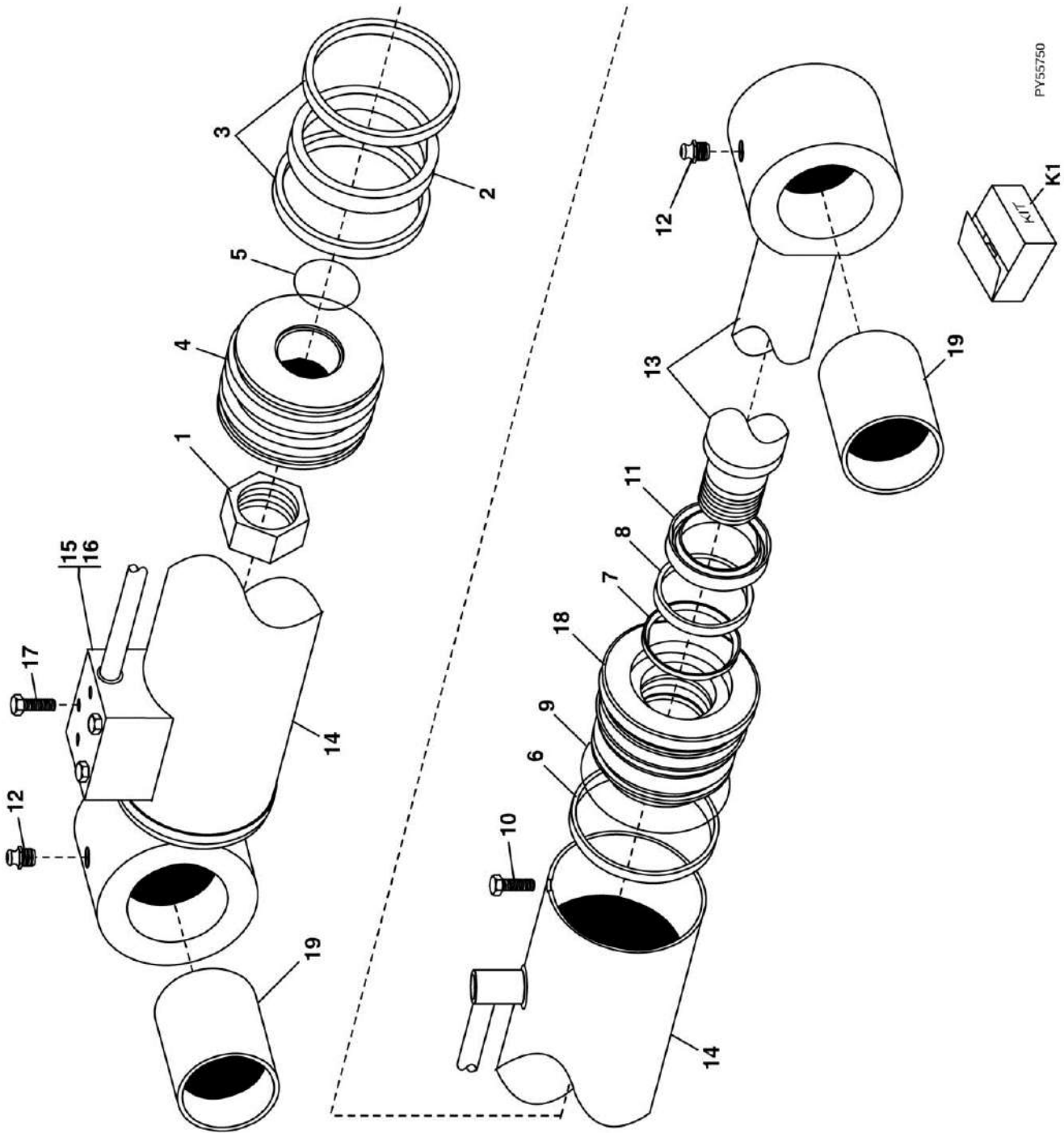


FIGURE 12-13. SWAY CYLINDER VALVE

ITEM	PART NUMBER	QTY	DESCRIPTION	REV
	91403180	1	SWAY CYLINDER VALVE, (includes all items)	
1	91404216	2	VALVE CARTRIDGE	
2	91404215	2	O-RING	
3	91404217	1	PISTON	
4	91404218	1	VALVE BODY	

SECTION 12 - OPTIONS

FIGURE 12-14. SWAY CYLINDER



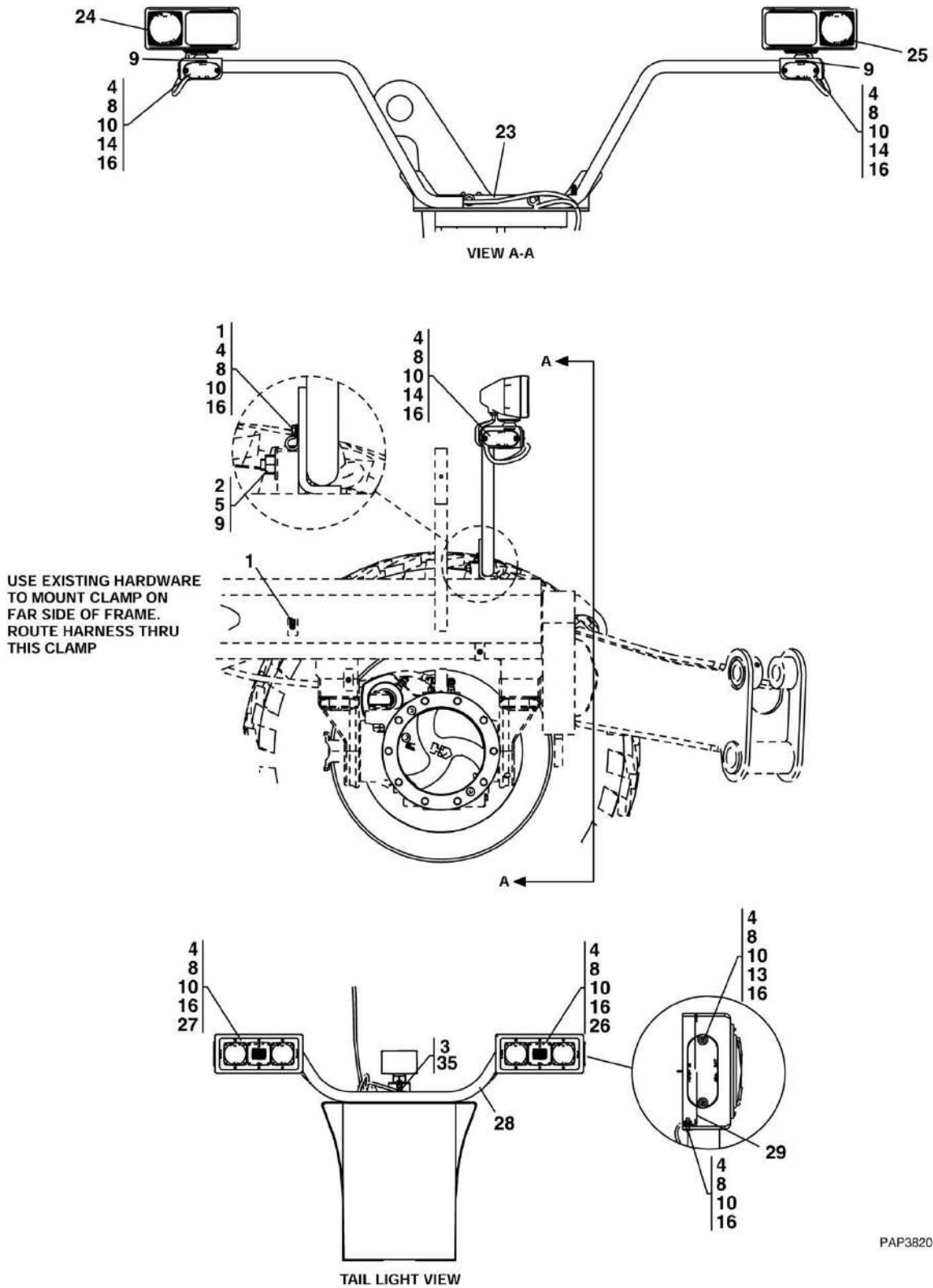
SECTION 12 - OPTIONS

FIGURE 12-14. SWAY CYLINDER

ITEM	PART NUMBER	QTY	DESCRIPTION	REV
	91403279	1	SWAY CYLINDER, (includes all items)	
1	91144038	1	LOCK NUT	
2	91404353	1	PISTON SEAL	
3	91404354	2	WEAR RING	
4	91404355	1	PISTON	
5	91164022	1	O-RING	
6	91404356	1	U-CUP SEAL	
7	91404357	1	STEP SEAL	
8	91404358	1	U-CUP SEAL	
9	91404359	1	O-RING	
10	91124096	1	SELF TAPPING SCREW	
11	91404360	1	WIPER	
12	91144128	2	GREASE FITTING	
13	91404361	1	SHAFT ASSY	
14	91404362	1	CASE ASSY	
15	91404363	1	COVER	
16	91404364	1	GASKET	
17	91404365	3	CAPSCREW	
18	91404366	1	HEAD	
19	91404352	2	BUSHING	
K1	91404367	AR	SEAL KIT, (includes items 2, 3, 5 thru 9, 11 & 16)	

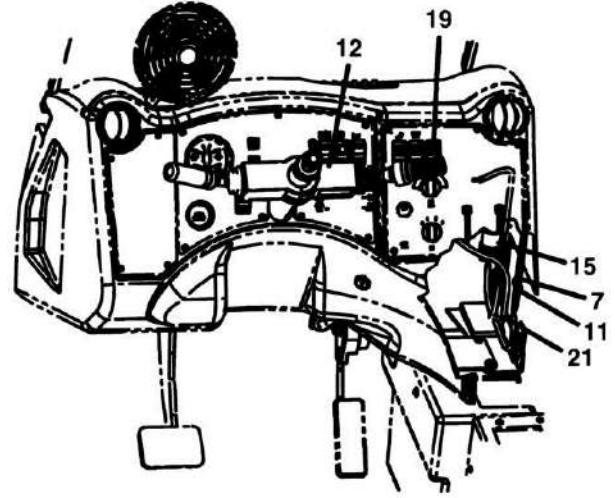
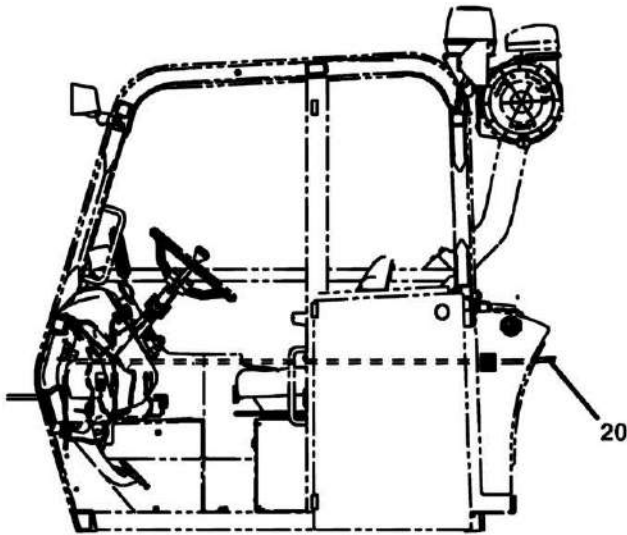
SECTION 12 - OPTIONS

FIGURE 12-15. ROAD LIGHTS INSTALLATION

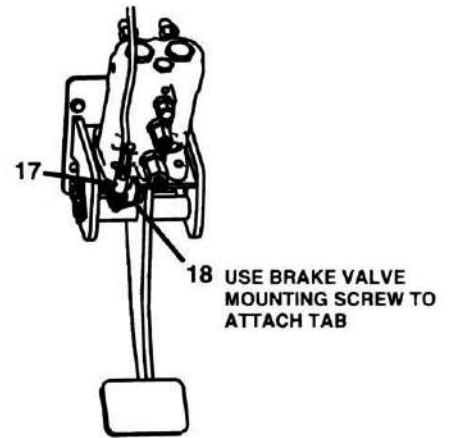
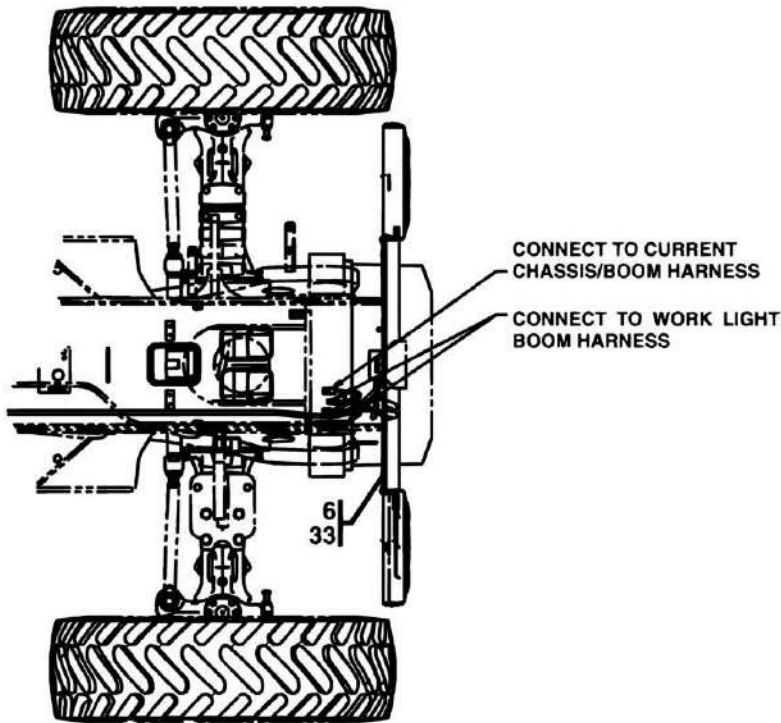


PAP3820

SECTION 12 - OPTIONS

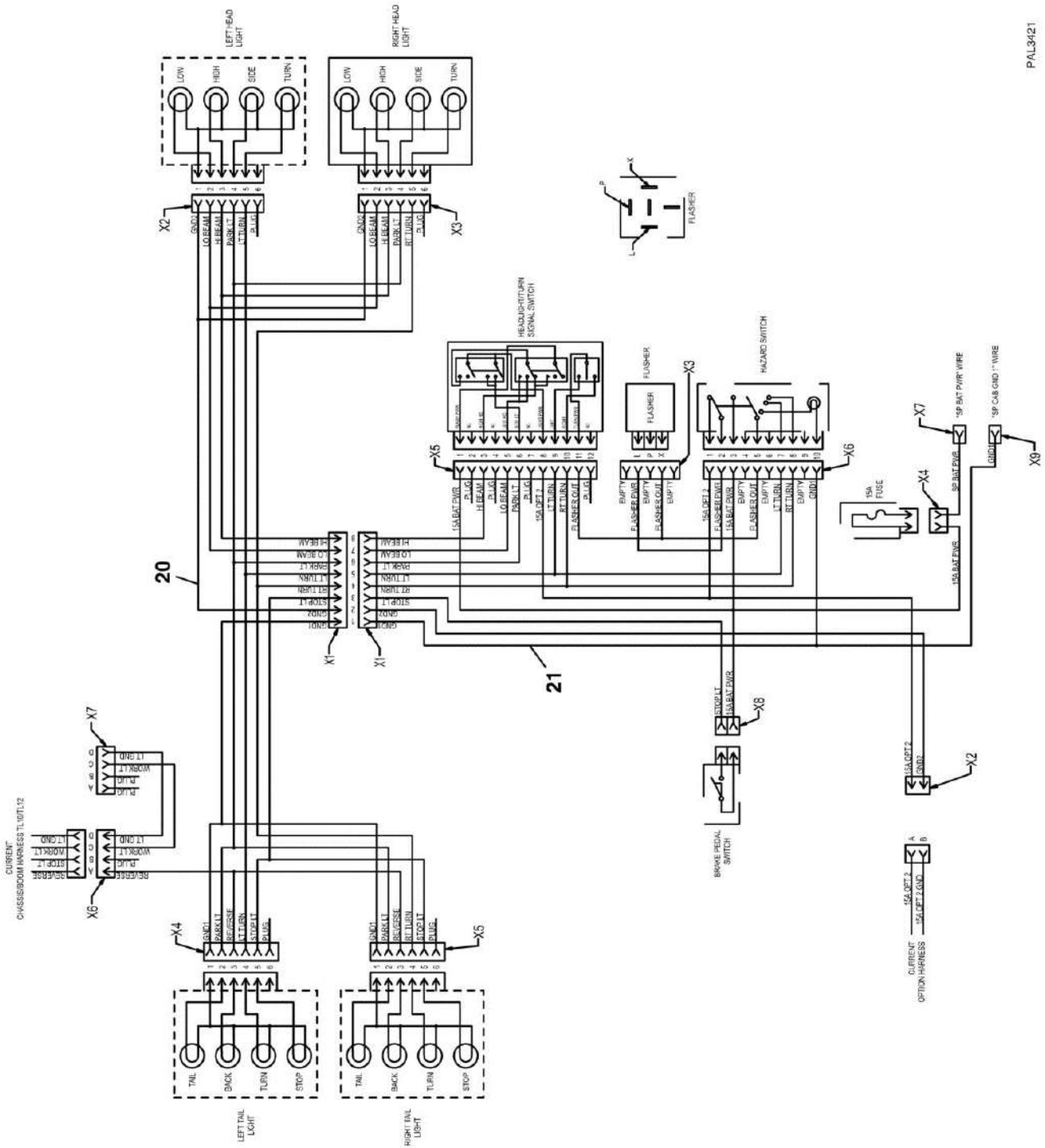


INSTRUMENT PANEL



PAL3411

SECTION 12 - OPTIONS



PAL3421

SECTION 12 - OPTIONS

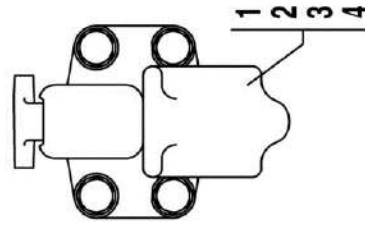
FIGURE 12-15. ROAD LIGHTS INSTALLATION

ITEM	PART NUMBER	QTY	DESCRIPTION	REV
	1001113091	Ref	ROAD LIGHTS INSTALLATION, (not available to order; see items 1 thru 35 for service)	4
1	85941016	1	CLAMP, 1/2	
2	0641818	2	HEX HD CAPSCREW, 1/2-13X2-1/4, GR5, (torque to 75 lb-ft)	
3	0642222	1	HEX HD CAPSCREW, 3/4-10X2-3/4, GR5, (torque to 80 lb-ft)	
4	3311001	26	HEX NUT, 10-24	
5	3311805	2	HEX LOCKNUT, 1/2-13	
6	3941506	2	TAP SCREW	
7	4461254	1	FASTON TERMINAL	
8	4711000	28	FLAT WASHER, #10	
9	4751800	6	FLAT WASHER, 1/2	
10	4761000	26	LOCKWASHER, #10	
11	8220050	1	CONNECT TERMINAL, MALE	
12	8223073	1	TURN SIGNAL SELECTOR	
13	10718991	2	REFLECTOR, RED	
14	10718992	4	REFLECTOR, YELLOW	
15	80983168	1	VARIABLE LOAD FLASHER	
16	88261010	26	SOCKET BUTTON HD CAPSCREW, #10-24X3/4	
17	91143117	1	STOPLIGHT SWITCH	
18	91511127	1	MOUNTING TAB	
19	1001090459	1	SWITCH	
20		Ref	ROAD LIGHTS FRAME HARNESS, (See ROAD LIGHT & FRAME HARNESS for details)	
21		Ref	ROAD LIGHTS CAB HARNESS, (See ROAD LIGHT & CAB HARNESS for details)	
23	1001094264	1	FRONT ROAD LIGHTS BRACKET	
24	1001094390	1	FRONT ROAD LIGHTS, RH, (torque to 50 lb-ft)	
24	91503103	1	CONNECTOR	
24	91504107	1	CONNECTOR LOCK	
25	1001094391	1	FRONT ROAD LIGHTS, LH, (torque to 50 lb-ft)	
25	91503103	1	CONNECTOR	
25	91504107	1	CONNECTOR LOCK	
26	1001094392	1	TAIL LIGHT, RH	
26	91503103	1	CONNECTOR	
26	91504107	1	CONNECTOR LOCK	
27	1001094393	1	TAIL LIGHT, LH	
27	91503103	1	CONNECTOR	
27	91504107	1	CONNECTOR LOCK	
28	1001094523	1	TAIL LIGHT BRACKET	
29	1001094824	2	TAIL LIGHT COVER	
33	1320263	2	SUPPORT CLAMP	
35	4752200	1	FLAT WASHER, 3/4	

SECTION 12 - OPTIONS

FIGURE 12-16. PINTLE HOOK INSTALLATION

PAL2170



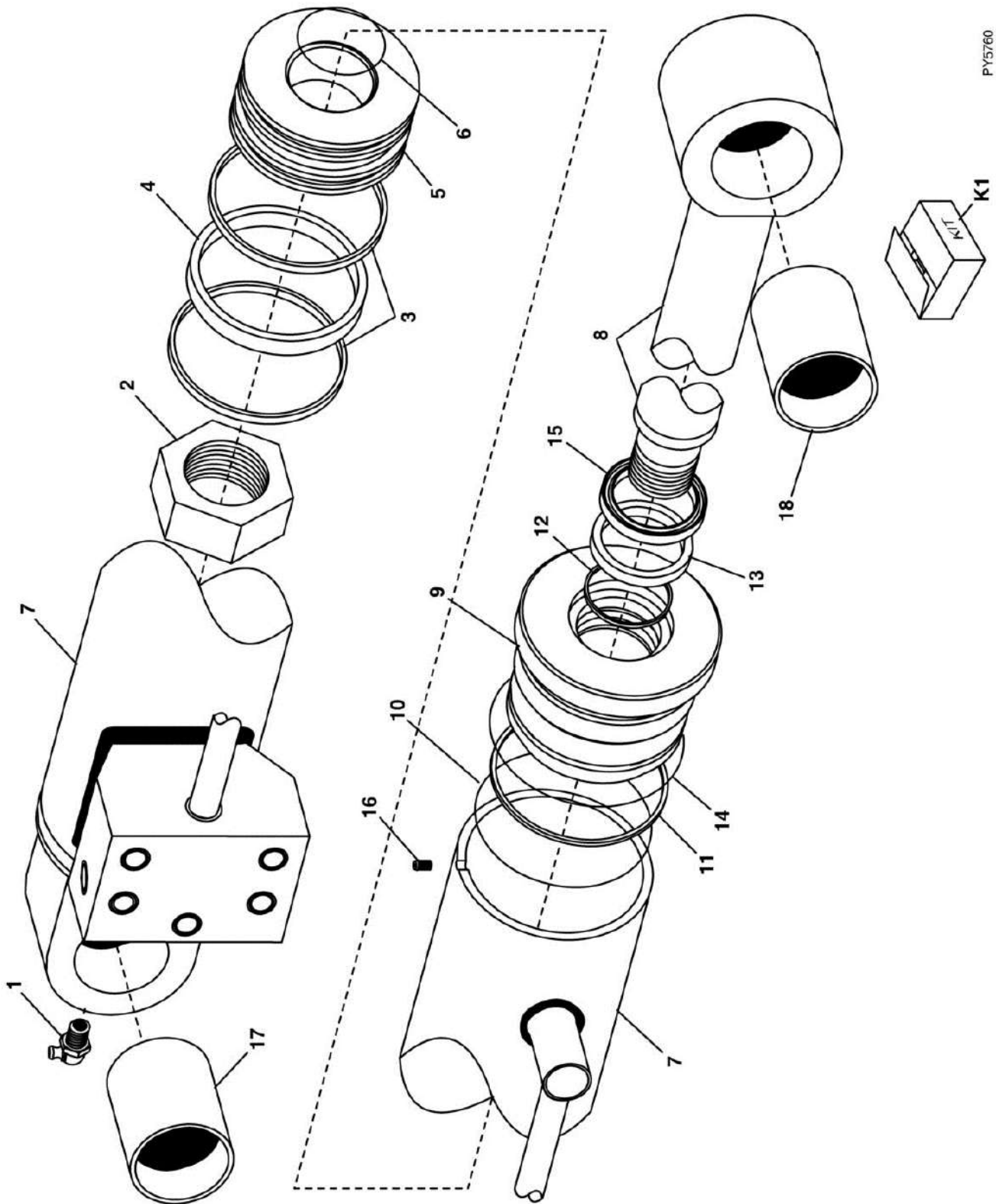
SECTION 12 - OPTIONS

FIGURE 12-16. PINTLE HOOK INSTALLATION

ITEM	PART NUMBER	QTY	DESCRIPTION	REV
1	91565086	1 Ref	PINTLE HOOK INSTALLATION, (includes items 1 thru 4) COUNTERWEIGHT, (See FRAME & ATTACHING PARTS SECTION for details)	B
2	90200602	1	PINTLE HOOK	
3	83201120	4	HEX HD CAPSCREW, 1/2-13X1-3/4	
4	88551013	4	LOCKWASHER, 1/2	

SECTION 12 - OPTIONS

FIGURE 12-17. SWING CYLINDER



PY5760

K1

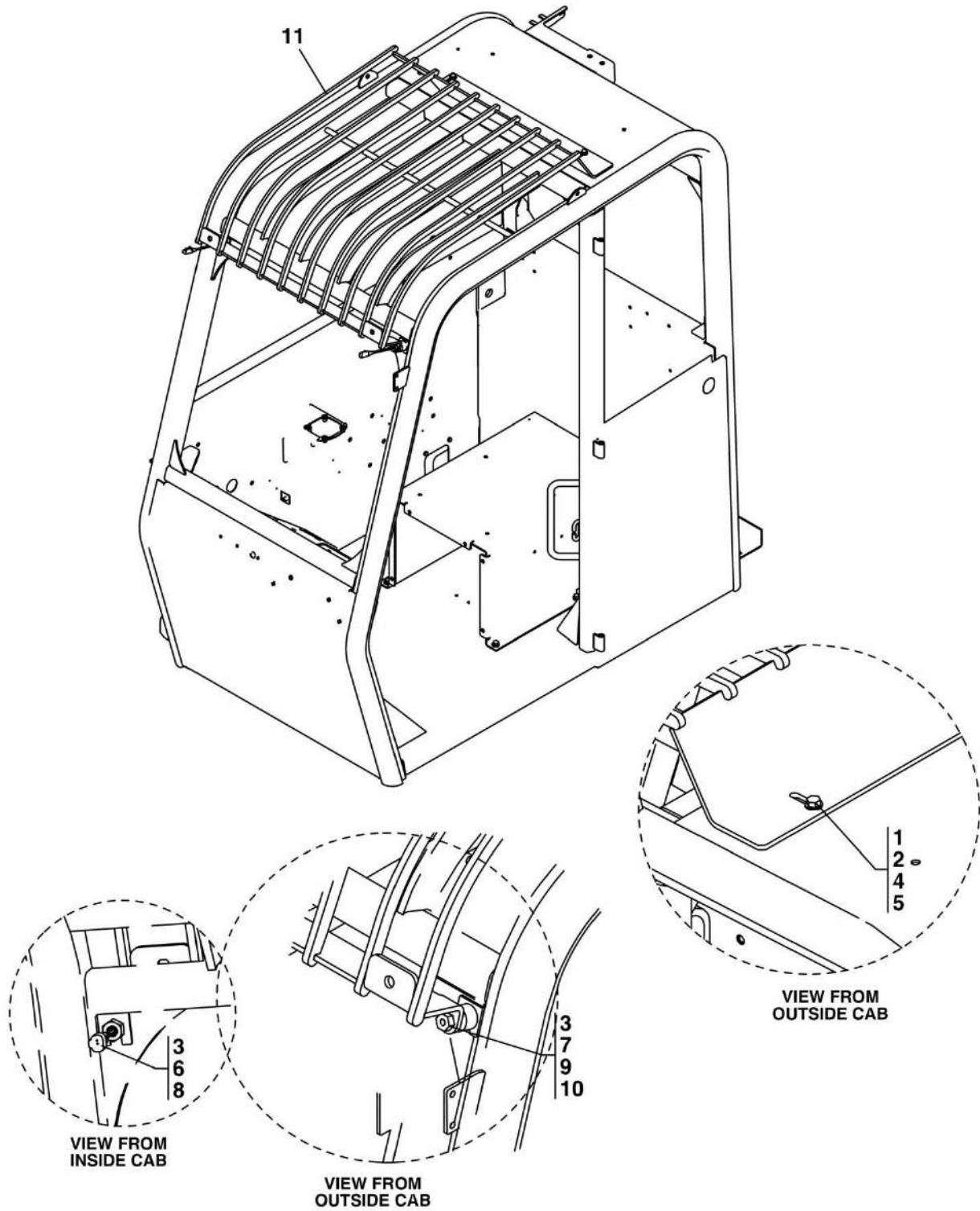
SECTION 12 - OPTIONS

FIGURE 12-17. SWING CYLINDER

ITEM	PART NUMBER	QTY	DESCRIPTION	REV
	91403322	1	SWING CYLINDER, (includes all items)	
1	91144125	1	GREASE FITTING	
2	91034156	1	LOCKNUT	
3	91404368	2	WEAR RING	
4	91404369	1	PISTON SEAL	
5	91404370	1	PISTON	
6	91124100	1	O-RING	
7	91404371	1	CASE ASSY	
8	91404372	1	SHAFT ASSY	
9	91404373	1	HEAD	
10	91404374	1	O-RING	
11	91404375	1	BACKUP	
12	91404376	1	STEP SEAL	
13	91404377	1	U-CUP	
14	91404378	1	O-RING	
15	91404379	1	WIPER	
16	91404380	1	SETSCREW	
17	91034157	1	BUSHING	
18	91144267	1	BUSHING	
K1	91404381	AR	SEAL KIT, (includes items 3, 4, 6 & 10 thru 15)	

SECTION 12 - OPTIONS

FIGURE 12-18. TOP CAB GLASS SHIELD



PAP11510

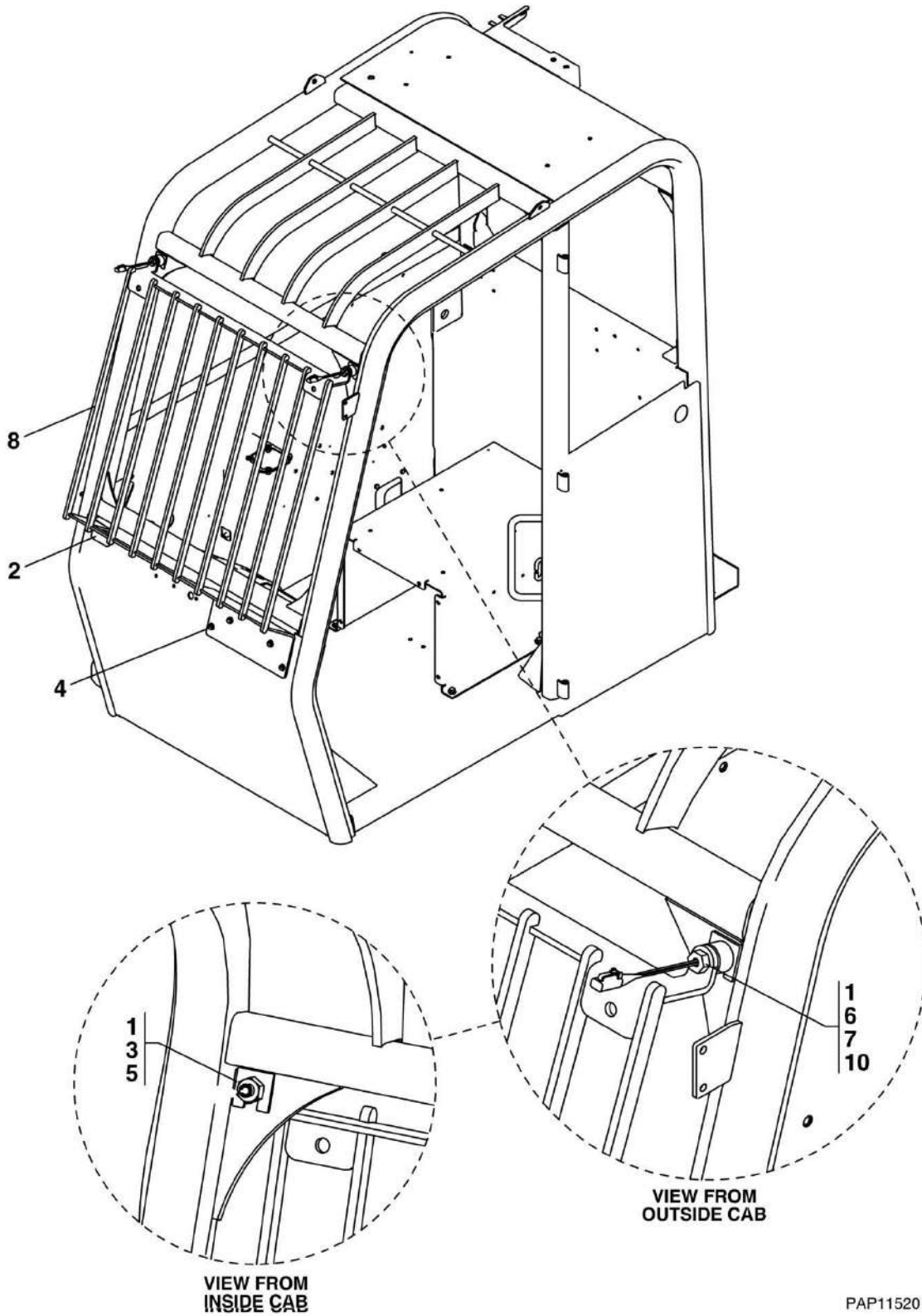
SECTION 12 - OPTIONS

FIGURE 12-18. TOP CAB GLASS SHIELD

ITEM	PART NUMBER	QTY	DESCRIPTION	REV
	1001100879	1	TOP CAB GLASS SHIELD, (includes all items)	B
1	0641608	2	HEX HD CAPSCREW, 3/8-16X1	
2	3271601	2	HEX NUT, 3/8-16, GR8	
3	4071133	4	WASHER	
4	4711600	4	WASHER, 3/8	
5	4761600	2	LOCKWASHER, 3/8	
6	4761800	2	LOCKWASHER, 1/2	
7	14404173	AR	SEALANT	
8	88501008	2	HEX NUT, 1/2-13	
9	91403503	2	SPACER	
10	1001096728	2	BOLT, 1/2-13	
11	1001098344	1	BRACKET	

SECTION 12 - OPTIONS

FIGURE 12-19. FRONT CAB GLASS SHIELD



PAP11520

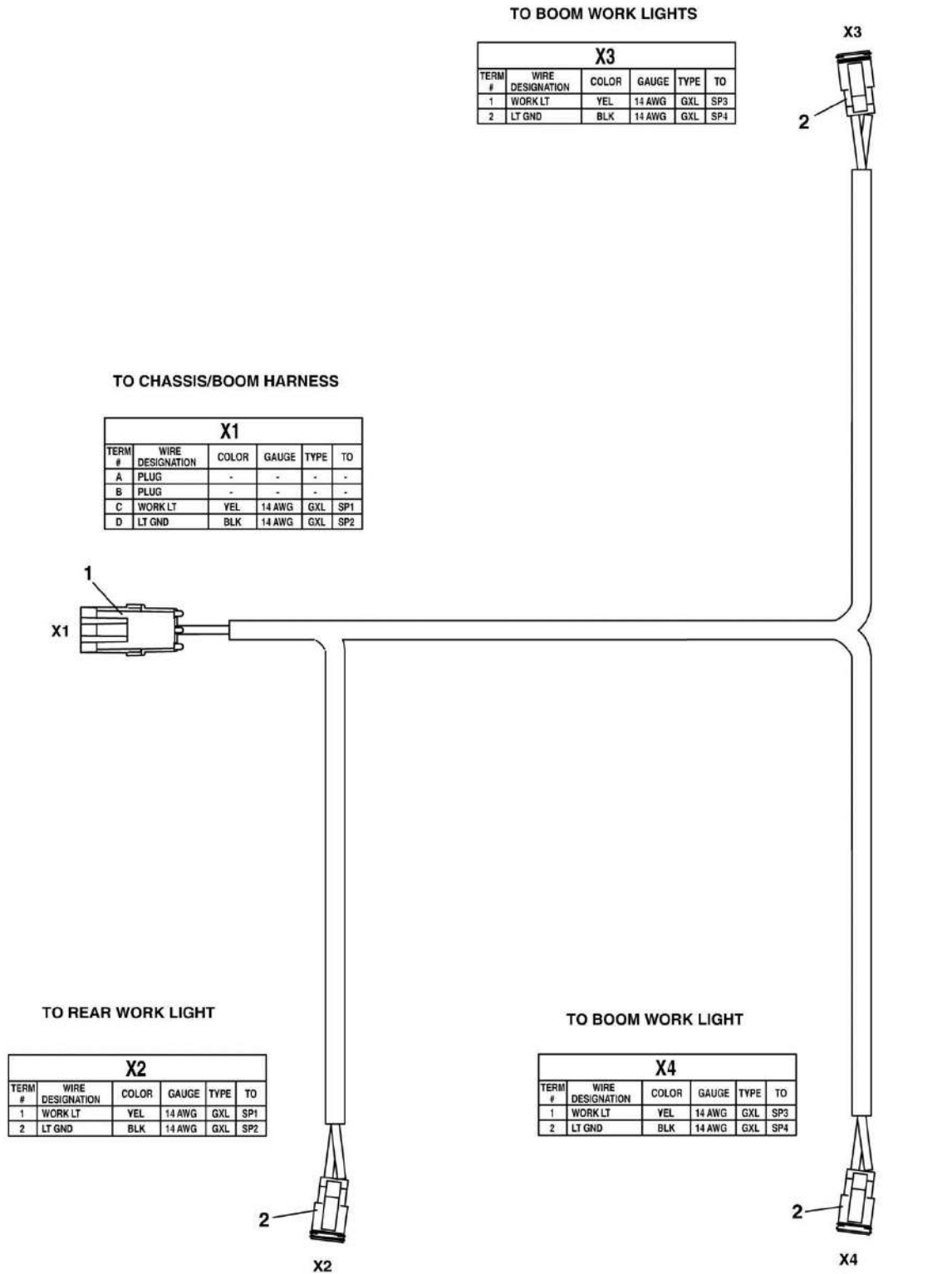
SECTION 12 - OPTIONS

FIGURE 12-19. FRONT CAB GLASS SHIELD

ITEM	PART NUMBER	QTY	DESCRIPTION	REV
	1001100880	1	FRONT CAB GLASS SHIELD, (includes all items)	B
1	4071133	4	WASHER	
2	4420060	1	FOAM TAPE	
3	4761800	2	LOCKWASHER, 1/2	
4	77143003	4	SCREW, 5/16-18X5/8	
5	88501008	2	HEX NUT, 1/2-13	
6	91403503	2	SPACER	
7	1001096728	2	BOLT, 1/2-13	
8	1001098042	1	BRACKET	
10	14404173	AR	SEALANT	

SECTION 12 - OPTIONS

FIGURE 12-20. BOOM WORK LIGHT HARNESS



PAP2790

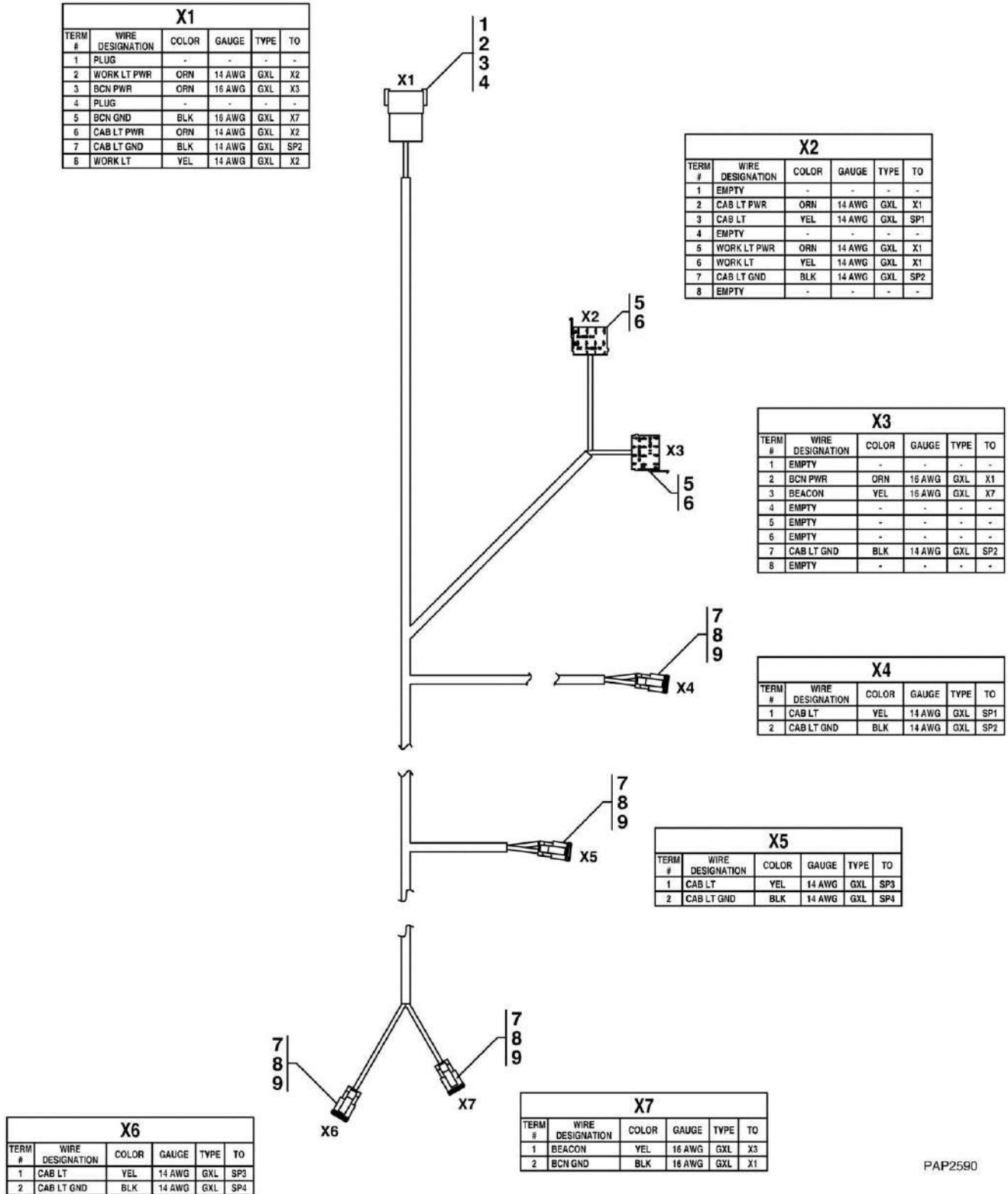
SECTION 12 - OPTIONS

FIGURE 12-20. BOOM WORK LIGHT HARNESS

ITEM	PART NUMBER	QTY	DESCRIPTION	REV
	1001090505	NLA	BOOM WORK LIGHT HARNESS, (no longer available, order 1001125382 for service) (Prior to SN 0160040475)	B
	1001125382	1	BOOM WORK LIGHT HARNESS, (includes all items) (SN 0160040475 to Present)	A
1	80963062	1	CONNECTOR	
1	4460850	2	TERMINAL	
1	8220081	2	SEAL	
1	1001116727	2	PLUG	
2	4460891	3	PLUG CONNECTOR, (includes rear seal)	
2	80604018	1	WEDGE LOCK	
2	4460942	2	TERMINAL	

SECTION 12 - OPTIONS

FIGURE 12-21. WORK LIGHT CAB HARNESS (G10-55A SN 0160031697 through 0160045635, Including 0160045082 and 0160045295; G12-55A SN 0160031708 through 0160045635, Including 0160045094, 0160045209, 0160045296 and 0160045449)



PAP2590

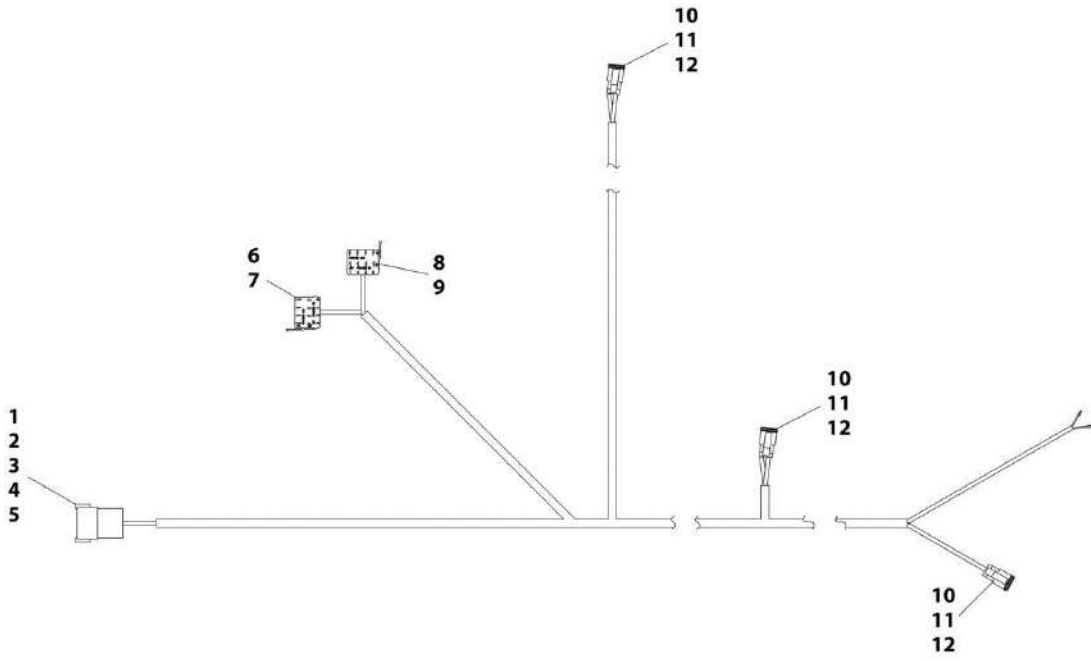
SECTION 12 - OPTIONS

FIGURE 12-21. WORK LIGHT CAB HARNESS (G10-55A SN 0160031697 through 0160045635, Including 0160045082 and 0160045295; G12-55A SN 0160031708 through 0160045635, Including 0160045094, 0160045209, 0160045296 and 0160045449)

ITEM	PART NUMBER	QTY	DESCRIPTION	REV
	1001090506	NLA	CAB WORK LIGHT HARNESS, (no longer available, use 1001125384 for replacement or 1 thru 9 for service)	D
	1001125384	NLA	CAB WORK LIGHT HARNESS, (no longer available, use 1001158896 for replacement or 1 thru 9 for service)	B
1	91554017	1	HOUSING	
2	8220525	6	WEDGE LOCK	
3	4460464	6	TERMINAL	
4	4460466	2	PLUG	
5	7026439	2	HOUSING	
6	1001118384	8	TERMINAL	
7	7026408	4	HOUSING	
8	80604018	8	WEDGE LOCK	
9	4460465	8	TERMINAL	

SECTION 12 - OPTIONS

FIGURE 12-22. WORK LIGHT CAB HARNESS



ART_1001158896-B

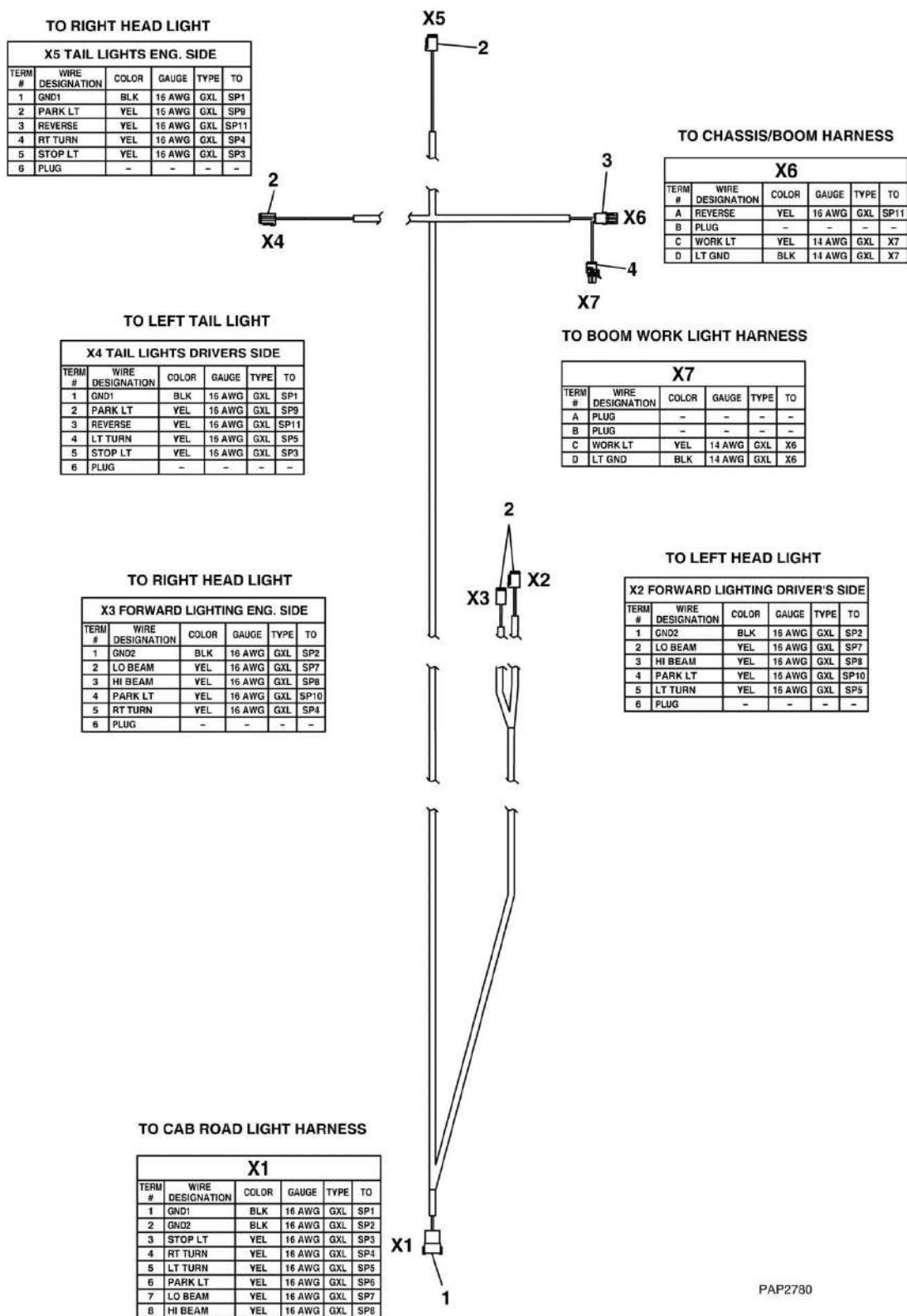
SECTION 12 - OPTIONS

FIGURE 12-22. WORK LIGHT CAB HARNESS

ITEM	PART NUMBER	QTY	DESCRIPTION	REV
	1001158896	Ref	WORK LIGHT CAB HARNESS, (includes items 1 thru 12)	B
1	91503105	1	CONNECTOR	
2	8220525	1	LOCK	
3	77363229	4	CONTACT	
4	4460942	2	TERMINAL	
5	4460466	2	TERMINAL, SEALING PLUG	
6	7026439	1	HOUSING	
7	1001118384	5	TERMINAL	
8	7026439	1	HOUSING	
9	1001118384	3	TERMINAL	
10	7026408	3	CONNECTOR	
11	80604018	1	WEDGE LOCK	
12	80463058	2	TERMINAL	

SECTION 12 - OPTIONS

FIGURE 12-23. ROAD LIGHT AND FRAME HARNESS



PAP2730

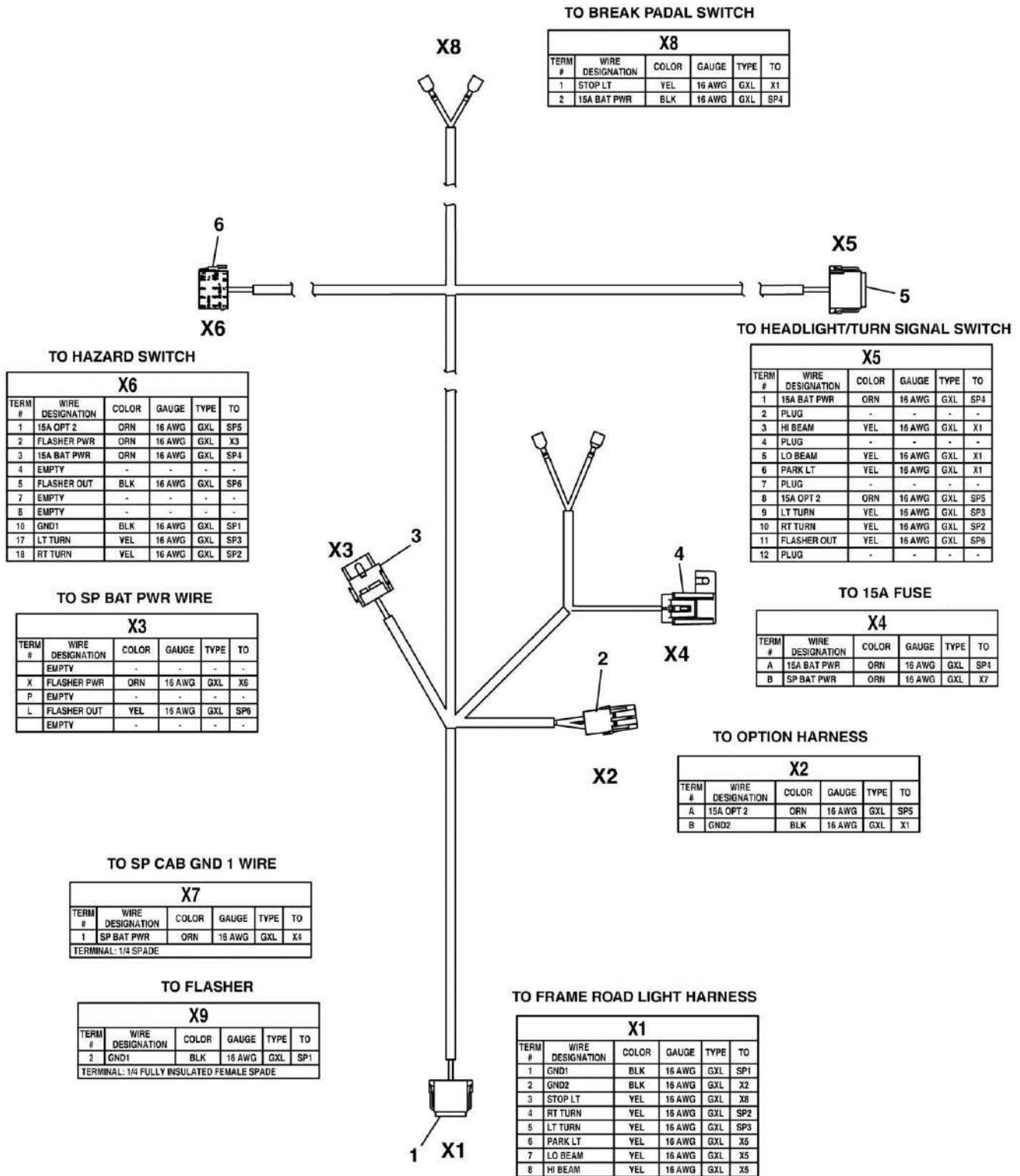
SECTION 12 - OPTIONS

FIGURE 12-23. ROAD LIGHT AND FRAME HARNESS

ITEM	PART NUMBER	QTY	DESCRIPTION	REV
	1001090508	NLA	ROAD LIGHT AND FRAME HARNESS, (no longer available, use 1001125385 for replacement) (Prior to SN 0160040475)	C
	1001125385	1	ROAD LIGHT AND FRAME HARNESS, (includes all items) (SN 0160040475 to Present)	A
1	1001116813	1	HOUSING	
1	91503106	1	WEDGE LOCK	
1	4460464	8	TERMINAL	
2	4460894	4	PLUG CONNECTOR, (includes rear seal)	
2	80604023	1	WEDGE LOCK	
2	4460465	5	TERMINAL	
3	80963062	1	HOUSING	
3	4460850	3	TERMINAL	
3	8220081	3	SEAL	
3	1001116727	1	PLUG	
4	80963061	1	HOUSING	
4	4460457	2	TERMINAL	
4	4460458	2	SEAL	
4	1001116727	2	PLUG	

SECTION 12 - OPTIONS

FIGURE 12-24. ROAD LIGHT AND CAB HARNESS



PAP2770

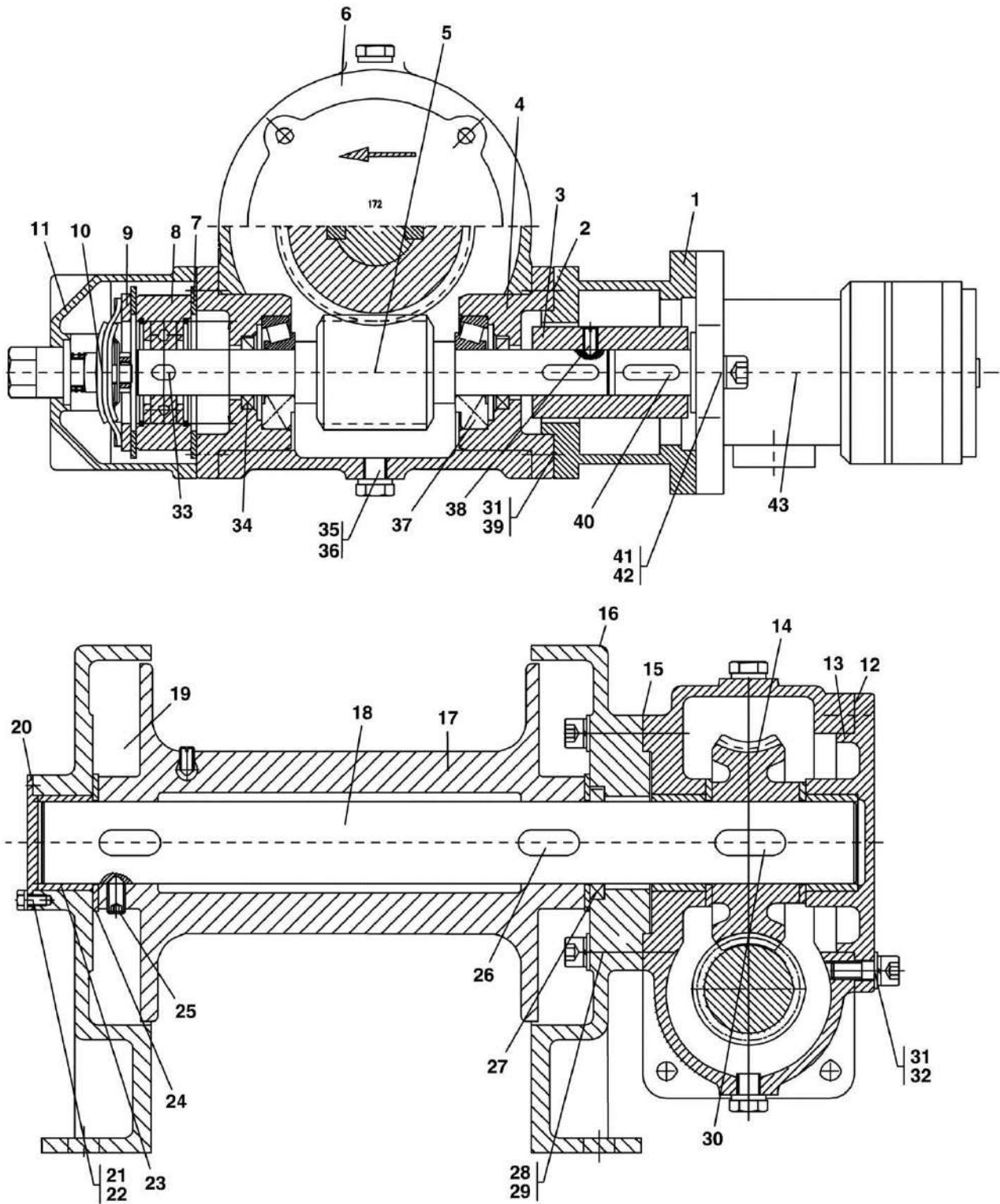
SECTION 12 - OPTIONS

FIGURE 12-24. ROAD LIGHT AND CAB HARNESS

ITEM	PART NUMBER	QTY	DESCRIPTION	REV
	1001090509	1	ROAD LIGHTS CAB HARNESS, (includes all items)	C
1	4460851	1	PLUG CONNECTOR, (includes rear seal)	
1	80604025	1	WEDGE LOCK	
1	4460465	8	TERMINAL	
2	4461157	1	CONNECTOR	
2	4460475	2	TERMINAL	
2	8220081	2	TERMINAL SEAL	
3	1001117058	1	CONNECTOR	
3	4460419	2	TERMINAL	
4	1001117018	1	CONNECTOR	
4	1001116733	2	TERMINAL	
4	1001117024	1	COVER WITH 15 AMP FUSE	
5	4460933	1	PLUG CONNECTOR	
5	80604016	1	WEDGE LOCK	
5	4460465	8	TERMINAL	
6	1001117079	1	CONNECTOR	
6	1001118384	7	TERMINAL	

SECTION 12 - OPTIONS

FIGURE 12-25. WINCH



PAP2830

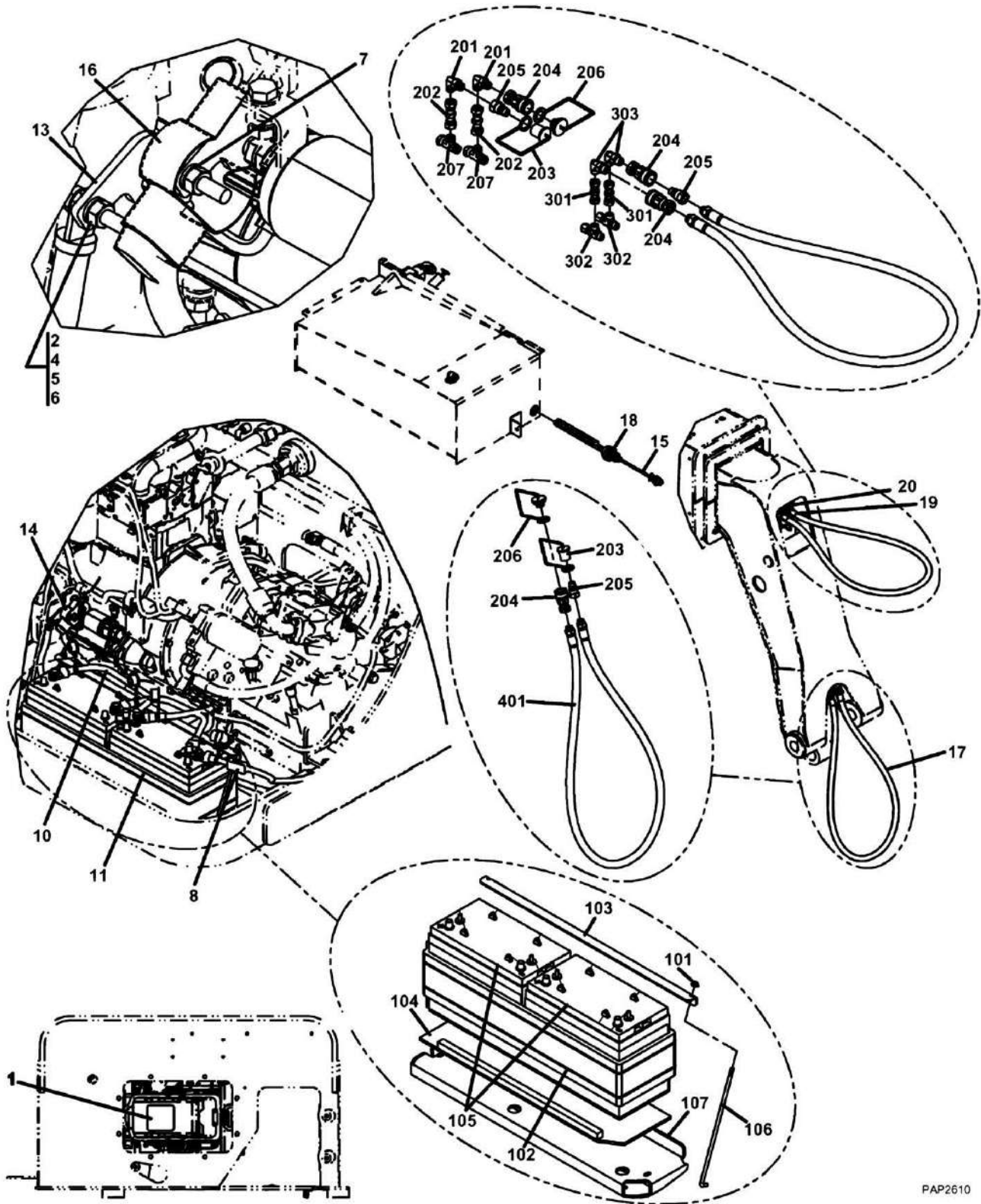
SECTION 12 - OPTIONS

FIGURE 12-25. WINCH

ITEM	PART NUMBER	QTY	DESCRIPTION	REV
	1001114795	1	WINCH WITH MOTOR, (includes all items)	A
1	70023747	1	MOTOR ADAPTER	
2	70023748	5	PAPER MAT	
3	70023749	1	COUPLING SHAFT	
4	70023750	2	BEARING HOUSING	
5	70023751	1	WORM	
6	70023752	1	GEAR HOUSING	
7	70023753	2	FRICTION PLATE	
8	70023754	1	OVER RUNNING CLUTCH	
9	70023755	1	FRICTION DISK	
10	70023756	1	BRAKE	
11	70023757	1	BRAKE SHELL	
12	70023758	2	PAPER MAT	
13	70023759	1	END CAP	
14	70023760	1	WORM GEAR	
15	70023761	1	PAPER MAT2	
16	70023762	1	CENTER BRACKET	
17	70023763	1	WINCH DRUM	
18	70023764	1	WORM GEAR SHAFT	
19	70023765	1	END BRACKET	
20	70023766	1	LEFT END CAP	
21	70023767	4	END CAP BOLT	
22	70023768	4	END CAP WASHER	
23	70023769	3	SELF LUBRICATING BEARING	
24	70023770	4	THRUST WASHER	
25	70023771	1	SHAFT BOLT	
26	70023772	4	DRUM SHAFT KEY	
27	70023773	1	CENTER BRACKET SEAL	
28	70023774	18	SPRING WASHER	
29	70023775	6	CENTER BRACKET BOLT	
30	70023776	2	DRUM SHAFT KEY	
31	70023777	10	GEAR COVER WASHER	
32	70023778	4	GEAR COVER BOLT	
33	70023779	1	WORM SHAFT KEY1	
34	70023780	2	WORM SHAFT SEAL	
35	70023781	3	GEAR HOUSING BOLT	
36	70023782	3	GEAR HOUSING WASHER	
37	70023783	2	TAPERED ROLLER BEARING	
38	70023784	3	MOTOR COUPLER SCREW	
39	70023785	8	MOTOR ADAPTER BOLT	
40	70023786	1	MOTOR COUPLER KEY	
41	70023787	2	MOTOR BOLT	
42	70023788	2	MOTOR WASHER	
43	70023789	1	MOTOR	

SECTION 12 - OPTIONS

FIGURE 12-26. ARCTIC PACKAGE - PERKINS ENGINE



PAP2610

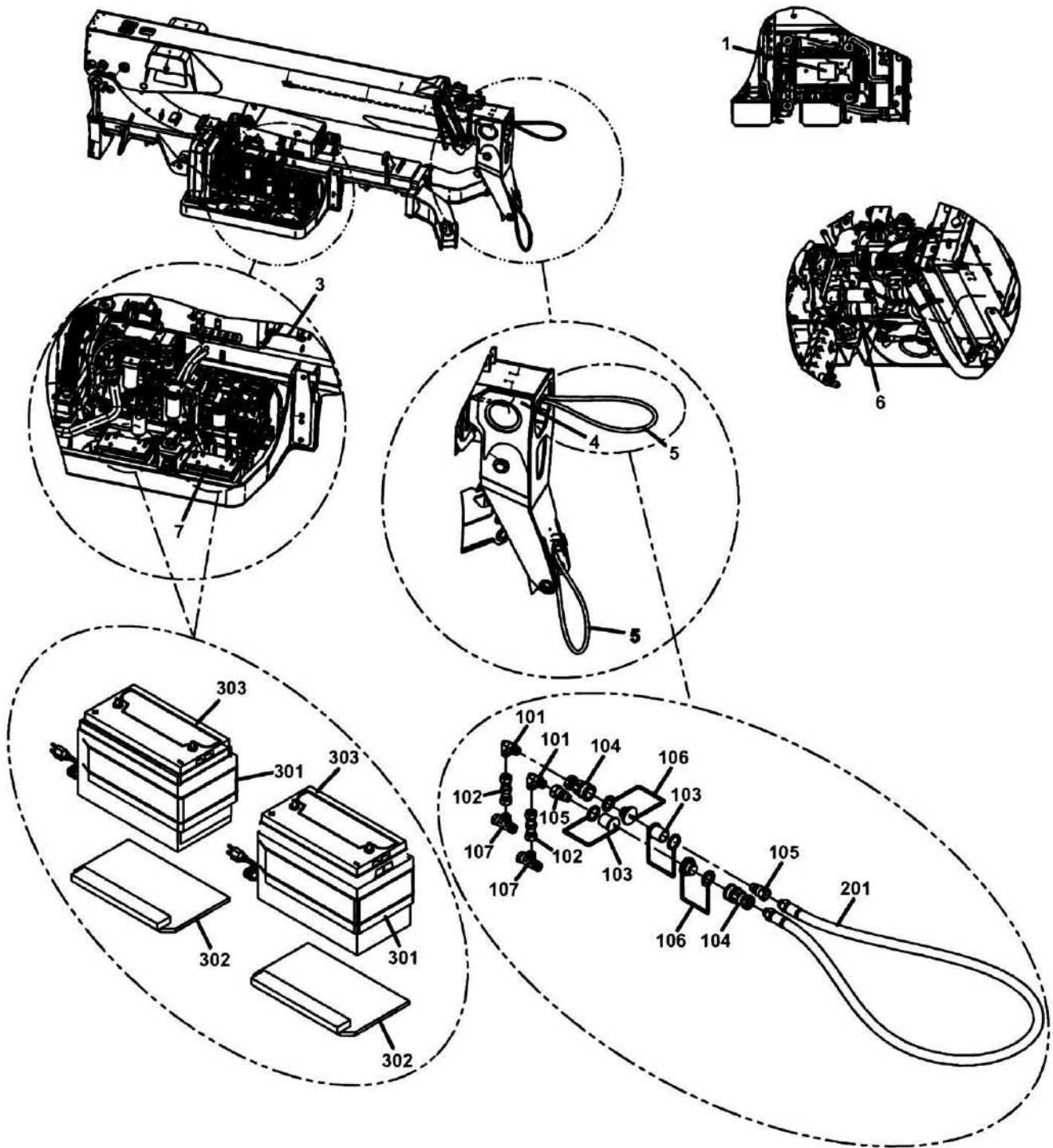
SECTION 12 - OPTIONS

FIGURE 12-26. ARCTIC PACKAGE - PERKINS ENGINE

ITEM	PART NUMBER	QTY	DESCRIPTION	REV
	1001105968	1	ARCTIC PACKAGE, (includes all items)	C
1	0252654	1	OIL PAN HEATER	
2	0760815	2	HEX HD CAPSCREW, M8X35, GR 8.8	
3	1060626	1	3 WAY EXTENSION CORD, (not shown)	
4	3290801	2	HEX NUT, M8X1.25	
5	4811900	2	WASHER, 8mm	
6	4831900	2	SPRING LOCKWASHER, 8mm	
7	8310046	2	LOCKWASHER	
8	1001001616	1	NEGATIVE BATTERY CABLE	
10	1001098843	1	NEGATIVE BATTERY CABLE JUMPER	
11	1001098904	1	ARCTIC DUAL BATTERY, (includes items 101 thru 107)	
13	1001104797	2	STARTER PLATE	
14	1001121391	1	STARTER MOTOR, (12V, 4.2 KW)	
15	1001105886	1	IMMERSION HYDRAULIC HEATER	
16	1001106507	1	BOOT POSITION STARTER TERMINAL	
17	1001121460	2	RECIRC HOSE, (includes items 203 thru 206 & 401)	
18	1001107835	1	ADAPTOR	
19	1001121459	1	TILT RECIR, (includes items 201 thru 207)	
20	1001121458	1	TILT RECIR, (includes items 203 thru 206 & 301 thru 303)	
101	77143006	2	WHIZ LOK NUT, 5/16-18	
102	1001097000	1	BATTERY HEATER	
103	1001098473	1	BRACKET	
104	1001098739	1	DUAL BATTERY INSULATE	
105	1001098762	2	BATTERY, EV12A 1375 CCA	
106	1001098824	2	BATTERY HOLD DOWN BOLT	
107	1001099104	1	DUAL BATTERY MOUNT	
201	2130808	2	ELBOW, 90	
202	2172408	2	FITTING, 8-8 FG	
203	91043126	1	DUST CAP	
204	91403413	1	FEMALE QUICK DISCONNECT	
205	91403414	1	MALE QUICK DISCONNECT	
206	91043125	1	PLUG	
207	2170708	2	SWIVEL NUT RUN TEE, 1/2 TUBE	
301	2172406	2	FITTING, 6-6 FG	
302	2170706	2	SWIVEL NUT RUN TEE, 3/8 TUBE	
303	2130608	2	CONNECTOR, (includes o-ring)	
401	1001121454	1	HOSE ASSY	

SECTION 12 - OPTIONS

FIGURE 12-27. ARCTIC PACKAGE - CUMMINS ENGINE



PAP2540

SECTION 12 - OPTIONS

FIGURE 12-27. ARCTIC PACKAGE - CUMMINS ENGINE

ITEM	PART NUMBER	QTY	DESCRIPTION	REV
	1001125890	1	ARCTIC PACKAGE, (includes all items)	A
1	0252654	1	OIL PAN HEATER	
2	1060626	1	3 WAY EXTENSION CORD, (not shown)	
3	1001105886	1	IMMERSION HYDRAULIC HEATER	
4	1001121459	1	TILT RECIR, (includes items 101 thru 107)	
5	1001121460	2	TILT RECIR, (includes items 103 thru 106 & 201)	
6	1001125786	1	STARTER MOTOR	
7	1001125917	1	ARCTIC BATTERIES, (includes items 301 thru 303)	
101	2130808	2	ELBOW, 90	
102	2172408	2	FITTING, 8-8 FG	
103	91043126	1	DUST CAP	
104	91403413	1	FEMALE QUICK DISCONNECT	
105	91403414	1	MALE QUICK DISCONNECT	
106	91043125	1	PLUG	
107	2170708	2	SWIVEL NUT RUN TEE, 1/2 TUBE	
201	1001121454	1	HOSE ASSY	
301	1001093564	2	BATTERY HEATER	
302	1001115878	2	BATTERY BASE INSULATE	
303	1001125916	2	BATTERY	

SECTION 13 - RECOMMENDED SPARE PARTS

SECTION 13 - RECOMMENDED SPARE PARTS

SECTION 13 - RECOMMENDED SPARE PARTS

FIGURE 13-1. RECOMMENDED SPARE PARTS

ITEM	PART NUMBER	QTY	DESCRIPTION	REV
	Note	Ref	NOTE: THE FOLLOWING LIST WILL SERVICE FLEETS OF MACHINES (BUILT TO CURRENT PRODUCTION PER DATE ON THE FRONT COVER) WITH REPAIR PARTS WHICH CAN BE INSTALLED IN THE FIELD. PARTS FROM THE LIST SHOULD BE REPLACED WHEN INVENTORY IS DEPLETED TO KEEP SERVICE PARTS STOCK SUPPLIED. FOR FURTHER INFORMATION, CONTACT YOUR JLG DEALER OR THE JLG INDUSTRIES PARTS DEPARTMENT.	
		Ref	BOOM	
	2754107	2	TILT CYLINDER HOSE, (JOHN DEERE ENGINE) (Prior to SN 0160037689)	
	1001098179	2	TILT CYLINDER HOSE, (JOHN DEERE ENGINE) (SN 0160037689 to Present)	
	1001097039	2	TILT CYLINDER HOSE, (PERKINS & CUMMINS ENGINE) (Prior to SN 0160037689)	
	1001098179	1	TILT CYLINDER HOSE, (PERKINS & CUMMINS ENGINE) (SN 0160037689 to Present)	
	84718959	2	BOOM HOSE, (JOHN DEERE ENGINE)	
	1001091746	2	BOOM HOSE, (PERKINS & CUMMINS ENGINE)	
	91163037	4	EXTEND/RETRACT CHAIN, (G10-55A)	
	91563035	4	EXTEND/RETRACT CHAIN, (G12-55A)	
	91563036	1	RETRACT CHAIN, THIRD SECTION, (G12-55A)	
	91033189	6	BEARING PAD, (G10-55A)	
	91033189	4	BEARING PAD, (G12-55A)	
	91033186	12	BEARING PAD	
	1001117653	4	BEARING PAD	
	1001117652	12	BEARING PAD	
	91163188	6	BEARING PAD	
	91163214	2	BEARING PAD	
	91563028	2	BEARING PAD (Prior to SN 0160038538)	
	1001117660	4	BEARING PAD (SN 0160038538 to Present)	
	91161184	AR	SHIM, 0.0598	
	90205870	AR	SHIM, 0.0598	
	91121082	AR	SHIM, 0.0598	
	91141302	AR	SHIM, 0.0598	
	91161183	4	SPACER, 0.0598	
	91031236	22	SPACER, 0.0598	
	91511094	4	SPACER, 0.0598	
	91141303	12	SPACER, 0.0598	
	91033187	1	BEARING PAD, BOOM HYDRAULICS	
	91033187	1	BEARING PAD, BOOM HYDRAULICS	
	91403404	1	QUICK SWITCH PIN, (Prior to SN 0160037689)	
	1001105441	1	QUICK SWITCH PIN (SN 0160037689 to Present)	
	91403407	1	QUICK RELEASE PIN, (Prior to SN 0160037689)	
	1001143692	1	QUICK RELEASE PIN, (Except SN 0160037689 to Present)	
		Ref	ENGINE, (JOHN DEERE)	
	91535011	1	250 HOUR FILTER KIT, (G10-55A)	
	2915177	1	1000 HOUR FILTER KIT, (G10-55A)	
	91565090	1	250 HOUR FILTER KIT, (G12-55A)	
	2915178	1	1000 HOUR FILTER KIT, (G12-55A)	
	91403513	1	FUEL TANK CAP (Prior to SN 0160020149)	

SECTION 13 - RECOMMENDED SPARE PARTS

ITEM	PART NUMBER	QTY	DESCRIPTION	REV
	1001093641	1	FUEL TANK CAP (SN 0160020149 to Present)	
	91403514	1	LOCKING FUEL TANK CAP (Prior to SN 0160020149)	
	2902446	1	LOCKING FUEL TANK CAP (SN 0160020149 through 0160032081)	
	91563043	1	FAN	
	91404086	1	FAN BELT	
	91474171	1	DIPSTICK	
	1101312	1	PRIMARY ELEMENT, (G10-55A)	
	7026573	1	PRIMARY ELEMENT, (G12-55A)	
	1101313	1	SECONDARY ELEMENT, (G10-55A)	
	7026572	1	SECONDARY ELEMENT, (G12-55A)	
		Ref	ENGINE, (PERKINS)	
	1001111853	1	250 HOUR FILTER KIT, (G10-55A)	
	1001111854	1	1000 HOUR FILTER KIT, (G10-55A)	
	1001111855	1	250 HOUR FILTER KIT, (G12-55A)	
	1001111856	1	1000 HOUR FILTER KIT, (G12-55A)	
	70022035	1	PRIMARY FUEL FILTER/BOWL KIT	
	70021226	1	SECONDARY FUEL FILTER	
	8006013	1	OIL FILTER	
	1101312	1	PRIMARY ELEMENT, (G10-55A)	
	7026573	1	PRIMARY ELEMENT, (G12-55A)	
	1101313	1	SECONDARY ELEMENT, (G10-55A)	
	7026572	1	SECONDARY ELEMENT, (G12-55A)	
	91403513	1	FUEL TANK CAP (Prior to SN 0160020149)	
	91403514	1	LOCKING FUEL TANK CAP (Prior to SN 0160020149)	
	1001093641	1	FUEL TANK CAP (SN 0160020149 to Present)	
	2902446	1	LOCKING FUEL TANK CAP (SN 0160020149 through 0160032081)	
	7029902	1	FAN	
	7029901	1	FAN BELT	
	7029894	1	DIPSTICK	
		Ref	ENGINE, (CUMMINS)	
	1001128963	1	250 HOUR FILTER KIT	
	1001128962	1	1000 HOUR FILTER KIT	
	70020349	1	PRIMARY FUEL FILTER	
	70020348	1	SECONDARY FUEL FILTER	
	70020358	1	OIL FILTER	
	7026573	1	PRIMARY ELEMENT	
	7026572	1	SECONDARY ELEMENT	
	1001102657	1	LOCKING FUEL TANK CAP	
	70023446	1	FAN BELT	
	70020350	1	DIPSTICK	
		Ref	DRIVE TRAIN	
	91563226	1	F-N-R SHIFTER	
	1319726	1	TRANSMISSION FILTER	
	7028716	4	WHEEL END SEAL	
	91514111	4	WHEEL END BUSHING	
	7029300	4	WHEEL HUB SEAL	
	7026911	1	UNIVERSAL JOINT KIT	
	91474035	4	UNIVERSAL JOINT KIT	
		Ref	HYDRAULICS	
	91513212	1	BOOM JOYSTICK ASSY	

SECTION 13 - RECOMMENDED SPARE PARTS

ITEM	PART NUMBER	QTY	DESCRIPTION	REV
	91404325	1	BOOM JOYSTICK HANDLE ASSY	
	7026961	1	LIFT CYLINDER SEAL KIT (G10-55A Prior to SN 0160033659; Excluding 0160033452)	
	70021632	1	LIFT CYLINDER SEAL KIT (G10-55A SN 0160033659 through 0160035822; Including 0160033452)	
	70021632	1	LIFT CYLINDER SEAL KIT, (G10-55A LIFT CYLINDER 1001101285)	
	70023393	1	LIFT CYLINDER SEAL KIT, (G10-55A LIFT CYLINDER 1001116447)	
	70023397	1	LIFT CYLINDER SEAL KIT (G12-55A Prior to SN 0160033659; Excluding 0160033452)	
	70021641	1	LIFT CYLINDER SEAL KIT (G12-55A SN 0160033659 through 0160035879; Including 0160033452)	
	70021641	1	LIFT CYLINDER SEAL KIT (G10-55A LIFT CYLINDER 1001101283)	
	70023397	1	LIFT CYLINDER SEAL KIT, (G12-55A LIFT CYLINDER 1001116446)	
	7026467	1	CROWD CYLINDER SEAL KIT (G10-55A Prior to SN 0160033661; G12-55A Prior to SN 0160033659; Excluding 0160033452)	
	70021598	1	CROWD CYLINDER SEAL KIT (G10-55A SN 0160033661 through 0160035882; G12-55A SN 0160033659 through 0160035879; Including 0160033452)	
	70021598	1	CROWD CYLINDER SEAL KIT, (CROWD CYLINDER 1001101286)	
	70023387	1	CROWD CYLINDER SEAL KT, (CROWD CYLINDER 1001116448)	
	7026944	1	TILT CYLINDER SEAL KIT (G10-55A Prior to SN 0160033661)	
	70021574	1	TILT CYLINDER SEAL KIT (G10-55A SN 0160033661 through 0160037689)	
	70022093		TILT CYLINDER SEAL KIT (G10-55A SN 0160037689 to Present)	
	7026475	1	TILT CYLINDER SEAL KIT (G12-55A Prior to SN 0160033659; Excluding 0160033452)	
	70021548	1	TILT CYLINDER SEAL KIT (G12-55A SN 0160033659 through 0160037689; Including 0160033452)	
	70022098	1	TILT CYLINDER SEAL KIT (G12-55A SN 0160037689 to Present)	
	7026944	1	COMPENSATING CYLINDER SEAL KIT (G10-55A Prior to SN 0160033659; Excluding 0160033452)	
	70021574	1	COMPENSATING CYLINDER SEAL KIT (SN 0160033659 through 0160041564, Including 0160033452)	
	70023986	1	COMPENSATING CYLINDER SEAL KIT (G10-55A SN 0160041565 to Present)	
	7026475	1	COMPENSATING CYLINDER SEAL KIT (G12-55A Prior to SN 0160033659; Excluding 0160033452)	
	70021548	1	COMPENSATING CYLINDER SEAL KIT (SN 0160033659 through 0160041564, Including 0160033452)	
	70023991	1	COMPENSATING CYLINDER SEAL KIT (G12-55A SN 0160041565 to Present)	
	7026934	1	SWAY CYLINDER SEAL KIT (G10-55A Prior to SN 0160033661; G12-55A Prior to SN 0160033659; Excluding 0160033452)	
	70021639	1	SWAY CYLINDER SEAL KIT (G10-55A SN 0160033661 through 0160039837; G12-55A SN 0160033659 through 0160039838)	
	7026934	1	STABILIZER CYLINDER SEAL KIT (G10-55A Prior to SN 0160033661; G12-55A Prior to SN 0160033659; Excluding 0160033452)	
	70021639	1	STABILIZER CYLINDER SEAL KIT (G10-55A SN 0160033661	

SECTION 13 - RECOMMENDED SPARE PARTS

ITEM	PART NUMBER	QTY	DESCRIPTION	REV
			through 0160039837; G12-55A SN 0160033659 through 0160039838)	
	70023943	1	STABILIZER CYLINDER SEAL KIT (G10-55A SN 0160039838 to Present; G12-55A SN 0160039839 to Present)	
	91144004	2	OUTRIGGER CYLINDER SEAL KIT (Prior to SN 0160039838)	
	70023899	2	OUTRIGGER CYLINDER SEAL KIT (SN 0160039838 to Present)	
	1001093626	1	HYDRAULIC FILTER ELEMENT	
	91563248	1	TANK FILTER	
	1340021	1	BREATHER	
	91563136	1	FLUID LEVEL GAUGE	
	91404084	1	BAR GAUGE	
		Ref	ELECTRICAL	
	91143314	1	ENGINE COOLANT TEMP SENDER, (JOHN DEERE ENGINE)	
	1001001535	1	ENGINE COOLANT TEMP SENDER, (PERKINS ENGINE)	
	91563121	1	TRANSMISSION TEMP SWITCH	
	91563122	1	OIL PRESSURE SWITCH	
	91553045	1	OIL PRESSURE SENDER, (JOHN DEERE ENGINE)	
	91143315	1	OIL PRESSURE SENDER, (PERKINS ENGINE)	
	91403609	1	FUEL LEVEL SENDER (Prior to SN 0160020149)	
	1001148837	1	FUEL LEVEL SENDER, (SN 0160020149 to Present)	
	77383377	1	STARTER RELAY, (JOHN DEERE ENGINE)	
	77383377	2	STARTER RELAY, (PERKINS ENGINE)	
	77383377	1	STARTER RELAY, (CUMMINS ENGINE)	
	8270621	1	BACKUP ALARM	
	91033317	1	IGNITION SWITCH	
	7026922	1	ALTERNATOR, (JOHN DEERE ENGINE)	
	1001090078	1	ALTERNATOR, (PERKINS ENGINE)	
	70023287	1	ALTERNATOR, (CUMMINS ENGINE)	
	7026921	1	STARTER, (JOHN DEERE ENGINE)	
	7029782	1	STARTER, (PERKINS ENGINE)	
	70020352	1	STARTER, (CUMMINS ENGINE)	
	91143357	1	HORN	
		Ref	MISCELLANEOUS	
	77384578	1	IGNITION KEY	
	80964051	1	DOOR KEY	
	91404275	1	ENGINE COVER KEY (Prior to SN 0160039451, Including 0160039394 and 0160039397)	
	8342813	1	ENGINE COVER KEY (SN 0160039451 to Present, Excluding 0160039394 and 0160039397)	
	80904003	1	HYDRAULIC TEST KIT	
	24604083	1	ORS O-RING KIT	
	90214009	1	O-RING KIT	
	3126018	1	OPERATOR AND SAFETY MANUAL	
	3126019	1	SERVICE MANUAL	
		Ref	SPECIAL TOOLS	
	70021975	1	GAUGE, T17, DANA AXLE	

PART NUMBER INDEX

PART NUMBER INDEX

0080272.....179	369, 375, 377, 649,	0651610 37	0760815.....733
0100011 15, 20, 155, 160,	651, 695, 697	0651612 35, 37, 63, 65	0761010..... 165, 685
166, 181, 185, 190,	0641516 307	0651614 35, 37	0761012.... 160, 205, 693
193, 195, 197, 199,	0641518 299, 303, 305	0651616 47	0761015.....205
203, 239, 251, 275,	0641520 357	0651618 47, 59, 61	0761016.....205
279, 335, 339, 341,	0641524 121, 691	0651620 51, 59, 61	0761212..... 165, 591
346, 350, 353, 383,	0641526 387, 389	0651622 51, 61	0761214.....165
385, 413, 418, 421,	0641528 691	0651624 61, 421, 423	0761215..... 160, 205
423, 425, 439, 451,	0641532 307, 311, 316	0651806 59	0761617.....160
453, 463, 465, 577,	0641604 181, 185	0651807 51, 61	0770810.....317
649, 676, 685, 695, 697	0641605 307, 311, 316	0651808 47, 51, 59, 61	0791406.....288
0100019.....17, 21, 577	064160663, 65, 185, 193,	0651810 51, 59, 61	0791505.....177
0100020....155, 160, 166,	195, 197, 199, 335	0651811 47	0791506.....21, 189
303, 305, 685	0641607 . 15, 39, 43, 181,	0651812 ... 47, 51, 59, 67,	0791508.....316
0100048....587, 593, 611	193, 197, 413, 417	69	0791606..... 160, 587
0100075....239, 251, 335,	0641608 ... 14, 20, 63, 65,	0651814 ... 47, 51, 59, 61,	0791607.....689
414, 418, 421, 649,	177, 179, 181, 185,	67, 69	0791608..... 15, 275, 279
695, 697	275, 279, 335, 339,	0651816 59, 61, 67	0791610..... 16, 20
010008116	413, 418, 439, 587,	0651818 37, 61, 69	0791612.....20
0100093.....179	649, 651, 717	0651820 35, 37, 69	0791808.....577
0160032.....311	0641610 14, 203, 205,	0651822 35, 37, 69	0860520..... 123, 275
0240156.....135	421, 423, 425	0681512 591	0902746..... 16
0252654.....733, 735	0641612 85, 161, 317,	0681612 317	0902955..... 16
0275384.....181	414, 419, 421, 423,	0681614 317	0902956..... 16
0275385.....181	425, 439	0681807 547	0903661..... 680, 683
0275750.....303	0641614 530, 533	0681810 85	0903669..... 680
0275822.....423	0641618 524	0682012 121, 695, 697	0930019.....133
04100665.....195, 199	0641622 14	0682016 695, 697	0930020.....133
0440321.....577	0641624 425	0682020 695, 697	0930021.....133
05101441.....83	0641628 357	0682024 695, 697	09523572..... 193, 195
0630407....275, 279, 299,	0641634 27	0682214 31, 33, 39, 43	1001001016.....561
303, 305	0641638 316	0682216 14, 443, 445,	1001001070.....185
0630457.....276, 279	0641640 316	447, 449, 451, 455,	1001001169.....311
0641006.....21	0641708 165	457, 459, 461, 463,	1001001186.....653
0641405.....16, 124, 275,	0641714 439	495, 497, 499, 501,	1001001211.....523
279, 299, 401, 403,	0641716 265	503, 505, 507, 509	1001001213.....335
405, 407	0641807 577	0682244 71, 73, 439	1001001240.....697
064140616, 21, 165, 317,	0641808 ... 27, 37, 39, 43,	0682420 21	1001001241.....697
676	55, 57, 73, 439	0682440 165	1001001395.....418
0641407.....680, 683	0641809 15	0682444 25, 166	1001001396.....417
0641408....275, 279, 300,	0641810 35, 47, 59	0682618 501, 509	1001001412.....664
307, 311, 316, 341,	0641812 71, 345, 349,	0682652 15, 20	1001001413..... 181, 185
383, 385, 587, 649, 651	353, 357, 543, 545, 547	0691812 421, 423	1001001422.....179
0641409.....20, 21	0641814 680, 683	0700610 14, 17, 21	1001001441.....405, 407
0641412.....14, 345, 349,	0641816 61	0700617 362, 366, 369	1001001451.....407
353, 357, 361, 365,	0641818 31, 33, 711	0700808 197, 199	1001001452.....407
369, 403, 405, 407, 653	0641820 189, 676	0700812 165	1001001453.....403
0641420.....357	0641826 .39, 43, 413, 417	0700814 161	1001001454.....403
0641424....307, 311, 316,	0641830 156, 161	0700825 155	1001001455.....435
401, 403	0641832 511, 517	0701012 155, 160, 166	1001001456.....435
0641505....181, 193, 197,	0641840 ... 513, 515, 519	0701013 316	1001001457.....435
649, 651	0642008 59, 61	0701014 339	1001001458.....435
0641506.....14, 181, 185,	0642010 59	0701027 165	1001001460.....365, 369
189, 337, 339, 375,	0642016 307	0701214 155, 203	1001001461.....429
377, 591	0642032 79, 85	0701215 ... 155, 161, 165,	1001001462.....429
0641507....307, 311, 316	064221047, 51, 676, 680,	166	1001001463.....411
0641508....275, 279, 341,	683	0701614 155	1001001464.....411
387, 389, 391, 543	0642222 711	0701617 155	1001001465.....349
0641510....161, 193, 195,	0642232 14	0711014 155	1001001466.....417
279, 312, 693	0642236 16	0711015 160, 166	1001001467.....418
0641511....409, 411, 427,	0651605 ... 37, 52, 59, 61,	0721006 14, 680	1001001477.....417, 425
429, 433, 435, 437	67, 69	0740605 299	1001001478.....417, 425
0641512.....649	0651606 ... 35, 37, 47, 52,	0741404 276	1001001479.....418, 425
0641514....275, 279, 346,	59, 61, 67, 69	0741610 85	1001001480.....414, 418,
349, 353, 361, 365,	0651607 ... 35, 37, 47, 52,	0760608 591	425
	59, 61, 67, 69	0760810 205	1001001481.....425

PART NUMBER INDEX

1001001482 425	1001090581 680	1001095434 377	1001097803 239
1001001506 160	1001090615 680, 683	1001095436 377	1001097804 251
1001001507 160	1001090644 312	1001095437 349, 353	1001097810 239
1001001524 425	1001090646 312	1001095438 389	1001097848 312
1001001525 425	1001090741 339	1001095439 365	1001097849 312
1001001535 160, 741	1001091118 339	1001095440 349	1001097924 385
1001001562 645	1001091143 553	1001095441 411	1001097925 385
1001001563 627	1001091173 339	1001095442 403	1001097926 385
1001001564 613	1001091306 411, 418	1001095443 365, 369	1001097927 349, 354
1001001565 587	1001091340 349	1001095444 365, 369	1001097928 385
1001001568 575	1001091359 339	1001095445 365, 369	1001097929 385
1001001610 596	1001091458 14, 21	1001095446 435, 437	1001097930 389, 391
1001001611 635	1001091746 417, 425, 738	1001095448 429, 431	1001097931 389, 391
1001001612 401, 403, 405, 407	1001091884 161	1001095449 545	1001097932 395
1001001613 401, 403, 405, 407	1001091891 161	1001095451 349, 353	1001097933 395
1001001614 403, 405, 407	1001091892 179	1001095452 365, 369	1001097934 418
1001001615 587	1001091893 179	1001095453 365, 369	1001097935 697
1001001616 587, 733	1001092280 123	1001095454 349, 353	1001097936 697
1001001619 161	1001092391 127	1001095455 349, 353	1001097937 697
1001001620 161	1001092427 205	1001095650 547	1001097944 697
1001001670 160	1001092428 205	1001095744 233	1001097987 417
1001001819 205	1001092429 205	1001095810 123	1001097988 417
1001001820 205	1001092430 205	1001096019 123	1001097990 349, 353
1001001831 205	1001092434 205	1001096020 123	1001097991 349, 353
1001001832 161, 166	1001092481 123	1001096021 123	1001097992 239, 251
1001001902 185	1001092482 123	1001096023 123	1001098042 719
1001001905 185	1001092482 123	1001096024 123	1001098086 543, 545
1001001908 185	1001092849 300	1001096025 123	1001098174 73
1001001913 185	1001092877 668	1001096306 123	1001098179 409, 411, 738
1001001916 185	1001092878 668	1001096313 311	
1001001926 195, 199	1001092887 669	1001096327 16	1001098180 409, 411
1001001929 195, 199	1001093140 123	1001096344 16	1001098181 414, 418
1001001939 195, 199	1001093171 123, 129, 131	1001096386 399	1001098218 73, 439
1001001942 161	1001093273 135	1001096387 399	1001098220 485, 493
1001001950 161	1001093377 103, 135	1001096388 381	1001098233 73, 439
1001007056 579	1001093465 135	1001096389 381	1001098240 629
1001060434 689	1001093526 312, 317	1001096390 377	1001098241 600
1001080707 179	1001093564 735	1001096391 365, 369	1001098264 617
1001080996 439, 577	1001093626 543, 545, 741	1001096392 349, 353	1001098344 717
1001081241 285, 289	1001093641 179, 739	1001096393 349, 353, 358	1001098356 411
1001081307 284, 289	1001093830 689	1001096394 350, 354, 358	1001098357 411
1001081308 284, 289	1001093831 689	1001096395 365, 369	1001098358 417
1001081310 284, 289	1001093832 689	1001096396 389, 395, 399	1001098359 418
1001081311 284, 289	1001093892 165	1001096397 349, 354	1001098382 73
1001090003 341	1001093944 165	1001096398 545	1001098409 485, 493
1001090033 425	1001094134 127	1001096398 545	1001098425 414, 419, 439
1001090063 85	1001094136 127	1001096404 671	1001098473 733
1001090064 85	1001094201 251	1001096582 173	1001098582 124
1001090078 173, 741	1001094264 711	1001096583 173	1001098599 295
1001090134 567	1001094330 135	1001096728 16, 717, 719	1001098627 161
1001090140 85	1001094390 711	1001096878 545	1001098688 160
1001090344 300, 307, 311, 316, 401, 403, 405, 407	1001094391 711	1001097000 733	1001098739 733
1001090459 711	1001094392 711	1001097036 407	1001098742 418
1001090460 680, 683	1001094393 711	1001097037 411, 417	1001098743 417
1001090461 680, 683	1001094478 665, 669	1001097038 411, 417	1001098762 733
1001090505 721	1001094523 711	1001097039 411, 738	1001098769 671
1001090506 723	1001094695 139	1001097040 411	1001098824 733
1001090508 727	1001094824 711	1001097053 160, 166	1001098843 733
1001090509 729	1001094830 135	1001097072 123	1001098904 733
1001090522 680, 683	1001095336 591	1001097149 16, 21	1001098934 179
1001090569 669	1001095342 680, 683	1001097168 123	1001099104 733
1001090580 680, 683	1001095418 113	1001097732 547	1001099113 85
	1001095431 365, 369	1001097771 349, 353	1001099115 85
	1001095432 381	1001097772 349, 353	1001099163 297
	1001095433 365, 369	1001097773 349, 353	1001099174 329
			1001099251 189

PART NUMBER INDEX

1001099276.....680, 683	1001102378..... 85	1001106331..... 491	1001111856..... 162, 739
1001099318.....637	1001102400..... 409, 411	1001106507..... 733	1001111903.....201
1001099351..... 93	1001102506..... 251	1001106614..... 20	1001111904.....201
1001099378.....297	1001102509..... 251	1001106623..... 401	1001112888.....311
1001099432.....633	1001102649..... 186	1001106624..... 401	1001112960.....312
1001099494.....189	1001102654..... 186	1001106625..... 405	1001112961.....312
1001099602.....239	1001102657..... 179, 739	1001106626..... 405	1001113091.....711
1001099812.....651	1001102813..... 124	1001106627..... 433	1001113251.....177
1001099901.....89	1001102815..... 297	1001106628..... 433	1001113528..... 55
1001099902.....89	1001102832..... 65	1001106629..... 433	1001113588.....31
1001100189.....207	1001103059..... 205	1001106630..... 433	1001113609.....47
1001100227.....103	1001103099..... 418	1001106631..... 427	1001113690.....33
1001100228.....103	1001103182..... 571	1001106632..... 427	1001113692.....425
1001100229.....103	1001103313..... 65	1001106633..... 414	1001113742.....689
1001100278.....299, 300, 305	1001103314..... 63	1001106634..... 413	1001113745.....63
1001100279.....275, 299, 300, 305, 307, 311, 316	1001103339..... 63	1001106635..... 409	1001114001.....57
1001100281.....307, 311, 316	1001103509..... 284, 288	1001106636..... 409	1001114008.....65
1001100282.....300, 307	1001103553..... 275, 279	1001106637..... 345	1001114142.....547
1001100291.....651	1001103557..... 276, 280	1001106688..... 329	1001114282.....299, 305
1001100322.....279	1001103567..... 275, 279	1001106736..... 603, 605	1001114283.....321
1001100446.....299, 300, 305, 307, 311, 316	1001103637..... 123	1001106836..... 553	1001114294.....20
1001100447.....299, 300, 305	1001103663..... 285, 288	1001106849..... 276, 280, 305	1001114295.....20
1001100663.....185	1001103730..... 123	1001106866..... 276, 280	1001114296.....20
1001100664.....185	1001103736..... 123	1001107174..... 369	1001114297.....20
1001100770.....307, 311, 316	1001103956..... 311, 316	1001107175..... 353	1001114363.....307
1001100773.....307, 311, 316	1001104096..... 205	1001107339..... 312, 317	1001114490.....201
1001100822.....81	1001104327..... 276	1001107340..... 321	1001114510.....165
1001100823.....81	1001104477..... 575, 581	1001107344..... 312	1001114511.....165
1001100824.....81	1001104519..... 603, 605	1001107347..... 311, 316	1001114512.....165
1001100879.....717	1001104681..... 275	1001107427..... 308, 311, 316	1001114513.....165
1001100880.....719	1001104685..... 305	1001107428..... 308, 311, 316	1001114514.....165
1001100895.....655	1001104721..... 207	1001107429..... 311, 316	1001114516.....175
1001100961.....21	1001104797..... 733	1001107814..... 357	1001114522.....357
1001101043.....591	1001104862..... 664	1001107835..... 733	1001114523.....431
1001101115.....103	1001104913..... 161	1001108162..... 621	1001114524.....431
1001101116.....103	1001104918..... 533	1001108433..... 591	1001114525.....437
1001101216.....300, 305	1001104992..... 118	1001108436..... 373	1001114526.....437
1001101259.....307, 311, 316	1001105038..... 435, 437	1001108474..... 345	1001114528.....357
1001101281.....515	1001105046..... 435, 437	1001108475..... 361	1001114560.....189
1001101282.....507	1001105047..... 435	1001108589..... 610	1001114675..... 16, 21
1001101283.....459	1001105048..... 435	1001108668..... 142	1001114760.....189
1001101284.....491	1001105102..... 417	1001108669..... 146	1001114795.....731
1001101285.....447	1001105103..... 418	1001108965..... 20	1001114803.....189
1001101286.....471	1001105118..... 407	1001108966..... 20	1001115014.....695
1001101287.....483	1001105119..... 407	1001109038..... 201	1001115135.....664, 668
1001101288.....499	1001105120..... 403	1001109053..... 668	1001115138.....664, 668
1001101289.....519	1001105121..... 403	1001109225..... 483, 489, 491	1001115153..... 16, 21
1001101595.....443, 445, 447, 449, 451, 455, 457, 459, 461, 463	1001105122..... 411	1001109338..... 20	1001115175.....668
1001101640.....307, 311, 316	1001105123..... 411	1001109505..... 160	1001115183.....668
1001101666.....297	1001105124..... 429	1001109536..... 160, 166	1001115190.....669
1001101668.....300, 305	1001105126..... 353	1001109903..... 160	1001115198.....669
1001101669.....299, 300, 305	1001105158..... 429	1001110055..... 201	1001115208.....669
1001101688.....299	1001105326..... 664	1001110079..... 201	1001115209.....669
1001101956.....85	1001105441..... 73, 738	1001110091..... 680	1001115277.....357
1001102185.....401, 403	1001105613..... 537	1001110403..... 664	1001115371.....591
	1001105638..... 165	1001110404..... 664	1001115523.....591
	1001105639..... 165	1001110704..... 113, 118	1001115524.....591
	1001105643..... 165	1001111112..... 276, 280	1001115525.....591
	1001105707..... 664	1001111190..... 113, 142, 146	1001115526.....603
	1001105780..... 268, 271	1001111487..... 405	1001115528.....166
	1001105781..... 268, 271	1001111488..... 405	1001115536.....664, 668
	1001105782..... 268, 271	1001111853..... 161, 739	1001115540.....664, 669
	1001105880..... 405	1001111854..... 162, 739	1001115635.....591
	1001105886..... 733, 735	1001111855..... 162, 739	1001115636.....591
	1001105968..... 733		1001115637.....591
	1001106003..... 664		1001115878.....735
	1001106004..... 664		1001115884.....165

PART NUMBER INDEX

1001115885..... 357	1001116962..... 593, 596, 600, 603, 605	1001120124..... 577	1001125160..... 451
1001115886..... 373	1001116968..... 610, 613, 617	1001120130..... 577	1001125378..... 587
1001115887..... 373	1001116975..... 593, 603, 605	1001120135..... 439, 577	1001125380..... 641, 653
1001115999..... 358	1001117017..... 596, 600	1001120163..... 579	1001125381..... 621
1001116000..... 373	1001117018..... 729	1001120164..... 577, 579	1001125382..... 721
1001116003..... 381	1001117021..... 593, 596, 611, 613, 617, 621, 683	1001120178..... 268, 271	1001125383..... 645, 653
1001116004..... 373	1001117024..... 729	1001120179..... 268, 271	1001125384..... 723
1001116005..... 357	1001117058..... 729	1001120370..... 189	1001125385..... 727
1001116009..... 358	1001117064..... 631, 633, 635, 637	1001120376..... 189	1001125410..... 267, 271
1001116010..... 373	1001117070..... 603, 605	1001120377..... 189	1001125483..... 161, 653
1001116011..... 358	1001117073..... 593, 596, 600	1001120550..... 20	1001125786..... 735
1001116012..... 373	1001117078..... 603, 605	1001120554..... 20	1001125890..... 735
1001116013..... 547	1001117079..... 729	1001120620..... 373	1001125916..... 735
1001116033..... 43	1001117095..... 311, 316	1001120625..... 373	1001125917..... 735
1001116122..... 189	1001117103..... 603, 605	1001120639..... 20	1001125926..... 373
1001116125..... 43	1001117104..... 603	1001120899..... 593	1001125933..... 373
1001116139..... 51	1001117107..... 603, 605	1001120914..... 85	1001125962..... 209
1001116274..... 21	1001117111..... 603, 605	1001120915..... 85	1001126285..... 300, 653
1001116318..... 21	1001117112..... 603, 605	1001121103..... 267, 271	1001127006..... 439, 575
1001116380..... 305	1001117114..... 603, 605	1001121105..... 267, 271	1001127008..... 439
1001116418..... 201	1001117115..... 603, 605	1001121109..... 267, 271	1001127009..... 439
1001116439..... 527	1001117136..... 285, 288	1001121125..... 664, 668	1001127174..... 21
1001116440..... 583	1001117214..... 165, 305	1001121126..... 665, 668	1001127353..... 439
1001116441..... 509	1001117226..... 207	1001121290..... 51	1001127366..... 439
1001116442..... 501	1001117232..... 207	1001121391..... 733	1001127962..... 501, 509
1001116443..... 521	1001117235..... 207	1001121417..... 463	1001128865..... 665, 669
1001116446..... 461	1001117305..... 288	1001121418..... 463, 465	1001128962..... 166, 739
1001116447..... 449	1001117306..... 288	1001121425..... 451, 453, 463, 465	1001128963..... 166, 739
1001116448..... 473	1001117365..... 47, 51, 59, 61, 67, 69, 738	1001121427..... 463	1001129352..... 43
1001116461..... 20	1001117653..... 35, 37, 47, 51, 738	1001121428..... 463, 465	1001129467..... 439
1001116505..... 201	1001117660..... 61, 69, 738	1001121429..... 451, 453, 463, 465	1001129880..... 317
1001116552..... 165	1001117940..... 189	1001121434..... 463	1001130776..... 179
1001116572..... 189	1001117941..... 189	1001121454..... 733, 735	1001130803..... 607
1001116590..... 305	1001117979..... 189	1001121458..... 733	1001130907..... 605
1001116614..... 284	1001117982..... 189	1001121459..... 733, 735	1001131119..... 591
1001116615..... 284	1001118012..... 373	1001121460..... 733, 735	1001131130..... 280
1001116650..... 20	1001118028..... 373	1001121557..... 641, 645	1001131271..... 668
1001116694..... 603, 605	1001118032..... 373	1001121659..... 20	1001131745..... 668
1001116727..... 641, 645, 721, 727	1001118045..... 189	1001121676..... 189	1001131801..... 317
1001116728..... 641	1001118046..... 189	1001121717..... 189	1001131818..... 317
1001116730..... 596, 600	1001118060..... 357	1001121964..... 20	1001133019..... 179
1001116731..... 596, 600	1001118061..... 373	1001121965..... 20	1001133072..... 85
1001116733..... 610, 613, 617, 621, 631, 633, 635, 637, 729	1001118068..... 357	1001122219..... 20	1001134203..... 165
1001116735..... 603	1001118071..... 189	1001122220..... 591	1001134204..... 175
1001116747..... 610, 614, 618, 621, 622, 641, 645	1001118092..... 189	1001122453..... 451, 453, 463, 465	1001134413..... 179
1001116750..... 603, 605	1001118101..... 21	1001122483..... 475	1001134868..... 166
1001116751..... 603, 605	1001118102..... 21	1001122484..... 475, 477	1001135029..... 318
1001116771..... 587, 607	1001118138..... 189	1001122491..... 475, 477	1001135181..... 317
1001116780..... 181, 185	1001118194..... 373	1001122494..... 475	1001135193..... 317
1001116797..... 317	1001118217..... 189	1001122495..... 475, 477	1001135202..... 317
1001116803..... 317	1001118384..... 723, 725, 729	1001122496..... 475	1001135268..... 317
1001116807..... 317	1001119506..... 312	1001122505..... 475, 477	1001136897..... 165
1001116810..... 603, 605	1001119801..... 357	1001123013..... 475, 477	1001137284..... 175
1001116812..... 603, 605	1001119809..... 357	1001123014..... 467, 469, 471, 473, 475, 477	1001137512..... 127
1001116813..... 727	1001119815..... 357	1001123015..... 467, 469, 471, 473, 475, 477	1001137518..... 175
1001116816..... 297	1001119828..... 357	1001125007..... 17, 22	1001138944..... 317
1001116821..... 603, 605	1001119897..... 165	1001125137..... 451, 453, 463, 465, 475, 477	1001138945..... 317
1001116825..... 316	1001120120..... 577	1001125154..... 451	1001139425..... 318
1001116828..... 317		1001125155..... 451, 453	1001140663..... 669
1001116834..... 165		1001125158..... 451	1001142350..... 325
1001116866..... 316		1001125159..... 451, 453	1001142790..... 151
1001116907..... 20			1001143692..... 73, 738
1001116961..... 166			1001145206..... 299, 303, 305
			1001145386..... 577
			1001145702..... 15, 21
			1001145753..... 21

PART NUMBER INDEX

1001145754.....	21	1120591	179	1319647	235	1706283.....	668
1001146009.....	683	1170019	79	1319648	235	1706284.....	668
1001147072.....	160	1170021	79	1319649	235	1706285.....	668
1001148837.....	179, 741	1170022	79	1319652	231	1706287.....	668
1001149659.....	373	1170024	79	1319661	231	1706288.....	668
1001151643.....	299, 303, 305	1170025	79	1319670	213, 231, 233	1706289.....	668
1001151847.....	299, 303, 305	1170027	79	1319683	231	1706292.....	671
1001152326.....	300, 303, 305	1170054	85	1319684	231	1706293.....	668
1001155219.....	591	1170057	85	1319685	231	1706296.....	668
1001156272.....	276, 279	1316794	118	1319686	231	1706298.....	671
1001158178.....	651	1319229	211	1319687	231	1706299.....	668
1001158435.....	651	1319436	235	1319688	231	1706300.....	664, 668
1001158896.....	725	1319558	211	1319689	231	1706301.....	668
1001159129.....	373	1319563	211	1319693	231	1706302.....	671
1001162757.....	683	1319571 ...	209, 213, 227, 235	1319694	231	1706303.....	668
1001163414.....	569	1319573	213, 235	1319719	233	1706304.....	668
1001163541.....	465	1319576	227	1319726	233, 739	1706306.....	668
1001163542.....	477	1319578	235	1320022 ...	155, 179, 181, 185, 693	1706767.....	668
1001163543.....	453	1319581	233	1320030	160, 179	1706768.....	668
1001163565.....	465	1319585	211, 213, 233	1320131	165	1706850.....	668
1001163566.....	477	1319590	213	1320239	155	1706851.....	668
1001163567.....	453	1319591	219	1320263	680, 683, 711	1706892.....	121, 123
1001163568.....	465	1319593 ...	215, 217, 219, 221, 223, 225	1320748	235	1706893.....	121
1001163569.....	477	1319594 ...	215, 217, 219, 221, 223, 225	1320754	235	1707162.....	664
1001163570.....	453	1319595 ...	215, 217, 219, 221, 225	1320755	235	2060045.....	165
1001165142.....	435, 437	1319596 ...	219, 221, 225	1321265	231	2080040.....	124
1001165143.....	429, 431	1319600 ...	215, 217, 219, 221, 223, 225	1321268	231	2080044.....	123
1001165212.....	411, 417	1319601 ...	215, 217, 219, 221, 223, 225	1321384	14	2080061.....	307
1001165216.....	417	1319602 ...	215, 217, 219, 221, 223, 225	1321716	312, 317	2080063.....	121, 311, 316
1001165218.....	417	1319603 ...	215, 217, 219, 221, 223, 225	1321940	175	2080064.....	121, 307
1001165230.....	409, 411	1319604 ...	215, 217, 219, 221, 223, 225	1322064	175	2110210.....	354
1001165762.....	300, 653	1319606 ...	219, 221, 225	1322073	175	2110406....	349, 365, 385, 389, 395, 399, 417
1001167902.....	465	1319607	219	1322181	175	2110604.....	350, 353, 357
1001170639.....	541	1319608	219, 227	1340021	543, 545, 741	2110606.....	85, 137, 353, 385, 389, 395, 429, 431, 524, 547
1001172274.....	465	1319614	221	1360292	39	2110608.....	85, 365, 369
1001172288.....	451, 453, 463, 465	1319615 ...	215, 217, 221, 225	1360293	63	2110808.....	85, 239, 251, 547
1001176342.....	413, 417, 421, 423, 425	1319617	215, 217	1360296	31, 39, 43	2110810.....	411, 575
1001176515.....	95	1319618	215, 217	1360297	39, 55, 63, 65	2110812....	349, 411, 418, 429, 431, 435, 437
1001199601.....	239	1319619	223	1360300	43, 57, 65	2111010.....	575
1001231674.....	465	1319620	215, 217	1360301	33, 43	2111210.....	185, 349, 353
10268516.....	193, 195	1319621	215, 217	1380158	307, 311, 316	2111212....	357, 403, 407
1060379.....	124	1319622	215, 217	14404043	685	2111616....	349, 353, 357, 365, 369
1060626.....	733, 735	1319623	215, 217	14404082	547	2111620.....	547
10700681.....	127	1319624	215, 217	14404173 .	676, 680, 683, 717, 719	2130404....	335, 385, 389, 395, 399
10700683.....	577	1319625	215, 217	14404793 .	414, 418, 421, 423, 425	2130406....	385, 389, 391, 395, 399, 418
10700689.....	577	1319626	215, 217	14404978	179	2130606....	137, 350, 353, 358, 365, 369, 373, 399, 413, 417, 545
10705034.....	137	1319627	215, 217	1671219	14	2130608.....	137, 733
10713707.....	21	1319628	215, 217	1671313	179	2130806.....	697
10717672... ..	345, 349, 353	1319629	215, 217	1684538	493	2130808....	545, 697, 733, 735
10718991.....	711	1319630	215, 217	1684539	485	2130810....	353, 358, 365, 369, 373, 411, 697
10718992.....	711	1319631	215, 217	1701505	664	2131010.....	409, 411
10731709... ..	213, 231, 233	1319632	215, 217	1701509	121, 124	2131210.....	357, 545
10731744.....	213	1319635	225	1701640	668	2131212.....	403
10731761.....	229	1319636	215, 217, 225	1702773	121, 123	2131216.....	357
10731845... ..	219, 221, 225	1319638	215, 217	1704277	121, 124	2131616.....	373
10731959.....	235	1319639	215, 217	1704885	123, 664, 668		
10732071.....	231	1319641	213	1706098	668		
10732072.....	231	1319646	213	1706100	671		
10732095.....	229			1706167	671		
10791807.....	533			1706185	671		
1101312.....	193, 195, 739			1706186	664, 668, 671		
1101313.....	193, 195, 739			1706187	664, 668, 671		
				1706281	668		
				1706282	671		

PART NUMBER INDEX

2131620	545	2220377	345, 361	2340046	127	2754629	413
2144605	239, 251, 339	2220384	361	2400074	596, 600	2754651	414
2150404	575, 579	2220385	91, 413, 695	24431386	139	2820035	681, 683
2150406	353, 357	2220408	345	24604083	741	2890228	85
2150606 ...	349, 353, 358, 365, 369, 373	2220415	113	24861167	676	2900770	567
2150608	349, 353, 358	2220435	405	24921332... 195, 199, 203, 205, 207		2902446	179, 739
2150808	335	2220451	401, 405	2600216	121	2915023	571
2151212	357	2220464	543	2600262	14	2915111	693
2151216	357	2220466 ...	335, 383, 387, 393, 397	2600281	123	2915177	156, 738
2151616	358	2220472 ...	383, 387, 393, 397, 413	2716143	147	2915178	156, 738
2160001 ...	451, 453, 463, 465	2220473	99, 113, 345, 346, 361, 397, 543	2717143	147	2915215	40, 44, 414
2160002 ...	31, 33, 39, 43, 55, 57, 73, 411, 418, 439	2220490	99, 383	2717160	137	2940074	121, 123
2170110	575	2220499	91	2717161	137	3020039	339
2170112	401, 403, 407	2220500	335	2717162	137	3020040	40, 44, 55, 57
2170116	373	2220501	345, 361	2717283	137	3020043 ...	451, 453, 463, 465, 475, 477
2170206 ...	349, 353, 358, 369, 381, 399, 547	2220500	335	2717287	113	31200160	121, 123
2170306	349	2220501	345, 361	2720058	156, 179, 185	31200336	123
2170406	389, 395	2220517	155	2750532	155, 693	31200387	123
2170410	357	2220518	543	2752666	543	31200388	123
2170506	385	2220567	543	2753000	155, 160	3126018	741
2170516	365, 369	2220574	155, 160	2753900	414	3126019	741
2170706 ...	349, 353, 365, 369, 385, 395, 545, 547, 733	2220578 ...	543, 545, 547	2753902	695	3140007	16, 21
2170708 ...	417, 547, 697, 733, 735	2220579 ...	239, 251, 387, 393	2753907	379	3251813	664, 668
2170716	373	2220582 ...	383, 387, 393, 397, 413	2753908	379	3271501	161, 312
2170806 ...	239, 251, 389, 395	2220596	91, 414, 543, 695	2753912	405	3271601	717
2170816	365	2220603	345, 346, 361	2753941	409, 413	3290401	16
2170912	545	2220606	105, 109, 345	2753947	397	3290601	165
2171110	417, 418, 425	2220609	113	2753948	397	3290605	20
2171208	411, 417	2220619	339	2753952	345	3290801	161, 587, 733
2171216	373	2220620	339	2753953	387, 393, 397	3291201	587
2172016	357	2220623	361	2753954	383	3300143	27
2172106	85, 239, 251, 339, 353	2220628	113, 345	2753955	345	3300240	79, 85
2172108 ...	349, 366, 369, 411, 414, 419, 575	2220635 ...	345, 361, 383, 393, 543	2753956	383	3310601	161, 299
2172116	365, 369	2220657	106, 110	2753958	383	3310801	676
2172406	733	2220671 ...	155, 346, 361, 695	2753961	387	3311001 ...	121, 676, 681, 711
2172408	733, 735	2220726	91, 695	2753962	387	3311005	299, 300
2172416	373	2220767	189	2753965	393	3311401	16, 653, 676, 680, 683
2180849	414, 419, 439	2220819 ...	345, 362, 379, 397	2753966	393	3311405 14, 21, 124, 276, 279, 318, 401, 403, 405, 407, 587	
2200221 ...	511, 513, 515, 517, 519	2220878	361, 362	2753973	345	3311501	14, 121, 693
2200233	693	2220883 ...	451, 453, 463, 465, 475, 477	2754015	414	3311505 ...	181, 185, 275, 279, 543
220363	362	2220888 ...	451, 453, 463, 465	2754017	433	3311508 ...	189, 193, 195, 391, 587, 591
2220240	543, 545, 547	2220893	543, 545	2754018	345	3311601 ...	421, 423, 425, 530, 533
2220282	305	2220899	99, 387, 393	2754020	401	3311605	15, 160, 181, 185, 203, 311, 317, 689
2220346	649, 651	2221040	346	2754021	361	3311701	439
2220371 ...	105, 109, 346, 383, 387, 393, 427, 524, 527	2221114	693	2754025	345	3311705	265
2220372 83, 98, 105, 109, 361		2221164	156, 160	2754045	345	3311801 31, 33, 189, 543, 545, 547, 649, 651, 676, 680, 683	
2220373 91, 98, 106, 109, 239, 251, 335, 414		2221165	156, 160	2754046	345	3311802	649, 651
2220374	91, 409, 559, 561	2221244	339	2754047	427	3311805 ...	156, 161, 577, 711
2220375 ...	345, 409, 414, 427, 433	2221257	339	2754048	375	3312206	14
		2221259	365, 369	2754049	375	3313001	33, 43, 57, 65
		2221271	365	2754051	379	3313002	33, 43, 57, 65
		2230024	98	2754052	409	3331205	15
		2230025	413, 421, 423	2754054	383	3340877	16
		2230044	409, 413	2754055	383	3421453	124
		2340037	127	2754057	361		
		2340038	127	2754058	345		
		2340039	127	2754059	345		
		2340045	127	2754080	413		
				2754097	345		
				2754098	345		
				2754099	346		
				2754107	409, 738		
				2754108	409		
				2754146	361		
				2754192	345		
				2754278	361		
				2754279	361		
				2754282	361		

PART NUMBER INDEX

3423227.....511, 513, 515, 517, 519	4105262..... 671	4460884..... 297, 637	4712200.....676, 680, 683
3423242.....79, 85	4109801..... 668	4460891 ... 603, 605, 637, 646, 655, 721	4740003.....73, 439
3423247.....31, 33	4110422..... 89, 93	4460894..... 637, 727	4740274.....189
3423263.....83	4110473..... 137	4460897 ... 611, 655, 680, 683	4740397.....587
3423275.....79, 85	4160194..... 15	4460930 637, 641, 645	4750600.....161
3423276.....79, 85, 113	4240018..... 685	4460932 611	4751000.....14, 121, 681
3423301.39, 43, 413, 417	4240033 ... 300, 307, 311, 316, 611, 653, 676	4460933 ... 603, 605, 641, 645, 729	4751200.....300, 653
3423307.....85	4341070..... 15	4460941 621, 645	4751400.16, 21, 123, 156, 307, 311
3440832.....71	4400483..... 189	4460942 645, 721, 725	4751500.....14, 181, 185, 193, 195, 197, 275, 279, 307, 311, 316, 543, 649, 691
3510807.....121	4400496..... 179	4460943 593	4751600...20, 39, 43, 185, 307, 311, 312, 316, 317, 413, 417, 423, 425
3510809.....121	4420060..... 16, 719	4460944 ... 297, 593, 596, 600, 603, 605, 627, 629	4751800...15, 17, 27, 156, 161, 189, 711
3520072.....121, 123	4460019..... 603, 605	4460945 629	4752200.....711
3520176.....21, 691	4460247..... 603, 605	4460955 593, 596, 600	4757800.....547
3520198.....123	4460374 ... 610, 613, 617, 621, 631, 633, 635, 637	4460994 603, 605	4760600.....161
3539685.....121	4460419 ... 625, 627, 629, 657, 729	4461038 587, 607	4760800.....676
3573363.....121	4460457 ... 641, 642, 645, 646, 727	4461157 659, 729	4761000....121, 676, 681, 711
3575947.....165	4460458 ... 613, 614, 617, 618, 621, 622, 645, 646, 727	4461215 631, 633, 635	4761400.....20, 276, 303, 305, 307, 311, 316, 676, 680, 683
3576628.....182	4460459 639	4461254 711	4761500.....14, 161, 307, 311, 312, 316, 375, 377, 387, 389, 543, 649, 651, 693, 695, 697
3641438.....121	4460461 641, 645	4461270 603	4761600....39, 43, 63, 65, 181, 185, 307, 311, 316, 335, 339, 357, 413, 417, 421, 423, 425, 524, 530, 533, 543, 587, 649, 651, 717
3740080....307, 311, 316, 610, 613, 617, 621, 631, 633, 635, 637	4460464 ... 637, 641, 645, 655, 680, 683, 723, 727	4520314 268, 271	4761700.....165
3760170.....124	4460465 ... 297, 603, 605, 637, 641, 642, 645, 646, 655, 723, 727, 729	4520481 267	4761800....17, 27, 31, 33, 35, 37, 39, 43, 47, 51, 55, 57, 59, 61, 161, 345, 349, 353, 357, 413, 417, 543, 545, 547, 680, 683, 717, 719
3790121.....588	4460466 ... 295, 297, 593, 596, 600, 603, 605, 610, 611, 613, 614, 617, 618, 621, 622, 625, 627, 629, 631, 633, 635, 637, 641, 642, 645, 646, 657, 723, 725	4520482 267	4762000.....121, 577
3790228.....357	4460469 ... 610, 613, 617, 621	4520485 267	4762200.....676
3820020.....123	4460470 637	4520486 267	4762400.....251
3841203.....85	4460471 637	4520489 267	4771500.....279
3841287....443, 445, 447, 449, 451, 455, 457, 459, 461, 463, 495, 497, 499, 501, 503, 505, 507, 509	4460475 659, 729	4520490 267	4791400.....280
3841356.....501, 509	4460500 ... 625, 627, 629	4520493 267, 271	4811400.....16
3900140.....179	4460502 ... 610, 613, 617, 621	4520494 267, 271	4811700.....20, 591
3900210.....543	4460503 ... 631, 633, 635, 637	4520515 267, 271	4811900....161, 317, 733
3900232....414, 418, 423, 425	4460508 641, 645	4520518 267, 271	4812000....155, 160, 166, 685
3900280.....15	4460509 603, 605	4520519 267, 271	4831700.....165
3900316.....20, 543	4460518 603, 605	4520521 267, 271	4831900....160, 165, 205, 733
3900395.....16	4460532 295, 657	4520523 267, 271	4832000....160, 165, 205, 317, 339, 693
3910408.....587	4460590 603, 605	4520524 267, 271	4832100....160, 165, 205
3910610.....161	4460608 593, 596, 600	4520527 267, 271	4846265.....121
3910806.....676	4460693 593, 596, 600	4640438 567	4846452.....123
3911008.....121	4460742 ... 641, 642, 645, 646	4641501 137	4846528.....121
3911428.....121	4460743 639	4641502 137	4891400.....165
3911528.....121	4460746 ... 593, 596, 610, 611, 613, 614, 617, 618, 621, 622, 645	4711000 414, 418, 711	4891600....35, 37, 47, 51, 59, 61, 63, 65, 67, 69, 307, 317
3931616.....311	4460789 ... 611, 613, 617, 621, 622, 641, 659	4711400 .15, 16, 21, 121, 124, 275, 279, 299, 303, 305, 311, 316, 317, 341, 383, 385, 401, 403, 405, 407, 417, 587, 651, 676, 680, 683	
3931620.....312	4460790 641, 645	4711500 ... 121, 155, 189, 275, 279, 337, 339, 341, 375, 377, 391, 543, 591, 691	
3931624....307, 311, 317	4460842 593, 596, 600	4711600.15, 20, 160, 177, 179, 181, 185, 193, 195, 197, 199, 203, 205, 275, 279, 312, 317, 335, 357, 413, 414, 418, 423, 425, 530, 533, 587, 651, 671, 689, 717	
3931628.....317	4460850 639, 721, 727	4711700 165, 265, 439	
3931632.....317	4460851 729	4711800.31, 33, 155, 543, 545, 547, 577, 649, 676, 680, 683	
3931648....155, 379, 381		4712000 155, 160, 307	
3931664....451, 453, 463, 465			
3931672.....27			
3931828.....51			
3931832.....51			
3941506.....711			
3960418.....16			
3960477.....16			
3960616.....177			
4031918.....439			
4060608.....17			
4071133.....717, 719			
4100181.....668			
4105171.....664, 668			

PART NUMBER INDEX

4891700 21, 155, 161, 166	70020355 235	70021360..... 133	70021630 . 445, 447, 457, 459, 469, 471, 481, 483, 489, 491, 497, 499, 505, 507, 513, 515, 519
4891800 85, 203	70020356 175	70021361..... 133	70021631 . 445, 447, 457, 459
4892000 59, 61	70020358 175, 739	70021362..... 133	70021632.. 445, 447, 740
4892200 ... 14, 31, 33, 39, 43, 47, 51, 63	70020370 527	70021364..... 133	70021639. 513, 515, 519, 740
4892400 .. 21, 25, 65, 166	70020375 . 485, 493, 501, 509	70021365..... 133	70021641 .. 457, 459, 740
4892500 166	70020428 571	70021366..... 133	70021642 .. 513, 515, 519
4920018 655	70020493 235	70021367... 115, 118, 133	70021643 513, 519
4923405 610	70020510 596, 600	70021382..... 115, 118	70021644 519
4923452 179	70020551 341	70021387..... 133	70021645 519
5200814 201	70020555 131	70021391..... 133	70021646 519
5251012 205	70020562 133	70021392..... 133	70021648 519
5251014 205	70020632 288	70021393..... 565	70021649 481, 497
6604662 113	70020636 312, 318	70021394..... 133	70021650 . 481, 483, 497, 499
6621412 161	70020638 312	70021395..... 133	70021651 481
70000656 231	70020639 321	70021396..... 133	70021652 481, 483
70001955 537	70020640 321, 325	70021398 161	70021657 457, 459
70001956 537	70020643 321	70021399..... 133	70021658 457
70002133 537	70020644 321	70021415..... 93	70021659 457, 459
70002219 569	70020645 321	70021429..... 115, 118	70021660 457
70002224 569	70020646 321	70021440..... 95, 563, 565	70021661 457, 459
70002578 537, 541	70020647 321	70021441..... 563	70021663 513
70002579 537	70020648 321	70021442..... 563	70021664 513, 515
70002580 537	70020649 322	70021443..... 563	70021665 489, 505
70002581 537	70020650 322	70021444..... 565	70021666 . 489, 491, 505, 507
70002582 537	70020653 288	70021446..... 565	70021667 489
70002583 537	70020659 553	70021447..... 565	70021668 489, 491
70002585 537, 541	70020660 553	70021448..... 565	70021669 497
70002588 537	70020661 553	70021451..... 565	70021670 497, 499
70002590 537	70020662 553	70021452..... 565	70021671 505
70002591 537	70020663 553	70021453..... 563	70021672 505, 507
70002592 537	70020664 553	70021464..... 565	70021674 471
70002593 537	70020665 553	70021465..... 565	70021675 469
70002594 537	70020666 553	70021466..... 565	70021676 469, 471
70002595 537	70020667 553	70021467..... 565	70021677 469
70002596 538	70020668 553	70021478... 300, 587, 653	70021678 469, 471
70002598 537	70020669 553	70021485..... 300, 653	70021679 469, 471
70002599 538, 541	70020670 553	70021492..... 169	70021793 175
70003849 569	70020671 553	70021493..... 169	70021801 175
70004416 541	70020672 553	70021526 227	70021803 175
70004421 541	70020673 553	70021531 581	70021804 175
70004422 541	70020674 553	70021548.. 489, 491, 505, 507, 740	70021806 175
70004426 541	70020675 553	70021574 . 481, 483, 497, 499, 740	70021809 175
70020002 115, 118	70020676 553	70021598... 469, 471, 740	70021867 535
70020004 115, 118	70020677 553	70021602..... 257	70021897 170
70020011 115	70020678 553	70021603..... 258	70021920 213
70020012 115	70020679 553	70021604..... 257	70021921 93
70020015 115, 118	70020680 554	70021605..... 258	70021935 93
70020017 115, 118	70020681 554	70021606..... 263	70021943 257
70020023 115	70020682 554	70021607..... 263	70021944 257
70020024 115	70020685 554	70021608..... 263	70021949 459
70020025 115, 118	70020764 581	70021609..... 263	70021950 459
70020026 115, 118	70020870 635, 637	70021610..... 263	70021951 491, 507
70020027 115, 118	70020898 300, 587	70021611..... 263	70021952 491
70020028 115, 118	70020923 335	70021612..... 263	70021953 507
70020029 115, 118	70021225 173	70021613..... 263	70021954 483, 499
70020032 115	70021226 173, 739	70021614..... 253	70021955 483
70020036 235	70021227 223	70021615..... 245, 257	70021956 499
70020200 517	70021228 223	70021623.. 445, 447, 457, 459	70021959 447
70020227 700	70021229 173	70021624..... 445, 447	70021960 447
70020348 175, 739	70021231 295	70021625..... 445	
70020349 175, 739	70021268 223	70021626..... 445, 447	
70020350 175, 739	70021269 223	70021627..... 445	
70020351 175	70021342 93, 133	70021628.. 445, 447, 457, 459	
70020352 175, 741	70021349 93	70021629..... 445, 447	
70020354 235	70021358 133		
	70021359 133		

PART NUMBER INDEX

70021961.....	471	70022130.....	255	70022932.....	142, 146	70023003.....	142, 146
70021962.....	471	70022131.....	255	70022933.....	146	70023004.....	142, 146
70021963.....	515, 519	70022132.....	255	70022934.....	142, 146	70023005.....	143, 148
70021964.....	519	70022133.....	255	70022935.....	143, 147	70023006.....	143, 148
70021965.....	515	70022134.....	255	70022936.....	142, 147	70023007.....	143, 148
70021975.....	741	70022135.....	255	70022937.....	143, 147	70023008.....	142, 146
70021976.....	563	70022136.....	255	70022938.....	147	70023009.....	142, 146
70021977.....	93	70022137.....	255	70022939.....	143, 147	70023010.....	142, 146
70021978.....	93	70022138.....	255	70022940.....	147	70023011.....	148
70021979.....	93	70022139.....	255	70022941.....	147	70023013.....	148
70021980.....	133	70022140.....	255	70022942.....	143, 147	70023014.....	142, 146
70021981.....	133	70022141.....	253	70022943.....	147	70023015.....	143, 148
70021983.....	119	70022142.....	255	70022944.....	147	70023016... 142, 146, 147	
70022000.....	533	70022224.....	629	70022945.....	147	70023037.....	553
70022001.....	533	70022287.....	537, 541	70022946.....	143, 147	70023038.....	554
70022002.....	533	70022288.....	537	70022947.....	147	70023039.....	554
70022003.....	533	70022289.....	170	70022948.....	147	70023108.....	325
70022004.....	533	70022296.....	173	70022949.....	143, 147	70023109.....	322
70022005.....	533	70022297.....	173	70022950.....	143, 147	70023110.....	322
70022006.....	533	70022298.....	173	70022951.....	147	70023114.....	245, 257
70022007.....	533	70022299.....	173	70022952.....	143	70023115.....	245, 257
70022008.....	533	70022300.....	173	70022957.....	142, 146	70023116.....	245, 257
70022009.....	533	70022301.....	173	70022958.....	147	70023156.....	685
70022010.....	533	70022330.....	173	70022959.....	148	70023193.....	284, 288
70022011.....	533	70022331.....	173	70022960.....	142, 146	70023195... 197, 199, 201	
70022012.....	533	70022332.....	173	70022961.....	147	70023269.....	175
70022013.....	533	70022333.....	173	70022962.....	147	70023287.....	175, 741
70022014.....	533	70022507.....	173	70022963.....	148	70023307.....	685
70022015.....	533	70022527 ... 93, 119, 133					
70022016.....	533	70022528.....	93	70022964.....	148	70023325.....	341
70022017.....	533	70022529.....	93	70022965.....	147	70023331.....	189
70022018.....	533	70022530.....	118	70022966.....	147	70023332.....	189
70022019.....	533	70022552.....	321, 325	70022967.....	147	70023334.....	189
70022020.....	533	70022553.....	321, 325	70022968.....	148	70023335.....	189
70022021.....	533	70022555.....	321, 325	70022969.....	142, 146	70023336.....	189
70022022.....	533	70022556.....	321, 325	70022970.....	142, 146	70023337.....	189
70022023.....	533	70022557.....	321, 325	70022971.....	147	70023338.....	189
70022024.....	533	70022558.....	321, 325	70022972.....	147	70023339.....	189
70022025.....	533	70022564 .. 449, 461, 473					
70022028.....	93	70022636.....	175	70022973.....	147	70023340.....	189
70022035.....	161, 739	70022637.....	175	70022974.....	147	70023341.....	189
70022036.....	161	70022639.....	175	70022975.....	147	70023342.....	189
70022037.....	161	70022690.....	596, 600	70022976.....	147	70023344.....	547
70022038.....	567	70022691 .. 297, 596, 600					
70022039.....	567	70022746.....	603, 605	70022977.....	147	70023345.....	547
70022040.....	567	70022773.....	241, 253	70022978.....	147	70023346.....	547
70022041.....	567	70022790.....	231	70022979.....	147	70023347.....	547
70022042.....	567	70022804.....	322	70022980.....	143, 147	70023349.....	537
70022043.....	567	70022805.....	321, 325	70022981.....	148	70023350.....	538, 541
70022044.....	571	70022861.....	521, 583	70022982.....	147	70023351.....	537
70022045.....	571	70022876.....	321, 325	70022983.....	148	70023352.....	537
70022046.....	571	70022877.....	321, 325	70022984.....	142, 146	70023353.....	537
70022075... 215, 217, 219, 221, 223, 225							
70022089.....	485	70022878.....	321	70022985.....	142, 146	70023354.....	537
70022090.....	485	70022879.....	321, 325	70022986.....	148	70023355.....	537
70022091.....	485	70022880.....	321	70022987.....	142, 146	70023356.....	537
70022092.....	485, 493	70022881.....	321	70022988.....	147	70023357.....	537
70022093.....	485, 740	70022882.....	321	70022989.....	148	70023358.....	537
70022094.....	493	70022883.....	321	70022990.....	143, 147	70023359.....	537
70022095.....	493	70022884.....	321	70022991.....	147	70023360.....	537
70022096.....	493	70022885.....	321	70022992.....	142, 146	70023361.....	537, 541
70022098.....	493, 740	70022886.....	321	70022993.....	142, 146	70023362.....	537, 541
70022126.....	255	70022887.....	321	70022994.....	142, 146	70023363.....	537
70022127.....	255	70022888.....	322	70022995.....	142, 146	70023364.....	537, 541
70022128.....	255	70022889.....	322	70022996.....	148	70023365.....	537
70022129.....	255	70022890.....	322	70022997.....	147, 151	70023366.....	537
		70022891.....	321	70022998.....	143, 147	70023367.....	537
		70022931.....	142, 146	70022999.....	147	70023368.....	449, 461
				70023000.....	147, 148	70023369... 449, 461, 473	
				70023001.....	147	70023370.....	473
				70023002.....	147	70023371... 449, 461, 473	

PART NUMBER INDEX

70023372 449, 461	70023778 731	70024540..... 151	7023593 469, 471, 519
70023373 449, 461	70023779 731	70024541..... 151	7023962 537
70023374 449, 461	70023780 731	70024542..... 151	7023964 537
70023375 473	70023781 731	70024543..... 151	7024399 685
70023376 449, 461	70023782 731	70024544..... 151	7024574 571
70023377 473	70023783 731	70024545..... 151	7024872 387, 389
70023378 449, 461	70023784 731	70024546..... 151	7024922 535
70023379 473	70023785 731	70024547..... 573	7024930 535
70023380 449, 461	70023786 731	70024548..... 573	7024933 535
70023381 449, 461	70023787 731	70024549..... 573	7024934 535
70023382 473	70023788 731	70024550..... 151	7024935 535
70023383 473	70023789 731	70024551..... 151	7024936 535
70023384 473	70023800 235	70024552..... 151	7024937 535
70023385 473	70023801 235	70024553..... 151	7024938 535
70023386 473	70023829 245, 257	70024554..... 151	7024939 535
70023387 473, 740	70023885 213	70024555..... 151	7024940 535
70023389 449, 461	70023892 527	70024843... 300, 591, 653	7024941 535
70023392 449, 461	70023893 527	70025606..... 569	7024942 535
70023393 449, 740	70023894 527	70025959..... 569	7024943 535
70023394 449, 461	70023895 527	70026056..... 569	7024944 535
70023395 449, 461	70023896 . 501, 509, 521,	70026057..... 569	7024945 535
70023396 449, 461	527, 583	70026058..... 569	7024946 535
70023397 461, 740	70023897 527	70026059..... 569	7024947 535
70023404 213	70023898 527	70026060..... 569	7024948 535
70023443 175	70023899 527, 741	70026061..... 569	7024949 535
70023444 175	70023925 143, 148	70026062..... 569	7024950 535
70023446 175, 739	70023934 583	70026348..... 557	7024951 535
70023447 175	70023935 583	70026427..... 175	7024952 535
70023448 175	70023936 583	70026429..... 175	7024953 535
70023458 169	70023937 583	70026430..... 175	7024954 535
70023461 169	70023939 521	70026678..... 173	7026022 557
70023474 235	70023940 521, 583	70026699..... 95	7026401 587
70023475 235	70023941 521	70026714..... 541	7026404 587, 607
70023476 235	70023943 .. 521, 583, 741	70026747..... 95	7026405 587, 607
70023481 173	70023963 521	70026944..... 95	7026408 ... 593, 596, 600,
70023502 235	70023965 .. 485, 491, 493	70026946..... 95	610, 614, 618, 622,
70023747 731	70023971 449, 461	70026948..... 95	633, 723, 725
70023748 731	70023972 449, 461	70026949..... 95	7026413 ... 611, 613, 617,
70023749 731	70023979 501, 509	70029919..... 175	622
70023750 731	70023980 501	7003226..... 513, 515, 519	7026414 ... 610, 614, 618,
70023751 731	70023981 501, 509	7003236..... 469, 471	622, 641, 645
70023752 731	70023982 501	7003242... 481, 483, 489,	7026415 ... 610, 613, 617,
70023753 731	70023983 501	491, 497, 499, 505, 507	621
70023754 731	70023984 501	7005314... 445, 447, 457,	7026417 ... 610, 613, 617,
70023755 731	70023985 501, 509	459, 481, 483, 489,	621
70023756 731	70023986 501, 740	491, 497, 499, 505, 507	7026419 ... 611, 614, 618,
70023757 731	70023987 509	7005322... 445, 447, 457,	622
70023758 731	70023988 509	459	7026420 14
70023759 731	70023989 509	7005365... 445, 447, 469,	7026421 14
70023760 731	70023990 509	471, 481, 483, 489,	7026422 14
70023761 731	70023991 509, 740	491, 513, 515	7026425 627
70023762 731	70024001 285, 288	7007207..... 537	7026429 639
70023763 731	70024002 567	7007415..... 537	7026430 639
70023764 731	70024003 .. 485, 491, 493	7007426..... 537	7026431 639
70023765 731	70024014 547	7007427 537	7026437 297
70023766 731	70024020 569	7007429..... 537	7026438 ... 293, 295, 297
70023767 731	70024062 95	7007446..... 537	7026439 723, 725
70023768 731	70024071 463	7010543..... 387, 389	7026440 ... 293, 295, 297
70023769 731	70024123 151	7012773..... 561	7026442 181, 185
70023770 731	70024262 569	7012941..... 387, 389	7026458 ... 443, 455, 467
70023771 731	70024306 127	7017414..... 517	7026461 467
70023772 731	70024307 127	7018300..... 557	7026462 467
70023773 731	70024535 151	7019803..... 457, 459	7026463 467
70023774 731	70024536 151	7021275..... 537, 541	7026464 467
70023775 731	70024537 151	7021610..... 517	7026465 467
70023776 731	70024538 151	7021612..... 387, 389	7026466 467
70023777 731	70024539 573	7022340..... 537	7026467 467, 740

PART NUMBER INDEX

7026468.....487, 503	7026740..... 331, 333	7026909 ... 625, 631, 633,	7026976..... 529
7026469.....487, 503	7026741..... 333	635	7026977..... 529
7026470.....487, 503	7026742..... 333	7026910 ... 610, 613, 617,	7026978..... 529
7026471.....503	7026743..... 333	621	7026979..... 529
7026472.....503	7026744..... 211	7026911 265, 739	7026980..... 529
7026473.....495, 503	7026745..... 211	7026913 293, 295	7026981..... 529
7026474.... 479, 487, 495,	7026746..... 211	7026914 293, 295	7026982..... 529
503	7026747..... 211	7026915 169	7026983..... 529
7026475.... 487, 503, 740	7026748..... 211	7026916 169	7026984..... 529
7026476..... 15	7026749..... 211	7026917 169	7026985..... 529
7026477..... 335	7026750..... 213	7026918 169	7026986..... 529
7026478..... 335	7026751..... 213	7026919 169	7026987..... 529
7026481 341	7026752..... 213	7026920 169	7026988..... 529
7026485..... 341	7026753..... 213	7026921 169, 741	7026989..... 529
7026486..... 241, 253	7026754..... 213	7026922 169, 741	7026990..... 530
7026487.... 241, 249, 253,	7026755..... 213	7026923 169	7026991..... 530
261	7026756..... 213	7026924 169	7026992..... 530
7026489..... 241, 253	7026757 215	7026925 169	7026993..... 530
7026490..... 241, 253	7026758 ... 215, 217, 219,	7026926 170	7026994..... 530
7026491..... 243, 255	221, 223, 225	7026927 169	7026995..... 530
7026492..... 243, 255	7026759 ... 215, 217, 219,	7026928 511, 517	7026996..... 530
7026493..... 243, 255	221, 223, 225	7026929 511, 517	7026997..... 530
7026494..... 243	7026760 ... 215, 217, 219,	7026930 517	7026998..... 557
7026495..... 243	221, 223, 225	7026931 517	7026999..... 557
7026496..... 245	7026761 ... 215, 217, 219,	7026932 517, 519	7027100..... 557
7026497..... 245, 257	221, 223, 225	7026933 517, 519	7027254..... 209
7026498..... 245, 257	7026762 217	7026934 ... 511, 517, 740	7027255..... 209
7026499..... 245, 257	7026763 221	7026935 511, 517	7027270..... 235
7026572.... 197, 199, 201,	7026764 223	7026936 511	7027271..... 235
739	7026765 223	7026937 511	7027272..... 235
7026573.... 197, 199, 201,	7026766 223	7026938 ... 511, 513, 515,	7027273..... 235
739	7026769 223, 227, 235	583	7027772..... 15
7026577..... 235	7026770 225	7026939 487, 503	7028666..... 173
7026578..... 235	7026771 227	7026940 495	7028680..... 173
7026618..... 235	7026772 227	7026941 479, 495	7028681..... 173
7026700..... 257	7026773 227	7026942 479, 495	7028716.... 245, 257, 739
7026704..... 245, 257	7026774 227	7026943 495	7028718..... 245, 257
7026709..... 246	7026775 227	7026944 ... 479, 495, 740	7028733..... 246, 258
7026710..... 246, 258	7026776 229	7026945 479, 495	7028890.... 443, 445, 447,
7026711..... 246, 258	7026777 229	7026946 479, 495	449, 455, 457, 459, 461
7026712..... 249	7026778 229	7026947 ... 479, 481, 487	7028938..... 175
7026713..... 249	7026779 229	7026948 479, 487	7028939..... 285, 288
7026714..... 249	7026780 229	7026949 479	7029127..... 241, 253
7026715..... 249, 261	7026781 229	7026951 487	7029267..... 231
7026716..... 249, 261	7026782 229	7026952 443	7029290..... 241, 253
7026717..... 249, 261	7026783 229	7026953 443	7029291..... 241, 253
7026718..... 249	7026784 229	7026954 443	7029293..... 241, 253
7026719..... 249, 261	7026785 231	7026955 443	7029299..... 249, 261
7026720..... 249, 261	7026786 231	7026956 443, 455	7029300.... 245, 258, 739
7026721..... 249	7026787 231	7026958 443, 455	7029302..... 241, 253
7026722..... 249	7026788 231	7026959 443, 455	7029303..... 241, 253
7026723..... 249, 261	7026789 231	7026960 443	7029304..... 241, 253
7026724..... 249	7026790 231	7026961 443, 740	7029305..... 241, 253
7026725..... 249	7026791 233	7026962 443	7029306..... 241, 253
7026726..... 181	7026792 213, 233	7026963 443, 455	7029307..... 241, 253
7026727..... 255	7026793 233	7026964 443	7029309..... 245, 257
7026728..... 255	7026794 213, 233	7026965 455	7029310..... 245
7026729..... 257	7026797 209	7026966 455	7029311..... 245, 257
7026730..... 258	7026798 291	7026967 455	7029312..... 245, 257
7026731..... 258	7026799 291	7026968 455	7029313..... 245, 257
7026732..... 261	7026900 291	7026969 455	7029314..... 245, 257
7026733..... 261	7026901 291	7026970 455	7029317..... 246
7026734..... 261	7026902 291	7026971 455	7029318..... 246
7026735..... 261	7026904 291	7026972 455	7029417..... 233
7026736..... 261	7026905 291	7026973 529	7029520..... 129, 131
7026737..... 261	7026906 291	7026974 529	7029521..... 131
7026739..... 331, 333		7026975 529	7029532..... 219, 221

PART NUMBER INDEX

7029533	219, 221	7301295	137	77363345..	610, 613, 617, 621	80264035	288
7029692	93, 133	7301408	137	77363347..	593, 596, 600, 610, 613, 617, 621	80264066	285, 289
7029703	115, 118	7301579	137	77363349..	593, 596, 600, 610, 613, 617, 621	80264138	329
7029714	133	7301815	317	77383118.....	239, 251	80264139	329
7029715	231	77101143	239, 251	77383154.....	193, 195	80304227	223
7029732	246, 258	7713052	362	77383377...587, 591, 741		80304394 .. 213, 227, 233	
7029733	258	77133052 ... 98, 345, 349, 353, 357, 361, 365,		77383540.....	303	80304405	211
7029734	249, 261, 263	369, 401, 403, 405, 407		77383567.....	587	8033058	285
7029735	249, 261, 263	77133053 ... 99, 369, 401, 403, 405, 407		77383790..	193, 195, 197, 199	80333162	239, 251
7029743	246	77133073 . 345, 349, 353, 357, 361, 365		77384578...293, 295, 297, 741		80334079	529
7029746	246, 258	77133089	379, 381	80003294...345, 349, 353		80334277	535
7029747	246, 258	77133133	307	8006013.....	173, 739	80334379	559
7029755	611	77133134	307	80204005..	241, 245, 253, 257	8033786	571
7029760	523, 567	77133136 ... 98, 346, 649, 651		80204007.....	241, 253	8035392	284, 289
7029771	603	77133137 ... 98, 299, 303, 305, 346, 349, 353,		80204012.....	241, 253	8035461	285, 289
7029782	173, 741	361, 365, 369, 375, 377, 649, 651		80204014.....	253	8035523	284
7029792	115	77133139 .. 421, 423, 425		80204016.....	241, 253	8035536	571
7029814	523	77133140 . 409, 411, 413, 417, 421, 423, 425,		80204025.....	243, 255	8035779	265
7029815	523	427, 429, 431, 433, 435, 437		80204026.....	243, 255	8035782	521
7029816	523	77133168 . 409, 411, 413, 417, 427, 429, 431, 433, 435, 437		80204030.....	255	8035784	521, 583
7029817	523	77133177 . 413, 417, 421, 423, 425		80204031.....	255	8035811	693
7029833	543, 545	77133201	99	80204033.....	243, 255	8035831	148
7029849 ...	215, 217, 219, 221, 223, 225	77133209	98	80204035.....	243, 255	8035862	571
7029850 ...	215, 217, 219, 221, 223, 225	77133279 . 299, 303, 305, 361, 365, 369, 377		80204043.....	243, 255	8035863	571
7029851 ...	215, 217, 219, 221, 223, 225	77133389 . 421, 423, 425, 431, 433, 435, 437,		80204044.....	243, 255	8035865	521, 583
7029852 ...	215, 217, 219, 221, 223, 225	649, 651		80204047.....	243, 255	8036250	233
7029854	285, 288	77133390 . 421, 423, 425, 649, 651		80204071.....	245, 257	80363033	275, 279
7029855	285, 288	77133810	98	80204076.....	245, 258	80363034	275, 279
7029860	284, 289	77143003	719	80204108.....	249	80363067	299, 303
7029877	596, 600	77143006 99, 189, 733		80204115.....	249, 261	80363099	321, 325
7029878	596, 600	77143013	99	80204117..	241, 249, 253, 261, 263	80363102 .	308, 311, 316, 321
7029892	293	77143015 83, 307, 543		80204121.....	249	80363103 .	308, 311, 316, 321, 325
7029894	173, 739	77163105	329	80204123.....	249	80363104..	308, 311, 316
7029895	173	77173014	197, 199	80204125.....	249	80363179	295, 657
7029900	173	77323029 . 307, 311, 316, 375		80204131.....	249	80363195	15
7029901	173, 739	77363228 . 293, 295, 297, 610, 613, 617, 618,		80204143.....	241, 253	80363208 ..	299, 303, 305
7029902	173, 739	621, 622, 631, 633, 635, 657		80204144.....	241, 253	8036394	485, 493
7029908	341	77363229 . 593, 596, 600, 610, 613, 614, 617, 618, 621, 622, 625,		80204166.....	249	80364001	285, 289
7029915	561	627, 629, 631, 633, 635, 725		80204281...249, 261, 263		80364009	288
7029916	561	77363230	621	80214120.....	245, 258	80364011	285, 288
7029917	561	77363232	649	80233080.....	530	80364012	284
7029947	175	77363233	649	80233142.....	337, 339	80364023	285, 288
7029959	524	77363242 .. 593, 596, 600		80234087.....	529	80364030	284, 288
7029968	523	77363246	593	80234088.....	529	80364037	285, 288
7029980	524	77363263	603	80234089.....	529	80364079	285, 289
7029995	563	77363264	603	80234102.....	530	80364095	329
7029996	115, 118			80234103.....	530	8036433	265
7029997	115, 118			80234123.....	529	80365027	299, 303
7057141	185			80241137.....	14, 21	8036508	533
7062922	113			80263012.....	123	8036528	229, 231
7075611	671			80263108.....	337	8036529	229
7110702	113			80264031.....	284, 288	8036575 ...	215, 217, 219, 221, 223, 225
7110712	113					8036629	501, 509, 527
7110722	113					8036654	284, 288
7112642	103					8036750	527
7114941	103					8036847	213
7139914	265					80373025	155
7139918	137					80373046	299
71492142	106, 110					80373047	160
71492152 ..	300, 303, 305					80373049	166
7150580	265					80373088	687
72088049	67, 69					80373094	193, 195
7300364	14					80373112	307

PART NUMBER INDEX

80374019.....170	80934350.....529	8273029.....193, 195	8406105.....680, 683
80374020.....170	80934365.....530	8273257.....193, 195	8406302.....165
80374021.....169	80934379.....529	8273291....197, 199, 201	8410012.....357
80374031.....169	80934495.....529	8275247.....207	8410013.....165, 189
80374033.....169	80934498..329, 331, 333	8303626.....103	8420053....119, 137, 151
80374036.....170	80961142.....676	8303634.....113, 137	8420055....119, 137, 151
80374037.....169	80963050..676, 680, 683	8303658.....137	84231107.....303, 305
80374048.....169	80963056.593, 622, 659, 676	8303715.....113	8430048.....303
80374050.....169	80963057.610, 613, 614, 617, 618, 621, 622, 639	8303799.....17, 21	84521056.....181, 185
80374054.....169	80963058.....300, 676	8305012.....103	84521062.....83
80383113.....676	80963061.611, 613, 617, 621, 622, 727	8305038.....205	8466306.16, 21, 664, 668
80383134...181, 182, 185	80963062.611, 639, 721, 727	8305624.....16, 21, 137	84712749.....299
80383231...299, 303, 305	80963064.....639	8305634.....166	84717517.....361
80383410.....341	80963065.300, 593, 596, 610, 613, 617, 621, 622, 639, 641, 642, 659	8305643.....113, 137	84717593.....91
80384187.....285, 289	80963066.....676	8305644.....103	84717835.....361
80384189.....285, 289	80963067.610, 614, 618, 622, 639, 641	8305645...317, 414, 419, 439, 671	84718208.....106, 110
80384191.....285, 289	80963068.610, 613, 614, 617, 618, 621, 622, 639, 641	8305647.....671	84718737.....98
80384192.....285, 289	80963069.300, 593, 622, 639, 659, 676	8307007.....103	84718959..413, 421, 423, 738
80384203.....284, 289	80963070.....611, 639	8307024.....17, 21	84719060.....98
80384205.....284, 288	80963101.....276, 280	8307025.....165	84719166.....361
80384207.....284, 288	80963149.....14	8307112.....103	84719167.....105, 109
80384218.....284, 288	80963150.....14	8307113.....671	84719185.....98, 345
80434145.....557	80963227.....308	8307904.....113	84719197.....105, 109
80434249.....557	80964001..300, 303, 305	8307916....73, 439, 485, 493	84719223.....83
80463057.....641	80964002.....329	8307917....73, 439, 485, 493	84719229.....98, 139
80463058.....641, 725	80964051..285, 289, 741	8307918.....113	84719236.....695
80484073.....621	80964070..676, 680, 683	8310046.....733	84719455...409, 413, 649
80484081..610, 614, 618, 622, 641, 645	8096D097.....680, 683	8310067..31, 33, 73, 439	84719499.....98
80484084.610, 614, 618, 622, 641, 645	80973107.....193, 197	8310160.....113	84719545.....361
80484085..610, 614, 618, 622, 641, 645	80983168.....711	8310161.....113	84719610.....543
80484086..610, 614, 618, 622	80983191.....300	8310302.....137	84719614.....375
80484087..610, 613, 617, 621, 631, 633, 635	80983192.....300, 653	8310382.....121	84719732.....91
80484088...293, 295, 297	82033995..299, 303, 305	8310435.....137	84719760.....106, 110
80604016..603, 605, 627, 642, 646, 729	82033997.....276, 280	8310435.....137	84719765.....98, 413
80604018..593, 596, 600, 603, 610, 614, 618, 622, 633, 637, 646, 721, 723, 725	8205655.....571	83191010.....691	84719766.....98
80604021..297, 610, 613, 617, 621, 631, 633, 635, 637	8220050.....711	83191013.....337	84719767.....98
80604023.....727	8220081...645, 721, 727, 729	83191021.....337	84719783.....413
80604025..625, 631, 633, 635, 729	8220089.....645	83193018.....337, 339	84719843.....387
80634055.....529	8220124.....603, 605	83201024....99, 105, 109	84719846.....239
8065062.....113	8220160.....603, 605	83201026....99, 105, 109	84719857.....543
8065640...239, 251, 511, 513, 515, 517, 519	8220164.....603, 605	83201057.....317	84719940.....409, 411
80683013.....161	8220524.....629	83201058.....15, 20	8500066.....683
80683073.....299	8220525...629, 637, 641, 645, 723, 725	83201062.....91	8520021.....527
80904003.....741	8220553.....596, 600	83201120.....713	8520212....31, 33, 40, 44
80933066.....443, 455	8220890...613, 617, 621, 683	83201147.....14, 21	8540218.....303
80933070.....181, 185	8223073.....711	8342813.14, 20, 179, 741	8546407.....357
80933113...156, 161, 166	8225122.....591	83481285.610, 613, 617, 621, 625, 627, 629, 631, 633, 635	8580315.....113
80933140.....375	8229234.....587	83481286.610, 613, 617, 621, 625, 627, 629, 631, 633, 635	8584001.....113
80934332.....529	8229242....300, 587, 653	83663119.....377	8584003.....651
80934333.....529	8229244....300, 587, 653	83683308.....181, 185	85941016.....711
80934334.....529	8229246.....300, 587	83763056.....379, 381	85941017.....414, 418
80934336.....529	8229247....300, 587, 653	8390001.....165	8630003.....137
80934339.....529	8229260.....591	8403219.....165	8642207.....113
80934344.....529	8270621.....14, 21, 741	8405007...160, 166, 303, 305	86521144.....99
		8405104.....189	86621230.....190
		8405201.....189	86671187.....299
		8405212.....189	86683122.....106, 110
		8405306.....189	86683193...299, 303, 305
		8406101.....591	86881273.....67, 69
			86881276.....67, 69
			86881761.....203
			86883106.....177
			86883327.....195, 199
			86883328..299, 300, 305, 307
			86883469.....337

PART NUMBER INDEX

86921268 39, 55, 57	88501016 15, 20, 83	409, 411, 414, 511,	90453040 87
86983193 329	88501108 . 409, 411, 414,	513, 515, 517, 519	90453041 87
86983648 201	418	88671008.....71, 99, 105,	90553012 101, 106
8750001 357	88501312 39, 63	109	90553013 101, 105
8750002 361, 365, 369	88501314 . 31, 39, 43, 55,	8867101867, 69, 99, 105,	90553036 129
8750005 357	63, 65	109	90554016 93, 95, 133
8750022 357	88501412 40, 63	88671022.....83	90554017 133
8750025 357	88501414 . 31, 39, 43, 55,	88671027..47, 51, 59, 61,	90554018 133
8750044 362, 366, 369	63, 65	67, 69	90554020 93, 115, 118
876026883, 98, 105, 109,	88521010 307	88681311.....307	90554021 115, 118
239, 251, 339	88521012 71	88681343.....51	90554024 115
8760273 362, 365, 369	88521016 83	88681344.....39, 63	90554025 115, 118
8765204 99, 106, 110,	88521204 16	88691387.....299	90554026 118
345, 362	88521205 591, 691	88711283.....177, 179	90554027 118
8769132 113	88521206 373	8880218-OM.....265	90554028 115
8769139 350, 353	88521208 . 511, 513, 515,	90020003.....137	90554033 95
8769153 362, 366	517, 519	90022230.....567	90554034 95
8770016 113	88521306 . 413, 417, 421,	90026491.....671	90554035 115, 118
8770064 ... 239, 251, 337,	423, 425	90026965.....91	90554038 115, 118
339	88521310 77, 83, 101,	90027187..413, 417, 421,	90554039 115, 118
8770139 418	105, 109	423, 425	90554040 115, 118
8770157 401	88521408 421, 423	90027214.....676	90554042... 93, 115, 118,
8770258 339	88521512 689	90027471..35, 37, 47, 51,	133
8770296 419	88551006 106	59, 61, 67, 69	90554043 115, 118
8780047 268, 271	88551009 ... 83, 105, 109,	90027472.....91, 695, 697	90554044 115, 118
8786514 268, 271	413, 417	90027473.....15, 20	90554045 . 115, 118, 563,
88201005 16	88551010 91, 98, 106,	90027475.....239, 251	565
88201008 83, 98, 105,	109, 685	90028631...193, 197, 201	90554046 563
109, 413, 417	88551011 . 101, 106, 139,	90028660.....303, 312	90554054 93
88201016 685	335, 337, 421	90028990.....91	90554056 115, 118
88201023 98	88551013 83, 713	90029955.....676	90554057 118
88201024 91, 703	88561002 98, 106, 110	90029999.....695, 697	90554058 118
88201025 99	88561004 139, 421	90200003..77, 79, 83, 85,	90554059 118
88201029 98, 105, 109	88561105 71	101, 105, 109, 113	90554060 118
88201033 335	88561107 16, 413	90200445.....671	90554061 133
88201035 337	88561108 99, 671	90200602.....713	90554062 93, 133
88201037 139	88561109 83, 421	90200688.....671	90554063 133
88201065 83	88581112 . 31, 39, 43, 55,	90200755...185, 276, 279	90554064 119
88201073 87, 91	63, 65	90201443.....695, 697	90554065 119, 133
88201105 77, 83, 101,	88581115 .. 33, 43, 57, 65	90203384.....99	90554067 115, 118
105, 109	88581136 99, 105, 109	90204007.....83	90554069 118
88201534 83	88581149 . 467, 469, 471,	90204097.....99	90554070 115, 118
88201535 83	473, 475	90205688.....293, 295	90554071 119
88211550 51	88581157 . 479, 481, 483,	90205792.....405, 407	90554072 119
88211551 51	485, 487, 489, 491, 493	90205870..35, 37, 47, 52,	90554073 118
88212287 31, 33	88591012 523	59, 61, 67, 69, 83, 738	90554076 93, 133
88221276 71	88591204 99, 105, 109	90205918.....181	90554077 133
88241053 101, 105	8859120583, 91, 99, 109,	90206198.....279	90554079 129
88261010 711	239, 251, 559, 695, 697	90206199.....280	90554080 129, 131
88261014 177	88591206 ... 91, 155, 559,	90207463..409, 413, 649,	91003031 671
88261030 421	695, 697	651	91014066 523
88301093 676	88631449 ... 99, 105, 109,	90207464.....411, 417	91023098 280
88301191 177	121	90207661.....649, 651	91031236 . 35, 37, 47, 51,
88301193 71	88661002 409, 411	90207662.....98	59, 61, 67, 69, 83, 738
88302192 179	88661343 337	90207882.....91	91033038... 98, 105, 109,
88321022 676	88661364 337	90208148.....699	121
88341022 129	88662065 559, 561	90208181.....699	91033039... 98, 105, 109,
8841322 233	88662105 337	90208212.....703	121
88501004 413, 417	88662523 15, 20	90214009.....741	91033120 16
88501005 91, 98, 105,	88662538 543, 545	90402948.....87, 91	91033137.. 181, 185, 189
109, 387, 389	88662539 543, 545	90403056.....91	91033186 . 35, 37, 47, 51,
88501006 ... 20, 101, 139,	8866334 285, 289	90451053.....87	59, 61, 83, 738
307	8866348 21	90451058.....137	91033187 63, 65, 421,
8850100817, 87, 91, 409,	8866514 16, 21	90451061.....99	423, 425, 738
411, 414, 418, 717, 719	8866530 16, 21	90453018.....98	91033189 . 35, 37, 47, 59,
88501010 91, 695, 697	88671001 . 27, 55, 57, 63,	90453023.....98	61, 738
88501012 15, 20	85, 87, 91, 239, 251,	90453034.....99	

PART NUMBER INDEX

91033317..293, 295, 297, 741	91121146..... 676	91163028 664, 668	91363185..... 649
91033425.....299	91123054 . 409, 411, 414, 418, 649, 651	91163035 .. 203, 205, 207	91363203.. 413, 417, 421, 423, 425
91034107.....523	91123126..... 335	91163036 39, 55, 63	91363215.....268
91034139.....523	91124096 . 443, 455, 467, 479, 487, 495, 503, 511, 517, 523, 707	91163037 55, 738	91364023..... 193, 195
91034153..467, 479, 487, 495, 503, 523	91124100 715	91163057 421, 423	91365037.....611
91034156.....715	91126032 649, 651	91163058 421, 423	91365076.....267
91034157.....715	91140001 14, 21	91163060 .. 413, 421, 423	91366015.....649, 651
91034374.....98, 139	91141301 31, 33	91163061 414, 423	91401189... 39, 43, 55, 57
91034375.....98, 139	91141302 . 47, 51, 59, 61, 67, 69, 738	91163062 414, 423	91401198... 177, 179, 279
91034377.....99, 139	91141303 . 47, 51, 59, 61, 67, 69, 738	91163066 649, 651	91401266... 98, 105, 109, 121
91034399.....99	91143024 39, 43, 413, 417	91163087 276, 279	91401281587, 591
91034400.....99	91143117 676, 711	91163100 . 543, 545, 649, 651	91401303..... 77, 83
91041322.....99, 105, 109	91143122 160	91163129 . 185, 193, 195, 197, 199	91401324..... 77, 83, 109
91041324.....99, 105, 109	91143141 649, 651	91163161 31, 43	91401340..... 101, 105
91041325.....99, 105, 109	91143220 16, 21	91163162 39	91401443.....299
91041326.....99, 105, 109	91143282 ... 98, 105, 109	91163163 31, 39	91401516.....275, 279
91041327.....99, 105, 109	91143314 155, 741	91163188 . 47, 51, 59, 61, 67, 69, 738	91401590.....275, 279
91041356.....98, 105, 109	91143315 160, 741	91163204 39, 55, 57	91403020..... 71
91041361.....99, 106, 110	91143357 14, 741	91163214 47, 52, 738	91403060..... 71
91041362.....99	91144004 524, 741	91163245 523	91403097..... 15, 20
91041387.....83	91144006 99	91163246 524	91403098..... 15, 20
91041449..39, 43, 55, 57, 414, 418	91144038 707	91164022 707	91403119.....43, 57
91041450..39, 43, 55, 57, 414, 418	91144125 .. 443, 455, 715	91164032 523	91403158..... 543, 545
91041451..39, 43, 55, 57, 414, 418	91144128 . 479, 487, 495, 503, 523, 707	91164033 523	91403176.....177
91041596..39, 43, 55, 57, 414, 418	91144190 335	91164035 523	91403180..... 705
91043084.....267	91144267 715	91164036 523	91403193..... 25
91043125..83, 85, 91, 98, 105, 109, 113, 143, 147, 414, 418, 439, 695, 733, 735	91144478 284, 289	91164083 524	91403216.....203
91043126..83, 85, 91, 98, 105, 109, 113, 139, 143, 147, 414, 418, 439, 695, 733, 735	91153050 268	91164086 284	91403230... 121, 275, 279
91043186..... 106, 110	91161136 . 467, 469, 471, 473, 475	91164087 284, 288	91403247337
91043221....99, 105, 109, 121	91161137 467	91164089 284	91403254.....177
91044080.....523, 567	91161138 39, 43, 413	91164094 284, 288	91403265..... 155
91044542.....299	91161167 35	91164107 524	91403279..... 707
91053020..346, 350, 353, 357	91161168 47, 51	91164440 87	91403280.....299, 303
91064017.....511, 517	91161169 59, 61	91165007 421	91403295.....685
91081313.....27, 83	91161170 47, 59	91165022 39, 55	91403304.....676
91081577.....83	91161171 35, 37	91165040 523, 527	91403322..... 105, 715
91081594.....83	91161172 .. 421, 423, 425	91166032 421, 423	91403324.....275, 279
91081622.....83	91161173 .. 421, 423, 425	91166038 413, 417	91403338.....99
91081630.....83	91161180 63, 65	91166039 63, 65	91403339.....139
91081640.....587, 591	91161183 . 35, 37, 47, 51, 738	91166065 67, 69	91403359.....127
91083106...155, 161, 166	91161184 . 35, 37, 47, 51, 59, 67, 738	91166067 421, 423	91403364..... 98, 127
91083126..... 193, 197	91161211 31	91166068 409, 414	91403366... 101, 105, 127
91083217..414, 418, 421, 423, 425	91161212 39	91203039 649	91403384.....695, 697
91083218..... 155	91161213 31, 43	91334024 284, 288	91403404..... 71, 738
91083248.....83	91161214 39	91334032 285, 289	91403405..... 71
91083385.....267, 271	91161218 31, 39	91334034 288	91403407..... 71, 738
91083483.....587	91161221 .. 47, 51, 59, 67	91334035 284, 288	91403408..... 139
91083535.....695, 697	91161222 47, 51	91343031 676, 680	91403409..... 139
91121082.....47, 51, 738	91161248 . 47, 51, 59, 61, 67, 69	91343235 523	91403413.. 83, 85, 91, 98, 105, 109, 113, 119, 137, 143, 147, 151, 414, 418, 439, 695, 733, 735
91121134..409, 411, 414, 418, 649, 651	91161266 39	91344046 288	91403414.. 83, 85, 91, 98, 105, 109, 113, 137, 139, 143, 147, 151, 414, 418, 439, 695, 733, 735
91121145.....676	91161267 39, 55, 57	91344053 676, 680	91403415.....99
	91161274 67, 69	91355034 267	91403437.....177
	91161277 59, 61, 67	91355035 267	91403443.....299
	91161278 47	91355037 267	91403448..... 91
	91163014 27	91355038 267	91403489... 203, 205, 207
	91163016 523	91361003 676	
		91361032 649, 651	
		91361045 47	
		91361046 47	
		91361047 59	
		91363021 603, 605	
		91363068 649, 651	
		91363151 649, 651	

PART NUMBER INDEX

91403503 ... 17, 676, 680, 683, 717, 719	91404315 285, 289	91404443 177	91473119 205
91403513 .. 177, 738, 739	91404316 285, 289	91405032 71	91473126 691
91403514 177, 739	91404317 285, 289	91405042 177	91473127 . 293, 295, 297, 649, 651
91403524 177	91404318 285, 289	91405054 81	91473151 265
91403528 . 362, 365, 369, 401, 403	91404319 285, 289	91405055 81	91473156 284
91403539 303	91404320 285, 289	91405060 139	91473206 268
91403579 .. 543, 545, 547	91404321 285, 289	91405061 139	91473210 668
91403580 98, 127	91404322 285, 289	91405070 98	91473211 275, 279
91403601 .. 203, 205, 207	91404323 285, 289	91405071 81	91473240 693
91403608 299	91404324 285, 289	91405075 109	91474035 265, 739
91403609 177, 741	91404325 329, 740	91405077 101	91474171 169, 739
91404011 329	91404326 329	91405078 105	91474400 559
91404013 329	91404352 707	91405079 83	91474401 559
91404016 329	91404353 707	91405080 91	91474402 559, 561
91404084 .. 543, 545, 741	91404354 707	91405081 91	91474403 559
91404086 169, 739	91404355 707	91405082 87	91474404 559
91404109 284, 288	91404356 707	91405083 87	91474405 559
91404110 284, 288	91404357 707	91405101 83	91474406 559
91404203 495, 503	91404358 707	91406048 83	91474407 559, 561
91404215 705	91404359 707	91406069 98, 105, 109, 121	91474428 550
91404216 705	91404360 707	91406070 98, 105, 109, 121	91474429 550
91404217 705	91404361 707	91406072 98	91474430 550
91404218 705	91404362 707	91406155 99	91474431 550
91404221 170	91404363 707	91406156 121	91474432 550
91404222 170	91404364 707	91406155 99	91474433 550
91404223 170	91404365 707	91411050 99, 106, 110	91474434 549, 553
91404229 169	91404366 707	91411073 99, 105, 109	91474435 549, 553
91404232 170	91404367 707	91413036 .. 275, 279, 299, 303, 305, 307, 311, 316, 414, 418	91474436 549
91404233 170	91404368 715	91413040 695, 697	91474438 553
91404234 169	91404369 715	91413041 91	91474439 549, 553
91404242 169	91404370 715	91413052 ... 676, 680, 683	91474440 549, 553
91404253 169	91404371 715	91413053 275, 303	91474441 549, 553
91404255 169	91404372 715	91413061 664, 668	91474442 549, 553
91404256 169	91404373 715	91413099 98, 105, 109	91474443 553
91404257 169	91404374 715	91413100 105, 109	91474444 549
91404258 169	91404375 715	91413122 .. 31, 39, 43, 55, 63, 65	91474446 549, 553
91404259 169	91404376 715	91413129 39, 63	91474447 549, 553
91404262 169	91404377 715	91413159 699	91474450 549, 553
91404264 170	91404378 715	91413160 699	91474451 549, 553
91404265 169	91404380 715	91413160 699	91474452 553
91404266 169	91404381 .. 105, 109, 715	91413160 699	91474453 549, 553
91404267 169	91404382 481, 483	91414045 91	91474454 549, 553
91404268 169	91404383 699	91414049 703	91474455 549, 553
91404271 170	91404384 699	91414050 703	91474456 549, 553
91404275 15, 741	91404385 699	91414051 703	91474458 549, 553
91404287 495, 503	91404386 699	91414052 703	91474459 554
91404290 284, 288	91404387 699	91414052 703	91474460 554
91404291 284, 288	91404388 699	91414053 703	91474461 549
91404293 284	91404389 699	91414054 703	91474465 .. 293, 295, 297
91404294 284, 288	91404390 699	91414055 703	91474468 . 610, 613, 614, 617, 618, 621
91404295 284, 288	91404391 699	91414056 703	91474469 . 610, 613, 614, 617, 618, 621
91404296 284, 288	91404392 699	91414057 703	91474481 284, 288
91404297 284, 288	91404393 699	91414058 703	91474482 284, 288
91404298 284, 288	91404394 699	91414059 703	91474483 285
91404299 284, 288	91404395 699	91414060 703	91474492 285, 289
91404301 284, 288	91404396 699	91414061 703	91474506 170
91404302 288	91404397 699	91414062 703	91474512 241, 253
91404303 285, 288	91404398 699	91414063 703	91474629 169
91404305 284, 288	91404399 699	91415025 121	91474630 169
91404306 284, 288	91404400 699	91415026 98	91474631 169
91404309 285, 289	91404401 699	91415072 267	91474633 693
91404310 285, 289	91404411 699	91416014 177	91474634 693
91404311 285, 289	91404412 699	91416018 98	91474635 693
91404312 285, 289	91404413 699	91471174 543	91475051 559
91404313 285, 289	91404414 699	91471242 693	
	91404415 699	91473108 181, 185	
	91404416 699		
	91404417 699		
	91404418 699		
	91404419 700		
	91404420 700		
	91404421 700		
	91404422 700		
	91404423 700		
	91404424 700		
	91404425 700		
	91404426 700		
	91404427 700		
	91404428 700		
	91404429 700		
	91404430 700		
	91404431 699		
	91404432 699		
	91404433 699		
	91404434 699		
	91404435 699		
	91404436 699		
	91404437 699		
	91404438 699		
	91404439 321, 325		

PART NUMBER INDEX

91475107.....693	91514123 . 243, 245, 255, 257	91515048 337	91563028..... 51, 61, 738
91476031.....337, 339	91514125 243	91516029 337	91563030..... 43, 57
91501064.....413, 418	91514126 243	91516030 337	91563035.43, 57, 65, 738
91503093.....413, 418	91514127 243	91516044 275	91563036.....57, 738
91503094.....413, 417	91514128 243	91534004 169	91563040..... 181, 185
91503097.....664	91514129 243	91534005 170	91563043..... 155, 739
91503098.....664	91514130 243, 255	91535011 156, 738	91563044.....341
91503099.....664	91514131 243, 255	91543002 268	91563046..443, 445, 447, 449, 451, 455, 457, 459, 461, 463
91503103.....711	91514132 243	91545008 267	91563047..495, 497, 499, 501, 503, 505, 507, 509
91503105.....297, 725	91514136 243	91545010 267	91563049..... 193, 197
91503106...293, 297, 727	91514137 243	91553031 155	91563050..... 181
91503108.....664	91514138 243	91553045 156, 741	91563051.....181
91503109.....664	91514139 243	91553057 155	91563052.....182
91503110.....664	91514140 243	91553072 671	91563053.....181
91503112.....664, 668	91514141 243	91554014 . 593, 631, 633, 635, 637	91563057.....155
91503414.....119	91514142 243, 255	91554017 293, 723	91563060..... 15
91504028.....329	91514143 243	91554018 627, 629	91563061..... 15, 20
91504029...329, 331, 333	91514144 243	91554019 . 593, 596, 600, 603, 605, 627, 629	91563062..... 15, 20
91504030.....331, 333	91514146 245, 257	91554021 593	91563065..... 14
91504031.....331, 333	91514147 245, 257	91554022 .. 593, 596, 600	91563066.....169
91504086.....593	91514148 245, 257	91554023 . 593, 610, 613, 617, 621, 631, 633, 635, 637	91563067.....239
91504088..631, 633, 635	91514149 245, 257	91554026 593	91563068.....251
91504089.....641, 645	91514151 249	91554027 593	91563070..... 181, 185
91504107..631, 633, 635, 637, 711	91514154 263	91554028 593	91563071.....593
91511094.....47, 51, 738	91514155 263	91561023 51	91563072.....276
91511105.....239, 251	91514159 263	91561090 33	91563075.....276, 279
91511127.....676, 711	91514160 263	91561095 43	91563077..495, 497, 499, 503, 505, 507
91511145.....337, 339	91514161 .. 249, 261, 263	91561101 37	91563078..479, 481, 483, 487, 489, 491
91511206.....676	91514163 249, 261	91561107 33, 43	91563079..193, 195, 197, 199
91513072.....549	91514165 263	91561108 61	91563084.....299
91513106.....414	91514174 245, 258	91561109 203	91563085.....587
91513125.....335	91514175 246, 258	91561119 181, 185	91563087.....203
91513176...33, 43, 57, 65	91514176 246, 258	91561136 276, 279	91563089.....203, 205
91513180.....337, 339	91514177 246, 258	91561140 193, 195, 197, 199	91563090.....587
91513194.....15	91514178 246, 258	91561146 . 193, 195, 197, 199	91563091..... 155, 166
91513197.....181, 185	91514179 246, 258	91561148 181, 185	91563116.....203, 205
91513201.....664	91514180 246, 258	91561150 275	91563117.....293
91513206.....127	91514181 245, 258	91561155 543	91563121..155, 160, 166, 741
91513208.....664	91514184 246, 258	91561156 31, 33	91563122...156, 160, 741
91513209.....664	91514185 246, 258	91561175 14	91563124.....610
91513210.....671	91514186 246, 258	91561177 649	91563126..... 197, 199
91513212.....329, 739	91514188 . 241, 246, 253, 258	91561189 676	91563127.....587
91513215.....186	91514189 245, 257	91561192 341	91563129... 197, 199, 201
91513234.....317	91514193 255	91561236 181, 185	91563130..... 197, 199
91513266.....691	91514196 549	91561240 .. 156, 161, 577	91563131..... 197, 199
91514059.....511, 517	91514197 549, 553	91561241 156, 161	91563132..... 15
91514070.....511, 517	91514198 549, 553	91561242 15	91563134... 197, 199, 201
91514082.....245, 257	91514199 549, 553	91561244 193, 197	91563136..543, 545, 547, 741
91514087.....258	91514200 549	91561248 181, 185	91563137.....487
91514090.....241, 253	91514201 549	91561250 33	91563138.....503
91514091.....241, 253	91514202 549	91561262 15	91563140.....543, 545
91514092.....245, 257	91514224 329	91561268 413, 417	91563141.....127
91514093.....245, 257	91514251 . 467, 469, 471, 473, 475, 477	91561276 181, 185	91563142.....127
91514095.....245, 257	91514264 321	91561291 587	91563143.....127
91514098.....241, 253	91514265 321	91561297 15	91563145.....587
91514099..241, 245, 253, 257	91514266 321	91563005 511	91563146.....115
91514102.....241, 253	91514268 308	91563006 517	91563147.....51
91514103.....241, 253	91514269 308	91563008 209	91563151.....203
91514111...245, 257, 739	91514270 321	91563012 284	91563155..... 14
91514113.....245, 257	91514272 321, 325	91563013 284	
91514114.....245, 257	91514274 308	91563021 57	
91514115.....245, 257	91514295 321	91563025 43, 57	
91514117.....258	91514296 321, 325	91563026 43, 57	
91514118.....691	91515033 335		

PART NUMBER INDEX

91563157	671	91563209	265	91565004	57	91566007	43
91563158	291	91563211	345	91565005	43, 57	91566008	57
91563161	61, 69	91563213	156, 161	91565009	155	91566025	39, 43, 417
91563163	193, 195, 197, 199	91563214	455	91565010	181	91566027	14
91563165	414	91563219	33, 43	91565018	199	91566028	155, 160
91563166	413	91563220	664, 668	91565019	543	91566030	239, 251
91563167	405	91563226	335, 739	91565020	239	91566032	181
91563168	405	91563227	664	91565021	251	91566037	275
91563169	401	91563241	15	91565028	267, 271	91566042	695, 697
91563170	401	91563242	387, 389	91565029	267, 271	91566043	413, 417
91563171	433	91563243	63, 65	91565037	695	91566050	27
91563172	433	91563244	479, 481, 483, 485, 487, 489, 491, 493, 497, 499, 505, 507	91565038	267, 271	91566051	27
91563173	433	91563246	664	91565039	267, 271	91566053	15
91563174	433	91563247	659	91565040	267, 271	91566057	155
91563177	427	91563248	543, 545, 741	91565041	267, 271	91566060	155
91563178	427	91563249	181, 185	91565045	685	91566061	307
91563179	409	91563250	268, 271	91565046	687	91566062	691
91563180	409	91563254	345	91565047	676	91566063	691
91563182	529	91563255	345	91565060	649	91566064	181, 185
91563184	529	91563256	361, 365, 369	91565062	205	91566070	587
91563185	639	91563263	469, 471, 473, 475	91565063	307	91569003	20
91563186	625	91563265	345	91565065	303	91573008	467
91563187	641	91563268	513	91565066	649, 651	91573009	169
91563188	631	91563269	505	91565067	21	91573013	479
91563189	535	91563270	457	91565068	653	91573014	495
91563190	557	91563271	489	91565070	665, 669	91573015	443
91563191	276, 279	91563272	519	91565071	665, 669	91573028	445
91563192	657	91563277	685	91565080	676	91573029	469
91563193	676	91563278	361	91565081	691	91573030	481
91563197	27	91563282	239	91565083	335	91573031	497
91563198	27	91563283	251	91565084	665, 669	91574001	467, 469, 471, 473, 475, 477
91563199	27	91564001	16	91565085	307	91575012	195
91563200	333	91564002	15	91565086	713	91575013	193, 195
91563201	331, 333	91564003	115, 118, 119	91565088	665, 669	91575015	649
91563205	276, 279	91564004	308	91565090	156, 738	91576001	31
91563206	276	91564006	529	91565092	665, 669	91576006	39
91563207	276			91565093	17	91576007	55
91563208	335			91565094	131	H1533001	207
				91566006	33		



3126020



An Oshkosh Corporation Company

Corporate Office
JLG Industries, Inc.
1 JLG Drive
McConnellsburg, PA 17233-9533
USA

+1-717-485-5161 (Corporate)
+1-877-554-5438 (Customer Support Toll Free)
+1-717-485-6417

JLG Worldwide Locations

JLG Industries
358 Park Road
Regents Park
NSW 2143
Sydney 2143
Australia
+6 (12) 87186300
+6 (12) 65813058
Email: techservicesaus@jlg.com

JLG Ground Support Oude
Bunders 1034
Breitwaterstraat 12A
3630 Maasmechelen
Belgium
+32 (0)89 84 82 26
Email: emeaservice@jlg.com

JLG Latino Americana LTDA
Rua Antonia Martins Luiz, 580
Distrito Industrial Joao Narezzi
Indaiatuba-SP 13347-404
Brasil
+55 (19) 3936 7664 (Parts)
+55 (19) 3936 9049 (Service)
Email: comercialpecas@jlg.com
Email: servicos@jlg.com

Oshkosh-JLG (Tianjin)
Equipment Technology LTD
Shanghai Branch
No 465 Xiao Nan Road
Feng Xian District
Shanghai 201204
China
+86 (21) 800 819 0050

JLG Industries Dubai
Jafza View
PO Box 262728, LB 19
20th Floor, Office 05
Jebel Ali, Dubai
+971 (0) 4 884 1131
+971 (0) 4 884 7683
Email: emeaservice@jlg.com

JLG France SAS
Z.I. Guillaume Mon Amy
30204 Fauillet
47400 Tonniens
France
+33 (0) 553 84 85 86
+33 (0) 553 84 85 74
Email: pieces@jlg.com

JLG Deutschland GmbH
Max Planck Str. 21
27721 Ritterhude-Ihlpohl
Germany
+49 (0) 421 69350-0
+49 (0) 421 69350-45
Email: german-parts@jlg.com

JLG Equipment Services Ltd.
Rm 1107 Landmark North
39 Lung Sum Avenue
Sheung Shui N. T.
Hong Kong
+(852) 2639 5783
+(852) 2639 5797

JLG Industries (Italia) S. R. L.
Via Po, 22
IT-20010 Pregnana Milanese (MI)
Italy
+39 (0) 2 9359 5210
+39 (0) 2 9359 5211
Email: ricambi@jlg.com

JLG EMEA B.V.
Polaris Avenue 63
2132 JH Hoofddorp
The Netherlands
+31 (0) 23 565 5665
Email: emeaservice@jlg.com

JLG NZ Access Equipment & Services
2B Fisher Crescent
Mt Wellington 1060
Auckland, New Zealand
+6 (12) 87186300
+6 (12) 65813058
Email: techservicesaus@jlg.com

JLG Industries
Vahutinskoe shosse 24b
Khimki,
Moscow Region 141400
Russia Federation
+7 (499) 922 06 99
+7 (499) 922 06 99

Oshkosh-JLG Singapore
Technology Equipment P te Ltd.
35 Tuas Avenue 2
Jurong Industrial Estate
Singapore 639454
+65 6591 9030
+65 6591 9045
Email: SEA@jlg.com

JLG Iberica S. L.
Trapadella, 2
Pol. Ind. Castellbisbal Sur
08755 Castellbisbal
Barcelona
Spain
+34 (0) 93 772 47 00
+34 (0) 93 77 117 62
Email: parts_iberica@jlg.com

JLG Sverige AB
Enkopingsvagen 150
17627 Jarfalla
Sweden
+46 (0) 8 506 595 00
+46 (0) 8 506 595 27
Email: nordicsupport@jlg.com

JLG Industries (UK) Ltd.
Bentley House
Bentley Avenue
Middleton, Greater Manchester
M24 2GP
United Kingdom
+44 (0) 161 654 1000
+44 (0) 161 654 1003
Email: ukparts@jlg.com

www.jlg.com