



# ***Illustrated Parts Manual***

## ***Models***

***534D-9  
534D-10***

***534D-9  
SN 0544001 through 0744407 &  
0160000112 to Present***

***534D-10  
SN 0366001 through 0366533 &  
0160000125 to Present***

***91344005***

***Revised  
September 6, 2017***





## EFFECTIVITY PAGE

October 8, 2004 - A - Revised Manual  
December 30, 2004 - B - Revised Manual  
September 30, 2005 - C - Revised Manual  
May 19, 2006 - D - Revised Manual  
August 25, 2006 - E - Revised Manual  
February 23, 2007 - F - Revised Manual  
July 6, 2007 - G - Revised Manual  
May 16, 2008 - H - Revised Manual  
November 25, 2008 - I - Revised Manual  
February 12, 2010 - J - Revised Manual  
May 30, 2012 - K - Revised Manual  
October 5, 2012 - L - Revised Manual  
April 2, 2014 - M - Revised Manual  
September 6, 2017 - N - Revised Manual



# TABLE OF CONTENTS

SECTION 1 - FRAME AND ATTACHING PARTS.....	13
FIGURE 1-1. FRAME SHROUDING AND TRIM (534D-9 SN 0544001 through 0160000853, Excluding 0160000700; 534D-10 SN 0366001 through 0160000974) .....	14
FIGURE 1-2. FRAME SHROUDING AND TRIM (534D-9 SN 0160001051 through 0160035941, Including 0160000700, Excluding 0160034957; 534D-10 SN 0160000978 through 0160034816, Excluding 0160035696).....	18
FIGURE 1-3. FRAME SHROUDING AND TRIM (534D-9 SN 0160035983 to Present, Including 0160034957; 534D-10 SN 0160035696 to Present) .....	22
FIGURE 1-4. REAR AXLE AND ATTACHING PARTS (534D-9 SN 0544001 through 0160000446; 534D-10 SN 0366001 through 0160000446) .....	26
FIGURE 1-5. REAR AXLE AND ATTACHING PARTS (534D-9 SN 0160000447 to Present; 534D-10 SN 0160000448 to Present) .....	30
FIGURE 1-6. FRONT AXLE MOUNTING (534D-9 SN 0544001 through 0160000446; 534D-10 SN 0366001 through 0160000446) .....	34
FIGURE 1-7. FRONT AXLE MOUNTING (534D-9 SN 0160000447 to Present; 534D-10 SN 0160000448 to Present) .....	36
FIGURE 1-8. OUTRIGGER MOUNTING (534D-10 Prior to SN 0160035696) .....	38
FIGURE 1-9. OUTRIGGER MOUNTING (534D-10 SN 0160035696 to Present).....	40
SECTION 2 - BOOM.....	43
FIGURE 2-1. FIRST BOOM SECTION (534D-9 SN 0544001 through 0644118; 534D-10 SN 0366001 through 0366088) .....	44
FIGURE 2-2. FIRST BOOM SECTION (534D-9 SN 0644119 to Present; 534D-10 SN 0366089 to Present).....	46
FIGURE 2-3. SECOND BOOM SECTION (534D-9 SN 0544001 through 0644118; 534D-10 SN 0366001 through 0366088) .....	48
FIGURE 2-4. SECOND BOOM SECTION (534D-9 SN 0644119 to Present; 534D-10 SN 0366089 to Present).....	50
FIGURE 2-5. THIRD BOOM SECTION (534D-9 SN 0544001 through 0644118; 534D-10 SN 0366001 through 0366088).....	52
FIGURE 2-6. THIRD BOOM SECTION (534D-9 SN 0644119 to Present; 534D-10 SN 0366089 to Present) .....	54
FIGURE 2-7. QUICK SWITCH ASSEMBLY (534D-9 Prior to SN 0160038519; 534D-10 Prior to SN 0160038445).....	56
FIGURE 2-8. QUICK SWITCH ASSEMBLY (534D-9 SN 0160038519 to Present; 534D-10 SN 0160038445 to Present) .....	58
FIGURE 2-9. BOOM CROSS SECTION/PUSH BEAM PIN - 40 FT & 45 FT BOOM .....	60
FIGURE 2-10. EXTENSION AND RETRACTION CABLES (534D-9 SN 0544001 through 0644118; 534D-10 SN 0366001 through 0366088) .....	62
FIGURE 2-11. EXTENSION AND RETRACTION CABLES (534D-9 SN 0644119 to Present; 534D-10 SN 0366089 to Present) .....	64
SECTION 3 - ATTACHMENTS .....	67
FIGURE 3-1. BUCKETS .....	68
FIGURE 3-2. TILT CARRIAGE (534D-9 Prior to SN 0160023516, Excluding 0160023201, 0160023202, 0160023156, 0160023465 and 0160023467; 534D-10 Prior to SN 0160023235, Excluding 0160023157, 0160023231 and 0160023234).....	70
FIGURE 3-3. TILT CARRIAGE (534D-9 SN 0160023516 to Present, Including 0160023201, 0160023202, 0160023156, 0160023465 and 0160023467; 534D-10 SN 0160023235 to Present, Including 0160023157, 0160023231 and 0160023234) ....	72
FIGURE 3-4. TRUSS BOOM (534D-9 Prior to SN 0160038519; 534D-10 Prior to SN 0160038445).....	74
FIGURE 3-5. TRUSS BOOM (534D-9 SN 0160038519 to Present; 534D-10 SN 0160038445 to Present) .....	76
FIGURE 3-6. TRUSS BOOM W/WINCH (534D-9 Prior to SN 0160038519; 534D-10 Prior to SN 0160038445) .....	78
FIGURE 3-7. TRUSS BOOM W/WINCH (534D-9 SN 0160038519 to Present; 534D-10 SN 0160038445 to Present) .....	82
FIGURE 3-8. 6 FT VERTICAL MAST (534D-9 Prior to SN 0160038519; 534D-10 Prior to SN 0160038445).....	84
FIGURE 3-9. 48 IN SLOPE PILER CARRIAGE (534D-9 Prior to SN 0160038519; 534D-10 Prior to SN 0160038445).....	88
FIGURE 3-10. 66 IN SLOPE PILER CARRIAGE (534D-9 Prior to SN 0160038519; 534D-10 Prior to SN 0160038445).....	90
FIGURE 3-11. 100, SWING FORK (534D-9 Prior to SN 0160038519; 534D-10 Prior to SN 0160038445).....	92
FIGURE 3-12. QUICK HOOK ASSEMBLY .....	96
FIGURE 3-13. FORK MOUNTED LIFTING HOOK (PRIOR TO SN 2005134-01) .....	98
FIGURE 3-14. FORK MOUNTED LIFTING HOOK (SN 2005134-01 TO PRESENT).....	100
FIGURE 3-15. 6 FT SWING MAST W/SIDE SHIFT (534D-9 Prior to SN 0160038519; 534D-10 Prior to SN 0160038445) .....	102
FIGURE 3-16. 100, DRYWALL SWING FORK ASSEMBLY (534D-9 Prior to SN 0160038519; 534D-10 Prior to SN 0160038445) .....	108
FIGURE 3-17. SHEET MATERIAL HANDLER (534D-9 SN 0160038519 to Present; 534D-10 SN 0160038445 to Present) .....	112
FIGURE 3-18. SIDE TILT CARRIAGE (534D-9 SN 0160038519 to Present; 534D-10 SN 0160038445 to Present).....	114
FIGURE 3-19. 180, SWING CARRIAGE (534D-9 Prior to SN 0160023516; 534D-10 Prior to SN 0160023231).....	116
FIGURE 3-20. 180, SWING CARRIAGE (534D-9 SN 0160023516 through 0160038518; 534D-10 SN 0160023231 through 0160038444) .....	120
FIGURE 3-21. 180, SWING CARRIAGE (534D-9 SN 0160038519 to Present; 534D-10 SN 0160038445 to Present) .....	124
FIGURE 3-22. 90, SWING CARRIAGE (534D-9 SN 0160038519 to Present; 534D-10 SN 0160038445 to Present) .....	128
FIGURE 3-23. FORKS.....	130
FIGURE 3-24. PERSONNEL PLATFORM .....	132
FIGURE 3-25. FORK MOUNTED PLATFORM.....	136
FIGURE 3-26. FORK PIN LOCK INSTALLATION (534D-9 SN 0160038519 to Present; 534D-10 SN 0160038445 to Present). .....	140

# TABLE OF CONTENTS

FIGURE 3-27. GRAPPLE BUCKET (534D-9 SN 0160038519 to Present; 534D-10 SN 0160038445 to Present) .....	142
FIGURE 3-28. 8 FT STANDARD MAST (534D-9 SN 0160038519 to Present; 534D-10 SN 0160038445 to Present).....	144
FIGURE 3-29. 8 FT SIDE TILT ELECTRIC MAST (534D-9 SN 0160038519 to Present; 534D-10 SN 0160038445 to Present) .	148
<b>SECTION 4 - ENGINE AND ATTACHING PARTS .....</b>	<b>153</b>
FIGURE 4-1. ENGINE ASSEMBLY, LH VIEW (534D-9 SN 0544001 through 0544084) .....	154
FIGURE 4-2. ENGINE ASSEMBLY, LH VIEW (534D-9 SN 0544085 through 0544216).....	158
FIGURE 4-3. ENGINE ASSEMBLY, LH VIEW (534D-9 SN 0544217 through 0544717) .....	162
FIGURE 4-4. ENGINE ASSEMBLY, LH VIEW (534D-9 SN 0544719 through 0744407; SN 0160000112 through 0160000853, Excluding 0160000700).....	166
FIGURE 4-5. ENGINE ASSEMBLY, LH VIEW (534D-9 SN 0160001051 through 0160010202; Including 0160000700, Excluding 0160010082 and 0160010093) .....	170
FIGURE 4-6. ENGINE ASSEMBLY, LH VIEW (534D-10 SN 0366001 through 0366016).....	174
FIGURE 4-7. ENGINE ASSEMBLY, LH VIEW (534D-10 SN 0366017 through 0366053).....	178
FIGURE 4-8. ENGINE ASSEMBLY, LH VIEW (534D-10 SN 0366054 through 0366187).....	182
FIGURE 4-9. ENGINE ASSEMBLY, LH VIEW (534D-10 SN 0366188 through 0366533; SN 0160000125 through 0160000974) .....	186
FIGURE 4-10. ENGINE ASSEMBLY, LH VIEW (534D-9 SN 0160010211 through 0160035941, Including 0160010082 and 0160010093, Excluding 0160034957; 534D-10 SN 0160000978 through 0160034816) .....	190
FIGURE 4-11. ENGINE ASSEMBLY, LH VIEW (534D-9 SN 0160035983 to Present, Including 0160034957; 534D-10 SN 0160035696 to Present).....	194
FIGURE 4-12. ENGINE ASSEMBLY, RH VIEW (534D-9 SN 0544001 through 0544084) .....	198
FIGURE 4-13. ENGINE ASSEMBLY, RH VIEW (534D-9 SN 0544085 through 0544216) .....	202
FIGURE 4-14. ENGINE ASSEMBLY, RH VIEW (534D-9 SN 0544217 through 0544717) .....	206
FIGURE 4-15. ENGINE ASSEMBLY, RH VIEW (534D-9 SN 0544719 through 0744407; SN 0160000112 through 0160000853, Excluding 0160000700).....	210
FIGURE 4-16. ENGINE ASSEMBLY, RH VIEW (534D-9 SN 0160001051 through 0160010202; Including 0160000700, Excluding 0160010082 and 0160010093) .....	214
FIGURE 4-17. ENGINE ASSEMBLY, RH VIEW (534D-10 SN 0366001 through 0366016) .....	218
FIGURE 4-18. ENGINE ASSEMBLY, RH VIEW (534D-10 SN 0366017 through 0366053) .....	222
FIGURE 4-19. ENGINE ASSEMBLY, RH VIEW (534D-10 SN 0366054 through 0366187) .....	226
FIGURE 4-20. ENGINE ASSEMBLY, RH VIEW (534D-10 SN 0366188 through 0366533; SN 0160000125 through 0160000974) .....	230
FIGURE 4-21. ENGINE ASSEMBLY, RH VIEW (534D-9 SN 0160010211 through 0160035941, Including 0160010082 and 0160010093, Excluding 0160034957; 534D-10 SN 0160000978 through 0160034816) .....	234
FIGURE 4-22. ENGINE ASSEMBLY, RH VIEW (534D-9 SN 0160035983 to Present, Including 0160034957; 534D-10 SN 0160035696 to Present).....	238
FIGURE 4-23. ENGINE PUMP MOUNT AND FLYWHEEL HOUSING (534D-9 SN 0544001 through 0544084) .....	240
FIGURE 4-24. ENGINE PUMP MOUNT AND FLYWHEEL HOUSING (534D-9 SN 0544085 through 0544216).....	242
FIGURE 4-25. ENGINE PUMP MOUNT AND FLYWHEEL HOUSING (534D-9 SN 0544217 through 0544717) .....	244
FIGURE 4-26. ENGINE PUMP MOUNT AND FLYWHEEL HOUSING (534D-9 SN 0544719 through 0744407; SN 0160000112 through 0160000853, Excluding 0160000700).....	246
FIGURE 4-27. ENGINE PUMP MOUNT AND FLYWHEEL HOUSING (534D-9 SN 0160001051 through 0160010202; Including 0160000700 and , Excluding 0160010082 and 0160010093) .....	248
FIGURE 4-28. ENGINE PUMP MOUNT AND FLYWHEEL HOUSING (534D-10 SN 0366001 through 0366016).....	250
FIGURE 4-29. ENGINE PUMP MOUNT AND FLYWHEEL HOUSING (534D-10 SN 0366017 through 0366053).....	252
FIGURE 4-30. ENGINE PUMP MOUNT AND FLYWHEEL HOUSING (534D-10 SN 0366054 through 0366187).....	254
FIGURE 4-31. ENGINE PUMP MOUNT AND FLYWHEEL HOUSING (534D-10 SN 0366188 through 0366533; SN 0160000125 through 0160000974) .....	256
FIGURE 4-32. ENGINE PUMP MOUNT AND FLYWHEEL HOUSING (534D-9 SN 0160010211 through 0160035941, Including 0160010082 and 0160010093, Excluding 0160034957; 534D-10 SN 0160000978 through 0160034816) .....	258
FIGURE 4-33. ENGINE PUMP MOUNT AND FLYWHEEL HOUSING (534D-9 SN 0160035983 to Present, Including 0160034957; 534D-10 SN 0160035696 to Present) .....	260
FIGURE 4-34. JOHN DEERE ENGINE (534D-9 SN 0160001051 through 0160007529, Including 0160000700; 534D-10 SN 0160000978 to Present).....	262
FIGURE 4-35. JOHN DEERE ENGINE (534D-9 SN 0160007595 through 0160010202; Excluding 0160010082 and 0160010093) .....	264
FIGURE 4-36. JOHN DEERE ENGINE (534D-9 SN 0160010211 through 0160035941, Including 0160010082 and 0160010093, Excluding 0160034957; 534D-10 SN 0160007725 through 0160034816) .....	266
FIGURE 4-37. CUMMINS ENGINE (534D-9 SN 0160035983 to Present, Including 0160034957; 534D-10 SN 0160035696 to Present).....	268
FIGURE 4-38. FUEL TANK LINES (534D-9 Prior to SN 0160035983, Excluding 0160034957; 534D-10 Prior to SN 0160035696) .....	270
FIGURE 4-39. FUEL TANK LINES (534D-9 SN 0160035983 to Present, Including 0160034957; 534D-10 SN 0160035696 to Present).....	272

# TABLE OF CONTENTS

FIGURE 4-40. RADIATOR ASSEMBLY (534D-9 SN 0544001 through 0160000853, Excluding 0160000700; 534D-10 SN 0366001 through 0160000974) .....	274
FIGURE 4-41. RADIATOR ASSEMBLY (534D-9 SN 0160001051 through 0160035941, Including 0160000700, Excluding 0160034957; 534D-10 SN 0160000978 through 0160034816) .....	276
FIGURE 4-42. RADIATOR ASSEMBLY (534D-9 SN 0160035983 to Present, Including 0160034957; 534D-10 SN 0160035696 to Present) .....	278
FIGURE 4-43. AIR CLEANER PIPING (534D-9 SN 0544001 through 0544399) .....	280
FIGURE 4-44. AIR CLEANER PIPING (534D-10 SN 0366001 through 0366342) .....	282
FIGURE 4-45. AIR CLEANER PIPING (534D-9 SN 0544400 through 0160000853, Excluding 0160000700; 534D-10 SN 0366343 through 0160000974) .....	284
FIGURE 4-46. AIR CLEANER PIPING (534D-9 SN 0160001051 through 0160035941, Including 0160000700, Excluding 0160034957; 534D-10 SN 0160000978 through 0160034816) .....	286
FIGURE 4-47. AIR CLEANER PIPING (534D-9 SN 0160035983 to Present, Including 0160034957; 534D-10 SN 0160035696 to Present) .....	288
FIGURE 4-48. AIR CLEANER (534D-9 SN 0544001 through 0544399; 534D-10 SN 0366001 through 0366342) .....	290
FIGURE 4-49. 9IN AIR CLEANER (534D-9 SN 0544400 through 0744407, SN 0160000112 through 0160035941, Excluding 0160034957; 534D-10 SN 0366343 through 0366533, SN 0160000125 through 0160034816) .....	292
FIGURE 4-50. AIR CLEANER (534D-9 SN 0160035983 to Present, Including 0160034957; 534D-10 SN 0160035696 to Present) .....	294
FIGURE 4-51. EXHAUST SYSTEM (534D-9 SN 0544001 through 0160000853, Excluding 0160000700; 534D-10 SN 0366001 through 0160000974) .....	296
FIGURE 4-52. EXHAUST SYSTEM (534D-9 SN 0160001051 through 0160035941, Including 0160000700, Excluding 0160034957; 534D-10 SN 0160000978 through 0160034816) .....	298
FIGURE 4-53. EXHAUST SYSTEM (534D-9 SN 0160035983 to Present, Including 0160034957; 534D-10 SN 0160035696 to Present) .....	300
SECTION 5 - DRIVE TRAIN .....	303
FIGURE 5-1. FRONT AXLE ASSEMBLY - ROCKWELL (534D-9 SN 0544001 through 0160000446; 534D-10 SN 0366001 through 0160000446) .....	304
FIGURE 5-2. FRONT AXLE - ROCKWELL (534D-9 SN 0544001 through 0744134; 534D-10 SN 0366001 through 0366488) ..	306
FIGURE 5-3. FRONT AXLE - ROCKWELL (534D-9 SN 0744135 through 0160000446; 534D-10 SN 0366489 through 0160000446) .....	308
FIGURE 5-4. LEFT AND RIGHT HOUSING AND AXLE AND WHEEL FLANGE ASSEMBLIES - ROCKWELL (534D-9 SN 0544001 through 0160000446; 534D-10 SN 0366001 through 0160000446) .....	310
FIGURE 5-5. BRAKE ASSEMBLY - ROCKWELL (534D-9 SN 0544001 through 0744134; 534D-10 SN 0366001 through 0366488) .....	312
FIGURE 5-6. BRAKE ASSEMBLY - ROCKWELL (534D-9 SN 0744135 through 0160000446; 534D-10 SN 0366489 through 0160000446) .....	314
FIGURE 5-7. CARRIER ASSEMBLY - ROCKWELL (534D-9 SN 0544001 through 0160000446; 534D-10 SN 0366001 through 0160000446) .....	316
FIGURE 5-8. FRONT AXLE ASSEMBLY - CARRARO (534D-9 SN 0160000447 to Present; 534D-10 SN 0160000448 to Present) .....	320
FIGURE 5-9. FRONT AXLE - CARRARO (534D-9 SN 0160000447 to Present; 534D-10 SN 0160000448 to Present) .....	322
FIGURE 5-10. AXLE HOUSING ASSEMBLY - CARRARO (534D-9 SN 0160000447 to Present; 534D-10 SN 0160000448 to Present) .....	324
FIGURE 5-11. BRAKE ASSEMBLY - CARRARO (534D-9 SN 0160000447 to Present; 534D-10 SN 0160000448 to Present) ..	326
FIGURE 5-12. CARRIER ASSEMBLY - CARRARO (534D-9 SN 0160000447 to Present; 534D-10 SN 0160000448 to Present) .....	328
FIGURE 5-13. REAR STEERING AXLE DRIVE HUB (534D-9 SN 0544001 through 0160000446; 534D-10 SN 0366001 through 0160000446) .....	332
FIGURE 5-14. REAR STEERING AXLE DRIVE HUB (534D-9 SN 0160000447 to Present; 534D-10 SN 0160000448 to Present) .....	334
FIGURE 5-15. TIRES AND RIMS (534D-9 SN 0544001 through 0160000446; 534D-10 SN 0366001 through 0160000446) .....	336
FIGURE 5-16. TIRES AND RIMS (534D-9 SN 0160000447 to Present) .....	338
FIGURE 5-17. TIRES AND RIMS (534D-10 SN 0160000448 to Present) .....	340
SECTION 6 - CAB .....	343
FIGURE 6-1. OPEN CAB (534D-9 SN 0544001 through 0160012394, Excluding 0160012112; 534D-10 SN 0366001 through 0160012392, Excluding 0160012289) .....	344
FIGURE 6-2. OPEN CAB (534D-9 SN 0160012443 to Present, Including 0160012112; 534D-10 SN 0160012446 to Present, Including 0160012289) .....	346
FIGURE 6-3. CAB ENCLOSURE KIT INSTALLATION (534D-9 SN 0544001 through 0160000853, Excluding 0160000700; 534D-10 SN 0366001 through 0160000974) .....	348

# TABLE OF CONTENTS

FIGURE 6-4. CAB ENCLOSURE KIT INSTALLATION (534D-9 SN 0160001051 through 0160012394, Including 0160000700, Excluding 0160012112; 534D-10 SN 0160000978 through 0160012392, Excluding 0160012289).....	352
FIGURE 6-5. CAB ENCLOSURE KIT INSTALLATION (534D-9 SN 0160012443 to Present, Including 0160012112; 534D-10 SN 0160012392 to Present, Including 0160012289).....	356
FIGURE 6-6. CAB ENCLOSURE KIT (534D-9 SN 0544001 through 0160012394, Excluding 0160012112; 534D-10 SN 0366001 through 0160012392, Excluding 0160012289).....	360
FIGURE 6-7. CAB ENCLOSURE KIT (534D-9 SN 0160012443 to Present, Including 0160012112; 534D-10 SN 0160012446 to Present, Including 0160012289).....	366
FIGURE 6-8. DASH PANEL ASSEMBLY.....	370
FIGURE 6-9. GAUGE PANEL ASSEMBLY (534D-9 SN 0544001 through 0160000853, Excluding 0160000700; 534D-10 SN 0366001 through 0160000974).....	372
FIGURE 6-10. GAUGE PANEL ASSEMBLY (534D-9 SN 0160001051 to Present, Including 0160000700; 534D-10 SN 0160000978 to Present).....	374
FIGURE 6-11. WINDSHIELD/TOP WINDOW KIT INSTALLATION.....	376
FIGURE 6-12. SKYLIGHT WIPER INSTALLATION.....	380
SECTION 7 - CONTROLS.....	383
FIGURE 7-1. BRAKE AND INCHING LINKAGE (534D-9 SN 0544001 through 0160000318, Including 0160000335, 0160000337 and 0160000341; 534D-10 SN 0366001 through 0160000354).....	384
FIGURE 7-2. BRAKE AND INCHING LINKAGE (534D-9 SN 0160000319 through 0160012394, Excluding 0160000335, 0160000337, 0160000341 and 0160012112; 534D-10 SN 0160000355 through 0160012392, Excluding 0160012289).....	388
FIGURE 7-3. BRAKE AND INCHING LINKAGE (534D-9 SN 0160012443 to Present, Including 0160012112; 534D-10 SN 0160012446 to Present, Including 0160012289).....	392
FIGURE 7-4. ACCELERATOR PEDAL ASSEMBLY (534D-9 SN 0544001 through 0160000853, Excluding 0160000700; 534D-10 SN 0366001 through 0160000974).....	396
FIGURE 7-5. ACCELERATOR PEDAL ASSEMBLY (534D-9 SN 0160001051 to Present, Including 0160000700; 534D-10 SN 0160000978 to Present).....	398
FIGURE 7-6. STEERING COLUMN AND ATTACHING PARTS.....	400
FIGURE 7-7. CAB RIGHT SIDE CONTROLS.....	402
FIGURE 7-8. JOYSTICK ASSEMBLY.....	404
FIGURE 7-9. CAB LEFT SIDE CONTROLS (534D-9 SN 0160027771 to Present; 534D-10 SN 0160027772 to Present).....	406
FIGURE 7-10. CYBERTECH 5-BUTTON JOYSTICK CONTROLLER (534D-9 SN 0160027771 to Present; 534D-10 SN 0160027772 to Present).....	410
SECTION 8 - HYDRAULIC CIRCUITS.....	413
FIGURE 8-1. OIL SUPPLY AND PRESSURE LINES (534D-9 SN 0544001 through 0544217; 534D-10 SN 0366001 through 0366054).....	414
FIGURE 8-2. OIL SUPPLY AND PRESSURE LINES (534D-9 SN 0544218 through 0160000853, Excluding 0160000700; 534D-10 SN 0366055 through 0160000974).....	418
FIGURE 8-3. OIL SUPPLY AND PRESSURE LINES (534D-9 SN 0160001051 to Present, Including 0160000700; 534D-10 SN 0160000978 to Present).....	422
FIGURE 8-4. DUMP CIRCUIT (534D-9 SN 0544001 through 0544217; 534D-10 SN 0366001 through 0366054).....	426
FIGURE 8-5. DUMP CIRCUIT (534D-9 SN 0544218 through 0160000853, Excluding 0160000700; 534D-10 SN 0366055 through 0160000974).....	430
FIGURE 8-6. DUMP CIRCUIT (534D-9 SN 0160001051 to Present, Including 0160000700; 534D-10 SN 0160000978 to Present).....	434
FIGURE 8-7. FRONT DRIVE CIRCUIT.....	438
FIGURE 8-8. REAR DRIVE CIRCUIT (534D-9 SN 0544001 through 0544217; 534D-10 SN 0366001 through 0366054).....	440
FIGURE 8-9. REAR DRIVE CIRCUIT (534D-9 SN 0544218 through 0160000446; 534D-10 SN 0366055 through 0160000446).....	444
FIGURE 8-10. REAR DRIVE CIRCUIT (534D-9 SN 0160000447 to Present; 534D-10 SN 0160000448 to Present).....	448
FIGURE 8-11. INCHING AND PARKING BRAKE LINES.....	454
FIGURE 8-12. LIFT CYLINDER.....	456
FIGURE 8-13. CROWD CYLINDER.....	458
FIGURE 8-14. TILT AND COMPENSATING CYLINDERS (534D-9 SN 0544001 through 0644118; 534D-10 SN 0366001 through 0366088).....	460
FIGURE 8-15. TILT AND COMPENSATING CYLINDERS (534D-9 SN 0644119 to Present; 534D-10 SN 0366089 to Present).....	462
FIGURE 8-16. SWAY CYLINDER.....	464
FIGURE 8-17. STEERING CYLINDER (534D-9 SN 0544001 through 0160000853, Excluding 0160000700; 534D-10 SN 0366001 through 0160000974).....	466
FIGURE 8-18. STEERING CYLINDER (534D-9 SN 0160001051 through 0160001975, Including 0160000700, Excluding 0160001779; 534D-10 SN 0160000978 through 0160002009, Excluding 0160001794 and 0160001800).....	468
FIGURE 8-19. STEERING CYLINDER (534D-9 SN 0160002037 to Present, Including 0160001779; 534D-10 SN 0160002048 to Present, Including 0160001794 and 0160001800).....	470



# TABLE OF CONTENTS

FIGURE 8-20. JOYSTICK CIRCUIT .....	472
FIGURE 8-21. OUTRIGGER CYLINDER (534D-10 SN 0366001 through 0366533; SN 0160000125 through 0160000974).....	474
FIGURE 8-22. OUTRIGGER CYLINDER (534D-10 SN 0160000978 to Present) .....	476
FIGURE 8-23. HOSE CLAMP LOCATION, (REAR) (534D-9 SN 0544001 through 0544217; 534D-10 SN 0366001 through 0366054) .....	478
FIGURE 8-24. HOSE CLAMP LOCATION, (REAR) (534D-9 SN 0544218 through 0160000853, Excluding 0160000700; 534D-10 SN 0366055 through 0160000974).....	480
FIGURE 8-25. HOSE CLAMP LOCATION, (REAR) (534D-9 SN 0160001051 to Present, Including 0160000700; 534D-10 SN 0160000978 to Present) .....	482
FIGURE 8-26. AUXILIARY HYDRAULICS (SN 0160027771 through 0160037688).....	484
FIGURE 8-27. AUXILIARY HYDRAULICS (534D-9 SN 0160038519 to Present; 534D-10 SN 0160038445 to Present) .....	488
SECTION 9 - HYDRAULIC COMPONENTS .....	491
FIGURE 9-1. TILT CYLINDER (534D-9 Prior to SN 0160033414; 534D-10 Prior to SN 0160033245).....	492
FIGURE 9-2. TILT CYLINDER (534D-9 SN 0160033414 through 0160038518; 534D-10 SN 0160033245 through 0160038444) .....	494
FIGURE 9-3. TILT CYLINDER (534D-9 SN 0160038519 to Present; 534D-10 SN 0160038445 to Present).....	496
FIGURE 9-4. CROWD CYLINDER (534D-9 SN 0544001 through 0644118; 534D-10 SN 0366001 through 0366088) .....	498
FIGURE 9-5. CROWD CYLINDER (534D-9 SN 0644118 through 0744407, SN 0160000112 through 0160017475; 534D-10 SN 0366089 through 0366533, SN 0160000125 through 0160017312).....	500
FIGURE 9-6. CROWD CYLINDER (534D-9 SN 0160017506 to Present; 534D-10 SN 0160017511 to Present).....	502
FIGURE 9-7. LIFT CYLINDER (534D-9 SN 0544001 through 0744407, SN 0160000112 through 0160017475; 534D-10 SN 0366001 through 0366533, SN 0160000125 through 0160017312).....	504
FIGURE 9-8. LIFT CYLINDER (534D-9 SN 0160017506 to Present; 534D-10 SN 0160017511 to Present).....	506
FIGURE 9-9. COMPENSATING CYLINDER (534D-9 Prior to SN 0160033414; 534D-10 Prior to SN 0160033245) .....	508
FIGURE 9-10. COMPENSATING CYLINDER (534D-9 SN 0160033414 to Present; 534D-10 SN 0160033245 to Present).....	510
FIGURE 9-11. SWAY CYLINDER ASSEMBLY (534D-9 Prior to SN 0160033414; 534D-10 Prior to SN 0160033245).....	512
FIGURE 9-12. SWAY CYLINDER ASSEMBLY (534D-9 SN 0160033414 to Present; 534D-10 SN 0160033245 to Present) .....	514
FIGURE 9-13. STEERING CYLINDER (534D-9 SN 0544001 through 0160001975, Excluding 0160001779; 534D-10 SN 0366001 through 0160002009, Excluding 0160001794 and 0160001800) .....	516
FIGURE 9-14. STEERING CYLINDER (534D-9 SN 0160002037 through 0160032945, Including 0160001779; 534D-10 SN 0160002048 through 0160032847, Including 0160001794; Including 0160001800) .....	518
FIGURE 9-15. STEERING CYLINDER (534D-9 SN 0160033136 to Present; 534D-10 SN 0160033245 to Present).....	520
FIGURE 9-16. THERMAL BYPASS VALVE ASSEMBLY .....	522
FIGURE 9-17. OUTRIGGER CYLINDER (534D-10 SN 0366001 through 0366533; SN 0160000125 through 0160017312).....	524
FIGURE 9-18. OUTRIGGER CYLINDER (534D-10 SN 0160017511 through 0160038773) .....	526
FIGURE 9-19. OUTRIGGER CYLINDER FOR SERVICE ONLY .....	528
FIGURE 9-20. FLOW DIVIDER ASSEMBLY .....	530
FIGURE 9-21. BRAKE VALVE (534D-9 SN 0544001 through 0644895; 534D-10 SN 0366001 through 0366470).....	532
FIGURE 9-22. BRAKE VALVE (534D-9 SN 0644896 through 0160000318, Including 0160000335, 0160000337 and 0160000341; 534D-10 SN 0366471 through 0160000354).....	534
FIGURE 9-23. BRAKE VALVE (534D-9 SN 0160000319 to Present, Excluding 0160000335, 0160000337 and 0160000341; 534D-10 SN 0160000355 to Present).....	536
FIGURE 9-24. SOLENOID VALVE .....	538
FIGURE 9-25. SWAY CYLINDER VALVE .....	540
FIGURE 9-26. OUTRIGGER CYLINDER VALVE (534D-10 SN 0366001 through 0366533; SN 0160000125 through 0160038773) .....	542
FIGURE 9-27. INCHING VALVE (534D-9 SN 0544001 through 0160000318, Including 0160000335, 0160000337 and 0160000341; 534D-10 SN 0366001 through 0160000354).....	544
FIGURE 9-28. INCHING VALVE (534D-9 SN 0160000319 to Present, Excluding 0160000335, 0160000337 and 0160000341; 534D-10 SN 0160000355 to Present).....	546
FIGURE 9-29. MAIN CONTROL VALVE (534D-9 Prior to SN 0160038519; 534D-10 Prior to SN 0160038445).....	548
FIGURE 9-30. MAIN CONTROL VALVE (534D-9 SN 0160038519 to Present; 534D-10 SN 0160038445 to Present) .....	552
FIGURE 9-31. HYDRAULIC RESERVOIR AND FILTERS .....	554
FIGURE 9-32. FRONT DRIVE MOTOR .....	556
FIGURE 9-33. MAIN HYDRAULIC PUMP .....	558
FIGURE 9-34. HYDROSTATIC TRANSMISSION (534D-9 SN 0544001 through 0160000853, Excluding 0160000700; 534D-10 SN 0366001 through 0160000974).....	560
FIGURE 9-35. HYDROSTATIC TRANSMISSION (534D-9 SN 0160001051 to Present, Including 0160000700; 534D-10 SN 0160000978 to Present) .....	564
FIGURE 9-36. TRACTION LOCK VALVE .....	566
FIGURE 9-37. REAR DRIVE MOTOR.....	568
FIGURE 9-38. TRUSS BOOM WINCH (534D-9 Prior to SN 0160038519; 534D-10 Prior to SN 0160038445) .....	570
FIGURE 9-39. WINCH MOTOR (534D-9 Prior to SN 0160038519; 534D-10 Prior to SN 0160038445) .....	574
FIGURE 9-40. CROSSOVER VALVE.....	576

# TABLE OF CONTENTS

FIGURE 9-41. OUTRIGGER VALVE - 534D-10 .....	578
FIGURE 9-42. OPTIONAL STABILIZER VALVE ASSEMBLY (534D-9 SN 0544001 through 0544009; 534D-10 SN 0366001 through 0366233).....	580
FIGURE 9-43. OPTIONAL STABILIZER VALVE ASSEMBLY (534D-9 SN 0544010 to Present; 534D-10 SN 0366234 to Present) .....	582
FIGURE 9-44. STABILIZER CYLINDER (534D-9 SN 0544001 through 0744407, SN 0160000112 through 0160017475; 534D-10 SN 0366001 through 0366533, SN 0160000125 through 016001731) .....	584
FIGURE 9-45. STABILIZER CYLINDER (534D-9 SN 0160017506 to Present; 534D-10 SN 0160017511 to Present) .....	586
FIGURE 9-46. QUICK START CYLINDER AND VALVE ASSEMBLY .....	588
FIGURE 9-47. 180, SWING CARRIAGE CYLINDER.....	590
FIGURE 9-48. 72 IN 90, SWING CARRIAGE CYLINDER .....	592
FIGURE 9-49. SIDE TILT CARRIAGE CYLINDER .....	594
FIGURE 9-50. SIDE TILT CARRIAGE CYLINDER .....	596
FIGURE 9-51. GRAPPLE BUCKET CYLINDER .....	598
SECTION 10 - ELECTRICAL.....	601
FIGURE 10-1. BATTERY AND CABLES (534D-9 Prior to SN 0160035983, Excluding 0160034957; 534D-10 Prior to SN 0160035696).....	602
FIGURE 10-2. BATTERY AND CABLES (534D-9 SN 0160035983 to Present, Including 0160034957; 534D-10 SN 0160035696 to Present).....	604
FIGURE 10-3. ENGINE HARNESS ASSEMBLY (534D-9 SN 0544217 through 0160000853, Excluding 0160000700; 534D-10 SN 0366054 through 0160000974) .....	608
FIGURE 10-4. ENGINE HARNESS ASSEMBLY (534D-9 SN 0160001051 through 0160035941, Including 0160000700, Excluding 0160034957; 534D-10 SN 0160000978 through 0160034816) .....	610
FIGURE 10-5. ENGINE HARNESS ASSEMBLY (534D-9 SN 0160035983 to Present, Including 0160034957; 534D-10 SN 0160035696 to Present).....	612
FIGURE 10-6. DASH HARNESS ASSEMBLY (534D-9 SN 0544001 through 0160000853, Excluding 0160000700; 534D-10 SN 0366001 through 0160000974).....	614
FIGURE 10-7. DASH HARNESS ASSEMBLY (534D-9 SN 0160001051 to Present, Including 0160000700; 534D-10 SN 0160000978 to Present).....	616
FIGURE 10-8. ECU ENGINE HARNESS (534D-9 SN 0160035983 to Present, Including 0160034957; 534D-10 SN 0160035696 to Present).....	618
FIGURE 10-9. AUXILIARY ELECTRICAL INSTALLATION (SN 0160027771 to Present).....	620
FIGURE 10-10. AUXILIARY ELECTRICAL HARNESSES (SN 0160027771 to Present) .....	624
SECTION 11 - DECALS .....	627
FIGURE 11-1. FRAME DECALS - 534D-9 (534D-9 SN 0544001 through 0644118).....	628
FIGURE 11-2. FRAME DECALS - 534D-9 (534D-9 SN 0644119 through 0744407; SN 0160000112 through 0160000853, Excluding 0160000700).....	632
FIGURE 11-3. FRAME DECALS - 534D-9 (534D-9 SN 0160001051 through 0160003958) .....	634
FIGURE 11-4. FRAME DECALS - 534D-9 (534D-9 SN 0160003965 to Present).....	636
FIGURE 11-5. FRAME DECALS - 534D-10 (534D-10 SN 0366001 through 0366088).....	640
FIGURE 11-6. FRAME DECALS - 534D-10 (534D-10 SN 0366089 through 0366533; SN 0160000125 through 0160000974) ..	642
FIGURE 11-7. FRAME DECALS - 534D-10 (534D-10 SN 0160000978 through 0160003933) .....	646
FIGURE 11-8. FRAME DECALS - 534D-10 (534D-10 SN 0160003987 to Present).....	650
FIGURE 11-9. BOOM DECALS (534D-9 SN 0544001 through 0644118; 534D-10 SN 0366001 through 0366088).....	654
FIGURE 11-10. BOOM DECALS - 534D-9 (534D-9 SN 0644119 through 0744407; SN 0160000112 through 0160000853, Excluding 0160000700).....	656
FIGURE 11-11. BOOM DECALS - 534D-9 (534D-9 SN 0160001051 through 0160012548; Including 0160000700) .....	658
FIGURE 11-12. BOOM DECALS - 534D-10 (534D-10 SN 0366089 through 0366533; SN 0160000125 through 0160000974) ..	660
FIGURE 11-13. BOOM DECALS - 534D-10 (534D-10 SN 0160000978 through 0160012554).....	662
FIGURE 11-14. BOOM DECALS - 534D-10 (534D-9 SN 0160012580 to Present; 534D-10 SN 0160012572 to Present, Including 0160012289).....	664
SECTION 12 - OPTIONS.....	667
FIGURE 12-1. AUXILIARY HYDRAULIC W/ELECTRONIC ASSEMBLY (Prior to SN 0160027771).....	668
FIGURE 12-2. STABILIZER OPTION (534D-9 SN 0544001 through 0544009; 534D-10 SN 0366001 through 0366233).....	672
FIGURE 12-3. STABILIZER OPTION (534D-9 SN 0544010 to Present; 534D-10 SN 0366234 to Present) .....	674
FIGURE 12-4. AUXILIARY HYDRAULICS FIELD KIT - 40 FT BOOM (534D-9 Prior to SN 0644119; 534D-10 Prior to SN 0366089).....	676
FIGURE 12-5. FOAM TIRE OPTION (534D-9 SN 0544001 through 0160000446; 534D-10 SN 0366001 through 0160000446).....	680
FIGURE 12-6. FOAM TIRE OPTION (534D-9 SN 0160000447 to Present; 534D-10 SN 0160000448 to Present) .....	682
FIGURE 12-7. LH SWAY (Prior to SN 0160027771).....	684

# TABLE OF CONTENTS

FIGURE 12-8. AUXILIARY HYDRAULICS AND SWAY ASSEMBLY - 40 IN BOOM (534D-9 Prior to SN 0644119; 534D-10 Prior to SN 0366089).....	686
FIGURE 12-9. BLOCK HEATER (534D-9 SN 0544001 through 0160000853, Excluding 0160000700; 534D-10 SN 0366001 through 0160000974).....	690
FIGURE 12-10. BLOCK HEATER (534D-9 SN 0160007051 to Present, Including 0160000700; 534D-10 SN 0160000978 to Present).....	692
FIGURE 12-11. HYDRAULIC RESERVOIR HEATER INSTALLATION.....	694
FIGURE 12-12. TILT ON JOYSTICK INSTALLATION.....	696
FIGURE 12-13. OVERHEAD WINDOW.....	700
FIGURE 12-14. WORK LIGHT PACKAGE (534D-9 SN 0544001 through 0160012394, Excluding 0160012112; 534D-10 SN 0366001 through 0160012392, Excluding 0160012289).....	702
FIGURE 12-15. WORK LIGHT PACKAGE (534D-9 SN 0160012443 to Present, Including 0160012112; 534D-10 SN 0160012446 to Present, Including 0160012289).....	706
FIGURE 12-16. RH TILT/SWAY (Prior to SN 0160027771).....	710
FIGURE 12-17. WINCH INSTALLATION - 534D-9 40 FT BOOM (534D-9 SN 0544001 through 0644118).....	712
FIGURE 12-18. WINCH INSTALLATION - 534D-10 40 FT BOOM (534D-10 SN 0366001 through 0366088).....	716
FIGURE 12-19. WINCH (534D-9 Prior to SN 0544532; 534D-10 Prior to SN 0366143).....	720
FIGURE 12-20. WINCH (534D-9 SN 0544532 to Present; 534D-10 SN 0366143 to Present).....	724
FIGURE 12-21. DUAL P.O. CHECK VALVE.....	728
FIGURE 12-22. SWING CYLINDER (534D-9 Prior to SN 0160038519; 534D-10 Prior to SN 0160038445).....	730
FIGURE 12-23. SWING VALVE ASSEMBLY.....	732
FIGURE 12-24. SWAY CYLINDER.....	734
FIGURE 12-25. MAIN CONTROL VALVE - 534D-9 (534D-9 Prior to SN 0160027771).....	736
FIGURE 12-26. MAIN CONTROL VALVE - 534D-10 (534D-10 Prior to SN 0160027772).....	738
FIGURE 12-27. CAB HEATER OPTION (534D-9 SN 0544001 through 0160000853, Excluding 0160000700; 534D-10 SN 0366001 through 0160000974).....	740
FIGURE 12-28. CAB HEATER OPTION (534D-9 SN 0160001051 through 0160035941, Including 0160000700; 534D-10 SN 0160000978 through 0160035696).....	744
FIGURE 12-29. CAB HEATER OPTION (534D-9 SN 0160035983 to Present; 534D-10 SN 0160036044 to Present).....	748
FIGURE 12-30. LH TILT ASSEMBLY (Prior to SN 0160027771).....	752
FIGURE 12-31. LH TILT/SWAY ASSEMBLY (Prior to SN 0160027771).....	754
FIGURE 12-32. AUXILIARY HYDRAULICS FIELD KIT - 534D-10 45 FT BOOM (534D-10 Prior to SN 0160027772).....	756
FIGURE 12-33. AUXILIARY HYDRAULICS AND SWAY ASSEMBLY - 45 FT BOOM (Prior to SN 0160027771).....	760
FIGURE 12-34. AUX HYDRAULIC W/ELECTRICS ASSEMBLY - 45 FT BOOM (Prior to SN 0160027771).....	764
FIGURE 12-35. REAR AXLE ADVANTAGE KIT (534D-9 SN 0544001 through 0160000446; 534D-10 SN 0366001 through 0160000446).....	768
FIGURE 12-36. AUXILIARY HYDRAULICS FIELD KIT - 40 FT BOOM (534D-9 Prior to SN 0644119; 534D-10 Prior to SN 0366089).....	772
FIGURE 12-37. AUXILIARY HYD ELECTRONICS W/LH TILT/SWAY ASSEMBLY - 45 FT BOOM (Prior to SN 0160027771).....	776
FIGURE 12-38. AUXILIARY HYDRAULICS ASSEMBLY - 45 FT BOOM (Prior to SN 0160027771).....	780
FIGURE 12-39. RH AUXILIARY HYDRAULIC ASSEMBLY - 45 FT BOOM (Prior to SN 0160027771).....	784
FIGURE 12-40. REAR AXLE STABILIZER FIELD KIT.....	788
FIGURE 12-41. 5-BUTTON AUXILIARY HANDLE ASSEMBLY (Prior to SN 0160027771).....	792
FIGURE 12-42. WINCH INSTALLATION - 45 FT BOOM (Prior to SN 0160027771).....	794
FIGURE 12-43. WINCH INSTALLATION - 45 FT BOOM (SN 0160027771 to Present).....	796
FIGURE 12-44. AUXILIARY HYD ELECTRONICS W/LH TILT/SWAY (Prior to SN 0160027771).....	798
FIGURE 12-45. ADJUSTABLE TILT ON JOYSTICK.....	802
FIGURE 12-46. FUEL/WATER SEPARATOR INSTALLATION.....	806
FIGURE 12-47. BEACON LIGHT PACKAGE (534D-9 SN 0544001 through 0744407, SN 0160000112 through 0160012694, Excluding 0160012704; 534D-10 SN 0366001 through 0366533; SN 534D through 10, SN 0160000128 through 0160012696, Excluding 0160012289).....	808
FIGURE 12-48. BEACON LIGHT PACKAGE (534D-9 SN 0160012763 to Present, Including 0160012704; 534D-10 SN 0160012758 to Present, Including 0160012289).....	810
FIGURE 12-49. CAB REPLACEMENT SERVICE KIT.....	812
FIGURE 12-50. STARTER KIT (534D-9 SN 0160006861 to Present; 534D-10 SN 0160006855 to Present).....	814
FIGURE 12-51. PINTLE HOOK INSTALLATION.....	816
FIGURE 12-52. COLD START INSTALLATION (SN 0160001166 to Present).....	818
SECTION 13 - RECOMMENDED SPARE PARTS.....	821
FIGURE 13-1. RECOMMENDED SPARE PARTS.....	822
PART NUMBER INDEX.....	827

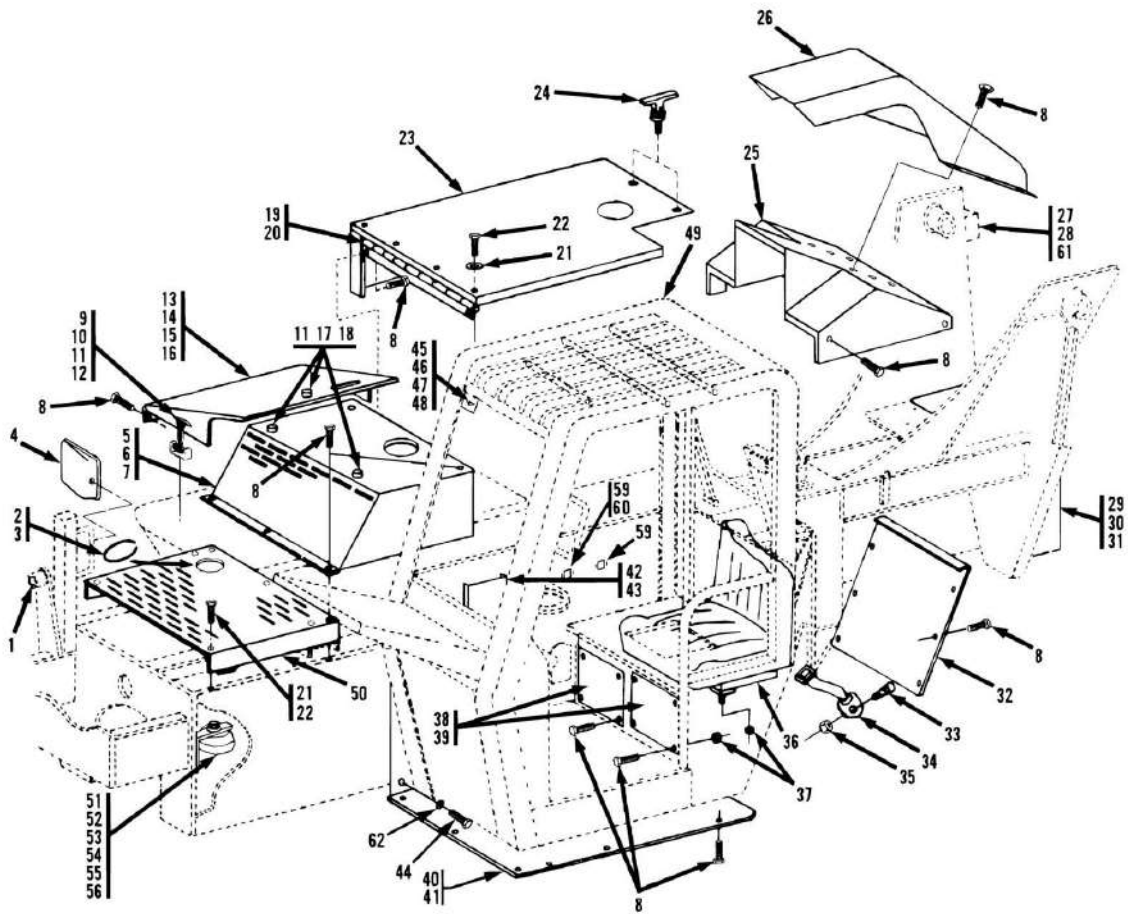


## **SECTION 1 - FRAME AND ATTACHING PARTS**

## **SECTION 1 - FRAME AND ATTACHING PARTS**

# SECTION 1 - FRAME AND ATTACHING PARTS

FIGURE 1-1. FRAME SHROUDING AND TRIM (534D-9 SN 0544001 through 016000853, Excluding 0160000700; 534D-10 SN 0366001 through 016000974)



## SECTION 1 - FRAME AND ATTACHING PARTS

**FIGURE 1-1. FRAME SHROUDING AND TRIM (534D-9 SN 0544001 through 0160000853, Excluding 0160000700; 534D-10 SN 0366001 through 0160000974)**

ITEM	PART NUMBER	QTY	DESCRIPTION	REV
	91146073	Ref	FRAME WELDMENT, (534D-9)	
	91156005	Ref	FRAME WELDMENT, (534D-10)	
	91143357	1	HORN ASSY, (includes items 51 & 52)	
	14404645	AR	T-9 METAL PROTECTANT, (12oz)	
	14404646	AR	T-9 METAL PROTECTANT, (1gal)	
	91143051	1	BUSHING	
2	90206194	61 in	TRIM-LOK	
3	14402248	AR	ADHESIVE	
4	83683291	1	MIRROR	
5	91366003	1	RADIATOR COVER	
6	91143346	1	RUBBER AIR DAM	
7	90200755	24 in	WEATHER STRIP	
8	77143003	50	WHIZ-LOCK SCREW, 5/16-18X5/8	
9	90207458	2	DRAW LATCH	
10	88301193	8	ROUND HD MACHINE SCREW, #10-32X1/2	
11	88551007	12	LOCKWASHER, #10	
12	88501613	4	HEX NUT, #10-32	
13	91366004	1	TANK COVER WELDMENT	
14	85211088	2	RUBBER BUMPER	
15	88301077	2	ROUND HD MACHINE SCREW, #8-32X1-1/4	
16	88521604	2	HEX LOCKNUT, #8-32	
17	91083173	4	RUBBER HD SCREW BUMPER	
18	88501612	4	HEX NUT, #10-24	
19	91141218	1	HINGE	
20	91143348	2	CLAMP BAR	
21	88561003	4	FLAT WASHER, 5/16	
22	91123124	4	WHIZ-LOCK SCREW, 5/16-18X1/2	
23	91366017	1	REAR ENGINE COVER	
24	91303021	2	T-HANDLE (534D-9 SN 0544001 through 0160000333; 534D-10 SN 0366001 through 016000359)	
24	91363210	2	T-HANDLE (534D-9 SN 0160000477 through 0160000853; 534D-10 SN 0160000448 through 0160000974)	
25	91146050	1	REAR COVER WELDMENT	
26	91366002	1	REAR COVER CENTER	
27	91403574	1	BACK-UP ALARM	
28	88201016	2	HEX HD CAPSCREW, 5/16-18x1/2, GR5	
29	91140001	1	COUNTERWEIGHT	
30	88201143	4	HEX HD CAPSCREW, 1-8X5, GR5, (torque to 545-595 ft lbs)	
31	88561011	4	WASHER, 1	
32	91141436	1	REAR CAB COVER	
33	88201050	2	HEX HD CAPSCREW, 7/16-14X1, GR5	
34	91033029	1	SEAT BELT, (not used with optional seat)	
35	88501007	2	HEX NUT, 7/16-14	
36	91033485	1	SEAT W/ARMREST, (std)	
36	91124107	1	SLIDE ADJ KIT, (use with std seat)	
36	91043237	1	GRAMMER SEAT, (opt)	
36	88201020	4	HEX HD CAPSCREW, 5/16-18X1, GR5, (use with opt seat)	
37	77143006	8	WHIZ- LOCKNUT, 5/16-18	

## SECTION 1 - FRAME AND ATTACHING PARTS

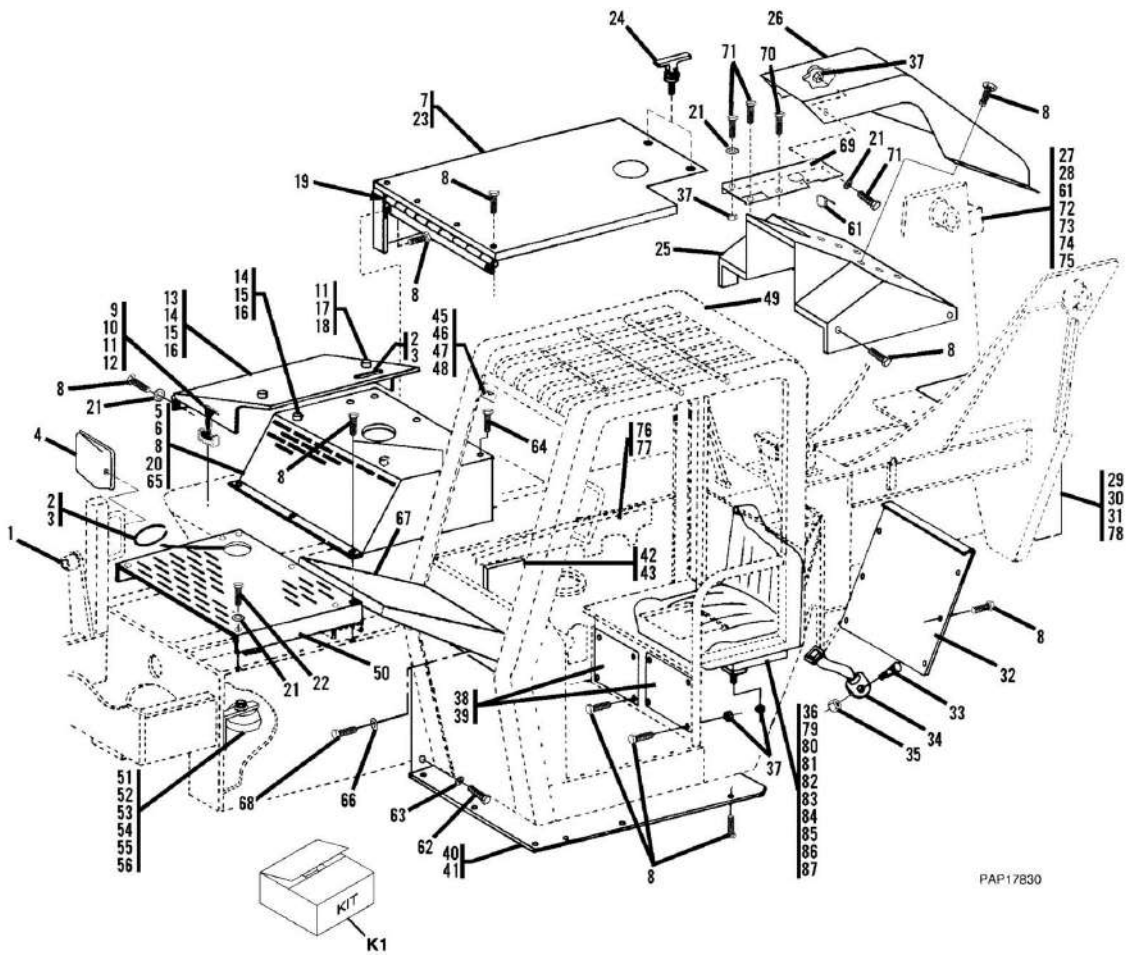
ITEM	PART NUMBER	QTY	DESCRIPTION	REV
38	91081475	1	HEATER COVER PLATE	
39	91141329	1	VALVE ACCESS COVER	
40	91361005	1	BELLY PAN	
41	91083533	10	FENDER WASHER, 1-1/2, OD	
42	91033102	1	MANUAL HOLDER ( <b>534D-9 SN 0544001 through 0544834; 534D-10 SN 0366001 through 0366219</b> )	
42	91403230	1	MANUAL HOLDER ( <b>Including 0544835 and 0366220</b> )	
43	77143013	4	WHIZ-LOCKNUT, 1/4-20	
44	83201158	4	HEX HD CAPSCREW, 7/8-9X1-3/4, (torque to 450-475 ft lbs)	
45		Ref	TILT GAUGE, (no longer available, use item 8466306 for service)	
45	8466306	1	TILT GAUGE, (w/adhesive)	
46	88204912	1	HEX HD CAPSCREW, 1/4-20X1	
47	88561107	1	FLAT WASHER, 1/4	
48	88521204	1	LOCKNUT, 1/4-20	
49		Ref	OPEN CAB, (See CAB SECTION for Breakdown)	
50	91361007	1	DECK COVER	
51	91144438	1	HORN	
52	91144439	1	HORN BRACKET	
53	86621230	3	SUPPORT CLAMP, (3 used to hold quick start wiring)	
54	77133177	1	HEX HD CAPSCREW, 5/16-18X1-3/8, GR5	
55	77133168	1	CLAMP SET	
56	77133140	1	COVER PLATE	
57	77143006	2	WHIZ-LOCKNUT, 5/16-18, (use with item 58), (not shown)	
58	91366006	1	HOSE GUARD, (located under dash panel, beneath steering column), (not shown) ( <b>534D-9 SN 0544002 through 0544834; 534D-10 SN 0366001 through 0366219</b> )	
58	91363065	1	HOSE GUARD, (located under dash panel, beneath steering column), ( , ), (not shown) ( <b>534D-9 SN 0544835 through 0160000853; 534D-10 SN 0366220 through 0160000974</b> )	
59	88261014	4	SOCKET BUTTON HD CAPSCREW, 1/4-20X1/2	
60	91146081	1	DIP-STICK COVER	
61	86683122	1	TIE WRAP	
62	4892500	4	HARDENED WASHER, 7/8	





# SECTION 1 - FRAME AND ATTACHING PARTS

FIGURE 1-2. FRAME SHROUDING AND TRIM (534D-9 SN 0160001051 through 0160035941, Including 0160000700, Excluding 0160034957; 534D-10 SN 0160000978 through 0160034816, Excluding 0160035696)



## SECTION 1 - FRAME AND ATTACHING PARTS

**FIGURE 1-2. FRAME SHROUDING AND TRIM (534D-9 SN 0160001051 through 0160035941, Including 0160000700, Excluding 0160034957; 534D-10 SN 0160000978 through 0160034816, Excluding 0160035696)**

ITEM	PART NUMBER	QTY	DESCRIPTION	REV
	91536001	Ref	FRAME WELDMENT, (534D-9)	
	91546001	Ref	FRAME WELDMENT, (534D-10)	
	91143357	1	HORN ASSY, (includes items 51 & 52)	
	14404645	AR	T-9 METAL PROTECTANT, (12oz)	
	14404646	AR	T-9 METAL PROTECTANT, (1gal)	
1	91143051	1	BUSHING	
2	90206194	61 in	TRIM-LOK	
3	14402248	AR	ADHESIVE	
4	83683291	1	MIRROR	
5	91536006	1	RADIATOR COVER	
6	91533006	1	RUBBER AIR DAM	
7	90200755	21 in	WEATHER STRIP	
8	77143003	59	WHIZ-LOCK SCREW, 5/16-18X5/8	
9	90207458	2	DRAW LATCH	
10	88301193	8	ROUND HD MACHINE SCREW, #10-32X1/2	
11	88551007	10	LOCKWASHER, #10	
12	88501613	4	HEX NUT, #10-32	
13	91366004	1	TANK COVER WELDMENT	
14	85211088	4	RUBBER BUMPER	
15	88301073	4	ROUND HD MACHINE SCREW, #8-32X1-3/4	
16	88521604	4	HEX LOCKNUT, #8-32	
17	91083173	2	RUBBER HD SCREW BUMPER	
18	88501612	2	HEX NUT, #10-24	
19	91141218	1	HINGE	
20	91143348	2	CLAMP BAR	
21	88561003	15	FLAT WASHER, 5/16	
22	91123124	4	WHIZ-LOCK SCREW, 5/16-18X1/2	
23	91536008	1	REAR ENGINE COVER	
24	91363210	2	T-HANDLE	
25	91146050	1	REAR COVER WELDMENT	
26	91536007	1	REAR COVER CENTER	
27		Ref	BACK-UP ALARM (534D-9 Prior to SN 0160016762, Excluding 0160015300, 0160015301 and 0160015302; 534D-10 Prior to SN 0160016757)	
27	8270621	1	BACK-UP ALARM (534D-9 SN 0160016762 to Present, Including 0160015300, 0160015301 and 0160015302; 534D-10 SN 0160016757 to Present)	
28	0641406	2	HEX HD CAPSCREW, 1/4-20X3/4, GR5 (534D-9 SN 0160016762 to Present, Including 0160015300, 0160015301 and 0160015302; 534D-10 SN 0160016757 to Present)	
29	91140001	1	COUNTERWEIGHT, (no pintle hook)	
29	1001091458	1	COUNTERWEIGHT, (with pintle hook)	
30	88201143	4	HEX HD CAPSCREW, 1-8X5, GR5, (torque to 545-595 ft lbs)	
31	88561011	4	WASHER, 1	
32	91141436	1	REAR CAB COVER (534D-9 SN 0160001051 through 0160012394, Including 0160000700, Excluding 0160012112; 534D-10 SN 0160000978 through 0160012392, Excluding 0160012289)	
32		Ref	REAR CAB COVER, (See CAB SECTION for Breakdown) (534D-9	

## SECTION 1 - FRAME AND ATTACHING PARTS

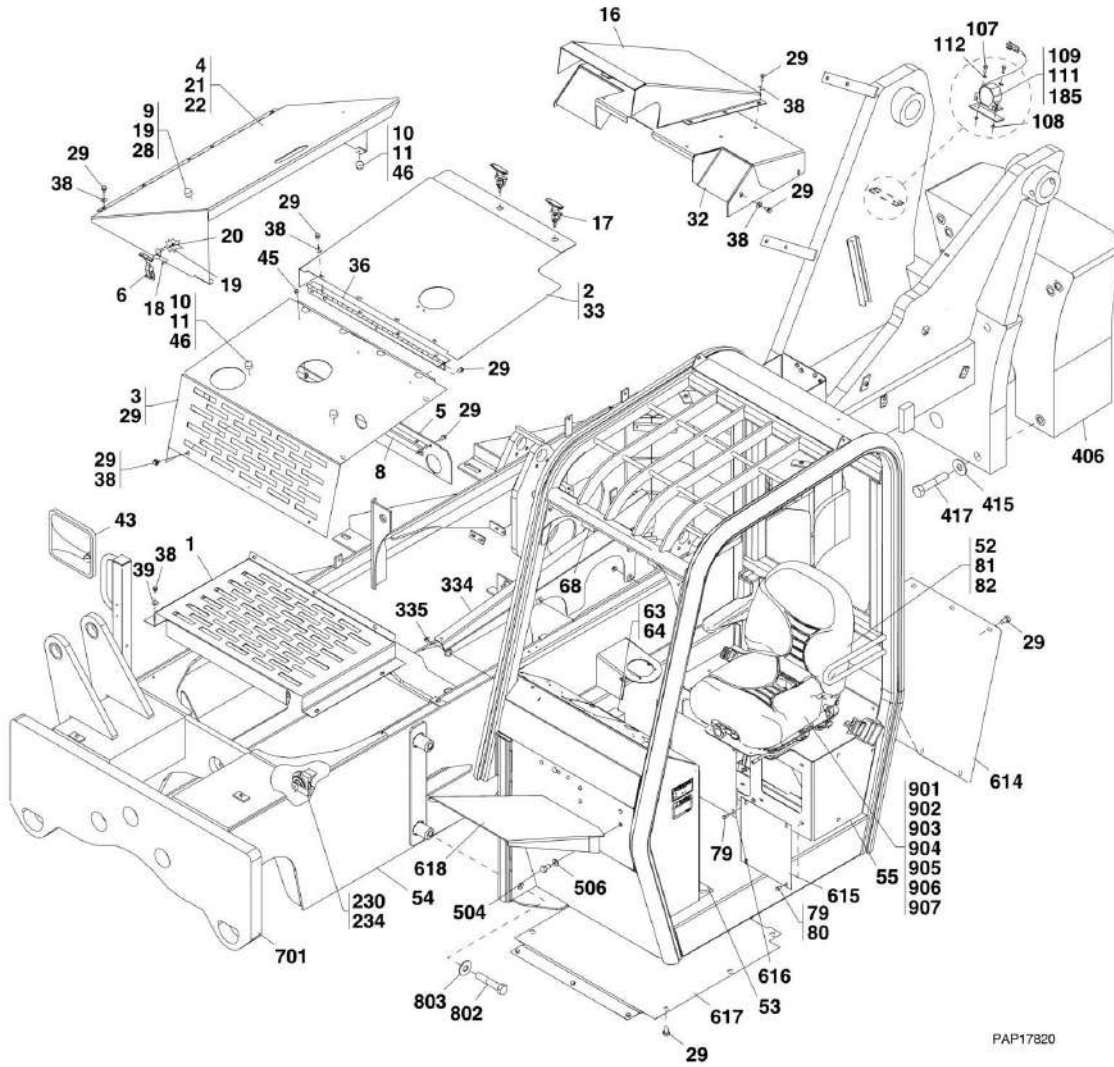
ITEM	PART NUMBER	QTY	DESCRIPTION	REV
			<b>SN 0160012443 to Present, Including 0160012112; 534D-10 SN 0160012446 to Present, Including 0160012289)</b>	
33	88201050	2	HEX HD CAPSCREW, 7/16-14X1, GR5 (534D-9 Prior to SN 0160016105; 534D-10 Prior to SN 0160016100)	
34	91033029	1	SEAT BELT, (not used with optional seat) (534D-9 Prior to SN 0160016105; 534D-10 Prior to SN 0160016100)	
35	88501007	2	HEX NUT, 7/16-14 (534D-9 Prior to SN 0160016105; 534D-10 Prior to SN 0160016100)	
36	91033485	1	SEAT W/ARMREST, (std) (534D-9 Prior to SN 0160016105; 534D-10 Prior to SN 0160016100)	
36	91563158	1	SUSPENSION SEAT W/2 IN SEAT BELT (534D-9 SN 0160016105 to Present; 534D-10 SN 0160016100 to Present)	E
36	1001101085	1	SUSPENSION SEAT W/2 IN SEAT BELT, (includes items 81 thru 87)	
36	7026904	1	ARMREST KIT	
36	91124107	1	SLIDE ADJ KIT, (use with std seat) (534D-9 Prior to SN 0160016105; 534D-10 Prior to SN 0160016100)	
36	91043237	1	GRAMMER SEAT, (opt) (534D-9 Prior to SN 0160016105; 534D-10 Prior to SN 0160016100)	
36	88201020	4	HEX HD CAPSCREW, 5/16-18X1, GR5, (use with opt seat) (534D-9 Prior to SN 0160016105; 534D-10 Prior to SN 0160016100)	
37	77143006	7	WHIZ-LOCKNUT, 5/16-18	
38	91081475	1	HEATER COVER PLATE (534D-9 SN 0160001051 through 0160012394, Including 0160000700, Excluding 0160012112; 534D-10 SN 0160000978 through 0160012392, Excluding 0160012289)	
38		Ref	HEATER COVER PLATE, (See CAB SECTION for Breakdown) (534D-9 SN 0160012443 to Present, Including 0160012112; 534D-10 SN 0160012446 to Present, Including 0160012289)	
39	91141329	1	VALVE ACCESS COVER (534D-9 SN 0160001051 through 0160012394, Including 0160000700, Excluding 0160012112; 534D-10 SN 0160000978 through 0160012392, Excluding 0160012289)	
39		Ref	VALVE ACCESS COVER, (See CAB SECTION for Breakdown) (534D-9 SN 0160012443 to Present, Including 0160012112; 534D-10 SN 0160012446 to Present, Including 0160012289)	
40	91361005	1	BELLY PAN (534D-9 SN 0160001051 through 0160012394, Including 0160000700, Excluding 0160012112; 534D-10 SN 0160000978 through 0160012392, Excluding 0160012289)	
40		Ref	BELLY PAN, (See CAB SECTION for Breakdown) (534D-9 SN 0160012443 to Present, Including 0160012112; 534D-10 SN 0160012446 to Present, Including 0160012289)	
41	91083533	10	FENDER WASHER, 1-1/2, OD	
42	91403230	1	MANUAL HOLDER	
43	77143013	4	WHIZ-LOCKNUT, 1/4-20	
44	77143006	2	WHIZ-LOCKNUT, 5/16-18, (use with item 58), (not shown)	
45		Ref	TILT GAUGE, (no longer available, use 8466306 for service) (534D-9 SN 0160001051 through 0160005689; 534D-10 SN 0160000978 through 0160005679)	
45	8466306	1	TILT GAUGE, (W/adhesive) (534D-9 SN 0160005714 to Present; 534D-10 SN 0160005712 to Present)	
46	88204912	1	HEX HD CAPSCREW, 1/4-20X1 (534D-9 SN 0160001051 through 0160005689; 534D-10 SN 0160000978 through 0160005679)	
47	88561107	1	FLAT WASHER, 1/4 (534D-9 SN 0160001051 through 0160005689; 534D-10 SN 0160000978 through 0160005679)	
48	88521204	1	LOCKNUT, 1/4-20 (534D-9 SN 0160001051 through 0160005689; 534D-10 SN 0160000978 through 0160005679)	

## SECTION 1 - FRAME AND ATTACHING PARTS

ITEM	PART NUMBER	QTY	DESCRIPTION	REV
49		Ref	OPEN CAB, (See CAB SECTION for Breakdown)	
50	91361007	1	DECK COVER	
51	91144438	1	HORN	
52	91144439	1	HORN BRACKET	
53	86621230	1	SUPPORT CLAMP	
54	77133177	1	HEX HD CAPSCREW, 5/16-18X1-3/8, GR5	
55	77133168	1	CLAMP SET	
56	77133140	1	COVER PLATE	
58	91363065	1	HOSE GUARD, (not shown), (located under dash panel, beneath steering column)	
61	86683122	2	TIE WRAP	
62	83201158	4	HEX HD CAPSCREW, 7/8-9X1-3/4, GR8, (torque to 450-475 ft lbs)	
63	4892500	4	HARDENED WASHER, 7/8	
64	88261020	3	SOCKET BUTTON HD CAPSCREW, 5/16-18X1/2	
65	91531021	1	AIR DAM SUPPORT	
66	4751500	4	FLAT WASHER, 5/16 (534D-9 SN 0160012443 to Present, Including 0160012112; 534D-10 SN 0160012446 to Present, Including 0160012289)	
67		Ref	FENDER, (See CAB SECTION for Breakdown)	
68	88201021	4	HEX HD CAPSCREW, 5/16-18X1-1/4 (534D-9 SN 0160012443 to Present, Including 0160012112; 534D-10 SN 0160012446 to Present, Including 0160012289)	
69	91533007	1	RUBBER AIR DEFLECTOR	
70	0791512	1	WHIZ-LOK SCREW, 5/16-18x1-1/2	
71	91363018	4	WHIZ-LOK SCREW, 5/16-18x1	
72	8305624	2	HEX LOCKNUT, 1/4-20	
73	3576433	1	MOUNTING BAR	
74	4711400	2	FLAT WASHER, 1/4	
75	86683480	2	BUTT CONNECTOR	
76	91536016	1	SHEET METAL SUPPORT	
77	77143006	4	WHIZ-LOCKNUT, 5/16-18	
78	0100019	AR	LOCTITE, 271	
79	3311505	4	HEX LOCKNUT, 5/16-18 (534D-9 SN 0160016105 to Present; 534D-10 SN 0160016100 to Present)	
80	4711500	4	FLAT WASHER, 5/16 (534D-9 SN 0160016105 to Present; 534D-10 SN 0160016100 to Present)	
81	7026900	1	BACK CUSHION KIT	
82	7026902	1	BACK PANEL KIT	
83	7026905	1	SEAT BELT	
83	91565064	1	SEAT BELT, 3 IN, (California Only), (not included with std seat)	
84	7026906	1	TETHER KIT	
85	7026901	1	SEAT CUSHION KIT	
86	7026799	1	KNOB KIT	
87	7026798	1	SLIDE KIT	
K1	2915184	1	BACK-UP ALARM SERVICE KIT, (includes items 27, 28 & 72 thru 75)	A

# SECTION 1 - FRAME AND ATTACHING PARTS

FIGURE 1-3. FRAME SHROUDING AND TRIM (534D-9 SN 0160035983 to Present, Including 0160034957; 534D-10 SN 0160035696 to Present)



PAP17820

## SECTION 1 - FRAME AND ATTACHING PARTS

**FIGURE 1-3. FRAME SHROUDING AND TRIM (534D-9 SN 0160035983 to Present, Including 0160034957; 534D-10 SN 0160035696 to Present)**

ITEM	PART NUMBER	QTY	DESCRIPTION	REV
1	1001099036	1	DECK COVER	
2	1001091065	1	REAR ENGINE COVER	
3	1001099034	1	RADIATOR COVER	
4	91366004	1	TANK COVER WELDMENT	
5	1001093467	1	RUBBER AIR DAM	
6	90207458	2	DRAW LATCH	
8	91531021	1	AIR DAM SUPPORT	
9	91083173	2	RUBBER BUMPER	
10	88301073	4	ROUND HD MACHINE SCREW, #8-32X3/4	
11	88521604	4	HEX LOCKNUT, #10-32	
16	91556016	1	REAR CENTER COVER	
17	91363210	2	T-HANDLE	
18	88301193	8	ROUND HEAD CAPSCREW, #10-32X1/2	
19	88551007	10	LOCKWASHER, #10	
20	88501613	4	HEX NUT, #10-32	
21	90206196	45 in	TRIM-LOK	
22	14402248	AR	3M ADHESIVE	
28	88501612	2	HEX NUT, #10-24	
29	0791505	60	WHIZ-LOCK SCREW, 5/16-18X5/8	
32	91146050	1	REAR COVER WELDMENT	
33	90200755	24 in	WEATHER STRIP	
36	91141218	1	HINGE	
38	4751500	28	FLAT WASHER, 5/16	
39	0791504	4	WHIZ-LOCK SCREW, 5/16-18X1/2	
43	83683291	1	MIRROR	
45	88261020	3	SOCKET BUTTON HD CAPSCREW, 5/16-18X1/2	
46	85211088	4	RUBBER BUMPER	
52	91563158	1	SUSPENSION SEAT W/2 IN SEAT BELT	G
52	1001101085	1	SUSPENSION SEAT W/2 IN SEAT BELT, (includes items 901 thru 909)	D
52	7026904	1	ARMREST KIT	
53	90206199	75 in	TRIM-LOK	
54	71492131	18 in	FLEX LOOM, 1/2 IN	
55	71492134	42 in	FLEX LOOM, 3/4 IN	
63	77143013	4	WHIZ-LOCKNUT, 1/4-20	
64	91403230	1	MANUAL HOLDER	
68	8466306	1	TILT ANGLE GAUGE	H
79	77143003	8	WHIZ-LOCK SCREW	
80	77143006	4	WHIZ-LOCKNUT, 5/16	
81	3311505	4	HEX LOCKNUT, 5/16-18	
82	4711500	4	FLAT WASHER, 5/16	
107	0641406	2	HEX HD CAPSCREW, 1/4-20X3/4, GR5	
108	8305624	2	HEX LOCKNUT, 1/4-20	
109	86683122	1	TIE WRAP	
111	8270621	1	BACK-UP ALARM	
112	4711400	2	FLAT WASHER, 1/4	
185	1001116274	1	RESISTOR, MOLDED	
230	91143357	1	HORN ASSY	

## SECTION 1 - FRAME AND ATTACHING PARTS

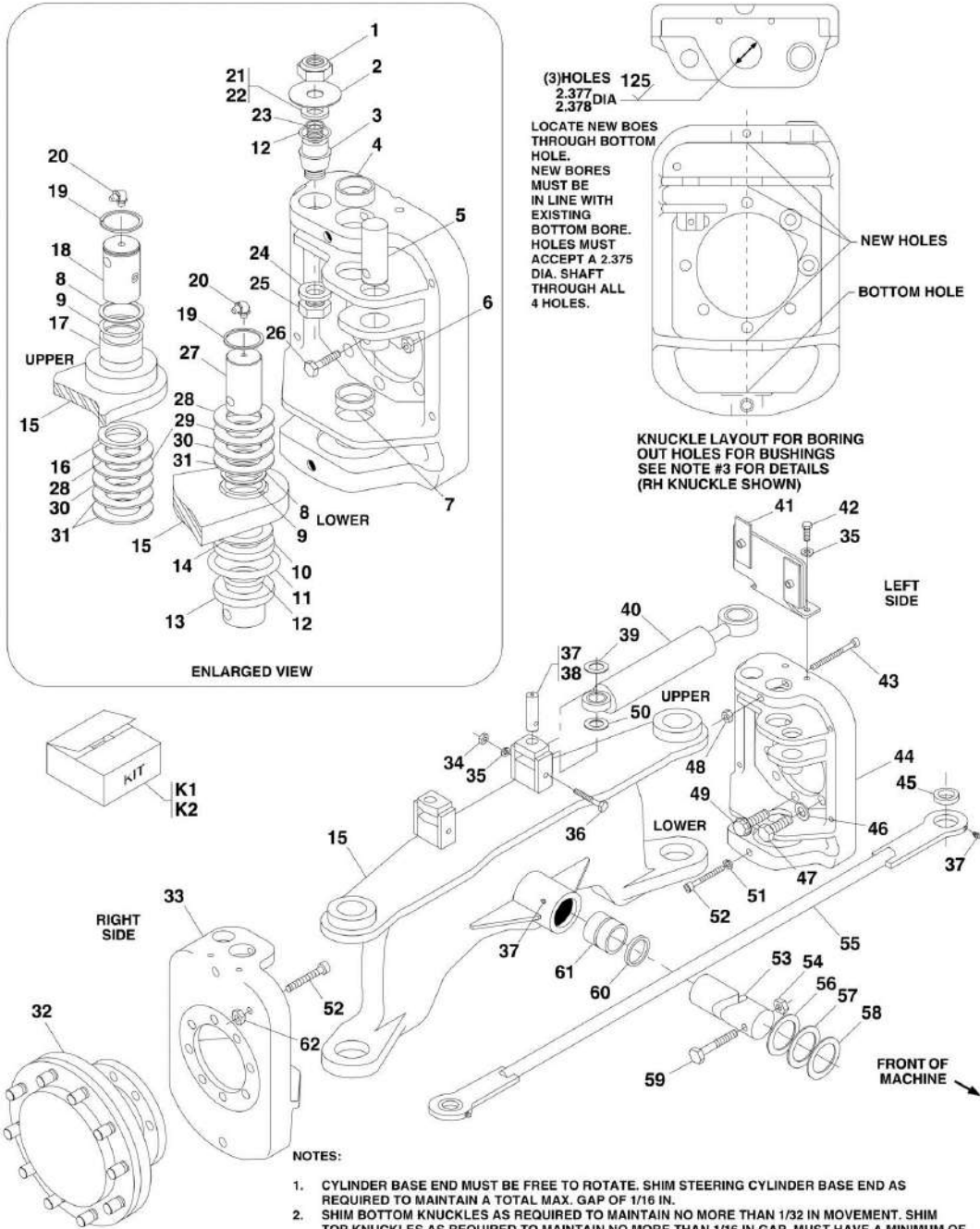
ITEM	PART NUMBER	QTY	DESCRIPTION	REV
234	0791504	1	WHIZ-LOCK SCREW, 5/16-18X1/2	
334	1001091086	1	SHEET METAL SUPPORT	
335	77143006	4	WHIZ-LOCKNUT, 5/16	
406	91140001	1	COUNTERWEIGHT	
415	4752600	4	WASHER, 1	
417	0642640	4	HEX HD CAPSCREW, 1-8X5	
504	0641510	4	HEX HD CAPSCREW, 5/16-18X1-1/4, GR5	
506	4751500	4	FALT WASHER, 5/16	
614		Ref	REAR CAB COVER, (See CAB SECTION for Breakdown)	
615		Ref	HEATER PANEL COVER, (See CAB SECTION for Breakdown)	
616		Ref	VALVE ACCESS COVER, (See CAB SECTION for Breakdown)	
617		Ref	CAB BELLY PAN COVER, (See CAB SECTION for Breakdown)	
618		Ref	FRONT FENDER, (See CAB SECTION for Breakdown)	
701	1001093561	1	FRAME WELDMENT, (534D-9)	
701	1001091045	1	FRAME WELDMENT, (534D-10)	
802	0682414	4	HEX HD CAPSCREW, 7/8-9X1-3/4, GR8	
803	4892500	4	HARDENED WASHER, 7/8	
901	7026900	1	BACK CUSHION KIT	
902	7026902	1	BACK PANEL KIT	
903	7026905	1	SEAT BELT KIT	
903	91563164	1	SEAT BELT, 3 IN, (California Only), (not included with standard seat)	
904	7026906	1	TETHER KIT	
905	7026901	1	SEAT CUSHION KIT	
906	7026799	1	KNOB KIT	
907	7026798	1	SLIDE KIT	
908	70023040	1	SHOCK ABSORBER KIT, (not shown), (includes one shock absorber, two shock pins and two hex nuts)	
909	70023041	1	SPRING AND SADDLE KIT, (not shown)	





# SECTION 1 - FRAME AND ATTACHING PARTS

FIGURE 1-4. REAR AXLE AND ATTACHING PARTS (534D-9 SN 0544001 through 0160000446; 534D-10 SN 0366001 through 0160000446)



**NOTES:**

1. CYLINDER BASE END MUST BE FREE TO ROTATE. SHIM STEERING CYLINDER BASE END AS REQUIRED TO MAINTAIN A TOTAL MAX. GAP OF 1/16 IN.
2. SHIM BOTTOM KNUCKLES AS REQUIRED TO MAINTAIN NO MORE THAN 1/32 IN MOVEMENT. SHIM TOP KNUCKLES AS REQUIRED TO MAINTAIN NO MORE THAN 1/16 IN GAP. MUST HAVE A MINIMUM OF ONE SHIM.
3. ALL MACHINES, PRIOR TO SN 0544514 ON THE 534D-9 & SN 0366137 ON THE 534D-10, NEED TO BORE STEERING KNUCKLES TO USE ITEMS 4 & 7.
4. SEE OPTIONS SECTION FOR DETAILS ON THE REAR AXLE ADVANTAGE KIT.

PAP19650

## SECTION 1 - FRAME AND ATTACHING PARTS

**FIGURE 1-4. REAR AXLE AND ATTACHING PARTS (534D-9 SN 0544001 through 0160000446; 534D-10 SN 0366001 through 0160000446)**

ITEM	PART NUMBER	QTY	DESCRIPTION	REV
1	88521312	2	HEX LOCKNUT, 3/4-10, (torque to 160-175 ft lbs)	
2	91081415	2	DIRT SHIELD	
3	91041481	2	STEERING CYLINDER PIN	
4	91121239	2	BUSHING	
5	91041439	2	TIE ROD PIN	
6	88521306	2	LOCKNUT, 3/8-16	
7	91121240	4	BUSHING	
8	91123030	4	BACK-UP RING	
9	88591032	4	O-RING	
10	91123027	2	BUSHING	
11	91123029	2	O-RING	
12	88591104	4	O-RING	
13	91121091	2	THRUST BUSHING	
14	91041733	AR	SHIM	
15	91166012	1	REAR AXLE WELDMENT, (includes items 10, 17 & 61)	
16	86921268	2	LIP SEAL	
17	91123028	2	BUSHING	
18	91081693	2	UPPER KING PIN	
19	88581323	4	RETAINING RING	
20	88671022	4	LUBE FITTING, 90, 1/8	
21	91041732	2	SPACER, (3/16 thick)	
22	91041438	AR	SPACER	
23	88591019	2	O-RING	
24	91041459	2	WASHER	
25	88501416	2	HEX JAM NUT, 1-14, (torque to 225-250 ft lbs)	
26	83201140	2	HEX HD CAPSCREW, 3/8-16X2-3/4, GR8	
27	91141424	2	LOWER KING PIN	
28	91041449	AR	SHIM, (.060 thick, see note #2)	
29	91041450	AR	SHIM, (.0478 thick, see note #2)	
30	91041451	AR	SHIM, (.106 thick, see note #2)	
31	91041596	AR	SHIM, (20 ga, see note #2)	
32		Ref	DRIVE HUB, (See DRIVE TRAIN SECTION for Breakdown)	
33	91120004	1	RH STEERING KNUCKLE, (see note #3)	
34	88501006	2	HEX NUT, 3/8-16	
35	88551011	6	LOCKWASHER, 3/8	
36	83201144	2	HEX HD CAPSCREW, 3/8-16X5-3/4, GR8	
37	88671001	6	STRAIGHT LUBE FITTING, 1/8	
38	91081695	2	STEERING CYLINDER PIVOT PIN	
39	91041598	AR	SHIM, (.060 thick, see note #1)	
40		Ref	STEERING CYLINDER ASSY, (See HYDRAULIC COMPONENTS SECTION for Breakdown)	
41	91166056	1	LH TUBE SUPPORT	
41	91166055	1	RH TUBE SUPPORT	
42	88201035	4	HEX HD CAPSCREW, 3/8-16X1, GR5	
43	88211121	2	SOCKET HD CAPSCREW, 1/2-13X6-1/2, GR8	
44	91120003	1	LH STEERING KNUCKLE, (see note #3)	
45	91043247	2	SELF-ALIGNING BUSHING	
46	86681572	12	HARDENED WASHER, 3/4	

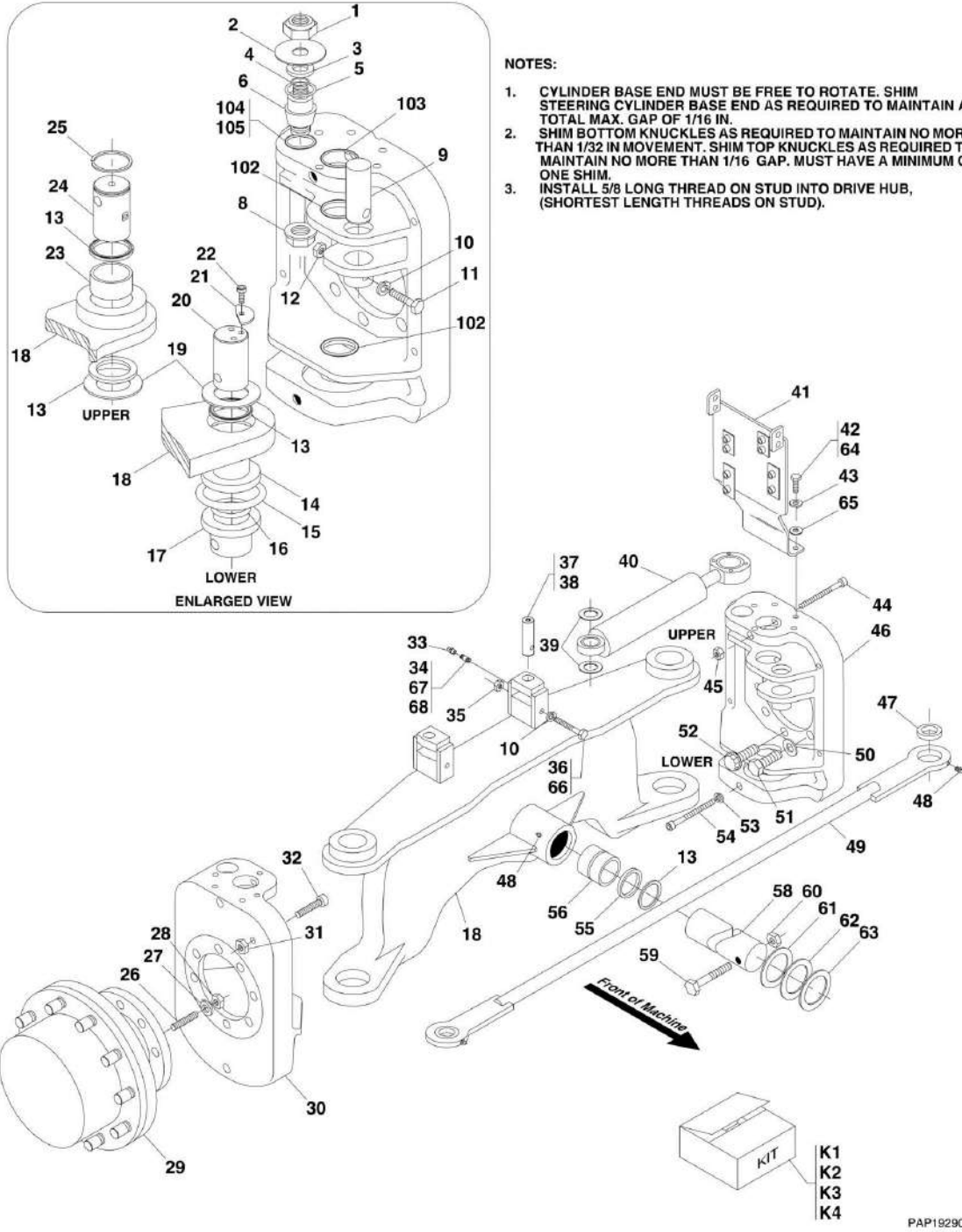
## SECTION 1 - FRAME AND ATTACHING PARTS

ITEM	PART NUMBER	QTY	DESCRIPTION	REV
47	83201006	12	HEX HD CAPSCREW, 3/4-10X2, GR8, (torque to 270-290 ft lbs)	
48	88521208	2	HEX LOCKNUT, 1/2-13	
49	91043222	4	CAPSCREW, 12PT, 3/4-10X2, GR8, (torque to 270-290 ft lbs)	
50	90201918	AR	SHIM, (10 ga, see note #1)	
51	88551153	2	LOCKWASHER, 5/8	
52	88212321	4	SOCKET HD CAPSCREW, 5/8-11X3-3/4, GR8	
53	91081177	1	REAR AXLE MOUNTING PIN	
54	85101098	1	HEX NUT, 1-1/4-7	
55	91166063	1	TIE ROD, (includes item 45)	
56	91161066	AR	SHIM, (.0598 thick)	
57	91161067	AR	SHIM, (.1046 thick)	
58	91161068	AR	SHIM, (.1345 thick)	
59	90020247	1	HEX HD CAPSCREW, 1-1/4-7X6, GR5	
60	24601570	2	LIP SEAL	
61	91123031	2	BUSHING	
62	88501110	2	HEX NUT, 5/8-11	
K1	91145099	1	STEERING KNUCKLE KIT, (includes items 2, 4, 7 thru 14, 16 thru 23, 27 thru 31, 43, 48, 51, two of item 52, one kit does both sides)	
K2	91045152	AR	STEERING CYLINDER PIN KIT, (includes one each of items 1, 2, 3, 12, 21 thru 25, one kit needed for each side)	



# SECTION 1 - FRAME AND ATTACHING PARTS

FIGURE 1-5. REAR AXLE AND ATTACHING PARTS (534D-9 SN 0160000447 to Present; 534D-10 SN 0160000448 to Present)



**NOTES:**

1. CYLINDER BASE END MUST BE FREE TO ROTATE. SHIM STEERING CYLINDER BASE END AS REQUIRED TO MAINTAIN A TOTAL MAX. GAP OF 1/16 IN.
2. SHIM BOTTOM KNUCKLES AS REQUIRED TO MAINTAIN NO MORE THAN 1/32 IN MOVEMENT. SHIM TOP KNUCKLES AS REQUIRED TO MAINTAIN NO MORE THAN 1/16 GAP. MUST HAVE A MINIMUM OF ONE SHIM.
3. INSTALL 5/8 LONG THREAD ON STUD INTO DRIVE HUB, (SHORTEST LENGTH THREADS ON STUD).

## SECTION 1 - FRAME AND ATTACHING PARTS

**FIGURE 1-5. REAR AXLE AND ATTACHING PARTS (534D-9 SN 0160000447 to Present; 534D-10 SN 0160000448 to Present)**

ITEM	PART NUMBER	QTY	DESCRIPTION	REV
1	88521312	2	LOCKNUT, 3/4-10, (torque to 160-175 ft lbs)	
2	91081415	2	DIRT SHIELD	
3	91041732	2	SPACER	
4	80933066	2	O-RING	
5	3790226	2	O-RING	
6	91343052	2	ROD END STEER CYLINDER PIN	
8	1001099173	2	FLANGE NUT	
9	91403082	2	TIE ROD PIN	
10	88551011	4	LOCKWASHER, 3/8	
11	83201021	2	HEX HD CAPSCREW, 3/8-16X3	
12	88521306	2	HEX LOCKNUT, 3/8-16, (nylok)	
13	91403145	8	WIPER SEAL	
14	91403034	2	LOWER BUSHING	
15	91403146	2	O-RING	
16	3790230	2	O-RING	
17	91401081	2	THRUST BUSHING	
18	91346008	1	REAR AXLE WELDMENT, (includes items 14, 23, 56 & 69)	
19	91403163	AR	KING PIN SHIM, (see note #2)	
19	91403164	AR	KING PIN SHIM, (see note #2)	
19	91403165	AR	KING PIN SHIM, (see note #2)	
19	91403166	AR	KING PIN SHIM, (see note #2)	
20	91403078	2	LOWER KING PIN	
21	91403067	2	RETAINING WASHER	
22	88211068	2	SOCKET HD CAPSCREW, 3/8-16X5/8, GR8	
23	91403031	2	UPPER BUSHING	
24	91403079	2	UPPER KING PIN	
25	88581325	2	SNAP RING	
26	91033481	8	STUD, (see note #3)	
27	85401340	8	HARD WASHER	
28	91083449	8	HEX NUT, 1/2-13	
29		Ref	DRIVE HUB, (See DRIVE TRAIN SECTION for Breakdown)	
30	Kit	1	RH KNUCKLE	
31	88501110	2	HEX NUT, 5/8-11	
32	88212321	2	SOCKET HD CAPSCREW, 5/8-11X3-3/4, GR8	
33	90028740	2	FEMALE GREASE FITTING	
34	88701021	2	NIPPLE, 1/8X2	
35	88501006	2	HEX NUT, 3/8-16	
36	83201144	2	HEX HD CAPSCREW, 3/8-16X5-3/4	
37	91403372	2	BASE END STEER CYLINDER PIN	
38	88711280	2	HEX SOCKET PIPE PLUG, 1/8	
39	91403065	AR	KING PIN SHIM, (see note #1)	
39	91403066	AR	KING PIN SHIM, (see note #1)	
40		Ref	STEERING CYLINDER, (See HYDRAULIC CIRCUITS SECTION for Breakdown)	
41	91406098	1	LH TUBE SUPPORT	
41	91406099	1	RH TUBE SUPPORT	
42	0641608	4	HEX HD CAPSCREW, 3/8-16X1, GR5	
43	4761600	4	LOCKWASHER, 3/8	

## SECTION 1 - FRAME AND ATTACHING PARTS

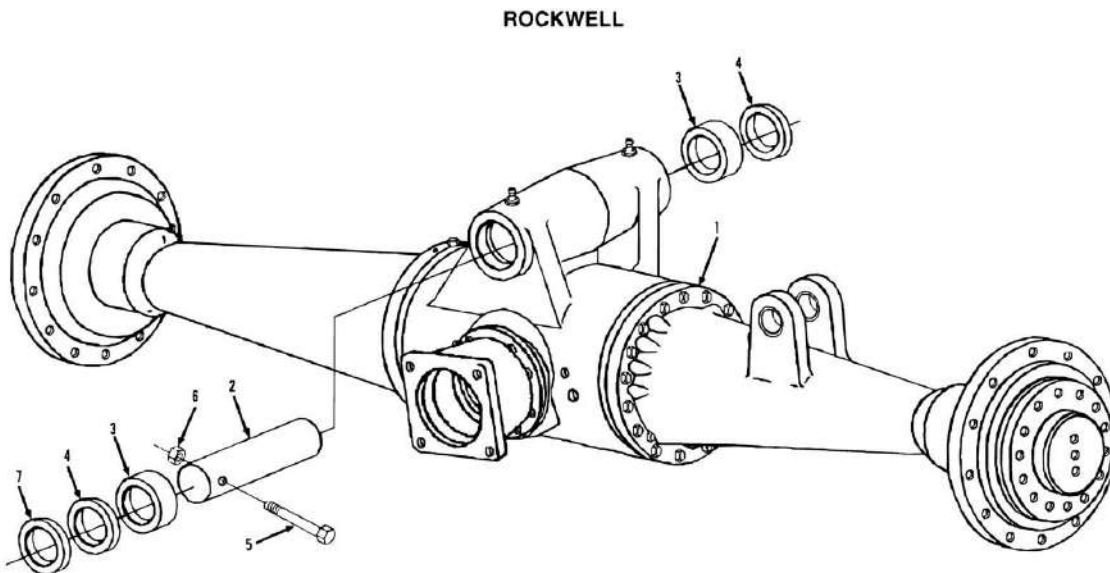
ITEM	PART NUMBER	QTY	DESCRIPTION	REV
44	88212272	2	SOCKET HD CAPSCREW, 5/8-11X8, GR8	
45	88521210	2	HEX LOCKNUT, 5/8, (nylok)	
46	Kit	1	LH KNUCKLE	
47	8050001	2	SELF-ALIGNING BUSHING, (tie rod)	
48	88671001	4	STRAIGHT LUBE FITTING, 1/8	
49	91406021	1	TIE ROD WELDMENT, (includes item 47)	
50	86681572	12	HARDENED WASHER, 3/4	
51	83201006	12	HEX HD CAPSCREW, 3/4-10X2	
52	91043222	4	12 POINT SCREW, 3/4-10X2	
53	88551154	2	LOCKWASHER, 3/4, (hi-collar)	
54	88212285	2	SOCKET HD CAPSCREW, 3/4-10X5, GR8	
55	91403145	2	WIPER SEAL	
56	91403033	2	PIVOT TUBE BUSHING	
58	91081177	1	REAR AXLE PIN	
59	90020247	1	HEX HD CAPSCREW, 1-1/4-7X6	
60	88521020	1	LOCKNUT, 1-1/4-7	
61	91161068	AR	SHIM, (.135 thick)	
62	91161067	AR	SHIM, (.105 thick)	
63	91161066	AR	SHIM, (.060 thick)	
64	14404793	AR	UNION 76 MEGAPLEX GREASE	
65	4711600	4	FLAT WASHER, 3/8	
66	14404595	AR	MYSTIK TETRIMOLY GREASE	
67	14403303	AR	LOCTITE PIPE SEALANT	
68	14404102	AR	LOCTITE 277	
69	91163019	2	BUSHING, (not shown)	
102	91403354	2	BUSHING	
103	91403355	1	BUSHING	
104	91551039	1	BUSHING	
105	14404978	AR	LOCTITE 641	
K1	91415039	1	STEERING KNUCKLE KIT, (includes items 2 thru 5, 13 thru 17, 19 thru 25, 44, 45, 53 & 54)	
K2	91415040	1	STEERING CYLINDER PIN KIT, (includes one each of items 1 thru 8, one kit needed for each side)	
K3	91555032	AR	RH KNUCKLE KIT, includes items 8, 30 & 102 thru 105)	
K4	91555031	AR	LH KNUCKLE KIT, includes items 8, 46 & 102 thru 105)	





# SECTION 1 - FRAME AND ATTACHING PARTS

FIGURE 1-6. FRONT AXLE MOUNTING (534D-9 SN 0544001 through 0160000446; 534D-10 SN 0366001 through 0160000446)



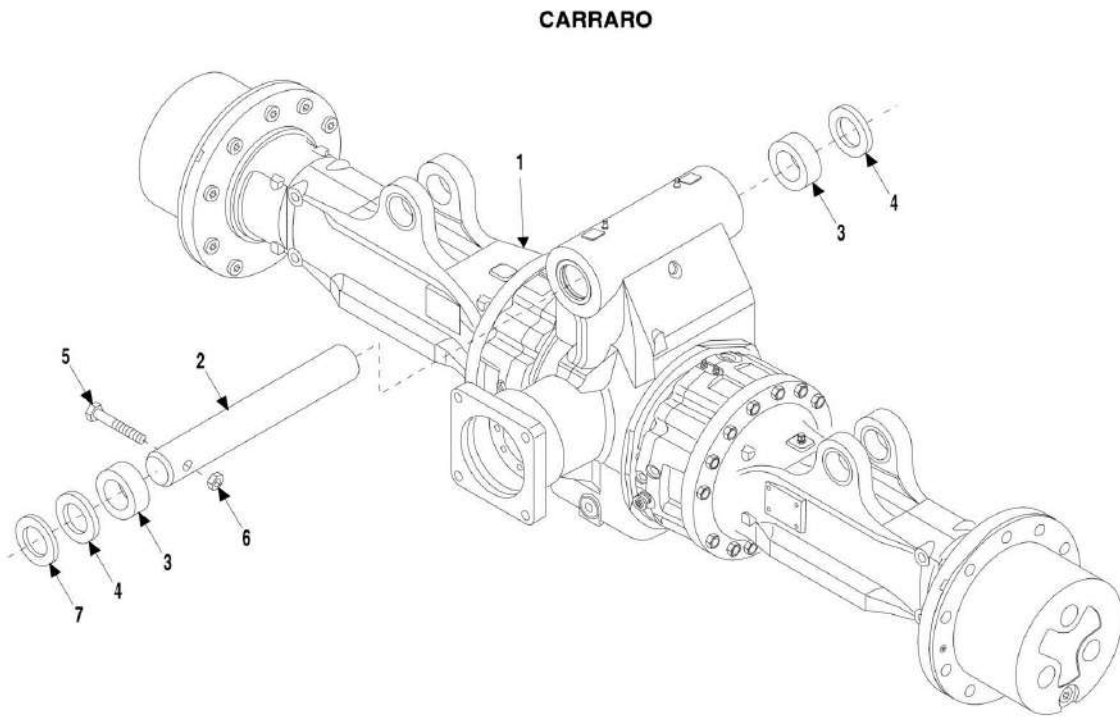
## SECTION 1 - FRAME AND ATTACHING PARTS

FIGURE 1-6. FRONT AXLE MOUNTING (534D-9 SN 0544001 through 0160000446; 534D-10 SN 0366001 through 0160000446)

ITEM	PART NUMBER	QTY	DESCRIPTION	REV
1		Ref	FRONT AXLE ASSY, (See DRIVE TRAIN SECTION for Breakdown)	
2	91081176	1	FRONT SWAY PIN	
3	90205891	2	SPACER	
4	91031014	2	SHIM WASHER	
5	83201172	1	HEX HD CAPSCREW, 1-8X5, GR8	
6	88521016	1	HEX LOCK NUT, 1-8	
7	91083480	1	SHIM WASHER	

# SECTION 1 - FRAME AND ATTACHING PARTS

FIGURE 1-7. FRONT AXLE MOUNTING (534D-9 SN 0160000447 to Present; 534D-10 SN 0160000448 to Present)



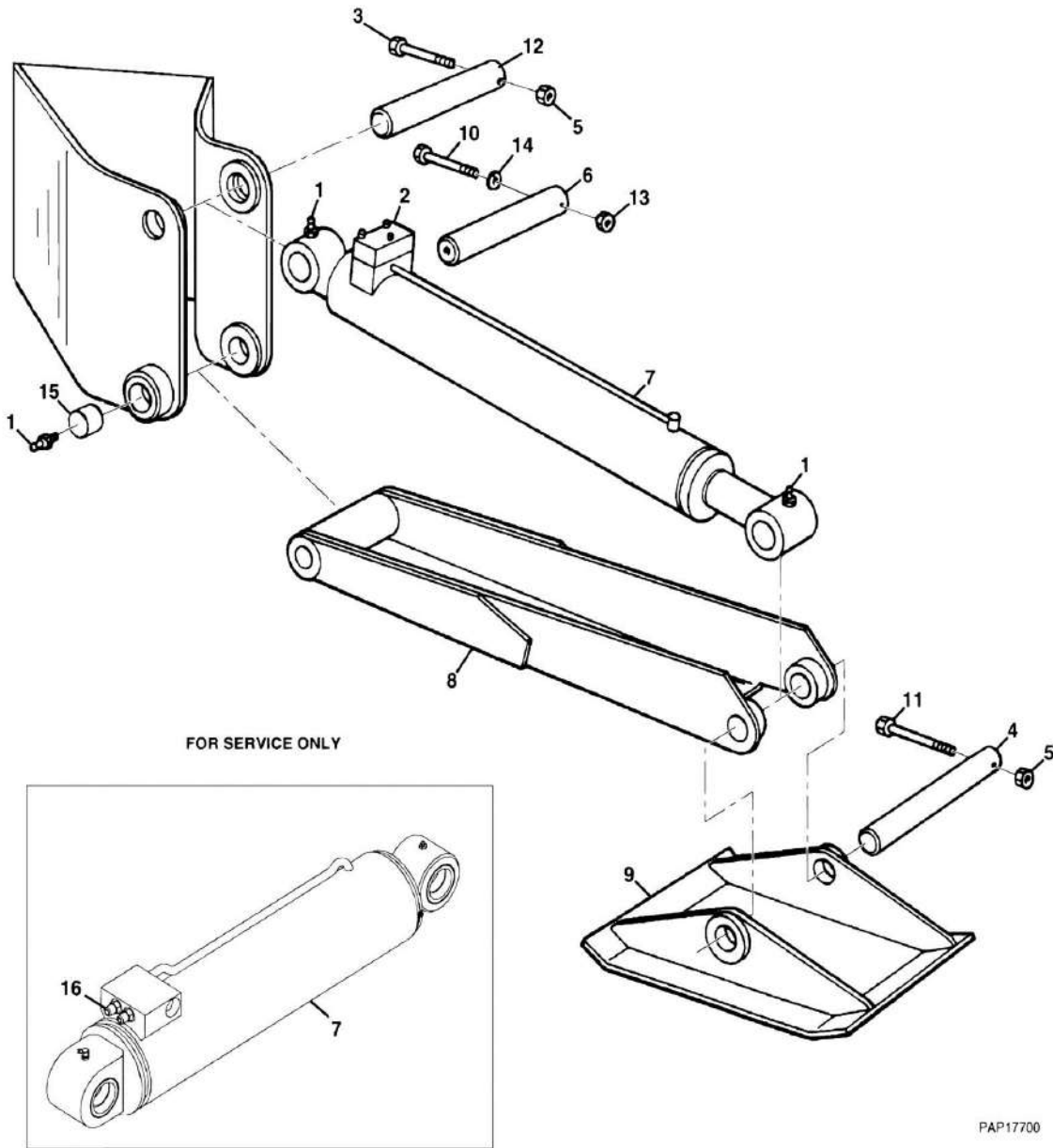
## SECTION 1 - FRAME AND ATTACHING PARTS

**FIGURE 1-7. FRONT AXLE MOUNTING (534D-9 SN 0160000447 to Present; 534D-10 SN 0160000448 to Present)**

ITEM	PART NUMBER	QTY	DESCRIPTION	REV
1		Ref	FRONT AXLE ASSY, (See DRIVE TRAIN for Breakdown)	
2	91081176	1	FRONT SWAY PIN	
3	90205891	2	SPACER	
4	91031014	2	SHIM WASHER	
5	83201172	1	HEX HD CAPSCREW, 1-8X5, GR8	
6	88521016	1	HEX LOCK NUT, 1-8	
7	91083480	1	SHIM WASHER	

# SECTION 1 - FRAME AND ATTACHING PARTS

FIGURE 1-8. OUTRIGGER MOUNTING (534D-10 Prior to SN 0160035696)



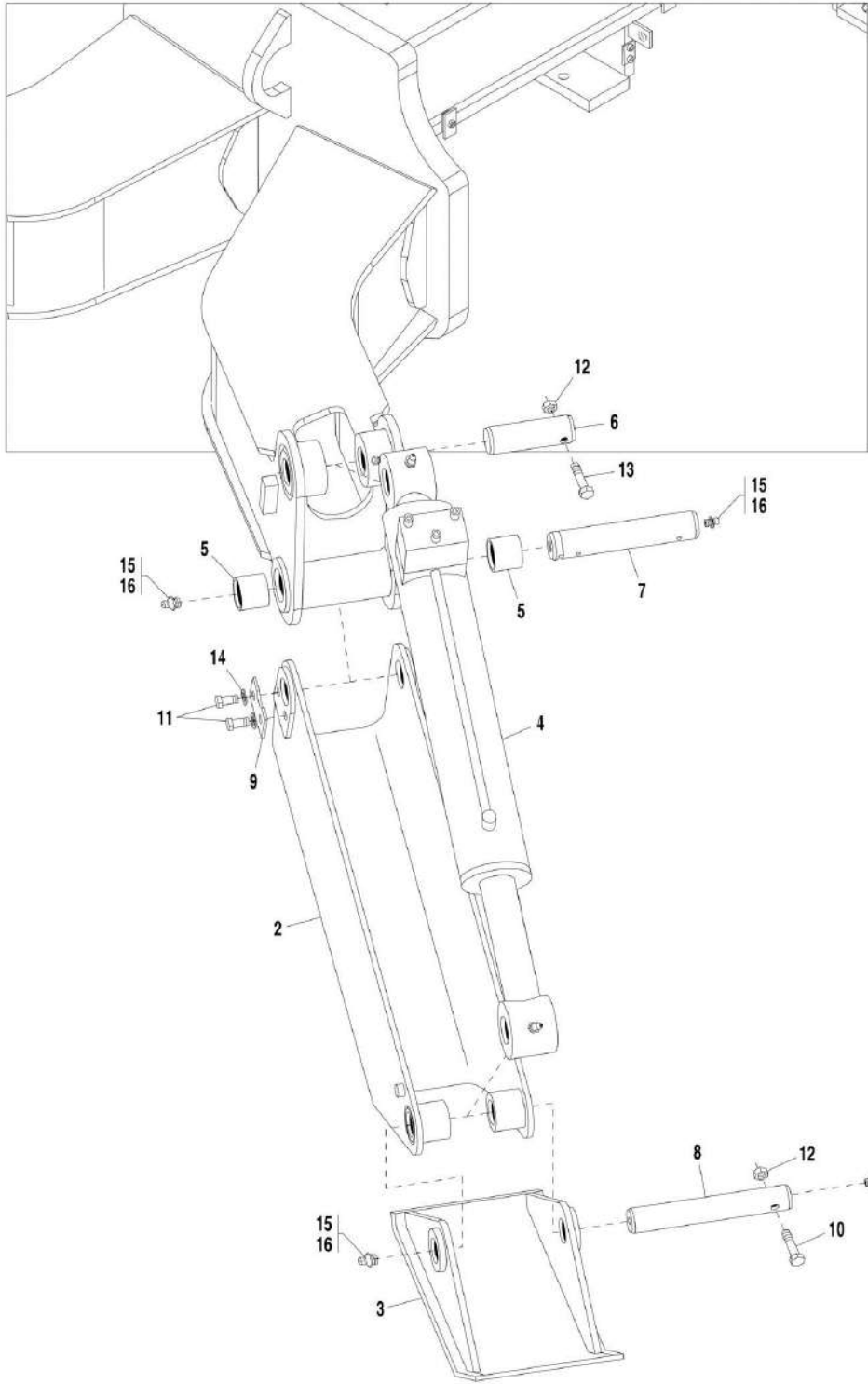
## SECTION 1 - FRAME AND ATTACHING PARTS

**FIGURE 1-8. OUTRIGGER MOUNTING (534D-10 Prior to SN 0160035696)**

ITEM	PART NUMBER	QTY	DESCRIPTION	REV
1	88671001	4	STRAIGHT LUBE FITTING, 1/8	
2		Ref	OUTRIGGER CYLINDER VALVE, (See HYDRAULIC COMPONENTS SECTION for Breakdown)	
3	88211083	2	SOCKET HD CAPSCREW, 3/8-16X4-1/2, GR8	
4	91161080	2	SHOE PIN	
5	3300143	4	HEX LOCKNUT, 3/8-16	
6	91161069	2	ARM PIN	
7		Ref	OUTRIGGER CYLINDER ASSY, (See HYDRAULIC COMPONENTS SECTION for Breakdown)	
8	91166008	2	ARM WELDMENT	
9	91166011	2	OUTRIGGER SHOE	
10	88201065	4	HEX HD CAPSCREW, 1/2-13X1, GR5	
11	83793054	2	HEX HD CAPSCREW, 3/8-16X4-1/4	
12	91161016	2	OUTRIGGER CYLINDER PIN	
13	91081313	2	KEEPER	
14	88551013	4	LOCKWASHER, 1/2	
15	91163014	4	BUSHING	
16		Ref	ADAPTOR, (includes o-ring), (See HYDRAULIC COMPONENTS SECTION for Breakdown)	

# SECTION 1 - FRAME AND ATTACHING PARTS

FIGURE 1-9. OUTRIGGER MOUNTING (534D-10 SN 0160035696 to Present)



PAL3390



## SECTION 1 - FRAME AND ATTACHING PARTS

**FIGURE 1-9. OUTRIGGER MOUNTING (534D-10 SN 0160035696 to Present)**

ITEM	PART NUMBER	QTY	DESCRIPTION	REV
	1001103504	1	OUTRIGGER INSTALLATION, (includes all items)	B
2	91566050	2	ARM WELDMENT	
3	91566051	2	OUTRIGGER SHOE	
4		Ref	OUTRIGGER CYLINDER AND VALVE, (See HYDRAULIC COMPONENTS SECTION for Breakdown)	
5	91163014	4	BUSHING	
6	91563197	2	OUTRIGGER CYLINDER PIN	
7	91563198	2	ARM PIN	
8	91563199	2	SHOE PIN	
9	91081313	2	KEEPER	
10	0641634	2	HEX HD CAPSCREW, 3/8-16X4-1/4, GR5	
11	0641808	4	HEX HD CAPSCREW, 1/2-13X1, GR5	
12	3300143	4	HEX LOCKNUT, 3/8-16	
13	3931672	2	SOCKET HD CAPSCREW, 3/8-16X4-1/2, GR8	
14	4761800	4	LOCKWASHER, 1/2	
15	88671001	4	STRAIGHT LUBE FITTING, 1/8	
16	0100011	AR	LOCTITE 242	
17		Ref	HOSE ASSY, (not shown), (See HYDRAULIC CIRCUITS SECTION for Breakdown)	

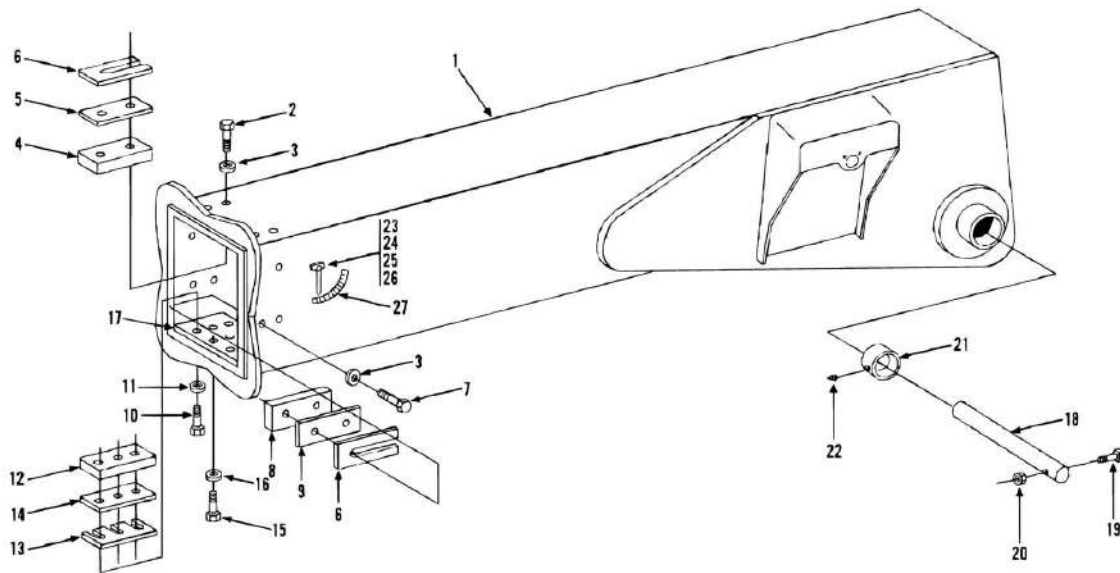


**SECTION 2 - BOOM**

# SECTION 2 - BOOM

FIGURE 2-1. FIRST BOOM SECTION (534D-9 SN 0544001 through 0644118; 534D-10 SN 0366001 through 0366088)

40 FT BOOM



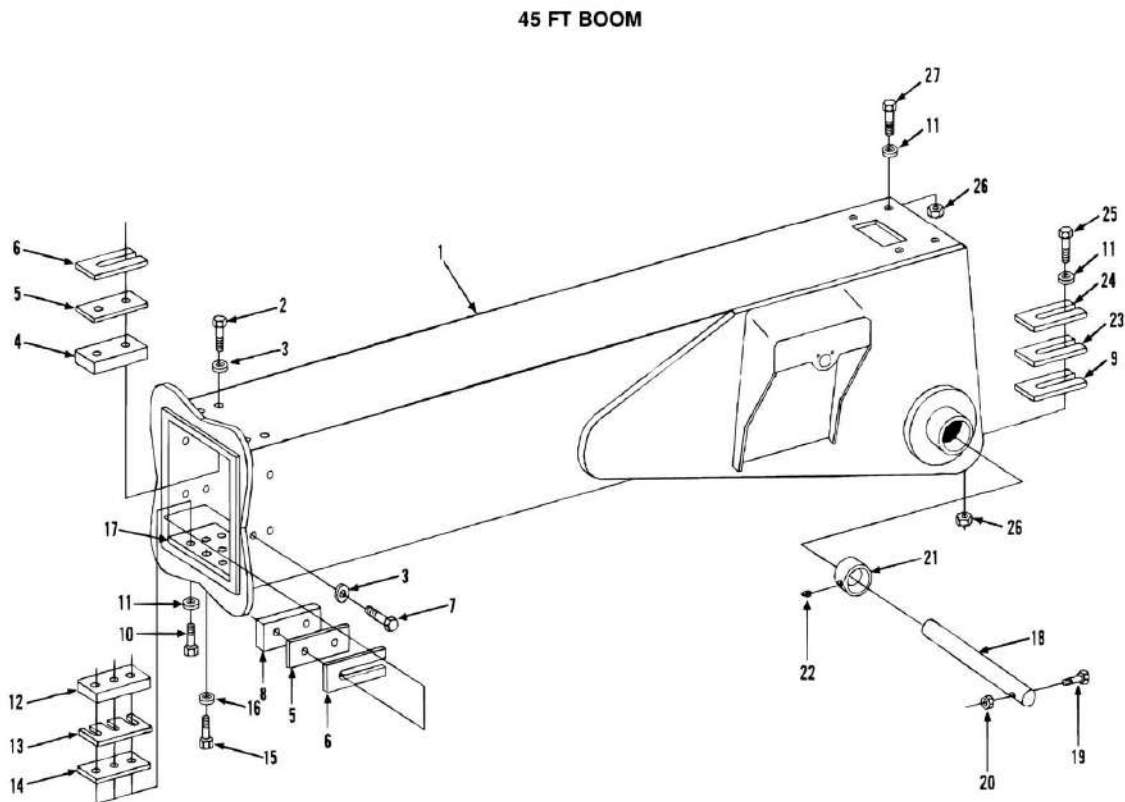
## SECTION 2 - BOOM

**FIGURE 2-1. FIRST BOOM SECTION (534D-9 SN 0544001 through 0644118; 534D-10 SN 0366001 through 0366088)**

ITEM	PART NUMBER	QTY	DESCRIPTION	REV
1	91146014	1	FIRST BOOM SECTION	
2	88201534	4	HEX HD CAPSCREW, 3/8-24X1, GR5, (torque to 32-37 ft lbs)	
3	88561109	12	FLAT WASHER, 3/8	
4	91033185	2	BEARING PAD	
5	91031236	2	SPACER, (.060 thick)	
6	90205870	AR	SHIM, (.060 thick)	
7	88201532	8	HEX HD CAPSCREW, 3/8-24X3/4, GR5, (torque to 32-37 ft lbs)	
8	91033186	4	BEARING PAD	
9	91031236	4	SPACER, (.060 thick)	
10	88201608	2	HEX HD CAPSCREW, 3/4-16x1-1/2, GR5	
11	90027473	2	HARDENED FLAT WASHER, 3/4	
12	91143168	2	BEARING PAD	
13	91141302	2	SPACER, (.0598 thick)	
14	91141303	2	SHIM, (.060 thick)	
15	88201570	6	HEX HD CAPSCREW, 1/2-20X2-1/2, GR5, (torque to 76-86 ft lbs)	
16	90027471	6	HARDENED WASHER, 1/2	
17	91341029	1	BEARING PLATE	
18	3423247	1	PIN	
19	83481645	1	HEX HD CAPSCREW, 5/8-11X6, GR8	
20	88521010	1	HEX NUT, 5/8-11	
21	91141301	2	BUSHING	
22	88671001	2	STRAIGHT LUBE FITTING, 1/8	
23	90200445	1	PENDULUM	
24	90200688	1	BEARING	
25	90026491	1	SHOULDER BOLT	
26	88561108	1	WASHER, 5/16	
27	91003031	1	BOOM ANGLE DECAL, (white)	

## SECTION 2 - BOOM

FIGURE 2-2. FIRST BOOM SECTION (534D-9 SN 0644119 to Present; 534D-10 SN 0366089 to Present)



**NOTES:**

1. ADD BEARING PAD, SHIMS & SPACERS AS REQUIRED TO SHIM BOOM TO WITHIN 1/16 IN OF A TIGHT FIT. AMOUNTS OF SHIMS CAN VARY AT EACH SHIM POINT. WHENEVER A SHIM IS USED WITH A PAD, A SPACER MUST BE INSERTED BETWEEN PAD & SHIM. NO PADS SHALL SIT DIRECTLY ON SLOTTED SURFACE OF SHIMS.
2. ADD 14404793, GREASE TO ALL BEARING PADS & BEARING SLIDE AREAS. INCLUDING INSIDE OF PUSH BEAM WHERE CROWD CYLINDER PADS SLIDE.
3. THE LENGTH OF PAD BOLTS DEPEND ON THE AMOUNT OF SHIMS USED. BOLT CANNOT EXTEND PAST CHAMFER ON BEARING.
4. BEARING PAD TORQUES, 3/8 IN BOLTS = 32-37 ft.lbs. & 1/2 IN BOLTS = 76-86 ft.lbs.

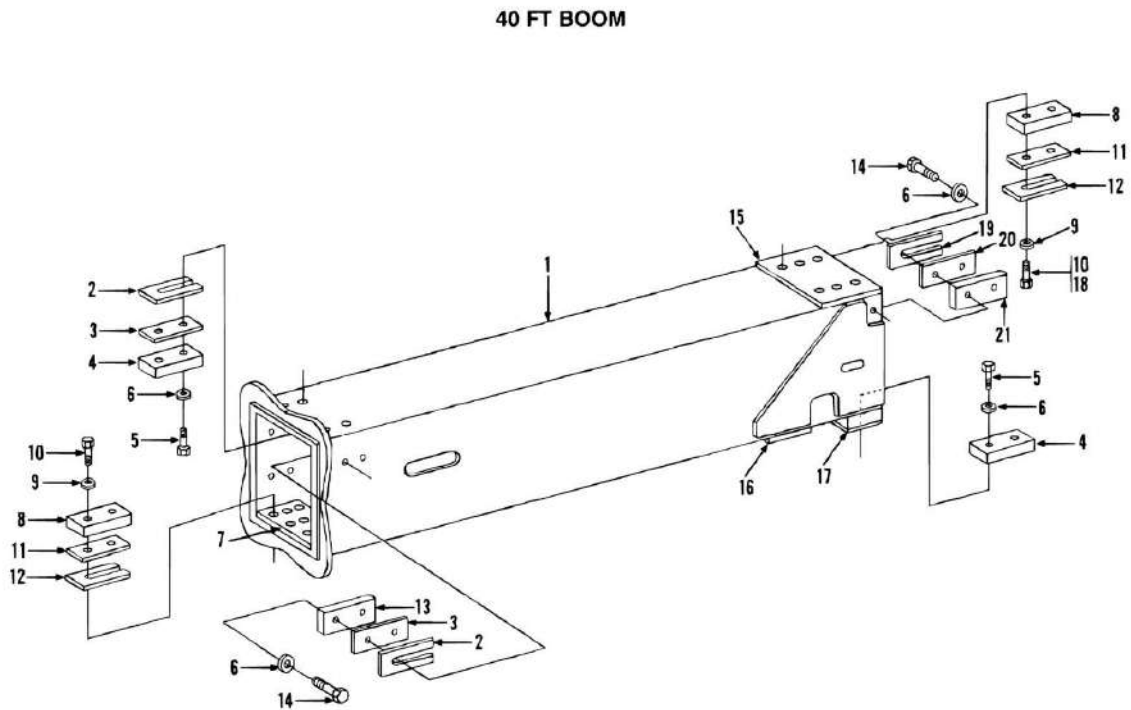
## SECTION 2 - BOOM

**FIGURE 2-2. FIRST BOOM SECTION (534D-9 SN 0644119 to Present; 534D-10 SN 0366089 to Present)**

ITEM	PART NUMBER	QTY	DESCRIPTION	REV
1	91146090	1	FIRST BOOM SECTION, (534D-9 SN 0644119 through 0160027962; 534D-10 SN 0366089 through 0160026242)	U
1	91536024	1	FIRST BOOM SECTION, (534D-9 SN 0160027963 to Present; 534D-10 SN 0160026243 to Present)	C
2	88201534	AR	HEX HD CAPSCREW, 3/8-24X1, GR5, (torque to 32-37 ft lbs)	
2	88201533	AR	HEX HD CAPSCREW, 3/8-24X7/8, GR5, (torque to 32-37 ft lbs)	
2	88201532	AR	HEX HD CAPSCREW, 3/8-24X3/4, GR5, (torque to 32-37 ft lbs)	
3	90027470	12	HARDENED WASHER, 3/8	
4	91033185	2	BEARING PAD	
5	91031236	6	SPACER, (.060 thick)	
6	91361048	6	SHIM, (.060 thick)	
7	88201535	8	HEX HD CAPSCREW, 3/8-24x1-1/4, GR5, (torque to 32-37 ft lbs)	
8	91033186	4	BEARING PAD	
9	91121157	2	SHIM, (.134)	
10	88201608	2	HEX HD CAPSCREW, 3/4-16x1-1/2, GR5	
11	90027473	9	HARDENED FLAT WASHER, 3/4	
12	1001117651	2	BEARING PAD	
13	91141302	2	SHIM, (.060 thick)	
14	91141303	2	SPACER, (.060 thick)	
15	88201569	AR	HEX HD CAPSCREW, 1/2-20X2-1/4, GR5, (torque to 76-86 ft lbs)	
15	0651818	AR	HEX HD CAPSCREW, 1/2-20X2-1/4, (torque to 76-86 ft lbs)	
15	88201570	AR	HEX HD CAPSCREW, 1/2-20X2-1/2, GR5, (torque to 76-86 ft lbs)	
15	0651820	AR	HEX HD CAPSCREW, 1/2-20X2-1/2, (torque to 76-86 ft lbs)	
16	90027471	6	HARDENED WASHER, 1/2	
17	91341029	1	BEARING PLATE	
18	3423247	1	BOOM BASE PIN	
19	88212287	1	HEX HD CAPSCREW, 3/4-10X6, GR8	
20	8310067	1	LOCKNUT, 3/4-10	
21	91141301	2	BUSHING	
22	2160002	2	STRAIGHT LUBE FITTING, 1/8	
23	91121024	2	SHIM, (.036)	
24	91121023	2	SHIM, (.060)	
25	83201039	3	HEX HD CAPSCREW, 3/4-10X2-1/2	
26	88501012	7	HEX NUT, 3/4-10	
27	83201038	4	HEX HD CAPSCREW, 3/4-10X2-1/4	

# SECTION 2 - BOOM

FIGURE 2-3. SECOND BOOM SECTION (534D-9 SN 0544001 through 0644118; 534D-10 SN 0366001 through 0366088)





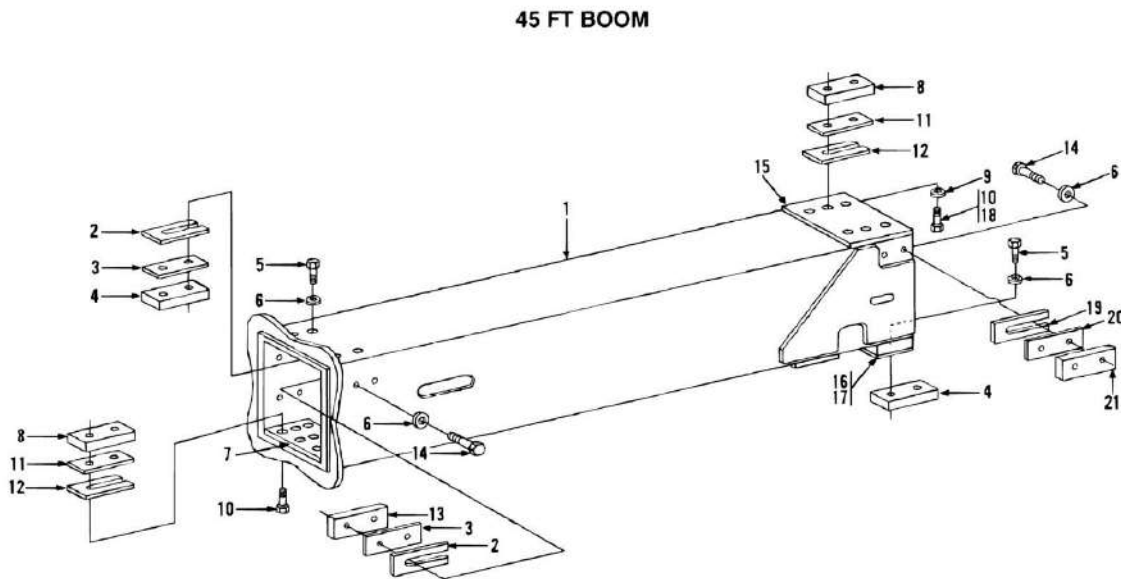
## SECTION 2 - BOOM

**FIGURE 2-3. SECOND BOOM SECTION (534D-9 SN 0544001 through 0644118; 534D-10 SN 0366001 through 0366088)**

ITEM	PART NUMBER	QTY	DESCRIPTION	REV
1	91146015	1	SECOND BOOM SECTION	N
2	91121082	4	SHIM, (.06 thick)	
3	91121083	4	SPACER, (.06 thick)	
4	91123019	4	BEARING PAD	
5	88201534	8	HEX HD CAPSCREW, 3/8-24X1, GR5, (torque to 32-37 ft lbs)	
6	88561109	16	FLAT WASHER, 3/8	
7	91141062	1	BEARING PLATE	
8	91143168	4	BEARING PAD	
9	90027471	6	HARDENED WASHER, 1/2	
10	88201562	8	HEX HD CAPSCREW, 1/2-20X3/4, GR5, (torque to 76-86 ft lbs)	
11	91141303	4	SPACER, (.060 thick)	
12	91141302	4	SHIM, (.0598 thick)	
13	91123021	2	BEARING PAD	
14	88201532	8	HEX HD CAPSCREW, 3/8-24X3/4, GR5, (torque to 32-37 ft lbs)	
15	91141056	1	BEARING PLATE	
16	91146018	1	RETRACTION CABLE BRACKET	
17	N.S.S.	1	BEARING PLATE	
17	91141058	1	BEARING BAR	
18	88201565	4	HEX HD CAPSCREW, 1/2-20X1-1/4, GR5, (torque to 76-86 ft lbs)	
19	90205870	2	SHIM, (.06 thick)	
20	91031236	2	SPACER, (.06 thick)	
21	91033186	2	BEARING PAD	

## SECTION 2 - BOOM

FIGURE 2-4. SECOND BOOM SECTION (534D-9 SN 0644119 to Present; 534D-10 SN 0366089 to Present)



### NOTES:

1. ADD BEARING PAD, SHIMS & SPACERS AS REQUIRED TO SHIM BOOM TO WITHIN 1/16 IN OF A TIGHT FIT. AMOUNTS OF SHIMS CAN VARY AT EACH SHIM POINT. WHENEVER A SHIM IS USED WITH A PAD, A SPACER MUST BE INSERTED BETWEEN PAD & SHIM. NO PADS SHALL SIT DIRECTLY ON SLOTTED SURFACE OF SHIMS.
2. ADD, 14404793, GREASE TO ALL BEARING PADS & BEARING SLIDE AREAS. INCLUDING INSIDE OF PUSH BEAM WHERE CROWD CYLINDER PADS SLIDE.
3. THE LENGTH OF PAD BOLTS DEPEND ON THE AMOUNT OF SHIMS USED. BOLT CANNOT EXTEND PAST CHAMFER ON BEARING.
4. BEARING PAD TORQUES, 3/8 IN BOLTS = 32-37 ft.lbs. & 1/2 IN BOLTS = 76-86 ft.lbs.

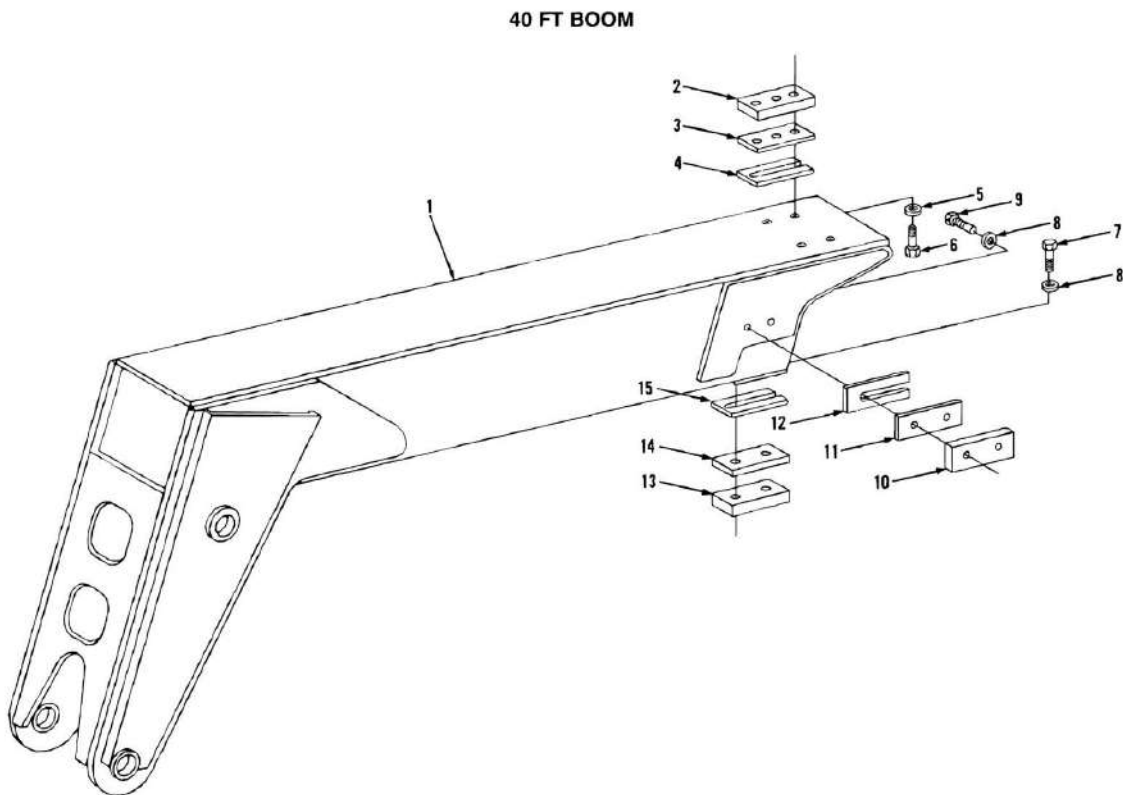
## SECTION 2 - BOOM

**FIGURE 2-4. SECOND BOOM SECTION (534D-9 SN 0644119 to Present; 534D-10 SN 0366089 to Present)**

ITEM	PART NUMBER	QTY	DESCRIPTION	REV
1	91146091	1	SECOND BOOM SECTION, (534D-9 SN 0644119 through 0160027962; 534D-10 SN 0366089 through 0160026242)	H
1	91536021	1	SECOND BOOM SECTION, (534D-9 SN 0160027963 to Present; 534D-10 SN 0160026243 to Present)	A
2	91361049	4	SHIM, (.06 thick)	
3	91121083	4	SPACER, (.06 thick)	
4	91123019	4	BEARING PAD	
4	91121082	AR	SHIM, (.06 thick)	
4	91121083	AR	SPACER, (.06 thick)	
5	88201534	AR	HEX HD CAPSCREW, 3/8-24X1, GR5, (torque to 32-37 ft lbs)	
5	0651608	AR	HEX HD CAPSCREW, 3/8-24X1	
5	0651610	AR	HEX HD CAPSCREW, 3/8-24X1-1/4	
6	90027470	16	HARDENED WASHER, 3/8	
7	91141062	1	BEARING PLATE	
8	1001117651	4	BEARING PAD	
9	90027471	4	HARDENED WASHER, 1/2	
10	88201562	6	HEX HD CAPSCREW, 1/2-20X3/4, GR5, (torque to 68-78 ft lbs)	
10	0651806	AR	HEX HD CAPSCREW, 1/2-20X3/4	
11	91141303	4	SPACER, (.060 thick)	
12	91141302	4	SHIM, (.0598 thick)	
13	91123021	2	BEARING PAD	
14	88201532	AR	HEX HD CAPSCREW, 3/8-24X3/4, GR5, (torque to 32-37 ft lbs)	
14	0651605	AR	HEX HD CAPSCREW, 3/8-24X5/8	
14	0651606	AR	HEX HD CAPSCREW, 3/8-24X3/4	
14	0651607	AR	HEX HD CAPSCREW, 3/8-24X7/8	
15	91141056	1	BEARING PLATE	
16	N.S.S.	1	BEARING BAR	
17	91141058	2	BEARING BAR	
18	88201565	4	HEX HD CAPSCREW, 3/8-24X3/4, GR5, (torque to 32-37 ft lbs)	
18	0651810	AR	HEX HD CAPSCREW, 1/2-20X1-1/4	
18	0651812	AR	HEX HD CAPSCREW, 1/2-20X1-1/2	
18	0651807	AR	HEX HD CAPSCREW, 1/2-20X7/8	
18	0651808	AR	HEX HD CAPSCREW, 1/2-20X1	
19	91361048	2	SHIM, (.06 thick)	
20	91031236	2	SPACER, (.06 thick)	
21	91033186	2	BEARING PAD	

## SECTION 2 - BOOM

FIGURE 2-5. THIRD BOOM SECTION (534D-9 SN 0544001 through 0644118; 534D-10 SN 0366001 through 0366088)



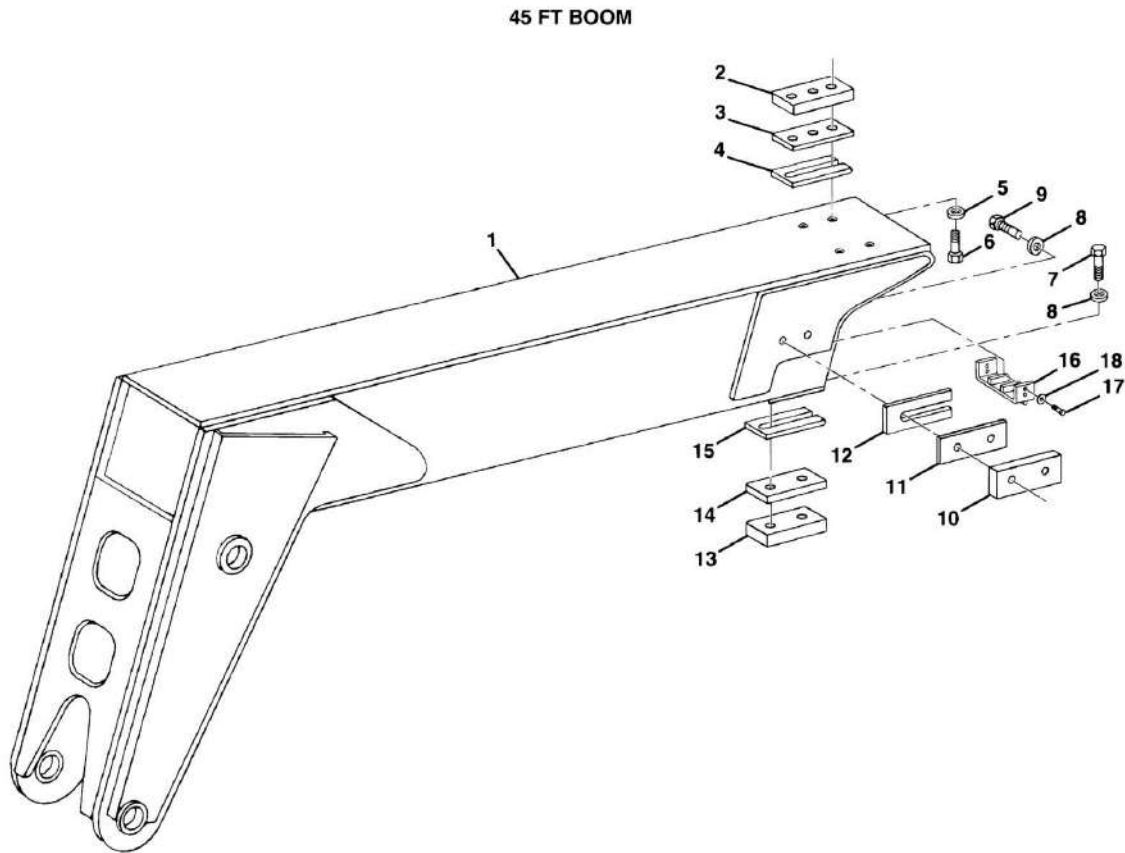
## SECTION 2 - BOOM

**FIGURE 2-5. THIRD BOOM SECTION (534D-9 SN 0544001 through 0644118; 534D-10 SN 0366001 through 0366088)**

ITEM	PART NUMBER	QTY	DESCRIPTION	REV
1	91146016	1	THIRD BOOM SECTION	N
2	91143168	2	BEARING PAD	
3	91141302	2	SPACER, (.0598 thick)	
4	91141303	2	SHIM, (.060 thick)	
5	90027471	6	HARDENED FLAT WASHER, 1/2	
6	88201565	6	HEX HD CAPSCREW, 1/2-20X1-1/4, GR5, (torque to 76-86 ft lbs)	
7	88201534	4	HEX HD CAPSCREW, 3/8-24X1, GR5, (torque to 32-37 ft lbs)	
8	88561109	8	FLAT WASHER, 3/8	
9	88201532	4	HEX HD CAPSCREW, 3/8-24X3/4, GR5, (torque to 32-37 ft lbs)	
10	91033186	2	BEARING PAD	
11	91031236	2	SPACER, (.060 thick)	
12	90205870	2	SHIM, (.060)	
13	91123019	2	BEARING PAD	
14	91121082	2	SHIM, (.06 thick)	
15	91121083	2	SPACER, (.06 thick)	

## SECTION 2 - BOOM

FIGURE 2-6. THIRD BOOM SECTION (534D-9 SN 0644119 to Present; 534D-10 SN 0366089 to Present)



FAP17900

### NOTES:

1. ADD BEARING PAD, SHIMS & SPACERS AS REQUIRED TO SHIM BOOM TO WITHIN 1/16 IN OF A TIGHT FIT. AMOUNTS OF SHIMS CAN VARY AT EACH SHIM POINT. WHENEVER A SHIM IS USED WITH A PAD, A SPACER MUST BE INSERTED BETWEEN PAD & SHIM. NO PADS SHALL SIT DIRECTLY ON SLOTTED SURFACE OF SHIMS.
2. ADD, 14404793, GREASE TO ALL BEARING PADS & BEARING SLIDE AREAS. INCLUDING INSIDE OF PUSH BEAM WHERE CROWD CYLINDER PADS SLIDE.
3. THE LENGTH OF PAD BOLTS DEPEND ON THE AMOUNT OF SHIMS USED. BOLT CANNOT EXTEND PAST CHAMFER ON BEARING.
4. BEARING PAD TORQUES, 3/8 IN BOLTS = 32-37 ft.lbs. & 1/2 IN BOLTS = 76-86 ft.lbs.

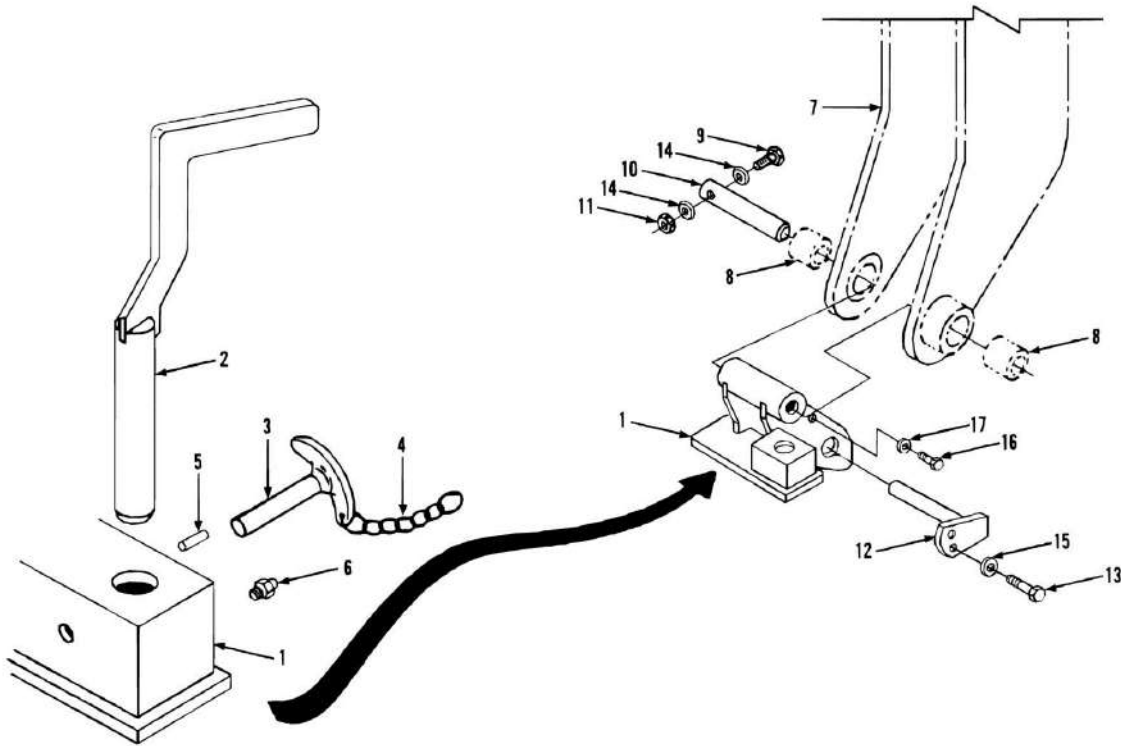
## SECTION 2 - BOOM

**FIGURE 2-6. THIRD BOOM SECTION (534D-9 SN 0644119 to Present; 534D-10 SN 0366089 to Present)**

ITEM	PART NUMBER	QTY	DESCRIPTION	REV
1	91146092	1	THIRD BOOM SECTION, (534D-9 SN 0644119 through 0160027962; 534D-10 SN 0366089 through 0160026242)	I
1	91536020	1	THIRD BOOM SECTION, (534D-9 SN 0160027693 through 0160038518; 534D-10 SN 0160026243 through 0160038444)	C
1	1001098045	1	THIRD BOOM SECTION, (534D-9 SN 0160038519 to Present; 534D-10 SN 0160038445 to Present)	A
2	1001117651	2	BEARING PAD	
3	91141303	2	SPACER, (.0598 thick)	
4	91141302	2	SHIM, (.060 thick)	
5	90027471	6	HARDENED FLAT WASHER, 1/2	
6	0651810	6	HEX HD CAPSCREW, 1/2-20X1-1/4, GR5, (torque to 68-78 ft lbs)	
6	0651812	AR	HEX HD CAPSCREW, 1/2-20X1-1/2	
7	88201534	4	HEX HD CAPSCREW, 3/8-24X1, GR5, (torque to 32-37 ft lbs)	
7	0651610	AR	HEX HD CAPSCREW, 3/8-24X1-1/4	
7	0651612	AR	HEX HD CAPSCREW, 3/8-24X1-1/2	
8	90027470	8	HARDENED WASHER, 3/8	
9	88201532	4	HEX HD CAPSCREW, 3/8-24X3/4, GR5, (torque to 32-37 ft lbs)	
9	0651605	AR	HEX HD CAPSCREW, 3/8-24X5/8	
9	0651606	AR	HEX HD CAPSCREW, 3/8-24X3/4	
9	0651607	AR	HEX HD CAPSCREW, 3/8-24X7/8	
10	91033186	2	BEARING PAD	
11	91031236	2	SPACER, (.060 thick)	
12	91361048	2	SHIM, (.060)	
13	91123019	2	BEARING PAD	
14	91511094	AR	SPACER, (.06 thick)	
15	91361049	AR	SHIM, (.06 thick)	
16	91536025	1	HOSE RETAINER	
17	0641608	4	HEX HD CAPSCREW, 3/8-16X1	
18	4711600	4	FLAT WASHER, 3/8	

## SECTION 2 - BOOM

FIGURE 2-7. QUICK SWITCH ASSEMBLY (534D-9 Prior to SN 0160038519; 534D-10 Prior to SN 0160038445)





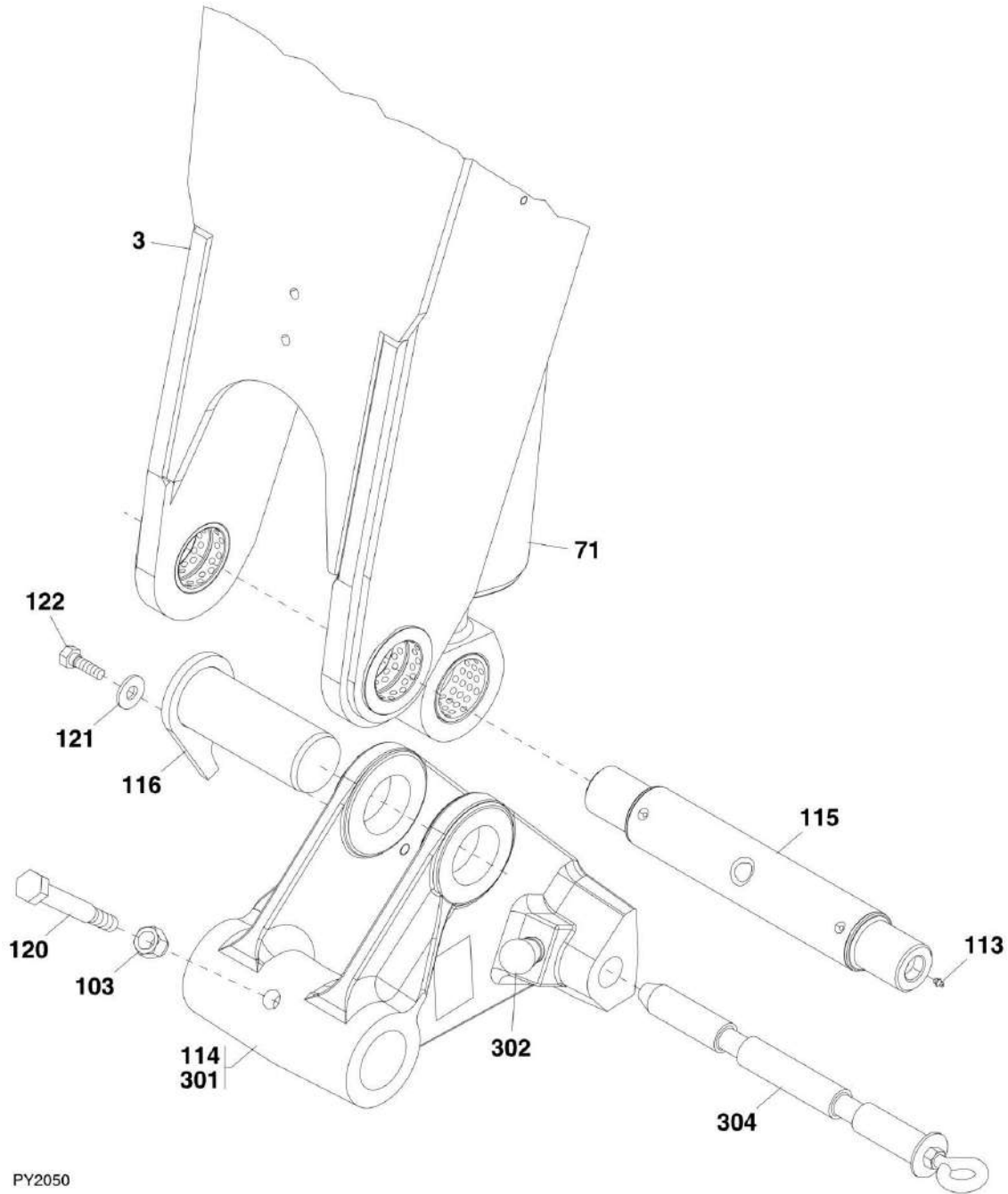
## SECTION 2 - BOOM

**FIGURE 2-7. QUICK SWITCH ASSEMBLY (534D-9 Prior to SN 0160038519; 534D-10 Prior to SN 0160038445)**

ITEM	PART NUMBER	QTY	DESCRIPTION	REV
	91085091	1	QUICK SWITCH ASSY, (includes items 1 thru 6, 16 & 17)	C
1	91086152	1	QUICK SWITCH WELDMENT	
2	91086151	1	PLUNGER WELDMENT	
3	90207902	1	QUICK RELEASE PIN	
4	91033038	1	JACK CHAIN, 5 IN LONG, SIZE 12	
5	3440832	1	ROLL PIN, 1/4X2	
6	88671008	1	STRAIGHT LUBE FITTING, 1/4-28	
7		Ref	THIRD BOOM SECTION, (includes item 8), (See THIRD BOOM SECTION for Breakdown)	
8	91363085	2	BUSHING	
9	91121308	1	HEX HD CAPSCREW, 5/8-11X5, L-9	
10	91041365	1	PIN	
11	91121309	1	HEX LOCKNUT, 5/8, L-9	
12	91166062	1	TILT CYLINDER PIN	
13	83201123	2	HEX HD CAPSCREW, 1/2-13X1, GR5	
14	4712000	2	FLAT WASHER, 5/8, L-9	
15	4711800	2	FLAT WASHER, 1/2	
16	88301193	1	ROUND HD MACHINE SCREW, #10-32X1/2	
17	88561105	1	FLAT WASHER, #10	

## SECTION 2 - BOOM

FIGURE 2-8. QUICK SWITCH ASSEMBLY (534D-9 SN 0160038519 to Present; 534D-10 SN 0160038445 to Present)



PY2050

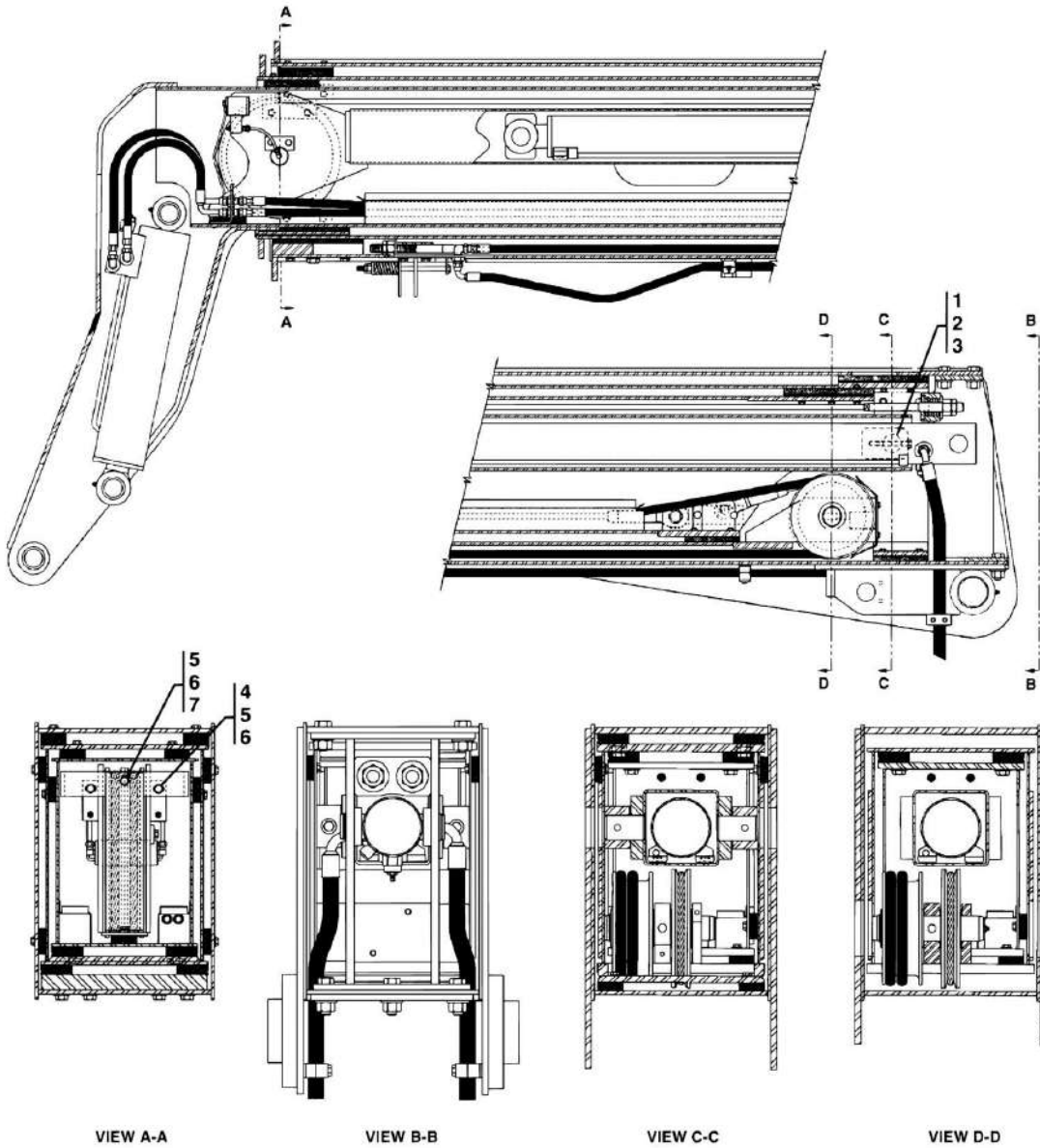
## SECTION 2 - BOOM

**FIGURE 2-8. QUICK SWITCH ASSEMBLY (534D-9 SN 0160038519 to Present; 534D-10 SN 0160038445 to Present)**

ITEM	PART NUMBER	QTY	DESCRIPTION	REV
3		Ref	THIRD BOOM SECTION, (See THIRD BOOM SECTION for Breakdown)	
71		Ref	TILT CYLINDER, (See HYDRAULIC COMPONENTS SECTION for Breakdown)	
103	8310067	1	LOCKNUT, 3/4-10	
113	2160002	2	STRAIGHT GREASE FITTING	
114	1001098383	1	QUICK SWITCH COUPLING ASSY, (includes items 301 thru 304)	D
115	1001098233	1	PIVOT PIN	
115	8307916	AR	WASHER, SHIM, (not shown)	
115	8307917	AR	WASHER, SHIM, (not shown)	
116	1001098492	1	PIN WELDMENT	
116	8307904	AR	WASHER, SHIM, (not shown)	
116	8310093	AR	WASHER, SHIM, (not shown)	
116	8307918	AR	WASHER, SHIM, (not shown)	
120	0682244	1	HEX HD CAPSCREW, 3/4-10X5-1/2, GR8	
121	4740003	1	WASHER, 1/2	
122	0641808	1	HEX HD CAPSCREW, 1/2-13X1, GR5	
301	1001100755	1	QUICK SWITCH COUPLER	
302	1001143692	1	POPPIN PIN ASSY	
304	1001105441	1	QUICK SWITCH LOCK PIN	

# SECTION 2 - BOOM

## FIGURE 2-9. BOOM CROSS SECTION/PUSH BEAM PIN - 40 FT & 45 FT BOOM



PAP17890

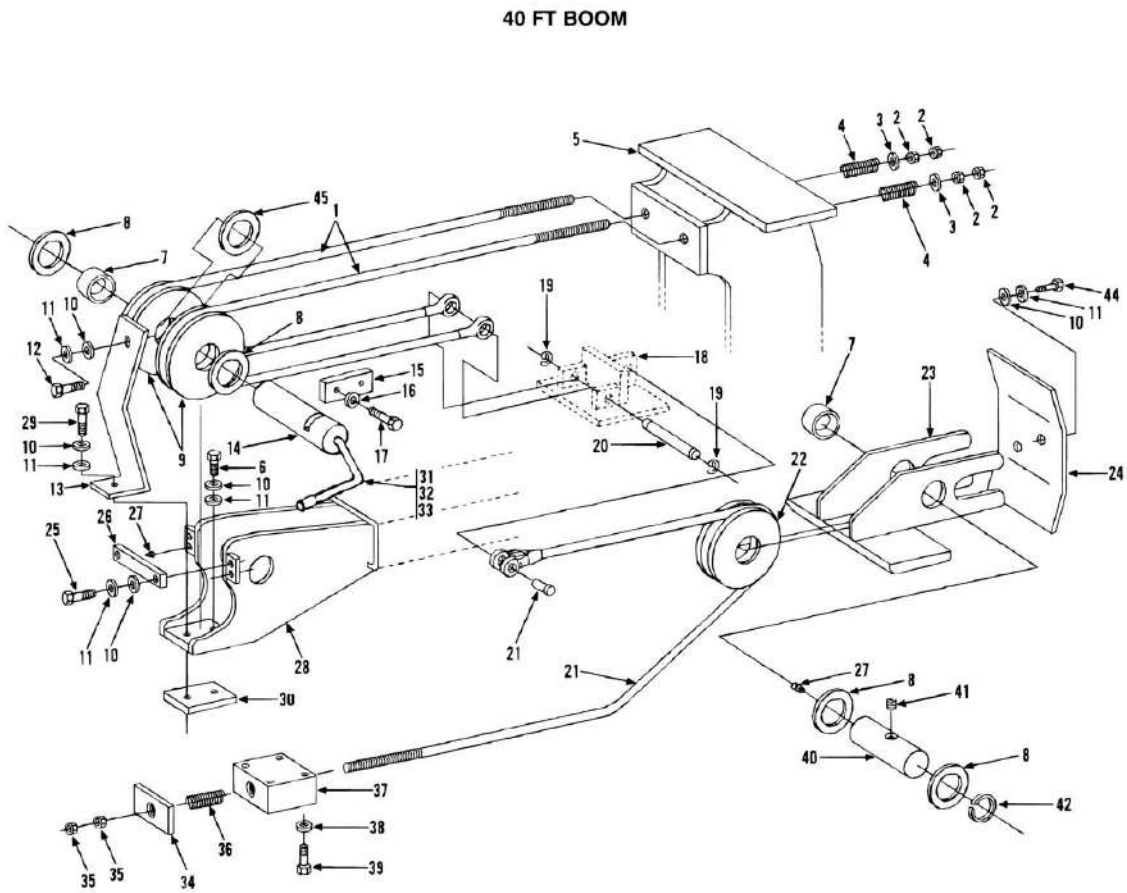
## SECTION 2 - BOOM

**FIGURE 2-9. BOOM CROSS SECTION/PUSH BEAM PIN - 40 FT & 45 FT BOOM**

ITEM	PART NUMBER	QTY	DESCRIPTION	REV
1	91141128	2	PUSH BEAM PIN	
2	0641828	2	HEX HD CAPSCREW, 1/2-13X3-1/2, GR5	
3	4761800	2	LOCKWASHER, 1/2	
4	0641607	2	HEX HD CAPSCREW, 3/8-16X7/8	
5	4711600	3	FLAT WASHER, 3/8	
6	4761600	3	LOCKWASHER, 3/8	
7	0641608	1	HEX HD CAPSCREW, 3/8-16X1	

# SECTION 2 - BOOM

FIGURE 2-10. EXTENSION AND RETRACTION CABLES (534D-9 SN 0544001 through 0644118; 534D-10 SN 0366001 through 0366088)



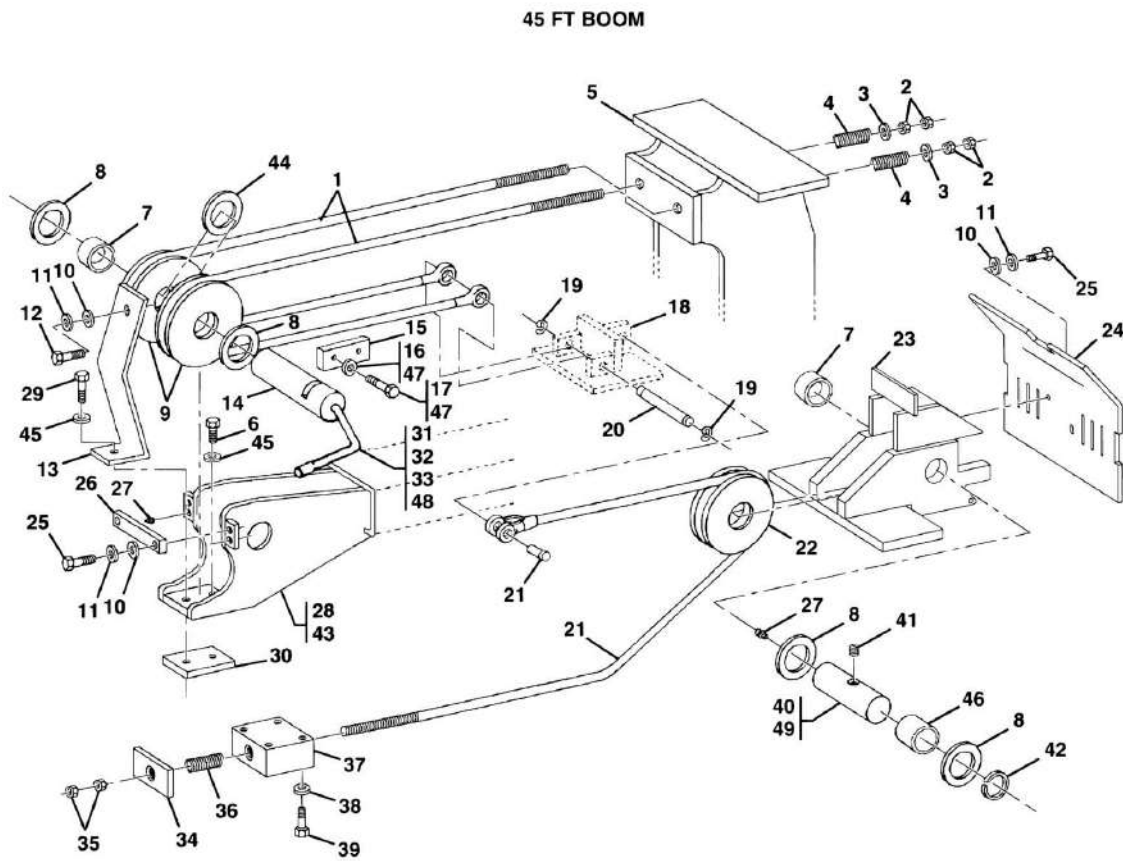
## SECTION 2 - BOOM

**FIGURE 2-10. EXTENSION AND RETRACTION CABLES (534D-9 SN 0544001 through 0644118; 534D-10 SN 0366001 through 0366088)**

ITEM	PART NUMBER	QTY	DESCRIPTION	REV
1	91143026	2	EXTENSION CABLE	
2	88501016	4	HEX NUT, 1-8, (torque to 100-110 ft lbs)	
3	91121079	2	SPECIAL WASHER	
4	91123018	2	SPRING	
5	91146026	1	STRONG BACK	
6	88201532	1	HEX HD CAPSCREW, 3/8-24X3/4, GR5, (torque to 32-37 ft lbs)	
7	91143109	3	BUSHING	
8	91041451	4	THRUST WASHER	
9	91145052	2	EXTENSION SHEAVE ASSY, (includes item 7)	
10	88561109	7	FLAT WASHER, 3/8	
11	88551011	7	LOCKWASHER, 3/8	
12	88201035	1	HEX HD CAPSCREW, 3/8-16X1, GR5	
13	91141152	1	CABLE GUIDE	
14	91141121	1	EXTENSION SHEAVE PIN	
15	91081313	1	PIN KEEPER	
16	88551013	2	LOCKWASHER, 1/2	
17	88201063	2	HEX HD CAPSCREW, 1/2-13X3/4, GR5	
18	91146023	1	CABLE ANCHOR WELDMENT	
19	88581313	2	RETAINING RING	
20	91141078	1	EXTENSION CABLE PIN	
21	91143027	1	RETRACTION CABLE, (includes pin)	
22	91145051	1	RETRACTION SHEAVE ASSY	
23	91146018	1	RETRACTION CABLE BRACKET	
24	91141149	1	HOSE GUIDEPLATE	
25	83201011	2	NYLOK SCREW, 3/8-16X1, GR5	
26	91141148	1	GUIDE BAR	
27	88671001	3	STRAIGHT LUBE FITTING, 1/8	
28	91146025	1	PUSH BEAM	
29	88201534	1	HEX HD CAPSCREW, 3/8-24X1, GR5, (torque to 32-37 ft lbs)	
30	91033187	1	BEARING PAD	
31	85403040	2	MALE CONNECTORS	
32	Bulk	12 in	COPPER TUBING, 1/4 OD	
33	86683088	2	MALE, 90, ELBOW	
34	91141359	1	CABLE SPRING BAR	
35	88501314	2	HEX NUT, 7/8-14, (torque to 100-110 ft lbs)	
36	91143251	1	SPRING	
37	91141358	1	CABLE ADJUSTMENT BLOCK	
38	90027472	4	HARDENED WASHER	
39	83201035	4	HEX HD CAPSCREW, 5/8-11X1-1/2, GR5, (torque to 200-215 ft lbs)	
40	91141120	1	RETRACTION SHEAVE PIN	
41	91143025	1	DOG POINT SET SCREW	
42	88581149	1	RETAINING RING	
43		Ref	PUSH BEAM PIN, (not shown), (See BOOM CROSS SECTION/PUSH BEAM PIN - 40 FT & 45 FT BOOM for Breakdown)	
44	88201034	2	HEX HD CAPSCREW, 3/8-16X7/8, GR5	
45	91041450	1	THRUST WASHER	

## SECTION 2 - BOOM

FIGURE 2-11. EXTENSION AND RETRACTION CABLES (534D-9 SN 0644119 to Present; 534D-10 SN 0366089 to Present)



PAP17880

NOTES:

1. USE LOCTITE® 242™ (0100011) ON ALL BOLT THREADS & JAM NUTS.
2. APPLY LOCTITE® 545™ (0100075) TO TUBE FITTINGS.



## SECTION 2 - BOOM

**FIGURE 2-11. EXTENSION AND RETRACTION CABLES (534D-9 SN 0644119 to Present; 534D-10 SN 0366089 to Present)**

ITEM	PART NUMBER	QTY	DESCRIPTION	REV
1	91143355	2	EXTENSION CABLE	
2	88501016	4	HEX NUT, 1-8, (torque to 100-110 ft lbs)	
3	91121079	2	SPECIAL WASHER	
4	91123018	2	SPRING	
5	91146026	1	STRONG BACK	
6	88201532	1	HEX HD CAPSCREW, 3/8-24X3/4, GR5, (torque to 32-37 ft lbs)	
7	91143109	3	BUSHING	
8	91041451	2	THRUST WASHER	
9	91145052	2	EXTENSION SHEAVE ASSY, (includes item 7)	
10	88561109	7	FLAT WASHER, 3/8	
11	88551011	7	LOCKWASHER, 3/8	
12	88201035	1	HEX HD CAPSCREW, 3/8-16X1, GR5	
13	91141152	1	CABLE GUIDE	
14	91141121	1	EXTENSION SHEAVE PIN	
15	91081313	1	PIN KEEPER	
16	4761800	2	LOCKWASHER, 1/2	
17	0641806	2	HEX HD CAPSCREW, 1/2-13X3/4, GR5	
18	91146023	1	CABLE ANCHOR WELDMENT	
19	88581313	2	RETAINING RING	
20	91141078	1	EXTENSION CABLE PIN	
21	91343227	1	RETRACTION CABLE, (includes pin)	
22	91145051	1	RETRACTION SHEAVE ASSY	
23	91536019	1	RETRACTION CABLE BRACKET	
24	91531027	1	HOSE GUIDE PLATE	
25	88201034	4	HEX HD CAPSCREW, 3/8-16X7/8, GR5	
26	91141148	1	GUIDE BAR	
27	2160002	3	STRAIGHT LUBE FITTING, 1/8	
28	91146093	1	PUSH BEAM	
29	88201534	1	HEX HD CAPSCREW, 3/8-24X1, GR5, (torque to 32-37 ft lbs)	
30	91033187	1	BEARING PAD	
31	86881273	2	TUBE FITTING	
32	72088049	12 in	NYLON TUBING, 1/4 OD	
33	86881276	2	TUBE FITTING	
34	91141359	1	CABLE SPRING BAR	
35	88501314	2	HEX NUT, 7/8-14	
36	91143251	1	SPRING	
37	91141358	1	CABLE ADJUSTMENT BLOCK	
38	90027472	4	HARDENED WASHER	
39	83201035	4	HEX HD CAPSCREW, 5/8-11X1-1/2, GR5, (torque to 200-215 ft lbs)	
40	91141144	1	RETRACTION SHEAVE PIN	
41	91143025	1	DOG POINT SET SCREW	
42	88581149	1	RETAINING RING	
43		Ref	PUSH BEAM PIN, (See BOOM CROSS SECTION/PUSH BEAM PIN - 40 FT & 45 FT BOOM for Breakdown)	
44	91041450	1	THRUST WASHER	
45	90027470	AR	HARDENED WASHER, 3/8	
46	91343215	1	SPACER	
47	0100011	AR	LOCTITE 242, (apply to items 16 & 17)	

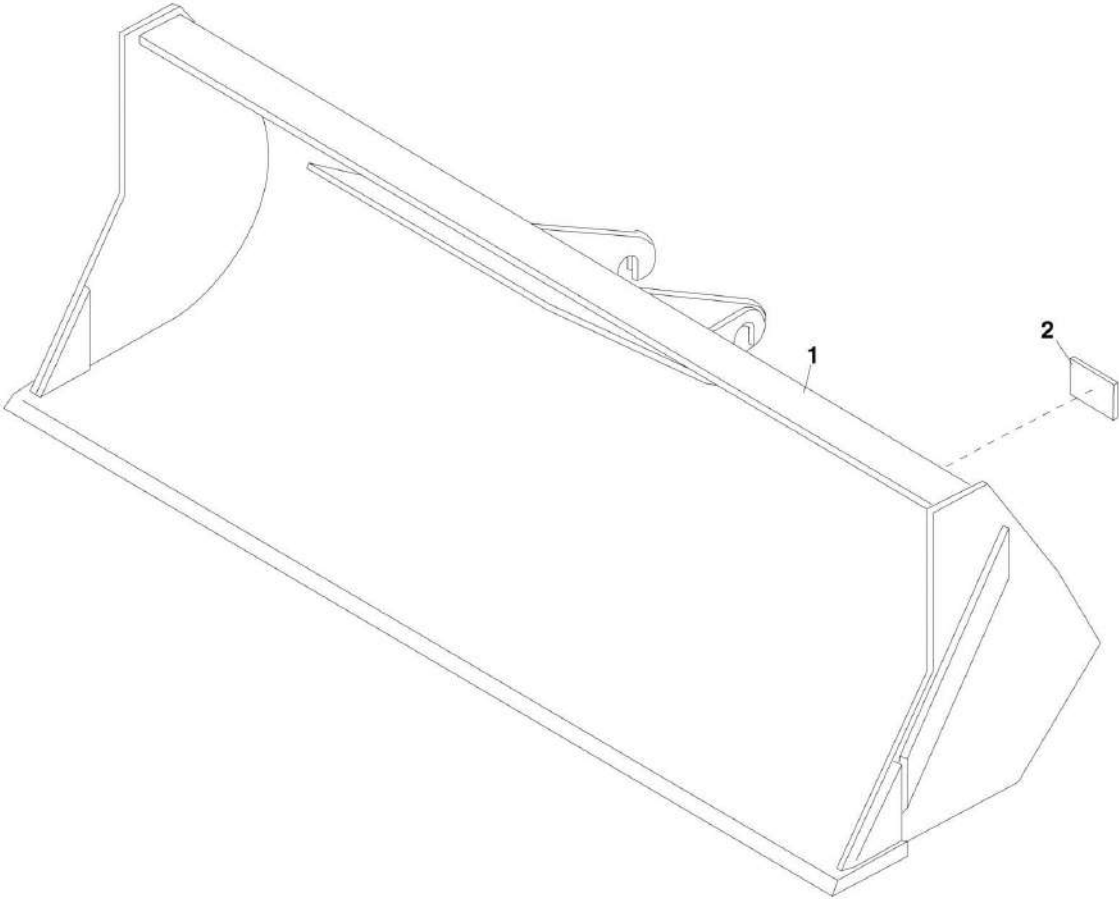
## SECTION 2 - BOOM

ITEM	PART NUMBER	QTY	DESCRIPTION	REV
48	0100075	AR	LOCTITE 545, (apply to item 33)	
49	14403323	AR	NEVER SEEZE LUBE	

**SECTION 3 - ATTACHMENTS**

**SECTION 3 - ATTACHMENTS**

**FIGURE 3-1. BUCKETS**



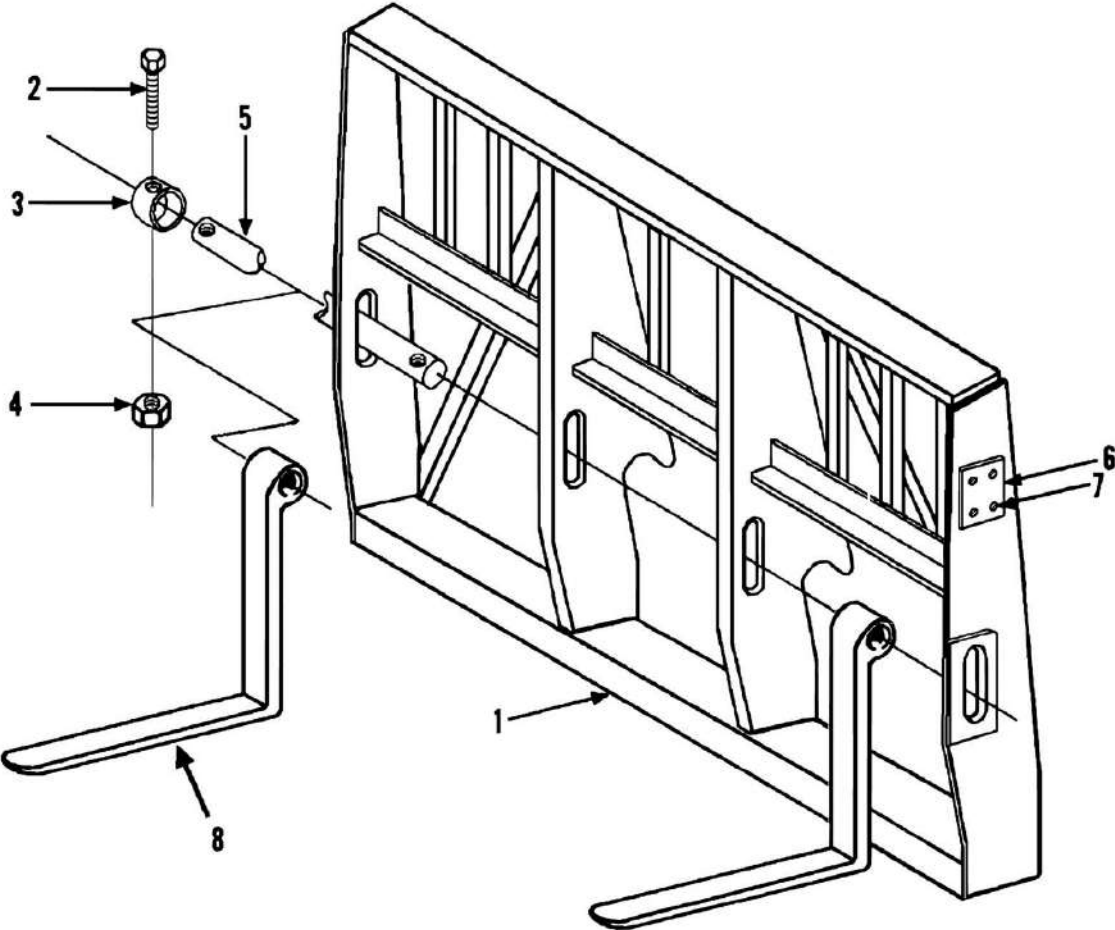
## SECTION 3 - ATTACHMENTS

**FIGURE 3-1. BUCKETS**

ITEM	PART NUMBER	QTY	DESCRIPTION	REV
1	91123115	1	48 IN CONCRETE BUCKET, 3/4 <sup>3</sup> YARD (Prior to SN 0160037688)	C
1	90455049	1	60 IN BUCKET, 3/4 <sup>3</sup> YARD (Prior to SN 0160037688)	D
1	1001100822	1	72 IN BUCKET, 1.0 <sup>3</sup> YARD (534D-9 SN 0160038519 to Present; 534D-10 SN 0160038445 to Present)	B
1	90555020	1	74 IN BUCKET, 1-1/4 <sup>3</sup> YARD (Prior to SN 0160037688)	D
1	90453039	1	74 IN BUCKET, 2 <sup>3</sup> YARD (Prior to SN 0160037688)	B
1	1001100823	1	96 IN BUCKET, 1.5 <sup>3</sup> YARD (534D-9 SN 0160038519 to Present; 534D-10 SN 0160038445 to Present)	B
1	1001100824	1	102 IN BUCKET, 2.0 <sup>3</sup> YARD (534D-9 SN 0160038519 to Present; 534D-10 SN 0160038445 to Present)	B
2	N.S.S.	1	SN PLATE	

**SECTION 3 - ATTACHMENTS**

**FIGURE 3-2. TILT CARRIAGE (534D-9 Prior to SN 0160023516, Excluding 0160023201, 0160023202, 0160023156, 0160023465 and 0160023467; 534D-10 Prior to SN 0160023235, Excluding 0160023157, 0160023231 and 0160023234)**



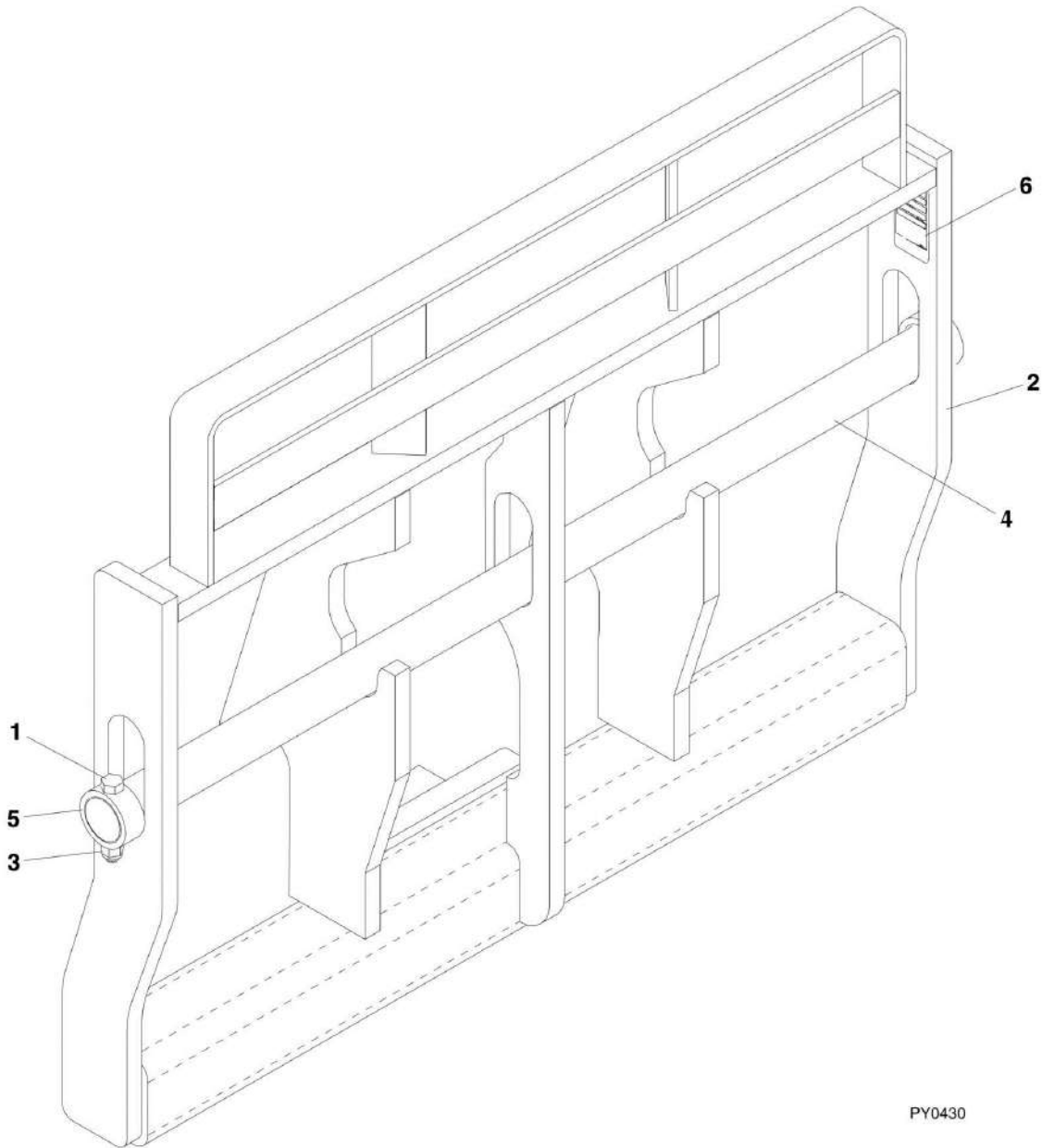
## SECTION 3 - ATTACHMENTS

**FIGURE 3-2. TILT CARRIAGE (534D-9 Prior to SN 0160023516, Excluding 0160023201, 0160023202, 0160023156, 0160023465 and 0160023467; 534D-10 Prior to SN 0160023235, Excluding 0160023157, 0160023231 and 0160023234)**

ITEM	PART NUMBER	QTY	DESCRIPTION	REV
	90455051	1	48 IN CARRIAGE ASSY, (includes items 1 thru 7)	H
	90455052	1	66 IN CARRIAGE ASSY, (includes items 1 thru 7)	G
	90555008	1	72 IN CARRIAGE ASSY, (includes items 1 thru 7)	G
1	N.S.S.	1	CARRIAGE WELDMENT	
2	88201105	2	HEX HD CAPSCREW, 5/8-11X4, GR5	
3	90200003	2	COLLAR	
4	88521310	2	HEX LOCKNUT, 5/8-11	
5	90451058	1	FORK PIN, (48 in carriage)	
5	90402478	1	FORK PIN, (66 in carriage)	
5	90551013	1	FORK PIN, (72 in carriage)	
6	N.S.S.	1	SN PLATE	
7	88341022	4	DRIVE SCREW, #10X3/8	
8		Ref	FORKS, (See FORKS for Breakdown)	

## SECTION 3 - ATTACHMENTS

**FIGURE 3-3. TILT CARRIAGE (534D-9 SN 0160023516 to Present, Including 0160023201, 0160023202, 0160023156, 0160023465 and 0160023467; 534D-10 SN 0160023235 to Present, Including 0160023157, 0160023231 and 0160023234)**



PY0430



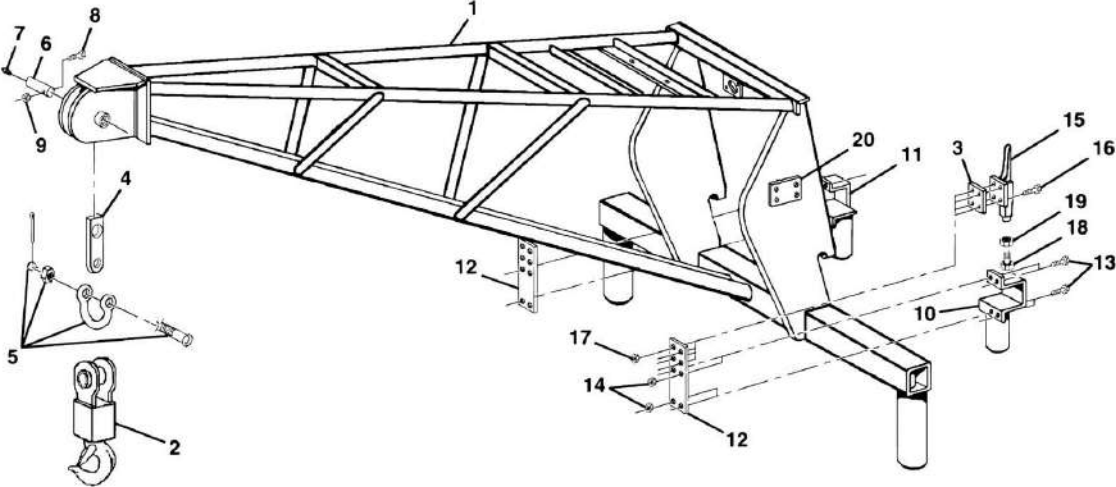
## SECTION 3 - ATTACHMENTS

**FIGURE 3-3. TILT CARRIAGE (534D-9 SN 0160023516 to Present, Including 0160023201, 0160023202, 0160023156, 0160023465 and 0160023467; 534D-10 SN 0160023235 to Present, Including 0160023157, 0160023231 and 0160023234)**

ITEM	PART NUMBER	QTY	DESCRIPTION	REV
	1170020	1	50 IN TILT CARRIAGE, (includes all items)	C
	1170021	1	50 IN TILT CARRIAGE, (includes all items) <b>(534D-9 SN 0160038519 to Present; 534D-10 SN 0160038445 to Present)</b>	D
	1170023	1	60 IN TILT CARRIAGE, (includes all items)	C
	1170024	1	60 IN TILT CARRIAGE, (includes all items) <b>(534D-9 SN 0160038519 to Present; 534D-10 SN 0160038445 to Present)</b>	D
	1170026	1	72 IN TILT CARRIAGE, (includes all items)	C
	1170027	NLA	72 IN TILT CARRIAGE, (no longer available, use 1001132514 for service), (includes all items)	E
	1001132514	1	72 IN TILT CARRIAGE, (includes all items)	A
1	0642032	2	HEX HD CAPSCREW, 5/8-11X4, GR5	
2	N.S.S.	1	TILT CARRIAGE	
3	3300240	2	LOCKNUT, 5/8-11	
4	3423275	1	50 IN FORK PIN	
4	3423242	1	60 IN FORK PIN	
4	3423276	1	72 IN FORK PIN	
5	90200003	2	COLLAR	
6	N.S.S.	1	SN PLATE	

**SECTION 3 - ATTACHMENTS**

**FIGURE 3-4. TRUSS BOOM (534D-9 Prior to SN 0160038519; 534D-10 Prior to SN 0160038445)**



PAP19480

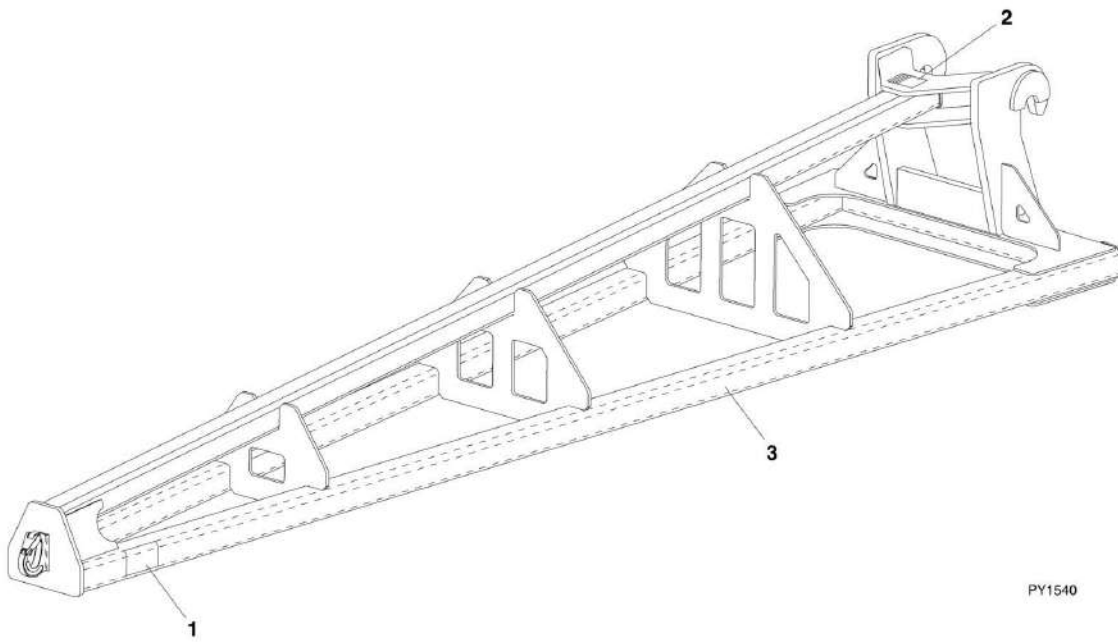
## SECTION 3 - ATTACHMENTS

**FIGURE 3-4. TRUSS BOOM (534D-9 Prior to SN 0160038519; 534D-10 Prior to SN 0160038445)**

ITEM	PART NUMBER	QTY	DESCRIPTION	REV
	90455011	1	TRUSS BOOM, (includes all items)	K
1	N.S.S.	1	TRUSS BOOM WELDMENT	
2	90453040	1	SWIVEL HOOK	
2	91164440	1	SAFETY LATCH KIT	
3	90451047	2	SPACER	
4	90451053	1	HANGER	
5	90453041	1	SHACKLE, (includes attachment hardware)	
5		Ref	BOLT	
5		Ref	NUT	
5		Ref	COTTER PIN	
6	90402948	1	PIN	
7	88671001	1	STRAIGHT LUBE FITTING, 1/8	
8	88201073	1	HEX HD CAPSCREW, 1/2-13X3, GR5	
9	88501008	1	HEX NUT, 1/2-13	
10	90602905	1	SLIDER BRACKET	
11	90602904	1	SLIDER BRACKET	
12	90403437	2	SLIDER BAR	
13	88201036	8	HEX HD CAPSCREW, 3/8-16X1-1/4, GR5	
14	88501006	8	HEX NUT, 3/8-16	
15	90207884	2	LOCKING CLAMP	
16	88201021	8	HEX HD CAPSCREW, 5/16-18X1-1/4, GR5	
17	88501005	8	HEX NUT, 5/16-18	
18	88201035	2	HEX HD CAPSCREW, 3/8-16X1, GR5	
19	88501106	2	HEAVY HEX JAM NUT, 3/8-16	
20	N.S.S.	1	SN PLATE	

## SECTION 3 - ATTACHMENTS

FIGURE 3-5. TRUSS BOOM (534D-9 SN 0160038519 to Present; 534D-10 SN 0160038445 to Present)



PY1540

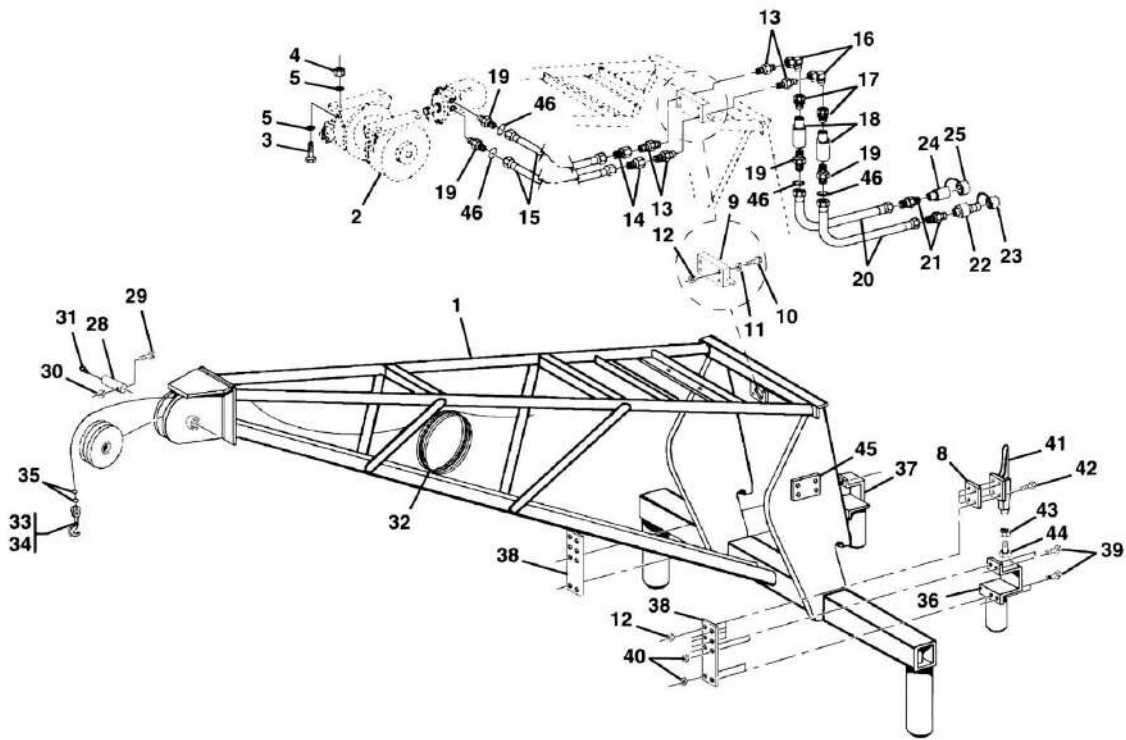
## SECTION 3 - ATTACHMENTS

**FIGURE 3-5. TRUSS BOOM (534D-9 SN 0160038519 to Present; 534D-10 SN 0160038445 to Present)**

ITEM	PART NUMBER	QTY	DESCRIPTION	REV
	1001099902	1	12 FT TRUSS BOOM, (includes all items)	A
	1001099901	1	15 FT TRUSS BOOM, (includes all items)	C
1	4110422	2	DANGER SWINGING LOADS DECAL	
2	N.S.S.	1	SN PLATE	
3	N.S.S.	1	TRUSS BOOM	

# SECTION 3 - ATTACHMENTS

FIGURE 3-6. TRUSS BOOM W/WINCH (534D-9 Prior to SN 0160038519; 534D-10 Prior to SN 0160038445)



PAP19470

## SECTION 3 - ATTACHMENTS

**FIGURE 3-6. TRUSS BOOM W/WINCH (534D-9 Prior to SN 0160038519; 534D-10 Prior to SN 0160038445)**

ITEM	PART NUMBER	QTY	DESCRIPTION	REV
	90455012	1	TRUSS BOOM ASSY W/WINCH, (includes all items)	Q
1	N.S.S.	1	TRUSS BOOM WELDMENT	
2		Ref	WINCH W/MOTOR, (See HYDRAULIC COMPONENTS SECTION for Breakdown)	
3	88201096	4	HEX HD CAPSCREW, 5/8-11X1-3/4, GR5	
4	88501010	4	HEX NUT, 5/8-11	
5	88561113	8	FLAT WASHER, 5/8	
8	90451047	2	SPACER	
9		Ref	CROSSOVER VALVE, (See HYDRAULIC COMPONENTS SECTION for Breakdown)	
10	88201027	2	HEX HD CAPSCREW, 5/16-18X2-3/4, GR5	
11	88561108	2	FLAT WASHER, 5/16	
12	88501005	10	HEX NUT, 5/16-18	
13	83451104	4	ADAPTER	
14	1001094695	2	ADAPTER	
15	90205121	2	HOSE ASSY	
16	2220973	2	ELBOW, 90, (swivel nut)	
17	2220898	2	ADAPTER	
18	90207880	2	FLOW LIMITER	
19	2220374	4	CONNECTOR, (includes item 46)	
20	84717644	2	HOSE ASSY	
21	88661013	2	MALE CONNECTOR, 1/2X1/2, (Prior to SN 2005283-01)	
21	2220373	2	CONNECTOR, (SN 2005283-01 to Present), (includes 8859-1205 o-ring)	
22	91163138	1	MALE TIP COUPLER, (Prior to SN 2005283-01)	
22	91403414	1	MALE TIP COUPLER, (SN 2005283-01 to Present)	
23	91043126	1	DUST CAP	
24	91163139	1	FEMALE COUPLER, (Prior to SN 2005283-01)	
24	91403413	1	FEMALE COUPLER, (SN 2005283-01 to Present)	
25	91043125	1	DUST PLUG	
26	90403056	1	SHEAVE	
28	90402948	1	PIN	
29	88201073	1	HEX HD CAPSCREW, 1/2-13X3, GR5	
30	88501008	1	HEX NUT, 1/2-13	
31	88671001	1	STRAIGHT LUBE FITTING, 1/8	
32	90207882	1	WIRE ROPE, 3/8 IN DIAMETER	
33	91403448	1	SWIVEL HOOK	
34	90026965	1	THIMBLE	
35	90028990	2	WIRE ROPE CLIP	
36	90602905	1	SLIDER BRACKET	
37	90602904	1	SLIDER BRACKET	
38	90403437	2	SLIDER BAR	
39	88201036	8	HEX HD CAPSCREW, 3/8-16X1-1/4, GR5	
40	88501006	8	HEX NUT, 3/8-16	
41	90207884	2	LOCKING CLAMP	
42	88201021	8	HEX HD CAPSCREW, 5/16-18X1-1/4, GR5	
43	88201035	2	HEX HD CAPSCREW, 3/8-16X1, GR5	
44	88501106	2	HEAVY HEX JAM NUT, 3/8-16	
45	N.S.S.	1	SN PLATE	

### SECTION 3 - ATTACHMENTS

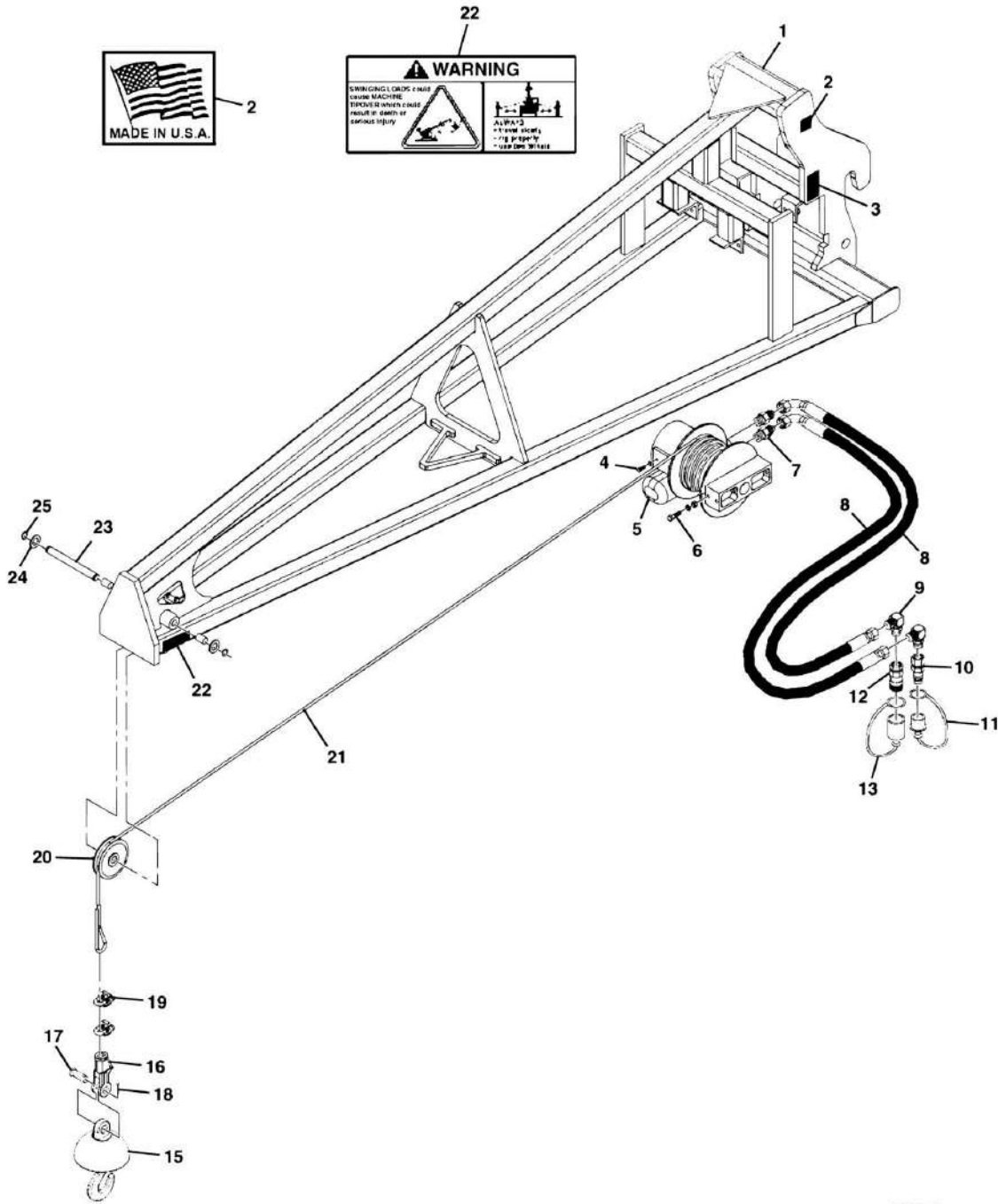
ITEM	PART NUMBER	QTY	DESCRIPTION	REV
46	88591206	4	O-RING	





# SECTION 3 - ATTACHMENTS

FIGURE 3-7. TRUSS BOOM W/WINCH (534D-9 SN 0160038519 to Present; 534D-10 SN 0160038445 to Present)



PAP3440

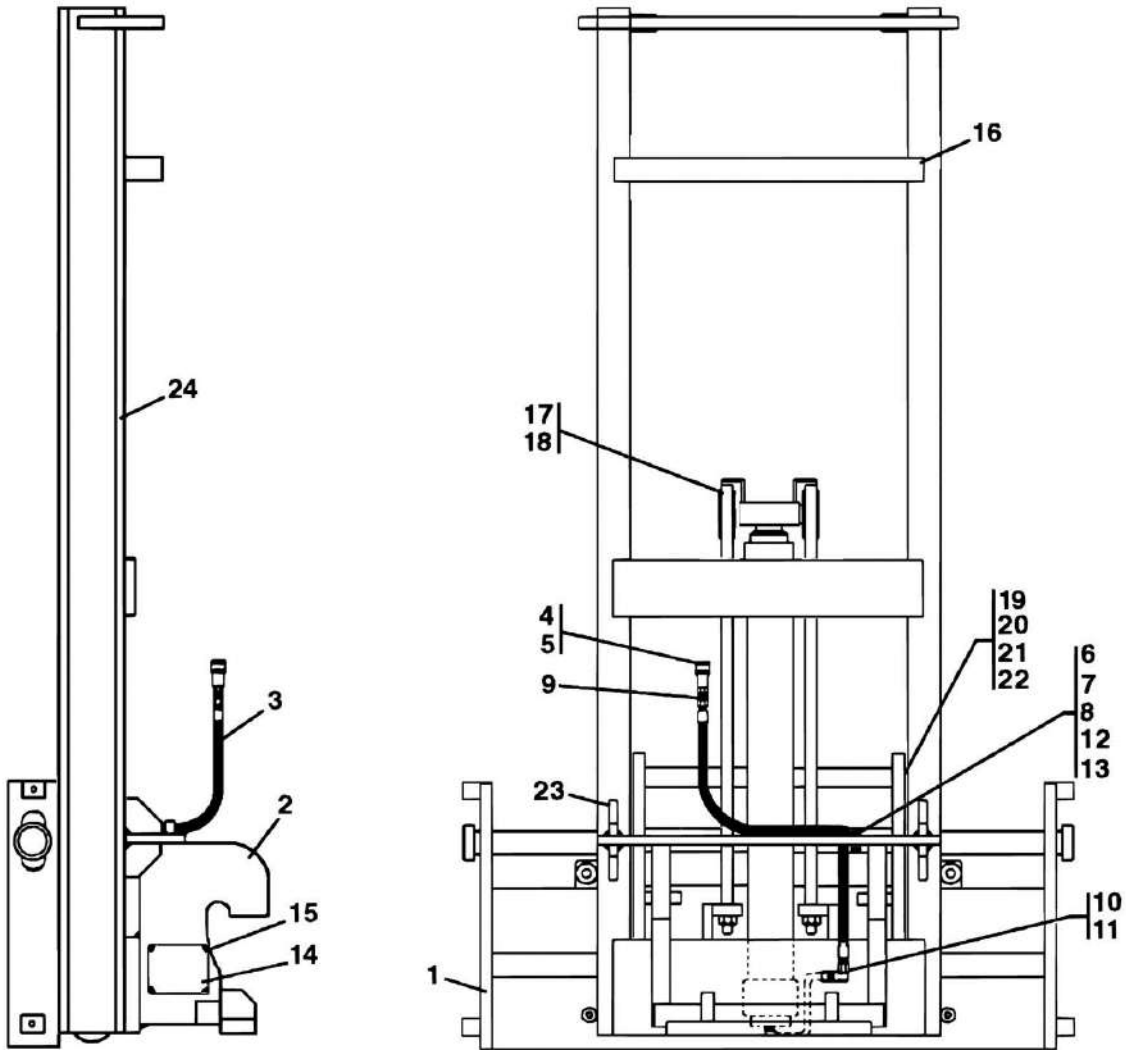
## SECTION 3 - ATTACHMENTS

**FIGURE 3-7. TRUSS BOOM W/WINCH (534D-9 SN 0160038519 to Present; 534D-10 SN 0160038445 to Present)**

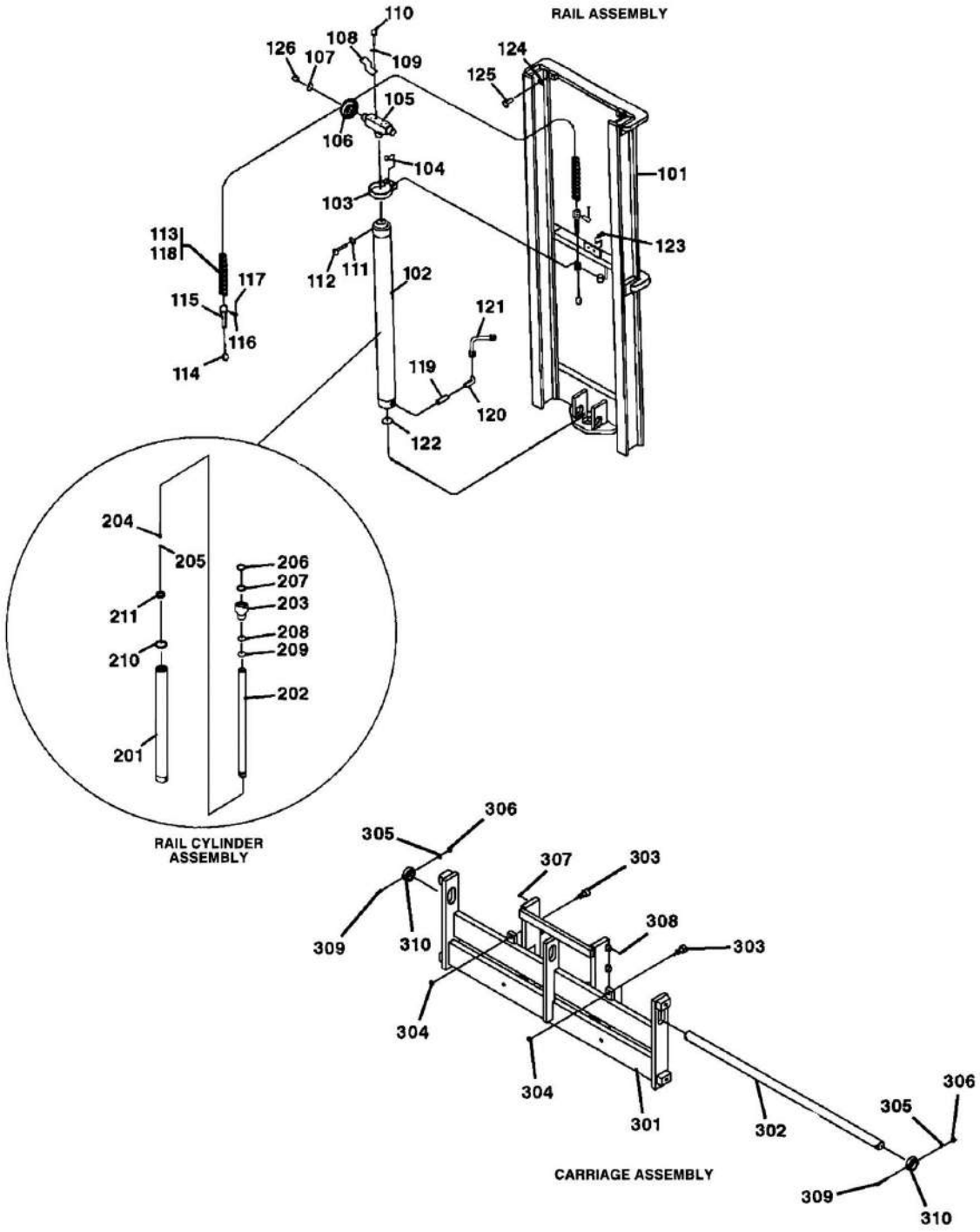
ITEM	PART NUMBER	QTY	DESCRIPTION	REV
	1001099351	1	12 FT TRUSS BOOM W/WINCH, (includes all items)	F
1	N.S.S.	1	TRUSS BOOM FRAME	
2	90554016	1	MADE IN USA DECAL	
3	N.S.S.	1	SN PLATE	
4	70021349	4	HEX HD CAPSCREW, 3/8X1	
4	90554042	4	LOCKWASHER, 3/8	
5	70021921	1	TRUSS BOOM WINCH MOTOR	
6	N.S.S.	2	HEX HD CAPSCREW, 1/2X1.75	
6	90554020	2	LOCKWASHER, 1/2	
6	90554054	2	HEX NUT, 1/2	
7	70021415	2	CONNECTOR	
8	70021977	2	HOSE ASSY, 3/8X32	
9	N.S.S.	1	ELBOW, 90	
10	7029692	1	MALE QUICK COUPLER	
11	90554062	1	DUST CAP	
12	70021342	1	FEMALE QUICK COUPLER	
13	90554076	1	DUST COVER	
15	70021978	1	BALL SWIVEL W/SAFETY HOOK	
16	70021979	1	SOCKET ASSY	
17	N.S.S.	1	PIN	
18	N.S.S.	1	COTTER PIN	
19	N.S.S.	2	CLAMP	
20	70021935	1	PULLEY	
21	70022028	1	CABLE	
22	4110422	2	WARNING SWINGING LOADS DECAL	
23	N.S.S.	1	PIN	
24	N.S.S.	2	FLAT WASHER, 1	
25	N.S.S.	2	SNAP RING	

# SECTION 3 - ATTACHMENTS

FIGURE 3-8. 6 FT VERTICAL MAST (534D-9 Prior to SN 0160038519; 534D-10 Prior to SN 0160038445)



# SECTION 3 - ATTACHMENTS



## SECTION 3 - ATTACHMENTS

**FIGURE 3-8. 6 FT VERTICAL MAST (534D-9 Prior to SN 0160038519; 534D-10 Prior to SN 0160038445)**

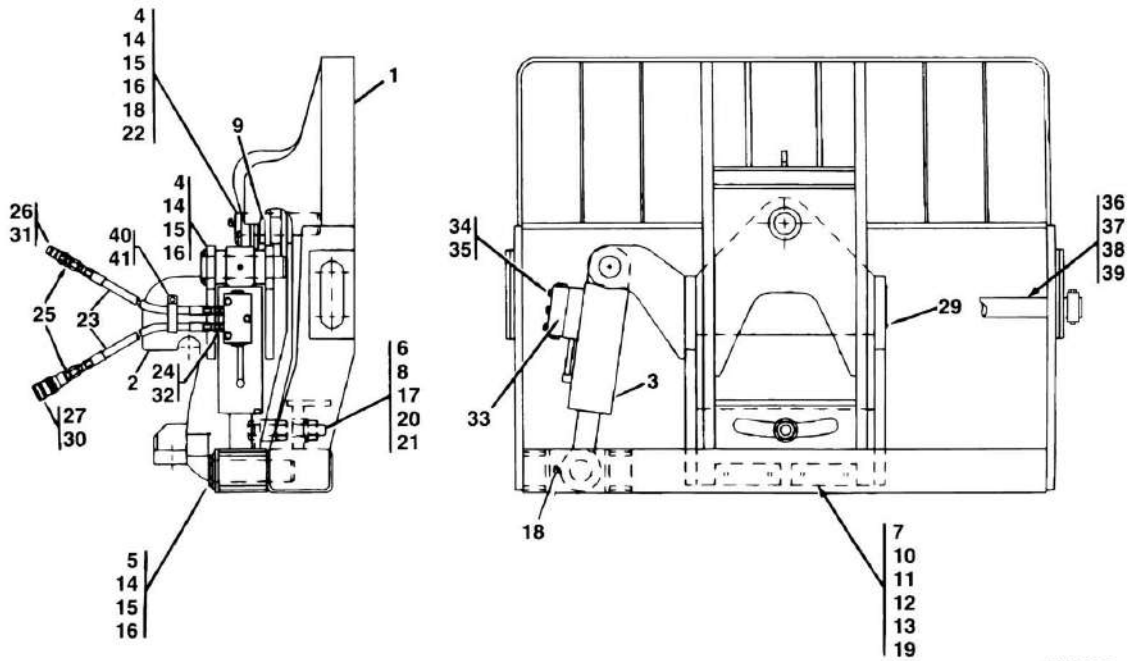
ITEM	PART NUMBER	QTY	DESCRIPTION	REV
	90455035	1	MAST ASSY, (48 in carriage), (includes all items)	R
	90455037	1	MAST ASSY, (66 in carriage), (includes all items)	R
1	N.S.S.	1	CARRIAGE	
2	N.S.S.	1	ADAPTER WELDMENT	
3	84717640	1	HOSE ASSY	
4	91163138	1	MALE HYDRAULIC COUPLING, (Prior to SN 2005283-01)	
4	91403414	1	MALE HYDRAULIC COUPLING, (SN 2005283-01 to Present)	
5	91043126	1	DUST CAP	
6	24431386	2	CLAMP	
7	88201037	2	HEX HD CAPSCREW, 3/8-16X1-1/2, GR5	
8	88561004	2	FLAT WASHER, 3/8	
9	88661013	1	MALE ADAPTER, 1/2X1/2 TUBE, (Prior to SN 2005283-01)	
9	2220373	1	ADAPTER, (includes o-ring), (SN 2005283-01 to Present)	
10	88661016	1	MALE CONNECTOR, 5/8X1/2 TUBE	
11	88661180	1	FEMALE ELBOW, 90, 1/2X1/2 TUBE	
12	88501006	2	HEX NUT, 3/8-16	
13	88551011	2	LOCKWASHER, 3/8	
14	N.S.S.	1	SN PLATE	
15	N.S.S.	4	DRIVE SCREW, #10X3/8	
16	90451039	1	STOP TUBE	
17	91034372	2	RETAINING RING	
18	91034373	2	CHAIN ROLLER	
19	91034374	6	LOAD ROLLER, (inside carriage frame)	
20	91034375	AR	SHIM	
21	91034376	4	SIDE THRUST ROLLER, (small outside roller)	
22	91034377	2	SCREW	
23	91031271	4	GUSSET	
24	90453030	1	6 FT MAST, (includes items 101 thru 125)	B
101	91034431	1	OUTER RAIL ASSY	
102	91034394	1	CYLINDER ASSY, (3-5/8 OD)	
102	00078041	1	SEAL KIT	
102	91034404	1	CYLINDER ASSY, (3-3/4 OD), (includes items 201 thru 211)	
102	00083046	1	SEAL KIT, (includes items 206 thru 211)	
103	91034423	1	CYLINDER RETAINING RING ASSY	
104	91034422	2	NUT	
105	91034393	1	FREE LIFT CYLINDER HEAD	
106	91034373	2	CHAIN SHIEVE	
107	91034372	2	RETAINING RING	
108	91034421	2	GUARD	
109	91034420	4	LOCKWASHER	
110	91034419	4	SCREW	
111	8033686	1	LOCKWASHER	
112	91034424	1	SCREW	
113	91034417	2	CHAIN ASSY, (includes items 114 thru 118)	
114	8033693	4	NUT	
115	8033690	4	CHAIN ANCHOR	
116	8033691	4	CHAIN CONNECT PIN	
117	8033692	8	COTTER PIN	

## SECTION 3 - ATTACHMENTS

ITEM	PART NUMBER	QTY	DESCRIPTION	REV
118	91034392	2	CHAIN	
119	91034428	1	FLOW VALVE	
120	91034427	1	FITTING	
121	91034426	1	TUBE	
122	91034429	1	RETAINING RING	
123	91034430	2	BOLT	
124	91034433	2	LOCKWASHER	
125	91034434	2	SCREW	
126	91034418	2	PLUG	
201	91034405	1	OUTER TUBE ASSY	
202	91034408	1	PISTON AND RAM ASSY	
203	91034409	1	GLAND NUT	
204	91034407	1	CHECK VALVE	
205	91034406	1	RETAINING RING	
206	N.S.S.	1	WIPER	
207	N.S.S.	1	U-CUP, (gland nut)	
208	N.S.S.	1	BACK-UP RING, (gland nut)	
209	N.S.S.	1	O-RING, (gland nut)	
210	N.S.S.	1	U-CUP, (piston)	
211	N.S.S.	1	WEAR RING	
301	N.S.S.	1	CARRIAGE WELDMENT	
302	91034410	1	SHAFT, (48 in carriage)	
302	91034432	1	SHAFT, (66 in carriage)	
303	91034376	4	THRUST ROLLER	
304	8033698	2	NUT	
305	8033686	2	LOCKWASHER	
306	91034413	2	NUT	
307	91034377	2	FLAT HEAD SCREW	
308	91034414	2	GREASE FITTING	
309	91034415	2	BOLT	
310	91034416	2	END RING	

# SECTION 3 - ATTACHMENTS

FIGURE 3-9. 48 IN SLOPE PILER CARRIAGE (534D-9 Prior to SN 0160038519; 534D-10 Prior to SN 0160038445)



PAP20090



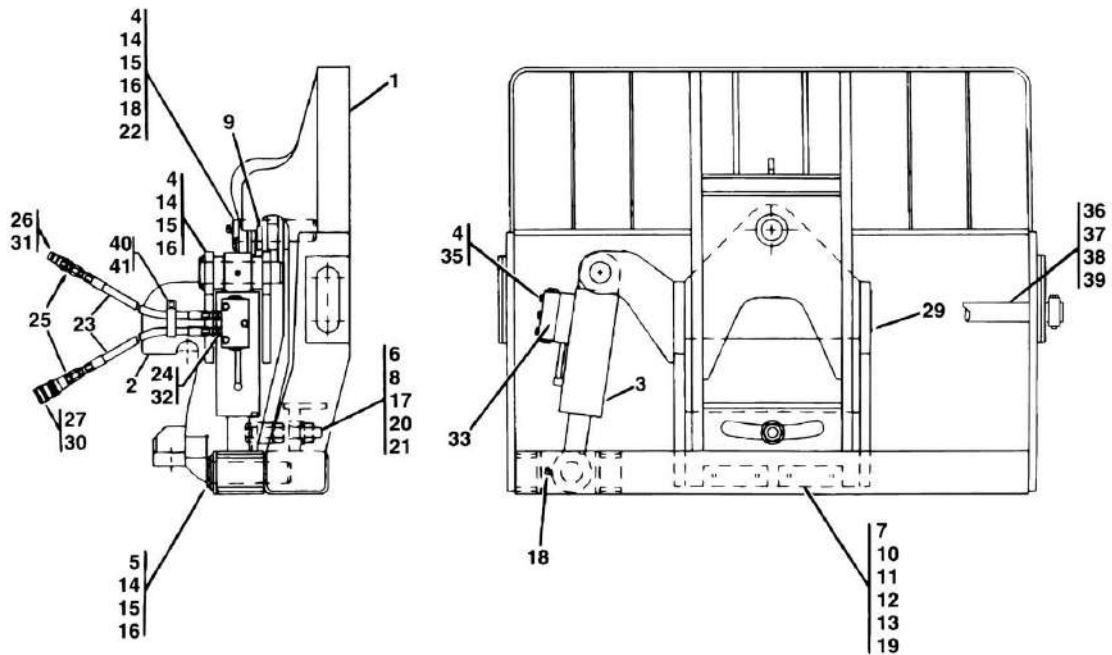
## SECTION 3 - ATTACHMENTS

**FIGURE 3-9. 48 IN SLOPE PILER CARRIAGE (534D-9 Prior to SN 0160038519; 534D-10 Prior to SN 0160038445)**

ITEM	PART NUMBER	QTY	DESCRIPTION	REV
	91085058	Ref	48 IN SLOPE PILER CARRIAGE, (includes all items)	U
1	N.S.S.	1	CARRIAGE WELDMENT	
2	N.S.S.	1	ADAPTER WELDMENT	
3		Ref	SWAY CYLINDER, (See OPTIONS SECTION for Breakdown)	
4	91083248	1	BUSHING	
5	3423263	2	PIN	
6	90204007	1	TUBE	
7	91033186	2	BEARING PAD	
8	91081577	1	TAP BOLT	
9	91081594	1	THRUST WASHER	
10	90205870	AR	SHIM	
11	91031236	2	SPACER	
12	88201535	4	HEX HD CAPSCREW, 3/8-24X1-1/4, GR5	
13	88201534	4	HEX HD CAPSCREW, 3/8-24X1, GR5	
14	91081313	3	KEEPER PLATE	
15	88201065	6	HEX HD CAPSCREW, 1/2-13X1, GR5	
16	88551013	6	LOCKWASHER, 1/2	
17	88521016	1	HEX LOCKNUT, 1-8	
18	88671022	2	LUBE FITTING, 90, 1/8	
19	88561109	4	FLAT WASHER, 3/8	
20	88501016	1	HEX NUT, 1-8	
21	05101441	1	WASHER, 1-1/16	
22	91081622	1	PIN	
23	84716434	2	HOSE ASSY	
24	2220603	2	ADAPTER	
25	88661010	2	ADAPTER, (Prior to SN 2005283-01)	
25	2220372	2	ADAPTER, (SN 2005283-01 to Present)	
26	91163138	1	MALE QUICK DISCONNECT, (Prior to SN 2005283-01)	
26	91403414	1	MALE QUICK DISCONNECT, (SN 2005283-01 to Present)	
27	91163139	1	FEMALE QUICK DISCONNECT, (Prior to SN 2005283-01)	
27	91403413	1	FEMALE QUICK DISCONNECT, (SN 2005283-01 to Present)	
29	N.S.S.	1	SN PLATE	
30	91043125	1	DUST PLUG	
31	91043126	1	DUST CAP	
32	8760268	2	ELBOW, 90, (swivel nut)	
33		Ref	DUAL P.O. CHECK VALVE, (See OPTIONS SECTION for Breakdown)	
34	88201040	3	HEX HD CAPSCREW, 3/8-16X2-1/4, GR5	
35	88551011	3	LOCKWASHER, 3/8	
36	90451058	1	FORK PIN	
37	90200003	2	COLLAR	
38	88201105	2	HEX HD CAPSCREW, 5/8-11X4, GR5	
39	88521310	2	LOCKNUT, 5/8-11	
40	84521062	1	SUPPORT CLAMP	
41	77143015	1	WHIZ-LOCKNUT, 3/8-16	

# SECTION 3 - ATTACHMENTS

FIGURE 3-10. 66 IN SLOPE PILER CARRIAGE (534D-9 Prior to SN 0160038519; 534D-10 Prior to SN 0160038445)



PAP20100

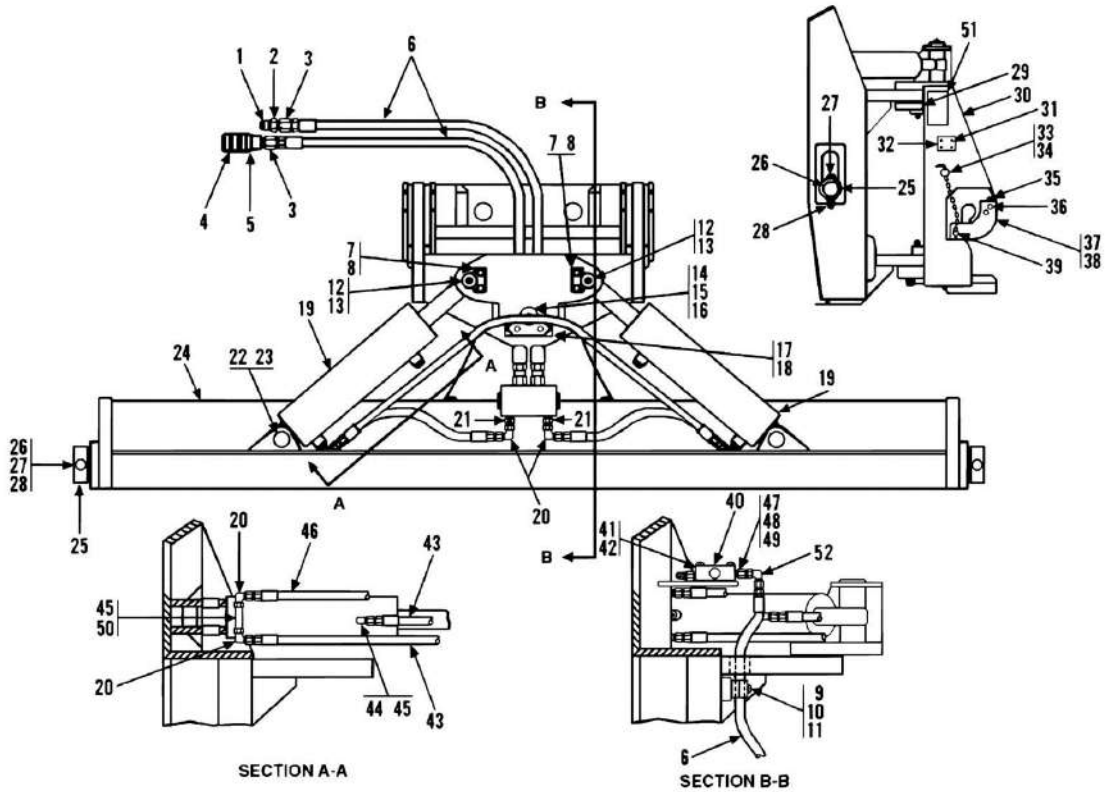
## SECTION 3 - ATTACHMENTS

**FIGURE 3-10. 66 IN SLOPE PILER CARRIAGE (534D-9 Prior to SN 0160038519; 534D-10 Prior to SN 0160038445)**

ITEM	PART NUMBER	QTY	DESCRIPTION	REV
	91305016	Ref	66 IN SLOPE PILER CARRIAGE, (includes all items)	U
1	N.S.S.	1	CARRIAGE WELDMENT	
2	N.S.S.	1	ADAPTER WELDMENT	
3		Ref	SWAY CYLINDER, (See OPTIONS SECTION for Breakdown)	
4	91083248	1	BUSHING	
5	3423263	2	PIN	
6	90204007	1	TUBE	
7	91033186	2	BEARING PAD	
8	91081577	1	TAP BOLT	
9	91081594	1	THRUST WASHER	
10	90205870	AR	SHIM	
11	91031236	2	SPACER	
12	88201535	4	HEX HD CAPSCREW, 3/8-24X1-1/4, GR5	
13	88201534	4	HEX HD CAPSCREW, 3/8-24X1, GR5	
14	91081313	3	KEEPER PLATE	
15	88201065	6	HEX HD CAPSCREW, 1/2-13X1, GR5	
16	88551013	6	LOCKWASHER, 1/2	
17	88521016	1	HEX LOCKNUT, 1-8	
18	88671022	2	LUBE FITTING, 90, 1/8	
19	88561109	4	FLAT WASHER, 3/8	
20	88501016	1	HEX NUT, 1-8	
21	05101441	1	WASHER, 1-1/16	
22	91081622	1	PIN	
23	84716434	2	HOSE ASSY	
24	2220603	2	CONNECTOR	
25	88661010	2	CONNECTOR, (Prior to SN 2005283-01)	
25	2220372	2	CONNECTOR, (SN 2005283-01 to Present)	
26	91163138	1	MALE QUICK DISCONNECT, (Prior to SN 2005283-01)	
26	91403414	1	MALE QUICK DISCONNECT, (SN 2005283-01 to Present)	
27	91163139	1	FEMALE QUICK DISCONNECT, (Prior to SN 2005283-01)	
27	91403413	1	FEMALE QUICK DISCONNECT, (SN 2005283-01 to Present)	
29	N.S.S.	1	SN PLATE	
30	91043125	1	DUST PLUG	
31	91043126	1	DUST CAP	
32	8760268	2	ELBOW, 90, (swivel nut)	
33		Ref	DUAL P.O. CHECK VALVE, (See OPTIONS SECTION for Breakdown)	
34	88201040	3	HEX HD CAPSCREW, 3/8-16X2-1/4, GR5	
35	88551011	3	LOCKWASHER, 3/8	
36	91301083	1	FORK PIN	
37	90200003	2	COLLAR	
38	88201105	2	HEX HD CAPSCREW, 5/8-11X4, GR5	
39	88521310	2	LOCKNUT, 5/8-11	
40	84521062	1	SUPPORT CLAMP	
41	77143015	1	WHIZ-LOCKNUT, 3/8-16	

# SECTION 3 - ATTACHMENTS

FIGURE 3-11. 100, SWING FORK (534D-9 Prior to SN 0160038519; 534D-10 Prior to SN 0160038445)



NOTE:

USE LOCTITE® 242™ (P/N 14403364) ON ALL BOLT, THREADS & TUBE FITTINGS.

## SECTION 3 - ATTACHMENTS

**FIGURE 3-11. 100, SWING FORK (534D-9 Prior to SN 0160038519; 534D-10 Prior to SN 0160038445)**

ITEM	PART NUMBER	QTY	DESCRIPTION	REV
	90455044	1	100, SWING FORK ASSY, (includes all items)	Q
1	91043126	1	DUST CAP	
2	91163138	1	MALE QUICK DISCONNECT, (Prior to SN 2005283-01)	
2	91403414	1	MALE QUICK DISCONNECT, (SN 2005283-01 to Present)	
3	88661013	2	MALE ADAPTER, 1/2X1/2 TUBE, (Prior to SN 2005283-01)	
3	2220373	2	ADAPTER, (SN 2005283-01 to Present), (includes o-ring)	
4	91043125	1	DUST CAP	
5	91163139	1	FEMALE QUICK DISCONNECT, (Prior to SN 2005283-01)	
5	91403413	1	FEMALE QUICK DISCONNECT, (SN 2005283-01 to Present)	
6	84718067	2	HOSE ASSY	
7	91411073	2	LOCKING PLATE	
8	83201024	4	HEX HD CAPSCREW, 3/8-16X1, SELF-LOCKING, GR8, (nylok)	
9	91083249	1	CLAMP SET	
10	77133140	1	COVER PLATE	
11	77133177	1	HEX HD CAPSCREW, 5/16X1-3/8	
12	91041324	2	PIVOT PIN	
13	88671008	2	STRAIGHT LUBE FITTING, 1/4-28	
14	91041325	2	PIVOT PIN	
15	88671022	2	LUBE FITTING, 90	
16	91041327	2	BUSHING	
17	91041322	2	LOCKING PLATE	
18	83201026	4	HEX HD CAPSCREW, 1/2-13X1-1/2, GR8	
19		Ref	SWING CYLINDER, (See OPTIONS SECTION for Breakdown)	
20	8760268	6	ELBOW, 90, (swivel nut)	
21	2220372	2	ADAPTER, (includes item 48)	
22	91041326	2	PIVOT PIN	
23	88581136	4	RETAINING RING	
24	N.S.S.	1	CARRIAGE WELDMENT	
25	90200003	2	COLLAR	
26	90551013	1	FORK PIN	
27	88201105	2	HEX HD CAPSCREW, 5/8-11X4, GR5	
28	88521310	2	LOCKNUT	
29	91041356	6	SPACER	
30	91046062	1	PIVOT WELDMENT	
31	N.S.S.	4	DRIVE SCREW, #10X3/8	
32	N.S.S.	1	SN PLATE	
33	91033039	2	CHAIN CONNECTOR	
34	91033038	24 in	CHAIN	
35	88631449	2	ROLL PIN, 1/8X1-1/2	
36	91141350	2	PIN	
37	91146053	1	LH SUPPORT BRACKET	
38	91146054	1	RH SUPPORT BRACKET	
39	91043221	2	DETENT PIN	
40	91043186	1	DOUBLE PILOT CHECK VALVE	
41	88561002	2	FLAT WASHER, 1/4	
42	88201008	2	HEX HD CAPSCREW, 1/4-20X1-3/4, GR5	
43	90204097	2	HOSE ASSY	
44	2220501	2	ELBOW, 45, (includes item 45)	
45		Ref	O-RING	

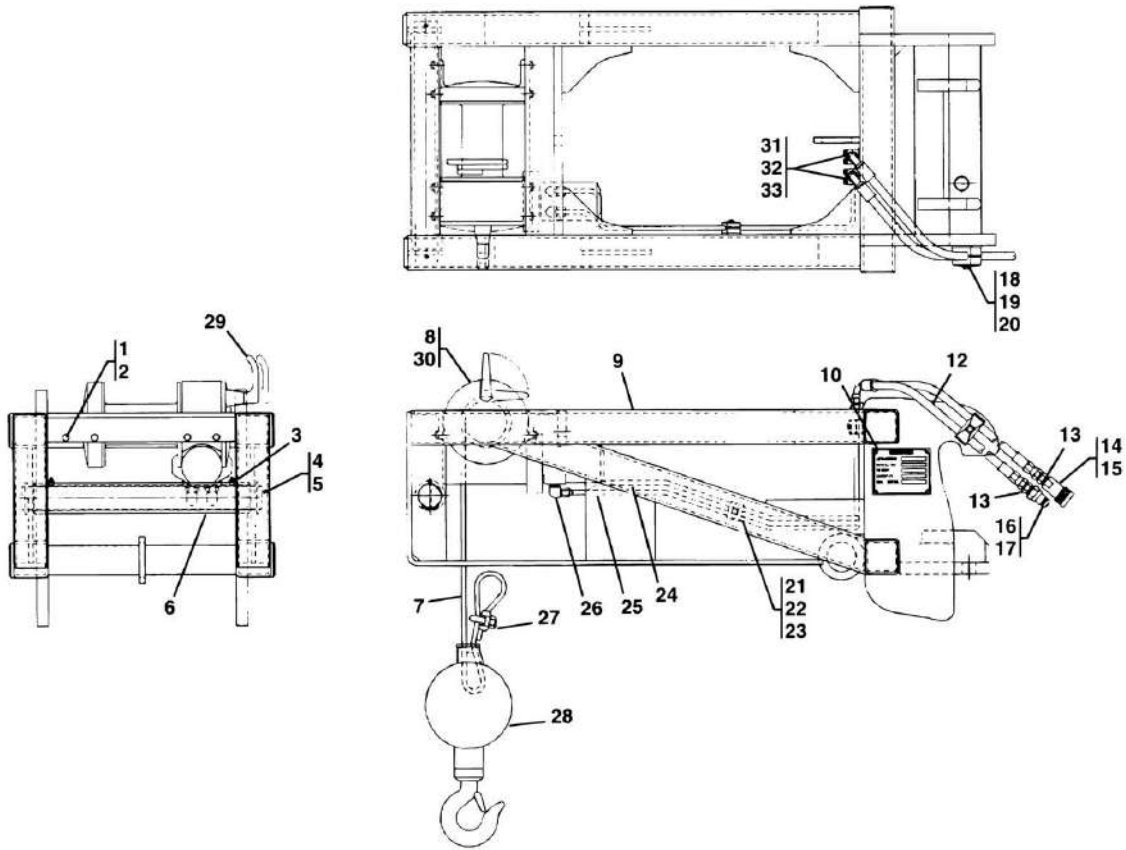
### SECTION 3 - ATTACHMENTS

ITEM	PART NUMBER	QTY	DESCRIPTION	REV
46	77133201	2	HOSE ASSY	
47	91041361	2	FITTING	
48		Ref	O-RING	
49	91041362	2	ORIFICE FITTING	
50	2220899	2	TEE FITTING, (includes item 45)	
51	91143282	2	PINCH POINT DECAL	
52	8765204	2	ELBOW, 90, (swivel nut)	



# SECTION 3 - ATTACHMENTS

## FIGURE 3-12. QUICK HOOK ASSEMBLY



PAP20110



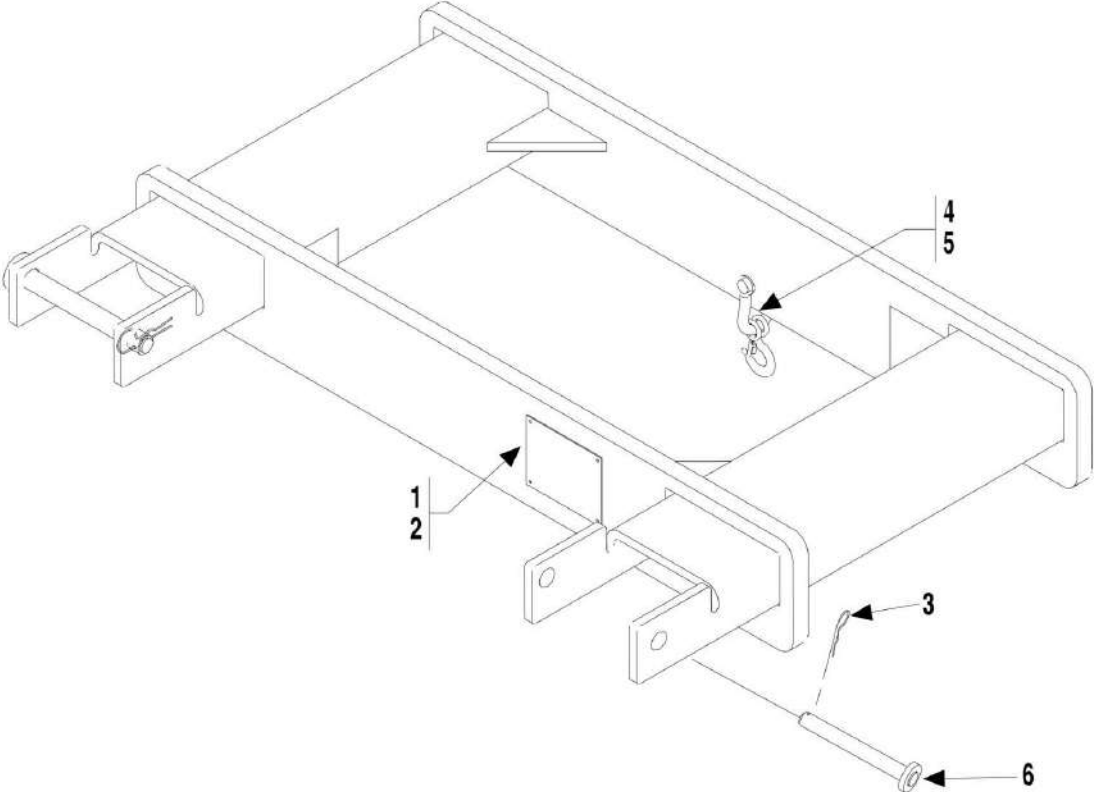
## SECTION 3 - ATTACHMENTS

### FIGURE 3-12. QUICK HOOK ASSEMBLY

ITEM	PART NUMBER	QTY	DESCRIPTION	REV
	91085056	Ref	QUICK HOOK ASSY, (includes all items)	J
1	88551011	8	LOCKWASHER, 3/8	
2	88201034	8	HEX HD CAPSCREW, 3/8-16X7/8, GR5	
3	88671001	2	STRAIGHT LUBE FITTING, 1/8	
4	91081574	1	PIN	
5	88631343	2	COTTER PIN	
6	91081573	1	ROLLER	
7	91083368	1	WIRE ROPE, (7/16 in Dia)	
8	91083367	1	WINCH	
9	N.S.S.	1	QUICK HOOK WELDMENT	
10	N.S.S.	1	SN PLATE	
12	90205126	2	HOSE ASSY	
13	77363079	2	STRAIGHT THREAD CONNECTOR (Prior to SN 2005283-01)	
13	2220373	2	CONNECTOR, (SN 2005283-01 to Present), (includes 88591205 o-ring)	
14	91043125	1	DUST CAP	
15	91163139	1	FEMALE HYDRAULIC COUPLING (Prior to SN 2005283-01)	
15	91403413	1	FEMALE HYDRAULIC COUPLING, (SN 2005283-01 to Present)	
16	91043126	1	DUST CAP	
17	91163138	1	MALE HYDRAULIC COUPLING (Prior to SN 2005283-01)	
17	91403414	1	MALE HYDRAULIC COUPLING, (SN 2005283-01 to Present)	
18	77133136	1	STAUFF CLAMP SET	
19	77133137	1	STAUFF COVER PLATE	
20	88201023	1	HEX BOLT	
21	77133270	1	STAUFF CLAMP SET	
22	88561002	1	STAUFF COVER PLATE	
23	88201005	1	HEX BOLT	
24	91143276	1	TUBE ASSY	
25	91143275	1	TUBE ASSY	
26	88661110	2	MALE ELBOW, 90, 3/8X1/2 TUBE	
27	90029999	1	WIRE ROPE CLAMP, 7/16	
28	90201443	1	HOOK AND BALL	
29	91143277	1	L-HANDLE	
30	91081737	1	WEDGE	
31	91063040	2	CLAMP SET	
32	91063039	2	COVER PLATE	
33	88201006	4	HEX BOLT	

**SECTION 3 - ATTACHMENTS**

**FIGURE 3-13. FORK MOUNTED LIFTING HOOK (PRIOR TO SN 2005134-01)**



**NOTE:**  
**PALLET/LUMBER FORKS OF AN APPROPRIATE LOAD RATING MUST BE USED**

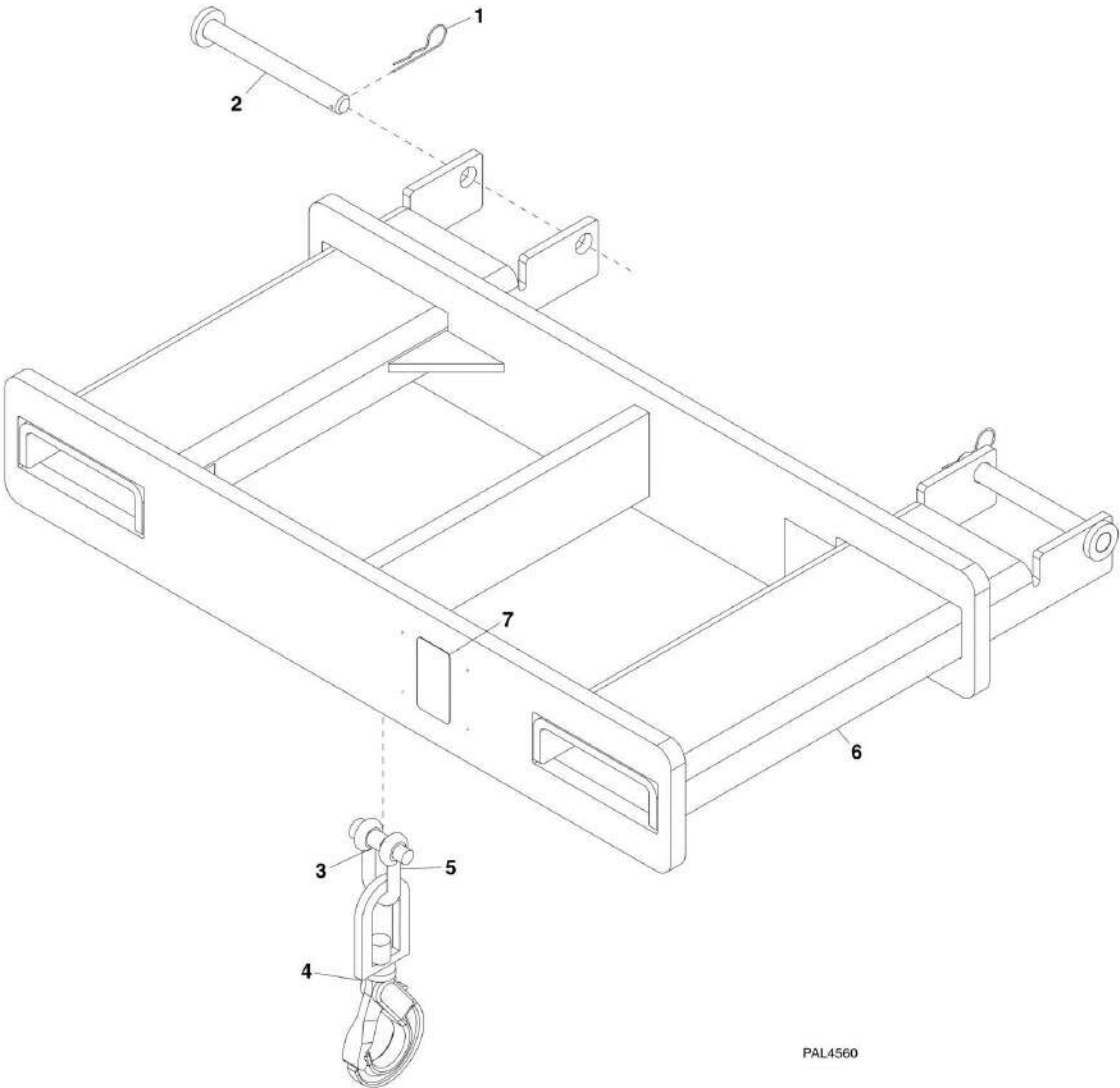
## SECTION 3 - ATTACHMENTS

**FIGURE 3-13. FORK MOUNTED LIFTING HOOK (PRIOR TO SN 2005134-01)**

ITEM	PART NUMBER	QTY	DESCRIPTION	REV
	90553036	NLA	FORK MOUNTED LIFTING HOOK, (no longer available, order 91565094 for replacement or see items 1 thru 6 for service)	E
1	N.S.S.	1	SN AND ATTACHMENT PLATE	
2	88341022	4	DRIVE SCREW, 3/8	
3	7029520	2	HAIRPIN CLIP	
4	90554079	1	CLEVIS CONNECTOR	
5	90554080	1	HOOK	
6	1001093171	2	PIN	

**SECTION 3 - ATTACHMENTS**

**FIGURE 3-14. FORK MOUNTED LIFTING HOOK (SN 2005134-01 TO PRESENT)**



**NOTE:**

**PALLET/LUMBER FORKS OF AN APPROPRIATE LOAD RATING  
MUST BE USED.**

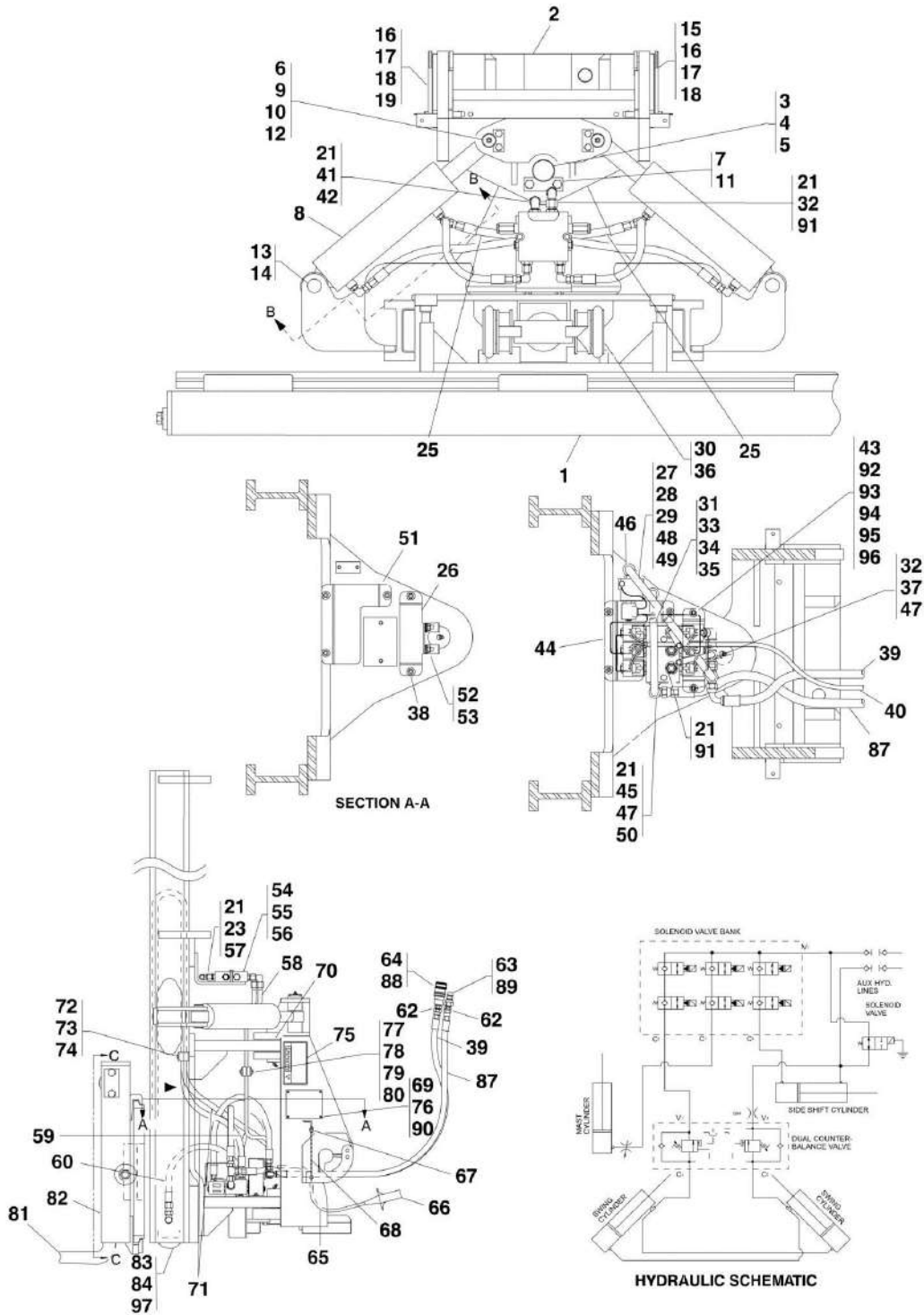
## SECTION 3 - ATTACHMENTS

**FIGURE 3-14. FORK MOUNTED LIFTING HOOK (SN 2005134-01 TO PRESENT)**

ITEM	PART NUMBER	QTY	DESCRIPTION	REV
	91565094	1	FORK MOUNTED LIFTING HOOK, (includes all items)	F
1	7029520	2	HAIRPIN CLIP	
2	1001093171	2	PIN	
3	70020555	1	SPRING BUSHING	
4	90554080	1	SLING HOOK	
5	7029521	1	CHAIN SHACKLE, 12,000LB	
6	90554080	1	LIFTING HOOK	
7	N.S.S.	1	SN PLATE	

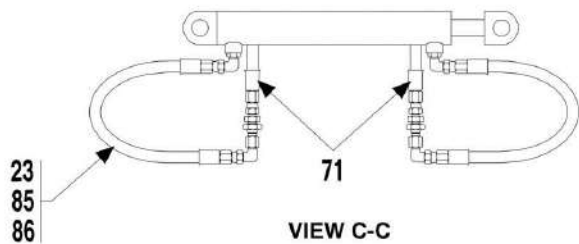
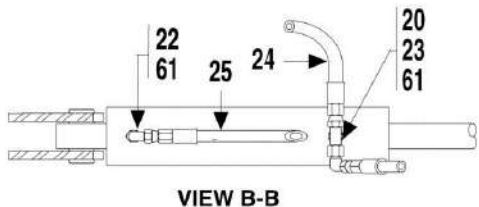
# SECTION 3 - ATTACHMENTS

FIGURE 3-15. 6 FT SWING MAST W/SIDE SHIFT (534D-9 Prior to SN 0160038519; 534D-10 Prior to SN 0160038445)



PAP19710

# SECTION 3 - ATTACHMENTS



## SECTION 3 - ATTACHMENTS

**FIGURE 3-15. 6 FT SWING MAST W/SIDE SHIFT (534D-9 Prior to SN 0160038519; 534D-10 Prior to SN 0160038445)**

ITEM	PART NUMBER	QTY	DESCRIPTION	REV
	90455047	Ref	6FT SWING MAST W/SIDE SHIFT, (includes all items)	Z
1	N.S.S.	1	MAST WELDMENT	
2	N.S.S.	1	SWING FORK PIVOT WELDMENT	
3	91041325	2	PIVOT PIN	
4	88671018	2	LUBE FITTING, 45, 1/8	
5	91041327	2	BUSHING	
6	91411073	2	LOCKING PLATE	
7	83201026	4	HEX HD CAPSCREW, 1/2-13X1-1/2, GR8	
8		Ref	HYDRAULIC CYLINDER, (See OPTIONS SECTION for Breakdown)	
9	91041324	2	PIVOT PIN	
10	88671008	2	STRAIGHT LUBE FITTING, 1/4-28	
11	91041322	2	LOCKING PLATE	
12	83201024	4	HEX HD CAPSCREW, 3/8-16X1, GR8	
13	91041326	2	PIVOT PIN	
14	88581136	4	SNAP RING	
15	91146053	1	LH SUPPORT BRACKET	
16	91141350	2	PIN	
17	88631449	2	ROLL PIN, 1/8X1-1/2	
18	91043221	2	DETENT PIN	
19	91146054	1	RH SUPPORT BRACKET	
20	2220899	2	TEE FITTING, (includes item 61)	
21		Ref	O-RING	
22	2220473	2	ELBOW, 90, (includes item 61)	
23	8760268	6	ELBOW, 90, (swivel nut)	
24	77133201	2	HOSE ASSY	
25	90204097	2	HOSE ASSY	
26	90451060	1	FRONT COVER, (solenoid valve)	
27	90453043	1	SOLENOID VALVE	
28	88201007	2	HEX HD CAPSCREW, 1/4-20X1-1/2, GR5	
29	88551009	2	LOCKWASHER, 1/4	
30	91034399	2	HOSE SHEAVE	
31	88551010	2	LOCKWASHER, 5/16	
32	8765204	2	ELBOW, 90, (swivel nut)	
33	90453019	1	SOLENOID VALVE BANK	
34	88201025	2	HEX HD CAPSCREW, 5/16-18X2-1/4, GR5	
35	88561108	2	FLAT WASHER, 5/16	
36	91034400	2	SHOULDER BOLT	
37	2220362	1	TEE FITTING	
38	77143013	5	WHIZ-LOCKNUT, 1/4-20	
39	77133269	1	HOSE ASSY	
40	90453023	1	WIRING HARNESS	
41	90203384	1	ADAPTER	
42	91041362	1	ORIFICE FITTING	
43	91345026	1	DIODE ASSY, (includes items 92 thru 96)	C
44	90453044	1	WIRING HARNESS	
45	84718047	1	HOSE ASSY	
46	77133458	1	HOSE ASSY	



## SECTION 3 - ATTACHMENTS

ITEM	PART NUMBER	QTY	DESCRIPTION	REV
47	2220385	2	TEE FITTING	
48	2220726	2	ELBOW, 90	
49	90207719	1	JUMPER WIRE	
50	2220596	1	ELBOW, 90, (includes item 21)	
51	90451061	1	BACK COVER, (solenoid valve)	
52	80673023	2	SUPPORT CLAMP	
53	77143006	2	WHIZ-LOCKNUT, 5/16-18	
54	90453018	1	DUAL COUNTERBALANCE VALVE	
55	88201008	2	HEX HD CAPSCREW, 1/4-20X1-3/4, GR5	
56	88561002	2	FLAT WASHER, 1/4	
57	2220372	2	ADAPTER, (includes item 21)	
58	90453021	1	TUBE ASSY	
59	90453020	1	TUBE ASSY	
60	84717778	1	HOSE ASSY	
61		Ref	O-RING	
62	88661013	2	MALE ADAPTER, 1/2X1/2 TUBE, (Prior to SN 2005283-01)	
62	2220373	2	ADAPTER, (includes o-ring), (SN 2005283-01 to Present)	
63	91163138	1	HYD COUPLING, MALE TIP, (Prior to SN 2005283-01)	
63	91403414	1	HYD COUPLING, MALE TIP, (SN 2005283-01 to Present)	
64	91043125	1	DUST CAP	
65	90453046	1	WIRING HARNESS	
66	90207662	1	6 CONTACT PLUG	
67	91033039	2	CHAIN CONNECTION	
68	91033038	24 in	CHAIN	
69		Ref	DRIVE SCREW, #10X3/8	
70	91041356	6	SPACER	
71	84717871	2	HOSE ASSY	
72	77133497	2	CLAMP	
73	77133498	2	COVER PLATE	
74	77133499	4	HEX HD CAPSCREW, 1/4-20X1-5/16	
75	91143282	2	PINCH POINT DECAL	
76	91343053	1	ATTENTION DECAL	
77	77133168	1	CLAMP SET	
78	77133140	2	COVER PLATE	
79	88201024	1	HEX HD CAPSCREW, 5/16-18X2, GR5	
80	88501005	1	HEX NUT, 5/16-18	
81		Ref	FORKS, (See FORKS for Breakdown)	
82	90453033	1	66IN SS CARRIAGE	
82	90454003	2	BRONZE GUIDE	
82	90454001	1	CYLINDER	
82	90454002	1	PACKING KIT	
83	91034374	6	LOAD ROLLER	
84	91034375	12	SHIM	
85	84717537	2	HOSE ASSY	
86	2230024	2	ADAPTER	
87	77133146	1	HOSE ASSY	
88	91163139	1	HYDRAULIC COUPLING, FEMALE, (Prior to SN 2005283-01)	
88	91403413	1	HYDRAULIC COUPLING, FEMALE, (SN 2005283-01 to Present)	
89	91043126	1	DUST CAP	
91	N.S.S.	1	SN PLATE	
91	2220373	4	ADAPTER, (includes item 21)	

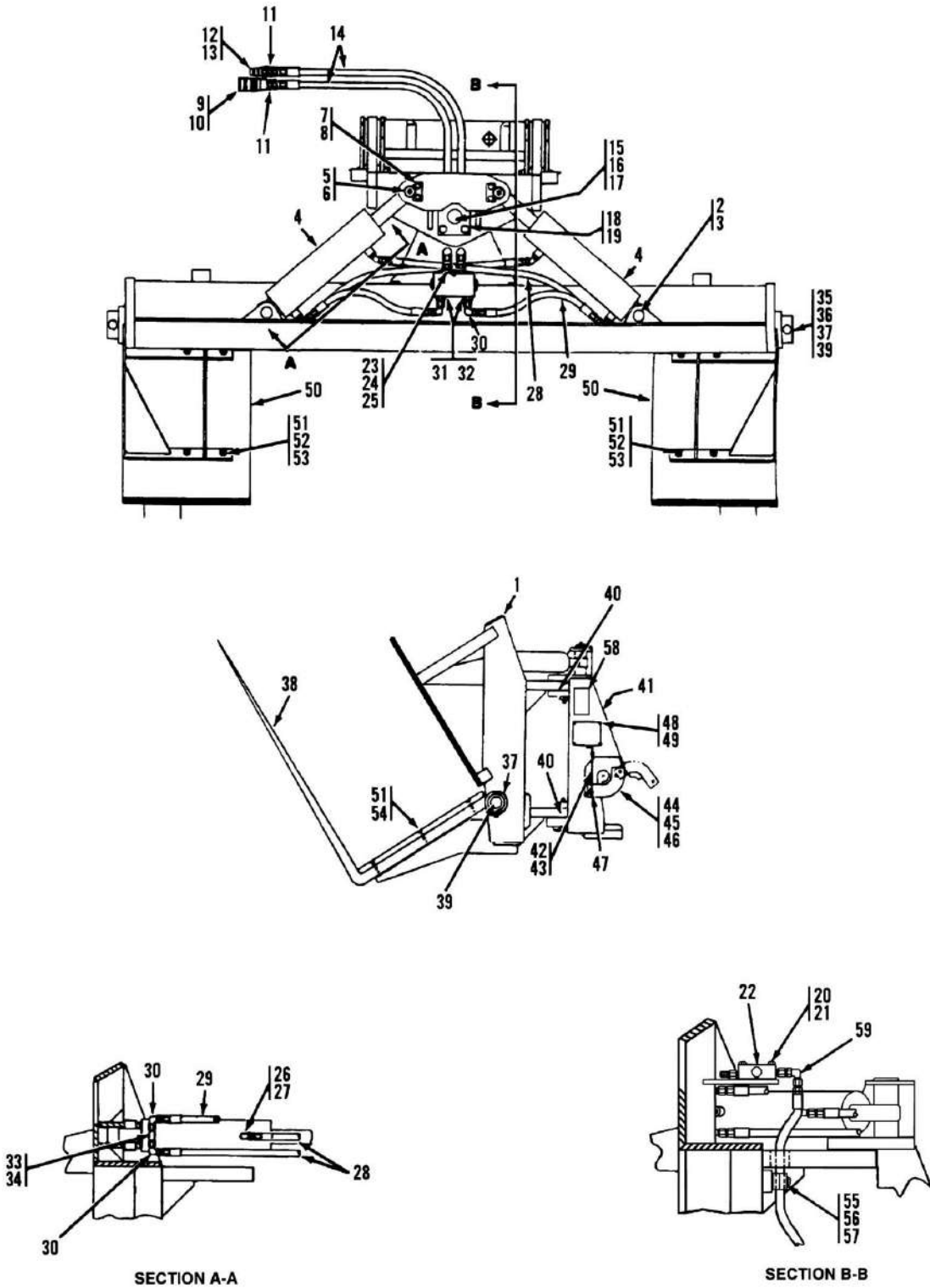
### SECTION 3 - ATTACHMENTS

ITEM	PART NUMBER	QTY	DESCRIPTION	REV
92	77385131	1	DIODE ASSY	
93	91043440	2	PIGGYBACK CONNECTOR	
94	86661147	3 in	BLACK WIRE, 16 GA	
95	86683480	1	BUTT CONNECTOR	
96	83683549	AR	HEAT SHRINK TUBING	
97	91034377	2	SCREW	



# SECTION 3 - ATTACHMENTS

FIGURE 3-16. 100, DRYWALL SWING FORK ASSEMBLY (534D-9 Prior to SN 0160038519; 534D-10 Prior to SN 0160038445)



## SECTION 3 - ATTACHMENTS

**FIGURE 3-16. 100, DRYWALL SWING FORK ASSEMBLY (534D-9 Prior to SN 0160038519; 534D-10 Prior to SN 0160038445)**

ITEM	PART NUMBER	QTY	DESCRIPTION	REV
	90555013	1	100 DRYWALL SWING FORK ASSY, (includes all items)	Q
1	N.S.S.	1	DRYWALL CARRIAGE WELDMENT	
2	91041326	2	PIVOT PIN	
3	88581136	4	EXTERNAL RETAINING RING	
4		Ref	SWING CYLINDER ASSY, (See OPTIONS SECTION for Breakdown)	
5	91041324	2	PIVOT PIN	
6	88671008	2	STRAIGHT LUBE FITTING, 1/4-28	
7	91411073	2	LOCKING PLATE	
8	83201024	4	HEX HD CAPSCREW, 3/8-16X1, GR8	
9	91043125	1	DUST CAP	
10	91163139	1	FEMALE HYDRAULIC COUPLER, (Prior to SN 2005283-01)	
10	91403413	1	FEMALE HYDRAULIC COUPLER, (SN 2005283-01 to Present)	
11	88661013	2	MALE CONNECTOR, 1/2X1/2 TUBE, (Prior to SN 2005283-01)	
11	2220373	2	CONNECTOR, (SN 2005283-01 to Present), (includes 88591205 o-ring)	
12	91043126	1	DUST CAP	
13	91163138	1	MALE HYDRAULIC COUPLER, (Prior to SN 2005283-01)	
13	91403414	1	MALE HYDRAULIC COUPLER, (SN 2005283-01 to Present)	
14	84718067	2	HOSE ASSY	
15	91041325	2	PIVOT PIN	
16	91041327	2	BUSHING	
17	88671022	2	LUBE FITTING, 90, 1/8	
18	91041322	2	LOCKING PLATE	
19	83201026	4	HEX HD CAPSCREW, 1/2-13X1-1/2, GR8	
20	88201008	2	HEX HD CAPSCREW, 1/4-20X1-3/4, GR5	
21	88561002	2	FLAT WASHER, 1/4	
22	91043186	1	DOUBLE PILOT CHECK VALVE	
23	91041361	2	FITTING	
24	91041362	2	ORIFICE FITTING	
25	88591205	2	O-RING	
26	2220501	2	ELBOW, 45, (includes item 27)	
27	88591204	2	O-RING	
28	90204097	2	HOSE ASSY	
29	77133201	2	HOSE ASSY	
30	8760268	6	ELBOW, 90, (swivel nut)	
31	2220372	2	CONNECTOR, (includes item 32)	
32	88591205	2	O-RING	
33	2220899	2	BRANCH TEE, (includes item 34)	
34	88591204	2	O-RING	
35	88201105	4	HEX HD CAPSCREW, 5/8-11X4, GR5	
36	88521310	4	HEX LOCKNUT, 5/8-11	
37	90200003	4	COLLAR	
38	90453013	2	DRYWALL FORK	
39	90451020	2	FORK PIN	
40	91041356	6	SPACER	
41	N.S.S.	1	PIVOT WELDMENT	
42	91033038	1	CHAIN, 24IN	

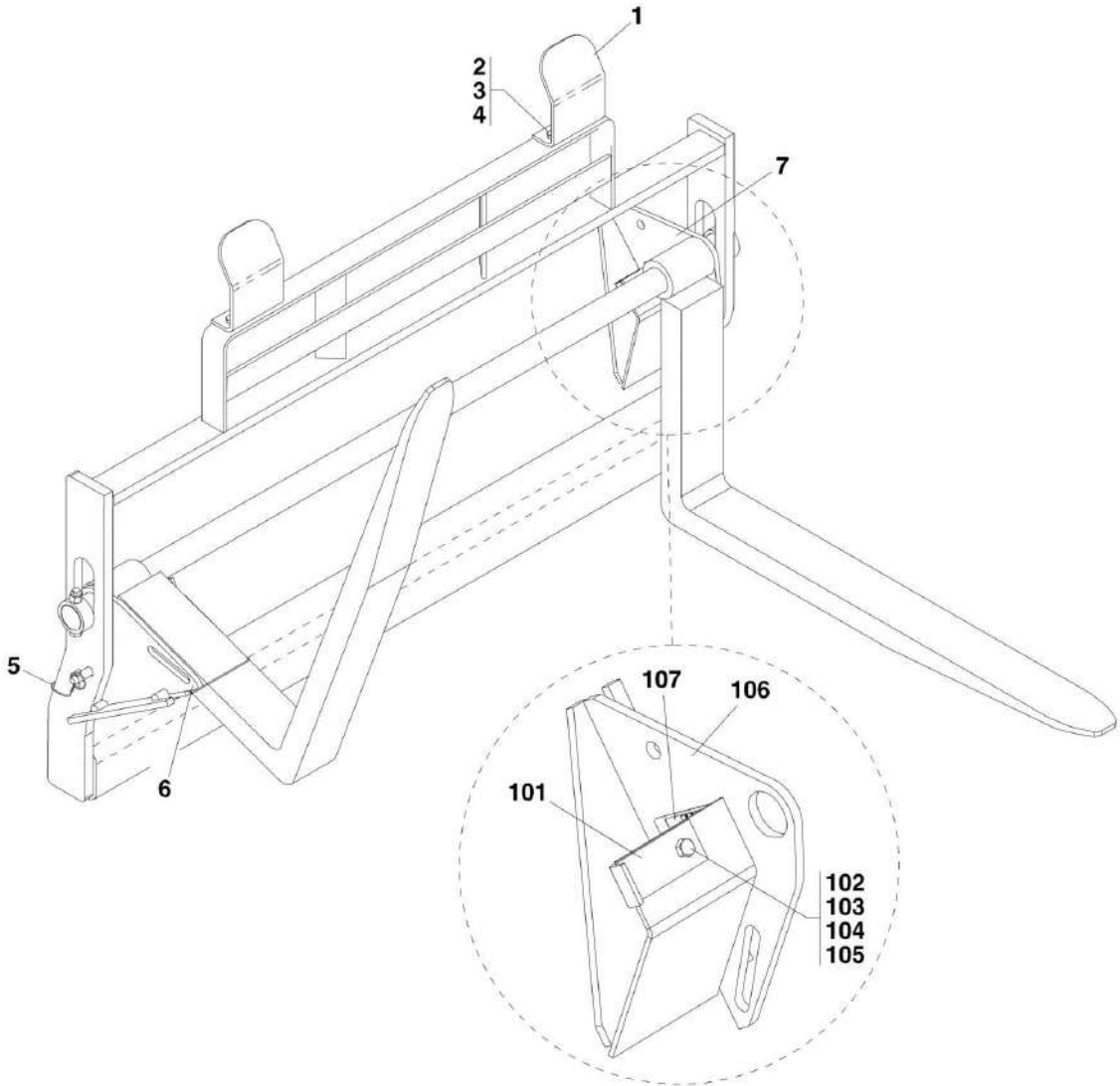
## SECTION 3 - ATTACHMENTS

ITEM	PART NUMBER	QTY	DESCRIPTION	REV
43	91033039	2	CHAIN CONNECTION	
44	88631449	2	ROLL PIN, 1/8X1-1/2	
45	91141350	2	PIN	
46	91146053	1	LH SUPPORT BRACKET	
46	91146054	1	RH SUPPORT BRACKET	
47	91043221	2	DETENT PIN	
48	N.S.S.	1	SN PLATE	
49	N.S.S.	4	DRIVE SCREW, #10X3/8	
50	90553012	2	SIDE DRYWALL GUARD	
51	88241053	14	SOCKET FLAT HD CAPSCREW, 3/8-16X1-1/2	
52	88551011	8	LOCKWASHER, 3/8	
53	88501006	8	HEX NUT, 3/8-16	
54	90553013	2	BOTTOM DRYWALL GUARD	
55	91083249	1	CLAMP SET	
56	77133140	1	COVER PLATE	
57	77133177	1	HEX HD CAPSCREW, 5/16-18X1-3/8	
58	91143282	2	PINCH POINT DECAL	
59	8765204	2	ELBOW, 90, (swivel nut)	



**SECTION 3 - ATTACHMENTS**

**FIGURE 3-17. SHEET MATERIAL HANDLER (534D-9 SN 0160038519 to Present; 534D-10 SN 0160038445 to Present)**



**LEFT SIDE SHOWN,  
RIGHT SIDE OPPOSITE**

PY1510



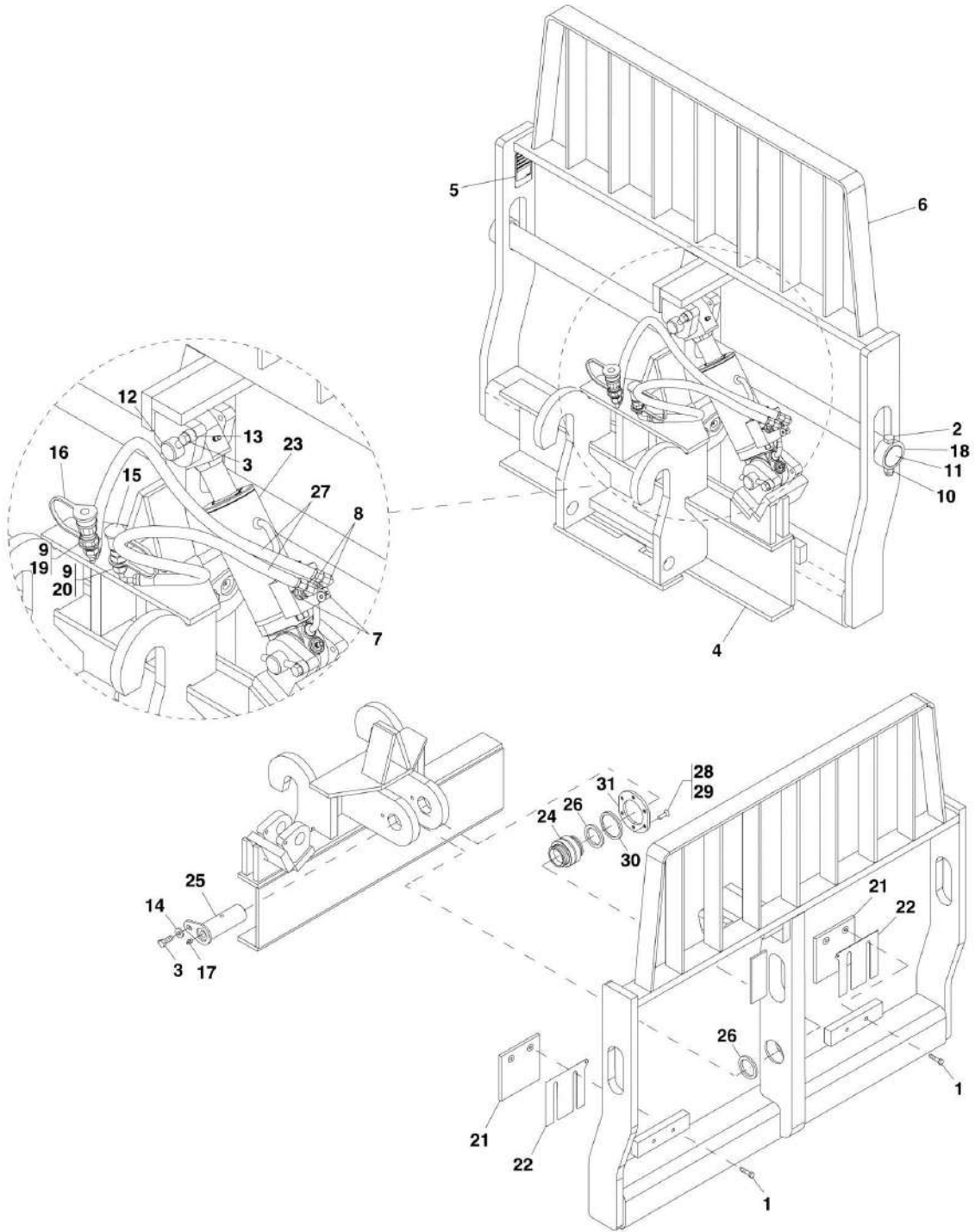
## SECTION 3 - ATTACHMENTS

**FIGURE 3-17. SHEET MATERIAL HANDLER (534D-9 SN 0160038519 to Present; 534D-10 SN 0160038445 to Present)**

ITEM	PART NUMBER	QTY	DESCRIPTION	REV
	1001100227	1	SHEET MATERIAL HANDLER ASSY, (includes all items)	A
1	7112642	2	BACKREST EXTENSION	
2	8303626	4	HEX HD CAPSCREW, 1/2-13X1-1/2, GR5	
3	8305012	4	HEX NUT, 1/2-13	
4	8307007	4	LOCKWASHER, 1/2	
5	1001093377	2	HITCH PIN	
6	1001101115	1	RH FORK SUPPORT ASSY, (includes items 101 thru 107)	A
7	1001101116	1	LH FORK SUPPORT ASSY, (includes items 101 thru 107)	B
101	7114941	1	LOCK BAR	
102	8303626	1	HEX HD CAPSCREW, 1/2-13X1-1/2, GR5	
103	8305644	1	HEX LOCKNUT, 1/2-13	
104	8307007	1	LOCKWASHER, 1/2	
105	8307112	1	WASHER, 1/2	
106	N.S.S.	1	RH FORK SUPPORT, (not shown)	
106	N.S.S.	1	LH FORK SUPPORT, (shown)	
107	N.S.S.	1	SN PLATE	

# SECTION 3 - ATTACHMENTS

FIGURE 3-18. SIDE TILT CARRIAGE (534D-9 SN 0160038519 to Present; 534D-10 SN 0160038445 to Present)



ART\_91344005-3-18

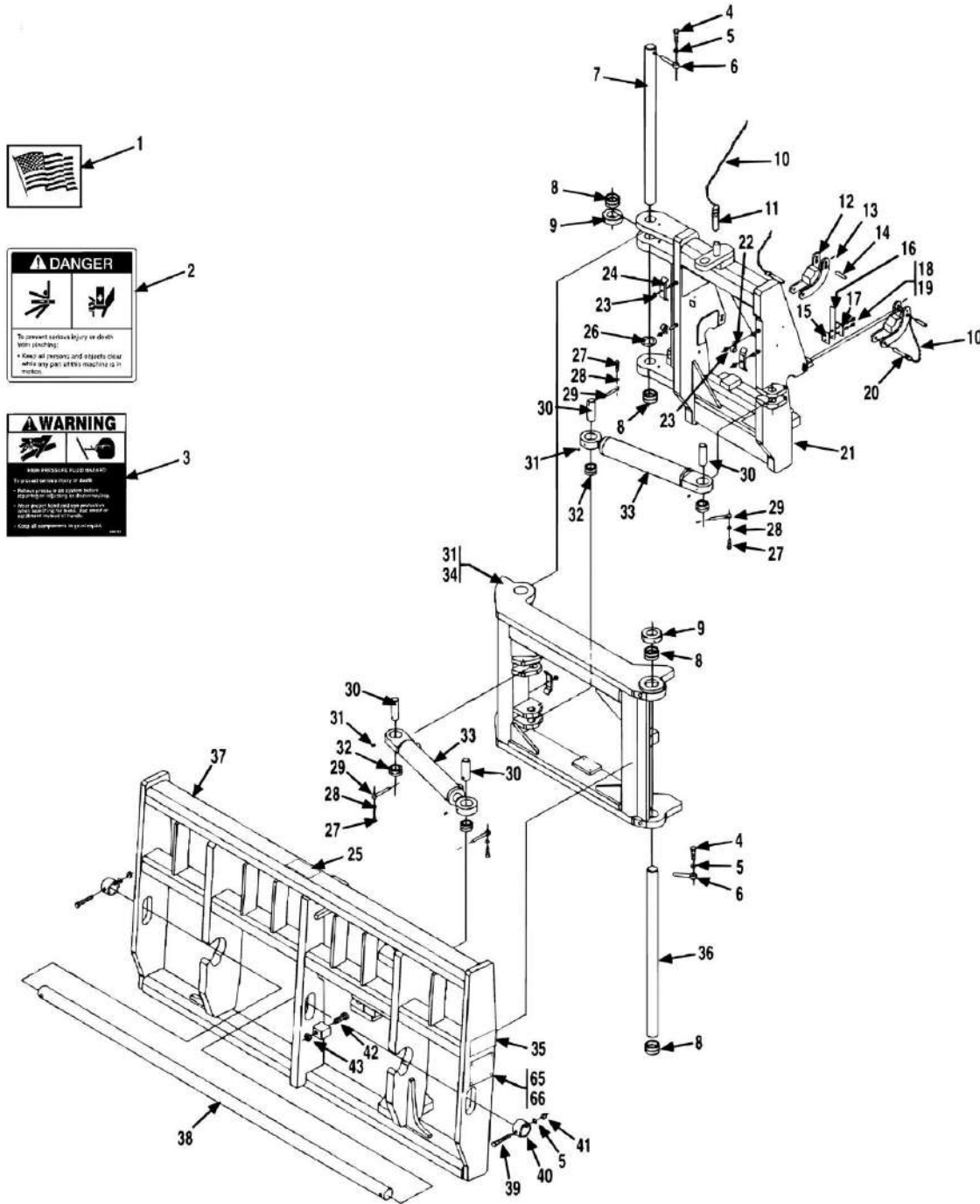
## SECTION 3 - ATTACHMENTS

**FIGURE 3-18. SIDE TILT CARRIAGE (534D-9 SN 0160038519 to Present; 534D-10 SN 0160038445 to Present)**

ITEM	PART NUMBER	QTY	DESCRIPTION	REV
	1170054	1	50IN SIDE TILT CARRIAGE, (includes all items)	I
	1001101956	1	60IN SIDE TILT CARRIAGE, (includes all items)	J
	1170057	1	72IN SIDE TILT CARRIAGE, (includes all items)	I
1	0641612	4	HEX HD CAPSCREW, 3/8-16X1-1/2	
2	0642032	2	HEX HD CAPSCREW, 5/8-11X4	
3	0681810	3	HEX HD CAPSCREW, 1/2-13X1-1/4	
4	1001133072	1	CARRIAGE BASE	
5	N.S.S.	1	SN PLATE	
6	N.S.S.	1	SIDE TILT CARRIAGE	
7	2110606	2	CONNECTOR	
8	2172106	2	CONNECTOR, 90	
9	2110808	2	CONNECTOR	
10	3300240	2	LOCKNUT, 5/8-11	
11	3423275	1	50IN FORK PIN	
11	3423242	1	60IN FORK PIN	
11	3423276	1	72IN FORK PIN	
12	3423307	2	PIN	
13	3841203	2	KEEPER	
14	4891800	1	WASHER, 1/2	
15	8420053	1	DUST CAP	
16	8420055	1	DUST PLUG	
17	88671001	1	GREASE FITTING	
18	90200003	2	COLLAR	
19	91403413	1	CONNECTOR	
20	91403414	1	CONNECTOR	
21	1001090063	2	WEAR PAD	
22	1001090064	AR	SHIM	
23		Ref	HYDRAULIC CYLINDER, (See HYDRAULIC COMPONENTS SECTION for Breakdown)	
24	1001090140	1	BEARING	
25	1001099113	1	PIN	
26	1001099115	2	SLEEVE	
27	1001102378	2	HOSE ASSY, 3/8X39	
28	0100011	AR	LOCTITE 242, (apply to item 29)	
29	0741610	6	FLAT HEAD SOCKET SCREW, 3/8-16	
30	1001120914	1	BEARING RETAINER SHIM	
31	1001120915	1	BEARING RETAINER PLATE	

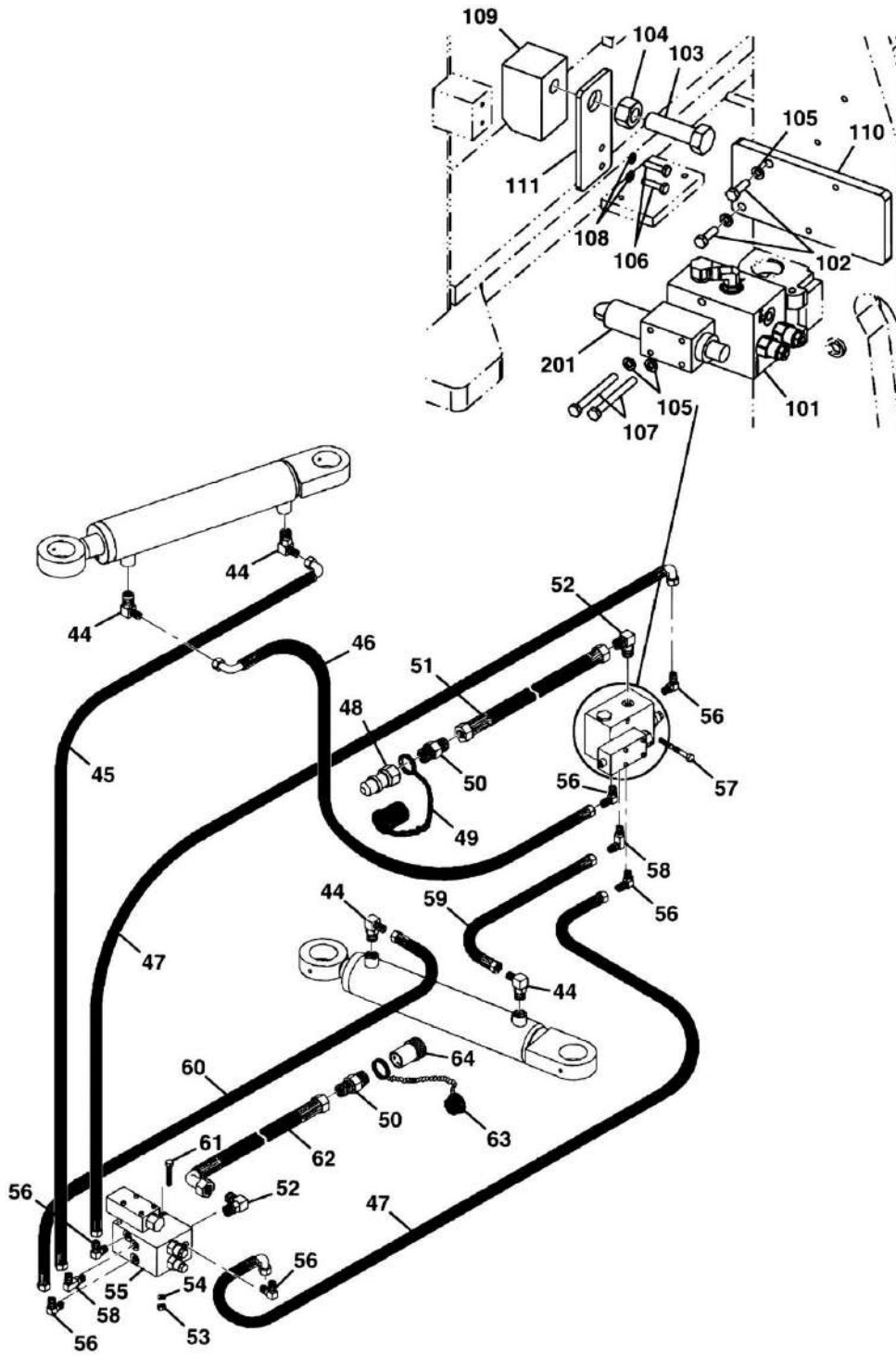
# SECTION 3 - ATTACHMENTS

FIGURE 3-19. 180, SWING CARRIAGE (534D-9 Prior to SN 0160023516; 534D-10 Prior to SN 0160023231)



# SECTION 3 - ATTACHMENTS

LH VALVE SERVICE KIT



PAP19510

## SECTION 3 - ATTACHMENTS

**FIGURE 3-19. 180, SWING CARRIAGE (534D-9 Prior to SN 0160023516; 534D-10 Prior to SN 0160023231)**

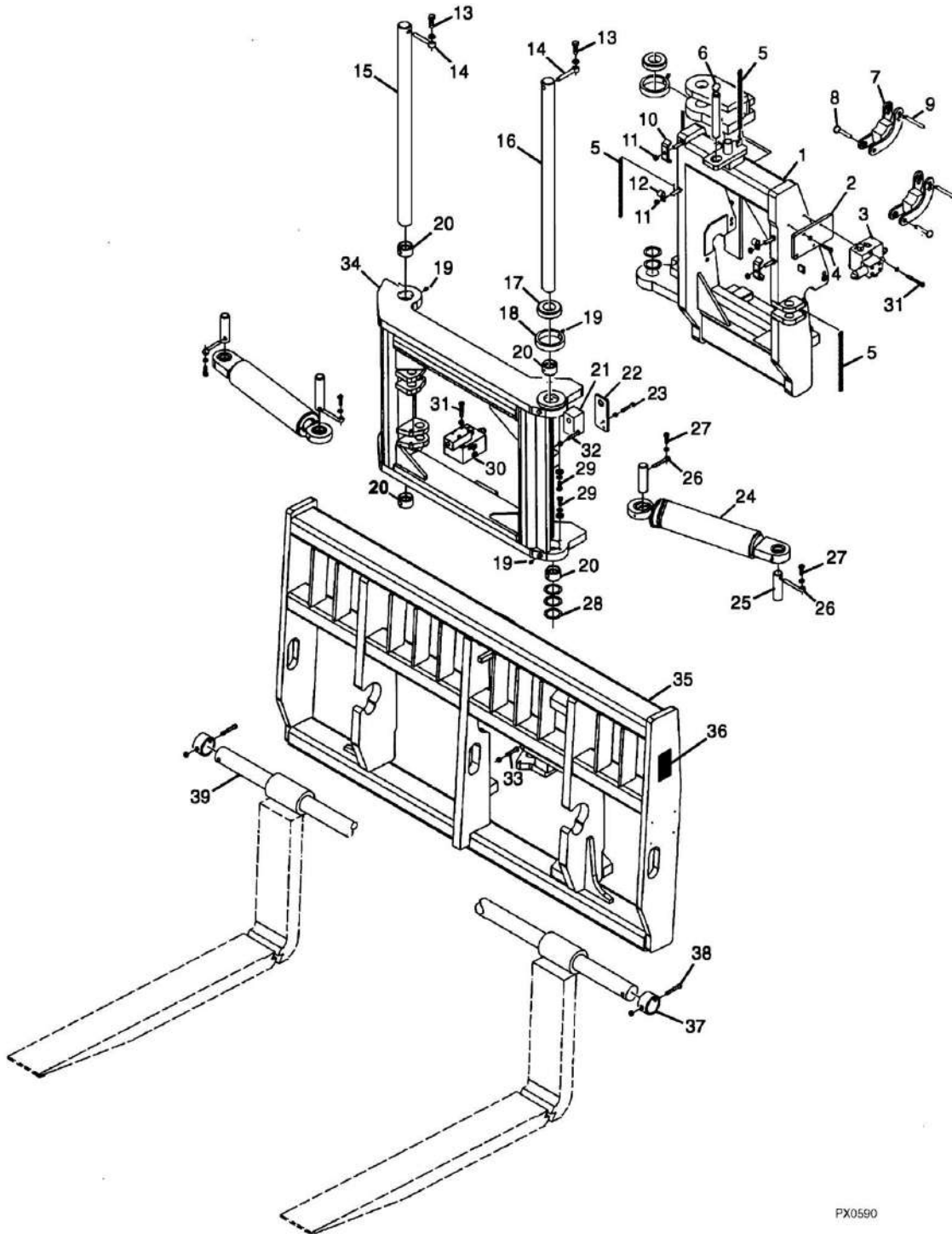
ITEM	PART NUMBER	QTY	DESCRIPTION	REV
	90553024	NLA	180, SWING CARRIAGE ASSY, (includes items 1 thru 66) (90553024 is no longer available, order 91553076)	E
1	90554016	1	MADE IN USA DECAL	
2	90554017	3	DANGER PINCH POINT DECAL	
3	90554018	1	WARNING HIGH PRESSURE FLUID DECAL	
4	90554019	2	HEX HD CAPSCREW	
5	90554020	4	LOCKWASHER, 1/2	
6	90554021	2	PIN	
7	90554022	1	SWING PIN	
8	90554023	4	BUSHING	
9	90554024	2	BEARING	
10	90554025	3	CHAIN	
11	90554026	1	PIN	
12	90554027	2	PIN SUPPORT	
13	90554028	2	ROLL PIN	
14	90554029	2	PIN	
15	90554030	2	SHIM	
16	90554031	1	FLAT SPRING	
17	90554032	1	PLATE	
18	90554033	2	HEX HD CAPSCREW	
19	90554034	2	LOCKWASHER, 1/4	
20	90554035	2	QUICK RELEASE PIN	
21	N.S.S.	1	FIXED BASE FRAME	
22	90554037	2	HOSE CLAMP, SINGLE	
23	90554038	3	LOCKNUT, 1/2	
24	90554039	3	DOUBLE HOSE CLAMP	
25	90553021	1	CAUTION DECAL	
26	90554040	AR	THRUST WASHER	
27	90554041	4	HEX HD CAPSCREW	
28	90554042	4	LOCKWASHER, .38IN	
29	90554043	4	PIN	
30	90554044	4	CYLINDER PIN	
31	90554045	8	GREASE FITTING	
32	90554046	4	BUSHING	
33		Ref	CYLINDER ASSY, (See HYDRAULIC COMPONENTS SECTION for Breakdown)	
34	N.S.S.	1	INTERMEDIATE FRAME	
35	91143282	2	WARNING DECAL	
36	90554049	1	PIN	
37	N.S.S.	1	FORK MOUNTING FRAME	
38	90554051	1	FORK PIN	
39	90554052	2	HEX HD CAPSCREW, 1/2X3-1/4	
40	90554053	2	BUSHING	
41	90554054	2	HEX NUT	
42	90554055	1	HEX HD CAPSCREW, 3/4X2	
43	90554056	1	HEX JAM NUT, 3/4	
44	90554057	4	ELBOW, 90	
45	90554058	1	HOSE ASSY	

## SECTION 3 - ATTACHMENTS

ITEM	PART NUMBER	QTY	DESCRIPTION	REV
46	90554059	1	HOSE ASSY	
47	90554060	2	HOSE ASSY	
48	90554061	1	MALE COUPLER	
49	90554062	1	DUST CAP	
50	90554063	2	ADAPTER	
51	90554064	1	HOSE ASSY	
52	90554065	2	ELBOW, 90	
53	90554066	2	HEX NUT	
54	90554067	2	LOCKWASHER, .31IN	
55		Ref	VALVE, (See OPTIONS SECTION for Breakdown)	
56	90554069	6	ELBOW, 90	
57	90554070	2	HEX HD CAPSCREW, .31INX3IN	
58	90554071	2	ELBOW, 90	
59	90554072	1	HOSE ASSY	
60	90554073	1	HOSE ASSY	
61	90554074	2	HEX HD CAPSCREW	
62	90554075	1	HOSE ASSY	
63	90554076	1	PLUG	
64	90554077	1	FEMALE COUPLER	
65	N.S.S.	1	SN PLATE	
66	88341022	4	DRIVE SCREW, #10X3/8	
	2915037	2	SWING VALVE KIT, (includes items 101 thru 111)	A
101	91564003	1	VALVE, (includes item 201)	
102		Ref	HEX HD CAPSCREW, 5/16-18X1, GR8	
103		Ref	HEX HD CAPSCREW, 3/4-10X2-1/2, GR8	
104	90554056	1	HEX NUT, 3/4	
105		Ref	LOCKWASHER, 5/16	
106		Ref	HEX HD CAPSCREW, 1/4-20X1, GR8	
107	90554070	2	HEX HD CAPSCREW, 5/16-18X3, GR8	
108		Ref	LOCKWASHER, 1/4	
109	70022048	1	MOUNTING PLATE	
110	70022049	1	MOUNTING PLATE	
111	70022047	1	MOUNTING PLATE	
201	70020383	1	VALVE, (includes o-rings and mounting hardware)	

# SECTION 3 - ATTACHMENTS

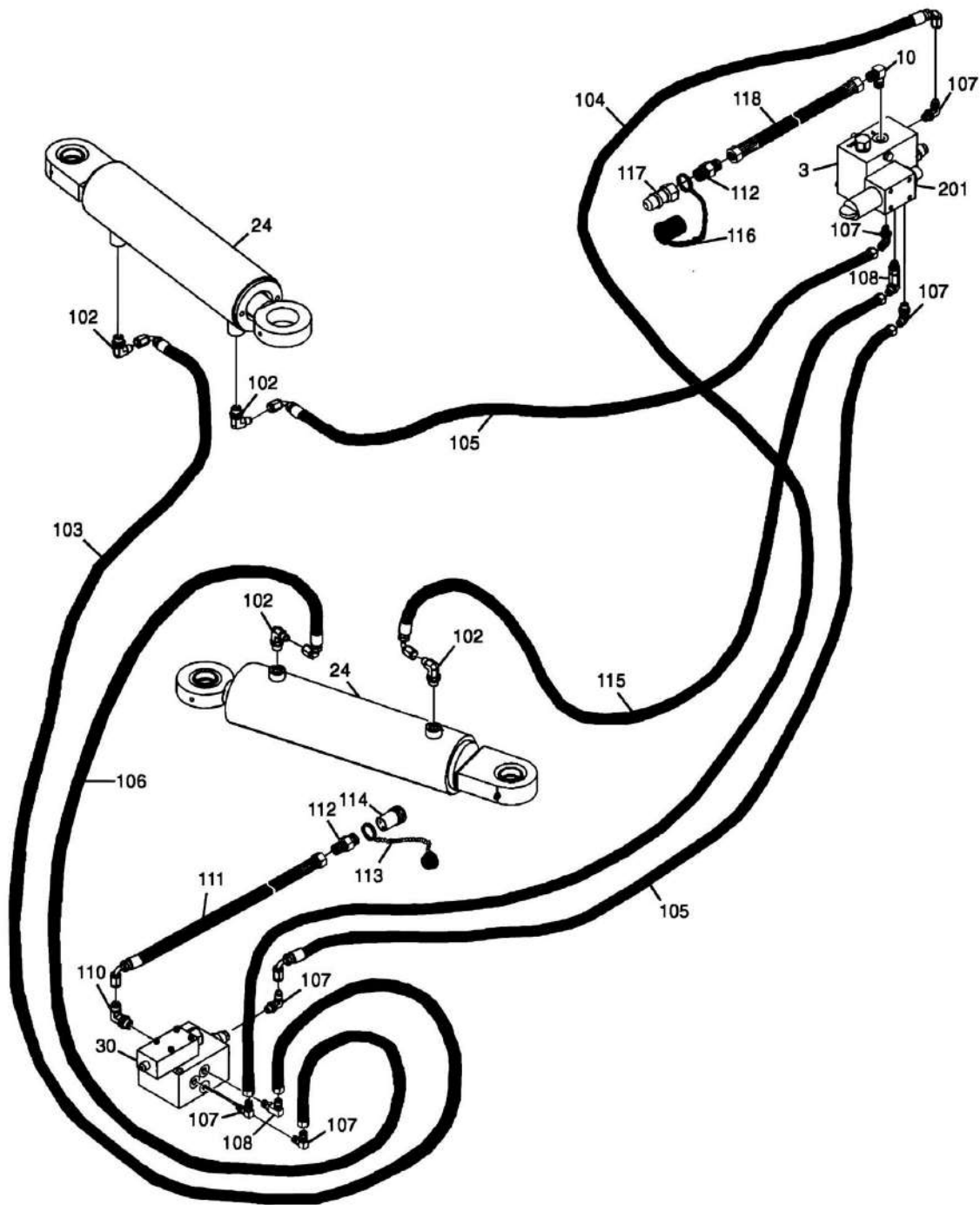
FIGURE 3-20. 180, SWING CARRIAGE (534D-9 SN 0160023516 through 0160038518; 534D-10 SN 0160023231 through 0160038444)



PX0590



SECTION 3 - ATTACHMENTS



PX0600

## SECTION 3 - ATTACHMENTS

**FIGURE 3-20. 180, SWING CARRIAGE (534D-9 SN 0160023516 through 0160038518; 534D-10 SN 0160023231 through 0160038444)**

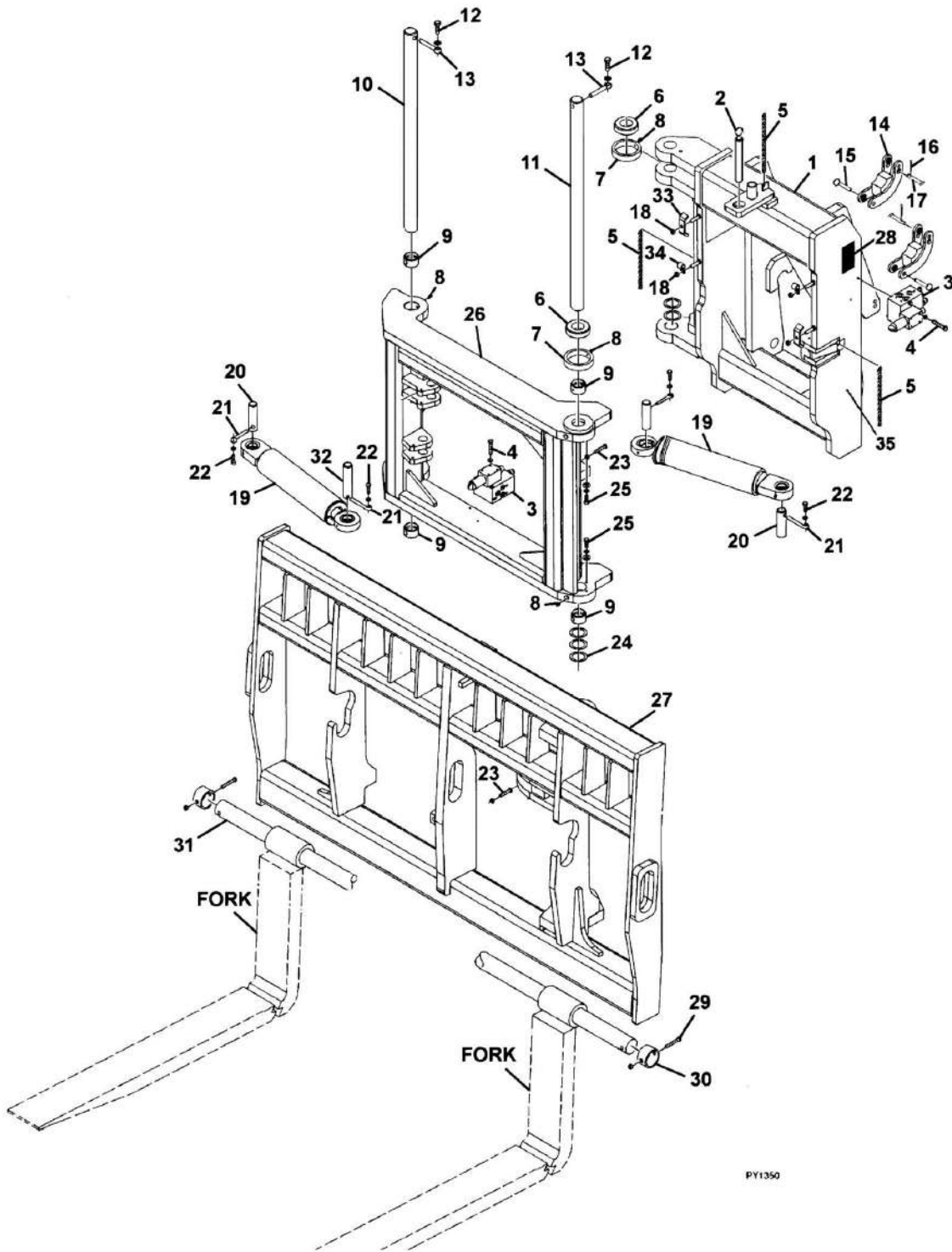
ITEM	PART NUMBER	QTY	DESCRIPTION	REV
	91553076	1	180, SWING CARRIAGE ASSY, (includes items 1 thru 118)	B
1	N.S.S.	1	WELDMENT	
2	70022047	1	MOUNTING PLATE	
3	91564003	1	VALVE, (includes item 201)	
4		Ref	HEX HD CAPSCREW, 5/16X1	
4	90554067	2	LOCKWASHER, 5/16	
5	90554025	3	CHAIN	
6	90554026	1	LOCK PIN	
7	90554027	2	PIN SUPPORT	
8	90554021	2	PIN	
9	90554028	2	PIN	
10	90554039	3	HOSE CLAMP	
11	70021367	6	LOCKNUT, 3/8	
12	7029996	3	HOSE CLAMP	
13	70021382	2	HEX HD CAPSCREW, 1/2X1-1/2	
13	90554020	2	LOCKWASHER, 1/2	
14	90554021	2	PIN	
15	90554022	1	PIN	
16	90554049	1	PIN	
17	90554024	2	BEARING	
18	70020017	2	BEARING	
19	90554045	10	GREASE FITTING	
20	70020015	4	BUSHING	
21	70022048	1	MOUNTING PLATE	
22	70022049	1	MOUNTING PLATE	
23		Ref	HEX HD CAPSCREW, 1/4X1	
23	90554034	2	LOCKWASHER, 1/4	
24		Ref	CYLINDER ASSY, (See HYDRAULIC COMPONENTS SECTION for Breakdown)	
25	90554044	4	PIN	
26	90554043	4	PIN	
27	70021429	4	HEX HD CAPSCREW, 3/8X1-1/4	
27	90554042	4	LOCKWASHER, 3/8	
28	90554040	5	WASHER	
29	7029997	6	HEX HD CAPSCREW, 3/8X3/4	
29	90554042	6	LOCKWASHER, 3/8	
29		Ref	FLAT WASHER, 3/8	
30	90554068	1	VALVE	
31	90554070	4	HEX HD CAPSCREW, 5/16X3	
31	90554067	4	LOCKWASHER, 5/16	
32		Ref	HEX HD CAPSCREW, 3/4X2-1/4	
32	90554056	2	HEX NUT, 3/4	
33	90554055	1	HEX HD CAPSCREW, 3/4X2	
34	N.S.S.	1	WELDMENT	
35	N.S.S.	1	WELDMENT	
36	N.S.S.	1	SN PLATE	
37	90554053	2	BUSHING	
38	90554052	2	HEX HD CAPSCREW, 1/2X3-1/4	

## SECTION 3 - ATTACHMENTS

ITEM	PART NUMBER	QTY	DESCRIPTION	REV
38	90554038	2	LOCKNUT, 1/2	
39	90554051	1	PIN	
102	90554057	4	ELBOW, 90	
103	90554058	1	HOSE ASSY	
104	90554059	1	HOSE ASSY	
105	90554060	2	HOSE ASSY	
106	90554073	1	HOSE ASSY	
107	90554069	6	ELBOW, 90	
108	90554071	2	ELBOW, 90	
110	90554065	2	ELBOW, 90	
111	70021983	1	HOSE ASSY	
112	90554063	2	ADAPTER	
113	90554076	1	DUST PLUG	
114	91403213	1	FEMALE QUICK COUPLER	
115	90554072	1	HOSE ASSY	
116	90554062	1	DUST CAP	
117	91403414	1	MALE QUICK COUPLER	
118	90554064	1	HOSE ASSY	
201	70020383	1	VALVE, (includes o-rings and mounting hardware)	

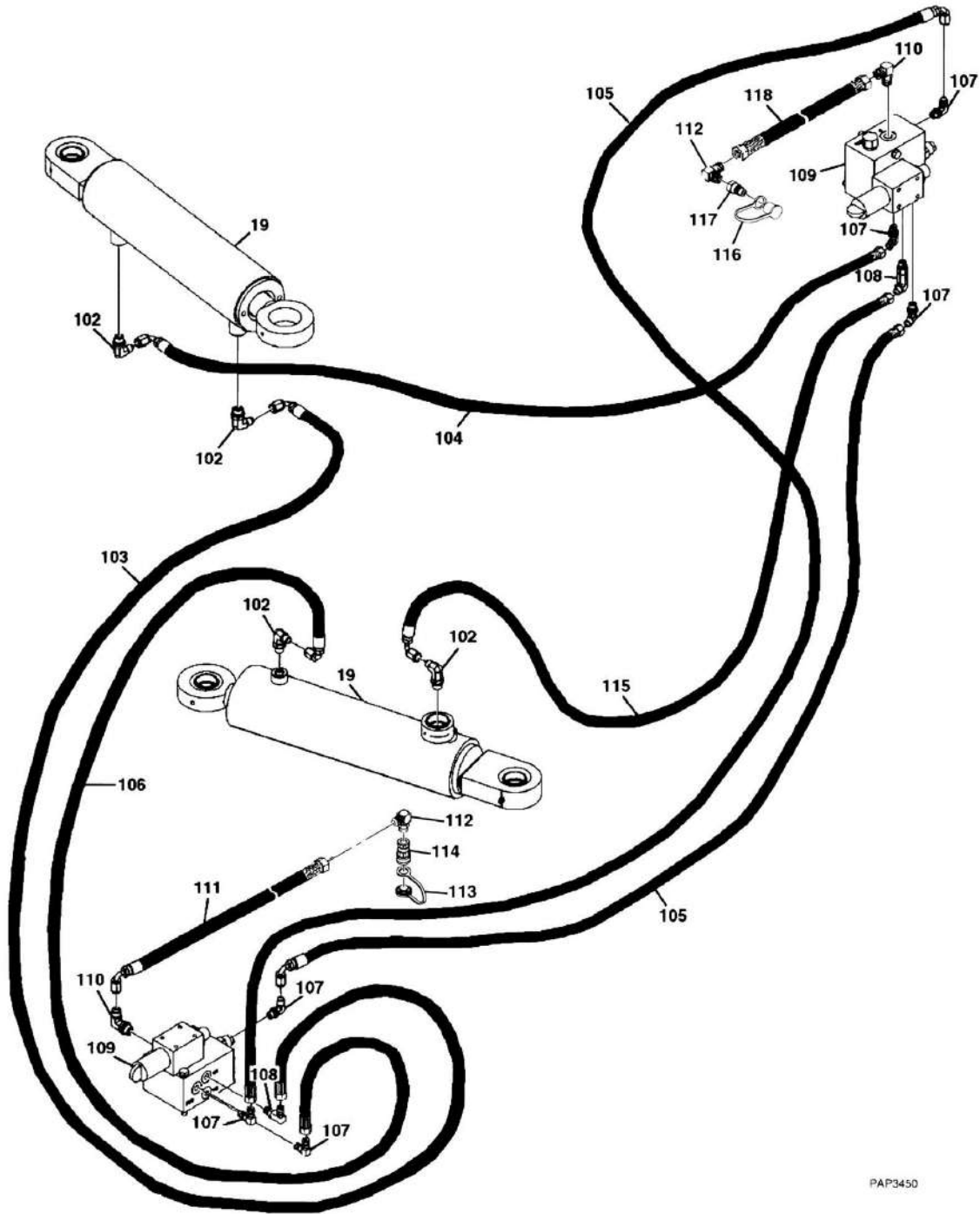
# SECTION 3 - ATTACHMENTS

FIGURE 3-21. 180, SWING CARRIAGE (534D-9 SN 0160038519 to Present; 534D-10 SN 0160038445 to Present)



PY1350

SECTION 3 - ATTACHMENTS



PAP3450

## SECTION 3 - ATTACHMENTS

**FIGURE 3-21. 180, SWING CARRIAGE (534D-9 SN 0160038519 to Present; 534D-10 SN 0160038445 to Present)**

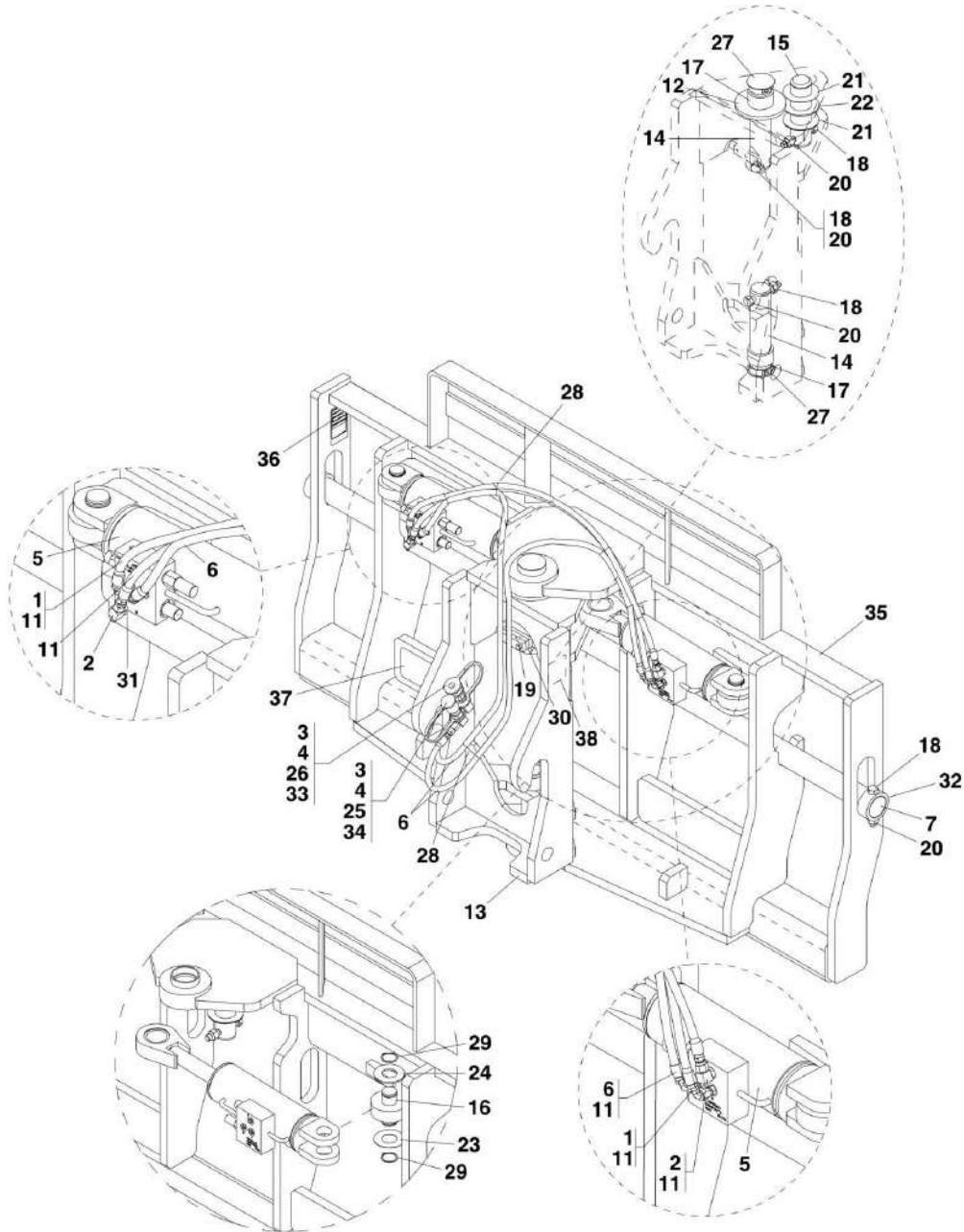
ITEM	PART NUMBER	QTY	DESCRIPTION	REV
	1001104992	1	180, SWING CARRIAGE, 72IN, (includes all items)	G
1	N.S.S.	1	BACK FRAME	
2	90554026	2	LOCK PIN	
3	91564003	2	VALVE	
4	90554070	4	HEX HD CAPSCREW, 5/16X3	
4	90554067	4	LOCKWASHER, 5/16	
5	90554025	3	CHAIN	
6	90554024	2	BEARING	
7	70020017	2	BEARING	
8	90554045	10	GREASE FITTING	
9	70020015	4	BUSHING	
10	70020026	1	PIN	
11	70020025	1	PIN	
12	70021382	2	HEX HD CAPSCREW, 1/2X1.5	
12	90554020	2	LOCKWASHER, 1/2	
13	90554021	2	PIN	
14	90554027	2	PIN SUPPORT	
15	90554035	2	PIN	
16	1316794	2	COTTER PIN	
17	70020029	2	CLEVIS PIN	
18	70021367	6	LOCKNUT, 3/8	
19		Ref	CYLINDER ASSY, (See HYDRAULIC COMPONENTS SECTION for Breakdown)	
20	90554044	3	PIN	
21	90554043	4	PIN	
22	70021429	4	HEX HD CAPSCREW, 3/8X1.25	
22	90554042	4	LOCKWASHER, 3/8	
23	70020004	2	HEX HD CAPSCREW, 3/4X2.5	
23	90554056	2	HEX NUT, 3/4	
24	90554040	5	WASHER	
25	7029997	6	HEX HD CAPSCREW, 3/8X.75	
25	90554042	6	LOCKWASHER, 3/8	
25	7029703	6	FLAT WASHER, 3/8	
26	N.S.S.	1	MIDDLE FRAME	
27	N.S.S.	1	FRONT FRAME	
28	N.S.S.	1	SN PLATE	
29	70020002	2	HEX HD CAPSCREW, 1/2X3.5	
29	90554038	2	LOCKNUT, 1/2	
30	70020028	2	BUSHING	
31	70020027	1	PIN	
32	70022530	1	PIN	
33	90554039	3	CLAMP	
34	7029996	3	CLAMP	
35	1001110704	1	WARNING CRUSH HAZARD DECAL	
102	90554057	4	ELBOW, 90	
103	90554058	1	HOSE ASSY, 1/4X20.5	
104	90554059	1	HOSE ASSY, 1/4X63	
105	90554060	2	HOSE ASSY, 1/4X73	

### SECTION 3 - ATTACHMENTS

ITEM	PART NUMBER	QTY	DESCRIPTION	REV
106	90554073	1	HOSE ASSY, 1/4X57	
107	90554069	6	ELBOW, 90	
108	90554071	2	ELBOW, 90	
109	91564003	2	VALVE	
110	90554065	2	ELBOW, 90	
111	70021983	1	HOSE ASSY, 3/8X93	
112	70022527	2	ELBOW, 90	
113	8420055	1	DUST PLUG	
114	91403413	1	FEMALE QUICK COUPLER	
115	90554072	1	HOSE ASSY, 1/4X15	
116	8420053	1	DUST CAP	
117	91503414	1	MALE QUICK COUPLER	
118	90554064	1	HOSE ASSY, 3/8X64	

# SECTION 3 - ATTACHMENTS

FIGURE 3-22. 90, SWING CARRIAGE (534D-9 SN 0160038519 to Present; 534D-10 SN 0160038445 to Present)



PAP3360



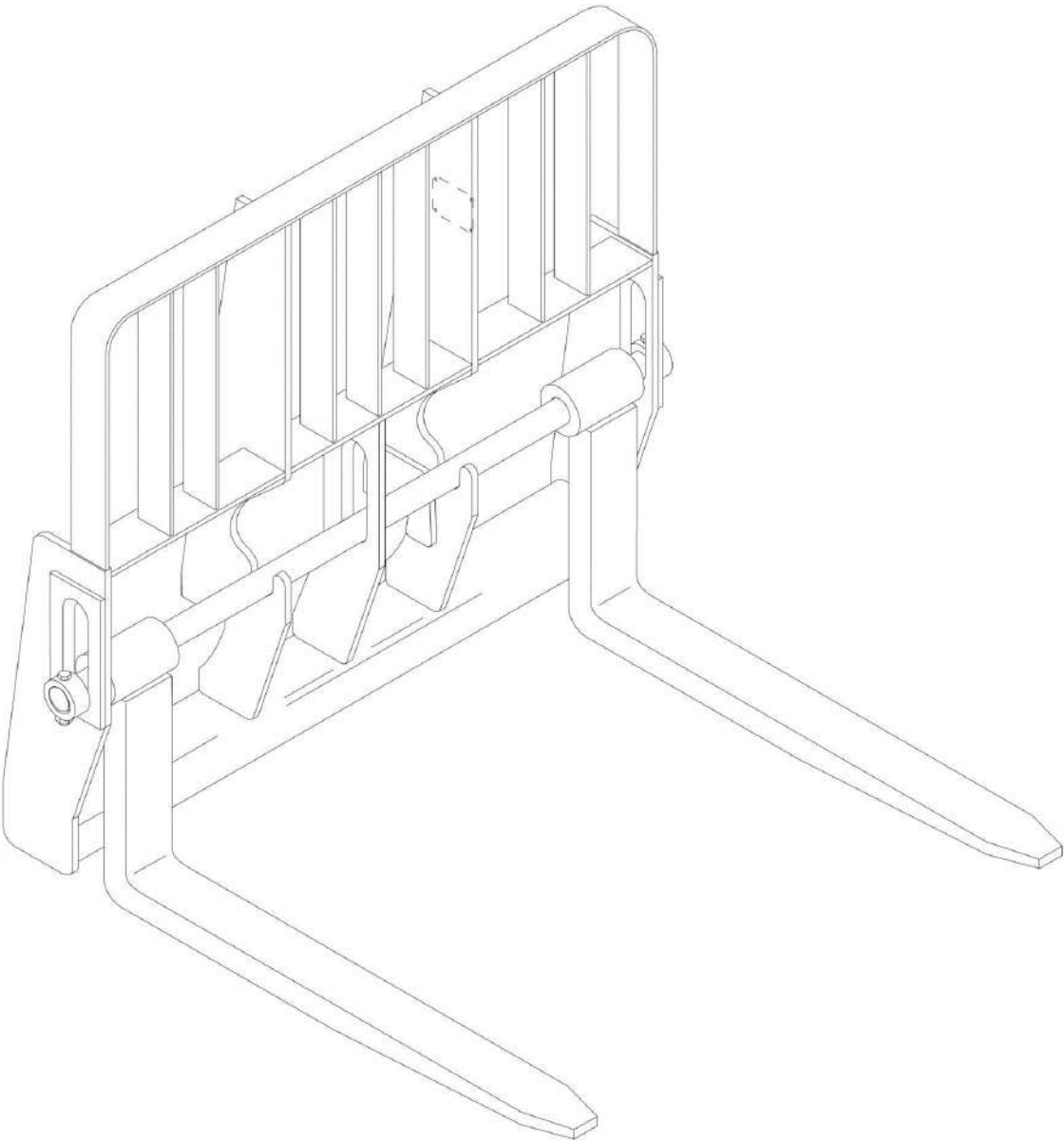
## SECTION 3 - ATTACHMENTS

**FIGURE 3-22. 90, SWING CARRIAGE (534D-9 SN 0160038519 to Present; 534D-10 SN 0160038445 to Present)**

ITEM	PART NUMBER	QTY	DESCRIPTION	REV
	1001095418	1	90, SWING CARRIAGE, 72IN, (includes all items)	K
1	2220415	4	CONNECTOR	
2	2220473	2	CONNECTOR, 90	
3	2220609	2	CONNECTOR	
4	2220628	2	CONNECTOR, 90	
5		Ref	SWING CYLINDER, (See HYDRAULIC COMPONENTS SECTION for Breakdown)	
6	2717287	2	HOSE ASSY, 1/4X58	
7	3423276	1	PIN	
11	6604662	2	HOSE ASSY, 1/4X40.5	
12	7062922	1	WASHER	
13	N.S.S.	1	PIVOT WELDMENT	
14	7110702	2	PIVOT PIN	
15	7110712	1	PIN	
16	7110722	2	PIN	
17	8065062	2	BUSHING	
18	8303634	5	HEX HD CAPSCREW, 5/8-11X4, GR5	
19	8303715	3	HEX HD CAPSCREW, 5/16-18X1.5, GR5	
20	8305643	5	HEX NUT, 5/8-11	
21	8307904	AR	SHIM	
22	8307918	AR	SHIM	
23	8310160	AR	SHIM	
24	8310161	AR	SHIM	
25	8420053	1	DUST CAP	
26	8420055	1	DUST PLUG	
27	8580315	2	PLUG	
28	8584001	5	TIE WRAP	
29	8642207	4	RETAINING RING	
30	8769132	2	CLAMP	
31	8770016	2	CONNECTOR	
32	90200003	2	COLLAR	
33	91403413	1	CONNECTOR	
34	91403414	1	CONNECTOR	
35	N.S.S.	1	CARRIAGE FRAME	
36	N.S.S.	1	SN PLATE	
37	1001110704	1	WARNING CRUSH HAZARD DECAL	
38	1001111190	2	WARNING DECAL	

**SECTION 3 - ATTACHMENTS**

**FIGURE 3-23. FORKS**



## SECTION 3 - ATTACHMENTS

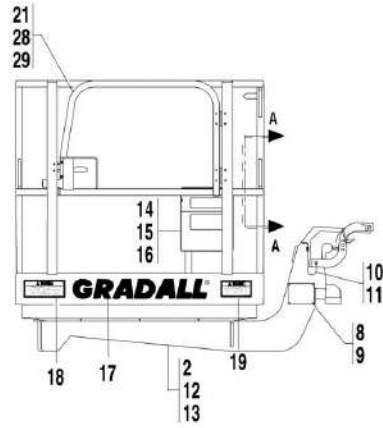
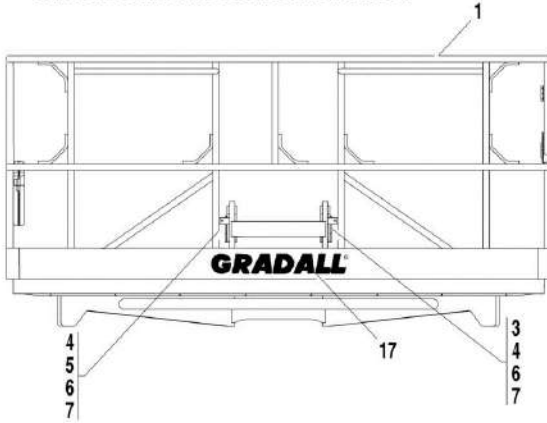
### FIGURE 3-23. FORKS

ITEM	PART NUMBER	QTY	DESCRIPTION	REV
	90600390	2	48IN CUBING FORK, 2X2, 3,000lbs	
	2340037	2	48IN CUBING FORK, 2X2, 3,800lbs	A
	90553008	2	48IN PALLET FORK, 1-3/4X4, 5,000lbs, (used on 6ft swing mast only, 90455047)	
	90601819	2	48IN PALLET FORK, 1-3/4X6, 9,000lbs	
	90453002	2	48IN PALLET FORK, 2X4, 8,000lbs	
	90453048	2	48IN PALLET FORK, 2.25X4, 10,950lbs	
	2340045	2	48IN PALLET FORK, 2.36X4, 10,950lbs	B
	2340038	2	48IN PALLET FORK, 2.36X5, 13,700lbs	B
	90553005	2	48IN PALLET FORK, 2X6, 10,000lbs	
	90601015	2	60IN PALLET FORK, 2X6, 10,000lbs	
	91163269	2	60IN PALLET FORK, 2X6, 11,300lbs	
	90453045	2	60IN PALLET FORK, 2X6, 11,300lbs, (used on 6ft swing mast only, 90455054)	
	2340039	2	60IN DUAL TAPER FORK, 2.36X6, 16,300lbs	B
	90553018	2	72IN PALLET FORK, 2X6, 10,000lbs	
	91123132	2	72In PALLET FORK, 2X6, 10,000lbs	
	H0453002	2	96IN PALLET FORK, 2X6, 7,500lbs loaded center	
	2340046	2	60IN DUAL TAPER FORK, 1.75X7, 10,800lbs	B
	1001092391	2	72IN DUAL TAPER FORK, 2X6, 11,300lbs	B
N1	Note	Ref	<b>NOTE: FORKS RATED LESS THAN ATTACHMENT OR MACHINE'S CAPACITY DECREASES CAPACITY OF THE ATTACHMENT OR MACHINE TO THAT OF THE FORKS. FORKS RATED MORE THAN THE ATTACHMENT OR MACHINE'S CAPACITY DO NOT INCREASE ATTACHMENT OR MACHINE'S CAPACITY.</b>	
N2	Note	Ref	<b>NOTE: PLEASE CONSULT THE JLG PARTS DEPARTMENT TO DETERMINE THE CORRECT FORKS APPLICABLE TO YOUR SPECIFIC CARRIAGE ASSEMBLY AND APPLICATION.</b>	

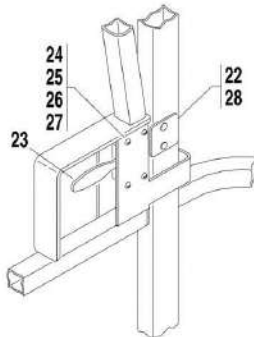
# SECTION 3 - ATTACHMENTS

## FIGURE 3-24. PERSONNEL PLATFORM

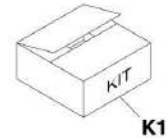
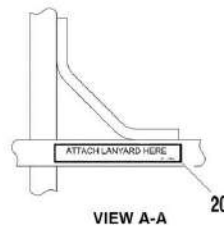
DO NOT USE THE PERSONNEL PLATFORM UNTIL PROPER CAPACITY CHART AND DECALS ARE IN PLACE.



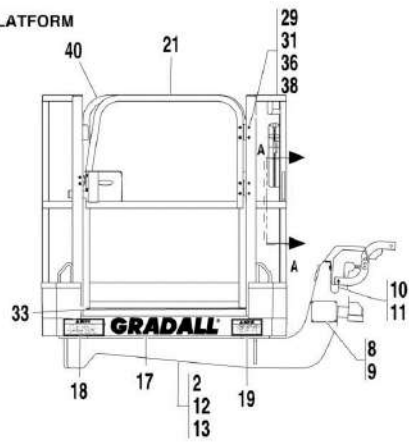
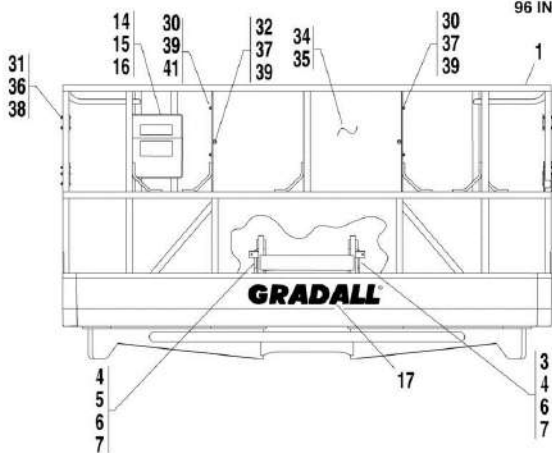
106 IN PERSONNEL PLATFORM



VIEW OF LATCH AREA ON GATE



96 IN PERSONNEL PLATFORM



PAP17920

## SECTION 3 - ATTACHMENTS

### FIGURE 3-24. PERSONNEL PLATFORM

ITEM	PART NUMBER	QTY	DESCRIPTION	REV
	90555024	1	PERSONNEL PLATFORM ASSY, (includes all items)	J
1		Ref	106IN PERSONNEL PLATFORM, (includes items 21 thru 29)	
1	90553034	NLA	96IN PERSONNEL PLATFORM, (no longer available, use 3510809 for service), (includes items 21 thru 27 & 29 thru 41)	B
1	3510809	1	96IN PERSONNEL PLATFORM, (includes items 21 thru 27 & 29 thru 41)	C
2	90556020	1	ADAPTER SUPPORT	
3	91146053	1	LH SUPPORT BRACKET	
4	91141350	2	PIN	
5	91146054	1	RH SUPPORT BRACKET	
6	88631449	2	ROLL PIN, 1/8X1-1/2	
7	91043221	2	DETENT PIN	
8	N.S.S.	1	SN PLATE	
9		Ref	DRIVE SCREW, #10X3/8	
10	91033039	2	CHAIN CONNECTION	
11	91033038	24 in	CHAIN	
12	86081050	8	HEX HD CAPSCREW, 5/8-11X1-1/2	
13	88551015	8	LOCKWASHER, 5/8	
14	91403230	1	MANUAL HOLDER	
15	77143013	4	WHIZ-LOCKNUT, 1/4-20	
16	90554001	1	PERSONNEL WORK PLATFORM MANUAL	
17	80903009	3	GRADALL DECAL, (106in platform)	
17	77333053	3	GRADALL DECAL, (96in platform)	
18	1706893	1	WARNING DECAL	
19	1706892	1	WARNING DECAL	
20	1704277	AR	LANYARD DECAL	
21	4846265	1	GATE	
22	3539685	1	LATCH PLATE	
23	2940074	1	LATCH	
24	3911008	4	ROUND HD SCREW	
25	3311001	4	HEX NUT, #10-24	
26	4751000	4	WASHER, #10	
27	4761000	4	WASHER	
28	90554013	10	BLIND FASTENER	
29	2600216	2	HINGE	
30	0641524	4	HEX HD CAPSCREW, 5/16-18X3	
31	2080063	16	NYLON LOCKNUT, 1/4-20	
32	2080064	14	NYLON LOCKNUT, 5/16-18	
33	3520072	5	CAP PLUG	
34	3573363	1	GUARD PLATE	
35	3641438	1	BENT RAIL	
36	3911428	16	ROUND HD SCREW, 1/4-20X3/4	
37	3911528	12	ROUND HD SCREW, 5/16-18X3/4	
38	4711400	16	WASHER, 1/4	
39	4711500	32	WASHER, 5/16	
40	4846528	1	BASKET END WELDMENT	
41	3311501	2	HEX NUT, 5/16-18	
K1	91345051	1	DECAL KIT, (includes all items listed below)	
K1	90553026	1	WARNING DECAL	

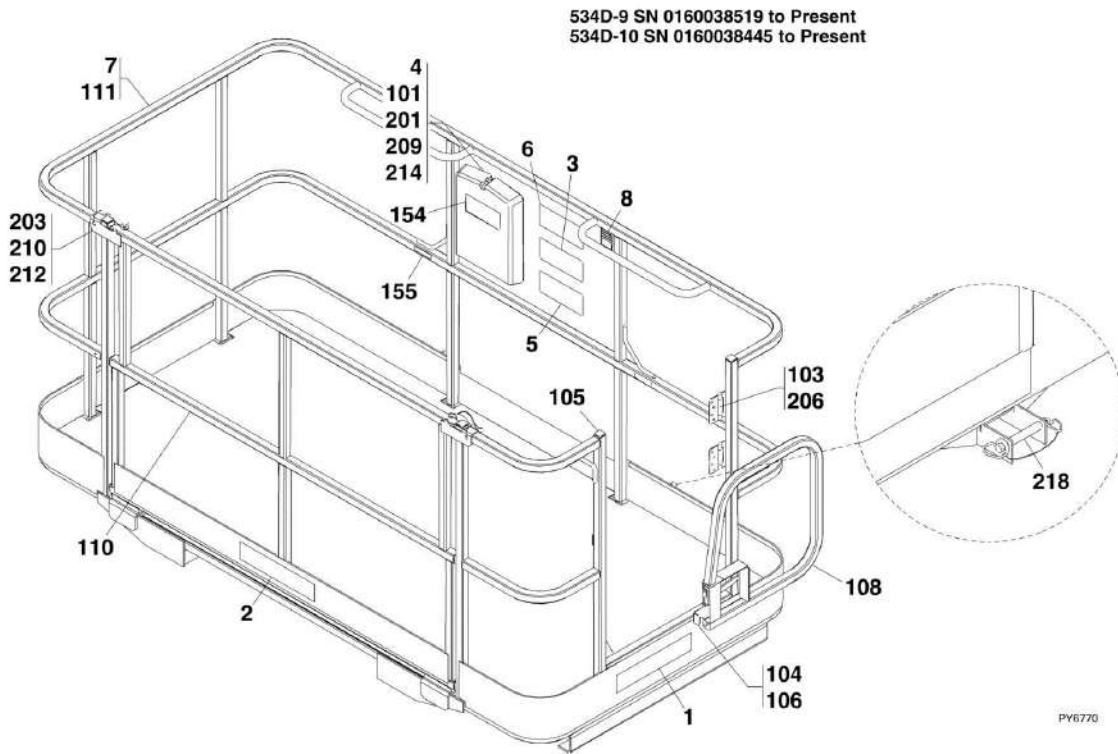
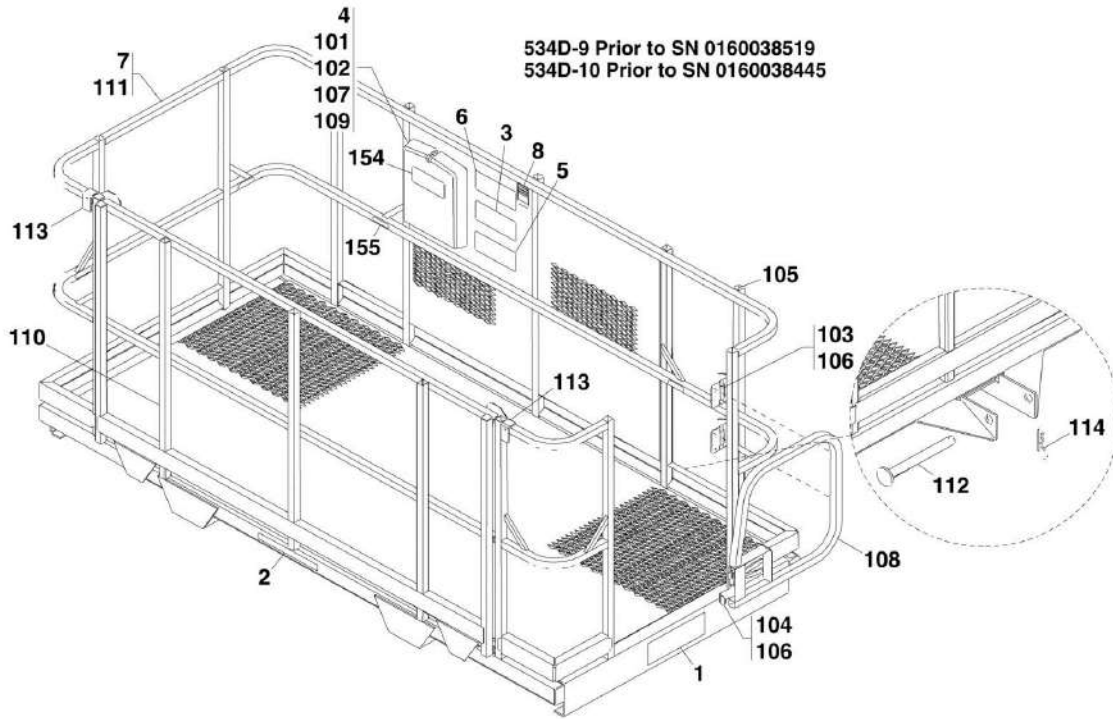
### SECTION 3 - ATTACHMENTS

ITEM	PART NUMBER	QTY	DESCRIPTION	REV
K1	90553027	1	WARNING DECAL	
K1	90553028	1	WARNING DECAL	
N1	Note	Ref	<b>WHEN BUYING THE PERSONNEL PLATFORM ASSEMBLY FOR FIELD INSTALLATION, BE SURE TO ALSO ORDER THE FOLLOWING.</b>	
N1	91343204	1	CAPACITY CHART - PERSONNEL PLATFORM, (534D-9), (45ft boom)	
N1	91353063	1	LOAD CHART, PERSONNEL PLATFORM, , (45ft boom) <b>(534D-10 Prior to SN 0160038445)</b>	
N1	1001106164	1	LOAD CHART, PERSONNEL PLATFORM, , (45ft boom) <b>(534D-10 SN 0160038445 to Present)</b>	
N1	91343203	1	CAPACITY CHART - PERSONNEL PLATFORM, (534D-9), (40ft boom)	
N1	91353062	1	CAPACITY CHART - PERSONNEL PLATFORM, (534D-10), (40ft boom)	



# SECTION 3 - ATTACHMENTS

## FIGURE 3-25. FORK MOUNTED PLATFORM



PY6770



## SECTION 3 - ATTACHMENTS

### FIGURE 3-25. FORK MOUNTED PLATFORM

ITEM	PART NUMBER	QTY	DESCRIPTION	REV
	1001092280	NLA	FORK MOUNTED PLATFORM, (ASME), (no longer available, order 1001103637 for replacement or items 1 thru 8 for service) <b>(534D-9 Prior to SN 0160038519; 534D-10 Prior to SN 0160038445)</b>	E
	1001103637	1	FORK MOUNTED PLATFORM, (ASME), (includes items 1 thru 8) <b>(534D-9 SN 0160038519 to Present; 534D-10 SN 0160038445 to Present)</b>	D
	1001096306	NLA	FORK MOUNTED PLATFORM, (ISO), (no longer available, order 1001103730 for replacement or items 1 thru 8 for service) <b>(534D-9 Prior to SN 0160038519; 534D-10 Prior to SN 0160038445)</b>	C
	1001103730	1	FORK MOUNTED PLATFORM, (ISO), (includes items 1 thru 8) <b>(534D-9 SN 0160038519 to Present; 534D-10 SN 0160038445 to Present)</b>	D
	1001097072	NLA	FORK MOUNTED PLATFORM, (ASME - FRENCH), (no longer available, order 1001103736 for replacement or items 1 thru 8 for service) <b>(534D-9 Prior to SN 0160038519; 534D-10 Prior to SN 0160038445)</b>	C
	1001103736	1	FORK MOUNTED PLATFORM, (ASME - FRENCH), (includes items 1 thru 8) <b>(534D-9 SN 0160038519 to Present; 534D-10 SN 0160038445 to Present)</b>	D
1	1702773	2	JLG DECAL	
2	1704885	1	WEBSITE DECAL	
3	1706892	1	PLATFORM WARNING DECAL, (ASME)	
3	1001096025	1	PLATFORM WARNING DECAL, (ISO)	
3	1001096024	1	PLATFORM WARNING DECAL, (ASME - FRENCH)	
4	31200160	1	OPERATION AND SAFETY MANUAL, (ASME)	
4	31200387	1	OPERATION AND SAFETY MANUAL, (ISO - SPANISH)	
4	31200388	1	OPERATION AND SAFETY MANUAL, (ISO - PORTUGUESE)	
4	31200386	1	OPERATION AND SAFETY MANUAL, (ASME - FRENCH)	
5	1001092481	1	WARNING DECAL, (ASME)	
5	1001096021	1	WARNING DECAL, (ISO)	
5	1001096019	1	WARNING DECAL, (ASME - FRENCH)	
6	1001092482	1	CAPACITY DECAL, (ASME)	
6	1001096023	1	CAPACITY DECAL, (ISO)	
6	1001096020	1	CAPACITY DECAL, (ASME - FRENCH)	
7	N.S.S.	1	FORK MOUNTED PLATFORM, (includes items 101 thru 114) <b>(534D-9 Prior to SN 0160038519; 534D-10 Prior to SN 0160038445)</b>	B
7	N.S.S.	1	FORK MOUNTED PLATFORM, (includes items 101, 103 thru 106, 108, 110, 111, 154, 155 & 201 thru 218) <b>(534D-9 SN 0160038519 to Present; 534D-10 SN 0160038445 to Present)</b>	J
8	N.S.S.	1	SN PLATE	
101	0860520	1	MANUAL STORAGE BOX	
102	2080044	4	RIVNUT FASTENER, 1/4-20	
103	2600281	2	HINGE	
104	2940074	1	LATCH	
105	3520198	21	PLUG, <b>(534D-9 Prior to SN 0160038519; 534D-10 Prior to SN 0160038445)</b>	
105	3520072	10	PLUG, <b>(534D-9 SN 0160038519 to Present; 534D-10 SN 0160038445 to Present)</b>	
106	3820020	20	POP RIVET, <b>(534D-9 Prior to SN 0160038519; 534D-10 Prior to SN 0160038445)</b>	
106	3820020	4	POP RIVET, <b>(534D-9 SN 0160038519 to Present; 534D-10 SN 0160038445 to Present)</b>	

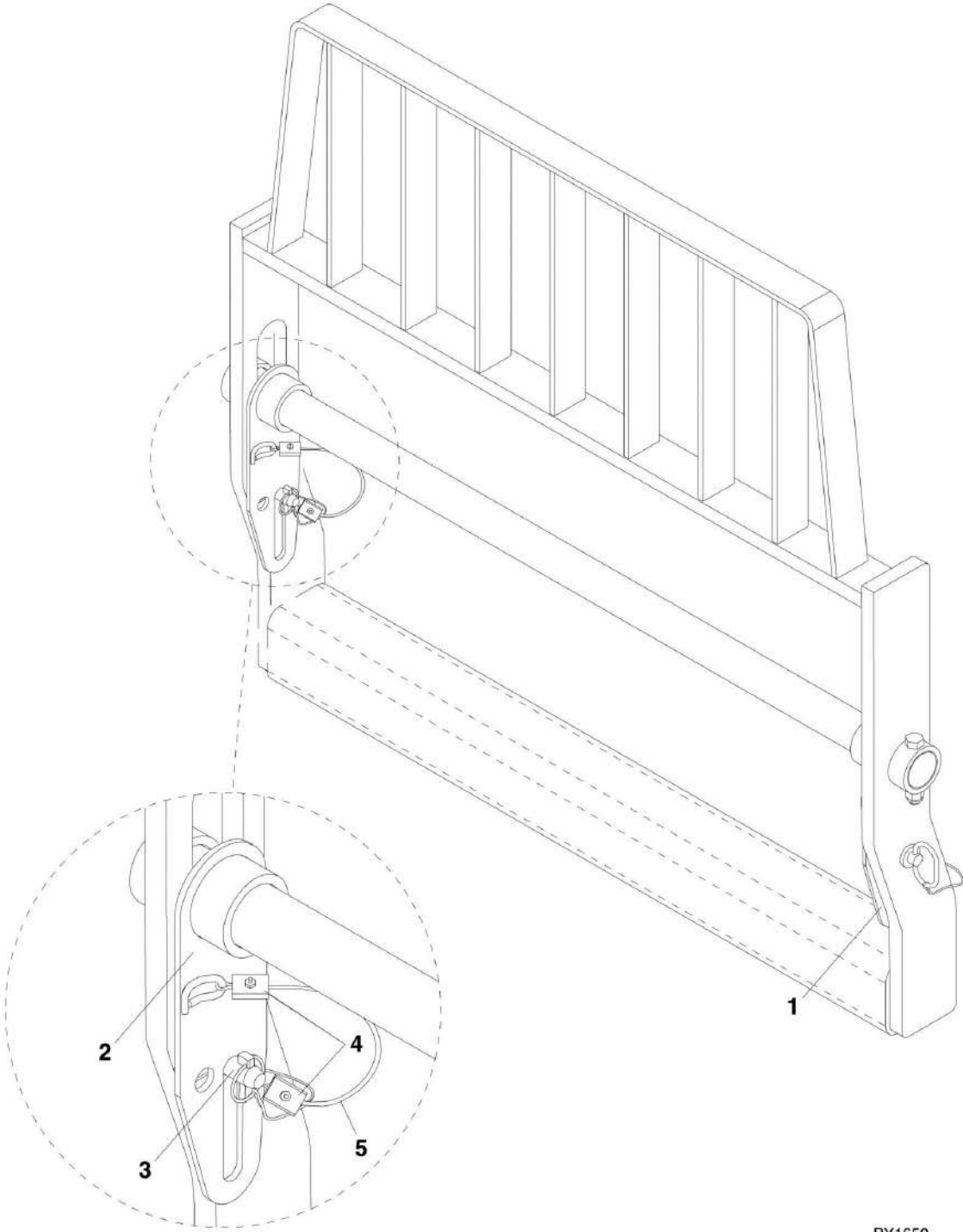
## SECTION 3 - ATTACHMENTS

ITEM	PART NUMBER	QTY	DESCRIPTION	REV
107	4751400	4	WASHER, 1/4	
108	4846452	1	GATE WELDMENT	
109	80263012	4	SCREW WHIZ-LOCK, 1/4-20X1/2	
110	1001093140	1	GATE WELDMENT, (534D-9 Prior to SN 0160038519; 534D-10 Prior to SN 0160038445)	
110	1001095810	1	GATE WELDMENT, (534D-9 SN 0160038519 to Present; 534D-10 SN 0160038445 to Present)	
111	N.S.S.	1	PLATFORM WELDMENT	
112	1001093171	2	PIN	
113	1001097168	2	SAFETY SNAP PIN WITH LANYARD	
114	1001098582	2	LYNCH PIN 3/16 WITH LANYARD	
154	1701509	1	MANUAL DECAL	
155	1704277	8	LANYARD ATTACH DECAL, (534D-9 Prior to SN 0160038519; 534D-10 Prior to SN 0160038445)	
155	1704277	3	LANYARD ATTACH DECAL, (534D-9 SN 0160038519 to Present; 534D-10 SN 0160038445 to Present)	
201	0641405	4	HEX HD CAPSCREW, 1/4-20X5/8	
203	1060379	2	6IN LANYARD CABLE	
206	2080040	16	FASTENER	
209	3311405	4	HEX NUT, 1/4-20	
210	3421453	2	PIN	
212	3760170	4	RING	
214	4711400	8	WASHER, 1/4	
218	1001102813	2	HITCH PIN	



# SECTION 3 - ATTACHMENTS

FIGURE 3-26. FORK PIN LOCK INSTALLATION (534D-9 SN 0160038519 to Present; 534D-10 SN 0160038445 to Present)



PY1650

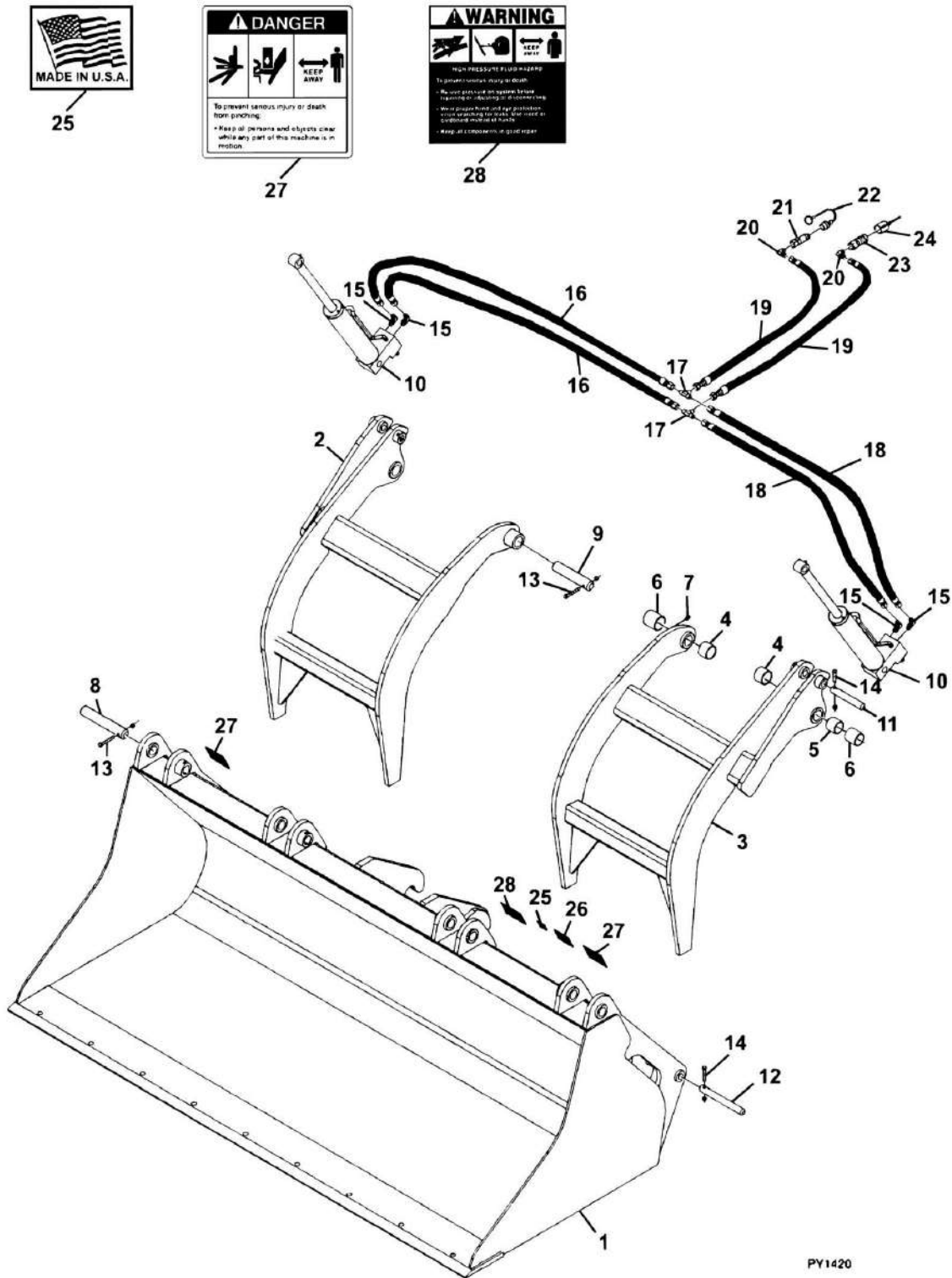
### SECTION 3 - ATTACHMENTS

**FIGURE 3-26. FORK PIN LOCK INSTALLATION (534D-9 SN 0160038519 to Present; 534D-10 SN 0160038445 to Present)**

ITEM	PART NUMBER	QTY	DESCRIPTION	REV
	1001093465	1	FORK PIN LOCK INSTALLATION, (includes all items)	B
1	0240156	1	LH FORK PIN LOCK	
2	1001093273	1	RH FORK PIN LOCK	
3	1001093377	2	HITCH PIN	
4	1001094830	4	CLAMP	
5	1001094330	2	LANYARD	

# SECTION 3 - ATTACHMENTS

FIGURE 3-27. GRAPPLE BUCKET (534D-9 SN 0160038519 to Present; 534D-10 SN 0160038445 to Present)



PY1420

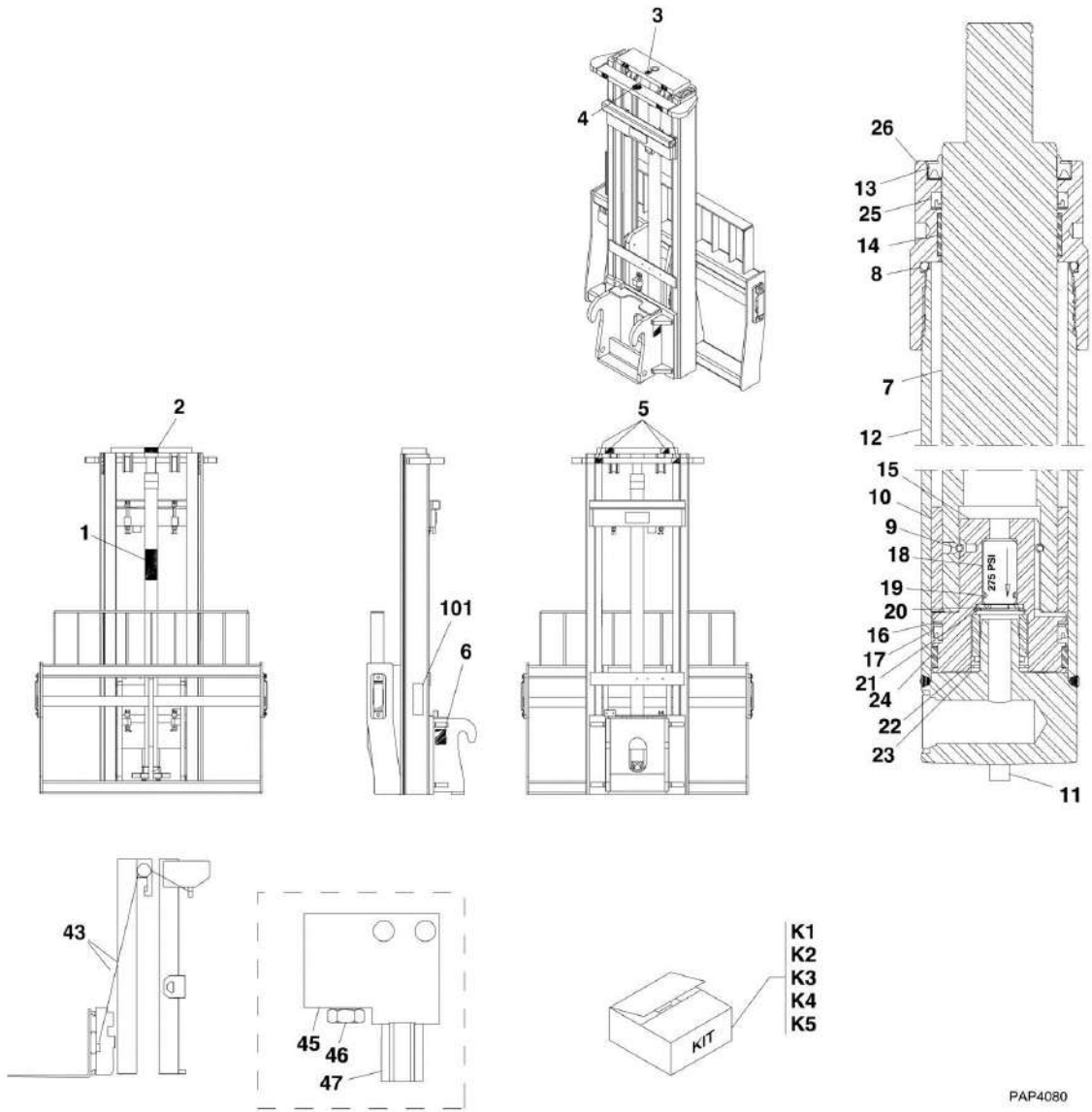
## SECTION 3 - ATTACHMENTS

**FIGURE 3-27. GRAPPLE BUCKET (534D-9 SN 0160038519 to Present; 534D-10 SN 0160038445 to Present)**

ITEM	PART NUMBER	QTY	DESCRIPTION	REV
	0930020	1	GRAPPLE BUCKET, (includes all items)	G
1	N.S.S.	1	BUCKET	
1	70021387	4	HOSE CLAMP	
2	70021391	1	RIGHT GRAPPLE HOOK	
3	70021392	1	LEFT GRAPPLE HOOK	
4	70021358	4	BUSHING	
5	70021359	2	SPACER	
6	70021360	4	BUSHING	
7	7029714	4	GREASE FITTING	
8	70021361	2	OUTER PIVOT PIN	
9	70021362	2	INNER PIVOT PIN	
10		Ref	GRAPPLE BUCKET CYLINDER, (See HYDRAULIC COMPONENTS SECTION for Breakdown)	
11	70021364	2	PIN	
12	70021365	2	PIN	
13	70021366	4	HEX HD CAPSCREW, 3/8X2.75	
13	70021367	4	LOCKNUT, 3/8	
14	70021399	4	HEX HD CAPSCREW, 3/8X2.25	
14	70021367	4	LOCKNUT, 3/8	
15	90554065	4	ELBOW, 90	
16	70021980	2	HOSE ASSY, 3/8X73IN	
17	70020562	2	TEE FITTING	
18	70021981	2	HOSE ASSY, 3/8X46IN	
19	70021395	2	HOSE ASSY, 3/8X34IN	
20	70022527	2	ELBOW, 90	
21	7029692	1	MALE QUICK COUPLER	
22	90554062	1	DUST COVER	
23	70021342	1	FEMALE QUICK COUPLER	
24	90554076	1	DUST COVER	
25	90554016	1	MADE IN USA DECAL	
26	N.S.S.	1	SN PLATE	
27	90554017	2	DANGER PINCH POINT DECAL	
28	90554018	1	HIGH PRESSURE WARNING DECAL	

# SECTION 3 - ATTACHMENTS

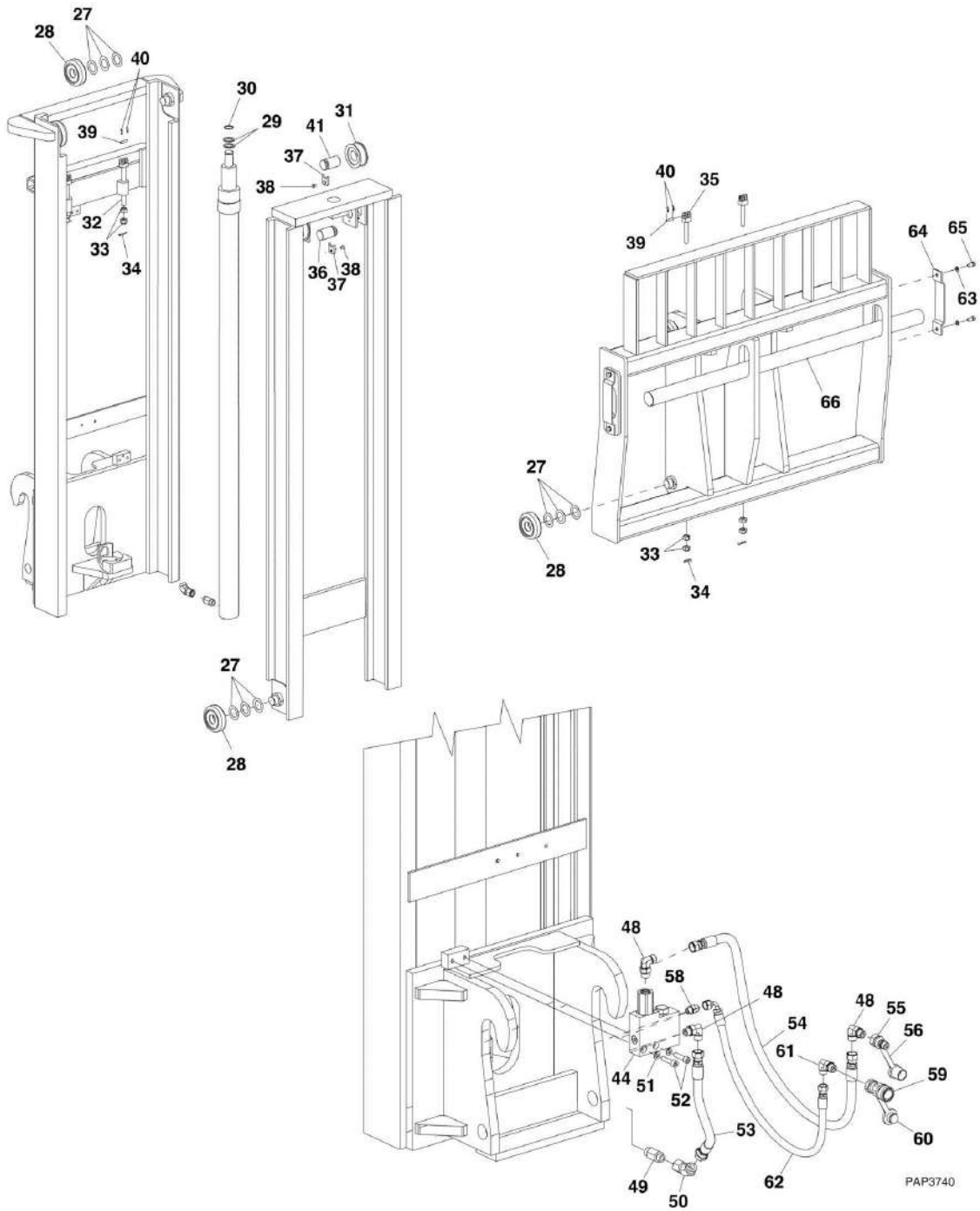
FIGURE 3-28. 8 FT STANDARD MAST (534D-9 SN 0160038519 to Present; 534D-10 SN 0160038445 to Present)



PAP4080



# SECTION 3 - ATTACHMENTS



## SECTION 3 - ATTACHMENTS

**FIGURE 3-28. 8 FT STANDARD MAST (534D-9 SN 0160038519 to Present; 534D-10 SN 0160038445 to Present)**

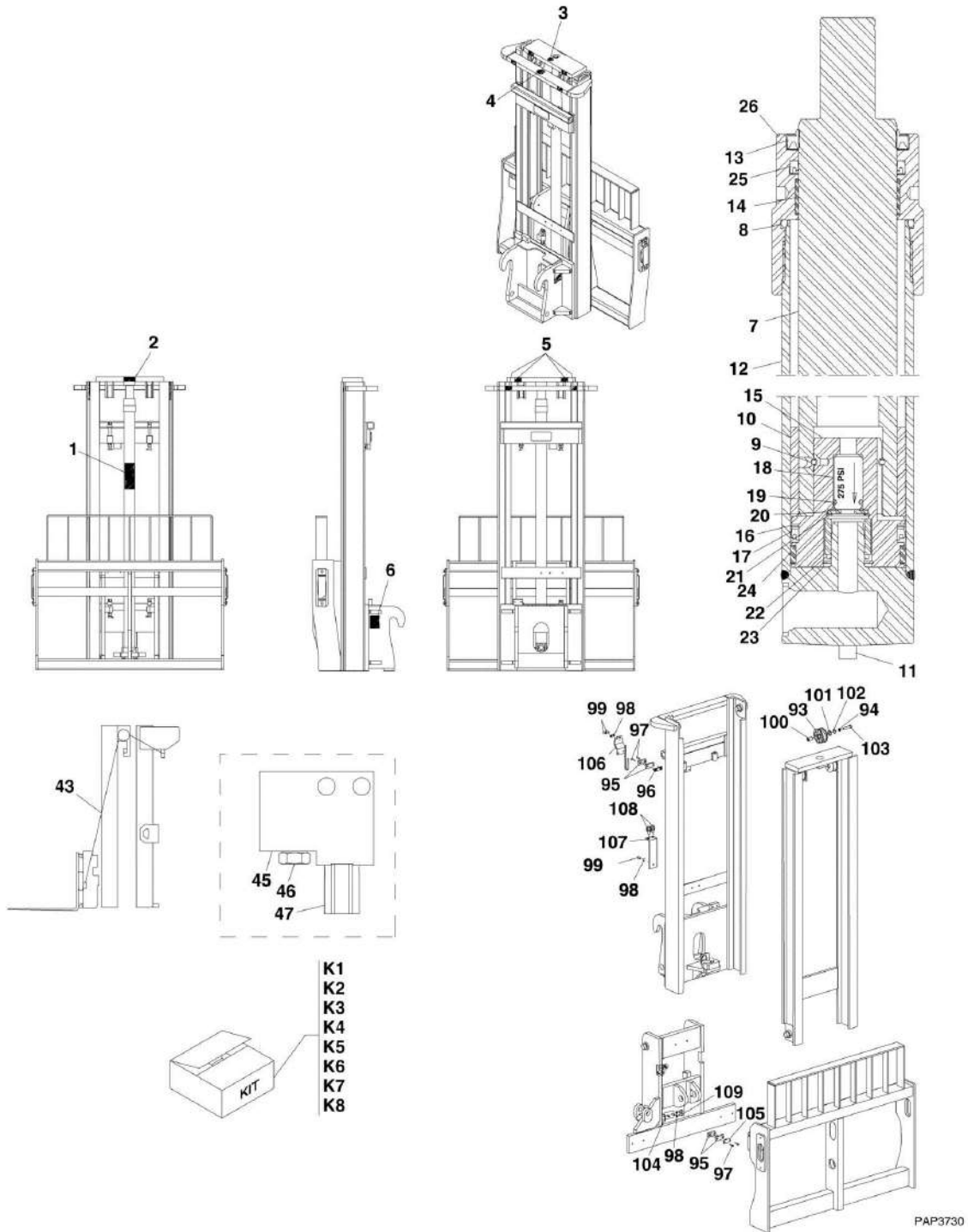
ITEM	PART NUMBER	QTY	DESCRIPTION	REV
	1001108668	1	8FT STANDARD MAST, (includes all items)	B
1	Kit	1	WARNING DECAL	
2	Kit	1	WARNING DECAL	
3	Kit	1	NO STEP DECAL	
4	Kit	1	NO STEP DECAL	
5	Kit	4	HANDS OFF DECAL	
6	1001111190	2	HOSE ROUTING	
	70023008	1	MAIN LIFT CYLINDER, (includes items 7 thru 26)	
7	N.S.S.	1	ROD/PLUNGER	
8	Kit	1	O-RING	
9	Kit	1	PULL WIRE	
10	N.S.S.	1	SPACER	
11	N.S.S.	2	ROLL PIN	
12	N.S.S.	1	BARREL	
13	Kit	1	WIPER	
14	Kit	1	BUSHING	
15	N.S.S.	1	PISTON	
16	Kit	1	NYLON RING	
17	Kit	1	PISTON SEAL	
18	Kit	1	CHECK VALVE	
19	Kit	1	O-RING	
20	Kit	1	WASHER	
21	Kit	1	CIRCLIP	
22	N.S.S.	1	SLEEVE	
23	Kit	1	RETAINING RING	
24	Kit	1	WEAR RING	
25	Kit	1	ROD SEAL	
26	70023004	1	RETAINER/GLAND	
27	70023014	24	SHIM	
28	70022987	8	BALL BEARING	
29	Kit	2	WASHER SHIM	
30	70023016	1	SNAP RING	
31	70022969	2	SHEAVE ASSY	
32	70022960	2	CHAIN ANCHOR	
33	70022957	8	NUT, 0.625-18UNF	
34	70022993	4	COTTER PIN	
35	70022995	2	CHAIN ANCHOR	
36	70022984	1	SHEAVE SHAFT	
37	70022970	2	RETAINER BAR	
38	70023003	2	FLAT HD CAPSCREW	
39	70022994	4	CHAIN ANCHOR PIN	
40	70022992	8	COTTER PIN	
41	70022985	1	SHEAVE SHAFT	
43	70023009	2	LIFT CHAIN	
44	70022932	1	P.O. CHECK VALVE ASSY, (includes items 45, 46 & 47)	
45	N.S.S.	1	MANIFOLD	
46	70022931	1	P.O. CHECK VALVE CARTRIDGE	
47	70023010	1	P.O. CHECK	

## SECTION 3 - ATTACHMENTS

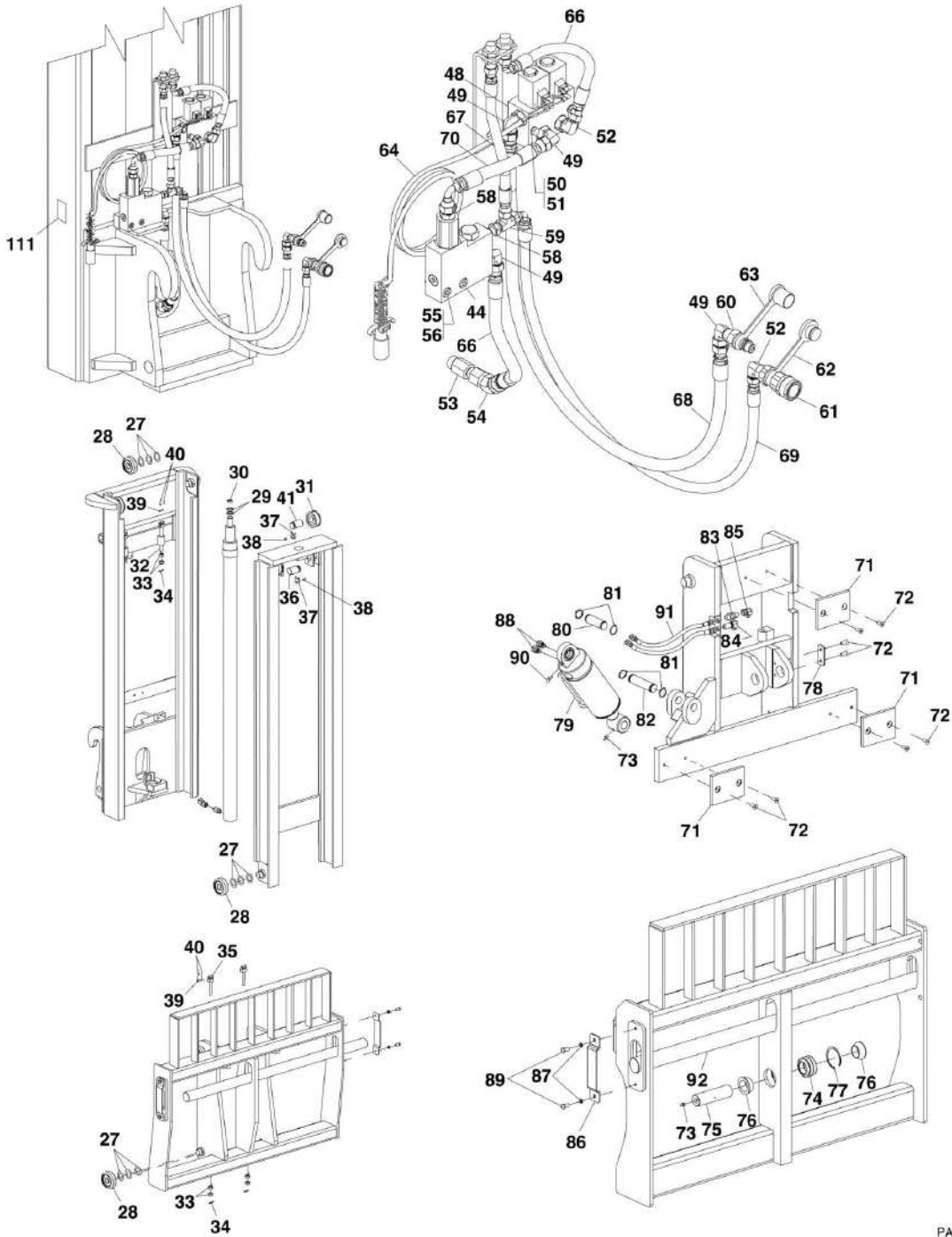
ITEM	PART NUMBER	QTY	DESCRIPTION	REV
48	70022934	3	FITTING, 90	
49	70022936	1	FLOW LIMITER	
50	70022937	1	FITTING, 45	
51	70022949	2	LOCKWASHER, M10	
52	70022950	2	HEX SOCKET CAPSCREW	
53	70022942	1	HOSE ASSY	
54	70022952	1	HOSE ASSY	
55	91403414	1	MALE QUICK DISCONNECT COUPLING	
56	91043126	1	DUST CAP	
58	70022939	1	STRAIGHT FITTING, #6	
59	91403413	1	FEMALE QUICK DISCONNECT COUPLING	
60	91043125	1	DUST PLUG	
61	70022935	1	ELBOW, STRAIGHT THREAD	
62	70022946	1	HOSE ASSY	
63	70022949	4	LOCKWASHER, M10	
64	70022980	2	FORK PIN KEEPER	
65	70022998	4	CAPSCREW, M10X20, LG	
66	70022990	1	FORK PIN	
101	N.S.S.	1	SN PLATE	
K1	70023925	1	DECAL KIT, (includes items 1 thru 6)	
K2	70023005	1	SEAL KIT, MAIN LIFT CYLINDER, (includes items 8, 9, 13, 14, 16, 17, 19, 21, 23, 24 & 25)	
K3	70023006	1	CHECK VALVE KIT, (includes items 18, 19, 20, 21 & 23)	
K4	70023007	1	SHIM KIT	
K5	70023015	1	MAST COMMON PARTS KIT, (includes items 27 thru 43)	

# SECTION 3 - ATTACHMENTS

**FIGURE 3-29. 8 FT SIDE TILT ELECTRIC MAST (534D-9 SN 0160038519 to Present; 534D-10 SN 0160038445 to Present)**



# SECTION 3 - ATTACHMENTS



PAP17780

## SECTION 3 - ATTACHMENTS

**FIGURE 3-29. 8 FT SIDE TILT ELECTRIC MAST (534D-9 SN 0160038519 to Present; 534D-10 SN 0160038445 to Present)**

ITEM	PART NUMBER	QTY	DESCRIPTION	REV
	1001108669	1	8FT SIDE TILT ELECTRIC MAST, (includes all items)	D
1	Kit	1	WARNING DECAL	
2	Kit	1	WARNING DECAL	
3	Kit	1	NO STEP DECAL	
4	Kit	1	NO STEP DECAL	
5	Kit	4	HANDS OFF DECAL	
6	1001111190	2	WARNING DECAL	
7	N.S.S.	1	ROD/PLUNGER	
8	Kit	1	O-RING	
9	Kit	1	PULL WIRE	
10	N.S.S.	1	SPACER	
11	N.S.S.	2	ROLL PIN	
12	N.S.S.	1	BARREL	
13	Kit	1	WIPER	
14	Kit	1	BUSHING	
15	N.S.S.	1	PISTON	
16	Kit	1	NYLON RING	
17	Kit	1	PISTON SEAL	
18	Kit	1	CHECK VALVE	
19	Kit	1	O-RING	
20	Kit	1	WASHER	
21	Kit	1	CIRCLIP	
22	N.S.S.	1	SLEEVE	
23	Kit	1	RETAINING RING	
24	Kit	1	WEAR RING	
25	Kit	1	ROD SEAL	
26	70023004	1	RETAINER/GLAND	
27	70023014	24	SHIM	
28	70022987	8	BALL BEARING	
29	Kit	1	Kit	
30	70023016	1	SNAP RING	
31	70022969	2	SHEAVE ASSY	
32	70022960	2	CHAIN ANCHOR	
33	70022957	8	NUT, 0.625-18UNF	
34	70022993	4	COTTER PIN	
35	70022995	2	CHAIN ANCHOR	
36	70022984	1	SHEAVE SHAFT	
37	70022970	2	RETAINER BAR	
38	70023003	2	FLAT HD CAPSCREW	
39	70022994	4	PIN, CHAIN ANCHOR	
40	70022992	8	COTTER PIN	
41	70022985	1	SHEAVE SHAFT	
43	70023009	2	LIFT CHAIN	
44	70022932	1	P.O. CHECK VALVE ASSY, (includes items 45, 46 & 47)	
45	N.S.S.	1	MANIFOLD	
46	70022931	1	P.O. CHECK VALVE CARTRIDGE	
47	70023010	1	P.O. CHECK	
48	70022933	1	SOLENOID VALVE BANK	

## SECTION 3 - ATTACHMENTS

ITEM	PART NUMBER	QTY	DESCRIPTION	REV
49	70022934	4	FITTING, 90	
50	70022948	2	LOCKWASHER, M8	
51	70022951	2	CAPSCREW, M8X60	
52	70022935	2	STRAIGHT THREAD ELBOW	
53	70022936	1	FLOW LIMITER	
54	70022937	1	FITTING, 45	
55	70022949	2	LOCKWASHER, M10	
56	70022950	2	HEX SOCKET CAPSCREW	
57	70022938	1	STRAIGHT FITTING, (not shown)	
58	70022939	1	STRAIGHT FITTING, #6	
59	70022940	1	TEE FITTING	
60	91403414	1	MALE QUICK DISCONNECT COUPLING	
61	91403413	1	FEMALE QUICK DISCONNECT COUPLING	
62	91043125	1	DUST PLUG	
63	91043126	1	DUST CAP	
64	70022941	1	HARNES	
65	70022942	1	HOSE ASSY, (not shown)	
66	70022943	1	HOSE ASSY	
67	70022944	1	HOSE ASSY	
68	70022945	1	HOSE ASSY	
69	70022946	1	HOSE ASSY	
70	70022947	1	HOSE ASSY	
71	70022972	3	WEAR PAD	
72	70022971	8	FLAT HD CAPSCREW	
73	70023001	2	GREASE FITTING	
74	70022975	1	BEARING	
75	70022973	1	PIVOT SHAFT	
76	70022974	2	BEVELED SPACER	
77	70022988	1	RETAINING RING	
78	70022976	1	RETAINER PLATE	
79	2716143	1	TILT CYLINDER	
80	70022977	1	PIN, 128.1mm	
81	70023016	4	SNAP RING, 1-1/4	
82	70022978	1	PIN, 128.1mm	
83	70023000	1	BULKHEAD UNION, (with locknut)	
84	70022999	1	BULKHEAD UNION ELBOW	
85	70022982	1	STRAIGHT THREAD ELBOW	
86	70022980	2	FORK PIN KEEPER	
87	70022949	4	LOCKWASHER, M10	
88	70022991	2	STRAIGHT THREAD ELBOW, 90	
89	70022998	4	CAPSCREW, M10X20, LG	
90	70022966	1	GREASE FITTING	
91	70022979	2	HOSE ASSY	
92	70022990	1	FORK PIN	
93	70022965	1	SHEAVE	
94	70022997	1	LOCKWASHER, M12, (not shown)	
95	70022967	4	HOSE CLAMP	
96	70022962	1	BAR ASSY	
97	70023002	4	CAPSCREW, M6X25, LG	
98	70022949	5	LOCKWASHER, M10	
99	70022958	3	CAPSCREW, M10X20	

## SECTION 3 - ATTACHMENTS

ITEM	PART NUMBER	QTY	DESCRIPTION	REV
100	70022961	1	SHAFT	
101	70022959	1	WASHER	
102	70022989	1	RETAINING RING	
103	70022964	1	CAPSCREW, M12X55	
104	70022981	1	IHR BRACKET	
105	70022968	1	HOSE CLAMP BAR	
106	70023011	1	IHR BRACKET	
107	70022983	1	TERMINATION BRACKET	
108	70023000	2	BULKHEAD UNION AND LOCKNUT	
109	70022996	3	CAPSCREW, M10X16 LG	
110	70022963	2	HOSE ASSY, (not shown)	
111	N.S.S.	1	SN PLATE	
K1	70023925	1	DECAL KIT, (includes items 1 thru 6)	
K2	70023005	1	SEAL KIT, MAIN LIFT CYLINDER, (includes items 8, 9, 13, 14, 16, 17, 19, 21, 23, 24 & 25)	
K3	70023006	1	CHECK VALVE KIT, (includes items 18, 19, 20, 21 & 23)	
K4	70023007	1	SHIM KIT	
K5	70023015	1	MAST COMMON PARTS KIT, (includes items 27 thru 43)	
K6	8035831	1	SEAL KIT, TILT CYLINDER	
K7	70023013	1	IHR COMMON PARTS KIT, (includes items 93 thru 109)	
K8	70022986	1	IHR KIT, (includes items 93 thru 110)	

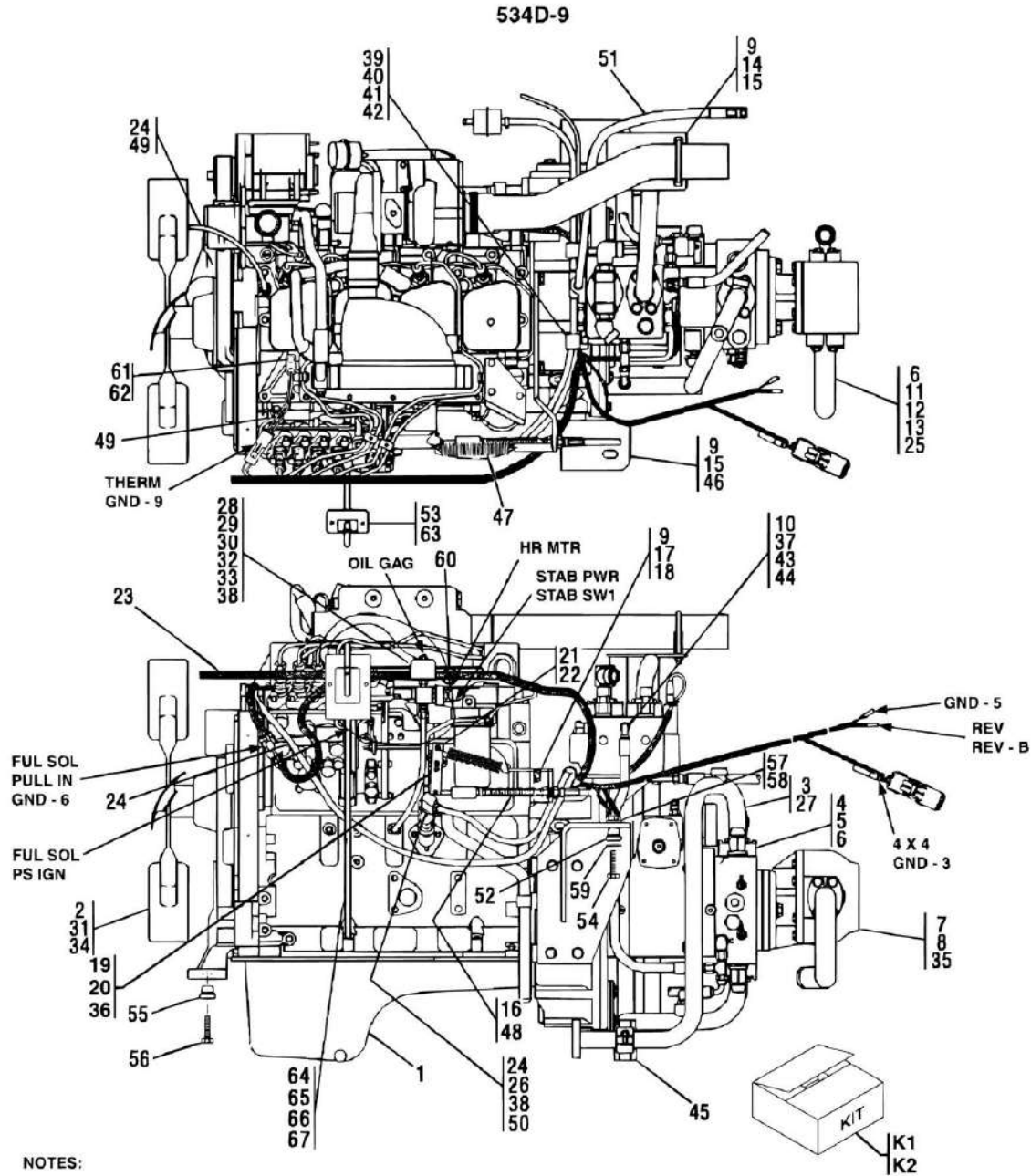


## **SECTION 4 - ENGINE AND ATTACHING PARTS**

## **SECTION 4 - ENGINE AND ATTACHING PARTS**

# SECTION 4 - ENGINE AND ATTACHING PARTS

FIGURE 4-1. ENGINE ASSEMBLY, LH VIEW (534D-9 SN 0544001 through 0544084)



**NOTES:**

1. USE LOCTITE (14403364) ON ALL BOLT & FITTING THREADS EXCEPT PIPE THREADS.
2. USE LOCTITE PIPE SEALANT (14404082) ON ALL PIPE THREADS.

PAP19720

## SECTION 4 - ENGINE AND ATTACHING PARTS

**FIGURE 4-1. ENGINE ASSEMBLY, LH VIEW (534D-9 SN 0544001 through 0544084)**

ITEM	PART NUMBER	QTY	DESCRIPTION	REV
	91345001	Ref	ENGINE ASSY, (534D-9), (includes all items except 52 & 54 thru 59 on ENGINE ASSEMBLY, LH VIEW and includes all items on ENGINE ASSEMBLY, RH VIEW and ENGINE PUMP MOUNT AND FLYWHEEL HOUSING )	
1		Ref	CUMMINS B3.9C-110 EPA ENGINE, (534D-9)	
2	91143329	1	FAN ASSY	
3	91163122	1	TUBE ASSY	
4	84712738	2	SPLIT FLANGE CLAMP	
5	83201135	4	HEX HD CAPSCREW, 7/16X14-1-1/2, GR8	
6	88551012	8	LOCKWASHER, 7/16	
7		Ref	MAIN PUMP, (See HYDRAULIC COMPONENTS SECTION for Breakdown)	
8	88201095	2	HEX HD CAPSCREW, 5/8-11X1-1/2, GR5	
9	83191010	10	LOCKWASHER, M12	
10	2220635	1	SWIVEL NUT RUN TEE, 3/8 TUBE	
11	88591027	1	O-RING	
12	91143121	1	SUCTION TUBE	
13	84711334	2	FLANGE CLAMP	
14	91146056	1	RH ENGINE MOUNT	
15	83191032	8	HEX HD CAPSCREW, M12X1.75X35, (lubricate and torque to 58-68 ft lbs)	
16	91163260	1	ACCELERATOR CABLE	
17	91166075	1	THROTTLE BRACKET	
18	83191004	2	HEX HD CAPSCREW, M12X1.75X30	
19	83191012	2	LOCKWASHER, M6	
20	83191035	2	SOCKET HD CAPSCREW, M6X1.00X16	
21	91143345	1	BALL SOCKET	
22	91143344	1	OVER TRAVEL	
23	91363033	1	ENGINE WIRING HARNESS	
24	82092118	111 in	FUEL LINE HOSE, 5/16	
25	88201051	4	HEX HD CAPSCREW, 7/16-14X1-1/4, GR5	
26	90030271	1	HOSE NIPPLE	
27	91083106	1	O-RING	
28	24741047	1	PRESSURE SWITCH	
29	91143315	1	OIL PRESSURE SENDER	
30	91081388	1	TAPPED BAR	
31	83191041	4	HEX HD CAPSCREW, M8X1.25X70	
32	86883075	2	TUBE FITTING	
33	72071980	28 in	NYLON TUBE, 3/8	
34	88561108	4	WASHER, 5/16	
35	90027472	2	HARDENED WASHER, 5/8	
36	91161323	1	THROTTLE BAR	
37	88591206	1	O-RING	
38	90027187	3	TIE WRAP	
39	88201020	2	HEX HD CAPSCREW, 5/16-18X1, GR5	
40	24861170	2	SUPPORT CLAMP	
41	85941017	2	SUPPORT CLAMP	
42	88521205	2	HEX NUT, 5/16-18	
43	77133447	1	HOSE ASSY	
44	2220497	1	CONNECTOR, (includes item 37)	

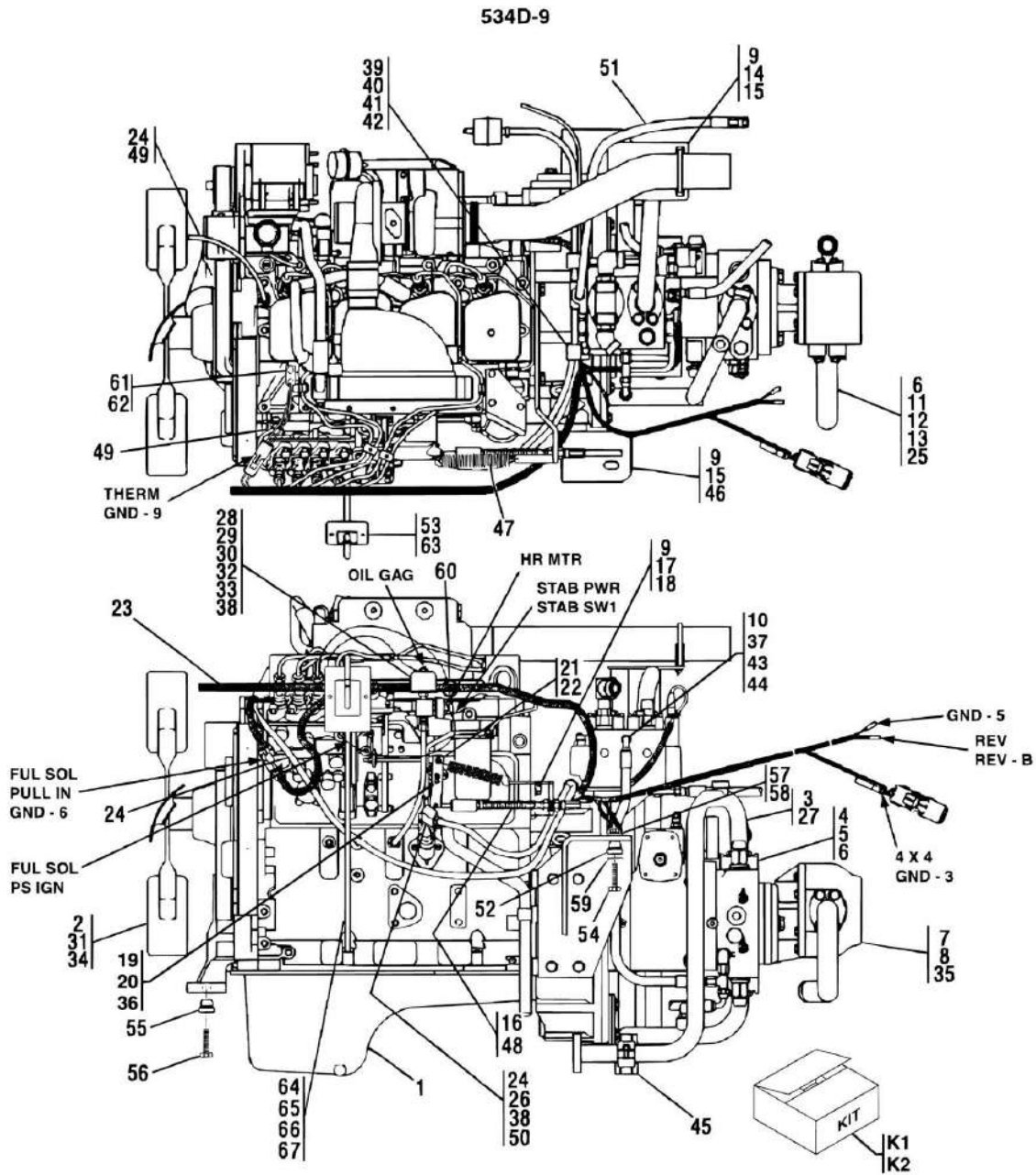
## SECTION 4 - ENGINE AND ATTACHING PARTS

ITEM	PART NUMBER	QTY	DESCRIPTION	REV
45	90205792	1	CUSHION CLAMP	
46	91146021	1	LH ENGINE MOUNT	
47	91163259	1	THROTTLE SPRING	
48	90028977	1	YOKE END	
49	86883106	3	HOSE CLAMP	
50	86983649	1	ELBOW, 90, 1/4 PIPE	
51	84718745	1	HOSE ASSY	
52	91143031	1	SHOCK MOUNT	
53	91146101	1	DIPSTICK WELDMENT	
54	88201075	1	HEX HD CAPSCREW, 1/2-13X3-1/2, GR5	
55	91143030	1	SHOCK MOUNT	
56	91143131	1	HEX HD CAPSCREW, M12X1.25X90	
57	88521008	1	LOCKNUT, 1/2-13	
58	88561111	1	FLAT WASHER, 1/2	
59	91143032	1	REBOUND WASHER	
60	91363029	1	ATOMIZER	
61	91365014	1	QUICK START THERMOSTAT ASSY, (includes the following items)	
61	91363031	1	THERMOSTAT	
61	80963058	1	SHROUD CONNECTOR, (2-wire)	
61	80963069	2	MALE PIN TERMINAL	
61	80963065	2	CABLE SEAL	
62	83191038	1	HEX HD CAPSCREW, M10X1.5X20	
63	91124125	1	DIPSTICK	
64	91164115	1	LOWER TUBE	
65	91164112	1	DIPSTICK TUBE	
66	91164113	1	UPPER TUBE END	
67	91164114	2	SPRING CLAMP	
68	91164118	1	SOLENOID, FUEL SHUT-OFF, (not shown)	
K1	91365008	NLA	250 HOUR FILTER KIT, (no longer available to order, use 1001220559 for replacement) (includes the following items)	
K1	1001220559	1	FILTER KIT, (includes the following items)	
K1	91154001	1	AIR FILTER	
K1	91083218	1	FUEL FILTER	
K1	8320270	1	FUEL FILTER	
K1	91084001	1	LUBE FILTER	
K2	1001128952	1	1000 HOUR FILTER KIT, (includes the following items)	
K2	91154001	1	AIR FILTER	
K2	91083218	1	FUEL STRAINER	
K2	8320270	1	FUEL FILTER	
K2	91084001	1	ENGINE OIL FILTER	
K2	2120168	2	HYDRAULIC FILTER	
K2	91083069	1	HYDRAULIC BREATHER	



# SECTION 4 - ENGINE AND ATTACHING PARTS

FIGURE 4-2. ENGINE ASSEMBLY, LH VIEW (534D-9 SN 0544085 through 0544216)



NOTES:

1. USE LOCTITE (14403364) ON ALL BOLT & FITTING THREADS EXCEPT PIPE THREADS.
2. USE LOCTITE PIPE SEALANT (14404082) ON ALL PIPE THREADS.

PAP19730

## SECTION 4 - ENGINE AND ATTACHING PARTS

**FIGURE 4-2. ENGINE ASSEMBLY, LH VIEW (534D-9 SN 0544085 through 0544216)**

ITEM	PART NUMBER	QTY	DESCRIPTION	REV
	91345001	Ref	ENGINE ASSY, (534D-9), (includes all items except 52 & 54 thru 59 on ENGINE ASSEMBLY, LH VIEW and includes all items on ENGINE ASSEMBLY, RH VIEW and ENGINE PUMP MOUNT AND FLYWHEEL HOUSING)	
1		Ref	CUMMINS B3.9C-110 EPA ENGINE, (534D-9)	
2	91143329	1	FAN ASSY	
3	91163122	1	TUBE ASSY	
4	84712738	2	SPLIT FLANGE CLAMP	
5	83201135	4	HEX HD CAPSCREW, 7/16X14-1-1/2, GR8	
6	88551012	8	LOCKWASHER, 7/16	
7		Ref	MAIN PUMP, (See HYDRAULIC COMPONENTS SECTION for Breakdown)	
8	88201095	2	HEX HD CAPSCREW, 5/8-11X1-1/2, GR5	
9	83191010	10	LOCKWASHER, M12	
10	2220635	1	SWIVEL NUT RUN TEE, 3/8 TUBE	
11	88591027	1	O-RING	
12	91143121	1	SUCTION TUBE	
13	84711334	2	FLANGE CLAMP	
14	91146056	1	RH ENGINE MOUNT	
15	83191032	8	HEX HD CAPSCREW, M12X1.75X35, (lubricate and torque to 58-68 ft lbs)	
16	91163260	1	ACCELERATOR CABLE	
17	91166075	1	THROTTLE BRACKET	
18	83191004	2	HEX HD CAPSCREW, M12X1.75X30	
19	83191012	2	LOCKWASHER, M6	
20	83191035	2	SOCKET HD CAPSCREW, M6X1.00X16	
21	91143345	1	BALL SOCKET	
22	91143344	1	OVER TRAVEL	
23	91363033	1	ENGINE WIRING HARNESS	
24	82092118	111 in	FUEL LINE HOSE, 5/16	
25	88201051	4	HEX HD CAPSCREW, 7/16-14X1-1/4, GR5	
26	90030271	1	HOSE NIPPLE	
27	91083106	1	O-RING	
28	24741047	1	PRESSURE SWITCH	
29	91143315	1	OIL PRESSURE SENDER	
30	91081388	1	TAPPED BAR	
31	83191041	4	HEX HD CAPSCREW, M8X1.25X70	
32	86883075	2	TUBE FITTING	
33	72071980	28 in	NYLON TUBE, 3/8	
34	88561108	4	WASHER, 5/16	
35	90027472	2	HARDENED WASHER, 5/8	
36	91161323	1	THROTTLE BAR	
37	88591206	1	O-RING	
38	90027187	3	TIE WRAP	
39	88201020	2	HEX HD CAPSCREW, 5/16-18X1, GR5	
40	24861170	2	SUPPORT CLAMP	
41	85941017	2	SUPPORT CLAMP	
42	88521205	2	HEX NUT, 5/16-18	
43	77133447	1	HOSE ASSY	
44	2220497	1	CONNECTOR, (includes item 37)	

## SECTION 4 - ENGINE AND ATTACHING PARTS

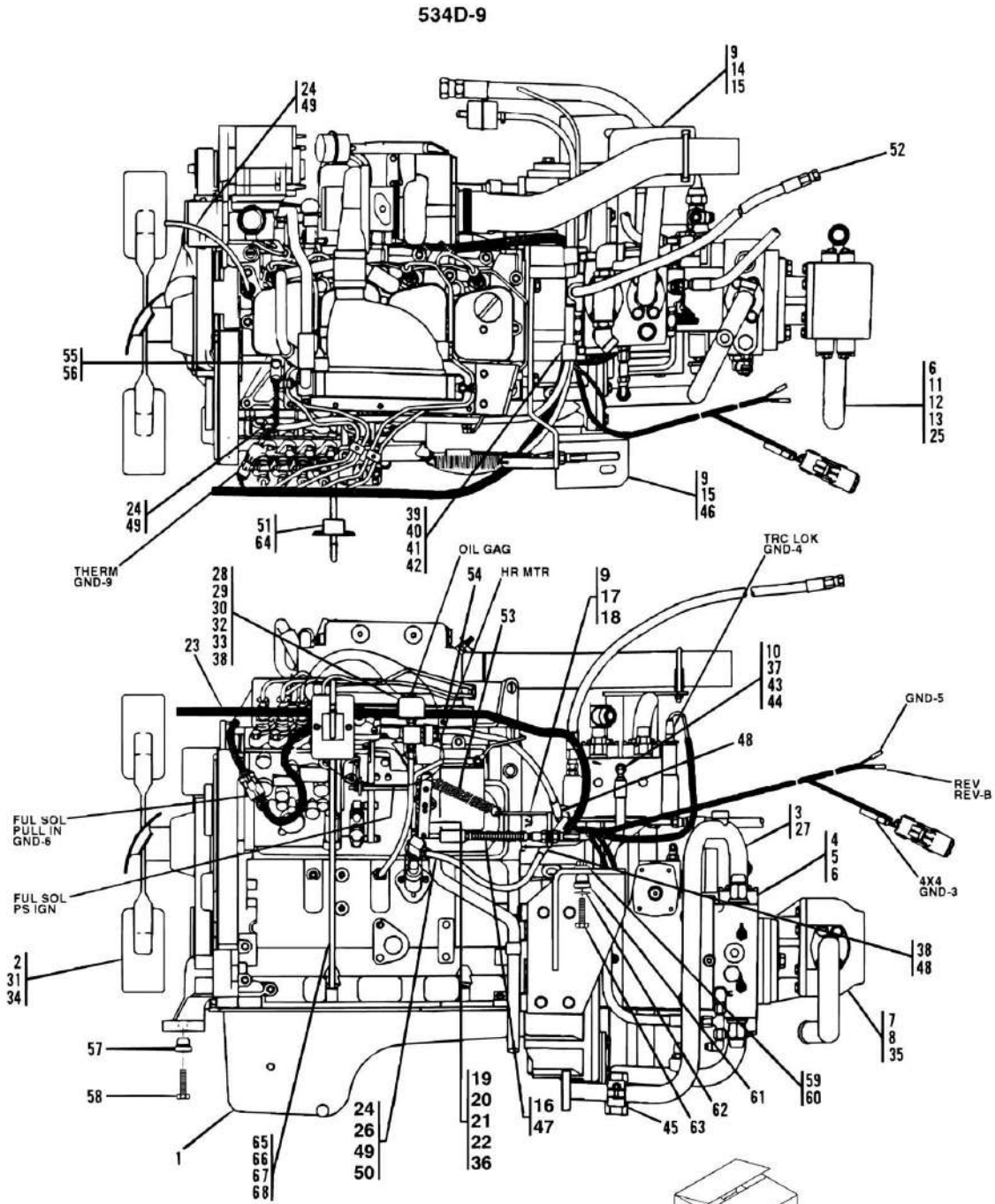
ITEM	PART NUMBER	QTY	DESCRIPTION	REV
45	90205792	1	CUSHION CLAMP	
46	91146021	1	LH ENGINE MOUNT	
47	91163259	1	THROTTLE SPRING	
48	90028977	1	YOKE END	
49	86883106	3	HOSE CLAMP	
50	86983649	1	ELBOW, 90, 1/4 PIPE	
51	84718745	1	HOSE ASSY	
52	91143031	1	SHOCK MOUNT	
53	91146101	1	DIPSTICK WELDMENT	
54	88201075	1	HEX HD CAPSCREW, 1/2-13X3-1/2, GR5	
55	91143030	1	SHOCK MOUNT	
56	91143131	1	HEX HD CAPSCREW, M12X1.25X90	
57	88521008	1	LOCKNUT, 1/2-13	
58	88561111	1	FLAT WASHER, 1/2	
59	91143032	1	REBOUND WASHER	
60	91363029	1	ATOMIZER	
61	91365014	1	QUICK START THERMOSTAT ASSY, (includes the following items)	
61	91363031	1	THERMOSTAT	
61	80963058	1	SHROUD CONNECTOR, (2-wire)	
61	80963069	2	MALE PIN TERMINAL	
61	80963065	2	CABLE SEAL	
62	83191038	1	HEX HD CAPSCREW, M10X1.5X20	
63	91124125	1	DIPSTICK	
64	91164115	1	LOWER TUBE	
65	91164112	1	DIPSTICK TUBE	
66	91164113	1	UPPER TUBE END	
67	91164114	2	SPRING CLAMP	
K1	91365008	NLA	250 HOUR FILTER KIT, (no longer available to order, use 1001220559 for replacement) (includes the following items)	
K1	1001220559	1	FILTER KIT, (includes the following items)	
K1	91154001	1	AIR FILTER	
K1	91083218	1	FUEL FILTER	
K1	8320270	1	FUEL FILTER	
K1	91084001	1	LUBE FILTER	
K2	1001128952	1	1000 HOUR FILTER KIT, (includes the following items)	
K2	91154001	1	AIR FILTER	
K2	91083218	1	FUEL STRAINER	
K2	8320270	1	FUEL FILTER	
K2	91084001	1	ENGINE OIL FILTER	
K2	2120168	2	HYDRAULIC FILTER	
K2	91083069	1	HYDRAULIC BREATHER	





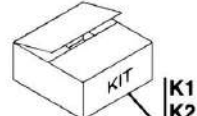
# SECTION 4 - ENGINE AND ATTACHING PARTS

FIGURE 4-3. ENGINE ASSEMBLY, LH VIEW (534D-9 SN 0544217 through 0544717)



**NOTES:**

1. USE LOCTITE (14403364) ON ALL BOLT & FITTING THREADS EXCEPT PIPE THREADS.
2. USE LOCTITE PIPE SEALANT (14404082) ON ALL PIPE THREADS.



PAP19740

## SECTION 4 - ENGINE AND ATTACHING PARTS

**FIGURE 4-3. ENGINE ASSEMBLY, LH VIEW (534D-9 SN 0544217 through 0544717)**

ITEM	PART NUMBER	QTY	DESCRIPTION	REV
	91345001	Ref	ENGINE ASSY, (534D-9), (includes all items except 57 thru 63 on on ENGINE ASSEMBLY, LH VIEW and all items on ENGINE ASSEMBLY, RH VIEW and ENGINE PUMP MOUNT AND FLYWHEEL HOUSING)	
1		Ref	CUMMINS B3.9C-110 EPA ENGINE, (534D-9)	
2	91143329	1	FAN ASSY	
3	91163122	1	TUBE ASSY	
4	84712738	2	SPLIT FLANGE CLAMP	
5	83201135	4	HEX HD CAPSCREW, 7/16X14-1-1/2, GR8	
6	88551012	8	LOCKWASHER, 7/16	
7		Ref	MAIN PUMP, (See HYDRAULIC COMPONENTS SECTION for Breakdown)	
8	88201095	2	HEX HD CAPSCREW, 5/8-11X1-1/2, GR5	
9	83191010	10	LOCKWASHER, M12	
10	2220635	1	SWIVEL NUT RUN TEE, 3/8 TUBE	
11	88591027	1	O-RING	
12	91143121	1	SUCTION TUBE	
13	84711334	2	FLANGE CLAMP	
14	91146056	1	RH ENGINE MOUNT	
15	83191032	8	HEX HD CAPSCREW, M12X1.75X35, (lubricate and torque to 58-68 ft lbs)	
16	91163260	1	ACCELERATOR CABLE	
17	91166075	1	THROTTLE BRACKET	
18	83191004	2	HEX HD CAPSCREW, M12X1.75X30	
19	83191012	2	LOCKWASHER, M6	
20	83191035	2	SOCKET HD CAPSCREW, M6X1.00X16	
21	91143345	1	BALL SOCKET	
22	91143344	1	OVER TRAVEL	
23	91333013	1	WIRING HARNESS	
24	82092118	111 in	FUEL LINE HOSE, 5/16	
25	88201051	4	HEX HD CAPSCREW, 7/16-14X1-1/4, GR5	
26	90030271	1	HOSE NIPPLE	
27	91083106	1	O-RING	
28	24741047	1	PRESSURE SWITCH	
29	91143315	1	OIL PRESSURE SENDER	
30	91081388	1	TAPPED BAR	
31	83191041	4	HEX HD CAPSCREW, M8X1.25X70	
32	86883075	2	TUBE FITTING	
33	72071980	28 in	NYLON TUBE, 3/8	
34	88561108	4	WASHER, 5/16	
35	90027472	2	HARDENED WASHER, 5/8	
36	91161323	1	THROTTLE BAR	
37	88591206	1	O-RING	
38	90027187	3	TIE WRAP	
39	88201020	2	HEX HD CAPSCREW, 5/16-18X1, GR5	
40	24861170	2	SUPPORT CLAMP	
41	85941017	2	SUPPORT CLAMP	
42	88521205	2	HEX NUT, 5/16-18	
43	77133447	1	HOSE ASSY	
44	2220497	1	CONNECTOR, (includes item 37)	

## SECTION 4 - ENGINE AND ATTACHING PARTS

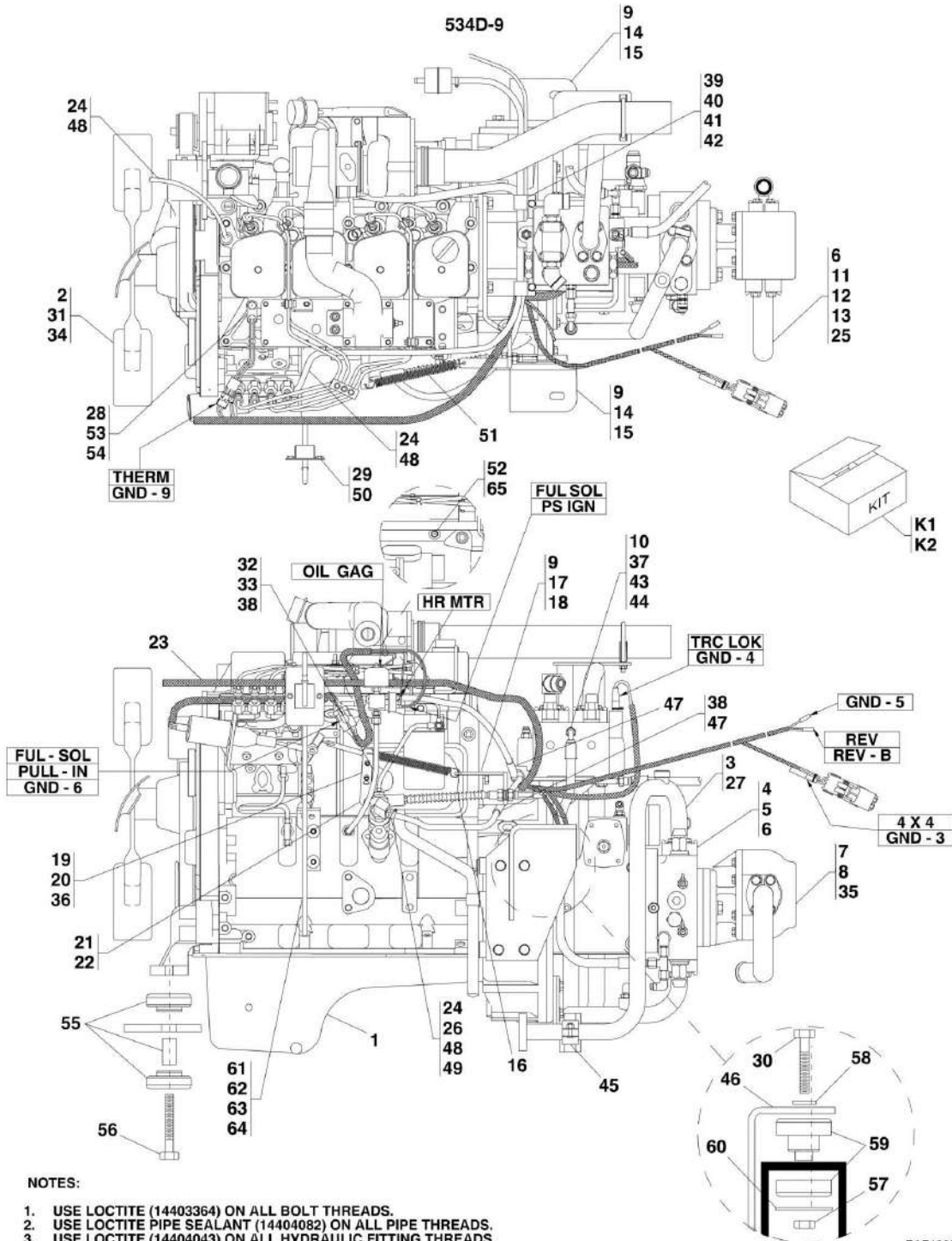
ITEM	PART NUMBER	QTY	DESCRIPTION	REV
45	90205792	1	CUSHION CLAMP	
46	91146021	1	LH ENGINE MOUNT	
47	90028977	1	YOKE END	
48	91083493	6 in	SPLIT FLEX LOOM, 1/2 ID	
49	86883106	4	HOSE CLAMP	
50	86983649	1	ELBOW, 90, 1/4 PIPE	
51	91146101	1	DIPSTICK WELDMENT	
52	84718745	1	HOSE ASSY	
53	91163259	1	THROTTLE SPRING	
54	91363029	1	ATOMIZER, 1/8	
55	91365014	1	QUICK START ASSY, (includes the following four items)	
55	91363031	1	THERMOSTAT	
55	80963058	1	SHROUD CONNECTOR, (2-wire)	
55	80963069	2	MALE PIN TERMINAL	
55	80963065	2	CABLE SEAL	
56	83191038	1	HEX HD CAPSCREW, M10X1.50X20	
57	91143030	1	SHOCK MOUNT	
58	91143131	1	HEX HD CAPSCREW, M12X1.25X90	
59	88521008	1	LOCKNUT, 1/2-13	
60	88561111	1	FLAT WASHER, 1/2	
61	91143031	1	SHOCK MOUNT	
62	91143032	1	REBOUND WASHER	
63	88201075	1	HEX HD CAPSCREW, 1/2X3-1/2, GR5	
64	91124125	1	DIPSTICK	
65	91164115	1	LOWER TUBE	
66	91164112	1	DIPSTICK TUBE	
67	91164113	1	UPPER TUBE END	
68	91164114	2	SPRING CLAMP	
K1	91365008	NLA	250 HOUR FILTER KIT, (no longer available to order, use 1001220559 for replacement) (includes the following items) <b>(SN 0544217 through 0544399)</b>	
K1	1001220559	1	FILTER KIT, (includes the following items)	
K1	91154001	1	AIR FILTER	
K1	91083218	1	FUEL FILTER	
K1	8320270	1	FUEL FILTER	
K1	91084001	1	LUBE FILTER	
K2	91365042	1	250 HOUR FILTER KIT, (includes the following items) <b>(SN 054400 through 0544717)</b>	
K2	1101312	1	AIR FILTER ELEMENT	
K2	1101313	1	AIR FILTER SAFETY ELEMENT	
K2	91083218	1	FUEL FILTER	
K2	8320270	1	FUEL FILTER	
K2	91084001	1	LUBE FILTER	
K3	1001128952	1	1000 HOUR FILTER KIT, (includes following items) <b>(SN 0544001 through 0544399)</b>	
K3	91154001	1	AIR FILTER	
K3	91083218	1	FUEL STRAINER	
K3	8320270	1	FUEL FILTER	
K3	91084001	1	ENGINE OIL FILTER	
K3	2120168	2	HYDRAULIC FILTER	
K3	91083069	1	HYDRAULIC BREATHER	

## SECTION 4 - ENGINE AND ATTACHING PARTS

ITEM	PART NUMBER	QTY	DESCRIPTION	REV
K4	1001128961	1	1000 HOUR FILTER KIT, (includes the following items) (SN <b>0544400 through 0544717</b> )	
K4	1101312	1	PRIMARY AIR FILTER	
K4	1101313	1	SECONDARY AIR FILTER	
K4	91083218	1	FUEL STRAINER	
K4	8320270	1	FUEL FILTER	
K4	91084001	1	ENGINE OIL FILTER	
K4	2120168	2	HYDRAULIC FILTER	
K4	91083069	1	HYDRAULIC BREATHER	

# SECTION 4 - ENGINE AND ATTACHING PARTS

FIGURE 4-4. ENGINE ASSEMBLY, LH VIEW (534D-9 SN 0544719 through 0744407; SN 016000112 through 0160000853, Excluding 0160000700)



- NOTES:
1. USE LOCTITE (14403364) ON ALL BOLT THREADS.
  2. USE LOCTITE PIPE SEALANT (14404082) ON ALL PIPE THREADS.
  3. USE LOCTITE (14404043) ON ALL HYDRAULIC FITTING THREADS.

PAP19220

## SECTION 4 - ENGINE AND ATTACHING PARTS

**FIGURE 4-4. ENGINE ASSEMBLY, LH VIEW (534D-9 SN 0544719 through 0744407; SN 0160000112 through 0160000853, Excluding 0160000700)**

ITEM	PART NUMBER	QTY	DESCRIPTION	REV
	91345019	Ref	ENGINE ASSY, (534D-9), (includes all items except 30, 53, 55 thru 60 on ENGINE ASSEMBLY, LH VIEW and all items on ENGINE ASSEMBLY, RH VIEW and ENGINE PUMP MOUNT AND FLYWHEEL HOUSING)	J
1		Ref	CUMMINS B3.9C-110 EPA ENGINE, (534D-9)	
2	91143329	1	FAN ASSY	
3	91163122	1	TUBE ASSY	
4	84712738	2	SPLIT FLANGE CLAMP	
5	83201135	4	HEX HD CAPSCREW, 7/16X14-1-1/2, GR8	
6	88551012	8	LOCKWASHER, 7/16	
7		Ref	MAIN PUMP, (See HYDRAULIC COMPONENTS SECTION for Breakdown)	
8	88201095	2	HEX HD CAPSCREW, 5/8-11X1-1/2, GR5	
9	83191010	10	LOCKWASHER, M12	
10	2220635	1	SWIVEL NUT RUN TEE, 3/8 TUBE	
11	88591027	1	O-RING	
12	91143121	1	SUCTION TUBE	
13	84711334	2	FLANGE CLAMP	
14	91146056	1	RH ENGINE MOUNT	
15	83191032	8	HEX HD CAPSCREW, M12X1.75X35, (lubricate and torque to 58-68 ft lbs)	
16	91163260	1	ACCELERATOR CABLE	
17	91166075	1	THROTTLE BRACKET	
18	83191004	2	HEX HD CAPSCREW, M12X1.75X30	
19	83191012	2	LOCKWASHER, M6	
20	83191035	2	SOCKET HD CAPSCREW, M6X1.00X16	
21	91143345	1	BALL SOCKET	
22	91143344	1	OVER TRAVEL	
23		Ref	WIRING HARNESS ASSY, (See ELECTRICAL SECTION for Breakdown)	
24	2720058	111 in	FUEL LINE HOSE, 5/16	
25	88201051	4	HEX HD CAPSCREW, 7/16-14X1-1/4, GR5	
26	90030271	1	HOSE NIPPLE	
27	91083106	1	O-RING	
28	83191013	1	LOCKWASHER, M10	
29	91124125	1	DIPSTICK	
30	88201075	1	HEX HD CAPSCREW, 1/2X3-1/2, GR5	
31	83191041	4	HEX HD CAPSCREW, M8X1.25X70	
32	86883075	1	TUBE FITTING	
33	72071980	28 in	NYLON TUBE, 3/8	
34	88561108	4	WASHER, 5/16	
35	90027472	2	HARDENED WASHER, 5/8	
36	91161323	1	THROTTLE BAR	
37	88591206	1	O-RING	
38	90027187	3	TIE WRAP	
39	88201020	2	HEX HD CAPSCREW, 5/16-18X1, GR5	
40	24861170	2	SUPPORT CLAMP	
41	85941017	2	SUPPORT CLAMP	
42	88521205	2	HEX NUT, 5/16-18	

## SECTION 4 - ENGINE AND ATTACHING PARTS

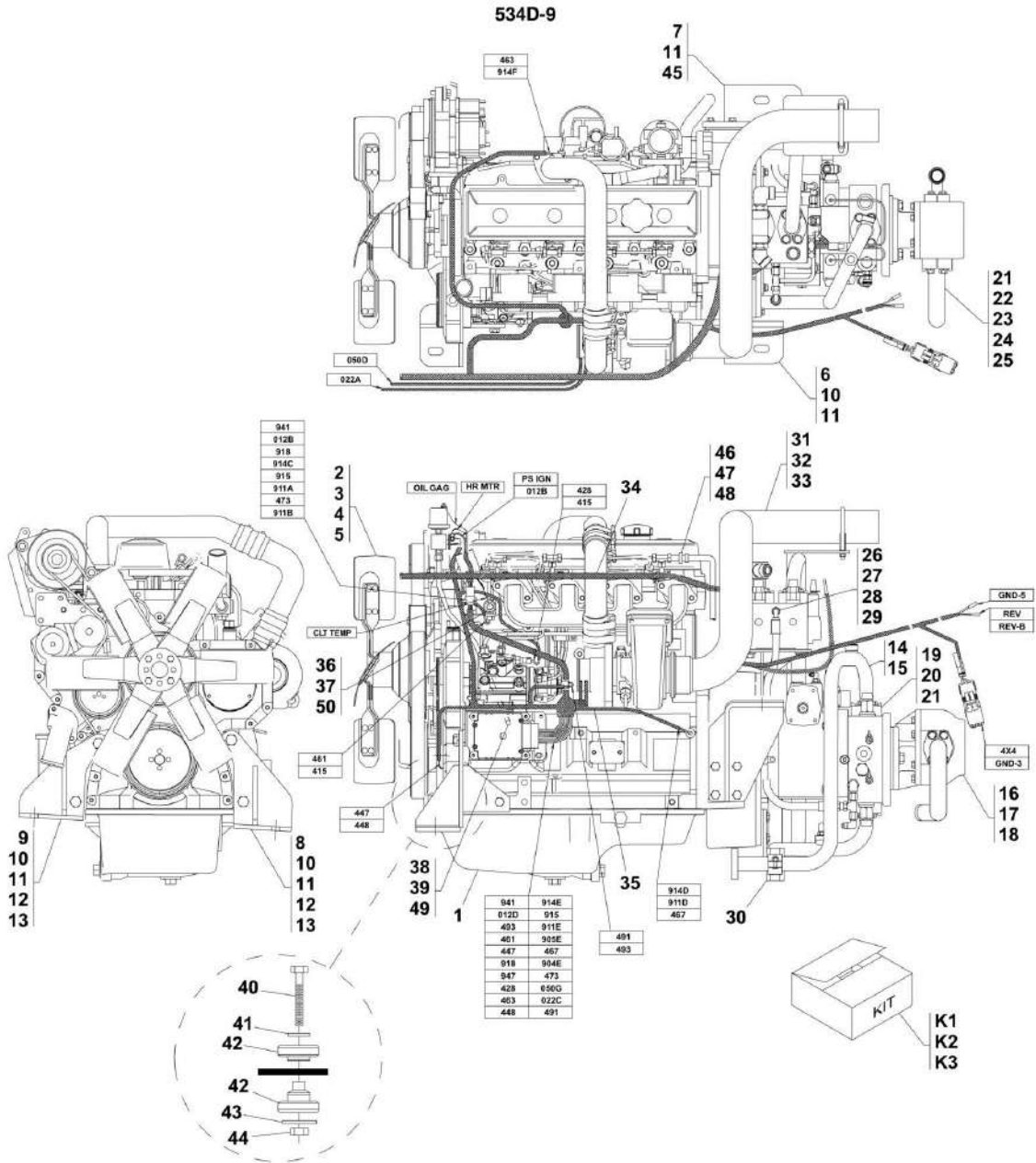
ITEM	PART NUMBER	QTY	DESCRIPTION	REV
43	77133447	1	HOSE ASSY	
44	2220497	1	CONNECTOR, (includes item 37)	
45	90205792	1	CUSHION CLAMP	
46	91146021	1	LH ENGINE MOUNT	
47	91083493	6 in	SPLIT FLEX LOOM, 1/2 ID	
48	86883106	4	HOSE CLAMP	
49	86983649	1	ELBOW, 90, 1/4 PIPE	
50	91146101	1	DIPSTICK WELDMENT	
51	91163259	1	THROTTLE SPRING	
52	91363029	1	ATOMIZER, 1/8	
53		Ref	QUICK START ASSY, (See HYDRAULIC COMPONENTS SECTION for Breakdown)	
54	83191038	1	HEX HD CAPSCREW, M10X1.50X20	
55	91143030	1	SHOCK MOUNT	
56	91143131	1	HEX HD CAPSCREW, M12X1.25X90	
57	88521008	1	LOCKNUT, 1/2-13	
58	88561111	1	FLAT WASHER, 1/2	
59	91143031	1	SHOCK MOUNT	
60	91143032	1	REBOUND WASHER	
61	91164115	1	LOWER TUBE	
62	91164112	1	DIPSTICK TUBE	
63	91164113	1	UPPER TUBE END	
64	91164114	2	SPRING CLAMP	
65	91363028	1	NYLON TUBE	
K1	91365042	1	250 HOUR FILTER KIT, (includes the following items)	
K1	1101312	1	AIR FILTER ELEMENT	
K1	1101313	1	AIR FILTER SAFETY ELEMENT	
K1	91083218	1	FUEL FILTER	
K1	8320270	1	FUEL FILTER	
K1	91084001	1	LUBE FILTER	
K2	1001128961	1	1000 HOUR FILTER KIT, (includes the following items)	
K2	1101312	1	PRIMARY AIR FILTER	
K2	1101313	1	SECONDARY AIR FILTER	
K2	91083218	1	FUEL STRAINER	
K2	8320270	1	FUEL FILTER	
K2	91084001	1	ENGINE OIL FILTER	
K2	2120168	2	HYDRAULIC FILTER	
K2	91083069	1	HYDRAULIC BREATHER	





# SECTION 4 - ENGINE AND ATTACHING PARTS

FIGURE 4-5. ENGINE ASSEMBLY, LH VIEW (534D-9 SN 016001051 through 0160010202; Including 0160000700, Excluding 0160010082 and 0160010093)



**NOTES:**

1. USE LOCTITE (14403364) ON ALL BOLT THREADS.
2. USE LOCTITE PIPE SEALANT (14404082) ON ALL PIPE THREADS.
3. USE LOCTITE (14404043) ON ALL HYDRAULIC FITTING THREADS.

PAP17800

## SECTION 4 - ENGINE AND ATTACHING PARTS

**FIGURE 4-5. ENGINE ASSEMBLY, LH VIEW (534D-9 SN 0160001051 through 0160010202; Including 0160000700, Excluding 0160010082 and 0160010093)**

ITEM	PART NUMBER	QTY	DESCRIPTION	REV
	91535004	Ref	ENGINE ASSY, (534D-9), (includes all items except 40 thru 44 on ENGINE ASSEMBLY, LH VIEW and all items except 50 thru 52 on ENGINE ASSEMBLY, RH VIEW and all items on ENGINE PUMP MOUNT AND FLYWHEEL HOUSING)	H
1		Ref	JOHN DEERE ENGINE, 110 HP, (See JOHN DEERE ENGINE for Breakdown)	
2	91553009	1	FAN	
3	91553046	1	FAN SPACER	
4	83191039	4	HEX HD CAPSCREW, M8X1.25X80, GR8	
5	88561108	4	FLAT WASHER, 5/16	
6	91536012	1	REAR ENGINE MOUNT, LH	
7	91536013	1	REAR ENGINE MOUNT, RH	
8	91536014	1	FRONT ENGINE MOUNT, LH	
9	91536015	1	FRONT ENGINE MOUNT, RH	
10	83191032	6	HEX HD CAPSCREW, M12X1.75X35, GR8, (torque to 66-76 lb-ft)	
11	83191010	10	LOCKWASHER, M12	
12	83191043	4	HEX HD CAPSCREW, M16X2.00X30, GR8, (torque to 166-181 lb-ft)	
13	83783030	4	LOCKWASHER, M16	
14	91163122	1	TUBE ASSY	
15	91083106	1	O-RING	
16		Ref	MAIN PUMP, (See HYDRAULIC COMPONENTS SECTION for Breakdown)	
17	88201095	2	HEX HD CAPSCREW, 5/8-11X1-1/2, GR5	
18	90027472	2	HARDENED WASHER, 5/8	
19	84712738	2	SPLIT FLANGE CLAMP	
20	83201135	4	HEX HD CAPSCREW, 7/16-14X1-1/2	
21	88551012	8	LOCKWASHER, 7/16	
22	91143121	1	SUCTION TUBE	
23	88591027	1	O-RING	
24	84711334	2	FLANGE CLAMP	
25	88201051	4	HEX HD CAPSCREW, 7/16-14X1-1/4, GR5	
26	2220497	1	CONNECTOR, (includes item 29)	
27	2220635	1	SWIVEL NUT RUN TEE, 3/8 TUBE	
28	77133447	1	HOSE ASSY	
29	88591206	1	O-RING	
30	90205792	1	CUSHION CLAMP	
31		Ref	EXHAUST TUBE, (See EXHAUST SYSTEM for Breakdown)	
32	91403216	1	V-BAND CLAMP	
33		Ref	MUFFLER CLAMP, (See EXHAUST SYSTEM for Breakdown)	
34		Ref	ENGINE HARNESS ASSY, (See ELECTRICAL SECTION for Breakdown)	
35	91553028	1	ECU ENGINE HARNESS	
36	91143314	1	WATER TEMPERATURE SENDER	
37	91403265	1	REDUCER BUSHING	
38	86883074	1	TUBE FITTING, 90	
39	72071980	40 in	NYLON TUBE	
40	88201106	4	HEX HD CAPSCREW, 5/8-11X4-1/2, GR5	
41	88561113	4	FLAT WASHER, 5/8	

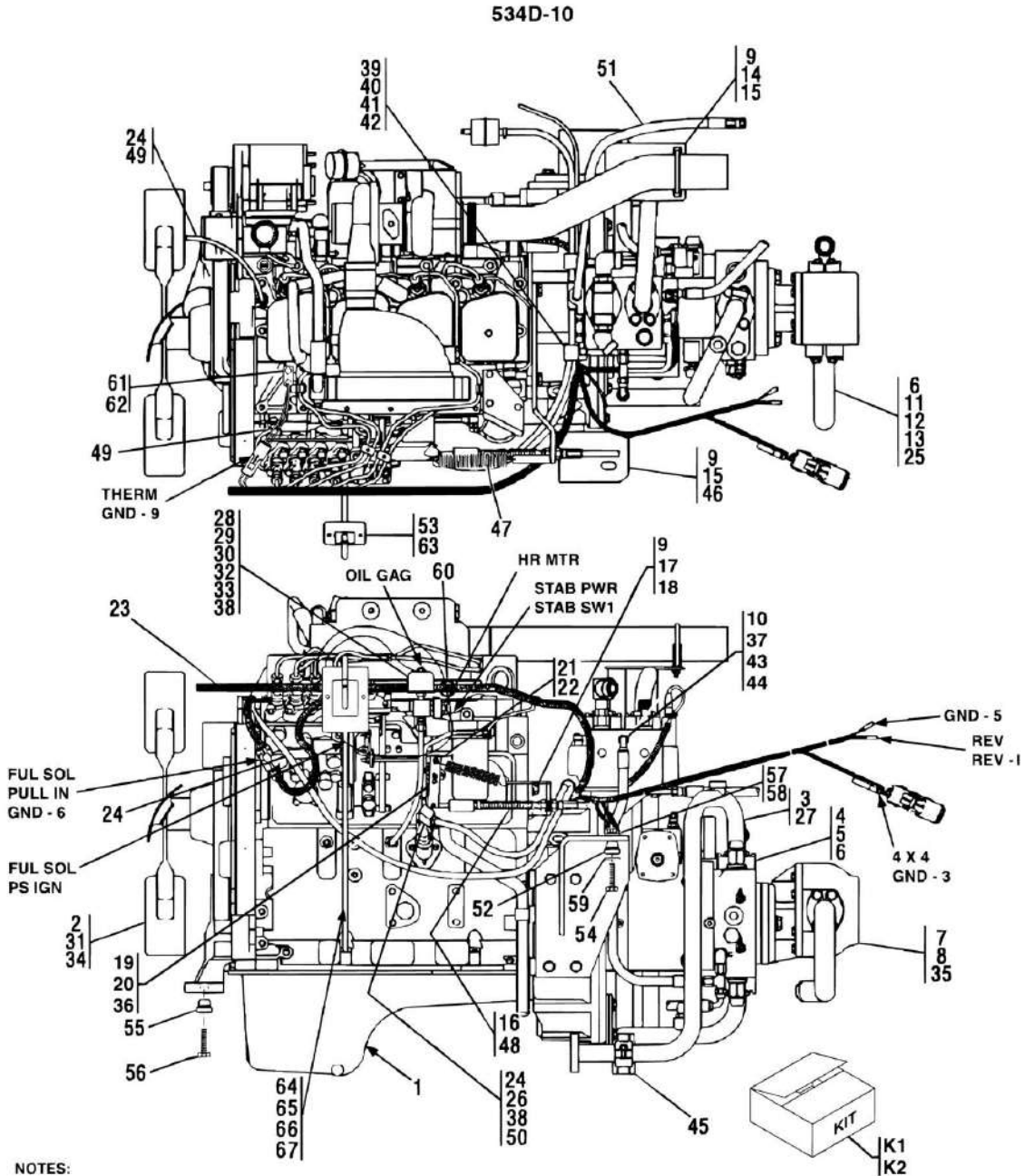
## SECTION 4 - ENGINE AND ATTACHING PARTS

ITEM	PART NUMBER	QTY	DESCRIPTION	REV
42	91203137	4	SHOCK MOUNT	
43	91203138	4	REBOUND WASHER	
44	88521010	4	HEX LOCKNUT, 5/8-11	
45	83191049	4	HEX HD CAPSCREW, M12X1.75X60, (torque to 66-76 lb-ft)	
46	86883106	1	HOSE CLAMP	
47	80373025	1	FITTING	
48	82092118	50 in	HOSE, 5/16	
49	88711570	1	PIPE ADAPTER	
50	88591011	1	O-RING	
K1	91535011	1	250 HOUR FILTER KIT, (9in air cleaner), (includes all items)	C
K1	1101312	1	AIR FILTER ELEMENT	
K1	1101313	1	AIR FILTER SAFETY ELEMENT	
K1	91083218	1	FUEL FILTER	
K1	91534004	1	FUEL FILTER	
K1	91534005	1	OIL FILTER	
K1	91534006	1	OIL FILTER SEAL	
K2	2915180	1	1000 HOUR FILTER KIT, (9in air cleaner), (includes 91535011 and the following)	B
K2	2120168	2	HYDRAULIC FILTER	
K2	91083069	1	HYDRAULIC BREATHER	
K3	1001113510	1	1000 HOUR FILTER KIT, (10in air cleaner), (includes all items)	2
K3	80373091	1	AIR FILTER ELEMENT	
K3	80373092	1	AIR FILTER SAFETY ELEMENT	
K3	91083218	1	FUEL FILTER	
K3	91534004	1	FUEL FILTER	
K3	91534005	1	OIL FILTER	
K3	91534006	1	OIL FILTER SEAL	
K3	2120168	2	HYDRAULIC FILTER	
K3	91083069	1	HYDRAULIC BREATHER	



# SECTION 4 - ENGINE AND ATTACHING PARTS

FIGURE 4-6. ENGINE ASSEMBLY, LH VIEW (534D-10 SN 0366001 through 0366016)



NOTES:

1. USE LOCTITE (14403364) ON ALL BOLT & FITTING THREADS EXCEPT PIPE THREADS.
2. USE LOCTITE PIPE SEALANT (14404082) ON ALL PIPE THREADS.

PAP19750

## SECTION 4 - ENGINE AND ATTACHING PARTS

**FIGURE 4-6. ENGINE ASSEMBLY, LH VIEW (534D-10 SN 0366001 through 0366016)**

ITEM	PART NUMBER	QTY	DESCRIPTION	REV
	91355001	Ref	ENGINE ASSY, (534D-10), (includes all items except 52 & 54 thru 59 on ENGINE ASSEMBLY, LH VIEW and includes all items on ENGINE ASSEMBLY, RH VIEW and ENGINE PUMP MOUNT AND FLYWHEEL HOUSING)	
1		Ref	CUMMINS B3.9C-116 EPA ENGINE, (534D-10)	
2	91143329	1	FAN ASSY	
3	91163122	1	TUBE ASSY	
4	84712738	2	SPLIT FLANGE CLAMP	
5	83201135	4	HEX HD CAPSCREW, 7/16X14-1/2, GR8	
6	88551012	8	LOCKWASHER, 7/16	
7		Ref	MAIN PUMP, (See HYDRAULIC COMPONENTS SECTION for Breakdown)	
8	88201095	2	HEX HD CAPSCREW, 5/8-11X1-1/2, GR5	
9	83191010	10	LOCKWASHER, M12	
10	2220635	1	SWIVEL NUT RUN TEE, 3/8 TUBE	
11	88591027	1	O-RING	
12	91143121	1	SUCTION TUBE	
13	84711334	2	FLANGE CLAMP	
14	91146056	1	RH ENGINE MOUNT	
15	83191032	8	HEX HD CAPSCREW, M12X1.75X35, (lubricate and torque to 58-68 lb-ft)	
16	91163260	1	ACCELERATOR CABLE	
17	91166075	1	THROTTLE BRACKET	
18	83191004	2	HEX HD CAPSCREW, M12X1.75X30	
19	83191012	2	LOCKWASHER, M6	
20	83191035	2	SOCKET HD CAPSCREW, M6X1.00X16	
21	91143345	1	BALL SOCKET	
22	91143344	1	OVER TRAVEL	
23	91363033	1	ENGINE WIRING HARNESS	
24	82092118	111 in	FUEL LINE HOSE, 5/16	
25	88201051	4	HEX HD CAPSCREW, 7/16-14X1-1/4, GR5	
26	90030271	1	HOSE NIPPLE	
27	91083106	1	O-RING	
28	24741047	1	PRESSURE SWITCH	
29	91143315	1	OIL PRESSURE SENDER	
30	91081388	1	TAPPED BAR	
31	83191041	4	HEX HD CAPSCREW, M8X1.25X70	
32	86883075	2	TUBE FITTING	
33	72071980	28 in	NYLON TUBE, 3/8	
34	88561108	4	WASHER, 5/16	
35	90027472	2	HARDENED WASHER, 5/8	
36	91161323	1	THROTTLE BAR	
37	88591206	1	O-RING	
38	90027187	3	TIE WRAP	
39	88201020	2	HEX HD CAPSCREW, 5/16-18X1, GR5	
40	24861170	2	SUPPORT CLAMP	
41	85941017	2	SUPPORT CLAMP	
42	88521205	2	HEX NUT, 5/16-18	
43	77133447	1	HOSE ASSY	
44	2220497	1	CONNECTOR, (includes item 37)	

## SECTION 4 - ENGINE AND ATTACHING PARTS

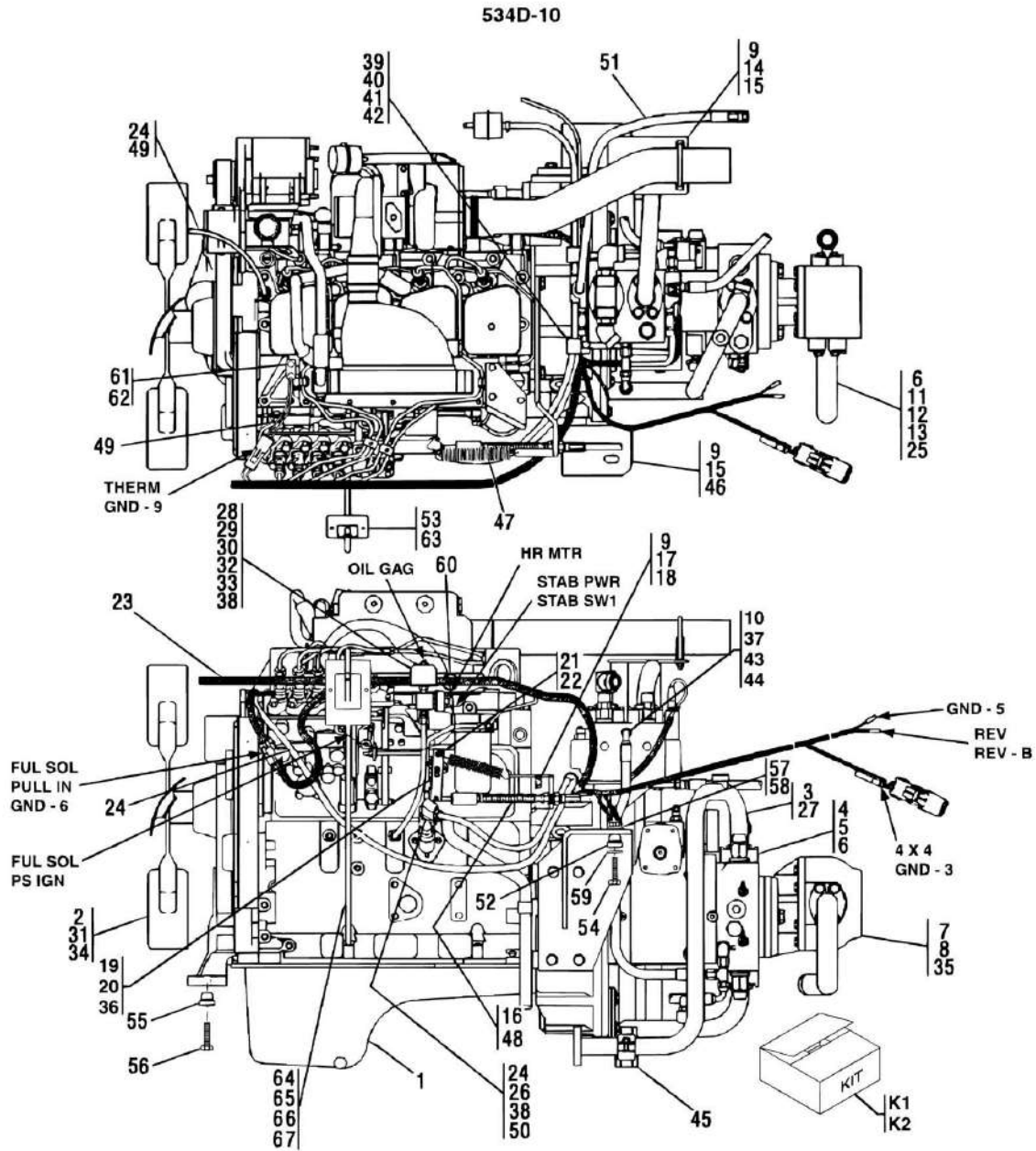
ITEM	PART NUMBER	QTY	DESCRIPTION	REV
45	90205792	1	CUSHION CLAMP	
46	91146021	1	LH ENGINE MOUNT	
47	91163259	1	THROTTLE SPRING	
48	90028977	1	YOKE END	
49	86883106	3	HOSE CLAMP	
50	86983649	1	ELBOW, 90, 1/4 PIPE	
51	84718745	1	HOSE ASSY	
52	91143031	1	SHOCK MOUNT	
53	91146101	1	DIPSTICK WELDMENT	
54	88201075	1	HEX HD CAPSCREW, 1/2-13X3-1/2, GR5	
55	91143030	1	SHOCK MOUNT	
56	91143131	1	HEX HD CAPSCREW, M12X1.25X90	
57	88521008	1	LOCKNUT, 1/2-13	
58	88561111	1	FLAT WASHER, 1/2	
59	91143032	1	REBOUND WASHER	
60	91363029	1	ATOMIZER	
61	91365014	1	QUICK START THERMOSTAT ASSY, (includes the following items)	
61	91363031	1	THERMOSTAT	
61	80963058	1	SHROUD CONNECTOR, (2-wire)	
61	80963069	2	MALE PIN TERMINAL	
61	80963065	2	CABLE SEAL	
62	83191038	1	HEX HD CAPSCREW, M10X1.5X20	
63	91124125	1	DIPSTICK	
64	91164115	1	LOWER TUBE	
65	91164112	1	DIPSTICK TUBE	
66	91164113	1	UPPER TUBE END	
67	91164114	2	SPRING CLAMP	
K1	91365008	NLA	250 HOUR FILTER KIT, (no longer available to order, use 1001220559 for replacement) (includes the following items)	B
K1	1001220559	1	FILTER KIT, (includes the following items)	A
K1	91154001	1	AIR FILTER	
K1	91083218	1	FUEL FILTER	
K1	8320270	1	FUEL FILTER	
K1	91084001	1	LUBE FILTER	
K2	1001128952	1	1000 HOUR FILTER KIT, (includes the following items)	
K2	91154001	1	AIR FILTER	
K2	91083218	1	FUEL STRAINER	
K2	8320270	1	FUEL FILTER	
K2	91084001	1	ENGINE OIL FILTER	
K2	2120168	2	HYDRAULIC FILTER	
K2	91083069	1	HYDRAULIC BREATHER	





# SECTION 4 - ENGINE AND ATTACHING PARTS

FIGURE 4-7. ENGINE ASSEMBLY, LH VIEW (534D-10 SN 0366017 through 0366053)



**NOTES:**

1. USE LOCTITE (14403364) ON ALL BOLT & FITTING THREADS EXCEPT PIPE THREADS.
2. USE LOCTITE PIPE SEALANT (14404082) ON ALL PIPE THREADS.

PAP19760

## SECTION 4 - ENGINE AND ATTACHING PARTS

**FIGURE 4-7. ENGINE ASSEMBLY, LH VIEW (534D-10 SN 0366017 through 0366053)**

ITEM	PART NUMBER	QTY	DESCRIPTION	REV
	91355001	Ref	ENGINE ASSY, (534D-10), (includes all items except 52 & 54 thru 59 on ENGINE ASSEMBLY, LH VIEW and includes all items on ENGINE ASSEMBLY, RH VIEW and ENGINE PUMP MOUNT AND FLYWHEEL HOUSING)	
1		Ref	CUMMINS B3.9C-116 EPA ENGINE, (534D-10)	
2	91143329	1	FAN ASSY	
3	91163122	1	TUBE ASSY	
4	84712738	2	SPLIT FLANGE CLAMP	
5	83201135	4	HEX HD CAPSCREW, 7/16X14-1/2, GR8	
6	88551012	8	LOCKWASHER, 7/16	
7		Ref	MAIN PUMP, (See HYDRAULIC COMPONENTS SECTION for Breakdown)	
8	88201095	2	HEX HD CAPSCREW, 5/8-11X1-1/2, GR5	
9	83191010	10	LOCKWASHER, M12	
10	2220635	1	SWIVEL NUT RUN TEE, 3/8 TUBE	
11	88591027	1	O-RING	
12	91143121	1	SUCTION TUBE	
13	84711334	2	FLANGE CLAMP	
14	91146056	1	RH ENGINE MOUNT	
15	83191032	8	HEX HD CAPSCREW, M12X1.75X35, (lubricate and torque to 58-68 lb-ft)	
16	91163260	1	ACCELERATOR CABLE	
17	91166075	1	THROTTLE BRACKET	
18	83191004	2	HEX HD CAPSCREW, M12X1.75X30	
19	83191012	2	LOCKWASHER, M6	
20	83191035	2	SOCKET HD CAPSCREW, M6X1.00X16	
21	91143345	1	BALL SOCKET	
22	91143344	1	OVER TRAVEL	
23	91363033	1	ENGINE WIRING HARNESS	
24	82092118	111 in	FUEL LINE HOSE, 5/16	
25	88201051	4	HEX HD CAPSCREW, 7/16-14X1-1/4, GR5	
26	90030271	1	HOSE NIPPLE	
27	91083106	1	O-RING	
28	24741047	1	PRESSURE SWITCH	
29	91143315	1	OIL PRESSURE SENDER	
30	91081388	1	TAPPED BAR	
31	83191041	4	HEX HD CAPSCREW, M8X1.25X70	
32	86883075	2	TUBE FITTING	
33	72071980	28 in	NYLON TUBE, 3/8	
34	88561108	4	WASHER, 5/16	
35	90027472	2	HARDENED WASHER, 5/8	
36	91161323	1	THROTTLE BAR	
37	88591206	1	O-RING	
38	90027187	3	TIE WRAP	
39	88201020	2	HEX HD CAPSCREW, 5/16-18X1, GR5	
40	24861170	2	SUPPORT CLAMP	
41	85941017	2	SUPPORT CLAMP	
42	88521205	2	HEX NUT, 5/16-18	
43	77133447	1	HOSE ASSY	
44	2220497	1	CONNECTOR, (includes item 37)	

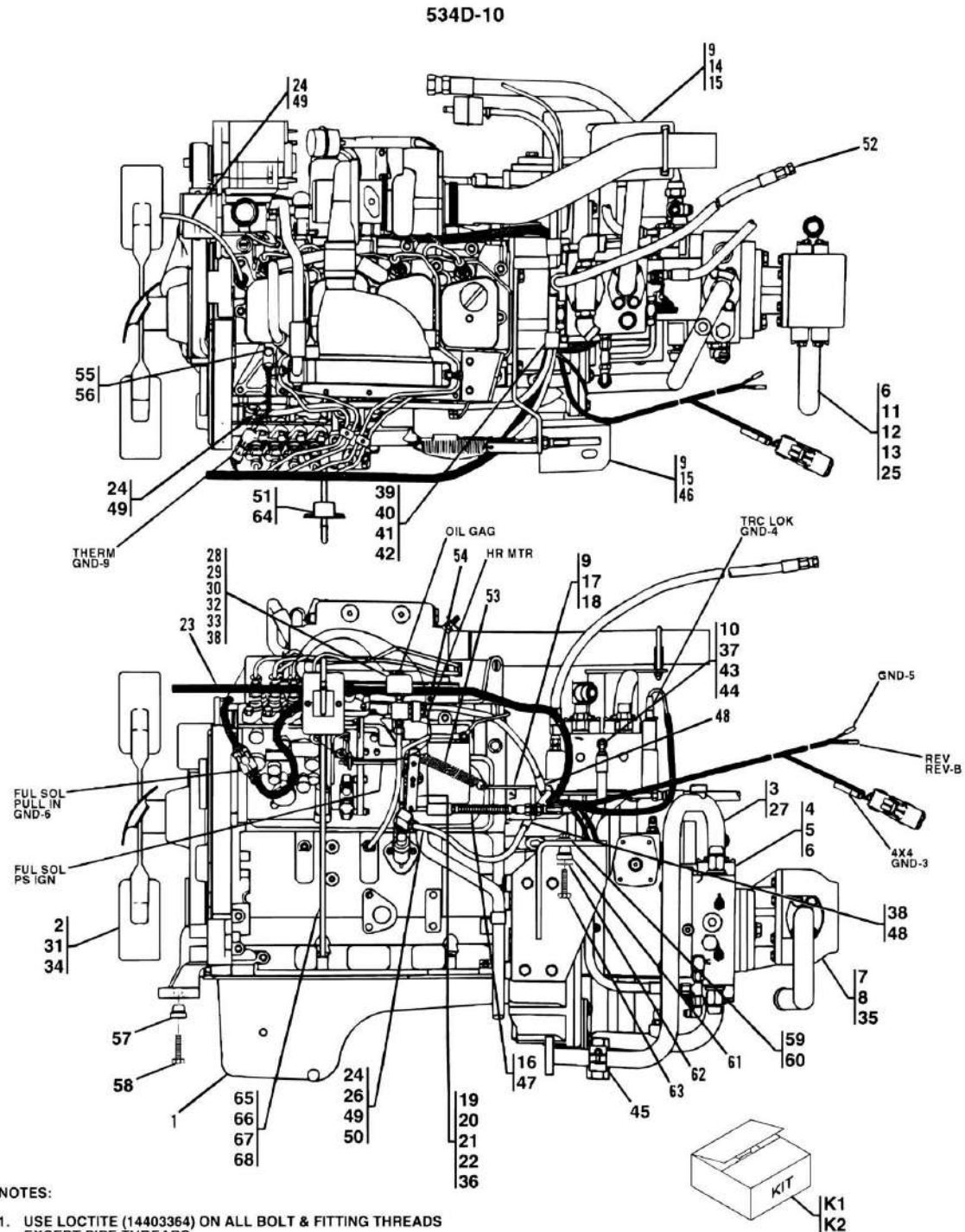
## SECTION 4 - ENGINE AND ATTACHING PARTS

ITEM	PART NUMBER	QTY	DESCRIPTION	REV
45	90205792	1	CUSHION CLAMP	
46	91146021	1	LH ENGINE MOUNT	
47	91163259	1	THROTTLE SPRING	
48	90028977	1	YOKE END	
49	86883106	3	HOSE CLAMP	
50	86983649	1	ELBOW, 90, 1/4 PIPE	
51	84718745	1	HOSE ASSY	
52	91143031	1	SHOCK MOUNT	
53	91146101	1	DIPSTICK WELDMENT	
54	88201075	1	HEX HD CAPSCREW, 1/2-13X3-1/2, GR5	
55	91143030	1	SHOCK MOUNT	
56	91143131	1	HEX HD CAPSCREW, M12X1.25X90	
57	88521008	1	LOCKNUT, 1/2-13	
58	88561111	1	FLAT WASHER, 1/2	
59	91143032	1	REBOUND WASHER	
60	91363029	1	ATOMIZER	
61	91365014	1	QUICK START THERMOSTAT ASSY, (includes the following items)	
61	91363031	1	THERMOSTAT	
61	80963058	1	SHROUD CONNECTOR, (2-wire)	
61	80963069	2	MALE PIN TERMINAL	
61	80963065	2	CABLE SEAL	
62	83191038	1	HEX HD CAPSCREW, M10X1.5X20	
63	91124125	1	DIPSTICK	
64	91164115	1	LOWER TUBE	
65	91164112	1	DIPSTICK TUBE	
66	91164113	1	UPPER TUBE END	
67	91164114	2	SPRING CLAMP	
K1	91365008	NLA	250 HOUR FILTER KIT, (no longer available to order, use 1001220559 for replacement) (includes the following items)	
K1	1001220559	1	FILTER KIT, (includes the following items)	
K1	91154001	1	AIR FILTER	
K1	91083218	1	FUEL FILTER	
K1	8320270	1	FUEL FILTER	
K1	91084001	1	LUBE FILTER	
K2	1001128952	1	1000 HOUR FILTER KIT, (includes the following items)	
K2	91154001	1	AIR FILTER	
K2	91083218	1	FUEL STRAINER	
K2	8320270	1	FUEL FILTER	
K2	91084001	1	ENGINE OIL FILTER	
K2	2120168	2	HYDRAULIC FILTER	
K2	91083069	1	HYDRAULIC BREATHER	



# SECTION 4 - ENGINE AND ATTACHING PARTS

FIGURE 4-8. ENGINE ASSEMBLY, LH VIEW (534D-10 SN 0366054 through 0366187)



**NOTES:**

1. USE LOCTITE (14403364) ON ALL BOLT & FITTING THREADS EXCEPT PIPE THREADS.
2. USE LOCTITE PIPE SEALANT (14404082) ON ALL PIPE THREADS.

PAP19740

## SECTION 4 - ENGINE AND ATTACHING PARTS

**FIGURE 4-8. ENGINE ASSEMBLY, LH VIEW (534D-10 SN 0366054 through 0366187)**

ITEM	PART NUMBER	QTY	DESCRIPTION	REV
	91355001	Ref	ENGINE ASSY, (534D-10), (includes all items except 57 thru 63 on ENGINE ASSEMBLY, LH VIEW and all items on ENGINE ASSEMBLY, RH VIEW and ENGINE PUMP MOUNT AND FLYWHEEL HOUSING)	
1		Ref	CUMMINS B3.9C-116 EPA ENGINE, (534D-10)	
2	91143329	1	FAN ASSY	
3	91163122	1	TUBE ASSY	
4	84712738	2	SPLIT FLANGE CLAMP	
5	83201135	4	HEX HD CAPSCREW, 7/16X14-1 1/2, GR8	
6	88551012	8	LOCKWASHER, 7/16	
7		Ref	MAIN PUMP, (See HYDRAULIC COMPONENTS SECTION for Breakdown)	
8	88201095	2	HEX HD CAPSCREW, 5/8-11X1-1/2, GR5	
9	83191010	10	LOCKWASHER, M12	
10	2220635	1	SWIVEL NUT RUN TEE, 3/8 TUBE	
11	88591027	1	O-RING	
12	91143121	1	SUCTION TUBE	
13	84711334	2	FLANGE CLAMP	
14	91146056	1	RH ENGINE MOUNT	
15	83191032	8	HEX HD CAPSCREW, M12X1.75X35, (lubricate and torque to 58-68 lb-ft)	
16	91163260	1	ACCELERATOR CABLE	
17	91166075	1	THROTTLE BRACKET	
18	83191004	2	HEX HD CAPSCREW, M12X1.75X30	
19	83191012	2	LOCKWASHER, M6	
20	83191035	2	SOCKET HD CAPSCREW, M6X1.00X16	
21	91143345	1	BALL SOCKET	
22	91143344	1	OVER TRAVEL	
23	91333013	1	WIRING HARNESS	
24	82092118	111 in	FUEL LINE HOSE, 5/16	
25	88201051	4	HEX HD CAPSCREW, 7/16-14X1-1/4, GR5	
26	90030271	1	HOSE NIPPLE	
27	91083106	1	O-RING	
28	24741047	1	PRESSURE SWITCH	
29	91143315	1	OIL PRESSURE SENDER	
30	91081388	1	TAPPED BAR	
31	83191041	4	HEX HD CAPSCREW, M8X1.25X70	
32	86883075	2	TUBE FITTING	
33	72071980	28 in	NYLON TUBE, 3/8	
34	88561108	4	WASHER, 5/16	
35	90027472	2	HARDENED WASHER, 5/8	
36	91161323	1	THROTTLE BAR	
37	88591206	1	O-RING	
38	90027187	3	TIE WRAP	
39	88201020	2	HEX HD CAPSCREW, 5/16-18X1, GR5	
40	24861170	2	SUPPORT CLAMP	
41	85941017	2	SUPPORT CLAMP	
42	88521205	2	HEX NUT, 5/16-18	
43	77133447	1	HOSE ASSY	
44	2220497	1	CONNECTOR, (includes item 37)	

## SECTION 4 - ENGINE AND ATTACHING PARTS

ITEM	PART NUMBER	QTY	DESCRIPTION	REV
45	90205792	1	CUSHION CLAMP	
46	91146021	1	LH ENGINE MOUNT	
47	90028977	1	YOKE END	
48	91083493	6 in	SPLIT FLEX LOOM, 1/2 ID	
49	86883106	4	HOSE CLAMP	
50	86983649	1	ELBOW, 90, 1/4 PIPE	
51	91146101	1	DIPSTICK WELDMENT	
52	84718745	1	HOSE ASSY	
53	91163259	1	THROTTLE SPRING	
54	91363029	1	ATOMIZER, 1/8	
55	91365014	1	QUICK START ASSY, (includes the following four items)	
55	91363031	1	THERMOSTAT	
55	80963058	1	SHROUD CONNECTOR, (2-wire)	
55	80963069	2	MALE PIN TERMINAL	
55	80963065	2	CABLE SEAL	
56	83191038	1	HEX HD CAPSCREW, M10X1.50X20	
57	91143030	1	SHOCK MOUNT	
58	91143131	1	HEX HD CAPSCREW, M12X1.25X90	
59	88521008	1	LOCKNUT, 1/2-13	
60	88561111	1	FLAT WASHER, 1/2	
61	91143031	1	SHOCK MOUNT	
62	91143032	1	REBOUND WASHER	
63	88201075	1	HEX HD CAPSCREW, 1/2X3-1/2, GR5	
64	91124125	1	DIPSTICK	
65	91164115	1	LOWER TUBE	
66	91164112	1	DIPSTICK TUBE	
67	91164113	1	UPPER TUBE END	
68	91164114	2	SPRING CLAMP	
K1	91365008	NLA	250 HOUR FILTER KIT, (no longer available to order, use 1001220559 for replacement) (includes the following items)	
K1	1001220559	1	FILTER KIT, (includes the following items)	
K1	91154001	1	AIR FILTER	
K1	91083218	1	FUEL FILTER	
K1	8320270	1	FUEL FILTER	
K1	91084001	1	LUBE FILTER	
K2	1001128952	1	1000 HOUR FILTER KIT, (includes the following items)	
K2	91154001	1	AIR FILTER	
K2	91083218	1	FUEL STRAINER	
K2	8320270	1	FUEL FILTER	
K2	91084001	1	ENGINE OIL FILTER	
K2	2120168	2	HYDRAULIC FILTER	
K2	91083069	1	HYDRAULIC BREATHER	







## SECTION 4 - ENGINE AND ATTACHING PARTS

**FIGURE 4-9. ENGINE ASSEMBLY, LH VIEW (534D-10 SN 0366188 through 0366533; SN 0160000125 through 0160000974)**

ITEM	PART NUMBER	QTY	DESCRIPTION	REV
	91355014	Ref	ENGINE ASSY, (534D-10), (includes all items except 30, 53, 55 thru 60 on ENGINE ASSEMBLY, LH VIEW and all items on ENGINE ASSEMBLY, RH VIEW and ENGINE PUMP MOUNT AND FLYWHEEL HOUSING)	K
1		Ref	CUMMINS B3.9C-116 EPA ENGINE, (534D-10)	
2	91143329	1	FAN ASSY	
3	91163122	1	TUBE ASSY	
4	84712738	2	SPLIT FLANGE CLAMP	
5	83201135	4	HEX HD CAPSCREW, 7/16X14-1-1/2, GR8	
6	88551012	8	LOCKWASHER, 7/16	
7		Ref	MAIN PUMP, (See HYDRAULIC COMPONENTS SECTION for Breakdown)	
8	88201095	2	HEX HD CAPSCREW, 5/8-11X1-1/2, GR5	
9	83191010	10	LOCKWASHER, M12	
10	2220635	1	SWIVEL NUT RUN TEE, 3/8 TUBE	
11	88591027	1	O-RING	
12	91143121	1	SUCTION TUBE	
13	84711334	2	FLANGE CLAMP	
14	91146056	1	RH ENGINE MOUNT	
15	83191032	8	HEX HD CAPSCREW, M12X1.75X35, (lubricate and torque to 58-68 lb-ft)	
16	91163260	1	ACCELERATOR CABLE	
17	91166075	1	THROTTLE BRACKET	
18	83191004	2	HEX HD CAPSCREW, M12X1.75X30	
19	83191012	2	LOCKWASHER, M6	
20	83191035	2	SOCKET HD CAPSCREW, M6X1.00X16	
21	91143345	1	BALL SOCKET	
22	91143344	1	OVER TRAVEL	
23		Ref	WIRING HARNESS ASSY, (See ELECTRICAL SECTION for Breakdown)	
24	2720058	111 in	FUEL LINE HOSE, 5/16	
25	88201051	4	HEX HD CAPSCREW, 7/16-14X1-1/4, GR5	
26	90030271	1	HOSE NIPPLE	
27	91083106	1	O-RING	
28	83191013	1	LOCKWASHER, M10	
29	91124125	1	DIPSTICK	
30	88201075	1	HEX HD CAPSCREW, 1/2X3-1/2, GR5	
31	83191041	4	HEX HD CAPSCREW, M8X1.25X70	
32	86883075	1	TUBE FITTING	
33	72071980	28 in	NYLON TUBE, 3/8	
34	88561108	4	WASHER, 5/16	
35	90027472	2	HARDENED WASHER, 5/8	
36	91161323	1	THROTTLE BAR	
37	88591206	1	O-RING	
38	90027187	3	TIE WRAP	
39	88201020	2	HEX HD CAPSCREW, 5/16-18X1, GR5	
40	24861170	2	SUPPORT CLAMP	
41	85941017	2	SUPPORT CLAMP	
42	88521205	2	HEX NUT, 5/16-18	

## SECTION 4 - ENGINE AND ATTACHING PARTS

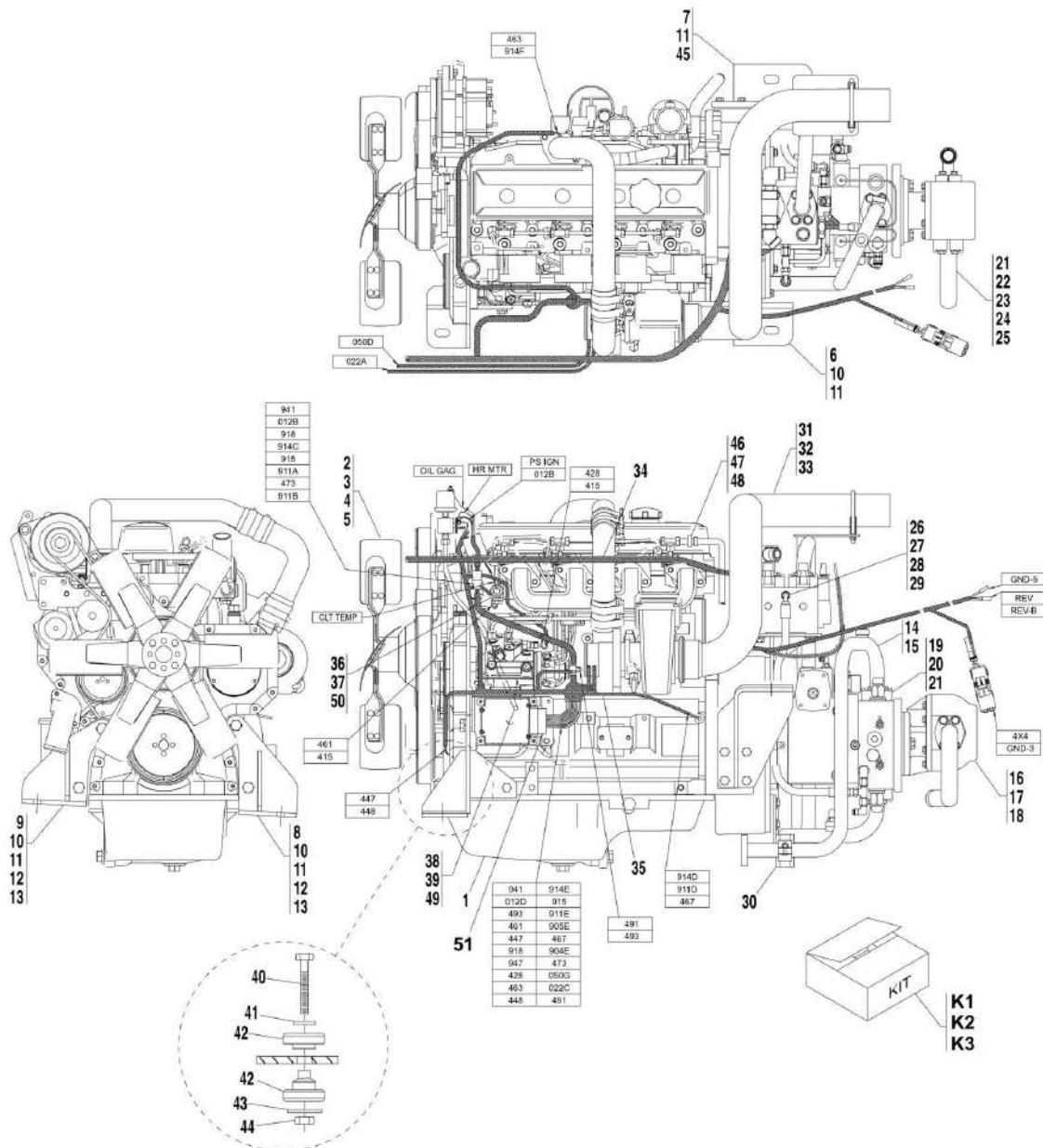
ITEM	PART NUMBER	QTY	DESCRIPTION	REV
43	77133447	1	HOSE ASSY	
44	2220497	1	CONNECTOR, (includes item 37)	
45	90205792	1	CUSHION CLAMP	
46	91146021	1	LH ENGINE MOUNT	
47	91083493	6 in	SPLIT FLEX LOOM, 1/2 ID	
48	86883106	4	HOSE CLAMP	
49	86983649	1	ELBOW, 90, 1/4 PIPE	
50	91146101	1	DIPSTICK WELDMENT	
51	91163259	1	THROTTLE SPRING	
52	91363029	1	ATOMIZER, 1/8	
53		Ref	QUICK START ASSY, (See HYDRAULIC COMPONENTS SECTION for Breakdown)	
54	83191038	1	HEX HD CAPSCREW, M10X1.50X20	
55	91143030	1	SHOCK MOUNT	
56	91143131	1	HEX HD CAPSCREW, M12X1.25X90	
57	88521008	1	LOCKNUT, 1/2-13	
58	88561111	1	FLAT WASHER, 1/2	
59	91143031	1	SHOCK MOUNT	
60	91143032	1	REBOUND WASHER	
61	91164115	1	LOWER TUBE	
62	91164112	1	DIPSTICK TUBE	
63	91164113	1	UPPER TUBE END	
64	91164114	2	SPRING CLAMP	
65	91363028	1	NYLON TUBE	
K1	91365008	NLA	250 HOUR FILTER KIT, (no longer available to order, use 1001220559 for replacement) (includes the following items) <b>(SN 0366188 through 0366342)</b>	
K1	1001220559	1	FILTER KIT, (includes the following items)	
K1	91154001	1	AIR FILTER	
K1	91083218	1	FUEL FILTER	
K1	8320270	1	FUEL FILTER	
K1	91084001	1	LUBE FILTER	
K2	91365042	1	250 HOUR FILTER KIT, (includes the following items) <b>(SN 0366343 through 0366533, SN 0160000125 through 0160000974)</b>	
K2	1101312	1	AIR FILTER ELEMENT	
K2	1101313	1	AIR FILTER SAFETY ELEMENT	
K2	91083218	1	FUEL FILTER	
K2	8320270	1	FUEL FILTER	
K2	91084001	1	LUBE FILTER	
K3	1001128952	1	1000 HOUR FILTER KIT, (includes following items) <b>(SN 0366188 through 0366342)</b>	
K3	91154001	1	AIR FILTER	
K3	91083218	1	FUEL STRAINER	
K3	8320270	1	FUEL FILTER	
K3	91084001	1	ENGINE OIL FILTER	
K3	2120168	2	HYDRAULIC FILTER	
K3	91083069	1	HYDRAULIC BREATHER	
K4	1001128961	1	1000 HOUR FILTER KIT, (includes the following items) <b>(SN 0366343 through 0366533, SN 0160000125 through 0160000974)</b>	
K4	1101312	1	PRIMARY AIR FILTER	
K4	1101313	1	SECONDARY AIR FILTER	
K4	91083218	1	FUEL STRAINER	

## SECTION 4 - ENGINE AND ATTACHING PARTS

ITEM	PART NUMBER	QTY	DESCRIPTION	REV
K4	8320270	1	FUEL FILTER	
K4	91084001	1	ENGINE OIL FILTER	
K4	2120168	2	HYDRAULIC FILTER	
K4	91083069	1	HYDRAULIC BREATHER	

# SECTION 4 - ENGINE AND ATTACHING PARTS

FIGURE 4-10. ENGINE ASSEMBLY, LH VIEW (534D-9 SN 0160010211 through 0160035941, Including 0160010082 and 0160010093, Excluding 0160034957; 534D-10 SN 0160000978 through 0160034816)



**NOTES:**

1. USE LOCTITE (14403364) ON ALL BOLT THREADS.
2. USE LOCTITE PIPE SEALANT (14404082) ON ALL PIPE THREADS.
3. USE LOCTITE (14404043) ON ALL HYDRAULIC FITTING THREADS.

PAP17720

## SECTION 4 - ENGINE AND ATTACHING PARTS

**FIGURE 4-10. ENGINE ASSEMBLY, LH VIEW (534D-9 SN 0160010211 through 0160035941, Including 0160010082 and 0160010093, Excluding 0160034957; 534D-10 SN 0160000978 through 0160034816)**

ITEM	PART NUMBER	QTY	DESCRIPTION	REV
	91545004	Ref	ENGINE ASSY, (includes all items except 40 thru 44 on ENGINE ASSEMBLY, LH VIEW, all items on ENGINE ASSEMBLY, RH VIEW except items 50 thru 52 and all items on ENGINE PUMP MOUNT AND FLYWHEEL HOUSING)	R
1		Ref	JOHN DEERE ENGINE, 115 HP, (See JOHN DEERE ENGINE for Breakdown)	
2	91553009	1	FAN	
3	91553046	1	FAN SPACER	
4	83191039	4	HEX HD CAPSCREW, M8X1.25X80, GR8	
5	88561108	4	FLAT WASHER, 5/16	
6	91536012	1	REAR ENGINE MOUNT, LH	
7	91536013	1	REAR ENGINE MOUNT, RH	
8	91536014	1	FRONT ENGINE MOUNT, LH	
9	91536015	1	FRONT ENGINE MOUNT, RH	
10	83191032	6	HEX HD CAPSCREW, M12X1.75X35, GR8, (torque to 66-76 lb-ft)	
11	83191010	10	LOCKWASHER, M12	
12	83191043	4	HEX HD CAPSCREW, M16X2.00X30, GR8, (torque to 166-181 lb-ft)	
13	83783030	4	LOCKWASHER, M16	
14	91163122	1	TUBE ASSY	
15	91083106	1	O-RING	
16		Ref	MAIN PUMP, (See HYDRAULIC COMPONENTS SECTION for Breakdown)	
17	88201095	2	HEX HD CAPSCREW, 5/8-11X1-1/2, GR5	
18	90027472	2	HARDENED WASHER, 5/8	
19	84712738	2	SPLIT FLANGE CLAMP	
20	83201135	4	HEX HD CAPSCREW, 7/16-14X1-1/2	
21	88551012	8	LOCKWASHER, 7/16	
22	91143121	1	SUCTION TUBE	
23	88591027	1	O-RING	
24	84711334	2	FLANGE CLAMP	
25	88201051	4	HEX HD CAPSCREW, 7/16-14X1-1/4, GR5	
26	2220497	1	CONNECTOR, (includes item 29)	
27	2220635	1	SWIVEL NUT RUN TEE, 3/8 TUBE	
28	77133447	1	HOSE ASSY	
29	88591206	1	O-RING	
30	90205792	1	CUSHION CLAMP	
31		Ref	EXHAUST TUBE, (See EXHAUST SYSTEM for Breakdown)	
32	91403216	1	V-BAND CLAMP	
33		Ref	MUFFLER CLAMP, (See EXHAUST SYSTEM for Breakdown)	
34		Ref	ENGINE HARNESS ASSY, (See ELECTRICAL SECTION for Breakdown)	
35	91553028	1	ECU ENGINE HARNESS	
36	91143314	1	WATER TEMPERATURE SENDER	
37	91403265	1	REDUCER BUSHING, (includes item 50)	
38	86883074	1	TUBE FITTING, 90	
39	72071980	40 in	NYLON TUBE	
40	88201106	4	HEX HD CAPSCREW, 5/8-11X4-1/2, GR5	
41	88561113	4	FLAT WASHER, 5/8	

## SECTION 4 - ENGINE AND ATTACHING PARTS

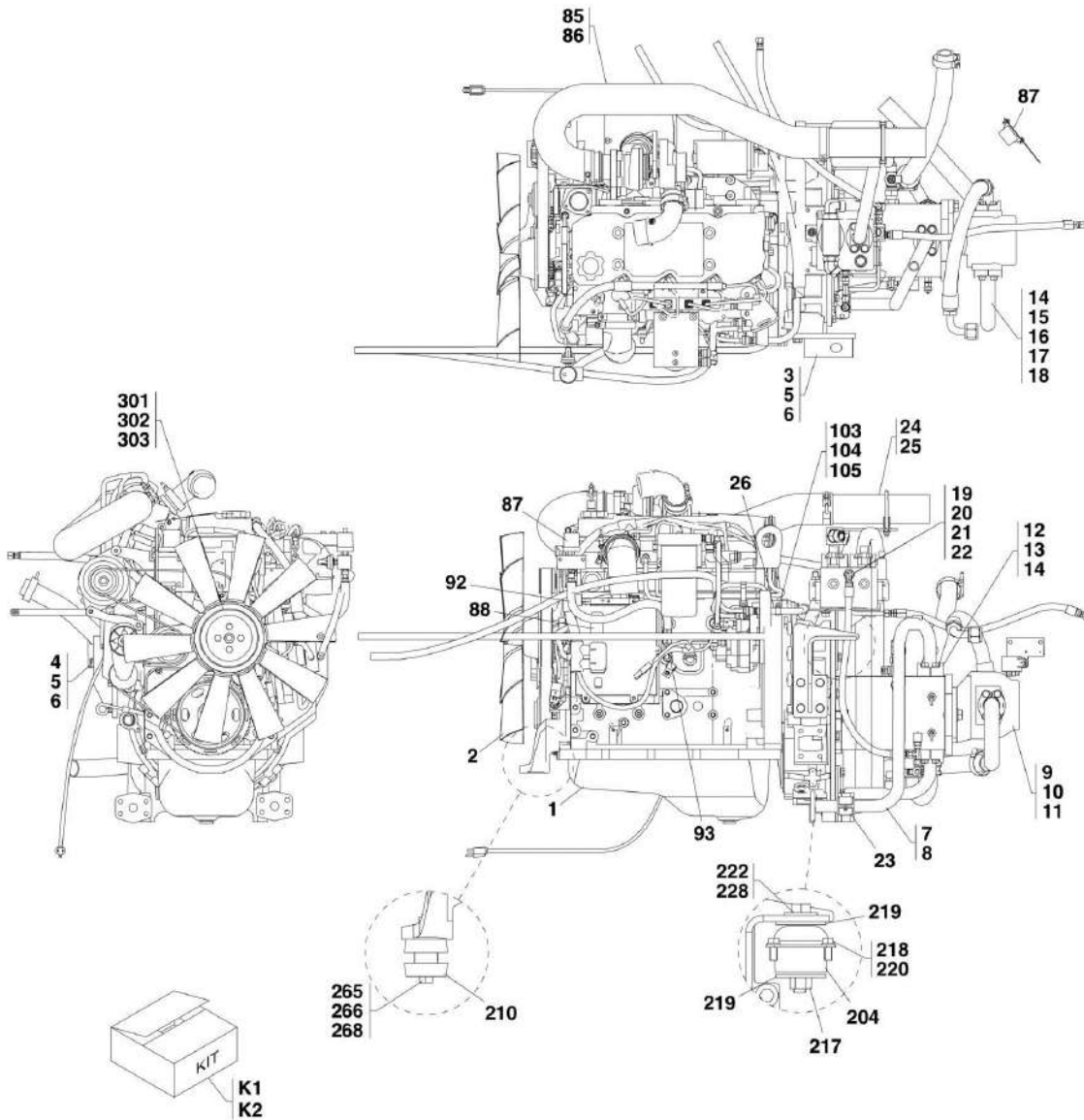
ITEM	PART NUMBER	QTY	DESCRIPTION	REV
42	91203137	4	SHOCK MOUNT	
43	91203138	4	REBOUND WASHER	
44	88521010	4	HEX LOCKNUT, 5/8-11	
45	83191049	4	HEX HD CAPSCREW, M12X1.75X60, (torque to 66-76 lb-ft)	
46	86883106	1	HOSE CLAMP	
47	80373025	1	FITTING	
48	82092118	30 in	HOSE, 5/16	
49	88711570	1	PIPE ADAPTER	
50	88591011	1	O-RING	
51	0100048	AR	DI-ELECTRIC GREASE	
K1	91535011	1	250 HOUR FILTER KIT, (9in air cleaner), (includes all items)	C
K1	1101312	1	AIR FILTER ELEMENT	
K1	1101313	1	AIR FILTER SAFETY ELEMENT	
K1	91083218	1	FUEL FILTER	
K1	91534004	1	FUEL FILTER	
K1	91534005	1	OIL FILTER	
K1	91534006	1	OIL FILTER SEAL	
K2	2915180	1	1000 HOUR FILTER KIT, (9in air cleaner), (includes 91535011 and the following)	B
K2	2120168	2	HYDRAULIC FILTER	
K2	91083069	1	HYDRAULIC BREATHER	
K3	1001113510	1	1000 HOUR FILTER KIT, (10in air cleaner), (includes all items)	2
K3	80373091	1	AIR FILTER ELEMENT	
K3	80373092	1	AIR FILTER SAFETY ELEMENT	
K3	91083218	1	FUEL FILTER	
K3	91534004	1	FUEL FILTER	
K3	91534005	1	OIL FILTER	
K3	91534006	1	OIL FILTER SEAL	
K3	2120168	2	HYDRAULIC FILTER	
K3	91083069	1	HYDRAULIC BREATHER	





# SECTION 4 - ENGINE AND ATTACHING PARTS

**FIGURE 4-11. ENGINE ASSEMBLY, LH VIEW (534D-9 SN 0160035983 to Present, Including 0160034957; 534D-10 SN 0160035696 to Present)**



- NOTES:**  
 1. USE LOCTITE (14403364) ON ALL BOLT THREADS  
 2. USE LOCTITE PIPE SEALANT (14404082) ON ALL PIPE THREADS

PAP19100

## SECTION 4 - ENGINE AND ATTACHING PARTS

**FIGURE 4-11. ENGINE ASSEMBLY, LH VIEW (534D-9 SN 0160035983 to Present, Including 0160034957; 534D-10 SN 0160035696 to Present)**

ITEM	PART NUMBER	QTY	DESCRIPTION	REV
	1001091083	1	ENGINE ASSY, (includes items 1 thru 105 on ENGINE ASSEMBLY, LH VIEW and all items on ENGINE ASSEMBLY, RH VIEW, ENGINE PUMP MOUNT AND FLYWHEEL HOUSING and JOHN DEERE ENGINE)	P
1		Ref	CUMMINS ENGINE QSB4.5TAE, (See CUMMINS ENGINE for Breakdown)	
2	1001104525	1	FAN ASSY, (includes items 301 thru 303)	
3	1001091108	1	LH REAR ENGINE MOUNT	
4	1001091109	1	RH REAR ENGINE MOUNT	
5	0761216	8	HEX HD CAPSCREW, 12X1.75X40mm, (torque to 66-76 lb-ft)	
6	4761800	2	LOCKWASHER, 12mm	
7	91163122	1	TUBE ASSY	
8	91083106	1	O-RING	
9		Ref	MAIN HYDRAULIC PUMP, (See HYDRAULIC COMPONENTS SECTION for Breakdown)	
10	0642012	2	HEX HD CAPSCREW, 5/8-11X1-1/2, GR5	
11	90027472	2	HARDENED WASHER	
12	84712738	2	SPLIT FLANGE CLAMP	
13	0681714	4	HEX HD CAPSCREW, 7/16-14X1-3/4, GR8	
14	4761700	8	LOCKWASHER, 7/16	
15	91143121	1	SUCTION TUBE	
16	3790222	1	O-RING	
17	84711334	2	FLANGE CLAMP	
18	0641709	4	HEX HD CAPSCREW, 7/16-14X1-1/4, GR5	
19	2220497	1	CONNECTOR	
20	2220635	2	SWIVEL NUT RUN TEE	
21	77133447	1	HOSE ASSY	
22	88591206	1	O-RING	
23	90205792	1	CUSHION CLAMP	
24		Ref	EXHAUST TUBE, (See EXHAUST SYSTEM for Breakdown)	
25	8275247	1	MUFFLER CLAMP	
26	2720463	37 in	HOSE, 5/16	
85		Ref	FIBERGLASS SLEEVE, (See EXHAUST SYSTEM for Breakdown)	
86		Ref	CLAMP, T-BOLT, (See EXHAUST SYSTEM for Breakdown)	
87		Ref	ENGINE HARNESS, (See ELECTRICAL SECTION for Breakdown)	
88		Ref	ECU ENGINE HARNESS, (See ELECTRICAL SECTION for Breakdown)	
92	1001104647	1	HOSE ASSY	
93	8770064	1	CONNECTOR, (swivel nut)	
103	1001093891	1	PLAIN HOSE COUPLING	
104	1001093944	1	WASHER	
105	8410013	2	GEAR CLAMP	
204	1001091080	2	ISOLATOR MOUNT	
210	1001091082	1	ISOLATOR MOUNT	
217	3272205	2	HEX LOCKNUT, 3/4-10	
218	0641708	8	HEX HD CAPSCREW, 7/16-14X1, GR5	
219	91403098	4	REBOUND WASHER	
220	47616700	8	LOCKWASHER, 7/16	

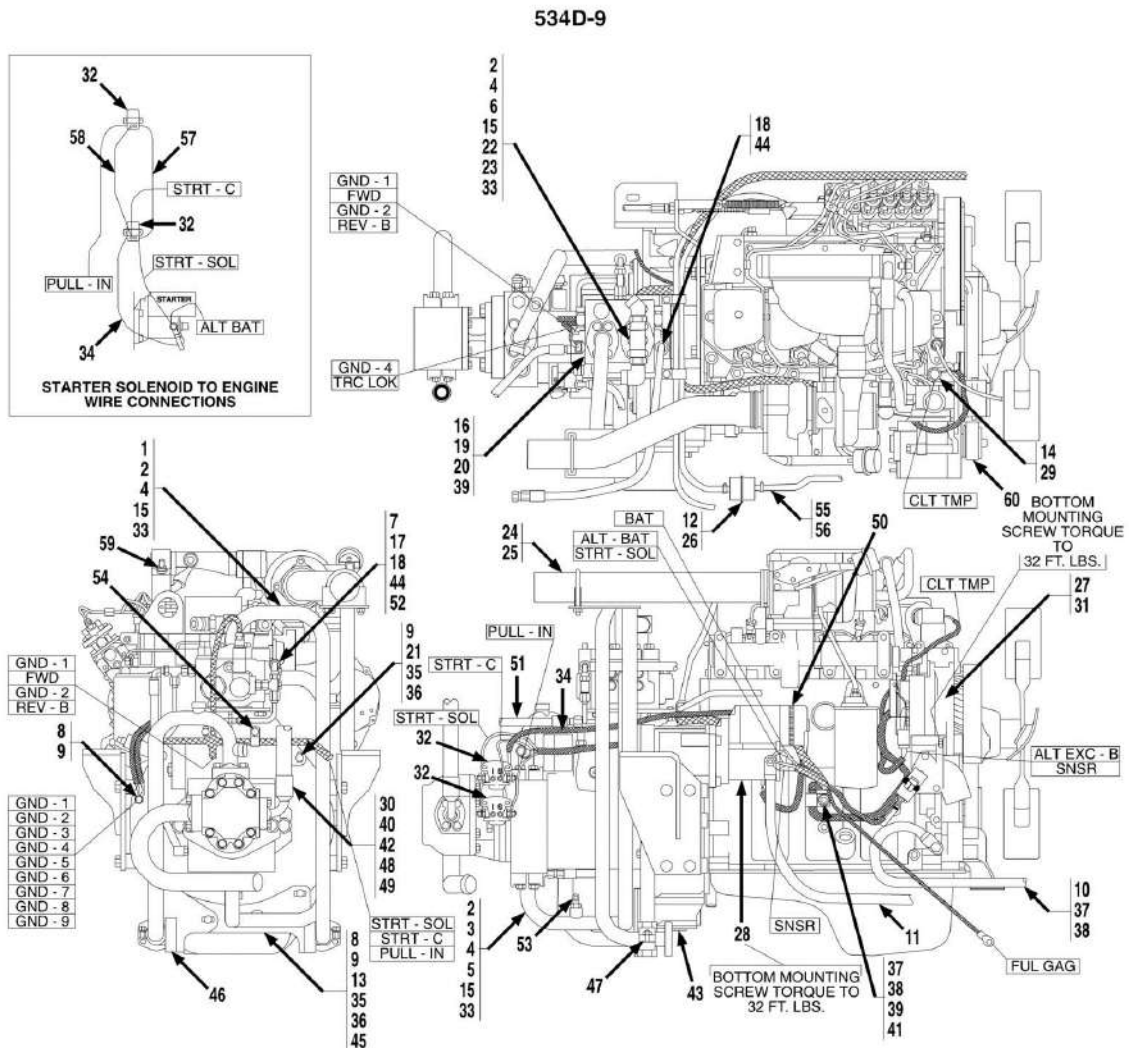
## SECTION 4 - ENGINE AND ATTACHING PARTS

ITEM	PART NUMBER	QTY	DESCRIPTION	REV
222	0682238	2	HEX HD CAPSCREW, 3/4-10X4-3/4, GR8	
228	4752200	2	FLAT WASHER, 3/4	
265	0681830	1	HEX HD CAPSCREW, 1/2-13X3-3/4, GR8	
266	3271805	1	HEX LOCKNUT, 1/2-13	
268	4751800	1	FLAT WASHER, 1/2	
301	2060045	1	FAN BLADE	
302	3575947	2	FAN HUB PLATE	
303	8310705	4	HEX HD CAPSCREW, M10X1.5X7.5mm, GR8.8	
K1	1001113718	1	250 HOUR FILTER KIT, (includes oil filter, primary and secondary fuel filters, primary and safety air filters)	
K2	1001113719	1	1000 HOUR FILTER KIT, (includes oil filter, primary and secondary fuel filters, primary and safety air filters, hydraulic element and hydraulic breather)	



# SECTION 4 - ENGINE AND ATTACHING PARTS

FIGURE 4-12. ENGINE ASSEMBLY, RH VIEW (534D-9 SN 0544001 through 0544084)



**NOTES:**

1. USE LOCTITE (14403364) ON ALL BOLT & FITTING THREADS EXCEPT PIPE THREADS.
2. USE LOCTITE PIPE SEALANT (14404082) ON ALL PIPE THREADS.

## SECTION 4 - ENGINE AND ATTACHING PARTS

**FIGURE 4-12. ENGINE ASSEMBLY, RH VIEW (534D-9 SN 0544001 through 0544084)**

ITEM	PART NUMBER	QTY	DESCRIPTION	REV
	91345001	Ref	ENGINE ASSY, (534D-9), (includes all items except 52 & 54 thru 59 on ENGINE ASSEMBLY, LH VIEW and includes all items on ENGINE ASSEMBLY, RH VIEW and ENGINE PUMP MOUNT AND FLYWHEEL HOUSING)	
1	91083418	1	TUBE ASSY	
2	84712738	8	SPLIT FLANGE CLAMP	
3	83201135	4	HEX HD CAPSCREW, 7/16-14X1-1/2, GR8	
4	88551012	16	LOCKWASHER, 7/16	
5	91163201	1	TUBE ASSY	
6	91083266	1	TUBE ASSY	
7	91163098	1	TUBE ASSY	
8	83191021	5	HEX HD CAPSCREW, M10X1.5X30	
9	83191013	12	LOCKWASHER, M10	
10	91143124	1	NEGATIVE BATTERY CABLE	
11	91473228	1	POSITIVE BATTERY CABLE	
12	91083218	1	FUEL FILTER, (I/L)	
13	91086130	1	TUBE SUPPORT	
14	91143314	1	WATER TEMP. SENDER	
15	91083106	4	O-RING	
16		Ref	TRACTION LOCK VALVE, (See HYRAULIC COMPONENTS SECTION for Breakdown)	
17	2220579	1	SWIVEL NUT BRANCH TEE, 3/8 TUBE	
18	2220371	2	CONNECTOR, (includes item 44)	
19	88201065	2	HEX HD CAPSCREW, 1/2-13X1, GR5	
20	88551013	2	LOCKWASHER, 1/2	
21	91146058	1	FLOW DIVIDER BRACKET	
22	88662332	1	ELBOW, 90, (includes o-ring)	
22	88591207	1	O-RING	
23	2151212	1	ELBOW, 45, (includes o-ring)	
23	88591207	1	O-RING	
24	91146037	1	EXHAUST TUBE	
25	83683175	1	MUFFLER CLAMP	
26	83483497	1	HOSE CLAMP	
27	1001108293	1	ALTERNATOR, (includes item 31)	
28	91083456	1	STARTER	
29	88711385	1	REDUCER BUSHING	
30	84718639	1	HOSE ASSY	
31	1001108291	1	REGULATOR	
32	90402427	2	STARTER SOLENOID, (relay)	
33	83201155	12	HEX HD CAPSCREW, 7/16-14X1-3/4, GR8	
34	91363022	1	JUMPER WIRE	
35	88561109	7	FLAT WASHER, 3/8	
36	83191006	5	HEX HD CAPSCREW, M10X1.5X40	
37	83191004	2	HEX HD CAPSCREW, M12X1.75X30	
38	83191010	2	LOCKWASHER, M12	
39	88561111	3	FLAT WASHER, 1/2	
40	88201036	4	HEX HD CAPSCREW, 3/8-16X1-1/4, GR5	
41	91143122	1	SUPPORT CLAMP, 5/8	
42	84711333	2	SPLIT FLANGE	
43	2200224	1	PIPE PLUG, 3/4	

## SECTION 4 - ENGINE AND ATTACHING PARTS

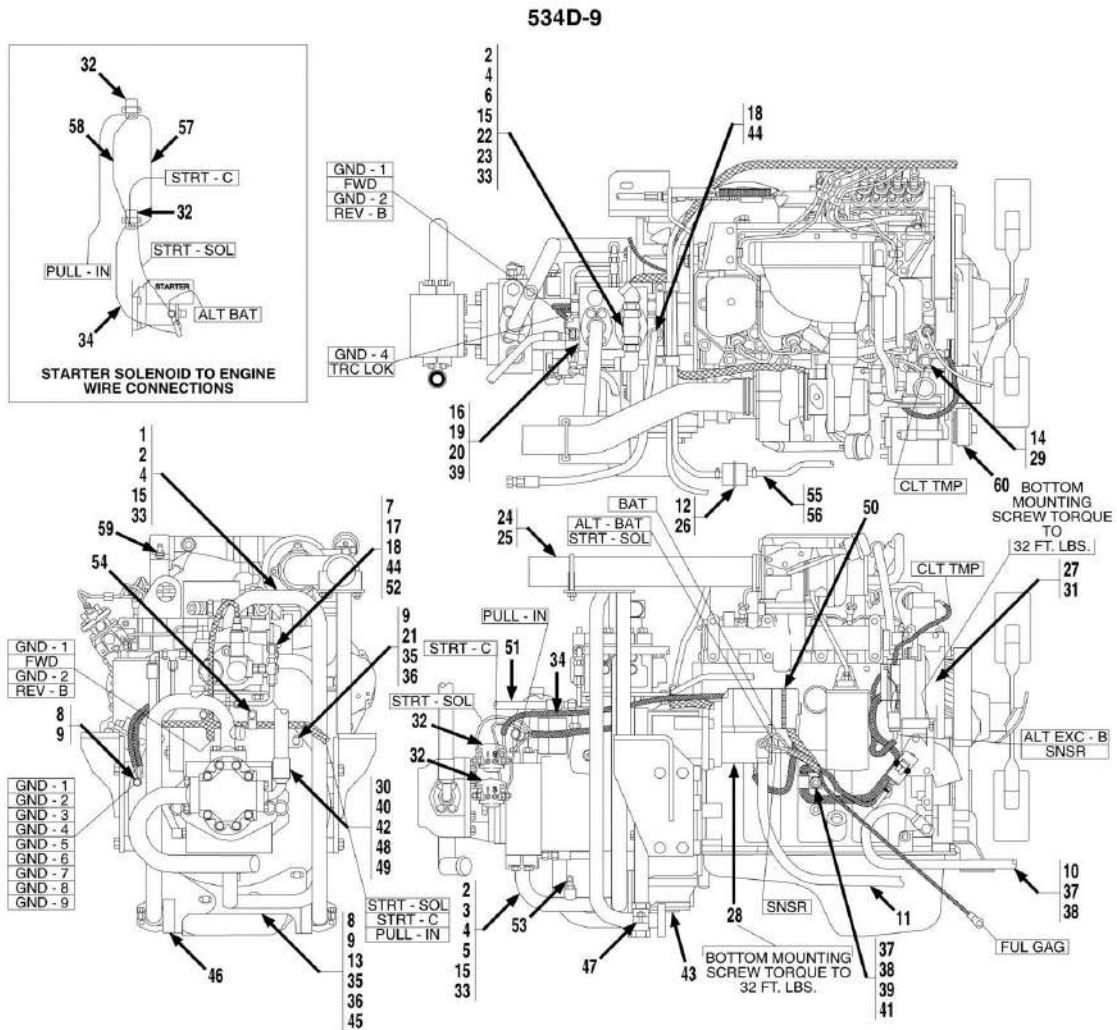
ITEM	PART NUMBER	QTY	DESCRIPTION	REV
44	88591204	2	O-RING	
45	83191005	2	HEX HD CAPSCREW, M10X1.5X45	
46	91086131	1	TUBE SUPPORT	
47	90205792	1	CUSHION CLAMP	
48	88591024	1	O-RING	
49	88551011	4	LOCKWASHER, 3/8	
50	90027187	1	TIE WRAP	
51	84718425	1	HOSE ASSY	
52	84718700	1	HOSE ASSY	
53	90027906	1	ELBOW, 90, (includes o-ring)	
53	88591204	1	O-RING	
54	24861170	1	SUPPORT CLAMP	
55	86883106	1	HOSE CLAMP	
56	82092118	14 in	HOSE, 5/16	
57	91363038	1	JUMPER WIRE	
58	91363039	1	JUMPER WIRE	
59	91343011	1	PETCOCK	
60	91084162	1	FAN/ALTERNATOR BELT	





# SECTION 4 - ENGINE AND ATTACHING PARTS

FIGURE 4-13. ENGINE ASSEMBLY, RH VIEW (534D-9 SN 0544085 through 0544216)



**NOTES:**

1. USE LOCTITE (14403364) ON ALL BOLT & FITTING THREADS EXCEPT PIPE THREADS.
2. USE LOCTITE PIPE SEALANT (14404082) ON ALL PIPE THREADS.

## SECTION 4 - ENGINE AND ATTACHING PARTS

**FIGURE 4-13. ENGINE ASSEMBLY, RH VIEW (534D-9 SN 0544085 through 0544216)**

ITEM	PART NUMBER	QTY	DESCRIPTION	REV
	91345001	Ref	ENGINE ASSY, (534D-9), (includes all items except 52 & 54 thru 59 on ENGINE ASSEMBLY, LH VIEW and includes all items on ENGINE ASSEMBLY, RH VIEW and ENGINE PUMP MOUNT AND FLYWHEEL HOUSING)	
1	91083418	1	TUBE ASSY	
2	84712738	8	SPLIT FLANGE CLAMP	
3	83201135	4	HEX HD CAPSCREW, 7/16-14X1-1/2, GR8	
4	88551012	16	LOCKWASHER, 7/16	
5	91163201	1	TUBE ASSY	
6	91083266	1	TUBE ASSY	
7	91163098	1	TUBE ASSY	
8	83191021	5	HEX HD CAPSCREW, M10X1.5X30	
9	83191013	12	LOCKWASHER, M10	
10	91143124	1	NEGATIVE BATTERY CABLE	
11	91473228	1	POSITIVE BATTERY CABLE	
12	91083218	1	FUEL FILTER, (I/L)	
13	91086130	1	TUBE SUPPORT	
14	91143314	1	WATER TEMP. SENDER	
15	91083106	4	O-RING	
16		Ref	TRACTION LOCK VALVE, (See ELECTRICAL SECTION for Breakdown)	
17	2220579	1	SWIVEL NUT BRANCH TEE, 3/8 TUBE	
18	2220371	2	CONNECTOR, (includes item 44)	
19	88201065	2	HEX HD CAPSCREW, 1/2-13X1, GR5	
20	88551013	2	LOCKWASHER, 1/2	
21	91146058	1	FLOW DIVIDER BRACKET	
22	88662332	1	ELBOW, 90, (includes o-ring)	
22	88591207	1	O-RING	
23	2151212	1	ELBOW, 45, (includes o-ring)	
23	88591207	1	O-RING	
24	91146037	1	EXHAUST TUBE	
25	83683175	1	MUFFLER CLAMP	
26	83483497	1	HOSE CLAMP	
27	1001108293	1	ALTERNATOR, (includes item 31)	
28	91083456	1	STARTER	
29	88711385	1	REDUCER BUSHING	
30	84718639	1	HOSE ASSY	
31	1001108291	1	REGULATOR	
32	90402427	2	STARTER SOLENOID, (relay)	
33	83201155	12	HEX HD CAPSCREW, 7/16-14X1-3/4, GR8	
34	91363022	1	JUMPER WIRE	
35	88561109	7	FLAT WASHER, 3/8	
36	83191006	5	HEX HD CAPSCREW, M10X1.5X40	
37	83191004	2	HEX HD CAPSCREW, M12X1.75X30	
38	83191010	2	LOCKWASHER, M12	
39	88561111	3	FLAT WASHER, 1/2	
40	88201036	4	HEX HD CAPSCREW, 3/8-16X1-1/4, GR5	
41	91143122	1	SUPPORT CLAMP, 5/8	
42	84711333	2	SPLIT FLANGE	
43	2200224	1	PIPE PLUG, 3/4	

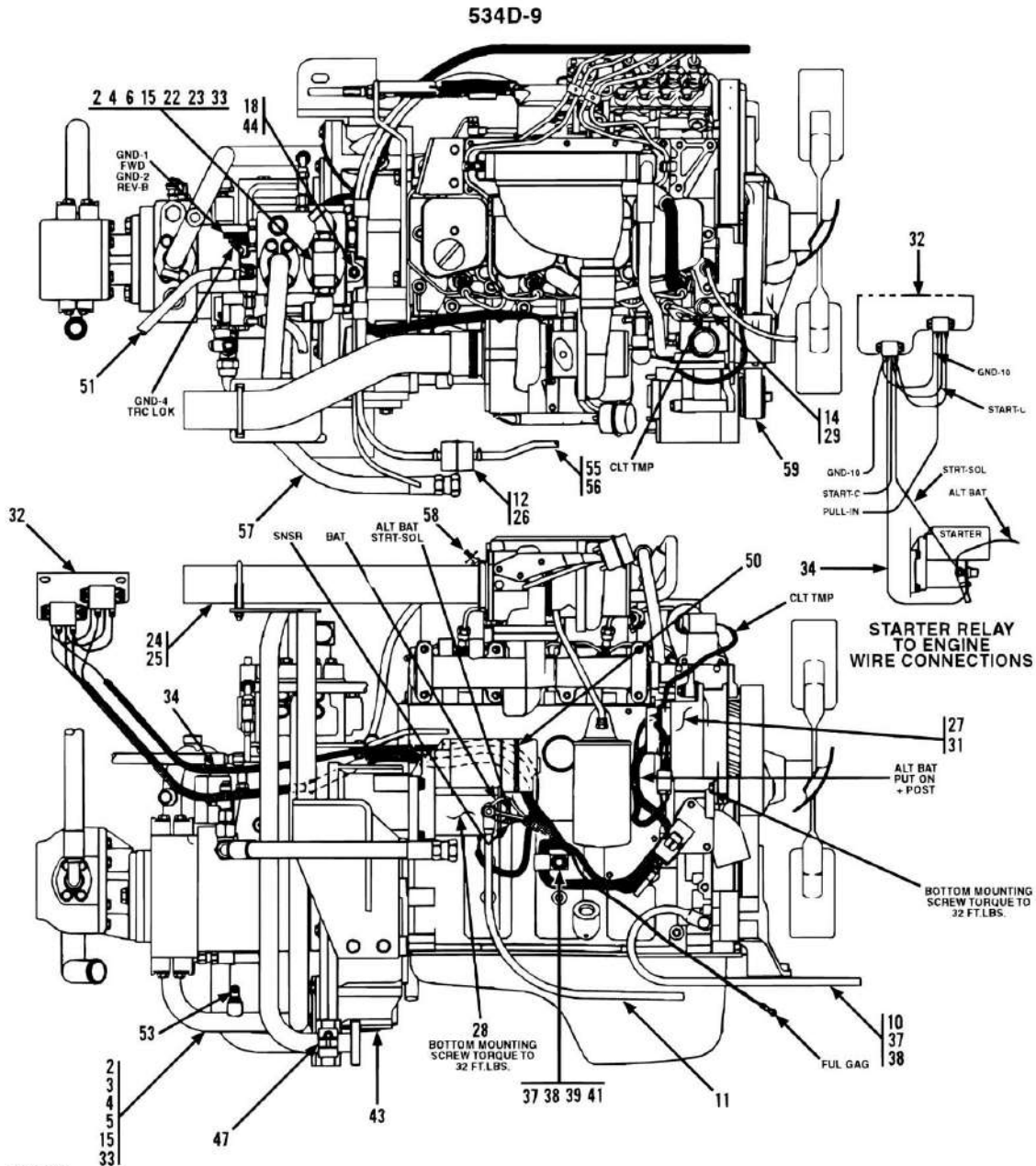
## SECTION 4 - ENGINE AND ATTACHING PARTS

ITEM	PART NUMBER	QTY	DESCRIPTION	REV
44	88591204	2	O-RING	
45	83191005	2	HEX HD CAPSCREW, M10X1.5X45	
46	91086131	1	TUBE SUPPORT	
47	90205792	1	CUSHION CLAMP	
48	88591024	1	O-RING	
49	88551011	4	LOCKWASHER, 3/8	
50	90027187	1	TIE WRAP	
51	84718425	1	HOSE ASSY	
52	84718700	1	HOSE ASSY	
53	90027906	1	ELBOW, 90, (includes o-ring)	
53	88591204	1	O-RING	
54	24861170	1	SUPPORT CLAMP	
55	86883106	1	HOSE CLAMP	
56	82092118	14 in	HOSE, 5/16	
57	91363038	1	JUMPER WIRE	
58	91363039	1	JUMPER WIRE	
59	91343011	1	PETCOCK	
60	91084162	1	FAN/ALTERNATOR BELT	



# SECTION 4 - ENGINE AND ATTACHING PARTS

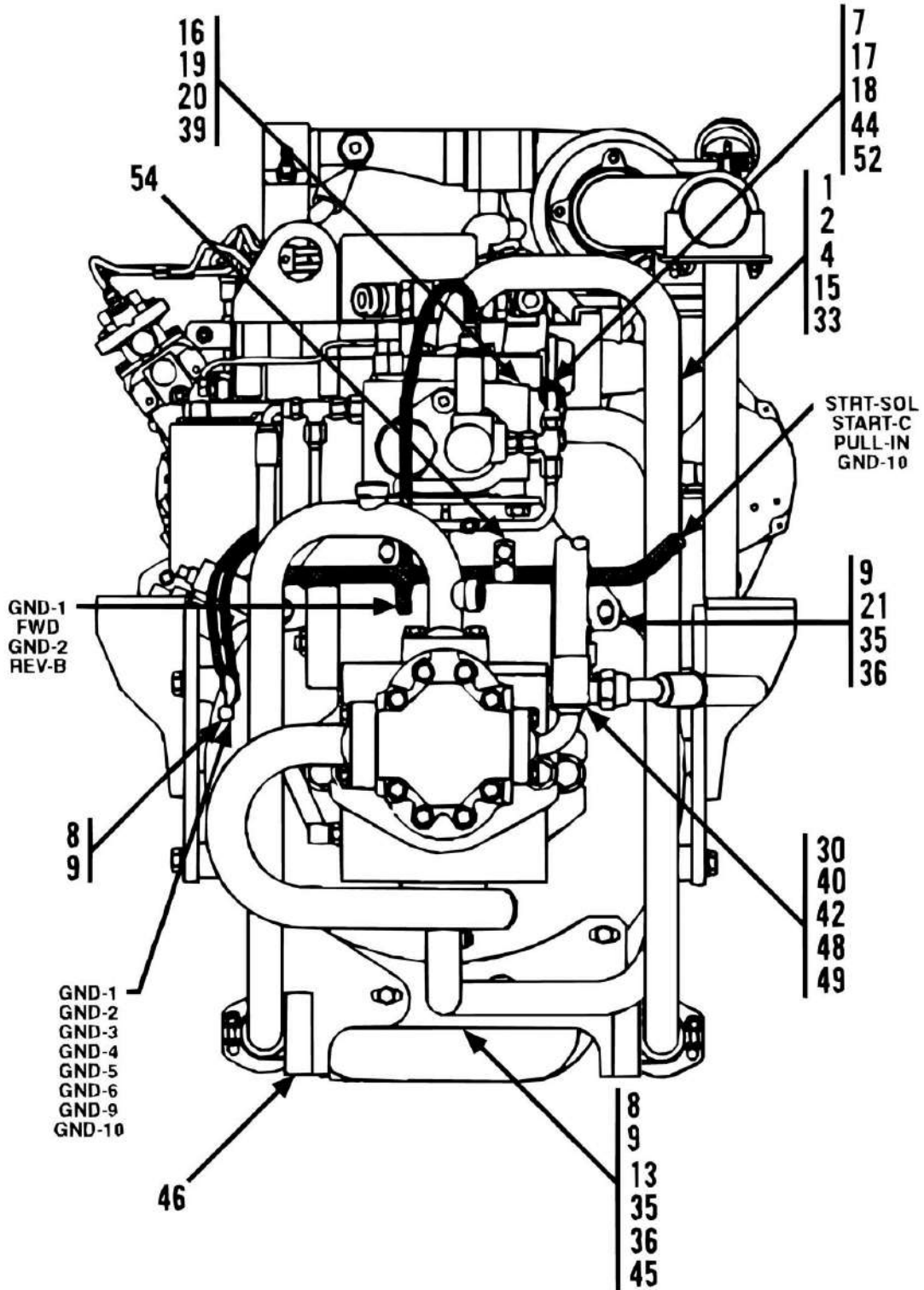
FIGURE 4-14. ENGINE ASSEMBLY, RH VIEW (534D-9 SN 0544217 through 0544717)



**NOTES:**

1. USE LOCTITE (14403364) ON ALL BOLT & FITTING THREADS EXCEPT PIPE THREADS.
2. USE LOCTITE PIPE SEALANT (14404082) ON ALL PIPE THREADS.

# SECTION 4 - ENGINE AND ATTACHING PARTS



## SECTION 4 - ENGINE AND ATTACHING PARTS

FIGURE 4-14. ENGINE ASSEMBLY, RH VIEW (534D-9 SN 0544217 through 0544717)

ITEM	PART NUMBER	QTY	DESCRIPTION	REV
	91345001	Ref	ENGINE ASSY, (534D-9), (includes all items except 57 thru 63 on ENGINE ASSEMBLY, LH VIEW and all items on ENGINE ASSEMBLY, RH VIEW and ENGINE PUMP MOUNT AND FLYWHEEL HOUSING)	
1	91083418	1	TUBE ASSY	
2	84712738	8	SPLIT FLANGE CLAMP	
3	83201135	4	HEX HD CAPSCREW, 7/16-14X1-1/2, GR8	
4	88551012	16	LOCKWASHER, 7/16	
5	91163201	1	TUBE ASSY	
6	91083266	1	TUBE ASSY	
7	91163098	1	TUBE ASSY	
8	83191021	5	HEX HD CAPSCREW, M10X1.5X30	
9	83191013	12	LOCKWASHER, M10	
10	91143124	1	NEGATIVE BATTERY CABLE	
11	91473228	1	POSITIVE BATTERY CABLE	
12	91083218	1	FUEL FILTER, (I/L)	
13	91086130	1	TUBE SUPPORT	
14	91143314	1	WATER TEMP. SENDER	
15	91083106	4	O-RING	
16		Ref	TRACTION LOCK VALVE, (See HYRAULIC COMPONENTS SECTION for Breakdown)	
17	2220579	1	SWIVEL NUT BRANCH TEE, 3/8 TUBE	
18	2220371	2	CONNECTOR, (includes item 44)	
19	88201065	2	HEX HD CAPSCREW, 1/2-13X1, GR5	
20	88551013	2	LOCKWASHER, 1/2	
21	91146058	1	FLOW DIVIDER BRACKET	
22	88662332	1	ELBOW, 90, (includes o-ring)	
22	88591207	1	O-RING	
23	2151212	1	ELBOW, 45, (includes o-ring)	
23	88591207	1	O-RING	
24	91146037	1	EXHAUST TUBE	
25	83683175	1	MUFFLER CLAMP	
26	83483497	1	HOSE CLAMP	
27	1001108293	1	ALTERNATOR, (includes item 31)	
28	91083456	1	STARTER	
29	88711385	1	REDUCER BUSHING	
30	84718639	1	HOSE ASSY	
31	1001108291	1	REGULATOR	
32	91345008	1	STARTER RELAY ASSY, (includes the following seven items)	
32	77383377	2	RELAY	
32	91331014	1	RELAY MOUNTING PLATE	
32	88211028	4	HEX SOCKET HD CAPSCREW, #10-24X1/2	
32	88501612	4	HEX NUT	
32	88561105	4	FLAT WASHER, #10	
32	88551007	4	LOCKWASHER, #10	
32	91373009	1	JUMPER WIRE	
33	83201155	12	HEX HD CAPSCREW, 7/16-14X1-3/4, GR8	
34		Ref	JUMPER WIRE, (See ELECTRICAL SECTION for Breakdown)	
35	88561109	7	FLAT WASHER, 3/8	
36	83191006	5	HEX HD CAPSCREW, M10X1.5X40	

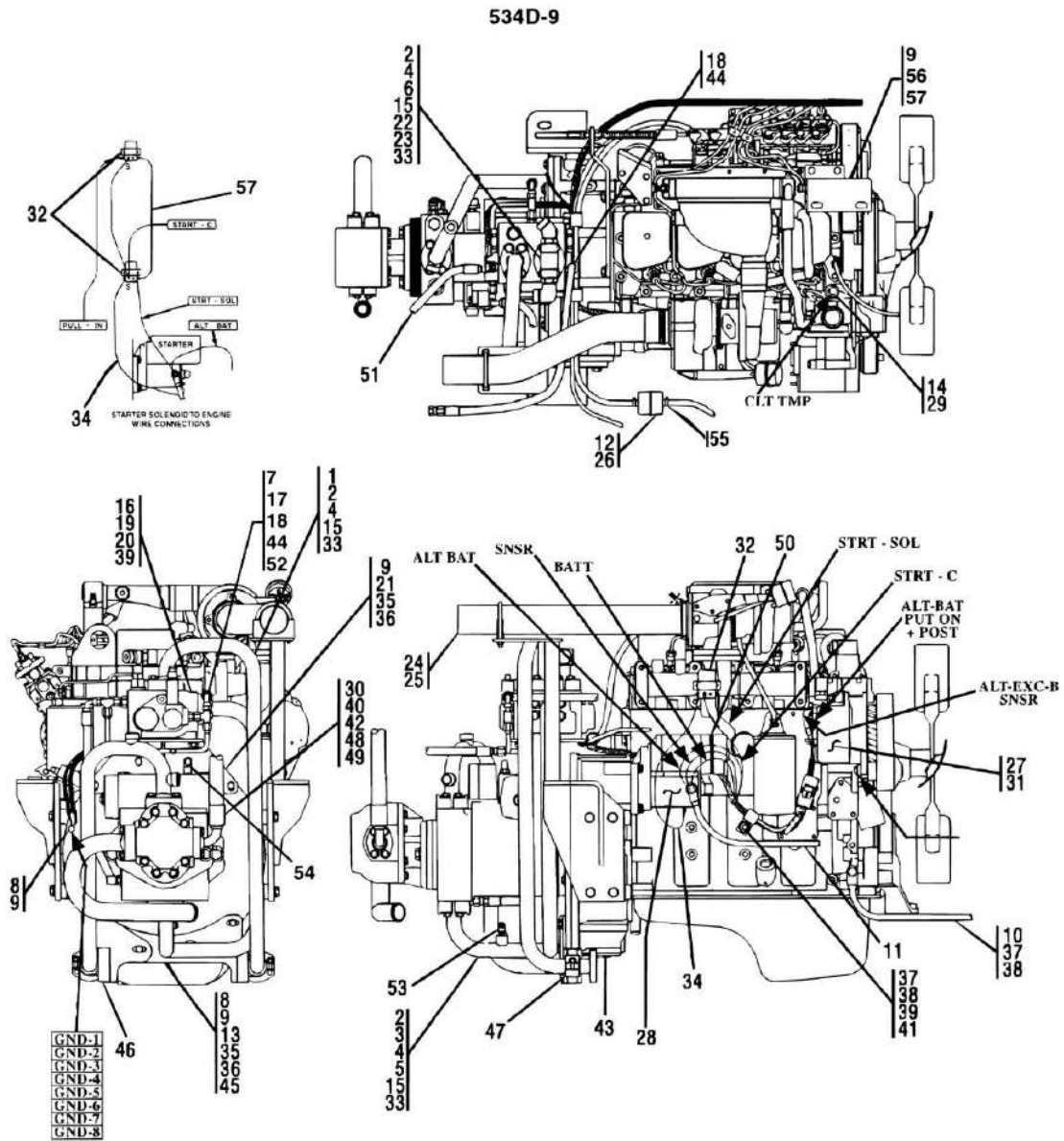


## SECTION 4 - ENGINE AND ATTACHING PARTS

ITEM	PART NUMBER	QTY	DESCRIPTION	REV
37	83191004	2	HEX HD CAPSCREW, M12X1.75X30	
38	83191010	2	LOCKWASHER, M12	
39	88561111	3	FLAT WASHER, 1/2	
40	88201036	4	HEX HD CAPSCREW, 3/8-16X1-1/4, GR5	
41	91143122	1	SUPPORT CLAMP, 5/8	
42	84711333	2	SPLIT FLANGE	
43	2200224	1	PIPE PLUG, 3/4	
44	88591204	2	O-RING	
45	83191005	2	HEX HD CAPSCREW, M10X1.5X45	
46	91086131	1	TUBE SUPPORT	
47	90205792	1	CUSHION CLAMP	
48	88591024	1	O-RING	
49	88551011	4	LOCKWASHER, 3/8	
50	90027187	1	TIE WRAP	
51	77133196	1	HOSE ASSY	
52	84718700	1	HOSE ASSY	
53	90027906	1	ELBOW, 90, (includes o-ring)	
53	88591204	1	O-RING	
54	24861170	1	SUPPORT CLAMP	
55	86883106	1	HOSE CLAMP	
56	82092118	14 in	HOSE, 5/16	
57	84718956	1	HOSE ASSY	
58	91343011	1	PETCOCK	
59	91084162	1	FAN/ALTERNATOR BELT	

# SECTION 4 - ENGINE AND ATTACHING PARTS

FIGURE 4-15. ENGINE ASSEMBLY, RH VIEW (534D-9 SN 0544719 through 0744407; SN 016000112 through 016000853, Excluding 016000700)



NOTES:

1. USE LOCTITE (14403364) ON ALL BOLT THREADS.
2. USE LOCTITE PIPE SEALANT (14404082) ON ALL PIPE THREADS.
3. USE LOCTITE (14404043) ON ALL HYDRAULIC FITTING THREADS.

PAP19200

## SECTION 4 - ENGINE AND ATTACHING PARTS

**FIGURE 4-15. ENGINE ASSEMBLY, RH VIEW (534D-9 SN 0544719 through 0744407; SN 016000112 through 0160000853, Excluding 0160000700)**

ITEM	PART NUMBER	QTY	DESCRIPTION	REV
	91345019	Ref	ENGINE ASSY, (534D-9), (includes all items except 30 & 55 thru 60 on ENGINE ASSEMBLY, LH VIEW and includes all items on ENGINE ASSEMBLY, RH VIEW and ENGINE PUMP MOUNT AND FLYWHEEL HOUSING)	J
1	91083418	1	TUBE ASSY	
2	84712738	8	SPLIT FLANGE CLAMP	
3	83201135	4	HEX HD CAPSCREW, 7/16-14X1-1/2, GR8	
4	88551012	16	LOCKWASHER, 7/16	
5	91163201	1	TUBE ASSY	
6	91083266	1	TUBE ASSY	
7	91163098	1	TUBE ASSY	
8	83191021	5	HEX HD CAPSCREW, M10X1.5X30	
9	83191013	14	LOCKWASHER, M10	
10	91143124	1	NEGATIVE BATTERY CABLE	
11	91473228	1	POSITIVE BATTERY CABLE	
12	91083218	1	FUEL FILTER, (I/L)	
13	91086130	1	TUBE SUPPORT	
14	91143314	1	WATER TEMP. SENDER	
15	91083106	4	O-RING	
16		Ref	TRACTION LOCK VALVE, (See HYDRAULIC COMPONENTS SECTION for Breakdown)	
17	2220579	1	SWIVEL NUT BRANCH TEE, 3/8 TUBE	
18	2220371	2	CONNECTOR, (includes item 44)	
19	88201065	2	HEX HD CAPSCREW, 1/2-13X1, GR5	
20	88551013	2	LOCKWASHER, 1/2	
21	91146058	1	FLOW DIVIDER BRACKET	
22	88662332	1	ELBOW, 90, (includes o-ring)	
22	88591207	1	O-RING	
23	2151212	1	ELBOW, 45, (includes o-ring)	
23	88591207	1	O-RING	
24	91146037	1	EXHAUST TUBE	
25	83683175	1	MUFFLER CLAMP	
26	91084162	1	FAN/ALTERNATOR BELT	
27	1001108293	1	ALTERNATOR, (includes item 31)	
28	91083456	1	STARTER	
29	88711385	1	REDUCER BUSHING	
30	84718639	1	HOSE ASSY	
31	1001108291	1	REGULATOR	
32		Ref	STARTER RELAY ASSY, (See ELECTRICAL SECTION for Breakdown)	
33	83201155	12	HEX HD CAPSCREW, 7/16-14X1-3/4, GR8	
34	2720058	14 in	HOSE, 5/16	
35	88561109	7	FLAT WASHER, 3/8	
36	83191006	5	HEX HD CAPSCREW, M10X1.5X40	
37	83191004	2	HEX HD CAPSCREW, M12X1.75X30	
38	83191010	2	LOCKWASHER, M12	
39	88561111	3	FLAT WASHER, 1/2	
40	88201036	4	HEX HD CAPSCREW, 3/8-16X1-1/4, GR5	
41	91143122	1	SUPPORT CLAMP, 5/8	

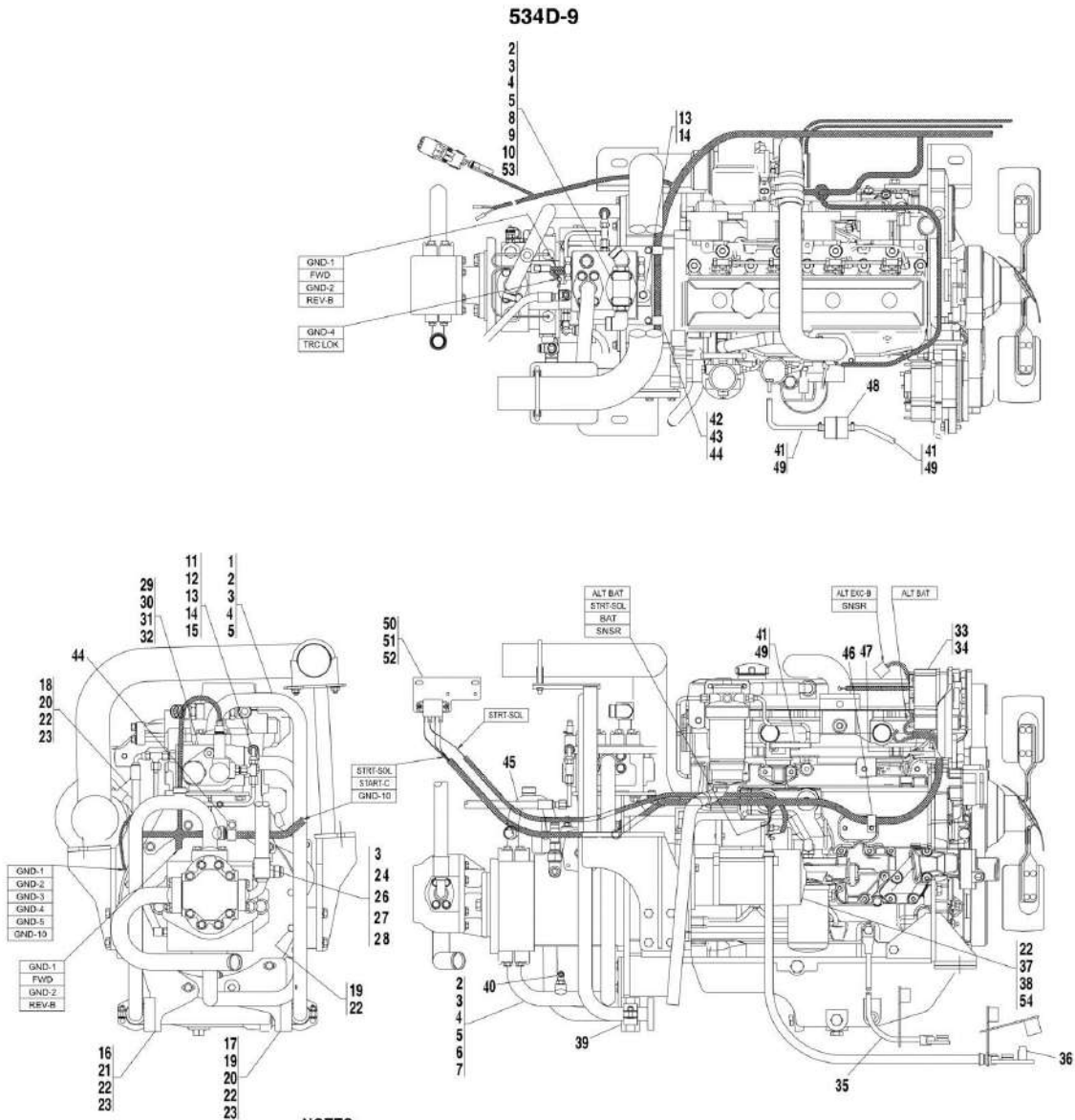
## SECTION 4 - ENGINE AND ATTACHING PARTS

ITEM	PART NUMBER	QTY	DESCRIPTION	REV
42	84711333	2	SPLIT FLANGE	
43	2200224	1	PIPE PLUG, 3/4	
44	88591204	2	O-RING	
45	83191005	2	HEX HD CAPSCREW, M10X1.5X45	
46	91086131	1	TUBE SUPPORT	
47	90205792	1	CUSHION CLAMP	
48	88591024	1	O-RING	
49	88551011	4	LOCKWASHER, 3/8	
50	90027187	1	TIE WRAP	
51	77133196	1	HOSE ASSY	
52	84718700	1	HOSE ASSY	
53	90027906	1	ELBOW, 90, (includes o-ring)	
53	88591204	1	O-RING	
54	24861170	1	SUPPORT CLAMP	
55	86883106	2	HOSE CLAMP	
56	91361038	1	AIR INTAKE BRACKET	
57	83191038	2	HEX HD CAPSCREW, M10X1.5X20	



# SECTION 4 - ENGINE AND ATTACHING PARTS

FIGURE 4-16. ENGINE ASSEMBLY, RH VIEW (534D-9 SN 0160001051 through 0160010202; Including 0160000700, Excluding 0160010082 and 0160010093)



**NOTES:**

1. USE LOCTITE (14403364) ON ALL BOLT THREADS.
2. USE LOCTITE PIPE SEALANT (14404082) ON ALL PIPE THREADS.
3. USE LOCTITE (14404043) ON ALL HYDRAULIC FITTING THREADS.

PAP19130

## SECTION 4 - ENGINE AND ATTACHING PARTS

**FIGURE 4-16. ENGINE ASSEMBLY, RH VIEW (534D-9 SN 0160001051 through 0160010202; Including 0160000700, Excluding 0160010082 and 0160010093)**

ITEM	PART NUMBER	QTY	DESCRIPTION	REV
	91535004	Ref	ENGINE ASSY, (534D-9), (includes all items except 40 thru 44 on ENGINE ASSEMBLY, LH VIEW and all items except 50 thru 52 on ENGINE ASSEMBLY, RH VIEW and all items on ENGINE PUMP MOUNT AND FLYWHEEL HOUSING)	H
1	91083418	1	TUBE ASSY	
2	84712738	8	SPLIT FLANGE CLAMP	
3	91083106	5	O-RING	
4	83201155	12	HEX HD CAPSCREW, 7/16-14X1-3/4, GR8	
5	88551012	16	LOCKWASHER, 7/16	
6	91163201	1	TUBE ASSY	
7	83201135	4	HEX HD CAPSCREW, 7/16-14X1-1/2, GR8	
8	91083266	1	TUBE ASSY	
9	88662332	1	ELBOW, 90, (includes item 53)	
10	2151212	1	ELBOW, 45, (includes item 53)	
11	91163098	1	TUBE ASSY	
12	2220579	1	SWIVEL NUT BRANCH TEE, 3/8 TUBE	
13	2220371	2	CONNECTOR, (includes item 14)	
14	88591204	3	O-RING	
15	84718700	1	HOSE ASSY	
16	91556011	1	TUBE SUPPORT, LH	
17	91556012	1	TUBE SUPPORT, RH	
18	91556010	1	FLOW DIVIDER BRACKET	
19	83191021	5	HEX HD CAPSCREW, M10X1.5X30	
20	83191006	5	HEX HD CAPSCREW, M10X1.5X40	
21	83191005	2	HEX HD CAPSCREW, M10X1.5X45	
22	83191013	12	LOCKWASHER, M10	
23	88561109	7	FLAT WASHER, 3/8	
24	84718639	1	HOSE ASSY	
26	84711333	2	SPLIT FLANGE	
27	88201036	4	HEX HD CAPSCREW, 3/8-16X1-1/4, GR5	
28	88551011	4	LOCKWASHER	
29		Ref	TRACTION LOCK VALVE, (See HYDRAULIC COMPONENTS SECTION for Breakdown)	
30	88201065	2	HEX HD CAPSCREW, 1/2-13X1, GR5	
31	88551013	2	LOCKWASHER, 1/2	
32	88561111	2	FLAT WASHER, 1/2	
33	1001108293	1	ALTERNATOR, (includes item 34)	
34	1001108291	1	REGULATOR	
35	91553025	1	BATTERY CABLE, NEGATIVE	
36	91553026	1	BATTERY CABLE, POSITIVE (SN 0160000700 through 0160006687)	
36	91553065	1	BATTERY CABLE, POSITIVE (SN 0160006693 to Present)	
37	91553030	NLA	STARTER, , (no longer available, See OPTIONS SECTION for Breakdown), (includes item 54) (SN 0160001051 through 0160006861, Including 0160000700)	
38	83191040	2	SOCKET HD CAPSCREW, M10X1.5X30, (torque to 38-48 lb-ft) (SN 0160001051 through 0160006861, Including 0160000700)	
39	90205792	1	CUSHION CLAMP	
40	90027906	1	ELBOW, 90, (includes item 14)	
41	82092118	38 in	HOSE, 5/16	

## SECTION 4 - ENGINE AND ATTACHING PARTS

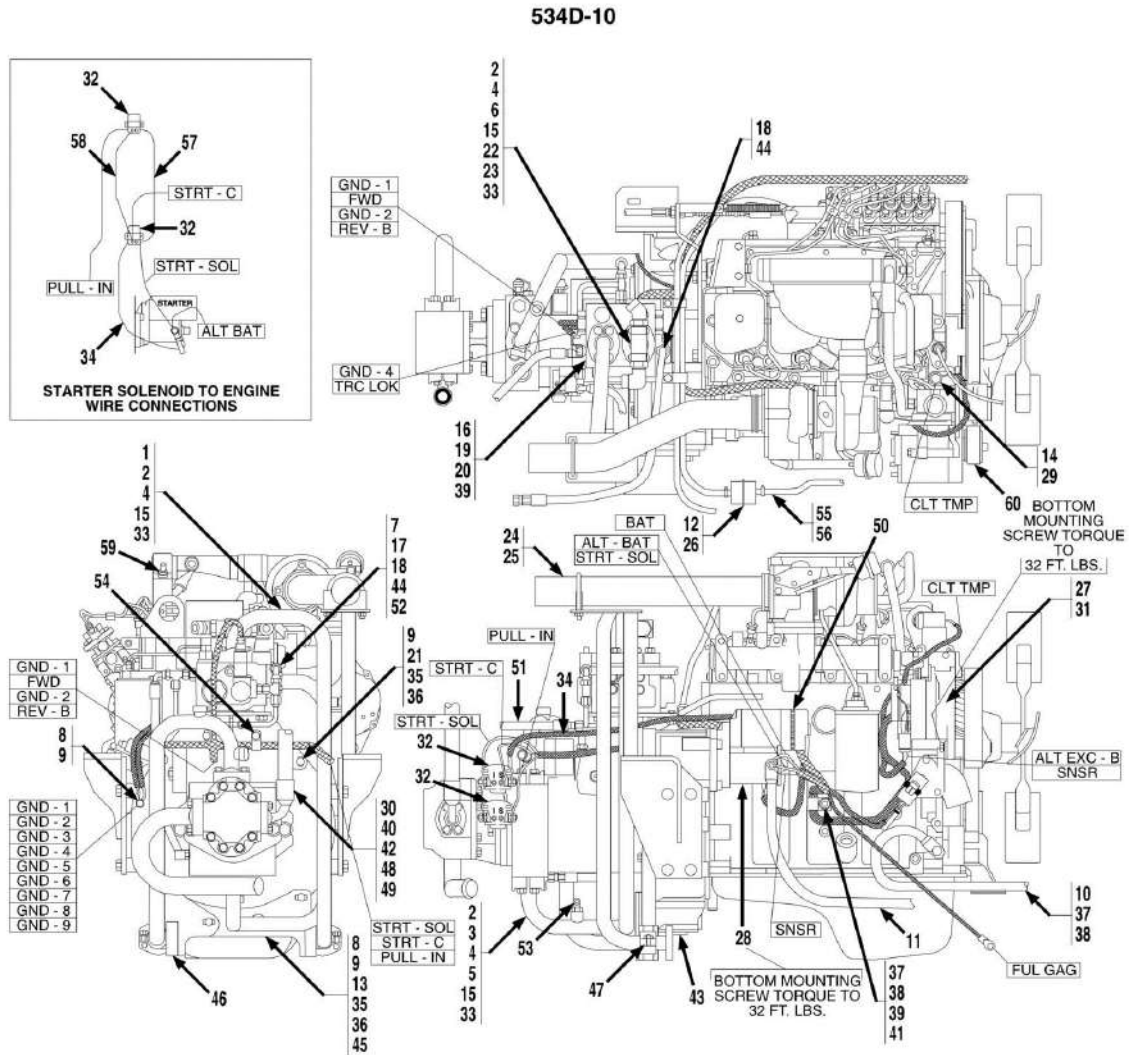
ITEM	PART NUMBER	QTY	DESCRIPTION	REV
42	88201020	2	HEX HD CAPSCREW, 5/16-18X1, GR5	
43	88521205	2	LOCKWASHER, 5/16	
44	24861170	3	SUPPORT CLAMP	
45	77133196	1	HOSE ASSY	
46	80683013	1	SUPPORT CLAMP	
47	24431386	1	SUPPORT CLAMP	
48	91083218	1	STRAINER	
49	86883106	3	HOSE CLAMP	
50	4711400	2	FLAT WASHER, 1/4	
51	4761400	2	LOCKWASHER, 1/4	
52	0641404	2	HEX HD CAPSCREW, 1/4-20X1/2M, GR5	
53	88591207	2	O-RING	
54	91554031	1	STARTER SOLENOID, (SN 0160001051 through 0160006861, Including 0160000700)	





# SECTION 4 - ENGINE AND ATTACHING PARTS

FIGURE 4-17. ENGINE ASSEMBLY, RH VIEW (534D-10 SN 0366001 through 0366016)



**NOTES:**

1. USE LOCTITE (14403364) ON ALL BOLT & FITTING THREADS EXCEPT PIPE THREADS.
2. USE LOCTITE PIPE SEALANT (14404082) ON ALL PIPE THREADS.

## SECTION 4 - ENGINE AND ATTACHING PARTS

**FIGURE 4-17. ENGINE ASSEMBLY, RH VIEW (534D-10 SN 0366001 through 0366016)**

ITEM	PART NUMBER	QTY	DESCRIPTION	REV
	91355001	Ref	ENGINE ASSY, (534D-10), (includes all items except 52 & 54 thru 59 on ENGINE ASSEMBLY, LH VIEW and includes all items on ENGINE ASSEMBLY, RH VIEW and ENGINE PUMP MOUNT AND FLYWHEEL HOUSING)	
1	91083418	1	TUBE ASSY	
2	84712738	8	SPLIT FLANGE CLAMP	
3	83201135	4	HEX HD CAPSCREW, 7/16-14X1-1/2, GR8	
4	88551012	16	LOCKWASHER, 7/16	
5	91163201	1	TUBE ASSY	
6	91083266	1	TUBE ASSY	
7	91163098	1	TUBE ASSY	
8	83191021	5	HEX HD CAPSCREW, M10X1.5X30	
9	83191013	12	LOCKWASHER, M10	
10	91143124	1	NEGATIVE BATTERY CABLE	
11	91473228	1	POSITIVE BATTERY CABLE	
12	91083218	1	FUEL FILTER, (I/L)	
13	91086130	1	TUBE SUPPORT	
14	91143314	1	WATER TEMP. SENDER	
15	91083106	4	O-RING	
16		Ref	TRACTION LOCK VALVE, (See HYDRAULIC COMPONENTS SECTION for Breakdown)	
17	2220579	1	SWIVEL NUT BRANCH TEE, 3/8 TUBE	
18	2220371	2	CONNECTOR, (includes item 44)	
19	88201065	2	HEX HD CAPSCREW, 1/2-13X1, GR5	
20	88551013	2	LOCKWASHER, 1/2	
21	91146058	1	FLOW DIVIDER BRACKET	
22	88662332	1	ELBOW, 90, (includes o-ring)	
22	88591207	1	O-RING	
23	2151212	1	ELBOW, 45, (includes o-ring)	
23	88591207	1	O-RING	
24	91146037	1	EXHAUST TUBE	
25	83683175	1	MUFFLER CLAMP	
26	83483497	1	HOSE CLAMP	
27	1001108293	1	ALTERNATOR, (includes item 31)	
28	91083456	1	STARTER	
29	88711385	1	REDUCER BUSHING	
30	84718639	1	HOSE ASSY	
31	1001108291	1	REGULATOR	
32	90402427	2	STARTER SOLENOID, (relay)	
33	83201155	12	HEX HD CAPSCREW, 7/16-14X1-3/4, GR8	
34	91363022	1	JUMPER WIRE	
35	88561109	7	FLAT WASHER, 3/8	
36	83191006	5	HEX HD CAPSCREW, M10X1.5X40	
37	83191004	2	HEX HD CAPSCREW, M12X1.75X30	
38	83191010	2	LOCKWASHER, M12	
39	88561111	3	FLAT WASHER, 1/2	
40	88201036	4	HEX HD CAPSCREW, 3/8-16X1-1/4, GR5	
41	91143122	1	SUPPORT CLAMP, 5/8	
42	84711333	2	SPLIT FLANGE	
43	2200224	1	PIPE PLUG, 3/4	

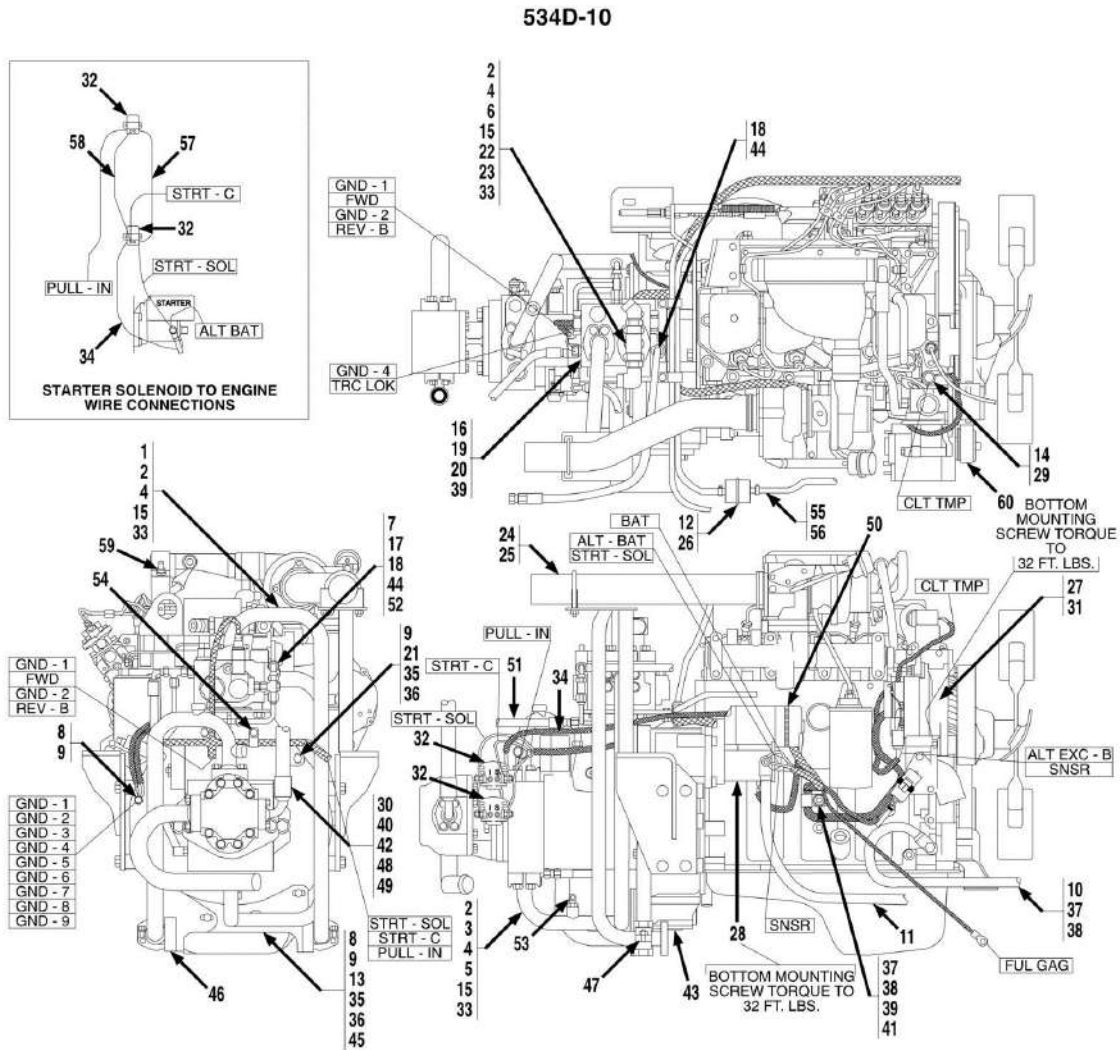
## SECTION 4 - ENGINE AND ATTACHING PARTS

ITEM	PART NUMBER	QTY	DESCRIPTION	REV
44	88591204	2	O-RING	
45	83191005	2	HEX HD CAPSCREW, M10X1.5X45	
46	91086131	1	TUBE SUPPORT	
47	90205792	1	CUSHION CLAMP	
48	88591024	1	O-RING	
49	88551011	4	LOCKWASHER, 3/8	
50	90027187	1	TIE WRAP	
51	84718425	1	HOSE ASSY	
52	84718700	1	HOSE ASSY	
53	90027906	1	ELBOW, 90, (includes o-ring)	
53	88591204	1	O-RING	
54	24861170	1	SUPPORT CLAMP	
55	86883106	1	HOSE CLAMP	
56	82092118	14 in	HOSE, 5/16	
57	91363038	1	JUMPER WIRE	
58	91363039	1	JUMPER WIRE	
59	91343011	1	PETCOCK	
60	91084162	1	FAN/ALTERNATOR BELT	



# SECTION 4 - ENGINE AND ATTACHING PARTS

FIGURE 4-18. ENGINE ASSEMBLY, RH VIEW (534D-10 SN 0366017 through 0366053)



**NOTES:**

1. USE LOCTITE (14403364) ON ALL BOLT & FITTING THREADS EXCEPT PIPE THREADS.
2. USE LOCTITE PIPE SEALANT (14404082) ON ALL PIPE THREADS.

## SECTION 4 - ENGINE AND ATTACHING PARTS

**FIGURE 4-18. ENGINE ASSEMBLY, RH VIEW (534D-10 SN 0366017 through 0366053)**

ITEM	PART NUMBER	QTY	DESCRIPTION	REV
	91355001	Ref	ENGINE ASSY, (534D-10), (includes all items except 52 & 54 thru 59 on ENGINE ASSEMBLY, LH VIEW and includes all items on ENGINE ASSEMBLY, RH VIEW and ENGINE PUMP MOUNT AND FLYWHEEL HOUSING)	
1	91083418	1	TUBE ASSY	
2	84712738	8	SPLIT FLANGE CLAMP	
3	83201135	4	HEX HD CAPSCREW, 7/16-14X1-1/2, GR8	
4	88551012	16	LOCKWASHER, 7/16	
5	91163201	1	TUBE ASSY	
6	91083266	1	TUBE ASSY	
7	91163098	1	TUBE ASSY	
8	83191021	5	HEX HD CAPSCREW, M10X1.5X30	
9	83191013	12	LOCKWASHER, M10	
10	91143124	1	NEGATIVE BATTERY CABLE	
11	91473228	1	POSITIVE BATTERY CABLE	
12	91083218	1	FUEL FILTER, (I/L)	
13	91086130	1	TUBE SUPPORT	
14	91143314	1	WATER TEMP. SENDER	
15	91083106	4	O-RING	
16		Ref	TRACTION LOCK VALVE, (See HYDRAULIC COMPONENTS SECTION for Breakdown)	
17	2220579	1	SWIVEL NUT BRANCH TEE, 3/8 TUBE	
18	2220371	2	CONNECTOR, (includes item 44)	
19	88201065	2	HEX HD CAPSCREW, 1/2-13X1, GR5	
20	88551013	2	LOCKWASHER, 1/2	
21	91146058	1	FLOW DIVIDER BRACKET	
22	88662332	1	ELBOW, 90, (includes o-ring)	
22	88591207	1	O-RING	
23	2151212	1	ELBOW, 45, (includes o-ring)	
23	88591207	1	O-RING	
24	91146037	1	EXHAUST TUBE	
25	83683175	1	MUFFLER CLAMP	
26	83483497	1	HOSE CLAMP	
27	1001108293	1	ALTERNATOR, (includes item 31)	
28	91083456	1	STARTER	
29	88711385	1	REDUCER BUSHING	
30	84718639	1	HOSE ASSY	
31	1001108291	1	REGULATOR	
32	90402427	2	STARTER SOLENOID, (relay)	
33	83201155	12	HEX HD CAPSCREW, 7/16-14X1-3/4, GR8	
34	91363022	1	JUMPER WIRE	
35	88561109	7	FLAT WASHER, 3/8	
36	83191006	5	HEX HD CAPSCREW, M10X1.5X40	
37	83191004	2	HEX HD CAPSCREW, M12X1.75X30	
38	83191010	2	LOCKWASHER, M12	
39	88561111	3	FLAT WASHER, 1/2	
40	88201036	4	HEX HD CAPSCREW, 3/8-16X1-1/4, GR5	
41	91143122	1	SUPPORT CLAMP, 5/8	
42	84711333	2	SPLIT FLANGE	
43	2200224	1	PIPE PLUG, 3/4	

## SECTION 4 - ENGINE AND ATTACHING PARTS

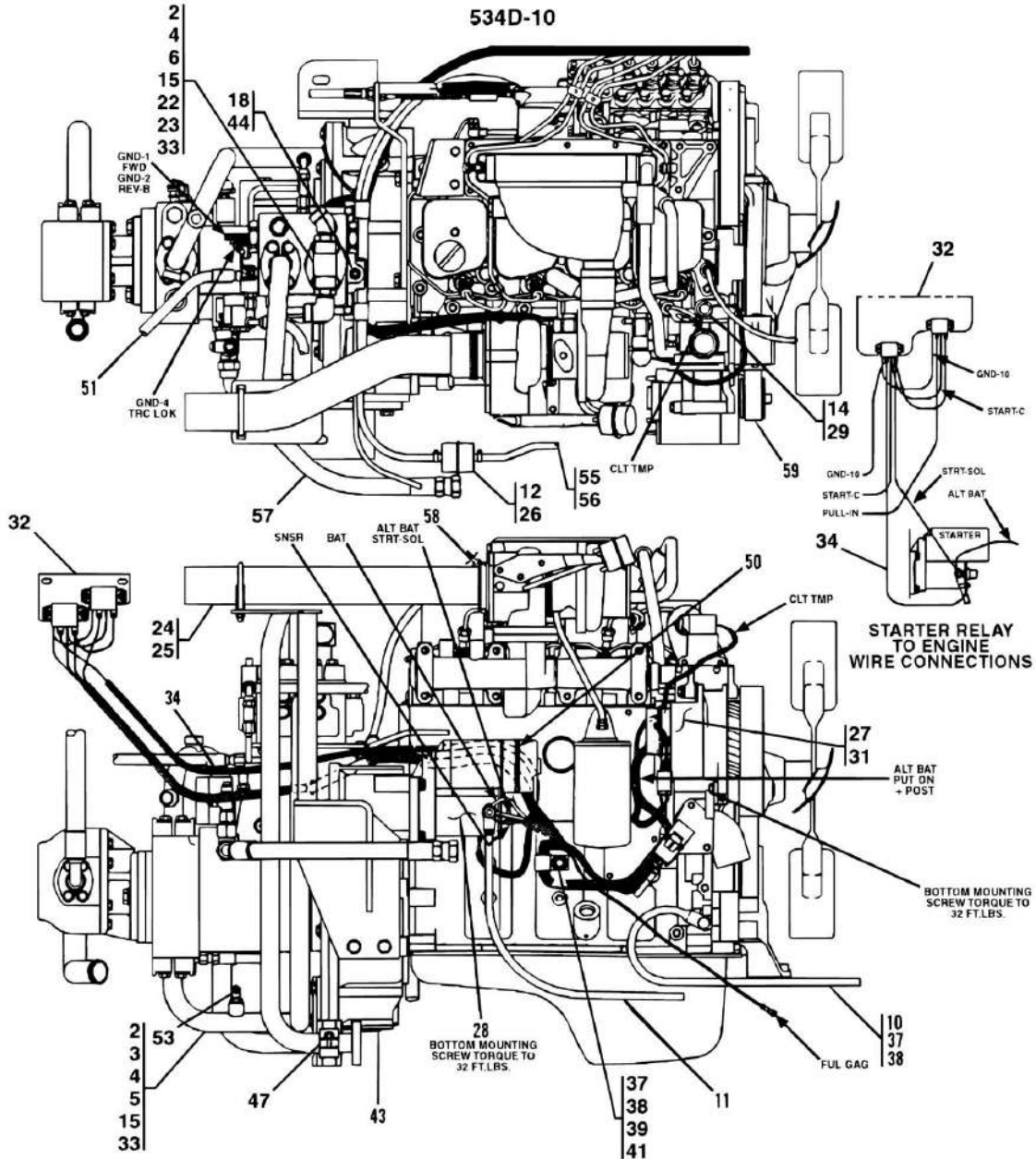
ITEM	PART NUMBER	QTY	DESCRIPTION	REV
44	88591204	2	O-RING	
45	83191005	2	HEX HD CAPSCREW, M10X1.5X45	
46	91086131	1	TUBE SUPPORT	
47	90205792	1	CUSHION CLAMP	
48	88591024	1	O-RING	
49	88551011	4	LOCKWASHER, 3/8	
50	90027187	1	TIE WRAP	
51	84718425	1	HOSE ASSY	
52	84718700	1	HOSE ASSY	
53	90027906	1	ELBOW, 90, (includes o-ring)	
53	88591204	1	O-RING	
54	24861170	1	SUPPORT CLAMP	
55	86883106	1	HOSE CLAMP	
56	82092118	14 in	HOSE, 5/16	
57	91363038	1	JUMPER WIRE	
58	91363039	1	JUMPER WIRE	
59	91343011	1	PETCOCK	
60	91084162	1	FAN/ALTERNATOR BELT	





# SECTION 4 - ENGINE AND ATTACHING PARTS

FIGURE 4-19. ENGINE ASSEMBLY, RH VIEW (534D-10 SN 0366054 through 0366187)

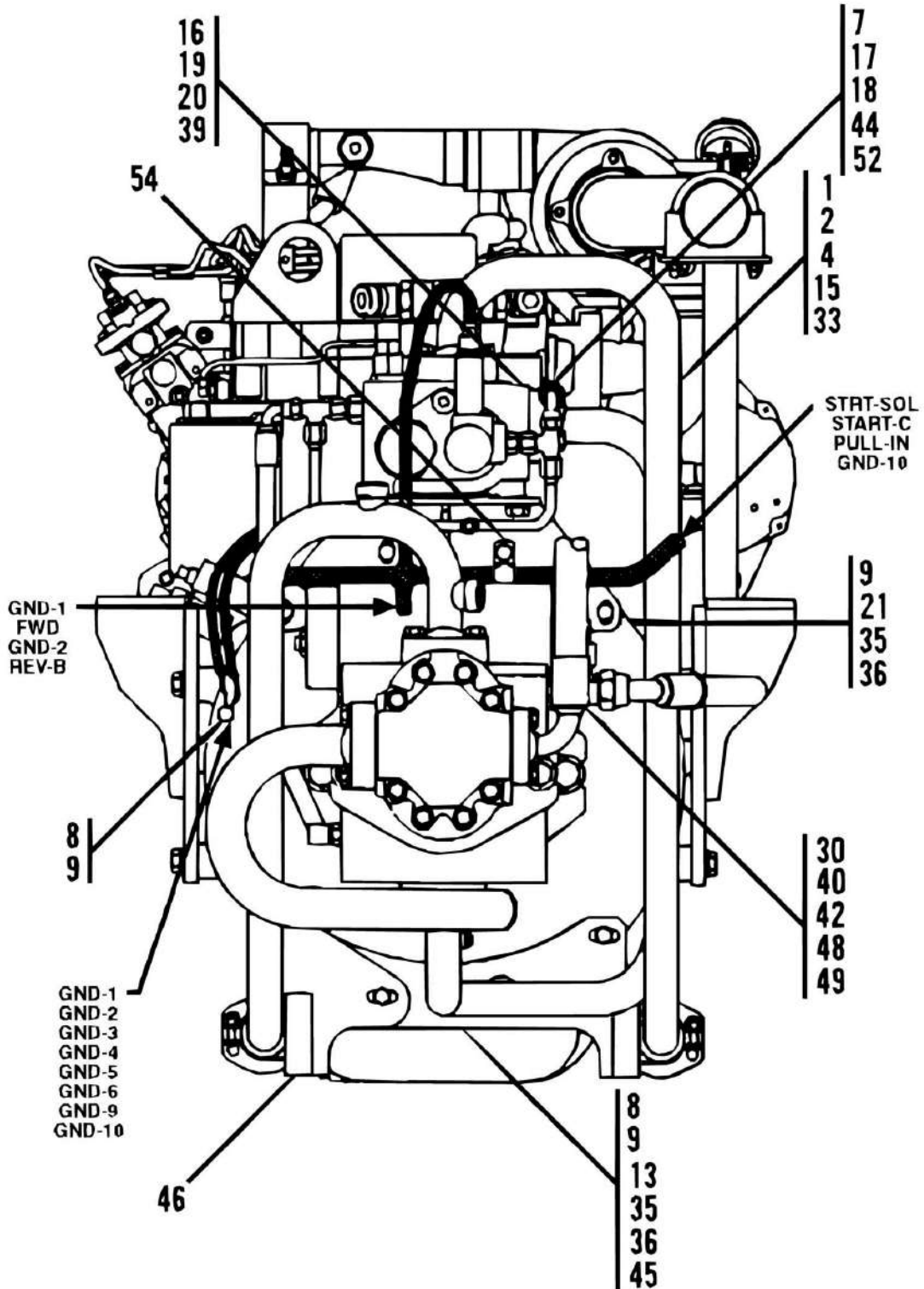


**NOTES:**

1. USE LOCTITE (14403364) ON ALL BOLT & FITTING THREADS EXCEPT PIPE THREADS.
2. USE LOCTITE PIPE SEALANT (14404082) ON ALL PIPE THREADS.

PAP19780

# SECTION 4 - ENGINE AND ATTACHING PARTS



## SECTION 4 - ENGINE AND ATTACHING PARTS

FIGURE 4-19. ENGINE ASSEMBLY, RH VIEW (534D-10 SN 0366054 through 0366187)

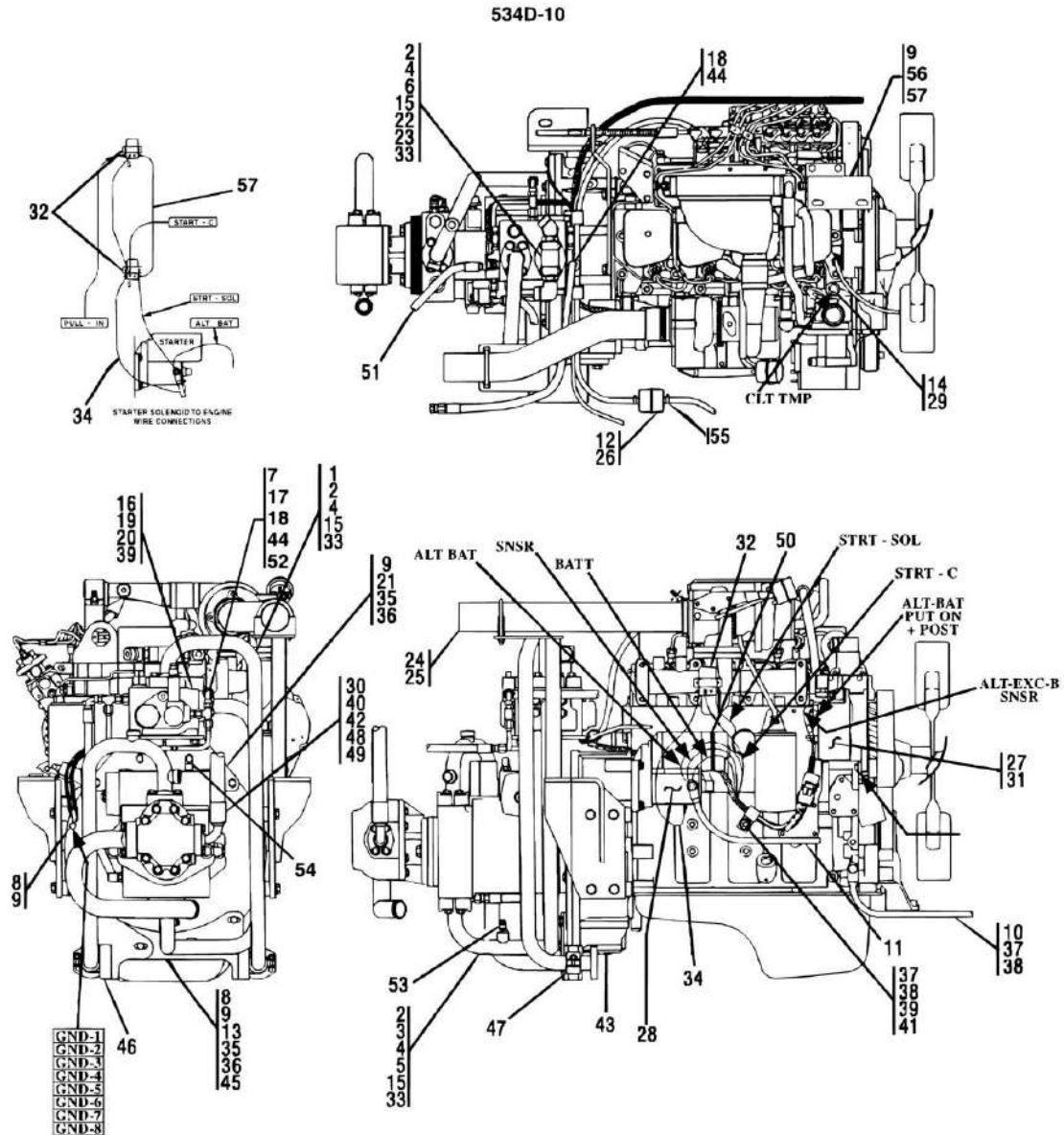
ITEM	PART NUMBER	QTY	DESCRIPTION	REV
	91355001	Ref	ENGINE ASSY, (534D-10), (includes all items except 57 thru 63 on ENGINE ASSEMBLY, LH VIEW and all items on ENGINE ASSEMBLY, RH VIEW and ENGINE PUMP MOUNT AND FLYWHEEL HOUSING)	
1	91083418	1	TUBE ASSY	
2	84712738	8	SPLIT FLANGE CLAMP	
3	83201135	4	HEX HD CAPSCREW, 7/16-14X1-1/2, GR8	
4	88551012	16	LOCKWASHER, 7/16	
5	91163201	1	TUBE ASSY	
6	91083266	1	TUBE ASSY	
7	91163098	1	TUBE ASSY	
8	83191021	5	HEX HD CAPSCREW, M10X1.5X30	
9	83191013	12	LOCKWASHER, M10	
10	91143124	1	NEGATIVE BATTERY CABLE	
11	91473228	1	POSITIVE BATTERY CABLE	
12	91083218	1	FUEL FILTER, (I/L)	
13	91086130	1	TUBE SUPPORT	
14	91143314	1	WATER TEMP. SENDER	
15	91083106	4	O-RING	
16		Ref	TRACTION LOCK VALVE, (See HYRAULIC COMPONENTS SECTION for Breakdown)	
17	88662224	1	SWIVEL NUT BRANCH TEE, 3/8 TUBE	
18	2220371	2	CONNECTOR, (includes item 44)	
19	88201065	2	HEX HD CAPSCREW, 1/2-13X1, GR5	
20	88551013	2	LOCKWASHER, 1/2	
21	91146058	1	FLOW DIVIDER BRACKET	
22	88662332	1	ELBOW, 90, (includes o-ring)	
22	88591207	1	O-RING	
23	2151212	1	ELBOW, 45, (includes o-ring)	
23	88591207	1	O-RING	
24	91146037	1	EXHAUST TUBE	
25	83683175	1	MUFFLER CLAMP	
26	83483497	1	HOSE CLAMP	
27	1001108293	1	ALTERNATOR, (includes item 31)	
28	91083456	1	STARTER	
29	88711385	1	REDUCER BUSHING	
30	84718639	1	HOSE ASSY	
31	1001108291	1	REGULATOR	
32	91345008	1	STARTER RELAY ASSY, (includes the following seven items)	
32	77383377	2	RELAY	
32	91331014	1	RELAY MOUNTING PLATE	
32	88211028	4	HEX SOCKET HD CAPSCREW, #10-24X1/2	
32	88501612	4	HEX NUT	
32	88561105	4	FLAT WASHER, #10	
32	88551007	4	LOCKWASHER, #10	
32	91373009	1	JUMPER WIRE	
33	83201155	12	HEX HD CAPSCREW, 7/16-14X1-3/4, GR8	
34		Ref	JUMPER WIRE, (See ELECTRICAL SECTION for Breakdown)	
35	88561109	7	FLAT WASHER, 3/8	
36	83191006	5	HEX HD CAPSCREW, M10X1.5X40	

## SECTION 4 - ENGINE AND ATTACHING PARTS

ITEM	PART NUMBER	QTY	DESCRIPTION	REV
37	83191004	2	HEX HD CAPSCREW, M12X1.75X30	
38	83191010	2	LOCKWASHER, M12	
39	88561111	3	FLAT WASHER, 1/2	
40	88201036	4	HEX HD CAPSCREW, 3/8-16X1-1/4, GR5	
41	91143122	1	SUPPORT CLAMP, 5/8	
42	84711333	2	SPLIT FLANGE	
43	2200224	1	PIPE PLUG, 3/4	
44	88591204	2	O-RING	
45	83191005	2	HEX HD CAPSCREW, M10X1.5X45	
46	91086131	1	TUBE SUPPORT	
47	90205792	1	CUSHION CLAMP	
48	88591024	1	O-RING	
49	88551011	4	LOCKWASHER, 3/8	
50	90027187	1	TIE WRAP	
51	77133196	1	HOSE ASSY	
52	84718700	1	HOSE ASSY	
53	90027906	1	ELBOW, 90, (includes o-ring)	
53	88591204	1	O-RING	
54	24861170	1	SUPPORT CLAMP	
55	86883106	1	HOSE CLAMP	
56	82092118	14 in	HOSE, 5/16	
57	84718956	1	HOSE ASSY	
58	91343011	1	PETCOCK	
59	91084162	1	FAN/ALTERNATOR BELT	

## SECTION 4 - ENGINE AND ATTACHING PARTS

**FIGURE 4-20. ENGINE ASSEMBLY, RH VIEW (534D-10 SN 0366188 through 0366533; SN 016000125 through 016000974)**



**NOTES:**

1. USE LOCTITE (14403364) ON ALL BOLT THREADS.
2. USE LOCTITE PIPE SEALANT (14404082) ON ALL PIPE THREADS.
3. USE LOCTITE (14404043) ON ALL HYDRAULIC FITTING THREADS.

PAP19190

## SECTION 4 - ENGINE AND ATTACHING PARTS

**FIGURE 4-20. ENGINE ASSEMBLY, RH VIEW (534D-10 SN 0366188 through 0366533; SN 016000125 through 0160000974)**

ITEM	PART NUMBER	QTY	DESCRIPTION	REV
	91355014	Ref	ENGINE ASSY, (534D-10), (includes all items except 30 & 55 thru 60 on ENGINE ASSEMBLY, LH VIEW and includes all items on ENGINE ASSEMBLY, RH VIEW and ENGINE PUMP MOUNT AND FLYWHEEL HOUSING)	K
1	91083418	1	TUBE ASSY	
2	84712738	8	SPLIT FLANGE CLAMP	
3	83201135	4	HEX HD CAPSCREW, 7/16-14X1-1/2, GR8	
4	88551012	16	LOCKWASHER, 7/16	
5	91163201	1	TUBE ASSY	
6	91083266	1	TUBE ASSY	
7	91163098	1	TUBE ASSY	
8	83191021	5	HEX HD CAPSCREW, M10X1.5X30	
9	83191013	14	LOCKWASHER, M10	
10	91143124	1	NEGATIVE BATTERY CABLE	
11	91473228	1	POSITIVE BATTERY CABLE	
12	91083218	1	FUEL FILTER, (I/L)	
13	91086130	1	TUBE SUPPORT	
14	91143314	1	WATER TEMP SENDER	
15	91083106	4	O-RING	
16		Ref	TRACTION LOCK VALVE, (See HYDRAULIC COMPONENTS SECTION for Breakdown)	
17	2220579	1	SWIVEL NUT BRANCH TEE, 3/8 TUBE	
18	2220371	2	CONNECTOR, (includes item 44)	
19	88201065	2	HEX HD CAPSCREW, 1/2-13X1, GR5	
20	88551013	2	LOCKWASHER, 1/2	
21	91146058	1	FLOW DIVIDER BRACKET	
22	88662332	1	ELBOW, 90, (includes o-ring)	
22	88591207	1	O-RING	
23	2151212	1	ELBOW, 45, (includes o-ring)	
23	88591207	1	O-RING	
24	91146037	1	EXHAUST TUBE	
25	83683175	1	MUFFLER CLAMP	
26	91084162	1	FAN/ALTERNATOR BELT	
27	1001108293	1	ALTERNATOR, (includes item 31)	
28	91083456	1	STARTER	
29	88711385	1	REDUCER BUSHING	
30	84718639	1	HOSE ASSY	
31	1001108291	1	REGULATOR	
32		Ref	STARTER RELAY ASSY, (See ELECTRICAL SECTION for Breakdown)	
33	83201155	12	HEX HD CAPSCREW, 7/16-14X1-3/4, GR8	
34	2720058	14 in	HOSE, 5/16	
35	88561109	7	FLAT WASHER, 3/8	
36	83191006	5	HEX HD CAPSCREW, M10X1.5X40	
37	83191004	2	HEX HD CAPSCREW, M12X1.75X30	
38	83191010	2	LOCKWASHER, M12	
39	88561111	3	FLAT WASHER, 1/2	
40	88201036	4	HEX HD CAPSCREW, 3/8-16X1-1/4, GR5	
41	91143122	1	SUPPORT CLAMP, 5/8	

## SECTION 4 - ENGINE AND ATTACHING PARTS

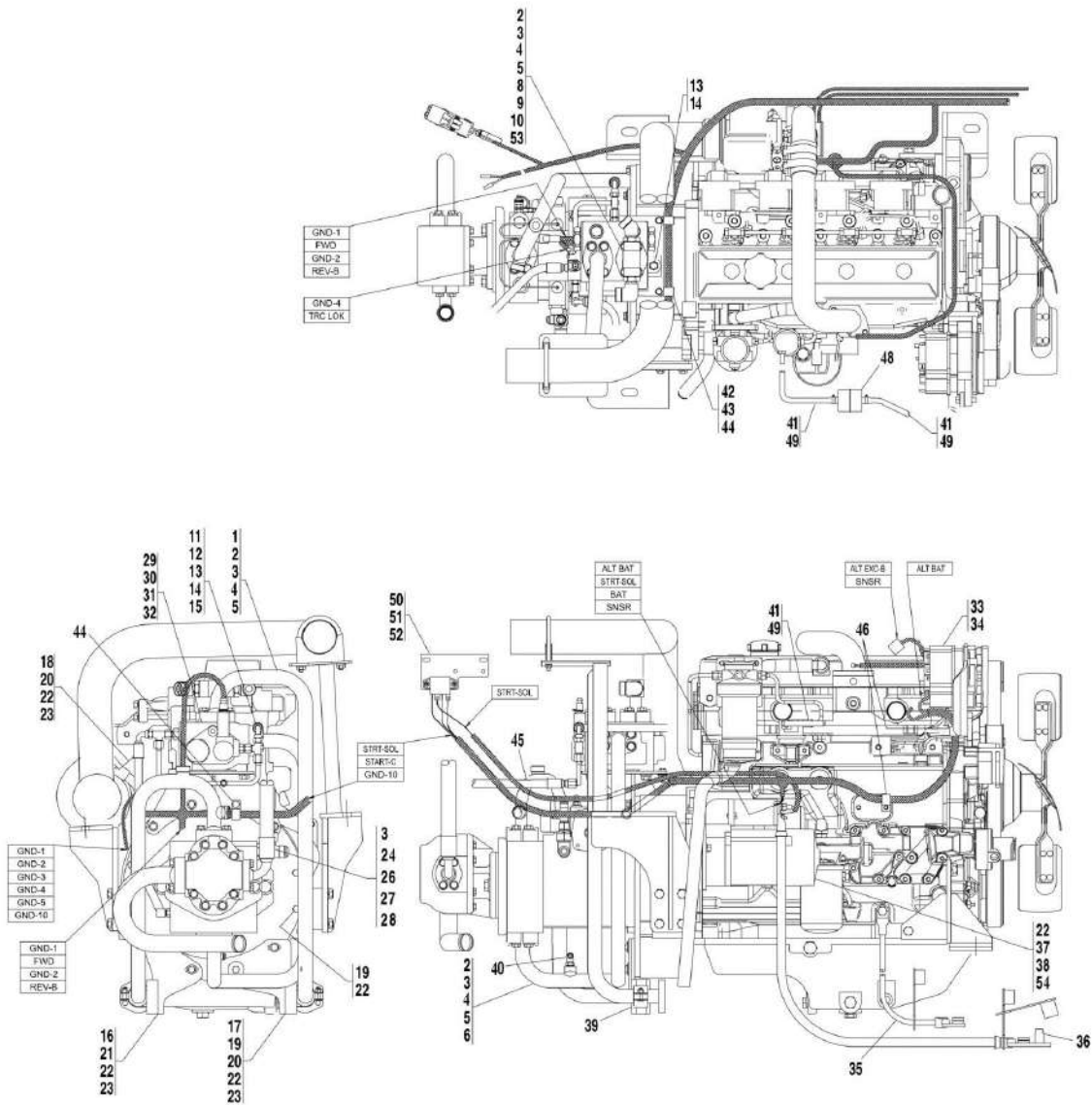
ITEM	PART NUMBER	QTY	DESCRIPTION	REV
42	84711333	2	SPLIT FLANGE	
43	2200224	1	PIPE PLUG, 3/4	
44	88591204	2	O-RING	
45	83191005	2	HEX HD CAPSCREW, M10X1.5X45	
46	91086131	1	TUBE SUPPORT	
47	90205792	1	CUSHION CLAMP	
48	88591024	1	O-RING	
49	88551011	4	LOCKWASHER, 3/8	
50	90027187	1	TIE WRAP	
51	77133196	1	HOSE ASSY	
52	84718700	1	HOSE ASSY	
53	90027906	1	ELBOW, 90, (includes o-ring)	
53	88591204	1	O-RING	
54	24861170	1	SUPPORT CLAMP	
55	86883106	2	HOSE CLAMP	
56	91361038	1	AIR INTAKE BRACKET	
57	83191038	2	HEX HD CAPSCREW, M10X1.5X20	





## SECTION 4 - ENGINE AND ATTACHING PARTS

**FIGURE 4-21. ENGINE ASSEMBLY, RH VIEW (534D-9 SN 0160010211 through 0160035941, Including 0160010082 and 0160010093, Excluding 0160034957; 534D-10 SN 0160000978 through 0160034816)**



PAP19140

## SECTION 4 - ENGINE AND ATTACHING PARTS

**FIGURE 4-21. ENGINE ASSEMBLY, RH VIEW (534D-9 SN 0160010211 through 0160035941, Including 0160010082 and 0160010093, Excluding 0160034957; 534D-10 SN 0160000978 through 0160034816)**

ITEM	PART NUMBER	QTY	DESCRIPTION	REV
	91545004	Ref	ENGINE ASSY, (includes all items except 40 thru 44 on ENGINE ASSEMBLY, LH VIEW and all items except 50 thru 52 on ENGINE ASSEMBLY, RH VIEW and all items on ENGINE PUMP MOUNT AND FLYWHEEL HOUSING)	R
1	91083418	1	TUBE ASSY	
2	84712738	8	SPLIT FLANGE CLAMP	
3	91083106	5	O-RING	
4	83201155	16	HEX HD CAPSCREW, 7/16-14X1-3/4, GR8	
5	88551012	16	LOCKWASHER, 7/16	
6	91163201	1	TUBE ASSY	
8	91083266	1	TUBE ASSY	
9	2131212	1	ELBOW, 90, (includes item 53)	
10	2151212	1	ELBOW, 45, (includes item 53)	
11	91163098	1	TUBE ASSY	
12	2220579	1	SWIVEL NUT BRANCH TEE, 3/8 TUBE	
13	2220371	2	CONNECTOR, (includes item 14)	
14	88591204	3	O-RING	
15	84718700	1	HOSE ASSY	
16	91556011	1	TUBE SUPPORT, LH	
17	91556012	1	TUBE SUPPORT, RH	
18	91556010	1	FLOW DIVIDER BRACKET	
19	83191021	5	HEX HD CAPSCREW, M10X1.5X30	
20	83191006	5	HEX HD CAPSCREW, M10X1.5X40	
21	83191005	2	HEX HD CAPSCREW, M10X1.5X45	
22	83191013	12	LOCKWASHER, M10	
23	88561109	7	FLAT WASHER, 3/8	
24	84718639	1	HOSE ASSY	
26	84711333	2	SPLIT FLANGE	
27	88201036	4	HEX HD CAPSCREW, 3/8-16X1-1/4, GR5	
28	88551011	4	LOCKWASHER, 3/8	
29		Ref	TRACTION LOCK VALVE, (See HYDRAULIC COMPONENTS SECTION for Breakdown)	
30	88201065	2	HEX HD CAPSCREW, 1/2-13X1, GR5	
31	88551013	2	LOCKWASHER, 1/2	
32	88561111	2	FLAT WASHER, 1/2	
33	1001108293	1	ALTERNATOR, (includes item 34)	
34	1001108291	1	REGULATOR	
35	91553025	1	BATTERY CABLE, NEGATIVE	
36	91553026	1	BATTERY CABLE, POSITIVE (SN 0160000978 through 0160009825)	
36	91553065	1	BATTERY CABLE, POSITIVE (SN 0160009865 to Present)	
37	91553030	NLA	STARTER, (no longer available, See OPTIONS SECTION for Breakdown), (includes item 54) (SN 0160000978 through 0160006664)	
38	83191040	2	SOCKET HD CAPSCREW, M10X1.5X30, (torque to 38-48 lb-ft) (SN 0160000978 through 0160006664)	
39	90205792	1	CUSHION CLAMP	
40	2220472	1	ELBOW, 90, (includes item 14)	
41	82092118	17 in	HOSE, 5/16	
42	88201020	2	HEX HD CAPSCREW, 5/16-18X1, GR5	

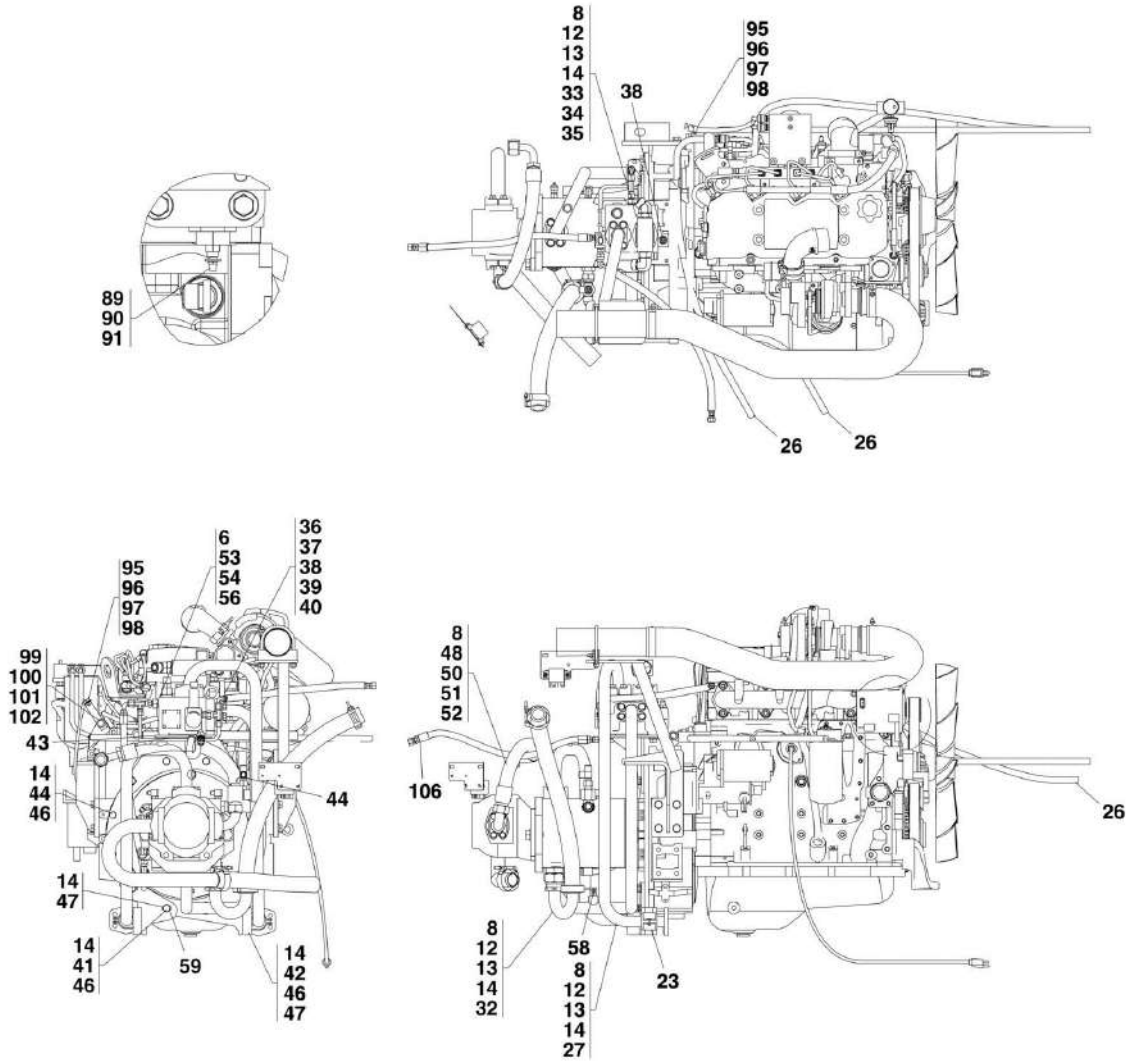
## SECTION 4 - ENGINE AND ATTACHING PARTS

ITEM	PART NUMBER	QTY	DESCRIPTION	REV
43	88521205	2	LOCKWASHER, 5/16	
44	24861170	3	SUPPORT CLAMP	
45	77133196	1	HOSE ASSY	
46	80683013	2	SUPPORT CLAMP	
48	91083218	1	STRAINER	
49	86883106	3	HOSE CLAMP	
50	4711400	2	FLAT WASHER, 1/4	
51	4761400	2	LOCKWASHER, 1/4	
52	0641404	2	HEX HD CAPSCREW, 1/4-20X1/2M, GR5	
53	88591207	2	O-RING	
54	91554031	1	STARTER SOLENIOD (SN 0160000978 through 0160006664)	



# SECTION 4 - ENGINE AND ATTACHING PARTS

FIGURE 4-22. ENGINE ASSEMBLY, RH VIEW (534D-9 SN 0160035983 to Present, Including 0160034957; 534D-10 SN 0160035696 to Present)



PAP19090

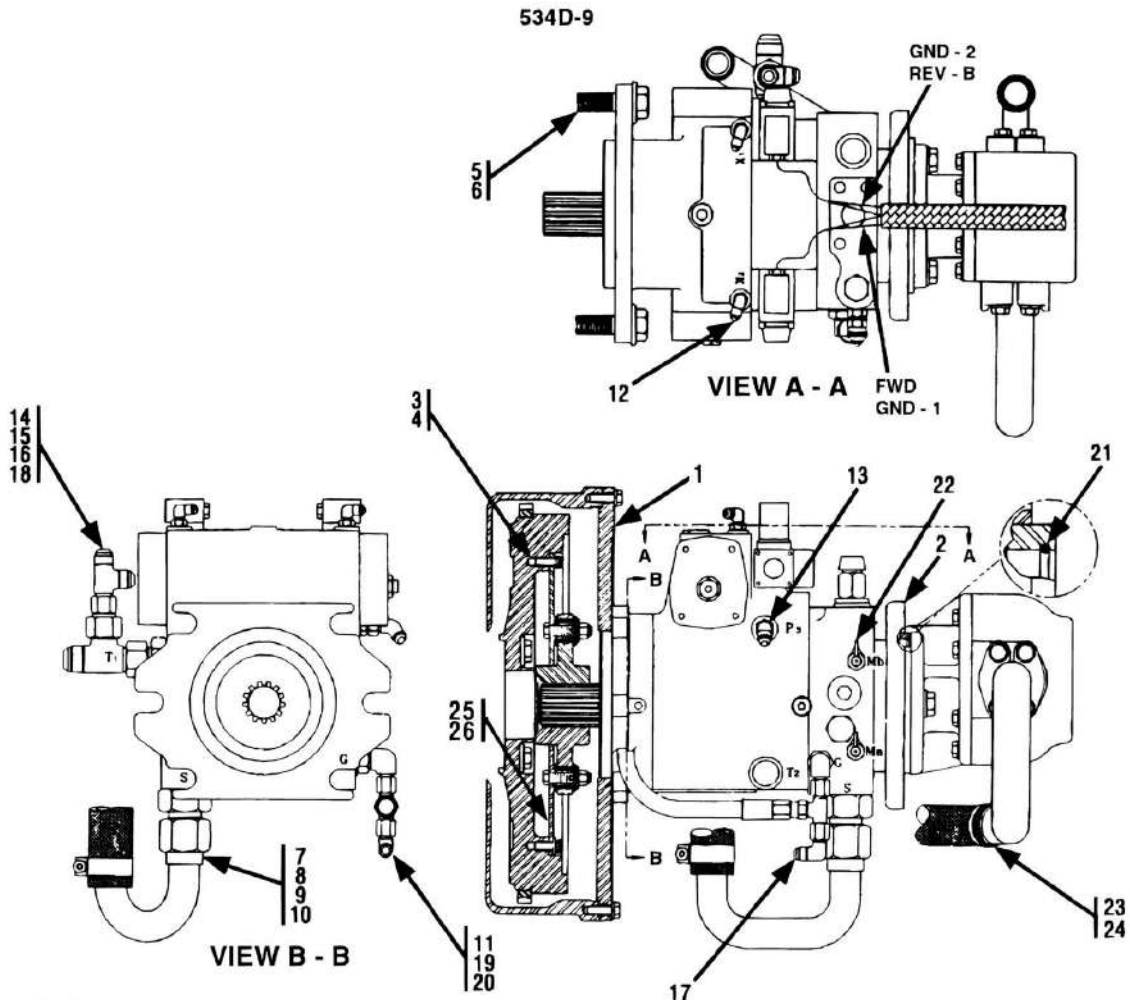
## SECTION 4 - ENGINE AND ATTACHING PARTS

**FIGURE 4-22. ENGINE ASSEMBLY, RH VIEW (534D-9 SN 0160035983 to Present, Including 0160034957; 534D-10 SN 0160035696 to Present)**

ITEM	PART NUMBER	QTY	DESCRIPTION	REV
	1001091083	1	ENGINE ASSY, (includes items 1 thru 105 on ENGINE ASSEMBLY, LH VIEW and all items on ENGINE ASSEMBLY, RH VIEW, ENGINE PUMP MOUNT AND FLYWHEEL HOUSING and JOHN DEERE ENGINE)	P
6	4761800	8	LOCKWASHER, 12mm	
8	91083106	5	O-RING	
12	84712738	8	SPLIT FLANGE CLAMP	
13	0681714	16	HEX HD CAPSCREW, 7/16-14X1-3/4, GR8	
14	4761700	28	LOCKWASHER, 7/16	
23	90205792	1	CUSHION CLAMP	
26	2720643	37 in	HOSE, 3/8	
27	1001091704	1	TUBE ASSY	
32	1001091705	1	HYDRAULIC TUBE ASSY	
33	91083266	1	TUBE ASSY	
34	2131212	1	ELBOW, 90	
35	2151212	1	ELBOW, 45	
36	91163098	1	TUBE ASSY	
37	2220579	1	SWIVEL NUT BRANCH TEE	
38	2220371	2	CONNECTOR	
39	3780177	2	O-RING	
40	84718700	1	HOSE ASSY	
41	1001091701	1	LH TUBE SUPPORT	
42	1001091700	1	RH TUBE SUPPORT	
43	1001091698	1	FLOW DIVIDER BRACKET	
44	0761016	5	HEX HD CAPSCREW, 10X40mm, GR8.8	
46	4711600	7	FLAT WASHER, 3/8	
47	0701015	5	HEX HD CAPSCREW, 10X35mm, GR8.8	
48	84718639	1	HOSE ASSY	
50	8530030	2	SPLIT FLANGE	
51	0641610	4	HEX HD CAPSCREW, 3/8-16X1-1/4, GR5	
52	4761600	4	LOCKWASHER, 3/8	
53		Ref	TRACTION LOCK VALVE, (See HYDRAULIC COMPONENTS SECTION for Breakdown)	
54	0641808	2	HEX HD CAPSCREW, 1/2-13X1, GR5	
56	4711800	2	FLAT WASHER, 1/2	
58	2220472	1	ELBOW, 90	
59	0701017	2	HEX HD CAPSCREW, 10X45mm, GR8.8	
89	2220820	1	PIPE REDUCER, 3/4X1/2	
90	2220273	1	PIPE REDUCER, 1/2X1/8	
91	91143314	1	WATER TEMPERATURE SENDER	
95	1320044	1	CLAMP	
96	0641406	1	HEX HD CAPSCREW, 1/4-20X5/8	
97	4751400	1	LOCKWAHSER, 1/4	
98	3311405	1	HEX NUT, 1/4-20	
99	3311605	1	HEX NUT, 3/8-16	
100	0641614	1	HEX HD CAPSCREW, 3/8-16X1-3/4	
101	4751600	2	LOCKWASHER, 3/8	
102	1001105689	1	TUBE SUPPORT BRACKET	
106	77133196	1	HOSE ASSY	

## SECTION 4 - ENGINE AND ATTACHING PARTS

**FIGURE 4-23. ENGINE PUMP MOUNT AND FLYWHEEL HOUSING (534D-9 SN 0544001 through 0544084)**



**NOTES:**

1. USE LOCTITE (14403364) ON ALL BOLT & FITTING THREADS EXCEPT PIPE THREADS.
2. APPLY DI-ELECTRIC GREASE (14403416) UNDER ELECTRICAL CONNECTOR WHEN CONNECTOR IS INSTALLED.
3. APPLY LOCTITE (14404067) 1/8 IN CONTINUOUS BEAD BETWEEN ITEM 1 & ITEM 2 AT LOCATION INDICATED BY ARROW.
4. APPLY LOCTITE (14404067) 1/8 IN CONTINUOUS BEAD BETWEEN ITEM 2 & MAIN PUMP AT LOCATION INDICATED BY ARROW.



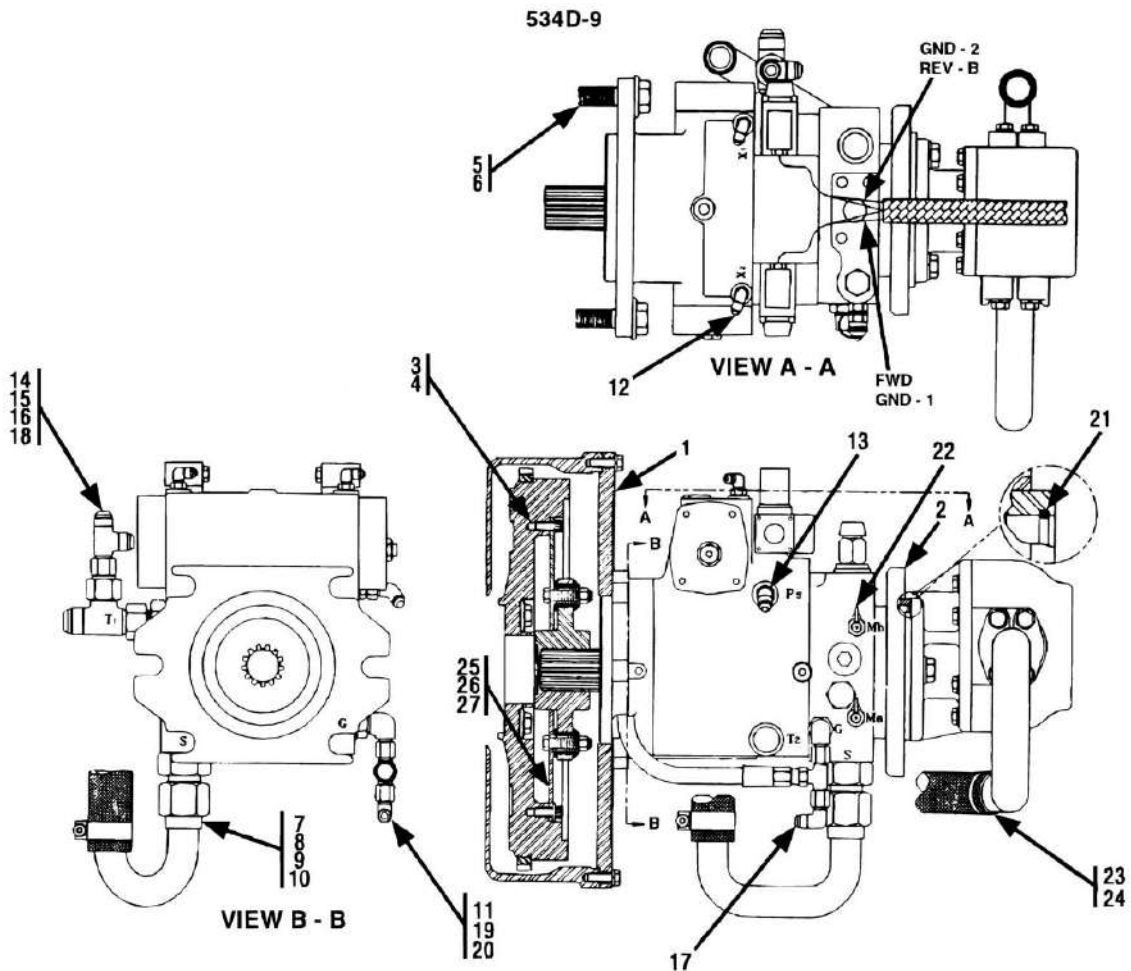
## SECTION 4 - ENGINE AND ATTACHING PARTS

**FIGURE 4-23. ENGINE PUMP MOUNT AND FLYWHEEL HOUSING (534D-9 SN 0544001 through 0544084)**

ITEM	PART NUMBER	QTY	DESCRIPTION	REV
1	91163011	1	PUMP MT AND FLYWHEEL COUPLING, (includes items 25 & 26)	
2		Ref	HYDROSTATIC TRANS PUMP, (See HYDRAULIC COMPONENTS SECTION for Breakdown)	
3	88211068	8	SOCKET HD CAPSCREW, 3/8-16X5/8, (torque to 40-45 lb-ft)	
4	88551011	8	LOCKWASHER, 3/8	
5	88201112	2	HEX HD CAPSCREW, 3/4-10X2-1/4, GR5, (torque to 240-265 lb-ft)	
6	90027473	2	HARDENED WASHER, 3/4	
7	2220380	1	CONNECTOR, (includes o-ring)	
7	88591210	1	O-RING	
8	91143087	1	INTAKE TUBE	
9	91143143	1	HOSE ASSY	
10	90028695	1	BAND CLAMP	
11	91083222	1	STRAIGHT THREAD REDUCING CONNECTOR	
12	90027906	2	ELBOW, 90, (includes o-ring)	
12	88591204	2	O-RING	
13	88662084	1	ELBOW, 45, (includes o-ring)	
13	88591204	1	O-RING	
14	88662242	1	SWIVEL NUT RUN TEE, 3/4 TUBE	
15	2220622	1	REDUCER W/ADAPTER	
16	88662240	1	SWIVEL NUT RUN TEE, 1/2 TUBE	
17	88662105	1	ELBOW, 90, (swivel nut)	
18	2220451	1	CONNECTOR, (includes o-ring)	
18	88591207	1	O-RING	
19	88662239	1	SWIVEL NUT RUN TEE, 3/8 TUBE	
20	77133447	1	HOSE ASSY	
21	91144002	1	O-RING	
22	91053020	2	TEST COUPLING, (includes o-ring)	
22	91054002	2	O-RING	
23	80933070	1	BAND CLAMP	
24	77363128	1	HOSE ASSY	
25	91084311	1	MOUNT PLATE, (includes bolts)	
26	91164104	1	COUPLING	

## SECTION 4 - ENGINE AND ATTACHING PARTS

**FIGURE 4-24. ENGINE PUMP MOUNT AND FLYWHEEL HOUSING (534D-9 SN 0544085 through 0544216)**



**NOTES:**

1. USE LOCTITE (14403364) ON ALL BOLT & FITTING THREADS EXCEPT PIPE THREADS.
2. APPLY DI-ELECTRIC GREASE (14403416) UNDER ELECTRICAL CONNECTOR WHEN CONNECTOR IS INSTALLED.
3. APPLY LOCTITE (14404067) 1/8 IN CONTINUOUS BEAD BETWEEN ITEM 1 & ITEM 2 AT LOCATION INDICATED BY ARROW.
4. APPLY LOCTITE (14404067) 1/8 IN CONTINUOUS BEAD BETWEEN ITEM 2 & MAIN PUMP AT LOCATION INDICATED BY ARROW.

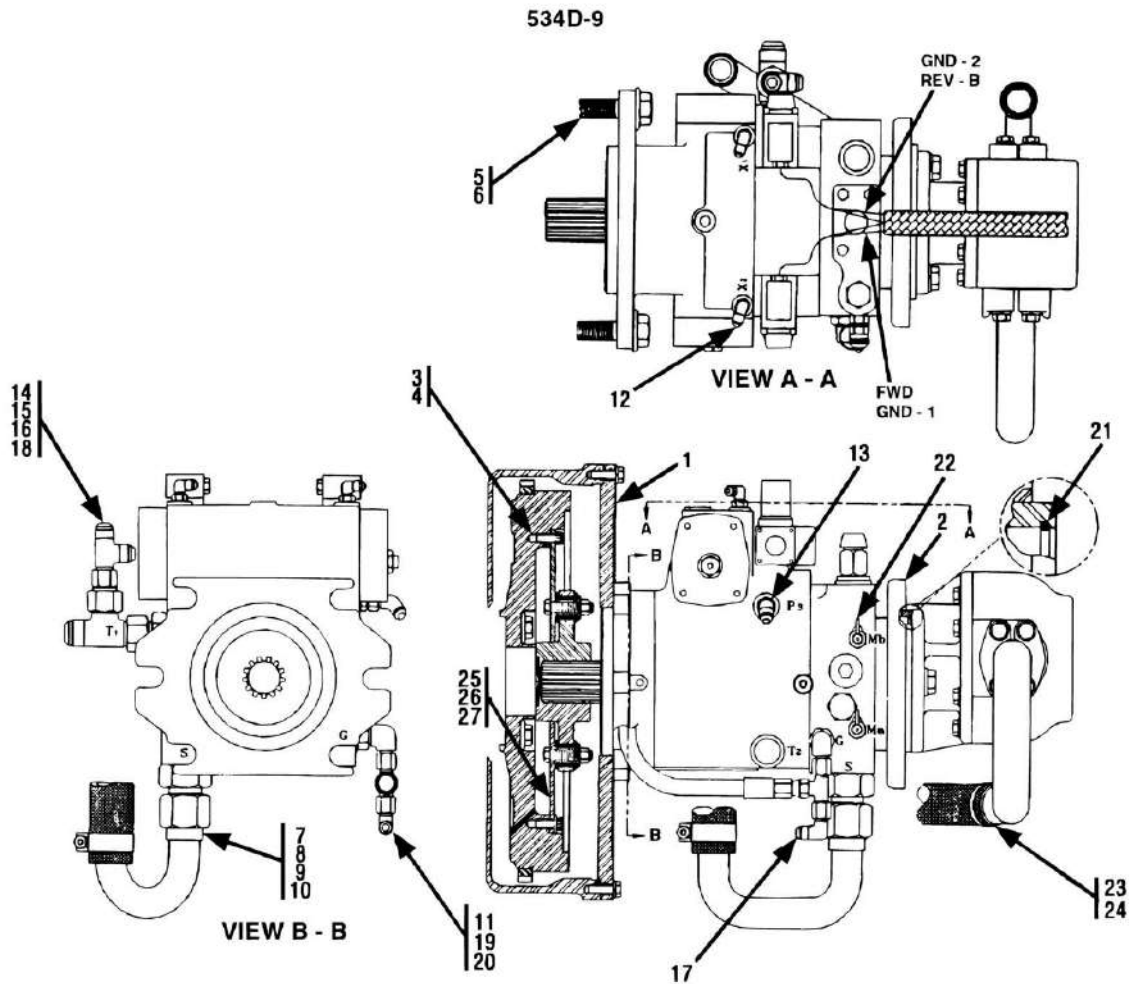
## SECTION 4 - ENGINE AND ATTACHING PARTS

**FIGURE 4-24. ENGINE PUMP MOUNT AND FLYWHEEL HOUSING (534D-9 SN 0544085 through 0544216)**

ITEM	PART NUMBER	QTY	DESCRIPTION	REV
1	91143013	1	PUMP MT AND FLYWHEEL COUPLING, (includes items 25, 26 & 27)	
2		Ref	HYDROSTATIC TRANS PUMP, (See HYDRAULIC COMPONENTS SECTION for Breakdown)	
3	88211068	8	SOCKET HD CAPSCREW, 3/8-16X5/8, (torque to 40-45 lb-ft)	
4	88551011	8	LOCKWASHER, 3/8	
5	88201112	2	HEX HD CAPSCREW, 3/4-10X2-1/4, GR5, (torque to 240-265 lb-ft)	
6	90027473	2	HARDENED WASHER, 3/4	
7	2220380	1	CONNECTOR, (includes o-ring)	
7	88591210	1	O-RING	
8	91143087	1	INTAKE TUBE	
9	91143143	1	HOSE ASSY	
10	90028695	1	BAND CLAMP	
11	91083222	1	STRAIGHT THREAD REDUCING CONNECTOR	
12	90027906	2	ELBOW, 90, (includes o-ring)	
12	88591204	2	O-RING	
13	88662084	1	ELBOW, 45, (includes o-ring)	
13	88591204	1	O-RING	
14	88662242	1	SWIVEL NUT RUN TEE, 3/4 TUBE	
15	2220622	1	REDUCER W/ADAPTER	
16	88662240	1	SWIVEL NUT RUN TEE, 1/2 TUBE	
17	88662105	1	ELBOW, 90, (swivel nut)	
18	2220451	1	CONNECTOR, (includes o-ring)	
18	88591207	1	O-RING	
19	88662239	1	SWIVEL NUT RUN TEE, 3/8 TUBE	
20	77133447	1	HOSE ASSY	
21	91144002	1	O-RING	
22	91053020	2	TEST COUPLING, (includes o-ring)	
22	91054002	2	O-RING	
23	90028482	1	BAND CLAMP	
24	77363128	1	HOSE ASSY	
25	91344048	1	MOUNTING PLATE	
26	91344049	1	COUPLING, (bolts included)	
27	91344050	1	HUBBARD PLUG	

## SECTION 4 - ENGINE AND ATTACHING PARTS

**FIGURE 4-25. ENGINE PUMP MOUNT AND FLYWHEEL HOUSING (534D-9 SN 0544217 through 0544717)**



1. USE LOCTITE (14403364) ON ALL BOLT & FITTING THREADS EXCEPT PIPE THREADS.
2. APPLY DI-ELECTRIC GREASE (14403416) UNDER ELECTRICAL CONNECTOR WHEN CONNECTOR IS INSTALLED.
3. APPLY LOCTITE (14404067) 1/8 IN CONTINUOUS BEAD BETWEEN ITEM 1 & ITEM 2 AT LOCATION INDICATED BY ARROW.
4. APPLY LOCTITE (14404067) 1/8 IN CONTINUOUS BEAD BETWEEN ITEM 2 & MAIN PUMP AT LOCATION INDICATED BY ARROW.

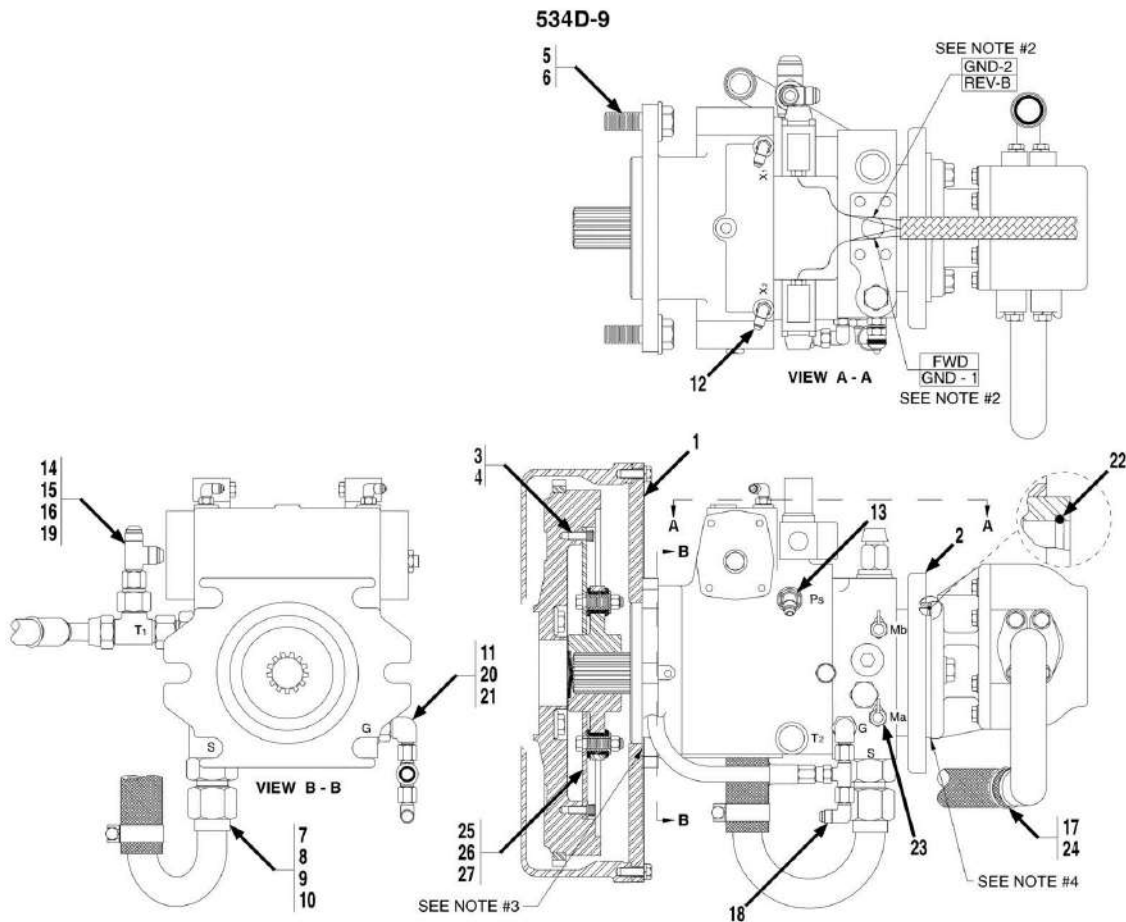
## SECTION 4 - ENGINE AND ATTACHING PARTS

**FIGURE 4-25. ENGINE PUMP MOUNT AND FLYWHEEL HOUSING (534D-9 SN 0544217 through 0544717)**

ITEM	PART NUMBER	QTY	DESCRIPTION	REV
1	91143013	1	PUMP MT AND FLYWHEEL COUPLING, (includes items 25, 26 & 27)	
2		Ref	HYDROSTATIC TRANS PUMP, (See HYDRAULIC COMPONENTS SECTION for Breakdown)	
3	88211068	8	SOCKET HD CAPSCREW, 3/8-16X5/8, (torque to 40-45 lb-ft)	
4	88551011	8	LOCKWASHER, 3/8	
5	88201112	2	HEX HD CAPSCREW, 3/4-10X2-1/4, GR5, (torque to 240-265 lb-ft)	
6	90027473	2	HARDENED WASHER, 3/4	
7	2220380	1	CONNECTOR, (includes o-ring)	
7	88591210	1	O-RING	
8	91143087	1	INTAKE TUBE	
9	91143143	1	HOSE ASSY	
10	90028695	1	BAND CLAMP	
11	91083222	1	STRAIGHT THREAD REDUCING CONNECTOR	
12	90027906	2	ELBOW, 90, (includes o-ring)	
12	88591204	2	O-RING	
13	88662084	1	ELBOW, 45, (includes o-ring)	
13	88591204	1	O-RING	
14	88662242	1	SWIVEL NUT RUN TEE, 3/4 TUBE	
15	2220622	1	REDUCER W/ADAPTER	
16	88662240	1	SWIVEL NUT RUN TEE, 1/2 TUBE	
17	88662105	1	ELBOW, 90, (swivel nut)	
18	2220451	1	CONNECTOR, (includes o-ring)	
18	88591207	1	O-RING	
19	88662239	1	SWIVEL NUT RUN TEE, 3/8 TUBE	
20	77133447	1	HOSE ASSY	
21	91144002	1	O-RING	
22	91053020	2	TEST COUPLING, (includes o-ring)	
22	91054002	2	O-RING	
23	90028482	1	BAND CLAMP	
24	77363128	1	HOSE ASSY	
25	91344048	1	MOUNTING PLATE	
26	91344049	1	COUPLING, (bolts included)	
27	91344050	1	HUBBARD PLUG	

## SECTION 4 - ENGINE AND ATTACHING PARTS

**FIGURE 4-26. ENGINE PUMP MOUNT AND FLYWHEEL HOUSING (534D-9 SN 0544719 through 0744407; SN 0160000112 through 0160000853, Excluding 0160000700)**



**NOTES:**

1. USE LOCTITE (14403364) ON ALL BOLT & FITTING THREADS EXCEPT PIPE THREADS.
2. APPLY DI-ELECTRIC GREASE (14403416) UNDER ELECTRICAL CONNECTOR WHEN CONNECTOR IS INSTALLED.
3. APPLY LOCTITE (14404067) 1/8 IN CONTINUOUS BEAD BETWEEN ITEM 1 & ITEM 2 AT LOCATION INDICATED BY ARROW.
4. APPLY LOCTITE (14404067) 1/8 IN CONTINUOUS BEAD BETWEEN ITEM 2 & MAIN PUMP AT LOCATION INDICATED BY ARROW.

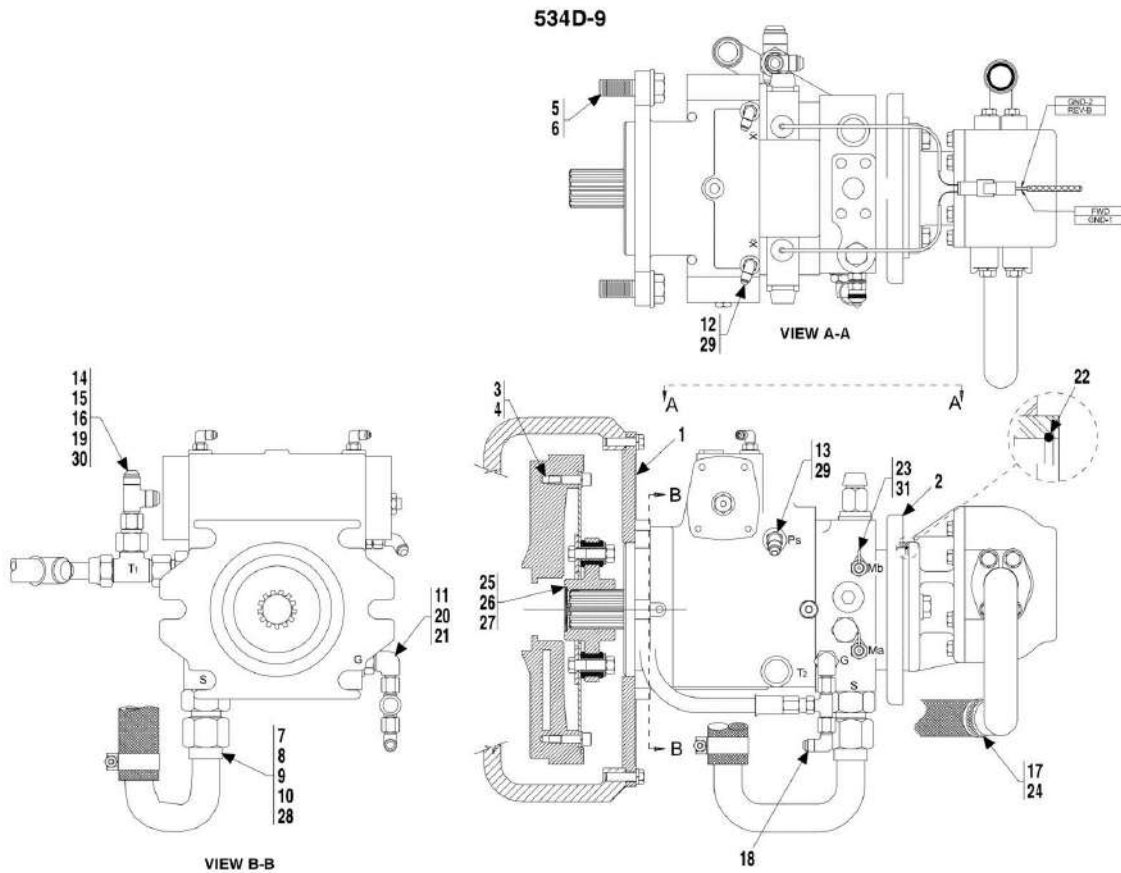
## SECTION 4 - ENGINE AND ATTACHING PARTS

**FIGURE 4-26. ENGINE PUMP MOUNT AND FLYWHEEL HOUSING (534D-9 SN 0544719 through 0744407; SN 0160000112 through 0160000853, Excluding 0160000700)**

ITEM	PART NUMBER	QTY	DESCRIPTION	REV
1	91143013	1	PUMP MT AND FLYWHEEL COUPLING, (includes items 25, 26 & 27)	
2		Ref	HYDROSTATIC TRANS PUMP, (See HYDRAULIC COMPONENTS SECTION for Breakdown)	
3	88211068	8	SOCKET HD CAPSCREW, 3/8-16X5/8, (torque to 40-45 lb-ft)	
4	88551011	8	LOCKWASHER, 3/8	
5	88201112	2	HEX HD CAPSCREW, 3/4-10X2-1/4, GR5, (torque to 240-265 lb-ft)	
6	90027473	2	HARDENED WASHER, 3/4	
7	2220380	1	CONNECTOR, (includes o-ring)	
7	88591210	1	O-RING	
8	91143087	1	INTAKE TUBE	
9	91143143	1	HOSE ASSY	
10	80633030	2	BAND CLAMP	
11	91083222	1	STRAIGHT THREAD REDUCING CONNECTOR	
12	90027906	2	ELBOW, 90, (includes o-ring)	
12	88591204	2	O-RING	
13	88662084	1	ELBOW, 45, (includes o-ring)	
13	88591204	1	O-RING	
14	88662242	1	SWIVEL NUT RUN TEE, 3/4 TUBE	
15	2220622	1	REDUCER W/ADAPTER	
16	88662240	1	SWIVEL NUT RUN TEE, 1/2 TUBE	
17	77363128	1	HOSE ASSY	
18	88662105	1	ELBOW, 90, (swivel nut)	
19	2220451	1	CONNECTOR, (includes o-ring)	
19	88591207	1	O-RING	
20	88662239	1	SWIVEL NUT RUN TEE, 3/8 TUBE	
21	77133447	1	HOSE ASSY	
22	91144002	1	O-RING	
23	91053020	2	TEST COUPLING, (includes o-ring)	
23	91054002	2	O-RING	
24	90028482	1	BAND CLAMP	
25	91344048	1	MOUNTING PLATE	
26	91344049	1	COUPLING, (bolts included)	
27	91344050	1	HUBBARD PLUG	

## SECTION 4 - ENGINE AND ATTACHING PARTS

**FIGURE 4-27. ENGINE PUMP MOUNT AND FLYWHEEL HOUSING (534D-9 SN 0160001051 through 0160010202; Including 0160000700 and , Excluding 0160010082 and 0160010093)**



**NOTES:**

1. USE LOCTITE (14403364) ON ALL BOLT & FITTING THREADS EXCEPT PIPE THREADS.
2. APPLY DI-ELECTRIC GREASE (14403416) UNDER ELECTRICAL CONNECTOR WHEN CONNECTOR IS INSTALLED.
3. APPLY LOCTITE (14404067) 1/8 IN CONTINUOUS BEAD BETWEEN ITEM 1 & ITEM 2 AT LOCATION INDICATED BY ARROW.
4. APPLY LOCTITE (14404067) 1/8 IN CONTINUOUS BEAD BETWEEN ITEM 2 & MAIN PUMP AT LOCATION INDICATED BY ARROW.



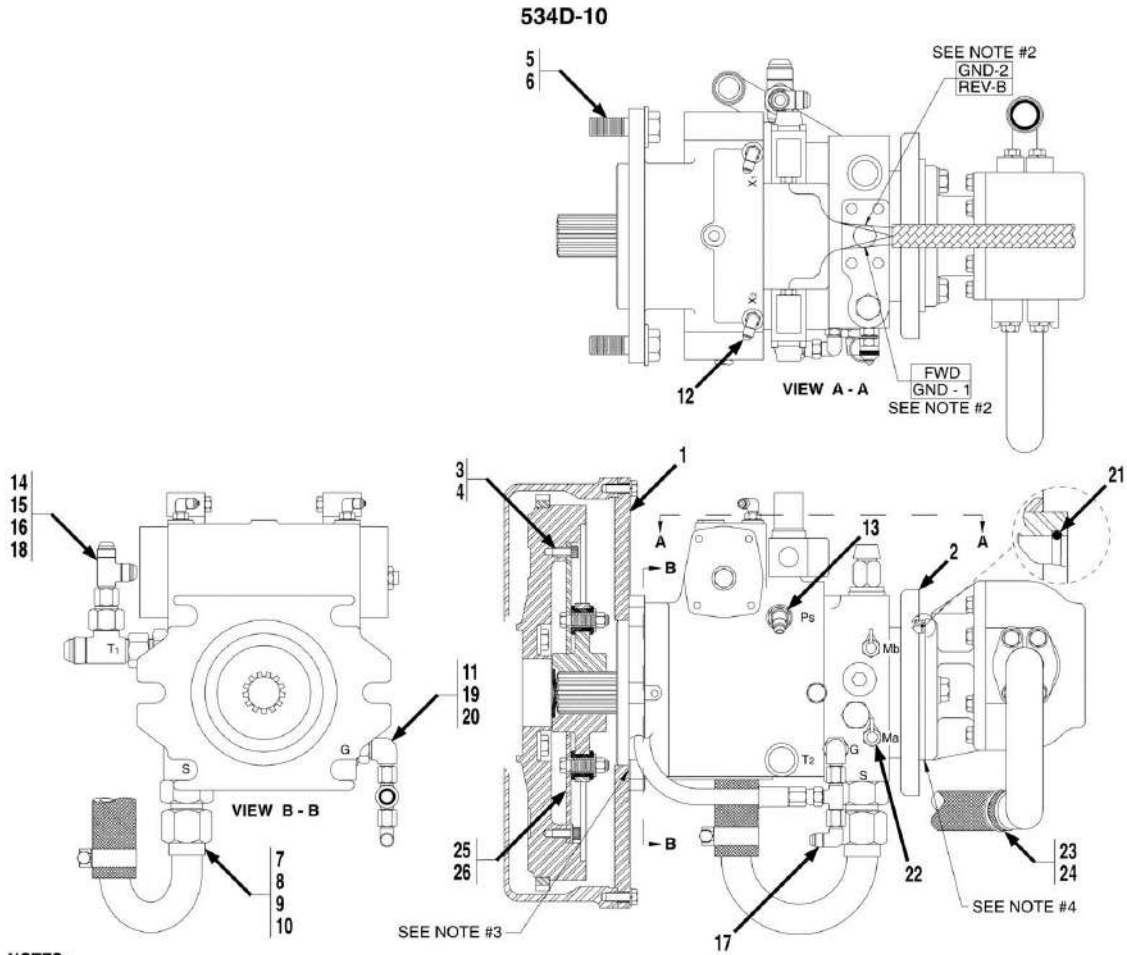
## SECTION 4 - ENGINE AND ATTACHING PARTS

**FIGURE 4-27. ENGINE PUMP MOUNT AND FLYWHEEL HOUSING (534D-9 SN 0160001051 through 0160010202; Including 0160000700 and , Excluding 0160010082 and 0160010093)**

ITEM	PART NUMBER	QTY	DESCRIPTION	REV
1	91363206	1	PUMP MT AND FLYWHEEL COUPLING, (includes items 25, 26 & 27)	A
2		Ref	HYDROSTATIC TRANS PUMP, (See HYDRAULIC COMPONENTS SECTION for Breakdown)	
3	88211068	8	SOCKET HD CAPSCREW, 3/8-16X5/8, (torque to 40-45 lb-ft)	
4	88551011	8	LOCKWASHER, 3/8	
5	88201112	2	HEX HD CAPSCREW, 3/4-10X2-1/4, GR5, (torque to 240-265 lb-ft)	
6	90027473	2	HARDENED WASHER, 3/4	
7	2220380	1	CONNECTOR, (includes item 28)	
8	91143087	1	INTAKE TUBE	
9	91553038	1	INTAKE HOSE	
10	80633030	2	BAND CLAMP	
11	91083222	1	STRAIGHT THREAD REDUCING CONNECTOR	
12	90027906	2	ELBOW, 90, (includes item 29)	
13	88662084	1	ELBOW, 45, (includes item 29)	
14	88662242	1	SWIVEL NUT RUN TEE, 3/4 TUBE	
15	2220622	1	REDUCER W/ADAPTER	
16	88662240	1	SWIVEL NUT RUN TEE, 1/2 TUBE	
17	77363128	1	HOSE ASSY	
18	88662105	1	ELBOW, 90, (swivel nut)	
19	2220451	1	CONNECTOR, (includes item 30)	
20	88662239	1	SWIVEL NUT RUN TEE, 3/8 TUBE	
21	77133447	1	HOSE ASSY	
22	91144002	1	O-RING	
23	91053020	2	TEST COUPLING, (includes item 31)	
24	90028482	1	BAND CLAMP	
25	91364099	1	HOUSING MOUNT	
26	91164104	1	COUPLING, (bolts included)	
27	91364100	1	COUPLER	
28	88591210	1	O-RING	
29	88591204	3	O-RING	
30	88591207	1	O-RING	
31	91054002	2	O-RING	

## SECTION 4 - ENGINE AND ATTACHING PARTS

**FIGURE 4-28. ENGINE PUMP MOUNT AND FLYWHEEL HOUSING (534D-10 SN 0366001 through 0366016)**



**NOTES:**

1. USE LOCTITE (14403364) ON ALL BOLT & FITTING THREADS EXCEPT PIPE THREADS.
2. APPLY DI-ELECTRIC GREASE (14403416) UNDER ELECTRICAL CONNECTOR WHEN CONNECTOR IS INSTALLED.
3. APPLY LOCTITE (14404067) 1/8 IN CONTINUOUS BEAD BETWEEN ITEM 1 & ITEM 2 AT LOCATION INDICATED BY ARROW.
4. APPLY LOCTITE (14404067) 1/8 IN CONTINUOUS BEAD BETWEEN ITEM 2 & MAIN PUMP AT LOCATION INDICATED BY ARROW.

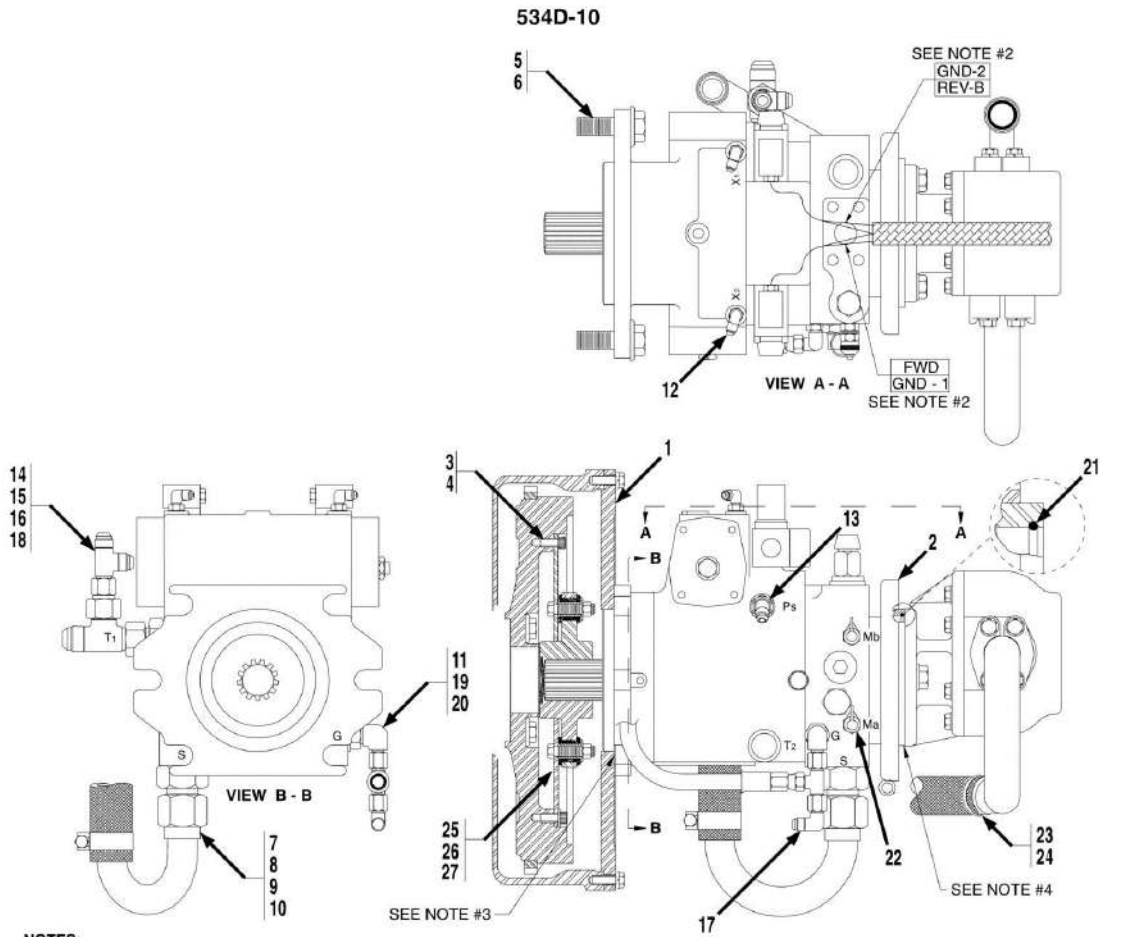
## SECTION 4 - ENGINE AND ATTACHING PARTS

**FIGURE 4-28. ENGINE PUMP MOUNT AND FLYWHEEL HOUSING (534D-10 SN 0366001 through 0366016)**

ITEM	PART NUMBER	QTY	DESCRIPTION	REV
1	91163011	1	PUMP MT AND FLYWHEEL COUPLING, (includes items 25 & 26)	
2		Ref	HYDROSTATIC TRANS PUMP, (See HYDRAULIC COMPONENTS SECTION for Breakdown)	
3	88211068	8	SOCKET HD CAPSCREW, 3/8-16X5/8, (torque to 40-45 lb-ft)	
4	88551011	8	LOCKWASHER, 3/8	
5	88201112	2	HEX HD CAPSCREW, 3/4-10X2-1/4, GR5, (torque to 240-265 lb-ft)	
6	90027473	2	HARDENED WASHER, 3/4	
7	2220380	1	CONNECTOR, (includes o-ring)	
7	88591210	1	O-RING	
8	91143087	1	INTAKE TUBE	
9	91143143	1	HOSE ASSY	
10	90028695	1	BAND CLAMP	
11	91083222	1	STRAIGHT THREAD REDUCING CONNECTOR	
12	90027906	2	ELBOW, 90, (includes o-ring)	
12	88591204	2	O-RING	
13	88662084	1	ELBOW, 45, (includes o-ring)	
13	88591204	1	O-RING	
14	88662242	1	SWIVEL NUT RUN TEE, 3/4 TUBE	
15	2220622	1	REDUCER W/ADAPTER	
16	88662240	1	SWIVEL NUT RUN TEE, 1/2 TUBE	
17	88662105	1	ELBOW, 90, (swivel nut)	
18	2220451	1	CONNECTOR, (includes o-ring)	
18	88591207	1	O-RING	
19	88662239	1	SWIVEL NUT RUN TEE, 3/8 TUBE	
20	77133447	1	HOSE ASSY	
21	91144002	1	O-RING	
22	91053020	2	TEST COUPLING, (includes o-ring)	
22	91054002	2	O-RING	
23	80933070	1	BAND CLAMP	
24	77363128	1	HOSE ASSY	
25	91084311	1	MOUNT PLATE, (includes bolts)	
26	91164104	1	COUPLING	

## SECTION 4 - ENGINE AND ATTACHING PARTS

**FIGURE 4-29. ENGINE PUMP MOUNT AND FLYWHEEL HOUSING (534D-10 SN 0366017 through 0366053)**



**NOTES:**

1. USE LOCTITE (14403364) ON ALL BOLT & FITTING THREADS EXCEPT PIPE THREADS.
2. APPLY DI-ELECTRIC GREASE (14403416) UNDER ELECTRICAL CONNECTOR WHEN CONNECTOR IS INSTALLED.
3. APPLY LOCTITE (14404067) 1/8 IN CONTINUOUS BEAD BETWEEN ITEM 1 & ITEM 2 AT LOCATION INDICATED BY ARROW.
4. APPLY LOCTITE (14404067) 1/8 IN CONTINUOUS BEAD BETWEEN ITEM 2 & MAIN PUMP AT LOCATION INDICATED BY ARROW.

PX1070

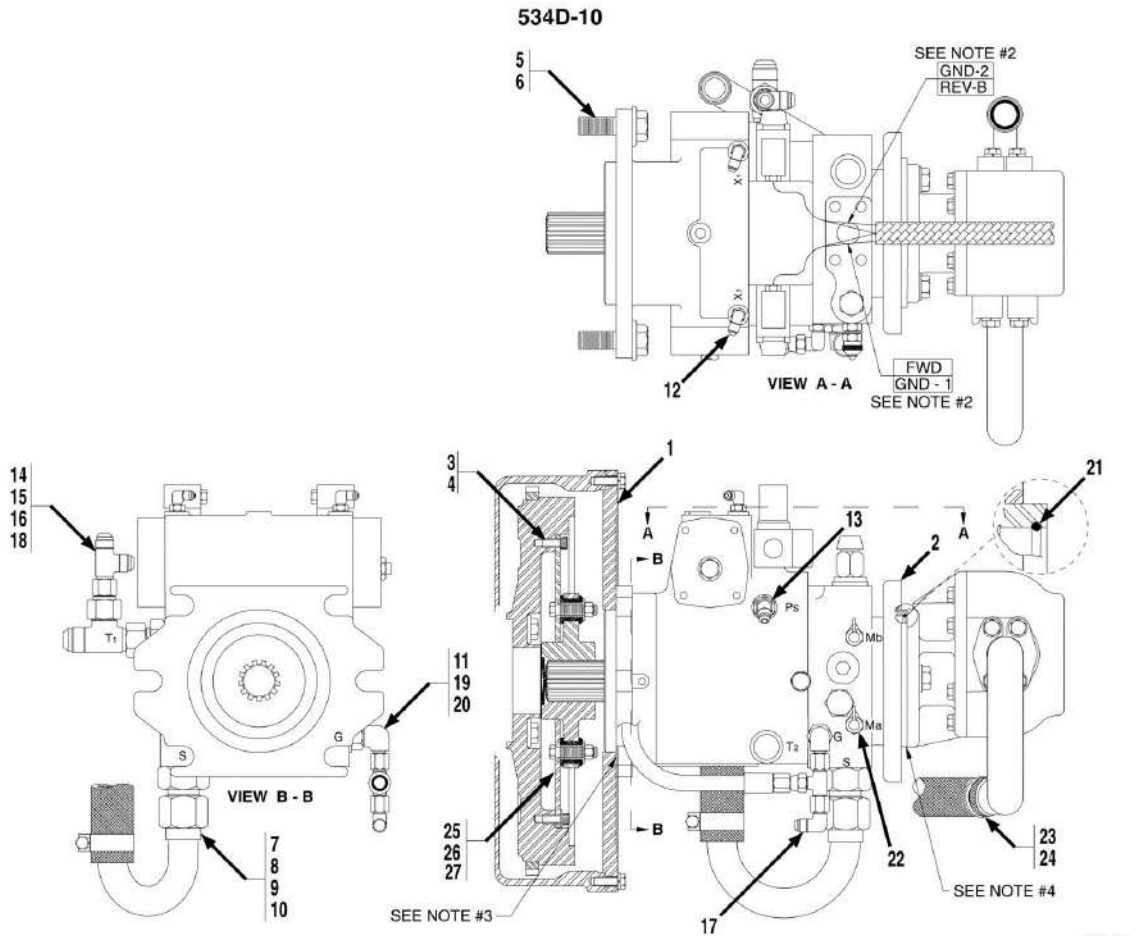
## SECTION 4 - ENGINE AND ATTACHING PARTS

**FIGURE 4-29. ENGINE PUMP MOUNT AND FLYWHEEL HOUSING (534D-10 SN 0366017 through 0366053)**

ITEM	PART NUMBER	QTY	DESCRIPTION	REV
1	91143013	1	PUMP MT AND FLYWHEEL COUPLING, (includes items 25, 26 & 27)	
2		Ref	HYDROSTATIC TRANS PUMP, (See HYDRAULIC COMPONENTS SECTION for Breakdown)	
3	88211068	8	SOCKET HD CAPSCREW, 3/8-16X5/8, (torque to 40-45 lb-ft)	
4	88551011	8	LOCKWASHER, 3/8	
5	88201112	2	HEX HD CAPSCREW, 3/4-10X2-1/4, GR5, (torque to 240-265 lb-ft)	
6	90027473	2	HARDENED WASHER, 3/4	
7	2220380	1	CONNECTOR, (includes o-ring)	
7	88591210	1	O-RING	
8	91143087	1	INTAKE TUBE	
9	91143143	1	HOSE ASSY	
10	90028695	1	BAND CLAMP	
11	91083222	1	STRAIGHT THREAD REDUCING CONNECTOR	
12	90027906	2	ELBOW, 90, (includes o-ring)	
12	88591204	2	O-RING	
13	88662084	1	ELBOW, 45, (includes o-ring)	
13	88591204	1	O-RING	
14	88662242	1	SWIVEL NUT RUN TEE, 3/4 TUBE	
15	2220622	1	REDUCER W/ADAPTER	
16	88662240	1	SWIVEL NUT RUN TEE, 1/2 TUBE	
17	88662105	1	ELBOW, 90, (swivel nut)	
18	2220451	1	CONNECTOR, (includes o-ring)	
18	88591207	1	O-RING	
19	88662239	1	SWIVEL NUT RUN TEE, 3/8 TUBE	
20	77133447	1	HOSE ASSY	
21	91144002	1	O-RING	
22	91053020	2	TEST COUPLING, (includes o-ring)	
22	91054002	2	O-RING	
23	90028482	1	BAND CLAMP	
24	77363128	1	HOSE ASSY	
25	91344048	1	MOUNTING PLATE	
26	91344049	1	COUPLING, (bolts included)	
27	91344050	1	HUBBARD PLUG	

## SECTION 4 - ENGINE AND ATTACHING PARTS

**FIGURE 4-30. ENGINE PUMP MOUNT AND FLYWHEEL HOUSING (534D-10 SN 0366054 through 0366187)**



**NOTES:**

1. USE LOCTITE (14403364) ON ALL BOLT & FITTING THREADS EXCEPT PIPE THREADS.
2. APPLY DI-ELECTRIC GREASE (14403416) UNDER ELECTRICAL CONNECTOR WHEN CONNECTOR IS INSTALLED.
3. APPLY LOCTITE (14404067) 1/8 IN CONTINUOUS BEAD BETWEEN ITEM 1 & ITEM 2 AT LOCATION INDICATED BY ARROW.
4. APPLY LOCTITE (14404067) 1/8 IN CONTINUOUS BEAD BETWEEN ITEM 2 & MAIN PUMP AT LOCATION INDICATED BY ARROW.

PX1080

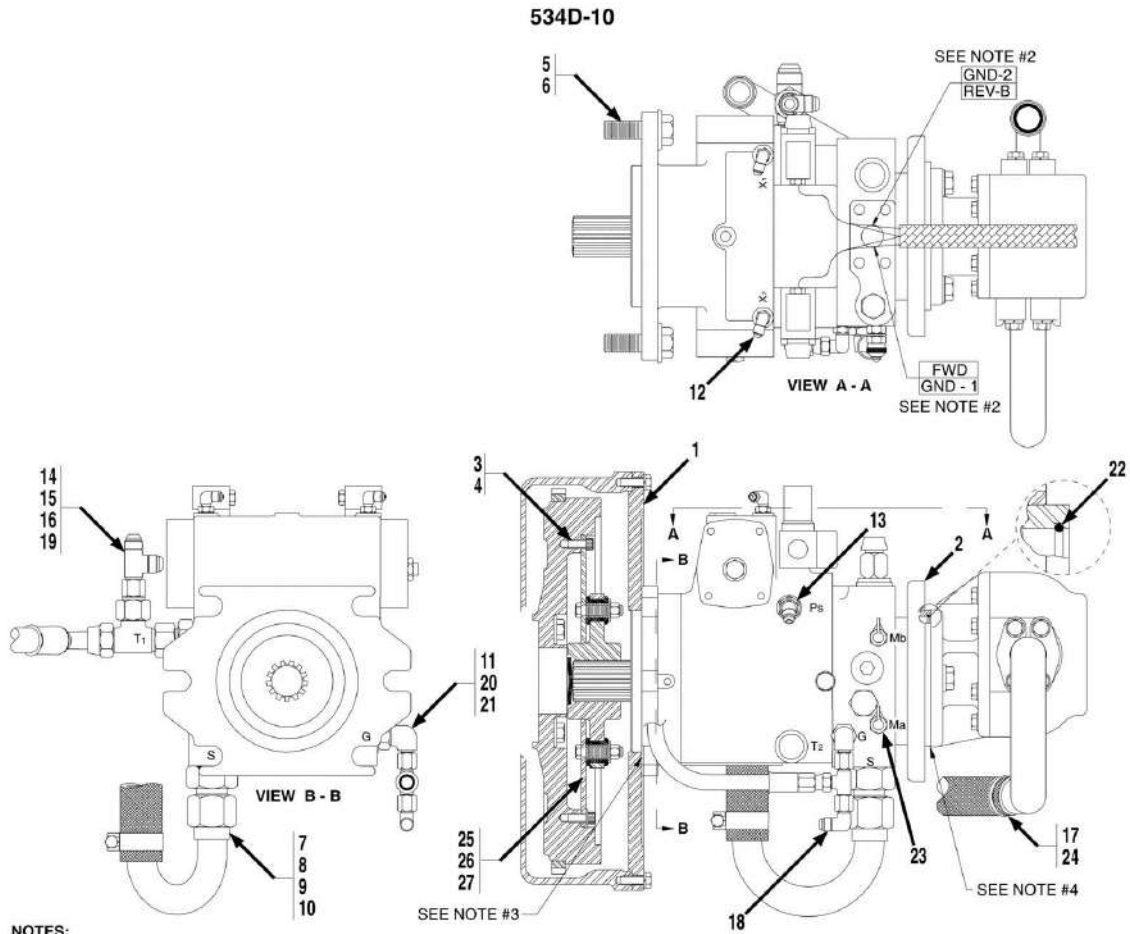
## SECTION 4 - ENGINE AND ATTACHING PARTS

**FIGURE 4-30. ENGINE PUMP MOUNT AND FLYWHEEL HOUSING (534D-10 SN 0366054 through 0366187)**

ITEM	PART NUMBER	QTY	DESCRIPTION	REV
1	91143013	1	PUMP MT AND FLYWHEEL COUPLING, (includes items 25, 26 & 27)	
2		Ref	HYDROSTATIC TRANS PUMP, (See HYDRAULIC COMPONENTS SECTION for Breakdown)	
3	88211068	8	SOCKET HD CAPSCREW, 3/8-16X5/8, (torque to 40-45 lb-ft)	
4	88551011	8	LOCKWASHER, 3/8	
5	88201112	2	HEX HD CAPSCREW, 3/4-10X2-1/4, GR5, (torque to 240-265 lb-ft)	
6	90027473	2	HARDENED WASHER, 3/4	
7	2220380	1	CONNECTOR, (includes o-ring)	
7	88591210	1	O-RING	
8	91143087	1	INTAKE TUBE	
9	91143143	1	HOSE ASSY	
10	90028695	1	BAND CLAMP	
11	91083222	1	STRAIGHT THREAD REDUCING CONNECTOR	
12	90027906	2	ELBOW, 90, (includes o-ring)	
12	88591204	2	O-RING	
13	88662084	1	ELBOW, 45, (includes o-ring)	
13	88591204	1	O-RING	
14	88662242	1	SWIVEL NUT RUN TEE, 3/4 TUBE	
15	2220622	1	REDUCER W/ADAPTER	
16	88662240	1	SWIVEL NUT RUN TEE, 1/2 TUBE	
17	88662105	1	ELBOW, 90, (swivel nut)	
18	2220451	1	CONNECTOR, (includes o-ring)	
18	88591207	1	O-RING	
19	88662239	1	SWIVEL NUT RUN TEE, 3/8 TUBE	
20	77133447	1	HOSE ASSY	
21	91144002	1	O-RING	
22	91053020	2	TEST COUPLING, (includes o-ring)	
22	91054002	2	O-RING	
23	90028482	1	BAND CLAMP	
24	77363128	1	HOSE ASSY	
25	91344048	1	MOUNTING PLATE	
26	91344049	1	COUPLING, (bolts included)	
27	91344050	1	HUBBARD PLUG	

## SECTION 4 - ENGINE AND ATTACHING PARTS

**FIGURE 4-31. ENGINE PUMP MOUNT AND FLYWHEEL HOUSING (534D-10 SN 0366188 through 0366533; SN 0160000125 through 0160000974)**



**NOTES:**

1. USE LOCTITE (14403364) ON ALL BOLT & FITTING THREADS EXCEPT PIPE THREADS.
2. APPLY DI-ELECTRIC GREASE (14403416) UNDER ELECTRICAL CONNECTOR WHEN CONNECTOR IS INSTALLED.
3. APPLY LOCTITE (14404067) 1/8 IN CONTINUOUS BEAD BETWEEN ITEM 1 & ITEM 2 AT LOCATION INDICATED BY ARROW.
4. APPLY LOCTITE (14404067) 1/8 IN CONTINUOUS BEAD BETWEEN ITEM 2 & MAIN PUMP AT LOCATION INDICATED BY ARROW.



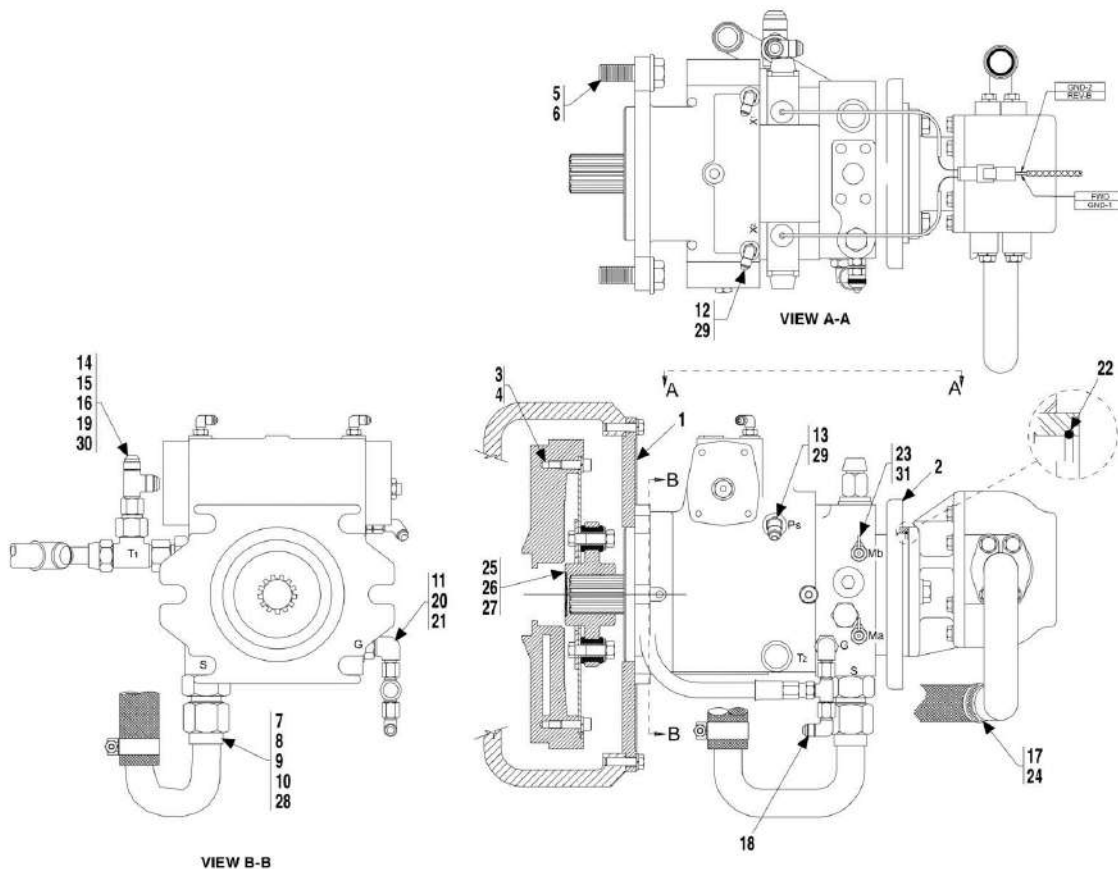
## SECTION 4 - ENGINE AND ATTACHING PARTS

**FIGURE 4-31. ENGINE PUMP MOUNT AND FLYWHEEL HOUSING (534D-10 SN 0366188 through 0366533; SN 0160000125 through 0160000974)**

ITEM	PART NUMBER	QTY	DESCRIPTION	REV
1	91143013	1	PUMP MT AND FLYWHEEL COUPLING, (includes items 25, 26 & 27)	
2		Ref	HYDROSTATIC TRANS PUMP, (See HYDRAULIC COMPONENTS SECTION for Breakdown)	
3	88211068	8	SOCKET HD CAPSCREW, 3/8-16X5/8, (torque to 40-45 lb-ft)	
4	88551011	8	LOCKWASHER, 3/8	
5	88201112	2	HEX HD CAPSCREW, 3/4-10X2-1/4, GR5, (torque to 240-265 lb-ft)	
6	90027473	2	HARDENED WASHER, 3/4	
7	2220380	1	CONNECTOR, (includes o-ring)	
7	88591210	1	O-RING	
8	91143087	1	INTAKE TUBE	
9	91143143	1	HOSE ASSY	
10	80633030	2	BAND CLAMP	
11	91083222	1	STRAIGHT THREAD REDUCING CONNECTOR	
12	90027906	2	ELBOW, 90, (includes o-ring)	
12	88591204	2	O-RING	
13	88662084	1	ELBOW, 45, (includes o-ring)	
13	88591204	1	O-RING	
14	88662242	1	SWIVEL NUT RUN TEE, 3/4 TUBE	
15	2220622	1	REDUCER W/ADAPTER	
16	88662240	1	SWIVEL NUT RUN TEE, 1/2 TUBE	
17	77363128	1	HOSE ASSY	
18	88662105	1	ELBOW, 90, (swivel nut)	
19	2220451	1	CONNECTOR, (includes o-ring)	
19	88591207	1	O-RING	
20	88662239	1	SWIVEL NUT RUN TEE, 3/8 TUBE	
21	77133447	1	HOSE ASSY	
22	91144002	1	O-RING	
23	91053020	2	TEST COUPLING, (includes o-ring)	
23	91054002	2	O-RING	
24	90028482	1	BAND CLAMP	
25	91344048	1	MOUNTING PLATE	
26	91344049	1	COUPLING, (bolts included)	
27	91344050	1	HUBBARD PLUG	

## SECTION 4 - ENGINE AND ATTACHING PARTS

**FIGURE 4-32. ENGINE PUMP MOUNT AND FLYWHEEL HOUSING (534D-9 SN 0160010211 through 0160035941, Including 0160010082 and 0160010093, Excluding 0160034957; 534D-10 SN 0160000978 through 0160034816)**



**NOTES:**

1. USE LOCTITE (14403364) ON ALL BOLT & FITTING THREADS EXCEPT PIPE THREADS.
2. APPLY DI-ELECTRIC GREASE (14403416) UNDER ELECTRICAL CONNECTOR WHEN CONNECTOR IS INSTALLED.
3. APPLY LOCTITE (14404067) 1/8 IN CONTINUOUS BEAD BETWEEN ITEM 1 & ITEM 2 AT LOCATION INDICATED BY ARROW.
4. APPLY LOCTITE (14404067) 1/8 IN CONTINUOUS BEAD BETWEEN ITEM 2 & MAIN PUMP AT LOCATION INDICATED BY ARROW.

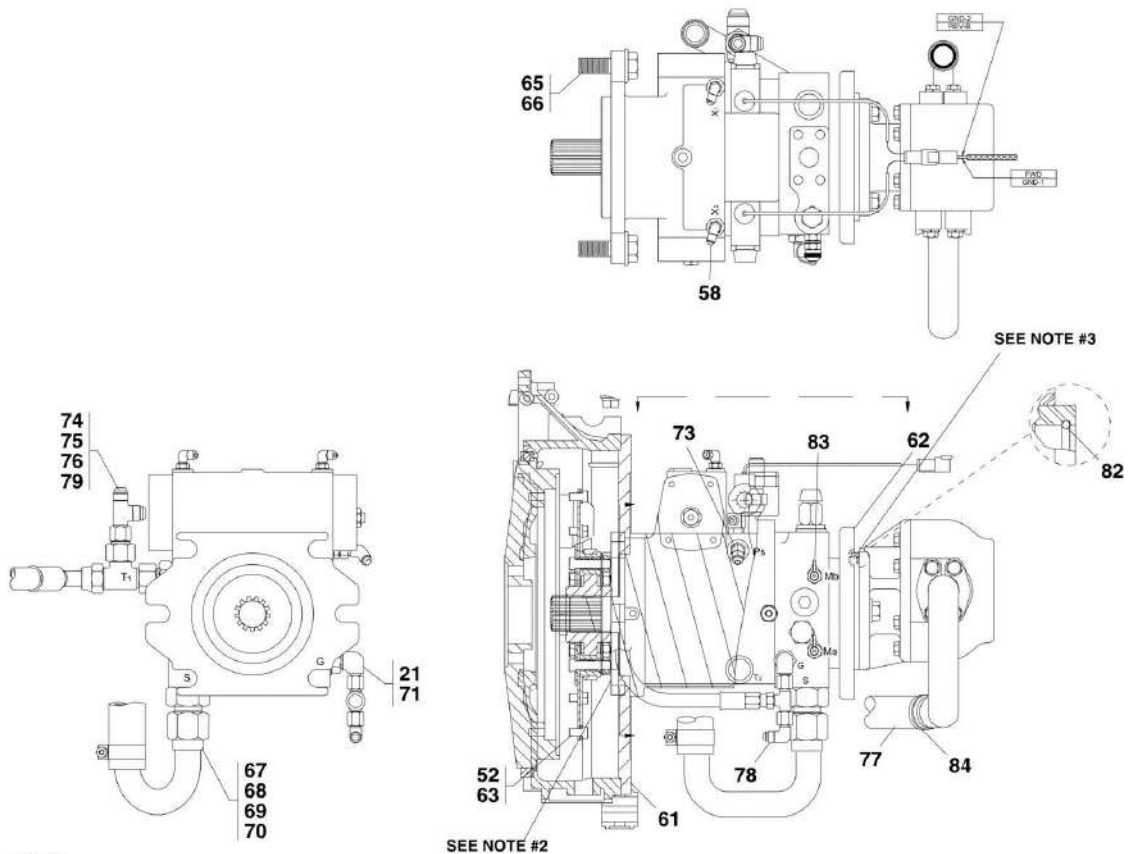
## SECTION 4 - ENGINE AND ATTACHING PARTS

**FIGURE 4-32. ENGINE PUMP MOUNT AND FLYWHEEL HOUSING (534D-9 SN 0160010211 through 0160035941, Including 0160010082 and 0160010093, Excluding 0160034957; 534D-10 SN 0160000978 through 0160034816)**

ITEM	PART NUMBER	QTY	DESCRIPTION	REV
1	91363206	1	PUMP MT AND FLYWHEEL COUPLING, (includes items 25, 26 & 27)	A
2		Ref	HYDROSTATIC TRANS PUMP, (See HYDRAULIC COMPONENTS SECTION for Breakdown)	
3	88211068	8	SOCKET HD CAPSCREW, 3/8-16X5/8, (torque to 40-45 lb-ft)	
4	88551011	8	LOCKWASHER, 3/8	
5	88201112	2	HEX HD CAPSCREW, 3/4-10X2-1/4, GR5, (torque to 240-265 lb-ft)	
6	90027473	2	HARDENED WASHER, 3/4	
7	2220380	1	CONNECTOR, (includes item 28)	
8	91143087	1	INTAKE TUBE	
9	91553038	1	INTAKE HOSE	
10	80633030	2	BAND CLAMP	
11	2220628	1	STRAIGHT THREAD REDUCING CONNECTOR	
12	2220472	2	ELBOW, 90, (includes item 29)	
13	2220501	1	ELBOW, 45, (includes item 29)	
14	2220700	1	SWIVEL NUT RUN TEE, 3/4 TUBE	
15	2220622	1	REDUCER W/ADAPTER	
16	2220385	1	SWIVEL NUT RUN TEE, 1/2 TUBE	
17	77363128	1	HOSE ASSY	
18	8760268	1	ELBOW, 90, (swivel nut)	
19	2220451	1	CONNECTOR, (includes item 30)	
20	2220635	1	SWIVEL NUT RUN TEE, 3/8 TUBE	
21	77133447	1	HOSE ASSY	
22	91144002	1	O-RING	
23	91053020	2	TEST COUPLING, (includes item 31)	
24	90028482	1	BAND CLAMP	
25	91364099	1	HOUSING MOUNT	
26	91164104	1	COUPLING, (bolts included)	
27	91364100	1	COUPLER	
28	88591210	1	O-RING	
29	88591204	3	O-RING	
30	88591207	1	O-RING	
31	91054002	2	O-RING	

## SECTION 4 - ENGINE AND ATTACHING PARTS

FIGURE 4-33. ENGINE PUMP MOUNT AND FLYWHEEL HOUSING (534D-9 SN 0160035983 to Present, Including 0160034957; 534D-10 SN 0160035696 to Present)



**NOTES:**

1. USE LOCTITE P/N (14403364) ON ALL BOLT THREADS.
2. APPLY LOCTITE SUPERFLEX 587 ULTRA BLUE SILICON (14404067) 1/8IN CONTINUOUS BEAD BETWEEN ITEM 1 & 2.
3. APPLY LOCTITE SUPERFLEX 587 ULTRA BLUE SILICON (14404067) 1/8IN CONTINUOUS BEAD BETWEEN ITEM 2 & MAIN PUMP.

PAP19680

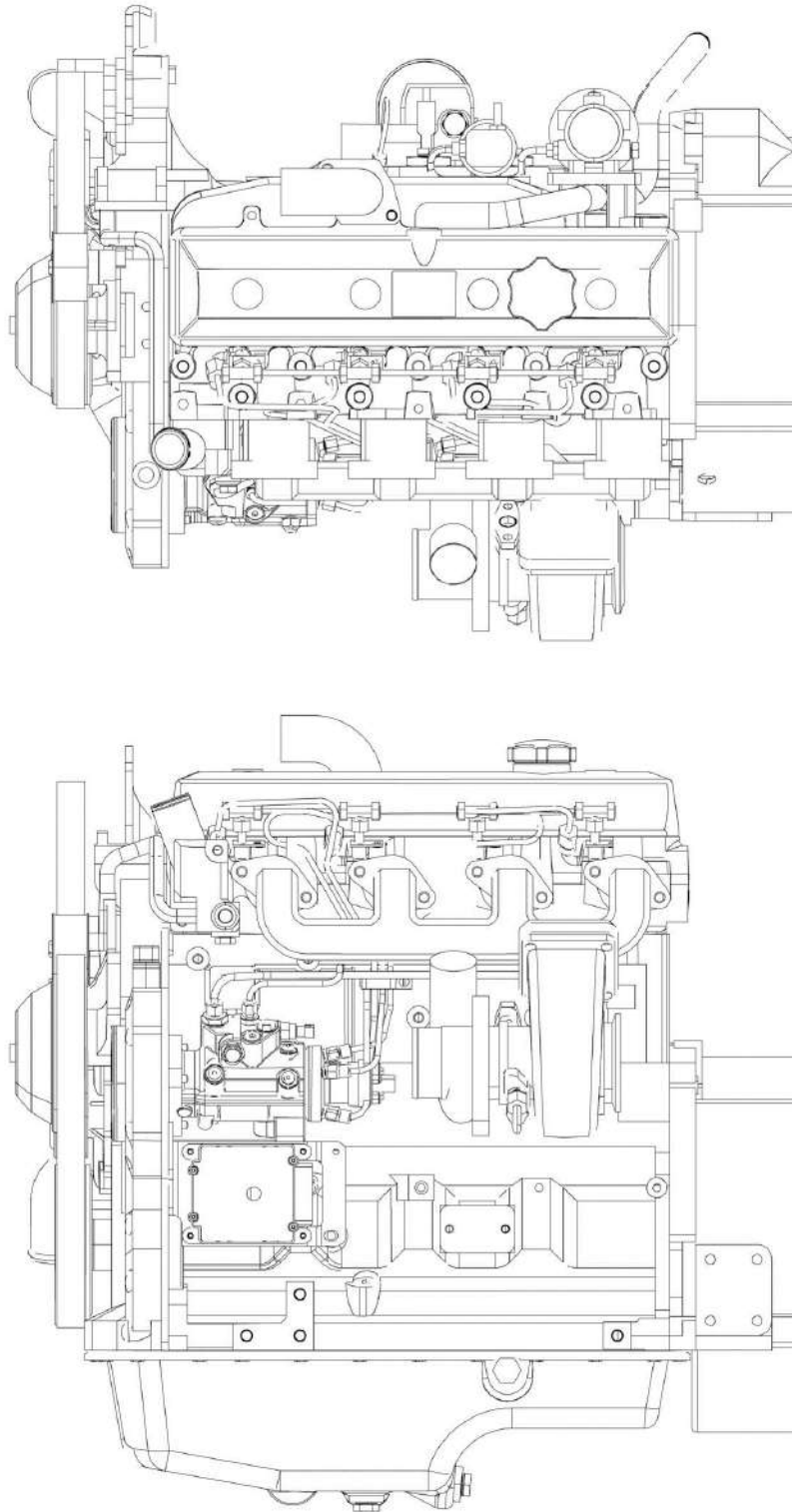
## SECTION 4 - ENGINE AND ATTACHING PARTS

**FIGURE 4-33. ENGINE PUMP MOUNT AND FLYWHEEL HOUSING (534D-9 SN 0160035983 to Present, Including 0160034957; 534D-10 SN 0160035696 to Present)**

ITEM	PART NUMBER	QTY	DESCRIPTION	REV
21	77133447	1	HOSE ASSY	
52	4761600	8	LOCKWASHER, 3/8	
58	2220472	1	ELBOW, 90	
61	91163011	1	FLYWHEEL COUPLING ASSY	
62		Ref	HYDROSTATIC TRANSMISSION PUMP, (See HYDRAULIC COMPONENTS SECTION for Breakdown)	
63	3931610	8	SOCKET HD CAPSCREW, 3/8-16X1, (torque to 40-45 lb-ft)	
65	0642218	2	HEX HD CAPSCREW, 3/4-10X2-1/4, GR5, (torque to 240-265 lb-ft)	
66	90027473	2	HARDENED WASHER, 3/4	
67	2220380	1	CONNECTOR	
68	91143087	1	INTAKE TUBE	
69	91553038	1	INTAKE HOSE	
70	90028482	2	BAND CLAMP	
71	2220628	1	REDUCER	
73	2220501	1	ELBOW, 45	
74	2220700	1	SWIVEL NUT RUN TEE	
75	2220622	1	REDUCER	
76	2220385	1	SWIVEL NUT RUN TEE	
77	77363128	1	HOSE	
78	8760268	1	ELBOW, 90, (swivel nut)	
79	2220451	1	CONNECTOR	
82	91144002	1	O-RING	
83	91053020	2	TEST COUPLING	
84	90028482	1	BAND CLAMP	

## SECTION 4 - ENGINE AND ATTACHING PARTS

FIGURE 4-34. JOHN DEERE ENGINE (534D-9 SN 0160001051 through 0160007529, Including 0160000700; 534D-10 SN 0160000978 to Present)



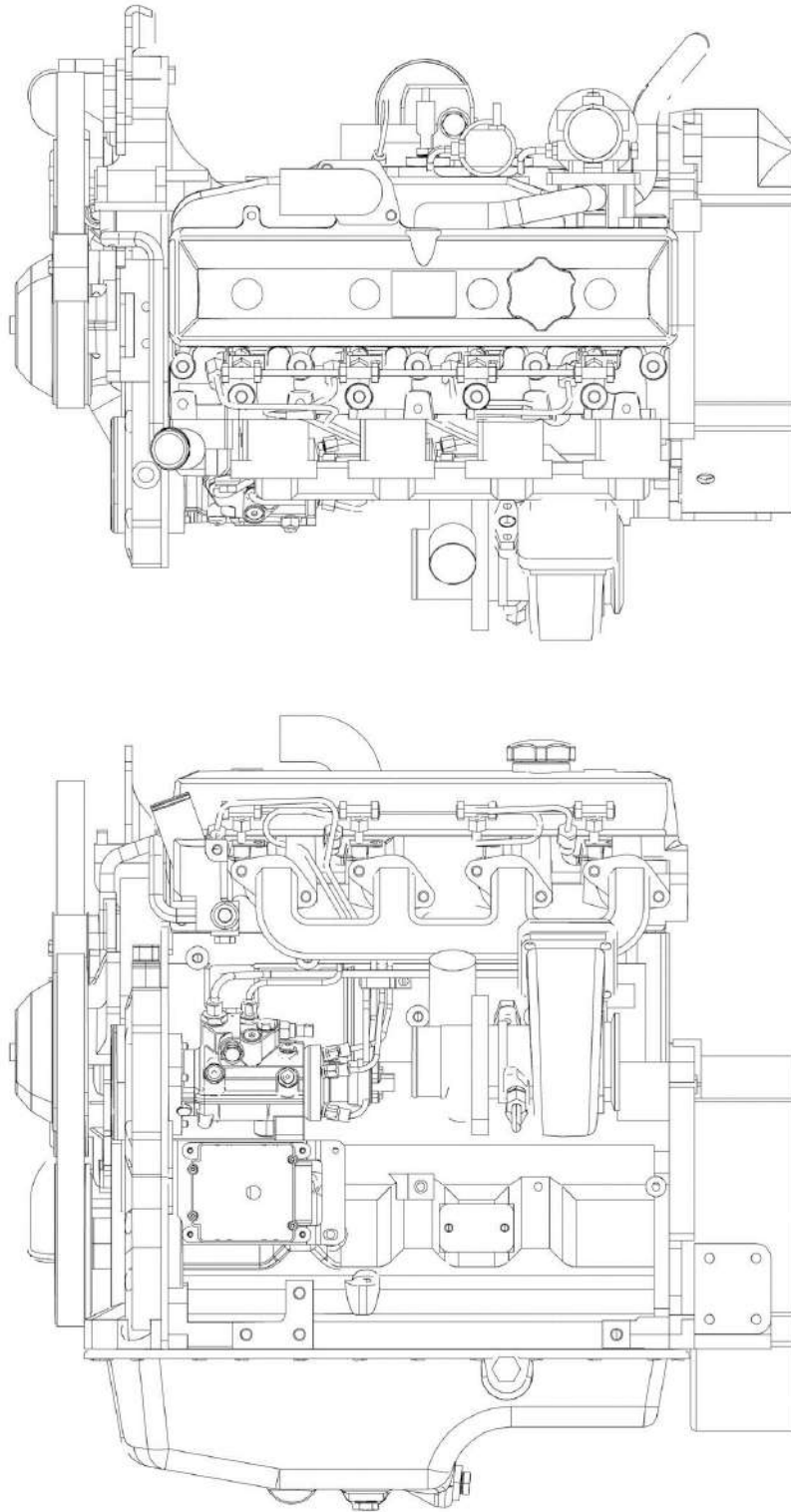
## SECTION 4 - ENGINE AND ATTACHING PARTS

**FIGURE 4-34. JOHN DEERE ENGINE (534D-9 SN 0160001051 through 0160007529, Including 0160000700; 534D-10 SN 0160000978 to Present)**

ITEM	PART NUMBER	QTY	DESCRIPTION	REV
	91533001	1	JOHN DEERE ENGINE, 110 HP, (534D-9), (includes all items)	
	91543001	1	JOHN DEERE ENGINE, 115 HP, (534D-10), (includes all items)	
	91404257	1	GASKET, VALVE COVER	
	91404256	4	PLUG, VALVE COVER	
	91404259	4	O-RING, VALVE COVER PLUG	
	91404258	1	FILLER CAP, VALVE COVER, (includes packing)	
	91404255	1	PACKING, FILLER CAP	
	91404253	2	GASKET, OIL FILLER	
	91534007	1	FLYWHEEL, (includes ring gear)	
	91534008	1	RING GEAR	
	91534009	4	FLYWHEEL BOLT	
	7026918	1	GASKET, AIR INLET	
	7026919	1	GASKET, AIR INLET	
	91404242	1	GASKET, OIL PAN	
	7026920	1	THERMOSTAT	
	7026927	1	GASKET, THERMOSTAT COVER	
	80374015	1	BELT	
	91404234	4	GASKET, EXHAUST MANIFOLD	
	91534004	1	FUEL FILTER ELEMENT	
	80374048	1	O-RING, FUEL FILTER	
	80374054	1	KIT, FUEL FILTER	
	80374050	1	SEAL KIT, FUEL FILTER	
	91404262	1	FUEL PUMP, (includes o-ring)	
	7026923	1	O-RING, FUEL PUMP	
	91404085	1	DIPSTICK	
	91554032	1	DIPSTICK TUBE	
	91404233	1	WATER PUMP	
	91404229	1	O-RING, WATER PUMP INLET	
	91404267	1	GASKET, TURBOCHARGER	
	7026924	1	TURBOCHARGER	
	7026925	1	GASKET, TURBOCHARGER	
	91404268	1	HOSE ASSY, TURBOCHARGER	
	91404266	2	O-RING, TURBOCHARGER HOSE ASSY	
	80374021	1	O-RING, TURBOCHARGER	
	7026926	1	OIL PRESSURE SENDER	
	91534005	1	OIL FILTER	
	91554033	1	GASKET, OIL FILTER HEAD	
	91474506	1	DRAIN PLUG, OIL FILTER, (includes o-ring)	
	80374020	1	O-RING, DRAIN PLUG	
	91534011	1	CRANK POSITION SENSOR	
	91474629	1	ALTERNATOR BRACKET	
	91474630	1	ALTERNATOR SUPPORT	
	91474631	1	ALTERNATOR STRAP	

## SECTION 4 - ENGINE AND ATTACHING PARTS

FIGURE 4-35. JOHN DEERE ENGINE (534D-9 SN 0160007595 through 0160010202; Excluding 0160010082 and 0160010093)





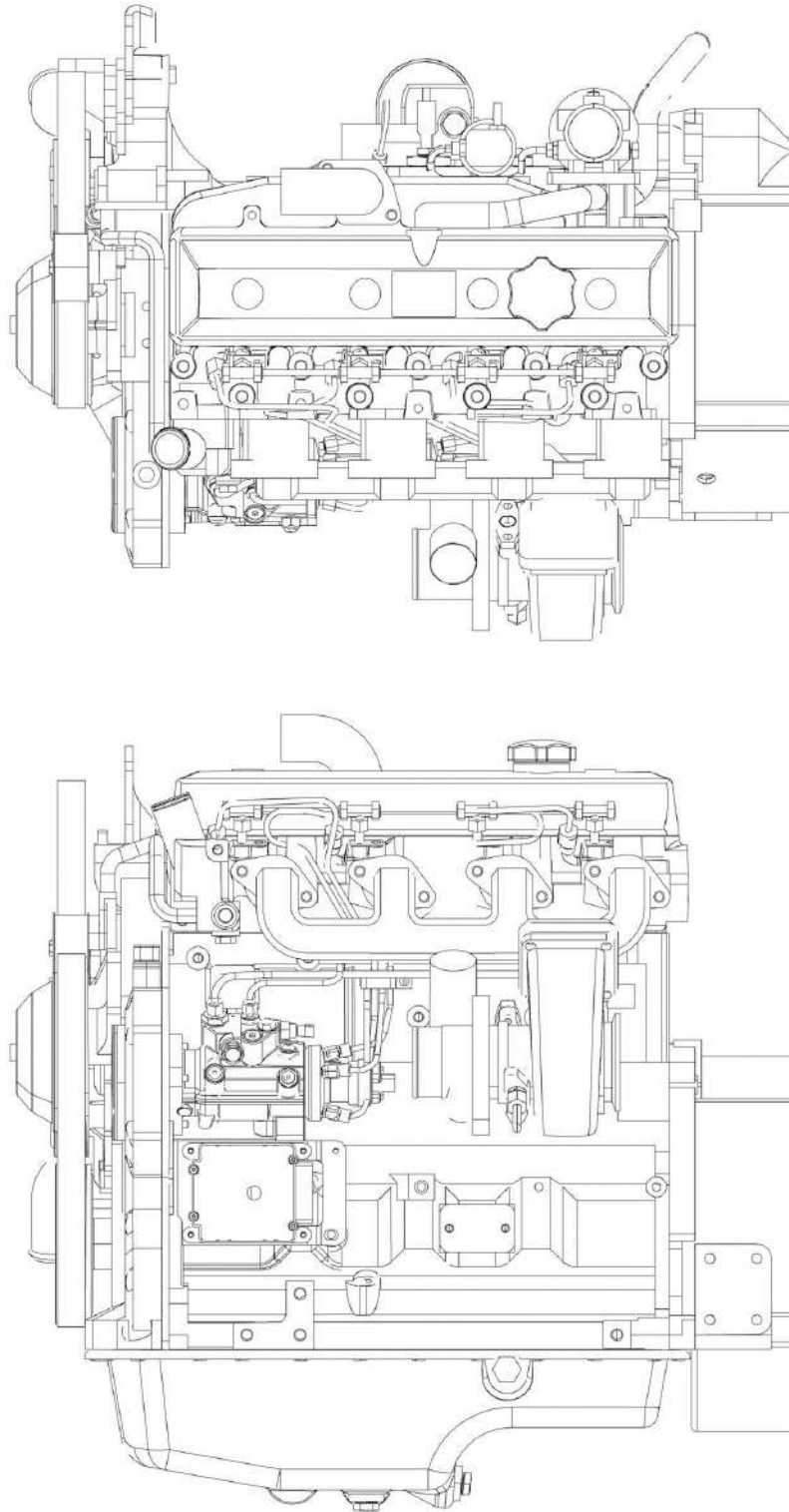
## SECTION 4 - ENGINE AND ATTACHING PARTS

**FIGURE 4-35. JOHN DEERE ENGINE (534D-9 SN 0160007595 through 0160010202; Excluding 0160010082 and 0160010093)**

ITEM	PART NUMBER	QTY	DESCRIPTION	REV
	91533015	1	JOHN DEERE ENGINE, 110 HP, (534D-9), (includes all items)	D
	91404257	1	GASKET, VALVE COVER	
	91404256	4	PLUG, VALVE COVER	
	91404259	4	O-RING, VALVE COVER PLUG	
	91404258	1	FILLER CAP, VALVE COVER, (includes packing)	
	91404255	1	PACKING, FILLER CAP	
	91404253	2	GASKET, OIL FILLER	
	91534007	1	FLYWHEEL, (includes ring gear)	
	91534008	1	RING GEAR	
	91534009	4	FLYWHEEL BOLT	
	7026918	1	GASKET, AIR INLET	
	7026919	1	GASKET, AIR INLET	
	91404242	1	GASKET, OIL PAN	
	7026920	1	THERMOSTAT	
	7026927	1	GASKET, THERMOSTAT COVER	
	80374015	1	BELT	
	91404234	4	GASKET, EXHAUST MANIFOLD	
	91534004	1	FUEL FILTER ELEMENT	
	80374048	1	O-RING, FUEL FILTER	
	80374054	1	KIT, FUEL FILTER	
	80374050	1	SEAL KIT, FUEL FILTER	
	91404262	1	FUEL PUMP, (includes o-ring)	
	7026923	1	O-RING, FUEL PUMP	
	91404085	1	DIPSTICK	
	91554032	1	DIPSTICK TUBE	
	91404233	1	WATER PUMP	
	91404229	1	O-RING, WATER PUMP INLET	
	91404267	1	GASKET, TURBOCHARGER	
	7026924	1	TURBOCHARGER	
	7026925	1	GASKET, TURBOCHARGER	
	91404268	1	HOSE ASSY, TURBOCHARGER	
	91404266	2	O-RING, TURBOCHARGER HOSE ASSY	
	80374021	1	O-RING, TURBOCHARGER	
	7026926	1	OIL PRESSURE SENDER	
	91534005	1	OIL FILTER	
	91554033	1	GASKET, OIL FILTER HEAD	
	91474506	1	DRAIN PLUG, OIL FILTER, (includes o-ring)	
	80374020	1	O-RING, DRAIN PLUG	
	91534011	1	CRANK POSITION SENSOR	
	91474629	1	ALTERNATOR BRACKET	
	91474630	1	ALTERNATOR SUPPORT	
	91474631	1	ALTERNATOR STRAP	

## SECTION 4 - ENGINE AND ATTACHING PARTS

**FIGURE 4-36. JOHN DEERE ENGINE (534D-9 SN 0160010211 through 0160035941, Including 0160010082 and 0160010093, Excluding 0160034957; 534D-10 SN 0160007725 through 0160034816)**



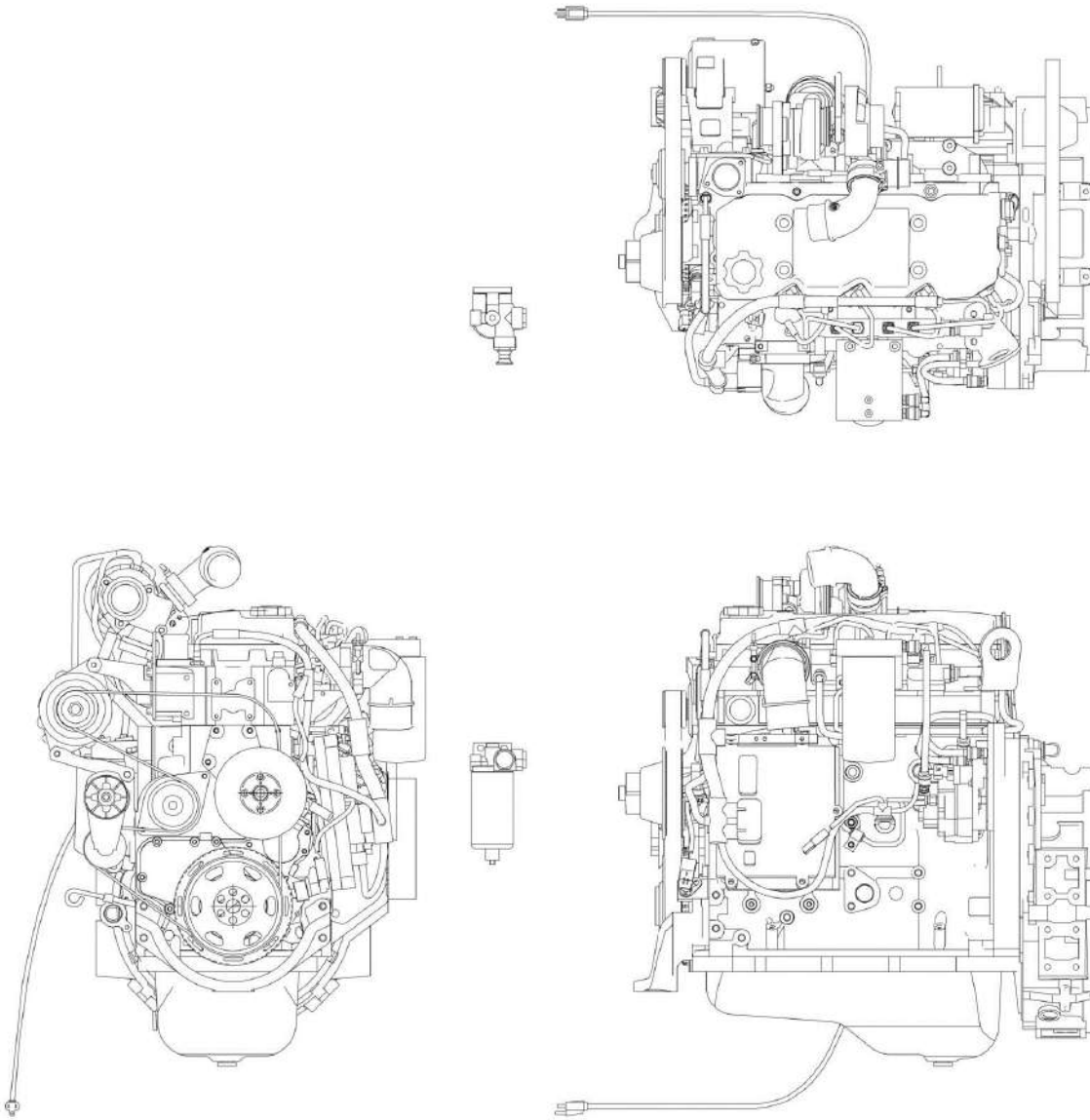
## SECTION 4 - ENGINE AND ATTACHING PARTS

**FIGURE 4-36. JOHN DEERE ENGINE (534D-9 SN 0160010211 through 0160035941, Including 0160010082 and 0160010093, Excluding 0160034957; 534D-10 SN 0160007725 through 0160034816)**

ITEM	PART NUMBER	QTY	DESCRIPTION	REV
	91543003	1	JOHN DEERE ENGINE, 115 HP, (534D-9, 534D-10), (includes all items)	E
	91404257	1	GASKET, VALVE COVER	
	91404256	4	PLUG, VALVE COVER	
	91404259	4	O-RING, VALVE COVER PLUG	
	91404258	1	FILLER CAP, VALVE COVER, (includes packing)	
	91404255	1	PACKING, FILLER CAP	
	91404253	2	GASKET, OIL FILLER	
	91534007	1	FLYWHEEL, (includes ring gear)	
	91534008	1	RING GEAR	
	91534009	4	FLYWHEEL BOLT	
	7026918	1	GASKET, AIR INLET	
	7026919	1	GASKET, AIR INLET	
	91404242	1	GASKET, OIL PAN	
	7026927	1	GASKET, THERMOSTAT COVER	
	80374015	1	BELT	
	91404234	4	GASKET, EXHAUST MANIFOLD	
	91534004	1	FUEL FILTER ELEMENT	
	80374048	1	O-RING, FUEL FILTER	
	80374054	1	KIT, FUEL FILTER	
	80374050	1	SEAL KIT, FUEL FILTER	
	91404262	1	FUEL PUMP, (includes o-ring)	
	7026923	1	O-RING, FUEL PUMP	
	91404085	1	DIPSTICK	
	91554032	1	DIPSTICK TUBE	
	91404233	1	WATER PUMP	
	91404229	1	O-RING, WATER PUMP INLET	
	91404267	1	GASKET, TURBOCHARGER	
	7026924	1	TURBOCHARGER	
	7026925	1	GASKET, TURBOCHARGER	
	91404268	1	HOSE ASSY, TURBOCHARGER	
	91404266	2	O-RING, TURBOCHARGER HOSE ASSY	
	80374021	1	O-RING, TURBOCHARGER	
	7026926	1	OIL PRESSURE SENDER	
	91534005	1	OIL FILTER	
	91554033	1	GASKET, OIL FILTER HEAD	
	91474506	1	DRAIN PLUG, OIL FILTER, (includes o-ring)	
	80374020	1	O-RING, DRAIN PLUG	
	91534011	1	CRANK POSITION SENSOR	
	91474629	1	ALTERNATOR BRACKET	
	91474630	1	ALTERNATOR SUPPORT	
	91474631	1	ALTERNATOR STRAP	
	70021897	1	AIR INTAKE SENSOR	
	80374019	1	O-RING, (use with air intake sensor)	
	91534010	1	STARTER	

## SECTION 4 - ENGINE AND ATTACHING PARTS

FIGURE 4-37. CUMMINS ENGINE (534D-9 SN 0160035983 to Present, Including 0160034957; 534D-10 SN 0160035696 to Present)



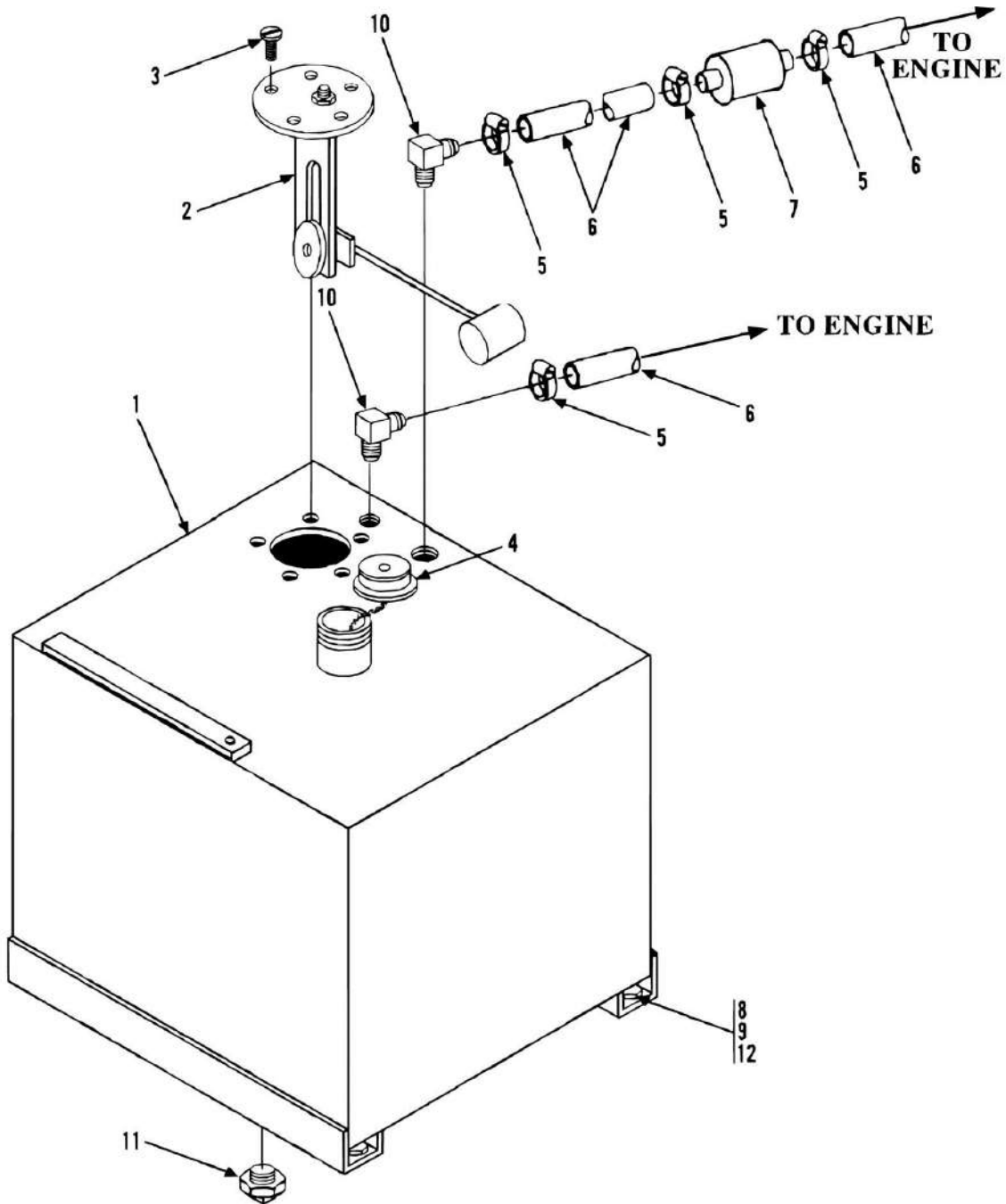
## SECTION 4 - ENGINE AND ATTACHING PARTS

**FIGURE 4-37. CUMMINS ENGINE (534D-9 SN 0160035983 to Present, Including 0160034957; 534D-10 SN 0160035696 to Present)**

ITEM	PART NUMBER	QTY	DESCRIPTION	REV
	2000401	1	CUMMINS ENGINE, 115 HP, (includes all items)	D
	70021793	1	VALVE COVER GASKET	
	70021794	1	FUEL INJECTION PUMP	
	70021795	1	FLY WHEEL	
	70021796	1	ENGINE OIL COOLER	
	70021797	1	ENGINE OIL COOLER GASKET	
	70023300	1	EXTENSION TUBE, DIPSTICK, (used with 800mm dipstick)	
	70023299	1	OIL LEVEL DIPSTICK, (used with 800mm dipstick)	
	70023298	1	DIPSTICK TUBE, (used with 800mm dipstick)	
	70021798	1	OIL LEVEL DIPSTICK, (used with 200mm dipstick)	
	70021799	1	DIPSTICK TUBE, (used with 200mm dipstick)	
	70021800	1	LUBRICATION OIL PUMP	
	70021801	1	OIL PAN	
	70022636	1	OIL PAN GASKET	
	70021803	1	OIL PAN PLUG	
	70021804	1	TURBOCHARGER KIT, (includes 3 gaskets)	
	70021805	1	WATER PUMP	
	70021806	1	WATER PUMP GASKET	
	70021807	1	FAN BELT	
	70022638	1	INJECTOR	
	70021809	1	BELT TENSIONER	
	70021810	1	OIL FILLER CAP	
	7029525	1	ALTERNATOR	
	70020349	1	PRIMARY FUEL FILTER	
	70021410	1	FUEL FILTER HEAD	
	70020348	1	SECONDARY FUEL FILTER	
	70020358	1	OIL FILTER	
	77384830	1	V-BAND CLAMP, EXHAUST OUTLET	

# SECTION 4 - ENGINE AND ATTACHING PARTS

FIGURE 4-38. FUEL TANK LINES (534D-9 Prior to SN 0160035983, Excluding 0160034957; 534D-10 Prior to SN 0160035696)



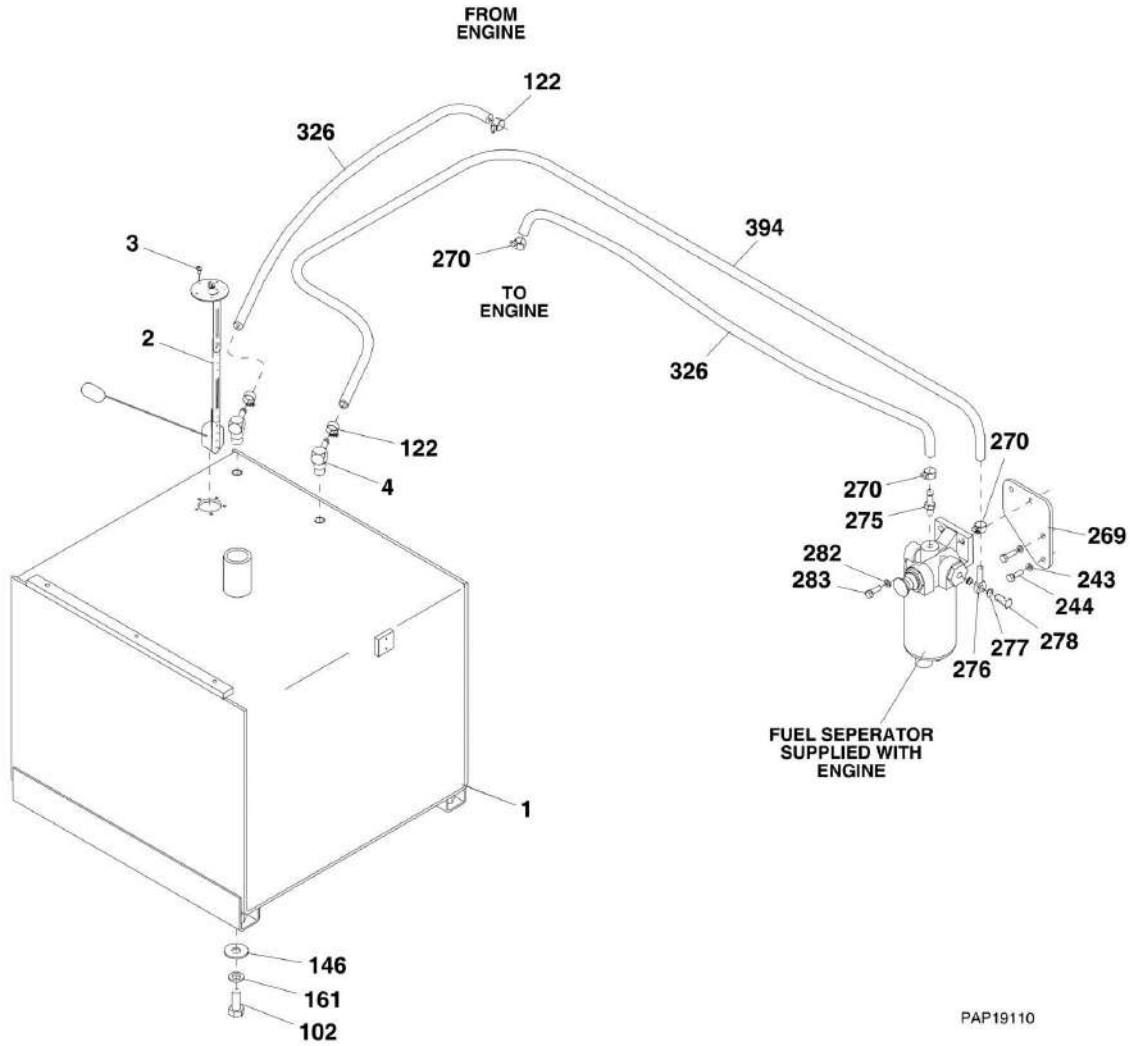
## SECTION 4 - ENGINE AND ATTACHING PARTS

**FIGURE 4-38. FUEL TANK LINES (534D-9 Prior to SN 0160035983, Excluding 0160034957; 534D-10 Prior to SN 0160035696)**

ITEM	PART NUMBER	QTY	DESCRIPTION	REV
	91155016	1	FUEL TANK ASSY, (includes items 1 thru 4, 10 & 11)	E
1	91153031	1	FUEL TANK, (38 gal), (includes items 4 & 11)	
2	91143316	1	FUEL LEVEL SENDER, (do not use screws sent with sender order item 3)	
3	91083491	5	GASKETED SCREW	
4	86541381	1	FUEL TANK CAP, (w/chain)	
5	86883106	4	HOSE CLAMP	
6	Bulk	111 in	FUEL LINE HOSE, 5/16 ID	
7		Ref	FUEL FILTER, (I/L), (See ENGINE ASSEMBLY, RH VIE, item 12)	
8	88561008	4	WASHER, 5/8	
9	88551015	4	LOCKWASHER, 5/8	
10	84712746	2	HOSE NIPPLE, 90, 1/2X3/8	
11	88711283	1	HEX SOCKET PIPE PLUG, 1/2	
12	88201095	4	HEX HD CAPSCREW, 5/8-11X1-1/2, GR5	

# SECTION 4 - ENGINE AND ATTACHING PARTS

FIGURE 4-39. FUEL TANK LINES (534D-9 SN 0160035983 to Present, Including 0160034957; 534D-10 SN 0160035696 to Present)





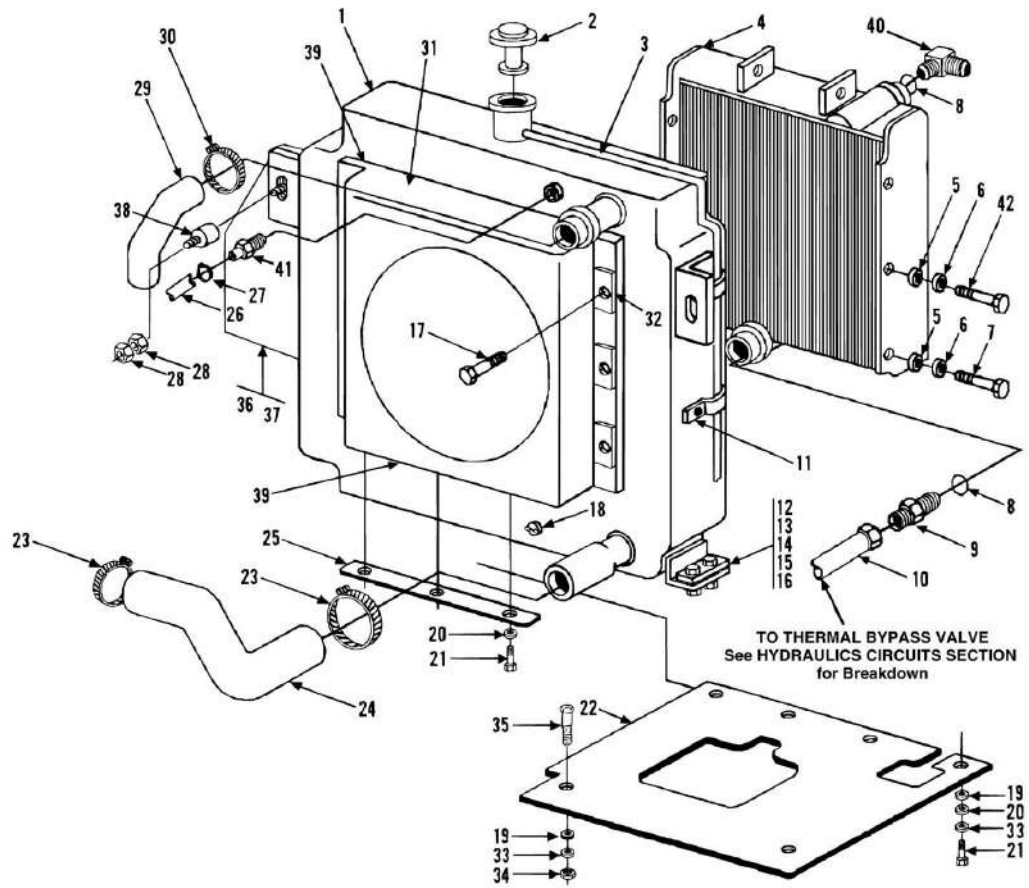
## SECTION 4 - ENGINE AND ATTACHING PARTS

**FIGURE 4-39. FUEL TANK LINES (534D-9 SN 0160035983 to Present, Including 0160034957; 534D-10 SN 0160035696 to Present)**

ITEM	PART NUMBER	QTY	DESCRIPTION	REV
	91155016	1	FUEL TANK ASSY, (includes items 1 thru 4)	E
1	91153031	1	FUEL TANK	
1	86541381	1	FUEL TANK CAP, (w/chain)	
1	88711283	1	HEX SOCKET PIPE PLUG, 1/2	
2	91143316	1	FUEL LEVER SENDER	
3	91083491	5	GASKETED SCREW, #10-32	
4	84712746	2	HOSE NIPPLE, 90, 1/2X8	
102	0642012	4	HEX HD CAPSCREW, 5/8-11X1-1/2, GR5	
122	86883106	3	HOSE CLAMP	
146	4752000	4	WASHER, 5/8	
161	4762000	4	LOCKWASHER, 5/8	
243	4761500	4	LOCKWASHER, 5/16	
244	0641508	2	HEX HD CAPSCREW, 5/16-18X1, GR5	
269	1001101757	1	FUEL SEPERATOR BRACKET	
270	86883106	2	HOSE CLAMP	
275	1001093891	1	HOSE COUPLING	
276	1001105638	1	BANJO ADAPTER	
277	1001105639	2	COPPER CRUSH WASHER	
278	1001105643	1	BANJO SCREW	
282	4711500	2	WASHER, 5/16	
283	0641510	2	HEX HD CAPSCREW, 5/16-18X1/4	
326	2720463	85 in	HOSE, 5/16	
394	1001097568	1	FUEL SUPPLY HOSE	

## SECTION 4 - ENGINE AND ATTACHING PARTS

**FIGURE 4-40. RADIATOR ASSEMBLY (534D-9 SN 0544001 through 016000853, Excluding 0160000700; 534D-10 SN 0366001 through 016000974)**



**NOTE:**  
 USE FLAT BAR, (ITEM 23), UNDER SHROUD, (ITEM 31), TO HOLD-UP DUST SHIELD, (ITEM 22). USE FLAT WASHERS, (ONE EACH OF ITEMS 19 & 33), UNDER TAB ON SIDE OF SHROUD & BOTH SIDES OF THE FRAME TO SUPPORT THE DUSTSHIELD.

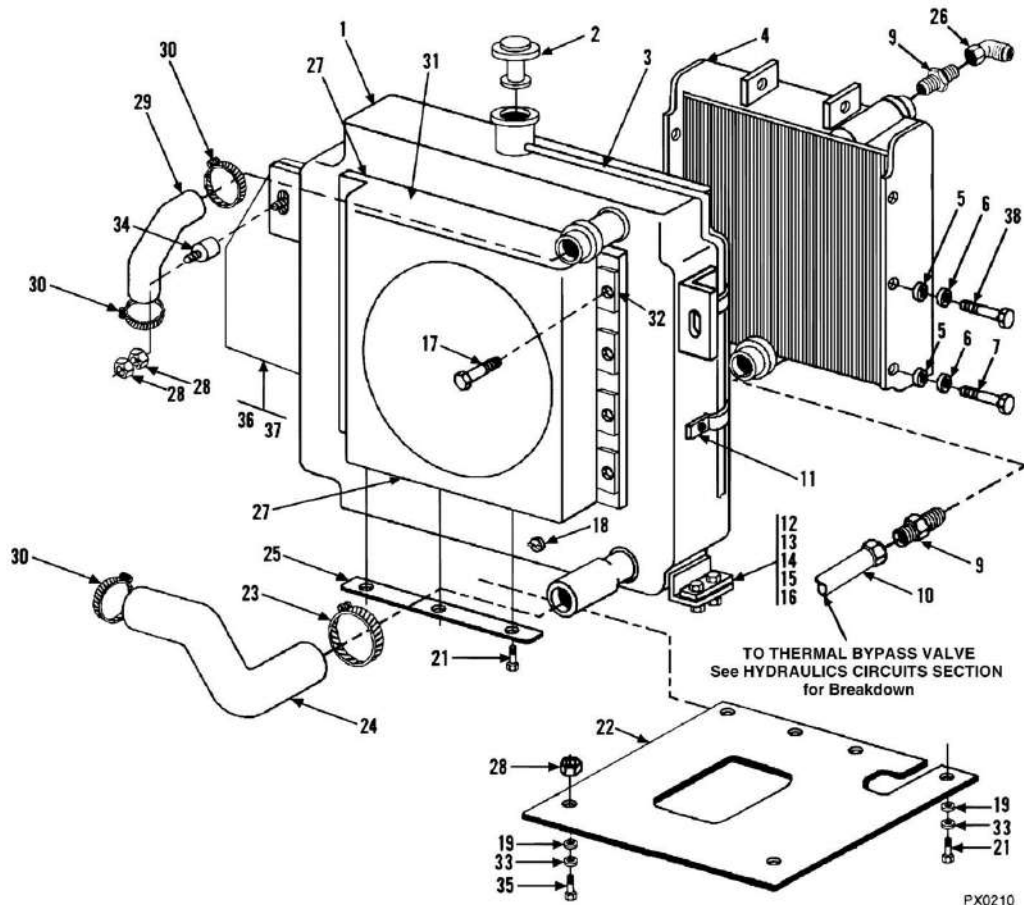
## SECTION 4 - ENGINE AND ATTACHING PARTS

**FIGURE 4-40. RADIATOR ASSEMBLY (534D-9 SN 0544001 through 0160000853, Excluding 0160000700; 534D-10 SN 0366001 through 0160000974)**

ITEM	PART NUMBER	QTY	DESCRIPTION	REV
	91145085	1	RADIATOR ASSY, (includes items 1 thru 9, 11, 15, 17, 18, one of item 23, 24, 29 thru 32 & 39 thru 42)	J
1	91143328	1	RADIATOR, (includes item 2)	
2	91144008	1	RADIATOR CAP	
3	2720058	38 in	HOSE, 5/16 ID	
4	91143029	1	OIL COOLER	
5	88551011	6	LOCKWASHER, 3/8	
6	88561109	4	FLAT WASHER, 3/8	
7	88201034	4	HEX HD CAPSCREW, 3/8-16X7/8, GR5	
8		Ref	O-RING	
9	2220379	1	ADAPTER, (includes item 8)	
10		Ref	HOSE ASSY, (See HYDRAULIC CIRCUITS SECTION, item 47 for Breakdown)	
11	85941016	2	SUPPORT CLAMP	
12	83683308	4	MOUNTING PAD	
13	90205918	4	WASHER	
14	88201037	4	HEX HD CAPSCREW, 3/8-16X1-1/2, GR5	
15	88561109	4	FLAT WASHER, 3/8	
16	88521206	4	LOCKNUT	
17	77143003	6	WHIZ-LOCK SCREW, 5/16-18X5/8	
18	84521056	1	DRAIN COCK	
19	88561003	3	FLAT WASHER, 5/16	
20	88551010	4	LOCKWASHER, 5/16	
21	88201020	4	HEX HD CAPSCREW, 5/16-18X1, GR5	
22	91143139	1	DUST SHIELD	
23	86883327	2	HOSE CLAMP	
24	91143045	1	LOWER RADIATOR HOSE	
25	91141231	1	FLAT BAR	
26	Bulk	1/4 in	HOSE, 5/16 ID	
27	86883106	2	HOSE CLAMP	
28	77143006	4	WHIZ-LOCKNUT, 5/16-18	
29	91153012	1	UPPER RADIATOR HOSE	
30	85071128	2	HOSE CLAMP	
31	91141485	1	RADIATOR SHROUD	
32	91143348	6	CLAMP BAR	
33	91083533	3	FENDER WASHER	
34	88501005	2	HEX NUT	
35	77143004	2	WHIZ-LOCK SCREW, 5/16-18X1-3/4	
36	91141103	1	LH RADIATOR MOUNT	
36	91141102	1	RH RADIATOR MOUNT	
37	85611278	2	WELD STUD	
38	91033137	2	SHOCK MOUNT	
39	90200755	52 in	GASKA TAPE	
40	2220464	1	ELBOW, (includes item 8)	
41	90030271	1	NIPPLE	
42	88201035	2	HEX HD CAPSCREW, 3/8-16X1, GR5	

## SECTION 4 - ENGINE AND ATTACHING PARTS

**FIGURE 4-41. RADIATOR ASSEMBLY (534D-9 SN 0160001051 through 0160035941, Including 0160000700, Excluding 0160034957; 534D-10 SN 0160000978 through 0160034816)**



**NOTE:**  
USE FLAT BAR, (ITEM 23), UNDER SHROUD, (ITEM 31), TO HOLD-UP DUST SHIELD, (ITEM 22). USE FLAT WASHERS, (ONE EACH OF ITEMS 19 & 33), UNDER TAB ON SIDE OF SHROUD & BOTH SIDES OF THE FRAME TO SUPPORT THE DUSTSHIELD.

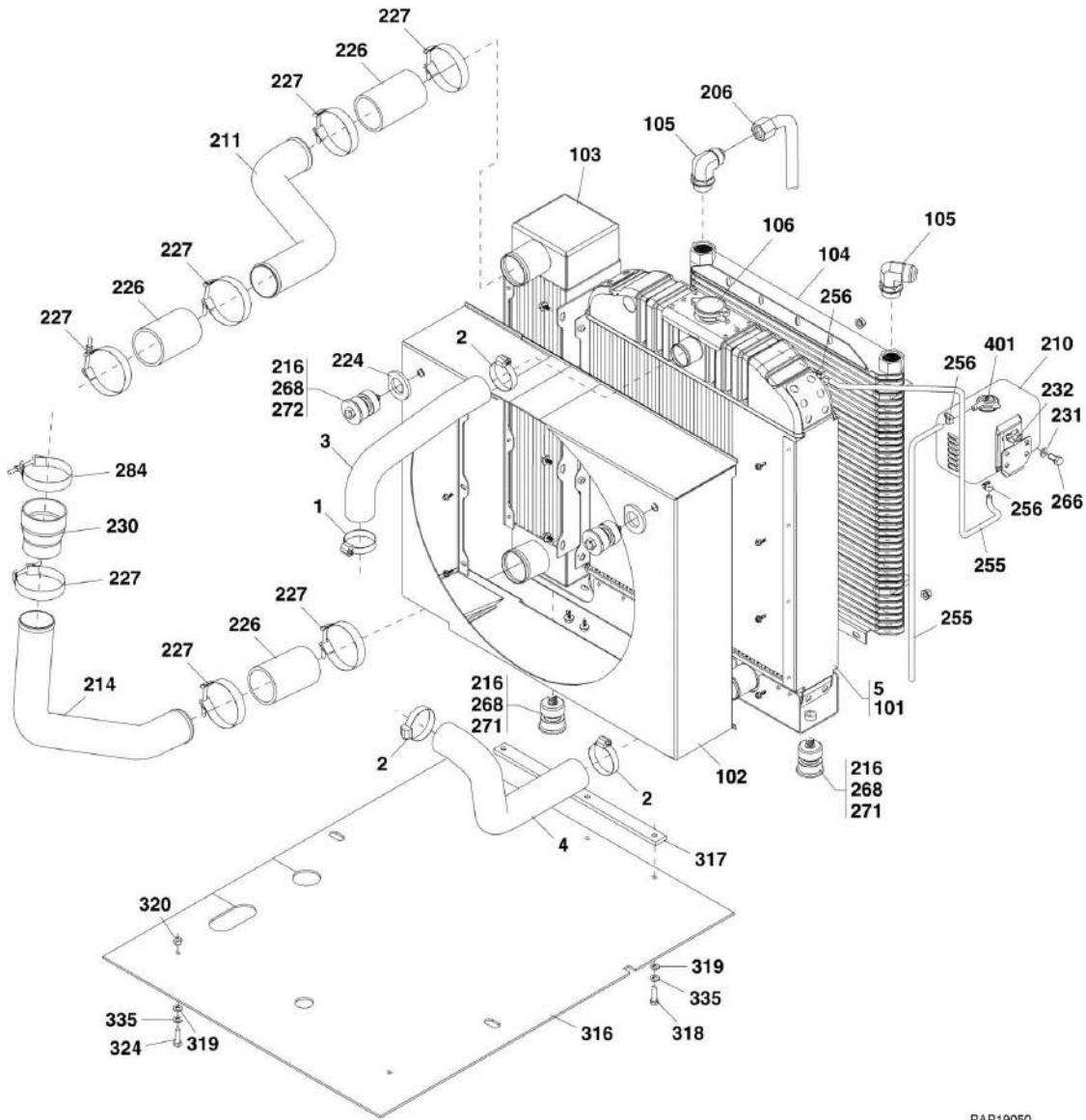
## SECTION 4 - ENGINE AND ATTACHING PARTS

**FIGURE 4-41. RADIATOR ASSEMBLY (534D-9 SN 0160001051 through 0160035941, Including 0160000700, Excluding 0160034957; 534D-10 SN 0160000978 through 0160034816)**

ITEM	PART NUMBER	QTY	DESCRIPTION	REV
	91535005	1	RADIATOR ASSY, (includes items 1 thru 9, 11, 17, 18, 23, 24, 26, 27, 29, 31, 32, 38 and one of item 30)	D
1	91553004	1	RADIATOR, (includes item 2)	
2	7026442	1	RADIATOR CAP	
3	2720058	38 in	HOSE, 5/15IN	
4	91553002	1	OIL COOLER	
5	88551011	6	LOCKWASHER, 3/8	
6	88561109	4	FLAT WASHER, 3/8	
7	88201035	4	HEX HD CAPSCREW, 3/8-16X1, GR5	
9	2220379	2	CONNECTOR, (includes o-ring)	
10		Ref	HOSE ASSY, (See HYDRAULIC CIRCUITS SECTION, item 47 for Breakdown)	
11	85941016	2	SUPPORT CLAMP	
12	83683308	4	MOUNTING PAD	
13	90205918	4	WASHER	
14	88201037	4	HEX HD CAPSCREW, 3/8-16X1-1/2, GR5	
15	88561109	4	FLAT WASHER, 3/8	
16	88521206	4	LOCKNUT	
17	77143003	8	WHIZ-LOCK SCREW, 5/16-18X5/8	
18	84521056	1	DRAIN COCK	
19	88561003	6	FLAT WASHER, 5/16	
21	91363018	4	WHIZ-LOCK SCREW, 5/16-18X1	
22	91553022	1	DUST SHIELD	
23	86883327	1	HOSE CLAMP	
24	91533004	1	LOWER RADIATOR HOSE	
25	91551019	1	FLAT BAR	
26	2220878	1	ELBOW, 90, (includes o-ring)	
27	90200755	52 in	GASKA TAPE	
28	77143006	6	WHIZ-LOCKNUT, 5/16-18	
29	91533005	1	UPPER RADIATOR HOSE	
30	85071128	3	HOSE CLAMP	
31	91531019	1	RADIATOR SHROUD	
32	91143348	8	CLAMP BAR	
33	91083533	3	FENDER WASHER	
34	91033137	2	SHOCK MOUNT	
35	88201018	2	HEX HD CAPSCREW, 5/16-18X3/4, GR5	
36	91141103	1	LH RADIATOR MOUNT	
36	91141102	1	RH RADIATOR MOUNT	
37	85611278	2	WELD STUD	
38	88201036	2	HEX HD CAPSCREW, 1/2-13X1-1/4, GR5	

# SECTION 4 - ENGINE AND ATTACHING PARTS

FIGURE 4-42. RADIATOR ASSEMBLY (534D-9 SN 0160035983 to Present, Including 0160034957; 534D-10 SN 0160035696 to Present)



PAP19050

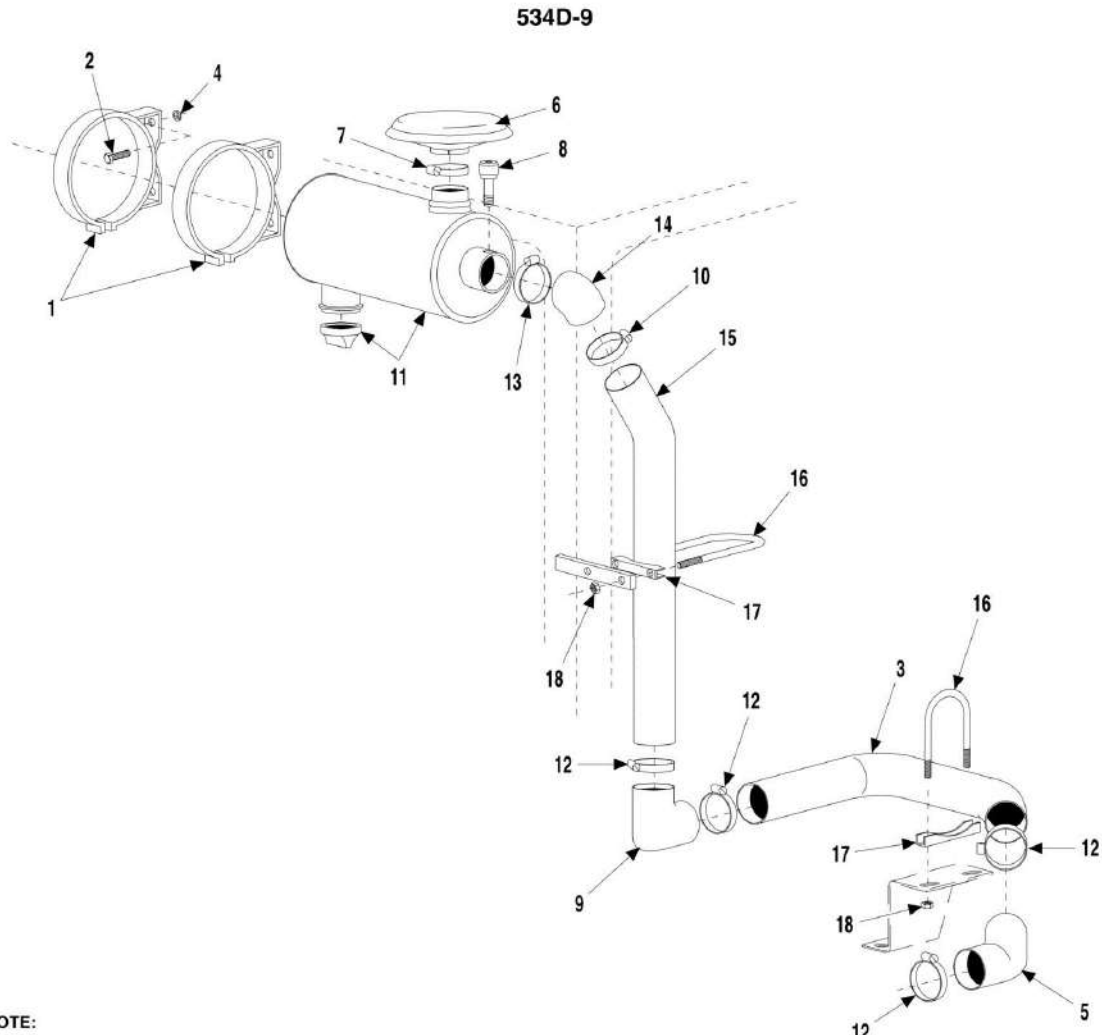
## SECTION 4 - ENGINE AND ATTACHING PARTS

**FIGURE 4-42. RADIATOR ASSEMBLY (534D-9 SN 0160035983 to Present, Including 0160034957;  
534D-10 SN 0160035696 to Present)**

ITEM	PART NUMBER	QTY	DESCRIPTION	REV
	1001093475	1	RADIATOR ASSY, (includes items 2 thru 5)	D
2	8405201	4	CLAMP	
3	1001093472	1	UPPER RADIATOR HOSE	
4	1001093473	1	LOWER RADIATOR HOSE	
5	1001093474	1	RADIATOR, (includes items 101 thru 106)	D
101	70021584	1	RADIATOR	
102	70021585	1	FAN SHROUD ASSY	
103	70021586	1	CHARGE AIR COOLER	
104	70021587	1	HYDRAULIC COOLER	
105	70021588	2	ELBOW, 90	
106	70023058	1	RADIATOR CAP, 15 PSI	
206	1001092238	1	HYDRAULIC HOSE	
210	1001092237	1	OVERFLOW BOTTLE, (includes item 401)	
211	1001093476	1	PIPE	
214	1001093477	1	PIPE	
216	4341409	4	ISOLATOR	
224	4740488	2	KING PIN WASHER	
226	1001114495	3	HUMP HOSE	
227	1001001853	7	BAND CLAMP	
230	2720645	1	REDUCER	
231	4761600	4	LOCKWASHER	
232	3271601	4	HEX NUT, 3/8-16	
255	2720058	52 in	HOSE	
256	1320022	3	BAND CLAMP	
266	0681606	4	HEX HD CAPSCREW, 3/8-16X3/4, GR8	
268	4751800	5	WASHER, 1/2	
271	0641820	2	HEX HD CAPSCREW, 1/2-13X2-1/2, GR5	
272	0641822	2	HEX HD CAPSCREW, 1/2-13X2-3/4, GR5	
284	91163129	1	HEAVY DUTY BAND CLAMP	
316	1001093478	1	DUST SHIELD	
317	91551019	1	FLAT BAR	
318	0791508	4	WHIZ-LOCK SCREW, 5/16-18X1	
319	4751500	6	FLAT WASHER, 5/16	
320	77143006	2	WHIZ-NUT, 5/16-18	
324	88201018	2	HEX HD CAPSCREW, 5/16-18X3/4	
335	91083533	3	FENDER WASHER	
401	70023457	1	CAP, OVERFLOW BOTTLE	

## SECTION 4 - ENGINE AND ATTACHING PARTS

FIGURE 4-43. AIR CLEANER PIPING (534D-9 SN 0544001 through 0544399)



**NOTE:**

IF YOUR 534D-9 MACHINE IS EQUIPPED WITH METAL AIR CLEANER & TUBING SHOWN ON THIS PAGE, IT IS RECOMMENDED TO REPLACE IT WITH RETRO FIT KIT 91345042, SEE AIR CLEANER PIPING FOR BREAKDOWN, SN 0544400.



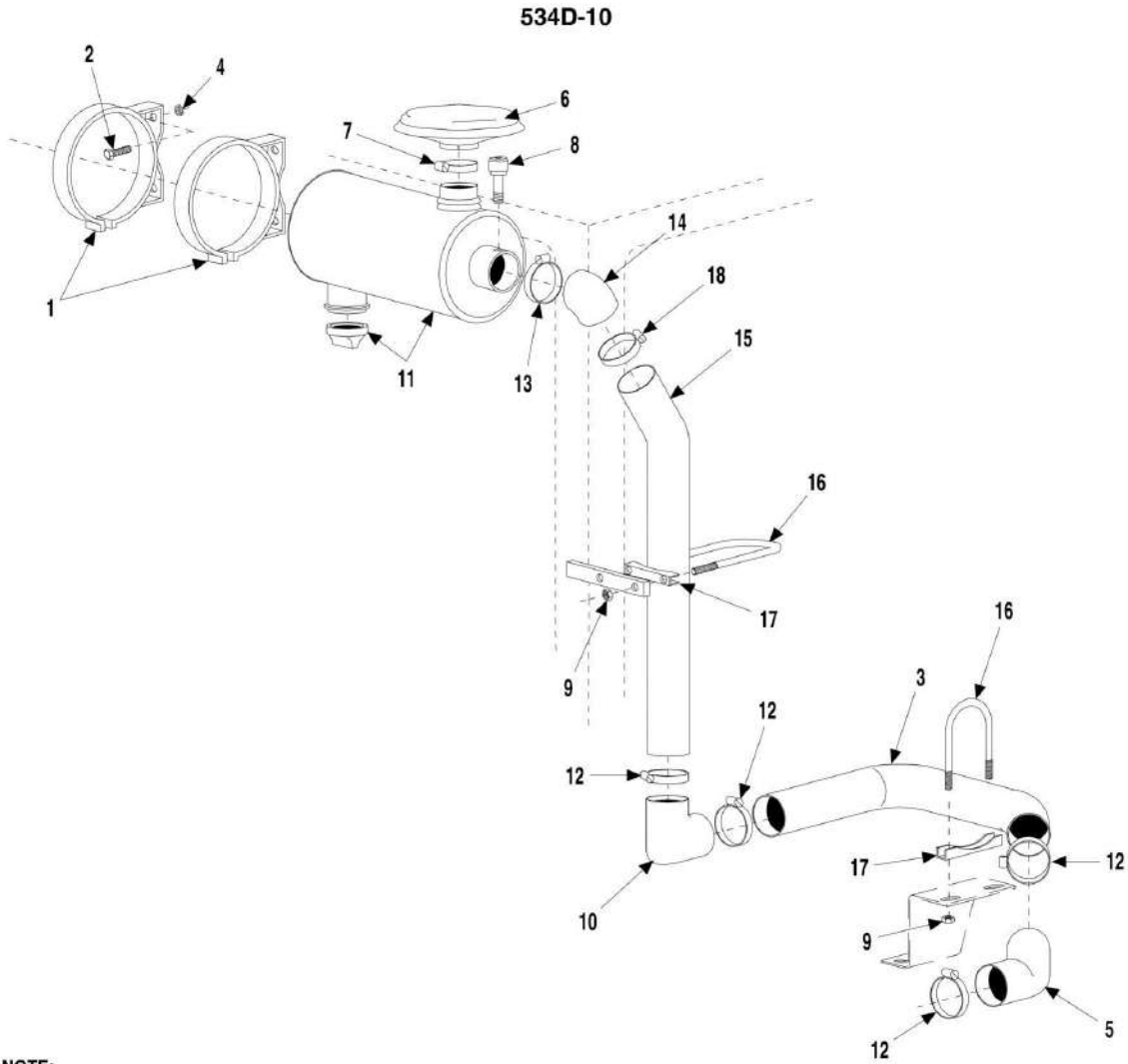
## SECTION 4 - ENGINE AND ATTACHING PARTS

**FIGURE 4-43. AIR CLEANER PIPING (534D-9 SN 0544001 through 0544399)**

ITEM	PART NUMBER	QTY	DESCRIPTION	REV
1	86981533	2	MOUNTING BAND	
2	88201033	4	HEX HD CAPSCREW, 3/8-16X3/4, GR5	
3	91143352	1	AIR INTAKE TUBE, (lower)	
4	88551011	4	LOCKWASHER, 3/8	
5	91153021	1	AIR INTAKE ELBOW	
6	8273257	1	INLET CAP, (includes item 7)	
7		Ref	CLAMP	
8	77383154	1	SERVICE INDICATOR	
9	91083128	1	90, AIR INTAKE ELBOW	
10	91163137	1	HOSE CLAMP	
11		Ref	AIR CLEANER, METAL HOUSING, (See AIR CLEANER for Breakdown)	
12	91163129	4	HOSE CLAMP	
13	77383790	1	BAND CLAMP	
14	91153007	1	REDUCING ELBOW	
15	91143353	1	AIR INTAKE TUBE, (upper)	
16	24921332	2	MUFFLER CLAMP, (includes items 17 & 18)	
17		Ref	BRIDGE	
18		Ref	NUT	

## SECTION 4 - ENGINE AND ATTACHING PARTS

FIGURE 4-44. AIR CLEANER PIPING (534D-10 SN 0366001 through 0366342)



**NOTE:**

IF YOUR 534D-9 MACHINE IS EQUIPPED WITH METAL AIR CLEANER & TUBING SHOWN ON THIS PAGE, IT IS RECOMMENDED TO REPLACE IT WITH RETRO FIT KIT 91345042, SEE AIR CLEANER PIPING FOR BREAKDOWN, SN 0366343.

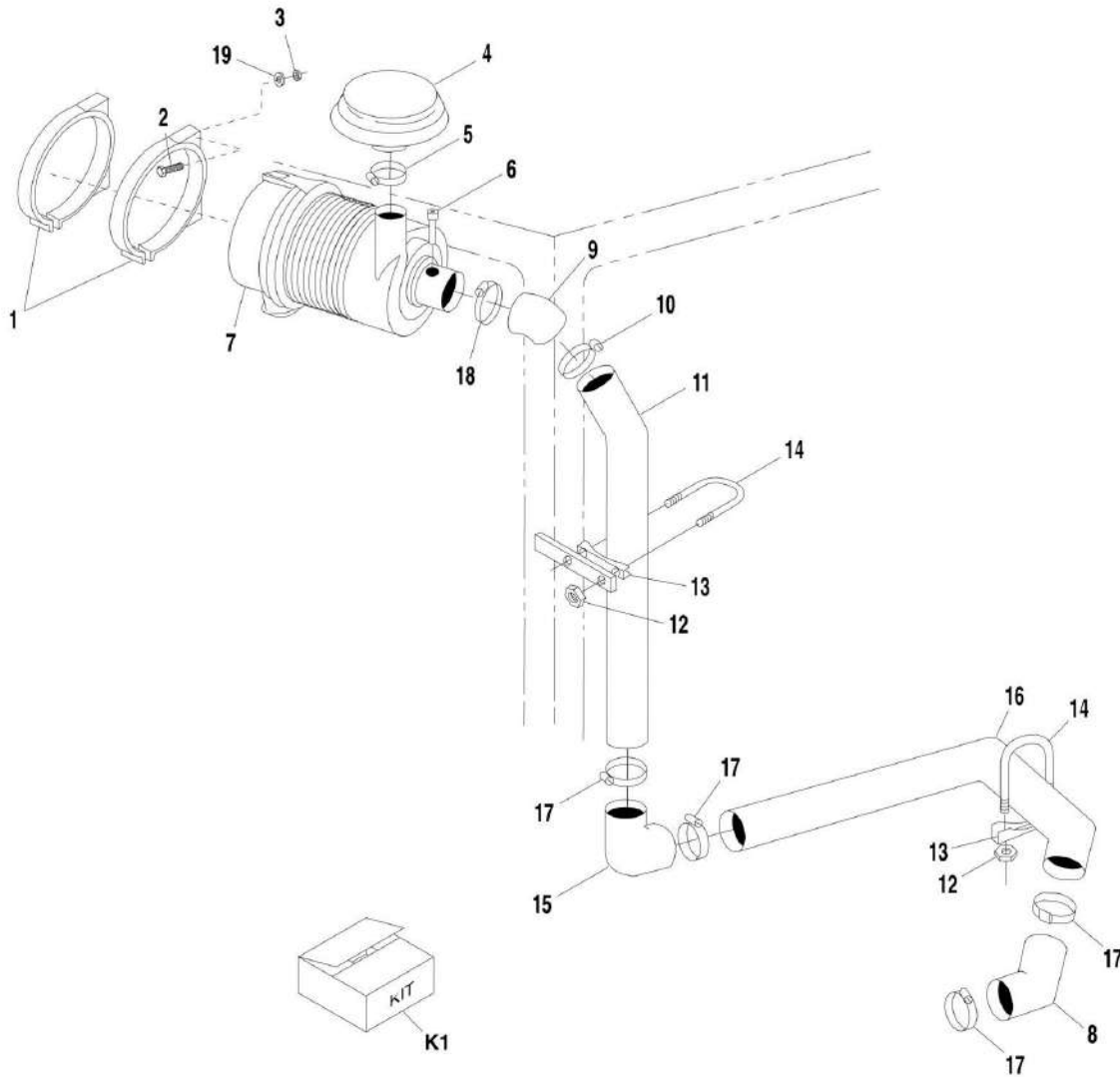
## SECTION 4 - ENGINE AND ATTACHING PARTS

**FIGURE 4-44. AIR CLEANER PIPING (534D-10 SN 0366001 through 0366342)**

ITEM	PART NUMBER	QTY	DESCRIPTION	REV
1	86981533	2	MOUNTING BAND	
2	88201033	4	HEX HD CAPSCREW, 3/8-16X3/4, GR5	
3	91143352	1	AIR INTAKE TUBE, (lower)	
4	88551011	4	LOCKWASHER, 3/8	
5	91153021	1	AIR INTAKE ELBOW	
6	8273257	1	INLET CAP, (includes item 7)	
7		Ref	CLAMP	
8	77383154	1	SERVICE INDICATOR	
9		Ref	NUT	
10	91083128	1	90, AIR INTAKE ELBOW	
11		Ref	AIR CLEANER, METAL HOUSING, (See AIR CLEANER for Breakdown)	
12	91163129	4	HOSE CLAMP	
13	77383790	1	BAND CLAMP	
14	91153007	1	REDUCING ELBOW	
15	91143353	1	AIR INTAKE TUBE, (upper)	
16	24921332	2	MUFFLER CLAMP, (includes items 9 & 17)	
17		Ref	BRIDGE	
18	91163137	1	BAND CLAMP	

# SECTION 4 - ENGINE AND ATTACHING PARTS

FIGURE 4-45. AIR CLEANER PIPING (534D-9 SN 0544400 through 0160000853, Excluding 0160000700; 534D-10 SN 0366343 through 0160000974)



PAP19790

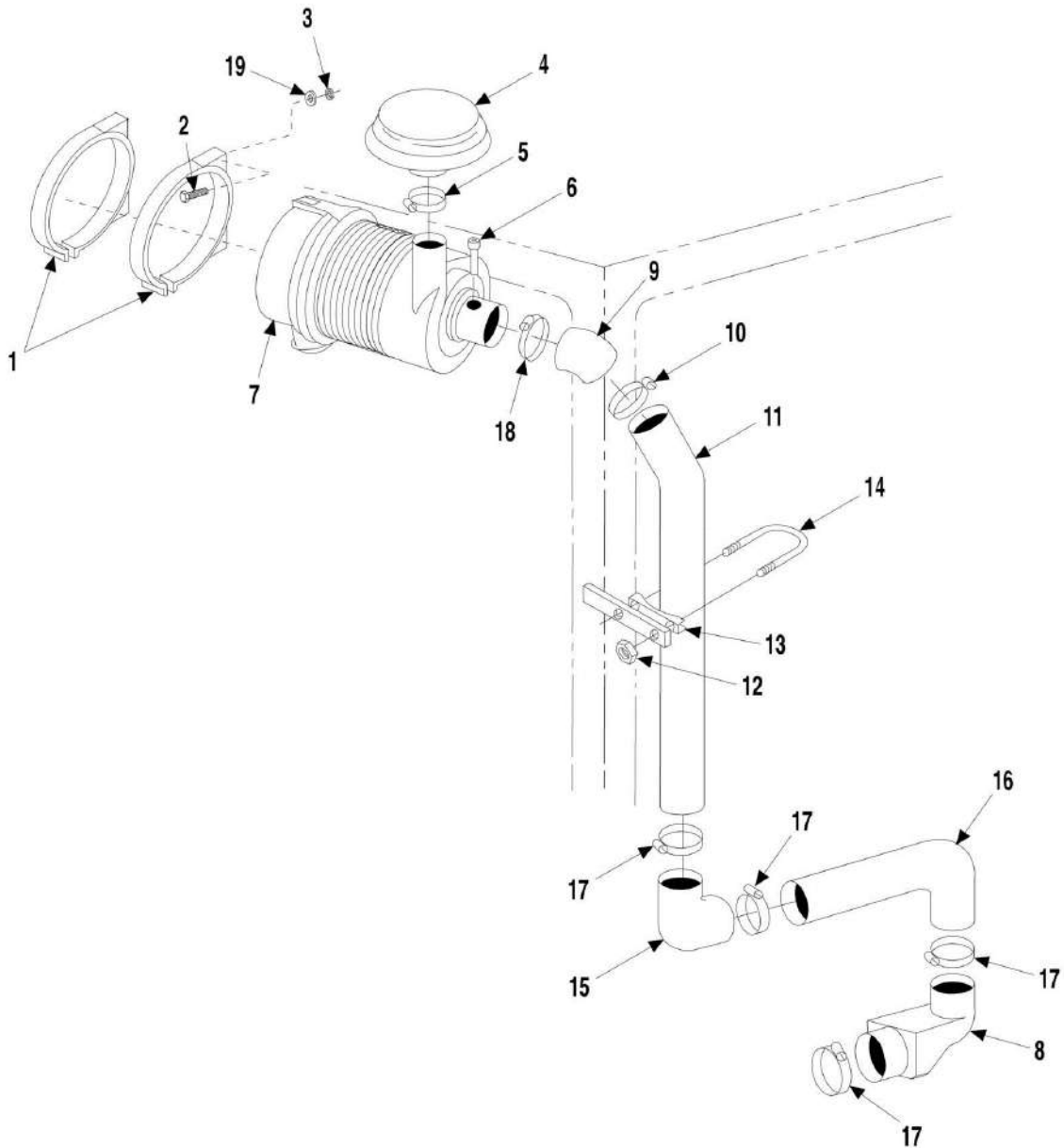
## SECTION 4 - ENGINE AND ATTACHING PARTS

**FIGURE 4-45. AIR CLEANER PIPING (534D-9 SN 0544400 through 0160000853, Excluding 0160000700; 534D-10 SN 0366343 through 0160000974)**

ITEM	PART NUMBER	QTY	DESCRIPTION	REV
1	10268516	2	MOUNTING BAND	
2	88201021	4	HEX HD CAPSCREW, 5/16-18X1-1/4, GR5	
3	88551010	4	LOCKWASHER, 5/16	
4	8273257	1	INLET CAP, (includes item 5)	
5		Ref	CLAMP	
6	77383154	1	SERVICE INDICATOR	
7		Ref	9IN AIR CLEANER, VINYL HOUSING, (See AIR CLEANER for Breakdown)	
8	91153021	1	AIR INTAKE ELBOW	
9	91153007	1	REDUCING ELBOW	
10	91163137	1	HOSE CLAMP	
11	91343023	1	UPPER INTAKE TUBE	
12		Ref	NUT	
13		Ref	BRIDGE	
14	24921332	2	MUFFLER CLAMP, (includes items 12 & 13)	
15	91083128	1	90, AIR INTAKE ELBOW	
16	91143352	1	LOWER INTAKE TUBE	
17	91163129	4	HOSE CLAMP	
18	77383790	1	BAND CLAMP	
19	4751500	4	FLAT WASHER, 5/16	
K1	91345042	1	RETRO FIT KIT, (includes items 1 thru 4, 6, 7, 9, 11, 18, 19, two of item 17 and the following two items)	
K1	88501005	4	HEX NUT, 5/16-18	
K1	91341028	1	TEMPLATE	

## SECTION 4 - ENGINE AND ATTACHING PARTS

FIGURE 4-46. AIR CLEANER PIPING (534D-9 SN 0160001051 through 0160035941, Including 0160000700, Excluding 0160034957; 534D-10 SN 0160000978 through 0160034816)



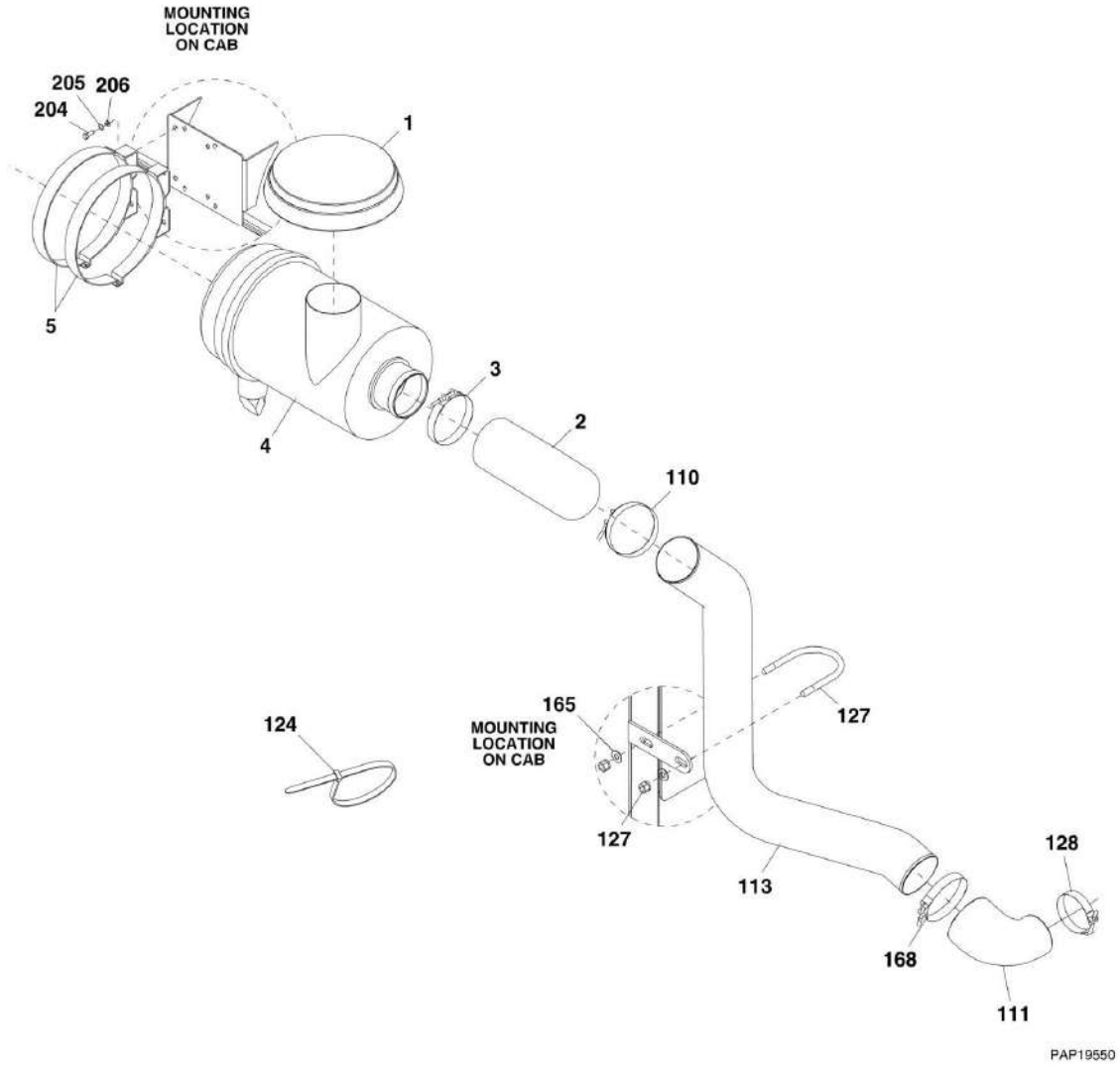
## SECTION 4 - ENGINE AND ATTACHING PARTS

**FIGURE 4-46. AIR CLEANER PIPING (534D-9 SN 0160001051 through 0160035941, Including 0160000700, Excluding 0160034957; 534D-10 SN 0160000978 through 0160034816)**

ITEM	PART NUMBER	QTY	DESCRIPTION	REV
1	10268516	2	MOUNTING BAND	
2	88201021	4	HEX HD CAPSCREW, 5/16-18X1-1/4, GR5	
3	88551010	4	LOCKWASHER, 5/16	
4	8273257	1	INLET CAP, (includes item 5)	
5		Ref	CLAMP	
6	77383154	1	SERVICE INDICATOR	
7		Ref	9IN AIR CLEANER, VINYL HOUSING, (See AIR CLEANER for Breakdown)	
8	91553001	1	AIR INTAKE ELBOW	
9	91153007	1	REDUCING ELBOW	
10	91163137	1	HOSE CLAMP	
11	91553014	1	UPPER INTAKE TUBE	
12		Ref	NUT	
13		Ref	BRIDGE	
14	24921332	1	MUFFLER CLAMP, (includes items 12 & 13)	
15	91083128	1	90, AIR INTAKE ELBOW	
16	91553015	1	LOWER INTAKE TUBE	
17	91163129	4	HOSE CLAMP	
18	77383790	1	BAND CLAMP	
19	4751500	4	FLAT WASHER, 5/16	

# SECTION 4 - ENGINE AND ATTACHING PARTS

FIGURE 4-47. AIR CLEANER PIPING (534D-9 SN 0160035983 to Present, Including 0160034957; 534D-10 SN 0160035696 to Present)





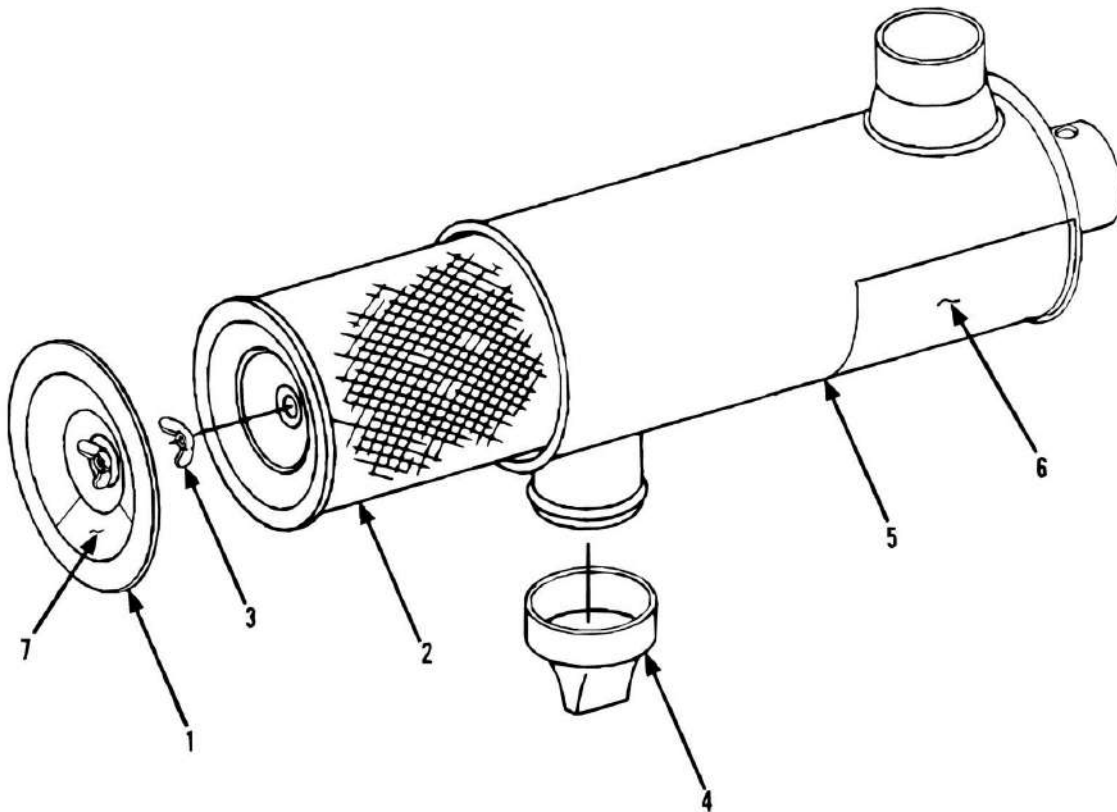
## SECTION 4 - ENGINE AND ATTACHING PARTS

**FIGURE 4-47. AIR CLEANER PIPING (534D-9 SN 0160035983 to Present, Including 0160034957;  
534D-10 SN 0160035696 to Present)**

ITEM	PART NUMBER	QTY	DESCRIPTION	REV
	1001091071	1	AIR FILTER ASSY, 10IN, (includes items 1 thru 5) <b>(534D-9 Prior to SN 0160035983, Excluding 0160034957; 534D-10 Including 0160035696)</b>	E
	1001105241	1	AIR FILTER ASSY, 10IN, , (includes items 1 thru 5) <b>(534D-9 SN 0160035983 to Present, Including 0160034957; 534D-10 SN 0160035696 to Present)</b>	A
1	8273257	1	AIR INLET HOOD	
2	09523572	1	AIR INTAKE ELBOW, 90	
3	77383790	1	HEAVY DUTY BAND CLAMP	
4		Ref	AIR CLEANER ASSY, (See AIR CLEANER for Breakdown)	
5	1001091069	2	MOUNTING BAND	
110	77383790	1	CLAMP	
111	1001104863	1	INTAKE AIR HOSE	
113	1001091110	1	INTAKE TUBE	
124	4240018	AR	STRAP CABLE	
127	1001104596	1	MUFFLER CLAMP	
128	90028631	1	HEAVY DUTY BAND CLAMP	
165	4711600	2	WASHER, 3/8	
168	80933367	1	HEAVY DUTY BAND CLAMP	
204	88201021	8	HEX HD CAPSCREW, 5/16-18X1-1/4, GR5	
205	88551010	4	LOCKWASHER, 5/16	
206	4751500	8	FLAT WASHER, 5/16	

## SECTION 4 - ENGINE AND ATTACHING PARTS

FIGURE 4-48. AIR CLEANER (534D-9 SN 0544001 through 0544399; 534D-10 SN 0366001 through 0366342)



**NOTE:**

IF YOUR 534D-9 MACHINE IS EQUIPPED WITH METAL AIR CLEANER & TUBING SHOWN ON THIS PAGE, IT IS RECOMMENDED TO REPLACE IT WITH RETRO FIT KIT 91345042, SEE AIR CLEANER PIPING FOR BREAKDOWN.

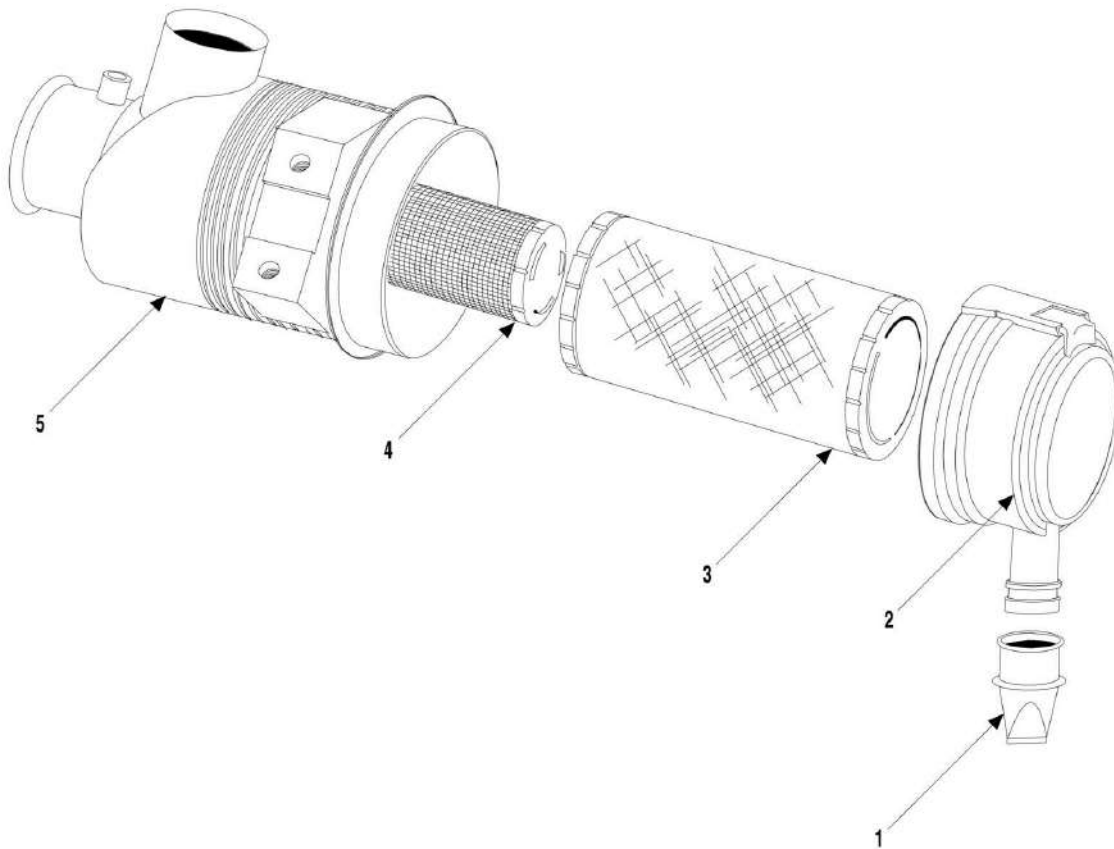
## SECTION 4 - ENGINE AND ATTACHING PARTS

**FIGURE 4-48. AIR CLEANER (534D-9 SN 0544001 through 0544399; 534D-10 SN 0366001 through 0366342)**

ITEM	PART NUMBER	QTY	DESCRIPTION	REV
	91153006	1	AIR CLEANER, (includes items 1 thru 5)	
1	91154005	1	COVER W/NUT	
2	91154001	1	ELEMENT	
3	90201414	1	WING NUT W/SEAL	
4	90200807	1	VACUATOR	
5	N.S.S.	1	BODY, METAL HOUSING, (not sold separately, order 91153006)	
6	91343015	1	AIR CLEANER DECAL	
7	91363063	1	AIR FILTER DECAL	

## SECTION 4 - ENGINE AND ATTACHING PARTS

FIGURE 4-49. 9IN AIR CLEANER (534D-9 SN 0544400 through 0744407, SN 016000112 through 0160035941, Excluding 0160034957; 534D-10 SN 0366343 through 0366533, SN 016000125 through 0160034816)



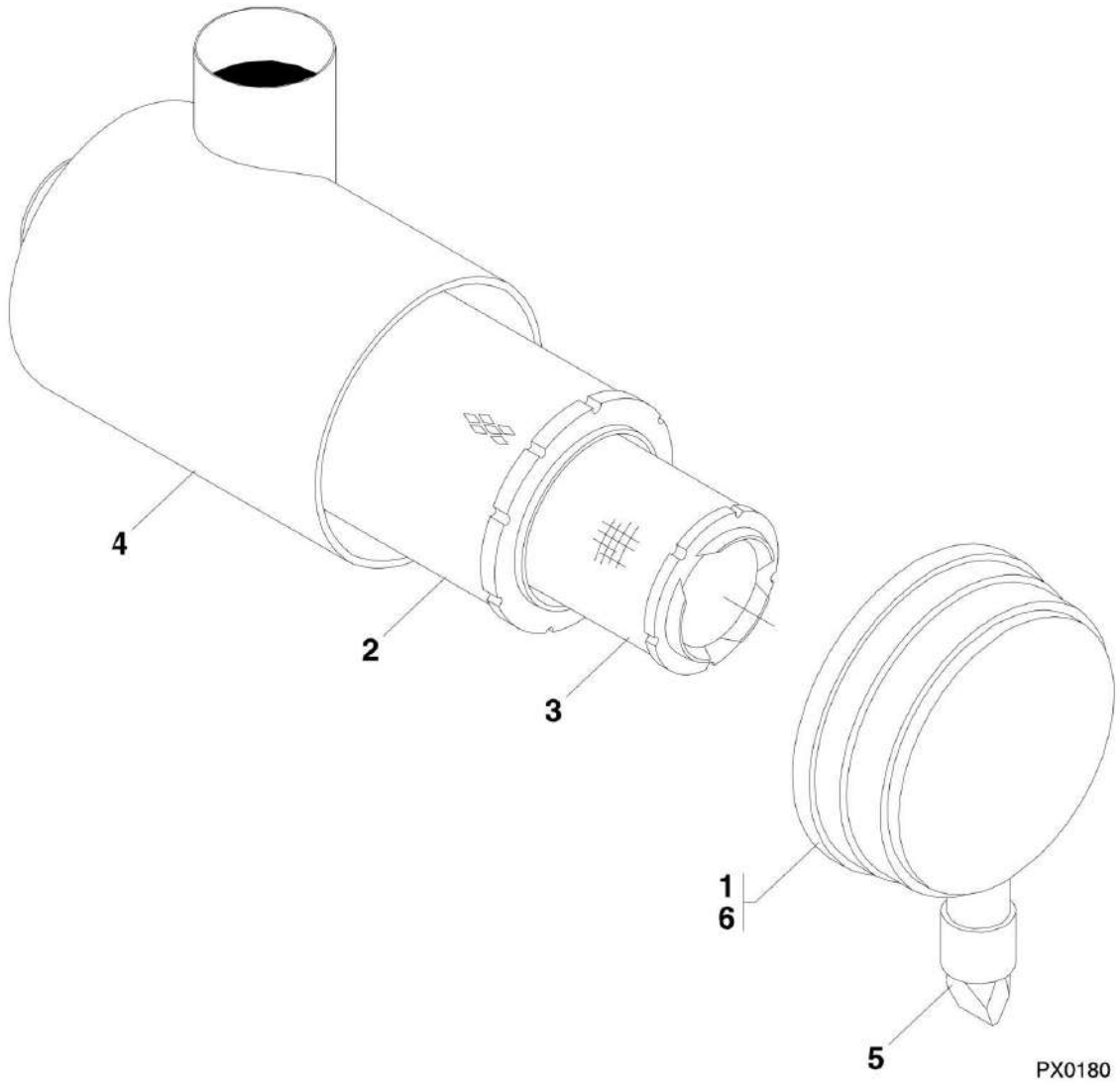
## SECTION 4 - ENGINE AND ATTACHING PARTS

**FIGURE 4-49. 9IN AIR CLEANER (534D-9 SN 0544400 through 0744407, SN 0160000112 through 0160035941, Excluding 0160034957; 534D-10 SN 0366343 through 0366533, SN 0160000125 through 0160034816)**

ITEM	PART NUMBER	QTY	DESCRIPTION	REV
	8273029	1	9IN AIR CLEANER, (includes items 1 thru 5)	
1	80373094	1	VACUATOR VALVE	
2	91364023	1	COVER ASSY	
3	1101312	1	FILTER ELEMENT	
4	1101313	1	SAFETY ELEMENT	
5	N.S.S.	1	BODY, VINYL HOUSING, (not sold separately, order 8273029)	

## SECTION 4 - ENGINE AND ATTACHING PARTS

FIGURE 4-50. AIR CLEANER (534D-9 SN 0160035983 to Present, Including 0160034957; 534D-10 SN 0160035696 to Present)



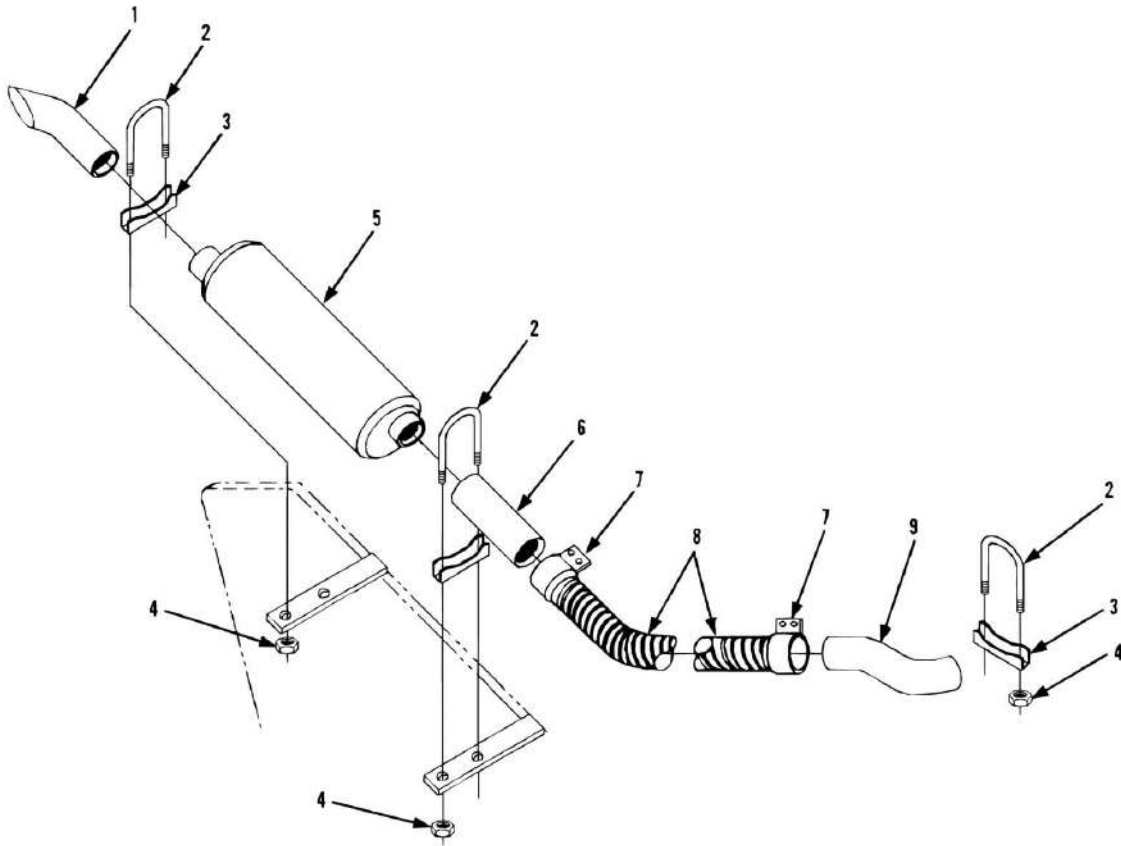
## SECTION 4 - ENGINE AND ATTACHING PARTS

**FIGURE 4-50. AIR CLEANER (534D-9 SN 0160035983 to Present, Including 0160034957; 534D-10 SN 0160035696 to Present)**

ITEM	PART NUMBER	QTY	DESCRIPTION	REV
	1001091068	1	AIR CLEANER ASSEMBLY, 10IN, (includes all items)	A
1	80373090	1	COVER	
2	80373091	1	PRIMARY FILTER	
3	80373092	1	SAFETY FILTER	
4	80373093	1	COVER GASKET	
5	80373094	1	VACUATOR VALVE	
6	80373095	3	LATCH	

## SECTION 4 - ENGINE AND ATTACHING PARTS

FIGURE 4-51. EXHAUST SYSTEM (534D-9 SN 0544001 through 016000853, Excluding 016000700; 534D-10 SN 0366001 through 016000974)





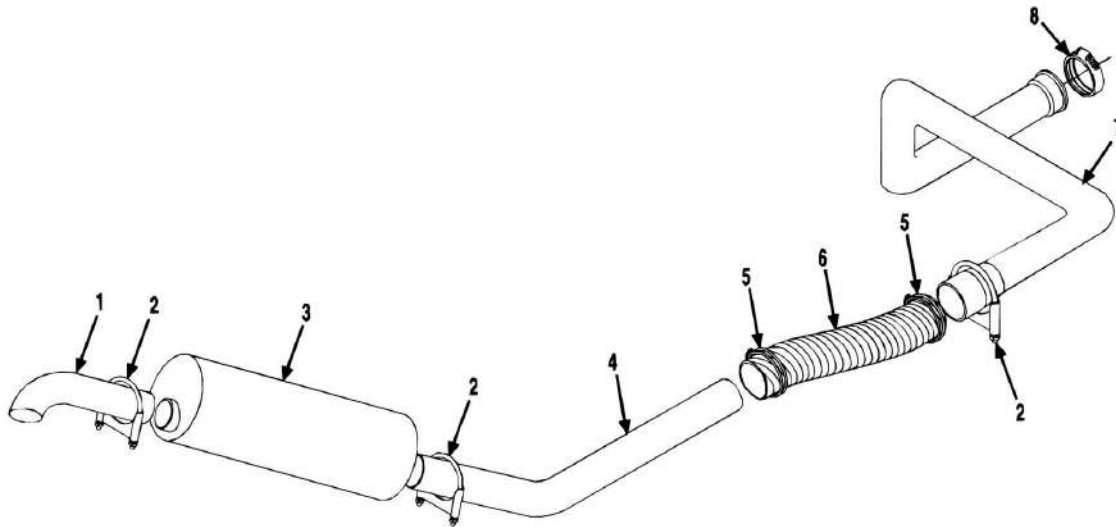
## SECTION 4 - ENGINE AND ATTACHING PARTS

**FIGURE 4-51. EXHAUST SYSTEM (534D-9 SN 0544001 through 0160000853, Excluding 0160000700;  
534D-10 SN 0366001 through 0160000974)**

ITEM	PART NUMBER	QTY	DESCRIPTION	REV
1	91083560	1	TAIL PIPE	
2	83683175	3	MUFFLER CLAMP, (includes items 3 & 4)	
3		Ref	BRIDGE	
4		Ref	NUT	
5	91083250	1	MUFFLER	
6	91143308	1	EXHAUST TUBE	
7	91163268	2	CLAMP, (includes hardware)	
8	91043150	1	FLEXIBLE TUBING	
9	91146037	1	EXHAUST TUBE	

## SECTION 4 - ENGINE AND ATTACHING PARTS

FIGURE 4-52. EXHAUST SYSTEM (534D-9 SN 0160001051 through 0160035941, Including 0160000700, Excluding 0160034957; 534D-10 SN 0160000978 through 0160034816)



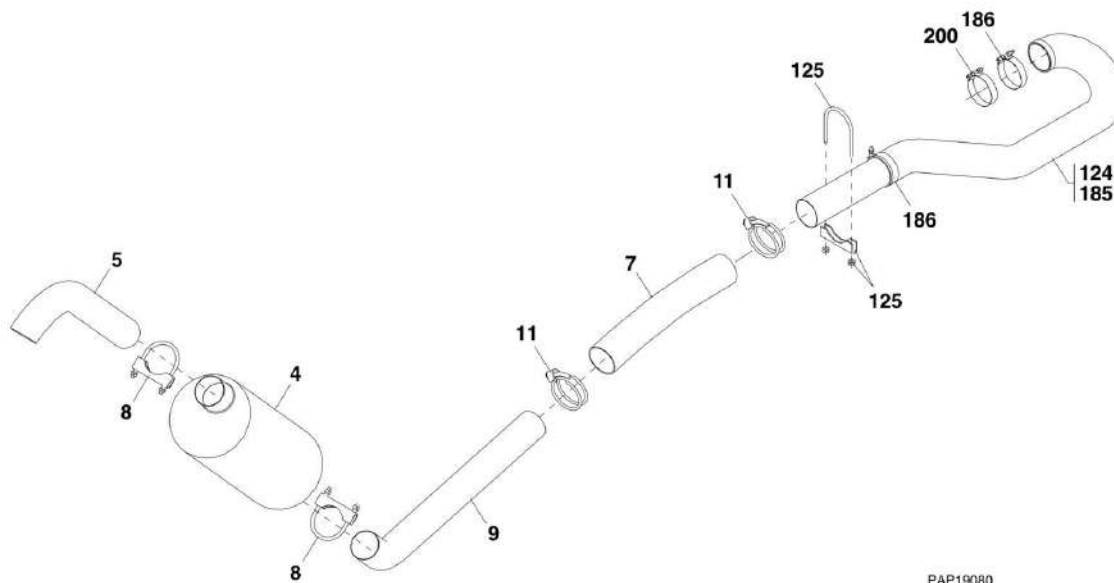
## SECTION 4 - ENGINE AND ATTACHING PARTS

**FIGURE 4-52. EXHAUST SYSTEM (534D-9 SN 0160001051 through 0160035941, Including 0160000700, Excluding 0160034957; 534D-10 SN 0160000978 through 0160034816)**

ITEM	PART NUMBER	QTY	DESCRIPTION	REV
1	91363201	1	TAIL PIPE	
2	24921332	3	MUFFLER CLAMP	
3	91163035	1	MUFFLER	
4	91553017	1	EXHAUST TUBE	
5	91403601	2	FLEX PIPE CLAMP	
6	91413030	1	FLEXIBLE TUBING	
7	91553060	1	EXHAUST TUBE	
8	91403216	1	V-BAND CLAMP	

## SECTION 4 - ENGINE AND ATTACHING PARTS

FIGURE 4-53. EXHAUST SYSTEM (534D-9 SN 0160035983 to Present, Including 0160034957; 534D-10 SN 0160035696 to Present)



PAP19080

## SECTION 4 - ENGINE AND ATTACHING PARTS

**FIGURE 4-53. EXHAUST SYSTEM (534D-9 SN 0160035983 to Present, Including 0160034957; 534D-10 SN 0160035696 to Present)**

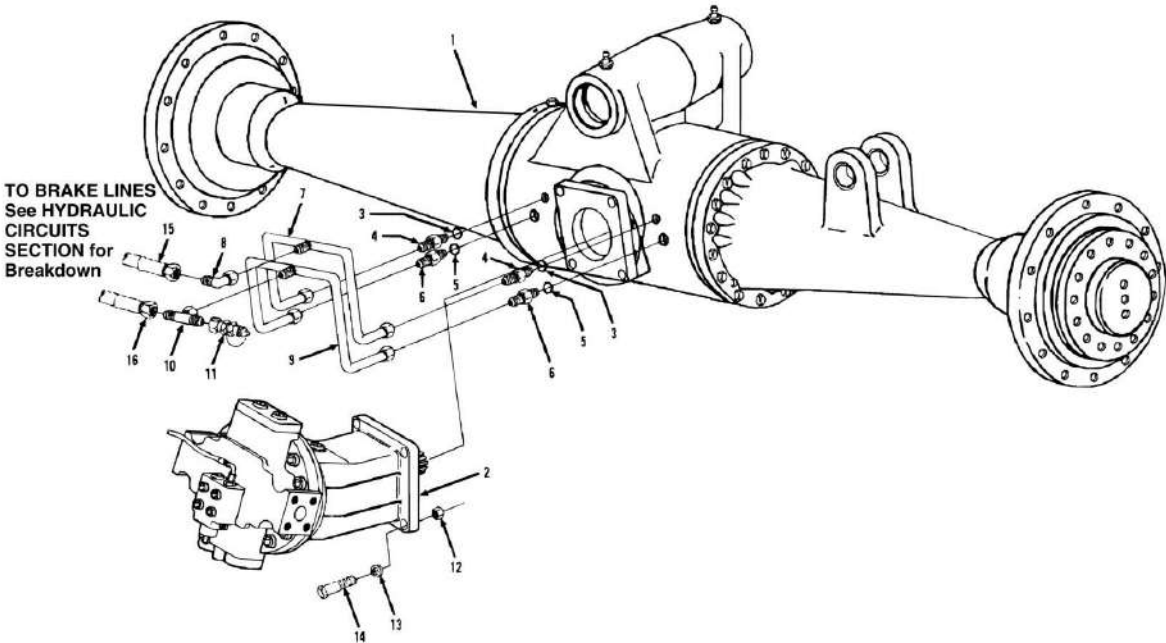
ITEM	PART NUMBER	QTY	DESCRIPTION	REV
4	91163035	1	MUFFLER	
5	91363201	1	TAIL PIPE	
7	91413030	1	FLEXIBLE TUBING	
8	8275247	2	MUFFLER CLAMP	
9	91553017	1	EXHAUST TUBE	
11	91403601	2	PIPE CLAMP	
124	1001091104	1	EXHAUST TUBE	
125	8275247	1	MUFFLER CLAMP	
185	4100109	36 in	FIBERGLASS SLEEVE	
186	90028488	2	CLAMP	
200		Ref	V-BAND CLAMP, EXHAUST OUTLET, (See CUMMINS ENGINE for Breakdown)	



**SECTION 5 - DRIVE TRAIN**

**SECTION 5 - DRIVE TRAIN**

**FIGURE 5-1. FRONT AXLE ASSEMBLY - ROCKWELL (534D-9 SN 0544001 through 016000446;  
534D-10 SN 0366001 through 016000446)**





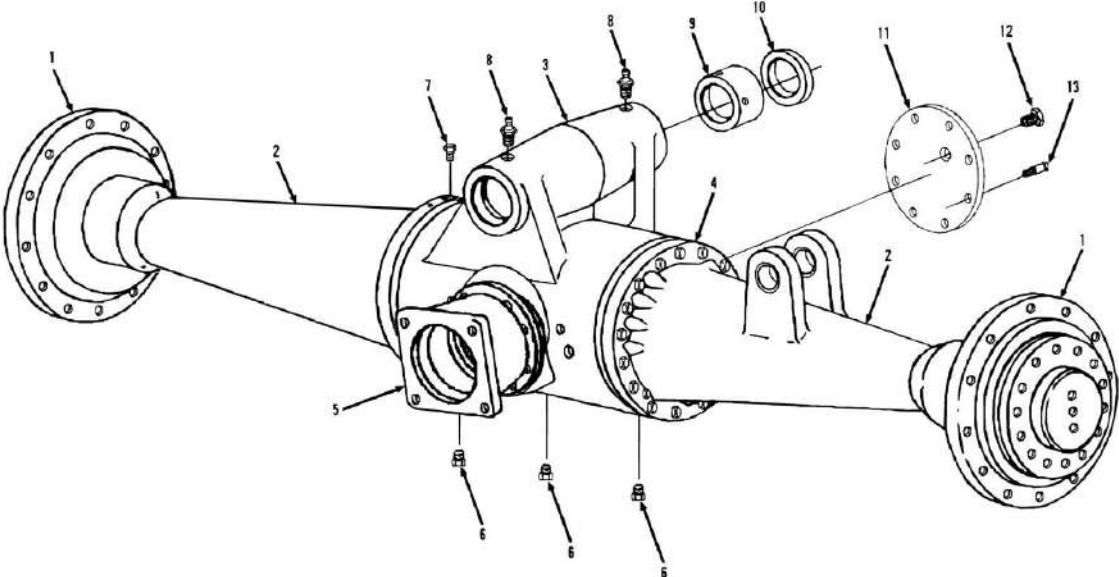
## SECTION 5 - DRIVE TRAIN

**FIGURE 5-1. FRONT AXLE ASSEMBLY - ROCKWELL (534D-9 SN 0544001 through 0160000446;  
534D-10 SN 0366001 through 0160000446)**

ITEM	PART NUMBER	QTY	DESCRIPTION	REV
1	91145119	1	FRONT AXLE ASSY, (includes all items except 15 & 16)	
1		Ref	FRONT AXLE, (See FRONT AXLE – ROCKWELL for Breakdown)	
2		Ref	FRONT DRIVE MOTOR, (See HYDRAULIC COMPONENTS SECTION for Breakdown)	
3	88591205	2	O-RING	
4	2220373	2	CONNECTOR, (includes item 3)	
5	88591204	2	O-RING	
6	2220371	2	CONNECTOR, (includes item 5)	
7	91123130	1	PARK BRAKE TUBE LINE	
8	88662106	1	ELBOW, 90, (swivel nut)	
9	91123127	1	SERVICE BRAKE TUBE LINE	
10	2220579	1	SWIVEL NUT BRANCH TEE, 3/8 TUBE	
11	91143172	1	MINI CHECK VALVE	
12	77383580	4	HIGH NUT, 3/4-1, (torque nuts to 265-290 ft lbs)	
13	90027473	4	HARD WASHER, 3/4	
14	88201616	4	HEX HD CAPSCREW, 3/4-6X3-1/2, GR5	
15		Ref	HOSE ASSY, (to parking brake), (See HYDRAULIC CIRCUITS for Breakdown)	
16		Ref	HOSE ASSY, (to service brake), (See HYDRAULIC CIRCUITS for Breakdown)	

**SECTION 5 - DRIVE TRAIN**

**FIGURE 5-2. FRONT AXLE - ROCKWELL (534D-9 SN 0544001 through 0744134; 534D-10 SN 0366001 through 0366488)**



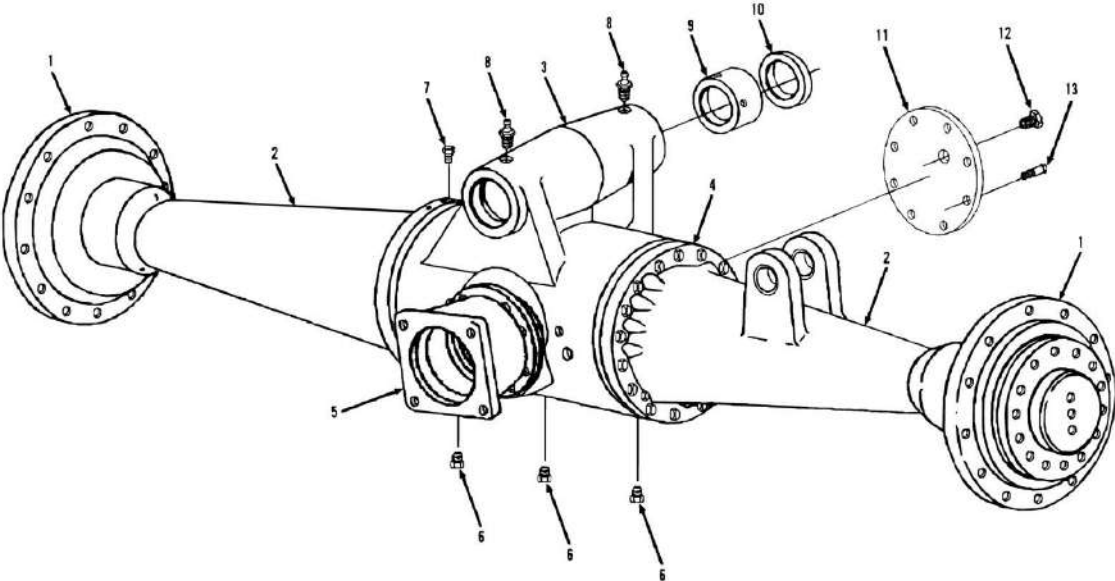
## SECTION 5 - DRIVE TRAIN

**FIGURE 5-2. FRONT AXLE - ROCKWELL (534D-9 SN 0544001 through 0744134; 534D-10 SN 0366001 through 0366488)**

ITEM	PART NUMBER	QTY	DESCRIPTION	REV
	91143199	1	FRONT AXLE, (includes all items on See FRONT AXLE – ROCKWELL, LEFT AND RIGHT HOUSING AND AXLE AND WHEEL FLANGE ASSEMBLIES – ROCKWELL and BRAKE ASSEMBLY – ROCKWELL for Breakdown)	
1		Ref	WHEEL FLANGE ASSY, (See LEFT AND RIGHT HOUSING AND AXLE AND WHEEL FLANGE ASSEMBLIES – ROCKWELL for Breakdown)	
2		Ref	LEFT AND RIGHT HOUSING ASSY, (See LEFT AND RIGHT HOUSING AND AXLE AND WHEEL FLANGE ASSEMBLIES – ROCKWELL for Breakdown)	
3	91144326	1	CENTER HOUSING ASSY, (includes item 9)	
4		Ref	BRAKE ASSY, (See BRAKE ASSEMBLY – ROCKWELL for Breakdown)	
5		Ref	CARRIER ASSY, (See CARRIER ASSEMBLY – ROCKWELL for Breakdown)	
6	91144327	3	DRAIN PLUG	
7	91144328	1	VENT PLUG	
8	91144329	2	LUBE FITTING	
9	91084046	2	BUSHING	
10	91084047	2	TRUNNION OIL SEAL	
11	91141511	1	COVER	
12	2200224	1	LEVEL PLUG	
13	91144332	8	CAPSCREW, M8X1.25X16.0	

**SECTION 5 - DRIVE TRAIN**

**FIGURE 5-3. FRONT AXLE - ROCKWELL (534D-9 SN 0744135 through 016000446; 534D-10 SN 0366489 through 016000446)**



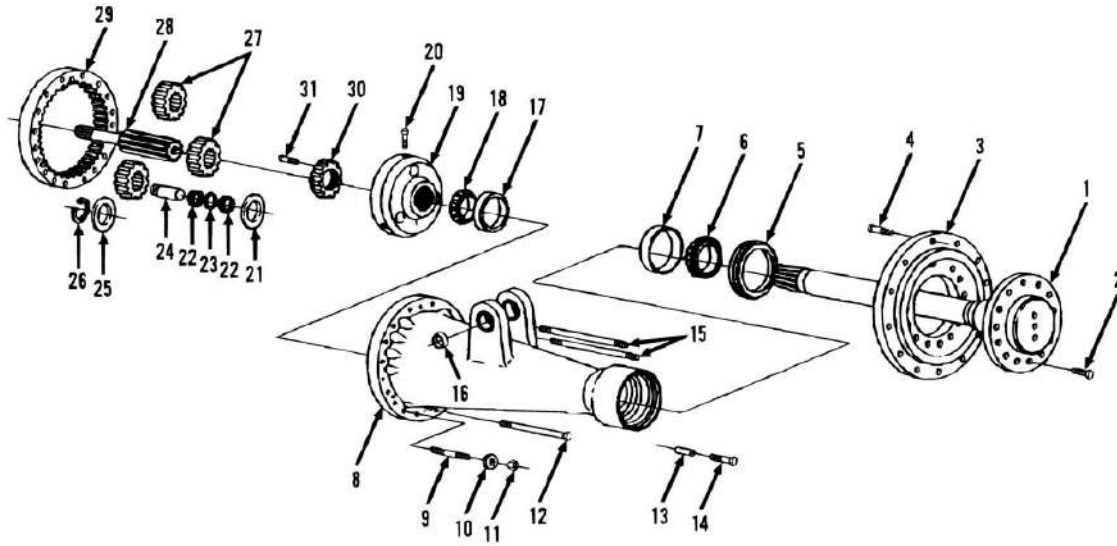
## SECTION 5 - DRIVE TRAIN

**FIGURE 5-3. FRONT AXLE - ROCKWELL (534D-9 SN 0744135 through 0160000446; 534D-10 SN 0366489 through 0160000446)**

ITEM	PART NUMBER	QTY	DESCRIPTION	REV
	91123119	1	FRONT AXLE, (includes all items on See FRONT AXLE – ROCKWELL, LEFT AND RIGHT HOUSING AND AXLE AND WHEEL FLANGE ASSEMBLIES – ROCKWELL and BRAKE ASSEMBLY – ROCKWELL for Breakdown)	
1		Ref	WHEEL FLANGE ASSY, (See LEFT AND RIGHT HOUSING AND AXLE AND WHEEL FLANGE ASSEMBLIES – ROCKWELL for Breakdown)	
2		Ref	LEFT AND RIGHT HOUSING ASSY, (See LEFT AND RIGHT HOUSING AND AXLE AND WHEEL FLANGE ASSEMBLIES – ROCKWELL for Breakdown)	
3	91144326	1	CENTER HOUSING ASSY, (includes item 9)	
4		Ref	BRAKE ASSY, (See BRAKE ASSEMBLY – ROCKWELL for Breakdown)	
5		Ref	CARRIER ASSY, (See CARRIER ASSEMBLY – ROCKWELL for Breakdown)	
6	91144327	3	DRAIN PLUG	
7	91144328	1	VENT PLUG	
8	91144329	2	LUBE FITTING	
9	91084046	2	BUSHING	
10	91084047	2	TRUNNION OIL SEAL	
11	91141511	1	COVER	
12	2200224	1	LEVEL PLUG	
13	91144332	8	CAPSCREW, M8X1.25X16.0	

# SECTION 5 - DRIVE TRAIN

FIGURE 5-4. LEFT AND RIGHT HOUSING AND AXLE AND WHEEL FLANGE ASSEMBLIES - ROCKWELL (534D-9 SN 0544001 through 0160000446; 534D-10 SN 0366001 through 0160000446)



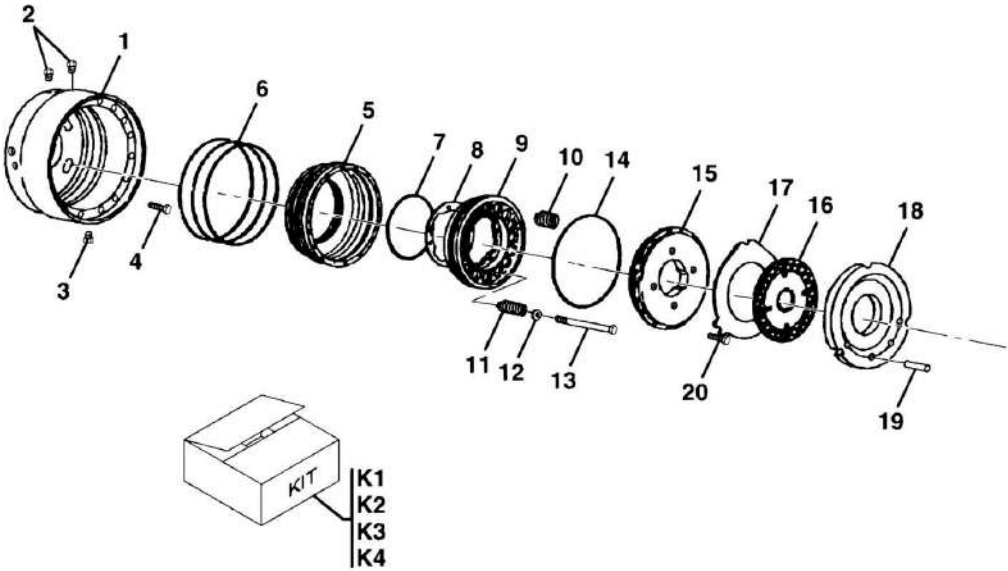
## SECTION 5 - DRIVE TRAIN

**FIGURE 5-4. LEFT AND RIGHT HOUSING AND AXLE AND WHEEL FLANGE ASSEMBLIES -  
ROCKWELL (534D-9 SN 0544001 through 0160000446; 534D-10 SN 0366001 through 0160000446)**

ITEM	PART NUMBER	QTY	DESCRIPTION	REV
1	91144333	2	AXLE SHAFT ASSY, (includes items 2, 3, 4 & 5)	
2	91144334	28	CAPSCREW, M20X1.5X50.0	
3	91144335	2	WHEEL FLANGE ASSY (includes item 4)	
4	90203543	24	WHEEL BOLT	
5	91144336	2	SHAFT OIL SEAL	
6	86984451	2	BEARING CONE	
7	86984452	2	BEARING CUP	
8	91144337	1	HOUSING ASSY - RIGHT SIDE, (shown), (includes items 7, 16 & 17)	
8	91144338	Ref	RING GEAR AND HOUSING ASSY - RIGHT SIDE, (shown), (includes items 7, 16, 17 & 29)	
8	91144339	1	HOUSING ASSY - LEFT SIDE, (not shown), (includes items 7 & 17)	
8	91144340	Ref	RING GEAR AND HOUSING ASSY - LEFT SIDE, (not shown), (includes items 7, 17 & 29)	
9	91144341	4	SET SCREW	
10	91144342	32	WASHER	
11	91144343	8	NUT, M14X1.5-6H	
12	91144344	14	CAPSCREW - RIGHT SIDE, M14X1.5X212.0	
12	91144345	14	CAPSCREW - LEFT SIDE, M14X1.5X120.0	
13	91144346	2	SPACER - 19mm	
13	91144347	4	SPACER - 26mm	
14	91144348	4	CAPSCREW - USE W/26mm SPACER, M14X1.5X85, (position at 7 & 5 o'clock)	
14	91144349	2	CAPSCREW - USE W/19mm SPACER, M14X1.5X78, (position at 12 o'clock)	
15	91144350	2	STUD - RIGHT SIDE, M14X1.5X232.0	
15	91144351	2	STUD - LEFT SIDE, M14X1.5X112.0	
16	91144352	2	BUSHING	
17	91144353	2	BEARING CUP	
18	91144354	2	BEARING CONE	
19	91144355	2	SPIDER ASSY, (includes items 20 & 24)	
20	91144356	6	CAPSCREW, M10X23.0	
21	91144357	6	THRUSTWASHER	
22	91144358	6	KIT ROLLER	
23	91144359	6	SPACER	
24	91144360	6	PLANETARY PINION SHAFT	
25	91144361	6	WASHER	
26	91144362	6	SNAP RING	
27	91144363	6	PLANETARY PINION	
28	91144364	1	SUN GEAR, (287.0mm) - RIGHT SIDE, (shown)	
28	91144365	1	SUN GEAR, (247.0mm) - LEFT SIDE, (not shown)	
29	91144366	2	RING GEAR	
30	91144367	2	ADJUSTING NUT	
31	91144368	2	CAPSCREW, (adjusting nut lock)	

**SECTION 5 - DRIVE TRAIN**

**FIGURE 5-5. BRAKE ASSEMBLY - ROCKWELL (534D-9 SN 0544001 through 0744134; 534D-10 SN 0366001 through 0366488)**



PAP19800



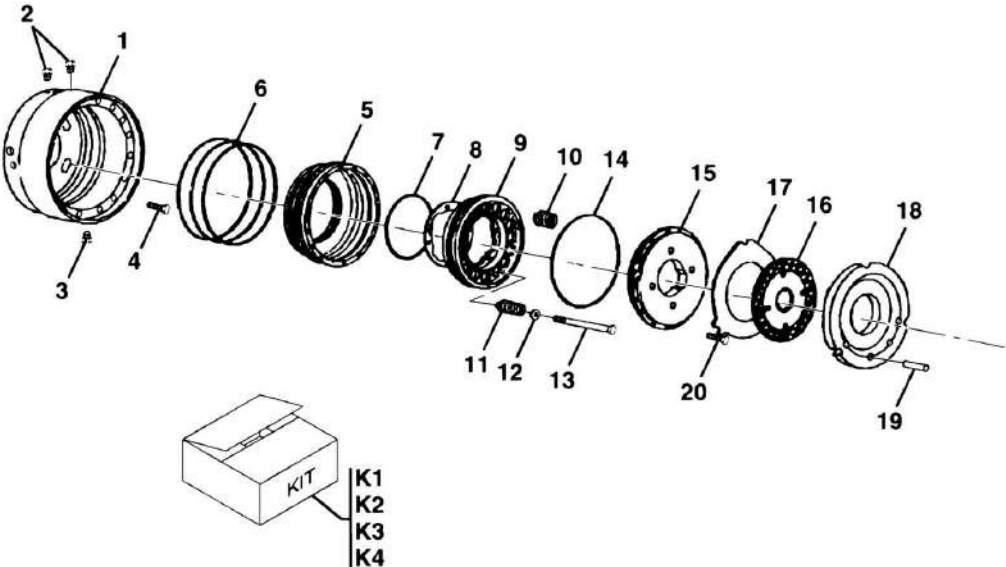
## SECTION 5 - DRIVE TRAIN

**FIGURE 5-5. BRAKE ASSEMBLY - ROCKWELL (534D-9 SN 0544001 through 0744134; 534D-10 SN 0366001 through 0366488)**

ITEM	PART NUMBER	QTY	DESCRIPTION	REV
1	91144372	1	BRAKE HOUSING, (right side only - left side included in center housing)	
2	91144373	4	HYDRAULIC LINE BLEEDER	
3		Ref	DRAIN PLUG, (See FRONT AXLE – ROCKWELL for Breakdown)	
4	91144374	3	CAPSCREW - RIGHT SIDE ONLY, M8X1.25X40.0	
5	91144375	2	BRAKE PISTON AND PLATE ASSY, (includes items 6, 7, 9, 10, 14, 15 & 20)	
6	Kit	6	O-RING	
7	Kit	2	O-RING	
8	Kit	8	SHIM, (0.075), (included in 91144371)	
8	Kit	8	SHIM, (0.125), (included in 91144371)	
8	Kit	8	SHIM, (0.255), (included in 91144371)	
8	Kit	8	SHIM, (0.555), (included in 91144371)	
9	91144376	2	BRAKE PISTON	
10	91144377	32	SPRING	
11	91144378	16	SPRING	
12	86881421	16	WASHER	
13	91144379	16	RETURN SPRING BOLT	
14	Kit	2	O-RING	
15	91144450	2	BRAKE ACTUATING PLATE	
16	91144451	8	FRICITION DISC	
17	91144452	8	STATIONARY DISC	
18	91144453	2	BRAKE REACTION PLATE	
19	91144380	6	BRAKE DISC LOCKPIN	
20	91144381	42	CAPSCREW, M6X1.0X12.0, (allen)	
K1	91144442	Ref	BRAKE SEAL KIT, (includes items 6, 7 & 14) (services both sides)	
K2	91144369	Ref	BRAKE PISTON PLATE KIT, (includes items 15, 16, 17 & 18) (services one side)	
K3	91144370	Ref	BRAKE PLATE AND SEAL KIT, (includes items 6, 7, 14, 15, 16, 17 & 18) (services one side)	
K4	91144371	Ref	PISTON BRAKE SHIM KIT, (includes item 8) (services one side)	

**SECTION 5 - DRIVE TRAIN**

**FIGURE 5-6. BRAKE ASSEMBLY - ROCKWELL (534D-9 SN 0744135 through 0160000446; 534D-10 SN 0366489 through 0160000446)**



PAP19800

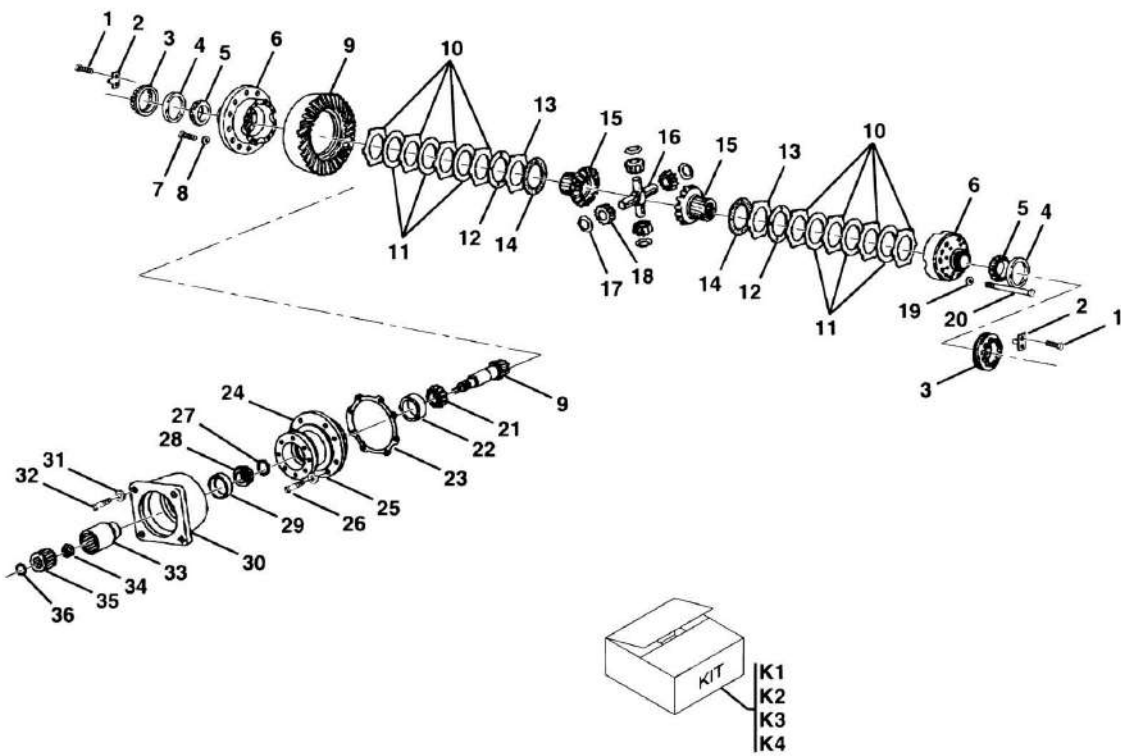
## SECTION 5 - DRIVE TRAIN

**FIGURE 5-6. BRAKE ASSEMBLY - ROCKWELL (534D-9 SN 0744135 through 0160000446; 534D-10 SN 0366489 through 0160000446)**

ITEM	PART NUMBER	QTY	DESCRIPTION	REV
1	91144372	1	BRAKE HOUSING, (right side only - left side included in center housing)	
2	91144373	4	HYDRAULIC LINE BLEEDER	
3		Ref	DRAIN PLUG, (See FRONT AXLE – ROCKWELL for Breakdown)	
4	91144374	3	CAPSCREW - RIGHT SIDE ONLY, M8X1.25X40.0	
5	91124094	2	BRAKE PISTON AND PLATE ASSY, (includes items 6, 7, 9, 10, 14, 15 & 20)	
6	Kit	6	O-RING	
7	Kit	2	O-RING	
8	Kit	8	SHIM, (0.075), (included in shim kit)	
8	Kit	8	SHIM, (0.125), (included in shim kit)	
8	Kit	8	SHIM, (0.255), (included in shim kit)	
8	Kit	8	SHIM, (0.555), (included in shim kit)	
9	91144376	2	BRAKE PISTON	
10	91144377	24	SPRING	
11	91144378	16	SPRING	
12	86881421	16	WASHER	
13	91144379	16	RETURN SPRING BOLT	
14	Kit	2	O-RING	
15	91144450	2	BRAKE ACTUATING PLATE	
16	91144451	8	FRICITION DISC	
17	91144452	8	STATIONARY DISC	
18	91144453	2	BRAKE REACTION PLATE	
19	91144380	6	BRAKE DISC LOCKPIN	
20	91144381	42	CAPSCREW, M6X1.0X12.0, (allen)	
K1	91144442	Ref	BRAKE SEAL KIT, (includes items 6, 7 & 14), (services both sides)	
K2	91144369	Ref	BRAKE PISTON PLATE KIT, (includes items 15, 16, 17 & 18), (services one side)	
K3	91144370	Ref	BRAKE PLATE AND SEAL KIT, (includes items 6, 7, 14, 15, 16, 17 & 18), (services one side)	
K4	91144371	Ref	PISTON BRAKE SHIM KIT, (includes item 8), (services one side)	

# SECTION 5 - DRIVE TRAIN

FIGURE 5-7. CARRIER ASSEMBLY - ROCKWELL (534D-9 SN 0544001 through 0160000446; 534D-10 SN 0366001 through 0160000446)



PAP19820

## SECTION 5 - DRIVE TRAIN

**FIGURE 5-7. CARRIER ASSEMBLY - ROCKWELL (534D-9 SN 0544001 through 0160000446; 534D-10 SN 0366001 through 0160000446)**

ITEM	PART NUMBER	QTY	DESCRIPTION	REV
1	91144386	4	CAPSCREW	
2	91144387	2	ADJUSTER RING LOCK	
3	91144388	2	ADJUSTER RING	
4	83073828	2	BEARING CUP	
5	91144389	2	BEARING CONE	
6	91144390	1	DIFFERENTIAL CASE	
7	91144391	12	CAPSCREW, M10X1.0X30.0	
8	83483584	12	WASHER	
9	91144392	1	SPIRAL GEAR AND PINION	
10	Kit	8	DRIVE FRICTION DISC, (included in 91144382 kit)	
11	Kit	6	DRIVEN FRICTION DISC, (included in 91144382 kit)	
12	Kit	2	SHIM, (0.33), (included in shim kit)	
12	Kit	2	SHIM, (0.38), (included in shim kit)	
12	Kit	2	SHIM, (0.25), (included in shim kit)	
12	Kit	2	SHIM, (0.13), (included in shim kit)	
13	Kit	2	COMPRESSION DISC, (included in 91144382 kit)	
14	Kit	2	THRUST WASHER, (included in 91144382 kit)	
15	91144393	2	SIDE GEAR	
16	91144394	1	SPIDER	
17	91144395	4	THRUST WASHER	
18	91144396	4	PINION GEAR	
19	83483584	12	WASHER	
20	91144397	12	CAPSCREW, M10X1.5X80.0	
21	90207204	1	BEARING CONE	
22	90200440	1	BEARING CUP	
23	Kit	4	SHIM, (0.05), (included in shim kit)	
23	Kit	2	SHIM, (0.125), (included in shim kit)	
23	Kit	3	SHIM, (0.20), (included in shim kit)	
23	Kit	1	SHIM, (0.50), (included in shim kit)	
24	91144398	1	PINION CAGE ASSY, (includes items 22 & 29)	
25	91144399	8	WASHER	
26	91144400	8	CAPSCREW, M12X1.75X40.0	
27	Kit	1	SHIM, (1.20), (included in shim kit)	
27	Kit	1	SHIM, (1.25), (included in shim kit)	
27	Kit	1	SHIM, (1.30), (included in shim kit)	
27	Kit	1	SHIM, (1.35), (included in shim kit)	
27	Kit	1	SHIM, (1.40), (included in shim kit)	
27	Kit	1	SHIM, (1.45), (included in shim kit)	
27	Kit	1	SHIM, (1.50), (included in shim kit)	
28	91144401	1	BEARING CONE	
29	91144402	1	BEARING CUP	
30	91144403	1	MOTOR ADAPTER FLANGE	
31	83483584	8	WASHER	
32	91144404	8	CAPSCREW, .3750-16UNC-2AX1.25	
33	91144405	1	DRIVEN SLEEVE	
34	91144406	1	PINION NUT, M24X1.5	
35	91144407	1	DRIVE SLEEVE	
36	91144408	1	SNAP RING	

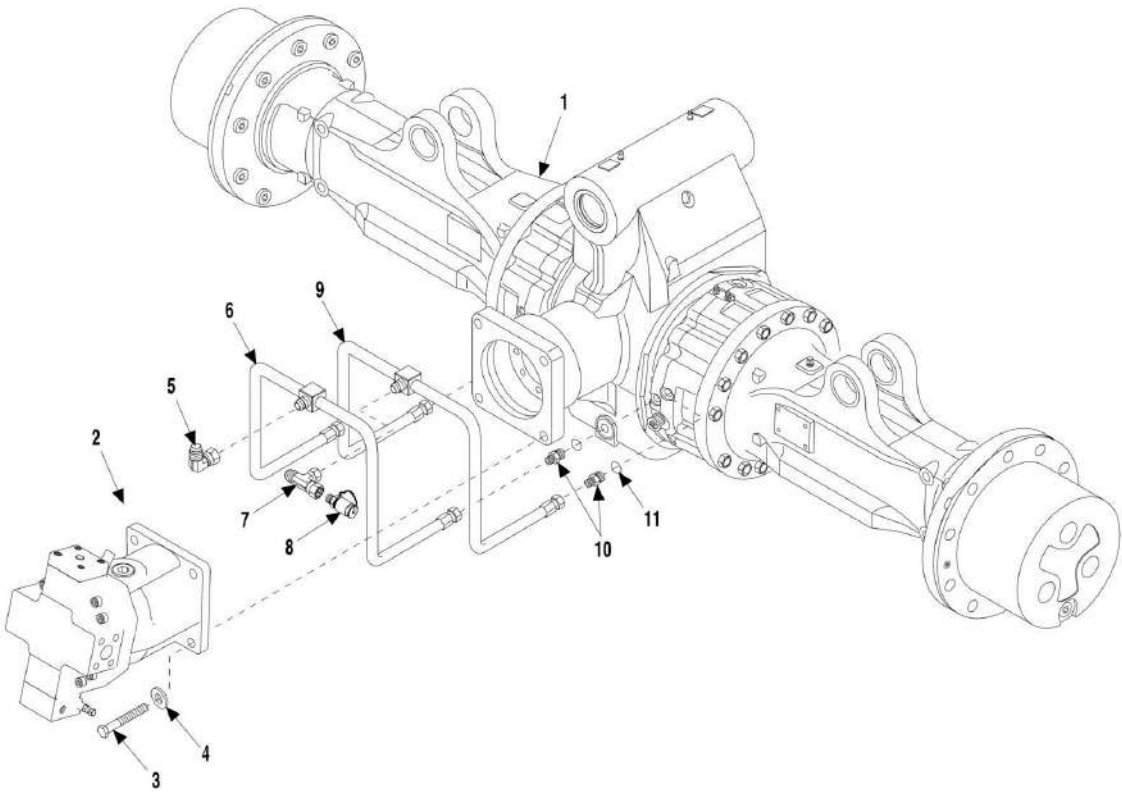
## SECTION 5 - DRIVE TRAIN

ITEM	PART NUMBER	QTY	DESCRIPTION	REV
K1	91144382	Ref	LIMITED SLIP PLATE STACK KIT, (includes items 10, 11, 12, 13 & 14)	
K2	91144383	Ref	PINION CAGE SHIM KIT, (includes item 23)	
K3	91144384	Ref	DRIVE PINION SHIM KIT, (includes item 27)	
K4	91144385	Ref	LIMITED SLIP SHIM KIT, (includes item 12)	



**SECTION 5 - DRIVE TRAIN**

**FIGURE 5-8. FRONT AXLE ASSEMBLY - CARRARO (534D-9 SN 016000447 to Present; 534D-10 SN 016000448 to Present)**





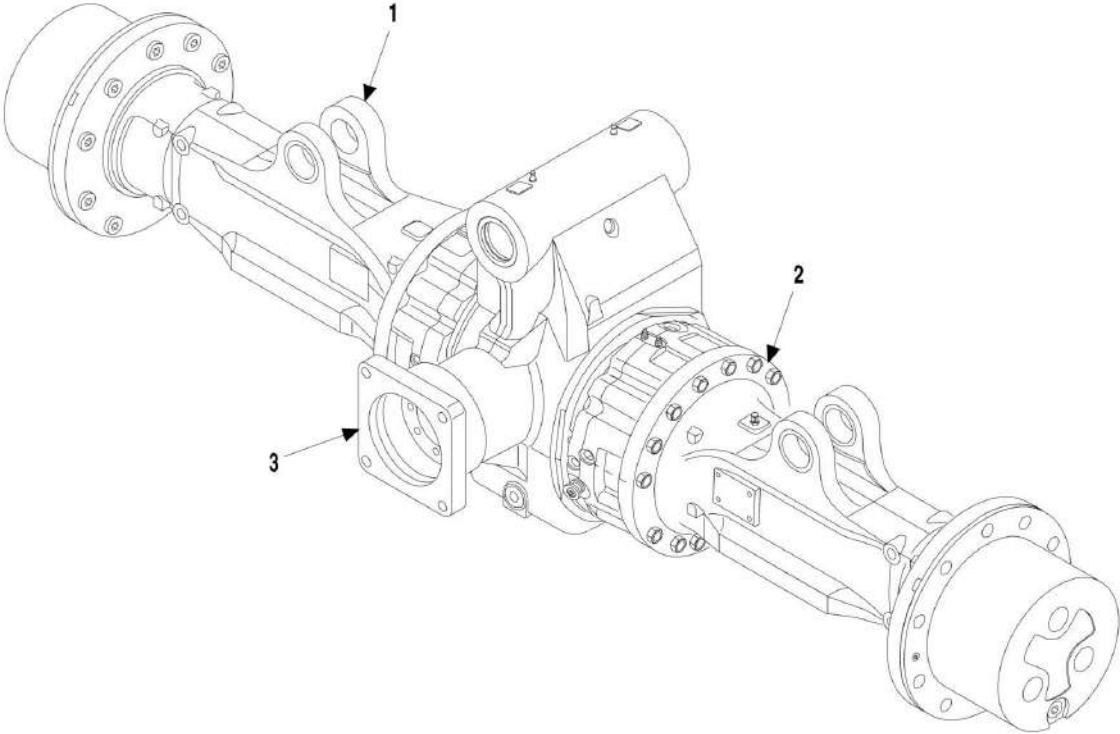
## SECTION 5 - DRIVE TRAIN

**FIGURE 5-8. FRONT AXLE ASSEMBLY - CARRARO (534D-9 SN 0160000447 to Present; 534D-10 SN 0160000448 to Present)**

ITEM	PART NUMBER	QTY	DESCRIPTION	REV
1	91555006	1	FRONT AXLE ASSY, (includes items 1 thru 11)	B
1		Ref	FRONT AXLE, (See FRONT AXLE – CARRARO for Breakdown)	
2		Ref	FRONT DRIVE MOTOR, (See HYDRAULIC COMPONENTS SECTION for Breakdown)	
3	80333162	4	HEX HD CAPSCREW, M20-2.5X65	
4	90027473	4	HARD WASHER, 3/4	
5	2220654	1	ELBOW, 90, (swivel nut)	
6	91343220	1	PARK BRAKE TUBE LINE	
7	2220579	1	SWIVEL NUT BRANCH TEE, 3/8 TUBE	
8	91143172	1	TEST FITTING	
9	91343219	1	SERVICE BRAKE TUBE LINE	
10	91413114	4	ADAPTER, (includes item 11)	
11	88591202	4	O-RING	

**SECTION 5 - DRIVE TRAIN**

**FIGURE 5-9. FRONT AXLE - CARRARO (534D-9 SN 016000447 to Present; 534D-10 SN 016000448 to Present)**



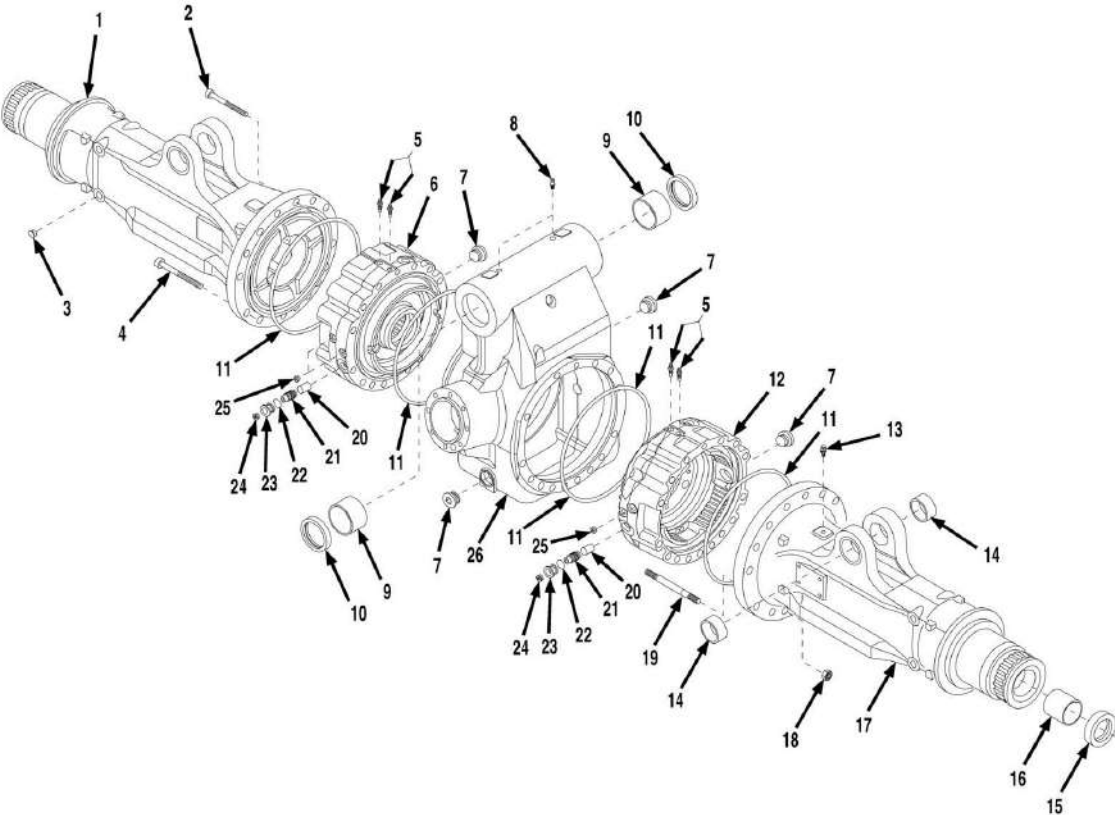
## SECTION 5 - DRIVE TRAIN

**FIGURE 5-9. FRONT AXLE - CARRARO (534D-9 SN 0160000447 to Present; 534D-10 SN 0160000448 to Present)**

ITEM	PART NUMBER	QTY	DESCRIPTION	REV
1	91363158	1	FRONT AXLE, (includes all items)	A
		Ref	HOUSING ASSY, (See AXLE HOUSING ASSEMBLY – CARRARO for Breakdown)	
2		Ref	BRAKE ASSY, (See BRAKE ASSEMBLY – CARRARO for Breakdown)	
3		Ref	CARRIER ASSY, (See CARRIER ASSEMBLY - CARRARO for Breakdown)	

**SECTION 5 - DRIVE TRAIN**

**FIGURE 5-10. AXLE HOUSING ASSEMBLY - CARRARO (534D-9 SN 016000447 to Present; 534D-10 SN 016000448 to Present)**



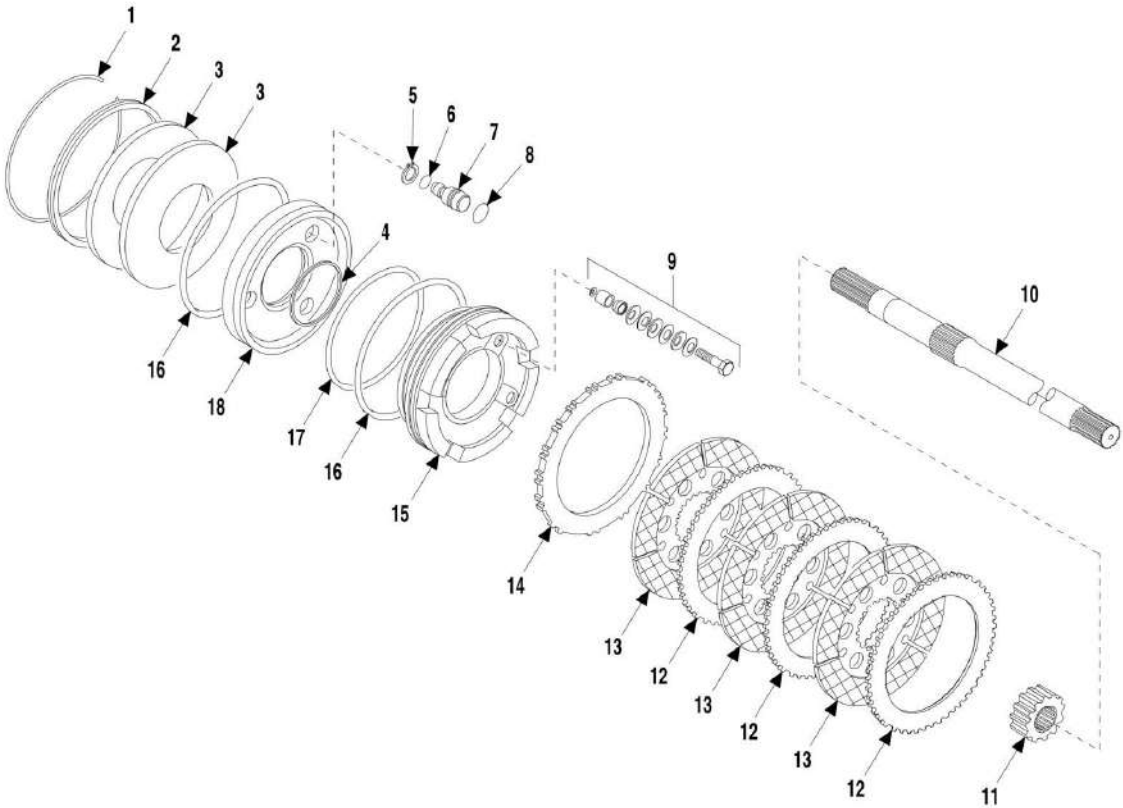
## SECTION 5 - DRIVE TRAIN

**FIGURE 5-10. AXLE HOUSING ASSEMBLY - CARRARO (534D-9 SN 0160000447 to Present; 534D-10 SN 0160000448 to Present)**

ITEM	PART NUMBER	QTY	DESCRIPTION	REV
1	91364026	1	AXLE HOUSING, LH	
2	91364027	2	CAPSCREW, M12X130	
3	91474098	8	PLUG	
4	91364028	28	CAPSCREW, M16X160	
5	91474039	4	BREATHER, M10X1	
6	91364029	1	BRAKE HOUSING, LH	
7	91474037	4	PLUG, M30X2	
8	91474095	2	GREASE FITTING	
9	91364030	2	BUSHING	
10	91364031	2	SEAL RING	
11	91364032	4	O-RING	
12	91364033	1	BRAKE HOUSING, RH	
13	91474058	1	BREATHER, M10X1	
14	91364034	2	BUSHING	
15	91364035	2	SEAL RING	
16	91364036	2	BUSHING	
17	91364037	1	AXLE HOUSING, RH	
18	91474061	2	NUT, M16X2	
19	91474060	2	STUD, M16X2	
20	91364038	6	RELEASE PIN	
21	91474066	6	BOLT, M16X1.5	
22	91474065	6	O-RING	
23	91474064	6	SCREW, M22X1.5	
24	91474075	6	PLUG, M16X1.5	
25	91364039	4	PLUG, M10X1	
26	91364040	1	CENTRAL BODY	

**SECTION 5 - DRIVE TRAIN**

**FIGURE 5-11. BRAKE ASSEMBLY - CARRARO (534D-9 SN 0160000447 to Present; 534D-10 SN 0160000448 to Present)**



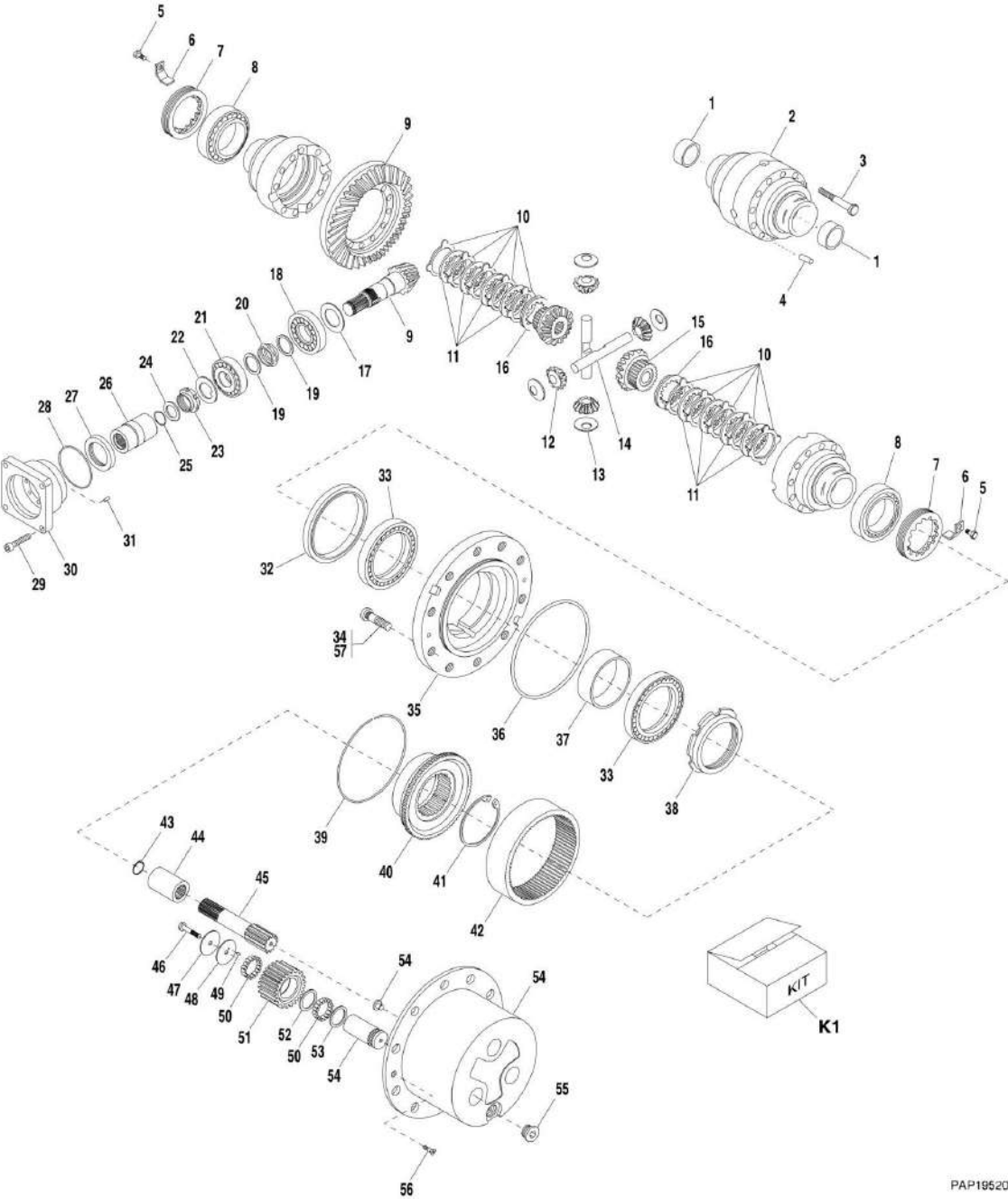
## SECTION 5 - DRIVE TRAIN

**FIGURE 5-11. BRAKE ASSEMBLY - CARRARO (534D-9 SN 0160000447 to Present; 534D-10 SN 0160000448 to Present)**

ITEM	PART NUMBER	QTY	DESCRIPTION	REV
1	91474143	2	RING	
2	91474144	2	SLEEVE	
3	91474145	4	WASHER	
4	91474147	2	O-RING	
5	91364041	6	SNAP RING	
6	91474149	6	O-RING	
7	91364042	6	PIN	
8	91474151	6	O-RING	
9	91364043	2	SELF-ADJUST KIT, (includes the following)	
9	N.S.S.	36	WASHER	
9	N.S.S.	6	WASHER	
9	N.S.S.	6	PIN	
9	N.S.S.	6	BOLT, M14X65	
9	N.S.S.	6	SPACER	
10	91364044	2	HALF SHAFT	
11	91474142	2	SLEEVE	
12	91474141	6	DRIVE PLATE	
13	91474140	6	BRAKE DISK	
14	91474139	2	DRIVE PLATE	
15	91364045	2	BRAKE PISTON	
16	91474137	4	O-RING	
17	91474136	2	O-RING	
18	91474146	2	BRAKE PISTON	

**SECTION 5 - DRIVE TRAIN**

**FIGURE 5-12. CARRIER ASSEMBLY - CARRARO (534D-9 SN 016000447 to Present; 534D-10 SN 016000448 to Present)**



PAP19520



## SECTION 5 - DRIVE TRAIN

**FIGURE 5-12. CARRIER ASSEMBLY - CARRARO (534D-9 SN 0160000447 to Present; 534D-10 SN 0160000448 to Present)**

ITEM	PART NUMBER	QTY	DESCRIPTION	REV
1	91364046	2	BUSHING	
2	91364047	1	DIFFERENTIAL HOUSING	
3	91364048	10	BOLT, M12X90	
4	91364049	1	PIN	
5	8035180	2	BOLT, M6X10	
6	91474126	2	LOCKING PLATE	
7	91364050	2	BEARING	
8	91474128	2	RING NUT, M104X2	
9	91364051	1	SPIRAL GEAR AND PINION, (includes items 19, 20 & 22 thru 25)	
10	91364052	10	DIFFERENTIAL DRIVE DISC	
11	91364053	8	DIFFERENTIAL DISC	
12	Kit	4	GEAR, Z12	
13	91364054	4	THRUST WASHER	
14	91364055	2	SHAFT	
15	Kit	2	GEAR, Z18	
16	91364056	2	DIFFERENTIAL DISC	
17	91364057	AR	SHIM, 2.50mm	
17	91364058	AR	SHIM, 2.60mm	
17	91364059	AR	SHIM, 2.70mm	
17	91364060	AR	SHIM, 2.80mm	
17	91364061	AR	SHIM, 2.90mm	
17	91364062	AR	SHIM, 3.00mm	
17	91364063	AR	SHIM, 3.10mm	
17	91364064	AR	SHIM, 3.20mm	
17	91364065	AR	SHIM, 3.30mm	
17	91364066	AR	SHIM, 3.40mm	
18	91364067	1	BEARING	
19	91364068	2	WASHER	
20	91364069	1	SPACER	
21	91364070	1	BEARING	
22	91364071	1	LOCKWASHER	
23	91364072	1	RING NUT, M45X1.5	
24	91474115	1	WASHER	
25	91474116	1	O-RING	
26	91364073	1	COUPLER	
27	91364074	1	SEAL RING	
28	91364075	1	O-RING	
29	91364076	8	BOLT, M12X60	
30	91364077	1	FLANGE	
31	91364078	1	PIN, 12X25	
32	91364079	2	SEAL RING	
33	91364080	4	BEARING	
34	91364081	20	BOLT	
35	91364082	2	WHEEL HUB KIT, (includes wheel hub and item 34)	
36	91474155	2	O-RING	
37	91364083	2	SPACER	
38	91364084	2	RING NUT, M130X2	
39	91474157	2	RING	

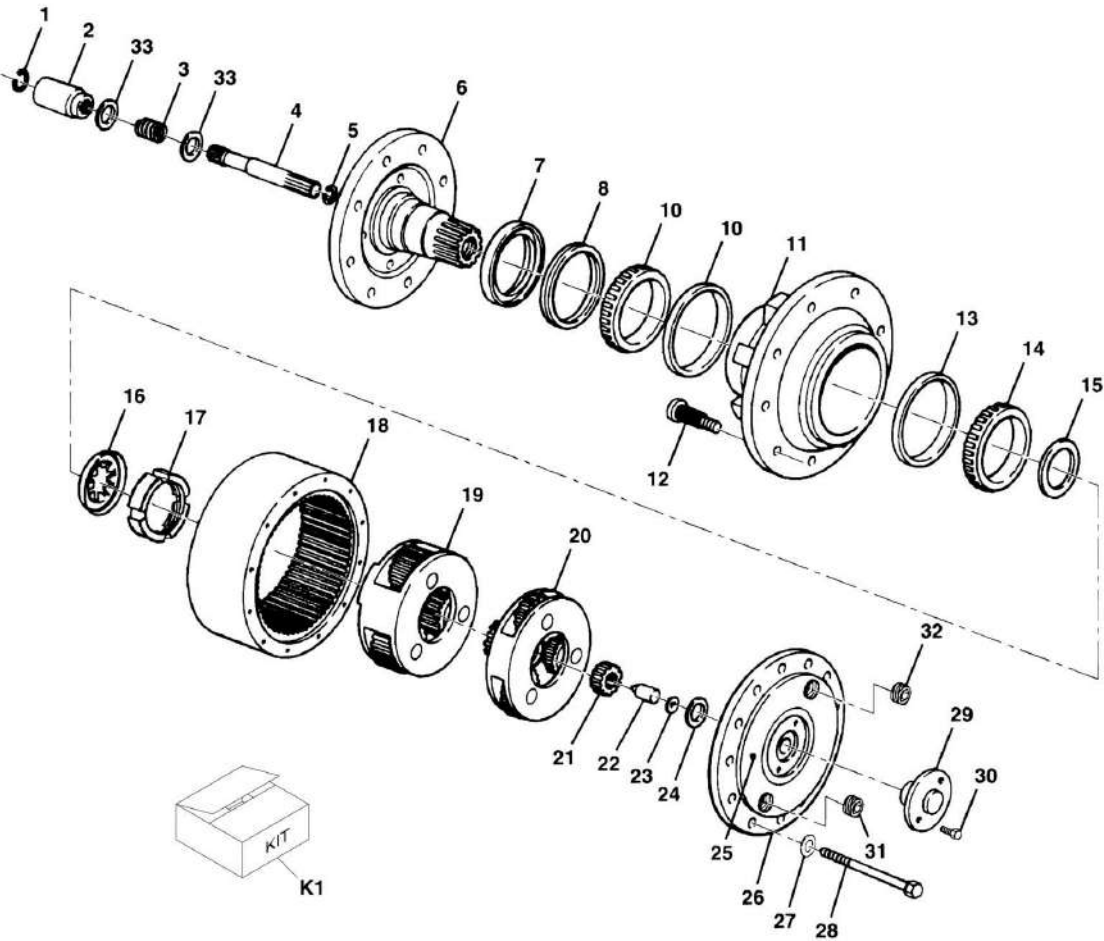
## SECTION 5 - DRIVE TRAIN

ITEM	PART NUMBER	QTY	DESCRIPTION	REV
40	91364085	2	RING GEAR CARRIER	
41	91364086	2	SNAP RING, 115X4	
42	91364087	2	RING GEAR	
43	91364088	2	SNAP RING	
44	91364089	2	COUPLING SLEEVE	
45	91364090	2	HALF-SHAFT	
46	91474162	6	BOLT	
47	91364091	6	INNER THRUST WASHER	
48	91364092	6	THRUST WASHER	
49	91474163	0.6	NEEDLE BEARINGS, (by tens)	
50	91364093	38.4	NEEDLE BEARINGS, (by tens)	
51	91364094	6	GEAR	
52	91364095	6	THRUST WASHER	
53	91364096	6	THRUST WASHER	
54	91364097	2	PLANETARY CARRIER KIT, (includes planetary carrier and locking pad)	
55	91474037	2	PLUG, M30X2	
56	7028492	4	SCREW	
57	0100011	AR	LOCTITE 242, (apply to item 34)	
K1	91364098	Ref	DIFFERENTIAL KIT, (includes items 12 thru 15)	



**SECTION 5 - DRIVE TRAIN**

**FIGURE 5-13. REAR STEERING AXLE DRIVE HUB (534D-9 SN 0544001 through 0160000446; 534D-10 SN 0366001 through 0160000446)**



**NOTE:**  
 TO SERVICE ITEM 17 LOCKNUT, A SPECIAL WRENCH IS REQUIRED, ORDER 91144325 WRENCH.

PAP19840

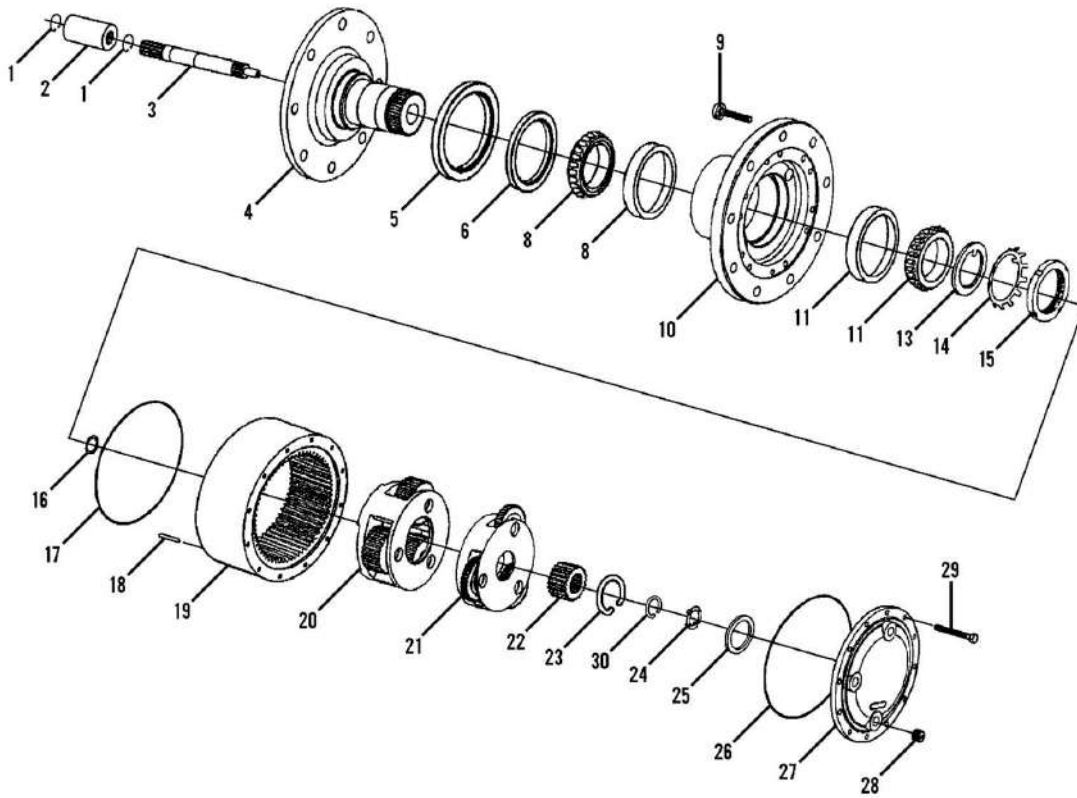
## SECTION 5 - DRIVE TRAIN

**FIGURE 5-13. REAR STEERING AXLE DRIVE HUB (534D-9 SN 0544001 through 0160000446; 534D-10 SN 0366001 through 0160000446)**

ITEM	PART NUMBER	QTY	DESCRIPTION	REV
	91043472	2	REAR STEERING AXLE DRIVE HUB, (includes all items)	D
1	91044276	1	RETAINING RING	
2	91044277	1	COUPLING	
3	91144175	1	SPRING	
4	91144176	1	INPUT SHAFT	
5	91044099	2	RETAINING RING	
6	91144177	1	SPINDLE	
7	Kit	1	SEAL	
8	Kit	1	OIL SEAL	
10	1001091460	1	OUTER BEARING CUP AND CONE KIT	
11	91144178	1	HUB	
12	91044311	12	WHEEL BOLT	
13	91144179	1	INNER BEARING CUP	
14	91144180	1	INNER BEARING CONE	
15	91144181	1	THRUST WASHER	
16	91144182	1	LOCKWASHER	
17	91144183	1	LOCKNUT	
18	91144184	1	RING GEAR	
19	91144185	1	SECONDARY CARRIER ASSY	
20	91144186	1	PRIMARY CARRIER ASSY	
21	91144187	1	PRIMARY SUN GEAR	
22	91044106	1	PLUNGER	
23	91044107	1	O-RING	
24	91044105	1	THRUST WASHER	
25	91044361	1	PIPE PLUG	
26	91144188	1	COVER	
27	91044110	12	FLAT WASHER	
28	91144189	12	HEX HD BOLT	
29	91044112	1	DISENGAGE COVER	
30	Kit	1	LOCK SCREW	
31	91044101	1	MAGNETIC PLUG	
32	91034389	1	PIPE PLUG	
33	91034390	2	THRUST WASHER	
K1	91044462	Ref	REPAIR KIT, (includes items 7, 8 & 30)	

## SECTION 5 - DRIVE TRAIN

**FIGURE 5-14. REAR STEERING AXLE DRIVE HUB (534D-9 SN 016000447 to Present; 534D-10 SN 016000448 to Present)**



**NOTES:**

1. TO SERVICE ITEM 15, BEARING NUT, A SPECIAL WRENCH IS REQUIRED. ORDER 91404449 WRENCH.
2. APPLY LOCTITE SUPERFLEX 587 ULTRA BLUE SILICON (14404067) TO MOUNTING SURFACE OF TORQUE HUB.

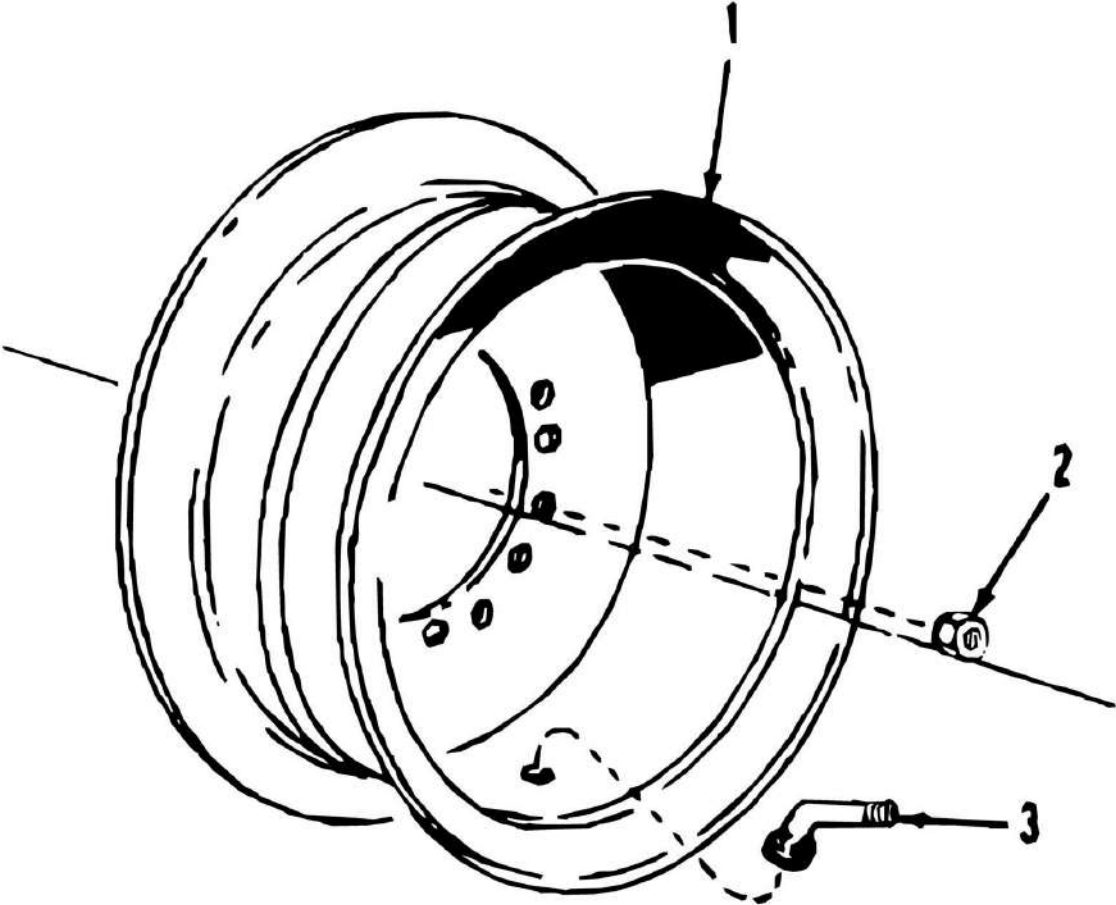
## SECTION 5 - DRIVE TRAIN

**FIGURE 5-14. REAR STEERING AXLE DRIVE HUB (534D-9 SN 0160000447 to Present; 534D-10 SN 0160000448 to Present)**

ITEM	PART NUMBER	QTY	DESCRIPTION	REV
	91403588	1	REAR DRIVE HUB, (includes all items)	
1	7000297	2	RETAINING RING	
2	91414001	1	COUPLING	
3	91414002	1	INPUT SHAFT	
4	91414003	1	SPINDLE	
5	91414004	1	BOOT SEAL	
6	91414005	1	OIL SEAL	
8	91414007	1	BEARING CUP AND CONE KIT	
9	91404435	10	WHEEL BOLT	
10	91404436	1	HUB	
11	91414009	1	BEARING CUP AND CONE KIT	
13	91414011	1	THRUST WASHER	
14	91414012	1	LOCKWASHER	
15	91414013	1	BEARING NUT	
16	91414014	1	THRUST WASHER	
17	91414015	1	O-RING	
18	7017047	2	DOWEL PIN	
19	7024167	1	RING GEAR	
20	70021141	1	SECONDARY CARRIER SUB-ASSY, (includes item 16)	
21	70021146	1	PRIMARY CARRIER SUB-ASSY, (includes items 22 & 23)	
22	91414019	1	PRIMARY SUN GEAR	
23	91414020	1	RETAINING RING	
24	91414021	1	THRUST WASHER	
25	91414022	1	THRUST WASHER	
26	7024177	1	O-RING	
27	91414024	1	COVER	
28	7017094	3	MAGNETIC PIPE PLUG	
29	91414026	20	HEX HD BOLT	
30	91414027	1	RETAINING RING	

**SECTION 5 - DRIVE TRAIN**

**FIGURE 5-15. TIRES AND RIMS (534D-9 SN 0544001 through 0160000446; 534D-10 SN 0366001 through 0160000446)**





## SECTION 5 - DRIVE TRAIN

**FIGURE 5-15. TIRES AND RIMS (534D-9 SN 0544001 through 0160000446; 534D-10 SN 0366001 through 0160000446)**

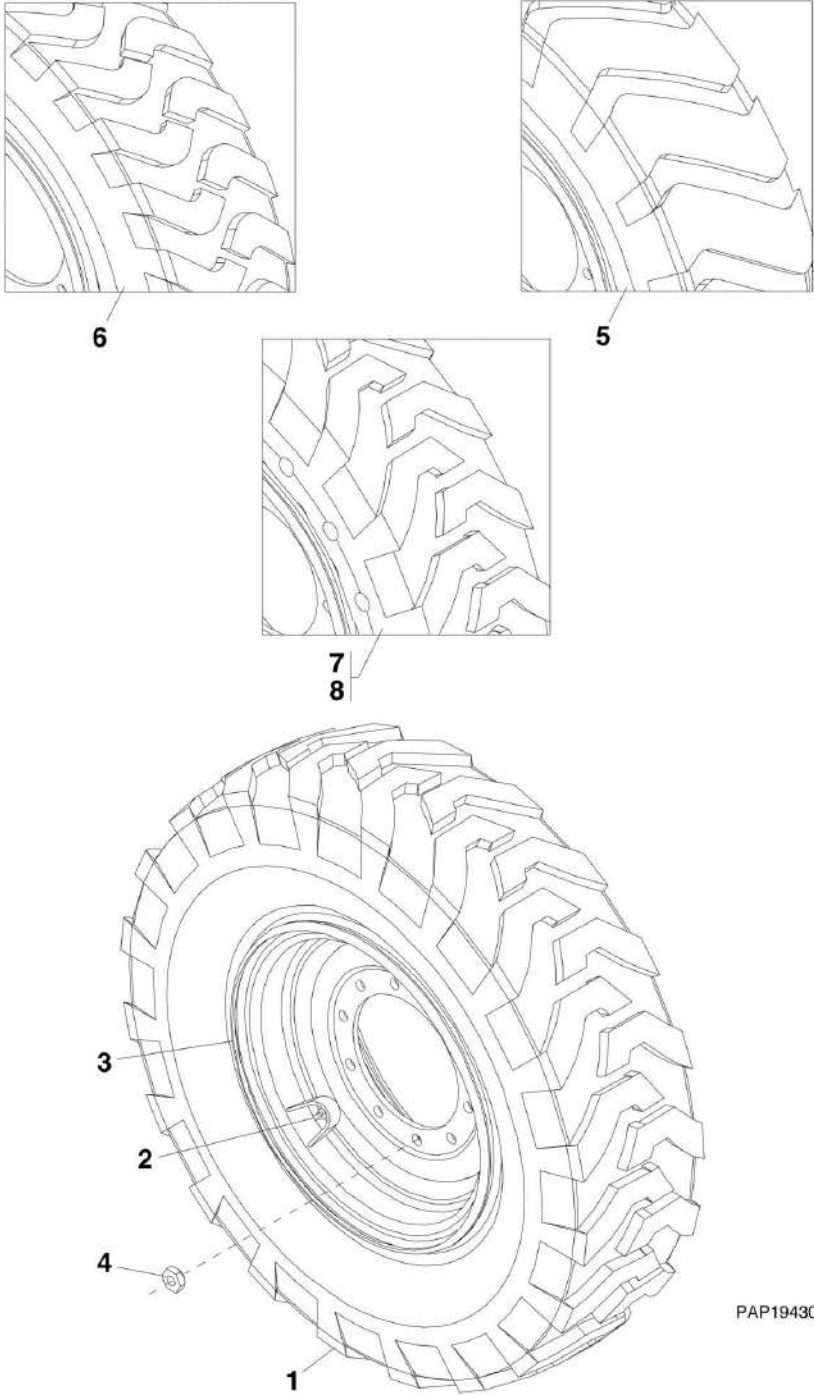
ITEM	PART NUMBER	QTY	DESCRIPTION	REV
	91125002	2	RH TIRE ASSY, (includes items 1, 3 & 4), (534D-9)	
	91125003	2	LH TIRE ASSY, (includes items 1, 3 & 4), (534D-9)	
	91045106	2	RH TIRE ASSY, (includes items 1, 3 & 5), (534D-10)	
	91045107	2	LH TIRE ASSY, (includes items 1, 3 & 5), (534D-10)	
1	91043298	2	RIM	
2	91043146	48	LUG NUT, (torque to 350-400 lb-ft)	
3	8786514	2	VALVE	
4	91033104	2	TIRE, (not shown), 13.00 x 24, 12 ply, G-2 TRACTION REGULAR	
5	91043084	2	TIRE, (not shown), 14.00 x 24, 12 ply, G-2 GRADER TUBELESS	

**SECTION 5 - DRIVE TRAIN**

**FIGURE 5-16. TIRES AND RIMS (534D-9 SN 0160000447 to Present)**

**534D-9**

**TREAD PATTERNS MAY VARY**



## SECTION 5 - DRIVE TRAIN

**FIGURE 5-16. TIRES AND RIMS (534D-9 SN 0160000447 to Present)**

ITEM	PART NUMBER	QTY	DESCRIPTION	REV
	4520368	1	TIRE SET, 13.00-24 BIAS	B
	91405035	2	RH TIRE AND WHEEL ASSY, 13.00-24 BIAS, (includes items 1 thru 3)	I
	91405036	2	LH TIRE AND WHEEL ASSY, 13.00-24 BIAS, (includes items 1 thru 3)	I
	4520369	1	TIRE SET, 13.00-24 BIAS, ROCK TRED	A
	91535017	4	TIRE AND WHEEL ASSY, 13.00-24 BIAS, ROCK TRED, (includes items 2, 3 & 5)	B
	4520374	1	TIRE SET, 13.00R24 RADIAL	A
	91515056	4	TIRE AND WHEEL ASSY, 13.00R24 RADIAL, (includes items 2, 3 & 6)	B
	4520370	1	TIRE SET, 13.00-24 BIAS, FOAM FILLED	B
	91475054	2	RH TIRE AND WHEEL ASSY, 13.00-24 BIAS, FOAM FILLED, 542#, (includes items 1 thru 3)	E
	91475055	2	LH TIRE AND WHEEL ASSY, 13.00-24 BIAS, FOAM FILLED, 542#, (includes items 1 thru 3)	E
	4520371	1	TIRE SET, 13.00-24 BIAS, ROCK TRED, FOAM FILLED	A
	91535019	4	TIRE AND WHEEL ASSY, 13.00-24 BIAS, ROCK TRED, FOAM FILLED, 542#, (includes items 2, 3 & 5)	D
	4520375	1	TIRE SET, 13.00R24 RADIAL, FOAM FILLED	A
	91475093	4	TIRE AND WHEEL ASSY, 13.00R24 RADIAL, FOAM FILLED, 542#, (includes items 2, 3 & 6)	E
	4520645	1	SOLID TIRE SET, 13.0-24, (includes items 7 & 8)	A
1	8780031	1	TIRE, 13.00-24 BIAS, DIRECTIONAL	
2	8786514	1	VALVE STEM	
3	91473206	1	WHEEL, 24X9	
4	91403193	10	LUG NUT, (torque to 350-400 lb-ft)	
5	8780045	1	TIRE, 13.00-24 BIAS, ROCK TRED, NON-DIRECTIONAL	
6	8780264	1	TIRE, 13.00R24 RADIAL, NON-DIRECTIONAL	
7	4520646	1	RH SOLID TIRE AND WHEEL ASSY	B
8	4520647	1	LH SOLID TIRE AND WHEEL ASSY	B

**SECTION 5 - DRIVE TRAIN**

**FIGURE 5-17. TIRES AND RIMS (534D-10 SN 0160000448 to Present)**

**534D-10**

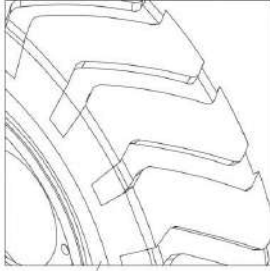
**TREAD PATTERNS MAY VARY**



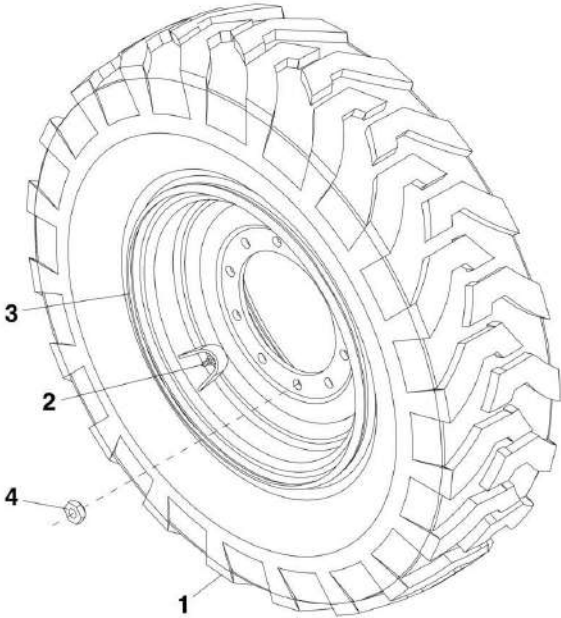
**101**  
**102**



**5**



**6**



PAP19360

## SECTION 5 - DRIVE TRAIN

**FIGURE 5-17. TIRES AND RIMS (534D-10 SN 0160000448 to Present)**

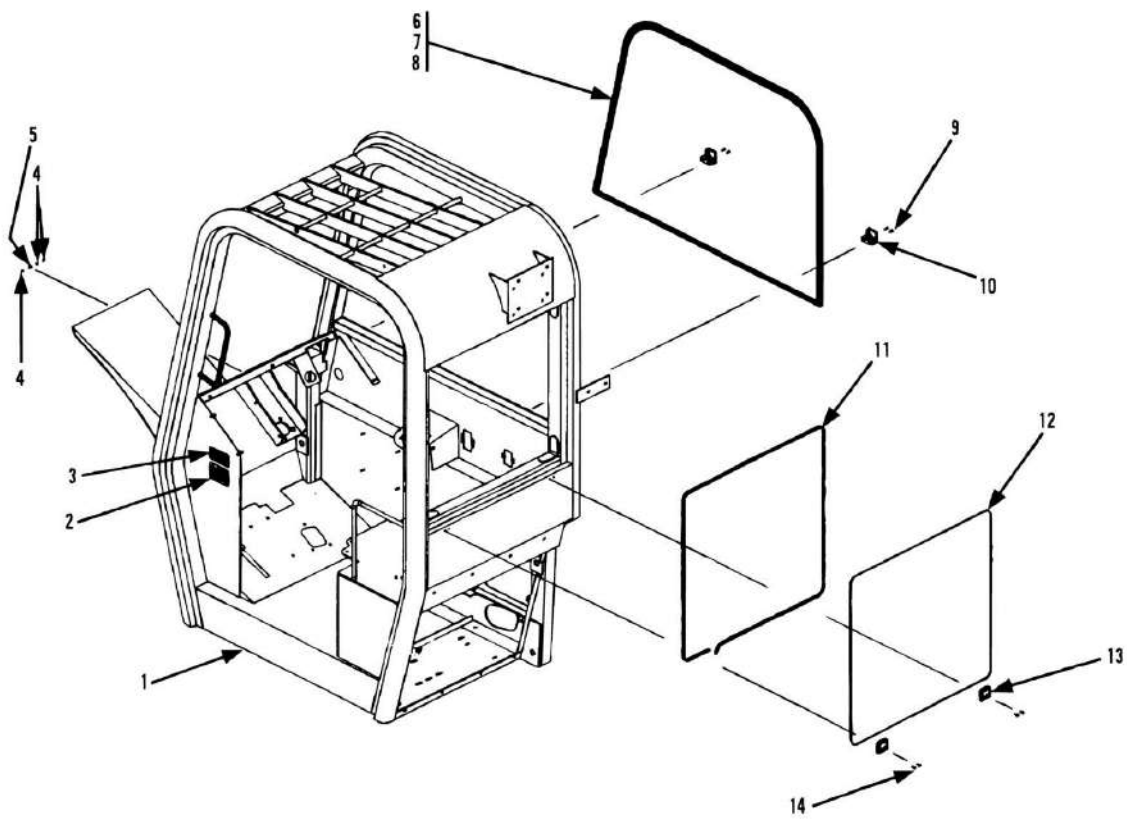
ITEM	PART NUMBER	QTY	DESCRIPTION	REV
	4520481	1	TIRE SET, 14.00-24 BIAS	B
	91355034	2	RH TIRE AND WHEEL ASSY, 14.00-24 BIAS, (includes items 1 thru 3)	D
	91355035	2	LH TIRE AND WHEEL ASSY, 14.00-24 BIAS, (includes items 1 thru 3)	D
	4520485	1	TIRE SET, 14.00-24 BIAS, ROCK TRED	A
	91545010	4	TIRE AND WHEEL ASSY, 14.00-24 BIAS, ROCK TRED, (includes items 2, 3 & 6)	E
	4520489	1	TIRE SET, 14.00R24 RADIAL	A
	91415072	4	TIRE AND WHEEL ASSY, 14.00R24 RADIAL, (includes items 2, 3 & 5)	C
	4520482	1	TIRE SET, 14.00-24 BIAS, FOAM FILLED	C
	91355037	2	RH TIRE AND WHEEL ASSY, 14.00-24 BIAS, FOAM FILLED, 720#, (includes items 1 thru 3)	F
	91355038	2	LH TIRE AND WHEEL ASSY, 14.00-24 BIAS, FOAM FILLED, 720#, (includes items 1 thru 3)	F
	4520486	1	TIRE SET, 14.00-24 BIAS, ROCK TRED, FOAM FILLED	A
	91545008	4	TIRE AND WHEEL ASSY, 14.00-24 BIAS, ROCK TRED, FOAM FILLED, 720#, (includes items 2, 3 & 6)	F
	4520490	1	TIRE SET, 14.00R24 RADIAL, FOAM FILLED	A
	91365076	4	TIRE AND WHEEL ASSY, 14.00R24 RADIAL, FOAM FILLED, 720#, (includes items 2, 3 & 5)	D
	1001105780	1	TIRE SET, 14X24, SOLID, (includes items 101 & 102)	A
1	91043084	1	TIRE, 14.00-24 BIAS, DIRECTIONAL	
2	8786514	1	VALVE STEM	
3	91473206	1	WHEEL, 24X9	
4	91403193	10	LUG NUT, (torque to 350-400 lb-ft)	
5	91363215	1	TIRE, 14.00R24 RADIAL, NON-DIRECTIONAL	
6	91543002	1	TIRE, 14.00-24 BIAS, ROCK TRED, NON-DIRECTIONAL	
101	1001105782	2	RH TIRE AND WHEEL ASSY, 14-24, SOLID	B
102	1001105781	2	LH TIRE AND WHEEL ASSY, 14-24, SOLID	B



**SECTION 6 - CAB**

# SECTION 6 - CAB

FIGURE 6-1. OPEN CAB (534D-9 SN 0544001 through 0160012394, Excluding 0160012112; 534D-10 SN 0366001 through 0160012392, Excluding 0160012289)





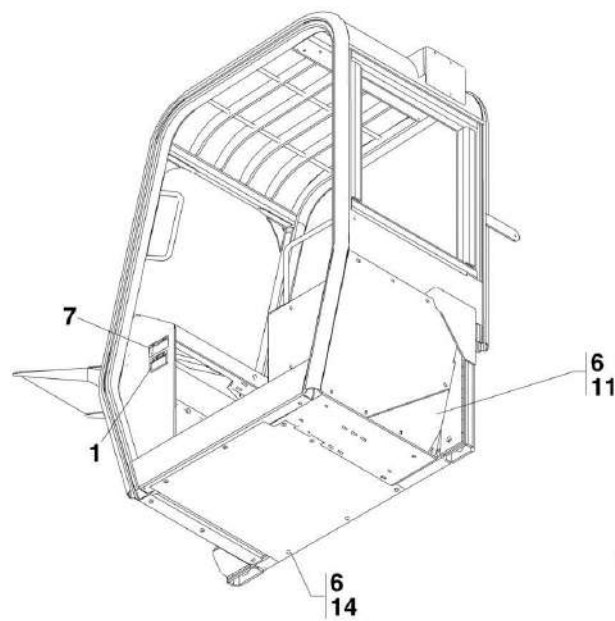
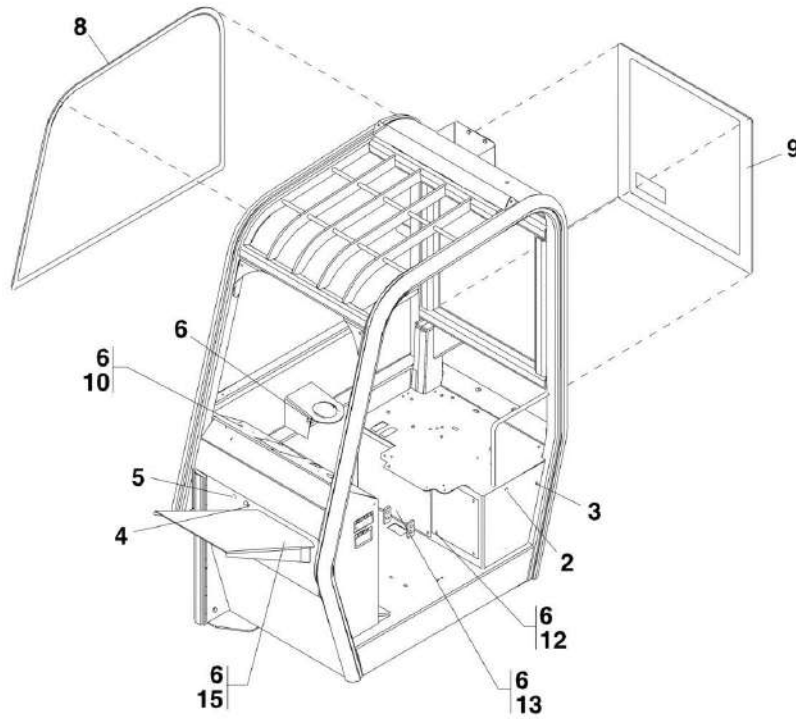
**SECTION 6 - CAB**

**FIGURE 6-1. OPEN CAB (534D-9 SN 0544001 through 0160012394, Excluding 0160012112; 534D-10 SN 0366001 through 0160012392, Excluding 0160012289)**

ITEM	PART NUMBER	QTY	DESCRIPTION	REV
		Ref	OPEN CAB, (includes all items), (no longer available), (See OPTIONS SECTION for Breakdown)	
1		Ref	CAB WELDMENT, (no longer available), (See OPTIONS SECTION for Breakdown)	
2	91164094	1	ROPS WARNING DECAL	
3	91144430	1	SN TAG	
4	91164086	3	HOLE PLUG, .313	
5	91164087	1	HOLE PLUG, .750	
6	91164088	1	RH SIDE WINDOW	
7	91164089	AR	POWERBOND	
8	8035523	AR	URETHANE, HIGH VISCOSITY, BLACK	
9	80264034	4	SCREW, #10-32X1.50, FLANGE	
10	91334005	2	WINDOW CLIP	
11	80264032	9.5 in	BULB SEAL, (to be hidden behind window clip)	
12	91164092	1	REAR WINDOW, RUBBER MOUNT	
13	91164095	2	REAR WINDOW CLIP	
14	91164096	4	SCREW, .25-20X.75, FLANGE	

# SECTION 6 - CAB

FIGURE 6-2. OPEN CAB (534D-9 SN 0160012443 to Present, Including 0160012112; 534D-10 SN 0160012446 to Present, Including 0160012289)



PAP19240

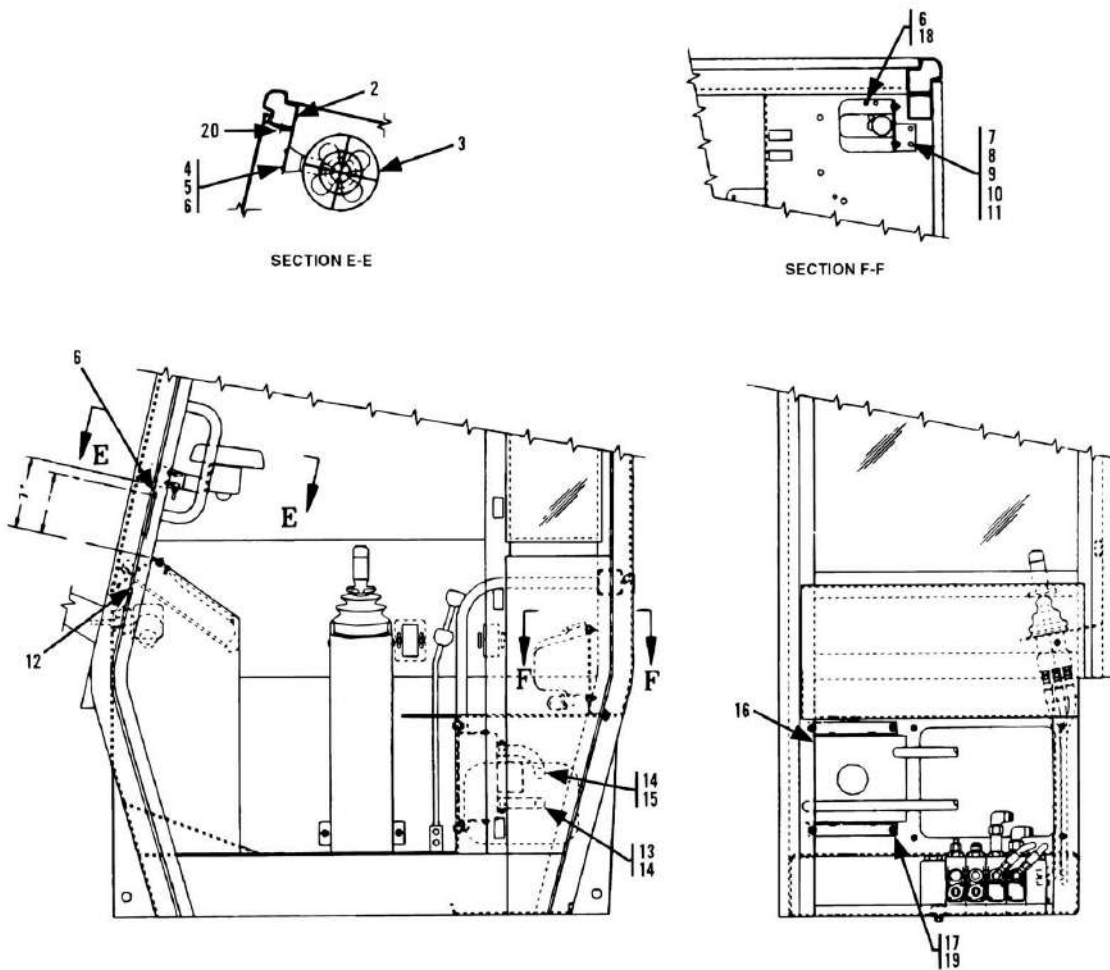
**SECTION 6 - CAB**

**FIGURE 6-2. OPEN CAB (534D-9 SN 0160012443 to Present, Including 0160012112; 534D-10 SN 0160012446 to Present, Including 0160012289)**

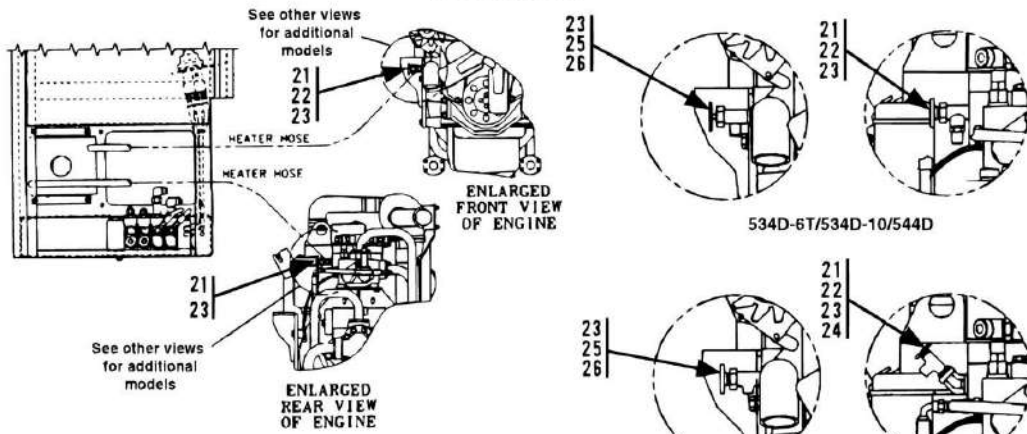
ITEM	PART NUMBER	QTY	DESCRIPTION	REV
	1040028	1	OPEN CAB, (includes all items)	H
1	91164094	1	ROPS WARNING DECAL	
2	80264111	2	ROUND PLUG, 1/2	
3	80264035	1	ROUND PLUG, 3/8	
4	91164087	1	ROUND PLUG, 3/4	
5	8036654	4	ROUND PLUG, .312	
6	7028939	26	HEX RIVNUT, .312-18	
7	7028940	1	SN TAG	
8	7028941	1	GLASS, RH SIDE	
9	7028942	1	REAR GLASS	
10	3380582	1	DASH PANEL	
11	3380653	1	REAR CAB COVER	
12	91081475	1	HEATER PLATE COVER	
13	91141329	1	VALVE ACCESS COVER	
14	91361005	1	BELLY PAN COVER	
15	7029004	1	FENDER	
16		Ref	CAULK/PAINT, (not shown)	
17	80364009	AR	URETHANE, SIKA, (not shown)	
18	91404302	AR	ACTIVATOR, SIKA, (not shown)	

# SECTION 6 - CAB

**FIGURE 6-3. CAB ENCLOSURE KIT INSTALLATION (534D-9 SN 0544001 through 016000853, Excluding 016000700; 534D-10 SN 0366001 through 016000974)**



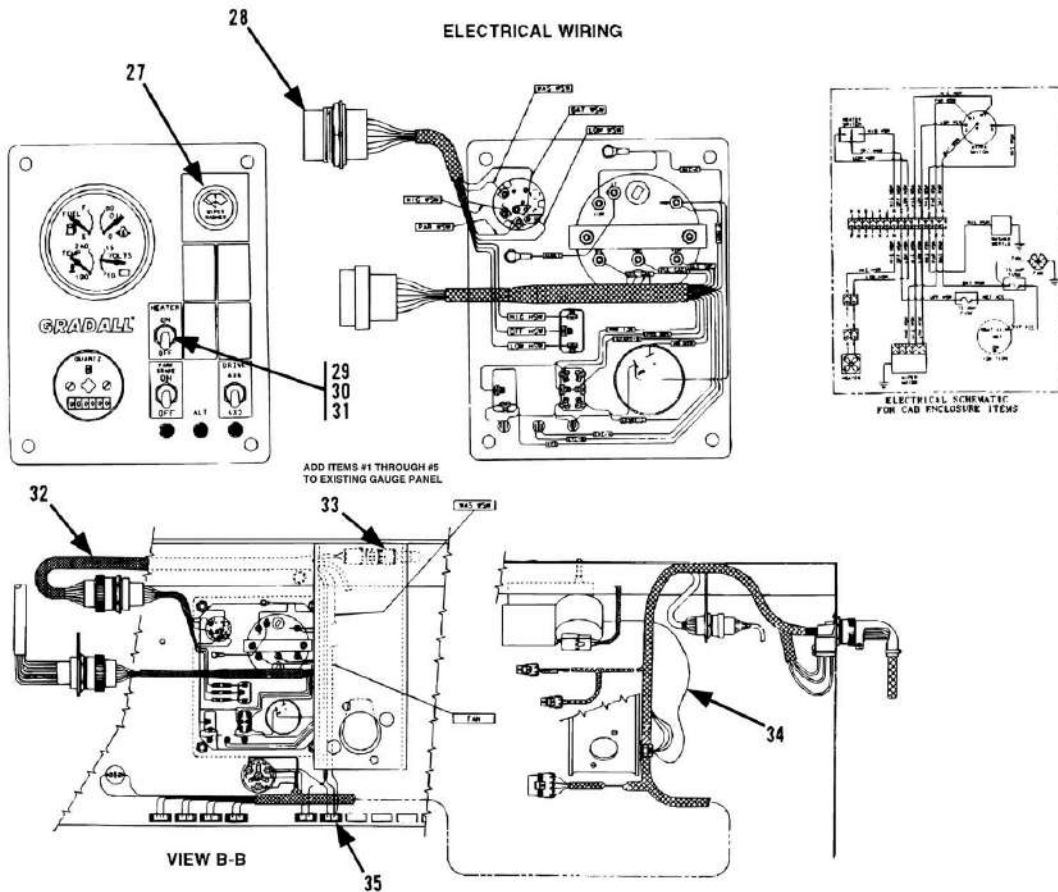
HEATER HOISING



534D-9 HEATER HOSE FITTINGS

522D/524D/534D-6

ELECTRICAL WIRING



## SECTION 6 - CAB

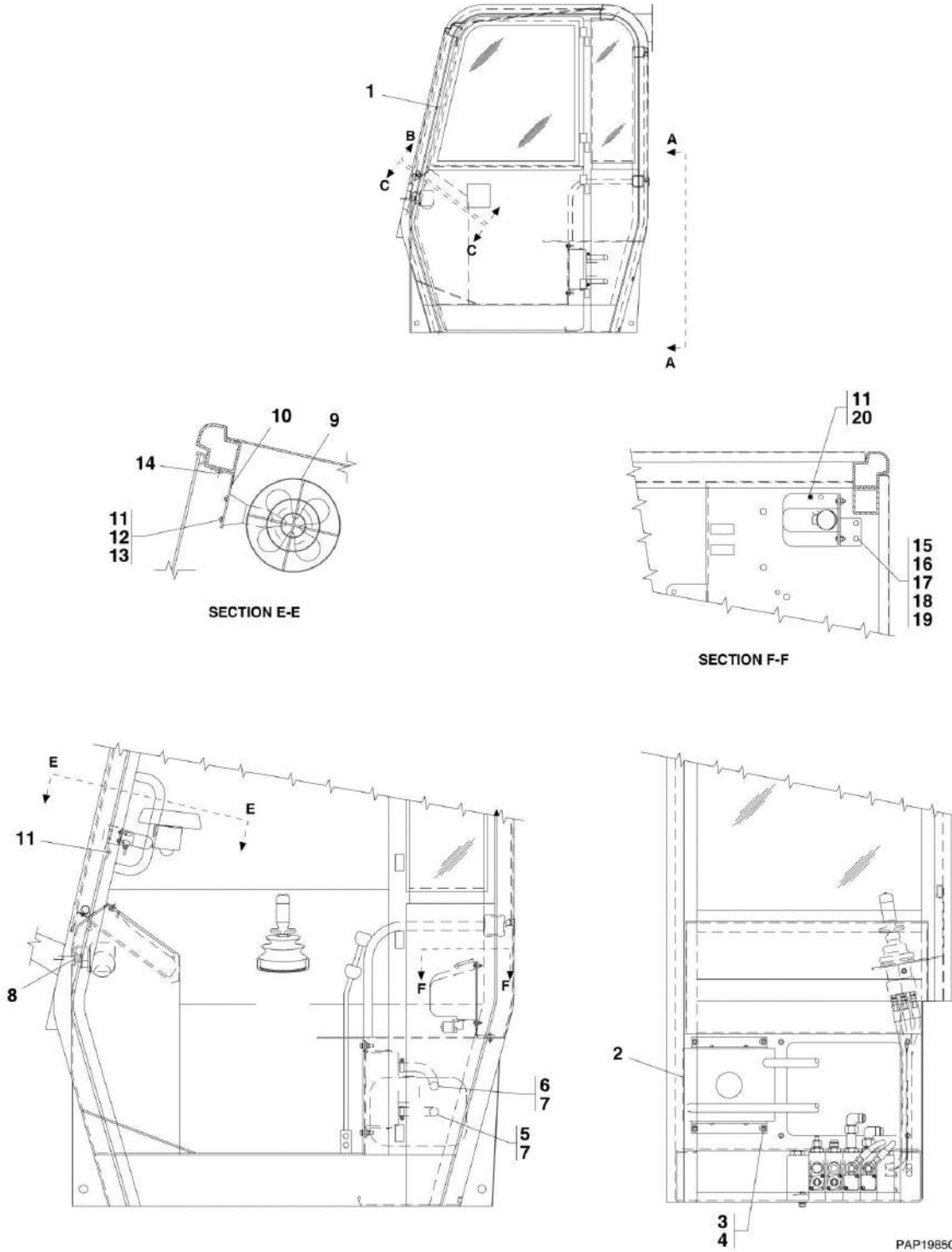
**FIGURE 6-3. CAB ENCLOSURE KIT INSTALLATION (534D-9 SN 0544001 through 0160000853, Excluding 0160000700; 534D-10 SN 0366001 through 0160000974)**

ITEM	PART NUMBER	QTY	DESCRIPTION	REV
	91345003	1	CAB ENCLOSURE KIT INSTALLATION, (includes all item)	
1	91143267	1	CAB ENCLOSURE KIT, (not shown), (See CAB ENCLOSURE KIT for Breakdown)	
2	91081499	1	MOUNTING ANGLE	
3	90200680	1	FAN	
4	88211030	4	HEX SOCKET HD CAPSCREW, #10-24X3/4, GR8	
5	77143017	4	WHIZ-LOCKNUT, #10-24	
6	90029955	3	RUBBER MOUNT	
7	88501004	6	HEX NUT, 1/4-20	
8	88561009	6	LOCKWASHER, 1/4	
9	88201003	6	HEX HD CAPSCREW, 1/4-20X3/4, GR5	
10	91146099	1	BOTTLE MOUNTING BRACKET	
11	83683085	1	WASHER BOTTLE	
12	86683480	1	BUTT CONNECTOR	
13	90206169	1	HEATER HOSE	
14	86683193	2	HOSE CLAMP	
15	91141459	1	HEATER HOSE	
16	91125106	1	HEATER ASSY, (includes eight items below)	
16	91043429	1	HEATER	
16	70022026	1	HEATER FAN, 7 INCH	
16	82033996	6 in	FLEX LOOM	
16	80963057	1	TOWER	
16	80963068	2	FEMALE PIN TERMINAL	
16	80963067	2	CABLE SEALS	
16	88201003	4	HEX HD CAPSCREW, 1/4-20X3/4, GR5	
16	88551009	4	LOCKWASHER, 1/4	
16	91031521	2	HEATER MOUNTING BRACKET	
17	77143006	4	WHIZ-LOCKNUT	
18	77163102	1	INSUL. FEMALE SPADE, 16-14 GA	
19	77143004	4	WHIZ-LOCK SCREW	
20	90027319	2	SELF-TAPPING SCREW, 1/4-20X1	
21	91083155	1	TRUCK VALVE, (qty of two needed for use on the 534D-9)	
22	77383540	1	COOLANT RESTRICTOR ORIFICE	
23	86683193	2	CLAMP	
24	88712034	1	STREET ELBOW, 45, 1/2	
25	88711383	1	PIPE BUSHING, 1/2X3/8	
26	24641328	1	SHUT OFF VALVE	
27	80963101	1	WIPER AND WASHER SWITCH	
28	91143333	1	WIPER-WASHER-HEATER HARNESS	
29	77383744	1	HEATER SWITCH	
30	77383470	1	BOOT	
31	91143361	1	HEATER DECAL	
32	91143335	1	WIPER-HEATER OPTION HARNESS	
33	91123182	1	HEATER HARNESS	
34	91361018	1	JUMPER WIRE	
35	77363268	2	15-AMP FUSE	



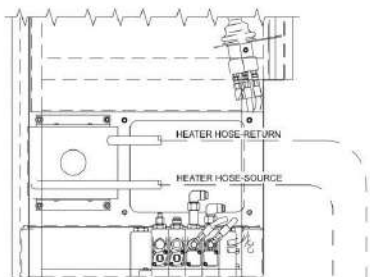
# SECTION 6 - CAB

**FIGURE 6-4. CAB ENCLOSURE KIT INSTALLATION (534D-9 SN 0160001051 through 0160012394, Including 0160000700, Excluding 0160012112; 543D-10 SN 0160000978 through 0160012392, Excluding 0160012289)**

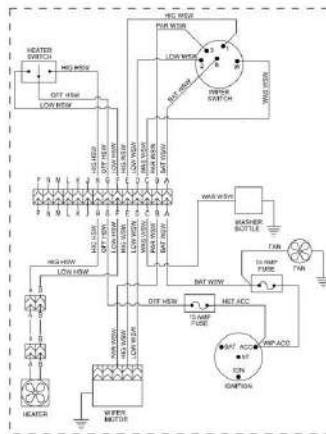
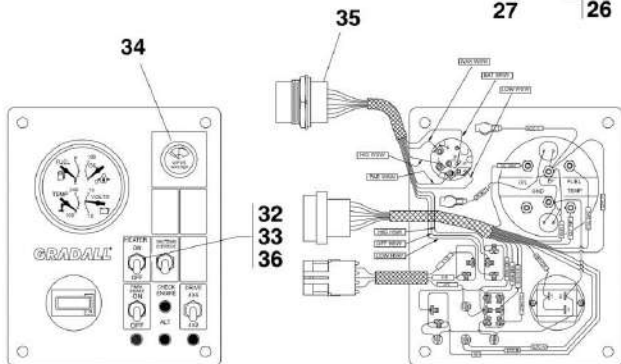
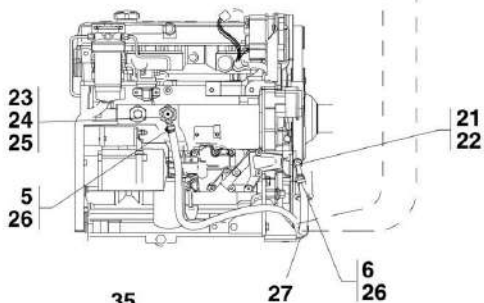




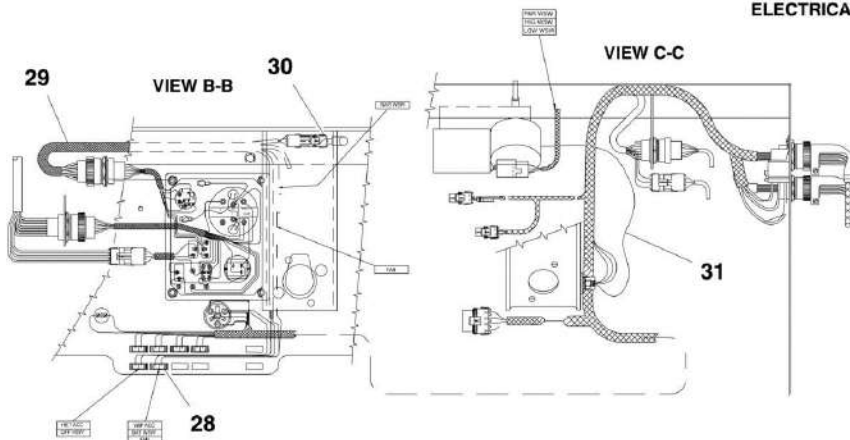
# SECTION 6 - CAB



VIEW A-A



ELECTRICAL SCHEMATIC



## SECTION 6 - CAB

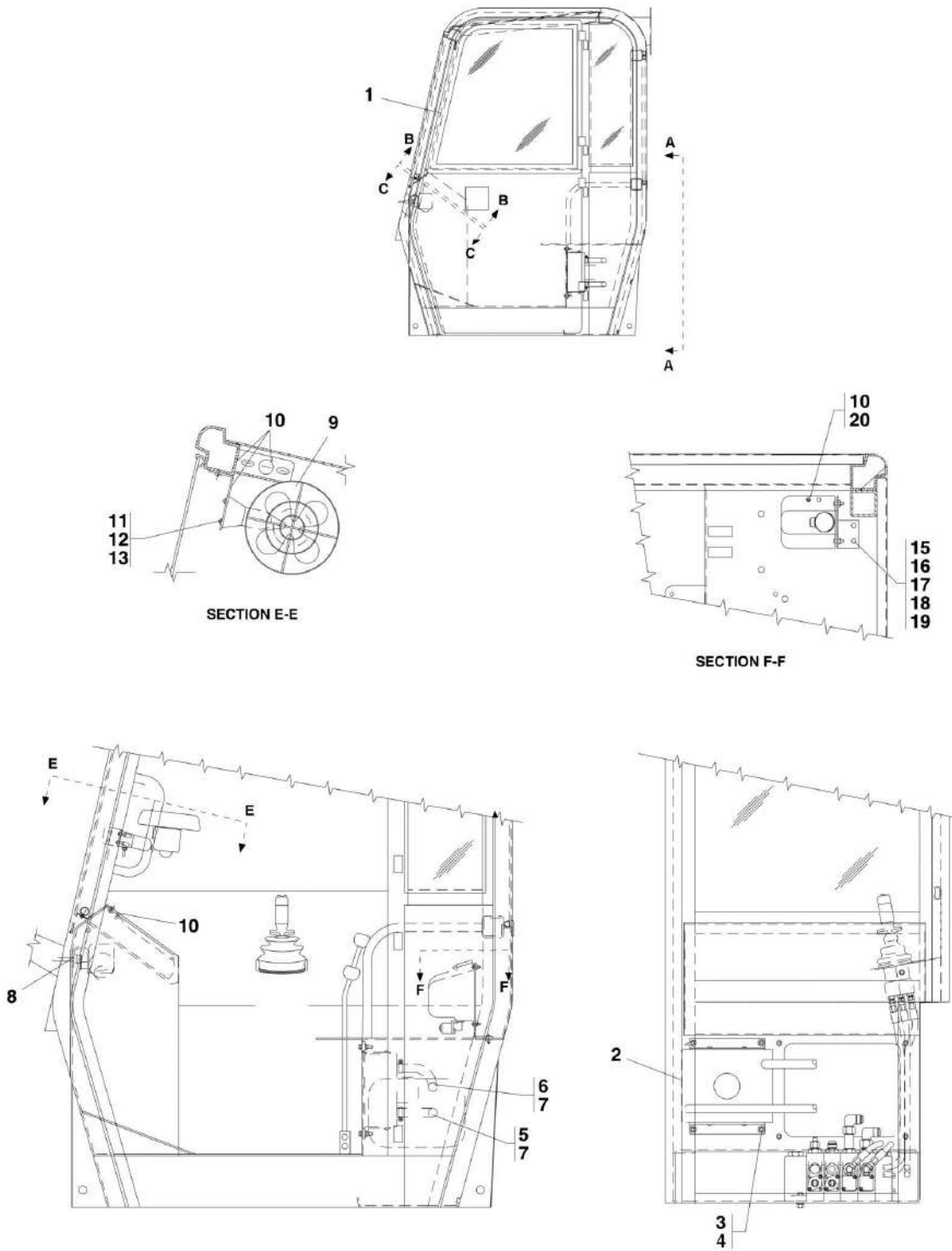
**FIGURE 6-4. CAB ENCLOSURE KIT INSTALLATION (534D-9 SN 0160001051 through 0160012394, Including 0160000700, Excluding 0160012112; 543D-10 SN 0160000978 through 0160012392, Excluding 0160012289)**

ITEM	PART NUMBER	QTY	DESCRIPTION	REV
	91535014	1	CAB ENCLOSURE KIT INSTALLATION, (includes all items)	
1		Ref	CAB ENCLOSURE KIT, (See CAB ENCLOSURE KIT for Breakdown)	
2	91125106	1	HEATER ASSY, (includes eight items below)	
2	91043429	1	HEATER	
2	70022026	1	HEATER FAN, 7 INCH	
2	82033996	6	FLEX LOOM	
2	80963057	1	TOWER	
2	80963068	2	FEMALE PIN TERMINAL	
2	80963067	2	CABLE SEALS	
2	91031521	2	HEATER MOUNTING BRACKET	
2	88201003	4	HEX HD CAPSCREW, 1/4-20X3/4	
2	88551009	4	LOCKWASHER, 1/4	
3	77143004	4	WHIZ-LOCK SCREW	
4	77143006	4	WHIZ-LOCKNUT	
5	90206169	1	HEATER HOSE	
6	91141459	1	HEATER HOSE	
7	86683193	2	HOSE CLAMP	
8	86683480	1	BUTT CONNECTOR	
9	90200680	1	FAN	
10	91081499	1	MOUNTING ANGLE	
11	90029955	3	RUBBER GROMMET	
12	88211030	4	HEX HD SCREW, #10-24X3/4	
13	77143017	4	WHIX LOCKNUT, #10-24	
14	90027319	2	SELF TAPPING SCREW, 1/4-20X1	
15	83683085	1	WASHER BOTTLE ASSY	
16	91146099	1	BOTTLE MOUNTING BRACKET	
17	88201003	6	HEX HD CAP-SCREW, 1/4-20X3/4	
18	88561009	6	LOCKWASHER, 1/4	
19	88501004	6	HEX NUT, 1/4-20	
20	77163102	1	INSUL. FEMALE SPADE, 16-14 GA	
21	80683073	1	FITTING ADAPTER	
22	91403443	1	BARB FITTING, 90	
23	80373046	1	FITTING	
24	77383540	1	COOLANT RESTRICTOR ORIFICE	
25	91083155	1	TRUCK VALVE	
26	86671187	2	HEATER HOSE CLAMP	
27	85941018	1	SUPPORT CLAMP	
28	77363268	2	15 AMP FUSE	
29	91143335	1	WIPER-HEATER OPTION HARNESS	
30	91123182	1	HEATER HARNESS	
31	91361018	1	JUMPER WIRE	
32	77383744	1	HEATER SWITCH	
33	77383470	1	BOOT	
34	80963101	1	WIPER AND WASHER SWITCH	
35	91143333	1	WIPER-WASHER-HEATER HARNESS	
36	91143361	1	HEATER DECAL	

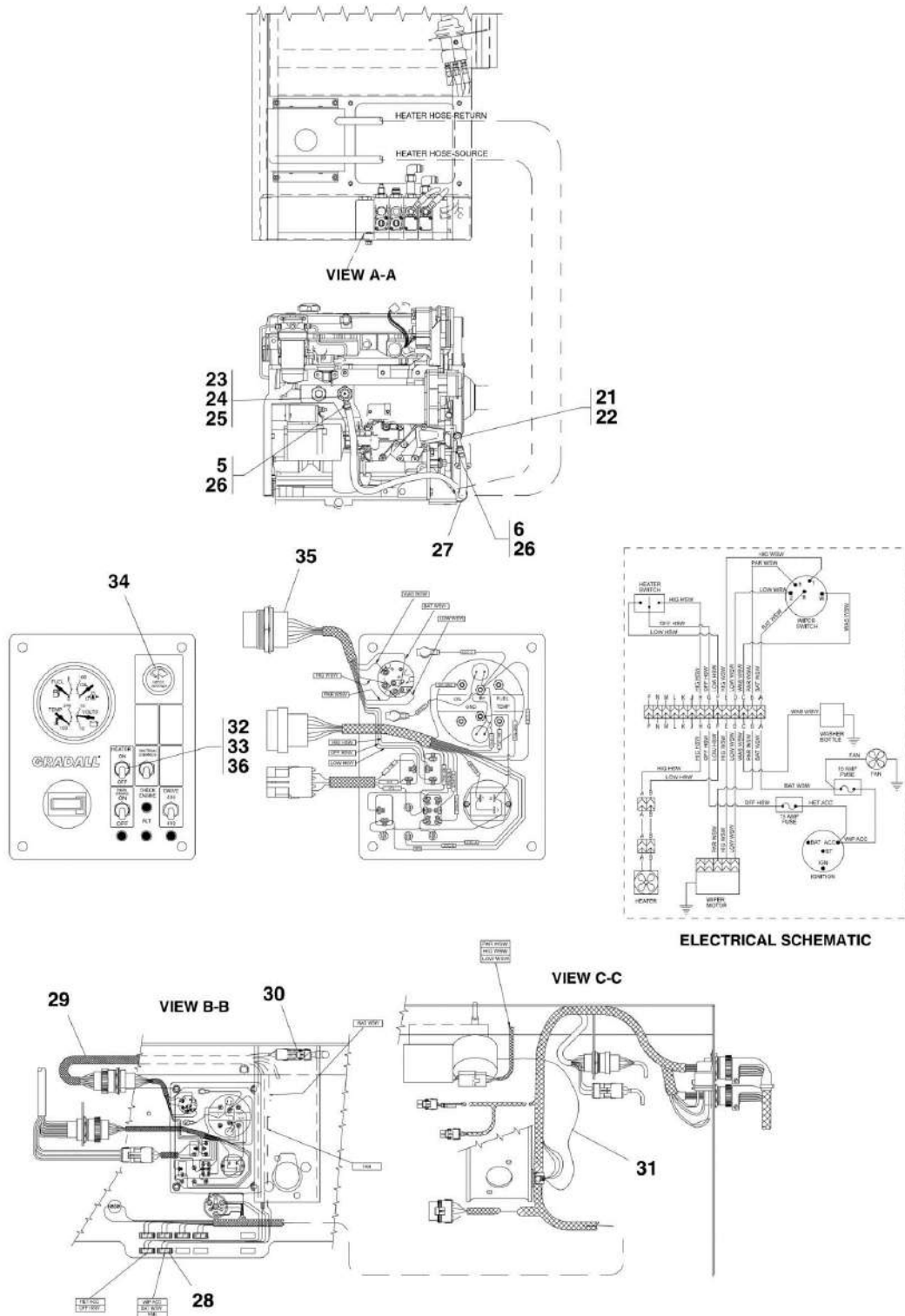


# SECTION 6 - CAB

**FIGURE 6-5. CAB ENCLOSURE KIT INSTALLATION (534D-9 SN 0160012443 to Present, Including 0160012112; 534D-10 SN 0160012392 to Present, Including 0160012289)**



# SECTION 6 - CAB



## SECTION 6 - CAB

**FIGURE 6-5. CAB ENCLOSURE KIT INSTALLATION (534D-9 SN 0160012443 to Present, Including 0160012112; 534D-10 SN 0160012392 to Present, Including 0160012289)**

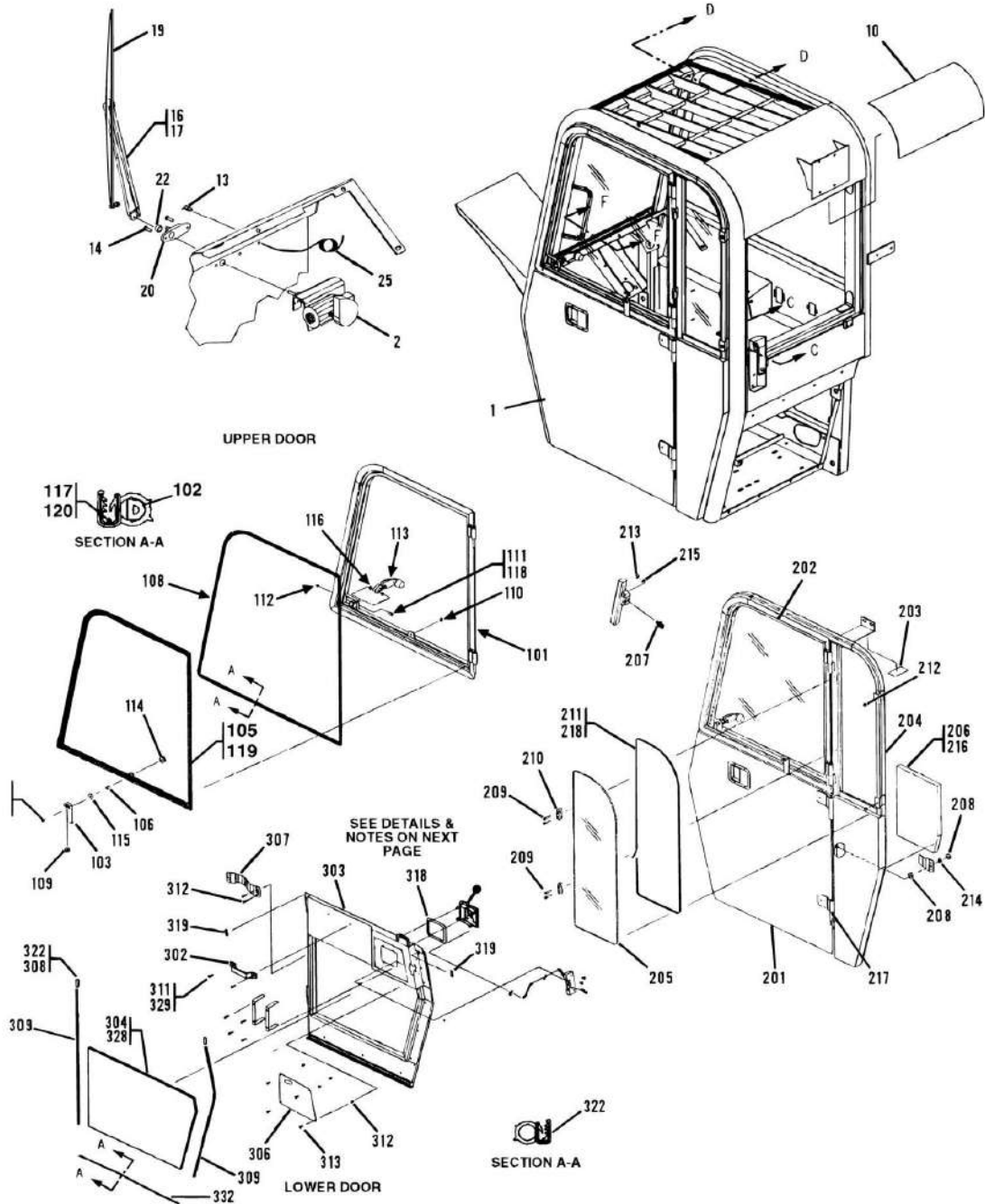
ITEM	PART NUMBER	QTY	DESCRIPTION	REV
	0274497	1	CAB ENCLOSURE KIT INSTALLATION, , (includes all items) <b>(534D-9 Prior to SN 0160035983, Excluding 0160034957; 534D-10 Prior to SN 0160035696)</b>	D
	1001115867	1	CAB ENCLOSURE KIT INSTALLATION, , (includes all items except 21 thru 27) <b>(534D-9 SN 0160035983 to Present, Including 0160034957; 534D-10 SN 0160035696 to Present)</b>	A
1		Ref	CAB ENCLOSURE KIT, (See CAB ENCLOSURE KIT for Breakdown)	
2	91125106	1	HEATER ASSY, (includes eight items below)	
2	91043429	1	HEATER	
2	70022026	1	HEATER FAN, 7 INCH	
2	82033996	6	FLEX LOOM	
2	80963057	1	TOWER	
2	80963068	2	FEMALE PIN TERMINAL	
2	80963067	2	CABLE SEALS	
2	91031521	2	HEATER MOUNTING BRACKET	
2	88201003	4	HEX HD CAPSCREW, 1/4-20X3/4, GR5	
2	88551009	4	LOCKWASHER, 1/4	
3	77143004	4	WHIZ-LOCK SCREW	
4	77143006	4	WHIZ-LOCKNUT	
5	90206169	1	HEATER HOSE	
6	91141459	1	HEATER HOSE	
7	86683193	2	HOSE CLAMP	
8	86683480	1	BUTT CONNECTOR	
9	90200680	1	FAN	
10	90027214	6	RUBBER GROMMET	
12	88211030	4	SOCKET HD CAPSCREW, #10-24X3/4, GR8	
13	77143017	4	WHIX LOCKNUT, #10-24	
15	83683085	1	WASHER BOTTLE, <b>(534D-9 Prior to SN 0160035983, Excluding 0160034957; 534D-10 Prior to SN 0160035696)</b>	
15	1001111112	1	WASHER BOTTLE <b>(534D-9 SN 0160035983 to Present, Including 0160034957; 534D-10 SN 0160035696 to Present)</b>	
16	91146099	1	BOTTLE MOUNTING BRACKET	
17	88201003	6	HEX HD CAPSCREW, 1/4-20X3/4, GR5	
18	88561009	6	LOCKWASHER, 1/4	
19	88501004	6	HEX NUT, 1/4-20	
20	77163102	1	INSULATION FEMALE SPADE, 16-14 GA	
21	80683073	1	FITTING ADAPTER	
22	91403443	1	BARB FITTING, 90	
23	80373046	1	FITTING	
24	77383540	1	COOLANT RESTRICTOR ORIFICE	
25	91083155	1	TRUCK VALVE	
26	86671187	2	HEATER HOSE CLAMP	
27	85941018	1	SUPPORT CLAMP	
28	77363268	2	15 AMP FUSE	
29	91143335	1	WIPER-HEATER OPTION HARNESS	
30	91123182	1	HEATER HARNESS	
31	91361018	1	JUMPER WIRE	
32	77383744	1	HEATER SWITCH	

## SECTION 6 - CAB

ITEM	PART NUMBER	QTY	DESCRIPTION	REV
33	77383470	1	BOOT	
34	80963101	1	WIPER AND WASHER SWITCH	
35	91143333	1	WIPER-WASHER-HEATER HARNESS	
36	91143361	1	HEATER DECAL	

# SECTION 6 - CAB

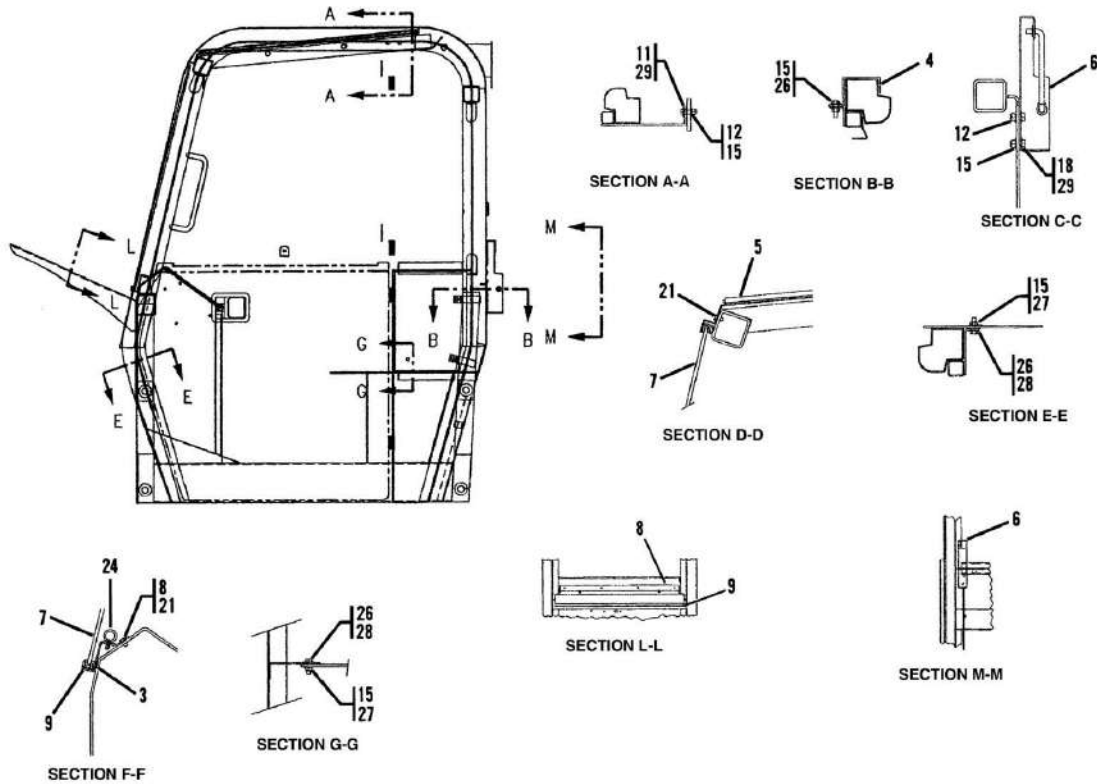
**FIGURE 6-6. CAB ENCLOSURE KIT (534D-9 SN 0544001 through 0160012394, Excluding 0160012112; 534D-10 SN 0366001 through 0160012392, Excluding 0160012289)**



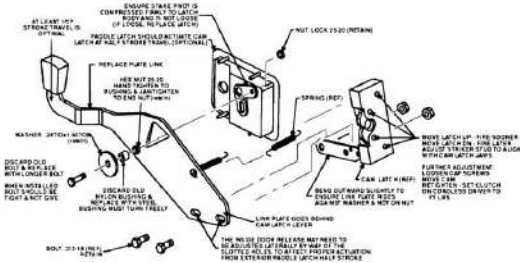
PAP19690



# SECTION 6 - CAB



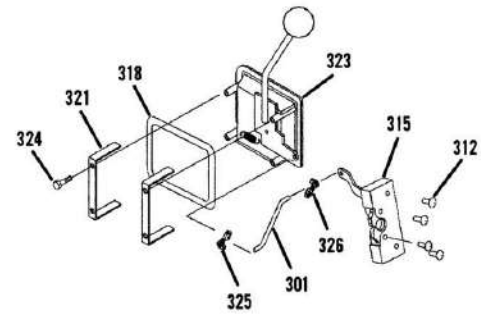
**91343056  
INSIDE & OUTSIDE LATCH KIT  
USED IN CAB ENCLOSURE KITS PRIOR TO ANGUS-PALM  
SN T2702A & ENCLOSED CABS PRIOR TO SN T2705D.**



**NOTES:**

1. REMOVE DOOR STIFFENER COVER & MOUNTING HARDWARE.
2. REMOVE INSIDE DOOR RELEASE MOUNTING HARDWARE. INCLUDING (1) .25-20X1.00 SCREW, (1) .28 ID X 1.00 OD WASHER, (1) NYLON BUSHING, (2) 312-18 LOCKNUT, (1) PLATE, DOOR LINK, & (1) 25-20 LOCKNUT.
3. INSTALL NEW INSIDE DOOR RELEASE HARDWARE AS SHOWN.
4. REVERSE SPRING ATTACHMENT AS SHOWN.
5. REPLACE DOOR STIFFENER COVER & HARDWARE.

**PADDLE LATCH INSTALLATION  
USED ON CAB ENCLOSURE KITS WITH  
ANGUS-PALM STARTING SN T2702A &  
ENCLOSED CABS STARTING SN T2705D**



**NOTE:**

IF YOUR CAB ENCLOSURE CONTAINS THE LATCH ASSEMBLY, (SHOWN LEFT), IT IS RECOMMENDED TO UPDATE TO CURRENT STYLE, (SHOWN BELOW), BY ORDERING LATCH RETRO FIT KIT, 91144469, (SEE PARTS LIST FOR DETAILS).

PAP19860

## SECTION 6 - CAB

**FIGURE 6-6. CAB ENCLOSURE KIT (534D-9 SN 0544001 through 0160012394, Excluding 0160012112; 534D-10 SN 0366001 through 0160012392, Excluding 0160012289)**

ITEM	PART NUMBER	QTY	DESCRIPTION	REV
	91143267	1	CAB ENCLOSURE KIT, (includes all items)	G
1	91334007	1	LH SIDE ASSY, (includes items 201 thru 218)	
2	91334008	1	WIPER MOTOR ASSY, (includes four items below)	
2	80384204	1	WIPER MOTOR, WWJ, 12V	
2	91144476	1	DRIVE ARM, 0.950IN LONG	
2	91144477	1	CONNECTING LINK	
2	91144478	1	SHAFT AND PIVOT ASSY	
3	91334009	2.25 ft	FOAM, .125X.75	
4	91334010	2	BRACKET, REAR LH PANEL CLAMP	
5	91363019	1	SKYLIGHT ASSY	
5	91164102	1	SKYLIGHT WINDOW, 6.4 (0.25), THICK STD LT GREEN TINT	
6	91334012	1	HOLD-OPEN BRACKET ASSY, (includes five items below)	
6	91344029	1	DOOR HOLD-OPEN ROD	
6	91344028	1	DOOR HOLD-OPEN BRACKET WELDMENT	
6	80264061	1	FLAT WASHER	
6	91344030		COTTER PIN, 1/8X.75	
6	91344019		GROMMET, .375X.875, .625 HOLE	
7	91334013	1	FRONT WINDOW ASSY, (includes three items below)	
7	91164099	1	FRONT WINDOW	
7	91344031	11 ft	SEAL, BULB, 90, 1/4 LIP	
7	91344006	1	EMERGENCY EXIT TAG	
8	91334014	1	ANGLE, FRONT WINDOW	
9	91334015	1	FRONT WINDOW BRACKET	
10	91334016	1	HEAD LINER FOAM	
11	91334017	2	HEX BOLT, .375-16X1.25, GR5	
12	91334018	4	LOCKNUT, .375-16	
13	1001081310	1	WET ARM ADAPTOR	
14	80384207	2	HEX SCREW, .25-28X.75, GR5	
15	91334021	11	SPRING WASHER, .402X.798 X.06T	
16	1001081311	1	WIPER ARM KIT	
17	1001081308	1	WIPER ARM	
18	91334024	2	HEX BOLT, .375-16X.875	
19	1001081309	1	24IN WIPER BLADE, FLEX	
20	1001081307	1	WIPER ARM ADAPTOR	
21	80264066	8	SCREW, M6 x 1.0X12	
22	91334135	1	SPACER	
24	91334028	2	DETENT RING PIN, .25	
25	91484020	10 ft	WASHER HOSE, .156X.344	
26	91334030	7	HEX BOLT, .312-18X1.00, GR5	
27	91334032	5	HEX NUT, .312-18, GR8	
28	91334032	8	FLAT WASHER, .313X.75X.06T	
29	91334033	6	FLAT WASHER, .375X.88X.07T	
30	91334034	2	BLACK URETHANE	
101	91344012	1	UPPER DOOR ASSY	
102	91344014	0.17 ft	FOAM, .438X.375	
103	91344016	1	DOOR HOLD-OPEN ANGLE	
105	91164100	1	UPPER DOOR GLASS	
106	91344015	1	BUSHING	

**SECTION 6 - CAB**

ITEM	PART NUMBER	QTY	DESCRIPTION	REV
108	91484024	10.5 ft	BULB SEAL, 90	
109	91344019	1	GROMMET, .375X.875, .625 HOLE	
110	80264078	1	LOCKNUT, .25-20	
111	91344017	2	SCREW, .25-20X1.25	
112	91344020	1	NUT, .25-20	
113	91344013	1	DOOR LATCH ASSY	
114	8035477	1	GROMMET, .51X1.06, .81 HOLE	
115	80264082	1	FLAT WASHER, .281X1.005X.06	
116	8036678	2	WASHER, .26IDX.68ODX.06	
117	91334034	AR	BLACK URETHANE	
118	91344018	AR	LOCTITE	
119	91164089	AR	GLASS PREP, POWER BOND	
120	91344046	AR	SUPER WEATHER STRIP SEALANT	
201	91344011	1	LOWER DOOR ASSY, (includes items 301 thru 332)	
202	91344010	1	UPPER DOOR ASSY, (includes items 101 thru 120)	
203	91144435	1	SN TAG	
204	N.S.S.	1	LH SIDE FRAME WELDMENT	
205	91164101	1	LH SIDE WINDOW	
206	91344025	1	FOAM, LH SIDE PANEL	
207	1001109478	1	STRIKER BOLT, .438-14X1.50	
208	91334018	2	LOCKNUT, .375-16	
209	80264034	4	FLANGE SCREW, #10-32X1.50, FLANGE	
210	80264033	2	WINDOW CLIP, BLACK	
211	91344031	7.5 ft	BULB SEAL, 90, 1/4IN CLIP	
212	80364024	2	BUMPER, 5/8 ODX11/32	
213	80264062	1	HEX NUT, .438-14, GR8	
214	91334033	1	FLAT WASHER, .375X.88X.07T	
215	80264061	1	FLAT WASHER,.438X1.00X.07T	
216	91344026	AR	ADHESIVE	
217		Ref	GREASE, WHITE LITHIUM W/TEFLON	
218	91344046	AR	WEATHERSTRIP	
301	91484035	1	LINKAGE ROD	
302	91344032	1	INSIDE GRAB HANDLE	
303		Ref	LOWER DOOR WELDMENT	
304	91344047	1	LOWER DOOR FOAM	
306	91484031	1	STIFFENER COVER	
307	91344027	1	DOOR STRAP	
308	91344045	2	VINYL CAP	
309	91484024	6 ft	BULB SEAL, 90	
311	91164096	2	FLANGE SCREW, .25-20X.75	
312	80264074	10	SCREW, .25-20X.75	
313	8866334	4	RIVNUT, .25-20	
315	91484036	1	CAM LATCH	
318	91484029	1.5 ft	BULB SEAL	
319	Bulk	0.5 ft	FOAM, 3/16X5/8	
321	91484034	2	MOUNTING BRACKET	
322	91344046	AR	SEALANT/ADHESIVE	
323	91484028	1	PADDLE LATCH	
324	80384191	4	10-24X.5 SCREW	
325	80384187	1	ROD RETAINER CLIP	
326	80384185	1	ROD RETAINER CLIP	

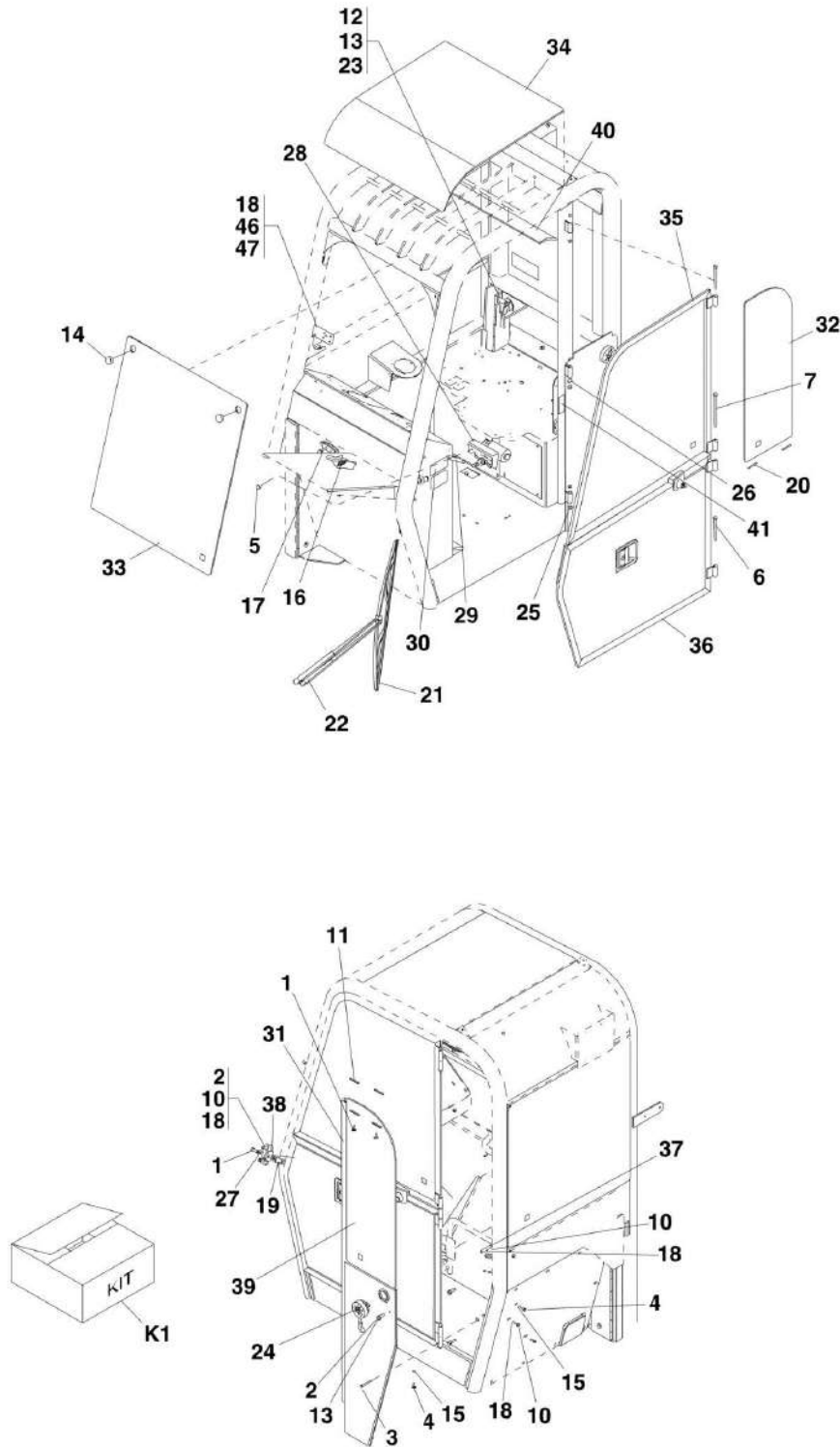
## SECTION 6 - CAB

ITEM	PART NUMBER	QTY	DESCRIPTION	REV
328	91344026	AR	ADHESIVE	
329	91344018	AR	LOCTITE	
332	80264091	2.5 ft	BULB SEAL, 90	



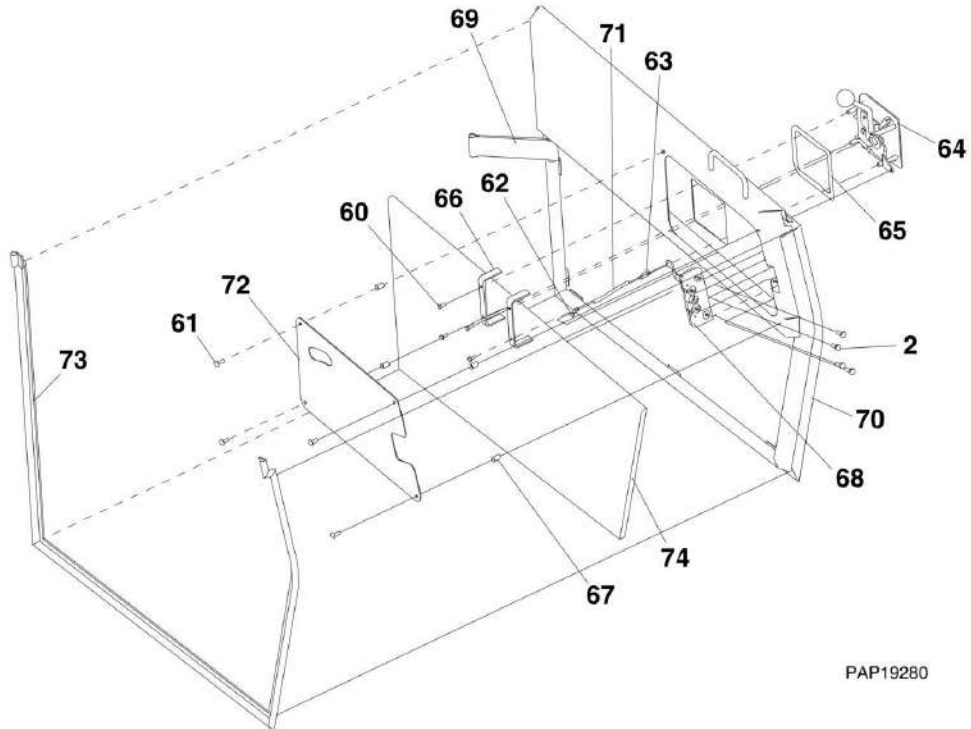
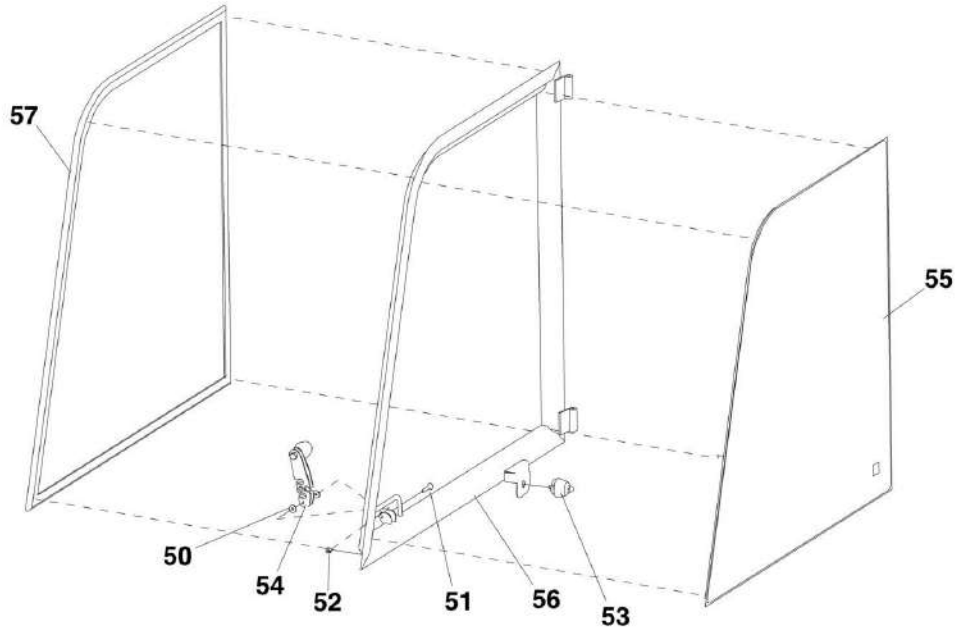
# SECTION 6 - CAB

**FIGURE 6-7. CAB ENCLOSURE KIT (534D-9 SN 0160012443 to Present, Including 0160012112; 534D-10 SN 0160012446 to Present, Including 0160012289)**



PAP19270

SECTION 6 - CAB



PAP19280

## SECTION 6 - CAB

**FIGURE 6-7. CAB ENCLOSURE KIT (534D-9 SN 0160012443 to Present, Including 0160012112; 534D-10 SN 0160012446 to Present, Including 0160012289)**

ITEM	PART NUMBER	QTY	DESCRIPTION	REV
	2915038	1	CAB ENCLOSURE KIT, (includes all items)	B
1	8033866	3	HEX HD BOLT, .38-16X3/4, GR8	
2	83201154	8	HEX HD BOLT, 1/4-20X3/4, GR8	
3	7028943	1	HEX HD BOLT, 1/4-20X2-1/2, GR8	
4	83201111	3	HEX HD BOLT, .31-18X1-1/2, GR8	
5	8036669	2	HEX HD BOLT, 1/4-28X1, GR4	
6	83201073	2	HEX HD BOLT, .38-16X4-1/2	
7	91404305	1	HEX HD BOLT, .38-16X6-1/2	
10	10701200	5	HEX NUT, 1/4-20, GR8	
11	88561003	4	FLAT WASHER, 3/8	
12	91404298	3	POP RIVET, 1/8	
13	8035642	3	PLAIN WASHER, .270	
14	91404296	2	ROUND PLUG, 1-1/4	
15	7028944	3	FLAT WASHER, .320	
16	1001081310	1	ADAPTOR, WET ARM	
17	8034815	1	PANTOGRAPHIC MOUNT PLATE	
18	80364063	9	FLAT WASHER, 9/32, GR8	
19	80364023	1	STRIKER BOLT, 3/8-16	
20	80264031	2	SETTING BLOCK, 1/8X1/4X2	
21	1001081309	1	WIPER BLADE, 24IN	
22	8035393	1	WIPER ARM, 24IN PANT	
23	91404301	1	EMERGENCY EXIT HAMMER W/CABLE	
24	91404303	1	DOOR HOLD-OPEN, FEMALE	
25	91404306	3	HEX NUT, .38-16	
26	7028945	4	4 FLAT WASHER, .400	
27	91404297	2	FLAT WASHER, .406	
28	8036670	1	FRONT WIPER MOTOR ASSY	
29	1001081306	1	FRONT WIPER SPACER	
30	7028946	1	SN TAG	
31	7028947	1	WELDMENT, LH SIDE	
32	7028948	1	GLASS, LH SIDE	
33	7028949	1	GLASS, FRONT	
34	7028950	1	SKYLIGHT CURVED GLASS	
35	7028951	1	UPPER DOOR ASSY, (includes items 50 thru 57, 80 & 81)	
36	7028952	1	LOWER DOOR ASSY, (includes items 2, 60 thru 74, 77 & 81)	
37	7028953	1	REAR STRAP	
38	7028954	1	STRIKER BOLT MOUNTING BRACKET	
39	7028955	1	FOAM, LH	
40	7028956	1	FOAM, ROOF	
41	7028957	1	SN TAG	
46	3900022	2	SELF DRILLING SCREW, 1/4X3/4	
47	7029209	1	FAN BRACKET WELDMENT	
50	8036678	2	FLAT WASHER, .260	
51	91344017	1	TORX BOLT, 1/4-20X1-1/4, GR5	
52	91344020	1	HEX NUT, 1/4X20, GR5	
53	91474492	1	DOOR HOLD-OPEN, MALE	
54	91344013	1	DOOR LATCH ASSY	
55	7028958	1	DOOR GLASS, UPPER	



**SECTION 6 - CAB**

ITEM	PART NUMBER	QTY	DESCRIPTION	REV
56		Ref	UPPER DOOR WELDMENT	
57	7028959	1	UPPER DOOR SEAL	
60	80384191	4	SCREW, #10-24X1/2, GR5	
61	91344043	4	TORX BOLT, 1/4-20X.62, GR5	
62	80384187	1	ROD END RETAINER CLIP	
63	80384185	1	ROD END RETAINER CLIP	
64	91484028	1	LATCH, LH	
65	91484029	1	GASKET, PADDLE LATCH	
66	91484034	2	MOUNTING BRACKET	
67	8866334	4	ROUND RIVNUT, 1/4-20	
68	91484036	1	CAM LATCH, LH	
69	80384218	1	DOOR STRAP, 6.5IN C-C, 1.88 WIDE	
70		Ref	LOWER DOOR WELDMENT	
71	91484035		LATCH RELEASE ROD	
72	7028960	1	LATCH COVER PLATE	
73	7028961	1	LOWER DOOR SEAL	
74	7028962	1	DOOR FOAM	
75	80364009	AR	URETHANE, SIKA, (not shown)	
76	91404302	AR	ACTIVATOR, SIKA, (not shown)	
77	91344026	AR	ADHESIVE, 3M-90 HIGH STRENGTH, (not shown)	
78	80364012	AR	SEALANT, TRIPOLYMER CLEAR, (not shown)	
79		Ref	GREASE, WHITE LITHIUM W/TEFLON, (not shown)	
80	91344046	1	SEALANT, SUPER WEATHER STRIP, (not shown)	
81	91344018	1	LOCTITE, BLUE, (not shown)	
K1	8036668	1	FRONT WIPER SERVICE KIT, (includes items 5, 16, 17, 21, 22, 28 & 29)	

FIGURE 6-8. DASH PANEL ASSEMBLY

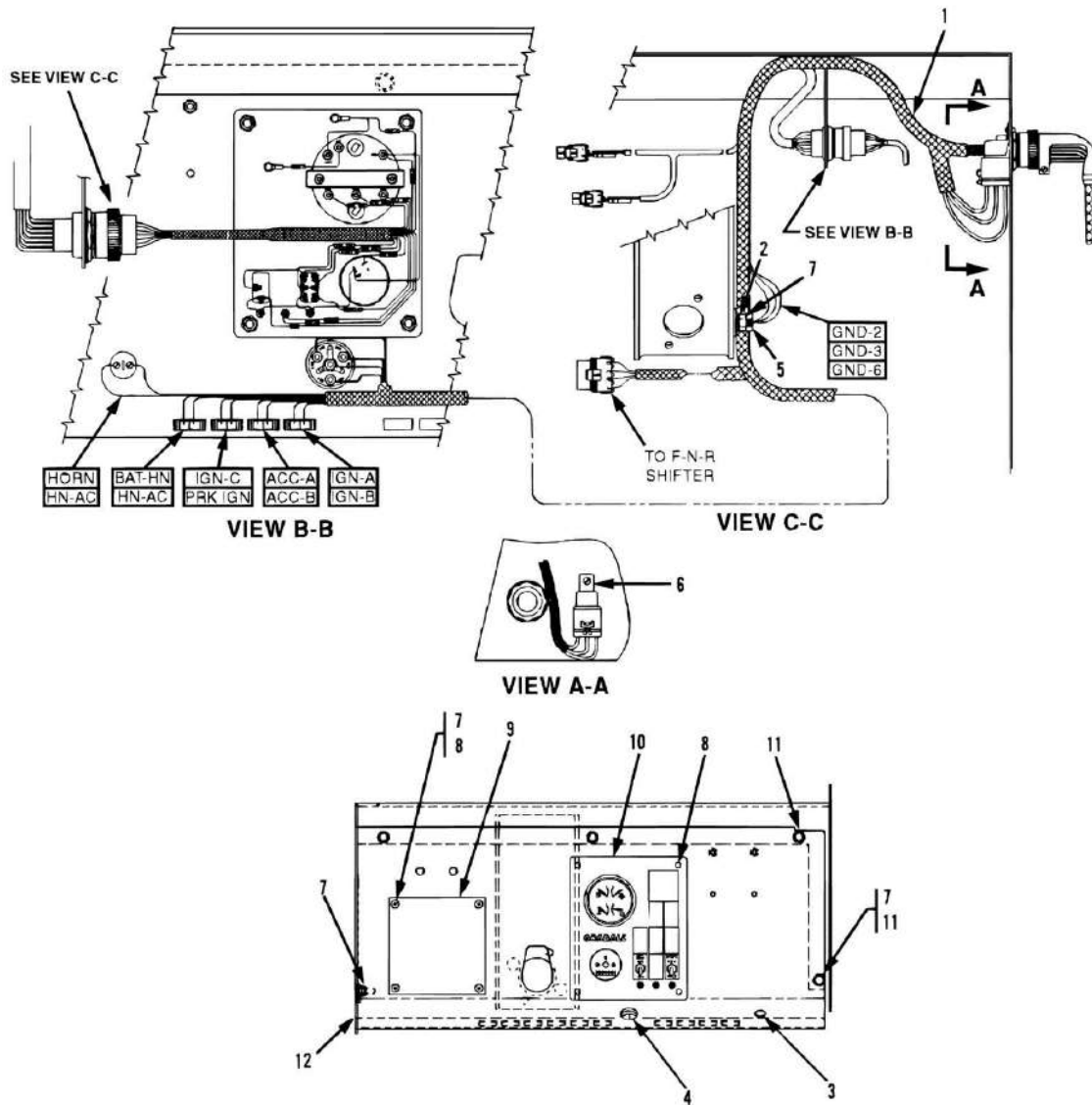
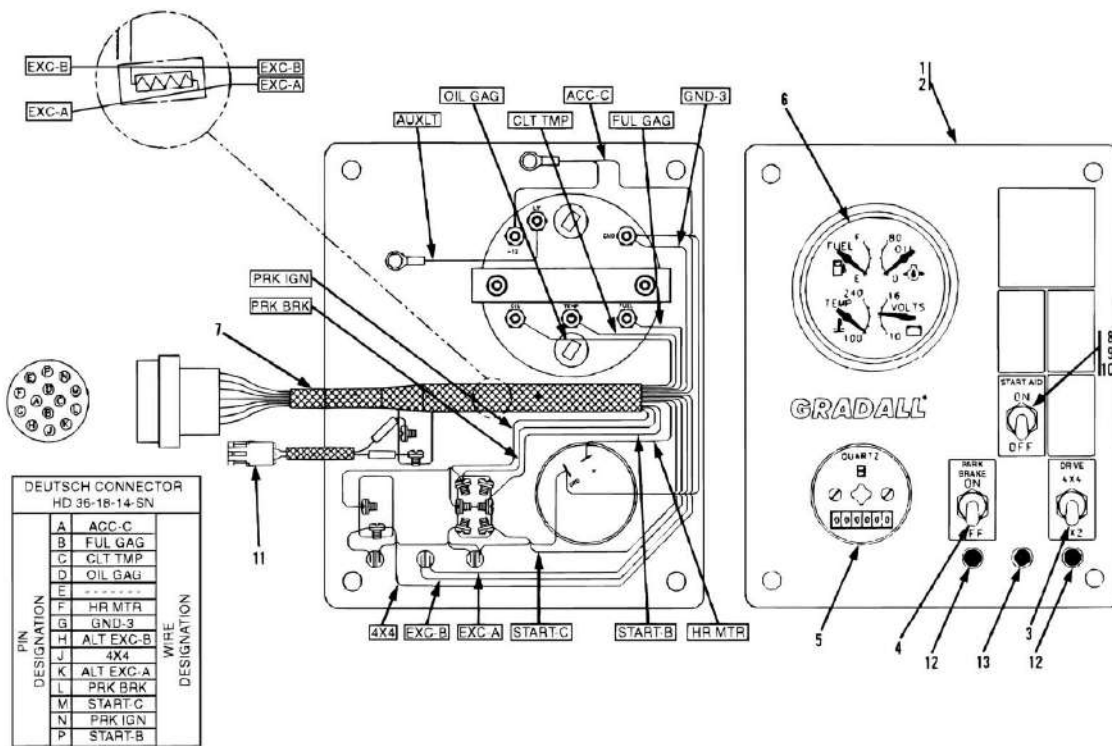


FIGURE 6-8. DASH PANEL ASSEMBLY

ITEM	PART NUMBER	QTY	DESCRIPTION	REV
1		Ref	DASH HARNESS ASSY, (See ELECTRICAL SECTION for Breakdown)	
2	88561003	1	FLAT WASHER, 1/2 (534D-9 SN 0544001 through 0160002222, Excluding 0160002147, 0160002148 and 0160002149; 534D-10 SN 0366001 through 0160002219)	
3	24771004	1	HORN BUTTON	
4	91033317	1	IGNITION SWITCH	
4	77384578	1	KEY	
5	24861170	1	CLAMP (534D-9 SN 0544001 through 0160012394, Excluding 0160012112; 534D-10 SN 0366001 through 0160012392, Excluding 0160012289)	
5	85941016	1	CLAMP (534D-9 SN 0160012443 to Present, Including 0160012112; 534D-10 SN 0160012446 to Present, Including 0160012289)	
6	88321029	1	SELF TAPPING SCREW, #10-24X3/8	
7	77143006	7	WHIZ-LOCK NUT, 5/16-18	
8	88261022	8	SOCKET BUTTON HD CAPSCREW, 5/16-18x3/4	
9	91141480	1	COVER, (534D-9 Prior to SN 0160027771; 534D-10 Prior to SN 0160027772)	
10		Ref	GAUGE PANEL ASSY, (See GAUGE PANEL ASSYSEMBLY for Breakdown)	
11	77143003	4	WHIZ-LOCK SCREW, 5/16-18X5/8	
12	91361008	1	DASH PANEL, (534D-9 SN 0544001 through 0160012394, Excluding 0160012112; 534D-10 SN 0366001 through 0160012392, Excluding 0160012289)	
12		Ref	DASH PANEL, (See OPEN CAB for Breakdown) (534D-9 SN 0160012443 to Present, Including 0160012112; 534D-10 SN 0160012446 to Present, Including 0160012289)	

# SECTION 6 - CAB

**FIGURE 6-9. GAUGE PANEL ASSEMBLY (534D-9 SN 0544001 through 016000853, Excluding 0160000700; 534D-10 SN 0366001 through 016000974)**



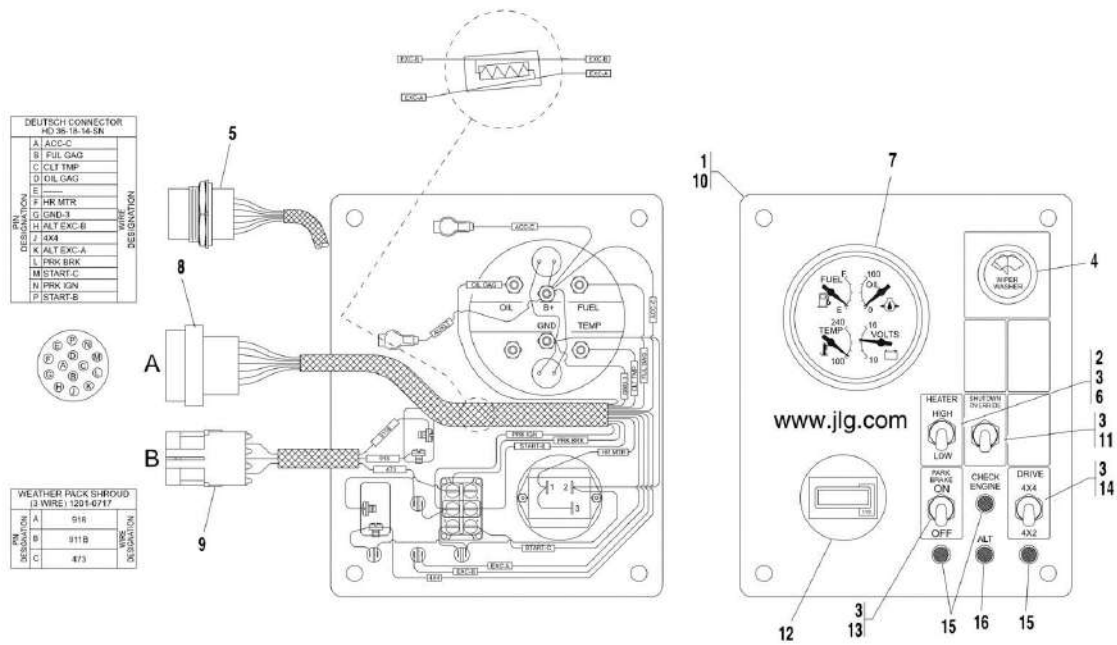
**SECTION 6 - CAB**

**FIGURE 6-9. GAUGE PANEL ASSEMBLY (534D-9 SN 0544001 through 0160000853, Excluding 0160000700; 534D-10 SN 0366001 through 0160000974)**

ITEM	PART NUMBER	QTY	DESCRIPTION	REV
	91365012	1	GAUGE PANEL ASSY, (includes all items)	
	91143331	1	GAUGE PANEL, (includes items 1 thru 7)	
1	91364004	1	PANEL ASSY, (includes front and back plates, acrylic lens and std labels)	
2	91364005	1	RUBBER BOOT	
3	77383467	1	TOGGLE SWITCH	
4	91143114	1	PARK BRAKE SWITCH	
5	91364006	1	HOURMETER	
6	91364007	1	4-IN-1 GAUGE, (oil, fuel, temp, volts)	
7	91364008	1	WIRE HARNESS	
8	91123181	1	TOGGLE SWITCH	
9	77383470	1	BOOT	
10	91123176	1	START AID DECAL	
11	91363034	1	START AID HARNESS	
12	91143128	2	AMBER INDICATOR LIGHT	
13	91143127	1	RED INDICATOR LIGHT	

# SECTION 6 - CAB

**FIGURE 6-10. GAUGE PANEL ASSEMBLY (534D-9 SN 0160001051 to Present, Including 0160000700; 534D-10 SN 0160000978 to Present)**



PAP19250

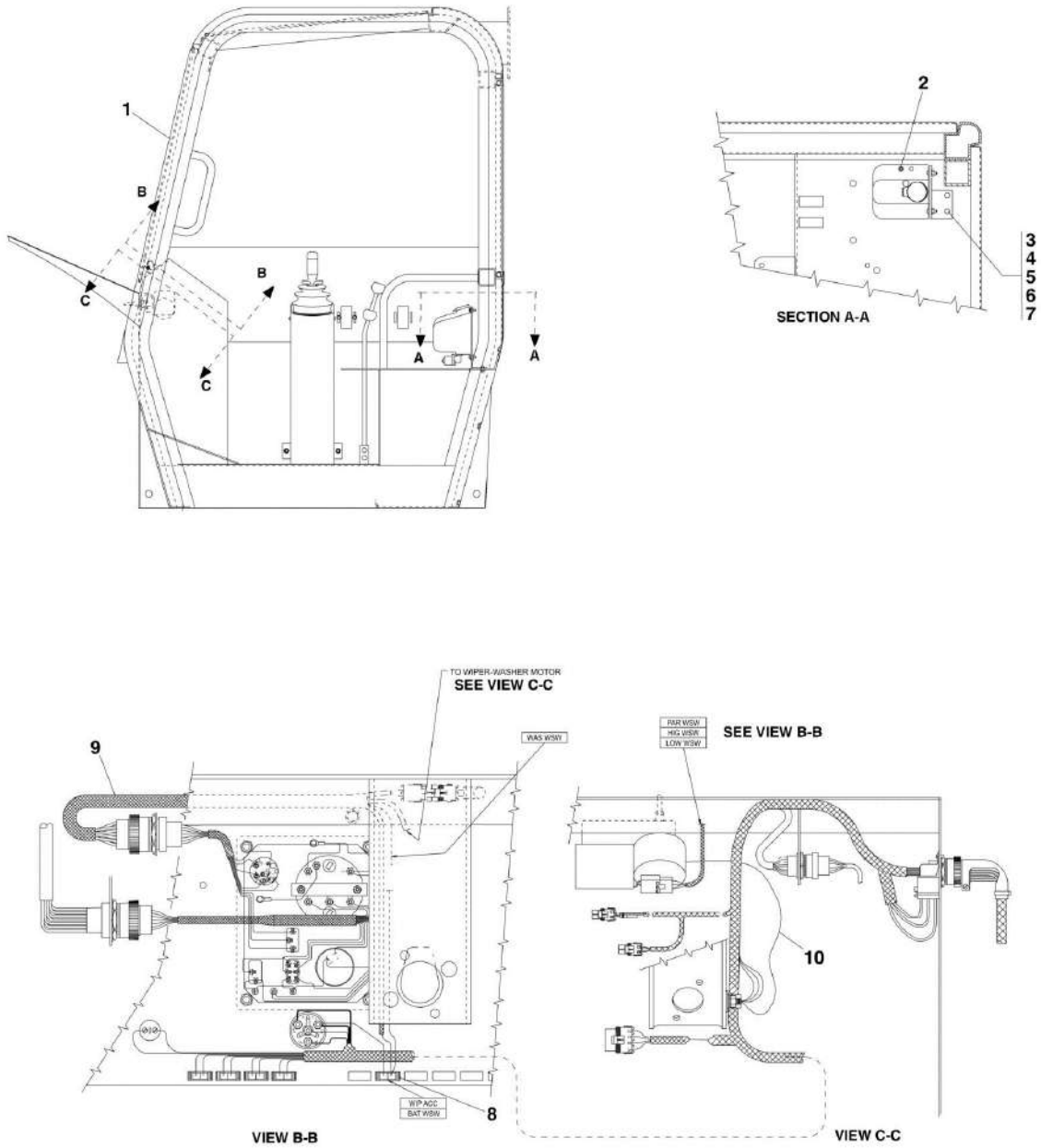
**SECTION 6 - CAB**

**FIGURE 6-10. GAUGE PANEL ASSEMBLY (534D-9 SN 0160001051 to Present, Including 0160000700; 534D-10 SN 0160000978 to Present)**

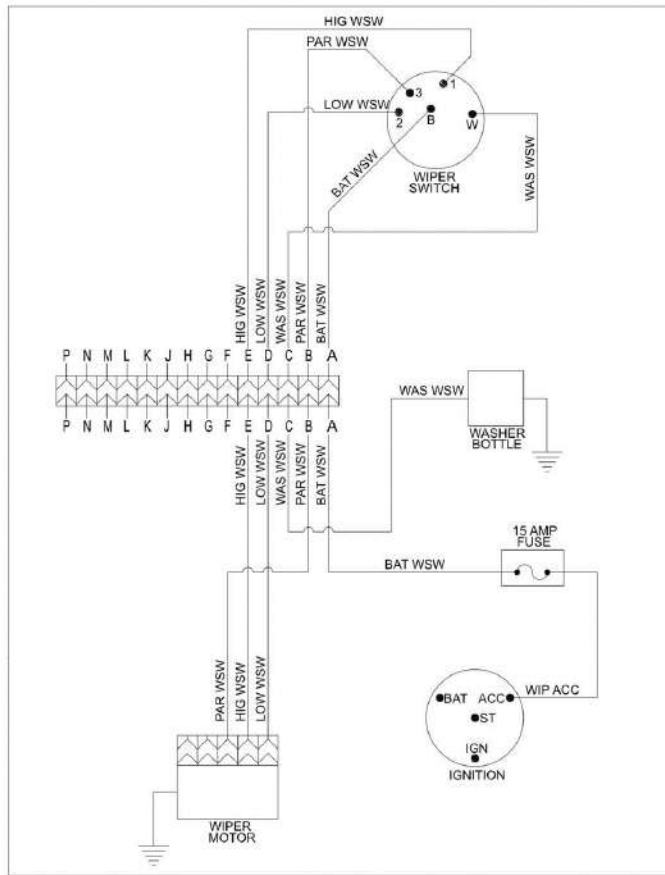
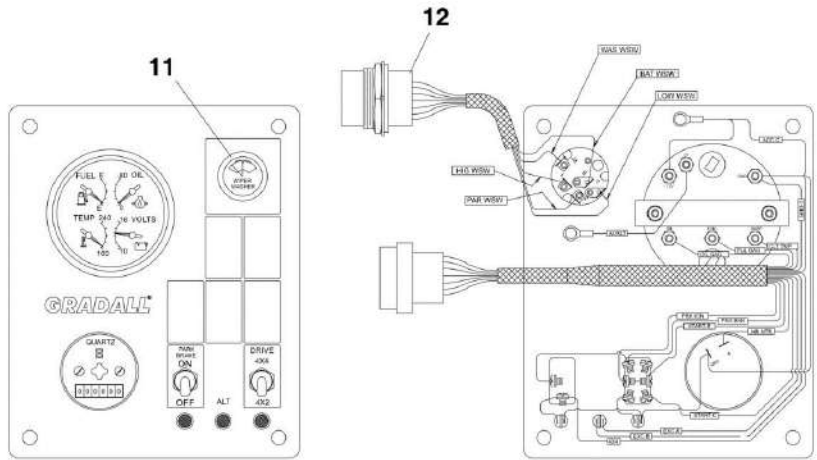
ITEM	PART NUMBER	QTY	DESCRIPTION	REV
	91555010	1	GAUGE PANEL ASSY, (includes all items) (534D-9 Prior to SN 0160035983, Excluding 0160034957; 534D-10 Prior to SN 0160035696)	B
	1001101492	1	GAUGE PANEL ASSY, , (includes all items) (534D-9 SN 0160035983 to Present, Including 0160034957; 534D-10 SN 0160035696 to Present)	C
	91553027	1	GAUGE PANEL, , (includes items 1, 7 thru 16 and three of item 3) (534D-9 Prior to SN 0160035983, Excluding 0160034957; 534D-10 Prior to SN 0160035696)	D
	1001095325	1	GAUGE PANEL, , (includes items 1, 7 thru 11, 12 thru 16 and three of item 3) (534D-9 SN 0160035983 to Present, Including 0160034957; 534D-10 SN 0160035696 to Present)	D
1	91554037	1	PANEL ASSY, (includes front and back plates, acrylic lens and std labels)	
2	77383744	1	HEATER SWITCH	
3	77383470	4	BOOT	
4	80963101	1	WIPER AND WASHER SWITCH	
5	91143333	1	WIPER-WASHER-HEATER HARNESS	
6	91143361	1	HEATER DECAL	
7	91554038	1	4-IN-1 GAUGE, (oil, fuel, temp, volts)	
8	91364008	1	WIRE HARNESS	
9	91553029	1	SHUTDOWN SWITCH HARNESS	
10	91364005	1	RUBBER BOOT	
11	91123181	1	TOGGLE SWITCH	
12	91144473	1	HOURMETER	
13	91343074	1	TOGGLE SWITCH	
14	77383467	1	TOGGLE SWITCH	
15	91143128	3	AMBER INDICATOR LIGHT	
16	91143127	1	RED INDICATOR LIGHT	

# SECTION 6 - CAB

## FIGURE 6-11. WINDSHIELD/TOP WINDOW KIT INSTALLATION







ELECTRICAL SCHEMATIC FOR WIPER MOTOR ITEMS

## SECTION 6 - CAB

FIGURE 6-11. WINDSHIELD/TOP WINDOW KIT INSTALLATION

ITEM	PART NUMBER	QTY	DESCRIPTION	REV
	91375005	1	WINDSHIELD/TOP WINDOW KIT INSTALLATION, (includes all items)	B
1	91373011	1	WINDSHIELD/TOP WINDOW KIT	
2	90029955	1	RUBBER GROMMET	
3	83683085	1	WASHER BOTTLE, (534D-9 Prior to SN 0160035983, Excluding 0160034957; 534D-10 Prior to SN 0160035696)	
3	1001111112	1	WASHER BOTTLE, (534D-9 SN 0160035983 to Present, Including 0160034957; 534D-10 SN 0160035696 to Present)	
4	91146099	1	BOTTLE MOUNTING BRACKET	
5	0641406	6	HEX HD CAPSCREW, 1/4-20 X 3/4, GR5	
6	4761400	6	LOCKWASHER, 1/4	
7	88501004	6	HEX NUT, 1/4-20	
8	77363268	1	FUSE, 15A	
9	91143335	1	WIPER/HEATER OPTION HARNESS	
10	91361018	1	JUMPER WIRE	
11	80963101	1	WIPER/WASHER SWITCH	
12	91143333	1	WIPER/WASHER/HEATER HARNESS	



FIGURE 6-12. SKYLIGHT WIPER INSTALLATION

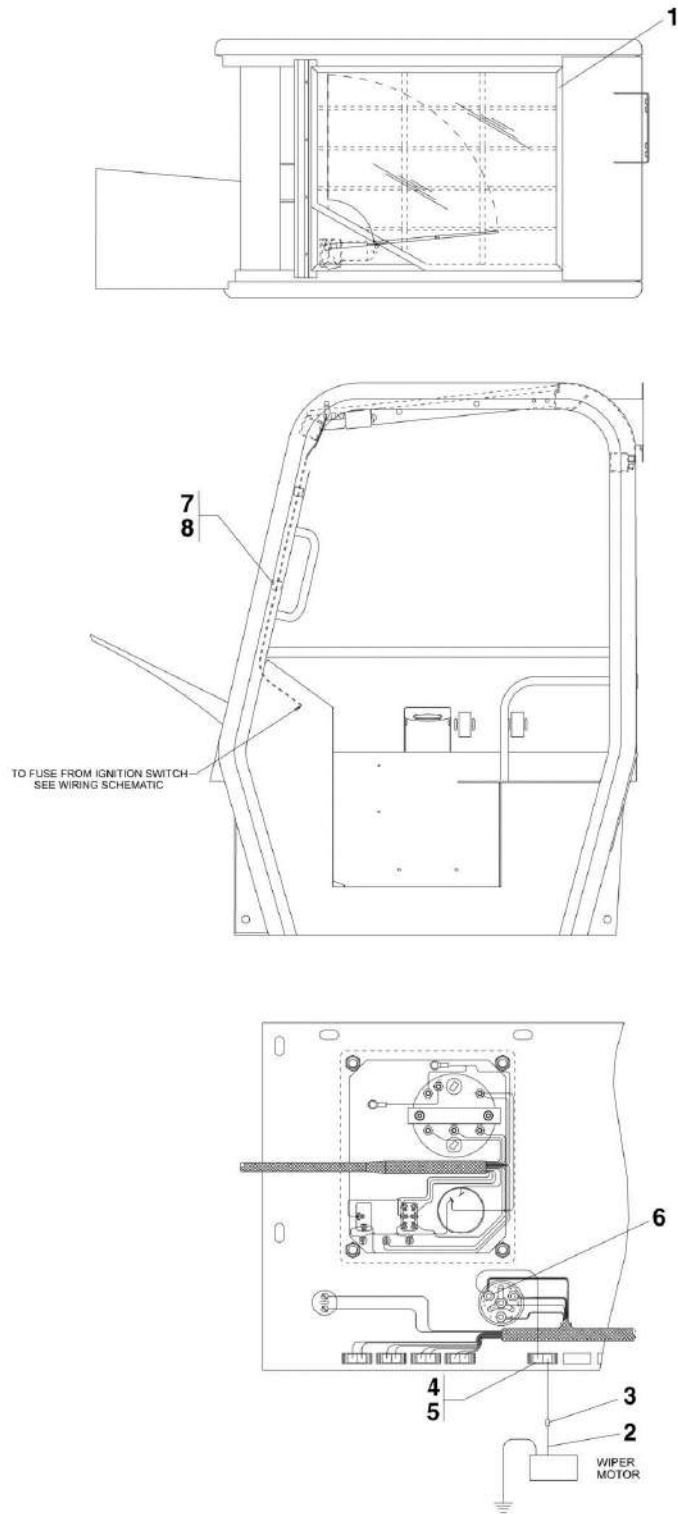


FIGURE 6-12. SKYLIGHT WIPER INSTALLATION

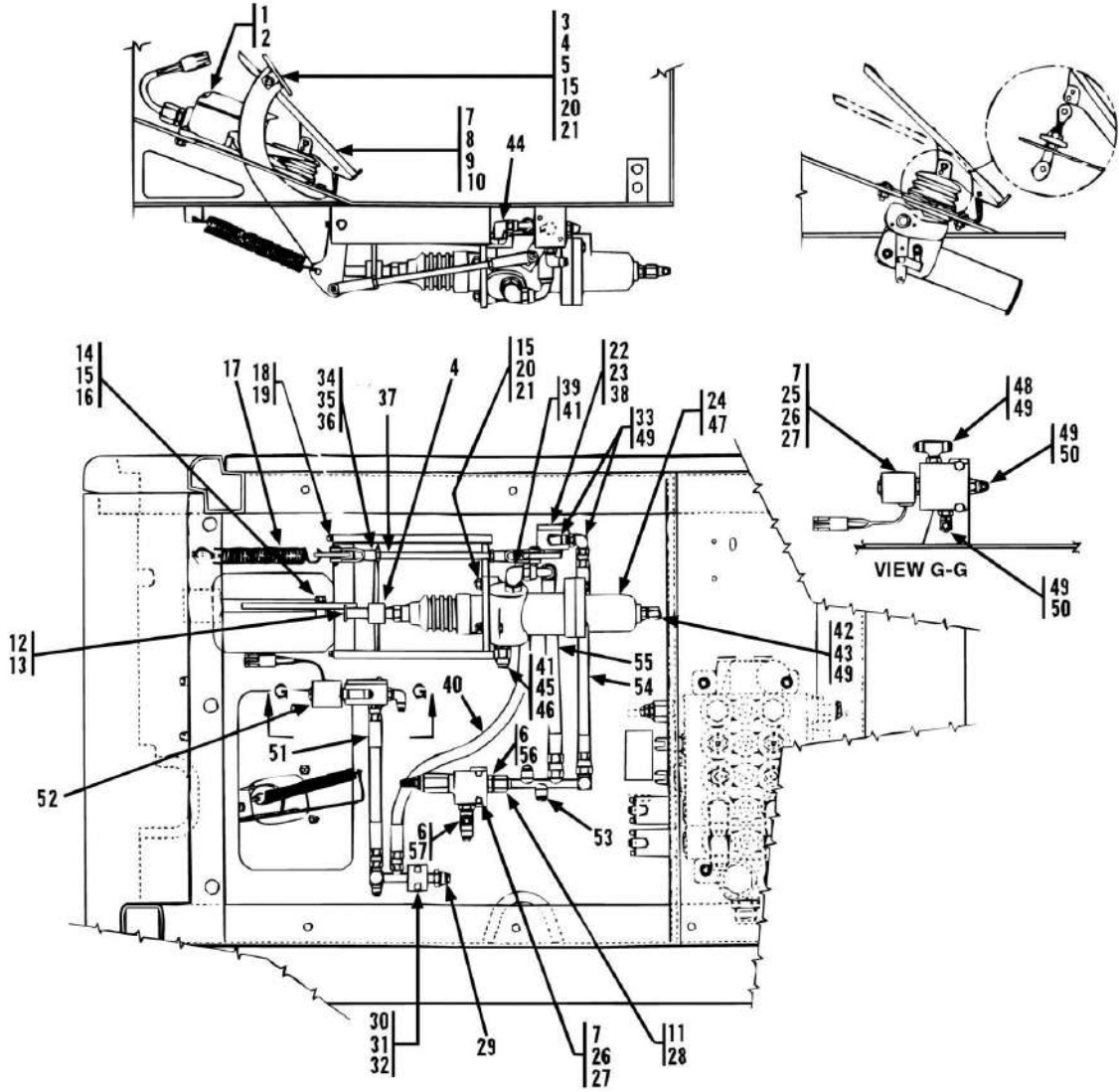
ITEM	PART NUMBER	QTY	DESCRIPTION	REV
	91365016	1	SKYLIGHT WIPER INSTALLATION, (includes all items)	
1	91363037	1	SKYLIGHT WIPER KIT	
1	70021616	1	WIPER MOTOR	
1	8035500	1	WIPER ARM	
1	70021776	1	WIPER BLADE	
2	91141342	1	JUMPER WIRE	
3	86683480	1	BUTT CONNECTOR	
4	91143108	1	FUSE HOLDER	
5	77363268	1	FUSE, 15A	
6	86983188	1	EYELET	
7	83683181	2	TIE WRAP BASE	
8	91053419	2	TIE WRAP	



**SECTION 7 - CONTROLS**

# SECTION 7 - CONTROLS

**FIGURE 7-1. BRAKE AND INCHING LINKAGE (534D-9 SN 0544001 through 016000318, Including 016000335, 016000337 and 016000341; 534D-10 SN 0366001 through 016000354)**





## SECTION 7 - CONTROLS

**FIGURE 7-1. BRAKE AND INCHING LINKAGE (534D-9 SN 0544001 through 0160000318, Including 0160000335, 0160000337 and 0160000341; 534D-10 SN 0366001 through 0160000354)**

ITEM	PART NUMBER	QTY	DESCRIPTION	REV
1	91163093	1	FOOT SWITCH	
2	88261017	3	SOCKET BUTTON HD CAPSCREW, 1/4-20X7/8	
3	91146108	1	BRAKE PEDAL	
4	91083136	4	BUSHING	
5	91146102	1	PEDAL WELDMENT	
6	88591205	2	O-RING	
7	88551009	7	LOCKWASHER, 1/4	
8	88501004	3	HEX NUT, 1/4-20	
9		Ref	ACCELERATOR CONTROL ASSY, (See ACCELERATOR PEDAL ASSEMBLY for Breakdown)	
10	88201003	3	HEX HD CAPSCREW, 1/4-20X3/4, GR5	
11	91143200	1	RELIEF VALVE	
12	91081445	1	PUSH ROD	
13	88501408	1	HEX JAM NUT, 1/2-20	
14	91083312	1	CAM ROLLER	
15	88551010	5	LOCKWASHER, 5/16	
16	88501405	1	HEX JAM NUT, 5/16-24	
17	91043214	1	SPRING	
18	90200284	1	SHAFT	
19	88581303	2	RING RETAINER	
20	88201022	4	HEX HD CAPSCREW, 5/16-18X1-1/2, GR5	
21	88501005	4	HEX NUT, 5/16-18	
22	91145088	1	INCHING VALVE ASSY, (includes items 33 thru 38)	
23	88212228	2	SOCKET HD CAPSCREW, 5/16-18x1-1/4, GR8	
24	91145089	1	BRAKE VALVE ASSY, (includes items 39 thru 47)	
25	91145087	1	SOLENOID VALVE ASSY, (includes items 48 thru 52)	
26	88201008	4	HEX HD CAPSCREW, 1/4-20X1-3/4, GR5	
27	88561107	4	FLAT WASHER, 1/4	
28	91145086	1	RELIEF VALVE ASSY, (includes items 11 & 53 thru 57)	
29	91163109	1	HYDRAULIC TUBE	
30	91033138	1	TUBE CLAMP	
31	77133498	1	CLAMP COVER	
32	77133499	2	HEX HD CAPSCREW, 1/4-20X1-3/4, GR5	
33	2220473	2	ELBOW, 90, (includes item 49)	
34	88821004	2	YOKE END	
35	88501406	2	HEX JAM NUT, 3/8-24	
36	90027987	2	SPRING PIN	
37	91081332	1	LINKAGE ROD	
38		Ref	INCHING VALVE, (See HYDRAULIC COMPONENTS SECTION for Breakdown)	
39	88662059	1	ELBOW, 90, (includes item 41)	
40	84718688	1	HOSE ASSY	
41	88591206	2	O-RING	
42	83633002	1	CONNECTOR (534D-9 SN 0544001 through 0644895; 534D-10 SN 0366001 through 0366470)	
42	2220371	1	CONNECTOR, (includes item 49) (534D-9 SN 0644896 to Present; 534D-10 SN 0366471 to Present)	
43	90207856	1	COPPER GASKET (534D-9 SN 0544001 through 0644895; 534D-10 SN 0366001 through 03663470)	

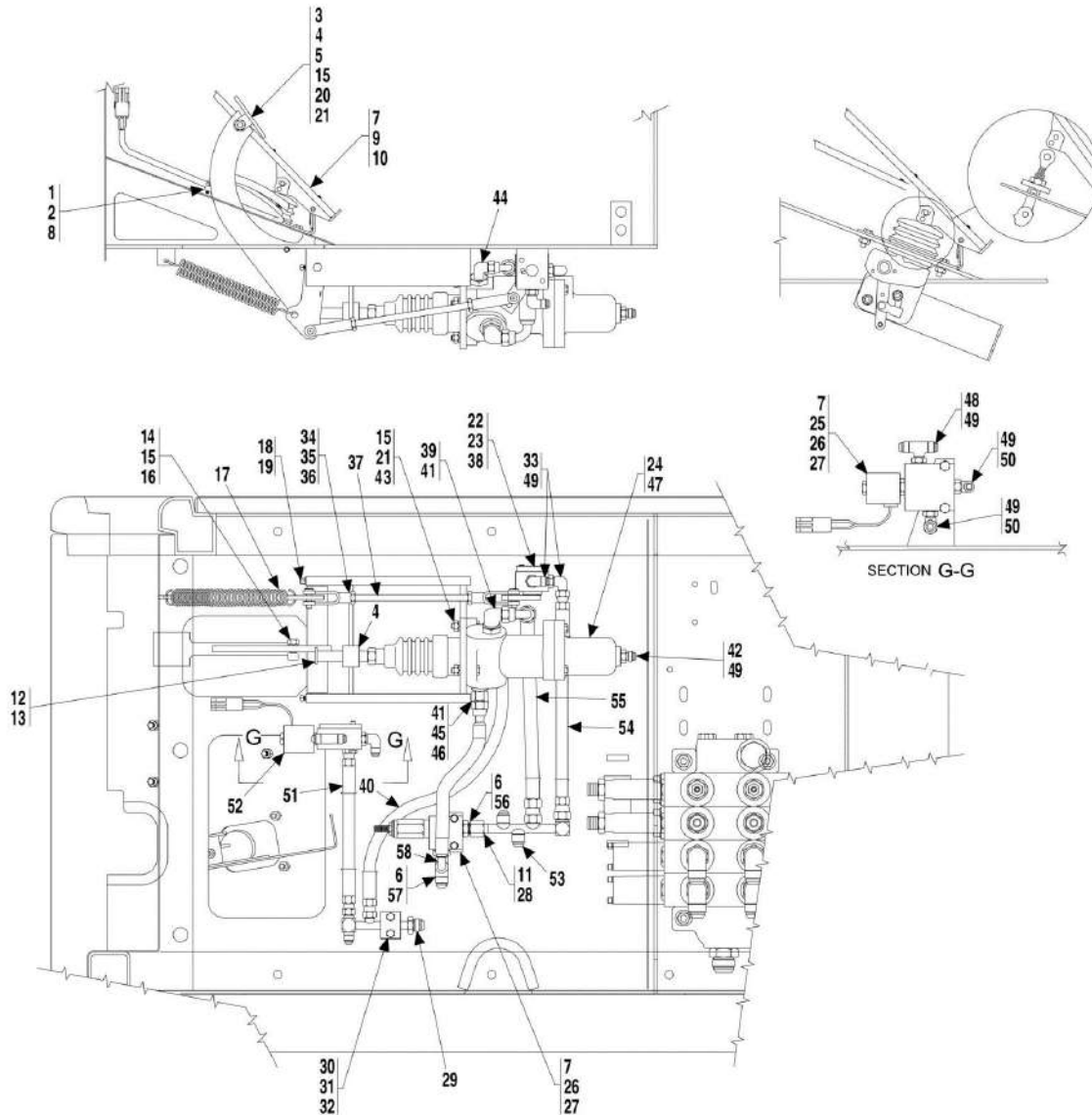
## SECTION 7 - CONTROLS

ITEM	PART NUMBER	QTY	DESCRIPTION	REV
44	2220828	1	ELBOW, 90	
45	2220374	1	CONNECTOR, (includes item 41)	
46	88662120	1	ELBOW, 45, (swivel nut)	
47		Ref	BRAKE VALVE, (See HYDRAULIC COMPONENTS SECTION for Breakdown)	
48	2220899	1	BRANCH TEE, (includes item 49)	
49		Ref	O-RING	
50	2220473	2	ELBOW, 90, (includes item 49)	
51	84718689	1	HOSE ASSY	
52		Ref	SOLENOID VALVE, (See HYDRAULIC COMPONENTS SECTION for Breakdown)	
53	91163110	1	HYDRAULIC TUBE	
54	84718691	1	HOSE ASSY	
55	84718690	1	HOSE ASSY	
56	2220373	1	CONNECTOR, (includes item 6)	
57	2220602	1	RUN TEE, (includes item 6)	



# SECTION 7 - CONTROLS

**FIGURE 7-2. BRAKE AND INCHING LINKAGE (534D-9 SN 016000319 through 0160012394, Excluding 0160000335, 0160000337, 0160000341 and 0160012112; 534D-10 SN 0160000355 through 0160012392, Excluding 0160012289)**



## SECTION 7 - CONTROLS

**FIGURE 7-2. BRAKE AND INCHING LINKAGE (534D-9 SN 0160000319 through 0160012394, Excluding 0160000335, 0160000337, 0160000341 and 0160012112; 534D-10 SN 0160000355 through 0160012392, Excluding 0160012289)**

ITEM	PART NUMBER	QTY	DESCRIPTION	REV
1	91343218	1	FOOT SWITCH	
2	88261011	2	SOCKET BUTTON HD CAPSCREW, #10-24X7/8	
3	91146108	1	BRAKE PEDAL	
4	91083136	4	BUSHING	
5	91146102	1	PEDAL WELDMENT	
6		Ref	O-RING	
7	88551009	7	LOCKWASHER, 1/4	
8	86683122	1	TIE WRAP	
9		Ref	ACCELERATOR CONTROL ASSY, (See ACCELERATOR PEDAL ASSEMBLY for Breakdown)	
10	88201003	3	HEX HD CAPSCREW, 1/4-20X3/4, GR5	
11	91143200	1	RELIEF VALVE	
12	91081445	1	PUSH ROD	
13	88501408	1	HEX JAM NUT, 1/2-20	
14	91083312	1	CAM ROLLER	
15	88551010	5	LOCKWASHER, 5/16	
16	88501405	1	HEX JAM NUT, 5/16-24	
17	91043214	1	SPRING	
18	90200284	1	SHAFT	
19	88441001	2	RING RETAINER	
20	88201021	1	HEX HD CAPSCREW, 5/16-18X1-1/4, GR5	
21	88501005	4	HEX NUT, 5/16-18	
22	91145088	1	INCHING VALVE ASSY, (includes items 33 thru 38)	
23	88212228	2	SOCKET HD CAPSCREW, 5/16-18x1-1/4, GR8	
24	91555011	1	BRAKE VALVE ASSY, (includes items 39 thru 42 & 44 thru 47)	
25	91145087	1	SOLENOID VALVE ASSY, (includes items 48 thru 52)	
26	88201008	4	HEX HD CAPSCREW, 1/4-20X1-3/4, GR5	
27	88561107	4	FLAT WASHER, 1/4	
28	91145086	1	RELIEF VALVE ASSY, (includes items 11 & 53 thru 57)	
29	91163109	1	HYDRAULIC TUBE	
30	91033138	1	TUBE CLAMP	
31	77133498	1	CLAMP COVER	
32	77133499	2	HEX HD CAPSCREW, 1/4-20X1-1/2, GR5	
33	2220473	2	ELBOW, 90, (includes item 49)	
34	88821004	2	YOKE END	
35	88501406	2	HEX JAM NUT, 3/8-24	
36	90027987	2	SPRING PIN	
37	91081332	1	LINKAGE ROD	
38		Ref	INCHING VALVE, (See HYDRAULIC COMPONENTS SECTION for Breakdown)	
39	2220671	1	ELBOW, 90, (includes item 41)	
40	84718688	1	HOSE ASSY	
41		Ref	O-RING	
42	2220371	1	ADAPTER, (includes item 49)	
43	88201022	3	HEX HD CAPSCREW, 5/16-18X1-1/2, GR5	
44	2220828	1	ELBOW, 90	
45	2220374	1	ADAPTER, (includes item 41)	

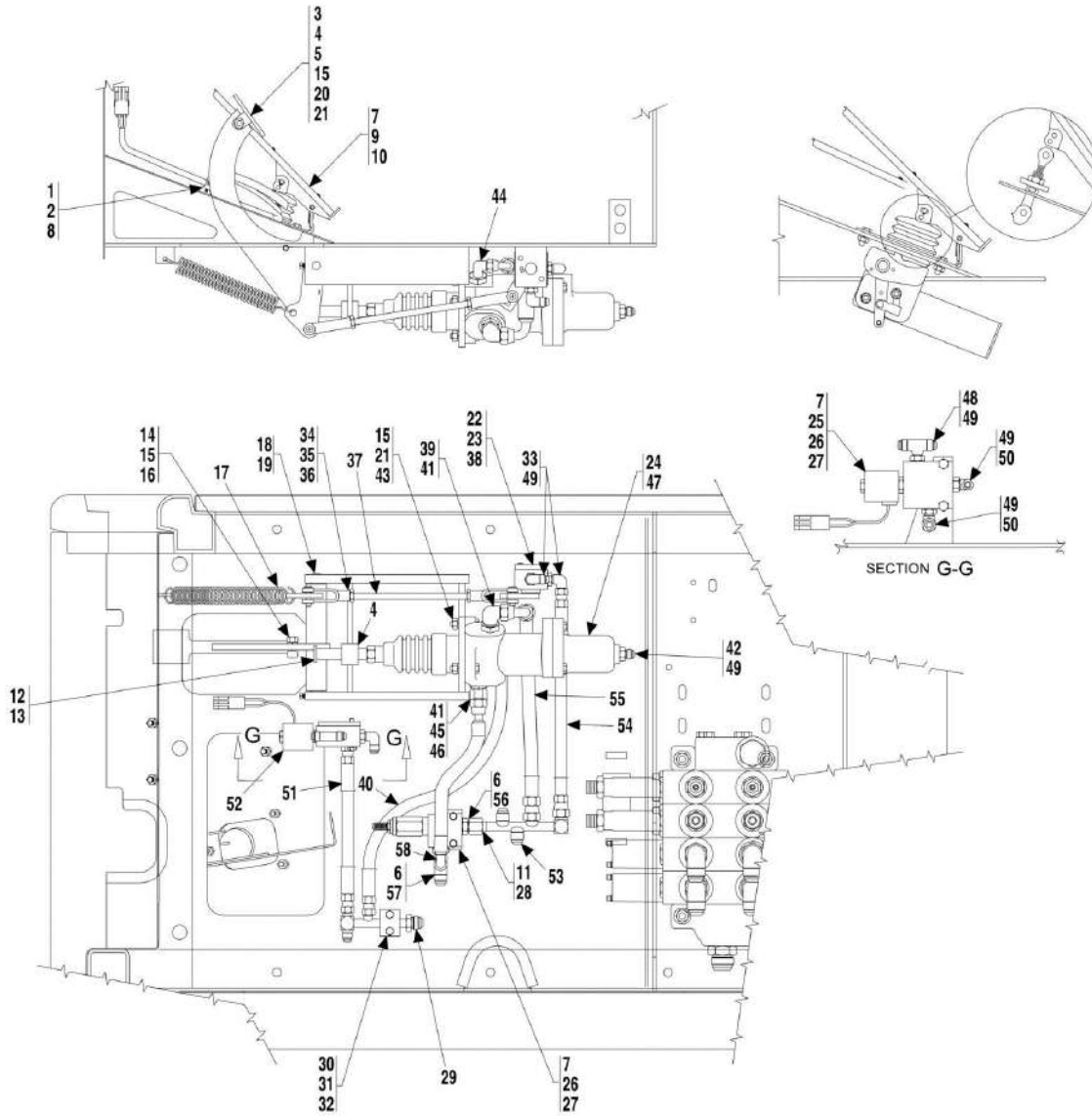
## SECTION 7 - CONTROLS

ITEM	PART NUMBER	QTY	DESCRIPTION	REV
46	2220683	1	ELBOW, 45, (swivel nut)	
47		Ref	BRAKE VALVE, (See HYDRAULIC COMPONENTS SECTION for Breakdown)	
48	2220899	1	BRANCH TEE, (includes item 49)	
49		Ref	O-RING	
50	2220473	2	ELBOW, 90, (includes item 49)	
51	84718689	1	HOSE ASSY	
52		Ref	SOLENOID VALVE, (See HYDRAULIC COMPONENTS SECTION for Breakdown)	
53	91163110	1	HYDRAULIC TUBE	
54	84718691	1	HOSE ASSY	
55	84718690	1	HOSE ASSY	
56	2220373	1	ADAPTER, (includes item 6)	
57	2220602	1	TEE FITTING, (includes item 6)	
58	84718687	1	HOSE ASSY	



# SECTION 7 - CONTROLS

FIGURE 7-3. BRAKE AND INCHING LINKAGE (534D-9 SN 0160012443 to Present, Including 0160012112; 534D-10 SN 0160012446 to Present, Including 0160012289)





## SECTION 7 - CONTROLS

**FIGURE 7-3. BRAKE AND INCHING LINKAGE (534D-9 SN 0160012443 to Present, Including 0160012112; 534D-10 SN 0160012446 to Present, Including 0160012289)**

ITEM	PART NUMBER	QTY	DESCRIPTION	REV
1	91343218	1	FOOT SWITCH	
2	88261011	2	SOCKET BUTTON HD CAPSCREW, #10-24X7/8	
3	91146108	1	BRAKE PEDAL	
4	91083136	4	BUSHING	
5	91146102	1	PEDAL WELDMENT	
6		Ref	O-RING	
7	88551009	7	LOCKWASHER, 1/4	
8	86683122	1	TIE WRAP	
9		Ref	ACCELERATOR CONTROL ASSY, (See ACCELERATOR PEDAL ASSEMBLY for Breakdown)	
10	88201003	3	HEX HD CAPSCREW, 1/4-20X3/4, GR5	
11	91143200	1	RELIEF VALVE	
12	91081445	1	PUSH ROD	
13	88501408	1	HEX JAM NUT, 1/2-20	
14	91083312	1	CAM ROLLER	
15	88551010	5	LOCKWASHER, 5/16	
16	88501405	1	HEX JAM NUT, 5/16-24	
17	91043214	1	SPRING	
18	3423212	1	SHAFT	
19	88581303	2	RING RETAINER	
20	88201021	1	HEX HD CAPSCREW, 5/16-18X1-1/4, GR5	
21	88501005	4	HEX NUT, 5/16-18	
22	91145088	1	INCHING VALVE ASSY, (includes items 33 thru 38)	
23	88212228	2	SOCKET HD CAPSCREW, 5/16-18x1-1/4, GR8	
24	91555011	1	BRAKE VALVE ASSY, (includes items 39 thru 42 & 44 thru 47)	
25	91145087	1	SOLENOID VALVE ASSY, (includes items 48 thru 52)	
26	88201008	4	HEX HD CAPSCREW, 1/4-20X1-3/4, GR5	
27	88561107	4	FLAT WASHER, 1/4	
28	91145086	1	RELIEF VALVE ASSY, (includes items 11 & 53 thru 57)	
29	91163109	1	HYDRAULIC TUBE	
30	91033138	1	TUBE CLAMP	
31	77133498	1	CLAMP COVER	
32	88201007	2	HEX HD CAPSCREW, 1/4-20X1-1/2, GR5	
33	2220473	2	ELBOW, 90, (includes item 49)	
34	88821004	2	YOKE END	
35	88501406	2	HEX JAM NUT, 3/8-24	
36	90027987	2	SPRING PIN	
37	91081332	1	LINKAGE ROD	
38		Ref	INCHING VALVE, (See HYDRAULIC COMPONENTS SECTION for Breakdown)	
39	2220671	1	ELBOW, 90, (includes item 41)	
40	84718688	1	HOSE ASSY	
41		Ref	O-RING	
42	2220371	1	ADAPTER, (includes item 49)	
43	88201022	3	HEX HD CAPSCREW, 5/16-18X1-1/2, GR5	
44	2220828	1	ELBOW, 90	
45	2220374	1	ADAPTER, (includes item 41)	
46	2220683	1	ELBOW, 45, (swivel nut)	

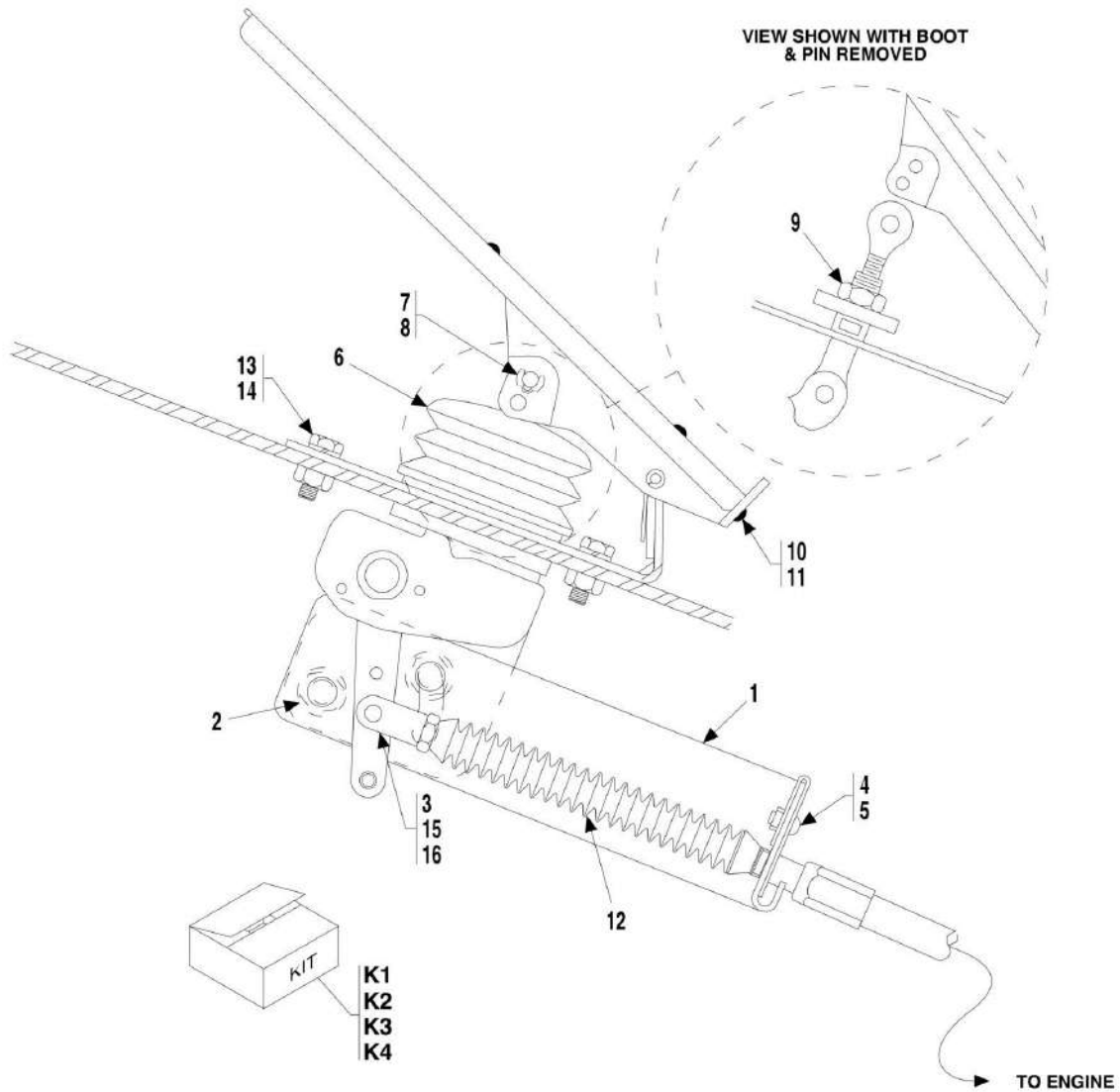
## SECTION 7 - CONTROLS

ITEM	PART NUMBER	QTY	DESCRIPTION	REV
47		Ref	BRAKE VALVE, (See HYDRAULIC COMPONENTS SECTION for Breakdown)	
48	2220899	1	BRANCH TEE, (includes item 49)	
49		Ref	O-RING	
50	2220473	2	ELBOW, 90, (includes item 49)	
51	84718689	1	HOSE ASSY	
52		Ref	SOLENOID VALVE, (See HYDRAULIC COMPONENTS SECTION for Breakdown)	
53	91163110	1	HYDRAULIC TUBE	
54	84718691	1	HOSE ASSY	
55	84718690	1	HOSE ASSY	
56	2220373	1	ADAPTER, (includes item 6)	
57	2220602	1	TEE FITTING, (includes item 6)	
58	84718687	1	HOSE ASSY	



# SECTION 7 - CONTROLS

**FIGURE 7-4. ACCELERATOR PEDAL ASSEMBLY (534D-9 SN 0544001 through 0160000853, Excluding 0160000700; 534D-10 SN 0366001 through 0160000974)**



PAP19310

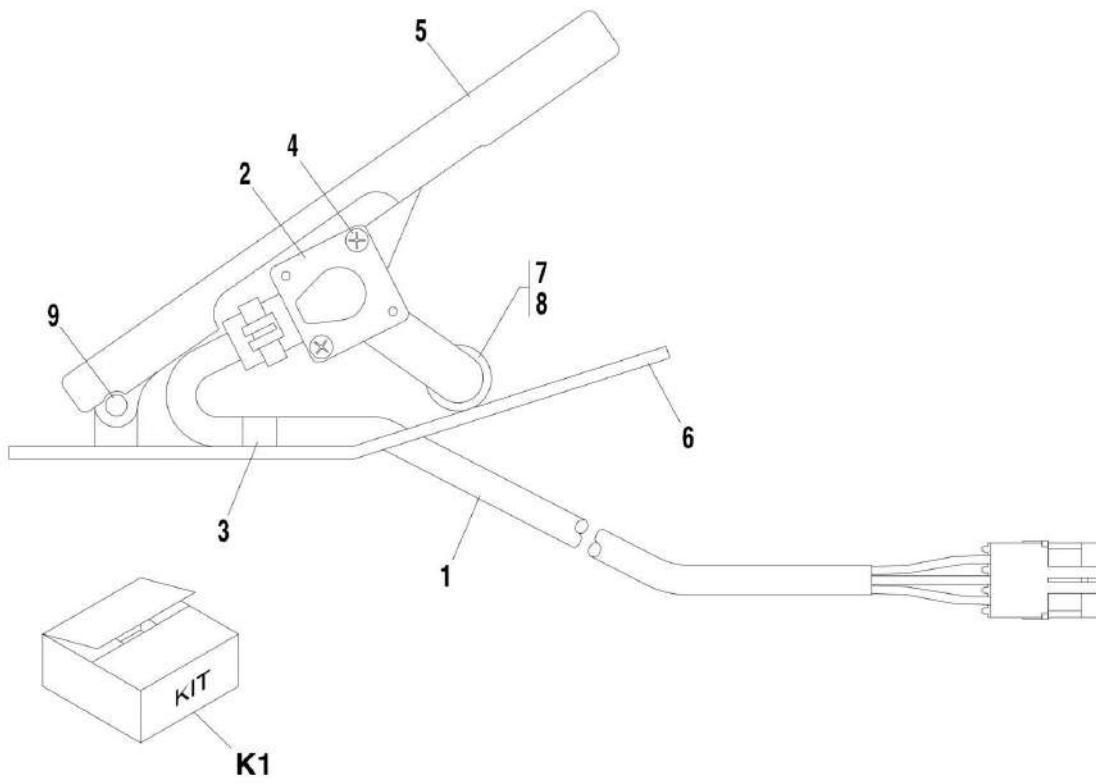
## SECTION 7 - CONTROLS

**FIGURE 7-4. ACCELERATOR PEDAL ASSEMBLY (534D-9 SN 0544001 through 0160000853,  
Excluding 0160000700; 534D-10 SN 0366001 through 0160000974)**

ITEM	PART NUMBER	QTY	DESCRIPTION	REV
	91143342	1	ACCELERATOR PEDAL ASSY, (includes items 1, 2 & 4 thru 11)	B
1	Kit	1	CABLE SUPPORT	
2	Kit	2	FLANGE NUT	
3	88631301	1	COTTER PIN	
4	Kit	1	LOCK PLATE	
5	Kit	1	CAPSCREW	
6	Kit	1	BOOT	
7	Kit	1	PIN	
8	Kit	1	COTTER HAIRPIN	
9	Kit	1	JAM NUT	
10	Kit	1	HEEL REST	
11	Kit	2	SCREW, (self-tapping)	
12		Ref	ACCELERATOR CABLE, (See ENGINE AND ATTACHING PARTS SECTION for Breakdown)	
13	88201003	3	HEX HD CAPSCREW, 1/4-20X3/4, GR5	
14	88551009	3	LOCKWASHER, 1/4	
15	90027684	1	CLEVIS	
16	88633001	1	CLEVIS PIN	
K1	91144431	1	CABLE SUPPORT BRACKET KIT, (includes items 1 & 2)	
K2	91144432	1	CABLE ATTACH KIT, (includes items 4 & 5), (discard clevis, clevis pin and cotter hairpin, not shown, and replace with items 3, 15 & 16)	
K3	91144197	1	BOOT KIT, (includes items 6 thru 9)	
K4	91144433	1	HEEL REST KIT, (includes items 10 & 11)	

# SECTION 7 - CONTROLS

**FIGURE 7-5. ACCELERATOR PEDAL ASSEMBLY (534D-9 SN 0160001051 to Present, Including 0160000700; 534D-10 SN 0160000978 to Present)**



PAP19260

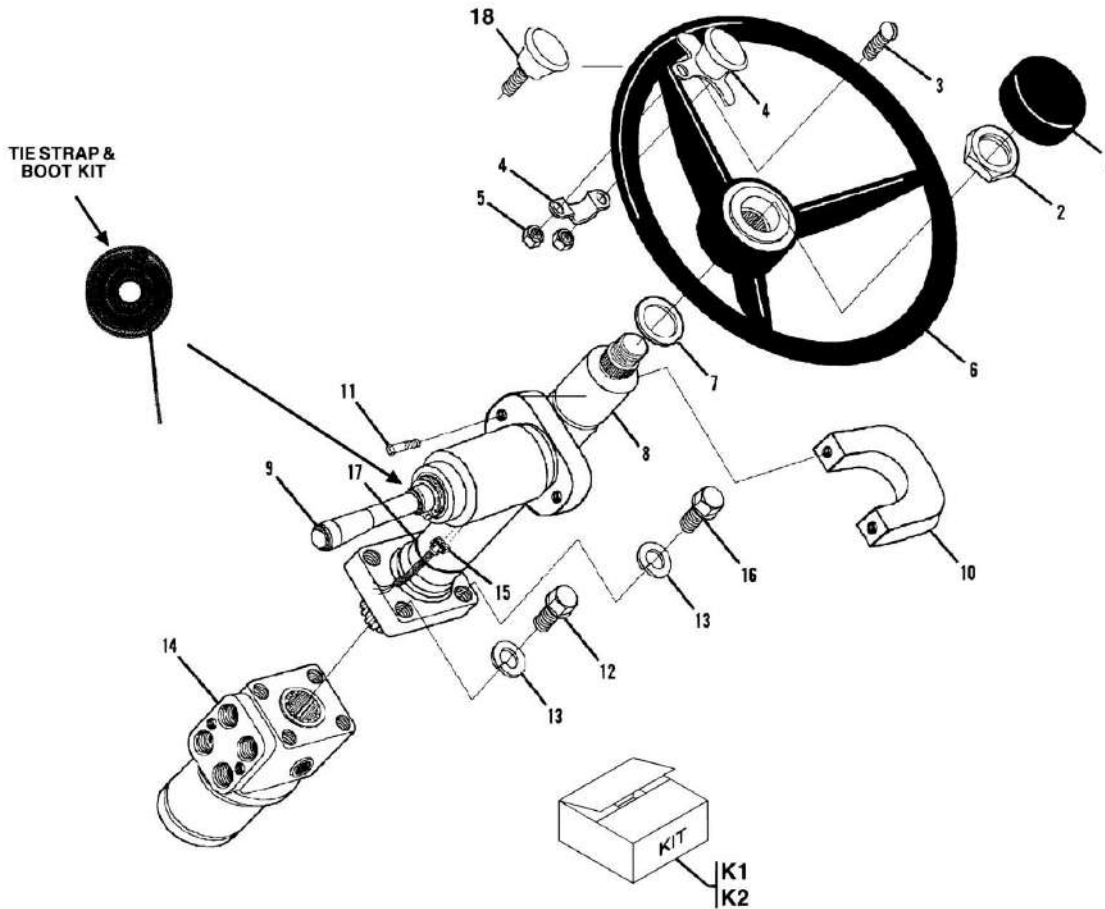
## SECTION 7 - CONTROLS

**FIGURE 7-5. ACCELERATOR PEDAL ASSEMBLY (534D-9 SN 0160001051 to Present, Including 0160000700; 534D-10 SN 0160000978 to Present)**

ITEM	PART NUMBER	QTY	DESCRIPTION	REV
	91553044	1	ACCELERATOR PEDAL ASSY, (includes all items) <b>(534D-9 Prior to SN 0160035983, Excluding 0160034957; 534D-10 Prior to SN 0160035696)</b>	B
	3400022	1	ACCELERATOR PEDAL ASSY, (includes all items) <b>(534D-9 SN 0160035983 to Present, Including 0160034957; 534D-10 SN 0160035696 to Present)</b>	C
1	91554001	1	WIRE HARNESS <b>(534D-9 Prior to SN 0160035983, Excluding 0160034957; 534D-10 Prior to SN 0160035696)</b>	
1	70024345	1	WIRE HARNESS <b>(534D-9 SN 0160035983 to Present, Including 0160034957; 534D-10 SN 0160035696 to Present)</b>	
2	Kit	1	SENSOR	
3	Kit	1	CLAMP	
4	Kit	2	SCREW	
5	91554005	1	TREADLE COVER	
6	N.S.S.	1	BASE PLATE	
	70020404	Ref	ROLLER ASSY, (includes items 7 & 8)	
7	Kit	1	ROLLER	
8	Kit	1	ROLLER PIN	
9	91554009	1	TREADLE PIN KIT <b>(534D-9 Prior to SN 0160035983, Excluding 0160034957; 534D-10 Prior to SN 0160035696)</b>	
9	70024346	1	TREADLE PIN KIT <b>(534D-9 SN 0160035983 to Present, Including 0160034957; 534D-10 SN 0160035696 to Present)</b>	
K1	91554010	1	SENSOR KIT, (includes items 1 thru 4) <b>(534D-9 Prior to SN 0160036569, Excluding 0160034957; 534D-10 Prior to SN 0160035696)</b>	
K1	70024347	1	SENSOR KIT, (includes items 1 thru 4) <b>(534D-9 SN 0160035983 to Present, Including 0160034957; 534D-10 SN 0160035696 to Present)</b>	

# SECTION 7 - CONTROLS

## FIGURE 7-6. STEERING COLUMN AND ATTACHING PARTS



**NOTE:**

WHEN ITEM 9 IS ORDERED, REPLACE SCREWS PROVIDED FROM VENDOR WITH ITEM 11.

PAP19950



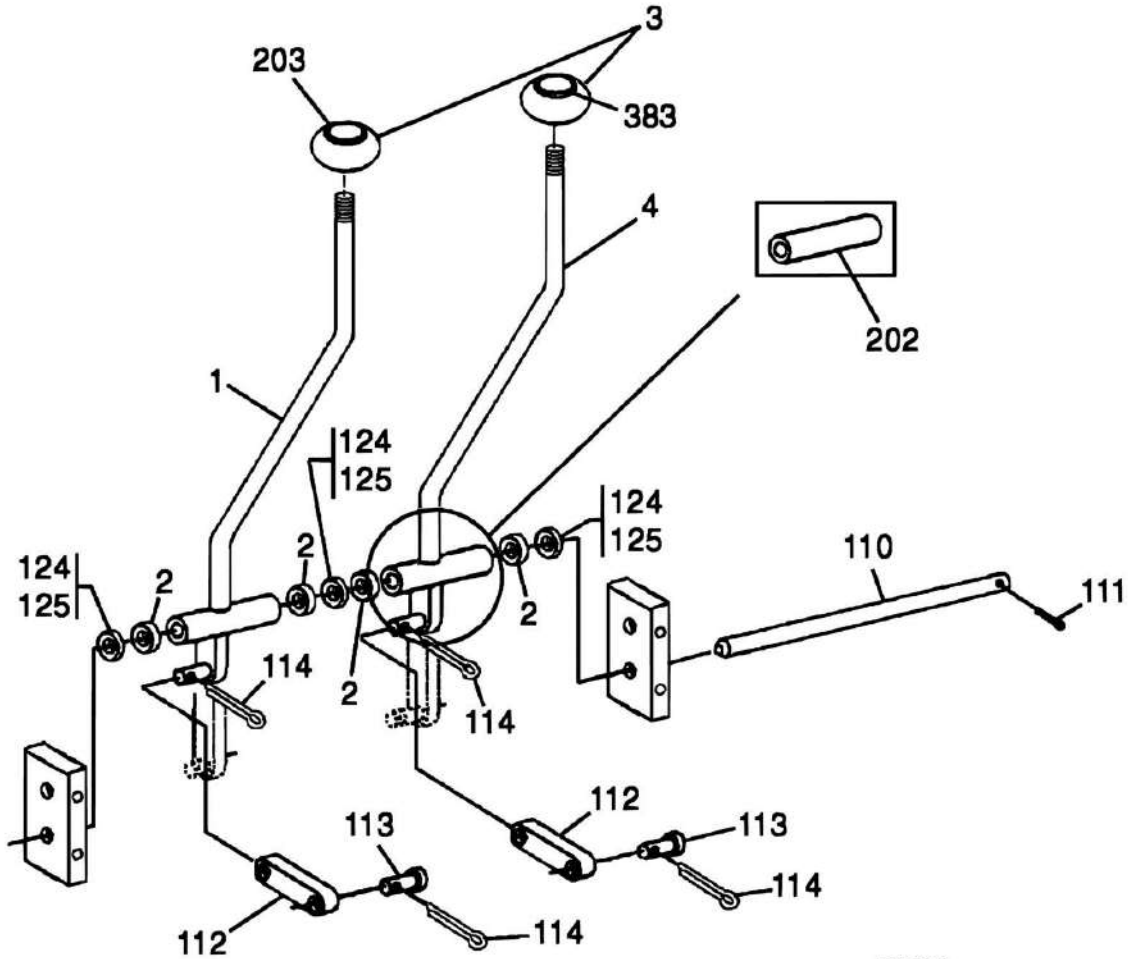
## SECTION 7 - CONTROLS

**FIGURE 7-6. STEERING COLUMN AND ATTACHING PARTS**

ITEM	PART NUMBER	QTY	DESCRIPTION	REV
1	7026477	1	STEERING CAP	
2	70020923	1	STEERING WHEEL NUT	
3	88301311	2	FLAT HD MACHINE SCREW, 1/4-20X1	
4	90202230	1	SPINNER KNOB, (includes items 3 & 5)	
5	88501616	2	HEX NUT, 1/4-20	
6	90600273	Ref	STEERING WHEEL, (not available to order, see 91563208 for service)	
6	91563208	1	STEERING WHEEL, (includes items 1 & 18)	F
7	91144192	1	WASHER	
8	91163012	1	STEERING COLUMN, (includes items 2 & 7)	
9	91363025	1	F/N/R SHIFTER, (includes item 10)	
10	91144458	1	CLAMP SET	
11	83191059	2	HEX HD CAPSCREW, M5X0.8, (torque to 30-35 in lbs)	
12	88201035	2	HEX HD CAPSCREW, 3/8-16X1	
13	88551011	4	LOCKWASHER, 3/8	
14	91143020	1	STEERING CONTROL UNIT	
14	91124093	1	CHECK VALVE	
15		Ref	DASH WIRING HARNESS, (See CAB SECTION for Breakdown)	
16	88201033	2	HEX HD CAPSCREW, 3/8-16X3/4, GR5	
17	86683122	1	TIE WRAP	
18	7026478	1	SPINNER KNOB	
K1	91144190	Ref	STEERING CONTROL UNIT SEAL KIT	
K2	91144448	1	TIE STRAP AND BOOT KIT	

# SECTION 7 - CONTROLS

## FIGURE 7-7. CAB RIGHT SIDE CONTROLS



PX0620

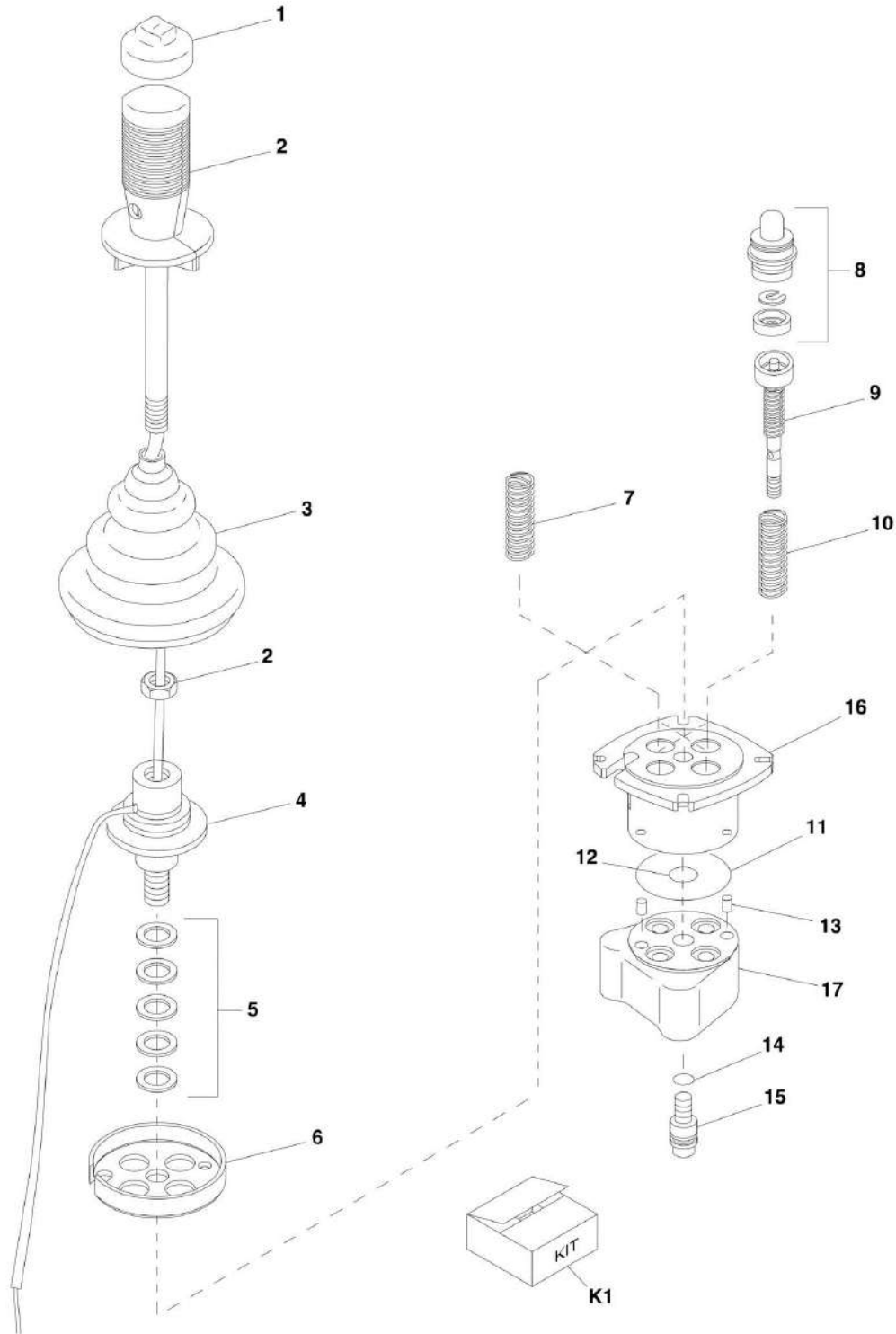
## SECTION 7 - CONTROLS

### FIGURE 7-7. CAB RIGHT SIDE CONTROLS

ITEM	PART NUMBER	QTY	DESCRIPTION	REV
	91365019	1	AUXILIARY CONTROL LEVER ASSY, (if equipped), (includes items 1 thru 3), , (534D-9 SN 0160027771 to Present; 534D-10 SN 0160027772 to Present)	B
	91145090	1	SWAY CONTROL LEVEL ASSY, (includes items 1 thru 3), (if equipped)	B
	91145091	1	TILT CONTROL LEVEL ASSY, (includes items 2 thru 4), (if equipped)	B
1	91366009	1	LEVER WELDMENT, (AUXILIARY) (534D-9 SN 0160027771 to Present; 534D-10 SN 0160027772 to Present)	
1	91146043	1	LEVER WELDMENT, (SWAY)	
2	91083136	2	BUSHING	
3	90200638	1	KNOB	
4	91146042	1	LEVER WELDMENT, (TILT)	
110	91081354	1	SHAFT	
111	88631338	1	COTTER PIN	
112	91361023	1	LINK	
113	90021552	1	CLEVIS PIN	
114	91363036	2	PIN	
124	90028662	3	WAVE BEND WASHER	
125	88561113	9	FLAT WASHER	
202	91301020	1	SPACER	
203	91083547	1	AUXILIARY DECAL (534D-9 SN 0160027771 to Present; 534D-10 SN 0160027772 to Present)	
203	91083318	1	SWAY DECAL	
383	91083317	1	TILT DECAL	
N1	Note	Ref	ITEMS 112 THRU 114 HAVE A QUANTITY SHOWN PER LEVER	
N2	Note	Ref	ITEM NUMBERS NOT LISTED ARE NOT USED ON THIS FIGURE	

# SECTION 7 - CONTROLS

## FIGURE 7-8. JOYSTICK ASSEMBLY



PAP19320

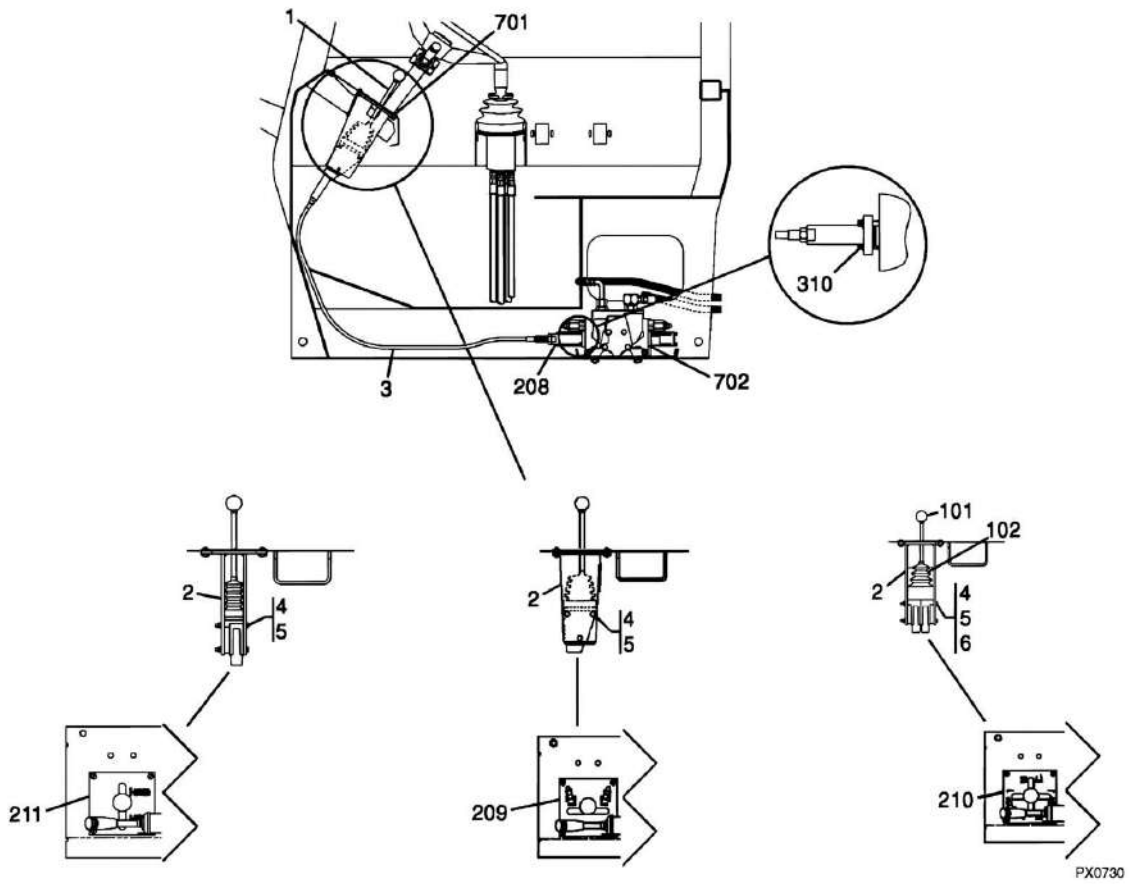
## SECTION 7 - CONTROLS

### FIGURE 7-8. JOYSTICK ASSEMBLY

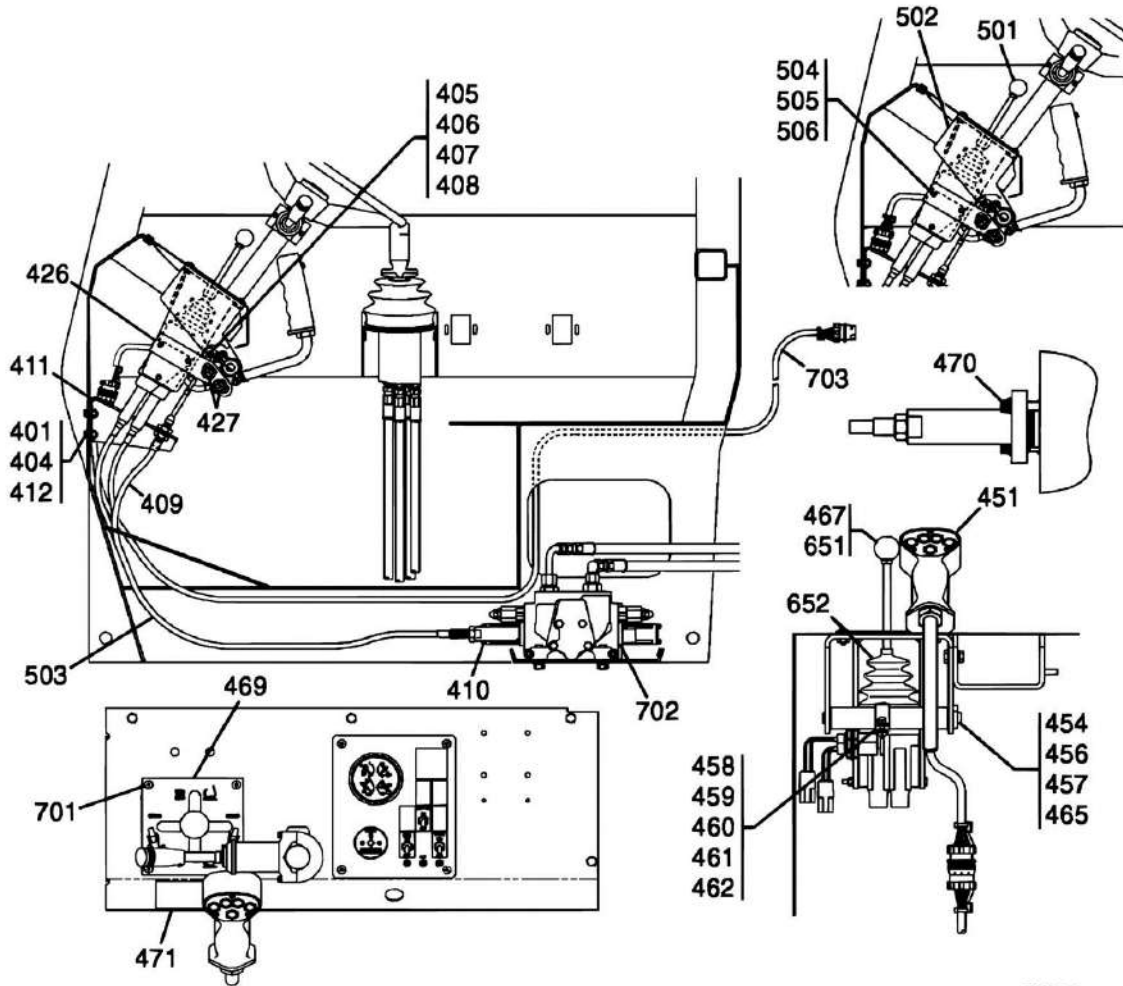
ITEM	PART NUMBER	QTY	DESCRIPTION	REV
	91303037	1	JOYSTICK ASSY, (includes all items)	A
1	80934658	1	CAP	
2	80934656	1	HANDLE GRIP KIT	
3	80934241	1	BOOT	
4	80264140	1	CARDAN KIT, (includes item 5)	
5	Bulk	AR	SHIM	
6	91304026	1	RETAINING PLATE	
7	91504029	1	STANDARD SPRING, (pack of two), (ports 2 & 4)	
8	80934498	4	PLUNGER AND GUIDE KIT	
9	91404327	4	REGULATING KIT	
10	91504028	1	HEAVY SPRING, (pack of two), (ports 1 & 3)	
11	Kit	1	O-RING	
12	Kit	1	O-RING	
13	Kit	2	PIN	
14	Kit	1	O-RING	
15	Kit	1	SCREW	
16	N.S.S.	1	UPPER BODY	
17	N.S.S.	1	LOWER BODY	
K1	91404326	1	SEAL KIT, (includes items 11 thru 15)	

# SECTION 7 - CONTROLS

FIGURE 7-9. CAB LEFT SIDE CONTROLS (534D-9 SN 0160027771 to Present; 534D-10 SN 0160027772 to Present)



# SECTION 7 - CONTROLS



PX0740

## SECTION 7 - CONTROLS

**FIGURE 7-9. CAB LEFT SIDE CONTROLS (534D-9 SN 0160027771 to Present; 534D-10 SN 0160027772 to Present)**

ITEM	PART NUMBER	QTY	DESCRIPTION	REV
	91345010	1	VALVE CONTROL ASSY, (AUXILIARY), (if equipped), (includes items 1 thru 5)	A
	91335014	1	VALVE CONTROL ASSY, (SWAY), (if equipped), (includes items 1 thru 5)	A
	91335013	1	VALVE CONTROL ASSY, (TILT/SWAY), (if equipped), (includes items 1 thru 6)	B
1	91303019	1	REMOTE VALVE CONTROL, (SWAY), (AUXILIARY)	
1	91083107	1	REMOTE VALVE CONTROL, (TILT/SWAY), (includes items 101 & 102)	
2	91146119	1	BRACKET, (SWAY)	
2	91366008	1	BRACKET, (TILT/SWAY)	
2	91366007	1	BRACKET, (TILT), (AUXILIARY)	
3	91363043	1	CABLE, (SWAY), (AUXILIARY)	
3	91363043	2	CABLE, (TILT/SWAY)	
4	88201012	3	HEX HD CAPSCREW, 1/4-20X2-3/4, (SWAY), (AUXILIARY)	
4	11002410	3	HEX HD CAPSCREW, 1/4-28X4-1/2, (TILT/SWAY)	
5	88521304	3	HEX LOCKNUT, 1/4, (TILT), (SWAY), (AUXILIARY)	
5	88501404	3	HEX LOCKNUT, 1/4, (TILT/SWAY)	
6	88551009	3	LOCKWASHER, 1/4, (TILT/SWAY)	
101	91084282	1	KNOB	
102	91084359	1	BOOT	
208	91123062	1	CABLE ADAPTER, (SWAY), (AUXILIARY)	
208	91123062	2	CABLE ADAPTER, (TILT/SWAY)	
209	91143371	1	GUIDE PLATE, (SWAY)	
210	91363041	1	GUIDE PLATE, (TILT/SWAY)	
211	91363045	1	GUIDE PLATE, (AUXILIARY)	
310	88211044	14	SOCKET HD CAPSCREW, 1/4-20X1-1/2	
		Ref	L.H. CAB HYDRAULIC CONTROL INSTALLATION, (TILT/SWAY/AUXILIARYW/CYBERTECH JOYSTICK), (if equipped), (includes items 401 thru 471)	
401	88551010	2	LOCKWASHER, 5/16	
404	88501005	2	HEX NUT, 5/16	
405	88821002	1	YOKE END	
406	88633001	1	CLEVIS PIN	
407	88631302	1	COTTER PIN	
408	88501404	1	HEX JAM NUT, 1/4	
409	91123050	1	CABLE	
410	91123062	3	CABLE ADAPTER	
411	91341007	1	BRACKET	
412	88201019	2	HEX HD CAPSCREW, 5/16-18X7/8	
426	91341019	1	SENSOR PLATE	
427	80363036	2	PROXIMITY SENSOR	
451		Ref	CYBERTECH 5-BUTTON JOYSTICK, (See CYBERTECH 5-BUTTON JOYSTICK CONTROLLER for Breakdown)	
454	91346004	1	WELDMENT	
456	88201018	1	HEX HD CAPSCREW, 5/16-18X3/4	
457	88551010	1	LOCKWASHER, 5/16	
458	91346010	1	WELDMENT	
459	913D1018	1	HALF CLAMP	

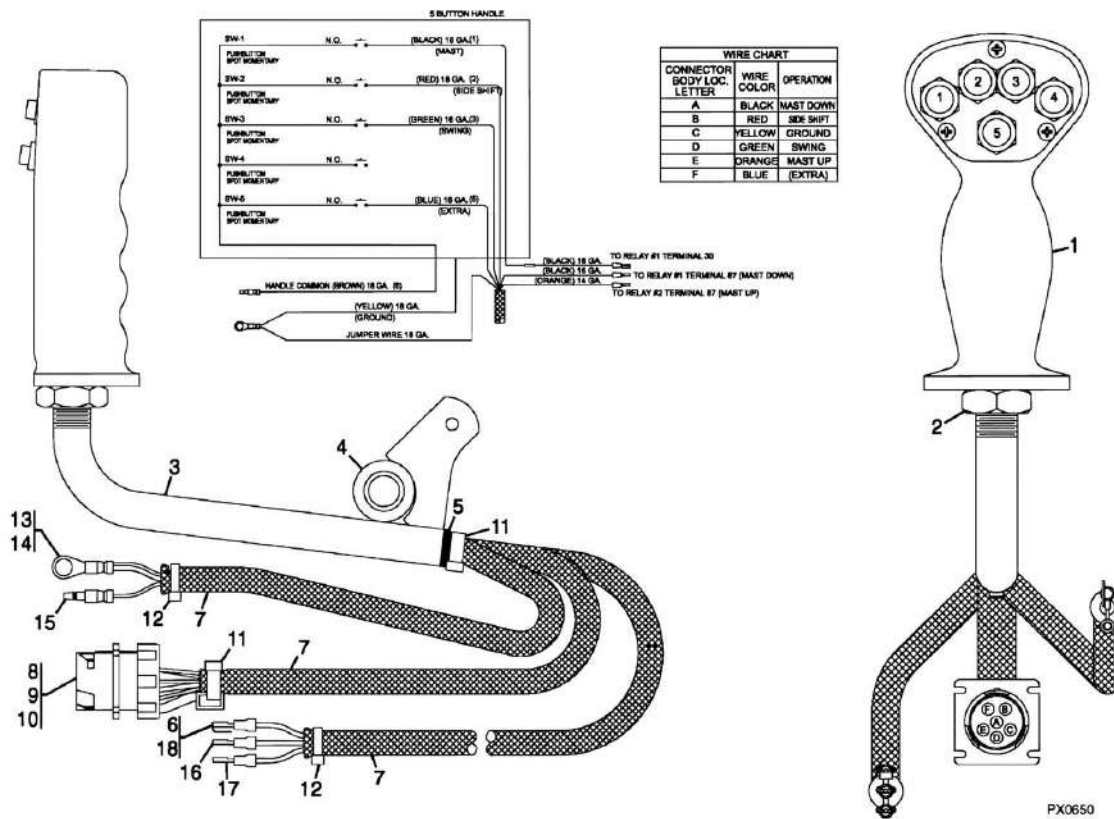


## SECTION 7 - CONTROLS

ITEM	PART NUMBER	QTY	DESCRIPTION	REV
460	88201005	2	HEX HD CAPSCREW, 1/4-20X1	
461	88501004	2	HEX NUT, 1/4	
462	88551009	2	LOCKWASHER, 1/4	
465	90028662	2	WAVE BEND WASHER	
467	91345020	1	VALVE CONTROL ASSY, (TILT/SWAY), (includes items 501 thru 506)	B
469	91363041	1	GUIDE PLATE, (TILT/SWAY)	
470	88211044	6	SOCKET HD CAPSCREW, 1/4-20X1-1/2	
471	91343026	1	AUXILIARY CONTROL DECAL	
501	91083107	1	REMOTE VALVE CONTROL, (TILT/SWAY), (includes items 651 & 652)	
502	91346003	1	BRACKET	
503	91363043	2	CABLE	
504	11002410	3	HEX HD CAPSCREW, 1/4-28X4-1/2	
505	88551009	3	LOCKWASHER, 1/4	
506	88501404	3	HEX NUT, 1/4	
651	91084282	1	KNOB	
652	91084359	1	BOOT	
701		Ref	GUIDE PLATE MOUNTING HARDWARE	
702		Ref	MAIN CONTROL VALVE	
703		Ref	CAB AUXILIARY WIRING HARNESS	

# SECTION 7 - CONTROLS

**FIGURE 7-10. CYBERTECH 5-BUTTON JOYSTICK CONTROLLER (534D-9 SN 0160027771 to Present; 534D-10 SN 0160027772 to Present)**



## SECTION 7 - CONTROLS

**FIGURE 7-10. CYBERTECH 5-BUTTON JOYSTICK CONTROLLER (534D-9 SN 0160027771 to Present;  
534D-10 SN 0160027772 to Present)**

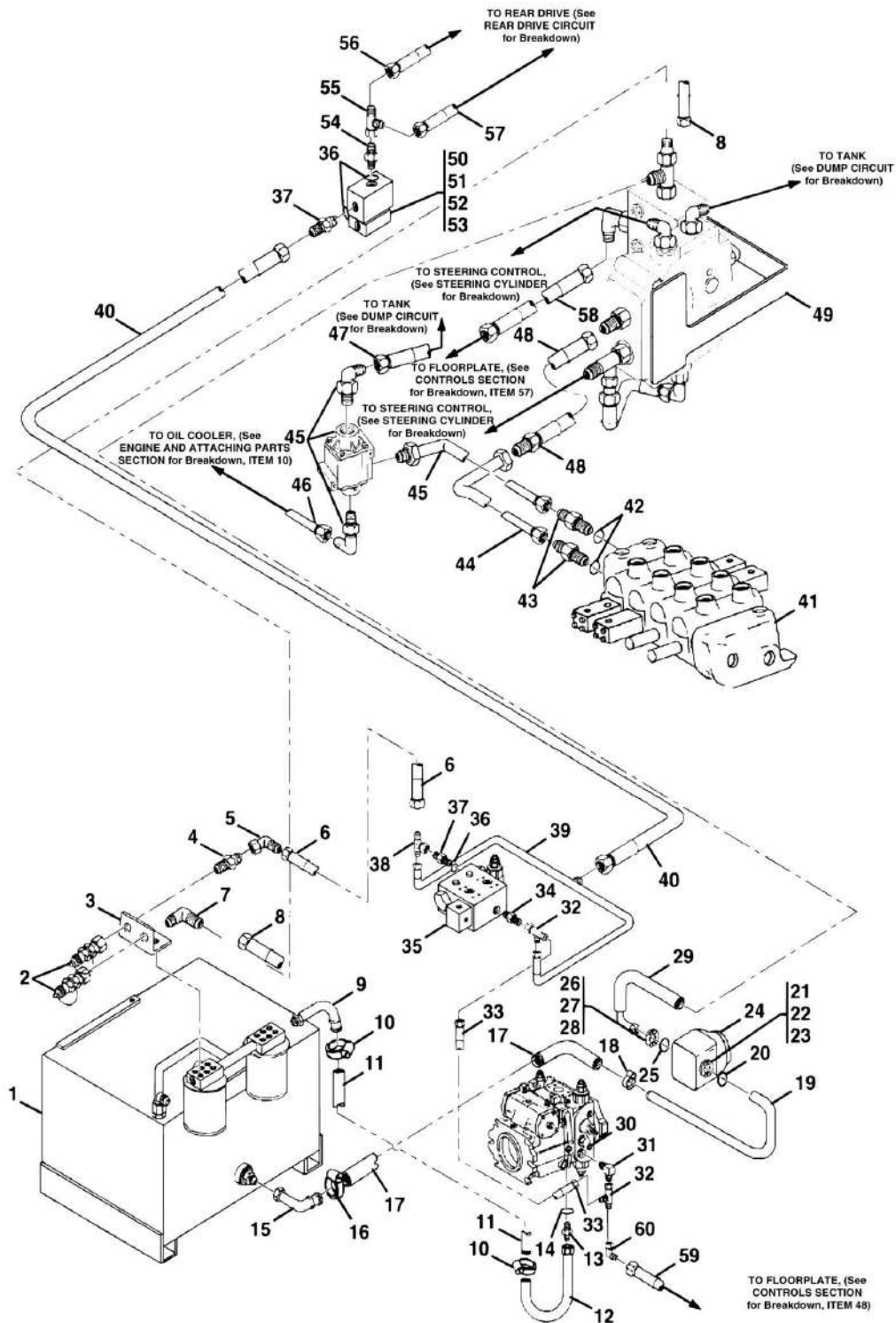
ITEM	PART NUMBER	QTY	DESCRIPTION	REV
	91345022	1	5-BUTTON AUX HANDLE ASSY, (if equipped), (includes all items)	C
1	91033387	1	5-BUTTON HANDLE	
2	88501112	1	HEX JAM NUT, 3/4-16	
3	91346002	1	LEVER WELDMENT	
4	91083136	2	BUSHING	
5	91123051	1	MOLDED RUBBER BUSHING	
6	86683480	1	BUTT CONNECTOR	
7	82033996	50 in	WIRE LOOM	
8	77363232	1	RECEPTACLE CONNECTOR	
9	77363228	6	PIN CONTACT	
10	91143107	1	STRAIN RELIEF	
11	90027187	2	TIE-WRAP	
12	86683122	2	TIE-WRAP	
13	91341015	1	JUMPER WIRE	
14	83683363	1	INSULATED RING TERMINAL	
15	86983193	1	MALE BULLET	
16	91341026	1	JUMPER WIRE	
17	91341027	1	JUMPER WIRE	
18	91341020	1	JUMPER WIRE	



**SECTION 8 - HYDRAULIC CIRCUITS**

# SECTION 8 - HYDRAULIC CIRCUITS

FIGURE 8-1. OIL SUPPLY AND PRESSURE LINES (534D-9 SN 0544001 through 0544217; 534D-10 SN 0366001 through 0366054)



PAP19960

## SECTION 8 - HYDRAULIC CIRCUITS

**FIGURE 8-1. OIL SUPPLY AND PRESSURE LINES (534D-9 SN 0544001 through 0544217; 534D-10 SN 0366001 through 0366054)**

ITEM	PART NUMBER	QTY	DESCRIPTION	REV
1		Ref	HYDRAULIC RESERVOIR ASSY, (See HYDRAULIC COMPONENTS SECTION for Breakdown)	
2		Ref	MINI CHECK COUPLING, (See HYDRAULIC COMPONENTS SECTION for Breakdown)	
3		Ref	FILTER SUPPORT, (See HYDRAULIC COMPONENTS SECTION for Breakdown)	
4		Ref	ADAPTER, (See HYDRAULIC COMPONENTS SECTION for Breakdown)	
5		Ref	ELBOW, 90, (swivel nut), (See HYDRAULIC COMPONENTS SECTION for Breakdown)	
6	84718700	1	HOSE ASSY	
7		Ref	ELBOW, 90, (See HYDRAULIC COMPONENTS SECTION for Breakdown)	
8	84718701	1	HOSE ASSY	
9		Ref	90, BEADED INSERT, (See HYDRAULIC COMPONENTS SECTION for Breakdown)	
10	80633030	2	BAND CLAMP	
11	91143143	1	HOSE ASSY	
12	91143087	1	INTAKE TUBE	
13	2220380	1	ADAPTER, (includes item 14)	
14	88591210	1	O-RING	
15	91143059	1	TUBE ASSY	
16	90028482	1	HOSE CLAMP	
17	77363128	1	HOSE ASSY	
18	80933070	1	BAND CLAMP	
19	91143121	1	SUCTION TUBE	
20	88591027	1	O-RING	
21	84711334	2	FLANGE CLAMP	
22	88201051	4	HEX HD CAPSCREW, 7/16-14X1 1/4, GR5	
23	88551012	4	LOCKWASHER, 7/16	
24		Ref	MAIN HYDRAULIC PUMP, (See HYDRAULIC COMPONENTS SECTION for Breakdown)	
25	88591024	1	O-RING	
26	84711333	4	FLANGE CLAMP	
27	88201036	4	HEX HD CAPSCREW, 3/8-16X1 1/4, GR5	
28	88551011	4	LOCKWASHER, 3/8	
29	84718639	1	HOSE ASSY	
30		Ref	HYDROSTATIC TRANSMISSION, (See HYDRAULIC COMPONENTS SECTION for Breakdown)	
31	91083222	1	90, REDUCING CONN	
32	2220635	2	SWIVEL NUT RUN TEE, 3/8 TUBE	
33	77133447	1	HOSE ASSY	
34	2220497	1	ADAPTER, (includes o-ring)	
34	88591206	1	O-RING	
35		Ref	TRACTION LOCK VALVE, (See HYDRAULIC COMPONENTS SECTION for Breakdown)	
36	88591204	3	O-RING	
37	2220371	2	ADAPTER, (includes item 36)	
38	2220579	1	SWIVEL NUT BRANCH TEE	
39	91163098	1	TUBE ASSY	

## SECTION 8 - HYDRAULIC CIRCUITS

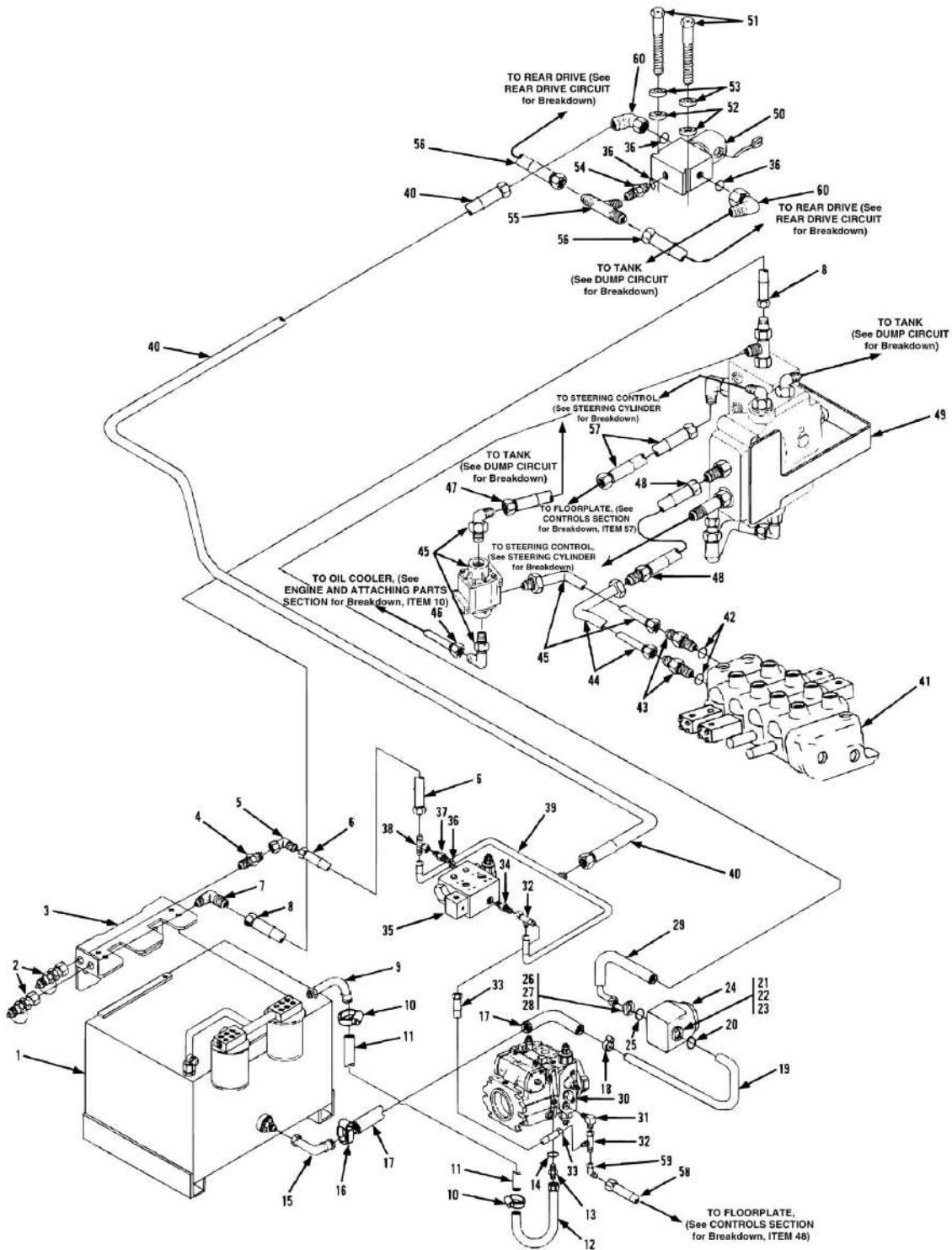
ITEM	PART NUMBER	QTY	DESCRIPTION	REV
40	84718425	1	HOSE ASSY	
41		Ref	MAIN CONTROL VALVE, (See HYDRAULIC COMPONENTS SECTION for Breakdown)	
42		Ref	O-RING	
43	2220379	2	ADAPTER, (includes item 42)	
44	91143058	1	TUBE ASSY	
45		Ref	THERMAL BYPASS VALVE ASSY, (See HYDRAULIC COMPONENTS SECTION for Breakdown)	
46	84718945	1	HOSE ASSY	
47	84718947	1	HOSE ASSY	
48	84718625	1	HOSE ASSY	
49		Ref	FLOW DIVIDER ASSY, (See HYDRAULIC COMPONENTS SECTION for Breakdown)	
50		Ref	SOLENOID VALVE, (See HYDRAULIC COMPONENTS SECTION for Breakdown)	
51	88201008	2	HEX HD CAPSCREW, 1/4-20X1 3/4, GR5	
52	88561002	2	FLAT WASHER, 1/4	
53	88551009	2	LOCKWASHER, 1/4	
54	2220582	1	ADAPTER, (includes item 36)	
55	2220605	1	SWIVEL NUT RUN TEE, 1/4 TUBE	
56	84718752	1	HOSE ASSY	
57	84718751	1	HOSE ASSY	
58	84718201	1	HOSE ASSY	
59	84717304	1	HOSE ASSY	
60	88662105	1	ELBOW, 90, SWIVEL NUT	





# SECTION 8 - HYDRAULIC CIRCUITS

**FIGURE 8-2. OIL SUPPLY AND PRESSURE LINES (534D-9 SN 0544218 through 016000853, Excluding 016000700; 534D-10 SN 0366055 through 016000974)**



## SECTION 8 - HYDRAULIC CIRCUITS

**FIGURE 8-2. OIL SUPPLY AND PRESSURE LINES (534D-9 SN 0544218 through 016000853,  
Excluding 016000700; 534D-10 SN 0366055 through 016000974)**

ITEM	PART NUMBER	QTY	DESCRIPTION	REV
	91085137	1	SOLENOID VALVE ASSY, (includes items 50, 54, 55 & 60)	G
1		Ref	HYDRAULIC RESERVOIR ASSY, (See HYDRAULIC COMPONENTS SECTION for Breakdown)	
2		Ref	MINI CHECK COUPLING, (See HYDRAULIC COMPONENTS SECTION for Breakdown)	
3		Ref	FILTER SUPPORT, (See HYDRAULIC COMPONENTS SECTION for Breakdown)	
4		Ref	ADAPTER, (See HYDRAULIC COMPONENTS SECTION for Breakdown)	
5		Ref	ELBOW, 90, (swivel nut), (See HYDRAULIC COMPONENTS SECTION for Breakdown)	
6	84718700	1	HOSE ASSY	
7		Ref	ELBOW, 90, (See HYDRAULIC COMPONENTS SECTION for Breakdown)	
8	84718701	1	HOSE ASSY	
9		Ref	90, BEADED INSERT, (See HYDRAULIC COMPONENTS SECTION for Breakdown)	
10	80633030	2	BAND CLAMP	
11	91143143	1	HOSE ASSY	
12	91143087	1	INTAKE TUBE	
13	2220380	1	ADAPTER, (includes item 14)	
14	88591210	1	O-RING	
15	91143059	1	TUBE ASSY	
16	90028482	1	HOSE CLAMP	
17	77363128	1	HOSE ASSY	
18	80933070	1	BAND CLAMP	
19	91143121	1	SUCTION TUBE	
20	88591027	1	O-RING	
21	84711334	2	FLANGE CLAMP	
22	88201051	4	HEX HD CAPSCREW, 7/16-14X1 1/4, GR5	
23	88551012	4	LOCKWASHER, 7/16	
24		Ref	MAIN HYDRAULIC PUMP, (See HYDRAULIC COMPONENTS SECTION for Breakdown)	
25	88591024	1	O-RING	
26	84711333	4	FLANGE CLAMP	
27	88201036	4	HEX HD CAPSCREW, 3/8-16X1 1/4, GR5	
28	88551011	4	LOCKWASHER, 3/8	
29	84718639	1	HOSE ASSY	
30		Ref	HYDROSTATIC TRANSMISSION, (See HYDRAULIC COMPONENTS SECTION for Breakdown)	
31	91083222	1	ADAPTER, 90	
32	2220635	2	SWIVEL NUT RUN TEE, 3/8 TUBE	
33	77133447	1	HOSE ASSY	
34	2220497	1	ADAPTER, (includes o-ring)	
34	88591206	1	O-RING	
35		Ref	TRACTION LOCK VALVE, (See HYDRAULIC COMPONENTS SECTION for Breakdown)	
36	88591204	4	O-RING	
37	2220371	1	ADAPTER, (includes item 36)	
38	2220579	1	SWIVEL NUT BRANCH TEE, 3/8 TUBE	

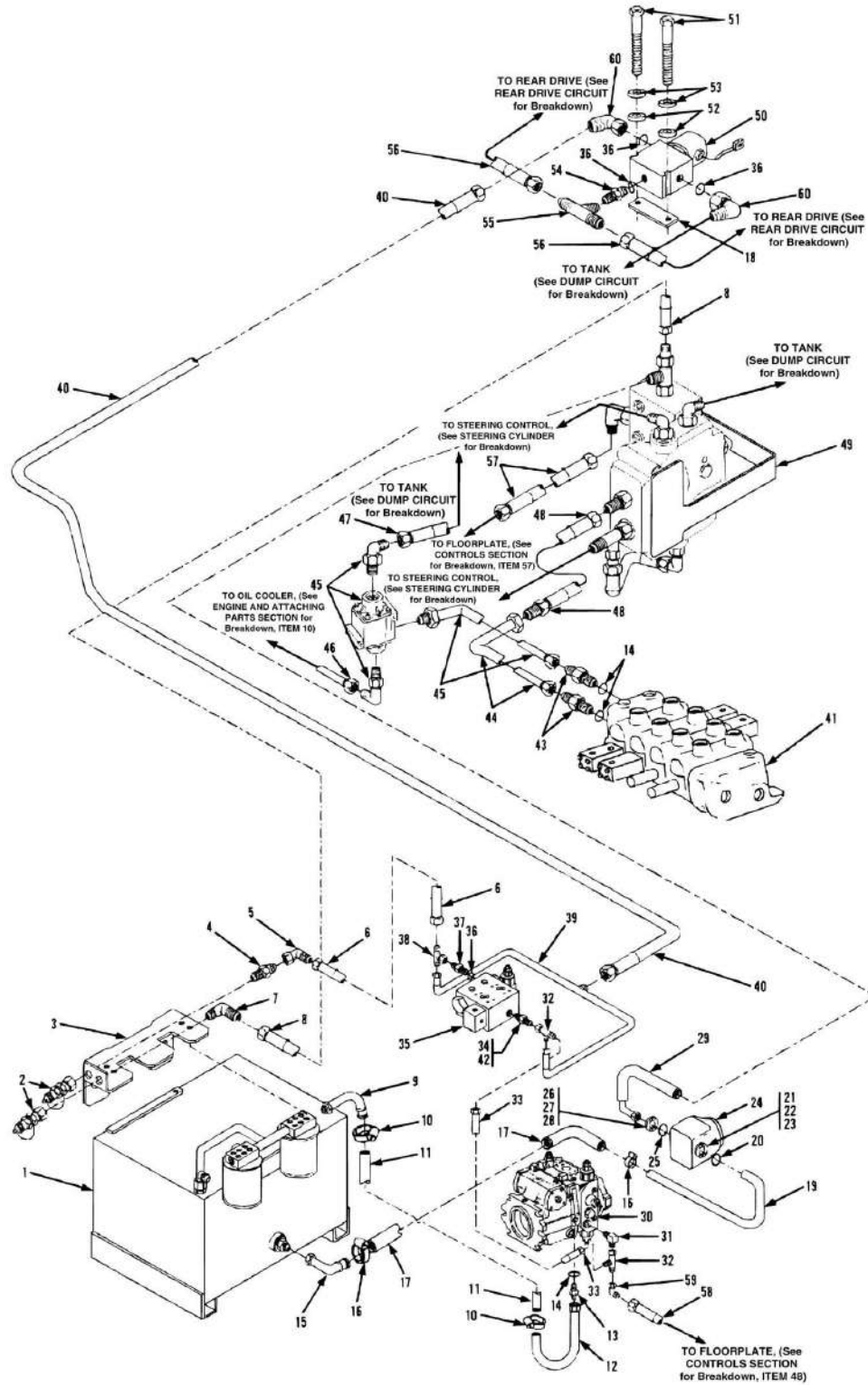
## SECTION 8 - HYDRAULIC CIRCUITS

ITEM	PART NUMBER	QTY	DESCRIPTION	REV
39	91163098	1	TUBE ASSY	
40	77133196	1	HOSE ASSY	
41		Ref	MAIN CONTROL VALVE, (See HYDRAULIC COMPONENTS SECTION for Breakdown)	
42		Ref	O-RING	
43	2220379	2	ADAPTER (includes item 42)	
44	91143058	1	TUBE ASSY	
45		Ref	THERMAL BYPASS VALVE ASSY, (See HYDRAULIC COMPONENTS SECTION for Breakdown)	
46	84718945	1	HOSE ASSY	
47	84718947	1	HOSE ASSY	
48	84718625	1	HOSE ASSY	
49		Ref	FLOW DIVIDER ASSY, (See HYDRAULIC COMPONENTS SECTION for Breakdown)	
50		Ref	SOLENOID VALVE, (See HYDRAULIC COMPONENTS SECTION for Breakdown)	
51	88201008	2	HEX HD CAPSCREW, 1/4-20X1 3/4, GR5	
52	88561002	2	FLAT WASHER, 1/4	
53	88551009	2	LOCKWASHER, 1/4	
54	2220582	1	ADAPTER, (includes item 36)	
55	2220861	1	SWIVEL NUT BRANCH TEE, 1/4 TUBE	
56	84719447	2	HOSE ASSY	
57	84718201	1	HOSE ASSY	
58	84717304	1	HOSE ASSY	
59	88662105	1	ELBOW, 90, SWIVEL NUT	
60	2220473	2	ELBOW, 90, (includes item 36)	



# SECTION 8 - HYDRAULIC CIRCUITS

FIGURE 8-3. OIL SUPPLY AND PRESSURE LINES (534D-9 SN 0160001051 to Present, Including 0160000700; 534D-10 SN 0160000978 to Present)



## SECTION 8 - HYDRAULIC CIRCUITS

**FIGURE 8-3. OIL SUPPLY AND PRESSURE LINES (534D-9 SN 0160001051 to Present, Including 0160000700; 534D-10 SN 0160000978 to Present)**

ITEM	PART NUMBER	QTY	DESCRIPTION	REV
	91085137	1	SOLENOID VALVE ASSY, (includes items 50, 54, 55 & 60)	G
1		Ref	HYDRAULIC RESERVOIR ASSY, (See HYDRAULIC COMPONENTS SECTION for Breakdown)	
2		Ref	MINI CHECK COUPLING, (See HYDRAULIC COMPONENTS SECTION for Breakdown)	
3		Ref	FILTER SUPPORT, (See HYDRAULIC COMPONENTS SECTION for Breakdown)	
4		Ref	ADAPTER, (See HYDRAULIC COMPONENTS SECTION for Breakdown)	
5		Ref	ELBOW, 90, (swivel nut), (See HYDRAULIC COMPONENTS SECTION for Breakdown)	
6	84718700	1	HOSE ASSY	
7		Ref	ELBOW, 90, (See HYDRAULIC COMPONENTS SECTION for Breakdown)	
8	84718701	1	HOSE ASSY	
9		Ref	90, BEADED INSERT, (See HYDRAULIC COMPONENTS SECTION for Breakdown)	
10	80633030	2	BAND CLAMP	
11	91553038	1	HOSE ASSY	
12	91143087	1	INTAKE TUBE	
13	2220852	1	ADAPTER, (includes item 14)	
14		Ref	O-RING	
15	91143059	1	TUBE ASSY	
16	90028482	2	HOSE CLAMP	
17	77363128	1	HOSE ASSY	
18	91031040	1	MOUNTING BAR	
19	91143121	1	SUCTION TUBE	
20	88591027	1	O-RING	
21	84711334	2	FLANGE CLAMP	
22	88201051	4	HEX HD CAPSCREW, 7/16-14X1 1/4, GR5	
23	88551012	4	LOCKWASHER, 7/16	
24		Ref	MAIN HYDRAULIC PUMP, (See HYDRAULIC COMPONENTS SECTION for Breakdown)	
25	88591024	1	O-RING	
26	84711333	2	FLANGE CLAMP	
27	88201036	4	HEX HD CAPSCREW, 3/8-16X1 1/4, GR5	
28	88551011	4	LOCKWASHER, 3/8	
29	84718639	1	HOSE ASSY	
30		Ref	HYDROSTATIC TRANSMISSION, (See HYDRAULIC COMPONENTS SECTION for Breakdown)	
31	91083222	1	ADAPTER, 90	
32	2220635	2	SWIVEL NUT RUN TEE, 3/8 TUBE	
33	77133447	1	HOSE ASSY	
34	2220497	1	ADAPTER, (includes item 42)	
35		Ref	TRACTION LOCK VALVE, (See HYDRAULIC COMPONENTS SECTION for Breakdown)	
36	88591204	4	O-RING	
37	2220371	1	ADAPTER, (includes item 36)	
38	2220579	1	SWIVEL NUT BRANCH TEE, 3/8 TUBE	
39	91163098	1	TUBE ASSY	

## SECTION 8 - HYDRAULIC CIRCUITS

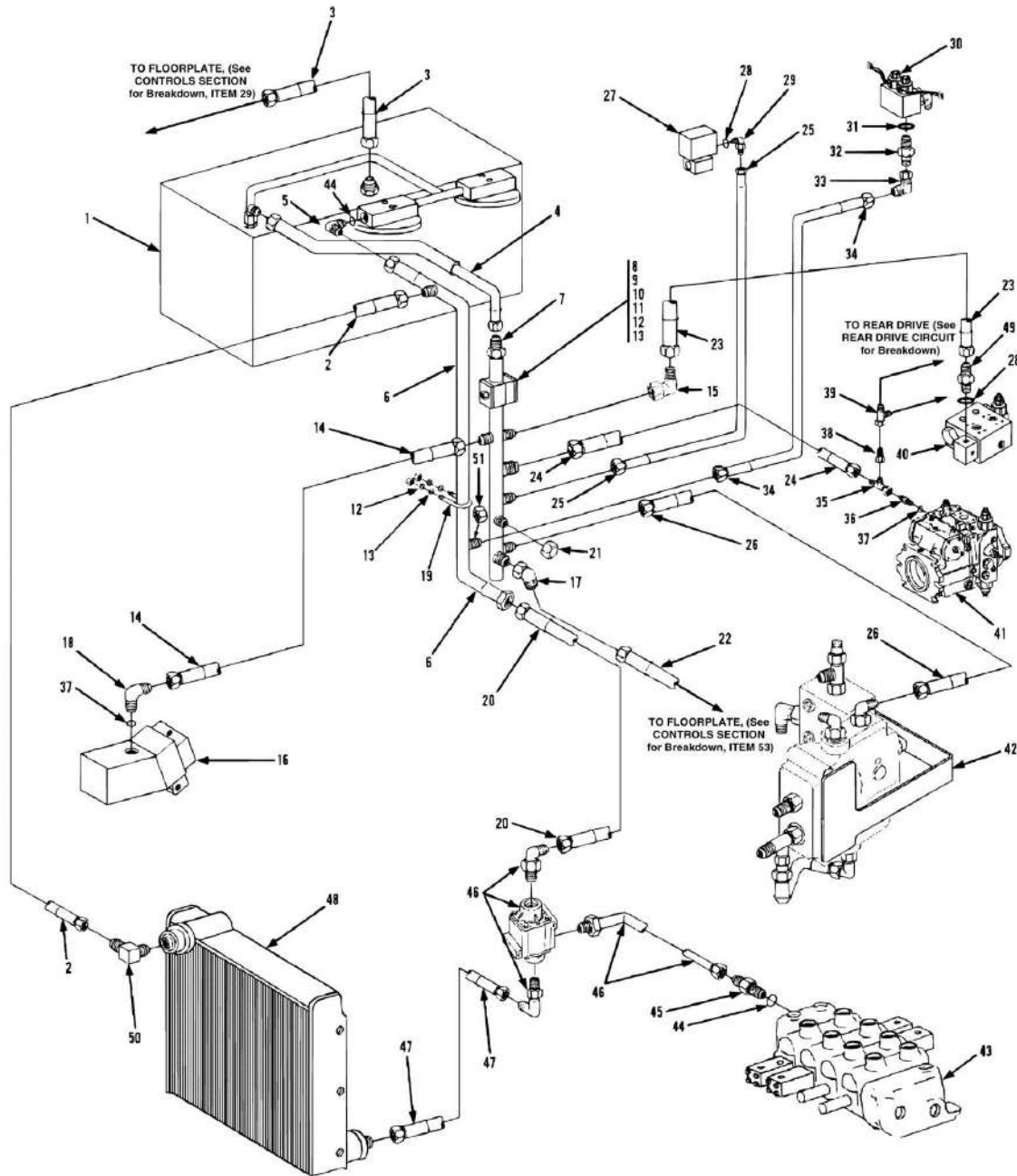
ITEM	PART NUMBER	QTY	DESCRIPTION	REV
40	77133196	1	HOSE ASSY	
41		Ref	MAIN CONTROL VALVE, (See HYDRAULIC COMPONENTS SECTION for Breakdown)	
42	88591206	1	O-RING	
43	2220379	2	ADAPTER, (includes item 14)	
44	91143058	1	TUBE ASSY	
45		Ref	THERMAL BYPASS VALVE ASSY, (See HYDRAULIC COMPONENTS SECTION for Breakdown)	
46	84719980	1	HOSE ASSY	
47	84718947	1	HOSE ASSY	
48	84718625	1	HOSE ASSY	
49		Ref	FLOW DIVIDER ASSY, (See HYDRAULIC COMPONENTS SECTION for Breakdown)	
50		Ref	SOLENOID VALVE, (See HYDRAULIC COMPONENTS SECTION for Breakdown)	
51	0641414	2	HEX HD CAPSCREW, 1/4-20X1-3/4, GR5	
52	4751400	2	FLAT WASHER, 1/4	
53	4761500	2	LOCKWASHER, 1/4	
54	2220582	1	ADAPTER, (includes item 36)	
55	2220861	1	SWIVEL NUT BRANCH TEE, 1/4 TUBE	
56	84719447	2	HOSE ASSY	
57	84718201	1	HOSE ASSY	
58	84717304	1	HOSE ASSY	
59	88662105	1	ELBOW, 90, SWIVEL NUT	
60	2220473	2	ELBOW, 90, (includes item 36)	





# SECTION 8 - HYDRAULIC CIRCUITS

FIGURE 8-4. DUMP CIRCUIT (534D-9 SN 0544001 through 0544217; 534D-10 SN 0366001 through 0366054)



## SECTION 8 - HYDRAULIC CIRCUITS

**FIGURE 8-4. DUMP CIRCUIT (534D-9 SN 0544001 through 0544217; 534D-10 SN 0366001 through 0366054)**

ITEM	PART NUMBER	QTY	DESCRIPTION	REV
1		Ref	HYDRAULIC RESERVOIR ASSY, (See HYDRAULIC COMPONENTS SECTION for Breakdown)	
2	84718979	1	HOSE ASSY	
3	84718164	1	HOSE ASSY	
4	84718968	1	HOSE ASSY	
5	88662070	1	ELBOW, 90, (includes item 44)	
6	91143273	1	DUMP TUBE	
7	91163140	1	TUBE ASSY	
8	77133053	1	CLAMP SET	
9	77133052	1	COVER PLATE	
10	88201010	2	HEX HD CAPSCREW, 1/4-20X 1/4, GR5	
11	88501004	2	HEX NUT, 1/4-20	
12	88551009	4	LOCKWASHER, 1/4	
13	88561107	4	FLAT WASHER, 1/4	
14	84718999	1	HOSE ASSY	
15	8760268	1	ELBOW, 90, (includes item 37)	
16		Ref	FRONT DRIVE MOTOR, (See HYDRAULIC COMPONENTS SECTION for Breakdown)	
17	8765204	1	ELBOW, 90	
18	8760268	1	ELBOW, 90	
19	83421139	1	U-BOLT WITH NUTS	
20	84718947	1	HOSE ASSY	
21	2220516	1	CAP	
22	84718635	1	HOSE ASSY	
23	84718745	1	HOSE ASSY	
24	84718956	1	HOSE ASSY	
25	84717835	1	HOSE ASSY	
26	84718743	1	HOSE ASSY	
27		Ref	SOLENOID VALVE, (See HYDRAULIC COMPONENTS SECTION for Breakdown)	
28	88591204	2	O-RING	
29	2220473	1	ELBOW, 90, (includes item 28)	
30		Ref	STABILIZER VALVE ASSY-OPTIONAL, (See HYDRAULIC COMPONENTS SECTION for Breakdown)	
31	88591206	1	O-RING, (used with stabilizer option)	
32	2220374	1	ADAPTER, (includes item 31), (used with stabilizer option)	
33	88662120	1	ELBOW, 45, (swivel nut), (used with stabilizer option)	
34	84719000	1	HOSE ASSY, (used with stabilizer option)	
35	88662242	1	SWIVEL NUT RUN TEE, 3/4 TUBE	
36	88662008	1	ADAPTER, (includes item 37)	
37		Ref	O-RING	
38	82651133	1	REDUCER W/ADAPTER	
39	88662240	1	SWIVEL NUT RUN TEE, 1/8 TUBE	
40		Ref	TRACTION LOCK VALVE, (See HYDRAULIC COMPONENTS SECTION for Breakdown)	
41		Ref	HYDROSTATIC TRANSMISSION, (See HYDRAULIC COMPONENTS SECTION for Breakdown)	
42		Ref	FLOW DIVIDER ASSY, (See HYDRAULIC COMPONENTS SECTION for Breakdown)	

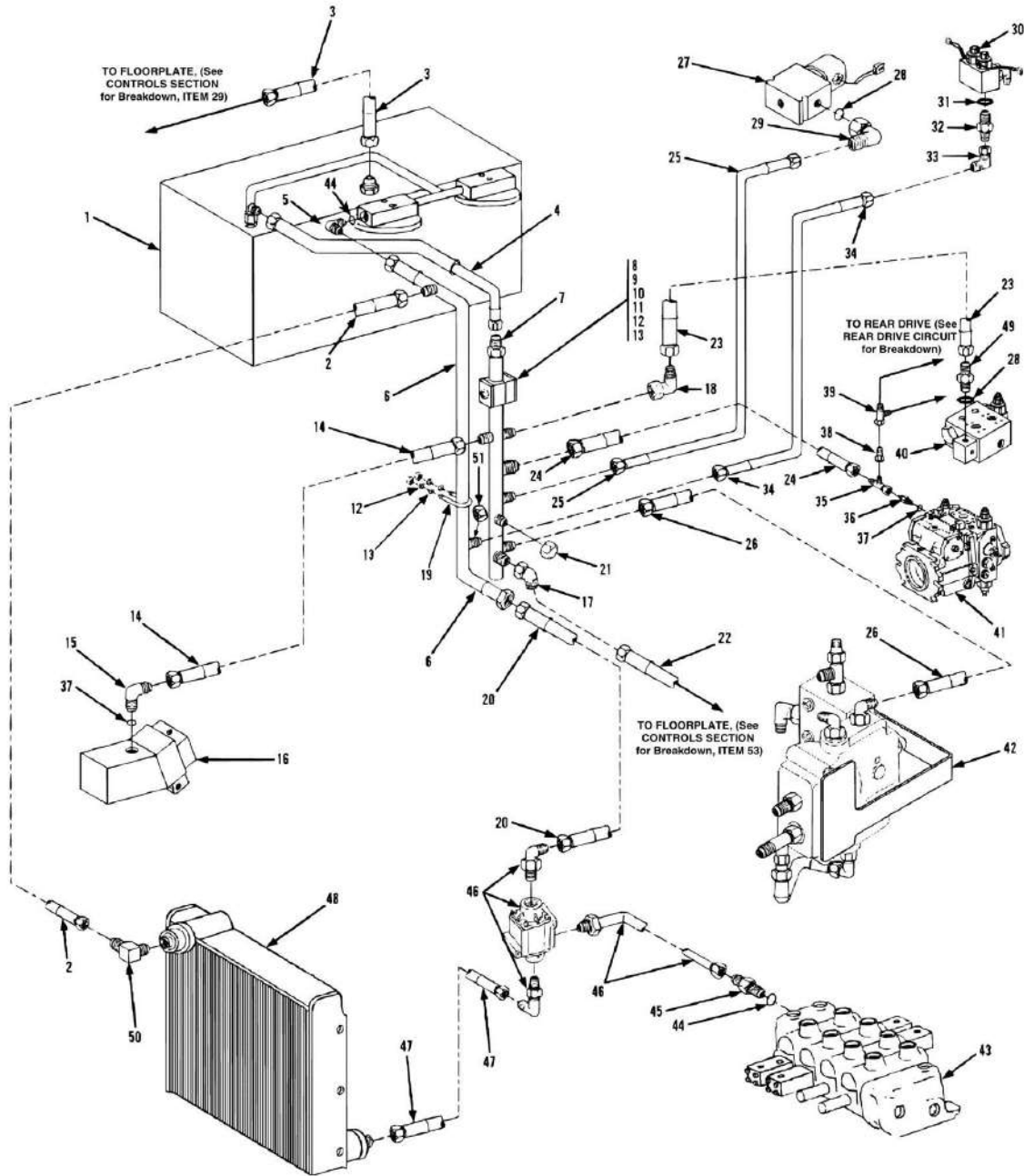
## SECTION 8 - HYDRAULIC CIRCUITS

ITEM	PART NUMBER	QTY	DESCRIPTION	REV
43		Ref	MAIN CONTROL VALVE, (See HYDRAULIC COMPONENTS SECTION for Breakdown)	
44		Ref	O-RING	
45	2220379	1	ADAPTER, (includes item 44)	
46		Ref	THERMAL BYPASS VALVE, (See HYDRAULIC COMPONENTS SECTION for Breakdown)	
47	84718945	1	HOSE ASSY	
48		Ref	OIL COOLER ASSY, (See ENGINE AND ATTACHING PARTS SECTION for Breakdown)	
49	2220371	1	ADAPTER, (includes item 28)	
50	83623032	1	ELBOW	
51	88661365	1	CAP	



# SECTION 8 - HYDRAULIC CIRCUITS

FIGURE 8-5. DUMP CIRCUIT (534D-9 SN 0544218 through 016000853, Excluding 016000700; 534D-10 SN 0366055 through 016000974)



## SECTION 8 - HYDRAULIC CIRCUITS

**FIGURE 8-5. DUMP CIRCUIT (534D-9 SN 0544218 through 0160000853, Excluding 0160000700; 534D-10 SN 0366055 through 0160000974)**

ITEM	PART NUMBER	QTY	DESCRIPTION	REV
1		Ref	HYDRAULIC RESERVOIR ASSY, (See HYDRAULIC COMPONENTS SECTION for Breakdown)	
2	84718979	1	HOSE ASSY	
3	84718164	1	HOSE ASSY	
4	84718968	1	HOSE ASSY	
5	88662070	1	ELBOW, 90, (includes item 44)	
6	91143273	1	DUMP TUBE	
7	91163140	1	TUBE ASSY	
8	77133053	1	CLAMP SET	
9	77133052	1	COVER PLATE	
10	88201010	2	HEX HD CAPSCREW, 1/4-20X 1/4, GR5	
11	88501004	2	HEX NUT, 1/4-20	
12	88551009	4	LOCKWASHER, 1/4	
13	88561107	4	FLAT WASHER, 1/4	
14	84718999	1	HOSE ASSY	
15	2221048	1	REDUCER ELBOW, (includes item 37)	
16		Ref	FRONT DRIVE MOTOR, (See HYDRAULIC COMPONENTS SECTION for Breakdown)	
17	8765204	1	ELBOW, 90	
18	8760268	1	ELBOW, 90	
19	83421139	1	U-BOLT WITH NUTS	
20	84718947	1	HOSE ASSY	
21	2220516	1	CAP	
22	84718635	1	HOSE ASSY	
23	84718745	1	HOSE ASSY	
24	84718956	1	HOSE ASSY	
25	84716719	1	HOSE ASSY	
26	84718743	1	HOSE ASSY	
27		Ref	SOLENOID VALVE, (See HYDRAULIC COMPONENTS SECTION for Breakdown)	
28	88591204	2	O-RING	
29	2220473	1	ELBOW, 90, (includes item 28)	
30		Ref	STABILIZER VALVE ASSY-OPTIONAL, (See HYDRAULIC COMPONENTS SECTION for Breakdown)	
31	88591206	1	O-RING, (used with stabilizer option)	
32	2220374	1	ADAPTER, (includes item 31), (used with stabilizer option)	
33	88662120	1	ELBOW, 45, (swivel nut), (used with stabilizer option)	
34	84719000	1	HOSE ASSY, (used with stabilizer option)	
35	88662242	1	SWIVEL NUT RUN TEE, 3/4 TUBE	
36	88662008	1	ADAPTER, (includes item 37)	
37	88591207	2	O-RING	
38	82651133	1	REDUCER W/ADAPTER	
39	88662240	1	SWIVEL NUT RUN TEE, 1/8 TUBE	
40		Ref	TRACTION LOCK VALVE, (See HYDRAULIC COMPONENTS SECTION for Breakdown)	
41		Ref	HYDROSTATIC TRANSMISSION, (See HYDRAULIC COMPONENTS SECTION for Breakdown)	
42		Ref	FLOW DIVIDER ASSY, (See HYDRAULIC COMPONENTS SECTION for Breakdown)	

## SECTION 8 - HYDRAULIC CIRCUITS

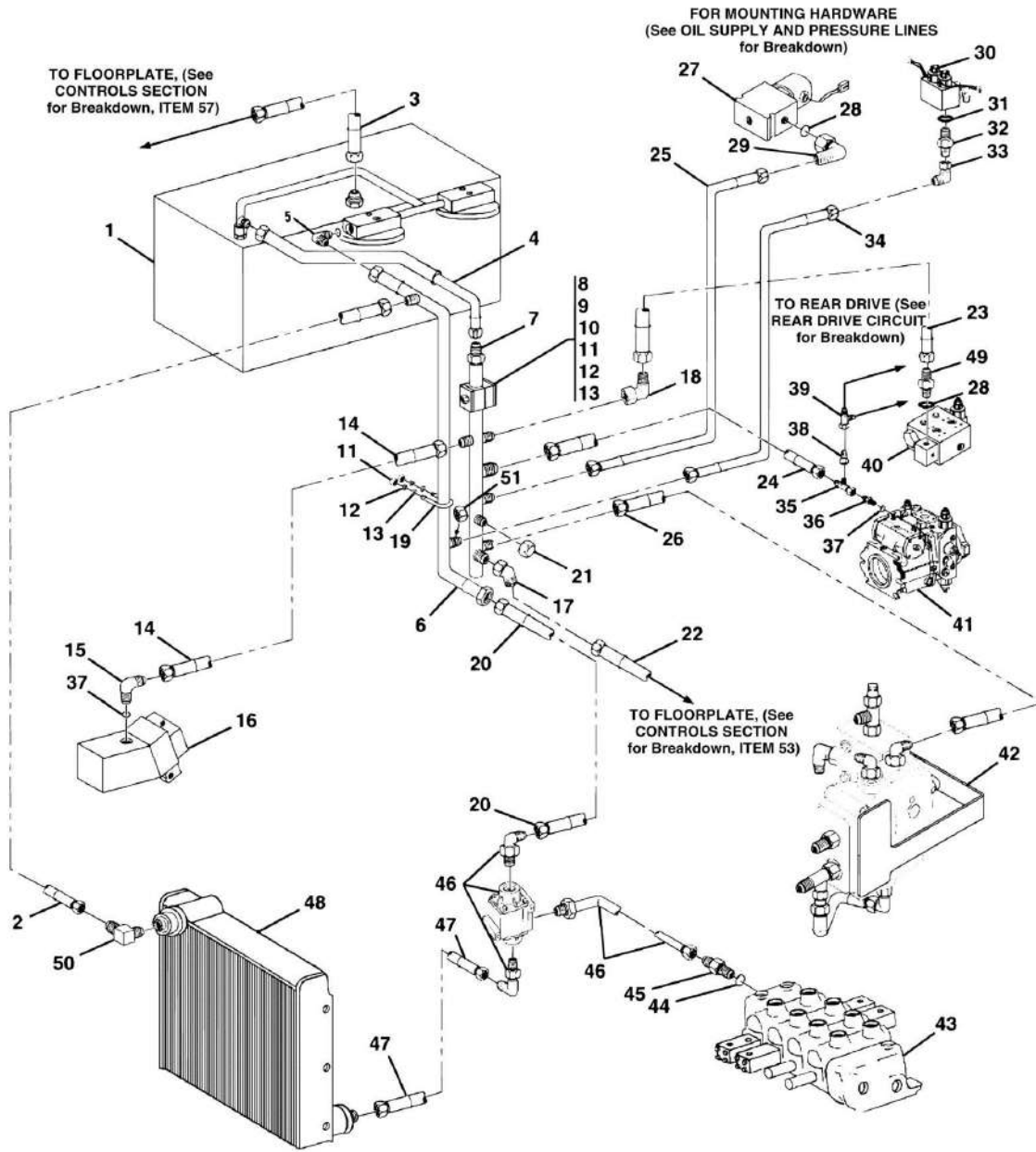
ITEM	PART NUMBER	QTY	DESCRIPTION	REV
43		Ref	MAIN CONTROL VALVE, (See HYDRAULIC COMPONENTS SECTION for Breakdown)	
44		Ref	O-RING	
45	2220379	1	ADAPTER, (includes item 44)	
46		Ref	THERMAL BYPASS VALVE, (See HYDRAULIC COMPONENTS SECTION for Breakdown)	
47	84718945	1	HOSE ASSY	
48		Ref	OIL COOLER ASSY, (See ENGINE AND ATTACHING PARTS SECTION for Breakdown)	
49	2220371	1	ADAPTER, (includes item 28)	
50	83623032	1	ELBOW	
51	88661365	1	CAP	





# SECTION 8 - HYDRAULIC CIRCUITS

FIGURE 8-6. DUMP CIRCUIT (534D-9 SN 0160001051 to Present, Including 0160000700; 534D-10 SN 0160000978 to Present)



PAP19560

## SECTION 8 - HYDRAULIC CIRCUITS

**FIGURE 8-6. DUMP CIRCUIT (534D-9 SN 0160001051 to Present, Including 0160000700; 534D-10 SN 0160000978 to Present)**

ITEM	PART NUMBER	QTY	DESCRIPTION	REV
1		Ref	HYDRAULIC RESERVOIR ASSY, (See HYDRAULIC COMPONENTS SECTION for Breakdown)	
2	1001104620	1	HOSE ASSY	
3	84718164	1	HOSE ASSY	
4	84718968	1	HOSE ASSY	
5	88662070	1	ELBOW, 90, (includes item 44)	
6	91553036	1	DUMP TUBE	
7	91553061	1	TUBE ASSY	
8	77133053	1	CLAMP SET	
9	77133052	1	COVER PLATE	
10	0641418	2	HEX HD CAPSCREW, 1/4-20X 1/4, GR5	
11	88501004	2	HEX NUT, 1/4-20	
12	4761400	2	LOCKWASHER, 1/4	
13	4711400	2	FLAT WASHER, 1/4	
14	1001092278	1	HOSE ASSY	
15	2221048	1	REDUCER ELBOW, (includes item 37)	
16		Ref	FRONT DRIVE MOTOR, (See HYDRAULIC COMPONENTS SECTION for Breakdown)	
17	8765204	1	ELBOW, 90	
18	8760268	1	ELBOW, 90	
19	83421139	1	U-BOLT WITH NUTS	
20	84718947	1	HOSE ASSY	
21	2220516	1	CAP	
22	84718635	1	HOSE ASSY	
23	84718745	1	HOSE ASSY	
24	84718956	1	HOSE ASSY	
25	84716719	1	HOSE ASSY	
26	84718743	1	HOSE ASSY	
27		Ref	SOLENOID VALVE, (See HYDRAULIC COMPONENTS SECTION for Breakdown)	
28	88591204	2	O-RING	
29	88662064	1	ELBOW, 90, (includes item 28)	
30		Ref	STABILIZER VALVE ASSY-OPTIONAL, (See HYDRAULIC COMPONENTS SECTION for Breakdown)	
31	88591206	1	O-RING, (used with stabilizer option)	
32	2220374	1	ADAPTER, (includes item 31), (used with stabilizer option)	
33	88662120	1	ELBOW, 45, (swivel nut), (used with stabilizer option)	
34	84719000	1	HOSE ASSY, (used with stabilizer option)	
35	88662242	1	SWIVEL NUT RUN TEE, 3/4 TUBE	
36	88662008	1	ADAPTER, (includes item 37)	
37	88591207	2	O-RING	
38	83651133	1	REDUCER W/ADAPTER	
39	88662240	1	SWIVEL NUT RUN TEE, 1/8 TUBE	
40		Ref	TRACTION LOCK VALVE, (See HYDRAULIC COMPONENTS SECTION for Breakdown)	
41		Ref	HYDROSTATIC TRANSMISSION, (See HYDRAULIC COMPONENTS SECTION for Breakdown)	
42		Ref	FLOW DIVIDER ASSY, (See HYDRAULIC COMPONENTS SECTION for Breakdown)	

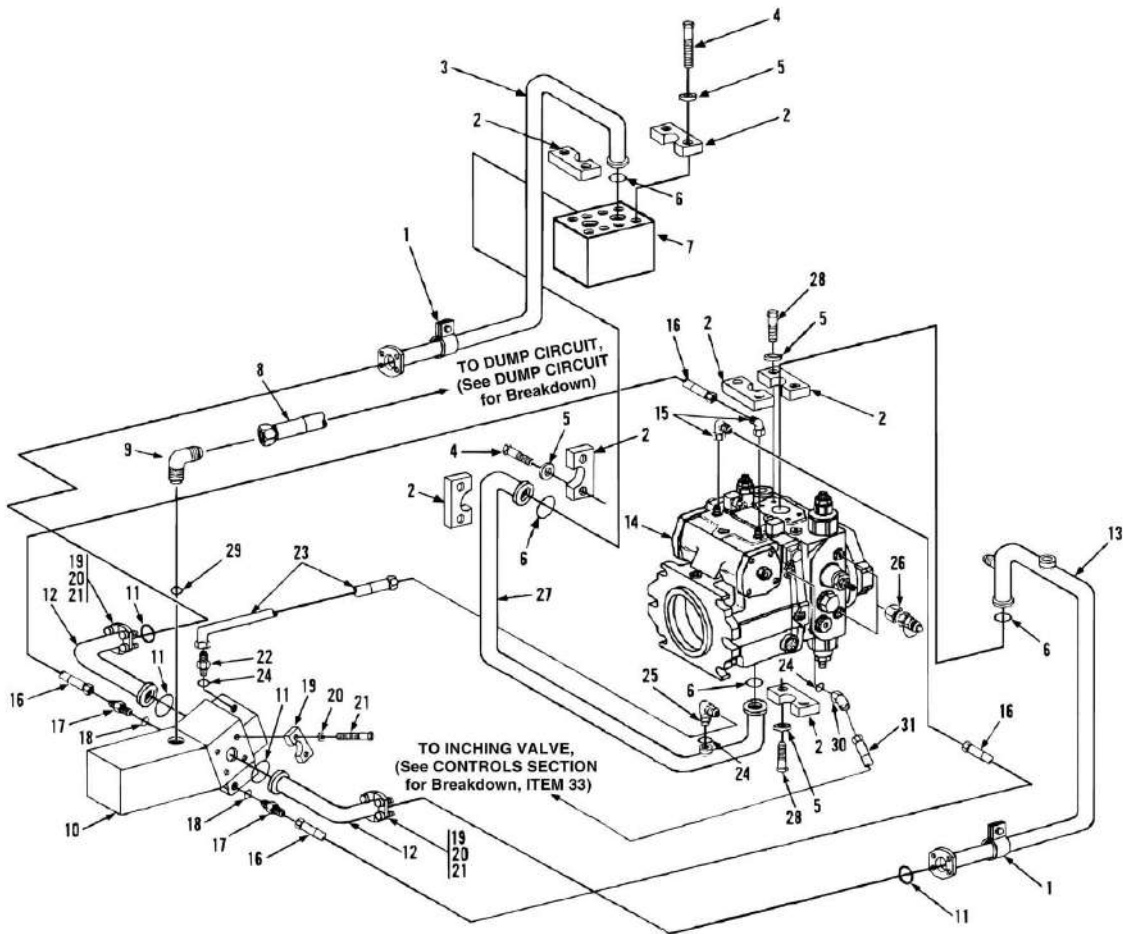
## SECTION 8 - HYDRAULIC CIRCUITS

ITEM	PART NUMBER	QTY	DESCRIPTION	REV
43		Ref	MAIN CONTROL VALVE, (See HYDRAULIC COMPONENTS SECTION for Breakdown)	
44		Ref	O-RING	
45	2220379	1	ADAPTER, (includes item 44)	
46		Ref	THERMAL BYPASS VALVE, (See HYDRAULIC COMPONENTS SECTION for Breakdown)	
47	84719980	1	HOSE ASSY	
48		Ref	OIL COOLER ASSY, (See ENGINE AND ATTACHING PARTS SECTION for Breakdown)	
49	2220371	1	ADAPTER, (includes item 28)	
50	83623032	1	ELBOW	
51	88661365	1	CAP	



# SECTION 8 - HYDRAULIC CIRCUITS

## FIGURE 8-7. FRONT DRIVE CIRCUIT



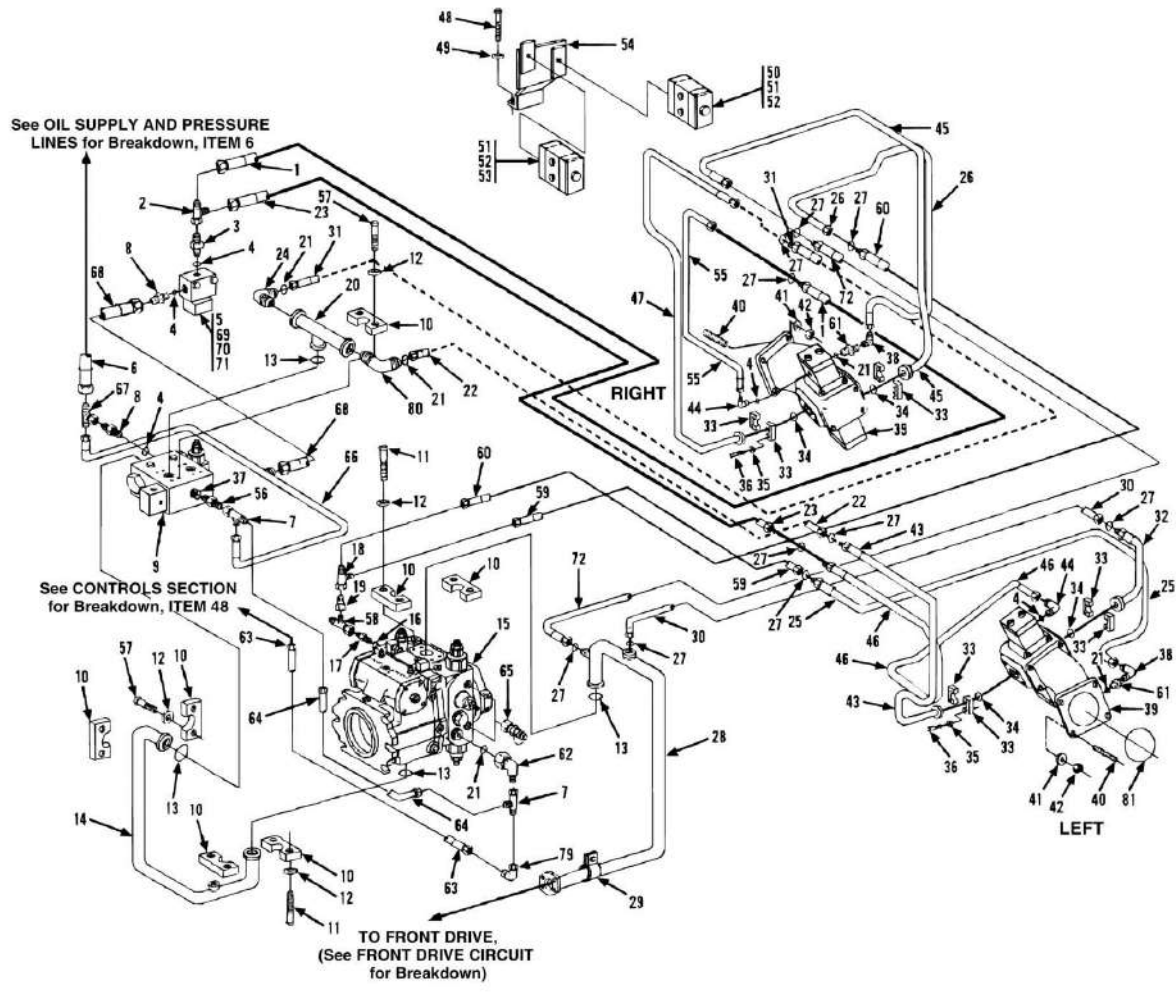
## SECTION 8 - HYDRAULIC CIRCUITS

### FIGURE 8-7. FRONT DRIVE CIRCUIT

ITEM	PART NUMBER	QTY	DESCRIPTION	REV
1	90205792	2	CUSHION CLAMP	
2	84712738	8	SPLIT FLANGE CLAMP	
3	91083418	1	TUBE ASSY	
4	83201155	8	HEX HD CAPSCREW, 7/16-14X1-3/4, GR8	
5	88551012	20	LOCKWASHER, 7/16	
6	91083106	4	O-RING	
7		Ref	TRACTION LOCK VALVE, (See HYDRAULIC COMPONENTS SECTION for Breakdown)	
8	84718999	1	HOSE ASSY	
9	2221048	1	ELBOW, 90, (includes item 29)	
10		Ref	FRONT DRIVE MOTOR, (See HYDRAULIC COMPONENTS SECTION for Breakdown)	
11	91083339	4	O-RING	
12	84718845	2	HOSE ASSY	
13	91163122	1	TUBE ASSY	
14		Ref	HYDROSTATIC TRANSMISSION, (See HYDRAULIC COMPONENTS SECTION for Breakdown)	
15	90027906	2	ELBOW, 90, (includes o-ring)	
15	88591204	2	O-RING	
16	84719143	2	HOSE ASSY	
17	2220415	2	ADAPTER, (includes item 18)	
18	88591202	2	O-RING	
19	84712739	8	SPLIT FLANGE CLAMP	
20	4761800	16	LOCKWASHER, 1/2	
21	0681814	16	HEX HD CAPSCREW, 1/2-13X1-3/4, GR5	
22	2220582	1	ADAPTER, (includes item 24)	
23	84718929	1	HOSE ASSY	
24	88591204	3	O-RING	
25	90027906	1	ELBOW, 90, (includes item 24)	
26	91053020	2	TEST COUPLING	
27	91163201	1	TUBE ASSY	
28	83201135	8	HEX HD CAPSCREW, 7/16-14X1-1/2, GR8	
29	88591207	1	O-RING	
30	88662084	1	ELBOW, 45, (includes item 24)	
31	84718077	1	HOSE ASSY	

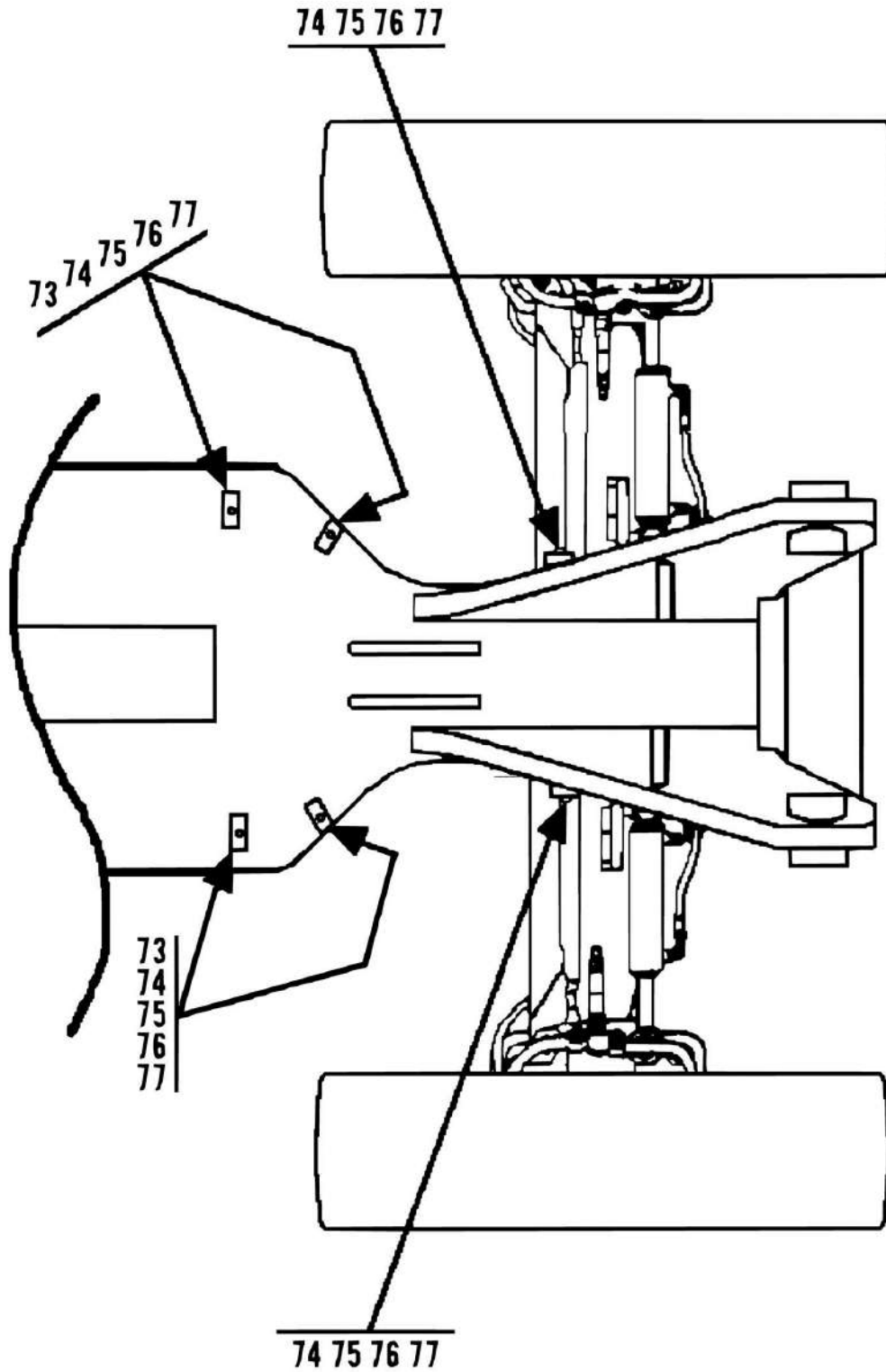
# SECTION 8 - HYDRAULIC CIRCUITS

FIGURE 8-8. REAR DRIVE CIRCUIT (534D-9 SN 0544001 through 0544217; 534D-10 SN 0366001 through 0366054)





SECTION 8 - HYDRAULIC CIRCUITS



## SECTION 8 - HYDRAULIC CIRCUITS

**FIGURE 8-8. REAR DRIVE CIRCUIT (534D-9 SN 0544001 through 0544217; 534D-10 SN 0366001 through 0366054)**

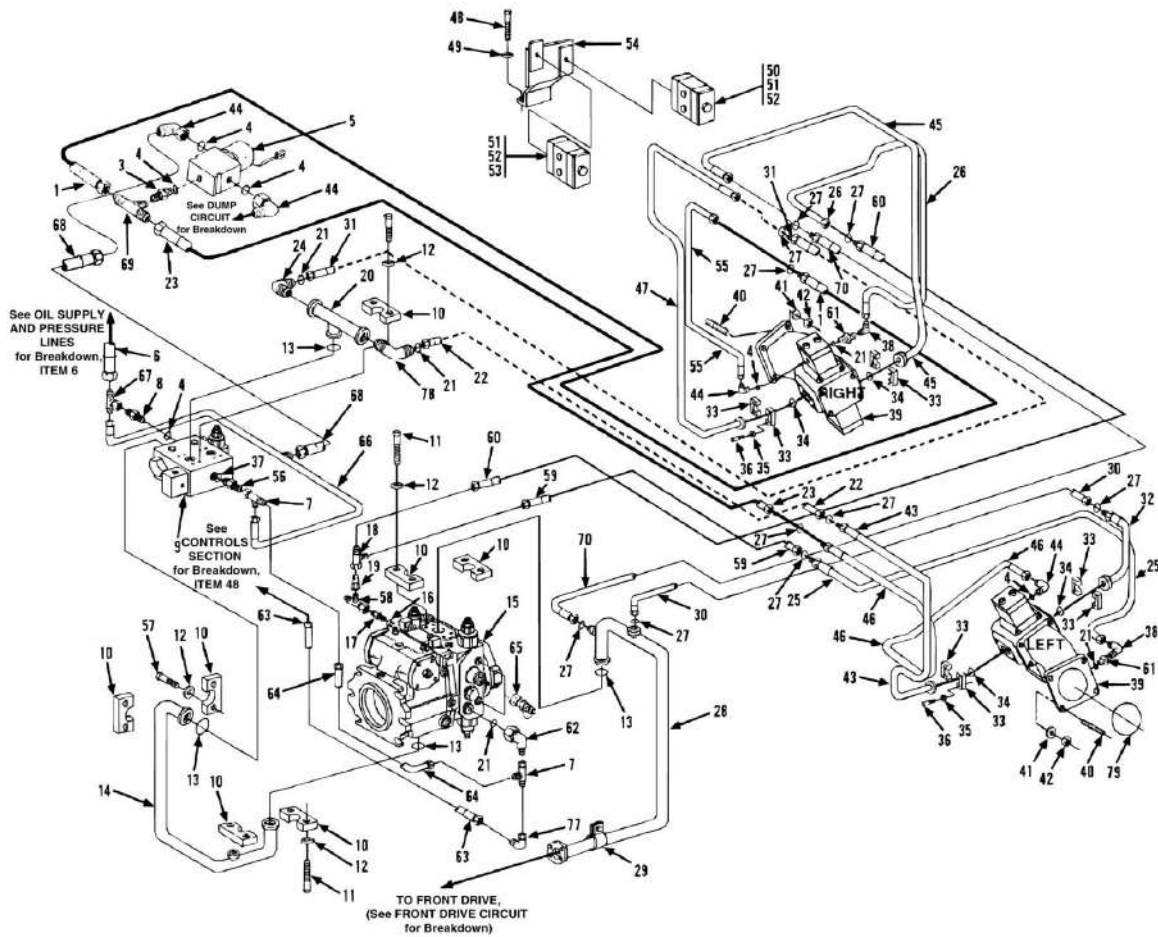
ITEM	PART NUMBER	QTY	DESCRIPTION	REV
1	84718752	1	HOSE ASSY	
2	2220605	1	SWIVEL NUT RUN, TEE 1/4 TUBE	
3	83662017	1	ADAPTER, (includes item 4)	
4	88591204	4	O-RING	
5		Ref	SOLENOID VALVE, (See HYDRAULIC COMPONENTS SECTION for Breakdown)	
6	84718700	1	HOSE ASSY	
7	88662239	2	SWIVEL NUT RUN TEE, 3/8 TUBE	
8	2220371	2	ADAPTER, (includes item 4)	
9		Ref	TRACTION LOCK VALVE, (See HYDRAULIC COMPONENTS SECTION for Breakdown)	
10	84712738	8	SPLIT FLANGE CLAMP	
11	83201135	8	HEX HD CAPSCREW, 7/16-14X1-1/2	
12	88551012	16	LOCKWASHER, 7/16	
13	91083106	4	O-RING	
14	91163201	1	TUBE ASSY	
15		Ref	HYDROSTATIC TRANSMISSION, (See HYDRAULIC COMPONENTS SECTION for Breakdown)	
16	88591207	1	O-RING	
17	2220451	1	ADAPTER, (includes item 16)	
18	88662240	1	SWIVEL NUT RUN TEE, 1/2 TUBE	
19	2220622	1	REDUCER W/ADAPTER	
20	91083266	1	TUBE ASSY	
21	88591207	5	O-RING	
22	84718739	1	HOSE ASSY	
23	84718751	1	HOSE ASSY	
24	88662332	1	ELBOW, 90, (includes item 21)	
25	91163053	1	TUBE ASSY	
26	91163052	1	TUBE ASSY	
27	88591508	6	O-RING	
28	91163122	1	TUBE ASSY	
29	90205792	1	CUSHION CLAMP	
30	84718740	1	HOSE ASSY	
31	84718741	2	HOSE ASSY	
32	91163133	1	TUBE ASSY	
33	84712737	8	SPLIT FLANGE CLAMP	
34	80933066	4	O-RING	
35	88551011	16	LOCKWASHER	
36	83201115	16	HEX HD CAPSCREW, 3/8-16X1-1/4	
37	88591206	1	O-RING	
38	88662106	2	ELBOW, 90, (swivel nut)	
39		Ref	REAR DRIVE MOTOR, (See HYDRAULIC COMPONENTS SECTION for Breakdown)	
40	91123092	8	STUD	
41	85401340	8	HARDENED WASHER	
42	91083449	8	HEX NUT	
43	91163042	1	TUBE ASSY	
44	2220473	2	ELBOW, 90, (includes item 4)	
45	91163134	1	TUBE ASSY	

## SECTION 8 - HYDRAULIC CIRCUITS

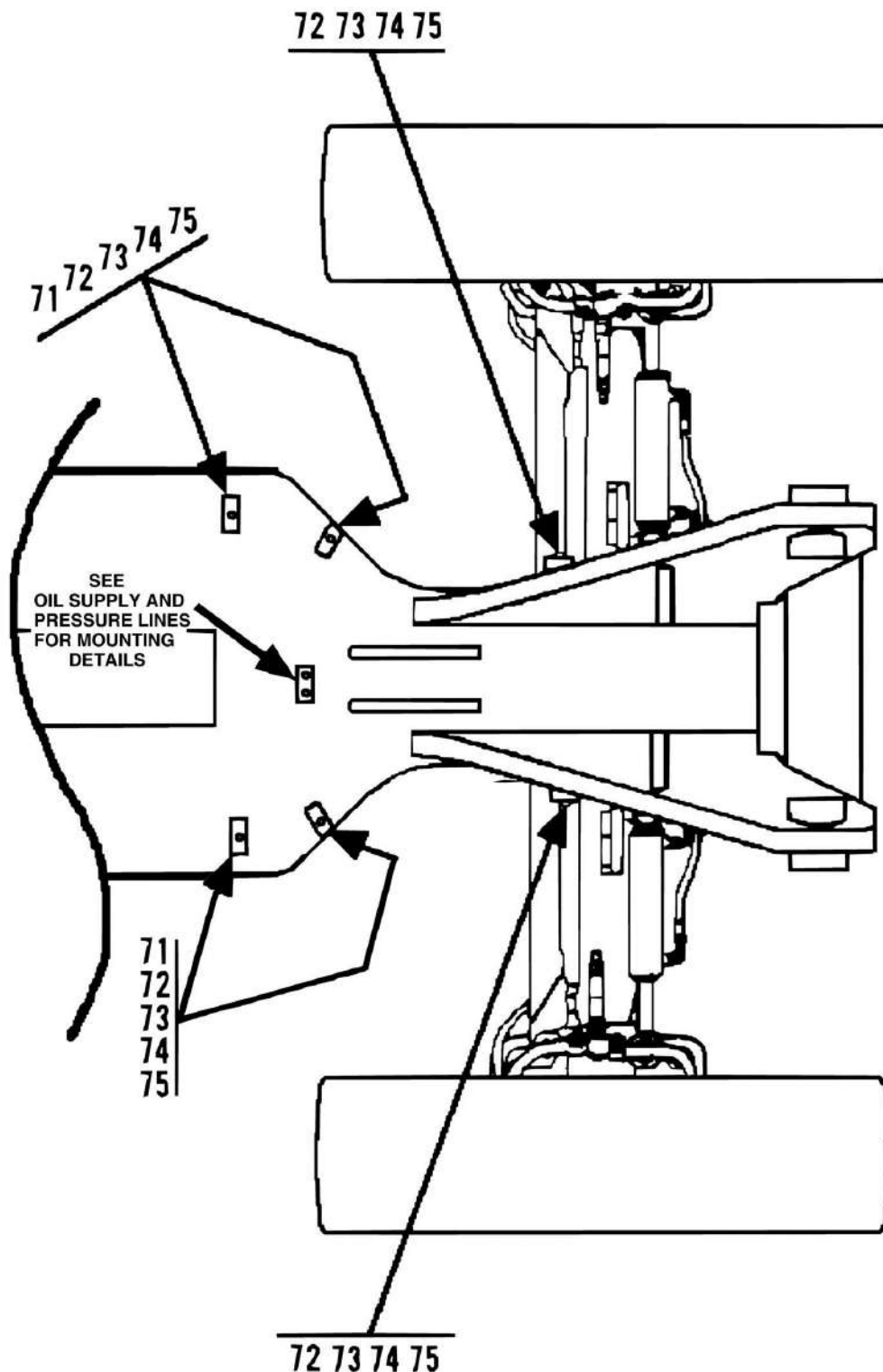
ITEM	PART NUMBER	QTY	DESCRIPTION	REV
46	91163055	1	TUBE ASSY	
47	91163041	1	TUBE ASSY	
48	88201035	4	HEX HD CAPSCREW, 3/8-16X1, GR5	
49	88551011	4	LOCKWASHER, 3/8	
50	91213002	2	CLAMP SET	
51	88201023	4	HEX HD CAPSCREW, 5/16-18X1-3/4, GR5	
52	77133137	4	COVER PLATE	
53	91163069	2	CLAMP HALF	
54	91166055	1	RH TUBE SUPPORT	
54	91166056	1	LH TUBE SUPPORT	
55	91163054	1	TUBE ASSY	
56	2220497	1	ADAPTER, (includes item 37)	
57	83201155	8	HEX HD CAPSCREW, 7/16-14X3/4	
58	88662242	1	SWIVEL NUT RUN TEE, 3/4 TUBE	
59	84718615	1	HOSE ASSY	
60	84718614	1	HOSE ASSY	
61	2220375	2	ADAPTER, (includes item 21)	
62	91083222	1	REDUCING ADAPTER, (includes item 21)	
63	84717304	1	HOSE ASSY	
64	77133447	1	HOSE ASSY	
65	91053020	2	TEST COUPLING	
66	91163098	1	HOSE ASSY	
67	2220579	1	SWIVEL NUT BRANCH TEE, 3/8 TUBE	
68	84718425	1	HOSE ASSY	
69	88561001	2	FLAT WASHER, 1/4	
70	88201008	2	HEX HD CAPSCREW, 1/4-20X1-3/4, GR5	
71	88551009	2	LOCKWASHER, 1/4	
72	84718355	1	HOSE ASSY	
73	77133279	7	CLAMP SET	
74	77133306	3	STACK BOLT	
75	88201023	4	HEX HD CAPSCREW, 5/16-18X1-3/4, GR5	
76	77133137	4	COVER PLATE	
77	77133390	4	SAFETY CLIP	
78	90027187	12	NYLON TIE, (not shown), (six needed per side for rear drive hoses)	
79	88662105	1	ELBOW, 90, SWIVEL NUT	
80	2151212	1	ELBOW, 45, (includes item 21)	
81	90023159	2	O-RING, (one each side)	

# SECTION 8 - HYDRAULIC CIRCUITS

FIGURE 8-9. REAR DRIVE CIRCUIT (534D-9 SN 0544218 through 016000446; 534D-10 SN 0366055 through 016000446)



SECTION 8 - HYDRAULIC CIRCUITS



## SECTION 8 - HYDRAULIC CIRCUITS

**FIGURE 8-9. REAR DRIVE CIRCUIT (534D-9 SN 0544218 through 0160000446; 534D-10 SN 0366055 through 0160000446)**

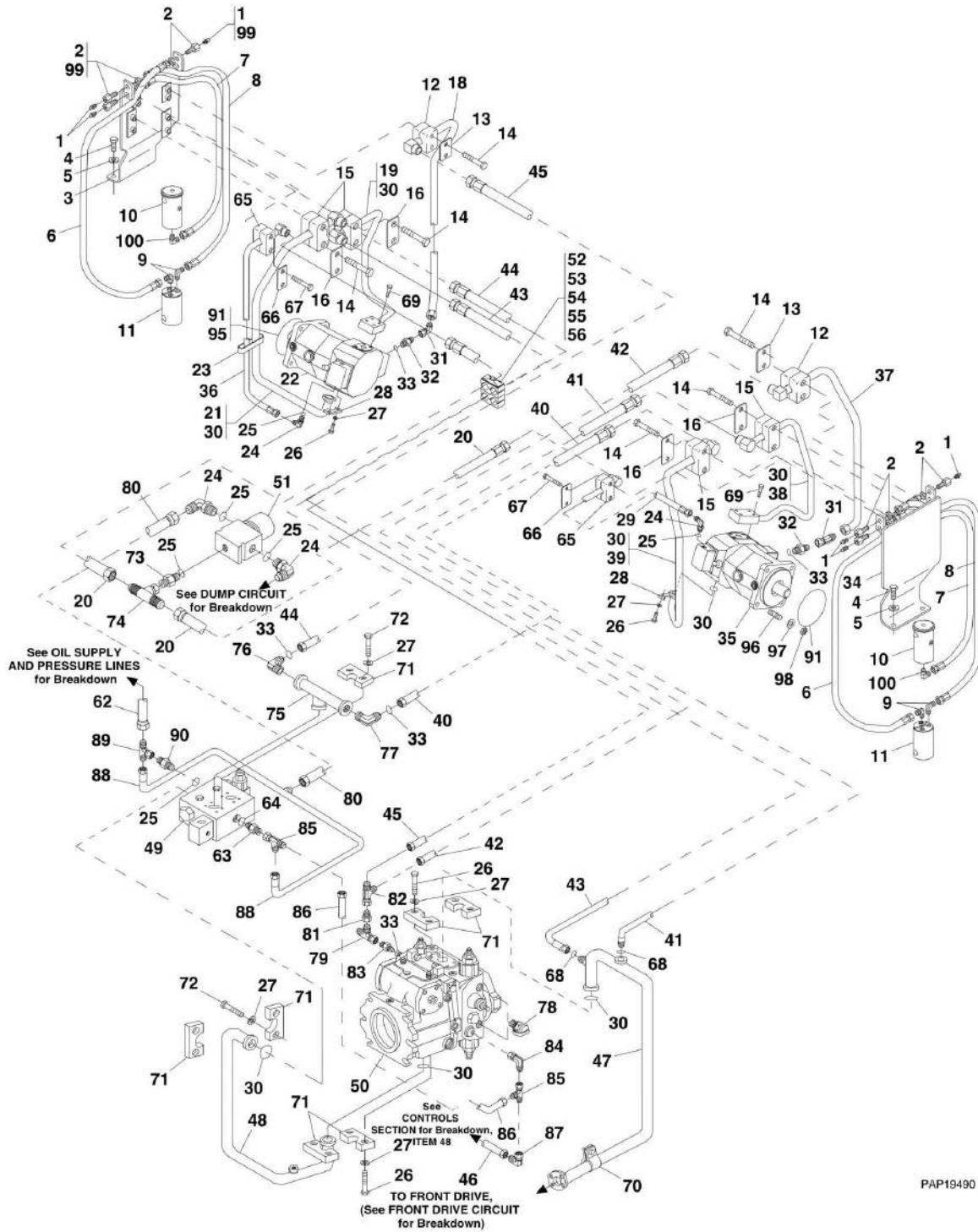
ITEM	PART NUMBER	QTY	DESCRIPTION	REV
1	84719447	1	HOSE ASSY	
2	2220605	1	SWIVEL NUT RUN, TEE 1/4 TUBE	
3	83662017	1	ADAPTER, (includes item 4)	
4	88591204	6	O-RING	
5		Ref	SOLENOID VALVE, (See HYDRAULIC COMPONENTS SECTION for Breakdown)	
6	84718700	1	HOSE ASSY	
7	88662239	2	SWIVEL NUT RUN TEE, 3/8 TUBE	
8	2220371	1	ADAPTER, (includes item 4)	
9		Ref	TRACTION LOCK VALVE, (See HYDRAULIC COMPONENTS SECTION for Breakdown)	
10	84712738	8	SPLIT FLANGE CLAMP	
11	83201135	8	HEX HD CAPSCREW, 7/16-14X1-1/2	
12	88551012	16	LOCKWASHER, 7/16	
13	91083106	4	O-RING	
14	91163201	1	TUBE ASSY	
15		Ref	HYDROSTATIC TRANSMISSION, (See HYDRAULIC COMPONENTS SECTION for Breakdown)	
16	88591207	1	O-RING	
17	2220451	1	ADAPTER, (includes item 16)	
18	88662240	1	SWIVEL NUT RUN TEE, 1/2 TUBE	
19	2220622	1	REDUCER W/ADAPTER	
20	91083266	1	TUBE ASSY	
21	88591207	5	O-RING	
22	84718739	1	HOSE ASSY	
23	84719447	1	HOSE ASSY	
24	88662332	1	ELBOW, 90, (includes item 21)	
25	91163053	1	TUBE ASSY	
26	91163052	1	TUBE ASSY	
27	88591508	10	O-RING	
28	91163122	1	TUBE ASSY	
29	90205792	1	CUSHION CLAMP	
30	84718740	1	HOSE ASSY	
31	84718741	2	HOSE ASSY	
32	91163133	1	TUBE ASSY	
33	84712737	8	SPLIT FLANGE CLAMP	
34	80933066	4	O-RING	
35	88551011	16	LOCKWASHER	
36	83201115	16	HEX HD CAPSCREW, 3/8-16X1-1/4	
37	88591206	1	O-RING	
38	88662106	2	ELBOW, 90, (swivel nut)	
39		Ref	REAR DRIVE MOTOR, (See HYDRAULIC COMPONENTS SECTION for Breakdown)	
40	91123092	8	STUD	
41	85401340	8	HARDENED WASHER	
42	91083449	8	HEX NUT	
43	91163042	1	TUBE ASSY	
44	2220473	4	ELBOW, 90, (includes item 4)	
45	91163134	1	TUBE ASSY	

## SECTION 8 - HYDRAULIC CIRCUITS

ITEM	PART NUMBER	QTY	DESCRIPTION	REV
46	91163055	1	TUBE ASSY	
47	91163041	1	TUBE ASSY	
48	88201035	4	HEX HD CAPSCREW,3/8-16X1, GR5	
49	88551011	4	LOCKWASHER, 3/8	
50	91213002	2	CLAMP SET	
51	88201023	4	HEX HD CAPSCREW, 5/16-18X1-3/4, GR5	
52	77133137	4	COVER PLATE	
53	91163069	2	CLAMP HALF	
54	91166055	1	RH TUBE SUPPORT	
54	91166056	1	LH TUBE SUPPORT	
55	91163054	1	TUBE ASSY	
56	2220497	1	ADAPTER, (includes item 37)	
57	83201155	8	HEX HD CAPSCREW, 7/16-14X3/4	
58	88662242	1	SWIVEL NUT RUN TEE, 3/4 TUBE	
59	84718615	1	HOSE ASSY	
60	84718614	1	HOSE ASSY	
61	2220375	2	ADAPTER, (includes item 21)	
62	91083222	1	REDUCING ADAPTER, (includes item 21)	
63	84717304	1	HOSE ASSY	
64	77133447	1	HOSE ASSY	
65	91053020	2	TEST COUPLING	
66	91163098	1	HOSE ASSY	
67	2220579	1	SWIVEL NUT BRANCH TEE, 3/8 TUBE	
68	77133196	1	HOSE ASSY	
69	2220861	1	SWIVEL NUT BRANCH TEE, 1/4 TUBE	
70	84718355	1	HOSE ASSY	
71	77133279	7	CLAMP SET	
72	77133306	3	STACK BOLT	
73	88201023	4	HEX HD CAPSCREW, 5/16-18X1-3/4, GR5	
74	77133137	4	COVER PLATE	
75	77133390	4	SAFETY CLIP	
76	90027187	12	NYLON TIE, (not shown), (six needed per side for rear drive hoses)	
77	88662105	1	ELBOW, 90, SWIVEL NUT	
78	2151212	1	ELBOW, 45, (includes item 21)	
79	90023159	2	O-RING, (one each side)	

# SECTION 8 - HYDRAULIC CIRCUITS

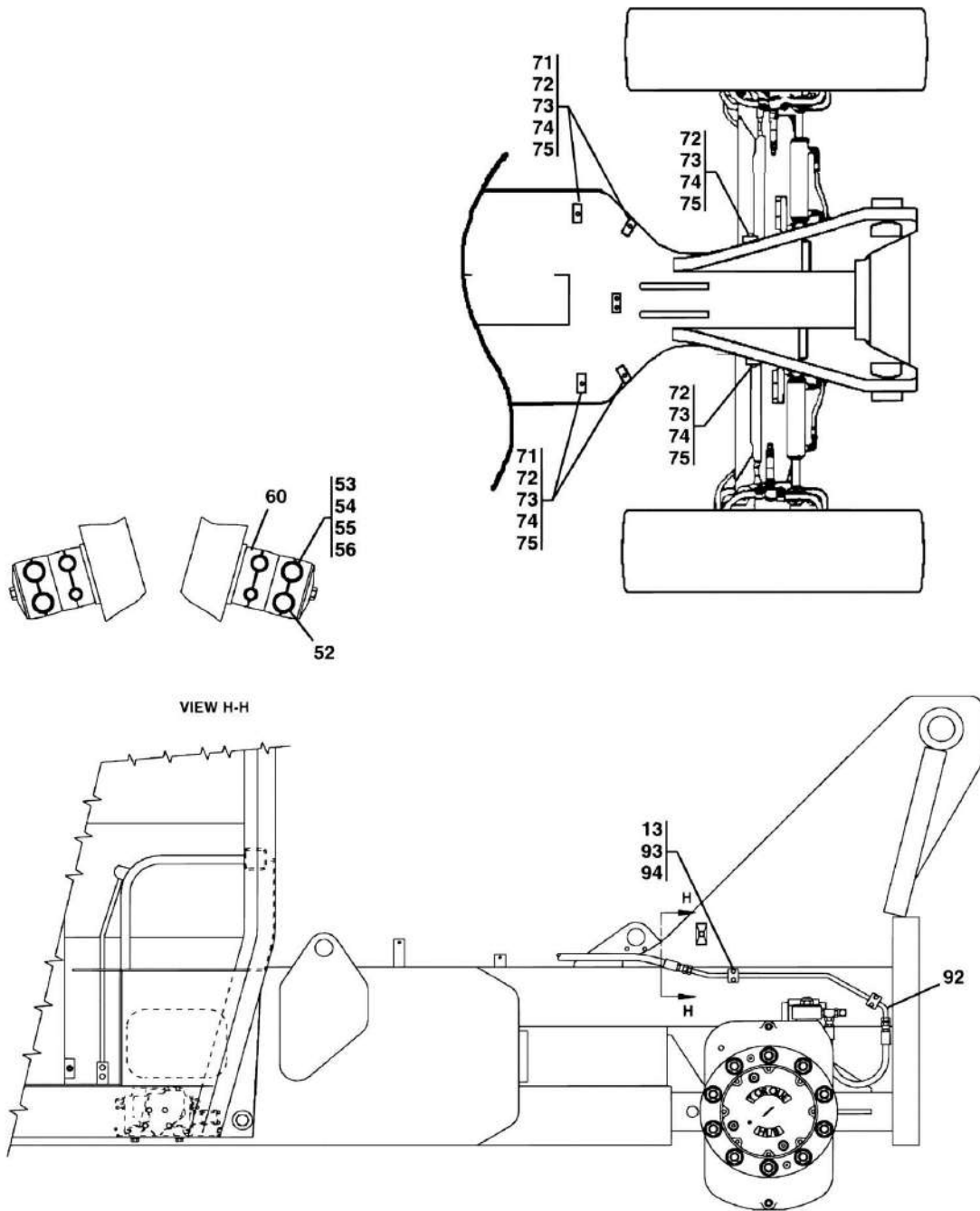
FIGURE 8-10. REAR DRIVE CIRCUIT (534D-9 SN 016000447 to Present; 534D-10 SN 016000448 to Present)



PAP19490



# SECTION 8 - HYDRAULIC CIRCUITS



PAP19500

## SECTION 8 - HYDRAULIC CIRCUITS

FIGURE 8-10. REAR DRIVE CIRCUIT (534D-9 SN 0160000447 to Present; 534D-10 SN 0160000448 to Present)

ITEM	PART NUMBER	QTY	DESCRIPTION	REV
1	88671001	6	STRAIGHT LUBE FITTING, 1/8	
2	80623016	6	BULKHEAD ADAPTER	
3	91406099	1	RIGHT TUBE SUPPORT BRACKET	
4	88201035	4	HEX HD CAPSCREW, 3/8-16X1, GR5	
5	88551011	4	LOCKWASHER, 3/8	
6	84721052	2	HOSE ASSY	
7	84719170	2	GREASING HOSE	
8	84721053	2	GREASING HOSE	
9	2220574	4	ADAPTER, 90, 1/4X1/8 TUBE	
10		Ref	UPPER KING PIN, (See FRAME AND ATTACHING PARTS SECTION for Breakdown)	
11		Ref	LOWER KING PIN, (See FRAME AND ATTACHING PARTS SECTION for Breakdown)	
12	77133497	2	CLAMP SET	
13	77133498	6	COVER PLATE	
14	88201007	12	HEX HD CAPSCREW, 1/4-20X1-1/2	
15	77133053	4	CLAMP SET	
16	77133052	4	COVER PLATE	
17	77133209	8	HEX HD CAPSCREW, 1/4-20X1-3/8	
18	91553052	1	RIGHT CASE DRAIN TUBE	
19	91403462	1	RIGHT PRESSURE TUBE	
20	84719447	2	HOSE ASSY	
21	91403463	1	RIGHT PRESSURE TUBE	
22		Ref	RH REAR DRIVE MOTOR, (See HYDRAULIC COMPONENTS SECTION for Breakdown)	
23	90027187	20	NYLON TIE	
24	2220473	4	ELBOW, 90, (includes item 25)	
25	88591204	6	O-RING	
26	83201115	8	HEX HD CAPSCREW, 3/8-16X1-1/4	
27	88551011	8	LOCKWASHER, 3/8	
28	84712737	4	FLANGE HALF	
29	91553055	1	LEFT TUBE ASSY	
30	80933066	4	O-RING	
31	88662121	2	ELBOW, 45, (swivel nut)	
32	2220865	2	ADAPTER, (includes item 33)	
33	88591207	5	O-RING	
34	91406098	1	LEFT TUBE SUPPORT BRACKET	
35		Ref	LH REAR DRIVE MOTOR, (See HYDRAULIC COMPONENTS SECTION for Breakdown)	
36	91553053	1	RIGHT TUBE ASSY	
37	91553054	1	LEFT CASE DRAIN TUBE	
38	91403466	1	LEFT PRESSURE TUBE	
39	91403467	1	LEFT PRESSURE TUBE	
40	84718739	1	HOSE ASSY	
41	84718740	1	HOSE ASSY	
42	84719416	1	HOSE ASSY	
43	84718355	1	HOSE ASSY	
44	84718741	1	HOSE ASSY	
45	84719415	1	HOSE ASSY	

## SECTION 8 - HYDRAULIC CIRCUITS

ITEM	PART NUMBER	QTY	DESCRIPTION	REV
46	84717304	1	HOSE ASSY	
47	91163122	1	TUBE ASSY	
48	91163201	1	TUBE ASSY	
49		Ref	TRACTION LOCK VALVE, (See HYDRAULIC COMPONENTS SECTION for Breakdown)	
50		Ref	HYDROSTATIC TRANSMISSION, (See HYDRAULIC COMPONENTS SECTION for Breakdown)	
51		Ref	SOLENOID VALVE ASSY, (See HYDRAULIC COMPONENTS SECTION for Breakdown)	
52	77133279	10	CLAMP SET	
53	77133306	6	STACK BOLT	
54	0641514	6	HEX HD CAPSCREW, 5/16-18X1-3/4, GR5	
55	77133137	6	COVER PLATE	
56	77133390	6	SAFETY CLIP	
57	91083533	2	FENDER WASHER	
58	91303049	2	HOSE SUPPORT	
59	0641506	2	HEX HD CAPSCREW, 5/16-18X3/4, GR5	
60	80933123	2	CLAMP SET	
62	84718700	1	HOSE ASSY	
63	2220497	1	ADAPTER	
64	88591206	1	O-RING	
65	91063040	2	CLAMP SET	
66	91063039	2	COVER PLATE	
67	88201006	4	HEX HD CAPSCREW, 1/4-20X1-1/4, GR5	
68	88591508	4	O-RING	
69	88261039	8	SOCKET BUTTON HD CAPSCREW, 3/8-16X2	
70	90205792	1	CUSHION CLAMP	
71	84712738	10	FLANGE HALF	
72	83201155	8	HEX HD CAPSCREW, 7/16-14X1-3/4	
73	2220582	1	ADAPTER, (includes item 25)	
74	2220861	1	SWIVEL NUT BRANCH TEE, 1/4 TUBE	
75	91083266	1	TUBE ASSY	
76	2131212	1	ELBOW, 90, (includes item 33)	
77	2151212	1	ELBOW, 45, (includes item 33)	
78	91053020	2	TEST COUPLING	
79	88662242	1	SWIVEL NUT RUN TEE, 3/4 TUBE	
80	77133196	1	HOSE ASSY	
81	2220622	1	REDUCER W/ADAPTER	
82	88662240	1	SWIVEL NUT RUN TEE, 1/2 TUBE	
83	2220451	1	ADAPTER, (includes item 33)	
84	91083222	1	ELBOW, 90, (swivel nut)	
85	88662239	2	SWIVEL NUT RUN TEE, 3/8 TUBE	
86	77133447	1	HOSE ASSY	
87	88662105	1	ELBOW, 90, (swivel nut)	
88	91163098	1	TUBE ASSY	
89	2220579	1	SWIVEL NUT BRANCH TEE, 3/8 TUBE	
90	2220371	1	ADAPTER, (includes item 25)	
91	90023159	2	O-RING	
92	91143354	2	TUBE ASSY	
93	91033138	4	CLAMP SET	
94	0641412	8	HEX HD CAPSCREW, 1/4-20X1-1/2	

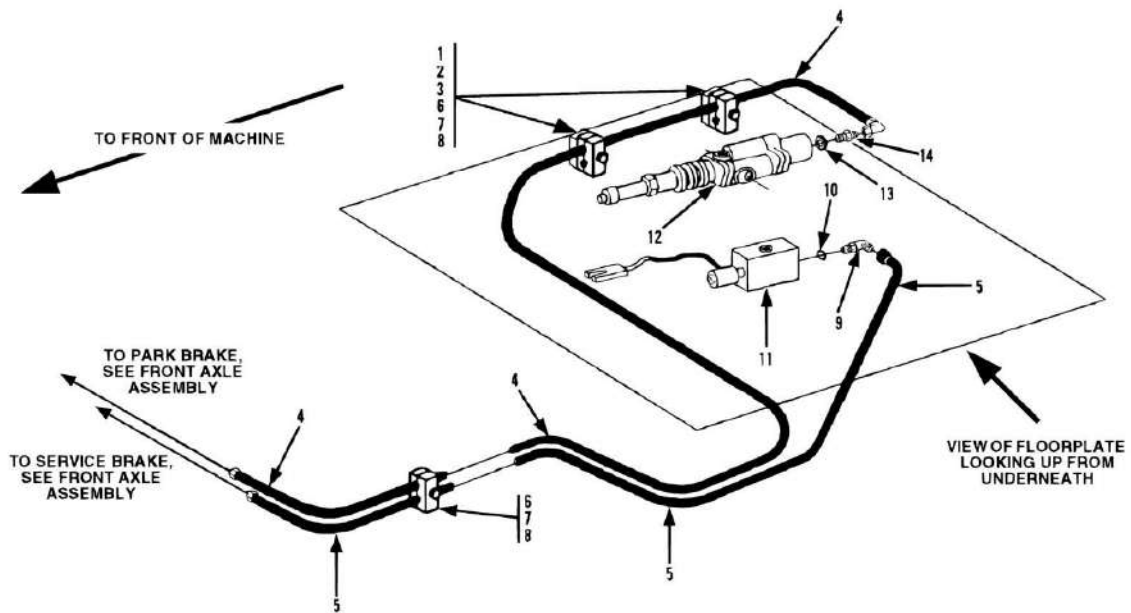
## SECTION 8 - HYDRAULIC CIRCUITS

ITEM	PART NUMBER	QTY	DESCRIPTION	REV
95	14403323	AR	NEVER SEEZE LUBE	
96	91123092	8	STUD	
97	85401340	8	HARDENED WASHER	
98	91083449	8	HEX NUT	
99	14404595	AR	MEGAPLEX GREASE	
100	2220612	2	ADAPTER, 90	



# SECTION 8 - HYDRAULIC CIRCUITS

## FIGURE 8-11. INCHING AND PARKING BRAKE LINES



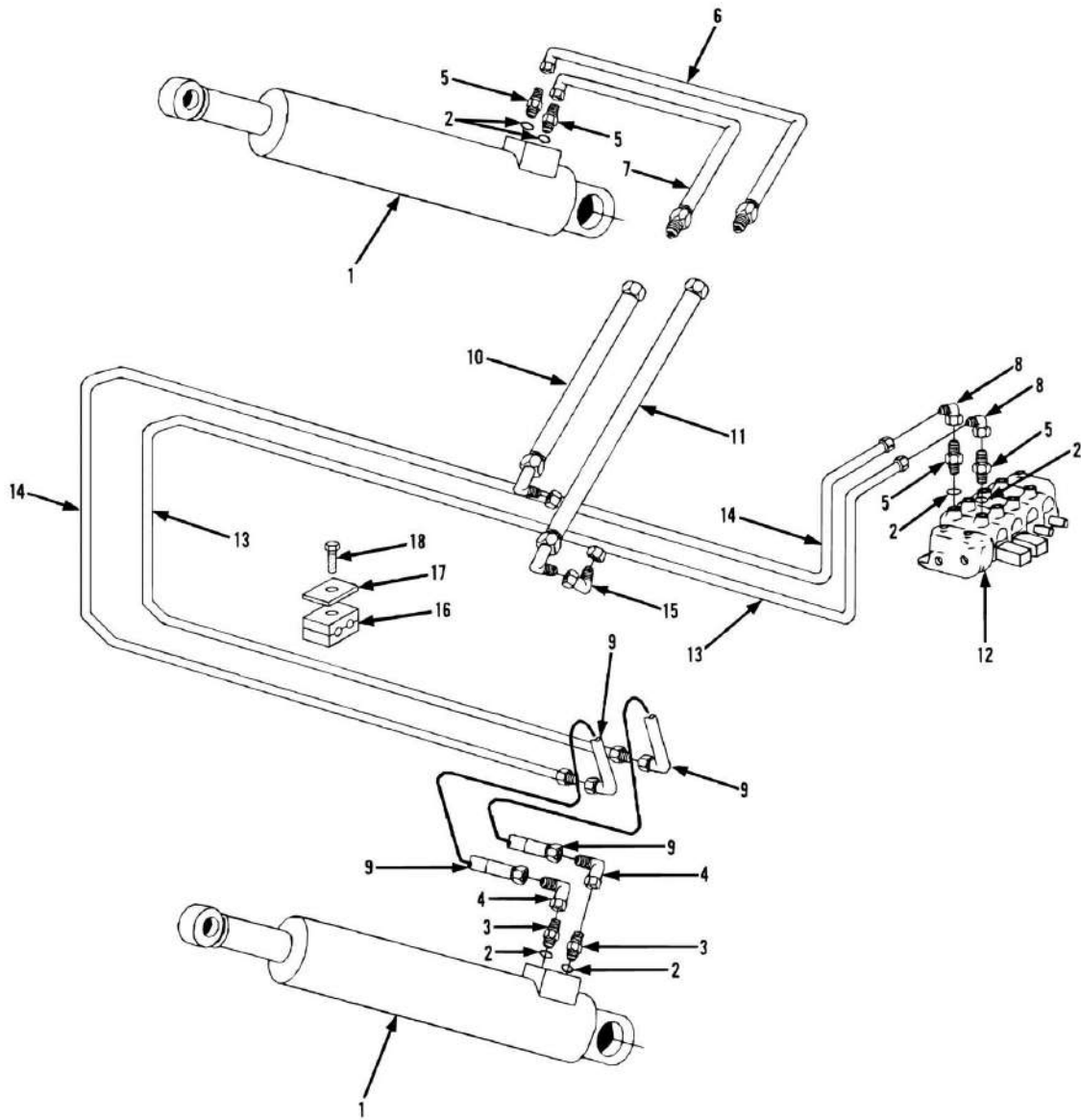
## SECTION 8 - HYDRAULIC CIRCUITS

**FIGURE 8-11. INCHING AND PARKING BRAKE LINES**

ITEM	PART NUMBER	QTY	DESCRIPTION	REV
1	77133168	2	CLAMP SET	
2	77133306	2	STACK BOLT	
3	77133390	2	SAFETY CLIP	
4	84719115	1	HOSE ASSY	
5	84719847	1	HOSE ASSY	
6	77133136	5	CLAMP SET	
7	77133137	4	COVER PLATE	
8	0641514	3	HEX HD CAPSCREW, 5/16-18X1-3/4, GR5	
9		Ref	ELBOW, 90, (includes item 10), (See CONTROLS SECTION for Breakdown)	
10		Ref	O-RING, (See CONTROLS SECTION for Breakdown)	
11		Ref	SOLENOID VALVE ASSY, (See CONTROLS SECTION for Breakdown)	
12		Ref	BRAKE VALVE ASSY, (See CONTROLS SECTION for Breakdown)	
13		Ref	COPPER GASKET, (See CONTROLS SECTION for Breakdown)	
14		Ref	STRAIGHT THREAD ADAPTER, (See CONTROLS SECTION for Breakdown)	

# SECTION 8 - HYDRAULIC CIRCUITS

## FIGURE 8-12. LIFT CYLINDER





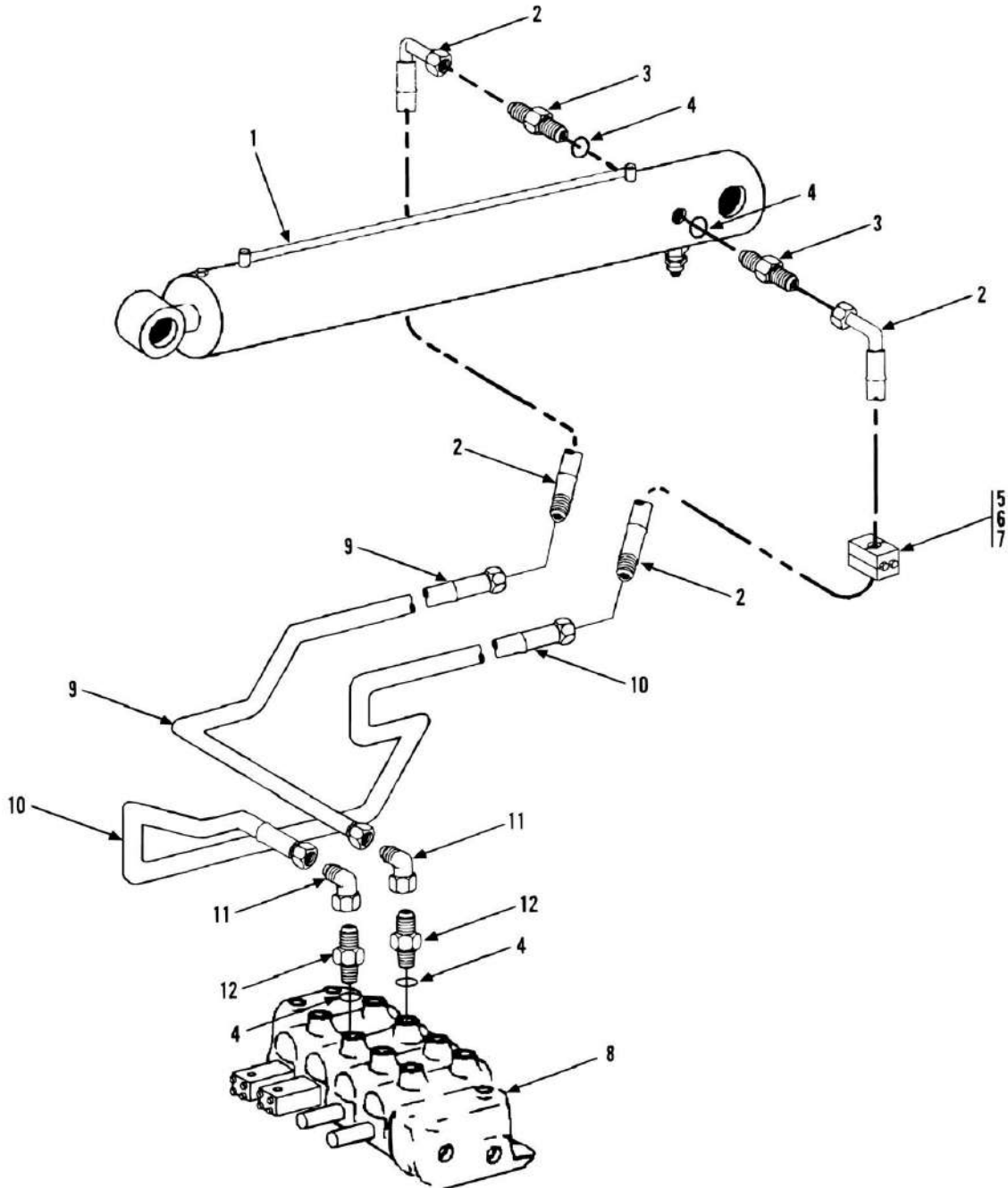
## SECTION 8 - HYDRAULIC CIRCUITS

### FIGURE 8-12. LIFT CYLINDER

ITEM	PART NUMBER	QTY	DESCRIPTION	REV
1		Ref	LIFT CYLINDER ASSY, (See HYDRAULIC COMPONENTS SECTION for Breakdown)	
2		Ref	O-RING	
3	2220865	2	ADAPTER, (includes item 2)	
4	2220973	2	ELBOW, 90, (swivel nut)	
5	2220451	4	ADAPTER, (includes item 2)	
6	91163220	1	HYDRAULIC TUBE ASSY	
7	91163219	1	HYDRAULIC TUBE ASSY	
8	2220655	2	ELBOW, 90, (swivel nut)	
9	84718948	2	HOSE ASSY	
10	84718893	1	HOSE ASSY	
11	84718894	1	HOSE ASSY	
12		Ref	MAIN CONTROL VALVE, (See HYDRAULIC COMPONENTS SECTION for Breakdown)	
13	91163217	1	TUBE ASSY	
14	91163218	1	TUBE ASSY	
15	2220973	1	ELBOW, 90, (swivel nut)	
16	77133279	1	CLAMP SET	
17	77133137	1	COVER PLATE	
18	88201023	1	HEX HD CAPSCREW, 5/16-18X1-3/4, GR5	

# SECTION 8 - HYDRAULIC CIRCUITS

## FIGURE 8-13. CROWD CYLINDER



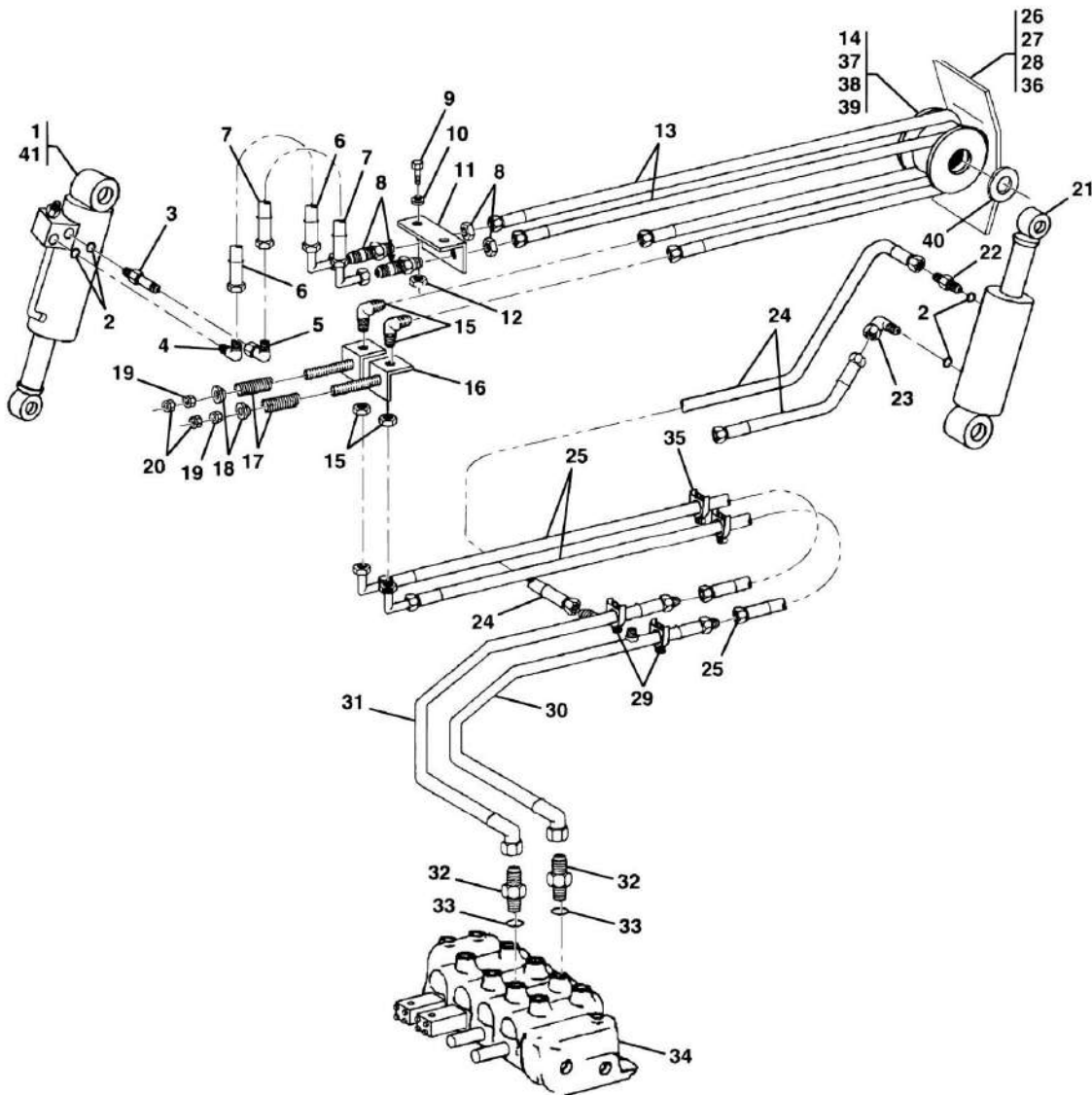
## SECTION 8 - HYDRAULIC CIRCUITS

### FIGURE 8-13. CROWD CYLINDER

ITEM	PART NUMBER	QTY	DESCRIPTION	REV
1		Ref	CROWD CYLINDER ASSY, (See HYDRAULIC COMPONENTS SECTION for Breakdown)	
2	84719066	2	HOSE ASSY	
3	2220865	2	ADAPTER, (includes item 4)	
4	88591207	4	O-RING	
5	77133073	2	CLAMP SET	
6	77133052	2	COVER PLATE	
7	0641422	4	HEX HD CAPSCREW, 1/4-20X1-3/8	
8		Ref	MAIN CONTROL VALVE, (See HYDRAULIC COMPONENTS SECTION for Breakdown)	
9	91163095	1	TUBE ASSY	
10	91163094	1	TUBE ASSY	
11	2220655	2	ELBOW, 90, (swivel nut)	
12	2220974	2	ADAPTER, (includes item 4)	

# SECTION 8 - HYDRAULIC CIRCUITS

FIGURE 8-14. TILT AND COMPENSATING CYLINDERS (534D-9 SN 0544001 through 0644118; 534D-10 SN 0366001 through 0366088)



PAP17860

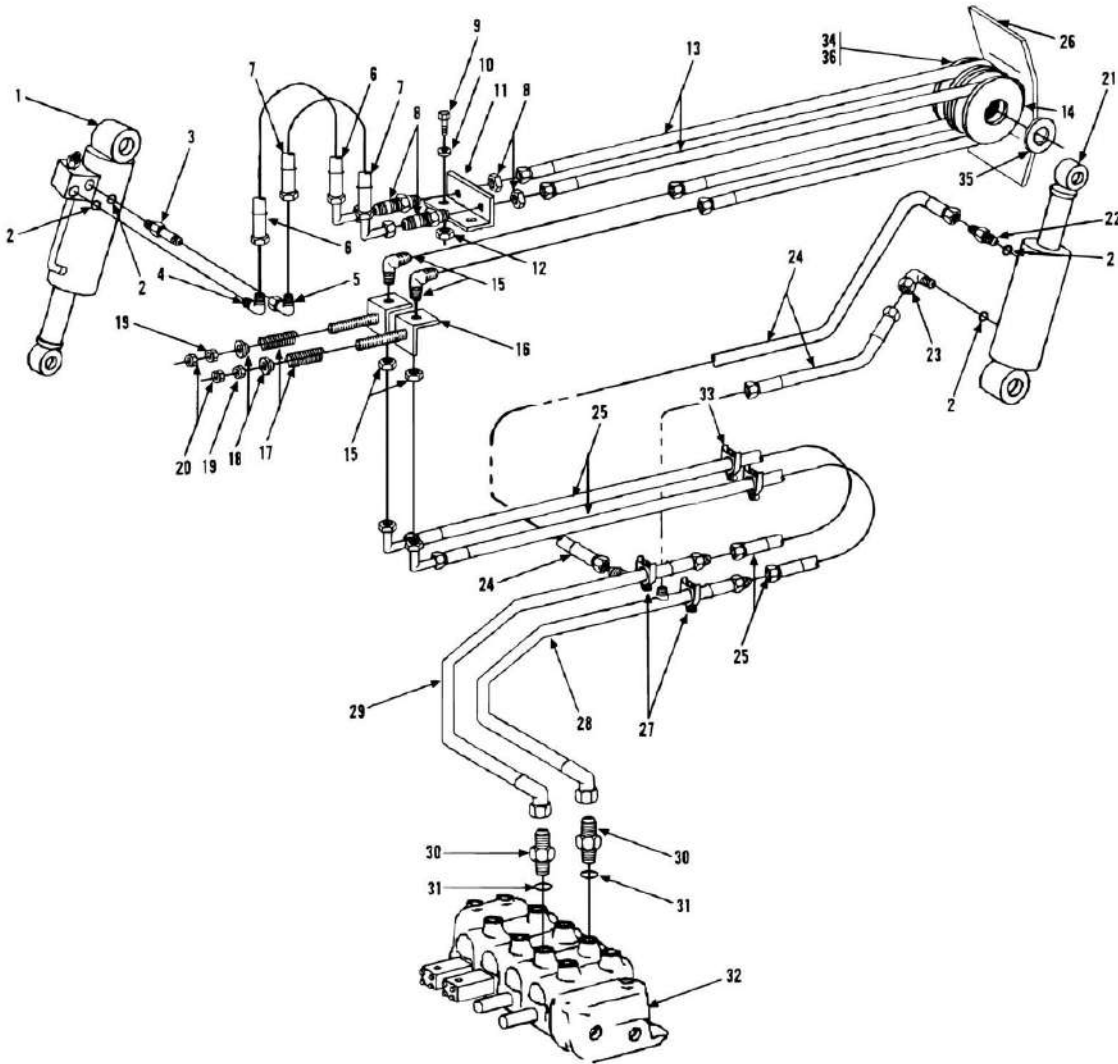
## SECTION 8 - HYDRAULIC CIRCUITS

**FIGURE 8-14. TILT AND COMPENSATING CYLINDERS (534D-9 SN 0544001 through 0644118; 534D-10 SN 0366001 through 0366088)**

ITEM	PART NUMBER	QTY	DESCRIPTION	REV
1		Ref	TILT CYLINDER ASSY, (See HYDRAULIC COMPONENTS SECTION for Breakdown)	
2		Ref	O-RING	
3	88662037	1	ADAPTER, (includes item 2)	
4	2220671	1	ELBOW, 90, (includes item 2)	
5	2220973	1	ELBOW, 90, (swivel nut)	
6	84718372	1	HOSE ASSY	
7	84718373	1	HOSE ASSY	
8	2230025	2	ADAPTER	
9	88201021	2	HEX HD CAPSCREW, 5/16-18X1-1/4, GR5	
10	88551010	2	LOCKWASHER, 5/16	
11	91141210	1	BULKHEAD BRACKET	
12	88501005	2	HEX NUT, 5/16-18	
13	84718868	2	HOSE ASSY	
14	91143024	1	HOSE SHEAVE	
15	2230044	2	ELBOW, 90	
16	91146028	2	HOSE TAKE-UP WELDMENT	
17	91123054	2	COMPRESSION SPRING	
18	91121134	2	SPRING RETAINER	
19	88501008	2	HEX NUT, 1/2-13	
20	88501108	2	HEAVY HEX JAM NUT, 1/2-13	
21		Ref	COMPENSATING CYLINDER, (See HYDRAULIC COMPONENTS SECTION for Breakdown)	
22	2220947	1	ADAPTER, (includes item 2)	
23	2221050	1	ELBOW, 45, (includes item 2)	
24	84718728	2	HOSE ASSY	
25	84719018	2	HOSE ASSY	
26		Ref	HOSE GUIDE BRACKET, (See BOOM SECTION for Breakdown)	
27	88201034	2	HEX HD CAPSCREW, 3/8-16x7/8	
28	88561109	2	FLAT WASHER, 3/8	
29	90207463	2	CLAMP SET	
30	91163167	1	TUBE ASSY	
31	91163166	1	TUBE ASSY	
32	2220451	2	ADAPTER, (includes item 33)	
33		Ref	O-RING	
34		Ref	MAIN CONTROL VALVE ASSY, (See HYDRAULIC COMPONENTS SECTION for Breakdown)	
35	90207463	6	CUSHION CLAMP	
36	88551011	2	LOCKWASHER, 3/8	
37		Ref	RETRACTION SHEAVE ASSY, (See BOOM SECTION for Breakdown)	
38		Ref	RETRACTION SHEAVE PIN, (See BOOM SECTION for Breakdown)	
39	11404793	AR	UNION 76 MEGAPLEX GREASE	
40	91041449	2	THRUST WASHER	
41	14404595	AR	MEGAPLEX GREASE	

# SECTION 8 - HYDRAULIC CIRCUITS

FIGURE 8-15. TILT AND COMPENSATING CYLINDERS (534D-9 SN 0644119 to Present; 534D-10 SN 0366089 to Present)



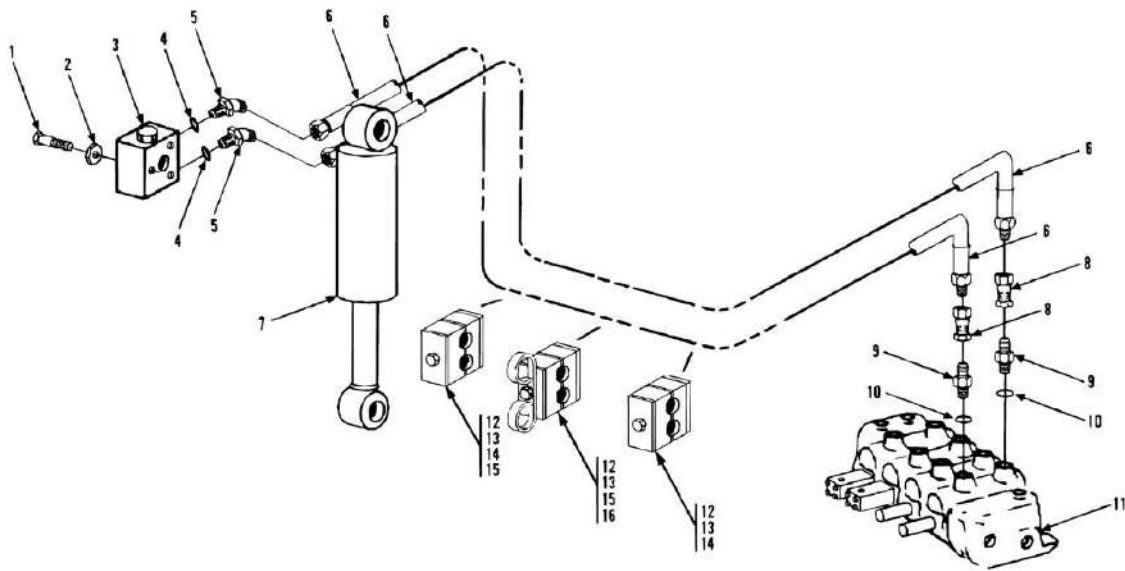
## SECTION 8 - HYDRAULIC CIRCUITS

**FIGURE 8-15. TILT AND COMPENSATING CYLINDERS (534D-9 SN 0644119 to Present; 534D-10 SN 0366089 to Present)**

ITEM	PART NUMBER	QTY	DESCRIPTION	REV
1		Ref	TILT CYLINDER ASSY, (See HYDRAULIC COMPONENTS SECTION for Breakdown)	
2	88591206	6	O-RING	
3	2220947	1	ADAPTER, (includes item 2)	
4	2220671	1	ELBOW, 90, (includes item 2)	
5	2220973	1	ELBOW, 90, (swivel nut)	
6	84718372	1	HOSE ASSY	
7	84718373	1	HOSE ASSY	
8	2230025	2	BULKHEAD UNION, 3/4-16X1/2 TUBE	
9	0641510	2	HEX HD CAPSCREW, 5/16-18X1-1/4, GR5	
10	4761500	2	LOCKWASHER, 5/16	
11	91141210	1	BULKHEAD BRACKET	
12	88501005	2	HEX NUT, 5/16-18	
13	84721049	2	HOSE ASSY	
14	91343223	1	HOSE SHEAVE	
15	2230044	2	ELBOW, 90, (swivel nut)	
16	91166068	2	HOSE TAKE-UP WELDMENT	
17	91123054	2	COMPRESSION SPRING	
18	91121134	2	SPRING RETAINER	
19	88501008	2	HEX NUT, 1/2-13	
20	88501108	2	HEAVY HEX JAM NUT, 1/2-13	
21		Ref	COMPENSATING CYLINDER, (See HYDRAULIC COMPONENTS SECTION for Breakdown)	
22	2220497	1	ADAPTER, (includes item 2)	
23	88662086	1	ELBOW, 45, (includes item 2)	
24	84718728	2	HOSE ASSY	
25	84719075	2	HOSE ASSY	
26		Ref	HOSE GUIDE BRACKET, (See BOOM SECTION for Breakdown)	
27	90207463	2	CLAMP SET	
28	91163167	1	TUBE ASSY	
29	91163166	1	TUBE ASSY	
30	2220451	2	ADAPTER, (includes item 31)	
31		Ref	O-RING	
32		Ref	MAIN CONTROL VALVE ASSY, (See HYDRAULIC COMPONENTS SECTION for Breakdown)	
33	90207463	6	CUSHION CLAMP	
34		Ref	RETRACTION SHEAVE ASSY, (See BOOM SECTION for Breakdown)	
35	91041449	4	THRUST WASHER	
36	91343224	1	HOSE SHEAVE	

# SECTION 8 - HYDRAULIC CIRCUITS

## FIGURE 8-16. SWAY CYLINDER





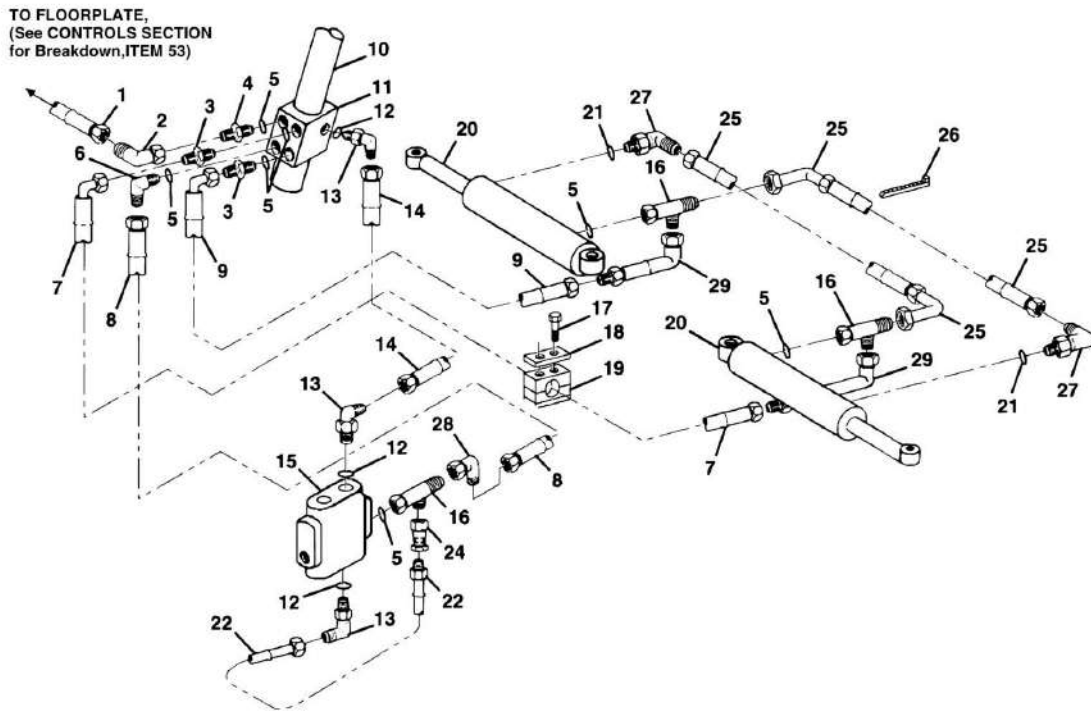
## SECTION 8 - HYDRAULIC CIRCUITS

### FIGURE 8-16. SWAY CYLINDER

ITEM	PART NUMBER	QTY	DESCRIPTION	REV
1	0641618	3	HEX HD CAPSCREW, 3/8-16X2-1/4, GR5, (torque to 30-35 ft lbs)	
2	4761600	3	LOCKWASHER, 3/8	
3		Ref	SWAY CYLINDER VALVE, (See HYDRAULIC COMPONENTS SECTION for Breakdown)	
4		Ref	O-RING	
5	2220502	2	ELBOW, 45, (includes item 4)	
6	84719040	2	HOSE ASSY	
7		Ref	SWAY CYLINDER, (See HYDRAULIC COMPONENTS SECTION for Breakdown)	
8	2220618	2	ADAPTER	
9	2220375	2	ADAPTER, (includes item 10)	
10		Ref	O-RING	
11		Ref	MAIN CONTROL VALVE ASSY, (See HYDRAULIC COMPONENTS SECTION for Breakdown)	
12	77133168	3	CLAMP SET	
13	77133140	3	COVER PLATE	
14	77133177	2	HEX HD CAPSCREW, 5/16-18X1-3/8	
15	86621230	3	SUPPORT CLAMP	
16	88201022	1	HEX HD CAPSCREW, 5/16-18X1-1/2, GR5	

# SECTION 8 - HYDRAULIC CIRCUITS

**FIGURE 8-17. STEERING CYLINDER (534D-9 SN 0544001 through 016000853, Excluding 0160000700; 534D-10 SN 0366001 through 0160000974)**



PAP19400

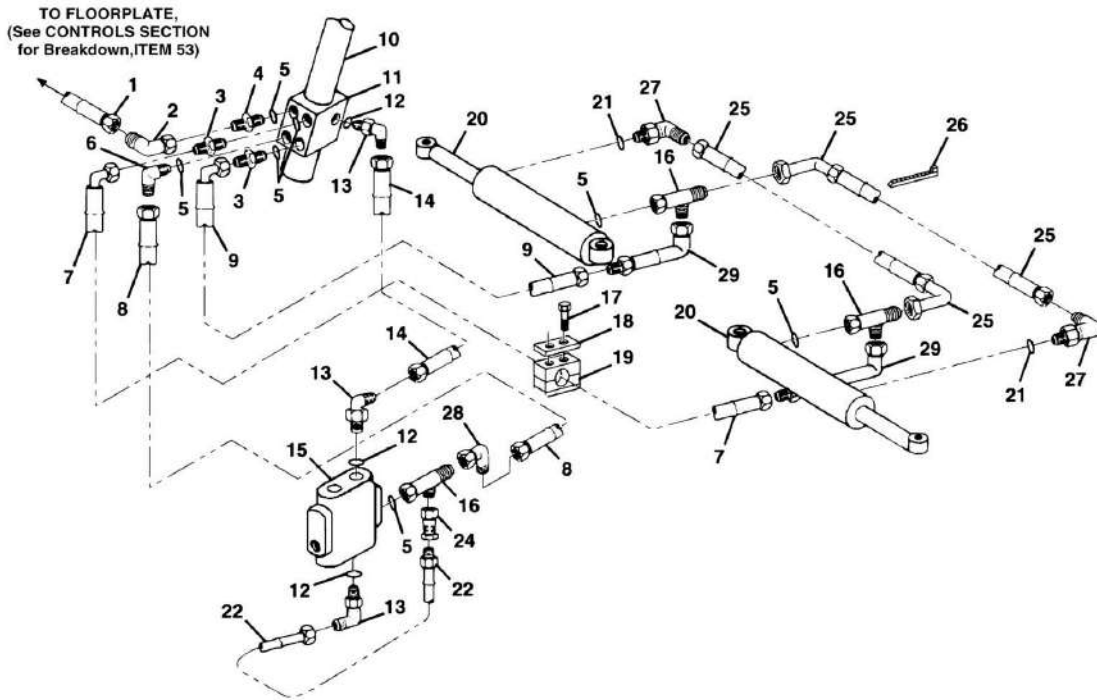
## SECTION 8 - HYDRAULIC CIRCUITS

**FIGURE 8-17. STEERING CYLINDER (534D-9 SN 0544001 through 0160000853, Excluding 0160000700; 534D-10 SN 0366001 through 0160000974)**

ITEM	PART NUMBER	QTY	DESCRIPTION	REV
1	84718672	1	HOSE ASSY	
2	8760268	1	ELBOW, 90, (swivel nut)	
3	2220373	2	ADAPTER, (includes item 5)	
4	2220372	1	ADAPTER, (includes item 5)	
5		Ref	O-RING	
6	2220596	1	ELBOW, 90, (includes item 5)	
7	84719042	1	HOSE ASSY	
8	84718951	1	HOSE ASSY	
9	84719057	1	HOSE ASSY	
10		Ref	STEERING COLUMN, (See CONTROLS SECTION for Breakdown)	
11		Ref	STEERING CONTROL UNIT, (See CONTROLS SECTION for Breakdown)	
12		Ref	O-RING	
13	2220466	3	ELBOW, 90, (includes item 12)	
14	84718673	1	HOSE ASSY	
15		Ref	FLOW DIVIDER, (See HYDRAULIC COMPONENTS SECTION for Breakdown)	
16	2220602	3	RUN TEE, (includes item 5)	
17	88201023	4	HEX HD CAPSCREW, 5/16-18x1 3/4, GR5	
18	77133137	4	COVER PLATE	
19	80933123	2	CLAMP SET	
20		Ref	STEERING CYLINDER ASSY, (See HYDRAULIC COMPONENTS SECTION for Breakdown)	
21	88591204	2	O-RING	
22	84718692	1	HOSE ASSY	
24	88661341	1	TUBE END REDUCER, 1/2X1/4, TUBE, (includes nut)	
24	88661406	1	NUT	
25	84718202	2	HOSE ASSY	
26	90027187	12	TIE WRAP	
27	2220473	2	ELBOW, 90, (includes item 21)	
28	88662106	1	ELBOW, 90, (swivel nut)	
29	90022042	2	HOSE ASSY	

# SECTION 8 - HYDRAULIC CIRCUITS

**FIGURE 8-18. STEERING CYLINDER (534D-9 SN 0160001051 through 0160001975, Including 0160000700, Excluding 0160001779; 534D-10 SN 0160000978 through 0160002009, Excluding 0160001794 and 0160001800)**



PAP19410

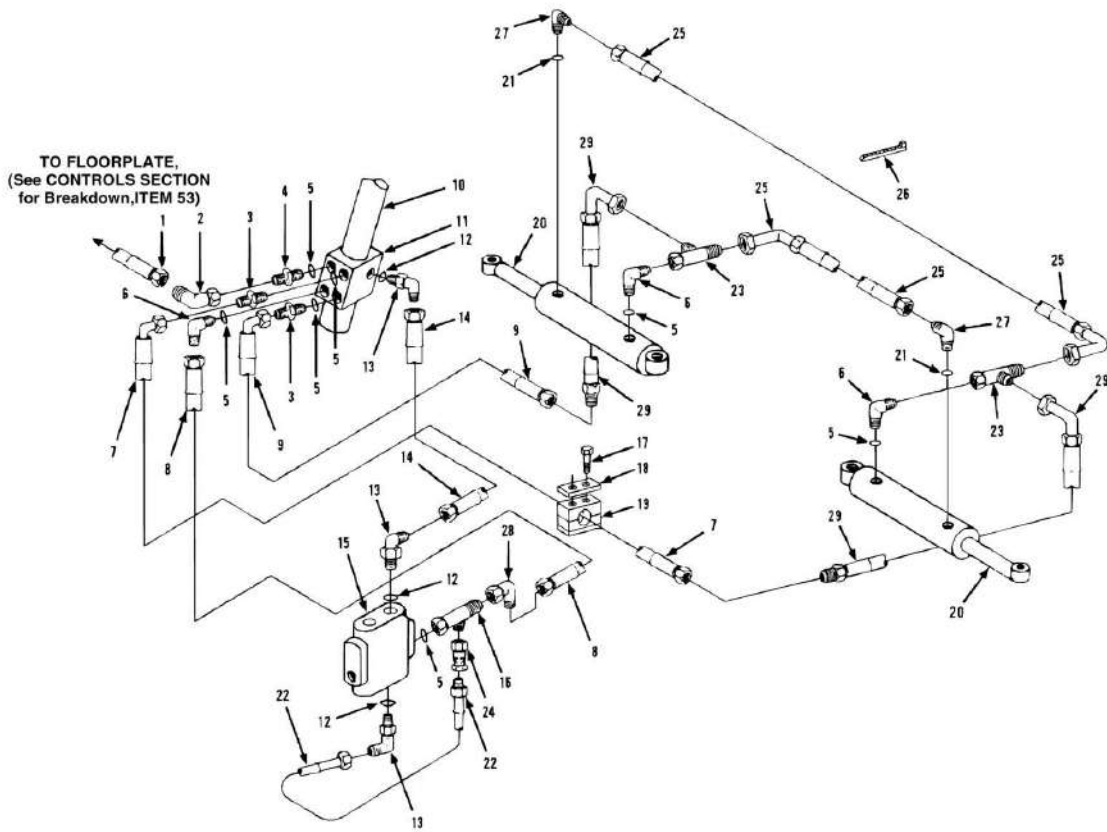
## SECTION 8 - HYDRAULIC CIRCUITS

**FIGURE 8-18. STEERING CYLINDER (534D-9 SN 0160001051 through 0160001975, Including 0160000700, Excluding 0160001779; 534D-10 SN 0160000978 through 0160002009, Excluding 0160001794 and 0160001800)**

ITEM	PART NUMBER	QTY	DESCRIPTION	REV
1	84718672	1	HOSE ASSY	
2	8760268	1	ELBOW, 90, (swivel nut)	
3	2220373	2	ADAPTER, (includes item 5)	
4	2220372	1	ADAPTER, (includes item 5)	
5		Ref	O-RING	
6	2220596	1	ELBOW, 90, (includes item 5)	
7	84719977	1	HOSE ASSY	
8	84718951	1	HOSE ASSY	
9	84719057	1	HOSE ASSY	
10		Ref	STEERING COLUMN, (See CONTROLS SECTION for Breakdown)	
11		Ref	STEERING CONTROL UNIT, (See CONTROLS SECTION for Breakdown)	
12		Ref	O-RING	
13	2220466	3	ELBOW, 90, (includes item 12)	
14	84719978	1	HOSE ASSY	
15		Ref	FLOW DIVIDER, (See HYDRAULIC COMPONENTS SECTION for Breakdown)	
16	2220602	3	RUN TEE, (includes item 5)	
17	88201023	4	HEX HD CAPSCREW, 5/16-18X1-3/4, GR5	
18	77133137	4	COVER PLATE	
19	80933123	2	CLAMP SET	
20		Ref	STEERING CYLINDER ASSY, (See HYDRAULIC COMPONENTS SECTION for Breakdown)	
21	88591204	2	O-RING	
22	84718692	1	HOSE ASSY	
24	88661341	1	TUBE END REDUCER, 1/2X1/4, TUBE, (includes nut)	
24	88661406	1	NUT	
25	84718202	2	HOSE ASSY	
26	90027187	12	TIE WRAP	
27	2220473	2	ELBOW, 90, (includes item 21)	
28	88662106	1	ELBOW, 90, (swivel nut)	
29	90022042	2	HOSE ASSY	

# SECTION 8 - HYDRAULIC CIRCUITS

**FIGURE 8-19. STEERING CYLINDER (534D-9 SN 0160002037 to Present, Including 0160001779;  
534D-10 SN 0160002048 to Present, Including 0160001794 and 0160001800)**



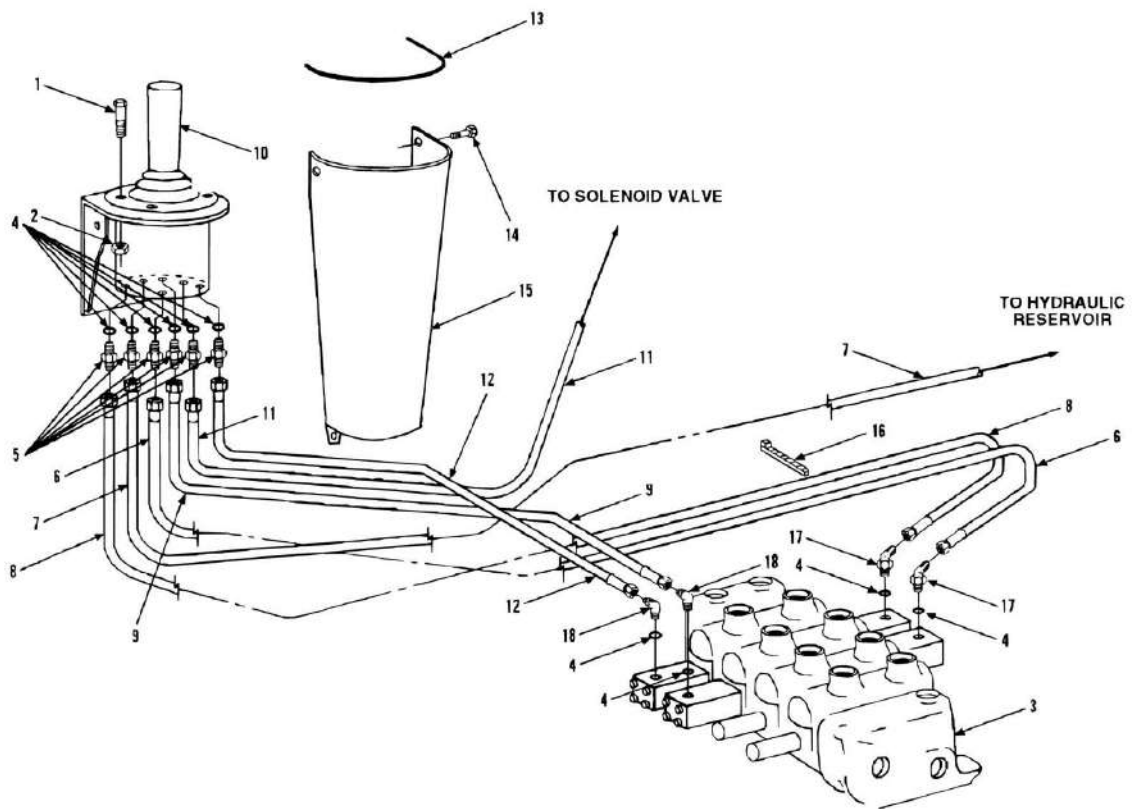
## SECTION 8 - HYDRAULIC CIRCUITS

**FIGURE 8-19. STEERING CYLINDER (534D-9 SN 0160002037 to Present, Including 0160001779;  
534D-10 SN 0160002048 to Present, Including 0160001794 and 0160001800)**

ITEM	PART NUMBER	QTY	DESCRIPTION	REV
1	84718672	1	HOSE ASSY	
2	8760268	1	ELBOW, 90, (swivel nut)	
3	2220373	2	ADAPTER, (includes item 5)	
4	2220372	1	ADAPTER, (includes item 5)	
5		Ref	O-RING	
6	2220596	3	ELBOW, 90, (includes item 5)	
7	84721060	1	HOSE ASSY, (534D-9 Prior to SN 0160035983, Excluding 0160034957; 534D-10 Prior to SN 0160035696)	
7	1001093469	1	HOSE ASSY, (534D-9 SN 0160035983 to Present, Including 0160034957; 534D-10 SN 0160035696 to Present)	
8	84718955	1	HOSE ASSY, (534D-9 Prior to SN 0160035983, Excluding 0160034957; 534D-10 Prior to SN 0160035696)	
8	1001093470	1	HOSE ASSY, (534D-9 SN 0160035983 to Present, Including 0160034957; 534D-10 SN 0160035696 to Present)	
9	84718294	1	HOSE ASSY, (534D-9 Prior to SN 0160035983, Excluding 0160034957; 534D-10 Prior to SN 0160035696)	
9	1001093468	1	HOSE ASSY, (534D-9 SN 0160035983 to Present, Including 0160034957; 534D-10 SN 0160035696 to Present)	
10		Ref	STEERING COLUMN, (See CONTROLS SECTION for Breakdown)	
11		Ref	STEERING CONTROL UNIT, (See CONTROLS SECTION for Breakdown)	
12		Ref	O-RING	
13	2220466	3	ELBOW, 90, (includes item 12)	
14	84718860	1	HOSE ASSY, (534D-9 Prior to SN 0160035983, Excluding 0160034957; 534D-10 Prior to SN 0160035696)	
14	1001093471	1	HOSE ASSY, (534D-9 SN 0160035983 to Present, Including 0160034957; 534D-10 SN 0160035696 to Present)	
15		Ref	FLOW DIVIDER, (See HYDRAULIC COMPONENTS SECTION for Breakdown)	
16	2220602	1	RUN TEE, (includes item 5)	
17	88201023	4	HEX HD CAPSCREW, 5/16-18x1 3/4, GR5	
18	77133137	4	COVER PLATE	
19	80933123	2	CLAMP SET	
20		Ref	STEERING CYLINDER ASSY, (See HYDRAULIC COMPONENTS SECTION for Breakdown)	
21	88591204	2	O-RING	
22	84718692	1	HOSE ASSY	
23	2220385	2	RUN TEE	
24	2220618	1	ADAPTER	
25	84718189	2	HOSE ASSY	
26	90027187	12	TIE WRAP	
27	2220473	2	ELBOW, 90, (includes item 21)	
28	8765204	1	ELBOW, 90, (swivel nut)	
29	84717594	2	HOSE ASSY	

# SECTION 8 - HYDRAULIC CIRCUITS

## FIGURE 8-20. JOYSTICK CIRCUIT





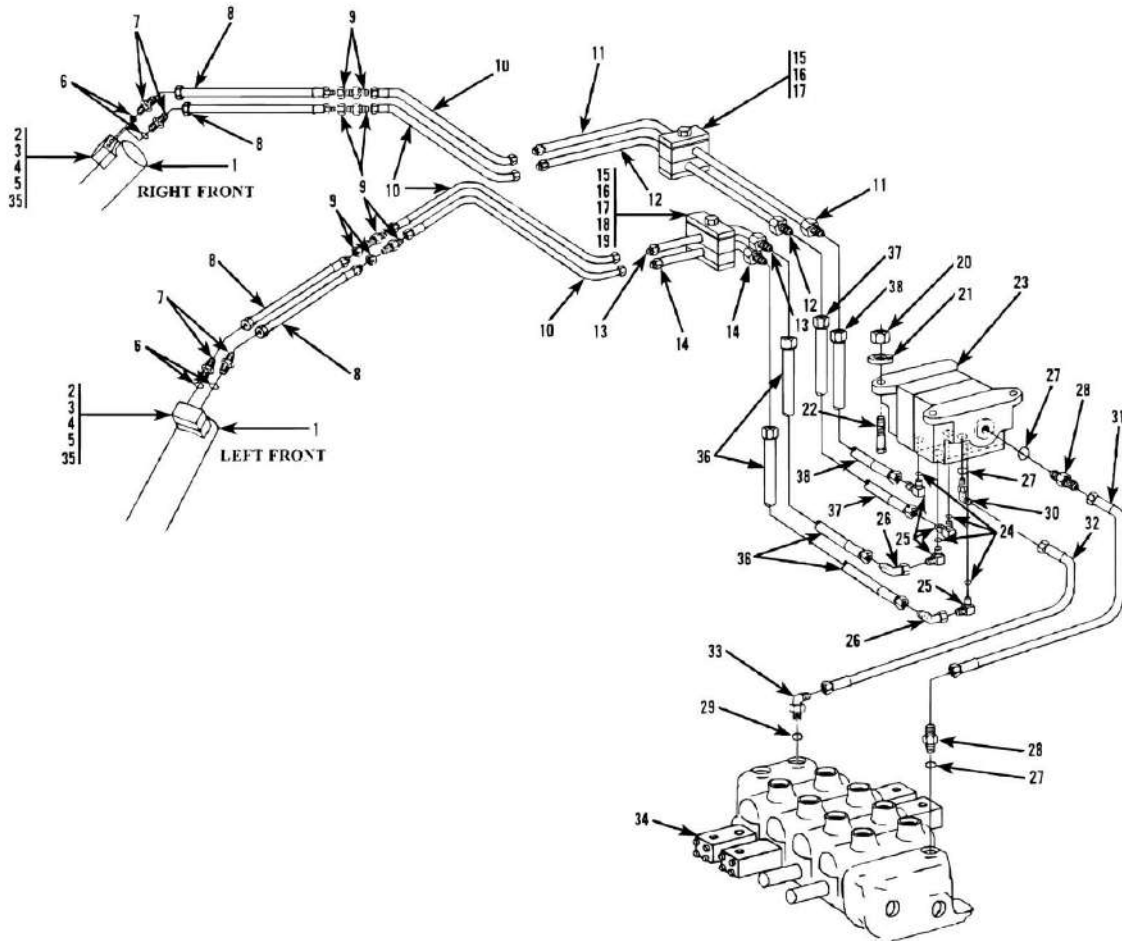
## SECTION 8 - HYDRAULIC CIRCUITS

### FIGURE 8-20. JOYSTICK CIRCUIT

ITEM	PART NUMBER	QTY	DESCRIPTION	REV
1	88261017	4	SOCKET BUTTON HD CAPSCREW, 1/4-20X7/8, GR5	
2	88521304	4	LOCKNUT, 1/4-20	
3		Ref	MAIN CONTROL VALVE, (See HYDRAULIC COMPONENTS SECTION for Breakdown)	
4		Ref	O-RING	
5	2220371	6	ADAPTER, (includes item 4)	
6	84718377	1	HOSE ASSY	
7	84718736	1	HOSE ASSY	
8	77133197	1	HOSE ASSY	
9	84717519	1	HOSE ASSY	
10		Ref	JOYSTICK ASSY, (See CONTROLS SECTION for Breakdown), (includes items 4 & 5)	
11	84718735	1	HOSE ASSY	
12	77363126	1	HOSE ASSY	
13	90206196	AR	TRIM-LOK	
14	77143003	2	WHIZ SCREW, 5/16-18X5/8	
15	91363002	1	COVER	
16	90027187	AR	TIE WRAP	
17	2220501	2	ELBOW, 45, (includes item 4)	
18	2220473	2	ELBOW, 90, (includes item 4)	

# SECTION 8 - HYDRAULIC CIRCUITS

FIGURE 8-21. OUTRIGGER CYLINDER (534D-10 SN 0366001 through 0366533; SN 016000125 through 016000974)



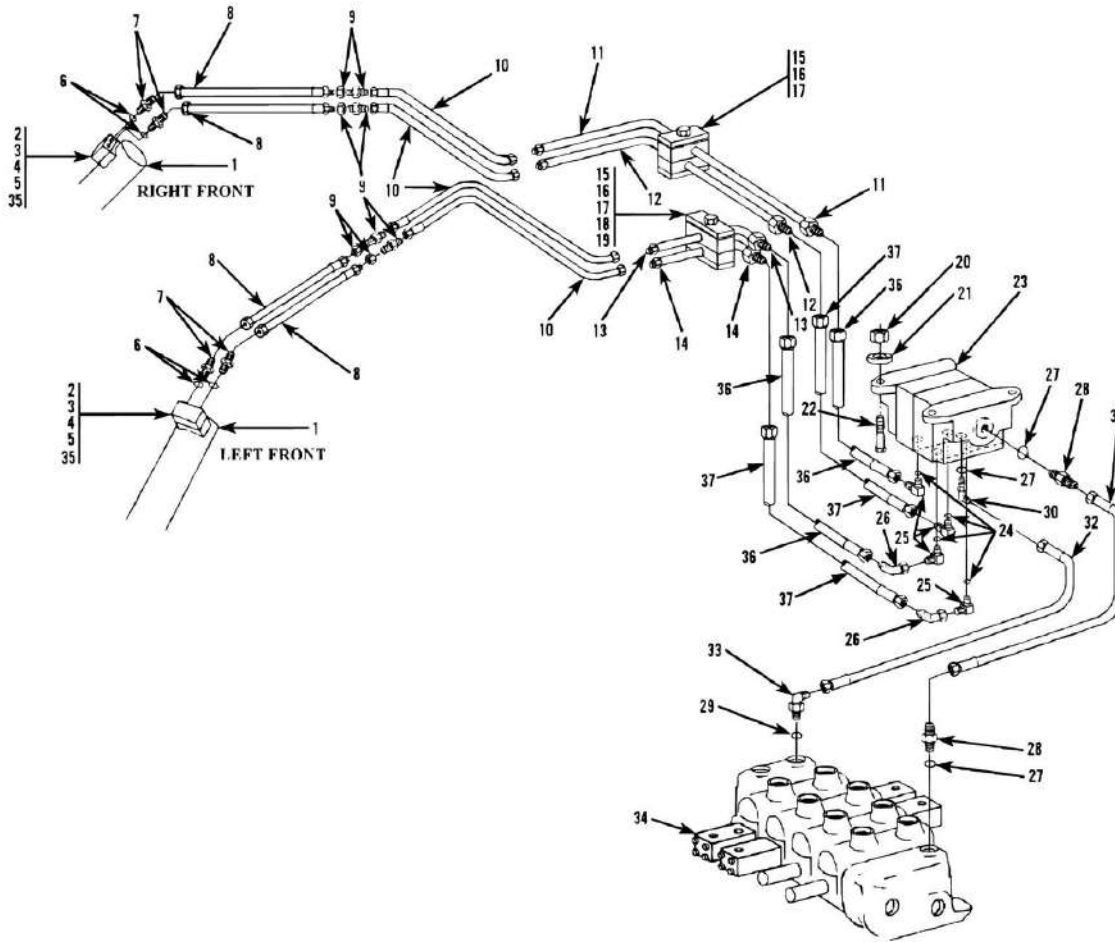
## SECTION 8 - HYDRAULIC CIRCUITS

**FIGURE 8-21. OUTRIGGER CYLINDER (534D-10 SN 0366001 through 0366533; SN 0160000125 through 0160000974)**

ITEM	PART NUMBER	QTY	DESCRIPTION	REV
1		Ref	OUTRIGGER CYLINDER ASSY, (See HYDRAULIC COMPONENTS SECTION for Breakdown)	
2		Ref	OUTRIGGER CYLINDER VALVE, (See HYDRAULIC COMPONENTS SECTION for Breakdown)	
3	88201040	6	HEX HD CAPSCREW, 3/8-16X2-1/4, GR5	
4	88551011	6	LOCKWASHER, 3/8	
5	88591012	4	O-RING	
6		Ref	O-RING	
7	2220371	4	ADAPTER, (includes item 6)	
8	84718737	4	HOSE ASSY	
9	88661084	4	BULKHEAD UNION, 9/16-18X3/8, TUBE	
10	84718961	4	HOSE ASSY	
11	91163128	1	TUBE ASSY	
12	91163127	1	TUBE ASSY	
13	91163126	1	TUBE ASSY	
14	91163125	1	TUBE ASSY	
15	77133168	7	CLAMP SET, (4 not illustrated)	
16	77133140	4	COVER PLATE, (2 not illustrated)	
17	77133177	4	HEX HD CAPSCREW, 5/16-18X1-3/8, (2 not illustrated)	
18	77133390	3	SAFETY CLIP, (2 not illustrated)	
19	77133389	3	STACK BOLT, (2 not illustrated)	
20	88501008	3	HEX NUT, 1/2-13	
21	88551013	3	LOCKWASHER, 1/2	
22	88201070	3	HEX HD CAPSCREW, 1/2-13X2-1/4, GR5	
23		Ref	OUTRIGGER CONTROL VALVE, (See HYDRAULIC COMPONENTS SECTION for Breakdown)	
24		Ref	O-RING	
25	2221048	4	ELBOW, 90, (includes item 24)	
26	8760268	2	ELBOW, 90, (swivel nut)	
27		Ref	O-RING	
28	2220435	2	ADAPTER, (includes item 27)	
29		Ref	O-RING	
30	2220465	1	ELBOW, 90, (includes item 27)	
31	84719224	1	HOSE ASSY	
32	84718680	1	HOSE ASSY	
33	2220578	1	ELBOW, 90, (includes item 29)	
34		Ref	MAIN CONTROL VALVE, (See HYDRAULIC COMPONENTS SECTION for Breakdown)	
35	91163246	2	ORIFICE FITTING, (port "c")	
36	84718682	2	HOSE ASSY	
37	84718696	1	HOSE ASSY	
38	84718695	1	HOSE ASSY	

# SECTION 8 - HYDRAULIC CIRCUITS

FIGURE 8-22. OUTRIGGER CYLINDER (534D-10 SN 0160000978 to Present)



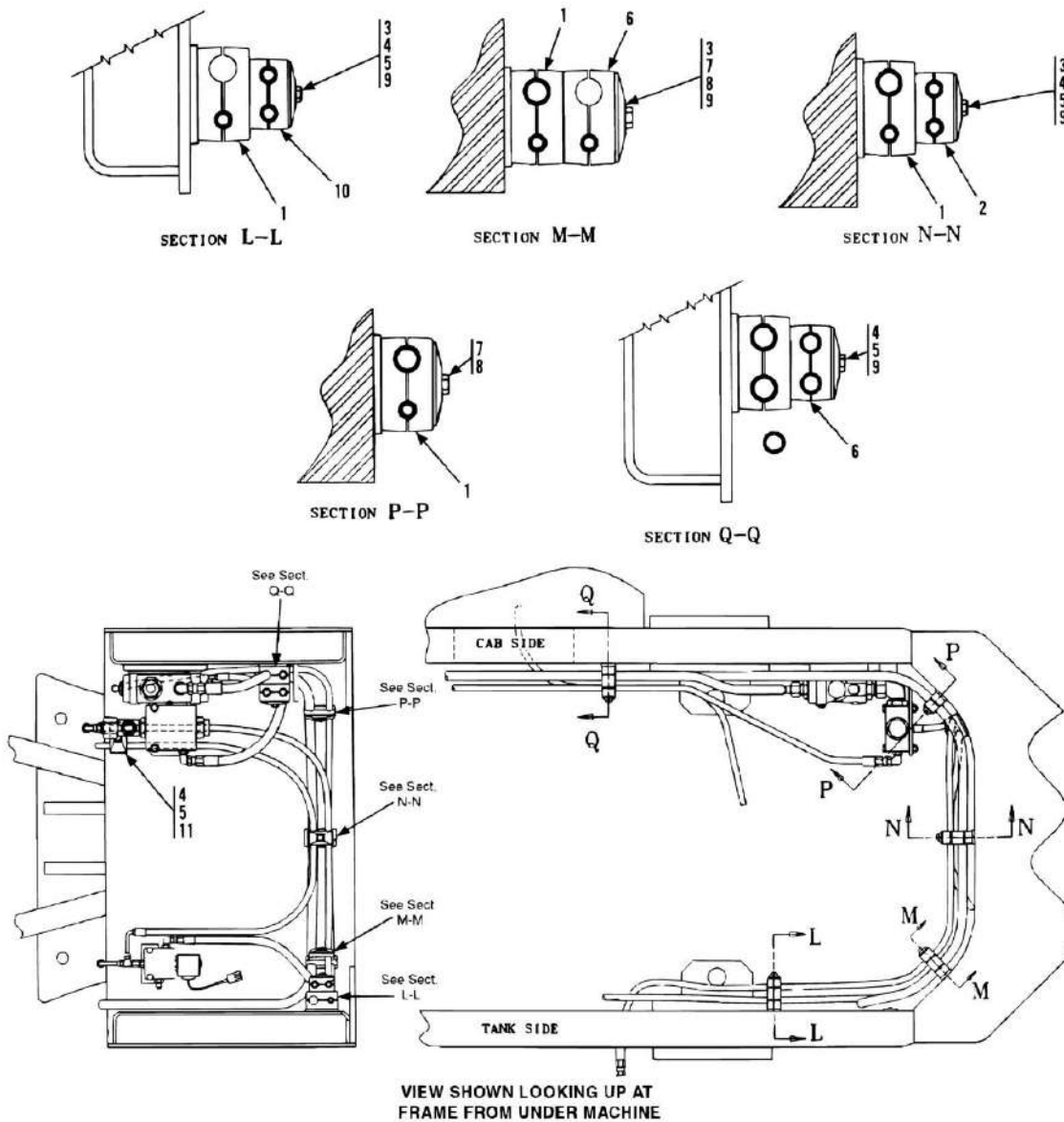
## SECTION 8 - HYDRAULIC CIRCUITS

**FIGURE 8-22. OUTRIGGER CYLINDER (534D-10 SN 0160000978 to Present)**

ITEM	PART NUMBER	QTY	DESCRIPTION	REV
1		Ref	OUTRIGGER CYLINDER ASSY, (See HYDRAULIC COMPONENTS SECTION for Breakdown)	
2		Ref	OUTRIGGER CYLINDER VALVE, (See HYDRAULIC COMPONENTS SECTION for Breakdown)	
3	88201040	6	HEX HD CAPSCREW, 3/8-16X2-1/4, GR5, <b>(534D-10 SN 0160000978 through 0160038773)</b>	
4	88551011	6	LOCKWASHER, 3/8, <b>(534D-10 SN 0160000978 through 0160038773)</b>	
5	88591012	4	O-RING, <b>(534D-10 SN 0160000978 through 0160038773)</b>	
6		Ref	O-RING	
7	2220371	4	ADAPTER, (includes item 6)	
8	84718737	4	HOSE ASSY	
9	2230024	4	BULKHEAD UNION, 9/16-18X3/8, TUBE	
10	84718961	4	HOSE ASSY	
11	91553035	1	TUBE ASSY	
12	91553034	1	TUBE ASSY	
13	91553033	1	TUBE ASSY	
14	91553032	1	TUBE ASSY	
15	77133168	7	CLAMP SET, (4 not illustrated)	
16	77133140	4	COVER PLATE, (2 not illustrated)	
17	77133177	4	HEX HD CAPSCREW, 5/16-18X1-3/8, (2 not illustrated)	
18	77133390	3	SAFETY CLIP, (2 not illustrated)	
19	77133389	3	STACK BOLT, (2 not illustrated)	
20	88501008	3	HEX NUT, 1/2-13	
21	88551013	3	LOCKWASHER, 1/2	
22	88201070	3	HEX HD CAPSCREW, 1/2-13X2-1/4, GR5	
23		Ref	OUTRIGGER CONTROL VALVE, (See HYDRAULIC COMPONENTS SECTION for Breakdown)	
24		Ref	O-RING	
25	2221048	4	ELBOW, 90, (includes item 24)	
26	8760268	2	ELBOW, 90, (swivel nut)	
27		Ref	O-RING	
28	2220435	2	ADAPTER, (includes item 27)	
29		Ref	O-RING	
30	2220465	1	ELBOW, 90, (includes item 27)	
31	84719224	1	HOSE ASSY	
32	84718680	1	HOSE ASSY	
33	2220578	1	ELBOW, 90, (includes item 29)	
34		Ref	MAIN CONTROL VALVE, (See HYDRAULIC COMPONENTS SECTION for Breakdown)	
35	91163246	2	ORIFICE FITTING, (port "c"), <b>(534D-10 SN 0160000978 through 0160038773)</b>	
36	84719976	2	HOSE ASSY	
37	84719984	2	HOSE ASSY	

# SECTION 8 - HYDRAULIC CIRCUITS

FIGURE 8-23. HOSE CLAMP LOCATION, (REAR) (534D-9 SN 0544001 through 0544217; 534D-10 SN 0366001 through 0366054)



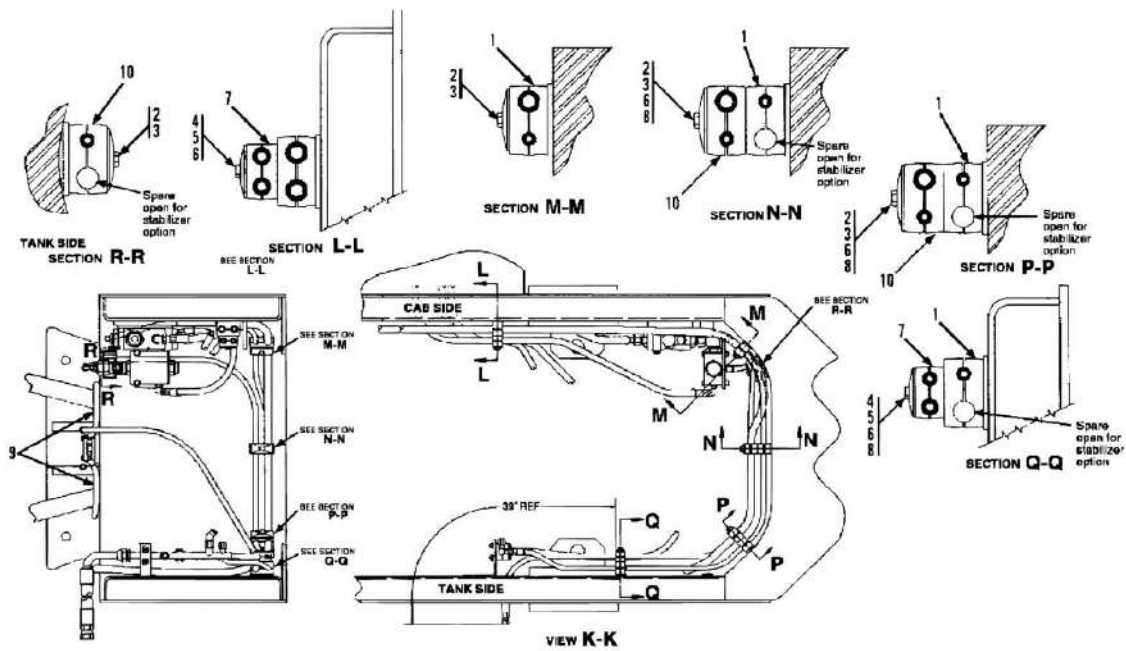
## SECTION 8 - HYDRAULIC CIRCUITS

**FIGURE 8-23. HOSE CLAMP LOCATION, (REAR) (534D-9 SN 0544001 through 0544217; 534D-10 SN 0366001 through 0366054)**

ITEM	PART NUMBER	QTY	DESCRIPTION	REV
1	80933123	4	CLAMP SET, 3/4-1/2	
2	91083240	1	CLAMP SET, 5/8-1/2	
3	77133306	3	STACK BOLT	
4	77133140	4	COVER PLATE	
5	77133177	4	BOLT	
6	77133136	2	CLAMP SET, 3/4-3/4	
7	77133137	2	COVER PLATE	
8	88201023	2	HEX HD CAPSCREW, 5/16-18X1-3/4, GR5	
9	77133390	4	SAFETY CLIP	
10	77133139	1	CLAMP SET, 5/8-5/8	
11	77133168	1	CLAMP SET, 1/2-1/2	

# SECTION 8 - HYDRAULIC CIRCUITS

**FIGURE 8-24. HOSE CLAMP LOCATION, (REAR) (534D-9 SN 0544218 through 016000853, Excluding 016000700; 534D-10 SN 0366055 through 016000974)**





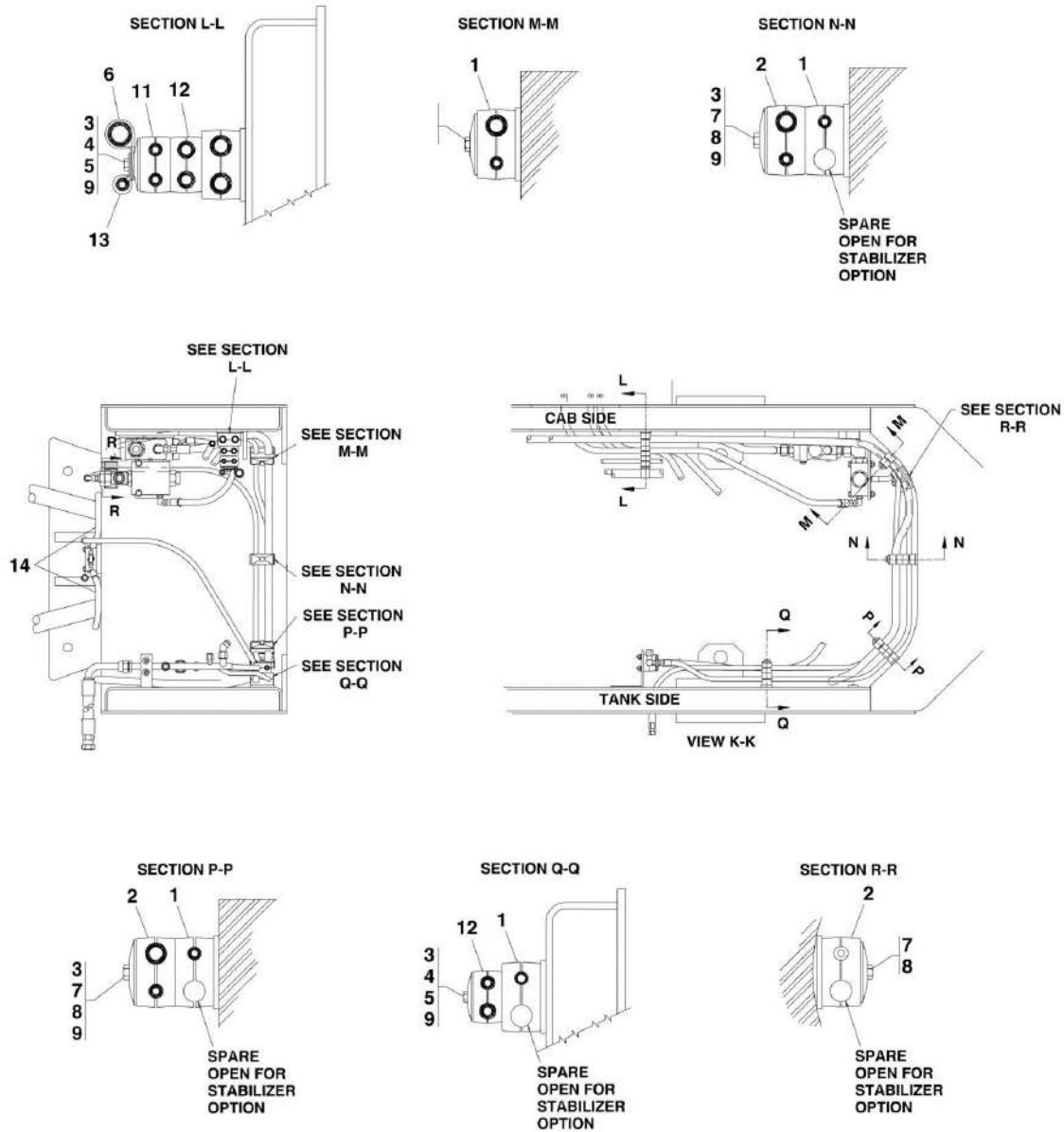
## SECTION 8 - HYDRAULIC CIRCUITS

**FIGURE 8-24. HOSE CLAMP LOCATION, (REAR) (534D-9 SN 0544218 through 0160000853,  
Excluding 0160000700; 534D-10 SN 0366055 through 0160000974)**

ITEM	PART NUMBER	QTY	DESCRIPTION	REV
1	80933123	4	CLAMP SET, 3/4-1/2	
2	77133137	4	COVER PLATE	
3	88201023	4	HEX HD CAPSCREW, 5/16-18X1-3/4, GR5	
4	77133140	2	COVER PLATE	
5	77133177	2	BOLT	
6	77133390	4	SAFETY CLIP	
7	77133139	2	CLAMP SET, 5/8-5/8	
8	77133306	3	STACK BOLT	
9	84719447	2	HOSE ASSY	
10	80933140	3	TWIN CLAMP	

# SECTION 8 - HYDRAULIC CIRCUITS

**FIGURE 8-25. HOSE CLAMP LOCATION, (REAR) (534D-9 SN 0160001051 to Present, Including 0160000700; 534D-10 SN 0160000978 to Present)**



PAP17810

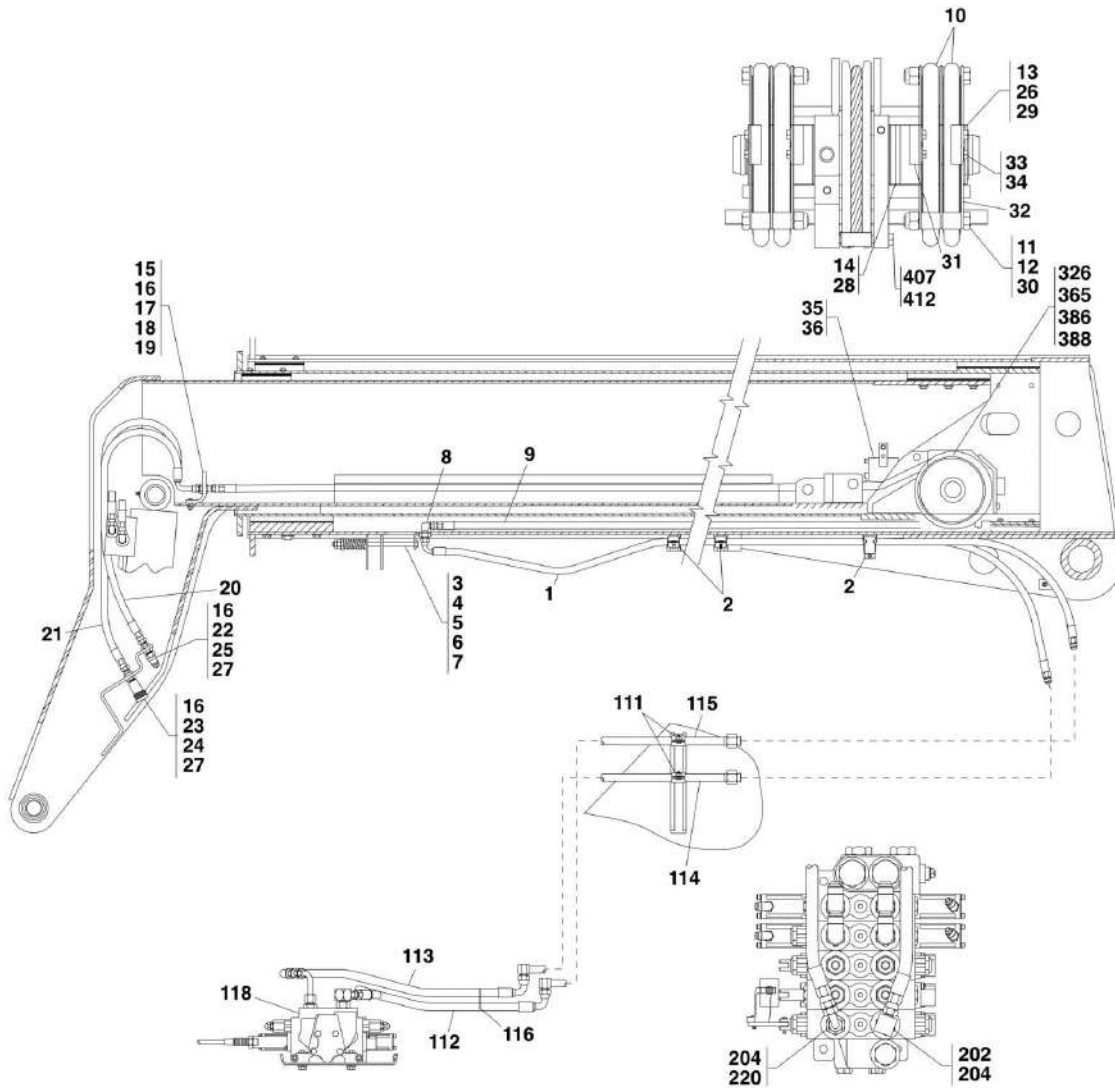
## SECTION 8 - HYDRAULIC CIRCUITS

**FIGURE 8-25. HOSE CLAMP LOCATION, (REAR) (534D-9 SN 0160001051 to Present, Including 0160000700; 534D-10 SN 0160000978 to Present)**

ITEM	PART NUMBER	QTY	DESCRIPTION	REV
1	80933123	4	CLAMP SET, 13/16-1/2	
2	80933140	3	CLAMP SET, 13/16-5/8	
3	77133306	4	STACK BOLT	
4	77133140	2	COVER PLATE	
5	77133177	2	HEX HD CAPSCREW, 5/16-18X1-3/8	
6	80673023	1	SUPPORT CLAMP	
7	77133137	4	COVER PLATE	
8	0641514	4	HEX HD CAPSCREW, 5/16-18X1-3/4, GR5	
9	77133390	5	SAFETY CLIP	
11	77133168	1	CLAMP SET, 1/2-1/2	
12	77133139	2	CLAMP SET, 5/8-5/8	
13	85941016	1	SUPPORT CLAMP	
14	84719447	1	HYDRAULIC HOSE	

# SECTION 8 - HYDRAULIC CIRCUITS

FIGURE 8-26. AUXILIARY HYDRAULICS (SN 0160027771 through 0160037688)



PAP17910

## SECTION 8 - HYDRAULIC CIRCUITS

**FIGURE 8-26. AUXILIARY HYDRAULICS (SN 0160027771 through 0160037688)**

ITEM	PART NUMBER	QTY	DESCRIPTION	REV
	91535025	1	BOOM AUXILIARY HYDRAULIC INSTALLATION, (includes items 1 thru 36)	C
1	84719075	2	HOSE ASSY	
2	90207463	6	CUSHION CLAMP	
3	91166068	2	HOSE TAKE-UP WELDMENT	
4	91123054	2	COMPRESSION SPRING	
5	91121134	2	SPRING RETAINER	
6	88501008	2	HEX NUT, 1/2	
7	88501108	2	JAM NUT, 1/2	
8	2230044	2	ELBOW, 90	
9	2754808	2	HOSE ASSY	
10	91533018	2	HOSE SHEAVE	
11	88201073	2	HEX HD CAPSCREW, 1/2-13X3	
12	88521308	2	NYLOCK NUT, 1/2	
13	88581149	1	RETAINING RING	
14	91041449	1	THRUST WASHER	
15	91531036	1	BRACKET	
16	2230025	4	ADAPTER	
17	88201020	2	HEX HD CAPSCREW, 5/16-18X1	
18	88551010	2	LOCKWASHER, 5/16	
19	88501005	2	HEX NUT, 5/16	
20	84718385	1	HOSE ASSY	
21	84718557	1	HOSE ASSY	
22	91403414	1	MALE QUICK DISCONNECT	
23	91403413	1	FEMALE QUICK DISCONNECT	
24	91043125	1	DUST PLUG	
25	91043126	1	DUST CAP	
26	91041451	3	THRUST WASHER	
27	2220651	2	ADAPTER, (includes o-ring)	
28	91531035	2	SPACER	
29	14404793	AR	UNION 78 MEGAPLEX GREASE	
30	91533017	4	PLATE	
31	91343215	1	SPACER	
32	91531029	3	PLATE	
33	0641404	4	HEX HD CAPSCREW, 1/4-20X1/2	
34	4751400	4	WAHSER, 1/4	
35	91533021	1	PAD	
36	88201047	2	HEX HZD CAPSCREW, 3/8-16X4	
112	84718685	1	HOSE ASSY	
113	84718686	1	HOSE ASSY	
114	91163096	1	TUBE ASSY	
115	91163097	1	TUBE ASSY	
116	90027187	2	NYLON TIE	
118		Ref	MAIN CONTROL VALVE, (See HYDRAULIC COMPONENTS SECTION for Breakdown)	
202	8765204	1	ELBOW, 90	
204	2220375	2	ADAPTER, (includes o-ring)	
220	2220471	1	ADAPTER	
326	91536017	1	HOSE GUIDE	

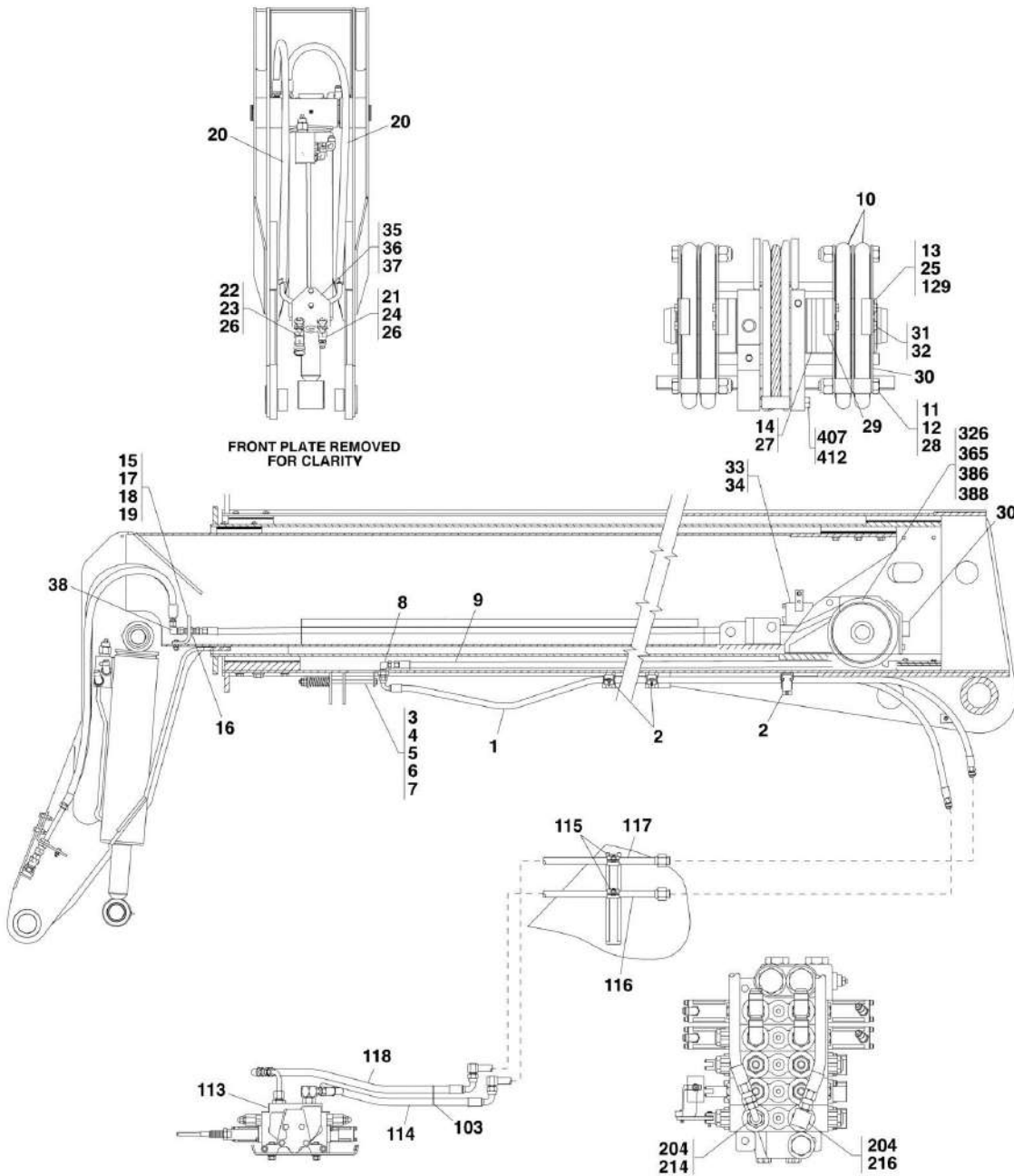
## SECTION 8 - HYDRAULIC CIRCUITS

ITEM	PART NUMBER	QTY	DESCRIPTION	REV
365	0641607	2	HEX HD CAPSCREW, 3/8-16X7/8	
386	4711600	2	FLAT WASHER, 3/8	
388	4761600	2	LOCKWASHER, 3/8	
407	91531034	1	ROLLER	
412	0641628	1	HEX HD CAPSCREW, 3/8-16X3.5	



# SECTION 8 - HYDRAULIC CIRCUITS

FIGURE 8-27. AUXILIARY HYDRAULICS (534D-9 SN 0160038519 to Present; 534D-10 SN 0160038445 to Present)



PAP17870



## SECTION 8 - HYDRAULIC CIRCUITS

**FIGURE 8-27. AUXILIARY HYDRAULICS (534D-9 SN 0160038519 to Present; 534D-10 SN 0160038445 to Present)**

ITEM	PART NUMBER	QTY	DESCRIPTION	REV
	1001100095	1	BOOM AUXILIARY HYDRAULIC INSTALLATION, (includes items 1 thru 38)	B
1	84719075	2	HOSE ASSY	
2	90207463	6	CUSHION CLAMP	
3	91166068	2	HOSE TAKE-UP WELDMENT	
4	91123054	2	COMPRESSION SPRING	
5	91121134	2	SPRING RETAINER	
6	88501008	2	HEX NUT, 1/2	
7	88501108	2	JAM NUT, 1/2	
8	2230044	2	ELBOW, 90	
9	2754808	2	HOSE ASSY	
10	91533018	2	HOSE SHEAVE	
11	0641824	2	HEX HD CAPSCREW, 1/2-13X3	
12	88521308	2	NYLOCK NUT, 1/2	
13	88581149	1	RETAINING RING	
14	91041449	1	THRUST WASHER	
15	91531036	1	BRACKET	
16	2230025	2	ADAPTER	
17	88201020	2	HEX HD CAPSCREW, 5/16-18X1	
18	88551010	2	LOCKWASHER, 5/16	
19	88501005	2	HEX NUT, 5/16	
20	1001099886	2	HOSE ASSY	
21	91403414	1	MALE QUICK DISCONNECT	
22	91403413	1	FEMALE QUICK DISCONNECT	
23	91043125	1	DUST PLUG	
24	91043126	1	DUST CAP	
25	91041451	3	THRUST WASHER	
26	2180849	2	ADAPTER, (includes o-ring)	
27	91531035	2	SPACER	
28	91533017	4	PLATE	
29	91343215	1	SPACER	
30	91531029	3	PLATE	
31	0641404	4	HEX HD CAPSCREW, 1/4-20X1/2	
32	4751400	4	WASHER, 1/4	
33	91533021	1	PAD	
34	0641632	2	HEX HD CAPSCREW, 3/8-16X4	
35	1001100973	1	BRACKET	
36	0641612	2	HEX HD CAPSCREW, 3/8-16X1-1/2	
37	8305645	2	HEX LOCKNUT 3/8-16	
38	8765204	2	ELBOW, 90	
103	90027187	2	NYLON TIE	
113		Ref	MAIN CONTROL VALVE, (See HYDRAULIC COMPONENTS SECTION for Breakdown)	
114	84718685	1	HOSE ASSY	
115	90207463	2	CLAMP	
116	91163096	1	TUBE ASSY	
117	91163097	1	TUBE ASSY	
118	84718686	1	HOSE ASSY	

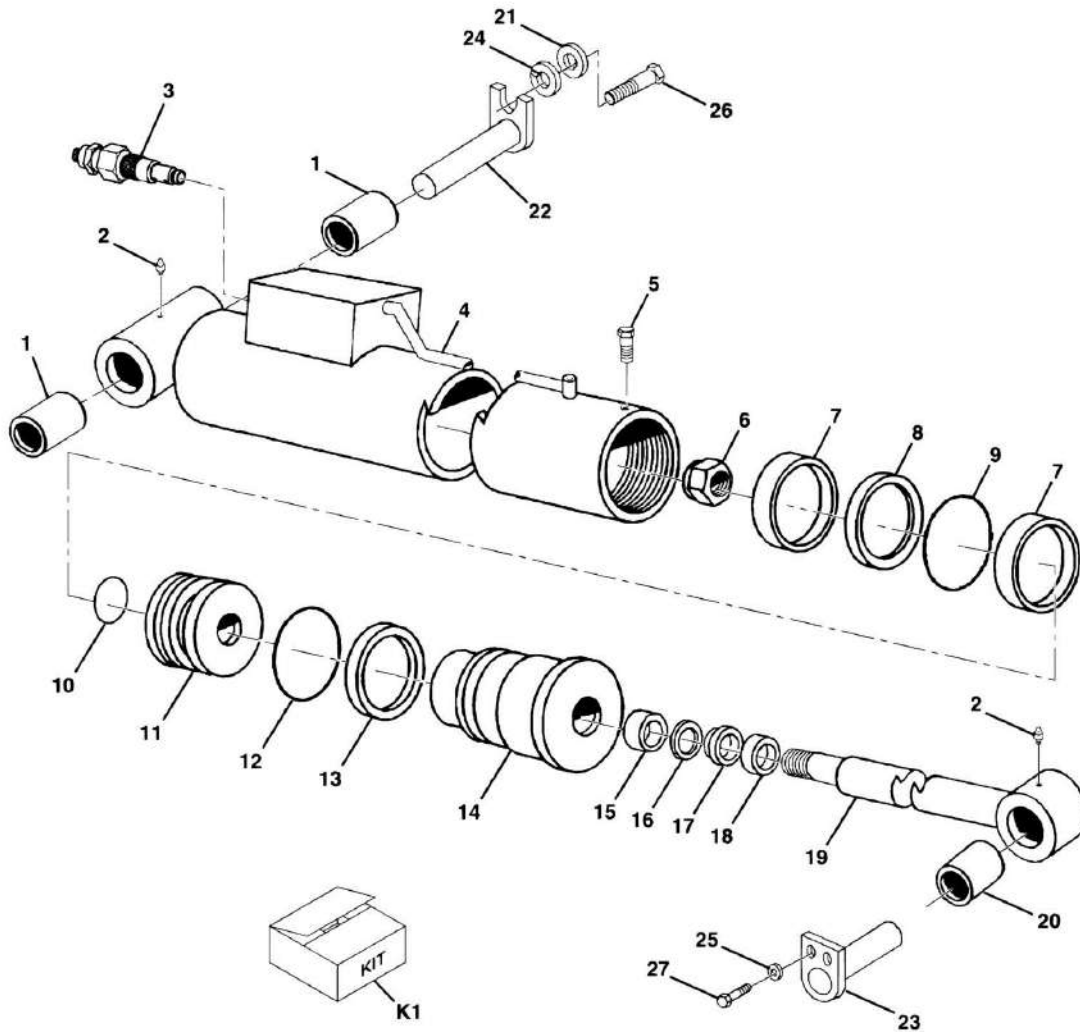
## SECTION 8 - HYDRAULIC CIRCUITS

ITEM	PART NUMBER	QTY	DESCRIPTION	REV
129	14404793	AR	UNION 78 MEGAPLEX GREASE	
204	2220375	2	ADAPTER, (includes o-ring)	
214	2220471	1	ADAPTER	
216	8765204	1	ELBOW, 90	
326	91536017	1	HOSE GUIDE	
365	0641607	2	HEX HD CAPSCREW, 3/8-16X7/8	
386	4711600	2	FLAT WASHER, 3/8	
388	4761600	2	LOCKWASHER, 3/8	
407	91531034	1	ROLLER	
412	0641628	1	HEX HD CAPSCREW, 3/8-16X3.5	

**SECTION 9 - HYDRAULIC COMPONENTS**

# SECTION 9 - HYDRAULIC COMPONENTS

FIGURE 9-1. TILT CYLINDER (534D-9 Prior to SN 0160033414; 534D-10 Prior to SN 0160033245)



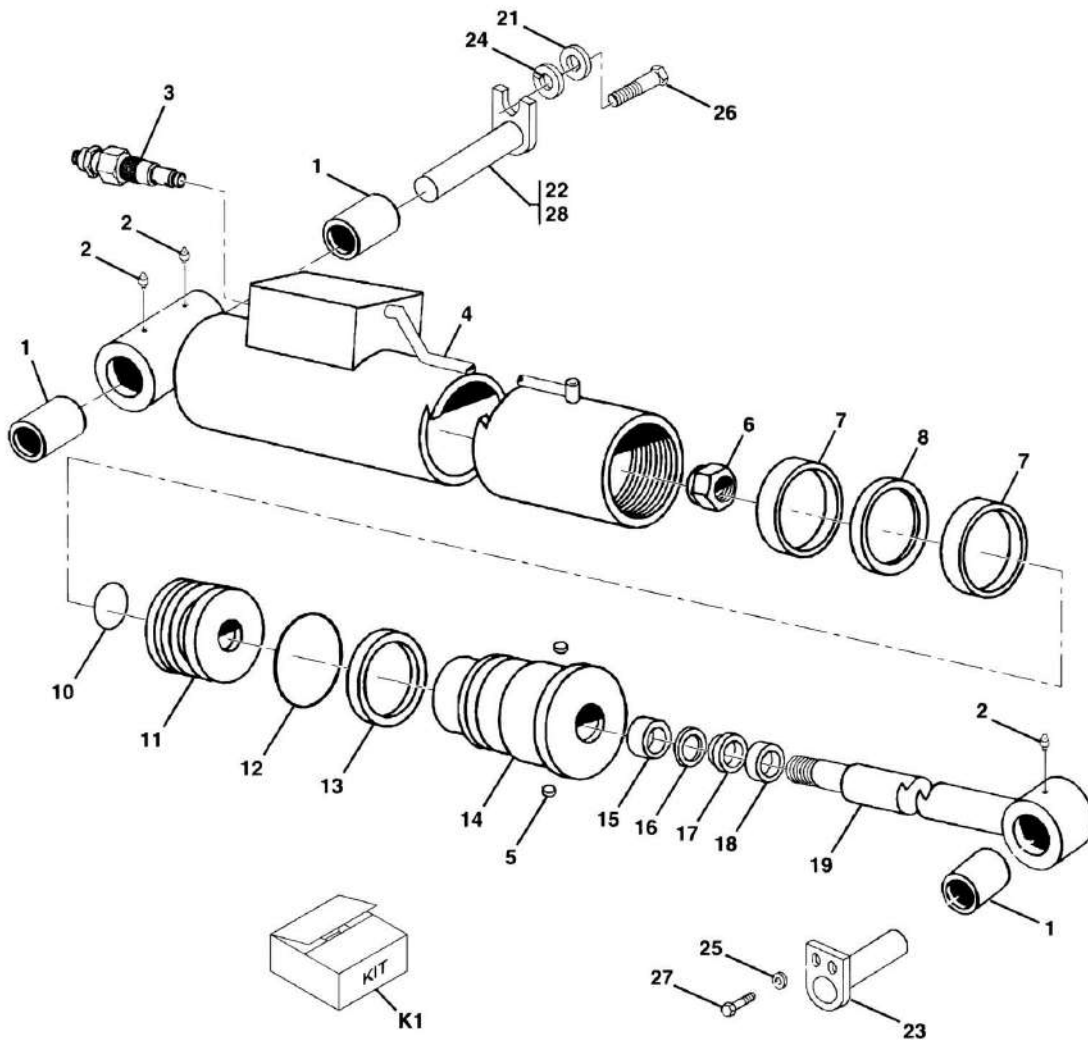
## SECTION 9 - HYDRAULIC COMPONENTS

**FIGURE 9-1. TILT CYLINDER (534D-9 Prior to SN 0160033414; 534D-10 Prior to SN 0160033245)**

ITEM	PART NUMBER	QTY	DESCRIPTION	REV
	91143214	1	TILT CYLINDER ASSY, (includes items 1 thru 20)	F
1	91404352	2	BUSHING	
2	88671001	2	GREASE FITTING	
3	91123089	1	COUNTERBALANCE VALVE	
3	91034276	1	COUNTERBALANCE VALVE SEAL KIT	
4	91144023	1	CASE ASSY	
5	91144017	1	CAPSCREW, #8X32X.375	
6	91034153	1	LOCKNUT, (torque 1300-1350 ft lbs)	
7	Kit	2	WEAR RING	
8	Kit	1	PISTON SEAL	
9	Kit	1	O-RING	
10	Kit	1	O-RING	
11	91034139	1	PISTON	
12	Kit	1	O-RING	
13	Kit	1	BACK-UP RING	
14	91144024	1	GLAND	
15	Kit	1	WEAR RING	
16	Kit	1	STEP SEAL	
17	Kit	1	U-CUP	
18	Kit	1	WIPER	
19	91144025	1	ROD ASSY	
20	91144479	1	BUSHING	
21	83621283	1	SPECIAL WASHER	
22	91146052	1	PIN WELDMENT	
23	91166062	1	PIN WELDMENT	
24	88551013	1	LOCKWASHER, 1/2	
25	88561111	2	FLAT WASHER, 1/2	
26	88201065	1	HEX HD CAPSCREW, 1/2-13X1, GR5	
27	83201123	2	HEX HD CAPSCREW, 1/2-13X1, (nylok)	
K1	91144004	1	SEAL KIT, (includes items 7, 8, 9, 10, 12, 13 & 15 thru 18)	

# SECTION 9 - HYDRAULIC COMPONENTS

FIGURE 9-2. TILT CYLINDER (534D-9 SN 0160033414 through 0160038518; 534D-10 SN 0160033245 through 0160038444)



PAP17850

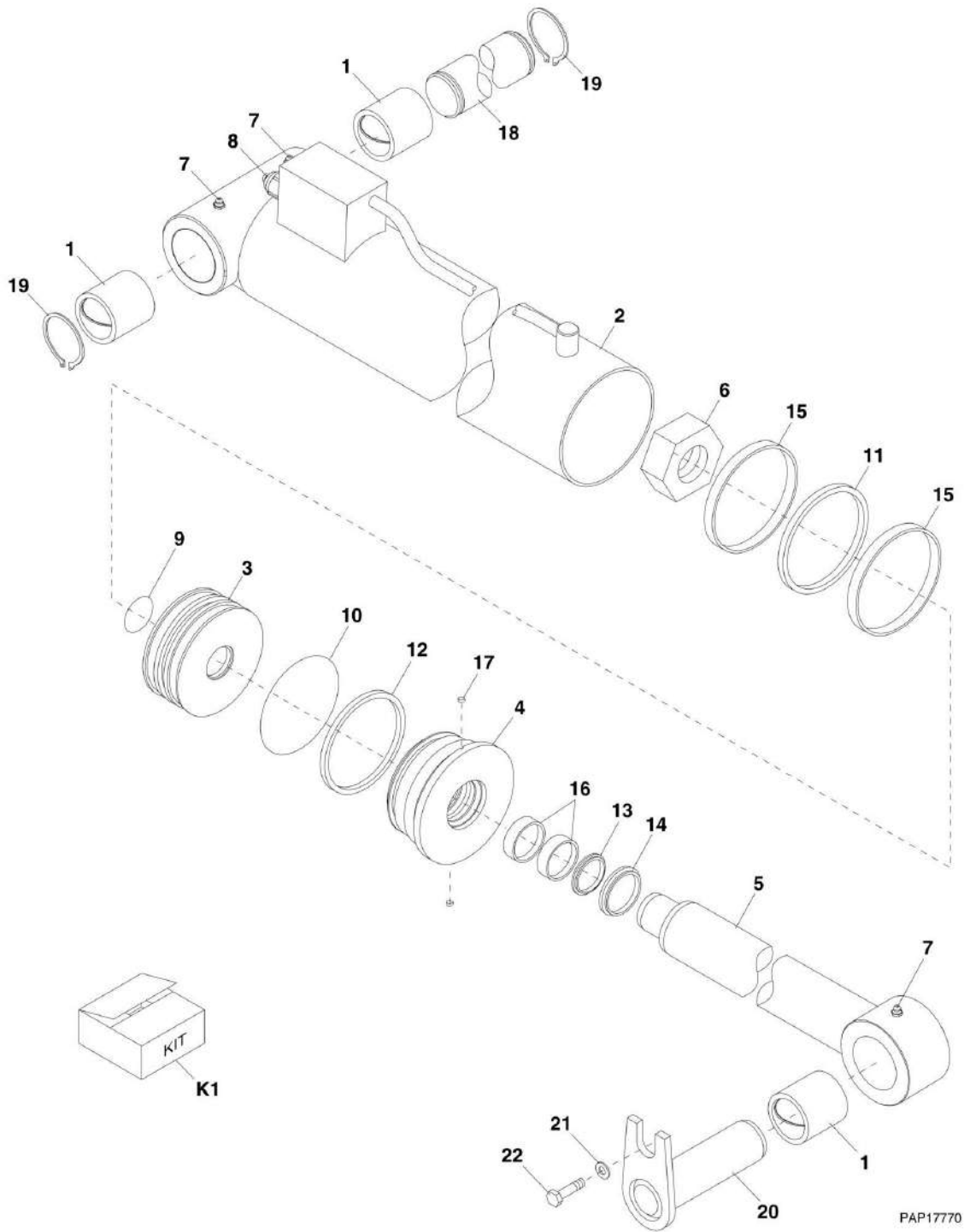
## SECTION 9 - HYDRAULIC COMPONENTS

**FIGURE 9-2. TILT CYLINDER (534D-9 SN 0160033414 through 0160038518; 534D-10 SN 0160033245 through 0160038444)**

ITEM	PART NUMBER	QTY	DESCRIPTION	REV
	91343231	1	TILT CYLINDER ASSY, (includes items 1 thru 19)	B
1	70022508	3	BUSHING	
2	70022120	3	GREASE FITTING	
3	91123089	1	COUNTERBALANCE VALVE	
3	91164037	1	COUNTERBALANCE VALVE, SEAL KIT	
4	70022117	1	CASE ASSY	
5	70022119	2	LOCKING INSERT	
6	8035322	1	LOCKNUT	
7	Kit	2	WEAR RING	
8	Kit	1	PISTON SEAL	
10	Kit	1	O-RING	
11	70022536	1	PISTON ASSY	
12	Kit	1	O-RING	
13	Kit	1	BACK-UP RING	
14	70022537	1	ROD BEARING ASSY	
15	Kit	1	WEAR RING	
16	Kit	1	BUFFER SEAL	
17	Kit	1	ROD SEAL	
18	Kit	1	ROD WIPER	
19	70022118	1	ROD ASSY	
21	83621283	1	SPECIAL WASHER	
22	91146052	1	PIN WELDMENT	
23	91166062	1	PIN WELDMENT	
24	4761800	1	LOCKWASHER, 1/2	
25	4711800	2	FLAT WASHER, 1/2	
26	0641808	1	HEX HD CAPSCREW, 1/2-13X1, GR5	
27	83201123	2	HEX HD CAPSCREW, 1/2-13X1, (nylok)	
28	14403323	AR	NEVER SEEZE LUBE	
K1	70022538	1	SEAL KIT, (includes items 7, 8, 10, 12, 13 & 15 thru 18)	

# SECTION 9 - HYDRAULIC COMPONENTS

FIGURE 9-3. TILT CYLINDER (534D-9 SN 0160038519 to Present; 534D-10 SN 0160038445 to Present)





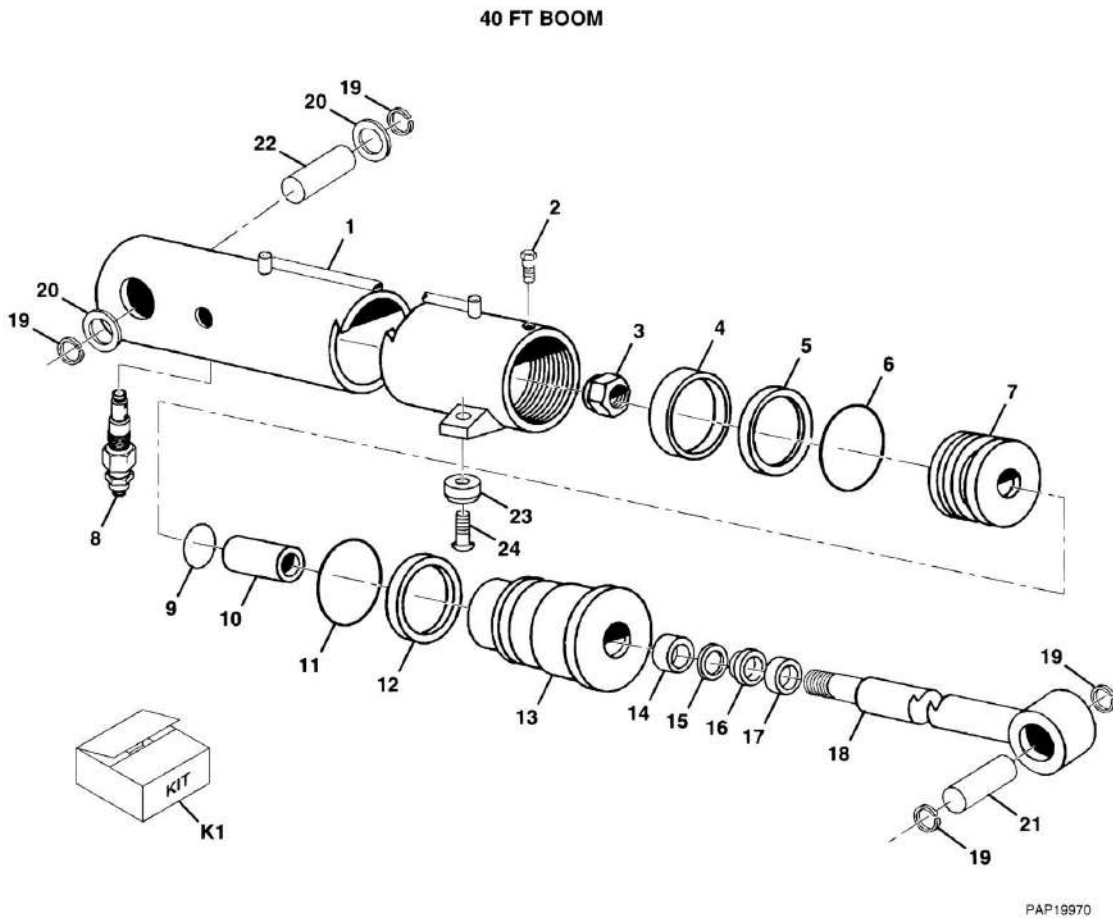
## SECTION 9 - HYDRAULIC COMPONENTS

**FIGURE 9-3. TILT CYLINDER (534D-9 SN 0160038519 to Present; 534D-10 SN 0160038445 to Present)**

ITEM	PART NUMBER	QTY	DESCRIPTION	REV
	1001098136	1	TILT CYLINDER ASSY, (includes items 1 thru 17)	F
1	91563244	4	BUSHING	
2	70022121	1	TUBE WELDMENT	
3	70022122	1	PISTON	
4	70022123	1	HEAD GLAND, (torque to 300-400 ft lbs)	
5	70022124	1	ROD WELDMENT	
6	8036394	1	LOCKNUT, (torque to 1800-2000 ft lbs)	
7	70020375	2	GREASE FITTING	
8	91123089	1	COUNTERBALANCE VALVE, (torque to 60-65 ft lbs)	
8	91164037	1	COUNTERBALANCE VALVE SEAL KIT	
9	Kit	1	O-RING	
10	Kit	1	O-RING	
11	Kit	1	DISO-PAC	
12	Kit	1	POLYPAK	
13	Kit	1	DZR SEAL	
14	Kit	1	ROD WIPER	
15	Kit	2	WEAR BAND	
16	Kit	2	WEAR BAND	
17	Kit	2	LOCKING INSERT	
18	1001099579	1	PIN	
19	88581149	2	RETAINING RING	
20		Ref	PIN WELDMENT, (See BOOM SECTION for Breakdown)	
21		Ref	FLAT WASHER, 1/2, (See BOOM SECTION for Breakdown)	
22		Ref	HEX HD CAPSCREW, 1/2-13X1, GR5, (See BOOM SECTION for Breakdown)	
K1	70022125	1	SEAL KIT, (includes items 9 thru 17)	

# SECTION 9 - HYDRAULIC COMPONENTS

FIGURE 9-4. CROWD CYLINDER (534D-9 SN 0544001 through 0644118; 534D-10 SN 0366001 through 0366088)



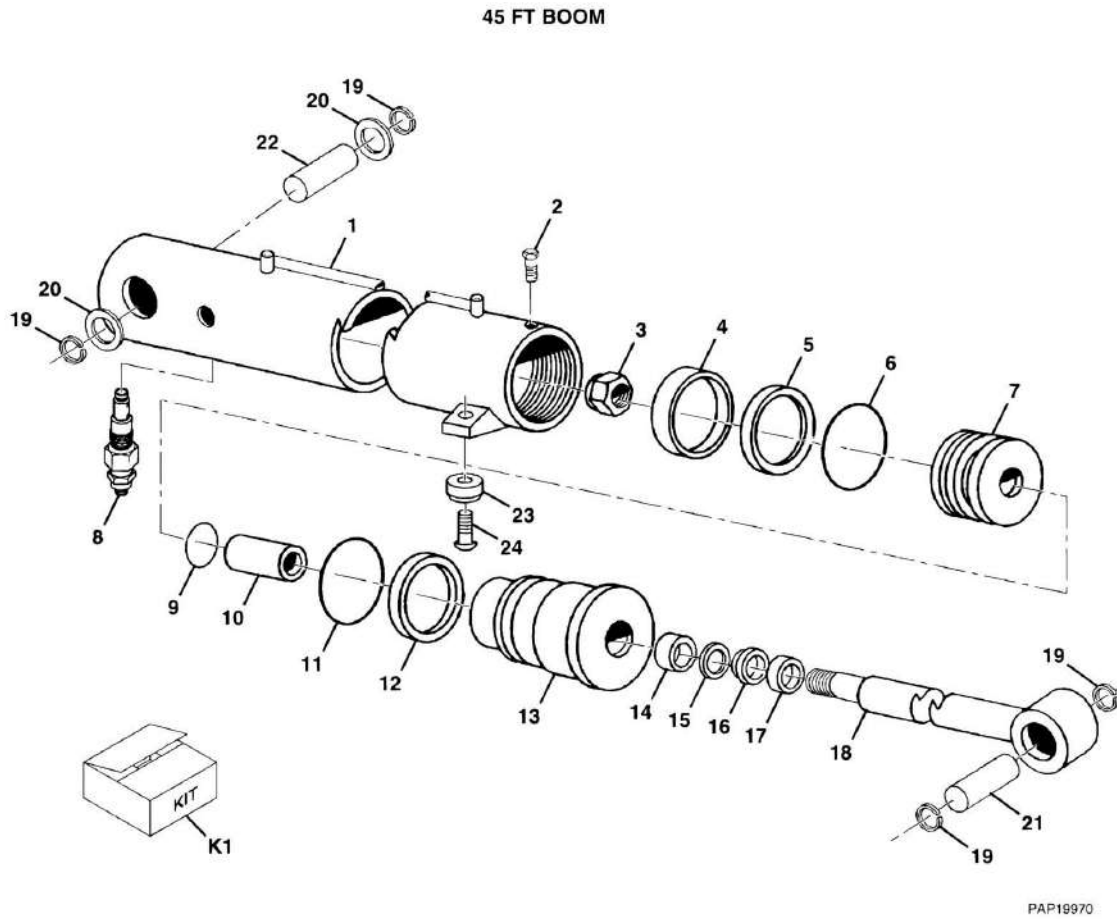
## SECTION 9 - HYDRAULIC COMPONENTS

**FIGURE 9-4. CROWD CYLINDER (534D-9 SN 0544001 through 0644118; 534D-10 SN 0366001 through 0366088)**

ITEM	PART NUMBER	QTY	DESCRIPTION	REV
	91143001	1	CROWD CYLINDER ASSY, (includes items 1 thru 18)	
1	91144016	1	CASE ASSY	
2	91144017	1	CAPSCREW, #8X32X.375	
3	91064017	1	LOCKNUT, (torque 825-875 ft lbs)	
4	Kit	2	WEAR RING	
5	Kit	1	PISTON SEAL	
6	Kit	1	O-RING	
7	91144018	1	PISTON	
8	91123089	1	COUNTERBALANCE VALVE	
8	91034276	1	COUNTERBALANCE VALVE SEAL KIT	
9	Kit	1	O-RING	
10	91144019	1	SPACER	
11	Kit	1	O-RING	
12	Kit	1	BACK-UP RING	
13	91144020	1	CYLINDER HEAD	
14	Kit	2	WEAR RING	
15	Kit	1	STEP SEAL	
16	Kit	1	U-CUP	
17	Kit	1	WIPER	
18	91144021	1	ROD ASSY	
19	88581149	4	RETAINING RING	
20	91141158	2	SPACER	
21	91141123	1	CROWD CYLINDER PIN	
22	91141124	1	CROWD CYLINDER PIN	
23	91143083	2	BEARING PAD	
24	88261026	2	SOCKET BUTTON HD CAPSCREW, #3/8-16X5/8	
K1	91144003	1	SEAL KIT, (includes items 4, 5, 6, 9, 11, 12 & 14 thru 17 )	

# SECTION 9 - HYDRAULIC COMPONENTS

FIGURE 9-5. CROWD CYLINDER (534D-9 SN 0644118 through 0744407, SN 016000112 through 0160017475; 534D-10 SN 0366089 through 0366533, SN 016000125 through 0160017312)



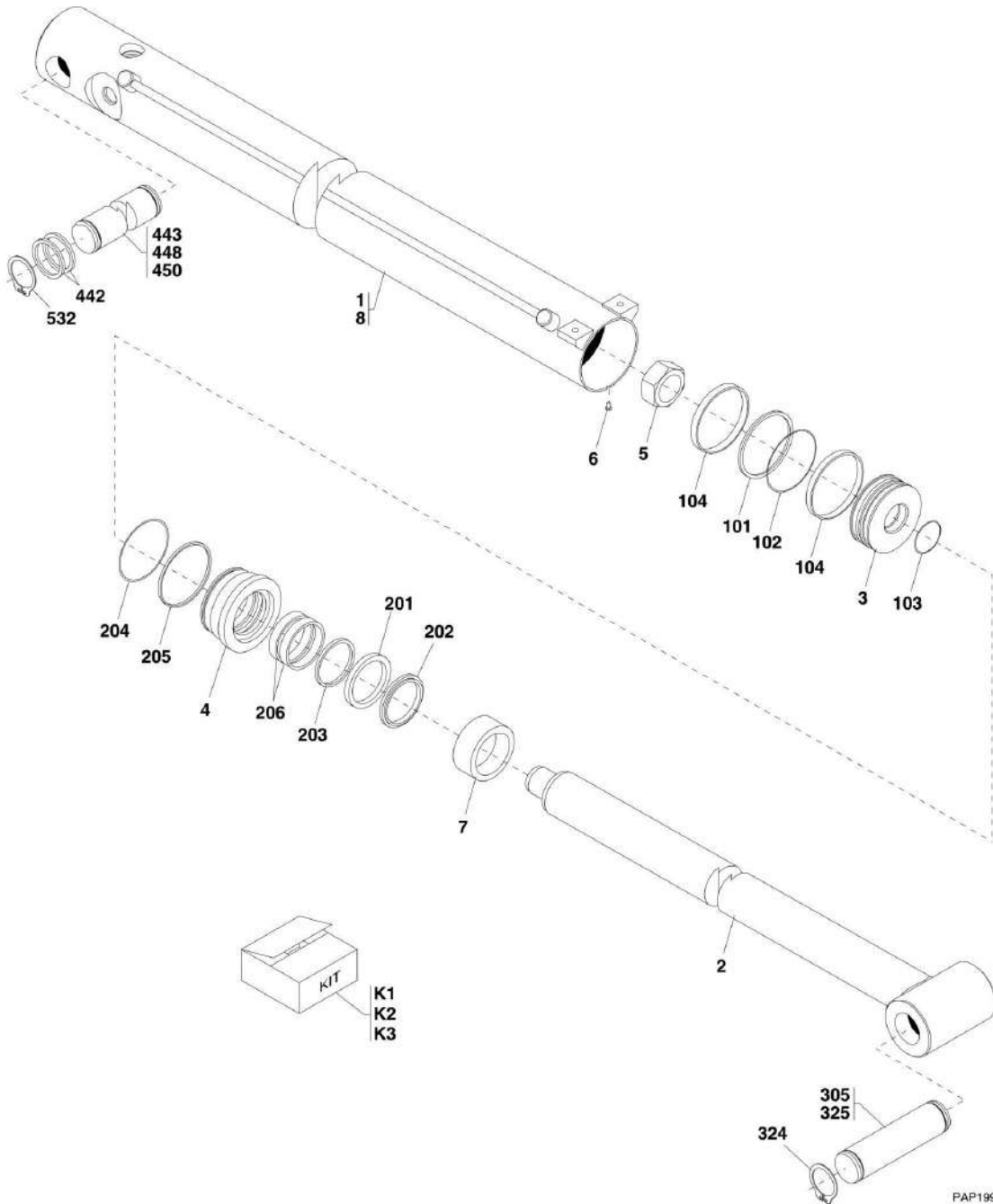
## SECTION 9 - HYDRAULIC COMPONENTS

**FIGURE 9-5. CROWD CYLINDER (534D-9 SN 0644118 through 0744407, SN 0160000112 through 0160017475; 534D-10 SN 0366089 through 0366533, SN 0160000125 through 0160017312)**

ITEM	PART NUMBER	QTY	DESCRIPTION	REV
	91143324	1	CROWD CYLINDER ASSY, (includes items 1 thru 18)	C
1	91144444	1	CASE ASSY	
2	91124096	1	CAPSCREW, #8X32X.375	
3	91064017	1	LOCKNUT, (torque 825-875 ft lbs)	
4	Kit	2	WEAR RING	
5	Kit	1	PISTON SEAL	
6	Kit	1	O-RING	
7	91144018	1	PISTON	
8	91123089	1	COUNTERBALANCE VALVE	
8	91034276	1	COUNTERBALANCE VALVE SEAL KIT, (torque to 65 ft lbs)	
9	Kit	1	O-RING	
10	91144019	1	SPACER	
11	Kit	1	O-RING	
12	Kit	1	BACK-UP RING	
13	91144020	1	CYLINDER HEAD	
14	Kit	2	WEAR RING	
15	Kit	1	STEP SEAL	
16	Kit	1	U-CUP	
17	Kit	1	WIPER	
18	91144445	1	ROD ASSY	
19	88581149	4	RETAINING RING	
20	91141158	2	SPACER	
21	91141123	1	CROWD CYLINDER PIN	
22	91141124	1	CROWD CYLINDER PIN	
23	91143083	2	BEARING PAD	
24	88261026	2	SOCKET BUTTON HD CAPSCREW, #3/8-16X5/8	
K1	91144003	1	SEAL KIT, (includes items 4, 5, 6, 9, 11, 12 & 14 thru 17)	

# SECTION 9 - HYDRAULIC COMPONENTS

FIGURE 9-6. CROWD CYLINDER (534D-9 SN 0160017506 to Present; 534D-10 SN 0160017511 to Present)



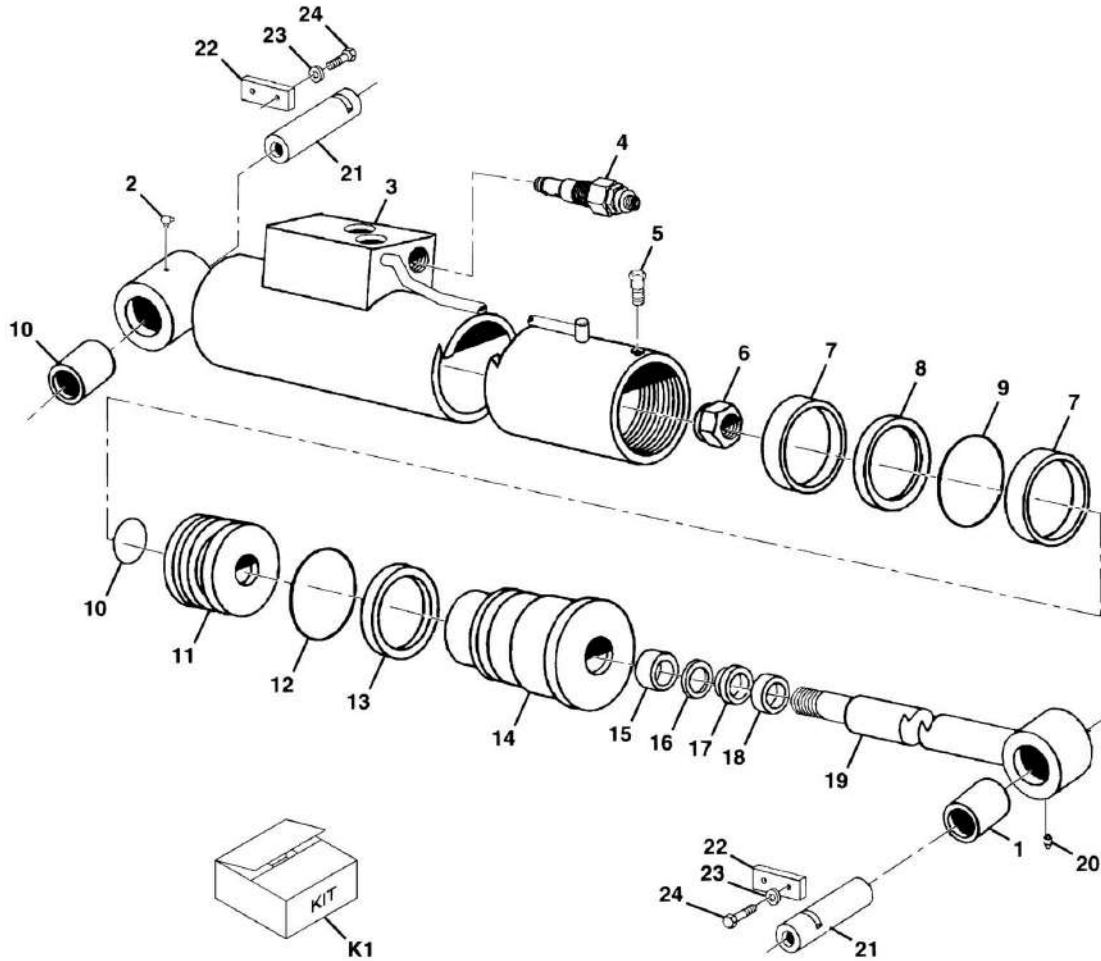
## SECTION 9 - HYDRAULIC COMPONENTS

**FIGURE 9-6. CROWD CYLINDER (534D-9 SN 0160017506 to Present; 534D-10 SN 0160017511 to Present)**

ITEM	PART NUMBER	QTY	DESCRIPTION	REV
	91343232	1	CROWD CYLINDER, (includes items 1 thru 206)	A
1	7029951	1	BARREL ASSY	
2	7029950	1	ROD ASSY	
3	7029952	1	PISTON ASSY, (includes items 101 thru 104)	
4	7029953	1	ROD BEARING ASSY, (includes items 201 thru 206)	
5	91014066	1	NUT	
6	7029760	1	CAPSCREW	
7	7029954	1	STROKE LIMITER	
8	91123089	1	VALVE	
101	Kit	1	PISTON SEAL	
102	Kit	1	O-RING	
103	Kit	1	O-RING	
104	Kit	2	WEAR RING	
201	Kit	1	ROD SEAL	
202	Kit	1	WIPER	
203	Kit	1	BUFFER	
204	Kit	1	O-RING	
205	Kit	1	BACK-UP RING	
206	Kit	1	WEAR RING	
305	14403323	AR	NEVER SEEZE LUBE	
324	88581149	2	SNAP RING	
325	91141123	1	CYLINDER PIN	
442	91551037	4	SPACER	
443	7096552	1	CYLINDER PIN	
448	14404793	AR	MEGAPLEX GREASE	
450	14403323	AR	NEVER SEEZE LUBE	
532	90028935	2	SNAP RING	
K1	7029936	1	PISTON SEAL KIT, (includes items 101 thru 104)	
K2	7029937	1	ROD BEARING SEAL KIT, (includes items 201 thru 206)	
K3	91144003	1	CYLINDER SEAL KIT, (includes items 101 thru 206)	

# SECTION 9 - HYDRAULIC COMPONENTS

FIGURE 9-7. LIFT CYLINDER (534D-9 SN 0544001 through 0744407, SN 0160000112 through 0160017475; 534D-10 SN 0366001 through 0366533, SN 0160000125 through 0160017312)



PAP20000



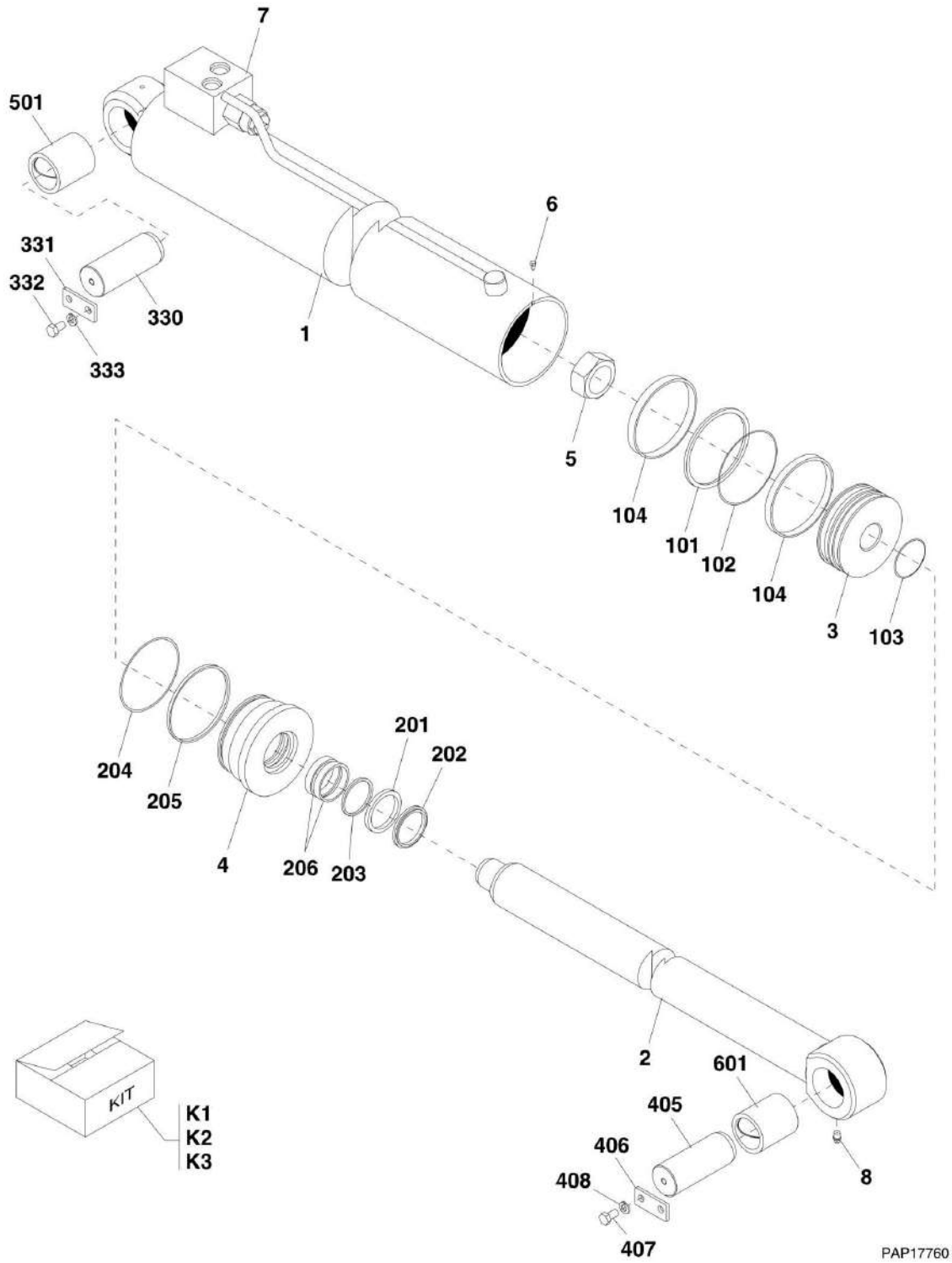
## SECTION 9 - HYDRAULIC COMPONENTS

**FIGURE 9-7. LIFT CYLINDER (534D-9 SN 0544001 through 0744407, SN 0160000112 through 0160017475; 534D-10 SN 0366001 through 0366533, SN 0160000125 through 0160017312)**

ITEM	PART NUMBER	QTY	DESCRIPTION	REV
	91143186	2	LIFT CYLINDER ASSY, (includes items 1thru 20)	G
1	91144029	2	BUSHING	
2	91144125	1	GREASE FITTING	
3	91144030	1	CASE ASSY	
4	91123089	1	COUNTERBALANCE VALVE	
4	91034276	1	COUNTERBALANCE VALVE SEAL KIT	
5	91144017	1	CAPSCREW, #8X32X.375	
6	91034153	1	LOCKNUT, (torque 1300-1350 ft lbs)	
7	Kit	2	WEAR RING	
8	Kit	1	PISTON SEAL	
9	Kit	1	O-RING	
10	Kit	1	O-RING	
11	91034139	1	PISTON	
12	Kit	1	O-RING	
13	Kit	1	BACK-UP RING	
14	91144126	1	CYLINDER HEAD	
15	Kit	1	WEAR RING	
16	Kit	1	STEP SEAL	
17	Kit	1	U-CUP	
18	Kit	1	WIPER	
19	91144127	1	ROD ASSY	
20	91144128	1	GREASE FITTING	
21	3423263	2	PIN	
22	91081313	2	PIN KEEPER	
23	88551013	4	LOCKWASHER, 1/2	
24	88201065	4	HEX HD CAPSCREW, 1/2-13X1, GR5	
K1	91144249	1	SEAL KIT, (includes items 7, 8, 9, 10, 12, 13 & 15 thru 18)	

# SECTION 9 - HYDRAULIC COMPONENTS

FIGURE 9-8. LIFT CYLINDER (534D-9 SN 0160017506 to Present; 534D-10 SN 0160017511 to Present)



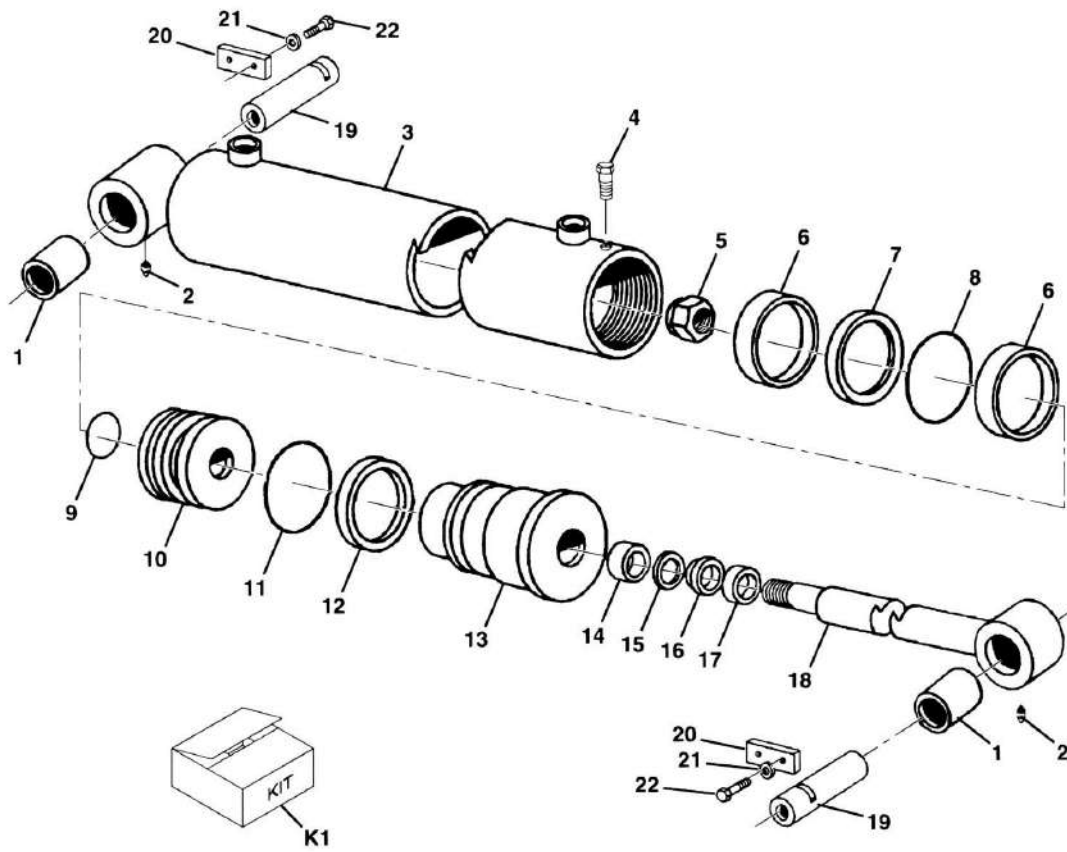
## SECTION 9 - HYDRAULIC COMPONENTS

**FIGURE 9-8. LIFT CYLINDER (534D-9 SN 0160017506 to Present; 534D-10 SN 0160017511 to Present)**

ITEM	PART NUMBER	QTY	DESCRIPTION	REV
	91343230	1	LIFT CYLINDER, (includes items 1 thru 206)	C
1	70021618	1	BARREL ASSY, (includes item 501)	
2	7029960	1	ROD ASSY, (includes item 601)	
3	7029815	1	PISTON ASSY, (includes items 101 thru 104)	
4	7029961	1	ROD BEARING ASSY, (includes items 201 thru 206)	
5	91014066	1	NUT	
6	7029760	1	CAPSCREW	
7	91123089	1	VALVE	
8	91044080	1	GREASE FITTING	
101	Kit	1	PISTON SEAL	
102	Kit	1	O-RING	
103	Kit	1	O-RING	
104	Kit	2	WEAR-RING	
201	Kit	1	ROD SEAL	
202	Kit	1	WIPER	
203	Kit	1	BUFFER	
204	Kit	1	O-RING	
205	Kit	1	BACK-UP RING	
206	Kit	2	WEAR RING	
330	1001104911	2	CYLINDER PIN	
331	91081313	2	KEEPER	
332	0641808	4	HEX HD CAPSCREW, 1/2-13X1	
333	4761800	4	LOCKWASHER, 1/2	
405	3423263	2	CYLINDER PIN	
406	91081313	2	KEEPER	
407	0641808	4	HEX HD CAPSCREW, 1/2-13X1	
408	4761800	4	LOCKWASHER, 1/2	
501	7029975	1	BUSHING	
601	7029975	1	BUSHING	
K1	7029959	1	PISTON SEAL KIT, (includes items 101 thru 104)	
K2	7029974	1	ROD BEARING SEAL KIT, (includes items 201 thru 206)	
K3	70024336	1	SEAL KIT, (includes items 101 thru 206)	

# SECTION 9 - HYDRAULIC COMPONENTS

FIGURE 9-9. COMPENSATING CYLINDER (534D-9 Prior to SN 0160033414; 534D-10 Prior to SN 0160033245)



PAP19650

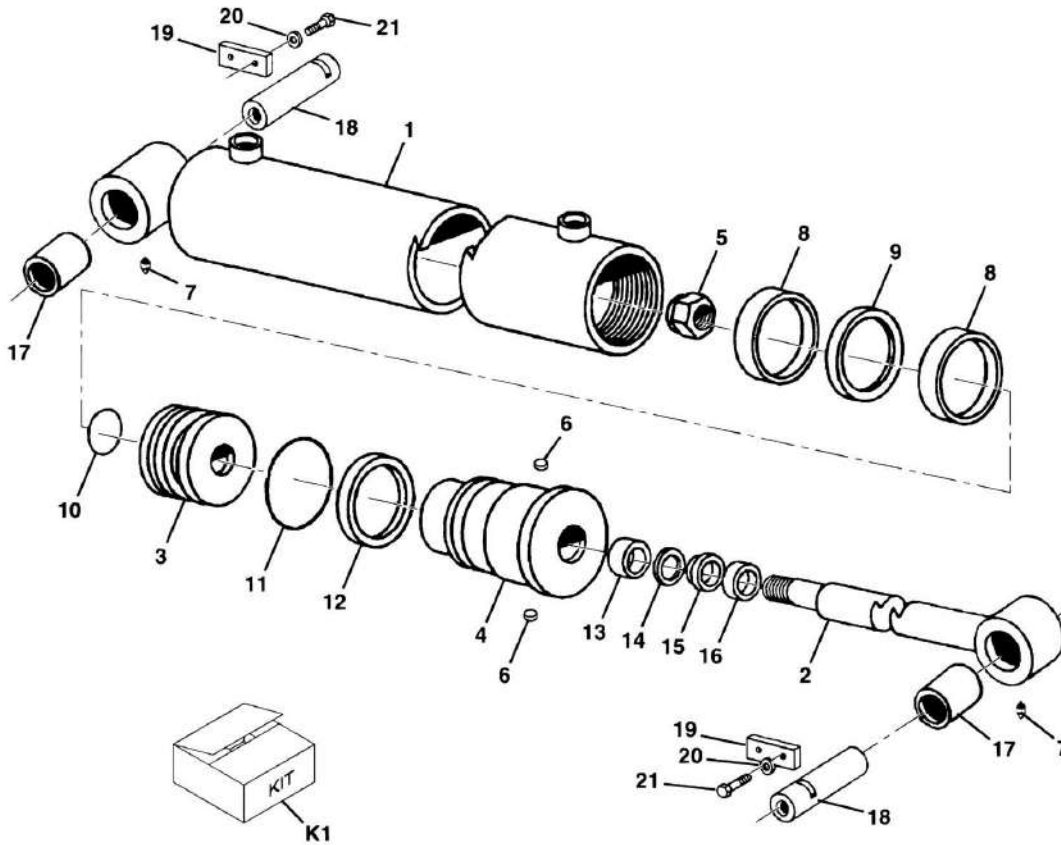
## SECTION 9 - HYDRAULIC COMPONENTS

**FIGURE 9-9. COMPENSATING CYLINDER (534D-9 Prior to SN 0160033414; 534D-10 Prior to SN 0160033245)**

ITEM	PART NUMBER	QTY	DESCRIPTION	REV
	91143003	1	COMPENSATING CYLINDER ASSY, (includes items 1 thru 18)	H
1	91144026	2	BUSHING	
2	88671001	2	GREASE FITTING	
3	91144027	1	CASE ASSY	
4	91144017	1	CAPSCREW, #8X32X.375	
5	91034153	1	LOCKNUT, (torque 1300-1350 ft lbs)	
6	Kit	2	WEAR RING	
7	Kit	1	PISTON SEAL	
8	Kit	1	O-RING	
9	Kit	1	O-RING	
10	91034139	1	PISTON	
11	Kit	1	O-RING	
12	Kit	1	BACK-UP RING	
13	91144024	1	CYLINDER HEAD	
14	Kit	1	WEAR RING	
15	Kit	1	STEP SEAL	
16	Kit	1	U-CAP	
17	Kit	1	WIPER	
18	91144028	1	ROD ASSY	
19	3423263	2	PIN	
20	91081313	2	PIN KEEPER	
21	88551013	4	LOCKWASHER, 1/2	
22	88201065	4	HEX HD CAPSCREW, 1/2-13X1	
K1	91144004	1	SEAL KIT, (includes items 6, 7, 8, 9, 11, 12 & 14 thru 17)	

# SECTION 9 - HYDRAULIC COMPONENTS

FIGURE 9-10. COMPENSATING CYLINDER (534D-9 SN 0160033414 to Present; 534D-10 SN 0160033245 to Present)



PAP19380

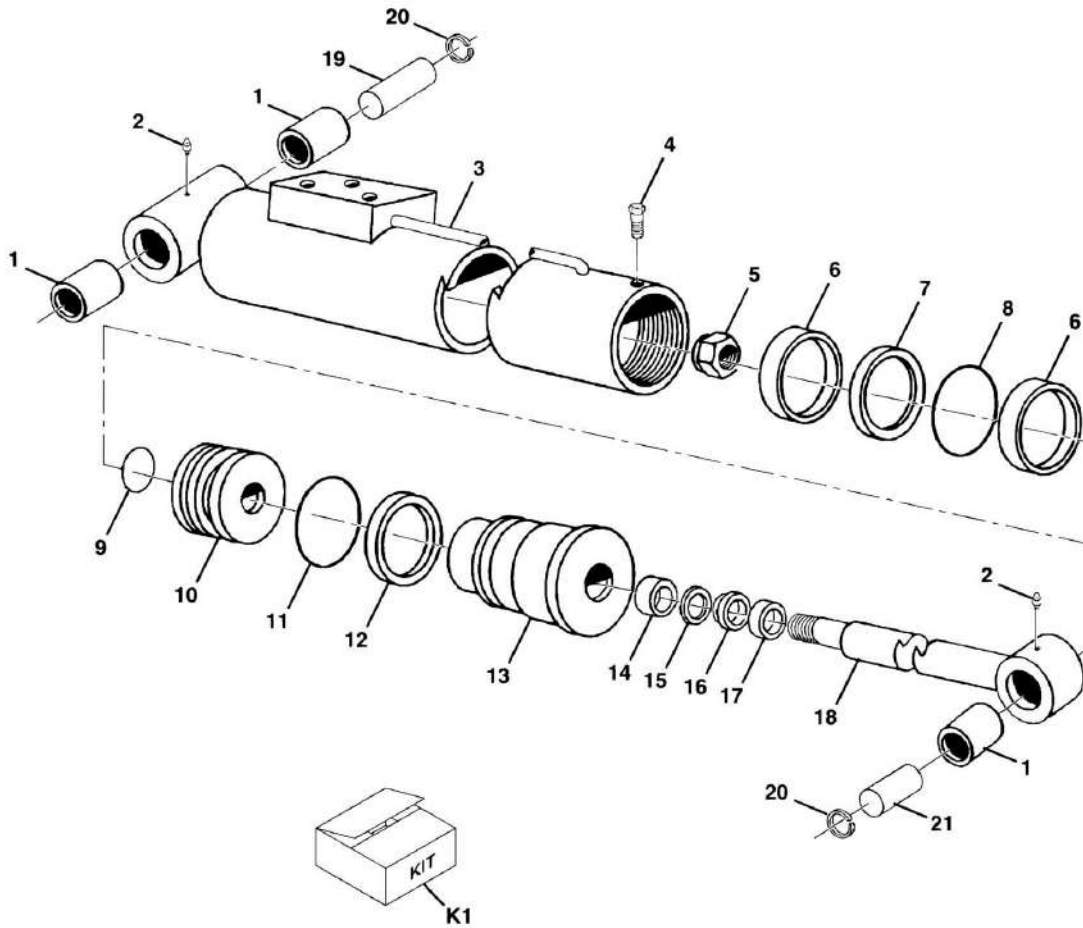
## SECTION 9 - HYDRAULIC COMPONENTS

**FIGURE 9-10. COMPENSATING CYLINDER (534D-9 SN 0160033414 to Present; 534D-10 SN 0160033245 to Present)**

ITEM	PART NUMBER	QTY	DESCRIPTION	REV
	91343228	1	COMPENSATING CYLINDER, (includes items 1 thru 17)	A
1	70021620	1	BARREL ASSY	
2	70021621	1	ROD ASSY	
3	70022536	1	PISTON ASSY	
4	70022537	1	ROD BEARING ASSY	
5	8035322	1	NUT	
6	70022119	2	LOCKING INSERT	
7	70022120	2	GREASE FITTING	
8	Kit	2	WEAR RING	
9	Kit	1	PISTON SEAL	
10	Kit	1	O-RING	
11	Kit	1	O-RING	
12	Kit	1	BACK-UP RING	
13	Kit	1	WEAR RING	
14	Kit	1	BUFFER SEAL	
15	Kit	1	ROD SEAL	
16	Kit	1	ROD WIPER	
17	70021622	2	BUSHING	
18	3423263	2	PIN	
19	91081313	2	PIN KEEPER	
20	4761800	4	LOCKWASHER, 1/2	
21	0641808	4	HEX HD CAPSCREW, 1/2-13X1	
K1	70022538	1	SEAL KIT, (includes items 8 thru 16)	

# SECTION 9 - HYDRAULIC COMPONENTS

FIGURE 9-11. SWAY CYLINDER ASSEMBLY (534D-9 Prior to SN 0160033414; 534D-10 Prior to SN 0160033245)



PAP19620



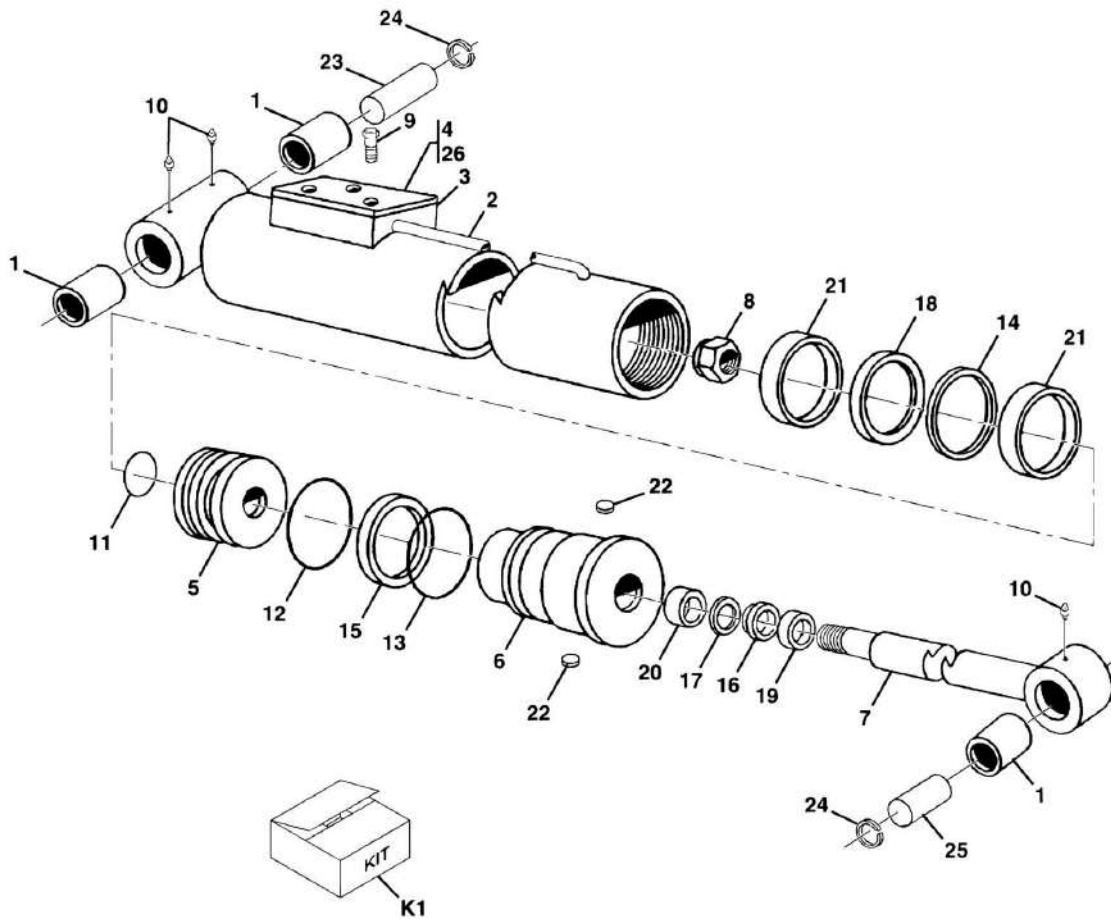
## SECTION 9 - HYDRAULIC COMPONENTS

**FIGURE 9-11. SWAY CYLINDER ASSEMBLY (534D-9 Prior to SN 0160033414; 534D-10 Prior to SN 0160033245)**

ITEM	PART NUMBER	QTY	DESCRIPTION	REV
	91143007	1	SWAY CYLINDER, (includes items 1 thru 18)	G
1	91064016	3	BUSHING	
2	88671001	2	GREASE FITTING	
3	91144032	1	CASE ASSY	
4	91144017	1	CAPSCREW, #8X32X.375	
5	91064017	1	LOCKNUT, (torque 650-700 ft lbs)	
6	Kit	2	WEAR RING	
7	Kit	1	PISTON SEAL	
8	Kit	1	O-RING	
9	Kit	1	O-RING	
10	91144033	1	PISTON	
11	Kit	1	O-RING	
12	Kit	1	BACK-UP RING	
13	91144034	1	CYLINDER HEAD	
14	Kit	1	WEAR RING	
15	Kit	1	STEP SEAL	
16	Kit	1	U-CUP	
17	Kit	1	WIPER	
18	91144035	1	ROD ASSY	
19	91403226	1	PIN	
20	90028935	4	RETAINING RING	
21	91403225	1	PIN	
K1	91144005	1	SEAL KIT, (includes items 6, 7, 8, 9, 11, 12 & 14 thru 17)	

# SECTION 9 - HYDRAULIC COMPONENTS

FIGURE 9-12. SWAY CYLINDER ASSEMBLY (534D-9 SN 0160033414 to Present; 534D-10 SN 0160033245 to Present)



PAP19630

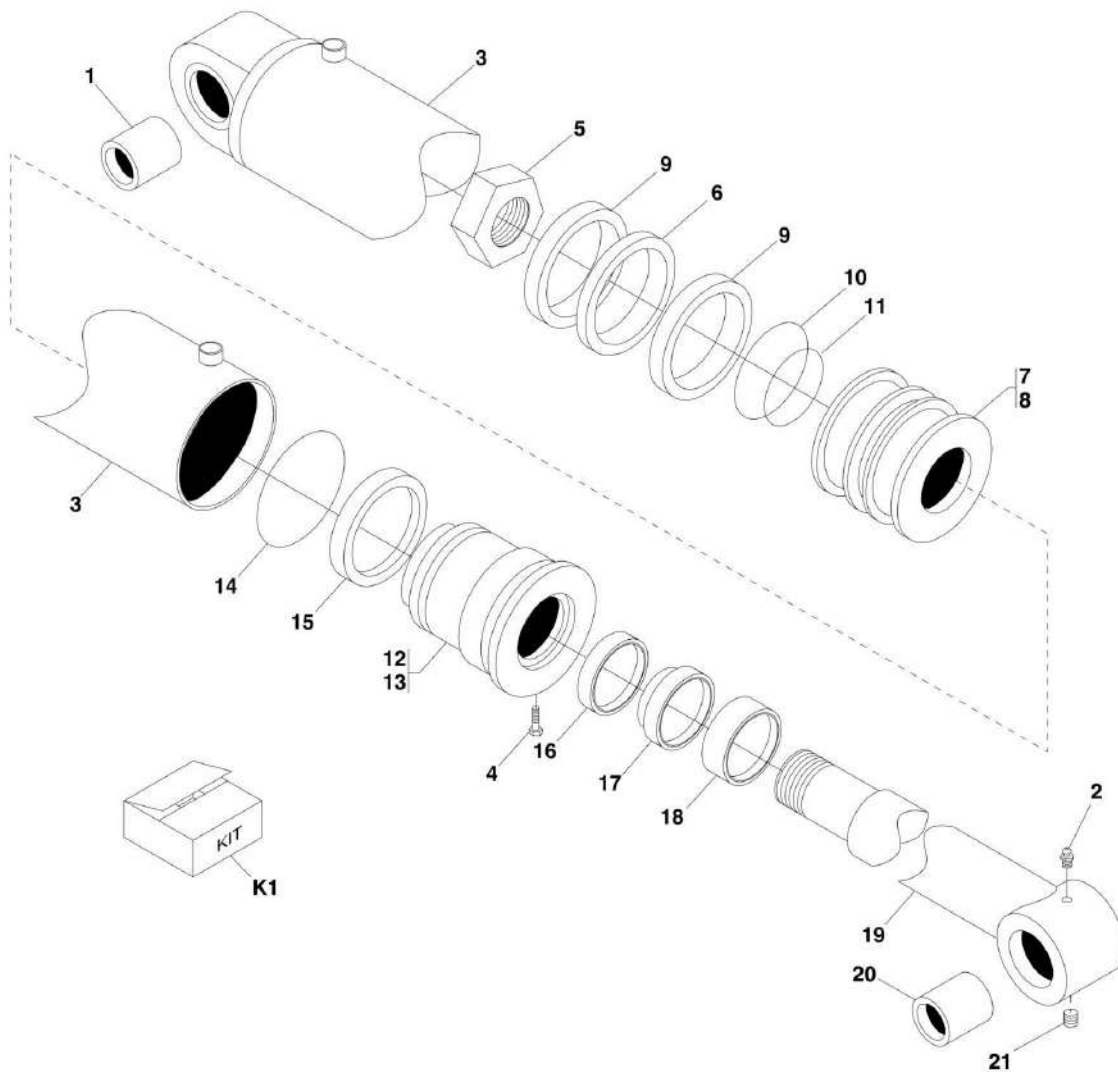
## SECTION 9 - HYDRAULIC COMPONENTS

**FIGURE 9-12. SWAY CYLINDER ASSEMBLY (534D-9 SN 0160033414 to Present; 534D-10 SN 0160033245 to Present)**

ITEM	PART NUMBER	QTY	DESCRIPTION	REV
	91343229	1	SWAY CYLINDER, (includes items 1 thru 22 & 26)	A
1	70022508	1	BUSHING	
2	70022509	1	TUBE WELDMENT	
3	70022811	1	SPACER PLATE, (requires item 26)	
4	70022511	1	COVER	
5	70022512	1	PISTON	
6	70022513	1	HEAD GLAND	
7	70022514	1	ROD WELDMENT	
8		Ref	LOCKNUT, 1-1/4, (torque 690-760 ft lbs)	
9		Ref	HEX HD CAPSCREW, 3/8-16X5/8, GR5	
10	70020375	3	GREASE FITTING	
11	Kit	1	O-RING	
12	Kit	1	O-RING	
13	Kit	1	O-RING	
14	Kit	1	SQUARE RING	
15	Kit	1	BACK-UP RING	
16	Kit	1	U-CUP	
17	Kit	1	SEAL	
18	Kit	1	PISTON SEAL	
19	Kit	1	WIPER	
20	Kit	1	WEARBAND	
21	Kit	2	WEARBAND	
22	Kit	2	LOCKING INSERT	
23	91403226	1	PIN	
24	90028935	4	RETAINING RING	
25	91403225	1	PIN	
26	70022812	2	O-RING	
K1	70022515	1	SEAL KIT, (includes items 11 thru 22)	

## SECTION 9 - HYDRAULIC COMPONENTS

**FIGURE 9-13. STEERING CYLINDER (534D-9 SN 0544001 through 0160001975, Excluding 0160001779; 534D-10 SN 0366001 through 0160002009, Excluding 0160001794 and 0160001800)**



PAP19480

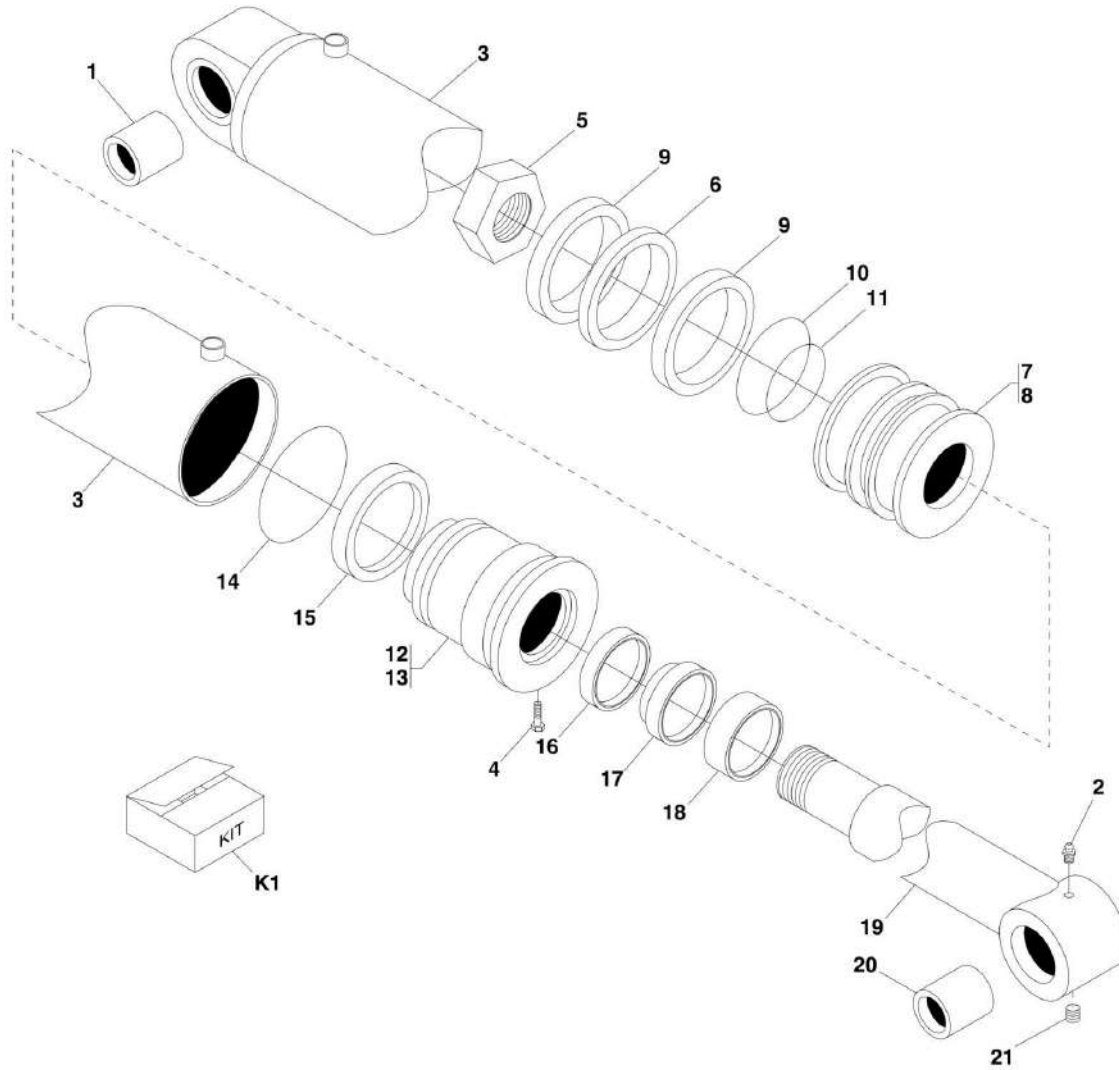
## SECTION 9 - HYDRAULIC COMPONENTS

**FIGURE 9-13. STEERING CYLINDER (534D-9 SN 0544001 through 0160001975, Excluding 0160001779; 534D-10 SN 0366001 through 0160002009, Excluding 0160001794 and 0160001800)**

ITEM	PART NUMBER	QTY	DESCRIPTION	REV
	91163178	2	STEERING CYLINDER, (includes all items)	E
1	91164018	1	BUSHING	
2	91144128	1	GREASE FITTING	
3	91144037	1	CASE ASSY	
4	91124096	1	SELF-TAPPING SCREW	
5	91144038	1	LOCKNUT, (torque to 400-425 lb-ft)	
6	Kit	1	PISTON SEAL	
7	91554034	1	PISTON ASSY, (includes items 8 thru 11)	
8	91144039	1	PISTON	
9	Kit	2	WEAR RING	
10	Kit	1	O-RING	
11	Kit	1	O-RING	
12	91554035	1	CYLINDER HEAD ASSY, (includes items 13 thru 18)	
13	91144040	1	CYLINDER HEAD, (torque to 100-400 lb-ft)	
14	Kit	1	O-RING	
15	Kit	1	BACK-UP RING	
16	Kit	1	STEP SEAL	
17	Kit	1	U-CUP	
18	Kit	1	WIPER	
19	91164027	1	ROD ASSY	
20	8050001	1	BUSHING	
21	91404202	1	HEX PLUG, 1/8-27 NPT, (torque to 10-20 lb-ft)	
K1	91144006	1	SEAL KIT, (includes items 6, 9, 10, 11 & 14 thru 18)	

# SECTION 9 - HYDRAULIC COMPONENTS

**FIGURE 9-14. STEERING CYLINDER (534D-9 SN 0160002037 through 0160032945, Including 0160001779; 534D-10 SN 0160002048 through 0160032847, Including 0160001794; Including 0160001800)**



PAP19480

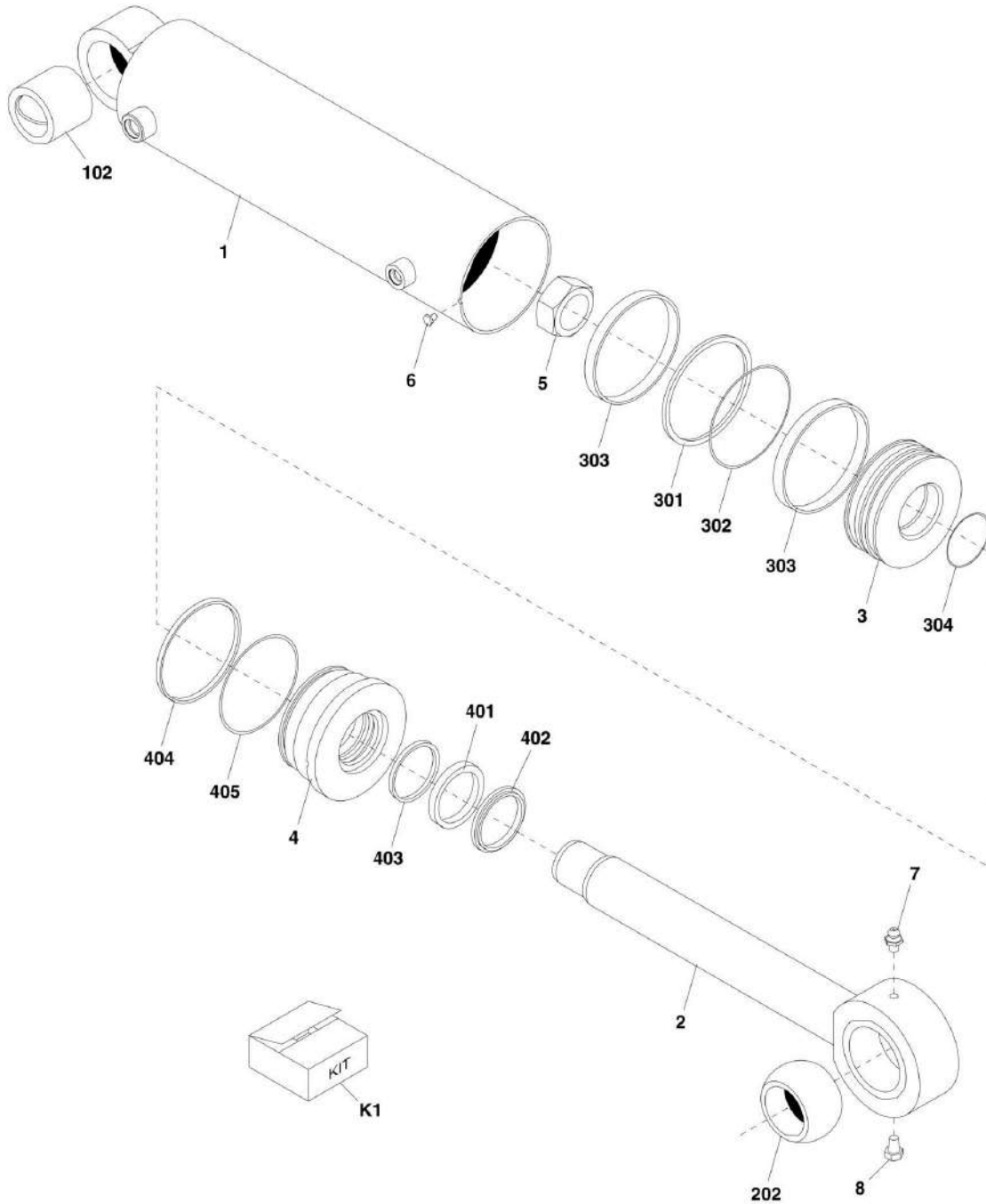
## SECTION 9 - HYDRAULIC COMPONENTS

**FIGURE 9-14. STEERING CYLINDER (534D-9 SN 0160002037 through 0160032945, Including 0160001779; 534D-10 SN 0160002048 through 0160032847, Including 0160001794; Including 0160001800)**

ITEM	PART NUMBER	QTY	DESCRIPTION	REV
	91553056	2	STEERING CYLINDER, (includes all items)	B
1	91124087	1	BUSHING	
2	91144128	1	GREASE FITTING	
3	91554036	1	CASE ASSY	
4	91124096	1	SELF-TAPPING SCREW	
5	91144038	1	LOCKNUT, (torque 400-425 lb-ft)	
6	Kit	1	PISTON SEAL	
7	91554034	1	PISTON ASSY, (includes items 8 thru 11)	
8	91144039	1	PISTON	
9	Kit	2	WEAR RING	
10	Kit	1	O-RING	
11	Kit	1	O-RING	
12	91554035	1	CYLINDER HEAD ASSY, (includes items 13 thru 18)	
13	91144040	1	CYLINDER HEAD	
14	Kit	1	O-RING	
15	Kit	1	BACK-UP RING	
16	Kit	1	STEP SEAL	
17	Kit	1	U-CUP	
18	Kit	1	WIPER	
19	91164027	1	ROD ASSY	
20	8050001	1	BUSHING	
21	91404202	1	HEX PLUG, 1/8-27 NPT, (torque to 10-20 lb-ft)	
K1	91144006	1	SEAL KIT, (includes items 6, 9, 10, 11, 14, 15, 16, 17 & 18)	

# SECTION 9 - HYDRAULIC COMPONENTS

FIGURE 9-15. STEERING CYLINDER (534D-9 SN 0160033136 to Present; 534D-10 SN 0160033245 to Present)





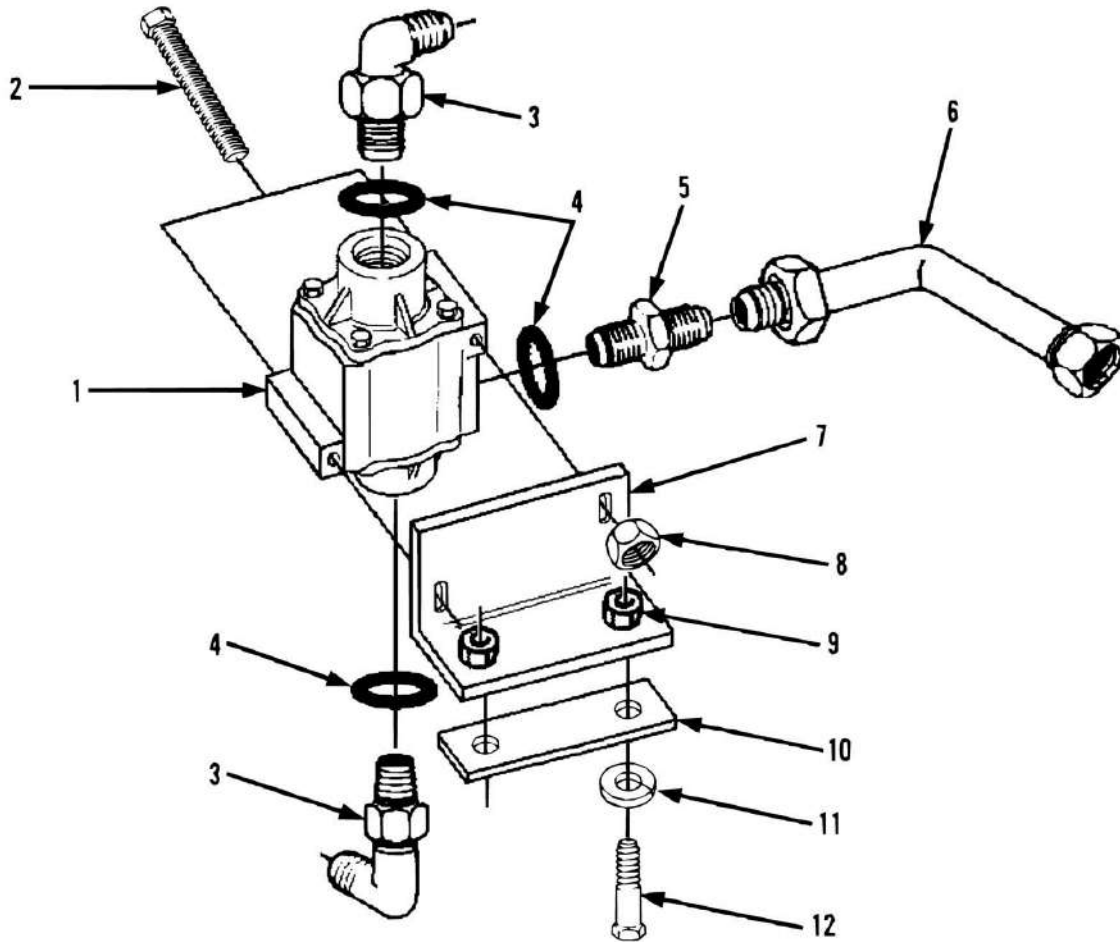
## SECTION 9 - HYDRAULIC COMPONENTS

**FIGURE 9-15. STEERING CYLINDER (534D-9 SN 0160033136 to Present; 534D-10 SN 0160033245 to Present)**

ITEM	PART NUMBER	QTY	DESCRIPTION	REV
	91343233	2	STEERING CYLINDER, (includes items 1 thru 202), (included item quantities are per single cylinder)	A
1	70021901	1	BARREL ASSY	
2	70021902	1	ROD ASSY	
3	70021903	1	PISTON ASSY	
4	70021904	1	ROD BEARING ASSY	
5	8037146	1	NUT	
6	70022119	2	LOCKING INSERT	
7	70022120	1	GREASE FITTING	
8	70021905	1	HEX HD PIPE PLUG	
102	70021907	1	BUSHING	
202	70021908	1	SPHERICAL BUSHING	
301	Kit	1	PISTON SEAL	
302	Kit	1	O-RING	
303	Kit	2	WEAR RING	
304	Kit	1	O-RING	
401	Kit	1	ROD SEAL	
402	Kit	1	WIPER	
403	Kit	1	BUFFER SEAL	
404	Kit	1	O-RING	
405	Kit	1	BACK-UP RING	
K1	70021909	1	SEAL KIT, (includes items 301 thru 405)	

# SECTION 9 - HYDRAULIC COMPONENTS

## FIGURE 9-16. THERMAL BYPASS VALVE ASSEMBLY



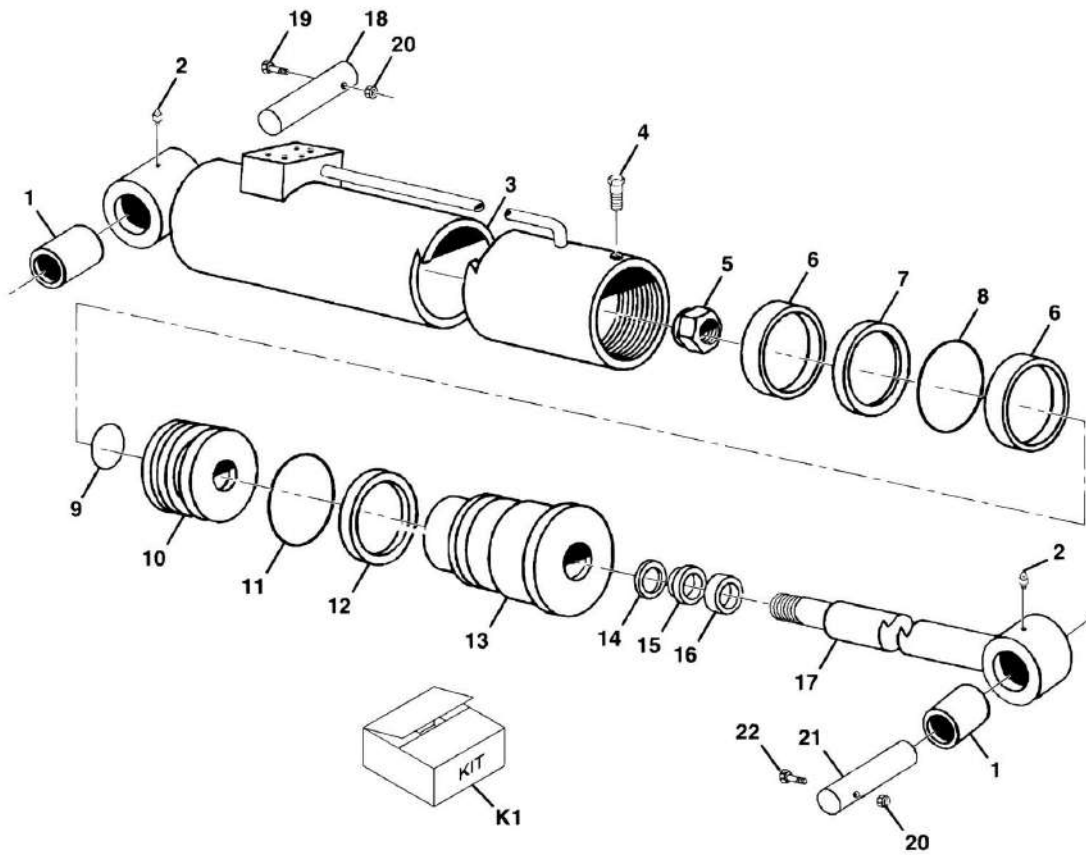
## SECTION 9 - HYDRAULIC COMPONENTS

**FIGURE 9-16. THERMAL BYPASS VALVE ASSEMBLY**

ITEM	PART NUMBER	QTY	DESCRIPTION	REV
	91145067	1	THERMAL BYPASS VALVE ASSY, (includes items 1 thru 9)	D
1	91143338	1	BYPASS VALVE	
1	80974021	1	ELEMENT KIT	
2	88201045	2	HEX HD CAPSCREW, 3/8-16X3 1/2, GR5	
3	2220646	2	ELBOW, 90, (includes item 4)	
4	88591209	3	O-RING	
5	2220377	2	CONNECTOR, (includes item 4)	
6	91143274	1	TUBE ASSY	
7	91146087	1	ADAPTER, (includes item 9)	
8	77143015	2	WHIZ LOK NUT	
9	88971004	2	WELD NUT	
10	91141432	1	RECTANGULAR WASHER	
11	4761600	2	LOCKWASHER, 3/8	
12	0641610	2	HEX HD CAPSCREW, 3/8-16X1 1/4, GR5	

# SECTION 9 - HYDRAULIC COMPONENTS

FIGURE 9-17. OUTRIGGER CYLINDER (534D-10 SN 0366001 through 0366533; SN 016000125 through 0160017312)



PAP20010

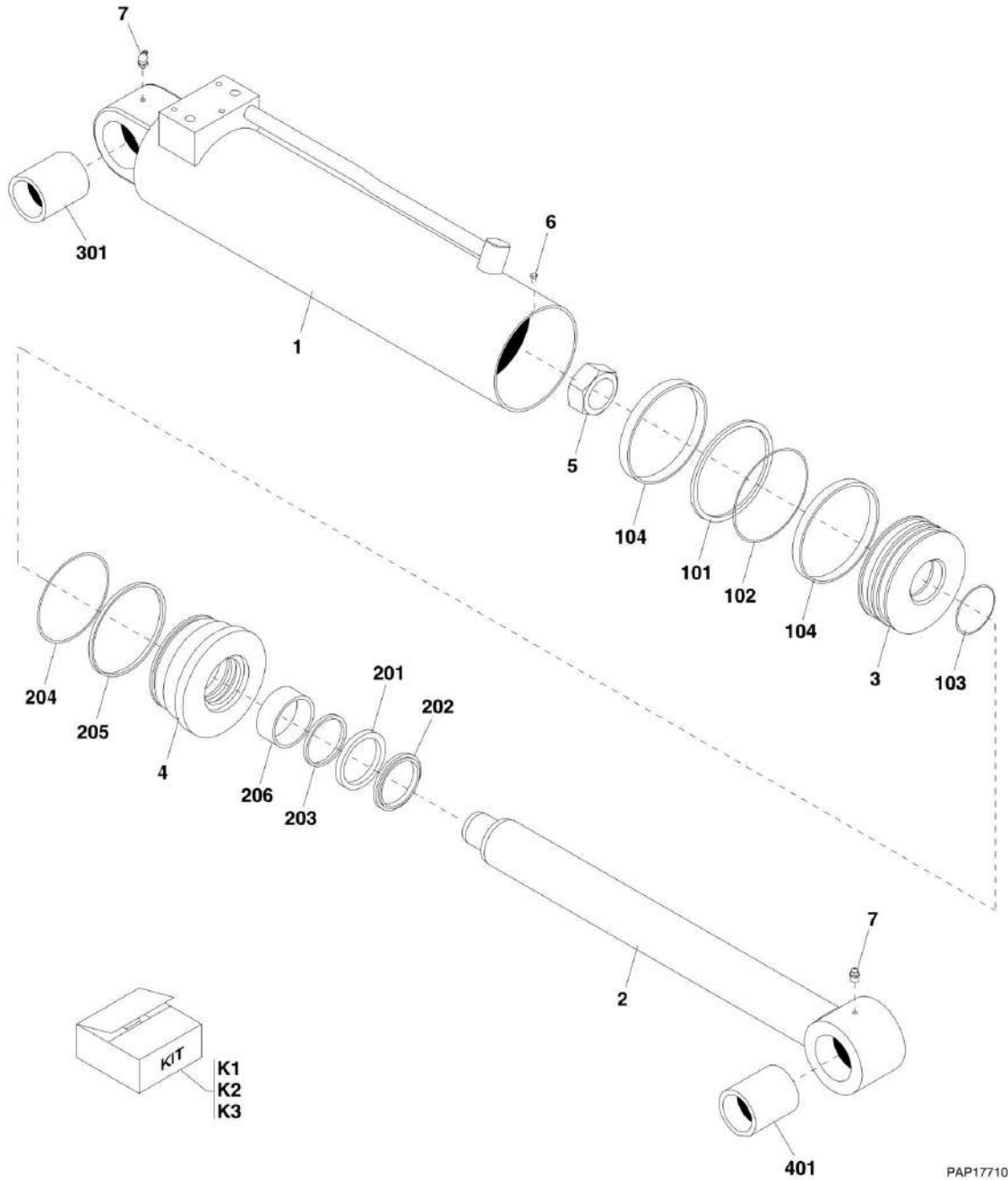
## SECTION 9 - HYDRAULIC COMPONENTS

**FIGURE 9-17. OUTRIGGER CYLINDER (534D-10 SN 0366001 through 0366533; SN 0160000125 through 0160017312)**

ITEM	PART NUMBER	QTY	DESCRIPTION	REV
	91163016	2	OUTRIGGER CYLINDER, (includes items 1 thru 17)	G
1	91164032	2	BUSHING	
2	91144128	2	GREASE FITTING	
3	91164033	1	CASE ASSY	
4	91144017	1	CAPSCREW	
5	91034153	1	LOCKNUT, (lubricate and torque to 1300-1350 ft lbs)	
6	Kit	2	WEAR RING	
7	Kit	1	PISTON SEAL	
8	Kit	1	O-RING	
9	Kit	1	O-RING	
10	91164034	1	PISTON	
11	Kit	1	O-RING	
12	Kit	1	BACK-UP RING	
13	91164035	1	CYLINDER HEAD	
14	Kit	1	STEP SEAL	
15	Kit	1	U-CUP	
16	Kit	1	WIPER	
17	91164036	1	SHAFT ASSY	
18	91161016	1	OUTRIGGER CYLINDER PIN	
19	88211083	1	SOCKET HD CAPSCREW, 3/8-16X4-1/2, GR8	
20	88521206	2	HEX LOCKNUT, 3/8-16, (nylok)	
21	91161080	1	SHOE PIN	
22	83793054	1	HEX HD CAPSCREW, 3/8-16X4-1/4	
K1	91144004	Ref	SEAL KIT, (includes items 6, 7, 8, 9, 11, 12, 14, 15 & 16)	

# SECTION 9 - HYDRAULIC COMPONENTS

FIGURE 9-18. OUTRIGGER CYLINDER (534D-10 SN 0160017511 through 0160038773)



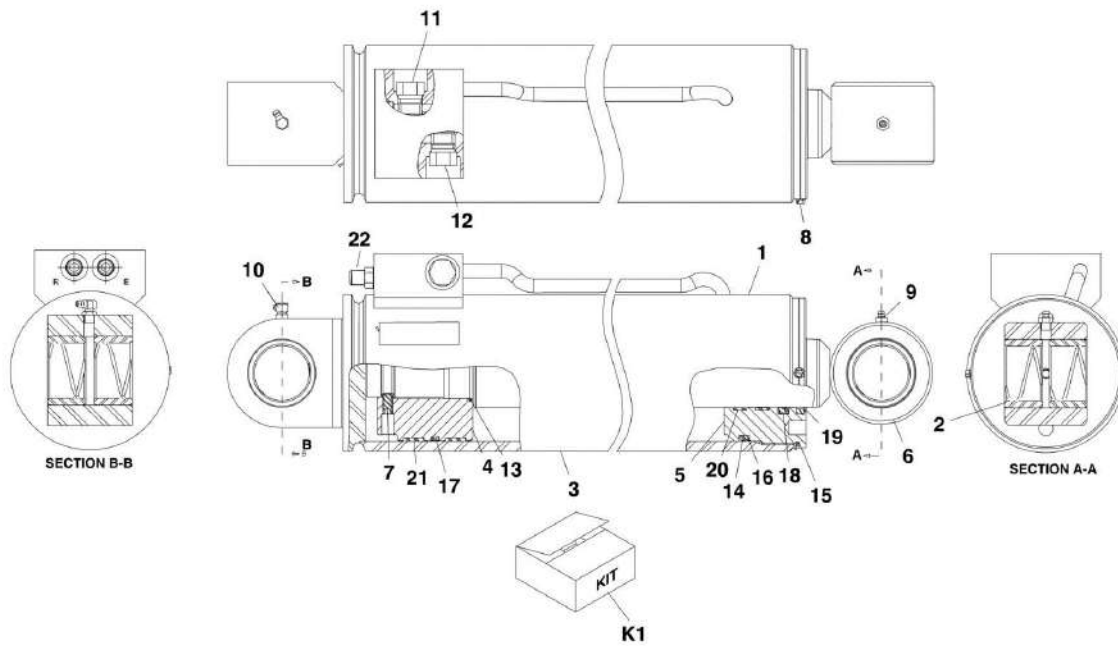
## SECTION 9 - HYDRAULIC COMPONENTS

**FIGURE 9-18. OUTRIGGER CYLINDER (534D-10 SN 0160017511 through 0160038773)**

ITEM	PART NUMBER	QTY	DESCRIPTION	REV
	91343235	NLA	OUTRIGGER CYLINDER ASSY, (no longer available, order 1001116439 for replacement or see items 1 thru 401 for service)	E
1	7029968	1	BARREL ASSY, (includes item 301)	
2	7029814	1	ROD ASSY, (includes item 401)	
3	7029815	1	PISTON ASSY, (includes items 101 thru 104)	
4	7029816	1	ROD BEARING ASSY, (includes items 201 thru 206)	
5	91014066	1	NUT	
6	7029760	1	CAPSCREW	
7	91044080	2	GREASE FITTING	
101	Kit	1	PISTON SEAL	
102	Kit	1	O-RING	
103	Kit	1	O-RING	
104	Kit	2	WEAR RING	
201	Kit	1	ROD SEAL	
202	Kit	1	WIPER	
203	Kit	1	BUFFER	
204	Kit	1	O-RING	
205	Kit	1	BACK-UP RING	
206	Kit	1	WEAR RING	
301	7029817	1	BUSHING	
401	7029817	1	BUSHING	
K1	7029959	1	PISTON SEAL KIT, (includes items 101 thru 104)	
K2	7029980	1	ROD BEARING ASSY, (includes items 201 thru 206)	
K3	91144004	1	CYLINDER SEAL KIT, (includes items 101 thru 206)	

# SECTION 9 - HYDRAULIC COMPONENTS

## FIGURE 9-19. OUTRIGGER CYLINDER FOR SERVICE ONLY



PAP2620



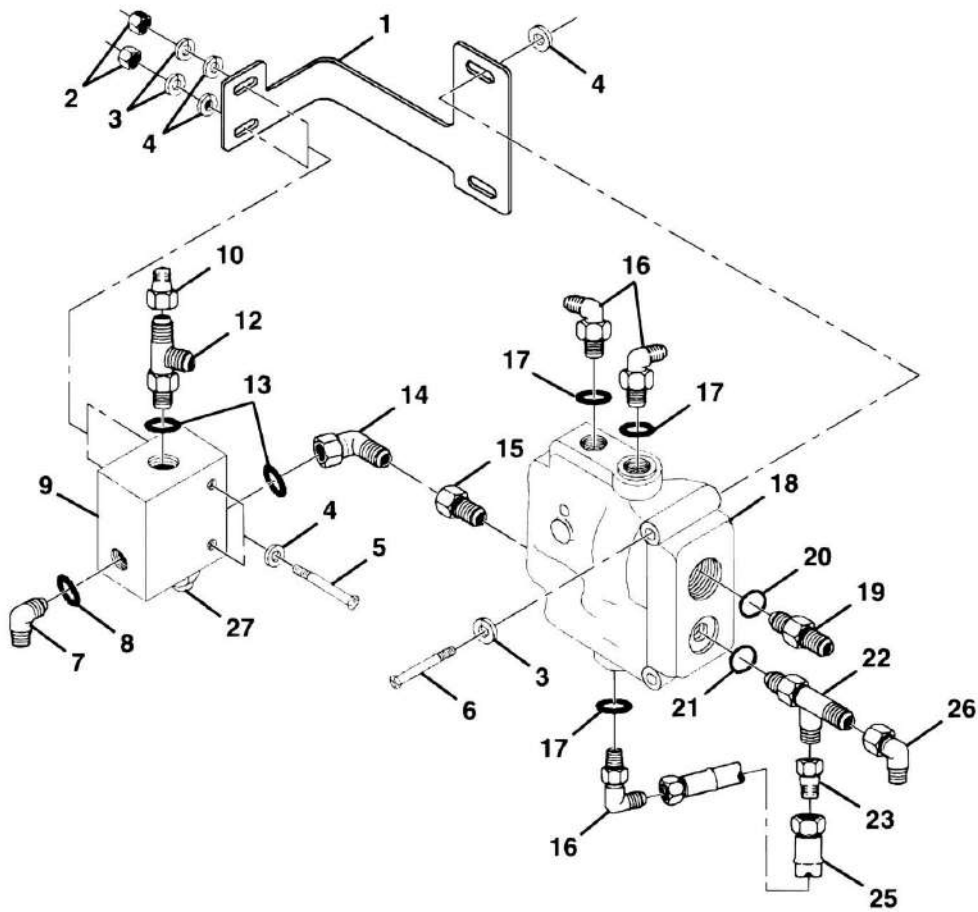
## SECTION 9 - HYDRAULIC COMPONENTS

### FIGURE 9-19. OUTRIGGER CYLINDER FOR SERVICE ONLY

ITEM	PART NUMBER	QTY	DESCRIPTION	REV
	91165040	Ref	OUTRIGGER CYLINDER ASSY, (not available to order, see items 1 thru 22 for service)	E
1	1001116439	2	OUTRIGGER CYLINDER, (includes items 2 thru 21), (included item quantities are per single cylinder)	
2	70020370	4	BUSHING	
3	70023892	1	TUBE WELDMENT	
4	70023893	1	PISTON, (torque to 2350-2600 lb-ft)	
5	70023894	1	HEAD GLAND, (torque to 300-400 lb-ft)	
6	70023895	1	ROD WELDMENT	
7	8036629	1	SET SCREW, 3/8-16x3/4, (torque to 16-18 lb-ft)	
8	70023896	1	TAPPING SCREW	
9	70023897	1	LUBE FITTING	
10	8520021	1	LUBE FITTING, 90	
11	8036750	1	P.O. CHECK VALVE, (torque to 30-35 lb-ft)	
12	70023898	1	P.O. CHECK VALVE WITH THERMAL RELIEF, (torque to 30-35 lb-ft)	
13	Kit	1	O-RING	
14	Kit	1	O-RING	
15	Kit	1	O-RING	
16	Kit	1	BACK-UP RING	
17	Kit	1	PAC SEAL	
18	Kit	1	SEAL	
19	Kit	1	ROD WIPER	
20	Kit	2	WEARBAND	
21	Kit	2	WEARBAND	
22	2220371	2	ADAPTOR, (includes o-ring)	
K1	70023899	2	SEAL KIT, (includes items 13 thru 21)	

# SECTION 9 - HYDRAULIC COMPONENTS

## FIGURE 9-20. FLOW DIVIDER ASSEMBLY



PAP17750

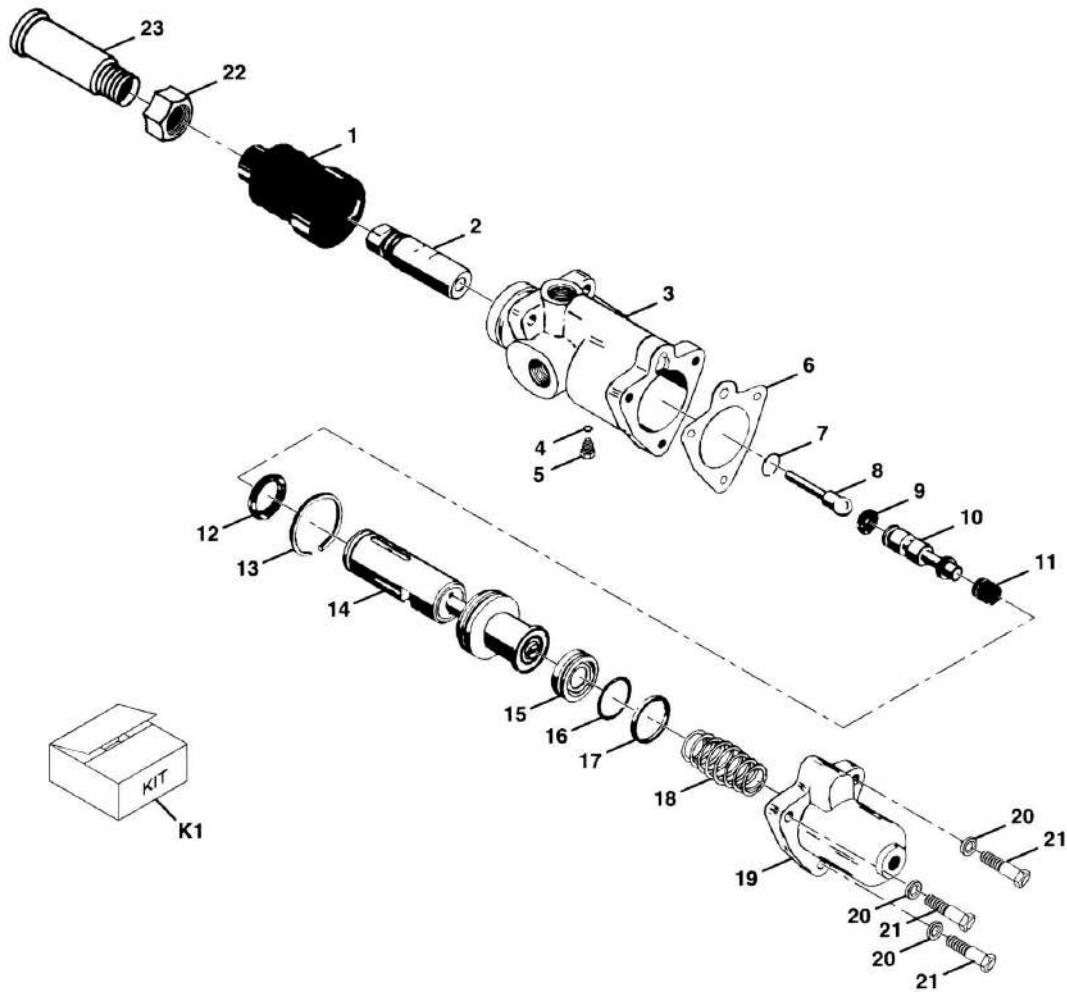
## SECTION 9 - HYDRAULIC COMPONENTS

### FIGURE 9-20. FLOW DIVIDER ASSEMBLY

ITEM	PART NUMBER	QTY	DESCRIPTION	REV
	91345007	1	FLOW DIVIDER ASSY, (includes all items except item 6 and two of items 3 & 4)	F
1	91161272	1	FLOW DIVIDER BRACKET	
2	88501005	2	HEX NUT, 5/16-18	
3	4761500	4	LOCKWASHER, 5/16	
4	4751500	6	WASHER, 5/16	
5	88201027	2	HEX HD CAPSCREW, 5/16-18X2-3/4, GR5	
6	0641526	2	HEX HD CAPSCREW, 5/16-18X3-1/4, GR5	
7	2220473	1	ELBOW, 90, (includes item 8)	
8		Ref	O-RING	
9	91163211	1	FLOW DIVIDER	
10	2220623	1	ADAPTER	
12	2221026	1	TEE FITTING, (includes item 13)	
13		Ref	O-RING	
14	2220465	1	ELBOW, 90, (includes item 13)	
15	2220594	1	ADAPTER	
16	2220466	3	ELBOW, 90, (includes item 17)	
17		Ref	O-RING	
18	91143047	1	FLOW DIVIDER	
18	91144062	AR	FLOW DIVIDER SEAL KIT	
19	2220376	1	ADAPTER, (includes item 20)	
20		Ref	O-RING	
21		Ref	O-RING	
22	2220602	1	TEE FITTING, (includes item 21)	
23	2220618	1	ADAPTER	
25	84718692	1	HOSE ASSY	
26	8765204	1	ELBOW, 90, (swivel nut)	
27	91164103	1	CARTRIDGE	
27	91164106	AR	CARTRIDGE SEAL KIT	

# SECTION 9 - HYDRAULIC COMPONENTS

FIGURE 9-21. BRAKE VALVE (534D-9 SN 0544001 through 0644895; 534D-10 SN 0366001 through 0366470)



PAP20020

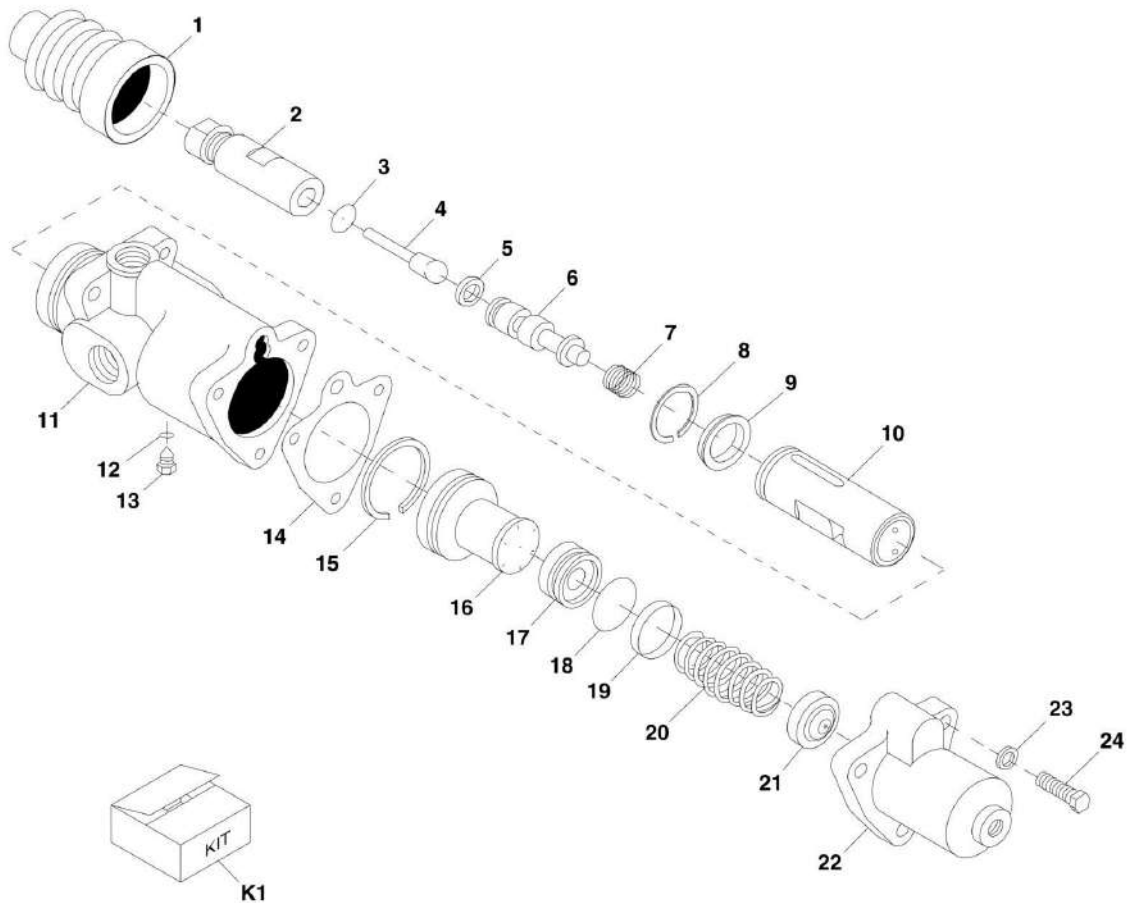
## SECTION 9 - HYDRAULIC COMPONENTS

**FIGURE 9-21. BRAKE VALVE (534D-9 SN 0544001 through 0644895; 534D-10 SN 0366001 through 0366470)**

ITEM	PART NUMBER	QTY	DESCRIPTION	REV
	91143201	NLA	POWER BRAKE VALVE, (no longer available, use 91365057 for replacement or see items 1 thru 21 for service)	
1	N.S.S.	1	BOOT	
2	N.S.S.	1	PRESSURE REGULATING SPRING ASSY	
3	N.S.S.	1	HOUSING	
4	Kit	1	O-RING	
5	N.S.S.	1	CAPSCREW	
6	Kit	1	GASKET	
7	N.S.S.	1	RETAINING RING	
8	N.S.S.	1	PUSH ROD	
9	Kit	1	CUP	
10	N.S.S.	1	SPOOL	
11	N.S.S.	1	SPRING	
12	Kit	1	CUP	
13	Kit	1	PISTON RING	
14	N.S.S.	1	SLEEVE AND PISTON ASSY	
15	Kit	1	PISTON AND POPPET ASSY	
16	Kit	1	O-RING	
17	Kit	1	RING SEAL	
18	N.S.S.	1	SPRING	
19	N.S.S.	1	END CAP	
20	N.S.S.	3	LOCKWASHER	
21	N.S.S.	3	HEX HD CAPSCREW	
22	88501408	1	HEX JAM NUT, 1/2-20	
23	91081445	1	PUSH ROD	
K1	91084043	1	REPAIR KIT, (includes items 1, 4, 6, 9, 12, 13, 15, 16 & 17)	

## SECTION 9 - HYDRAULIC COMPONENTS

FIGURE 9-22. BRAKE VALVE (534D-9 SN 0644896 through 0160000318, Including 0160000335, 0160000337 and 0160000341; 534D-10 SN 0366471 through 0160000354)



PAP20030

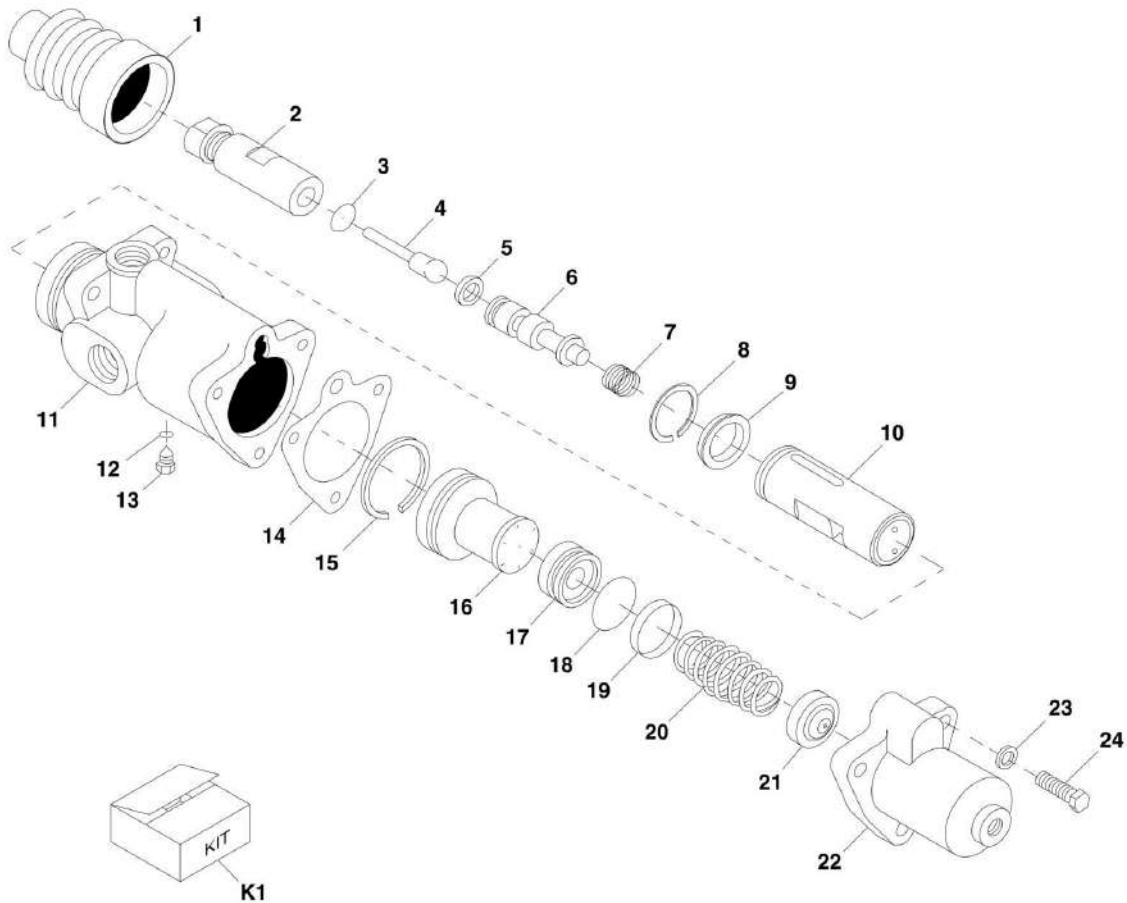
## SECTION 9 - HYDRAULIC COMPONENTS

**FIGURE 9-22. BRAKE VALVE (534D-9 SN 0644896 through 0160000318, Including 0160000335, 0160000337 and 0160000341; 534D-10 SN 0366471 through 0160000354)**

ITEM	PART NUMBER	QTY	DESCRIPTION	REV
	91413010	1	POWER BRAKE VALVE, (includes all items)	
1	N.S.S.	1	BOOT	
2	N.S.S.	1	PRESSURE REGULATING SPRING ASSY	
3	N.S.S.	1	RETAINING RING	
4	N.S.S.	1	PUSH ROD	
5	Kit	1	CUP	
6	N.S.S.	1	SPOOL	
7	N.S.S.	1	SPRING	
8	N.S.S.	1	RETAING RING	
9	Kit	1	CUP	
10	N.S.S.	1	SLEEVE	
11	N.S.S.	1	HOUSING	
12	Kit	1	O-RING	
13	N.S.S.	1	CAP SCREW	
14	Kit	1	GASKET	
15	Kit	1	PISTON RING	
16	N.S.S.	1	PISTON	
17	Kit	1	PISTON AND POPPET ASSY	
18	Kit	1	O-RING	
19	Kit	1	RING SEAL	
20	N.S.S.	1	SPRING	
21	Kit	1	RESIDUAL VALVE	
22	N.S.S.	1	END CAP	
23	N.S.S.	3	LOCKWASHER	
24	N.S.S.	3	HEX HD CAPSCREW	
K1	91084043	1	REPAIR KIT, (includes items 1, 5, 9, 12, 14, 15, 17, 18, 19 & 21)	

## SECTION 9 - HYDRAULIC COMPONENTS

FIGURE 9-23. BRAKE VALVE (534D-9 SN 0160000319 to Present, Excluding 0160000335, 0160000337 and 0160000341; 534D-10 SN 0160000355 to Present)



PAP20040



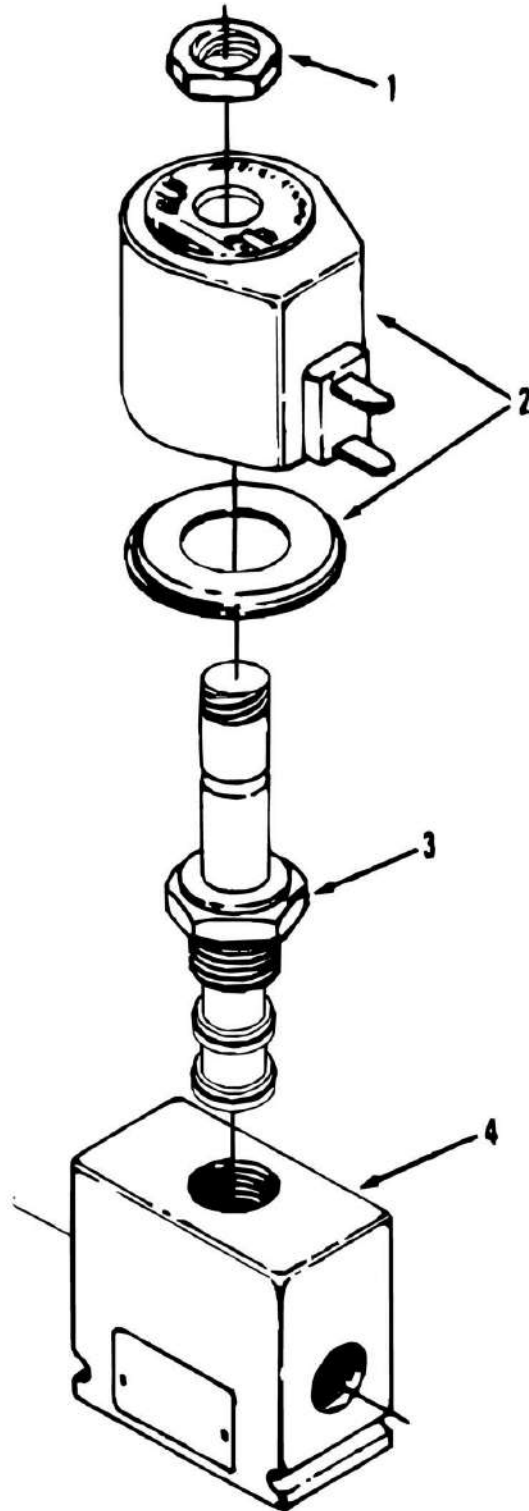
## SECTION 9 - HYDRAULIC COMPONENTS

**FIGURE 9-23. BRAKE VALVE (534D-9 SN 0160000319 to Present, Excluding 0160000335, 0160000337 and 0160000341; 534D-10 SN 0160000355 to Present)**

ITEM	PART NUMBER	QTY	DESCRIPTION	REV
	91403592	1	POWER BRAKE VALVE, (includes all items)	
1	Kit	1	BOOT	
2	N.S.S.	1	PRESSURE REGULATING SPRING ASSY	
3	N.S.S.	1	RETAINING RING	
4	N.S.S.	1	PUSH ROD	
5	Kit	1	CUP	
6	N.S.S.	1	SPOOL	
7	N.S.S.	1	SPRING	
8	N.S.S.	1	RETAING RING	
9	Kit	1	CUP	
10	N.S.S.	1	SLEEVE	
11	N.S.S.	1	HOUSING	
12	Kit	1	O-RING	
13	N.S.S.	1	CAP SCREW	
14	Kit	1	GASKET	
15	Kit	1	PISTON RING	
16	N.S.S.	1	PISTON	
17	Kit	1	PISTON AND POPPET ASSY	
18	Kit	1	O-RING	
19	Kit	1	RING SEAL	
20	N.S.S.	1	SPRING	
21	Kit	1	RESIDUAL VALVE	
22	N.S.S.	1	END CAP	
23	N.S.S.	3	LOCKWASHER	
24	N.S.S.	3	HEX HD CAPSCREW	
K1	91084043	1	REPAIR KIT, (includes items 1, 5, 9, 12, 14, 15, 17, 18, 19 & 21)	

# SECTION 9 - HYDRAULIC COMPONENTS

FIGURE 9-24. SOLENOID VALVE



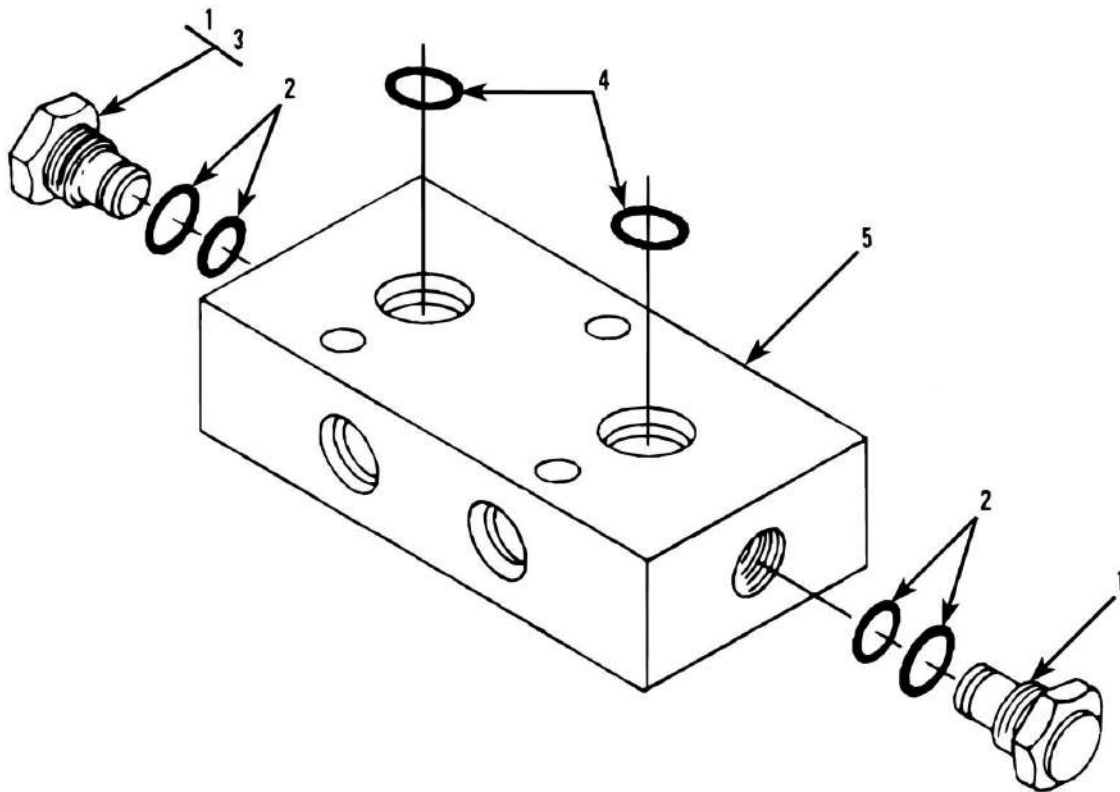
## SECTION 9 - HYDRAULIC COMPONENTS

### FIGURE 9-24. SOLENOID VALVE

ITEM	PART NUMBER	QTY	DESCRIPTION	REV
	91043446	1	3-WAY SOLENOID VALVE, (includes all items)	
1	7022390	1	NUT	
2	7021610	1	COIL	
3	7022394	1	CORE ASSY, (3-way, 2-position)	
4	80934035	1	VALVE BODY	

# SECTION 9 - HYDRAULIC COMPONENTS

FIGURE 9-25. SWAY CYLINDER VALVE



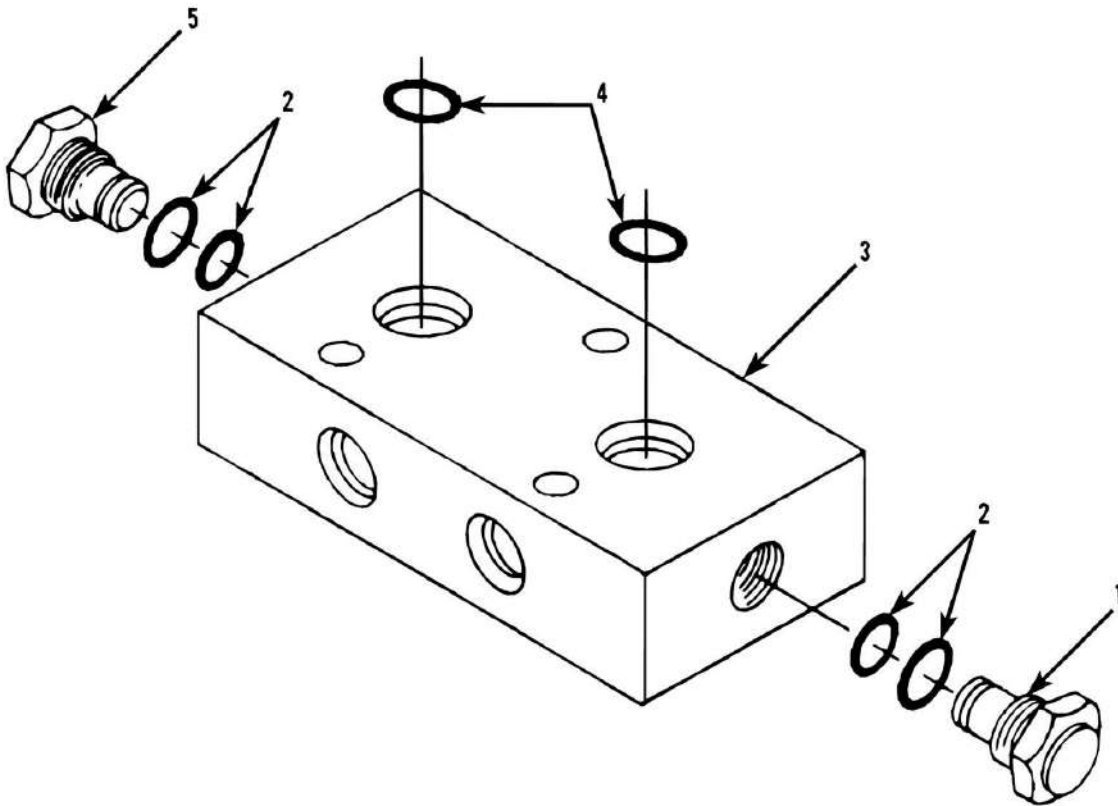
## SECTION 9 - HYDRAULIC COMPONENTS

FIGURE 9-25. SWAY CYLINDER VALVE

ITEM	PART NUMBER	QTY	DESCRIPTION	REV
	91163027	1	SWAY CYLINDER VALVE, (includes items 1, 2, 3 & 5)	
1	4641192	2	VALVE CARTRIDGE	
2	7017496	2	VALVE SEAL KIT	
3	7024881	1	PISTON	
4	88591012	2	O-RING	
5		Ref	VALVE BODY	

## SECTION 9 - HYDRAULIC COMPONENTS

FIGURE 9-26. OUTRIGGER CYLINDER VALVE (534D-10 SN 0366001 through 0366553; SN 0160000125 through 0160038773)



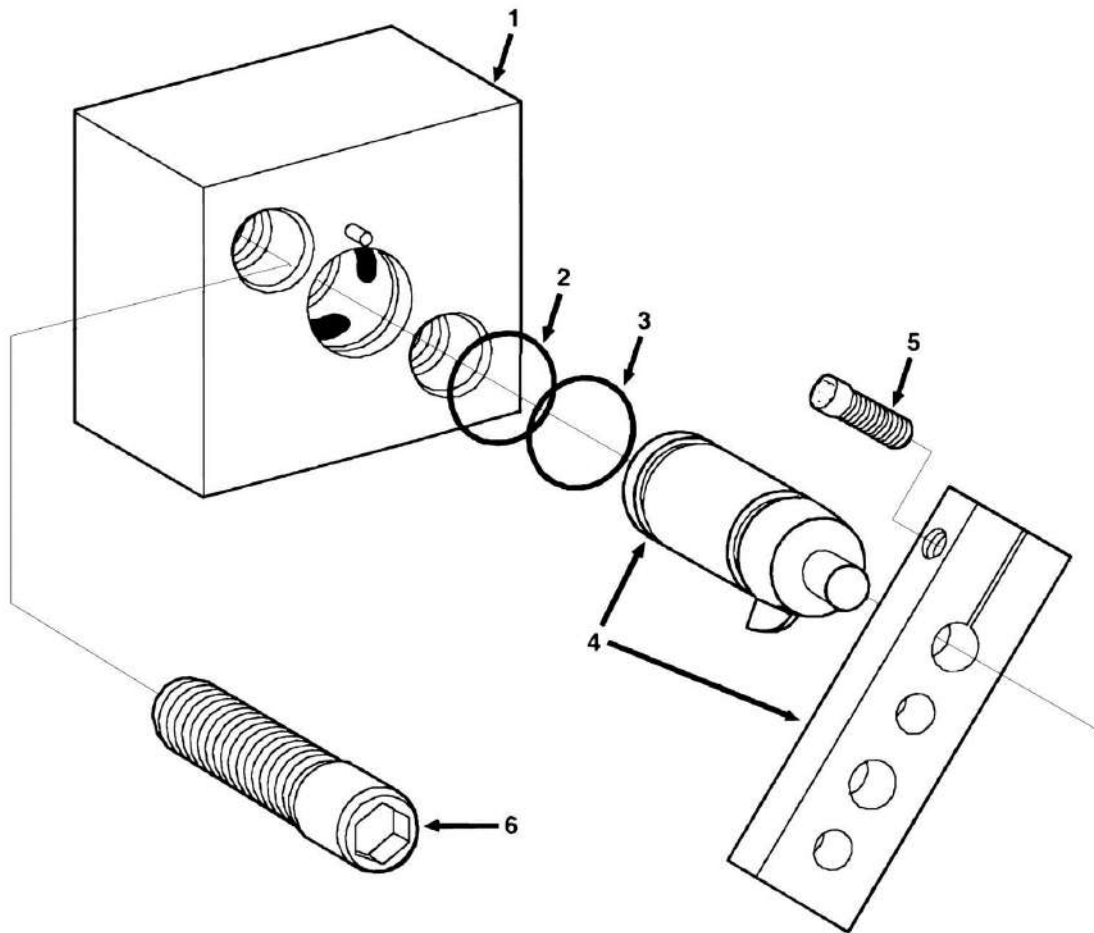
## SECTION 9 - HYDRAULIC COMPONENTS

**FIGURE 9-26. OUTRIGGER CYLINDER VALVE (534D-10 SN 0366001 through 0366553; SN 0160000125 through 0160038773)**

ITEM	PART NUMBER	QTY	DESCRIPTION	REV
	91163245	2	OUTRIGGER CYLINDER VALVE, (534D-10), (includes all items)	E
1	91034107	1	THERMAL RELIEF VALVE	
2	91164083	2	VALVE SEAL KIT	
3	N.S.S.	1	VALVE BODY	
4	91034118	2	O-RING	
5	91164107	1	CHECK CARTRIDGE	

## SECTION 9 - HYDRAULIC COMPONENTS

FIGURE 9-27. INCHING VALVE (534D-9 SN 0544001 through 0160000318, Including 0160000335, 0160000337 and 0160000341; 534D-10 SN 0366001 through 0160000354)





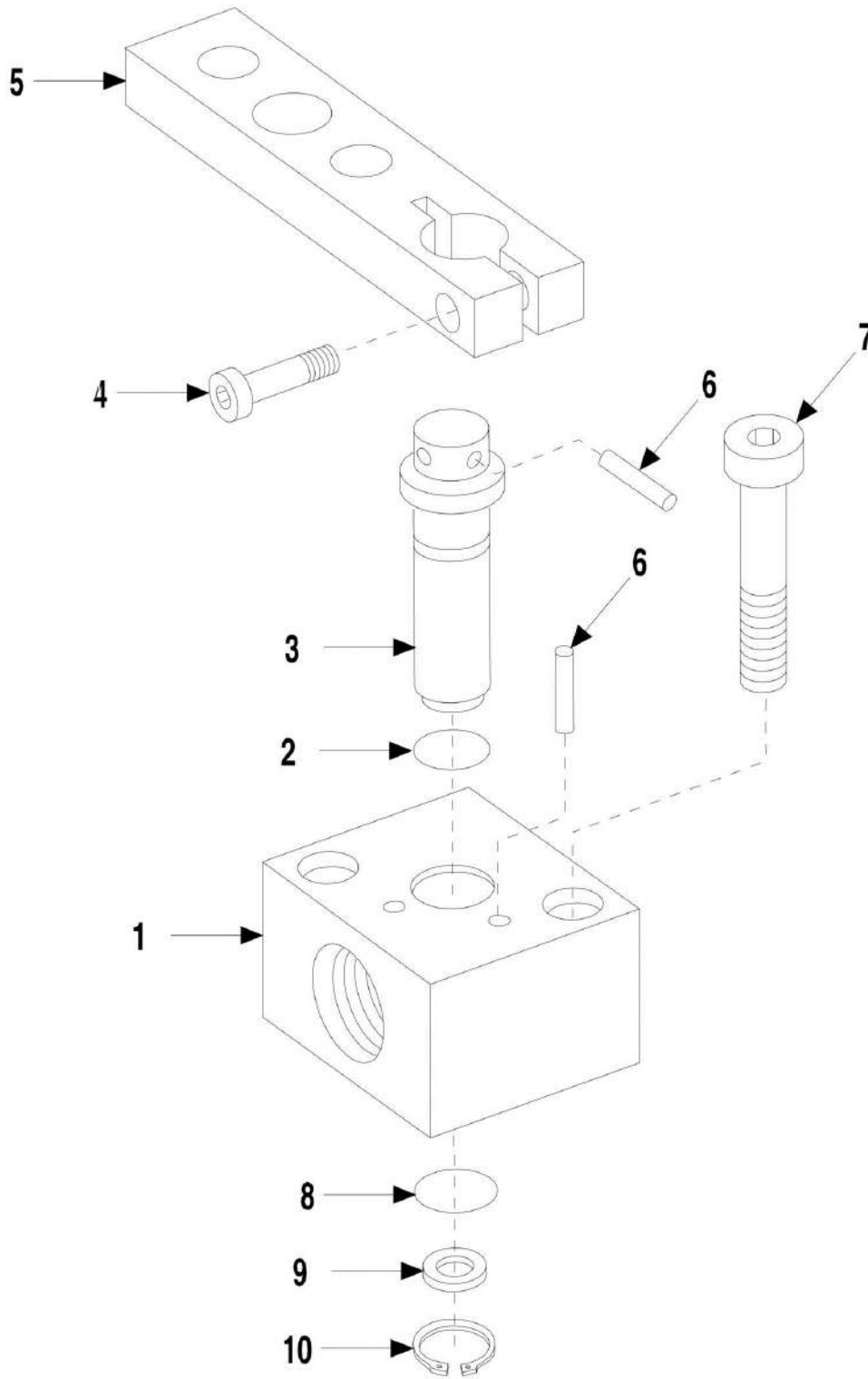
## SECTION 9 - HYDRAULIC COMPONENTS

**FIGURE 9-27. INCHING VALVE (534D-9 SN 0544001 through 0160000318, Including 0160000335, 0160000337 and 0160000341; 534D-10 SN 0366001 through 0160000354)**

ITEM	PART NUMBER	QTY	DESCRIPTION	REV
1	91143140	1	INCHING VALVE, (includes all items)	
2	80934423	1	O-RING	
3	80934202	1	O-RING	
4		Ref	ACTIVATING LEVER	
5		Ref	SOCKET HD CAPSCREW	
6	88212228	2	SOCKET HD CAPSCREW	

# SECTION 9 - HYDRAULIC COMPONENTS

FIGURE 9-28. INCHING VALVE (534D-9 SN 0160000319 to Present, Excluding 0160000335, 0160000337 and 0160000341; 534D-10 SN 0160000355 to Present)



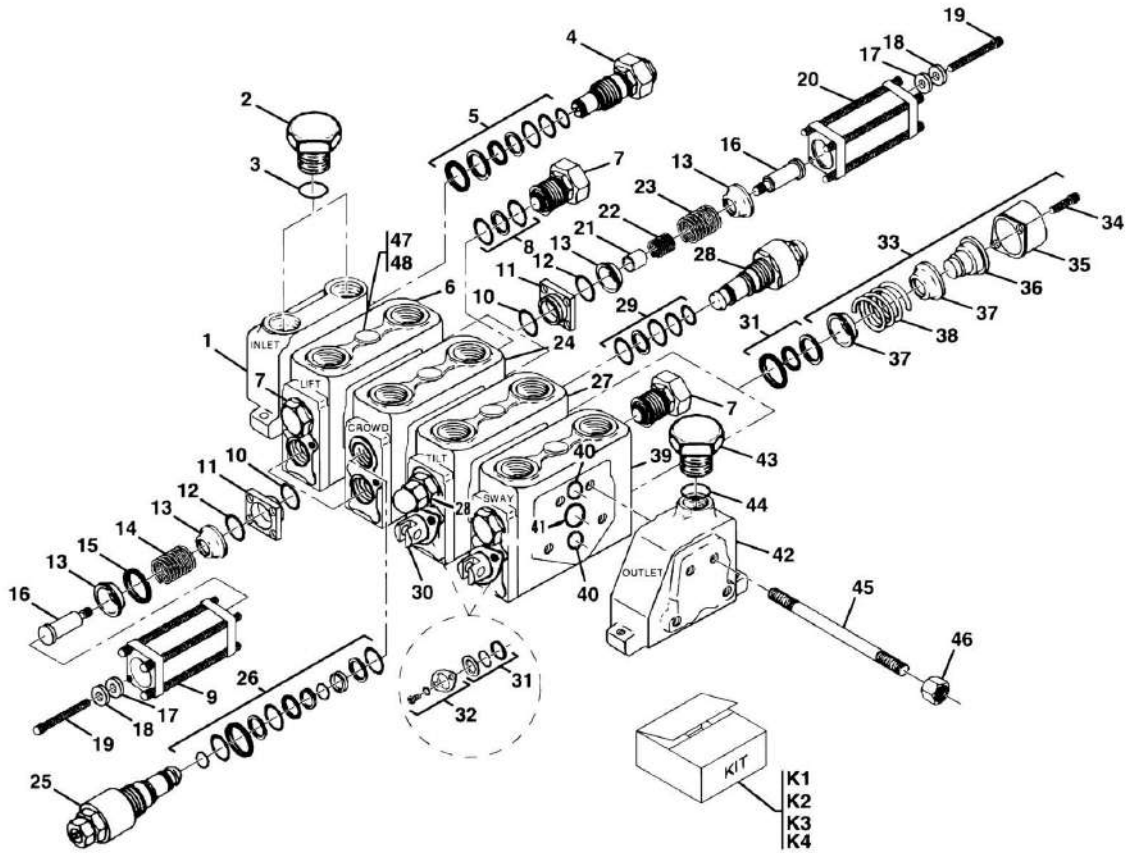
## SECTION 9 - HYDRAULIC COMPONENTS

**FIGURE 9-28. INCHING VALVE (534D-9 SN 0160000319 to Present, Excluding 0160000335, 0160000337 and 0160000341; 534D-10 SN 0160000355 to Present)**

ITEM	PART NUMBER	QTY	DESCRIPTION	REV
	91143372	Ref	INCHING VALVE, (includes all items)	B
1	91144460	1	INCHING DEVICE, (includes all items except one of item 6)	
2	70022051	1	O-RING	
3	91144462	1	SHAFT	
4	91144463	1	CAPSCREW, M5X20	
5	91144464	1	LEVER	
6	91144465	3	PIN	
7	91144466	2	CAPSCREW, M8X30	
8	80934671	1	O-RING	
9	91144461	1	SHIM	
10	91144467	1	SNAP RING	

# SECTION 9 - HYDRAULIC COMPONENTS

FIGURE 9-29. MAIN CONTROL VALVE (534D-9 Prior to SN 0160038519; 534D-10 Prior to SN 0160038445)



PAP19330

## SECTION 9 - HYDRAULIC COMPONENTS

**FIGURE 9-29. MAIN CONTROL VALVE (534D-9 Prior to SN 0160038519; 534D-10 Prior to SN 0160038445)**

ITEM	PART NUMBER	QTY	DESCRIPTION	REV
	91143017	1	MAIN CONTROL VALVE, (includes all items, except items 43 & 44) (534D-9 Prior to SN 0160027771; 534D-10 Prior to SN 0160027772, Except SN 0160026243 through 0160026245)	I
	91143041	1	MAIN CONTROL VALVE, (includes items 1 thru 42, 45 thru 48 & Kit K4) (534D-9 SN 0160027771 through 0160038519; 534D-10 SN 0160027772 through 0160038445, SN 0160026246 through 0160026245)	M
1	91144162	1	L.E. INLET COVER ASSY, (includes items 2 thru 4)	
2	91144250	2	PLUG, (includes item 3)	
3	N.S.S.	2	O-RING	
4	91144255	1	MAIN RELIEF VALVE - 3000 PSI, (includes item 5)	
5	91034236	1	MAIN RELIEF SEAL KIT	
6	91144164	1	LIFT SECTION, (includes two of item 7, plus one of items 9, 20 & 30)	
7	91144256	5	PLUG ASSY, (includes item 8, torque to 18-22 ft lbs)	
8	91144257	5	PLUG SEAL KIT	
9	91144258	2	HR POSITIONER, (includes items 10 thru 19)	
10	N.S.S.	2	O-RING	
11	N.S.S.	2	SPACER	
12	N.S.S.	2	O-RING	
13	N.S.S.	4	STOP COLLAR	
14	N.S.S.	1	SPRING	
15	N.S.S.	1	SPACER	
16	N.S.S.	2	POSITIONER	
17	N.S.S.	8	BEARING PLATE	
18	N.S.S.	8	LOCKWASHER	
19	N.S.S.	8	HEX HD CAPSCREW, 1/4-20X3-1/2	
20	91144259	2	HR POSITIONER, (includes items 10 thru 13, 16 thru 19 & 21 thru 23)	
21	N.S.S.	1	STOP SLEEVE	
22	N.S.S.	1	SPRING	
23	N.S.S.	1	SPRING	
24	91144165	1	CROWD SECTION, (includes one of items 7, 20 & 30 plus item 25)	
25	91144260	1	RELIEF VALVE - 2700 PSI, (includes item 26)	
26	91144261	1	RELIEF VALVE SERVICE KIT	
27	91144166	1	TILT SECTION, (includes item 28 plus one of items 30, 32 & 33)	
28	91144252	2	RELIEF VALVE - 3250 PSI, (includes item 29, torque to 18-22 ft lbs)	
29	91144262	2	SEAL KIT	
30	Kit	Ref	SPOOL, (not sold separately, order valve section)	
31	91144263	4	SPOOL SEAL KIT, (two kits needed per section as required), (lift and crowd sections do not require spool seals)	
32	91144264	2	SPOOL RETAINER KIT, (torque to 54-60 ft lbs)	
33	91144265	2	POSITIONER KIT, (includes items 34 thru 38)	
34	N.S.S.	2	HEX HD CAPSCREW, 1/4-20x.875	
35	N.S.S.	1	BONNET	
36	N.S.S.	1	SPOOL COLLAR	
37	N.S.S.	2	SPOOL COLLAR	
38	N.S.S.	1	SPRING	

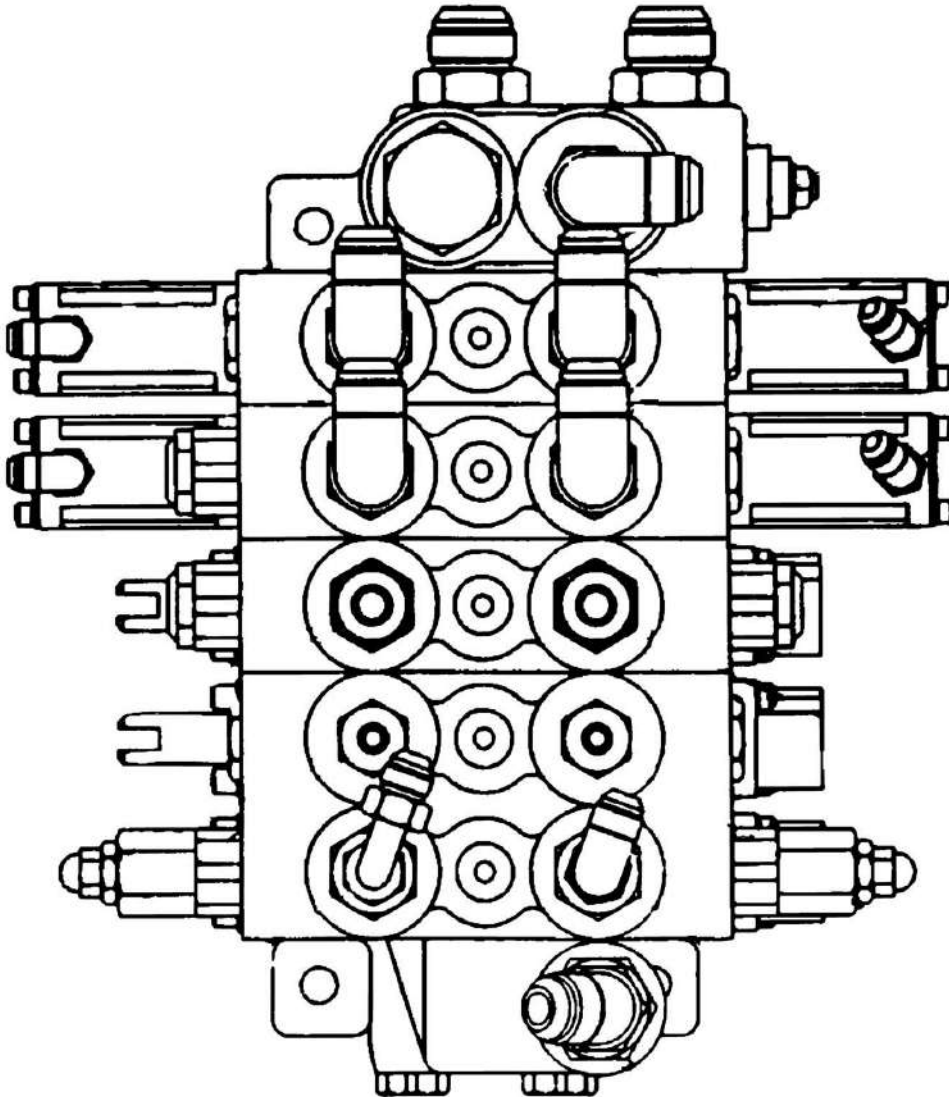
## SECTION 9 - HYDRAULIC COMPONENTS

ITEM	PART NUMBER	QTY	DESCRIPTION	REV
39	91144167	1	SWAY SECTION, (includes two of item 7, plus one of items 30, 32 & 33)	
40	Kit	10	O-RING	
41	Kit	5	O-RING	
42	91144163	1	R.E. OUTLET COVER ASSY	
43	2220242	1	PLUG, (534D-9), (includes item 44)	
43	2200224	1	PLUG, (534D-10)	
44	N.S.S.	1	O-RING	
45	Kit	4	STUD, (included in 91034105)	
46	Kit	4	NUT, (torque to 23-27 ft lbs), (included in 91034105)	
47	91144266	4	LOAD CHECK PLUG, (one per valve section, torque to 16-18 ft lbs)	
48	N.S.S.	4	O-RING, (included in section seal kit 91144254)	
K1	91034105	1	STUD KIT, (includes four each of items 45 & 46)	
K2	91144161	1	SEAL KIT, (includes ten of item 40 and five of item 41)	
K3	91144254	AR	SECTION SEAL KIT, (contains seals needed for servicing items 7, 30 & 47, also includes two of item 40 and one of item 41), (one kit needed per valve section)	
K4		Ref	PARTS NEEDED TO CONVERT A 5-SECTION VALVE W/AUXILIARY HYDRAULICS, (ref OPTIONS SECTION)	
K4	91144194	1	AUXILIARY VALVE SECTION	
K4	91034070	1	STUD KIT	
K4	91144254	2	SECTION SEAL KIT	



## SECTION 9 - HYDRAULIC COMPONENTS

FIGURE 9-30. MAIN CONTROL VALVE (534D-9 SN 0160038519 to Present; 534D-10 SN 0160038445 to Present)



PAP20120



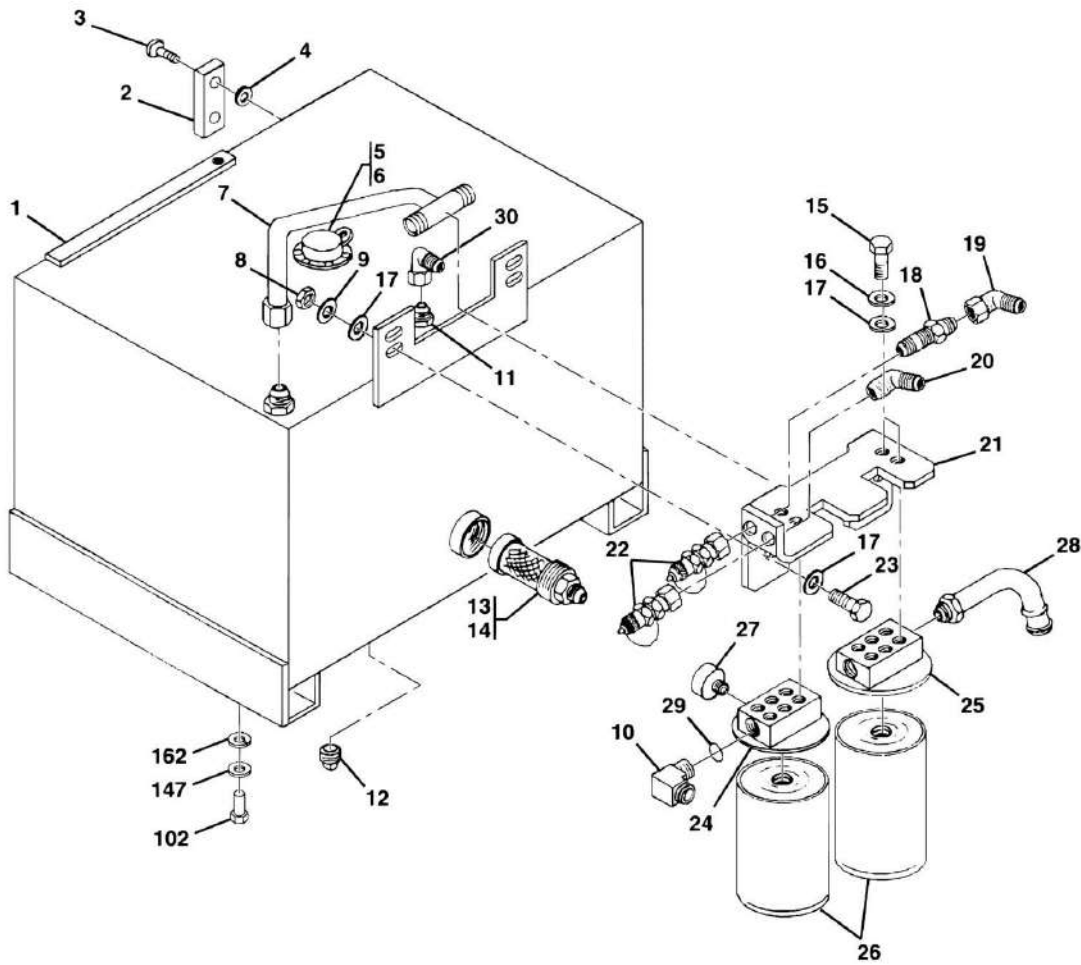
## SECTION 9 - HYDRAULIC COMPONENTS

**FIGURE 9-30. MAIN CONTROL VALVE (534D-9 SN 0160038519 to Present; 534D-10 SN 0160038445 to Present)**

ITEM	PART NUMBER	QTY	DESCRIPTION	REV
	1001109347	1	MAIN CONTROL VALVE	A

# SECTION 9 - HYDRAULIC COMPONENTS

## FIGURE 9-31. HYDRAULIC RESERVOIR AND FILTERS



PAP19570

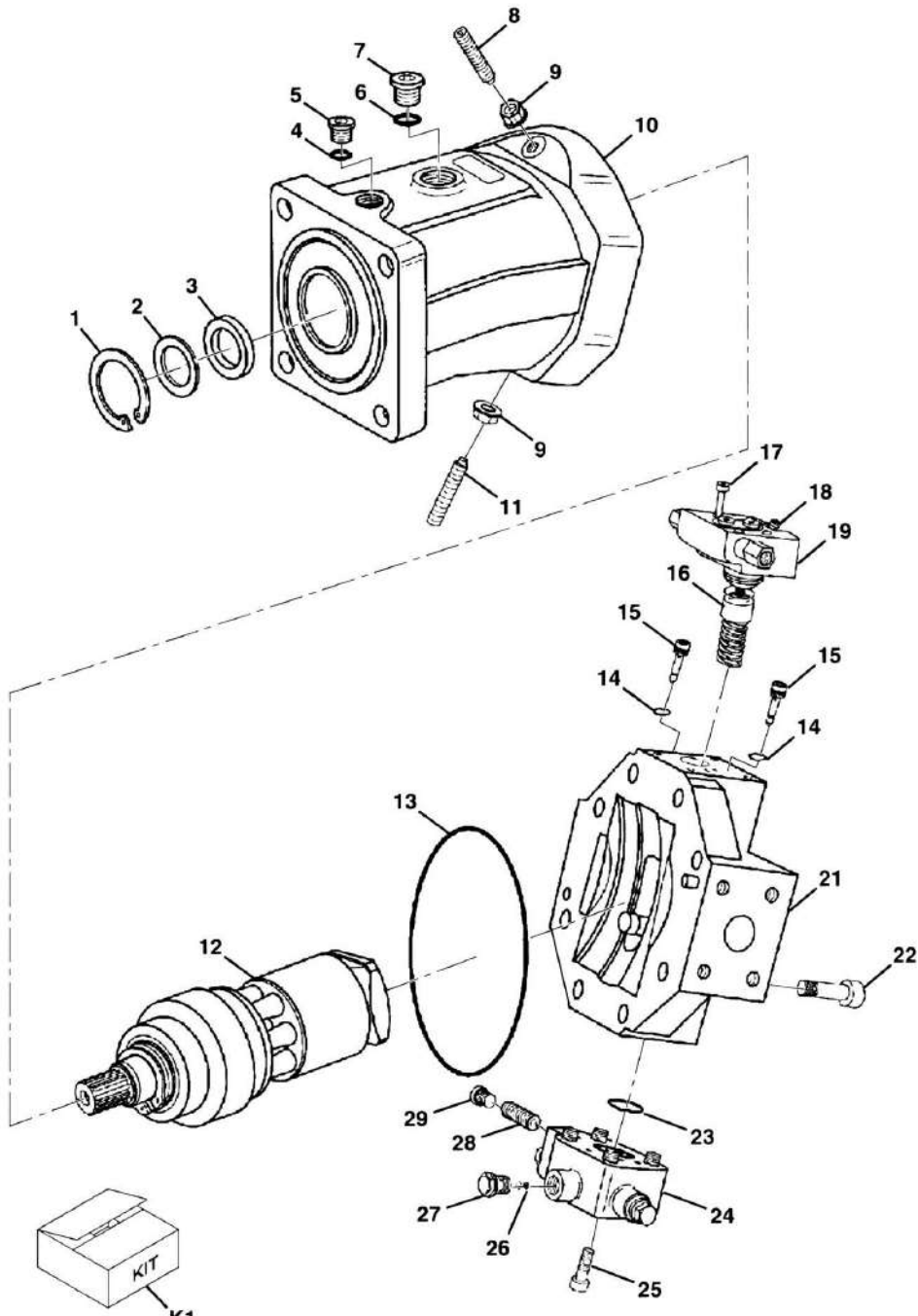
## SECTION 9 - HYDRAULIC COMPONENTS

**FIGURE 9-31. HYDRAULIC RESERVOIR AND FILTERS**

ITEM	PART NUMBER	QTY	DESCRIPTION	REV
	91165013	1	HYDRAULIC RESERVOIR ASSY, (includes all items)	K
1	91143133	1	HYDRAULIC OIL TANK, (includes item 12)	
2	91083070	1	FLUID LEVEL GAUGE, (includes items 3 & 4)	
3	N.S.S.	2	SCREW	
4	N.S.S.	2	WASHER	
5	91083069	1	FILLER BREATHER	
6	91333023	6	SLOTTED HEX WASHER HD MACHINE SCREW, #10-32X1/2	
7	91163141	1	TUBE ASSY	
8	88501006	4	HEX NUT, 3/8-16	
9	88551011	4	LOCKWASHER, 3/8	
10	88662070	1	ELBOW, 90, (includes item 29)	
11	2220345	1	MALE ADAPTER	
12	N.S.S.	1	PLUG	
13	91083301	1	TANK FILTER	
14	91083200	1	STRAIGHT CONNECTOR	
15	88201019	4	HEX HD CAPSCREW, 5/16-18X7/8, GR5	
16	88551010	4	LOCKWASHER, 5/16	
17	88561003	12	WASHER, 5/16	
18	2230024	1	ADAPTER	
19	8760268	1	ELBOW, 90, (swivel nut)	
20	2230043	1	ELBOW, 90	
21	91161210	1	FILTER SUPPORT	
22	91143172	2	MINI CHECK COUPLING, (includes o-ring)	
22	88591210	2	O-RING	
23	88201036	4	HEX HD CAPSCREW, 3/8-16X1-1/4, GR5	
24	91143218	1	RETURN FILTER, (includes one of item 26 & item 27)	
25	91083518	1	SUCTION FILTER, (includes one of item 26)	
26	2120168	2	FILTER ELEMENT	
27	91084022	1	COLOR CODED GAUGE	
28	80673009	1	ELBOW, 90	
29	88591210	1	O-RING	
30	8765204	1	ELBOW, 90, (swivel nut)	
102	0642012	4	HEX HD CAPSCREW, 5/8-11X1-1/2, GR5	
147	4752000	4	WASHER, 5/8	
162	4762000	4	LOCKWASHER, 5/8	

# SECTION 9 - HYDRAULIC COMPONENTS

## FIGURE 9-32. FRONT DRIVE MOTOR



K1 ILLUSTRATION IS INVERTED FROM MACHINE APPLICATION

PAP17790

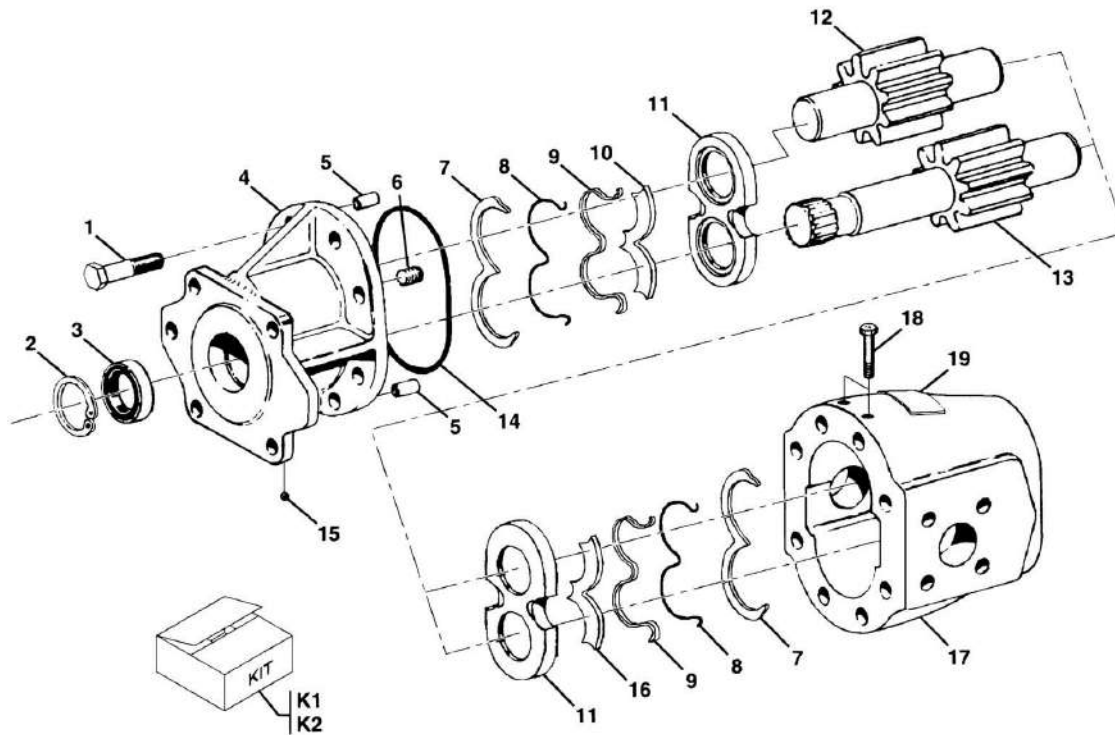
## SECTION 9 - HYDRAULIC COMPONENTS

### FIGURE 9-32. FRONT DRIVE MOTOR

ITEM	PART NUMBER	QTY	DESCRIPTION	REV
	91163044	1	FRONT DRIVE MOTOR ASSY, (includes all items)	E
1	91094026	1	SNAP RING	
2	91094027	1	SHIM	
3	Kit	1	SHAFT SEAL	
4	Kit	1	O-RING	
5	91094028	1	PLUG, (includes item 4)	
6	Kit	1	O-RING	
7	91094029	1	PLUG, (includes item 6)	
8	80914241	1	STOP SCREW, M12X90	
9	Kit	2	SEAL NUT	
10	91094030	1	HOUSING	
11	91094031	1	STOP SCREW, M12X80	
12	91094032	1	ROTARY GROUP	
13	Kit	1	O-RING	
14	Kit	6	O-RING	
15	80914235	2	CHECK VALVE KIT, (includes o-rings)	
16	Kit	1	O-RING	
17	80934080	4	CAPSCREW	
18	Kit	1	SEAL NUT	
19	91094033	1	DA1 CONTROL KIT, (includes items 16, 17, 18 & 20)	
20	91144248	2	FITTING	
21	91094034	1	REAR COVER ASSY, (includes item 22)	
22	91094035	8	CAPSCREW, M16X45	
23	Kit	1	O-RING	
24	91164017	1	FLUSHING VALVE ASSY, (includes items 23, 25, 26, 27 & 29)	
25	91094037	4	CAPSCREW, M8X50	
26	91094038	1	FLUSHING ORIFICE	
27	91094039	1	PLUG	
28	83924123	1	SWIVEL TIME ORIFICE	
29	91094040	2	PLUG	
K1	7028820	AR	SEAL KIT, (includes items 3, 4, 6, 9, 13, 14, 16, 18 & 23)	

# SECTION 9 - HYDRAULIC COMPONENTS

## FIGURE 9-33. MAIN HYDRAULIC PUMP



PAP19180

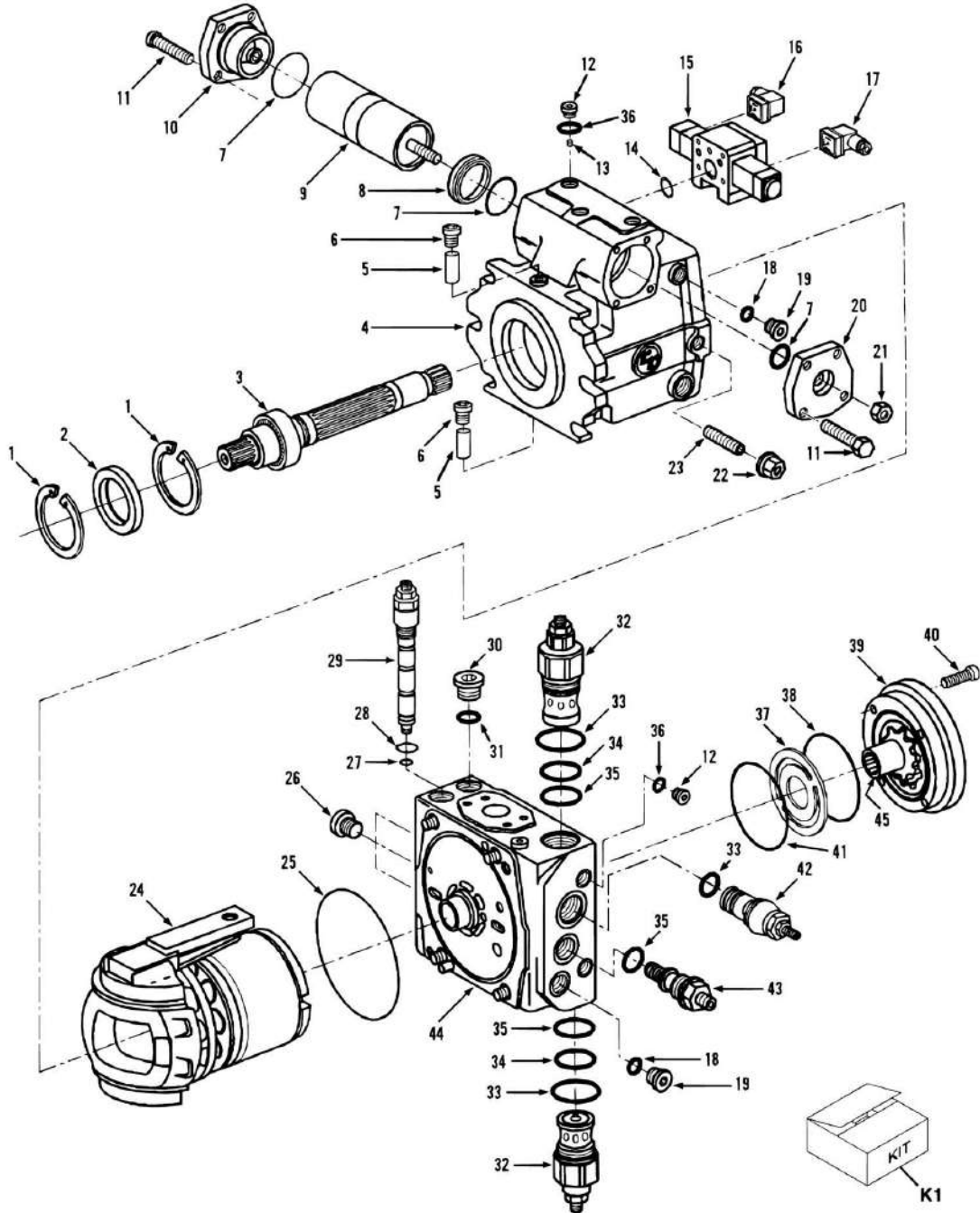
## SECTION 9 - HYDRAULIC COMPONENTS

**FIGURE 9-33. MAIN HYDRAULIC PUMP**

ITEM	PART NUMBER	QTY	DESCRIPTION	REV
	91163068	1	MAIN HYDRAULIC PUMP, (includes all items)	B
1	91064021	8	CAPSCREW	
2	90202372	1	SNAP RING	
3	90202371	1	SHAFT SEAL	
4	91144169	1	FLANGE	
5	90202376	2	DOWEL	
6	91144171	1	PIPE PLUG	
7	90202405	2	RING RETAINER	
8	90202403	2	O-RING	
9	90202404	2	BACK-UP RING	
10	90202406	1	ISOLATION PLATE, (upper)	
11	90202399	2	PRESSURE PLATE	
12	91047061	1	IDLER GEAR	
13	91164049	1	DRIVE GEAR	
14	90202379	1	O-RING	
15	91164050	1	BALL	
16	90202407	1	ISOLATION PLATE, (lower)	
17	91164051	1	BODY	
18	91144172	2	DRIVE SCREW	
19	91144173	1	LABEL	
K1	91014058	AR	SHAFT SEAL KIT, (includes items 2, 3 & 14)	
K2	91144174	AR	SEAL KIT, (includes items 2, 3, 7, 8, 9 & 14)	

# SECTION 9 - HYDRAULIC COMPONENTS

FIGURE 9-34. HYDROSTATIC TRANSMISSION (534D-9 SN 0544001 through 016000853, Excluding 0160000700; 534D-10 SN 0366001 through 0160000974)



PAP19170



## SECTION 9 - HYDRAULIC COMPONENTS

**FIGURE 9-34. HYDROSTATIC TRANSMISSION (534D-9 SN 0544001 through 0160000853, Excluding 0160000700; 534D-10 SN 0366001 through 0160000974)**

ITEM	PART NUMBER	QTY	DESCRIPTION	REV
	91163048	1	HYDROSTATIC TRANSMISSION PUMP, (includes all items)	B
1	Kit	2	SNAP RING	
2	Kit	1	SHAFT SEAL	
3	91144413	1	SHAFT ASSY	
4	91084319	1	HOUSING ASSY	
5	91084320	2	PIN	
6	Kit	4	PLUG	
7	Kit	1	O-RING	
8	91084321	2	BUSHING	
9	91084322	1	STROKING PISTON ASSY	
10	91084323	1	STROKING PISTON COVER KIT, (includes items 7 & 11)	
11	70020334	8	CAPSCREW, M8X20	
12	80334103	5	Plug, (includes item 36)	
13	91144093	2	STROKING ORIFICE	
14	Kit	1	O-RING	
15	91084324	1	DA CONTROL ASSY, (includes items 16 & 17)	
16	7023856	1	Connector, Electrical (Black)	
17	7023855	1	Connector, Electrical (Gray)	
18	Kit	2	O-RING	
19	80934082	2	PLUG, (includes item 18)	
20	91084325	1	STROKING PISTON COVER KIT, (includes items 7 & 11)	
21	91144094	1	JAM NUT	
22	Kit	1	SEAL NUT	
23	91144095	1	ECCENTRIC SCREW	
24	91404032	1	ROTARY GROUP ASSY	
25	Kit	1	O-RING	
26	91084327	3	PLUG	
27	Kit	1	O-RING	
28	Kit	1	O-RING	
29	91084328	1	POR ASSY, (includes items 27 & 28)	
30	80934340	1	PLUG, (includes item 31)	
31	Kit	1	O-RING	
32	70022729	2	RELIEF VALVE, (includes one each of items 33 thru 35)	
33	Kit	3	O-RING	
34	Kit	2	O-RING	
35	Kit	3	O-RING	
36	Kit	5	O-RING	
37	91084329	1	WEAR PLATE	
38	91144412	1	O-RING	
39	91144092	1	CHARGE PUMP ASSY, (includes items 37, 38, 40 & 41)	
40	91084331	4	CAPSCREW, M12X35	
41	91144411	1	O-RING	
42	91144099	1	DA CARTRIDGE ASSY	
43	91144098	1	CHARGE PRESSURE RELIEF VALVE, (includes item 35)	
44	91084332	1	PORT BLOCK ASSY, (includes items 25,26, 27, 28 & 29)	
45	91144410	1	REAR BUSHING	
K1	91364143	AR	SEAL KIT, (includes items 1, 2, 6, 7, 12, 14, 18, 19, 22, 25, 26, 27, 28, 30, 31, 33, 34, 35, 36, 38, 41, 42 plus additional items not	

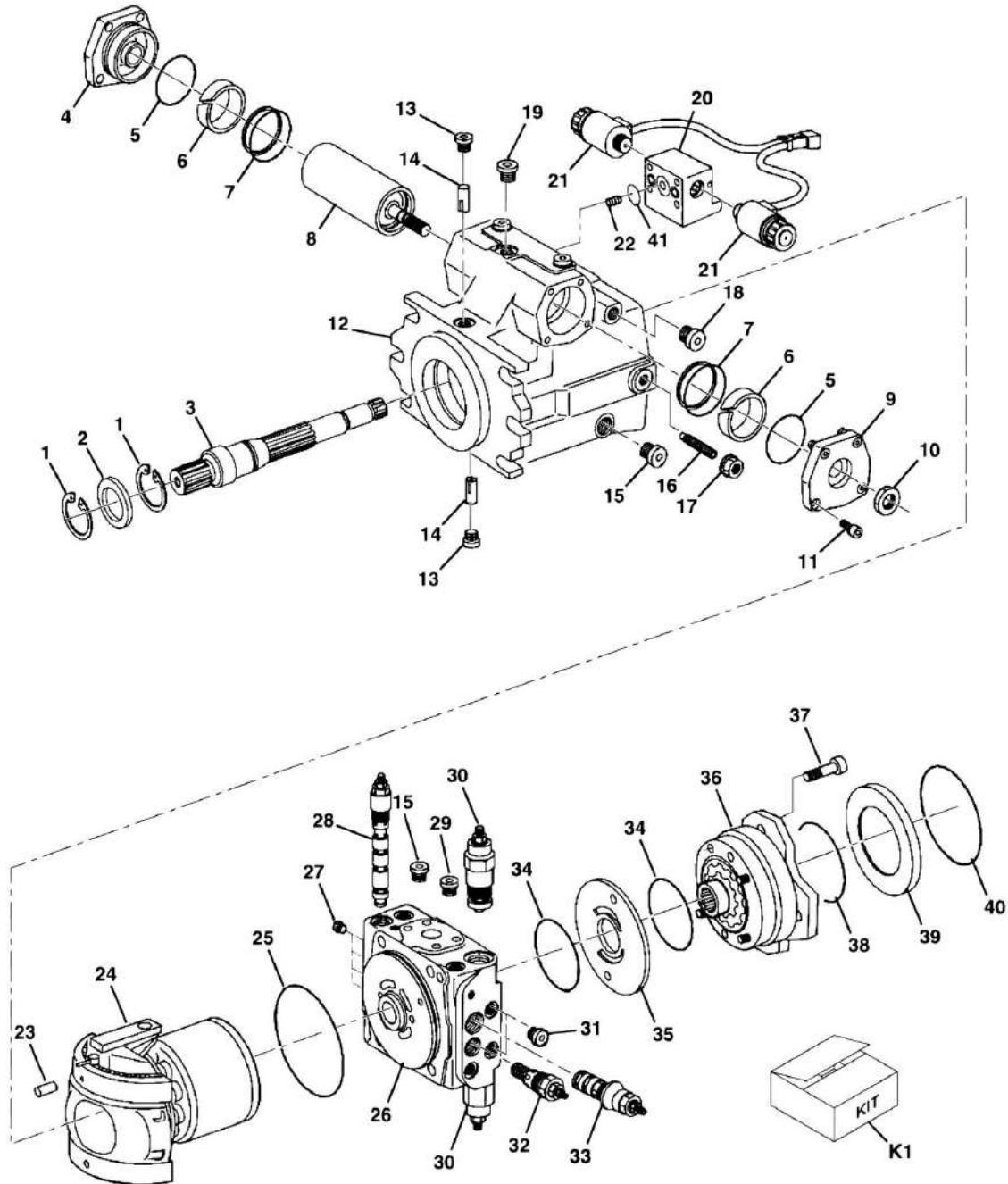
## SECTION 9 - HYDRAULIC COMPONENTS

ITEM	PART NUMBER	QTY	DESCRIPTION	REV
			illustrated)	



# SECTION 9 - HYDRAULIC COMPONENTS

FIGURE 9-35. HYDROSTATIC TRANSMISSION (534D-9 SN 0160001051 to Present, Including 0160000700; 534D-10 SN 0160000978 to Present)



PAP19160

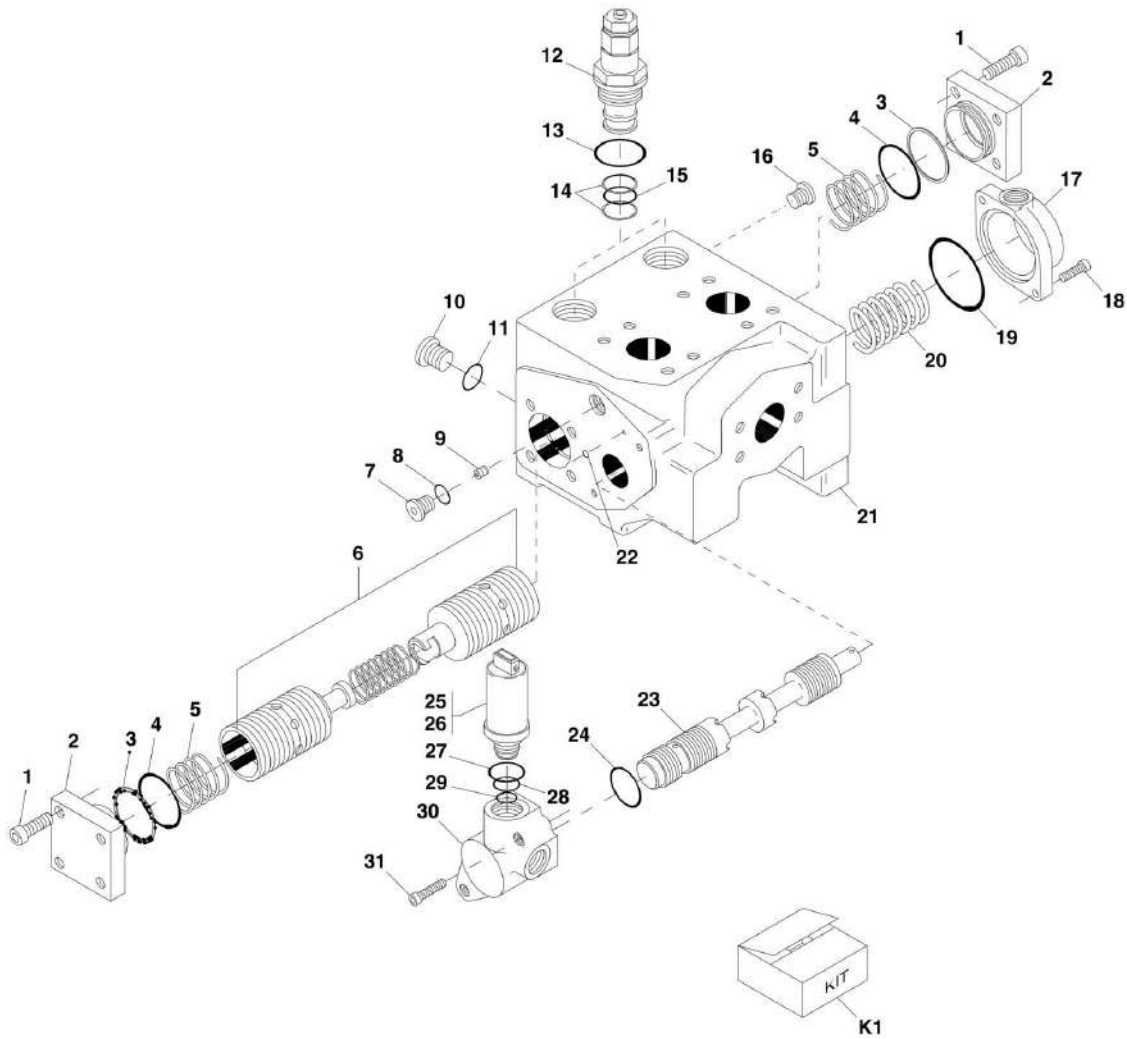
## SECTION 9 - HYDRAULIC COMPONENTS

**FIGURE 9-35. HYDROSTATIC TRANSMISSION (534D-9 SN 0160001051 to Present, Including 0160000700; 534D-10 SN 0160000978 to Present)**

ITEM	PART NUMBER	QTY	DESCRIPTION	REV
	91363211	1	HYDROSTATIC TRANSMISSION PUMP, (includes all items)	D
1	Kit	2	RETAINING RING	
2	Kit	1	SHAFT SEAL RING	
3	91404018	1	DRIVE SHAFT	
4	91404019	1	COVER	
5	Kit	2	O-RING	
6	91404020	2	GUIDE RING	
7	Kit	2	TURCON-GLYD RING AND O-RING	
8	91364144	1	STROKING PISTON ASSY	
9	91404028	1	COVER	
10	91404030	1	HEX NUT	
11	70020334	8	SOCKET HD SCREW, M8X20	
12	91404023	1	HOUSING	
13	Kit	2	PLUG	
14	91404021	2	JOINT PIN	
15	Kit	2	PLUG	
16	91404031	1	ECCENTRIC SCREW	
17	Kit	1	SEAL LOCKNUT, M12X1	
18	Kit	1	LOCKING SCREW	
19	Kit	4	LOCKING SCREW	
20	91364145	1	4/3-WAY DIRECTIONAL VALVE, (includes item 21)	
21	91364146	1	SOLENOID PAIR	
22		Ref	THROTTLE SCREW	
23	91404027	2	CLAMPING PIN	
24	91404032	1	ROTARY GROUP, (includes items 1, 2 & 3)	
25	Kit	1	O-RING	
26	91404033	1	PORT BLOCK w/VALVES, (includes items 25 & 27 thru 32)	
27	Kit	4	LOCKING SCREW	
28	91404034	1	P.O.R. VALVE	
29	Kit	1	LOCKING SCREW	
30	70022729	2	RELIEF VALVE	
31	Kit	2	LOCKING SCREW	
32	91144098	1	PRESSURE RELIEF VALVE	
33	91144099	1	CONTROL CARTRIDGE	
34	Kit	2	O-RING	
35		Ref	WEAR PLATE	
36	91164098	1	CHARGE PUMP, (includes items 34, 35 & 37 thru 40)	
37		Ref	SOCKET HD SCREW, M12X30	
38	Kit	1	O-RING	
39	91364148	1	ADAPTER	
40	Kit	1	O-RING	
41	Kit	1	O-RING	
K1	91364143	AR	SEAL KIT, (includes items 1, 2, 5, 7, 13, 15, 17, 18, 19, 25, 27, 29, 31, 33, 34, 38, 40, 41 & additional items not illustrated)	

# SECTION 9 - HYDRAULIC COMPONENTS

## FIGURE 9-36. TRACTION LOCK VALVE



PAP19120

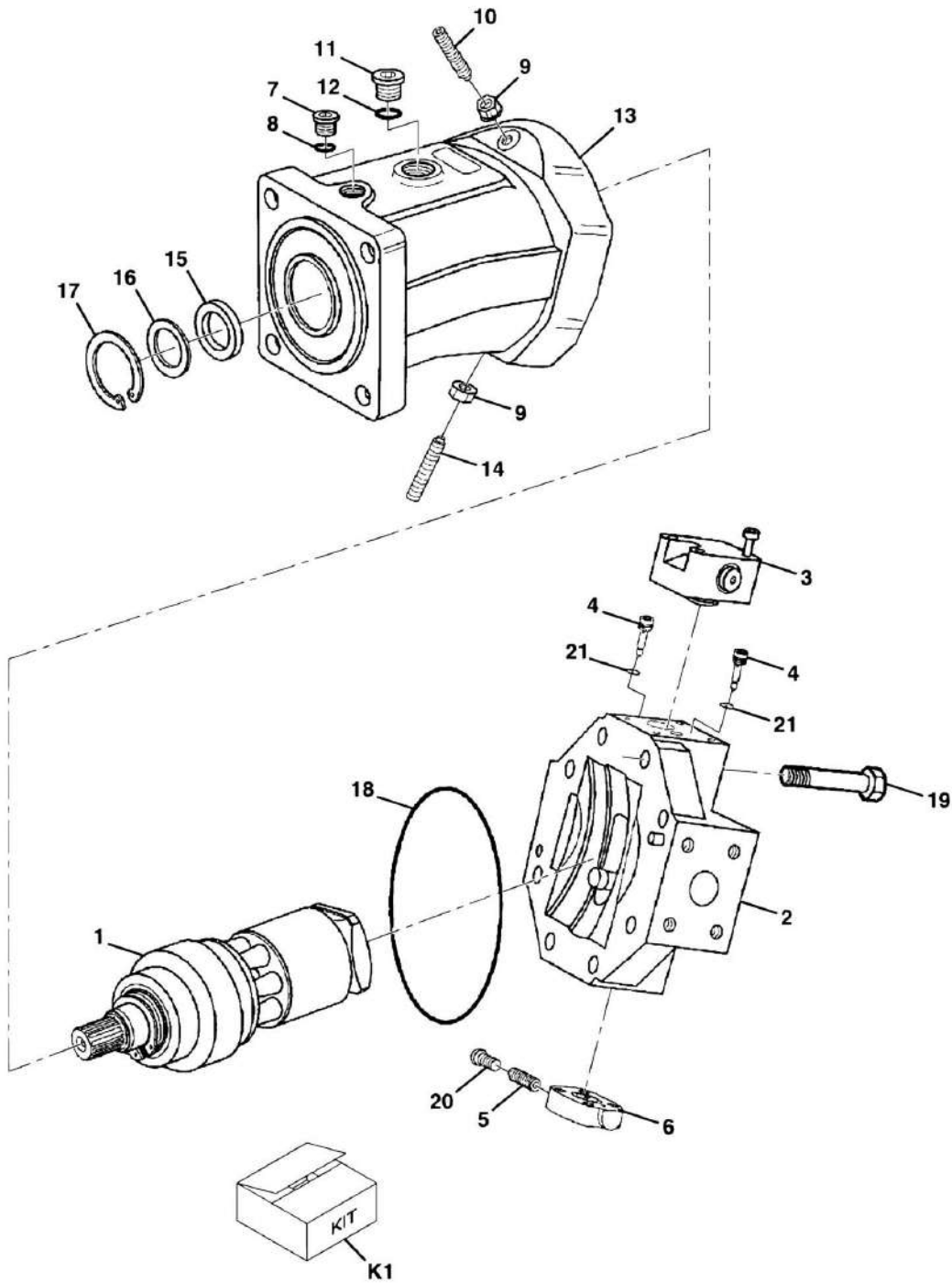
## SECTION 9 - HYDRAULIC COMPONENTS

### FIGURE 9-36. TRACTION LOCK VALVE

ITEM	PART NUMBER	QTY	DESCRIPTION	REV
	91143049	1	TRACTION LOCK VALVE, (includes all items)	I
1	91084285	8	HEX HD CAPSCREW, M10X30	
2	91084286	2	COVER	
3	Kit	2	BACK-UP RING	
4	Kit	2	O-RING	
5	91084289	2	SPRING	
6	N.S.S.	1	SPOOL, (not sold separately, order 91143049)	
7	91084298	1	PLUG, (includes item 8)	
8	Kit	1	O-RING	
9	91084299	1	ORIFICE	
10	91084290	2	PLUG, (includes item 11)	
11	Kit	2	O-RING	
12	91084362	2	RELIEF VALVE CARTRIDGE, (set at 6800 PSI), (includes items 13, 14 & 15)	
13	Kit	2	O-RING	
14	Kit	4	BACK-UP RING	
15	Kit	2	O-RING	
16	Kit	1	PLUG	
17	91144475	1	COVER	
18	91084291	2	HEX HD CAPSCREW, M6X16	
19	Kit	1	O-RING	
20	91084294	1	SPRING	
21	N.S.S.	1	VALVE BODY, (not sold separately, order 91143049)	
22	Kit	1	O-RING	
23	N.S.S.	1	SPOOL, (not sold separately, order 91143049)	
24	Kit	1	O-RING	
25	91084302	1	SOLENOID VALVE, (includes items 27 thru 29)	
26	91144015	1	CONNECTOR	
27	Kit	1	O-RING	
28	Kit	1	O-RING	
29	Kit	1	O-RING	
30	91144474	1	COVER	
31	80934205	2	HEX HD CAPSCREW, M6X30	
K1	91084284	Ref	SEAL KIT, (includes items 3, 4, 8, 11, 13 thru 16, 19, 22, 24, 27, 28 & 29)	

# SECTION 9 - HYDRAULIC COMPONENTS

## FIGURE 9-37. REAR DRIVE MOTOR



PAP19530



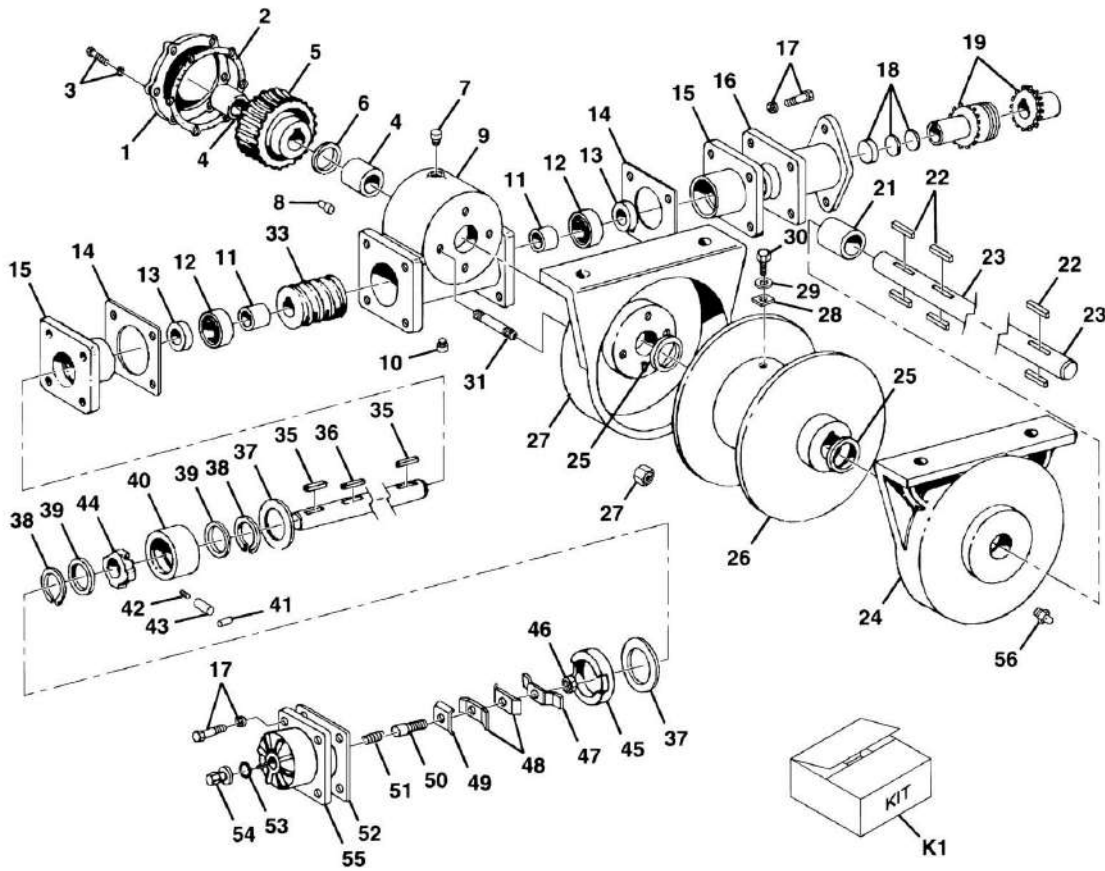
## SECTION 9 - HYDRAULIC COMPONENTS

### FIGURE 9-37. REAR DRIVE MOTOR

ITEM	PART NUMBER	QTY	DESCRIPTION	REV
	91163023	Ref	REAR DRIVE MOTOR ASSY, (includes all items)	B
1	91144415	1	ROTARY GROUP	
2	91144416	1	REAR COVER ASSY, (includes item 19)	
3	91144417	1	HZ CONTROL KIT	
4	91144418	2	THREADED PIN	
5	91144419	1	SWIVEL TIME ORIFICE	
6	91144420	1	STROKING PISTON ASSY, (includes item 20)	
7	91094028	1	PLUG, (includes item 8)	
8	Kit	1	O-RING	
9	Kit	2	SEAL NUT, M10	
10	83924121	1	STOP SCREW, (min disp)	
11	91094029	1	PLUG, (includes item 12)	
12	Kit	1	O-RING	
13	91144421	1	HOUSING	
14	83924121	1	STOP SCREW, (max disp)	
15	Kit	1	SHAFT SEAL	
16	91144422	1	SHIM	
17	91144423	1	SNAP RING	
18	Kit	1	O-RING	
19	91144424	8	CAPSCREW, M10X60	
20	91144425	1	PLUG, (includes o-ring)	
21	80434095	2	LOCKNUT SEAL	
K1	91144414	AR	SEAL KIT, (includes items 8, 9, 12, 15, 18, 21 & items not illustrated)	

# SECTION 9 - HYDRAULIC COMPONENTS

FIGURE 9-38. TRUSS BOOM WINCH (534D-9 Prior to SN 0160038519; 534D-10 Prior to SN 0160038445)



PAP19440

## SECTION 9 - HYDRAULIC COMPONENTS

**FIGURE 9-38. TRUSS BOOM WINCH (534D-9 Prior to SN 0160038519; 534D-10 Prior to SN 0160038445)**

ITEM	PART NUMBER	QTY	DESCRIPTION	REV
	90453050	Ref	TRUSS BOOM WINCH, (includes all items on this page and on WINCH MOTOR)	B
1	91404388	1	GEAR CASE COVER	
2	91404409	1	GEAR CASE GASKET	
3	88201035	6	HEX HD CAPSCREW, 3/8-16X1, GR5	
3	88551011	6	LOCKWASHER, 3/8	
4	91404394	2	BUSHING	
5	N.S.S.	1	WORM GEAR	
6	91404412	1	BUSHING	
7	N.S.S.	1	OIL FILL PLUG	
8	91404418	1	OIL LEVEL PLUG	
9	91404383	1	GEAR CASE	
10	91404419	1	OIL DRAIN PLUG	
11	91404396	2	COLLAR	
12	91404416	2	BEARING	
13	91404421	2	OIL SEAL	
14	91404408	2	BEARING HUB GASKET	
15	91404420	2	BEARING HUB	
16	N.S.S.	1	MOTOR MOUNT ADAPTER	
17	88201037	12	HEX HD CAPSCREW, 3/8-16X1-1/2, GR5	
17	88551011	8	LOCKWASHER, 3/8	
18	90208187	AR	COUPLER SPACER	
19	90208181	1	COUPLER WINCH SHAFT	
21	N.S.S.	1	LOCK SEAT BUSHING	
22	91404392	6	CABLE DRUM SHAFT KEY	
23	90208148	1	CABLE DRUM SHAFT, 5 IN	
24	N.S.S.	1	LOCK SET, 8 IN	
25	91404411	2	WASHER	
26	91404386	1	CABLE DRUM, 5 IN	
27	90208143	1	LOCK SET, 5 IN	
28	N.S.S.	1	WIRE ROPE LOCK	
29	88551011	1	LOCKWASHER, 3/8	
30	88201036	1	HEX HD CAPSCREW, 3/8-16X1-1/4, GR5	
31	91404395	4	STUD BOLT, 1/2-13X1-1/2	
32	88501008	4	HEX NUT, 1/2-13	
33	N.S.S.	1	WORM	
34	91404389	1	WORM SHAFT, (includes item 33)	
35	91404413	2	WORM SHAFT KEY	
36	N.S.S.	1	WORM SHAFT KEY	
37	Kit	2	BRAKE LINING	
38	Kit	2	LOCK RING, (V.C. type)	
39	Kit	2	SEAL	
40	Kit	1	BRAKE HOUSING	
41	Kit	1	ROLLER	
42	Kit	1	BRAKE DRUM HOUSING	
43	Kit	1	SPRING SET	
44	Kit	1	BRAKE DRUM	
45	Kit	1	BRAKE PLATE	

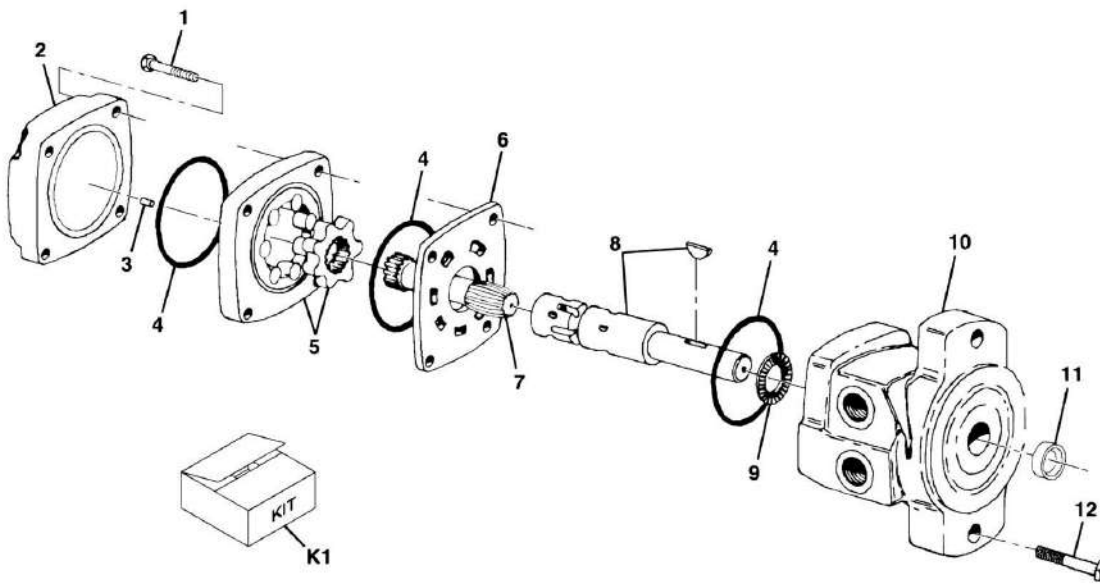
## SECTION 9 - HYDRAULIC COMPONENTS

ITEM	PART NUMBER	QTY	DESCRIPTION	REV
46	88501006	1	HEX NUT, 3/8-16	
47	Kit	1	BRAKE PLATE	
48	Kit	2	BRAKE PLATE	
49	Kit	1	FIXING PLATE	
50	Kit	1	ADJUSTING BOLT	
51	Kit	1	SPRING	
52	Kit	1	BRAKE COVER GASKET	
53	Kit	1	O-RING	
54	Kit	1	ADJUSTING NUT	
55	Kit	1	BRAKE DRUM	
56	88671001	1	STRAIGHT LUBE FITTING, 1/8	
K1	70020227	1	BRAKE KIT, (includes items 37 thru 45 & 47 thru 55)	



## SECTION 9 - HYDRAULIC COMPONENTS

FIGURE 9-39. WINCH MOTOR (534D-9 Prior to SN 0160038519; 534D-10 Prior to SN 0160038445)



PAP19450

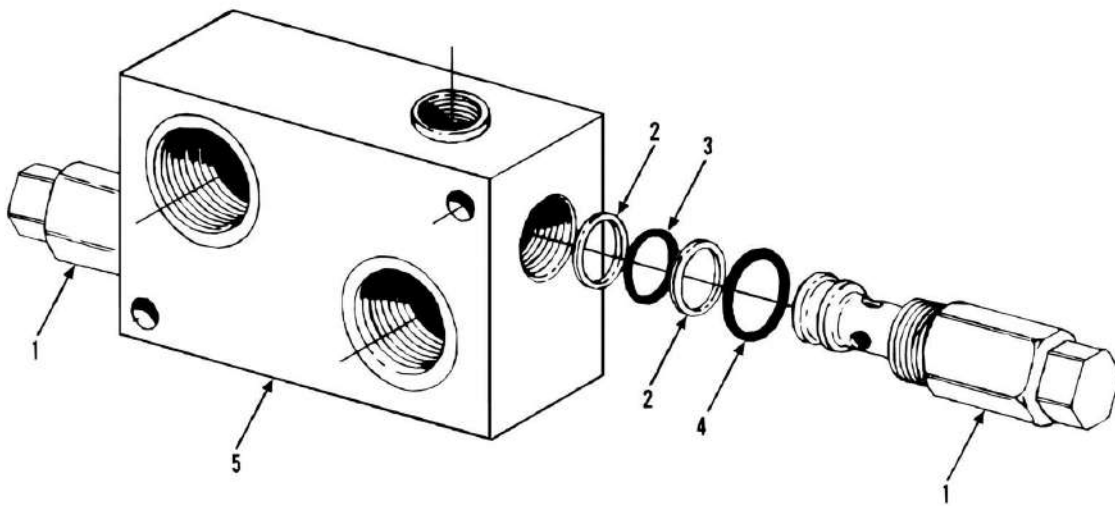
## SECTION 9 - HYDRAULIC COMPONENTS

**FIGURE 9-39. WINCH MOTOR (534D-9 Prior to SN 0160038519; 534D-10 Prior to SN 0160038445)**

ITEM	PART NUMBER	QTY	DESCRIPTION	REV
	90207879	1	WINCH MOTOR, (includes all items)	C
1	83201057	4	HEX HD CAPSCREW, 3/8-16X2, GR8	
2	7005874	1	END COVER	
3	N.S.S.	1	PIN	
4	Kit	3	SEAL	
5	N.S.S.	1	ROLLER-STATOR ASSY	
6	7005845	1	WEAR PLATE	
7	7005811	1	DRIVE LINK	
8	N.S.S.	1	SHAFT	
9	7005842	1	THRUST BEARING	
10	90208211	1	FRONT HOUSING	
11	Kit	1	SHAFT SEAL	
12	88201066	2	HEX HD CAPSCREW, 1/2-13X1-1/4, GR5	
K1	90208212	1	SHAFT SEAL KIT, (includes items 4 & 11)	

# SECTION 9 - HYDRAULIC COMPONENTS

## FIGURE 9-40. CROSSOVER VALVE





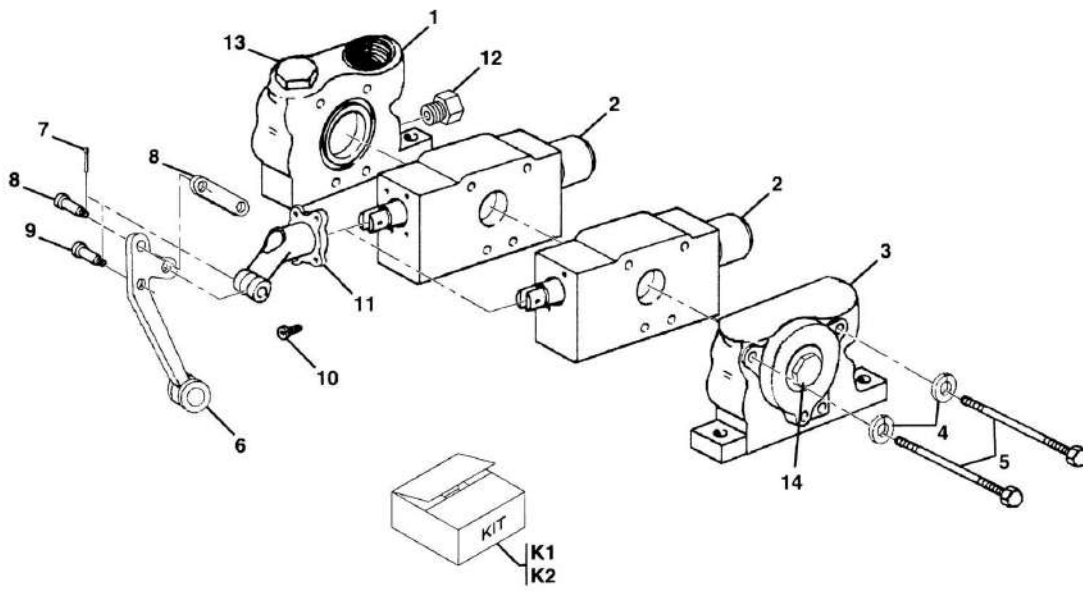
## SECTION 9 - HYDRAULIC COMPONENTS

### FIGURE 9-40. CROSSOVER VALVE

ITEM	PART NUMBER	QTY	DESCRIPTION	REV
1	90602706	1	CROSSOVER RELIEF VALVE, (includes all items)	C
2	90203440	2	RELIEF CARTRIDGE, (includes items 2 thru 4)	
3	N.S.S.	4	BACK-UP RING, (2/cartridge)	
4	N.S.S.	2	O-RING, (1/cartridge)	
5	N.S.S.	2	O-RING, (1/cartridge)	
	N.S.S.	1	BODY	

# SECTION 9 - HYDRAULIC COMPONENTS

## FIGURE 9-41. OUTRIGGER VALVE - 534D-10



PAP19340

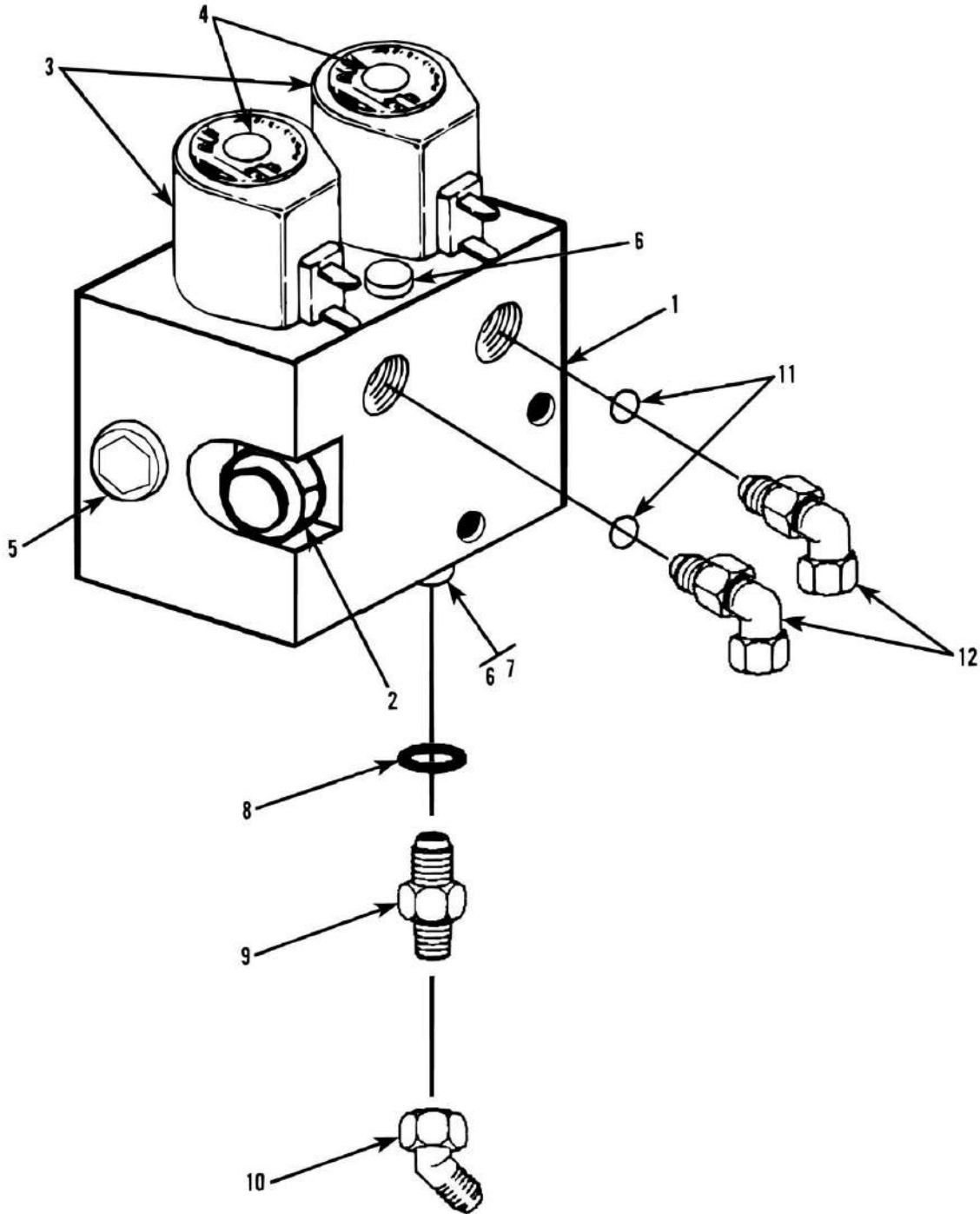
## SECTION 9 - HYDRAULIC COMPONENTS

**FIGURE 9-41. OUTRIGGER VALVE - 534D-10**

ITEM	PART NUMBER	QTY	DESCRIPTION	REV
	91143161	1	OUTRIGGER CONTROL VALVE ASSY-534D-10, (includes all items)	H
1	91144132	1	LEFT END COVER ASSY, (includes items 12 & 13)	
2	91144133	2	VALVE SECTION AND SPOOL ASSY, (not sold separately)	
3	91144134	1	RIGHT END COVER ASSY, (includes item 14)	
4	91144131	4	LOCKWASHER	
5	91144130	4	BOLT	
6	91154007	2	VERTICAL HANDLE	
7	91363036	6	HITCH PIN CLIP	
8	10719505	2	MOUNTING PLATE AND PINS	
9	91144138	2	HANDLE PIN	
10	91144139	8	FILLISTER HD MACHINE SCREW	
11	91144140	2	HANDLE BRACKET	
12	91144480	1	MAIN RELIEF PLUG	
12	91034236	1	SEAL KIT	
13	2220242	1	PLUG	
13	88591209	1	O-RING	
14	7006831	1	PLUG	
K1	91154006	2	HANDLE KIT, (includes items 6 thru 11)	
K2	90206417	AR	VALVE SECTION SEAL KIT, (one kit per section)	

## SECTION 9 - HYDRAULIC COMPONENTS

FIGURE 9-42. OPTIONAL STABILIZER VALVE ASSEMBLY (534D-9 SN 0544001 through 0544009;  
534D-10 SN 0366001 through 0366233)



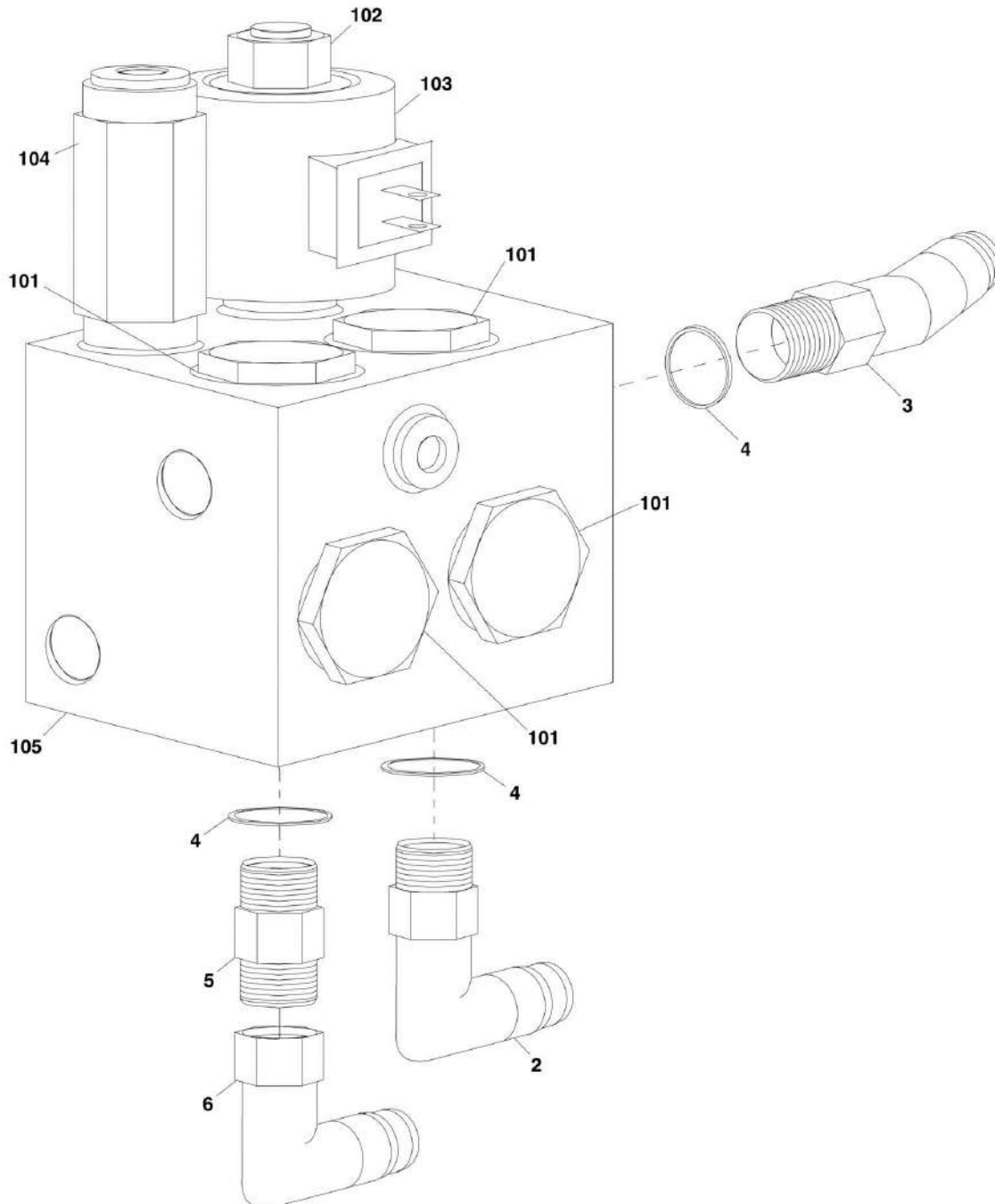
## SECTION 9 - HYDRAULIC COMPONENTS

**FIGURE 9-42. OPTIONAL STABILIZER VALVE ASSEMBLY (534D-9 SN 0544001 through 0544009;  
534D-10 SN 0366001 through 0366233)**

ITEM	PART NUMBER	QTY	DESCRIPTION	REV
	91165031	1	STABILIZER VALVE ASSY, (includes all items)	
	91163164	1	STABILIZER VALVE, (includes items 1 thru 7)	
1	N.S.S.	1	VALVE BODY, (not sold separately, order 91163164)	
2	10837580	1	CHECK VALVE	
2	7010543	1	CHECK VALVE SEAL KIT	
3	8036581	2	SOLENOID VALVE	
3	7017496	2	SOLENOID VALVE SEAL KIT	
4	7021610	2	COIL	
5	91164057	1	PORT PLUG	
5	91164058	1	PORT PLUG SEAL	
6	91164059	2	PORT PLUG	
6	91164060	2	PORT PLUG SEAL	
7	91164063	1	ORIFICE PLUG	
8	88591206	1	O-RING	
9	2220374	1	CONNECTOR, (includes item 7)	
10	2220683	1	ELBOW, 45, (swivel nut)	
11	88591205	2	O-RING	
12	2220596	2	ELBOW, 90, (includes item 11)	

# SECTION 9 - HYDRAULIC COMPONENTS

FIGURE 9-43. OPTIONAL STABILIZER VALVE ASSEMBLY (534D-9 SN 0544010 to Present; 534D-10 SN 0366234 to Present)



PAP17840

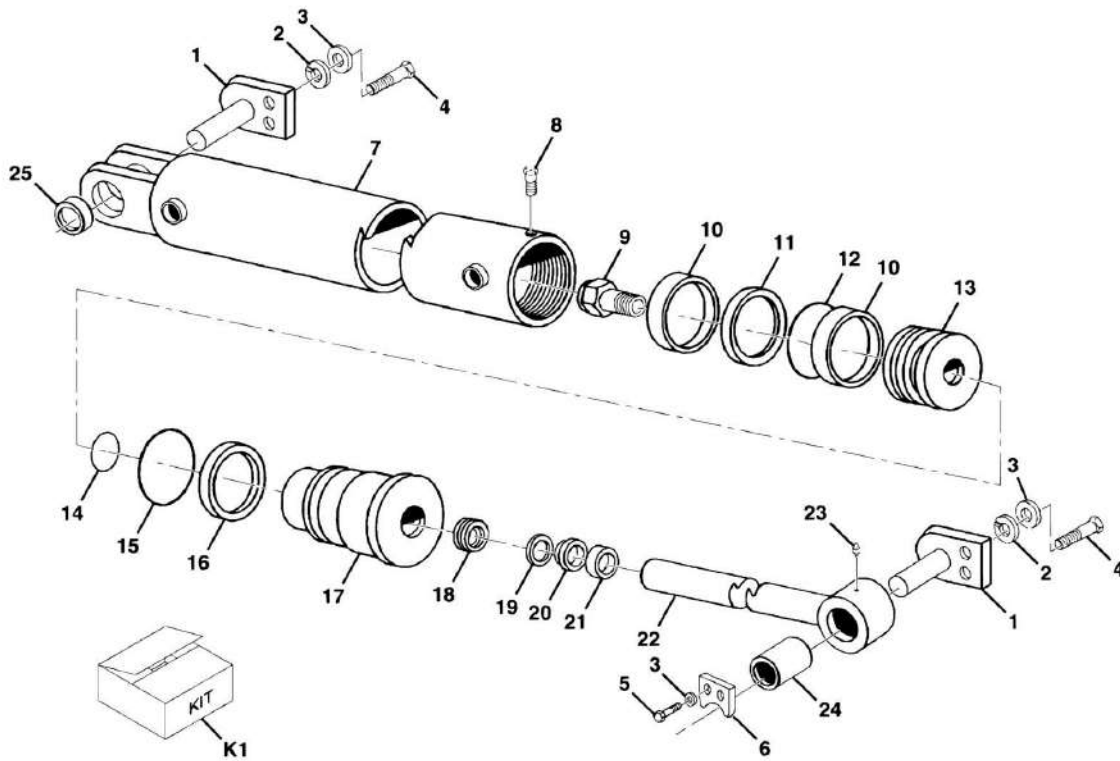
## SECTION 9 - HYDRAULIC COMPONENTS

**FIGURE 9-43. OPTIONAL STABILIZER VALVE ASSEMBLY (534D-9 SN 0544010 to Present; 534D-10 SN 0366234 to Present)**

ITEM	PART NUMBER	QTY	DESCRIPTION	REV
	91365028	1	STABILIZER VALVE ASSY, (includes all items)	C
	91113003	1	STABILIZER VALVE, (includes items 2 thru 4 & 101 thru 105)	F
2	2220596	1	ELBOW, 90, (includes item 4)	
3	2220500	1	ELBOW, 45, (includes item 4)	
4	88591205	3	O-RING	
5	2220373	1	CONNECTOR, (includes item 4)	
6	8765204	1	ELBOW, 90, (swivel nut)	
101	7017478	4	CARTRIDGE	
101	7017477	4	SEAL KIT	
102	7012910	1	CARTRIDGE	
102	7017496	1	SEAL KIT	
103	7000645	1	COIL, 12V, DUAL SPADES	
104	70024348	1	RELIEF VALVE	
104	7017496	1	SEAL KIT	
105	N.S.S.	1	VALVE BODY	

## SECTION 9 - HYDRAULIC COMPONENTS

FIGURE 9-44. STABILIZER CYLINDER (534D-9 SN 0544001 through 0744407, SN 0160000112 through 0160017475; 534D-10 SN 0366001 through 0366533, SN 0160000125 through 016001731)



PAP20050



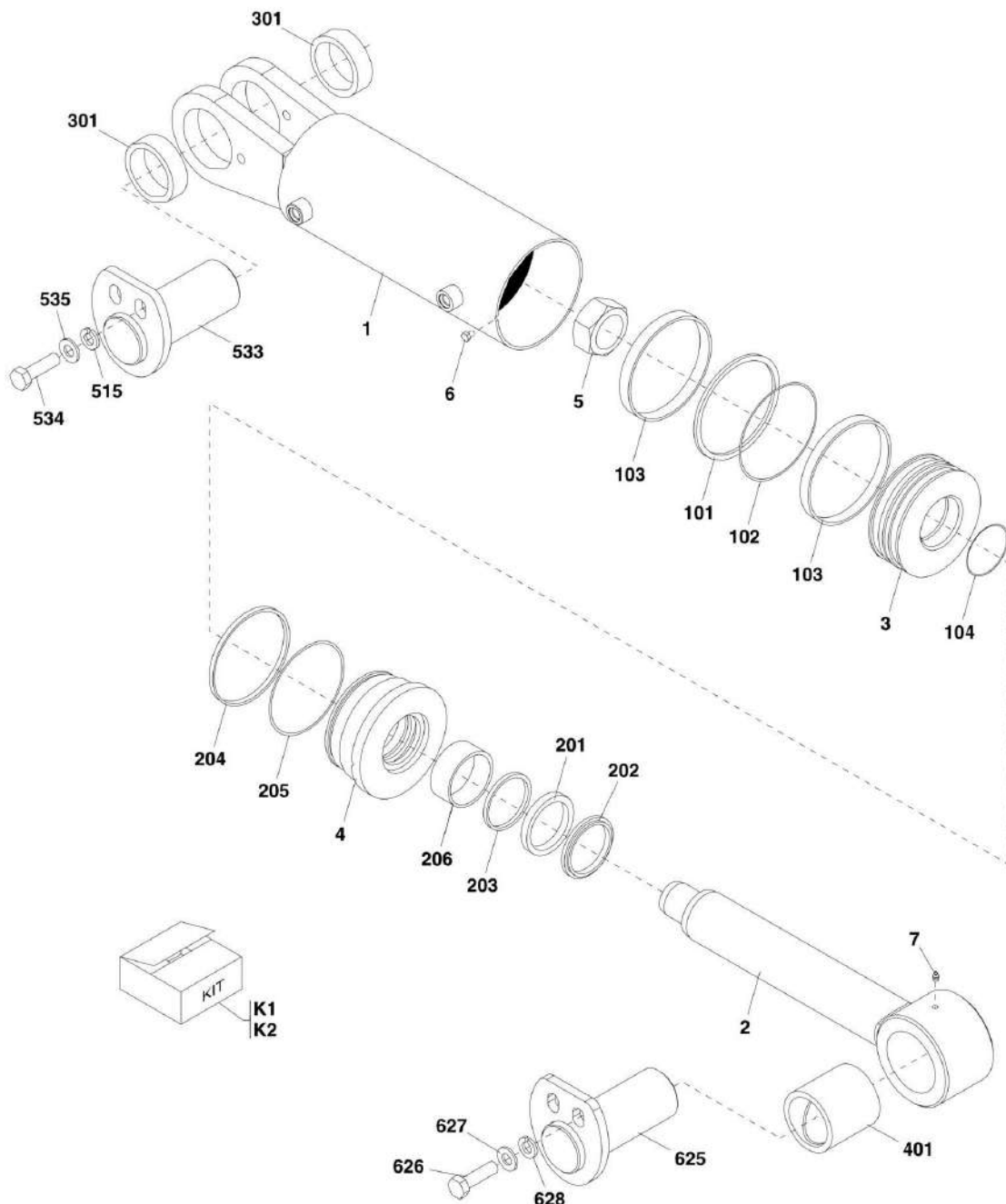
## SECTION 9 - HYDRAULIC COMPONENTS

**FIGURE 9-44. STABILIZER CYLINDER (534D-9 SN 0544001 through 0744407, SN 0160000112 through 0160017475; 534D-10 SN 0366001 through 0366533, SN 0160000125 through 016001731)**

ITEM	PART NUMBER	QTY	DESCRIPTION	REV
	91163045	1	STABILIZER CYLINDER, (includes all items except 1 thru 5)	J
1	91166062	2	CYLINDER PIN	
2	88551013	4	LOCKWASHER, 1/2	
3	88561111	6	FLAT WASHER, 1/2	
4	88201066	4	HEX HD CAPSCREW, 1/2-13X1-1/4, GR5	
5	88201065	2	HEX HD CAPSCREW, 1/2-13X1, GR5	
6	91161269	2	PIN KEEPER	
7	91164028	1	CASE ASSY	
8	91124096	1	CAPSCREW	
9	91064017	1	LOCKNUT	
10	Kit	2	WEAR RING	
11	Kit	1	PISTON SEAL	
12	Kit	1	O-RING	
13	91044033	1	PISTON	
14	Kit	1	O-RING	
15	Kit	1	O-RING	
16	Kit	1	BACK-UP RING	
17	91144034	1	CYLINDER HEAD	
18	Kit	1	WEAR RING	
19	Kit	1	STEP SEAL	
20	Kit	1	U-CUP	
21	91124103	1	WIPER	
22	91164029	1	SHAFT ASSY	
23	91144128	1	GREASE FITTING	
24	91164030	1	BUSHING	
25	91164031	2	BUSHING	
K1	91144005	Ref	SEAL KIT, (includes items 10, 11, 12, 14, 15, 16, 18, 19 & 20)	

# SECTION 9 - HYDRAULIC COMPONENTS

FIGURE 9-45. STABILIZER CYLINDER (534D-9 SN 0160017506 to Present; 534D-10 SN 0160017511 to Present)



PAP20060

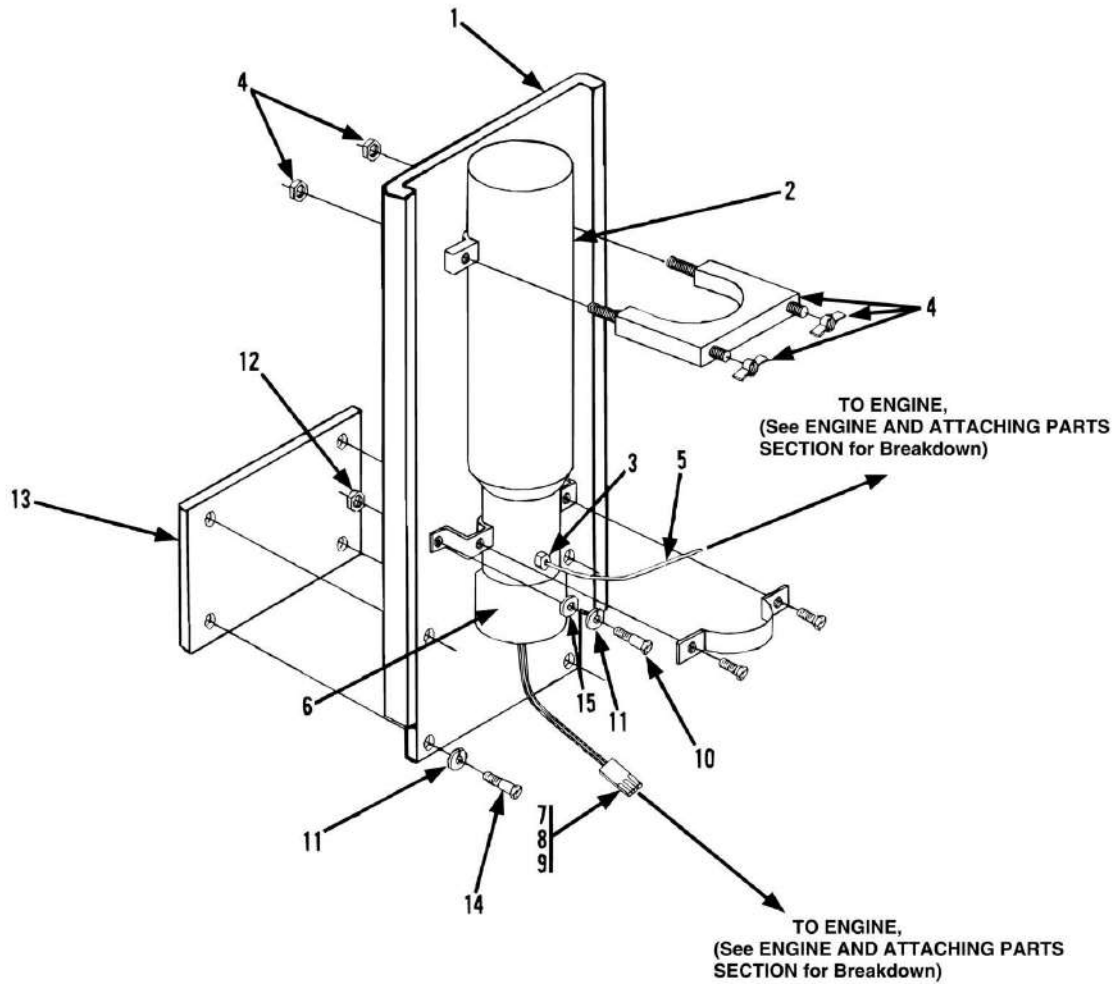
## SECTION 9 - HYDRAULIC COMPONENTS

**FIGURE 9-45. STABILIZER CYLINDER (534D-9 SN 0160017506 to Present; 534D-10 SN 0160017511 to Present)**

ITEM	PART NUMBER	QTY	DESCRIPTION	REV
	91343234	1	STABILIZER CYLINDER, (includes items 1 thru 401)	B
1	7029955	1	BARREL ASSY, (includes item 301)	
2	7029956	1	ROD ASSY, (includes item 401)	
3	7029957	1	PISTON ASSY, (includes items 101 thru 104)	
4	7029958	1	ROD BEARING ASSY, (includes items 201 thru 206)	
5	91044206	1	NUT	
6	7029760	1	CAPSCREW	
7	91044080	1	GREASE FITTING	
101	Kit	1	PISTON SEAL	
102	Kit	1	O-RING	
103	Kit	2	WEAR RING	
104	Kit	1	O-RING	
201	Kit	1	ROD SEAL	
202	Kit	1	WIPER	
203	Kit	1	BUFFER SEAL	
204	Kit	1	O-RING	
205	Kit	1	BACK-UP RING	
206	Kit	1	WEAR RING	
301	7029979	2	BUSHING	
401	7029978	1	BUSHING	
515	4761800	2	LOCKWASHER, 1/2	
533	91166062	1	CYLINDER PIN	
534	0641810	2	HEX HD CAPSCREW, 1/2-13X1-1/4, GR5	
535	4711800	2	FLAT WASHER, 1/2	
625	91166062	1	CYLINDER PIN	
626	88201066	2	HEX HD CAPSCREW, 1/2-13X1-1/4, GR5	
627	88551013	2	FLAT WASHER, 1/2	
628	88561111	2	LOCKWASHER, 1/2	
K1	7029976	1	PISTON SEAL KIT, (includes items 101 thru 104)	
K2	7029977	1	ROD BEARING SEAL KIT, (includes items 201 thru 206)	

# SECTION 9 - HYDRAULIC COMPONENTS

FIGURE 9-46. QUICK START CYLINDER AND VALVE ASSEMBLY



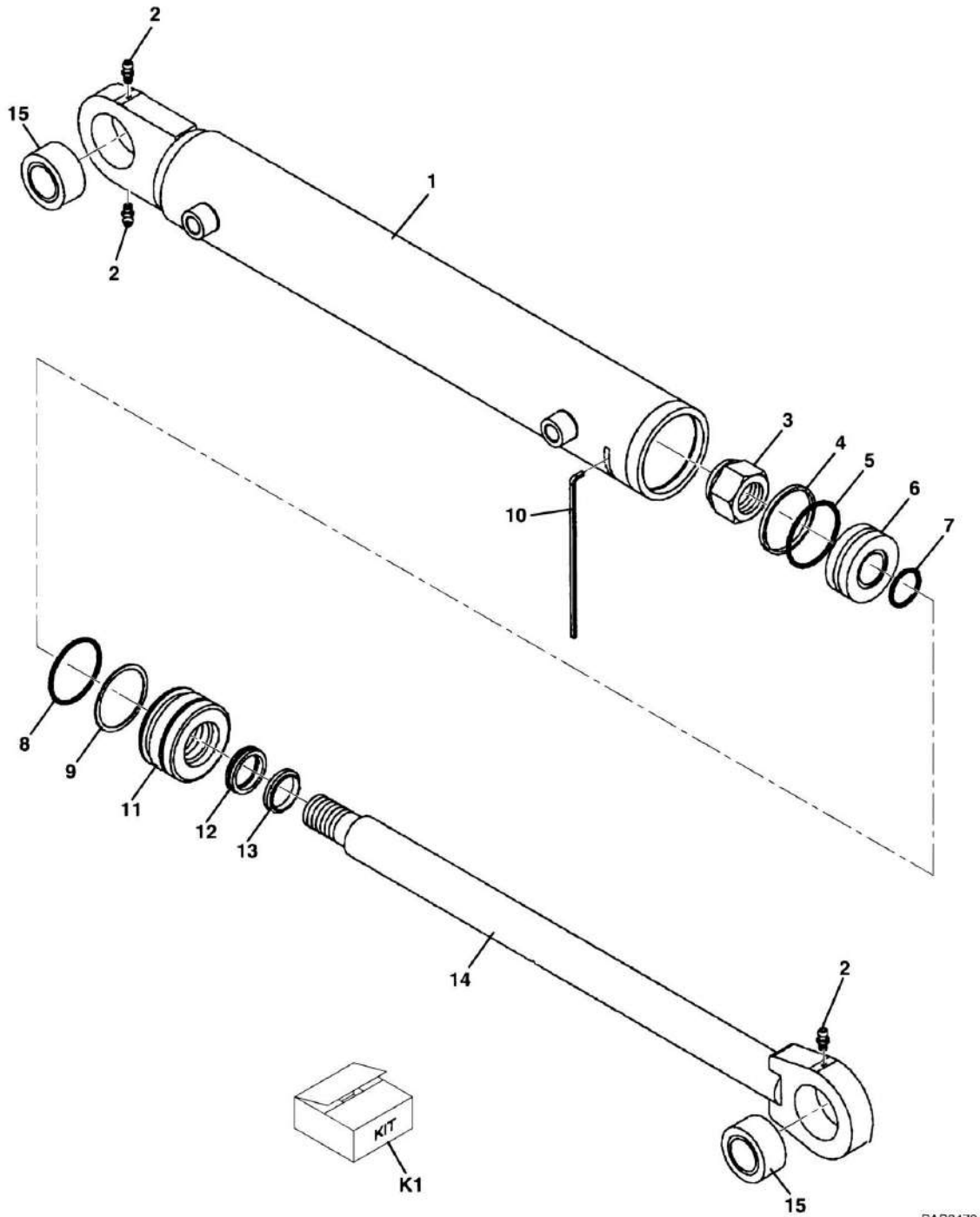
## SECTION 9 - HYDRAULIC COMPONENTS

**FIGURE 9-46. QUICK START CYLINDER AND VALVE ASSEMBLY**

ITEM	PART NUMBER	QTY	DESCRIPTION	REV
	91345005	1	QUICK START CYL AND VALVE ASSY, (includes all items except items 5, 13, 14 & 4 of item 11)	B
1	91081601	1	MOUNTING BRACKET	
2	83953028	1	ETHER CYLINDER	
3	91363026	1	VALVE FITTING	
4	91363027	1	CYLINDER CLAMP	
5	91363028	1	NYLON TUBE	
6	91363030	1	VALVE, (includes valve brace)	
7	80963058	1	SHROUD CONNECTOR	
8	80963069	2	MALE PIN TERMINAL	
9	80963065	2	CABLE SEAL	
10	88201003	2	HEX HD CAPSCREW, 1/4-20X3/4, GR5	
11	88551009	6	LOCKWASHER, 1/4	
12	88501004	2	HEX NUT, 1/4-20	
13	91341001	1	MOUNTING BAR	
14	88201001	4	HEX HD CAPSCREW, 1/4-20X1/2, GR5	
15	88561107	2	FLAT WASHER, #2	

# SECTION 9 - HYDRAULIC COMPONENTS

## FIGURE 9-47. 180, SWING CARRIAGE CYLINDER



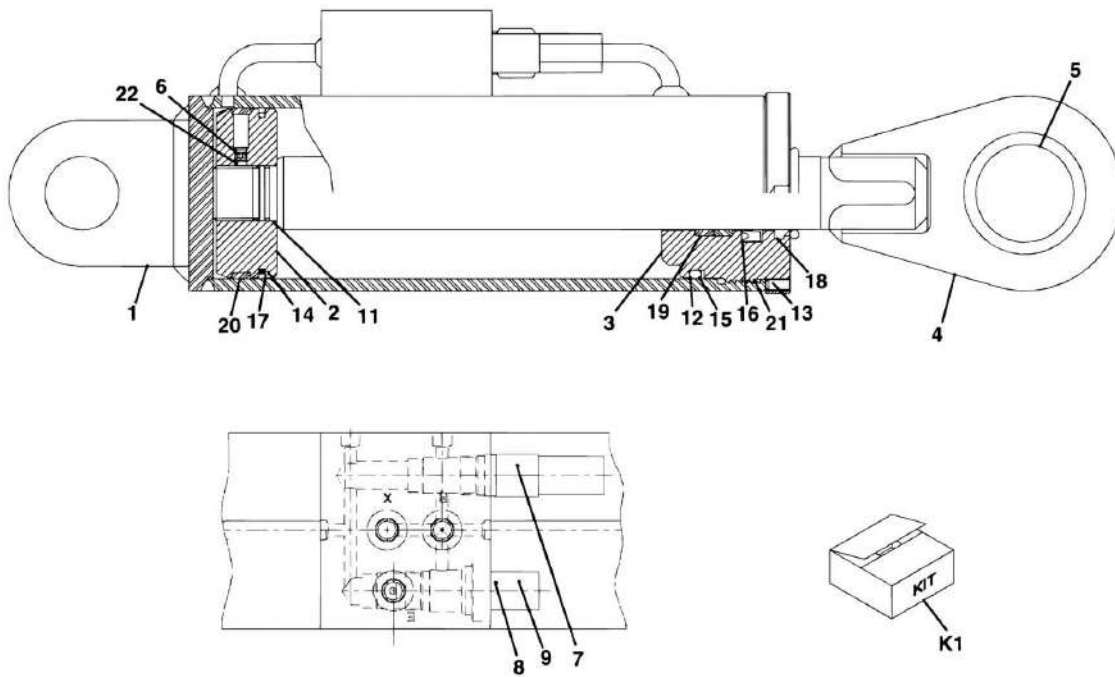
## SECTION 9 - HYDRAULIC COMPONENTS

**FIGURE 9-47. 180, SWING CARRIAGE CYLINDER**

ITEM	PART NUMBER	QTY	DESCRIPTION	REV
	7029995	1	180, SWING CARRIAGE CYLINDER, (includes all items)	
1	70021441	1	BARREL ASSY	
2	90554045	3	GREASE FITTING	
3	70021440	1	HEX NUT	
4	Kit	1	PISTON RING	
5	Kit	1	O-RING	
6	70021976	1	PISTON	
7	Kit	1	O-RING	
8	Kit	1	O-RING	
9	Kit	1	BACK-UP WASHER	
10	Kit	1	RETAINER RING	
11	70021443	1	GLAND	
12	Kit	1	POLY-PAK SEAL, TYPE B	
13	Kit	1	ROD WIPER	
14	70021442	1	ROD ASSY	
15	90554046	2	BUSHING	
K1	70021453	1	SEAL KIT, (includes items 4, 5, 7 thru 10, 12 & 13)	

# SECTION 9 - HYDRAULIC COMPONENTS

FIGURE 9-48. 72 IN 90, SWING CARRIAGE CYLINDER



PAP11180



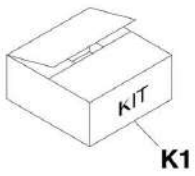
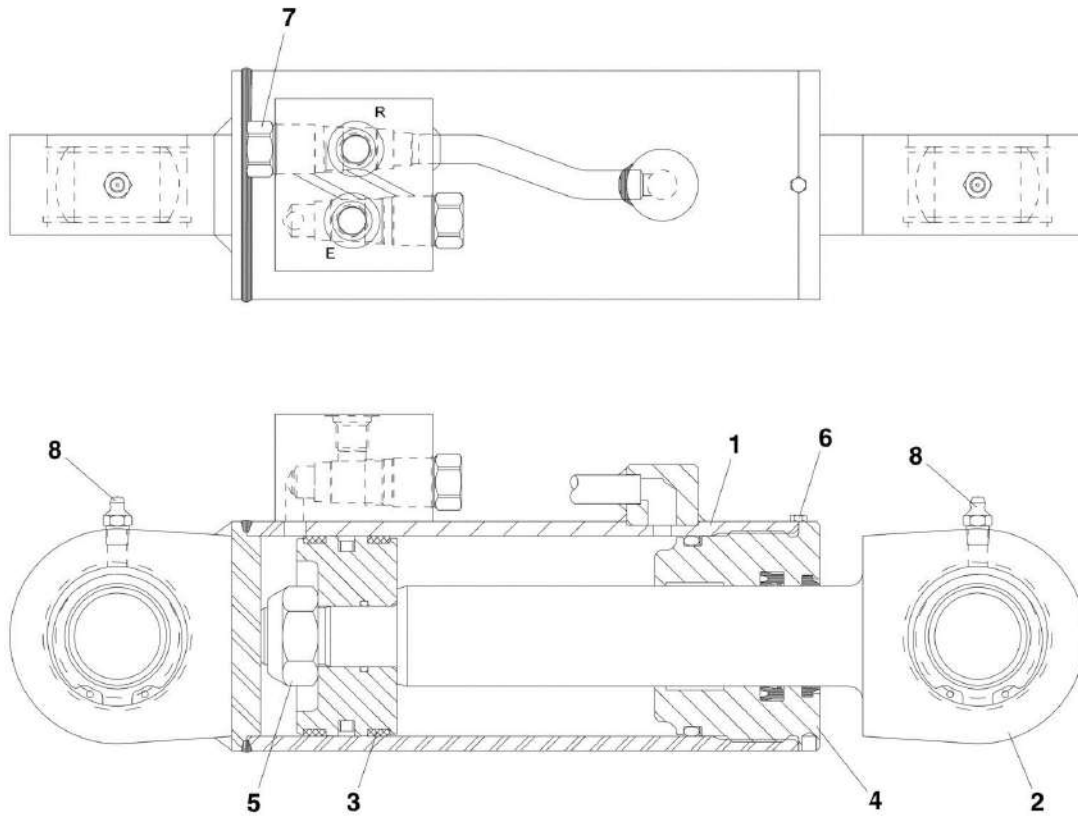
## SECTION 9 - HYDRAULIC COMPONENTS

**FIGURE 9-48. 72 IN 90, SWING CARRIAGE CYLINDER**

ITEM	PART NUMBER	QTY	DESCRIPTION	REV
	1001103182	1	SWING CARRIAGE CYLINDER, (includes items 1 thru 22)	B
1	70022044	1	TUBE ASSY	
2	8035863	1	PISTON	
3	8035862	1	HEAD GLAND	
4	70022045	1	ROD ASSY	
5	70022046	1	BEARING	
6	8035536	2	SET SCREW, 5/16-18X1/2	
7	70020428	1	RELIEF VALVE, (preset to 2000 psi)	
7	7024574	1	SEAL KIT	
8	8033786	1	COUNTER BALANCE VALVE, (preset to 3000 psi)	
8	8205655	1	SEAL KIT	
9	70021812	1	TAMPERROOF CAP	
11	Kit	1	O-RING	
12	Kit	1	O-RING	
13	Kit	1	O-RING	
14	Kit	1	SQUARE RING	
15	Kit	1	BACK-UP RING	
16	Kit	1	SEAL	
17	Kit	1	PISTON SEAL	
18	Kit	1	ROD WIPER	
19	Kit	2	WEARBAND	
20	Kit	1	WEARBAND	
21	Kit	2	LOCKING INSERT	
22	Kit	2	LOCKING INSERT	
K1	2915023	1	SEAL KIT, (includes items 11 thru 22)	

# SECTION 9 - HYDRAULIC COMPONENTS

## FIGURE 9-49. SIDE TILT CARRIAGE CYLINDER



PAP20070

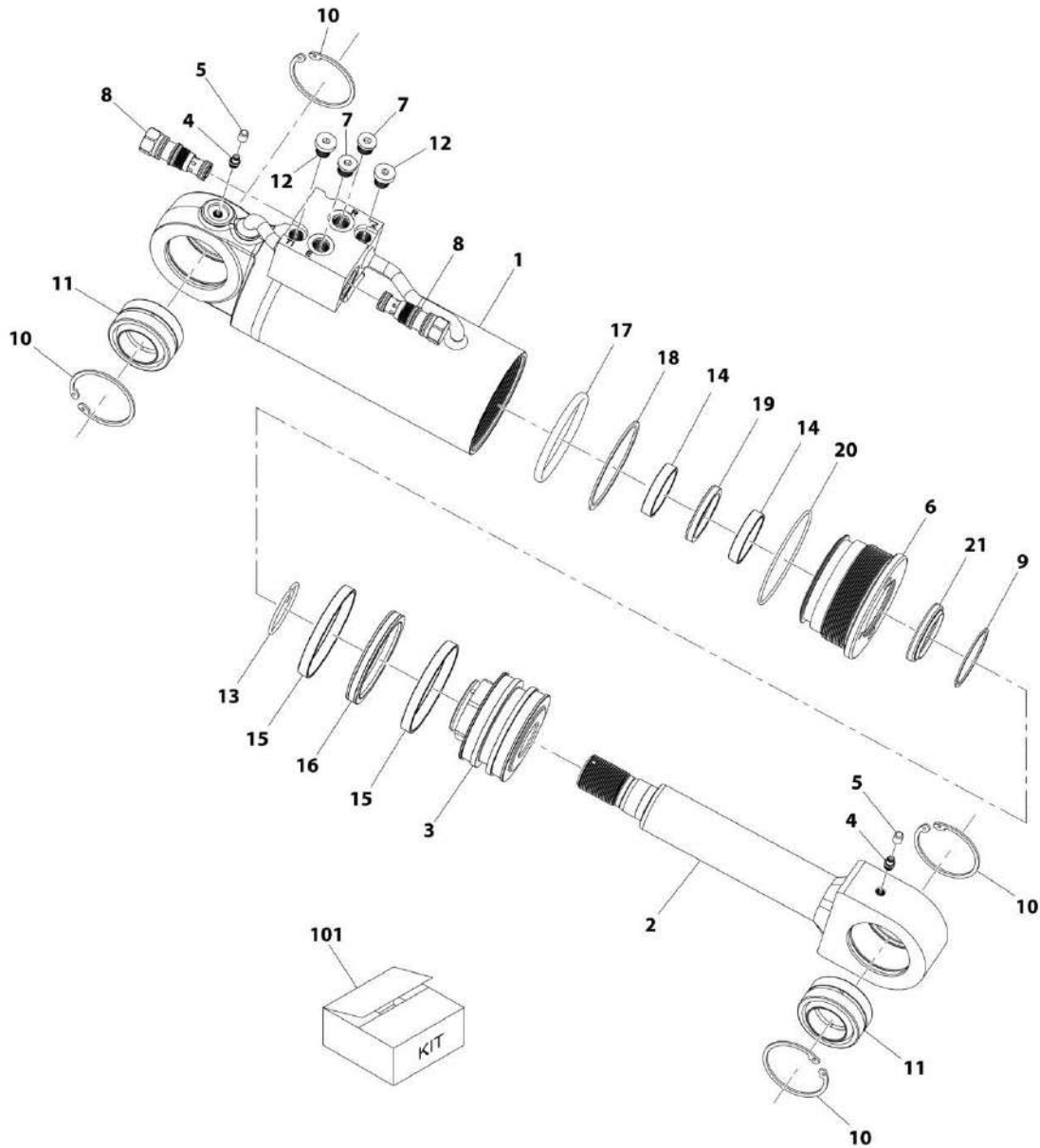
## SECTION 9 - HYDRAULIC COMPONENTS

**FIGURE 9-49. SIDE TILT CARRIAGE CYLINDER**

ITEM	PART NUMBER	QTY	DESCRIPTION	REV
	1001090134	NLA	SIDE TILT CARRIAGE CYLINDER, (no longer available, see items 1 thru 8 for service or 1001163414 for replacement)	C
1	70022038	1	BARREL ASSY	
2	70022039	1	ROD ASSY	
3	70022040	1	PISTON	
3	70022042	1	SEAL KIT	
4	70021908	1	ROD BEARING	
4	70022043	1	SEAL KIT	
5	90022230	1	HEX NUT	
6	7029760	1	CAPSCREW	
7	4640438	2	CHECK VALVE	
7	2900770	1	SEAL KIT	
8	91044080	2	GREASE FITTING	
K1	70022041	1	SEAL KIT, (contains 70022042 & 70022043)	

# SECTION 9 - HYDRAULIC COMPONENTS

## FIGURE 9-50. SIDE TILT CARRIAGE CYLINDER



ART\_1001163414-A

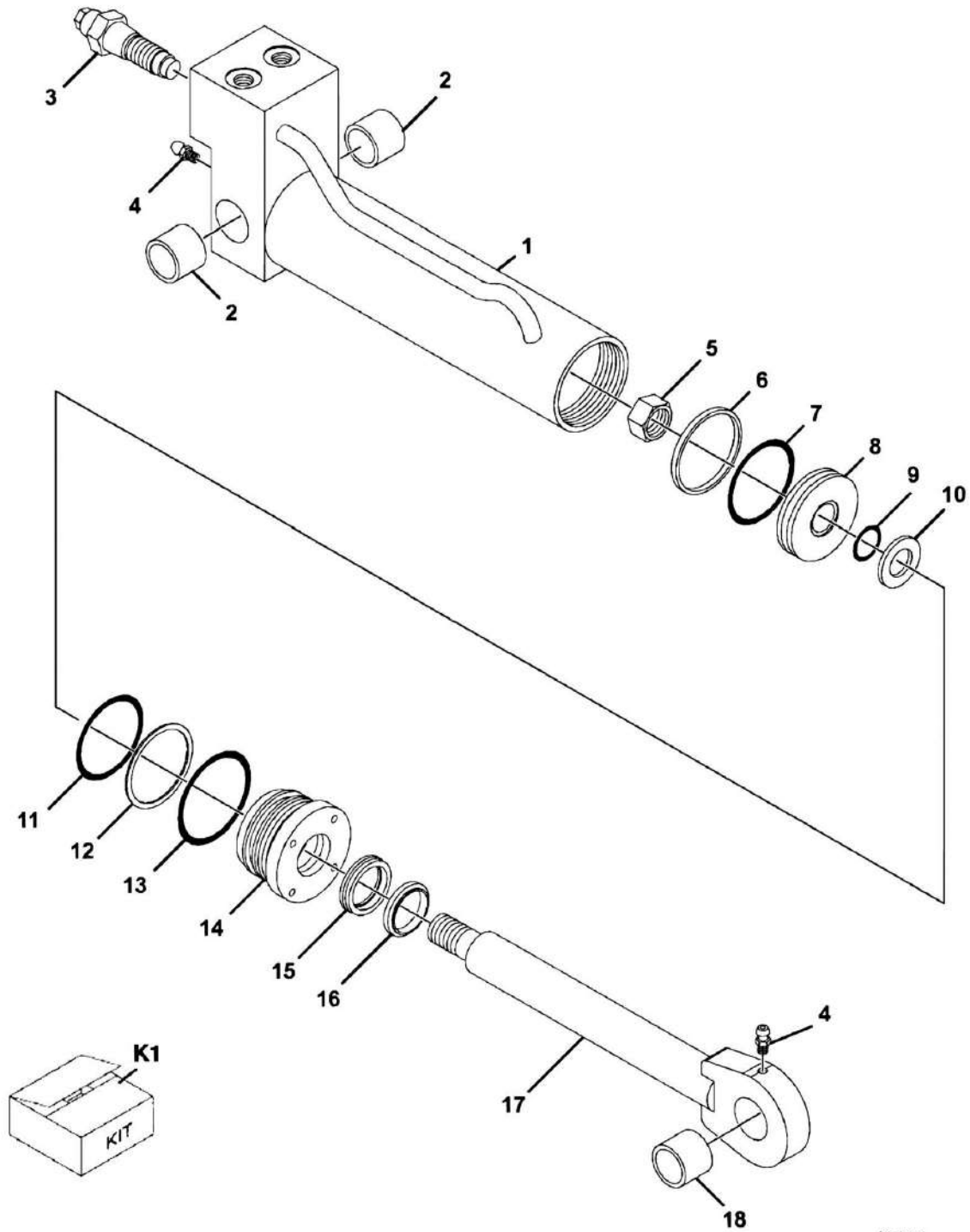
## SECTION 9 - HYDRAULIC COMPONENTS

**FIGURE 9-50. SIDE TILT CARRIAGE CYLINDER**

ITEM	PART NUMBER	QTY	DESCRIPTION	REV
	1001163414	Ref	SIDE TILT CARRIAGE CYLINDER, (includes all items)	A
1	70026056	1	BARREL	
2	70026057	1	ROD	
3	70026058	1	HEAD, PISTON	
4	70025606	2	NIPPLE, GREASE	
5	70024020	2	FITTING, GREASE	
6	70003849	1	GLAND	
7	70025959	2	PLUG	
8	70026059	2	VALVE, P.O. CHECK	
9	70002219	1	RING, INTERNAL SNAP	
10	70026060	4	RING, INTERNAL SNAP	
11	70026061	2	BEARING, SPHERICAL	
12	70024262	2	PLUG	
13	70002224	1	RING, LOCKING	
14	Kit	2	RING, ROD BEARING	
15	Kit	2	RING, PISTON BEARING	
16	Kit	1	SEAL, PISTON	
17	Kit	1	O-RING	
18	Kit	1	RING, BACK-UP	
19	Kit	1	SEAL, ROD	
20	Kit	1	O-RING	
21	Kit	1	SEAL, WIPER	
101	70026062	1	SEAL KIT, (includes items 14 thru 21)	

# SECTION 9 - HYDRAULIC COMPONENTS

## FIGURE 9-51. GRAPPLE BUCKET CYLINDER



## SECTION 9 - HYDRAULIC COMPONENTS

**FIGURE 9-51. GRAPPLE BUCKET CYLINDER**

ITEM	PART NUMBER	QTY	DESCRIPTION	REV
	70021393	1	GRAPPLE BUCKET CYLINDER, (includes all items)	
1	70021465	1	CYLINDER TUBE	
2	70021448	2	BUSHING	
3	70021464	2	VALVE CARTRIDGE	
4	90554045	2	GREASE FITTING	
5	70021440	1	HEX NUT	
6	Kit	1	PISTON RING	
7	Kit	1	O-RING	
8	70021451	1	PISTON	
9	Kit	1	O-RING	
10	70021444	1	WASHER	
11	Kit	1	O-RING	
12	Kit	1	BACK-UP WASHER	
13	Kit	1	O-RING	
14	70021446	1	CYLINDER GLAND	
15	Kit	1	POLY-PAK SEAL	
16	Kit	1	ROD WIPER	
17	70021466	1	PISTON ROD	
18	70021447	1	BUSHING	
K1	70021452	1	SEAL KIT, (includes items 6, 7, 9, 11 thru 13, 15 & 16)	

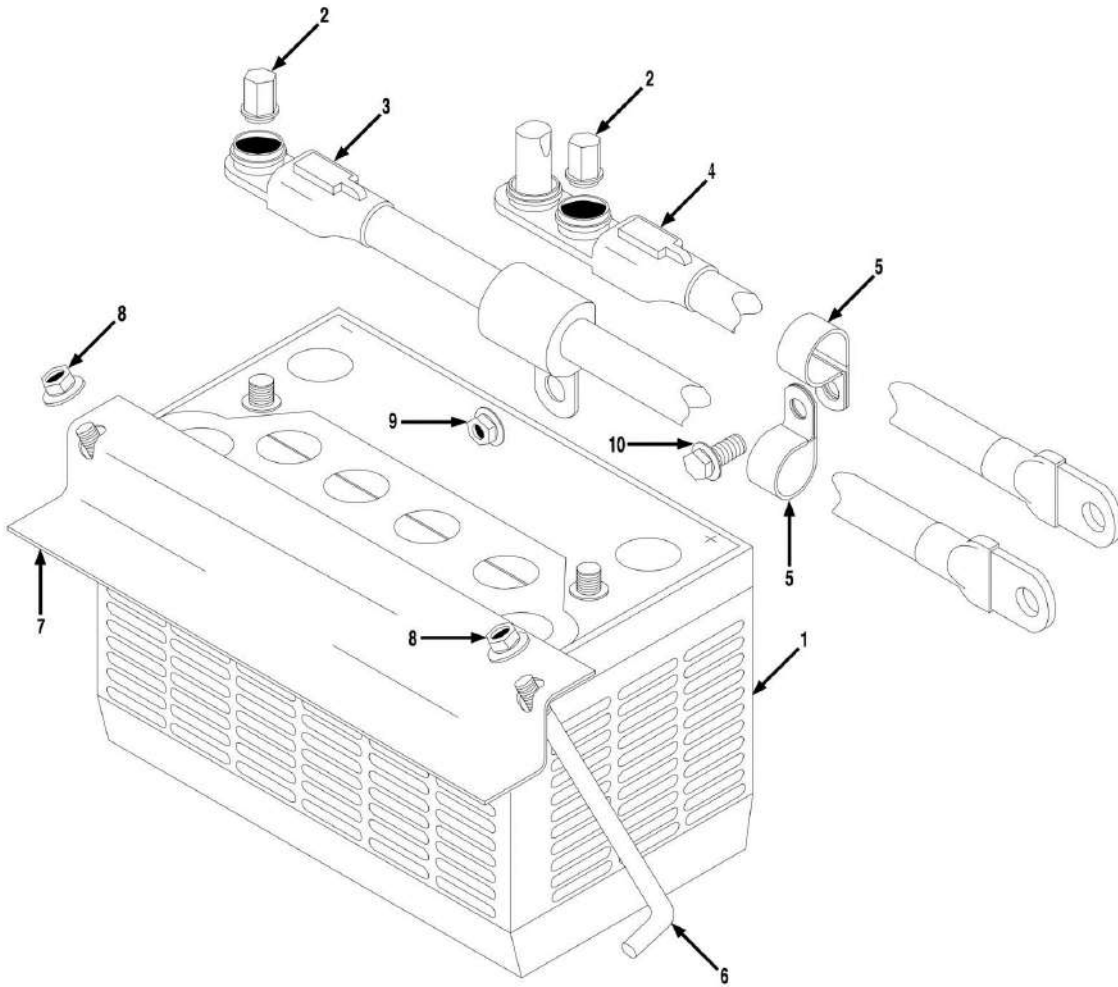




**SECTION 10 - ELECTRICAL**

# SECTION 10 - ELECTRICAL

**FIGURE 10-1. BATTERY AND CABLES (534D-9 Prior to SN 0160035983, Excluding 0160034957; 534D-10 Prior to SN 0160035696)**



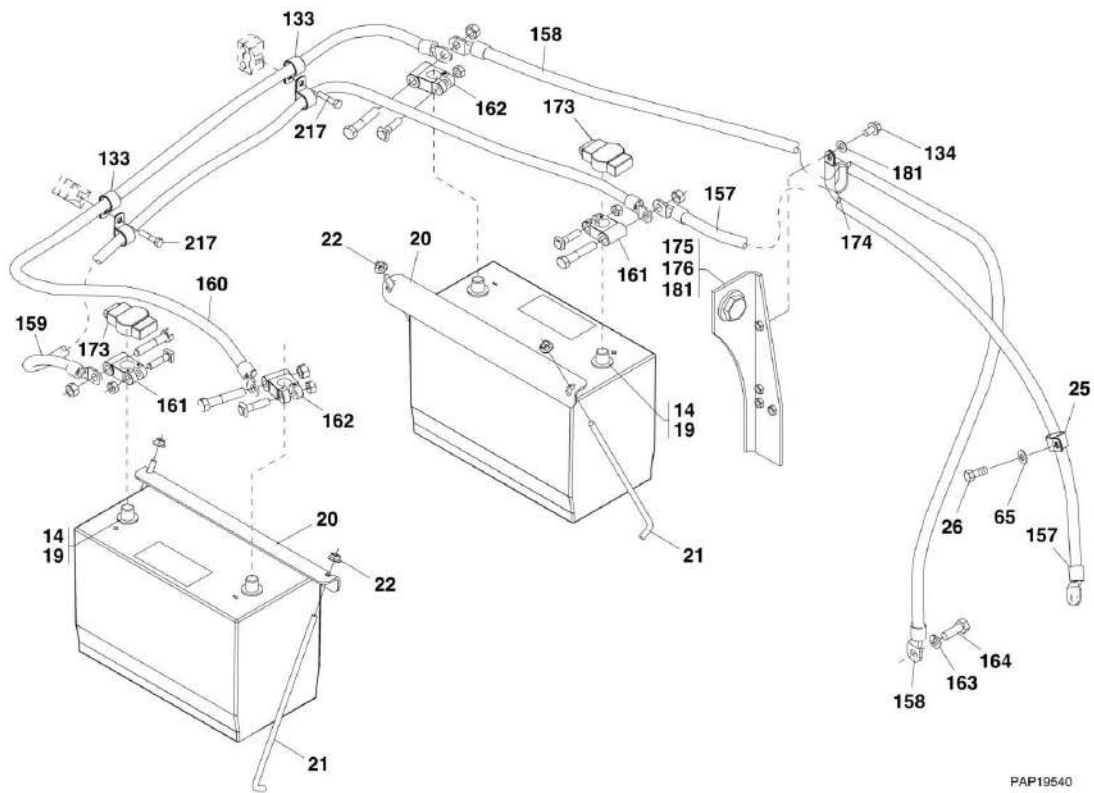
## SECTION 10 - ELECTRICAL

**FIGURE 10-1. BATTERY AND CABLES (534D-9 Prior to SN 0160035983, Excluding 0160034957;  
534D-10 Prior to SN 0160035696)**

ITEM	PART NUMBER	QTY	DESCRIPTION	REV
1	91083483	1	BATTERY, (12 volt, 1000 amps), TOP STUD, 3/8-16 UNC THREAD,BCI GROUP 31	C
2	77383567	2	BATTERY POST TERMINAL	
3	91143124	1	NEGATIVE BATTERY CABLE	
4	91473228	1	POSITIVE BATTERY CABLE	
5	85941017	4	SUPPORT CLAMP	
6	91081640	2	HOLD DOWN STUD	
7	91141429	1	BATTERY HOLD DOWN	
8	77143006	2	WHIZ-LOCKNUT, 5/16-18	
9	77143015	2	WHIZ-LOCKNUT, 3/8-16	
10	77143003	2	WHIZ-LOCK SCREW, 5/16-18X5/8	
10	14403416	AR	DI-ELECTRIC GREASE, (add to caps of jump terminals on battery cables)	

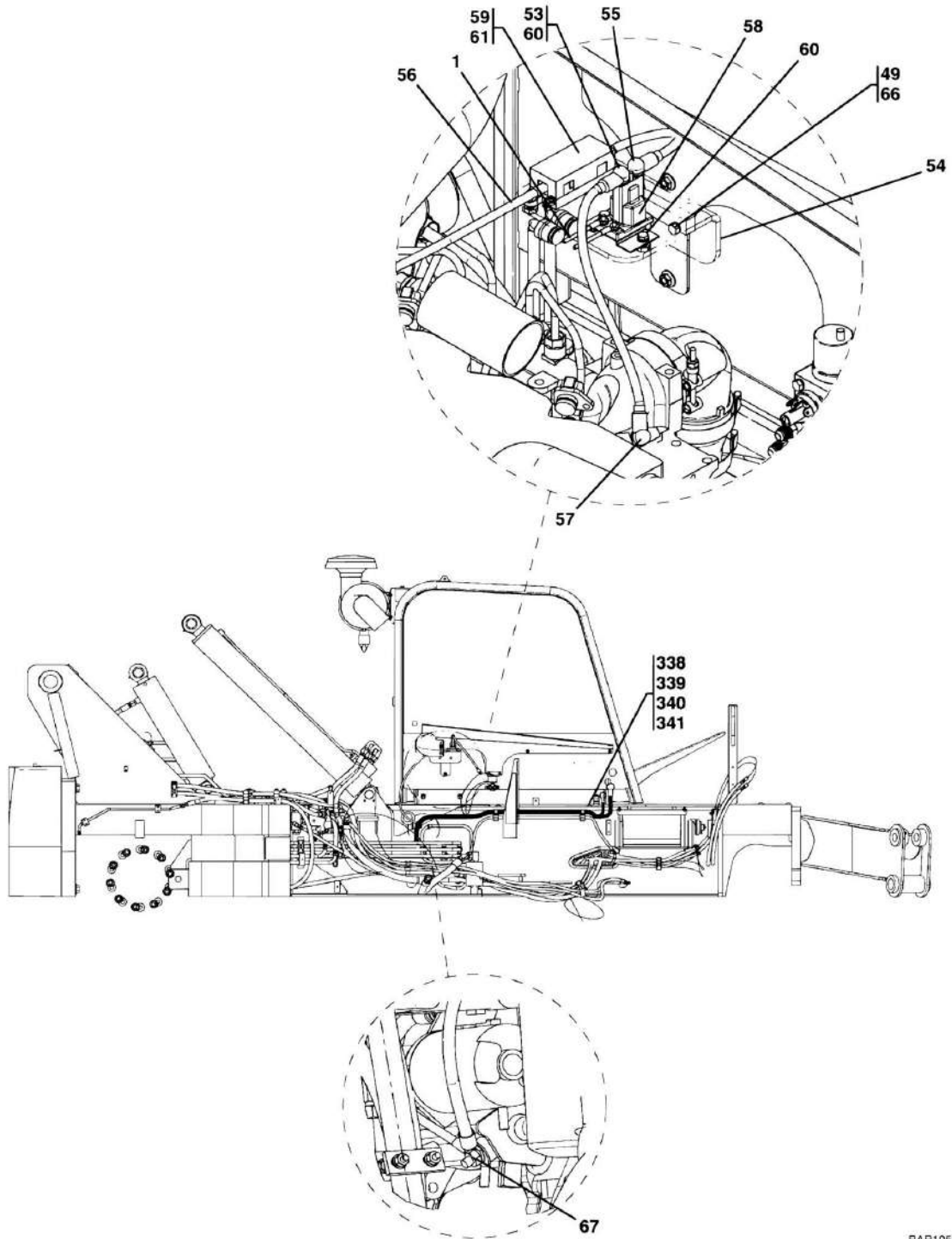
# SECTION 10 - ELECTRICAL

FIGURE 10-2. BATTERY AND CABLES (534D-9 SN 0160035983 to Present, Including 0160034957; 534D-10 SN 0160035696 to Present)



PAP19540

# SECTION 10 - ELECTRICAL



PAP19580

## SECTION 10 - ELECTRICAL

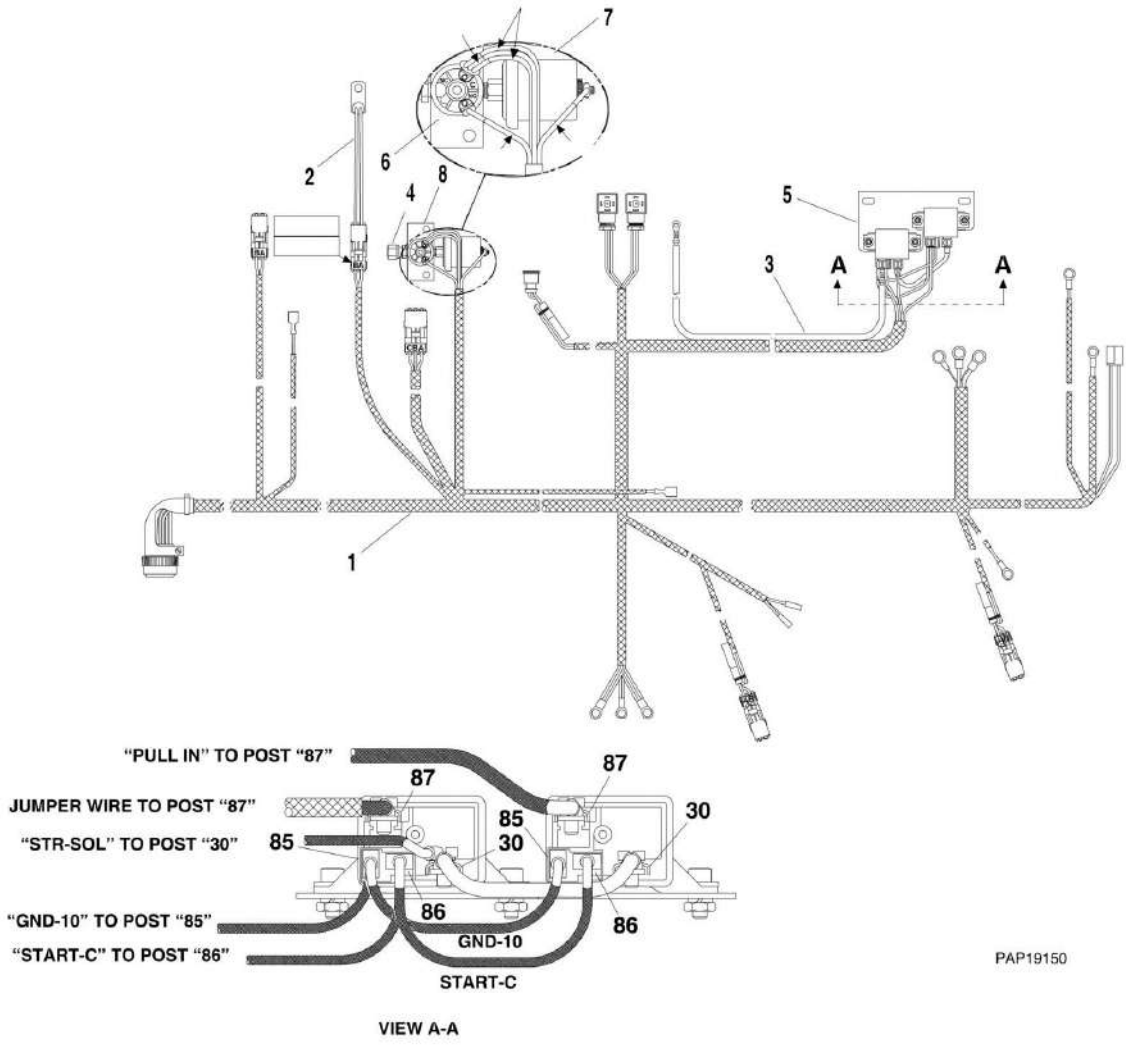
**FIGURE 10-2. BATTERY AND CABLES (534D-9 SN 0160035983 to Present, Including 0160034957;  
534D-10 SN 0160035696 to Present)**

ITEM	PART NUMBER	QTY	DESCRIPTION	REV
1		Ref	ECU ENGINE HARNESS, (See ECU ENGINE HARNESS for Breakdown)	
14	14403416	AR	DI-ELECTRIC GREASE	
19	0400075	2	BATTERY, (12 volt)	
20	91401281	2	BATTERY HOLD DOWN	
21	91081640	4	HOLD DOWN BOLT	
22	77143006	4	WHIZ-LOCKNUT, 5/16-18	
25	85841150	1	SUPPORT CLAMP	
26	0791605	1	SCREW, 3/8-16X5/8	
49	4761400	2	WASHER, 1/4	
53	8307219	4	WASHER, M6	
54	1001102112	1	COLD START RELAY BRACKET	
55	7301448	1	GRID HEATER CABLE, FUSE TO RELAY	
56	7301524	1	GRID HEATER CABLE, BATTERY TO FUSE	
57	7301525	1	GRID HEATER CABLE, RELAY TO GRID HEATER	
58	8225122	1	RELAY, 12VDC	
59	8229260	1	FUSE HOLDER	
60	8303545	4	HEX HD CAPSCREW, M6X1X14	
61	1001095336	1	FUSE, 150A	
65	4711600	1	WASHER, 3/8	
66	0641405	2	HEX HD CAPSCREW, 1/4-20X5/8	
67	3291001	1	HEX NUT, M10X1.5	
133	85941017	4	P-CLAMP	
134	0791605	2	WHIZ-LOCK SCREW, 3/8-16X5/8	
157	1001099177	1	BATTERY CABLE, (positive)	
158	1001099178	1	BATTERY CABLE, (negative)	
159	1001099222	1	BATTERY CABLE, (positive)	
160	1001099265	1	BATTERY CABLE, (negative)	
161	8270148	2	BATTERY CLAMP, (positive)	
162	8270147	2	BATTERY CLAMP, (negative)	
163	83191010	1	LOCKWASHER, 12mm	
164	0761215	1	HEX HD CAPSCREW, 12X35mm	
173	7301893	2	BATTERY TERMINAL, INSULATOR	
174	10837368	1	DOUBLE TUBE CLAMP	
175	0641608	2	HEX HD CAPSCREW, 3/8-16X1	
176	1001104987	1	RH RADIATOR, MOUNT ASSY	
181	4751600	3	WASHER, 3/8	
217		Ref	HEX HD CAPSCREW, 5/16-18X1-1/2, GR5, (See HYDRAULIC CIRCUITS SECTION for Breakdown)	
338	85941017	2	SUPPORT CLAMP	
339	0641511	2	HEX HD CAPSCREW, 5/16-18X1-3/8	
340	77133139	2	CLAMP SET	
341	77133140	2	COVER PLATE	



# SECTION 10 - ELECTRICAL

**FIGURE 10-3. ENGINE HARNESS ASSEMBLY (534D-9 SN 0544217 through 016000853, Excluding 0160000700; 534D-10 SN 0366054 through 0160000974)**





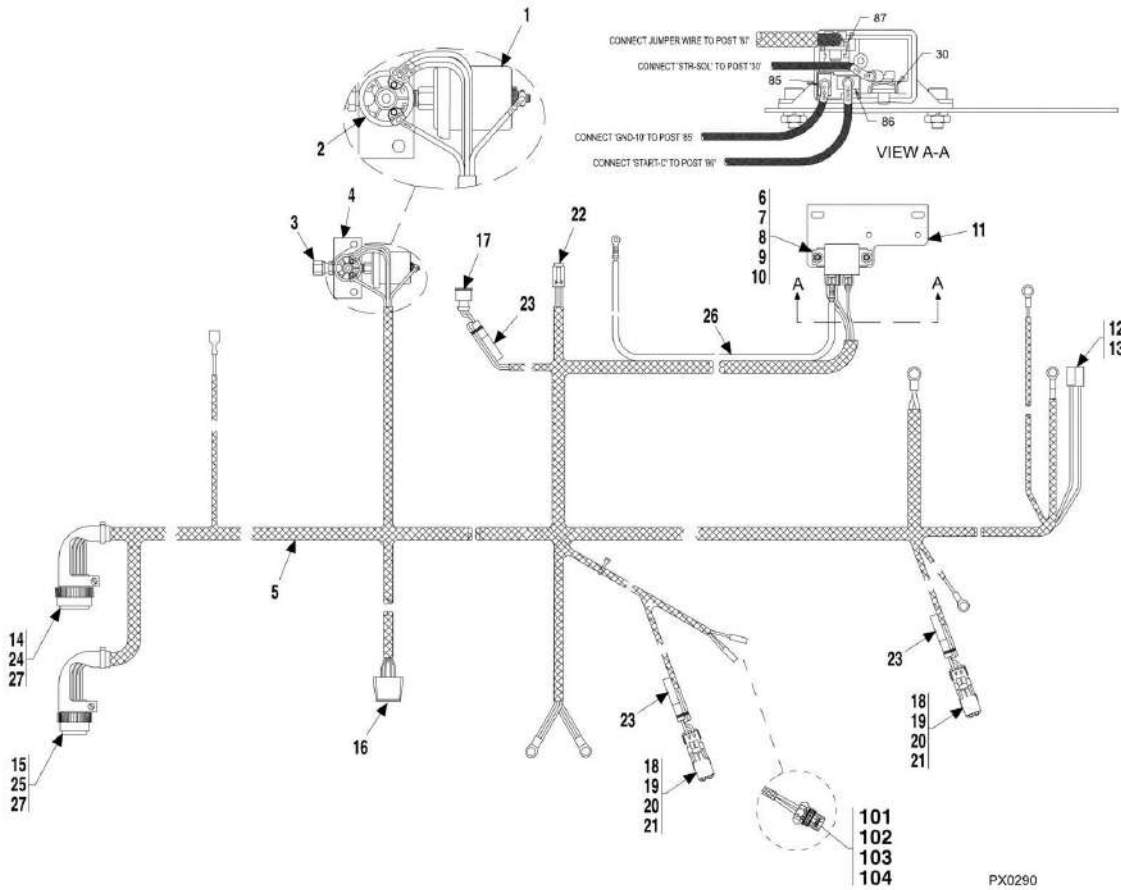
## SECTION 10 - ELECTRICAL

**FIGURE 10-3. ENGINE HARNESS ASSEMBLY (534D-9 SN 0544217 through 0160000853, Excluding 0160000700; 534D-10 SN 0366054 through 0160000974)**

ITEM	PART NUMBER	QTY	DESCRIPTION	REV
	91345041	NLA	ENGINE HARNESS ASSY, (includes all items), (no longer available to order, use 91345079 for replacement)	A
	91345079	Ref	ENGINE HARNESS ASSY, (includes all items)	
1	91333013	1	ENGINE HARNESS (534D-9 SN 0544217 through 0160000974; 534D-10 SN 0366054 through 0160000896)	
1	91343221	1	ENGINE HARNESS (534D-9 SN 0160000975 to Present; 534D-10 SN 0160000897 to Present)	
2	91365014	1	QUICK START THERMOSTAT ASSY, (includes the following four items)	
2	91363031	1	THERMOSTAT	
2	80963058	1	SHROUD CONNECTOR, (2-wire)	
2	80963069	2	MALE PIN TERMINAL	
2	80963065	2	CABLE SEAL	
3	91363066	1	JUMPER WIRE (534D-9 SN 0160000700 through 0160006687; 534D-10 SN 0160000978 through 0160006664)	
3	91553066	1	JUMPER WIRE (534D-9 SN 0160007027 to Present; 534D-10 SN 0160006855 to Present)	
4	86883075	1	TUBE FITTING	
5	91345008	1	STARTER RELAY ASSY, (includes the following seven items)	
5	77383377	2	RELAY	
5	91331014	1	RELAY MOUNTING BRACKET	
5	88211028	4	SOCKET HD CAPSCREW, #10-24X1/2, GR8	
5	88501612	4	HEX NUT	
5	88561105	4	FLAT WASHER, #10	
5	88551007	4	LOCKWASHER, #10	
5	91373009	1	JUMPER WIRE	
6	24741047	1	PRESSURE SWITCH	
7	91143315	1	OIL PRESSURE SENDER	
8	91081388	1	TAPPED BAR	

# SECTION 10 - ELECTRICAL

**FIGURE 10-4. ENGINE HARNESS ASSEMBLY (534D-9 SN 0160001051 through 0160035941, Including 0160000700, Excluding 0160034957; 534D-10 SN 0160000978 through 0160034816)**



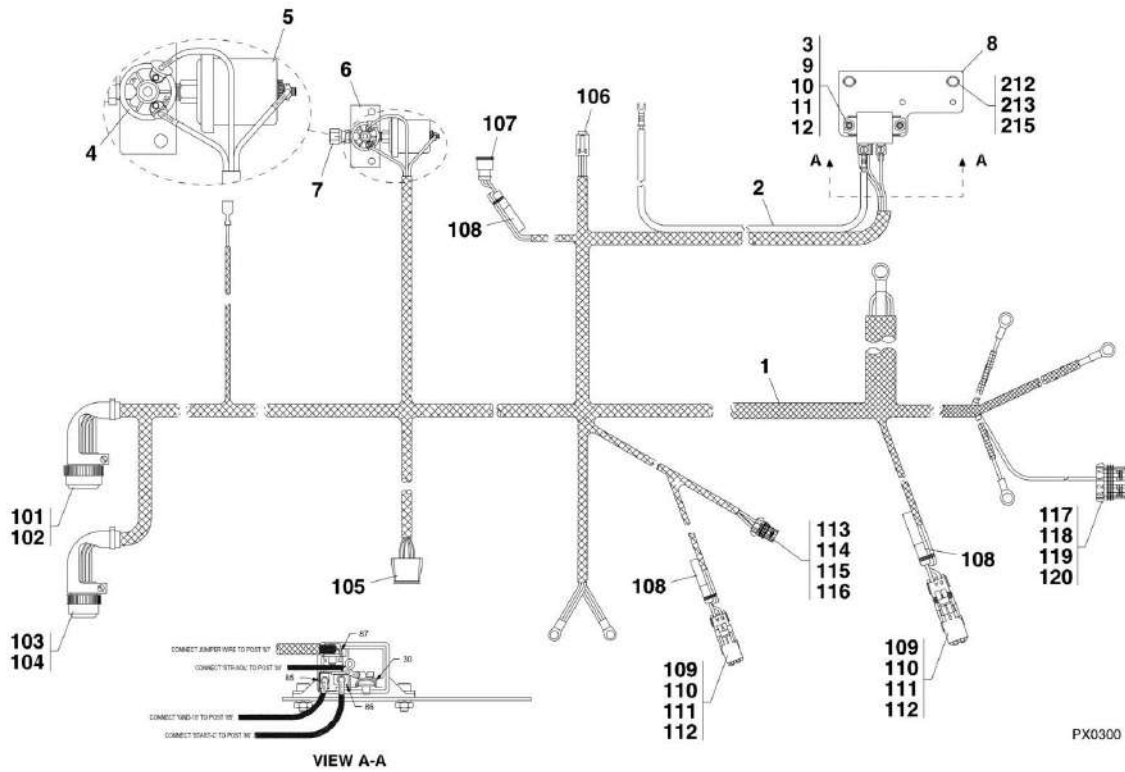
## SECTION 10 - ELECTRICAL

**FIGURE 10-4. ENGINE HARNESS ASSEMBLY (534D-9 SN 0160001051 through 0160035941, Including 0160000700, Excluding 0160034957; 534D-10 SN 0160000978 through 0160034816)**

ITEM	PART NUMBER	QTY	DESCRIPTION	REV
	91535007	Ref	ENGINE HARNESS ASSY, (includes items 1 thru 27)	
1	91553045	1	OIL PRESSURE SENDER	
2	24741047	1	PRESSURE SWITCH	
3	86883075	1	TUBE FITTING	
4	91081388	1	TAPPED BAR	
5	91553005	1	ENGINE HARNESS, (includes items 12 thru 25) <b>(534D-9 SN 0160001051 through 0160016722, Including 0160000700, Excluding 0160015300, 0160015301 and 0160015302; 534D-10 SN 0160000978 through 0160016718)</b>	D
5	4923398	1	ENGINE HARNESS, (includes items 12 thru 25 & 101 thru 104) <b>(534D-9 SN 0160016875 through 0160035941, Including 0160015300, 0160015301 and 0160015302, Excluding 0160034957; 534D-10 SN 0160016757 through 0160034816)</b>	B
6	77383377	1	RELAY	
7	88211028	2	SOCKET HD CAPSCREW, #10-24X1/2	
8	88501612	2	HEX NUT, #10-24	
9	88561105	2	FLAT WASHER, #10	
10	88551007	2	LOCKWASHER, #10	
11	91331014	1	RELAY MOUNTING PLATE	
12	83683254	1	PLUG	
13	90026803	3	CONNECTOR	
14	91334038	1	PLUG CONNECTOR	
15	86984559	1	PLUG CONNECTOR	
16	8220524	1	PLUG CONNECTOR	
17	91083440	1	CONNECTOR	
18	80963057	2	CONNECTOR	
19	80963058	2	SHROUD	
20	80963068	2	FEMALE PIN TERMINAL	
21	91364009	2	CABLE SEAL	
22	91554011	1	PLUG	
23	91363021	3	MOLDED DIODE	
24	91474463	1	STRAIN RELIEF	
25	91554012	1	STRAIN RELIEF	
26	91363066	1	JUMPER WIRE <b>(534D-9 SN 0160000700 through 0160006687; 534D-10 SN 0160000978 through 0160006664)</b>	
26	91553066	1	JUMPER WIRE <b>(534D-9 SN 0160007027 to Present; 534D-10 SN 0160006855 to Present)</b>	
27	0100048	AR	DI-ELECTRIC GREASE	
101	1001117021	1	CONNECTOR	
102	7029755	1	SECONDARY LOCK	
103	4460746	1	TERMINAL	
104	4460789	1	SEAL	

# SECTION 10 - ELECTRICAL

**FIGURE 10-5. ENGINE HARNESS ASSEMBLY (534D-9 SN 0160035983 to Present, Including 0160034957; 534D-10 SN 0160035696 to Present)**



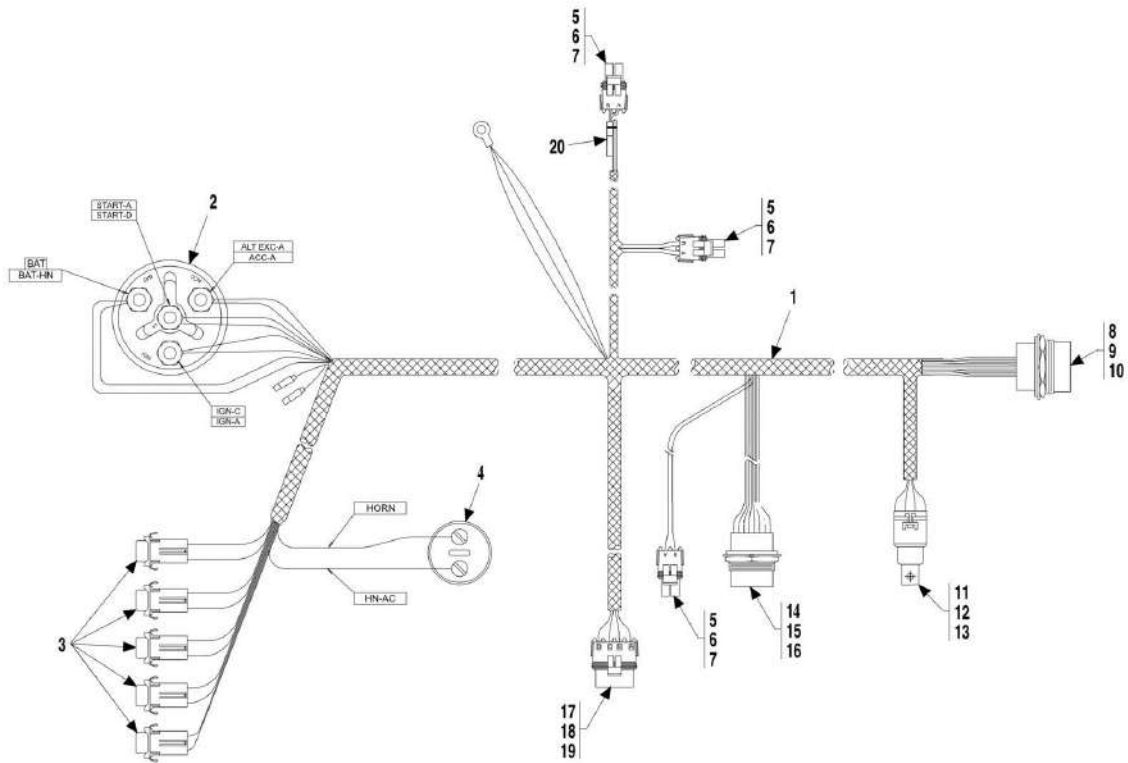
## SECTION 10 - ELECTRICAL

**FIGURE 10-5. ENGINE HARNESS ASSEMBLY (534D-9 SN 0160035983 to Present, Including 0160034957; 534D-10 SN 0160035696 to Present)**

ITEM	PART NUMBER	QTY	DESCRIPTION	REV
	1001101524	1	ENGINE HARNESS ASSY, (includes items 1 thru 120)	D
1	1001097989	1	ENGINE HARNESS, (includes items 101 thru 120)	D
2	91553066	1	JUMPER WIRE	
3	77383377	1	RELAY	
4	24741047	1	PRESSURE SWITCH	
5	91553045	1	OIL PRESSURE SENDER	
6	91081388	1	TAPPED BAR	
7	2220574	1	TUBE FITTING	
8	91331014	1	RELAY MOUNTING PLATE	
9	88211028	2	HEX HD CAPSCREW, #10-24X1/2	
10	88501612	2	HEX NUT, #10-24	
11	88561105	2	FLAT WASHER, #10	
12	88551007	2	LOCKWASHER, #10	
101	91334038	1	PLUG CONNECTOR	
102	91474463	1	STRAIN RELIEF	
103	86984559	1	PLUG CONNECTOR	
104	91554012	1	STRAIN RELIEF	
105	7026425	1	CONNECTOR	
106	91554011	1	PLUG	
107	91083440	1	CONNECTOR	
108	91363021	3	MOLDED DIODE	
109	80963068	2	FEMALE PIN TERMINAL	
110	91364009	2	CABLE SEAL	
111	80963057	2	CONNECTOR	
112	80963058	2	SHROUD	
113	1001117021	1	CONNECTOR	
114	7029755	1	SECONDARY LOCK	
115	4460746	1	TERMINAL	
116	4460789	1	SEAL	
117	4460590	1	CONNECTOR	
118	4460591	1	SECONDARY LOCK	
119	4460589	1	TERMINAL	
120	70021824	1	SEAL	
212	4711400	2	FLAT WASHER, 1/4	
213	4761400	2	LOCKWASHER, 1/4	
215	0641404	2	HEX HD CAPSCREW, 1/4-20X1/2, GR5	

# SECTION 10 - ELECTRICAL

**FIGURE 10-6. DASH HARNESS ASSEMBLY (534D-9 SN 0544001 through 016000853, Excluding 0160000700; 534D-10 SN 0366001 through 0160000974)**



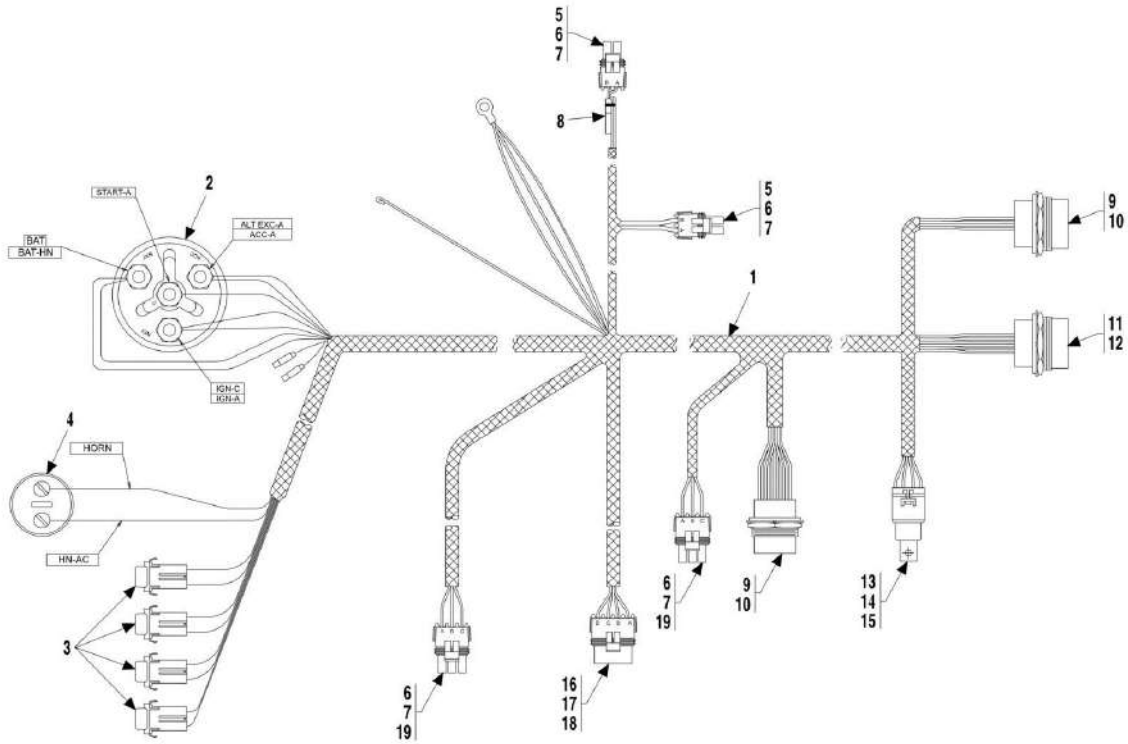
## SECTION 10 - ELECTRICAL

**FIGURE 10-6. DASH HARNESS ASSEMBLY (534D-9 SN 0544001 through 0160000853, Excluding 0160000700; 534D-10 SN 0366001 through 0160000974)**

ITEM	PART NUMBER	QTY	DESCRIPTION	REV
	91365013	Ref	DASH HARNESS ASSY, (includes all items)	
1	91363035	1	DASH HARNESS, (includes items 5 thru 20)	
2	91033317	1	IGNITION SWITCH	
3	77363268	4	FUSE, 15 AMP	
4	24771004	1	BUTTON	
5	80963057	3	WEATHER PACK CONNECTOR	
6	80963068	3	FEMALE PIN TERMINAL	
7	91364009	3	CABLE SEALS	
8	91364010	1	RECEPTACLE CONNECTOR	
9	83481286	1	PANEL NUT	
10	83481285	1	LOCKWASHER	
11	91363054	1	RELAY	
12	4460374	1	CONNECTOR	
13	91364012	1	TERMINAL	
14	77363264	1	PANEL NUT	
15	77363263	1	LOCKWASHER	
16	77363225	1	RECEPTACLE CONNECTOR	
17	91364013	1	CONNECTOR	
18	91364014	1	FEMALE PIN TERMINAL	
19	80963065	1	CABLE SEAL	
20	91363021	1	MOLDED DIODE	

# SECTION 10 - ELECTRICAL

**FIGURE 10-7. DASH HARNESS ASSEMBLY (534D-9 SN 0160001051 to Present, Including 0160000700; 534D-10 SN 0160000978 to Present)**





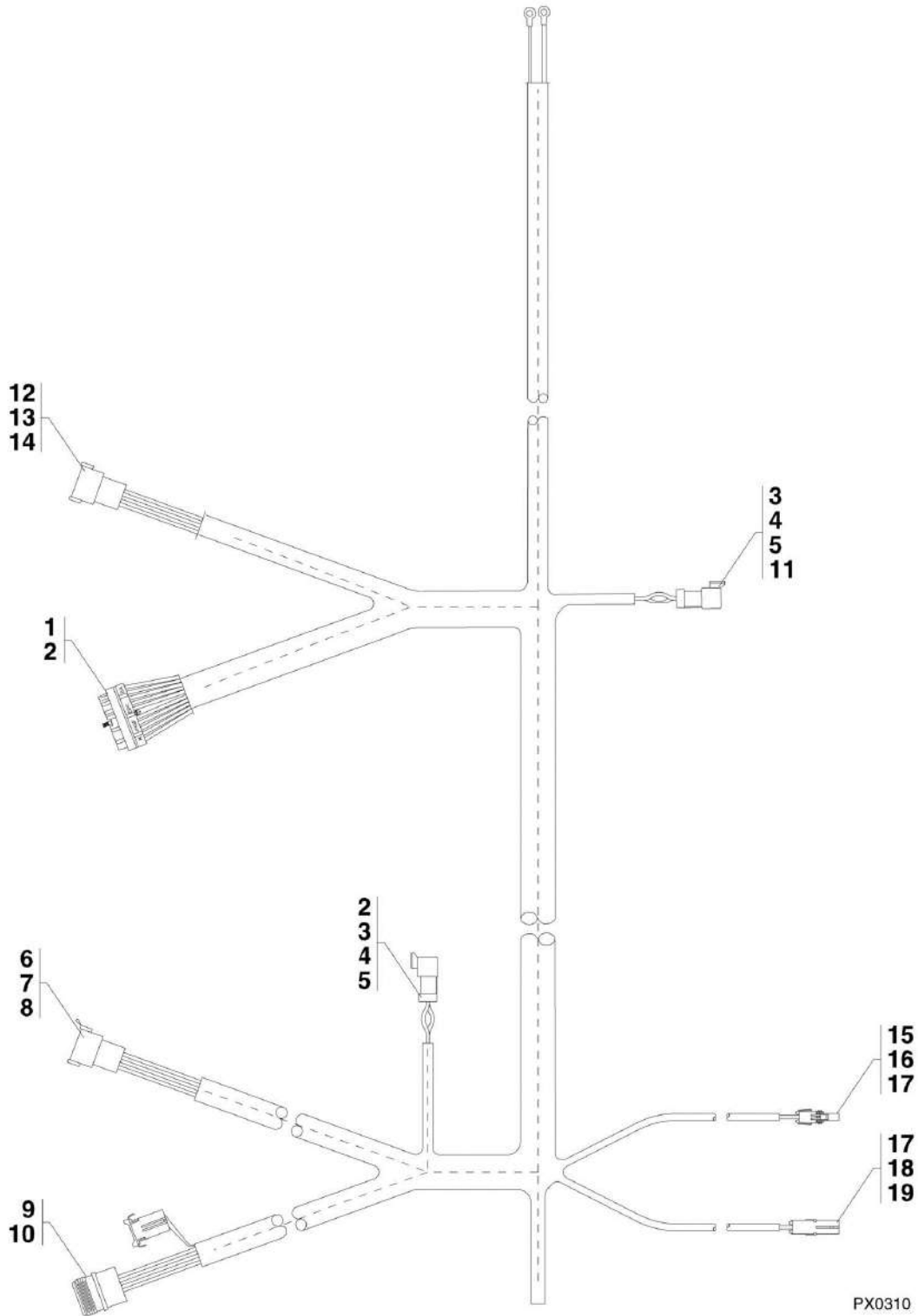
## SECTION 10 - ELECTRICAL

**FIGURE 10-7. DASH HARNESS ASSEMBLY (534D-9 SN 0160001051 to Present, Including 0160000700; 534D-10 SN 0160000978 to Present)**

ITEM	PART NUMBER	QTY	DESCRIPTION	REV
	91555009	Ref	DASH HARNESS ASSY, (includes all items) (534D-9 Prior to SN 0160035983, Excluding 0160034957; 534D-10 Prior to SN 0160035696)	B
	1001101493	Ref	DASH HARNESS ASSY, (includes all items) (534D-9 SN 0160035983 to Present, Including 0160034957; 534D-10 SN 0160035696 to Present)	B
1	91553024	1	DASH HARNESS, (includes items 5 thru 19) (534D-9 Prior to SN 0160035983, Excluding 0160034957; 534D-10 Prior to SN 0160035696)	D
1	1001095326	1	DASH HARNESS, (includes items 5 thru 19) (534D-9 SN 0160035983 to Present, Including 0160034957; 534D-10 SN 0160035696 to Present)	C
2	91033317	1	IGNITION SWITCH	
3	77363268	4	FUSE, 15 AMP	
4	24771004	1	BUTTON	
5	80963057	2	WEATHER PACK CONNECTOR	
6	80963068	4	FEMALE PIN TERMINAL	
7	91364009	4	CABLE SEALS	
8	91363021	1	MOLDED DIODE	
9	77363225	2	RECEPTACLE CONNECTOR	
10	77363264	2	PANEL NUT	
11	91364010	1	PANEL NUT	
12	83481286	1	PANEL NUT	
13	91363054	1	RELAY	
14	4460374	1	CONNECTOR	
15	91364012	1	TERMINAL	
16	91364013	1	WEATHER PACK CONNECTOR	
17	91364014	1	FEMALE PIN TERMINAL	
18	80963065	1	CABLE SEAL	
19	80963059	2	WEATHER PACK CONNECTOR	

# SECTION 10 - ELECTRICAL

FIGURE 10-8. ECU ENGINE HARNESS (534D-9 SN 0160035983 to Present, Including 0160034957;  
534D-10 SN 0160035696 to Present)



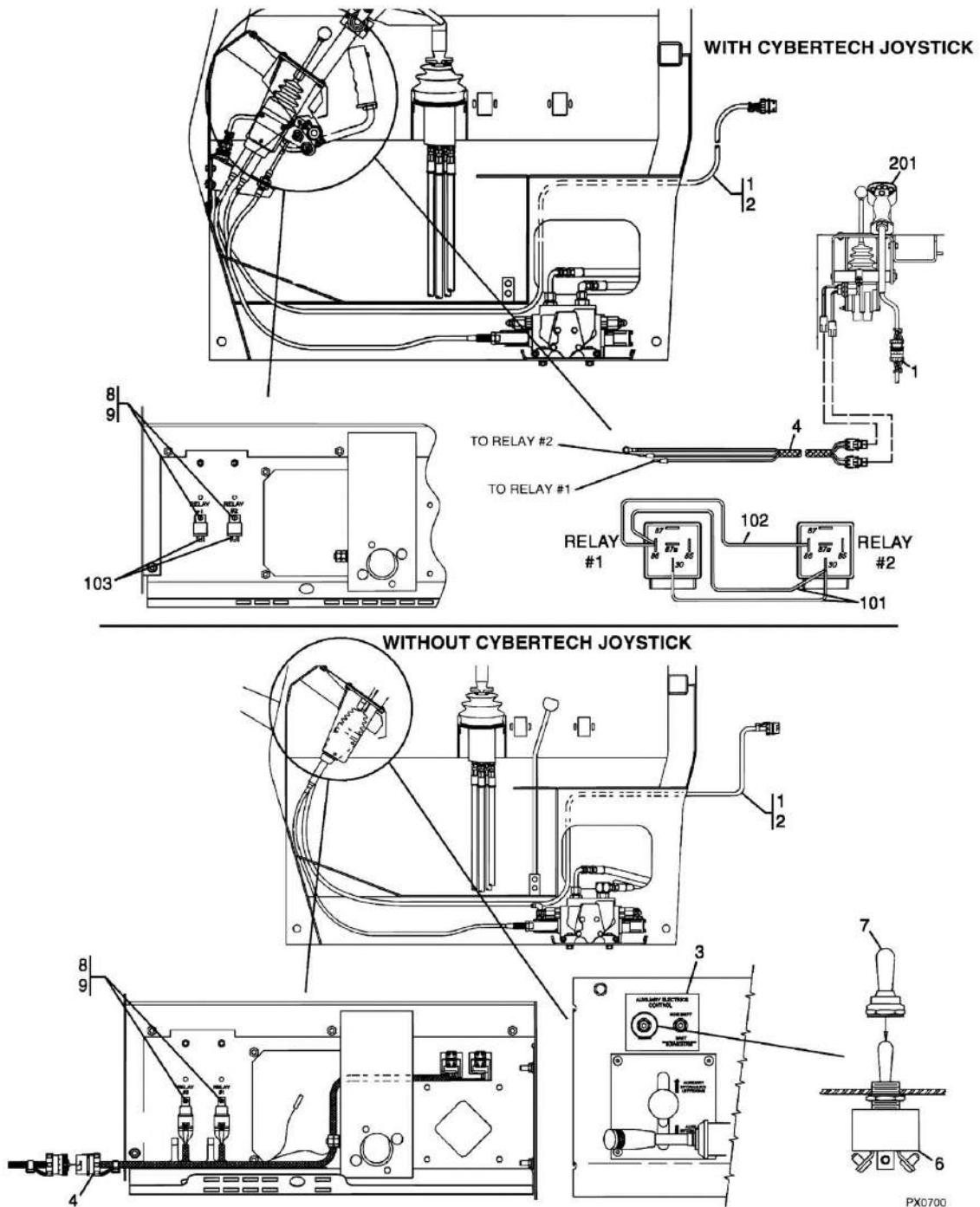
## SECTION 10 - ELECTRICAL

**FIGURE 10-8. ECU ENGINE HARNESS (534D-9 SN 0160035983 to Present, Including 0160034957;  
534D-10 SN 0160035696 to Present)**

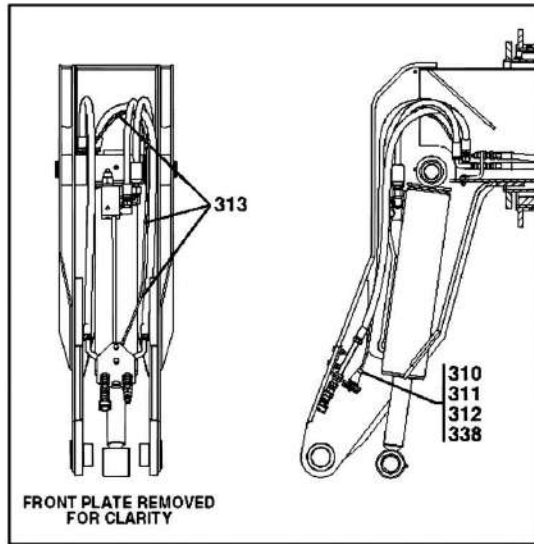
ITEM	PART NUMBER	QTY	DESCRIPTION	REV
	1001095327	1	ECU ENGINE HARNESS, (includes items 1 thru 19)	D
1	1001116821	1	CONNECTOR	
2	70021824	1	TRMINAL	
3	91554018	2	CONNECTOR	
4	70021825	2	WEDGE LOCK	
5	8220553	2	TERMINATOR	
6	4460532	1	CONNECTOR	
7	91503106	1	WEDGE LOCK	
8	77363228	1	TERMINAL	
9	1001116975	1	CONNECTOR	
10	77363246	1	DUST CAP	
11	70020891	1	TERMINAL	
12	1001096188	1	PLUG	
13	70020890	1	TERMINAL SOCKET	
14	70021826	1	SECONDARY LOCK WEDGE	
15	1001119106	1	CONNECTOR	
16	1001116729	1	TERMINAL	
17	80963067	2	SEAL	
18	8220883	1	CONNECTOR	
19	1001116747	1	TERMINAL	

# SECTION 10 - ELECTRICAL

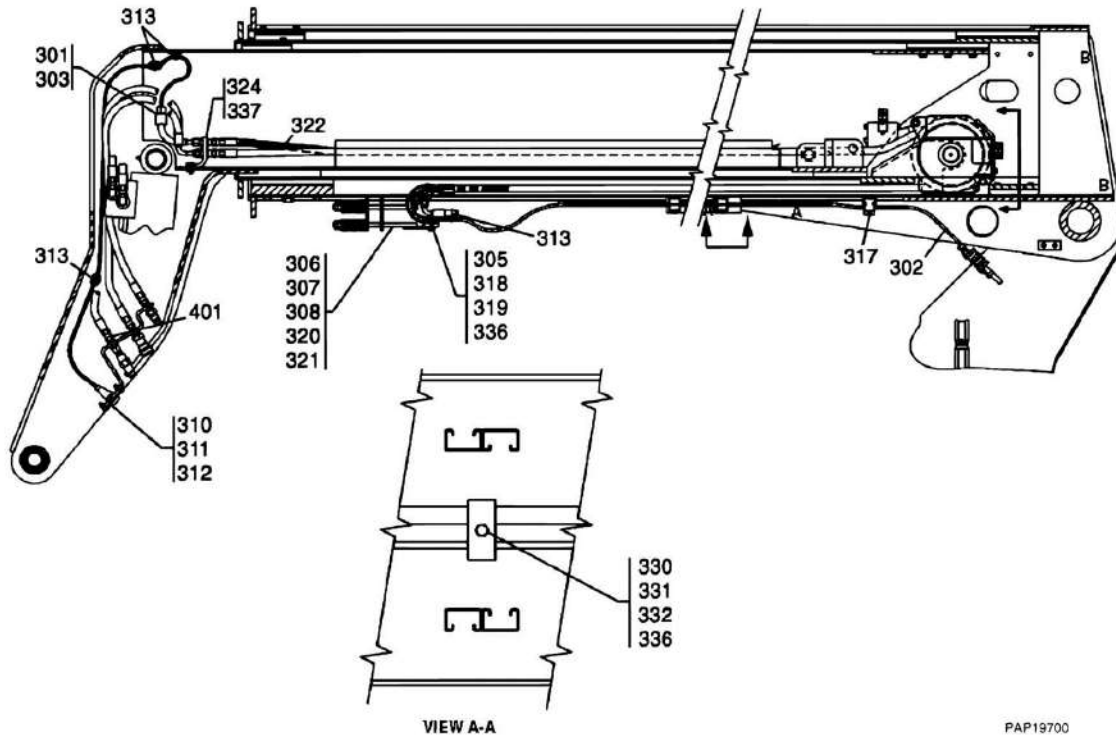
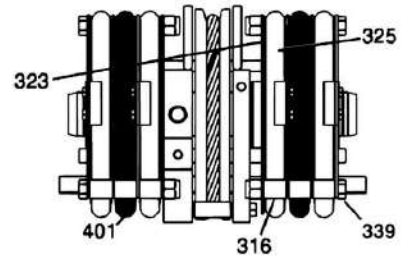
## FIGURE 10-9. AUXILIARY ELECTRICAL INSTALLATION (SN 0160027771 to Present)



# SECTION 10 - ELECTRICAL



534D-9 SN 0160038519 to Present  
534D-10 SN 0160038445 to Present



PAP19700

# SECTION 10 - ELECTRICAL

**FIGURE 10-9. AUXILIARY ELECTRICAL INSTALLATION (SN 0160027771 to Present)**

ITEM	PART NUMBER	QTY	DESCRIPTION	REV
	91355009	1	CAB AUXILIARY ELECTRICAL INSTALLATION, (if equipped), (includes items 1 thru 9)	H
		Ref	AUX ELECTRICAL ASSY, (if equipped W/cybertech joystick), (includes items 1, 2, 4, 8, 9 & 101 thru 103)	
1		Ref	CAB AUXILIARY WIRING HARNESS, (See AUXILIARY ELECTRICAL HARNESS for Breakdown)	
2	90027187	14	TIE WRAP	
3	91123155	1	DECAL	
4	91123154	1	AUXILIARY DASH HARNESS, (W/OUT CYBERTECH JOYSTICK)	
4	91343054	1	AUXILIARY DASH HARNESS, (W/CYBERTECH JOYSTICK)	
6	77163204	2	SWITCH	
7	77383470	2	SWITCH BOOT	
8	88301088	2	ROUND HD MACHINE CAPSCREW, #10-24X3/8	
9	88561105	2	FLAT WASHER, #10	
101	91341021	2	JUMPER WIRE	
102	91341022	1	JUMPER WIRE	
103	77383410	2	RELAY	
201		Ref	CYBERTECH JOYSTICK, (See CONTROLS SECTION for Breakdown)	
	91535023	1	BOOM AUXILIARY HYDRAULIC INSTALLATION, (includes items 301 thru 337) <b>(534D-9 SN 0160027771 through 0160038518; 534D-10 SN 0160027771 through 0160038444)</b>	E
	1001101980	1	BOOM AUXILIARY HYDRAULIC INSTALLATION, (includes items 302, 305 thru 332, 338 & 339) <b>(534D-9 SN 0160038519 to Present; 534D-10 SN 0160038445 to Present)</b>	A
301	91513115	1	TUBE <b>(SN 0160027771 through 0160037688)</b>	
302		Ref	AUXILIARY BOOM HARNESS	
303	91143141	1	CORD CONNECTOR <b>(SN 0160027771 through 0160037688)</b>	
305	91366015	1	WELDMENT	
306	91126032	1	SUPPORT	
307	91123054	1	COMPRESSION SPRING	
308	91121134	1	SPRING RETAINER	
310	90207661	1	6 PIN CONTACT SOCKET	
311	88201005	2	HEX HD CAPSCREW, 1/4-20X1	
312	88521304	2	LOCKNUT, 1/4	
313	90027187	8	TIE WRAP <b>(SN 0160027771 through 0160037688)</b>	
313	90027187	4	TIE WRAP <b>(534D-9 SN 0160038519 to Present; 534D-10 SN 0160038445 to Present)</b>	
316	91533017	4	PLATE <b>(SN 0160027771 through 0160037688)</b>	
316	91533017	2	PLATE <b>(534D-9 SN 0160038519 to Present; 534D-10 SN 0160038445 to Present)</b>	
317	91043120	1	CUSHION CLAMP	
318	88201017	2	HEX HD CAPSCREW, 5/16-18X5/8	
319	88551010	2	LOCKWASHER, 5/16	
320	88501008	1	HEX NUT, 1/2	
321	88501108	1	JAM NUT, 1/2	
322	2754808	1	HOSE ASSY	
323	91531029	1	PLATE	
324	2230025	1	ADAPTER	
325	91533018	1	HOSE SHEAVE	
330	91163069	2	CLAMP SET	

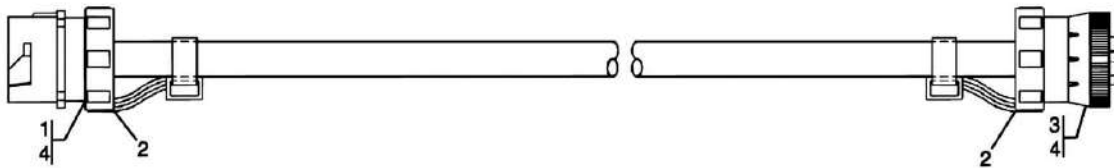
## SECTION 10 - ELECTRICAL

ITEM	PART NUMBER	QTY	DESCRIPTION	REV
331	77133137	2	COVER PLATE	
332	88201023	2	HEX HD CAPSCREW, 5/16-18X1-3/4	
336	14403364	AR	LOCTITE 242	
337	14404043	AR	LOCTITE 554	
338	4711400	4	FLAT WASHER, 1/4 (534D-9 SN 0160038519 to Present; 534D-10 SN 0160038445 to Present)	
339	0641832	2	HEX HD CAPSCREW, 1/2-13X4 (534D-9 SN 0160038519 to Present; 534D-10 SN 0160038445 to Present)	
401		Ref	WINCH COMPONENTS, (See OPTIONS SECTION for Breakdown)	

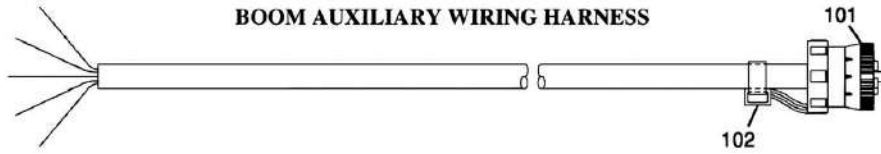
# SECTION 10 - ELECTRICAL

FIGURE 10-10. AUXILIARY ELECTRICAL HARNESSSES (SN 0160027771 to Present)

CAB AUXILIARY WIRING HARNESS



BOOM AUXILIARY WIRING HARNESS



PX0760



## SECTION 10 - ELECTRICAL

**FIGURE 10-10. AUXILIARY ELECTRICAL HARNESSSES (SN 0160027771 to Present)**

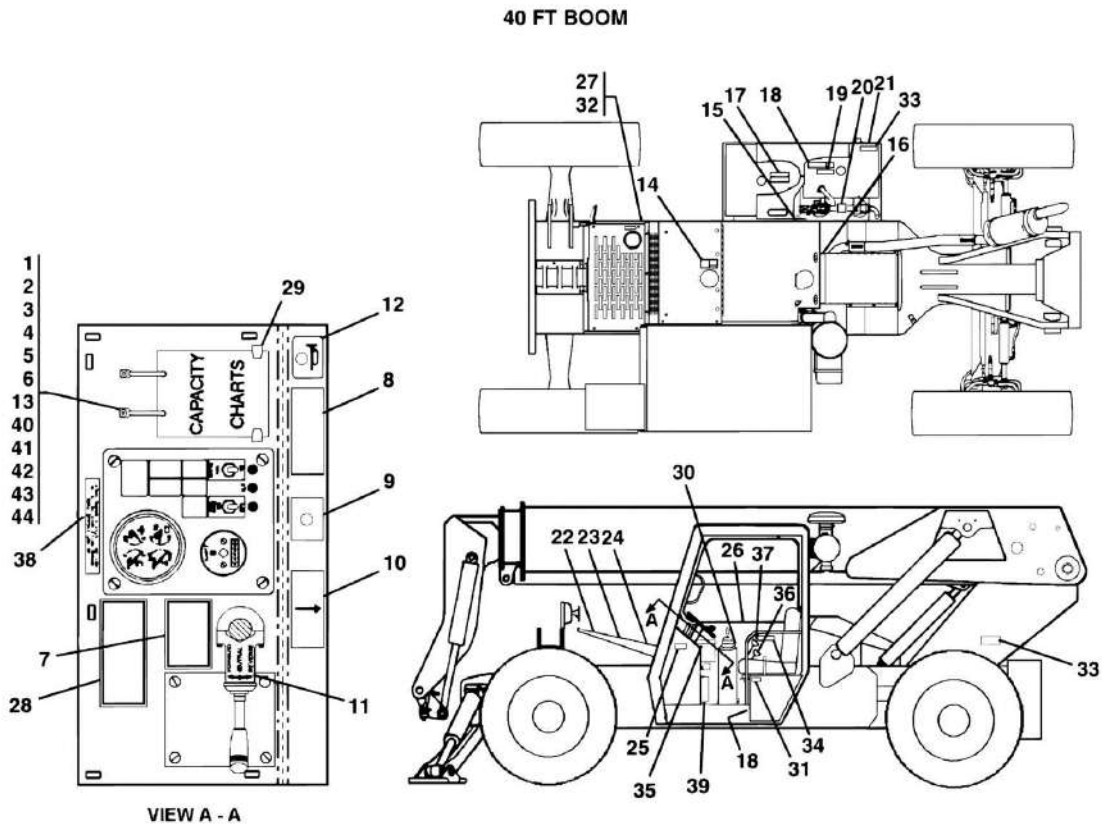
ITEM	PART NUMBER	QTY	DESCRIPTION	REV
	91143105	1	CAB AUXILIARY WIRING HARNESS, (includes items 1 thru 3)	
1	77363232	1	CONNECTOR	
2	91143107	2	STRAIN RELIEF	
3	77363233	1	CONNECTOR	
4	4460466	2	SEALING PLUG	
	91353028	1	BOOM AUXILIARY WIRING HARNESS, (includes items 101 & 102)	
101	77363233	1	CONNECTOR	
102	91143107	2	STAIN RELIEF	



**SECTION 11 - DECALS**

# SECTION 11 - DECALS

FIGURE 11-1. FRAME DECALS - 534D-9 (534D-9 SN 0544001 through 0644118)



NOTE:

THE 91145038 & 91145039 DECAL KITS INCLUDE BOTH THE 534D-9 40 FT & 534D-9 45 FT BOOM DECALS. BE SURE TO USE THE CORRECT ONE FOR YOUR MACHINE.

PAP17940

## SECTION 11 - DECALS

**FIGURE 11-1. FRAME DECALS - 534D-9 (534D-9 SN 0544001 through 0644118)**

ITEM	PART NUMBER	QTY	DESCRIPTION	REV
1	91163087	2	LOAD CHART BRACKET	
2	88261017	2	SOCKET BUTTON HD CAPSCREW, 1/4-20X7/8	
3	91343069	1	LOAD CHART - 6 FT SWING MAST, 60, FORKS	
4	91163184	1	CAPACITY CHART COVER	
5	91343005	1	LOAD CHART - INSTRUCTIONS	
6	91343009	1	LOAD CHART - STD CARRIAGE W/WINCH	
7	91343016	1	TURBO CHARGER DECAL	
8	91143202	1	INSTRUCTION DECAL	
9	91143120	1	INSTRUMENT PANEL DECAL	
10	91083314	1	TRACTION DECAL	
11	91163028	1	SHIFTER DECAL	
12	91033089	1	HORN DECAL	
13	91343055	1	LOAD CHART - 6 FT SWING MAST, 60, FORKS	
14	80603026	1	CAUTION DECAL	
15	91143281	1	WARNING DECAL	
16	91143280	1	WARNING DECAL	
17	91143286	1	WARNING DECAL	
18	91083492	2	OIL WARNING DECAL	
19	91143288	1	HYDRAULIC OIL PLATE	
20	91143162	1	TEST PORT DECAL	
21	91163130	1	OIL LEVEL DECAL	
22	80603022	1	ACCIDENT PREVENTION DECAL	
23	90553027	1	LIFTING PERSONEL DECAL	
24	91343020	1	SERVICE INSTRUCTION DECAL (SN 0544001 through 0544399)	
24	91343073	1	SERVICE INSTRUCTION DECAL (SN 0544400 through 0644118)	
25	91143283	1	WARNING DECAL	
26	90553028	1	WARNING DECAL	
27	91143285	1	INSTRUCTION DECAL	
28	91323030	1	WARNING DECAL	
29	91363070	2	HINGED CLAMP	
30	91303047	1	BOOM OPERATION DECAL	
31	77333027	1	MADE IN USA DECAL	
32	91143284	1	WARNING DECAL	
33	91143282	3	WARNING DECAL	
34	91143292	1	DIPSTICK DECAL	
35	N.S.S.	1	SN PLATE AND ATTACHMENT PLATE	
36	91083318	1	SWAY DECAL	
37	91083317	1	TILT DECAL	
38	91143182	1	PARK BRAKE DECAL	
39	91363032	1	LABEL AND INSTRUCTION GROUP	
40	91343013	1	LOAD CHART - SLOPE PILER	
41	91343017	1	LOAD CHART - 100 SWING CARRIAGE	
42	91343018	1	LOAD CHART - 10 FT TRUSS BOOM	
43	91343019	1	LOAD CHART - 6 FT MAST	
44	91343204	1	LOAD CHART - WORK PLATFORM	
K1	91145038	1	FRAME DECALS 534D-9 DECAL KIT, (white), (includes items 7 thru 12, 14 thru 22, 24, 25, 27, 28, 30 thru 34, 36, 37 & 38 on FRAME DECALS - 534D-9, plus items 5, 6, 7, 9, 11 thru 15 & 17 on BOOM DECALS) (SN 0544001 through 0544399)	

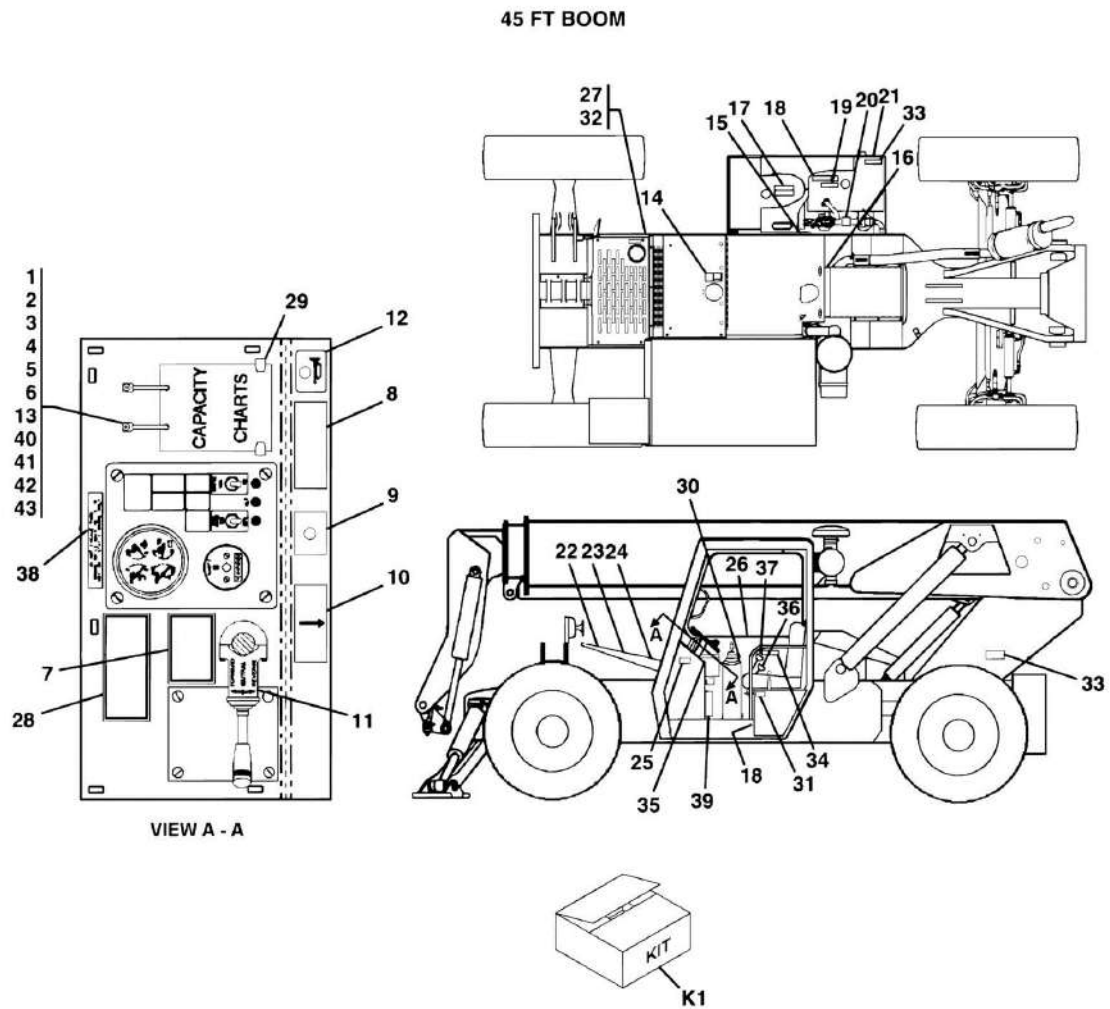
## SECTION 11 - DECALS

ITEM	PART NUMBER	QTY	DESCRIPTION	REV
K2	91345039	1	FRAME DECALS 534D-9 DECAL KIT, (white), (includes items 7 thru 12, 14 thru 28, 30 thru 34, 36, 37 & 38 on FRAME DECALS - 534D-9, plus items 5 thru 17 on BOOM DECALS) <b>(SN 0544400 through 0644118)</b>	



# SECTION 11 - DECALS

**FIGURE 11-2. FRAME DECALS - 534D-9 (534D-9 SN 0644119 through 0744407; SN 016000112 through 0160000853, Excluding 0160000700)**



**NOTE:**

THE 91145038 & 91145039 DECAL KITS INCLUDE BOTH THE 534D-9 40 FT & 534D-9 45 FT BOOM DECALS. BE SURE TO USE THE CORRECT ONE FOR YOUR MACHINE

PAP17950



## SECTION 11 - DECALS

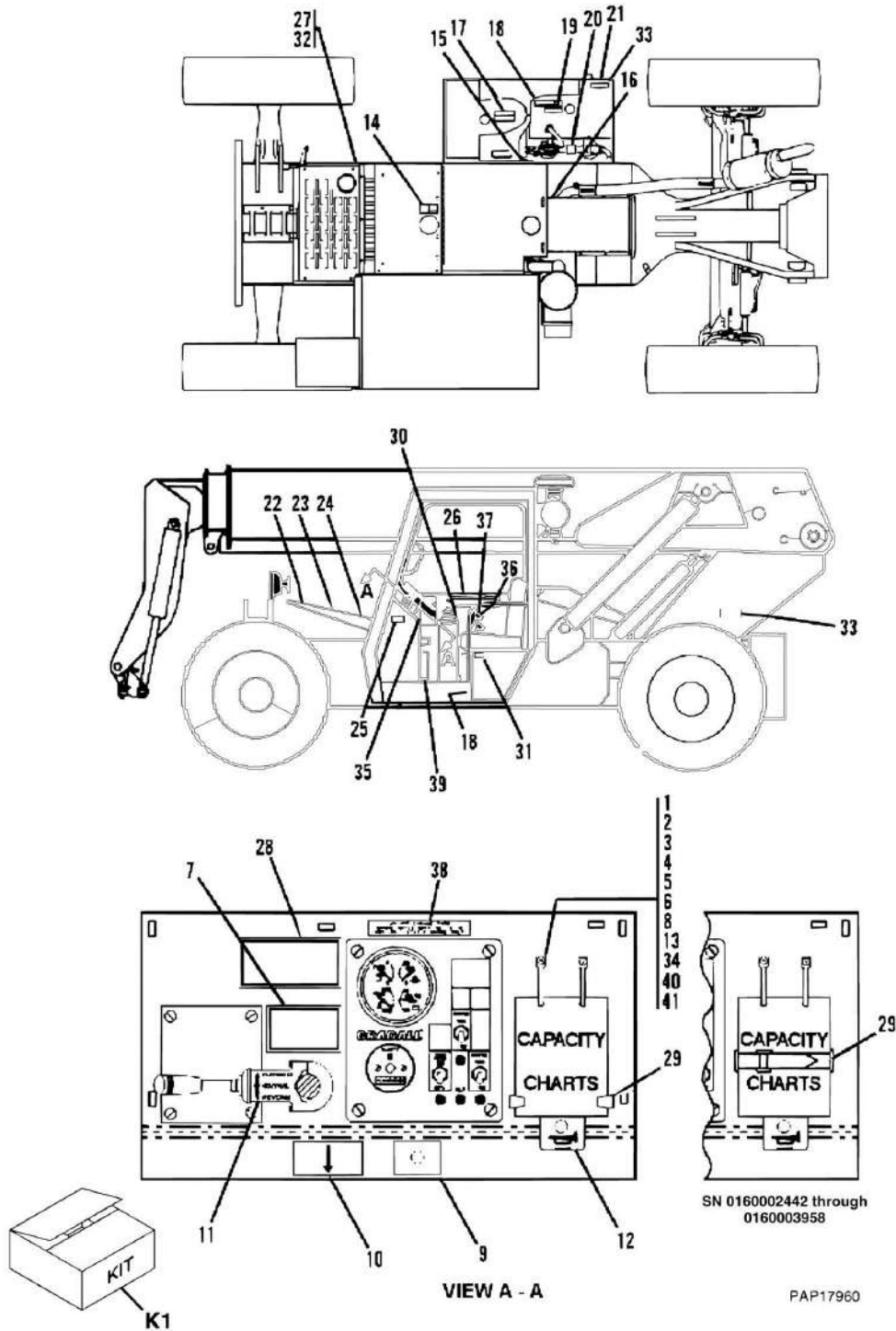
**FIGURE 11-2. FRAME DECALS - 534D-9 (534D-9 SN 0644119 through 0744407; SN 0160000112 through 0160000853, Excluding 0160000700)**

ITEM	PART NUMBER	QTY	DESCRIPTION	REV
1	91163087	2	LOAD CHART BRACKET	
2	88261017	2	SOCKET BUTTON HD CAPSCREW, 1/4-20X7/8	
3	91343069	1	LOAD CHART - 6 FT SWING MAST, 60, FORKS	
4	91163184	1	CAPACITY CHART COVER	
5	91343005	1	LOAD CHART - INSTRUCTIONS	
6	91343064	1	LOAD CHART - STD CARRIAGE W/WINCH	
7	91343016	1	TURBO CHARGER DECAL	
8	91143202	1	INSTRUCTION DECAL	
9	91143120	1	INSTRUMENT PANEL DECAL	
10	91083314	1	TRACTION DECAL	
11	91163028	1	SHIFTER DECAL	
12	91033089	1	HORN DECAL	
13	91343067	1	LOAD CHART - 6 FT MAST	
14	80603026	1	CAUTION DECAL	
15	91143281	1	WARNING DECAL	
16	91143280	1	WARNING DECAL	
17	91143286	1	WARNING DECAL	
18	91083492	2	OIL WARNING DECAL	
19	91143288	1	HYDRAULIC OIL PLATE	
20	91143162	1	TEST PORT DECAL	
21	91163130	1	OIL LEVEL DECAL	
22	80603022	1	ACCIDENT PREVENTION DECAL	
23	90553027	1	LIFTING PERSONNEL DECAL	
24	91343073	1	SERVICE INSTRUCTION DECAL	
25	91143283	1	WARNING DECAL	
26	90553028	1	WARNING DECAL	
27	91143285	1	INSTRUCTION DECAL	
28	91323030	1	WARNING DECAL	
29	91363070	2	HINGED CLAMP	
30	91303047	1	BOOM OPERATION DECAL	
31	77333027	1	MADE IN USA DECAL	
32	91143284	1	WARNING DECAL	
33	91143282	3	WARNING DECAL	
34	91143292	1	DIPSTICK DECAL	
35	N.S.S.	1	SN PLATE AND ATTACHMENT PLATE	
36	91083318	1	SWAY DECAL	
37	91083317	1	TILT DECAL	
38	91143182	1	PARK BRAKE DECAL	
39	91363032	1	LABEL AND INSTRUCTION GROUP	
40	91343063	1	LOAD CHART - SLOPE PILER	
41	91343065	1	LOAD CHART - 100 SWING CARRIAGE	
42	91343066	1	LOAD CHART - 10 FT TRUSS BOOM	
43	91343204	1	LOAD CHART - WORK PLATFORM	
K1	91345039	1	FRAME DECALS 534d-9 DECAL KIT, (white), (includes items 7 thru 12, 14 thru 28, 30 thru 34 & 36 thru 38 on FRAME DECALS - 534D-9, plus items 5 thru 17 on BOOM DECALS)	

# SECTION 11 - DECALS

FIGURE 11-3. FRAME DECALS - 534D-9 (534D-9 SN 0160001051 through 0160003958)

45 FT BOOM



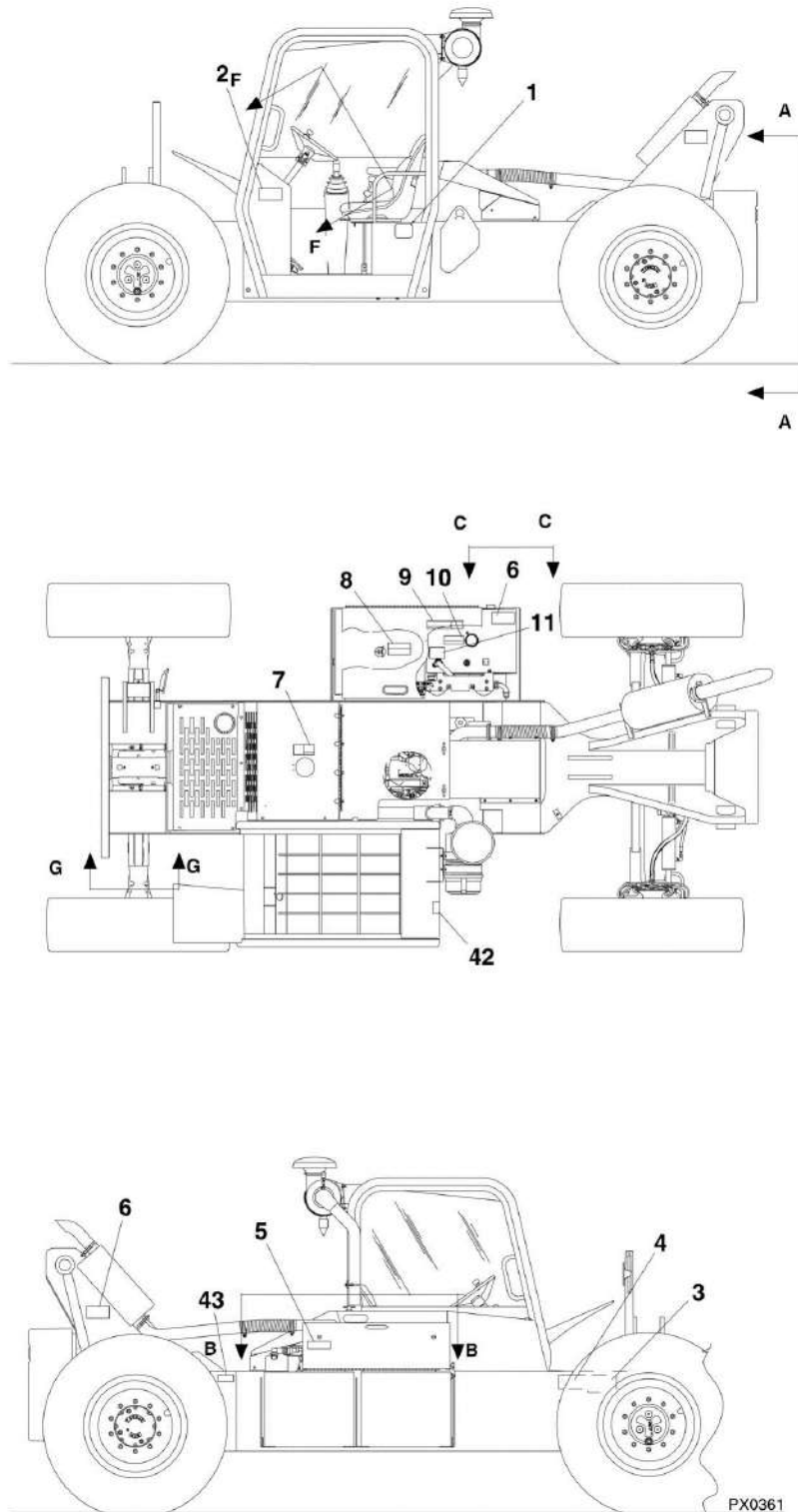
## SECTION 11 - DECALS

**FIGURE 11-3. FRAME DECALS - 534D-9 (534D-9 SN 0160001051 through 0160003958)**

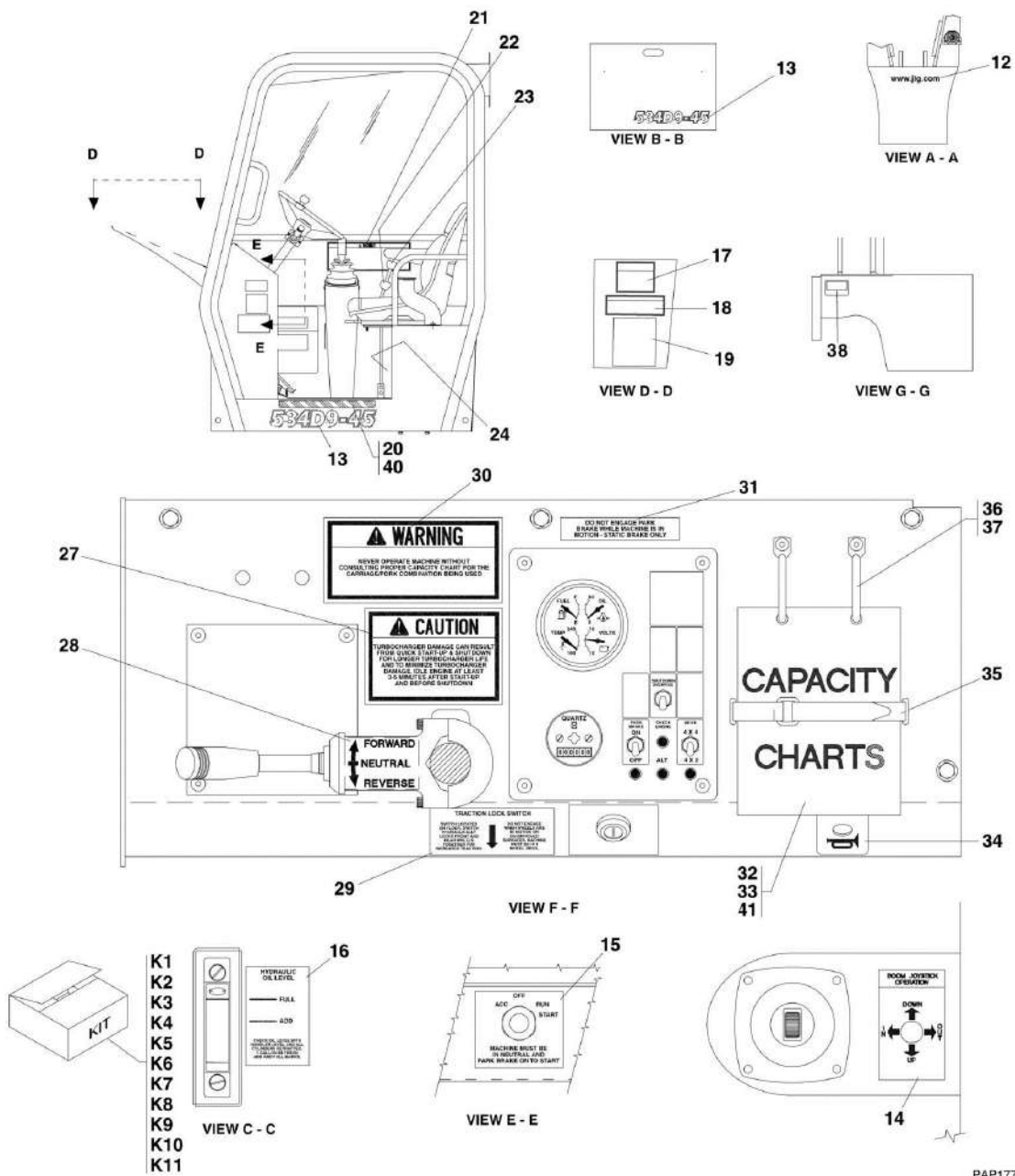
ITEM	PART NUMBER	QTY	DESCRIPTION	REV
1	91163087	2	LOAD CHART BRACKET	
2	88261017	2	SOCKET BUTTON HD CAPSCREW, 1/4-20X7/8	
3	91343069	1	LOAD CHART - 6 FT SWING MAST, 60, FORKS	
4	91163184	1	CAPACITY CHART COVER	
5	91343005	1	LOAD CHART - INSTRUCTIONS	
6	91343064	1	LOAD CHART - STD CARRIAGE W/WINCH	
7	91343016	1	TURBO CHARGER DECAL	
8	91343204	1	LOAD CHART - WORK PLATFORM	
9	91143120	1	INSTRUMENT PANEL DECAL	
10	91083314	1	TRACTION DECAL	
11	91163028	1	SHIFTER DECAL	
12	91033089	1	HORN DECAL	
13	91343067	1	LOAD CHART - 6 FT MAST	
14	80603026	1	CAUTION DECAL	
15	91143281	1	WARNING DECAL	
16	91143280	1	WARNING DECAL	
17	91143286	1	WARNING DECAL	
18	91083492	2	OIL WARNING DECAL	
19	91143288	1	HYDRAULIC DECAL	
20	91143162	1	TEST PORT DECAL	
21	91163130	1	OIL LEVEL DECAL	
22	80603022	1	ACCIDENT PREVENTION DECAL	
23	90553027	1	LIFTING PERSONEL DECAL	
24	91343073	1	SERVICE INSTRUCTION PLATE	
25	91143283	1	WARNING DECAL	
26	90553028	1	WARNING DECAL	
27	91143285	1	INSTRUCTION DECAL	
28	91323030	1	WARNING DECAL	
29	91363070	2	HINGED CLAMP (Prior to SN 0160002442)	
29	91553063	1	VELCRO STRAP (SN 0160002442 through 0160003958)	
30	91303047	1	BOOM OPERATION DECAL	
31	3251813	1	MADE IN USA DECAL	
32	91143284	1	WARNING DECAL	
33	91143282	3	WARNING DECAL	
34	91343066	1	LOAD CHART - 10 FT TRUSS BOOM	
35	N.S.S.	1	SN AND ATTACHMENT PLATE	
36	91083318	1	SWAY DECAL	
37	91083317	1	TILT DECAL	
38	91143182	1	PARK BRAKE DECAL	
39	91363032	1	LABEL AND INSTRUCTION GROUP	
40	91343063	1	LOAD CHART - SLOPE PILER	
41	91343065	1	LOAD CHART - 100 SWING CARRIAGE	
K1	91535006	1	FRAME DECALS 534D-9 DECAL KIT, (white), (includes items 7, 9 thru 12, 14, 15, 17 thru 28, 30 thru 33 & 36 thru 38 on FRAME DECALS - 534D-9, plus items 5 thru 18 on BOOM DECALS)	E

# SECTION 11 - DECALS

FIGURE 11-4. FRAME DECALS - 534D-9 (534D-9 SN 0160003965 to Present)



# SECTION 11 - DECALS



PAP17740

# SECTION 11 - DECALS

FIGURE 11-4. FRAME DECALS - 534D-9 (534D-9 SN 0160003965 to Present)

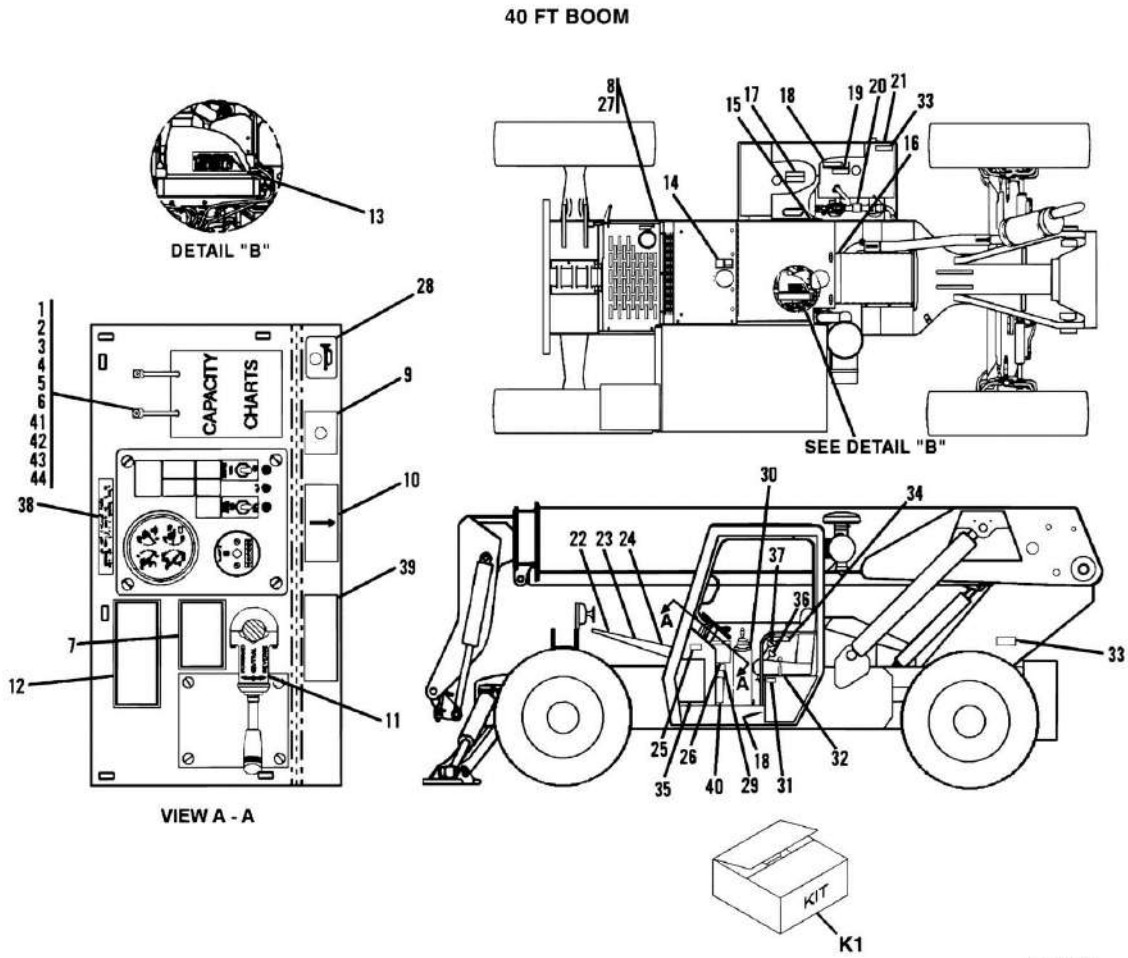
ITEM	PART NUMBER	QTY	DESCRIPTION	REV
1	3251813	1	MADE IN USA DECAL	
2	91143283	1	WARNING DECAL	
3	91143285	1	INSTRUCTIONAL DECAL	
4	91143284	1	WARNING DECAL	
5	91143281	1	WARNING DECAL	
6	91143282	3	WARNING DECAL	
7	80603026	1	CAUTION DECAL	
8	91143286	1	WARNING DECAL	
9	91083492	1	OIL WARNING DECAL (SN 0160003965 through 0160035941, Excluding 0160034957)	
10	91143288	1	HYDRAULIC DECAL (SN 0160003965 through 0160035941, Excluding 0160034957)	
11	91143162	1	TEST PORT DECAL	
12	1704885	1	WEBSITE DECAL	
13	1706192	2	FRAME DECALS 534D-9-45 DECAL (SN 0160006437 to Present)	
14	91303047	1	BOOM OPERATOR DECAL	
15	91143120	1	INSTRUMENT PANEL DECAL	
16	91163130	1	OIL LEVEL DECAL	
17	80603022	1	DANGER DECAL	
18	90553027	1	WARNING DECAL	
19	91343073	1	SERVICE INSTRUCTION PLATE	
20	91363128	1	NON SKID FLOOR DECAL	
21	90553028	1	WARNING DECAL	
22	91083318	1	SWAY DECAL	
23	91083317	1	TILT DECAL	
24	91083492	1	OIL WARNING DECAL (SN 0160003965 through 0160035941, Excluding 0160034957)	
27	91343016	1	TURBOCHARGER DECAL	
28	91163028	1	SHIFTER DECAL	
29	91083314	1	TRACTION DECAL (SN 0160003965 through 0160035941, Excluding 0160034957)	
30	91323030	1	WARNING DECAL	
31	91143182	1	PARK BRAKE DECAL	
32	91163184	1	CAPACITY CHART COVER (SN 0160003965 through 0160037688)	
32	1001112753	1	CAPACITY CHART COVER (534D-9 SN 0160038519 to Present; 534D-10 SN 0160038445 to Present)	
33	91343005	1	LOAD CHART INSTRUCTIONS	
34	91033089	1	HORN DECAL	
35	91553063	1	VELCRO STRAP	
36	91163087	2	LOAD CHART BRACKET	
37	88261017	2	SOCKET BUTTON HD CAPSCREW, 1/4-20X7/8	
38	N.S.S.	1	SN PLATE	
40	91363140	1	NON SKID FLOOR DECAL	
41	1001112753	1	LOAD FRONT COVER (534D-9 SN 0160038519 to Present; 534D-10 SN 0160038445 to Present)	
41	91343064	1	LOAD CHART, CARRIAGE (SN 0160003965 through 0160037688)	
41	1001106038	1	LOAD CHART, CARRIAGE, (534D-9 SN 0160038519 to Present)	
41	91343063	1	LOAD CHART, SLOPE PILER (SN 0160003965 through 0160037688)	
41	91343065	1	LOAD CHART, SWING CARRIAGE (SN 0160003965 through	

## SECTION 11 - DECALS

ITEM	PART NUMBER	QTY	DESCRIPTION	REV
41	1001106088	1	<b>0160037688)</b> LOAD CHART, SWING CARRIAGE (534D-9 SN 0160038519 to Present; 534D-10 SN 0160038445 to Present)	
41	1001106063	1	LOAD CHART, TILT CARRIAGE (534D-9 SN 0160038519 to Present)	
41	91343066	1	LOAD CHART, 10 FT TRUSS BOOM (SN 0160003965 through 0160037688)	
41	1001106138	1	LOAD CHART, 15FT TRUSS BOOM (534D-9 SN 0160038519 to Present; 534D-10 SN 0160038445 to Present)	
41	91343067	1	LOAD CHART, MAST (SN 0160003965 through 0160037688)	
41	91343069	1	LOAD CHART, 100 SWING MAST (SN 0160003965 through 0160037688)	
41	91343204	1	LOAD CHART, PERSONNEL PLATFORM (SN 0160003965 through 0160037688)	
41	1001106113	1	LOAD CHART, 102 IN BUCKET (534D-9 SN 0160038519 to Present; 534D-10 SN 0160038445 to Present)	
41	1001110406	1	LOAD CHART BOOKLET, (includes following three items) (SN 0160038519 to Present)	2
41	1001106192	1	GRAPPLE BUCKET	
41	1001106227	1	TRUSS BOOM WITH WINCH	
41	1001106297	1	VERTICAL MAST	
42	1706300	1	ETHER DECAL (SN 0160035983 to Present, Including 0160034957)	
43	91143280	1	WARNING DECAL (SN 0160003965 through 0160027138)	
K1	91535006	1	FRAME DECALS 534D-9 DECAL KIT, (white), (includes items 1 thru 19, 21 thru 23, 27 thru 31, 34 & 5 thru 17 on BOOM DECALS) (Prior to SN 0160012548)	E
K2	91535006	1	FRAME DECALS 534D-9 DECAL KIT, (white), (includes items 1 thru 19, 21 thru 23, 27 thru 31, 34 & 2 thru 7, 17 & 91553072 on BOOM DECALS) (SN 0160012580 to Present)	F
K3	91345050	1	FRAME DECALS 534D-9 DECAL KIT, (Spanish)	
K4	91345048	1	FRAME DECALS 534D-9 DECAL KIT, (Portuguese)	
K5	91555026	1	NATIONS RENT DECAL KIT	
K6	91555027	1	NES RENTALS DECAL KIT	
K7	91365051	1	SUNBELT RENTALS DECAL KIT	
K8	91365074	1	UNITED RENTALS DECAL KIT	
K9	91555029	1	CORPORATE LOGOS DECAL KIT	
K10	91555028	1	H AND E RENTALS DECAL KIT	
K11	1001094648	1	RSC DECAL KIT	

# SECTION 11 - DECALS

## FIGURE 11-5. FRAME DECALS - 534D-10 (534D-10 SN 0366001 through 0366088)





## SECTION 11 - DECALS

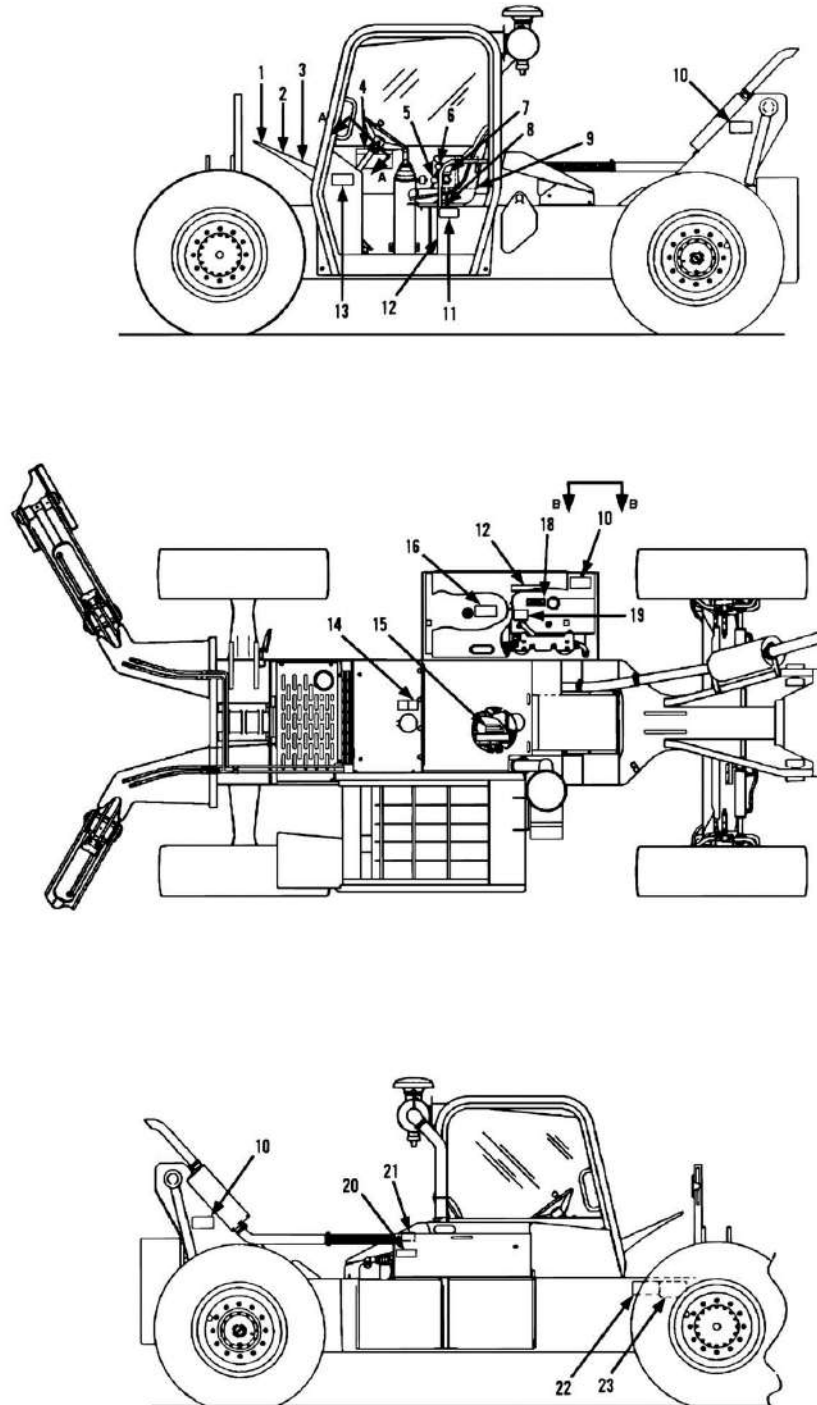
**FIGURE 11-5. FRAME DECALS - 534D-10 (534D-10 SN 0366001 through 0366088)**

ITEM	PART NUMBER	QTY	DESCRIPTION	REV
1	91163087	2	LOAD CHART BRACKET	
2	88261017	2	SOCKET BUTTON HD CAPSCREW, 1/4-20X7/8	
3	91343069	1	CAPACITY CHART	
4	91163184	1	CAPACITY CHART COVER	
5	91353006	1	LOAD CHART	
6	91353008	1	LOAD CHART, (carriages w/winches)	
7	91343016	1	TURBOCHARGER DECAL	
8	91143284	1	WARNING DECAL	
9	91143120	1	INSTRUMENT PANEL DECAL	
10	91083314	1	TRACTION DECAL	
11	91163028	1	SHIFTER DECAL	
12	91163212	1	WARNING DECAL	
13	91163256	1	INSTRUCTION DECAL	
14	80603026	1	CAUTION DECAL	
15	91143281	1	WARNING DECAL	
16	91143280	1	WARNING DECAL	
17	91143286	1	WARNING DECAL	
18	91083492	2	OIL WARNING DECAL	
19	91143288	1	HYDRAULIC OIL PLATE	
20	91143162	1	TEST PORT DECAL	
21	91163130	1	OIL LEVEL DECAL	
22	80603022	1	ACCIDENT PREVENTION DECAL	
23	90553027	1	LIFTING PERSONNEL DECAL	
24	91343020	1	SERVICE INSTRUCTION DECAL	
25	91143283	1	WARNING DECAL	
26	90553028	1	WARNING DECAL	
27	91143285	1	INSTRUCTION DECAL	
28	91033089	1	HORN DECAL	
29	91003030	1	PATENT DECAL	
30	91303047	1	BOOM OPERATION DECAL	
31	77333027	1	MADE IN USA DECAL	
32	91023006	1	STABILIZER DECAL, (outrigger)	
33	91143282	3	WARNING DECAL	
34	91143292	1	DIPSTICK DECAL	
35	N.S.S.	1	SN AND ATTACHMENT PLATE	
36	91083318	1	SWAY DECAL	
37	91083317	1	TILT DECAL	
38	91143182	1	PARK BRAKE DECAL	
39	91143202	1	INSTRUCTION DECAL	
40	91363032	1	LABEL AND INSTRUCTION GROUP	
41	91353010	1	LOAD CHART - SLOPE PILER	
42	91353011	1	LOAD CHART - 6 FT MAST	
43	91353012	1	LOAD CHART - 10 FT TRUSS BOOM	
44	91353063	1	LOAD CHART - WORK PLATFORM	
K1	91155038	1	FRAME DECALS 534d-10 decal kit, (white), (includes items 7 thru 22, 24, 25, 27 thru 34 & 36 thru 39 on FRAME DECALS - 534D-10, plus 5 & 7 thru 17 on BOOM DECALS)	

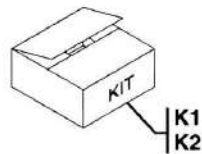
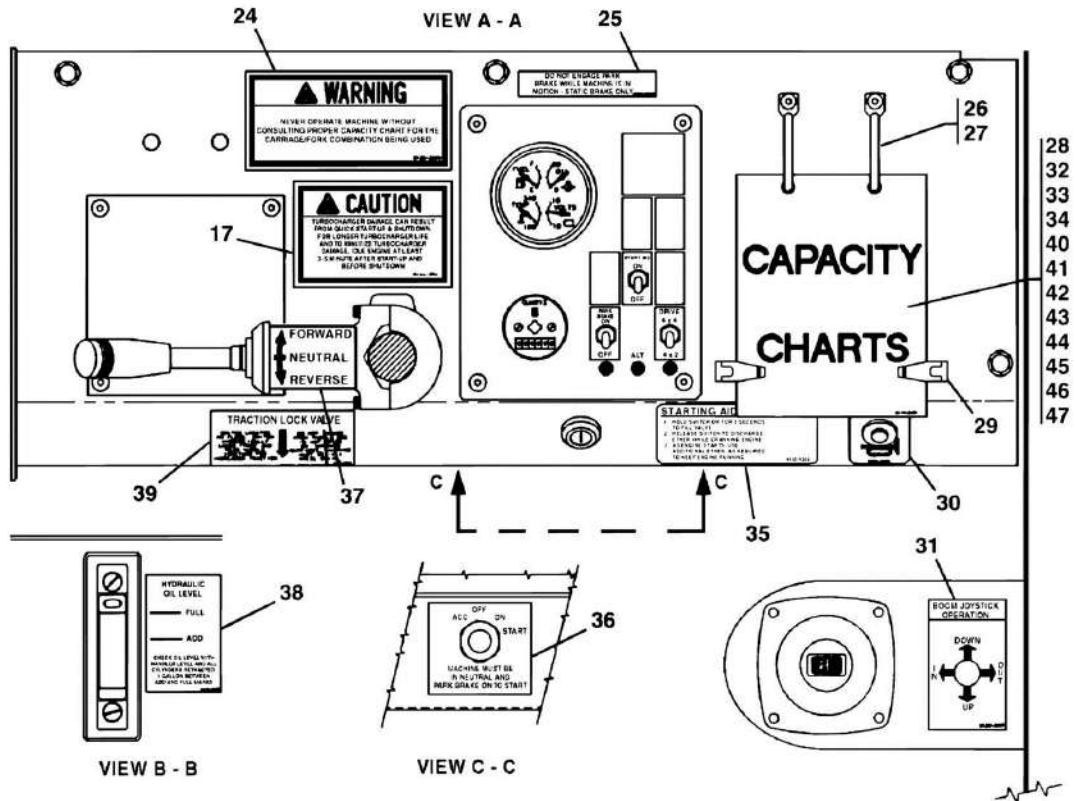
# SECTION 11 - DECALS

FIGURE 11-6. FRAME DECALS - 534D-10 (534D-10 SN 0366089 through 0366533; SN 016000125 through 016000974)

45 FT BOOM



# SECTION 11 - DECALS



PAP17980

## SECTION 11 - DECALS

**FIGURE 11-6. FRAME DECALS - 534D-10 (534D-10 SN 0366089 through 0366533; SN 016000125 through 016000974)**

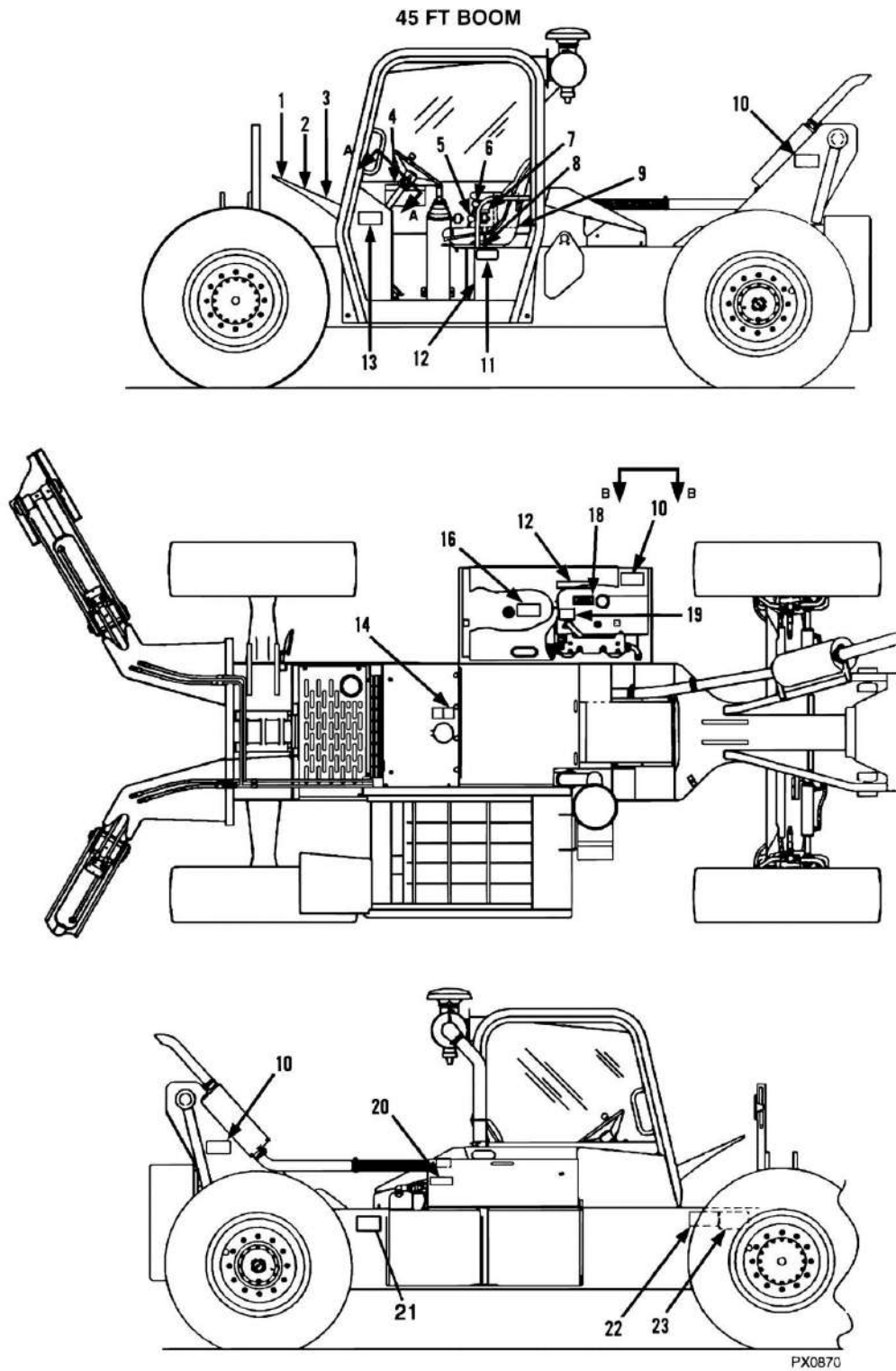
ITEM	PART NUMBER	QTY	DESCRIPTION	REV
1	80603022	1	DANGER DECAL	
2	90553027	1	WARNING DECAL	
3	91343020	1	SERVICE INSTRUCTION PLATE (SN 0366089 through 0366342)	
3	91343073	1	SERVICE INSTRUCTION PLATE (SN 0366343 through 016000974)	
4	90553028	1	WARNING DECAL	
5	91083318	1	SWAY DECAL	
6	91083317	1	TILT DECAL	
7	91143292	1	DIP STICK DECAL	
8	91023006	1	STABILIZER DECAL	
9	N.S.S.	1	SN AND ATTACHMENT PLATE	
10	91143282	3	WARNING DECAL	
11	77333027	1	MADE IN USA DECAL	
12	91083492	2	OIL WARNING DECAL	
13	91143283	1	WARNING DECAL	
14	80603026	1	CAUTION DECAL	
15	91163256	1	INSTRUCTION DECAL	
16	91143286	1	WARNING DECAL	
17	91343016	1	TURBOCHARGER DECAL	
18	91143288	1	HYDRAULIC DECAL	
19	91143162	1	TEST PORT DECAL	
20	91143281	1	WARNING DECAL	
21	91143280	1	WARNING DECAL	
22	91143284	1	WARNING DECAL	
23	91143285	1	INSTRUCTION DECAL	
24	91163212	1	WARNING DECAL	
25	91143182	1	PARK BRAKE DECAL	
26	91163087	2	LOAD CHART BRACKET	
27	88261017	2	SOCKET BUTTON HD CAPSCREW, 1/4-20X7/8	
28	91353026	2	LOAD CHART - 180, SWING CARRIAGE	
29	91363070	2	HINGED CLAMP	
30	91033089	1	HORN DECAL	
31	91303047	1	BOOM OPER. DECAL	
32	91163184	1	CAPACITY CHART COVER	
33	91353006	1	LOAD CHART - INSTRUCTIONS	
34	91353009	1	LOAD CHART - STD CARRIAGES W/WINCH	
35	91143202	1	INSTRUCTION DECAL	
36	91143120	1	INSTRUMENT PANEL DECAL	
37	91163028	1	SHIFTER DECAL	
38	91163130	1	OIL LEVEL DECAL	
39	91083314	1	TRACTION DECAL	
40	91353019	1	LOAD CHART - SLOPE PILER	
41	91353020	1	LOAD CHART - 6 FT MAST	
42	91353022	1	LOAD CHART - TRUSS BOOM	
43	91353024	1	LOAD CHART - 6 FT 100 SWING MAST	
44	91353027	1	LOAD CHART - 6 FT 100 SWING MAST W/60, FORKS	
45	91353021	1	LOAD CHART - 100 SWING CARRIAGE	
46	91353063	1	LOAD CHART - WORK PLATFORM	

## SECTION 11 - DECALS

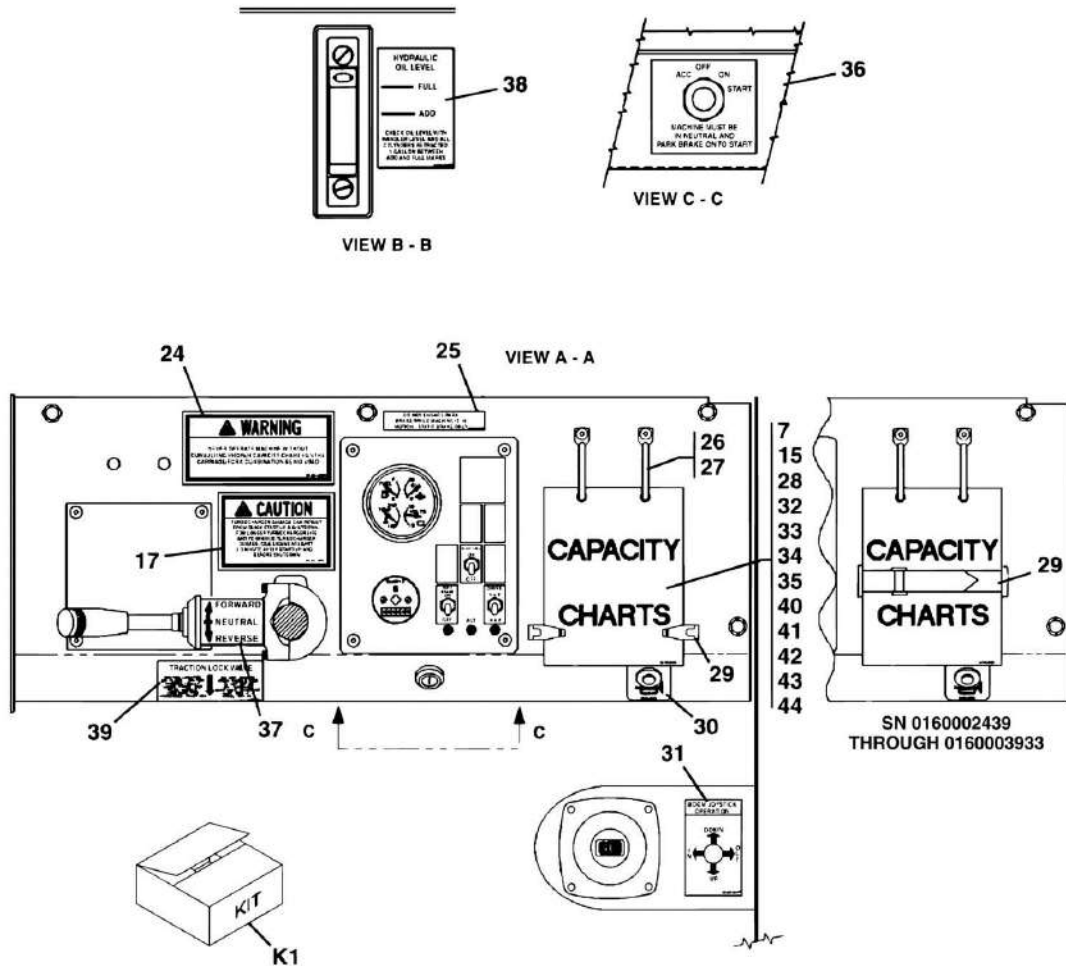
ITEM	PART NUMBER	QTY	DESCRIPTION	REV
47	90554001	1	PLATFORM MANUAL	
K1	91355010	1	FRAME DECALS 534D-10-45 DECAL KIT, (white), (includes items 1, 3, 5 thru 8, 10 thru 25, 30, 31, 35 thru 39 on FRAME DECALS - 534D-10, 45 ft Boom and items 1 thru 11 on BOOM DECALS, 45 ft Boom) <b>(SN 0366089 through 0366342)</b>	
K2	91355022	1	FRAME DECALS 534D-10-45 DECAL KIT, (white), (includes items 1 thru 8, 10 thru 25, 30, 31, 35 thru 39 on FRAME DECALS - 534D-10, 45 ft Boom and items 1 thru 13 on BOOM DECALS, 45 ft Boom) <b>(SN 0366343 through 016000974)</b>	

# SECTION 11 - DECALS

FIGURE 11-7. FRAME DECALS - 534D-10 (534D-10 SN 0160000978 through 0160003933)



# SECTION 11 - DECALS



PAP17990

## SECTION 11 - DECALS

FIGURE 11-7. FRAME DECALS - 534D-10 (534D-10 SN 0160000978 through 0160003933)

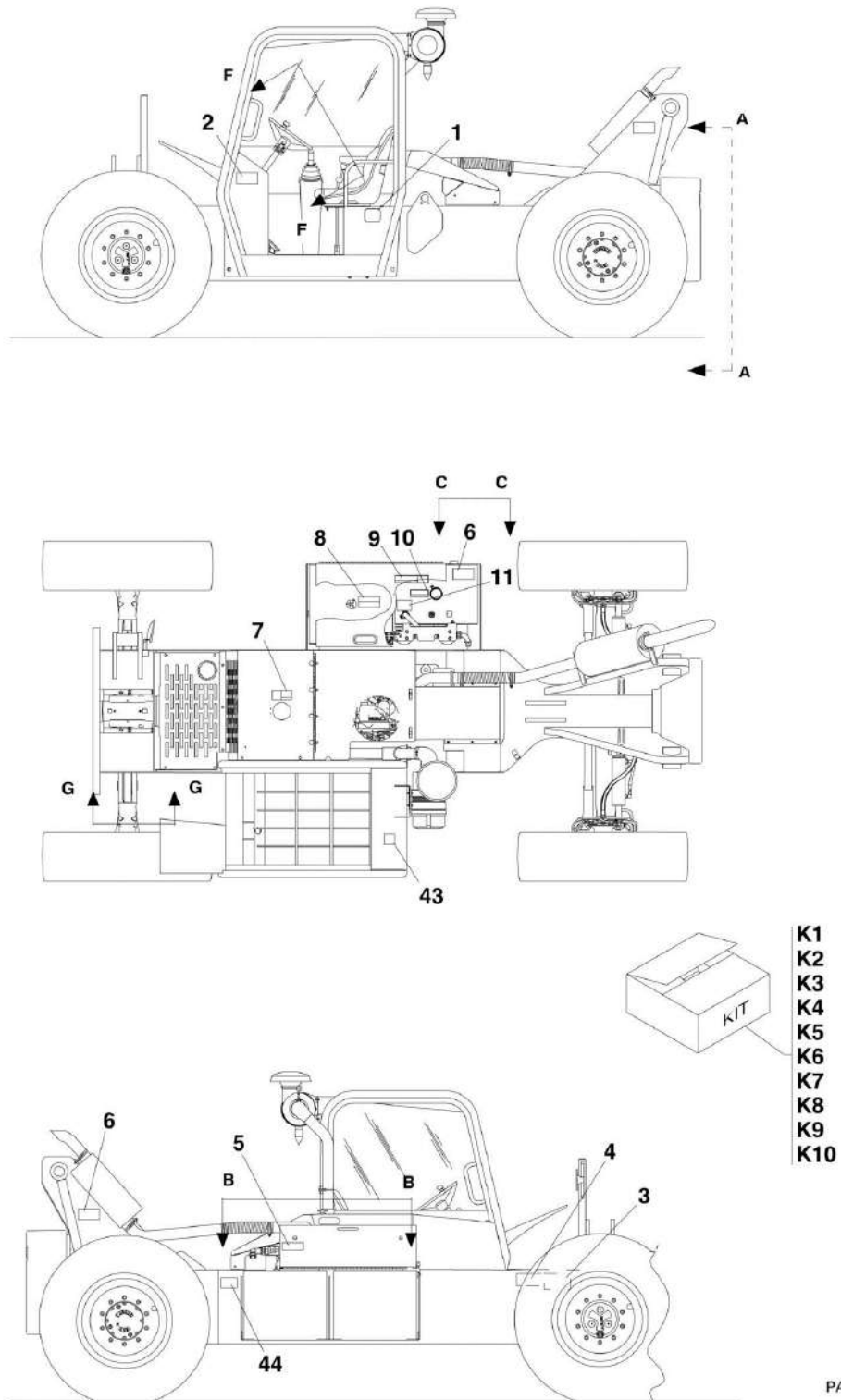
ITEM	PART NUMBER	QTY	DESCRIPTION	REV
1	80603022	1	DANGER DECAL	
2	90553027	1	WARNING DECAL	
3	91343073	1	SERVICE INSTRUCTION PLATE	
4	90553028	1	WARNING DECAL	
5	91083318	1	SWAY DECAL	
6	91083317	1	TILT DECAL	
7	90554001	1	PLATFORM MANUAL	
8	91023006	1	STABILIZER DECAL	
9	N.S.S.	1	SN AND ATTACHMENT PLATE	
10	91143282	3	WARNING DECAL	
11	77333027	1	MADE IN USA DECAL	
12	91083492	2	OIL WARNING DECAL	
13	91143283	1	WARNING DECAL	
14	80603026	1	CAUTION DECAL	
15	91353021	1	LOAD CHART - 100 SWING CARRIAGE	
16	91143286	1	WARNING DECAL	
17	91343016	1	TURBOCHARGER DECAL	
18	91143288	1	HYDRAULIC DECAL	
19	91143162	1	TEST PORT DECAL	
20	91143281	1	WARNING DECAL	
21	91143280	1	WARNING DECAL	
22	91143284	1	WARNING DECAL	
23	91143285	1	INSTRUCTION DECAL	
24	91163212	1	WARNING DECAL	
25	91143182	1	PARK BRAKE DECAL	
26	91163087	2	LOAD CHART BRACKET	
27	88261017	2	SOCKET BUTTON HD CAPSCREW, 1/4-20X7/8	
28	91353026	2	LOAD CHART - 180, SWING CARRIAGE	
29	91363070	2	HINGED CLAMP (Prior to SN 0160002439)	
29	91553063	1	VELCRO STRAP (SN 0160002439 through 0160003933)	
30	91033089	1	HORN DECAL	
31	91303047	1	BOOM OPER. DECAL	
32	91163184	1	CAPACITY CHART COVER	
33	91353006	1	LOAD CHART - INSTRUCTIONS	
34	91353009	1	LOAD CHART - STD CARRIAGES W/WINCH	
35	91353063	1	LOAD CHART - WORK PLATFORM	
36	91143120	1	INSTRUMENT PANEL DECAL	
37	91163028	1	SHIFTER DECAL	
38	91163130	1	OIL LEVEL DECAL	
39	91083314	1	TRACTION DECAL	
40	91353019	1	LOAD CHART - SLOPE PILER	
41	91353020	1	LOAD CHART - 6 FT MAST	
42	91353022	1	LOAD CHART - TRUSS BOOM	
43	91353024	1	LOAD CHART - 6 FT 100 SWING MAST	
44	91353027	1	LOAD CHART - 6 FT 100 SWING MAST W/60, FORKS	
K1	91545005	1	FRAME DECALS 534D-10-45 DECAL KIT, (white), (includes items 1 thru 6, 8, 10 thru 14, 16 thru 20, 22 thru 30, 31, 36 thru 39, 45 on FRAME DECALS 534D-10 & items 1, 3 thru 13 on BOOM DECALS)	D





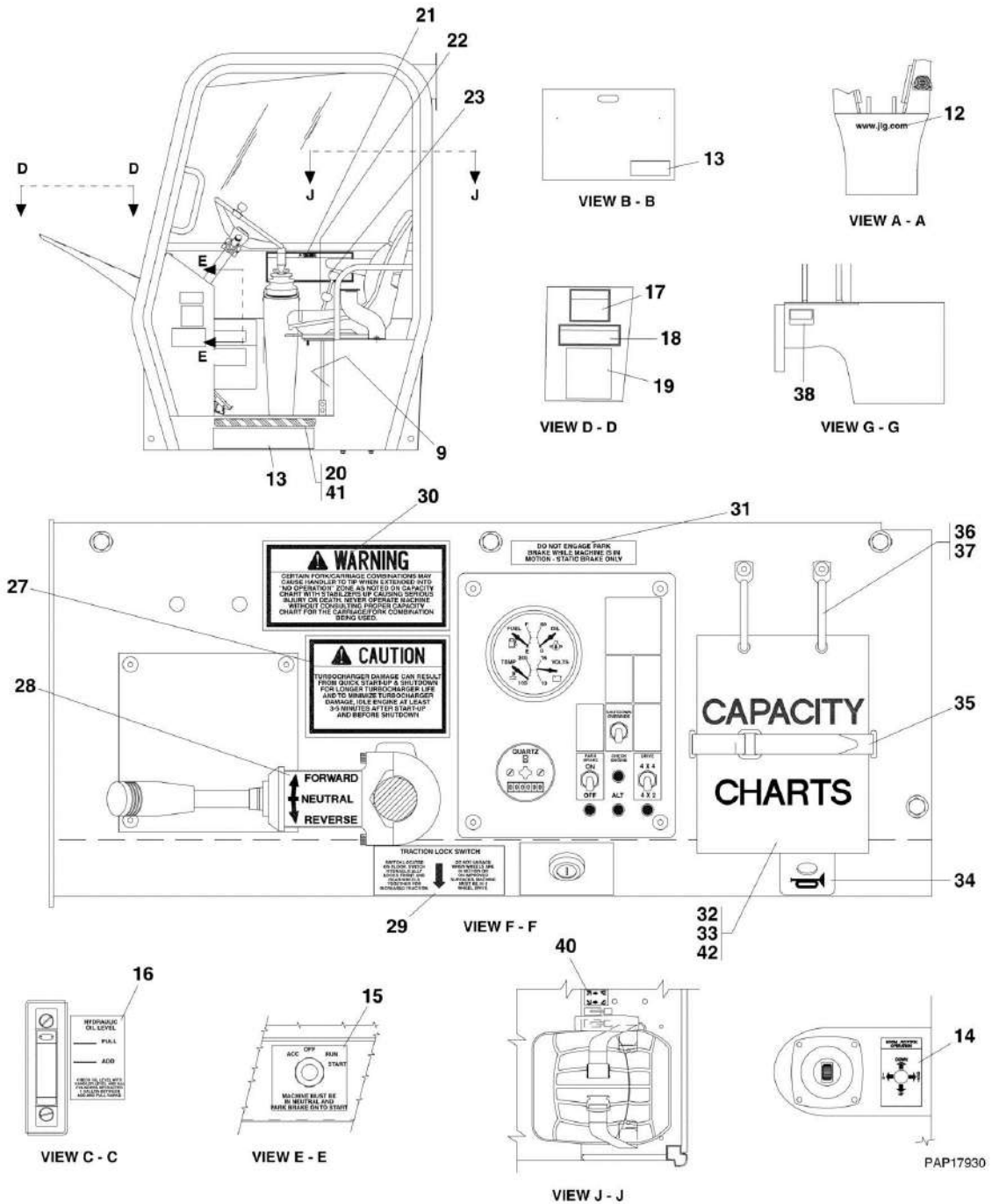
# SECTION 11 - DECALS

FIGURE 11-8. FRAME DECALS - 534D-10 (534D-10 SN 016003987 to Present)



PAP17730

# SECTION 11 - DECALS



PAP17930

## SECTION 11 - DECALS

FIGURE 11-8. FRAME DECALS - 534D-10 (534D-10 SN 0160003987 to Present)

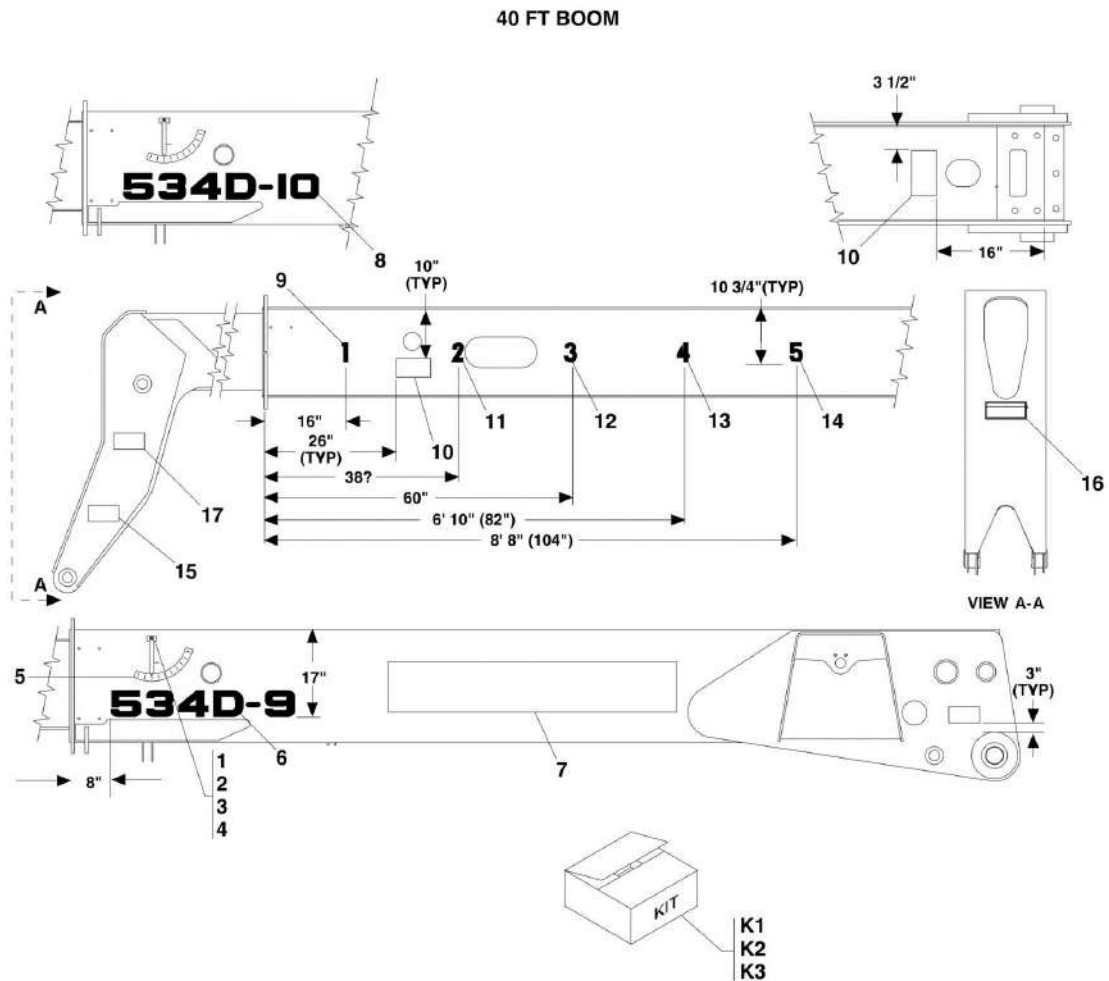
ITEM	PART NUMBER	QTY	DESCRIPTION	REV
1	3251813	1	MADE IN USA DECAL	
2	91143283	1	WARNING DECAL	
3	91143285	1	INSTRUCTION DECAL	
4	91143284	1	WARNING DECAL	
5	91143281	1	WARNING DECAL	
6	91143282	3	WARNING DECAL	
7	80603026	1	CAUTION DECAL	
8	91143286	1	WARNING DECAL	
9	91083492	2	OIL WARNING DECAL (SN 0160003987 through 0160034816)	
10	91143288	1	HYDRAULIC DECAL (SN 0160003987 through 0160034816)	
11	91143162	1	TEST PORT DECAL	
12	1704885	1	WEBSITE DECAL	
13	1706193	2	FRAME DECALS 534D-10-45 DECAL (SN 0160006441 to Present)	
14	91303047	1	BOOM OPERATOR DECAL	
15	91143120	1	INSTRUMENT PANEL DECAL	
16	91163130	1	OIL LEVEL DECAL	
17	80603022	1	DANGER DECAL	
18	90553027	1	WARNING DECAL	
19	91343073	1	SERVICE INSTRUCTION PLATE	
20	91363128	1	NON SKID FLOOR DECAL	
21	90553028	1	WARNING DECAL	
22	91083318	1	SWAY DECAL	
23	91083317	1	TILT DECAL	
27	91343016	1	TURBOCHARGER DECAL	
28	91163028	1	SHIFTER DECAL	
29	91083314	1	TRACTION DECAL (SN 0160003987 through 0160034816)	
30	91163212	1	WARNING DECAL	
31	91143182	1	PARK BRAKE DECAL	
32	91163184	1	CAPACITY CHART COVER	
33	91353006	1	LOAD CHART INSTRUCTIONS	
34	91033089	1	HORN DECAL	
35	91553063	1	VELCRO STRAP	
36	91163087	2	LOAD CHART BRACKET	
37	88261017	2	SOCKET BUTTON HD CAPSCREW, 1/4-20X7/8	
38	N.S.S.	1	SN PLATE	
40	91023006	1	STABILIZER DECAL (SN 0160003987 through 0160034816)	
41	91363140	1	NON SKID FLOOR DECAL	
42	91353009	1	LOAD CHART, CARRIAGE (SN 0160003987 through 0160037688)	
42	1001106039	1	LOAD CHART, CARRIAGE (534D-9 SN 0160038519 to Present; 534D-10 SN 0160038445 to Present)	
42	91353019	1	LOAD CHART, SLOPE PILER (SN 0160003987 through 0160037688)	
42	1001106064	1	LOAD CHART, TILT CARRIAGE (534D-9 SN 0160038519 to Present; 534D-10 SN 0160038445 to Present)	
42	91353020	1	LOAD CHART, 6 FT MAST (SN 0160003987 through 0160037688)	
42	91353021	1	LOAD CHART, DRYWALL/SWING CARRIAGE (SN 0160003987 through 0160037688)	
42	1001106089	1	LOAD CHART, SWING CARRIAGE (534D-9 SN 0160038519 to Present; 534D-10 SN 0160038445 to Present)	
42	91353022	1	LOAD CHART, 10 FT TRUSS BOOM (SN 0160003987 through	

## SECTION 11 - DECALS

ITEM	PART NUMBER	QTY	DESCRIPTION	REV
42	1001106139	1	<b>0160037688)</b> LOAD CHART, 15 FT TRUSS BOOM ( <b>534D-9 SN 0160038519 to Present; 534D-10 SN 0160038445 to Present</b> )	
42	91353024	1	LOAD CHART, 100 SWING MAST ( <b>SN 0160003987 through 0160037688</b> )	
42	91543004	1	LOAD CHART, 180, SWING CARRIAGE ( <b>SN 0160003987 through 0160037688</b> )	
42	91353027	1	LOAD CHART, 180, SWING MAST/FORKS ( <b>SN 0160003987 through 0160037688</b> )	
42	91353063	1	LOAD CHART, PERSONNEL PLATFORM ( <b>SN 0160003987 through 0160037688</b> )	
42	1001106164	1	LOAD CHART, PERSONNEL PLATFORM ( <b>534D-9 SN 0160038519 to Present; 534D-10 SN 0160038445 to Present</b> )	
42	1001106114	1	LOAD CHART, 102 IN BUCKET ( <b>534D-9 SN 0160038519 to Present; 534D-10 SN 0160038445 to Present</b> )	
42	1001110407	1	LOAD CHART BOOKLET, (includes following five items) ( <b>SN 0160038445 to Present</b> )	2
42	1001106193	1	GRAPPLE BUCKET	
42	1001106228	1	TRUSS BOOM WITH WINCH	
42	1001106298	1	VERTICAL MAST	
42	1001106185	1	SWING CARRIAGE	
42	1001111243	1	VERTICAL MAST BACK	
43	1706300	1	ETHER DECAL ( <b>SN 0160035696 to Present</b> )	
44	91143280	1	WARNING DECAL ( <b>SN 0160003987 through 0160027138</b> )	
K1	91545005	1	FRAME DECALS 534D-10 DECAL KIT, (white), (includes items 1 thru 19, 21 thru 23, 27 thru 31, 34, 39, 40, 44 & 2 thru 7, 18 & 91553072 on BOOM DECALS)	D
K2	91345050	1	FRAME DECALS 534d-10 decal kit, (spanish)	
K3	91345048	1	FRAME DECALS 534D-10 DECAL KIT, (Portuguese)	
K4	91555026	1	NATIONS RENT DECAL KIT	
K5	91555027	1	NES RENTALS DECAL KIT	
K6	91365051	1	SUNBELT RENTALS DECAL KIT	
K7	91365074	1	UNITED RENTALS DECAL KIT	
K8	91555029	1	CORPORATE LOGOS DECAL KIT	
K9	91555028	1	H AND E RENTALS DECAL KIT	
K10	1001094648	1	RSC DECAL KIT	

# SECTION 11 - DECALS

**FIGURE 11-9. BOOM DECALS (534D-9 SN 0544001 through 0644118; 534D-10 SN 0366001 through 0366088)**



**NOTE:**

ALL 534D-10 MACHINES AFTER SN 0366088 & 534D-9 MACHINES AFTER SN 0644118 MUST SEE BOOM DECALS FOR 45 FT BOOM.

**NOTE:**

THE 91145038 & 91145039 DECAL KITS INCLUDE BOTH THE 534D-9 40 FT & 534D-9 45 FT BOOM DECALS. BE SURE TO USE THE CORRECT ONE FOR YOUR MACHINE.

PAP18000

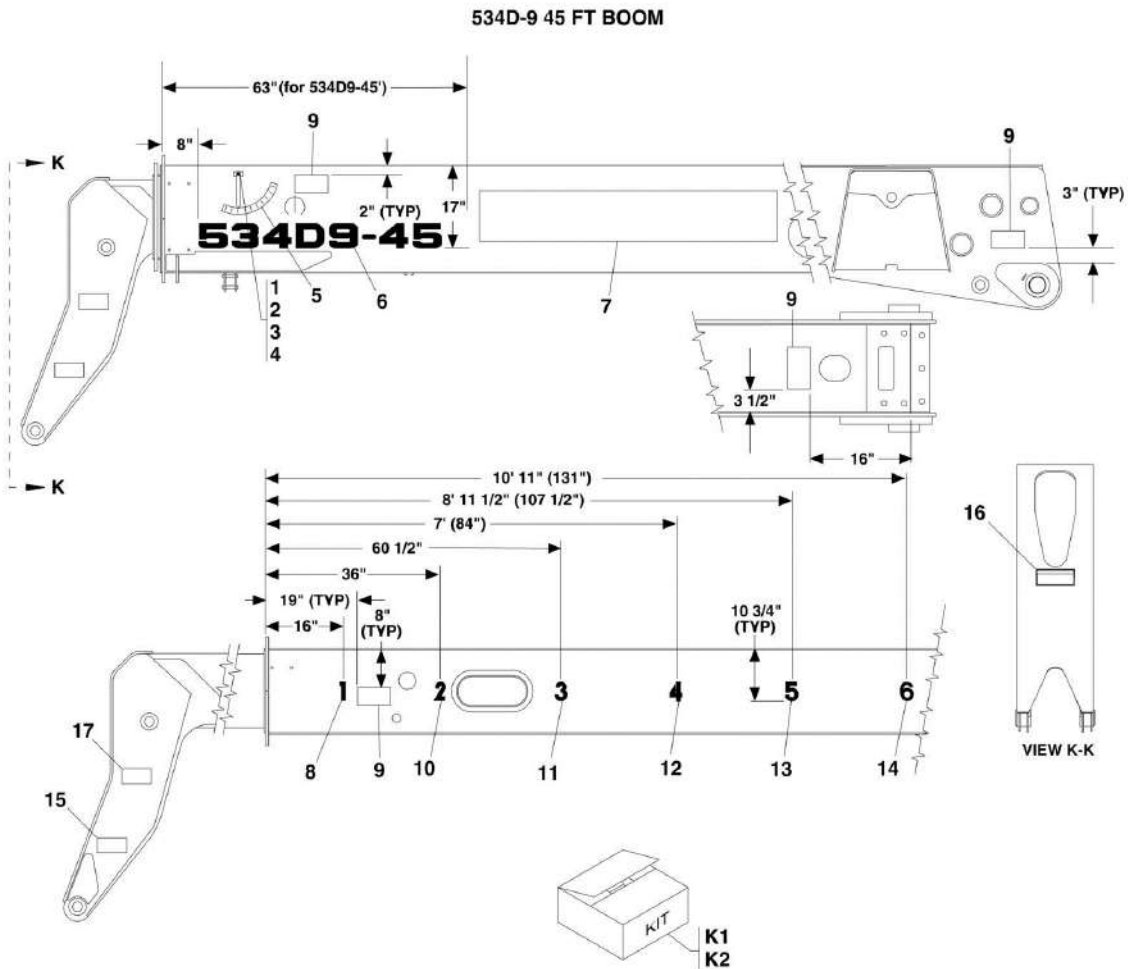
## SECTION 11 - DECALS

**FIGURE 11-9. BOOM DECALS (534D-9 SN 0544001 through 0644118; 534D-10 SN 0366001 through 0366088)**

ITEM	PART NUMBER	QTY	DESCRIPTION	REV
1	90200445	1	PENDULUM	
2	90200688	1	BEARING	
3	90026491	1	SHOULDER BOLT, 1/4-20	
4	91333036	1	SPECIAL WASHER	
5	91003031	1	BOOM ANGLE DECAL	
6	91143295	2	BOOM DECALS 534D-9 DECAL, WHITE, (std)	
6	91143296	2	BOOM DECALS 534D-9 DECAL, BLACK, (opt)	
7	91123037	2	GRADALL DECAL, WHITE, (std)	
7	91123038	2	GRADALL DECAL, BLACK, (opt)	
8	91153029	2	BOOM DECALS 534D-10 DECAL, WHITE, (std)	
8	91153030	2	BOOM DECALS 534D-10 DECAL, BLACK, (opt)	
9	91003016	1	"1" DECAL, WHITE, (std)	
9	91043134	1	"1" DECAL, BLACK, (opt)	
10	80603037	7	HOLE WARNING DECAL	
11	91003018	1	"2" DECAL, WHITE, (std)	
11	91043135	1	"2" DECAL, BLACK, (opt)	
12	91123042	1	"3" DECAL WHITE, (std)	
12	91123043	1	"3" DECAL, BLACK, (opt)	
13	91003020	1	"4" DECAL, WHITE, (std)	
13	91043136	1	"4" DECAL, BLACK, (opt)	
14	91123044	1	"5" DECAL, WHITE, (std)	
14	91123045	1	"5" DECAL, BLACK, (opt)	
15	91143290	1	WARNING DECAL	
16	90553026	1	WARNING DECAL	
17	91143282	2	WARNING DECAL	
K1	91145038	1	BOOM DECALS 534d-9 decal kit, (white), (includes items 7 thru 12, 14 thru 22, 24, 25, 27, 28, 30 thru 34, 36, 37 & 38 on FRAME DECALS - 534d-9, plus items 5, 6, 7, 9, 11 thru 15 & 17 on BOOM DECALS)	
K2	91155038	1	BOOM DECALS 534d-10 decal kit, (white), (includes items 7 thru 22, 24, 25, 27 thru 34 & 36 thru 39 on FRAME DECALS - 534d-10, plus 5 & 7 thru 17 on BOOM DECALS)	
K3	91553072	1	BOOM NUMBERS DECALS KIT, (white), (includes items 9, 11 thru 14)	

# SECTION 11 - DECALS

**FIGURE 11-10. BOOM DECALS - 534D-9 (534D-9 SN 0644119 through 0744407; SN 016000112 through 0160000853, Excluding 0160000700)**



**NOTE:**

THE 91145038 & 91145039 DECAL KITS INCLUDE BOTH THE 534D-9 40 FT & 534D-9 45 FT BOOM DECALS. BE SURE TO USE THE CORRECT ONE FOR YOUR MACHINE.

PAP19000



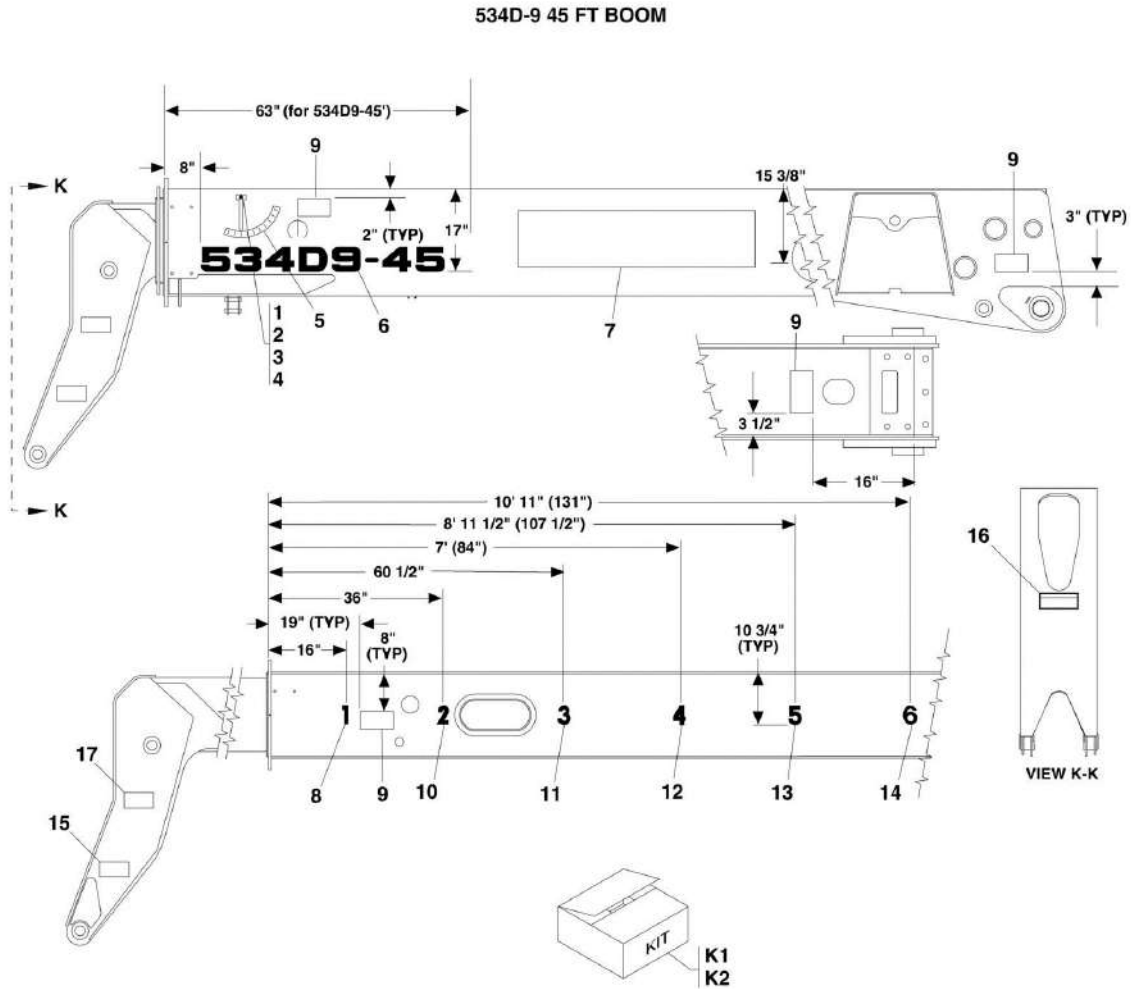
## SECTION 11 - DECALS

**FIGURE 11-10. BOOM DECALS - 534D-9 (534D-9 SN 0644119 through 0744407; SN 0160000112 through 0160000853, Excluding 0160000700)**

ITEM	PART NUMBER	QTY	DESCRIPTION	REV
1	90200445	1	PENDULUM	
2	90200688	1	BEARING	
3	90026491	1	SHOULDER BOLT, 1/4-20	
4	91333036	1	SPECIAL WASHER	
5	91003031	1	BOOM ANGLE DECAL	
6	91343070	2	BOOM DECALS 534D-9-45 DECAL, WHITE, (std)	
6	91343071	2	BOOM DECALS 534D-9-45 DECAL, BLACK, (opt)	
7	91123037	2	GRADALL DECAL, WHITE, (std)	
7	91123038	2	GRADALL DECAL, BLACK, (opt)	
8	91003016	1	"1" DECAL, WHITE, (std)	
8	91043134	1	"1" DECAL, BLACK, (opt)	
9	80603037	7	HOLE WARNING DECAL	
10	91003018	1	"2" DECAL, WHITE, (std)	
10	91043135	1	"2" DECAL, BLACK, (opt)	
11	91123042	1	"3" DECAL, WHITE, (std)	
11	91123043	1	"3" DECAL, BLACK, (opt)	
12	91003020	1	"4" DECAL, WHITE, (std)	
12	91043136	1	"4" DECAL, BLACK, (opt)	
13	91123044	1	"5" DECAL, WHITE, (std)	
13	91123045	1	"5" DECAL, BLACK, (opt)	
14	91163077	1	"6" DECAL, WHITE, (std)	
14	91163078	1	"6" DECAL, BLACK, (opt)	
15	91143290	1	WARNING DECAL	
16	90553026	1	WARNING DECAL	
17	91143282	2	WARNING DECAL	
K1	91345039	1	BOOM DECALS 534d-9 decal kit, (white), (includes items 7 thru 12, 14 thru 28, 30 thru 34, 36, 37 & 38 on FRAME DECALS - 534D-9, plus items 5 thru 17 on BOOM DECALS)	
K2	91553072	1	BOOM NUMBERS DECALS KIT, (white), (includes items 8, 10 thru 14)	

# SECTION 11 - DECALS

FIGURE 11-11. BOOM DECALS - 534D-9 (534D-9 SN 0160001051 through 0160012548; Including 0160000700)



PAP19010

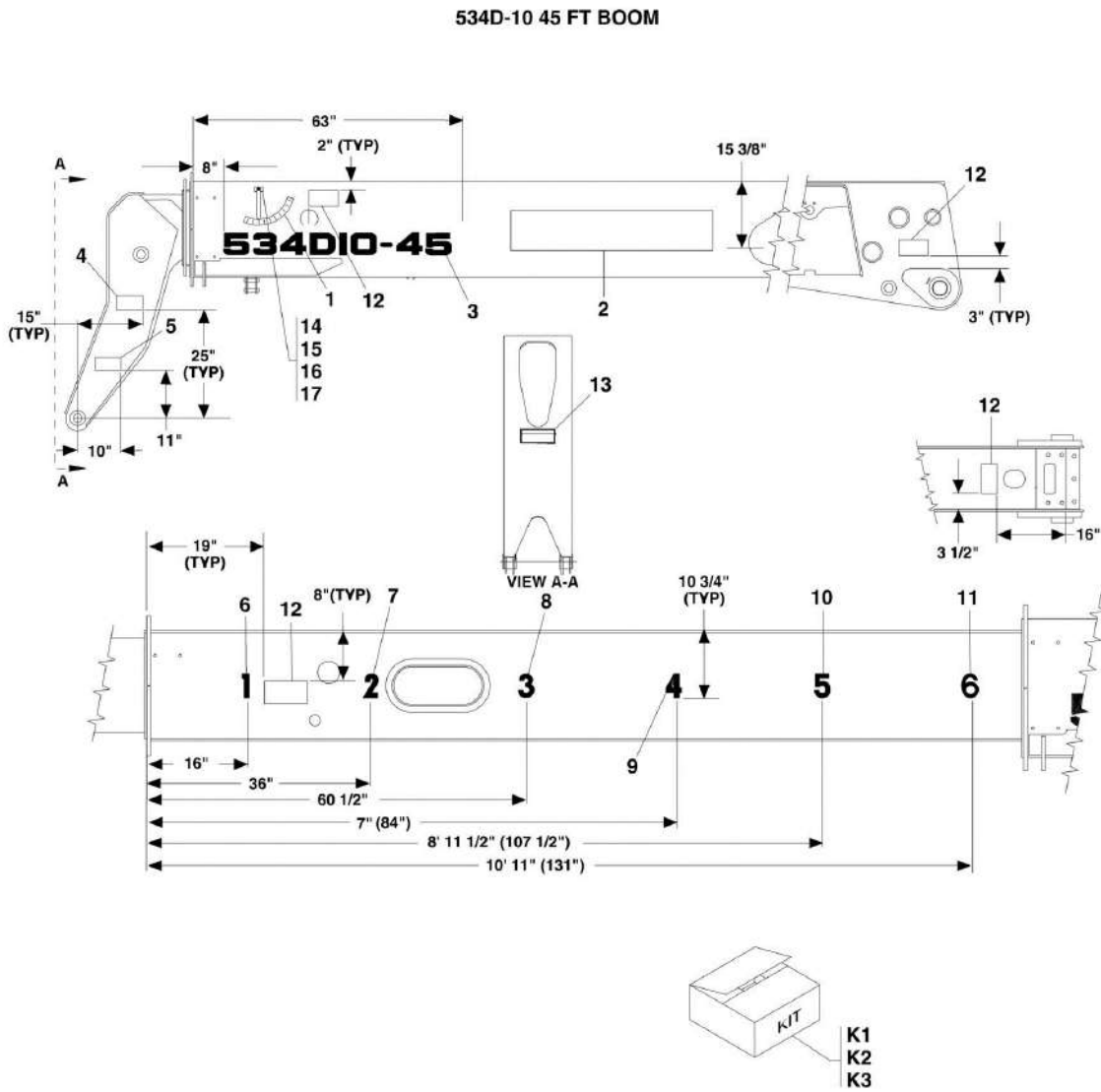
## SECTION 11 - DECALS

**FIGURE 11-11. BOOM DECALS - 534D-9 (534D-9 SN 0160001051 through 0160012548; Including 0160000700)**

ITEM	PART NUMBER	QTY	DESCRIPTION	REV
1	90200445	1	PENDULUM	
2	90200688	1	BEARING	
3	90026491	1	SHOULDER BOLT, 1/4-20	
4	91333036	1	SPECIAL WASHER	
5	91003031	1	BOOM ANGLE DECAL	
6	91343070	2	BOOM DECALS 534D-9-45 DECAL, WHITE ( <b>Prior to SN 0160006437</b> )	
6	91343071	2	BOOM DECALS 534D-9-45 DECAL, WHITE ( <b>Prior to SN 0160006437</b> )	
6	1706192	2	BOOM DECALS 534D-9-45, DECAL ( <b>SN 0160006437 through 0160012548</b> )	
7	91123037	2	GRADALL DECAL, WHITE, (std), (no longer supplied with decal kit)	
7	91123038	2	GRADALL DECAL, BLACK, (opt), (no longer supplied with decal kit)	
8	91003016	1	"1" DECAL, WHITE, (std)	
8	91043134	1	"1" DECAL, BLACK, (opt)	
9	80603037	7	HOLE WARNING DECAL	
10	91003018	1	"2" DECAL, WHITE, (std)	
10	91043125	1	"2" DECAL, BLACK, (opt)	
11	91123042	1	"3" DECAL, WHITE, (std)	
11	91123043	1	"3" DECAL, BLACK, (opt)	
12	91003020	1	"4" DECAL, WHITE, (std)	
12	91043136	1	"4" DECAL, BLACK, (opt)	
13	91123044	1	"5" DECAL, WHITE, (std)	
13	91123045	1	"5" DECAL, BLACK, (opt)	
14	91163077	1	"6" DECAL, WHITE, (std)	
14	91163078	1	"6" DECLA, BLACK, (opt)	
15	91143290	1	WARNING DECAL	
16	90553026	1	WARNING DECAL	
17	91143282	2	WARNING DECAL	
K1	91535006	1	534D-9 DECAL KIT, (white), (includes items 7, 9 thru 12, 14, 15, 17 thru 28, 30 thru 33 & 36 thru 38 on Figure 11-1, plus items 5, 6, 8 thru 17 on Figure 11-3)	E
K2	91553072	1	BOOM NUMBERS DECALS KIT, (white), (includes items 8, 10 thru 14)	

# SECTION 11 - DECALS

FIGURE 11-12. BOOM DECALS - 534D-10 (534D-10 SN 0366089 through 0366533; SN 016000125 through 016000974)



PAP19020

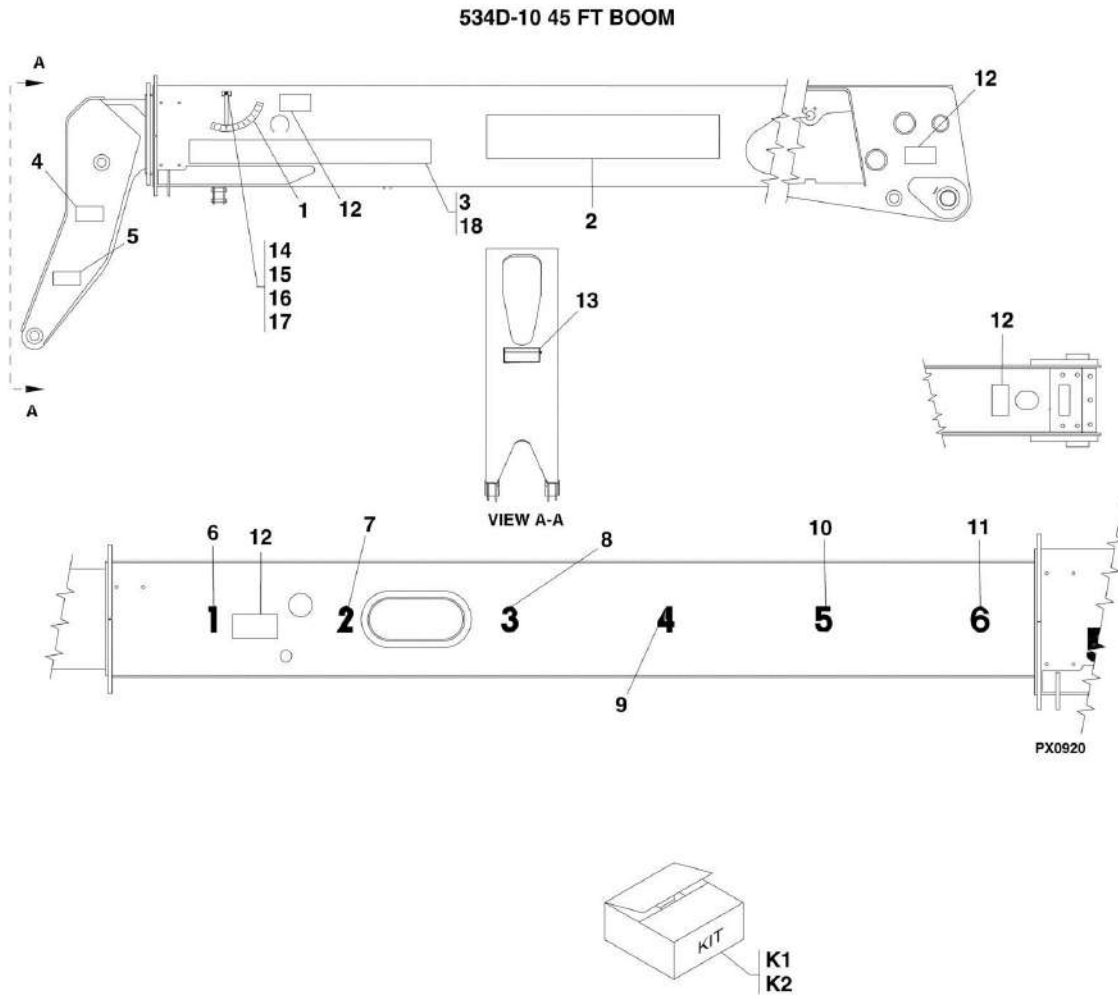
## SECTION 11 - DECALS

**FIGURE 11-12. BOOM DECALS - 534D-10 (534D-10 SN 0366089 through 0366533; SN 016000125 through 0160000974)**

ITEM	PART NUMBER	QTY	DESCRIPTION	REV
1	91003031	1	BOOM ANGLE DECAL	
2	91123037	2	GRADALL DECAL, WHITE, (std)	
2	91123038	2	GRADALL DECAL, BLACK, (opt)	
3	91353014	2	BOOM DECALS 534D-10-45 DECAL, WHITE, (std)	
3	91353015	2	BOOM DECALS 534D-10-45 DECAL, BLACK, (opt)	
4	91143282	2	WARNING DECAL	
5	91143290	1	WARNING DECAL	
6	91003016	1	"1" DECAL, WHITE, (std)	
6	91043134	1	"1" DECAL, BLACK, (opt)	
7	91003018	1	"2" DECAL, WHITE, (std)	
7	91043135	1	"2" DECAL, BLACK, (opt)	
8	91123042	1	"3" DECAL, WHITE, (std)	
8	91123043	1	"3" DECAL, BLACK, (opt)	
9	91003020	1	"4" DECAL, WHITE, (std)	
9	91043136	1	"4" DECAL, BLACK, (opt)	
10	91123044	1	"5" DECAL, WHITE, (std)	
10	91123045	1	"5" DECAL, BLACK, (opt)	
11	91163077	1	"6" DECAL, WHITE, (std)	
11	91163078	1	"6" DECAL, BLACK, (opt)	
12	80603037	7	HOLE WARNING DECAL	
13	90553026	1	WARNING DECAL	
14	90200445	1	PENDULUM	
15	90200688	1	BEARING	
16	90026491	1	SHOULDER BOLT, 1/4-20	
17	91333036	1	SPECIAL WASHER	
K1	91355010	1	BOOM DECALS 534D-10-45 DECAL KIT, (white), (includes items 1, 3, 5 thru 8, 10 thru 25, 30, 31 & 35 thru 39 on FRAME DECALS - 534D-10, 45 ft Boom, plus items 1 thru 11 on BOOM DECALS, 45 ft Boom), <b>(SN 0366089 through 0366342)</b>	
K2	91355022	1	BOOM DECALS 534D-10-45 DECAL KIT, (white), (includes items 1 thru 8, 10 thru 25, 30, 31 & 35 thru 39 on FRAME DECALS - 534D-10, 45 ft Boom, plus items 1 thru 13 on BOOM DECALS, 45 ft Boom) <b>(SN 0366343 through 0160000974)</b>	
K3	91553072	1	BOOM NUMBERS DECALS KIT, (white), (includes items 6 thru 11)	

# SECTION 11 - DECALS

FIGURE 11-13. BOOM DECALS - 534D-10 (534D-10 SN 0160000978 through 0160012554)



PAP19030

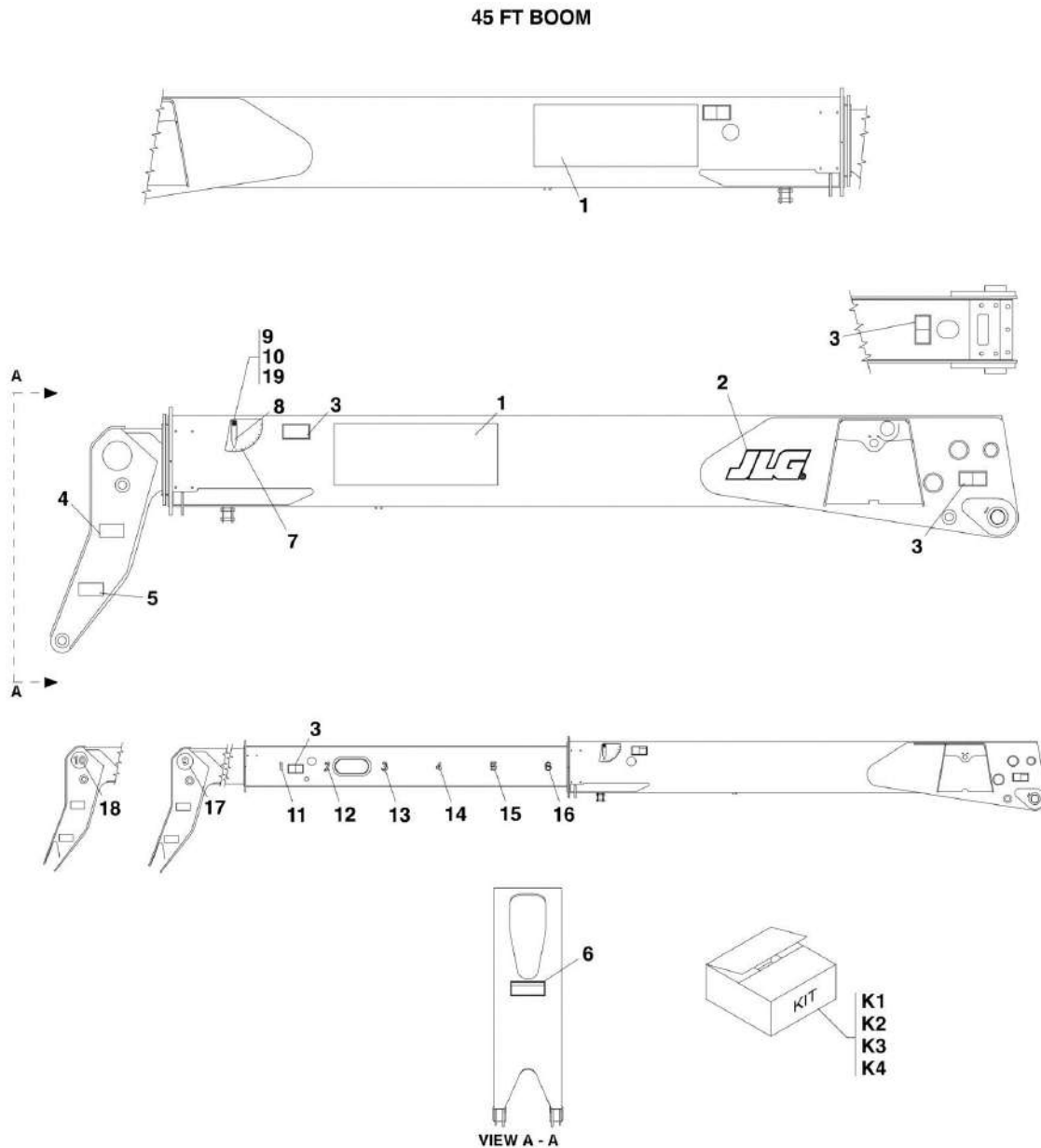
## SECTION 11 - DECALS

**FIGURE 11-13. BOOM DECALS - 534D-10 (534D-10 SN 016000978 through 0160012554)**

ITEM	PART NUMBER	QTY	DESCRIPTION	REV
1	91003031	1	BOOM ANGLE DECAL	
2	91123037	2	GRADALL DECAL, WHITE, (std), (no longer supplied with decal kit)	
2	91123038	2	GRADALL DECAL, BLACK, (opt), (no longer supplied with decal kit)	
3	91353014	2	BOOM DECALS 534D-10-45 DECAL, WHITE, (std) <b>(Prior to SN 0160006441)</b>	
3	91353015	2	BOOM DECALS 534D-10-45 DECAL, BLACK, (opt) <b>(Prior to SN 0160006441)</b>	
4	91143282	2	WARNING DECAL	
5	91143290	1	WARNING DECAL	
6	91003016	1	"1" DECAL, WHITE, (std)	
6	91043134	1	"1" DECAL, BLACK, (opt)	
7	91003018	1	"2" DECAL, WHITE, (std)	
7	91043135	1	"2" DECAL, BLACK, (opt)	
8	91123042	1	"3" DECAL, WHITE, (std)	
8	91123043	1	"3" DECAL, BLACK, (opt)	
9	91003020	1	"4" DECAL, WHITE, (std)	
9	91043136	1	"4" DECAL, BLACK, (opt)	
10	91123044	1	"5" DECAL, WHITE, (std)	
10	91123045	1	"5" DECAL, BLACK, (opt)	
11	91163077	1	"6" DECAL, WHITE, (std)	
11	91163078	1	"6" DECAL, BLACK, (opt)	
12	80603037	7	HOLE WARNING DECAL	
13	90553026	1	WARNING DECAL	
14	90200445	1	PENDULUM	
15	90200688	1	BEARING	
16	90026491	1	SHOULDER BOLT, 1/4-20	
17	91333036	1	SPECIAL WASHER	
18	1706193	2	BOOM DECALS 534D-10-45 DECAL <b>(SN 0160006441 through 0160012554)</b>	
K1	91545005	1	BOOM DECALS 534D-10-45 DECAL KIT, (white), (includes items 1 thru 6, 8, 10 thru 14, 16 thru 20, 22 thru 30, 31, 36 thru 39 on FRAME DECALS - 534D-10, and items 1, 3 thru 13 on BOOM DECALS)	D
K2	91553072	1	BOOM NUMBERS DECALS KIT, (white), (includes items 6 thru 11)	

# SECTION 11 - DECALS

**FIGURE 11-14. BOOM DECALS - 534D-10 (534D-9 SN 0160012580 to Present; 534D-10 SN 0160012572 to Present, Including 0160012289)**



PAP19040



## SECTION 11 - DECALS

**FIGURE 11-14. BOOM DECALS - 534D-10 (534D-9 SN 0160012580 to Present; 534D-10 SN 0160012572 to Present, Including 0160012289)**

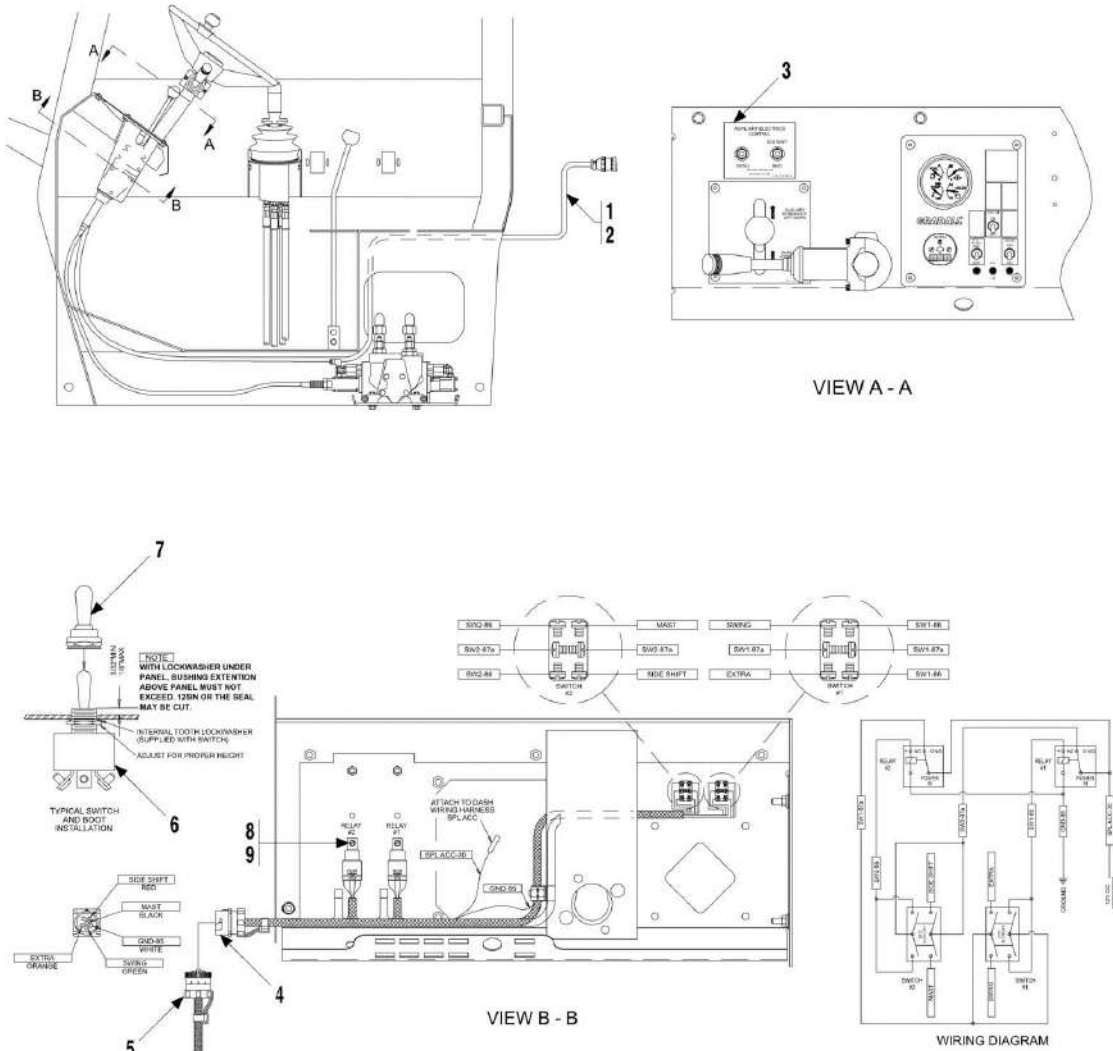
ITEM	PART NUMBER	QTY	DESCRIPTION	REV
1	1706184	2	12 IN GRADALL DECAL, WHITE, (no longer supplied with decal kit)	
2	1706101	2	7 IN JLG DECAL	
3	80603037	7	WARNING DECAL	
4	91143282	2	WARNING DECAL	
5	91143290	1	WARNING DECAL	
6	90553026	1	WARNING DECAL	
7	4105262	1	BOOM ANGLE DECAL, WHITE	
8	7075611	1	PENDULUM (534D-9 SN 0160012580 through 0160035941, Excluding 0160034957; 534D-10 SN 0160012572 through 0160034816, Including 0160012289)	
8	1001098769	1	PENDULUM (534D-9 SN 0160035983 to Present, Including 0160034957; 534D-10 SN 0160035696 to Present)	
9	8305647	1	NUT (534D-9 SN 0160012580 through 0160035941, Excluding 0160034957; 534D-10 SN 0160012572 through 0160034816, Including 0160012289)	
9	8305645	1	NUT (534D-9 SN 0160035983 to Present, Including 0160034957; 534D-10 SN 0160035696 to Present)	
10	8307113	3	WASHER (534D-9 SN 0160012580 through 0160035941, Excluding 0160034957; 534D-10 SN 0160012572 through 0160034816, Including 0160012289)	
10	4711600	1	WASHER (534D-9 SN 0160035983 to Present, Including 0160034957; 534D-10 SN 0160035696 to Present; Including )	
11	91003016	1	"1" DECAL, WHITE, (std)	
11	91043134		"1" DECAL, BLACK, (opt)	
12	91003018	1	"2" DECAL, WHITE, (std)	
12	91043135		"2" DECAL, BLACK, (opt)	
13	91123042	1	"3" DECAL, WHITE, (std)	
13	91123043		"3" DECAL, BLACK, (opt)	
14	91003020	1	"4" DECAL, WHITE, (std)	
14	91043136		"4" DECAL, BLACK, (opt)	
15	91123044	1	"5" DECAL, WHITE, (std)	
15	91123045		"5" DECAL, BLACK, (opt)	
16	91163077	1	"6" decal, white, (std)	
16	91163078		"6" decal, black, (opt)	
17	1706170	2	GOOSENECK DECAL, (534D-9)	
18	1706100	2	GOOSENECK DECAL, (534D-10)	
19	1001096404	1	SPACER (534D-9 SN 0160035983 to Present, Including 0160034957; 534D-10 SN 0160035696 to Present; Including )	
K1	91535006	1	BOOM DECALS 534D-9 DECAL KIT, (white), (includes items 1 thru 19, 21 thru 23, 27 thru 31, 34 on FRAME DECALS - 534D-9, plus items 2 thru 7, 17 & 91553072 on BOOM DECALS)	F
K2	91545005	1	BOOM DECALS 534D-10 DECAL KIT, (white), (includes items 1 thru 19, 21 thru 23, 27 thru 31, 34, 39, 40, 44 & 2 thru 7, 18 & Kit K3 on BOOM DECALS)	D
K3	91553072	1	BOOM NUMBERS DECALS KIT, (white), (includes items 11 thru 16)	
K4	91365051	1	SUNBELT RENTALS DECAL KIT	



**SECTION 12 - OPTIONS**

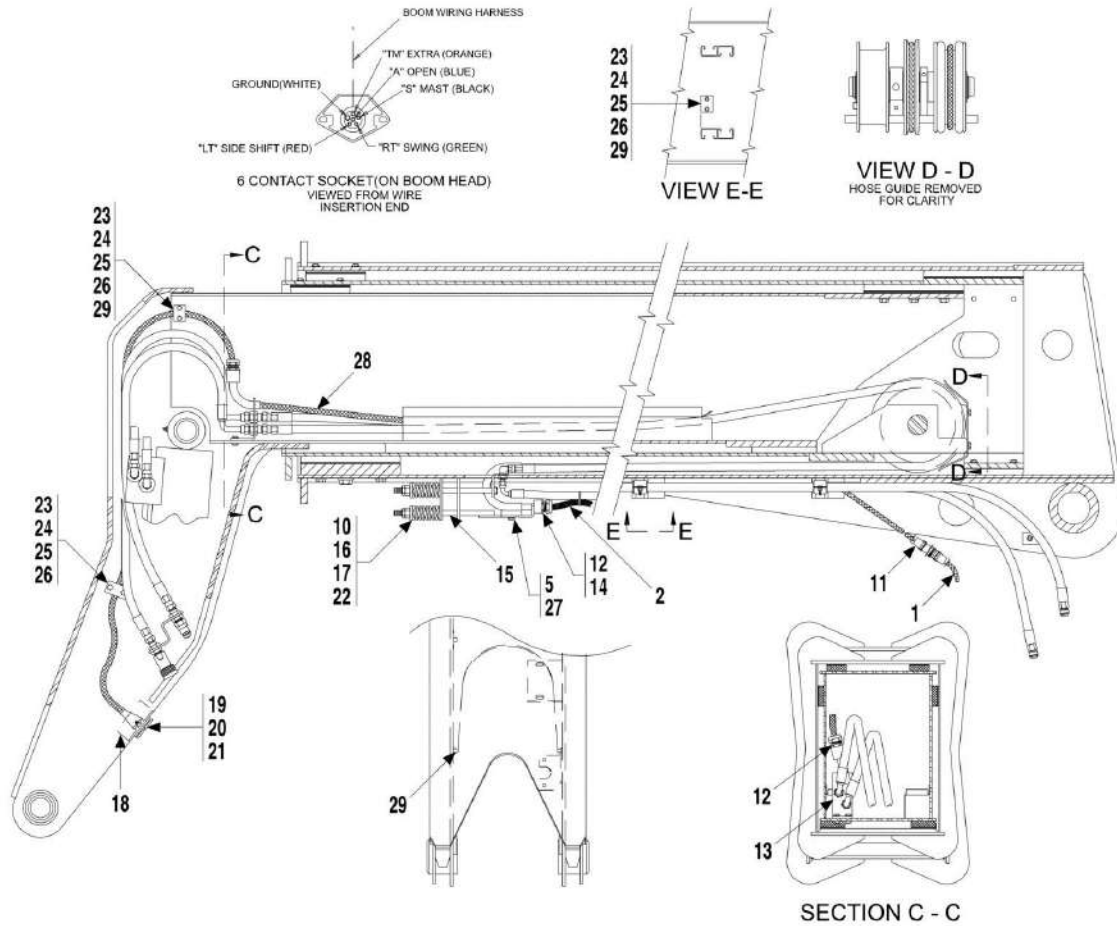
# SECTION 12 - OPTIONS

**FIGURE 12-1. AUXILIARY HYDRAULIC W/ELECTRONIC ASSEMBLY (Prior to SN 0160027771)**



**NOTE:**  
 ALL 534D-10 MACHINES AFTER SN 0366088 MUST SEE 91355009 ON AUXILIARY HYDRAULIC W/ELECTRICS ASSEMBLY FOR 45 FT BOOM

# SECTION 12 - OPTIONS



## SECTION 12 - OPTIONS

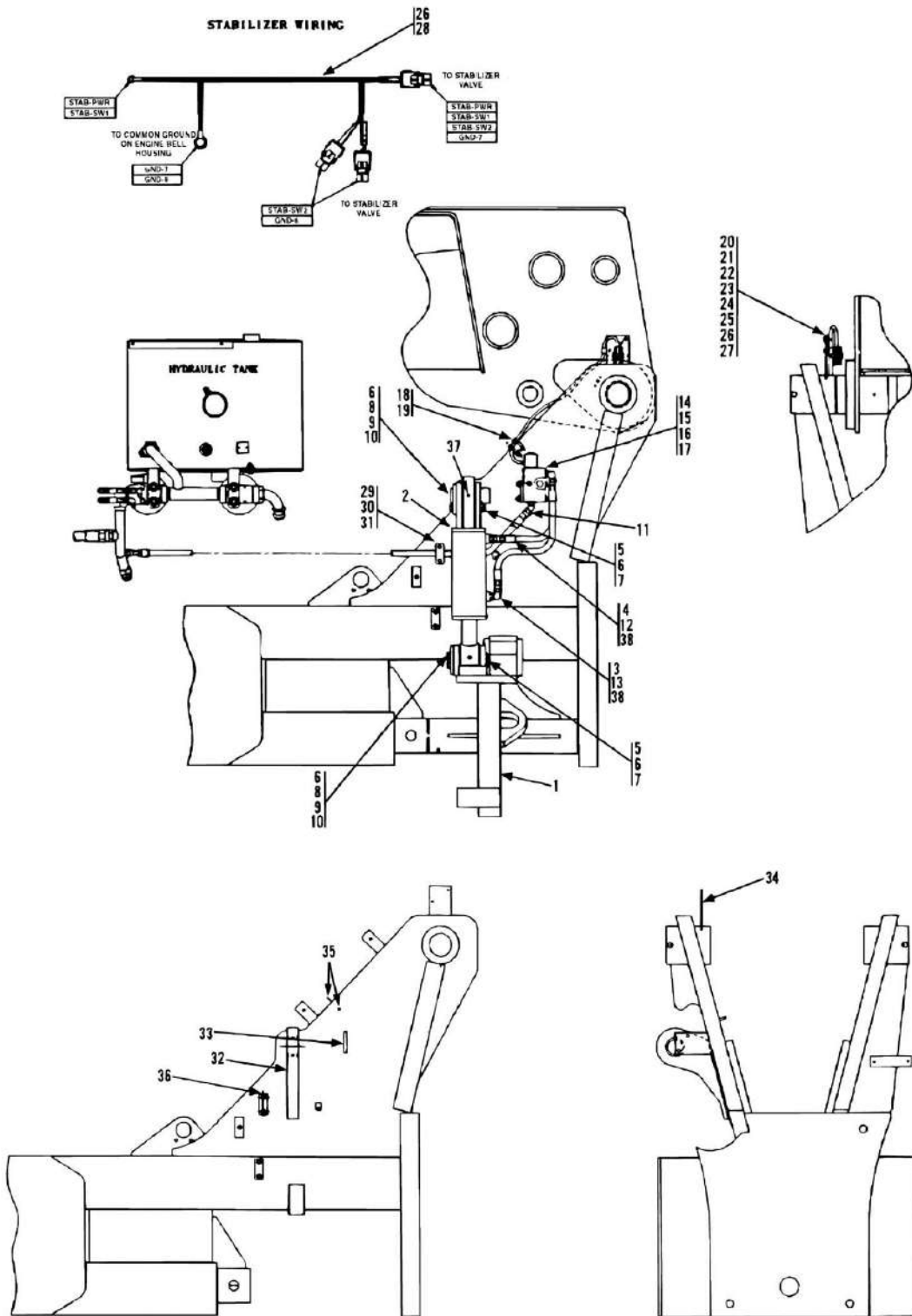
**FIGURE 12-1. AUXILIARY HYDRAULIC W/ELECTRONIC ASSEMBLY (Prior to SN 0160027771)**

ITEM	PART NUMBER	QTY	DESCRIPTION	REV
	91145075	1	AUX HYDRAULICS ASSY, (includes all items)	D
1	91143105	1	AUX WIRING HARNESS	
2	90027187	AR	NYLON TIE	
3	91123155	1	DECAL	
4	91123154	1	AUX DASH HARNESS	
5	88551010	2	LOCKWASHER, 5/16	
6	77163204	2	SWITCH-DPDT	
7	77383470	2	SWITCH BOOT	
8	88301088	2	RD HD MACHINE SCREW, #10-24X3/8	
9	88561105	2	FLATWASHER, #10	
10	88501008	1	HEX NUT, 1/2-13	
11	91143373	1	AUX BOOM HARNESS	
12	91143141	1	STRAIN RELIEF FITTING	
13	91346011	1	BRACKET WELDMENT	
14	91366015	1	CABLE TAKE-UP WELDMENT	
15	91126032	1	CABLE TAKE-UP SUPPORT	
16	91123054	1	COMPRESSION SPRING	
17	91121134	1	SPRING RETAINER	
18	91121283	1	RECEPTICAL BRACKET	
19	90207661	1	6 CONTACT SOCKET	
20	88201005	2	HEX HD CAPSCREW, 1/4-20X1, GR5	
21	88521304	2	LOCK NUT, 1/4-20	
22	88501108	1	JAM NUT, 1/2-13	
23	91203039	5	CLAMP SET	
24	88561107	5	COVER PLATE	
25	88551009	5	HEX BOLT	
26	88501004	5	BASE PLATE	
27	88201017	2	HEX HD CAPSCREW, 5/16-18X5/8, GR5	
28	84719575	1	HOSE ASSY	
29	85611274	5	WELD STUD, 1/4-20X3/4	



# SECTION 12 - OPTIONS

**FIGURE 12-2. STABILIZER OPTION (534D-9 SN 0544001 through 0544009; 534D-10 SN 0366001 through 0366233)**





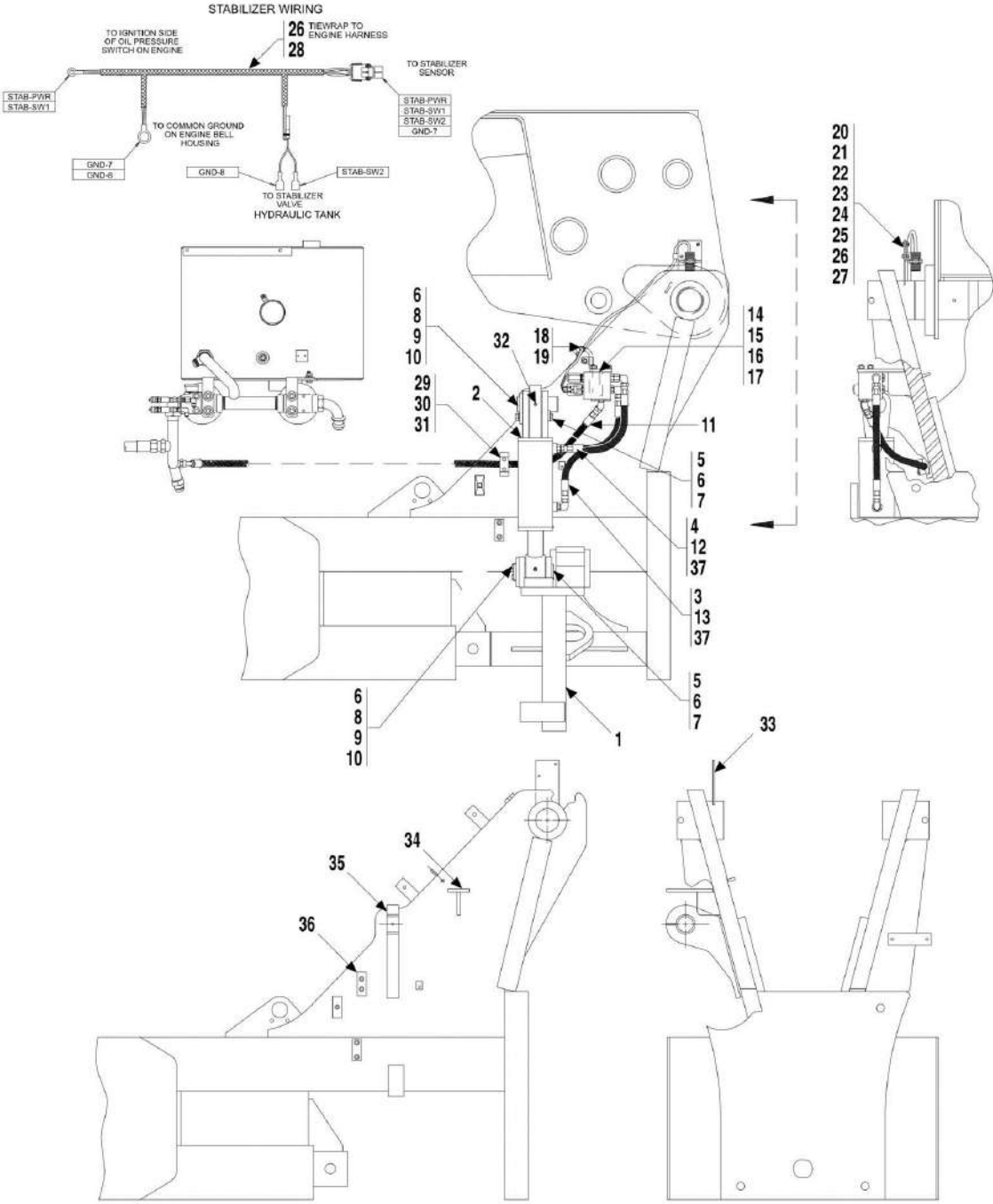
## SECTION 12 - OPTIONS

**FIGURE 12-2. STABILIZER OPTION (534D-9 SN 0544001 through 0544009; 534D-10 SN 0366001 through 0366233)**

ITEM	PART NUMBER	QTY	DESCRIPTION	REV
	91145081	1	STABILIZER ASSY, (includes all items)	
1	91166013	1	REAR AXLE WELDMENT	
2		Ref	STABILIZER CYLINDER, (See HYDRAULIC COMPONENTS SECTION for Breakdown)	
3	88662065	1	ELBOW, 90, (includes item 38)	
4	2220373	1	CONNECTOR, (includes item 38)	
5	91161269	2	KEEPER	
6	88561111	6	FLAT WASHER, 1/2	
7	88201065	2	HEX HD CAPSCREW, 1/2-13X1, GR5	
8	91166062	2	PIN WELD	
9	88201066	4	HEX HD CAPSCREW, 1/2-13X1-1/4, GR5	
10	88551013	4	LOCKWASHER, 1/2	
11	84719000	1	HOSE ASSY	
12	84717560	1	HOSE ASSY	
13	77133145	1	HOSE ASSY	
14	88201047	2	HEX HD CAPSCREW, 3/8-16X4, GR5	
15	88551011	2	LOCKWASHER, 3/8	
16	88501006	2	HEX NUT, 3/8-16	
17		Ref	STABILIZER VALVE ASSY, (See HYDRAULIC COMPONENTS SECTION for Breakdown)	
18	86621230	2	SUPPORT CLAMP	
19	77143006	2	WHIZ-LOCKNUT, 5/16	
20	91365037	1	STABILIZER SENSOR ASSY, (includes the following five items)	B
20	91143155	1	PROXIMITY SENSOR SWITCH	
20	80963062	1	W. PACK CONNECTOR, (shroud)	
20	80963065	4	W. PACK CONNECTOR, (male pin)	
20	80963066	4	W. PACK CONNECTOR, (cable seals)	
20	91053419	1	TIE WRAP	
21	91141260	1	BRACKET	
22	88301093	2	RD HD MACHINE SCREW, #10-24X3/4	
23	88551007	2	LOCKWASHER, #10	
24	88561001	4	FLAT WASHER, 3/16	
25	91043199	2	SQUARE NUT, #10-24	
26	90027187	8	TIE WRAP	
27	90021705	1	SUPPORT CLAMP	
28	91163049	1	STABILIZER HARNESS	
29	77133053	2	HOSE CLAMP	
30	77133052	2	COVER PLATE	
31	77133209	2	HEX HD CAPSCREW, 1/4-20X1-3/8	
32	91161083	1	STABILIZER LUG	
33	91161379	1	VALVE MOUNT PLATE	
34	91141261	1	BRACKET	
35	85051384	1	WELD STUD, 5/16-18X1	
36	77133029	1	BASE PLATE	
37	88671008	1	STRAIGHT LUBE FITTING, 1/4-28	
38	88591205	2	O-RING	

# SECTION 12 - OPTIONS

FIGURE 12-3. STABILIZER OPTION (534D-9 SN 0544010 to Present; 534D-10 SN 0366234 to Present)



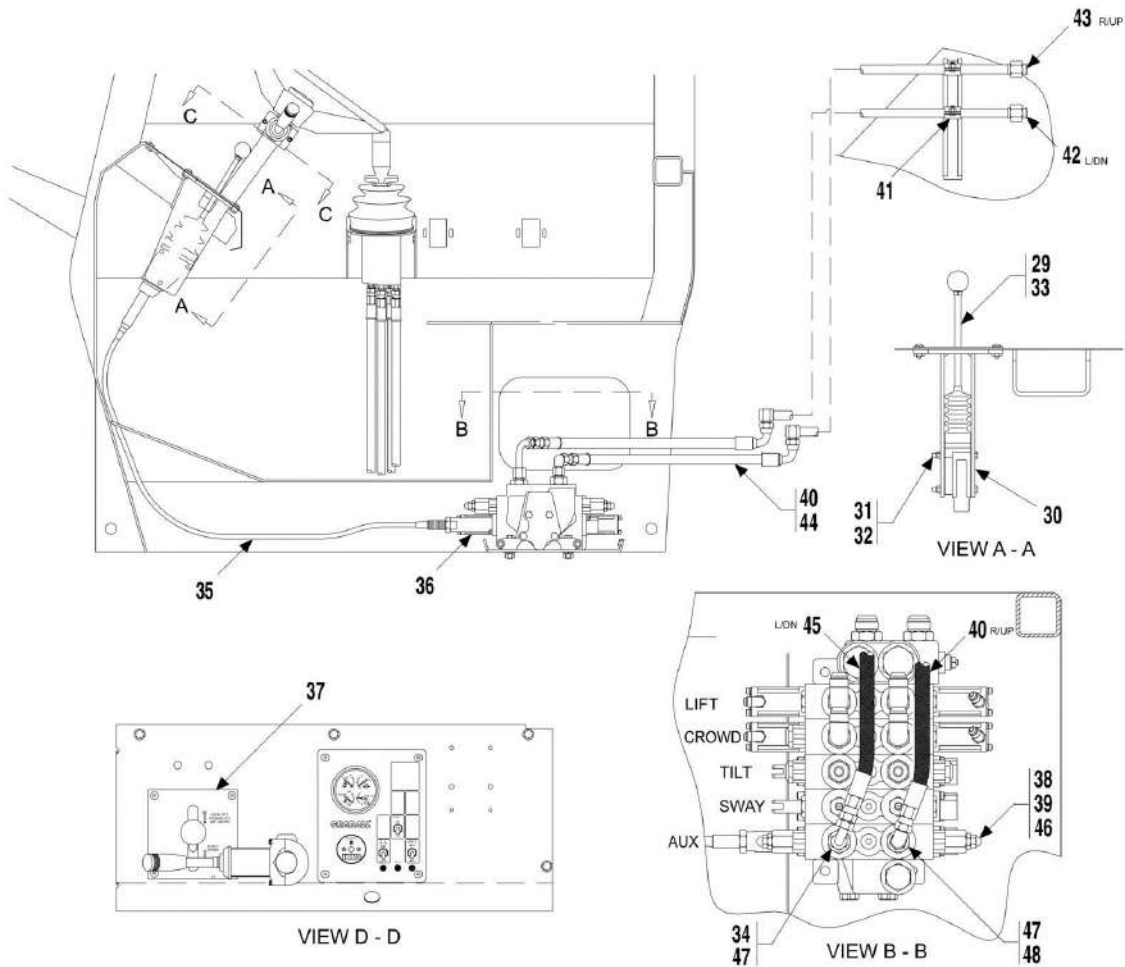
## SECTION 12 - OPTIONS

**FIGURE 12-3. STABILIZER OPTION (534D-9 SN 0544010 to Present; 534D-10 SN 0366234 to Present)**

ITEM	PART NUMBER	QTY	DESCRIPTION	REV
	91145081	1	STABILIZER OPTION, (includes all items)	F
1	91166013	1	REAR AXLE WELDMENT	
2		Ref	STABILIZER CYLINDER, (See HYDRAULIC COMPONENTS SECTION for Breakdown)	
3	88662065	1	ELBOW, 90, (Includes item 37)	
4	2220373	1	CONNECTOR, (includes item 37)	
5	91161269	2	KEEPER	
6	88561111	6	FLAT WASHER, 1/2	
7	88201065	2	HEX HD CAPSCREW, 1/2-13X1, GR5	
8	91166062	2	PIN WELD	
9	88201066	4	HEX HD CAPSCREW, 1/2-13X1-1/4, GR5	
10	88551013	4	LOCKWASHER, 1/2	
11	84719365	1	HOSE ASSY	
12	84719378	1	HOSE ASSY	
13	84717556	1	HOSE ASSY	
14	83201073	2	HEX HD CAPSCREW, 3/8-16X4-1/2, GR5	
15	88551011	2	LOCKWASHER, 3/8	
16	88501006	2	HEX NUT, 3/8-16	
17		Ref	STABILIZER VALVE ASSY, (See HYDRAULIC COMPONENTS SECTION for Breakdown)	
18	86621230	2	SUPPORT CLAMP	
19	77143006	2	WHIZ-LOCKNUT, 5/16-18	
20	91365037	1	STABILIZER SENSOR ASSY, (includes the following five items)	B
20	91143155	1	PROXIMITY SENSOR SWITCH	
20	80963062	1	W. PACK CONNECTOR, (shroud)	
20	80963065	4	W. PACK CONNECTOR, (male pin)	
20	80963066	4	W. PACK CONNECTOR, (cable seals)	
20	91053419	1	TIE WRAP	
21	91141260	1	BRACKET	
22	88301093	2	ROUND HD MACHINE SCREW, #10-24X3/4	
23	88551007	2	LOCKWASHER, #10	
24	88561001	4	FLAT WASHER, 3/16	
25	91043199	2	SQUARE NUT, #10-24	
26	90027187	8	TIE WRAP	
27	90021705	1	SUPPORT CLAMP	
28	91363081	1	STABILIZER HARNESS	
29	77133053	1	HOSE CLAMP	
30	77133052	1	COVER PLATE	
31	77133209	2	HEX HD CAPSCREW, 1/4-20X1-3/8	
32	88671001	1	STRAIGHT LUBE FITTING, 1/8	
33	91141261	1	BRACKET	
34	91366014	1	STABILIZER MOUNTING BRACKET WELDMENT	
35	91161083	1	STABILIZER LUG	
36	77133029	1	BASE PLATE	
37	88591205	2	O-RING	

## SECTION 12 - OPTIONS

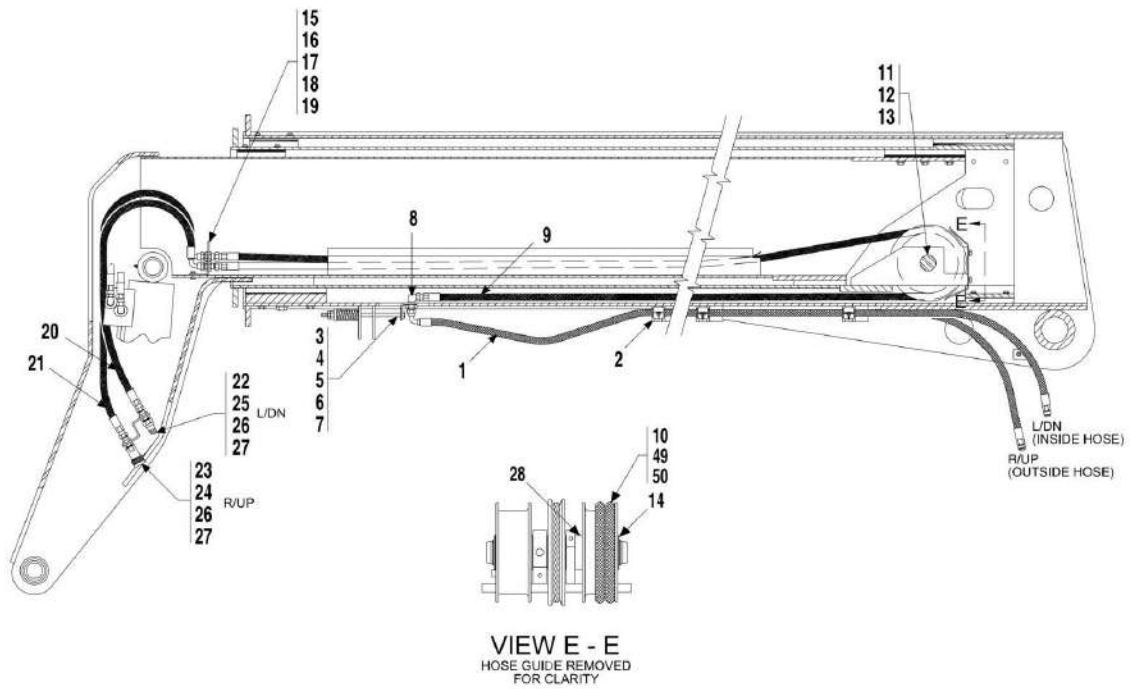
**FIGURE 12-4. AUXILIARY HYDRAULICS FIELD KIT - 40 FT BOOM (534D-9 Prior to SN 0644119; 534D-10 Prior to SN 0366089)**



**NOTE:**

IF YOUR MACHINE CAME WITH AUXILIARY HYDRAULICS, (91145026) 534D-9 OR (91155026) 534D-10, YOU MUST USE AUXILIARY HYDRAULICS FIELD KIT, (91345026), FOR SERVICE.

# SECTION 12 - OPTIONS



## SECTION 12 - OPTIONS

**FIGURE 12-4. AUXILIARY HYDRAULICS FIELD KIT - 40 FT BOOM (534D-9 Prior to SN 0644119; 534D-10 Prior to SN 0366089)**

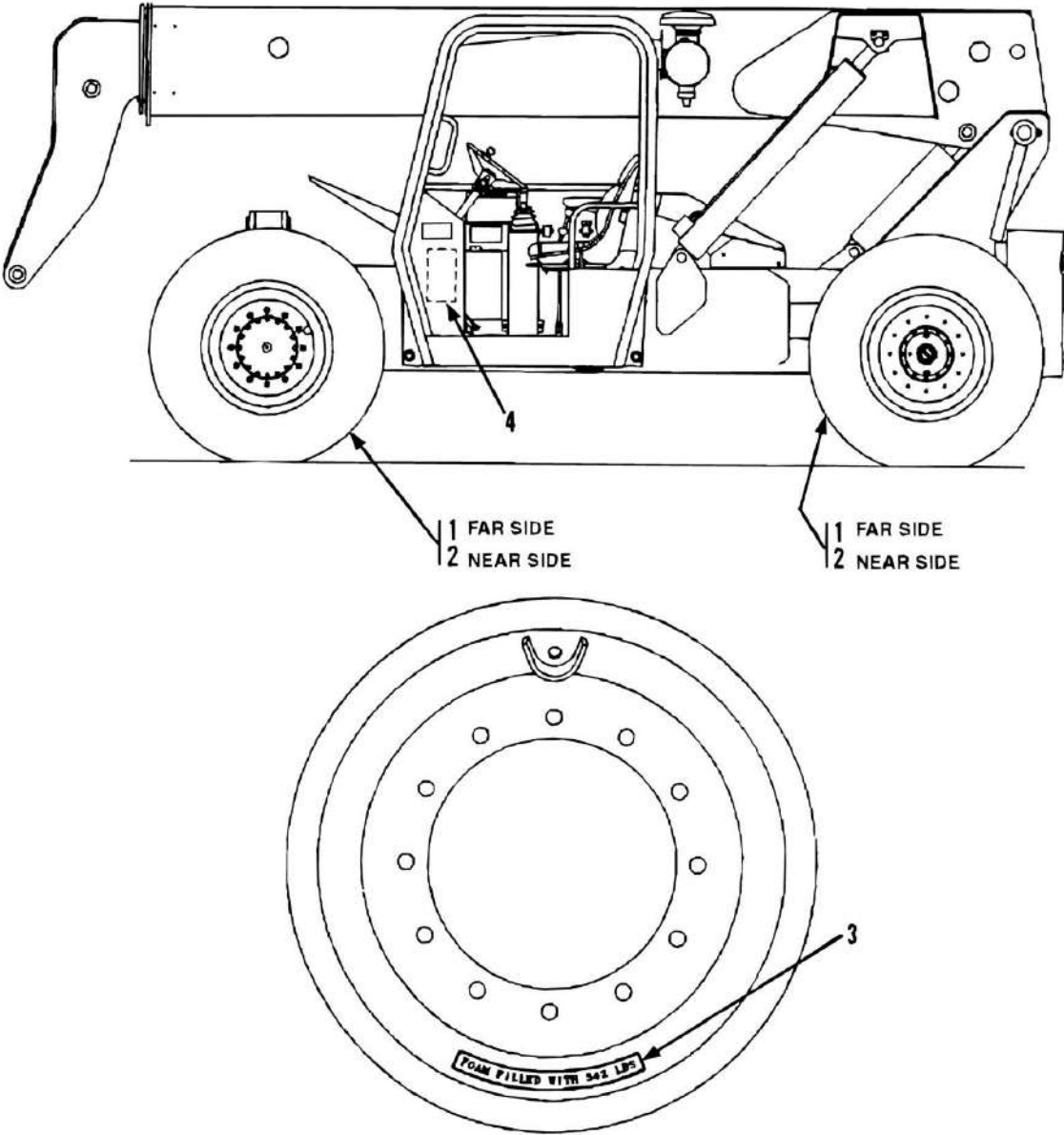
ITEM	PART NUMBER	QTY	DESCRIPTION	REV
	91345015	1	AUX HYDRAULICS FIELD KIT, (includes all items)	D
1	84719018	2	HOSE ASSY	
2	91343012	6	CUSHION CLAMP	
3	91166068	2	HOSE TAKE UP WELD	
4	91123054	2	COMPRESSION SPRING	
5	91121134	2	SPRING RETAINER	
6	88501008	2	HEX NUT, 1/2-13	
7	88501108	2	HEAVY HEX JAM NUT, 1/2-13	
8	90027180	2	BULKHEAD FITTING, 90	
9	84719575	2	HOSE ASSY	
10	91343213	1	HOSE SHEAVE	
11	91141144	1	RETRACT SHEAVE PIN	
12	14404793	AR	UNION 76 MEGAPLEX GREASE	
13	88581149	1	EXTERNAL RETAINING RING	
14	91041449	1	THRUST WASHER	
15	91141210	1	BULKHEAD BRACKET	
16	90027176	2	STR THD BULKHEAD FITTING	
17	88201020	2	HEX HD CAPSCREW, 5/16-18X1, GR5	
18	88551010	2	LOCKWASHER, 5/16	
19	88501005	2	HEX NUT, 5/16-18	
20	84718385	1	HOSE ASSY	
21	84718557	1	HOSE ASSY	
22	91163138	1	MALE HYDRAULIC COUPLER	
23	91163139	1	FEMALE HYDRAULIC COUPLER	
24	91043125	1	DUST PLUG	
25	91043126	1	DUST CAP	
26	91043321	2	STR BULKHEAD FITTING	
27	88712304	2	REDUCING BUSHING	
28	91551037	1	SPACER	
29	91345010	1	REMOTE VALVE CONTROL ASSY, (includes items 30, 31, 32, 33 & 35)	
30	91366007	1	LEVER BRACKET	
31	88201012	3	HEX HD CAPSCREW, 1/4-20X2-3/4, GR5	
32	88521304	3	HEX LOCKNUT, 1/4-20	
33	91303019	1	REMOTE VALVE CONTROL	
34	2220471	1	ELBOW, 90, (swivel nut)	
35	91363043	1	CONTROL CABLE	
36	91123062	1	CABLE ADAPTER BONNET	
37	91363045	1	GUIDE PLATE	
38	91034070	1	STUD KIT	
39	91144254	1	SEAL KIT	
40	84718685	1	HOSE ASSY	
41	90207463	2	CUSHION CLAMP	
42	91163096	1	TUBE ASSY	
43	91163097	1	TUBE ASSY	
44	90027187	5	NYLON TIE	
45	84718686	1	HOSE ASSY	
46		Ref	VALVE SECTION ASSY, (See HYDRAULIC COMPONENTS)	

## SECTION 12 - OPTIONS

ITEM	PART NUMBER	QTY	DESCRIPTION	REV
			SECTION for Breakdown)	
47	2220375	2	CONNECTOR, (includes o-ring)	
47	88591207	2	O-RING	
48	88662106	1	ELBOW, 90, (swivel nut)	
49	91343212	1	HOSE SHEAVE	
50	91343215	1	SPACER	

SECTION 12 - OPTIONS

FIGURE 12-5. FOAM TIRE OPTION (534D-9 SN 0544001 through 0160000446; 534D-10 SN 0366001 through 0160000446)





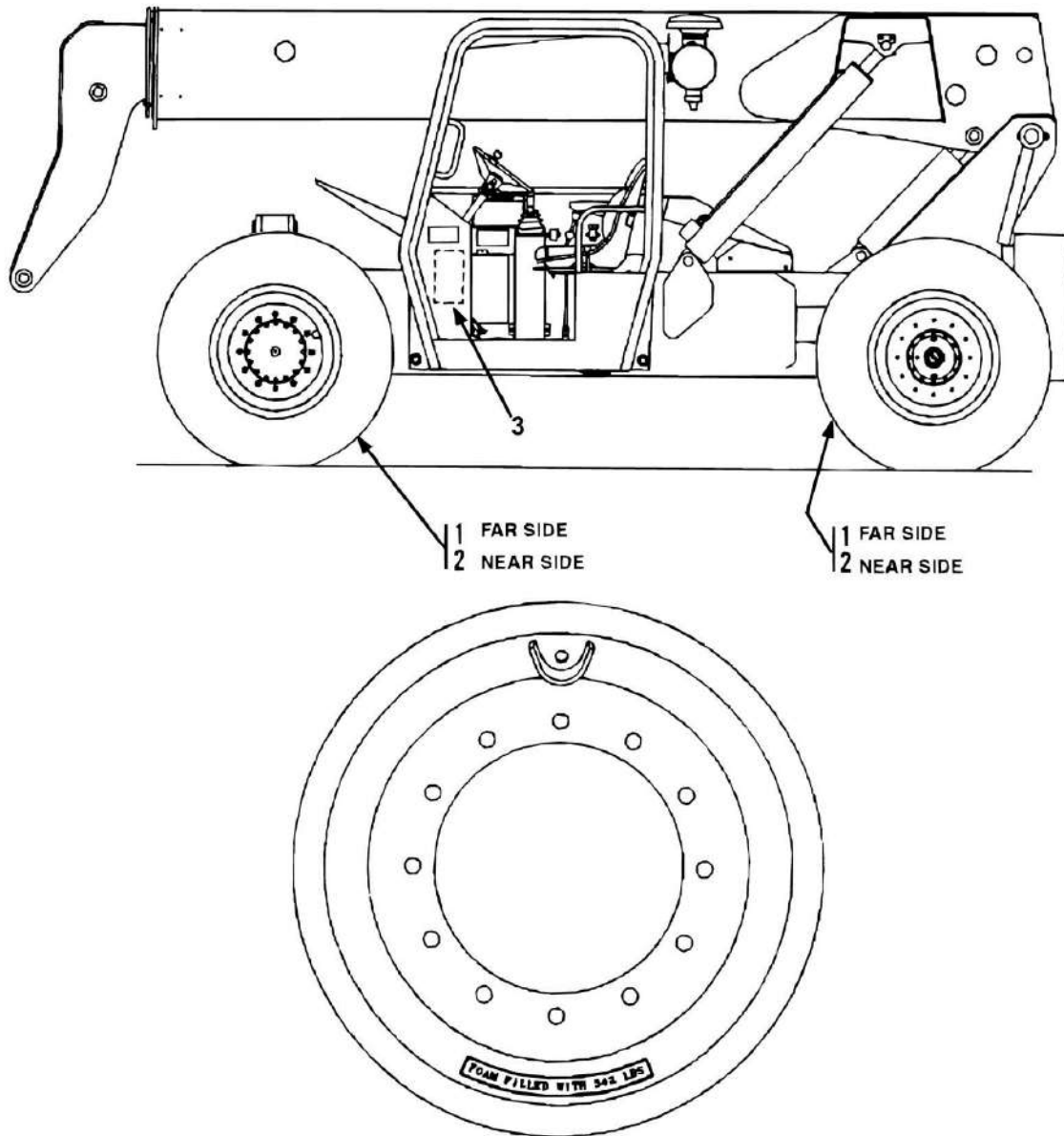
## SECTION 12 - OPTIONS

**FIGURE 12-5. FOAM TIRE OPTION (534D-9 SN 0544001 through 0160000446; 534D-10 SN 0366001 through 0160000446)**

ITEM	PART NUMBER	QTY	DESCRIPTION	REV
	91345002	1	FOAM TIRE OPTION, (534D-9), (40ft Boom) <b>(SN 0544001 through 0644118)</b>	
1	91035247	2	FOAM FILLED TIRE ASSY	
2	91035248	2	FOAM FILLED TIRE ASSY	
3	91123160	4	TIRE DECAL	
4	91343003	1	SN AND ATTACHMENT PLATE	
	91345032	1	FOAM TIRE OPTION, (534D-9), (45ft Boom) <b>(SN 0644119 through 0160000446)</b>	
1	91035247	2	FOAM FILLED TIRE ASSY	
2	91035248	2	FOAM FILLED TIRE ASSY	
3	91123160	4	TIRE DECAL	
4	91343072	1	SN AND ATTACHMENT PLATE	
	91345005	1	FOAM TIRE OPTION, (534D-10), (40ft Boom) <b>(SN 0366001 through 0366106)</b>	
1	91045058	2	FOAM FILLED TIRE ASSY	
2	91045059	2	FOAM FILLED TIRE ASSY	
3	91153050	4	TIRE DECAL	
4	91353004	1	SN AND ATTACHMENT PLATE	
	91355012	1	FOAM TIRE OPTION, (534D-10), (45ft Boom) <b>(SN 0366107 through 0160000446)</b>	
1	91045058	2	FOAM FILLED TIRE ASSY	
2	91045059	2	FOAM FILLED TIRE ASSY	
3	91153050	4	TIRE DECAL	
4	91353025	1	SN AND ATTACHMENT PLATE	

## SECTION 12 - OPTIONS

FIGURE 12-6. FOAM TIRE OPTION (534D-9 SN 016000447 to Present; 534D-10 SN 016000448 to Present)



PAP19350

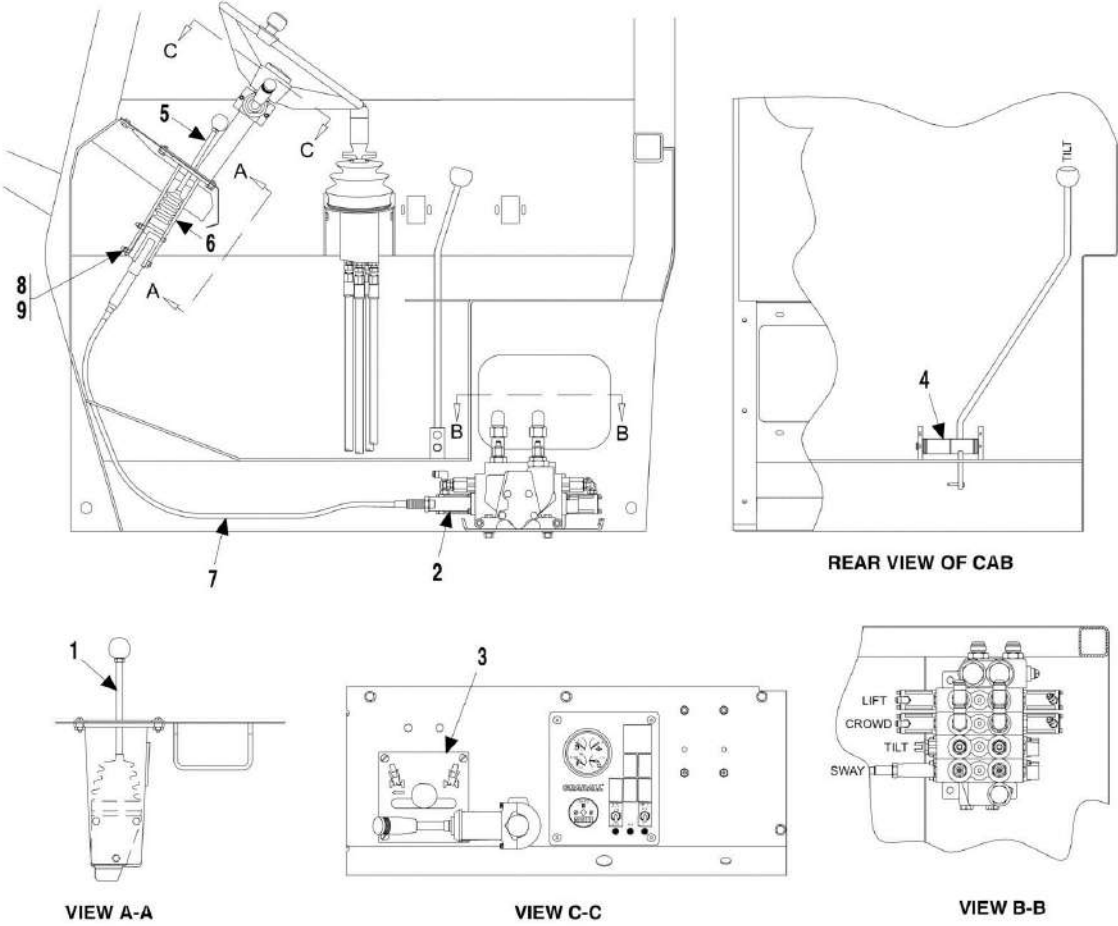
## SECTION 12 - OPTIONS

**FIGURE 12-6. FOAM TIRE OPTION (534D-9 SN 0160000447 to Present; 534D-10 SN 0160000448 to Present)**

ITEM	PART NUMBER	QTY	DESCRIPTION	REV
1	91345076	1	FOAM TIRE OPTION, (534D-9), (45 in Boom), (includes all items)	C
2		Ref	RH WHEEL ASSY, (See DRIVE TRAIN SECTION for Breakdown)	
3		Ref	LH WHEEL ASSY, (See DRIVE TRAIN SECTION for Breakdown)	
3	N.S.S.	1	SN PLATE	
	91355042	1	FOAM TIRE OPTION, (534D-10), (45 in Boom), (includes all items)	D
1		Ref	RH WHEEL ASSY, (See DRIVE TRAIN SECTION for Breakdown)	
2		Ref	LH WHEEL ASSY, (See DRIVE TRAIN SECTION for Breakdown)	
3	N.S.S.	1	SN PLATE	

**SECTION 12 - OPTIONS**

**FIGURE 12-7. LH SWAY (Prior to SN 0160027771)**



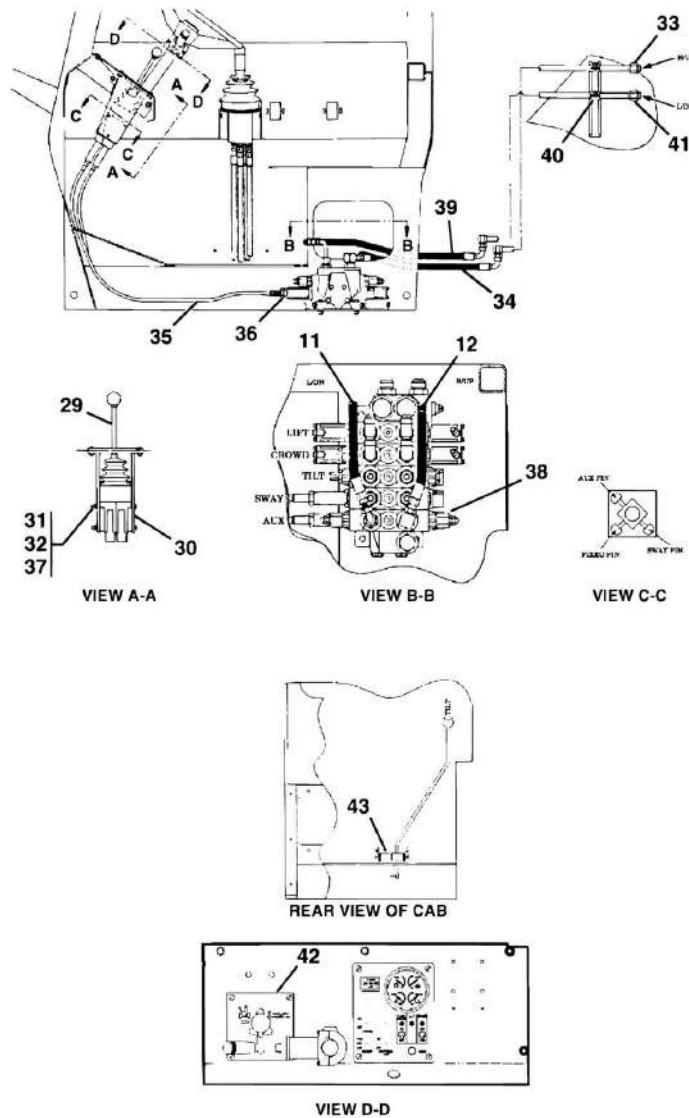
## SECTION 12 - OPTIONS

**FIGURE 12-7. LH SWAY (Prior to SN 0160027771)**

ITEM	PART NUMBER	QTY	DESCRIPTION	REV
	91145079	1	LH SWAY ASSY, (includes all items)	
1	91335014	1	REMOTE VALVE CONTROL ASSY, (includes items 5 thru 9)	
2	91123062	1	CABLE ADAPTER BONNET	
3	91143371	1	GUIDE PLATE	
4	91301020	1	SPACER	
5	91303019	1	REMOTE VALVE CONTROL	
6	91146119	1	LEVER BRACKET	
7	91363043	1	CONTROL CABLE	
8	88201012	3	HEX HD CAPSCREW, 1/4-20X2-3/4, GR5	
9	88521304	3	HEX LOCKNUT, 1/4-20	

## SECTION 12 - OPTIONS

**FIGURE 12-8. AUXILIARY HYDRAULICS AND SWAY ASSEMBLY - 40 IN BOOM (534D-9 Prior to SN 0644119; 534D-10 Prior to SN 0366089)**

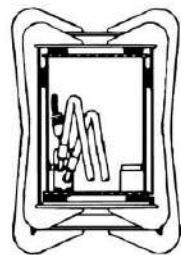
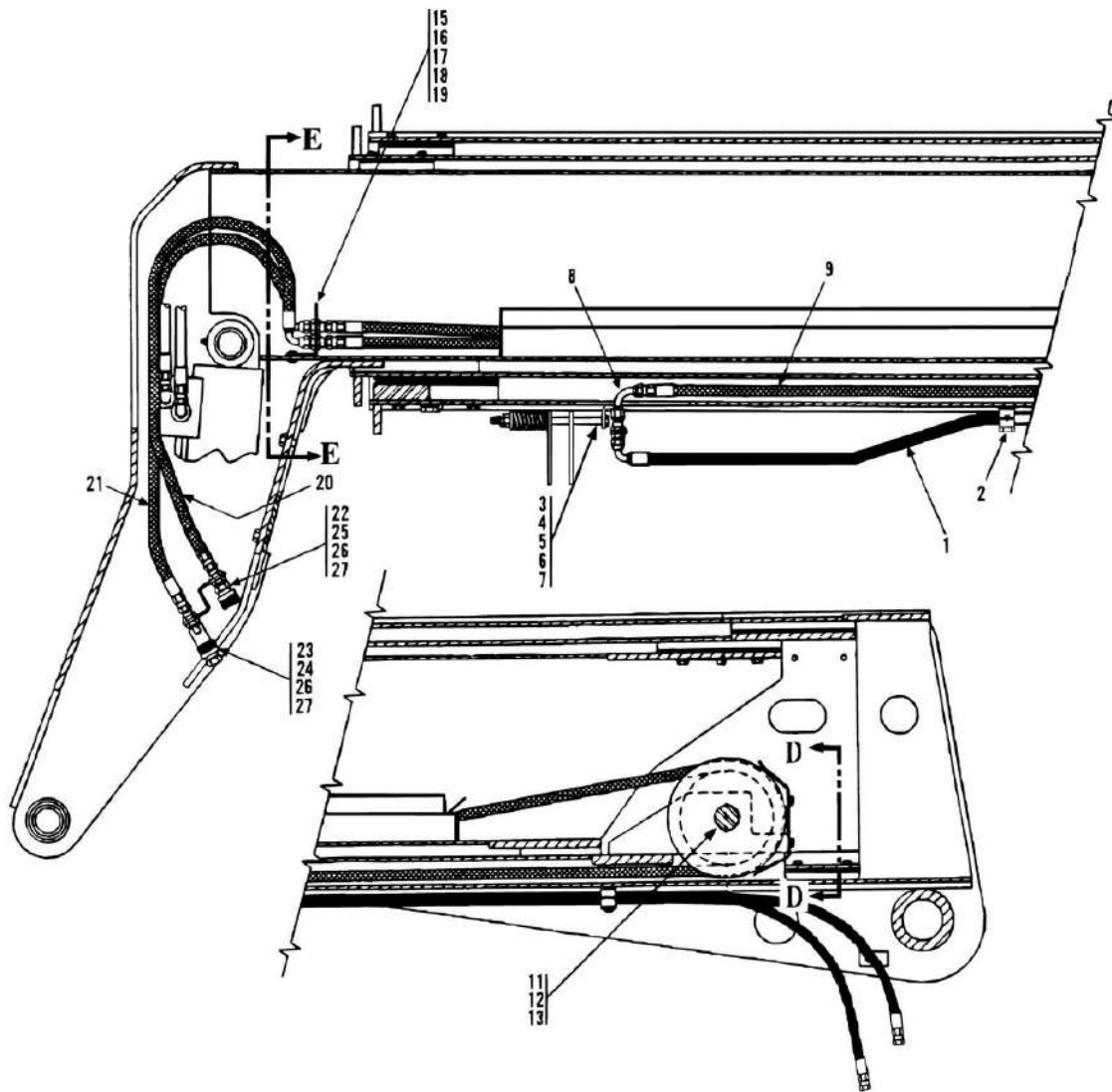


**NOTE:**

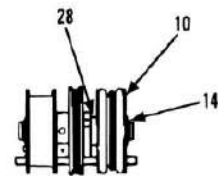
ALL 534D-9 MACHINES AFTER SN 0644118 MUST SEE 91345034 ON  
 AUXILIARY HYDRAULICS AND SWAY ASSEMBLY FOR 45 FT BOOM, &  
 ALL 534D-10 MACHINES AFTER SN 0366088 MUST SEE 91355008 ON  
 AUXILIARY HYDRAULICS AND SWAY ASSEMBLY FOR 45 FT BOOM.

PAP19880

# SECTION 12 - OPTIONS



SECTION E - E



VIEW D - D  
HOSE GUIDE REMOVED  
FOR CLARITY

## SECTION 12 - OPTIONS

**FIGURE 12-8. AUXILIARY HYDRAULICS AND SWAY ASSEMBLY - 40 IN BOOM (534D-9 Prior to SN 0644119; 534D-10 Prior to SN 0366089)**

ITEM	PART NUMBER	QTY	DESCRIPTION	REV
	91145074	1	AUX HYDRAULICS AND SWAY ASSY, (534D-9), (includes all items)	A
	91155027	1	AUX HYDRAULICS AND SWAY ASSY, (534D-10), (includes all items)	A
1	84719018	2	HOSE ASSY	
2	90207463	6	CUSHION CLAMP	
3	91146028	2	HOSE TAKE-UP WELD	
4	91123054	2	COMPRESSION SPRING	
5	91121134	2	SPRING RETAINER	
6	88501008	2	HEX NUT, 1/2-13	
7	88501108	2	HEAVY HEX JAM NUT, 1/2-13	
8	90027180	2	90, BULKHEAD FITTING	
9	84718868	2	HOSE ASSY	
10	91143024	1	HOSE SHEAVE	
11	91141144	1	RETRACT SHEAVE PIN	
12	14404793	AR	UNION 76 MEGAPLEX GREASE	
13	88581149	1	EXTERNAL RETAINING RING	
14	90203040	1	THRUST WASHER	
15	91141210	1	BULKHEAD FITTING	
16	90027176	2	STR THD BULKHEAD FITTING	
17	88201020	2	HEX HD CAPSCREW, 5/16-18X1, GR5	
18	88551010	2	LOCKWASHER, 5/16	
19	88501005	2	HEX NUT, 5/16-18	
20	84718385	1	HOSE ASSY	
21	84718557	1	HOSE ASSY	
22	90204244	1	MALE HYDRAULIC COUPLER	
23	90204245	1	FEMALE HYDRAULIC COUPLER	
24	91043125	1	DUST PLUG	
25	91043126	1	DUST CAP	
26	91043321	2	STR BULKHEAD FITTING	
27	88712304	2	PIPE BUSHING	
28	91141158	1	SPACER	
29	91083107	1	REMOTE VALVE CONTROL, (includes two items below)	
29	91084282	1	KNOB	
29	91084359	1	BOOT	
30	91366008	1	LEVER BRACKET	
31	11002410	3	HEX HD CAPSCREW, 1/4-28X4-1/2	
32	88501404	3	HEX NUT, 1/4-28	
33	91163097	1	TUBE ASSY	
34	90027187	5	NYLON TIE	
35	91363043	2	CONTROL CABLE	
36	91123062	2	CABLE ADAPTER BONNET	
36	88551009	3	LOCKWASHER, 1/4	
37		Ref	MAIN CONTROL VALVE, (See MAIN CONTROL VALVE for Breakdown on 534D-9, See MAIN CONTROL VALVE for Breakdown on 534D-10)	
38	84718686	1	HOSE ASSY	
39	84718685	1	HOSE ASSY	
40	90207463	2	CUSHION CLAMP	

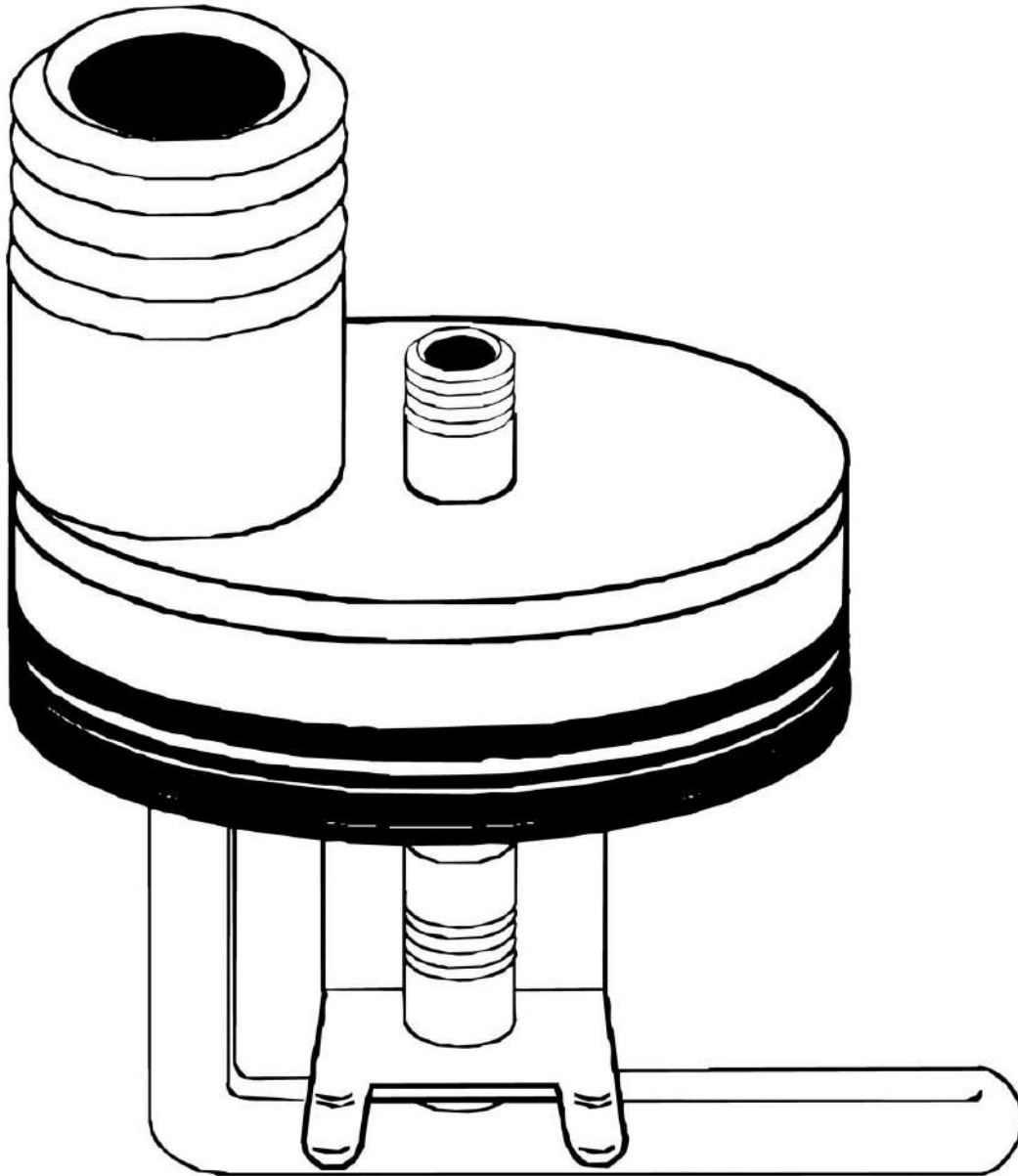


## SECTION 12 - OPTIONS

ITEM	PART NUMBER	QTY	DESCRIPTION	REV
41	91163096	1	TUBE ASSY	
42	91363044	1	GUIDE PLATE	
43	91301020	1	SPACER	

## SECTION 12 - OPTIONS

FIGURE 12-9. BLOCK HEATER (534D-9 SN 0544001 through 016000853, Excluding 016000700;  
534D-10 SN 0366001 through 016000974)



**REPLACES FROST PLUG ON RIGHT SIDE OF ENGINE**

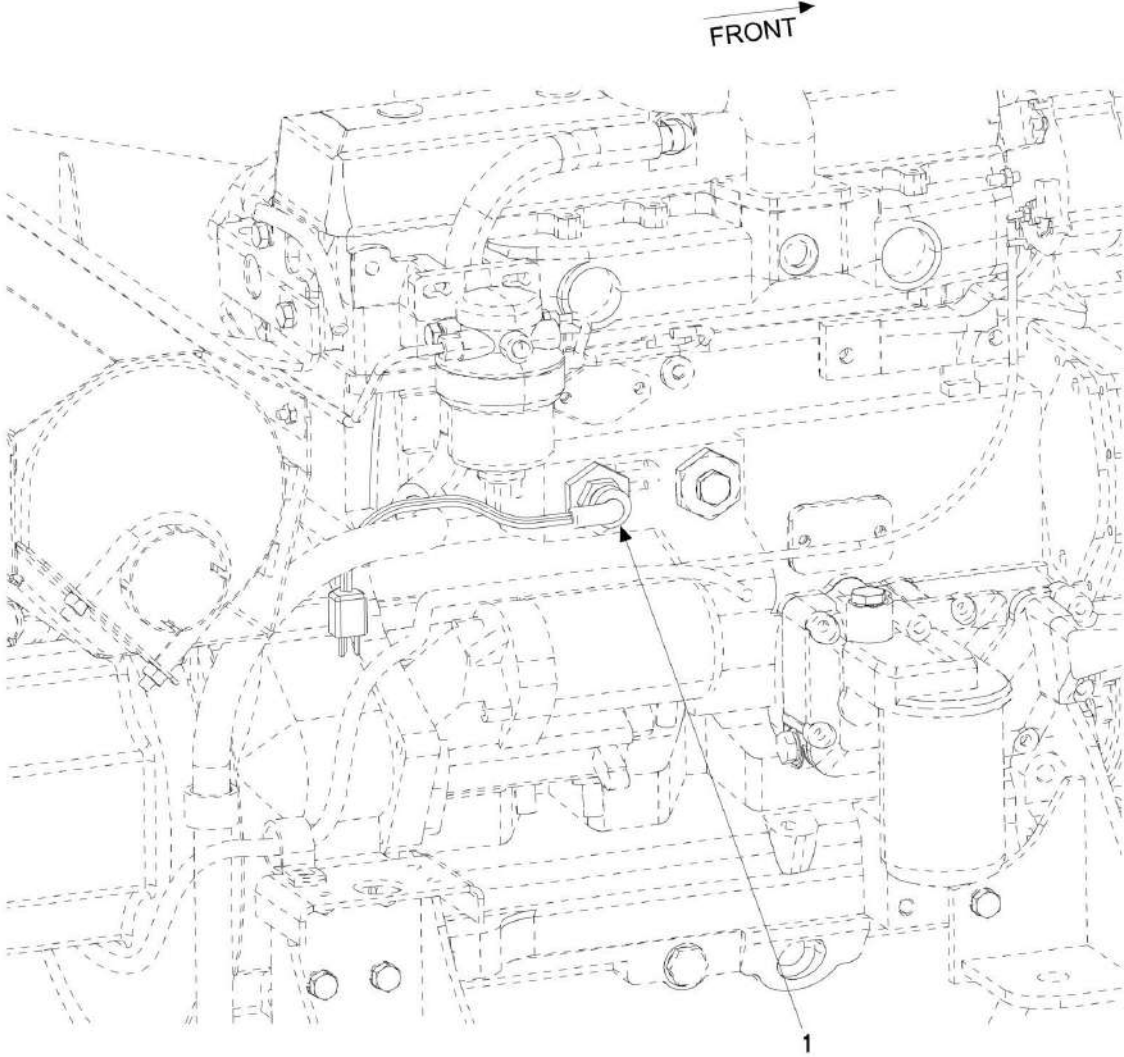
## SECTION 12 - OPTIONS

**FIGURE 12-9. BLOCK HEATER (534D-9 SN 0544001 through 0160000853, Excluding 0160000700;  
534D-10 SN 0366001 through 0160000974)**

ITEM	PART NUMBER	QTY	DESCRIPTION	REV
	91043353	1	BLOCK HEATER	

**SECTION 12 - OPTIONS**

**FIGURE 12-10. BLOCK HEATER (534D-9 SN 0160007051 to Present, Including 0160000700; 534D-10 SN 0160000978 to Present)**



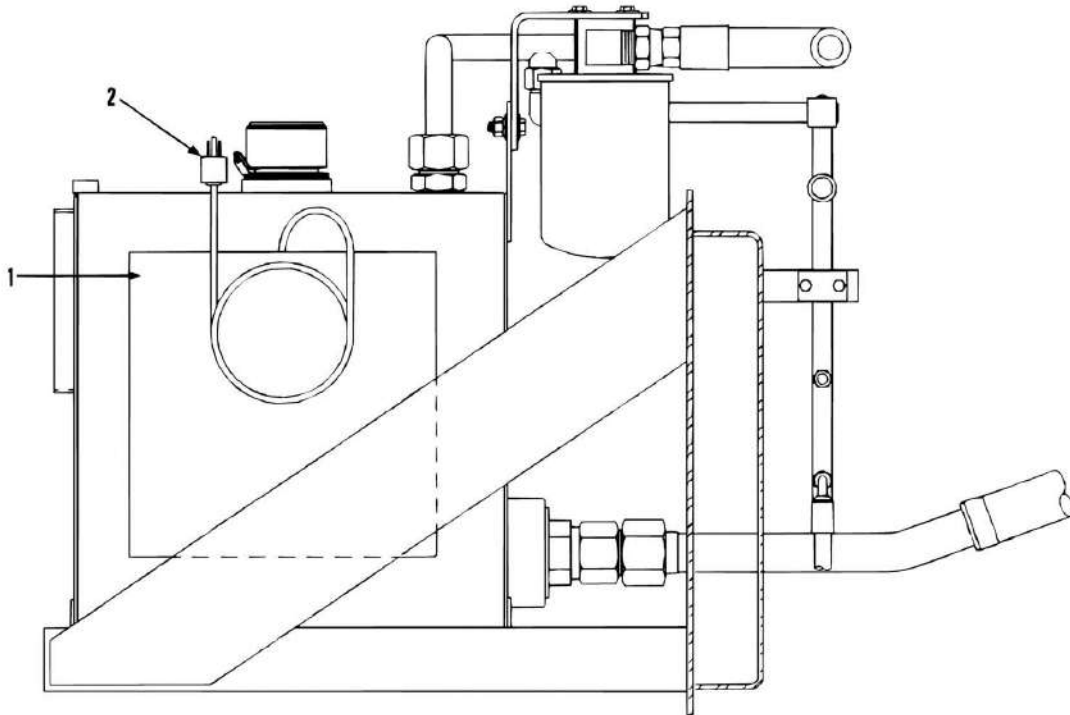
## SECTION 12 - OPTIONS

**FIGURE 12-10. BLOCK HEATER (534D-9 SN 0160007051 to Present, Including 0160000700; 534D-10 SN 0160000978 to Present)**

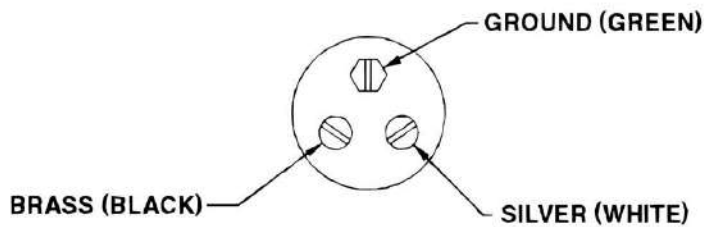
ITEM	PART NUMBER	QTY	DESCRIPTION	REV
1	80375012	1	BLOCK HEATER INSTALLATION, (includes item 1)	
	80373088	1	BLOCK HEATER	

## SECTION 12 - OPTIONS

FIGURE 12-11. HYDRAULIC RESERVOIR HEATER INSTALLATION



SECTION VIEW THROUGH FRAME SHOWING INSIDE WALL OF HYDRAULIC TANK



**NOTES:**

1. INSTALL BLANKET AFTER PAINT ONLY.
2. BLANKET TO BE INSTALLED ON HYDRAULIC TANK WALL, BETWEEN HYDRAULIC TANK AND FUEL TANK.
3. POSITION BLANKET AS CLOSE TO CENTER OF TANK AS POSSIBLE.
4. STOW AWAY ELECTRICAL CORD BETWEEN TANKS.

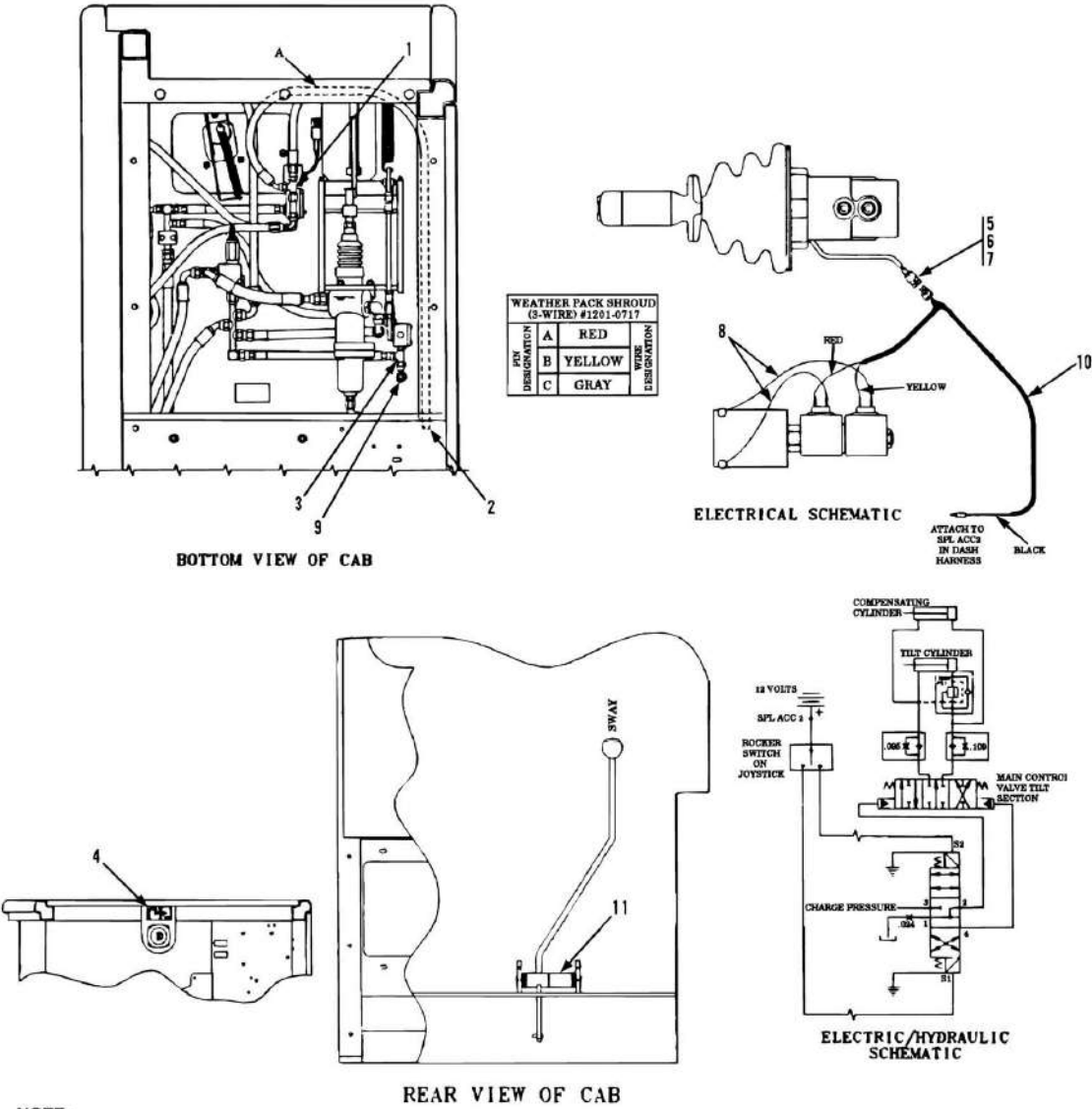
## SECTION 12 - OPTIONS

FIGURE 12-11. HYDRAULIC RESERVOIR HEATER INSTALLATION

ITEM	PART NUMBER	QTY	DESCRIPTION	REV
1	91085073	1	HYDRAULIC RESERVOIR HEATER, (includes all items)	
1	91083574	1	HEATING BLANKET	
2	91083430	1	PLUG	

# SECTION 12 - OPTIONS

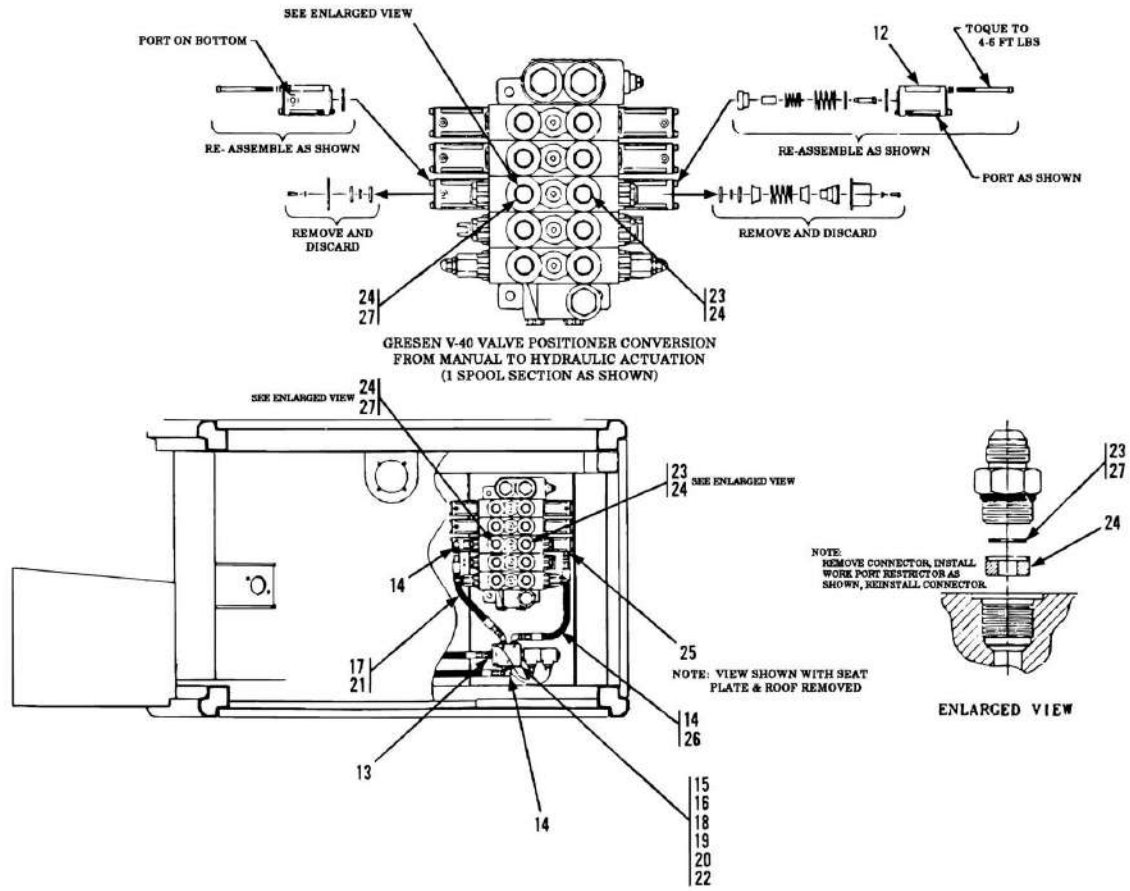
## FIGURE 12-12. TILT ON JOYSTICK INSTALLATION



**NOTE:**  
 IF YOUR MACHINE CAME WITH JOYSTICK INSTALLATION, (91365005),  
 YOU MUST USE JOYSTICK FIELD KIT, (91365024), FOR SERVICE.



# SECTION 12 - OPTIONS



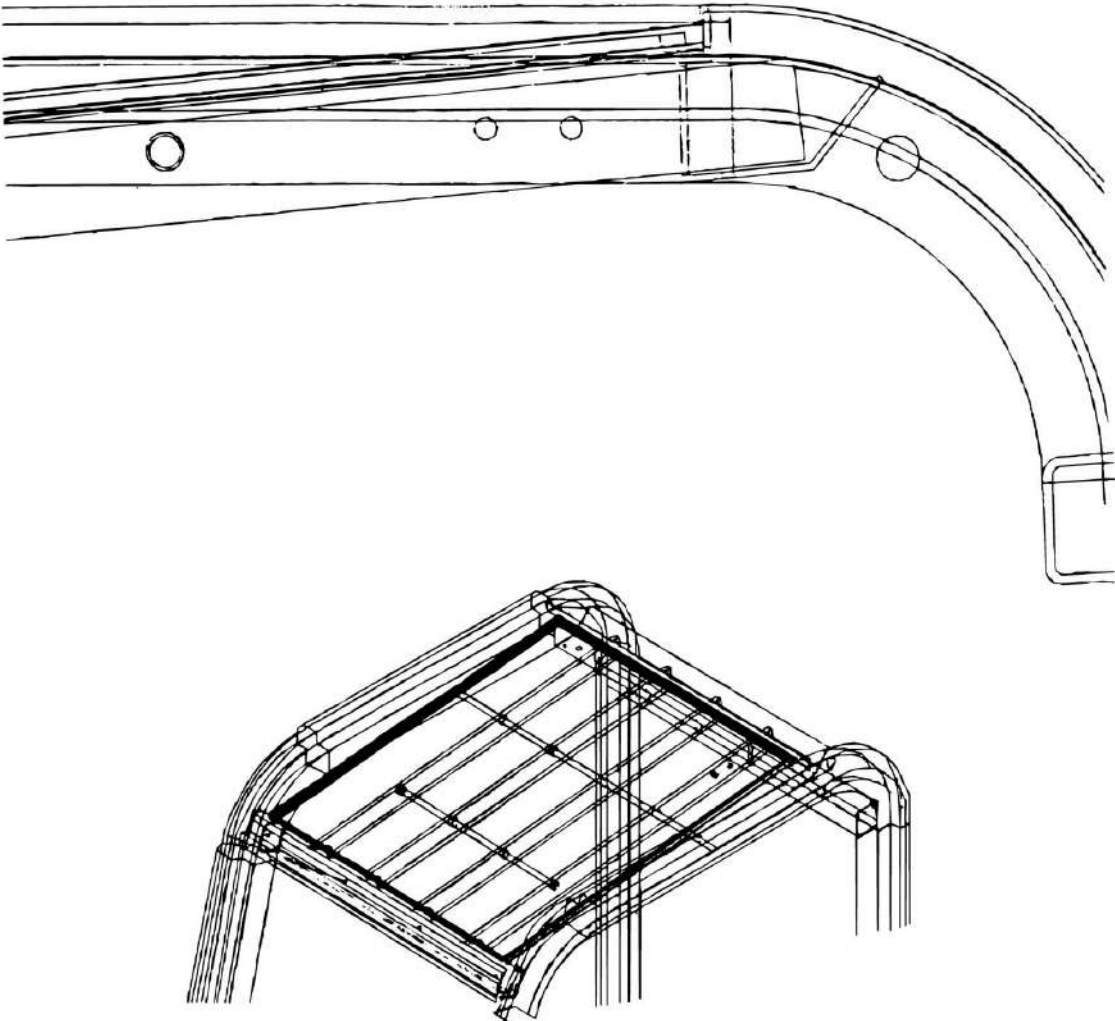
## SECTION 12 - OPTIONS

FIGURE 12-12. TILT ON JOYSTICK INSTALLATION

ITEM	PART NUMBER	QTY	DESCRIPTION	REV
	91365024	Ref	JOYSTICK FIELD KIT, (includes all items) <b>(Prior to SN 0160027771)</b>	
	91365005	Ref	TILT ON JOYSTICK INSTALLATION, (includes all items), (if equipped) <b>(SN 0160027771 to Present)</b>	B
1	2220635	1	SWIVEL NUT RUN TEE, 3/8 TUBE	
2	84717306	1	HOSE ASSY	
3	2220606	1	RUN TEE, (includes o-ring)	
3	88591204	1	O-RING	
4	91303041	1	BOOM CONTROL DECAL	
5	80963060	1	WEATHER PACK SHROUD	
6	80963069	3	W.P. MALE PIN TERMINAL	
7	91143187	3	W.P. CABLE SEAL	
8	90207719	2	GREEN JUMPER WIRE	
9	84717893	1	HOSE ASSY	
10	91083490	1	JOYSTICK HARNESS	
11	91301020	1	SPACER	
12	91033483	1	HYD VALVE POSITIONER KIT	
13	91085071	1	MODIFIED CONNECTOR	
14	2220473	2	ELBOW, 90, (includes o-ring)	
14	88591204	2	O-RING	
15	91303038	1	SOLENOID VALVE, (includes coil)	
15	80934037	1	COIL	
16	88561107	2	FLAT WASHER, 1/4	
17	88662084	1	ELBOW, 45, (includes o-ring)	
17	88591204	1	O-RING	
18	88201012	2	HEX HD CAPSCREW, 1/4-20X2-3/4, GR5	
19	88551009	2	LOCKWASHER, 1/4	
20	88501004	2	HEX NUT, 1/4-20	
21	84717537	1	HOSE ASSY	
22	91141331	1	SPACER	
23	91143146	1	ORIFICE PLATE, (.109)	
24	91033487	2	CHECK VALVE PLATE	
25	2220371	2	CONNECTOR, (includes o-ring)	
25	88591204	2	O-RING	
26	84718847	1	HOSE ASSY	
27	91143147	1	ORIFICE PLATE, (.095)	



FIGURE 12-13. OVERHEAD WINDOW



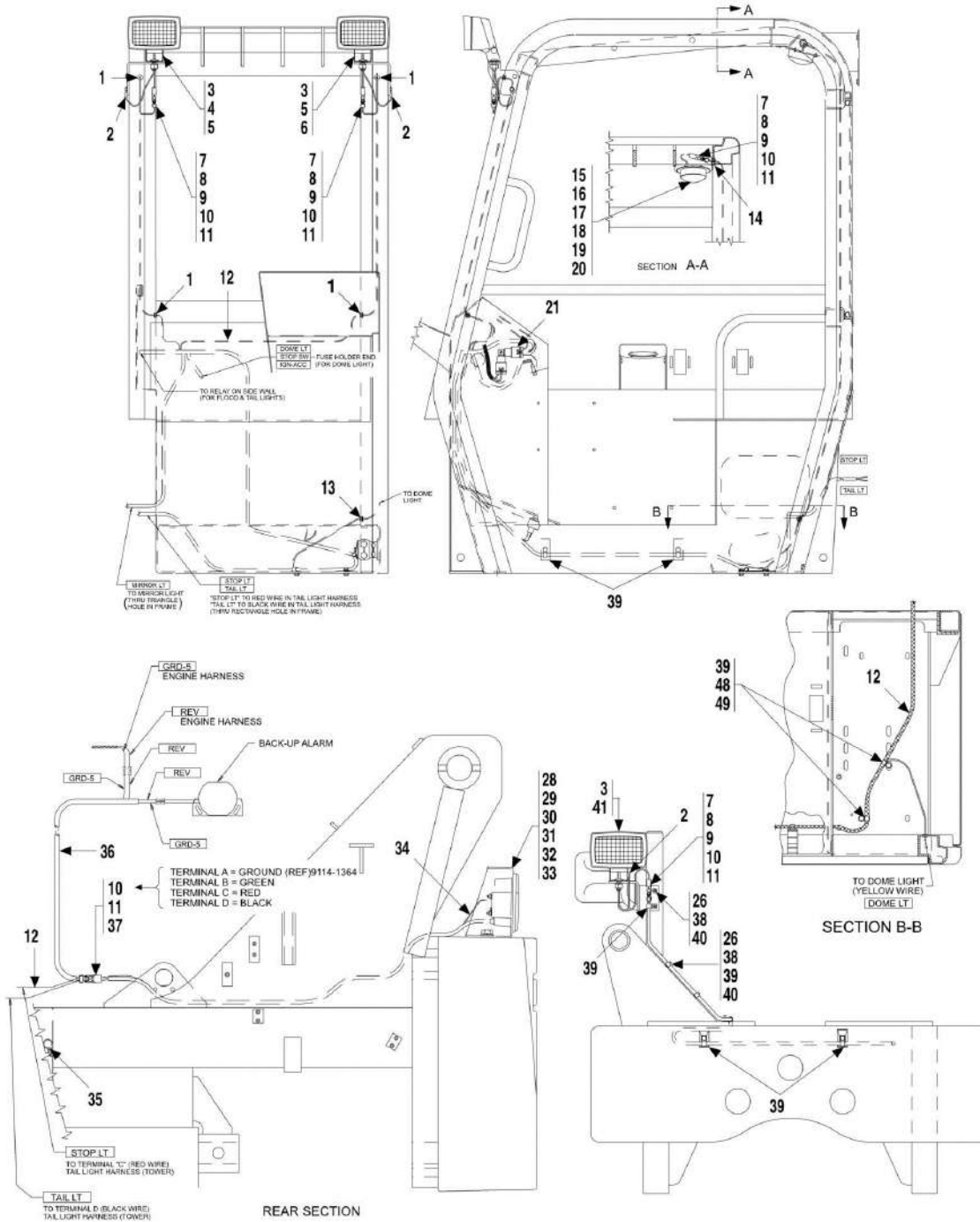
## SECTION 12 - OPTIONS

FIGURE 12-13. OVERHEAD WINDOW

ITEM	PART NUMBER	QTY	DESCRIPTION	REV
	91363019	1	OVERHEAD WINDOW	

# SECTION 12 - OPTIONS

**FIGURE 12-14. WORK LIGHT PACKAGE (534D-9 SN 0544001 through 0160012394, Excluding 0160012112; 534D-10 SN 0366001 through 0160012392, Excluding 0160012289)**





## SECTION 12 - OPTIONS

**FIGURE 12-14. WORK LIGHT PACKAGE (534D-9 SN 0544001 through 0160012394, Excluding 0160012112; 534D-10 SN 0366001 through 0160012392, Excluding 0160012289)**

ITEM	PART NUMBER	QTY	DESCRIPTION	REV
	91365003	1	WORK LIGHT PACKAGE, (includes all items)	J
1	90027214	4	RUBBER GROMMET	
2	86883260	3	EYELET	
3	80963050	3	UTILITY FLOOD LIGHT	
4	91361001	1	RH LIGHT SUPPORT	
5	90027319	4	DR. AND TAP SCREW, 1/4-20X1	
6	91361002	1	LH LIGHT SUPPORT	
7	80963055	4	W. PACK CONNECTOR, (tower)	
8	80963056	4	W. PACK CONNECTOR, (shroud)	
9	80963068	4	W. PACK CONNECTOR, (female pin)	
10	80963069	8	W. PACK CONNECTOR, (male pin)	
11	80963066	12	W. PACK CONNECTOR, (cable seal)	
12	91363008	1	LIGHT HARNESS	
13	91033425	1	RUBBER GROMMET	
14	91033380	1	RUBBER GROMMET	
15	24861167	1	INTERIOR LIGHT	
16	91361003	1	MOUNTING BRACKET	
17	88321022	2	SELF-TAPPING SCREW, #8-32X3/8	
18	90029955	1	RUBBER GROMMET	
19	89981036	3	PAN HD SCREW, #8-32X3/8	
20	88501610	3	HEX NUT, #8-32	
21	77383410	1	RELAY	
22	91143117	1	STOPLIGHT SWITCH	
23	91141512	1	TAB	
24	88201002	1	HEX HD CAPSCREW, 1/4-20X5/8, GR5	
25	88561107	1	FLAT WASHER, 1/4	
26	88551009	6	LOCKWASHER, 1/4	
27		Ref	WIRE LOOM, (use on all wires)	
28	91121145	1	TAIL LIGHT HOUSING	
29	91121146	1	TAIL LIGHT BRACKET	
30	91365045	1	TAIL LIGHT ASSY, (includes the following seven items)	
30	91123065	1	TAIL LIGHT	
30	86661147	38 in	WIRE, 16 GAUGE, (black)	
30	86661149	38 in	WIRE, 16 GAUGE, (green)	
30	86661152	38 in	WIRE, 16 GAUGE, (red)	
30	86683480	3	BUTT CONNECTOR	
30	82033996	45 in	WIRE LOOM	
30	86683122	2	TIE WRAP	
31	88201108	1	HEX HD CAPSCREW, 3/4-10X1-1/4, GR5	
32	88561115	1	FLAT WASHER, 3/4	
33	88551016	1	LOCKWASHER, 3/4	
34	91141364	1	JUMPER WIRE	
35	85941017	1	SUPPORT CLAMP	
36	91363087	1	TAIL LIGHT HARNESS	
37	80963062	1	W. PACK CONNECTOR, (shroud)	
38	85611274	5	WELD STUD, 1/4-20X5/8	
39	86621230	10	SUPPORT CLAMP	
40	88501004	5	HEX NUT, 1/4-20	

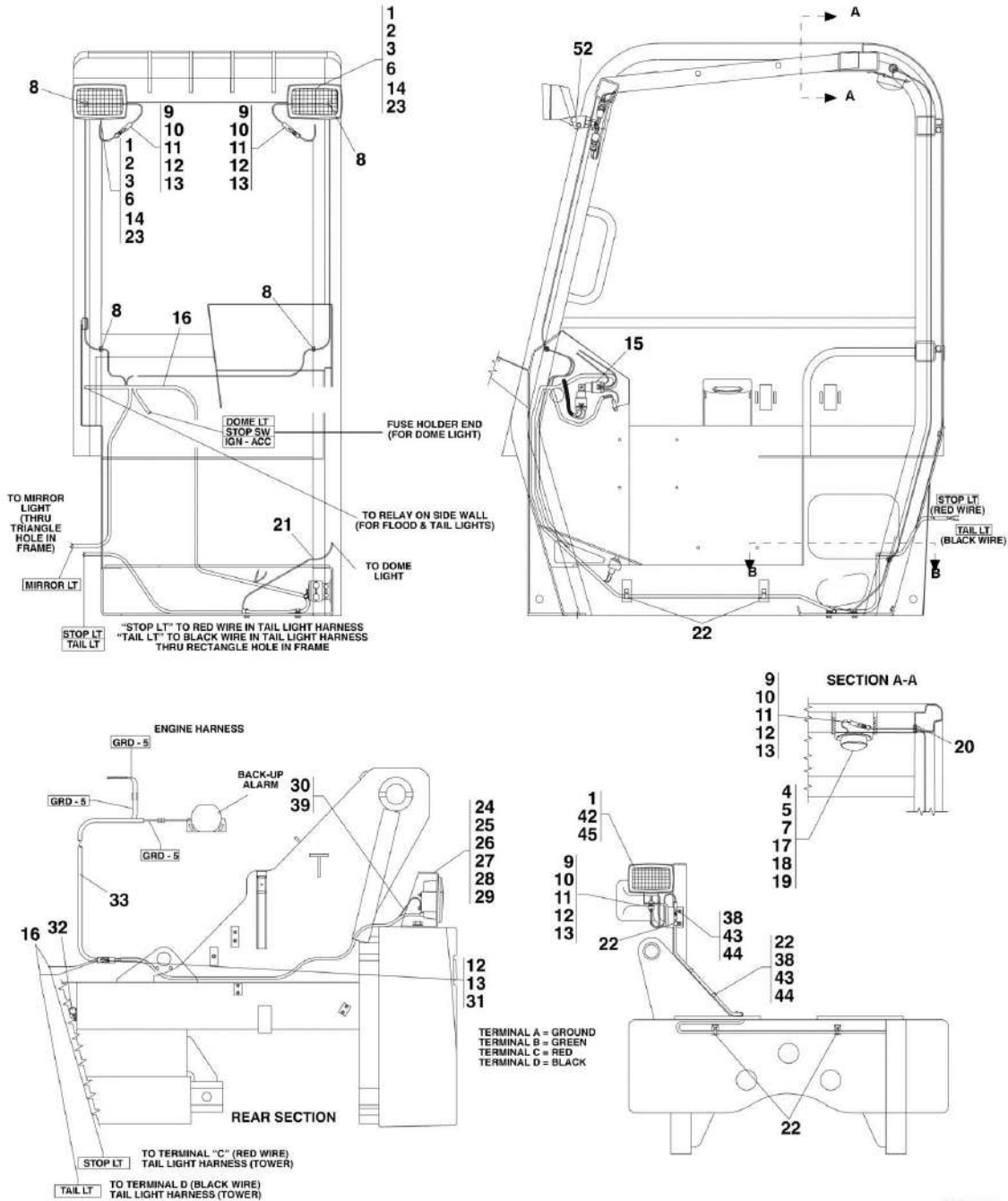


## SECTION 12 - OPTIONS

ITEM	PART NUMBER	QTY	DESCRIPTION	REV
41	91361004	1	LIGHT SUPPORT	
42	77363302	1	FUSE, 20 AMP	
43	77363268	1	FUSE, 15 AMP	
44	91363073	1	WORK LIGHT DASH HARNESS	
45	77383467	1	LIGHT SWITCH	
46	77383470	1	BOOT	
47	91363009	1	LIGHTS ON/OFF DECAL	
48	77143003	2	WHIZ-LOCK SCR., 5/16-18X5/8	
49	77143006	2	WHIZ-LOCKNUT, 5/16-18	

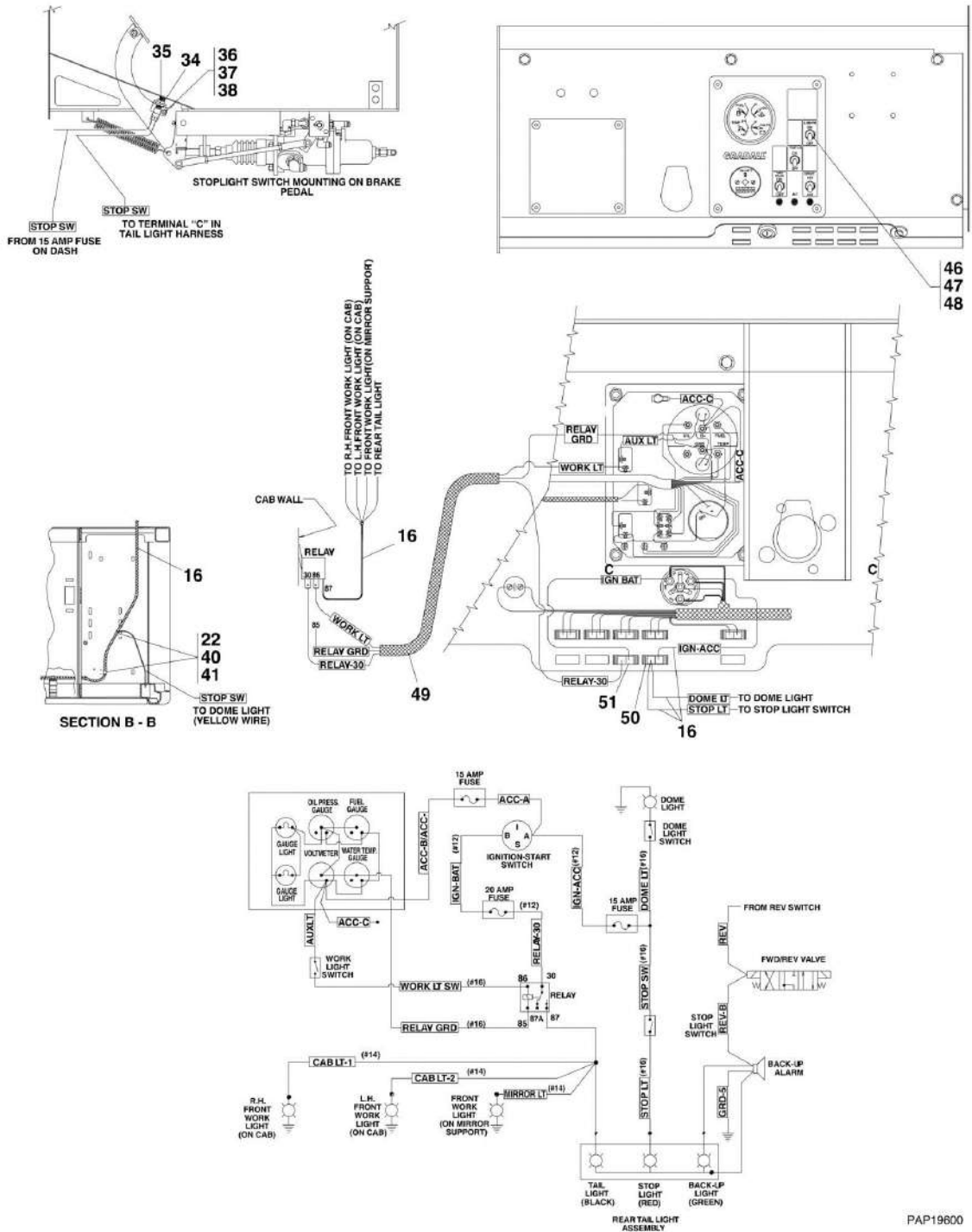
# SECTION 12 - OPTIONS

**FIGURE 12-15. WORK LIGHT PACKAGE (534D-9 SN 0160012443 to Present, Including 0160012112; 534D-10 SN 0160012446 to Present, Including 0160012289)**



PAP19590

# SECTION 12 - OPTIONS



PAP19800

## SECTION 12 - OPTIONS

**FIGURE 12-15. WORK LIGHT PACKAGE (534D-9 SN 0160012443 to Present, Including 0160012112; 534D-10 SN 0160012446 to Present, Including 0160012289)**

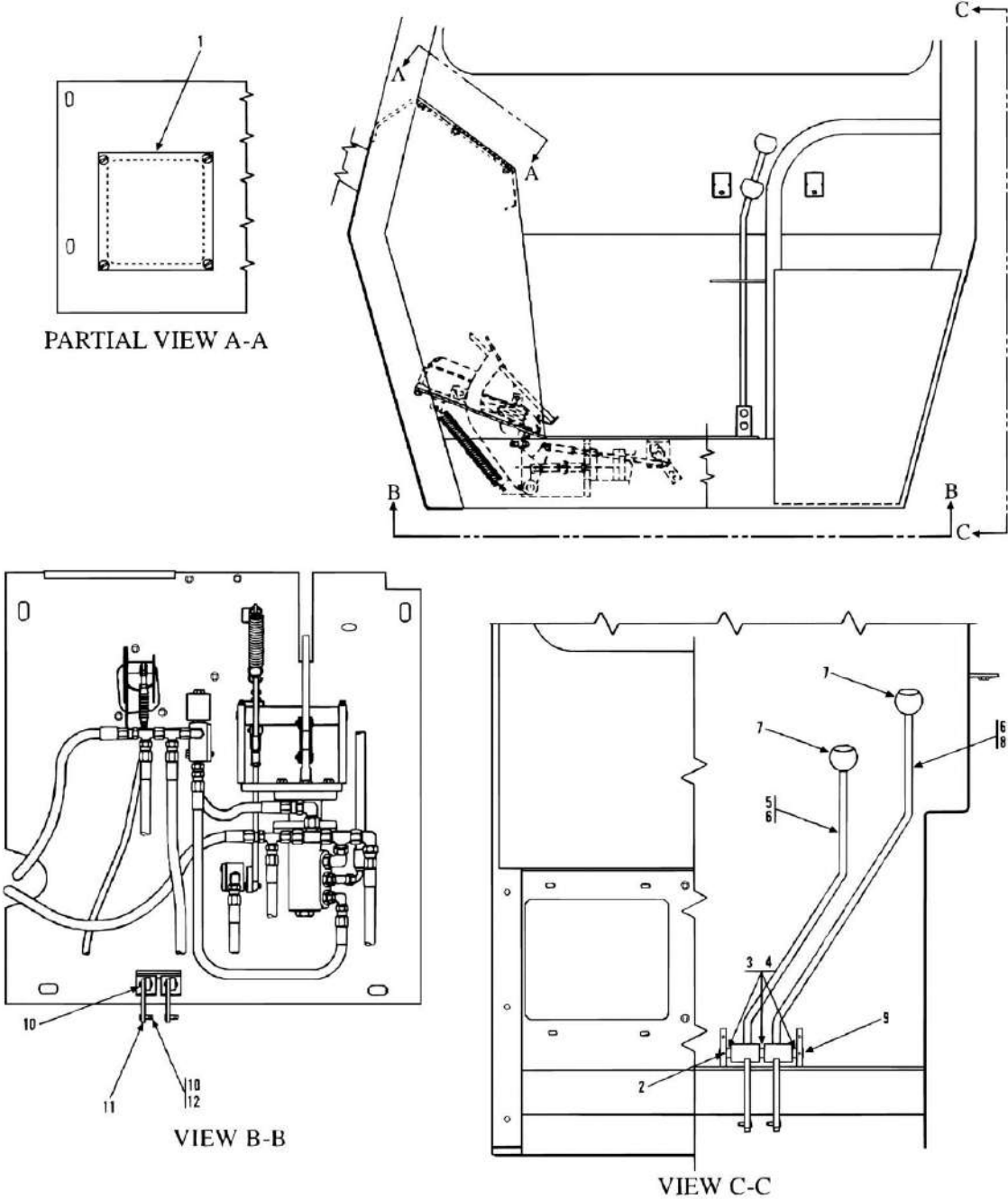
ITEM	PART NUMBER	QTY	DESCRIPTION	REV
	0274495	1	WORK LIGHT PACKAGE, (includes all items)	E
1	80963050	3	UTILITY FLOOD LIGHT	
2	8307028	2	EXTERNAL TOOTH WASHER, 1/2	
3	91403503	2	SPACER	
4	24861167	1	INTERIOR LIGHT	
5	91361003	1	MOUNTING BRACKET	
6	90027319	4	DR. AND TAP SCREW, 1/4-20X1	
7	88321022	2	SELF-TAPPING SCREW, #8-32X3/8	
8	90027214	4	RUBBER GROMMET	
9	80963055	4	WEATHER PACK, TOWER	
10	80963056	4	WEATHER PACK, SHROUD	
11	80963068	4	FEMALE PIN TERMINAL	
12	80963069	8	MALE PIN TERMINAL	
13	80963066	12	CABLE SEAL	
14	91083333	2	SCREW EYELET, 1/2	
15	77383410	1	RELAY	
16	91363008	Ref	LIGHT HARNESS	
17	90029955	1	RUBBER GROMMET	
18	89981036	3	PAN HEAD SCREW, #8-32X3/8	
19	88501610	3	HEX NUT, #8-32	
20	91033380	1	RUBBER GROMMET	
21	91033425	1	RUBBER GROMMET	
22	86621230	10	SUPPORT CLAMP	
23	91413052	2	MTG BOLT WORK LIGHT	
24	91121145	1	TAIL LIGHT HOUSING	
25	91121146	1	TAIL LIGHT BRACKET	
26	91365045	1	TAIL LIGHT ASSY, (includes the following seven items)	B
26	91123065	1	TAIL LIGHT	
26	86661147	38 in	WIRE, 16 GAUGE, (black)	
26	86661149	38 in	WIRE, 16 GAUGE, (green)	
26	86661152	38 in	WIRE, 16 GAUGE, (red)	
26	4460035	3	BUTT CONNECTOR	
26	82033996	45 in	WIRE LOOM	
26	86683122	2	TIE WRAP	
27	88201108	1	HEX HD CAPSCREW, 3/4-10X1-1/4, GR5	
28	88561115	1	FLAT WASHER, 3/4	
29	88551016	1	LOCKWASHER, 3/4	
30	91141364	1	JUMPER WIRE	
31	80963062	1	WEATHER PACK, SHROUD	
32	85941017	1	SUPPORT CLAMP	
33	91363087	1	TAIL LIGHT HARNESS (534D-9 Prior to SN 0160020122; 534D-10 Prior to SN 0160019671)	
33	4923525	1	TAIL LIGHT HARNESS (534D-9 SN 0160020122 to Present; 534D-10 SN 0160019671 to Present)	
34	91141512	1	TAB	
35	91143117	1	STOP LIGHT SWITCH	
36	88201002	1	HEX HD CAPSCREW, 1/4-20X5/8, GR5	
37	88561107	1	FLAT WASHER, 1/4	

## SECTION 12 - OPTIONS

ITEM	PART NUMBER	QTY	DESCRIPTION	REV
38	88551009	6	LOCKWASHER, 1/4	
39	82033996	4 in	FLEX WIRE LOOM	
40	77143003	2	WHIZ-LOCK SCREW, 5/16-18X5/8	
41	77143006	2	WHIZ-LOCKNUT, 5/16-18	
42	91361004	1	LIGHT SUPPORT	
43	85611274	5	WELD STUD, 1/4-20X3/4	
44	88501004	5	HEX NUT, 1/4-20	
45	86883260	1	SCREW EYELET, 3/8	
46	77383467	1	TOGGLE SWITCH, SPST	
47	77383470	1	BOOT	
48	91363009	1	LIGHTS ON/OFF DECAL	
49	91363073	1	WORK LIGHT DASH HARNESS	
50	77363268	1	FUSE, (15 amp)	
51	77363302	1	FUSE, (20 amp)	
52	14401473	AR	SILICON SEALANT	

SECTION 12 - OPTIONS

FIGURE 12-16. RH TILT/SWAY (Prior to SN 0160027771)



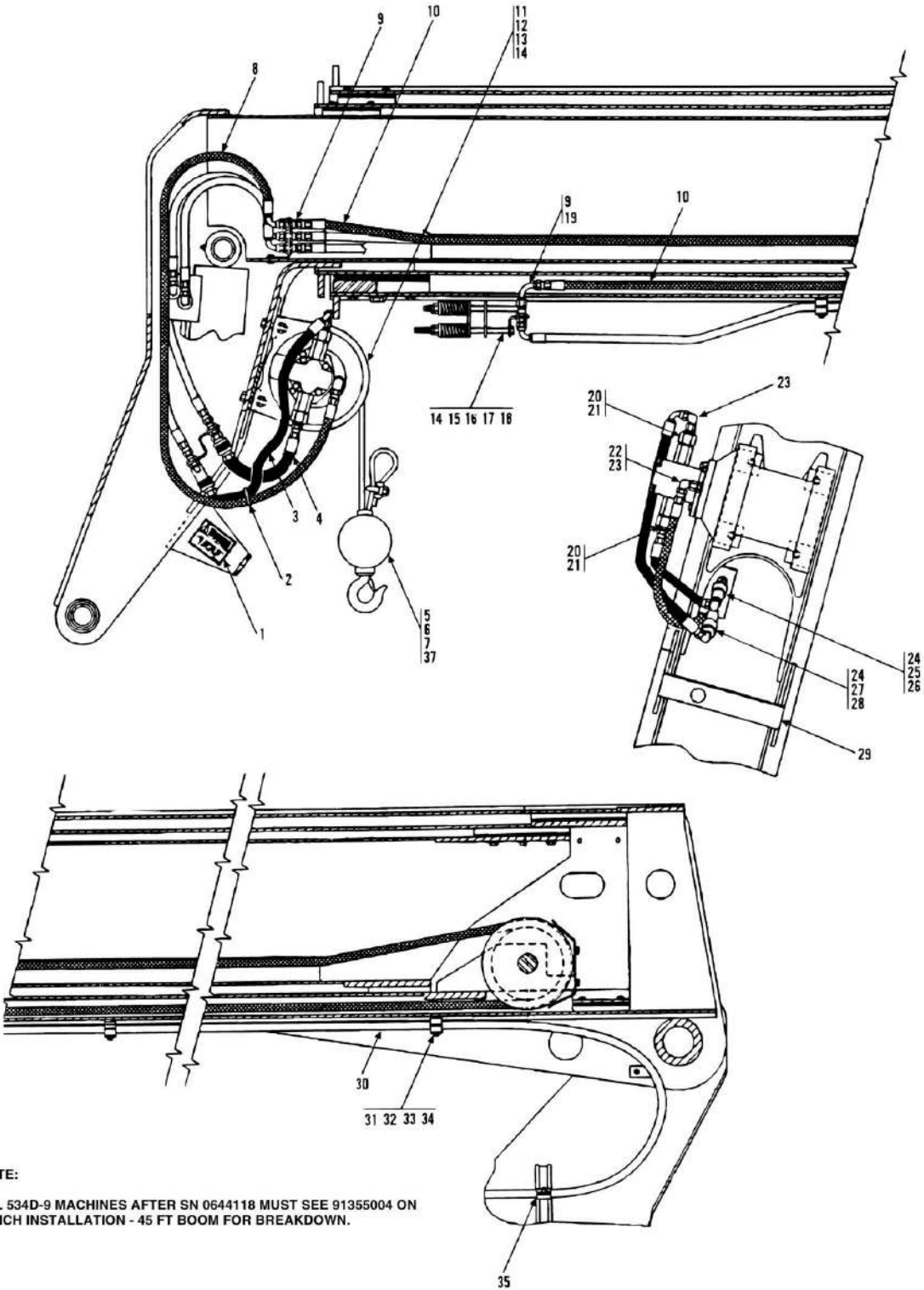
## SECTION 12 - OPTIONS

**FIGURE 12-16. RH TILT/SWAY (Prior to SN 0160027771)**

ITEM	PART NUMBER	QTY	DESCRIPTION	REV
	91145036	Ref	RH TILT/SWAY, (includes all items)	
1	91081480	1	COVER PLATE	
2	88631338	1	COTTER PIN	
3	90028662	3	WAVE BEND WASHER	
4	88561113	9	WASHER, 5/8	
5	91146043	1	SWAY LEVER	
6	91083136	4	BUSHING	
7	90200638	2	KNOB	
8	91146042	1	TILT LEVER	
9	91081354	1	SHAFT	
10	88631301	4	COTTER PIN	
11	91361023	2	ROD LINKAGE	
12	90021552	2	CLEVIS PIN	

**SECTION 12 - OPTIONS**

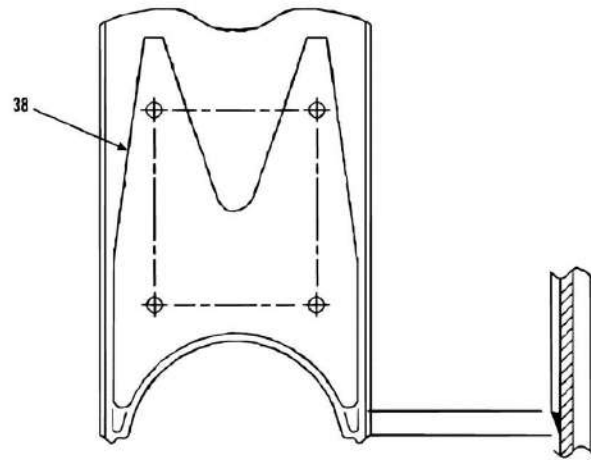
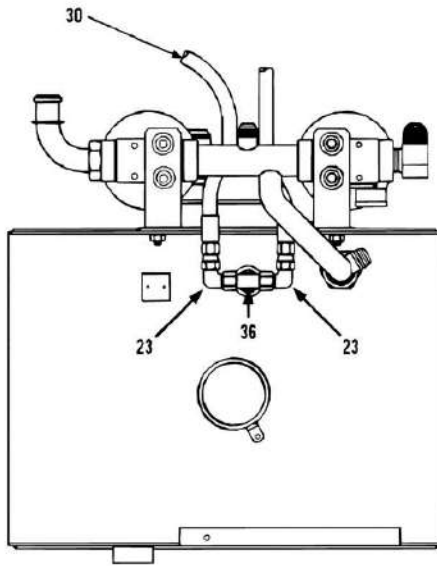
**FIGURE 12-17. WINCH INSTALLATION - 534D-9 40 FT BOOM (534D-9 SN 0544001 through 0644118)**



**NOTE:**  
 ALL 534D-9 MACHINES AFTER SN 0644118 MUST SEE 91355004 ON  
 WINCH INSTALLATION - 45 FT BOOM FOR BREAKDOWN.



# SECTION 12 - OPTIONS



## SECTION 12 - OPTIONS

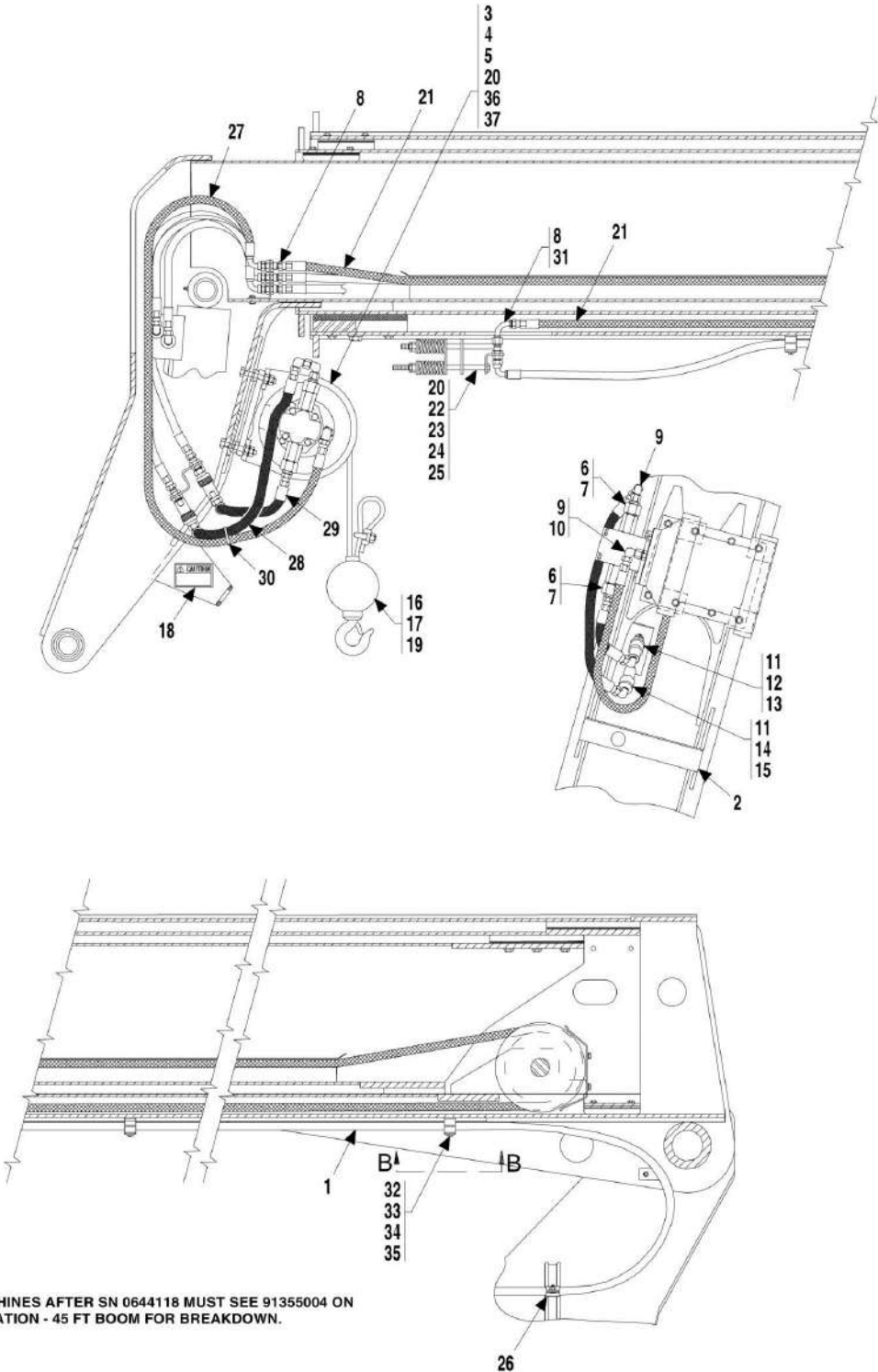
FIGURE 12-17. WINCH INSTALLATION - 534D-9 40 FT BOOM (534D-9 SN 0544001 through 0644118)

ITEM	PART NUMBER	QTY	DESCRIPTION	REV
	91145018	Ref	WINCH INSTALLATION, (includes all items)	K
1	91083535	1	WARNING DECAL	
2	90027187	5	NYLON TIE, (locate as required)	
3	84716148	1	HOSE ASSY	
4	84718046	1	HOSE ASSY	
5	90207882	1	CABLE	
6	90201443	1	HOOK AND BALL, (includes item 37)	
7	90028990	1	WIRE ROPE CLIP	
8	84717846	1	HOSE ASSY	
9	90027176	2	STRAIGHT BULKHEAD FITTING	
10	84719575	1	HOSE ASSY	
11		Ref	WINCH, (See WINCH for Breakdown)	
12	88201070	4	HEX HD CAPSCREW, 1/2-13X2-1/4, GR5	
13	90027471	8	HARDENED WASHER, 1/2	
14	88501008	5	HEX NUT, 1/2-13	
15	91146028	1	HOSE TAKE-UP WELDMENT	
16	91123054	1	COMPRESSION SPRING	
17	91121134	1	SPRING RETAINER	
18	88501108	1	HEAVY HEX JAM NUT, 1/2-13	
19	2220386	1	ELBOW, 90, (swivel nut)	
20	2220624	2	TUBE END REDUCER	
21	91033161	2	FLOW REGULATOR	
22	88661011	1	MALE CONNECTOR, 1/2X1/4 TUBE	
23	88662106	5	ELBOW, 90, (swivel nut)	
24	88661113	2	MALE ELBOW, 90, 1/2X1/2 TUBE	
25	91163139	1	FEMALE COUPLER	
26	91043125	1	DUST PLUG	
27	91163138	1	MALE COUPLER	
28	91043126	1	DUST CAP	
29	91121159	1	STOWAGE BRACKET	
30	84718427	1	HOSE ASSY	
31	77133053	3	CLAMP SET	
32	77133052	3	COVER PLATE	
33	77133209	6	HEX HD CAPSCREW, 1/4-20X1-3/8	
34	77133029	3	BASE PLATE	
35	90207464	1	CUSHION CLAMP	
36	2220383	1	SWIVEL NUT BRANCH TEE, 1/2 TUBE	
37	91144440	1	SAFETY LATCH KIT	
38	91141194	1	WINCH MOUNTING PLATE	



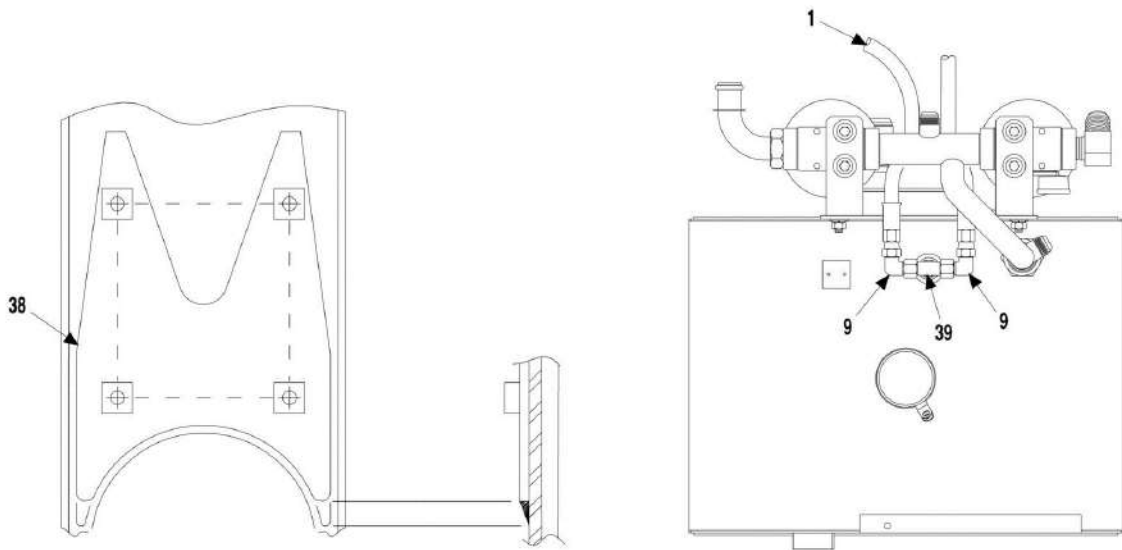
**SECTION 12 - OPTIONS**

**FIGURE 12-18. WINCH INSTALLATION - 534D-10 40 FT BOOM (534D-10 SN 0366001 through 0366088)**



**NOTE:**  
 ALL 534D-9 MACHINES AFTER SN 0644118 MUST SEE 91355004 ON  
 WINCH INSTALLATION - 45 FT BOOM FOR BREAKDOWN.

## SECTION 12 - OPTIONS



## SECTION 12 - OPTIONS

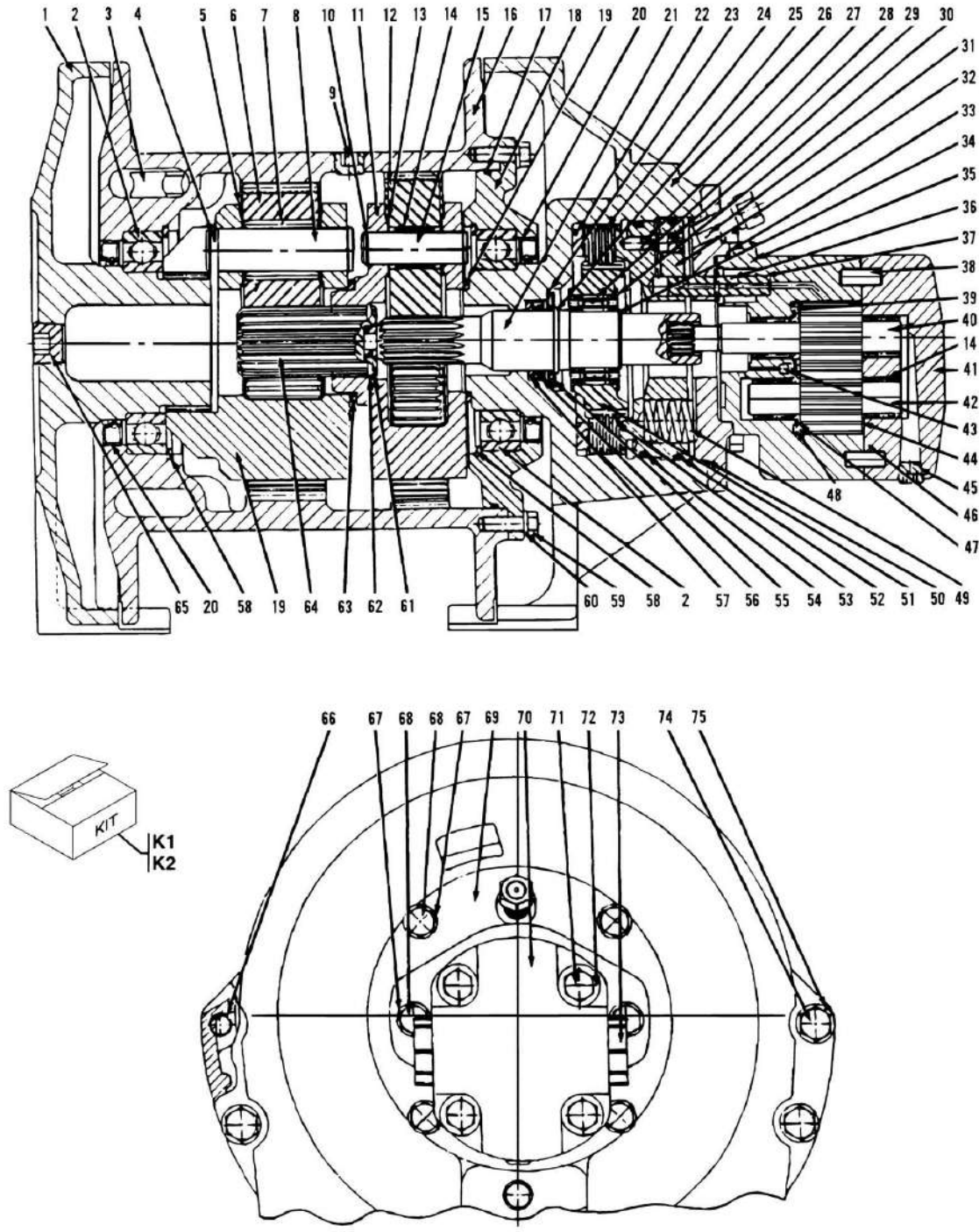
**FIGURE 12-18. WINCH INSTALLATION - 534D-10 40 FT BOOM (534D-10 SN 0366001 through 0366088)**

ITEM	PART NUMBER	QTY	DESCRIPTION	REV
	91155003	Ref	WINCH INSTALLATION, (includes all items)	
1	84718427	1	HOSE ASSY	
2	91121159	1	STOWAGE BRACKET	
3		Ref	WINCH, (See WINCH for Breakdown)	
4	86121186	4	HEX HD CAPSCREW, 1/2-13X2	
5	90027471	8	HARDENED WASHER, 1/2	
6	91033161	2	FLOW REGULATOR	
7	2220624	2	TUBE END REDUCER	
8	90027176	2	STRAIGHT BULKHEAD FITTING	
9	88662106	5	ELBOW, 90, (swivel nut)	
10	88661011	1	MALE CONNECTOR, 1/2X1/4 TUBE	
11	88661113	2	ELBOW, 90, 1/2X1/2 TUBE	
12	90204245	1	FEMALE COUPLER	
13	91043125	1	DUST PLUG	
14	90204244	1	MALE COUPLER	
15	91043126	1	DUST CAP	
16	90207882	1	CABLE	
17	90201443	1	HOOK BALL	
18	91083535	1	CAUTION DECAL	
19	90028990	1	WIRE ROPE CLIP	
20	88501008	9	HEX NUT, 1/2-13	
21	84719575	1	HOSE ASSY	
22	91146028	1	HOSE TAKE-UP WELDMENT	
23	91123054	1	COMPRESSION SPRING	
24	91121134	1	SPRING RETAINER	
25	88501108	1	HEAVY HEX JAM NUT, 1/2-13	
26	90207464	1	CUSHION CLAMP	
27	84717846	1	HOSE ASSY	
28	84716148	1	HOSE ASSY	
29	84718046	1	HOSE ASSY	
30	90027187	1	NYLON TIE	
31	2220386	1	ELBOW, 90, (swivel nut)	
32	77133053	3	CLAMP SET	
33	77133052	3	COVER PLATE	
34	77133209	6	HEX HD CAPSCREW, 1/4-20X1-3/8	
35	77133029	3	BASE PLATE	
36	83201149	4	HEX HD CAPSCREW, 1/2-13X3, GR8	
37	91151006	1	MOUNTING PLATE	
38	91151004	1	WINCH MOUNTING PLATE	
39	2220383	1	SWIVEL NUT BRANCH TEE, 1/2 TUBE	



# SECTION 12 - OPTIONS

FIGURE 12-19. WINCH (534D-9 Prior to SN 0544532; 534D-10 Prior to SN 0366143)



PAP20080



## SECTION 12 - OPTIONS

**FIGURE 12-19. WINCH (534D-9 Prior to SN 0544532; 534D-10 Prior to SN 0366143)**

ITEM	PART NUMBER	QTY	DESCRIPTION	REV
	91033196	NLA	WINCH ASSY, (no longer available; use 91363079 for replacement or items 1 thru 75 for service)	
	91034163	1	FINAL PLANETARY HUB ASSY, (includes items 4, 5, 6, 7, 8 & 64)	
	91034164	1	PRIMARY PLANETARY HUB ASSY, (includes items 10 thru 14, 15, 19, 61, 62 & 63)	
1	91034187	1	END HOUSING	
2	91034196	2	BALL BEARING	
3	91034193	1	WEDGE	
4	91034194	6	CIRCLIP	
5	91034201	6	THRUST WASHER	
6	91034177	3	FINAL PLANETARY GEAR	
7	91034204	60	NEEDLE ROLLER	
8	91034176	3	FINAL PLANETARY PIN	
9		Ref	HEX SOCKET PIPE PLUG	
10	91034198	6	CIRCLIP	
11	91034180	1	PRIMARY PLANETARY HUB	
12	91034178	3	PRIMARY PLANETARY GEAR	
13	91034200	6	THRUST WASHER	
14	91034199	7	NEEDLE BEARING	
15	91034166	3	PRIMARY PLANETARY PIN	
16	91034172	1	CABLE DRUM	
17		Ref	O-RING	
18	91034173	1	BEARING FLANGE	
19	91034179	2	NYLON SPACER	
20	Kit	2	OIL SEAL	
21	91034190	1	PRIMARY SUN GEAR	
22	91034168	1	BRAKE SPACER	
23	91034206	2	THRUST WASHER	
24	91034197	5	DIVIDER PLATE	
25	91034208	1	CIRCLIP	
26	91034186	1	BRAKE HOUSING	
27	91034185	1	ORIFICE PLUG	
28	91034202	1	SPRAG CLUTCH	
29		Ref	HEX SOCKET PIPE PLUG	
30	91034169	2	SPRAG CLUTCH ALIGNER	
31	91034192	1	SAFETY VALVE	
32	91034184	1	PISTON	
33	Kit	1	O-RING	
34	91034203	1	CIRCLIP	
35	91034191	1	MOTOR BODY	
36	91034181	1	CONNECTING TUBE	
37	Kit	2	O-RING	
38	91034213	2	DOWEL PIN	
39	91034211	1	WEAR PLATE	
40	91034216	1	DRIVE GEAR	
41	91034212	1	COVER	
42	91034217	1	DRIVEN GEAR	
43	91034215	2	DOWEL PIN	
44	91034210	1	THRUST PLATE	

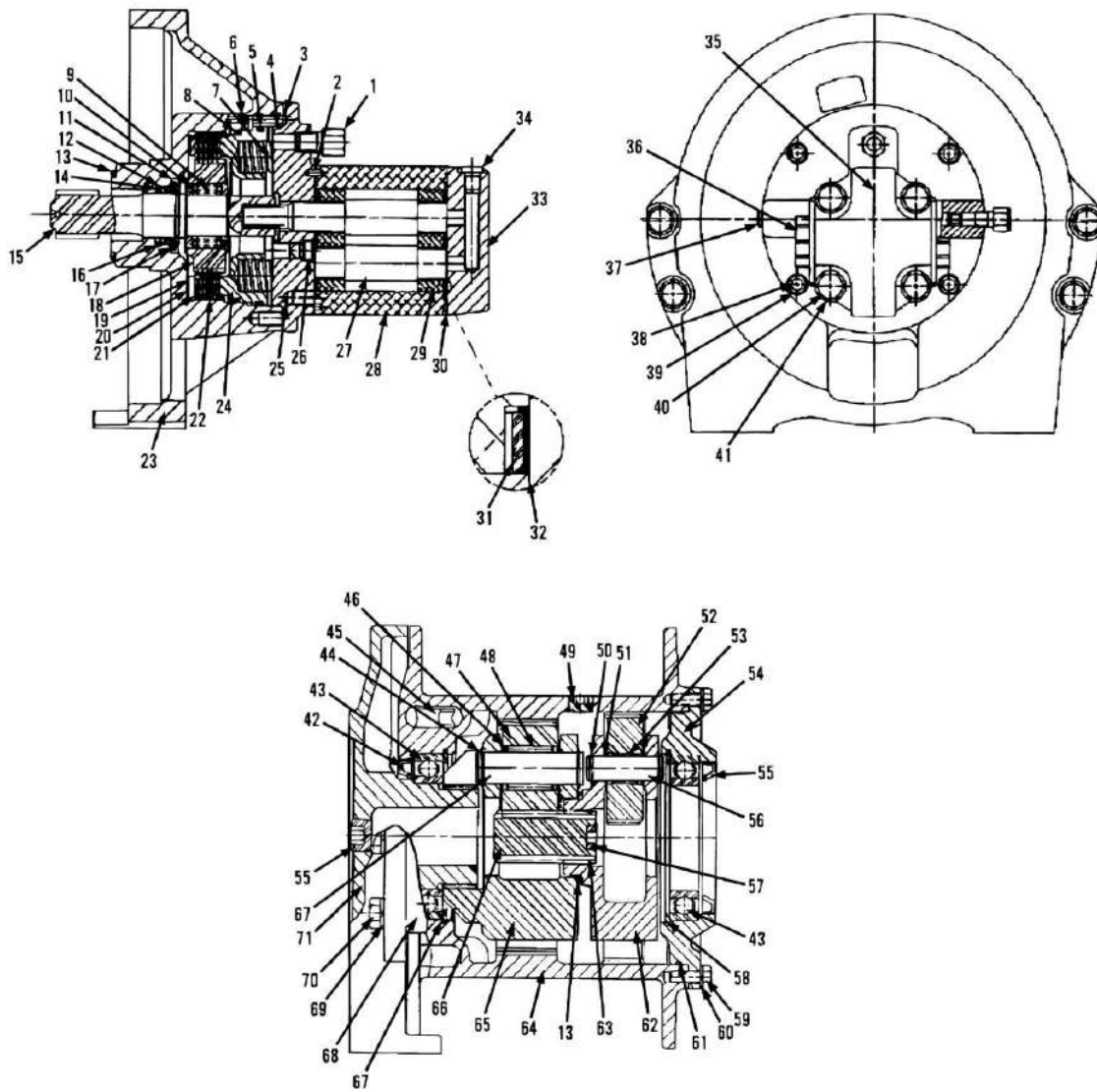
## SECTION 12 - OPTIONS

ITEM	PART NUMBER	QTY	DESCRIPTION	REV
45		Ref	HEX SOCKET PIPE PLUG	
46	Kit	1	SQUARE CUT SEAL RING	
47	Kit	1	RUBBER SPACER	
48	Kit	1	NYLATRON	
49	91034171	6	BRAKE SPRING	
50		Ref	O-RING	
51	91034170	1	BRAKE HUB	
52	Kit	1	O-RING	
53	91034165	4	BRAKE PLATE	
54	Kit	1	O-RING	
55	91034207	1	THRUST BEARING	
56		Ref	OIL SEAL	
57	91034182	1	BACK-UP WASHER	
58	91034195	2	CIRCLIP	
59	88201019	6	HEX HD CAPSCREW, 5/16-18X7/8, GR5	
60	88551010	6	LOCKWASHER, 5/16	
61	91034167	1	PRIMARY SUN GEAR STOPPER	
62	91034205	1	CIRCLIP	
63	91034174	1	FINAL SUN GEAR	
64	91034175	1	FINAL PLANETARY HUB	
65		Ref	HEX SOCKET PIPE PLUG	
66	91034188	2	TIE BAR	
67	88551011	6	LOCKWASHER, 3/8	
68	88201035	6	HEX HD CAPSCREW, 3/8-16X1, GR5	
69	91034183	1	MOTOR ADAPTER	
70	91034189	1	HYDRAULIC MOTOR ASSY, (includes items 14, 35, 38 thru 47, 71 & 72)	
71	91034209	4	HEX HD CAPSCREW	
72	91034214	4	WASHER	
73		Ref	CAPLUG	
74	88221051	8	HEX HD CAPSCREW, 7/16-14X1-1/4, GR5	
75	88551012	8	LOCKWASHER, 7/16	
K1	91034161	1	SEAL KIT, (includes items 20, 33, 37, 46, 47, 48, 52 & 54)	
K2	91034162	1	HYDRAULIC MOTOR SEAL KIT, (includes items 46, 47 & 48)	



# SECTION 12 - OPTIONS

FIGURE 12-20. WINCH (534D-9 SN 0544532 to Present; 534D-10 SN 0366143 to Present)



## SECTION 12 - OPTIONS

**FIGURE 12-20. WINCH (534D-9 SN 0544532 to Present; 534D-10 SN 0366143 to Present)**

ITEM	PART NUMBER	QTY	DESCRIPTION	REV
	91363079	1	WINCH ASSY, (includes all items)	A
1	91034192	1	SAFETY VALVE	
2	91364101	2	DOWEL PIN	
3	91364102	2	O-RING	
4	91364103	1	O-RING	
5	91364104	1	O-RING	
6	91364105	1	ORIFICE PLUG	
7	91034171	10	BRAKE SPRING	
8	91364106	1	O-RING	
9	91364107	1	SPRAG CLUTCH	
10	91034169	2	SPRAG CLUTCH ALIGNER	
11	91034207	1	THRUST BEARING	
12	91364108	1	OIL SEAL	
13	91034179	2	NYLON SPACER	
14	91034182	1	BACK-UP WASHER	
15	91364109	1	SUN GEAR	
16	91034206	2	THRUST WASHER	
17	91034208	1	CIRCLIP	
18	91364110	1	BRAKE HUB	
19	91364111	1	BRAKE SPACER	
20	91364112	1	CIRCLIP	
21	91034165	5	FRICITION PLATE	
22	91034197	6	DIVIDER PLATE	
23	91364113	1	BRAKE HOUSING	
24	91364114	1	PISTON	
25	91364115	1	MOTOR ADAPTER	
26	91364116	2	CHECK VALVE	
27	91364117	1	GEAR SET	
28	91364118	1	GEAR HOUSING	
29	91364119	2	THRUST BLOCK	
30	91364120	2	SECTION SEAL	
31	91364121	2	CHANNEL SEAL	
32	91364122	2	BACK-UP SEAL	
33	91364123	1	COVER	
34	91364124	1	PLUG	
35	91364125	1	HYDRAULIC MOTOR ASSY	
36	91364126	2	CAPLUG	
37	91014038	2	PIPE PLUG	
38	91364127	4	SOCKET HD CAPSCREW, 3/8-16X1, GR5	
39	91364128	4	LOCKWASHER, 3/8	
40	91364129	4	WASHER	
41	91364130	4	HEX HD CAPSCREW	
42	91364131	2	OIL SEAL	
43	91034196	2	BALL BEARING	
44	91364132	6	CIRCLIP	
45	91034193	1	WEDGE	
46	91034201	6	THRUST WASHER	
47	91034177	3	PLANETARY GEAR	
48	91034204	60	NEEDLE ROLLER	

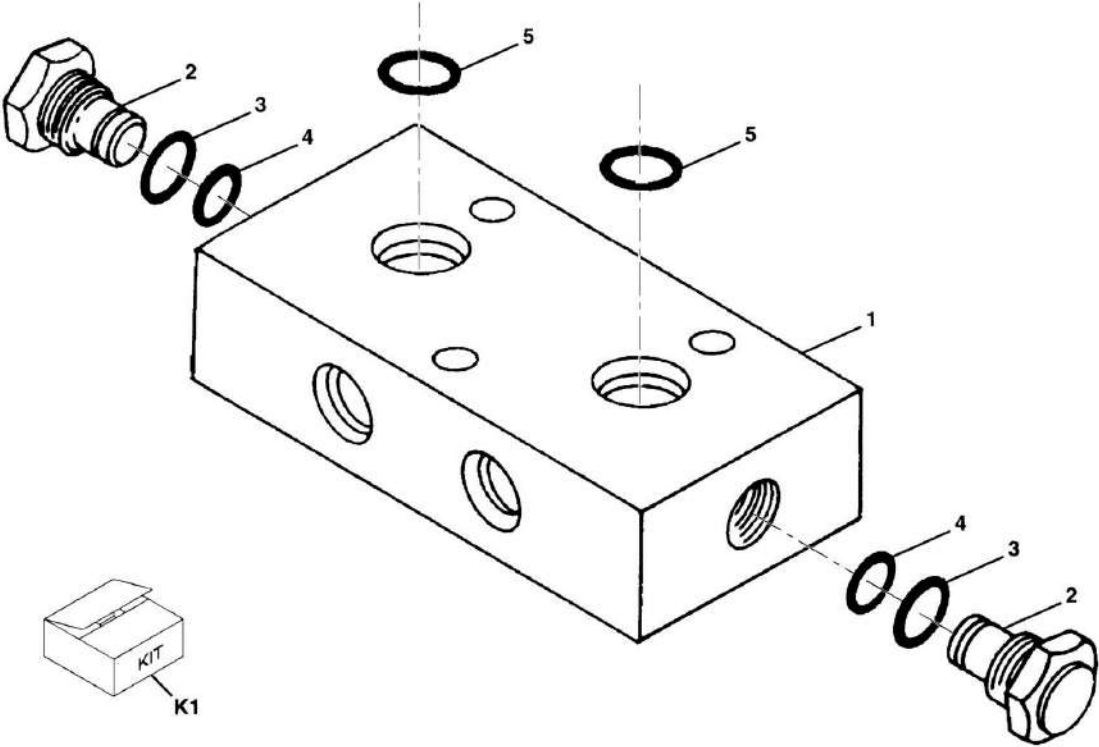
## SECTION 12 - OPTIONS

ITEM	PART NUMBER	QTY	DESCRIPTION	REV
49	91364133	1	PIPE PLUG	
50	91364134	6	CIRCLIP	
51	91034200	6	THRUST WASHER	
52	91034178	3	PRIMARY PLANETARY GEAR	
53	91034199	3	NEEDLE BEARING	
54	91034173	1	BEARING FLANGE	
55	91014055	1	PIPE PLUG	
56	91034166	3	PLANETARY PIN	
57	91034167	1	PRIMARY SUN GEAR STOPPER	
58	91034195	1	CIRCLIP	
59	91364135	6	HEX HD CAPSCREW, 5/16-18X.88, GR5	
60	91364136	6	LOCKWASHER, 5/16	
61	91364137	1	O-RING	
62	91034180	1	PRIMARY PLANETARY HUB	
63	91034205	1	CIRCLIP	
64	91034172	1	CABLE DRUM	
65	91034175	1	FINAL PLANETARY HUB	
66	91034174	1	FINAL SUN GEAR	
67	91034176	3	PLANETARY PIN	
68	91364138	2	TIE BAR	
69	91364139	8	LOCKWASHER, 7/16	
70	91364140	8	HEX HD CAPSCREW, 7/16-14X1.25, GR5	
71	91364141	1	END HOUSING	



SECTION 12 - OPTIONS

FIGURE 12-21. DUAL P.O. CHECK VALVE



PAP19870



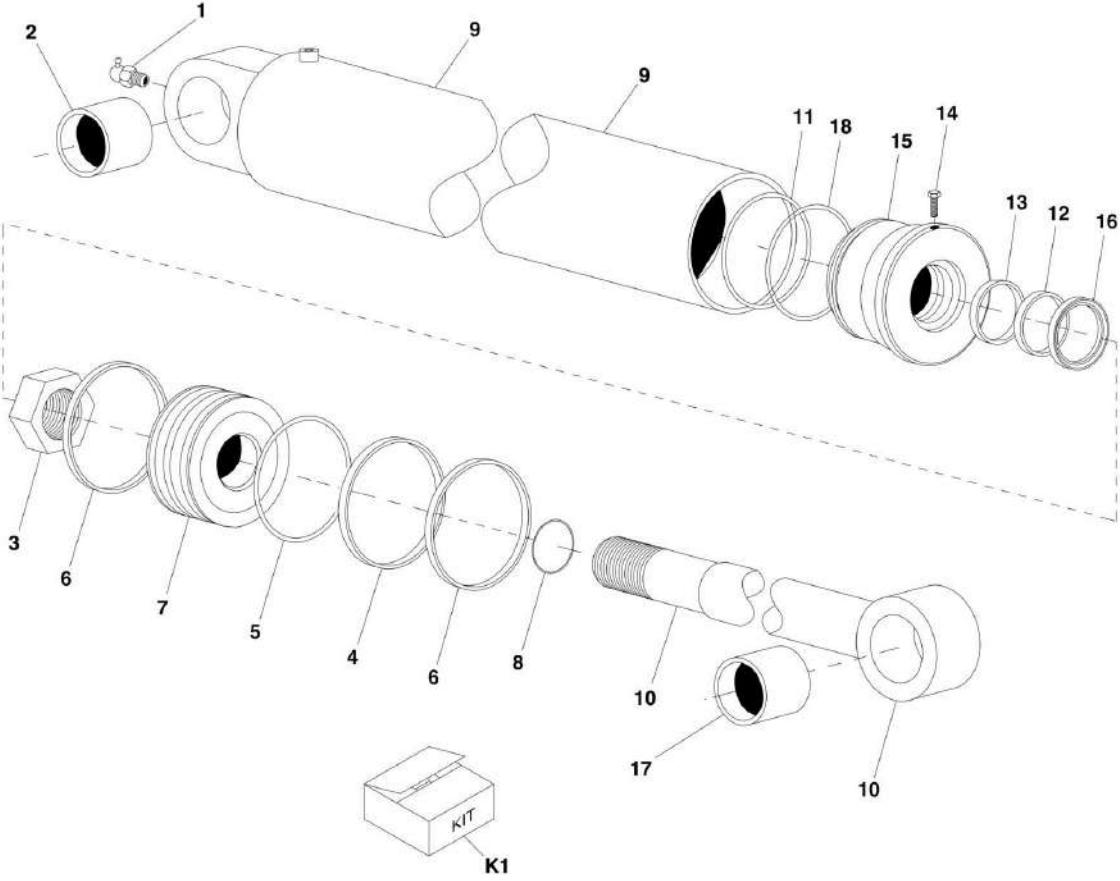
## SECTION 12 - OPTIONS

### FIGURE 12-21. DUAL P.O. CHECK VALVE

ITEM	PART NUMBER	QTY	DESCRIPTION	REV
	91083262	1	DUAL P.O. CHECK VALVE ASSY, (includes all items)	B
1	N.S.S.	1	BODY	
2	77133248	2	CHECK VALVE	
3	91084227	2	O-RING	
4	91084228	2	O-RING	
5	88591009	2	O-RING	
K1	91044002	Ref	SEAL KIT, (includes items 3 & 4)	

**SECTION 12 - OPTIONS**

**FIGURE 12-22. SWING CYLINDER (534D-9 Prior to SN 0160038519; 534D-10 Prior to SN 0160038445)**



PAP19060

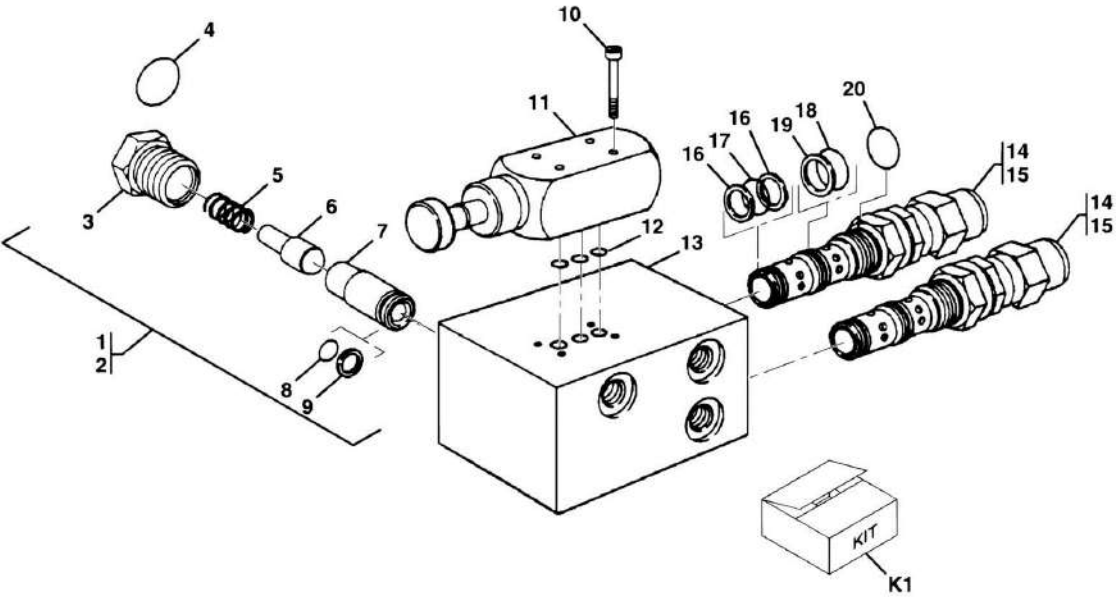
## SECTION 12 - OPTIONS

**FIGURE 12-22. SWING CYLINDER (534D-9 Prior to SN 0160038519; 534D-10 Prior to SN 0160038445)**

ITEM	PART NUMBER	QTY	DESCRIPTION	REV
	90453034	1	SWING CYLINDER, (includes all items)	C
1	91144125	1	GREASE FITTING	
2	91034157	1	BUSHING	
3	91144038	1	LOCKNUT	
4	91164020	1	PISTON SEAL	
5	91164021	1	O-RING	
6	91164019	2	WEAR RING	
7	91554034	1	PISTON	
8	91164022	1	O-RING	
9	91034435	1	BARREL	
10	91034436	1	PISTON ROD	
11	91164024	1	BACK-UP RING	
12	91204468	1	U-CUP	
13	91164025	1	STEP SEAL	
14	91124096	1	SELF-TAPPING SCREW	
15	91144040	1	CYLINDER HEAD	
16	91204469	1	WIPER	
17	91124087	1	BUSHING	
18	91034437	1	O-RING	
K1	91144006	1	SEAL KIT, (includes items 4 thru 6, 8, 11 thru 13, 16 & 18)	

SECTION 12 - OPTIONS

FIGURE 12-23. SWING VALVE ASSEMBLY



PAP19900

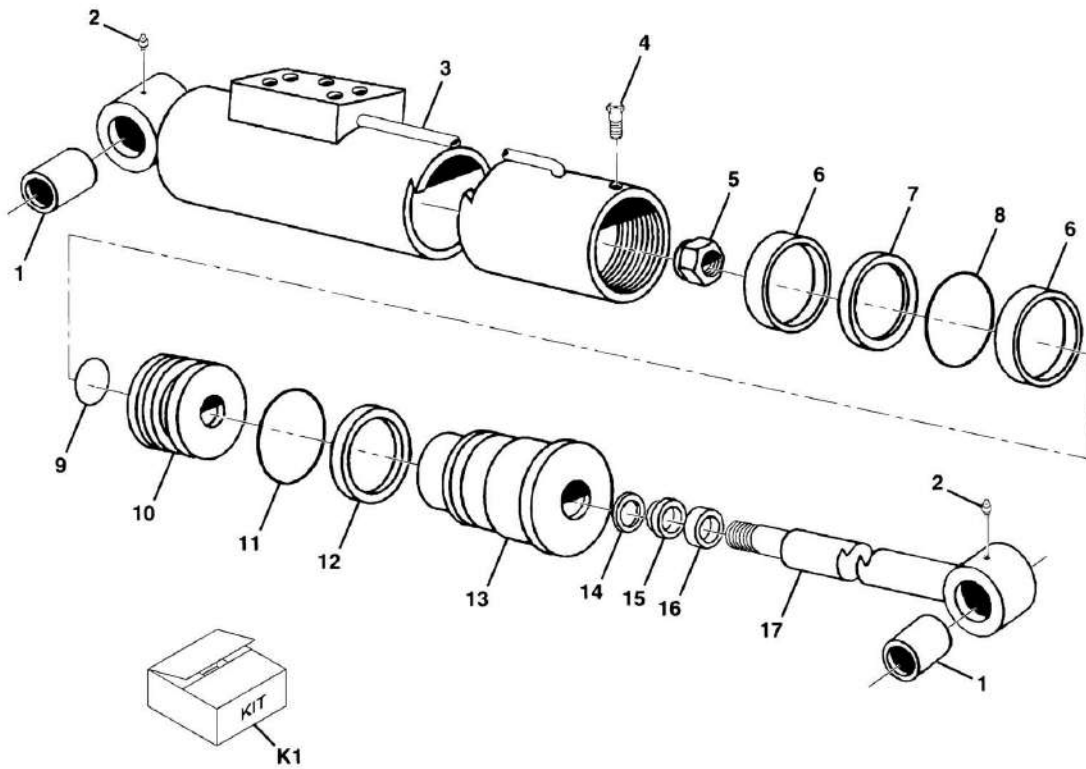
## SECTION 12 - OPTIONS

### FIGURE 12-23. SWING VALVE ASSEMBLY

ITEM	PART NUMBER	QTY	DESCRIPTION	REV
	90553023	2	SWING VALVE ASSY, (includes all items)	
1	91044284	1	CHECK VALVE ASSY, (includes items 3 thru 9)	
2	91044002	1	CHECK VALVE SEAL KIT, (includes items 4, 8 & 9)	
3	N.S.S.	1	RETAINER	
4	N.S.S.	1	O-RING	
5	N.S.S.	1	SPRING	
6	N.S.S.	1	BALL AND SPRING GUIDE ASSY	
7	N.S.S.	1	CAGE	
8	N.S.S.	1	O-RING	
9	N.S.S.	1	BACK-UP WASHER	
10	88211034	4	SOCKET HD CAPSCREW, #10-24X1/2, GR8	
11	90553014	1	PILOT VALVE	
12	Kit	3	O-RING	
13	90553015	1	VALVE BODY	
14	91044301	2	COUNTERBALANCE VALVE ASSY, (includes items 16 thru 20)	
15	91044001	2	COUNTERBALANCE VALVE SEAL KIT, (includes items 16 thru 20)	
16	N.S.S.	2	BACK-UP WASHER	
17	N.S.S.	1	O-RING	
18	N.S.S.	1	O-RING	
19	N.S.S.	1	BACK-UP WASHER	
20	N.S.S.	1	O-RING	
K1	91044303	1	SWING VALVE SEAL KIT, (includes items 2, 12 & 15)	

# SECTION 12 - OPTIONS

## FIGURE 12-24. SWAY CYLINDER



PAP19610

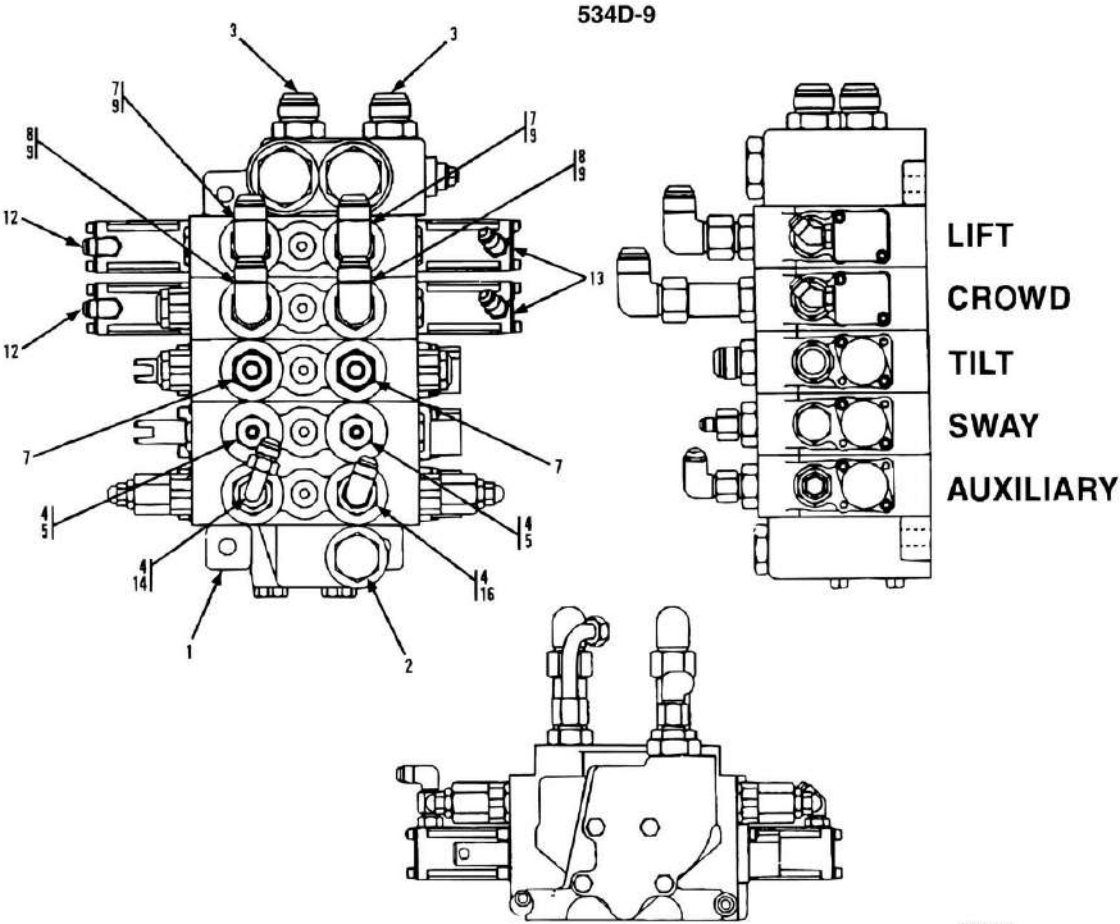
## SECTION 12 - OPTIONS

**FIGURE 12-24. SWAY CYLINDER**

ITEM	PART NUMBER	QTY	DESCRIPTION	REV
	91083471	1	SWAY CYLINDER ASSY, (includes all items)	D
1	91064016	2	BUSHING	
2	91144128	2	GREASE FITTING	
3	91124083	1	CASE ASSY	
4	91144017	1	CAPSCREW, #8X32X.375	
5	91034156	1	LOCKNUT, (lubricate and torque to 350-400 ft lbs)	
6	Kit	2	WEAR RING	
7	Kit	1	PISTON SEAL	
8	Kit	1	O-RING	
9	Kit	1	O-RING	
10	91124084	1	PISTON	
11	Kit	1	O-RING	
12	Kit	1	BACK-UP RING	
13	91124085	1	CYLINDER HEAD	
14	Kit	1	STEP SEAL	
15	Kit	1	U-CUP	
16	Kit	1	WIPER	
17	91124086	1	ROD ASSY	
K1	91084308	Ref	SEAL KIT, (includes items 6 thru 9, 11, 12 & 14 thru 16)	

**SECTION 12 - OPTIONS**

**FIGURE 12-25. MAIN CONTROL VALVE - 534D-9 (534D-9 Prior to SN 0160027771)**



PX0540



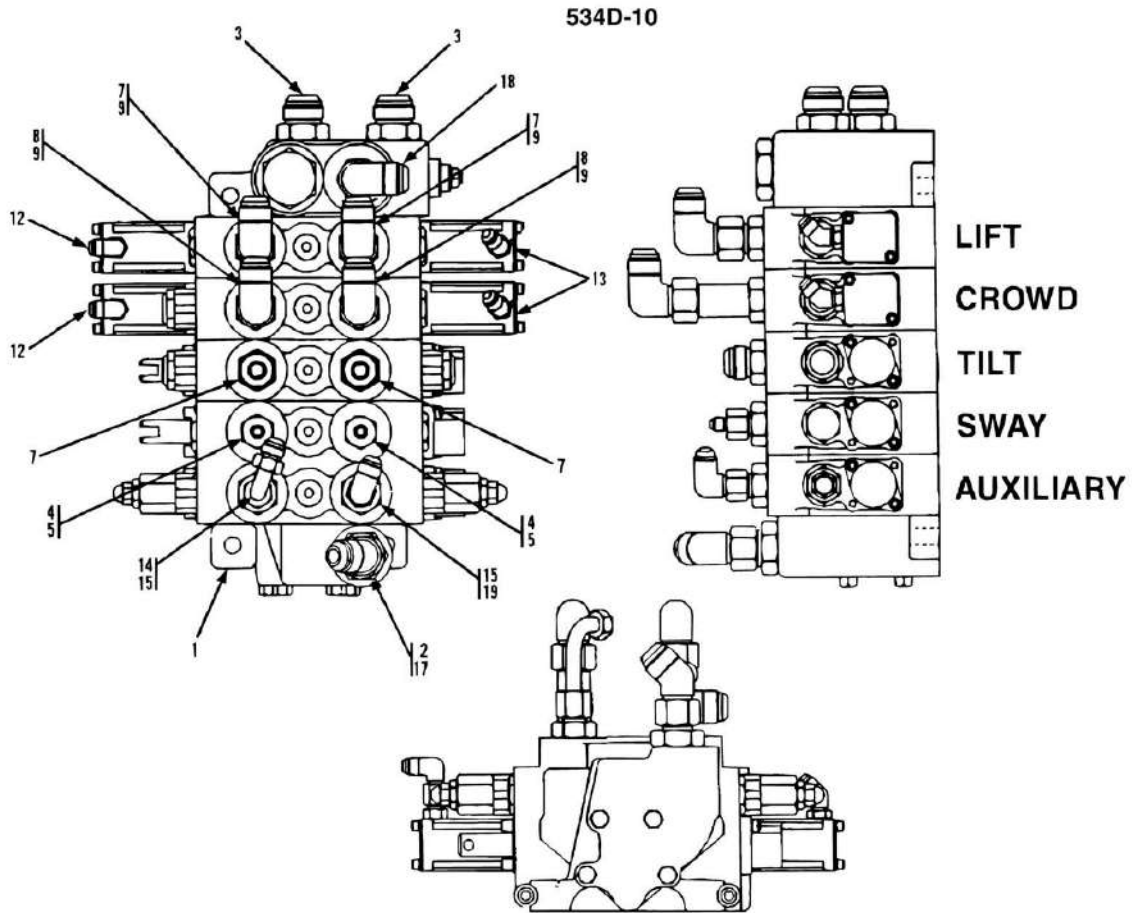
## SECTION 12 - OPTIONS

**FIGURE 12-25. MAIN CONTROL VALVE - 534D-9 (534D-9 Prior to SN 0160027771)**

ITEM	PART NUMBER	QTY	DESCRIPTION	REV
1	91145080	1	MAIN CONTROL VALVE ASSY, (includes all items)	G
1		Ref	MAIN CONTROL VALVE, (See HYDRAULIC COMPONENTS SECTION for Breakdown)	
2	2220242	1	HEX HD PLUG, (includes o-ring)	
3	2220379	2	ADAPTER, (includes o-ring)	
4	2220375	4	ADAPTER, (includes o-ring)	
5	2220618	2	ADAPTER, (includes o-ring)	
7	2220451	4	ADAPTER, (includes o-ring)	
8	2220974	2	ADAPTER, (includes o-ring)	
9	2220655	4	ELBOW, 90, (swivel nut)	
12	2220473	2	ELBOW STR THD, 90, (includes o-ring)	
13	2220501	2	ELBOW STR THD, 45, (includes o-ring)	
14	2220471	1	ELBOW, 90, (swivel nut)	
16	8765204	1	ELBOW, 90, (swivel nut)	

# SECTION 12 - OPTIONS

FIGURE 12-26. MAIN CONTROL VALVE - 534D-10 (534D-10 Prior to SN 0160027772)



PX0550

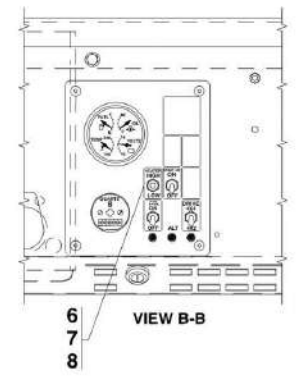
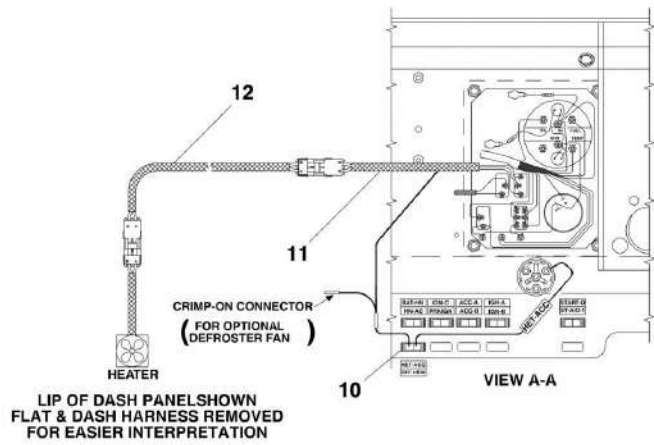
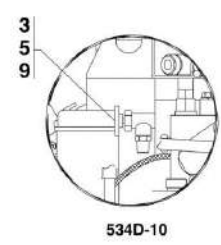
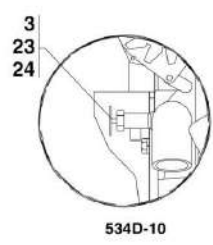
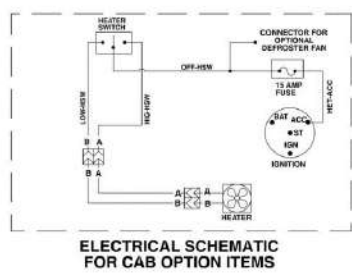
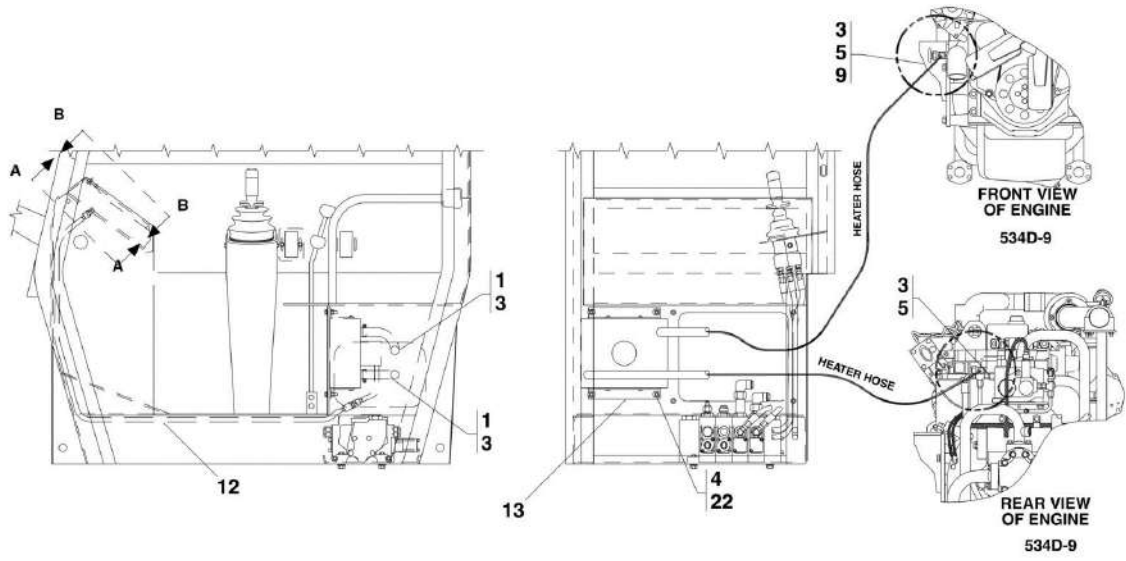
## SECTION 12 - OPTIONS

**FIGURE 12-26. MAIN CONTROL VALVE - 534D-10 (534D-10 Prior to SN 0160027772)**

ITEM	PART NUMBER	QTY	DESCRIPTION	REV
1	91155030	1	MAIN CONTROL VALVE ASSY, (includes all items)	H
1		Ref	MAIN CONTROL VALVE, (See HYDRAULIC COMPONENTS SECTION for Breakdown)	
2	2220435	1	ADAPTER, (includes o-ring)	
3	2220379	2	ADAPTER, (includes o-ring)	
4	2220375	2	ADAPTER, (includes o-ring)	
5	2220618	2	ADAPTER, (includes o-ring)	
7	2220451	4	ADAPTER, (includes o-ring)	
8	2220974	2	ADAPTER, (includes o-ring)	
9	2220655	4	ELBOW, 90, (swivel nut)	
12	2220473	1	ELBOW STR THD, 90, (includes o-ring)	
13	2220501	2	ELBOW STR THD, 45, (includes o-ring)	
14	2220471	1	ELBOW, 90, (swivel nut)	
15	2220375	2	CONNECTOR, (includes o-ring)	
17	2220224	1	PIPE PLUG	
18	2220578	1	ELBOW, 90, (includes o-ring)	
19	8765204	1	ELBOW, 90, (swivel nut)	

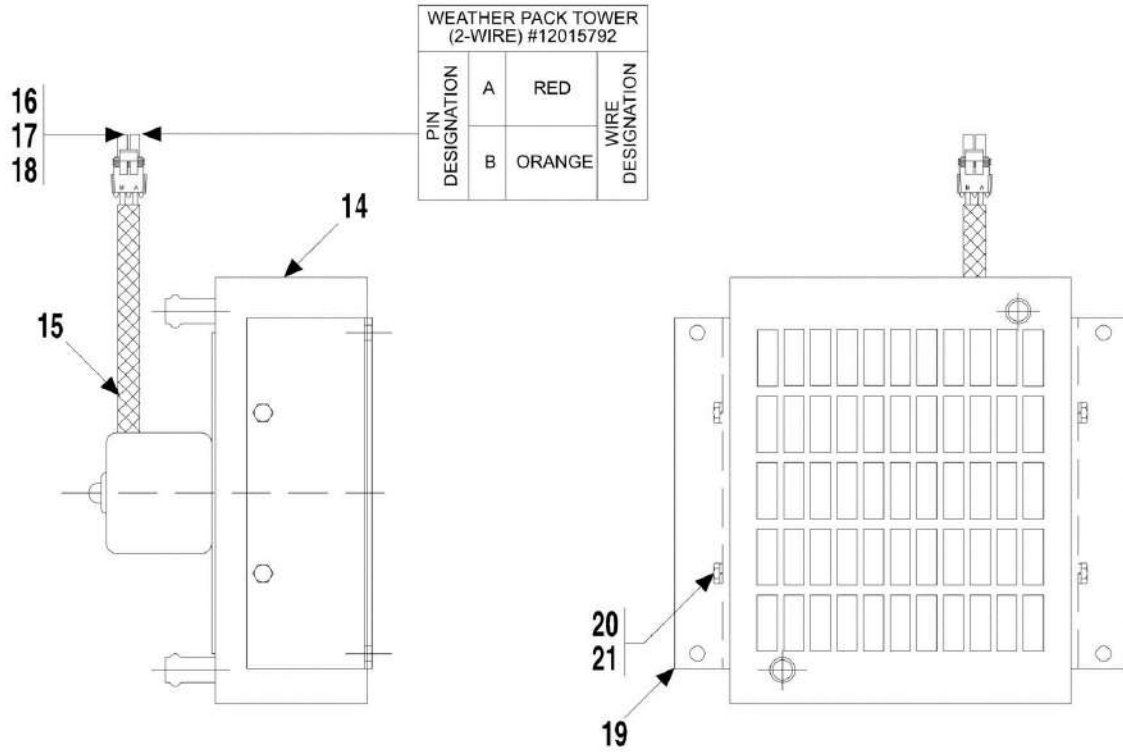
# SECTION 12 - OPTIONS

**FIGURE 12-27. CAB HEATER OPTION (534D-9 SN 0544001 through 016000853, Excluding 0160000700; 534D-10 SN 0366001 through 0160000974)**



PAP19230

# SECTION 12 - OPTIONS



## SECTION 12 - OPTIONS

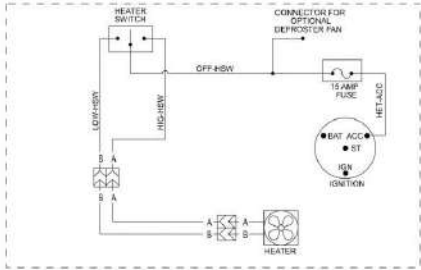
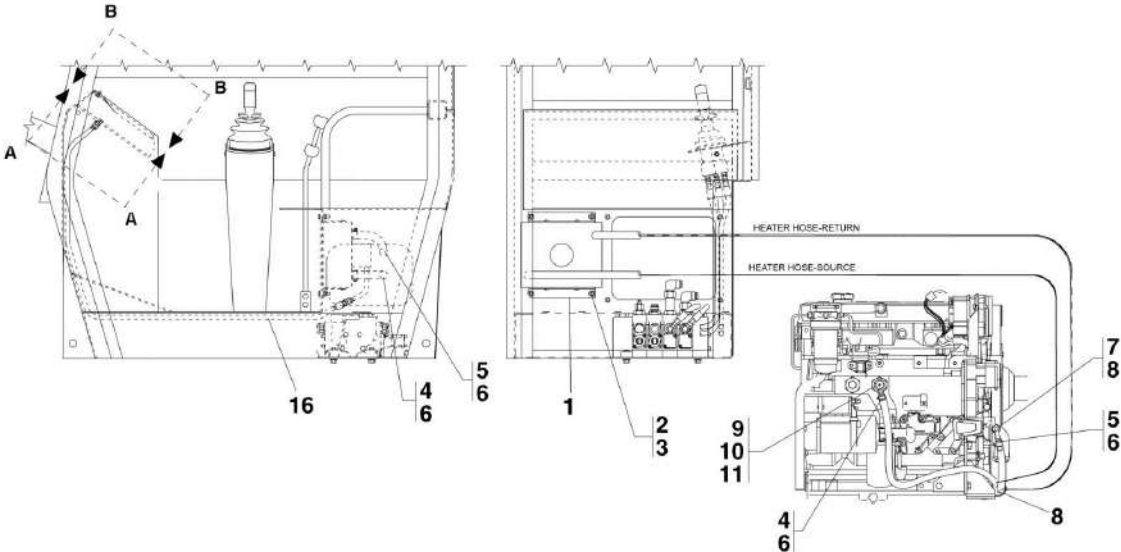
**FIGURE 12-27. CAB HEATER OPTION (534D-9 SN 0544001 through 0160000853, Excluding 0160000700; 534D-10 SN 0366001 through 0160000974)**

ITEM	PART NUMBER	QTY	DESCRIPTION	REV
	91365017	1	CAB HEATER OPTION, (includes all items)	G
1	82033995	135 in	HEATER HOSE	
3	86683193	4	HOSE CLAMP	
4	77143006	4	WHIZ-LOCKNUT	
5	91083155	2	TRUCK VALVE	
6	91143361	1	HEATER DECAL	
7	77383470	1	BOOT	
8	77383744	1	TOGGLE SWITCH	
9	77383540	1	COOLANT RESTRICTOR ORIFICE	
10	77363268	1	FUSE,15 AMP	
11	91343040	1	HEATER HARNESS	
12	91123182	1	HEATER HARNESS	
13	91125106	1	HEATER ASSY, (includes items 14 thru 21)	C
14	91043429	1	HEATER	
15	82033996	6 in	FLEX LOOM	
16	80963057	1	TOWER	
17	80963068	2	FEMALE PIN TERMINAL	
18	80963067	2	CABLE SEALS	
19	91031521	2	HEATER MTG. BRACKET	
20	88201003	4	HEX HD CAPSCREW, 1/4-20X3/4, GR5	
21	88551009	4	LOCKWASHER, 1/4	
22	77143004	4	WHIZ-LOCK SCREW	
23	88711383	1	PIPE BUSHING, 1/2X3/8	
24	24641328	1	SHUT OFF VALVE	

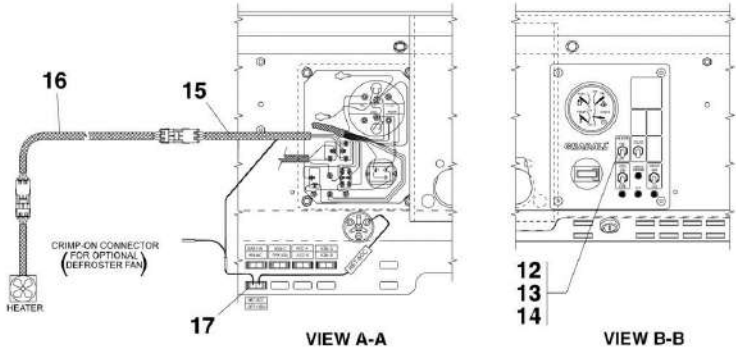


# SECTION 12 - OPTIONS

**FIGURE 12-28. CAB HEATER OPTION (534D-9 SN 0160001051 through 0160035941, Including 0160000700; 534D-10 SN 0160000978 through 0160035696)**

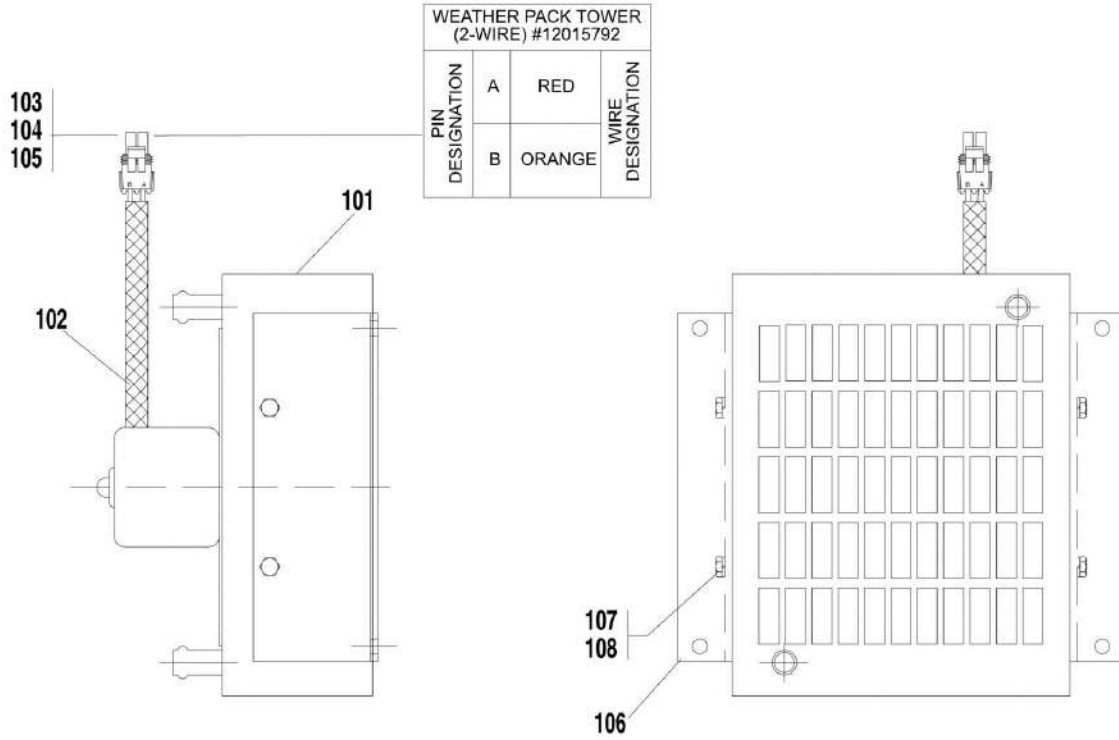


**ELECTRICAL SCHEMATIC FOR CAB HEATER OPTION ITEMS**





# SECTION 12 - OPTIONS



## SECTION 12 - OPTIONS

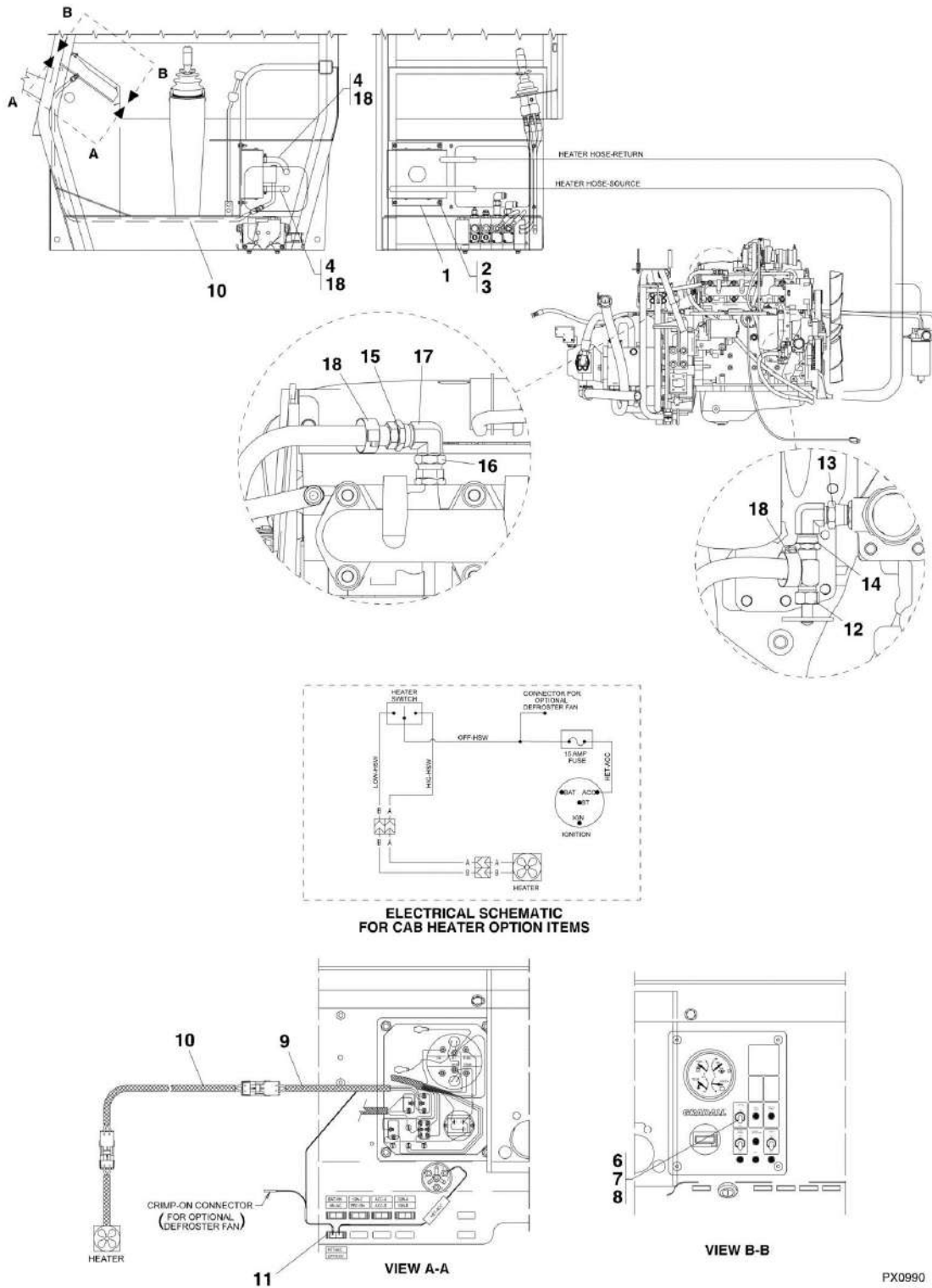
**FIGURE 12-28. CAB HEATER OPTION (534D-9 SN 0160001051 through 0160035941, Including 0160000700; 534D-10 SN 0160000978 through 0160035696)**

ITEM	PART NUMBER	QTY	DESCRIPTION	REV
	91535013	1	CAB HEATER OPTION, (includes items 1 thru 17)	B
1	91125106	1	HEATER ASSY, (includes items 101 thru 108)	C
2	77143004	4	WHIZ-LOCK SCREW	
3	77143006	4	WHIZ-LOCKNUT	
4	90206169	1	HEATER HOSE	
5	91141459	1	HEATER HOSE	
6	86683193	4	HOSE CLAMP	
7	80683073	1	ADAPTER FITTING	
8	91403443	1	BARBED FITTING, 90	
9	80373046	1	FITTING	
10	77383540	1	COOLANT RESTRICTER ORIFICE	
11	91083155	1	TRUCK VALVE	
12	91143361	1	HEATER DECAL	
13	77383470	1	BOOT	
14	77383744	1	TOGGLE SWITCH	
15	91343040	1	HEATER HARNESS	
16	91123182	1	HEATER HARNESS	
17	77363268	1	FUSE, 15A	
101	91043429	1	HEATER	
102	82033996	6 in	FLEX LOOM	
103	80963057	1	TOWER	
104	80963068	2	FEMALE PIN TERMINAL	
105	80963067	2	CABLE SEALS	
106	91031521	2	HEATER MTG BRACKET	
107	88201003	4	HEX HD CAPSCREW, 1/4-20X3/4, GR5	
108	88551009	4	LOCKWASHER, 1/4	



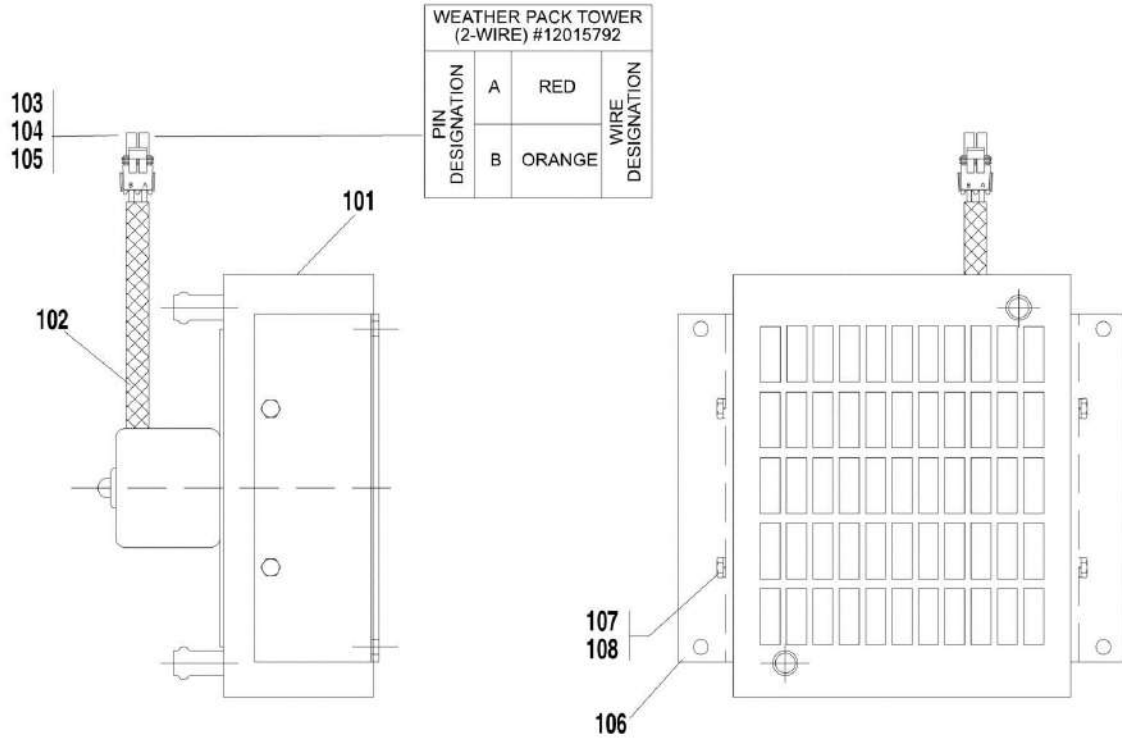
# SECTION 12 - OPTIONS

**FIGURE 12-29. CAB HEATER OPTION (534D-9 SN 0160035983 to Present; 534D-10 SN 0160036044 to Present)**



PX0990

# SECTION 12 - OPTIONS



## SECTION 12 - OPTIONS

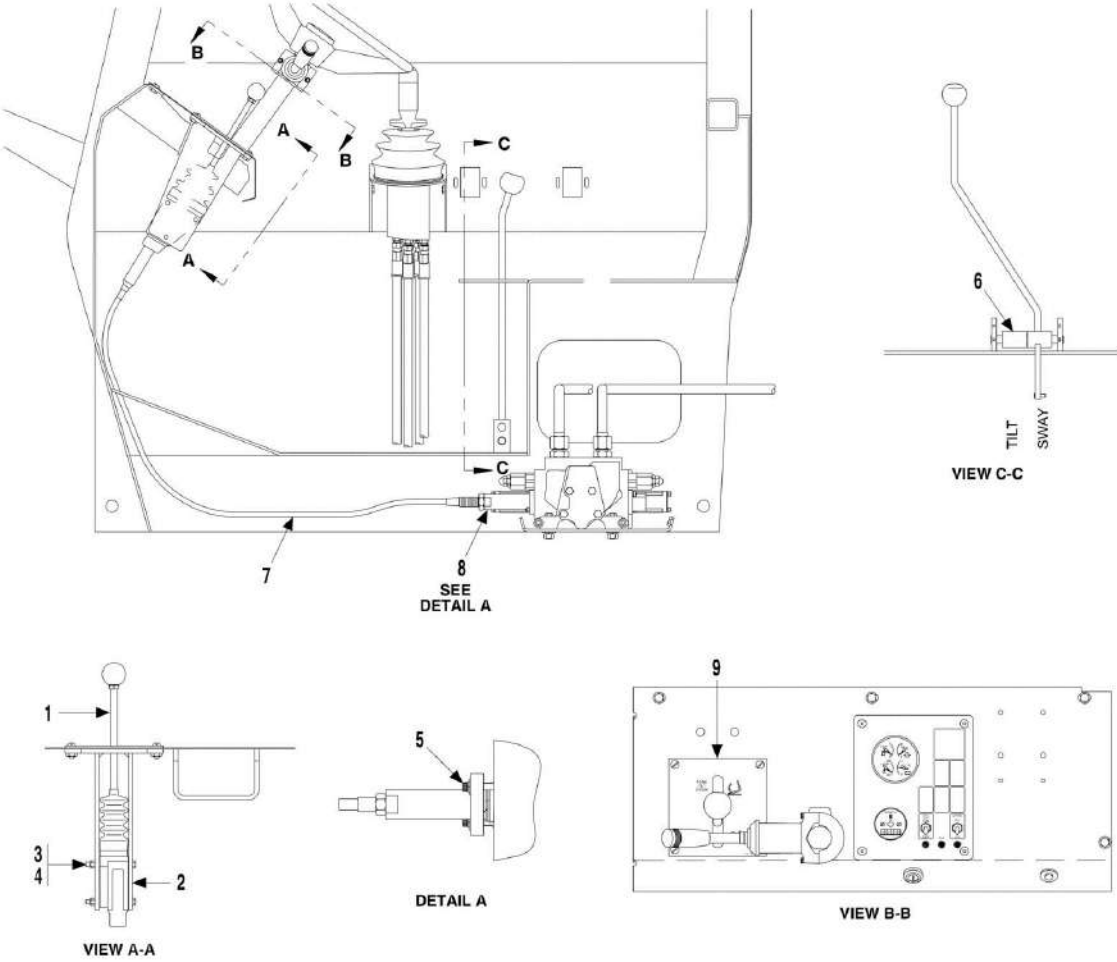
**FIGURE 12-29. CAB HEATER OPTION (534D-9 SN 0160035983 to Present; 534D-10 SN 0160036044 to Present)**

ITEM	PART NUMBER	QTY	DESCRIPTION	REV
	1001103700	1	CAB HEATER OPTION, (includes items 1 thru 18)	C
1	91125106	1	HEATER ASSY, (includes items 101 thru 108)	C
2	77143004	4	WHIZ-LOCK SCREW	
3	77143006	4	WHIZ-LOCKNUT	
4	90206170	2	HEATER HOSE	
6	91143361	1	HEATER DECAL	
7	77383470	1	BOOT	
8	77383744	1	TOGGLE SWITCH	
9	91343040	1	HEATER HARNESS	
10	91123182	1	HEATER HARNESS	
11	77363268	1	FUSE, 15A	
12	8360005	1	SHUT OFF VALVE	
13	2220008	1	FITTING	
14	2220067	1	FITTING	
15	8430048	1	REDUCER	
16	2220009	1	FITTING	
17	2220070	1	FITTING	
18	8405007	4	CLAMP	
101	91043429	1	HEATER	
102	82033996	6 in	FLEX LOOM	
103	80963057	1	TOWER	
104	80963068	2	FEMALE PIN TERMINAL	
105	80963067	2	CABLE SEALS	
106	91031521	2	HEATER MTG BRACKET	
107	88201003	4	HEX HD CAPSCREW, 1/4-20X3/4, GR5	
108	88551009	4	LOCKWASHER, 1/4	



**SECTION 12 - OPTIONS**

**FIGURE 12-30. LH TILT ASSEMBLY (Prior to SN 0160027771)**





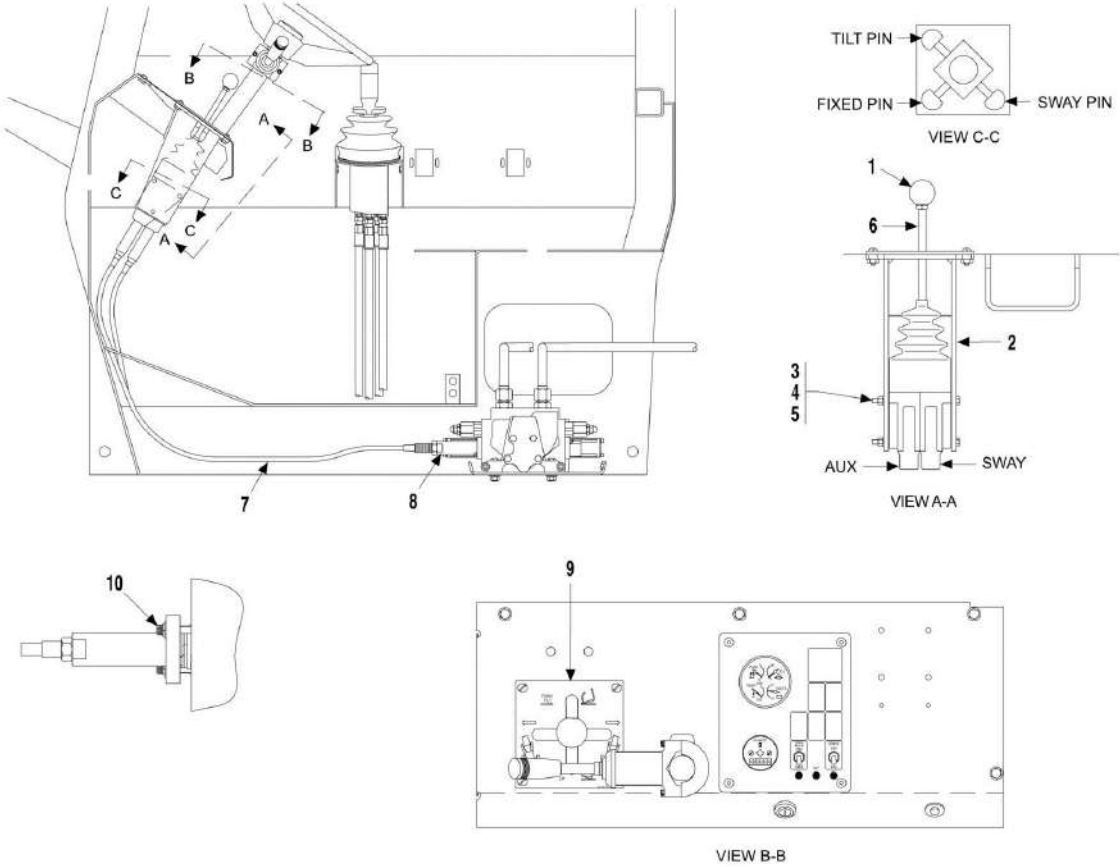
## SECTION 12 - OPTIONS

**FIGURE 12-30. LH TILT ASSEMBLY (Prior to SN 0160027771)**

ITEM	PART NUMBER	QTY	DESCRIPTION	REV
	91365001	1	LH TILT ASSY, (includes all items)	
1	91303019	1	REMOTE VALVE CONTROL	
2	91366007	1	LEVER BRACKET	
3	88201012	3	HEX HD CAPSCREW, 1/4-20X2-3/4, GR5	
4	88521304	3	HEX LOCKNUT, 1/4-20	
5	88211044	2	SOCKET HD CAPSCREW, 1/4-20X1-1/2, GR8	
6	91301020	1	SPACER	
7	91363043	1	CONTROL CABLE	
8	91123062	1	CABLE ADAPTER BONNET	
9	91363040	1	TILT GUIDE PLATE	

SECTION 12 - OPTIONS

FIGURE 12-31. LH TILT/SWAY ASSEMBLY (Prior to SN 0160027771)



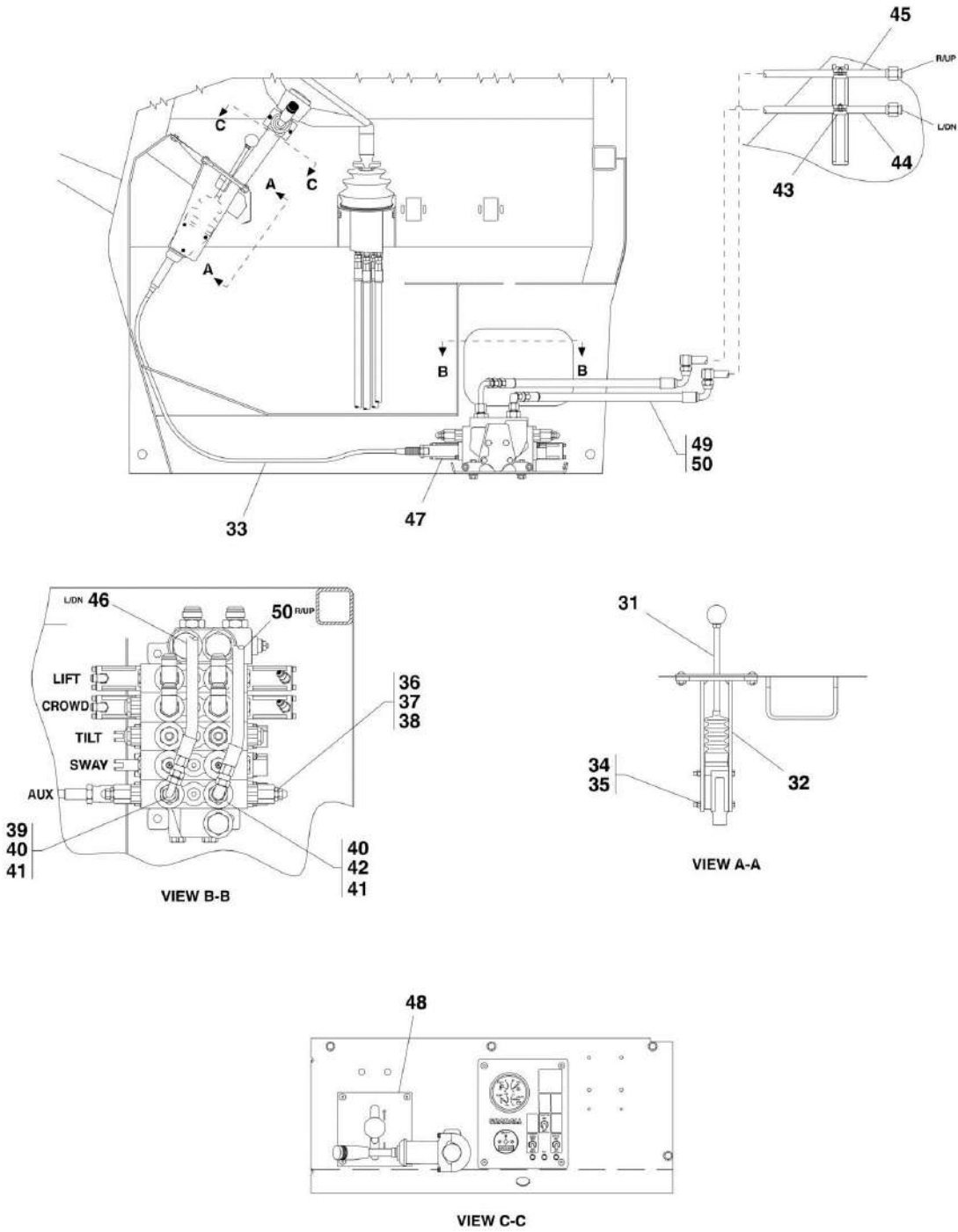
## SECTION 12 - OPTIONS

**FIGURE 12-31. LH TILT/SWAY ASSEMBLY (Prior to SN 0160027771)**

ITEM	PART NUMBER	QTY	DESCRIPTION	REV
	91365002	1	LH TILT/SWAY ASSY, (includes all items)	F
1	91335013	1	REMOTE VALVE CONTROL ASSY, (includes items 2 thru 7)	B
2	91366008	1	LEVER BRACKET	
3	11002410	3	HEX HD CAPSCREW, 1/4-28X4-1/2	
4	88501404	3	HEX JAM NUT, 1/4-28	
5	88551009	3	LOCKWASHER, 1/4	
6	91083107	1	REMOTE VALVE CONTROL	
6	91084282	1	KNOB	
6	91084359	1	BOOT	
7	91363043	2	CONTROL CABLE	
8	91123062	2	CABLE ADAPTER BONNET	
9	91363041	1	TILT/SWAY GUIDE PLATE	
10	88211044	4	SOC HD CAPSCREW, 1/4-20X1-1/2, GR8	

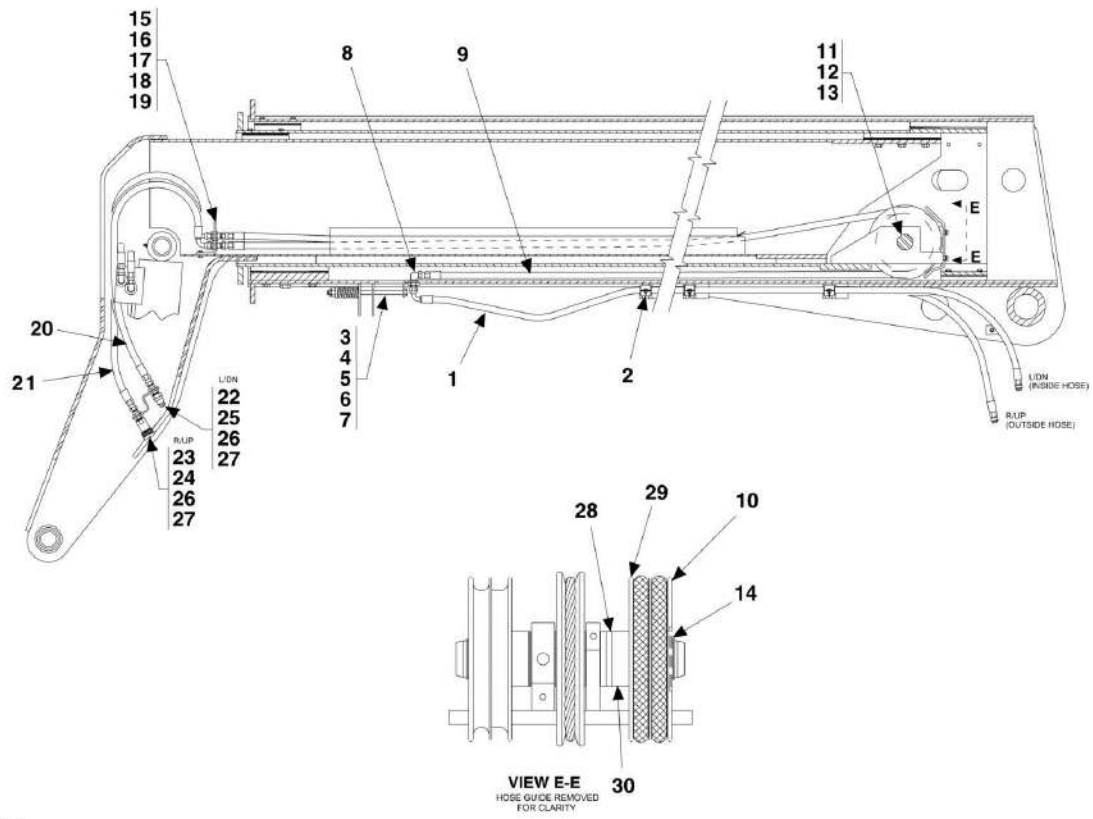
# SECTION 12 - OPTIONS

**FIGURE 12-32. AUXILIARY HYDRAULICS FIELD KIT - 534D-10 45 FT BOOM (534D-10 Prior to SN 0160027772)**



PAP19910

# SECTION 12 - OPTIONS



**NOTE:**

**ALL 534D-10 MACHINES AFTER SN 0366088 MUST USE THIS AUX HYDRAULIC FIELD KIT.**

## SECTION 12 - OPTIONS

**FIGURE 12-32. AUXILIARY HYDRAULICS FIELD KIT - 534D-10 45 FT BOOM (534D-10 Prior to SN 0160027772)**

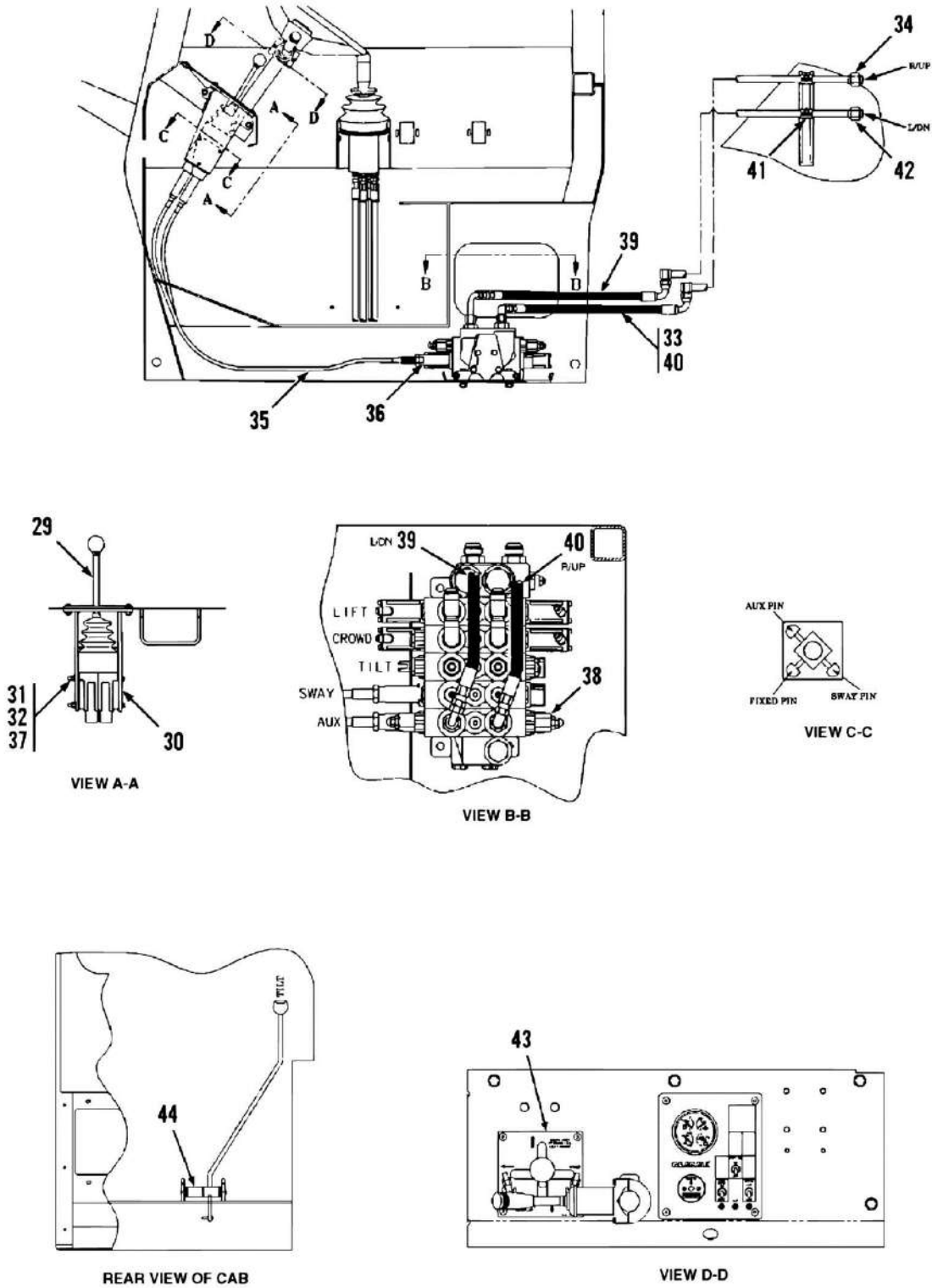
ITEM	PART NUMBER	QTY	DESCRIPTION	REV
	91355011	1	AUX HYDRAULICS FIELD KIT, (includes all items)	E
	91345010	1	REMOTE VALVE CONTROL ASSY, (includes items 31 thru 35)	
1	84719075	2	HOSE ASSY	
2	90207463	6	CUSHION CLAMP	
3	91166068	2	HOSE TAKE UP WELD	
4	91123054	2	COMPRESSION SPRING	
5	91121134	2	SPRING RETAINER	
6	88501008	2	HEX NUT, 1/2-13	
7	88501108	2	HEAVY HEX JAM NUT, 1/2-13	
8	90027180	2	90, BULKHEAD FITTING	
9	84721049	2	HOSE ASSY	
10	91343223	1	HOSE SHEAVE	
11	91141144	1	RETRACT SHEAVE PIN	
12	14404793	AR	UNION 76 MEGAPLEX GREASE	
13	88581149	1	EXTERNAL RETAINING RING	
14	91041449	2	THRUST WASHER	
15	91141210	1	BULKHEAD BRACKET	
16	88661085	2	BULKHEAD UNION, 3/4-16X1/2 TUBE	
17	88201020	2	HEX HD CAPSCREW, 5/16-18X1, GR5	
18	88551010	2	LOCKWASHER, 5/16	
19	88501005	2	HEX NUT, 5/16-18	
20	84718385	1	HOSE ASSY	
21	84718557	1	HOSE ASSY	
22	91163138	1	MALE HYDRAULIC COUPLER	
23	91163139	1	FEMALE HYDRAULIC COUPLER	
24	91043125	1	DUST PLUG	
25	91043126	1	DUST CAP	
26	91043321	2	STR BULKHEAD FITTING	
27	88712304	2	PIPE BUSHING	
28	91551037	2	SPACER	
29	91343224	1	HOSE SHEAVE	
30	91343215	1	SPACER	
31	91303019	1	REMOTE VALVE CONTROL	
32	91366007	1	LEVER BRACKET	
33	91363043	1	CONTROL CABLE	
34	88201012	3	HEX HD CAPSCREW, 1/4-20X2-3/4, GR5	
35	88521304	3	HEX LOCKNUT, 1/4-20	
36	91144194	2	VALVE SECTION ASSY	
37	91034070	1	STUD KIT	
38	91144254	1	SEAL KIT	
39	2220471	1	LONG ELBOW, 90, (swivel nut)	
40	2220375	2	CONNECTOR, (includes item 41)	
41	88591207	2	O-RING	
42	88662106	1	ELBOW, 90, (swivel nut)	
43	90207463	2	CUSHION CLAMP	
44	91163096	1	TUBE ASSY	
45	91163097	1	TUBE ASSY	
46	84718686	1	HOSE ASSY	

## SECTION 12 - OPTIONS

ITEM	PART NUMBER	QTY	DESCRIPTION	REV
47	91123062	1	CABLE ADAPTER BONNET	
48	91363045	1	GUDE PLATE	
49	90027187	5	NYLON TIE	
50	84718685	1	HOSE ASSY	

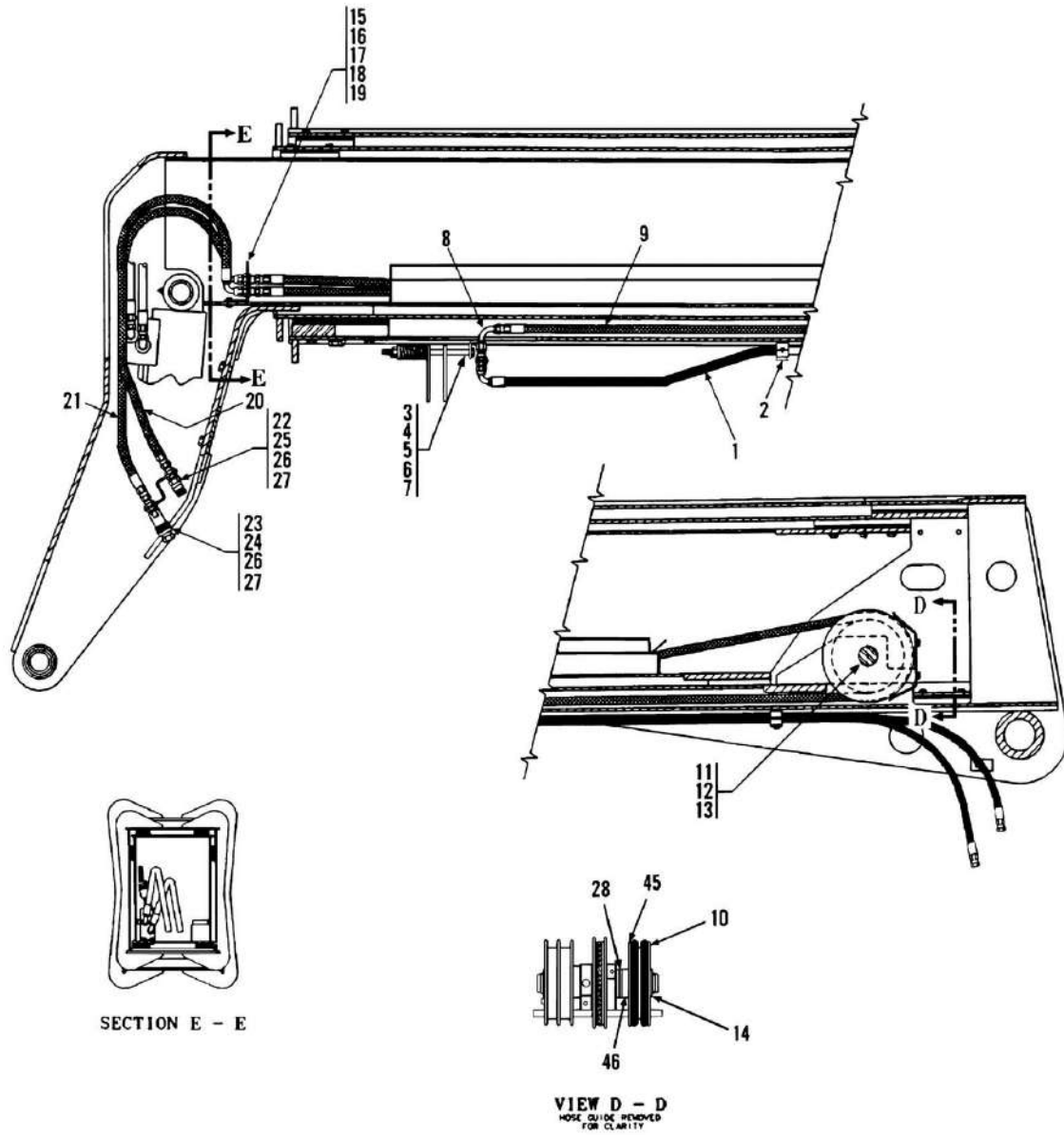
# SECTION 12 - OPTIONS

**FIGURE 12-33. AUXILIARY HYDRAULICS AND SWAY ASSEMBLY - 45 FT BOOM (Prior to SN 0160027771)**





# SECTION 12 - OPTIONS



## SECTION 12 - OPTIONS

**FIGURE 12-33. AUXILIARY HYDRAULICS AND SWAY ASSEMBLY - 45 FT BOOM (Prior to SN 0160027771)**

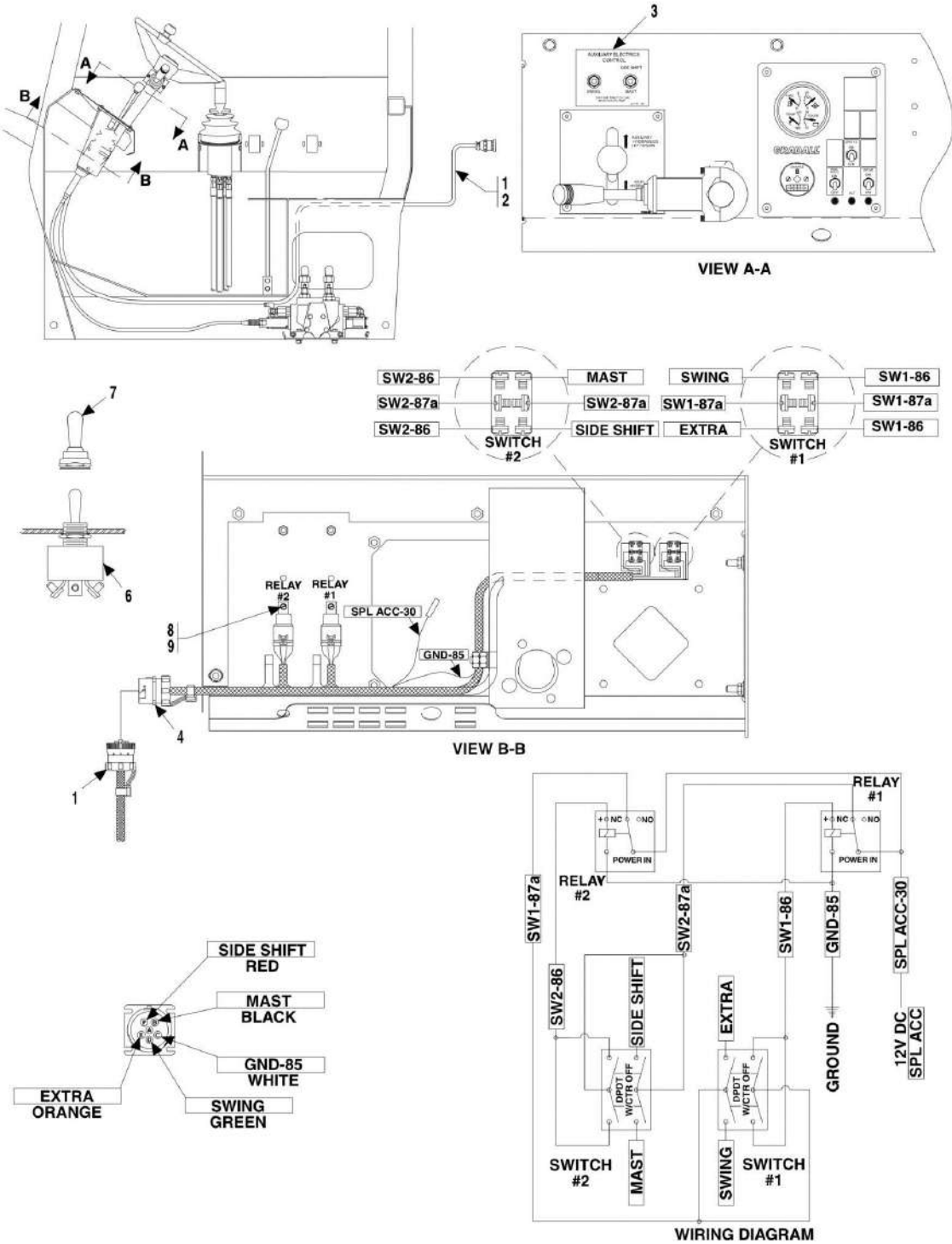
ITEM	PART NUMBER	QTY	DESCRIPTION	REV
	91345034	1	AUX HYDRAULICS AND SWAY ASSY, (includes all items), (534D-9), (45 ft Boom)	D
	91355008	1	AUX HYDRAULICS AND SWAY ASSY, (includes all items), (534D-10), (45 ft Boom)	G
1	84719075	2	HOSE ASSY	
2	90207463	6	CUSHION CLAMP	
3	91166068	2	HOSE TAKE-UP WELD	
4	91123054	2	COMPRESSION SPRING	
5	91121134	2	SPRING RETAINER	
6	88501008	2	HEX NUT, 1/2-13	
7	88501108	2	HEAVY HEX JAM NUT, 1/2-13	
8	90027180	2	BULKHEAD FITTING, 90	
9	84721049	2	HOSE ASSY	
10	91343213	1	HOSE SHEAVE	
11	91141144	1	RETRACT SHEAVE PIN	
12	14404793	AR	UNION 76 MEGAPLEX GREASE	
13	88581149	1	EXTERNAL RETAINING RING	
14	91041449	1	THRUST WASHER	
15	91141210	1	BULKHEAD FITTING	
16	90027176	2	STR THD BULKHEAD FITTING	
17	88201020	2	HEX HD CAPSCREW, 5/16-18X1, GR5	
18	88551010	2	LOCKWASHER, 5/16	
19	88501005	2	HEX NUT, 5/16-18	
20	84718385	1	HOSE ASSY	
21	84718557	1	HOSE ASSY	
22	91163138	1	MALE HYDRAULIC COUPLER	
23	91163139	1	FEMALE HYDRAULIC COUPLER	
24	91043125	1	DUST PLUG	
25	91043126	1	DUST CAP	
26	91043321	2	STR BULKHEAD FITTING	
27	88712304	2	REDUCING BUSHING	
28	91551037	2	SPACER	
29	91083107	1	REMOTE VALVE CONTROL	
29	91084282	1	KNOB	
29	91084359	1	BOOT	
30	91366008	1	LEVER BRACKET	
31	11002410	3	HEX HD CAPSCREW, 1/4-28X4-1/2	
32	88501404	3	HEX NUT, 1/4-28	
33	90027187	5	NYLON TIE	
34	91163097	1	TUBE ASSY	
35	91363043	2	CONTROL CABLE	
36	91123062	2	CABLE ADAPTER BONNET	
37	88551009	3	LOCKWASHER, 1/4	
38		Ref	MAIN CONTROL VALVE, (See MAIN CONTROL VALVE for Breakdown)	
39	84718686	1	HOSE ASSY	
40	84718685	1	HOSE ASSY	
41	90207463	2	CUSHION CLAMP	
42	91163096	1	TUBE ASSY	

## SECTION 12 - OPTIONS

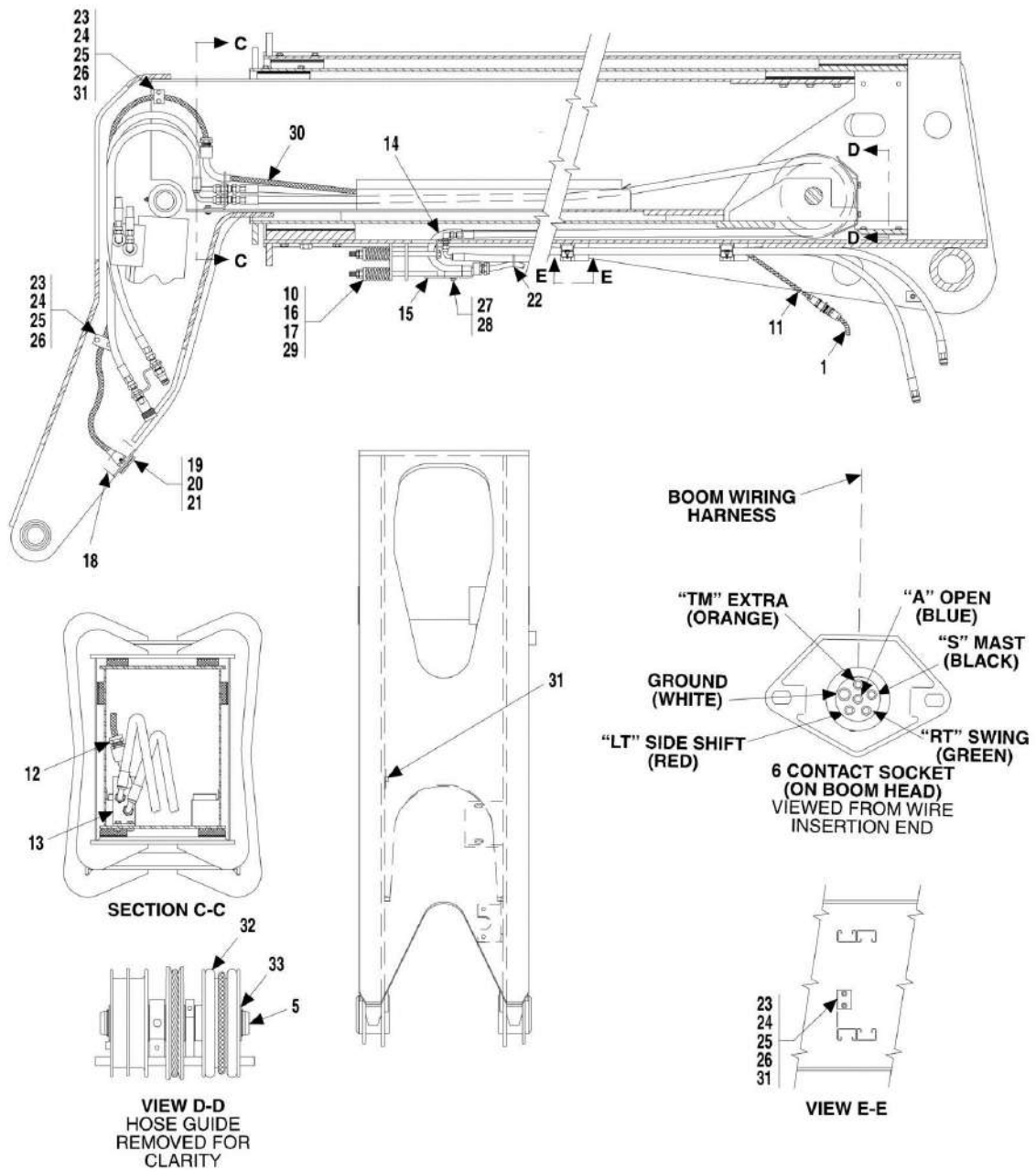
ITEM	PART NUMBER	QTY	DESCRIPTION	REV
43	91363044	1	GUIDE PLATE	
44	91301020	1	SPACER	
45	91343212	1	HOSE SHEAVE	
46	91343215	1	SPACER	

# SECTION 12 - OPTIONS

FIGURE 12-34. AUX HYDRAULIC W/ELECTRICS ASSEMBLY - 45 FT BOOM (Prior to SN 0160027771)



# SECTION 12 - OPTIONS



## SECTION 12 - OPTIONS

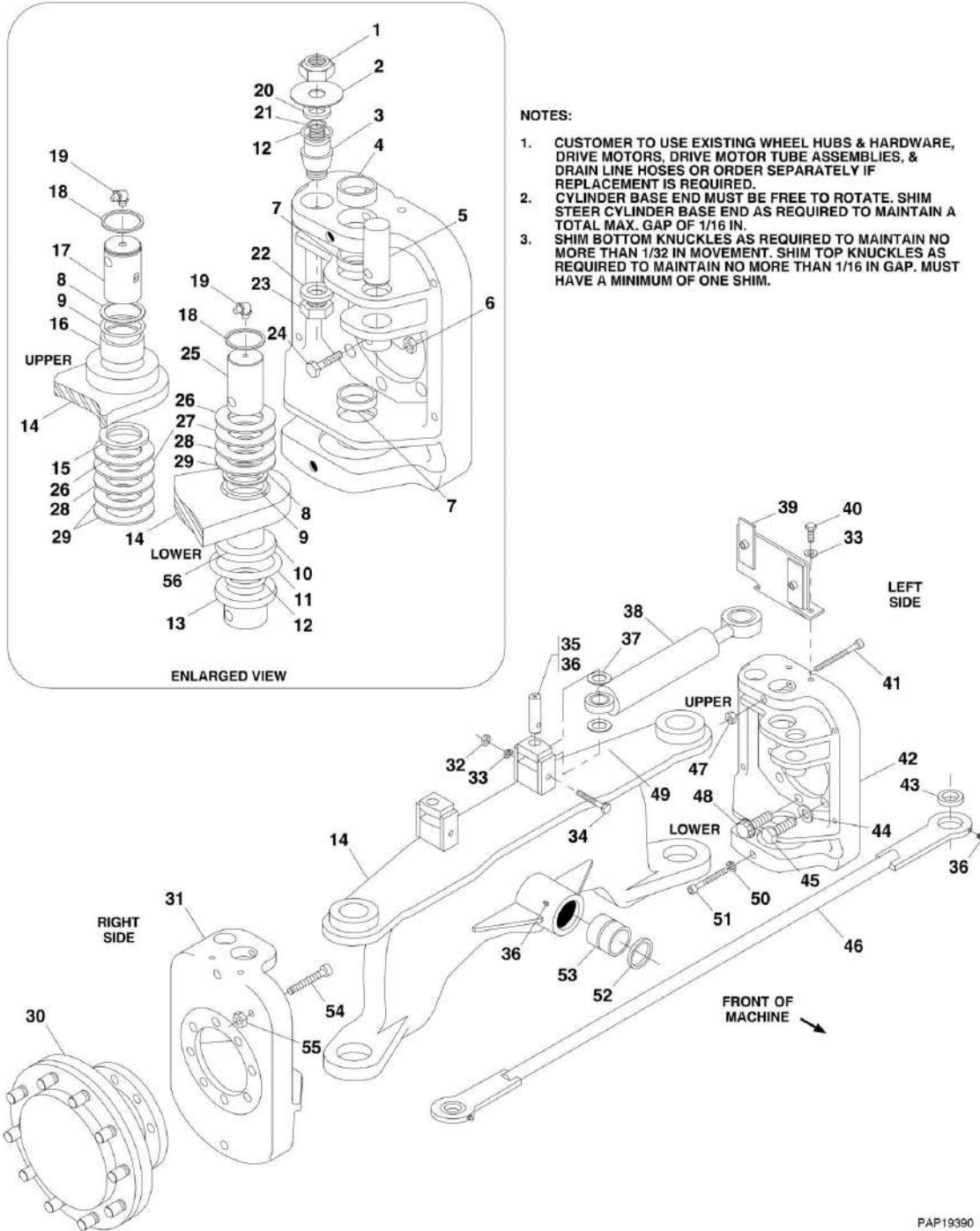
FIGURE 12-34. AUX HYDRAULIC W/ELECTRICS ASSEMBLY - 45 FT BOOM (Prior to SN 0160027771)

ITEM	PART NUMBER	QTY	DESCRIPTION	REV
		Ref	AUX HYD W/ELECTRONICS ASSY, (includes all items)	G
1	91143105	1	AUX WIRING HARNESS	
2	90027187	14	NYLON TIE	
3	91123155	1	DECAL	
4	91123154	1	AUX DASH HARNESS	
5	14404793	AR	UNION 76 MEGAPLEX GREASE	
6	77163204	2	SWITCH-DPDT	
7	77383470	2	SWITCH BOOT	
8	88301088	2	RD HD MACHINE SCREW, #10-24X3/8	
9	88561105	2	FLAT WASHER, #10	
10	88501108	1	JAM NUT, 1/2-13	
11	91353028	1	AUX BOOM HARNESS	
12	91143141	1	CORD CONNECTOR	
13	91346011	1	BRACKET WELD	
14	91366015	1	CABLE TAKE UP WELDMENT	
15	91126032	1	CABLE TAKE UP SUPPORT	
16	91123054	1	COMPRESSION SPRING	
17	91121134	1	SPRING RETAINER	
18	91121283	1	RECEPTICAL BRACKET	
19	90207661	1	6 CONTACT SOCKET	
20	88201005	2	HEX HD CAPSCREW, 1/4-20X1, GR5	
21	88521304	2	LOCK NUT, 1/4-20	
22	90027187	8	NYLON TIE	
23	91203039	5	CLAMP SUPPORT	
24	88561107	5	FLAT WASHER, 1/4	
25	88551009	5	LOCKWASHER, 1/4	
26	88501004	5	HEX NUT, 1/4-20	
27	88201017	2	HEX HD CAPSCREW, 5/16-18X5/8, GR5	
28	88551010	2	LOCKWASHER, 5/16	
29	88501008	1	HEX NUT, 1/2-13	
30	84721049	1	HOSE ASSY	
31	85611274	5	WELD STUD, 1/4-20X3/4	
32	91343225	1	HOSE SHEAVE	
33	91041449	2	THRUST WASHER	



## SECTION 12 - OPTIONS

FIGURE 12-35. REAR AXLE ADVANTAGE KIT (534D-9 SN 0544001 through 0160000446; 534D-10 SN 0366001 through 0160000446)





## SECTION 12 - OPTIONS

**FIGURE 12-35. REAR AXLE ADVANTAGE KIT (534D-9 SN 0544001 through 0160000446; 534D-10 SN 0366001 through 0160000446)**

ITEM	PART NUMBER	QTY	DESCRIPTION	REV
	91145042	Ref	REAR AXLE ADVANTAGE KIT, (includes all items except 30, 44, 45 & 48)	E
1	88521312	2	HEX LOCKNUT, 3/4-10, (torque to 60-175 ft lbs)	
2	91081415	2	DIRT SHIELD	
3	91041481	2	STEERING CYLINDER PIN, (knuckle end)	
4	91121239	2	BUSHING	
5	91041439	2	TIE ROD PIN	
6	88521306	2	LOCKNUT, 3/8-16	
7	91121240	4	BUSHING	
8	91123030	4	BACK-UP RING	
9	88591032	4	O-RING	
10	91123027	2	BUSHING, (lower)	
11	91123029	2	O-RING	
12	88591104	4	O-RING	
13	91121091	2	THRUST BUSHING	
14	91166012	1	REAR AXLE WELDMENT, (includes items 10, 16 & 53)	
15	86921268	2	LIP SEAL	
16	91123028	2	BUSHING, (upper)	
17	91081693	2	UPPER KING PIN	
18	88581323	4	RETAINING RING	
19	88671022	4	LUBE FITTING, 90, 1/8	
20	91041732	AR	SPACER	
21	88591019	2	O-RING	
22	91041459	2	WASHER	
23	88501416	2	HEX JAM NUT, 1-14, (torque to 225-250 ft lbs)	
24	83201140	2	HEX HD CAPSCREW, 3/8-16X2-3/4, GR8	
25	91141424	2	LOWER KING PIN	
26	91041596	AR	SHIM, (20 gauge, see note #3)	
27	91041449	AR	SHIM, (.060 thick, see note #3)	
28	91041450	AR	SHIM, (.0478 thick, see note #3)	
29	91041451	AR	SHIM, (.106 thick, see note #3)	
30		Ref	DRIVE HUB, (use existing hubs, See FRAME AND ATTACHING PARTS SECTION for Breakdown)	
31	91120004	1	RH STEERING KNUCKLE	
32	88501006	2	HEX NUT, 3/8-16	
33	88551011	6	LOCKWASHER, 3/8	
34	83201144	2	HEX HD CAPSCREW, 3/8-16X5-3/4, GR5	
35	91081695	2	STEERING CYLINDER PIVOT PIN, (axle end)	
36	88671001	6	STRAIGHT LUBE FITTING, 1/8	
37	91403066	AR	KING PIN SHIM, (.060 thick, see note #2)	
38		Ref	STEERING CYLINDER ASSY, (See HYDRAULIC COMPONENTS SECTION for Breakdown)	
39	91166056	1	LH TUBE SUPPORT	
39	91166055	1	RH TUBE SUPPORT	
40	88201035	4	HEX HD CAPSCREW, 3/8-16X1, GR5	
41	88211121	2	SOCKET HD CAPSCREW, 1/2-13X6-1/2, GR8	
42	91120003	1	LH STEERING KNUCKLE	
43	91043247	2	SELF-ALIGNING BUSHING	
44		Ref	HARDENED WASHER, 3/4, (use existing hardware, See FRAME	

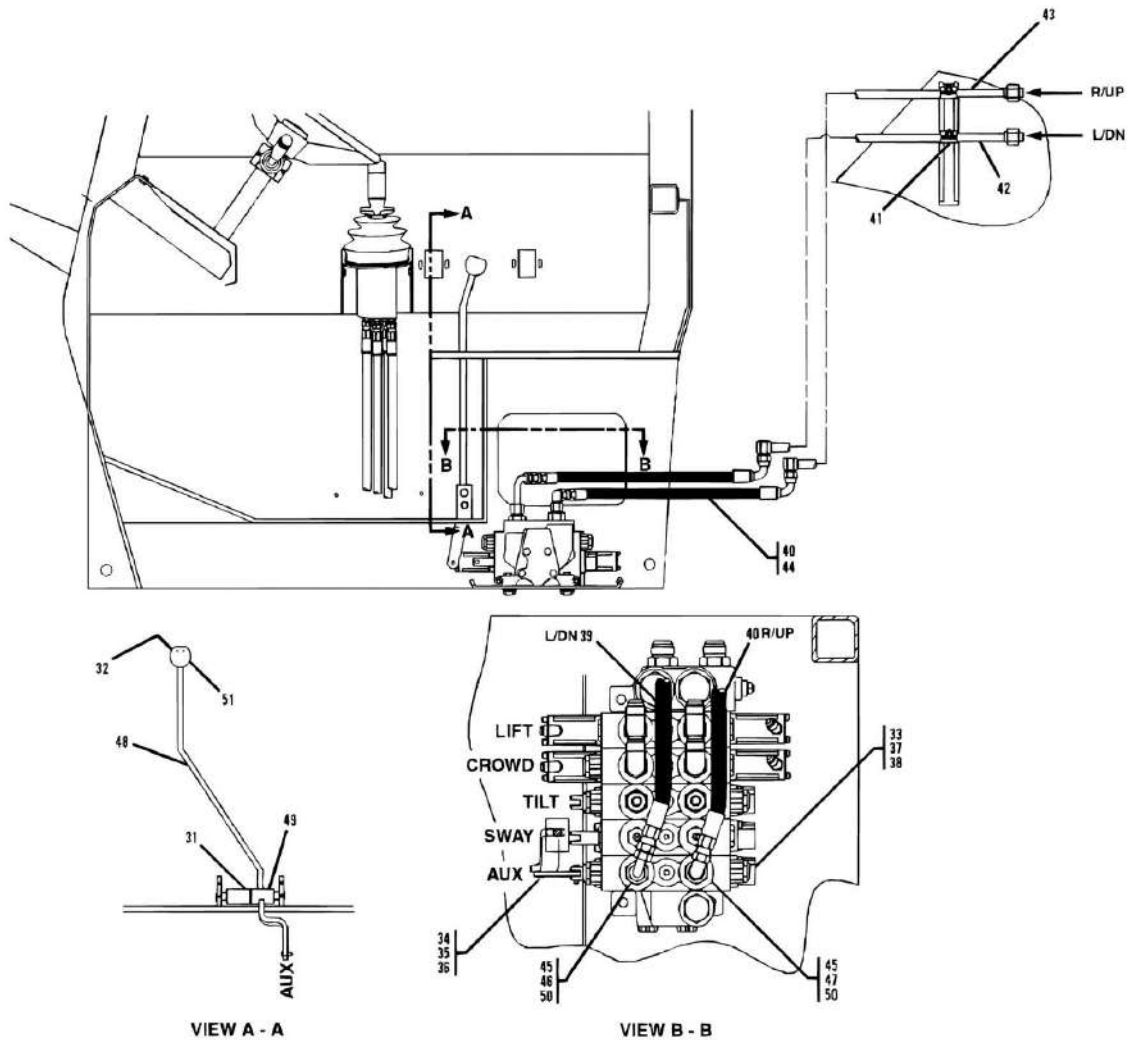
## SECTION 12 - OPTIONS

ITEM	PART NUMBER	QTY	DESCRIPTION	REV
45		Ref	AND ATTACHING PARTS SECTION for Breakdown) HEX HD CAPSCREW, 3/4-10X2, (use existing hardware, See FRAME AND ATTACHING PARTS SECTION for Breakdown)	
46	91166063	1	TIE ROD, (includes item 43)	
47	88521208	2	HEX LOCKNUT, 1/2	
48		Ref	CAPSCREW, 12 PT, 3/4-10X2, GR8, (use existing hardware, See FRAME AND ATTACHING PARTS SECTION for Breakdown)	
49	90201918	AR	SHIM, (10 gauge, see note #2)	
50	88551153	2	LOCKWASHER, 5/8	
51	88212321	2	SLOT HD CAPSCREW, 5/8-11X3-3/4, GR8	
52	24601570	2	LIP SEAL	
53	91123031	2	BUSHING	
54	88212321	2	SOCKET HD CAPSCREW, 5/8-11X3-3/4, GR8	
55	88501110	2	HEAVY HEX JAM NUT, 5/8-11	
56	91041733	AR	SHIM	



## SECTION 12 - OPTIONS

**FIGURE 12-36. AUXILIARY HYDRAULICS FIELD KIT - 40 FT BOOM (534D-9 Prior to SN 0644119;  
534D-10 Prior to SN 0366089)**

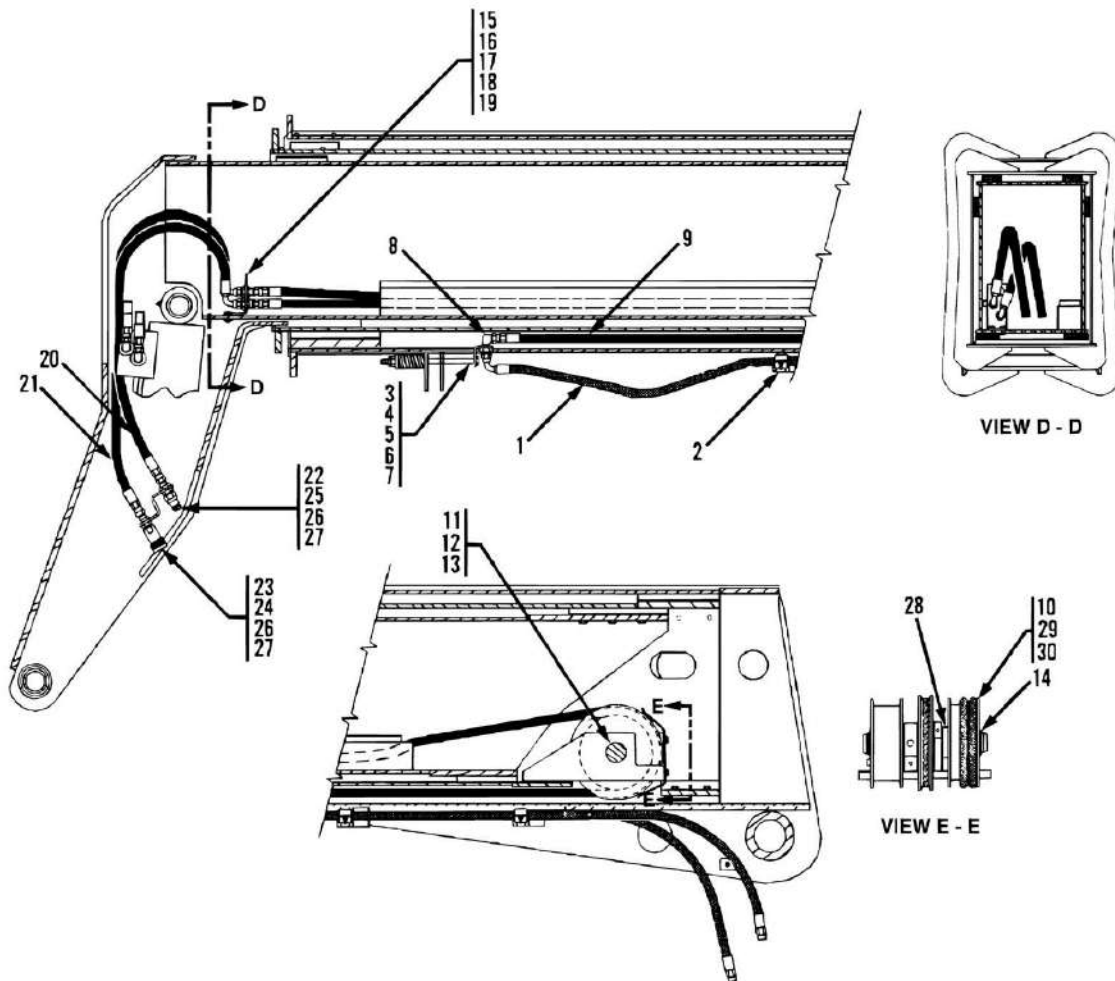


**NOTE:**  
THIS OPTION MUST BE USED IN CONJUNCTION WITH (1) OF THE FOLLOWING (3)  
COMBINATIONS OF TILT & SWAY:

- LH TILT/SWAY
- LH SWAY & TILT ON JOYSTICK
- RH TILT (STD) & LH SWAY

PAP19920

# SECTION 12 - OPTIONS



## SECTION 12 - OPTIONS

**FIGURE 12-36. AUXILIARY HYDRAULICS FIELD KIT - 40 FT BOOM (534D-9 Prior to SN 0644119;  
534D-10 Prior to SN 0366089)**

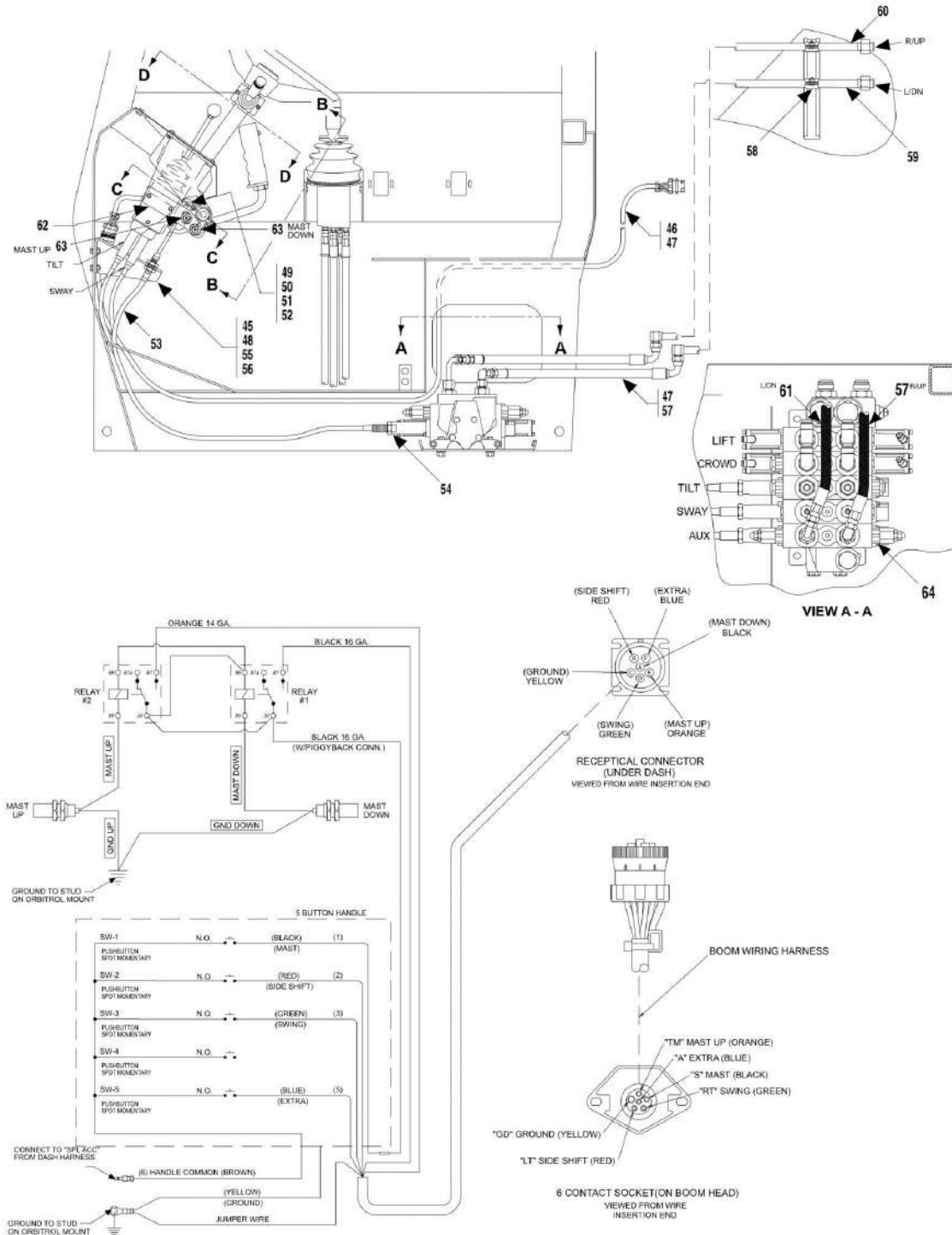
ITEM	PART NUMBER	QTY	DESCRIPTION	REV
	91345017	1	AUX HYDRAULICS FIELD KIT, (includes all items)	C
	91365019	1	RH AUX LEVER ASSY, (includes items 48, 49 & 51)	B
1	84719018	2	HOSE ASSY	
2	91343012	6	CUSHION CLAMP	
3	91146028	2	HOSE TAKE UP WELDMENT	
4	91123054	2	COMPRESSION SPRING	
5	91121134	2	SPRING RETAINER	
6	88501008	2	HEX NUT, 1/2-13	
7	88501108	2	HEAVY HEX JAM NUT, 1/2-13	
8	90027180	2	90, BULKHEAD FITTING	
9	84719575	2	HOSE ASSY	
10	91343213	1	HOSE SHEAVE	
11	91141144	1	RETRACT SHEAVE PIN	
12	14404793	AR	UNION 76 MEGAPLEX GREASE	
13	88581149	1	EXTERNAL RETAINING RING	
14	91041449	1	THRUST WASHER	
15	91141210	1	BULKHEAD BRACKET	
16	90027176	2	STR THD BULKHEAD FITTING	
17	88201020	2	HEX HD CAPSCREW, 5/16-18X1, GR5	
18	88551010	2	LOCKWASHER, 5/16	
19	88501005	2	HEX NUT, 5/16-18	
20	84718385	1	HOSE ASSY	
21	84718557	1	HOSE ASSY	
22	90204244	1	MALE HYDRAULIC COUPLER	
23	90204245	1	FEMALE HYDRAULIC COUPLER	
24	91043125	1	DUST PLUG	
25	91043126	1	DUST CAP	
26	91043321	2	STR BULKHEAD FITTING	
27	88712304	2	PIPE BUSHING	
28	91141158	1	SPACER	
29	91343212	1	HOSE SHEAVE	
30	91343215	1	SPACER	
31	91301020	1	SPACER	
32	91083547	1	AUXILIARY DECAL	
33	91144194	1	VALVE SECTION ASSY	
34	91361023	1	LINK	
35	90021552	1	CLEVIS PIN	
36	88631301	2	COTTER PIN, 1/16X1/2	
37	91034070	1	STUD KIT	
38	91144254	1	SEAL KIT	
39	84718686	1	HOSE ASSY	
40	84718685	1	HOSE ASSY	
41	90207463	2	CUSHION CLAMP	
42	91163096	1	TUBE ASSY	
43	91163097	1	TUBE ASSY	
44	90027187	5	NYLON TIE	
45	2220375	2	CONNECTOR, (includes item 50)	
46	2220471	1	LONG ELBOW, 90, (swivel nut)	

## SECTION 12 - OPTIONS

ITEM	PART NUMBER	QTY	DESCRIPTION	REV
47	88662106	1	ELBOW, 90, (swivel nut)	
48	91366009	1	RH AUX LEVER WELDMENT	
49	91083136	2	BUSHING	
50	88591207	2	O-RING	
51	90200638	1	KNOB	

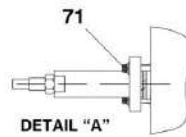
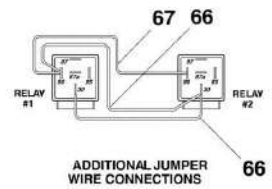
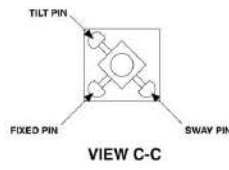
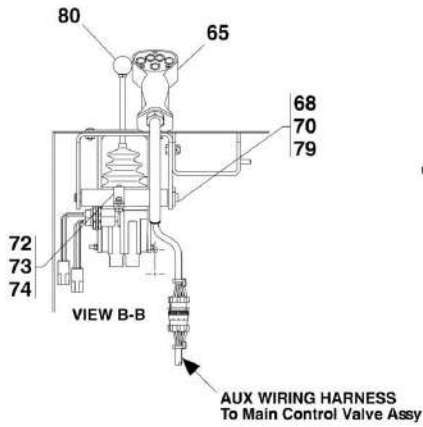
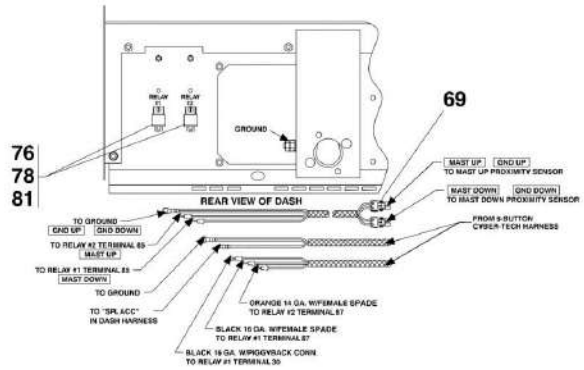
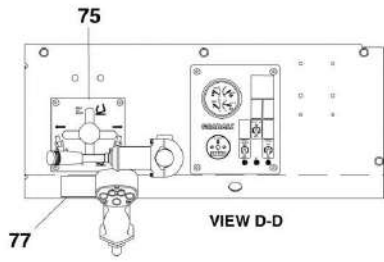
# SECTION 12 - OPTIONS

**FIGURE 12-37. AUXILIARY HYD ELECTRONICS W/LH TILT/SWAY ASSEMBLY - 45 FT BOOM (Prior to SN 0160027771)**

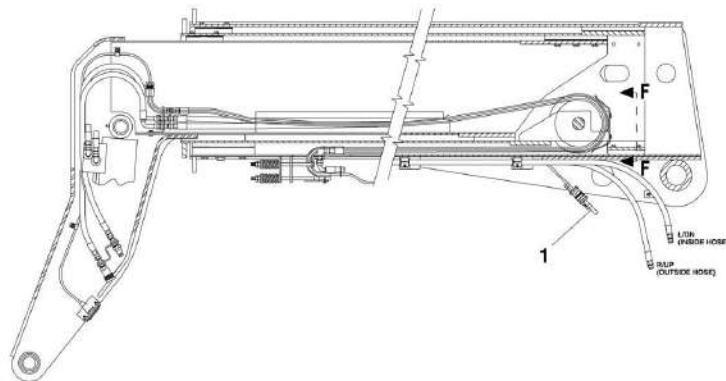
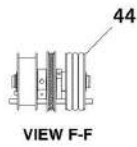




# SECTION 12 - OPTIONS



(TILT & SWAY SECTIONS ONLY)



PAP19890

## SECTION 12 - OPTIONS

**FIGURE 12-37. AUXILIARY HYD ELECTRONICS W/LH TILT/SWAY ASSEMBLY - 45 FT BOOM (Prior to SN 0160027771)**

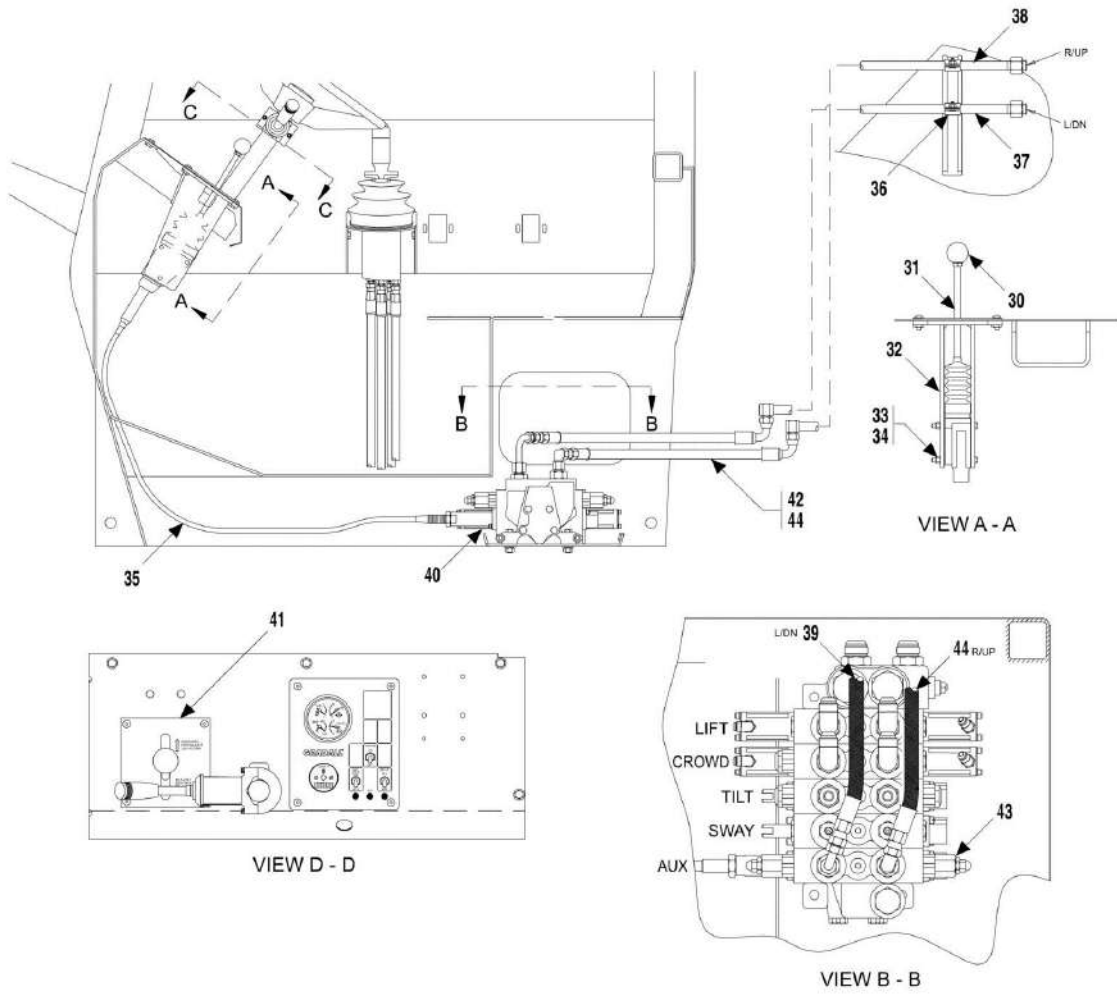
ITEM	PART NUMBER	QTY	DESCRIPTION	REV
	91345031	1	AUX HYD ELECTRONICS W/LH TILT/SWAY, (includes all items),(534D-9), (45 ft Boom)	L
	91355013	1	AUX HYD ELECTRONICS W/LH TILT/SWAY, (includes all items),(534D-10), (45 ft Boom)	L
1	91143105	1	AUX FRAME HARNESS	
44	91343212	2	HOSE SHEAVE	
45	88551010	2	LOCKWASHER, 5/16	
46	91143105	1	AUXILIARY WIRING HARNESS	
47	90027187	19	NYLON TIE	
48	88501005	2	HEX NUT, 5/16-18	
49	88821002	1	ADJUSTABLE YOKE END	
50	88633001	1	YOKE PIN, 1/4	
51	88631302	1	COTTER PIN	
52	88501404	1	HEX JAM NUT, 1/4-28	
53	91123050	1	PUSH-PULL CABLE	
54	91123062	3	CABLE ADAPTER BONNET	
55	91341007	1	CABLE BRACKET	
56	88201019	2	HEX HD CAPSCREW, 5/16-18X7/8, GR5	
57	84718685	1	HOSE ASSY	
58	90207463	2	CUSHION CLAMP	
59	91163096	1	TUBE ASSY	
60	91163097	1	TUBE ASSY	
61	84718686	1	HOSE ASSY	
62	91341019	1	SENSOR PLATE	
63	80363036	2	PROXIMITY SENSOR	
64		Ref	MAIN CONTROL VALVE ASSY, (See MAIN CONTROL VALVE for Breakdown)	
65		Ref	5-BUTTON HANDLE ASSY, (See BUTTON AUXILIARY HANDLE ASSEMBLY for Breakdown)	
66	91341021	2	JUMPER WIRE	
67	91341022	1	JUMPER WIRE	
68	91346004	1	PIN WELD	
69	91343054	1	WIRING HARNESS	
70	88201018	1	HEX HD CAPSCREW, 5/16-18X3/4, GR5	
71	88211044	4	SOCKET HD CAPSCREW, 1/4-20X1-1/2, GR8	
72	91346010	1	ACTUATOR WELD	
73	91341018	1	CLAMP HALF	
74	88201005	2	HEX HD CAPSCREW, 1/4-20X1, GR5	
75	91363041	1	TILT/SWAY GUIDE PLATE	
76	77383410	2	RELAY	
77	91343026	1	AUXILIARY CONTROL DECAL	
78	88301088	2	ROUND HD MACHINE SCREW, #10-24X3/8	
79	90028662	2	WAVE BEND WASHER	
80	91345020	1	REMOTE VALVE CONTROL ASSY, (includes the following 8 items)	
80	91083107	1	REMOTE VALVE CONTROL	
80	91346003	1	TILT/SWAY BRACKET WELD	
80	91363043	2	CONTROL CABLE	
80	11002410	3	HEX HD CAPSCREW, 1/4-28X4-1/2	

## SECTION 12 - OPTIONS

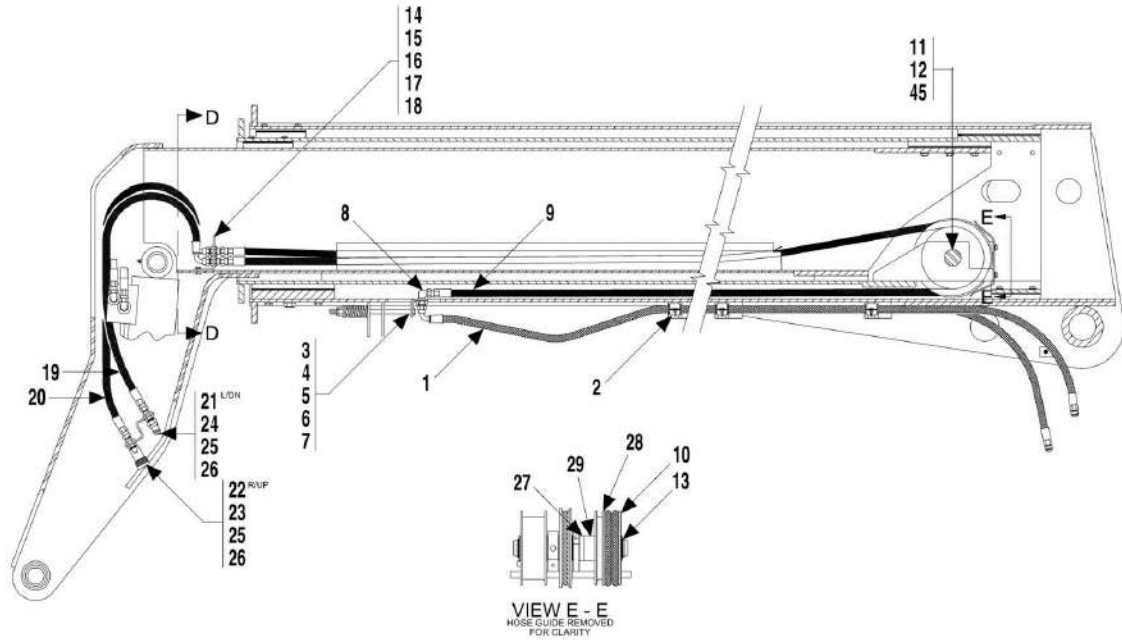
ITEM	PART NUMBER	QTY	DESCRIPTION	REV
80	88551009	3	LOCKWASHER, 1/4	
80	88501404	3	HEX JAM NUT, 1/4-28	
80	91084282	1	KNOB	
80	91084359	1	BOOT	
81	88561105	2	FLAT WASHER, #10	

# SECTION 12 - OPTIONS

## FIGURE 12-38. AUXILIARY HYDRAULICS ASSEMBLY - 45 FT BOOM (Prior to SN 0160027771)



# SECTION 12 - OPTIONS



## SECTION 12 - OPTIONS

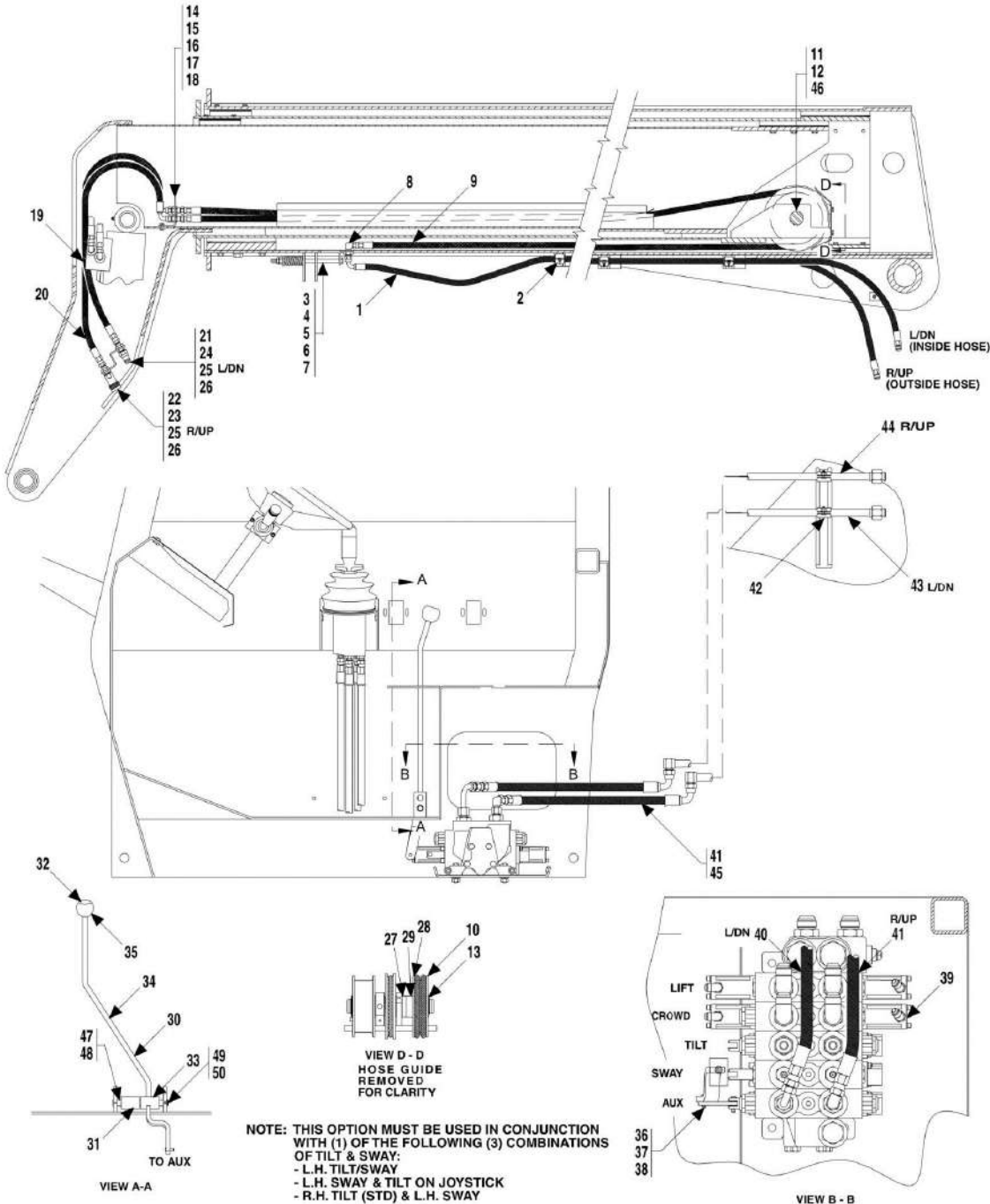
**FIGURE 12-38. AUXILIARY HYDRAULICS ASSEMBLY - 45 FT BOOM (Prior to SN 0160027771)**

ITEM	PART NUMBER	QTY	DESCRIPTION	REV
	91345033	1	AUX HYDRAULICS ASSY, (includes all items), (534D-9 45ft Boom)	G
	91355007	1	AUX HYDRAULICS ASSY, (includes all items), (534D-10 45ft Boom)	J
1	84719075	2	HOSE ASSEMBLY	
2	90207463	6	CUSHION CLAMP	
3	91166068	2	HOSE TAKE-UP WELD	
4	91123054	2	COMPRESSION SPRING	
5	91121134	2	SPRING RETAINER	
6	88501008	2	HEX NUT, 1/2-13	
7	88501108	2	HEAVY HEX JAM NUT, 1/2-13	
8	2230044	2	ELBOW, 90	
9	84721049	2	HOSE ASSY	
10	91343223	1	HOSE SHEAVE	
11	91141144	1	RETRACT SHEAVE PIN	
12	88581149	1	EXTERNAL RETAINING RING	
13	91041449	2	THRUST WASHER	
14	91141210	1	BULKHEAD BRACKET	
15	2230025	2	ADAPTER	
16	88201020	2	HEX HD CAPSCREW, 5/16-18X1, GR5	
17	88551010	2	LOCKWASHER, 5/16	
18	88501005	2	HEX NUT, 5/16-18	
19	84718385	1	HOSE ASSY	
20	84718557	1	HOSE ASSY	
21	91163138	1	MALE HYDRAULIC COUPLER	
22	91163139	1	FEMALE HYDRAULIC COUPLER	
23	91043125	1	DUST PLUG	
24	91043126	1	DUST CAP	
25	91043321	2	STR BULKHEAD FITTING	
26	88712304	2	REDUCING BUSHING, 1/2X3/8	
27	91551037	1	SPACER	
28	91343224	1	HOSE SHEAVE	
29	91343215	1	SPACER	
30	91345010	1	REMOTE CONTROL VALVE ASSY, (includes items 31 thru 35)	
31	91303019	1	REMOTE VALVE CONTROL	
32	91366007	1	LEVER BRACKET	
33	88201012	3	HEX HD CAPSCREW, 1/4-20X2-3/4, GR5	
34	88521304	3	HEX LOCKNUT, 1/4-20	
35	91363043	1	CONTROL CABLE	
36	90207463	2	CUSHION CLAMP	
37	91163096	1	TUBE ASSY	
38	91163097	1	TUBE ASSY	
39	84718686	1	HOSE ASSY	
40	91123062	1	CABLE ADAPTER BONNET	
41	91363045	1	GUIDE PLATE	
42	90027187	5	NYLON TIE	
43		Ref	MAIN CONTROL VALVE, (See MAIN CONTROL VALVE for Breakdown)	
44	84718685	1	HOSE ASSY	
45	14404793	AR	UNION 76 MEGAPLEX GREASE	



# SECTION 12 - OPTIONS

FIGURE 12-39. RH AUXILIARY HYDRAULIC ASSEMBLY - 45 FT BOOM (Prior to SN 0160027771)





## SECTION 12 - OPTIONS

**FIGURE 12-39. RH AUXILIARY HYDRAULIC ASSEMBLY - 45 FT BOOM (Prior to SN 0160027771)**

ITEM	PART NUMBER	QTY	DESCRIPTION	REV
	91345035	1	RH AUX HYDRAULICS ASSY, (includes all items), (534D-9 45ft Boom)	G
	91355015	1	RH AUX HYDRAULIC ASSY, (includes all items), (534D-10 45ft Boom)	G
1	84719075	2	HOSE ASSY	
2	90207463	6	CUSHION CLAMP	
3	91166068	2	HOSE TAKE-UP WELDMENT	
4	91123054	2	COMPRESSION SPRING	
5	91121134	2	SPRING RETAINER	
6	88501008	2	HEX NUT, 1/2-13	
7	88501108	2	HEAVY HEX JAM NUT, 1/2-13	
8	2230044	2	ELBOW, 90	
9	84719196	2	HOSE ASSY	
10	91343213	1	HOSE SHEAVE	
11	91141144	1	RETRACT SHEAVE PIN	
12	88581149	1	EXTERNAL RETAINING RING	
13	91041449	1	THRUST WASHER	
14	91141210	1	BULKHEAD BRACKET	
15	2220865	2	ADAPTER	
16	88201020	2	HEX HD CAPSCREW, 5/16-18X1, GR5	
17	88551010	2	LOCKWASHER, 5/16	
18	88501005	2	HEX NUT, 5/16-18	
19	84718385	1	HOSE ASSY	
20	84718557	1	HOSE ASSY	
21	90204244	1	MALE HYDRAULIC COUPLER	
22	90204245	1	FEMALE HYDRAULIC COUPLER	
23	91043125	1	DUST PLUG	
24	91043126	1	DUST CAP	
25	91043321	2	STR BULKHEAD FITTING	
26	88712304	2	REDUCING BUSHING, 1/2X3/8	
27	91551037	2	SPACER	
28	91343212	1	HOSE SHEAVE	
29	91343215	1	SPACER	
30	91365019	1	RH AUX LEVER ASSY, (includes items 33-35)	
31	91301020	1	SPACER	
32	91083547	1	AUXILIARY DECAL	
33	91083136	2	BUSHING	
34	91366009	1	RH AUX LEVER WELD	
35	90200638	1	KNOB	
36	91361023	1	LINK	
37	90021552	1	CLEVIS PIN	
38	91363036	2	HITCH PIN CLIP	
39		Ref	MAIN CONTROL VALVE, (See MAIN CONTROL VALVE for Breakdown)	
40	84718686	1	HOSE ASSY	
41	84718685	1	HOSE ASSY	
42	90207463	2	CUSHION CLAMP	
43	91163096	1	TUBE ASSY	
44	91163097	1	TUBE ASSY	
45	90027187	5	NYLON TIE	

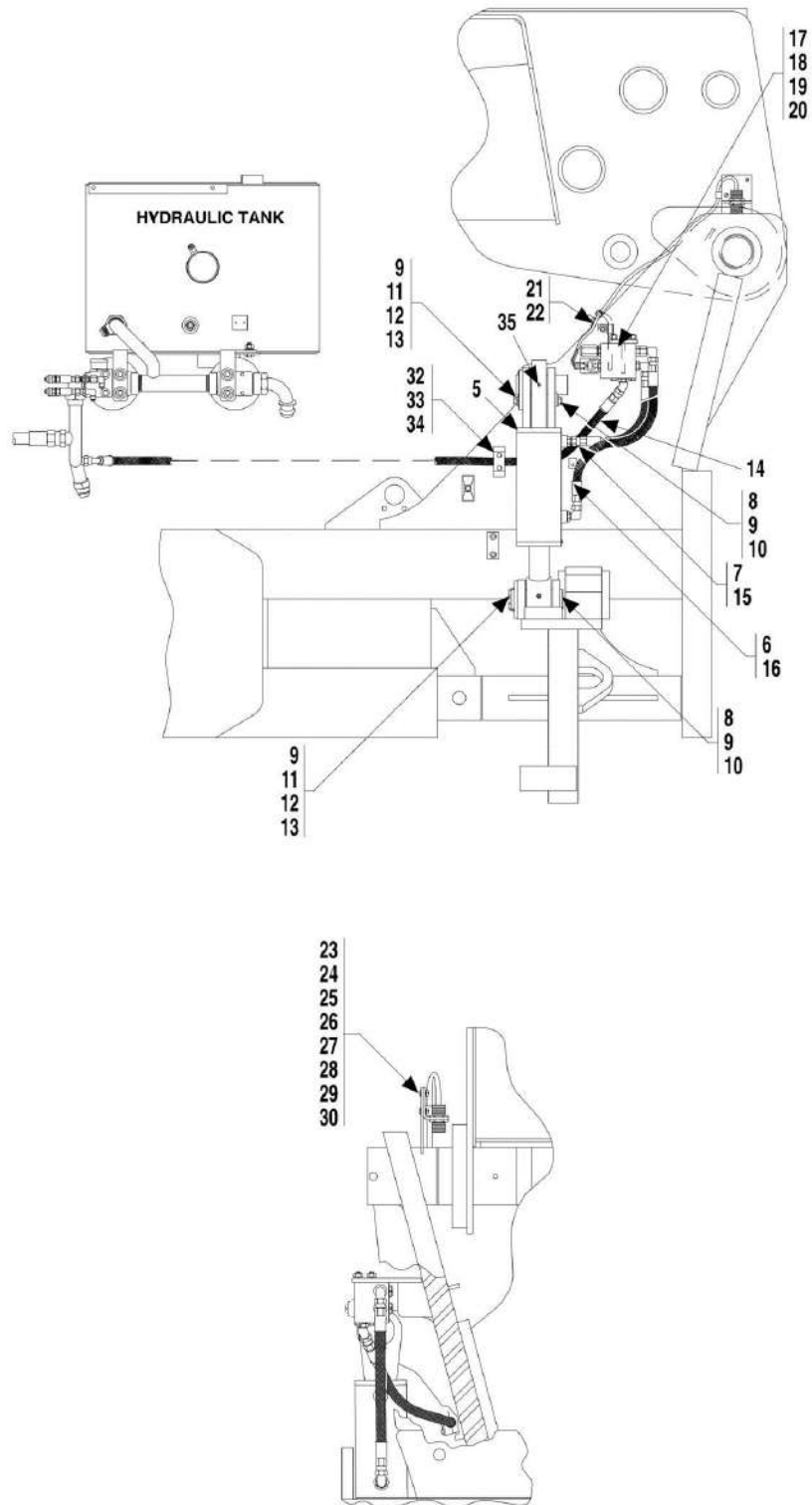
## SECTION 12 - OPTIONS

ITEM	PART NUMBER	QTY	DESCRIPTION	REV
46	14404793	AR	MYSTIK TETRIMOLY GREASE	
47	90028662	3	WAVE BEND WASHER	
48	88561113	9	FLAT WASHER, 5/8	
49	91081354	1	SHAFT	
50	88631338	1	COTTER PIN	

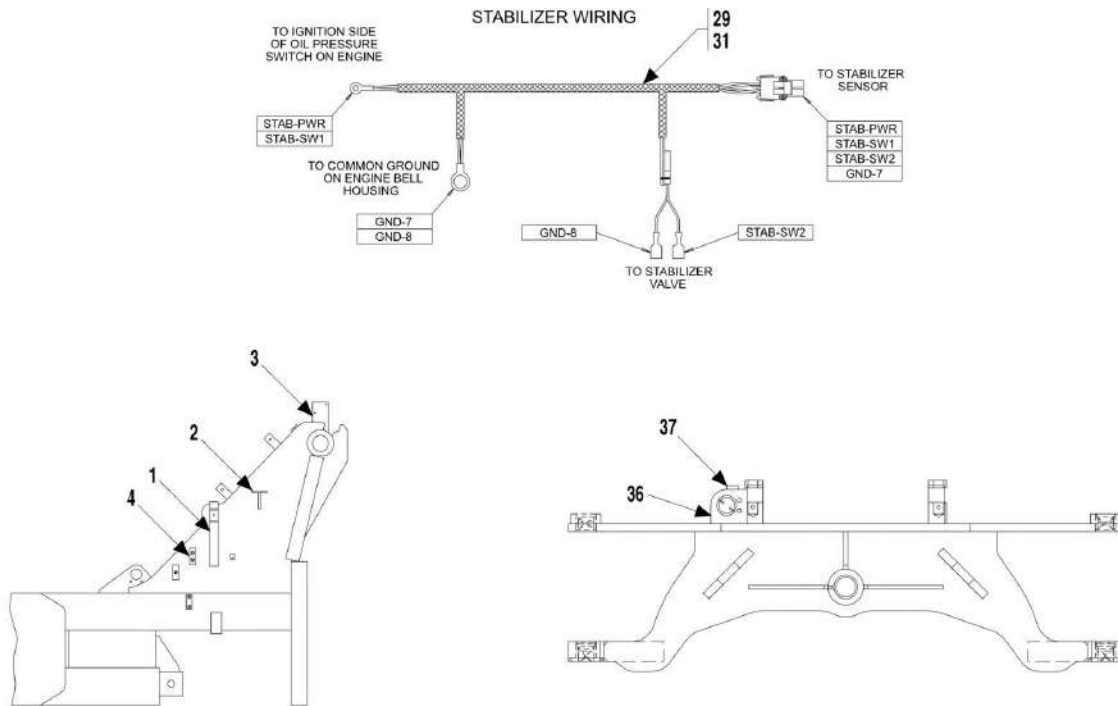


# SECTION 12 - OPTIONS

## FIGURE 12-40. REAR AXLE STABILIZER FIELD KIT



# SECTION 12 - OPTIONS



## SECTION 12 - OPTIONS

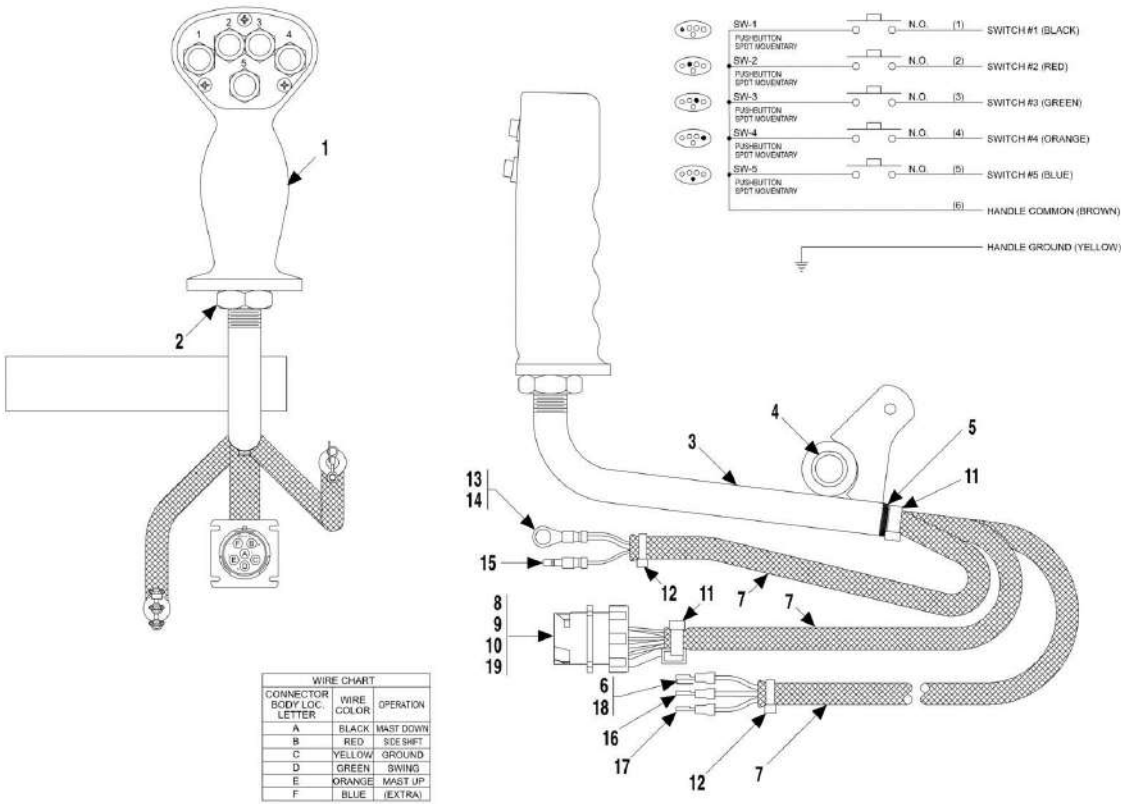
**FIGURE 12-40. REAR AXLE STABILIZER FIELD KIT**

ITEM	PART NUMBER	QTY	DESCRIPTION	REV
	91345009	1	REAR AXLE STABILIZER FIELD KIT, (includes all items)	E
1	91161083	1	STABILIZER LUG	
2	91366014	1	STABILIZER MOUNTING BRACKET WELDMENT	
3	91141261	1	BRACKET	
4	77133029	1	BASE PLATE	
5		Ref	STABILIZER CYLINDER, (See AUXILIARY HYDRAULICS FIELD KIT - 40 FT BOOM for Breakdown)	
6	88662065	1	ELBOW, 90, (includes o-ring)	
6	88591205	1	O-RING	
7	2220373	1	CONNECTOR, (includes o-ring)	
7	88591205	1	O-RING	
8	91161269	2	KEEPER	
9	88561111	6	FLAT WASHER, 1/2	
10	88201065	2	HEX HD CAPSCREW, 1/2-13X1, GR5	
11	91166062	2	PIN WELD	
12	88201066	4	HEX HD CAPSCREW, 1/2-13X1-1/4, GR5	
13	88551013	4	LOCKWASHER, 1/2	
14	84719365	1	HOSE ASSY	
15	84719378	1	HOSE ASSY	
16	84717556	1	HOSE ASSY	
17	83201073	2	HEX HD CAPSCREW, 3/8-16X4-1/2, GR5	
18	88551011	2	LOCKWASHER, 3/8	
19	88501006	2	HEX NUT, 3/8-16	
20		Ref	STABILIZER VALVE ASSY, (See REAR AXLE ADVANTAGE KIT for Breakdown)	
21	86621230	2	SUPPORT CLAMP	
22	77143006	2	WHIZ-LOCKNUT, 5/16-18	
23	91365037	1	STABILIZER SENSOR ASSY, (includes the following five items)	B
23	91143155	1	PROXIMITY SENSOR SWITCH	
23	80963062	1	W. PACK CONNECTOR, (shroud)	
23	80963069	4	W. PACK CONNECTOR, (male pin)	
23	80963065	4	W. PACK CONNECTOR, (cable seals)	
23	91053419	1	TIE WRAP	
24	91141260	1	BRACKET	
25	88301093	2	ROUND HD MACHINE SCREW, #10-24X3/4	
26	88551007	2	LOCKWASHER, #10	
27	88561001	4	FLAT WASHER, 3/16	
28	91043199	2	SQUARE NUT, #10-24	
29	90027187	8	TIE WRAP	
30	90021705	1	SUPPORT CLAMP	
31	91363081	1	STABILIZER HARNESS	
32	77133053	1	HOSE CLAMP	
33	77133052	1	COVER PLATE	
34	77133209	2	HEX HD CAPSCREW, 1/4-20X1-3/8	
35	88671001	1	STRAIGHT LUBE FITTING, 1/8	
36	91341003	2	STABILIZER SUPPORT	
37	91081669	1	WELD BAR	



# SECTION 12 - OPTIONS

FIGURE 12-41. 5-BUTTON AUXILIARY HANDLE ASSEMBLY (Prior to SN 0160027771)





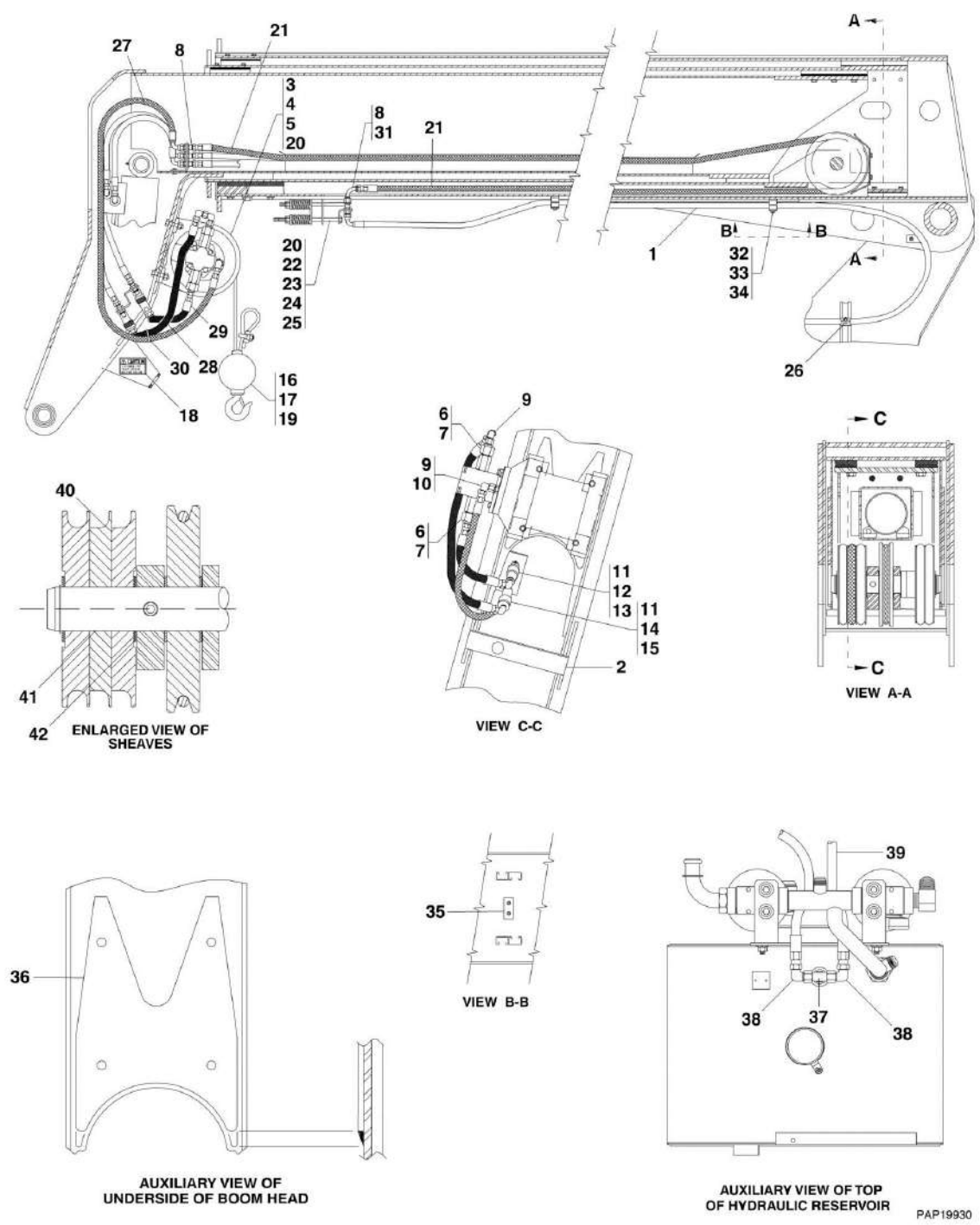
## SECTION 12 - OPTIONS

**FIGURE 12-41. 5-BUTTON AUXILIARY HANDLE ASSEMBLY (Prior to SN 0160027771)**

ITEM	PART NUMBER	QTY	DESCRIPTION	REV
	91345022	1	5-BUTTON AUX HANDLE ASSY, (includes all items)	
1	91033387	1	5-BUTTON HANDLE	
2	88501112	1	HEAVY HEX JAM NUT, 3/4-10	
3	91346002	1	LEVER WELDMENT	
4	91083136	2	BUSHING	
5	91123051	1	MOLDED RUBBER BUSHING	
6	86683480	1	BUTT CONNECTOR	
7	82033996	50 in	WIRE LOOM	
8	77363232	1	RECEPTACLE CONNECTOR	
9	77363228	5	PIN CONTACT, (Ports A, B, C, D & F)	
10	91143107	1	STRAIN RELIEF	
11	90027187	2	TIE WRAP	
12	86683122	2	TIE WRAP	
13	91341015	1	JUMPER WIRE	
14	83683363	1	INSULATED RING TERMINAL	
15	86983193	1	MALE BULLET	
16	91341026	1	JUMPER WIRE	
17	91341027	1	JUMPER WIRE	
18	91341020	1	JUMPER WIRE	
19	77363345	1	PIN CONTACT, (Port E)	

# SECTION 12 - OPTIONS

FIGURE 12-42. WINCH INSTALLATION - 45 FT BOOM (Prior to SN 0160027771)



PAP19930

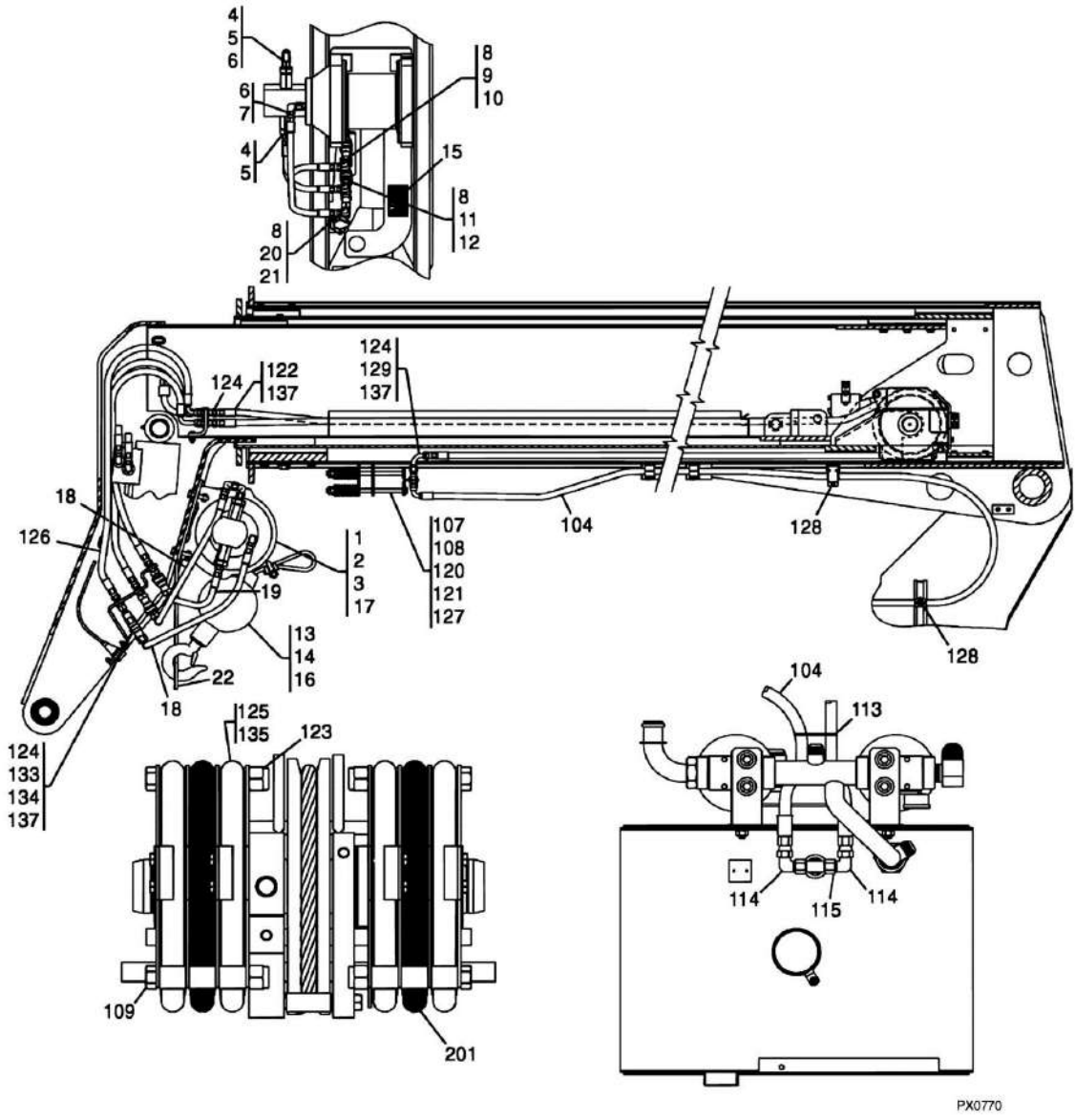
## SECTION 12 - OPTIONS

**FIGURE 12-42. WINCH INSTALLATION - 45 FT BOOM (Prior to SN 0160027771)**

ITEM	PART NUMBER	QTY	DESCRIPTION	REV
	91355004	1	WINCH INSTALLATION, (includes all items)	L
1	84719093	1	HOSE ASSY	
2	91121159	1	STOWAGE BRACKET	
3		Ref	WINCH, (See WINCH for Breakdown)	
4	88201070	4	HEX HD CAPSCREW, 1/2-13X2-1/4, GR5	
5	90027471	8	HARDENED WASHER, 1/2	
6	91033161	2	FLOW REGULATOR	
7	2220624	2	TUBE END REDUCER	
8	88661085	2	BULKHEAD UNION, 3/4-16X1/2, TUBE	
9	88662106	3	ELBOW, 90, (swivel nut)	
10	88661011	1	MALE CONNECTOR, 1/4X1/2 TUBE	
11	88661113	2	MALE ELBOW, 90, 1/2X1/2 TUBE, (Prior to SN 2005283-01)	
11	88662065	2	ELBOW, 90, (includes 88591205 o-ring), (SN 2005283-01 to Present)	
12	91163139	1	FEMALE HYDRAULIC COUPLER, (Prior to SN 2005283-01)	
12	91403413	1	FEMALE HYDRAULIC COUPLER, (SN 2005283-01 to Present)	
13	91043125	1	DUST PLUG	
14	91163138	1	MALE HYDRAULIC COUPLER, (Prior to SN 2005283-01)	
14	91403414	1	MALE HYDRAULIC COUPLER, (SN 2005283-01 to Present)	
15	91043126	1	DUST CAP	
16	90207882	1	CABLE	
17	90201443	1	HOOK AND BALL	
18	91083535	1	CAUTION DECAL	
19	90028990	1	WIRE ROPE CLIP	
20	88501008	5	HEX NUT, 1/2-13	
21	84721049	1	HOSE ASSY	
22	91166068	1	HOSE TAKE-UP WELDMENT	
23	91123054	1	COMPRESSION SPRING	
24	91121134	1	SPRING RETAINER	
25	88501108	1	HEAVY HEX JAM NUT, 1/2-13	
26	90207464	1	CUSHION CLAMP	
27	84717846	1	HOSE ASSY	
28	84716148	1	HOSE ASSY	
29	84718046	1	HOSE ASSY	
30	90027187	1	NYLON TIE	
31	2220386	1	SWIVEL NUT ELBOW, 90	
32	77133053	3	CLAMP SET	
33	77133052	3	COVER PLATE	
34	77133209	6	HEX HD CAPSCREW, 1/4-20X1-3/8	
35	77133029	3	BASE PLATE	
36	91141194	1	WINCH MOUNTING PLATE	
37	2220383	1	SWIVEL NUT BRANCH TEE, 1/2 TUBE	
38	88662106	2	ELBOW, 90, (swivel nut)	
39	90027187	4	TIE WRAP	
40	91343225	1	HOSE SHEAVE	
41	14404793	AR	MYSTIK TETRIMOLY GREASE	
42	91041449	2	THRUST WASHER	

# SECTION 12 - OPTIONS

FIGURE 12-43. WINCH INSTALLATION - 45 FT BOOM (SN 0160027771 to Present)



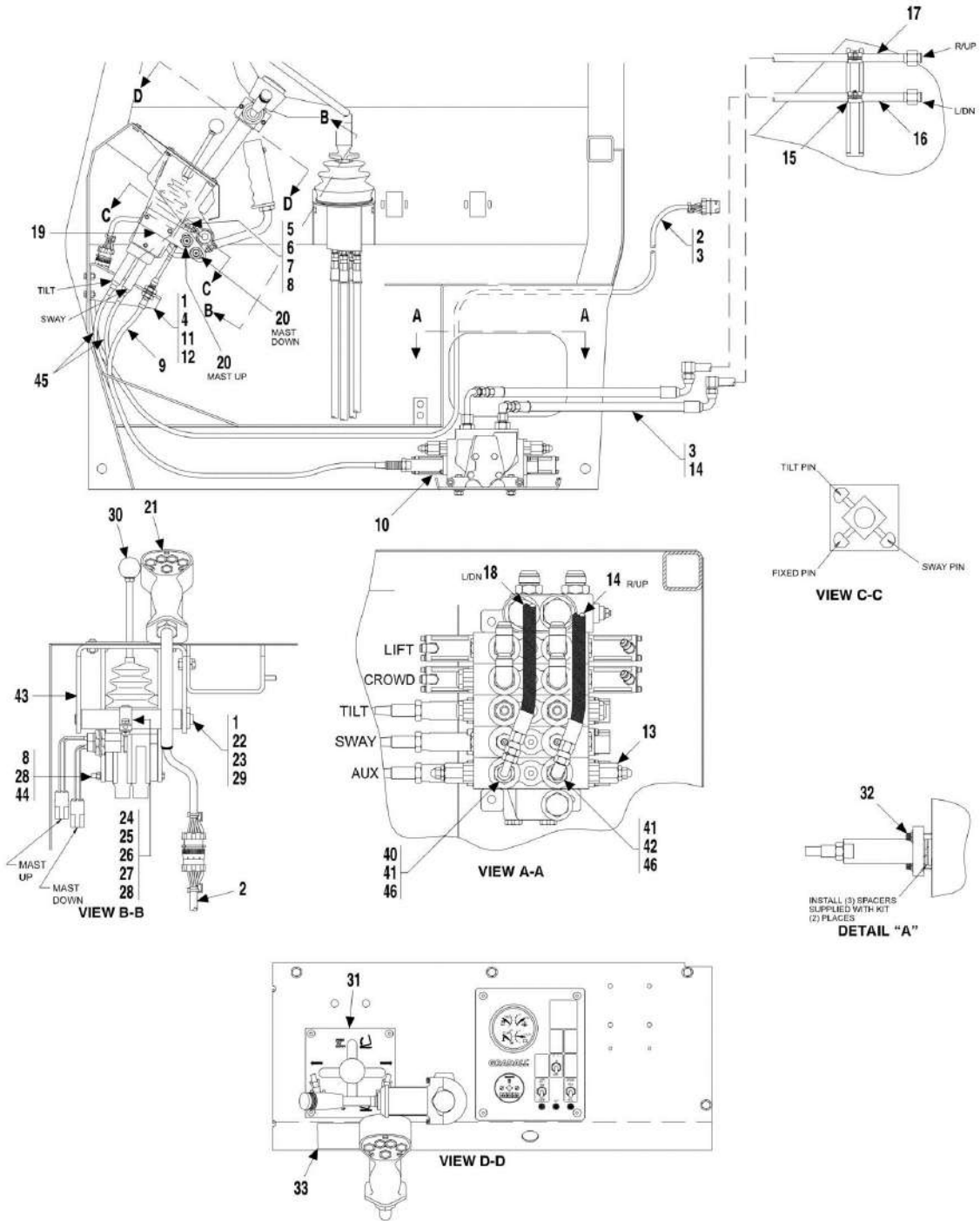
## SECTION 12 - OPTIONS

**FIGURE 12-43. WINCH INSTALLATION - 45 FT BOOM (SN 0160027771 to Present)**

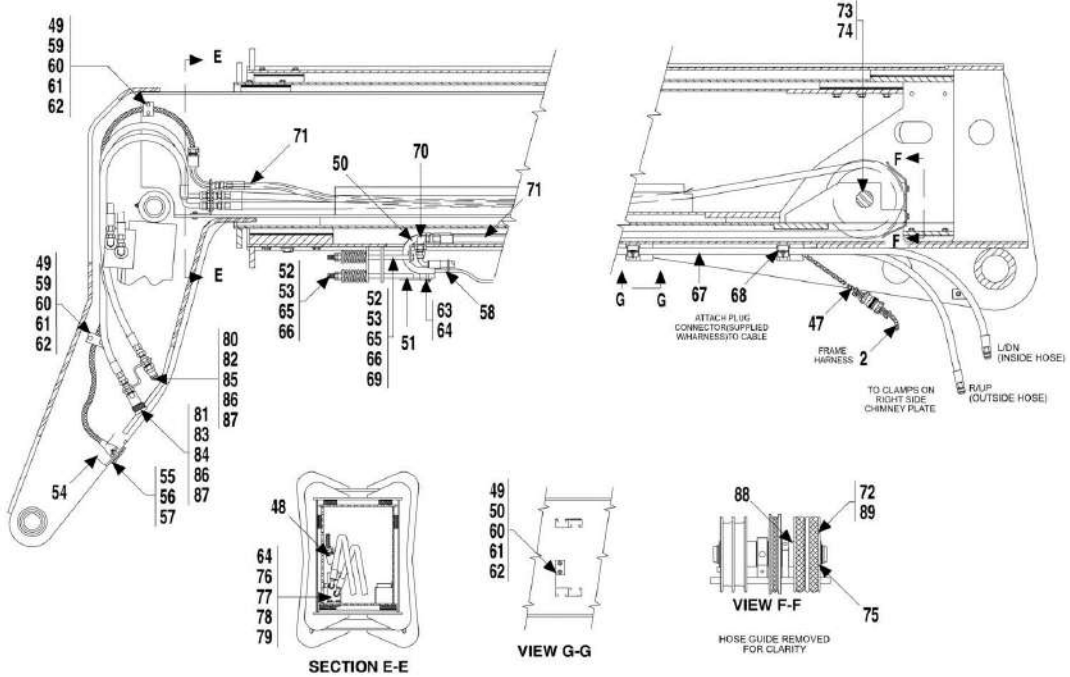
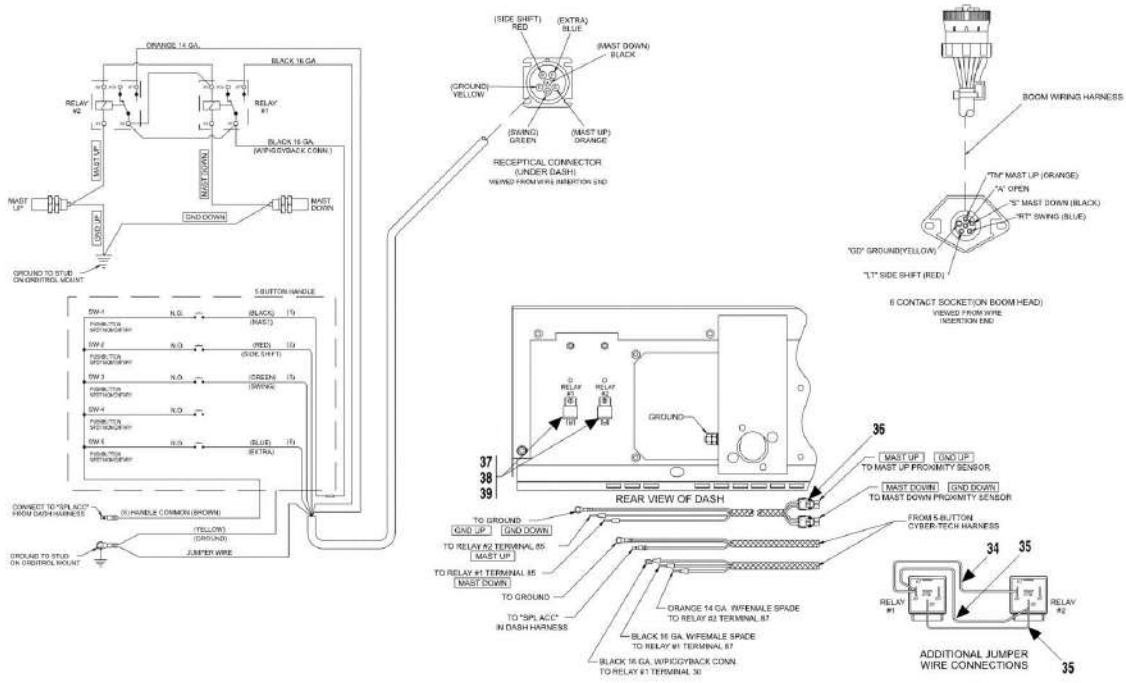
ITEM	PART NUMBER	QTY	DESCRIPTION	REV
	91535026	1	WINCH INSTALLATION, (if equipped), (includes items 1 thru 22)	B
1		Ref	WINCH, (See WINCH for Breakdown)	
2	0641818	4	HEX HD CAPSCREW, 1/2-13X2-1/4, GR5	
3	90027471	8	WASHER, 1/2	
4	91033161	2	FLOW REGULATOR	
5	2220624	2	ADAPTER	
6	8765204	3	ELBOW, 90	
7	2220342	1	ADAPTER	
8	2220596	3	ELBOW, 90	
9	91403413	1	ADAPTER	
10	91043125	1	DUST PLUG	
11	91403414	1	ADAPTER	
12	91043126	1	DUST CAP	
13	90207882	1	CABLE	
14	90201443	1	HOOK AND BALL	
15	91083535	1	CAUTION DECAL	
16	90028990	1	WIRE ROPE CLIP	
17	88501008	4	HEX NUT, 1/2	
18	84716148	2	HOSE ASSY	
19	84718046	1	HOSE ASSY	
20	8430083	1	ADAPTER	
21	8430054	1	DUST CAP	
22	91531040	1	PLATE	
104	84719093	1	HOSE ASSY	
107	91123054	1	COMPRESSION SPRING	
108	91121134	1	SPRING RETAINER	
109	0641832	4	HEX HD CAPSCREW, 1/2-13X4, GR5	
113	90027187	8	TIE WRAP	
114	8765204	2	ELBOW, 90	
115	2220383	1	ADAPTER	
120	88501008	1	HEX NUT, 1/2	
121	88501108	1	JAM NUT, 1/2	
122	2754808	1	HOSE ASSY	
123	91531029	1	PLATE	
124	2230025	3	ADAPTER	
125	91533018	1	HOSE SHEAVE	
126	2754548	1	HOSE ASSY	
127	91166068	1	WELDMENT	
128	90207464	2	CUSHION CLAMP	
129	2220386	1	ADAPTER	
133	2220372	1	ADAPTER	
134	8430084	1	ADAPTER	
137	14404793	AR	MEGAPLEX GREASE	
201		Ref	AUXILIARY HYDRAULICS, (See HYDRAULIC CIRCUITS SECTION for Breakdown)	

# SECTION 12 - OPTIONS

FIGURE 12-44. AUXILIARY HYD ELECTRONICS W/LH TILT/SWAY (Prior to SN 0160027771)



# SECTION 12 - OPTIONS



## SECTION 12 - OPTIONS

**FIGURE 12-44. AUXILIARY HYD ELECTRONICS W/LH TILT/SWAY (Prior to SN 0160027771)**

ITEM	PART NUMBER	QTY	DESCRIPTION	REV
	91345018	1	AUX HYD/ELEC W/LH TILT/SWAY, (includes all items)	
1	88551010	3	LOCKWASHER, 5/16	
2	91143105	1	AUXILIARY WIRING HARNESS	
3	90027187	19	NYLON TIE	
4	88501005	2	HEX NUT, 5/16-18	
5	88821002	1	ADJUSTABLE YOKE END, 1/4-28, LIGHT SERIES	
6	88633001	1	YOKE PIN, 1/4	
7	88631302	1	COTTER PIN, 1/16X3/4	
8	88501404	4	HEX JAM NUT, 1/4-28	
9	91123050	1	PUSH-PULL CABLE	
10	91123062	3	CABLE ADAPTER BONNET	
11	91341007	1	CABLE BRACKET	
12	88201019	2	HEX HD CAPSCREW, 5/16-18X7/8, GR5	
13		Ref	MAIN CONTROL VALVE, (See MAIN CONTROL VALVE for Breakdown)	
14	84718685	1	HOSE ASSY	
15	90207463	2	CUSHION CLAMP	
16	91163096	1	TUBE ASSY	
17	91163097	1	TUBE ASSY	
18	84718686	1	HOSE ASSY	
19	91341019	1	SENSOR PLATE	
20	80363036	2	PROXIMITY SENSOR	
21		Ref	5-BUTTON HANDLE ASSY, (See BUTTON AUXILIARY HANDLE ASSEMBLY for Breakdown)	
22	91346004	1	PIN WELDMENT	
23	88201018	1	HEX HD CAPSCREW, 5/16-18X3/4, GR5	
24	91346010	1	ACTUATOR WELDMENT	
25	913D1018	1	CLAMP HALF	
26	88201005	2	HEX HD CAPSCREW, 1/4-20X1, GR5	
27	88501004	2	HEX NUT, 1/4-20	
28	88551009	5	LOCKWASHER, 1/4	
29	90028662	2	WAVE BEND WASHER	
30	91083107	1	REMOTE VALVE CONTROL	
30	91084282	1	KNOB	
30	91084359	1	BOOT	
31	91363041	1	TILT/SWAY GUIDE PLATE	
32	88211044	4	SOCKET HD CAPSCREW, 1/4-20X1-1/2, GR8	
33	91343026	1	AUX CONTROL DECAL	
34	91341022	1	JUMPER WIRE	
35	91341021	2	JUMPER WIRE	
36	91343054	1	WIRING HARNESS	
37	77383410	2	RELAY	
38	88561105	2	FLAT WASHER, #10	
39	88301088	2	ROUND HD MACHINE SCREW, #10-24X3/8	
40	2220471	1	ELBOW, 90, (swivel nut), (long)	
41	2220375	2	CONNECTOR, (includes item 46)	
42	88662106	1	ELBOW, 90, (swivel nut)	
43	91346003	1	TILT/SWAY BRACKET WELDMENT	
44	11002410	3	HEX HD CAPSCREW, 1/4-28X4-1/2	

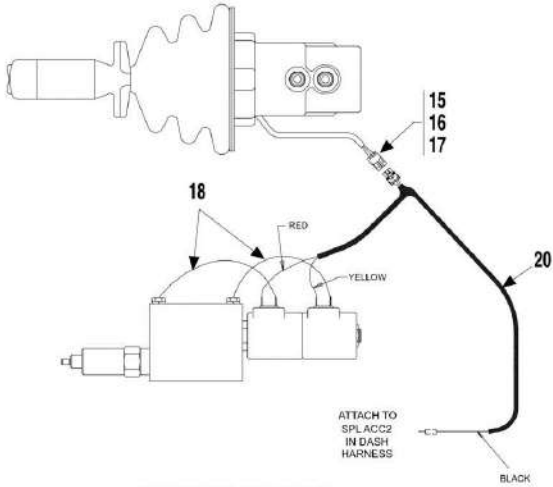
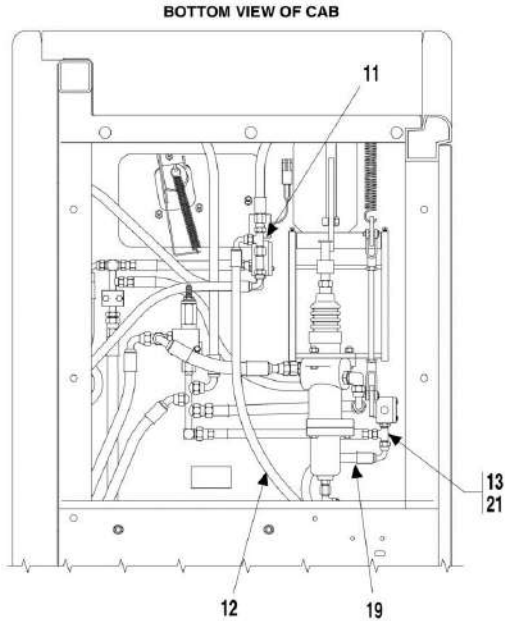


## SECTION 12 - OPTIONS

ITEM	PART NUMBER	QTY	DESCRIPTION	REV
45	91363043	2	CONTROL CABLE	
46	88591207	2	O-RING	
47	91143373	1	AUX BOOM HARNESS	
48	91143141	1	CORD CONNECTOR	
49	85611274	5	WELD STUD, 1/4-20X3/4	
50	91366015	1	CABLE TAKE-UP WELDMENT	
51	91126032	1	CABLE TAKE-UP SUPPORT	
52	91123054	3	COMPRESSION SPRING	
53	91121134	3	SPRING RETAINER	
54	91121283	1	RECEPTACLE BRACKET	
55	90207661	1	6 CONTACT SOCKET	
56	88201005	2	HEX HD CAPSCREW, 1/4-20X1, GR5	
57	88521304	2	HEX LOCKNUT, 1/4-20	
58	90027187	8	NYLON TIE	
59	91203039	5	CLAMP SUPPORT	
60	88561107	5	FLAT WASHER, 1/4	
61	88551009	5	LOCKWASHER, 1/4	
62	88501004	5	HEX NUT, 1/4-20	
63	88201017	2	HEX HD CAPSCREW, 5/16-18X5/8, GR5	
64	88551010	4	LOCKWASHER, 5/16	
65	88501008	3	HEX NUT, 1/2-13	
66	88501108	3	HEAVY HEX JAM NUT, 1/2-13	
67	84719018	2	HOSE ASSY	
68	90207463	6	CUSHION CLAMP	
69	91146028	2	HOSE TAKE-UP WELDMENT	
70	90027180	2	90, BULKHEAD FITTING	
71	84719575	3	HOSE ASSY	
72	91343213	1	HOSE SHEAVE	
73	91141144	1	RETRACT SHEAVE PIN	
74	88581149	1	EXTERNAL RETAINING RING	
75	91041449	1	THRUST WASHER	
76	91346011	1	BRACKET WELDMENT	
77	90027176	2	STR THD BULKHEAD FITTING	
78	88201020	2	HEX HD CAPSCREW, 5/16-18X1, GR5	
79	88501005	2	HEX NUT, 5/16-18	
80	84718385	1	HOSE ASSY	
81	84718557	1	HOSE ASSY	
82	90204244	1	MALE HYDRAULIC COUPLER	
83	90204245	1	FEMALE HYDRAULIC COUPLER	
84	91043125	1	DUST PLUG	
85	91043126	1	DUST CAP	
86	91043321	2	STR BULKHEAD FITTING	
87	88712304	2	REDUCING BUSHING	
88	91141158	1	SPACER	
89	91343212	2	HOSE SHEAVE	

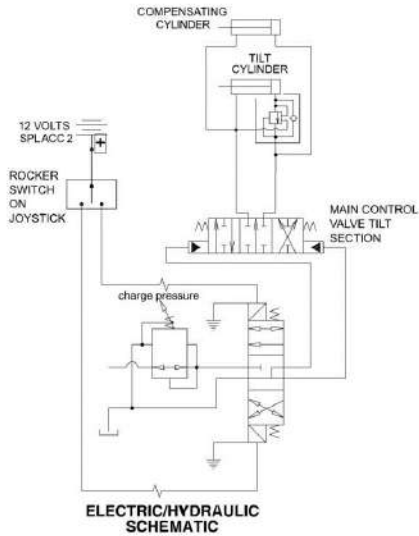
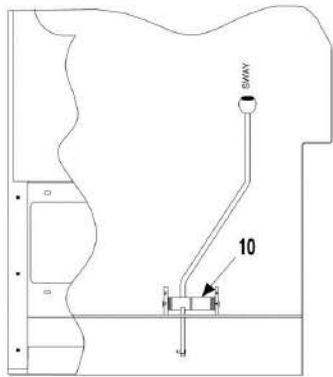
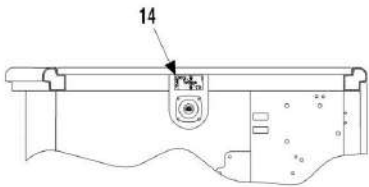
# SECTION 12 - OPTIONS

FIGURE 12-45. ADJUSTABLE TILT ON JOYSTICK

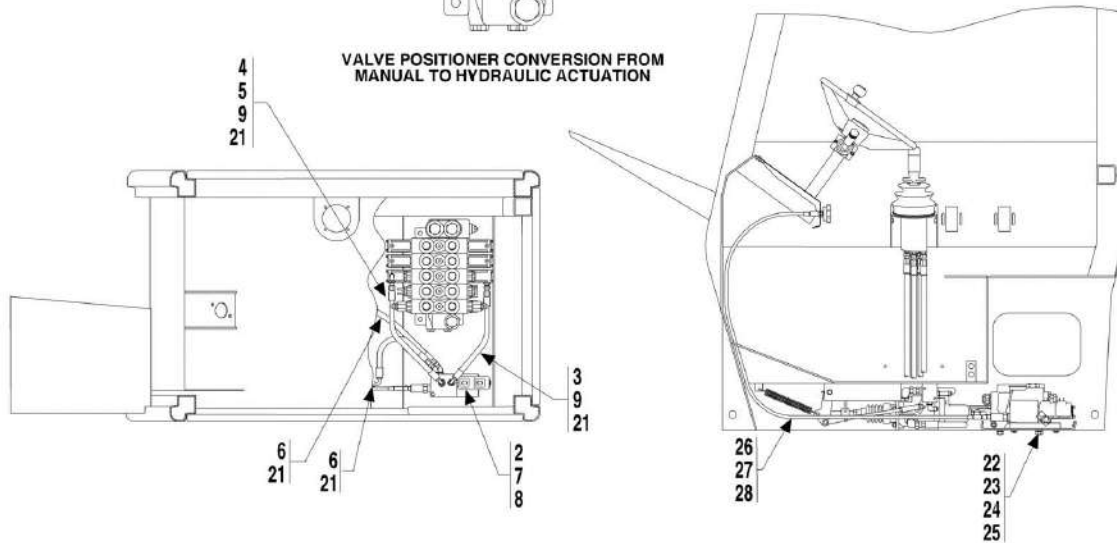
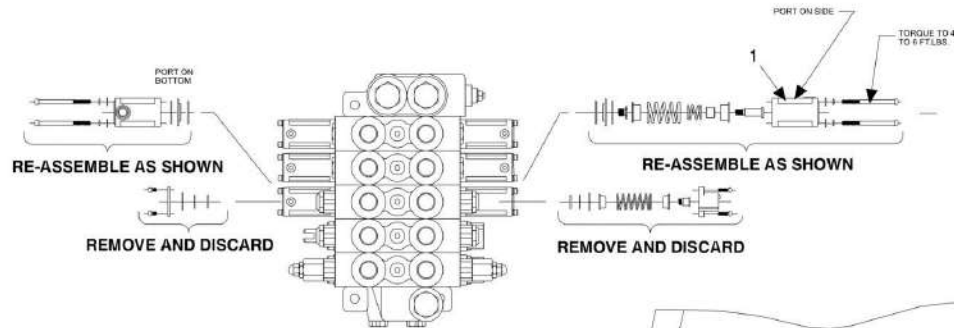


**ELECTRICAL SCHEMATIC**

WEATHER PACK SHROUD (3-WIRE) #1201-0717		
PN DESIGNATION	WIRE DESIGNATION	WIRE DESIGNATION
A	RED	
B	YELLOW	
C	GRAY	



# SECTION 12 - OPTIONS



## SECTION 12 - OPTIONS

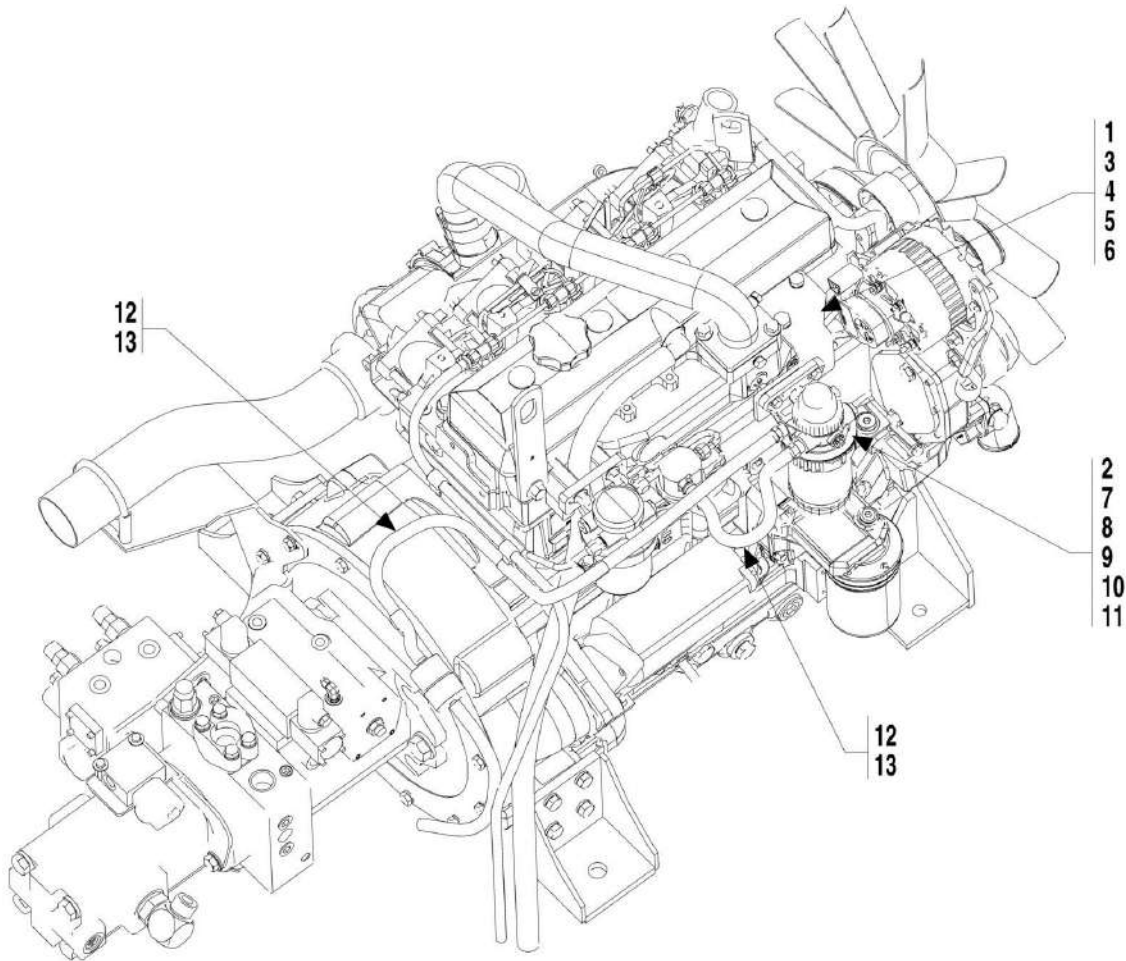
FIGURE 12-45. ADJUSTABLE TILT ON JOYSTICK

ITEM	PART NUMBER	QTY	DESCRIPTION	REV
	91365021	1	ADJUSTABLE TILT ON JOYSTICK, (if equipped), (includes all items)	C
1	91033483	1	HYD VALVE POSITION KIT	
2	91163236	1	COMBINATION VALVE	
3	84719163	1	HOSE ASSY	
4	84719167	1	HOSE ASSY	
5	2220473	1	ELBOW, 90, (includes item 21)	
6	2220501	2	ELBOW, 45, (includes item 21)	
7	88201015	2	HEX HD CAP SCREW, 1/4-20X3-1/2, GR5	
8	88551009	2	LOCKWASHER, 1/4	
9	2220371	3	CONNECTOR, (includes item 21)	
10	91301020	1	SPACER	
11	2220635	1	SWIVEL NUT RUN TEE, 3/8 TUBE	
12	84719166	1	HOSE ASSY	
13	2220606	1	RUN TEE, (includes item 21)	
14	91303041	1	BOOM CONTROL DECAL	
15	80963060	1	W. PACK CONNECTOR, (shroud)	
16	80963069	3	W. PACK CONNECTOR, (male pin)	
17	91143187	3	W. PACK CONNECTOR, (cable seal)	
18	90207719	2	JUMPER WIRE-GREEN	
19	84717295	1	HOSE ASSY	
20	91083490	1	JOYSTICK HARNESS	
21	88591204	7	O-RING	
22	91361019	1	MOUNTING PLATE	
23	88201019	2	HEX HD CAPSCREW, 5/16-18X7/8, GR5	
24	88551010	2	LOCKWASHER, 5/16	
25	88561003	2	FLAT WASHER, 5/16	
26	91163242	1	PANEL MOUNT FLEXIBLE SHAFT	
27	91363055	1	CONTROL KNOB	
28	91363056	1	CONTROL DECAL	



## SECTION 12 - OPTIONS

FIGURE 12-46. FUEL/WATER SEPARATOR INSTALLATION



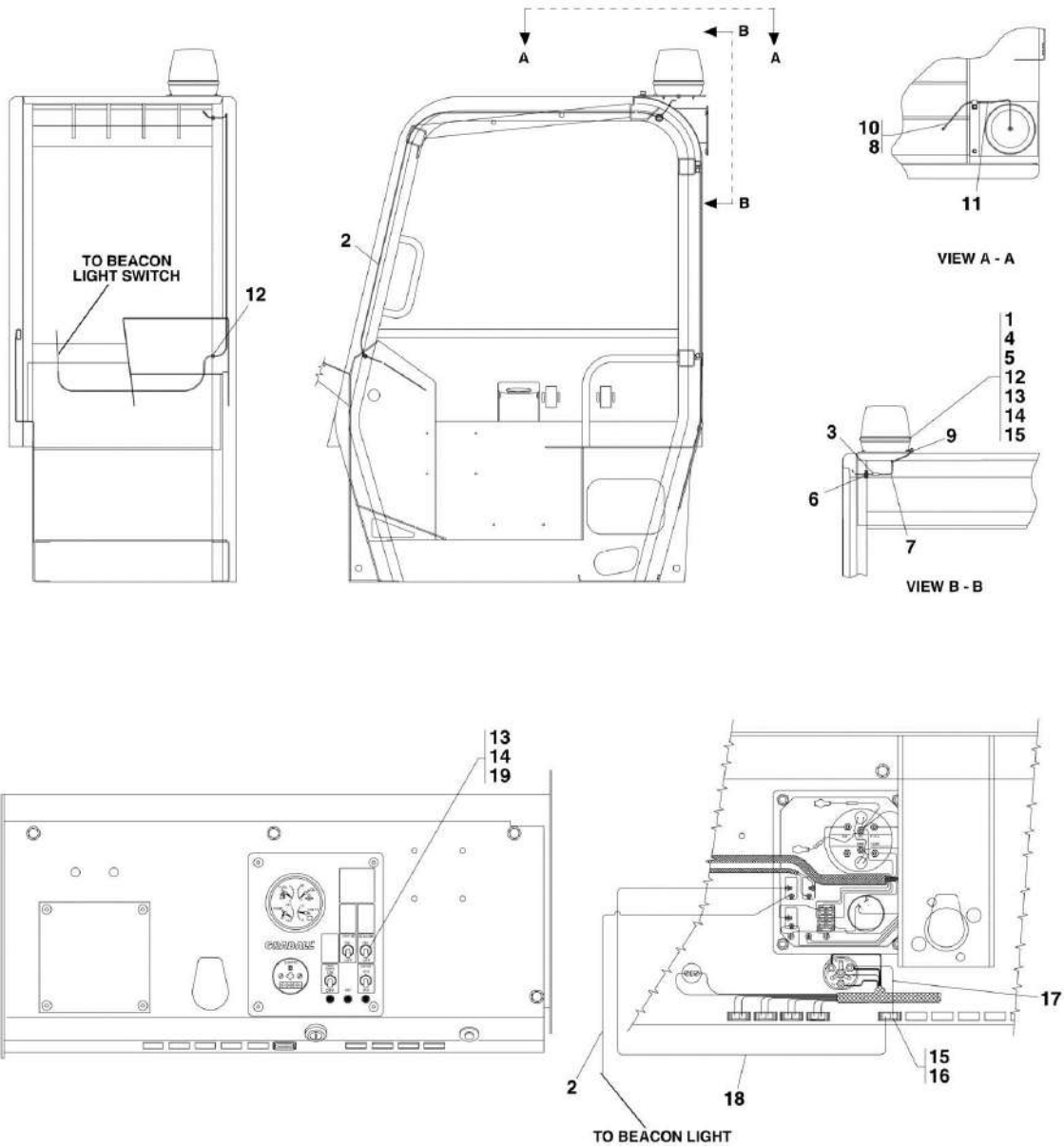
## SECTION 12 - OPTIONS

**FIGURE 12-46. FUEL/WATER SEPARATOR INSTALLATION**

ITEM	PART NUMBER	QTY	DESCRIPTION	REV
	91535022	1	FUEL/WATER SEPARATOR INSTALLATION, (includes all items)	B
1	91531026	1	FILTER BRACKET	
2	91473240	1	FUEL/WATER SEPARATOR	
2	91474633	1	FUEL/WATER SEPARATOR ELEMENT	
2	91474634	1	WATER COLLECTION BOWL	
2	91474635	1	REVERSE FLOW HAND PRIMER	
3	4832000	1	LOCKWASHER, 10mm	
4	4832100	1	LOCKWASHER, 12mm	
5	0761012	1	HEX HD CAPSCREW, M10X1.5X25, GR5	
6	0761212	1	HEX HD CAPSCREW, M12X1.75X25, GR5	
7	4761500	2	LOCKWASHER, 5/16	
8	3311501	2	HEX NUT, 5/16-18	
9	0641510	2	HEX HD CAPSCREW, 5/16-18X1-1/4, GR5	
10	2200233	2	SOCKET HD PIPE PLUG, (ports #3 & #4)	
11	2221114	2	BARBED FITTING, (ports #1 & #2)	
12	1320022	4	HOSE CLAMP	
13	2750532	3.83 in	FUEL LINE, 3/8	

# SECTION 12 - OPTIONS

**FIGURE 12-47. BEACON LIGHT PACKAGE (534D-9 SN 0544001 through 0744407, SN 016000112 through 0160012694, Excluding 0160012704; 534D-10 SN 0366001 through 0366533; SN 534D through 10, SN 0160000128 through 0160012696, Excluding 0160012289)**





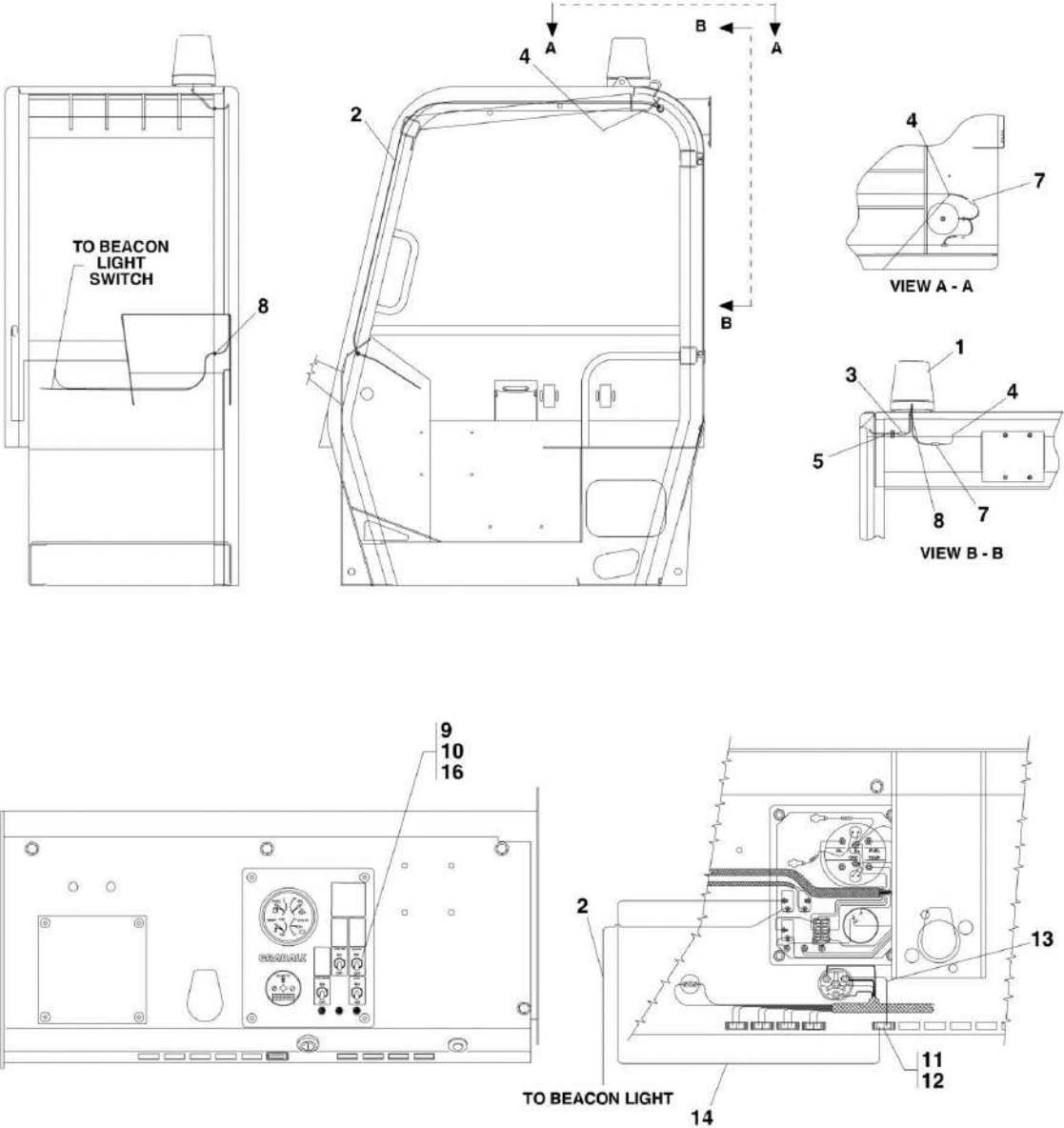
## SECTION 12 - OPTIONS

**FIGURE 12-47. BEACON LIGHT PACKAGE (534D-9 SN 0544001 through 0744407, SN 0160000112 through 0160012694, Excluding 0160012704; 534D-10 SN 0366001 through 0366533; SN 534D through 10, SN 0160000128 through 0160012696, Excluding 0160012289)**

ITEM	PART NUMBER	QTY	DESCRIPTION	REV
	91345013	1	BEACON LIGHT PACKAGE, (includes all items)	G
1	91343031	1	ROTATING BEACON	
1	91344053	1	BULB	
2	91121151	1	JUMPER WIRE	
3	86683480	1	BUTT CONNECTOR	
4	91341012	1	BEACON BRACKET	
5	90027319	2	SELF-TAPPING SCREW, 1/4-20X1	
6	91033380	1	RUBBER GROMMET	
7	90029955	1	RUBBER GROMMET	
8	82033996	12 in	WIRE LOOM	
9	90021705	1	SUPPORT CLAMP	
10	91053419	2	TIE WRAP	
11	91341013	1	JUMPER WIRE	
12	90027214	2	RUBBER GROMMET	
13	77383467	1	TOGGLE - SPST	
14	77383470	1	BOOT	
15	91143108	1	FUSE HOLDER	
16	77363267	1	FUSE, (10 amp)	
17	91141259	1	JUMPER WIRE	
18	91121216	1	JUMPER WIRE	
19	91123177	1	BEACON DECAL	

# SECTION 12 - OPTIONS

**FIGURE 12-48. BEACON LIGHT PACKAGE (534D-9 SN 0160012763 to Present, Including 0160012704; 534D-10 SN 0160012758 to Present, Including 0160012289)**



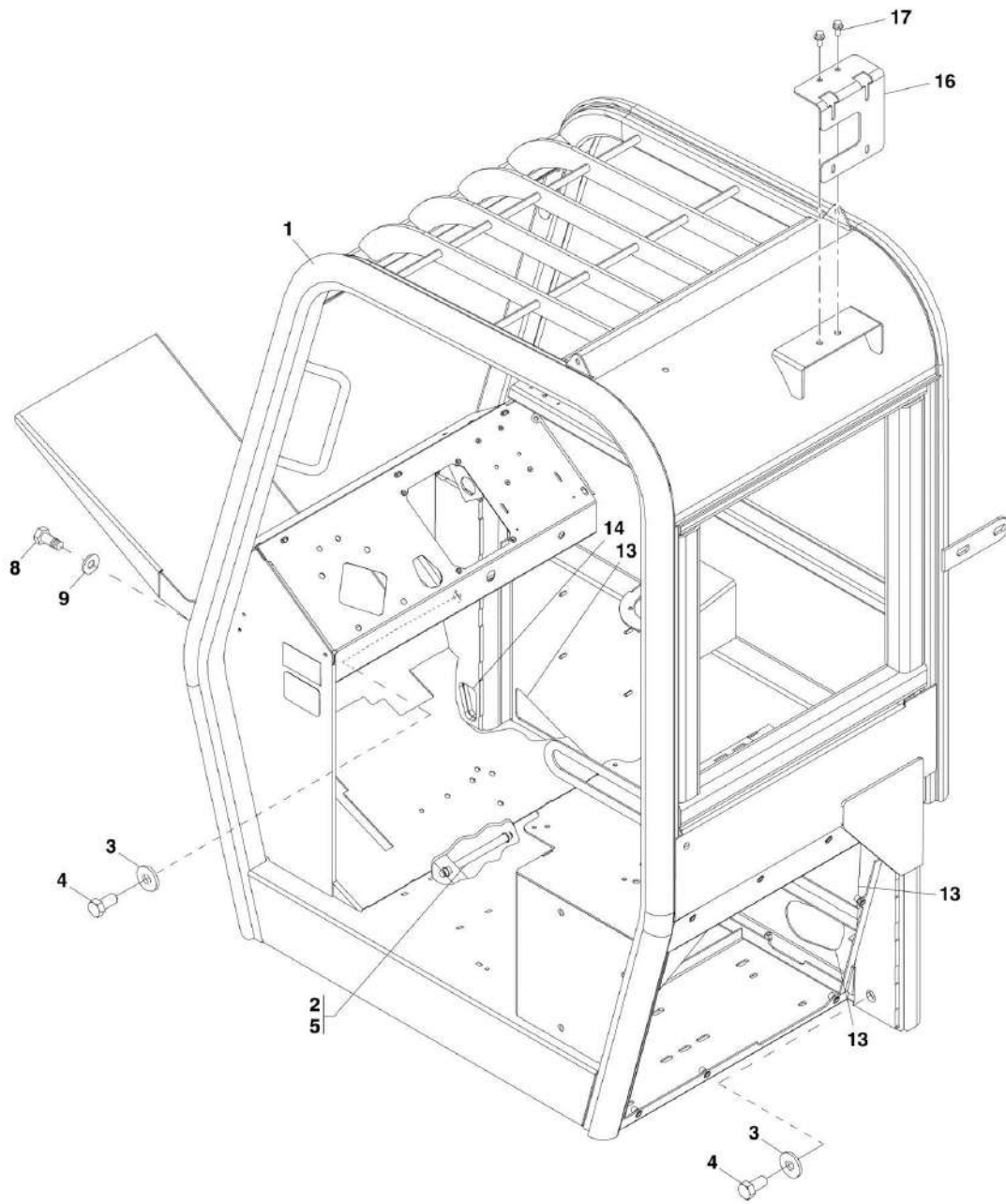
## SECTION 12 - OPTIONS

**FIGURE 12-48. BEACON LIGHT PACKAGE (534D-9 SN 0160012763 to Present, Including 0160012704; 534D-10 SN 0160012758 to Present, Including 0160012289)**

ITEM	PART NUMBER	QTY	DESCRIPTION	REV
	0274689	1	BEACON LIGHT PACKAGE, (includes all items)	A
1	8500066	1	ROTATING BEACON	
1	7029524	1	BULB	
2	91121151	1	JUMPER WIRE	
3	86683480	1	BUTT CONNECTOR	
4	88321022	1	SELF-TAPPING SCREW, #8-32X3/8	
5	91033380	1	RUBBER GROMMET	
6	91053419	2	TIE WRAP, (not shown)	
7	4923310	1	JUMPER WIRE	
8	91033425	2	RUBBER GROMMET	
9	77383467	1	TOGGLE - SPST	
10	77383470	1	BOOT	
11	91143108	1	FUSE HOLDER	
12	77363267	1	FUSE, (10 amp)	
13	91141259	1	JUMPER WIRE	
14	91121216	1	JUMPER WIRE	
16	91123177	1	BEACON DECAL	

# SECTION 12 - OPTIONS

## FIGURE 12-49. CAB REPLACEMENT SERVICE KIT



ART\_91344005-12-49

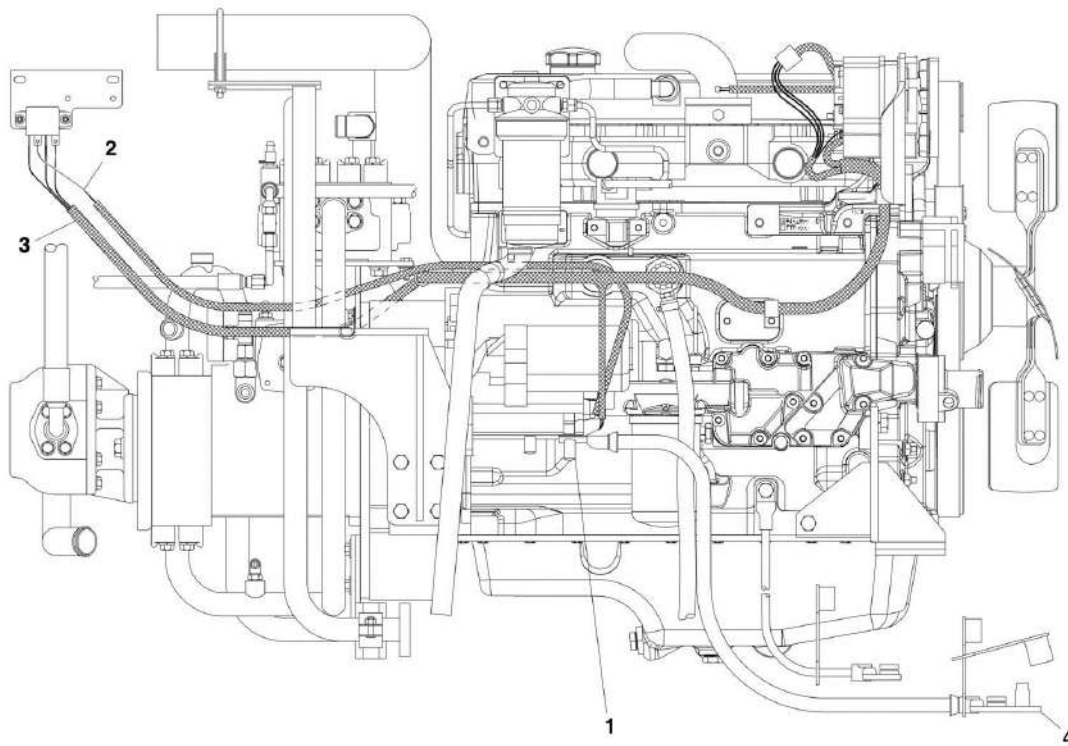
## SECTION 12 - OPTIONS

### FIGURE 12-49. CAB REPLACEMENT SERVICE KIT

ITEM	PART NUMBER	QTY	DESCRIPTION	REV
	2915047	1	OPEN CAB REPLACEMENT SERVICE KIT, (includes items 1 thru 5, 8, 9, 13, 14, 16 & 17)	E
	2915048	1	CLOSED CAB REPLACEMENT SERVICE KIT, (includes items 1 thru 6, 8, 9, 13, 14, 16 & 17)	E
1		Ref	open cab weldment, (See CAB SECTION for Breakdown)	
2	3423212	1	BRAKE PEDAL PIVOT PIN	
3	4892500	4	FLAT WASHER, 7/8	
4	83201158	4	HEX HD CAPSCREW, 7/8-9X1-3/4, GR8	
5	88581303	2	INVERTED EXT RETAINING RING	
6		Ref	CAB ENCLOSURE KIT, (not shown), (See CAB SECTION for Breakdown), <b>(534D-9 SN 0160012443 to Present, Including 0160012112; 534D-10 SN 0160012446 to Present, Including 0160012289)</b>	
8	0641510	4	HEX HD CAPSCREW, 5/16-18X1-1/4, GR5	
9	4751500	4	FLAT WASHER, 5/16	
13	90206196	68	TRIM-LOK, 1/8 IN	
14	90206202	17	TRIM-LOK, 3/8 IN	
16	1001104436	1	AIR CLEANER SUPPORT BRACKET	
17	0791606	2	SCREW, 3/8-16X3/4	

## SECTION 12 - OPTIONS

**FIGURE 12-50. STARTER KIT (534D-9 SN 0160006861 to Present; 534D-10 SN 0160006855 to Present)**



**NOTE:**

91553030 STARTER NO LONGER AVAILABLE. ORDER 91555025 STARTER KIT FOR REPLACEMENT.

PAP19940

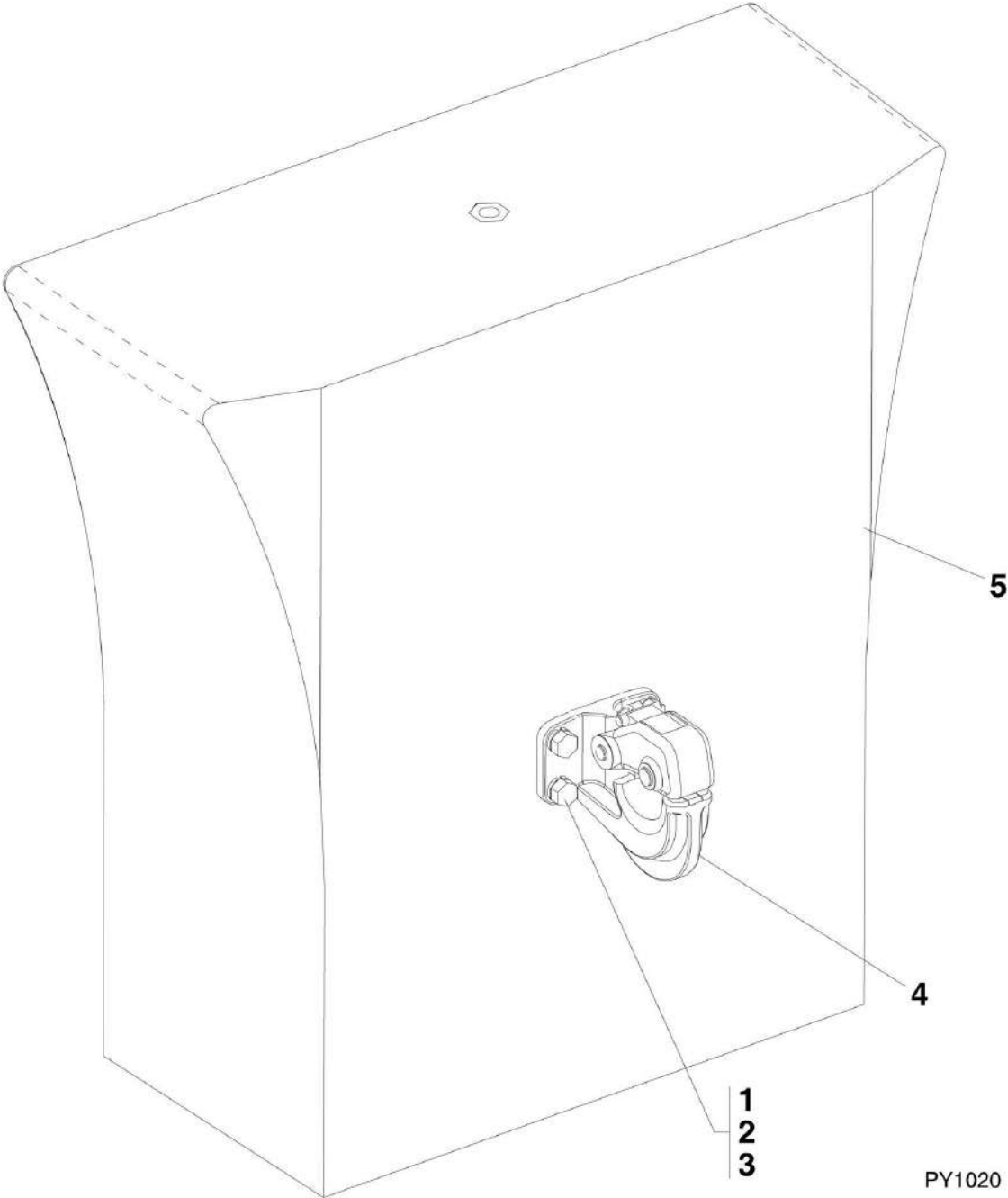
## SECTION 12 - OPTIONS

**FIGURE 12-50. STARTER KIT (534D-9 SN 0160006861 to Present; 534D-10 SN 0160006855 to Present)**

ITEM	PART NUMBER	QTY	DESCRIPTION	REV
	91555025	1	STARTER KIT, (includes all items)	C
1	91534010	1	DEERE/DENSO STARTER	
2	91553066	1	WIRE JUMPER	
3		Ref	ENGINE HARNESS, (See ELECTRICAL SECTION for Breakdown)	
4		Ref	POSITIVE BATTERY CABLE, (See ENGINE AND ATTACHING PARTS SECTION for Breakdown)	

**SECTION 12 - OPTIONS**

**FIGURE 12-51. PINTLE HOOK INSTALLATION**





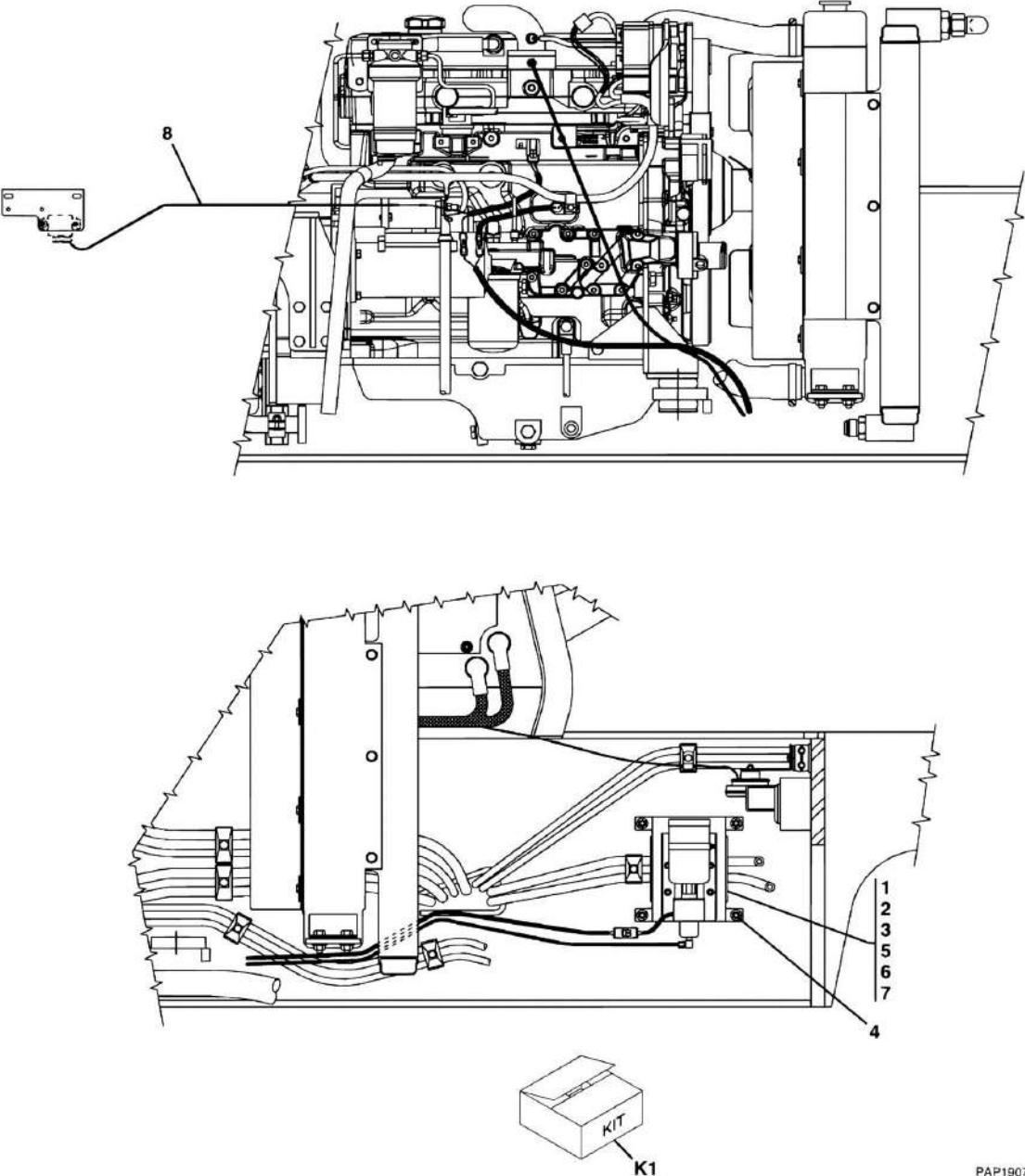
## SECTION 12 - OPTIONS

### FIGURE 12-51. PINTLE HOOK INSTALLATION

ITEM	PART NUMBER	QTY	DESCRIPTION	REV
	1001097095	1	PINTLE HOOK INSTALLATION, (includes all items)	B
1	0100011	AR	LOCTITE 242	
2	0681814	4	HEX HD CAPSCREW, 1/2-13X1-3/4	
3	88551013	4	LOCKWASHER, 1/2	
4	90200602	1	PINTLE HOOK	
5		Ref	COUNTERWEIGHT, (See FRAME AND ATTACHING PARTS SECTION for Breakdown)	

SECTION 12 - OPTIONS

FIGURE 12-52. COLD START INSTALLATION (SN 0160001166 to Present)



PAP19070

## SECTION 12 - OPTIONS

**FIGURE 12-52. COLD START INSTALLATION (SN 0160001166 to Present)**

ITEM	PART NUMBER	QTY	DESCRIPTION	REV
	91535009	1	COLD START INSTALLATION, (includes item 1 thru 8)	B
1	91551036	1	COLD START MOUNTING BRACKET	
2	90206198	10 in	TRIM-LOK	
3	14402248	AR	3M ADHESIVE	
4	77143006	4	WHIZ-LOCKNUT, 5/16-18	
5	88201004	4	HEX HD CAPSCREW, 1/4-20X7/8	
6	88501004	4	HEX NUT, 1/4-20	
7	88551009	4	LOCKWASHER, 1/4	
8	91553071	1	WIRE COLD START	
K1	91403295	1	COLD START KIT	



## **SECTION 13 - RECOMMENDED SPARE PARTS**

## **SECTION 13 - RECOMMENDED SPARE PARTS**

## SECTION 13 - RECOMMENDED SPARE PARTS

**FIGURE 13-1. RECOMMENDED SPARE PARTS**

ITEM	PART NUMBER	QTY	DESCRIPTION	REV
	Note	Ref	<b>Note: The following list will service fleets of machines (built to current production per date on the front cover) with repair parts which can be installed in the field. Parts from the list should be replaced when inventory is depleted to keep service parts stock supplied. For further information, contact your JLG dealer or the JLG Industries Parts Department.</b>	
		Ref	<b>BOOM ASSEMBLY</b>	
	84718372	1	Tilt Cyl Hose	
	84718373	1	Tilt Cyl Hose	
	84718868	2	Boom Hose (534D-9 SN 0544001 through 0644118; 534D-10 SN 0366001 through 0366088)	
	84721049	2	Boom Hose (534D-9 SN 0644119 to Present; 534D-10 SN 0366089 to Present)	
	91143024	1	Hose Sheave (534D-9 SN 0544001 through 0644118; 534D-10 SN 0366001 through 0366088)	
	91343223	1	Hose Sheave (534D-9 SN 0644119 to Present; 534D-10 SN 0366089 to Present)	
	91033185	2	Bearing Pad	
	91033186	8	Bearing Pad	
	91123019	6	Bearing Pad	
	91123021	2	Bearing Pad	
	91143168	8	Bearing Pad (534D-9 SN 0544001 through 0644118; 534D-10 SN 0366001 through 0366088)	
	1001117651	8	Bearing Pad (534D-9 SN 0644119 to Present; 534D-10 SN 0366089 to Present)	
	91121023	AR	Shim, .0598	
	91121024	AR	Shim, .0359	
	91121157	AR	Shim, .132	
	91121082	AR	Shim, .0598	
	91141302	AR	Shim, .0598	
	90205870	AR	Shim, .0598 (534D-9 SN 0544001 through 0644118; 534D-10 SN 0366001 through 0366088)	
	91361048	AR	Shim, .0598 (534D-9 SN 0644119 to Present; 534D-10 SN 0366089 to Present)	
	91121083	AR	Shim, .0598 (534D-9 SN 0544001 through 0644118; 534D-10 SN 0366001 through 0366088)	
	91361049	AR	Shim, .0598 (534D-9 SN 0644119 to Present; 534D-10 SN 0366089 to Present)	
	91031236	10	Spacer, .0598	
	91121083	4	Spacer, .0598	
	91141303	8	Spacer, .0598	
	91033187	1	Bearing Pad, Push Beam	
	91146028	2	Hose Take-Up Weldment (534D-9 SN 0544001 through 0644118; 534D-10 SN 0366001 through 0366088)	
	91166068	2	Hose Take-Up Weldment (534D-9 SN 0644119 to Present; 534D-10 SN 0366089 to Present)	
	91123054	2	Hose Take-Up Springs	
	91086151	1	Plunger Weldment (534D-9 Prior to SN 0160038519; 534D-10 Prior to SN 0160038445)	
	90207902	1	Quick Release Pin (534D-9 Prior to SN 0160038519; 534D-10 Prior to SN 0160038445)	
	1001105441	1	Quick Switch Lock Pin (534D-9 SN 0160038519 to Present;	

## SECTION 13 - RECOMMENDED SPARE PARTS

ITEM	PART NUMBER	QTY	DESCRIPTION	REV
	2940074	1	<b>534D-10 SN 0160038445 to Present)</b> Latch	
		Ref	<b>ENGINE</b>	
	91365008	NLA	250 HOUR FILTER KIT, (no longer available to order, use 1001220559 for replacement) (includes the following items) <b>(534D-9 SN 0544001 through 0544399; 534D-10 SN 0366001 through 0366342)</b>	
	1001220559	1	FILTER KIT, (includes the following items)	
	91365042	1	250 Hour Cummins Engine Filter Kit <b>(534D-9 SN 0544400 through 074407, SN 0160000112 through 0160000853, Excluding 0160000700; 534D-10 SN 0366343 through 0366533, SN 0160000125 through 0160000974)</b>	
	91535011	1	250 Hour John Deere Engine Filter Kit, (9 in air cleaner) <b>(534D-9 SN 0160001051 to Present, Including 0160034957; 534D-10 SN 0160000978 to Present)</b>	
	1001113718	1	250 Hour Cummins Engine Filter Kit <b>(534D-9 SN 0160035983 to Present, Including 0160034957; 534D-10 SN 0160035696 to Present)</b>	
	1001128952	1	1000 Hour Cummins Engine Filter Kit <b>(534D-9 SN 0544001 through 0544399; 534D-10 SN 0366001 through 0366342)</b>	
	1001128961	1	1000 Hour Cummins Engine Filter Kit <b>(534D-9 SN 0544400 through 074407, SN 0160000112 through 0160000853, Excluding 0160000700; 534D-10 SN 0366343 through 0366533, SN 0160000125 through 0160000974)</b>	
	2915180	1	1000 Hour John Deere Engine Filter Kit, (9 in air cleaner) <b>(534D-9 SN 0160001051 to Present, Including 0160034957; 534D-10 SN 0160000978 to Present)</b>	
	1001113510	1	1000 Hour John Deere Engine Filter Kit, (10 in air cleaner) <b>(534D-9 SN 0160010211 through 0160035941, Including 0160010082 and 0160010093, Excluding 0160034957; 534D-10 SN 0160000978 through 0160034816)</b>	
	1001113719	1	1000 Hour Cummins Engine Filter Kit <b>(534D-9 SN 0160035983 to Present, Including 0160034957; 534D-10 SN 0160035696 to Present)</b>	
	86541381	1	Fuel Tank Cap	
	91553009	1	Fan, John Deere <b>(534D-9 Prior to SN 0160035983; 534D-10 Prior to SN 0160035696)</b>	
	91143329	1	Fan, Cummins <b>(534D-9 SN 0160010211 through 0160035941, Including 0160010082 and 0160010093, Excluding 0160034957; 534D-10 SN 0160000978 through 0160034816)</b>	
	1001104525	1	Fan, Cummins <b>(534D-9 SN 0160035983 to Present, Including 0160034957; 534D-10 SN 0160035696 to Present)</b>	
	91084162	1	Alternator Belt, Cummins <b>(534D-9 SN 0544001 through 0744407, SN 0160000112 through 0160000853, Excluding 0160000700; 534D-10 SN 0366001 through 0366533, SN 0160000125 through 0160000974)</b>	
	80374015	1	Alternator Belt, John Deere <b>(534D-9 SN 0160001051 through 0160035941, Including 0160010082 and 0160010093, Excluding 0160034957; 534D-10 SN 0160000978 through 0160034816)</b>	
	70021807	1	Alternator Belt, Cummins <b>(534D-9 SN 0160035983 to Present, Including 0160034957; 534D-10 SN 0160035696 to Present)</b>	
	91404085	1	Dipstick, John Deere <b>(534D-9 Prior to SN 0160035983; 534D-10 Prior to SN 0160035696)</b>	
	70023299	1	Dipstick, Cummins, (used with 800mm dipstick) <b>(534D-9 SN 0160035983 to Present, Including 0160034957; 534D-10 SN 0160035696 to Present)</b>	
	70021798	1	Dipstick, Cummins, (used with 200mm dipstick) <b>(534D-9 SN 0160035983 to Present, Including 0160034957; 534D-10 SN</b>	

## SECTION 13 - RECOMMENDED SPARE PARTS

ITEM	PART NUMBER	QTY	DESCRIPTION	REV
			<b>0160035696 to Present)</b>	
		Ref	<b>DRIVE TRAIN</b>	
	91363025	1	FNR Shifter	
	91364036	2	Bushing (534D-9 SN 0160000447 to Present; 534D-10 SN 0160000448 to Present)	
	91364035	2	Sealing Ring (534D-9 SN 0160000447 to Present; 534D-10 SN 0160000448 to Present)	
	91364079	2	Hub Seal (534D-9 SN 0160000447 to Present; 534D-10 SN 0160000448 to Present)	
	91364080	4	Hub Bearing (534D-9 SN 0160000447 to Present; 534D-10 SN 0160000448 to Present)	
	91474155	2	Hub O-Ring (534D-9 SN 0160000447 to Present; 534D-10 SN 0160000448 to Present)	
	91414004	2	Rear Boot Seal (534D-9 SN 0160000447 to Present; 534D-10 SN 0160000448 to Present)	
	91414005	2	Rear Hub Oil Seal (534D-9 SN 0160000447 to Present; 534D-10 SN 0160000448 to Present)	
		Ref	<b>HYDRAULIC SYSTEM</b>	
	91303037	1	Boom Joystick	
	80934656	1	Boom Joystick Handle Assy	
	91144249	1	Lift Cyl Seal Kit (534D-9 SN 0544001 through 0744407, SN 0160000112 through 0160017475; 534D-10 SN 0366001 through 0366533, SN 0160000125 through 0160017312)	
	70024336	1	Lift Cyl Seal Kit (534D-9 SN 0160017506 to Present; 534D-10 SN 0160017511 to Present)	
	91144003	1	Crowd Cyl Seal Kit	
	91144004	1	Tilt Cyl Seal Kit (534D-9 Prior to SN 0160033414; 534D-10 Prior to SN 0160033245)	
	70022538	1	Tilt Cyl Seal Kit (534D-9 SN 0160033414 through 0160038519; 534D-10 SN 0160033245 through 0160038445)	
	70022125	1	Tilt Cyl Seal Kit (534D-9 SN 0160038519 to Present; 534D-10 SN 0160038445 to Present)	
	91144004	1	Comp Cyl Seal Kit (534D-9 Prior to SN 0160033414; 534D-10 Prior to SN 0160033245)	
	70022538	1	Comp Cyl Seal Kit (534D-9 SN 0160033414 to Present; 534D-10 SN 0160033245 to Present)	
	91144005	1	Sway Cyl Seal Kit (534D-9 Prior to SN 0160033414; 534D-10 Prior to SN 0160033245)	
	70022515	1	Sway Cyl Seal Kit (534D-9 SN 0160033414 to Present; 534D-10 SN 0160033245 to Present)	
	91144006	2	Steering Cyl Seal Kit (534D-9 SN 0544001 through 0160032945; 534D-10 SN 0366001 through 0160032847)	
	70021909	1	Steering Cyl Seal Kit (534D-9 SN 0160033136 to Present; 534D-10 SN 0160033245 to Present)	
	91144004	2	Outrigger Cyl Seal Kit (534D-10 SN 0366001 through 0366533; 534D-9 SN 0160017511 through 0160038773, SN 0160000125 through 0160017312)	
	70023899	1	Outrigger Cyl Seal Kit, (For Service Only)	
	2120168	2	Hydraulic Filter Element	
	91083301	1	Tank Filter	
	91083069	1	Filler/Breather	
	91083070	1	Fluid Level Gauge	
	91084022	1	Color Coded Gauge	
		Ref	<b>ELECTRICAL</b>	
	91553044	1	Accelerator Pedal (534D-9 Prior to SN 0160035983, Excluding	



## SECTION 13 - RECOMMENDED SPARE PARTS

ITEM	PART NUMBER	QTY	DESCRIPTION	REV
	3400022	1	<b>0160034957; 534D-10 Prior to SN 0160035696)</b> Accelerator Pedal ( <b>534D-9 SN 0160035983 to Present, Including 0160034957; 534D-10 SN 0160035696 to Present)</b> )	
	91143314	1	Water Temp. Sender	
	24741047	1	Oil Press Switch	
	91553045	1	Oil Press Sender	
	91143316	1	Fuel Level Sender	
	77383377	1	Starter Relay	
	91033317	1	Ignition Switch	
	1001108293	1	Alternator	
	1001108291	1	Regulator	
	91083456	1	Starter ( <b>534D-10 SN 0366001 through 0366016, SN 0366017 through 0366053, SN 0366054 through 0366187, SN 0366188 through 0366533, SN 0160000125 through 0160000974)</b> )	
	91553030	1	Starter ( <b>SN 0160001051 through 0160006861, SN 0160000978 through 0160006664, Including 0160000700)</b> )	
	90402427	1	Starter Solenoid ( <b>534D-10 SN 0366017 through 0366053)</b> )	
	91554031	1	Starter Solenoid ( <b>SN 0160001051 through 0160006861, Including 0160000700)</b> )	
	91403574	1	Back-up Alarm ( <b>534D-9 Prior to SN 0160016762, Excluding 0160015300, 0160015301 and 0160015302; 534D-10 Prior to SN 0160016757)</b> )	
	8270621	1	Backup Alarm ( <b>534D-9 SN 0160016762 to Present, Including 0160015300, 0160015301 and 0160015302; 534D-10 SN 0160016757 to Present)</b> )	
	91143357	1	Horn	
		Ref	<b>MISC</b>	
	77384578	1	Ignition Key	
	80904003	1	Hydraulic Test Kit	
	24604083	1	ORS O-Ring Kit	
	90214009	1	O-Ring Kit	
	91344052	1	Owner/Operator Manual ( <b>534D-9 SN 0544001 through 0744407, SN 0160000112 through 0160003965; 534D-10 SN 0366001 through 0366533, SN 0160000125 through 0160003965)</b> )	
	31200169	1	Operation and Safety Manual ( <b>SN 0160003966 to Present)</b> )	
	91344004	1	Service Manual ( <b>534D-9 SN 0544001 through 0744407, SN 0160000112 through 0160000446; 534D-10 SN 0366001 through 0366533, SN 0160000125 through 0160000446)</b> )	
	31200170	1	Service Manual ( <b>SN 0160000447 to Present)</b> )	
		Ref	<b>SPECIAL TOOLS</b>	
		Ref	<b>Carraro Axles</b>	
	8035818	1	Wrench	
	70020309	1	Handle	
	7027857	1	Wrench	
	7027856	1	Wrench	
	8035819	1	Wrench	
	70020308	1	Backlash Measurement Tool	
	7029577	1	Driver	
	7029576	1	False Differential Box	
	7029578	1	Wrench	
	7029575	1	False Pinion	
	7029574	1	Bearing Insertion Kit	



**PART NUMBER INDEX**

# PART NUMBER INDEX

00078041.....86	0651818..... 47	1001093140..... 138	1001100095.....489
00083046.....86	0651820..... 47	1001093171 99, 101, 138	1001100227..... 113
010001141, 65, 115, 330, 815	0681606..... 279	1001093273..... 141	1001100755..... 59
0100019.....21	0681714..... 195, 239	1001093377..... 113, 141	1001100822.....69
0100048..... 192, 609	0681810..... 115	1001093465..... 141	1001100823.....69
0100075.....65	0681814..... 439, 815	1001093467..... 23	1001100824.....69
0240156..... 141	0681830..... 196	1001093468..... 471	1001100973.....489
0274495..... 706	0682238..... 195	1001093469..... 471	1001101085.....20, 23
0274497..... 358	0682244..... 59	1001093470..... 471	1001101115..... 113
0274689.....809	0682414..... 24	1001093471..... 471	1001101116..... 113
0400075.....604	0701015..... 239	1001093472..... 279	1001101492.....375
05101441.....89, 91	0701017..... 239	1001093473..... 279	1001101493.....615
0641404.....216, 236, 485, 489, 611	0741610..... 115	1001093474..... 279	1001101524.....611
0641405..... 138, 604	0761012..... 805	1001093475..... 279	1001101757.....273
0641406.19, 23, 239, 378	0761016..... 239	1001093476..... 279	1001101956..... 115
0641412..... 451	0761212..... 805	1001093477..... 279	1001101980.....620
0641414.....424	0761215..... 604	1001093478..... 279	1001102112..... 604
0641418.....435	0761216..... 195	1001093478..... 279	1001102378..... 115
0641422.....459	0791504..... 23	1001093561..... 24	1001102813..... 138
0641506.....451	0791505..... 23	1001093891..... 195, 273	1001103182.....591
0641508.....273	0791508..... 279	1001093944..... 195	1001103504..... 41
0641510.....24, 273, 463, 805, 811	0791512..... 21	1001094330..... 141	1001103637..... 137
0641511.....604	0791605..... 604	1001094648..... 637, 651	1001103700.....748
0641514.....451, 455, 483	0791606..... 811	1001094695..... 79	1001103730..... 137
0641524.....133	0860520..... 137	1001094830..... 141	1001103736..... 137
0641526.....531	0930020..... 143	1001095325..... 375	1001103736..... 137
0641607.....61, 485, 490	09523572..... 289	1001095326..... 615	1001104436.....811
0641608...31, 55, 61, 604	1001001853..... 279	1001095327..... 617	1001104525..... 195, 821
0641610.....239, 523	1001081306..... 368	1001095336..... 604	1001104596.....289
0641612..... 115, 489	1001081307..... 362	1001095418..... 129	1001104620.....435
0641614.....239	1001081308..... 362	1001095810..... 138	1001104647..... 195
0641618.....465	1001081308..... 362	1001096019..... 137	1001104863.....289
0641628.....486, 490	1001081309..... 362, 368	1001096020..... 137	1001104911..... 507
0641632.....489	1001081310..... 362, 368	1001096021..... 137	1001104987.....604
0641634.....41	1001081311..... 362	1001096023..... 137	1001104992..... 126
0641708..... 195	1001090063..... 115	1001096024..... 137	1001105241.....289
0641709..... 195	1001090064..... 115	1001096025..... 137	1001105441.....59, 820
0641806.....65	1001090134..... 593	1001096188..... 617	1001105638.....273
064180841, 59, 239, 495, 507, 511	1001090140..... 115	1001096306..... 137	1001105639.....273
0641810.....585	1001091045..... 24	1001096404..... 663	1001105643.....273
0641818.....795	1001091065..... 23	1001097072..... 137	1001105689.....239
0641820.....279	1001091068..... 295	1001097095..... 815	1001105780.....341
0641822.....279	1001091069..... 289	1001097168..... 138	1001105781.....341
0641824.....489	1001091071..... 289	1001097568..... 273	1001105782.....341
0641828.....61	1001091080..... 195	1001097989..... 611	1001106038.....636
0641832.....621, 795	1001091082..... 195	1001098045..... 55	1001106039.....650
0642012..... 195, 273, 555	1001091083..... 195, 239	1001098136..... 497	1001106063.....637
0642032..... 73, 115	1001091086..... 24	1001098233..... 59	1001106064.....650
0642218.....261	1001091104..... 301	1001098383..... 59	1001106088.....637
0642640.....24	1001091108..... 195	1001098492..... 59	1001106089.....650
0651605.....51, 55	1001091109..... 195	1001098582..... 138	1001106113.....637
0651606.....51, 55	1001091110..... 289	1001098769..... 663	1001106114.....651
0651607.....51, 55	1001091458..... 19	1001099034..... 23	1001106138.....637
0651608.....51	1001091460..... 333	1001099036..... 23	1001106139.....651
0651610.....51, 55	1001091698..... 239	1001099113..... 115	1001106164..... 134, 651
0651612.....55	1001091700..... 239	1001099115..... 115	1001106185.....651
0651806.....51	1001091701..... 239	1001099173..... 31	1001106192.....637
0651807.....51	1001091704..... 239	1001099177..... 604	1001106193.....651
0651808.....51	1001091705..... 239	1001099178..... 604	1001106227.....637
0651810.....51, 55	1001092237..... 279	1001099222..... 604	1001106228.....651
0651812.....51, 55	1001092238..... 279	1001099265..... 604	1001106297.....637
	1001092278..... 435	1001099351..... 83	1001106298.....651
	1001092280..... 137	1001099579..... 497	1001108291..... 199, 203, 208, 211, 215, 219, 223, 228, 231, 235, 823
	1001092391..... 131	1001099886..... 489	
	1001092481..... 137	1001099901..... 77	
	1001092482..... 137	1001099902..... 77	

## PART NUMBER INDEX

1001108293..... 199, 203, 208, 211, 215, 219, 223, 228, 231, 235, 823	1170057 ..... 115	2220345.....555	2220516 .... 427, 431, 435
1001108668 ..... 146	1316794 ..... 126	2220362.....104	2220574 ..... 450, 611
1001108669 ..... 150	1320022 ..... 279, 805	2220371.... 199, 203, 208, 211, 215, 219, 223, 228, 231, 235, 239, 305, 385, 389, 393, 415, 419, 423, 428, 432, 436, 442, 446, 451, 473, 475, 477, 529, 696, 802	2220578 .... 475, 477, 737
1001109347 ..... 553	1320044 ..... 239	2220372.. 89, 91, 93, 105, 109, 467, 469, 471, 795	2220579... 199, 203, 208, 211, 215, 219, 223, 231, 235, 239, 305, 321, 415, 419, 423, 443, 447, 451
1001109478 ..... 363	14401473 ..... 707	2220373.... 79, 86, 93, 97, 105, 109, 305, 386, 390, 394, 467, 469, 471, 581, 671, 673, 788	2220582... 416, 420, 424, 439, 451
1001110406 ..... 637	14402248 15, 19, 23, 817	2220374..... 79, 386, 389, 393, 427, 431, 435, 579	2220594 ..... 531
1001110407 ..... 651	14403303 ..... 32	2220375... 443, 447, 465, 485, 490, 677, 735, 737, 756, 772, 798	2220596... 105, 467, 469, 471, 579, 581, 795
1001110704 ..... 126, 129	14403323 ... 66, 451, 495, 503	2220376..... 531	2220602... 386, 390, 394, 467, 469, 471, 531
1001111112 ..... 358, 378	14403364 ..... 621	2220377..... 523	2220603 ..... 89, 91
1001111190 ..... 129, 146, 150	14403416 ..... 601, 604	2220379.... 275, 277, 416, 420, 424, 428, 432, 436, 735, 737	2220605 .... 416, 442, 446
1001111243 ..... 651	14404043 ..... 621	2220380.... 241, 243, 245, 247, 249, 251, 253, 255, 257, 259, 261, 415, 419	2220606 ..... 696, 802
1001112753 ..... 636	14404102 ..... 32	2220383.... 712, 716, 793, 795	2220609 ..... 129
1001113510 ..... 172, 192, 821	14404595 .... 32, 452, 461	2220385.... 104, 259, 261, 471	2220612 ..... 452
1001113718 ..... 196, 821	14404645 ..... 15, 19	2220386.... 712, 716, 793, 795	2220618... 465, 471, 531, 735, 737
1001113719 ..... 196, 821	14404646 ..... 15, 19	2220415..... 129, 439	2220622 ... 241, 243, 245, 247, 249, 251, 253, 255, 257, 259, 261, 442, 446, 451
1001114495 ..... 279	14404793 ... 32, 485, 489, 503, 676, 686, 756, 760, 764, 772, 780, 784, 793, 795	2220435.... 475, 477, 737	2220623 ..... 531
1001115867 ..... 358	14404978 ..... 32	2220451.... 241, 243, 245, 247, 249, 251, 253, 255, 257, 259, 261, 442, 446, 451, 457, 461, 463, 735, 737	2220624... 712, 716, 793, 795
1001116274 ..... 23	1701509 ..... 138	2220464..... 275	2220628 .... 129, 259, 261
1001116439 ..... 529	1702773 ..... 137	2220465.... 475, 477, 531	2220635... 155, 159, 163, 167, 171, 175, 179, 183, 187, 191, 195, 259, 415, 419, 423, 696, 802
1001116729 ..... 617	1704277 ..... 133, 138	2220466.... 467, 469, 471, 531	2220646 ..... 523
1001116747 ..... 617	1704885 .... 137, 636, 650	2220471... 485, 490, 676, 735, 737, 756, 772, 798	2220651 ..... 485
1001116821 ..... 617	1706100 ..... 663	2220472.... 235, 239, 259, 261	2220654 ..... 321
1001116975 ..... 617	1706101 ..... 663	2220473... 104, 129, 385, 386, 389, 390, 393, 394, 420, 424, 427, 431, 442, 446, 450, 467, 469, 471, 473, 531, 696, 735, 737, 802	2220655... 457, 459, 735, 737
1001117021 ..... 609, 611	1706170 ..... 663	2220500..... 581	2220671 ... 389, 393, 461, 463
1001117651 ... 47, 51, 55, 820	1706184 ..... 663	2220501..... 93, 109, 259, 261, 473, 735, 737, 802	2220683 .... 389, 393, 579
1001119106 ..... 617	1706192 ..... 636, 657	2220502..... 465	2220700 ..... 259, 261
1001120914 ..... 115	1706193 ..... 650, 661		2220726 ..... 105
1001120915 ..... 115	1706300 ..... 637, 651		2220820 ..... 239
1001128952 ..... 156, 160, 164, 176, 180, 184, 188, 821	1706892 ..... 133, 137		2220828 .... 385, 389, 393
1001128961 .... 164, 168, 188, 821	1706893 ..... 133		2220852 ..... 423
1001132514 ..... 73	2000401 ..... 269		2220861... 420, 424, 447, 451
1001133072 ..... 115	2060045 ..... 196		2220865... 450, 457, 459, 783
1001143692 ..... 59	2080040 ..... 138		2220878 ..... 277
1001163414 ..... 595	2080044 ..... 137		2220898 ..... 79
1001220559 .... 156, 160, 164, 176, 180, 184, 188, 821	2080063 ..... 133		2220899 .... 94, 104, 109, 386, 390, 394
10268516 ..... 285, 287	2080064 ..... 133		2220947 ..... 461, 463
1040028 ..... 347	2110606 ..... 115		2220973 ..... 79, 457, 461, 463
1060379 ..... 138	2110808 ..... 115		2220974 .... 459, 735, 737
10701200 ..... 368	2120168 ... 156, 160, 164, 165, 168, 172, 176, 180, 184, 188, 189, 192, 555, 822		2221026 ..... 531
10719505 ..... 577	2131212 ... 235, 239, 451		2221048 ... 431, 435, 439, 475, 477
10837368 ..... 604	2151212 ... 199, 203, 208, 211, 215, 219, 223, 228, 231, 235, 239, 443, 447, 451		2221050 ..... 461
10837580 ..... 579	2160002 ..... 47, 59, 65		2221114 ..... 805
11002410 . 408, 409, 686, 753, 760, 776, 798	2172106 ..... 115		2230024 .... 105, 477, 555
1101312 ... 164, 165, 168, 172, 188, 192, 293	2180849 ..... 489		
1101313 ... 164, 165, 168, 172, 188, 192, 293	2200224 ... 199, 203, 209, 212, 219, 223, 229, 232, 307, 309, 550		
11404793 ..... 461	2200233 ..... 805		
1170020 ..... 73	2220008 ..... 748		
1170021 ..... 73	2220009 ..... 748		
1170023 ..... 73	2220067 ..... 748		
1170024 ..... 73	2220070 ..... 748		
1170026 ..... 73	2220224 ..... 737		
1170027 ..... 73	2220242 ... 550, 577, 735		
1170054 ..... 115	2220273 ..... 239		
	2220342 ..... 795		

# PART NUMBER INDEX

2230025....461, 463, 485, 489, 620, 780, 795	3380582..... 347	4711400 21, 23, 133, 138, 216, 236, 435, 611, 621	70020375.....497, 515
2230043.....555	3380653..... 347	4711500 21, 23, 133, 273	70020383..... 119, 123
2230044....461, 463, 485, 489, 780, 783	3400022..... 399, 822	4711600 .32, 55, 61, 239, 289, 486, 490, 604, 663	70020404.....399
2340037..... 131	3421453..... 138	4711800 ..... 57, 239, 495, 585	70020428..... 591
2340038..... 131	3423212..... 393, 811	4712000 ..... 57	70020555..... 101
2340039..... 131	3423242..... 73, 115	4740003 ..... 59	70020562..... 143
2340045..... 131	3423247..... 45, 47	4740488 ..... 279	70020890..... 617
2340046..... 131	3423263 89, 91, 505, 507, 509, 511	4751000 ..... 133	70020891..... 617
24431386..... 86, 216	3423275..... 73, 115	4751400 ... 137, 239, 424, 485, 489	70020923..... 401
24601570..... 28, 768	3423276 ..... 73, 115, 129	4751500 .21, 23, 24, 279, 285, 287, 289, 531, 811	70021141..... 335
24604083..... 823	3423307 ..... 115	4751600 ..... 239, 604	70021146..... 335
24641328..... 350, 740	3440832..... 57	4751800 ..... 196, 279	70021342..... 83, 143
24741047..155, 159, 163, 175, 179, 183, 607, 609, 611, 823	3510809 ..... 133	4752000 ..... 273, 555	70021349..... 83
24771004... 371, 613, 615	3520072 ..... 133, 137	4752200 ..... 196	70021358..... 143
24861167..... 702, 706	3520198 ..... 137	4752600 ..... 24	70021359..... 143
24861170..155, 159, 163, 167, 175, 179, 183, 187, 200, 204, 209, 212, 216, 220, 224, 229, 232, 236, 371	3539685 ..... 133	4761000 ..... 133	70021360..... 143
24921332..281, 283, 285, 287, 299	3573363 ..... 133	4761400 ... 216, 236, 378, 435, 604, 611	70021361..... 143
2600216..... 133	3575947 ..... 196	4761500 ... 273, 424, 463, 531, 805	70021362..... 143
2600281..... 137	3576433 ..... 21	4761600 31, 61, 239, 261, 279, 465, 486, 490, 523	70021364..... 143
2716143..... 151	3641438 ..... 133	47616700 ..... 195	70021365..... 143
2717287 ..... 129	3760170 ..... 138	4761700 ..... 195, 239	70021366..... 143
2720058.... 167, 187, 211, 231, 275, 277, 279	3780177 ..... 239	4761800 .41, 61, 65, 195, 239, 439, 495, 507, 511, 585	70021367... 122, 126, 143
2720463..... 195, 273	3790222 ..... 195	4762000 ..... 273, 555	70021382..... 122, 126
2720643..... 239	3790226 ..... 31	4832000 ..... 805	70021387..... 143
2720645..... 279	3790230 ..... 31	4832100 ..... 805	70021391..... 143
2750532..... 805	3820020 ..... 137	4846265 ..... 133	70021392..... 143
2754548..... 795	3841203 ..... 115	4846452 ..... 138	70021393..... 597
2754808.... 485, 489, 620, 795	3900022 ..... 368	4846528 ..... 133	70021395..... 143
2900770..... 593	3911008 ..... 133	4891800 ..... 115	70021399..... 143
2915023..... 591	3911428 ..... 133	4892500 .. 16, 21, 24, 811	70021410..... 269
2915037..... 119	3911528 ..... 133	4923310 ..... 809	70021415..... 83
2915038..... 368	3931610 ..... 261	4923398 ..... 609	70021429..... 122, 126
2915047..... 811	3931672 ..... 41	4923525 ..... 706	70021440..... 589, 597
2915048..... 811	4100109 ..... 301	6604662 ..... 129	70021441..... 589
2915180.... 172, 192, 821	4105262 ..... 663	70002219 ..... 595	70021442..... 589
2915184..... 21	4110422 ..... 77, 83	70002224 ..... 595	70021443..... 589
2940074.... 133, 137, 821	4240018 ..... 289	7000297 ..... 335	70021444..... 597
31200160..... 137	4341409 ..... 279	70003849 ..... 595	70021446..... 597
31200169..... 823	4460035 ..... 706	7000645 ..... 581	70021447..... 597
31200170..... 823	4460374 ..... 613, 615	70020002 ..... 126	70021448..... 597
31200386..... 137	4460466 ..... 623	70020004 ..... 126	70021451..... 597
31200387..... 137	4460532 ..... 617	70020015 ..... 122, 126	70021452..... 597
31200388..... 137	4460589 ..... 611	70020017 ..... 122, 126	70021453..... 589
3251813.... 633, 636, 650	4460590 ..... 611	70020025 ..... 126	70021464..... 597
3271601..... 279	4460591 ..... 611	70020026 ..... 126	70021465..... 597
3271805..... 196	4460746 ..... 609, 611	70020027 ..... 126	70021466..... 597
3272205..... 195	4460789 ..... 609, 611	70020028 ..... 126	70021584..... 279
3291001..... 604	4520368 ..... 339	70020029 ..... 126	70021585..... 279
3300143..... 39, 41	4520369 ..... 339	70020227 ..... 570	70021586..... 279
3300240..... 73, 115	4520370 ..... 339	70020308 ..... 823	70021587..... 279
3311001..... 133	4520371 ..... 339	70020309 ..... 823	70021588..... 279
3311405..... 138, 239	4520374 ..... 339	70020334 ..... 561, 563	70021616..... 381
3311501..... 133, 805	4520375 ..... 339	70020348 ..... 269	70021618..... 507
3311505..... 21, 23	4520481 ..... 341	70020349 ..... 269	70021620..... 511
3311605..... 239	4520482 ..... 341	70020358 ..... 269	70021621..... 511
	4520485 ..... 341	70020370 ..... 529	70021622..... 511
	4520489 ..... 341		70021776..... 381
	4520490 ..... 341		70021793..... 269
	4520645 ..... 339		70021794..... 269
	4520646 ..... 339		70021795..... 269
	4520647 ..... 339		70021796..... 269
	4640438 ..... 593		70021797..... 269
	4641192 ..... 541		70021798..... 269, 821
			70021799..... 269
			70021800..... 269
			70021801..... 269

## PART NUMBER INDEX

70021803 .....	269	70022638 .....	269	70022997 .....	151	7023855 .....	561
70021804 .....	269	70022729 .....	561, 563	70022998 .....	147, 151	7023856 .....	561
70021805 .....	269	70022811 .....	515	70022999 .....	151	7024167 .....	335
70021806 .....	269	70022812 .....	515	70023000 .....	151, 152	7024177 .....	335
70021807 .....	269, 821	70022931 .....	146, 150	70023001 .....	151	7024574 .....	591
70021809 .....	269	70022932 .....	146, 150	70023002 .....	151	7024881 .....	541
70021810 .....	269	70022933 .....	150	70023003 .....	146, 150	7026425 .....	611
70021812 .....	591	70022934 .....	146, 150	70023004 .....	146, 150	7026442 .....	277
70021824 .....	611, 617	70022935 .....	147, 151	70023005 .....	147, 152	7026477 .....	401
70021825 .....	617	70022936 .....	147, 151	70023006 .....	147, 152	7026478 .....	401
70021826 .....	617	70022937 .....	147, 151	70023007 .....	147, 152	7026798 .....	21, 24
70021897 .....	267	70022938 .....	151	70023008 .....	146	7026799 .....	21, 24
70021901 .....	521	70022939 .....	147, 151	70023009 .....	146, 150	7026900 .....	21, 24
70021902 .....	521	70022940 .....	151	70023010 .....	146, 150	7026901 .....	21, 24
70021903 .....	521	70022941 .....	151	70023011 .....	152	7026902 .....	21, 24
70021904 .....	521	70022942 .....	147, 151	70023013 .....	152	7026904 .....	20, 23
70021905 .....	521	70022943 .....	151	70023014 .....	146, 150	7026905 .....	21, 24
70021907 .....	521	70022944 .....	151	70023015 .....	147, 152	7026906 .....	21, 24
70021908 .....	521, 593	70022945 .....	151	70023016 .....	146, 150, 151	7026918 .....	263, 265, 267
70021909 .....	521, 822	70022946 .....	147, 151	70023040 .....	24	7026919 .....	263, 265, 267
70021921 .....	83	70022947 .....	151	70023041 .....	24	7026920 .....	263, 265
70021935 .....	83	70022948 .....	151	70023058 .....	279	7026923 .....	263, 265, 267
70021976 .....	589	70022949 .....	147, 151	70023298 .....	269	7026924 .....	263, 265, 267
70021977 .....	83	70022950 .....	147, 151	70023299 .....	269, 821	7026925 .....	263, 265, 267
70021978 .....	83	70022951 .....	151	70023300 .....	269	7026926 .....	263, 265, 267
70021979 .....	83	70022952 .....	147	70023457 .....	279	7026927 .....	263, 265, 267
70021980 .....	143	70022957 .....	146, 150	70023892 .....	529	7027856 .....	823
70021981 .....	143	70022958 .....	151	70023893 .....	529	7027857 .....	823
70021983 .....	123, 127	70022959 .....	152	70023894 .....	529	7028492 .....	330
70022026 .....	350, 354, 358	70022960 .....	146, 150	70023895 .....	529	7028820 .....	557
70022028 .....	83	70022961 .....	151	70023896 .....	529	7028939 .....	347
70022038 .....	593	70022962 .....	151	70023897 .....	529	7028940 .....	347
70022039 .....	593	70022963 .....	152	70023898 .....	529	7028941 .....	347
70022040 .....	593	70022964 .....	152	70023899 .....	529, 822	7028942 .....	347
70022041 .....	593	70022965 .....	151	70023925 .....	147, 152	7028943 .....	368
70022042 .....	593	70022966 .....	151	70024020 .....	595	7028944 .....	368
70022043 .....	593	70022967 .....	151	70024262 .....	595	7028945 .....	368
70022044 .....	591	70022968 .....	152	70024336 .....	507, 822	7028946 .....	368
70022045 .....	591	70022969 .....	146, 150	70024345 .....	399	7028947 .....	368
70022046 .....	591	70022970 .....	146, 150	70024346 .....	399	7028948 .....	368
70022047 .....	119, 122	70022971 .....	151	70024347 .....	399	7028949 .....	368
70022048 .....	119, 122	70022972 .....	151	70024348 .....	581	7028950 .....	368
70022049 .....	119, 122	70022973 .....	151	70025606 .....	595	7028951 .....	368
70022051 .....	547	70022974 .....	151	70025959 .....	595	7028952 .....	368
70022117 .....	495	70022975 .....	151	70026056 .....	595	7028953 .....	368
70022118 .....	495	70022976 .....	151	70026057 .....	595	7028954 .....	368
70022119 .....	495, 511, 521	70022977 .....	151	70026058 .....	595	7028955 .....	368
70022120 .....	495, 511, 521	70022978 .....	151	70026059 .....	595	7028956 .....	368
70022121 .....	497	70022979 .....	151	70026060 .....	595	7028957 .....	368
70022122 .....	497	70022980 .....	147, 151	70026061 .....	595	7028958 .....	368
70022123 .....	497	70022981 .....	152	70026062 .....	595	7028959 .....	369
70022124 .....	497	70022982 .....	151	7005811 .....	573	7028960 .....	369
70022125 .....	497, 822	70022983 .....	152	7005842 .....	573	7028961 .....	369
70022508 .....	495, 515	70022984 .....	146, 150	7005845 .....	573	7028962 .....	369
70022509 .....	515	70022985 .....	146, 150	7005874 .....	573	7029004 .....	347
70022511 .....	515	70022986 .....	152	7006831 .....	577	7029209 .....	368
70022512 .....	515	70022987 .....	146, 150	7010543 .....	579	7029520 .....	99, 101
70022513 .....	515	70022988 .....	151	7012910 .....	581	7029521 .....	101
70022514 .....	515	70022989 .....	152	7017047 .....	335	7029524 .....	809
70022515 .....	515, 822	70022990 .....	147, 151	7017094 .....	335	7029525 .....	269
70022527 .....	127, 143	70022991 .....	151	7017477 .....	581	7029574 .....	823
70022530 .....	126	70022992 .....	146, 150	7017478 .....	581	7029575 .....	823
70022536 .....	495, 511	70022993 .....	146, 150	7017496 .....	541, 579, 581	7029576 .....	823
70022537 .....	495, 511	70022994 .....	146, 150	7021610 .....	539, 579	7029577 .....	823
70022538 .....	495, 511, 822	70022995 .....	146, 150	7022390 .....	539	7029578 .....	823
70022636 .....	269	70022996 .....	152	7022394 .....	539	7029692 .....	83, 143

# PART NUMBER INDEX

7029703.....126	77133139 . 479, 481, 483, 604	77363128 . 241, 243, 245, 247, 249, 251, 253, 255, 257, 259, 261, 415, 419, 423	8035180.....329
7029714.....143	77133140 16, 21, 93, 105, 110, 465, 475, 477, 479, 481, 483, 604	77363225 ..... 613, 615	8035322.....495, 511
7029755.....609, 611	77133145 ..... 671	77363228 .. 411, 617, 791	8035393.....368
7029760....503, 507, 527, 585, 593	77133146 ..... 105	77363232 .. 411, 623, 791	8035477.....363
7029814.....527	77133168 ..... 16, 21, 105, 455, 465, 475, 477, 479, 483	77363233 ..... 623	8035500.....381
7029815.....507, 527	77133177 16, 21, 93, 110, 465, 475, 477, 479, 481, 483	77363246 ..... 617	8035523.....345
7029816.....527	77133196 . 209, 212, 216, 229, 232, 236, 239, 420, 423, 447, 451	77363263 ..... 613	8035536.....591
7029817.....527	77133197 ..... 473	77363264 ..... 613, 615	8035642.....368
7029936.....503	77133201 .... 93, 104, 109	77363267 ..... 807, 809	8035818.....823
7029937.....503	77133209 . 450, 671, 673, 712, 716, 788, 793	77363268 . 350, 354, 358, 378, 381, 613, 615, 703, 707, 740, 744, 748	8035819.....823
7029950.....503	77133248 ..... 727	77363302 ..... 703, 707	8035831.....152
7029951.....503	77133269 ..... 104	77363302 ..... 703, 707	8035862.....591
7029952.....503	77133270 ..... 97	77363345 ..... 791	8035863.....591
7029953.....503	77133279 . 443, 447, 451, 457	77383154 . 281, 283, 285, 287	80363036.. 408, 776, 798
7029954.....503	77133306 . 443, 447, 451, 455, 479, 481, 483	77383377 . 208, 228, 607, 609, 611, 823	8036394.....497
7029955.....585	77133389 ..... 475, 477	77383410 . 620, 702, 706, 776, 798	80364009.....347, 369
7029956.....585	77133390 . 443, 447, 451, 455, 475, 477, 479, 481, 483	77383467 . 373, 375, 703, 707, 807, 809	80364012.....369
7029957.....585	77133447 . 155, 159, 163, 167, 171, 175, 179, 183, 187, 191, 195, 241, 243, 245, 247, 249, 251, 253, 255, 257, 259, 261, 415, 419, 423, 443, 447, 451	77383470 . 350, 354, 358, 373, 375, 620, 668, 703, 707, 740, 744, 748, 764, 807, 809	80364023.....368
7029958.....585	77133458 ..... 104	77383540 . 350, 354, 358, 740, 744	80364024.....363
7029959.....507, 527	77133497 ..... 105, 450	77383567 ..... 601	80364063.....368
7029960.....507	77133498 . 105, 385, 389, 393, 450	77383580 ..... 305	8036581.....579
7029961.....507	77133499 .. 105, 385, 389	77383744 . 350, 354, 358, 375, 740, 744, 748	8036629.....529
7029968.....527	77143003 15, 19, 23, 275, 277, 371, 473, 601, 703, 707	77383790 . 281, 283, 285, 287, 289	8036654.....347
7029974.....507	77143004 . 275, 350, 354, 358, 740, 744, 748	77384578 ..... 371, 823	8036668.....369
7029975.....507	77143006 . 15, 16, 20, 21, 23, 24, 105, 275, 277, 279, 350, 354, 358, 371, 601, 604, 671, 673, 703, 707, 740, 744, 748, 788, 817	77384830 ..... 269	8036669.....368
7029976.....585	77143013 16, 20, 23, 104, 133	77385131 ..... 105	8036670.....368
7029977.....585	77143015 ..... 89, 91, 523, 601	80263012 ..... 138	8036678.....363, 368
7029979.....585	77143017 .. 350, 354, 358	80264031 ..... 368	8036750.....529
7029980.....527	77163102 .. 350, 354, 358	80264032 ..... 345	8037146.....521
7029995.....589	77163204 .. 620, 668, 764	80264033 ..... 363	80373025.....172, 192
7029996.....122, 126	77333027 . 627, 631, 639, 642, 646	80264034 ..... 345, 363	80373046... 354, 358, 744
7029997.....122, 126	77333053 ..... 133	80264035 ..... 347	80373088.....691
7062922.....129	77363079 ..... 97	80264061 ..... 362, 363	80373090.....295
7075611.....663	77363126 ..... 473	80264062 ..... 363	80373091... 172, 192, 295
7096552.....503		80264066 ..... 362	80373092... 172, 192, 295
7110702.....129		80264074 ..... 363	80373093.....295
7110712.....129		80264078 ..... 363	80373094.....293, 295
7110722.....129		80264082 ..... 363	80373095.....295
7112642.....113		80264091 ..... 364	80374015.. 263, 265, 267, 821
7114941.....113		80264111 ..... 347	80374019.....267
71492131.....23		80264140 ..... 405	80374020... 263, 265, 267
71492134.....23		80333162 ..... 321	80374021... 263, 265, 267
72071980..155, 159, 163, 167, 171, 175, 179, 183, 187, 191		80334103 ..... 561	80374048... 263, 265, 267
72088049.....65		8033686 ..... 86, 87	80374050... 263, 265, 267
7301448.....604		8033690 ..... 86	80374054... 263, 265, 267
7301524.....604		8033691 ..... 86	80375012.....691
7301525.....604		8033692 ..... 86	80384185.....363, 369
7301893.....604		8033693 ..... 86	80384187.....363, 369
77133029..671, 673, 712, 716, 788, 793		8033698 ..... 87	80384191.....363, 369
77133052..427, 431, 435, 450, 459, 671, 673, 712, 716, 788, 793		8033786 ..... 591	80384204.....362
77133053..427, 431, 435, 450, 671, 673, 712, 716, 788, 793		8033866 ..... 368	80384207.....362
77133073.....459		8034815 ..... 368	80384218.....369
77133136.....97, 455, 479			80434095.....567
77133137.....97, 443, 447, 451, 455, 457, 467, 469, 471, 479, 481, 483, 620			8050001.....32, 517, 519



## PART NUMBER INDEX

80673023 .....	105, 483	192, 200, 204, 209,	83191035..	155, 159, 163,	83683308 .....	275, 277
80683013 .....	216, 236	215, 220, 224, 229, 235	167, 175, 179, 183, 187	167, 175, 179, 183, 187	83683363 .....	411, 791
80683073 ..	354, 358, 744	8220524 .....	83191038..	156, 160, 164,	83683549 .....	106
80903009 .....	133	8220553 .....	168, 176, 180, 184,	188, 212, 232	83783030 .....	171, 191
80904003 .....	823	8220883 .....	171, 191	83191039.....	83793054 .....	39, 525
80914235 .....	557	8225122 .....	83191040.....	215, 235	83924121 .....	567
80914241 .....	557	8229260 .....	83191041..	155, 159, 163,	83924123 .....	557
80933066 ...	31, 442, 446,	82651133 .....	167, 175, 179, 183, 187	167, 175, 179, 183, 187	83953028 .....	587
450		8270147 .....	83191043.....	171, 191	8405007 .....	748
80933070 .	241, 251, 415,	8270148 .....	83191049.....	172, 192	8405201 .....	279
419		8270621 .....	83191059.....	401	8410013 .....	195
80933123 .	451, 467, 469,	8273029 .....	83201006.....	27, 32	8420053 ....	115, 127, 129
471, 479, 481, 483		8273257 ...	83201011.....	63	8420055 ....	115, 127, 129
80933140 .....	481, 483	287, 289	83201021.....	31	8430048 .....	748
80933367 .....	289	8275247 .....	83201024....	93, 104, 109	8430054 .....	795
80934035 .....	539	8303545 .....	83201026....	93, 104, 109	8430083 .....	795
80934037 .....	696	8303626 .....	83201035.....	63, 65	8430084 .....	795
80934080 .....	557	8303634 .....	83201038.....	47	84521056 .....	275, 277
80934082 .....	561	8303715 .....	83201039.....	47	84521062 .....	89, 91
80934202 .....	545	8305012 .....	83201039.....	47	8466306 .....	16, 20, 23
80934205 .....	565	8305624 .....	83201057.....	573	84711333 .	199, 203, 209,
80934241 .....	405	8305643 .....	83201073...368, 673, 788		211, 215, 219, 223,	
80934340 .....	561	8305644 .....	83201111.....	368	229, 231, 235, 415,	
80934423 .....	545	8305645 .....	83201115...442, 446, 450		419, 423	
80934498 .....	405	8305647 .....	83201123....	57, 493, 495	84711334 .	155, 159, 163,
80934656 .....	405, 822	8307007 .....	83201135..	155, 159, 163,	167, 171, 175, 179,	
80934658 .....	405	8307028 .....	167, 171, 175, 179,		183, 187, 191, 195,	
80934671 .....	547	8307112 .....	183, 187, 191, 199,		415, 419, 423	
80963050 .....	702, 706	8307113 .....	203, 208, 211, 215,		84712737 ..	442, 446, 450
80963055 .....	702, 706	8307219 .....	219, 223, 228, 231,		84712738 .	155, 159, 163,
80963056 .....	702, 706	83073828 .....	439, 442, 446		167, 171, 175, 179,	
80963057 .	350, 354, 358,	8307904 .....	83201140.....	27, 767	183, 187, 191, 195,	
609, 611, 613, 615,		8307916 .....	83201144....	27, 31, 767	199, 203, 208, 211,	
740, 744, 748		8307917 .....	83201149.....	716	215, 219, 223, 228,	
80963058 .	156, 160, 164,	8307918 .....	83201154.....	368	231, 235, 239, 439,	
176, 180, 184, 587,		8310067 .....	83201155..	199, 203, 208,	442, 446, 451	
607, 609, 611		8310093 .....	211, 215, 219, 223,		84712739 .....	439
80963059 .....	615	8310160 .....	228, 231, 235, 439,		84712746 .....	271, 273
80963060 .....	696, 802	8310161 .....	443, 447, 451		84716148 .	712, 716, 793,
80963062 .	671, 673, 702,	8310705 .....	83201158.....	16, 21, 811	795	
706, 788		83191004 .	83201172.....	35, 37	84716434 .....	89, 91
80963065 .	156, 160, 164,	167, 175, 179, 183,	8320270....	156, 160, 164,	84716719 .....	431, 435
176, 180, 184, 587,		187, 199, 203, 209,	165, 168, 176, 180,		84717295 .....	802
607, 613, 615, 671,		211, 219, 223, 229, 231	184, 188		84717304 .	416, 420, 424,
673, 788		83191005 .	83421139...427, 431, 435		443, 447, 450	
80963066 .	671, 673, 702,	212, 215, 220, 224,	83451104.....	79	84717306 .....	696
706		229, 232, 235	83481285.....	613	84717519 .....	473
80963067 .	350, 354, 358,	83191006 .	83481286.....	613, 615	84717537 .....	105, 696
617, 740, 744, 748		199, 203, 208,	83481645.....	45	84717556 .....	673, 788
80963068 .	350, 354, 358,	211, 215, 219, 223,	83483497..	199, 203, 208,	84717560 .....	671
609, 611, 613, 615,		228, 231, 235	219, 223, 228		84717594 .....	471
702, 706, 740, 744, 748		83191010 .	83483584.....	317	84717640 .....	86
80963069 .	156, 160, 164,	167, 171, 175, 179,	8360005.....	748	84717644 .....	79
176, 180, 184, 587,		183, 187, 191, 199,	83621283.....	493, 495	84717778 .....	105
607, 696, 702, 706,		203, 209, 211, 219,	83623032...428, 432, 436		84717835 .....	427
788, 802		223, 229, 231, 604	83633002.....	385	84717846 ..	712, 716, 793
80963101 .	350, 354, 359,	83191012 .	83651133.....	435	84717871 .....	105
375, 378		155, 159, 163,	83662017.....	442, 446	84717893 .....	696
80974021 .....	523	167, 175, 179, 183, 187	83683085..	350, 354, 358,	795	
82033995 .....	740	203, 208, 211, 215,	378		84718046 .	712, 716, 793,
82033996 .	350, 354, 358,	219, 223, 228, 231, 235	83683175..	199, 203, 208,	795	
411, 702, 706, 707,		83191021 .	211, 219, 223, 228,		84718047 .....	104
740, 744, 748, 791, 807		199, 203, 208,	231, 297		84718067 .....	93, 109
8205655 .....	591	211, 215, 219, 223,	83683181.....	381	84718077 .....	439
82092118 .	155, 159, 163,	228, 231, 235	83683254.....	609	84718164 ..	427, 431, 435
172, 175, 179, 183,		83191032 .	83683291.....	15, 19, 23	84718189 .....	471
		155, 159, 163,			84718201 ..	416, 420, 424
		167, 171, 175, 179,				
		183, 187, 191				

# PART NUMBER INDEX

84718202.....467, 469	84718894.....457	8580315.....129	8780264.....339
84718294.....471	84718929.....439	8584001.....129	8786514.....337, 339, 341
84718355...443, 447, 450	84718945 . 416, 420, 428, 432	85841150.....604	88201001.....587
84718372...461, 463, 820	84718947 . 416, 420, 424, 427, 431, 435	85941016 . 275, 277, 371, 483	88201002.....702, 706
84718373...461, 463, 820	84718948.....457	85941017 . 155, 159, 163, 167, 175, 179, 183, 187, 601, 604, 702, 706	88201003..350, 354, 358, 385, 389, 393, 397, 587, 740, 744, 748
84718377.....473	84718951.....467, 469	85941018.....354, 358	88201004.....817
84718385..485, 676, 686, 756, 760, 772, 780, 783, 799	84718955.....471	86081050.....133	88201005....97, 408, 620, 668, 764, 776, 798, 799
84718425..200, 204, 220, 224, 415, 443	84718956 . 209, 229, 427, 431, 435	86121186.....716	88201006.....97, 451
84718427.....712, 716	84718961.....475, 477	8642207.....129	88201007...104, 393, 450
84718557..485, 676, 686, 756, 760, 772, 780, 783, 799	84718968..427, 431, 435	86541381..271, 273, 821	88201008....93, 105, 109, 385, 389, 393, 416, 420, 443
84718614.....443, 447	84718979.....427, 431	86621230.....16, 21, 465, 671, 673, 702, 706, 788	88201010.....427, 431
84718615.....443, 447	84718999..427, 431, 439	86661147..106, 702, 706	88201012..408, 676, 683, 696, 751, 756, 780
84718625...416, 420, 424	84719000 . 427, 431, 435, 671	86661149.....702, 706	88201015.....802
84718635...427, 431, 435	84719018 . 461, 676, 686, 772, 799	86661152.....702, 706	88201016.....15
84718639..199, 203, 208, 211, 215, 219, 223, 228, 231, 235, 239, 415, 419, 423	84719040.....465	86671187.....354, 358	88201017..620, 668, 764, 799
84718672...467, 469, 471	84719042.....467	86681572.....27, 32	88201018..277, 279, 408, 776, 798
84718673.....467	84719057.....467, 469	86683088.....63	88201019..408, 555, 720, 776, 798, 802
84718680.....475, 477	84719066.....459	86683122 16, 21, 23, 389, 393, 401, 411, 702, 706, 791	88201020.....15, 20, 155, 159, 163, 167, 175, 179, 183, 187, 216, 235, 275, 485, 489, 676, 686, 756, 760, 772, 780, 783, 799
84718682.....475	84719075 . 463, 485, 489, 756, 760, 780, 783	86683193 . 350, 354, 358, 740, 744	88201021 21, 75, 79, 285, 287, 289, 389, 393, 461
84718685..485, 489, 676, 686, 757, 760, 772, 776, 780, 783, 798	84719093.....793, 795	86683480 ... 21, 106, 350, 354, 358, 381, 411, 702, 791, 807, 809	88201022..385, 389, 393, 465
84718686..485, 489, 676, 686, 756, 760, 772, 776, 780, 783, 798	84719115.....455	86881273.....65	88201023....97, 443, 447, 457, 467, 469, 471, 479, 481, 621
84718687.....390, 394	84719143.....439	86881276.....65	88201024.....105
84718688...385, 389, 393	84719163.....802	86881421.....313, 315	88201025.....104
84718689...386, 390, 394	84719166.....802	86883074.....171, 191	88201027.....79, 531
84718690...386, 390, 394	84719167.....802	86883075 . 155, 159, 163, 167, 175, 179, 183, 187, 607, 609	88201033...281, 283, 401
84718691...386, 390, 394	84719170.....450	86883106 . 156, 160, 164, 168, 172, 176, 180, 184, 188, 192, 200, 204, 209, 212, 216, 220, 224, 229, 232, 236, 271, 273, 275	88201034 63, 65, 97, 275, 461
84718692..467, 469, 471, 531	84719196.....783	86883260.....702, 707	88201035..27, 63, 65, 75, 79, 275, 277, 401, 443, 447, 450, 569, 720, 767
84718695.....475	84719224.....475, 477	86883327.....275, 277	88201036.....75, 79, 199, 203, 209, 211, 215, 219, 223, 229, 231, 235, 277, 415, 419, 423, 555, 569
84718696.....475	84719378.....673, 788	86921268.....27, 767	88201037....86, 275, 277, 569
84718700..200, 204, 209, 212, 215, 220, 224, 229, 232, 235, 239, 415, 419, 423, 442, 446, 451	84719378.....673, 788	86981533.....281, 283	88201040.....89, 91, 475, 477
84718701...415, 419, 423	84719415.....450	86983188.....381	88201045.....523
84718728.....461, 463	84719416.....450	86983193.....411, 791	88201047.....485, 671
84718735.....473	84719447 . 420, 424, 446, 450, 481, 483	86983649 . 156, 160, 164, 168, 176, 180, 184, 188	88201050.....15, 20
84718736.....473	84719575 . 668, 676, 712, 716, 772, 799	86984451.....311	88201051..155, 159, 163, 167, 171, 175, 179, 183, 187, 191, 415, 419, 423
84718737.....475, 477	84719847.....455	86984452.....311	88201063.....63
84718739...442, 446, 450	84719976.....477	86984559.....609, 611	
84718740...442, 446, 450	84719977.....469	8760268 . 89, 91, 93, 104, 109, 259, 261, 427, 431, 435, 467, 469, 471, 475, 477, 555	
84718741...442, 446, 450	84719978.....469	8765204 .... 94, 104, 110, 427, 431, 435, 471, 485, 489, 490, 531, 555, 581, 735, 737, 795	
84718743...427, 431, 435	84719980.....424, 436	8769132.....129	
84718745..156, 160, 164, 176, 180, 184, 427, 431, 435	84719984.....477	8770016.....129	
84718751.....416, 442	84721049 . 463, 756, 760, 764, 780, 793, 820	8770064.....195	
84718752.....416, 442	84721052.....450	8780031.....339	
84718845.....439	84721053.....450	8780045.....339	
84718847.....696	84721060.....471		
84718860.....471	8500066.....809		
84718868...461, 686, 820	85051384.....671		
84718893.....457	85071128.....275, 277		
	85101098.....28		
	8520021.....529		
	85211088.....15, 19, 23		
	8530030.....239		
	85401340 ... 31, 442, 446, 452		
	85403040.....63		
	85611274 . 668, 702, 707, 764, 799		
	85611278.....275, 277		

## PART NUMBER INDEX

8820106539, 89, 91, 199, 203, 208, 211, 215, 219, 223, 228, 231, 235, 493, 505, 509, 583, 671, 673, 788	88301077 ..... 15	88521210.....32	88561009.. 350, 354, 358
88201066 . 573, 583, 585, 671, 673, 788	88301088 . 620, 668, 764, 776, 798	88521304..408, 473, 620, 668, 676, 683, 751, 756, 764, 780, 799	88561011..... 15, 19
88201070 . 475, 477, 712, 793	88301093 .. 671, 673, 788	88521306.....27, 31, 767	88561105... 57, 208, 228, 607, 609, 611, 620, 668, 764, 777, 798
88201073 ..... 75, 79, 485	88301193 .. 15, 19, 23, 57	88521308.....485, 489	88561107..... 16, 20, 385, 389, 393, 427, 431, 587, 668, 696, 702, 706, 764, 799
88201075 . 156, 160, 164, 167, 176, 180, 184, 187	88321022 .. 702, 706, 809	88521310..71, 89, 91, 93, 109	88561108..... 45, 79, 104, 155, 159, 163, 167, 171, 175, 179, 183, 187, 191
88201095 . 155, 159, 163, 167, 171, 175, 179, 183, 187, 191, 271	88321029 ..... 371	88521604..... 15, 19, 23	88561109. 45, 49, 53, 63, 65, 89, 91, 199, 203, 208, 211, 215, 219, 223, 228, 231, 235, 275, 277, 461
88201096 ..... 79	88341022 ..... 71, 99, 119	88551007 15, 19, 23, 208, 228, 607, 609, 611, 671, 673, 788	88561111. 156, 160, 164, 168, 176, 180, 184, 188, 199, 203, 209, 211, 215, 219, 223, 229, 231, 235, 493, 583, 585, 671, 673, 788
88201105 . 71, 89, 91, 93, 109	88441001 ..... 389	88551009.. 104, 350, 354, 358, 385, 389, 393, 397, 408, 409, 416, 420, 427, 431, 443, 587, 668, 686, 696, 702, 706, 740, 744, 748, 753, 760, 764, 776, 798, 799, 802, 817	88561113... 79, 171, 191, 403, 709, 784
88201106 ..... 171, 191	88501004 . 350, 354, 358, 378, 385, 409, 427, 431, 435, 587, 668, 696, 702, 707, 764, 798, 799, 817	88551010.. 104, 275, 285, 287, 289, 385, 389, 393, 408, 461, 485, 489, 555, 620, 668, 676, 686, 720, 756, 760, 764, 772, 776, 780, 783, 798, 799, 802	88561115..... 702, 706
88201108 ..... 702, 706	88501005 .... 75, 79, 105, 275, 285, 385, 389, 393, 408, 461, 463, 485, 489, 531, 676, 686, 756, 760, 772, 776, 780, 783, 798, 799	88551011..27, 31, 63, 65, 86, 89, 91, 97, 110, 200, 204, 209, 212, 215, 220, 224, 229, 232, 235, 241, 243, 245, 247, 249, 251, 253, 255, 257, 259, 275, 277, 281, 283, 401, 415, 419, 423, 442, 443, 446, 447, 450, 461, 475, 477, 555, 569, 671, 673, 720, 767, 788	88581136.... 93, 104, 109
88201112 . 241, 243, 245, 247, 249, 251, 253, 255, 257, 259	88501006 . 27, 31, 75, 79, 86, 110, 555, 569, 671, 673, 767, 788	88551012..... 47	88581149..... 63, 65, 485, 489, 497, 499, 501, 503, 676, 686, 756, 760, 772, 780, 783, 799
88201143 ..... 15, 19	88501007 ..... 15, 20	88501010 ..... 79	88581303.. 385, 393, 811
88201532 . 45, 47, 49, 51, 53, 55, 63, 65	88501008 .... 75, 79, 461, 463, 475, 477, 485, 489, 569, 620, 668, 676, 686, 712, 716, 756, 760, 764, 772, 780, 783, 793, 795, 799	88501012 ..... 47	88581313..... 63, 65
88201533 ..... 47	88501016 .. 63, 65, 89, 91	88501016 ..... 75, 79	88581323..... 27, 767
88201534 . 45, 47, 49, 51, 53, 55, 63, 65, 89, 91	88501106 ..... 75, 79	88501108 . 461, 463, 485, 489, 620, 668, 676, 686, 712, 716, 756, 760, 764, 772, 780, 783, 793, 795, 799	88581325..... 31
88201562 ..... 49, 51	88501008 ..... 75, 79, 461, 463, 475, 477, 485, 489, 569, 620, 668, 676, 686, 712, 716, 756, 760, 764, 772, 780, 783, 793, 795, 799	88501110 ..... 28, 31, 768	88591009..... 727
88201565 ..... 49, 51, 53	88501010 ..... 79	88501112 ..... 411, 791	88591011..... 172, 192
88201569 ..... 47	88501012 ..... 47	88501314 ..... 63, 65	88591012.. 475, 477, 541
88201570 ..... 45, 47	88501016 .. 63, 65, 89, 91	88501404 . 408, 409, 686, 753, 760, 776, 777, 798	88591019..... 27, 767
88201608 ..... 45, 47	88501106 ..... 75, 79	88501405 .. 385, 389, 393	88591024 . 200, 204, 209, 212, 220, 224, 229, 232, 415, 419, 423
88201616 ..... 305	88501108 . 461, 463, 485, 489, 620, 668, 676, 686, 712, 716, 756, 760, 764, 772, 780, 783, 793, 795, 799	88501406 .. 385, 389, 393	88591027. 155, 159, 163, 167, 171, 175, 179, 183, 187, 191, 415, 419, 423
88204912 ..... 16, 20	88501110 ..... 28, 31, 768	88501408 . 385, 389, 393, 533	88591032..... 27, 767
88211028 . 208, 228, 607, 609, 611	88501112 ..... 411, 791	88501416 ..... 27, 767	88591104..... 27, 767
88211030 .. 350, 354, 358	88501314 ..... 63, 65	88501610 ..... 702, 706	88591202..... 321, 439
88211034 ..... 731	88501404 . 408, 409, 686, 753, 760, 776, 777, 798	88501612 15, 19, 23, 208, 228, 607, 609, 611	88591204 . 109, 200, 204, 209, 212, 215, 220, 224, 229, 232, 235, 241, 243, 245, 247, 249, 251, 253, 255, 257, 259, 305, 415, 419, 423, 427, 431, 435, 439, 442, 446, 450, 467, 469, 471, 696, 802
88211044 . 408, 409, 751, 753, 776, 798	88501405 .. 385, 389, 393	88501613 ..... 15, 19, 23	88591205 . 109, 305, 385, 579, 581, 671, 673, 788
88211068 ... 31, 241, 243, 245, 247, 249, 251, 253, 255, 257, 259	88501406 .. 385, 389, 393	88501616 ..... 401	88591206... 80, 155, 159, 163, 167, 171, 175, 179, 183, 187, 191, 195, 385, 415, 419,
88211083 ..... 39, 525	88501408 . 385, 389, 393, 533	88521008 . 156, 160, 164, 168, 176, 180, 184, 188	
88211121 ..... 27, 767	88501416 ..... 27, 767	88521010 .... 45, 172, 192	
88212228 . 385, 389, 393, 545	88501610 ..... 702, 706	88521016 .. 35, 37, 89, 91	
88212272 ..... 31	88501612 15, 19, 23, 208, 228, 607, 609, 611	88521020 ..... 32	
88212285 ..... 32	88501613 ..... 15, 19, 23	88521204 ..... 16, 20	
88212287 ..... 47	88501616 ..... 401	88521205 . 155, 159, 163, 167, 175, 179, 183, 187, 216, 236	
88212321 ..... 28, 31, 768	88521008 . 156, 160, 164, 168, 176, 180, 184, 188	88521206 .. 275, 277, 525	
88221051 ..... 720	88521010 .... 45, 172, 192	88521208 ..... 28, 768	
88241053 ..... 110	88521016 .. 35, 37, 89, 91		
88261011 ..... 389, 393	88521020 ..... 32		
88261014 ..... 16	88521204 ..... 16, 20		
88261017 . 385, 473, 627, 631, 633, 636, 639, 642, 646, 650	88521205 . 155, 159, 163, 167, 175, 179, 183, 187, 216, 236		
88261020 ..... 21, 23	88521206 .. 275, 277, 525		
88261022 ..... 371	88521208 ..... 28, 768		
88261026 ..... 499, 501			
88261039 ..... 451			
88301073 ..... 19, 23			

# PART NUMBER INDEX

424, 427, 431, 435, 442, 446, 451, 463, 579	255, 257, 427, 431, 435, 442, 446, 451	90027471 . 45, 47, 49, 51, 53, 55, 712, 716, 793, 795	90202405.....559
88591207..199, 203, 208, 211, 216, 219, 223, 228, 231, 236, 241, 243, 245, 247, 249, 251, 253, 255, 257, 259, 431, 435, 439, 442, 446, 450, 459, 677, 756, 773, 799	88662242 . 241, 243, 245, 247, 249, 251, 253, 255, 257, 427, 431, 435, 443, 447, 451	90027472 ..... 63, 65, 155, 159, 163, 167, 171, 175, 179, 183, 187, 191, 195	90202406.....559
88591209.....523, 577	88662332 . 199, 203, 208, 211, 215, 219, 223, 228, 231, 442, 446	90027473 ..... 45, 47, 241, 243, 245, 247, 249, 251, 253, 255, 257, 259, 261, 305, 321	90202407..... 89, 91
88591210..241, 243, 245, 247, 249, 251, 253, 255, 257, 259, 415, 419, 555	8866334 ..... 363, 369	90027684 ..... 397	90204097..... 93, 104, 109
88591508...442, 446, 451	88671001 . 27, 32, 39, 41, 45, 63, 75, 79, 97, 115, 450, 493, 509, 513, 570, 673, 767, 788	90027906 . 200, 204, 209, 212, 215, 220, 224, 229, 232, 241, 243, 245, 247, 249, 251, 253, 255, 257, 439	90204244..686, 716, 772, 783, 799
88631301...397, 709, 772	88671008 ..... 57, 93, 104, 109, 671	90028482 . 243, 245, 247, 249, 253, 255, 257, 259, 261, 415, 419, 423	90204245..686, 716, 772, 783, 799
88631302...408, 776, 798	88671018 ..... 104	90028488 ..... 301	90205121.....79
88631338...403, 709, 784	88671022 . 27, 89, 91, 93, 109, 767	90028631 ..... 289	90205126.....97
88631343.....97	88701021 ..... 31	90028662 . 403, 409, 709, 776, 784, 798	90205792..155, 159, 163, 168, 171, 175, 179, 183, 188, 191, 195, 200, 204, 209, 212, 215, 220, 224, 229, 232, 235, 239, 439, 442, 446, 451
88631449....93, 104, 110, 133	88711280 ..... 31	90028695 . 241, 243, 245, 251, 253, 255	90205870..45, 49, 53, 89, 91, 820
88633001..397, 408, 776, 798	88711283 ..... 271, 273	90028740 ..... 31	90205891.....35, 37
88661010.....89, 91	88711383 ..... 350, 740	90028935 ..503, 513, 515	90205918.....275, 277
88661011...712, 716, 793	88711385 . 199, 203, 208, 211, 219, 223, 228, 231	90028977 . 156, 160, 164, 176, 180, 184	90206169..350, 354, 358, 744
8866101379, 86, 93, 105, 109	88711570 ..... 172, 192	90028990 ... 79, 712, 716, 793, 795	90206170.....748
88661016.....86	88712034 ..... 350	90029955 . 350, 354, 378, 702, 706, 807	90206194.....15, 19
88661084.....475	88712304 . 676, 686, 756, 760, 772, 780, 783, 799	90029999 ..... 97	90206196....23, 473, 811
88661085.....756, 793	88821002 .. 408, 776, 798	90030271 . 155, 159, 163, 167, 175, 179, 183, 187, 275	90206198.....817
88661110.....97	88821004 .. 385, 389, 393	90030284 ..... 385, 389	90206199.....23
88661113...712, 716, 793	88971004 ..... 523	90200440 ..... 317	90206202.....811
88661180.....86	89981036 ..... 702, 706	90200445 ... 45, 653, 655, 657, 659, 661	90206417.....577
88661341.....467, 469	90020247 ..... 28, 32	90200602 ..... 815	90207204.....317
88661365...428, 432, 436	90021552 . 403, 709, 772, 783	90200638 . 403, 709, 773, 783	90207458.....15, 19, 23
88661406.....467, 469	90021705 . 671, 673, 788, 807	90200680 .. 350, 354, 358	90207463..461, 463, 485, 489, 676, 686, 756, 760, 772, 776, 780, 783, 798, 799
88662008...427, 431, 435	90022042 ..... 467, 469	90200688 ... 45, 653, 655, 657, 659, 661	90207464..712, 716, 793, 795
88662037.....461	90022230 ..... 593	90200755 15, 19, 23, 275, 277	90207661..620, 668, 764, 799
88662059.....385	90023159 .. 443, 447, 451	90200807 ..... 291	90207662.....105
88662064.....435	90026491 ... 45, 653, 655, 657, 659, 661	90201414 ..... 291	90207719...105, 696, 802
88662065..671, 673, 788, 793	90026803 ..... 609	90201443 ... 97, 712, 716, 793, 795	90207856.....385
88662070..427, 431, 435, 555	90026965 ..... 79	90201918 ..... 28, 768	90207879.....573
88662084..241, 243, 245, 247, 249, 251, 253, 255, 257, 439, 696	90027176 . 676, 686, 712, 716, 760, 772, 799	90202230 ..... 401	90207880.....79
88662086.....463	90027180 . 676, 686, 756, 760, 772, 799	90202371 ..... 559	90207882....79, 712, 716, 793, 795
88662105..241, 243, 245, 247, 249, 251, 253, 255, 257, 416, 420, 424, 443, 447, 451	90027187 . 155, 159, 163, 167, 175, 179, 183, 187, 200, 204, 209, 212, 220, 224, 229, 232, 411, 443, 447, 450, 467, 469, 471, 473, 485, 489, 620, 668, 671, 673, 676, 686, 712, 716, 757, 760, 764, 772, 776, 780, 783, 788, 791, 793, 795, 798, 799	90202372 ..... 559	90207884.....75, 79
88662106..305, 442, 446, 467, 469, 677, 712, 716, 756, 772, 793, 798	90027214 . 358, 702, 706, 807	90202376 ..... 559	90207902.....57, 820
88662120..386, 427, 431, 435	90027319 . 350, 354, 702, 706, 807	90202379 ..... 559	90208143.....569
88662121.....450	90027470 .. 47, 51, 55, 65	90202399 ..... 559	90208148.....569
88662224.....228		90202403 ..... 559	90208181.....569
88662239..241, 243, 245, 247, 249, 251, 253, 255, 257, 442, 446, 451		90202404 ..... 559	90208187.....569
88662240..241, 243, 245, 247, 249, 251, 253,			90208211.....573

## PART NUMBER INDEX

90403437 .....	75, 79	90554020 ...	83, 118, 122, 126	90555024 .....	133	91034153 .	493, 505, 509, 525
90451020 .....	109	90554021 ..	118, 122, 126	90556020 .....	133	91034156 .....	733
90451039 .....	86	90554022 .....	118, 122	90600273 .....	401	91034157 .....	729
90451047 .....	75, 79	90554023 .....	118	90600390 .....	131	91034161 .....	720
90451053 .....	75	90554024 ..	118, 122, 126	90601015 .....	131	91034162 .....	720
90451058 .....	71, 89	90554025 ..	118, 122, 126	90601819 .....	131	91034163 .....	719
90451060 .....	104	90554026 ..	118, 122, 126	90602706 .....	575	91034164 .....	719
90451061 .....	105	90554027 ..	118, 122, 126	90602904 .....	75, 79	91034165 .....	720, 723
90453002 .....	131	90554028 .....	118, 122	90602905 .....	75, 79	91034166 .....	719, 724
90453013 .....	109	90554029 .....	118	91003016 ..	653, 655, 657, 659, 661, 663	91034167 .....	720, 724
90453018 .....	105	90554030 .....	118	91003018 ..	653, 655, 657, 659, 661, 663	91034168 .....	719
90453019 .....	104	90554031 .....	118	91003020 ..	653, 655, 657, 659, 661, 663	91034169 .....	719, 723
90453020 .....	105	90554032 .....	118	91003020 ..	653, 655, 657, 659, 661, 663	91034170 .....	720
90453021 .....	105	90554033 .....	118	91003030 .....	639	91034171 .....	720, 723
90453023 .....	104	90554034 .....	118, 122	91003031 ..	45, 653, 655, 657, 659, 661	91034172 .....	719, 724
90453030 .....	86	90554035 .....	118, 126	91003031 ..	45, 653, 655, 657, 659, 661	91034173 .....	719, 724
90453033 .....	105	90554037 .....	118	91014038 .....	723	91034174 .....	720, 724
90453034 .....	729	90554038 ..	118, 122, 126	91014055 .....	724	91034175 .....	720, 724
90453039 .....	69	90554039 ..	118, 122, 126	91014058 .....	559	91034176 .....	719, 724
90453040 .....	75	90554040 ..	118, 122, 126	91014066 ..	503, 507, 527	91034177 .....	719, 723
90453041 .....	75	90554041 .....	118	91023006 ..	639, 642, 646, 650	91034178 .....	719, 724
90453043 .....	104	90554042 ...	83, 118, 122, 126	91031014 .....	35, 37	91034179 .....	719, 723
90453044 .....	104	90554043 ..	118, 122, 126	91031040 .....	423	91034180 .....	719, 724
90453045 .....	131	90554044 ..	118, 122, 126	91031236 ..	45, 47, 49, 51, 53, 55, 89, 91, 820	91034181 .....	719
90453046 .....	105	90554045 .	118, 122, 126, 589, 597	91031271 .....	86	91034182 .....	720, 723
90453048 .....	131	90554046 .....	118, 589	91031521 ..	350, 354, 358, 740, 744, 748	91034183 .....	720
90453049 .....	569	90554049 .....	118, 122	91033029 .....	15, 20	91034184 .....	719
90454001 .....	105	90554051 .....	118, 123	91033038 .....	57, 93, 105, 109, 133	91034185 .....	719
90454002 .....	105	90554052 .....	118, 122	91033039 ..	93, 105, 109, 133	91034186 .....	719
90454003 .....	105	90554053 .....	118, 122	91033089 ..	627, 631, 633, 636, 639, 642, 646, 650	91034187 .....	719
90455011 .....	75	90554054 .....	83, 118	91033102 .....	16	91034188 .....	720
90455012 .....	79	90554055 .....	118, 122	91033104 .....	337	91034189 .....	720
90455035 .....	86	90554056 .	118, 119, 122, 126	91033137 .....	275, 277	91034190 .....	719
90455037 .....	86	90554057 ..	118, 123, 126	91033138 ..	385, 389, 393, 451	91034191 .....	719
90455044 .....	93	90554058 ..	118, 123, 126	91033161 ..	712, 716, 793, 795	91034192 .....	719, 723
90455047 .....	104	90554059 ..	118, 123, 126	91033185 .....	45, 47, 820	91034193 .....	719, 723
90455049 .....	69	90554060 ..	119, 123, 126	91033186 ..	45, 47, 49, 51, 53, 55, 89, 91, 820	91034194 .....	719
90455051 .....	71	90554061 .....	119	91033187 .....	63, 65, 820	91034195 .....	720, 724
90455052 .....	71	90554062 ...	83, 119, 123, 143	91033196 .....	719	91034196 .....	719, 723
90551013 .....	71, 93	90554063 .....	119, 123	91033317 ..	371, 613, 615, 823	91034197 .....	719, 723
90553005 .....	131	90554064 ..	119, 123, 127	91033380 ..	702, 706, 807, 809	91034198 .....	719
90553008 .....	131	90554065 .	119, 123, 127, 143	91033387 .....	411, 791	91034199 .....	719, 724
90553012 .....	110	90554066 .....	119	91033425 ..	702, 706, 809	91034200 .....	719, 724
90553013 .....	110	90554067 ..	119, 122, 126	91033481 .....	31	91034201 .....	719, 723
90553014 .....	731	90554068 .....	122	91033483 .....	696, 802	91034202 .....	719
90553015 .....	731	90554069 ..	119, 123, 127	91033485 .....	15, 20	91034203 .....	719
90553018 .....	131	90554070 ..	119, 122, 126	91033487 .....	696	91034204 .....	719, 723
90553021 .....	118	90554071 ..	119, 123, 127	91034070 ..	550, 676, 756, 772	91034205 .....	720, 724
90553023 .....	731	90554072 ..	119, 123, 127	91034105 .....	550	91034206 .....	719, 723
90553024 .....	118	90554073 ..	119, 123, 126	91034107 .....	543	91034207 .....	720, 723
90553026 .	133, 653, 655, 657, 659, 661, 663	90554074 .....	119	91034118 .....	543	91034208 .....	719, 723
90553027 .	133, 627, 631, 633, 636, 639, 642, 646, 650	90554075 .....	119	91034139 ..	493, 505, 509	91034209 .....	720
90553028 .	134, 627, 631, 633, 636, 639, 642, 646, 650	90554076 ...	83, 119, 123, 143			91034210 .....	719
90553034 .....	133	90554077 .....	119			91034211 .....	719
90553036 .....	99	90554079 .....	99			91034212 .....	719
90554001 ..	133, 642, 646	90554080 .....	99, 101			91034213 .....	719
90554013 .....	133	90554088 .....	99, 101			91034214 .....	720
90554016 ....	83, 118, 143	90555008 .....	71			91034215 .....	719
90554017 .....	118, 143	90555013 .....	109			91034216 .....	719
90554018 .....	118, 143	90555020 .....	69			91034217 .....	719
90554019 .....	118					91034236 .....	549, 577

## PART NUMBER INDEX

91034374.....86, 105	91041732..... 27, 31, 767	91045152 .....28	91083173..... 15, 19, 23
91034375.....86, 105	91041733..... 27, 768	91046062 ..... 93	91083200.....555
91034376.....86, 87	91043084 ..... 337, 341	91047061 ..... 559	91083218..156, 160, 164, 165, 168, 172, 176, 180, 184, 188, 192, 199, 203, 208, 211, 216, 219, 223, 228, 231, 236
91034377.....86, 87, 106	91043120 ..... 620	91053020 .241, 243, 245, 247, 249, 251, 253, 255, 257, 259, 261, 439, 443, 447, 451	91083222..241, 243, 245, 247, 249, 251, 253, 255, 257, 415, 419, 423, 443, 447, 451
91034389.....333	91043125 .79, 89, 91, 93, 97, 105, 109, 147, 151, 485, 489, 657, 676, 686, 712, 716, 756, 760, 772, 780, 783, 793, 795, 799	91053419 .381, 671, 673, 788, 807, 809	91083240.....479
91034390.....333	91043126 .79, 86, 89, 91, 93, 97, 105, 109, 147, 151, 485, 489, 676, 686, 712, 716, 756, 760, 772, 780, 783, 793, 795, 799	91054002 .241, 243, 245, 247, 249, 251, 253, 255, 257, 259	91083248.....89, 91
91034392.....86	91043134 .653, 655, 657, 659, 661, 663	91063039 ..... 97, 451	91083249.....93, 110
91034393.....86	91043135 .653, 655, 659, 661, 663	91063040 ..... 97, 451	91083250.....297
91034394.....86	91043136 .653, 655, 657, 659, 661, 663	91064016 ..... 513, 733	91083262.....727
91034399.....104	91043146 ..... 337	91064017 .499, 501, 513, 583	91083266..199, 203, 208, 211, 215, 219, 223, 228, 231, 235, 239, 442, 446, 451
91034400.....104	91043150 ..... 297	91064021 ..... 559	91083301.....555, 822
91034404.....86	91043186 ..... 93, 109	91081176 ..... 35, 37	91083312...385, 389, 393
91034405.....87	91043199 .. 671, 673, 788	91081177 ..... 28, 32	91083314..627, 631, 633, 636, 639, 642, 646, 650
91034406.....87	91043214 .. 385, 389, 393	91081313 .39, 41, 63, 65, 89, 91, 505, 507, 509, 511	91083317..403, 627, 631, 633, 636, 639, 642, 646, 650
91034407.....87	91043221 ... 93, 104, 110, 133	91081415 ..... 27, 31, 767	91083318..403, 627, 631, 633, 636, 639, 642, 646, 650
91034408.....87	91043222 ..... 28, 32	91081445 .385, 389, 393, 533	91083333.....706
91034409.....87	91043237 ..... 15, 20	91081475 ..... 15, 20, 347	91083339.....439
91034410.....87	91043247 ..... 27, 767	91081480 ..... 709	91083367.....97
91034413.....87	91043298 ..... 337	91081499 ..... 350, 354	91083368.....97
91034414.....87	91043321 .676, 686, 756, 760, 772, 780, 783, 799	91081573 ..... 97	91083418..199, 203, 208, 211, 215, 219, 223, 228, 231, 235, 439
91034415.....87	91043353 ..... 689	91081574 ..... 97	91083430.....693
91034416.....87	91043429 .350, 354, 358, 740, 744, 748	91081577 ..... 89, 91	91083440.....609, 611
91034417.....86	91043440 ..... 106	91081594 ..... 89, 91	91083449...31, 442, 446, 452
91034418.....87	91043446 ..... 539	91081601 ..... 587	91083456..199, 203, 208, 211, 219, 223, 228, 231, 823
91034419.....86	91043472 ..... 333	91081622 ..... 89, 91	91083471.....733
91034420.....86	91044001 ..... 731	91081640 ..... 601, 604	91083480.....35, 37
91034421.....86	91044002 ..... 727, 731	91081669 ..... 788	91083483.....601
91034422.....86	91044033 ..... 583	91081693 ..... 27, 767	91083490.....696, 802
91034423.....86	91044080 .507, 527, 585, 593	91081695 ..... 27, 767	91083491.....271, 273
91034424.....86	91044099 ..... 333	91081737 ..... 97	91083492..627, 631, 633, 636, 639, 642, 646, 650
91034426.....87	91044101 ..... 333	91083069 .156, 160, 164, 165, 168, 172, 176, 180, 184, 188, 189, 192, 555, 822	91083493..164, 168, 184, 188
91034427.....87	91044105 ..... 333	91083106 ..... 555, 822	91083518.....555
91034428.....87	91044106 ..... 333	91083173 .155, 159, 163, 167, 171, 175, 179, 183, 187, 191, 195, 199, 203, 208, 211, 215, 219, 223, 228, 231, 235, 239, 439, 442, 446	91083533.....16, 20, 275, 277, 279, 451
91034429.....87	91044110 ..... 333	91083128 .281, 283, 285, 287	91083535..712, 716, 793, 795
91034430.....87	91044112 ..... 333	91083136 .385, 389, 393, 403, 411, 709, 773, 783, 791	91083547...403, 772, 783
91034431.....86	91044206 ..... 585	91083155 .350, 354, 358, 740, 744	91083560.....297
91034432.....87	91044276 ..... 333		91083574.....693
91034433.....87	91044277 ..... 333		91084001..156, 160, 164, 165, 168, 176, 180, 184, 188
91034434.....87	91044284 ..... 731		91084022.....555, 822
91034435.....729	91044301 ..... 731		
91034436.....729	91044303 ..... 731		
91034437.....729	91044311 ..... 333		
91035247.....679	91044361 ..... 333		
91035248.....679	91044462 ..... 333		
91041322.....93, 104, 109	91045058 ..... 679		
91041324.....93, 104, 109	91045059 ..... 679		
91041325.....93, 104, 109	91045106 ..... 337		
91041326.....93, 104, 109	91045107 ..... 337		
91041327.....93, 104, 109			
91041356.....93, 105, 109			
91041361.....94, 109			
91041362.....94, 104, 109			
91041365.....57			
91041438.....27			
91041439.....27, 767			
91041449...27, 461, 463, 485, 489, 676, 756, 760, 764, 767, 772, 780, 783, 793, 799			
91041450.27, 63, 65, 767			
91041451.27, 63, 65, 485, 489, 767			
91041459.....27, 767			
91041481.....27, 767			
91041596.....27, 767			
91041598.....27			

## PART NUMBER INDEX

91084043 .. 533, 535, 537	91121023 ..... 47, 820	91123176.....373	91141424 ..... 27, 767
91084046 ..... 307, 309	91121024 ..... 47, 820	91123177.....807, 809	91141429 ..... 601
91084047 ..... 307, 309	91121079 ..... 63, 65	91123181.....373, 375	91141432 ..... 523
91084162 . 200, 204, 209, 211, 220, 224, 229, 231, 821	91121082 49, 51, 53, 820	91123182..350, 354, 358, 740, 744, 748	91141436 ..... 15, 19
91084227 ..... 727	91121083 49, 51, 53, 820	91124083.....733	91141459 . 350, 354, 358, 744
91084228 ..... 727	91121091 ..... 27, 767	91124084 ..... 733	91141480 ..... 371
91084282 . 408, 409, 686, 753, 760, 777, 798	91121134 . 461, 463, 485, 489, 620, 668, 676, 686, 712, 716, 756, 760, 764, 772, 780, 783, 793, 795, 799	91124085.....733	91141485 ..... 275
91084284 ..... 565	91121145 ..... 702, 706	91124086.....733	91141511 ..... 307, 309
91084285 ..... 565	91121146 ..... 702, 706	91124087.....519, 729	91141512 ..... 702, 706
91084286 ..... 565	91121151 ..... 807, 809	91124093.....401	91143001 ..... 499
91084289 ..... 565	91121157 ..... 47, 820	91124094.....315	91143003 ..... 509
91084290 ..... 565	91121159 .. 712, 716, 793	91124096..501, 517, 519, 583, 729	91143007 ..... 513
91084291 ..... 565	91121216 ..... 807, 809	91124103.....583	91143013 . 243, 245, 247, 253, 255, 257
91084294 ..... 565	91121239 ..... 27, 767	91124107..... 15, 20	91143017 ..... 549
91084298 ..... 565	91121240 ..... 27, 767	91124125.. 156, 160, 164, 167, 176, 180, 184, 187	91143020 ..... 401
91084299 ..... 565	91121283 .. 668, 764, 799	91125002.....337	91143024 .. 461, 686, 820
91084302 ..... 565	91121308 ..... 57	91125003.....337	91143025 ..... 63, 65
91084308 ..... 733	91121309 ..... 57	91125106.. 350, 354, 358, 740, 744, 748	91143026 ..... 63
91084311 ..... 241, 251	91123018 ..... 63, 65	91126032..620, 668, 764, 799	91143027 ..... 63
91084319 ..... 561	91123019 . 49, 51, 53, 55, 820	91140001..... 15, 19, 24	91143029 ..... 275
91084320 ..... 561	91123021 ..... 49, 51, 820	91141056.....49, 51	91143030 . 156, 160, 164, 168, 176, 180, 184, 188
91084321 ..... 561	91123027 ..... 27, 767	91141058.....49, 51	91143031 . 156, 160, 164, 168, 176, 180, 184, 188
91084322 ..... 561	91123028 ..... 27, 767	91141062.....49, 51	91143032 . 156, 160, 164, 168, 176, 180, 184, 188
91084323 ..... 561	91123029 ..... 27, 767	91141078.....63, 65	91143041 ..... 549
91084324 ..... 561	91123030 ..... 27, 767	91141102.....275, 277	91143045 ..... 275
91084325 ..... 561	91123031 ..... 28, 768	91141103.....275, 277	91143047 ..... 531
91084327 ..... 561	91123037 . 653, 655, 657, 659, 661	91141120.....63	91143049 ..... 565
91084328 ..... 561	91123038 . 653, 655, 657, 659, 661	91141121.....63, 65	91143051 ..... 15, 19
91084329 ..... 561	91123042 . 653, 655, 657, 659, 661, 663	91141123...499, 501, 503	91143058 .. 416, 420, 424
91084331 ..... 561	91123043 . 653, 655, 657, 659, 661, 663	91141124.....499, 501	91143059.. 415, 419, 423
91084332 ..... 561	91123044 . 653, 655, 657, 659, 661, 663	91141128.....61	91143083 ..... 499, 501
91084359 . 408, 409, 686, 753, 760, 777, 798	91123045 . 653, 655, 657, 659, 661, 663	91141144....65, 676, 686, 756, 760, 772, 780, 783, 799	91143087 . 241, 243, 245, 247, 249, 251, 253, 255, 257, 259, 261, 415, 419, 423
91084362 ..... 565	91123050 .. 408, 776, 798	91141148.....63, 65	91143105 . 623, 668, 764, 776, 798
91085056 ..... 97	91123051 ..... 411, 791	91141149.....63	91143107 .. 411, 623, 791
91085058 ..... 89	91123054 . 461, 463, 485, 489, 620, 668, 676, 686, 712, 716, 756, 760, 764, 772, 780, 783, 793, 795, 799, 820	91141152.....63, 65	91143108 .. 381, 807, 809
91085071 ..... 696	91123062 . 408, 676, 683, 686, 751, 753, 756, 760, 776, 780, 798	91141158..499, 501, 686, 772, 799	91143109 ..... 63, 65
91085073 ..... 693	91123065 ..... 702, 706	91141194.....712, 793	91143114 ..... 373
91085091 ..... 57	91123089 . 493, 495, 497, 499, 501, 503, 505, 507	91141210..461, 463, 676, 686, 756, 760, 772, 780, 783	91143117 ..... 702, 706
91085137 ..... 419, 423	91123115 ..... 69	91141218..... 15, 19, 23	91143120 . 627, 631, 633, 636, 639, 642, 646, 650
91086130 . 199, 203, 208, 211, 219, 223, 228, 231	91123119 ..... 309	91141231.....275	91143121 . 155, 159, 163, 167, 171, 175, 179, 183, 187, 191, 195, 415, 419, 423
91086131 . 200, 204, 209, 212, 220, 224, 229, 232	91123124 ..... 15, 19	91141259.....807, 809	91143122 . 199, 203, 209, 211, 219, 223, 229, 231
91086151 ..... 57, 820	91123127 ..... 305	91141260...671, 673, 788	91143124 . 199, 203, 208, 211, 219, 223, 228, 231, 601
91086152 ..... 57	91123130 ..... 305	91141261...671, 673, 788	91143127 ..... 373, 375
91094026 ..... 557	91123132 ..... 131	91141301.....45, 47	91143128 ..... 373, 375
91094027 ..... 557	91123154 .. 620, 668, 764	91141302..45, 47, 49, 51, 53, 55, 820	91143131 . 156, 160, 164, 168, 176, 180, 184, 188
91094028 ..... 557, 567	91123155 .. 620, 668, 764	91141303..45, 47, 49, 51, 53, 55, 820	91143133 ..... 555
91094029 ..... 557, 567	91123160 ..... 679	91141329..... 16, 20, 347	91143139 ..... 275
91094030 ..... 557		91141331.....696	91143140 ..... 545
91094031 ..... 557		91141342.....381	
91094032 ..... 557		91141350....93, 104, 110, 133	
91094033 ..... 557		91141358.....63, 65	
91094034 ..... 557		91141359.....63, 65	
91094035 ..... 557		91141364.....702, 706	
91094037 ..... 557			
91094038 ..... 557			
91094039 ..... 557			
91094040 ..... 557			
91113003 ..... 581			
91120003 ..... 27, 767			
91120004 ..... 27, 767			

## PART NUMBER INDEX

91143141..620, 668, 764, 799	91143329. 155, 159, 163, 167, 175, 179, 183, 187, 821	91144095 ..... 561	91144327.....307, 309
91143143..241, 243, 245, 247, 251, 253, 255, 257, 415, 419	91143331 ..... 373	91144098 ..... 561, 563	91144328.....307, 309
91143146.....696	91143333. 350, 354, 359, 375, 378	91144099 ..... 561, 563	91144329.....307, 309
91143147.....696	91143335. 350, 354, 358, 378	91144125 ..... 505, 729	91144332.....307, 309
91143155...671, 673, 788	91143338 ..... 523	91144126 ..... 505	91144333.....311
91143161.....577	91143342 ..... 397	91144127 ..... 505	91144334.....311
91143162..627, 631, 633, 636, 639, 642, 646, 650	91143344. 155, 159, 163, 167, 175, 179, 183, 187	91144128. 505, 517, 519, 525, 583, 733	91144335.....311
91143168.45, 49, 53, 820	91143345. 155, 159, 163, 167, 175, 179, 183, 187	91144130 ..... 577	91144336.....311
91143172...305, 321, 555	91143346 ..... 15	91144131 ..... 577	91144337.....311
91143182..627, 631, 633, 636, 639, 642, 646, 650	91143348 ..... 15, 19, 275, 277	91144132 ..... 577	91144338.....311
91143186.....505	91143352.. 281, 283, 285	91144133 ..... 577	91144339.....311
91143187.....696, 802	91143353 ..... 281, 283	91144134 ..... 577	91144340.....311
91143199.....307	91143354 ..... 451	91144138 ..... 577	91144341.....311
91143200...385, 389, 393	91143355 ..... 65	91144139 ..... 577	91144342.....311
91143201.....533	91143357.15, 19, 23, 823	91144140 ..... 577	91144343.....311
91143202..627, 631, 639, 642	91143361. 350, 354, 359, 375, 740, 744, 748	91144141 ..... 550	91144344.....311
91143214.....493	91143371 ..... 408, 683	91144162 ..... 549	91144345.....311
91143218.....555	91143372 ..... 547	91144163 ..... 550	91144346.....311
91143251.....63, 65	91143373 ..... 668, 799	91144164 ..... 549	91144347.....311
91143267.....350, 362	91144002. 241, 243, 245, 247, 249, 251, 253, 255, 257, 259, 261	91144165 ..... 549	91144348.....311
91143273.....427, 431	91144003. 499, 501, 503, 822	91144166 ..... 549	91144349.....311
91143274.....523	91144004. 493, 509, 525, 527, 822	91144167 ..... 549	91144350.....311
91143275.....97	91144005.. 513, 583, 822	91144169 ..... 559	91144351.....311
91143276.....97	91144006. 517, 519, 729, 822	91144171 ..... 559	91144352.....311
91143277.....97	91144008 ..... 275	91144172 ..... 559	91144353.....311
91143280..627, 631, 633, 637, 639, 642, 646, 651	91144015 ..... 565	91144173 ..... 559	91144354.....311
91143281..627, 631, 633, 636, 639, 642, 646, 650	91144016 ..... 499	91144174 ..... 559	91144355.....311
91143282...94, 105, 110, 118, 627, 631, 633, 636, 639, 642, 646, 650, 653, 655, 657, 659, 661, 663	91144017. 493, 499, 505, 509, 513, 525, 733	91144175 ..... 333	91144356.....311
91143283..627, 631, 633, 636, 639, 642, 646, 650	91144018 ..... 499, 501	91144176 ..... 333	91144357.....311
91143284..627, 631, 633, 636, 639, 642, 646, 650	91144019 ..... 499, 501	91144177 ..... 333	91144358.....311
91143285..627, 631, 633, 636, 639, 642, 646, 650	91144020 ..... 499, 501	91144178 ..... 333	91144359.....311
91143286..627, 631, 633, 636, 639, 642, 646, 650	91144021 ..... 499	91144179 ..... 333	91144360.....311
91143288..627, 631, 633, 636, 639, 642, 646, 650	91144022 ..... 493	91144180 ..... 333	91144361.....311
91143290..653, 655, 657, 659, 661, 663	91144023 ..... 493	91144181 ..... 333	91144362.....311
91143292..627, 631, 639, 642	91144024 ..... 493, 509	91144182 ..... 333	91144363.....311
91143295.....653	91144025 ..... 493	91144183 ..... 333	91144364.....311
91143296.....653	91144026 ..... 509	91144184 ..... 333	91144365.....311
91143308.....297	91144027 ..... 509	91144185 ..... 333	91144366.....311
91143314..171, 191, 199, 203, 208, 211, 219, 223, 228, 231, 239, 823	91144028 ..... 509	91144186 ..... 333	91144367.....311
91143315..155, 159, 163, 175, 179, 183, 607	91144029 ..... 505	91144187 ..... 333	91144368.....311
91143316...271, 273, 823	91144030 ..... 505	91144188 ..... 333	91144369.....313, 315
91143324.....501	91144032 ..... 513	91144189 ..... 333	91144370.....313, 315
91143328.....275	91144033 ..... 513	91144190 ..... 401	91144371.....313, 315
	91144034 ..... 513, 583	91144192 ..... 401	91144372.....313, 315
	91144035 ..... 513	91144194 .. 550, 756, 772	91144373.....313, 315
	91144037 ..... 517	91144197 ..... 397	91144374.....313, 315
	91144038 .. 517, 519, 729	91144248 ..... 557	91144375.....313
	91144039 ..... 517, 519	91144249 ..... 505, 822	91144376.....313, 315
	91144040 .. 517, 519, 729	91144250 ..... 549	91144377.....313, 315
	91144062 ..... 531	91144252 ..... 549	91144378.....313, 315
	91144092 ..... 561	91144254 . 550, 676, 756, 772	91144379.....313, 315
	91144093 ..... 561	91144255 ..... 549	91144380.....313, 315
	91144094 ..... 561	91144256 ..... 549	91144381.....313, 315
		91144257 ..... 549	91144382.....317
		91144258 ..... 549	91144383.....318
		91144259 ..... 549	91144384.....318
		91144260 ..... 549	91144385.....318
		91144261 ..... 549	91144386.....317
		91144262 ..... 549	91144387.....317
		91144263 ..... 549	91144388.....317
		91144264 ..... 549	91144389.....317
		91144265 ..... 549	91144390.....317
		91144266 ..... 550	91144391.....317
		91144326 ..... 307, 309	91144392.....317
			91144393.....317
			91144394.....317



## PART NUMBER INDEX

91144395 .....	317	91145042 .....	767	91153030.....	653	91163098 .	199, 203, 208,
91144396 .....	317	91145051 .....	63, 65	91153031.....	271, 273	211, 215, 219, 223,	
91144397 .....	317	91145052 .....	63, 65	91153050.....	679	228, 231, 235, 239,	
91144398 .....	317	91145067 .....	523	91154001..	156, 160, 164,	415, 419, 423, 443,	
91144399 .....	317	91145074 .....	686	176, 180, 184, 188, 291		447, 451	
91144400 .....	317	91145075 .....	668	91154005.....	291	91163109..	385, 389, 393
91144401 .....	317	91145079 .....	683	91154006.....	577	91163110..	386, 390, 394
91144402 .....	317	91145080 .....	735	91154007.....	577	91163122. 155, 159, 163,	
91144403 .....	317	91145081 .....	671, 673	91155003.....	716	167, 171, 175, 179,	
91144404 .....	317	91145085 .....	275	91155016.....	271, 273	183, 187, 191, 195,	
91144405 .....	317	91145086 ..	385, 389, 393	91155027.....	686	439, 442, 446, 451	
91144406 .....	317	91145087 ..	385, 389, 393	91155030.....	737	91163125.....	475
91144407 .....	317	91145088 ..	385, 389, 393	91155038.....	639, 653	91163126.....	475
91144408 .....	317	91145089 .....	385	91156005.....	15	91163127.....	475
91144410 .....	561	91145090 .....	403	91161016.....	39, 525	91163128.....	475
91144411 .....	561	91145091 .....	403	91161066.....	28, 32	91163129. 279, 281, 283,	
91144412 .....	561	91145099 .....	28	91161067.....	28, 32	285, 287	
91144413 .....	561	91145119 .....	305	91161068.....	28, 32	91163130. 627, 631, 633,	
91144414 .....	567	91146014 .....	45	91161069.....	39	636, 639, 642, 646, 650	
91144415 .....	567	91146015 .....	49	91161080.....	39, 525	91163133.....	442, 446
91144416 .....	567	91146016 .....	53	91161083... 671, 673, 788		91163134.....	442, 446
91144417 .....	567	91146018 .....	49, 63	91161210.....	555	91163137. 281, 283, 285,	
91144418 .....	567	91146021 .	156, 160, 164,	91161269.. 583, 671, 673,		287	
91144419 .....	567	168, 176, 180, 184, 188		788		91163138. 79, 86, 89, 91,	
91144420 .....	567	91146023 .....	63, 65	91161272.....	531	93, 97, 105, 109, 676,	
91144421 .....	567	91146025 .....	63	91161323.. 155, 159, 163,		712, 756, 760, 780, 793	
91144422 .....	567	91146026 .....	63, 65	167, 175, 179, 183, 187		91163139. 79, 89, 91, 93,	
91144423 .....	567	91146028 .	461, 686, 712,	91161379.....	671	97, 105, 109, 676, 712,	
91144424 .....	567	716, 772, 799, 820		91163011... 241, 251, 261		756, 760, 780, 793	
91144425 .....	567	91146037 .	199, 203, 208,	91163012.....	401	91163140.....	427, 431
91144430 .....	345	211, 219, 223, 228,		91163014.....	39, 41	91163141.....	555
91144431 .....	397	231, 297		91163016.....	525	91163164.....	579
91144432 .....	397	91146042 .....	403, 709	91163019.....	32	91163166.....	461, 463
91144433 .....	397	91146043 .....	403, 709	91163023.....	567	91163167.....	461, 463
91144435 .....	363	91146050 .....	15, 19, 23	91163027.....	541	91163178.....	517
91144438 .....	16, 21	91146052 .....	493, 495	91163028. 627, 631, 633,		91163184. 627, 631, 633,	
91144439 .....	16, 21	91146053 ... 93, 104, 110,		636, 639, 642, 646, 650		636, 639, 642, 646, 650	
91144440 .....	712	133		91163035.....	299, 301	91163201. 199, 203, 208,	
91144442 .....	313, 315	91146054 ... 93, 104, 110,		91163041.....	443, 447	211, 215, 219, 223,	
91144444 .....	501	133		91163042.....	442, 446	228, 231, 235, 439,	
91144445 .....	501	91146056 .	155, 159, 163,	91163044.....	557	442, 446, 451	
91144448 .....	401	167, 175, 179, 183, 187		91163045.....	583	91163211.....	531
91144450 .....	313, 315	91146058 .	199, 203, 208,	91163048.....	561	91163212. 639, 642, 646,	
91144451 .....	313, 315	211, 219, 223, 228, 231		91163049.....	671	650	
91144452 .....	313, 315	91146073 .....	15	91163052.....	442, 446	91163217.....	457
91144453 .....	313, 315	91146081 .....	16	91163053.....	442, 446	91163218.....	457
91144458 .....	401	91146087 .....	523	91163054.....	443, 447	91163219.....	457
91144460 .....	547	91146090 .....	47	91163055.....	442, 446	91163220.....	457
91144461 .....	547	91146091 .....	51	91163068.....	559	91163236.....	802
91144462 .....	547	91146092 .....	55	91163069... 443, 447, 620		91163242.....	802
91144463 .....	547	91146093 .....	65	91163077.. 655, 657, 659,		91163245.....	543
91144464 .....	547	91146099 .	350, 354, 358,	661, 663		91163246.....	475, 477
91144465 .....	547	378		91163078.. 655, 657, 659,		91163256.....	639, 642
91144466 .....	547	91146101 .	156, 160, 164,	661, 663		91163259. 156, 160, 164,	
91144467 .....	547	168, 176, 180, 184, 188		91163087.. 627, 631, 633,		168, 176, 180, 184, 188	
91144473 .....	375	91146102 ..	385, 389, 393	636, 639, 642, 646, 650		91163260. 155, 159, 163,	
91144474 .....	565	91146108 ..	385, 389, 393	91163093.....	385	167, 175, 179, 183, 187	
91144475 .....	565	91146119 .....	408, 683	91163094.....	459	91163268.....	297
91144476 .....	362	91151004 .....	716	91163095.....	459	91163269.....	131
91144477 .....	362	91151006 .....	716	91163096.. 485, 489, 676,		91164017.....	557
91144478 .....	362	91153006 .....	291	686, 756, 760, 772,		91164018.....	517
91144479 .....	493	91153007 .	281, 283, 285,	776, 780, 783, 798		91164019.....	729
91144480 .....	577	287		91163097.. 485, 489, 676,		91164020.....	729
91145018 .....	712	91153012 .....	275	686, 756, 760, 772,		91164021.....	729
91145036 .....	709	91153021 ..	281, 283, 285	776, 780, 783, 798		91164022.....	729
91145038 .....	627, 653	91153029 .....	653			91164024.....	729

## PART NUMBER INDEX

91164025.....729	91166075..155, 159, 163, 167, 175, 179, 183, 187	91341027 ..... 411, 791	91344004.....823
91164027.....517, 519	91203039..668, 764, 799	91341028 ..... 285	91344006.....362
91164028.....583	91203137 ..... 171, 191	91341029 ..... 45, 47	91344010.....363
91164029.....583	91203138 ..... 172, 192	91343003 ..... 679	91344011.....363
91164030.....583	91204468 ..... 729	91343005..627, 631, 633, 636	91344012.....362
91164031.....583	91204469 ..... 729	91343009 ..... 627	91344013.....363, 368
91164032.....525	91213002 ..... 443, 447	91343011..200, 204, 209, 220, 224, 229	91344014.....362
91164033.....525	91301020..403, 683, 687, 696, 751, 761, 772, 783, 802	91343012 ..... 676, 772	91344015.....362
91164034.....525	91301083 ..... 91	91343013 ..... 627	91344016.....362
91164035.....525	91303019..408, 676, 683, 751, 756, 780	91343015 ..... 291	91344017.....363, 368
91164036.....525	91303021 ..... 15	91343016..627, 631, 633, 636, 639, 642, 646, 650	91344018..363, 364, 369
91164037.....495, 497	91303037 ..... 405, 822	91343017 ..... 627	91344019.....362, 363
91164049.....559	91303038 ..... 696	91343018 ..... 627	91344020.....363, 368
91164050.....559	91303041 ..... 696, 802	91343019 ..... 627	91344025.....363
91164051.....559	91303047..627, 631, 633, 636, 639, 642, 646, 650	91343020..627, 639, 642	91344026.....363, 369
91164057.....579	91303049 ..... 451	91343023 ..... 285	91344027.....363
91164058.....579	91304026 ..... 405	91343026..409, 776, 798	91344028.....362
91164059.....579	91305016 ..... 91	91343031 ..... 807	91344029.....362
91164060.....579	91323030..627, 631, 633, 636	91343040..740, 744, 748	91344030.....362
91164063.....579	91331014..208, 228, 607, 609, 611	91343052 ..... 31	91344031.....362, 363
91164083.....543	91333013..163, 183, 607	91343053 ..... 105	91344032.....363
91164086.....345	91333023 ..... 555	91343054..620, 776, 798	91344043.....369
91164087.....345, 347	91333036..653, 655, 657, 659, 661	91343055 ..... 627	91344045.....363
91164088.....345	91334005 ..... 345	91343063..631, 633, 636	91344046.....363, 369
91164089.....345, 363	91334007 ..... 362	91343064..631, 633, 636	91344047.....363
91164092.....345	91334008 ..... 362	91343065..631, 633, 636	91344048..243, 245, 247, 253, 255, 257
91164094.....345, 347	91334009 ..... 362	91343066..631, 633, 637	91344049..243, 245, 247, 253, 255, 257
91164095.....345	91334010 ..... 362	91343067..631, 633, 637	91344050..243, 245, 247, 253, 255, 257
91164096.....345, 363	91334012 ..... 362	91343069..627, 631, 633, 637, 639	91344052.....823
91164098.....563	91334013 ..... 362	91343070 ..... 655, 657	91344053.....807
91164099.....362	91334014 ..... 362	91343071 ..... 655, 657	91345001..155, 159, 163, 199, 203, 208
91164100.....362	91334015 ..... 362	91343072 ..... 679	91345002.....679
91164101.....363	91334016 ..... 362	91343073..627, 631, 633, 636, 642, 646, 650	91345003.....350
91164102.....362	91334017 ..... 362	91343074 ..... 375	91345005.....587, 679
91164103.....531	91334018 ..... 362, 363	91343203 ..... 134	91345007.....531
91164104..241, 249, 251, 259	91334021 ..... 362	91343204..134, 627, 631, 633, 637	91345008..208, 228, 607
91164106.....531	91334024 ..... 362	91343212..677, 761, 772, 776, 783, 799	91345009.....788
91164107.....543	91334028 ..... 362	91343215...65, 485, 489, 677, 756, 761, 772, 780, 783	91345010..408, 676, 756, 780
91164112..156, 160, 164, 168, 176, 180, 184, 188	91334030 ..... 362	91343218 ..... 389, 393	91345013.....807
91164113..156, 160, 164, 168, 176, 180, 184, 188	91334032 ..... 362	91343219 ..... 321	91345015.....676
91164114..156, 160, 164, 168, 176, 180, 184, 188	91334033 ..... 362, 363	91343220 ..... 321	91345017.....772
91164115..156, 160, 164, 168, 176, 180, 184, 188	91334034 ..... 362, 363	91343221 ..... 607	91345018.....798
91164118.....156	91334038 ..... 609, 611	91343223..463, 756, 780, 820	91345019.....167, 211
91164440.....75	91334135 ..... 362	91343224..463, 756, 780	91345020.....409, 776
91165013.....555	91335013 ..... 408, 753	91343225 ..... 764, 793	91345022.....411, 791
91165031.....579	91335014 ..... 408, 683	91343227 ..... 65	91345026.....104
91165040.....529	91341001 ..... 587	91343228 ..... 511	91345031.....776
91166008.....39	91341003 ..... 788	91343229 ..... 515	91345032.....679
91166011.....39	91341007..408, 776, 798	91343230 ..... 507	91345033.....780
91166012.....27, 767	91341012 ..... 807	91343231 ..... 495	91345034.....760
91166013.....671, 673	91341013 ..... 807	91343232 ..... 503	91345035.....783
91166055...27, 443, 447, 767	91341015 ..... 411, 791	91343233 ..... 521	91345039..627, 631, 655
91166056...27, 443, 447, 767	91341018 ..... 776	91343234 ..... 585	91345041.....607
91166062...57, 493, 495, 583, 585, 671, 673, 788	91341019..408, 776, 798	91343235 ..... 527	91345042.....285
91166063.....28, 768	91341020 ..... 411, 791		91345048.....637, 651
91166068..463, 485, 489, 676, 756, 760, 780, 783, 793, 795, 820	91341021..620, 776, 798		91345050.....637, 651
	91341022..620, 776, 798		91345051.....133
	91341026 ..... 411, 791		91345076.....681
			91345079.....607
			91346002.....411, 791
			91346003...409, 776, 798

## PART NUMBER INDEX

91346004 .. 408, 776, 798	91363022 . 199, 203, 219, 223	91364027 ..... 325	91364093 ..... 330
91346008 ..... 31	91363025 ..... 401, 822	91364028 ..... 325	91364094 ..... 330
91346010 .. 408, 776, 798	91363026 ..... 587	91364029 ..... 325	91364095 ..... 330
91346011 .. 668, 764, 799	91363027 ..... 587	91364030 ..... 325	91364096 ..... 330
91353004 ..... 679	91363028 .. 168, 188, 587	91364031 ..... 325	91364097 ..... 330
91353006 . 639, 642, 646, 650	91363029 . 156, 160, 164, 168, 176, 180, 184, 188	91364032 ..... 325	91364098 ..... 330
91353008 ..... 639	91363030 ..... 587	91364033 ..... 325	91364099 ..... 249, 259
91353009 .. 642, 646, 650	91363031 . 156, 160, 164, 176, 180, 184, 607	91364034 ..... 325	91364100 ..... 249, 259
91353010 ..... 639	91363032 . 627, 631, 633, 639	91364035 ..... 325, 822	91364101 ..... 723
91353011 ..... 639	91363033 . 155, 159, 175, 179	91364036 ..... 325, 822	91364102 ..... 723
91353012 ..... 639	91363034 ..... 373	91364037 ..... 325	91364103 ..... 723
91353014 ..... 659, 661	91363035 ..... 613	91364038 ..... 325	91364104 ..... 723
91353015 ..... 659, 661	91363036 .. 403, 577, 783	91364039 ..... 325	91364105 ..... 723
91353019 .. 642, 646, 650	91363037 ..... 381	91364040 ..... 325	91364106 ..... 723
91353020 .. 642, 646, 650	91363038 . 200, 204, 220, 224	91364041 ..... 327	91364107 ..... 723
91353021 .. 642, 646, 650	91363039 . 200, 204, 220, 224	91364042 ..... 327	91364108 ..... 723
91353022 .. 642, 646, 650	91363040 ..... 751	91364043 ..... 327	91364109 ..... 723
91353024 .. 642, 646, 651	91363041 . 408, 409, 753, 776, 798	91364044 ..... 327	91364110 ..... 723
91353025 ..... 679	91363043 . 408, 409, 676, 683, 686, 751, 753, 756, 760, 776, 780, 798	91364045 ..... 327	91364111 ..... 723
91353026 ..... 642, 646	91363044 ..... 687, 761	91364046 ..... 329	91364112 ..... 723
91353027 .. 642, 646, 651	91363045 . 408, 676, 757, 780	91364047 ..... 329	91364113 ..... 723
91353028 ..... 623, 764	91363054 ..... 613, 615	91364048 ..... 329	91364114 ..... 723
91353062 ..... 134	91363055 ..... 802	91364049 ..... 329	91364115 ..... 723
91353063 . 134, 639, 642, 646, 651	91363056 ..... 802	91364050 ..... 329	91364116 ..... 723
91355001 . 175, 179, 183, 219, 223, 228	91363063 ..... 291	91364051 ..... 329	91364117 ..... 723
91355004 ..... 793	91363065 ..... 16, 21	91364052 ..... 329	91364118 ..... 723
91355007 ..... 780	91363066 ..... 607, 609	91364053 ..... 329	91364119 ..... 723
91355008 ..... 760	91363070 . 627, 631, 633, 642, 646	91364054 ..... 329	91364120 ..... 723
91355009 ..... 620	91363073 ..... 703, 707	91364055 ..... 329	91364121 ..... 723
91355010 ..... 643, 659	91363079 ..... 723	91364056 ..... 329	91364122 ..... 723
91355011 ..... 756	91363081 ..... 673, 788	91364057 ..... 329	91364123 ..... 723
91355012 ..... 679	91363085 ..... 57	91364058 ..... 329	91364124 ..... 723
91355013 ..... 776	91363087 ..... 702, 706	91364059 ..... 329	91364125 ..... 723
91355014 ..... 187, 231	91363128 ..... 636, 650	91364060 ..... 329	91364126 ..... 723
91355015 ..... 783	91363140 ..... 636, 650	91364061 ..... 329	91364127 ..... 723
91355022 ..... 643, 659	91363158 ..... 323	91364062 ..... 329	91364128 ..... 723
91355034 ..... 341	91363201 ..... 299, 301	91364063 ..... 329	91364129 ..... 723
91355035 ..... 341	91363206 ..... 249, 259	91364064 ..... 329	91364130 ..... 723
91355037 ..... 341	91363210 ..... 15, 19, 23	91364065 ..... 329	91364131 ..... 723
91355038 ..... 341	91363211 ..... 563	91364066 ..... 329	91364132 ..... 723
91355042 ..... 681	91363215 ..... 341	91364067 ..... 329	91364133 ..... 723
91361001 ..... 702	91364004 ..... 373	91364068 ..... 329	91364134 ..... 724
91361002 ..... 702	91364005 ..... 373, 375	91364069 ..... 329	91364135 ..... 724
91361003 ..... 702, 706	91364006 ..... 373	91364070 ..... 329	91364136 ..... 724
91361004 ..... 702, 707	91364007 ..... 373	91364071 ..... 329	91364137 ..... 724
91361005 ..... 16, 20, 347	91364008 ..... 373, 375	91364072 ..... 329	91364138 ..... 724
91361007 ..... 16, 20	91364009 . 609, 611, 613, 615	91364073 ..... 329	91364139 ..... 724
91361008 ..... 371	91364010 ..... 613, 615	91364074 ..... 329	91364140 ..... 724
91361018 . 350, 354, 358, 378	91364012 ..... 613, 615	91364075 ..... 329	91364141 ..... 724
91361019 ..... 802	91364013 ..... 613, 615	91364076 ..... 329	91364143 ..... 561, 563
91361023 . 403, 709, 772, 783	91364014 ..... 613, 615	91364077 ..... 329	91364144 ..... 563
91361038 ..... 212, 232	91364023 ..... 293	91364078 ..... 329	91364145 ..... 563
91361048 47, 51, 55, 820	91364026 ..... 325	91364079 ..... 329, 822	91364146 ..... 563
91361049 ..... 51, 55, 820		91364080 ..... 329, 822	91364148 ..... 563
91363002 ..... 473		91364081 ..... 329	91365001 ..... 751
91363008 ..... 702, 706		91364082 ..... 329	91365002 ..... 753
91363009 ..... 703, 707		91364083 ..... 329	91365003 ..... 702
91363018 ..... 21, 277		91364084 ..... 329	91365005 ..... 696
91363019 ..... 362, 699		91364085 ..... 329	91365008 . 156, 160, 164, 176, 180, 184, 188, 821
91363021 . 609, 611, 613, 615		91364086 ..... 330	91365012 ..... 373
		91364087 ..... 330	91365013 ..... 613
		91364088 ..... 330	91365014 . 156, 160, 164, 176, 180, 184, 607
		91364089 ..... 330	91365016 ..... 381
		91364090 ..... 330	91365017 ..... 740
		91364091 ..... 330	
		91364092 ..... 330	

## PART NUMBER INDEX

91365019...403, 772, 783	91403448..... 79	91404420 ..... 569	91474147..... 327
91365021..... 802	91403462 ..... 450	91404421 ..... 569	91474149..... 327
91365024..... 696	91403463 ..... 450	91404435 ..... 335	91474151..... 327
91365028..... 581	91403466 ..... 450	91404436 ..... 335	91474155..... 329, 822
91365037... 671, 673, 788	91403467 ..... 450	91405035 ..... 339	91474157..... 329
91365042.. 164, 168, 188, 821	91403503 ..... 706	91405036 ..... 339	91474162..... 330
91365045..... 702, 706	91403574 ..... 15, 823	91406021 ..... 32	91474163..... 330
91365051... 637, 651, 663	91403588 ..... 335	91406098 ..... 31, 450	91474463..... 609, 611
91365074..... 637, 651	91403592 ..... 537	91406099 ..... 31, 450	91474492..... 368
91365076..... 341	91403601 ..... 299, 301	91411073 ... 93, 104, 109	91474506... 263, 265, 267
91366002..... 15	91404018 ..... 563	91413010 ..... 535	91474629... 263, 265, 267
91366003..... 15	91404019 ..... 563	91413030 ..... 299, 301	91474630... 263, 265, 267
91366004..... 15, 19, 23	91404020 ..... 563	91413052 ..... 706	91474631... 263, 265, 267
91366006..... 16	91404021 ..... 563	91413114 ..... 321	91474633..... 805
91366007.. 408, 676, 751, 756, 780	91404023 ..... 563	91414001 ..... 335	91474634..... 805
91366008.. 408, 686, 753, 760	91404027 ..... 563	91414002 ..... 335	91474635..... 805
91366009... 403, 773, 783	91404028 ..... 563	91414003 ..... 335	91475054..... 339
91366014..... 673, 788	91404030 ..... 563	91414004 ..... 335, 822	91475055..... 339
91366015.. 620, 668, 764, 799	91404031 ..... 563	91414005 ..... 335, 822	91475093..... 339
91366017..... 15	91404032 ..... 561, 563	91414007 ..... 335	91484020..... 362
91373009... 208, 228, 607	91404033 ..... 563	91414009 ..... 335	91484024..... 362, 363
91373011..... 378	91404034 ..... 563	91414011 ..... 335	91484028..... 363, 369
91375005..... 378	91404085 . 263, 265, 267, 821	91414012 ..... 335	91484029..... 363, 369
913D1018 ..... 408, 798	91404202 ..... 517, 519	91414013 ..... 335	91484031..... 363
91401081..... 31	91404229 .. 263, 265, 267	91414014 ..... 335	91484034..... 363, 369
91401281..... 604	91404233 .. 263, 265, 267	91414015 ..... 335	91484035..... 363, 369
91403031..... 31	91404234 .. 263, 265, 267	91414019 ..... 335	91484036..... 363, 369
91403033..... 32	91404242 .. 263, 265, 267	91414020 ..... 335	91503106..... 617
91403034..... 31	91404253 .. 263, 265, 267	91414021 ..... 335	91503414..... 127
91403065..... 31	91404255 .. 263, 265, 267	91414022 ..... 335	91504028..... 405
91403066..... 31, 767	91404256 .. 263, 265, 267	91414024 ..... 335	91504029..... 405
91403067..... 31	91404257 .. 263, 265, 267	91414026 ..... 335	91511094..... 55
91403078..... 31	91404258 .. 263, 265, 267	91414027 ..... 335	91513115..... 620
91403079..... 31	91404259 .. 263, 265, 267	91415039 ..... 32	91515056..... 339
91403082..... 31	91404262 .. 263, 265, 267	91415040 ..... 32	91531019..... 277
91403098..... 195	91404266 .. 263, 265, 267	91415072 ..... 341	91531021..... 21, 23
91403145..... 31, 32	91404267 .. 263, 265, 267	91473206 ..... 339, 341	91531026..... 805
91403146..... 31	91404268 .. 263, 265, 267	91473228 . 199, 203, 208, 211, 219, 223, 228, 231, 601	91531027..... 65
91403163..... 31	91404296 ..... 368	91473240 ..... 805	91531029.. 485, 489, 620, 795
91403164..... 31	91404297 ..... 368	91474037 ..... 325, 330	91531034..... 486, 490
91403165..... 31	91404298 ..... 368	91474039 ..... 325	91531035..... 485, 489
91403166..... 31	91404301 ..... 368	91474058 ..... 325	91531036..... 485, 489
91403193..... 339, 341	91404302 ..... 347, 369	91474060 ..... 325	91531040..... 795
91403213..... 123	91404303 ..... 368	91474061 ..... 325	91533001..... 263
91403216... 171, 191, 299	91404305 ..... 368	91474064 ..... 325	91533004..... 277
91403225..... 513, 515	91404306 ..... 368	91474065 ..... 325	91533005..... 277
91403226..... 513, 515	91404326 ..... 405	91474066 ..... 325	91533006..... 19
91403230.. 16, 20, 23, 133	91404327 ..... 405	91474067 ..... 325	91533007..... 21
91403265..... 171, 191	91404352 ..... 493	91474075 ..... 325	91533015..... 265
91403295..... 817	91404383 ..... 569	91474095 ..... 325	91533017.. 485, 489, 620
91403354..... 32	91404386 ..... 569	91474098 ..... 325	91533018.. 485, 489, 620, 795
91403355..... 32	91404388 ..... 569	91474115 ..... 329	91533021..... 485, 489
91403372..... 31	91404389 ..... 569	91474116 ..... 329	91534004.. 172, 192, 263, 265, 267
91403413.. 79, 89, 91, 93, 97, 105, 109, 115, 127, 129, 147, 151, 485, 489, 793, 795	91404392 ..... 569	91474126 ..... 329	91534005.. 172, 192, 263, 265, 267
91403414.. 79, 86, 89, 91, 93, 97, 105, 109, 115, 123, 129, 147, 151, 485, 489, 793, 795	91404394 ..... 569	91474128 ..... 329	91534006..... 172, 192
91403443... 354, 358, 744	91404395 ..... 569	91474136 ..... 327	91534007... 263, 265, 267
	91404396 ..... 569	91474137 ..... 327	91534008... 263, 265, 267
	91404408 ..... 569	91474139 ..... 327	91534009... 263, 265, 267
	91404409 ..... 569	91474140 ..... 327	91534010..... 267, 813
	91404411 ..... 569	91474141 ..... 327	91534011... 263, 265, 267
	91404412 ..... 569	91474142 ..... 327	91535004..... 171, 215
	91404413 ..... 569	91474143 ..... 327	91535005..... 277
	91404416 ..... 569	91474144 ..... 327	
	91404418 ..... 569	91474145 ..... 327	
	91404419 ..... 569	91474146 ..... 327	

## PART NUMBER INDEX

91535006 . 633, 637, 657, 663	91545005 . 646, 651, 661, 663	91553044.....399, 822	91554038..... 375
91535007 ..... 609	91545008 ..... 341	91553045...609, 611, 823	91555006..... 321
91535009 ..... 817	91545010 ..... 341	91553046..... 171, 191	91555009..... 615
91535011 .. 172, 192, 821	91546001 ..... 19	91553052.....450	91555010..... 375
91535013 ..... 744	91551019 ..... 277, 279	91553053.....450	91555011..... 389, 393
91535014 ..... 354	91551036 ..... 817	91553054.....450	91555025..... 813
91535017 ..... 339	91551037 . 503, 676, 756, 760, 780, 783	91553055.....450	91555026..... 637, 651
91535019 ..... 339	91551039 ..... 32	91553056.....519	91555027..... 637, 651
91535022 ..... 805	91553001 ..... 287	91553060.....299	91555028..... 637, 651
91535023 ..... 620	91553002 ..... 277	91553061.....435	91555029..... 637, 651
91535025 ..... 485	91553004 ..... 277	91553063.. 633, 636, 646, 650	91555031..... 32
91535026 ..... 795	91553005 ..... 609	91553065.....215, 235	91555032..... 32
91536001 ..... 19	91553009 .. 171, 191, 821	91553066..607, 609, 611, 813	91556010..... 215, 235
91536006 ..... 19	91553014 ..... 287	91553071.....817	91556011..... 215, 235
91536007 ..... 19	91553015 ..... 287	91553072..653, 655, 657, 659, 661, 663	91556012..... 215, 235
91536008 ..... 19	91553017 ..... 299, 301	91553076.....122	91556016..... 23
91536012 ..... 171, 191	91553022 ..... 277	91554001.....399	91563158..... 20, 23
91536013 ..... 171, 191	91553024 ..... 615	91554005.....399	91563164..... 24
91536014 ..... 171, 191	91553025 ..... 215, 235	91554009.....399	91563197..... 41
91536015 ..... 171, 191	91553026 ..... 215, 235	91554010.....399	91563198..... 41
91536016 ..... 21	91553027 ..... 375	91554011.....609, 611	91563199..... 41
91536017 ..... 485, 490	91553028 ..... 171, 191	91554012.....609, 611	91563208..... 401
91536019 ..... 65	91553029 ..... 375	91554018.....617	91563244..... 497
91536020 ..... 55	91553030 .. 215, 235, 823	91554031...216, 236, 823	91564003. 119, 122, 126, 127
91536021 ..... 51	91553032 ..... 477	91554032...263, 265, 267	91565064..... 21
91536024 ..... 47	91553033 ..... 477	91554033...263, 265, 267	91565094..... 101
91536025 ..... 55	91553034 ..... 477	91554034...517, 519, 729	91566050..... 41
91543001 ..... 263	91553035 ..... 477	91554035.....517, 519	91566051..... 41
91543002 ..... 341	91553036 ..... 435	91554036.....519	H0453002 ..... 131
91543003 ..... 267	91553038 . 249, 259, 261, 423	91554037.....375	
91543004 ..... 651			
91545004 ..... 191, 235			







91344005



An Oshkosh Corporation Company

Corporate Office  
JLG Industries, Inc.  
1 JLG Drive  
McConnellsburg, PA 17233-9533  
USA

+1-717-485-5161 (Corporate)  
+1-877-554-5438 (Customer Support Toll Free)  
+1-717-485-6417

### JLG Worldwide Locations

JLG Industries  
358 Park Road  
Regents Park  
NSW 2143  
Sydney 2143  
Australia  
+6 (12) 87186300  
+6 (12) 65813058  
Email: techservicesaus@jlg.com

JLG Ground Support Oude  
Bunders 1034  
Breitwaterstraat 12A  
3630 Maasmechelen  
Belgium  
+32 (0)89 84 82 26  
Email: emeaservice@jlg.com

JLG Latino Americana LTDA  
Rua Antonia Martins Luiz, 580  
Distrito Industrial Joao Narezzi  
Indaiatuba-SP 13347-404  
Brasil  
+55 (19) 3936 7664 (Parts)  
+55 (19) 3936 9049 (Service)  
Email: comercialpecas@jlg.com  
Email: servicosa@jlg.com

Oshkosh-JLG (Tianjin)  
Equipment Technology LTD  
Shanghai Branch  
No 465 Xiao Nan Road  
Feng Xian District  
Shanghai 201204  
China  
+86 (21) 800 819 0050

JLG Industries Dubai  
Jafza View  
PO Box 262728, LB 19  
20th Floor, Office 05  
Jebel Ali, Dubai  
+971 (0) 4 884 1131  
+971 (0) 4 884 7683  
Email: emeaservice@jlg.com

JLG France SAS  
Z.I. Guillaume Mon Amy  
30204 Fauillet  
47400 Tonniens  
France  
+33 (0) 553 84 85 86  
+33 (0) 553 84 85 74  
Email: pieces@jlg.com

JLG Deutschland GmbH  
Max Planck Str. 21  
27721 Ritterhude-lhlpohl  
Germany  
+49 (0) 421 69350-0  
+49 (0) 421 69350-45  
Email: german-parts@jlg.com

JLG Equipment Services Ltd.  
Rm 1107 Landmark North  
39 Lung Sum Avenue  
Sheung Shui N. T.  
Hong Kong  
+(852) 2639 5783  
+(852) 2639 5797

JLG Industries (Italia) S. R. L.  
Via Po, 22  
IT-20010 Pregnana Milanese (MI)  
Italy  
+39 (0) 2 9359 5210  
+39 (0) 2 9359 5211  
Email: ricambi@jlg.com

JLG EMEA B.V.  
Polaris Avenue 63  
2132 JH Hoofddorp  
The Netherlands  
+31 (0) 23 565 5665  
Email: emeaservice@jlg.com

JLG NZ Access Equipment & Services  
2B Fisher Crescent  
Mt Wellington 1060  
Auckland, New Zealand  
+6 (12) 87186300  
+6 (12) 65813058  
Email: techservicesaus@jlg.com

JLG Industries  
Vahutinskoe shosse 24b  
Khimki,  
Moscow Region 141400  
Russia Federation  
+7 (499) 922 06 99  
+7 (499) 922 06 99

Oshkosh-JLG Singapore  
Technology Equipment P te Ltd.  
35 Tuas Avenue 2  
Jurong Industrial Estate  
Singapore 639454  
+65 6591 9030  
+65 6591 9045  
Email: SEA@jlg.com

JLG Iberica S. L.  
Trapadella, 2  
Pol. Ind. Castellbisbal Sur  
08755 Castellbisbal  
Barcelona  
Spain  
+34 (0) 93 772 47 00  
+34 (0) 93 77 117 62  
Email: parts\_iberica@jlg.com

JLG Sverige AB  
Enkopingsvagen 150  
17627 Jarfalla  
Sweden  
+46 (0) 8 506 595 00  
+46 (0) 8 506 595 27  
Email: nordicsupport@jlg.com

JLG Industries (UK) Ltd.  
Bentley House  
Bentley Avenue  
Middleton, Greater Manchester  
M24 2GP  
United Kingdom  
+44 (0) 161 654 1000  
+44 (0) 161 654 1003  
Email: ukparts@jlg.com

www.jlg.com