



Illustrated Parts Manual

Model G6-42A

SN 0190001 through 0190457
& 016000022 through
0160048656

91474001

*Revised
May 15, 2017*



EFFECTIVITY PAGE

December 17, 2004 - A - Revised Manual
June 3, 2005 - B - Revised Manual
September 30, 2005 - C - Revised Manual
May 12, 2006 - D - Revised Manual
August 25, 2006 - E - Revised Manual
February 23, 2007 - F - Revised Manual
July 6, 2007 - G - Revised Manual
November 26, 2008 - H - Revised Manual
August 11, 2009 - I - Revised Manual
April 29, 2011 - J - Revised Manual
June 20, 2012 - K - Revised Manual
October 23, 2012 - L - Revised Manual
April 4, 2014 - M - Revised Manual
May 15, 2017 - N - Revised Manual

TABLE OF CONTENTS

SECTION 1 - FRAME AND ATTACHING PARTS.....	13
FIGURE 1-1. FRAME SHROUDING AND TRIM (SN 0190001 through 0190457, SN 016000022 through 0160004023)	14
FIGURE 1-2. FRAME SHROUDING AND TRIM (SN 0160004041 through 0160040659)	18
FIGURE 1-3. FRAME SHROUDING AND TRIM (SN 0160040678 to Present).....	22
FIGURE 1-4. AXLE MOUNTING (SN 0190001 through 0190457, SN 016000022 through 0160000843)	28
FIGURE 1-5. AXLE MOUNTING (SN 0160000847 to Present).....	30
SECTION 2 - BOOM.....	33
FIGURE 2-1. BOOM INSTALLATION.....	34
FIGURE 2-2. FIRST BOOM SECTION.....	36
FIGURE 2-3. BEARING PADS, SPACERS AND SHIMS, (FIRST BOOM SECTION).....	38
FIGURE 2-4. SECOND BOOM SECTION.....	40
FIGURE 2-5. BEARING PADS, SPACERS AND SHIMS, (SECOND BOOM SECTION).....	42
FIGURE 2-6. THIRD BOOM SECTION.....	46
FIGURE 2-7. BEARING PADS, SPACERS AND SHIMS, (THIRD BOOM SECTION).....	48
FIGURE 2-8. PUSH BEAM/EXTEND CHAIN AND ROLLER ASSEMBLY	50
FIGURE 2-9. MANUAL QUICK SWITCH ASSEMBLY (Prior to SN 0160037722).....	52
FIGURE 2-10. MANUAL QUICK SWITCH ASSEMBLY (SN 0160037722 to Present).....	54
SECTION 3 - ATTACHMENTS	57
FIGURE 3-1. TILT CARRIAGE (Prior to SN 0160023798).....	58
FIGURE 3-2. TILT CARRIAGE (SN 0160023798 to Present)	60
FIGURE 3-3. BUCKETS.....	62
FIGURE 3-4. SIDE TILT CARRIAGE (Prior to SN 0160037722).....	64
FIGURE 3-5. SIDE TILT CARRIAGE (SN 0160037722 to Present).....	66
FIGURE 3-6. TRUSS BOOM (Prior to SN 0160037722).....	68
FIGURE 3-7. TRUSS BOOM (SN 0160037722 to Present).....	70
FIGURE 3-8. TRUSS BOOM WITH WINCH (Prior to SN 0160037722).....	72
FIGURE 3-9. TRUSS BOOM WITH WINCH (SN 0160037722 to Present).....	74
FIGURE 3-10. ADJUSTABLE TRUSS BOOM.....	76
FIGURE 3-11. SWING CARRIAGE (Prior to SN 0160037722).....	78
FIGURE 3-12. SWING CARRIAGE (SN 0160037722 to Present).....	82
FIGURE 3-13. SHEET MATERIAL HANDLER (Prior to SN 0160037722)	84
FIGURE 3-14. SHEET MATERIAL HANDLER (SN 0160037722 to Present).....	86
FIGURE 3-15. WINCH INSTALLATION	88
FIGURE 3-16. 100, DRYWALL SWING CARRIAGE ASSEMBLY (Prior to SN 0160037722).....	90
FIGURE 3-17. PERSONNEL PLATFORM ASSY (Prior to SN 0160037722).....	94
FIGURE 3-18. FORK MOUNTED PLATFORM.....	96
FIGURE 3-19. 100, SWING CARRIAGE WITH SIDE SHIFT (Prior to SN 0160037722).....	100
FIGURE 3-20. FORKS.....	104
FIGURE 3-21. FORK MOUNTED LIFTING HOOK PRIOR TO SN 2005134-01	106
FIGURE 3-22. FORK MOUNTED LIFTING HOOK SN 2005134-01 TO PRESENT.....	108
FIGURE 3-23. GRAPPLE BUCKET.....	110
FIGURE 3-24. FORK PIN LOCK INSTALLATION.....	112
FIGURE 3-25. DUAL FORK POSITIONING CARRIAGE ASSEMBLY	114
FIGURE 3-26. 6 FT MAST WITH 72 IN CARRIAGE (Prior to SN 0160023798).....	116
FIGURE 3-27. 8 FT STANDARD MAST (SN 0160023798 to Present).....	118
FIGURE 3-28. 8 FT SIDE TILT ELECTRIC MAST (SN 0160023798 to Present).....	122
FIGURE 3-29. 50 IN SIDE SHIFT CARRIAGE (SN 0160023798 to Present).....	128
SECTION 4 - ENGINE AND ATTACHING PARTS	131
FIGURE 4-1. ENGINE ASSEMBLY, LH VIEW - JOHN DEERE ENGINE (SN 0190001 through 0190457, SN 016000022 through 0160003126)	132
FIGURE 4-2. ENGINE ASSEMBLY, LH VIEW - JOHN DEERE ENGINE (SN 0160003208 through 0160040659)	136
FIGURE 4-3. ENGINE ASSEMBLY, RH VIEW - JOHN DEERE ENGINE (SN 0190001 through 0190457, SN 016000022 through 0160003126)	140
FIGURE 4-4. ENGINE ASSEMBLY, RH VIEW - JOHN DEERE ENGINE (SN 0160003208 through 0160040659).....	142
FIGURE 4-5. ENGINE ASSEMBLY - PERKINS ENGINE (SN 0160021195 through 0160040659)	146
FIGURE 4-6. ENGINE INSTALLATION - CUMMINS ENGINE (SN 0160040678 to Present)	150
FIGURE 4-7. JOHN DEERE ENGINE (SN 0190001 through 0190457, SN 016000022 through 0160003126).....	154
FIGURE 4-8. JOHN DEERE ENGINE (SN 0160003208 through 0160006554, Including 0160006659, 0160006662, 0160006665 and 0160006667).....	158

TABLE OF CONTENTS

FIGURE 4-9. JOHN DEERE ENGINE (SN 0160006593 through 0160040659, Excluding 0160006659, 0160006662, 0160006665 and 0160006667)	162
FIGURE 4-10. PERKINS ENGINE (SN 0160021195 through 0160040659)	166
FIGURE 4-11. CUMMINS ENGINE (SN 0160040678 to Present)	168
FIGURE 4-12. FUEL TANK AND LINES (Prior to SN 0160020148)	170
FIGURE 4-13. FUEL TANK AND LINES (SN 0160020148 through 0160040659)	172
FIGURE 4-14. FUEL TANK AND LINES (SN 0160040678 to Present)	174
FIGURE 4-15. RADIATOR ASSEMBLY - JOHN DEERE ENGINE (SN 0190001 through 0190457, SN 0160000022 through 0160003126)	176
FIGURE 4-16. RADIATOR ASSEMBLY - JOHN DEERE ENGINE (SN 0160003208 through 0160040659)	178
FIGURE 4-17. RADIATOR ASSEMBLY - PERKINS ENGINE (SN 0160021195 through 0160040659)	180
FIGURE 4-18. RADIATOR ASSEMBLY - CUMMINS ENGINE (SN 0160040678 to Present)	182
FIGURE 4-19. AIR CLEANER AND INSTALLATION - JOHN DEERE ENGINE (SN 0190001 through 0190457, SN 0160000022 through 0160001891)	186
FIGURE 4-20. AIR CLEANER AND INSTALLATION - JOHN DEERE ENGINE (SN 0160001893 through 0160003126)	188
FIGURE 4-21. AIR CLEANER AND INSTALLATION - JOHN DEERE ENGINE (SN 0160003208 through 0160040659)	190
FIGURE 4-22. AIR CLEANER AND INSTALLATION - PERKINS ENGINE (SN 0160021195 through 0160040659)	192
FIGURE 4-23. AIR CLEANER AND INSTALLATION - CUMMINS ENGINE (SN 0160040678 to Present)	194
FIGURE 4-24. EXHAUST INSTALLATION - JOHN DEERE ENGINE (SN 0190001 through 0190457, SN 0160000022 through 0160003126)	196
FIGURE 4-25. EXHAUST INSTALLATION - JOHN DEERE ENGINE (SN 0160003208 through 0160040659)	198
FIGURE 4-26. EXHAUST INSTALLATION - PERKINS ENGINE (SN 0160021195 through 0160040659)	200
FIGURE 4-27. EXHAUST INSTALLATION - CUMMINS ENGINE (SN 0160040678 to Present)	202
FIGURE 4-28. DANA TRANSMISSION INSTALLATION (SN 0160045464 to Present, Including 0160043800)	204
FIGURE 4-29. DANA TRANSMISSION - CONVERTER HOUSING GROUP (Prior to SN 0160040678, SN 0160045464 to Present, Including 0160043800)	206
FIGURE 4-30. DANA TRANSMISSION CASE AND PLATE GROUP (Prior to SN 0160040678, SN 0160045464 to Present, Including 0160043800)	208
FIGURE 4-31. DANA TRANSMISSION - TORQUE CONVERTER GROUP (Prior to SN 0160040678, SN 0160045464 to Present, Including 0160043800)	210
FIGURE 4-32. DANA TRANSMISSION - GEAR GROUP (Prior to SN 0160040678)	212
FIGURE 4-33. DANA TRANSMISSION - GEAR GROUP (Prior to SN 0160040678, SN 0160045464 to Present, Including 0160043800)	214
FIGURE 4-34. DANA TRANSMISSION - PUMP DRIVE GROUP (Prior to SN 0160040678, SN 0160045464 to Present, Including 0160043800)	216
FIGURE 4-35. DANA TRANSMISSION - CHARGING PUMP GROUP (Prior to SN 0160040678, SN 0160045464 to Present, Including 0160043800)	218
FIGURE 4-36. DANA TRANSMISSION - REVERSE IDLER GROUP (Prior to SN 0160040678, SN 0160045464 to Present, Including 0160043800)	220
FIGURE 4-37. DANA TRANSMISSION - FORWARD AND REVERSE SHAFT GROUP (Prior to SN 0160040678, SN 0160045464 to Present, Including 0160043800)	222
FIGURE 4-38. DANA TRANSMISSION - 3RD SHAFT GROUP (Prior to SN 0160040678)	224
FIGURE 4-39. DANA TRANSMISSION - 3RD SHAFT GROUP (Prior to SN 0160040678, SN 0160045464 to Present, Including 0160043800)	226
FIGURE 4-40. DANA TRANSMISSION - FIRST AND SECOND SHAFT GROUP (Prior to SN 0160040678, SN 0160045464 to Present, Including 0160043800)	228
FIGURE 4-41. DANA TRANSMISSION - OUTPUT SHAFT GROUP (Prior to SN 0160040678, SN 0160045464 to Present, Including 0160043800)	230
FIGURE 4-42. DANA TRANSMISSION - ELECTRIC CONTROL GROUP (Prior to SN 0160040678)	232
FIGURE 4-43. DANA TRANSMISSION - ELECTRIC CONTROL GROUP (SN 0190001 through 0190457, SN 0160000022 through 0160011034, Including 0160011878)	234
FIGURE 4-44. DANA TRANSMISSION - ELECTRIC CONTROL GROUP (SN 0160011059 through 0160040677, Except SN 0160045464 to Present, Including 0160043800, Excluding 0160011878)	236
FIGURE 4-45. DANA TRANSMISSION - DRIVE PLATE GROUP (Prior to SN 0160040678, SN 0160045464 to Present, Including 0160043800)	238
FIGURE 4-46. DANA TRANSMISSION - DROP BOX GROUP (Prior to SN 0160040678, SN 0160045464 to Present, Including 0160043800)	240
FIGURE 4-47. ZF TRANSMISSION INSTALLATION (SN 0160040678 through 0160045456, Excluding 0160043800)	242
FIGURE 4-48. ZF TRANSMISSION ASSEMBLY (SN 0160040678 through 0160045456, Excluding 0160043800)	244
FIGURE 4-49. ZF TRANSMISSION - TORQUE CONVERTER AND INPUT (SN 0160040678 through 0160045456, Excluding 0160043800)	246
FIGURE 4-50. ZF TRANSMISSION - GEARBOX HOUSING (SN 0160040678 through 0160045456, Excluding 0160043800)	248
FIGURE 4-51. ZF TRANSMISSION - FORWARD GEAR GROUP (SN 0160040678 through 0160045456, Excluding 0160043800)	250
FIGURE 4-52. ZF TRANSMISSION - REVERSE GEAR GROUP (SN 0160040678 through 0160045456, Excluding 0160043800)	252
FIGURE 4-53. ZF TRANSMISSION - 1ST SHAFT GROUP (SN 0160040678 through 0160045456, Excluding 0160043800)	254

TABLE OF CONTENTS

FIGURE 4-54. ZF TRANSMISSION - 2ND SHAFT GROUP (SN 0160040678 through 0160045456, Excluding 0160043800) ...	256
FIGURE 4-55. ZF TRANSMISSION - 3RD SHAFT GROUP (SN 0160040678 through 0160045456, Excluding 0160043800) ...	258
FIGURE 4-56. ZF TRANSMISSION - 4TH SHAFT GROUP (SN 0160040678 through 0160045456, Excluding 0160043800) ...	260
FIGURE 4-57. ZF TRANSMISSION - POWER TAKE-OFF (SN 0160040678 through 0160045456, Excluding 0160043800).....	262
FIGURE 4-58. ZF TRANSMISSION - CONTROL UNIT AND PRESSURE REGULATOR (SN 0160040678 through 0160045456, Excluding 0160043800).....	264
FIGURE 4-59. ZF TRANSMISSION - GEARSHIFT SYSTEM (SN 0160040678 through 0160045456, Excluding 0160043800).	266
FIGURE 4-60. ZF TRANSMISSION - OIL PUMP, FILTER AND DIPSTICK (SN 0160040678 through 0160045456, Excluding 0160043800)	268
FIGURE 4-61. ZF TRANSMISSION - TRANSFER BOX (SN 0160040678 through 0160045456, Excluding 0160043800)	270
SECTION 5 - DRIVE TRAIN	273
FIGURE 5-1. FRONT AXLE INSTALLATION - CARRARO (SN 0190001 through 0190457, SN 016000022 through 0160000843)	274
FIGURE 5-2. FRONT AXLE - CARRARO (SN 0190001 through 0190457, SN 016000022 through 0160000843)	276
FIGURE 5-3. FRONT AXLE HOUSING ASSEMBLY - CARRARO (SN 0190001 through 0190457, SN 016000022 through 0160000843)	278
FIGURE 5-4. FRONT STEERING COMPONENTS - CARRARO (SN 0190001 through 0190457, SN 016000022 through 0160000843)	280
FIGURE 5-5. FRONT GEAR COMPONENTS - CARRARO (SN 0190001 through 0190457, SN 016000022 through 0160000843)	282
FIGURE 5-6. FRONT DIFFERENTIAL - CARRARO (SN 0190001 through 0190457, SN 016000022 through 0160000843) ...	284
FIGURE 5-7. FRONT DOUBLE JOINT - CARRARO (SN 0190001 through 0190457, SN 016000022 through 0160000843)...	286
FIGURE 5-8. FRONT BRAKES - CARRARO (SN 0190001 through 0190457, SN 016000022 through 0160000843)	288
FIGURE 5-9. FRONT WHEEL HUB - CARRARO (SN 0190001 through 0190457, SN 016000022 through 0160000843)	290
FIGURE 5-10. FRONT REDUCTION GEARS - CARRARO (SN 0190001 through 0190457, SN 016000022 through 0160000843)	292
FIGURE 5-11. REAR AXLE INSTALLATION - CARRARO (SN 0190001 through 0190457, SN 016000022 through 0160000843)	294
FIGURE 5-12. REAR AXLE - CARRARO (SN 0190001 through 0190457, SN 016000022 through 0160000843).....	296
FIGURE 5-13. REAR AXLE HOUSING ASSEMBLY - CARRARO (SN 0190001 through 0190457, SN 016000022 through 0160000843)	298
FIGURE 5-14. REAR STEERING COMPONENTS - CARRARO (SN 0190001 through 0190457, SN 016000022 through 0160000843)	300
FIGURE 5-15. REAR GEAR COMPONENTS - CARRARO (SN 0190001 through 0190457, SN 016000022 through 0160000843)	302
FIGURE 5-16. REAR DIFFERENTIAL - CARRARO (SN 0190001 through 0190457, SN 016000022 through 0160000843)...	304
FIGURE 5-17. REAR DOUBLE JOINT - CARRARO (SN 0190001 through 0190457, SN 016000022 through 0160000843) ...	306
FIGURE 5-18. REAR WHEEL HUB - CARRARO (SN 0190001 through 0190457, SN 016000022 through 0160000843).....	308
FIGURE 5-19. REAR REDUCTION GEARS - CARRARO (SN 0190001 through 0190457, SN 016000022 through 0160000843)	310
FIGURE 5-20. FRONT AXLE INSTALLATION - DANA (SN 0160000847 through 0160040659).....	312
FIGURE 5-21. FRONT AXLE INSTALLATION - DANA (SN 0160040678 to Present).....	314
FIGURE 5-22. FRONT AXLE - DANA (SN 0160000847 to Present).....	316
FIGURE 5-23. FRONT AXLE HOUSING ASSEMBLY - DANA (SN 0160000847 to Present).....	318
FIGURE 5-24. FRONT STEERING COMPONENTS - DANA (SN 0160000847 to Present)	320
FIGURE 5-25. FRONT GEAR COMPONENTS - DANA (SN 0160000847 to Present)	322
FIGURE 5-26. FRONT DIFFERENTIAL - DANA (SN 0160000847 to Present).....	324
FIGURE 5-27. FRONT DOUBLE JOINT - DANA (SN 0160000847 to Present).....	326
FIGURE 5-28. FRONT BRAKES - DANA (SN 0160000847 to Present).....	328
FIGURE 5-29. FRONT WHEEL HUB - DANA (SN 0160000847 to Present).....	330
FIGURE 5-30. FRONT REDUCTION GEARS - DANA (SN 0160000847 to Present)	332
FIGURE 5-31. REAR AXLE INSTALLATION - DANA (SN 0160000847 through 0160040659)	334
FIGURE 5-32. REAR AXLE INSTALLATION - DANA (SN 0160040678 to Present).....	336
FIGURE 5-33. REAR AXLE - DANA (SN 0160000847 to Present)	338
FIGURE 5-34. REAR AXLE HOUSING ASSEMBLY - DANA (SN 0160000847 to Present)	340
FIGURE 5-35. REAR STEERING COMPONENTS - DANA (SN 0160000847 to Present).....	342
FIGURE 5-36. REAR GEAR COMPONENTS - DANA (SN 0160000847 to Present).....	344
FIGURE 5-37. REAR DIFFERENTIAL - DANA (SN 0160000847 to Present).....	346
FIGURE 5-38. REAR DOUBLE JOINT - DANA (SN 0160000847 to Present)	348
FIGURE 5-39. REAR BRAKES - DANA (SN 0160000847 through 0160037722, Including 0160037786)	350
FIGURE 5-40. REAR BRAKES - DANA (SN 0160037749 to Present, Excluding 0160037786).....	352
FIGURE 5-41. REAR WHEEL HUB - DANA (SN 0160000847 to Present)	354
FIGURE 5-42. REAR REDUCTION GEARS - DANA (SN 0160000847 to Present).....	356
FIGURE 5-43. DRIVE SHAFT ASSEMBLY (SN 0190001 through 0190457, SN 016000022 through 0160000843)	358
FIGURE 5-44. DRIVE SHAFT ASSEMBLY (SN 0160000847 to Present).....	360

TABLE OF CONTENTS

FIGURE 5-45. TIRES AND RIMS	362
SECTION 6 - CAB	365
FIGURE 6-1. OPEN CAB	366
FIGURE 6-2. CAB ENCLOSURES.....	368
FIGURE 6-3. CAB COMPONENTS.....	370
FIGURE 6-4. CAB DOOR ASSEMBLY	372
FIGURE 6-5. CAB GLASS.....	374
FIGURE 6-6. SUSPENSION SEAT.....	376
FIGURE 6-7. DASH PANEL (Prior to SN 0160040678).....	378
FIGURE 6-8. DASH PANEL (SN 0160040678 to Present).....	380
FIGURE 6-9. INSTRUMENT PANEL (SN 0190001 through 0190457, SN 0160000022 through 0160001277).....	382
FIGURE 6-10. INSTRUMENT PANEL (SN 0160001283 through 0160040659).....	384
FIGURE 6-11. INSTRUMENT PANEL (SN 0160040678 to Present).....	386
FIGURE 6-12. REAR WINDOW EXIT INSTALLATION.....	390
FIGURE 6-13. SKYLIGHT WIPER INSTALLATION.....	392
FIGURE 6-14. SKYLIGHT WIPER MOTOR ASSEMBLY.....	394
SECTION 7 - CONTROLS.....	397
FIGURE 7-1. TILT AND FRAME LEVEL JOYSTICK INSTALLATION	398
FIGURE 7-2. JOYSTICK ASSEMBLY.....	400
FIGURE 7-3. ACCELERATOR PEDAL INSTALLATION (Prior to SN 0160038504, Excluding 0160025238).....	402
FIGURE 7-4. ACCELERATOR PEDAL INSTALLATION (SN 0160038504 through 0160040659, Including 0160025238).....	404
FIGURE 7-5. ACCELERATOR PEDAL INSTALLATION (SN 0160040678 to Present).....	406
FIGURE 7-6. STEERING COLUMN AND ATTACHING PARTS (Prior to SN 0160040678).....	408
FIGURE 7-7. STEERING COLUMN AND ATTACHING PARTS (SN 0160040678 to Present).....	410
FIGURE 7-8. BRAKE PEDAL INSTALLATION (SN 0190001 through 0190457, SN 0160000022 through 0160000843).....	412
FIGURE 7-9. BRAKE PEDAL INSTALLATION (SN 0160000847 through 0160029241).....	414
FIGURE 7-10. BRAKE PEDAL INSTALLATION (SN 0160029242 through 0160040659).....	416
FIGURE 7-11. BRAKE PEDAL INSTALLATION (SN 0160040678 to Present).....	418
FIGURE 7-12. JOYSTICK ASSEMBLY.....	420
FIGURE 7-13. JOYSTICK ASSEMBLY.....	422
FIGURE 7-14. AUXILIARY HYDRAULIC JOYSTICK INSTALLATION	424
FIGURE 7-15. FRAME LEVEL JOYSTICK INSTALLATION	426
SECTION 8 - HYDRAULIC CIRCUITS	429
FIGURE 8-1. PRIORITY VALVE (SN 0190001 through 0190457, SN 0160000022 through 0160021166).....	430
FIGURE 8-2. PRIORITY VALVE (SN 0160021195 through 0160022113).....	432
FIGURE 8-3. PRIORITY VALVE (SN 0160022163 through 0160040659).....	434
FIGURE 8-4. PRIORITY VALVE (SN 0160040678 to Present).....	436
FIGURE 8-5. DUMP CIRCUIT (Prior to SN 0160040678).....	440
FIGURE 8-6. DUMP CIRCUIT (SN 0160040678 to Present).....	442
FIGURE 8-7. STEER SELECT VALVE (Prior to SN 0160040678).....	444
FIGURE 8-8. STEER SELECT VALVE (SN 0160040678 to Present).....	446
FIGURE 8-9. SERVICE/PARKING (SN 0190001 through 0190457, SN 0160000022 through 0160000843).....	448
FIGURE 8-10. SERVICE/PARKING (SN 0160000847 through 0160040659).....	450
FIGURE 8-11. SERVICE/PARKING (SN 0160040678 to Present).....	452
FIGURE 8-12. JOYSTICK CIRCUIT (Prior to SN 0160040678).....	454
FIGURE 8-13. JOYSTICK CIRCUIT (SN 0160040678 to Present).....	456
FIGURE 8-14. LIFT CYLINDER (Prior to SN 0160040678).....	458
FIGURE 8-15. LIFT CYLINDER (SN 0160040678 to Present).....	460
FIGURE 8-16. CROWD CYLINDER (Prior to SN 0160040678).....	462
FIGURE 8-17. CROWD CYLINDER (SN 0160040678 to Present).....	464
FIGURE 8-18. TILT AND TILT COMPENSATING CYLINDER (Prior to SN 0160040678).....	466
FIGURE 8-19. TILT AND TILT COMPENSATING CYLINDER (SN 0160040678 to Present).....	470
FIGURE 8-20. SWAY CYLINDER (Prior to SN 0160040678).....	472
FIGURE 8-21. SWAY CYLINDER (SN 0160040678 to Present).....	474
FIGURE 8-22. AUXILIARY HYDRAULICS (SN 0160040678 to Present).....	476
SECTION 9 - HYDRAULIC COMPONENTS	479
FIGURE 9-1. LIFT CYLINDER (SN 0190001 through 0190457, SN 0160000022 through 0160007820).....	480
FIGURE 9-2. LIFT CYLINDER (SN 0160007868 through 0160007974).....	482
FIGURE 9-3. LIFT CYLINDER (SN 0160008059 through 0160010475).....	484

TABLE OF CONTENTS

FIGURE 9-4. LIFT CYLINDER (SN 0160010497 through 0160033619)	486
FIGURE 9-5. LIFT CYLINDER (SN 0160033656 to Present)	488
FIGURE 9-6. LIFT CYLINDER (SN 0160035857 to Present)	490
FIGURE 9-7. EXTEND/RETRACT CYLINDER - IOWA (SN 0190001 through 0190457, SN 0160000022 through 0160033619)	492
FIGURE 9-8. EXTEND/RETRACT CYLINDER - TEXAS HYDRAULICS (SN 0160033656 to Present)	494
FIGURE 9-9. EXTEND/RETRACT CYLINDER	496
FIGURE 9-10. TILT CYLINDER - IOWA (SN 0190001 through 0190457, SN 0160000022 through 0160033619)	498
FIGURE 9-11. TILT CYLINDER - TEXAS HYDRAULICS (SN 0160033656 to Present)	500
FIGURE 9-12. COMPENSATING CYLINDER (SN 0190001 through 0190457, SN 0160000022 through 0160007820)	502
FIGURE 9-13. COMPENSATING CYLINDER (SN 0160007868 through 0160007974)	504
FIGURE 9-14. COMPENSATING CYLINDER (SN 0160008059 through 0160017476)	506
FIGURE 9-15. COMPENSATING CYLINDER (SN 0160017503 to Present)	508
FIGURE 9-16. FRAME LEVEL CYLINDER (SN 0190001 through 0190446)	510
FIGURE 9-17. FRAME LEVEL CYLINDER (SN 0190447 through 0190457, SN 0160000022 through 0160033619)	512
FIGURE 9-18. FRAME LEVEL CYLINDER (SN 0160033656 to Present)	514
FIGURE 9-19. FRAME LEVEL CYLINDER (ARCTIC)	516
FIGURE 9-20. MAIN CONTROL VALVE (Prior to SN 0160037722)	518
FIGURE 9-21. MAIN CONTROL VALVE (SN 0160037722 to Present)	522
FIGURE 9-22. IMPLEMENT PUMP (SN 0190001 through 0190457, SN 0160000022 through 0160000715)	526
FIGURE 9-23. IMPLEMENT PUMP (SN 0160000797 through 0160040677)	528
FIGURE 9-24. IMPLEMENT PUMP (SN 0160040678 to Present)	530
FIGURE 9-25. HYDRAULIC TANK ASSEMBLY (Prior to SN 0160040678)	532
FIGURE 9-26. HYDRAULIC TANK ASSEMBLY (SN 0160040678 to Present)	534
FIGURE 9-27. SWAY CYLINDER VALVE (SN 0190001 through 0190357)	536
FIGURE 9-28. SWAY CYLINDER VALVE (SN 0160000022 to Present, SN 0190358 through 0190457)	538
FIGURE 9-29. BRAKE VALVE (SN 0190001 through 0190457, SN 0160000022 through 0160000843)	540
FIGURE 9-30. BRAKE VALVE (SN 0160000847 through 0160029212)	544
FIGURE 9-31. BRAKE VALVE (SN 0160029242 through 0160040659)	548
FIGURE 9-32. BRAKE VALVE (SN 0160040678 to Present)	552
FIGURE 9-33. PRIORITY VALVE (SN 0190001 through 0190457, SN 0160000022 through 0160001862)	556
FIGURE 9-34. PRIORITY VALVE (SN 0160001866 through 0160022230)	558
FIGURE 9-35. PRIORITY VALVE (SN 0160022231 to Present)	560
FIGURE 9-36. STEER SELECT VALVE (Prior to SN 0160004856)	562
FIGURE 9-37. STEER SELECT VALVE (SN 0160004856 through 0160040659)	564
FIGURE 9-38. STEER SELECT VALVE (SN 0160040678 to Present)	566
FIGURE 9-39. GRAPPLE BUCKET CYLINDER	568
FIGURE 9-40. SIDE TILT CARRIAGE CYLINDER	570
FIGURE 9-41. 72IN 90, SWING CARRIAGE CYLINDER	572
FIGURE 9-42. MAIN CONTROL VALVE, TILT ON JOYSTICK WITH AUX (SN 0160040678 to Present)	574
FIGURE 9-43. 50 IN SIDE SHIFT CARRIAGE CYLINDER (SN 0160023798 to Present)	578
SECTION 10 - ELECTRICAL	581
FIGURE 10-1. BATTERY AND CABLES (Prior to SN 0160040678)	582
FIGURE 10-2. BATTERY AND CABLES (SN 0160040678 to Present)	584
FIGURE 10-3. ENGINE HARNESS - JOHN DEERE ENGINE (SN 0190001 through 0190457, SN 0160000022 through 0160002053)	586
FIGURE 10-4. ENGINE HARNESS - JOHN DEERE ENGINE (SN 0160002056 through 0160006654, Including 0160006659, 0160006662, 0160006665 and 0160006667)	588
FIGURE 10-5. ENGINE HARNESS - JOHN DEERE ENGINE (SN 0160006593 through 0160011034, Excluding 0160006659, 0160006662, 0160006665 and 0160006667)	590
FIGURE 10-6. ENGINE HARNESS - JOHN DEERE ENGINE (SN 0160011059 through 0160018126)	592
FIGURE 10-7. ENGINE HARNESS - JOHN DEERE ENGINE (SN 0160018150 through 0160021166)	594
FIGURE 10-8. ENGINE HARNESS - JOHN DEERE ENGINE (SN 0160021195 through 0160040659)	596
FIGURE 10-9. ENGINE HARNESS - PERKINS ENGINE (SN 0160021195 through 0160040659)	598
FIGURE 10-10. ENGINE HARNESS - CUMMINS ENGINE (SN 0160040678 to Present)	602
FIGURE 10-11. TRANSMISSION HARNESS (SN 0160045464 to Present, SN 0160021195 through 0160040677, Including 0160043800)	604
FIGURE 10-12. TRANSMISSION HARNESS (SN 0160040678 through 0160045456, Excluding 0160043800)	606
FIGURE 10-13. CAB WORK LIGHT HARNESS (SN 0160035560 to Present)	608
FIGURE 10-14. ENCLOSED CAB HARNESS (SN 0160040678 to Present)	610
FIGURE 10-15. CAB CONTROL HARNESS (Prior to SN 0160045456, Excluding 0160043800)	612
FIGURE 10-16. CAB CONTROL HARNESS (SN 0160045464 to Present, Including 0160043800)	614
FIGURE 10-17. CAB DASH HARNESS (SN 0160040678 to Present)	616
FIGURE 10-18. VEC BOX HARNESS (SN 0160040678 to Present)	618
FIGURE 10-19. TILT AND AUX CONTROL MODULE (SN 0160040678 to Present)	620
FIGURE 10-20. ACCESSORY MODULE HARNESS (SN 0160040678 to Present)	622

TABLE OF CONTENTS

FIGURE 10-21. FRAME ROAD LIGHTS HARNESS.....	624
FIGURE 10-22. CAB ROAD LIGHTS HARNESS.....	626
FIGURE 10-23. CAB WORK LIGHT HARNESS.....	628
FIGURE 10-24. BOOM WORK LIGHTS HARNESS.....	630
FIGURE 10-25. CAB WORK LIGHT AND BEACON LIGHT HARNESS (Prior to SN 0160040678).....	632
FIGURE 10-26. CHASSIS HARNESS (SN 0160040678 to Present).....	634
FIGURE 10-27. PARK BRAKE HARNESS.....	638
FIGURE 10-28. REVERSE SENSING SYSTEM INSTALLATION.....	640
FIGURE 10-29. REVERSE SENSOR HARNESS.....	642
FIGURE 10-30. WIPER MOTOR HARNESS.....	644
 SECTION 11 - DECALS.....	 647
FIGURE 11-1. CAB AND FRAME DECALS (SN 0190001 through 0190457, SN 0160000022 through 0160003959).....	648
FIGURE 11-2. CAB AND FRAME DECALS (SN 0160003986 through 0160040063).....	652
FIGURE 11-3. CAB AND FRAME DECALS (SN 0160040169 to Present).....	656
FIGURE 11-4. BOOM DECALS (SN 0190001 through 0190457, SN 0160000022 through 0160006219).....	662
FIGURE 11-5. BOOM DECALS (SN 0160006238 to Present).....	664
 SECTION 12 - OPTIONS.....	 667
FIGURE 12-1. TURBO OPTION (SN 0190001 through 0190457, SN 0160000022 through 0160003126).....	668
FIGURE 12-2. TURBO ENGINE ASSEMBLY, LH VIEW (SN 0190001 through 0190457, SN 0160000022 through 0160003126).....	670
FIGURE 12-3. TURBO ENGINE ASSEMBLY, RH VIEW (SN 0190001 through 0190457, SN 0160000022 through 0160003126).....	674
FIGURE 12-4. JOHN DEERE TURBO ENGINE (SN 0190001 through 0190457, SN 0160000022 through 0160003126).....	676
FIGURE 12-5. TURBO RADIATOR ASSEMBLY (SN 0190001 through 0190457, SN 0160000022 through 0160003126).....	680
FIGURE 12-6. TURBO AIR CLEANER AND INSTALLATION (SN 0190001 through 0190457, SN 0160000022 through 0160001891).....	682
FIGURE 12-7. TURBO AIR CLEANER AND INSTALLATION (SN 0160001893 through 0160003126).....	684
FIGURE 12-8. TURBO EXHAUST INSTALLATION (SN 0190001 through 0190457, SN 0160000022 through 0160003126).....	686
FIGURE 12-9. ENCLOSED CAB HEATER COMPONENTS (SN 0190001 through 0190457, SN 0160000022 through 0160015432).....	688
FIGURE 12-10. ENCLOSED CAB HEATER COMPONENTS (SN 0160015458 through 0160040659).....	692
FIGURE 12-11. ENCLOSED CAB HEATER COMPONENTS (SN 0160040678 to Present).....	696
FIGURE 12-12. OPEN CAB HEATER COMPONENTS (SN 0160015458 through 0160040659).....	698
FIGURE 12-13. OPEN CAB HEATER COMPONENTS (SN 0160021195 through 0160040659).....	700
FIGURE 12-14. OPEN CAB HEATER COMPONENTS (SN 0160040678 to Present).....	702
FIGURE 12-15. ENGINE HEATER COMPONENTS.....	704
FIGURE 12-16. WORKLIGHT PACKAGE (SN 0190001 through 0160000843, SN 0160000847 through 0160031618).....	706
FIGURE 12-17. COLD START INSTALLATION - JOHN DEERE ENGINE (Prior to SN 0160040678).....	712
FIGURE 12-18. BLOCK HEATER INSTALLATION - JOHN DEERE ENGINE (Prior to SN 0160040678).....	714
FIGURE 12-19. STABILIZER OPTION (SN 0190001 through 0190457, SN 0160000022 through 0160000843).....	716
FIGURE 12-20. STABILIZER OPTION (SN 0160000847 through 0160040659).....	718
FIGURE 12-21. STABILIZER CYLINDER.....	720
FIGURE 12-22. TILT ON JOYSTICK WITH RH FRAME LEVEL (Prior to SN 0160040678).....	722
FIGURE 12-23. AUXILIARY BOOM ASSEMBLY (Prior to SN 0160037722).....	726
FIGURE 12-24. AUXILIARY BOOM ASSEMBLY (SN 0160037722 to Present).....	728
FIGURE 12-25. LH AUXILIARY HYDRAULIC ASSEMBLY (Prior to SN 0160040678).....	730
FIGURE 12-26. AUXILIARY ELECTRICS ASSEMBLY (Prior to SN 0160037722).....	732
FIGURE 12-27. AUXILIARY ELECTRICS ASSEMBLY (SN 0160037722 through 0160040659).....	736
FIGURE 12-28. MAIN CONTROL VALVE WITH AUXILIARY HYDRAULICS (Prior to SN 0160037722).....	740
FIGURE 12-29. BEACON LIGHT PACKAGE (Prior to SN 0160031634).....	744
FIGURE 12-30. FOAM TIRE OPTION.....	746
FIGURE 12-31. REMOTE OIL FILTER KIT (Prior to SN 0160040678).....	748
FIGURE 12-32. TURBO REMOTE ENGINE OIL FILTER KIT (Prior to SN 0160040678).....	750
FIGURE 12-33. SWAY CYLINDER (Prior to SN 0160038600).....	752
FIGURE 12-34. SWING CYLINDER.....	754
FIGURE 12-35. TRUSS BOOM WINCH.....	756
FIGURE 12-36. WINCH MOTOR.....	760
FIGURE 12-37. TRUSS BOOM PRESSURE REDUCER VALVE - 1200 PSI.....	762
FIGURE 12-38. TRUSS BOOM PRESSURE REDUCER VALVE - 1360 PSI.....	764
FIGURE 12-39. STARTER KIT (SN 0190001 through 0190457, SN 0160000022 through 016006554, Including 0160006659, 0160006662, 0160006665 and 0160006667).....	766
FIGURE 12-40. FUEL/WATER SEPARATOR INSTALLATION - JOHN DEERE ENGINE (Prior to SN 0160040678).....	768
FIGURE 12-41. SUSPENSION SEAT OPTION (SN 0190001 through 0190457, SN 0160000022 through 0160015432).....	770

TABLE OF CONTENTS

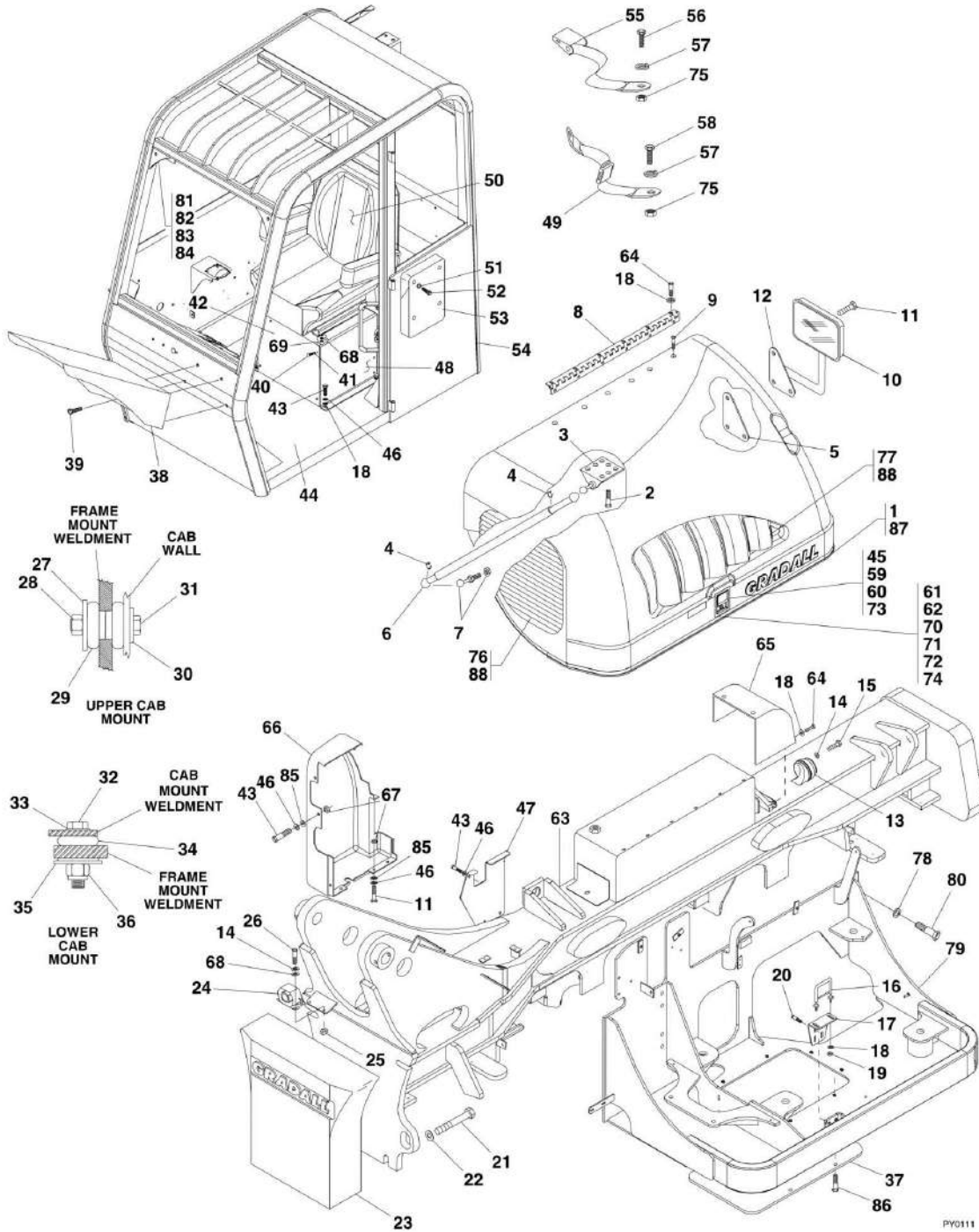
FIGURE 12-42. STANDARD SEAT REPLACEMENT KIT (SN 0160015458 to Present)	772
FIGURE 12-43. HEAVY SEAT REPLACEMENT KIT (SN 0160015458 through 0160040659)	774
FIGURE 12-44. WORK LIGHT INSTALLATION (SN 0160031634 through 0160040659)	776
FIGURE 12-45. WORK LIGHT INSTALLATION (SN 0160040678 to Present)	780
FIGURE 12-46. ROAD LIGHTS INSTALLATION (Prior to SN 0160040678)	782
FIGURE 12-47. ROAD LIGHTS INSTALLATION (SN 0160040678 to Present)	786
FIGURE 12-48. BEACON LIGHT INSTALLATION (SN 0160031634 through 0160040659)	788
FIGURE 12-49. BEACON LIGHT INSTALLATION (SN 0160040678 to Present)	790
FIGURE 12-50. COUNTERWEIGHT WITH PINTLE HOOK	792
FIGURE 12-51. TOP CAB GLASS SHIELD	794
FIGURE 12-52. FRONT CAB GLASS SHIELD	796
FIGURE 12-53. ENGINE AIR CONDITIONING COMPONENTS PERKINS (Prior to SN 0160040678)	798
FIGURE 12-54. ENGINE AIR CONDITIONING COMPONENTS JOHN DEERE (Prior to SN 0160040678)	800
FIGURE 12-55. ENGINE AIR CONDITIONING COMPONENTS CUMMINS (SN 0160040678 to Present)	802
FIGURE 12-56. AIR CONDITIONING COMPONENTS (Prior to SN 0160040678)	804
FIGURE 12-57. AIR CONDITIONING COMPONENTS (SN 0160040678 to Present)	808
FIGURE 12-58. WINCH	812
FIGURE 12-59. FENDER INSTALLATION	814
FIGURE 12-60. SWING CYLINDER	816
FIGURE 12-61. ARCTIC PACKAGE (SN 0160021195 through 0160040659)	818
FIGURE 12-62. ARCTIC PACKAGE (SN 0160040678 to Present)	820
SECTION 13 - RECOMMENDED SPARE PARTS	823
FIGURE 13-1. RECOMMENDED SPARE PARTS	824
PART NUMBER INDEX	829

SECTION 1 - FRAME AND ATTACHING PARTS

SECTION 1 - FRAME AND ATTACHING PARTS

SECTION 1 - FRAME AND ATTACHING PARTS

FIGURE 1-1. FRAME SHROUDING AND TRIM (SN 0190001 through 0190457, SN 016000022 through 0160004023)



PG0111

SECTION 1 - FRAME AND ATTACHING PARTS

FIGURE 1-1. FRAME SHROUDING AND TRIM (SN 0190001 through 0190457, SN 016000022 through 0160004023)

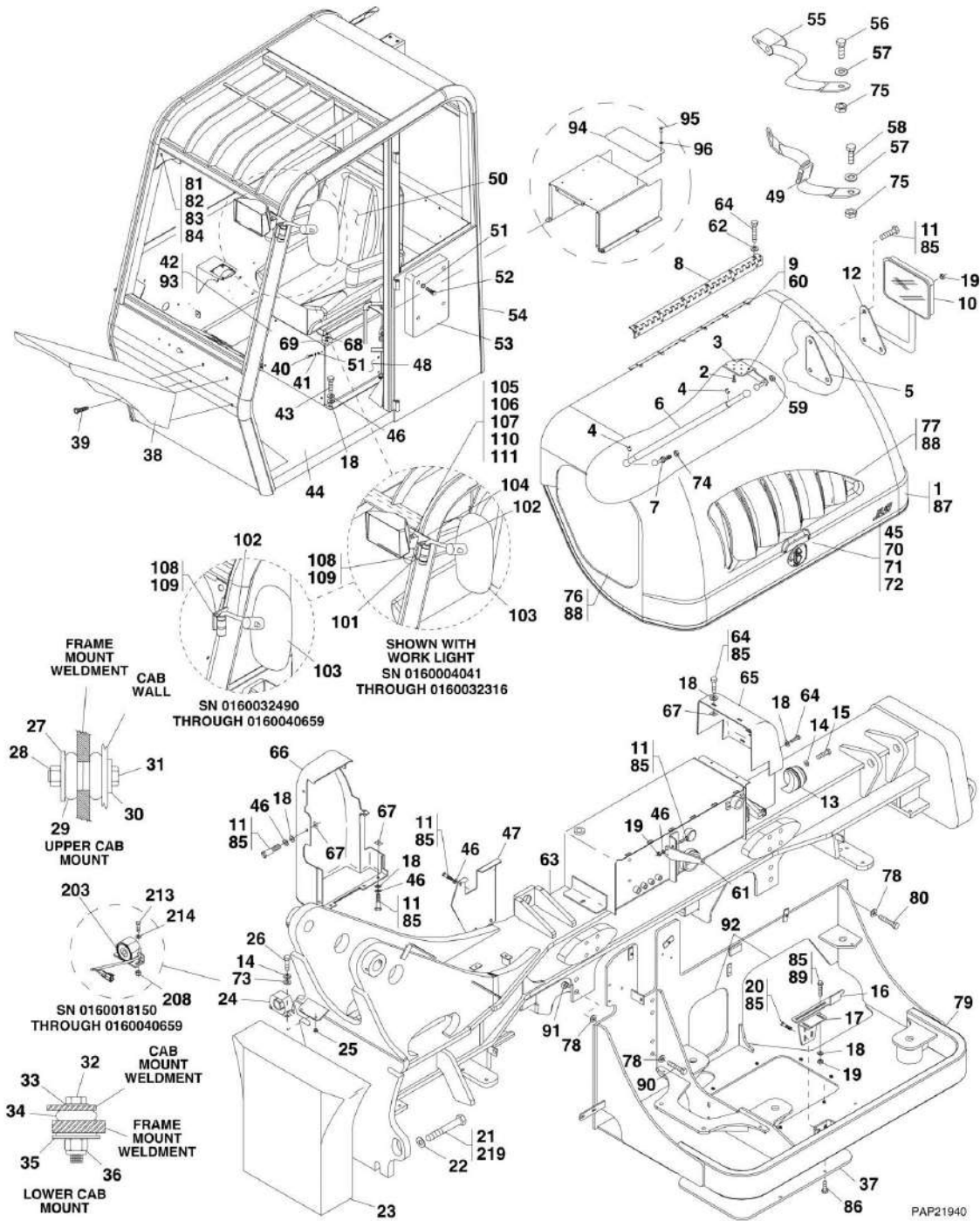
ITEM	PART NUMBER	QTY	DESCRIPTION	REV
1	91473095	1	ENGINE COVER, (includes items 2 thru 4, 6 thru 9, 45, 59 thru 62, 70 thru 74, 76, 77 & 87)	C
1	91404275	1	ENGINE COVER KEY	
2	91474411	23	HEX HD CAPSCREW, 8X3/4	
3	91474410	2	PROP BRACKETS	
4	91474425	4	PROP CLIPS	
5	91471200	1	MIRROR MOUNT BACK PLATE	
6	91474423	2	GAS PROP	
7	91474424	2	BALL STUD, 13mm	
8	91474409	1	HINGE, 34 IN	
9	91474420	6	SOCKET BUTTON HD CAPSCREW, 3/8-16X1-1/4	
10	80263053	1	MIRROR	
11	88201036	7	HEX HD CAPSCREW, 3/8-16X1-1/4, GR5	
12	91476035	1	MIRROR BRACKET WELDMENT	
13	91143357	1	HORN	
14	88551010	3	LOCKWASHER, 5/16	
15	88201016	1	HEX HD CAPSCREW, 5/16-18X1/2, GR5	
16	91403600	1	U-BOLT	
17	91471150	1	LATCH MOUNTING BRACKET	
18	88561004	16	FLAT WASHER, 3/8	
19	88501006	2	HEX NUT, 3/8-16	
20	80973096	4	WHIZ-LOCK SCREW, 3/8-16X1-1/2	
21	83201030	4	HEX HD CAPSCREW, 1/8X3-1/2	
22	80241137	4	WASHER	
23	91140001	1	COUNTERWEIGHT	
24	91403574	1	BACK-UP ALARM	
25	88501005	2	HEX NUT, 5/16-18	
26	88201018	2	HEX HD CAPSCREW, 5/16-18X3/4, GR5	
27	91403217	2	REBOUND WASHER	
28	88501014	2	HEX NUT, 7/8-9	
29	91403153	4	SHOCK MOUNT	
30	1001108383	2	HARDENED WASHER	
31	77321274	2	HEX HD CAPSCREW, 7/8-9X5	
32	83201058	4	HEX HD CAPSCREW, 3/4-10X3-3/4	
33	86681572	4	HARD WASHER, 13/16	
34	91403097	4	CAB ISOLATOR MOUNT	
35	91403098	4	TAIL WASHER	
36	88521012	4	HEX LOCKNUT, 3/4-10	
37	91471112	1	OIL PAN COVER	
38	91401487	1	CAB FENDER	
39	80973025	4	WHIZ-LOCK BOLT, 3/8-16X1	
40	88261015	6	SOCKET BUTTON HD CAPSCREW, 1/4-20X5/8	
41	88551009	6	LOCKWASHER, 1/4	
42	91401415	1	ACCESS COVER	
43	88201035	9	HEX HD CAPSCREW, 3/8-16X1, GR5	
44	1001152569	1	NON-SKID FLOOR	
45	91474472	1	LATCH BRACKET	
46	88551011	13	LOCKWASHER, 3/8	
47	91471191	1	PLATE VALVE COVER	

SECTION 1 - FRAME AND ATTACHING PARTS

ITEM	PART NUMBER	QTY	DESCRIPTION	REV
48	91406115	1	RISER WELDMENT	
49	91513099	1	TETHER, (includes items 57, 58 & 75)	
50	91403526	NLA	TRIM LINE SEAT, (no longer available, use 2915166 for replacement), (See OPTIONS SECTION for Breakdown) (SN 0190001 through 0160004023)	
51	88561002	10	FLAT WASHER, 1/4	
52	88201005	4	HEX HD CAPSCREW, 1/4-20X1, GR5	
53	91403230	1	MANUAL CASE	
54		Ref	CAB ASSY, (See CAB SECTION for Breakdown)	
55	91033029	1	SEAT BELT, (if equipped), (includes items 56, 57 & 75)	
56	88201549	2	HEX HD CAPSCREW, 7/16-20X1, GR5	
57	88551012	4	SPLIT LOCKWASHER, 7/16	
58	88201551	2	HEX HD CAPSCREW, 7/16-20X1-1/2, GR5	
59	91474419	1	LOCKING PADDLE HANDLE	
60	91474417	1	PADDLE HANDLE GASKET	
61	91474418	1	ROTARY LATCH	
62	91474415	1	LINKAGE ROD	
63	N.S.S.	1	FRAME WELDMENT	
64	88261027	10	SOCKET BUTTON HD CAPSCREW, 3/8-16X3/4	
65	91513121	1	FRONT COVER	
66	91473085	1	COVER MAIN VALVE	
67	88662523	6	NUT	
68	88561003	6	FLAT WASHER, 5/16 (SN 0190001 through 0160004023)	
69	77143006	4	WHIZ-LOCK NUT, 5/16-18 (SN 0190001 through 0160004023)	
70	91474414	2	BOLT, 5/16X1-1/4	
71	91474413	2	NUT, 5/16	
72	91474412	2	LOCKWASHER, 5/16	
73	91474427	1	LATCH BACKING PLATE	
74	91474416	4	RIVET, 3/16	
75	88501307	4	HEX NUT, 7/16-20	
76	91474422	1	PERFORATED SCREEN	
77	91474473	1	EXHAUST SCREEN KIT	
78	90027473	12	HARDENED WASHER, 3/4	
79	91476044	1	ENGINE POD WELDMENT	
80	83201006	12	HEX HD CAPSCREW, 3/4-10X2	
81	91033320	NLA	TILT GAUGE, (no longer available, use 8466306 for replacement)	
81	8466306	1	TILT GAUGE, (with adhesive)	
82	88204912	1	HEX HD CAPSCREW, 1/4-20X1, GR5	
83	88561107	1	FLAT WASHER, 1/4	
84	88521204	1	HEX LOCKNUT, 1/4-20	
85	88561109	6	FLAT WASHER, 3/8	
86	0641809	8	HEX HD CAPSCREW, 1/2-13X7/8, GR5	
87	91404437	13 ft	BULB SEAL	
88	7027772	1	ADHESIVE KIT, (includes 3 tubes and applicator), (enough to do exhaust screen kit)	

SECTION 1 - FRAME AND ATTACHING PARTS

FIGURE 1-2. FRAME SHROUDING AND TRIM (SN 0160004041 through 0160040659)



SECTION 1 - FRAME AND ATTACHING PARTS

FIGURE 1-2. FRAME SHROUDING AND TRIM (SN 0160004041 through 0160040659)

ITEM	PART NUMBER	QTY	DESCRIPTION	REV
1	91473241	1	ENGINE COVER, (includes items 2, 3, 4, 6, 7, 8, 9, 45, 59, 60, 70, 71, 72, 76, 77, 87 & 88)	C
1	8342813	1	ENGINE COVER KEY, (set of 2)	
2	91474411	14	HEX HD CAPSCREW, 8X3/4	
3	91514246	1	PROP BRACKET	
4	91474425	2	PROP CLIP	
5	91471200	1	MIRROR MOUNT BACK PLATE	
6	91474423	1	GAS PROP	
7	91474424	2	BALL STUD, 13mm	
8	91474409	1	HINGE, 36 IN	
9	91474420	6	SOCKET BUTTON HD CAPSCREW, 3/8-16X1-1/4	
10	80263053	1	MIRROR	
11	88201036	14	HEX HD CAPSCREW, 3/8-16X1-1/4, GR5	
12	91476035	1	MIRROR BRACKET WELDMENT	
13	91143357	1	HORN	
14	4761500	3	LOCKWASHER, 5/16	
15	0641504	1	HEX HD CAPSCREW, 5/16-18X1/2, GR5	
16	91501087	1	LATCH BRACKET	
17	91471150	1	LATCH MOUNTING BRACKET	
18	88561004	16	FLAT WASHER, 3/8	
19	88501006	5	HEX NUT, 3/8-16	
20	80973096	4	WHIZ-LOCK SCREW, 3/8-16X1-1/2	
21	83201030	4	HEX HD CAPSCREW, 1/8X3-1/2	
22	80241137	4	WASHER	
23	91140001	1	COUNTERWEIGHT, (no pintle hook)	
23	1001091458	1	COUNTERWEIGHT, (with pintle hook)	
24	91403574	1	BACK-UP ALARM (Prior to SN 0160018150)	
25	88501005	2	HEX NUT, 5/16-18 (Prior to SN 0160018150)	
26	88201018	2	HEX HD CAPSCREW, 5/16-18X3/4, GR5 (Prior to SN 0160018150)	
27	91403217	2	REBOUND WASHER	
28	88501014	2	HEX NUT, 7/8-9	
29	91403153	4	SHOCK MOUNT	
30	1001108383	2	HARDENED WASHER	
31	77321274	2	HEX HD CAPSCREW, 7/8-9X5	
32	83201058	4	HEX HD CAPSCREW, 3/4-10X3-3/4	
33	86681572	4	HARD WASHER, 13/16	
34	91403097	4	CAB ISOLATOR MOUNT	
35	91403098	4	TAIL WASHER	
36	88501012	4	HEX LOCKNUT, 3/4-10	
37	91471112	1	OIL PAN COVER	
38	91401487	1	CAB FENDER	
39	80973025	4	WHIZ-LOCK BOLT, 3/8-16X1	
40	88261015	6	SOCKET BUTTON HD CAPSCREW, 1/4-20X5/8	
41	88551009	6	LOCKWASHER, 1/4	
42	91401415	1	ACCESS COVER (SN 0160004041 through 0160015432)	
42	91561150	1	ACCESS COVER (SN 0160015458 through 0160038090)	
42	1001103567	1	ACCESS COVER (SN 0160038331 to Present)	
42	1001152569	1	ACCESS COVER (SN 0160038331 to Present)	
43	88201035	4	HEX HD CAPSCREW, 3/8-16X1, GR5	

SECTION 1 - FRAME AND ATTACHING PARTS

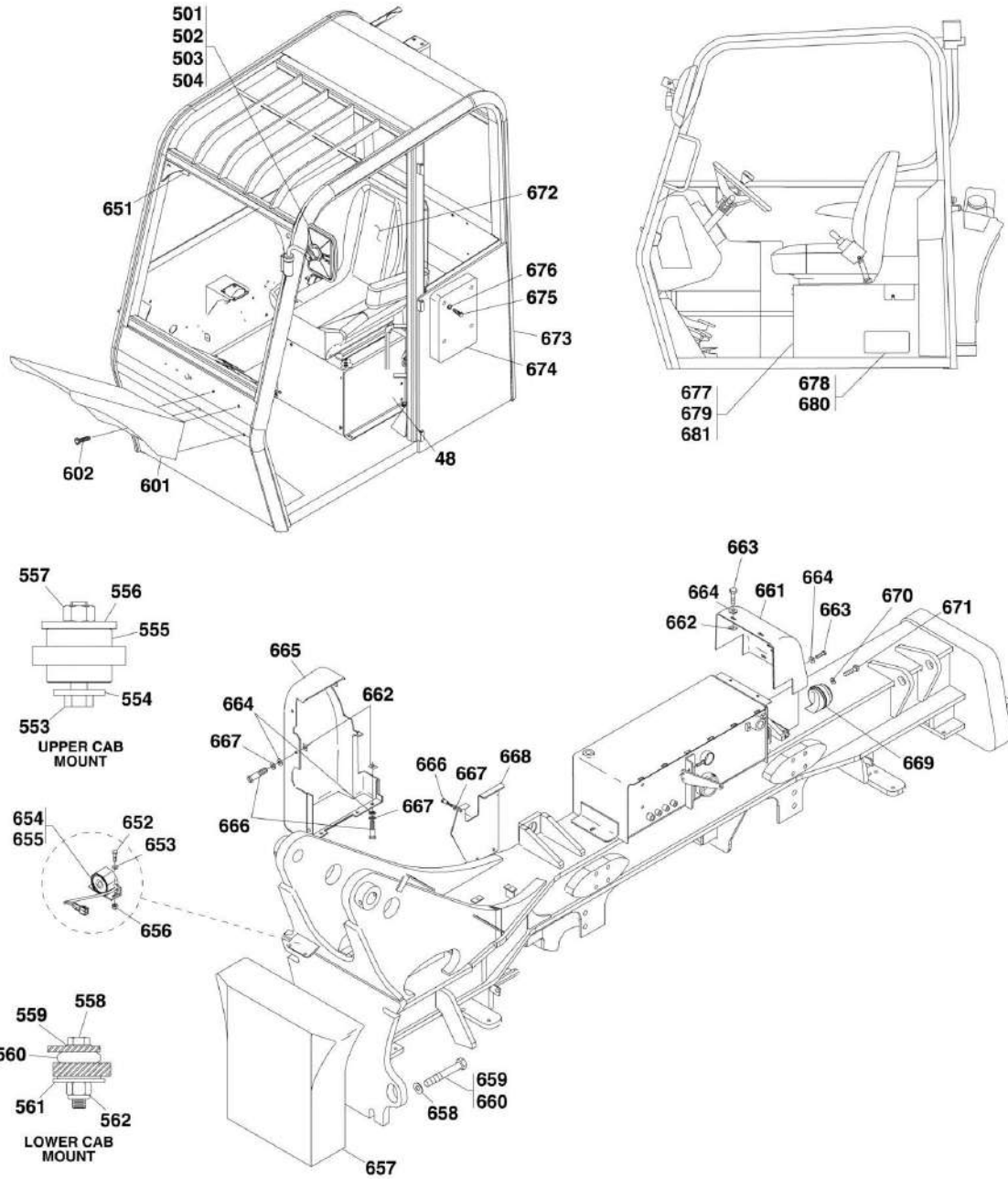
ITEM	PART NUMBER	QTY	DESCRIPTION	REV
44	1001152569	1	NON-SKID FLOOR	
45	7300364	1	LATCH ASSY	
46	88551011	15	LOCKWASHER, 3/8	
47	91471191	1	PLATE VALVE COVER	
48	91406115	1	RISER WELDMENT (SN 0160004041 through 0160015432)	
48	91516044	1	RISER WELDMENT (SN 0160015458 through 0160040659)	
49	91513099	1	TETHER, (includes items 57, 58 & 75) (SN 0160004041 through 0160015432)	
50	91403526	NLA	TRIM LINE SEAT, (no longer available, use 2915166 for replacement), (See OPTIONS SECTION for Breakdown) (SN 0160004041 through 0160015432)	
50		Ref	SUSPENSION SEAT WITH 2 IN SEAT BELT, (See CAB SECTION for Breakdown) (SN 0160015458 through 0160040659)	
51	88561002	10	FLAT WASHER, 1/4	
52	88201005	4	HEX HD CAPSCREW, 1/4-20X1, GR5	
53	91403230	1	MANUAL CASE	
54		Ref	CAB ASSY, (See CAB SECTION for Breakdown)	
55	91033029	1	SEAT BELT, (not used with optional seat), (includes items 56, 57 & 75)	
56	88201549	2	HEX HD CAPSCREW, 7/16-20X1, GR5	
57	88551012	4	SPLIT LOCKWASHER, 7/16 (SN 0160004041 through 0160015432)	
58	88201551	2	HEX HD CAPSCREW, 7/16-20X1-1/2, GR5 (SN 0160004041 through 0160015432)	
59	3311502	1	WHIZ-LOCK NUT, 5/16-18	
60	3311605	6	LOCK NUT, 3/8-16	
61	91471238	1	TANK BRACKET	
62	90027470	6	FLAT WASHER, 3/8	
63	N.S.S.	1	FRAME WELDMENT	
64	88261027	10	SOCKET BUTTON HD CAPSCREW, 3/8-16X3/4	
65	91513121	1	FRONT COVER	
66	91473085	1	COVER MAIN VALVE	
67	88662523	8	NUT	
68	88561003	4	FLAT WASHER, 5/16 (SN 0160004041 through 0160015432)	
69	77143006	4	WHIZ-LOCK NUT, 5/16-18 (SN 0160004041 through 0160015432)	
70	3900395	4	BUTTON HD CAPSCREW, 4X0.7X25mm	
71	3290401	4	HEX NUT, M4X0.7	
72	4811400	4	WASHER, M4	
73	4711500	2	FLAT WASHER, 5/16 (Prior to SN 0160018150)	
74	3311502	1	HEX NUT, 5/16-18	
75	88501307	4	HEX NUT, 7/16-20 (SN 0160004041 through 0160015432)	
76	7029912	1	PERFORATED SCREEN	
77	91474422	1	EXHAUST SCREEN KIT	
78	90027473	16	HARDENED WASHER, 3/4	
79	91476056	1	ENGINE POD WELDMENT (SN 0160004041 through 0160021166)	
79	4341302	1	ENGINE POD WELDMENT (SN 0160021195 through 0160040659)	
80	83201006	18	HEX HD CAPSCREW, 3/4-10X2	
81	N.S.S.	NLA	TILT GAUGE, (no longer available) (SN 0160004041 through 0160005712)	
81	8466306	1	TILT GAUGE, (with adhesive) (SN 0160005713 through 0160040659)	
82	88204912	1	HEX HD CAPSCREW, 1/4-20X1, GR5 (SN 0160004041 through	

SECTION 1 - FRAME AND ATTACHING PARTS

ITEM	PART NUMBER	QTY	DESCRIPTION	REV
			0160005712)	
83	88561107	1	FLAT WASHER, 1/4 (SN 0160004041 through 0160005712)	
84	88521204	1	HEX LOCKNUT, 1/4-20 (SN 0160004041 through 0160005712)	
85	0100011	AR	LOCTITE 242	
86	0641809	8	HEX HD CAPSCREW, 1/2-13X1-1/8, GR5	
87	91404437	13 ft	BULB SEAL	
88	7027772	1	ADHESIVE KIT, (includes 3 tubes and applicator), (enough to do exhaust screen kit)	
89	0791610	2	WHIZ-LOCK CAPSCREW, 0.375-16X1-1/4	
90	88201120	4	HEX HD CAPSCREW, 3/4-10X4-1/2, GR5	
91	88501012	4	HEX NUT, 3/4-10	
92	91143220	71 in	TRIM-LOCK	
93	91561200	1	ACCESS COVER (SN 0160004041 through 0160015432)	
93	1001104681	1	ACCESS COVER (SN 0160038331 through 0160039215)	
94	1001104327	1	ACCESS PANEL (SN 0160038504 through 0160039023)	
95	0641408	4	HEX HD CAPSCREW, 1/4-20X1, GR5	
96	4751400	4	WASHER, 1/4	
	1001096344	Ref	LH MIRROR INSTALLATION, (not available to order, see items 101 thru 111 for service) (SN 0160004041 through 0160032316)	B
	1001097149	Ref	LH MIRROR INSTALLATION, (not available to order, see items 102, 103, 108 & 109 for service) (SN 0160032490 through 0160040659)	B
101	1001096327	1	MIRROR BRACKET	
102	8866530	1	MIRROR MOUNT ARM ASSY	
103	8866514	1	MIRROR HEAD	
104	4420060	AR	DOUBLE SIDED TAPE	
105	1001096728	1	BOLT, 1/2-13	
106	4751800	1	WASHER, 1/2	
107	4761800	1	LOCKWASHER, 1/2	
108	8303799	2	HEX HD CAP SCREW, M6X1X14mm, GR8.8	
109	8307024	2	LOCKWASHER, M6	
110	88501008	1	HEX NUT, 1/2-13	
111	91403503	1	SPACER	
203	8270621	1	BACK-UP ALARM (SN 0160018150 through 0160040659)	
208	8305624	2	ELASTIC LOCKNUT, 1/4-20 (SN 0160018150 through 0160040659)	
213	0641406	2	HEX HD CAPSCREW, 1/4-20X3/4, GR5 (SN 0160018150 through 0160040659)	
214	4711400	2	WASHER, 1/4 (SN 0160018150 through 0160040659)	
219	0100019	AR	LOCTITE 271	

SECTION 1 - FRAME AND ATTACHING PARTS

FIGURE 1-3. FRAME SHROUDING AND TRIM (SN 0160040678 to Present)



ART_91474001-1-3_1

SECTION 1 - FRAME AND ATTACHING PARTS

FIGURE 1-3. FRAME SHROUDING AND TRIM (SN 0160040678 to Present)

ITEM	PART NUMBER	QTY	DESCRIPTION	REV
	1001112158	Ref	HOOD INSTALLATION, (not available to order, see items 1 thru 28 for service)	E
1	1001109338	1	ENGINE COVER ASSY, (includes items 101 thru 109)	H
2	4711600	10	WASHER, 3/8	
4	0641608	10	HEX HD CAPSCREW, 3/8-16X1	
8	1001108965	1	LATCH BRACKET	
9	0791612	4	SCREW, 3/8-16X1-1/2	
10	1001108966	1	LATCH CATCH BRACKET	
11	0791610	2	SCREW, 3/8-16X1-1/4	
12	4751600	2	WASHER, 3/8	
13	88501006	2	HEX NUT, 3/8-16	
14	1001121964	1	BRACKET	
15	4761400	8	LOCKWASHER, 1/4	
16	0641409	8	HEX HD CAPSCREW, 1/4-20X1-1/8	
17	1001120550	1	HINGE SUPPORT PLATE	
19	1001116461	Ref	RH MIRROR INSTALLATION, (not available to order, see items 251 thru 256 for service)	A
20	1001111903	1	AIR FILTER INTAKE ADAPTER	
21	1001111904	1	FOAM SEAL	
22	91563134	1	BAND CLAMP	
25	1001120554	2	ENGINE HOOD SHIM	
26	1001120639	129 in	BULB SEAL	
27	1001121965	1	BRACKET	
28	1001121659	1	HINGE PLATE	
48	1001103663	1	RISER WELDMENT	
63	N.S.S.	1	FRAME WELDMENT	
101	1001122219	1	COMPRESSION LATCH ASSY	
101	91404275	1	ENGINE COVER KEY	
102	3290605	4	HEX LOCKNUT, M6X1, GR8	
103	4811700	4	WASHER, 6mm	
104	4711600	8	WASHER, 3/8	
105	3900316	8	BUTTON HD CAPSCREW, 3/8-16X1	
106	1001114294	2	GAS SPRING	
107	1001114295	1	ENGINE COVER HINGE	
108	1001114296	1	ENGINE COVER HINGE	
109	1001114297	1	ENGINE COVER SUPPORT BAR	
251	0641409	2	HEX HD CAPSCREW, 1/7-20X1-1/8, GR5	
252	3311405	2	HEX LOCKNUT, 1/4-20, GR2	
253	3520176	2	PLUG	
254	4751400	4	WASHER, 1/4	
255	8866348	1	MIRROR ASSY, (includes mounting hardware)	
256	1001116318	1	BRACKET	
312	0682420	8	HEX HD CAPSCREW, 7/8-9X2-1/2, GR8	
313	4892400	8	WASHER, 7/8	
408	0791506	6	SCREW, 5/16-18X3/4	
442	1001118101	1	ENGINE DRAIN COVER	
443	1001118102	1	COVER	
472	1001127174	1	FILTER COVER PLATE	
	1001115153	Ref	LH MIRROR INSTALLATION, (not available to order, see items 501 thru 504 for service)	C

SECTION 1 - FRAME AND ATTACHING PARTS

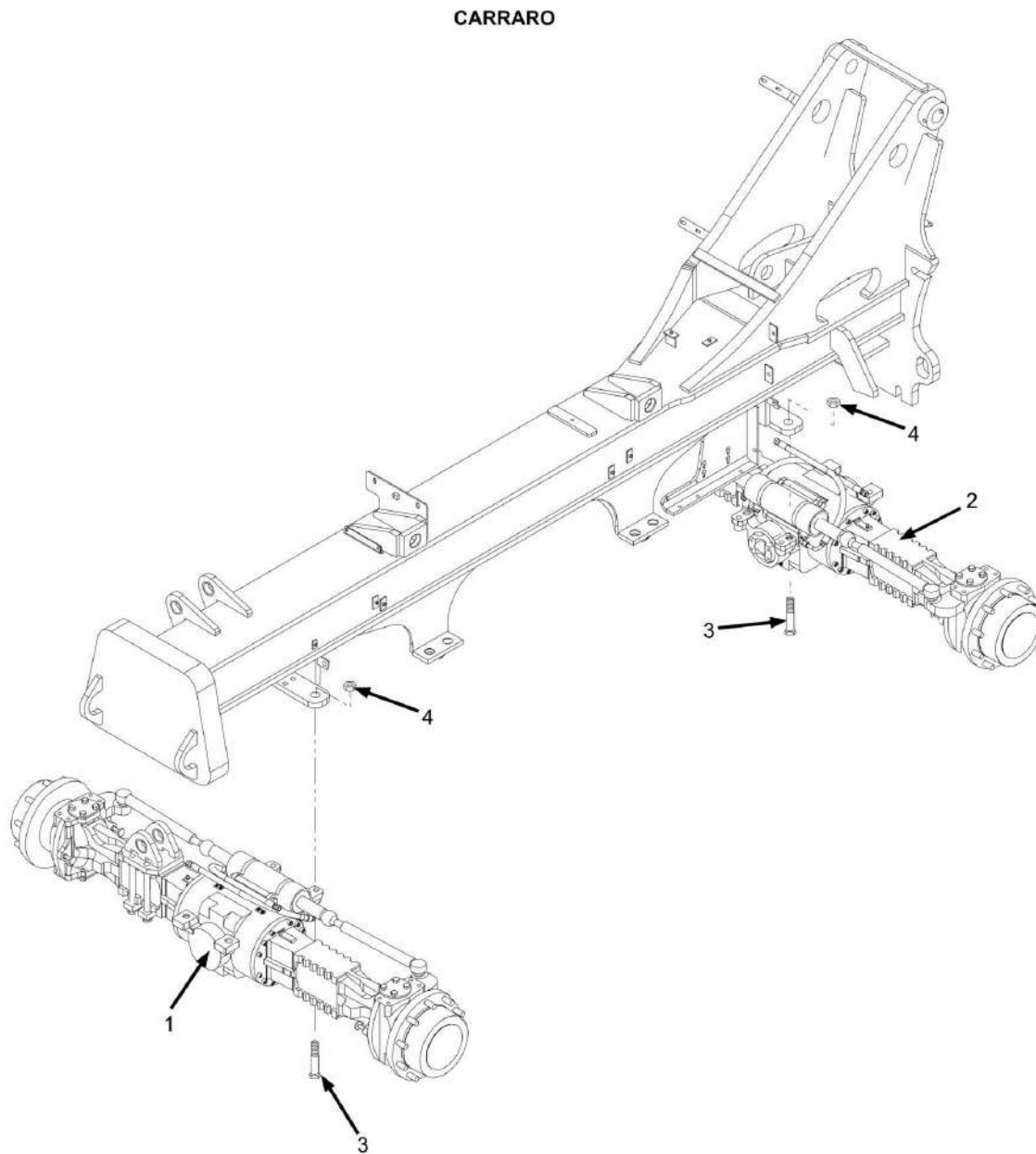
ITEM	PART NUMBER	QTY	DESCRIPTION	REV
501	0700610	2	HEX HD CAPSCREW, M6X20, GR8.8	
502	3140007	NLA	RECTANGULAR MIRROR, (no longer available, use 1001148177 for replacement)	
502	1001148177	1	RECTANGULAR MIRROR	
503	8307024	2	LOCKWASHER, M6	
504	1001114675	1	MIRROR BRACKET	
	1001098254	Ref	CAB MOUNTING INSTALLATION, (not available to order, see items 553 thru 562 for service)	D
553	0682440	2	HEX HD CAPSCREW, 7/8-9X5, GR8, (torque to 530-565 lb-ft)	
554	1001108383	2	TAIL WASHER	
555	91403153	4	SHOCK MOUNT	
556	91403217	2	REBOUND WASHER	
557	88501014	2	HEX NUT, 7/8-9	
558	0682230	4	HEX HD CAPSCREW, 3/4-10X3-3/4, GR8, (torque to 340-365 lb-ft)	
559	90027473	4	HARD WASHER, 3/4	
560	91403097	4	BONDED CENTER MOUNT	
561	91403098	4	TAIL WASHER	
562	88501012	4	HEX NUT, 3/4-10	
	91565067	Ref	CAB FENDER INSTALLATION, (if equipped), (not available to order, see items 601 & 602 for service)	A
601	91401487	1	CAB FENDER	
602	0791608	4	WHIZ-LOCK BOLT, 3/8-16X1	
651	8466306	1	TILT GAUGE, (with adhesive)	
652	0641406	2	HEX HD CAPSCREW, 1/4-20X3/4, GR5	
653	4711400	2	WASHER, 1/4	
654	8270621	1	BACK-UP ALARM	
655	1001116274	1	RESISTOR	
656	8305624	2	ELASTIC LOCKNUT, 1/4-20	
657	91140001	1	COUNTERWEIGHT, (without pintle hook)	
657	1001091458	1	COUNTERWEIGHT, (with pintle hook)	
658	80241137	4	WASHER	
659	83201030	4	HEX HD CAPSCREW, 1/8X3-1/2	
660	0100019	AR	LOCTITE 271	
661	1001116902	1	FRONT COVER	
662	88662523	10	TINNERMAN NUT	
663	3900283	10	BUTTON HD CAPSCREW, 3/8-16X3/4	
664	4751600	10	WASHER, 3/8	
665	91473085	1	MAIN CONTROL VALVE COVER	
666	0641610	9	HEX HD CAPSCREW, 3/8-16X1-1/4, GR5	
667	4761600	9	LOCKWASHER, 3/8	
668	1001102641	1	VALVE PLATE COVER	
669	91143357	1	HORN	
670	4761500	1	WASHER, 5/16	
671	0641504	1	HEX HD CAPSCREW, 5/16-18X1/2, GR5	
672		Ref	SUSPENSION SEAT, (See CAB SECTION for Breakdown)	
673		Ref	CAB, (See CAB SECTION for Breakdown)	
674	91403230	1	MANUAL CASE	
675	0641408	4	HEX HD CAPSCREW, 1/4-20X1, GR5	
676	4751400	4	FLAT WASHER, 1/4	
677	4711400	4	FLAT WASHER, 1/4	
678	1001106866	1	SEAT RISER SIDE PANEL	

SECTION 1 - FRAME AND ATTACHING PARTS

ITEM	PART NUMBER	QTY	DESCRIPTION	REV
679	1001103567	1	ACCESS COVER PLATE	
680	91413036	4	SELF-TAPPING SCREW	
681	0630407	4	SOC-BUT HD CAP BOLT, 0-1/4-20X5/8	
701	1001100961	1	ENGINE POD WELDMENT	

SECTION 1 - FRAME AND ATTACHING PARTS

FIGURE 1-4. AXLE MOUNTING (SN 0190001 through 0190457, SN 016000022 through 0160000843)



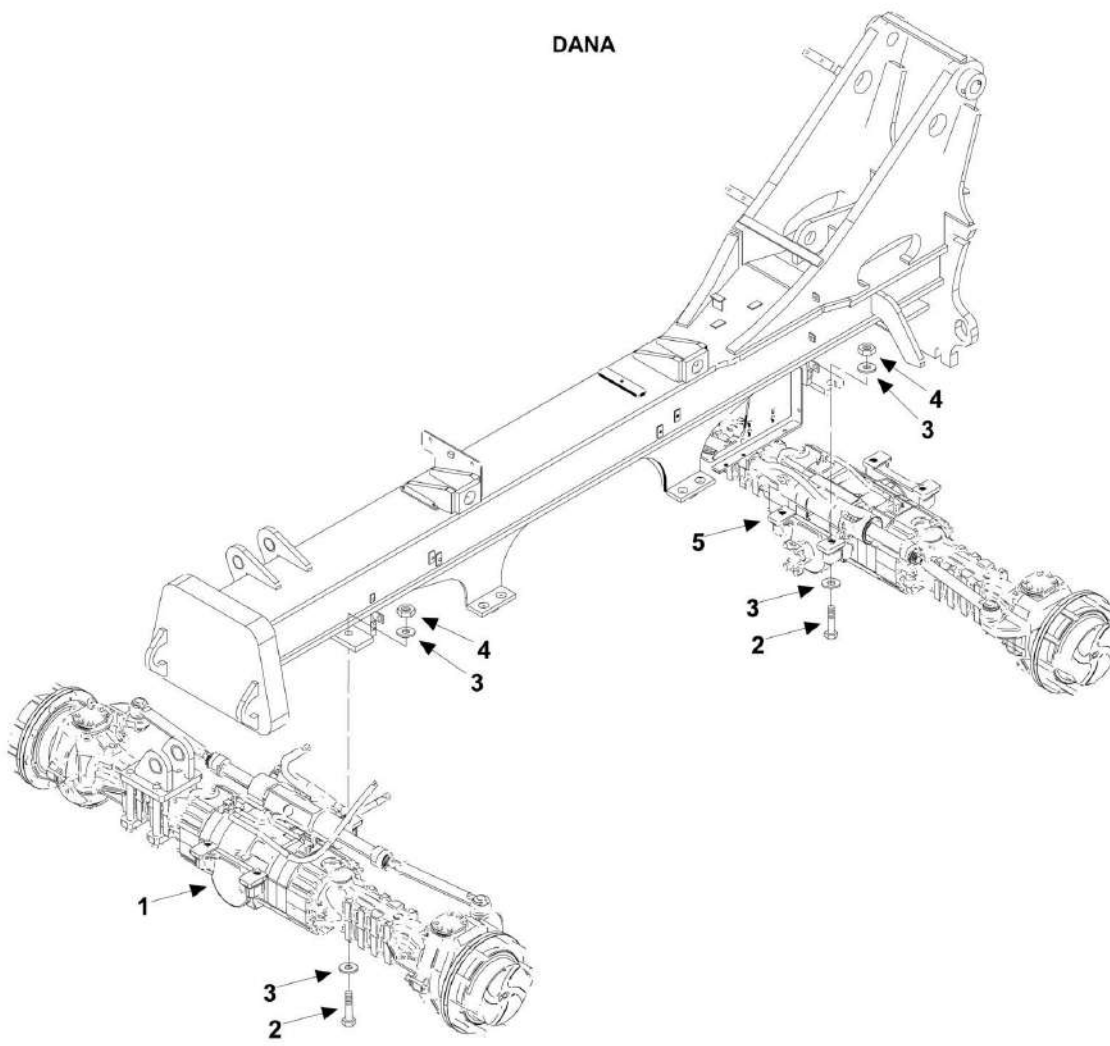
SECTION 1 - FRAME AND ATTACHING PARTS

FIGURE 1-4. AXLE MOUNTING (SN 0190001 through 0190457, SN 016000022 through 0160000843)

ITEM	PART NUMBER	QTY	DESCRIPTION	REV
1		Ref	FRONT AXLE ASSY, (See DRIVE TRAIN SECTION for Breakdown)	
2		Ref	REAR AXLE ASSY, (See DRIVE TRAIN SECTION for Breakdown)	
3	83201001	12	HEX HD CAPSCREW, 3/4-10X4-1/4, (Loctite and torque to 340-365 lb-ft)	
4	88501012	12	HEX NUT, 3/4-10	

SECTION 1 - FRAME AND ATTACHING PARTS

FIGURE 1-5. AXLE MOUNTING (SN 016000847 to Present)



NOTE: APPLY LOCTITE® TO ALL HEX HD CAPSCREWS.

SECTION 1 - FRAME AND ATTACHING PARTS

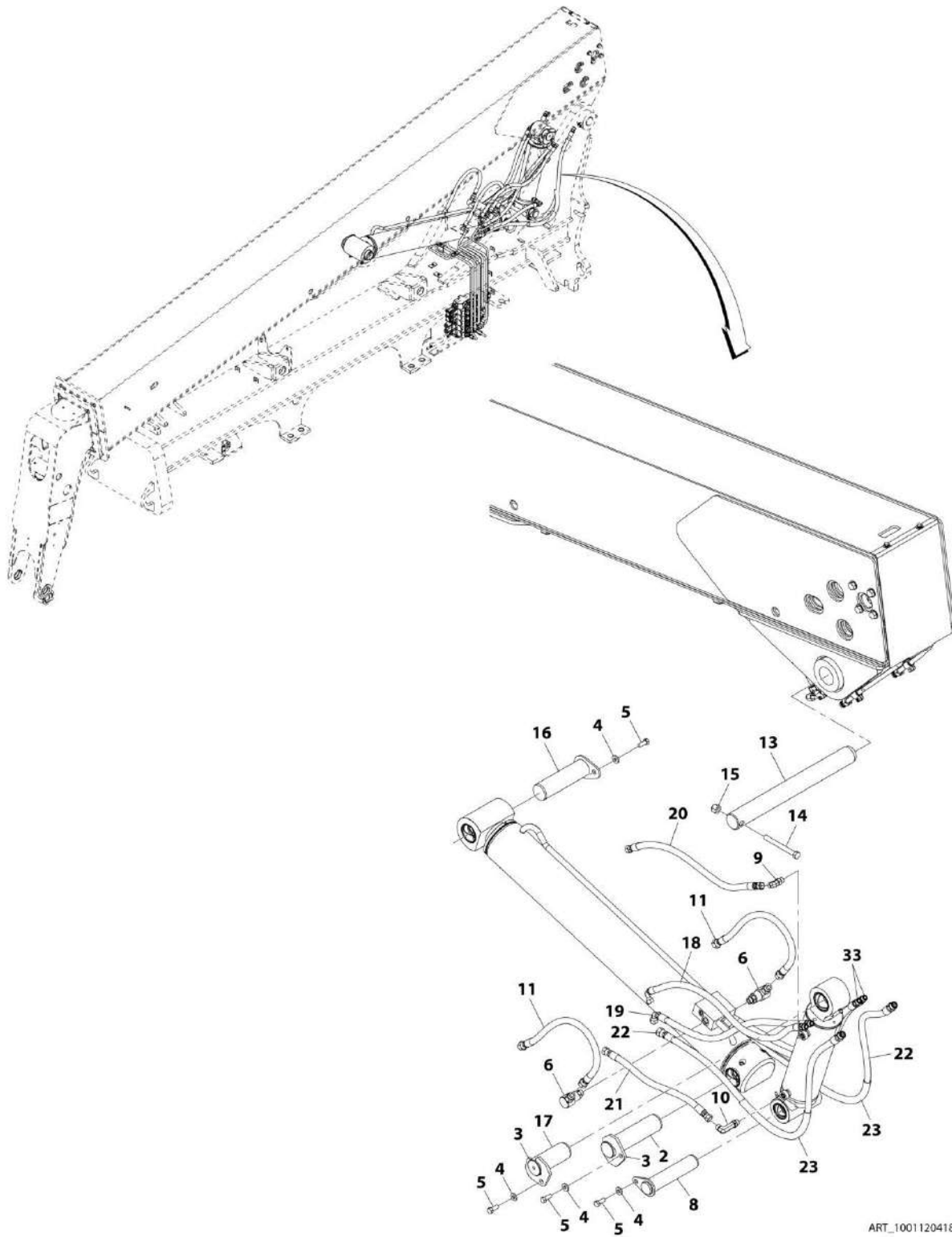
FIGURE 1-5. AXLE MOUNTING (SN 0160000847 to Present)

ITEM	PART NUMBER	QTY	DESCRIPTION	REV
1		Ref	FRONT AXLE ASSY, (See DRIVE TRAIN SECTION for Breakdown)	
2	83201118	8	HEX HD CAPSCREW, 3/4-10X5-1/2, (torque to 340-365 lb-ft) (Prior to SN 0160040678)	
2	91403412	8	HEX HD CAPSCREW, 3/4-10X5, GR8, (torque to 340-365 lb-ft) (SN 0160040678 to Present)	
3	90027473	16	HARDENED FLAT WASHER, 3/4	
4	88501012	8	HEX NUT, 3/4-10	
5		Ref	REAR AXLE ASSY, (See DRIVE TRAIN SECTION for Breakdown)	

SECTION 2 - BOOM

SECTION 2 - BOOM

FIGURE 2-1. BOOM INSTALLATION



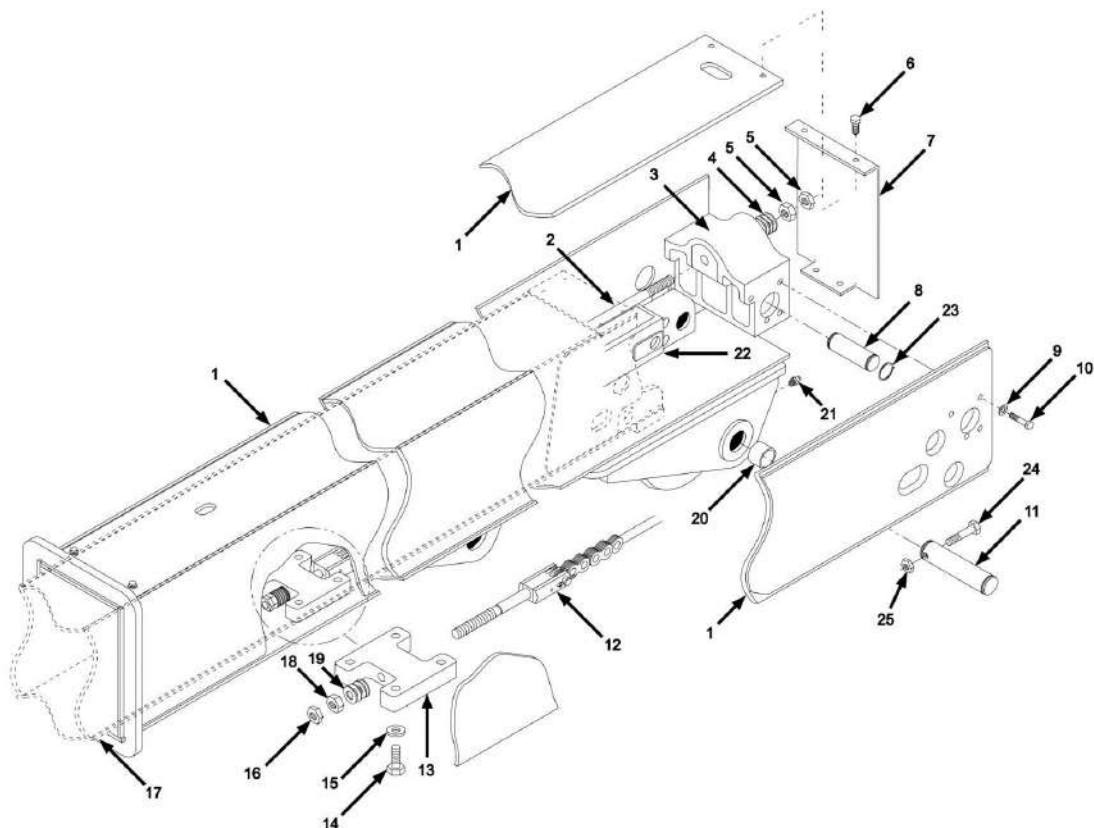
ART_1001120418-G

FIGURE 2-1. BOOM INSTALLATION

ITEM	PART NUMBER	QTY	DESCRIPTION	REV
	1001120418	Ref	BOOM INSTALLATION, (not available to order, see items 2 thru 33 for service)	G
2	91473233	1	LIFT CYLINDER PIN	
3	91471240	2	KEEPER PLATE	
4	4891800	4	HARD WASHER, 1/2	
5	0681810	4	HEX HD CAPSCREW, 1/2-13X1-1/4	
6	1001001250	2	HYDRAULIC SWIVEL	
8	1001142989	1	CYLINDER PIN	
9	2130808	1	ELBOW, 90	
10	2170208	1	ELBOW, 90, (swivel nut)	
11	1001098560	2	HOSE ASSY	
13	91403025	13	BOOM PIVOT PIN	
14	0682048	1	HEX HD CAPSCREW, 5/8-11X6, GR8	
15	88521010	1	HEX NUT, 5/8-11	
16	1001101703	1	PIN	
17	91513282	1	PIN	
18	1001101588	1	HOSE ASSY	
19	1001101589	1	HOSE ASSY	
20	1001101591	1	HOSE ASSY	
21	1001101592	1	HOSE ASSY	
22	1001101593	2	HOSE ASSY	
23	4100026	36 in	NYLON SLEEVE	
33	1001120497	1	HOSE ASSY	

SECTION 2 - BOOM

FIGURE 2-2. FIRST BOOM SECTION



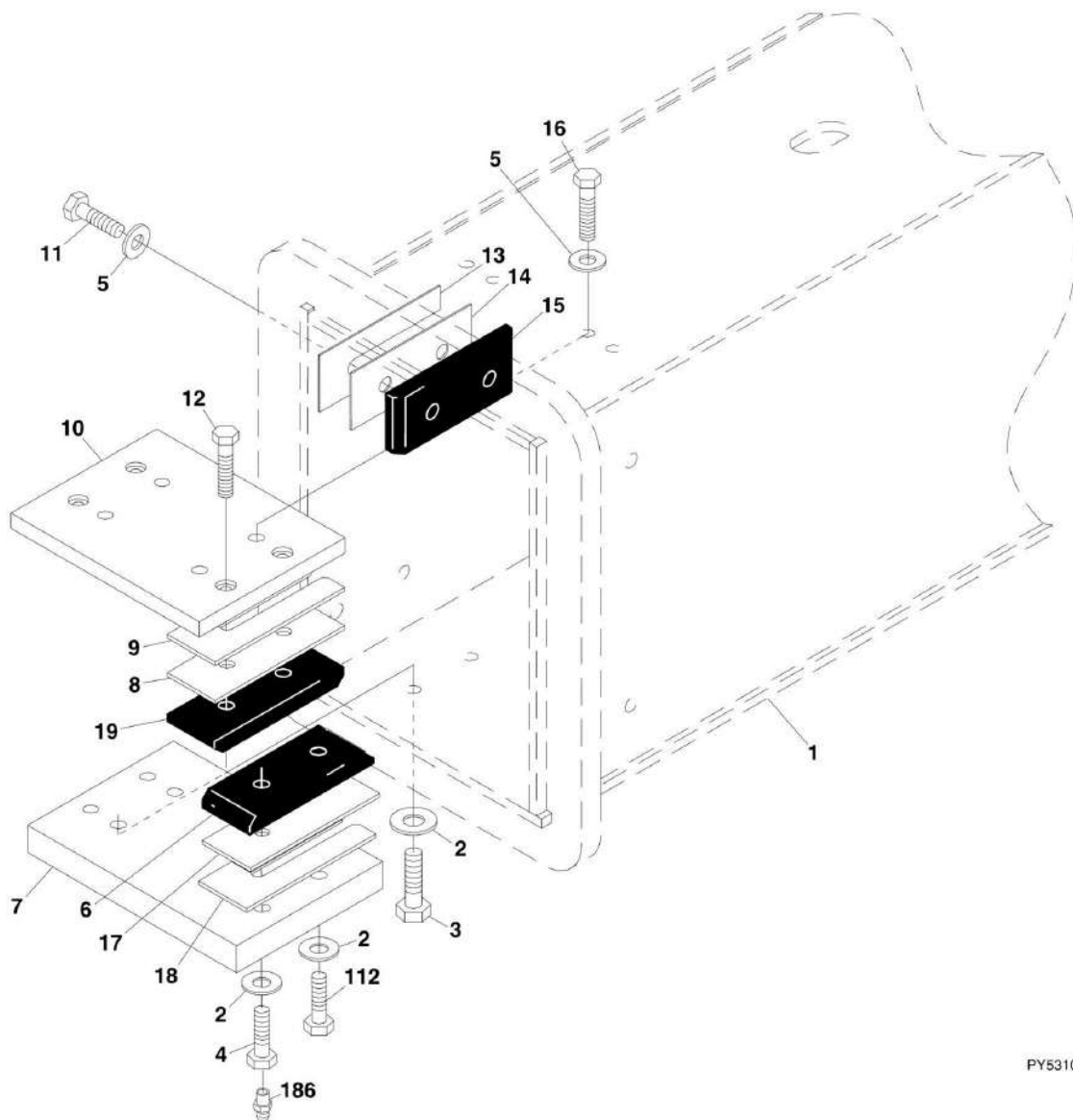
- NOTE: 1. USE LOCTITE® 242TM (0100011) ON ALL BOLT THREADS AND JAM NUTS.**
2. COAT STATIC, NON ROTATING, PIN BORES WITH MOLY-PASTE (3020040). DO NOT COAT THE PIN OR ANY ROTATING PARTS.
3. COAT ALL BUSHINGS, SHEAVES, AND ROTATING PIN BORES WITH MYSTIK TETRIMOLY GREASE (14404793) PRIOR TO INSTALLATION OF THE PIN.

FIGURE 2-2. FIRST BOOM SECTION

ITEM	PART NUMBER	QTY	DESCRIPTION	REV
1	91476041	1	FIRST BOOM SECTION	
2		Ref	CHAIN CLEVIS ROD, (See PUSH BEAM/EXTEND CHAIN AND ROLLER ASSEMBLY, item 4 for Breakdown)	
3	91403061	1	STRONG BACK	
4	91413139	8	SPRING WASHER, 7/8	
5	91403493	2	HEAVY HEX NUT, 7/8-14, (torque to 100-110 ft-lb)	
6	80973025	4	WHIZ-LOCK SCREW, 3/8-16X1	
7	1001128273	1	REAR COVER	
8		Ref	EXTEND/RETRACT CYLINDER PIN, (See HYDRAULIC COMPONENTS SECTION for Breakdown)	
9	88561113	8	FLAT WASHER, 5/8 (Prior to SN 0160037722)	
9	4712000	8	FLAT WASHER, 5/8 (SN 0160037722 to Present)	
10	88201095	8	HEX HD CAPSCREW, 5/8-11X1-1/2, GR5, torque to 125-155 lb-ft (Prior to SN 0160037722)	
10	0642012	8	HEX HD CAPSCREW, 5/8-11X1-1/2, GR5, torque to 125-155 lb-ft (SN 0160037722 to Present)	
11	91403025	1	BOOM PIVOT PIN	
12		Ref	CHAIN ANCHOR, (See SECOND BOOM SECTION, item 12 for Breakdown)	
13	91401193	1	ANCHOR PLATE	
14	88201066	4	HEX HD CAPSCREW, 1/2-13X1-1/4, GR5 (Prior to SN 0160037722)	
14	0641810	4	HEX HD CAPSCREW, 1/2-13X1-1/4, GR5 (SN 0160037722 to Present)	
15	88561111	4	WASHER, 1/2 (Prior to SN 0160037722)	
15	4711800	4	WASHER, 1/2 (SN 0160037722 to Present)	
16	88501410	1	HEX JAM NUT, 5/8-18, (torque to 100-110 lb-ft)	
17		Ref	SECOND BOOM SECTION, (See SECOND BOOM SECTION for Breakdown)	
18	88501310	1	HEX NUT, 5/8-18	
19	91413138	8	SPRING WASHER, 5/8	
20	91403114	2	BOOM PIVOT BUSHING	
21	88671001	2	STRAIGHT LUBE FITTING, 1/8	
22		Ref	PUSH BEAM, (See PUSH BEAM/EXTEND CHAIN AND ROLLER ASSEMBLY for Breakdown)	
23	88581149	2	RETAINING RING	
24	0682048	1	HEX HD CAPSCREW, 5/8-11X6, GR8	
25	88521010	1	HEX NUT, 5/8-11	

SECTION 2 - BOOM

FIGURE 2-3. BEARING PADS, SPACERS AND SHIMS, (FIRST BOOM SECTION)



PY5310

NOTE: 1. WEAR PAD SHIMMING:

- A. WHENEVER A SHIM IS USED WITH A PAD, A SPACER WITH HOLES MUST BE INSERTED BETWEEN PAD AND SHIM.
- B. THE WEAR PAD OR WEAR PAD INSERT MUST NOT SIT DIRECTLY ON THE SLOTTED SURFACE OF SHIMS.
- C. ADD WEAR PAD SHIMS AND SPACERS AS REQUIRED TO SHIM BOOM TO MAINTAIN A TOTAL MINIMUM GAP OF 0.070 TO 0.130 IN (1.8mm to 3.3mm) IN BOTH HORIZONTAL AND VERTICAL DIRECTIONS.
- D. WEAR PAD BOLTS REQUIRE ONE HARDENED WASHER. HOWEVER, UP TO (2) HARDENED WASHWERS MAY BE USED EXCEPT WHERE NOTED OTHERWISE. UNDER NO CIRCUMSTANCES SHOULD MORE THAN (2) HARDENED WASHERS EVER BE USED.
- E. THE LENGTH OF PAD BOLTS DEPENDS ON THE NUMBER OF THE SHIMS USED. THE BOLT CANNOT EXTEND PAST CHAMFER ON WEAR PAD.

- 2. ADD MYSTIK TETRAMOLY GREASE (14404793) TO ALL BEARING PADS AND ALL BEARING PAD SLIDE PATHWAYS. IF APPLICABLE, THIS INCLUDES ALL PAD GREASE FITTINGS AT THE REAR OF BOOM.

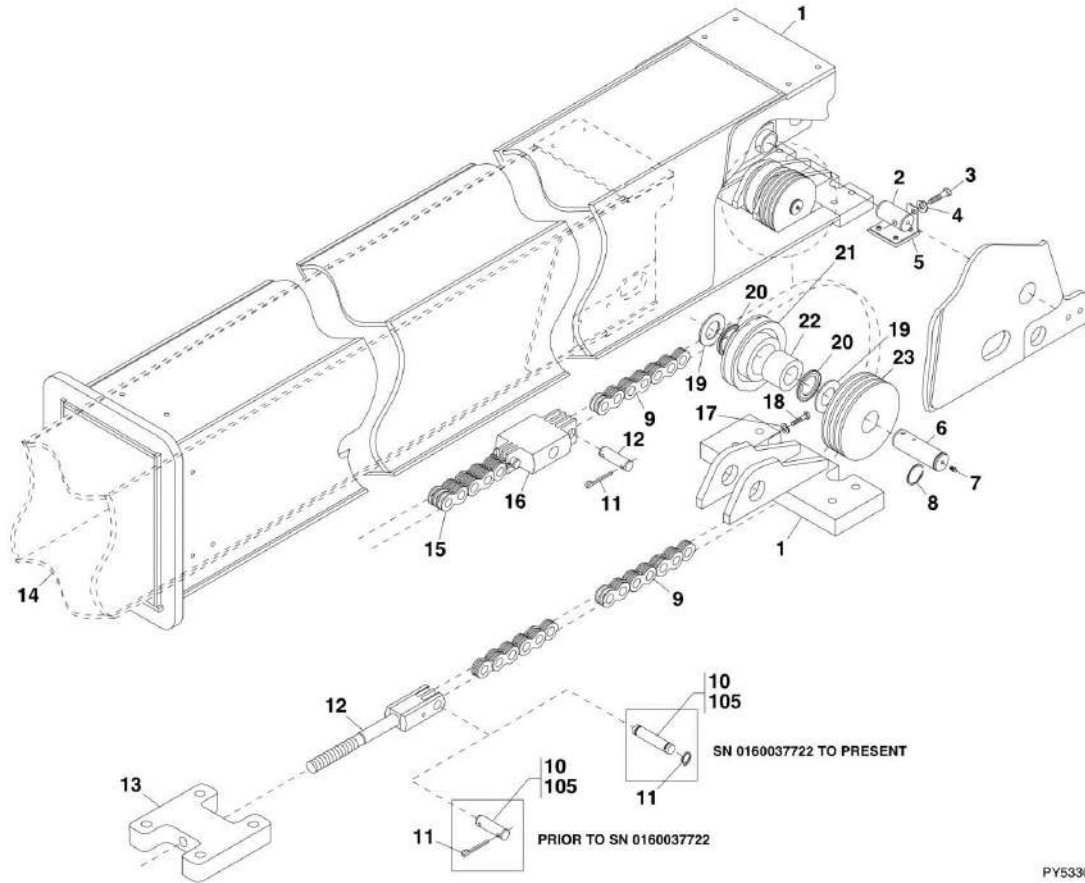
SECTION 2 - BOOM

FIGURE 2-3. BEARING PADS, SPACERS AND SHIMS, (FIRST BOOM SECTION)

ITEM	PART NUMBER	QTY	DESCRIPTION	REV
1		Ref	FIRST BOOM SECTION, (See FIRST BOOM SECTION for Breakdown)	
2	90027471	8	HARDENED WASHER, 1/2	
3	88201065	4	HEX HD CAPSCREW, 1/2-13X1, GR5 (Prior to SN 0160037722)	
3	0641808	4	HEX HD CAPSCREW, 1/2-13X1, GR5, (torque to 76-86 lb-ft) (SN 0160037722 to Present)	
4	88201564	4	HEX HD CAPSCREW, 1/2-20X1, GR5, (torque to 76-86 lb-ft) (Prior to SN 0160037722)	
4	88991005	AR	HOLLOW HEX HD CAPSCREW, 1/2-20X1-1/4, (torque to 45-50 lb-ft) (SN 0160037722 to Present)	
4	91161222	AR	HOLLOW HEX HD CAPSCREW, 1/2-20X1-1/2, (torque to 45-50 lb-ft) (SN 0160037722 to Present)	
5	90027470	12	HARDENED WASHER, 3/8	
6	1001117654	2	WEAR PAD	
7	91401469	1	MOUNT PLATE	
8	91401224	2	SPACER	
9	91401215	AR	SHIM	
9	91401216	AR	SHIM	
10	91401472	1	MOUNT PLATE	
11	88201533	8	HEX HD CAPSCREW, 3/8-24X7/8, GR5, (torque to 32-37 lb-ft) (Prior to SN 0160037722)	
11	0651607	AR	HEX HD CAPSCREW, 3/8-24X7/8, GR5, (torque to 32-37 lb-ft) (SN 0160037722 to Present)	
11	0651606	AR	HEX HD CAPSCREW, 3/8-24X3/4, GR5, (torque to 32-37 lb-ft) (SN 0160037722 to Present)	
11	0651608	AR	HEX HD CAPSCREW, 3/8-24X1, GR5, (torque to 32-37 lb-ft) (SN 0160037722 to Present)	
12	88201534	4	HEX HD CAPSCREW, 3/8-24X1, GR5, (torque to 32-37 lb-ft) (Prior to SN 0160037722)	
12	0651608	AR	HEX HD CAPSCREW, 3/8-24X1, GR5, (torque to 32-37 lb-ft) (SN 0160037722 to Present)	
12	0651610	AR	HEX HD CAPSCREW, 3/8-24X1-1/4, GR5 (torque to 32-37 lb-ft) (SN 0160037722 to Present)	
13	91401212	AR	SHIM (Prior to SN 0160037722)	
13	91401213	AR	SHIM (Prior to SN 0160037722)	
13	91471227	AR	SHIM (SN 0160037722 to Present)	
13	91471226	AR	SHIM (SN 0160037722 to Present)	
14	91401223	4	SPACER	
15	91403530	4	WEAR PAD	
16	0641607	AR	HEX HD CAPSCREW, 3/8-16X7/8, GR5, (torque to 32-37 lb-ft)	
16	0651610	AR	HEX HD CAPSCREW, 3/8-24X1.25, GR5, (torque to 32-37 lb-ft)	
17	91401450	2	SPACER	
18	91401456	AR	SHIM	
18	91401457	AR	SHIM	
19	91403532	2	WEAR PAD	
112	0651810	AR	HEX HD CAPSCREW, 1/2-20X1-1/4, GR5 (SN 0160037722 to Present)	
112	0651812	AR	HEX HD CAPSCREW, 1/2-20X1-1/2, GR5 (SN 0160037722 to Present)	
186	88671008	2	STRAIGHT GREASE FITTING (SN 0160037722 to Present)	

SECTION 2 - BOOM

FIGURE 2-4. SECOND BOOM SECTION



PY5330

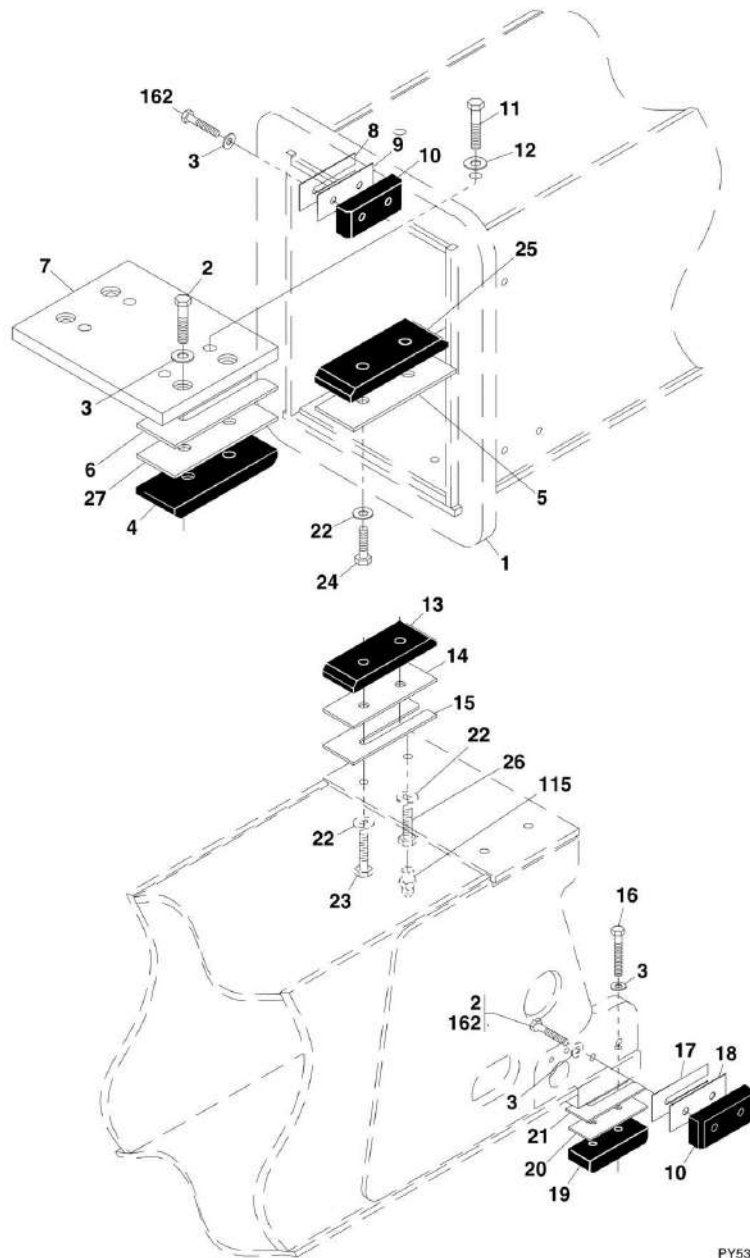
NOTE: 1. USE LOCTITE® 242™ (0100011) ON ALL BOLT THREADS AND JAM NUTS.
2. COAT STATIC, NON ROTATING, PIN BORES WITH MOLY-PASTE (3020040). DO NOT COAT THE PIN OR ANY ROTATING PARTS.
3. COAT ALL BUSHINGS, SHEAVES, AND ROTATING PIN BORES WITH MYSTIK TETRAMOLY GREASE (14404793) PRIOR TO INSTALLATION OF THE PIN.

FIGURE 2-4. SECOND BOOM SECTION

ITEM	PART NUMBER	QTY	DESCRIPTION	REV
1	91476042	1	SECOND BOOM SECTION	
2	91141128	2	PUSH BEAM PIN	
3	0641829	2	HEX HD CAPSCREW, 1/2-13X3.62, GR5	
4	4761800	2	LOCKWASHER, 1/2	
4	4751800	2	PLAIN WASHER, 1/2	
5	91405085	1	HOSE RETAINER, (includes the following items)	
5	91401435	1	LH HOSE RETAINER	
5	91403499	1	PAD	
5	88241023	4	SOCKET FLAT HD CAPSCREW, #10-24X5/8	
5	88501612	4	HEX NUT, #10-24	
6	91403018	1	RETRACTION SHEAVE PIN (Prior to SN 0160037722)	
6	91403019	1	RETRACTION SHEAVE PIN (SN 0160037722 to Present)	
7	88671001	1	STRAIGHT LUBE FITTING, 1/8 (Prior to SN 0160037722)	
7	2160001	1	GREASE FITTING (SN 0160037722 to Present)	
8	90028932	1	RETAINING RING	
9	91403433	1	LEAF CHAIN 643	
10	91403071	NLA	ANCHOR PIN, (no longer available, use 91413127 for replacement)	
10	91413127	2	ANCHOR PIN	
11	88631302	3	COTTER PIN, 1/16X3/4 (Prior to SN 0160037722)	
11	88681344	4	SNAP RING (SN 0160037722 to Present)	
12	1360291	1	CHAIN CLEVIS	
13		Ref	ANCHOR PLATE, (See FIRST BOOM SECTION, item 13 for Breakdown)	
14		Ref	THIRD BOOM SECTION, (See THIRD BOOM SECTION for Breakdown)	
15		Ref	LEAF CHAIN 866, (See PUSH BEAM/EXTEND CHAIN AND ROLLER ASSEMBLY, item 101 for Breakdown)	
16		Ref	CLEVIS, 866-634, (See PUSH BEAM/EXTEND CHAIN AND ROLLER ASSEMBLY, item 102 for Breakdown)	
17	88551011	1	LOCKWASHER, 3/8 (Prior to SN 0160037722)	
17	4761600	1	LOCKWASHER, 3/8 (SN 0160037722 to Present)	
18	88201047	1	HEX HD CAPSCREW, 3/8-16X4, GR5 (Prior to SN 0160037722)	
18	0641632	1	HEX HD CAPSCREW, 3/8-16X4, GR5 (SN 0160037722 to Present)	
19	91403126	AR	THRUST WASHER	
19	91403127	AR	THRUST WASHER	
20	91403053	2	SEAL	
21	91403519	1	RETRACT ROLLER ASSY, (includes items 20 & 22)	
22	91403052	1	BUSHING	
23	91503001	1	HOSE SHEAVE (Prior to SN 0160037722)	
23	3580347	1	HOSE SHEAVE (SN 0160037722 to Present)	
105	8522012	AR	ANTI-SEIZE LUBE	

SECTION 2 - BOOM

FIGURE 2-5. BEARING PADS, SPACERS AND SHIMS, (SECOND BOOM SECTION)



PY5340

NOTE: 1. WEAR PAD SHIMMING:

- A. WHENEVER A SHIM IS USED WITH A PAD, A SPACER WITH HOLES MUST BE INSERTED BETWEEN PAD AND SHIM.
- B. THE WEAR PAD OR WEAR PAD INSERT MUST NOT SIT DIRECTLY ON THE SLOTTED SURFACE OF SHIMS.
- C. ADD WEAR PAD SHIMS AND SPACERS AS REQUIRED TO SHIM BOOM TO MAINTAIN A TOTAL MINIMUM GAP OF 0.070 TO 0.130 IN (1.8mm to 3.3mm) IN BOTH HORIZONTAL AND VERTICAL DIRECTIONS.
- D. WEAR PAD BOLTS REQUIRE ONE HARDENED WASHER. HOWEVER, UP TO (2) HARDENED WASHERS MAY BE USED EXCEPT WHERE NOTED OTHERWISE. UNDER NO CIRCUMSTANCES SHOULD MORE THAN (2) HARDENED WASHERS EVER BE USED.
- E. THE LENGTH OF PAD BOLTS DEPENDS ON THE NUMBER OF THE SHIMS USED. THE BOLT CANNOT EXTEND PAST CHAMFER ON WEAR PAD.

- 2. ADD MYSTIK TETRIMOLY GREASE (14404793) TO ALL BEARING PADS AND ALL BEARING PAD SLIDE PATHWAYS. IF APPLICABLE, THIS INCLUDES ALL PAD GREASE FITTINGS AT THE REAR OF BOOM.

SECTION 2 - BOOM

FIGURE 2-5. BEARING PADS, SPACERS AND SHIMS, (SECOND BOOM SECTION)

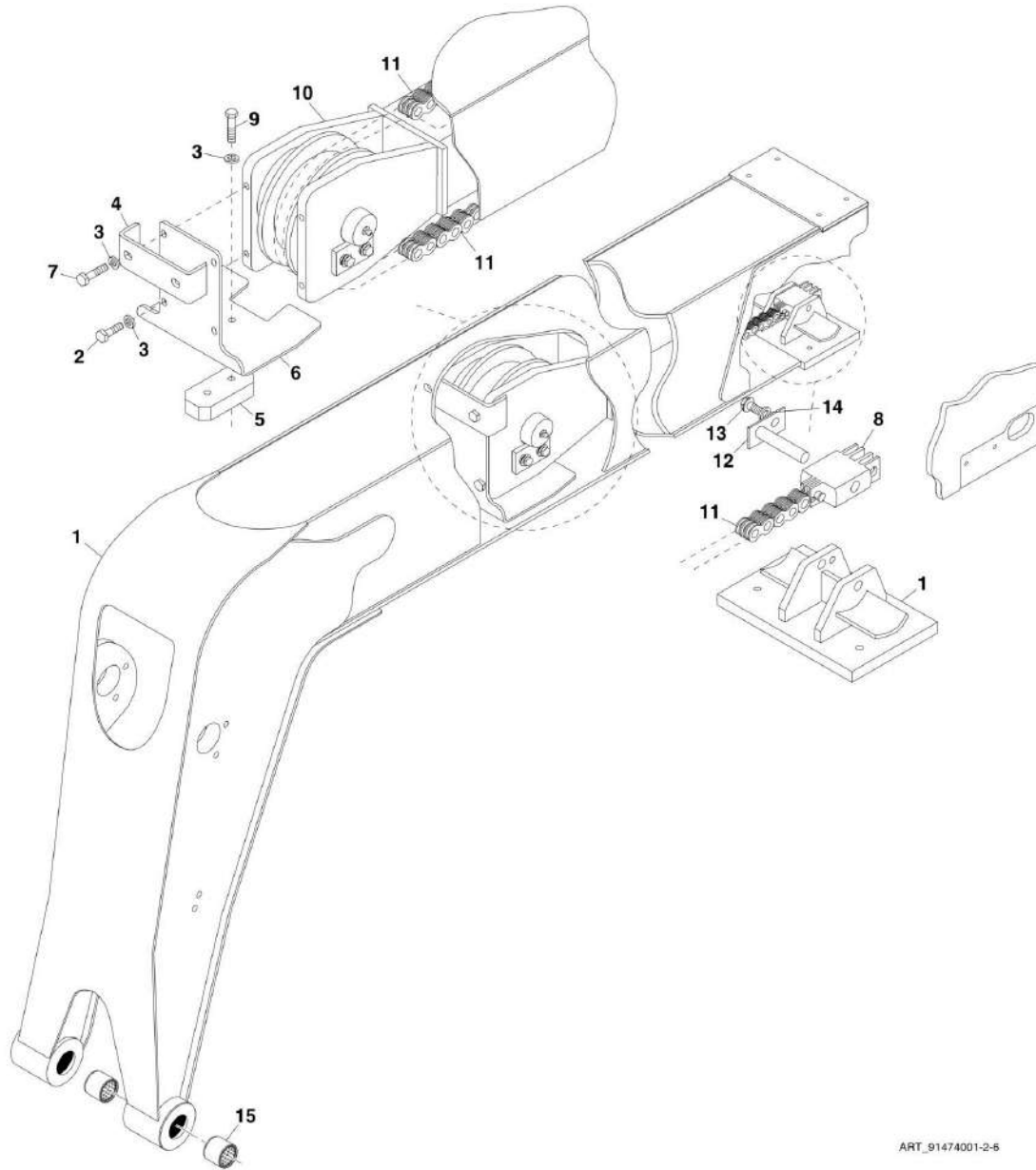
ITEM	PART NUMBER	QTY	DESCRIPTION	REV
1		Ref	SECOND BOOM SECTION, (See SECOND BOOM SECTION for Breakdown)	
2	88201533	8	HEX HD CAPSCREW, 3/8-24X7/8, GR5, (torque to 32-37 lb-ft) (Prior to SN 0160037722)	
2	0651606	AR	HEX HD CAPSCREW, 3/8-24X3/4, GR5, (torque to 32-37 lb-ft) (SN 0160037722 to Present)	
2	0651608	AR	HEX HD CAPSCREW, 3/8-24X1, GR5, (torque to 32-37 lb-ft) (SN 0160037722 to Present)	
2	0651607	AR	HEX HD CAPSCREW, 3/8-24X7/8, GR5, (torque to 32-37 lb-ft) (SN 0160037722 to Present)	
3	90027470	20	HARDENED WASHER, 3/8	
4	91403532	2	WEAR PAD	
5	91401450	2	SPACER	
6	91401215	AR	SHIM	
6	91401216	AR	SHIM	
7	91401197	1	MOUNT PLATE	
8	91401213	AR	SHIM (Prior to SN 0160037722)	
8	91401212	AR	SHIM (Prior to SN 0160037722)	
8	91403126	AR	SHIM (SN 0160037722 to Present)	
8	91403127	AR	SHIM (SN 0160037722 to Present)	
9	91401223	4	SPACER	
10	91403530	6	WEAR PAD	
11	88201064	4	HEX HD CAPSCREW, 1/2-13X7/8, GR5 (Prior to SN 0160037722)	
11	0641807	4	HEX HD CAPSCREW, 1/2-13X7/8, GR5 (SN 0160037722 to Present)	
12	88561111	4	FLAT WASHER, 1/2 (Prior to SN 0160037722)	
12	4711800	4	FLAT WASHER, 1/2 (SN 0160037722 to Present)	
13	1001117655	2	WEAR PAD	
14	91401191	AR	SPACER	
14	91401451	AR	SPACER	
15	91401453	AR	SHIM	
15	91401454	AR	SHIM	
16	88201537	4	HEX HD CAPSCREW, 3/8-24X1-3/4, GR5, (torque to 32-37 lb-ft) (Prior to SN 0160037722)	
16	0651614	AR	HEX HD CAPSCREW, 3/8-24X1-3/4, GR5, (torque to 32-37 lb-ft) (SN 0160037722 to Present)	
16	0651616	AR	HEX HD CAPSCREW, 3/8-24X2, GR5, (torque to 32-37 lb-ft) (SN 0160037722 to Present)	
17	91401212	AR	SHIM (Prior to SN 0160037722)	
17	91401213	AR	SHIM (Prior to SN 0160037722)	
17	91471227	AR	SHIM (SN 0160037722 to Present)	
17	91471226	AR	SHIM (SN 0160037722 to Present)	
18	91401223	2	SPACER	
19	91403531	2	WEAR PAD	
20	91401225	2	SPACER	
21	91401218	AR	SHIM (Prior to SN 0160037722)	
21	91401219	AR	SHIM (Prior to SN 0160037722)	
21	91471228	AR	SHIM (SN 0160037722 to Present)	
21	91471229	AR	SHIM (SN 0160037722 to Present)	
22	90027471	8	HARDENED WASHER, 1/2	
23	91161222	2	HOLLOW HEX HD CAPSCREW, 1/2-20X1-1/2, (torque to 45-50 lb-ft) (Prior to SN 0160037722)	

SECTION 2 - BOOM

ITEM	PART NUMBER	QTY	DESCRIPTION	REV
23	0651810	AR	HEX HD CAPSCREW, 1/2-20X1-1/4, GR5, (torque to 76-86 lb-ft) (SN 0160037722 to Present)	
23	0651812	AR	HEX HD CAPSCREW, 1/2-20X1-1/2, GR5, (torque to 76-86 lb-ft) (SN 0160037722 to Present)	
23	0651807	AR	HEX HD CAPSCREW, 1/2-20X7/8, GR5, (torque to 76-86 lb-ft) (SN 0160037722 to Present)	
23	0651806	AR	HEX HD CAPSCREW, 1/2-20X3/4, GR5, (torque to 76-86 lb-ft) (SN 0160037722 to Present)	
23	0651808	AR	HEX HD CAPSCREW, 1/2-20X1, GR5, (torque to 76-86 lb-ft) (SN 0160037722 to Present)	
24	91403630	4	HEX HD CAPSCREW, 1/2-20X5/8, (torque to 76-86 lb-ft) (Prior to SN 0160037722)	
24	0651805	AR	HEX HD CAPSCREW, 1/2-20X5/8, (torque to 76-86 lb-ft) (SN 0160037722 to Present)	
24	0651807	AR	HEX HD CAPSCREW, 1/2-20X7/8, (torque to 76-86 lb-ft) (SN 0160037722 to Present)	
24	0651806	AR	HEX HD CAPSCREW, 1/2-20X3/4, (torque to 76-86 lb-ft) (SN 0160037722 to Present)	
25	1001117654	2	WEAR PAD	
26	88201563	2	HEX HD CAPSCREW, 1/2-20X7/8, GR5, (torque to 76-86 lb-ft) (Prior to SN 0160037722)	
26	88991005	AR	HOLLOW HEX HD CAPSCREW, 1/2-20X1-1/2, GR5, (torque to 45-50 lb-ft) (SN 0160037722 to Present)	
27	91401224	2	SPACER	
115	88671027	2	GREASE FITTING (SN 0160037722 to Present)	
162	88201533	8	HEX HD CAPSCREW, 3/8-24X7/8, GR5, (torque to 32-37 lb-ft) (Prior to SN 0160037722)	
162	88201530	AR	HEX HD CAPSCREW, 3/8-24X1/2, GR5, (torque to 32-37 lb-ft) (SN 0160037722 to Present)	
162	0651606	AR	HEX HD CAPSCREW, 3/8-24X3/4, GR5, (torque to 32-37 lb-ft) (SN 0160037722 to Present)	
162	0651605	AR	HEX HD CAPSCREW, 3/8-24X5/8, GR5, (torque to 32-37 lb-ft) (SN 0160037722 to Present)	

SECTION 2 - BOOM

FIGURE 2-6. THIRD BOOM SECTION



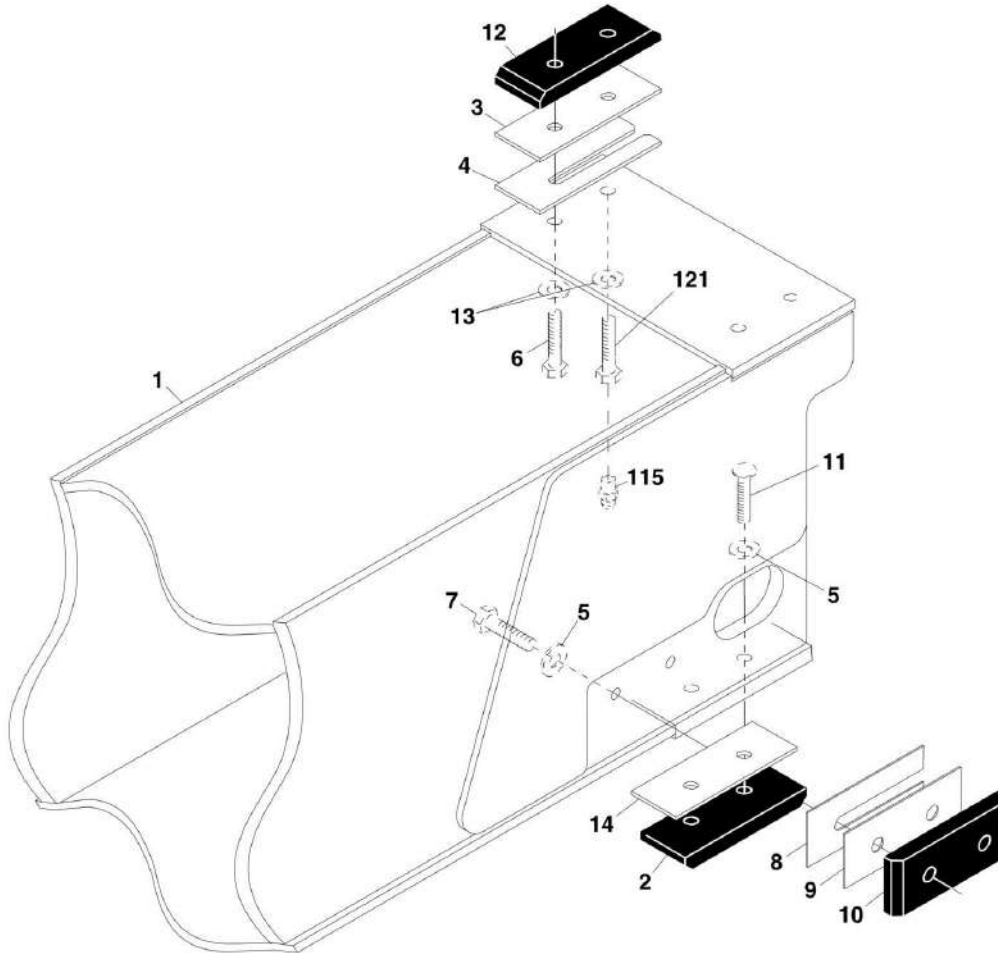
NOTE: 1. USE LOCTITE® 242™ (0100011) ON ALL BOLT THREADS AND JAM NUTS.
2. COAT STATIC, NON ROTATING, PIN BORES WITH MOLY-PASTE (3020040). DO NOT COAT THE PIN OR ANY ROTATING PARTS.
3. COAT ALL BUSHINGS, SHEAVES, AND ROTATING PIN BORES WITH MYSTIK TETRIMOLY GREASE (14404793) PRIOR TO INSTALLATION OF THE PIN.

FIGURE 2-6. THIRD BOOM SECTION

ITEM	PART NUMBER	QTY	DESCRIPTION	REV
1	91476043	1	THIRD BOOM SECTION (Prior to SN 0160037722)	
1	1001102575	1	THIRD BOOM SECTION (SN 0160037722 to Present)	
2	88201034	2	HEX HD CAPSCREW, 3/8-16X7/8, GR5 (Prior to SN 0160037722)	
2	0641607	2	HEX HD CAPSCREW, 3/8-16X7/8, GR5 (SN 0160037722 to Present)	
3	88561109	6	FLAT WASHER, 3/8 (Prior to SN 0160037722)	
3	4711600	6	FLAT WASHER, 3/8 (SN 0160037722 to Present)	
4	91401568	1	GUIDE BAR	
5	91403087	1	PUSH BEAM BEARING PAD	
6	91401204	1	CHAIN RETAINER	
7	83201115	2	HEX HD CAPSCREW, 3/8-16X1-1/4, (torque to 25-30 lb-ft) (Prior to SN 0160037722)	
7	0681610	2	HEX HD CAPSCREW, 3/8-16X1-1/4, (torque to 25-30 lb-ft) (SN 0160037722 to Present)	
8		Ref	CLEVIS, 866-634, (See PUSH BEAM/EXTEND CHAIN AND ROLLER ASSEMBLY for Breakdown)	
9	88201537	2	HEX HD CAPSCREW, 3/8-24X1-3/4, GR5 (Prior to SN 0160037722)	
9	0651614	2	HEX HD CAPSCREW, 3/8-24X1-3/4, GR5 (SN 0160037722 to Present)	
10		Ref	PUSH BEAM ASSY, (See PUSH BEAM/EXTEND CHAIN AND ROLLER ASSEMBLY for Breakdown)	
11		Ref	LEAF CHAIN ASSY, (See PUSH BEAM/EXTEND CHAIN AND ROLLER ASSEMBLY for Breakdown)	
12	91403425	1	ANCHOR PIN	
13	0641606	1	HEX HD CAPSCREW, 3/8-16X3/4, GR5, (torque to 25-30 lb-ft)	
14	88551011	1	LOCKWASHER, 3/8 (Prior to SN 0160037722)	
14	4761600	1	LOCKWASHER, 3/8 (SN 0160037722 to Present)	
15	91403377	NLA	BUSHING, (no longer available, use 91563243 for replacement)	
15	91563243	4	BUSHING	

SECTION 2 - BOOM

FIGURE 2-7. BEARING PADS, SPACERS AND SHIMS, (THIRD BOOM SECTION)



PY5360

NOTE: 1. WEAR PAD SHIMMING:

- A. WHENEVER A SHIM IS USED WITH A PAD, A SPACER WITH HOLES MUST BE INSERTED BETWEEN PAD AND SHIM.
- B. THE WEAR PAD OR WEAR PAD INSERT MUST NOT SIT DIRECTLY ON THE SLOTTED SURFACE OF SHIMS.
- C. ADD WEAR PAD SHIMS AND SPACERS AS REQUIRED TO SHIM BOOM TO MAINTAIN A TOTAL MINIMUM GAP OF 0.070 TO 0.130 IN (1,8mm to 3,3mm) IN BOTH HORIZONTAL AND VERTICAL DIRECTIONS.
- D. WEAR PAD BOLTS REQUIRE ONE HARDENED WASHER. HOWEVER, UP TO (2) HARDENED WASHERS MAY BE USED EXCEPT WHERE NOTED OTHERWISE. UNDER NO CIRCUMSTANCES SHOULD MORE THAN (2) HARDENED WASHERS EVER BE USED.
- E. THE LENGTH OF PAD BOLTS DEPENDS ON THE NUMBER OF THE SHIMS USED. THE BOLT CANNOT EXTEND PAST CHAMFER ON WEAR PAD.

- 2. ADD MYSTIK TETRIMOLY GREASE (14404793) TO ALL BEARING PADS AND ALL BEARING PAD SLIDE PATHWAYS. IF APPLICABLE, THIS INCLUDES ALL PAD GREASE FITTINGS AT THE REAR OF BOOM.

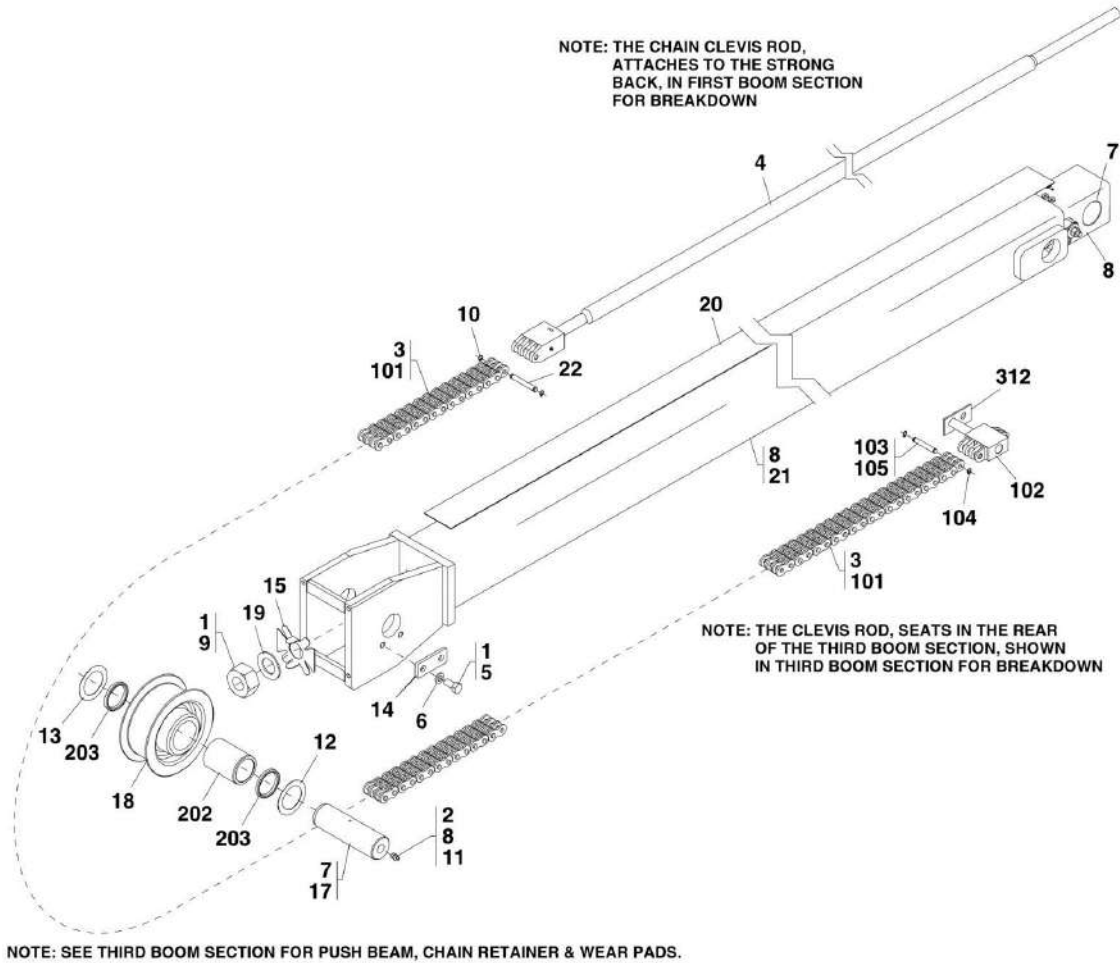
SECTION 2 - BOOM

FIGURE 2-7. BEARING PADS, SPACERS AND SHIMS, (THIRD BOOM SECTION)

ITEM	PART NUMBER	QTY	DESCRIPTION	REV
1		Ref	THIRD BOOM SECTION, (See THIRD BOOM SECTION for Breakdown)	
2	91403533	2	WEAR PAD	
3	91401451	2	SPACER	
4	91401453	AR	SHIM	
4	91401454	AR	SHIM	
5	90027470	AR	FLAT WASHER, 3/8	
6	88201566	4	HEX HD CAPSCREW, 1/2-20X1-1/2, GR5, (torque to 76-86 lb-ft) (Prior to SN 01600337722)	
6	0651812	AR	HEX HD CAPSCREW, 1/2-20X1-1/2, GR5, (torque to 76-86 lb-ft) (SN 01600337722 to Present)	
6	0651810	AR	HEX HD CAPSCREW, 1/2-20X1-1/4, GR5, (torque to 76-86 lb-ft) (SN 01600337722 to Present)	
7	88201533	4	HEX HD CAPSCREW, 3/8-24X7/8, GR5, (torque to 32-37 lb-ft) (Prior to SN 01600337722)	
7	0651607	AR	HEX HD CAPSCREW, 3/8-24X7/8, GR5, (torque to 32-37 lb-ft) (SN 01600337722 to Present)	
7	0651606	AR	HEX HD CAPSCREW, 3/8-24X3/4, GR5, (torque to 32-37 lb-ft) (SN 01600337722 to Present)	
7	0651605	AR	HEX HD CAPSCREW, 3/8-24X5/8, GR5, (torque to 32-37 lb-ft) (SN 01600337722 to Present)	
8	91401218	AR	SHIM (Prior to SN 01600337722)	
8	91471228	AR	SHIM (SN 01600337722 to Present)	
9	91401225	2	SPACER	
10	91403531	2	WEAR PAD	
11	88261128	4	SOCKET BUTTON HD CAPSCREW, 3/8-24X1, (torque to 32-37 lb-ft) (Prior to SN 01600337722)	
11	88261128	AR	SOCKET BUTTON HD CAPSCREW, 3/8-24X1, (torque to 32-37 lb-ft) (SN 01600337722 to Present)	
11	88261129	AR	SOCKET BUTTON HD CAPSCREW, 3/8-24X1-1/4, (torque to 32-37 lb-ft) (SN 01600337722 to Present)	
12	91403535	2	WEAR PAD (Prior to SN 01600337722)	
12	1001117655	2	WEAR PAD (SN 01600337722 to Present)	
13	90027471	4	HARDENED WASHER, 1/2	
14	91401226	2	SPACER	
115	88671027	2	GREASE FITTING (SN 01600337722 to Present)	
121	88991005	AR	HOLLOW HEX HD CAPSCREW, 1/2-20X1-1/2, GR5, (torque to 45-50 lb-ft) (SN 01600337722 to Present)	
121	91161222	AR	HOLLOW HEX HD CAPSCREW, 1/2-20X1-1/2, GR5, (torque to 45-50 lb-ft) (SN 01600337722 to Present)	

SECTION 2 - BOOM

FIGURE 2-8. PUSH BEAM/EXTEND CHAIN AND ROLLER ASSEMBLY



ART_91474001-2-8

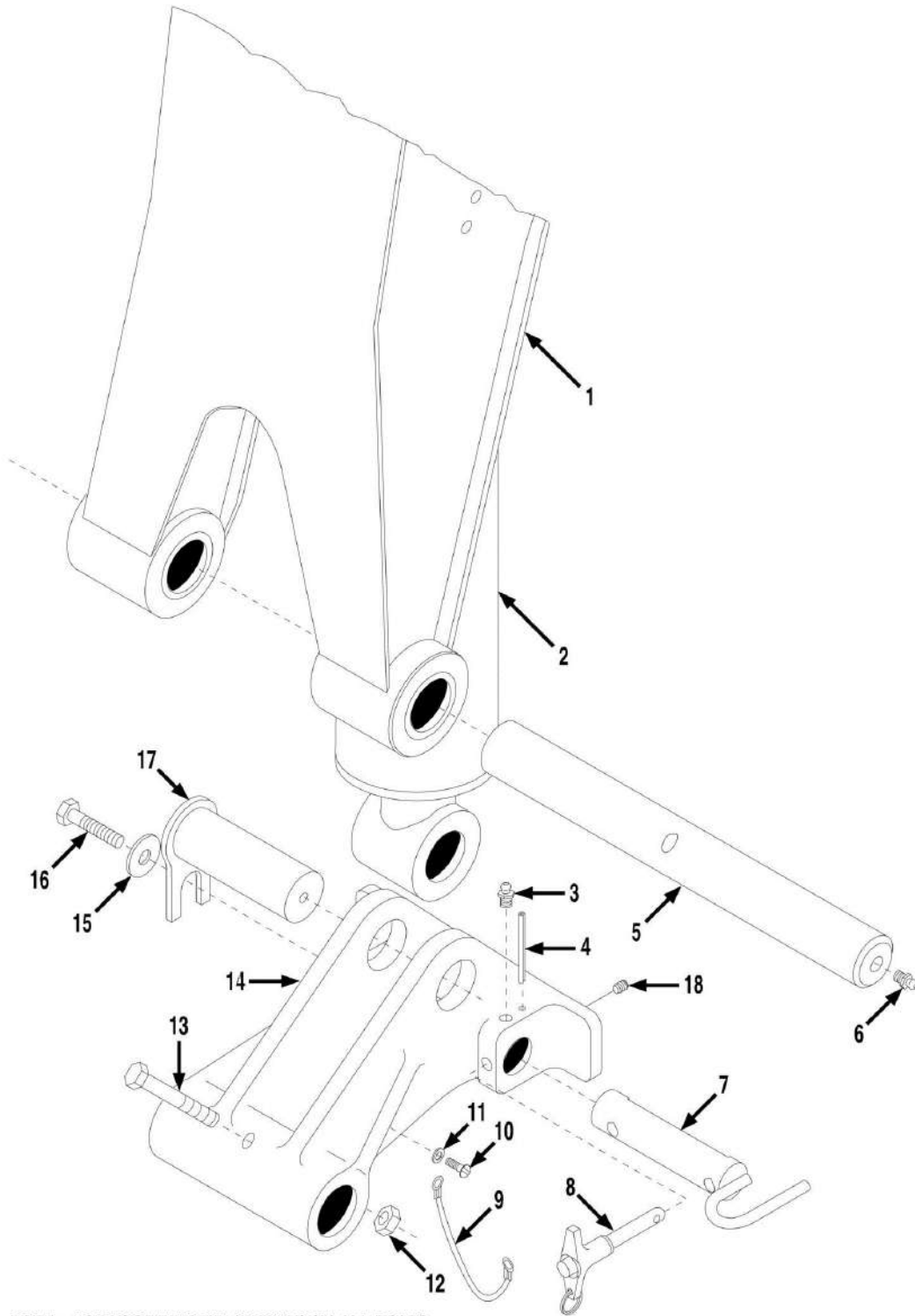
SECTION 2 - BOOM

FIGURE 2-8. PUSH BEAM/EXTEND CHAIN AND ROLLER ASSEMBLY

ITEM	PART NUMBER	QTY	DESCRIPTION	REV
	0275798	1	PUSH BEAM ASSY, (includes items 1 thru 22)	D
1	0100011	AR	LOCTITE 242	
2	0100075	AR	LOCTITE 545	
3	0274674	1	LEAF CHAIN ASSY, (includes items 101 thru 105)	C
4	0274799	1	CHAIN CLEVIS ROD	
5	0641808	2	HEX HD CAPSCREW, 1/2-13X1, GR5	
6	4761800	2	LOCKWASHER, 1/2	
7	14403323	AR	NEVER SEEZ LUBE	
8	14404793	AR	MYSTIK TETRIMOLY GREASE	
9	88501322	1	HEX NUT, 1-3/8-12, (torque to 155-195 lb-ft)	
10	88581112	2	SNAP RING, 3/8	
11	88671001	1	LUBE FITTING, STRAIGHT, 1/8	
12	91041451	1	SHIM	
13	91041596	1	SHIM	
14	91401189	1	KEEPER	
15	91401190	1	TAB WASHER	
17	91403017	1	EXTEND SHEAVE PIN	
18	91403045	1	CHAIN ROLLER ASSY, (includes items 202 & 203)	
19	91403065	1	HARD WASHER	
20	91513029	1	UHMW TAPE, 13 ft	
21	91406015	1	PUSH BEAM WELDMENT	
22	91413122	1	ANCHOR PIN	
101	91403432	1	LEAF CHAIN, 866	
102	1360298	1	CLEVIS, 866-634	
103	91413123	1	ANCHOR PIN	
104	88581112	2	SNAP RING, 3/8	
105	8522012	AR	ANTI SEEZE LUBE	
202	91403047	1	BUSHING	
203	91403119	2	SEAL	
312		Ref	ANCHOR PIN, (See THIRD BOOM SECTION for Breakdown)	

SECTION 2 - BOOM

FIGURE 2-9. MANUAL QUICK SWITCH ASSEMBLY (Prior to SN 0160037722)



NOTE: USE LOCTITE® 242™ (0100011) ON ALL BOLTS.

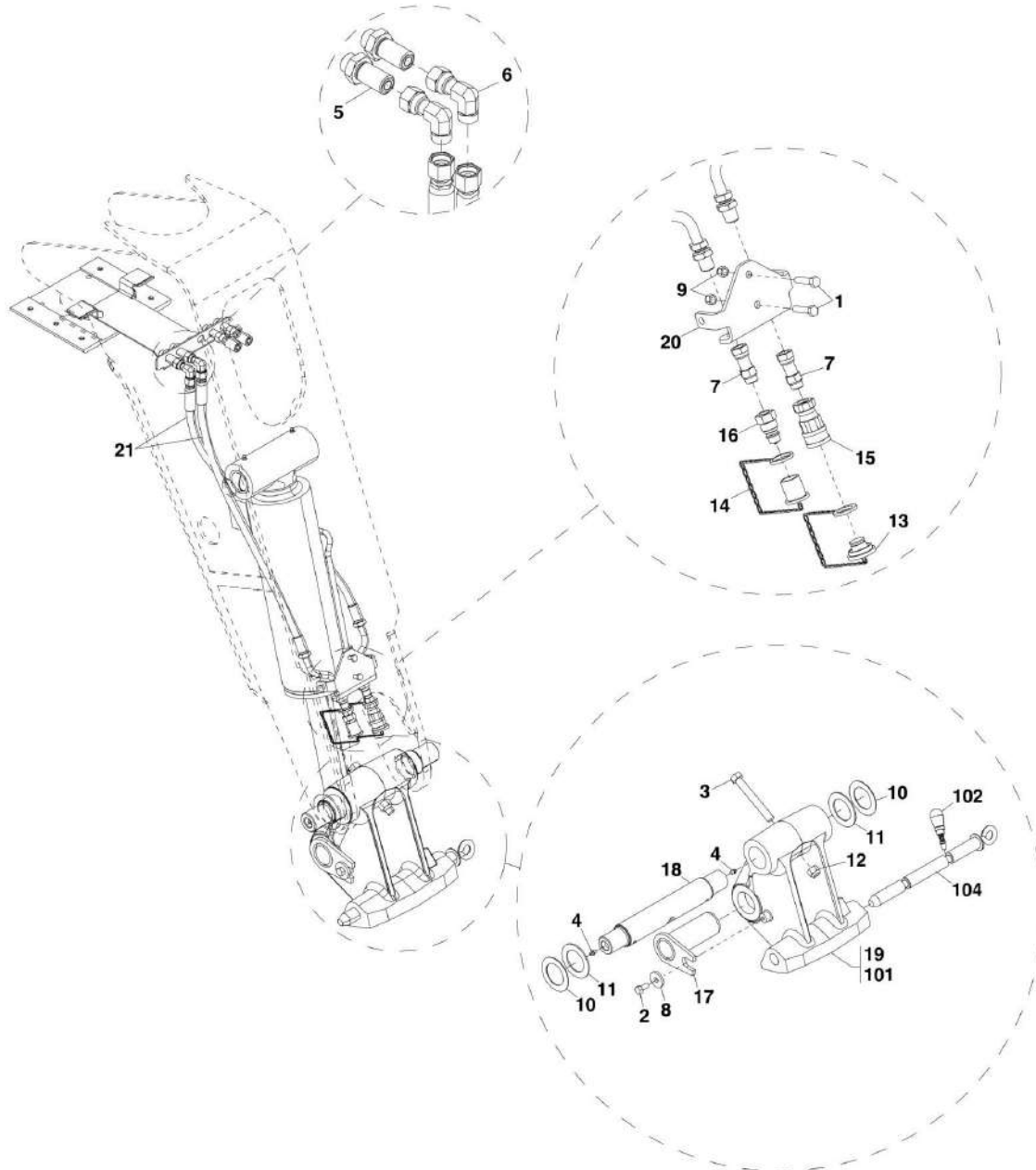
SECTION 2 - BOOM

FIGURE 2-9. MANUAL QUICK SWITCH ASSEMBLY (Prior to SN 0160037722)

ITEM	PART NUMBER	QTY	DESCRIPTION	REV
	91405032	1	MANUAL QUICK SWITCH ASSY, (includes items 3, 4, 7 thru 11, 14 & 18)	F
1		Ref	THIRD BOOM SECTION, (See THIRD BOOM SECTION for Breakdown)	
2		Ref	TILT CYLINDER, (See HYDRAULIC COMPONENTS SECTION for Breakdown)	
3	88671008	1	LUBE FITTING, STRAIGHT, 1/4-28	
4	3440832	1	ROLL PIN, 1/4X2	
5	91403020	1	HEAD PIN	
6	N.S.S.	2	LUBE FITTING	
7	91403404	1	QUICK SWITCH PIN	
8	91403407	1	QUICK RELEASE PIN	
9	91403411	1	TETHER CABLE	
10	88301193	1	ROUND HD MACHINE SCREW, #10-32X1/2	
11	88561105	1	FLAT WASHER, #10	
12	88521012	1	HEX LOCKNUT, 3/4-10	
13	91403412	1	HEX HD CAPSCREW, 1/2-13X6	
14	91403060	1	QUICK SWITCH CASTING	
15	8310308	1	FLAT WASHER, 1/2	
16	88201067	1	HEX HD CAPSCREW, 1/2-13X1-1/2, GR5	
17	91403405	1	PIN WELDMENT	
18	88221276	1	SOCKET SET SCREW, (flat point), 1/2-13X1/2	

SECTION 2 - BOOM

FIGURE 2-10. MANUAL QUICK SWITCH ASSEMBLY (SN 0160037722 to Present)



PAP18110

SECTION 2 - BOOM

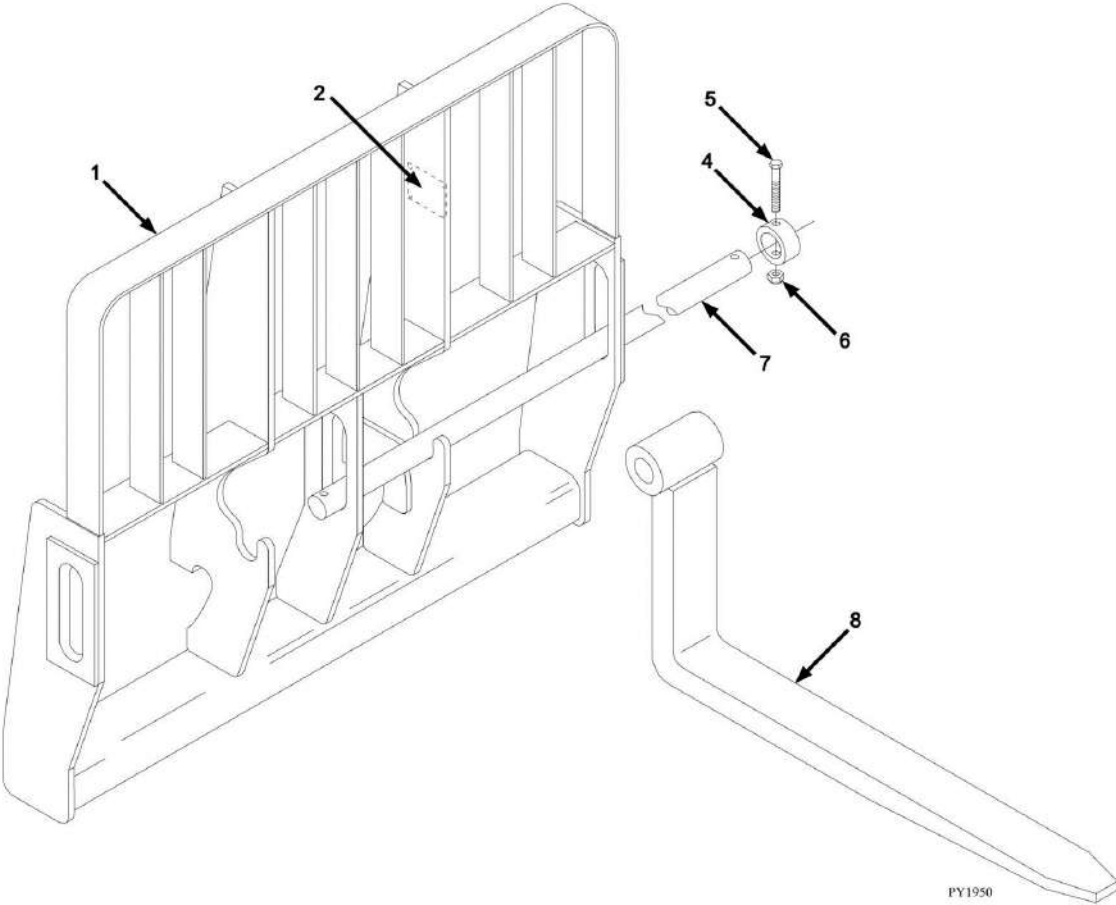
FIGURE 2-10. MANUAL QUICK SWITCH ASSEMBLY (SN 0160037722 to Present)

ITEM	PART NUMBER	QTY	DESCRIPTION	REV
	1001142243	Ref	MANUAL QUICK SWITCH INSTALLATION, (not available to order, see items 1 thru 21 for service)	A
1	0641612	2	HEX HD CAPSCREW, 3/8-16X1-1/2, GR5	
2	0641808	1	HEX HD CAPSCREW, 1/2-13X1, GR5	
3	0682244	1	HEX HD CAPSCREW, 3/4-10X5-1/2, GR8	
4	2160002	2	STRAIGHT GREASE FITTING	
5	2171106	2	BULKHEAD FITTING	
6	2172106	2	ADAPTER, 90, (includes o-ring)	
7	2180849	2	ADAPTER	
8	4740003	1	WASHER, 1/2	
9	8305645	2	HEX LOCK NUT, 3/8-16	
10	8307916	AR	WASHER, SHIM	
11	8307917	AR	WASHER, SHIM	
12	8310067	1	LOCKNUT, 3/4-10	
13	91043125	1	DUST PLUG	
14	91043126	1	DUST CAP	
15	91403413	1	FEMALE QUICK CONNECT	
16	91403414	1	MALE QUICK DISCONNECT	
17	1001098218	1	PIN WELDMENT	
18	1001098233	1	PIVOT PIN	
19	1001098382	1	QUICK SWITCH COUPLING ASSY, (includes items 101 thru 104)	E
20	1001098425	1	BRACKET	
21	1001099889	2	HOSE ASSY	
101	1001098174	1	QUICK SWITCH COUPLER	
102	1001143692	1	POPPIN PIN ASSY	
104	1001105441	1	QUICK SWITCH LOCK PIN	

SECTION 3 - ATTACHMENTS

SECTION 3 - ATTACHMENTS

FIGURE 3-1. TILT CARRIAGE (Prior to SN 0160023798)



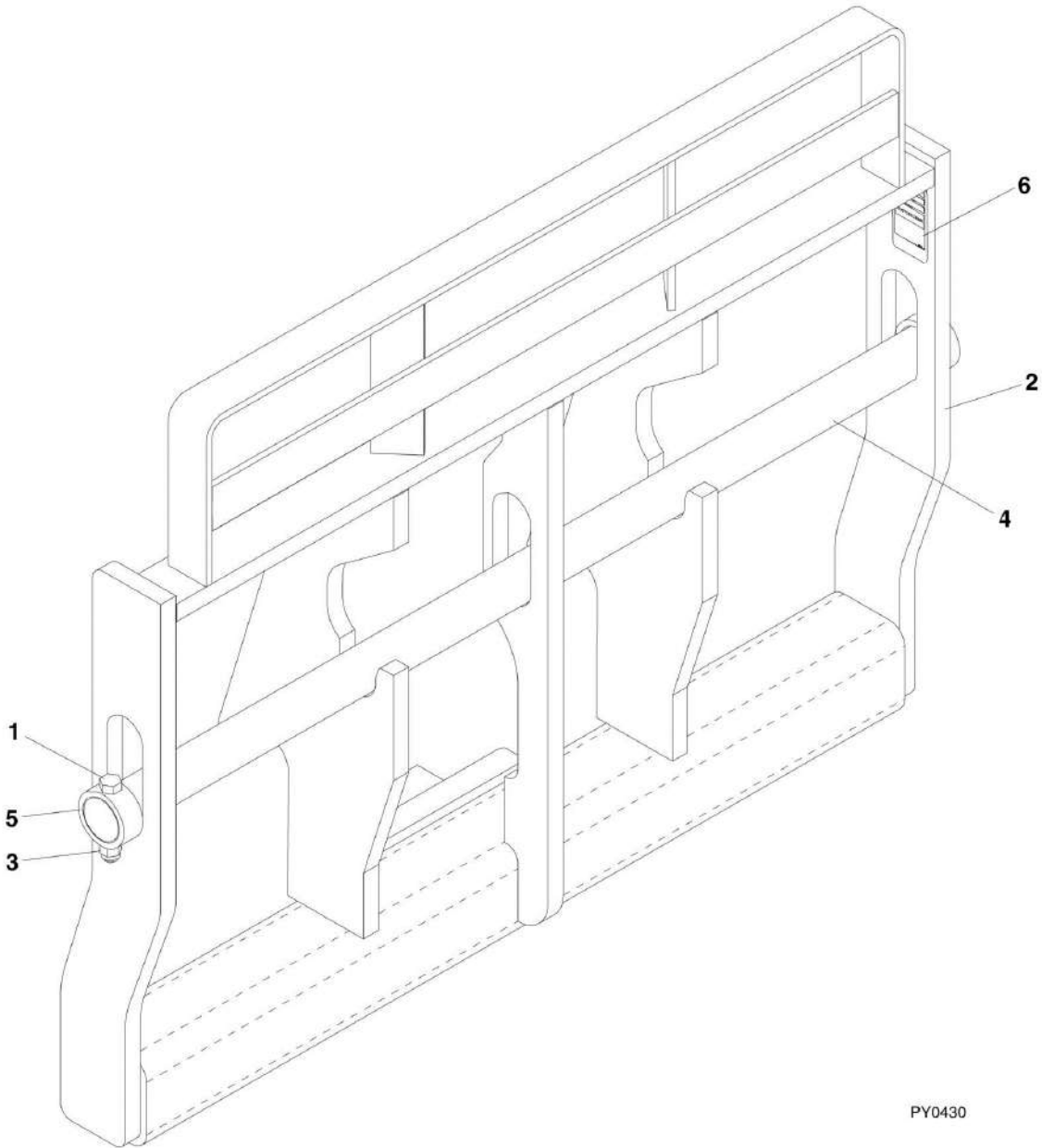
SECTION 3 - ATTACHMENTS

FIGURE 3-1. TILT CARRIAGE (Prior to SN 0160023798)

ITEM	PART NUMBER	QTY	DESCRIPTION	REV
	91405073	1	48 IN CARRIAGE ASSY, (includes items 1 thru 7)	D
	91405074	1	72 IN CARRIAGE ASSY, (includes items 1 thru 7)	D
1	N.S.S.	1	48 IN CARRIAGE WELDMENT	
1	N.S.S.	1	72 IN CARRIAGE WELDMENT	
2	N.S.S.	1	SN PLATE	
4	90200003	2	COLLAR	
5	88201105	2	HEX HD CAPSCREW, 5/8-11X4, GR5	
6	88521310	2	HEX LOCKNUT, 5/8-11, (nylok)	
7	91401303	1	48 IN FORK PIN	
7	91401324	1	72 IN FORK PIN	
8		Ref	FORK, (See FORK for Breakdown)	

SECTION 3 - ATTACHMENTS

FIGURE 3-2. TILT CARRIAGE (SN 0160023798 to Present)



PY0430

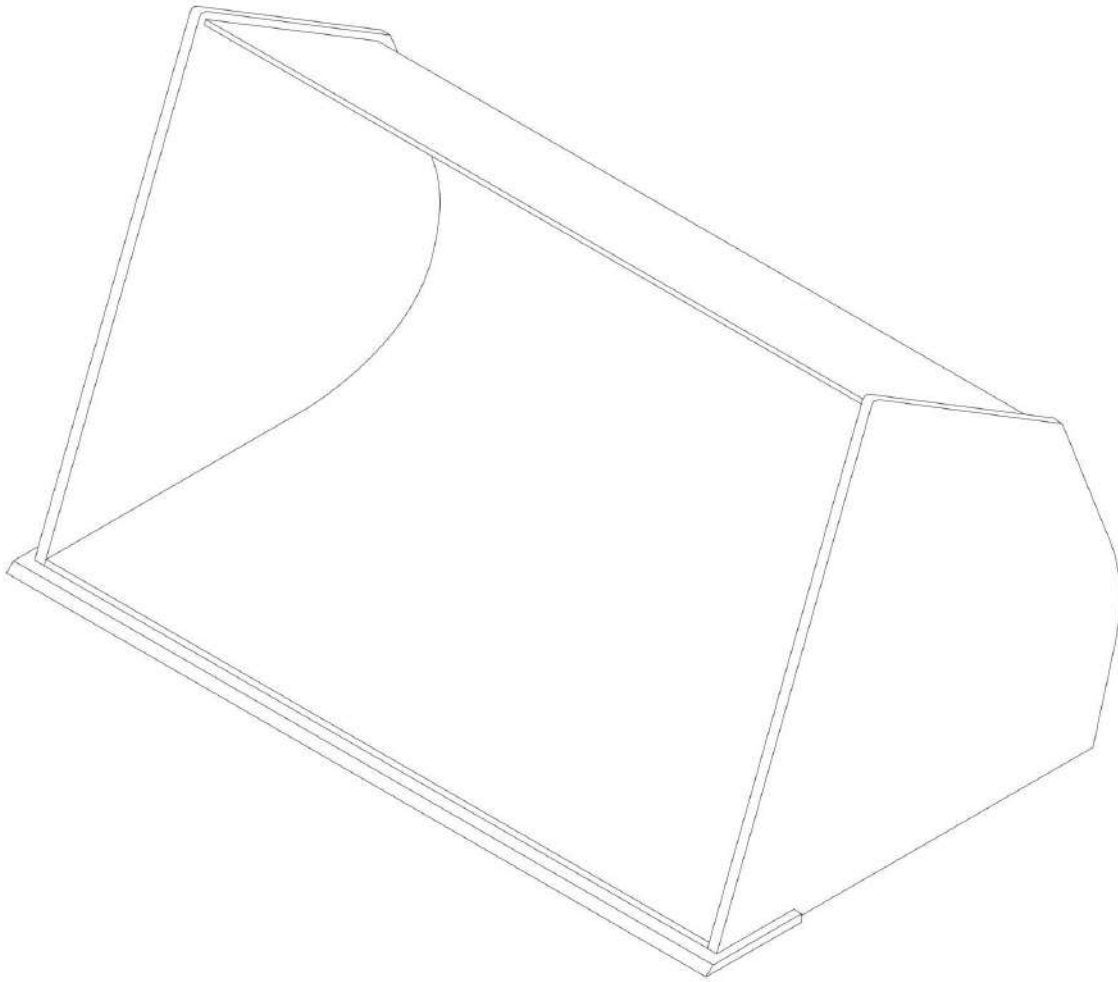
SECTION 3 - ATTACHMENTS

FIGURE 3-2. TILT CARRIAGE (SN 0160023798 to Present)

ITEM	PART NUMBER	QTY	DESCRIPTION	REV
	1170019	1	50 IN TILT CARRIAGE, (includes all items) (Prior to SN 0160037722)	C
	1170021	1	50 IN TILT CARRIAGE, (includes all items) (SN 0160037722 to Present)	D
	1170022	1	60 IN TILT CARRIAGE, (includes all items) (Prior to SN 0160037722)	C
	1170024	1	60 IN TILT CARRIAGE, (includes all items) (SN 0160037722 to Present)	D
	1170025	1	72 IN TILT CARRIAGE, (includes all items) (Prior to SN 0160037722)	C
	1170027	1	72 IN TILT CARRIAGE, (includes all items) (SN 0160037722 through 0160043041)	D
	1001132514	1	72 IN TILT CARRIAGE, (includes all items) (SN 0160043042 to Present)	A
1	0642032	2	HEX HD CAPSCREW, 5/8-11X4, GR5	
2	N.S.S.	1	TILT CARRIAGE	
3	3300240	2	LOCKNUT, 5/8-11	
4	3423275	1	50 IN FORK PIN	
4	3423242	1	60 IN FORK PIN	
4	3423276	1	72 IN FORK PIN	
5	90200003	2	COLLAR	
6	N.S.S.	1	SN PLATE	

SECTION 3 - ATTACHMENTS

FIGURE 3-3. BUCKETS



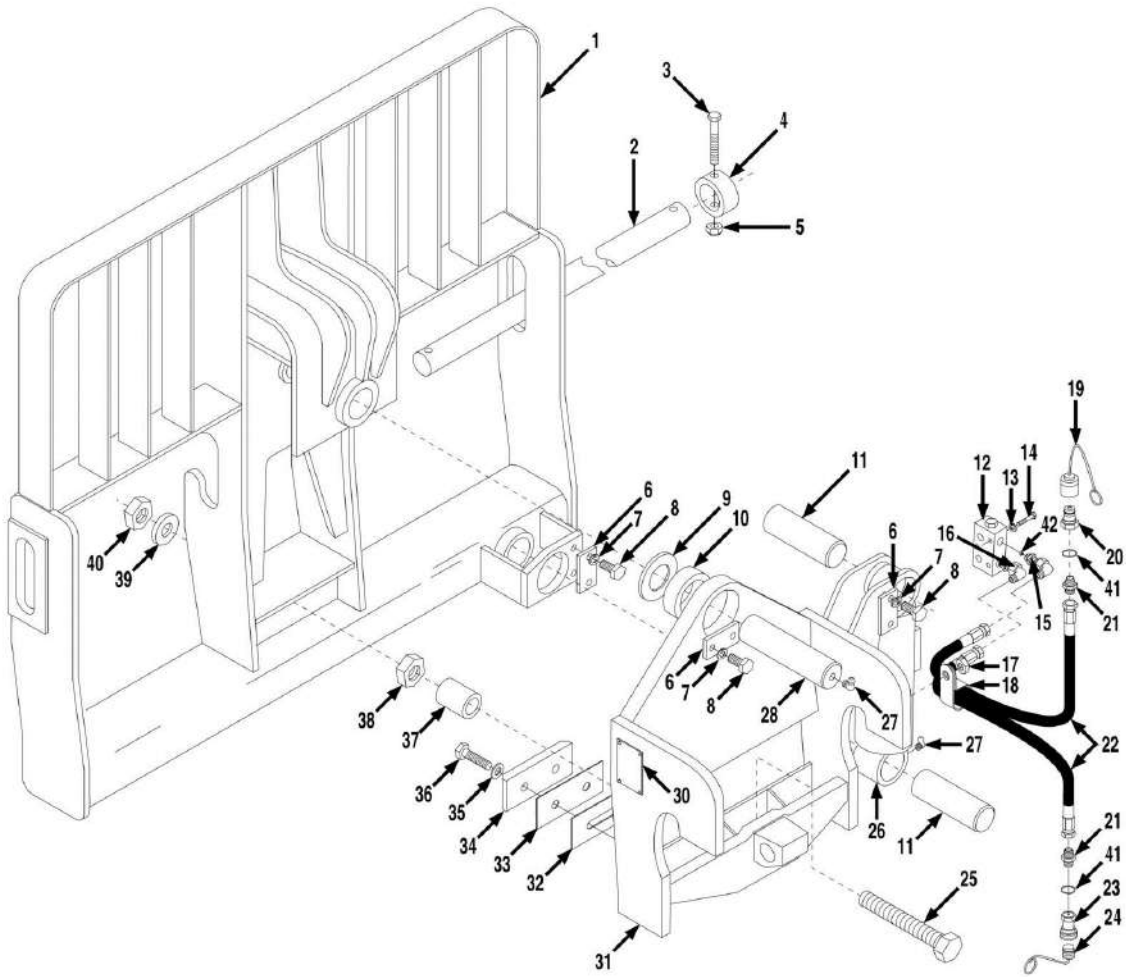
SECTION 3 - ATTACHMENTS

FIGURE 3-3. BUCKETS

ITEM	PART NUMBER	QTY	DESCRIPTION	REV
	91405054	1	60 IN BUCKET, 3/4 ³ YARD (Prior to SN 0160037722)	
	1001100822	1	72 IN BUCKET, 1.0 ³ YARD (SN 0160037722 to Present)	
	91405055	1	74 IN BUCKET, 1-1/4 ³ YARD (Prior to SN 0160037722)	
	1001100823	1	96 IN BUCKET, 1.5 ³ YARD (SN 0160037722 to Present)	
	91405071	1	102 IN BUCKET, 1-1/4 ³ YARD (Prior to SN 0160037722)	
	1001100824	1	102 IN BUCKET, 2.0 ³ YARD (SN 0160037722 to Present)	

SECTION 3 - ATTACHMENTS

FIGURE 3-4. SIDE TILT CARRIAGE (Prior to SN 0160037722)



PY1760

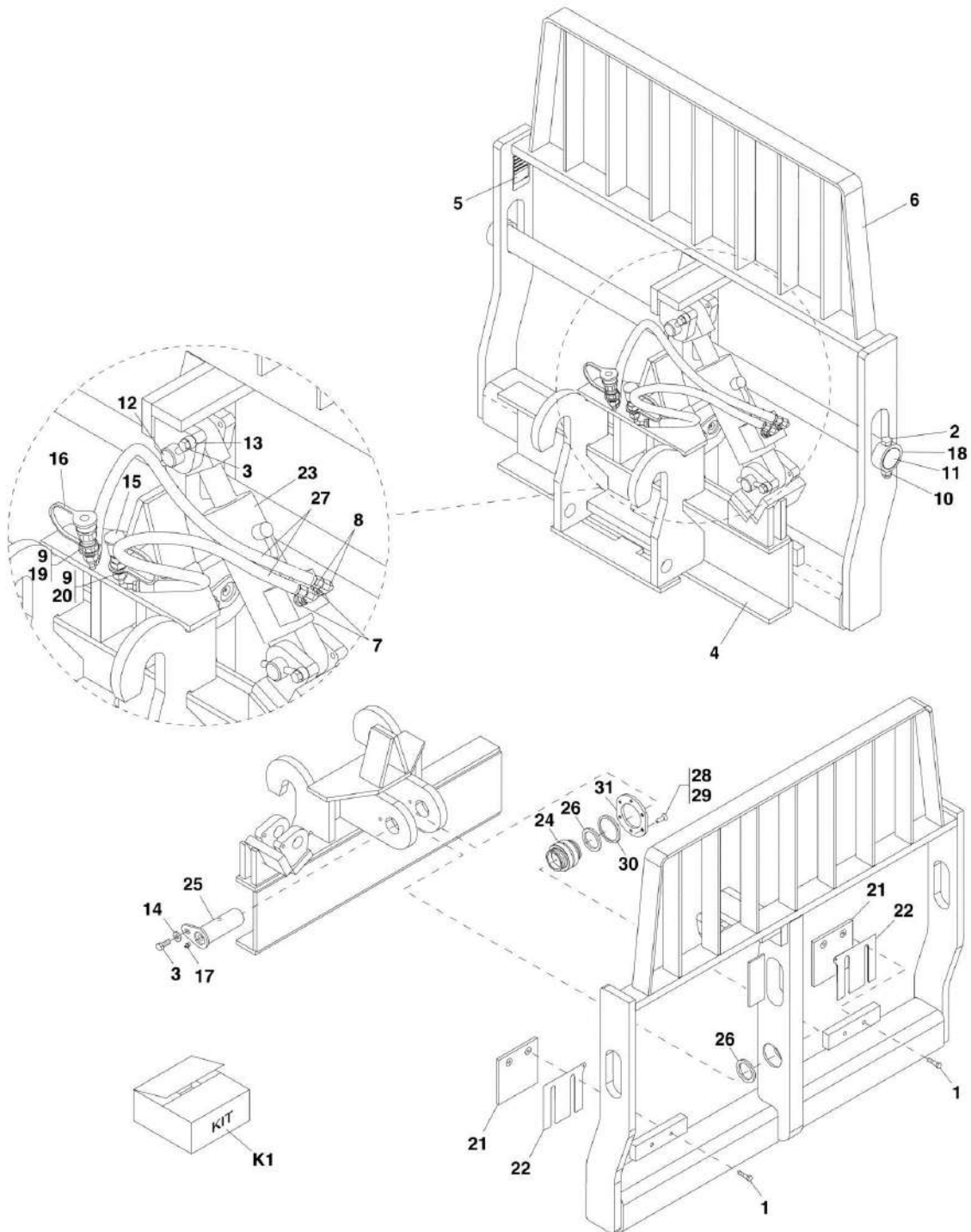
SECTION 3 - ATTACHMENTS

FIGURE 3-4. SIDE TILT CARRIAGE (Prior to SN 0160037722)

ITEM	PART NUMBER	QTY	DESCRIPTION	REV
	91405101	1	48 IN TILT CARRIAGE, (includes all items)	O
	91405079	1	72 IN TILT CARRIAGE, (includes all items)	T
1	N.S.S.	1	48 IN CARRIAGE WELDMENT	
1	N.S.S.	1	72 IN CARRIAGE WELDMENT	
2	91401324	1	FORK PIN, (72 in carriage)	
2	91401303	1	FORK PIN, (48 in carriage)	
3	88201105	2	HEX HD CAPSCREW, 5/8-11X4, GR5	
4	90200003	2	COLLAR	
5	88521310	2	HEX LOCKNUT, 5/8-11, (nylok)	
6	91081313	3	KEEPER PLATE	
7	88551013	6	LOCKWASHER, 1/2	
8	88201065	6	HEX HD CAPSCREW, 1/2-13X1, GR5	
9	91081594	1	THRUST WASHER	
10	91083248	1	BUSHING	
11	3423263	2	SWAY CYLINDER PIN	
12		Ref	SWAY CYLINDER VALVE, (See HYDRAULIC COMPONENTS SECTION for Breakdown)	
13	88551009	3	LOCKWASHER, 1/4	
14	88201008	3	HEX HD CAPSCREW, 1/4-20X1-3/4, GR5	
15	91081630	2	MODIFIED CONNECTOR	
16	8760268	2	ELBOW, 90, (swivel nut)	
17	77143015	1	WHIZ-LOCK NUT, 3/8-16	
18	84521062	1	SUPPORT CLAMP	
19	91043126	1	DUST CAP	
20	91403414	1	MALE QUICK DISCONNECT	
21	2220372	2	CONNECTOR, (includes item 41)	
22	84719223	2	HOSE ASSY	
23	91403413	1	FEMALE QUICK DISCONNECT	
24	91043125	1	DUST PLUG	
25	91081577	1	TAP BOLT	
26		Ref	SWAY CYLINDER, (See OPTIONS SECTION for Breakdown)	
27	88671022	2	LUBE FITTING, 90, 1/8	
28	91081622	1	PIN, (adapter weldment)	
30	N.S.S.	1	SN PLATE	
31	N.S.S.	1	ADAPTER WELDMENT	
32	90205870	AR	SHIM	
33	91031236	2	SPACER	
34	91033186	2	BEARING PAD	
35	88561109	4	FLAT WASHER, 3/8	
36	88201534	4	HEX HD CAPSCREW, 3/8-24X1, GR5	
36	88201535	4	HEX HD CAPSCREW, 3/8-24X1-1/4, GR5	
37	90204007	1	TUBE	
38	88521016	1	HEX LOCKNUT, 1-8	
39	05101441	1	WASHER, 1-1/16	
40	88501016	1	HEX NUT, 1-8	
41	88591205	2	O-RING	
42	91041387	2	ORIFICE PLUG	

SECTION 3 - ATTACHMENTS

FIGURE 3-5. SIDE TILT CARRIAGE (SN 0160037722 to Present)



PAP2971

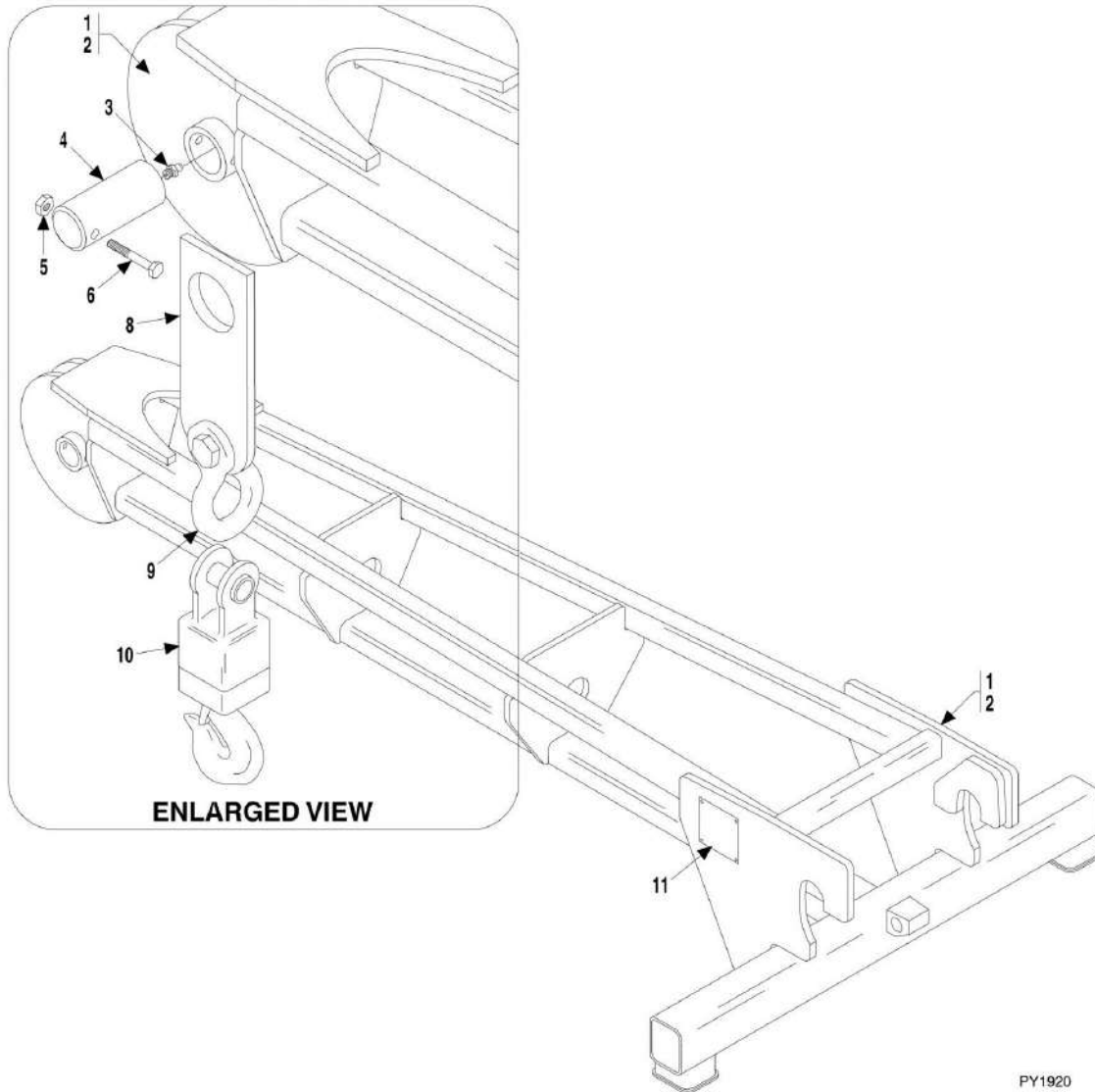
SECTION 3 - ATTACHMENTS

FIGURE 3-5. SIDE TILT CARRIAGE (SN 0160037722 to Present)

ITEM	PART NUMBER	QTY	DESCRIPTION	REV
	1170054	1	50 IN SIDE TILT CARRIAGE, (includes all items)	H
	1001101956	1	60 IN SIDE TILT CARRIAGE, (includes all items)	H
	1170057	1	72 IN SIDE TILT CARRIAGE, (includes all items)	H
1	0641612	4	HEX HD CAPSCREW, 3/8-16X1-1/2	
2	0642032	2	HEX HD CAPSCREW, 5/8-11X4	
3	0681810	3	HEX HD CAPSCREW, 1/2-13X1-1/4	
4	1001133072	1	CARRIAGE BASE	
5	N.S.S.	1	SN PLATE	
6	N.S.S.	1	SIDE TILT CARRIAGE	
7	2110606	2	CONNECTOR	
8	2172106	2	CONNECTOR, 90	
9	2110808	2	CONNECTOR, (50 IN Side Tilt Carriage)	
9	2110608	2	CONNECTOR, (60 IN Side Tilt Carriage)	
9	2110808	2	CONNECTOR, (72 IN Side Tilt Carriage)	
10	3300240	2	LOCK NUT, 5/8-11	
11	3423275	1	50 IN FORK PIN	
11	3423242	1	60 IN FORK PIN	
11	3423276	1	72 IN FORK PIN	
12	3423307	2	PIN	
13	3841203	2	KEEPER	
14	4891800	1	WASHER, 1/2	
15	91043126	1	DUST CAP	
16	91043125	1	DUST PLUG	
17	88671001	1	GREASE FITTING	
18	90200003	2	COLLAR	
19	91403413	1	CONNECTOR	
20	91403414	1	CONNECTOR	
21	1001090063	2	WEAR PAD	
22	1001090064	AR	SHIM	
23		Ref	HYDRAULIC CYLINDER, (See HYDRAULIC COMPONENTS SECTION for Breakdown)	
24	1001090140	1	BEARING	
25	1001099113	1	PIN	
26	1001099115	2	SLEEVE	
27	1001102378	2	HOSE ASSY, 3/8X39	
28	0100011	AR	LOCTITE 242	
29	0741610	6	FLAT HD SOCKET SCREW, 3/8-16	
30	1001120914	1	BEARING RETAINER SHIM	
31	1001120915	1	BEARING RETAINER PLATE	
K1	2890228	1	SIDE TILT CARRIAGE KIT, (includes items 30 & 31)	C

SECTION 3 - ATTACHMENTS

FIGURE 3-6. TRUSS BOOM (Prior to SN 0160037722)



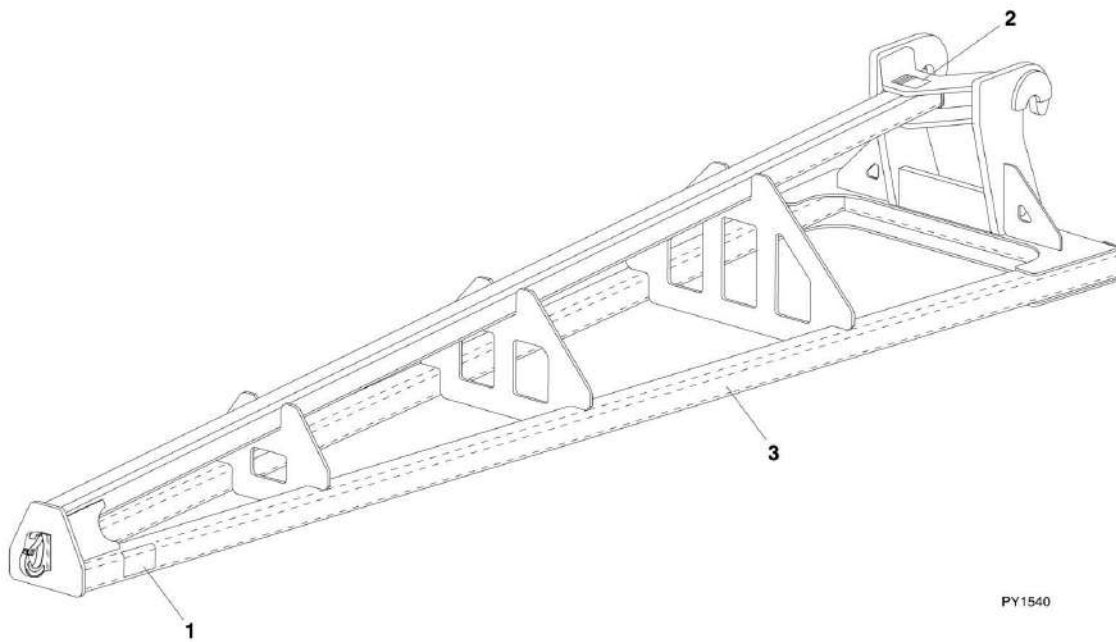
SECTION 3 - ATTACHMENTS

FIGURE 3-6. TRUSS BOOM (Prior to SN 0160037722)

ITEM	PART NUMBER	QTY	DESCRIPTION	REV
	91405083	1	10 FT TRUSS BOOM ASSY, (includes all items, except item 2)	D
	91405082	1	15 FT TRUSS BOOM ASSY, (includes all items, except item 1)	D
1	N.S.S.	1	10 FT TRUSS BOOM WELDMENT	
2	N.S.S.	1	15 FT TRUSS BOOM WELDMENT	
3	88671001	1	LUBE FITTING, STRAIGHT, 1/8	
4	90402948	1	PIN	
5	88501008	1	HEX NUT, 1/2-13	
6	88201073	1	HEX HD CAPSCREW, 1/2-13X3, GR5	
8	90451053	1	HANGER	
9	90453041	1	SHACKLE	
10	90453040	1	SWIVEL HOOK	
10	91164440	1	SAFETY LATCH KIT	
11	N.S.S.	1	ATTACHMENT SN PLATE	

SECTION 3 - ATTACHMENTS

FIGURE 3-7. TRUSS BOOM (SN 0160037722 to Present)



PY1540

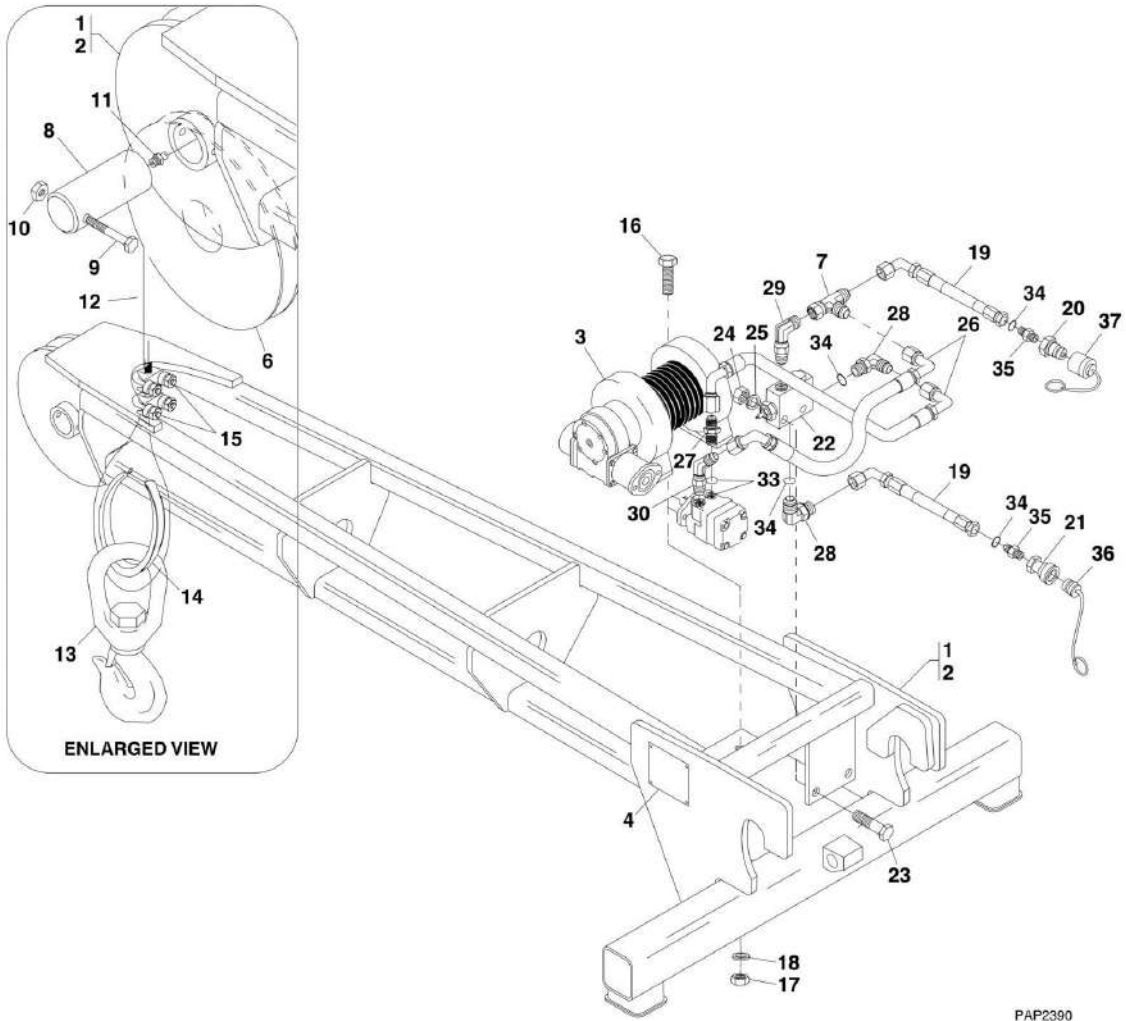
SECTION 3 - ATTACHMENTS

FIGURE 3-7. TRUSS BOOM (SN 0160037722 to Present)

ITEM	PART NUMBER	QTY	DESCRIPTION	REV
	1001099902	1	12 FT TRUSS BOOM, (includes all items)	A
	1001099901	1	15 FT TRUSS BOOM, (includes all items)	A
1	4110422	2	DECAL, WARNING SWINGING LOADS	
2	N.S.S.	1	SN PLATE	
3	N.S.S.	1	TRUSS BOOM	

SECTION 3 - ATTACHMENTS

FIGURE 3-8. TRUSS BOOM WITH WINCH (Prior to SN 0160037722)



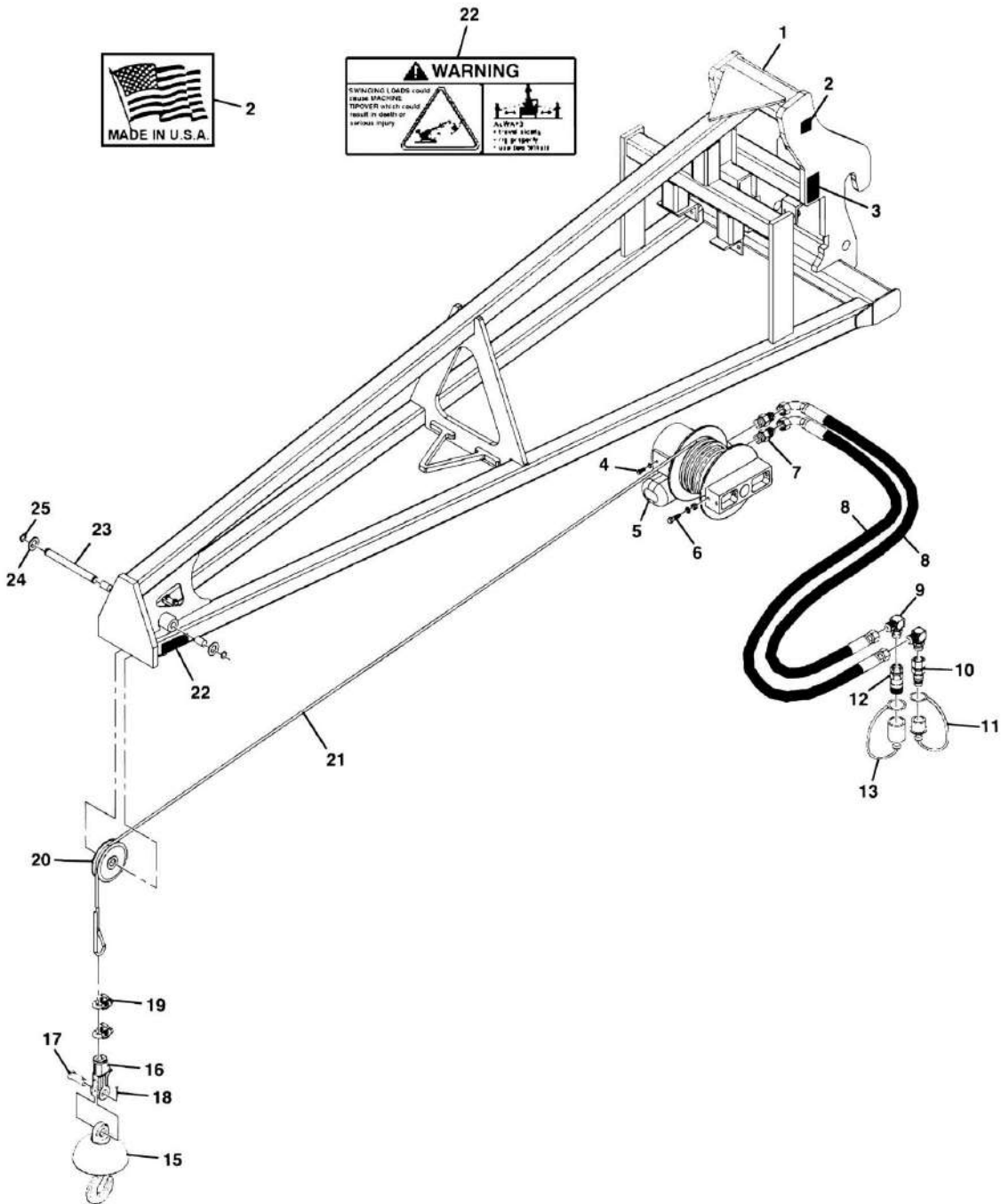
SECTION 3 - ATTACHMENTS

FIGURE 3-8. TRUSS BOOM WITH WINCH (Prior to SN 0160037722)

ITEM	PART NUMBER	QTY	DESCRIPTION	REV
	91405081	1	10 FT TRUSS BOOM WITH WINCH, (includes items 1 & 3 thru 35)	O
	91405080	1	15 FT TRUSS BOOM WITH WINCH, (includes items 2 thru 35)	O
1	N.S.S.	1	10 FT TRUSS BOOM WELDMENT	
2	N.S.S.	1	15 FT TRUSS BOOM WELDMENT	
3		Ref	WINCH WITH MOTOR, (See OPTIONS SECTION for Breakdown)	
4	N.S.S.	1	SN PLATE	
6	90403056	1	SHEAVE	
7	2220385	1	SWIVEL NUT RUN TEE, 1/2 TUBE	
8	90402948	1	PIN	
9	88201073	1	HEX HD CAPSCREW, 1/2-13X3, GR5	
10	88501008	1	HEX NUT, 1/2-13	
11	88671001	1	LUBE FITTING, STRAIGHT, 1/8	
12	90207882	1	WIRE ROPE, 3/8 IA	
13	91403448	1	SWIVEL HOOK	
14	90026965	1	THIMBLE	
15	90028990	2	WIRE ROPE CLIP	
16	83201062	4	HEX HD CAPSCREW, 5/8-11X2-1/4	
17	88501010	4	HEX NUT, 5/8-11	
18	90027472	4	HARDENED WASHER, 5/8	
19	84717593	2	HOSE ASSY	
20	91403414	1	MALE QUICK DISCONNECT	
21	91403413	1	FEMALE QUICK DISCONNECT	
22	91413041	1	TRUSS BOOM PRESSURE REDUCER VALVE, (includes Seal Kit)	
22	91414045	1	SEAL KIT	
23	88201024	2	HEX HD CAPSCREW, 5/16-18X2, GR5	
24	88501005	2	HEX NUT, 5/16-18	
25	88551010	2	LOCKWASHER, 5/16	
26	84719732	2	HOSE ASSY	
27	2220374	1	CONNECTOR, (includes item 33)	
28	2220596	2	ELBOW, 90, (includes item 34)	
29	2220726	2	ELBOW, 90	
30	2220499	1	ELBOW, 45, (includes item 33)	
33	88591206	2	O-RING	
34	88591205	4	O-RING	
35	2220373	2	CONNECTOR, (includes two of item 34)	
36	91043125	1	DUST PLUG	
37	91043126	1	DUST CAP	

SECTION 3 - ATTACHMENTS

FIGURE 3-9. TRUSS BOOM WITH WINCH (SN 0160037722 to Present)



PAP3440

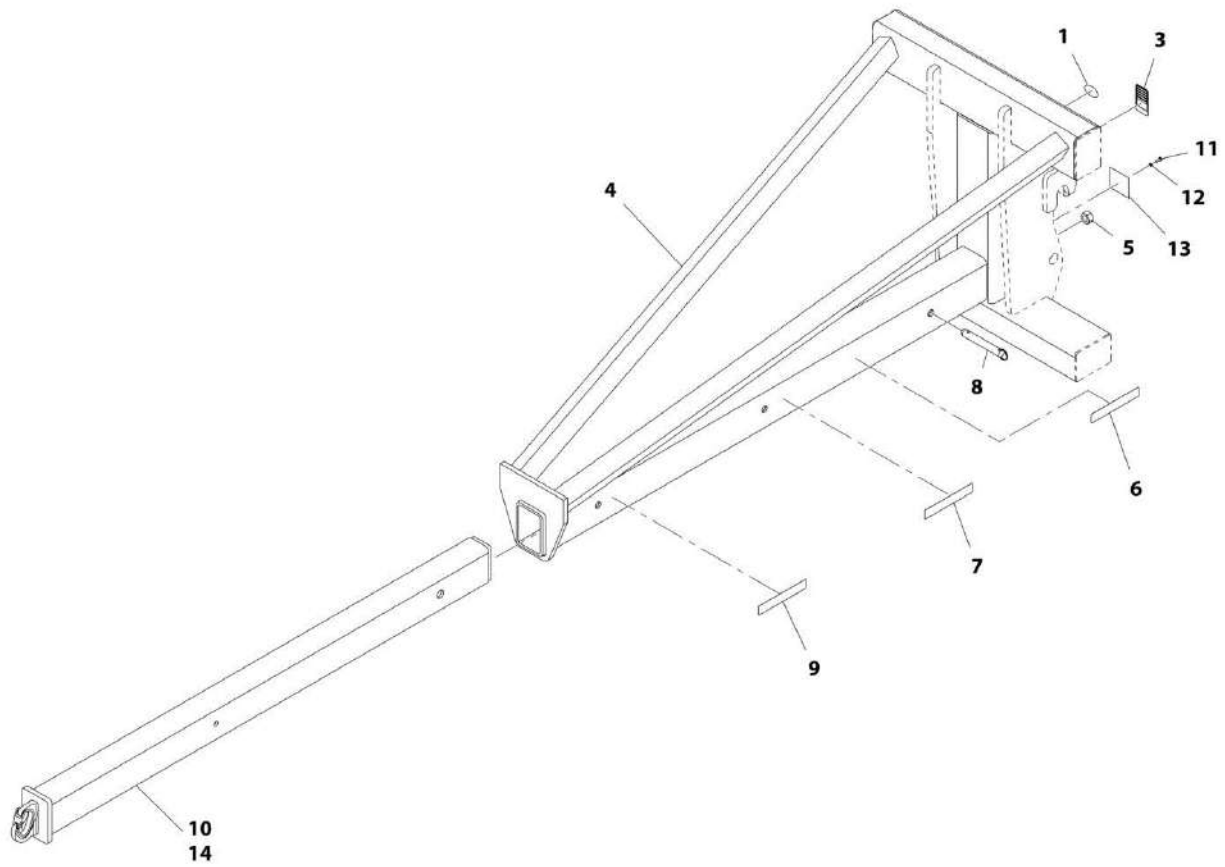
SECTION 3 - ATTACHMENTS

FIGURE 3-9. TRUSS BOOM WITH WINCH (SN 0160037722 to Present)

ITEM	PART NUMBER	QTY	DESCRIPTION	REV
	1001099351	1	12 FT TRUSS BOOM WITH WINCH, (includes all items)	F
1	N.S.S.	1	TRUSS BOOM FRAME	
2	90554016	1	USA DECAL	
3	N.S.S.	1	SN PLATE	
4	70021349	4	HEX HD CAPSCREW, 3/8X1	
4	90554042	4	LOCKWASHER, 3/8	
5	70021921	1	TRUSS BOOM WINCH MOTOR	
6	N.S.S.	2	HEX HD CAPSCREW, 1/2X1-3/4	
6	90554020	2	LOCKWASHER, 1/2	
6	90554054	2	HEX NUT, 1/2	
7	70021415	2	CONNECTOR	
8	70021977	2	HOSE ASSY, 3/8X32	
9	N.S.S.	1	ELBOW, 90	
10	7029692	1	MALE QUICK COUPLER	
11	90554062	1	DUST CAP	
12	70021342	1	FEMALE QUICK COUPLER	
13	90554076	1	DUST COVER	
15	70021978	1	BALL SWIVEL WITH SAFETY HOOK	
16	70021979	1	SOCKET ASSY, (includes items 17 & 18)	
17	N.S.S.	1	PIN	
18	N.S.S.	1	COTTER PIN	
19	N.S.S.	2	CLAMP	
20	70021935	1	PULLEY	
21	70022028	1	CABLE	
22	4110422	2	WARNING SWINGING LOADS DECAL	
23	N.S.S.	1	PIN	
24	N.S.S.	2	FLAT WASHER	
25	N.S.S.	2	SNAP RING	

SECTION 3 - ATTACHMENTS

FIGURE 3-10. ADJUSTABLE TRUSS BOOM



ART_1001176515-A

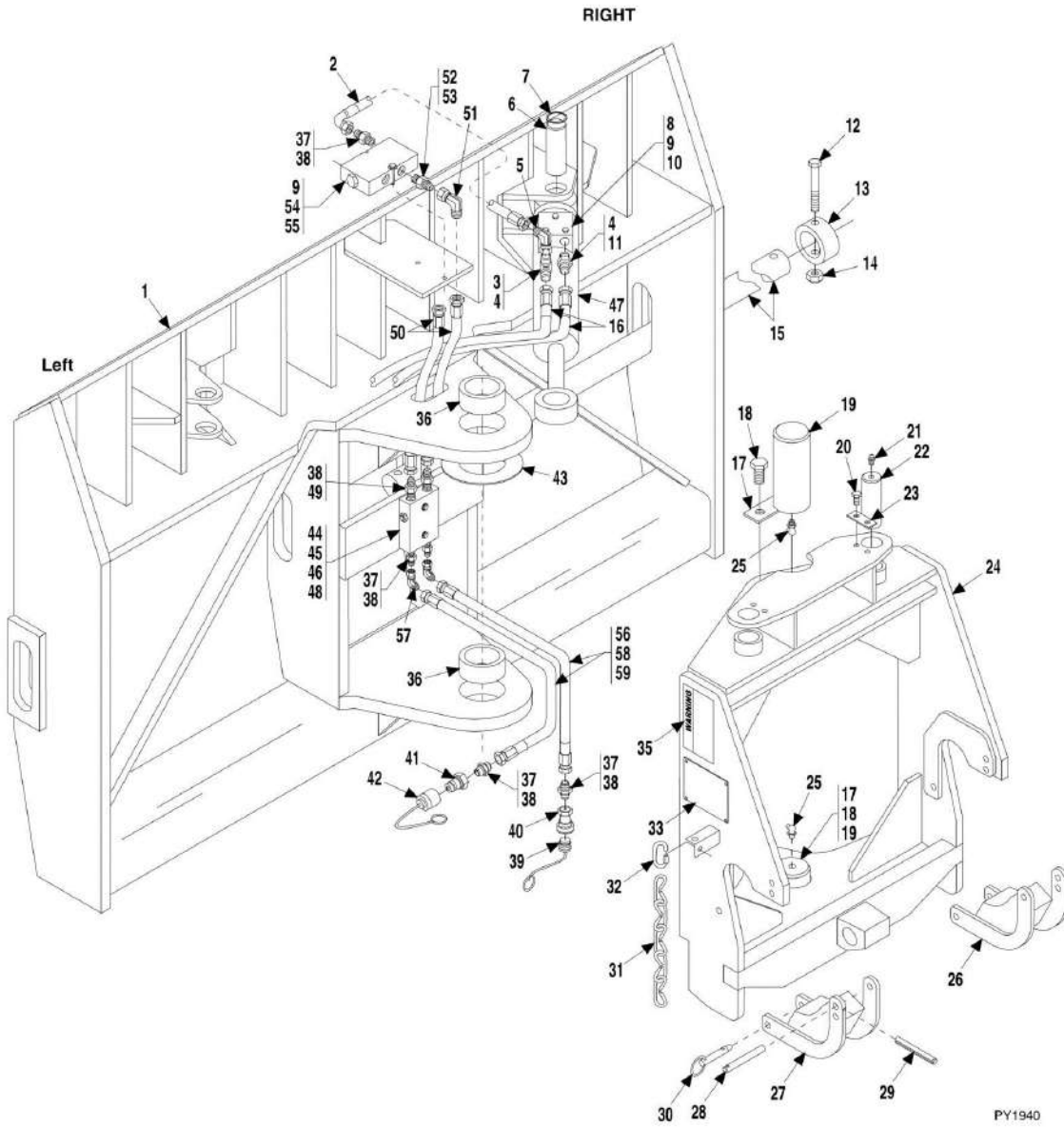
SECTION 3 - ATTACHMENTS

FIGURE 3-10. ADJUSTABLE TRUSS BOOM

ITEM	PART NUMBER	QTY	DESCRIPTION	REV
	1001176515	1	ADJUSTABLE TRUSS BOOM	A
1	90554016	1	DECAL, MADE IN USA	
3	N.S.S.	1	SN PLATE	
4	N.S.S.	1	TRUSS BOOM, ADJUSTABLE	
5	70021440	1	NUT, LOCK	
6	70024062	2	DECAL, 4000 LBS CAP	
7	70026944	2	DECAL, 3000 LBS CAP	
8	70026946	1	PIN	
9	70026699	2	DECAL, 2000 LBS CAP	
10	70026747	1	STOP ROD, BOOM EXTENSION	
11	90554033	1	BOLT, 3/4X1/4	
12	90554034	1	WASHER, LOCK 1/4	
13	70026948	1	PLATE, STOP	
14	70026949	1	BOOM, TELESCOPIC	

SECTION 3 - ATTACHMENTS

FIGURE 3-11. SWING CARRIAGE (Prior to SN 0160037722)



SECTION 3 - ATTACHMENTS

FIGURE 3-11. SWING CARRIAGE (Prior to SN 0160037722)

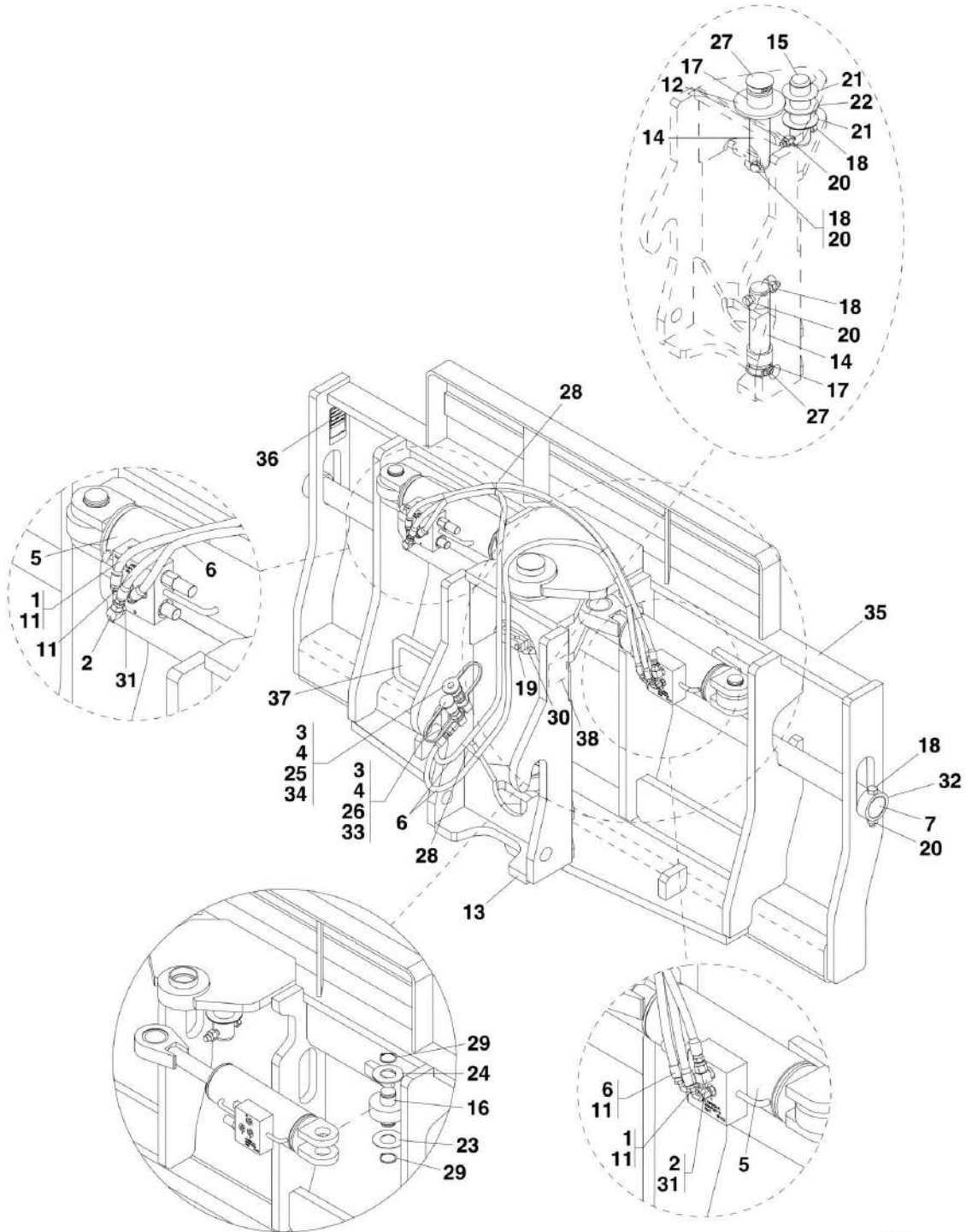
ITEM	PART NUMBER	QTY	DESCRIPTION	REV
	91405075	1	100, SWING FORK ASSY, (includes all items)	0
1	N.S.S.	1	CARRIAGE WELDMENT	
2	84719167	2	HOSE ASSY	
3	2220606	2	RUN TEE, (includes item 4)	
4	88591204	4	O-RING	
5	8760268	2	ELBOW, 90, (swivel nut)	
6	91041326	2	PIVOT PIN, (swing cylinder)	
7	88581136	4	SNAP RING	
8	91413100	2	MANIFOLD BLOCK	
9	88201008	8	HEX HD CAPSCREW, 1/4-20X1-3/4, GR5	
10	88551009	6	LOCKWASHER, 1/4	
11	2220371	2	CONNECTOR, (includes item 4)	
12	88201105	2	HEX HD CAPSCREW, 5/8-11X4, GR5	
13	90200003	2	COLLAR	
14	88521310	2	HEX LOCKNUT, 5/8-11	
15	91401324	1	FORK PIN	
16	84719197	2	HOSE ASSY	
17	91041322	2	LOCKING PLATE	
18	83201026	4	HEX HD CAPSCREW, 1/2-13X1-1/2, GR8	
19	91041325	2	PIVOT PIN	
20	83201024	4	HEX HD CAPSCREW, 3/8-16X1, GR8	
21	88671008	2	LUBE FITTING, STRAIGHT, 1/4-28	
22	91041324	2	PIVOT PIN	
23	91411073	2	LOCKING PLATE	
24	N.S.S.	1	PIVOT WELDMENT	
25	88671018	2	LUBE FITTING, 45, 1/8	
26	91406070	1	RH SUPPORT BRACKET	
27	91406069	1	LH SUPPORT BRACKET	
28	91401266	2	PIN	
29	88631449	2	ROLL PIN, 1/8X1-1/2	
30	91043221	2	DETENT PIN	
31	91033038	24 in	CHAIN	
32	91033039	2	CHAIN CONNECTION	
33	N.S.S.	1	SN PLATE	
35	91143282	2	PINCH POINT DECAL	
36	91041327	2	BUSHING	
37	2220372	6	CONNECTOR, (includes item 38)	
38	88591205	8	O-RING	
39	91043125	1	DUST PLUG	
40	91403413	1	FEMALE QUICK DISCONNECT	
41	91403414	1	MALE QUICK DISCONNECT	
42	91043126	1	DUST CAP	
43	91041356	6	SPACER	
44	91413099	1	RELIEF VALVE	
45	88201029	2	HEX HD CAPSCREW, 5/16-18X3-1/4, GR5	
46	88551010	2	LOCKWASHER, 5/16	
47		Ref	SWING CYLINDER, (See OPTIONS SECTION for Breakdown)	
48	88501005	2	HEX NUT, 5/16-18	
49	2220373	2	CONNECTOR, (includes item 38)	
50	84719760	2	HOSE ASSY	

SECTION 3 - ATTACHMENTS

ITEM	PART NUMBER	QTY	DESCRIPTION	REV
51	8765204	2	ELBOW, 90, (swivel nut)	
52	91041361	2	MODIFIED FITTING	
53	91411050	2	ORIFICE	
54	88561002	2	FLAT WASHER, 1/4	
55	91043186	1	DBL PILOT CHECK VALVE	
56	84718208	2	HOSE ASSY	
57	2220657	2	ELBOW, 45, (swivel nut)	
58	71492142	24 in	FLEX LOOM	
59	86683122	4	TIE WRAP	

SECTION 3 - ATTACHMENTS

FIGURE 3-12. SWING CARRIAGE (SN 0160037722 to Present)



PAP3360

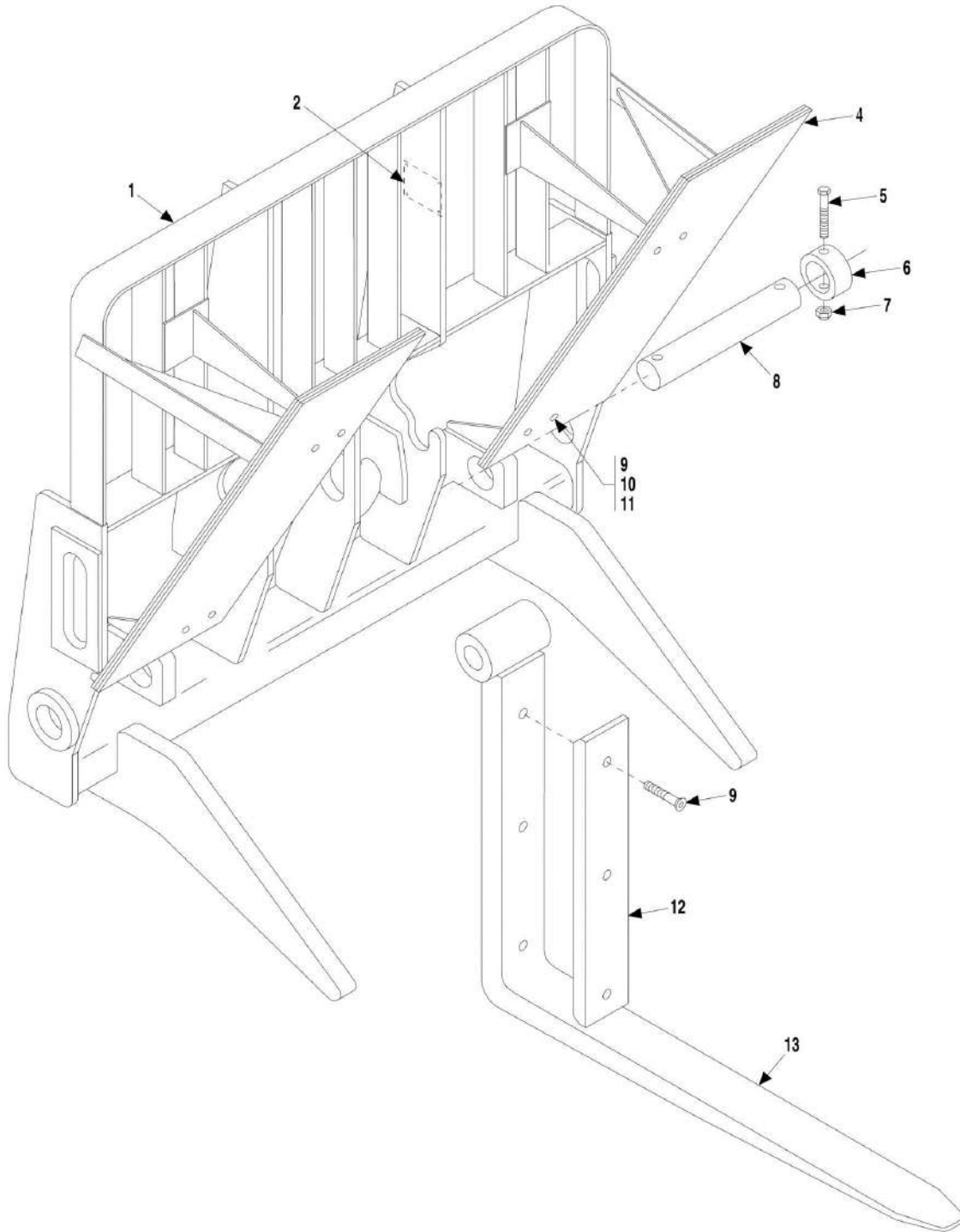
SECTION 3 - ATTACHMENTS

FIGURE 3-12. SWING CARRIAGE (SN 0160037722 to Present)

ITEM	PART NUMBER	QTY	DESCRIPTION	REV
	1001095418	1	90, SWING CARRIAGE, 72 IN, (includes all items)	K
1	2220415	4	CONNECTOR	
2	2220473	2	CONNECTOR, 90	
3	2220609	2	CONNECTOR	
4	2220628	2	CONNECTOR, 90	
5		Ref	SWING CYLINDER, (See HYDRAULIC COMPONENTS SECTION for Breakdown)	
6	2717287	2	HOSE ASSY, 1/4X58	
7	3423276	1	PIN	
11	6604662	2	HOSE ASSY, 1/4X40-1/2	
12	7062922	1	WASHER	
13	N.S.S.	1	PIVOT WELDMENT	
14	7110702	2	PIVOT PIN	
15	7110712	1	PIN	
16	7110722	2	PIN	
17	8065062	2	BUSHING	
18	8303634	5	HEX HD CAPSCREW, 5/8-11X4, GR5	
19	8303715	3	HEX HD CAPSCREW, 5/16-18X1-1/2, GR5	
20	8305643	5	HEX NUT, 5/8-11	
21	8307904	AR	SHIM	
22	8307918	AR	SHIM	
23	8310160	AR	SHIM	
24	8310161	AR	SHIM	
25	91043126	1	DUST CAP	
26	91043125	1	DUST PLUG	
27	8580315	2	PLUG	
28	8584001	5	TIE WRAP	
29	8642207	4	RETAINING RING	
30	8769132	2	CLAMP	
31	8770016	2	CONNECTOR	
32	90200003	2	COLLAR	
33	91403413	1	FEMALE QUICK DISCONNECT	
34	91403414	1	MALE QUICK DISCONNECT	
35	N.S.S.	1	CARRIAGE FRAME	
36	N.S.S.	1	SN PLATE	
37	1001110704	1	WARNING CRUSH HAZARD DECAL	
38	1001111190	2	WARNING DECAL	

SECTION 3 - ATTACHMENTS

FIGURE 3-13. SHEET MATERIAL HANDLER (Prior to SN 0160037722)



PY1960

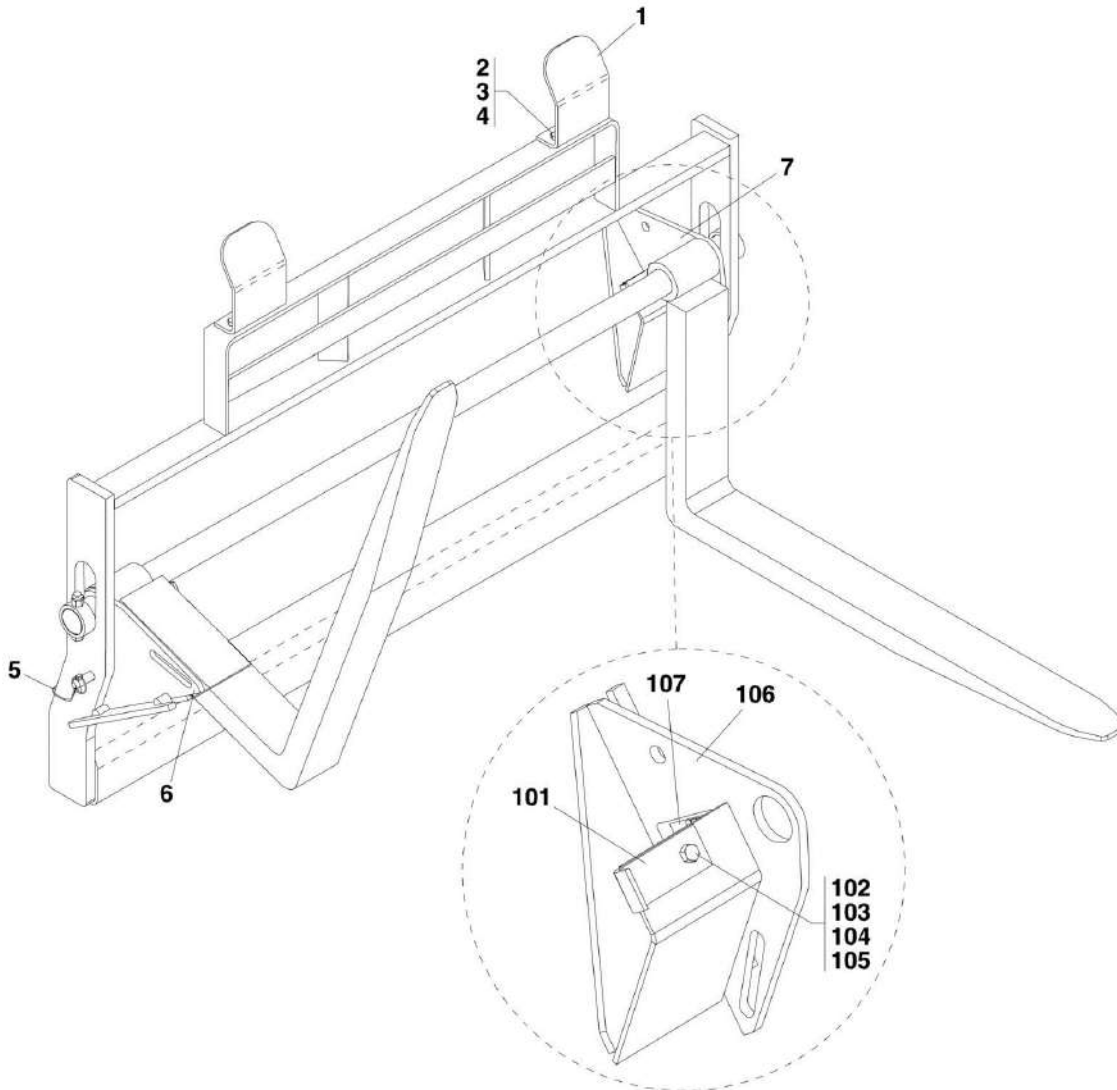
SECTION 3 - ATTACHMENTS

FIGURE 3-13. SHEET MATERIAL HANDLER (Prior to SN 0160037722)

ITEM	PART NUMBER	QTY	DESCRIPTION	REV
	91405077	1	SHEET MATERIAL HANDLER ASSY, (includes all items)	E
1	N.S.S.	1	CARRIAGE WELDMENT	
2	N.S.S.	1	ATTACHMENT SN PLATE	
4	90553012	2	SIDE DRYWALL GUARD	
5	88201105	4	HEX HD CAPSCREW, 5/8-11X4, GR5	
6	90200003	4	COLLAR	
7	88521310	4	HEX LOCKNUT, 5/8-11, (nylok)	
8	91401340	2	FORK PIN	
9	88241053	14	SOCKET FLAT HD CAPSCREW, 3/8-16X1-1/2	
10	88551011	8	LOCKWASHER, 3/8	
11	88501006	8	HEX NUT, 3/8-16	
12	90553013	2	BOTTOM DRYWALL GUARD	
13	91403366	2	DRYWALL FORK	

SECTION 3 - ATTACHMENTS

FIGURE 3-14. SHEET MATERIAL HANDLER (SN 0160037722 to Present)



LEFT SIDE SHOWN,
RIGHT SIDE OPPOSITE

PY1510

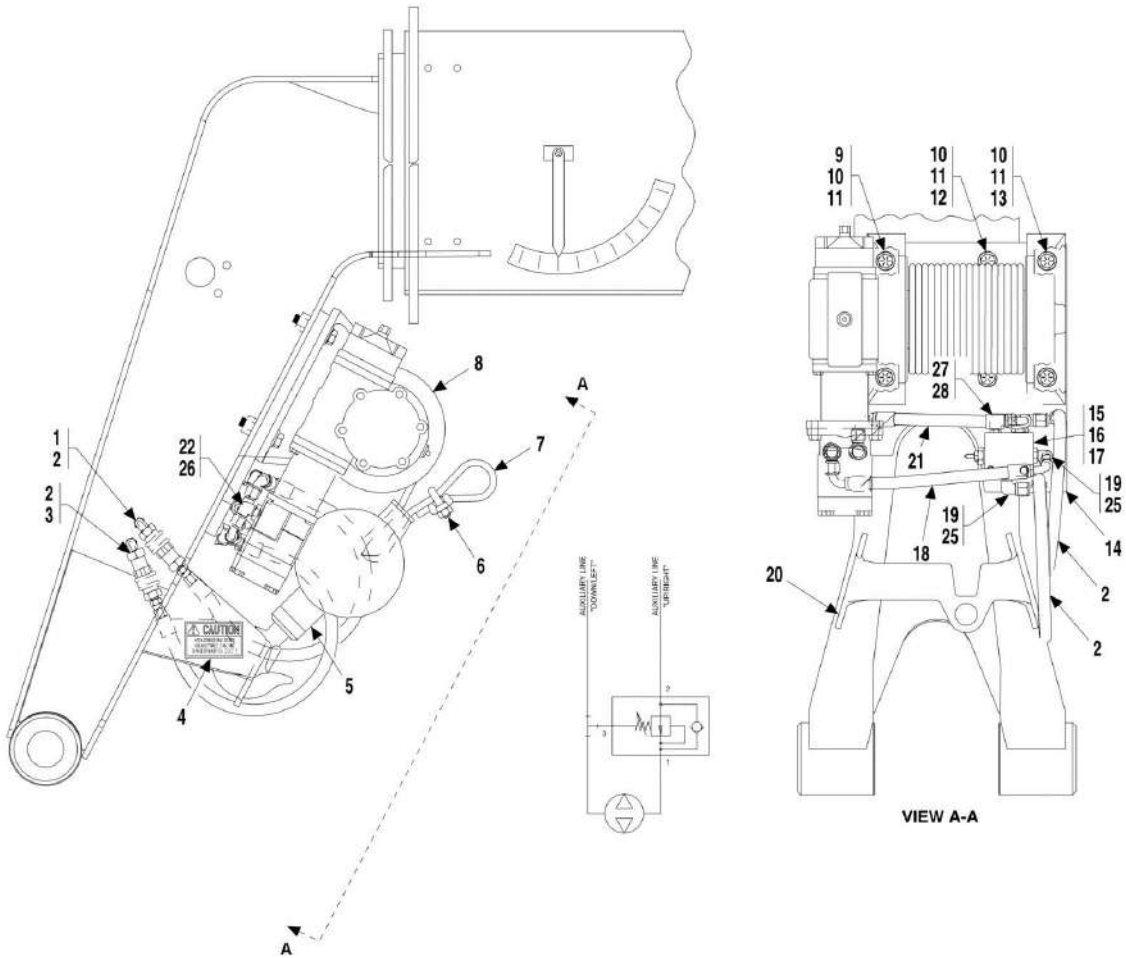
SECTION 3 - ATTACHMENTS

FIGURE 3-14. SHEET MATERIAL HANDLER (SN 0160037722 to Present)

ITEM	PART NUMBER	QTY	DESCRIPTION	REV
	1001100227	1	SHEET MATERIAL HANDLER ASSY, (includes all items)	A
1	7112642	2	BACKREST EXTENSION	
2	8303626	4	HEX HD CAPSCREW, 1/2-13X1-1/2, GR5	
3	8305012	4	HEX NUT, 1/2-13	
4	8307007	4	LOCKWASHER, 1/2	
5	1001093377	2	HITCH PIN	
6	1001101115	1	FORK SUPPORT ASSY, RH, (includes items 101 thru 107)	A
7	1001101116	1	FORK SUPPORT ASSY, LH, (includes items 101 thru 107)	B
101	7114941	1	LOCK BAR	
102	8303626	1	HEX HD CAPSCREW, 1/2-13X1-1/2, GR5	
103	8305644	1	HEX LOCK NUT, 1/2-13	
104	8307007	1	LOCKWASHER, 1/2	
105	8307112	1	WASHER, 1/2	
106	1001100228	1	FORK SUPPORT, RH, (not shown)	
106	1001100229	1	FORK SUPPORT, LH, (shown)	
107	N.S.S.	1	SN PLATE	

SECTION 3 - ATTACHMENTS

FIGURE 3-15. WINCH INSTALLATION



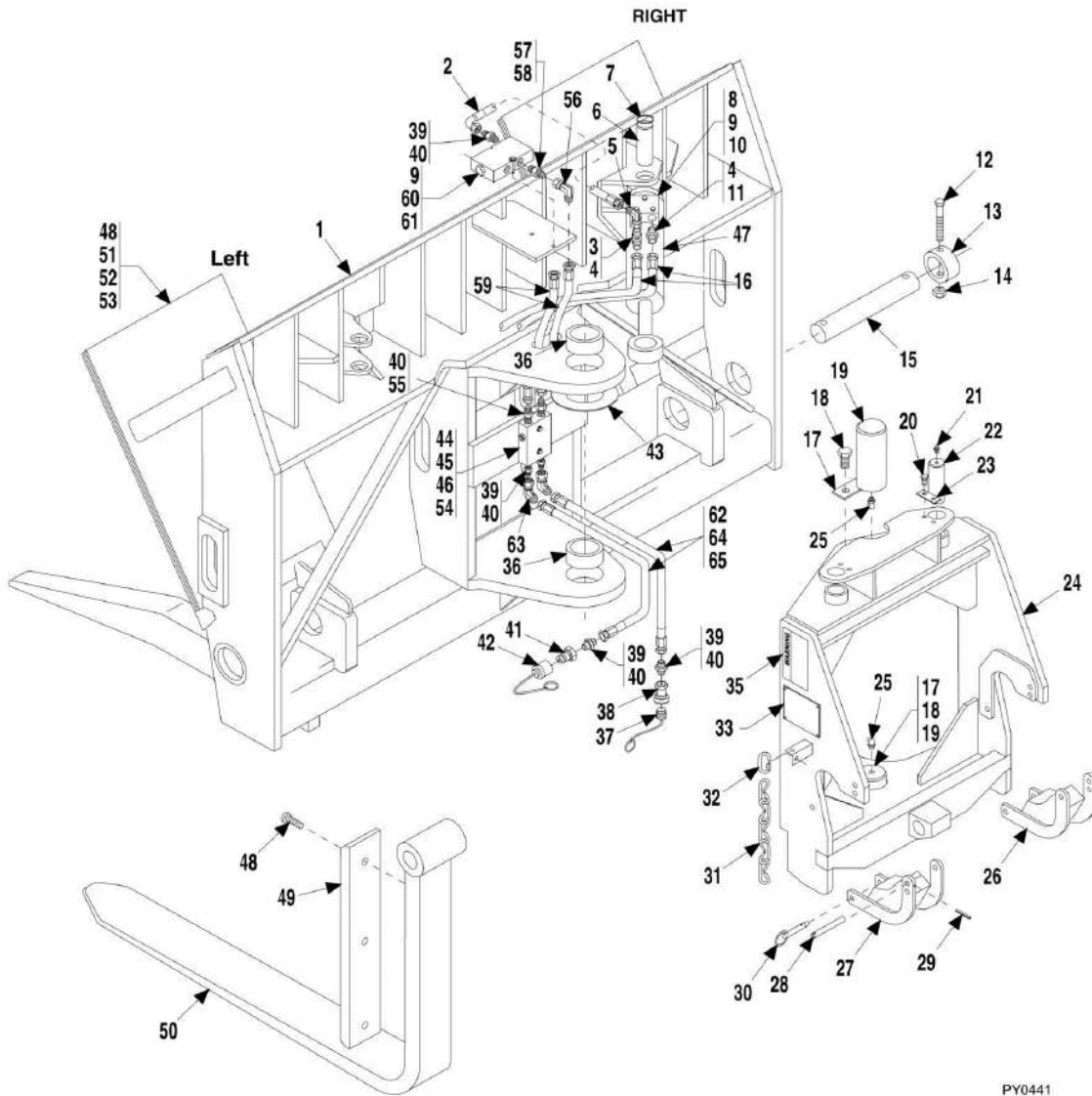
SECTION 3 - ATTACHMENTS

FIGURE 3-15. WINCH INSTALLATION

ITEM	PART NUMBER	QTY	DESCRIPTION	REV
	91405024	Ref	WINCH INSTALLATION, (not available to order, see items 1 thru 28 for service)	L
1	91403413	1	FEMALE QUICK DISCONNECT	
2	84719236	2	HOSE ASSY	
3	91403414	1	MALE QUICK DISCONNECT	
4	91083535	1	CAUTION DECAL	
5	90201443	1	HOOK AND BALL	
6	90029999	1	WIRE ROPE CLIP, 7/16	
7	91403384	1	CABLE	
8		Ref	WINCH WITH MOTOR, (See OPTIONS SECTION for Breakdown)	
9	83201095	2	HEX HD CAPSCREW, 5/8-11X2-3/4, GR8, (torque to 200-215 lb-ft)	
10	90027472	6	HARDENED WASHER	
11	88501010	6	HEX NUT, 5/8-11	
12	83201062	2	HEX HD CAPSCREW, 5/8-11X2-1/4, GR8, (torque to 200-215 lb-ft)	
13	83201102	2	HEX HD CAPSCREW, 5/8-11X2-1/2, GR8, (torque to 200-215 lb-ft)	
14	91401296	1	WINCH MOUNTING PLATE	
15		Ref	PRESSURE REDUCER VALVE, 1360 PSI, (See OPTIONS SECTION for Breakdown)	
16	88201023	2	HEX HD CAPSCREW, 5/16-18X1-3/4, GR5	
17	88551010	2	LOCKWASHER, 5/16	
18	1001115014	1	HOSE ASSY	
19	2220596	2	ELBOW, 90, (includes item 25)	
20	91411044	1	WINCH HOOK STOWAGE	
21	2753902	1	HOSE ASSY	
22	2220671	2	ELBOW, 90, (includes item 26)	
25	88591205	2	O-RING	
26	88591206	2	O-RING	
27	2220726	1	ELBOW, 90	
28	2220385	1	SWIVEL NUT RUN TEE, 1/2 TUBE	

SECTION 3 - ATTACHMENTS

FIGURE 3-16. 100, DRYWALL SWING CARRIAGE ASSEMBLY (Prior to SN 0160037722)



PY0441

SECTION 3 - ATTACHMENTS

FIGURE 3-16. 100, DRYWALL SWING CARRIAGE ASSEMBLY (Prior to SN 0160037722)

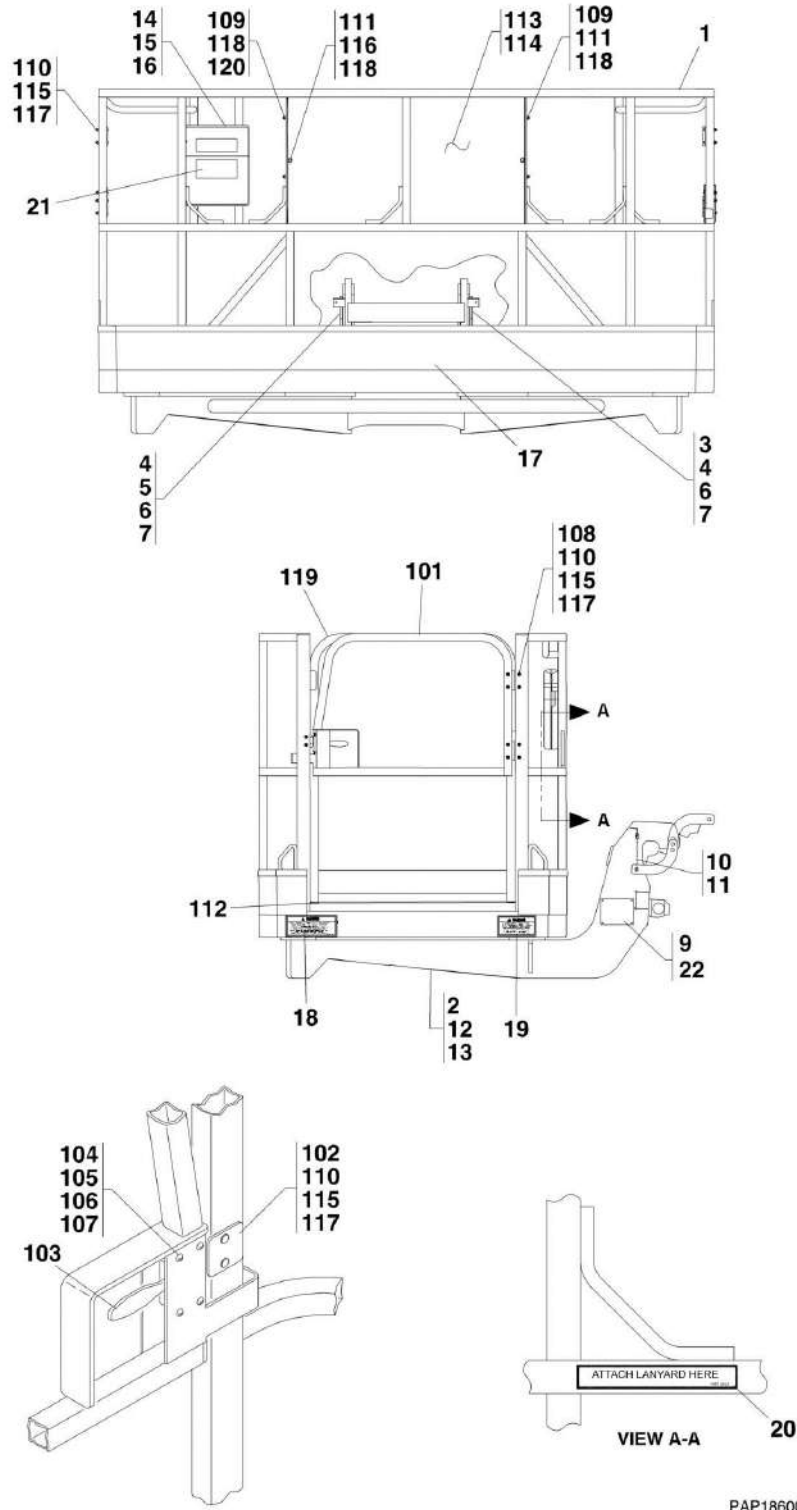
ITEM	PART NUMBER	QTY	DESCRIPTION	REV
	91405078	1	100, DRYWALL SWING CARRIAGE, (includes all items)	O
1	N.S.S.	1	DRYWALL CARRIAGE WELDMENT	
2	84719167	2	HOSE ASSY	
3	2220606	2	RUN TEE, (includes item 4)	
4	88591204	4	O-RING	
5	8760268	2	ELBOW, 90, (swivel nut)	
6	91041326	2	PIVOT PIN	
7	88581136	4	SNAP RING	
8	91413100	2	MANIFOLD BLOCK	
9	88201008	8	HEX HD CAPSCREW, 1/4-20X1-3/4, GR5	
10	88551009	6	LOCKWASHER, 1/4	
11	2220371	2	CONNECTOR, (includes item 4)	
12	88201105	4	HEX HD CAPSCREW, 5/8-11X4, GR5	
13	90200003	4	COLLAR	
14	88521310	4	HEX LOCKNUT, 5/8-11	
15	91401340	2	FORK PIN	
16	84719197	2	HOSE ASSY	
17	91041322	2	LOCKING PLATE	
18	83201026	4	HEX HD CAPSCREW, 1/2-13X1-1/2, GR8	
19	91041325	2	PIVOT PIN	
20	83201024	4	HEX HD CAPSCREW, 3/8-16X1, GR8	
21	88671008	2	LUBE FITTING, STRAIGHT, 1/4-28	
22	91041324	2	PIVOT PIN	
23	91411073	2	LOCKING PLATE	
24	N.S.S.	1	PIVOT WELDMENT	
25	88671018	2	LUBE FITTING, 45, 1/8	
26	91406070	1	RH SUPPORT BRACKET	
27	91406069	1	LH SUPPORT BRACKET	
28	91401266	2	PIN	
29	88631449	2	ROLL PIN, 1/8X1-1/2	
30	91043221	2	DETENT PIN	
31	91033038	24 in	CHAIN	
32	91033039	2	CHAIN CONNECTION	
33	N.S.S.	1	SN PLATE	
35	91143282	2	PINCH POINT DECAL	
36	91041327	2	BUSHING	
37	91043125	1	DUST PLUG	
38	91403413	1	FEMALE QUICK DISCONNECT	
39	2220372	6	CONNECTOR, (includes item 40)	
40	88591205	8	O-RING	
41	91403414	1	MALE QUICK DISCONNECT	
42	91043126	1	DUST CAP	
43	91041356	6	SPACER	
44	91413099	1	RELIEF VALVE	
45	88201029	2	HEX HD CAPSCREW, 5/16-18X3-1/4, GR5	
46	88501005	2	HEX NUT, 5/16-18	
47		Ref	SWING CYLINDER, (See OPTIONS SECTION for Breakdown)	
48	88241053	14	SOCKET FLAT HD CAPSCREW, 3/8-16X1-1/2	
49	90553013	2	BOTTOM DRYWALL GUARD	
50	91403366	2	DRYWALL FORK	

SECTION 3 - ATTACHMENTS

ITEM	PART NUMBER	QTY	DESCRIPTION	REV
51	90553012	2	SIDE DRYWALL GUARD	
52	88551011	8	LOCKWASHER, 3/8	
53	88501006	8	HEX NUT, 3/8-16	
54	88551010	2	LOCKWASHER, 5/16	
55	2220373	2	CONNECTOR, (includes item 40)	
56	8765204	2	ELBOW, 90, (swivel nut)	
57	91041361	2	MODIFIED FITTING	
58	91411050	2	ORIFICE	
59	84719760	2	HOSE ASSY	
60	91043186	1	DBL PILOT CHECK VALVE	
61	88561002	2	FLAT WASHER, 1/4	
62	84718208	2	HOSE ASSY	
63	2220657	2	ELBOW, 45, (swivel nut)	
64	71492142	24 in	FLEX LOOM	
65	86683122	4	TIE WRAP	

SECTION 3 - ATTACHMENTS

FIGURE 3-17. PERSONNEL PLATFORM ASSY (Prior to SN 0160037722)



PAP18600

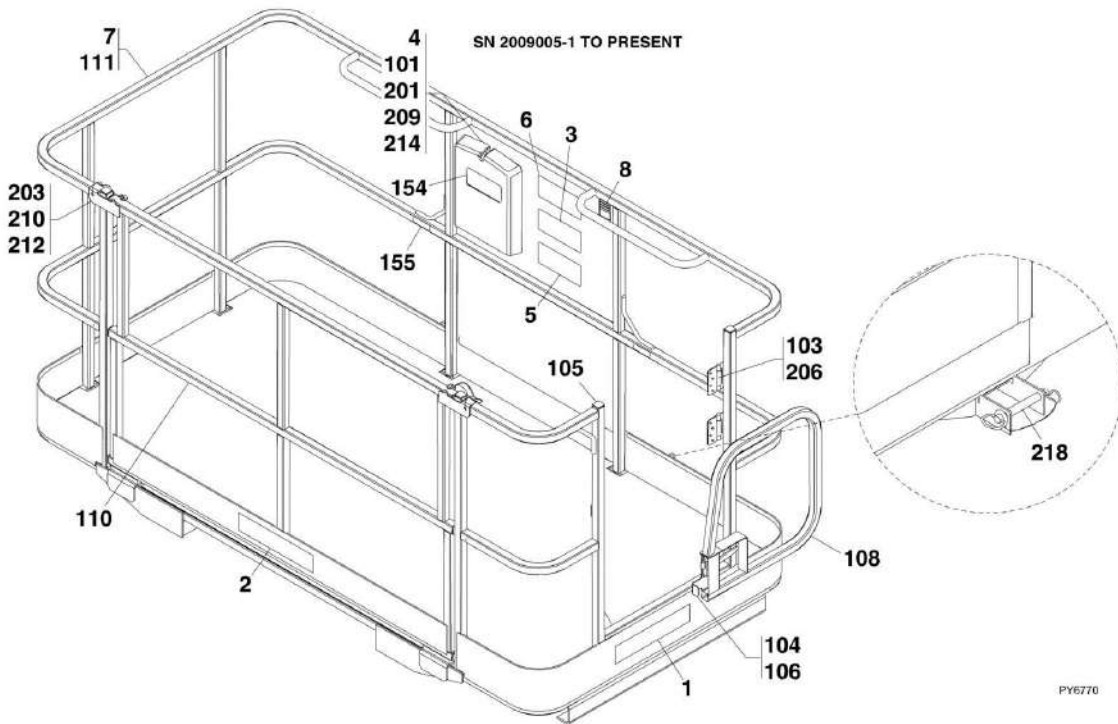
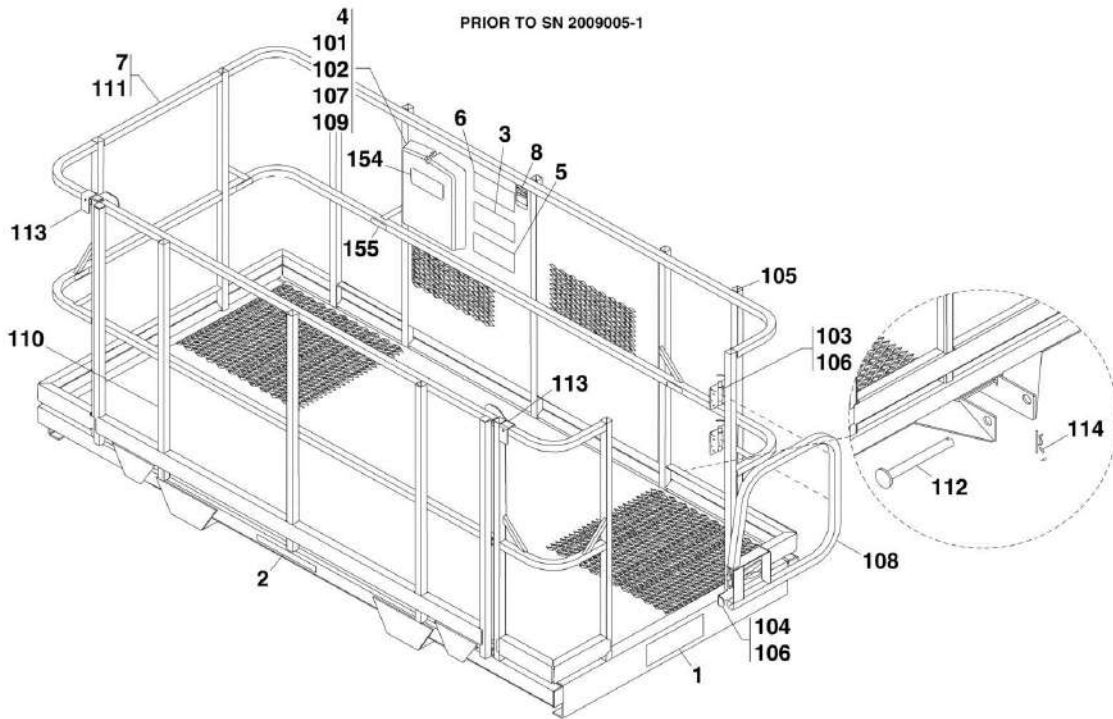
SECTION 3 - ATTACHMENTS

FIGURE 3-17. PERSONNEL PLATFORM ASSY (Prior to SN 0160037722)

ITEM	PART NUMBER	QTY	DESCRIPTION	REV
	91415025	1	PERSONNEL PLATFORM ASSY, (includes items 1 thru 22)	H
1	N.S.S.	1	106 IN PERSONNEL PLATFORM, (includes items 101 thru 120)	
1	3510809	1	96 IN PERSONNEL PLATFORM, (includes items 101 thru 120)	
2	91406156	1	ADAPTER SUPPORT	
3	91406069	1	LH SUPPORT BRACKET	
4	91401266	2	PIN	
5	91406070	1	RH SUPPORT BRACKET	
6	88631449	2	ROLL PIN, 1/8X1-1/2	
7	91043221	2	DETENT PIN	
9	88341022	4	DRIVE SCREW	
10	91033039	2	CHAIN CONNECTION	
11	91033038	24 in	CHAIN	
12	0682012	8	HEX HD CAPSCREW, 5/8-11X1-1/2	
13	4762000	8	LOCKWASHER, 5/8	
14	91403230	1	MANUAL HOLDER	
15	8310382	4	WHIZ-LOCK NUT, 1/4-20	
16	31200160	1	PERSONNEL WORK PLATFORM MANUAL	
17	1702773	1	JLG DECAL	
18	1706893	1	WARNING DECAL	
19	1706892	1	WARNING DECAL	
20	1704277	6	LANYARD DECAL	
21	1701509	1	MANUAL DECAL	
22	N.S.S.	1	SN PLATE	
101	4846265	1	GATE	
102	3539685	1	LATCH PLATE	
103	2940074	1	LATCH	
104	3911008	4	ROUND HD SCREW	
105	3311001	4	HEX NUT, #10-24	
106	4751000	4	WASHER, #10	
107	4761000	4	WASHER	
108	2600216	2	HINGE	
109	0641524	4	HEX HD CAPSCREW, 5/16-18X3	
110	2080063	16	NYLON LOCK NUT, 1/4-20	
111	2080064	14	NYLON LOCK NUT, 5/16-18	
112	3520072	5	CAP PLUG	
113	3573363	1	GUARD PLATE	
114	3641438	1	BENT RAIL	
115	3911428	16	ROUND HD SCREW, 1/4-20X1-3/4	
116	3911528	12	ROUND HD SCREW, 5/16-18X1-3/4	
117	4711400	16	WASHER, 1/4	
118	4711500	32	WASHER, 5/16	
119	4846528	1	BASKET END WELDMENT	
120	3311501	2	HEX NUT, 5/16-18	

SECTION 3 - ATTACHMENTS

FIGURE 3-18. FORK MOUNTED PLATFORM



PY6770

SECTION 3 - ATTACHMENTS

FIGURE 3-18. FORK MOUNTED PLATFORM

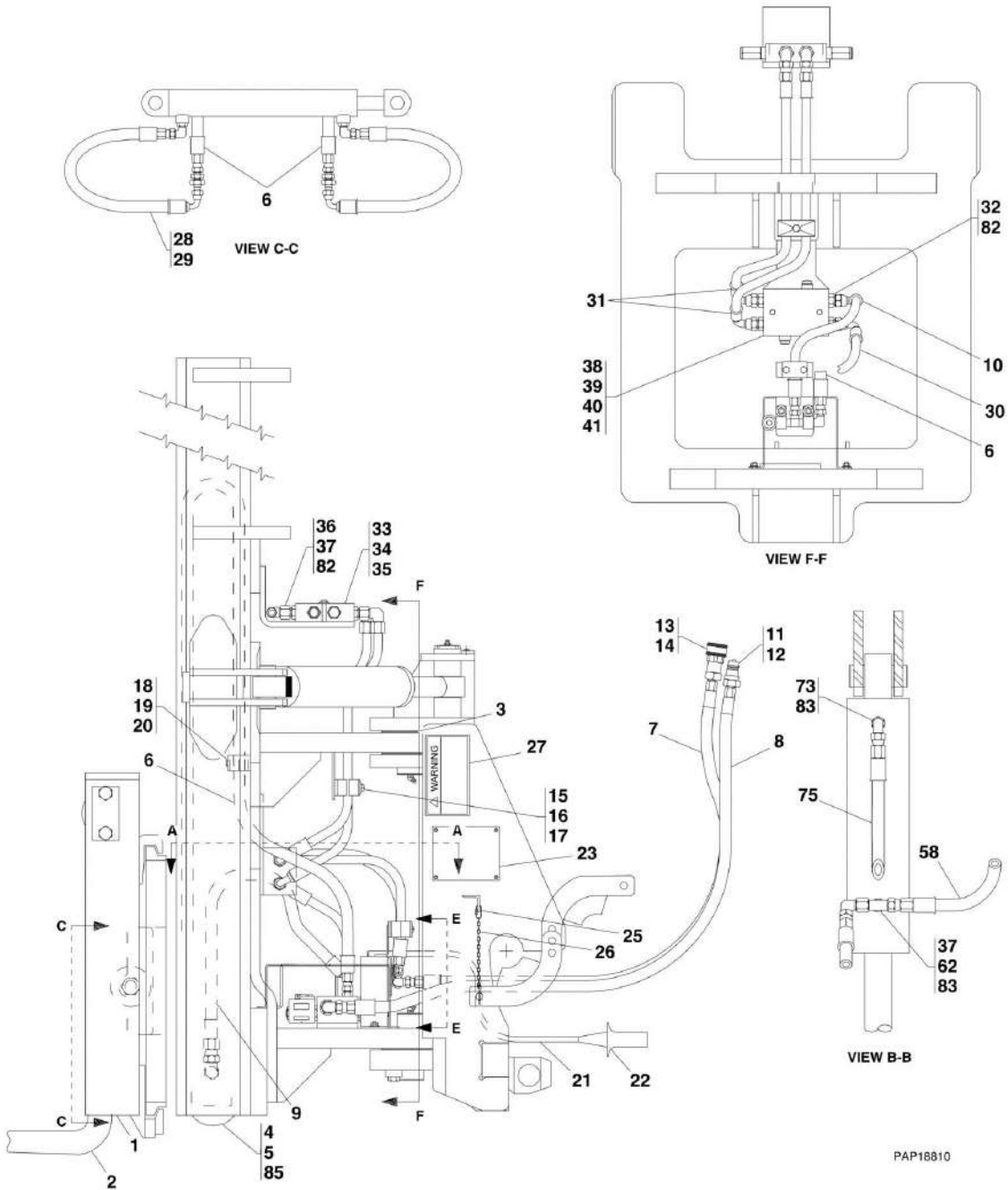
ITEM	PART NUMBER	QTY	DESCRIPTION	REV
	1001092280	NLA	FORK MOUNTED PLATFORM, (Prior to SN 2009005-1), (ASME), (no longer available, order 1001103637 for replacement or items 1 thru 8 for service)	E
	1001103637	1	FORK MOUNTED PLATFORM, (SN 2009005-1 to Present), (ASME), (includes items 1 thru 8)	B
	1001096306	NLA	FORK MOUNTED PLATFORM, (Prior to SN 2009005-1), (ISO), (no longer available, order 1001103730 for replacement or items 1 thru 8 for service)	C
	1001103730	1	FORK MOUNTED PLATFORM, (SN 2009005-1 to Present), (ISO), (includes items 1 thru 8)	B
	1001097072	NLA	FORK MOUNTED PLATFORM, (Prior to SN 2009005-1), (ASME - FRENCH), (no longer available, order 1001103736 for replacement or items 1 thru 8 for service)	C
	1001103736	1	FORK MOUNTED PLATFORM, (SN 2009005-1 to Present), (ASME - FRENCH), (includes 1 thru 8)	B
1	1702773	2	JLG DECAL	
2	1704885	1	WEBSITE DECAL	
3	1706892	1	PLATFORM WARNING DECAL, (ASME)	
3	1001096025	1	PLATFORM WARNING DECAL, (ISO)	
3	1001096024	1	PLATFORM WARNING DECAL, (ASME - FRENCH)	
4	31200160	1	OPERATION AND SAFETY MANUAL, (ASME)	
4	31200387	1	OPERATION AND SAFETY MANUAL, (ISO - SPANISH)	
4	31200388	1	OPERATION AND SAFETY MANUAL, (ISO - PORTUGUESE)	
4	31200336	1	OPERATION AND SAFETY MANUAL, (ASME - FRENCH)	
5	1001092481	1	WARNING DECAL, (ASME)	
5	1001096021	1	WARNING DECAL, (ISO)	
5	1001096019	1	WARNING DECAL, (ASME - FRENCH)	
6	1001092482	1	CAPACITY DECAL, (ASME)	
6	1001096023	1	CAPACITY DECAL, (ISO)	
6	1001096020	1	CAPACITY DECAL, (ASME - FRENCH)	
7	N.S.S.	1	FORK MOUNTED PLATFORM, (Prior to SN 2009005-1), (includes items 101 thru 114, 154 & 155)	B
7	N.S.S.	1	FORK MOUNTED PLATFORM, (SN 2009005-1 to Present), (includes items 101, 103 thru 106, 108, 110, 111, 154, 155, 201, 203, 206, 210, 212, 214 & 218)	H
8	N.S.S.	1	SN PLATE	
101	0860520	1	MANUAL STORAGE BOX	
102	2080044	4	RIVNUT FASTENER 1/4-20	
103	2600281	2	HINGE	
104	2940074	1	LATCH	
105	3520198	21	PLUG, (Prior to SN 2009005-1)	
105	3520072	10	PLUG, (SN 2009005-1 to Present)	
106	3820020	20	POP RIVET, (Prior to SN 2009005-1)	
106	3820020	4	POP RIVET, (SN 2009005-1 to Present)	
107	4751400	4	WASHER, 1/4	
108	4846452	1	GATE WELDMENT	
109	80263012	4	SCREW WHIZ LOCK 1/4-20 X 1/2	
110	1001093140	1	GATE WELDMENT, (Prior to SN 2009005-1)	
110	1001095810	1	GATE WELDMENT, (SN 2009005-1 to Present)	
111	N.S.S.	1	PLATFORM WELDMENT	
112	1001093171	2	PIN	
113	1001097168	2	PIN, SAFETY SNAP, WITH LANYARD	

SECTION 3 - ATTACHMENTS

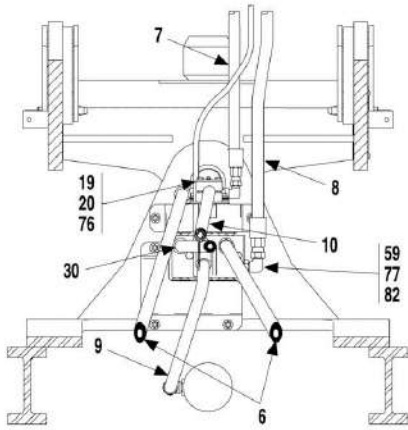
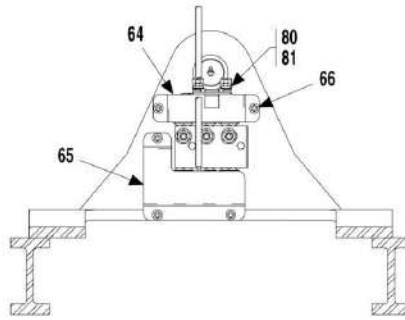
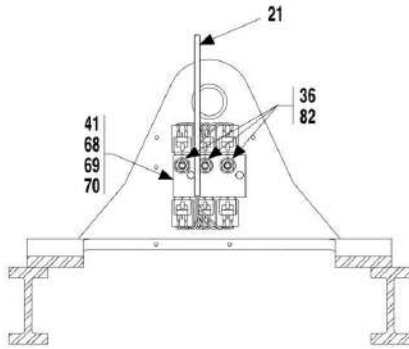
ITEM	PART NUMBER	QTY	DESCRIPTION	REV
114	1001098582	2	LYNCH PIN 3/16 WITH LANYARD	
154	1701509	1	MANUAL DECAL	
155	1704277	3	LANYARD ATTACH DECAL	
201	0641405	4	HEX HD CAPSCREW, 1/4-20X5/8	
203	1060379	2	6 IN LANYARD CABLE	
206	2080040	16	FASTENER	
209	3311405	4	HEX NUT, 1/4-20	
210	3421453	2	PIN	
212	3760170	4	RING	
214	4711400	8	WASHER, 1/4	
218	1001102813	2	HITCH PIN	

SECTION 3 - ATTACHMENTS

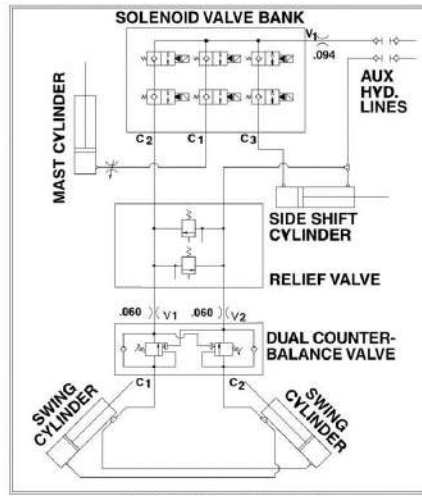
FIGURE 3-19. 100, SWING CARRIAGE WITH SIDE SHIFT (Prior to SN 0160037722)



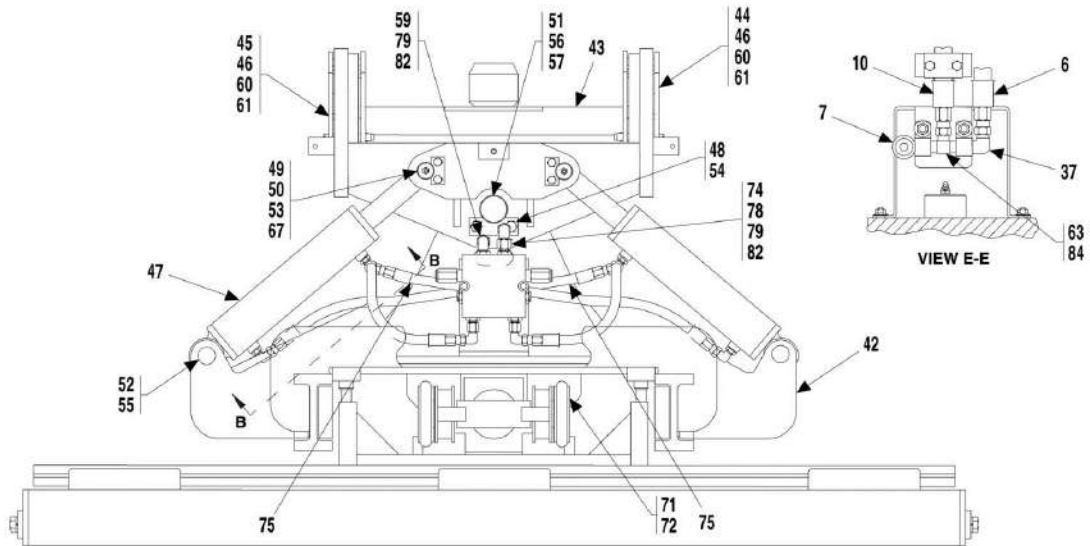
SECTION 3 - ATTACHMENTS



VIEW A-A



HYDRAULIC SCHEMATIC



VIEW E-E

SECTION 3 - ATTACHMENTS

FIGURE 3-19. 100, SWING CARRIAGE WITH SIDE SHIFT (Prior to SN 0160037722)

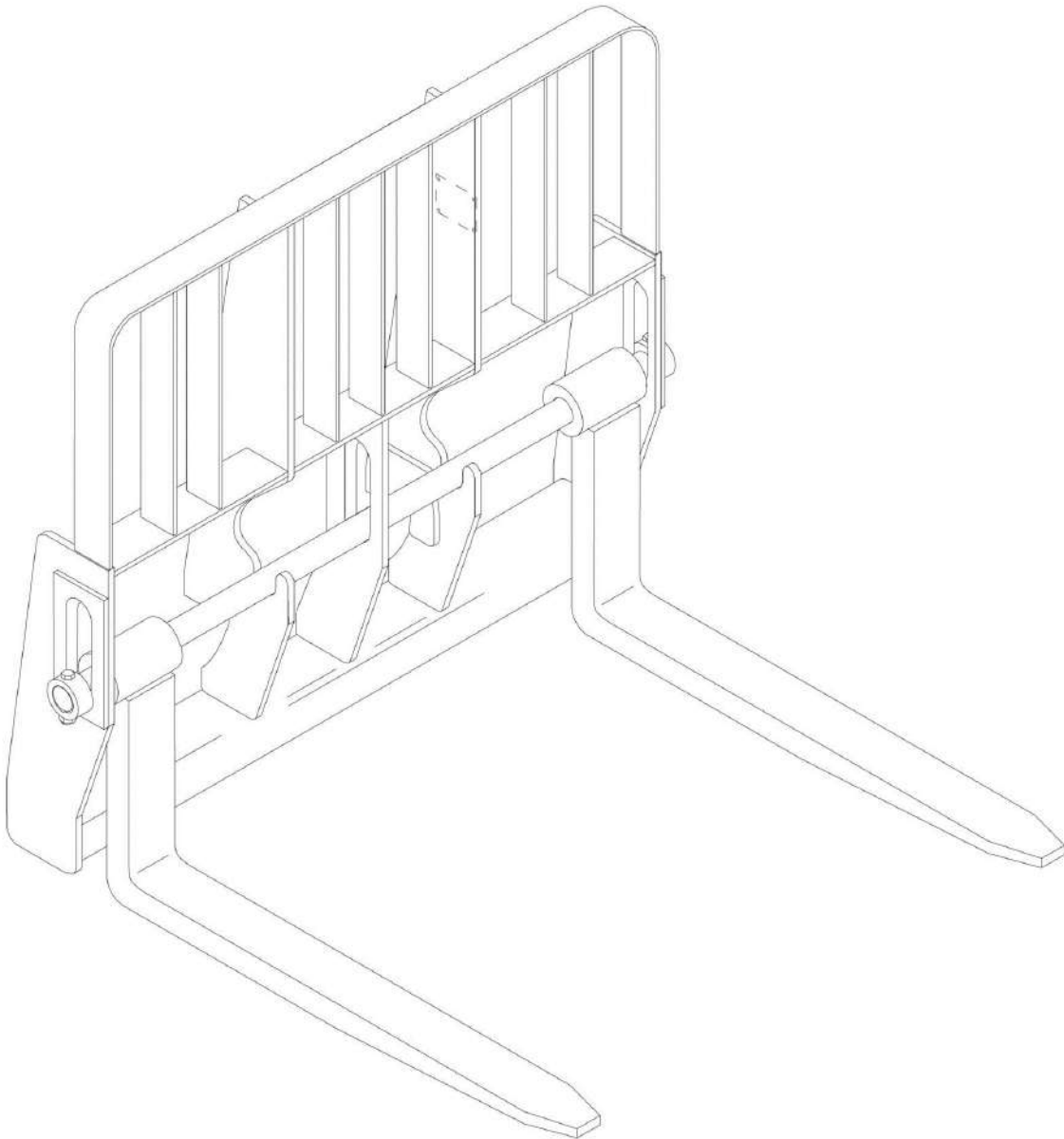
ITEM	PART NUMBER	QTY	DESCRIPTION	REV
	91405070	1	100, SWING CARRIAGE WITH SIDE SHIFT, 48 IN FORKS, (includes all items)	N
1	N.S.S.	1	72 IN SIDE SHIFT CARRIAGE	
2	91403364	2	FORK, 1-3/4X4X48	
3	91041356	6	SPACER	
4	91034374	6	LOAD ROLLER	
5	91034375	12	SHIM	
6	84719060	2	HOSE ASSY	
7	84719229	1	HOSE ASSY	
8	84719499	1	HOSE ASSY	
9	84718737	1	HOSE ASSY	
10	84719765	1	HOSE ASSY	
11	91403414	1	MALE QUICK DISCONNECT COUPLING	
12	91043126	1	DUST CAP	
13	91403413	1	FEMALE QUICK DISCONNECT COUPLING	
14	91043125	1	DUST CAP	
15	77133136	1	CLAMP SET	
16	77133137	1	COVER PLATE	
17	88201023	1	HEX HD CAPSCREW, 5/16-18X1-3/4, GR5	
18	77133810	2	STD CLAMP KIT	
19	77133052	3	COVER PLATE	
20	77133209	6	HEX HD CAPSCREW, 1/4-20X1-3/8	
21	90453023	1	WIRING HARNESS	
22	90207662	1	6 CONTACT PLUG	
23	N.S.S.	1	SN PLATE	
25	91033039	2	CHAIN CONNECTION	
26	91033038	24 in	CHAIN	
27	91143282	2	PINCH POINT DECAL	
28	84719185	2	HOSE ASSY	
29	2230024	2	BULKHEAD UNION, 9/16-18X3/8 TUBE	
30	84719766	1	HOSE ASSY	
31	84719767	2	HOSE ASSY	
32	2220373	4	CONNECTOR, (includes item 82)	
33	90453018	1	DUAL COUNTERBALANCE VALVE	
34	88201008	2	HEX HD CAPSCREW, 1/4-20X1-3/4, GR5	
35	88561002	2	FLAT WASHER, 1/4	
36	2220372	5	CONNECTOR, (includes item 82)	
37	8760268	3	ELBOW, 90, SWIVEL NUT	
38	91413099	1	RELIEF VALVE	
39	88201029	2	HEX HD CAPSCREW, 5/16-18X3-1/4, GR5	
40	88501005	2	HEX NUT, 5/16-18	
41	88551010	4	LOCKWASHER, 5/16	
42	91406072	1	MAST WELDMENT	
43	91416018	1	SWING FORK PIVOT WELDMENT	
44	91406069	1	LH PIN SUPPORT WELDMENT	
45	91406070	1	RH PIN SUPPORT WELDMENT	
46	91401266	2	PIN	
47		Ref	SWING CYLINDER, (See OPTIONS SECTION for Breakdown)	
48	91041322	2	LOCKING PLATE	
49	91411073	2	LOCKING PLATE	

SECTION 3 - ATTACHMENTS

ITEM	PART NUMBER	QTY	DESCRIPTION	REV
50	91041324	2	PIVOT PIN	
51	91041325	2	PIVOT PIN	
52	91041326	2	PIVOT PIN	
53	83201024	4	HEX HD CAPSCREW, 3/8-16X1, GR8	
54	83201026	4	HEX HD CAPSCREW, 1/2-13X1-1/2, GR8	
55	88581136	4	SNAP RING	
56	88671018	2	LUBE FITTING, 45, 1/8	
57	91041327	2	BUSHING	
58	77133201	2	HOSE ASSY	
59	90203384	2	90, ELBOW, MODIFIED	
60	88631449	2	ROLL PIN, 1/8X1-1/2	
61	91043221	2	DETENT PIN	
62	2220899	2	BRANCH TEE, (includes item 83)	
63	2220490	1	UNION TEE, 3/8 TUBE	
64	91406155	1	FRONT COVER WELDMENT	
65	90451061	1	BACK COVER SOLENOID VALVE	
66	77143013	5	WHIZ-LOCK NUT, 1/4-20	
67	88671008	2	LUBE FITTING, STRAIGHT, 1/4-28	
68	91403338	1	SOLENOID VALVE BANK	
69	88201025	2	HEX HD CAPSCREW, 5/16-18X2-1/4, GR5	
70	88561108	2	FLAT WASHER, 5/16	
71	91034399	2	HOSE SHEAVE	
72	91034400	2	SHOULDER BOLT	
73	2220473	2	ELBOW, 90, (includes item 83)	
74	91041361	1	MODIFIED FITTING	
75	90204097	2	HOSE ASSY	
76	77133053	1	CLAMP SET	
77	91041362	1	ORIFICE FITTING	
78	8765204	1	ELBOW, 90, SWIVEL NUT	
79	91411050	2	ORIFICE	
80	86521144	2	SUPPORT CLAMP	
81	77143006	2	WHIZ-LOCK NUT, 5/16-18	
82	3780140	9	O-RING	
83	3780177	4	O-RING	
84	91403415	1	ELBOW, 90, SWIVEL NUT	
85	91034377	2	SCREW	

SECTION 3 - ATTACHMENTS

FIGURE 3-20. FORKS



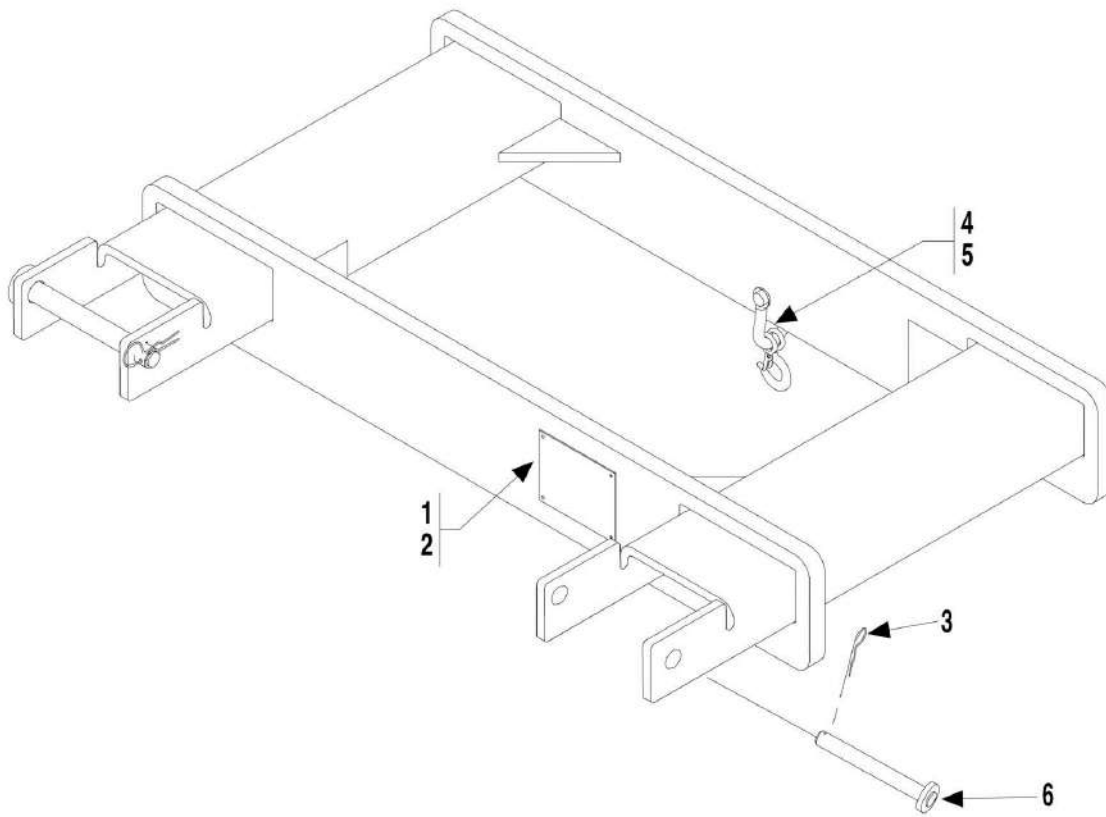
SECTION 3 - ATTACHMENTS

FIGURE 3-20. FORKS

ITEM	PART NUMBER	QTY	DESCRIPTION	REV
	91403359	6	48 IN CUBING FORK, 2X2, 3,880 lbs (Prior to SN 0160037722)	B
	2340037	6	48 IN CUBING FORK, 2X2, 3,880 lbs	A
	91403364	2	48 IN PALLET FORK, 1.75X4, 6,100 lbs, (100, Swing Carriage With Side Shift, 91405070) (Prior to SN 0160037722)	B
	2340045	2	48 IN PALLET FORK, 2.36X4, 10,950 lbs	B
	2340038	2	48 IN PALLET FORK, 2.36X5, 13,700 lbs	B
	91563141	2	48 IN PALLET FORK, 2.25X5, 13,700 lbs (Prior to SN 0160037722)	C
	91403366	2	48 IN DRYWALL CARRIAGE FORK, 1.75X4, 5,000 lbs, (Drywall Carriage, 91405077 or 100, Drywall Swing Carriage, 91405078) (Prior to SN 0160037722)	B
	91513206	2	48 IN PALLET FORK, 2.25X4, 10,950 lbs (Prior to SN 0160037722)	D
	91563142	2	60 IN PALLET FORK, 2.25X6, 16,300 lbs (Prior to SN 0160037722)	C
	91403580	2	60 IN PALLET FORK, 2X6, 11,300 lbs (Prior to SN 0160037722)	B
	2340046	2	60 IN DUAL TAPER FORK, 1.75X7, 10,800 lbs	B
	2340039	2	60 IN DUAL TAPER FORK, 2.36X6, 16,300 lbs	B
	1001092391	2	72 IN DUAL TAPER FORK, 2X6, 11,300 lbs	B
	1001137512	2	90 IN FORK EXTENSION, (not shown), (includes items 1 & 2)	D
1	70024306	1	PIN, (not shown)	
2	70024307	1	CLIP, (not shown)	
N1	Note	Ref	FORKS RATED LESS THAN THE ATTACHMENT OR MACHINE'S CAPACITY DECREASES CAPACITY OF THE ATTACHMENT OR MACHINE TO THAT OF THE FORKS. FORKS RATED MORE THAN THE ATTACHMENT OR MACHINE'S CAPACITY DO NOT INCREASE ATTACHMENT OR MACHINE'S CAPACITY.	
N2	Note	Ref	PLEASE CONSULT JLG PARTS DEPARTMENT TO DETERMINE THE CORRECT FORKS APPLICABLE TO YOUR SPECIFIC CARRIAGE ASSEMBLY AND APPLICATION.	

SECTION 3 - ATTACHMENTS

FIGURE 3-21. FORK MOUNTED LIFTING HOOK PRIOR TO SN 2005134-01



NOTE: PALLET/LUMBER FORKS OF AN APPROPRIATE LOAD RATING MUST BE USED.

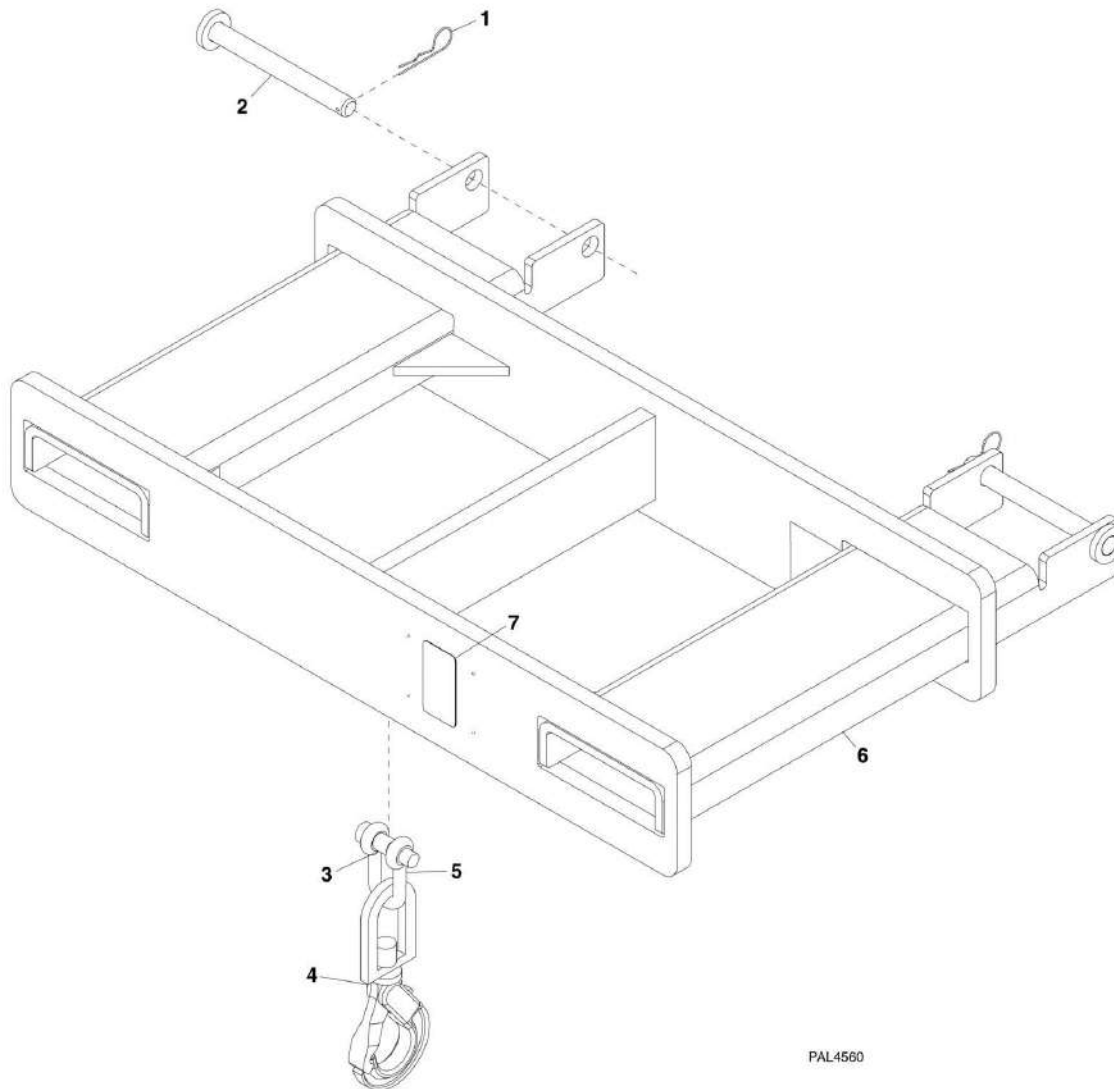
SECTION 3 - ATTACHMENTS

FIGURE 3-21. FORK MOUNTED LIFTING HOOK PRIOR TO SN 2005134-01

ITEM	PART NUMBER	QTY	DESCRIPTION	REV
	90553036	NLA	FORK MOUNTED LIFTING HOOK, (no longer available, use 91565094 for replacement or see items 1 thru 6 for service)	E
1	N.S.S.	1	SN ATTACHMENT PLATE	
2	88341022	4	DRIVE SCREW, 3/8	
3	7029520	2	HAIRPIN CLIP	
4	90554079	1	CLEVIS CONNECTOR	
5	90554080	1	HOOK	
6	1001093171	2	PIN	

SECTION 3 - ATTACHMENTS

FIGURE 3-22. FORK MOUNTED LIFTING HOOK SN 2005134-01 TO PRESENT



NOTE: PALLET/LUMBER FORKS OF AN APPROPRIATE LOAD RATING MUST BE USED.

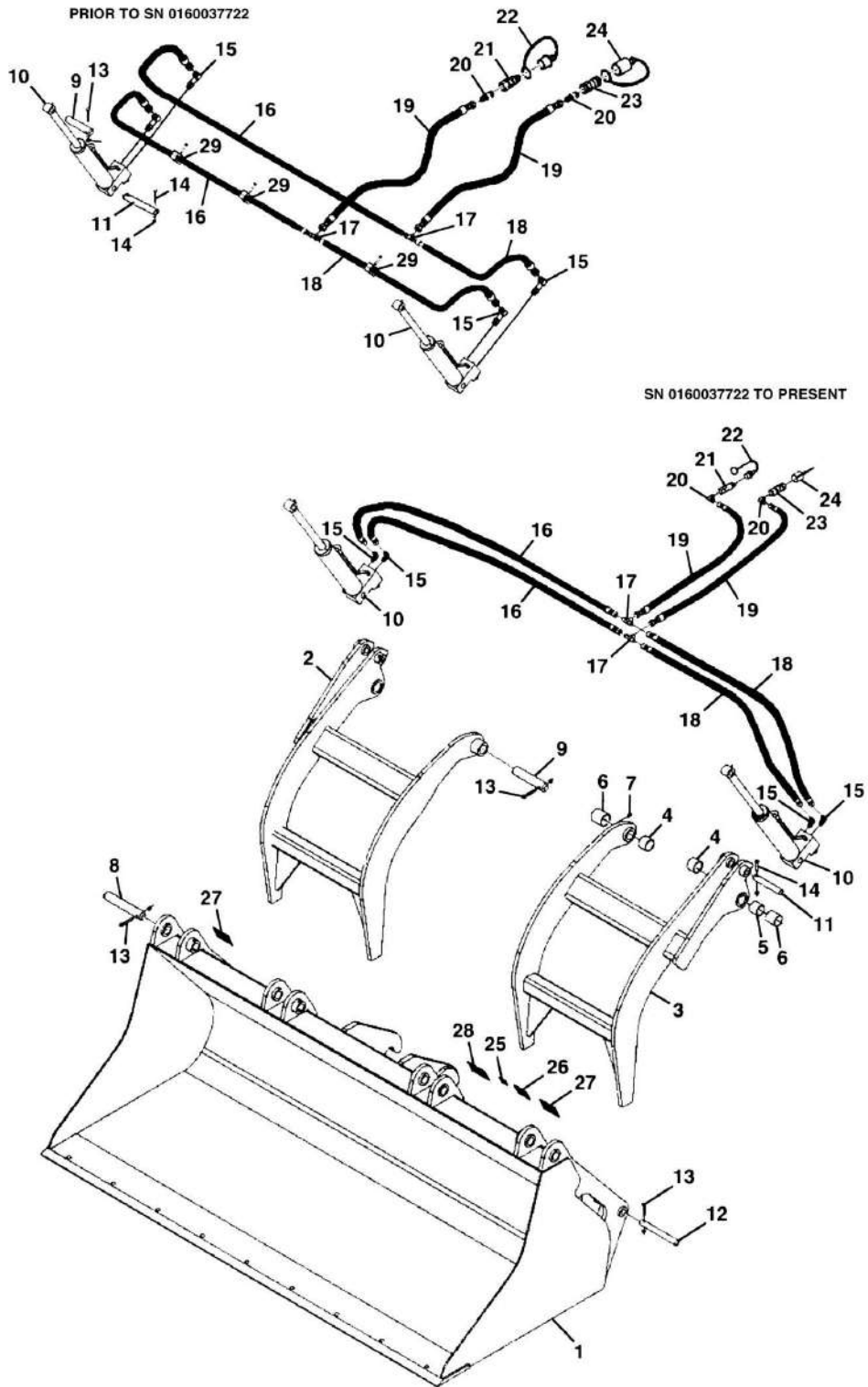
SECTION 3 - ATTACHMENTS

FIGURE 3-22. FORK MOUNTED LIFTING HOOK SN 2005134-01 TO PRESENT

ITEM	PART NUMBER	QTY	DESCRIPTION	REV
	91565094	1	FORK MOUNTED LIFTING HOOK, (includes all items)	F
1	7029520	2	HAIRPIN CLIP	
2	1001093171	2	PIN	
3	70020555	1	SPRING BUSHING	
4	90554080	1	SLING HOOK	
5	7029521	1	CHAIN SHACKLE ASSY, (includes pin), 12,000LB	
6	N.S.S.	1	LIFTING HOOK	
7	N.S.S.	1	SN PLATE	

SECTION 3 - ATTACHMENTS

FIGURE 3-23. GRAPPLE BUCKET



PAP18660

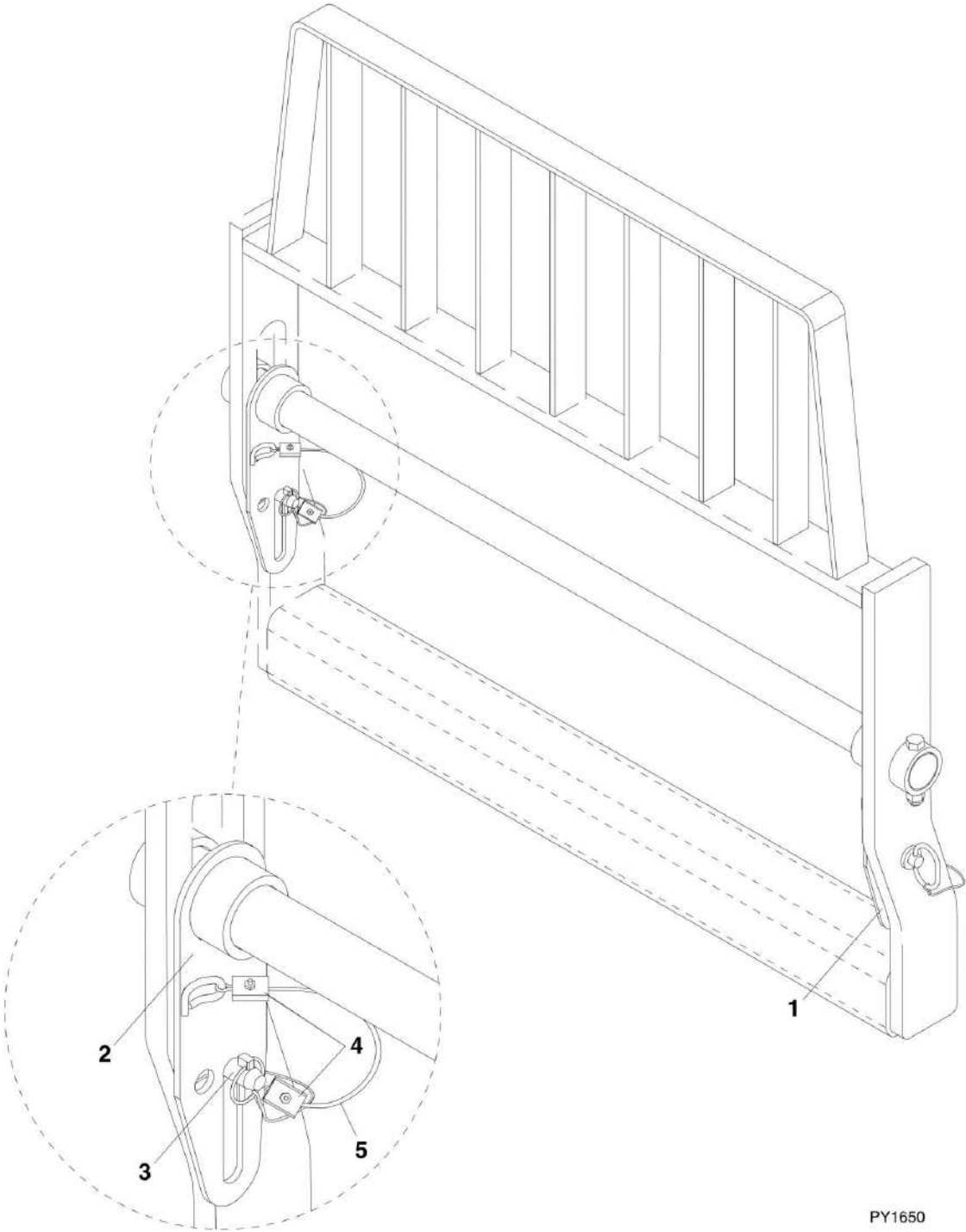
SECTION 3 - ATTACHMENTS

FIGURE 3-23. GRAPPLE BUCKET

ITEM	PART NUMBER	QTY	DESCRIPTION	REV
	0930019	1	GRAPPLE BUCKET, (includes all items) (Prior to SN 0160037722)	B
	0930020	1	GRAPPLE BUCKET, (includes all items) (SN 0160037722 to Present)	G
1	N.S.S.	1	BUCKET	
2	70021391	1	RIGHT GRAPPLE HOOK	
3	70021392	1	LEFT GRAPPLE HOOK	
4	70021358	4	BUSHING	
5	70021359	2	SPACER	
6	70021360	4	BUSHING	
7	7029714	4	GREASE FITTING	
8	70021361	2	OUTER PIVOT PIN	
9	70021362	2	INNER PIVOT PIN	
10		Ref	CYLINDER ASSY, (See HYDRAULIC COMPONENTS SECTION for Breakdown)	
11	70021364	2	PIN	
12	70021365	2	PIN	
13	70021366	4	HEX HD CAPSCREW, 3/8X2-3/4	
13	70021367	4	LOCK NUT, 3/8	
14	N.S.S.	8	HEX HD CAPSCREW, 0.38X2-1/2 (Prior to SN 0160037722)	
14	90554042	8	LOCKWASHER, 0.38 (Prior to SN 0160037722)	
14	70021399	4	HEX HD CAPSCREW, 3/8X2-1/4 (SN 0160037722 to Present)	
14	70021367	4	LOCK NUT, 3/8 (SN 0160037722 to Present)	
15	N.S.S.	4	ELBOW, 90, (Prior to SN 0160037722)	
15	90554065	4	ELBOW, 90, (SN 0160037722 to Present)	
16	70021395	2	HOSE ASSY, 0.38X64	
16	70021980	2	HOSE ASSY, 3/8X73	
17	70020562	2	FITTING, TEE	
18	70021396	2	HOSE ASSY, 0.38X44 (Prior to SN 0160037722)	
18	70021981	2	HOSE ASSY, 3/8X46 (SN 0160037722 to Present)	
19	70021394	2	HOSE ASSY, 0.38X76 (Prior to SN 0160037722)	
19	70021395	2	HOSE ASSY, 3/8X64 (SN 0160037722 to Present)	
20	90554063	2	STRAIGHT CONNECTOR (Prior to SN 0160037722)	
20	70022527	2	ELBOW, 90, (SN 0160037722 to Present)	
21	90554061	1	MALE QUICK COUPLER (Prior to SN 0160037722)	
21	7029692	1	MALE QUICK COUPLER (SN 0160037722 to Present)	
22	90554062	1	DUST COVER	
23	90554077	1	FEMALE QUICK COUPLER (Prior to SN 0160037722)	
23	70021342	1	FEMALE QUICK COUPLER (SN 0160037722 to Present)	
24	90554076	1	DUST COVER	
25	90554016	1	USA DECAL	
26	N.S.S.	1	SN PLATE	
27	90554017	2	DANGER PINCH POINT DECAL	
28	90554018	1	WARNING HIGH PRESSURE DECAL	
29	70021387	3	HOSE CLAMP (Prior to SN 0160037722)	
29	70021387	4	HOSE CLAMP (SN 0160037722 to Present)	

SECTION 3 - ATTACHMENTS

FIGURE 3-24. FORK PIN LOCK INSTALLATION



PY1650

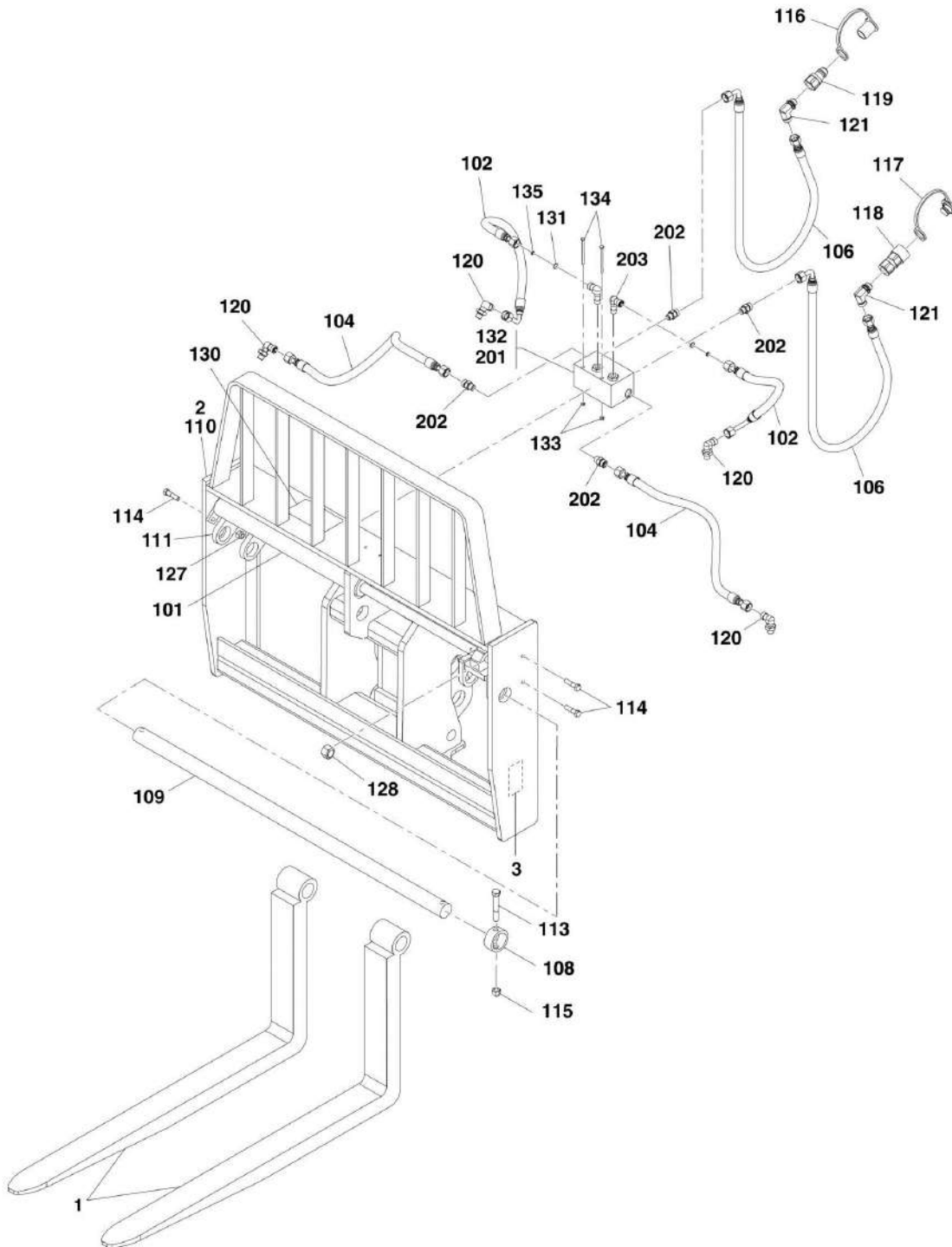
SECTION 3 - ATTACHMENTS

FIGURE 3-24. FORK PIN LOCK INSTALLATION

ITEM	PART NUMBER	QTY	DESCRIPTION	REV
	1001093465	Ref	FORK PIN LOCK INSTALLATION (not available to order, see items 1 thru 5 for service)	B
1	0240156	1	LH FORK PIN LOCK	
2	1001093273	1	RH FORK PIN LOCK	
3	1001093377	2	HITCH PIN	
4	1001094830	4	CLAMP	
5	1001094330	2	LANYARD	

SECTION 3 - ATTACHMENTS

FIGURE 3-25. DUAL FORK POSITIONING CARRIAGE ASSEMBLY



ART_7301295-F

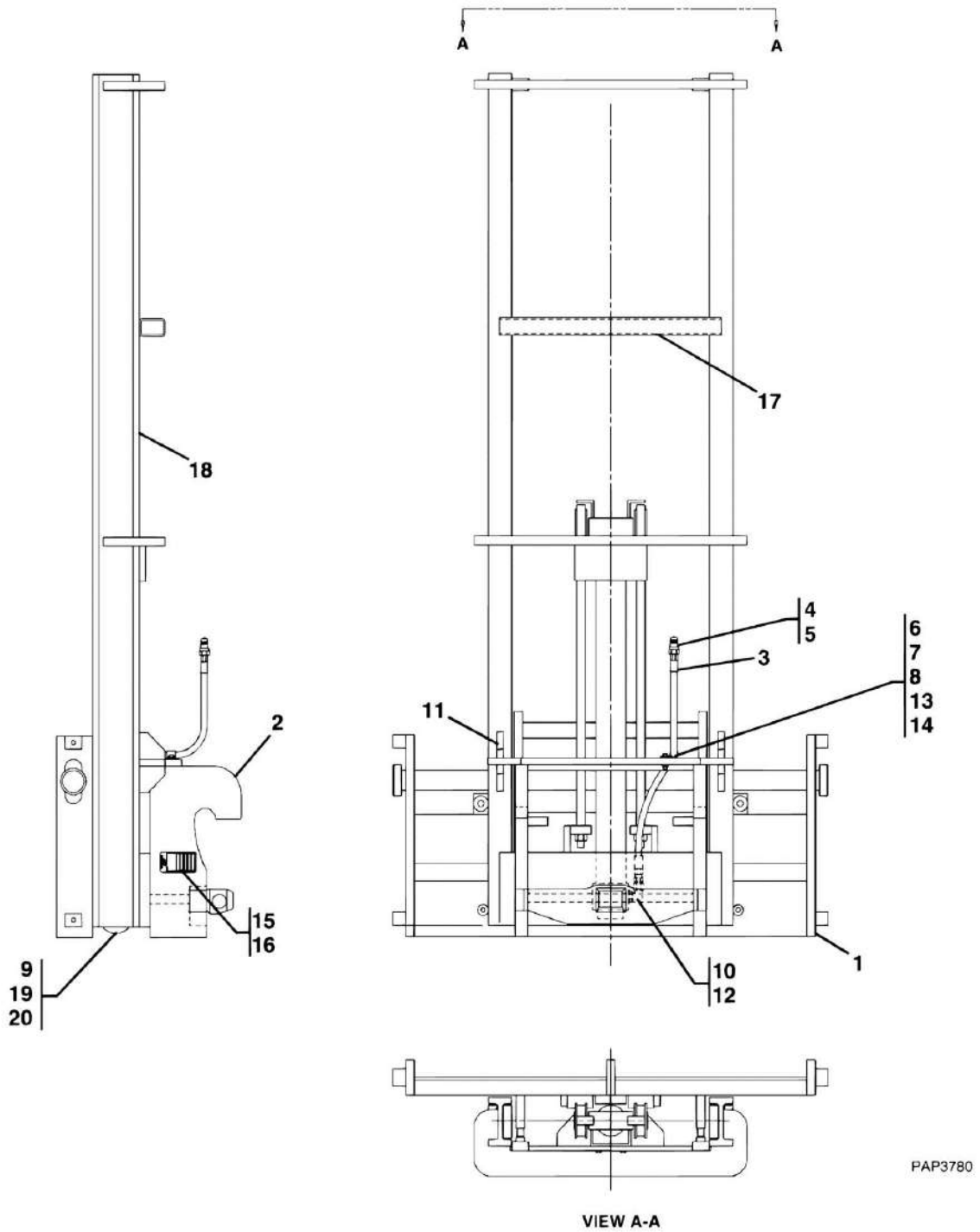
SECTION 3 - ATTACHMENTS

FIGURE 3-25. DUAL FORK POSITIONING CARRIAGE ASSEMBLY

ITEM	PART NUMBER	QTY	DESCRIPTION	REV
	7301295	1	50IN DUAL FORK CARRIAGE ASSEMBLY, (includes items 1 thru 3)	F
1	N.S.S.	2	PALLET FORK, (60X100X1220MM)	
2	N.S.S.	1	50IN CARRIAGE, (includes items 101 thru 135)	I
3	N.S.S.	1	SN PLATE	
101	2717283	2	FORK POSITIONING CYLINDER	
102	2717160	2	HOSE ASSY	
104	2717161	2	HOSE ASSY	
106	2717162	2	HOSE ASSY	
108	90200003	2	FORK PIN COLLAR	
109	90451058	1	FORK SHAFT	
110	N.S.S.	1	50 IN CARRIAGE WELDMENT	
111	7301579	2	FORK ADAPTER WELDMENT	
113	8303634	2	HEX HD CAPSCREW, 5/8-11X4, GR5	
114	8303658	4	HEX HD CAPSCREW, 1/2-13X2, GR5	
115	8305643	2	HEX LOCKNUT, 5/8-11	
116	8420053	1	DUST CAP	
117	8420055	1	DUST PLUG	
118	91403413	1	CONNECTOR	
119	91403414	1	CONNECTOR	
120	2130606	4	ELBOW, 90, (includes o-ring)	
121	2130608	2	ELBOW, 90, (includes o-ring)	
127	8310302	4	HEX LOCKNUT, 1/2-13	
128	10705034	2	HEX LOCKNUT, 1-14	
130	4110473	1	HOSE ROUTING DECAL	
131	7139918	2	ORIFICE DISK	
132	4641502	1	VALVE ASSY, (includes items 201 thru 203)	B
133	8305624	2	HEX LOCKNUT, 1/4-20	
134	8310435	2	HEX HD CAPSCREW, 1/4-20X3-3/4, GR5	
135	8630003	2	O-RING	
201	4641501	1	FLOW DIVIDER VALVE	
202	2110606	4	CONNECTOR	
203	2130606	2	ELBOW, 90, (includes o-ring)	

SECTION 3 - ATTACHMENTS

FIGURE 3-26. 6 FT MAST WITH 72 IN CARRIAGE (Prior to SN 0160023798)



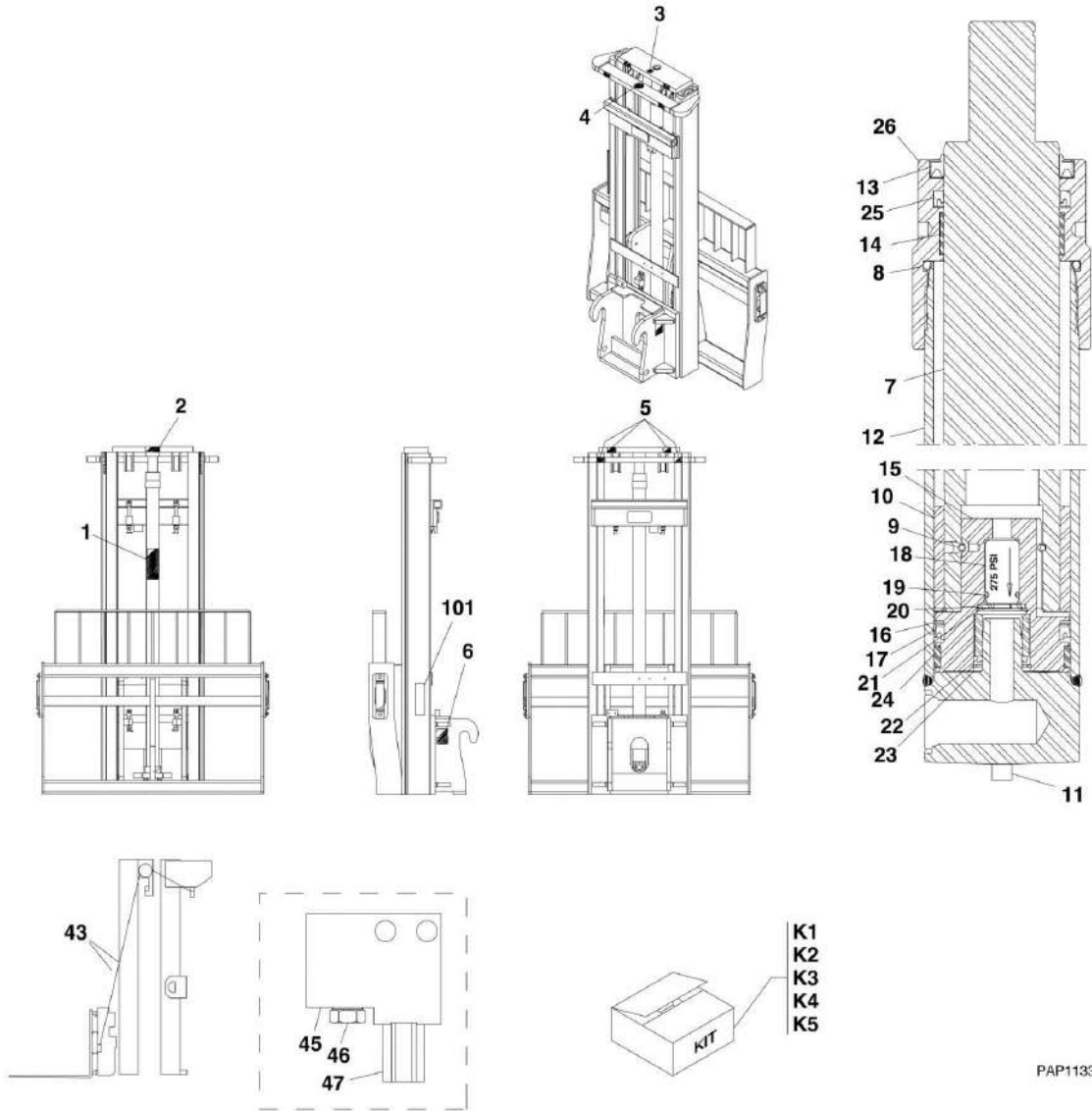
SECTION 3 - ATTACHMENTS

FIGURE 3-26. 6 FT MAST WITH 72 IN CARRIAGE (Prior to SN 0160023798)

ITEM	PART NUMBER	QTY	DESCRIPTION	REV
	91405060	1	6 FT MAST WITH 72 IN CARRIAGE, (includes all items)	L
	91405061	1	6 FT MAST WITH 72 IN CARRIAGE, (includes all items)	H
1	91403408	1	45 1/2 IN CARRIAGE	
1	91403409	1	69 1/2 IN CARRIAGE	
2	N.S.S.	1	ADAPTER	
3	84719229	1	HOSE ASSY	
4	91403414	1	ADAPTER	
5	91043126	1	DUST CAP	
6	24431386	1	CLAMP	
7	88201037	1	HEX HD SCREW, 3/8-16	
8	88561004	1	FLAT WASHER	
9	91034377	2	SCREW	
10	1001094695	1	ADAPTER	
11	N.S.S.	4	GUSSET	
13	88501006	1	HEX NUT, 3/8-16	
14	88551011	1	LOCKWASHER, 3/8	
15	N.S.S.	1	SN PLATE	
17	N.S.S.	1	STOP TUBE	
18	91403339	1	6 FT MAST	
19	91034374	6	LOAD ROLLER	
20	91034375	12	SHIM	

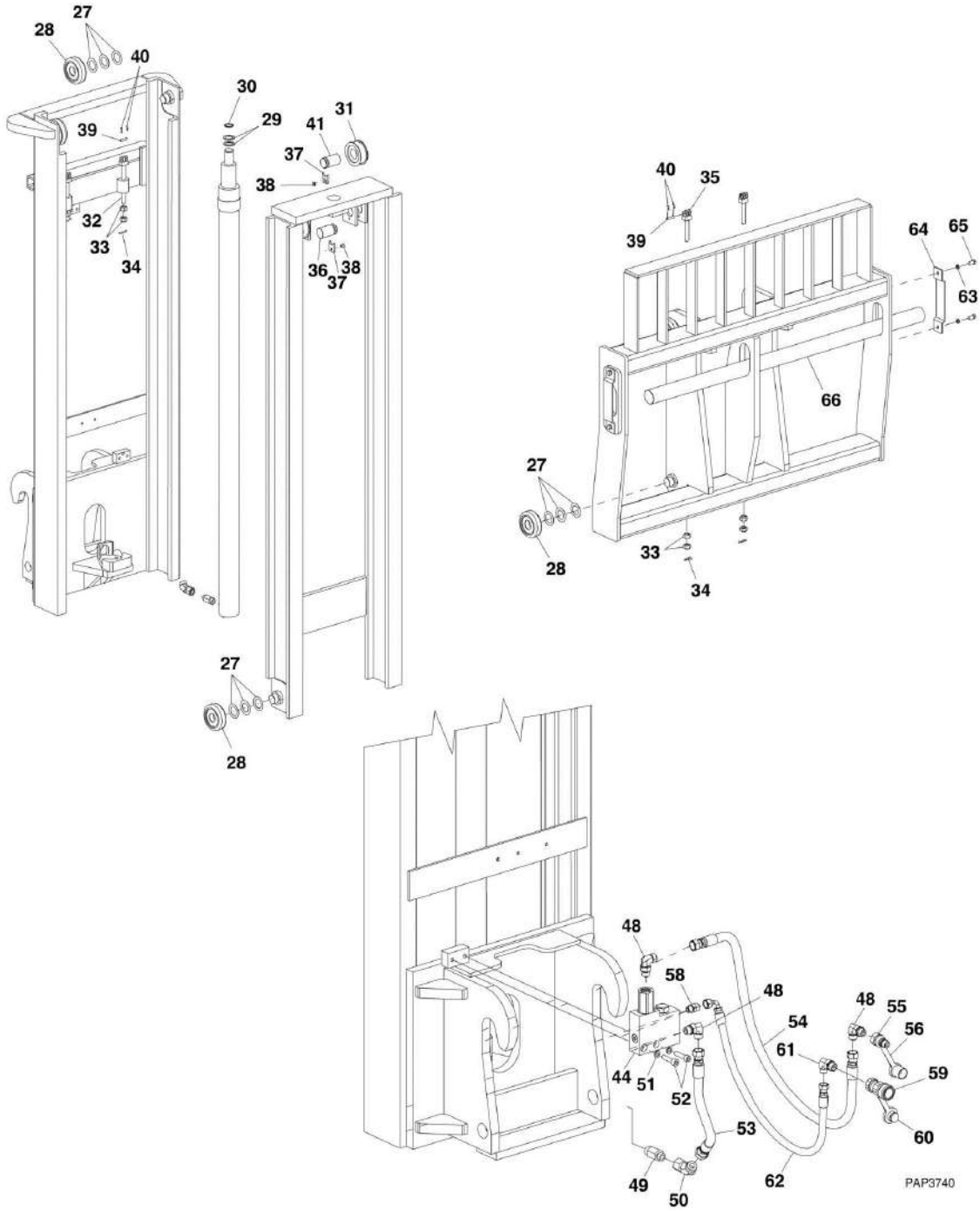
SECTION 3 - ATTACHMENTS

FIGURE 3-27. 8 FT STANDARD MAST (SN 0160023798 to Present)



PAP11330

SECTION 3 - ATTACHMENTS



SECTION 3 - ATTACHMENTS

FIGURE 3-27. 8 FT STANDARD MAST (SN 0160023798 to Present)

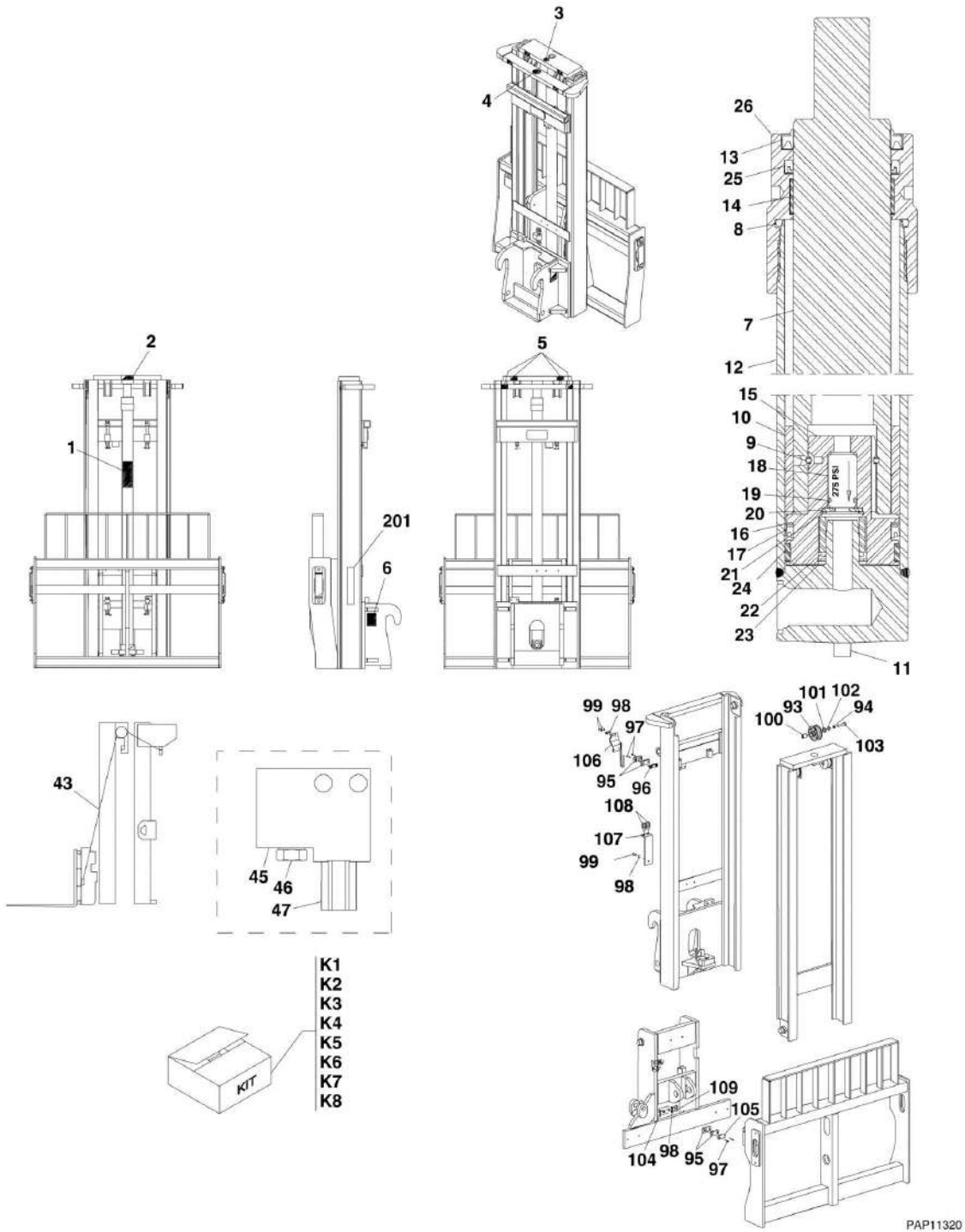
ITEM	PART NUMBER	QTY	DESCRIPTION	REV
	1001108668	1	8 FT STANDARD MAST, (includes all items)	B
1	Kit	1	WARNING DECAL	
2	Kit	1	WARNING DECAL	
3	Kit	1	NO STEP DECAL	
4	Kit	1	NO STEP DECAL	
5	Kit	4	HANDS OFF DECAL	
6	1001111190	2	HOSE ROUTING	
6	70023008	1	MAIN LIFT CYLINDER	
7	N.S.S.	1	ROD/PLUNGER	
8	Kit	1	O-RING	
9	Kit	1	PULL WIRE	
10	N.S.S.	1	SPACER	
11	N.S.S.	2	ROLL PIN	
12	N.S.S.	1	BARREL	
13	Kit	1	WIPER	
14	Kit	1	BUSHING	
15	N.S.S.	1	PISTON	
16	Kit	1	NYLON RING	
17	Kit	1	PISTON SEAL	
18	Kit	1	CHECK VALVE	
19	Kit	1	O-RING	
20	Kit	1	WASHER	
21	Kit	1	CIRCLIP	
22	N.S.S.	1	SLEEVE	
23	Kit	1	RETAINING RING	
24	Kit	1	WEAR RING	
25	Kit	1	ROD SEAL	
26	70023004	1	RETAINER/GLAND	
27	70023014	24	SHIM	
28	70022987	8	BALL BEARING	
29	Kit	2	WASHER SHIM	
30	70023016	1	SNAP RING	
31	70022969	2	SHEAVE ASSY	
32	70022960	2	CHAIN ANCHOR	
33	70022957	8	NUT, 5/8-18UNF	
34	70022993	4	COTTER PIN	
35	70022995	2	CHAIN ANCHOR	
36	70022984	1	SHEAVE SHAFT	
37	70022970	2	RETAINER BAR	
38	70023003	2	FLAT HD CAPSCREW	
39	70022994	4	CHAIN ANCHOR PIN	
40	70022992	8	COTTER PIN	
41	70022985	1	SHEAVE SHAFT	
43	70023009	2	LIFT CHAIN	
44	70022932	1	P.O. CHECK VALVE ASSY, (includes items 45 thru 47)	
45	N.S.S.	1	MANIFOLD	
46	70022931	1	P.O. CHECK VALVE CARTRIDGE	
47	70023010	1	P.O. CHECK	
48	70022934	3	FITTING, 90	
49	70022936	1	FLOW LIMITER	

SECTION 3 - ATTACHMENTS

ITEM	PART NUMBER	QTY	DESCRIPTION	REV
50	70022937	1	FITTING, 45	
51	70022949	2	LOCKWASHER, M10	
52	70022950	2	HEX SOCKET CAPSCREW	
53	70022942	1	HOSE ASSY	
54	70022952	1	HOSE ASSY	
55	91403414	1	MALE QUICK DISCONNECT COUPLING	
56	91043126	1	DUST CAP	
58	70022939	1	STRAIGHT FITTING, #6	
59	91403413	1	FEMALE QUICK DISCONNECT COUPLING	
60	91043125	1	DUST PLUG	
61	70022935	1	ELBOW, STRAIGHT THREAD	
62	70022946	1	HOSE ASSY	
63	70022949	4	LOCKWASHER, M10	
64	70022980	2	FORK PIN KEEPER	
65	70022998	4	CAPSCREW, M10X20	
66	70022990	1	FORK PIN	
101	N.S.S.	1	SN PLATE	
K1	70023925	1	DECAL KIT, (includes items 1 thru 6)	
K2	70023005	1	SEAL KIT, MAIN LIFT CYLINDER, (includes items 8, 9, 13, 14, 16, 17, 19, 21, 23, 24 & 25)	
K3	70023006	1	CHECK VALVE KIT, (includes items 18, 19, 20, 21 & 23)	
K4	70023007	1	SHIM KIT	
K5	70023015	1	MAST COMMON PARTS KIT, (includes items 27 thru 41)	

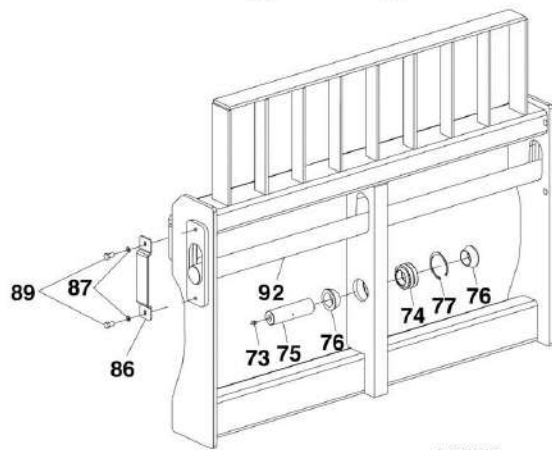
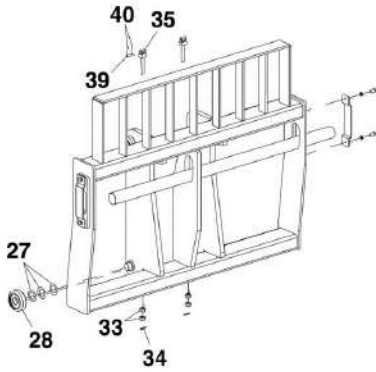
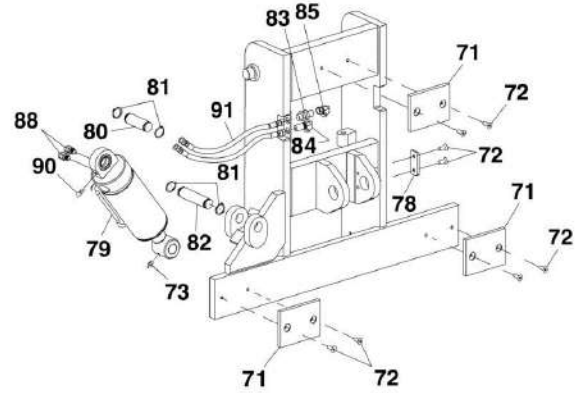
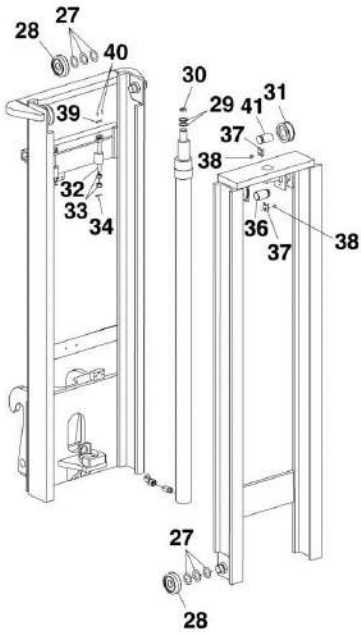
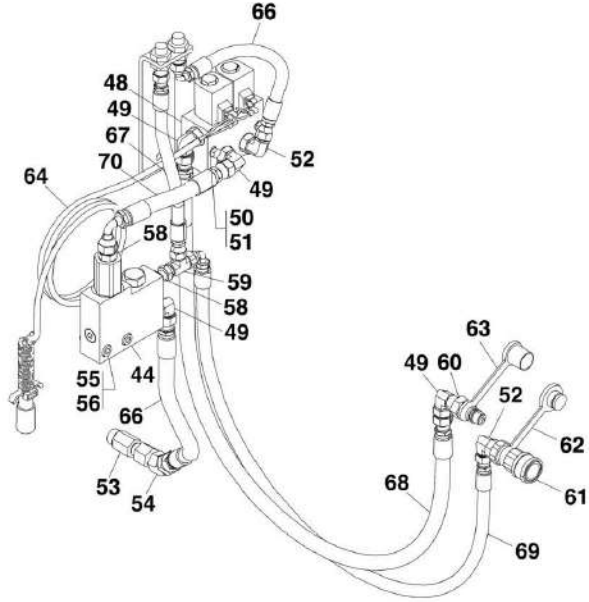
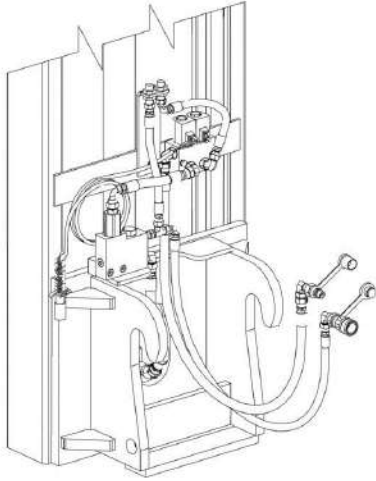
SECTION 3 - ATTACHMENTS

FIGURE 3-28. 8 FT SIDE TILT ELECTRIC MAST (SN 0160023798 to Present)



PAP11320

SECTION 3 - ATTACHMENTS



PAP3720

SECTION 3 - ATTACHMENTS

FIGURE 3-28. 8 FT SIDE TILT ELECTRIC MAST (SN 0160023798 to Present)

ITEM	PART NUMBER	QTY	DESCRIPTION	REV
	1001108669	1	8 FT SIDE TILT ELECTRIC MAST, (includes all items)	B
1	Kit	1	WARNING DECAL	
2	Kit	1	WARNING DECAL	
3	Kit	1	NO STEP DECAL	
4	Kit	1	NO STEP DECAL	
5	Kit	4	HANDS OFF DECAL	
6	1001111190	2	WARNING DECAL	
6	70023008	1	MAIN LIFT CYLINDER	
7	N.S.S.	1	ROD/PLUNGER	
8	Kit	1	O-RING	
9	Kit	1	PULL WIRE	
10	N.S.S.	1	SPACER	
11	N.S.S.	2	ROLL PIN	
12	N.S.S.	1	BARREL	
13	Kit	1	WIPER	
14	Kit	1	BUSHING	
15	N.S.S.	1	PISTON	
16	Kit	1	NYLON RING	
17	Kit	1	PISTON SEAL	
18	Kit	1	CHECK VALVE	
19	Kit	1	O-RING	
20	Kit	1	WASHER	
21	Kit	1	CIRCLIP	
22	N.S.S.	1	SLEEVE	
23	Kit	1	RETAINING RING	
24	Kit	1	WEAR RING	
25	Kit	1	ROD SEAL	
26	70023004	1	RETAINER/GLAND	
27	70023014	24	SHIM	
28	70022987	8	BALL BEARING	
29	Kit	2	WASHER SHIM	
30	70023016	1	SNAP RING	
31	70022969	2	SHEAVE ASSY	
32	70022960	2	CHAIN ANCHOR	
33	70022957	8	NUT, 5/8-18UNF	
34	70022993	4	COTTER PIN	
35	70022995	2	CHAIN ANCHOR	
36	70022984	1	SHEAVE SHAFT	
37	70022970	2	RETAINER BAR	
38	70023003	2	FLAT HD CAPSCREW	
39	70022994	4	CHAIN ANCHOR PIN	
40	70022992	8	COTTER PIN	
41	70022985	1	SHEAVE SHAFT	
43	70023009	2	LIFT CHAIN	
44	70022932	1	P.O. CHECK VALVE ASSY, (includes items 45, 46 & 47)	
45	N.S.S.	1	MANIFOLD	
46	70022931	1	P.O. CHECK VALVE CARTRIDGE	
47	70023010	1	P.O. CHECK	
48	70022933	1	SOLENOID VALVE BANK	
49	70022934	4	FITTING, 90	

SECTION 3 - ATTACHMENTS

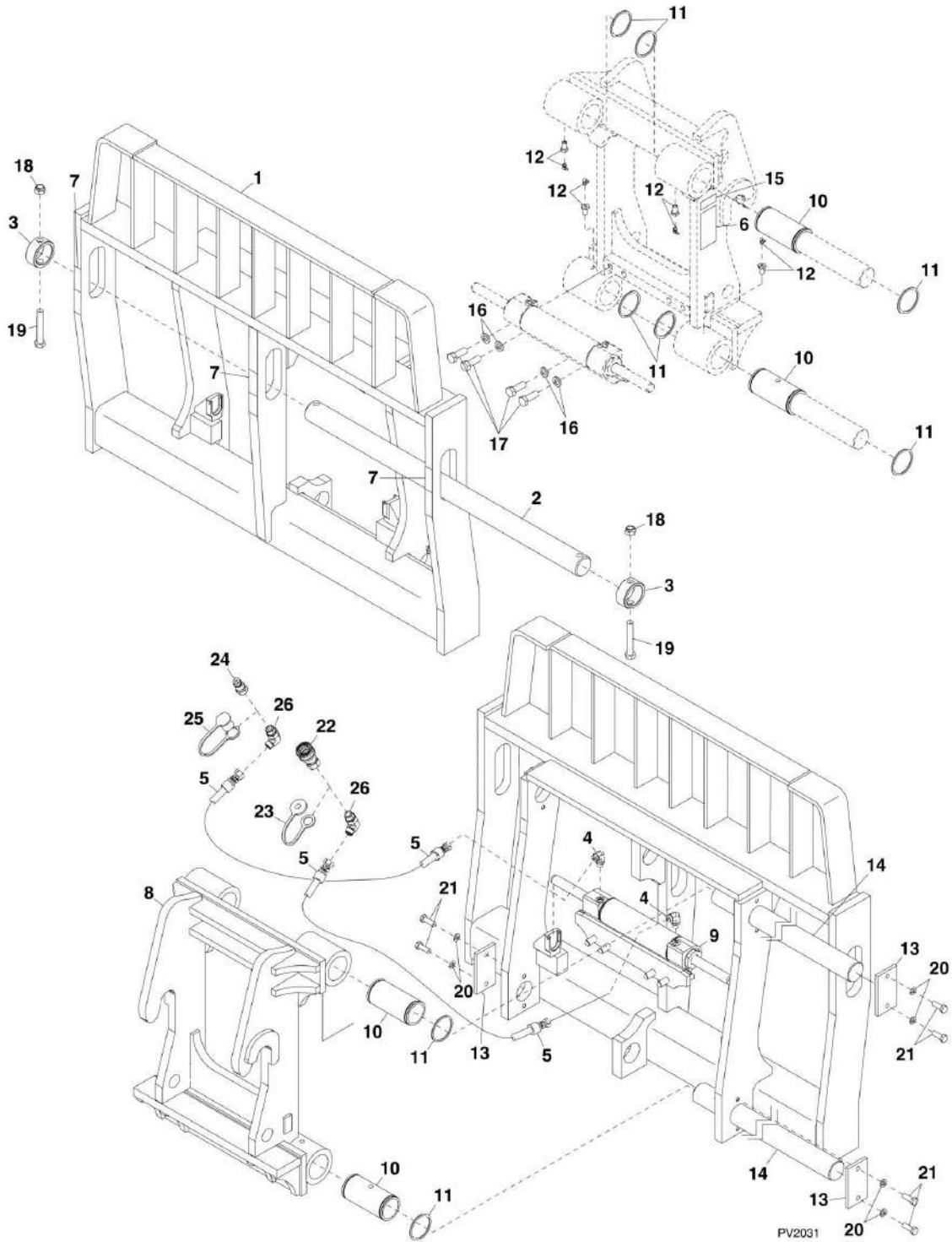
ITEM	PART NUMBER	QTY	DESCRIPTION	REV
50	70022948	2	LOCKWASHER, M8	
51	70022951	2	CAPSCREW, M8X60	
52	70022935	2	STRAIGHT THREAD ELBOW	
53	70022936	1	FLOW LIMITER	
54	70022937	1	FITTING, 45	
55	70022949	2	LOCKWASHER, M10	
56	70022950	2	HEX SOCKET CAPSCREW	
57	70022938	1	STRAIGHT FITTING, (not shown)	
58	70022939	1	STRAIGHT FITTING	
59	70022940	1	TEE FITTING	
60	91403414	1	MALE QUICK DISCONNECT COUPLING	
61	91403413	1	FEMALE QUICK DISCONNECT COUPLING	
62	91043125	1	DUST PLUG	
63	91043126	1	DUST CAP	
64	70022941	1	HARNESS	
65	70022942	1	HOSE ASSY, (not shown)	
66	70022943	1	HOSE ASSY	
67	70022944	1	HOSE ASSY	
68	70022945	1	HOSE ASSY	
69	70022946	1	HOSE ASSY	
70	70022947	1	HOSE ASSY	
71	70022972	3	WEAR PAD	
72	70022971	8	FLAT HD CAPSCREW	
73	70023001	2	GREASE FITTING	
74	70022975	1	BEARING	
75	70022973	1	PIVOT SHAFT	
76	70022974	2	BEVELED SPACER	
77	70022988	1	RETAINING RING	
78	70022976	1	RETAINER PLATE	
79	2716143	1	TILT CYLINDER	
80	70022977	1	PIN, 128.1mm	
81	70023016	4	SNAP RING, 1-1/4	
82	70022978	1	PIN, 128.1mm	
83	70023000	1	BULKHEAD UNION, (with locknut)	
84	70022999	1	BULKHEAD UNION ELBOW	
85	70022982	1	STRAIGHT THREAD ELBOW	
86	70022980	2	FORK PIN KEEPER	
87	70022949	4	LOCKWASHER, M10	
88	70022991	2	STRAIGHT THREAD ELBOW, 90	
89	70022998	4	CAPSCREW, M10X20	
90	70022966	1	GREASE FITTING	
91	70022979	2	HOSE ASSY	
92	70022990	1	FORK PIN	
93	70022965	1	SHEAVE	
94	70022997	1	LOCKWASHER, M12	
95	70022967	4	HOSE CLAMP	
96	70022962	1	BAR ASSY	
97	70023002	4	CAPSCREW, M6X25	
98	70022949	5	LOCKWASHER, M10	
99	70022958	3	CAPSCREW, M10X20	
100	70022961	1	SHAFT	

SECTION 3 - ATTACHMENTS

ITEM	PART NUMBER	QTY	DESCRIPTION	REV
101	70022959	1	WASHER	
102	70022989	1	RETAINING RING	
103	70022964	1	CAPSCREW, M12X55	
104	70022981	1	IHR BRACKET	
105	70022968	1	HOSE CLAMP BAR	
106	70023011	1	IHR BRACKET	
107	70022983	1	TERMINATION BRACKET	
108	70023000	2	BULKHEAD UNION AND LOCKNUT	
109	70022996	3	CAPSCREW, M10X16	
110	70022963	2	HOSE ASSY, (not shown)	
201	N.S.S.	1	SN PLATE	
K1	70023925	1	DECAL KIT, (includes items 1 thru 6)	
K2	70023005	1	SEAL KIT, MAIN LIFT CYLINDER, (includes items 8, 9, 13, 14, 16, 17, 19, 21, 23, 24 & 25)	
K3	70023006	1	CHECK VALVE KIT, (includes items 18, 19, 20, 21 & 23)	
K4	70023007	1	SHIM KIT	
K5	70023015	1	MAST COMMON PARTS KIT, (includes items 27 thru 41)	
K6	8035831	1	SEAL KIT, TILT CYLINDER	
K7	70023013	1	IHR COMMON PARTS KIT, (includes items 93 thru 109)	
K8	70022986	1	IHR KIT, (includes items 93 thru 110)	

SECTION 3 - ATTACHMENTS

FIGURE 3-29. 50 IN SIDE SHIFT CARRIAGE (SN 0160023798 to Present)



SECTION 3 - ATTACHMENTS

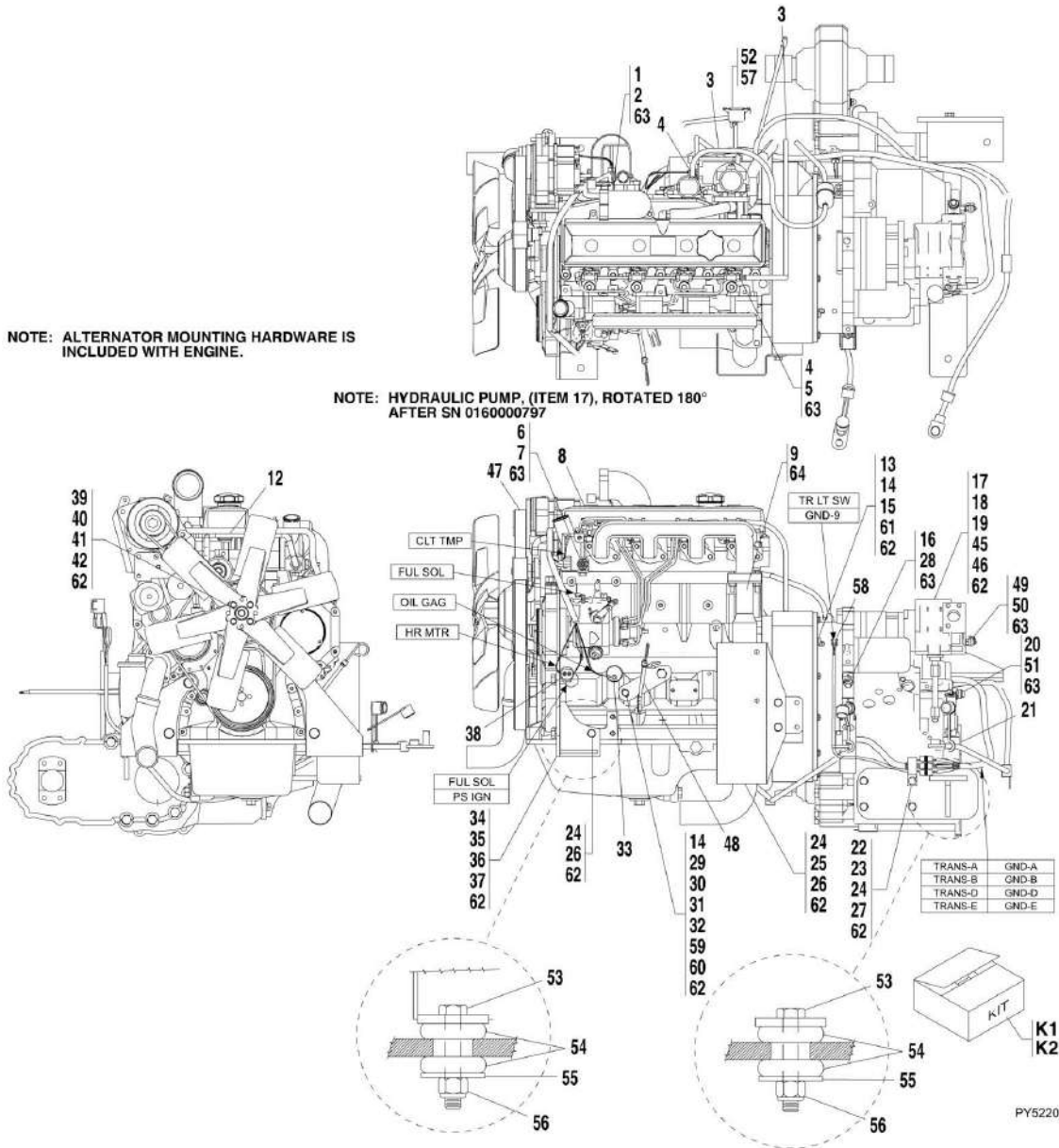
FIGURE 3-29. 50 IN SIDE SHIFT CARRIAGE (SN 0160023798 to Present)

ITEM	PART NUMBER	QTY	DESCRIPTION	REV
	1001142790	1	50 IN SIDE SHIFT CARRIAGE, (includes all items)	B
1	N.S.S.	1	WELDMENT	
2	70024535	1	SHAFT	
3	70024536	2	COLLAR	
4	70024123	2	ADAPTER, 90, (includes o-ring)	
5	70024537	2	HOSE ASSEMBLY	
6	N.S.S.	1	SN PLATE	
7	70024538	3	WARNING DECAL	
8	N.S.S.	1	WELDMENT	
9		Ref	50 IN SIDE SHIFT CYLINDER, (See HYDRAULIC COMPONENTS SECTION for Breakdown)	
10	70024540	4	BUSHING	
11	70024541	8	CIRCLIP	
12	70024542	4	GREASE FITTING	
13	70024543	4	RETAINER	
14	70024544	2	SHAFT	
15	N.S.S.	1	SN PLATE	
16	70024551	4	LOCKWASHER, 16mm	
17	70024552	4	HEX HD CAPSCREW, M16X45, GR10.9	
18	70024553	2	HEX NUT, M16, GR8	
19	70024554	2	HEX HD CAPSCREW, M16X100, GR10.9	
20	70022997	8	LOCKWASHER, 12mm	
21	70024555	8	HEX HD CAPSCREW, M12X35, GR10.9	
22	91403413	1	FEMALE QUICK DISCONNECT	
23	8420055	1	DUST PLUG	
24	91403414	1	MALE QUICK DISCONNECT	
25	8420053	1	DUST CAP	
26	70024550	2	ADAPTER, 90, (includes o-ring)	
K1	70024545	1	HYDRAULIC REPAIR KIT, (includes items 5, 22 thru 26)	B
K2	70024546	1	RETAINER KIT, (includes items 13, 20 & 21)	B

SECTION 4 - ENGINE AND ATTACHING PARTS

SECTION 4 - ENGINE AND ATTACHING PARTS

FIGURE 4-1. ENGINE ASSEMBLY, LH VIEW - JOHN DEERE ENGINE (SN 0190001 through 0190457, SN 016000022 through 0160003126)



NOTE: 1. USE LOCTITE® 242™, 0100011, ON ALL BOLT THREADS.
2. USE LOCTITE® 545™, 14404043, ON ALL FITTINGS.

SECTION 4 - ENGINE AND ATTACHING PARTS

FIGURE 4-1. ENGINE ASSEMBLY, LH VIEW - JOHN DEERE ENGINE (SN 0190001 through 0190457, SN 016000022 through 0160003126)

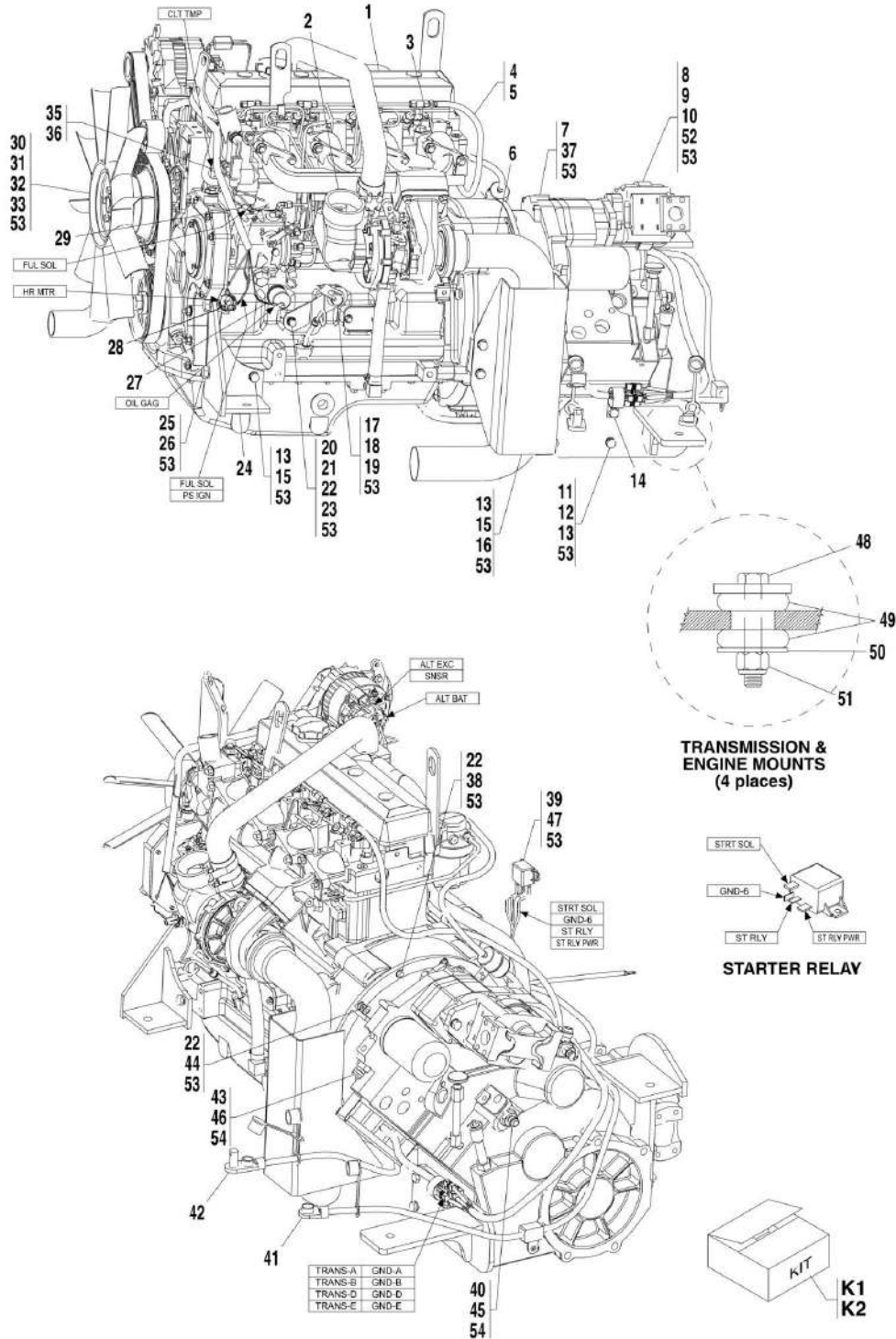
ITEM	PART NUMBER	QTY	DESCRIPTION	REV
	91475010	1	ENGINE ASSY, (includes all items except 53 thru 56 on ENGINE ASSEMBLY, LH VIEW - JOHN DEERE ENGINE and all items on ENGINE ASSEMBLY, RH VIEW - JOHN DEERE ENGINE)	S
1	91413096	1	ELBOW, 90	
2	90028488	1	HOSE CLAMP	
3	82092118	128 in	FUEL LINE, 5/16	
4	86883106	2	HOSE CLAMP	
5	80373025	1	CONNECTOR	
6	91143314	1	WATER TEMPERATURE SENSOR	
7	91403265	1	CONNECTOR	
8		Ref	JOHN DEERE ENGINE, (See JOHN DEERE ENGINE for Breakdown)	
9		Ref	EXHAUST TUBE, (See EXHAUST INSTALLATION - JOHN DEERE ENGINE for Breakdown)	
12	90027187	6	TIE WRAP	
13	83193026	10	HEX HD CAPSCREW, M10X1-1/2X30, (torque to 53-58 lb-ft)	
14	83191013	12	LOCKWASHER, M10	
15	88201537	8	HEX HD CAPSCREW, 3/8-24X1-3/4, GR5, (torque to 26-29 lb-ft)	
16	2220408	1	CONNECTOR, (includes item 28)	
17		Ref	HYDRAULIC PUMP, (See HYDRAULIC COMPONENTS SECTION for Breakdown)	
18	91471167	4	STUD, 1/2-13X3 (SN 0190001 through 0160000715)	
18	88201067	2	HEX HD CAPSCREW, 1/2-13X1-1/2, GR5 (SN 0160000797 through 0160003126)	
19	88551013	2	LOCKWASHER, 1/2 (SN 0160000797 through 0160003126)	
20	2220865	1	CONNECTOR, (includes item 51)	
21		Ref	TRANSMISSION, (See DANA TRANSMISSION - CONVERTER HOUSING GROUP for Breakdown)	
22	91476028	1	LH TRANSMISSION MOUNT	
23	83191032	4	HEX HD CAPSCREW, M12X1-3/4X35, (torque to 66-76 lb-ft)	
24	83191010	8	LOCKWASHER, M12	
25	91471146	1	HEAT SHIELD	
26	83191004	4	HEX HD CAPSCREW, M12X1-3/4X30	
27	90028660	1	SUPPORT CLAMP	
28	88591206	1	O-RING	
29	91471172	1	ACCELERATOR CABLE BRACKET (SN 0190001 through 0160001384)	
29	91471230	1	ACCELERATOR CABLE BRACKET (SN 0160001386 through 0160003126)	
30	83191038	1	HEX HD CAPSCREW, 10X20 mm	
31	91403293	1	HEX HD CAPSCREW, M14X2X25	
32	83191014	1	LOCKWASHER, M14	
33	91143315	1	OIL PRESSURE SENDER	
34	91406026	1	LH FRONT ENGINE MOUNT	
35	91406027	1	RH FRONT ENGINE MOUNT	
36	83191043	4	HEX HD CAPSCREW, M16X2X30, (torque to 166-181 lb-ft)	
37	83783030	4	LOCKWASHER, M16	
38	24741047	1	OIL PRESSURE SWITCH	
39	91403105	1	FAN	
40	91403248	1	FAN SPACER	
41	83191041	4	HEX HD CAPSCREW, M8X1-1/4X70	

SECTION 4 - ENGINE AND ATTACHING PARTS

ITEM	PART NUMBER	QTY	DESCRIPTION	REV
42	88561108	4	FLAT WASHER, 5/16	
45	88501008	4	HEX NUT, 1/2-13 (SN 0190001 through 0160000715)	
46	90027471	4	WASHER, 1/2 (SN 0190001 through 0160000715)	
47	91404086	1	FAN BELT	
48	91474171	1	DIPSTICK	
49	91413015	1	FITTING	
50	91053020	1	TEST COUPLING	
51	88591207	1	O-RING	
52	77383377	1	STARTER RELAY	
53	83201044	4	HEX HD CAPSCREW, 5/8-11X4	
54	91473093	4	SHOCK MOUNT	
55	91081158	4	ROUND WASHER SPECIAL	
56	88521010	4	HEX LOCKNUT, 5/8-11	
57	88201001	2	HEX HD CAPSCREW, 1/4-20X1/2, GR5	
58	91473115	1	TRANSMISSION TEMPERATURE SWITCH (SN 0190001 through 0160002053)	
59	80233220	1	FLAT WASHER, M10	
60	88561007	1	FLAT WASHER, 9/16	
61	91513234	1	SOCKET HD CAPSCREW, M10X1-1/2X30, GR10.9, (torque to 53-58 lb-ft)	
62	0100011	AR	LOCTITE 242	
63	14404043	AR	LOCTITE 545	
64	91473222	1	EXHAUST GASKET	
K1	91405102	1	250 HOUR FILTER KIT, (includes oil filter, fuel filter, main air element, safety air element and fuel strainer) (SN 0190001 through 0160001891)	C
K1	91415035	1	250 HOUR FILTER KIT, (includes oil filter, fuel filter, main air element, safety air element and fuel strainer) (SN 0160001893 through 0160003126)	C
K2	1001128957	1	1000 HOUR FILTER KIT, (includes oil filter, fuel filter, main air element, safety air element, fuel strainer, hydraulic filter, hydraulic breather and transmission filter) (SN 0190001 through 0160001891)	1
K2	1001128964	1	1000 HOUR FILTER KIT, (includes oil filter element, fuel filter, main air element, safety air element, fuel strainer, hydraulic filter, hydraulic breather and transmission filter) (SN 0160001893 through 0160003126)	1

SECTION 4 - ENGINE AND ATTACHING PARTS

FIGURE 4-2. ENGINE ASSEMBLY, LH VIEW - JOHN DEERE ENGINE (SN 0160003208 through 0160040659)



NOTE: 1)USE LOCTITE® 242™ (0100011) ON ALL BOLT THREADS.
 2)USE LOCTITE® 545™ (14404043) ON ALL FITTINGS.

PAP18750

SECTION 4 - ENGINE AND ATTACHING PARTS

FIGURE 4-2. ENGINE ASSEMBLY, LH VIEW - JOHN DEERE ENGINE (SN 0160003208 through 0160040659)

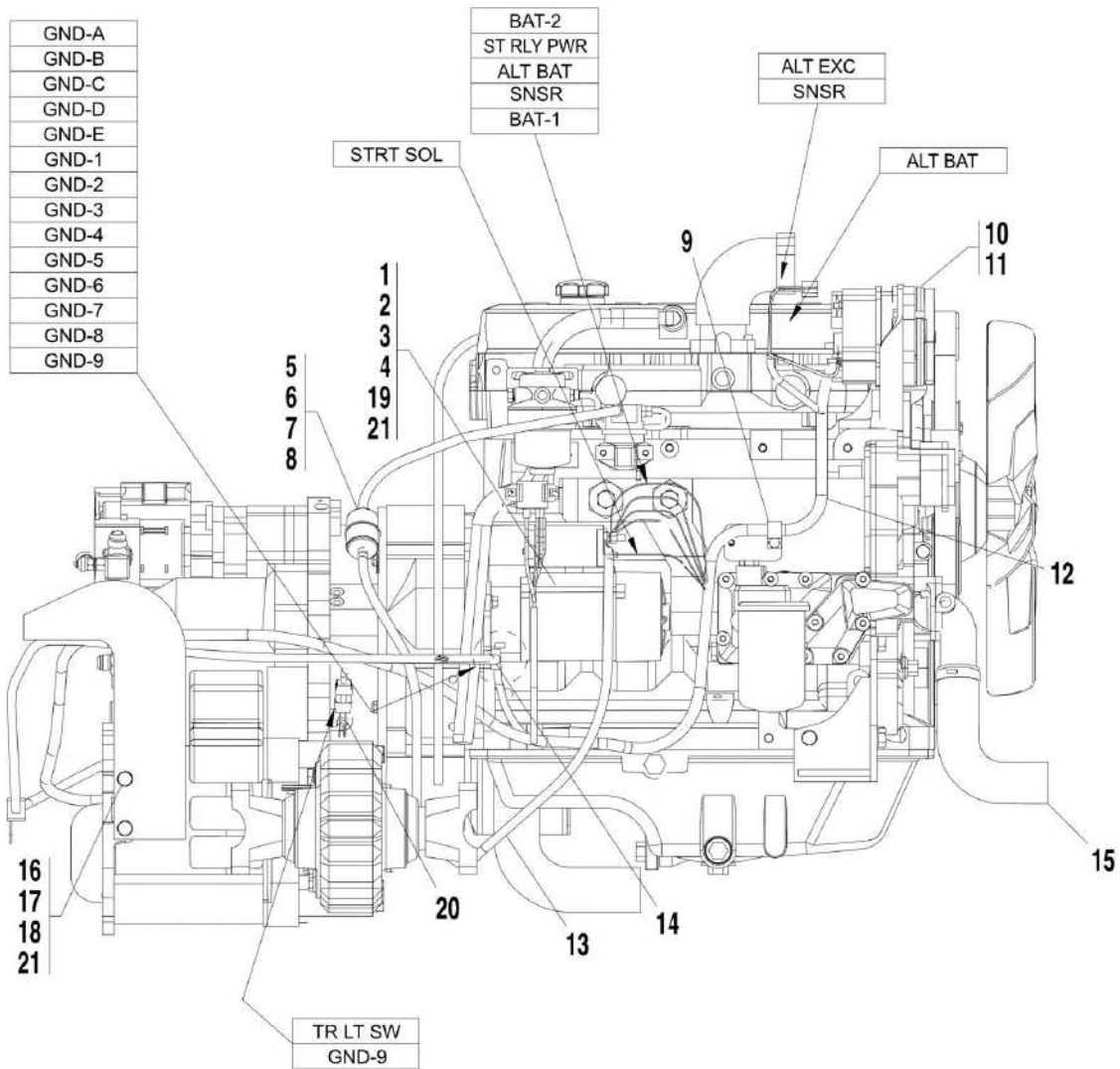
ITEM	PART NUMBER	QTY	DESCRIPTION	REV
	91475099	1	ENGINE ASSY, (includes all items except 48 thru 51 on ENGINE ASSEMBLY, LH VIEW - JOHN DEERE ENGINE and all items on ENGINE ASSEMBLY, RH VIEW - JOHN DEERE ENGINE)	M
1		Ref	JOHN DEERE ENGINE, (See JOHN DEERE ENGINE for Breakdown)	
2		Ref	AIR CLEANER AND INSTALLATION, (See AIR CLEANER AND INSTALLATION - JOHN DEERE ENGINE for Breakdown)	
3	80373025	1	PUSH-LOCK FITTING	
4	86883106	1	HOSE CLAMP	
5	2720058	100 in	FUEL LINE, 5/16	
6		Ref	EXHAUST TUBE, (See EXHAUST INSTALLATION - JOHN DEERE ENGINE for Breakdown)	
7		Ref	TRANSMISSION, (See DANA TRANSMISSION - CONVERTER HOUSING GROUP for Breakdown)	
8		Ref	IMPLEMENT PUMP, (See HYDRAULIC COMPONENTS SECTION for Breakdown)	
9	88201067	2	HEX HD CAPSCREW, 1/2-13X1-1/2, GR5	
10	88551013	2	LOCKWASHER, 1/2	
11	91476028	1	LH TRANSMISSION MOUNT	
12	83191032	4	HEX HD CAPSCREW, M12X1-3/4X35	
13	83191010	7	LOCKWASHER, M12	
14	90028660	1	SUPPORT CLAMP	
15	0761214	3	HEX HD CAPSCREW, M12X1-3/4X30	
16	91471145	1	HEAT SHIELD (Prior to SN 0160040678)	
16	1001113935	1	HEAT SHIELD (SN 0160040678 to Present)	
17	91403293	1	HEX HD CAPSCREW, M14X2X25	
18	83191014	1	LOCKWASHER, M14	
19	4751900	1	FLAT WASHER, 9/16	
20	91471230	1	ACCELERATOR CABLE BRACKET	
21	0761010	1	HEX HD CAPSCREW, M10X1-1/2X20	
22	83191013	12	LOCKWASHER, M10	
23	80233220	1	FLAT WASHER, M10	
24	91406026	1	LH FRONT ENGINE MOUNT	
25	0761614	2	HEX HD CAPSCREW, M16X2X30, (torque to 166-181 lb-ft)	
26	4712000	2	LOCKWASHER, M16	
27	91143315	1	OIL PRESSURE SENDER	
28	24741047	1	OIL PRESSURE SWITCH	
29	91473223	1	MALE SPADE TAB	
30	91513159	1	FAN	
31	91403248	1	FAN SPACER	
32	0760822	4	HEX HD CAPSCREW, M8X1-1/4X70	
33	4711500	4	LOCKWASHER, 5/16	
35	88712306	1	REDUCER BUSHING	
36	91143314	1	WATER TEMPERATURE SENDER	
37	88201537	8	HEX HD CAPSCREW, 3/8-24X1-3/4, GR5, (torque converter mounting)	
38	83193026	10	HEX HD CAPSCREW, M10X1-1/2X30, GR10.9, (torque to 53-58 lb-ft)	
39	77383377	1	STARTER RELAY	
40	2220865	1	CONNECTOR, (includes item 45)	
41		Ref	NEGATIVE BATTERY CABLE, (See ELECTRICAL SECTION for	

SECTION 4 - ENGINE AND ATTACHING PARTS

ITEM	PART NUMBER	QTY	DESCRIPTION	REV
42		Ref	Breakdown) POSITIVE BATTERY CABLE, (See ELECTRICAL SECTION for Breakdown)	
43	2220408	1	CONNECTOR, (includes item 46)	
44	91513234	1	SOCKET HD CAPSCREW, M10X1-1/2X30, GR10.9, (torque to 53-58 lb-ft)	
45	88591207	1	O-RING	
46	88591206	1	O-RING	
47	0641404	2	HEX HD CAPSCREW, 1/4-20X1/2, GR5	
48	83201044	4	HEX HD CAPSCREW, 5/8-11X4	
49	91473093	4	MOUNT SHOCK	
50	91081158	4	SPECIAL WASHER	
51	88521010	4	HEX LOCKNUT, 5/8-11	
52	88991001	1	O-RING	
53	0100011	AR	LOCTITE 242	
54	14404043	AR	LOCTITE 545	
K1	91535011	1	250 HOUR FILTER KIT, (includes oil filter with seal, fuel filter, primary air element, safety air element and fuel strainer)	C
K2	2915175	1	1000 HOUR FILTER KIT, (includes oil filter with seal, fuel filter, primary air element, safety air element, fuel strainer, hydraulic filter, hydraulic breather and transmission filter)	7

SECTION 4 - ENGINE AND ATTACHING PARTS

FIGURE 4-3. ENGINE ASSEMBLY, RH VIEW - JOHN DEERE ENGINE (SN 0190001 through 0190457, SN 016000022 through 0160003126)



- NOTE:** 1) USE LOCTITE® 242TM (0100011) ON ALL BOLT THREADS.
 2) USE LOCTITE® 545TM (14404043) ON ALL FITTINGS.
 3) ADD 12 QTS. OF OIL (14403420) TO CRANKCASE.

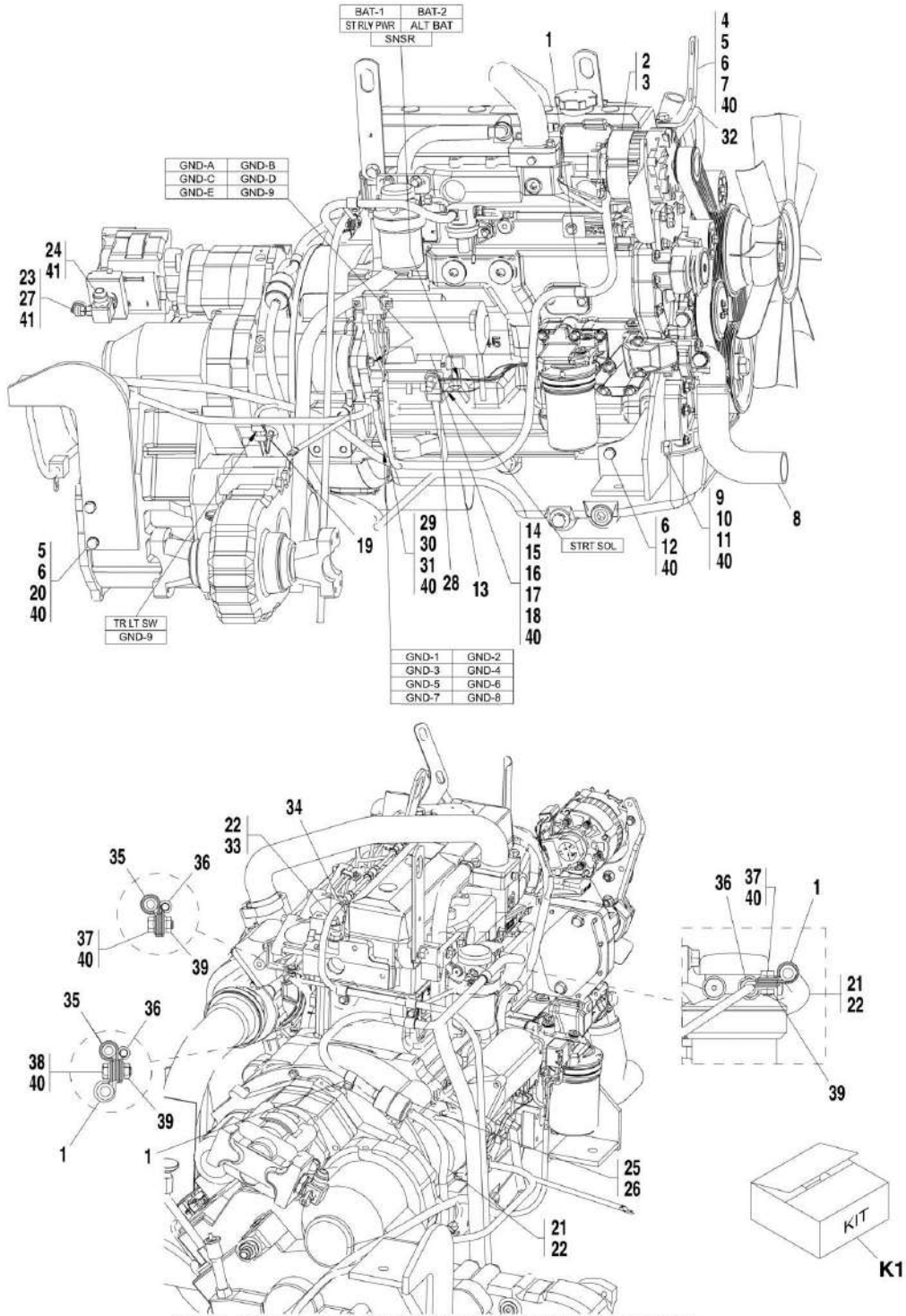
SECTION 4 - ENGINE AND ATTACHING PARTS

FIGURE 4-3. ENGINE ASSEMBLY, RH VIEW - JOHN DEERE ENGINE (SN 0190001 through 0190457, SN 016000022 through 0160003126)

ITEM	PART NUMBER	QTY	DESCRIPTION	REV
	91475010	1	ENGINE ASSY, (includes all items except 53 thru 56 on ENGINE ASSEMBLY, LH VIEW - JOHN DEERE ENGINE and all items on ENGINE ASSEMBLY, RH VIEW - JOHN DEERE ENGINE)	S
1	83191062	2	SOCKET HD CAPSCREW, M10X1-1/2X40, (torque to 38-48 lb-ft) (SN 0190406 through 0160003216)	
2	83191013	3	LOCKWASHER	
3	91403160	NLA	STARTER, (Leece-Neville), (no longer available, use 91415083 for replacement), (See OPTIONS SECTION for Breakdown), (includes item 19) (SN 0190001 through 0190405)	
3	91413104	NLA	STARTER, (Prestolite), (no longer available, use 91415083 for replacement), (See OPTIONS SECTION for Breakdown), (includes item 19) (SN 0190406 through 0160003216)	
4	83191040	3	SOCKET HD CAPSCREW, M10X1-1/2X30 (SN 0190001 through 0190405)	
4	83191040	1	SOCKET HD CAPSCREW, M10X1-1/2X30, (top inner mounting hole) (SN 0190406 through 0160003216)	
5	90028660	1	SUPPORT CLAMP	
6	91083218	1	FUEL STRAINER	
7	82092118	72 in	FUEL LINE, 5/16	
8	86883106	2	SUPPORT CLAMP	
9	91143122	1	SUPPORT CLAMP	
10	1001108293	1	ALTERNATOR, (includes item 11)	
11	1001108291	1	REGULATOR	
12		Ref	WIRING HARNESS, (See ELECTRICAL SECTION for Breakdown)	
13		Ref	POSITIVE BATTERY CABLE, (See ELECTRICAL SECTION for Breakdown)	
14		Ref	NEGATIVE BATTERY CABLE, (See ELECTRICAL SECTION for Breakdown)	
15		Ref	LOWER RADIATOR HOSE, (See RADIATOR ASSEMBLY - JOHN DEERE ENGINE for Breakdown)	
16	91476022	1	RH TRANSMISSION MOUNT	
17	83191032	2	HEX HD CAPSCREW, M12X1-3/4X35, (torque to 66-76 lb-ft)	
18	83191010	2	LOCKWASHER, M12	
19	91404274	1	STARTER SOLENOID (SN 0190001 through 0190405)	
19	91414040	1	STARTER SOLENOID (SN 0190406 through 0160003216)	
20	91563121	1	TRANSMISSION TEMPERATURE SWITCH (SN 0160002056 through 0160003126)	
21	0100011	AR	LOCTITE 242	

SECTION 4 - ENGINE AND ATTACHING PARTS

FIGURE 4-4. ENGINE ASSEMBLY, RH VIEW - JOHN DEERE ENGINE (SN 0160003208 through 0160040659)



NOTE: 1) USE LOCTITE® 242™ (0100011) ON ALL BOLT THREADS.
2) USE LOCTITE® 545™ (14404043) ON ALL FITTINGS.

PAP18840

SECTION 4 - ENGINE AND ATTACHING PARTS

FIGURE 4-4. ENGINE ASSEMBLY, RH VIEW - JOHN DEERE ENGINE (SN 0160003208 through 0160040659)

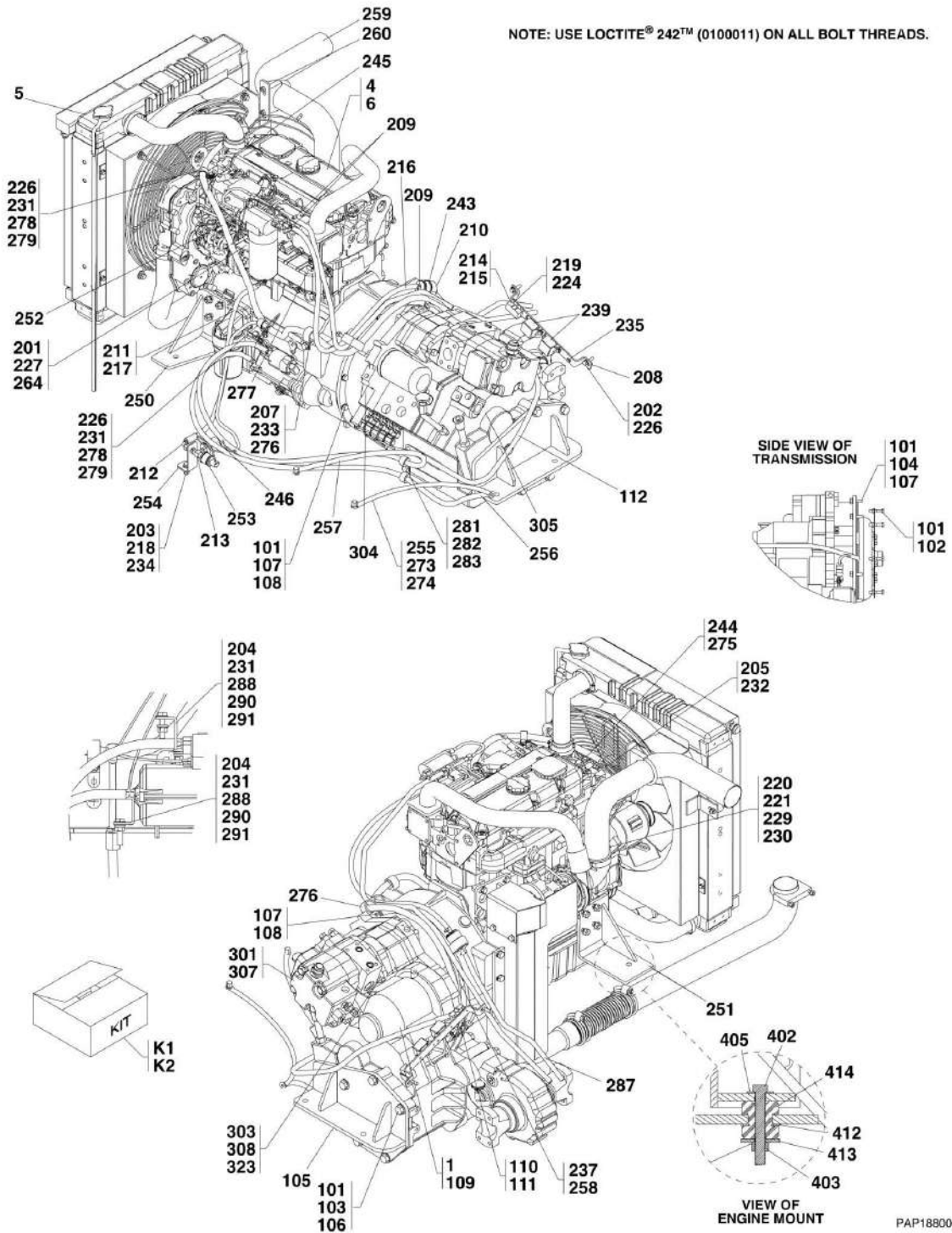
ITEM	PART NUMBER	QTY	DESCRIPTION	REV
	91475099	1	ENGINE ASSY, (includes all items except 48 thru 51 on ENGINE ASSEMBLY, LH VIEW - JOHN DEERE ENGINE and all items on ENGINE ASSEMBLY, RH VIEW - JOHN DEERE ENGINE)	M
1	91143122	4	SUPPORT CLAMP	
2	1001108293	1	ALTERNATOR, (includes item 3), (torque mounting bolts to 38-48 lb-ft)	
3	1001108291	1	REGULATOR	
4	91511166	1	AIR INTAKE BRACKET	
5	0761215	3	HEX HD CAPSCREW, M12X1-3/4X35, (torque to 66 lb-ft)	
6	83191010	4	LOCKWASHER, M12	
7	4711800	4	FLAT WASHER, 1/2	
8		Ref	LOWER RADIATOR HOSE, (See RADIATOR ASSEMBLY - JOHN DEERE ENGINE for Breakdown)	
9	0761614	2	HEX HD CAPSCREW, M16X2X30, (torque to 166-181 lb-ft)	
10	4712000	2	LOCKWASHER, M16	
11	91406027	1	RH FRONT ENGINE MOUNT	
12	0761214	1	HEX HD CAPSCREW, M12X1-3/4X30	
13		Ref	WIRING HARNESS, (See ELECTRICAL SECTION for Breakdown)	
14	91413104	NLA	STARTER , (Prestolite), (no longer available, use 91415083 for replacement), (See OPTIONS SECTION for Breakdown), (includes item 15) (SN 0160002053 through 0160006554, Including 0160006659, 0160006662, 0160006665 and 0160006667)	
15	91414040	1	STARTER SOLENOID	
16	83191062	2	SOCKET HD CAPSCREW, M10X1-1/2X40	
17	91513234	1	SOCKET HD CAPSCREW, M10X1-1/2X30, (top inner mtg hole)	
18	83191013	3	LOCKWASHER, M10	
19	91563121	1	TRANSMISSION TEMPERATURE SWITCH	
20	91476022	1	RH TRANSMISSION MOUNT	
21	2750532	102 in	FUEL LINE, 3/8	
22	86883106	3	HOSE CLAMP	
23	91053020	1	TEST COUPLING, (includes item 27)	
24	91413015	1	MODIFIED FITTING	
25	91083218	1	FUEL STRAINER	
26	90028660	1	SUPPORT CLAMP	
27	91054002	1	VITON O-RING, (lubricate lightly)	
28	3291201	1	HEX NUT, 12mm-1-3/4	
29	5251016	1	HEX FLANGE SCREW, 10-15X30mm	
30	5261000	1	HEX FLANGE NUT	
31	91043342	1	STUD	
32	90027187	6	TIE WRAP	
33	2720058	100 in	FUEL LINE, 5/16	
34	80373025	1	PUSH LOCK FITTING	
35	24861170	2	CLAMP	
36	91203039	3	CLAMP	
37	77143003	2	WHIZ-LOCK SCREW	
38	0791506	1	WHIZ-LOCK SCREW	
39	77143006	3	WHIZ-LOCK NUT	
40	0100011	AR	LOCTITE 242	
41	14404043	AR	LOCTITE 545	

SECTION 4 - ENGINE AND ATTACHING PARTS

ITEM	PART NUMBER	QTY	DESCRIPTION	REV
K1	91415084	1	ENGINE FILTER KIT, (includes all items)	A
K1	91404005	1	OIL FILTER ELEMENT	
K1	91404004	1	FUEL FILTER	
K1	1101313	1	AIR FILTER SAFETY ELEMENT	
K1	1101312	1	AIR FILTER ELEMENT	
K1	91083218	1	FUEL STRAINER	

SECTION 4 - ENGINE AND ATTACHING PARTS

FIGURE 4-5. ENGINE ASSEMBLY - PERKINS ENGINE (SN 0160021195 through 0160040659)



SECTION 4 - ENGINE AND ATTACHING PARTS

FIGURE 4-5. ENGINE ASSEMBLY - PERKINS ENGINE (SN 0160021195 through 0160040659)

ITEM	PART NUMBER	QTY	DESCRIPTION	REV
1	0275537	1	DANA TRANSMISSION ASSY, (not available to order, see items 101 thru 112 for service)	A
4	1001001491	1	ENGINE COMPONENTS, (not available to order, see items 201 thru 291 for service)	J
5		Ref	RADIATOR ASSY, (See RADIATOR ASSEMBLY - PERKINS ENGINE for Breakdown)	
6		Ref	PERKINS ENGINE, (See PERKINS ENGINE for Breakdown)	
101	0100011	AR	LOCTITE 242	
102	0651614	8	HEX HD CAPSCREW, 3/8-24X1-3/4	
103	0701617	5	HEX HD CAPSCREW, M16X45	
104	0711015	10	HEX HD CAPSCREW, M10X35	
105	4341318	1	TRANSMISSION MOUNTING BRACKET WELDMENT	
106	4712000	5	PLAIN WASHER, 5/8	
107	4812000	11	WASHER, 10mm	
108	91513234	1	SOCKET HD CAPSCREW, M10X1-1/2X30mm	
109		Ref	DANA 4-SPEED TRANSMISSION, (See DANA TRANSMISSION - CONVERTER HOUSING GROUP thru DANA TRANSMISSION - DROP BOX GROUP for Breakdown)	
110	0100020	AR	LOCTITE 567	
111	91563121	1	TEMPERATURE SWITCH	
112		Ref	DANA TRANSMISSION HARNESS, (See ELECTRICAL SECTION for Breakdown)	
201	0641406	2	HEX HD CAPSCREW, 1/4-20X3/4	
202	0681510	2	HEX HD CAPSCREW, 5/16-18X1-1/4	
203	0681610	1	HEX HD CAPSCREW, 3/8-16X1-1/4	
204	0700815	2	HEX HD CAPSCREW, 8X35mm, GR8.8	
205	0761012	2	HEX HD CAPSCREW, M10X25	
207	0761215	1	HEX HD CAPSCREW, M12X35	
208	0902991	1	ELECTRIC RELAY BRACKET	
209	1320022	4	BAND CLAMP	
210	90028660	1	LOOP CLAMP, 1-3/4	
211	2220574	1	FITTING, 1/8MP-1/4MJ	
212	2221164	1	FITTING, 1/8PT-1/4JIC BULKHEAD	
213	2221165	1	TEE FITTING, 1/8FPT	
214	2400073	1	FUSE HOLDER	
215	2400074	1	50 AMP FUSE	
216	2720058	218 in	FUEL LINE HOSE	
217	2753000	1	HOSE	
218	3311605	1	HEX NUT, 3/8-16, GR2	
219	3290305	2	TORQUE HEX LOCKNUT, M3X1/2	
220	3290501	1	HEX NUT, M5X0.8	
221	3290601	1	HEX NUT, M6X1	
224	4010308	2	POZI-DRIVEN PAN HD SCREW, 3X16	
226	4711500	4	PLAIN WASHER, 5/16	
227	4761400	2	LOCKWASHER, 1/4	
229	4831600	1	SPRING LOCKWASHER, 5mm	
230	4831700	1	SPRING LOCKWASHER, 6mm	
231	4831900	5	SPRING LOCKWASHER, 8mm	
232	4832000	2	SPRING LOCKWASHER, 10mm	
233	4832100	1	SPRING LOCKWASHER, 12mm	
234	4891600	2	HARDENED WASHER, 3/8	

SECTION 4 - ENGINE AND ATTACHING PARTS

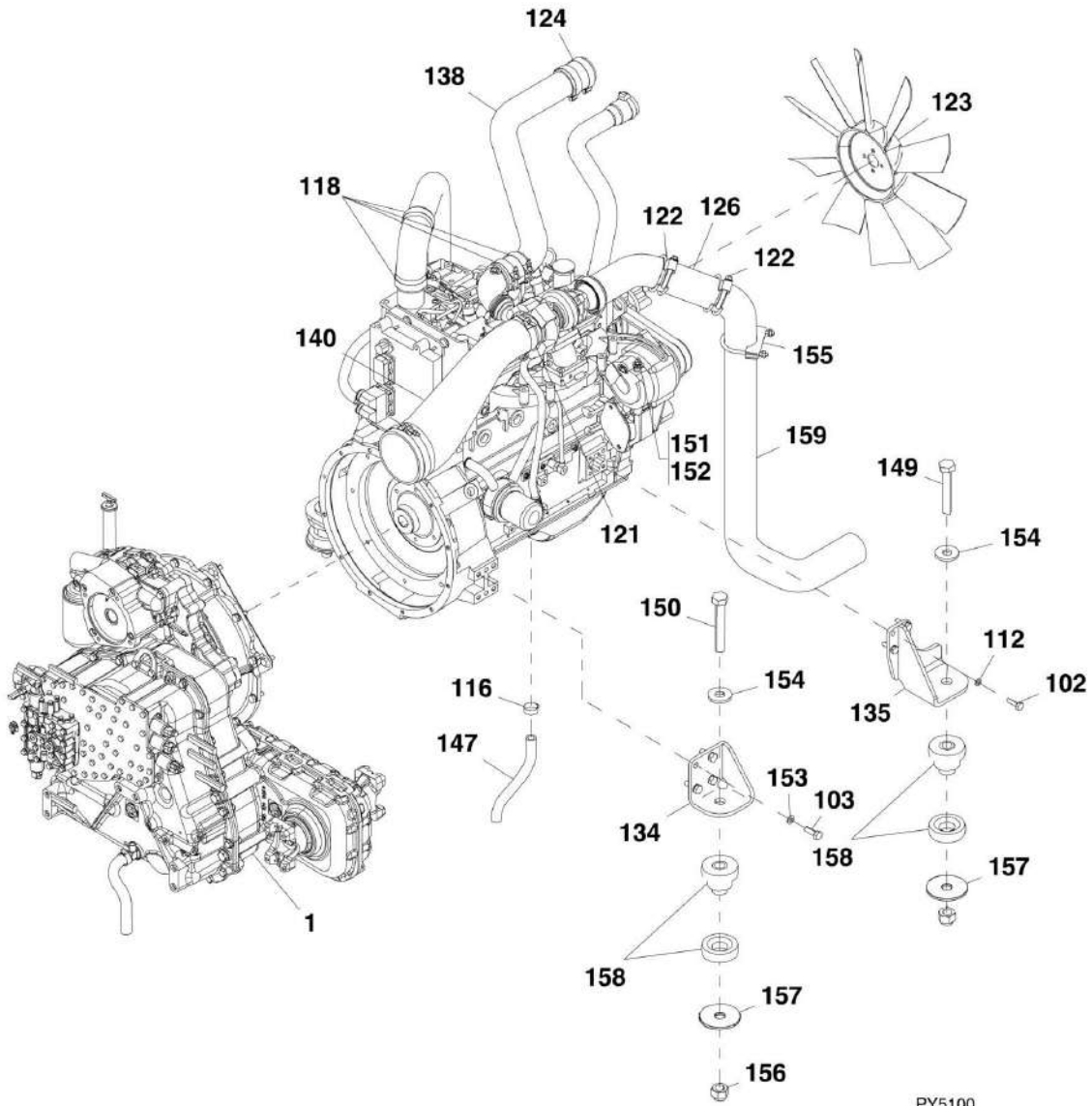
ITEM	PART NUMBER	QTY	DESCRIPTION	REV
235	5200605	5	RIPP BOLT, 6X10mm	
237	10701361	1	EXTERNAL TOOTH LOCKWASHER, 1/2	
238	24921332	1	EXHAUST CLAMP, (not shown)	
239	77383377	2	BOSCH STARTER RELAY	
243	91083218	1	FUEL STRAINER	
244	91143122	1	SUPPORT CLAMP	
245	1001001535	1	WATER TEMPERATURE SENSOR	
246	91143315	1	OIL PRESSURE SENSOR	
247	91163129	1	BAND CLAMP	
250	1001001506	1	RH ENGINE MOUNT	
251	1001001507	1	LH ENGINE MOUNT	
252		Ref	ENGINE HARNESS, (See ELECTRICAL SECTION for Breakdown)	
253	1001001514	1	OIL PRESSURE SENDER	
254	1001001518	1	MOUNTING PLATE BRACKET	
255	1001001520	1	BATTERY CABLE, (negative battery to frame)	
256	1001001521	1	BATTERY CABLE, (negative frame to starter)	
257	1001001522	1	BATTERY CABLE, (positive)	
258	1001001528	1	CAB GROUND CABLE	
259	1001001804	1	TURBO INTAKE TUBE	
260	1001001805	1	TURBO INTAKE MOUNTING BRACKET	
264	1001001821	1	THROTTLE CABLE BRACKET	
271	1001001851	1	ELBOW, 90	
272	1001001853	1	BAND CLAMP	
273	77143015	1	WHIZ-LOCK NUT, 3/8-16	
274	77383567	2	BATTERY TERMINAL NUT	
275	0760808	1	HEX HD CAPSCREW, M8X16	
276	24601710	3	SUPPORT CLAMP	
277	88621230	1	SUPPORT CLAMP	
278	80683013	2	SUPPORT CLAMP	
279	0760810	2	HEX HD CAPSCREW, M8X20	
280	0100011	AR	LOCTITE 242	
281	0701214	1	HEX HD CAPSCREW, M12X30	
282	80673023	2	SUPPORT CLAMP	
283	83191010	1	LOCKWASHER, M12	
287	2750532	96 in	FUEL HOSE	
288	6621412	2	STARTER TERMINAL	
289	0760812	1	HEX HD CAPSCREW, 8X25mm, GR8.8, (not shown)	
290	4811900	4	FLAT WASHER, 8mm	
291	3290801	2	HEX NUT, 8X1-1/4mm	
301		Ref	IMPLEMENT HYDRAULIC PUMP, (See HYDRAULIC COMPONENTS SECTION for Breakdown)	
303	0641812	2	HEX HD CAPSCREW, 1/2-13X1-1/2	
304	2220408	1	CONNECTOR	
305	2220451	1	CONNECTOR	
307	3790045	2	O-RING	
308	4761800	2	LOCKWASHER, 1/2	
323	0100011	AR	LOCTITE 242	
402	0641830	4	HEX HD CAPSCREW, 1/2-13X3-3/4	
403	3311805	4	HEX LOCKNUT, 1/2-13	
405	4751800	4	PLAIN WASHER, 1/2	
412	91561240	4	ENGINE MOUNT SHIM	
413	91561241	4	ENGINE MOUNT WASHER	

SECTION 4 - ENGINE AND ATTACHING PARTS

ITEM	PART NUMBER	QTY	DESCRIPTION	REV
414	91563213	4	RUBBER ENGINE MOUNT	
K1	1001001532	1	250 HOUR FILTER KIT, (includes oil filter element, fuel filter, primary air element, safety air element and fuel strainer)	4
K2	1001111852	1	1000 HOUR FILTER KIT, (includes oil filter element, fuel filter, primary air element, safety air element, fuel strainer, hydraulic element, hydraulic breather and transmission filter)	A

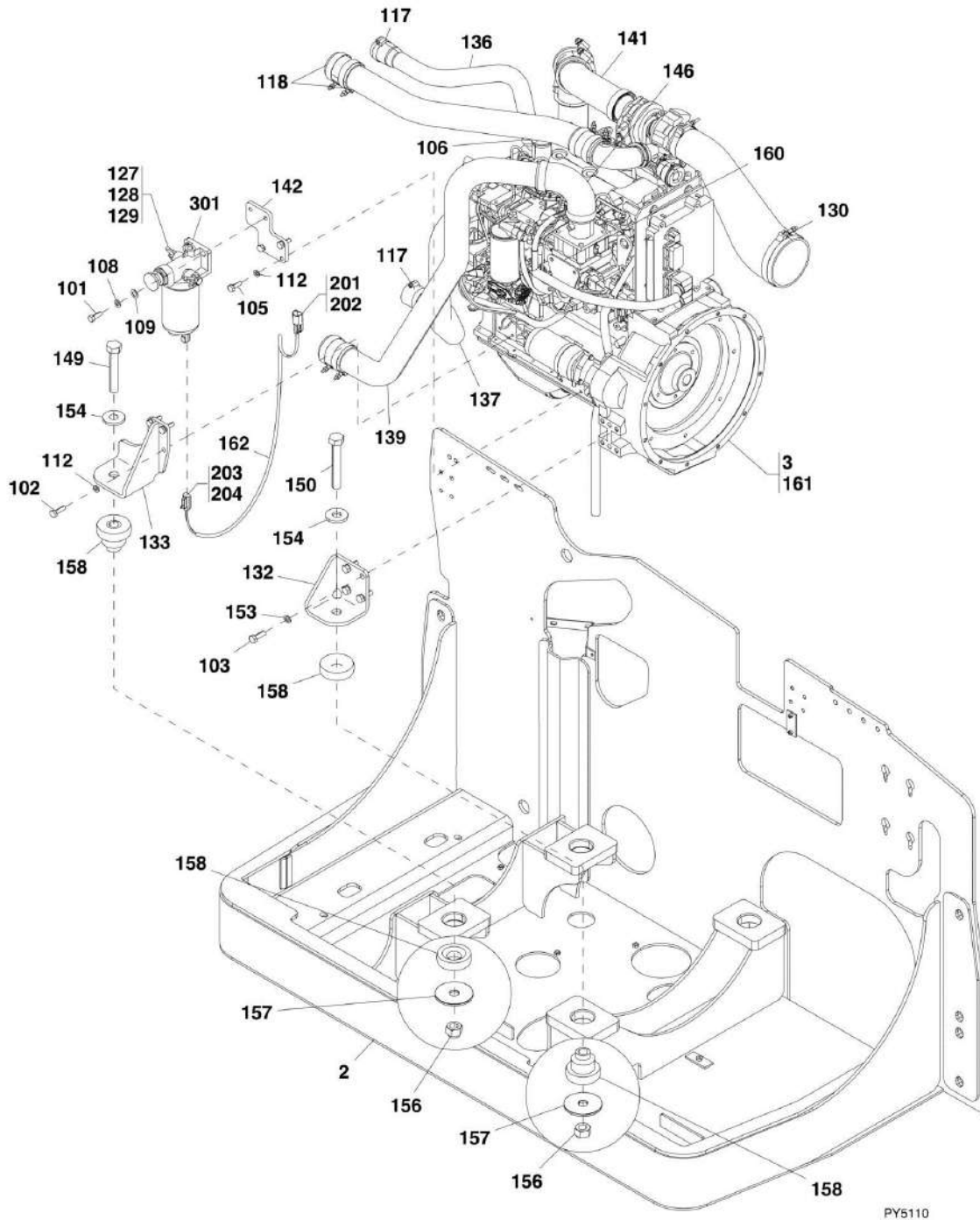
SECTION 4 - ENGINE AND ATTACHING PARTS

FIGURE 4-6. ENGINE INSTALLATION - CUMMINS ENGINE (SN 0160040678 to Present)



PY5100

SECTION 4 - ENGINE AND ATTACHING PARTS



SECTION 4 - ENGINE AND ATTACHING PARTS

FIGURE 4-6. ENGINE INSTALLATION - CUMMINS ENGINE (SN 0160040678 to Present)

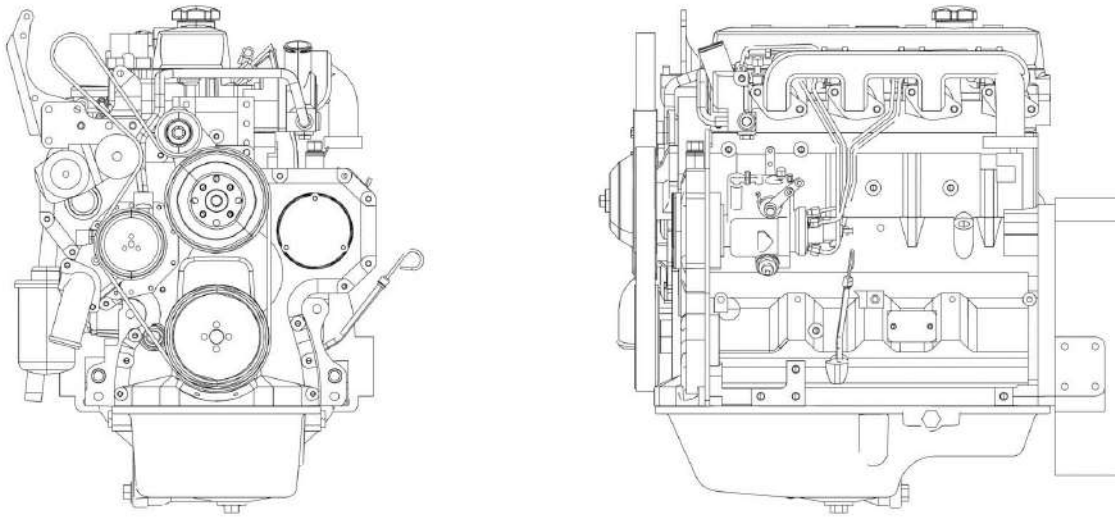
ITEM	PART NUMBER	QTY	DESCRIPTION	REV
	1001128601	Ref	ENGINE INSTALLATION, ZF , (not available to order, see items 1 thru 3 for service) (SN 0160040678 through 0160045456, Excluding 0160043800)	A
	1001133465	Ref	ENGINE INSTALLATION, DANA , (not available to order, see items 1 thru 3 for service) (SN 0160045464 to Present, Including 0160043800)	A
1		Ref	ZF TRANSMISSION INSTALLATION, (See ZF TRANSMISSION INSTALLATION for Breakdown)	
1		Ref	DANA TRANSMISSION INSTALLATION, (See DANA TRANSMISSION INSTALLATION for Breakdown)	
2		Ref	ENGINE POD WELDMENT, (See FRAME AND ATTACHING PARTS SECTION for Breakdown)	
3	1001119642	Ref	ENGINE COMPONENT INSTALLATION, (not available to order, see items 101 thru 160 & 162 for service)	I
101	0641709	2	HEX HD CAPSCREW, 7/16-14X1-1/8, GR5	
102	0701014	8	HEX HD CAPSCREW, M10X30, GR8.8	
103	0701215	8	HEX HD CAPSCREW, M12X35, GR8.8	
105	0761014	3	HEX HD CAPSCREW, M10X35, GR8.8	
106		Ref	CLAMP, 2-1/2IN, (See RADIATOR ASSEMBLY - CUMMINS ENGINE for Breakdown)	
108	4711700	2	WASHER, 7/16	
109	4761700	2	LOCKWASHER, 7/16	
112	4832000	11	SPRING LOCKWASHER, 10mm	
116	8405007	1	CLAMP	
117		Ref	GEAR CLAMP, 2.25IN, (See RADIATOR ASSEMBLY - CUMMINS ENGINE for Breakdown)	
118		Ref	T-BOLT CLAMP, (See RADIATOR ASSEMBLY - CUMMINS ENGINE for Breakdown)	
119		Ref	HOSE CLAMP, (not shown), (See FUEL TANK AND LINES for Breakdown)	
121		Ref	HEAVY DUTY BAND CLAMP, (See AIR CLEANER AND INSTALLATION - CUMMINS ENGINE for Breakdown)	
122		Ref	PIPE CLAMP, (See EXHAUST INSTALLATION - CUMMINS ENGINE for Breakdown)	
123	1001098559	1	FAN	
124		Ref	HOSE, (See RADIATOR ASSEMBLY - CUMMINS ENGINE for Breakdown)	
126		Ref	FLEX TUBE, (See EXHAUST INSTALLATION - CUMMINS ENGINE for Breakdown)	
127		Ref	BOLT, M14, (See FUEL TANK AND LINES for Breakdown)	
128		Ref	SEAL, (See FUEL TANK AND LINES for Breakdown)	
129		Ref	BANJO ADAPTER, M14X3/8, (See FUEL TANK AND LINES for Breakdown)	
130		Ref	T-BOLT CLAMP, (See AIR CLEANER AND INSTALLATION - CUMMINS ENGINE for Breakdown)	
132	1001119482	1	RH ENGINE MOUNT	
133	1001119483	1	RH ENGINE MOUNT	
134	1001119484	1	LH ENGINE MOUNT	
135	1001119485	1	LH ENGINE MOUNT	
136		Ref	UPPER RADIATOR HOSE, (See RADIATOR ASSEMBLY - CUMMINS ENGINE for Breakdown)	
137		Ref	LOWER RADIATOR HOSE, (See RADIATOR ASSEMBLY - CUMMINS ENGINE for Breakdown)	
138		Ref	INLET PIPE, (See RADIATOR ASSEMBLY - CUMMINS ENGINE	

SECTION 4 - ENGINE AND ATTACHING PARTS

ITEM	PART NUMBER	QTY	DESCRIPTION	REV
139		Ref	for Breakdown) OUTLET PIPE, (See RADIATOR ASSEMBLY - CUMMINS ENGINE for Breakdown)	
140		Ref	AIR INTAKE PIPE, (See AIR CLEANER AND INSTALLATION - CUMMINS ENGINE for Breakdown)	
141		Ref	PIPE ELBOW, (See EXHAUST INSTALLATION - CUMMINS ENGINE for Breakdown)	
142	1001120026	1	FUEL FILTER PLATE	
146		Ref	ELBOW, (See RADIATOR ASSEMBLY - CUMMINS ENGINE for Breakdown)	
147	1001109536	1	HOSE	
148		Ref	HOSE, (not shown), (See FUEL TANK AND LINES for Breakdown)	
149	0682440	2	HEX HD CAPSCREW, 7/8-9X5	
150	0682444	2	HEX HD CAPSCREW, 7/8-5X5-1/2	
151	3290801	1	HEX NUT, M8X1-1/4	
152	4831900	1	SPRING LOCKWASHER, 8mm	
153	4832100	8	SPRING LOCKWASHER, 12mm	
154	4892500	4	WASHER, 7/8	
155		Ref	3 IN CLAMP, (See EXHAUST INSTALLATION - CUMMINS ENGINE for Breakdown)	
156	8305634	4	HEX LOCKNUT, 7/8-9	
157	80373049	4	WASHER	
158	1001116961	4	RUBBER MOUNT	
159		Ref	EXHAUST PIPE, (See EXHAUST INSTALLATION - CUMMINS ENGINE for Breakdown)	
160	1001126918	1	PLATE	
161		Ref	CUMMINS ENGINE, 99HP, TIER III, (See CUMMINS ENGINE for Breakdown)	
162	1001127519	1	HARNESS, (includes items 201 thru 204)	A
201	4460897	1	2 POSITION TERMINAL	
201	80604017	1	WEDGE LOCK	
202	4460464	1	PIN TERMINAL	
203	4460891	1	CONNECTOR	
203	80604018	1	WEDGE LOCK	
204	4460465	1	TERMINAL	
301		Ref	PRIMARY FUEL FILTER ASSY, (See CUMMINS ENGINE for Breakdown)	

SECTION 4 - ENGINE AND ATTACHING PARTS

FIGURE 4-7. JOHN DEERE ENGINE (SN 0190001 through 0190457, SN 016000022 through 0160003126)



SECTION 4 - ENGINE AND ATTACHING PARTS

FIGURE 4-7. JOHN DEERE ENGINE (SN 0190001 through 0190457, SN 016000022 through 0160003126)

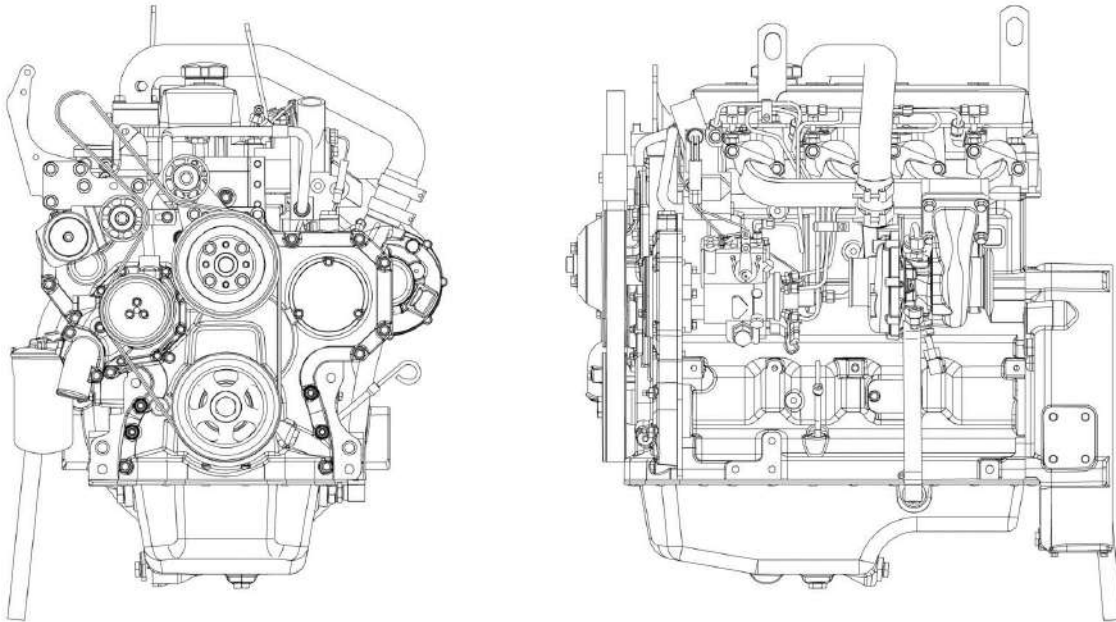
ITEM	PART NUMBER	QTY	DESCRIPTION	REV
	91473016	1	JOHN DEERE ENGINE, (includes all items)	C
	91404220	1	ENGINE CYLINDER HEAD GASKET	
	91404219	1	GASKET OVERHAUL KIT	
	91404221	1	BOLT, BELT TENSIONER	
	91404222	1	SCREW, BELT TENSIONER	
	91404223	1	SHEAVE, BELT TENSIONER	
	91404224	1	OIL COOLER	
	91404225	1	GASKET, OIL COOLER	
	91404226	1	GASKET, OIL COOLER	
	91404227	2	O-RING, OIL COOLER	
	91404228	2	O-RING, OIL COOLER	
	91404229	1	O-RING, WATER PUMP INLET	
	91404230	1	KIT, WATER PUMP INLET	
	70023425	1	SEAL, FRONT MAIN SEAL	
	91404232	1	GASKET, WATER PUMP	
	91404233	1	WATER PUMP	
	91404234	4	GASKET, EXHAUST MANIFOLD	
	91404235	1	PULLEY, FAN	
	91404236	1	SCREW, FAN PULLEY	
	91404237	1	SPACER, FAN PULLEY	
	91404238	1	SLEEVE, FAN PULLEY	
	91404239	1	BEARING HOUSING WITH BEARING	
	7026927	1	GASKET, THERMOSTAT	
	91404241	3	PLUG, OIL PAN	
	91404242	1	GASKET, OIL PAN	
	91404243	2	O-RING, OIL PAN	
	91404244	1	SEAL, INJECTOR	
	91404245	1	VALVE, INJECTOR	
	91404246	1	STEEL, INJECTOR	
	91404247	1	O-RING, INJECTOR	
	91404249	1	INJECTION NOZZLE	
	91474185	1	FLYWHEEL, WITH RING GEAR	
	91404251	1	SEAL, REAR MAIN	
	91404252	1	PULLEY, MAIN	
	91404253	2	GASKET, OIL FILLER	
	91404254	1	PACKING, VALVE COVER NUT	
	91404255	1	PACKING, FILLER CAP	
	91404256	4	PLUG, VALVE COVER	
	91404257	1	GASKET, VALVE COVER	
	91404258	1	FILLER CAP, VALVE COVER	
	91404259	4	O-RING, VALVE COVER	
	91404260	1	COOLANT, PRE-MIX (2.5 gal)	
	91404261	1	COOLANT CONDITIONER	
	91404262	1	FUEL TRANSFER PUMP	
	91404263	1	THERMOSTAT	
	91404264	1	THERMOSTAT COVER SEAL	
	91474629	1	ALTERNATOR BRACKET	
	91474630	1	ALTERNATOR SUPPORT	
	91474631	1	ALTERNATOR STRAP	

SECTION 4 - ENGINE AND ATTACHING PARTS

ITEM	PART NUMBER	QTY	DESCRIPTION	REV
	91404451	1	WATER TEMPERATURE SENDER	
	70021472	1	BELT TENSIONER	
	80374047	1	IDLER PULLEY	

SECTION 4 - ENGINE AND ATTACHING PARTS

FIGURE 4-8. JOHN DEERE ENGINE (SN 0160003208 through 0160006554, Including 0160006659, 0160006662, 0160006665 and 0160006667)



SECTION 4 - ENGINE AND ATTACHING PARTS

FIGURE 4-8. JOHN DEERE ENGINE (SN 0160003208 through 0160006554, Including 0160006659, 0160006662, 0160006665 and 0160006667)

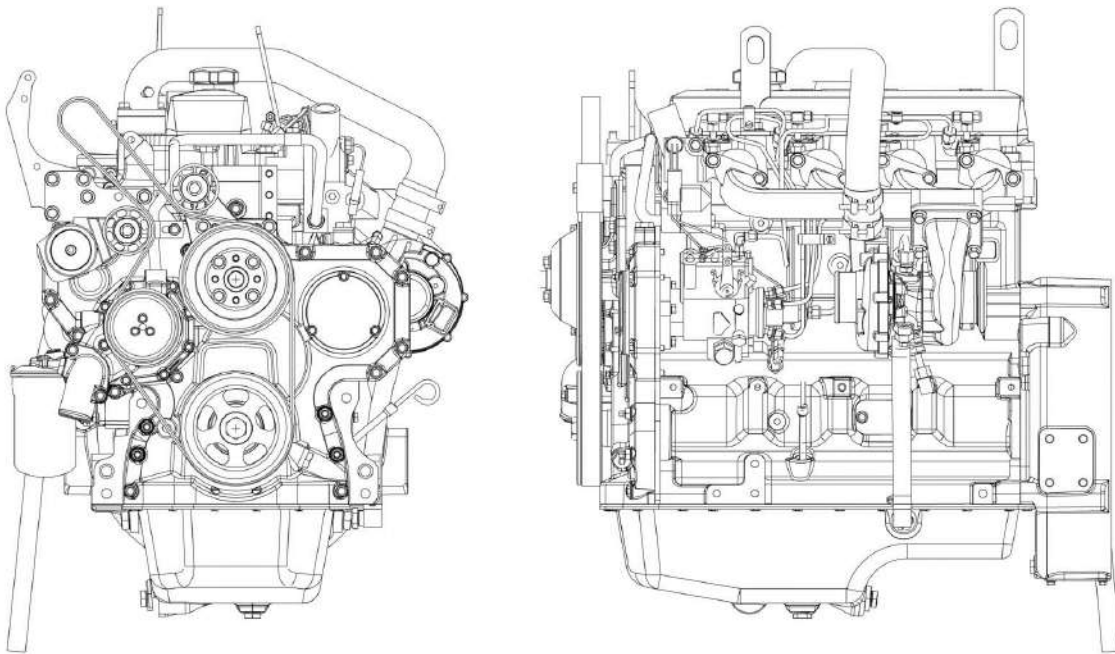
ITEM	PART NUMBER	QTY	DESCRIPTION	REV
	91513231	1	JOHN DEERE ENGINE, 99HP, (includes all items)	C
	91404257	1	GASKET, VALVE COVER	
	91404256	4	PLUG, VALVE COVER	
	91404259	4	O-RING, VALVE COVER PLUG	
	91404258	1	FILLER CAP, VALVE COVER, (includes Packing)	
	91404255	1	PACKING, FILLER CAP	
	91404253	2	GASKET, OIL FILLER	
	91404251	1	SEAL, REAR MAIN	
	91474185	1	FLYWHEEL, (includes Ring Gear)	
	80374031	1	RING GEAR	
	91514256	1	FUEL PUMP	
	91553057	1	GASKET, AIR INLET	
	7026918	1	GASKET, AIR INLET	
	91404242	1	GASKET, OIL PAN	
	80374037	1	O-RING, OIL PUMP INTAKE	
	7026927	1	GASKET, THERMOSTAT COVER	
	7026920	1	THERMOSTAT	
	91404086	1	BELT	
	91404234	4	GASKET, EXHAUST MANIFOLD	
	91404004	1	FUEL FILTER ELEMENT	
	80374054	1	FUEL FILTER KIT	
	80374050	1	FUEL FILTER SEAL KIT	
	91404262	1	FUEL PUMP, (includes o-ring)	
	7026923	1	O-RING, FUEL PUMP	
	91474171	1	DIPSTICK	
	80374033	1	DIPSTICK TUBE	
	91404233	1	WATER PUMP	
	91404232	1	GASKET, WATER PUMP	
	91404264	1	GASKET, WATER PUMP	
	70023425	1	SEAL, FRONT MAIN	
	91514260	1	GASKET, FRONT MAIN	
	91514257	1	O-RING, FRONT MAIN COVER	
	91514258	1	OIL PUMP	
	91404220	1	GASKET, CYLINDER HEAD	
	91404229	1	O-RING, WATER PUMP INLET	
	91404224	1	OIL COOLER	
	91404225	1	GASKET, OIL COOLER	
	91404226	1	GASKET, OIL COOLER	
	91514259	1	TURBOCHARGER	
	91404267	1	GASKET, TURBOCHARGER	
	91404265	1	GASKET, TURBOCHARGER	
	91534005	1	OIL FILTER	
	80374036	1	GASKET, OIL FILTER	
	91474506	1	DRAIN PLUG, OIL FILTER HEAD, (includes o-ring)	
	80374020	1	O-RING, DRAIN PLUG	
	91404221	1	BOLT, BELT TENSIONER	
	91404222	1	SCREW, BELT TENSIONER	
	91404223	1	SHEAVE, BELT TENSIONER	
	91474629	1	ALTERNATOR BRACKET	

SECTION 4 - ENGINE AND ATTACHING PARTS

ITEM	PART NUMBER	QTY	DESCRIPTION	REV
	91474630	1	ALTERNATOR SUPPORT	
	91474631	1	ALTERNATOR STRAP	

SECTION 4 - ENGINE AND ATTACHING PARTS

FIGURE 4-9. JOHN DEERE ENGINE (SN 0160006593 through 0160040659, Excluding 0160006659, 0160006662, 0160006665 and 0160006667)



SECTION 4 - ENGINE AND ATTACHING PARTS

FIGURE 4-9. JOHN DEERE ENGINE (SN 0160006593 through 0160040659, Excluding 0160006659, 0160006662, 0160006665 and 0160006667)

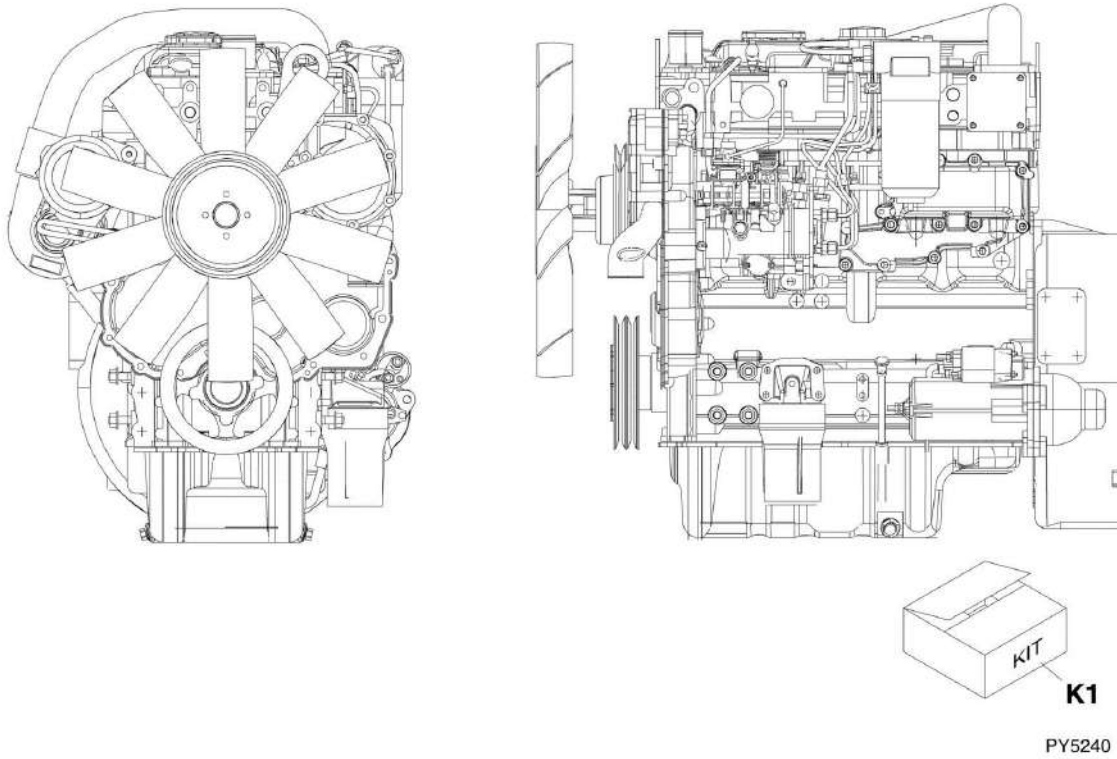
ITEM	PART NUMBER	QTY	DESCRIPTION	REV
	91513271	1	JOHN DEERE ENGINE, 99HP, (includes all items)	B
	91404257	1	GASKET, VALVE COVER	
	91404256	4	PLUG, VALVE COVER	
	91404259	4	O-RING, VALVE COVER PLUG	
	91404258	1	FILLER CAP, VALVE COVER, (includes Packing)	
	91404255	1	PACKING, FILLER CAP	
	91404253	2	GASKET, OIL FILLER	
	91404251	1	SEAL, REAR MAIN	
	91474185	1	FLYWHEEL, (includes Ring Gear)	
	80374031	1	RING GEAR	
	91514256	1	FUEL PUMP	
	91553057	1	GASKET, AIR INLET	
	7026918	1	GASKET, AIR INLET	
	91404242	1	GASKET, OIL PAN	
	80374037	1	O-RING, OIL PUMP INTAKE	
	7026927	1	GASKET, THERMOSTAT COVER	
	7026920	1	THERMOSTAT	
	91404086	1	BELT	
	91404234	4	GASKET, EXHAUST MANIFOLD	
	91404004	1	FUEL FILTER ELEMENT	
	80374054	1	FUEL FILTER KIT	
	80374050	1	FUEL FILTER SEAL KIT	
	91404262	1	FUEL PUMP, (includes o-ring)	
	7026923	1	O-RING, FUEL PUMP	
	91474171	1	DIPSTICK	
	80374033	1	DIPSTICK TUBE	
	91404233	1	WATER PUMP	
	91404232	1	GASKET, WATER PUMP	
	91404264	1	GASKET, WATER PUMP	
	70023425	1	SEAL, FRONT MAIN	
	91514260	1	GASKET, FRONT MAIN	
	91514257	1	O-RING, FRONT MAIN COVER	
	91514258	1	OIL PUMP	
	91404220	1	GASKET, CYLINDER HEAD	
	91404229	1	O-RING, WATER PUMP INLET	
	91404224	1	OIL COOLER	
	91404225	1	GASKET, OIL COOLER	
	91404226	1	GASKET, OIL COOLER	
	91514259	1	TURBOCHARGER	
	91404267	1	GASKET, TURBO CHARGER	
	91404265	1	GASKET, TURBO CHARGER	
	91534005	1	OIL FILTER	
	80374036	1	GASKET, OIL FILTER	
	91474506	1	DRAIN PLUG, OIL FILTER HEAD, (includes o-ring)	
	80374020	1	O-RING, DRAIN PLUG	
	91404221	1	BOLT, BELT TENSIONER	
	91404222	1	SCREW, BELT TENSIONER	
	91404223	1	SHEAVE, BELT TENSIONER	
	7026921	1	STARTER	

SECTION 4 - ENGINE AND ATTACHING PARTS

ITEM	PART NUMBER	QTY	DESCRIPTION	REV
	91474629	1	ALTERNATOR BRACKET	
	91474630	1	ALTERNATOR SUPPORT	
	91474631	1	ALTERNATOR STRAP	
	91404272	4	FUEL INJECTOR	

SECTION 4 - ENGINE AND ATTACHING PARTS

FIGURE 4-10. PERKINS ENGINE (SN 0160021195 through 0160040659)



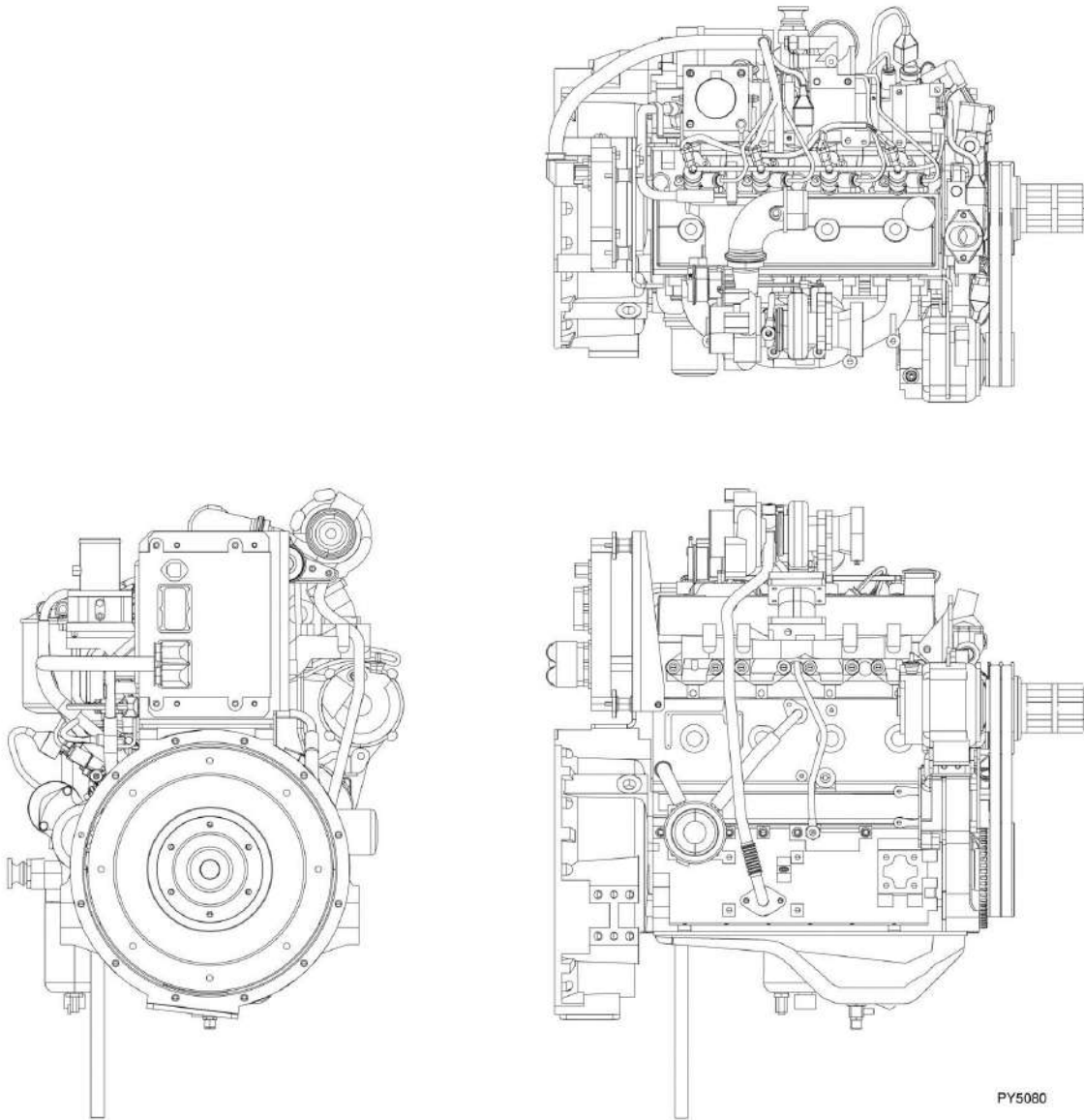
SECTION 4 - ENGINE AND ATTACHING PARTS

FIGURE 4-10. PERKINS ENGINE (SN 0160021195 through 0160040659)

ITEM	PART NUMBER	QTY	DESCRIPTION	REV
	1001001839	1	PERKINS ENGINE, (includes all items)	B
	7028655	1	FUEL FILTER KIT	
	7029894	1	DIPSTICK	
	7029895	1	DIPSTICK TUBE	
	8006013	1	OIL FILTER	
	7029782	1	STARTER MOTOR	
	7029783	1	ALTERNATOR	
	70021487	1	ALTERNATOR BRACKET	
	70022341	1	ALTERNATOR PULLEY, TWO GROOVE	
	7029896	1	THERMOSTAT, (includes o-ring)	
	7029779	1	FAN BELT	
	7029784	1	FAN	
	70022342	1	PULLEY, FAN DRIVE	
	70022353	1	HOUSING, FAN DRIVE	
	70020172	1	FUEL INJECTION PUMP	
	7028681	1	OIL FILLER CAP	
	70020574	1	FUEL LIFT PUMP	
	70022357	1	MOUNTING KIT, FUEL LIFT PUMP	
	70022340	1	BOWL, LIFT PUMP	
	70022339	1	DRAIN PLUG, LIFT PUMP	
	7028677	1	COLD START TEMP. SWITCH	
	7028678	1	COLD START TEMP. SWITCH CABLE	
	7028663	1	WATER PUMP ASSY, (includes water pump gasket)	
	7028666	1	WATER PUMP GASKET	
	70021533	1	TURBOCHARGER	
	70022351	1	OIL FILTER HEAD	
	7028654	1	GASKET, OIL FILTER HEAD	
	7028676	4	GLOW PLUG	
	7028680	1	STARTER RING GEAR	
	7028689	1	FUEL SHUT-OFF SOLENOID	
	70022352	1	COVER, CYLINDER HEAD	
K1	7028664	1	WATER PUMP REPAIR KIT, (includes parts within the water pump and water pump gasket)	

SECTION 4 - ENGINE AND ATTACHING PARTS

FIGURE 4-11. CUMMINS ENGINE (SN 0160040678 to Present)



PY5080

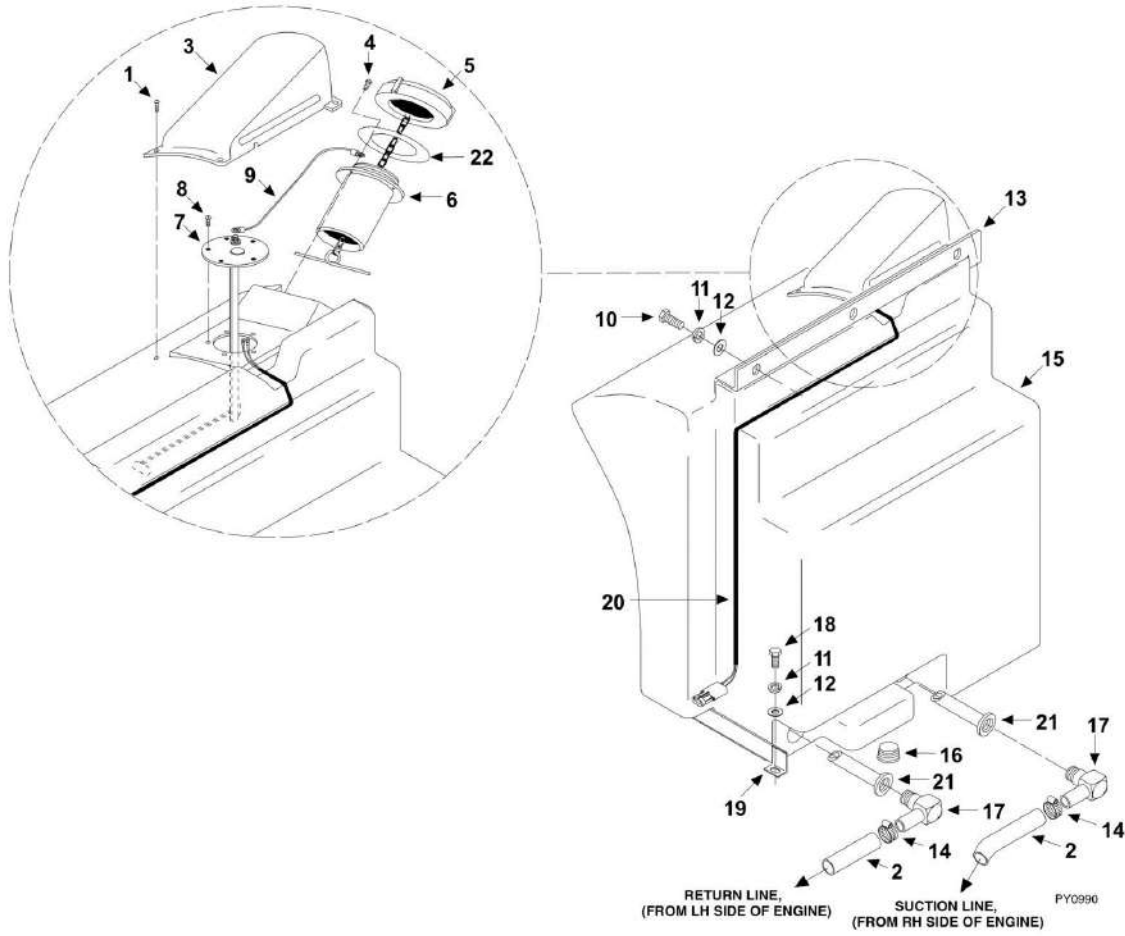
SECTION 4 - ENGINE AND ATTACHING PARTS

FIGURE 4-11. CUMMINS ENGINE (SN 0160040678 to Present)

ITEM	PART NUMBER	QTY	DESCRIPTION	REV
	1001119756	1	CUMMINS ENGINE, 99HP, TIER III, (check engine part number prior to ordering replacement engine), (includes all items)	D
	1001137283	1	CUMMINS ENGINE, 99HP, (check engine part number prior to ordering replacement engine), (includes all items)	A
	70021849	1	ALTERNATOR	
	70021854	1	DIPSTICK	
	70023793	1	DIPSTICK TUBE	
	70021852	2	FAN BELT	
	8036204	1	OIL FILTER ELEMENT	
	70022843	1	OIL FILL CAP	
	70021850	1	STARTER	
	91414040	1	STARTER SOLENOID	
	70022844	1	OIL PAN PLUG	
	70023807	1	AIR INTAKE HEATER	
	70023791	1	AIR INTAKE HEATER GASKET	
	70023808	1	BLOCK HEATER AND CABLE	
	80384396	2	HEX HD CAPSCREW, 10X30mm, (secondary fuel filter mounting)	
	70023792	1	SECONDARY FUEL FILTER ASSY, (includes filter element, filter head and seal)	
	70022846	1	FUEL FILTER ELEMENT	
	70023794	1	OIL PAN	
	70023810	1	FAN SPACER	
	70023811	1	PRIMARY FUEL FILTER ASSY, (includes filter element and filter head)	
	70023812	1	PRIMARY FUEL FILTER ELEMENT	
	70023813	1	O-RING SEAL, (used with primary fuel filter)	
	70021847	1	THERMOSTAT KIT, (includes thermostat and gasket)	
	70027300	1	Sensor Assy, Speed, (includes o-ring)	
	70025893	1	TURBOCHARGER KIT, (includes mounting gasket)	

SECTION 4 - ENGINE AND ATTACHING PARTS

FIGURE 4-12. FUEL TANK AND LINES (Prior to SN 0160020148)



SECTION 4 - ENGINE AND ATTACHING PARTS

FIGURE 4-12. FUEL TANK AND LINES (Prior to SN 0160020148)

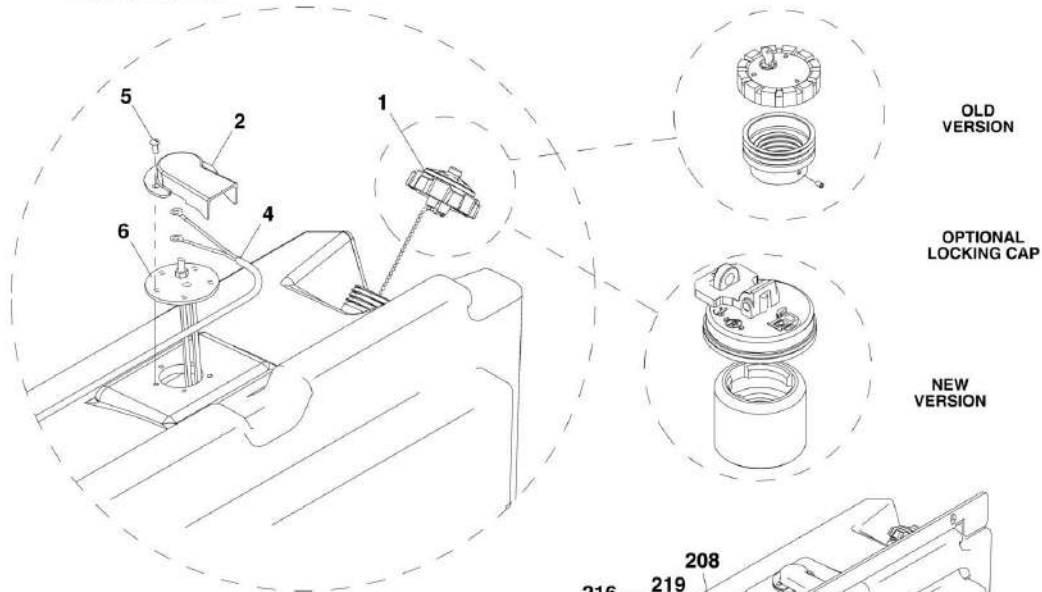
ITEM	PART NUMBER	QTY	DESCRIPTION	REV
	91405042	1	FUEL TANK ASSY, (not available to order, see items 4 thru 9, 15, 20 & 22)	K
1	77143003	4	WHIZ-LOCK BOLT, 5/16-18X5/8	
2		Ref	FUEL LINE, 5/16	
3	91403254	1	FUEL TANK HOOD	
4	88261014	4	SOCKET BUTTON HD CAPSCREW, 1/4-20X1/2	
5	91403513	1	FUEL TANK CAP, (with chain)	
5	91403514	1	LOCKING FUEL TANK CAP, (if equipped), (includes key)	
5	91404443	1	KEY	
6	91403524	1	FILLER NECK	
7	91403609	1	FUEL LEVEL SENDER	
8	88301191	5	ROUND HD MACHINE SCREW, #10-32X3/8	
9	91401581	1	JUMPER WIRE (Prior to SN 0160002034)	
10	88201036	3	HEX HD CAPSCREW, 3/8-16X1-1/4, GR5	
11	88561004	5	FLAT WASHER, 3/8	
12	88551011	5	LOCKWASHER, 3/8	
13	91401198	1	FUEL TANK HOLD DOWN	
14	86883106	2	HOSE CLAMP	
15	91403176	1	FUEL TANK, (includes item 21)	
16	88711283	1	HEX SOCKET PIPE PLUG, 1/2	
17	1001113251	2	ELBOW, 90	
18	88201035	2	HEX HD CAPSCREW, 3/8-16X1, GR5	
19	91511215	1	FUEL TANK STRAP	
20	91403437	1	FUEL GAUGE HARNESS	
21	91404068	2	PICK-UP TUBE, 6 IN	
22	3960616	1	GASKET, FILLER NECK	

SECTION 4 - ENGINE AND ATTACHING PARTS

FIGURE 4-13. FUEL TANK AND LINES (SN 0160020148 through 0160040659)

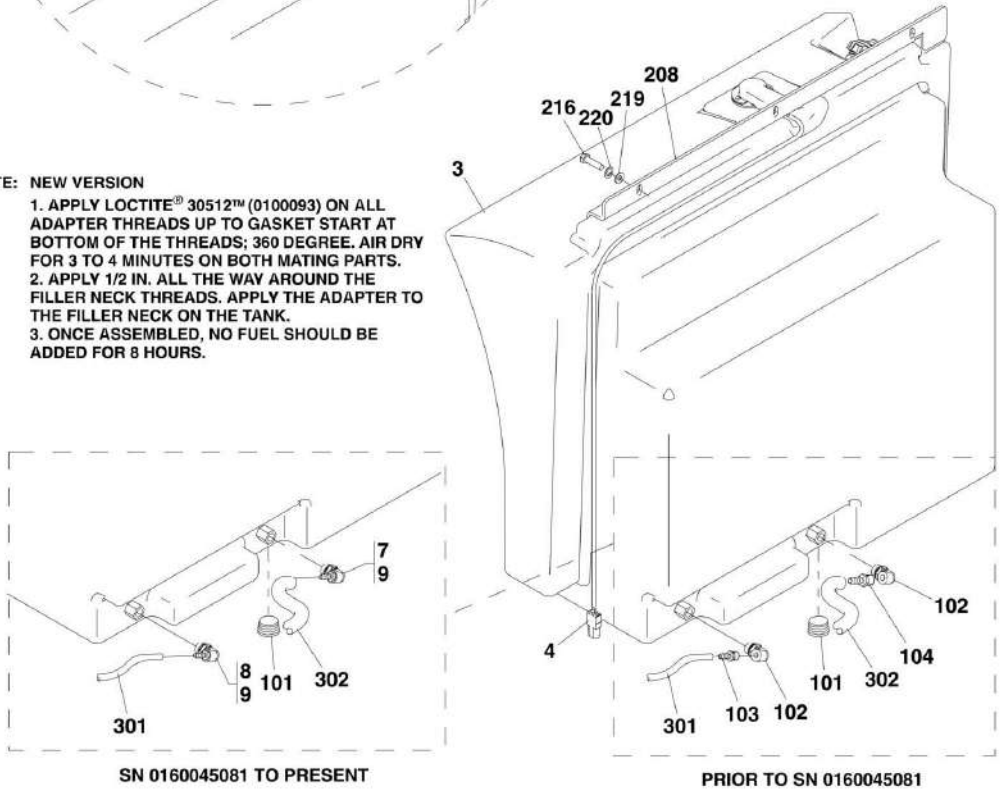
NOTE: WHEN USING FUEL CAP ADAPTER KIT, 2902446 OR OLD VERSION LOCKING CAP

1. COAT ALL THREADS OF ADAPTER (ITEM 301) & SET SCREWS (ITEM 303) WITH LOCTITE® 641™ (14404978) BEFORE INSTALLING FILLER NECK ADAPTER.
2. HAND TIGHTEN SET SCREWS JUST UNTIL RESISTANCE IS FELT. OVERTIGHTENED SCREWS WILL DISTORT PLASTIC THREADS.



NOTE: NEW VERSION

1. APPLY LOCTITE® 30512™ (0100093) ON ALL ADAPTER THREADS UP TO GASKET START AT BOTTOM OF THE THREADS; 360 DEGREE. AIR DRY FOR 3 TO 4 MINUTES ON BOTH MATING PARTS.
2. APPLY 1/2 IN. ALL THE WAY AROUND THE FILLER NECK THREADS. APPLY THE ADAPTER TO THE FILLER NECK ON THE TANK.
3. ONCE ASSEMBLED, NO FUEL SHOULD BE ADDED FOR 8 HOURS.



SN 0160045081 TO PRESENT

PRIOR TO SN 0160045081

PAP22090

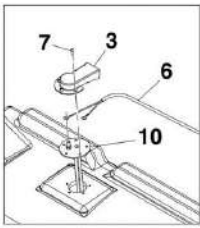
SECTION 4 - ENGINE AND ATTACHING PARTS

FIGURE 4-13. FUEL TANK AND LINES (SN 0160020148 through 0160040659)

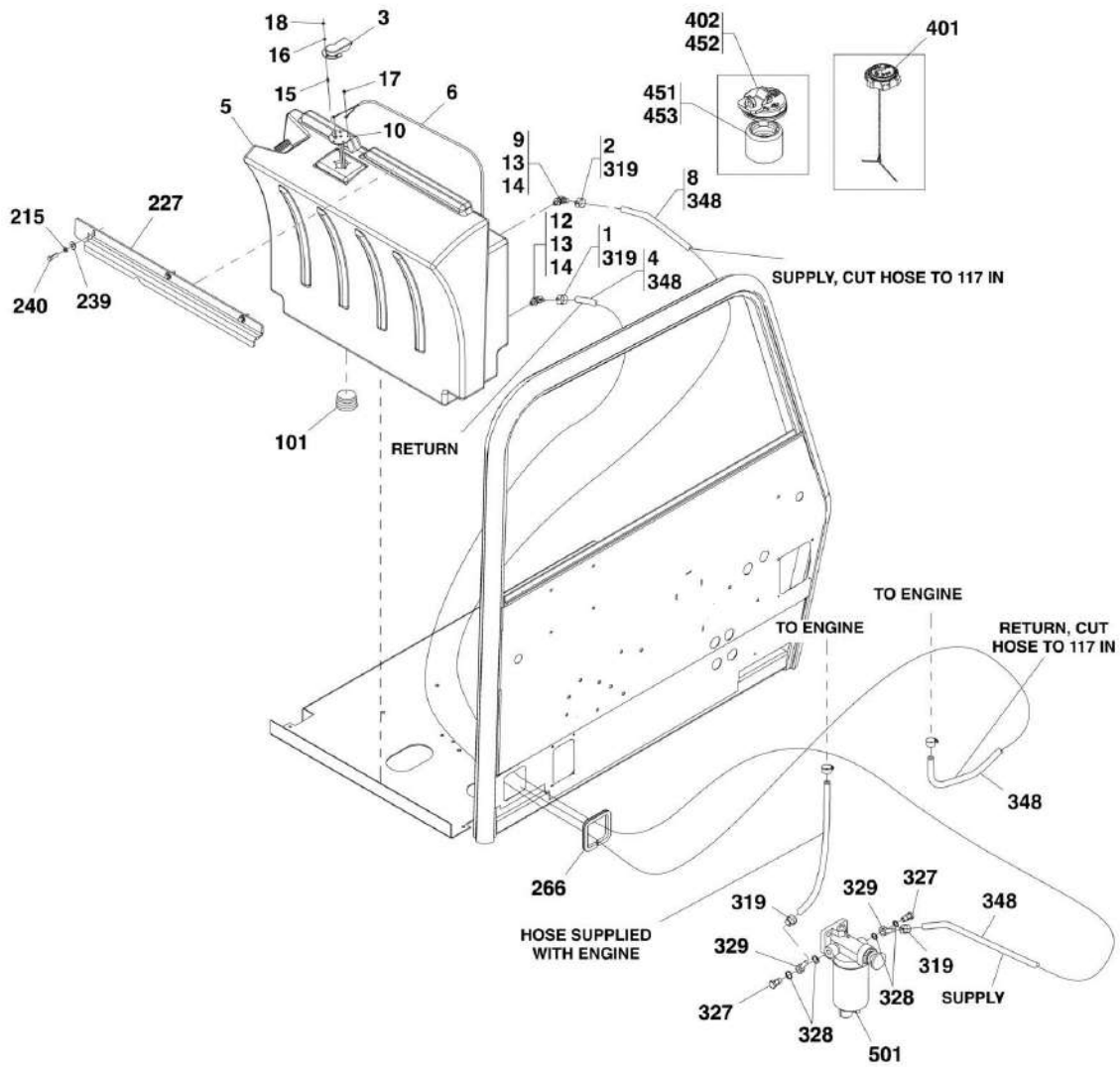
ITEM	PART NUMBER	QTY	DESCRIPTION	REV
	4400496	1	FUEL TANK ASSY, (includes items 2 thru 9)	F
1	1001093641	1	NON-LOCKING FUEL CAP, (if equipped)	
1	2902446	NLA	LOCKING FUEL TANK CAP, (no longer available, use 1001102657 for replacement or the following six items for service)	
1	0080272	1	FILLER NECK ADAPTER	
1	1120591	1	CAP	
1	3900140	2	SET SCREW, 1/4-20X3/8	
1	14404978	AR	LOCTITE 641	
1	8342813	1	KEY	
1	1001102657	1	LOCKING FUEL TANK CAP, (if equipped)	
1	1001001422	1	FILLER NECK ADAPTER	
1	1001080707	1	CAP	
1	0100093	AR	LOCTITE 30512	
2	1671313	1	FUEL SENDER COVER	
3	4400490	1	FUEL TANK ASSY, (includes items 101 thru 104) (Prior to SN 0160045081)	D
3	1001134413	1	FUEL TANK (SN 0160045081 to Present)	A
4	4923452	1	FUEL SENDER HARNESS	
5	88302192	5	ROUND HD SLOTTED MACHINE SCREW, #10-32X7/16	
6	1001093388	NLA	FUEL LEVEL SENDER (no longer available, use 1001148837 for replacement)	
6	1001148837	1	FUEL LEVEL SENDER	
7	1001130776	1	FITTING, HOSE BARB (SN 0160045081 to Present)	
8	1001133019	1	FITTING, HOSE BARB (SN 0160045081 to Present)	
9	0100093	AR	LOCTITE 30512 (SN 0160045081 to Present)	
101	88711283	1	HEX SOCKET PIPE PLUG, 1/2	
102	1001113251	2	ELBOW, 90, (Prior to SN 0160045081)	
103	8420231	1	FITTING, HOSE BARB (Prior to SN 0160045081)	
104	8430007	1	FITTING, HOSE BARB (Prior to SN 0160045081)	
208	91401198	1	FUEL TANK HOLD DOWN	
210	91511215	1	FUEL TANK STRAP, (not shown) (Prior to SN 0160033656)	
216	88201036	3	HEX HD CAPSCREW, 3/8-16X1-1/4, GR5	
219	88561004	5	FLAT WASHER, 3/8 (Prior to SN 0160033656)	
219	88561004	3	FLAT WASHER, 3/8 (SN 0160033656 through 0160040659)	
220	88551011	5	LOCKWASHER, 3/8 (Prior to SN 0160033656)	
220	88551011	3	LOCKWASHER, 3/8 (SN 0160033656 through 0160040659)	
221	88201035	2	HEX HD CAPSCREW, 3/8-16X1, GR5, (not shown) (Prior to SN 0160033656)	
301		Ref	FUEL LINE, (See ENGINE ASSEMBLY, LH VIEW - JOHN DEERE ENGINE for Breakdown)	
302		Ref	FUEL LINE, (See ENGINE ASSEMBLY, LH VIEW - JOHN DEERE ENGINE for Breakdown)	

SECTION 4 - ENGINE AND ATTACHING PARTS

FIGURE 4-14. FUEL TANK AND LINES (SN 0160040678 to Present)



SN 0160040678 THROUGH 0160045080



ART_91474001-4-14

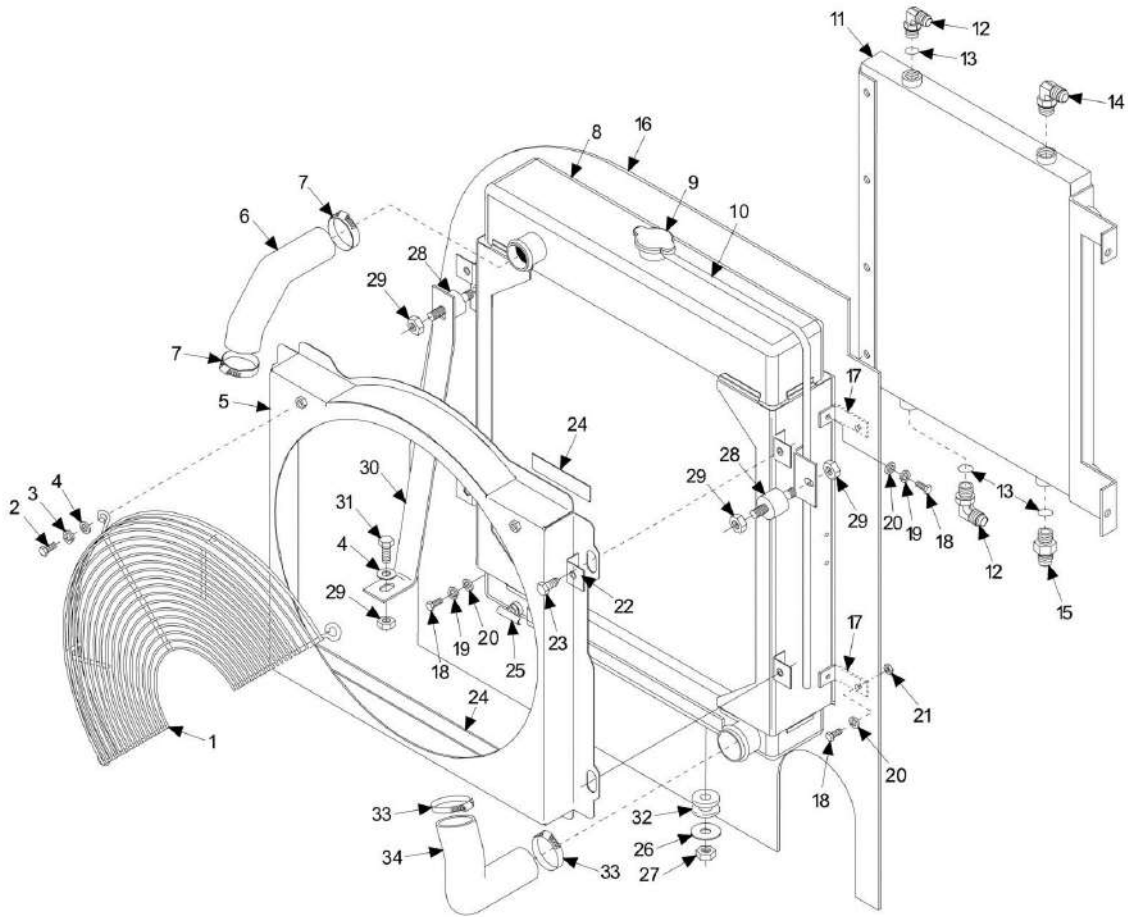
SECTION 4 - ENGINE AND ATTACHING PARTS

FIGURE 4-14. FUEL TANK AND LINES (SN 0160040678 to Present)

ITEM	PART NUMBER	QTY	DESCRIPTION	REV
	1001098934	Ref	FUEL TANK INSTALLATION, (not available to order, see items 1 thru 13 for service) (SN 0160040678 through 0160045080)	C
	1001130780	Ref	FUEL TANK INSTALLATION, (includes items 3, 5, 6, 10, 13 & 14 thru 18) (SN 0160045081 to Present)	C
1	1320022	1	BAND CLAMP (Prior to SN 0160045081)	
2	1320030	1	HOSE CLAMP (Prior to SN 0160045081)	
3	1671313	1	FUEL SENDER COVER	
4	2720058	122 in	FUEL LINE, 5/16 (Prior to SN 0160045081)	
5		Ref	FUEL TANK ASSY, (See FUEL TANK AND LINES for Breakdown) (Prior to SN 0160045081)	D
5	1001134413	1	FUEL TANK (SN 0160045081 to Present)	A
6	4923452	1	FUEL SENDER HARNESS	
7	88302192	4	ROUND HD SLOTTED MACHINE SCREW, #10-32X7/16 (SN 0160040678 through 0160045080)	
8	1001091892	122 in	BULK HOSE (Prior to SN 0160045081)	
9	1001091893	1	BARBED ADAPTER, 90, (Prior to SN 0160045081)	
10	1001148837	1	FUEL LEVEL SENDER	
12	1001133019	1	HOSE BARB ADAPTER (Prior to SN 0160045081)	
13	0100093	AR	LOCTITE 30512	
14	1001130776	2	HOSE BARB ADAPTER (SN 0160045081 to Present)	
15	1001148847	3	ADAPTOR	
16	4811600	3	WASHER	
17	0731003	2	SCREW	
18	1001149344	3	NUT	
101	88711283	1	HEX SOCKET PIPE PLUG, 1/2	
215	4761600	3	LOCKWASHER, 3/8	
227	91401198	1	FUEL TANK HOLD DOWN	
239	4751600	3	WASHER, 3/8	
240	0641610	3	HEX HD CAPSCREW, 3/8-16X1-1/4, GR5	
266	90206195	12 in	TRIM-LOCK	
319	8410009	6	HOSE CLAMP (SN 0160045081 to Present)	
327	1001102931	2	BOLT, M14	
328	1001102933	4	SEAL	
329	1001113511	2	BANJO ADAPTER, M14X3/8	
348	1001136897	249 in	HOSE (SN 0160045081 to Present)	
401	1001093641	1	NON-LOCKING FUEL TANK CAP, (if equipped)	
402	1001102657	1	LOCKING FUEL TANK CAP, (includes items 451 thru 453), (if equipped)	
451	1001001422	1	FILLER NECK ADAPTER	
452	1001080707	1	CAP	
453	0100093	AR	LOCTITE 30512	
501		Ref	FUEL FILTER, (See CUMMINS ENGINE for Breakdown)	

SECTION 4 - ENGINE AND ATTACHING PARTS

FIGURE 4-15. RADIATOR ASSEMBLY - JOHN DEERE ENGINE (SN 0190001 through 0190457, SN 0160000022 through 0160003126)



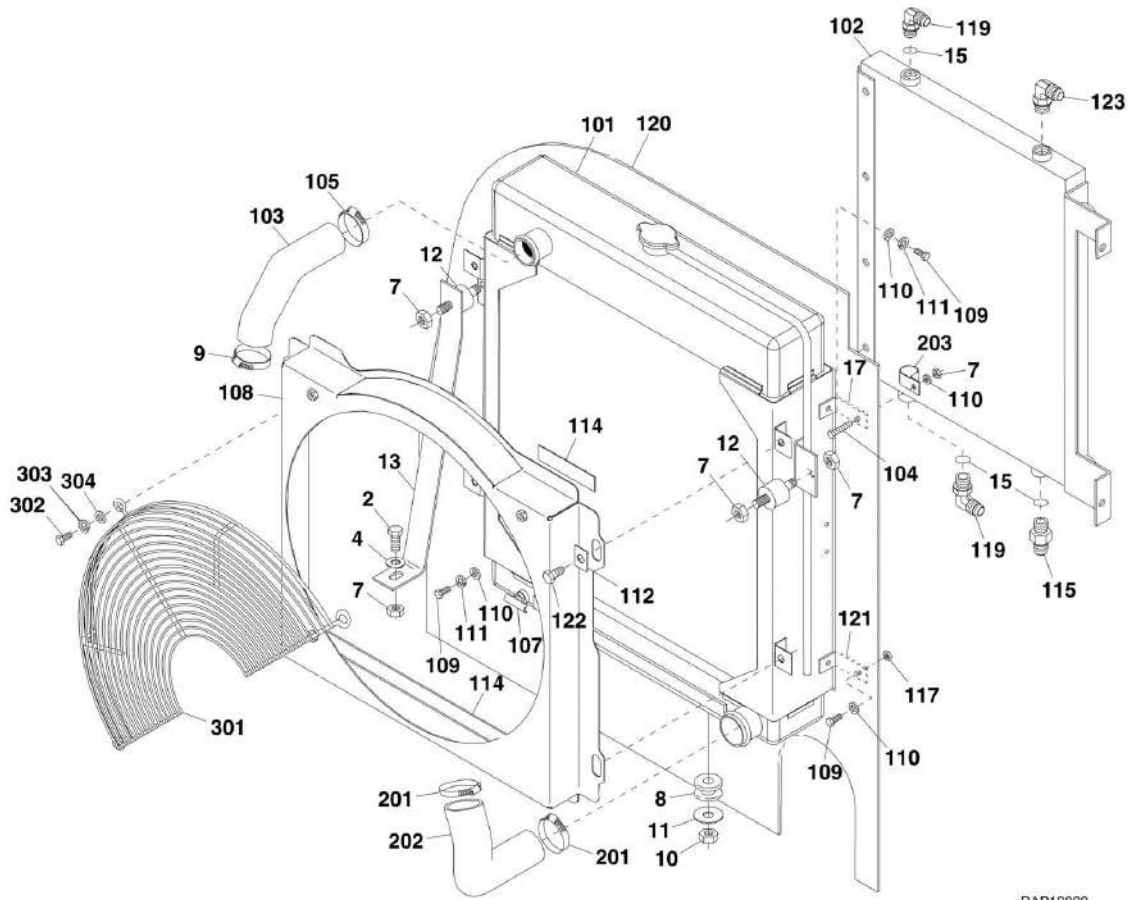
SECTION 4 - ENGINE AND ATTACHING PARTS

FIGURE 4-15. RADIATOR ASSEMBLY - JOHN DEERE ENGINE (SN 0190001 through 0190457, SN 0160000022 through 0160003126)

ITEM	PART NUMBER	QTY	DESCRIPTION	REV
	91475016	1	RADIATOR ASSY, (includes items 5 thru 25)	F
1	91473108	1	FAN GUARD	
2	88201034	3	HEX HD CAPSCREW, 3/8-16X7/8, GR5	
3	88551011	3	LOCKWASHER, 3/8	
4	88561003	4	FLAT WASHER, 5/16	
5	91476033	1	FAN SHROUD	
6	91403095	1	UPPER RADIATOR HOSE	
7	85071128	2	HOSE CLAMP	
8	91403141	1	RADIATOR, (includes items 9 & 10)	
9	91404008	1	RADIATOR CAP, 10 PSI	
10	N.S.S.	38 in	OVERFLOW HOSE	
11	91473019	1	OIL COOLER	
12	88662067	2	ELBOW, 90, (includes item 13)	
13	88591207	3	O-RING	
14	83251198	1	ELBOW, 90	
15	2220451	1	CONNECTOR, (includes item 13)	
16	91473136	1	RUBBER AIR DAM	
17	91471132	2	AIR DAM BRACKET	
18	88201019	8	HEX HD CAPSCREW, 5/16-18X7/8, GR5	
19	88551010	6	LOCKWASHER, 5/16	
20	88561108	8	FLAT WASHER, 5/16	
21	77143006	2	WHIZ-LOCK NUT, 5/16-18	
22	91143348	4	CLAMP BAR	
23	77143003	4	WHIZ-LOCK SCREW, 5/16-18X5/8	
24	N.S.S.	28 in	GASKA-TAPE	
25	84521056	1	DRAIN COCK	
26	90205918	2	HARDENED WASHER, 3/8	
27	88521206	2	HEX LOCKNUT, 3/8-16	
28	91033137	2	SHOCK MOUNT	
29	77143006	5	WHIZ-LOCK NUT, 5/16-18	
30	91471108	1	RADIATOR BRACKET	
31	88201021	1	HEX HD CAPSCREW, 5/16-18X1-1/4, GR5	
32	83683308	2	PAD MOUNTING	
33	86883327	2	HOSE CLAMP	
34	91403096	1	LOWER RADIATOR HOSE	

SECTION 4 - ENGINE AND ATTACHING PARTS

FIGURE 4-16. RADIATOR ASSEMBLY - JOHN DEERE ENGINE (SN 0160003208 through 0160040659)



PAP16820

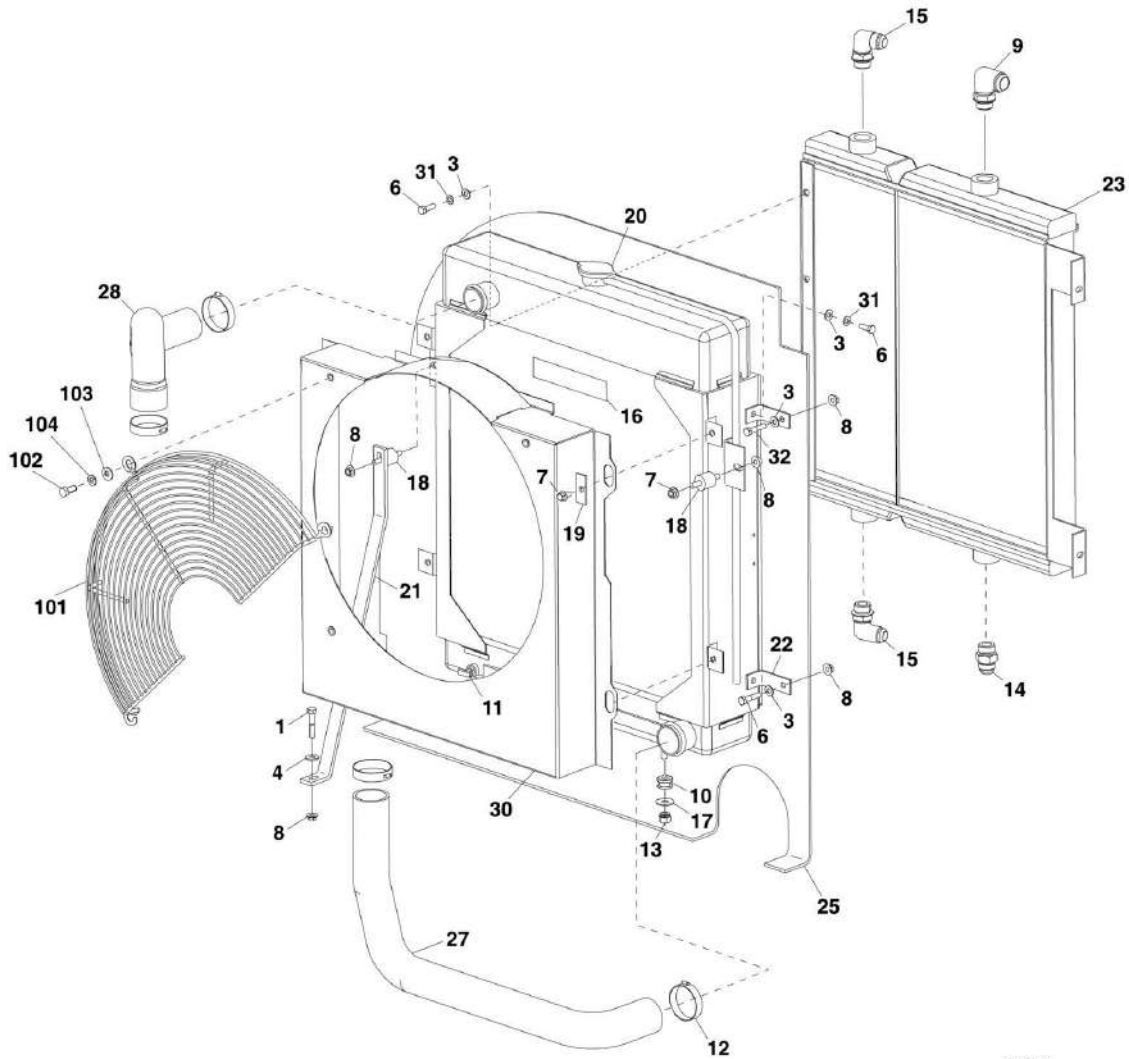
SECTION 4 - ENGINE AND ATTACHING PARTS

FIGURE 4-16. RADIATOR ASSEMBLY - JOHN DEERE ENGINE (SN 0160003208 through 0160040659)

ITEM	PART NUMBER	QTY	DESCRIPTION	REV
	0275644	Ref	RADIATOR ASSY, (not available to order, see items 1 thru 13 for service)	C
1	91475017	1	RADIATOR ASSY, (not shown), (includes items 101 thru 123)	H
2	0641510	1	HEX HD CAPSCREW, 5/16-18X1-1/4, GR5	
4	4751500	1	FLAT WASHER, 5/16	
7	77143006	5	WHIZ-LOCK NUT, 5/16-18	
8	83683308	2	PAD MOUNTING	
9	85071128	1	HOSE CLAMP	
10	88521206	2	HEX LOCKNUT, 3/8-16	
11	7057141	2	FLAT WASHER, REBOUND, 3/8	
12	91033137	2	SHOCK MOUNT	
13	91471108	1	RADIATOR BRACKET	
15	88591207	3	O-RING	
101	91403142	1	RADIATOR	
101	91404008	1	RADIATOR CAP, 10 PSI	
101	N.S.S.	38 in	OVERFLOW HOSE	
102	91473019	1	OIL COOLER	
103	91403095	1	UPPER RADIATOR HOSE	
104	88201022	1	HEX HD CAPSCREW, 5/16-18X1-1/2, GR5	
105	85071128	1	HOSE CLAMP	
107	84521056	1	DRAIN COCK	
108	91476033	1	FAN SHROUD	
109	88201019	7	HEX HD CAPSCREW, 5/16-18X7/8, GR5	
110	88561108	8	FLAT WASHER, 5/16	
111	88551010	6	LOCKWASHER, 5/16	
112	91143348	4	CLAMP BAR	
114	90200755	28 in	GASKA-TAPE	
115	2220451	1	CONNECTOR, (includes item 15)	
117	77143006	2	WHIZ-LOCK NUT, 5/16-18	
119	2220578	2	ELBOW, 90, (includes item 15)	
120	91473136	1	RUBBER AIR DAM	
121	91471132	2	AIR DAM BRACKET	
122	77143003	4	WHIZ-LOCK SCREW, 5/16-18X5/8	
123	2220664	1	ELBOW, 90	
201	85071128	2	HOSE CLAMP	
202	91403096	1	LOWER RADIATOR HOSE	
203	24601710	1	SUPPORT CLAMP	
	1001102649	Ref	FAN GUARD INSTALLATION, (without A/C), (not available to order, see items 301 thru 304 for service)	A
	1001102654	Ref	FAN GUARD INSTALLATION, (with A/C), (not available to order, see items 301 thru 304 for service)	A
301	91473108	1	FAN GUARD, (without A/C)	
301	91513215	1	FAN GUARD, (with A/C)	
302	0641607	3	HEX HD CAPSCREW, 3/8-16X7/8, GR5	
303	4751600	3	FLAT WASHER, 3/8	
304	4761600	3	LOCKWASHER, 3/8	

SECTION 4 - ENGINE AND ATTACHING PARTS

FIGURE 4-17. RADIATOR ASSEMBLY - PERKINS ENGINE (SN 0160021195 through 0160040659)



PY0811

NOTE: USE LOCTITE® 242TM (0100011) ON ALL BOLT THREADS.

SECTION 4 - ENGINE AND ATTACHING PARTS

FIGURE 4-17. RADIATOR ASSEMBLY - PERKINS ENGINE (SN 0160021195 through 0160040659)

ITEM	PART NUMBER	QTY	DESCRIPTION	REV
	1001001523	1	RADIATOR ASSY, (includes items 1 thru 33)	F
1	0641514	1	HEX HD CAPSCREW, 5/16-18X1-3/4	
3	4711500	8	PLAIN WASHER, 5/16	
4	4751500	1	PLAIN WASHER, 5/16	
6	8303656	7	HEX HD CAPSCREW, 5/16-18X0.875, GR5	
7	77143003	4	WHIZ-LOCK SCREW, 5/16-18X5/8	
8	77143006	7	WHIZ-LOCK NUT, 5/16-18	
9	2220664	1	FITTING, 90, JIC-12-16	
10	83683308	2	MOUNTING PAD	
11	84521056	1	DRAIN COCK	
12	86883327	4	HOSE CLAMP	
13	88521206	2	LOCKNUT, 3/8-16	
14	2220451	1	FITTING, STR THD CON-12-14	
15	2220578	2	FITTING, 37 JIC-90-12	
16	90200755	28 in	GASKA-TAPE	
17	7057141	2	FLAT WASHER, REBOUND	
18	91033137	2	SHOCK MOUNT	
19	91143348	4	BAR CLAMP	
20	91403142	1	RADIATOR	
20	91404008	1	RADIATOR CAP, 10 PSI	
20	N.S.S.	38 in	OVERFLOW HOSE	
21	91471108	1	RADIATOR BRACKET	
22	91471132	2	AIR DAM BRACKET	
23	91473019	1	HYDRAULIC OIL COOLER	
25	91473136	1	RUBBER AIR DAM	
27	1001001813	1	LOWER RADIATOR HOSE	
28	1001001817	1	UPPER RADIATOR HOSE	
30	1001001834	1	RADIATOR FAN SHROUD	
31	4761500	6	LOCKWASHER, 5/16	
32	8303715	1	HEX HD CAPSCREW, 5/16-18X1-1/2, GR5	
33	0100011	AR	LOCTITE 242	
	1001102649	Ref	FAN GUARD INSTALLATION, (without A/C), (not available to order, see items 101 thru 104 for service)	A
	1001102655	Ref	FAN GUARD INSTALLATION, (with A/C), (not available to order, see items 101 thru 104 for service)	A
101	91473108	1	FAN GUARD, (without A/C)	
101	1001093127	1	FAN GUARD, (with A/C)	
102	0641607	3	HEX HD CAPSCREW, 3/8-16X7/8, GR5	
103	4751600	3	FLAT WASHER, 3/8	
104	4761600	3	LOCKWASHER, 3/8	

SECTION 4 - ENGINE AND ATTACHING PARTS

FIGURE 4-18. RADIATOR ASSEMBLY - CUMMINS ENGINE (SN 0160040678 to Present)

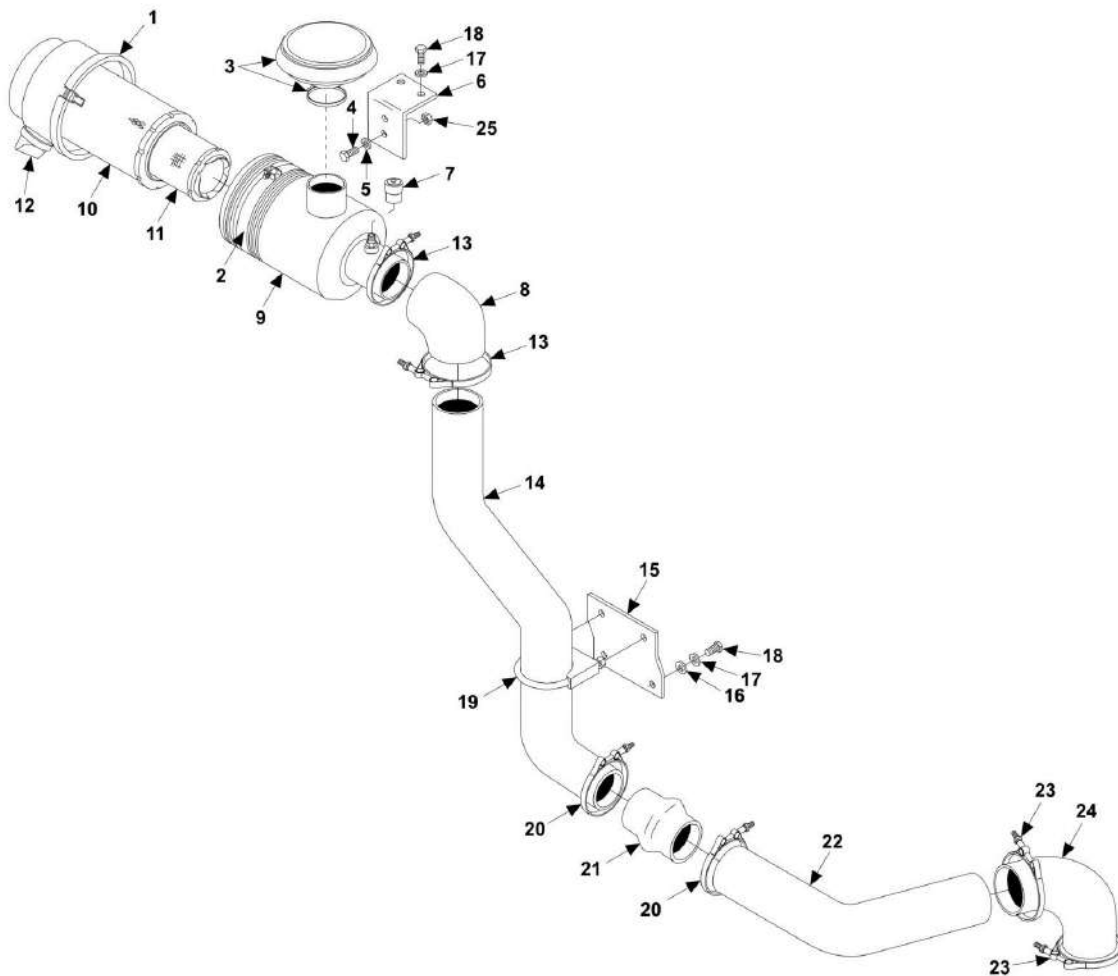
ITEM	PART NUMBER	QTY	DESCRIPTION	REV
	1001120777	Ref	RADIATOR ASSY, (not available to order, see items 1 thru 24 for service)	C
1	0641506	5	HEX HD CAPSCREW, 5/16-18X3/4, GR5	
2	0641820	2	HEX HD CAPSCREW, 1/2-13X2-1/2, GR5	
7	3311801	4	HEX NUT, 1/2-13, GR2	
8	4711500	5	WASHER, 5/16	
9	4740274	6	SPECIAL WASHER	
10	4751800	2	WASHER, 1/2	
11	77143006	1	WHIZ-LOCK NUT, 5/16-18	
12	91033137	1	SHOCK MOUNT	
13	1001114560	1	FAN GUARD GRILL	
14	1001114803	2	ISOLATOR MOUNT	
15	1001118045	1	TOP AIR DAM PLATE	
16	1001118046	1	BOTTOM AIR DAM PLATE	
17	1001118071	1	RADIATOR ASSY, (includes items 101 thru 127)	D
18	1001118217	1	RADIATOR MOUNT BRACKET	
19	1001120376	2	SHIM, 14 GA	
20	1001120377	2	SHIM, 3/16	
21	1001126835	1	FAN SHROUD TOP PANEL	
22	1001126836	1	FAN SHROUD BOTTOM PANEL	
23	1001126860	3	FAN SPACER SLEEVE	
24	0641512	3	HEX HD CAPSCREW, 5/16-18X1-1/2, GR5	
101	70023331	1	HYDRAULIC/TRANSMISSION OIL COOLER	
102	70023332	1	RADIATOR	
103	70023341	1	CHARGE AIR COOLER	
104	70023342	1	SHROUD	
105	70023334	2	MOUNTING ANGLE BRACKET	
111	70023335	1	SIGHT GAUGE	
113	70023337	76 in	DRAIN HOSE	
114	70023338	1	PETCOCK	
117	70023796	1	CLAMP	
118	70023339	AR	FOAM RUBBER	
119	70023340	AR	LOCKING RUBBER SEAL	
123	70023336	1	RADIATOR CAP, (15 psi)	
124	2170116	1	CONNECTOR, (includes o-ring)	
125	2111212	1	CONNECTOR, (includes o-ring)	
126	2131616	1	ELBOW, 90, (includes o-ring)	
127	2111616	1	ELBOW, 45, (includes o-ring)	
206	1320012	1	CLAMP, 2.5IN	
217	8405104	3	GEAR CLAMP, 2.25IN	
218	8405212	7	T-BOLT CLAMP	
219	8405211	1	T-BOLT CLAMP	
224	1001099251	3	HOSE	
236	1001119891	1	UPPER RADIATOR HOSE	
237	1001119892	1	LOWER RADIATOR HOSE	
238	1001119893	1	INLET PIPE	
239	1001119894	1	OUTLET PIPE	
246	1001125246	1	ELBOW	
308	0791506	5	WHIZ-LOCK SCREW, 5/16-18X3/4	
312	3311508	1	HEX NUT, 5/16-18	

SECTION 4 - ENGINE AND ATTACHING PARTS

ITEM	PART NUMBER	QTY	DESCRIPTION	REV
336	1001116122	68 in	BULB SEAL	
341	1001118092	1	FOAM GASKET SEAL	
344	1001118138	1	ISOLATOR MOUNT SUPPORT	
351	1001120370	1	FOAM GASKET SEAL	
356	1001121717	1	FOAM GASKET SEAL	
369	4400483	1	COOLANT RETURN RESERVOIR	
370	86621230	2	SUPPORT CLAMP	
371	1001121676	1	COOLANT BOTTLE PLATE	

SECTION 4 - ENGINE AND ATTACHING PARTS

FIGURE 4-19. AIR CLEANER AND INSTALLATION - JOHN DEERE ENGINE (SN 0190001 through 0190457, SN 0160000022 through 0160001891)



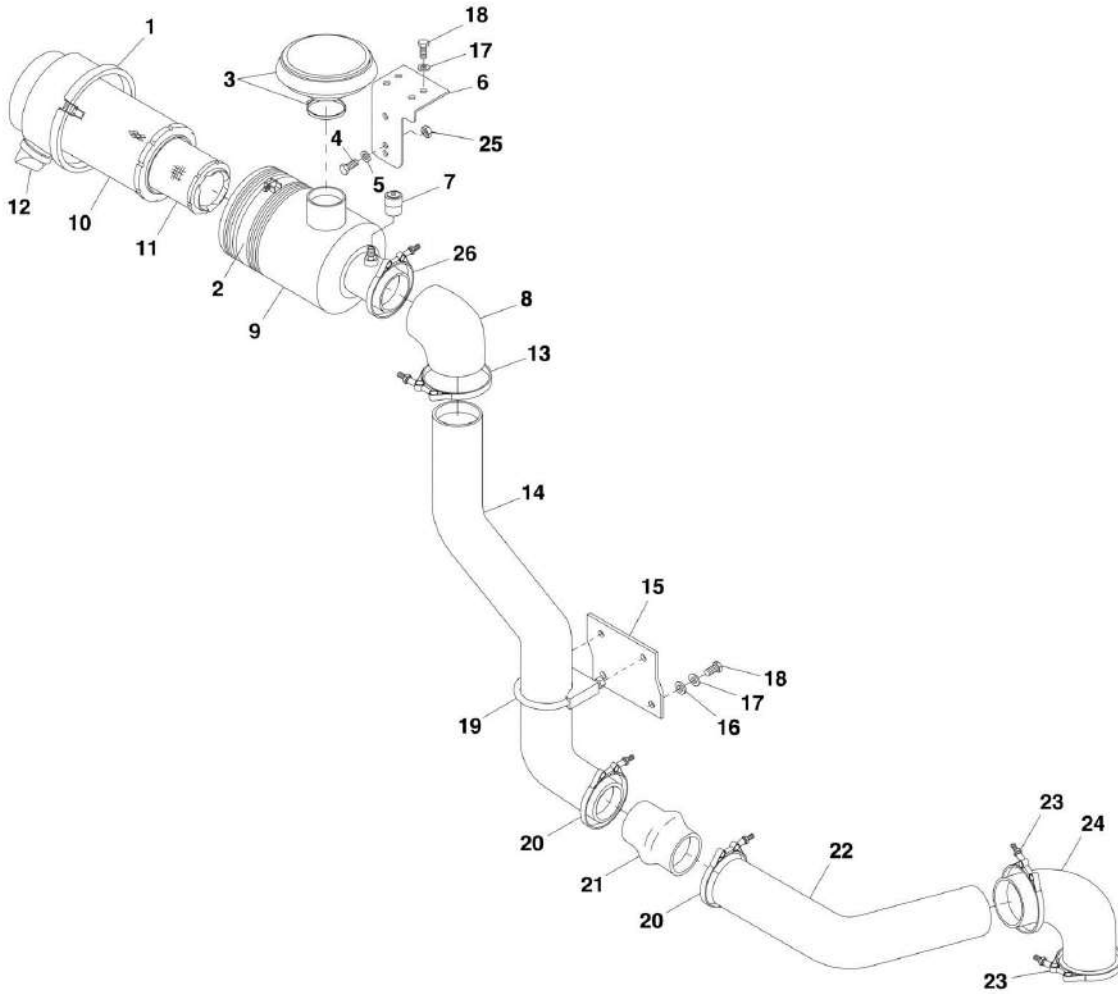
SECTION 4 - ENGINE AND ATTACHING PARTS

FIGURE 4-19. AIR CLEANER AND INSTALLATION - JOHN DEERE ENGINE (SN 0190001 through 0190457, SN 0160000022 through 0160001891)

ITEM	PART NUMBER	QTY	DESCRIPTION	REV
	91475045	Ref	AIR CLEANER ASSY, (includes items 1 thru 12, 25 and one of item 13)	
1	91404007	1	COVER ASSY	
2	91403104	1	BAND CLAMP	
3	91403512	1	AIR INTAKE HOOD, (includes clamp)	
4	88201018	2	HEX HD CAPSCREW, 5/16-18X3/4, GR5	
5	88551010	2	LOCKWASHER, 5/16	
6	91471134	1	BRACKET	
7	83671475	1	INDICATOR	
8	91083128	1	ELBOW, 90	
9	91403100	1	AIR CLEANER, (includes items 1, 10, 11 & 12)	
10	91403102	1	OUTER ELEMENT	
11	91403103	1	INNER ELEMENT	
12	10733183	1	VACUATOR	
13	91163129	2	BAND CLAMP	
14	91473104	1	AIR INTAKE TUBE	
15	91471133	1	BRACKET	
16	88561004	2	FLAT WASHER, 3/8	
17	88551011	4	LOCKWASHER, 3/8	
18	88201033	4	HEX HD CAPSCREW, 3/8-16X3/4, GR5	
19	24921332	1	MUFFLER CLAMP	
20	91163129	2	BAND CLAMP	
21	91403244	1	STRAIGHT HUMP	
22	91473102	1	AIR INTAKE TUBE	
23	90028488	2	HOSE CLAMP	
24	91403240	1	RUBBER ELBOW	
25	77143006	2	WHIZ-LOCK NUT, 5/16-18	

SECTION 4 - ENGINE AND ATTACHING PARTS

FIGURE 4-20. AIR CLEANER AND INSTALLATION - JOHN DEERE ENGINE (SN 0160001893 through 0160003126)



PAP21950

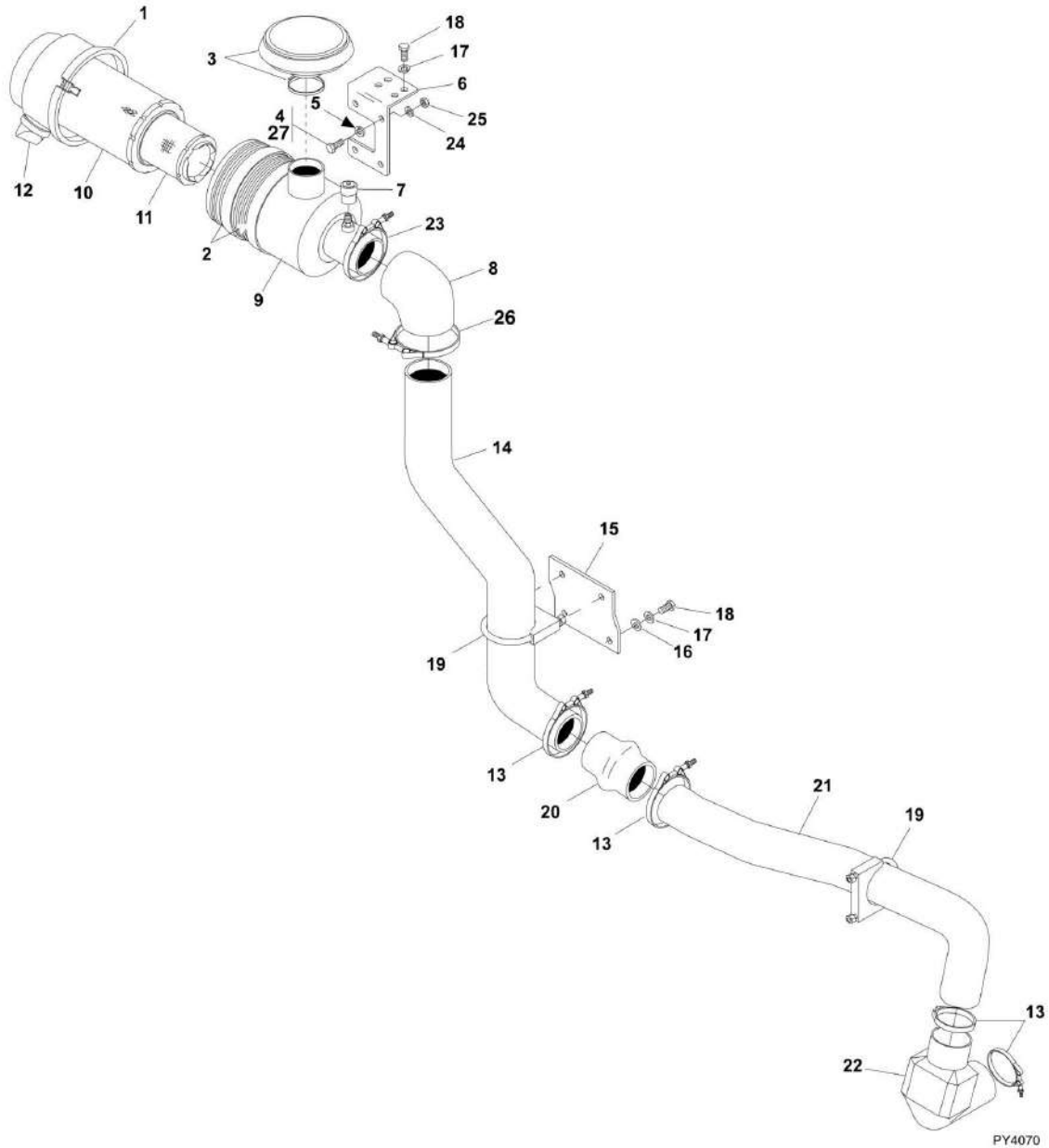
SECTION 4 - ENGINE AND ATTACHING PARTS

FIGURE 4-20. AIR CLEANER AND INSTALLATION - JOHN DEERE ENGINE (SN 0160001893 through 0160003126)

ITEM	PART NUMBER	QTY	DESCRIPTION	REV
	91475046	Ref	AIR CLEANER ASSY, (includes items 1 thru 12, 25 & 26)	C
1	80274004	1	COVER ASSY	
2	80273011	1	BAND CLAMP	
3	91473100	1	AIR INTAKE HOOD, (includes clamp)	
4	88201018	2	HEX HD CAPSCREW, 5/16-18X3/4, GR5	
5	88551010	2	LOCKWASHER, 5/16	
6	91471181	1	BRACKET	
7	83671475	1	INDICATOR	
8	91083129	1	ELBOW, 90	
9	91403101	1	AIR CLEANER, (includes items 1 & 10 thru 12)	
10	80273010	1	OUTER ELEMENT	
11	80273042	1	INNER ELEMENT	
12	10733183	1	VACUATOR	
13	91163129	1	BAND CLAMP	
14	91473104	1	AIR INTAKE TUBE	
15	91471133	1	BRACKET	
16	88561004	2	FLAT WASHER, 3/8	
17	88551011	4	LOCKWASHER, 3/8	
18	88201033	4	HEX HD CAPSCREW, 3/8-16X3/4, GR5	
19	24921332	1	MUFFLER CLAMP	
20	91163129	2	BAND CLAMP	
21	91403244	1	STRAIGHT HUMP	
22	91473102	1	AIR INTAKE TUBE	
23	90028488	2	HOSE CLAMP	
24	91403240	1	RUBBER ELBOW	
25	77143006	2	WHIZ-LOCK NUT, 5/16-18	
26	91163137	1	BAND CLAMP	

SECTION 4 - ENGINE AND ATTACHING PARTS

FIGURE 4-21. AIR CLEANER AND INSTALLATION - JOHN DEERE ENGINE (SN 016003208 through 0160040659)



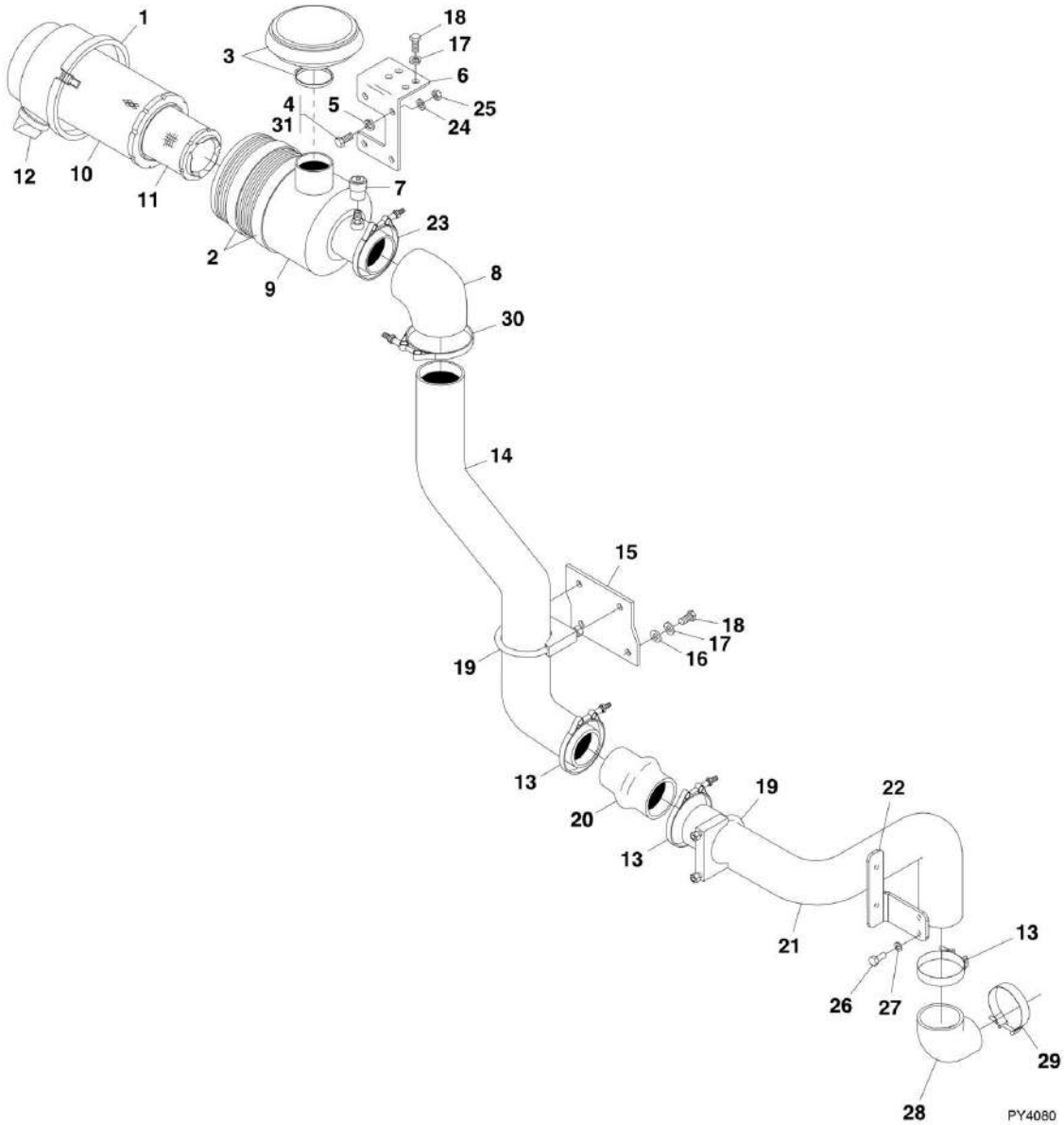
SECTION 4 - ENGINE AND ATTACHING PARTS

FIGURE 4-21. AIR CLEANER AND INSTALLATION - JOHN DEERE ENGINE (SN 0160003208 through 0160040659)

ITEM	PART NUMBER	QTY	DESCRIPTION	REV
	91515041	Ref	AIR CLEANER ASSY, (not available to order, see items 2 thru 9, 23 thru 25 & 27 for service)	B
1	91364023	1	COVER ASSY	
2	10268516	2	MOUNTING BAND	
3	8273257	1	AIR INLET HOOD, (includes clamp)	
4	88201021	4	HEX HD CAPSCREW, 5/16-18X1-1/4, GR5	
5	88551010	4	LOCKWASHER, 5/16	
6	91511144	1	MOUNTING BRACKET	
7	77383154	1	SERVICE INDICATOR	
8	91153007	1	ELBOW, 90	
9	8273029	1	AIR CLEANER, (includes items 1 & 10 thru 12)	
10	1101312	1	OUTER ELEMENT	
11	1101313	1	INNER ELEMENT	
12	80373094	1	VACUATOR	
13	91163129	4	BAND CLAMP	
14	91473104	1	AIR INTAKE TUBE	
15	91471133	1	INTAKE SUPPORT BRACKET	
16	4751600	2	FLAT WASHER, 3/8	
17	4761600	4	LOCKWASHER, 3/8	
18	0641606	4	HEX HD CAPSCREW, 3/8-16X3/4, GR5	
19	24921332	2	CLAMP	
20	91403244	1	STRAIGHT HUMP	
21	91473103	1	AIR INTAKE TUBE	
22	91083126	1	AIR INTAKE ELBOW	
23	77383790	1	BAND CLAMP	
24	88561108	4	FLAT WASHER, 5/16	
25	77143006	4	WHIZ-LOCK NUT, 5/16-18	
26	91163137	1	BAND CLAMP	
27	0100011	AR	LOCTITE 242	

SECTION 4 - ENGINE AND ATTACHING PARTS

FIGURE 4-22. AIR CLEANER AND INSTALLATION - PERKINS ENGINE (SN 0160021195 through 0160040659)



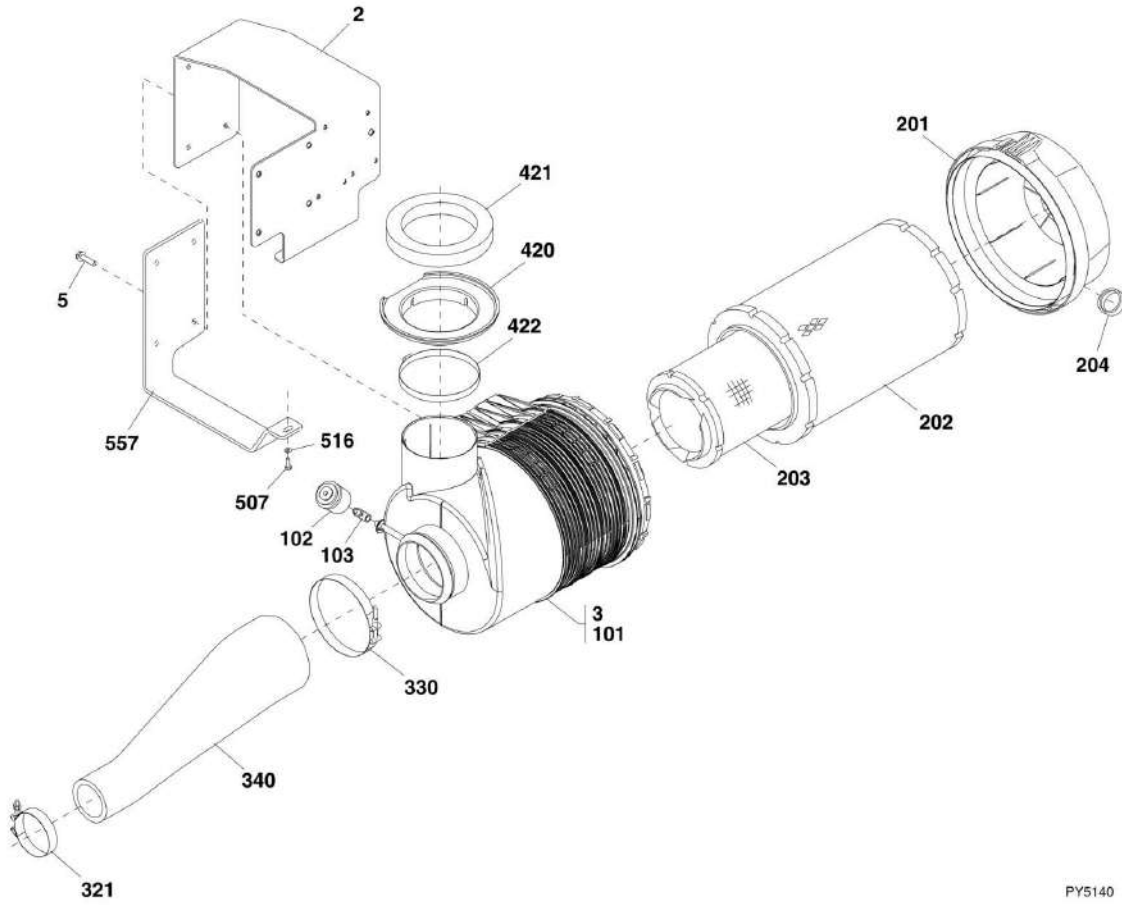
SECTION 4 - ENGINE AND ATTACHING PARTS

FIGURE 4-22. AIR CLEANER AND INSTALLATION - PERKINS ENGINE (SN 0160021195 through 0160040659)

ITEM	PART NUMBER	QTY	DESCRIPTION	REV
	91515041	Ref	AIR CLEANER ASSY, (not available to order, see items 4 thru 6, 8, 23 thru 25 & 27 for service)	B
1	91364023	1	COVER ASSY	
2	10268516	2	MOUNTING BAND	
3	8273257	1	AIR INLET HOOD, (includes clamp)	
4	88201021	4	HEX HD CAPSCREW, 5/16-18X1-1/4, GR5	
5	88551010	4	LOCKWASHER, 5/16	
6	91511144	1	MOUNTING BRACKET	
7	77383154	1	SERVICE INDICATOR	
8	91153007	1	ELBOW, 90	
9	8273029	1	AIR CLEANER, (includes items 1, 10, 11 & 12)	
10	1101312	1	OUTER ELEMENT	
11	1101313	1	INNER ELEMENT	
12	80373094	1	VACTUATOR	
13	91163129	3	BAND CLAMP	
14	91473104	1	AIR INTAKE TUBE	
15	91471133	1	INTAKE SUPPORT BRACKET	
16	4751600	2	FLAT WASHER, 3/8	
17	4761600	4	LOCKWASHER, 3/8	
18	0641606	4	HEX HD CAPSCREW, 3/8-16X3/4, GR5	
19	24921332	2	CLAMP	
20	91403244	1	STRAIGHT HUMP	
21	1001001804	1	TURBO INTAKE TUBE	
22	1001001805	1	TURBO INTAKE MOUNTING BRACKET	
23	77383790	1	BAND CLAMP	
24	88561108	4	FLAT WASHER, 5/16	
25	77143006	4	WHIZ-LOCKNUT, 5/16-18	
26	0761012	2	HEX HD CAPSCREW, M10X25	
27	4832000	2	SPRING LOCKWASHER, M10	
28	1001001851	1	REDUCING ELBOW, 90	
29	1001001853	1	BAND CLAMP	
30	91163137	1	BAND CLAMP	
31	0100011	AR	LOCTITE 242	

SECTION 4 - ENGINE AND ATTACHING PARTS

FIGURE 4-23. AIR CLEANER AND INSTALLATION - CUMMINS ENGINE (SN 0160040678 to Present)



PY5140

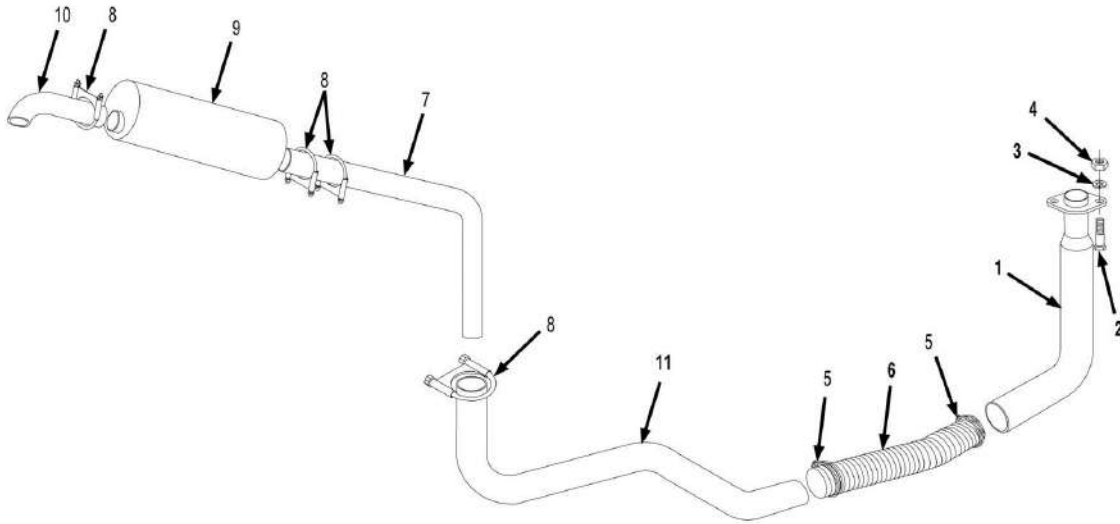
SECTION 4 - ENGINE AND ATTACHING PARTS

FIGURE 4-23. AIR CLEANER AND INSTALLATION - CUMMINS ENGINE (SN 0160040678 to Present)

ITEM	PART NUMBER	QTY	DESCRIPTION	REV
	1001110079	Ref	AIR CLEANER INSTALLATION , (not available to order, see items 2 thru 5 for service) (SN 0160040735 through 0160045456, Excluding 0160043800)	D
	1001138961	Ref	AIR CLEANER INSTALLATION , (not available to order, see items 2 thru 5, 507 thru 557 for service) (SN 0160045464 to Present, Including 0160043800)	B
2	1001110055	1	BRACKET (SN 0160040735 through 0160045456, Excluding 0160043800)	
2	1001138958	1	BRACKET (SN 0160045464 to Present, Including 0160043800)	
3	1001116505	Ref	AIR CLEANER INSTALLATION, (not available to order, see items 101 thru 103 for service)	A
5	5200814	4	RIPP BOLT, 8X30mm	
101	1001109038	1	AIR CLEANER ASSY, 11IN, (includes items 201 thru 204)	D
102	91563129	1	RESTRICTION INDICATOR	
103	86983648	1	ELBOW, 90	
201	70023195	1	COVER ASSY	
202	7026573	1	PRIMARY ELEMENT	
203	7026572	1	SAFETY ELEMENT	
204	8273291	1	VACUATOR VALVE	
321	90028631	1	HEAVY DUTY BAND CLAMP	
330	1001116418	1	T-BOLT CLAMP	
340	1001119967	1	AIR INTAKE PIPE	
420	1001111903	1	AIR FILTER INTAKE ADAPTER	
421	1001111904	1	FOAM SEAL	
422	91563134	1	BAND CLAMP	
507	0760610	1	HEX HD CAPSCREW, 6x20mm, GR8.8	
516	4811700	1	WASHER, 6mm	
557	1001122220	1	AIR FILTER SUPPORT (SN 0160040735 through 0160045456, Excluding 0160043800)	
557	1001142943	1	AIR FILTER SUPPORT (SN 0160045464 to Present, Including 0160043800)	

SECTION 4 - ENGINE AND ATTACHING PARTS

FIGURE 4-24. EXHAUST INSTALLATION - JOHN DEERE ENGINE (SN 0190001 through 0190457, SN 0160000022 through 0160003126)



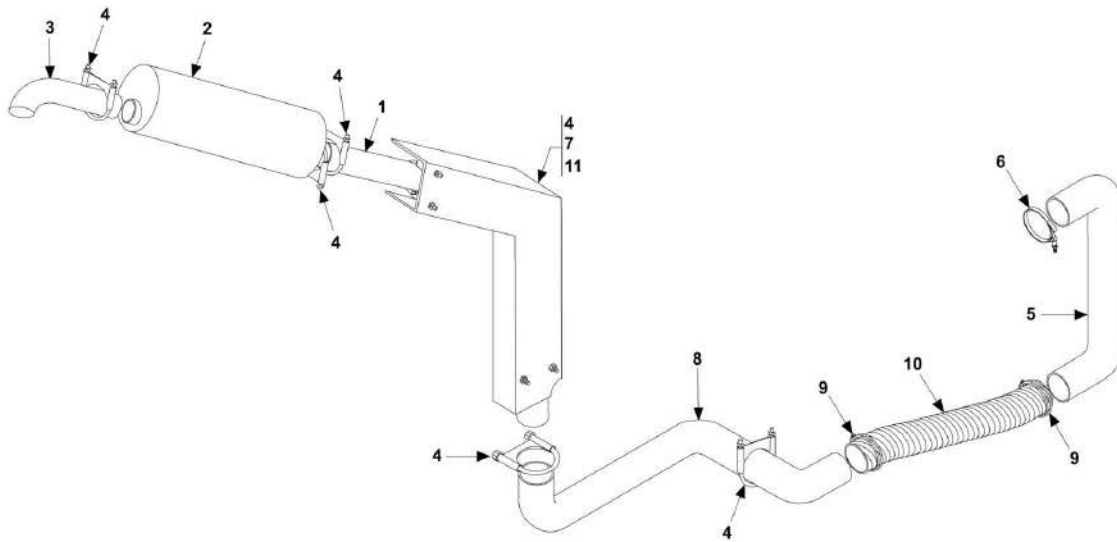
SECTION 4 - ENGINE AND ATTACHING PARTS

FIGURE 4-24. EXHAUST INSTALLATION - JOHN DEERE ENGINE (SN 0190001 through 0190457, SN 0160000022 through 0160003126)

ITEM	PART NUMBER	QTY	DESCRIPTION	REV
1	91473118	1	EXHAUST TUBE	
2	88201038	2	HEX HD CAPSCREW, 3/8-16X1-3/4, GR5	
3	88551011	2	LOCKWASHER, 3/8	
4	88501006	2	HEX NUT, 3/8-16	
5	91163268	2	FLEXIBLE TUBING CLAMP	
6	91473120	1	FLEXIBLE TUBING	
7	91503040	1	MUFFLER TUBE	
8	83683175	4	MUFFLER CLAMP	
9	91083250	1	MUFFLER	
10	91403488	1	TAIL PIPE	
11	91473037	1	MUFFLER TUBE	

SECTION 4 - ENGINE AND ATTACHING PARTS

FIGURE 4-25. EXHAUST INSTALLATION - JOHN DEERE ENGINE (SN 0160003208 through 0160040659)



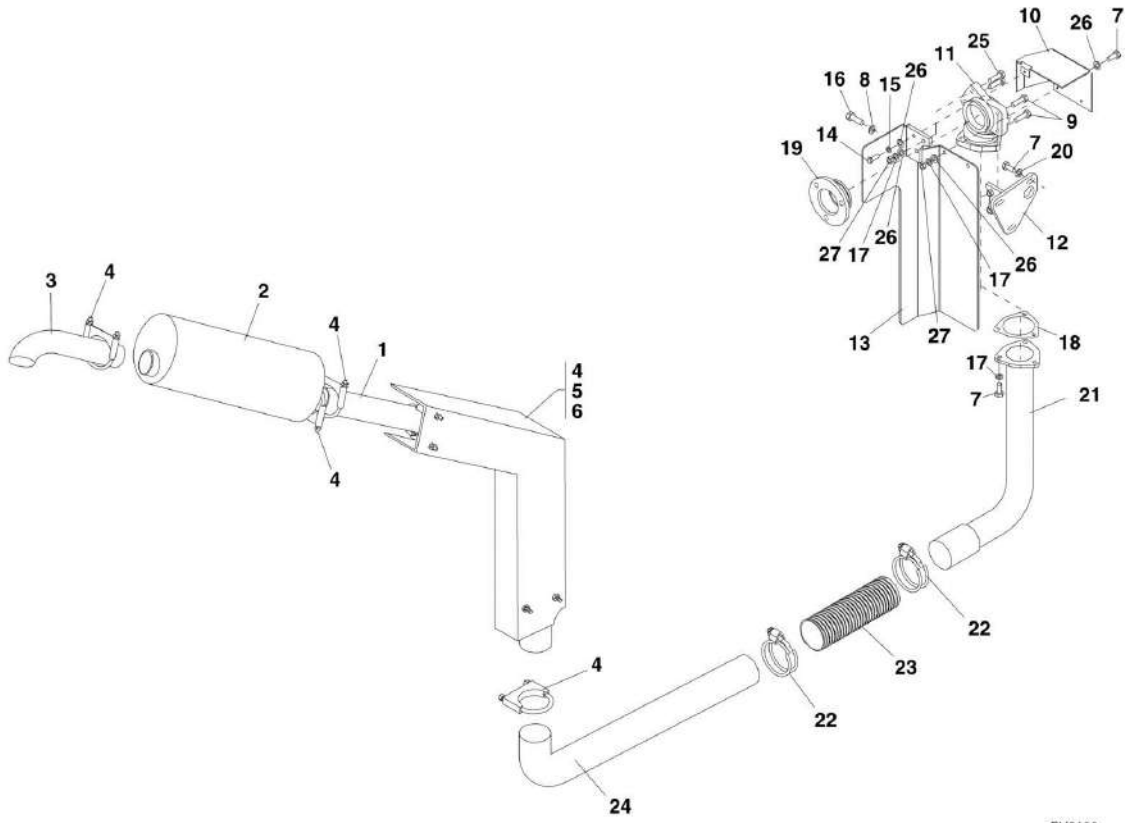
SECTION 4 - ENGINE AND ATTACHING PARTS

FIGURE 4-25. EXHAUST INSTALLATION - JOHN DEERE ENGINE (SN 0160003208 through 0160040659)

ITEM	PART NUMBER	QTY	DESCRIPTION	REV
1	91473178	1	MUFFLER TUBE	
2	91163035	1	MUFFLER	
3	91403489	1	TAIL PIPE	
4	24921332	7	MUFFLER CLAMP	
5	91473117	1	EXHAUST TUBE (Prior to SN 0160040678)	
5	1001113861	1	EXHAUST TUBE (SN 0160040678 to Present)	
6	91403216	1	V-BAND CLAMP	
7	91476045	1	HEAT SHIELD	
8	91473036	1	MUFFLER TUBE (Prior to SN 0160040678)	
8	1001113863	1	MUFFLER TUBE (SN 0160040678 to Present)	
9	91403601	2	CLAMP PIPE	
10	91473119	1	FLEX TUBE	
11	88561004	4	FLAT WASHER, 3/8	

SECTION 4 - ENGINE AND ATTACHING PARTS

FIGURE 4-26. EXHAUST INSTALLATION - PERKINS ENGINE (SN 0160021195 through 0160040659)



PY0100

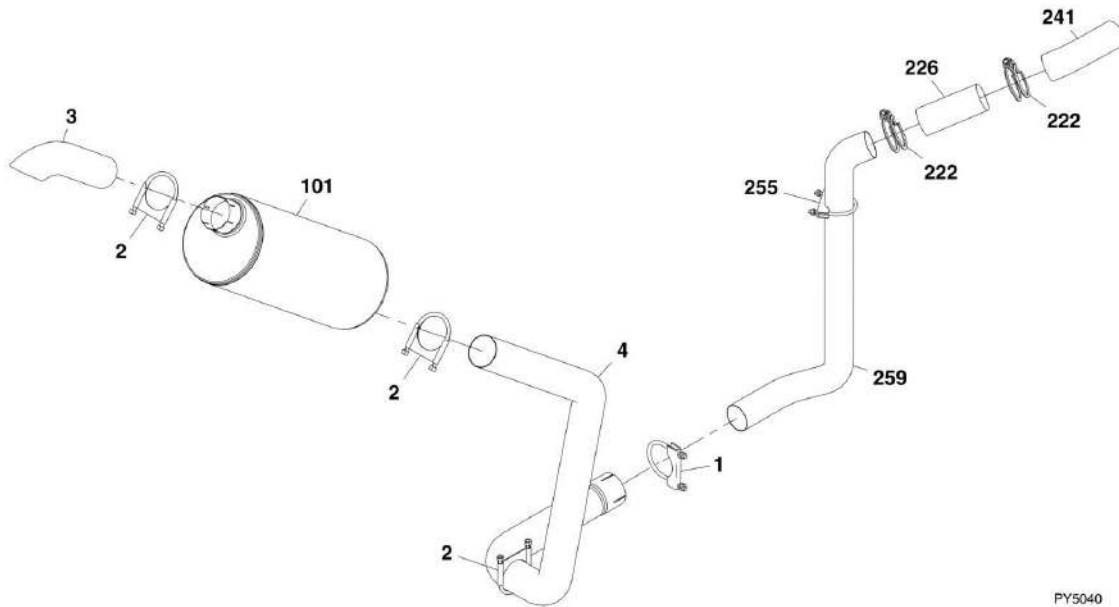
SECTION 4 - ENGINE AND ATTACHING PARTS

FIGURE 4-26. EXHAUST INSTALLATION - PERKINS ENGINE (SN 0160021195 through 0160040659)

ITEM	PART NUMBER	QTY	DESCRIPTION	REV
1	91473178	1	MUFFLER TUBE	
2	91163035	1	MUFFLER	
3	91403489	1	TAIL PIPE	
4	24921332	6	MUFFLER CLAMP	
5	91476045	1	HEAT SHIELD	
6	88561004	4	FLAT WASHER, 3/8	
7	0761012	8	HEX HD CAPSCREW, M10X25	
8	4832100	2	SPRING LOCKWASHER, M12	
9	0761015	2	HEX HD CAPSCREW, M10X35	
10	1001001841	1	EXHAUST HEAT SHIELD	
11	1001001820	1	EXHAUST OUTLET ELBOW	
12	1001001828	1	TURBO MOUNTING BRACKET	
13	1001001829	1	EXHAUST HEAT SHIELD	
14	0760812	1	HEX HD CAPSCREW, M8X25	
15	4831900	1	SPRING LOCKWASHER, M8	
16	0761215	2	HEX HD CAPSCREW, M12X35	
17	4832000	7	SPRING LOCKWASHER, M10	
18	1001001831	1	EXHAUST JOINT	
19	1001001819	1	TURBO EXHAUST OUTLET ADAPTER	
20	4812000	3	FLAT WASHER, 10mm	
21	1001001814	1	UPPER EXHAUST WITH FLANGE	
22	91403601	2	PIPE CLAMP	
23	91473119	1	FLEX TUBE	
24	1001001827	1	LOWER EXHAUST TUBE	
25	0761016	2	HEX HD CAPSCREW, M10X40	
26	4711600	7	FLAT WASHER, 3/8	
27	8305038	3	HEX NUT, M10X1-1/2	

SECTION 4 - ENGINE AND ATTACHING PARTS

FIGURE 4-27. EXHAUST INSTALLATION - CUMMINS ENGINE (SN 0160040678 to Present)



PY5040

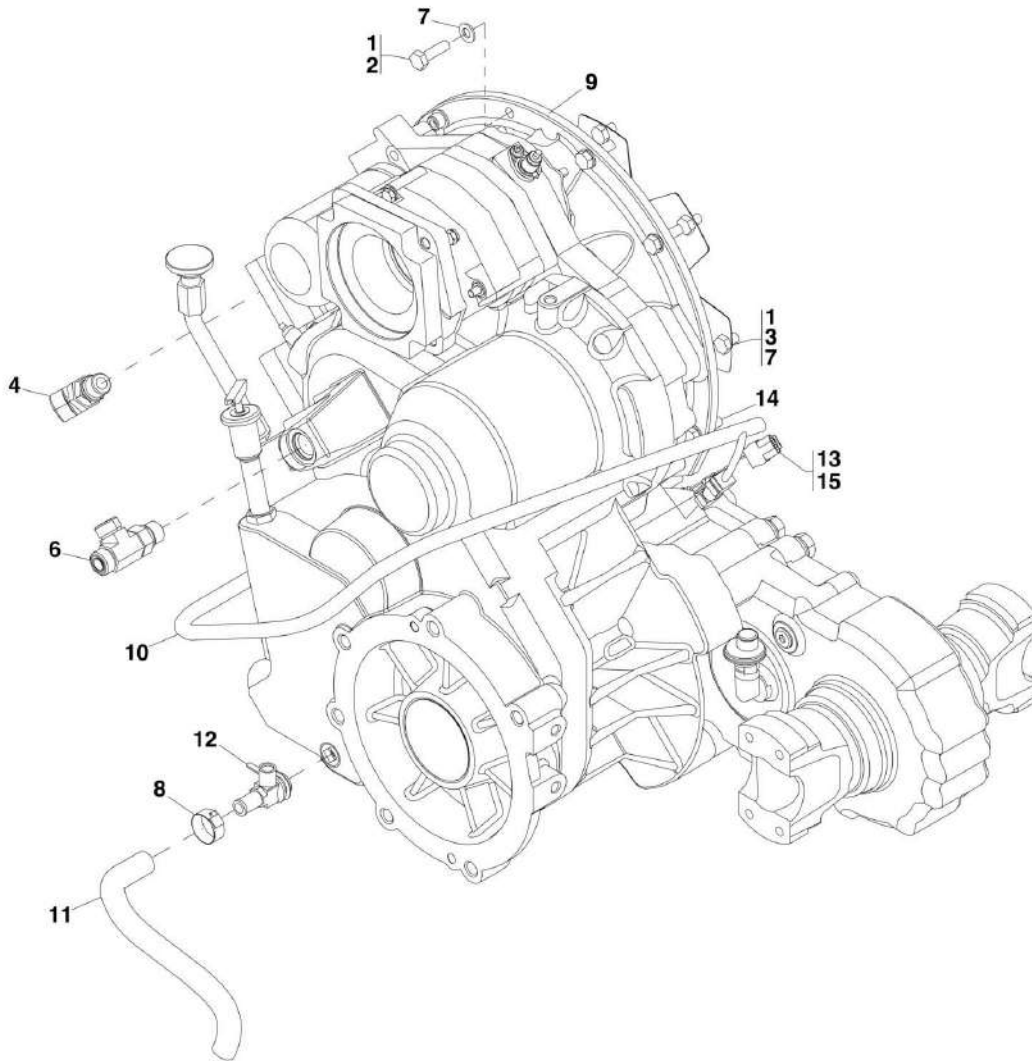
SECTION 4 - ENGINE AND ATTACHING PARTS

FIGURE 4-27. EXHAUST INSTALLATION - CUMMINS ENGINE (SN 0160040678 to Present)

ITEM	PART NUMBER	QTY	DESCRIPTION	REV
	1001119931	Ref	EXHAUST INSTALLATION - CUMMINS, (not available to order, see items 1 thru 4 for service)	A
1	8275247	1	3 IN MUFFLER CLAMP	
2	24921332	3	3 IN EXHAUST CLAMP	
3	91403489	1	TAIL PIPE	
4	1001127932	1	EXHAUST PIPE	
101	91163035	1	MUFFLER	
222	91403601	2	PIPE CLAMP	
226	1001100189	1	FLEX TUBE	
241	1001119994	1	PIPE ELBOW	
255	8275247	1	3 IN CLAMP	
259	1001126892	1	EXHAUST PIPE	

SECTION 4 - ENGINE AND ATTACHING PARTS

FIGURE 4-28. DANA TRANSMISSION INSTALLATION (SN 0160045464 to Present, Including 0160043800)



PAP22070

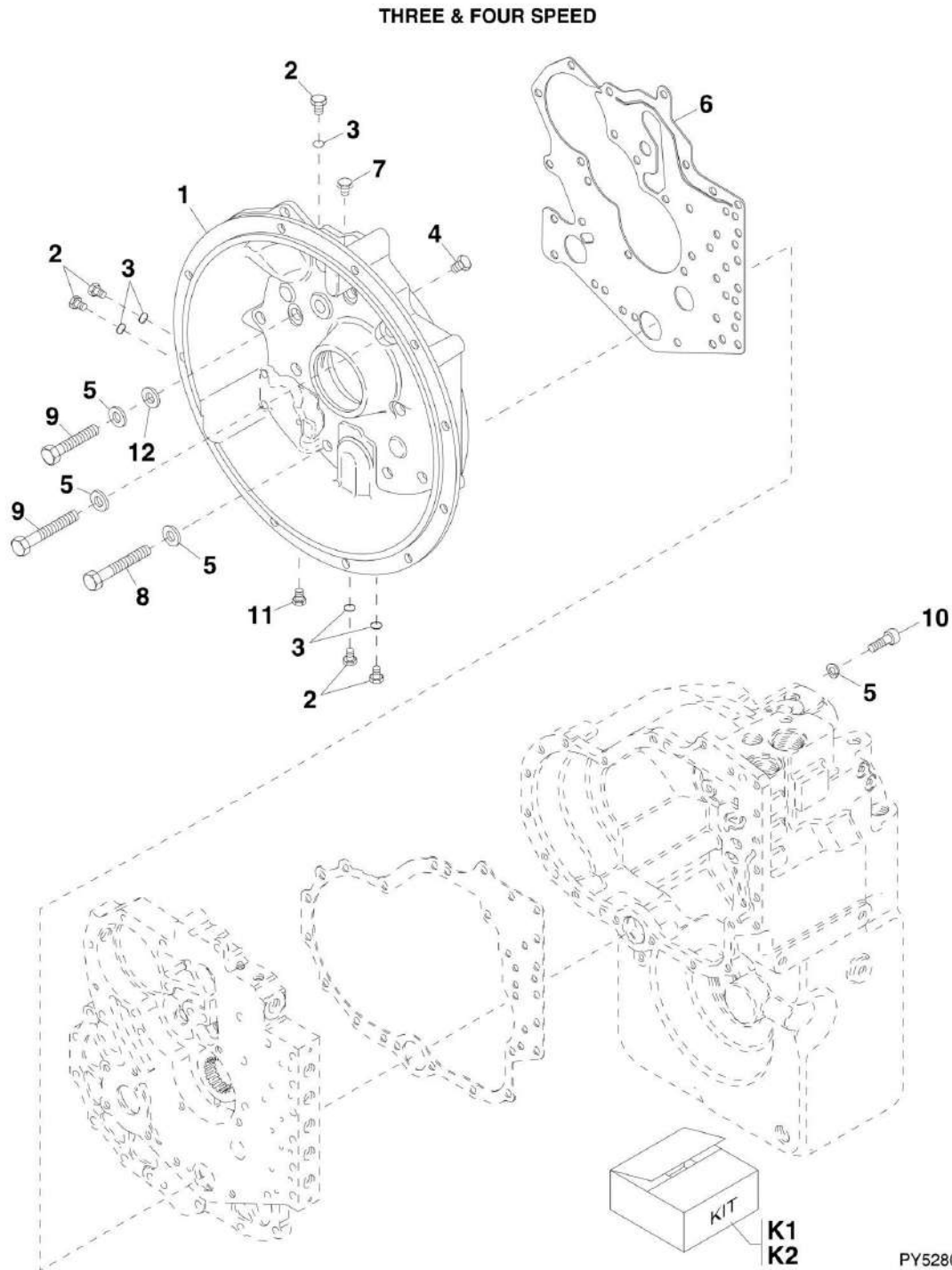
SECTION 4 - ENGINE AND ATTACHING PARTS

FIGURE 4-28. DANA TRANSMISSION INSTALLATION (SN 0160045464 to Present, Including 0160043800)

ITEM	PART NUMBER	QTY	DESCRIPTION	REV
	1001133364	Ref	DANA TRANSMISSION INSTALLATION, (not available to order, see items 1 thru 15 for service)	C
1	0100011	AR	LOCTITE 242	
2	0711014	9	HEX HD CAPSCREW, M10X30, GR10.9	
3	0761010	8	HEX HD CAPSCREW, M10X1-1/2X20	
4		Ref	CONNECTOR, (includes o-ring), (See HYDRAULIC CIRCUITS SECTION for Breakdown)	
6		Ref	CONNECTOR, (includes o-ring), (See HYDRAULIC CIRCUITS SECTION for Breakdown)	
7	4812000	18	WASHER, 10mm	
8	8405007	1	GEAR CLAMP	
9		Ref	DANA TRANSMISSION, (See DANA TRANSMISSION - CONVERTER HOUSING GROUP for Breakdown)	
10		Ref	DANA TRANSMISSION HARNESS, (See ELECTRICAL SECTION for Breakdown)	
11	1001138972	1	DRAIN HOSE	
12	1001143721	1	OIL DRAIN VALVE	
13	91563121	1	TRANSMISSION TEMPERATURE SWITCH	
14	91513234	1	SOCKET HD CAPSCREW, M10X1-1/2X30, GR 10.9, (torque to 53-58 lb-ft)	
15	0100020	AR	LOCTITE 567	

SECTION 4 - ENGINE AND ATTACHING PARTS

FIGURE 4-29. DANA TRANSMISSION - CONVERTER HOUSING GROUP (Prior to SN 0160040678, SN 0160045464 to Present, Including 0160043800)



NOTE: USE 91474611 FOR TEST PORT ADAPTER FITTING, (NOT SHOWN OR INCLUDED WITH TRANSMISSION).

PY5280

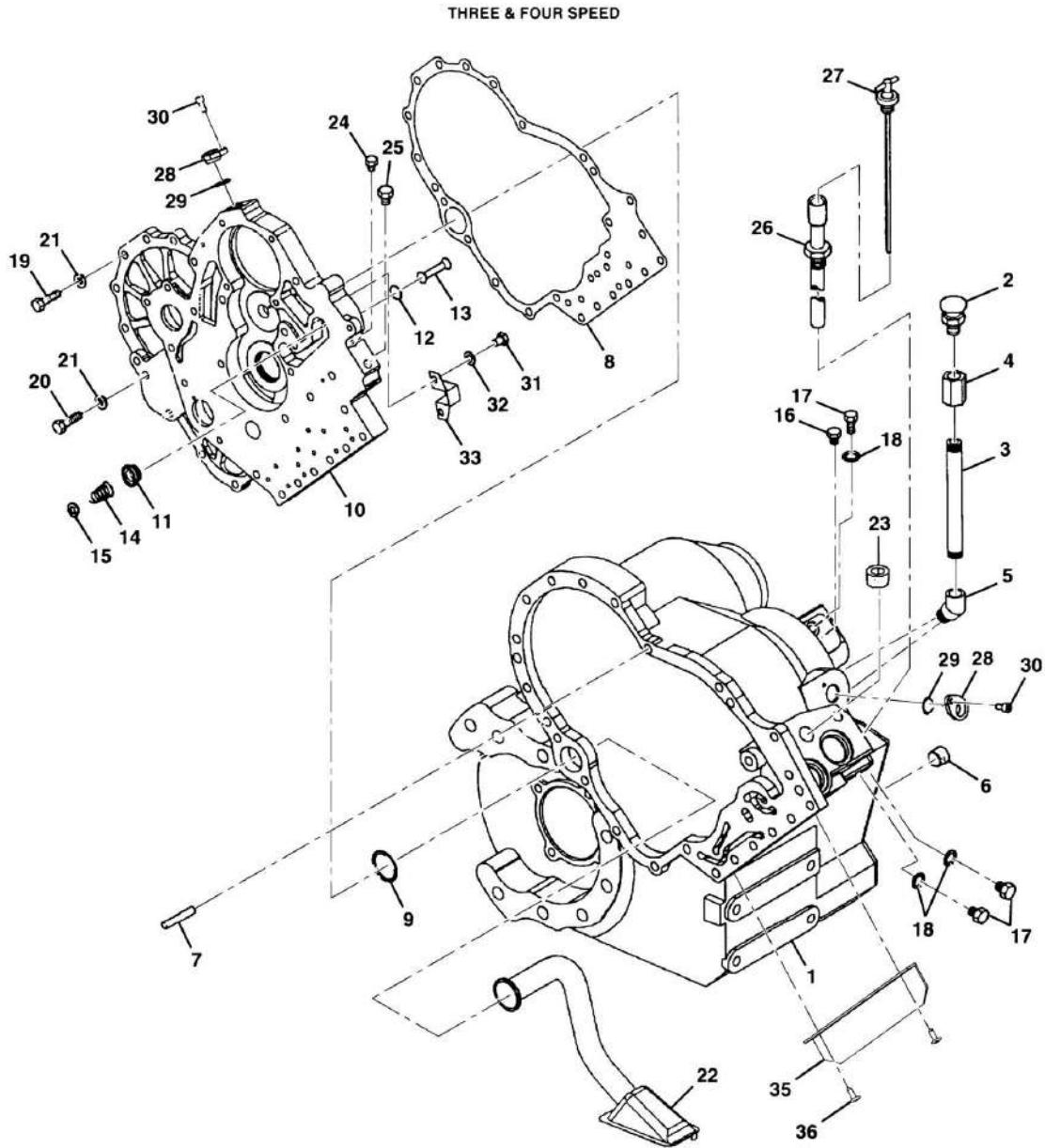
SECTION 4 - ENGINE AND ATTACHING PARTS

FIGURE 4-29. DANA TRANSMISSION - CONVERTER HOUSING GROUP (Prior to SN 0160040678, SN 0160045464 to Present, Including 0160043800)

ITEM	PART NUMBER	QTY	DESCRIPTION	REV
	91473179	1	THREE SPEED TRANSMISSION, (includes all items on DANA TRANSMISSION - CONVERTER HOUSING GROUP thru DANA TRANSMISSION - DROP BOX GROUP) (SN 0190001 through 0160000715)	
	91473215	1	THREE SPEED TRANSMISSION, (includes all items on DANA TRANSMISSION - CONVERTER HOUSING GROUP thru DANA TRANSMISSION - DROP BOX GROUP) (SN 0160000797 through 0160003125)	
	91473180	1	FOUR SPEED TRANSMISSION, (includes all items on DANA TRANSMISSION - CONVERTER HOUSING GROUP thru DANA TRANSMISSION - DROP BOX GROUP) (SN 0190001 through 0160000715)	
	91513141	1	FOUR SPEED TRANSMISSION, (includes all items on DANA TRANSMISSION - CONVERTER HOUSING GROUP thru DANA TRANSMISSION - DROP BOX GROUP) (SN 0160000797 through 0160011034, Including 0160011878)	
	91513284	1	FOUR SPEED TRANSMISSION, (includes all items on DANA TRANSMISSION - CONVERTER HOUSING GROUP thru DANA TRANSMISSION - DROP BOX GROUP) (SN 0160011059 through 0160040677, Excluding 0160011878)	
	1001133923	1	FOUR SPEED TRANSMISSION, (includes all items on DANA TRANSMISSION - CONVERTER HOUSING GROUP thru DANA TRANSMISSION - DROP BOX GROUP) (SN 0160045464 to Present, Including 0160043800)	
1	91474186	1	CONVERTER HOUSING	
2	8032526	5	PLUG, (includes item 3)	
3	91474188	5	O-RING	
4	91474189	1	PLUG	
5	91474265	23	LOCKWASHER	
6	91474191	1	GASKET	
7	91474192	1	PLUG	
8	91474193	6	SCREW	
9	91474194	16	SCREW	
10	91474195	1	SCREW	
11	8035092	1	PLUG	
12	91474616	2	WASHER	
K1	7028110	1	GASKET AND SEAL KIT, (contains all gaskets and seals for an entire transmission with the exception of the 3-shaft Drop Box)	
K2		Ref	3-SHAFT DROP BOX GASKET AND SEAL KIT, (See DANA TRANSMISSION - DROP BOX GROUP for Breakdown)	

SECTION 4 - ENGINE AND ATTACHING PARTS

FIGURE 4-30. DANA TRANSMISSION CASE AND PLATE GROUP (Prior to SN 0160040678, SN 0160045464 to Present, Including 0160043800)



PAP22030

SECTION 4 - ENGINE AND ATTACHING PARTS

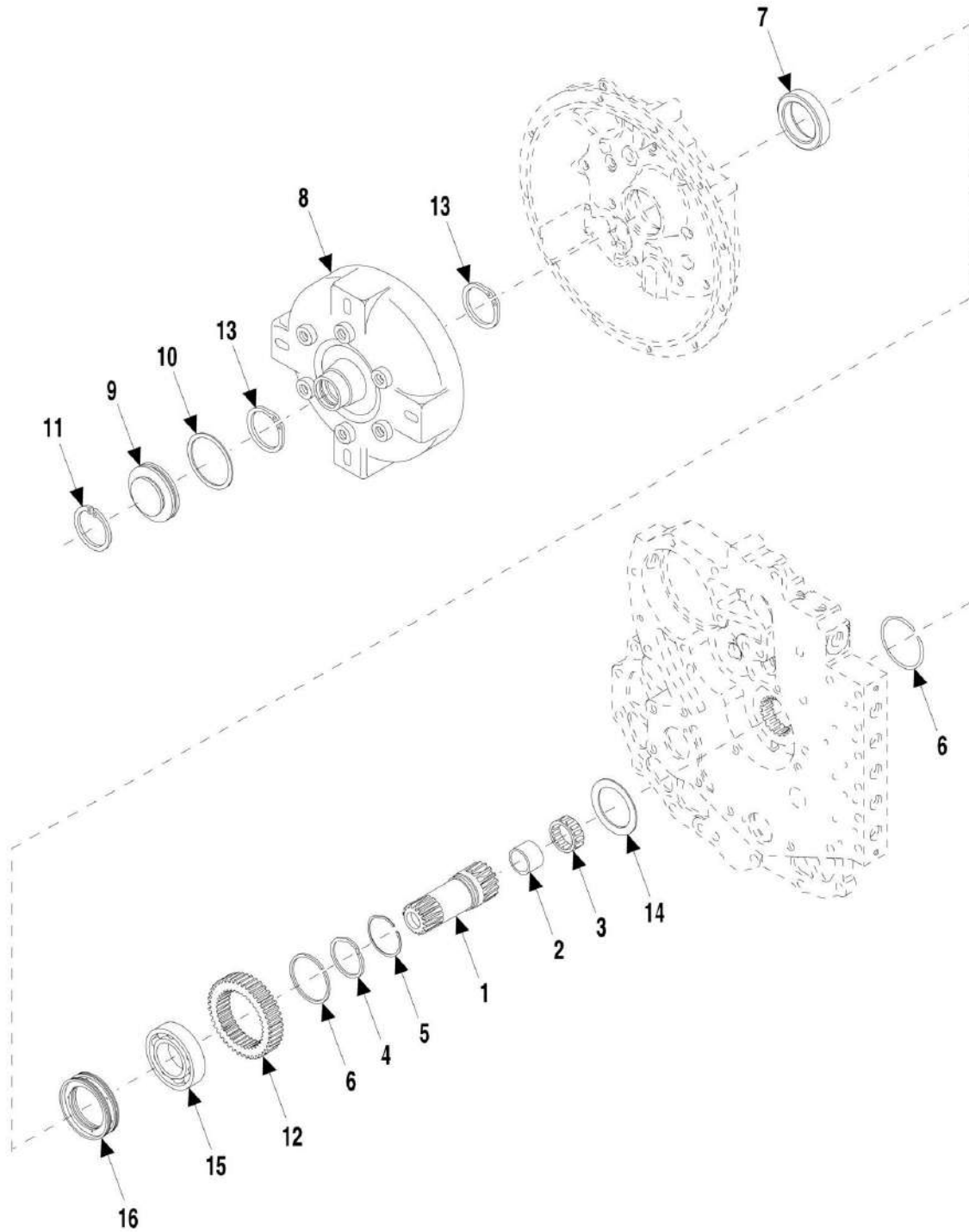
FIGURE 4-30. DANA TRANSMISSION CASE AND PLATE GROUP (Prior to SN 0160040678, SN 0160045464 to Present, Including 0160043800)

ITEM	PART NUMBER	QTY	DESCRIPTION	REV
1	N.S.S.	1	TRANSMISSION CASE	
2	8032509	1	AIR BREATHER	
3	7028058	1	PIPE NIPPLE	
4	91474198	1	PIPE COUPLING	
5	91474199	1	FITTING	
6	8032528	2	MAGNETIC DRAIN PLUG	
7	91474200	2	PIN	
8	91474201	1	GASKET	
9	10837074	1	SEAL RING	
10	91474203	1	PLATE SPACER (SN 0190001 through 0160011034)	
10	7029822	1	PLATE SPACER (SN 0160045464 to Present, SN 0160011059 through 0160040677, Including 0160043800)	
11	91474204	1	SAFETY VALVE PLATE	
12	91474205	1	SNAP RING	
13	91474206	1	POPPET	
14	77104056	1	SPRING	
15	91474207	1	WASHER	
16	91474189	1	PLUG	
17	8032526	3	PLUG, (includes item 18)	
18	91474188	3	O-RING	
19	91474208	7	SCREW	
20	91474209	2	SCREW	
21	91474265	9	LOCKWASHER	
22	91474210	1	TUBE AND SCREEN ASSY	
23	91474211	1	FILLER PLUG	
24	91474189	1	PLUG	
25	91474192	1	PLUG	
26	90204823	1	DIPSTICK TUBE ASSY	
27	91474212	1	DIPSTICK (SN 0190001 through 0190457, SN 0160000022 through 0160040677)	
27	70020403	1	DIPSTICK (SN 0160045464 to Present, Including 0160043800)	
28	91474213	2	PLUG	
29	91474214	2	O-RING	
30	8034940	2	SCREW	
31	91474617	2	CAPSCREW	
32	91474618	2	WASHER	
33	91474619	1	SAFETY VALVE BAFFLE	
35	70020405	1	PLATE SOLENOID (SN 0160045464 to Present, Including 0160043800)	
36	70020406	1	HEX SOCKET BUTTON HEAD CAPSCREW (SN 0160045464 to Present, Including 0160043800)	

SECTION 4 - ENGINE AND ATTACHING PARTS

FIGURE 4-31. DANA TRANSMISSION - TORQUE CONVERTER GROUP (Prior to SN 0160040678, SN 0160045464 to Present, Including 0160043800)

THREE & FOUR SPEED



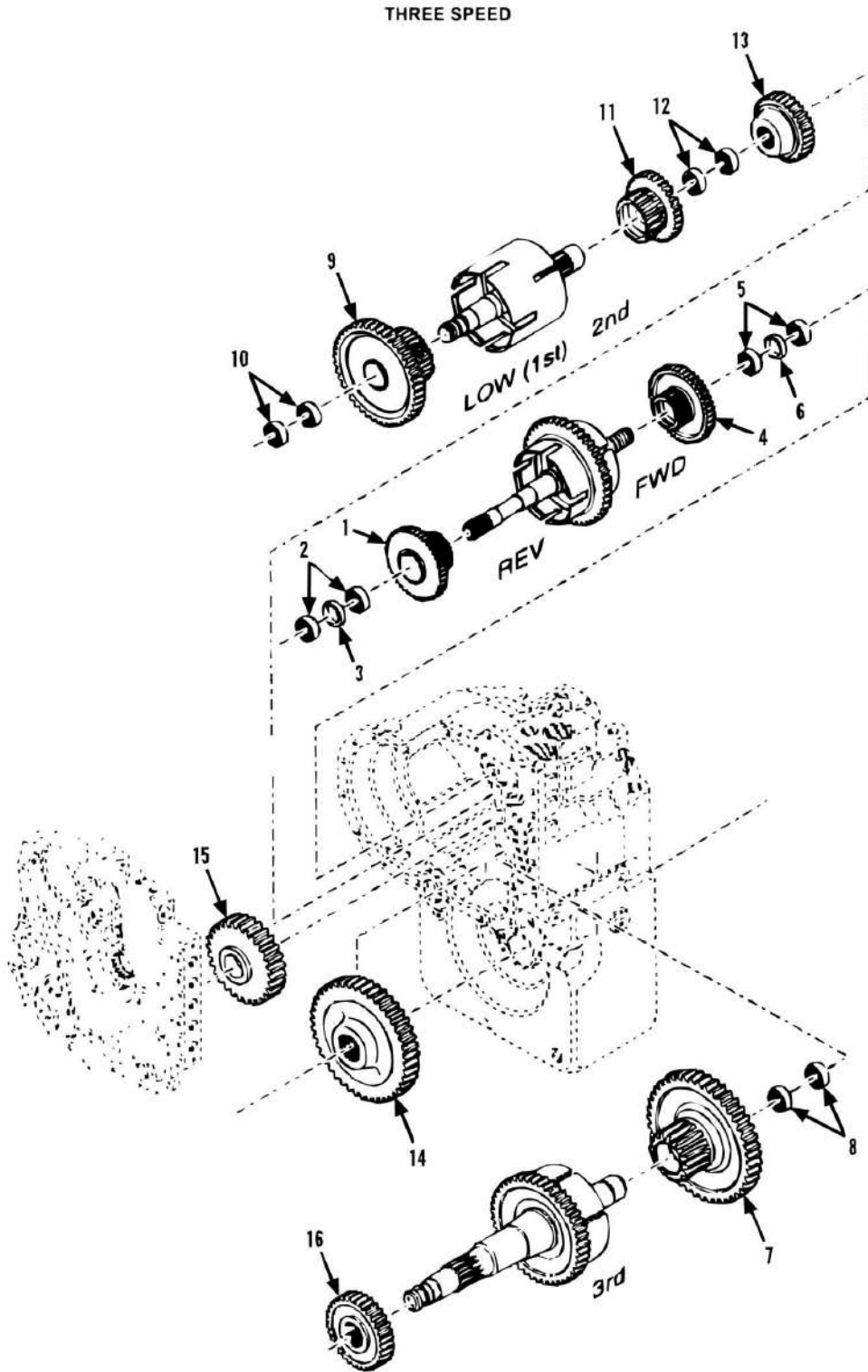
SECTION 4 - ENGINE AND ATTACHING PARTS

FIGURE 4-31. DANA TRANSMISSION - TORQUE CONVERTER GROUP (Prior to SN 0160040678, SN 0160045464 to Present, Including 0160043800)

ITEM	PART NUMBER	QTY	DESCRIPTION	REV
1	91474216	1	STATOR SUPPORT ASSY, (includes items 2 & 3)	
2	91474217	1	BUSHING	
3	91474218	1	BEARING	
4	91474219	1	RING	
5	91474220	1	EXPANDER	
6	91474221	2	SNAP RING	
7	10837072	1	OIL SEAL	
8	91474385	1	TORQUE CONVERTER ASSY, (four speed) (SN 0190001 through 0190457, SN 016000022 through 0160040677)	
8	7028055	1	TORQUE CONVERTER ASSY, (four speed) (SN 0160045464 to Present, Including 0160043800)	
9	90204781	1	PLUG	
10	77104039	1	O-RING	
11	77104041	1	SNAP RING	
12	91474224	1	GEAR	
13	8034968	2	SNAP RING	
14	91474226	1	WASHER	
15	10868235	1	BEARING	
16	91474228	1	RING	

SECTION 4 - ENGINE AND ATTACHING PARTS

FIGURE 4-32. DANA TRANSMISSION - GEAR GROUP (Prior to SN 0160040678)



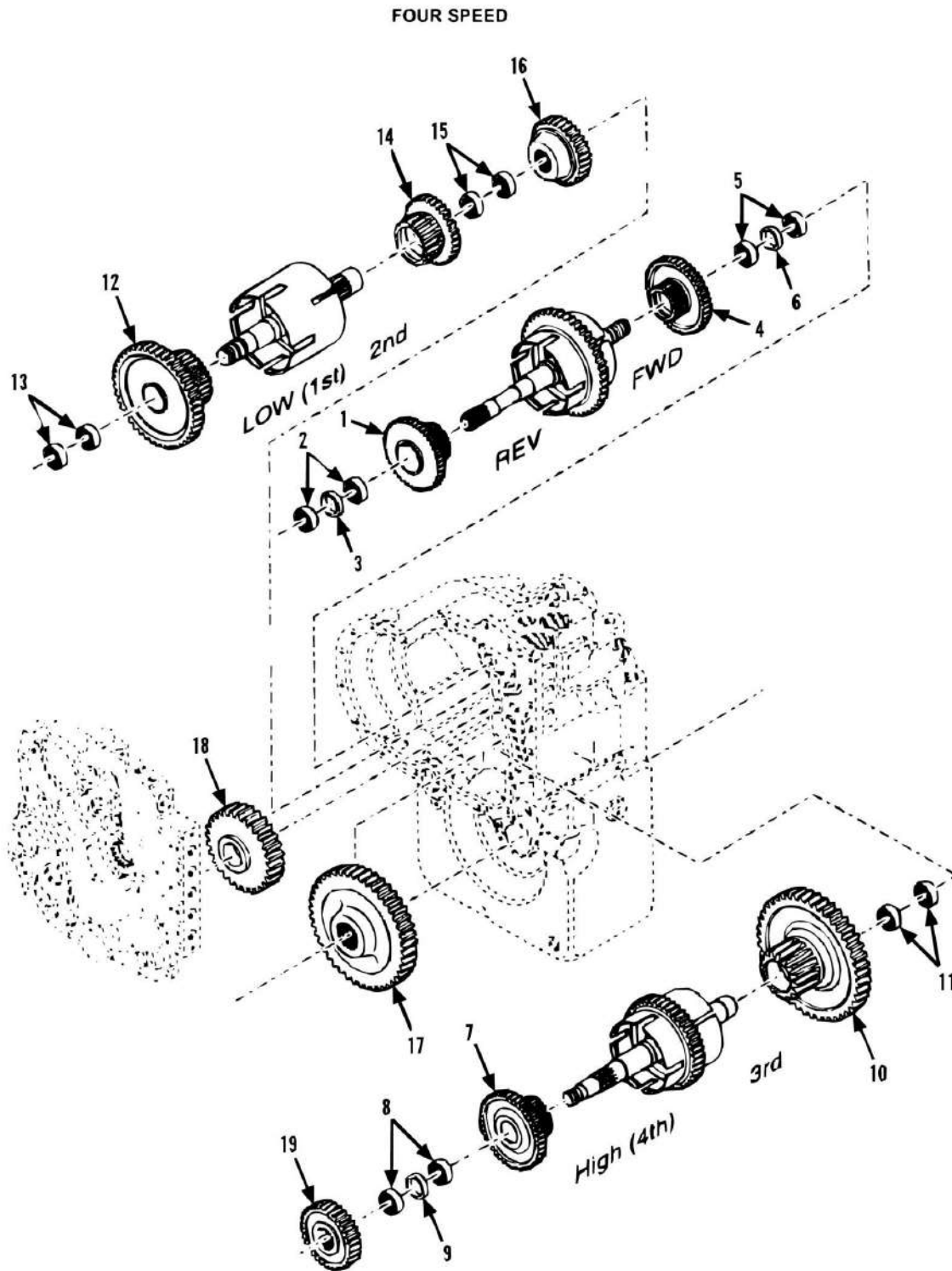
SECTION 4 - ENGINE AND ATTACHING PARTS

FIGURE 4-32. DANA TRANSMISSION - GEAR GROUP (Prior to SN 0160040678)

ITEM	PART NUMBER	QTY	DESCRIPTION	REV
1	91474229	1	GEAR AND BEARING ASSY, (includes items 2 & 3)	
2	91474230	2	BEARING	
3	91474231	1	SPACER	
4	91474232	1	GEAR AND BEARING ASSY, (includes items 5 & 6)	
5	91474230	2	BEARING	
6	91474231	1	SPACER	
7	91474235	1	THIRD CLUTCH GEAR AND BEARING ASSY, (includes item 8)	
8	91474236	2	BEARING	
9	91474237	1	FIRST CLUTCH GEAR AND BEARING ASSY, (includes item 10)	
10	91474230	2	BEARING	
11	91474239	1	SECOND CLUTCH GEAR AND BEARING, (includes item 12)	
12	91474230	2	BEARING	
13	91474233	1	THIRD DRIVEN GEAR	
14	91474234	1	OUTPUT SHAFT GEAR	
15	91474238	1	REVERSE IDLER GEAR	
16	91474240	1	FIRST DRIVEN GEAR	

SECTION 4 - ENGINE AND ATTACHING PARTS

FIGURE 4-33. DANA TRANSMISSION - GEAR GROUP (Prior to SN 0160040678, SN 0160045464 to Present, Including 0160043800)



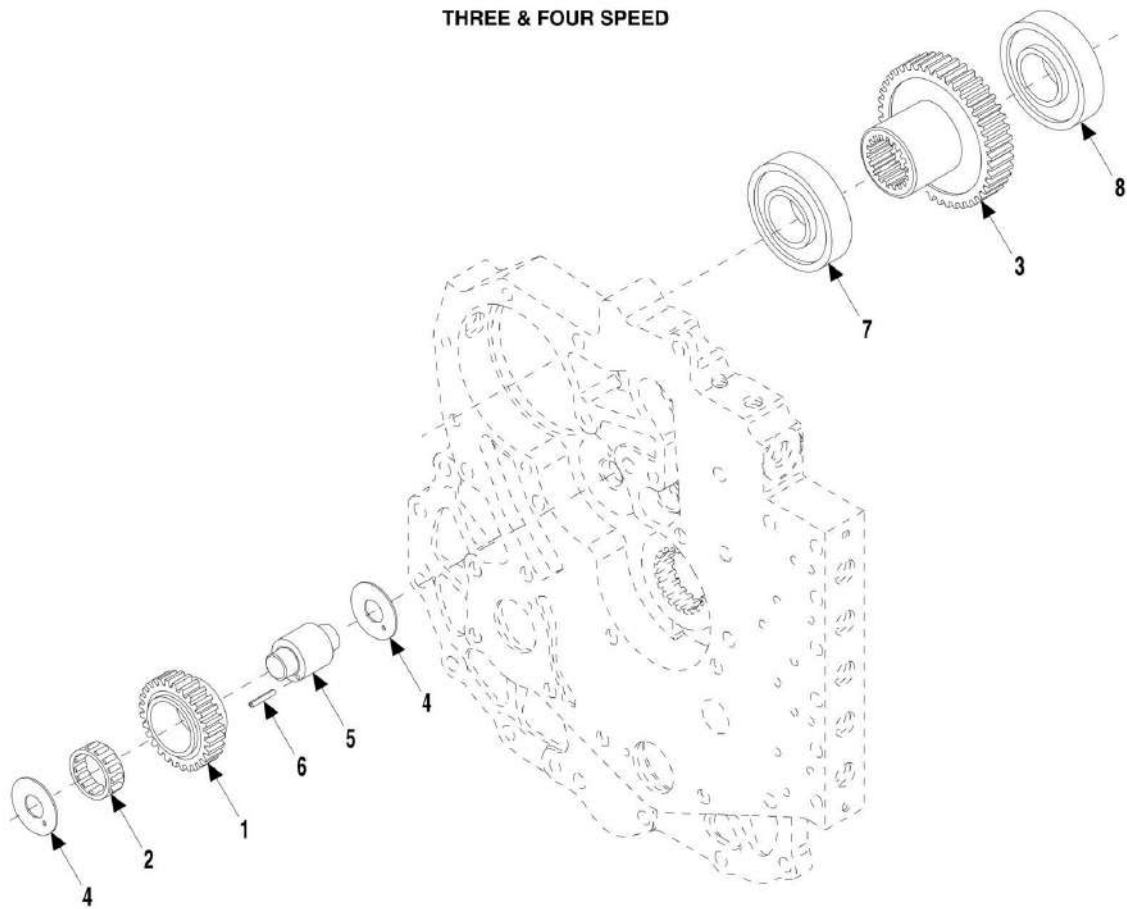
SECTION 4 - ENGINE AND ATTACHING PARTS

FIGURE 4-33. DANA TRANSMISSION - GEAR GROUP (Prior to SN 0160040678, SN 0160045464 to Present, Including 0160043800)

ITEM	PART NUMBER	QTY	DESCRIPTION	REV
1	7028060	1	GEAR AND BEARING ASSY, (includes items 2 & 3)	
2	91474230	2	BEARING	
3	91474231	1	SPACER	
4	91474232	1	GEAR AND BEARING ASSY, (includes items 5 & 6)	
5	91474230	2	BEARING	
6	91474231	1	SPACER	
7	91474391	1	GEAR AND BEARING ASSY, (includes items 8 & 9)	
8	91474387	2	BEARING	
9	91474388	1	SPACER	
10	91474389	1	THIRD CLUTCH GEAR AND BEARING ASSY, (includes item 11)	
11	91474236	2	BEARING	
12	91474390	1	FIRST CLUTCH GEAR AND BEARING, (includes item 13)	
13	91474230	2	BEARING	
14	91474239	1	SECOND CLUTCH GEAR AND BEARING, (includes item 15)	
15	91474230	2	BEARING	
16	91474393	1	THIRD DRIVEN GEAR	
17	91474394	1	OUTPUT SHAFT GEAR	
18	91474395	1	REVERSE IDLER GEAR	
19	91474396	1	FIRST DRIVEN GEAR	

SECTION 4 - ENGINE AND ATTACHING PARTS

FIGURE 4-34. DANA TRANSMISSION - PUMP DRIVE GROUP (Prior to SN 0160040678, SN 0160045464 to Present, Including 0160043800)



SECTION 4 - ENGINE AND ATTACHING PARTS

FIGURE 4-34. DANA TRANSMISSION - PUMP DRIVE GROUP (Prior to SN 0160040678, SN 0160045464 to Present, Including 0160043800)

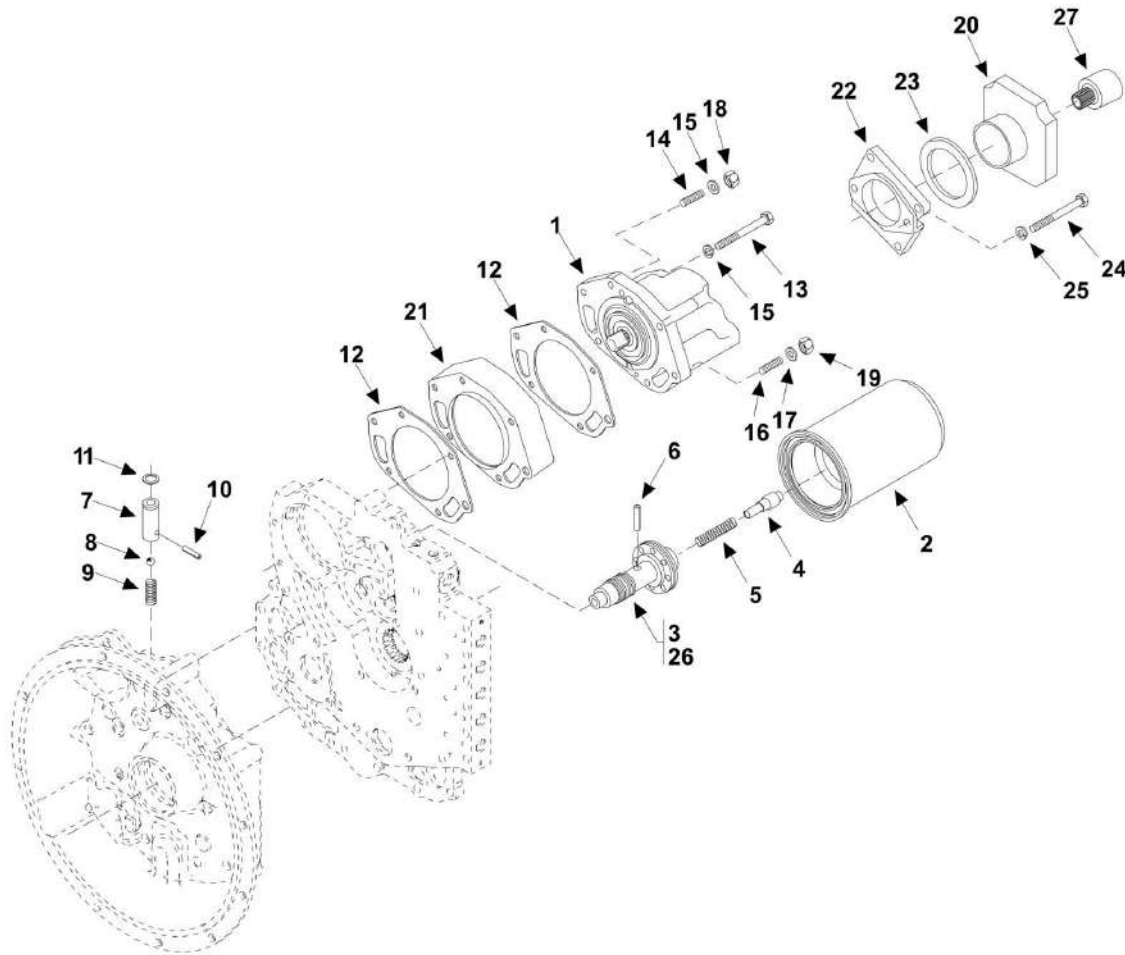
ITEM	PART NUMBER	QTY	DESCRIPTION	REV
1	91474241	1	PUMP DRIVE IDLER GEAR	
2	91474242	1	BEARING	
3	91474243	1	GEAR	
4	10868243	2	THRUST WASHER	
5	91474245	1	PUMP DRIVE SHAFT AND PIN ASSY, (includes item 6)	
6	10868248	1	PIN	
7	91474247	1	BEARING	
8	91474248	1	BEARING	

SECTION 4 - ENGINE AND ATTACHING PARTS

FIGURE 4-35. DANA TRANSMISSION - CHARGING PUMP GROUP (Prior to SN 0160040678, SN 0160045464 to Present, Including 0160043800)

THREE & FOUR SPEED

NOTE: ITEMS 20, 22, 23, 24, 25 & 27 ONLY USED ON MACHINES SN 0190001 THROUGH 0160000715



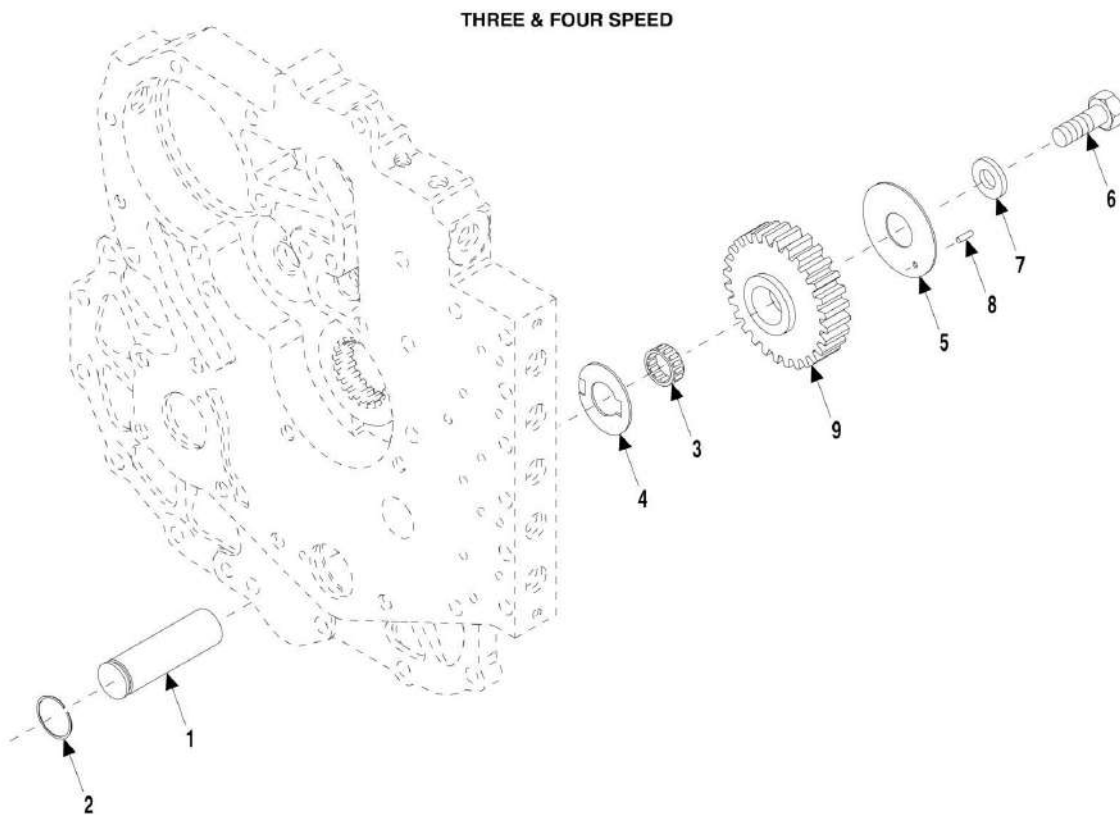
SECTION 4 - ENGINE AND ATTACHING PARTS

FIGURE 4-35. DANA TRANSMISSION - CHARGING PUMP GROUP (Prior to SN 0160040678, SN 0160045464 to Present, Including 0160043800)

ITEM	PART NUMBER	QTY	DESCRIPTION	REV
1	70020407	1	CHARGING PUMP ASSY	
1	70021830	1	O-RING, (located between two halves of charge pump)	
2	91474250	1	FILTER ASSY	
3	91474251	1	REGULATOR VALVE SLEEVE	
4	91474252	1	REGULATOR VALVE PISTON	
5	91474253	1	REGULATOR VALVE SPRING	
6	91474254	1	PIN	
7	91474255	1	BALL CHECK VALVE, (includes items 8 thru 11)	
8	91474256	1	BALL	
9	91474257	1	CHECK VALVE SPRING	
10	91474258	1	CHECK VALVE PIN	
11	91474259	1	O-RING	
12	10868254	2	CHARGING PUMP GASKET	
13	7028063	4	SCREW	
14	91474262	1	STUD	
15	91474263	5	LOCKWASHER	
16	91474264	1	STUD	
17	91474265	1	LOCKWASHER	
18	91474266	1	NUT	
19	91474274	1	NUT	
20	91474267	1	ADAPTER	
21	91474268	1	ADAPTER	
22	91474269	1	PLATE	
23	91474270	1	O-RING	
24	91474271	2	SCREW	
25	91474272	2	LOCKWASHER	
26	91474273	1	REGULATOR VALVE ASSY, (includes items 3 thru 6)	
27	91474602	1	DRIVE SLEEVE ADAPTER	

SECTION 4 - ENGINE AND ATTACHING PARTS

FIGURE 4-36. DANA TRANSMISSION - REVERSE IDLER GROUP (Prior to SN 0160040678, SN 0160045464 to Present, Including 0160043800)



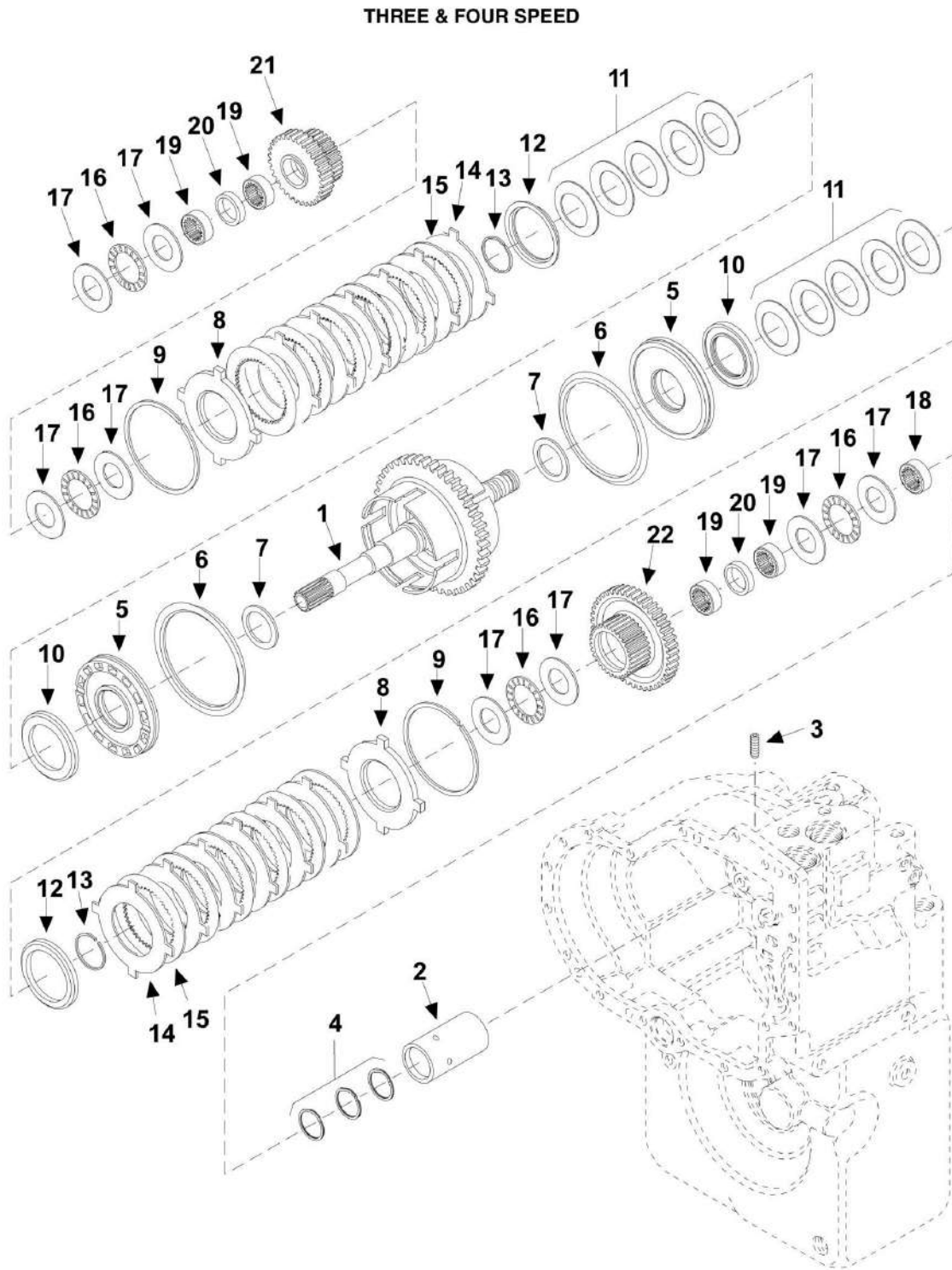
SECTION 4 - ENGINE AND ATTACHING PARTS

FIGURE 4-36. DANA TRANSMISSION - REVERSE IDLER GROUP (Prior to SN 0160040678, SN 0160045464 to Present, Including 0160043800)

ITEM	PART NUMBER	QTY	DESCRIPTION	REV
1	91474275	1	IDLER AND PILOT SHAFT	
2	91474276	1	SNAP RING	
3	91474277	1	BEARING	
4	91474278	1	THRUST WASHER	
5	91474279	1	END PLATE	
6	91474280	1	CAPSCREW	
7	91474281	1	WASHER	
8	91474282	1	ROLL PIN	
9		Ref	GEAR, (three speed), (See DATA TRANSMISSION - GEAR GROUP for Breakdown)	
9		Ref	GEAR, (four speed), (See DATA TRANSMISSION - GEAR GROUP for Breakdown)	

SECTION 4 - ENGINE AND ATTACHING PARTS

FIGURE 4-37. DANA TRANSMISSION - FORWARD AND REVERSE SHAFT GROUP (Prior to SN 0160040678, SN 0160045464 to Present, Including 0160043800)



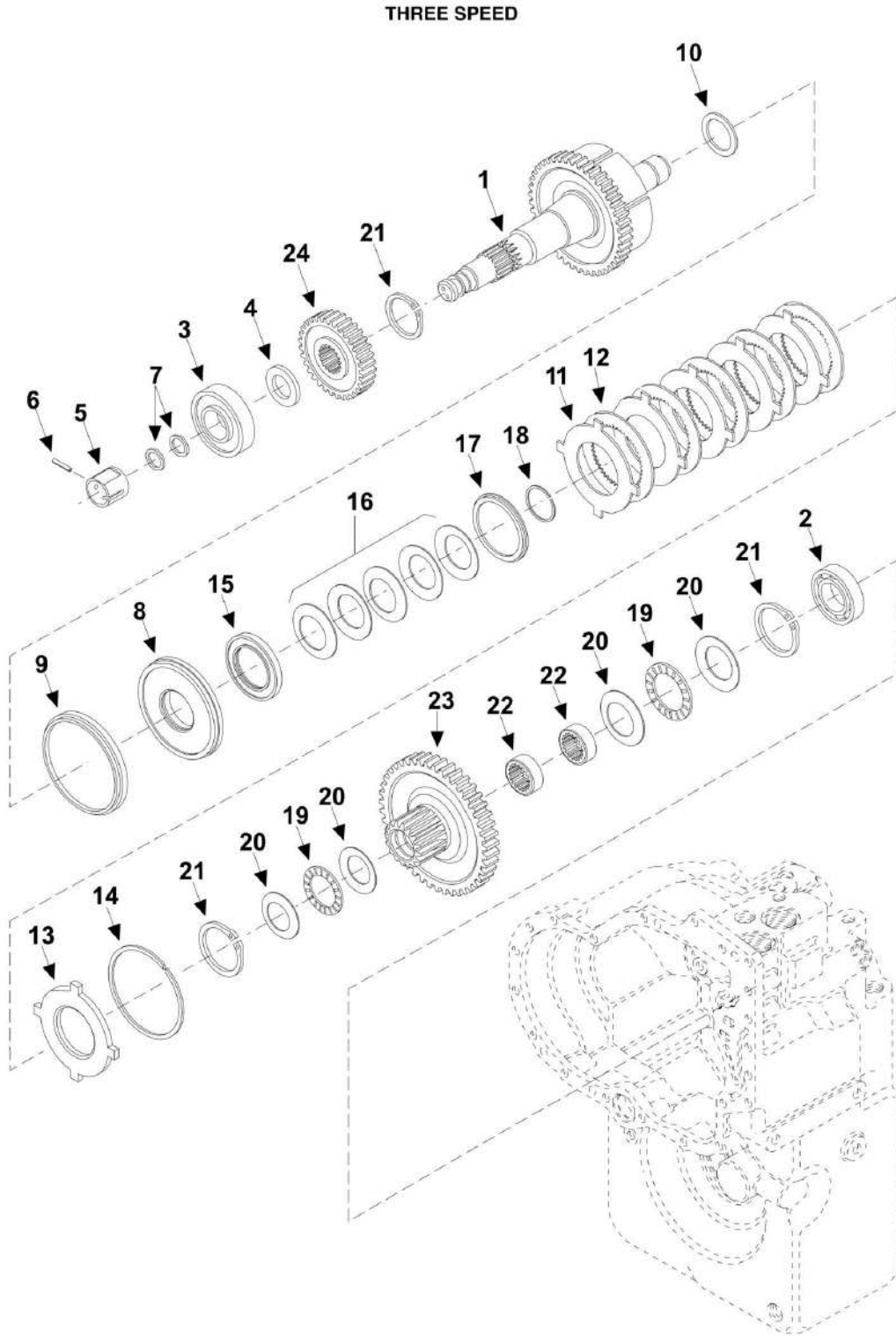
SECTION 4 - ENGINE AND ATTACHING PARTS

FIGURE 4-37. DANA TRANSMISSION - FORWARD AND REVERSE SHAFT GROUP (Prior to SN 0160040678, SN 0160045464 to Present, Including 0160043800)

ITEM	PART NUMBER	QTY	DESCRIPTION	REV
1	91474283	1	TURBINE SHAFT DRUM AND PLUG ASSY, (three speed transmission)	
1	91474398	1	TURBINE SHAFT DRUM AND PLUG ASSY, (four speed transmission)	
2	91474284	1	OIL DISTRIBUTOR SLEEVE	
3	91474285	1	RETAINER SCREW	
4	10837060	3	PISTON RING	
5	91474287	2	PISTON AND SEAL ASSY, (includes items 6 & 7)	
6	91474288	2	OUTER SEAL	
7	91474289	2	INNER SEAL	
8	91474308	2	END PLATE	
9	91474309	2	SNAP RING	
10	10868277	2	WEAR PLATE	
11	91474310	2	DISC SPRING ASSY	
12	91474294	2	SNAP RING	
13	91474295	2	SNAP RING	
14	91474296	12	OUTER DISC	
15	91474297	12	INNER DISC	
16	91474298	4	BEARING	
17	91474299	8	THRUST WASHER	
18	91474300	1	BEARING	
19		Ref	BEARING, (three speed), (See DATA TRANSMISSION - GEAR GROUP for Breakdown)	
19		Ref	BEARING, (four speed), (See DATA TRANSMISSION - GEAR GROUP for Breakdown)	
20		Ref	SPACER, (three speed), (See DATA TRANSMISSION - GEAR GROUP for Breakdown)	
20		Ref	SPACER, (four speed), (See DATA TRANSMISSION - GEAR GROUP for Breakdown)	
21		Ref	GEAR, (three speed), (See DATA TRANSMISSION - GEAR GROUP for Breakdown)	
22		Ref	GEAR, (four speed), (See DATA TRANSMISSION - GEAR GROUP for Breakdown)	

SECTION 4 - ENGINE AND ATTACHING PARTS

FIGURE 4-38. DANA TRANSMISSION - 3RD SHAFT GROUP (Prior to SN 0160040678)



SECTION 4 - ENGINE AND ATTACHING PARTS

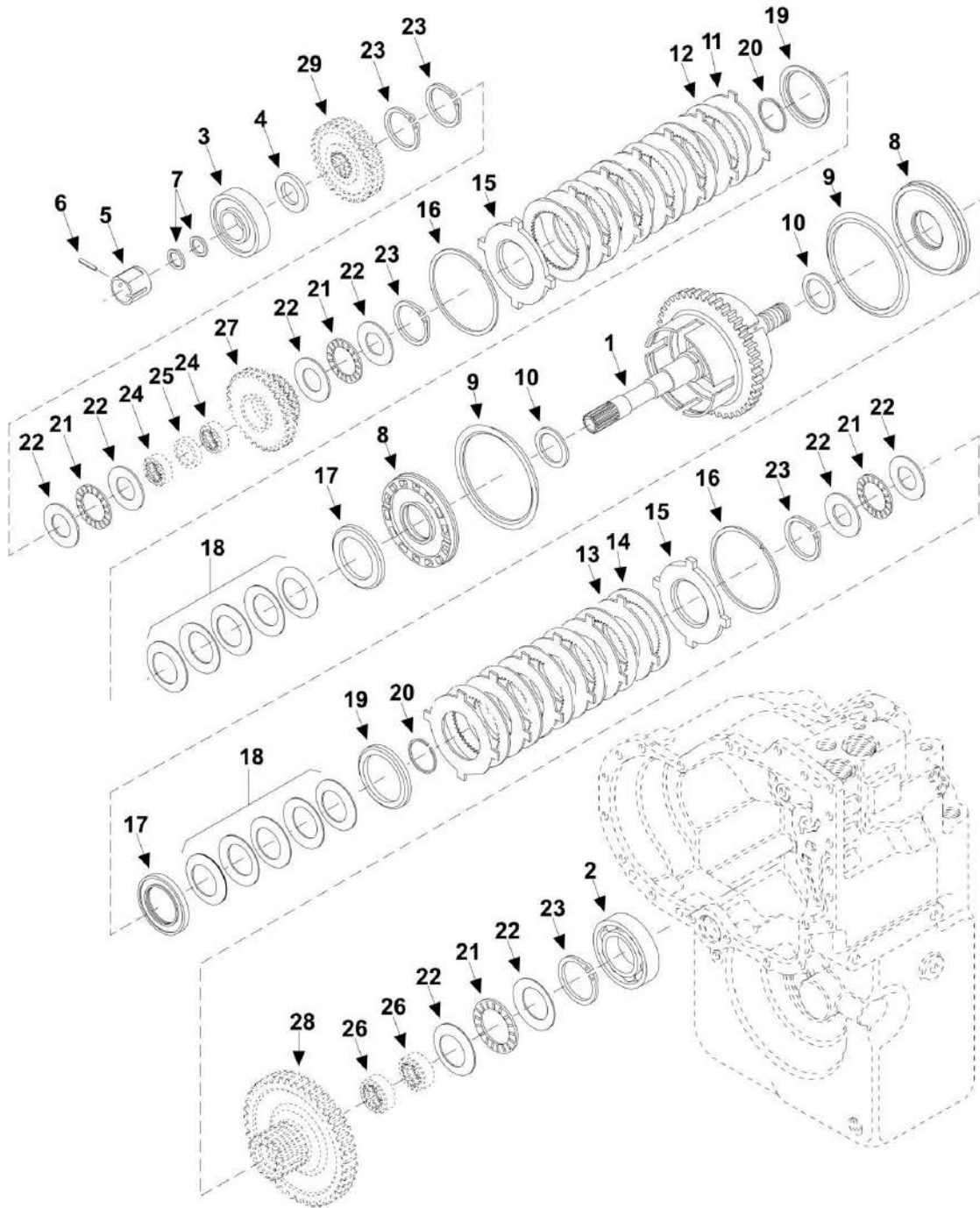
FIGURE 4-38. DANA TRANSMISSION - 3RD SHAFT GROUP (Prior to SN 0160040678)

ITEM	PART NUMBER	QTY	DESCRIPTION	REV
1	91474301	1	SHAFT DRUM AND PLUG ASSY	
2	91474302	1	ROLLER BEARING	
3	91474303	1	BEARING AND SEAL ASSY	
4	91474304	1	WASHER	
5	10868284	1	OIL DISTRIBUTOR SLEEVE	
6	91474306	1	SLEEVE RETAINING SCREW	
7	10837060	2	PISTON RING	
8	91474307	1	PISTON AND SEAL ASSY, (includes items 9 & 10)	
9	91474288	1	OUTER SEAL	
10	91474289	1	INNER SEAL	
11	91474296	5	OUTER DISC	
12	91474297	5	INNER DISC	
13	91474308	1	END PLATE	
14	91474309	1	SNAP RING	
15	10868277	1	WEAR PLATE	
16	91474310	1	DISC SPRING ASSY	
17	91474294	1	SNAP RING	
18	91474295	1	SNAP RING	
19	91474311	2	BEARING	
20	91474312	4	THRUST WASHER	
21	91474313	3	SNAP RING	
22		Ref	BEARING, (three speed), (See DATA TRANSMISSION - GEAR GROUP for Breakdown)	
22		Ref	BEARING, (four speed), (See DATA TRANSMISSION - GEAR GROUP for Breakdown)	
23		Ref	SPACER, (three speed), (See DATA TRANSMISSION - GEAR GROUP for Breakdown)	
24		Ref	SPACER, (four speed), (See DATA TRANSMISSION - GEAR GROUP for Breakdown)	

SECTION 4 - ENGINE AND ATTACHING PARTS

FIGURE 4-39. DANA TRANSMISSION - 3RD SHAFT GROUP (Prior to SN 0160040678, SN 0160045464 to Present, Including 0160043800)

FOUR SPEED



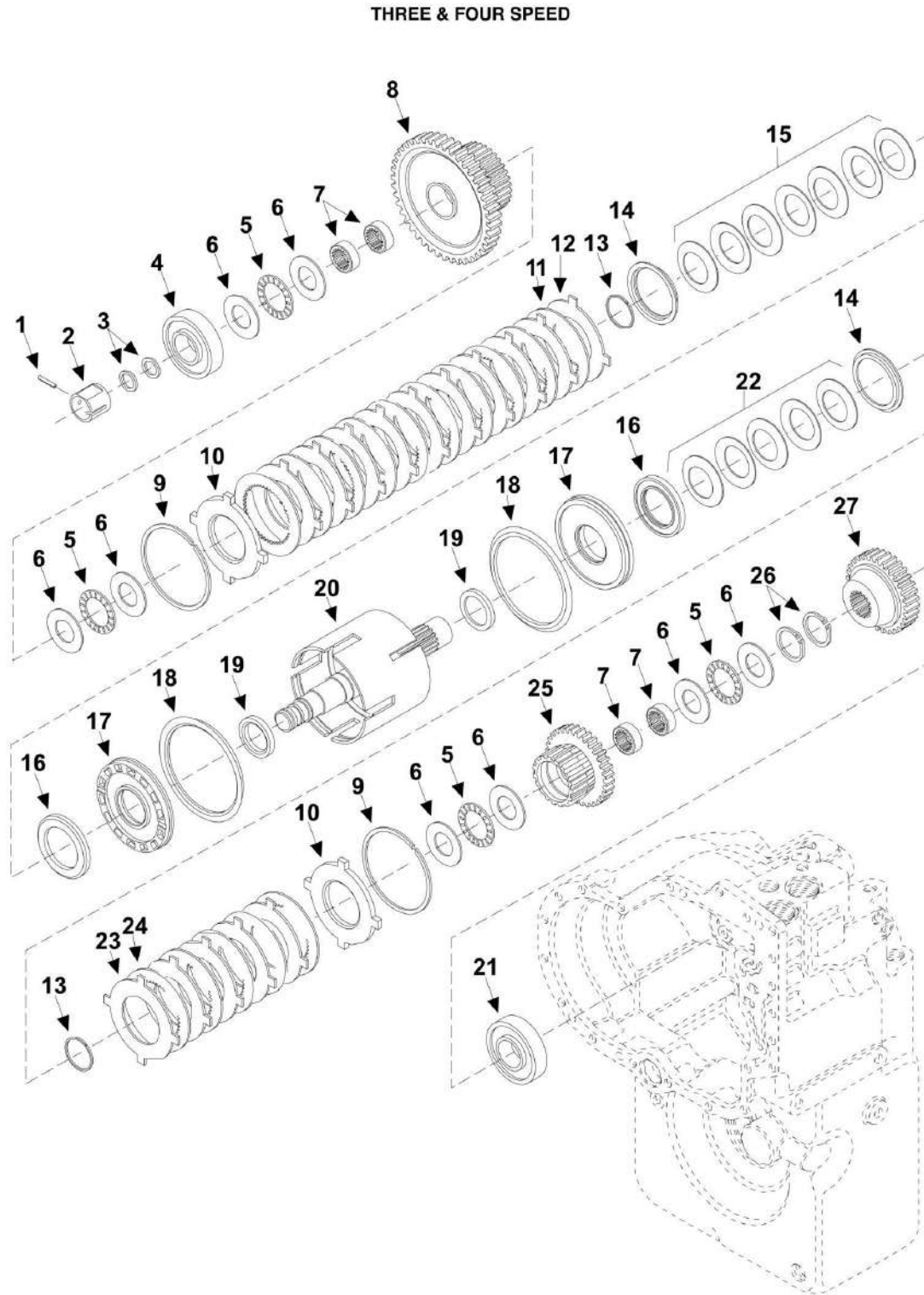
SECTION 4 - ENGINE AND ATTACHING PARTS

FIGURE 4-39. DANA TRANSMISSION - 3RD SHAFT GROUP (Prior to SN 0160040678, SN 0160045464 to Present, Including 0160043800)

ITEM	PART NUMBER	QTY	DESCRIPTION	REV
1	91474399	1	SHAFT DRUM AND PLUG ASSY	
2	91474302	1	ROLLER BEARING	
3	91474303	1	BEARING AND SEAL ASSY	
4	91474304	1	WASHER	
5	10868284	1	OIL DISTRIBUTOR SLEEVE	
6	91474306	1	SLEEVE RETAINING SCREW	
7	10837060	2	PISTON RING	
8	91474307	2	PISTON AND SEAL ASSY, (includes items 9 & 10)	
9	91474288	2	OUTER SEAL	
10	91474289	2	INNER SEAL	
11	91474296	6	OUTER DISC	
12	91474297	6	INNER DISC	
13	91474296	5	OUTER DISC	
14	91474297	5	INNER DISC	
15	91474308	2	END PLATE	
16	91474309	2	SNAP RING	
17	10868277	2	WEAR PLATE	
18	91474310	2	DISC SPRING ASSY	
19	91474294	2	SNAP RING	
20	91474295	2	SNAP RING	
21	91474311	4	BEARING	
22	91474312	8	THRUST WASHER	
23	91474313	5	SNAP RING	
24		Ref	BEARING, (three speed), (See DATA TRANSMISSION - GEAR GROUP for Breakdown)	
25		Ref	SPACER, (three speed), (See DATA TRANSMISSION - GEAR GROUP for Breakdown)	
25		Ref	SPACER, (four speed), (See DATA TRANSMISSION - GEAR GROUP for Breakdown)	
26		Ref	BEARING, (four speed), (See DATA TRANSMISSION - GEAR GROUP for Breakdown)	
27		Ref	GEAR, (three speed), (See DATA TRANSMISSION - GEAR GROUP for Breakdown)	
28		Ref	GEAR, (four speed), (See DATA TRANSMISSION - GEAR GROUP for Breakdown)	
29		Ref	GEAR, (four speed), (See DATA TRANSMISSION - GEAR GROUP for Breakdown)	

SECTION 4 - ENGINE AND ATTACHING PARTS

FIGURE 4-40. DANA TRANSMISSION - FIRST AND SECOND SHAFT GROUP (Prior to SN 0160040678, SN 0160045464 to Present, Including 0160043800)



SECTION 4 - ENGINE AND ATTACHING PARTS

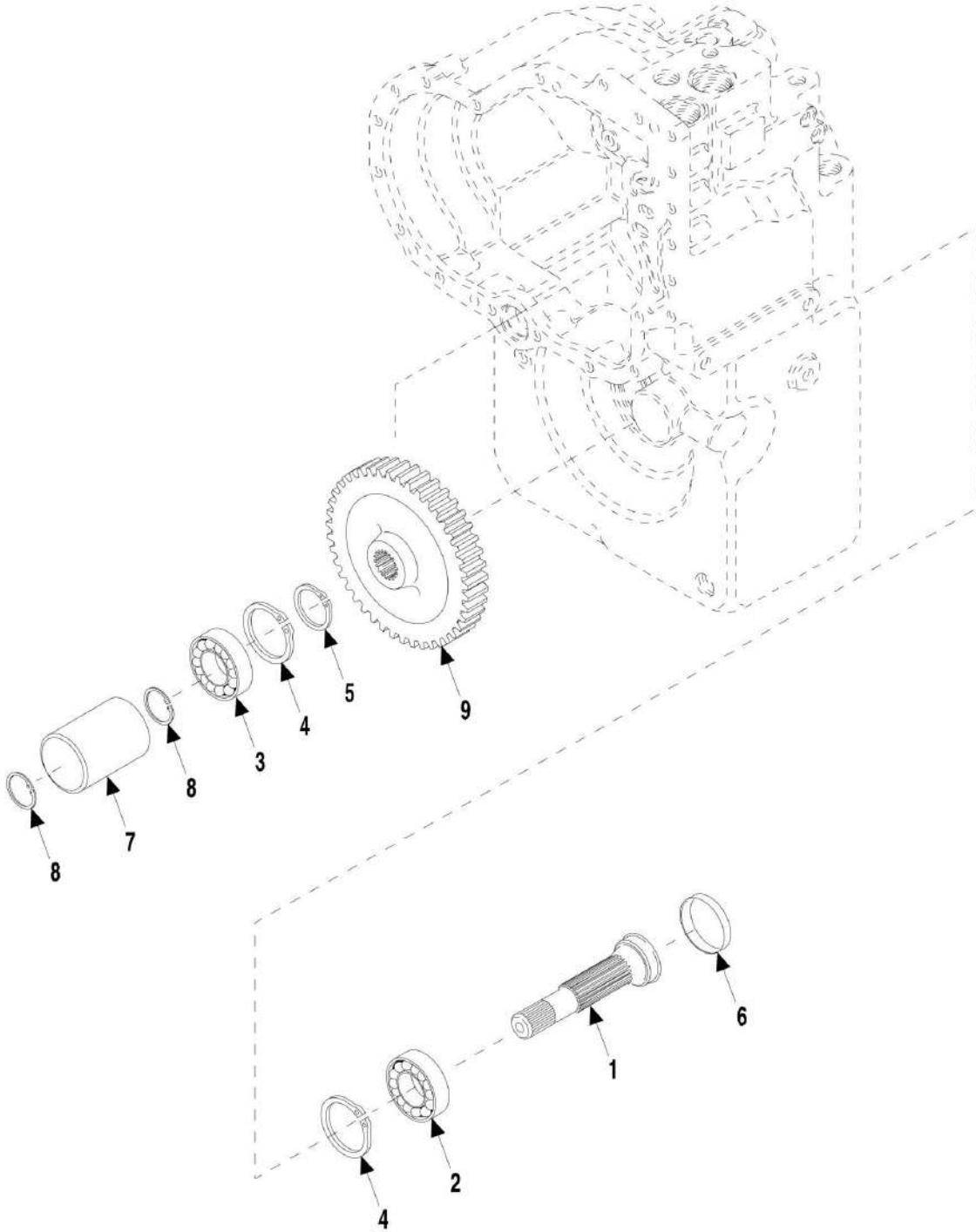
FIGURE 4-40. DANA TRANSMISSION - FIRST AND SECOND SHAFT GROUP (Prior to SN 0160040678, SN 0160045464 to Present, Including 0160043800)

ITEM	PART NUMBER	QTY	DESCRIPTION	REV
1	91474306	1	SLEEVE RETAINING SCREW	
2	91474319	1	OIL DISTRIBUTOR SLEEVE	
3	10837060	2	PISTON RING	
4	91474303	1	BEARING AND SEAL ASSY	
5	91474298	4	BEARING	
6	91474299	8	THRUST WASHER	
7		Ref	BEARING, (three speed), (See DATA TRANSMISSION - GEAR GROUP for Breakdown)	
7		Ref	BEARING, (four speed), (See DATA TRANSMISSION - GEAR GROUP for Breakdown)	
8		Ref	GEAR, (three speed), (See DATA TRANSMISSION - GEAR GROUP for Breakdown)	
8		Ref	GEAR, (four speed), (See DATA TRANSMISSION - GEAR GROUP for Breakdown)	
9	91474309	2	SNAP RING	
10	91474308	2	END PLATE	
11	91474297	10	INNER DISC	
12	91474296	10	OUTER DISC	
13	91474295	2	SNAP RING	
14	91474294	2	SNAP RING	
15	91474317	1	DISC SPRING ASSY	
16	10868277	2	WEAR PLATE	
17	91474316	2	PISTON AND SEAL ASSY	
18	91474288	2	OUTER SEAL	
19	91474289	2	INNER SEAL	
20	91474314	1	SHAFT, DRUM, PLUG AND SEAT ASSY	
21	91474315	1	ROLLER BEARING	
22	91474310	1	DISC SPRING ASSY	
23	91474296	5	OUTER DISC	
24	91474297	5	INNER DISC	
25		Ref	GEAR, (three speed), (See DATA TRANSMISSION - GEAR GROUP for Breakdown)	
25		Ref	GEAR, (four speed), (See DATA TRANSMISSION - GEAR GROUP for Breakdown)	
26	91474318	2	SNAP RING	
27		Ref	GEAR, (three speed), (See DATA TRANSMISSION - GEAR GROUP for Breakdown)	
27		Ref	GEAR, (four speed), (See DATA TRANSMISSION - GEAR GROUP for Breakdown)	

SECTION 4 - ENGINE AND ATTACHING PARTS

FIGURE 4-41. DANA TRANSMISSION - OUTPUT SHAFT GROUP (Prior to SN 0160040678, SN 0160045464 to Present, Including 0160043800)

THREE & FOUR SPEED



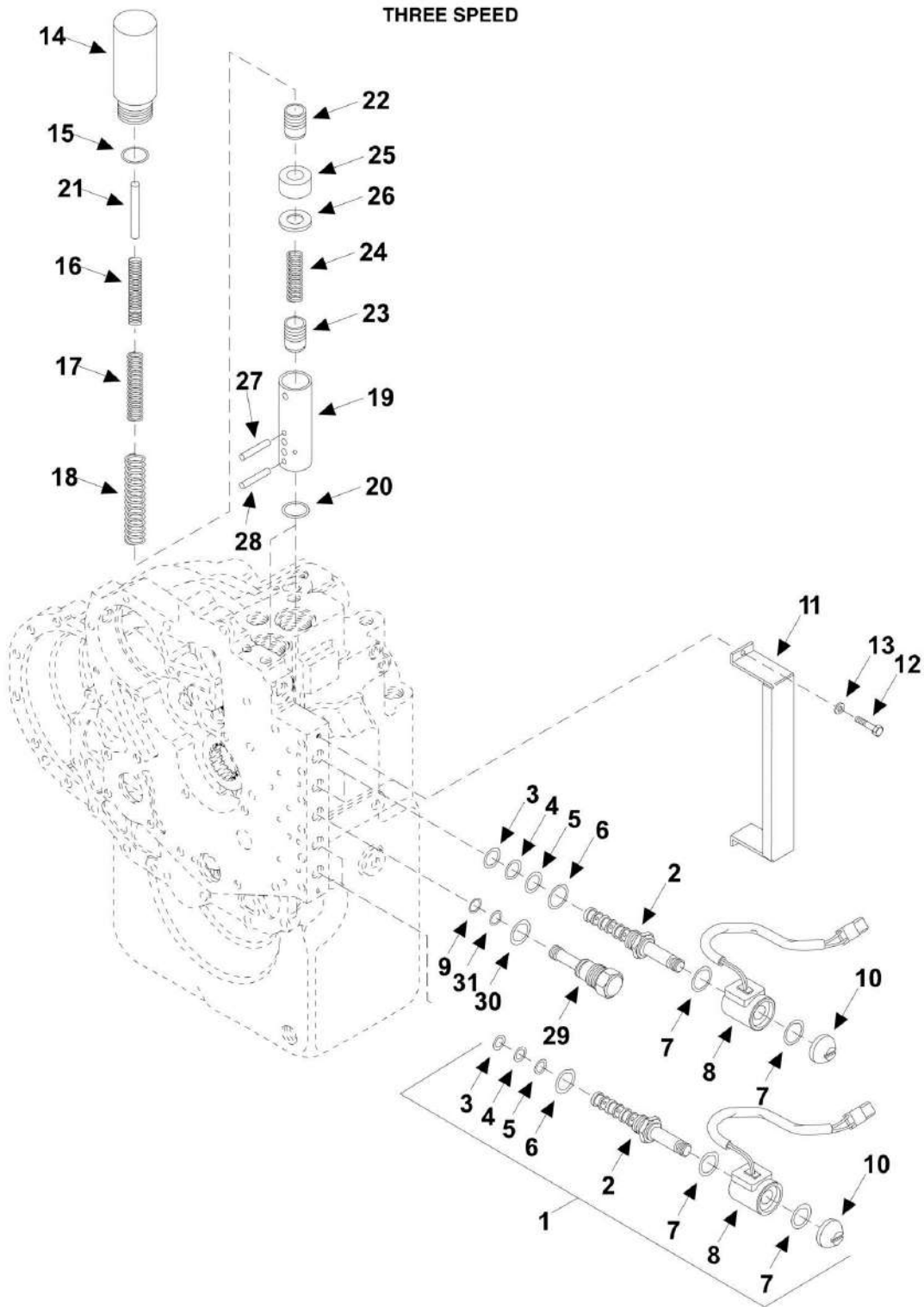
SECTION 4 - ENGINE AND ATTACHING PARTS

FIGURE 4-41. DANA TRANSMISSION - OUTPUT SHAFT GROUP (Prior to SN 0160040678, SN 0160045464 to Present, Including 0160043800)

ITEM	PART NUMBER	QTY	DESCRIPTION	REV
1	91474320	1	OUTPUT SHAFT	
2	77104140	1	BEARING	
3	77104081	1	BEARING	
4	91474321	2	RETAINING RING	
5	91474322	1	RETAINING RING	
6	91474323	1	END PLUG	
7	91474324	1	DRIVE COUPLING	
8	91474313	2	SNAP RING	
9		Ref	GEAR, (THREE SPEED), (See DANA TRANSMISSION - GEAR GROUP for Breakdown)	
9		Ref	GEAR, (FOUR SPEED), (See DANA TRANSMISSION - GEAR GROUP for Breakdown)	

SECTION 4 - ENGINE AND ATTACHING PARTS

FIGURE 4-42. DANA TRANSMISSION - ELECTRIC CONTROL GROUP (Prior to SN 0160040678)



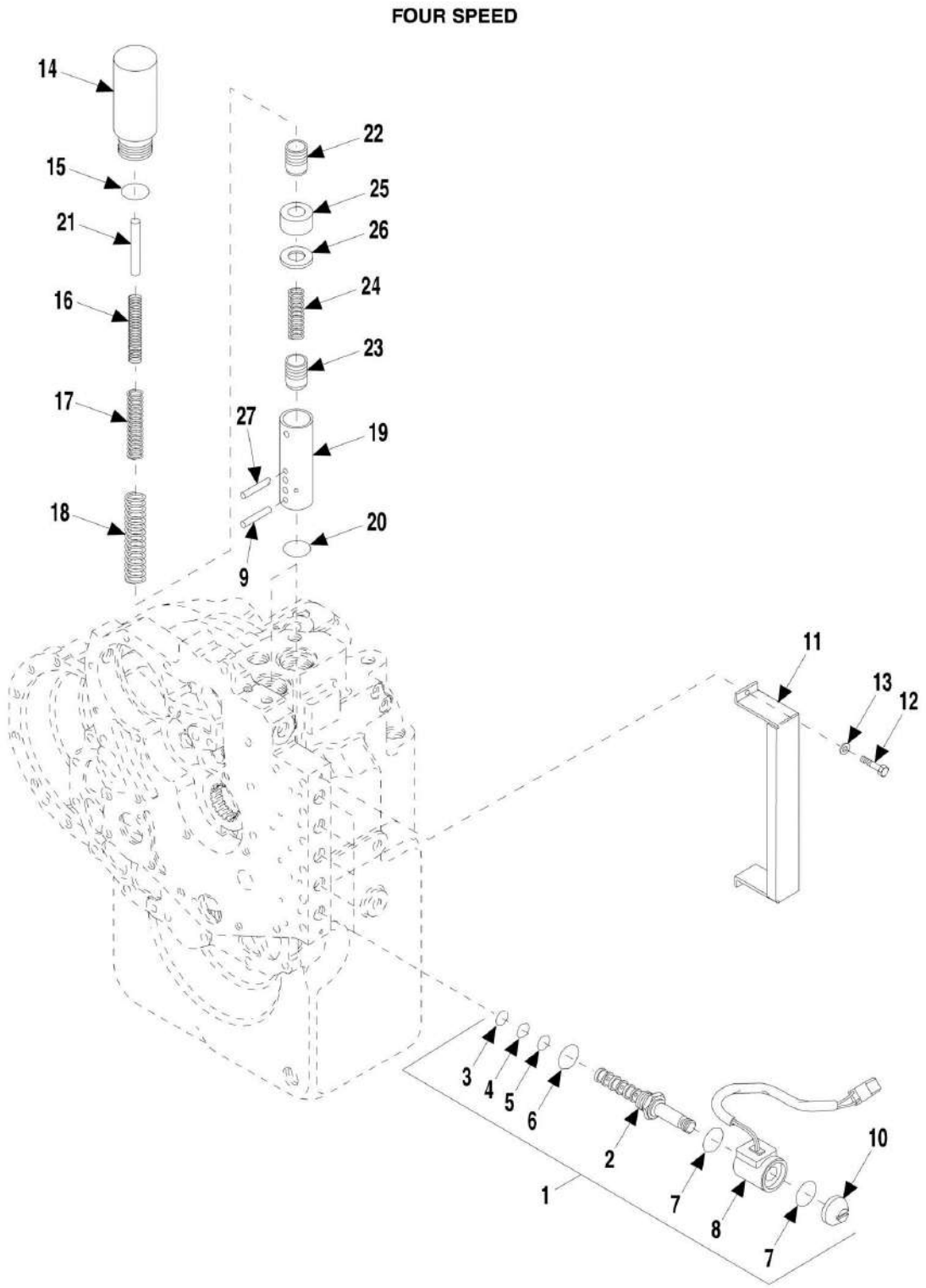
SECTION 4 - ENGINE AND ATTACHING PARTS

FIGURE 4-42. DANA TRANSMISSION - ELECTRIC CONTROL GROUP (Prior to SN 0160040678)

ITEM	PART NUMBER	QTY	DESCRIPTION	REV
1	91474325	4	SOLENOID ASSY, (includes items 2 thru 8 & 10)	
2	91474326	4	VALVE CARTRIDGE, (includes items 3 thru 6)	
3	8035081	4	O-RING	
4	8035082	4	O-RING	
5	10868329	4	O-RING	
6	10868330	4	O-RING	
7	91474331	8	O-RING	
8	91474332	4	SOLENOID COIL	
9	8035081	1	O-RING	
10	91474334	4	RETAINER NUT	
11	10868323	1	PROTECTIVE COVER	
12	91474336	2	SCREW	
13	8035075	2	LOCKWASHER	
14	91474338	2	HOUSING	
15	91474339	2	O-RING	
16	91474340	2	INNER SPRING	
17	91474341	2	MIDDLE SPRING	
18	91474342	2	OUTER SPRING	
19	91474343	2	SLEEVE	
20	91474344	2	O-RING	
21	91474345	2	PIN	
22	91474346	2	SPOOL	
23	91474347	2	SPOOL	
24	91474348	2	SPRING	
25	91474349	2	SPRING RETAINER	
26	91474350	2	SPRING SPACER	
27	91474351	2	UPPER PIN	
28	91474352	2	LOWER PIN	
29	91474353	1	PLUG	
30	10868330	1	O-RING	
31	10868329	1	O-RING	

SECTION 4 - ENGINE AND ATTACHING PARTS

FIGURE 4-43. DANA TRANSMISSION - ELECTRIC CONTROL GROUP (SN 0190001 through 0190457, SN 0160000022 through 0160011034, Including 0160011878)



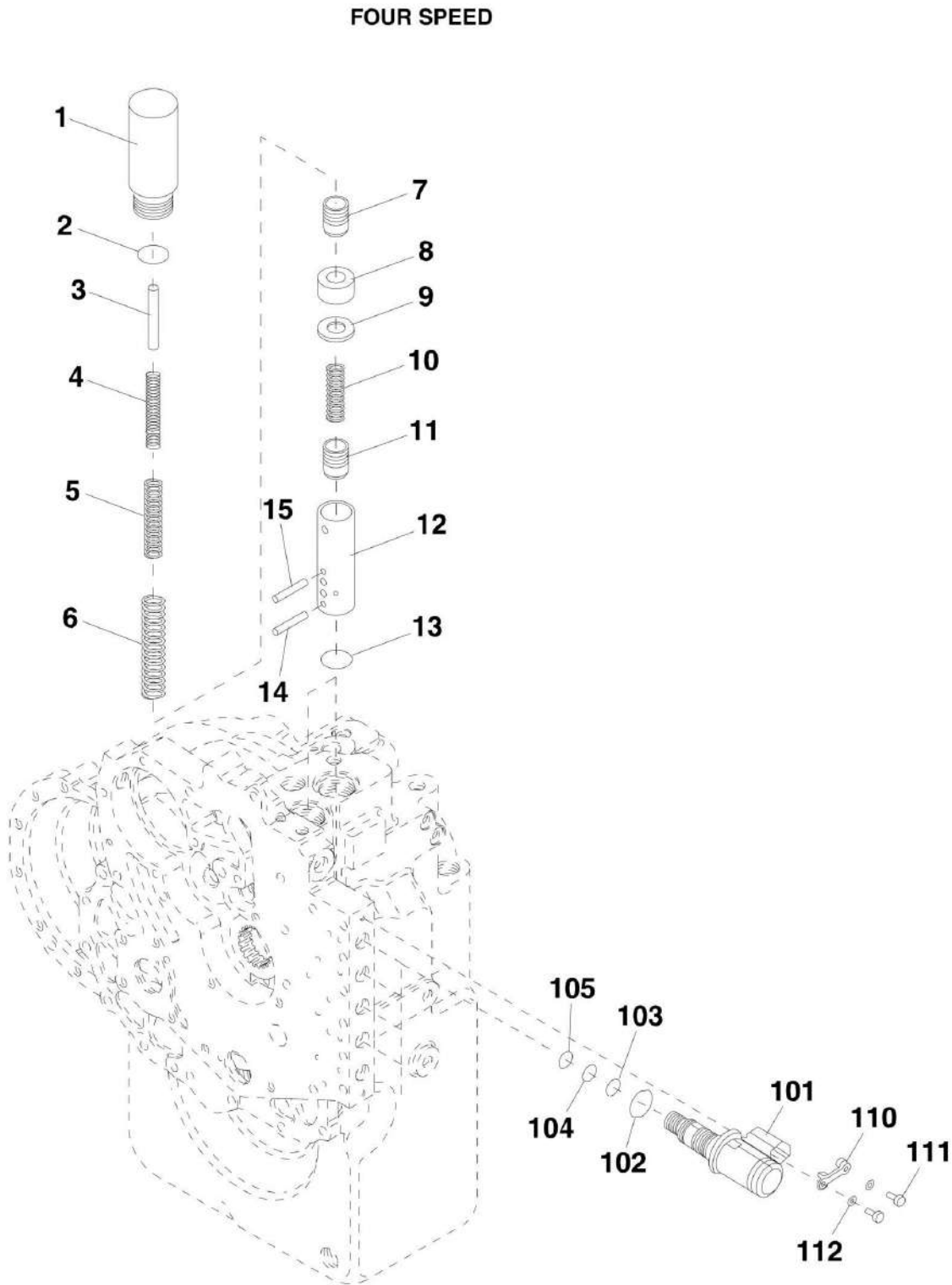
SECTION 4 - ENGINE AND ATTACHING PARTS

FIGURE 4-43. DANA TRANSMISSION - ELECTRIC CONTROL GROUP (SN 0190001 through 0190457, SN 0160000022 through 0160011034, Including 0160011878)

ITEM	PART NUMBER	QTY	DESCRIPTION	REV
1	91474325	5	SOLENOID ASSY, (includes items 2 thru 8 & 10)	
2	91474326	5	VALVE CARTRIDGE, (includes items 3 thru 6)	
3	8035081	5	O-RING	
4	8035082	5	O-RING	
5	10868329	5	O-RING	
6	10868330	8	O-RING	
7	91474331	8	O-RING	
8	91474332	10	SOLENOID COIL	
9	91474352	2	LOWER PIN	
10	91474334	5	RETAINER NUT	
11	10868323	1	PROTECTIVE COVER	
12	91474336	2	SCREW	
13	8035075	2	LOCKWASHER	
14	91474338	2	HOUSING	
15	91474339	2	O-RING	
16	91474340	2	INNER SPRING	
17	91474341	2	MIDDLE SPRING	
18	91474342	2	OUTER SPRING	
19	91474343	2	SLEEVE	
20	91474344	2	O-RING	
21	91474345	2	PIN	
22	91474346	2	SPOOL	
23	91474347	2	SPOOL	
24	91474348	2	SPRING	
25	91474349	2	SPRING RETAINER	
26	91474350	2	SPRING SPACER	
27	91474351	2	UPPER PIN	

SECTION 4 - ENGINE AND ATTACHING PARTS

FIGURE 4-44. DANA TRANSMISSION - ELECTRIC CONTROL GROUP (SN 0160011059 through 0160040677, Except SN 0160045464 to Present, Including 0160043800, Excluding 0160011878)



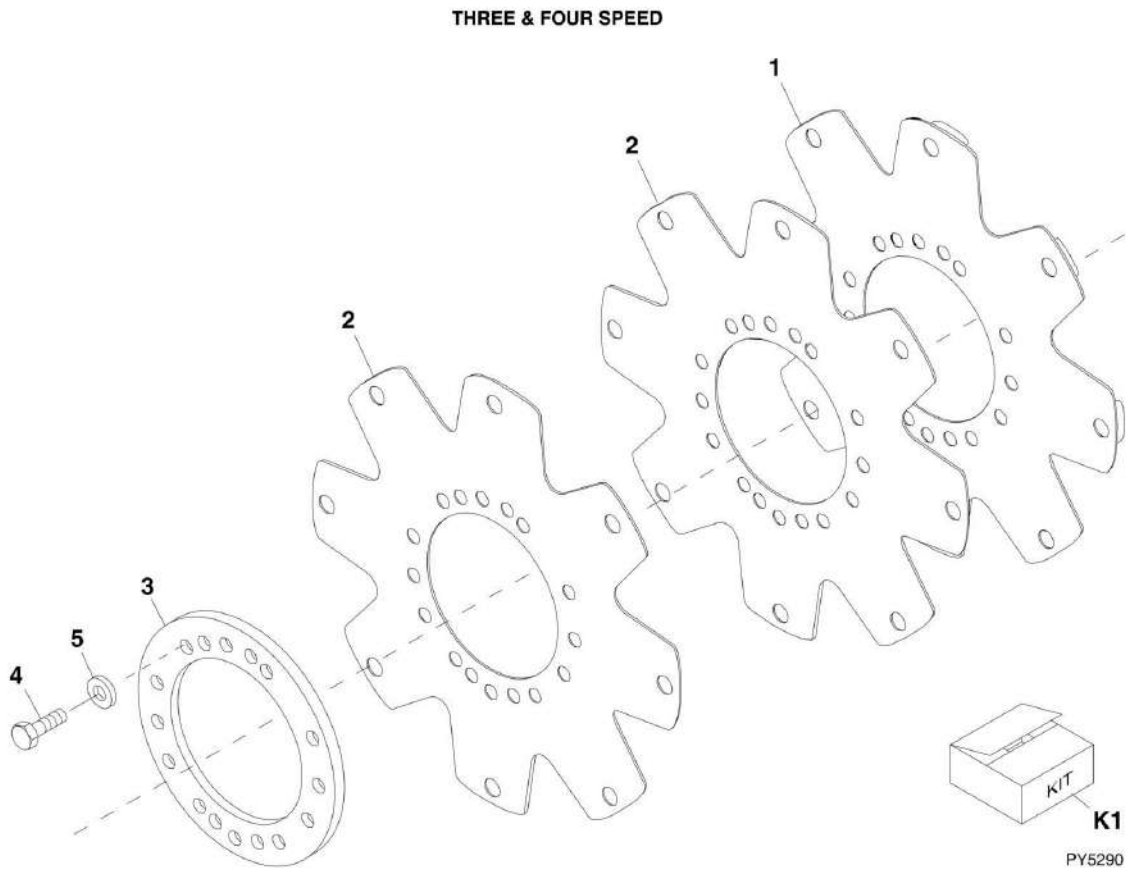
SECTION 4 - ENGINE AND ATTACHING PARTS

FIGURE 4-44. DANA TRANSMISSION - ELECTRIC CONTROL GROUP (SN 0160011059 through 0160040677, Except SN 0160045464 to Present, Including 0160043800, Excluding 0160011878)

ITEM	PART NUMBER	QTY	DESCRIPTION	REV
1	91474338	2	HOUSING	
2	91474339	2	O-RING	
3	91474345	2	PIN	
4	91474340	2	INNER SPRING	
5	91474341	2	MIDDLE SPRING	
6	91474342	2	OUTER SPRING	
7	91474346	2	SPOOL	
8	91474349	2	SPRING RETAINER	
9	91474350	2	SPRING SPACER	
10	91474348	2	SPRING	
11	91474347	2	SPOOL	
12	91474343	2	SLEEVE	
13	91474344	2	O-RING	
14	91474352	2	LOWER PIN	
15	91474351	2	UPPER PIN	
101	91514287	5	DROP IN WITH AMP, SOLENOID ASSY, (includes items 102 thru 105)	
102	91514288	5	O-RING	
103	91514289	5	O-RING	
104	91514290	5	O-RING	
105	91514291	5	O-RING	
110	91514292	6	SOLENOID CLAMP	
111	91514293	12	CAPSCREW	
112	91514294	12	PLAIN WASHER	

SECTION 4 - ENGINE AND ATTACHING PARTS

FIGURE 4-45. DANA TRANSMISSION - DRIVE PLATE GROUP (Prior to SN 0160040678, SN 0160045464 to Present, Including 0160043800)



SECTION 4 - ENGINE AND ATTACHING PARTS

FIGURE 4-45. DANA TRANSMISSION - DRIVE PLATE GROUP (Prior to SN 0160040678, SN 0160045464 to Present, Including 0160043800)

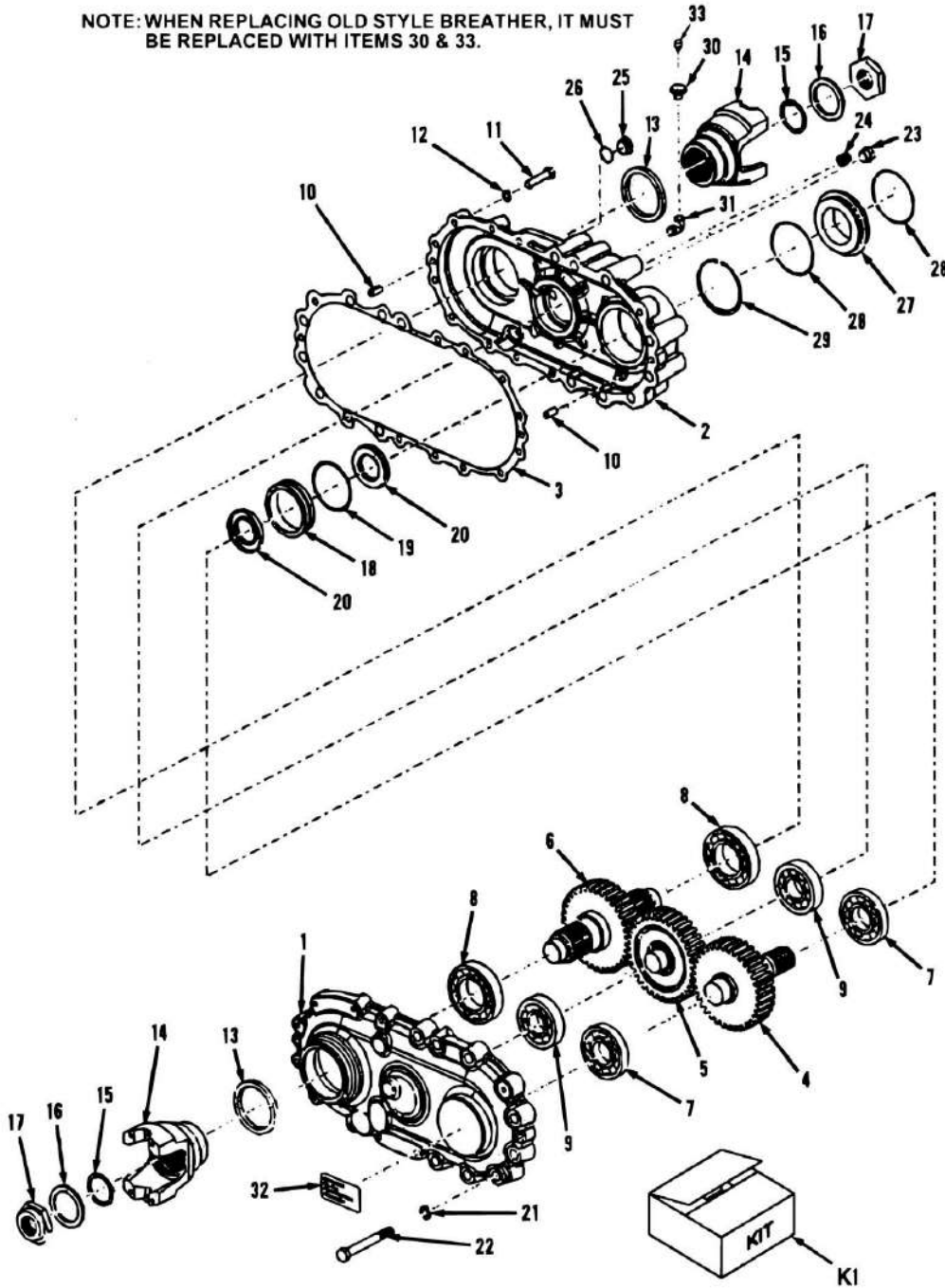
ITEM	PART NUMBER	QTY	DESCRIPTION	REV
1	N.S.S.	1	DRIVE PLATE ASSY	
2	N.S.S.	2	DRIVE PLATE	
3	77104044	1	RING	
4	91474356	6	SCREW	
5	77104007	6	LOCKWASHER	
K1	10837075	1	DRIVE PLATE KIT, (includes items 1 thru 5)	

SECTION 4 - ENGINE AND ATTACHING PARTS

FIGURE 4-46. DANA TRANSMISSION - DROP BOX GROUP (Prior to SN 0160040678, SN 0160045464 to Present, Including 0160043800)

THREE & FOUR SPEED

NOTE: WHEN REPLACING OLD STYLE BREATHER, IT MUST BE REPLACED WITH ITEMS 30 & 33.



PY4210

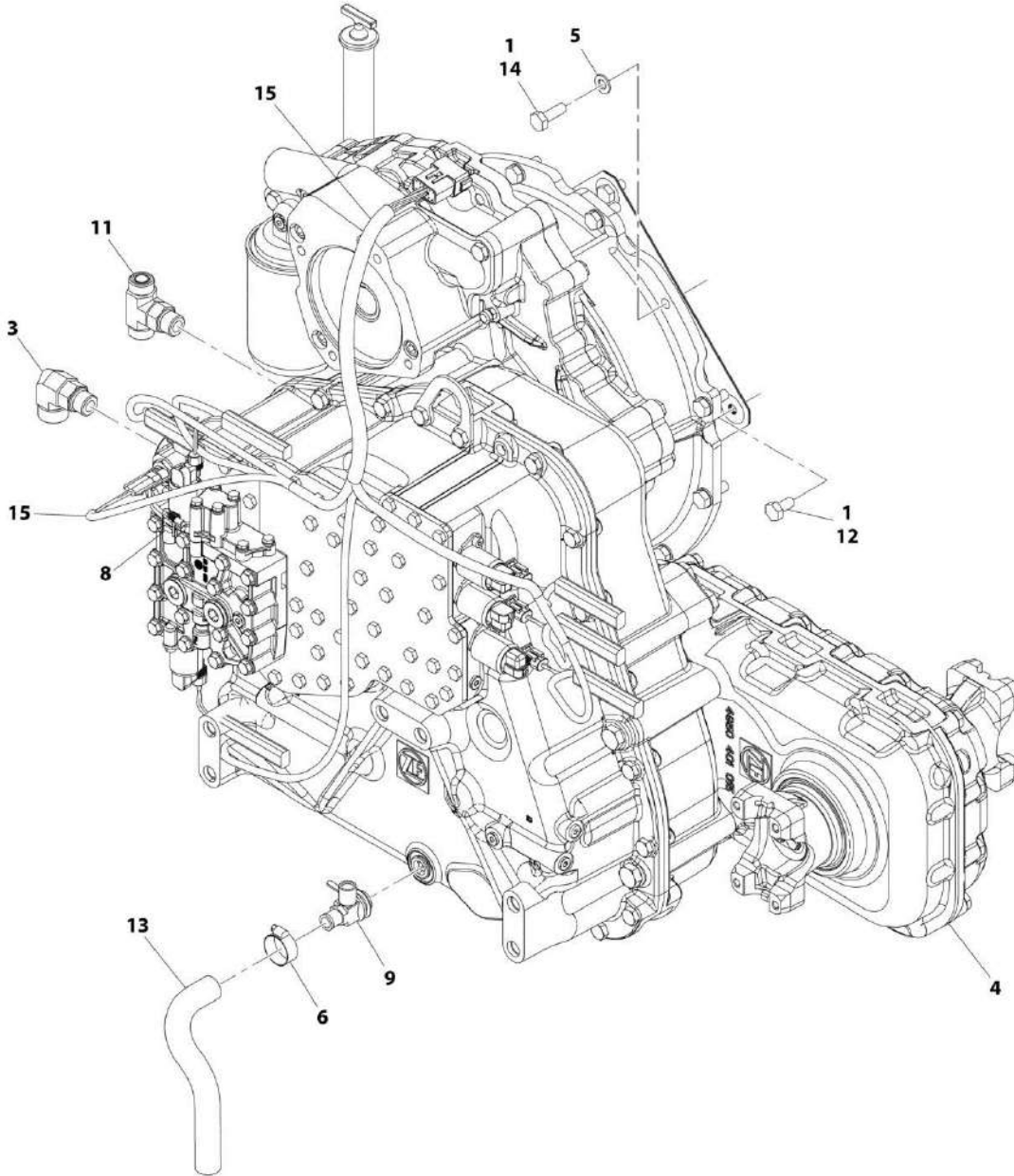
SECTION 4 - ENGINE AND ATTACHING PARTS

FIGURE 4-46. DANA TRANSMISSION - DROP BOX GROUP (Prior to SN 0160040678, SN 0160045464 to Present, Including 0160043800)

ITEM	PART NUMBER	QTY	DESCRIPTION	REV
	91474627	1	DROP BOX ASSY, (includes all items)	
1	91474358	1	REAR COVER	
2	91474359	1	FRONT COVER	
3	91474360	1	GASKET	
4	91474361	1	INPUT SHAFT	
5	91474362	1	IDLER GEAR	
6	91474363	1	OUTPUT SHAFT	
7	91474364	2	BEARING	
8	91474365	2	BEARING	
9	91474366	2	BEARING	
10	91474200	2	PIN	
11	91474209	10	SCREW	
12	91474265	10	LOCKWASHER	
13	91474367	2	SEAL	
14	91474368	2	FLANGE	
15	91474369	2	O-RING	
16	91474370	2	WASHER	
17	91474371	2	NUT	
18	91474372	1	SLEEVE	
19	91474373	1	O-RING	
20	91474374	2	SEAL	
21	91474375	8	LOCKWASHER	
22	91474376	8	SCREW	
23	91474377	1	OIL LEVEL GLASS	
24	8007824	1	MAGNETIC DRAIN PLUG	
25	91474623	1	PLUG, (includes item 26)	
26	91474380	1	O-RING	
27	91474381	1	SLEEVE	
28	91474382	2	O-RING	
29	91474321	1	RETAINING RING	
30	91474600	1	ADAPTER	
31	91474383	1	FITTING	
32	N.S.S.	1	STICKER	
33	91474601	1	BREATHER	
K1	7028109	1	3-SHAFT DROP BOX GASKET AND SEAL KIT, (includes items 3, 13, 15, 19, 20 & 28)	

SECTION 4 - ENGINE AND ATTACHING PARTS

FIGURE 4-47. ZF TRANSMISSION INSTALLATION (SN 0160040678 through 0160045456, Excluding 0160043800)



ART_91474001-4-47

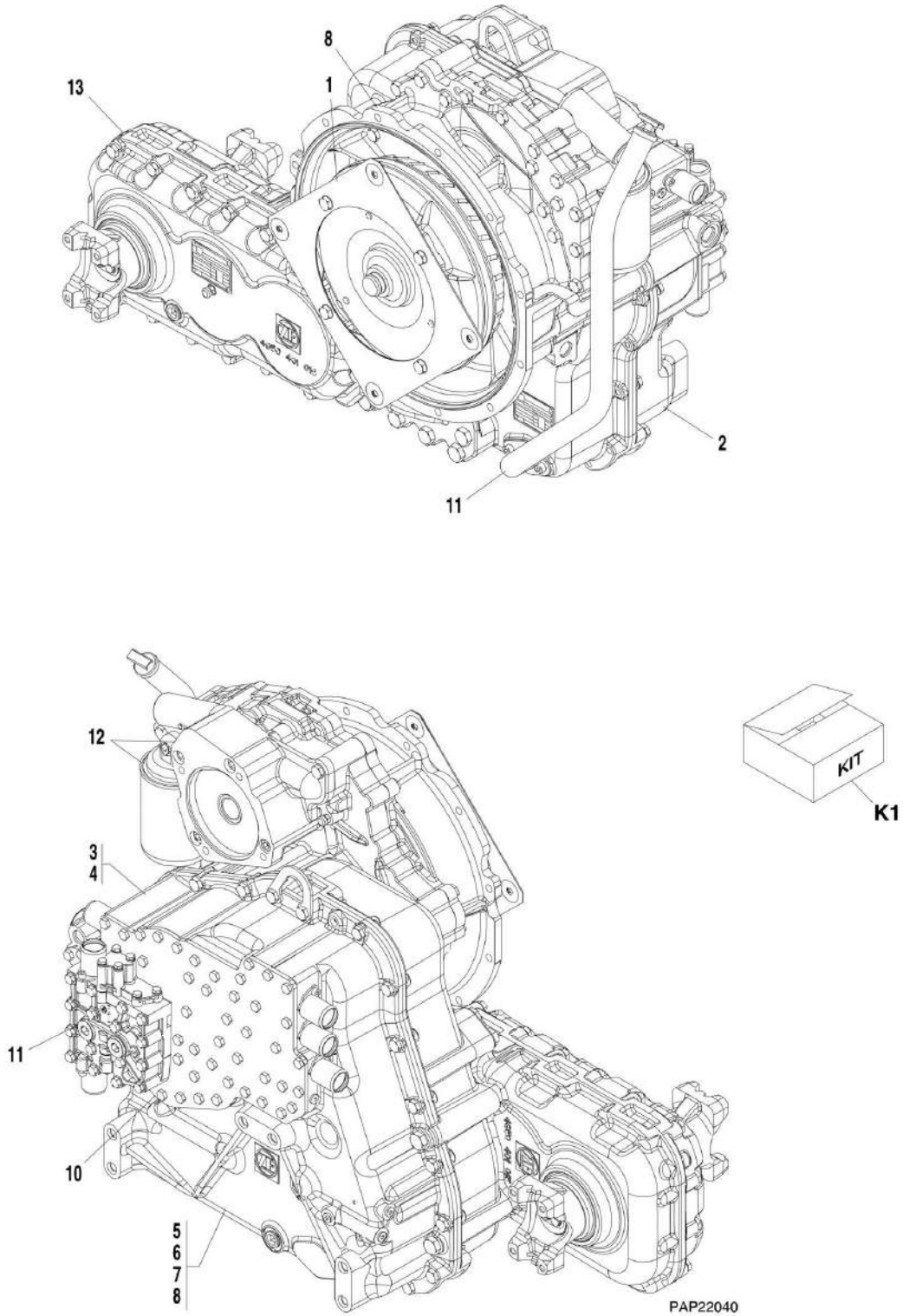
SECTION 4 - ENGINE AND ATTACHING PARTS

FIGURE 4-47. ZF TRANSMISSION INSTALLATION (SN 0160040678 through 0160045456, Excluding 0160043800)

ITEM	PART NUMBER	QTY	DESCRIPTION	REV
	1001096786	Ref	ZF TRANSMISSION INSTALLATION, (not available to order, see items 1 thru 15 for service)	I
1	0100011	AR	LOCTITE 242	
3		Ref	ELBOW, 90, (includes o-ring), (See HYDRAULIC CIRCUITS SECTION for Breakdown)	
4		Ref	ZF TRANSMISSION, (See ZF TRANSMISSION ASSEMBLY for Breakdown)	
5	4812000	12	WASHER, 10mm	
6	8405007	1	GEAR CLAMP	
8	1001147072	1	TRANSMISSION TEMPERATURE SWITCH	
9	1001097053	1	OIL DRAIN VALVE	
11		Ref	TEE FITTING, (includes o-ring), (See HYDRAULIC CIRCUITS SECTION for Breakdown)	
12	0761010	4	HEX HD CAPSCREW, M10X25, GR8.8, (torque to 20-26 lb-ft)	
13	1001109536	1	DRAIN HOSE	
14	0711014	12	HEX HD CAPSCREW, M10X30, GR10.9	
15		Ref	ZF TRANSMISSION HARNESS, (See ELECTRICAL SECTION for Breakdown)	

SECTION 4 - ENGINE AND ATTACHING PARTS

FIGURE 4-48. ZF TRANSMISSION ASSEMBLY (SN 0160040678 through 0160045456, Excluding 0160043800)



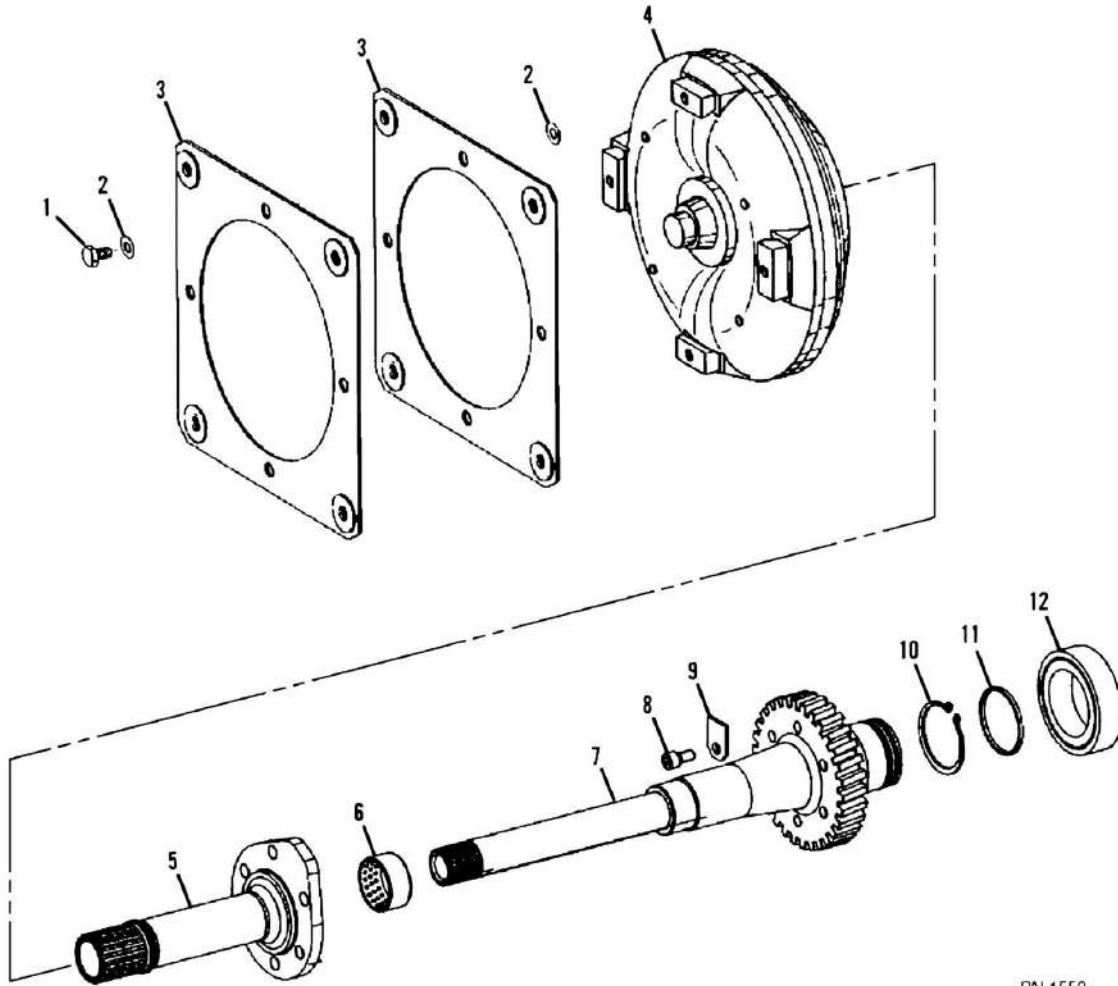
SECTION 4 - ENGINE AND ATTACHING PARTS

FIGURE 4-48. ZF TRANSMISSION ASSEMBLY (SN 0160040678 through 0160045456, Excluding 0160043800)

ITEM	PART NUMBER	QTY	DESCRIPTION	REV
	4540020	1	ZF TRANSMISSION ASSY, (includes all items)	C
1		Ref	TORQUE CONVERTER AND INPUT, (See ZF TRANSMISSION - TORQUE CONVERTER AND INPUT for Breakdown)	
2		Ref	GEARBOX HOUSING, (See ZF TRANSMISSION - GEARBOX HOUSING for Breakdown)	
3		Ref	FORWARD GEAR GROUP, (See ZF TRANSMISSION - FORWARD GEAR GROUP for Breakdown)	
4		Ref	REVERSE GEAR GROUP, (See ZF TRANSMISSION - REVERSE GEAR GROUP for Breakdown)	
5		Ref	1ST SHAFT GROUP, (See ZF TRANSMISSION - 1ST SHAFT GROUP for Breakdown)	
6		Ref	2ND SHAFT GROUP, (See ZF TRANSMISSION - 2ND SHAFT GROUP for Breakdown)	
7		Ref	3RD SHAFT GROUP, (See ZF TRANSMISSION - 3RD SHAFT GROUP for Breakdown)	
8		Ref	4TH SHAFT GROUP, (See ZF TRANSMISSION - 4TH SHAFT GROUP for Breakdown)	
9		Ref	POWER TAKE-OFF, (not shown), (See ZF TRANSMISSION - POWER TAKE-OFF for Breakdown)	
10		Ref	CONTROL UNIT AND PRESSURE REGULATOR, (See ZF TRANSMISSION - CONTROL UNIT AND PRESSURE REGULATOR for Breakdown)	
11		Ref	GEARSHIFT SYSTEM, (See ZF TRANSMISSION - GEARSHIFT SYSTEM for Breakdown)	
12		Ref	OIL PUMP, FILTER AND DIPSTICK, (See ZF TRANSMISSION - OIL PUMP, FILTER AND DIPSTICK for Breakdown)	
13		Ref	TRANSFER BOX, (See ZF TRANSMISSION - TRANSFER BOX for Breakdown)	
K1	7026797	1	SEAL KIT, (includes all seals required for rebuild)	

SECTION 4 - ENGINE AND ATTACHING PARTS

FIGURE 4-49. ZF TRANSMISSION - TORQUE CONVERTER AND INPUT (SN 0160040678 through 0160045456, Excluding 0160043800)



PAL1550

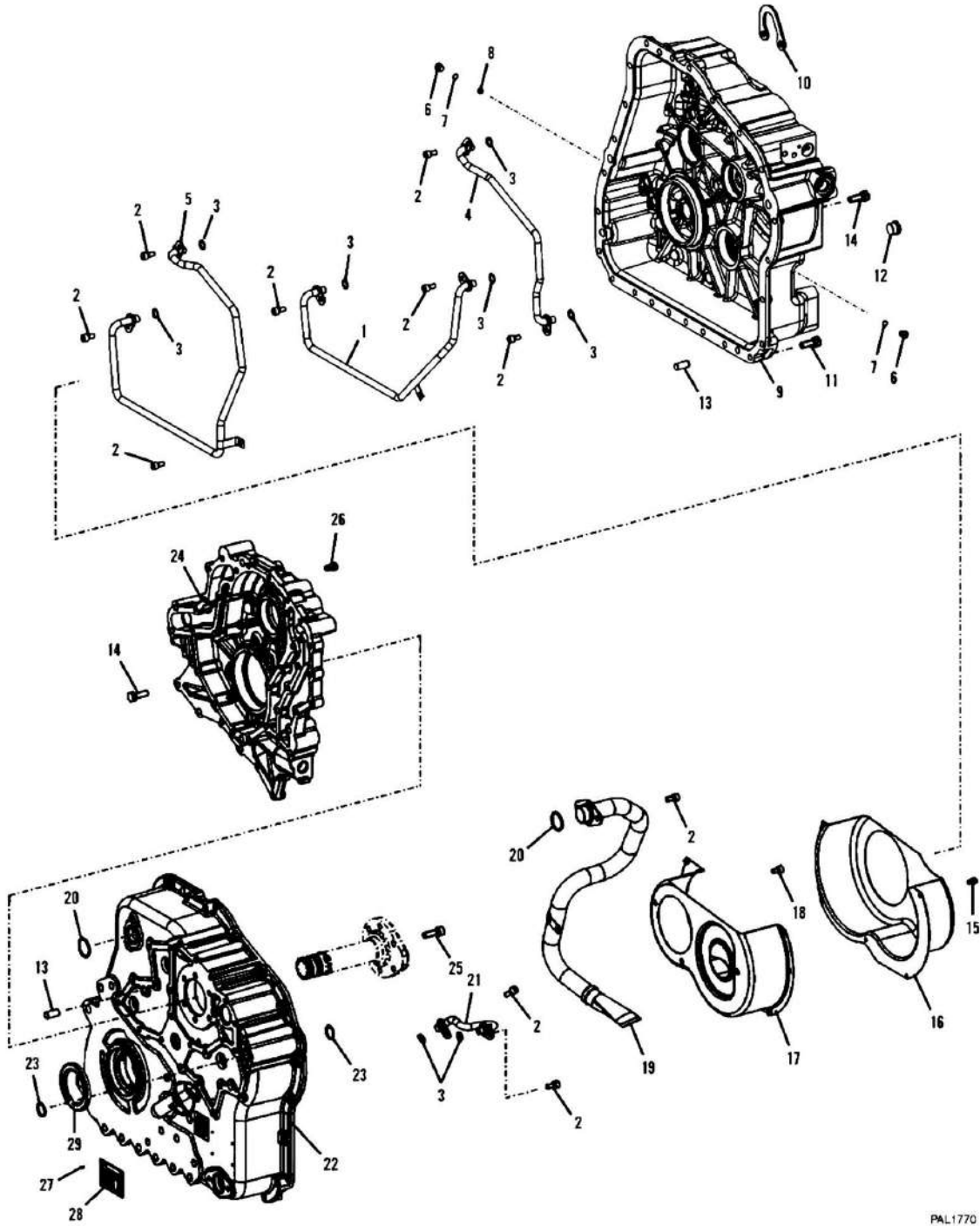
SECTION 4 - ENGINE AND ATTACHING PARTS

FIGURE 4-49. ZF TRANSMISSION - TORQUE CONVERTER AND INPUT (SN 0160040678 through 0160045456, Excluding 0160043800)

ITEM	PART NUMBER	QTY	DESCRIPTION	REV
1	7026744	4	HEX HD CAPSCREW, M10X16, GR8.8	
2	7026745	8	WASHER	
3	1319229	2	DIAPHRAGM	
4	7026746	1	CONVERTER	
5	7026748	1	STATOR SHAFT	
6	1319558	1	BEARING BUSHING	
7	7026747	1	TURBINE SHAFT	
8	N.S.S.	2	CAPSCREW, M8X16, GR8.8	
9	N.S.S.	2	SHACKLE	
10	80304405	1	RETAINING RING	
11	7026749	1	PISTON RING	
12	1319563	1	BALL BEARING	

SECTION 4 - ENGINE AND ATTACHING PARTS

FIGURE 4-50. ZF TRANSMISSION - GEARBOX HOUSING (SN 0160040678 through 0160045456, Excluding 0160043800)



PAL1770

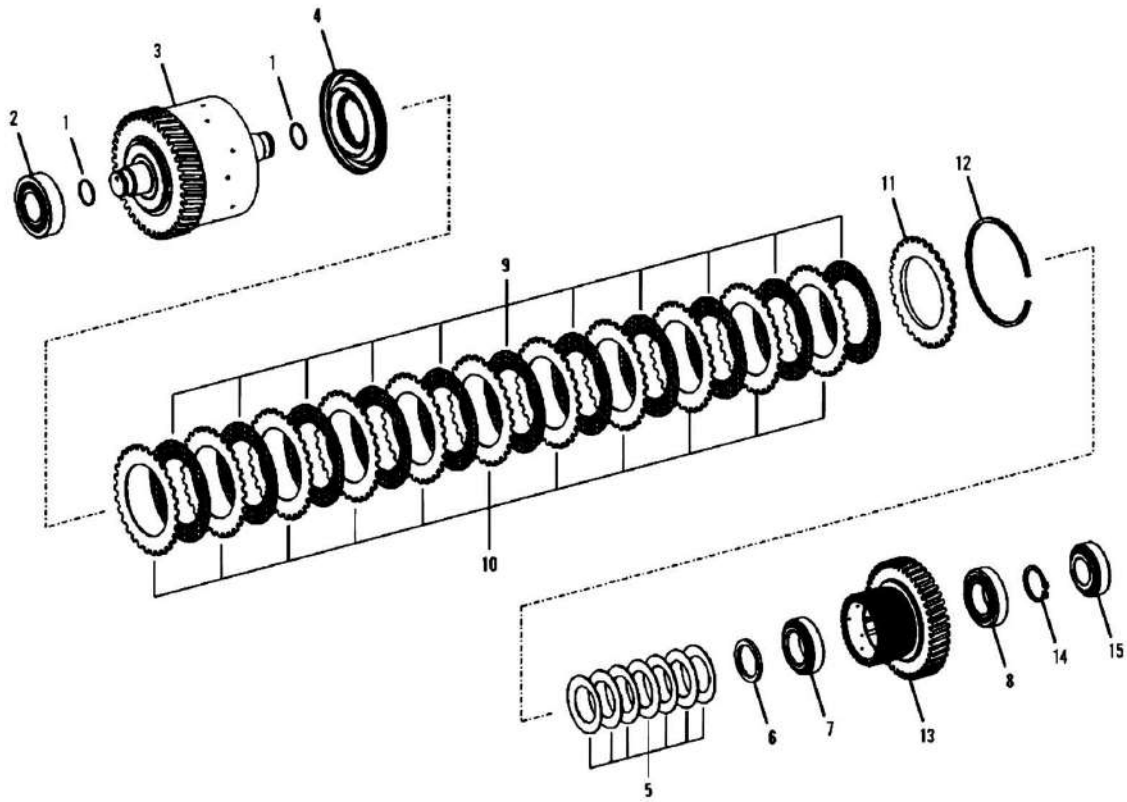
SECTION 4 - ENGINE AND ATTACHING PARTS

**FIGURE 4-50. ZF TRANSMISSION - GEARBOX HOUSING (SN 0160040678 through 0160045456,
Excluding 0160043800)**

ITEM	PART NUMBER	QTY	DESCRIPTION	REV
1	7026751	1	PIPE	
2	1319585	11	HEX HD CAPSCREW, M8X16, GR8.8	
3	8036847	8	O-RING	
4	7026750	1	PIPE	
5	7026752	1	PIPE	
6	1319670	7	PLUG	
7	80304327	7	O-RING	
8	N.S.S.	1	ORIFICE	
9	N.S.S.	1	HOUSING	
10	1319590	1	BRACKET	
11	N.S.S.	6	HEX HD CAPSCREW, M10X50, GR8.8	
12	N.S.S.	1	PLUG	
13	1319571	4	PIN	
14	80304394	31	HEX HD CAPSCREW, M10X30, GR8.8	
15	1319646	5	HEX HD CAPSCREW	
16	7026756	1	SCREEN SHEET	
17	7026755	1	SCREEN SHEET	
18	N.S.S.	3	CAPSCREW, M8X12, GR8.8	
19	7026753	1	SUCTION TUBE	
20	1319581	2	O-RING	
21	7026754	1	PIPE	
22	N.S.S.	1	HOUSING	
23	N.S.S.	2	O-RING	
24	N.S.S.	1	HOUSING	
25	N.S.S.	6	CAPSCREW, M10X30, GR8.8	
26	10731744	1	BREATHER	
27	N.S.S.	4	GROOVED STUD, 3X5	
28	N.S.S.	1	TYPE PLATE	
29	1319641	1	SHAFT SEAL	

SECTION 4 - ENGINE AND ATTACHING PARTS

FIGURE 4-51. ZF TRANSMISSION - FORWARD GEAR GROUP (SN 0160040678 through 0160045456, Excluding 0160043800)



PAL1780

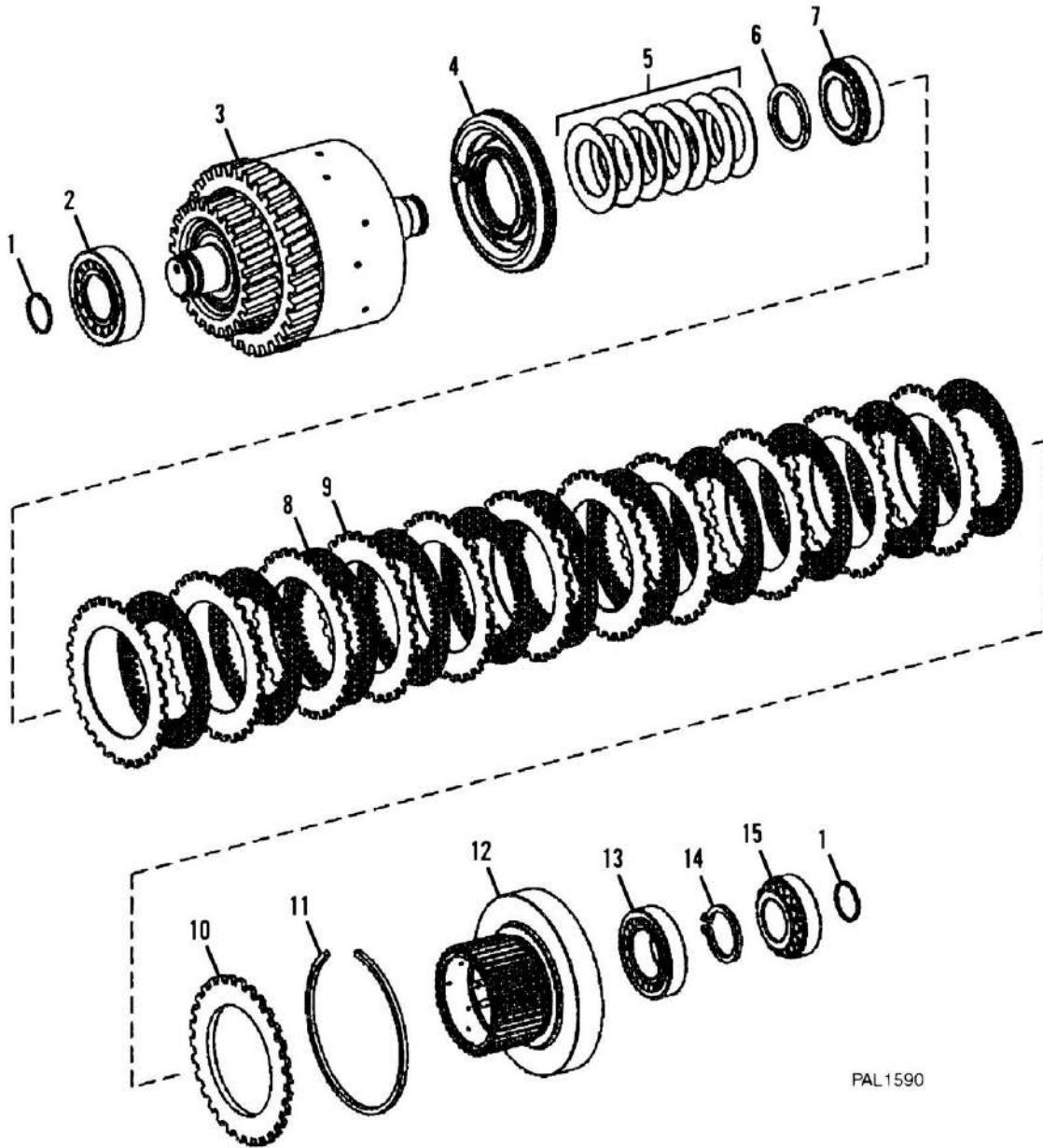
SECTION 4 - ENGINE AND ATTACHING PARTS

**FIGURE 4-51. ZF TRANSMISSION - FORWARD GEAR GROUP (SN 0160040678 through 0160045456,
Excluding 0160043800)**

ITEM	PART NUMBER	QTY	DESCRIPTION	REV
1	7026761	2	PISTON RING	
2	1319615	1	ROLLER BEARING	
3	7026757	1	COUPLING	
4	8036575	1	PISTON	
5	1319595	7	CUP SPRING	
6	1319617	1	SUPPORT SHIM	
7	1319618	1	ROLLER BEARING	
8	1319620	1	ROLLER BEARING	
9	7026758	11	FRICTION DISC	
10	7026759	11	STATIC DISC	
11	7026760	1	END SHIM	
12	1319600	AR	SNAP RING, 4.0	
12	7029850	AR	SNAP RING, 3.75	
12	1319601	AR	SNAP RING, 3.5	
12	7029849	AR	SNAP RING, 3.25	
12	1319602	AR	SNAP RING, 3.0	
12	7029852	AR	SNAP RING, 2.75	
12	1319603	AR	SNAP RING, 2.5	
12	7029851	AR	SNAP RING, 2.25	
12	1319604	AR	SNAP RING, 2.0	
13	1319638	1	DISC CARRIER	
14	1319621	AR	RETAINING RING, 3.20	
14	1319622	AR	RETAINING RING, 3.10	
14	1319623	AR	RETAINING RING, 3.00	
14	1319624	AR	RETAINING RING, 2.90	
14	1319625	AR	RETAINING RING, 2.80	
14	1319626	AR	RETAINING RING, 2.70	
14	1319627	AR	RETAINING RING, 2.60	
14	1319628	AR	RETAINING RING, 2.50	
14	1319629	AR	RETAINING RING, 2.40	
14	1319630	AR	RETAINING RING, 2.30	
14	1319631	AR	RETAINING RING, 2.20	
14	1319632	AR	RETAINING RING, 2.10	
15	1319636	1	ROLLER BEARING	

SECTION 4 - ENGINE AND ATTACHING PARTS

FIGURE 4-52. ZF TRANSMISSION - REVERSE GEAR GROUP (SN 0160040678 through 0160045456, Excluding 0160043800)



PAL1590

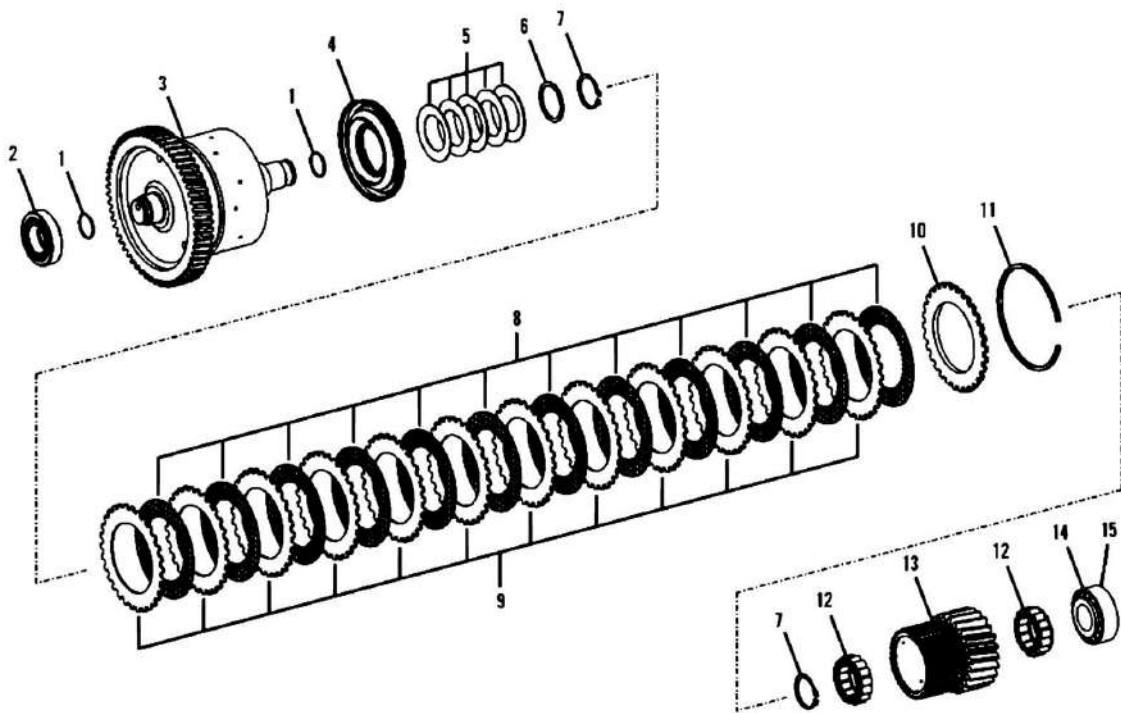
SECTION 4 - ENGINE AND ATTACHING PARTS

**FIGURE 4-52. ZF TRANSMISSION - REVERSE GEAR GROUP (SN 0160040678 through 0160045456,
Excluding 0160043800)**

ITEM	PART NUMBER	QTY	DESCRIPTION	REV
1	7026761	2	PISTON RING	
2	1319615	1	ROLLER BEARING	
3	7026762	1	COUPLING	
4	8036575	1	PISTON	
5	1319595	7	CUP SPRING	
6	1319617	1	SUPPORT SHIM	
7	1319618	1	ROLLER BEARING	
8	7026758	11	FRICTION DISC	
9	7026759	11	STATIC DISC	
10	7026760	1	END SHIM	
11	1319600	AR	SNAP RING, 4.0	
11	7029850	AR	SNAP RING, 3.75	
11	1319601	AR	SNAP RING, 3.5	
11	7029849	AR	SNAP RING, 3.25	
11	1319602	AR	SNAP RING, 3.0	
11	7029852	AR	SNAP RING, 2.75	
11	1319603	AR	SNAP RING, 2.5	
11	7029851	AR	SNAP RING, 2.25	
11	1319604	AR	SNAP RING, 2.0	
12	1319638	1	DISC CARRIER	
13	1319620	1	ROLLER BEARING	
14	1319621	AR	RETAINING RING, 3.20	
14	1319622	AR	RETAINING RING, 3.10	
14	1319623	AR	RETAINING RING, 3.00	
14	1319624	AR	RETAINING RING, 2.90	
14	1319625	AR	RETAINING RING, 2.80	
14	1319626	AR	RETAINING RING, 2.70	
14	1319627	AR	RETAINING RING, 2.60	
14	1319628	AR	RETAINING RING, 2.50	
14	1319629	AR	RETAINING RING, 2.40	
14	1319630	AR	RETAINING RING, 2.30	
14	1319631	AR	RETAINING RING, 2.20	
14	1319632	AR	RETAINING RING, 2.10	
15	1319636	1	ROLLER BEARING	

SECTION 4 - ENGINE AND ATTACHING PARTS

FIGURE 4-53. ZF TRANSMISSION - 1ST SHAFT GROUP (SN 0160040678 through 0160045456, Excluding 0160043800)



PAL1790

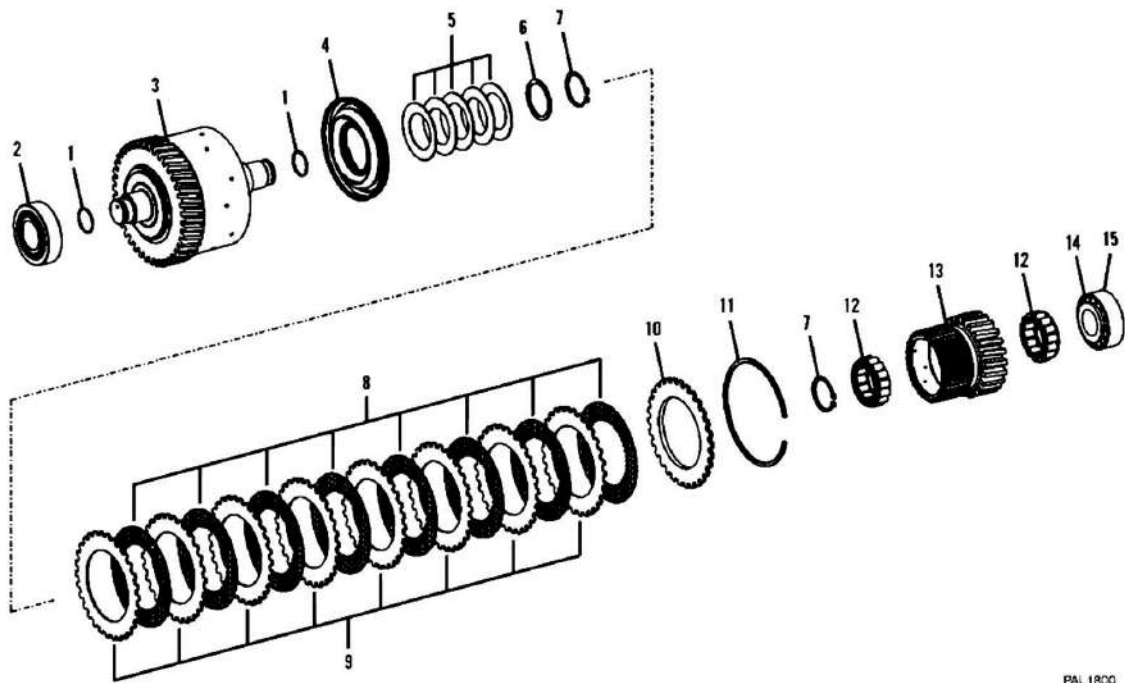
SECTION 4 - ENGINE AND ATTACHING PARTS

**FIGURE 4-53. ZF TRANSMISSION - 1ST SHAFT GROUP (SN 0160040678 through 0160045456,
Excluding 0160043800)**

ITEM	PART NUMBER	QTY	DESCRIPTION	REV
1	7026761	2	PISTON RING	
2	1319608	1	ROLLER BEARING	
3	1319591	1	COUPLING	
4	8036575	1	PISTON	
5	1319595	5	CUP SPRING	
6	1319596	1	SHIM	
7	10731845	2	RETAINING RING	
8	7026758	12	FRICTION DISC	
9	7026759	12	STATIC DISC	
10	7026760	1	END SHIM	
11	1319600	AR	SNAP RING, 4.0	
11	7029850	AR	SNAP RING, 3.75	
11	1319601	AR	SNAP RING, 3.5	
11	7029849	AR	SNAP RING, 3.25	
11	1319602	AR	SNAP RING, 3.0	
11	7029852	AR	SNAP RING, 2.75	
11	1319603	AR	SNAP RING, 2.5	
11	7029851	AR	SNAP RING, 2.25	
11	1319604	AR	SNAP RING, 2.0	
12	1319606	2	ROLLER CAGE	
13	1319607	1	DISC CARRIER	
14	7029532	1	ROLLER BEARING	
15	7029533	1	INNER RING	

SECTION 4 - ENGINE AND ATTACHING PARTS

FIGURE 4-54. ZF TRANSMISSION - 2ND SHAFT GROUP (SN 0160040678 through 0160045456, Excluding 0160043800)



PAL 1800

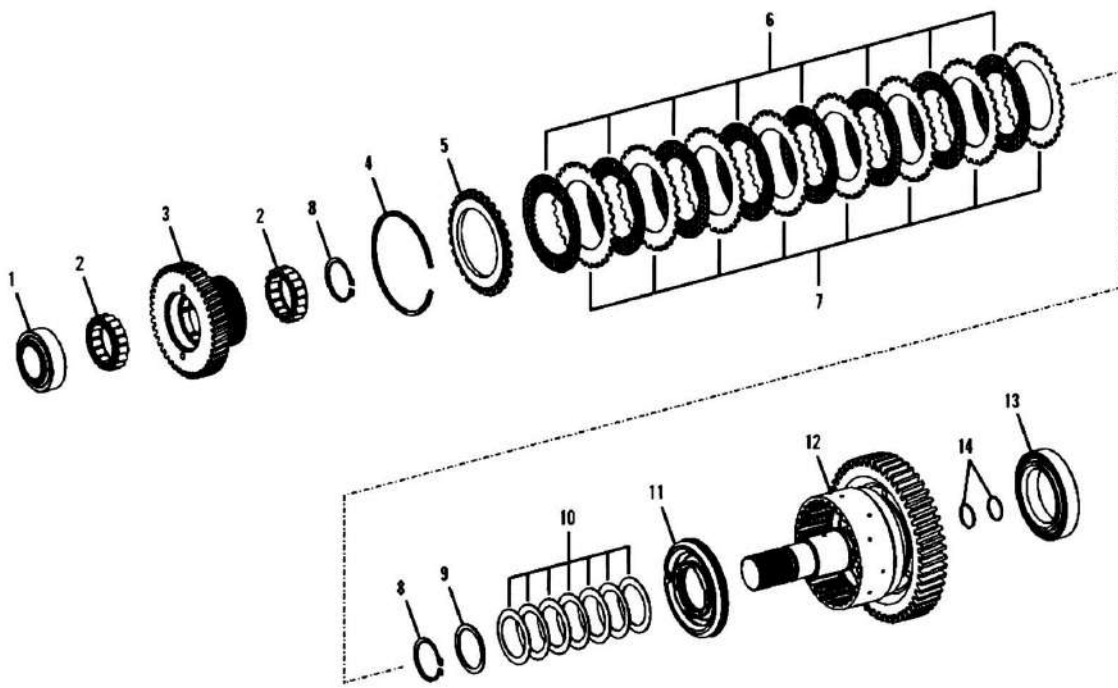
SECTION 4 - ENGINE AND ATTACHING PARTS

**FIGURE 4-54. ZF TRANSMISSION - 2ND SHAFT GROUP (SN 0160040678 through 0160045456,
Excluding 0160043800)**

ITEM	PART NUMBER	QTY	DESCRIPTION	REV
1	7026761	2	PISTON RING	
2	1319615	1	ROLLER BEARING	
3	7026763	1	COUPLING	
4	8036575	1	PISTON	
5	1319595	5	CUP SPRING	
6	1319596	1	SHIM	
7	10731845	2	RETAINING RING	
8	7026758	8	FRICTION DISC	
9	7026759	8	STATIC DISC	
10	7026760	1	END SHIM	
11	1319600	AR	SNAP RING, 4.0	
11	7029850	AR	SNAP RING, 3.75	
11	1319601	AR	SNAP RING, 3.5	
11	7029849	AR	SNAP RING, 3.25	
11	1319602	AR	SNAP RING, 3.0	
11	7029852	AR	SNAP RING, 2.75	
11	1319603	AR	SNAP RING, 2.5	
11	7029851	AR	SNAP RING, 2.25	
11	1319604	AR	SNAP RING, 2.0	
12	1319606	2	ROLLER CAGE	
13	1319614	1	DISC CARRIER	
14	7029532	1	ROLLER BEARING	
15	7029533	1	INNER RING	

SECTION 4 - ENGINE AND ATTACHING PARTS

FIGURE 4-55. ZF TRANSMISSION - 3RD SHAFT GROUP (SN 0160040678 through 0160045456, Excluding 0160043800)



PAL1810

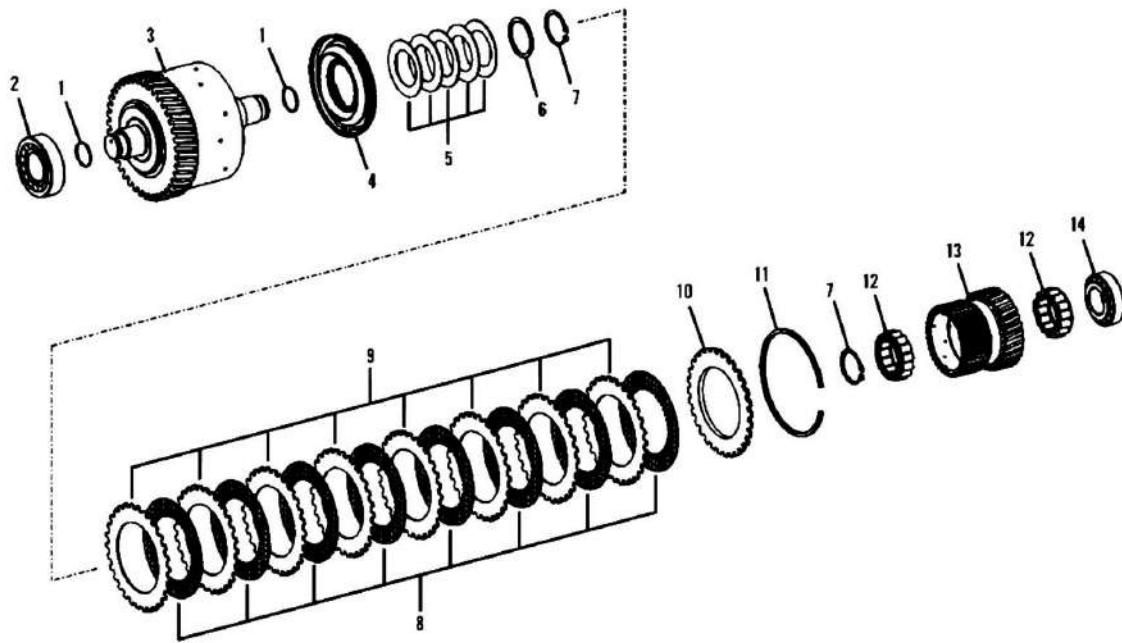
SECTION 4 - ENGINE AND ATTACHING PARTS

**FIGURE 4-55. ZF TRANSMISSION - 3RD SHAFT GROUP (SN 0160040678 through 0160045456,
Excluding 0160043800)**

ITEM	PART NUMBER	QTY	DESCRIPTION	REV
1	N.S.S.	1	ROLLER BEARING ASSY	
1	70021268	1	OUTER BEARING RING	
1	70021269	1	INNER BEARING RING	
2	N.S.S.	1	ROLLER BEARING ASSY	
2	70021227	1	BEARING RING	
2	70021228	1	BEARING ROLLER CAGE	
3	1319619	1	DISC CARRIER	
4	1319600	AR	SNAP RING, 4.0	
4	7029850	AR	SNAP RING, 3.75	
4	1319601	AR	SNAP RING, 3.5	
4	7029849	AR	SNAP RING, 3.25	
4	1319602	AR	SNAP RING, 3.0	
4	7029852	AR	SNAP RING, 2.75	
4	1319603	AR	SNAP RING, 2.5	
4	7029851	AR	SNAP RING, 2.25	
4	1319604	AR	SNAP RING, 2.0	
5	7026760	1	END SHIM	
6	7026758	8	FRICTION DISC	
7	7026759	8	STATIC DISC	
8	80304227	2	RETAINING RING	
9	7026766	1	WASHER	
10	7026765	7	CUP SPRING	
11	8036575	1	PISTON	
12	7026764	1	COUPLING	
13	7026769	1	ROLLER BEARING	
14	7026761	2	PISTON BEARING	

SECTION 4 - ENGINE AND ATTACHING PARTS

FIGURE 4-56. ZF TRANSMISSION - 4TH SHAFT GROUP (SN 0160040678 through 0160045456, Excluding 0160043800)



PAL1860

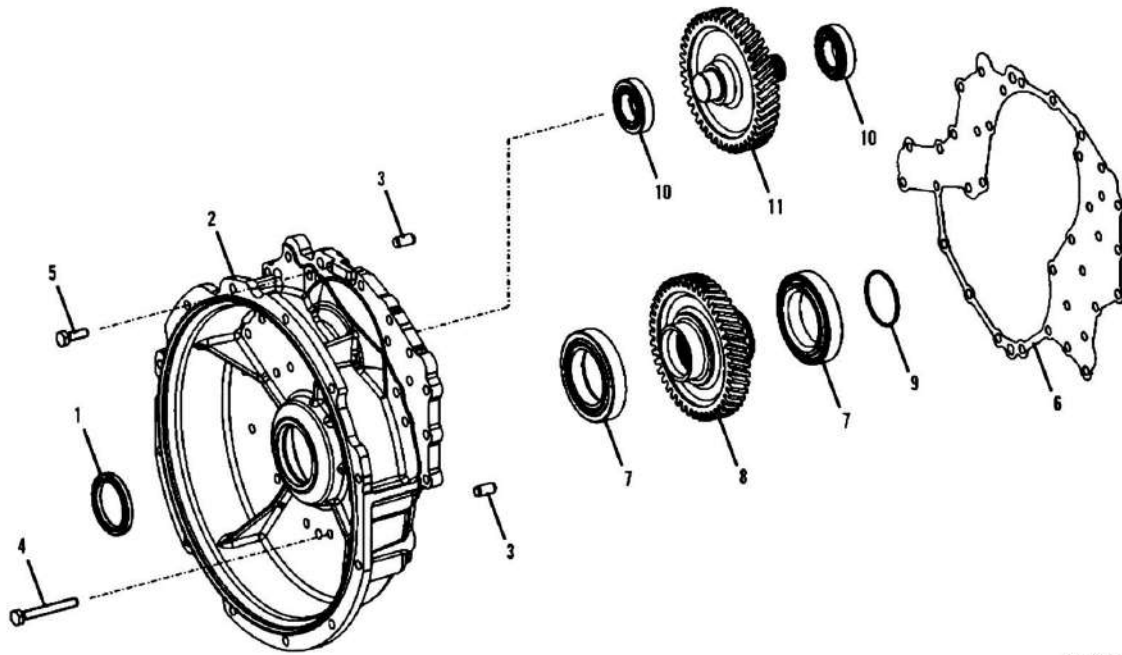
SECTION 4 - ENGINE AND ATTACHING PARTS

**FIGURE 4-56. ZF TRANSMISSION - 4TH SHAFT GROUP (SN 0160040678 through 0160045456,
Excluding 0160043800)**

ITEM	PART NUMBER	QTY	DESCRIPTION	REV
1	7026761	2	PISTON RING	
2	1319615	1	ROLLER BEARING	
3	7026770	1	COUPLING	
4	8036575	1	PISTON	
5	1319595	5	CUP SPRING	
6	1319596	1	SHIM	
7	10731845	2	RETAINING RING	
8	7026758	12	FRICTION DISC	
9	7026759	12	STATIC DISC	
10	7026760	1	END SHIM	
11	1319600	AR	SNAP RING, 4.0	
11	7029850	AR	SNAP RING, 3.75	
11	1319601	AR	SNAP RING, 3.5	
11	7029849	AR	SNAP RING, 3.25	
11	1319602	AR	SNAP RING, 3.0	
11	7029852	AR	SNAP RING, 2.75	
11	1319603	AR	SNAP RING, 2.5	
11	7029851	AR	SNAP RING, 2.25	
11	1319604	AR	SNAP RING, 2.0	
12	1319606	2	ROLLER CAGE	
13	1319635	1	DISC CARRIER	
14	1319636	1	ROLLER BEARING	

SECTION 4 - ENGINE AND ATTACHING PARTS

FIGURE 4-57. ZF TRANSMISSION - POWER TAKE-OFF (SN 0160040678 through 0160045456, Excluding 0160043800)



PAL1820

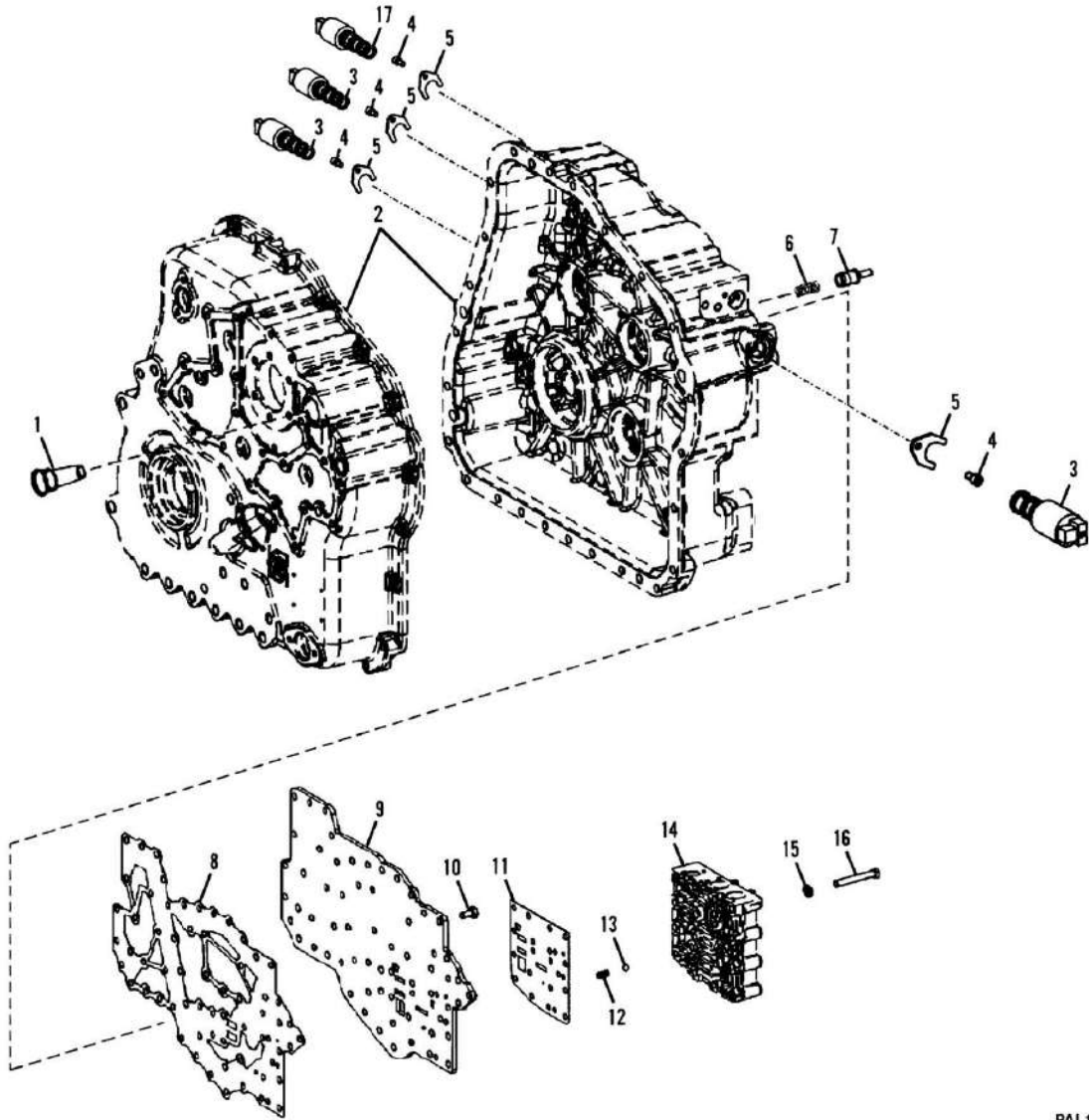
SECTION 4 - ENGINE AND ATTACHING PARTS

FIGURE 4-57. ZF TRANSMISSION - POWER TAKE-OFF (SN 0160040678 through 0160045456, Excluding 0160043800)

ITEM	PART NUMBER	QTY	DESCRIPTION	REV
1	1319576	1	SHAFT SEAL	
2	70021526	1	HOUSING	
3	1319571	2	CYLINDRICAL PIN	
4	7026775	15	HEX HD CAPSCREW, M10X80, GR8.8	
5	80304394	21	HEX HD CAPSCREW, M10X30, GR8.8	
6	7026774	1	GASKET	
7	7026769	2	ROLLER BEARING	
8	7026771	1	SHAFT	
9	7026772	1	PISTON RING	
10	1319608	2	ROLLER BEARING	
11	7026773	1	SHAFT	

SECTION 4 - ENGINE AND ATTACHING PARTS

FIGURE 4-58. ZF TRANSMISSION - CONTROL UNIT AND PRESSURE REGULATOR (SN 0160040678 through 0160045456, Excluding 0160043800)



PAL1652

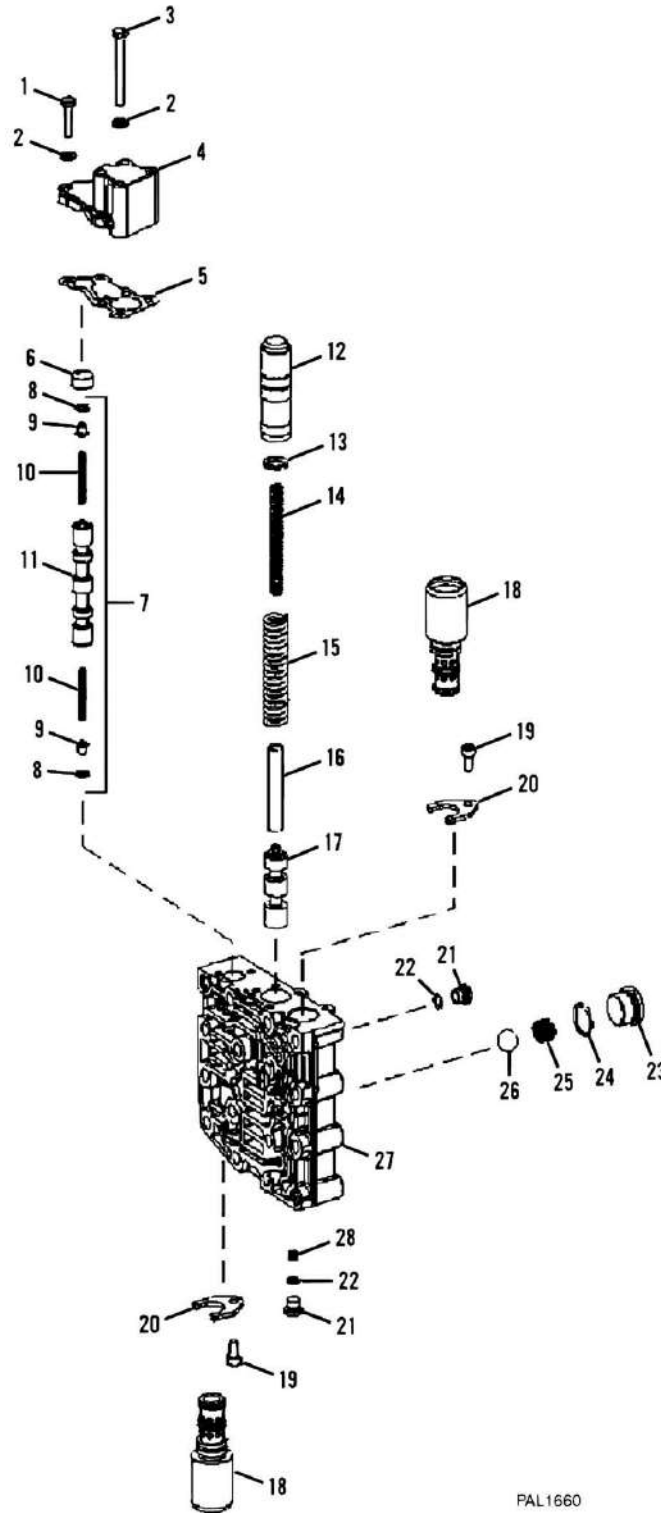
SECTION 4 - ENGINE AND ATTACHING PARTS

FIGURE 4-58. ZF TRANSMISSION - CONTROL UNIT AND PRESSURE REGULATOR (SN 0160040678 through 0160045456, Excluding 0160043800)

ITEM	PART NUMBER	QTY	DESCRIPTION	REV
1	7026782	1	VALVE	
2		Ref	HOUSING, (See ZF TRANSMISSION - GEARBOX HOUSING for Breakdown)	
3	8036529	3	SOLENOID VALVE	
4	N.S.S.	4	CAPSCREW, M6X12, GR8.8	
5	N.S.S.	4	BRACKET	
6	7026784	1	COMPRESSED SPRING	
7	7026783	1	PISTON	
8	7026776	1	GASKET	
9	7026777	1	PLATE	
10	7026780	46	HEX HD CAPSCREW	
11	7026779	1	INTERMEDIATE SHEET	
12	7026778	1	COMPRESSED SPRING	
13	10731761	1	BALL	
14		Ref	VALVE HOUSING, (See ZF TRANSMISSION - GEARSHIFT SYSTEM for Breakdown)	
15	10731756	16	WASHER	
16	7026781	16	HEX HD CAPSCREW, M8X60, GR10.9	
17	8036528	1	SOLENOID VALVE	

SECTION 4 - ENGINE AND ATTACHING PARTS

FIGURE 4-59. ZF TRANSMISSION - GEARSHIFT SYSTEM (SN 0160040678 through 0160045456, Excluding 0160043800)



PAL1660

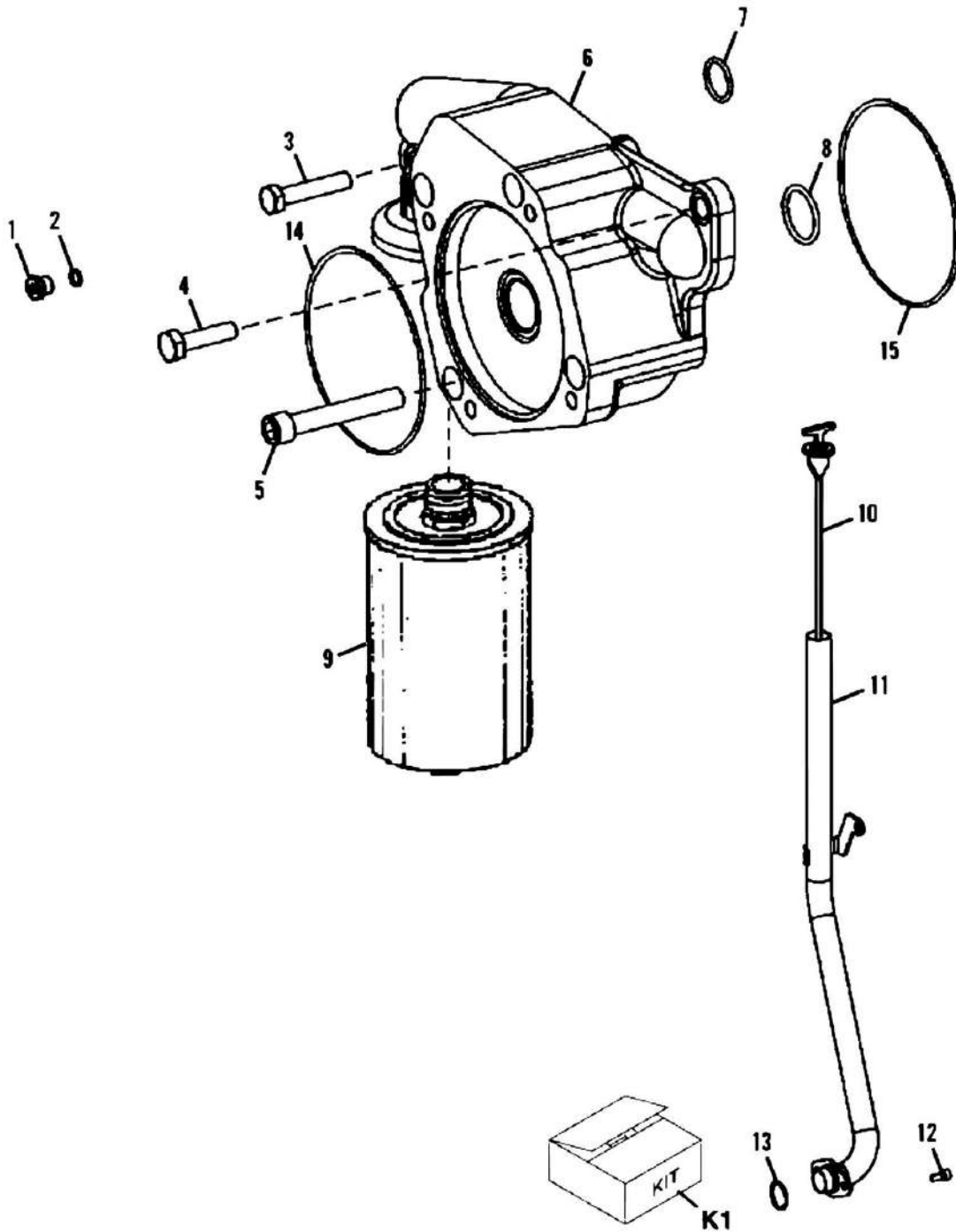
SECTION 4 - ENGINE AND ATTACHING PARTS

**FIGURE 4-59. ZF TRANSMISSION - GEARSHIFT SYSTEM (SN 0160040678 through 0160045456,
Excluding 0160043800)**

ITEM	PART NUMBER	QTY	DESCRIPTION	REV
1	1319693	2	HEX HD CAPSCREW, M6X25, GR10.9	
2	1319661	6	WASHER	
3	1321265	4	HEX HD CAPSCREW, M6X55, GR10.9	
4	7026789	1	COVER	
5	7026788	1	GASKET	
6	7026787	1	SPACER	
7	1319694	1	VALVE ASSY, (includes items 8 thru 11)	
8	N.S.S.	2	SNAP RING	
9	N.S.S.	2	SPRING SLEEVE	
10	N.S.S.	2	COMPRESSED SPRING	
11	N.S.S.	1	PISTON	
12	7026790	1	PISTON	
13	1319685	AR	WASHER, 2.0	
13	1319686	AR	WASHER, 1.0	
13	1319687	AR	WASHER, 1/2	
13	1319688	AR	WASHER, 0.3	
13	1319689	AR	WASHER, 0.2	
14	1319684	1	COMPRESSED SPRING	
15	1319683	1	COMPRESSED SPRING	
16	7026786	1	SLEEVE	
17	7026785	1	CONTROL PISTON	
18	8036528	2	SOLENOID VALVE	
19	N.S.S.	2	HEX HD CAPSCREW, M6X12, GR8.8	
20	N.S.S.	2	BRACKET	
21	1319670	2	PLUG, M10	
22	80304327	2	O-RING	
23	N.S.S.	2	PLUG, M24	
24	70000656	2	O-RING	
25	10732072	2	COMPRESSED SPRING	
26	10732071	2	BALL	
27	70022790	1	VALVE HOUSING	
28	1319652	1	ORIFICE	

SECTION 4 - ENGINE AND ATTACHING PARTS

FIGURE 4-60. ZF TRANSMISSION - OIL PUMP, FILTER AND DIPSTICK (SN 0160040678 through 0160045456, Excluding 0160043800)



PAL1673

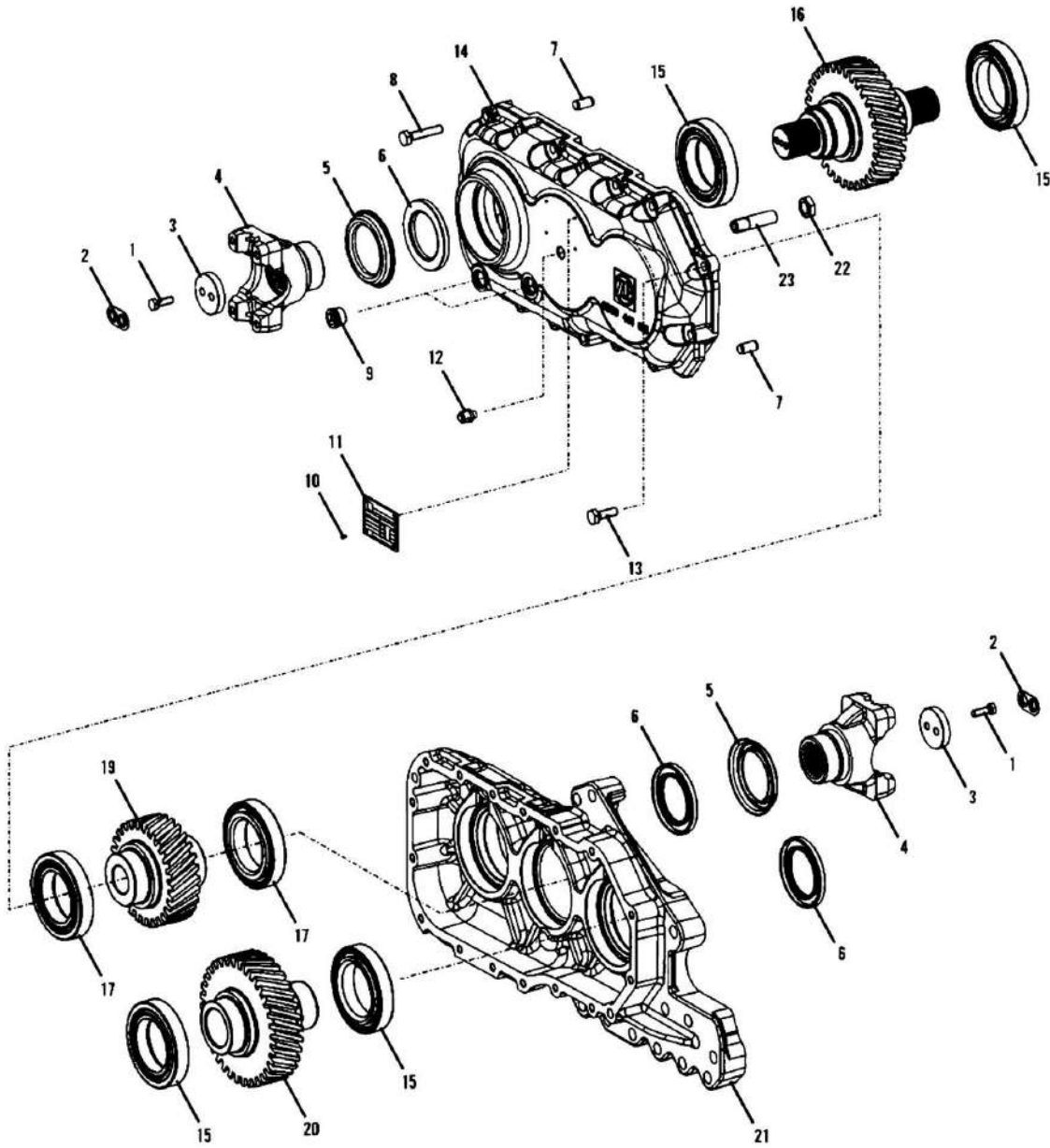
SECTION 4 - ENGINE AND ATTACHING PARTS

FIGURE 4-60. ZF TRANSMISSION - OIL PUMP, FILTER AND DIPSTICK (SN 0160040678 through 0160045456, Excluding 0160043800)

ITEM	PART NUMBER	QTY	DESCRIPTION	REV
1	1319670	2	PLUG, M10X1	
2	80304327	2	O-RING	
3	7026794	1	HEX HD CAPSCREW, M10X50, GR8.8	
4	80304394	1	HEX HD CAPSCREW, M10X30, GR8.8	
5	7026793	4	CAPSCREW, M12X80, GR10.9	
6	7026791	1	PUMP	
6	7029417	1	O-RING, (located between two halves of oil pump)	
7	7026792	3	O-RING	
8	1319719	1	O-RING	
9	1319726	1	FILTER	
10	8841322	1	DIPSTICK	
11	1001095744	1	DIPSTICK TUBE	
12	1319585	2	CAPSCREW, M8X16, GR8.8	
13	1319581	1	O-RING	
14	80933113	1	O-RING	
15	8036250	1	O-RING, (located between oil pump and transmission)	
K1	1001095738	1	OIL LEVEL GAUGE KIT, (includes items 10 & 11)	

SECTION 4 - ENGINE AND ATTACHING PARTS

FIGURE 4-61. ZF TRANSMISSION - TRANSFER BOX (SN 0160040678 through 0160045456, Excluding 0160043800)



PAL1740

SECTION 4 - ENGINE AND ATTACHING PARTS

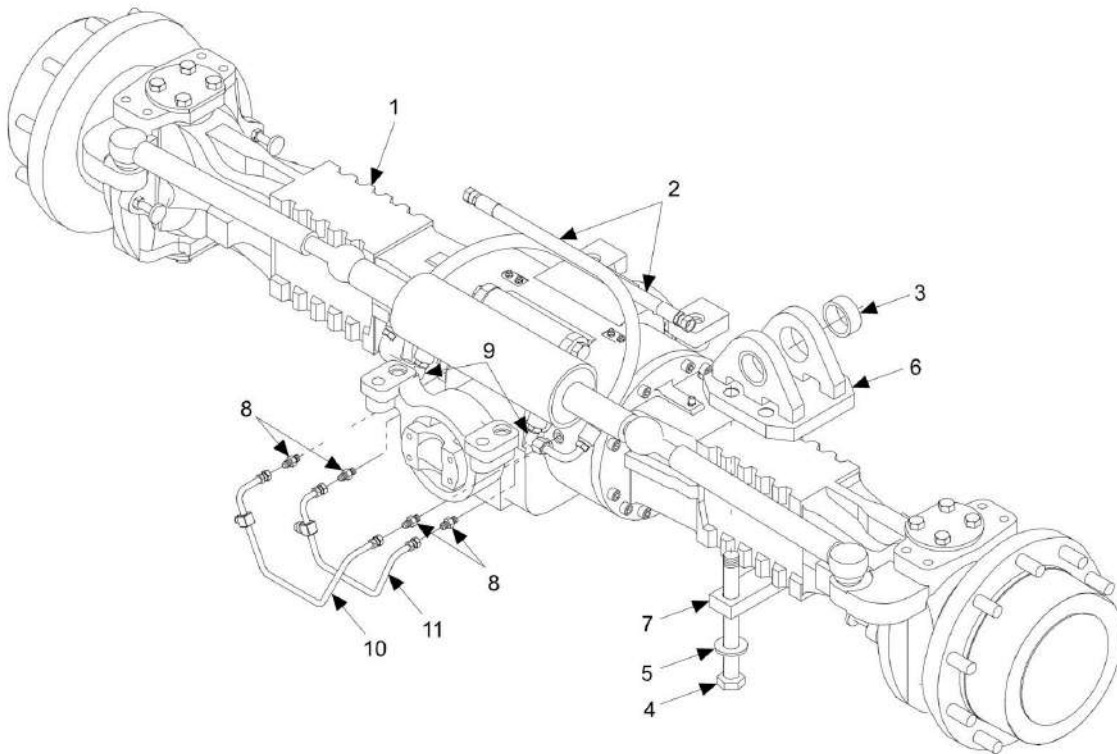
FIGURE 4-61. ZF TRANSMISSION - TRANSFER BOX (SN 0160040678 through 0160045456, Excluding 0160043800)

ITEM	PART NUMBER	QTY	DESCRIPTION	REV
	70020549	1	TRANSFER BOX, (includes all items)	
1	10731959	4	HEX HD CAPSCREW, M8X25, GR10.9	
2	N.S.S.	2	TAB WASHER	
3	1319648	2	WASHER	
4	7027273	2	FLANGE	
5	1319647	2	SCREEN SHEET	
6	1320755	3	SHAFT SEAL	
7	1319571	2	CYLINDRICAL PIN	
8	70023801	15	HEX HD CAPSCREW, M10X50, GR8.8	
9	70023404	2	PLUG	
10	10731758	4	STUD, 3X5	
11	N.S.S.	1	SN PLATE	
12	1319436	1	BREATHER	
13	70023800	1	HEX HD CAPSCREW, M10X30, GR8.8	
14	70023267	1	HOUSING	
15	7026769	4	ROLLER BEARING	
16	7027271	1	OUTPUT SHAFT	
17	N.S.S.	4	TAPERED ROLLER BEARING	
17	1320748	1	CUP	
17	1320754	1	CONE	
19	7027270	1	IDLER GEAR	
20	N.S.S.	1	INPUT SHAFT	
20	70020493	1	INPUT GEAR	
20	70020036	1	SEAL	
21	70023266	1	HOUSING	
22	7026578	1	HEX NUT, M16	
23	7026577	1	SLEEVE	

SECTION 5 - DRIVE TRAIN

SECTION 5 - DRIVE TRAIN

FIGURE 5-1. FRONT AXLE INSTALLATION - CARRARO (SN 0190001 through 0190457, SN 016000022 through 016000843)



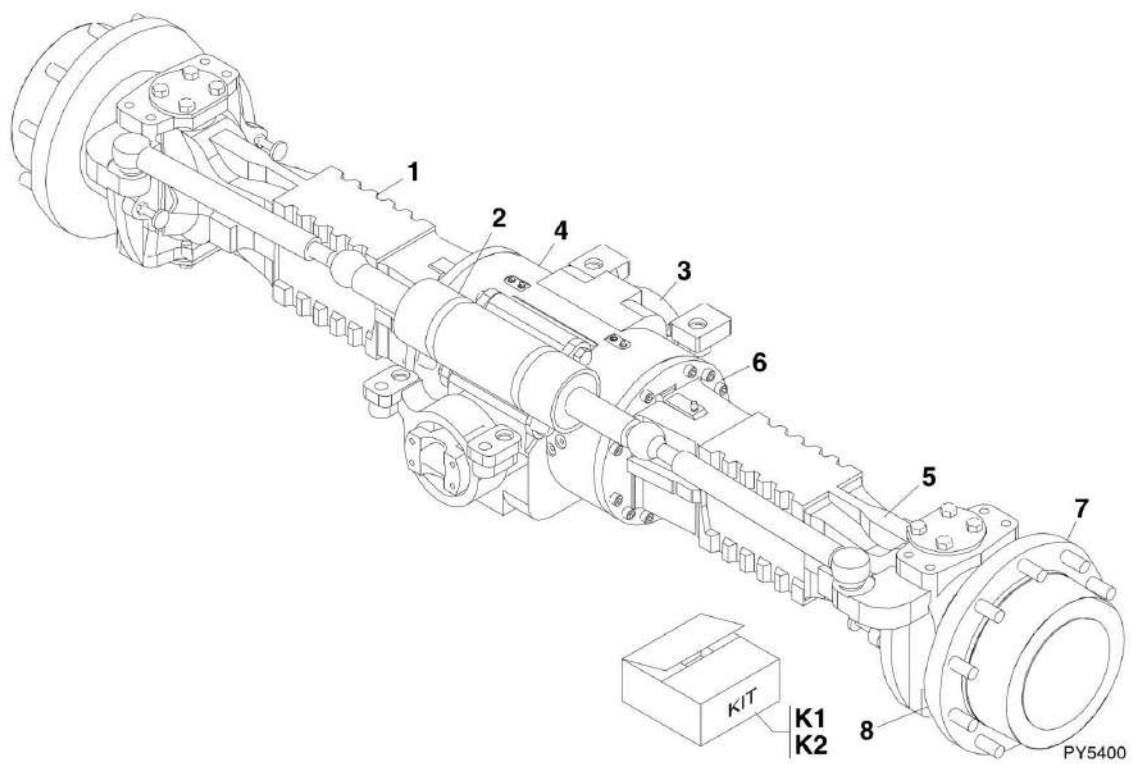
SECTION 5 - DRIVE TRAIN

FIGURE 5-1. FRONT AXLE INSTALLATION - CARRARO (SN 0190001 through 0190457, SN 016000022 through 0160000843)

ITEM	PART NUMBER	QTY	DESCRIPTION	REV
	91475003	Ref	FRONT AXLE INSTALLATION, (not available to order, see items 1 thru 10 for service)	
1		Ref	FRONT AXLE, (See FRONT AXLE - CARRARO for Breakdown)	
2	84719649	2	HOSE ASSY	
3	91143051	2	BUSHING	
4	77101143	4	HEX HD CAPSCREW, 1-8X10, (Loctite and torque to 545-595 lb-ft)	
5	90027475	4	FLAT WASHER, 1	
6	91475044	1	SWAY LUG ASSY, (includes item 3)	
7	91471034	2	RETAINER PLATE	
8	80233141	4	CONNECTOR	
9	91473086	2	ELBOW, 90	
10	91473025	1	SERVICE BRAKE TUBE	
11	91473026	1	PARK BRAKE TUBE	

SECTION 5 - DRIVE TRAIN

FIGURE 5-2. FRONT AXLE - CARRARO (SN 0190001 through 0190457, SN 016000022 through 016000843)



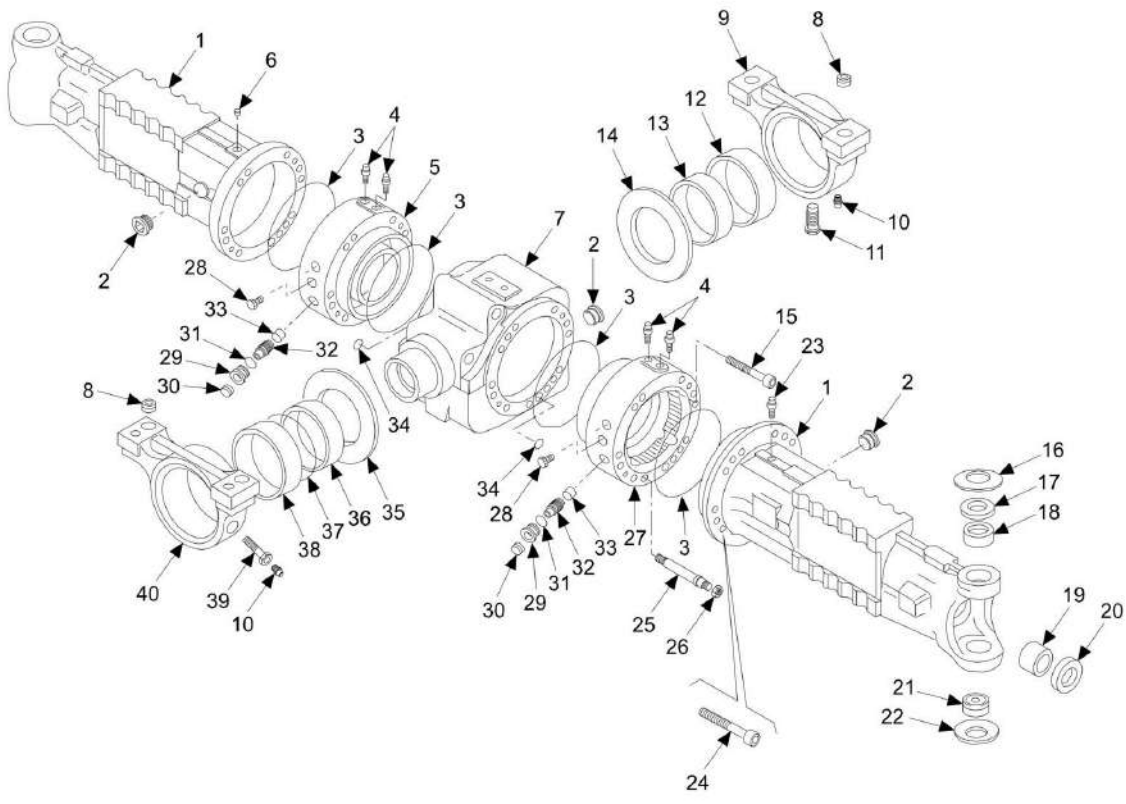
SECTION 5 - DRIVE TRAIN

FIGURE 5-2. FRONT AXLE - CARRARO (SN 0190001 through 0190457, SN 016000022 through 0160000843)

ITEM	PART NUMBER	QTY	DESCRIPTION	REV
1	91473003	1	FRONT AXLE, (includes all items)	
1		Ref	AXLE HOUSING ASSY, (See FRONT AXLE HOUSING ASSEMBLY - CARRARO for Breakdown)	
2		Ref	STEERING COMPONENTS, (See FRONT STEERING COMPONENTS - CARRARO for Breakdown)	
3		Ref	BEVEL GEAR SET, (See FRONT GEAR COMPONENTS - CARRARO for Breakdown)	
4		Ref	DIFFERENTIAL, (See FRONT DIFFERENTIAL - CARRARO for Breakdown)	
5		Ref	DOUBLE JOINT, (See FRONT DOUBLE JOINT - CARRARO for Breakdown)	
6		Ref	BRAKES, (See FRONT BRAKES - CARRARO for Breakdown)	
7		Ref	WHEEL HUB, (See FRONT WHEEL HUB - CARRARO for Breakdown)	
8		Ref	REDUCTION GEARS, (See FRONT REDUCTION GEARS - CARRARO for Breakdown)	
K1	91474614	1	RH WHEEL SIDE KIT, (includes items 7, 11, 12, 16, 17 & 22 on FRONT STEERING COMPONENTS - CARRARO, double joint assy and items 1, 7 & 8 on FRONT DOUBLE JOINT - CARRARO, items 2 thru 10 on FRONT WHEEL HUB - CARRARO and items 1, 2, 4 thru 8 & 10 on FRONT REDUCTION GEARS - CARRARO) (SN 0190066 through 0160000843)	
K2	91474615	1	LH WHEEL SIDE KIT, (includes items 6, 7, 11, 12, 16 & 17 on FRONT STEERING COMPONENTS - CARRARO, double joint assy and items 1, 7 & 8 on FRONT DOUBLE JOINT - CARRARO, items 2 thru 10 on FRONT WHEEL HUB - CARRARO and items 1, 2, 4 thru 8 & 10 on FRONT REDUCTION GEARS - CARRARO) (SN 0190066 through 0160000843)	

SECTION 5 - DRIVE TRAIN

FIGURE 5-3. FRONT AXLE HOUSING ASSEMBLY - CARRARO (SN 0190001 through 0190457, SN 016000022 through 016000843)



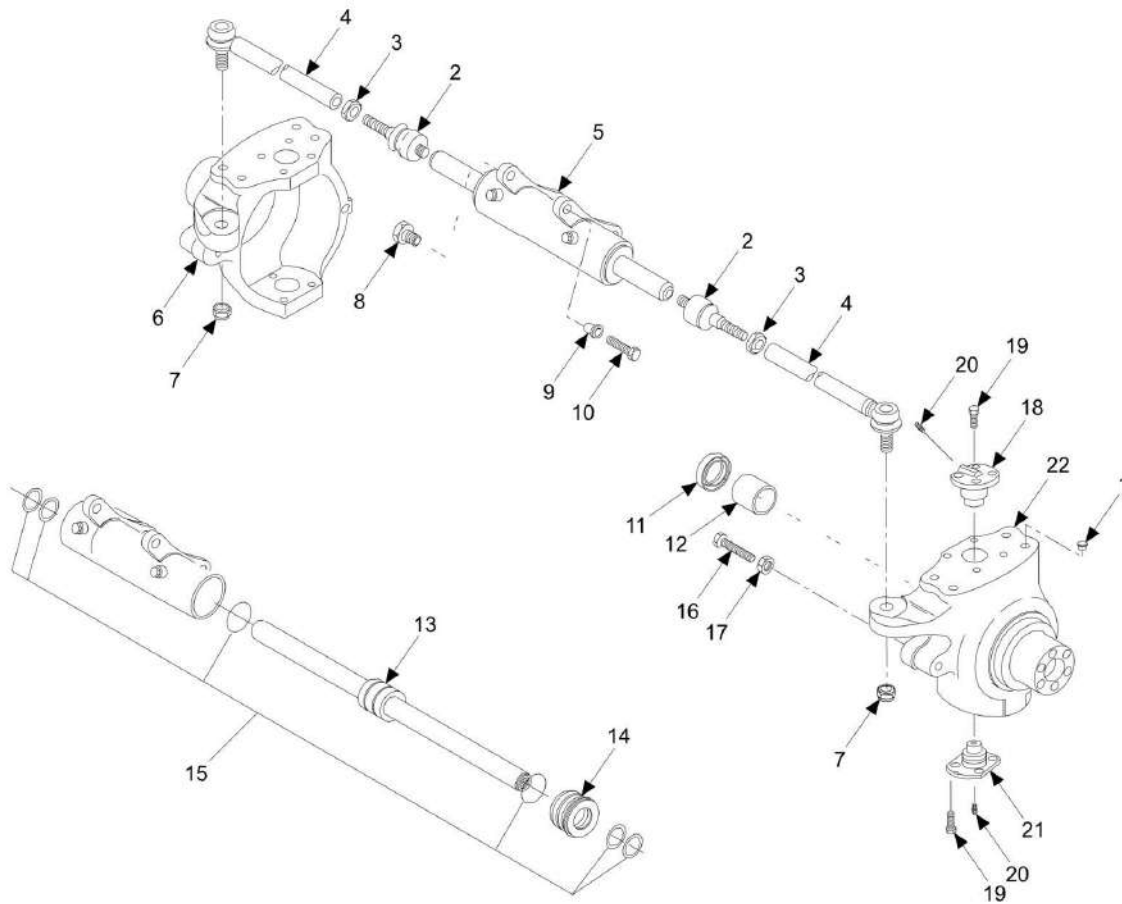
SECTION 5 - DRIVE TRAIN

FIGURE 5-3. FRONT AXLE HOUSING ASSEMBLY - CARRARO (SN 0190001 through 0190457, SN 016000022 through 0160000843)

ITEM	PART NUMBER	QTY	DESCRIPTION	REV
1	91474476	1	HOUSING (SN 0190001 through 0190065)	
1	91474036	2	HOUSING (SN 0190066 through 0160000843)	
2	91474037	3	PLUG, M30X2	
3	91474038	4	O-RING	
4	91474039	4	BREATHER, M10X1	
5	91474040	1	BRAKE CYLINDER, L.H.	
6	91474041	1	PLUG, M10X1	
7	91474042	1	CENTRAL BODY	
8	91474043	4	BUSHING	
9	91474044	1	FRONT SUPPORT	
10	91474045	2	GREASE FITTING, M8X1	
11	91474046	1	BOLT	
12	91474047	1	BUSHING	
13	91474048	1	BUSHING	
14	91474049	1	THRUST WASHER	
15	91474050	2	BOLT, M12X110	
16	91474051	2	WASHER	
17	91474052	2	SHIM	
18	91474053	2	BUSHING	
19	91474054	2	BUSHING	
20	91474480	2	SEAL RING (SN 0190001 through 0190065)	
20	91474055	2	SEAL RING (SN 0190066 through 0160000843)	
21	91474056	2	BEARING	
22	91474057	2	WASHER	
23	91474058	1	BREATHER	
24	91474059	22	BOLT	
25	91474060	2	STUD, M16X2	
26	91474061	2	NUT, M16X2	
27	91474062	1	BRAKE CYLINDER, R.H.	
28	91474063	6	PLUG	
29	91474064	6	SCREW, M22X1.5	
30	91474075	6	PLUG, M16X1.5	
31	91474065	6	O-RING	
32	91474066	6	BOLT, M16X1.5	
33	91474067	6	PIN	
34	91474068	2	O-RING	
35	91474069	1	THRUST WASHER	
36	8035118	1	BUSHING	
37	91474071	1	O-RING	
38	91474072	1	BUSHING	
39	91474073	1	BOLT	
40	8035120	1	REAR SUPPORT	

SECTION 5 - DRIVE TRAIN

FIGURE 5-4. FRONT STEERING COMPONENTS - CARRARO (SN 0190001 through 0190457, SN 016000022 through 016000843)



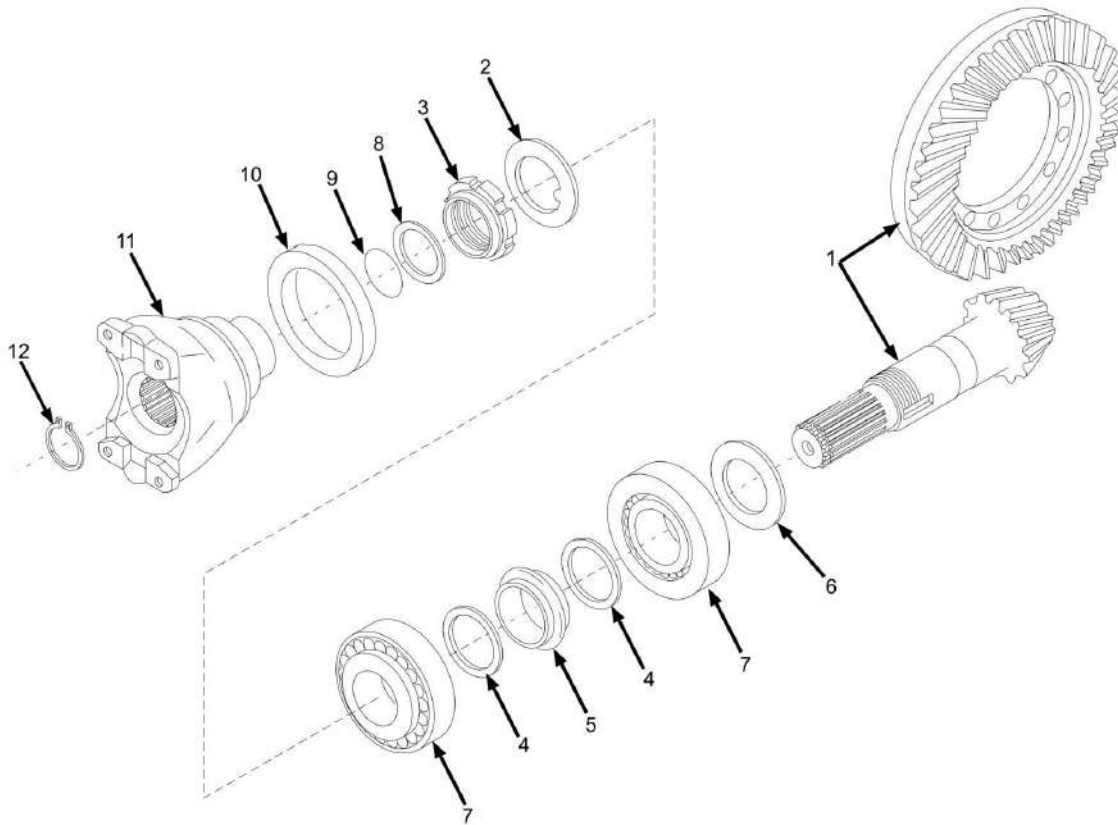
SECTION 5 - DRIVE TRAIN

FIGURE 5-4. FRONT STEERING COMPONENTS - CARRARO (SN 0190001 through 0190457, SN 016000022 through 0160000843)

ITEM	PART NUMBER	QTY	DESCRIPTION	REV
	91474076	2	STEERING ARM ASSY, (includes items 2, 3 & 4)	
1	91474098	8	PLUG	
2	91474077	2	BALL JOINT	
3	91474078	2	NUT, M24X1-1/2	
4	91474079	2	TIE ROD	
5	91474080	1	STEERING CYLINDER	
6	91474081	1	SWIVEL HOUSING, LEFT SIDE	
7	91474082	2	NUT, M24X1-1/2	
8	91474083	2	BOLT, M22X55	
9	91474084	2	BUSHING	
10	91474085	2	BOLT, M14X65	
11	91474478	2	SEAL RING (SN 0190001 through 0190065)	
11	91474086	2	SEAL RING (SN 0190066 through 0160000843)	
12	91474087	2	BUSHING	
13	91474088	1	ROD	
14	91474089	1	CYLINDER HEAD	
15	91474090	1	SEAL KIT	
16	91474091	4	BOLT	
17	91474092	4	NUT, M16	
18	91474093	2	KING PIN	
19	91474094	16	BOLT, M16X38	
20	91474095	4	GREASE FITTING	
21	91474096	2	KING PIN	
22	91474097	1	SWIVEL HOUSING, RIGHT SIDE	

SECTION 5 - DRIVE TRAIN

FIGURE 5-5. FRONT GEAR COMPONENTS - CARRARO (SN 0190001 through 0190457, SN 016000022 through 016000843)



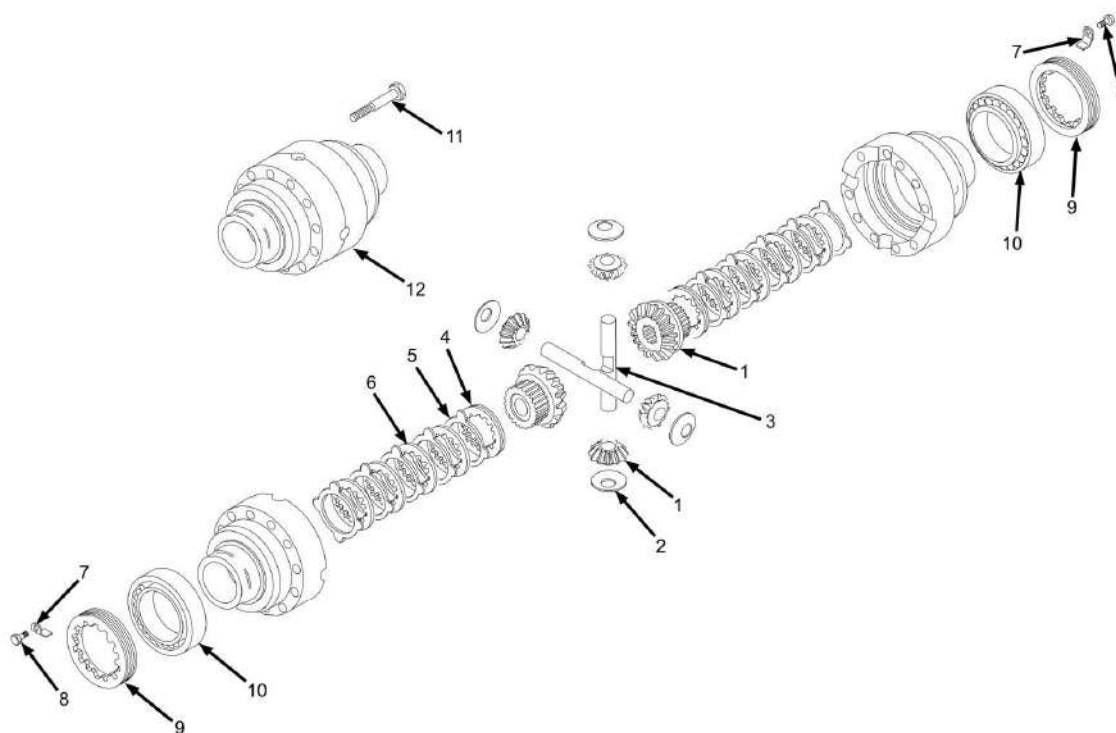
SECTION 5 - DRIVE TRAIN

FIGURE 5-5. FRONT GEAR COMPONENTS - CARRARO (SN 0190001 through 0190457, SN 016000022 through 0160000843)

ITEM	PART NUMBER	QTY	DESCRIPTION	REV
1	91474099	1	BEVEL GEAR SET, (includes items 2, 3, 4 & 5)	
2	91474100	1	LOCKWASHER	
3	91474101	1	RING NUT, M40X1.5	
4	91474102	2	WASHER	
5	91474103	1	SPACER	
6	91474104	AR	SHIM, 2.50mm	
6	91474105	AR	SHIM, 2.60mm	
6	91474106	AR	SHIM, 2.70mm	
6	91474107	AR	SHIM, 2.80mm	
6	91474108	AR	SHIM, 2.90mm	
6	91474109	AR	SHIM, 3.00mm	
6	91474110	AR	SHIM, 3.10mm	
6	91474111	AR	SHIM, 3.20mm	
6	91474112	AR	SHIM, 3.30mm	
6	91474113	AR	SHIM, 3.40mm	
7	7028403	2	BEARING	
8	91474115	1	WASHER	
9	91474116	1	O-RING	
10	91474117	1	OIL SEAL	
11	91474118	1	FLANGE	
12	91474119	1	SNAP RING	

SECTION 5 - DRIVE TRAIN

FIGURE 5-6. FRONT DIFFERENTIAL - CARRARO (SN 0190001 through 0190457, SN 016000022 through 0160000843)



SECTION 5 - DRIVE TRAIN

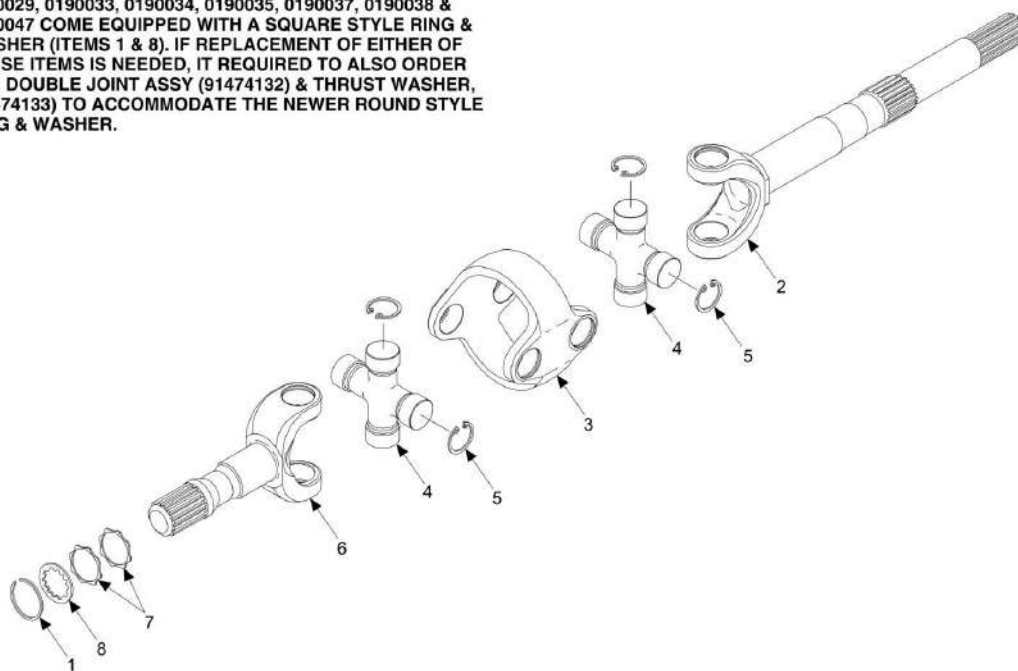
FIGURE 5-6. FRONT DIFFERENTIAL - CARRARO (SN 0190001 through 0190457, SN 016000022 through 0160000843)

ITEM	PART NUMBER	QTY	DESCRIPTION	REV
1	91474120	1	DIFFERENTIAL KIT, (includes items 2 & 3)	
2	91474121	3	THRUST WASHER	
3	91474122	2	SHAFT	
4	91474123	2	DIFFERENTIAL COUNTER DISC	
5	91474124	10	DIFFERENTIAL DISC	
6	91474125	8	DIFFERENTIAL DISC	
7	91474126	2	LOCKING PLATE	
8	8035180	2	BOLT, M6X1X10	
9	91474128	2	RING NUT	
10	91474129	2	BEARING	
11	91474130	12	BOLT, M10X1.5X75	
12	91474131	1	DIFFERENTIAL HOUSING	

SECTION 5 - DRIVE TRAIN

FIGURE 5-7. FRONT DOUBLE JOINT - CARRARO (SN 0190001 through 0190457, SN 016000022 through 0160000843)

NOTE: MACHINES WITH SN 0190001 THROUGH 0190007, 0190009, 0190010, 0190012, 0190014, 0190015, 0190016, 0190017, 0190019, 0190020, 0190021, 0190024, 0190026, 0190028, 0190029, 0190033, 0190034, 0190035, 0190037, 0190038 & 0190047 COME EQUIPPED WITH A SQUARE STYLE RING & WASHER (ITEMS 1 & 8). IF REPLACEMENT OF EITHER OF THESE ITEMS IS NEEDED, IT REQUIRED TO ALSO ORDER THE DOUBLE JOINT ASSY (91474132) & THRUST WASHER, (91474133) TO ACCOMMODATE THE NEWER ROUND STYLE RING & WASHER.



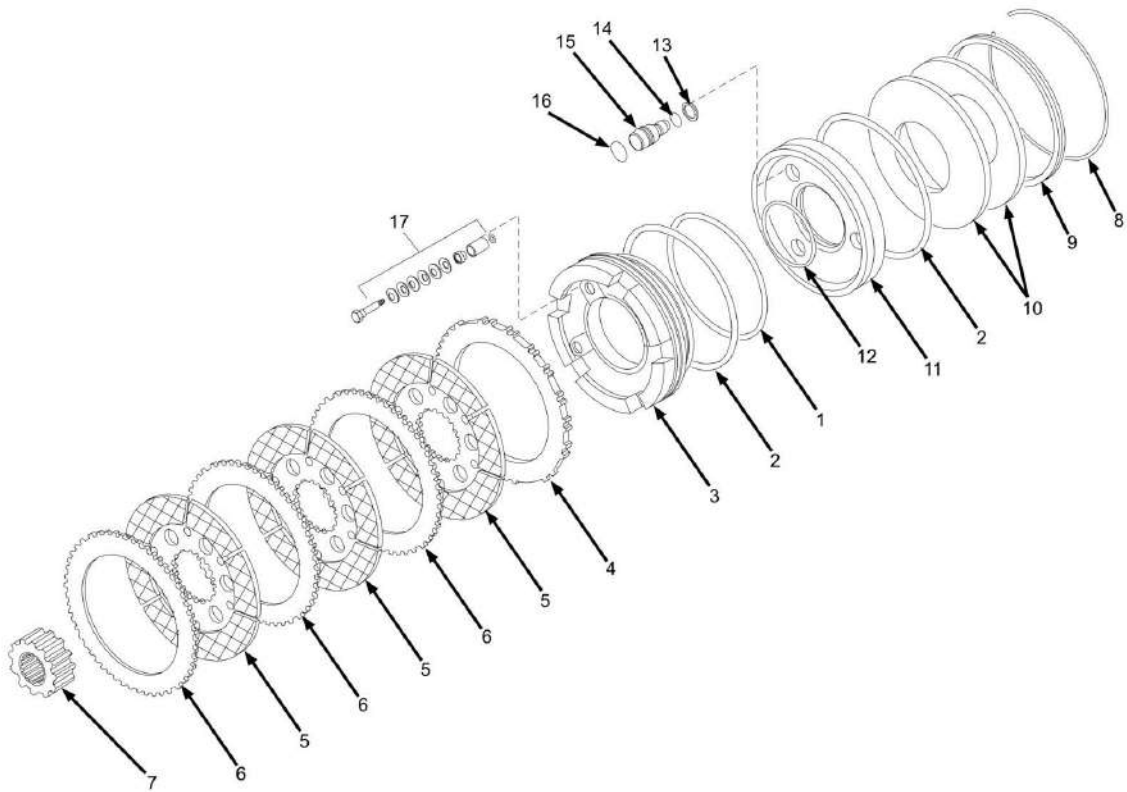
SECTION 5 - DRIVE TRAIN

FIGURE 5-7. FRONT DOUBLE JOINT - CARRARO (SN 0190001 through 0190457, SN 016000022 through 0160000843)

ITEM	PART NUMBER	QTY	DESCRIPTION	REV
	91474132	2	DOUBLE JOINT ASSY, (includes items 2 thru 6)	
1	91474135	2	RING	
2	7029835	1	FORK, (differential side)	
3	7029834	1	CENTRAL BODY	
4	91474632	2	SPIDER	
5	7029837	8	LOCK RING	
6	7029836	1	FORK, (wheel side)	
7	91474133	4	THRUST WASHER	
8	91474134	2	WASHER	
N1	Note	Ref	QUANTITIES SHOWN ARE FOR ONE U-JOINT ASSEMBLY ONLY.	

SECTION 5 - DRIVE TRAIN

FIGURE 5-8. FRONT BRAKES - CARRARO (SN 0190001 through 0190457, SN 016000022 through 016000843)



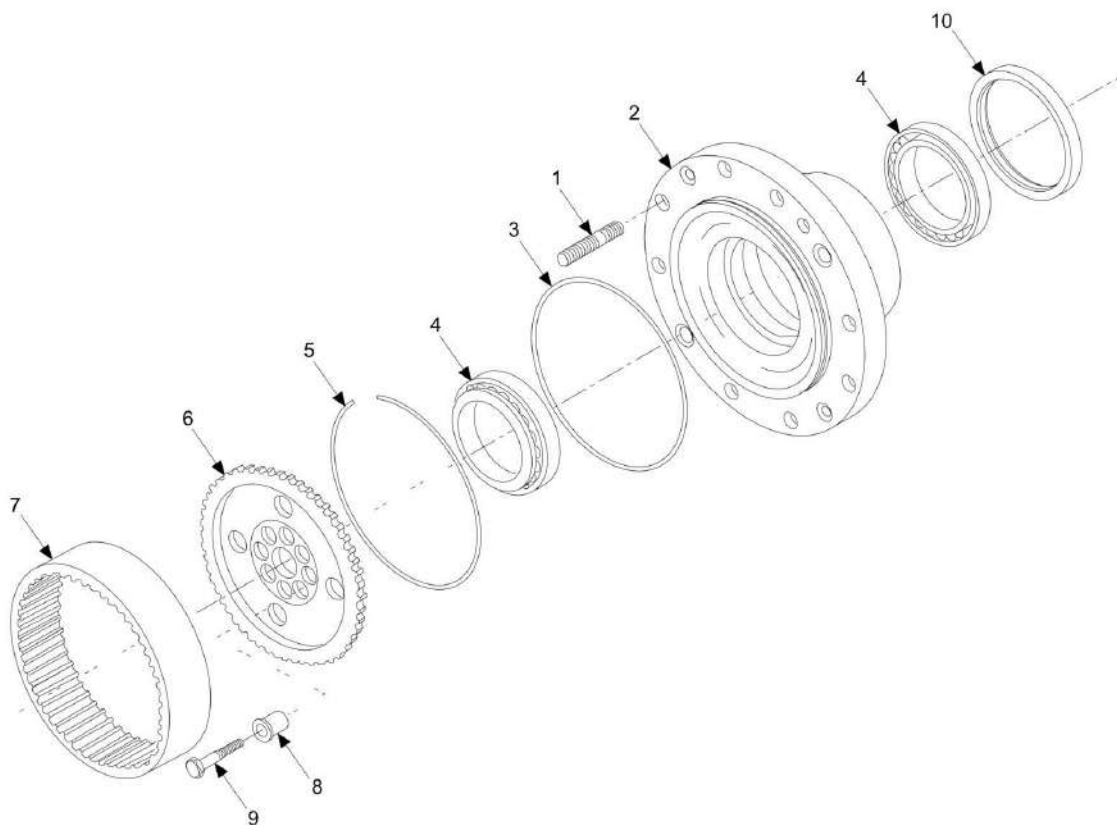
SECTION 5 - DRIVE TRAIN

FIGURE 5-8. FRONT BRAKES - CARRARO (SN 0190001 through 0190457, SN 016000022 through 0160000843)

ITEM	PART NUMBER	QTY	DESCRIPTION	REV
1	91474136	1	O-RING	
2	91474137	2	O-RING	
3	91474138	1	BRAKE PISTON	
4	91474139	1	DRIVE PLATE	
5	91474140	3	BRAKE DISC	
6	91474141	3	DRIVE PLATE	
7	91474142	1	SLEEVE	
8	91474143	1	RING	
9	91474144	1	SLEEVE	
10	91474145	2	WASHER	
11	91474146	1	BRAKE PISTON	
12	91474147	1	O-RING	
13	91474148	3	RING	
14	91474149	3	O-RING	
15	91474150	3	SHAFT	
16	91474151	3	O-RING	
17	91474152	1	SELF ADJUST-KIT	

SECTION 5 - DRIVE TRAIN

FIGURE 5-9. FRONT WHEEL HUB - CARRARO (SN 0190001 through 0190457, SN 016000022 through 016000843)



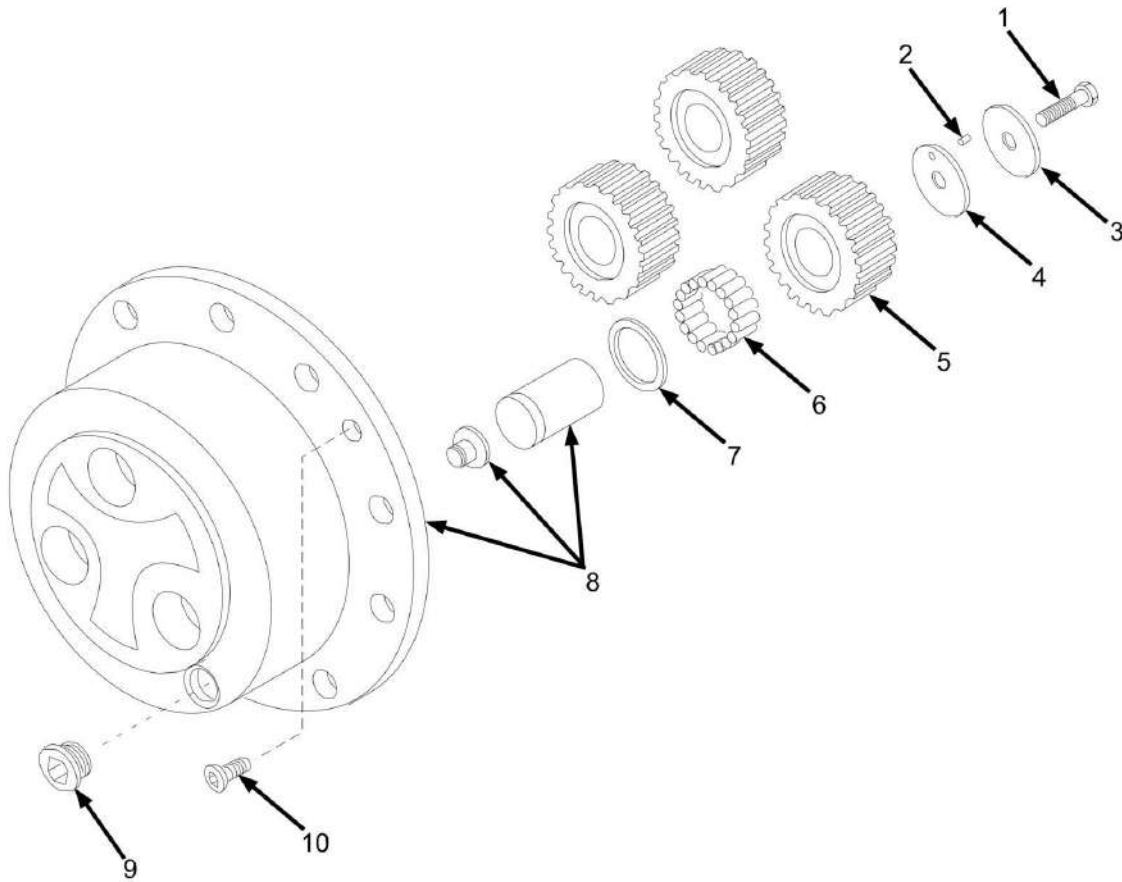
SECTION 5 - DRIVE TRAIN

FIGURE 5-9. FRONT WHEEL HUB - CARRARO (SN 0190001 through 0190457, SN 016000022 through 0160000843)

ITEM	PART NUMBER	QTY	DESCRIPTION	REV
1	91474153	10	STUD	
2	91474477	1	WHEEL HUB (SN 0190001 through 0190065)	
2	91474154	1	WHEEL HUB (SN 0190066 through 0160000843)	
3	91474155	1	O-RING	
4	91474156	2	BEARING	
5	91474157	1	LOCK RING	
6	91474158	1	WHEEL CARRIER	
7	91474159	1	CROWN GEAR	
8	91474160	8	BUSHING	
9	91474085	8	BOLT, M14X1.5X65	
10	91474479	1	SEAL (SN 0190001 through 0190065)	
10	91474161	1	SEAL (SN 0190066 through 0160000843)	

SECTION 5 - DRIVE TRAIN

FIGURE 5-10. FRONT REDUCTION GEARS - CARRARO (SN 0190001 through 0190457, SN 016000022 through 016000843)



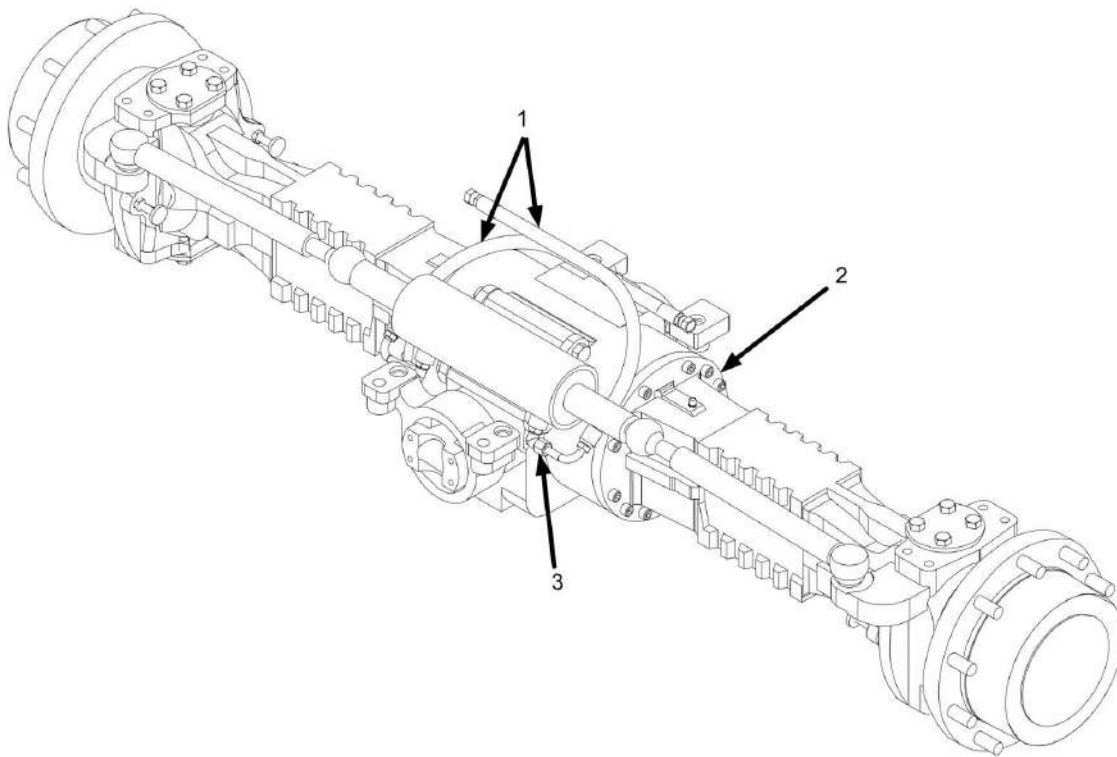
SECTION 5 - DRIVE TRAIN

FIGURE 5-10. FRONT REDUCTION GEARS - CARRARO (SN 0190001 through 0190457, SN 016000022 through 0160000843)

ITEM	PART NUMBER	QTY	DESCRIPTION	REV
1	91474162	3	BOLT, M10X1.25X50	
2	91474163	3	PIN	
3	91474164	3	THRUST WASHER	
4	91474165	3	THRUST WASHER	
5	91474166	3	PLANETARY GEAR	
6	91474167	84	NEEDLE BEARING, (28 per gear)	
7	91474168	3	THRUST WASHER	
8	91474169	1	PLANETARY CARRIER ASSY	
9	91474037	1	OIL PLUG	
10	7028492	2	BOLT, M8X20	

SECTION 5 - DRIVE TRAIN

FIGURE 5-11. REAR AXLE INSTALLATION - CARRARO (SN 0190001 through 0190457, SN 016000022 through 016000843)



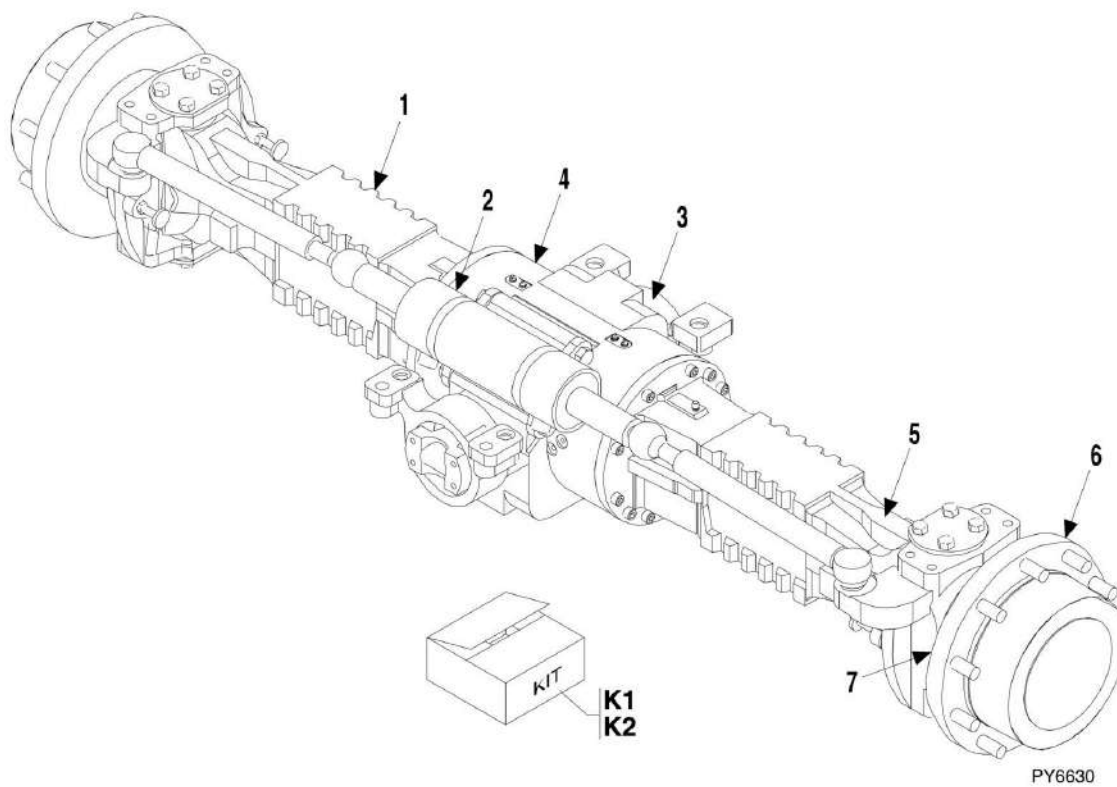
SECTION 5 - DRIVE TRAIN

FIGURE 5-11. REAR AXLE INSTALLATION - CARRARO (SN 0190001 through 0190457, SN 016000022 through 0160000843)

ITEM	PART NUMBER	QTY	DESCRIPTION	REV
	91475002	Ref	REAR AXLE INSTALLATION, (not available to order, see items 1 thru 3 for service)	C
1	84719649	2	HOSE ASSY	
2		Ref	REAR AXLE, (See REAR AXLE - CARRARO for Breakdown)	
3	91473086	2	ELBOW, 90	

SECTION 5 - DRIVE TRAIN

FIGURE 5-12. REAR AXLE - CARRARO (SN 0190001 through 0190457, SN 016000022 through 016000843)



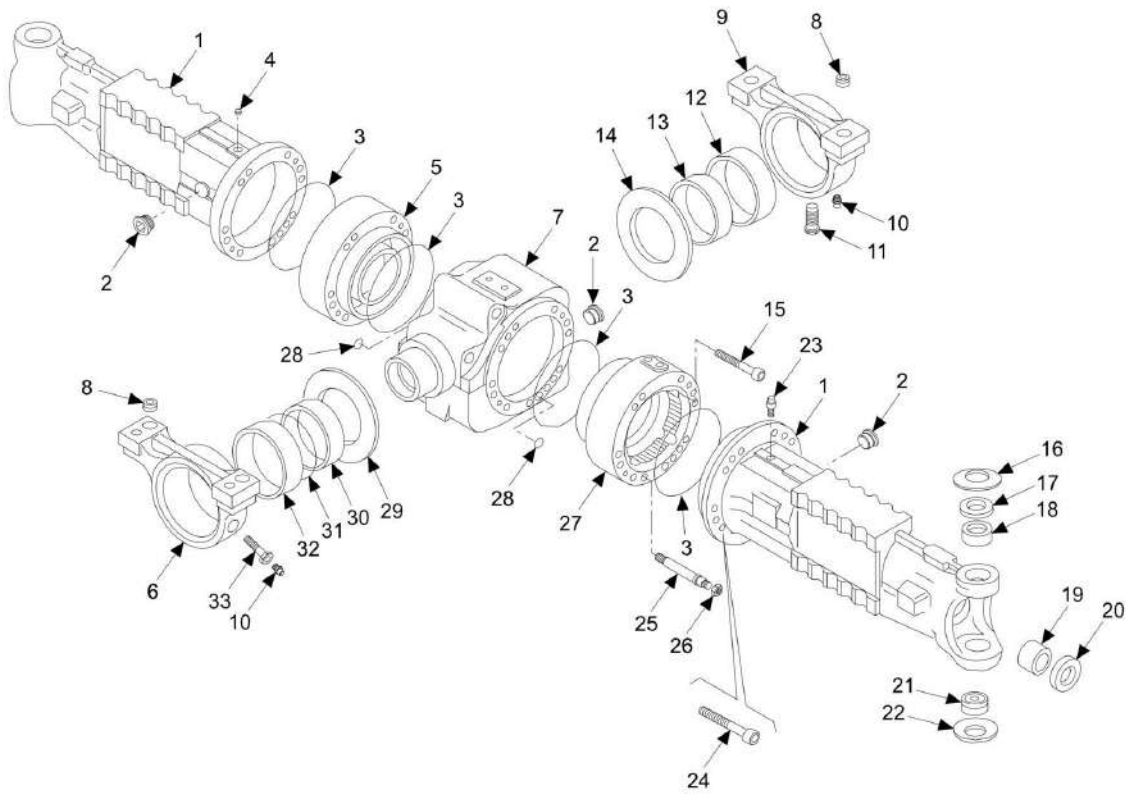
SECTION 5 - DRIVE TRAIN

FIGURE 5-12. REAR AXLE - CARRARO (SN 0190001 through 0190457, SN 016000022 through 0160000843)

ITEM	PART NUMBER	QTY	DESCRIPTION	REV
1	91473002	1	REAR AXLE, (includes all items)	
1		Ref	AXLE HOUSING ASSY, (See REAR AXLE HOUSING ASSEMBLY - CARRARO for Breakdown)	
2		Ref	STEERING COMPONENTS, (See REAR STEERING COMPONENTS - CARRARO for Breakdown)	
3		Ref	BEVEL GEAR SET, (See REAR GEAR COMPONENTS - CARRARO for Breakdown)	
4		Ref	DIFFERENTIAL, (See REAR DIFFERENTIAL - CARRARO for Breakdown)	
5		Ref	DOUBLE JOINT, (See REAR DOUBLE JOINT - CARRARO for Breakdown)	
6		Ref	WHEEL HUB, (See REAR WHEEL HUB - CARRARO for Breakdown)	
7		Ref	REDUCTION GEARS, (See REAR REDUCTION GEARS - CARRARO for Breakdown)	
K1	91474614	1	RH WHEEL SIDE KIT, (includes items 7, 11, 12, 16, 17 & 22 on REAR STEERING COMPONENTS - CARRARO, double joint assy and items 1, 7 & 8 on REAR DOUBLE JOINT - CARRARO, items 2 thru 10 on REAR WHEEL HUB - CARRARO and items 1, 2, 4 thru 8 & 10 on REAR REDUCTION GEARS - CARRARO) (SN 0190066 through 0160000843)	
K2	91474615	1	LH WHEEL SIDE KIT, (includes items 7, 11, 12, 16 & 17 on REAR STEERING COMPONENTS - CARRARO, double joint assy and items 1, 7 & 8 on REAR DOUBLE JOINT - CARRARO, items 2 thru 10 on REAR WHEEL HUB - CARRARO and items 1, 2, 4 thru 8 & 10 on REAR REDUCTION GEARS - CARRARO) (SN 0190066 through 0160000843)	

SECTION 5 - DRIVE TRAIN

FIGURE 5-13. REAR AXLE HOUSING ASSEMBLY - CARRARO (SN 0190001 through 0190457, SN 016000022 through 016000843)



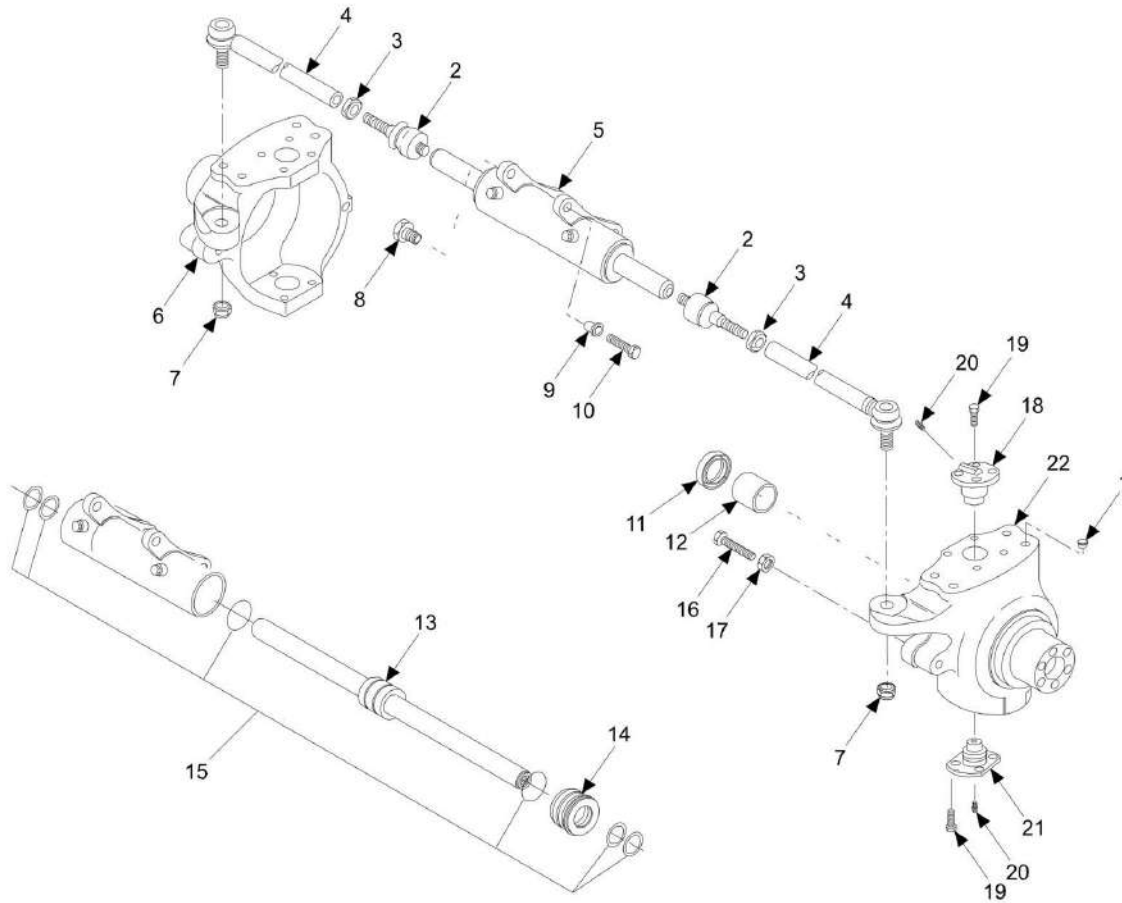
SECTION 5 - DRIVE TRAIN

FIGURE 5-13. REAR AXLE HOUSING ASSEMBLY - CARRARO (SN 0190001 through 0190457, SN 016000022 through 0160000843)

ITEM	PART NUMBER	QTY	DESCRIPTION	REV
1	91474476	2	HOUSING (SN 0190001 through 0190065)	
1	91474036	2	HOUSING (SN 0190066 through 0160000843)	
2	91474037	3	PLUG, M30X2	
3	91474038	4	O-RING	
4	91474041	1	PLUG, M10X1	
5	91474172	1	BRAKE CYLINDER, L.H.	
6	8035120	1	REAR SUPPORT	
7	91474042	1	CENTRAL BODY	
8	91474043	4	BUSHING	
9	91474044	1	FRONT SUPPORT	
10	91474045	2	GREASE FITTING	
11	91474046	1	BOLT	
12	91474047	1	BUSHING	
13	91474048	1	BUSHING	
14	91474049	1	THRUST WASHER	
15	91474050	2	BOLT, M12X110	
16	91474051	2	WASHER	
17	91474052	2	SHIM	
18	91474053	2	BUSHING	
19	91474054	2	BUSHING	
20	91474480	2	SEAL RING (SN 0190001 through 0190065)	
20	91474055	2	SEAL RING (SN 0190066 through 0160000843)	
21	91474056	2	BEARING	
22	91474057	2	WASHER	
23	91474058	1	BREATHER	
24	91474059	22	BOLT	
25	91474060	2	STUD, M16X2	
26	91474061	2	NUT, M16X2	
27	91474173	1	BRAKE CYLINDER, R.H.	
28	91474068	2	O-RING	
29	91474069	1	WASHER	
30	8035118	1	BUSHING	
31	91474071	1	O-RING	
32	91474072	1	BUSHING	
33	91474073	1	BOLT	

SECTION 5 - DRIVE TRAIN

FIGURE 5-14. REAR STEERING COMPONENTS - CARRARO (SN 0190001 through 0190457, SN 016000022 through 016000843)



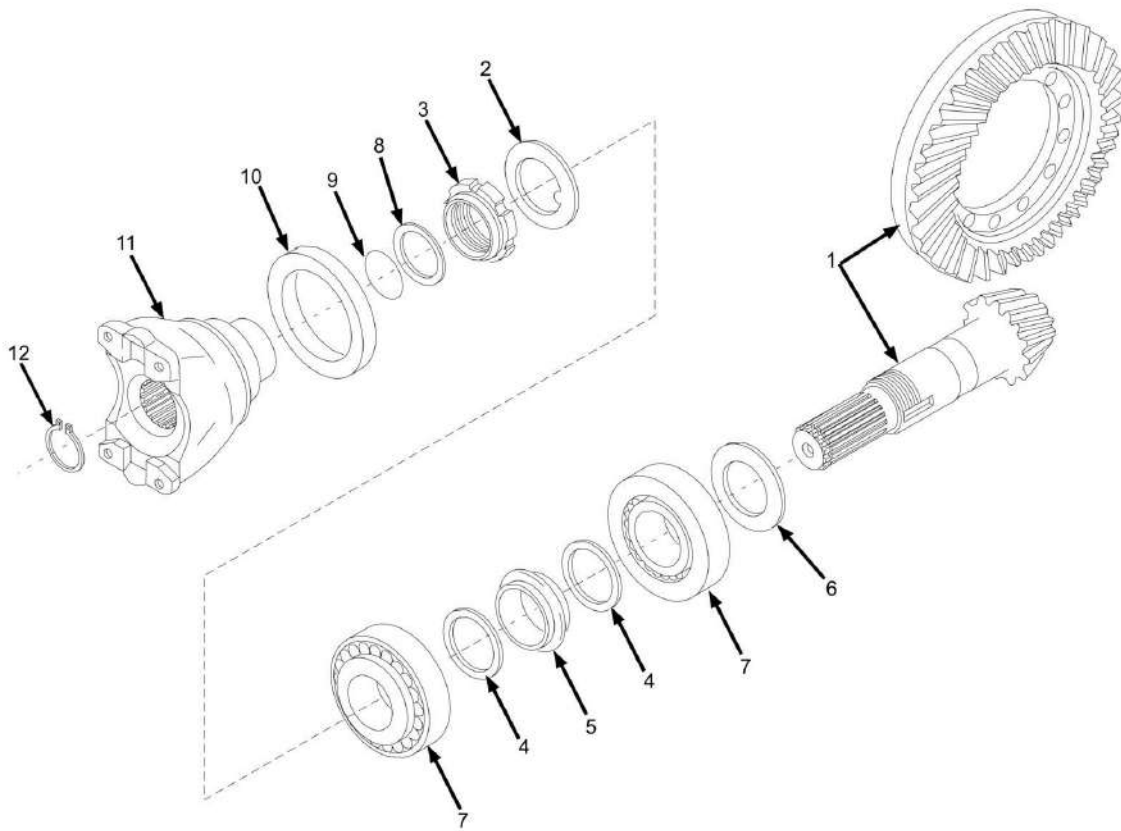
SECTION 5 - DRIVE TRAIN

FIGURE 5-14. REAR STEERING COMPONENTS - CARRARO (SN 0190001 through 0190457, SN 016000022 through 0160000843)

ITEM	PART NUMBER	QTY	DESCRIPTION	REV
	91474076	2	STEERING ARM ASSY, (includes items 2, 3 & 4)	
1	91474098	8	PLUG	
2	91474077	1	BALL JOINT	
3	91474078	1	NUT, M24X1.5	
4	91474079	1	TIE ROD	
5	91474080	1	STEERING CYLINDER	
6	91474081	1	SWIVEL HOUSING, RIGHT SIDE	
7	91474082	2	NUT, M24X1.5	
8	91474083	2	BOLT, M22X55	
9	91474084	2	BUSHING	
10	91474085	2	BOLT, M14X65	
11	91474478	2	SEAL RING (SN 0190001 through 0190065)	
11	91474086	2	SEAL RING (SN 0190066 through 0160000843)	
12	91474087	2	BUSHING	
13	91474088	1	ROD	
14	91474089	1	CYLINDER HEAD	
15	91474090	1	SEAL KIT	
16	91474091	4	BOLT	
17	91474092	4	NUT, M16	
18	91474093	2	KING PIN	
19	91474094	16	BOLT, M16X38	
20	91474095	4	GREASE FITTING	
21	91474096	2	KING PIN	
22	91474097	1	SWIVEL HOUSING, LEFT SIDE	

SECTION 5 - DRIVE TRAIN

FIGURE 5-15. REAR GEAR COMPONENTS - CARRARO (SN 0190001 through 0190457, SN 016000022 through 016000843)



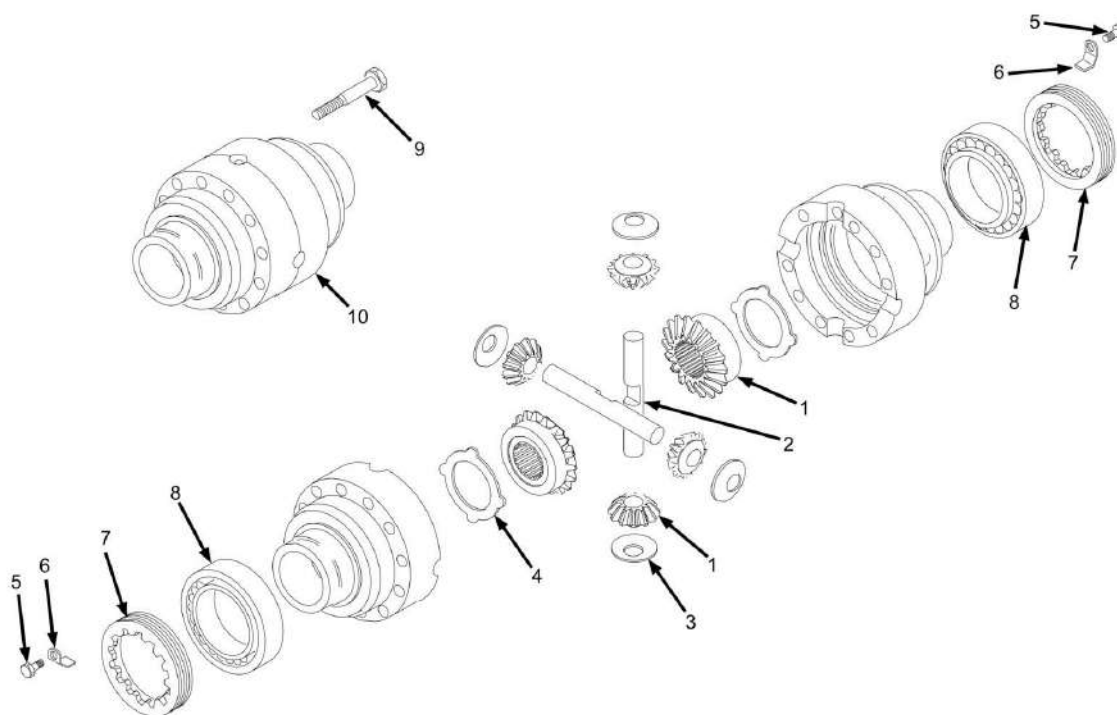
SECTION 5 - DRIVE TRAIN

FIGURE 5-15. REAR GEAR COMPONENTS - CARRARO (SN 0190001 through 0190457, SN 016000022 through 0160000843)

ITEM	PART NUMBER	QTY	DESCRIPTION	REV
1	91474174	1	BEVEL GEAR SET, (includes items 2, 3, 4 & 5)	
2	91474100	1	LOCKWASHER	
3	91474101	1	RING NUT, M40X1.5	
4	91474102	2	WASHER	
5	91474103	1	SPACER	
6	91474104	AR	SHIM, 2.50mm	
6	91474105	AR	SHIM, 2.60mm	
6	91474106	AR	SHIM, 2.70mm	
6	91474107	AR	SHIM, 2.80mm	
6	91474108	AR	SHIM, 2.90mm	
6	91474109	AR	SHIM, 3.00mm	
6	91474110	AR	SHIM, 3.10mm	
6	91474111	AR	SHIM, 3.20mm	
6	91474112	AR	SHIM, 3.30mm	
6	91474113	AR	SHIM, 3.40mm	
7	7028403	2	BEARING	
8	91474115	1	WASHER	
9	91474116	1	O-RING	
10	91474117	1	OIL SEAL	
11	91474118	1	FLANGE	
12	91474119	1	SNAP RING	

SECTION 5 - DRIVE TRAIN

FIGURE 5-16. REAR DIFFERENTIAL - CARRARO (SN 0190001 through 0190457, SN 016000022 through 0160000843)



SECTION 5 - DRIVE TRAIN

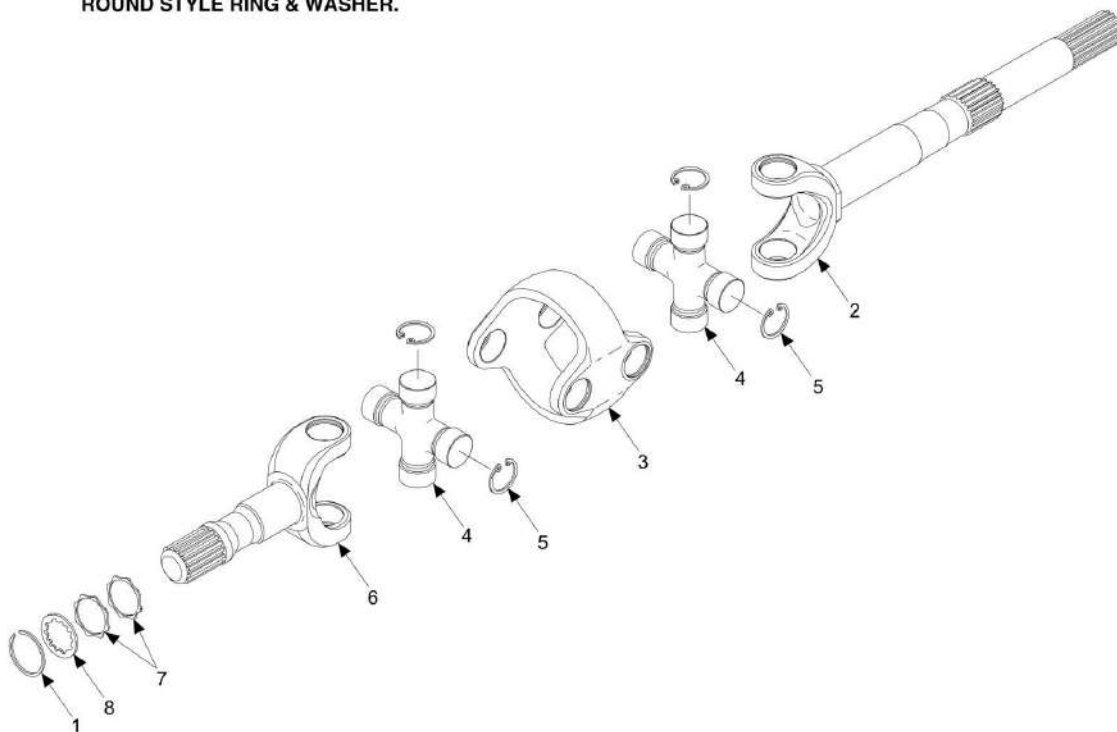
FIGURE 5-16. REAR DIFFERENTIAL - CARRARO (SN 0190001 through 0190457, SN 016000022 through 0160000843)

ITEM	PART NUMBER	QTY	DESCRIPTION	REV
1	91474175	1	DIFFERENTIAL KIT, (includes items 2, 3 & 4)	
2	91474122	2	SHAFT	
3	91474121	4	THRUST WASHER	
4	91474176	2	DIFFERENTIAL COUNTER DISC	
5	8035180	2	BOLT	
6	91474126	2	LOCKING PLATE	
7	91474128	2	RING NUT	
8	91474129	2	BEARING	
9	91474130	2	BOLT	
10	91474131	2	DIFFERENTIAL HOUSING	

SECTION 5 - DRIVE TRAIN

FIGURE 5-17. REAR DOUBLE JOINT - CARRARO (SN 0190001 through 0190457, SN 016000022 through 0160000843)

NOTE: MACHINES WITH SN 0190001 THROUGH 0190065 COME EQUIPPED WITH A SQUARE STYLE RING & WASHER (ITEMS 1 & 8). IF REPLACEMENT OF EITHER OF THESE ITEMS IS NEEDED, IT IS REQUIRED TO ALSO ORDER THE DOUBLE JOINT ASSY, (91474132) & THRUST WASHER, (91474133) TO ACCOMMODATE THE NEWER ROUND STYLE RING & WASHER.



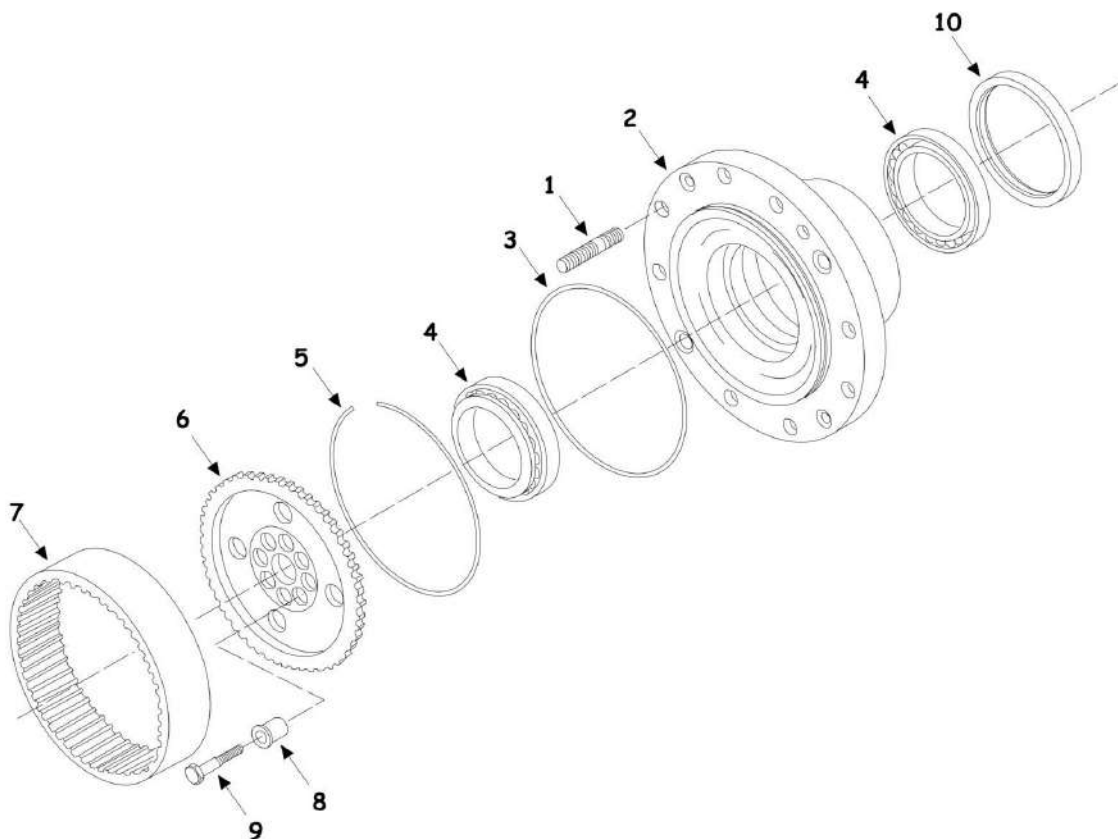
SECTION 5 - DRIVE TRAIN

FIGURE 5-17. REAR DOUBLE JOINT - CARRARO (SN 0190001 through 0190457, SN 016000022 through 0160000843)

ITEM	PART NUMBER	QTY	DESCRIPTION	REV
	91474132	2	DOUBLE JOINT, (includes items 2 thru 6)	
1	91474135	2	RING	
2	7029835	1	FORK, (differential side)	
3	7029834	1	CENTRAL BODY	
4	91474632	2	SPIDER	
5	7029837	8	LOCK RING	
6	7029836	1	FORK, (wheel side)	
7	91474133	4	THRUST WASHER	
8	91474134	2	WASHER	
N1	Note	Ref	QUANTITIES SHOWN ARE FOR ONE U-JOINT ASSEMBLY ONLY.	

SECTION 5 - DRIVE TRAIN

FIGURE 5-18. REAR WHEEL HUB - CARRARO (SN 0190001 through 0190457, SN 016000022 through 0160000843)



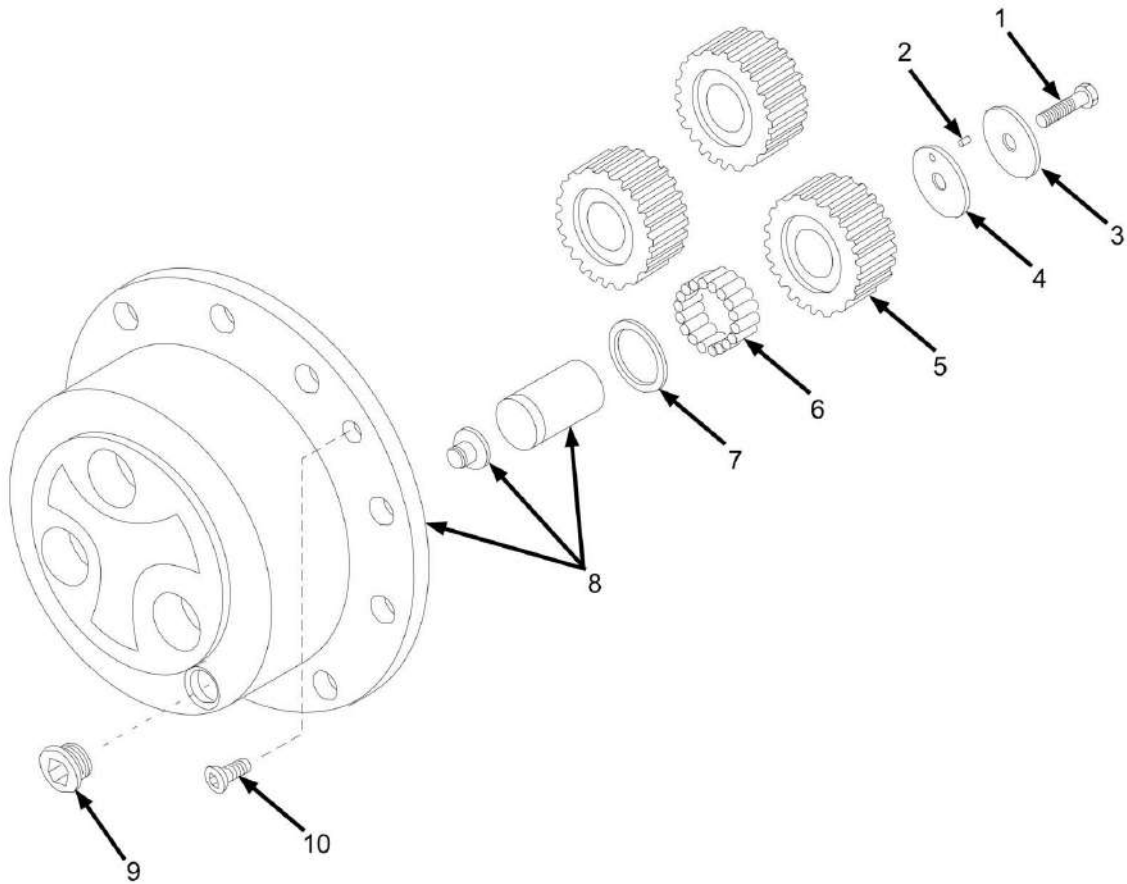
SECTION 5 - DRIVE TRAIN

FIGURE 5-18. REAR WHEEL HUB - CARRARO (SN 0190001 through 0190457, SN 016000022 through 0160000843)

ITEM	PART NUMBER	QTY	DESCRIPTION	REV
1	91474153	10	STUD	
2	91474477	1	WHEEL HUB (SN 0190001 through 0190065)	
2	91474154	1	WHEEL HUB (SN 0190066 through 0160000843)	
3	91474155	1	O-RING	
4	91474156	2	BEARING	
5	91474157	1	LOCK RING	
6	91474158	1	WHEEL CARRIER	
7	91474159	1	CROWN GEAR	
8	91474160	8	BUSHING	
9	91474085	8	BOLT, M14X1.5X65	
10	91474479	1	SEAL (SN 0190001 through 0190065)	
10	91474161	1	SEAL (SN 0190066 through 0160000843)	

SECTION 5 - DRIVE TRAIN

FIGURE 5-19. REAR REDUCTION GEARS - CARRARO (SN 0190001 through 0190457, SN 016000022 through 0160000843)



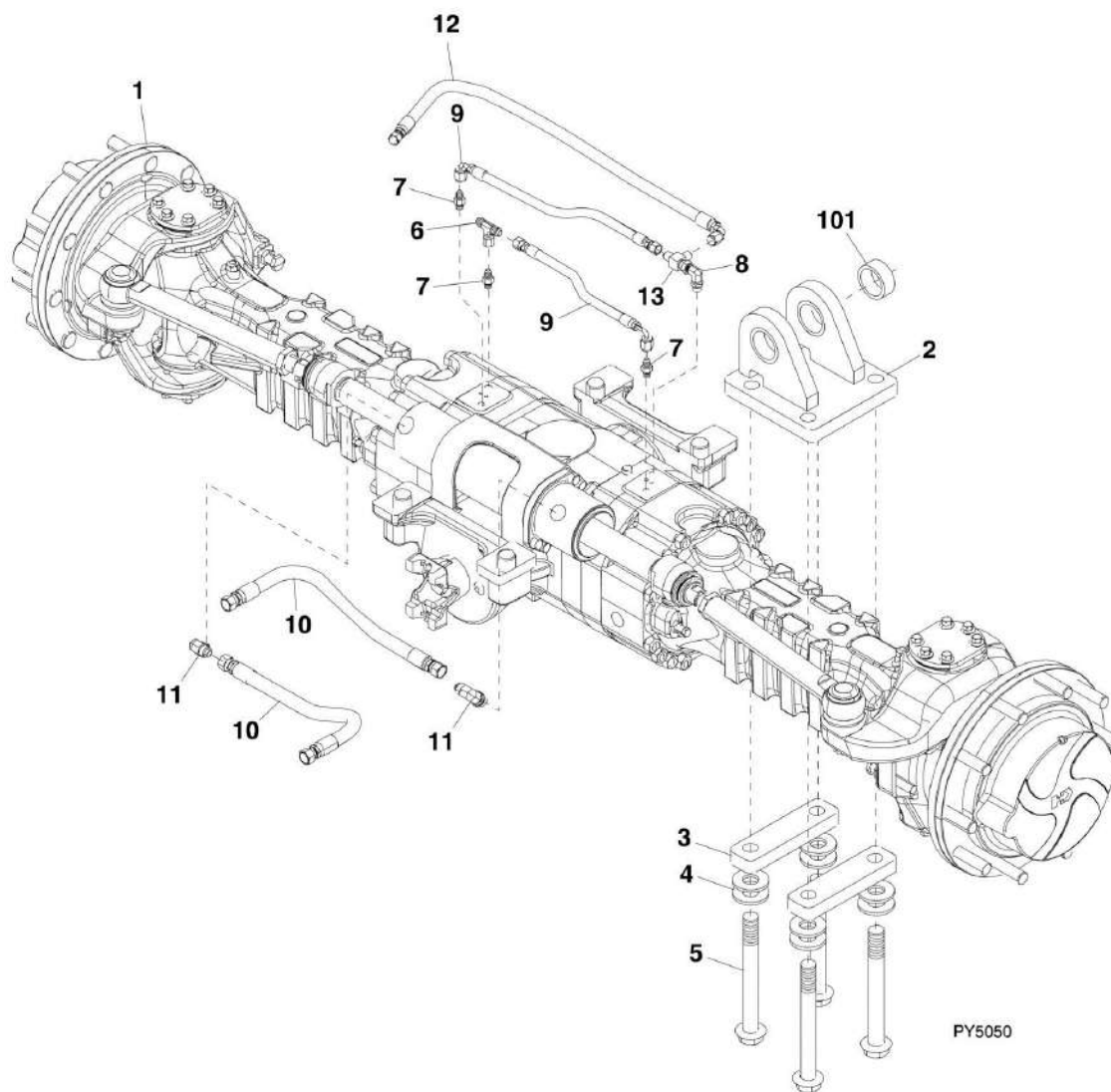
SECTION 5 - DRIVE TRAIN

FIGURE 5-19. REAR REDUCTION GEARS - CARRARO (SN 0190001 through 0190457, SN 016000022 through 0160000843)

ITEM	PART NUMBER	QTY	DESCRIPTION	REV
1	91474162	3	BOLT, M10X1.25X50	
2	91474163	3	PIN	
3	91474164	3	THRUST WASHER	
4	91474165	3	THRUST WASHER	
5	91474166	3	PLANETARY GEAR	
6	91474167	84	NEEDLE BEARING, (28 per gear)	
7	91474168	3	THRUST WASHER	
8	91474169	1	PLANETARY CARRIER ASSY	
9	91474037	1	OIL PLUG	
10	7028492	2	BOLT, M8X20	

SECTION 5 - DRIVE TRAIN

FIGURE 5-20. FRONT AXLE INSTALLATION - DANA (SN 0160000847 through 0160040659)



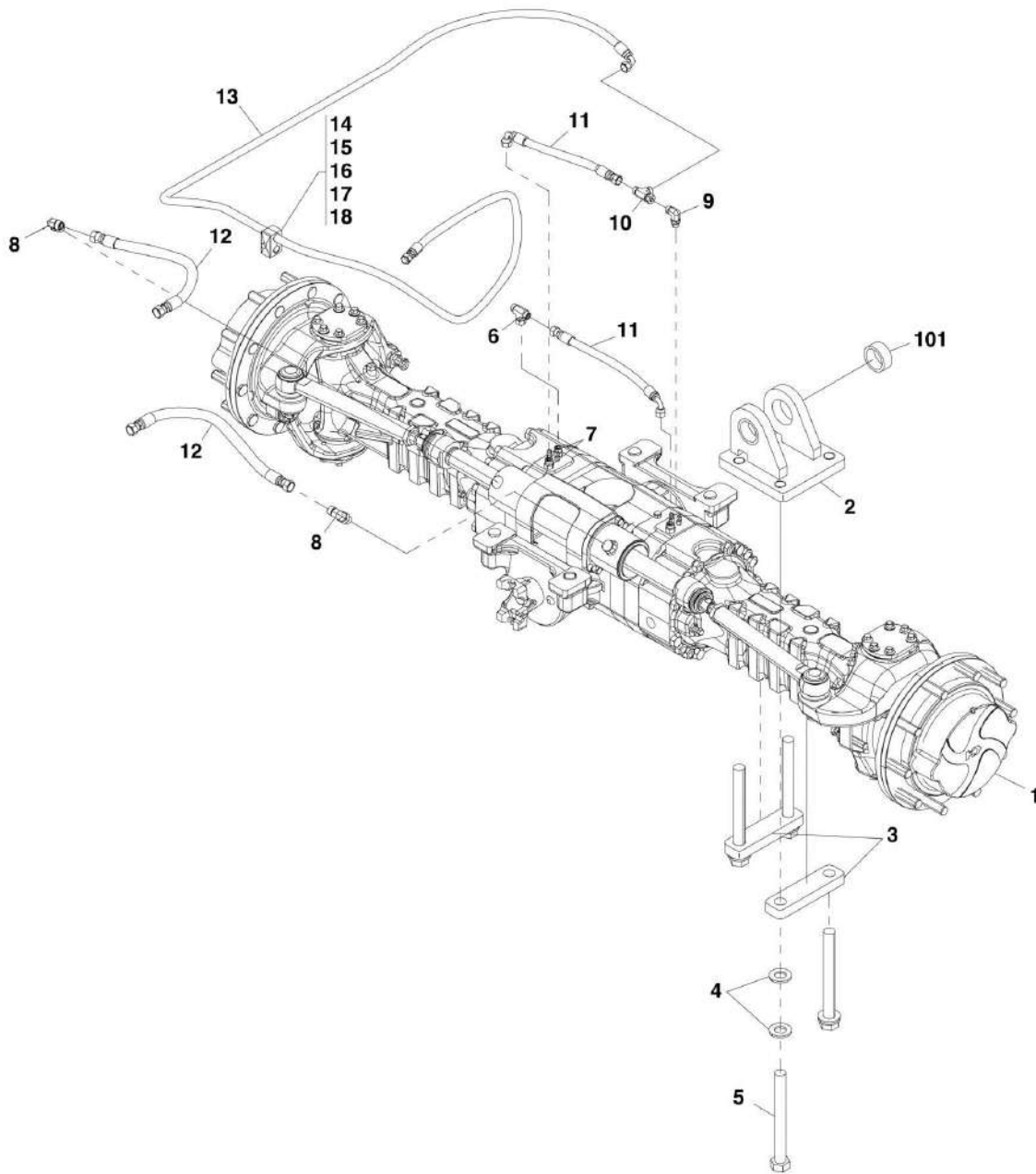
SECTION 5 - DRIVE TRAIN

FIGURE 5-20. FRONT AXLE INSTALLATION - DANA (SN 0160000847 through 0160040659)

ITEM	PART NUMBER	QTY	DESCRIPTION	REV
	91475075	Ref	FRONT AXLE INSTALLATION, (DANA), (not available to order, see items 1 thru 13 for service)	F
1		Ref	FRONT AXLE, (See FRONT AXLE INSTALLATION - DANA for Breakdown)	
2	91475074	1	SWAY LUG ASSY, (includes item 101)	B
3	91471213	2	RETAINING PLATE	
4	90027475	8	HARDENED WASHER	
5	91473196	4	HEX HD CAPSCREW, 1-8X9, GR8	
6	2220579	1	SWIVEL NUT TEE, 3/8 TUBE	
7	8770064	3	ADAPTER, M14X1-1/2	
8	2221262	1	ELBOW, 90	
9	84719846	2	HOSE ASSY	
10	84719936	2	HOSE ASSY	
11	2220596	2	ELBOW, 90, (includes o-ring)	
12	84721061	1	HOSE ASSY	
13	2220635	1	SWIVEL NUT RUN TEE, 3/8 TUBE	
101	91143051	2	BUSHING	

SECTION 5 - DRIVE TRAIN

FIGURE 5-21. FRONT AXLE INSTALLATION - DANA (SN 0160040678 to Present)



PAP22150

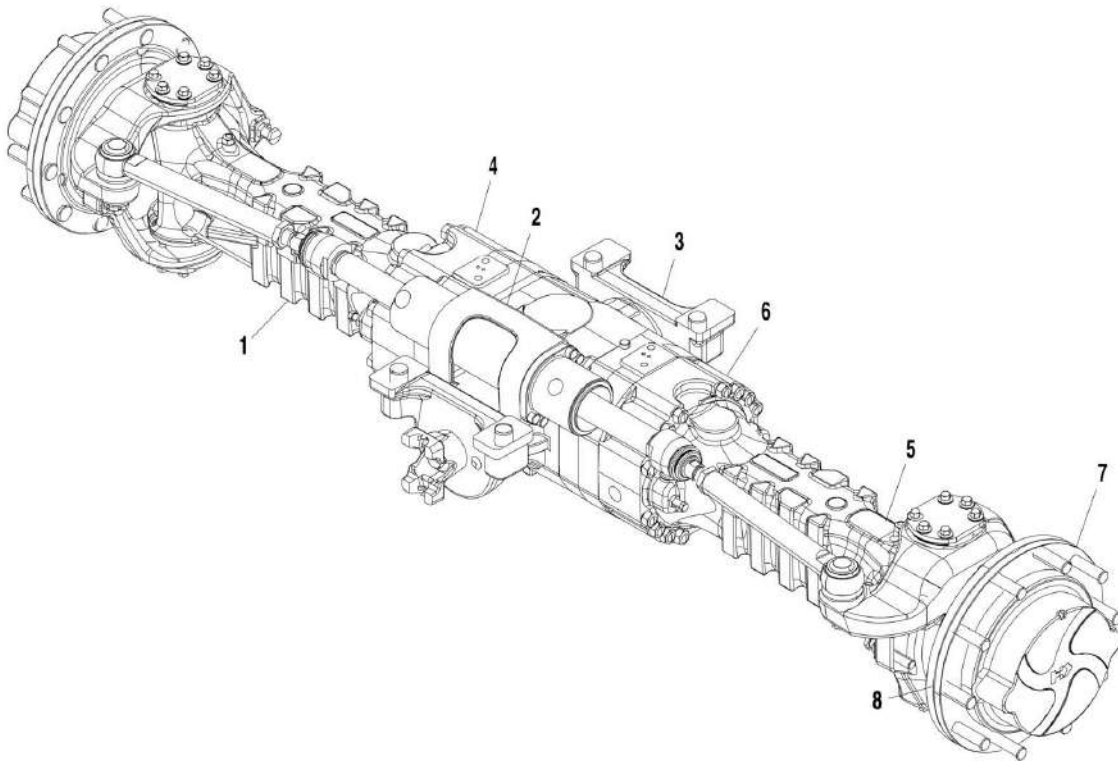
SECTION 5 - DRIVE TRAIN

FIGURE 5-21. FRONT AXLE INSTALLATION - DANA (SN 0160040678 to Present)

ITEM	PART NUMBER	QTY	DESCRIPTION	REV
	1001097742	Ref	FRONT AXLE INSTALLATION, (DANA), (not available to order, see items 1 thru 13 for service)	D
1		Ref	FRONT AXLE, (See FRONT AXLE INSTALLATION - DANA for Breakdown)	
2	91475074	1	SWAY LUG ASSY, (includes item 101)	B
3	91471213	2	RETAINING PLATE	
4	90027475	8	HARDENED WASHER	
5	0682676	4	HEX HD CAPSCREW, 1-8X9-1/2, GR8	
6	2170806	1	SWIVEL TEE-FITTING, (includes o-ring)	
7	2144605	3	STRAIGHT FITTING, (includes o-ring)	
8	2130808	2	ELBOW, 90, (includes o-ring)	
9	8770109	1	ELBOW, 90, (includes o-ring)	
10	2170706	1	TEE FITTING, (includes o-ring)	
11	1001097744	2	HOSE ASSY	
12	1001097745	2	HOSE ASSY	
13	1001110445	1	HOSE ASSY	
14	77323029	1	CLAMP	
15	77133137	1	COVER	
16	0641514	1	HEX HD CAPSCREW, 5/16-18X1-3/4, GR5	
17	77133136	1	CLAMP SET	
18	77133306	1	STACK BOLT	
101	91143051	2	BUSHING	

SECTION 5 - DRIVE TRAIN

FIGURE 5-22. FRONT AXLE - DANA (SN 016000847 to Present)



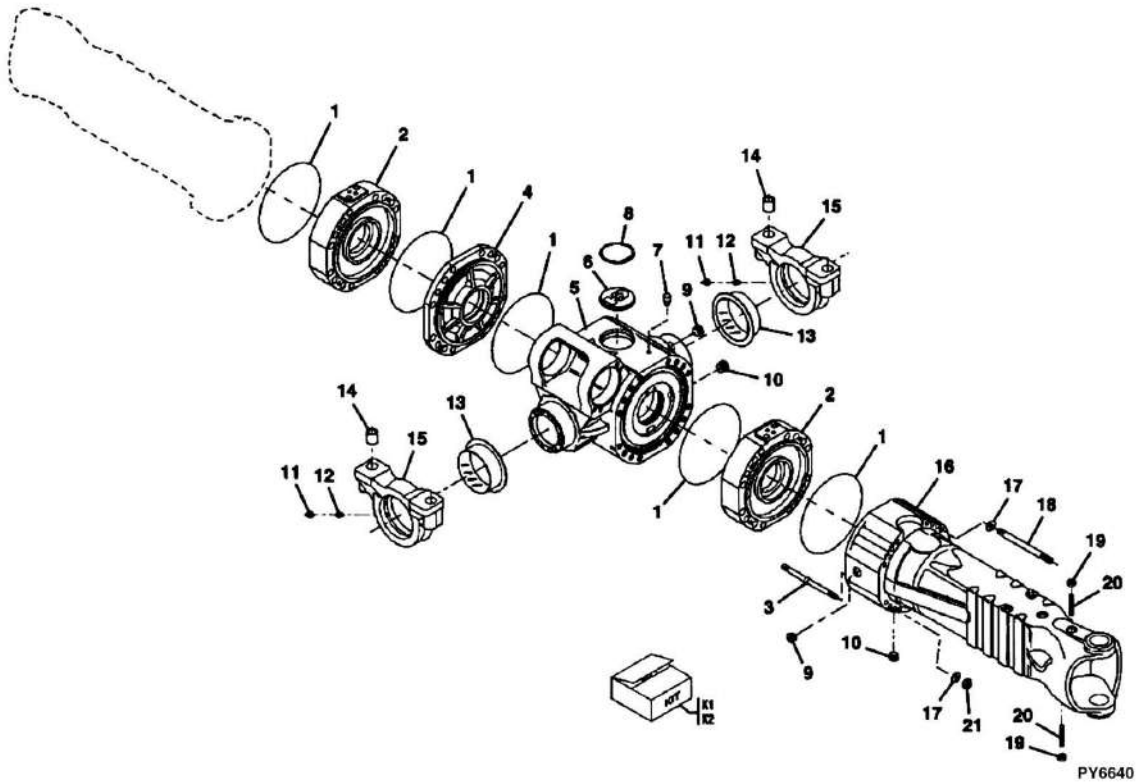
SECTION 5 - DRIVE TRAIN

FIGURE 5-22. FRONT AXLE - DANA (SN 0160000847 to Present)

ITEM	PART NUMBER	QTY	DESCRIPTION	REV
	91473082	1	FRONT AXLE, (includes all items) (SN 0160000847 through 0160046271)	E
1	1001136365	1	FRONT AXLE, (includes all items) (SN 0160046273 to Present)	C
		Ref	AXLE HOUSING ASSY, (See FRONT AXLE - DANA for Breakdown)	
2		Ref	STEERING COMPONENTS, (See FRONT AXLE HOUSING ASSEMBLY – DANA for Breakdown)	
3		Ref	BEVEL GEAR SET, (See FRONT STEERING COMPONENTS – DANA for Breakdown)	
4		Ref	DIFFERENTIAL, (See FRONT GEAR COMPONENTS - DANA for Breakdown)	
5		Ref	DOUBLE JOINT, (See FRONT DIFFERENTIAL - DANA for Breakdown)	
6		Ref	BRAKES, (See FRONT DOUBLE JOINT - DANA for Breakdown)	
7		Ref	WHEEL HUB, (See FRONT BRAKES - DANA for Breakdown)	
8		Ref	REDUCTION GEARS, (See FRONT WHEEL HUB - DANA for Breakdown)	

SECTION 5 - DRIVE TRAIN

FIGURE 5-23. FRONT AXLE HOUSING ASSEMBLY - DANA (SN 0160000847 to Present)



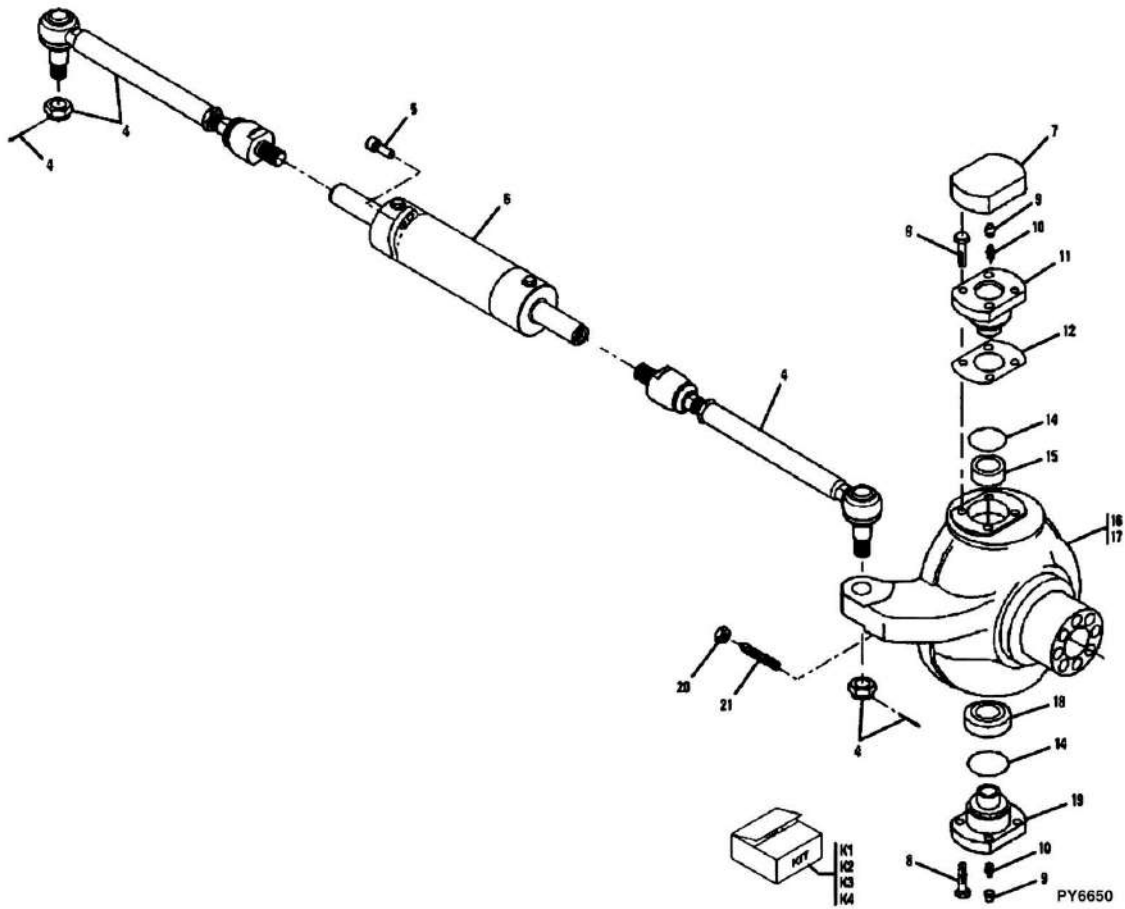
SECTION 5 - DRIVE TRAIN

FIGURE 5-23. FRONT AXLE HOUSING ASSEMBLY - DANA (SN 0160000847 to Present)

ITEM	PART NUMBER	QTY	DESCRIPTION	REV
1	91474507	5	O-RING	
2		Ref	COVER, (See FRONT DOUBLE JOINT - DANA for Breakdown)	
3	91474508	8	STUD	
4	91474509	1	INTERMEDIATE COVER	
5	7029279	1	HOUSING	
6	91514098	1	PLUG	
7	91474512	1	VENT	
8	80204005	1	CIRCLIP	
9	91514188	3	PLUG	
10	91474513	3	MAGNET PLUG	
11	80204117	2	PLUG	
12	91514099	2	GREASE FITTING	
13	91474515	2	THRUST BUSHING	
14	91474516	4	REDUCTION BUSHING	
15	7029280	1	SUPPORT, REAR	
15	7029281	1	SUPPORT, FRONT	
16	91474518	2	AXLE CASE (SN 0160000847 through 0160046271)	
16	70022798	2	AXLE CASE (SN 0160046273 to Present)	
17	91514084	32	WASHER	
18	91474519	24	STUD	
19	91514082	2	NUT	
20	91514081	2	BOLT	
21	91514083	32	NUT	
K1	7029283	1	SUPPORT ASSY, REAR, (includes items 11 thru 15)	
K2	7029282	1	SUPPORT ASSY, FRONT, (includes items 11 thru 15)	

SECTION 5 - DRIVE TRAIN

FIGURE 5-24. FRONT STEERING COMPONENTS - DANA (SN 0160000847 to Present)



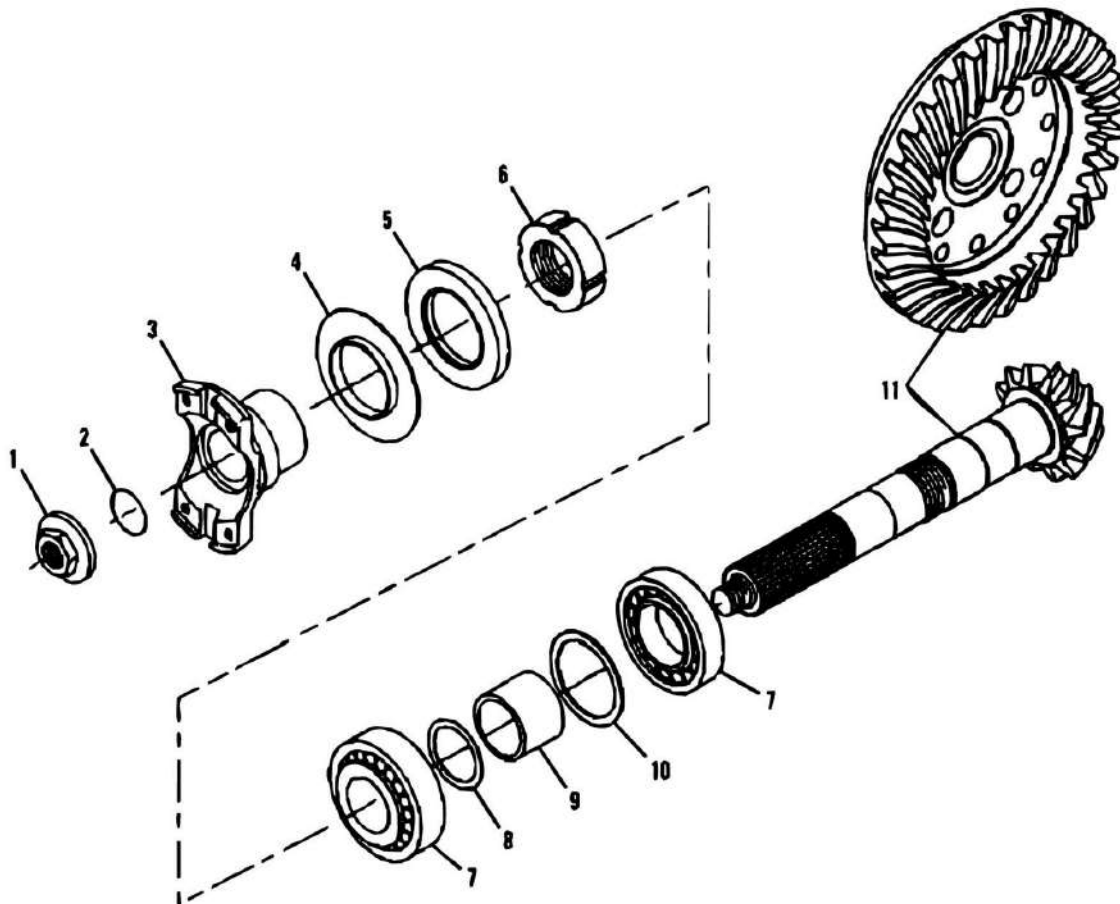
SECTION 5 - DRIVE TRAIN

FIGURE 5-24. FRONT STEERING COMPONENTS - DANA (SN 0160000847 to Present)

ITEM	PART NUMBER	QTY	DESCRIPTION	REV
4	91474521	2	TIE ROD, (includes hex nut)	
5	91474522	4	CYLINDER BOLT	
6	Not Available	NLA	CYLINDER, (no longer available, use 7029528 for replacement), (Prior to Axle SN FITA709131)	
6	7029527	1	SEAL KIT	
6	7029528	1	CYLINDER, (Axle SN FITA709131 to Present)	
6	7029529	1	SEAL KIT	
7	91474524	2	COVER	
8	91514123	24	BOLT	
9	80204117	2	PLUG	
10	91514099	4	GREASE FITTING	
11	91514112	2	PIVOT PIN, (includes item 10)	
12	91514113	2	SHIM	
12	91514114	2	SHIM	
12	91514115	2	SHIM	
14	7028716	4	DUST EXCLUDER	
15	7028714	2	OUTER RACE	
16	91474526	1	STEERING CASE, LH	
17	91474527	1	STEERING CASE, RH	
18	91514095	2	BEARING	
19	7028715	2	PIVOT PIN, (includes items 10, 14 & 18)	
20	Kit	4	NUT	
21	Kit	4	BOLT	
K1	7029284	1	STEERING CASE ASSY, LH, (includes items 16 & thrust bushing 91514111)	
K2	7029285	1	STEERING CASE ASSY, RH, (includes items 17 & thrust bushing 91514111)	
K3	7028733	4	STEERING ADJUST BOLT KIT, (includes items 20 & 21)	
K4	91514275	1	NUT AND COTTER PIN KIT	

SECTION 5 - DRIVE TRAIN

FIGURE 5-25. FRONT GEAR COMPONENTS - DANA (SN 0160000847 to Present)



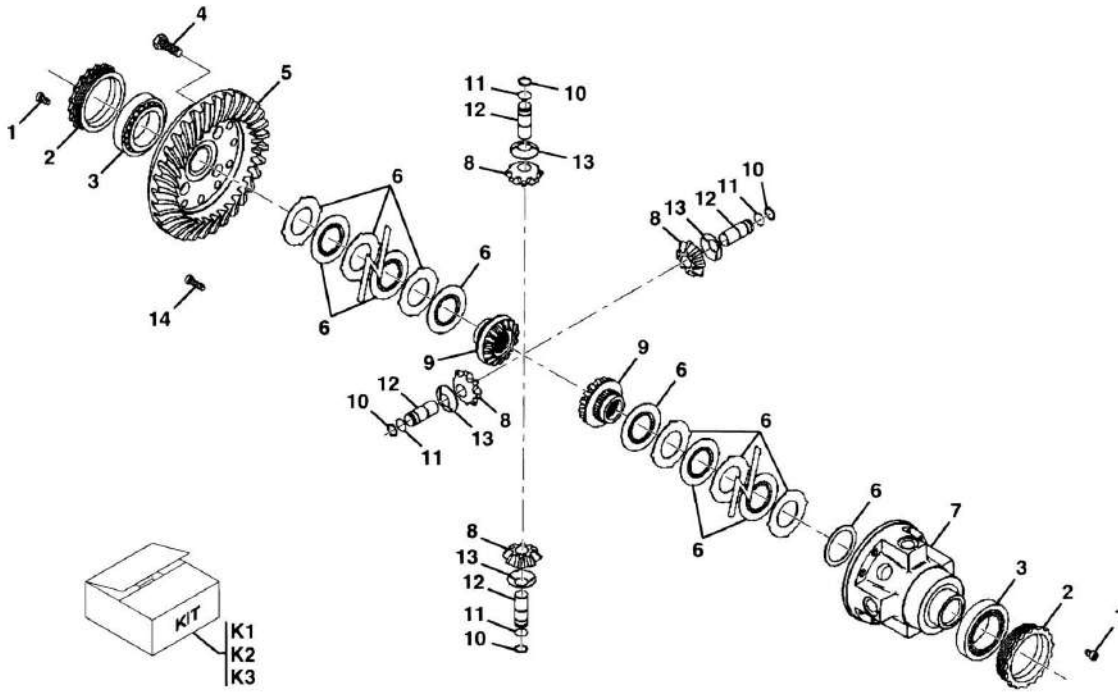
SECTION 5 - DRIVE TRAIN

FIGURE 5-25. FRONT GEAR COMPONENTS - DANA (SN 0160000847 to Present)

ITEM	PART NUMBER	QTY	DESCRIPTION	REV
1	91474528	1	NUT	
2	91474529	1	O-RING	
3	70022797	1	FLANGE	
4	91474531	1	COVER PLATE	
5	91474532	1	SEAL	
6	91474533	1	RING NUT	
7	3968141	2	TAPER ROLLER BEARING	
8	91474535	1	SHIM	
8	91474536	1	SHIM	
8	91474537	1	SHIM	
8	91474538	1	SHIM	
9	91474539	1	SPACER	
10	91474540	1	SHIM	
10	91474541	1	SHIM	
10	91474542	1	SHIM	
10	91474543	1	SHIM	
11	91474544	1	BEVEL GEAR SET (SN 0160000847 through 0160046271)	
11	91474592	1	BEVEL GEAR SET (SN 0160046273 to Present)	

SECTION 5 - DRIVE TRAIN

FIGURE 5-26. FRONT DIFFERENTIAL - DANA (SN 0160000847 to Present)



PAP22180

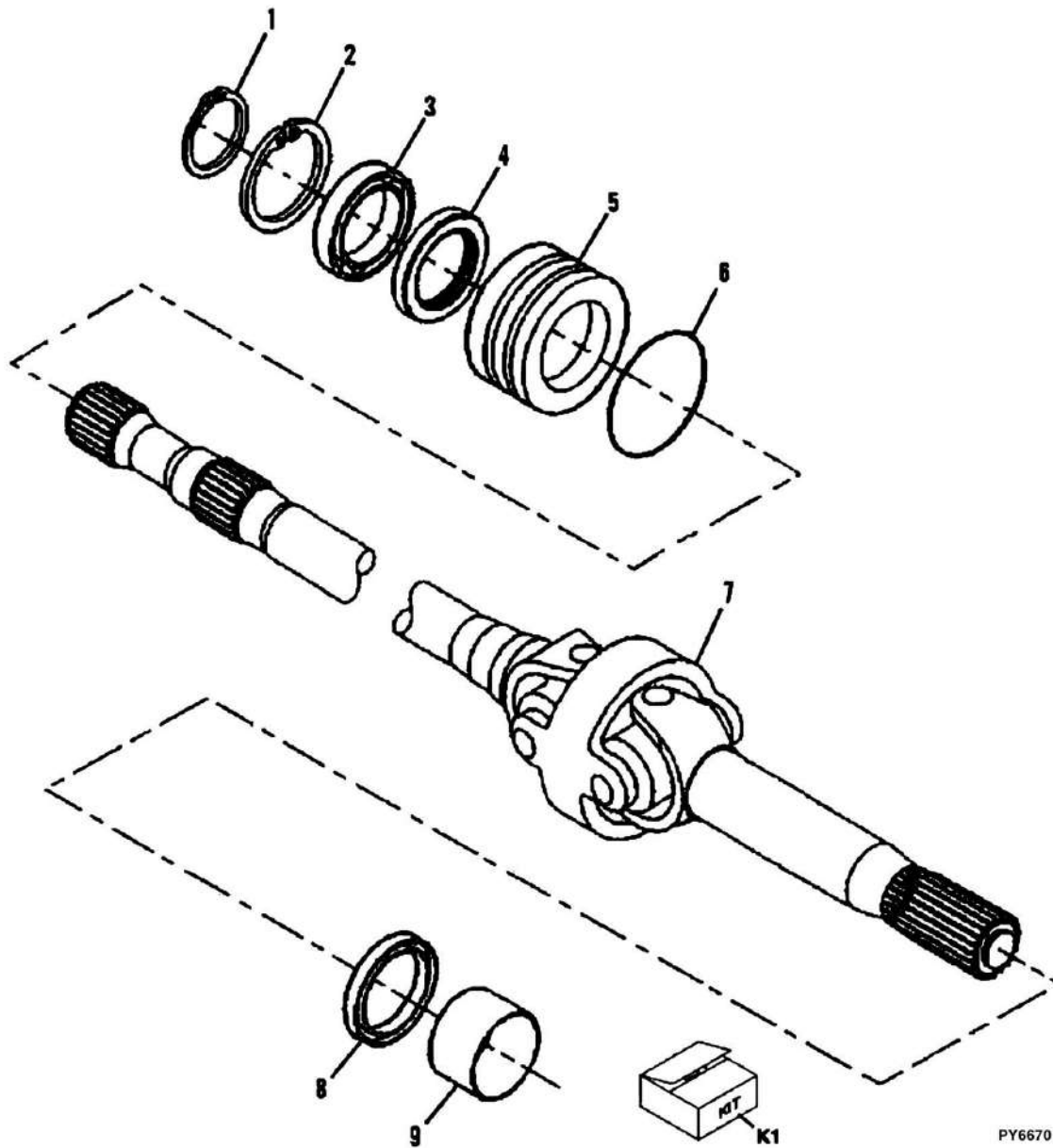
SECTION 5 - DRIVE TRAIN

FIGURE 5-26. FRONT DIFFERENTIAL - DANA (SN 0160000847 to Present)

ITEM	PART NUMBER	QTY	DESCRIPTION	REV
1	91514134	2	CYLINDER BOLT	A
2	91474547	2	RING NUT	
3	91474548	2	ROLLER BEARING	
4	91514123	12	BOLT	
5		Ref	BEVEL GEAR, (See FRONT STEERING COMPONENTS – DANA for Breakdown)	
6	8007755	1	CLUTCH DISC KIT	
7	8007751	1	DIFFERENTIAL CARRIER (SN 0160000847 through 0160046271)	
7	91474595	1	DIFFERENTIAL CARRIER (SN 0160046273 to Present)	
8	91474554	4	DIFFERENTIAL PINION, (Prior to Axle SN FITA723106)	
8	7028709	4	DIFFERENTIAL PINION, (Axle SN FITA723106 thru SN FITA780809)	
8	7029129	4	DIFFERENTIAL PINION, (Axle SN FITA780810 to Present)	
9	91474549	2	DIFFERENTIAL SIDE GEAR (SN 0160000847 through 0160046271)	
9	91474594	2	DIFFERENTIAL SIDE GEAR (SN 0160046273 to Present)	
10	91474550	4	CIRCLIP	
11	91474551	4	CIRCLIP	
12	91474552	4	PIN, (Prior to Axle SN FITA780810)	
12	7029131	4	PIN, (Axle SN FITA780810 to Present)	
13	91474553	4	FRICITION WASHER	
14	91474591	4	CYLINDER BOLT	
K1	8007752	1	DIFFERENTIAL KIT, (Prior to Axle SN FITA723106), (includes items 6 thru 13)	
K2	7028710	1	DIFFERENTIAL KIT, (Axle SN FITA723106 to Present), (includes items 6 thru 13)	
K3	91474596	1	DIFFERENTIAL KIT, (includes items 6 thru 13) (SN 0160046273 to Present)	

SECTION 5 - DRIVE TRAIN

FIGURE 5-27. FRONT DOUBLE JOINT - DANA (SN 0160000847 to Present)



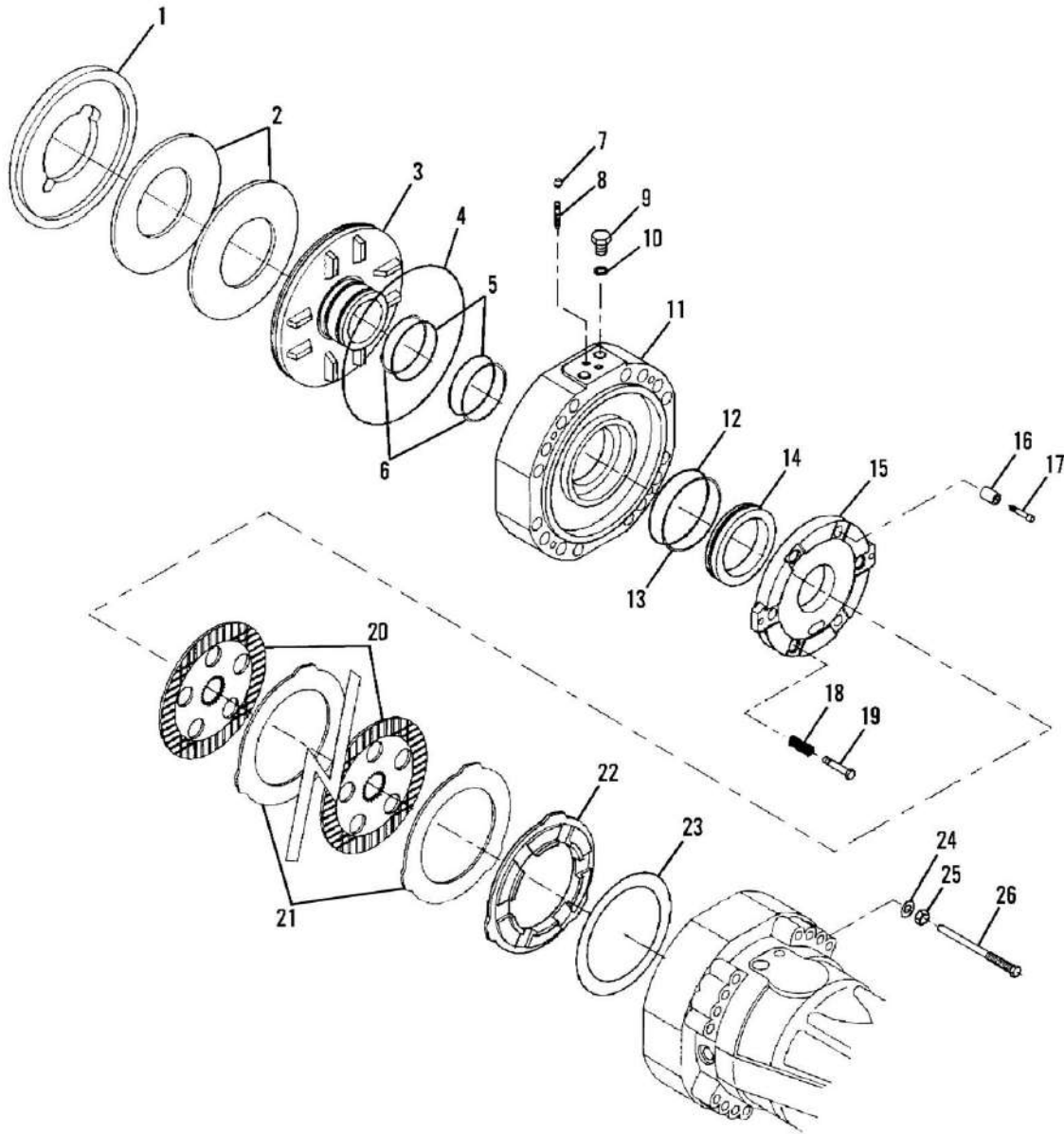
SECTION 5 - DRIVE TRAIN

FIGURE 5-27. FRONT DOUBLE JOINT - DANA (SN 0160000847 to Present)

ITEM	PART NUMBER	QTY	DESCRIPTION	REV
1	80204071	2	CIRCLIP	A
2	80204005	2	CIRCLIP	
3	91514146	2	BALL BEARING	
4	91514147	2	SEAL	
5	91514149	2	REDUCTION BUSHING, (includes items 2 thru 4 & 6)	
6	91514148	2	O-RING	
7	91474556	2	JOINT AND SHAFT ASSY (SN 0160000847 through 0160046271)	
7	70022794	2	JOINT AND SHAFT ASSY (SN 0160046273 to Present)	
8	91514110	2	SEAL, (Prior to Axle SN FITA733977)	
8	7028718	2	SEAL, (Axle SN FITA733977 to Present)	
9	91514111	2	THRUST BUSHING	
K1	7029811	4	CROSS KIT, (includes cross for double joint, circlips and needle bearings)	

SECTION 5 - DRIVE TRAIN

FIGURE 5-28. FRONT BRAKES - DANA (SN 0160000847 to Present)



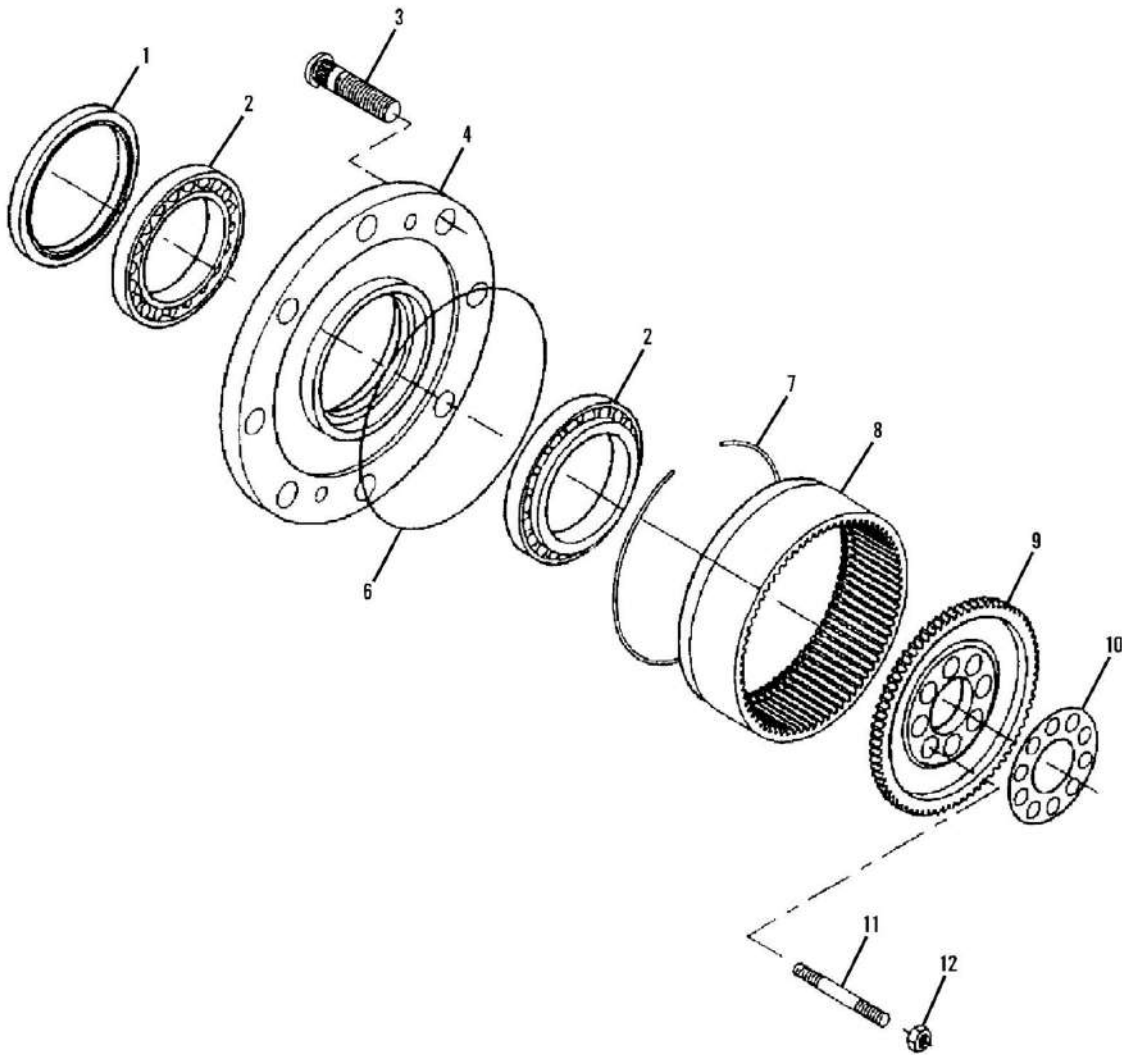
SECTION 5 - DRIVE TRAIN

FIGURE 5-28. FRONT BRAKES - DANA (SN 016000847 to Present)

ITEM	PART NUMBER	QTY	DESCRIPTION	REV
1	91474558	2	SPACER	
2	91474559	4	SPRING	
3	91474560	2	PISTON	
4	91474561	2	O-RING	
5	91514167	2	O-RING (SN 016000847 through 0160046271)	
5	3984458	2	O-RING (SN 0160046273 to Present)	
6	91514153	2	BACK-UP RING (SN 016000847 through 0160046271)	
6	3984436	2	BACK-UP RING (SN 0160046273 to Present)	
7	80204117	4	PLUG	
8	80204281	4	BLEEDING BOLT	
9	91514154	4	BOLT	
10	91514155	4	SEAL WASHER	
11	91474590	2	INTERMEDIATE COVER	
12	91474562	2	O-RING (SN 016000847 through 0160046271)	
12	3984447	2	O-RING (SN 0160046273 to Present)	
13	91474563	2	BACK-UP RING (SN 016000847 through 0160046271)	
13	3984469	2	BACK-UP RING (SN 0160046273 to Present)	
14	91474564	2	PISTON	
15	91474565	2	INTERMEDIATE BRAKE DISC	
16	91514165	6	SPRING	
17	91474567	NLA	ADJUSTING BOLT, (Prior to Axle SN HITA-725998), (no longer available, order 7029788 for replacement)	
17	7029788	6	ADJUSTING BOLT, (Axle SN HITA-725998 to Present)	
17	7029785	6	ADJUSTING BOLT (SN 0160046273 to Present)	
18	91514159	6	SPRING	
19	91514160	6	ADJUSTING BOLT (SN 016000847 through 0160046271)	
19	70021613	6	ADJUSTING BOLT (SN 0160046273 to Present)	
20	91474568	8	BRAKE DISC	
21	91474569	8	INTERMEDIATE BRAKE DISC	
22	91474570	2	SPACER	
23	91474571	2	SHIM	
23	91474572	2	SHIM	
23	91474573	2	SHIM	
24	80204108	4	LOCKWASHER	
25	80204060	4	NUT	
26	91474574	4	BOLT (SN 016000847 through 0160046271)	
26	70022799	4	BOLT (SN 0160046273 to Present)	

SECTION 5 - DRIVE TRAIN

FIGURE 5-29. FRONT WHEEL HUB - DANA (SN 0160000847 to Present)



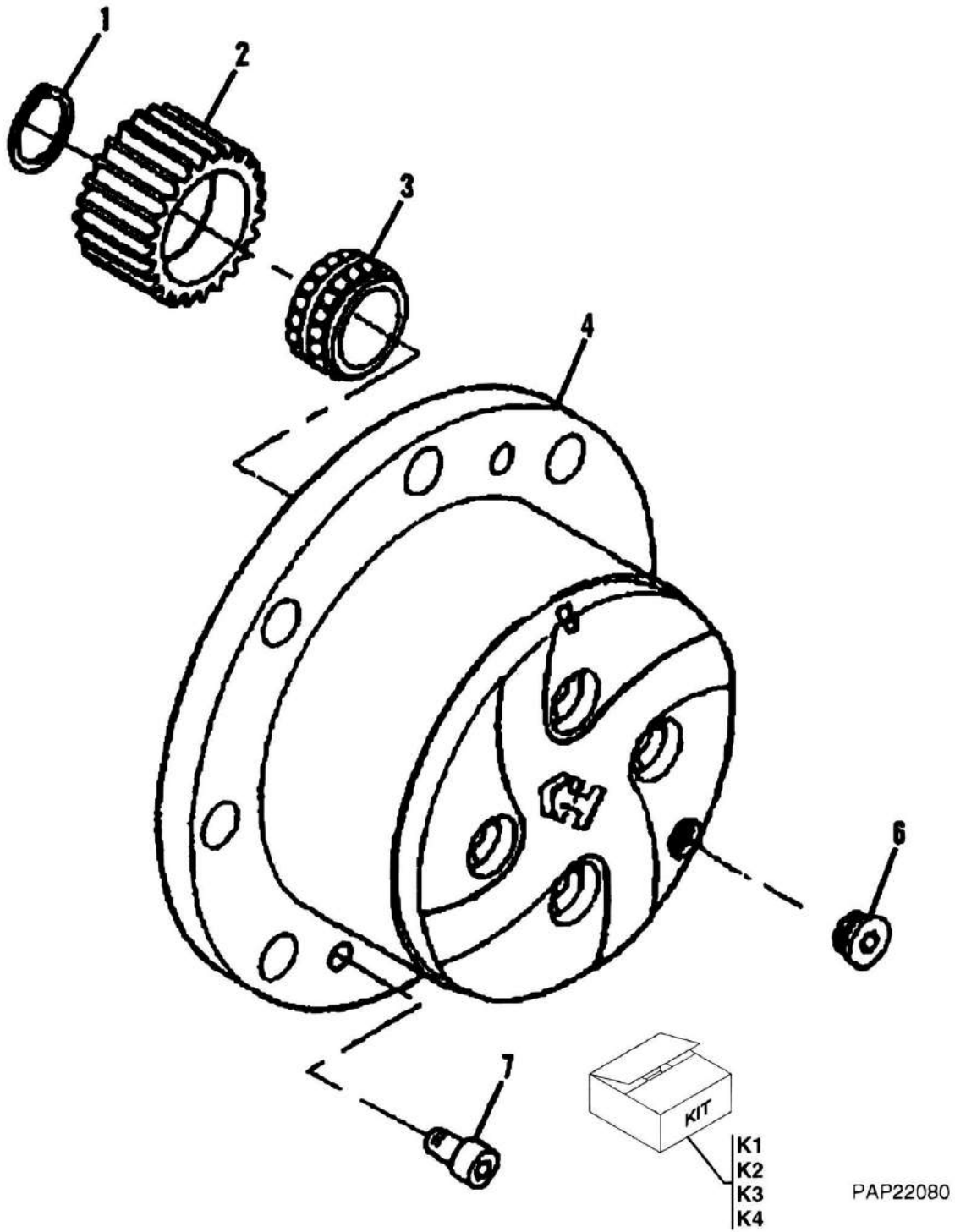
SECTION 5 - DRIVE TRAIN

FIGURE 5-29. FRONT WHEEL HUB - DANA (SN 0160000847 to Present)

ITEM	PART NUMBER	QTY	DESCRIPTION	REV
1	7028721	2	SEAL	
2	91474576	4	BEARING	
3	80214120	20	WHEEL STUD	
4	7029737	2	WHEEL HUB	
6	91514181	2	O-RING	
7	91474579	2	CIRCLIP	
8	91474580	2	RING GEAR	
9	91474581	2	RING GEAR SUPPORT	
10	91474582	2	LOCKING PLATE	
11	91474583	20	STUD	
12	91474584	20	NUT	

SECTION 5 - DRIVE TRAIN

FIGURE 5-30. FRONT REDUCTION GEARS - DANA (SN 0160000847 to Present)



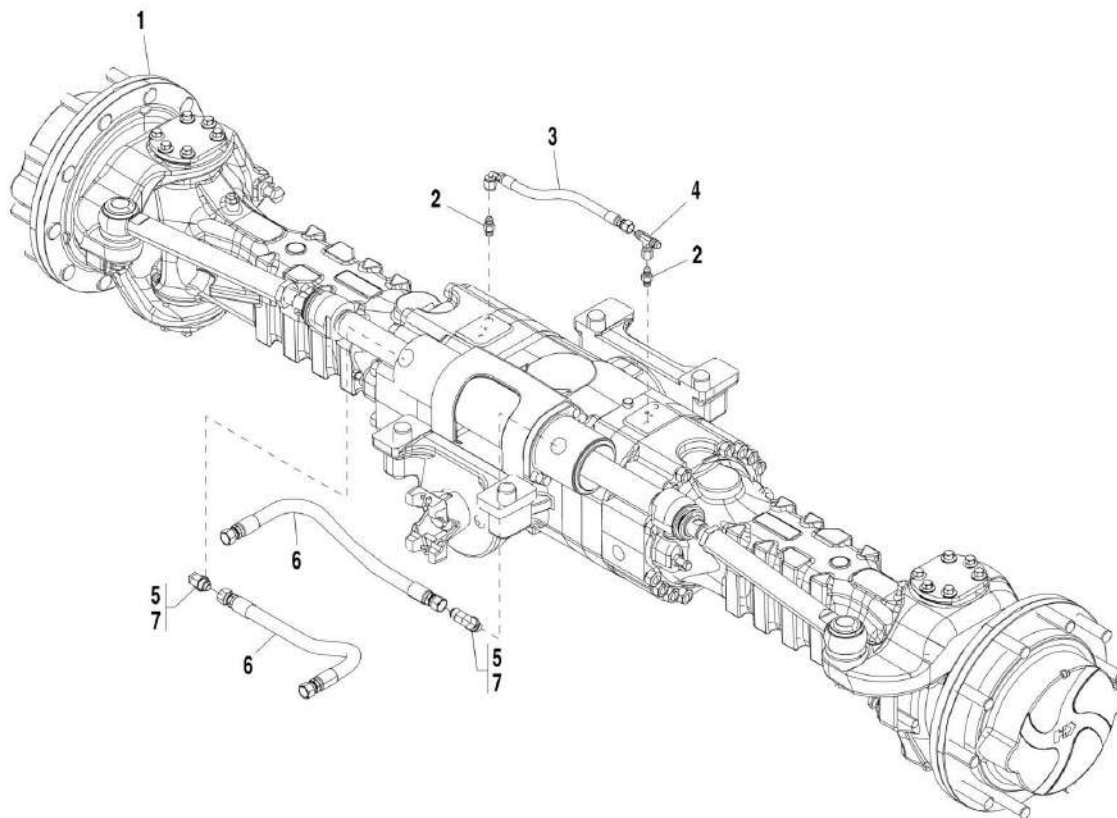
SECTION 5 - DRIVE TRAIN

FIGURE 5-30. FRONT REDUCTION GEARS - DANA (SN 0160000847 to Present)

ITEM	PART NUMBER	QTY	DESCRIPTION	REV
1	91474585	8	CIRCLIP	
2	Kit	8	PLANETARY GEAR	
3	Kit	8	BEARING	
4	7029286	2	PLANETARY GEAR CARRIER	
6	91514188	2	PLUG	
7	91514189	4	COUNTERSUNK BOLT	
K1	7029287	2	PLANETARY CARRIER KIT, (Prior to Axle SN GITA705017), (includes items 1 thru 4 & items 7 thru 9 on FRONT BRAKES - DANA)	
K2	7029431	2	PLANETARY CARRIER KIT, (Axle SN GITA705017 to Present), (includes items 1 thru 4)	
K3	7029736	2	RING GEAR SUPPORT, (Axle SN GITA705017 to Present), (includes items 7 thru 9 on FRONT BRAKES - DANA)	
K4	70023900	8	GEAR AND BEARING ASSY, (includes items 2 & 3)	

SECTION 5 - DRIVE TRAIN

FIGURE 5-31. REAR AXLE INSTALLATION - DANA (SN 0160000847 through 0160040659)



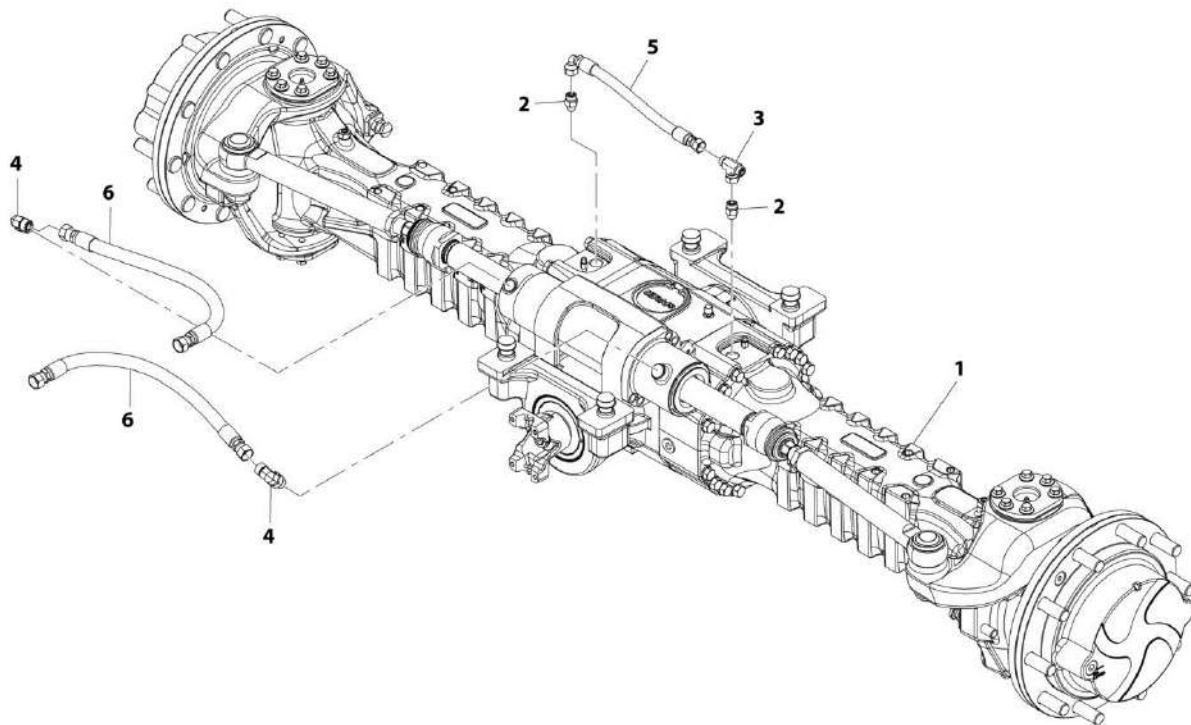
SECTION 5 - DRIVE TRAIN

FIGURE 5-31. REAR AXLE INSTALLATION - DANA (SN 0160000847 through 0160040659)

ITEM	PART NUMBER	QTY	DESCRIPTION	REV
	91475076	Ref	REAR AXLE INSTALLATION, (not available to order, see items 1 thru 6 for service)	E
1		Ref	REAR AXLE, (See REAR AXLE INSTALLATION - DANA for Breakdown)	
2	8770064	2	FITTING, M14X1.5	
3	84719846	1	HOSE ASSY (SN 0160000847 through 0160037149)	
3	1001103647	1	HOSE ASSY (SN 0160037150 to Present)	
4	2220579	1	SWIVEL NUT BRANCH TEE, 3/8 TUBE	
5	2220596	2	ELBOW, 90, (includes item 7)	
6	84719936	2	HOSE ASSY	
7	88591205	2	O-RING	

SECTION 5 - DRIVE TRAIN

FIGURE 5-32. REAR AXLE INSTALLATION - DANA (SN 0160040678 to Present)



ART_1001097743-D

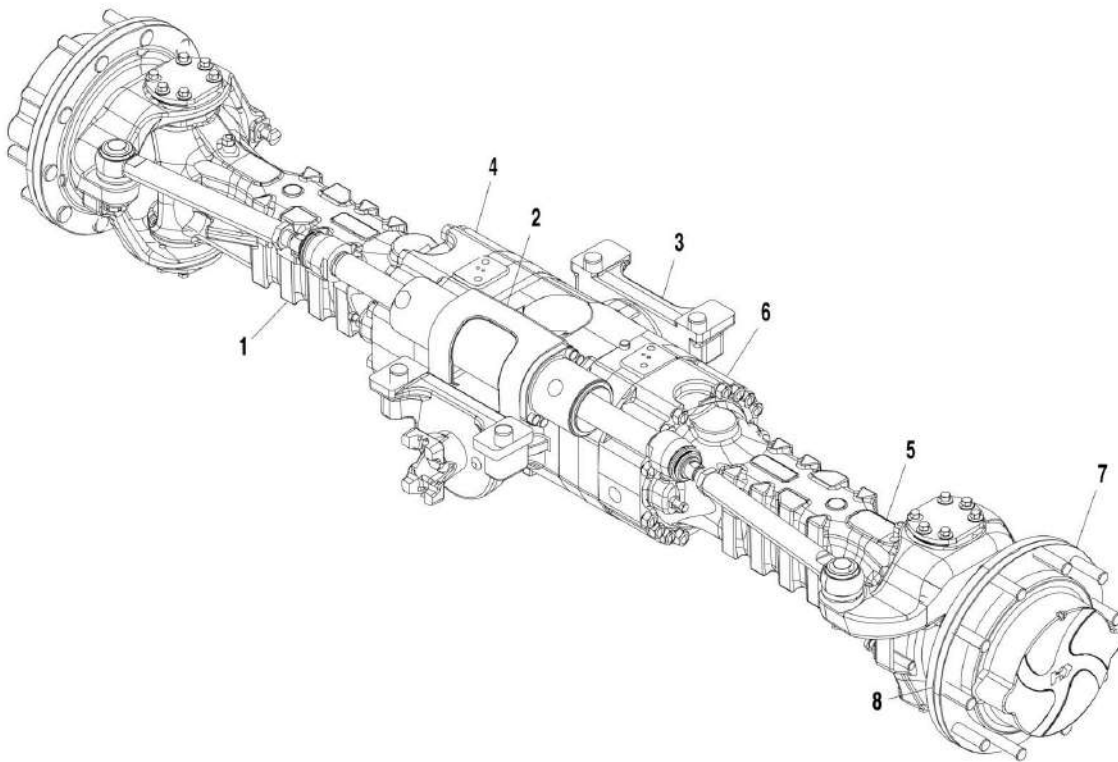
SECTION 5 - DRIVE TRAIN

FIGURE 5-32. REAR AXLE INSTALLATION - DANA (SN 0160040678 to Present)

ITEM	PART NUMBER	QTY	DESCRIPTION	REV
	1001097743	Ref	REAR AXLE INSTALLATION, (not available to order, see items 1 thru 6 for service)	D
1		Ref	REAR AXLE, (See REAR AXLE INSTALLATION - DANA for Breakdown)	
2	2144605	2	STRIAGHT FITTING, (includes o-ring)	
3	2170806	1	SWIVEL TEE-FITTING, (includes o-ring)	
4	2130808	2	ELBOW, 90, (includes o-ring)	
5	1001097744	NLA	HOSE ASSEMBLY (no longer available, use 1001139375 for replacement)	
5	1001139375	1	HOSE ASSEMBLY	
6	1001097745	2	HOSE ASSEMBLY	

SECTION 5 - DRIVE TRAIN

FIGURE 5-33. REAR AXLE - DANA (SN 0160000847 to Present)



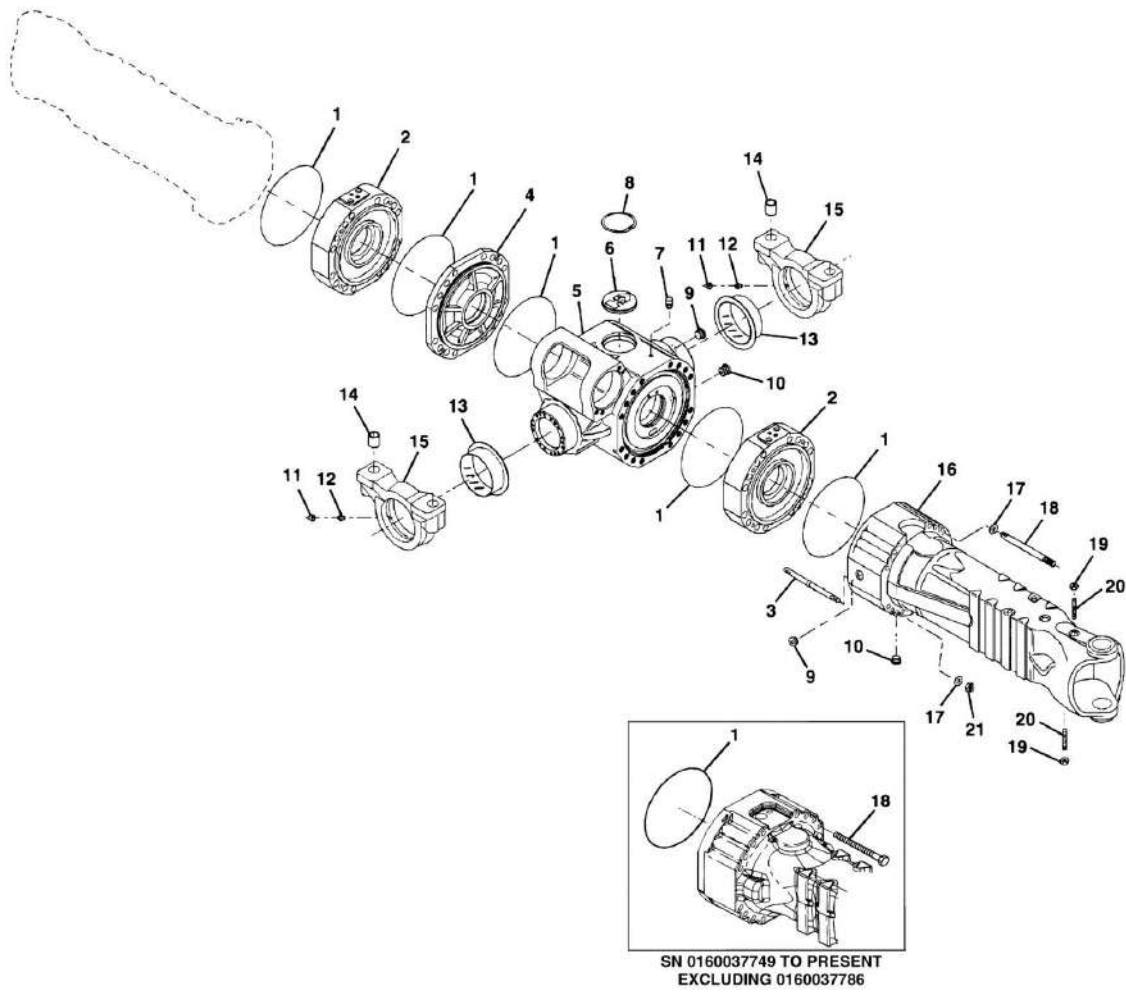
SECTION 5 - DRIVE TRAIN

FIGURE 5-33. REAR AXLE - DANA (SN 0160000847 to Present)

ITEM	PART NUMBER	QTY	DESCRIPTION	REV
	91473083	1	REAR AXLE , (includes all items) (SN 0160000847 through 0160037722, Including 0160037786)	B
	1001094197	1	REAR AXLE ,(includes all items) (SN 0160037749 through 0160045456, Excluding 0160037786)	B
	1001136366	1	REAR AXLE, (includes all items) (SN 0160045464 to Present)	A
1		Ref	REAR AXLE HOUSING ASSY, (See REAR AXLE INSTALLATION - DANA for Breakdown)	
2		Ref	REAR STEERING COMPONENTS, (See REAR AXLE - DANA for Breakdown)	
3		Ref	REAR BEVEL GEAR SET, (See REAR AXLE HOUSING ASSEMBLY - DANA for Breakdown)	
4		Ref	REAR DIFFERENTIAL, (See REAR STEERING COMPONENTS - DANA for Breakdown)	
5		Ref	REAR DOUBLE JOINT, (See REAR GEAR COMPONENTS - DANA for Breakdown)	
6		Ref	REAR BRAKES, (See REAR DIFFERENTIAL - DANA for Breakdown)	
7		Ref	REAR WHEEL HUB, (See REAR DOUBLE JOINT - DANA for Breakdown)	
8		Ref	REAR REDUCTION GEARS, (See REAR BRAKES - DANA for Breakdown)	

SECTION 5 - DRIVE TRAIN

FIGURE 5-34. REAR AXLE HOUSING ASSEMBLY - DANA (SN 016000847 to Present)



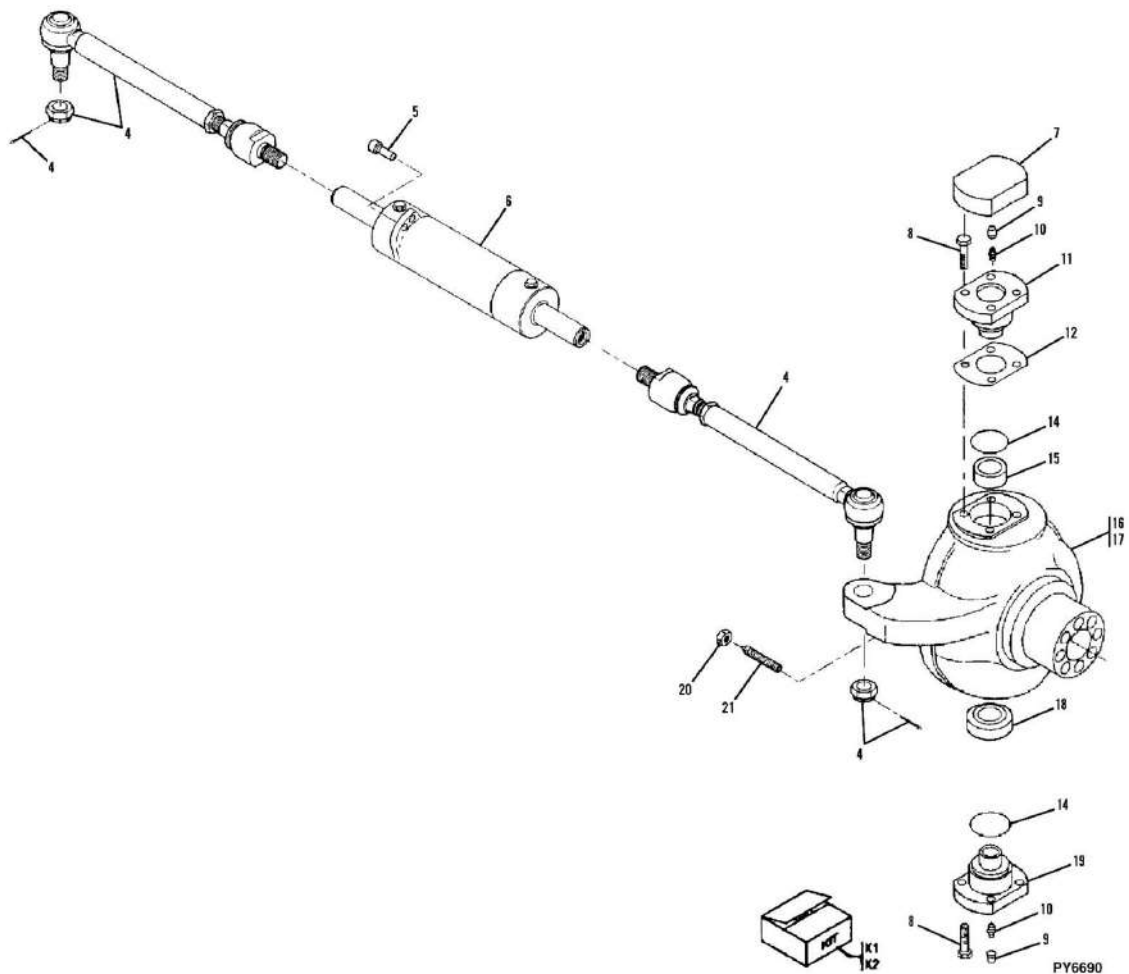
SECTION 5 - DRIVE TRAIN

FIGURE 5-34. REAR AXLE HOUSING ASSEMBLY - DANA (SN 0160000847 to Present)

ITEM	PART NUMBER	QTY	DESCRIPTION	REV
1	91474507	5	O-RING (SN 0160000847 through 0160037722, Including 0160037786)	
1	91474507	3	O-RING (SN 0160037749 to Present, Excluding 0160037786)	
2		Ref	COVER, (See FRONT DOUBLE JOINT - DANA for Breakdown) (SN 0160000847 through 0160037722, Including 0160037786)	
3	91474508	8	STUD	
4	91474509	1	INTERMEDIATE COVER	
5	7029279	1	HOUSING	
6	91514098	1	PLUG	
7	91474512	1	VENT	
8	80204005	1	CIRCLIP	
9	91514188	3	PLUG	
10	7028706	3	MAGNET PLUG (SN 0160000847 through 0160037722, Including 0160037786)	
10	91474513	3	MAGNET PLUG (SN 0160037749 to Present, Excluding 0160037786)	
11	80204117	2	PLUG	
12	91514099	2	GREASE FITTING	
13	91474515	2	THRUST BUSHING	
14	91474516	4	REDUCTION BUSHING	
15	7029282	1	FRONT SUPPORT ASSY, (includes items 11 thru 14)	
15	7029283	1	REAR SUPPORT ASSY, (includes items 11 thru 14)	
16	91474518	2	AXLE CASE (SN 0160000847 through 0160037722, Including 0160037786)	
16	70022798	2	AXLE CASE (SN 0160037749 to Present, Excluding 0160037786)	
17	91514084	32	WASHER (SN 0160000847 through 0160037722, Including 0160037786)	
18	91474519	24	STUD (SN 0160000847 through 0160037722, Including 0160037786)	
18	70022799	32	BOLT (SN 0160037749 to Present, Excluding 0160037786)	
19	91514082	2	NUT	
20	91514081	2	BOLT	
21	91514083	32	NUT (SN 0160000847 through 0160037722, Including 0160037786)	

SECTION 5 - DRIVE TRAIN

FIGURE 5-35. REAR STEERING COMPONENTS - DANA (SN 0160000847 to Present)



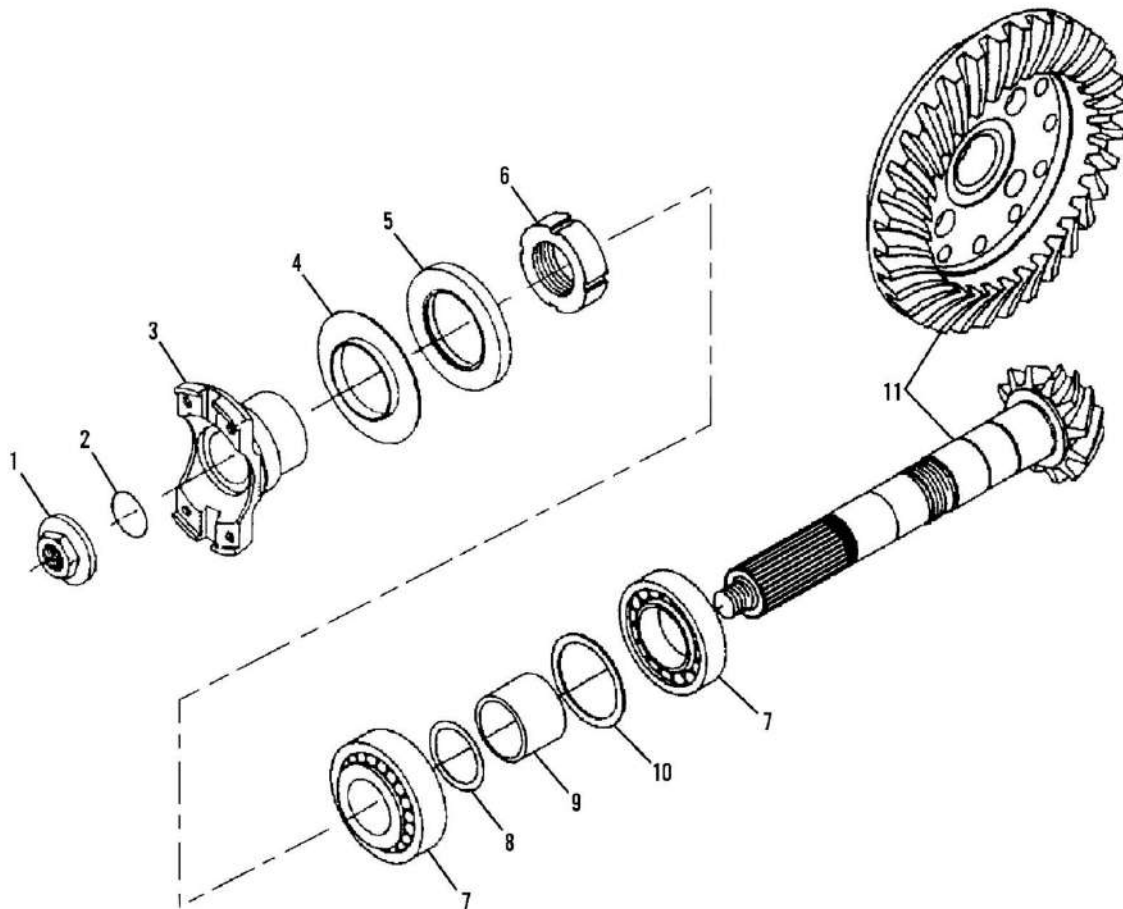
SECTION 5 - DRIVE TRAIN

FIGURE 5-35. REAR STEERING COMPONENTS - DANA (SN 0160000847 to Present)

ITEM	PART NUMBER	QTY	DESCRIPTION	REV
4	91474521	2	TIE ROD, (includes hex nut)	
5	91474522	4	CYLINDER BOLT	
6	Not Available	NLA	CYLINDER, (no longer available, use 7029528 for replacement), (Prior to Axle SN FITA709148)	
6	7029527	1	SEAL KIT	
6	7029528	1	CYLINDER, (Axle SN FITA709148 to Present)	
6	7029529	1	SEAL KIT	
7	91474524	2	COVER	
8	91514123	24	BOLT	
9	80204117	2	PLUG	
10	91514099	4	GREASE FITTING	
11	91514112	2	PIVOT PIN, (includes item 10)	
12	91514113	2	SHIM	
12	91514114	2	SHIM	
12	91514115	2	SHIM	
14	7028716	4	DUST EXCLUDER	
15	7028714	2	OUTER RACE	
16	7029284	1	STEERING CASE ASSY, LH, (includes thrust bushing 91514111)	
17	7029285	1	STEERING CASE ASSY, RH, (includes thrust bushing 91514111)	
18	91514095	2	BEARING	
19	7028715	2	PIVOT PIN, (includes items 10, 14 & 18)	
20	80204065	4	NUT	
21	91514117	4	BOLT	
K1	7028733	4	STEERING ADJUST BOLT KIT, (includes items 20 & 21)	
K2	91514275	1	NUT AND COTTER PIN KIT	

SECTION 5 - DRIVE TRAIN

FIGURE 5-36. REAR GEAR COMPONENTS - DANA (SN 0160000847 to Present)



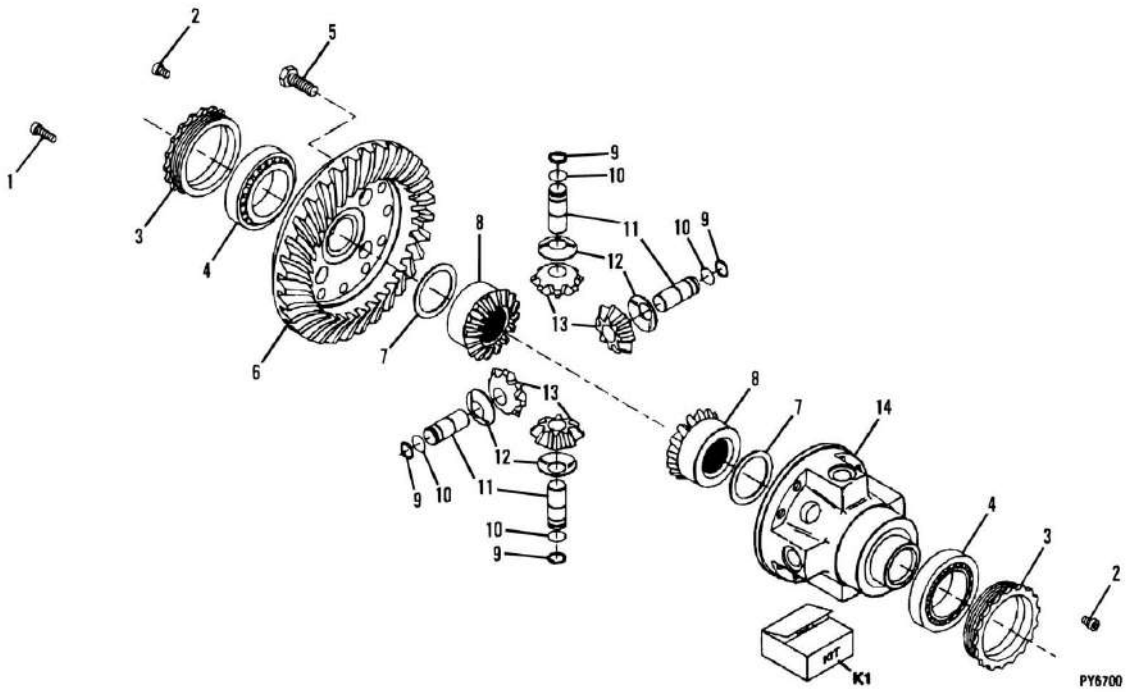
SECTION 5 - DRIVE TRAIN

FIGURE 5-36. REAR GEAR COMPONENTS - DANA (SN 0160000847 to Present)

ITEM	PART NUMBER	QTY	DESCRIPTION	REV
1	91474528	1	NUT	
2	91474529	1	O-RING	
3	91474530	1	FLANGE (SN 0160000847 through 0160037722, Including 0160037786)	
3	70022797	1	FLANGE (SN 0160037749 to Present, Excluding 0160037786)	
4	91474531	1	COVERPLATE	
5	91474532	1	SEAL	
6	91474533	1	RING NUT	
7	3968141	2	TAPER ROLLER BEARING	
8	91474535	1	SHIM	
8	91474536	1	SHIM	
8	91474537	1	SHIM	
8	91474538	1	SHIM	
9	91474539	1	SPACER	
10	91474540	1	SHIM	
10	91474541	1	SHIM	
10	91474542	1	SHIM	
10	91474543	1	SHIM	
11	91474592	1	BEVEL GEAR SET	

SECTION 5 - DRIVE TRAIN

FIGURE 5-37. REAR DIFFERENTIAL - DANA (SN 0160000847 to Present)



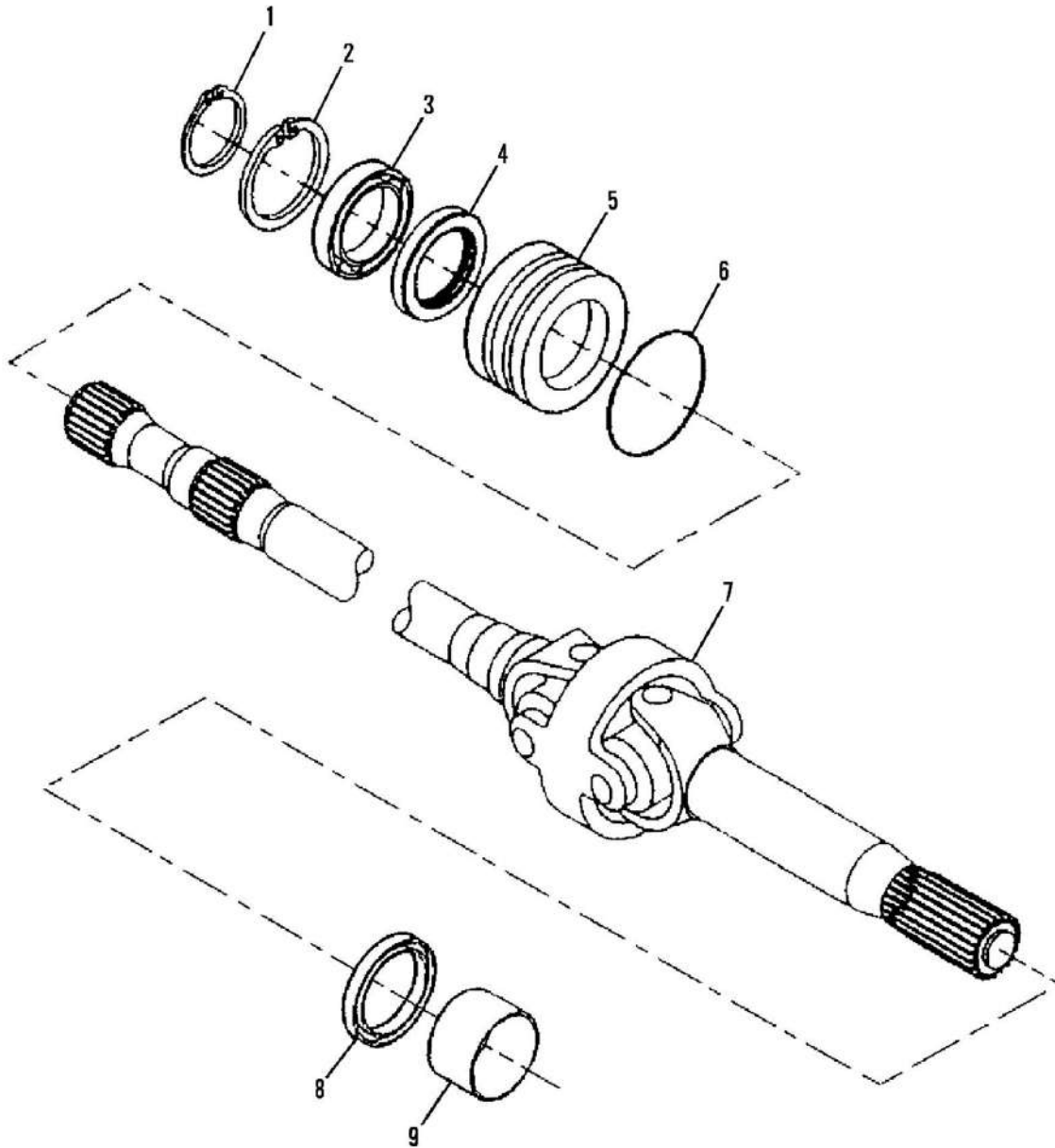
SECTION 5 - DRIVE TRAIN

FIGURE 5-37. REAR DIFFERENTIAL - DANA (SN 0160000847 to Present)

ITEM	PART NUMBER	QTY	DESCRIPTION	REV
1	91474591	4	CYLINDER BOLT	A
2	91514134	2	CYLINDER BOLT	
3	91474547	2	RING NUT	
4	91474548	2	ROLLER BEARING	
5	91514123	12	BOLT	
6		Ref	BEVEL GEAR, (See REAR AXLE HOUSING ASSEMBLY - DANA for Breakdown)	
7	Kit	2	FRICITION WASHER	
8	Kit	2	DIFFERENTIAL SIDE GEAR	
9	Kit	4	CIRCLIP	
10	91474551	4	CIRCLIP, (Prior to Axle SN IITA769001)	
11	Kit	4	PIN	
12	Kit	4	FRICITION WASHER	
13	Kit	4	DIFFERENTIAL PINION	
14	Kit	1	DIFFERENTIAL CARRIER	
K1	70021140	1	DIFFERENTIAL ASSY, (includes items 7 thru 9 & 11 thru 14)	

SECTION 5 - DRIVE TRAIN

FIGURE 5-38. REAR DOUBLE JOINT - DANA (SN 0160000847 to Present)



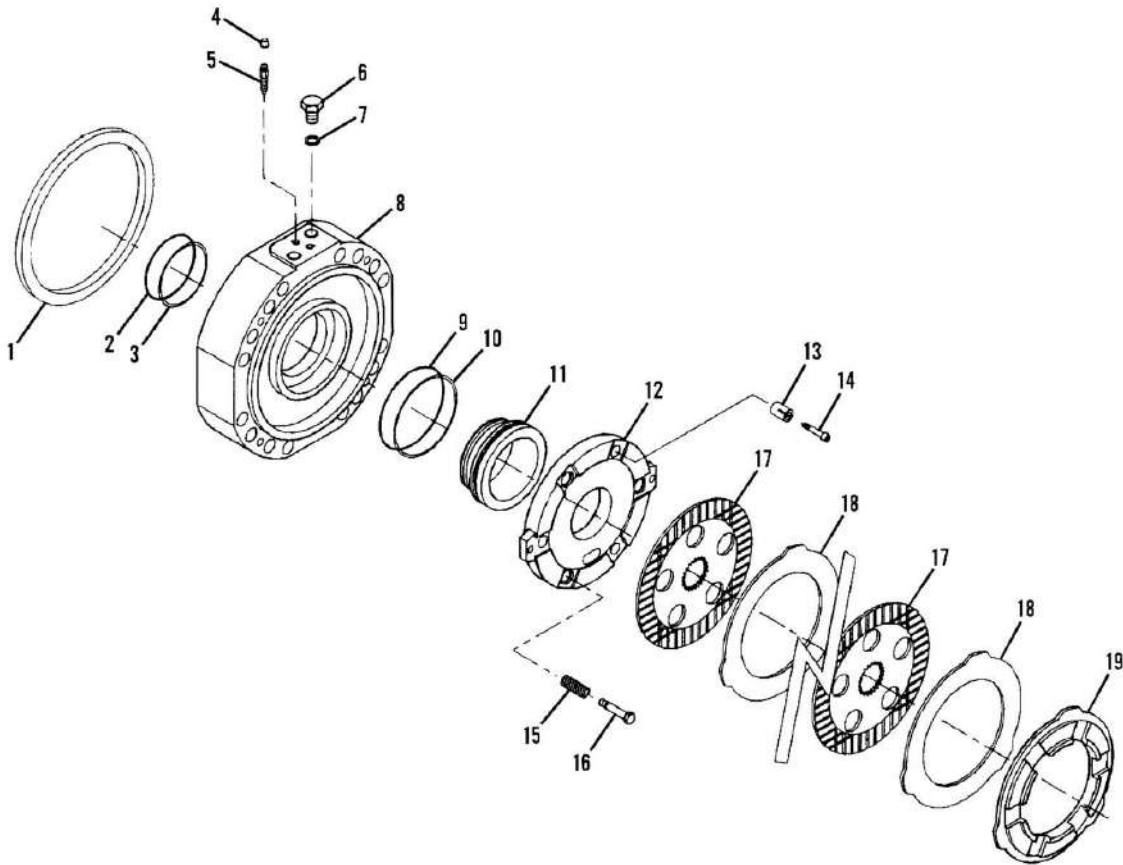
SECTION 5 - DRIVE TRAIN

FIGURE 5-38. REAR DOUBLE JOINT - DANA (SN 0160000847 to Present)

ITEM	PART NUMBER	QTY	DESCRIPTION	REV
1	80204071	2	CIRCLIP	A
2	80204005	2	CIRCLIP	
3	91514146	2	BALL BEARING	
4	91514147	2	SEAL	
5	91514149	2	REDUCTION BUSHING, (includes items 2 thru 4 & 6)	
6	91514148	2	O-RING	
7	91474556	2	JOINT AND SHAFT ASSY (SN 0160000847 through 0160037722, Including 0160037786)	
7	7029811	4	CROSS KIT, (includes circlips) (SN 0160000847 through 0160037722, Including 0160037786)	
7	70022794	2	JOINT AND SHAFT ASSY (SN 0160037749 to Present, Excluding 0160037786)	
8	91514110	2	SEAL, (Prior to Axle SN FITA733994)	
8	7028718	2	SEAL, (Axle SN FITA733994 to Present)	
9	91514111	2	THRUST BUSHING	

SECTION 5 - DRIVE TRAIN

FIGURE 5-39. REAR BRAKES - DANA (SN 0160000847 through 0160037722, Including 0160037786)



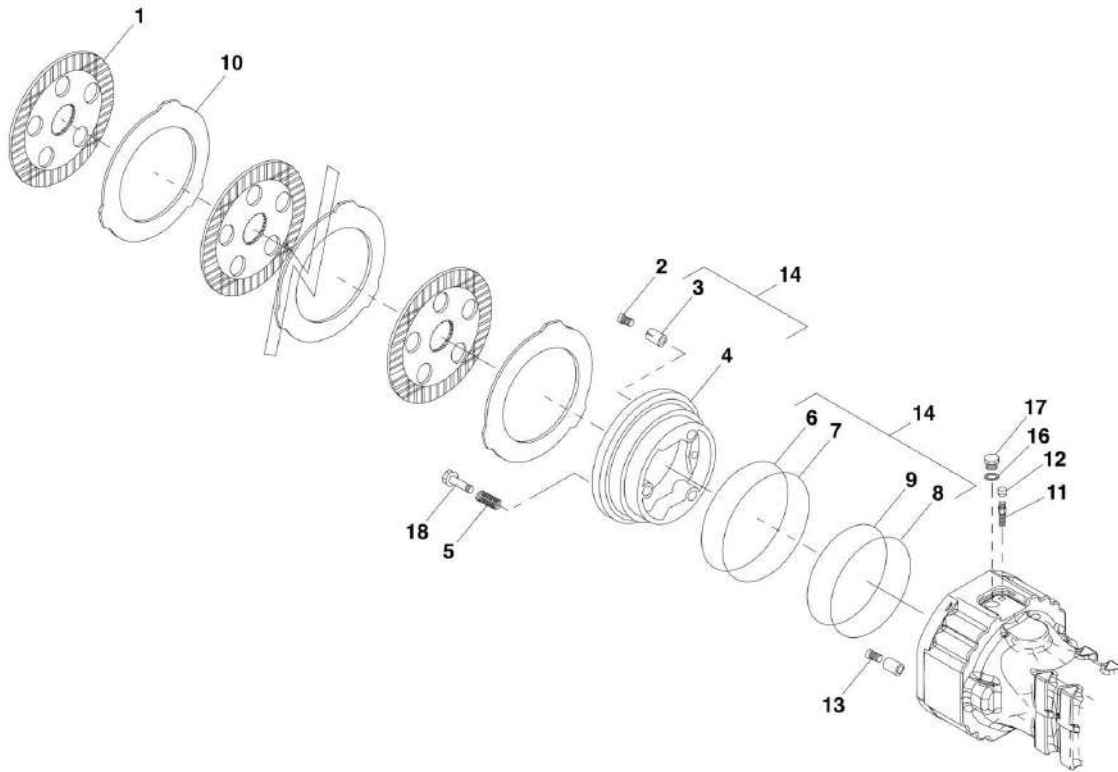
SECTION 5 - DRIVE TRAIN

FIGURE 5-39. REAR BRAKES - DANA (SN 0160000847 through 0160037722, Including 0160037786)

ITEM	PART NUMBER	QTY	DESCRIPTION	REV
1	91474597	2	SPACER	
2	91514153	2	BACK-UP RING	
3	91514167	2	O-RING	
4	80204117	2	PLUG	
5	80204281	2	BLEEDING BOLT	
6	91514154	2	BOLT	
7	91514155	2	SEAL WASHER	
8	91474598	2	INTERMEDIATE COVER	
9	91474562	2	O-RING	
10	91474563	2	BACK-UP RING	
11	91474599	2	PISTON	
12	91474565	2	INTERMEDIATE BRAKE DISC	
13	91514165	6	SPRING	
14	Not Available	NLA	ADJUSTING BOLT, (Prior to Axle SN HITA-726032), (91474567 is no longer available, order qty 6 of 7029788 for replacement)	
14	7029788	6	ADJUSTING BOLT, (Axle SN HITA-726032 to Present)	
15	91514159	6	SPRING	
16	91514160	6	ADJUSTING BOLT	
17	91474568	8	BRAKE DISC	
18	91474569	8	INTERMEDIATE BRAKE DISC	
19	91474570	2	SPACER	

SECTION 5 - DRIVE TRAIN

FIGURE 5-40. REAR BRAKES - DANA (SN 0160037749 to Present, Excluding 0160037786)



PAP22260

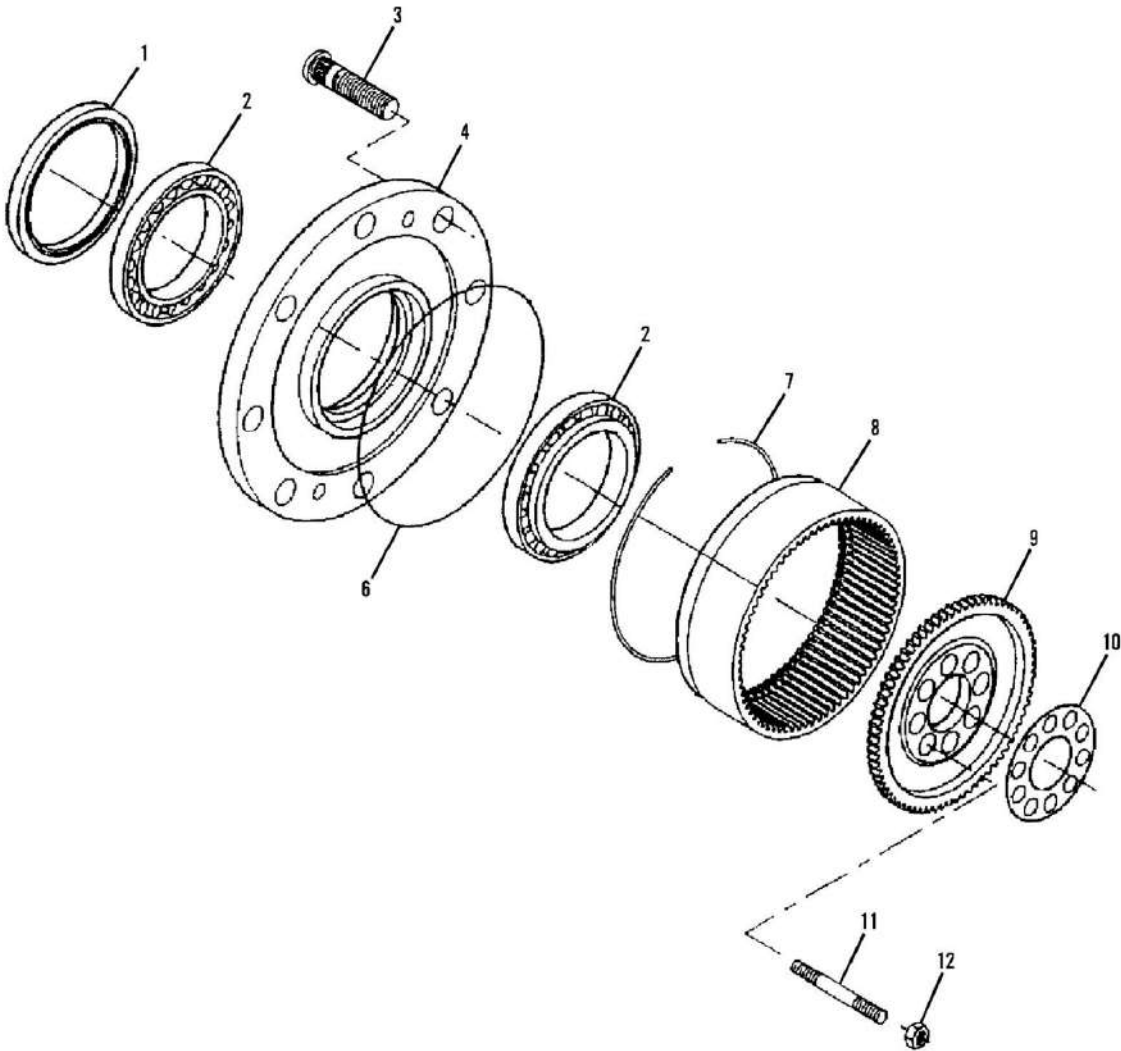
SECTION 5 - DRIVE TRAIN

FIGURE 5-40. REAR BRAKES - DANA (SN 0160037749 to Present, Excluding 0160037786)

ITEM	PART NUMBER	QTY	DESCRIPTION	REV
1	91474568	8	BRAKE DISC	
2	7029786	6	ADJUSTING BOLT	
3	91514165	6	TUBE	
4	70022795	2	PISTON	
5	91514159	6	SPRING	
6	3984436	2	BACK-UP RING	
7	3984458	2	O-RING	
8	3984447	2	BACK-UP RING	
9	3984469	2	O-RING	
10	91474569	10	INTERMEDIATE BRAKE DISC	
11	80204281	2	BLEEDING BOLT	
12	80204117	2	PLUG	
13	70021613	2	PILOT BOLT	
14	70022796	2	PISTON KIT, (includes items 3, 4 & 6 thru 9)	
16	91514155	2	SEAL WASHER	
17	91514154	2	BOLT	
18	91514160	6	ADJUSTING BOLT	

SECTION 5 - DRIVE TRAIN

FIGURE 5-41. REAR WHEEL HUB - DANA (SN 0160000847 to Present)



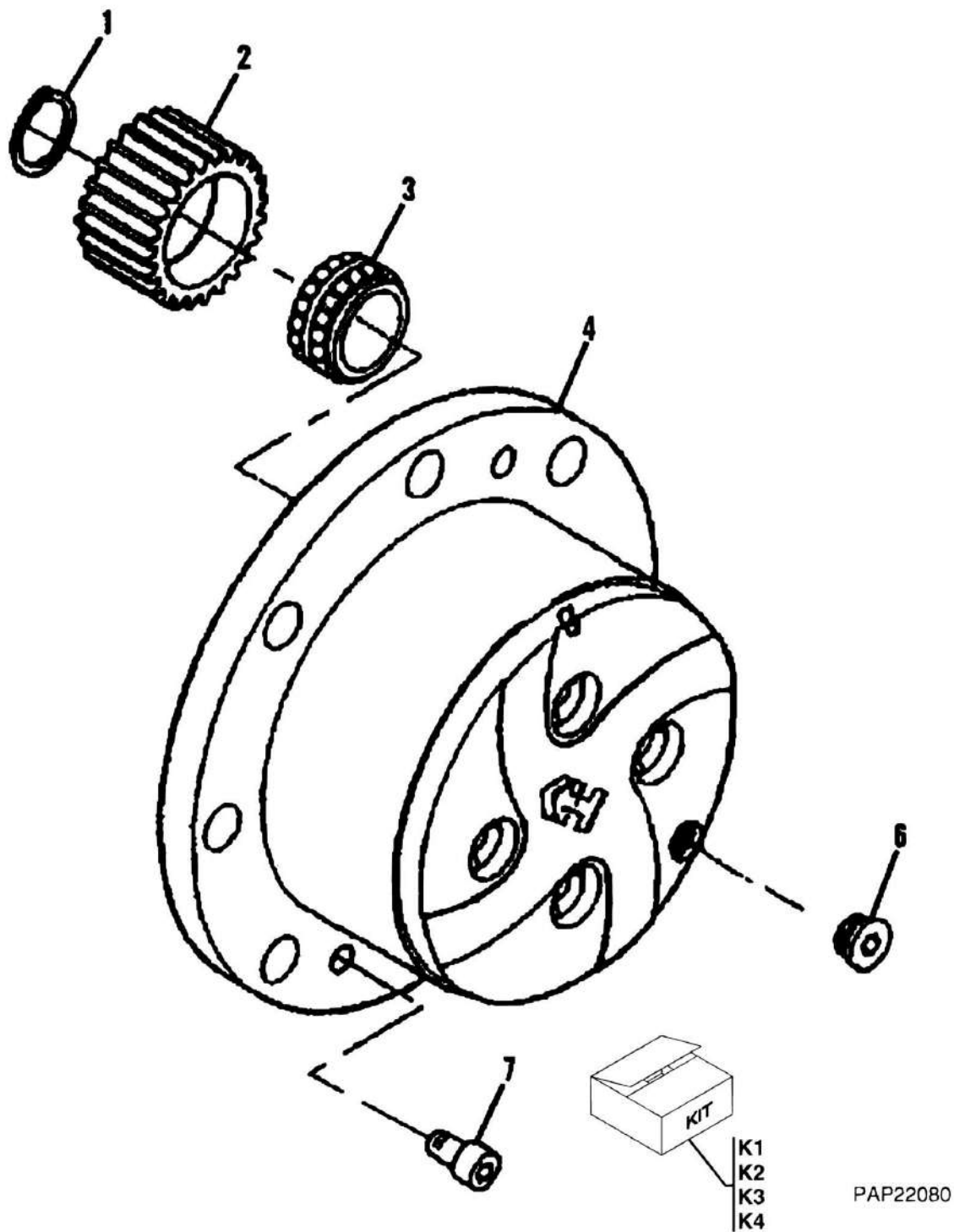
SECTION 5 - DRIVE TRAIN

FIGURE 5-41. REAR WHEEL HUB - DANA (SN 0160000847 to Present)

ITEM	PART NUMBER	QTY	DESCRIPTION	REV
1	7028721	2	SEAL	A
2	91474576	4	BEARING	
3	80214120	20	WHEEL STUD	
4	7029737	2	WHEEL HUB	
6	91514181	2	O-RING	
7	91474579	2	CIRCLIP	
8	91474580	2	RING GEAR	
9	91474581	2	RING GEAR SUPPORT	
10	91474582	2	LOCKING PLATE	
11	91474583	20	STUD	
12	91474584	20	NUT	

SECTION 5 - DRIVE TRAIN

FIGURE 5-42. REAR REDUCTION GEARS - DANA (SN 016000847 to Present)



SECTION 5 - DRIVE TRAIN

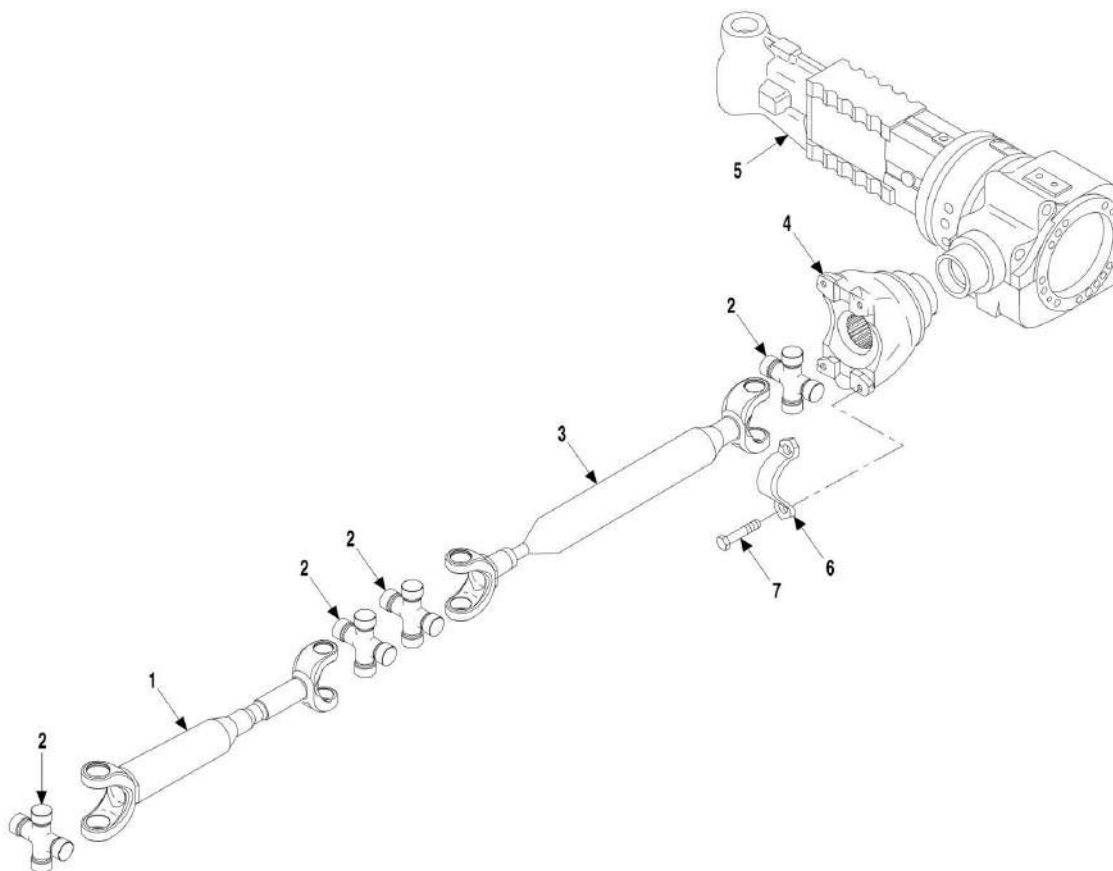
FIGURE 5-42. REAR REDUCTION GEARS - DANA (SN 0160000847 to Present)

ITEM	PART NUMBER	QTY	DESCRIPTION	REV
1	91474585	8	CIRCLIP	A
2	Kit	8	PLANETARY GEAR	
3	Kit	8	BEARING	
4	7029286	2	PLANETARY GEAR CARRIER	
6	91514188	2	PLUG	
7	91514189	4	COUNTERSUNK BOLT	
K1	7029287	2	PLANETARY CARRIER KIT, (Prior to Axle SN GITA705034), (includes items 1 thru 4 & items 7 thru 9 on REAR DOUBLE JOINT - DANA)	
K2	7029431	2	PLANETARY CARRIER KIT, (Axle SN GITA705034 to Present), (includes items 1 thru 4)	
K3	7029736	2	RING GEAR SUPPORT, (Axle SN GITA705034 to Present), (includes items 7 thru 9 on REAR DOUBLE JOINT - DANA)	
K4	70023900	8	GEAR AND BEARING ASSY, (includes items 2 & 3)	

SECTION 5 - DRIVE TRAIN

FIGURE 5-43. DRIVE SHAFT ASSEMBLY (SN 0190001 through 0190457, SN 016000022 through 0160000843)

CARRARO AXLE



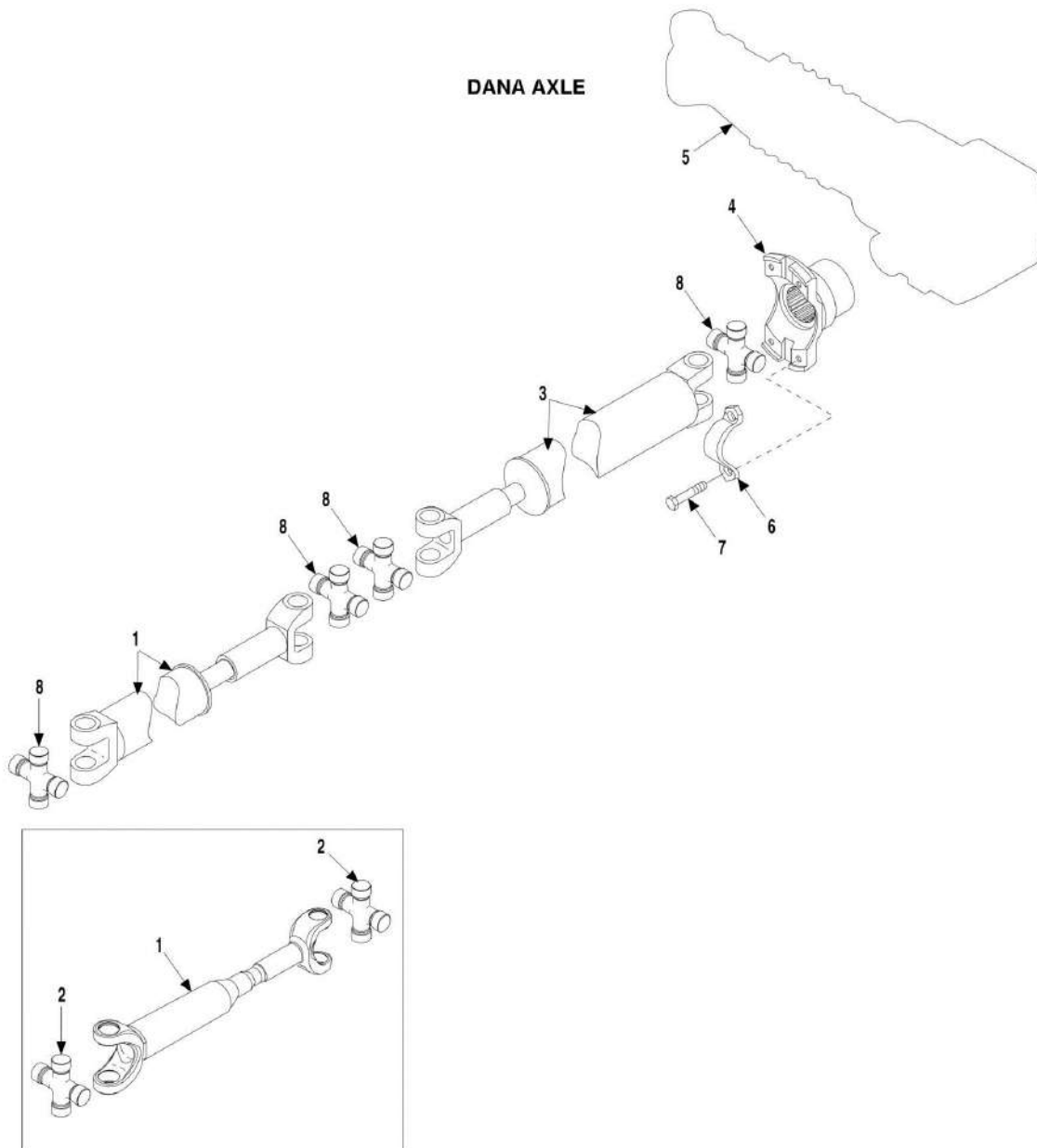
SECTION 5 - DRIVE TRAIN

FIGURE 5-43. DRIVE SHAFT ASSEMBLY (SN 0190001 through 0190457, SN 016000022 through 0160000843)

ITEM	PART NUMBER	QTY	DESCRIPTION	REV
1	91473029	1	DRIVE SHAFT, (front), (includes item 2)	
2	91474035	4	UNIVERSAL JOINT KIT	
3	91473150	1	DRIVE SHAFT, (rear), (includes item 2)	
4		Ref	FLANGE, (See REAR GEAR COMPONENTS - CARRARO for Breakdown)	
5		Ref	REAR AXLE ASSY, (See REAR AXLE INSTALLATION - CARRARO for Breakdown)	
6	91473027	8	BEARING STRAP	
7	91473028	16	STRAP BOLT	

SECTION 5 - DRIVE TRAIN

FIGURE 5-44. DRIVE SHAFT ASSEMBLY (SN 0160000847 to Present)



SN 0160000847 THROUGH 0160020658

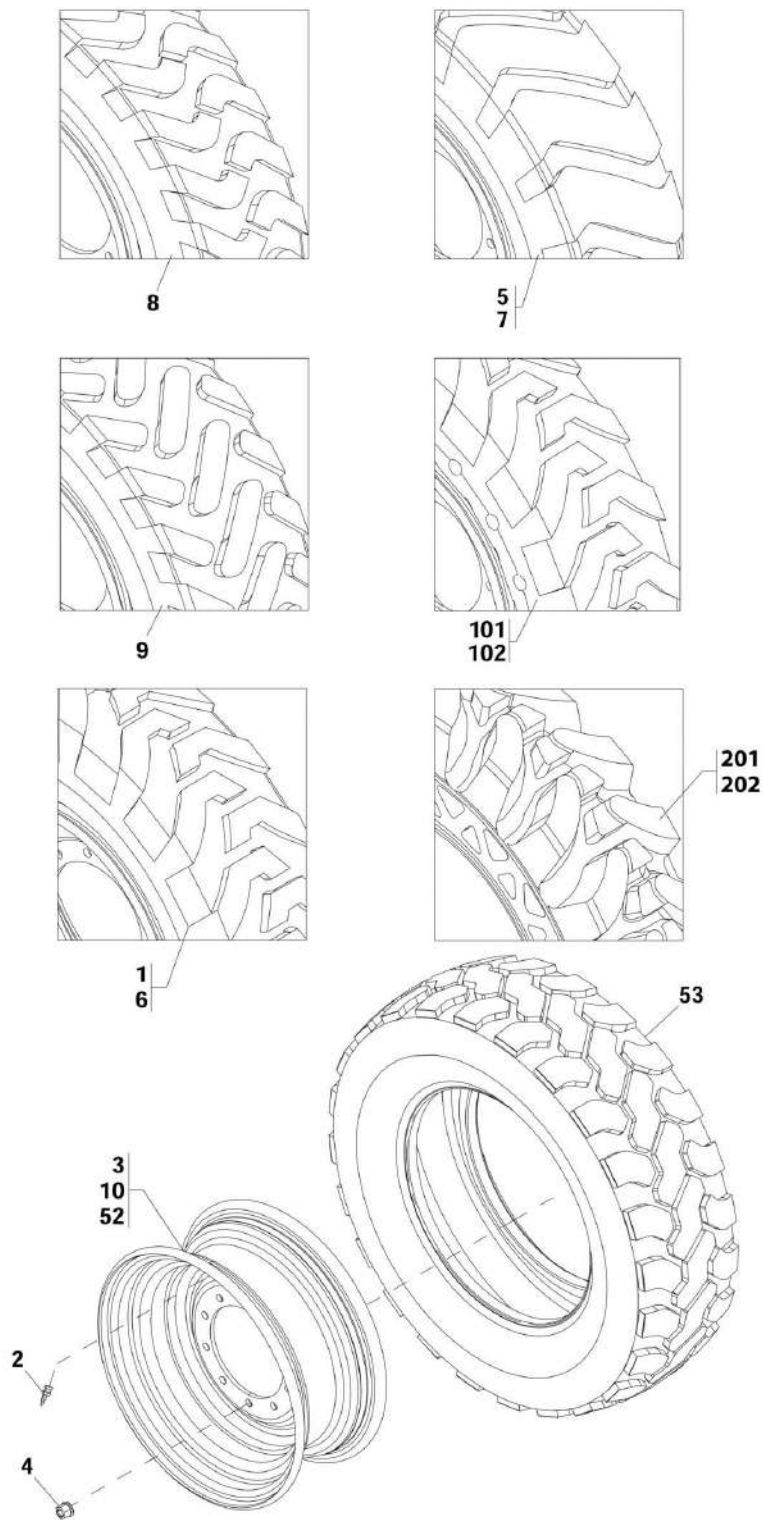
SECTION 5 - DRIVE TRAIN

FIGURE 5-44. DRIVE SHAFT ASSEMBLY (SN 016000847 to Present)

ITEM	PART NUMBER	QTY	DESCRIPTION	REV
1	91473151	1	FRONT DRIVE SHAFT, (includes item 2) (SN 016000847 through 0160020658)	
1	4040295	1	FRONT DRIVE SHAFT, (includes item 8) (SN 0160020685 through 0160040659)	
1	1001117865	1	FRONT DRIVE SHAFT (SN 0160040678 to Present)	
2	91474035	2	UNIVERSAL JOINT KIT (SN 016000847 through 0160020658)	
3	4040294	1	REAR DRIVE SHAFT, (includes item 8) (Prior to SN 0160040659)	
3	4040292	1	REAR DRIVE SHAFT (SN 0160040678 through 0160045456, Excluding 0160011878)	
3	7139913	1	REAR DRIVE SHAFT (SN 0160045464 to Present, Including 0160011878)	
4		Ref	FLANGE, (See REAR AXLE HOUSING ASSEMBLY - DANA for Breakdown)	
5		Ref	REAR AXLE ASSY, (See FRONT REDUCTION GEARS - DANA for Breakdown)	
6	91473027	8	BEARING STRAP	
7	91473028	16	STRAP BOLT, (torque to 55-60 lb-ft)	
8	8036433	4	UNIVERSAL JOINT KIT (SN 0160020685 to Present)	

SECTION 5 - DRIVE TRAIN

FIGURE 5-45. TIRES AND RIMS



ART_91474001-5-45

SECTION 5 - DRIVE TRAIN

FIGURE 5-45. TIRES AND RIMS

ITEM	PART NUMBER	QTY	DESCRIPTION	REV
	4520368	1	TIRE SET, 13.00-24 BIAS, G-2	B
	91405035	2	RH TIRE AND WHEEL ASSY, 13.00-24 BIAS, G-2, (includes items 1 thru 3)	I
	91405036	2	LH TIRE AND WHEEL ASSY, 13.00-24 BIAS, G-2, (includes items 1 thru 3)	I
	4520369	1	TIRE SET, 13.00-24 BIAS, ROCK TREAD	A
	91535017	4	TIRE AND WHEEL ASSY, 13.00-24 BIAS, ROCK TREAD, (includes items 2, 3 & 5)	C
	4520455	1	TIRE SET, 15.50-25 BIAS, G-2	B
	91475031	2	RH TIRE AND WHEEL ASSY, 15.50-25 BIAS, G-2, (includes items 2, 6 & 10)	D
	91475032	2	LH TIRE AND WHEEL ASSY, 15.50-25 BIAS, G-2, (includes items 2, 6 & 10)	D
	4520458	1	TIRE SET, 15.50-25 BIAS	A
	4520451	4	TIRE AND WHEEL ASSY, 15.50-25 BIAS, ROCK TREAD, (includes items 2, 7 & 10)	A
	4520374	1	TIRE SET, 13.00-24 RADIAL	A
	91515056	4	TIRE AND WHEEL ASSY, 13.00-24 RADIAL, (includes items 2, 3 & 8)	C
	4520461	1	TIRE SET, 15.50-25 RADIAL	A
	4520453	4	TIRE AND WHEEL ASSY, 15.50-25, RADIAL, (includes items 2, 9 & 10)	A
	4520370	1	TIRE SET, 13.00-24 BIAS, G-2, FOAM FILLED	B
	91475054	2	RH TIRE AND WHEEL ASSY, 13.00-24 BIAS, G-2, FOAM FILLED, 542 lb, (includes items 1 thru 3)	E
	91475055	2	LH TIRE AND WHEEL ASSY, 13.00-24 BIAS, G-2, FOAM FILLED, 542 lb, (includes items 1 thru 3)	E
	4520375	1	TIRE SET, 13.00-24 RADIAL, FOAM FILLED	A
	91475093	4	TIRE AND WHEEL ASSY, 13.00-24 RADIAL, FOAM FILLED, 542 lb, (includes items 2, 3 & 8)	F
	4520371	1	TIRE SET, 13.00-24 BIAS, ROCK TREAD, FOAM FILLED	A
	91535019	4	TIRE AND WHEEL ASSY, 13.00-24 BIAS, ROCK TREAD, FOAM FILLED, 542 lb, (includes items 2, 3 & 5)	E
	4520459	1	TIRE SET, 15.50-25, FOAM FILLED	A
	91475105	4	TIRE AND WHEEL ASSY, 15.50-25, ROCK TREAD, FOAM FILLED, 600 lb, (includes items 2, 7 & 10)	B
	4520456	1	TIRE SET, 15.50-25, G-2, FOAM FILLED	B
	4520449	2	RH TIRE AND WHEEL ASSY, 15.50-25, FOAM FILLED, G-2, (includes items 2, 6 & 10)	B
	4520450	2	LH TIRE AND WHEEL ASSY, 15.50-25, FOAM FILLED, G-2, (includes items 2, 6 & 10)	B
	4520462	1	TIRE SET, 15.50-25, FOAM FILLED	A
	91515066	4	TIRE AND WHEEL ASSY, 15.50-25, RADIAL, FOAM FILLED, 600 lb, (includes items 2, 9 & 10)	D
	1001120963	1	TIRE SET, 370/75-28, 14 PLY	B
	1001100323	4	TIRE AND WHEEL ASSY, 370/75-28, 14 PLY, (includes items 2, 52 & 53)	D
	1001121519	1	TIRE SET, 370/75-28, 14 PLY, FOAM FILLED	B
	1001121101	4	TIRE AND WHEEL ASSY, 370/75-28, 14 PLY, FOAM FILLED, 464 lb, (includes items 2, 52 & 53)	B
1	8780031	1	TIRE, 13.00-24 BIAS, DIRECTIONAL	
2	8786514	1	VALVE STEM	
3	91473206	1	WHEEL, 24X9, 0.219 OFFSET	

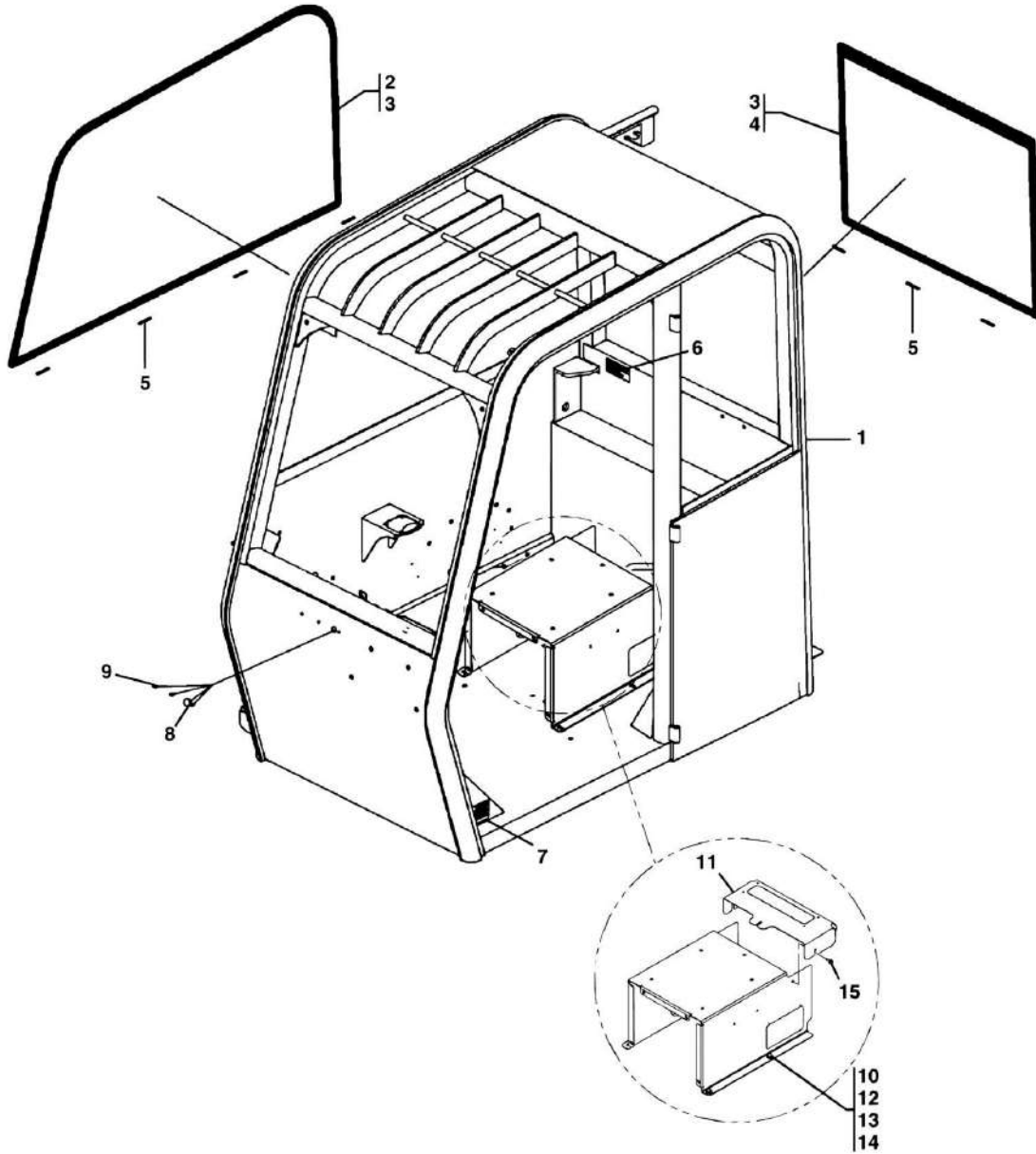
SECTION 5 - DRIVE TRAIN

ITEM	PART NUMBER	QTY	DESCRIPTION	REV
4	91403193	10	WHEEL NUT	
5	8780045	1	TIRE, 13.00-24 BIAS, ROCK TREAD, NON-DIRECTIONAL	
6	8780036	1	TIRE, 15.50-25 BIAS, DIRECTIONAL	
7	8780050	1	TIRE, 15.50-25 BIAS, ROCK TREAD, NON-DIRECTIONAL	
8	8780264	1	TIRE, 13.00-24 RADIAL, NON-DIRECTIONAL	
9	8780048	1	TIRE, 15.50-25 RADIAL, L-2	
10	91473207	1	WHEEL, 25X13, 0.219 OFFSET	
52	1001099976	1	WHEEL, 28X11, 0.219 OFFSET, (if equipped with Firestone 370/75-28)	
53	1001100284	1	TIRE, 370/75-28, 14 PLY	
	4520645	1	SOLID TIRE SET, 13.00-24, (includes items 101 & 102)	A
101	4520646	1	RH SOLID TIRE AND WHEEL ASSY	B
102	4520647	1	LH SOLID TIRE AND WHEEL ASSY	B
	1001151106	1	SOLIDEAL TIRE SET, 13.00X24, 0.219 OFFSET, (include items 201 & 202)	A
201	1001151097	2	LH SOLIDEAL TIRE AND WHEEL ASSY	A
202	1001151098	2	RH SOLIDEAL TIRE AND WHEEL ASSY	A

SECTION 6 - CAB

SECTION 6 - CAB

FIGURE 6-1. OPEN CAB



PAP21930

FIGURE 6-1. OPEN CAB

ITEM	PART NUMBER	QTY	DESCRIPTION	REV
	91513186	1	OPEN CAB ASSY, (includes all items) (Prior to SN 0160040678)	R
	1001119958	1	OPEN CAB ASSY, (includes all items) (SN 0160040678 to Present)	B
1	N.S.S.	1	CAB WELDMENT	
2		Ref	RH SIDE WINDOW, WITH BORDER, (See CAB GLASS for Breakdown)	
3		Ref	URETHANE SEALANT, (See CAB GLASS for Breakdown)	
4		Ref	REAR WINDOW WITH BORDER, (See CAB GLASS for Breakdown)	
5	80264031	7	SETTING BLOCK, 1/8X1/4X2	
6	N.S.S.	1	SN PLATE	
7	91164094	1	ROPS WARNING DECAL	
8	91164087	1	HOLE PLUG, 3/4	
9	91164086	3	HOLE PLUG, 0.375	
10	1001103663	1	RISER WELDMENT (SN 0160039228 to Present)	
11	1001117136	1	ACCESS PANEL (SN 0160039228 to Present)	
12	4761600	4	LOCKWASHER, 3/8 (SN 0160039228 to Present)	
13	4711600	4	WASHER, 3/8 (SN 0160039228 to Present)	
14	0641608	4	HEX HD CAPSCREW, 3/8-16, GR5 (SN 0160039228 to Present)	
15	0791406	4	FLANGE HEX HD SCREW, 1/4-20 X3/4 (SN 0160039228 to Present)	

SECTION 6 - CAB

FIGURE 6-2. CAB ENCLOSURES

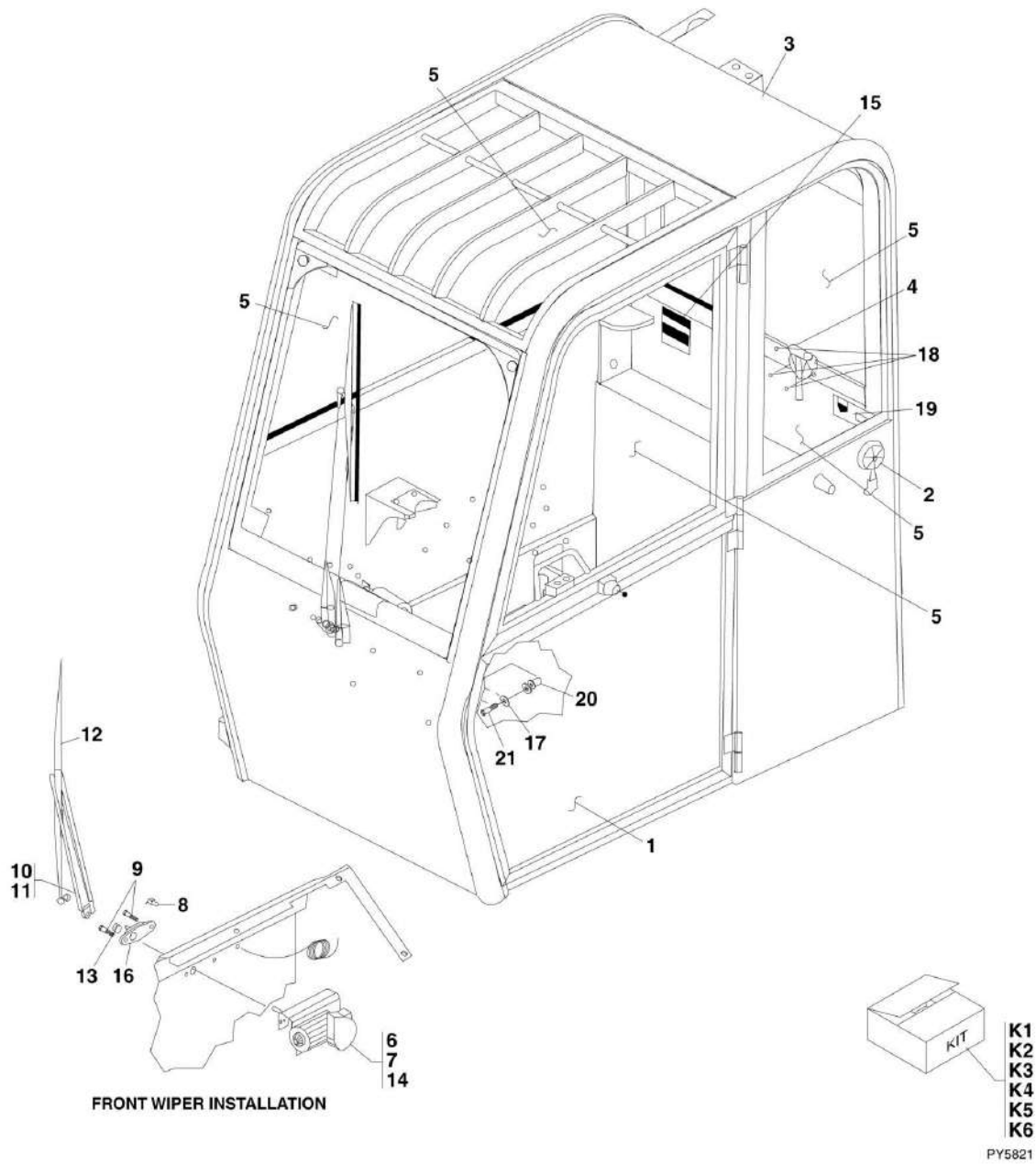


FIGURE 6-2. CAB ENCLOSURES

ITEM	PART NUMBER	QTY	DESCRIPTION	REV
	91473156	1	CAB ENCLOSURE, (includes items 1 thru 21)	
1		Ref	CAB DOOR ASSY, (See CAB DOOR ASSEMBLY for Breakdown)	
2		Ref	DOOR HOLD OPEN ASSY, (See CAB DOOR ASSEMBLY for Breakdown)	
3	91404295	1	HEADLINER, 1 IN, (inside cab)	
4	91404301	1	EMERGENCY HAMMER WITH CABLE	
5		Ref	CAB GLASS, (See CAB GLASS for Breakdown)	
6	91404293	1	WIPER MOTOR ASSY, (includes items 7 & 14)	
6	7029860	1	12V WIPER MOTOR	
7	91144478	1	SHAFT AND PIVOT ASSY	
8	1001081310	1	WET ARM SPACER	
9	80384207	2	HEX SCREW, 1/4-28X3/4	
10	1001081311	1	WET ARM KIT	
11	1001081308	1	WIPER ARM	
12	80384213	1	WIPER BLADE	
13	91334135	1	SPACER	
14	80384203	1	WIPER DRIVE ARM	
15	N.S.S.	1	SN PLATE	
16	1001081307	1	WIPER ARM ADAPTOR	
17	91404297	2	WASHER	
18	91404298	3	RIVET	
19	91404299	1	EMERGENCY EXIT DECAL	
20	80364023	1	STRIKER BOLT	
21	91334024	1	HEX BOLT, 3/8-16X7/8	
	91515008	1	ENCLOSED CAB ASSY, (includes items on OPEN CAB thru CAB GLASS) (Prior to SN 0160040678)	
	1001119959	1	ENCLOSED CAB ASSY, (includes items on OPEN CAB thru CAB GLASS) (SN 0160040678 to Present)	B
K1	91475066	1	CAB ENCLOSURE WITH HEATER KIT, (includes cab enclosure 91473156 & items shown on OPTIONS SECTION) (Prior to SN 0160033884)	D
K2	1001116612	1	CAB ENCLOSURE WITH HEATER KIT, (includes cab enclosure 91473156 & items shown on OPTIONS SECTION), (to complete cab enclosure order applicable items on OPTIONS SECTION) (SN 0160033884 through 0160040659)	C
K3	1001131759	1	CAB ENCLOSURE WITH HEATER KIT, (includes cab enclosure 91473156 & items shown on OPTIONS SECTION), (to complete cab enclosure order applicable items on OPTIONS SECTION) (SN 0160040678 to Present)	A
K4		Ref	CAB ENCLOSURE WITH HEATER AND A/C KIT, (includes cab enclosure 91473156, items shown on OPTIONS SECTION) (Prior to SN 0160033884)	
K5	1001116613	1	CAB ENCLOSURE WITH HEATER AND A/C KIT, (includes cab enclosure 91473156, items shown on OPTIONS SECTION) (SN 0160033884 through 0160040659)	C
K6	1001131760	Ref	CAB ENCLOSURE WITH HEATER AND A/C KIT, (includes cab enclosure 91473156, items shown on OPTIONS SECTION) (SN 0160040678 to Present)	B

SECTION 6 - CAB

FIGURE 6-3. CAB COMPONENTS

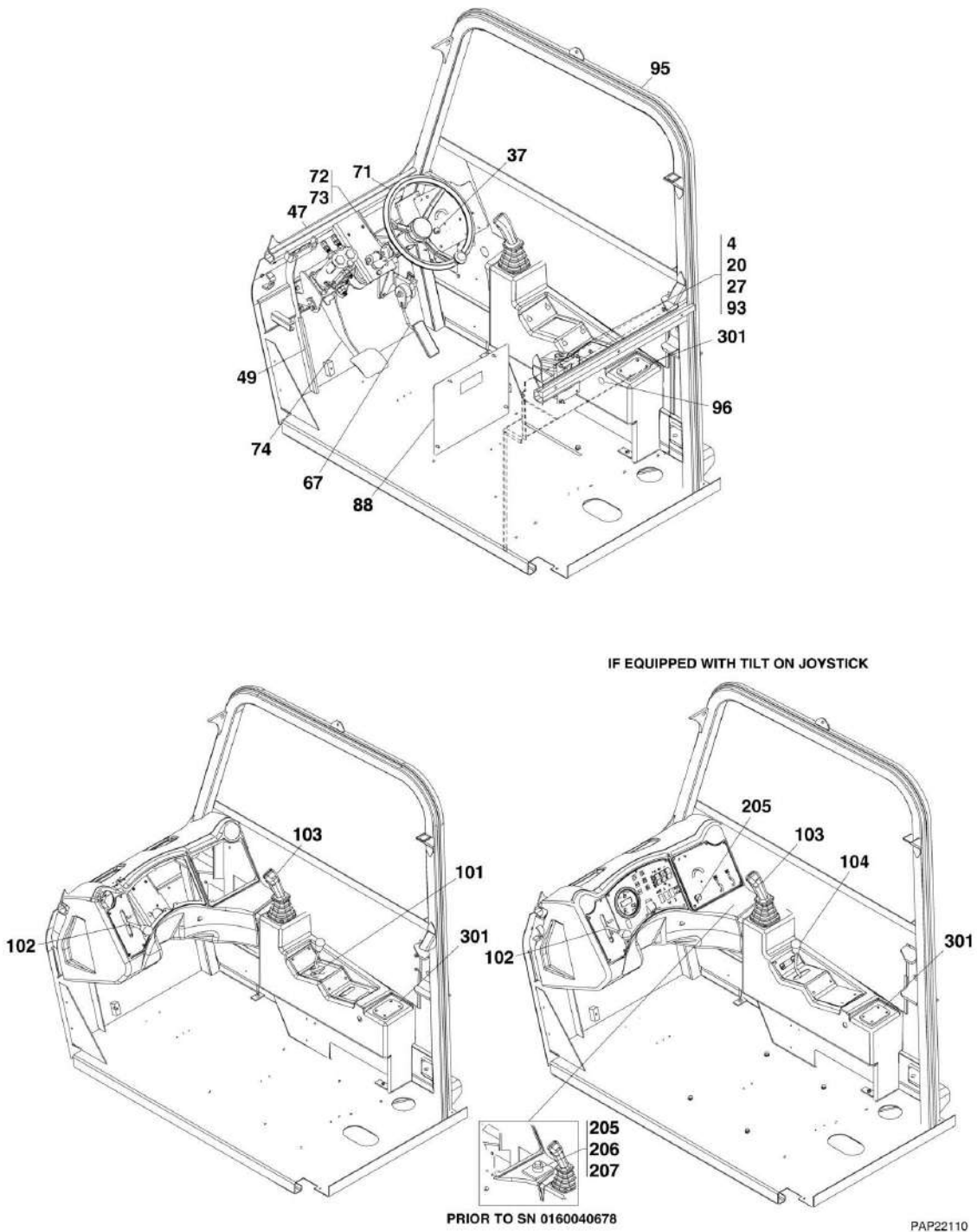


FIGURE 6-3. CAB COMPONENTS

ITEM	PART NUMBER	QTY	DESCRIPTION	REV
4	0641408	4	HEX HD CAPSCREW, 1/4-20X1, GR5	
20	4711400	7	WASHER, 1/4	
27	4791400	1	STAR WASHER, 1/4	
37	80963101	1	WIPER SWITCH	
40	82033997	108 in	WASHER FLUID HOSE, (not shown)	
47	90200755	32 in	GASKA-TAPE	
49	90206198	13 in	TRIM-LOCK	
63	91413130	4	NYLON PLUG, (inside cab wall under right hand panel), (not shown)	
67		Ref	ACCELERATOR PEDAL INSTALLATION, (See CONTROLS SECTION for Breakdown)	
71		Ref	STEERING WHEEL, (See CONTROLS SECTION for Breakdown)	
72		Ref	F-N-R SHIFTER ASSY, (See CONTROLS SECTION for Breakdown)	
73		Ref	STEERING COLUMN ASSY, (See CONTROLS SECTION for Breakdown)	
74		Ref	BRAKE PEDAL INSTALLATION, (See CONTROLS SECTION for Breakdown)	
88		Ref	HEATER COVER WELDMENT, (See OPTIONS SECTION for Breakdown) (Prior to SN 0160039317)	
88	1001103567	1	SEAT RISER ACCESS PANEL (SN 0160039317 to Present)	
93	1001111112	1	WINDOW WASHER FLUID TANK	
95		Ref	ENCLOSED CAB ASSY, (See CAB ENCLOSURES for Breakdown)	
96	1001131130	1	PLUG	
101		Ref	TILT AND FRAME LEVEL JOYSTICK INSTALLATION, (See CONTROLS SECTION for Breakdown)	
102		Ref	AUXILIARY HYDRAULIC JOYSTICK INSTALLATION, (See CONTROLS SECTION for Breakdown)	
103		Ref	BOOM JOYSTICK, (See CONTROLS SECTION for Breakdown)	
104		Ref	FRAME LEVEL JOYSTICK ASSY, (See CONTROLS SECTION for Breakdown)	
202	91513201	1	TILT ON JOYSTICK DECAL, (not shown) (Prior to SN 0160040678)	
202		Ref	TILT DECAL, (not shown), (See ELECTRICAL SECTION for Breakdown) (SN 0160040678 to Present)	
205	1001099174	1	RHEOSTAT	
206	91401571	1	MOUNTING PLATE (Prior to SN 0160040678)	
207	88321015	4	PAN HD SCREW, 6-32X1/2, (self tap) (Prior to SN 0160040678)	
301		Ref	COVER PANEL, (See DASH PANEL for Breakdown) (Prior to SN 0160040678)	

SECTION 6 - CAB

FIGURE 6-4. CAB DOOR ASSEMBLY

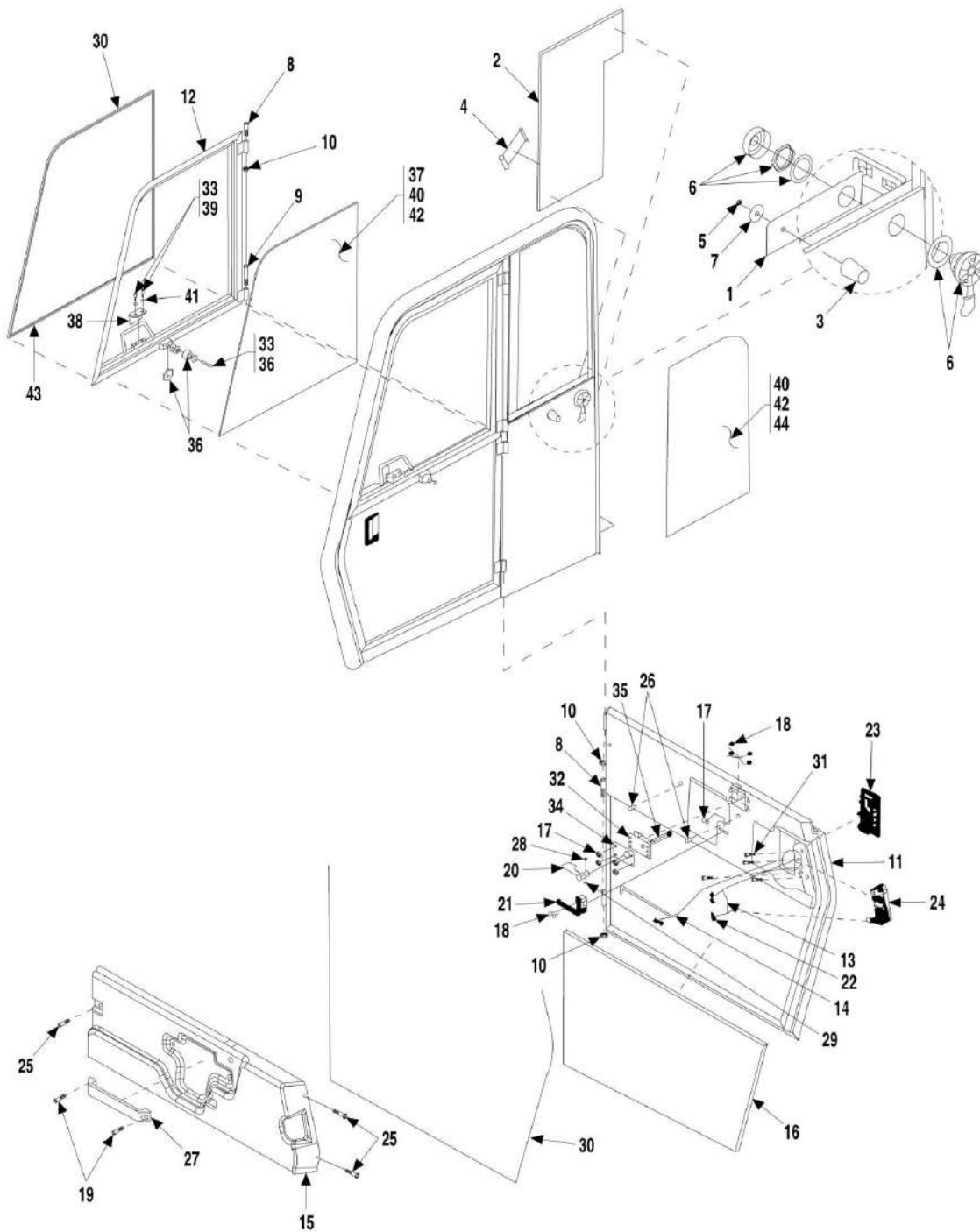


FIGURE 6-4. CAB DOOR ASSEMBLY

ITEM	PART NUMBER	QTY	DESCRIPTION	REV
1	91404292	1	HOLD OPEN PLATE	
2	91404294	1	LH SIDE PANEL FOAM	
3	91404300	1	RUBBER BUMPER	
4	80384218	1	DOOR STRAP	
5	91334031	1	HEX NUT, 0.312-18	
6	91404303	1	DOOR HOLD OPEN ASSY	
7	91404304	1	WASHER	
8	80384205	2	HEX BOLT, 0.375-16X4	
9	91404305	1	HEX BOLT, 0.375-16X5	
10	91404306	3	HEX NUT, 0.375-16	
11	91474481	1	LOWER DOOR ASSY, (includes items 13 thru 29, 8 ft of item 30, items 31, 32, 34, & 35)	
11	70023193	1	LOWER DOOR WELDMENT, (INCLUDES HINGES)	
12	91474482	1	UPPER DOOR ASSY, (includes 11 ft of item 30, item 33 & 36 thru 43)	
13	91404309	1	DOOR ROD, EXT RELEASE	
14	91404310	1	DOOR ROD, INT RELEASE	
15	91404311	1	PLASTIC DOOR COVER	
16	91404312	1	FOAM, .50, LOWER DOOR	
17	91404313	6	CTR. LOCKNUT, #10-24	
18	80384191	6	WHIZ LOCK SCREW, #10-24X.50	
19	91404314	2	FLAT HD SCREW, 0.25-20X1.25	
20	91404315	1	RH WINDOW RELEASE AND LH DOOR LEVER	
21	80384192	1	HANDLE	
22	80384187	3	CLIP	
23	80384184	1	PADDLE LATCH	
24	80384186	1	CAM LATCH	
25	80264066	3	SCREW, M5X1X12 THD CUTTING	
26	80364088	2	INSERT NUT, 0.25-20	
27	91404316	1	DIE CAST GRAB HANDLE	
28	91404317	1	SCREW, #8-32X1.12	
29	91404318	1	NYLOCK NUT, #8-32	
30	80364001	19 ft	BULB SEAL, P-STEM	
31	80384189	4	HEX SCREW, 0.25-20X0.75	
32	91404319	1	LH SLAM LATCH	
33	91344018	AR	BLUE LOCTITE	
34	91404320	1	SLAM LATCH STIFFENER	
35	91404321	1	LOWER DOOR DRIVE BAR WELDMENT	
36	91474492	1	DOOR, HOLD OPEN	
37		Ref	UPPER DOOR GLASS, (See CAB GLASS for Breakdown)	
38	91404323	1	SLAM LATCH STRIKER	
39	91404324	2	HEX BOLT, 0.312-18X0.625	
40	91404302	AR	ACTIVATOR, SIKA	
41	91334032	2	FLAT WASHER, 0.313X0.75X0.06	
42	80364009	AR	SEALANT	
43	91344046	AR	SEALANT/ADHESIVE	
44		Ref	LH SIDE GLASS WINDOW, (See CAB GLASS for Breakdown)	

SECTION 6 - CAB

FIGURE 6-5. CAB GLASS

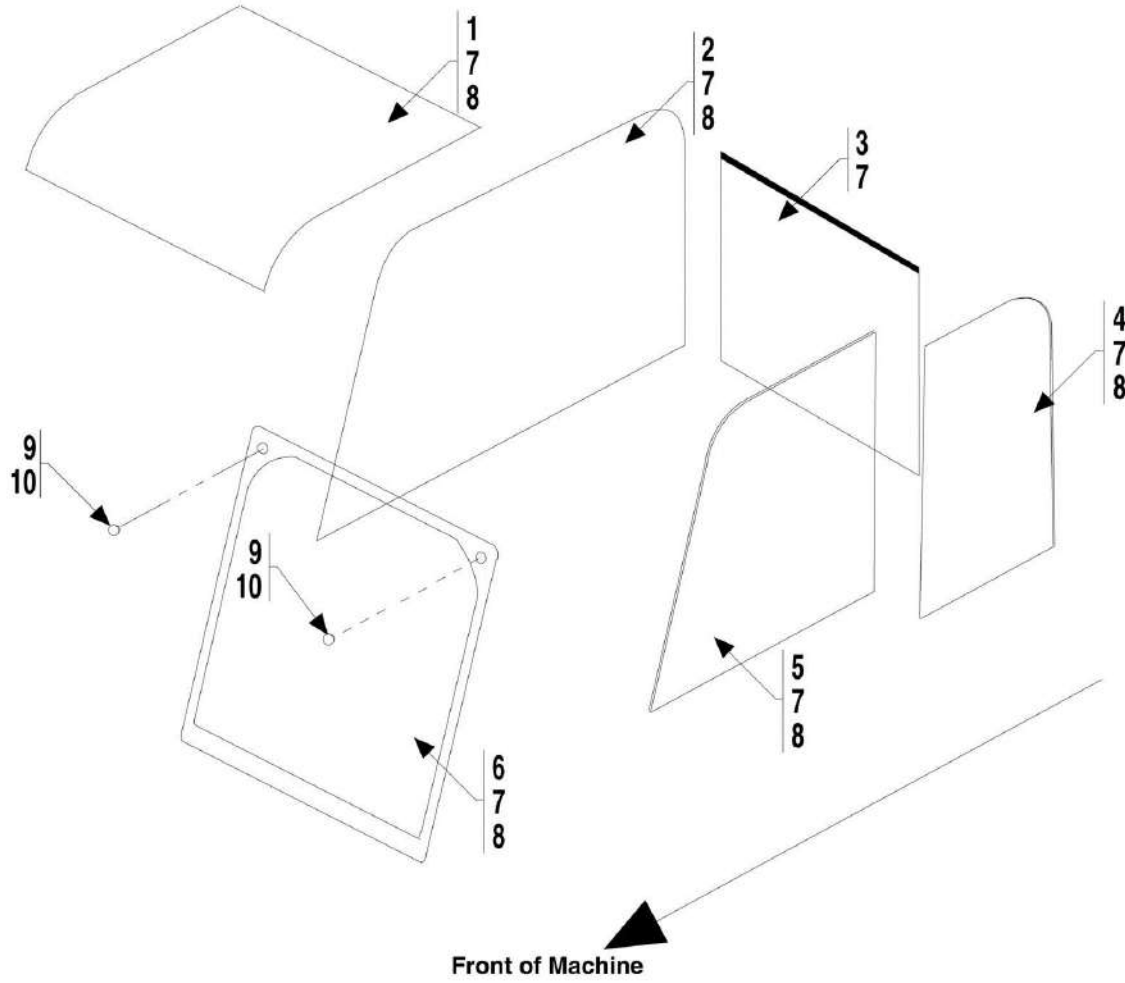


FIGURE 6-5. CAB GLASS

ITEM	PART NUMBER	QTY	DESCRIPTION	REV
1	91404290	1	SKYLIGHT WINDOW, (if equipped)	
2	91404109	1	RH SIDE WINDOW, WITH BORDER	
3	91404110	1	REAR WINDOW, WITH BORDER	
4	80364030	1	LH SIDE GLASS WINDOW, (if equipped)	
5	91404322	1	UPPER DOOR GLASS, (if equipped)	
6	91404291	1	FRONT WINDOW, (if equipped)	
7	80364009	AR	URETHANE SEALANT	
8	91404302	AR	ACTIVATOR	
9	91404296	2	HOLE PLUG, 1.25, (if equipped)	
10	80364012	AR	CLEAR SEALANT, (if equipped)	

SECTION 6 - CAB

FIGURE 6-6. SUSPENSION SEAT

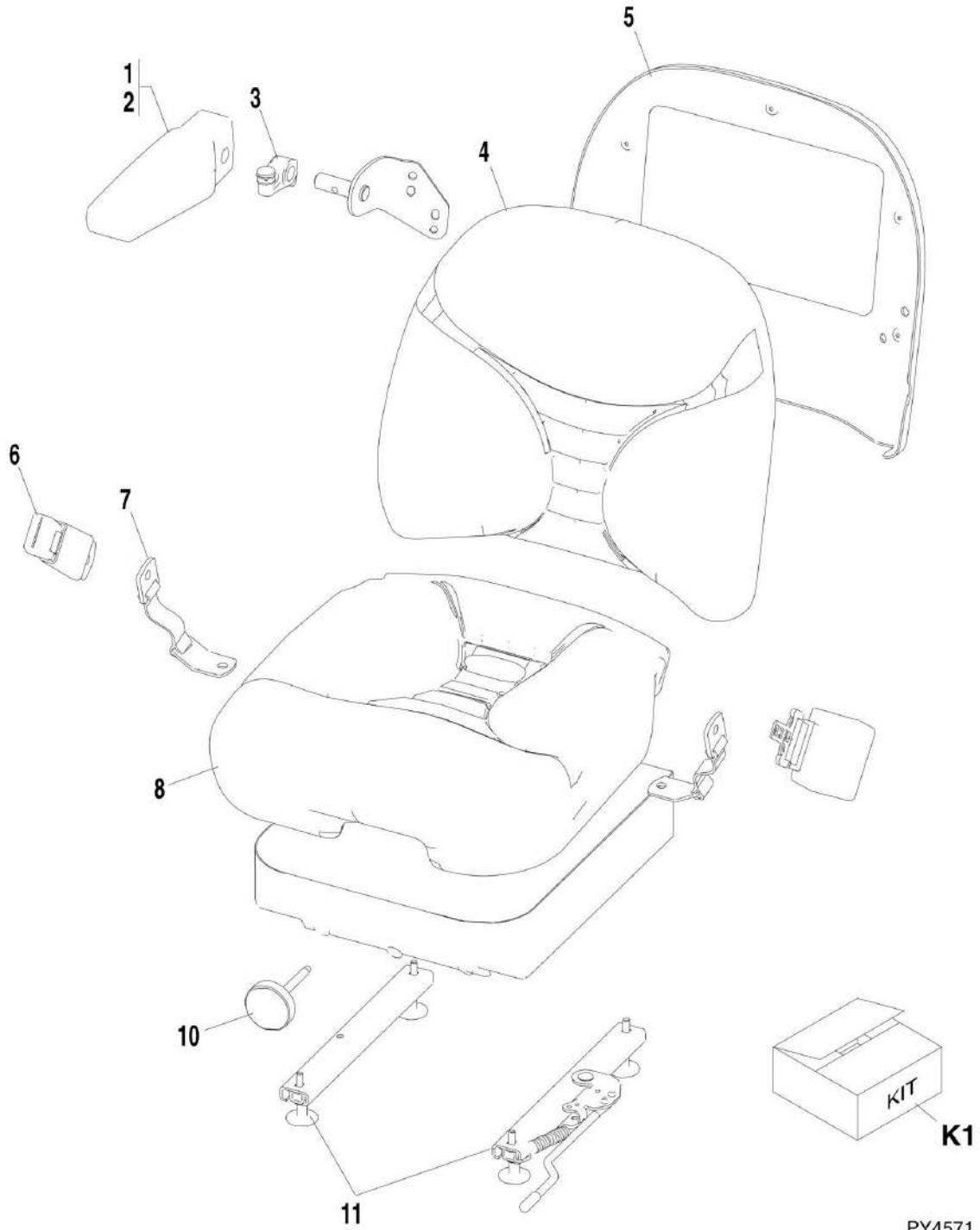
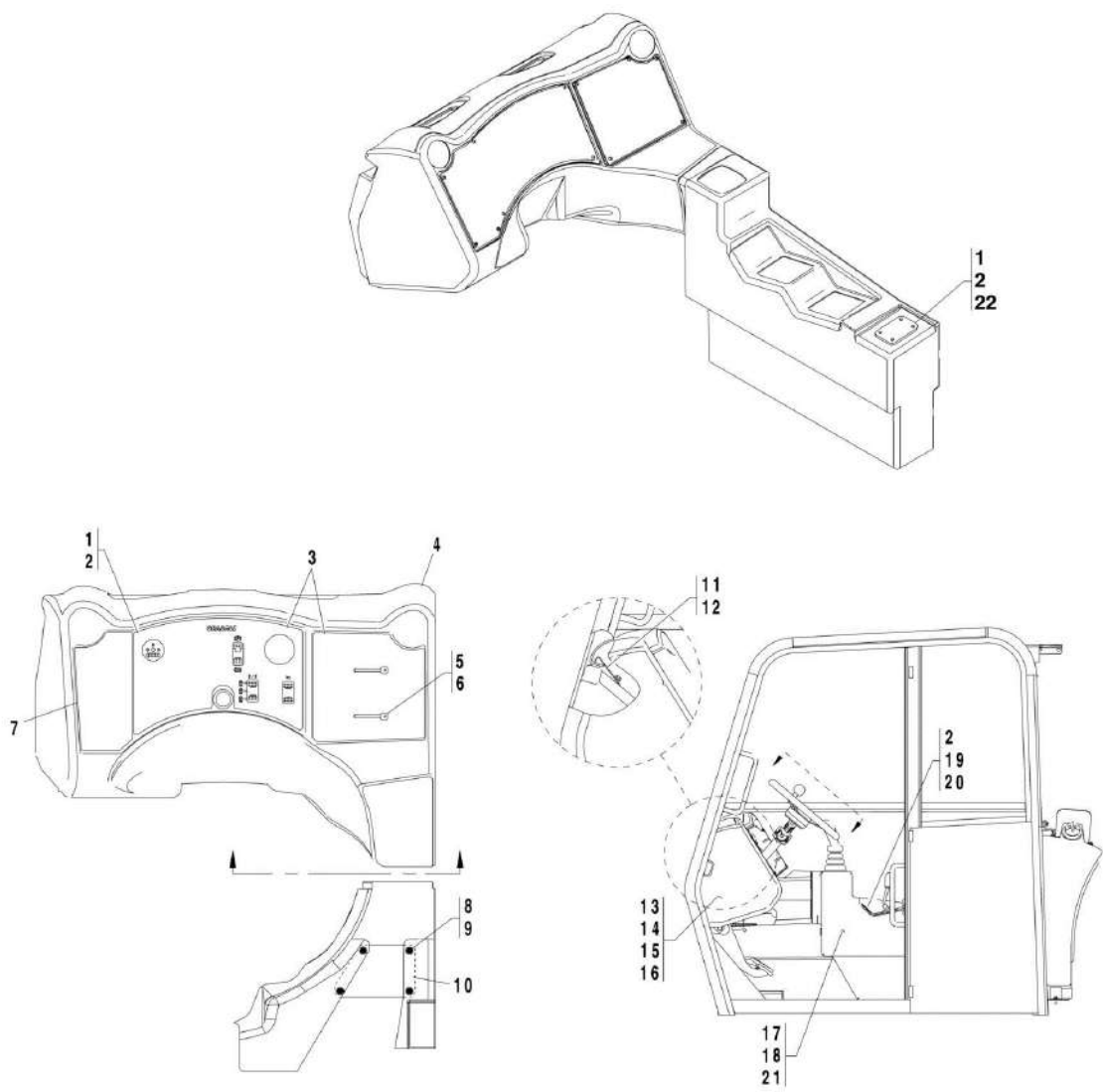


FIGURE 6-6. SUSPENSION SEAT

ITEM	PART NUMBER	QTY	DESCRIPTION	REV
	91563158	1	SUSPENSION SEAT, (includes all items)	G
1	7026904	1	ARMREST ASSY RH KIT, (includes items 2 & 3)	
2	N.S.S.	1	ARMREST, MOLDED KIT	
3	N.S.S.	1	ARMREST STOP ASSY	
4	7026900	1	BACK CUSHION KIT	
5	7026902	1	BACK PANEL KIT	
6	7026905	1	2 IN SEAT BELT KIT	
	91563164	1	SEAT BELT, 3 IN, (California Only, not included with 91563158)	
7	7026906	1	TETHER KIT	
8	7026901	1	SEAT CUSHION KIT	
10	7026799	1	KNOB KIT	
11	7026798	1	SLIDE KIT	
K1	70023139	1	SEAT BELT KIT, 3 IN, (California only), (includes retractor and female ends)	

SECTION 6 - CAB

FIGURE 6-7. DASH PANEL (Prior to SN 0160040678)



NOTE: STEERING COLUMN NOT SHOWN FOR CLARITY

PAP22120

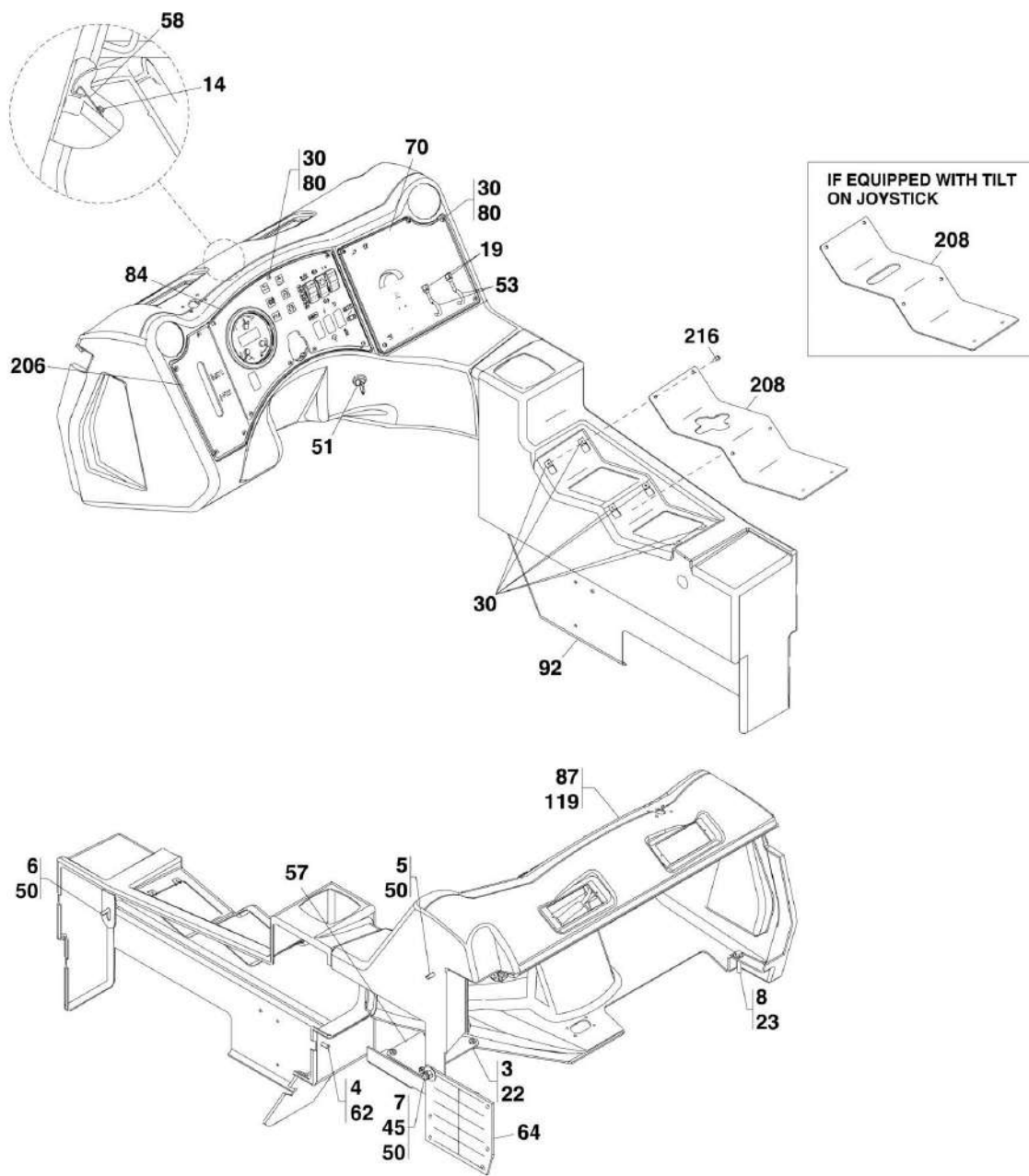
SECTION 6 - CAB

FIGURE 6-7. DASH PANEL (Prior to SN 0160040678)

ITEM	PART NUMBER	QTY	DESCRIPTION	REV
1	1001100322	16	PAN HD CAPSCREW, #10	
2	80363034	22	TINNERMAN NUT, #10-24	
3		Ref	INSTRUMENT PANEL, (See DASH PANEL for Breakdown)	
4	91403298	1	OPEN CAB DASH PANEL (SN 0190001 through 0160001277)	
4	91473211	1	OPEN CAB DASH PANEL (SN 0160001283 through 0160040659)	
4	91473212	1	ENCLOSED CAB DASH PANEL	
5	91163087	2	CAPACITY CHART BRACKET	
6	88302125	2	ROUND HD MACH SCREW, 1/4-20X5/8	
7	91403324	1	BLANK DASH PANEL	
8	88201002	4	HEX HD CAPSCREW, 1/4-20X5/8, GR5	
9	88561002	4	FLAT WASHER, 1/4	
10	91401516	1	DASH BRACE	
11	91401590	1	DASH CLAMP	
12	80973025	2	WHIZ-LOCK BOLT, 3/8-16X1	
13	88201026	1	HEX HD CAPSCREW, 5/16-18X2-1/2, GR5	
14	88201020	2	HEX HD CAPSCREW, 5/16-18X1, GR5	
15	88561003	3	FLAT WASHER, 5/16	
16	91083533	3	WASHER	
17	88201005	2	HEX HD CAPSCREW, 1/4-20X1, GR5	
18	91403620	1	RH CONSOLE PANEL (SN 0190001 through 0160015432)	
18	91403288	1	RH CONSOLE PANEL (SN 0160015458 through 0160040659)	
19	91413111	1	TILT/SWAY PANEL	
20	1001100322	6	PAN HD CAPSCREW, #10	
21	91413050	2	WASHER	
22	91471243	1	COVER PANEL	

SECTION 6 - CAB

FIGURE 6-8. DASH PANEL (SN 0160040678 to Present)



NOTE: SOME COMPONENTS NOT SHOWN FOR CLARITY

PAP22160

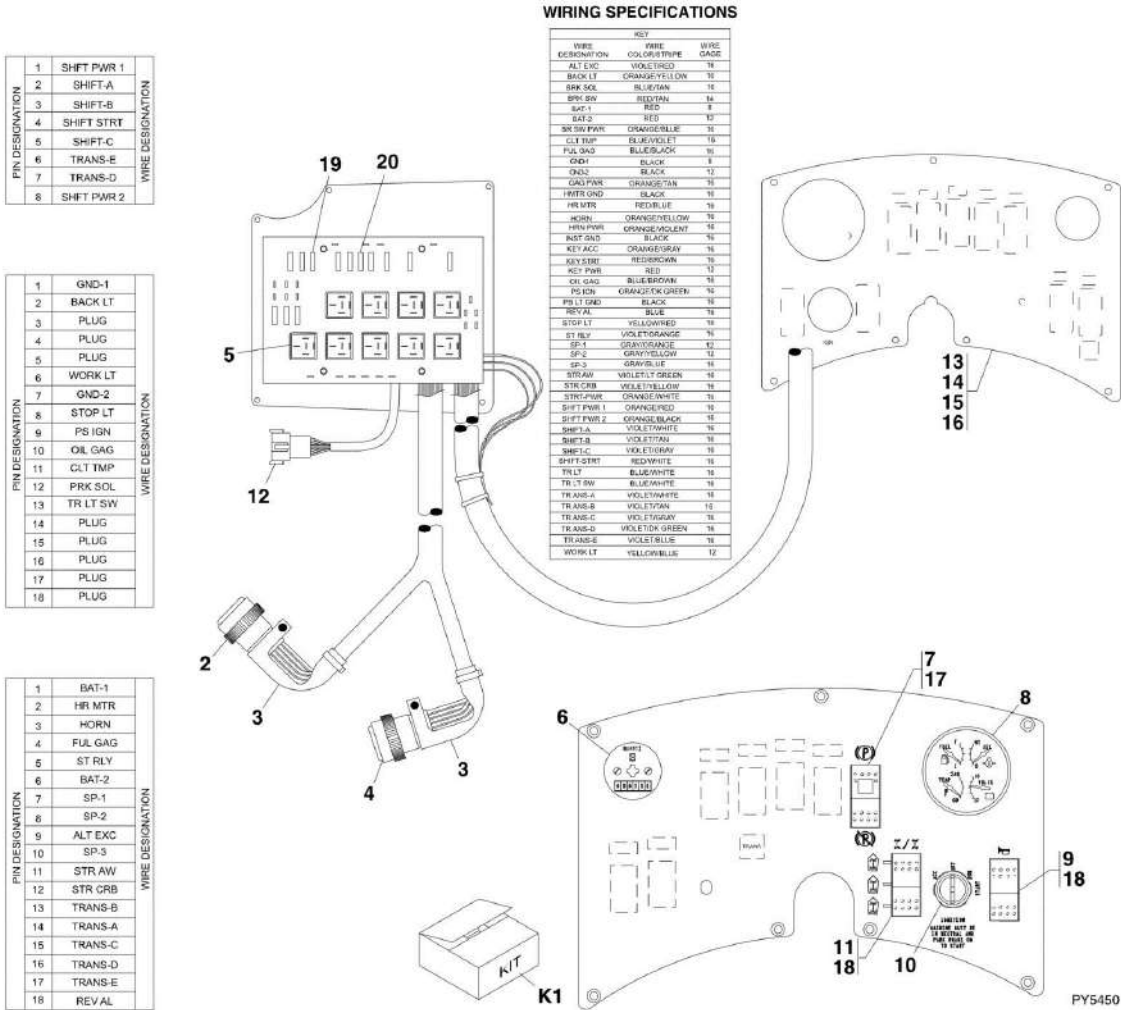
SECTION 6 - CAB

FIGURE 6-8. DASH PANEL (SN 0160040678 to Present)

ITEM	PART NUMBER	QTY	DESCRIPTION	REV
3	0641405	4	HEX HD CAPSCREW, 1/4-20X5/8, GR5	
4	0641408	1	HEX HD CAPSCREW, 1/4-20X1, GR5	
5	0641506	1	HEX HD CAPSCREW, 5/16-18X3/4, GR5	
6	0641508	1	HEX HD CAPSCREW, 5/16-18X1, GR5	
7	0641510	1	HEX HD CAPSCREW, 5/16-18X1-1/4, GR5	
8	0641514	1	HEX HD CAPSCREW, 5/16-18X1-3/4, GR5	
14	0791608	2	SCREW, 3/8-16X1	
19	3911410	2	ROUND HD CAPSCREW, 1/4-20X5/8	
22	4751400	4	WASHER, 1/4	
23	4751500	1	WASHER, 5/16	
30	80363034	22	TINNERMAN NUT, #10-24	
45	88521005	1	NUT, 5/16-18	
50	91023098	4	WASHER, 11/32	
51	91033317	Ref	IGNITION SWITCH, (includes keys), (See DASH PANEL for Breakdown)	
53	91163087	2	CAPACITY CHART BRACKET	
57	91401516	1	DASH BRACE	
58	91401590	1	DASH CLAMP	
62	91413050	1	WASHER	
64	91473163	1	HOSE GUARD	
70		Ref	RH INSTRUMENT PANEL, (See DASH PANEL for Breakdown)	
80	1001100322	12	PAN HD CAPSCREW, #10	
84		Ref	INSTRUMENT PANEL, (See DASH PANEL for Breakdown)	
87	1001103553	1	ENCLOSED CAB DASH PANEL	
92	1001108890	1	RH CONSOLE PANEL	
119	91473211	1	OPEN CAB DASH PANEL	
206		Ref	LH DASH PANEL AND MOUNTING HARDWARE, (See OPTIONS SECTION for Breakdown)	
208	1001112717	1	TILT/SWAY PANEL	
208	1001110799	1	TILT/SWAY PANEL, (if equipped with tilt on joystick)	
216	1001100322	6	PAN HD CAPSCREW, #10	

SECTION 6 - CAB

FIGURE 6-9. INSTRUMENT PANEL (SN 0190001 through 0190457, SN 016000022 through 0160001277)



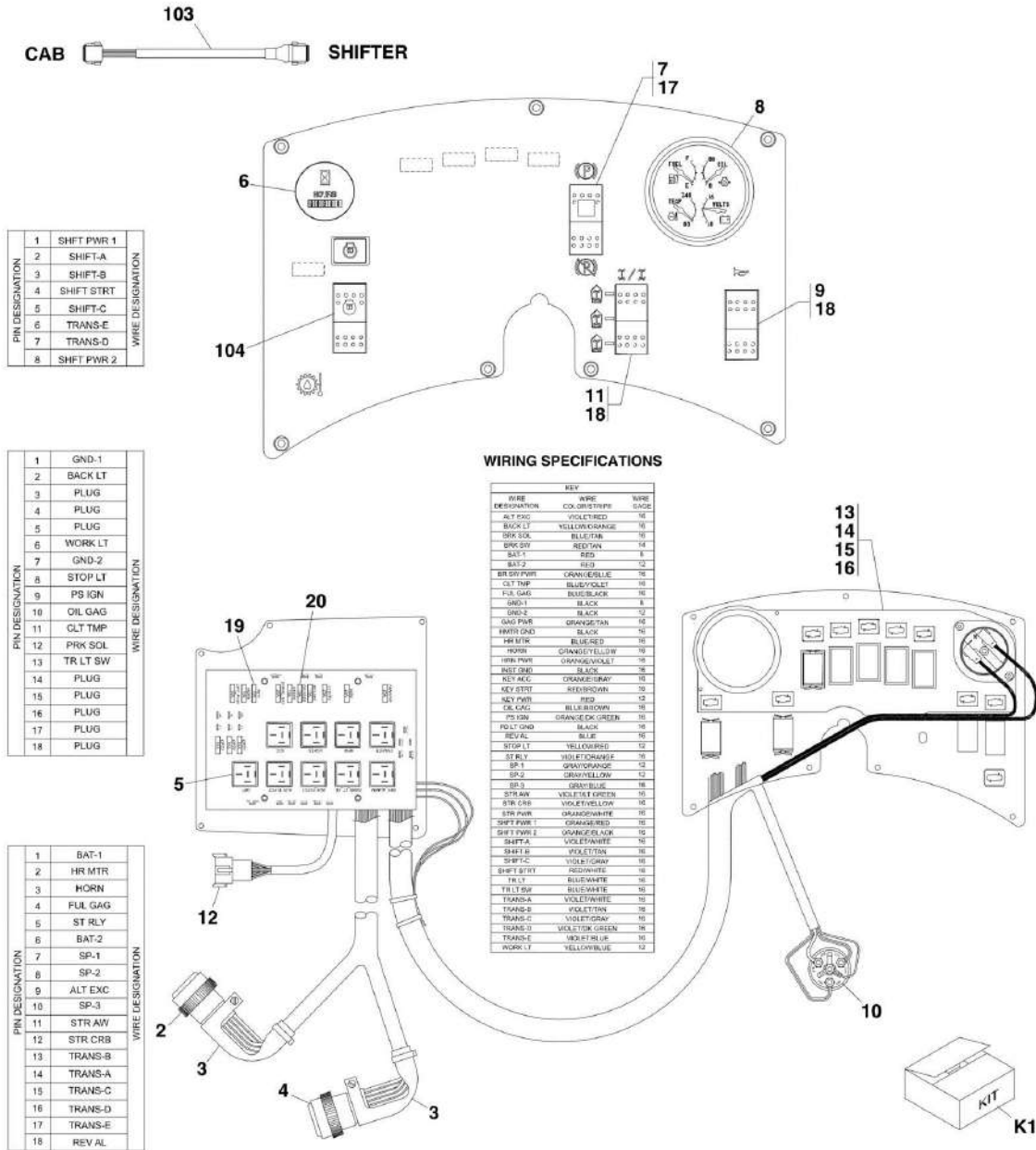
SECTION 6 - CAB

FIGURE 6-9. INSTRUMENT PANEL (SN 0190001 through 0190457, SN 016000022 through 0160001277)

ITEM	PART NUMBER	QTY	DESCRIPTION	REV
	91473097	1	INSTRUMENT PANEL, (includes all items)	
2	91334038	1	CONNECTOR	
3	91474463	2	STRAIN RELIEF, 90	
4	91404331	1	CONNECTOR	
5	77363265	AR	RELAY	
6	90205688	1	HOUR METER	
7	91404329	1	PARK BRAKE SWITCH, (includes item 17)	
8	91404336	1	4 IN 1 GAUGE	
9	91404330	1	HORN SWITCH, (includes item 18)	
10	91033317	1	IGNITION SWITCH	
10	77384578	1	KEY	
11	91474464	1	STEER SELECT SWITCH, (includes item 18)	
12	91503105	1	RECEPTACLE	
13	91404333	1	SMALL GAUGE BRACKET	
14	91404332	1	LARGE GAUGE BRACKET	
15	91404334	4	LAMP ASSY, (includes item 16)	
16	91404335	4	BULB	
17	91404350	1	ACTUATOR	
18	91404349	2	ACTUATOR	
19	77363268	AR	15 AMP FUSE	
20	77363267	AR	10 AMP FUSE	
K1	91474628	1	INSTRUMENT PANEL KIT, (includes clear lexan panel, black decal, round gauge cover and six screws)	

SECTION 6 - CAB

FIGURE 6-10. INSTRUMENT PANEL (SN 0160001283 through 0160040659)



NOTE: BLACK PLASTIC PANEL NOT AVAILABLE FOR SERVICE. MUST ORDER COMPLETE INSTRUMENT PANEL, 91473213, FOR REPLACEMENT.

PAP18880

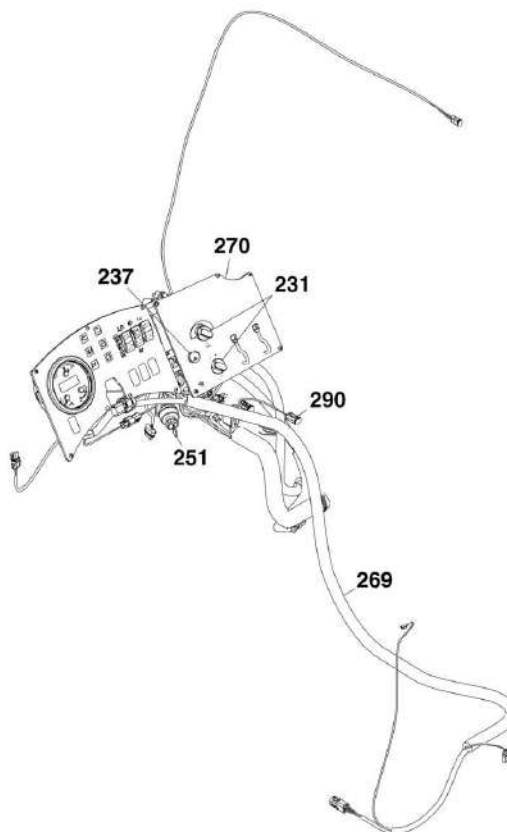
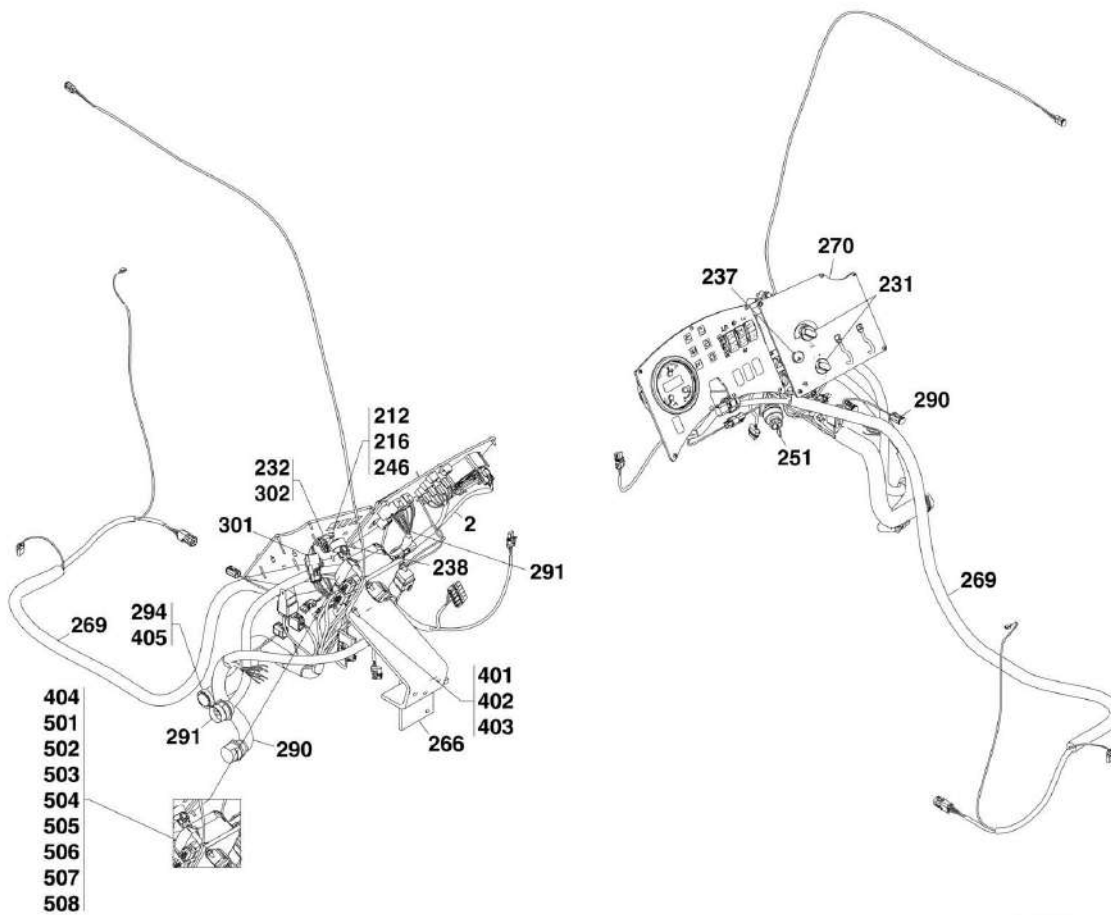
SECTION 6 - CAB

FIGURE 6-10. INSTRUMENT PANEL (SN 0160001283 through 0160040659)

ITEM	PART NUMBER	QTY	DESCRIPTION	REV
	91473213	1	INSTRUMENT PANEL, (includes items 2 thru 20), (John Deere Engine)	C
	1001001519	1	INSTRUMENT PANEL, (includes items 2 thru 20), (Perkins Engine)	E
2	91334038	1	CONNECTOR	
3	91474463	2	STRAIN RELIEF, 90	
4	91404331	1	CONNECTOR	
5	77363265	AR	RELAY	
6	90205688	1	HOUR METER	
7	91404329	1	PARK BRAKE SWITCH, (includes item 17)	
8	91404336	1	4 IN 1 GAUGE, (John Deere Engine)	
8	7029892	1	4 IN 1 GAUGE, (Perkins Engine)	
9	91404330	1	HORN SWITCH, (includes item 18)	
10	91033317	1	IGNITION SWITCH	
10	77384578	1	KEY	
11	91474464	1	STEER SELECT SWITCH, (includes item 18)	
12	91503105	1	RECEPTACLE	
13	91404333	1	SMALL GAUGE BRACKET	
14	91404332	1	LARGE GAUGE BRACKET	
15	91404334	4	LAMP ASSY, (includes item 16)	
16	91404335	4	BULB	
17	91404350	1	ACTUATOR	
18	91404349	2	ACTUATOR	
19	77363268	AR	FUSE, 15 AMP	
20	77363267	AR	FUSE, 10 AMP	
103	1001001517	1	SHIFTER ADAPTER HARNESS, (Perkins engine) (SN 0160021195 through 0160040659)	
104	1001001515	1	PREHEAT SWITCH, (Perkins Engine) (SN 0160021195 through 0160040659)	
K1	70022611	1	INSTRUMENT PANEL ASSY, SPECIAL, (includes PCB, components and wiring)	

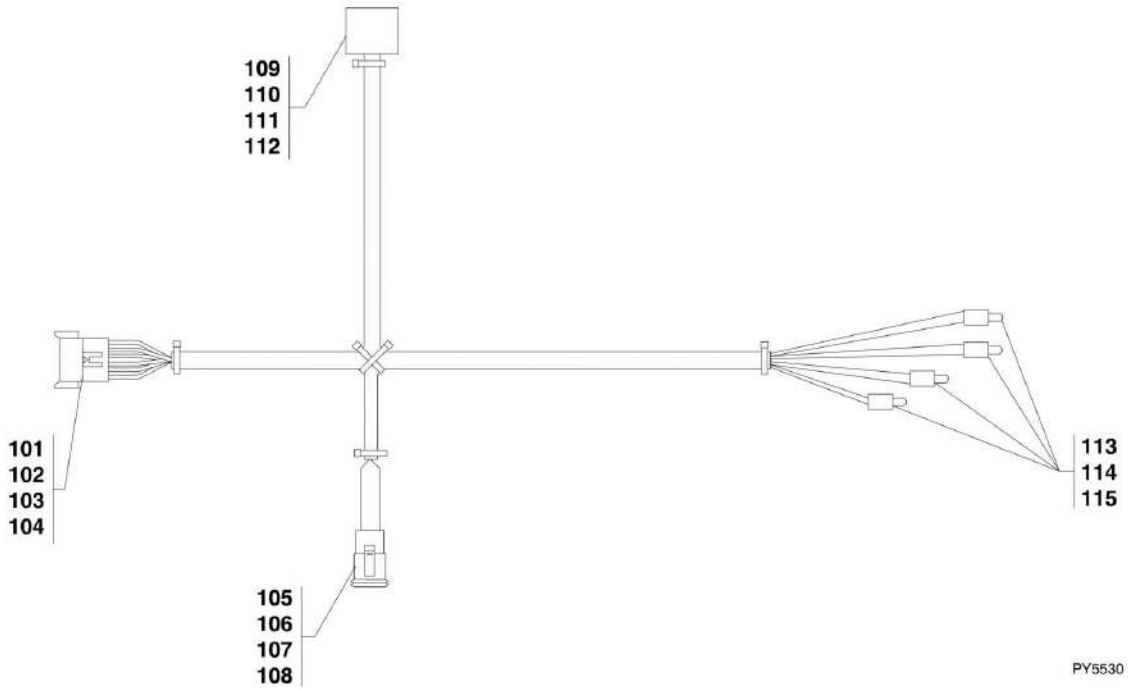
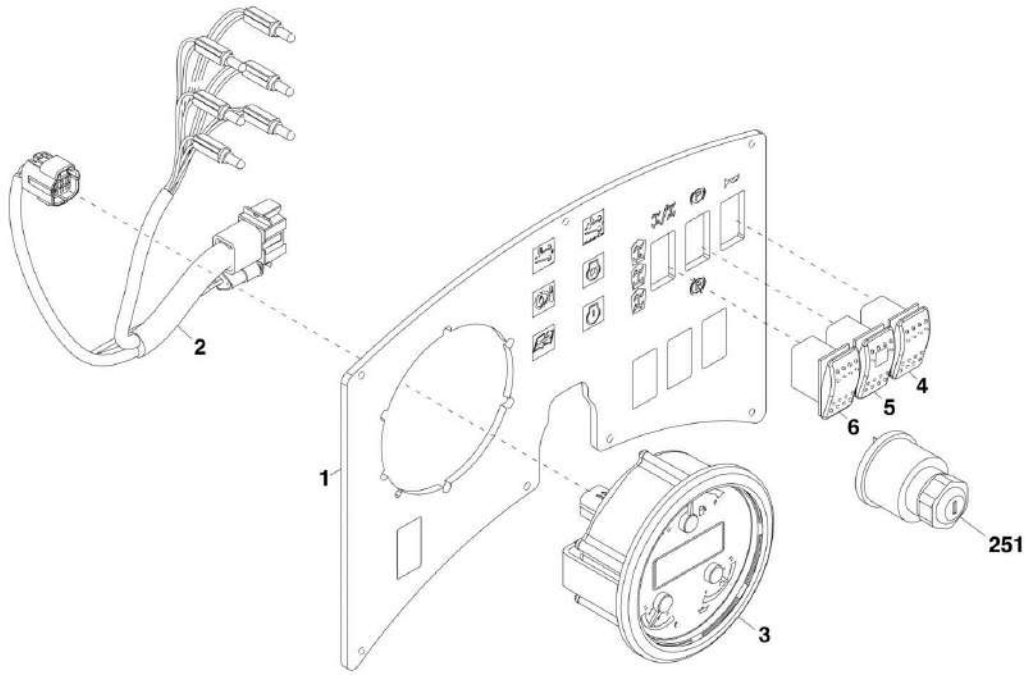
SECTION 6 - CAB

FIGURE 6-11. INSTRUMENT PANEL (SN 0160040678 to Present)



PY5500

SECTION 6 - CAB



PY5530

SECTION 6 - CAB

FIGURE 6-11. INSTRUMENT PANEL (SN 0160040678 to Present)

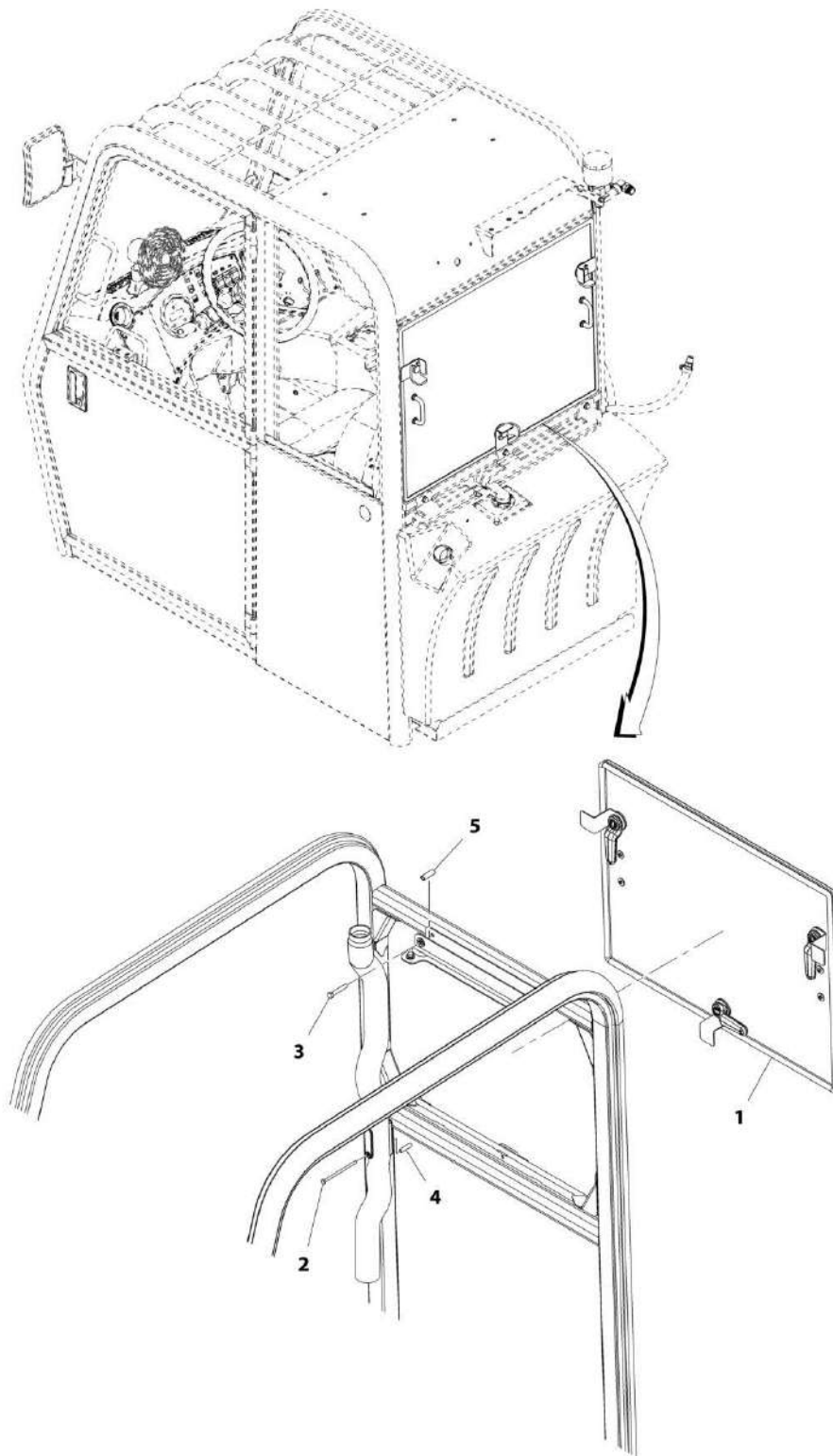
ITEM	PART NUMBER	QTY	DESCRIPTION	REV
	1001101666	1	INSTRUMENT PANEL ASSY, (includes items 1 thru 6)	M
1	1001099378	1	INSTRUMENT PANEL	
2	1001102815	1	INSTRUMENT PANEL HARNESS, (includes items 101 thru 115)	C
3	1001099163	1	3 IN 1 GAUGE ASSY	
4	7026440	1	HORN SWITCH	
5	91474465	1	PARK BRAKE SWITCH	
6	91473127	1	STEER SELECT SWITCH	
101	91503105	1	8 PIN RECEPTACLE	
102	91503106	1	WEDGE LOCK	
103	77363228	1	TERMINAL	
104	4460466	1	PLUG	
105	N.S.S.	1	CONNECTOR	
106	70022691	1	WEDGE LOCK	
107	4460944	1	CONTACT	
108	N.S.S.	1	CONNECTOR	
109	N.S.S.	1	DOUBLE LOCK PLATE	
110	N.S.S.	1	SOCKET	
111	N.S.S.	1	WIRE SEAL	
112	N.S.S.	1	PLUG	
113	7026437	4	BULB BASE	
114	7026438	4	TERMINAL	
115	80484088	4	BULB	
212	0740605	2	FLAT HD CAPSCREW, #6-32X0.62, (if equipped)	
216	3310601	2	HEX NUT, #6-32, GR2, (if equipped)	
231		Ref	KNOB, 3/16 SHAFT, (See OPTIONS SECTION for Breakdown)	
232	80365027	1	POTENTIOMETER ASSY, (8k ohms), (if equipped), (includes items 301 & 302)	C
237	80963101	1	WIPER SWITCH	
238		Ref	BLOWER SWITCH, (See OPTIONS SECTION for Breakdown)	
246	88691387	1	TUBING CLIP	
251	91033317	1	IGNITION SWITCH	
251	77384578	1	KEY	
266		Ref	ACCELERATOR PEDAL BRACKET, (See CONTROLS SECTION for Breakdown)	
269		Ref	ENCLOSED CAB HARNESS, (See ELECTRICAL SECTION for Breakdown)	
270	91563191	1	RH INSTRUMENT PANEL	
290		Ref	CAB HARNESS, (See ELECTRICAL SECTION for Breakdown)	
291		Ref	CAB DASH HARNESS, (See ELECTRICAL SECTION for Breakdown)	
294	1001115891	Ref	POWER DISTRIBUTION INSTALLATION, (not available to order, see items 401 thru 406 for service)	A
301	80363208	1	POTENTIOMETER HARNESS, (if equipped)	
302	80363067	1	POTENTIOMETER, (8k ohms), (if equipped)	
401	0641412	4	HEX HD CAPSCREW, 1/4-20X1-1/2, GR5	
402	3311401	4	HEX NUT, 1/4-20, GR2	
403	4751500	4	WASHER, 5/16	
404	1001092849	1	VEC BOX ASSY, (includes items 501 thru 508)	A
405		Ref	VEC BOX HARNESS, (See ELECTRICAL SECTION for Breakdown)	
406	4240033	2	TIE WRAP, (not shown)	

SECTION 6 - CAB

ITEM	PART NUMBER	QTY	DESCRIPTION	REV
501	70021478	1	COVER	
502	70021485	1	LABEL	
503	70020898	8	5-PIN MICRO RELAY	
504	8229242	1	5 AMP MINI FUSE	
505	8093191	2	10 AMP MINI FUSE	
506	8093192	1	15 AMP MINI FUSE	
507	8229246	3	20 AMP MINI FUSE	
508	8229247	1	25 AMP MINI FUSE	

SECTION 6 - CAB

FIGURE 6-12. REAR WINDOW EXIT INSTALLATION



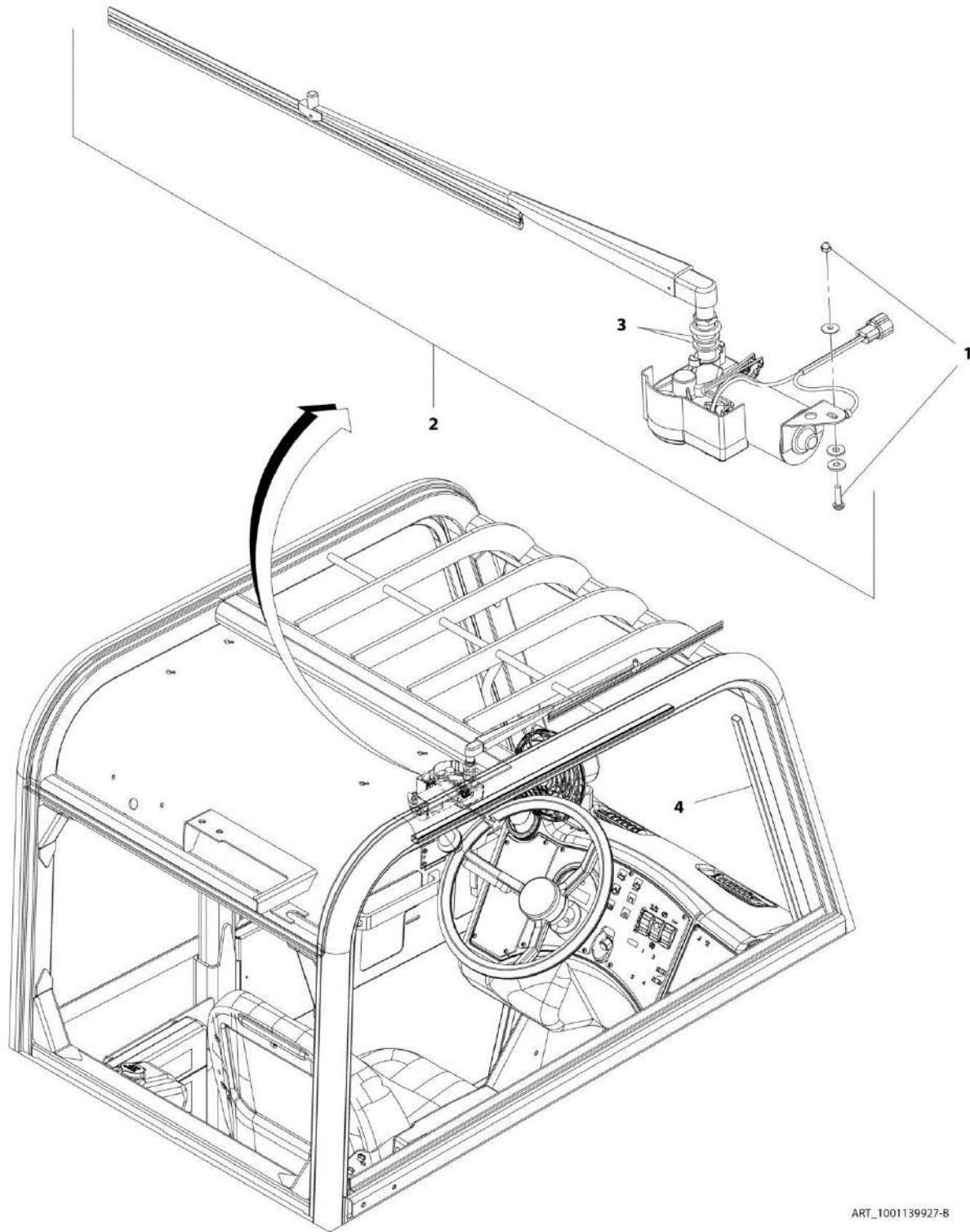
ART_1001159949-B

FIGURE 6-12. REAR WINDOW EXIT INSTALLATION

ITEM	PART NUMBER	QTY	DESCRIPTION	REV
	1001159949	Ref	REAR WINDOW EXIT INSTALLATION	B
1	1001160889	1	WINDOW, REAR	
2	0641436	1	BOLT, 1/4-20X4-1/2	
3	0641617	2	BOLT, 3/8-16X2-1/8	
4	1001165578	1	SHIM, AC TUBE SPACER	
5	1001165579	2	SHIM, AC BLOWER SPACER	

SECTION 6 - CAB

FIGURE 6-13. SKYLIGHT WIPER INSTALLATION



ART_1001139927-B

FIGURE 6-13. SKYLIGHT WIPER INSTALLATION

ITEM	PART NUMBER	QTY	DESCRIPTION	REV
	1001139927	Ref	SKYLIGHT WIPER INSTALLATION, (not available to order, see items thru 4 for service)	B
1	0100011	AR	LOCTITE 242	
2	1001111086	1	SKYLIGHT WIPER ASSY (See separate Breakdown in this Section)	
3	14403190	AR	SEALANT	
4	8096D097	48 in	CONDUIT	

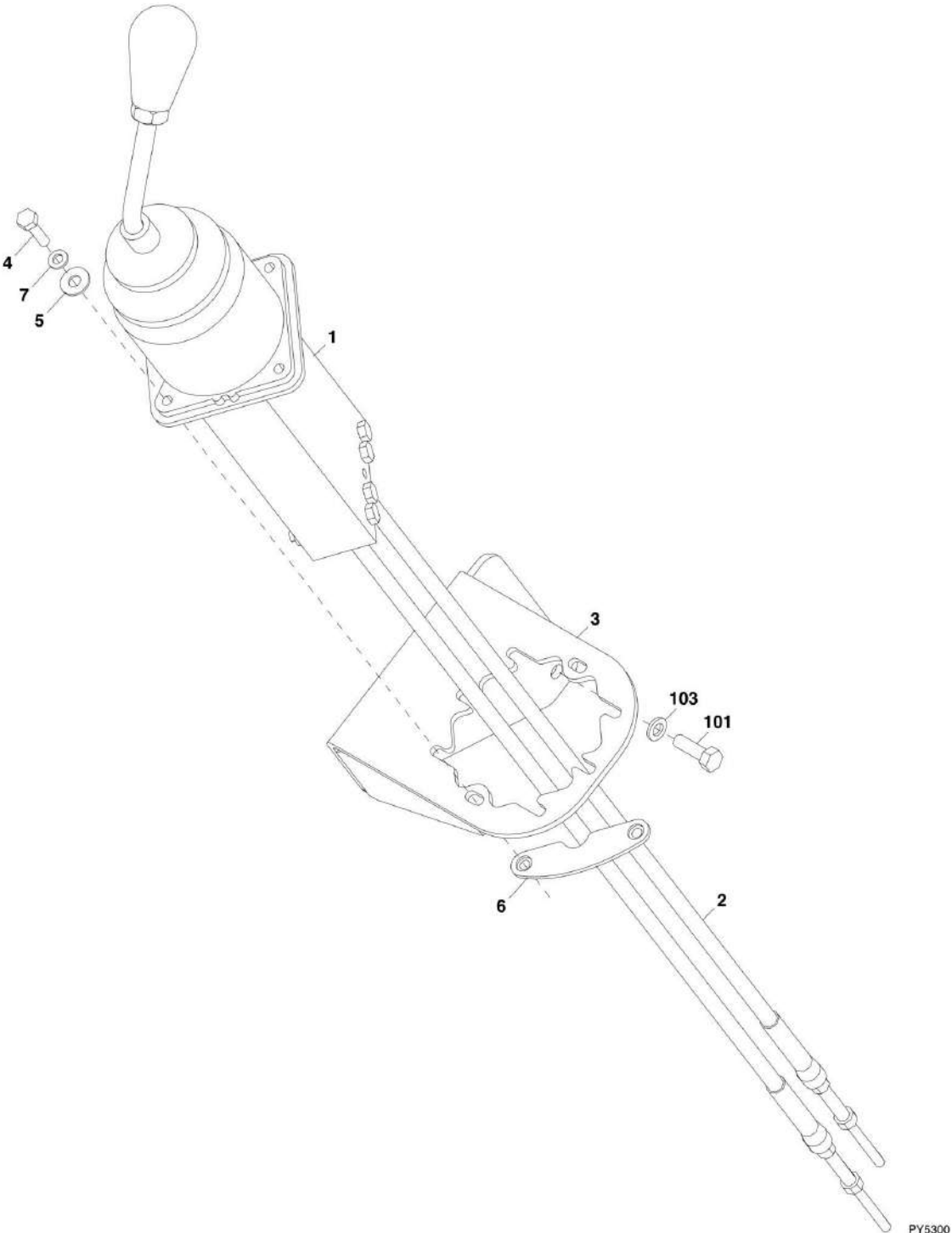
FIGURE 6-14. SKYLIGHT WIPER MOTOR ASSEMBLY

ITEM	PART NUMBER	QTY	DESCRIPTION	REV
	1001111086	Ref	SKYLIGHT WIPER MOTOR ASSEMBLY	C
1	1001093828	1	HARNES, WIPER MOTOR (See ELECTRICAL SECTION for Breakdown)	
2	1001107799	1	MOTOR, SKYLIGHT WIPER	
101	8035498	1	BLADE, WIPER 20 FLEX	
102	8034807	1	ARM, WIPER 15-19	
103	8034805	1	NUT, ACORN 10-24	
104	4740553	1	WASHER, 1/4	
105	8036678	2	WASHER, 1/4	
106	8036088	1	SCREW, 10-24X3/4	

SECTION 7 - CONTROLS

SECTION 7 - CONTROLS

FIGURE 7-1. TILT AND FRAME LEVEL JOYSTICK INSTALLATION



PY5300

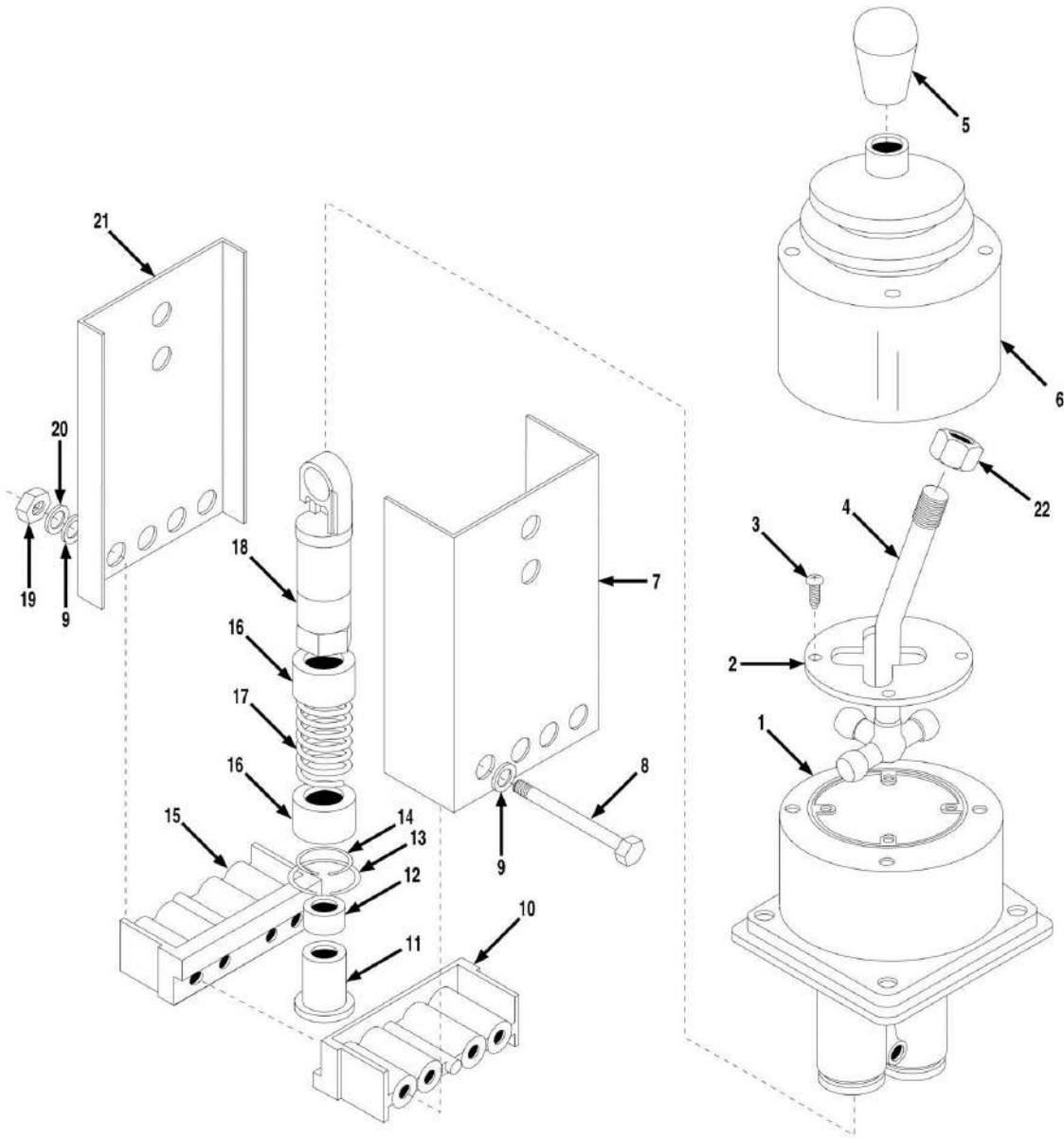
SECTION 7 - CONTROLS

FIGURE 7-1. TILT AND FRAME LEVEL JOYSTICK INSTALLATION

ITEM	PART NUMBER	QTY	DESCRIPTION	REV
	91475033	Ref	TILT AND FRAME LEVEL JOYSTICK INSTALLATION, (if equipped), (not available to order, see items 1 thru 7 for service)	F
1		Ref	TILT AND FRAME LEVEL JOYSTICK ASSY, (See JOYSTICK ASSEMBLY for Breakdown)	
2	91473146	2	CONTROL CABLE	
3	91416013	1	RH CONTROL BRACKET	
4	88201006	4	HEX HD CAPSCREW, 1/4-20X1-1/4, GR5	
5	88561107	4	FLAT WASHER, 1/4	
6	91416017	2	WELD NUT PLATE WELDMENT	
7	88551009	4	LOCKWASHER, 1/4	
101	88201020	3	HEX HD CAPSCREW, 5/16-18X1, GR5	
103	4761500	3	LOCKWASHER, 5/16	

SECTION 7 - CONTROLS

FIGURE 7-2. JOYSTICK ASSEMBLY



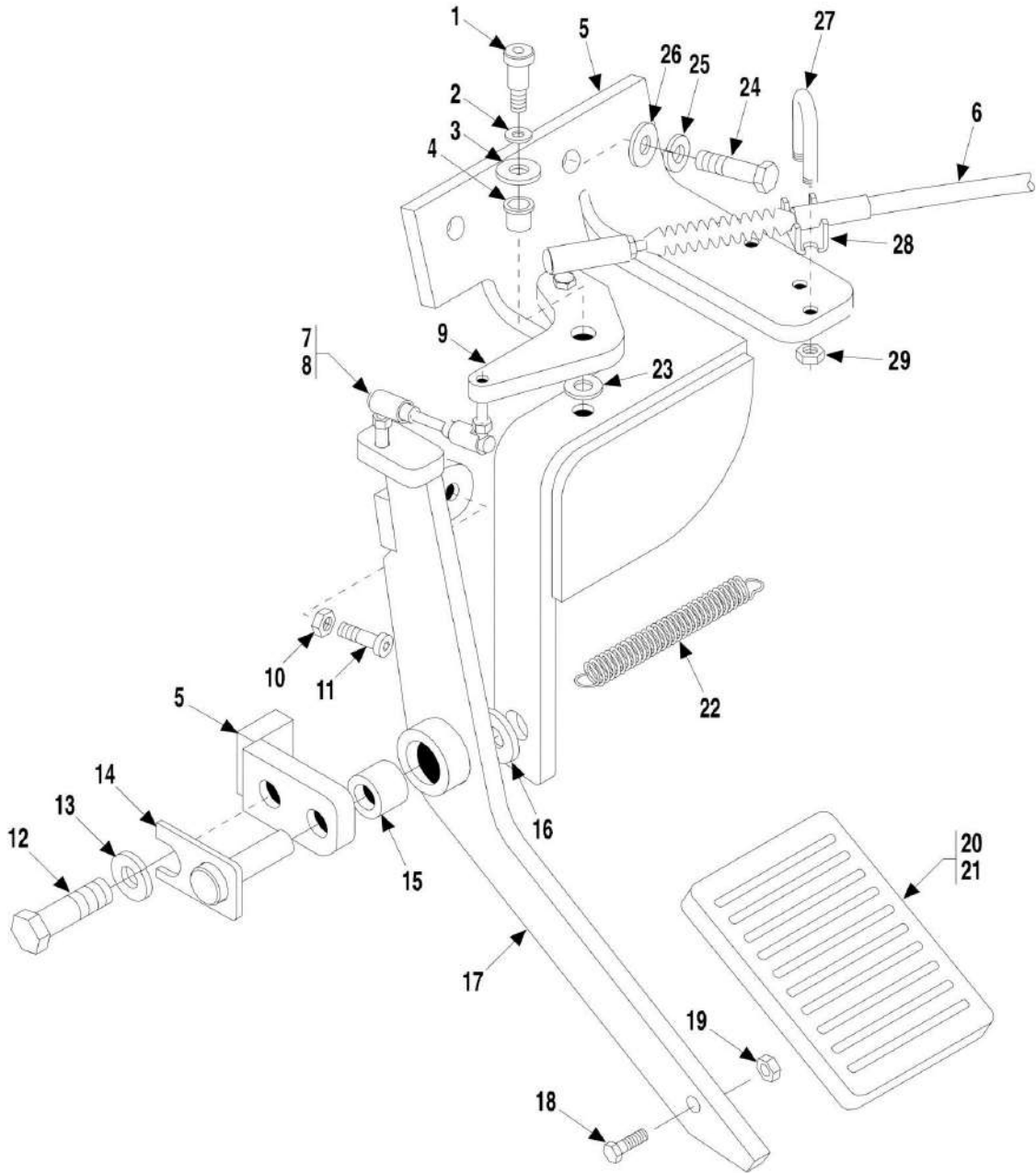
SECTION 7 - CONTROLS

FIGURE 7-2. JOYSTICK ASSEMBLY

ITEM	PART NUMBER	QTY	DESCRIPTION	REV
	91403178	1	JOYSTICK ASSY, (if equipped), (includes all items)	G
1	91404207	1	HOUSING	
2	91404088	1	RESTRICTOR PLATE	
3	91404089	4	SELF-TAPPING SCREW, #10X3/4	
4	91404208	1	INPUT LEVER ASSY	
5	91404091	1	KNOB	
6	8160419	1	BOOT	
7	91404093	1	HOUSING, (outer)	
8	91404094	6	HEX HD CAPSCREW	
9	91404095	12	FLAT WASHER	
10	91404096	1	CABLE ANCHOR, (inner)	
11	91404097	2	CABLE LOCK SCREW	
12	91404098	2	CABLE BUSHING	
13	91404099	2	RETAINING RING	
14	91404100	2	RETAINING RING	
15	91404101	1	CABLE ANCHOR, (outer)	
16	91404102	4	BUSHING	
17	91404103	2	SPRING	
18	91404209	2	SLIDER ASSY	
19	91404105	6	HEX HUT, 1/4-20	
20	91404106	6	LOCK WASHER	
21	91404107	1	HOUSING, (inner)	
22	91404210	1	JAM NUT	

SECTION 7 - CONTROLS

FIGURE 7-3. ACCELERATOR PEDAL INSTALLATION (Prior to SN 0160038504, Excluding 0160025238)



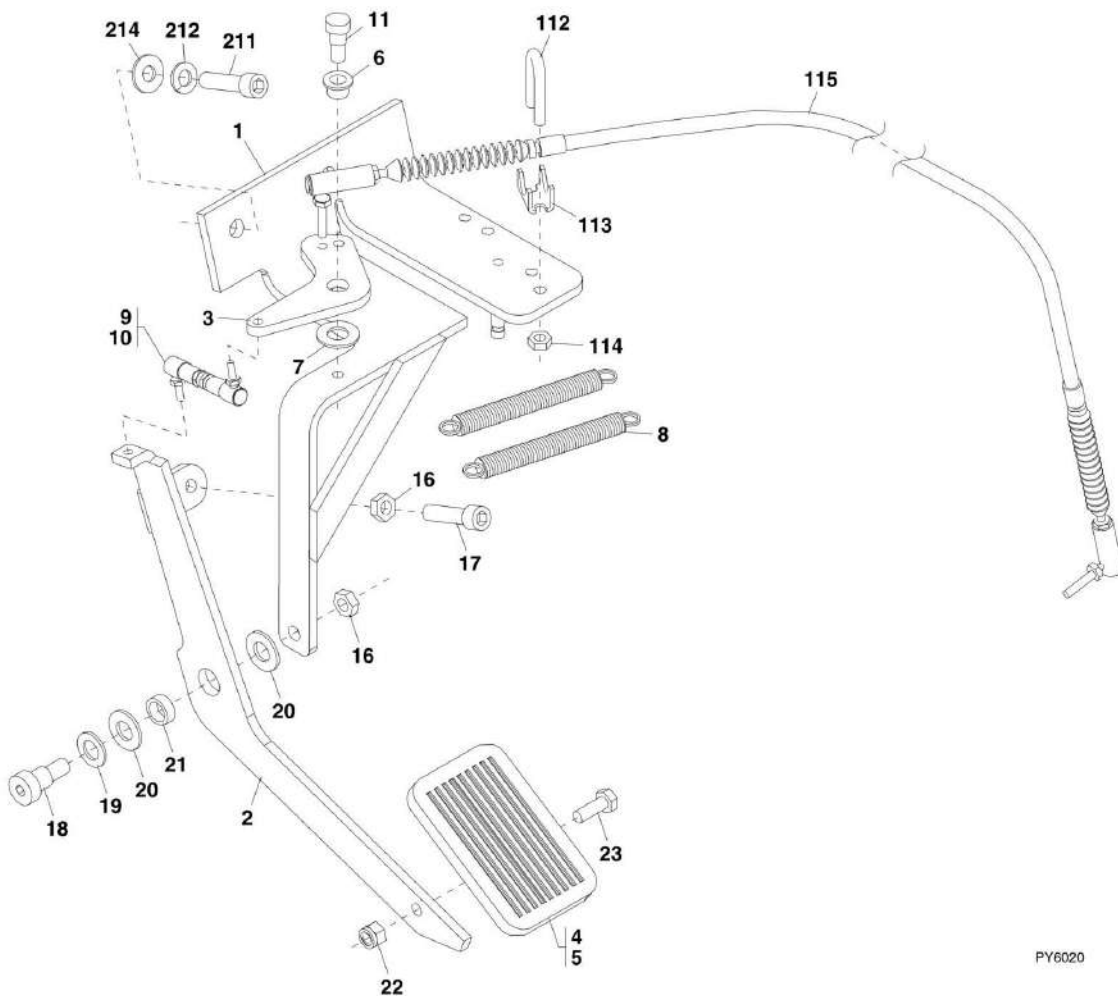
SECTION 7 - CONTROLS

FIGURE 7-3. ACCELERATOR PEDAL INSTALLATION (Prior to SN 0160038504, Excluding 0160025238)

ITEM	PART NUMBER	QTY	DESCRIPTION	REV
	91475027	Ref	ACCELERATOR PEDAL INSTALLATION, (not available to order, see items 1 thru 23 for service)	E
1	88251019	1	SOCKET HD SHOULDER SCREW, 3/8x5/8	
2	90028946	1	WAVE WASHER	
3	88561109	1	FLAT WASHER, 3/8	
4	91403473	1	FLANGE BUSHING	
5	91476027	1	ACCELERATOR PEDAL BRACKET	
6	91473099	1	ACCELERATOR CABLE, (includes items 27 thru 29)	C
7	91403476	1	STUD, #10-32X1-1/4	
8	91403521	2	BALL JOINT, 1/4-28	
9	91406139	1	ACCELERATOR BELL CRANK	
10	88501006	1	HEX NUT, 3/8-16	
11	88211073	1	SOCKET HD CAPSCREW, 3/8-16X1-1/2	
12	88201018	1	HEX HD CAPSCREW, 5/16-18X3/4, GR5	
13	88551010	1	LOCKWASHER, 5/16	
14	91406148	1	PIVOT PIN	
15	91083136	2	BUSHING	
16	88561108	1	FLAT WASHER, 5/16	
17	91406147	1	ACCELERATOR PEDAL ARM	
18	88201005	1	HEX HD CAPSCREW, 1/4-20X1, GR5	
19	88521304	1	LOCKNUT, 1/4-20	
20	91401423	1	PEDAL	
21	80263108	1	PEDAL PAD	
22	91413014	1	EXTENSION SPRING	
23	91403474	1	FLAT WASHER	
24	88201005	2	HEX HD CAPSCREW, 5/16-18X1, GR5	
25	88551010	2	LOCKWASHER, 5/16	
26	88561003	2	FLAT WASHER, 5/16	
27	91404211	1	U-BOLT	
28	91404212	1	SADDLE	
29	91404213	2	HEX NUT	

SECTION 7 - CONTROLS

FIGURE 7-4. ACCELERATOR PEDAL INSTALLATION (SN 0160038504 through 0160040659, Including 0160025238)



PY6020

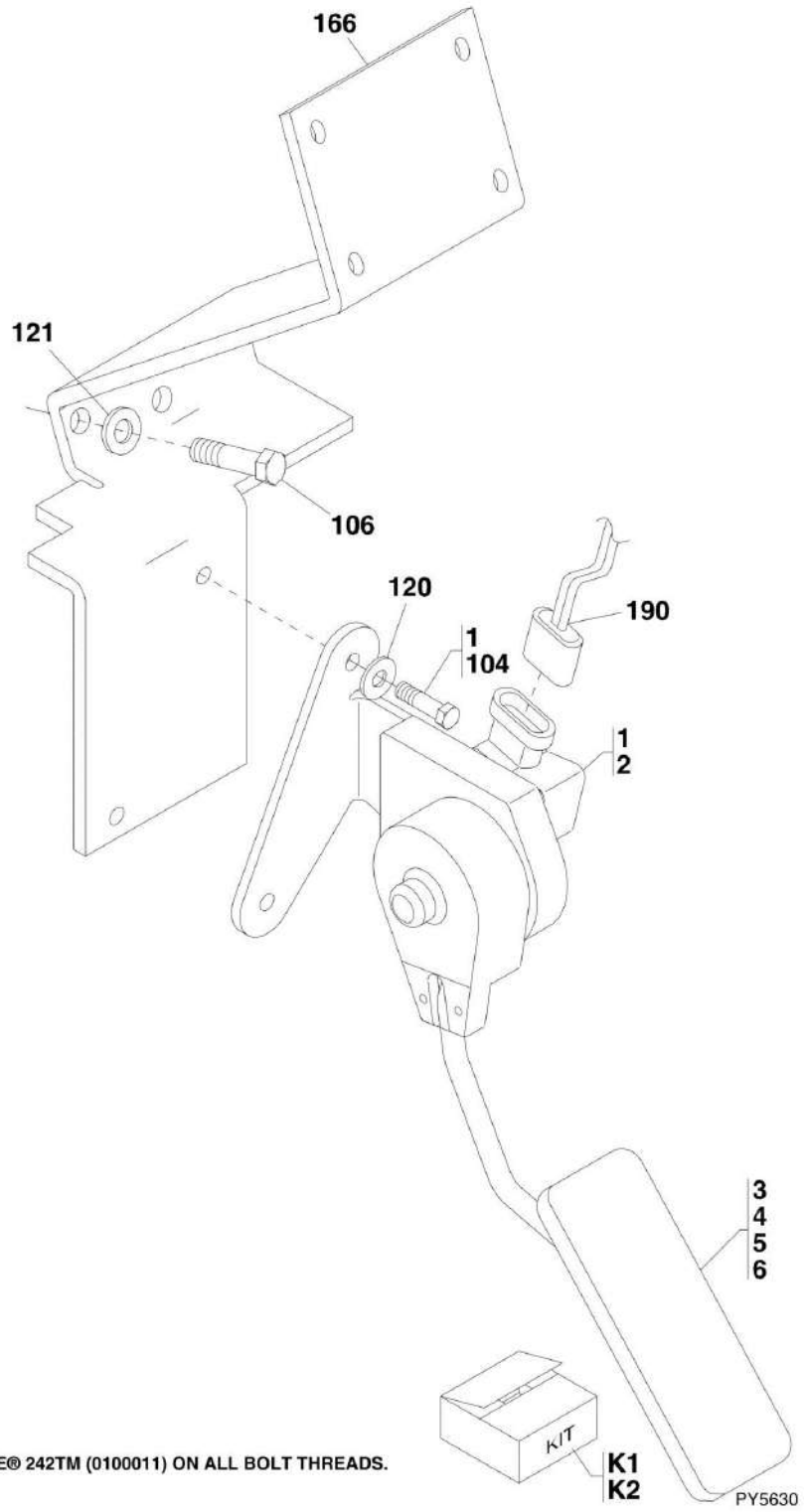
SECTION 7 - CONTROLS

FIGURE 7-4. ACCELERATOR PEDAL INSTALLATION (SN 0160038504 through 0160040659, Including 0160025238)

ITEM	PART NUMBER	QTY	DESCRIPTION	REV
	1001102561	1	ACCELERATOR PEDAL INSTALLATION, (not available to order, see items 1 thru 23 for service)	A
1	70023836	1	ACCELERATOR PEDAL BRACKET	
2	70023837	1	ACCELERATOR PEDAL ARM	
3	70023838	1	ACCELERATOR BELL CRANK	
4	70023839	1	PEDAL	
5	70023840	1	PEDAL PAD	
6	70023841	1	FLANGE BUSHING	
7	70023842	1	TEFLON WASHER	
8	70023843	2	EXTENSION SPRING	
9	70023844	1	STUD, 10-32X1-1/4	
10	70023845	2	BALL JOINT, 1/4-28	
11	70023846	1	SOCKET HD SHOULDER SCREW	
16	70023847	2	HEX NUT, 3/8-16	
17	70023848	1	SOCKET HD CAPSCREW, 3/8-16X1-1/2	
18	70023849	1	SOCKET HD SHOULDER SCREW	
19	70023850	1	MACHINE BUSHING	
20	70023851	2	NYLON WASHER	
21	70023852	1	BUSHING	
22	70023853	1	STOP HEX NUT, 5/16-18	
23	70023854	1	HEX HD CAPSCREW, 5/16-18X7/8	
112	91404211	1	U-BOLT	
113	91404212	1	SADDLE	
114	91404213	2	STOP HEX NUT	
115	91473219	1	ACCELERATOR CABLE, (includes items 112 thru 114)	B
211	88201020	2	HEX HD CAPSCREW, 5/16-18X1, GR5	
212	4761500	2	LOCKWASHER, 5/16	
214	4751500	2	FLAT WASHER, 5/16	

SECTION 7 - CONTROLS

FIGURE 7-5. ACCELERATOR PEDAL INSTALLATION (SN 0160040678 to Present)



NOTE: USE LOCTITE® 242TM (0100011) ON ALL BOLT THREADS.

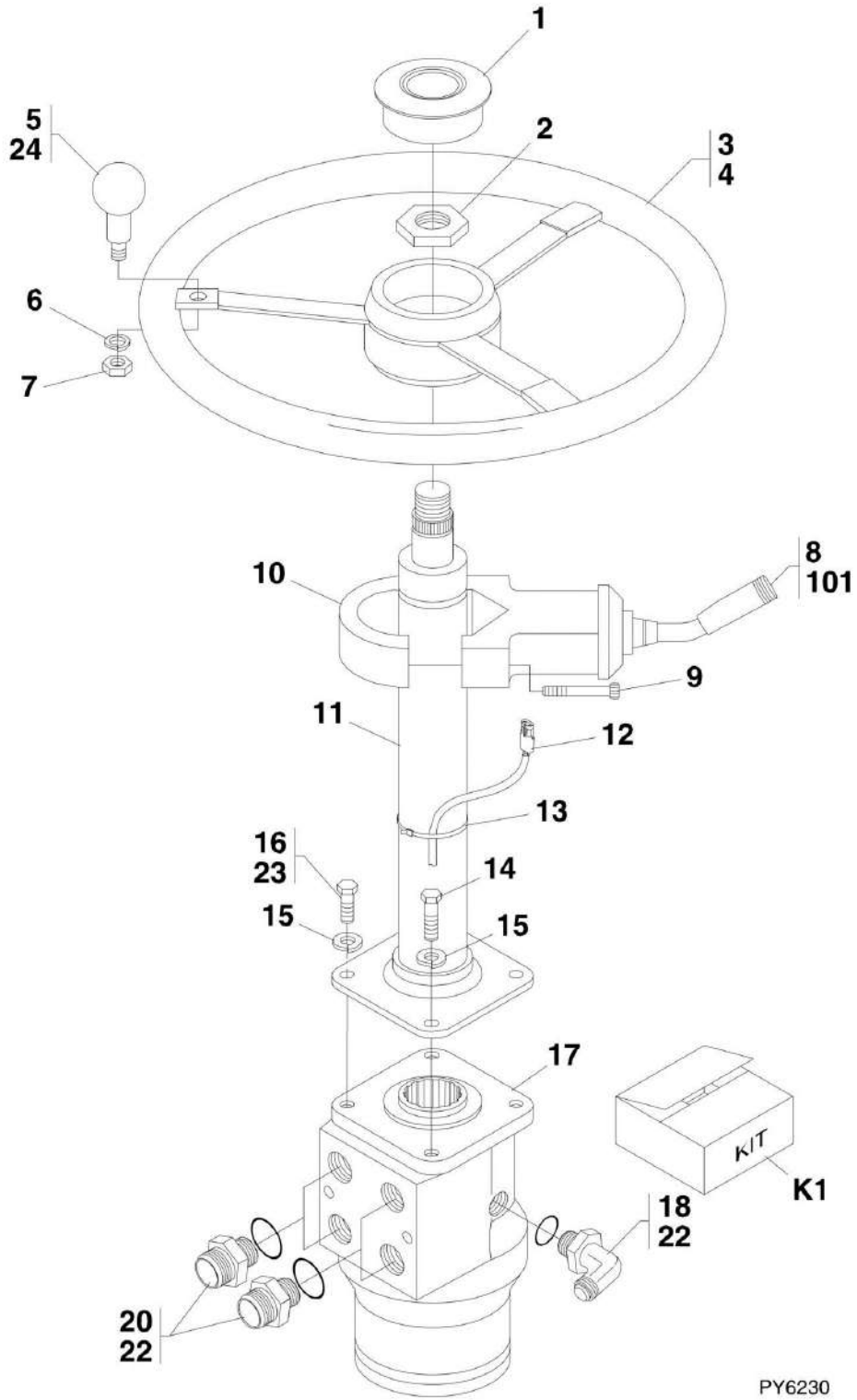
SECTION 7 - CONTROLS

FIGURE 7-5. ACCELERATOR PEDAL INSTALLATION (SN 0160040678 to Present)

ITEM	PART NUMBER	QTY	DESCRIPTION	REV
	80383410	1	ACCELERATOR PEDAL ASSY, (includes items 1 thru 6)	1
1	N.S.S.	2	SCREW	
2	N.S.S.	1	SENSOR	
3	N.S.S.	1	PEDAL	
4	N.S.S.	1	PEDAL SPRING	
5	7026481	1	PEDAL ARM	
6	N.S.S.	1	PEDAL PIN	
101	0100011	AR	LOCTITE 242	
104	0641408	2	HEX HD CAPSCREW, 1/4-20X1, GR5	
106	0641508	3	HEX HD CAPSCREW, 5/16-18X1, GR5	
120	4711400	2	FLAT WASHER, 1/4	
121	4711500	3	FLAT WASHER, 5/16	
166	91561192	1	ACCELERATOR BRACKET	
190		Ref	CAB HARNESS, (See ELECTRICAL SECTION for Breakdown)	
K1	70023325	1	ACCELERATOR PEDAL KIT, (includes items 3, 4 & 6)	
K2	70020551	1	ACCELERATOR SENSOR KIT, (includes items 1 & 2)	

SECTION 7 - CONTROLS

FIGURE 7-6. STEERING COLUMN AND ATTACHING PARTS (Prior to SN 0160040678)



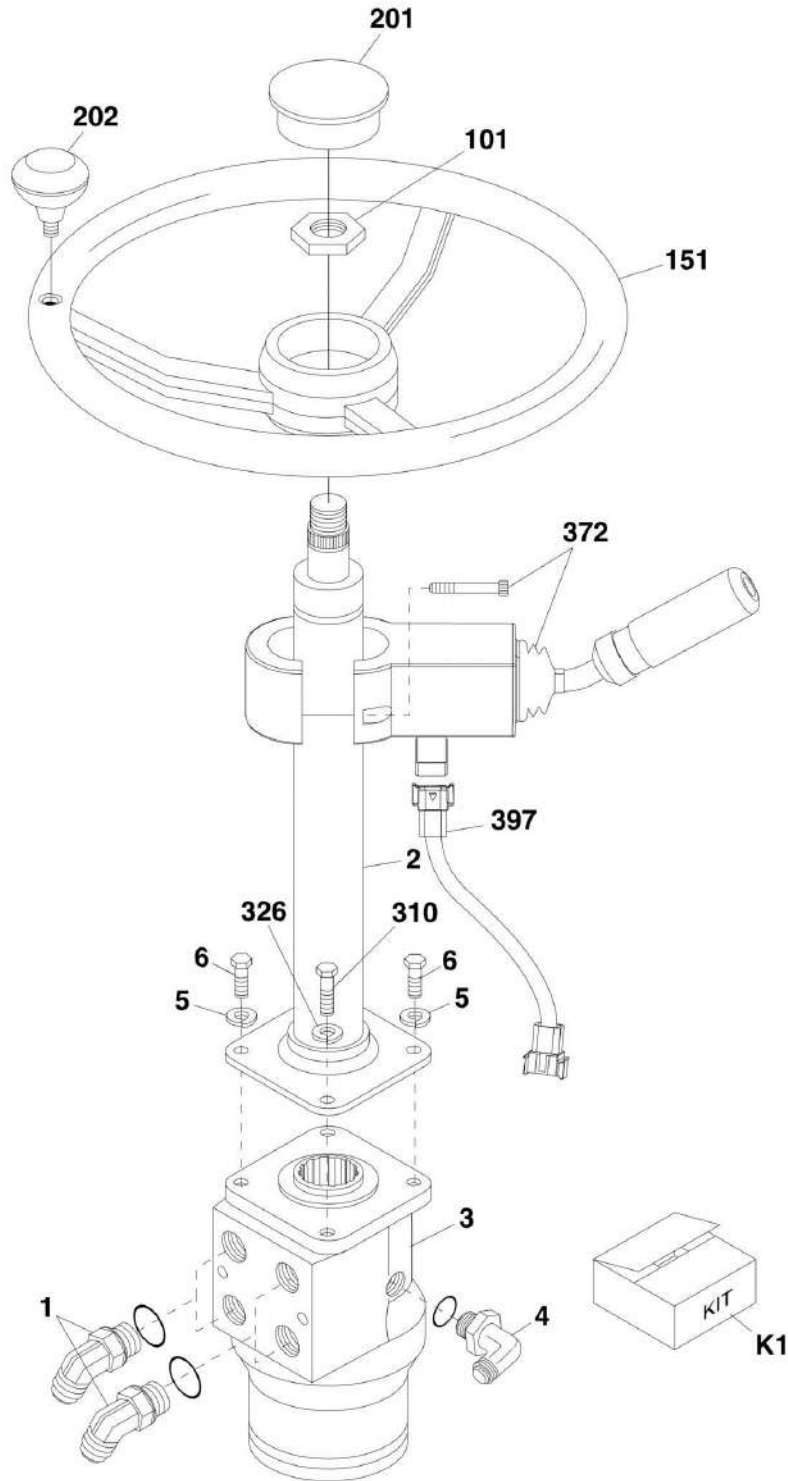
SECTION 7 - CONTROLS

FIGURE 7-6. STEERING COLUMN AND ATTACHING PARTS (Prior to SN 0160040678)

ITEM	PART NUMBER	QTY	DESCRIPTION	REV
	91515033	Ref	STEERING CONTROL ASSY, (not available to order, see items 11, 16, 17, 18, 20, 22, 23 & two of item 15 for service)	B
1	7026477	1	HORN CAP	
2	70020923	1	STEERING WHEEL NUT, (torque to 29-34 lb-ft)	
3	91475048	Ref	STEERING WHEEL ASSY, (not available to order, see items 4 & 5 for service)	B
4	91563208	1	STEERING WHEEL, (includes items 1 & 24)	F
5	91413016	1	SPINNER KNOB, (includes items 6 & 7)	
6	91414028	1	LOCKWASHER, 1/2	
7	91414029	1	HEX NUT, 1/2-13	
8	91473061	1	SHIFTER, 3 SPEED, (if equipped), (includes items 9 & 10)	
8	91473031	1	SHIFTER, 4 SPEED, (if equipped), (includes items 9 & 10)	
9	83191059	2	SOCKET HD CAPSCREW, M5X0.8, (torque to 30-35 lb-ft)	
10	N.S.S.	1	CLAMP SET	
11	91513125	1	STEERING COLUMN	
12		Ref	INSTRUMENT PANEL HARNESS, (See CAB SECTION for Breakdown)	
13	86683122	2	TIE WRAP	
14	0641608	2	HEX HD CAPSCREW, 3/8-16X1, GR5	
15	88551011	4	LOCKWASHER, 3/8	
16	88201033	2	HEX HD CAPSCREW, 3/8-16X3/4, GR5	
17	91123126	1	STEERING CONTROL UNIT	
18	2220466	1	ELBOW, 90, (includes o-ring)	
20	2220373	4	CONNECTOR, (includes o-ring)	
22	14404043	AR	LOCTITE 545	
23	0100011	AR	LOCTITE 24	
24	7026478	1	SPINNER KNOB	
101	91471129	1	SHIFTER SPACER, (not used with 91513125 steering column) (SN 0190001 through 016000872)	
K1	91144190	Ref	STEERING CONTROL UNIT SEAL KIT	

SECTION 7 - CONTROLS

FIGURE 7-7. STEERING COLUMN AND ATTACHING PARTS (SN 0160040678 to Present)



PAP22050

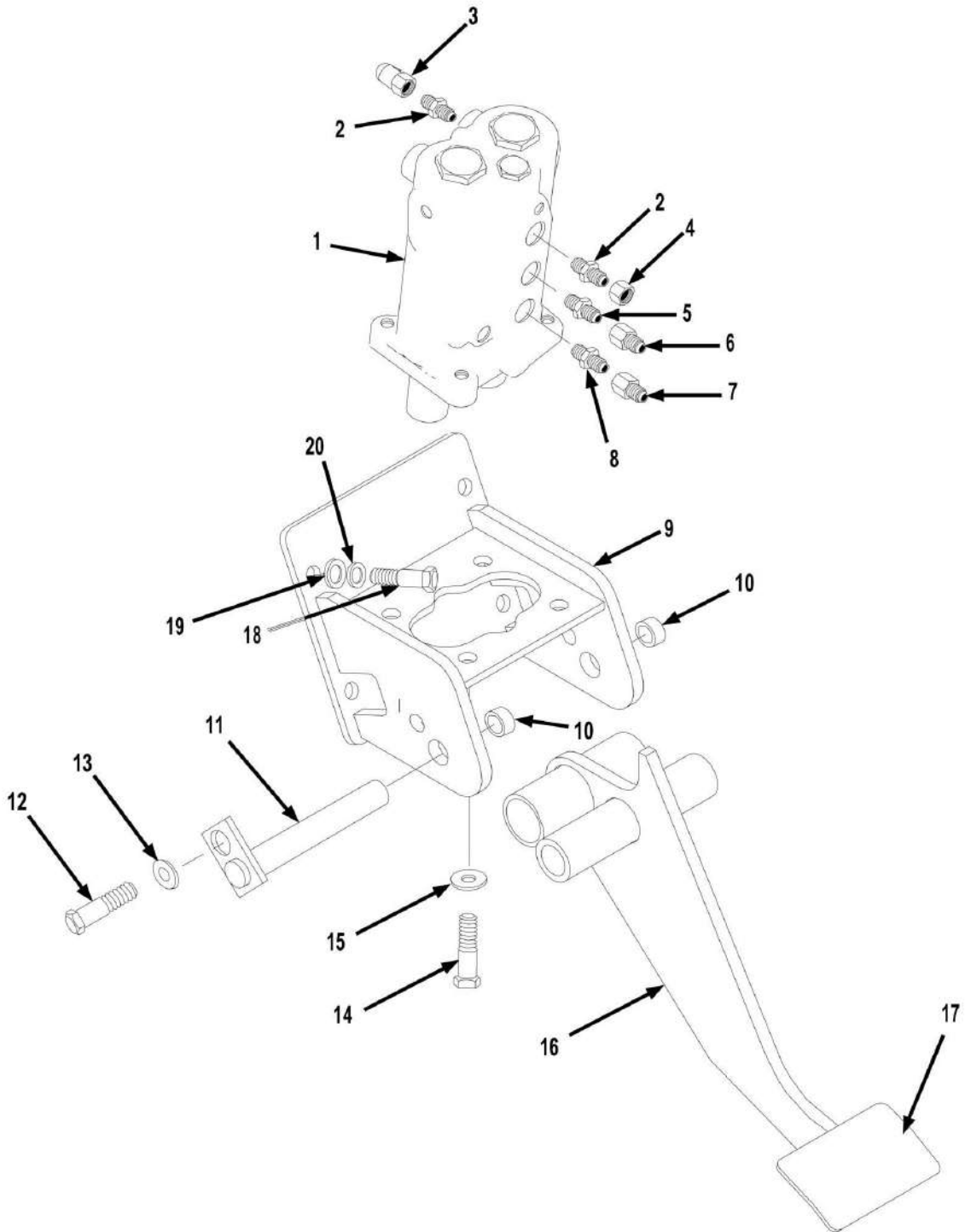
SECTION 7 - CONTROLS

FIGURE 7-7. STEERING COLUMN AND ATTACHING PARTS (SN 0160040678 to Present)

ITEM	PART NUMBER	QTY	DESCRIPTION	REV
	1001001213	Ref	STEERING COLUMN INSTALLATION, (not available to order, see items 1 thru 6 for service)	A
1	2150808	4	ADAPTER, 45, (includes o-ring)	
2	91513125	1	STEERING COLUMN ASSY, (includes item 101)	
3	91123126	1	STEERING CONTROL UNIT	
4	2130404	1	ADAPTER, 90, (includes o-ring)	
5	4761600	4	LOCKWASHER, 3/8	
6	0641606	2	HEX HD CAPSCREW, 3/8-16X3/4, GR5	
101	70020923	1	STEERING WHEEL NUT, (torque to 29-34 lb-ft)	
151	91563208	1	STEERING WHEEL ASSY, (includes items 201 & 202)	F
201	7026477	1	CENTER CAP	
202	7026478	1	SPINNER KNOB	
310	0641608	2	HEX HD CAPSCREW, 3/8-16X1	
326	4761600	2	WASHER, 3/8	
372	91563226	1	F-N-R SHIFTER ASSY , (includes clamp set and hardware) (SN 0160040678 through 0160045456, Excluding 0160043800)	
372	91473031	1	F-N-R SHIFTER ASSY , (includes clamp set and hardware) (SN 0160045464 to Present, Including 0160043800)	
397	1001138966	1	PIGTAIL HARNESS (SN 0160045464 to Present, Including 0160043800)	
K1	91144190	Ref	STEERING CONTROL UNIT SEAL KIT	

SECTION 7 - CONTROLS

FIGURE 7-8. BRAKE PEDAL INSTALLATION (SN 0190001 through 0190457, SN 016000022 through 0160000843)



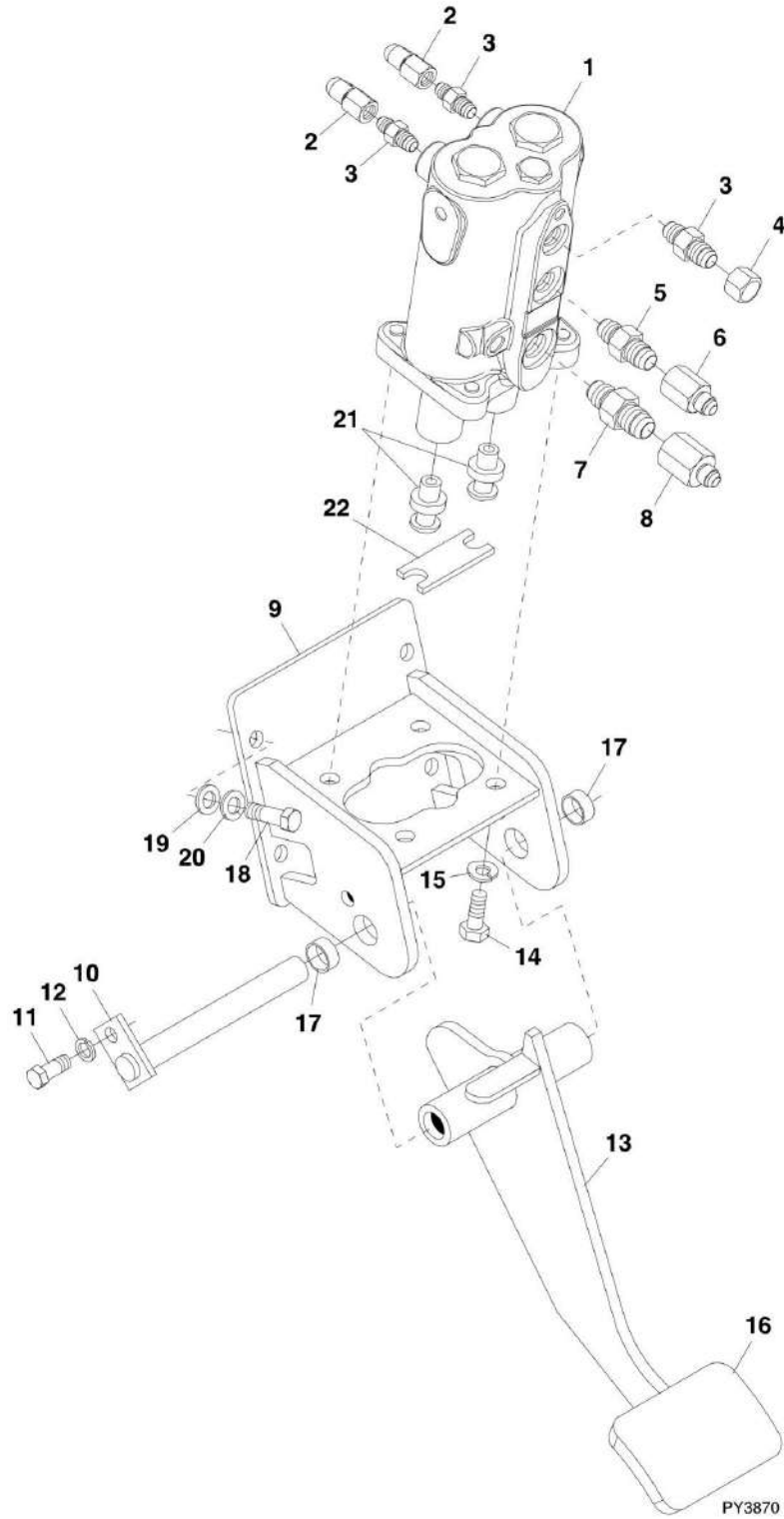
SECTION 7 - CONTROLS

FIGURE 7-8. BRAKE PEDAL INSTALLATION (SN 0190001 through 0190457, SN 016000022 through 0160000843)

ITEM	PART NUMBER	QTY	DESCRIPTION	REV
	91475042	Ref	BRAKE PEDAL INSTALLATION, (not available to order, see items 1 thru 17 for service)	
1		Ref	POWER BRAKE VALVE, (See HYDRAULIC COMPONENTS SECTION for Breakdown)	
2	83193009	2	CONNECTOR	
3	88662105	1	ELBOW, 90	
4	88661364	1	FITTING	
5	83193018	1	CONNECTOR	
6	2220619	1	FITTING REDUCER	
7	2220620	1	FITTING REDUCER	
8	80233142	1	CONNECTOR	
9	91476037	1	BRACE BRACKET	
10	91403247	2	BUSHING	
11	91476031	1	PIVOT PIN	
12	88201035	1	HEX HD CAPSCREW, 3/8-16X1, GR5	
13	88551011	1	LOCKWASHER, 3/8	
14	83191021	4	HEX HD CAPSCREW, M10-1-1/2X30	
15	83191013	4	LOCKWASHER	
16	91476038	1	BRAKE PEDAL	
17	80263108	1	PEDAL	
18	88201020	4	HEX HD CAPSCREW, 5/16-18X1, GR5	
19	88561003	4	FLAT WASHER, 5/16	
20	88551010	4	LOCKWASHER, 5/16	

SECTION 7 - CONTROLS

FIGURE 7-9. BRAKE PEDAL INSTALLATION (SN 0160000847 through 0160029241)



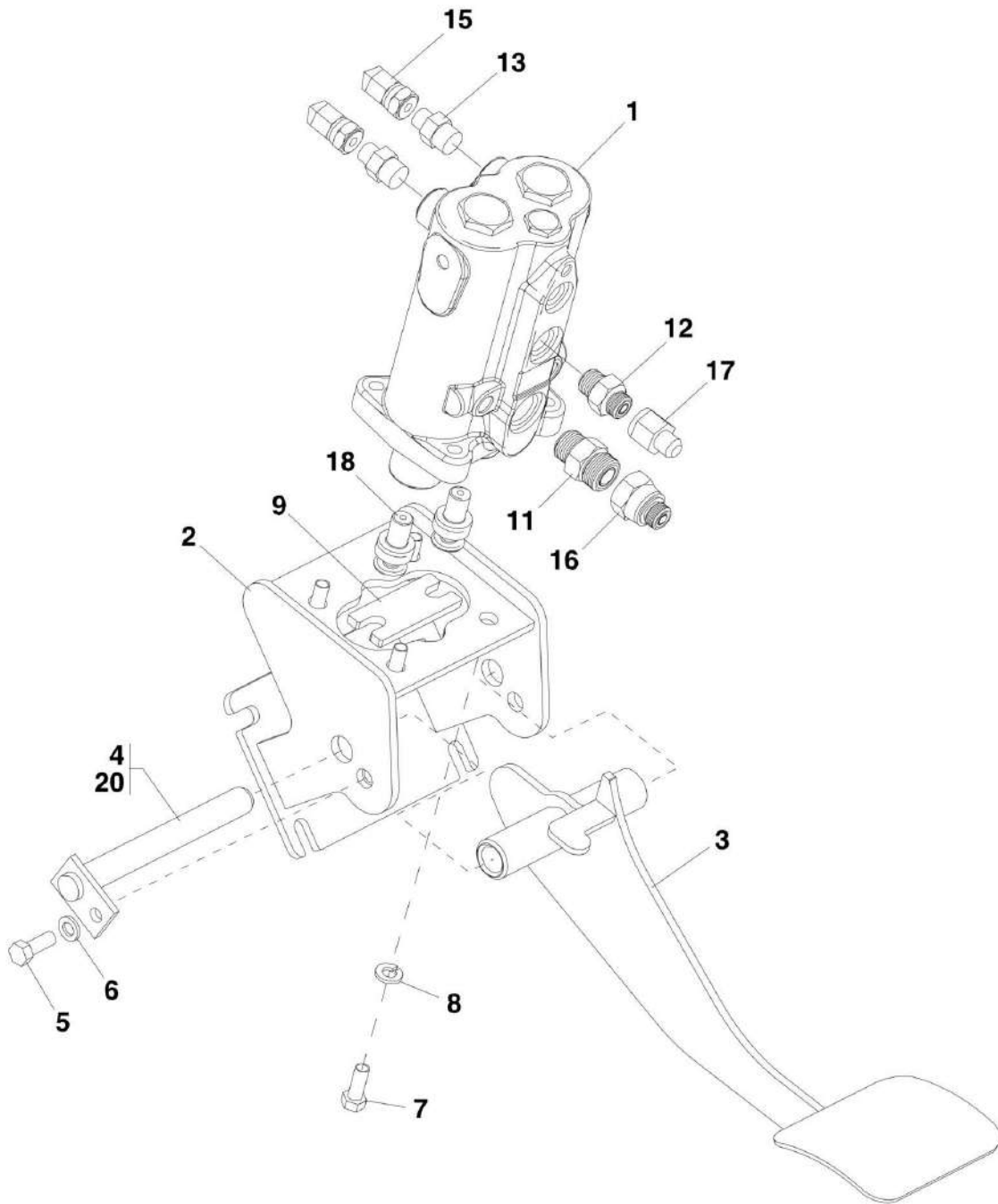
SECTION 7 - CONTROLS

FIGURE 7-9. BRAKE PEDAL INSTALLATION (SN 0160000847 through 0160029241)

ITEM	PART NUMBER	QTY	DESCRIPTION	REV
	91515048	Ref	BRAKE PEDAL INSTALLATION, (not available to order, see items 1 thru 17, 21 & 22 for service)	D
1		Ref	POWER BRAKE VALVE, (See HYDRAULIC COMPONENTS SECTION for Breakdown)	
2	88662105	2	ELBOW, 90	
3	8770064	3	CONNECTOR	
4	88661364	1	FITTING	
5	83193018	1	CONNECTOR	
6	2220619	1	FITTING REDUCER	
7	80233142	1	CONNECTOR	
8	2220620	1	FITTING REDUCER	
9	91516029	1	BRAKE BRACKET	
10	91476031	1	PIVOT PIN	
11	88201035	1	HEX HD CAPSCREW, 3/8-16X1, GR5	
12	88551011	1	LOCKWASHER, 3/8	
13	91516030	1	BRAKE PEDAL	
14	83191021	4	HEX HD CAPSCREW, M10-1-1/2X30	
15	83191013	4	LOCKWASHER	
16	80263108	1	PEDAL PAD	
17	91403247	2	BUSHING	
18	88201020	4	HEX HD CAPSCREW, 5/16-8X1, GR5	
19	88561003	4	FLAT WASHER, 5/16	
20	88551010	4	LOCKWASHER, 5/16	
21	91513180	2	ACTUATOR	
22	91511145	1	TIE BAR	

SECTION 7 - CONTROLS

FIGURE 7-10. BRAKE PEDAL INSTALLATION (SN 0160029242 through 0160040659)



PAP18830

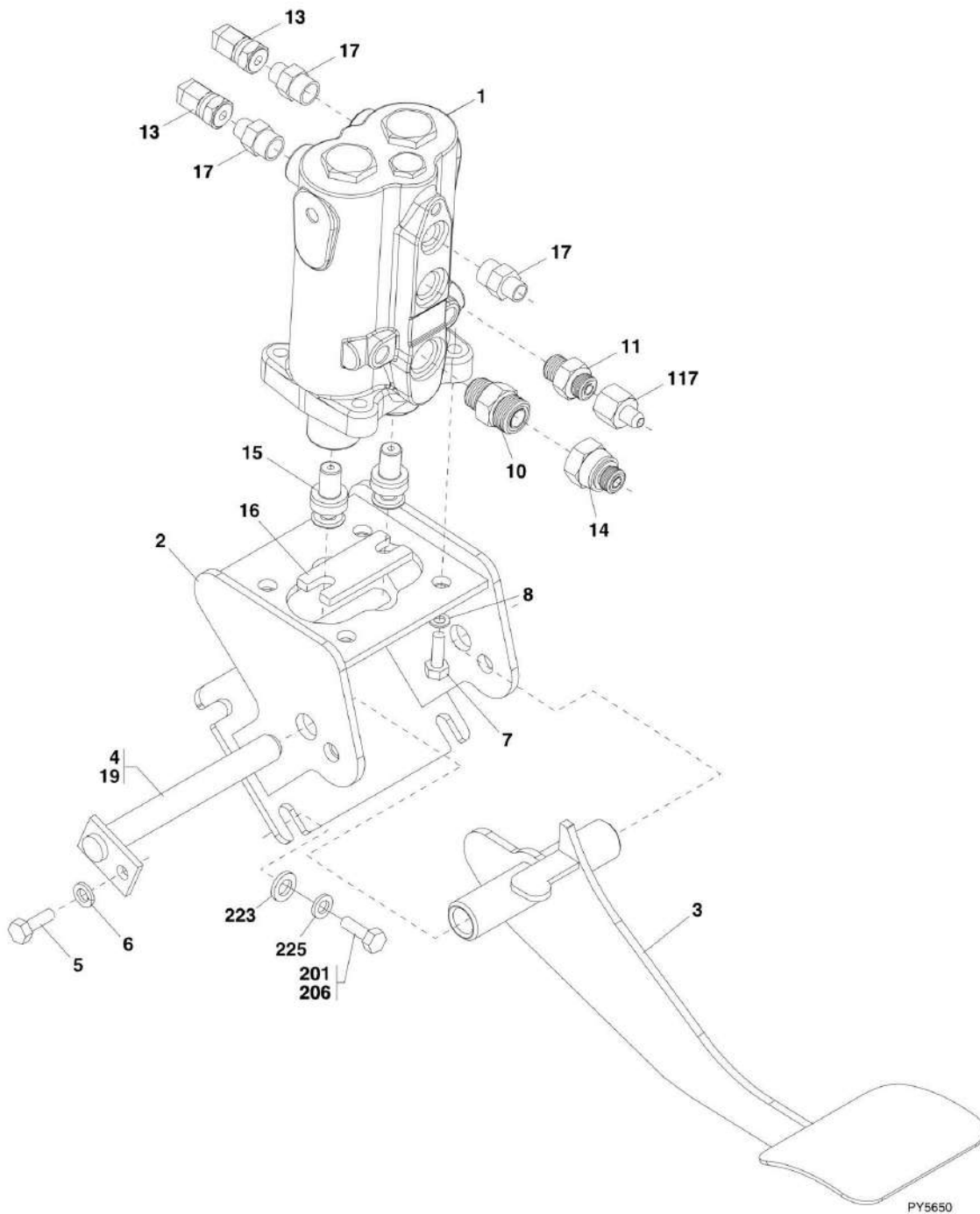
SECTION 7 - CONTROLS

FIGURE 7-10. BRAKE PEDAL INSTALLATION (SN 0160029242 through 0160040659)

ITEM	PART NUMBER	QTY	DESCRIPTION	REV
	1001091983	Ref	BRAKE PEDAL INSTALLATION, (not available to order, see items 1 thru 20 for service)	C
1		Ref	BRAKE VALVE, (See HYDRAULIC COMPONENTS SECTION for Breakdown)	
2	1001091118	1	BRAKE PEDAL BRACKET	
3	1001090741	1	BRAKE PEDAL	
4	91476031	1	PIVOT PIN	
5	0641608	1	HEX HD CAPSCREW, 3/8-16X1	
6	4761600	1	LOCKWASHER, 3/8	
7	0701014	4	HEX HD CAPSCREW, 10X30mm, GR8.8	
8	4832000	4	LOCKWASHER	
9	91511145	1	TIE BAR	
11	80233142	1	CONNECTOR	
12	83193018	1	CONNECTOR	
13	8770064	2	CONNECTOR	
15	8760268	2	ELBOW, 90	
16	2220620	1	FITTING REDUCER	
17	2220619	1	FITTING REDUCER	
18	91513180	2	ACTUATOR	
20	3020039	AR	MOLY PASTE	

SECTION 7 - CONTROLS

FIGURE 7-11. BRAKE PEDAL INSTALLATION (SN 0160040678 to Present)



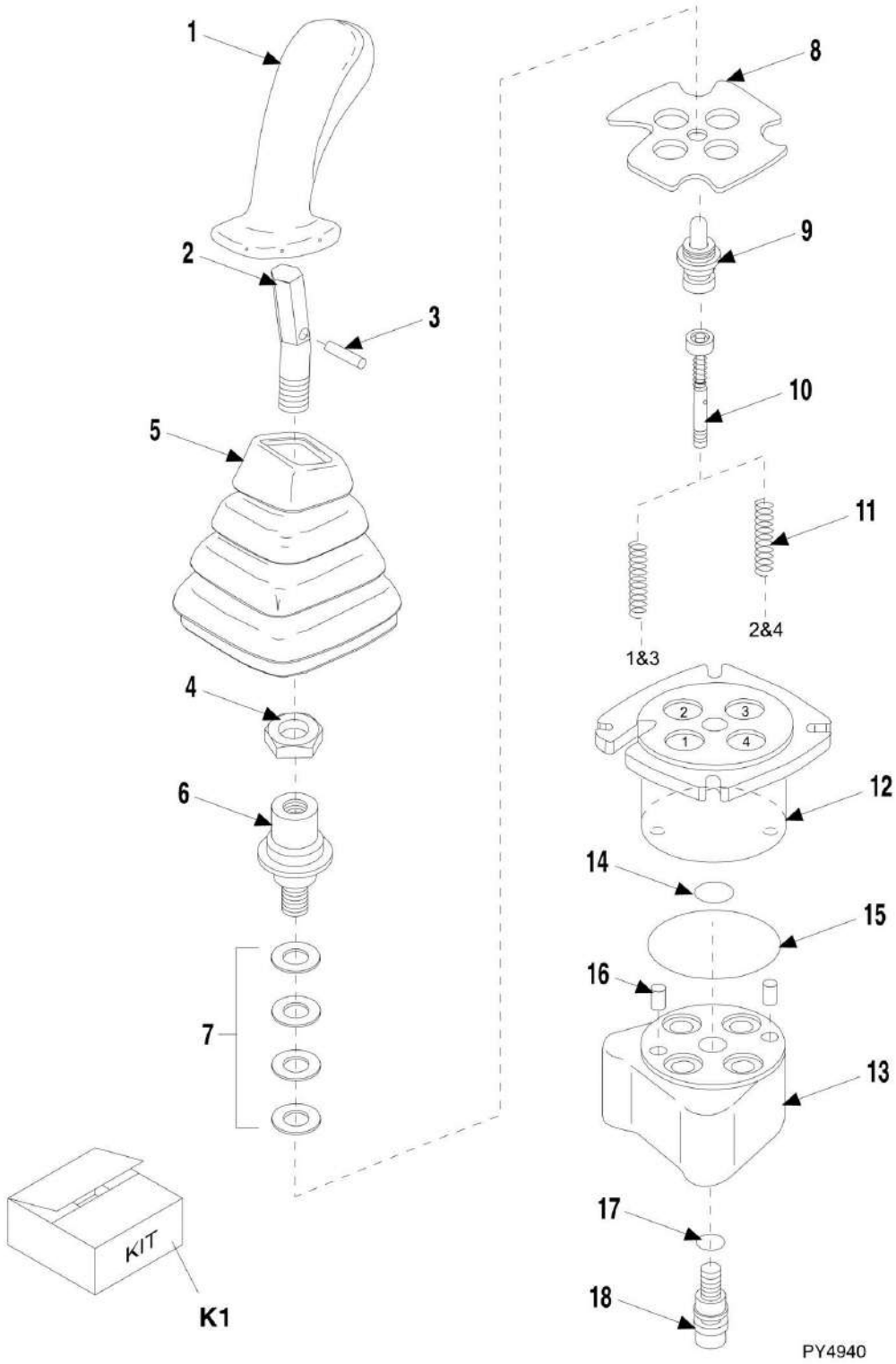
SECTION 7 - CONTROLS

FIGURE 7-11. BRAKE PEDAL INSTALLATION (SN 0160040678 to Present)

ITEM	PART NUMBER	QTY	DESCRIPTION	REV
	1001091173	Ref	BRAKE PEDAL INSTALLATION, (not available to order, see items 1 thru 19 for service)	F
1		Ref	POWER BRAKE ASSY, (See HYDRAULIC COMPONENTS SECTION for Breakdown)	
2	1001091118	1	BRAKE PEDAL BRACKET	
3	1001090741	1	BRAKE PEDAL	
4	91476031	1	PIVOT PIN	
5	0641608	1	HEX HD CAPSCREW, 3/8-16X1, GR5	
6	4761600	1	LOCKWASHER, 3/8	
7	0701014	4	HEX HD CAPSCREW, 10X30mm, GR8.8	
8	4832000	4	SPRING LOCKWASHER, 10mm	
10	2221257	1	CONNECTOR	
11	8770258	1	CONNECTOR	
13	2172106	2	ELBOW, 90, (swivel nut)	
14	2221244	1	ADAPTER	
15	91513180	2	ACTUATOR	
16	91511145	1	TIE BAR	
17	2144605	1	CONNECTOR	
19	3020039	AR	MOLY PASTE	
117	2220619	1	ADAPTER	
201	0100011	AR	LOCTITE 242	
206	0641508	4	HEX HD CAPSCREW, 5/16-18X1, GR5	
223	4751500	4	WASHER, 5/16	
225	4761500	4	LOCKWASHER, 5/16	

SECTION 7 - CONTROLS

FIGURE 7-12. JOYSTICK ASSEMBLY



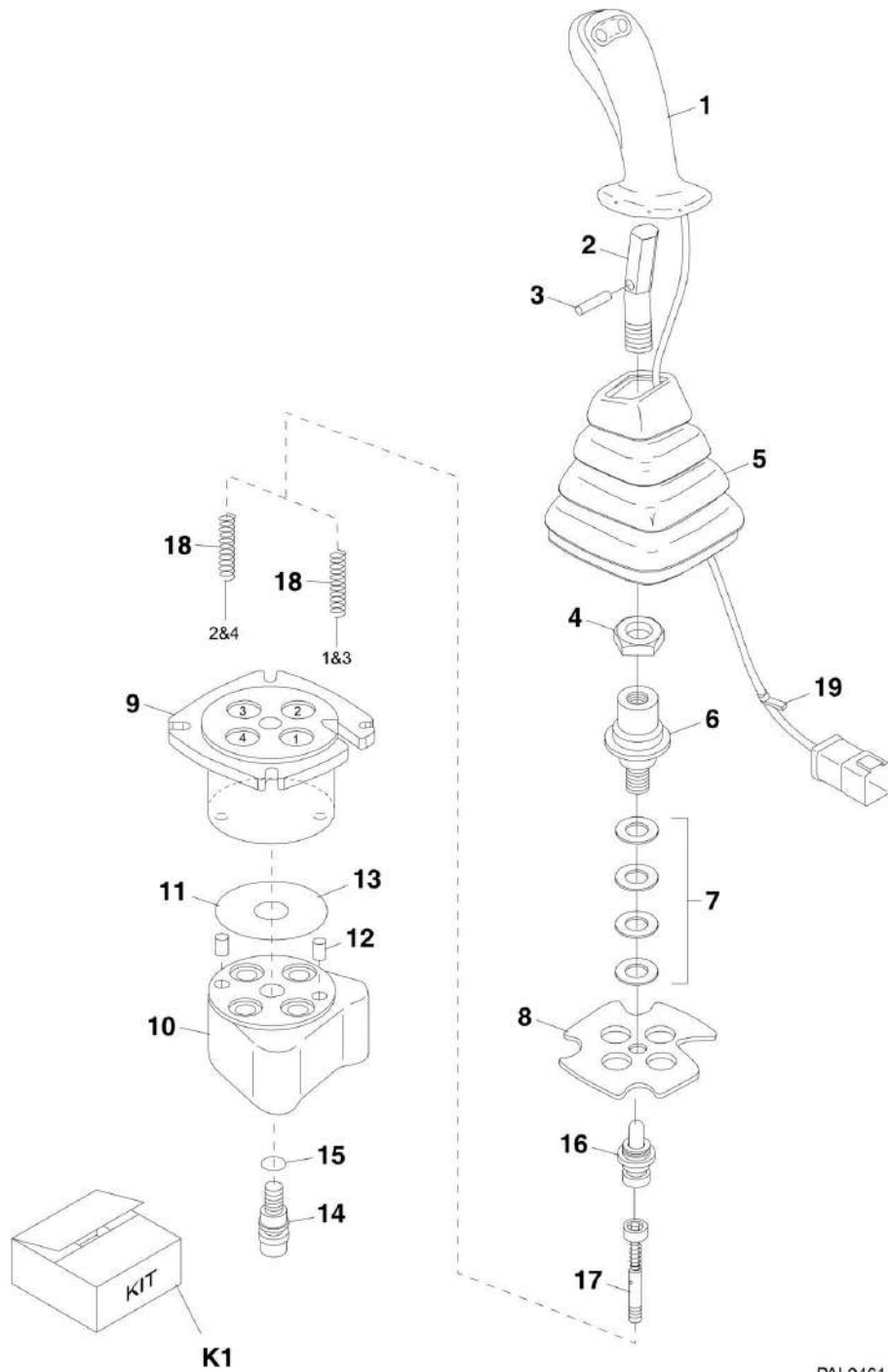
SECTION 7 - CONTROLS

FIGURE 7-12. JOYSTICK ASSEMBLY

ITEM	PART NUMBER	QTY	DESCRIPTION	REV
	91403490	Ref	JOYSTICK ASSY, (if equipped), (includes all items)	A
1	91404010	1	GRIP	
2	91404011	1	BENT LEVER KIT, (includes items 3 & 4)	
3	N.S.S.	1	SPRING PIN	
4	N.S.S.	1	HEX NUT	
5	80364095	1	BOOT	
6	80264138	1	CARDAN KIT, (includes item 7)	
7	N.S.S.	AR	SHIM	
8	91404013	1	RETAINING PLATE	
9	80934498	4	PLUNGER AND GUIDE KIT	
10	91404327	4	REGULATING UNIT	
11	91504028	1	SPRING, (ports 1 & 3), (pack of two)	
11	91504029	1	SPRING, (ports 2 & 4), (pack of two)	
12	91404016	1	UPPER BODY, (includes item 13)	
13	N.S.S.	1	LOWER BODY	
14	Kit	1	O-RING	
15	Kit	1	O-RING	
16	Kit	2	DOWEL PIN	
17	Kit	1	O-RING	
18	Kit	1	SCREW ASSEMBLY	
K1	91404326	AR	SEAL KIT, (includes items 14 thru 18)	

SECTION 7 - CONTROLS

FIGURE 7-13. JOYSTICK ASSEMBLY



PAL2461

NOTE: THE JOYSTICK HANDLE SWITCH IS NOT A FIELD SERVICEABLE COMPONENT. ANY ATTEMPT BY NON-FACTORY AUTHORIZED PERSONNEL TO REPAIR OR REPLACE THE SWITCH WILL VOID THE WARRANTY AND CAN RESULT IN A JOYSTICK MALFUNCTION.

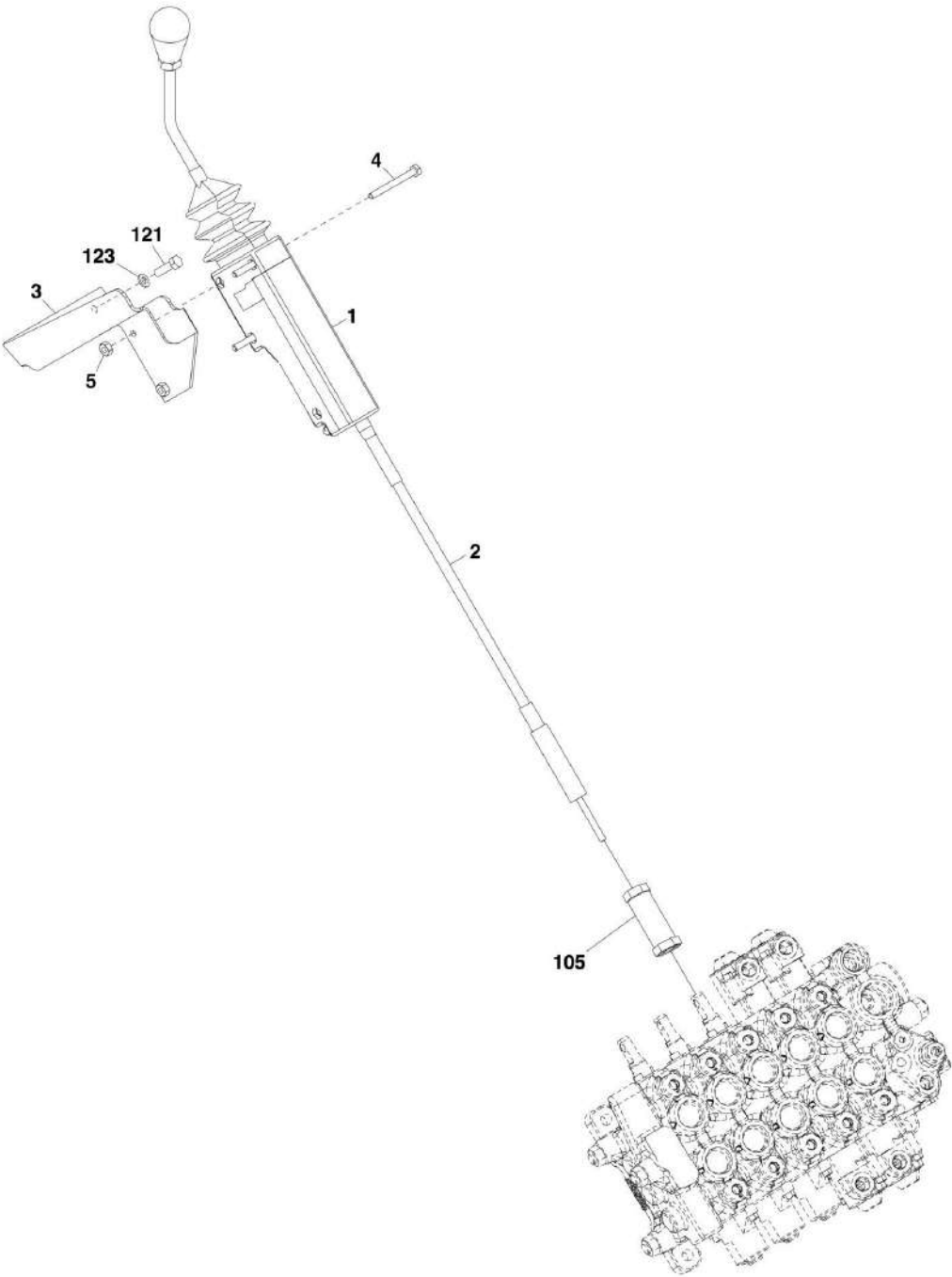
SECTION 7 - CONTROLS

FIGURE 7-13. JOYSTICK ASSEMBLY

ITEM	PART NUMBER	QTY	DESCRIPTION	REV
	91403491	1	BOOM JOYSTICK WITH ADJUSTABLE TILT, (if equipped), (includes all items)	A
1	91404325	1	BOOM JOYSTICK HANDLE WITH WIRE AND CONNECTOR	
2	91404011	1	BENT LEVER KIT, (includes items 3 & 4)	
3	N.S.S.	1	SPRING PIN	
4	N.S.S.	1	HEX NUT	
5	80364095	1	BOOT	
6	80264138	1	CARDAN KIT, (includes item 7)	
7	N.S.S.	AR	SHIM	
8	91404013	1	RETAINING PLATE	
9	91404016	1	UPPER BODY, (includes item 10)	
10	N.S.S.	1	LOWER BODY	
11	Kit	1	O-RING	
12	Kit	2	DOWEL PIN	
13	Kit	1	O-RING	
14	Kit	1	SCREW ASSY	
15	Kit	1	O-RING	
16	80934498	4	PLUNGER AND GUIDE KIT	
17	91404327	4	REGULATING UNIT	
18	91504028	1	SPRING, (ports 1 & 3), (pack of two)	
18	91504029	1	SPRING, (ports 2 & 4), (pack of two)	
19	80264139	1	GROMMET WITH CABLE TIE KIT	
K1	91404326	AR	SEAL KIT, (includes items 11 thru 15)	

SECTION 7 - CONTROLS

FIGURE 7-14. AUXILIARY HYDRAULIC JOYSTICK INSTALLATION



PAP18900

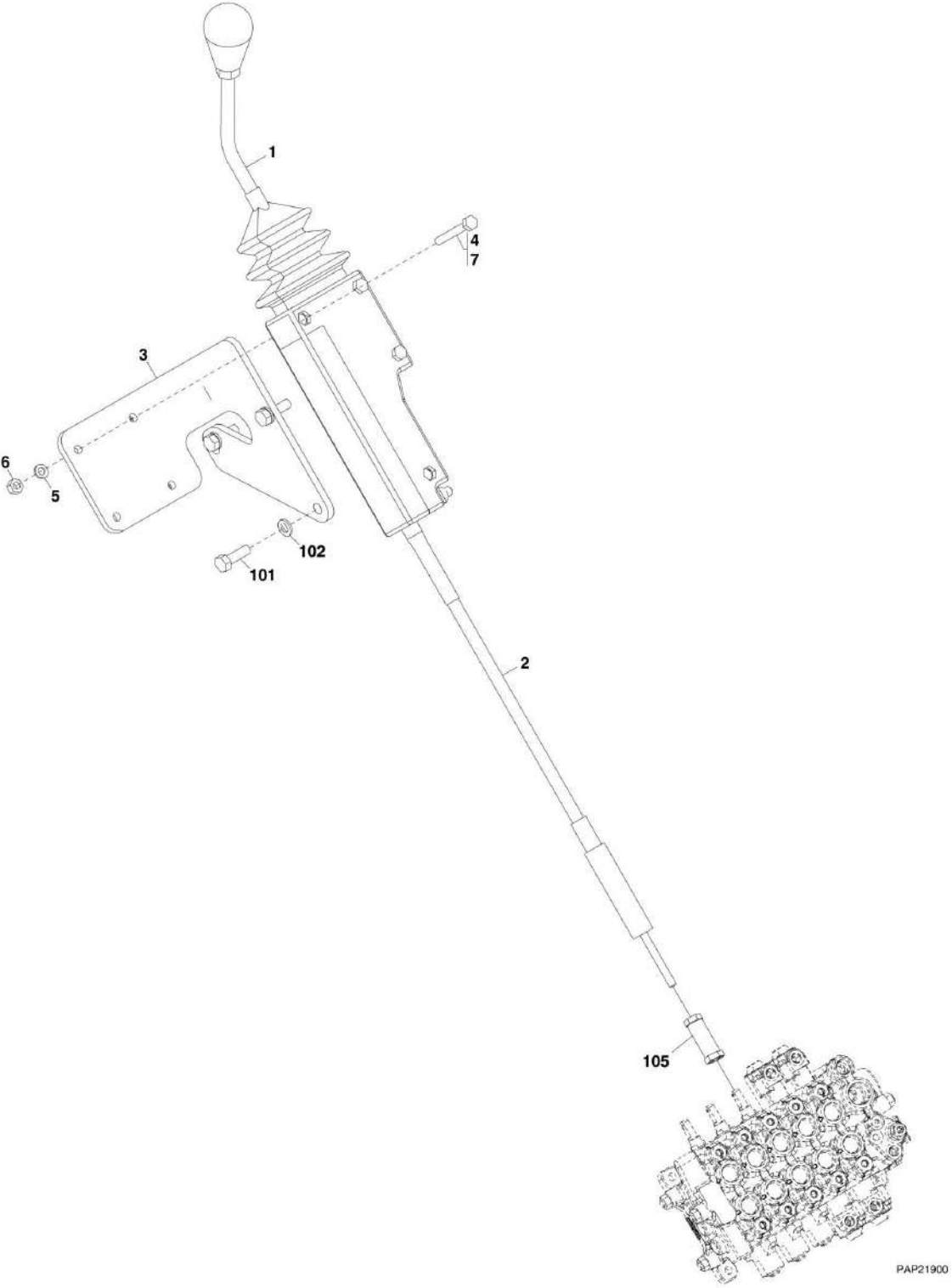
SECTION 7 - CONTROLS

FIGURE 7-14. AUXILIARY HYDRAULIC JOYSTICK INSTALLATION

ITEM	PART NUMBER	QTY	DESCRIPTION	REV
	1001091320	Ref	AUXILIARY HYDRAULIC JOYSTICK INSTALLATION, (not available to order, see items 1 thru 5 for service)	A
1	91403273	1	JOYSTICK ASSY	
2	91473088	1	CABLE	
3	1001091157	1	LH BRACKET	
4	88201011	3	HEX HD CAPSCREW, 1/4-20X2-1/2	
5	88501004	3	HEX NUT, 1/4-20	
105	91123062	1	CABLE ADAPTER BONNET	
121	0641808	2	HEX HD CAPSCREW, 1/2-13X1, GR5	
123	4711800	2	WASHER, 1/2	

SECTION 7 - CONTROLS

FIGURE 7-15. FRAME LEVEL JOYSTICK INSTALLATION



PAP21900

SECTION 7 - CONTROLS

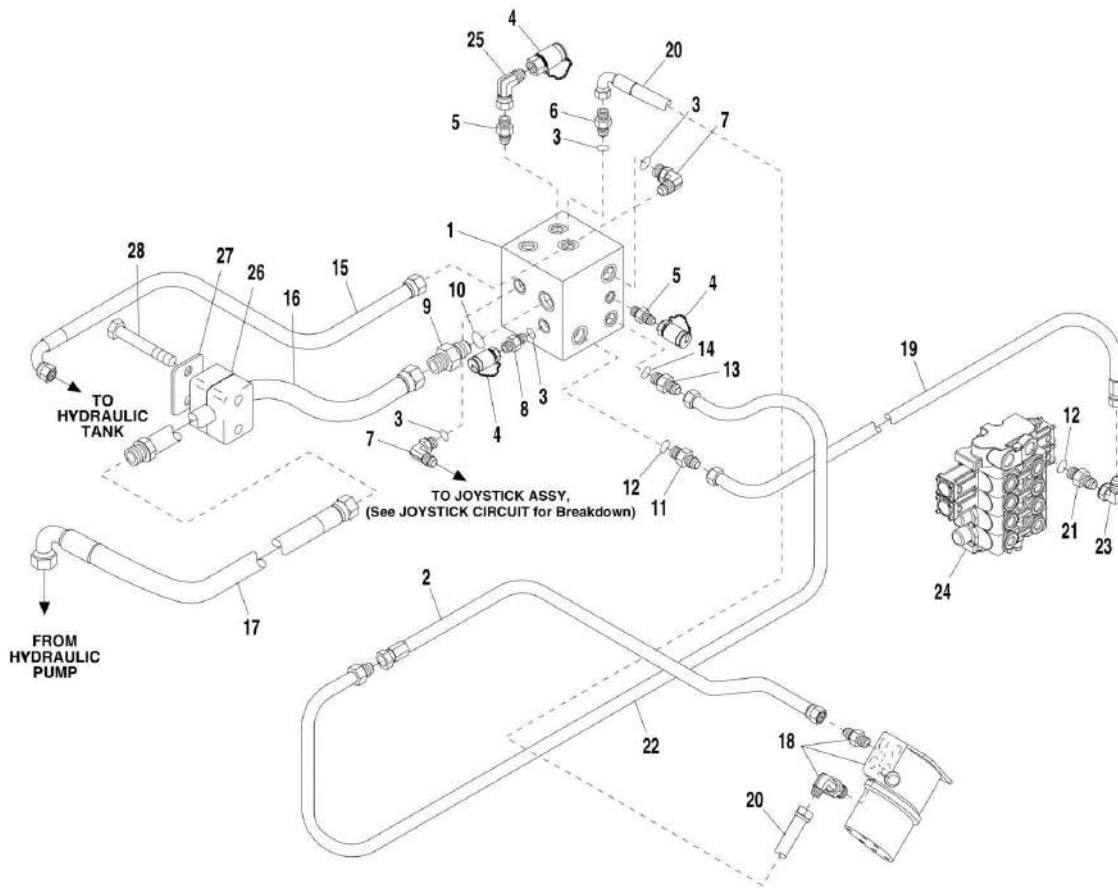
FIGURE 7-15. FRAME LEVEL JOYSTICK INSTALLATION

ITEM	PART NUMBER	QTY	DESCRIPTION	REV
	91515047	1	FRAME LEVEL JOYSTICK INSTALLATION, (if equipped), (includes items 1 thru 7)	E
1	91513204	1	SINGLE VALVE CONTROL	
2	91473146	1	CABLE	
3	1001092843	1	BRACKET	
4	0641416	3	HEX HD CAPSCREW, 1/4-20X2	
5	4761400	3	LOCKWASHER, 1/4	
6	3311401	3	HEX NUT, 1/4-20, GR2	
7	0100011	AR	LOCTITE 242	
101	0641508	3	HEX HD CAPSCREW, 5/16-18X1, GR5	
102	4761500	3	WASHER, 5/16	
105	91123062	1	CABLE ADAPTER BONNET	

SECTION 8 - HYDRAULIC CIRCUITS

SECTION 8 - HYDRAULIC CIRCUITS

FIGURE 8-1. PRIORITY VALVE (SN 0190001 through 0190457, SN 016000022 through 0160021166)



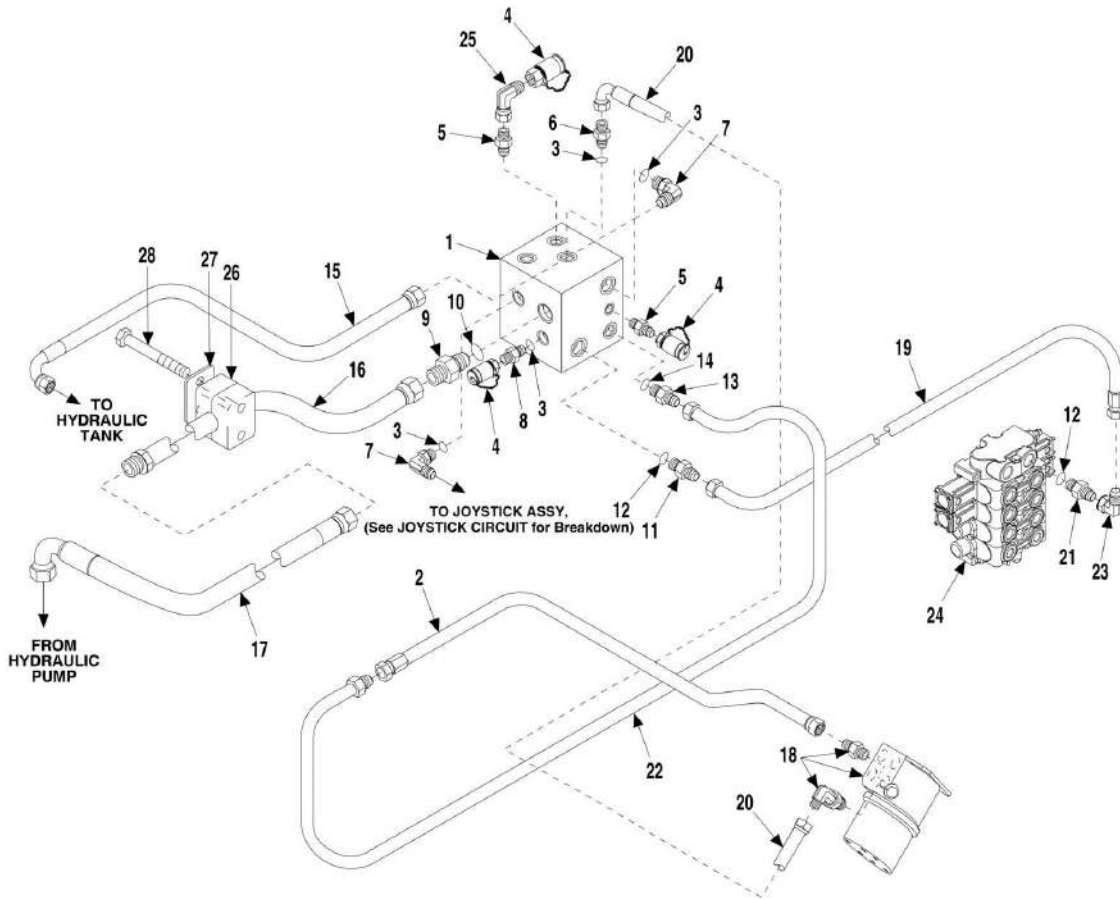
SECTION 8 - HYDRAULIC CIRCUITS

FIGURE 8-1. PRIORITY VALVE (SN 0190001 through 0190457, SN 016000022 through 0160021166)

ITEM	PART NUMBER	QTY	DESCRIPTION	REV
1		Ref	PRIORITY VALVE, (See HYDRAULIC COMPONENTS SECTION for Breakdown)	
2	84719673	1	HOSE ASSY	
3	88591204	4	O-RING	
4	91143172	3	TEST COUPLING	
5	2220603	2	CONNECTOR	
6	88662017	1	CONNECTOR, (includes item 3)	
7	88662064	2	ELBOW, 90, (includes item 3)	
8	88662005	1	CONNECTOR, (includes item 3)	
9	2220435	1	CONNECTOR, (includes item 10)	
10	88591209	1	O-RING	
11	2220451	1	CONNECTOR, (includes item 12)	
12	88591207	2	O-RING	
13	2220373	1	CONNECTOR, (includes item 14)	
14	88591205	1	O-RING	
15	84719634	1	HOSE ASSY	
16	91473094	1	TUBE ASSY	
17	84719672	1	HOSE ASSY (SN 0190001 through 0160000715)	
17	84721029	1	HOSE ASSY (SN 0160000797 through 0160021166)	
18		Ref	STEERING CONTROL ASSY, (See CONTROLS SECTION for Breakdown)	
19	91473072	1	TUBE ASSY	
20	84719631	1	HOSE ASSY	
21	2220451	1	CONNECTOR, (includes item 12)	
22	91473116	1	TUBE ASSY	
23	88662108	1	ELBOW, 90, (swivel nut)	
24		Ref	MAIN CONTROL VALVE, (See HYDRAULIC COMPONENTS SECTION for Breakdown)	
25	88662105	1	ELBOW, 90, (swivel nut)	
26	77133053	1	CLAMP SET	
27	77133052	1	COVER PLATE	
28	88201007	2	HEX HD CAPSCREW, 1/4-20X1-1/2, GR5	

SECTION 8 - HYDRAULIC CIRCUITS

FIGURE 8-2. PRIORITY VALVE (SN 0160021195 through 0160022113)



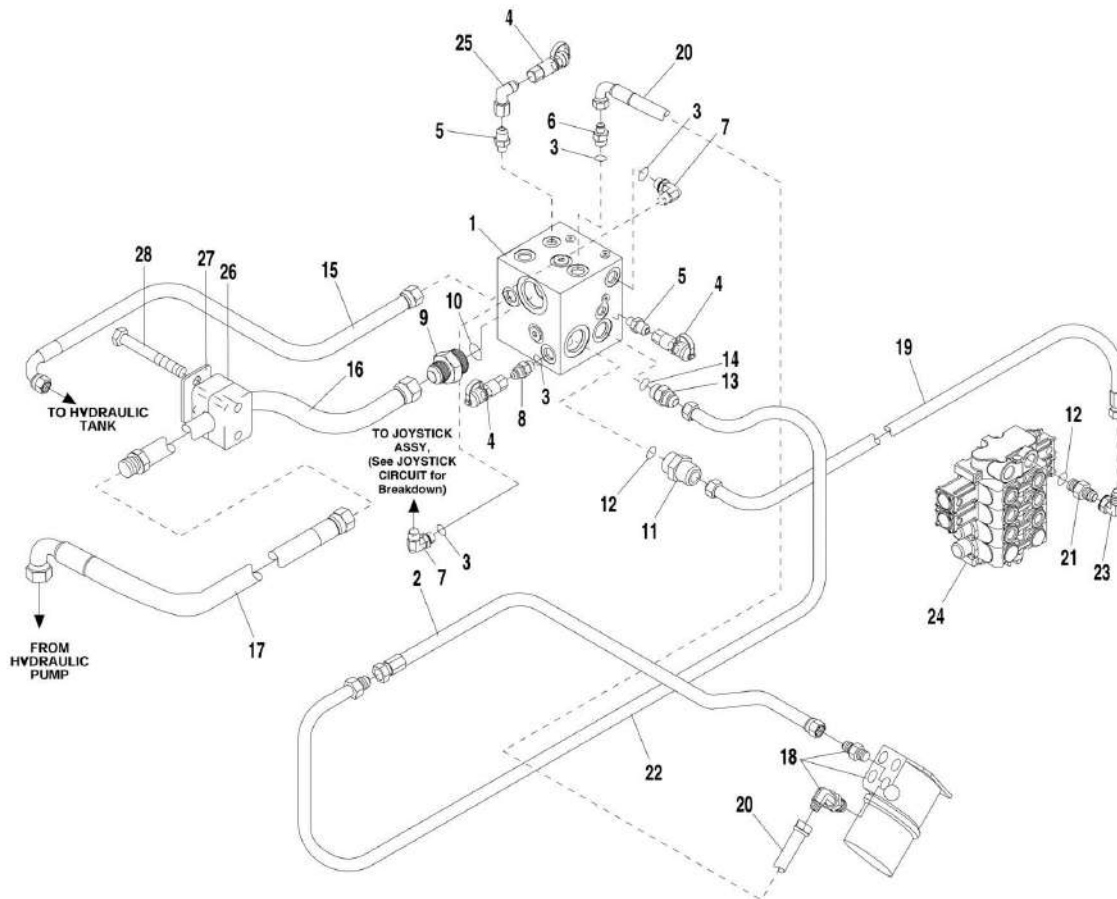
SECTION 8 - HYDRAULIC CIRCUITS

FIGURE 8-2. PRIORITY VALVE (SN 0160021195 through 0160022113)

ITEM	PART NUMBER	QTY	DESCRIPTION	REV
1		Ref	PRIORITY VALVE, (See HYDRAULIC COMPONENTS SECTION for Breakdown)	
2	84719673	1	HOSE ASSY	
3	88591204	4	O-RING	
4	91143172	3	TEST COUPLING	
5	2220603	2	CONNECTOR	
6	88662017	1	CONNECTOR, (includes item 3)	
7	88662064	2	ELBOW, 90, (includes item 3)	
8	88662005	1	CONNECTOR, (includes item 3)	
9	2220435	1	CONNECTOR, (includes item 10)	
10	88591209	1	O-RING	
11	2220451	1	CONNECTOR, (includes item 12)	
12	88591207	2	O-RING	
13	2220373	1	CONNECTOR, (includes item 14)	
14	88591205	1	O-RING	
15	84719634	1	HOSE ASSY	
16	91473094	1	TUBE ASSY	
17	84721029	1	HOSE ASSY	
18		Ref	STEERING CONTROL ASSY, (See CONTROLS SECTION for Breakdown)	
19	91473072	1	TUBE ASSY	
20	2755073	1	HOSE ASSY	
21	2220451	1	CONNECTOR, (includes item 12)	
22	91473116	1	TUBE ASSY	
23	88662108	1	ELBOW, 90, (swivel nut)	
24		Ref	MAIN CONTROL VALVE, (See HYDRAULIC COMPONENTS SECTION for Breakdown)	
25	88662105	1	ELBOW, 90, (swivel nut)	
26	8750029	1	CLAMP SET	
27	8769153	1	COVER PLATE	
28	0641412	2	HEX HD CAPSCREW, 1/4-20X1-1/2, GR5	

SECTION 8 - HYDRAULIC CIRCUITS

FIGURE 8-3. PRIORITY VALVE (SN 0160022163 through 0160040659)



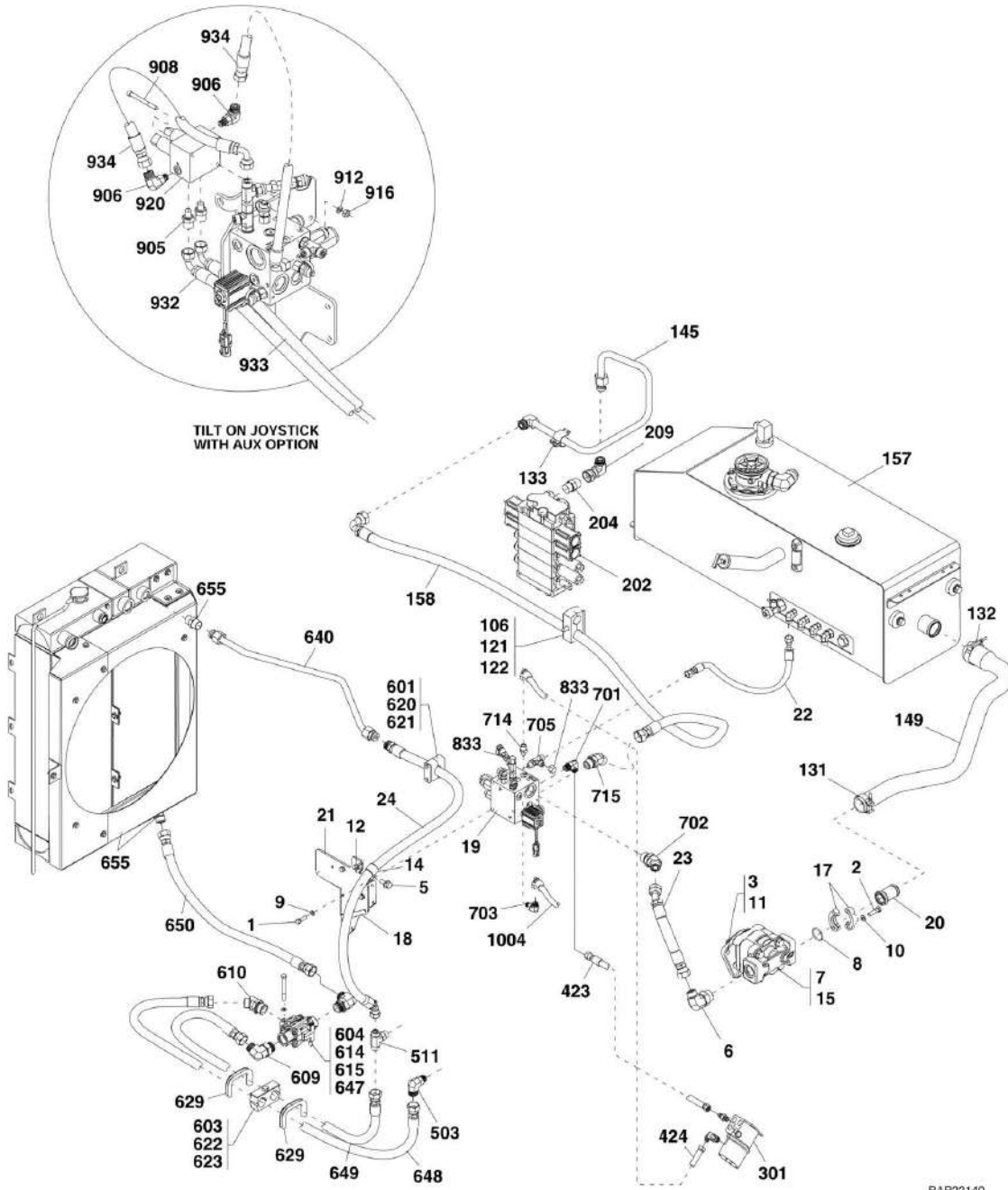
SECTION 8 - HYDRAULIC CIRCUITS

FIGURE 8-3. PRIORITY VALVE (SN 0160022163 through 0160040659)

ITEM	PART NUMBER	QTY	DESCRIPTION	REV
1		Ref	PRIORITY VALVE, (See HYDRAULIC COMPONENTS SECTION for Breakdown)	
2	84719673	1	HOSE ASSY	
3	88591204	4	O-RING	
4	91143172	3	TEST COUPLING	
5	2220603	2	CONNECTOR	
6	88662017	1	CONNECTOR, (includes item 3) (Prior to SN 0160023281)	
6	2220472	1	CONNECTOR, (includes item 3) (SN 0160023281 to Present)	
7	88662064	2	ELBOW, 90, (includes item 3)	
8	88662005	1	CONNECTOR, (includes item 3)	
9	2220435	1	CONNECTOR, (includes item 10)	
10	88591209	1	O-RING	
11	2220451	1	CONNECTOR, (includes item 12)	
12	88591207	2	O-RING	
13	2220373	1	CONNECTOR, (includes item 14)	
14	88591205	1	O-RING	
15	84719634	1	HOSE ASSY	
16	91473094	1	TUBE ASSY	
17	84721029	1	HOSE ASSY	
18		Ref	STEERING CONTROL ASSY, (See CONTROLS SECTION for Breakdown)	
19	91473072	1	TUBE ASSY	
20	84719631	1	HOSE ASSY (Prior to SN 0160023281)	
20	2755073	1	HOSE ASSY (SN 0160023281 to Present)	
21	2220451	1	CONNECTOR, (includes item 12)	
22	91473116	1	TUBE ASSY	
23	88662108	1	ELBOW, 90, (swivel nut)	
24		Ref	MAIN CONTROL VALVE, (See HYDRAULIC COMPONENTS SECTION for Breakdown)	
25	88662105	1	ELBOW, 90, (swivel nut)	
26	8750029	1	CLAMP SET	
27	8769153	1	COVER PLATE	
28	0641412	2	HEX HD CAPSCREW, 1/4-20X1-1/2, GR5	

SECTION 8 - HYDRAULIC CIRCUITS

FIGURE 8-4. PRIORITY VALVE (SN 0160040678 to Present)



SECTION 8 - HYDRAULIC CIRCUITS

FIGURE 8-4. PRIORITY VALVE (SN 0160040678 to Present)

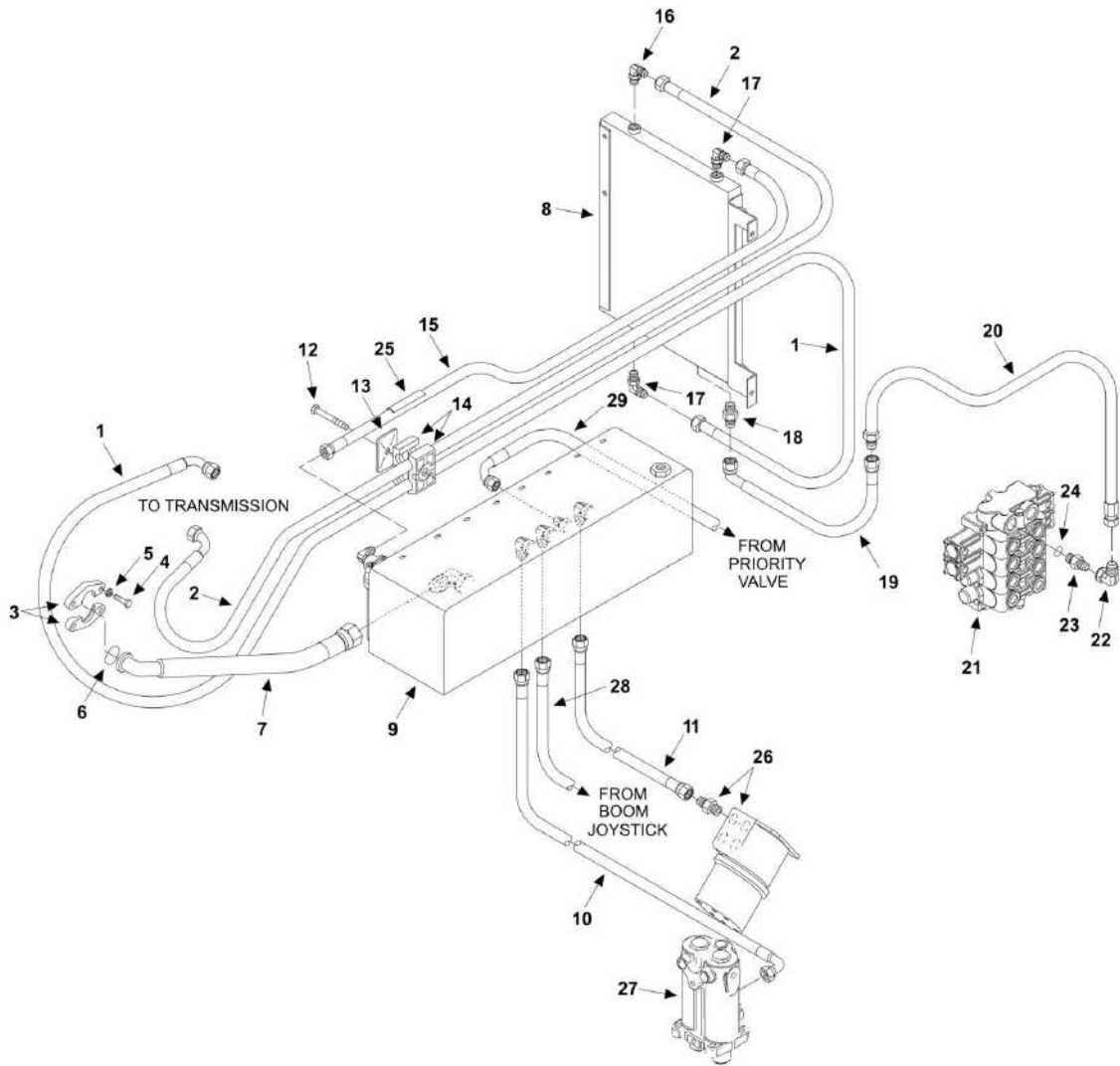
ITEM	PART NUMBER	QTY	DESCRIPTION	REV
1	0641610	3	HEX HD CAPSCREW, 3/8-16X1-1/4, GR5	
2	0681712	4	HEX HD CAPSCREW, 7/16-14X1-1/2, GR8	
3	0701215	3	HEX HD CAPSCREW, M12X35, GR8.8	
5	0791808	1	WHIZ-LOCK SCREW, 1/2-13X1	
6	2131216	1	ADAPTER, 90, (includes o-ring)	
7		Ref	HYDRAULIC IMPLEMENT PUMP, (See HYDRAULIC COMPONENTS SECTION for Breakdown)	
8	3790222	1	O-Ring	
9	4761600	3	LOCKWASHER, 3/8	
10	4761700	4	LOCKWASHER, 7/16	
11	4891800	3	WASHER, 1/2	
12	8310523	1	HEX FLANGE NUT, 1/2-13	
14	8406303	1	TUBE CLIP	
15	8630019	1	O-RING	
17	84711334	2	FLANGE HALF	
18	90206199	5.5 in	TRIM-LOCK	
19		Ref	PRIORITY VALVE, (See HYDRAULIC COMPONENTS SECTION for Breakdown)	
20	1001103997	1	ADAPTER TUBE	
21	1001118429	1	VALVE MOUNT PLATE (SN 0160040678 through 0160045456, Excluding 0160043800)	
21	1001138964	1	VALVE MOUNT PLATE (SN 0160045464 to Present, Including 0160043800)	
22		Ref	HOSE ASSY, (See DUMP CIRCUIT for Breakdown)	
23	1001128671	1	HOSE ASSY (SN 0160040678 through 0160045456, Excluding 0160043800)	
23	1001138963	1	HOSE ASSY (SN 0160045464 to Present, Including 0160043800)	
24	1001128674	1	HOSE ASSY (SN 0160040678 through 0160045456, Excluding 0160043800)	
24	1001138962	1	HOSE ASSY (SN 0160045464 to Present, Including 0160043800)	
106	0641516	1	HEX HD CAPSCREW, 5/16-18X2, GR5	
121	77133133	1	TWIN CLAMP	
122	77133134	1	COVER PLATE	
131	90028482	1	HEAVY DUTY BAND CLAMP (SN 0160040678 through 0160045463)	
131	90028695	1	HEAVY DUTY BAND CLAMP (SN 0160045464 to Present)	
132	90028720	1	HEAVY DUTY BAND CLAMP	
133	90207463	1	CUSHION CLAMP	
145	1001103945	1	PIPE ASSY	
149	1001117143	1	SUCTION HOSE (SN 0160040678 through 0160045463)	
149	1001138211	1	SUCTION HOSE (SN 0160045464 to Present)	
157		Ref	HYDRAULIC TANK, (See HYDRAULIC COMPONENTS SECTION for Breakdown)	
158	1001103947	1	HOSE ASSY	
202		Ref	MAIN CONTROL VALVE, (See HYDRAULIC COMPONENTS SECTION for Breakdown)	
204	2111212	1	ADAPTER, STRAIGHT, (includes o-ring)	
209	2172112	1	ADAPTER, 90, (includes o-ring)	
301		Ref	STEERING CONTROL, (See CONTROLS SECTION for Breakdown)	
423	1001110446	1	HOSE ASSY	
424	1001110447	1	HOSE ASSY	

SECTION 8 - HYDRAULIC CIRCUITS

ITEM	PART NUMBER	QTY	DESCRIPTION	REV
503	2131210	1	ADAPTER, 90, (includes o-ring) (SN 0160040678 through 0160045456, Excluding 0160043800)	
503	2111210	1	CONNECTOR , (includes o-ring) (SN 0160045464 to Present, Including 0160043800)	
511	2170410	1	ADAPTER, BRANCH TEE (SN 0160040678 through 0160045456, Excluding 0160043800)	
511	2170312	1	CONNECTOR (SN 0160045464 to Present, Including 0160043800)	
601	0641420	2	HEX HD CAPSCREW, 1/4-20X2-1/2, GR5	
603	0641520	1	HEX HD CAPSCREW, 5/16-18X2-1/2, GR5	
604	0641628	2	HEX HD CAPSCREW, 3/8-16X3-1/2, GR5	
609	2131216	2	ADAPTER, 90, (includes o-ring)	
610	2151216	1	ADAPTER, 45, (includes o-ring)	
614	4711600	2	WASHER, 3/8	
615	4761600	2	LOCKWASHER, 3/8	
620	8750001	1	COVER PLATE, SINGLE	
621	8750005	1	CLAMP SET, SINGLE	
622	8750022	1	CLAMP SET, TWIN	
623	8750025	1	COVER PLATE, TWIN	
629	90206202	14 in	TRIM-LOCK	
640	1001118068	1	PIPE	
647	1001119801	1	THERMAL BYPASS VALVE	
648	1001119809	1	HOSE ASSY	
649	1001119815	1	HOSE ASSY (SN 0160040678 through 0160045463)	
649	1001138271	1	HOSE ASSY (SN 0160045464 to Present)	
650	1001119828	1	HOSE ASSY	
655		Ref	RADIATOR, (See ENGINE AND ATTACHING PARTS SECTION for Breakdown)	
701	2130808	1	ADAPTER, 90, (includes o-ring)	
702	2151216	1	ADAPTER, 45, (includes o-ring)	
703	2130606	1	ADAPTER, 90, (includes o-ring)	
705	2170306	1	ADAPTER, RUN TEE, (includes o-ring)	
714	2110606	1	ADAPTER, STRAIGHT, (includes o-ring)	
715	2151212	1	ADAPTER, 45, (includes o-ring)	
833	2170906	2	ADAPTER, CAP	
905	2110604	2	ADAPTER, STRAIGHT, (includes o-ring)	
906	2130604	2	ADAPTER, 90, (includes o-ring)	
908	3931440	2	SOCKET HD CAPSCREW, 1/4-20X2-1/2	
912	4761400	2	LOCKWASHER, 1/2	
916	88501004	2	NUT, 1/4-20	
920	91403516	1	SOLENOID VALVE	
932		Ref	HOSE ASSY, (See TILT AND TILT COMPENSATING CYLINDER for Breakdown)	
933		Ref	HOSE ASSY, (See TILT AND TILT COMPENSATING CYLINDER for Breakdown)	
934	1001128684	2	HOSE ASSY	
1004		Ref	HOSE ASSY, (See JOYSTICK CIRCUIT for Breakdown)	

SECTION 8 - HYDRAULIC CIRCUITS

FIGURE 8-5. DUMP CIRCUIT (Prior to SN 0160040678)



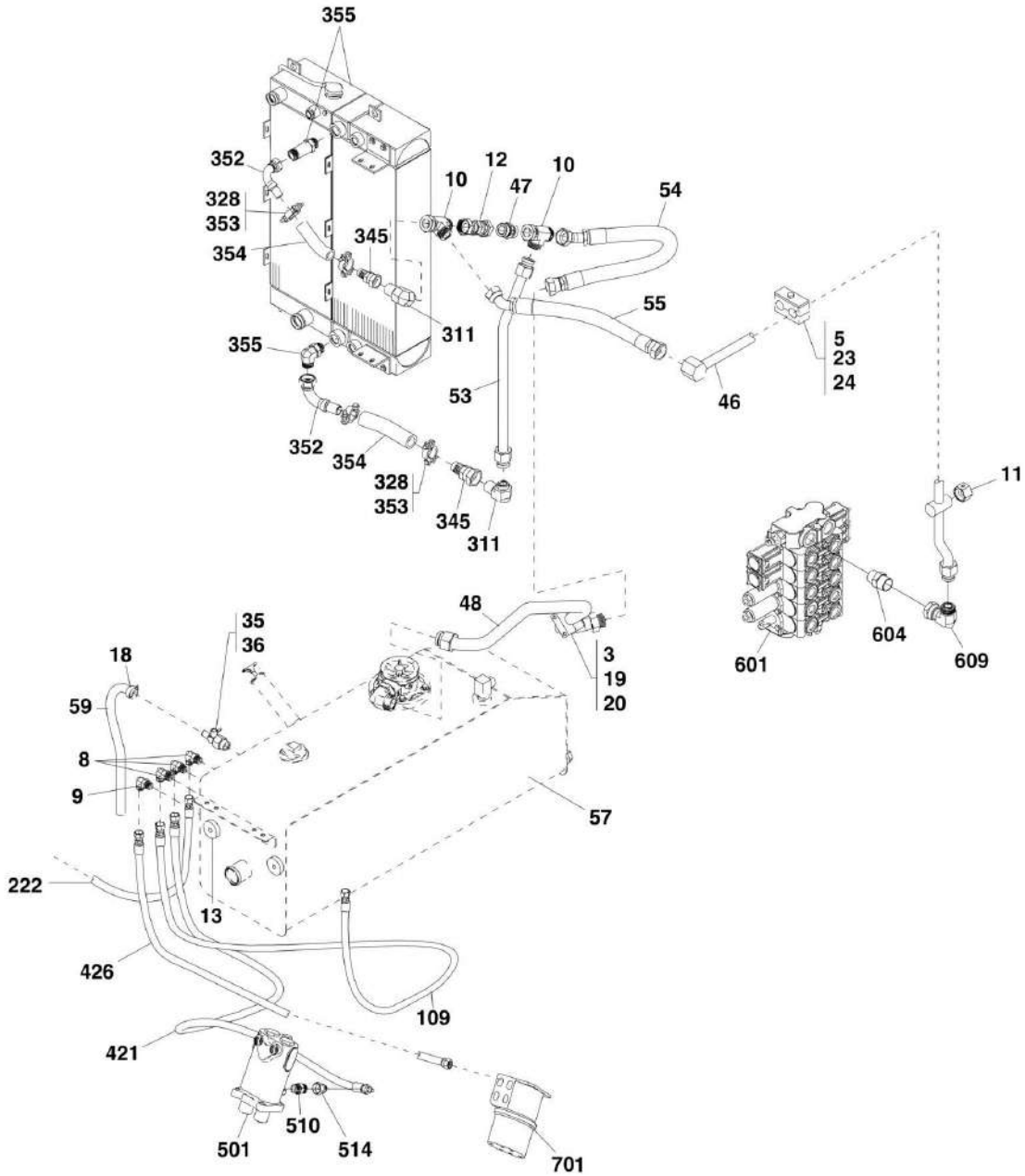
SECTION 8 - HYDRAULIC CIRCUITS

FIGURE 8-5. DUMP CIRCUIT (Prior to SN 0160040678)

ITEM	PART NUMBER	QTY	DESCRIPTION	REV
1	84719762	1	HOSE ASSY	
2	84719764	1	HOSE ASSY (SN 0190001 through 0160000715)	
2	84721016	1	HOSE ASSY (SN 0160000797 through 0160040659)	
3	84711334	2	SPLIT CLAMP HALF	
4	0681712	4	HEX HD CAPSCREW, 7/16-14X1-1/2	
5	4761700	4	LOCKWASHER, 7/16	
6	3790222	1	O-Ring	
7	84719671	1	HOSE ASSY (SN 0190001 through 0160000715)	
7	84721030	1	HOSE ASSY (SN 0160000797 through 0160040659)	
8		Ref	OIL COOLER, (See ENGINE AND ATTACHING PARTS for Breakdown)	
9		Ref	HYDRAULIC RESERVOIR ASSY, (See HYDRAULIC COMPONENTS SECTION for Breakdown)	
10	84719642	1	HOSE ASSY	
11	84717782	1	HOSE ASSY	
12	0641516	4	HEX HD CAPSCREW, 5/16-18X2	
13	77133134	4	COVER PLATE	
14	77133133	4	CLAMP SET	
15	84719763	1	HOSE ASSY (SN 0190001 through 0160000715)	
15	84721031	1	HOSE ASSY (SN 0160000797 through 0160040659)	
16		Ref	ELBOW, (See ENGINE AND ATTACHING PARTS for Breakdown)	
17		Ref	ELBOW, (See ENGINE AND ATTACHING PARTS for Breakdown)	
18		Ref	CONNECTOR, (See ENGINE AND ATTACHING PARTS for Breakdown)	
19	84719761	1	HOSE ASSY	
20	91473155	1	TUBE ASSY	
21		Ref	MAIN CONTROL VALVE, (See HYDRAULIC COMPONENTS SECTION for Breakdown)	
22	88662108	1	ELBOW, 90, (swivel nut)	
23	2220451	1	CONNECTOR, (includes item 24)	
24	88591207	1	O-RING	
25	91403528	1	HOSE GUARD	
26		Ref	STEERING CONTROL ASSY, (See CONTROLS SECTION for Breakdown)	
27		Ref	BRAKE ASSY, (See CONTROLS SECTION for Breakdown)	
28		Ref	HOSE ASSY, (See JOYSTICK CIRCUIT for Breakdown)	
29		Ref	HOSE ASSY, (See PRIORITY VALVE for Breakdown)	

SECTION 8 - HYDRAULIC CIRCUITS

FIGURE 8-6. DUMP CIRCUIT (SN 0160040678 to Present)



PAP22020

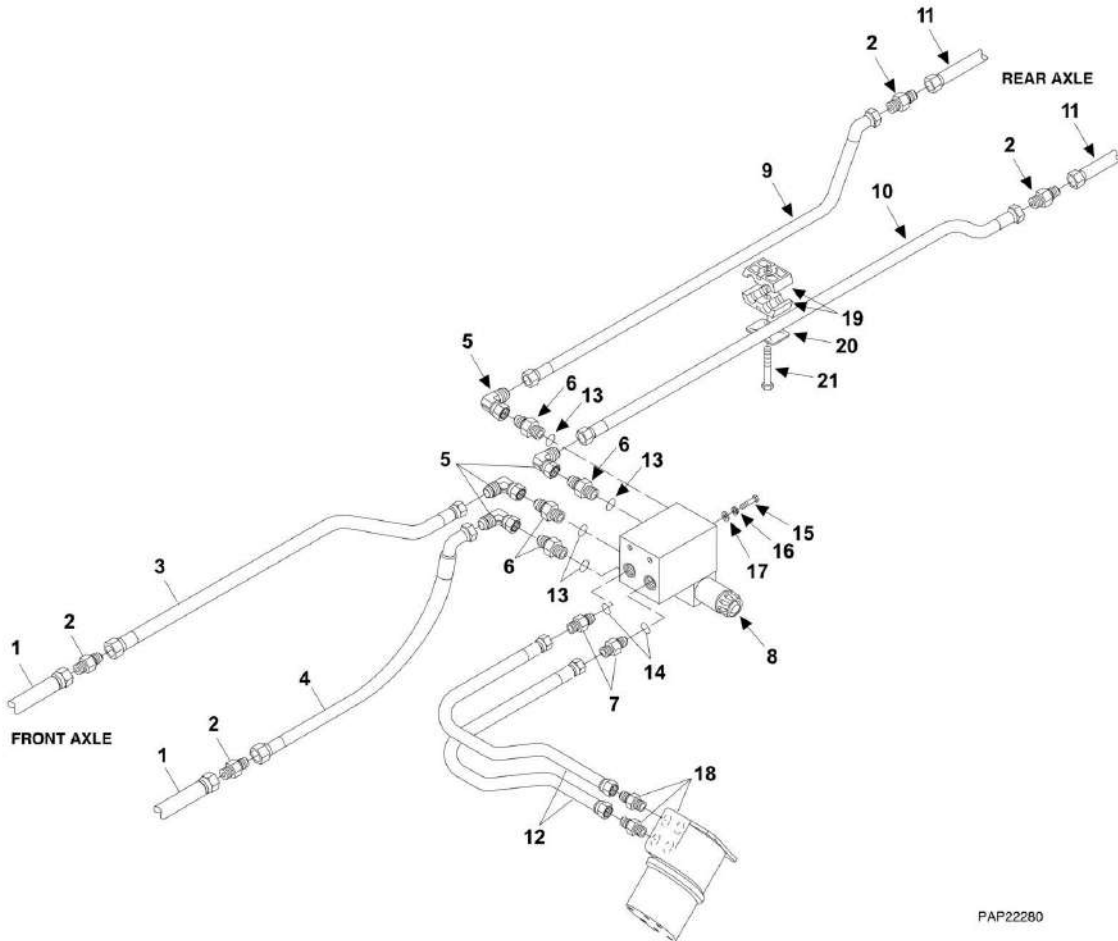
SECTION 8 - HYDRAULIC CIRCUITS

FIGURE 8-6. DUMP CIRCUIT (SN 0160040678 to Present)

ITEM	PART NUMBER	QTY	DESCRIPTION	REV
3	0641420	2	HEX HD CAPSCREW, 1/4-20X2-1/2, GR5	
5	0641514	1	HEX HD CAPSCREW, 5/16-18X1-3/4, GR5	
8	2130606	3	ADAPTER, 90, (includes o-ring)	
9	2130808	1	ADAPTER, 90, (includes o-ring)	
10	2170716	2	ADAPTER, TEE, (includes o-ring)	
11	2170912	1	CAP	
12	2172416	1	ADAPTER, STRAIGHT, (includes o-ring)	
13	2220240	1	Plug	
18	8405007	1	GEAR CLAMP	
19	77133075	1	COVER PLATE	
20	77133076	1	CLAMP SET	
23	77133136	1	CLAMP SET	
24	77133137	1	COVER PLATE	
35	1001093019	1	OIL DRAIN VALVE	
36	1001097250	1	ADAPTER, STRAIGHT, (includes o-ring)	
46	1001106786	1	HYDRAULIC PIPE	
47	1001108436	NLA	CHECK VALVE, (no longer available, use 1001159129 for replacement)	
47	1001159129	1	CHECK VALVE	
48	1001111377	1	PIPE ASSY	
53	1001120192	1	PIPE ASSY	
54	1001121467	1	HOSE ASSY	
55	1001128488	1	HOSE ASSY	
57		Ref	HYDRAULIC TANK, (See HYDRAULIC COMPONENTS SECTION for Breakdown)	
59	1001109504	1	FUEL HOSE	
109	1001097748	1	HOSE ASSY	
222	1001128662	1	HOSE ASSY	
311	2171216	2	ADAPTER, 90, (includes o-ring)	
328	88521206	8	LOCKNUT, 3/8-16	
345	1001118194	2	FITTING	
352	1001120620	2	STEM FITTING, 90	
353	1001120625	4	HOSE CLAMP	
354	1001120665	2	HOSE ASSY	
355		Ref	RADIATOR, (See ENGINE AND ATTACHING PARTS for Breakdown)	
421	1001105623	1	HOSE ASSY	
426	1001097890	1	HOSE ASSY	
501		Ref	BRAKE ASSY, (See CONTROLS SECTION for Breakdown)	
510	2221257	1	ADAPTER, STRAIGHT, (includes o-ring)	
514	2221244	1	ADAPTER, STRAIGHT, (includes o-ring)	
601		Ref	MAIN CONTROL VALVE, (See HYDRAULIC COMPONENTS SECTION for Breakdown)	
604	2111212	1	ADAPTER, STRAIGHT, (includes o-ring)	
609	2172112	1	ADAPTER, 90, (includes o-ring)	
611	2172112	2	ADAPTER, SWIVEL NUT ELBOW, (includes o-ring)	
701		Ref	STEERING CONTROL ASSY, (See CONTROLS SECTION for Breakdown)	

SECTION 8 - HYDRAULIC CIRCUITS

FIGURE 8-7. STEER SELECT VALVE (Prior to SN 0160040678)



PAF22280

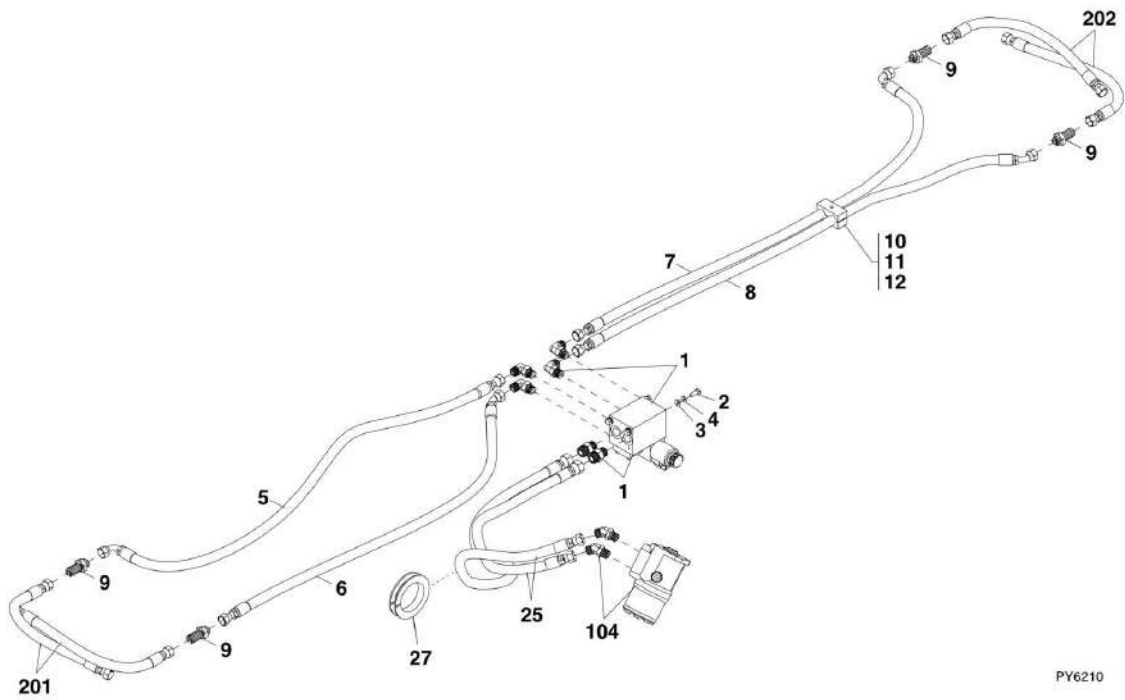
SECTION 8 - HYDRAULIC CIRCUITS

FIGURE 8-7. STEER SELECT VALVE (Prior to SN 0160040678)

ITEM	PART NUMBER	QTY	DESCRIPTION	REV
1		Ref	HOSE ASSY, (See DRIVE TRAIN SECTION for Breakdown) (SN 0190001 through 016000843)	
1		Ref	HOSE ASSY, (See DRIVE TRAIN SECTION for Breakdown) (SN 016000847 to Present)	
2	2230025	4	BULKHEAD UNION, 3/4-16X1/2, TUBE	
3	84719781	1	HOSE ASSY	
4	84719782	1	HOSE ASSY	
5	88662106	4	ELBOW, 90, (swivel nut)	
6	2220373	4	CONNECTOR, (includes item 13)	
7	2220374	2	CONNECTOR, (includes item 14)	
8		Ref	STEER SELECT VALVE, (See HYDRAULIC COMPONENTS SECTION for Breakdown)	
9	84719621	1	HOSE ASSY	
10	84719622	1	HOSE ASSY	
11		Ref	HOSE ASSY, (See DRIVE TRAIN SECTION for Breakdown) (SN 0190001 through 016000843)	
11		Ref	HOSE ASSY, (See DRIVE TRAIN SECTION for Breakdown) (SN 016000847 to Present)	
12	84719614	2	HOSE ASSY	
13	88591205	4	O-RING	
14	88591206	2	O-RING	
15	88201018	4	HEX HD CAPSCREW, 5/16-18X3/4, GR5	
16	88551010	4	LOCKWASHER, 5/16	
17	88561108	4	FLAT WASHER, 5/16	
18		Ref	STEERING CONTROL ASSY, (See CONTROLS SECTION for Breakdown)	
19	77323029	1	CLAMP	
20	77133137	1	COVER	
21	88201023	1	HEX HD CAPSCREW, 5/16-18X1-3/4, GR5	

SECTION 8 - HYDRAULIC CIRCUITS

FIGURE 8-8. STEER SELECT VALVE (SN 0160040678 to Present)



PY6210

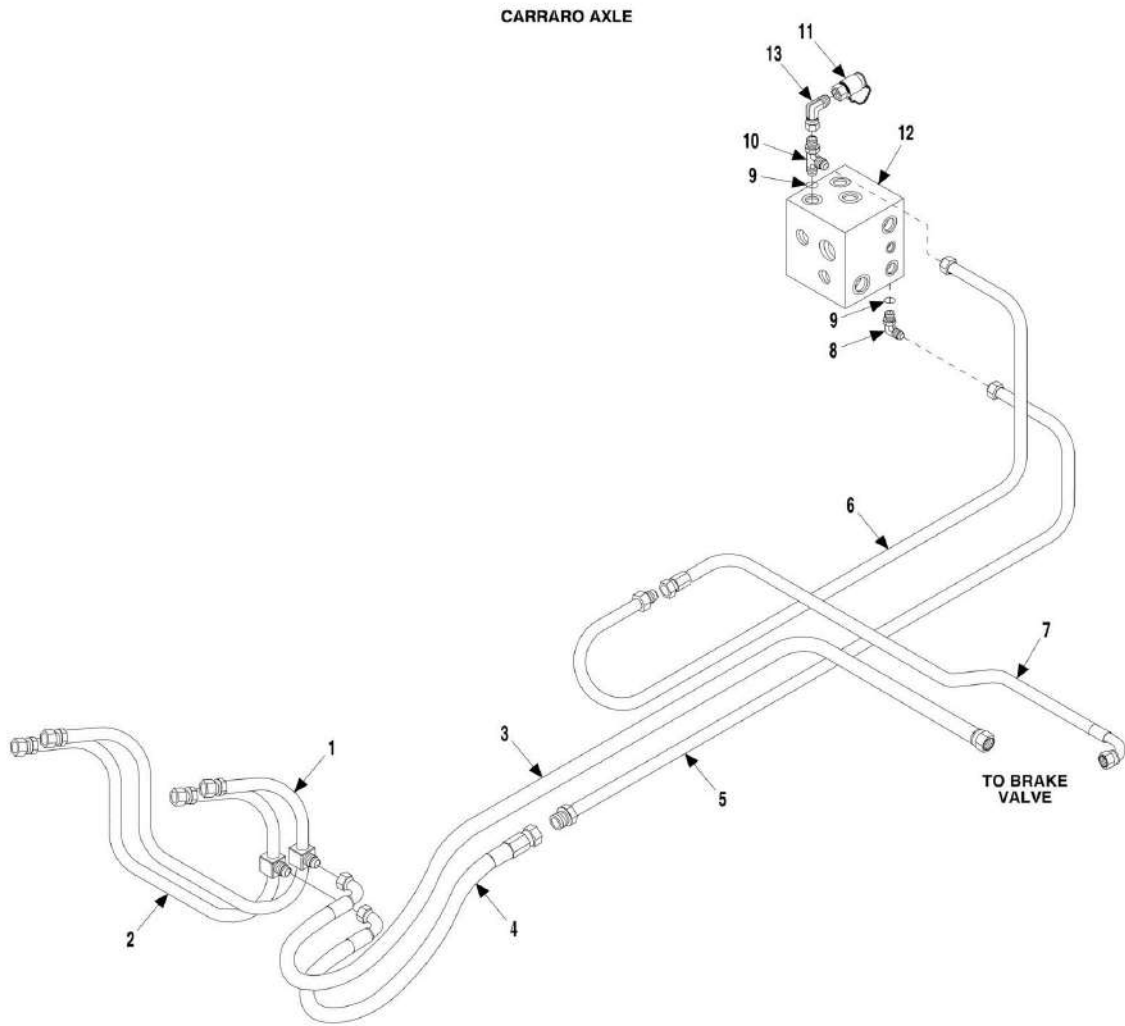
SECTION 8 - HYDRAULIC CIRCUITS

FIGURE 8-8. STEER SELECT VALVE (SN 0160040678 to Present)

ITEM	PART NUMBER	QTY	DESCRIPTION	REV
1		Ref	STEER SELECT VALVE, (See HYDRAULIC COMPONENTS SECTION for Breakdown)	
2	0641506	4	HEX HD CAPSCREW, 5/16-18X3/4, GR5	
3	4711500	4	FLAT WASHER, 5/16	
4	4761500	4	LOCKWASHER, 5/16	
5	1001096949	1	HOSE ASSY	
6	1001096950	1	HOSE ASSY	
7	1001096951	1	HOSE ASSY	
8	1001096952	1	HOSE ASSY	
9	2171108	4	BULKHEAD UNION, 3/4-16X1/2, TUBE	
10	77323029	1	CLAMP	
11	77133137	1	COVER	
12	0641514	1	HEX HD CAPSCREW, 5/16-18X1-3/4, GR5	
25	1001096390	2	HOSE ASSY	
27	90206203	12.5 in	TRIM-LOCK	
104		Ref	STEERING CONTROL ASSY, (See CONTROLS SECTION for Breakdown)	
201		Ref	HOSE ASSY, (See DRIVE TRAIN SECTION for Breakdown)	
202		Ref	HOSE ASSY, (See DRIVE TRAIN SECTION for Breakdown)	

SECTION 8 - HYDRAULIC CIRCUITS

FIGURE 8-9. SERVICE/PARKING (SN 0190001 through 0190457, SN 016000022 through 0160000843)



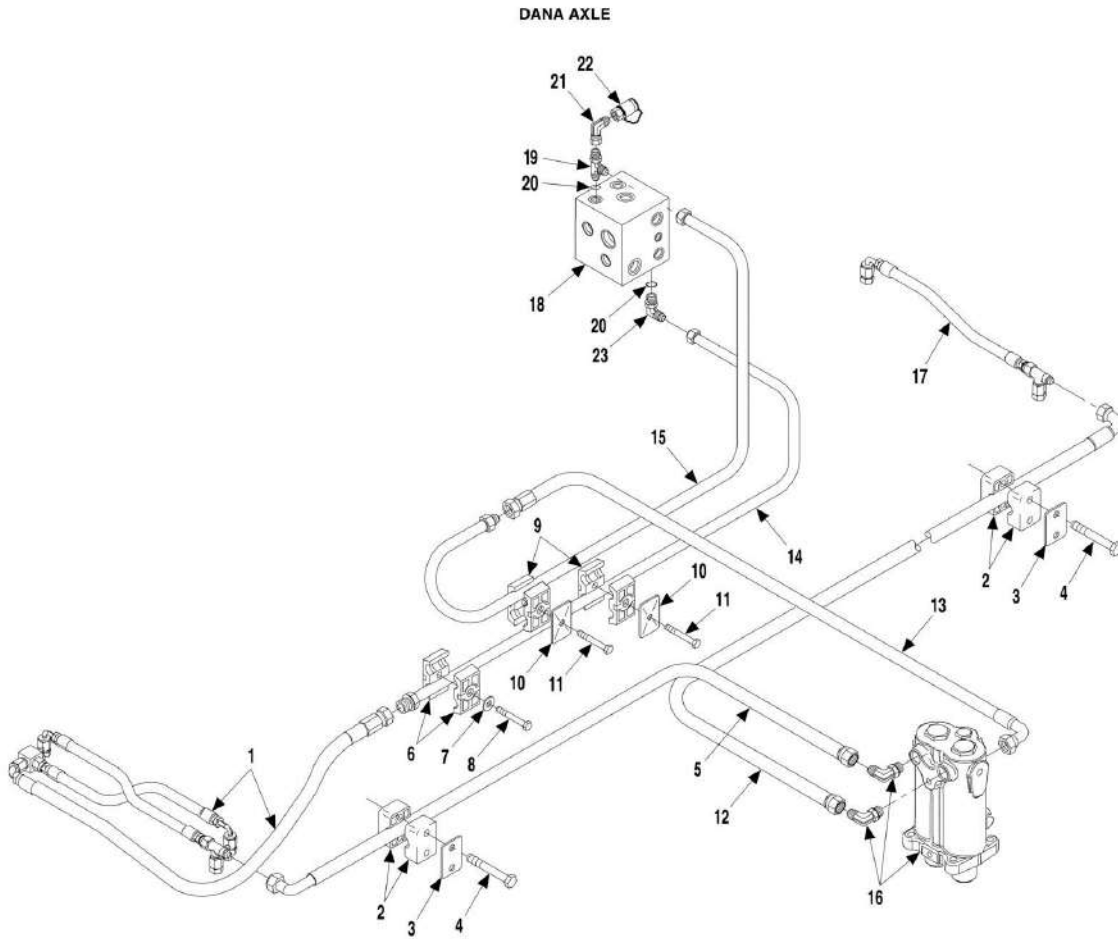
SECTION 8 - HYDRAULIC CIRCUITS

FIGURE 8-9. SERVICE/PARKING (SN 0190001 through 0190457, SN 016000022 through 0160000843)

ITEM	PART NUMBER	QTY	DESCRIPTION	REV
1		Ref	SERVICE BRAKE TUBE, (See DRIVE TRAIN SECTION for Breakdown)	
2		Ref	PARK BRAKE TUBE, (See DRIVE TRAIN SECTION for Breakdown)	
3	84719604	1	HOSE ASSY	
4	84719756	1	HOSE ASSY	
5	91473134	1	TUBE ASSY	
6	91473067	1	TUBE ASSY	
7	84719630	1	HOSE ASSY	
8	88662064	1	ELBOW, 90, (includes item 9)	
9	88591204	2	O-RING	
10	2220606	1	RUN TEE, (includes item 9)	
11	91143172	1	TEST COUPLING	
12		Ref	PRIORITY VALVE, (See HYDRAULIC COMPONENTS SECTION for Breakdown)	
13	88662105	1	ELBOW, 90, (swivel nut)	

SECTION 8 - HYDRAULIC CIRCUITS

FIGURE 8-10. SERVICE/PARKING (SN 0160000847 through 0160040659)



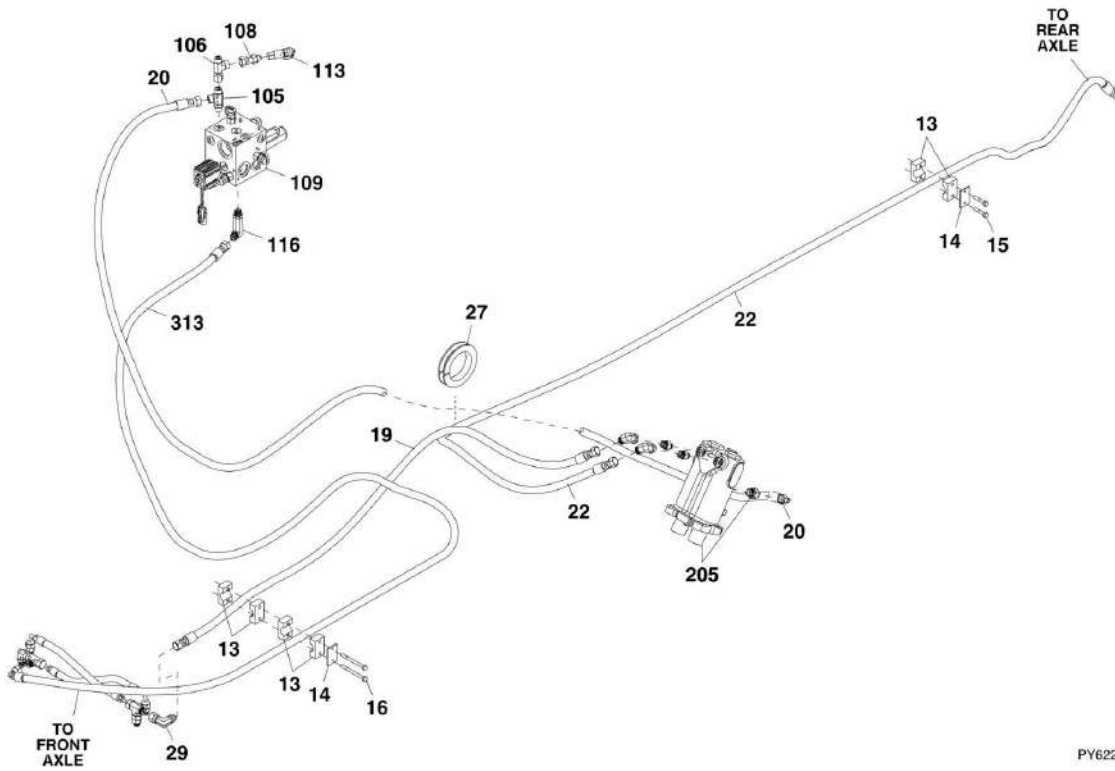
SECTION 8 - HYDRAULIC CIRCUITS

FIGURE 8-10. SERVICE/PARKING (SN 0160000847 through 0160040659)

ITEM	PART NUMBER	QTY	DESCRIPTION	REV
1		Ref	FRONT AXLE ASSY, (See DRIVE TRAIN SECTION for Breakdown)	
2	77133497	2	CLAMP	
3	77133498	2	COVER PLATE	
4	88201007	4	HEX HD CAPSCREW, 1/4-20X1-1/2, GR5	
5	84721064	1	HOSE ASSY	
6	77133270	1	CLAMP SET	
7	88561002	1	FLAT WASHER, 1/4	
8	88201005	1	HEX HD CAPSCREW, 1/4-20X1, GR5	
9	77133395	4	CLAMP SET	
10	77133140	4	COVER PLATE	
11	77133177	4	HEX HD CAPSCREW, 5/16-18X1-3/8	
12	84719939	1	HOSE ASSY	
13	84719630	1	HOSE ASSY	
14	91473134	1	PARK BRAKE TUBE	
15	91473067	1	SERVICE BRAKE TUBE, (supply)	
16		Ref	BRAKE ASSY, (See CONTROLS SECTION for Breakdown)	
17		Ref	REAR AXLE ASSY, (See DRIVE TRAIN SECTION for Breakdown)	
18		Ref	PRIORITY VALVE, (See HYDRAULIC COMPONENTS SECTION for Breakdown)	
19	2220606	1	RUN TEE, (includes item 20)	
20	88591204	2	O-RING	
21	88662105	1	ELBOW, 90, (swivel nut)	
22	91143172	1	TEST COUPLING	
23	88662064	1	ELBOW, 90, (includes item 20)	

SECTION 8 - HYDRAULIC CIRCUITS

FIGURE 8-11. SERVICE/PARKING (SN 0160040678 to Present)



PY6221

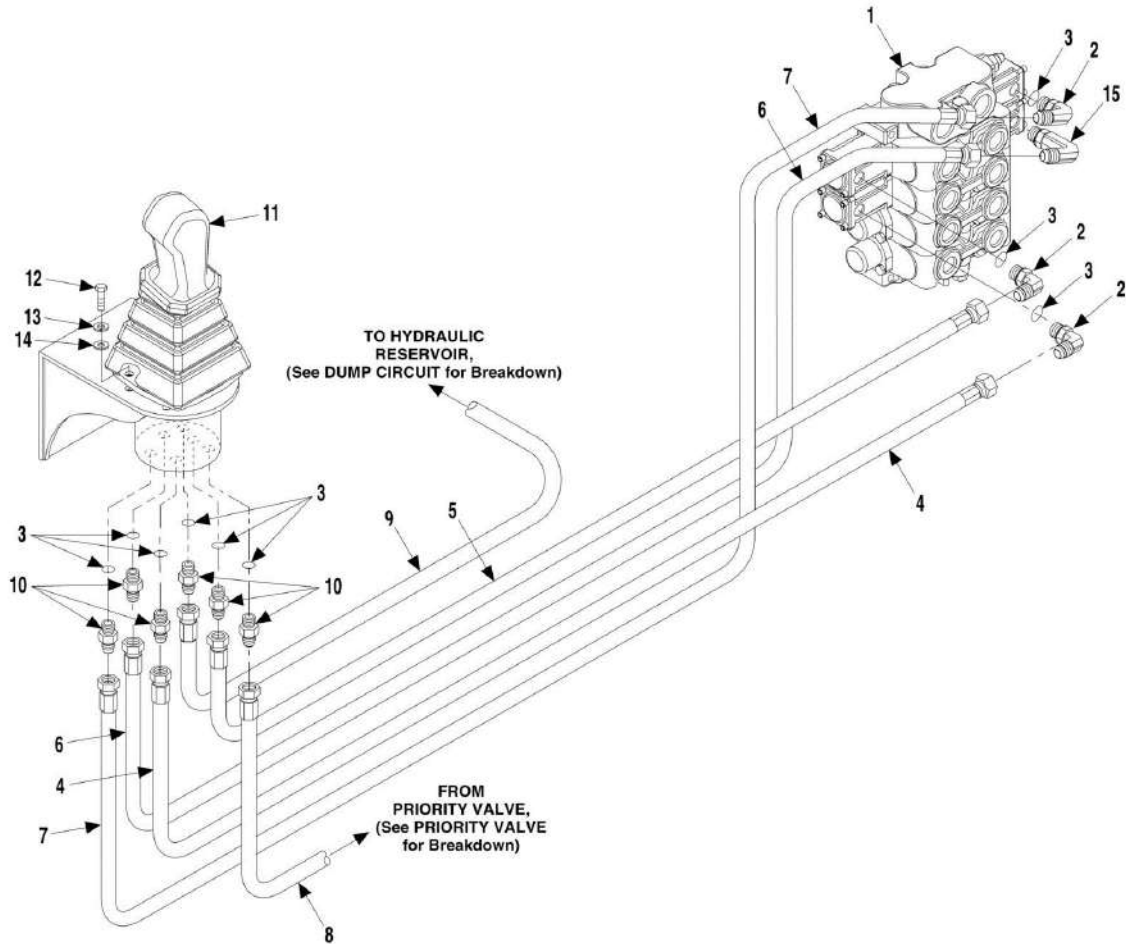
SECTION 8 - HYDRAULIC CIRCUITS

FIGURE 8-11. SERVICE/PARKING (SN 0160040678 to Present)

ITEM	PART NUMBER	QTY	DESCRIPTION	REV
13	77133893	3	CLAMP, 7/8	
14	77133052	2	COVER PLATE	
15	0641412	2	HEX HD CAPSCREW, 1/4-20X1-1/2, GR5	
16	0641424	2	HEX HD CAPSCREW, 1/4-20X3, GR5	
19	1001098388	1	HOSE ASSY	
20	1001097883	1	HOSE ASSY	
22	1001097885	1	HOSE ASSY	
27		Ref	TRIM-LOCK, (See STEER SELECT VALVE for Breakdown)	
29	2172106	1	ADAPTER, 90, (includes o-ring)	
105	2170306	1	ADAPTER, RUN TEE, (includes o-ring)	
106	2170706	1	ADAPTER, RUN TEE, (includes o-ring)	
108	2221279	1	ADAPTER, CONNECTOR, (includes o-ring)	
109		Ref	PRIORITY VALVE ASSY, (See HYDRAULIC COMPONENTS SECTION for Breakdown)	
113	91143172	1	MINI CHECK COUPLING	
116	2170206	1	ADAPTER, 90, (includes o-ring)	
205		Ref	BRAKE ASSY, (See CONTROLS SECTION for Breakdown)	
313		Ref	HOSE ASSY, (See DRIVE TRAIN SECTION for Breakdown)	

SECTION 8 - HYDRAULIC CIRCUITS

FIGURE 8-12. JOYSTICK CIRCUIT (Prior to SN 0160040678)



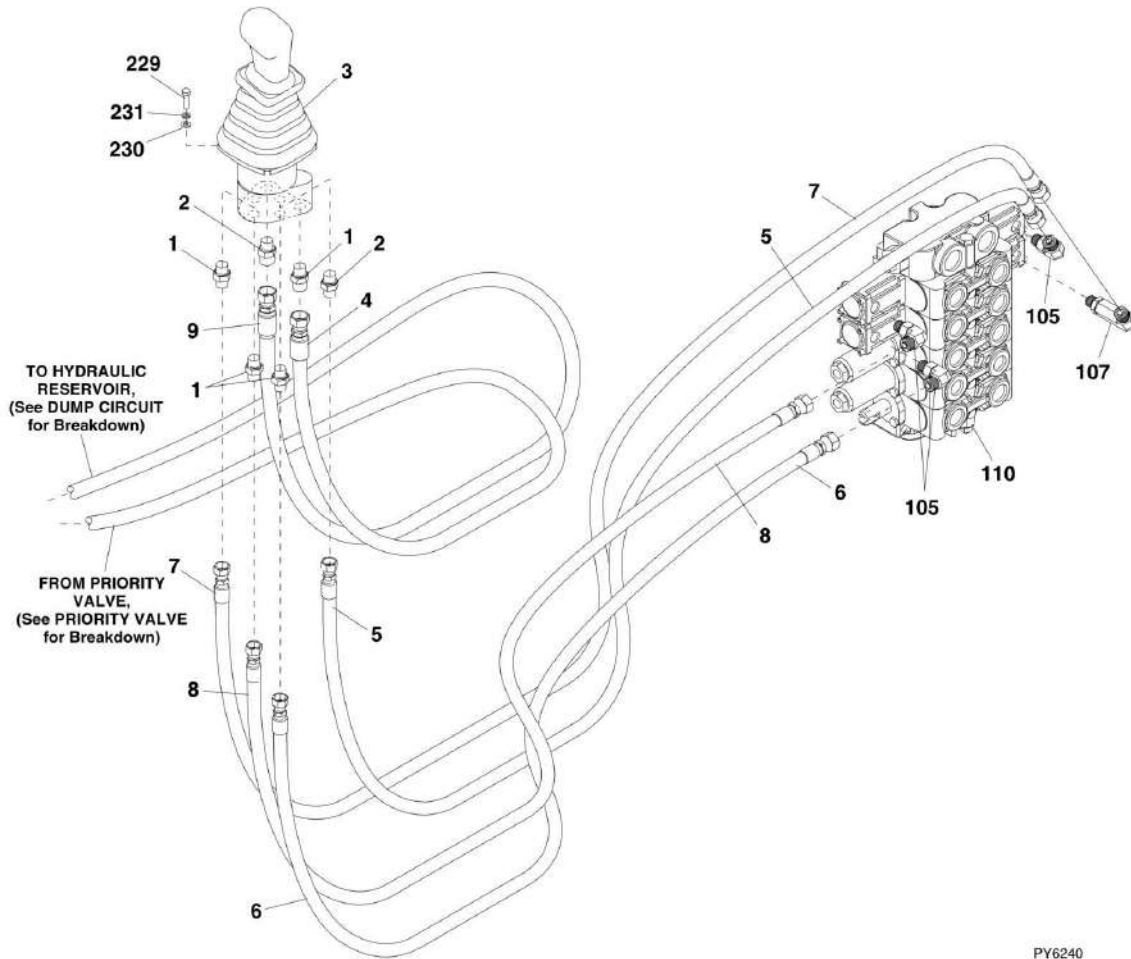
SECTION 8 - HYDRAULIC CIRCUITS

FIGURE 8-12. JOYSTICK CIRCUIT (Prior to SN 0160040678)

ITEM	PART NUMBER	QTY	DESCRIPTION	REV
1		Ref	MAIN CONTROL VALVE, (See HYDRAULIC COMPONENTS SECTION for Breakdown)	
2	88662064	3	ELBOW, 90, (includes item 3)	
3	88591204	9	O-RING	
4	84719616	1	HOSE ASSY	
5	84719615	1	HOSE ASSY	
6	84719617	1	HOSE ASSY	
7	84719618	1	HOSE ASSY	
8	84719679	1	HOSE ASSY	
9	84717020	1	HOSE ASSY	
10	2220371	6	CONNECTOR, (includes item 3)	
11		Ref	BOOM JOYSTICK, (See CONTROLS SECTION for Breakdown)	
12	88201005	4	HEX HD CAPSCREW, 1/4-20X1, GR5	
13	88551009	4	LOCKWASHER, 1/4	
14	88561002	4	FLAT WASHER, 1/4	
15	2220819	1	ELBOW, 90, LONG	

SECTION 8 - HYDRAULIC CIRCUITS

FIGURE 8-13. JOYSTICK CIRCUIT (SN 0160040678 to Present)



PY6240

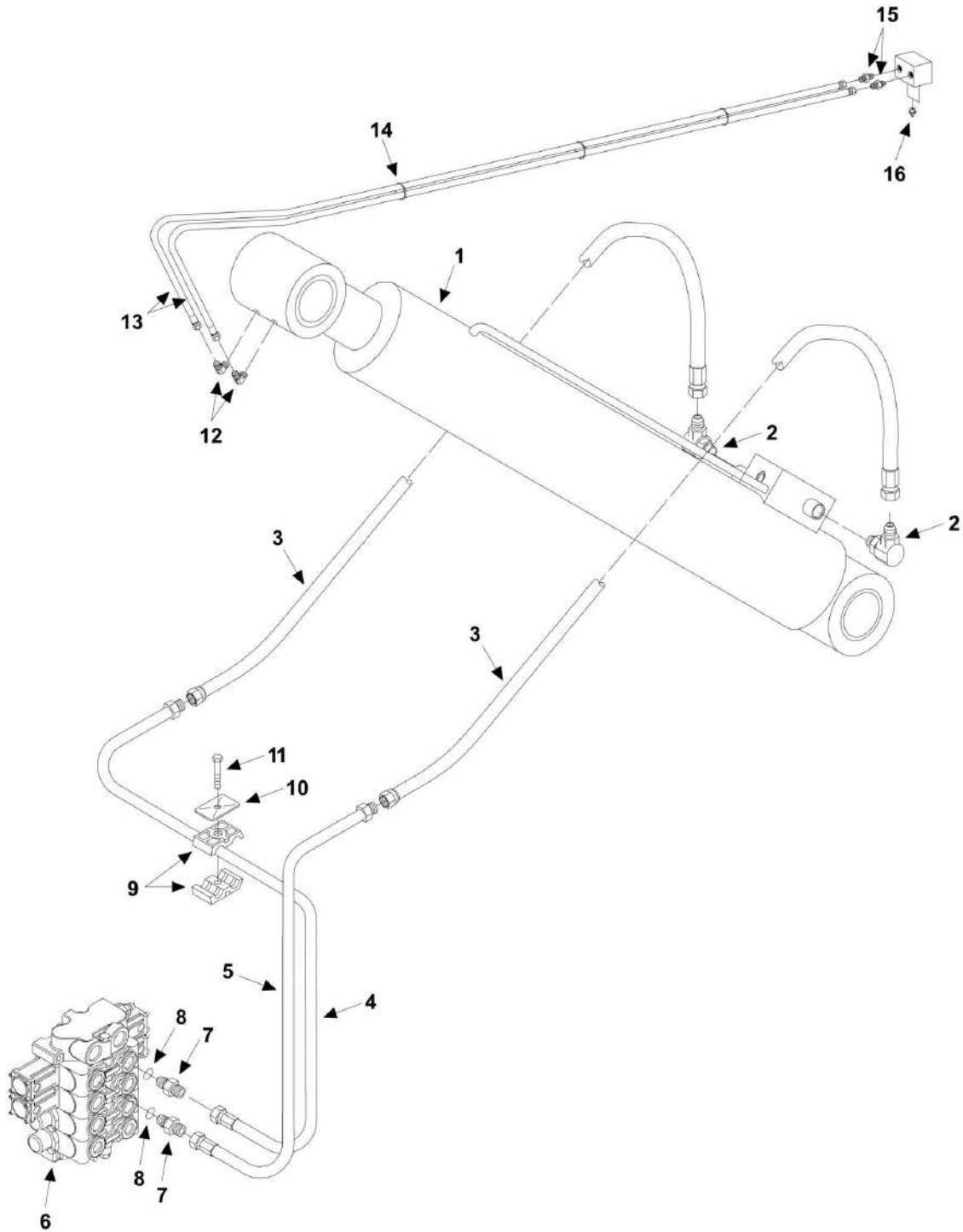
SECTION 8 - HYDRAULIC CIRCUITS

FIGURE 8-13. JOYSTICK CIRCUIT (SN 0160040678 to Present)

ITEM	PART NUMBER	QTY	DESCRIPTION	REV
1	2110406	4	ADAPTER, STRAIGHT, (includes o-ring)	
2	2110606	2	ADAPTER, STRAIGHT, (includes o-ring)	
3		Ref	BOOM JOYSTICK, (See CONTROLS SECTION for Breakdown)	
4	1001097747	1	HOSE ASSY	
5	1001097873	1	HOSE ASSY	
6	1001097874	1	HOSE ASSY	
7	1001097875	1	HOSE ASSY	
8	1001097876	1	HOSE ASSY	
9	1001097748	1	HOSE ASSY	
105	2130606	3	ADAPTER, 90, (includes o-ring)	
107	2170206	1	ADAPTER, 90, (long), (includes o-ring)	
110		Ref	MAIN CONTROL VALVE, (See HYDRAULIC COMPONENTS SECTION for Breakdown)	
229	0641408	4	HEX HD CAPSCREW, 1/4-20X1, GR5	
230	4751400	4	WASHER, 1/4	
231	4761400	4	LOCKWASHER, 1/4	

SECTION 8 - HYDRAULIC CIRCUITS

FIGURE 8-14. LIFT CYLINDER (Prior to SN 0160040678)



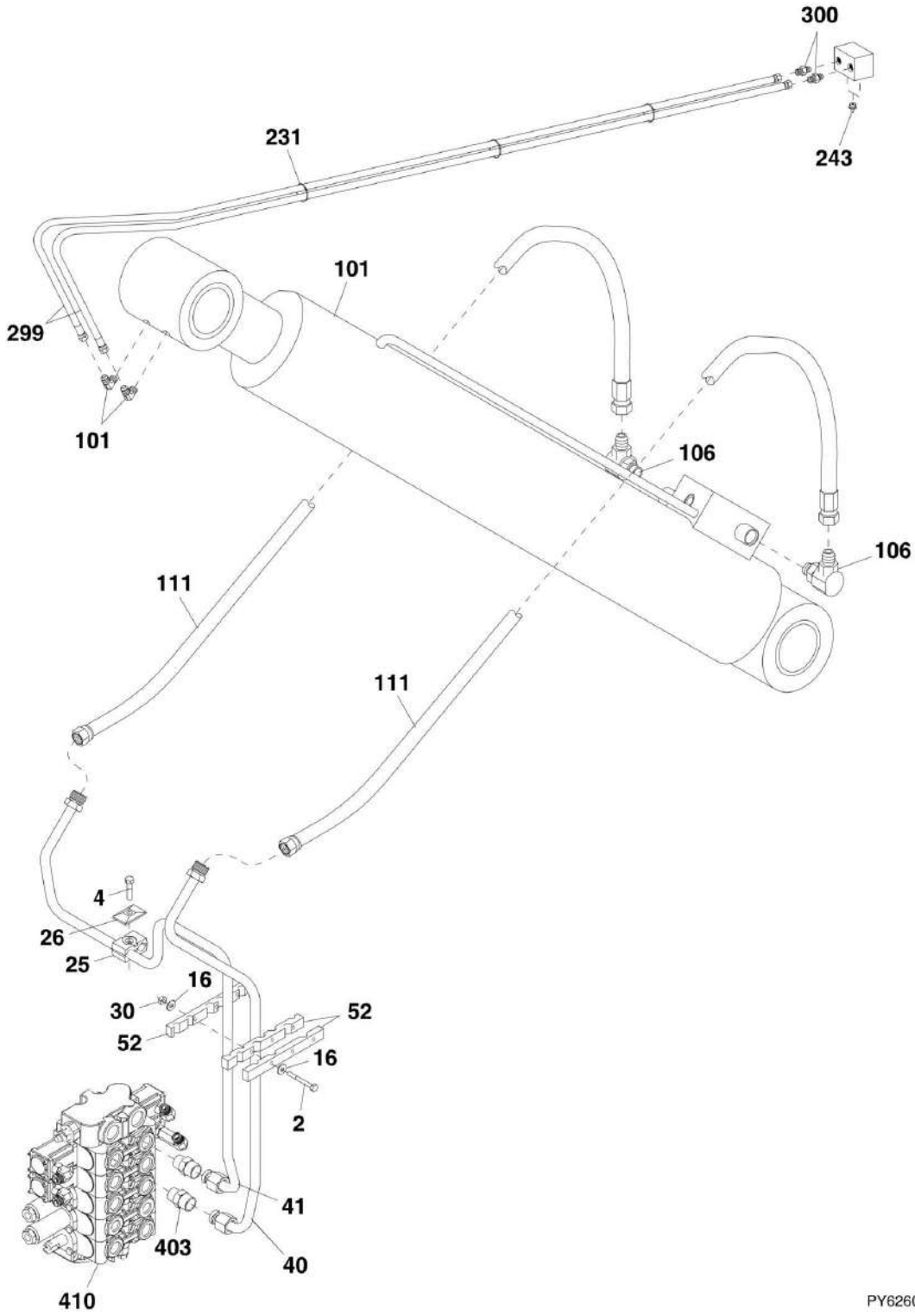
SECTION 8 - HYDRAULIC CIRCUITS

FIGURE 8-14. LIFT CYLINDER (Prior to SN 0160040678)

ITEM	PART NUMBER	QTY	DESCRIPTION	REV
1		Ref	LIFT CYLINDER, (See HYDRAULIC COMPONENTS SECTION for Breakdown)	
2	91413013	2	HYDRAULIC SWIVEL	
3	84719733	2	HOSE ASSY	
4	91473173	1	TUBE ASSY	
5	91473172	1	TUBE ASSY	
6		Ref	MAIN CONTROL VALVE, (See HYDRAULIC COMPONENTS SECTION for Breakdown)	
7	2220947	2	CONNECTOR, (includes item 8)	
8	88591206	2	O-RING	
9	77133139	1	CLAMP SET	
10	77133140	1	COVER PLATE	
11	77133177	1	HEX HD CAPSCREW, 5/16-18X1-3/8	
12	88661102	2	MALE ELBOW, 90, 1/8X3/16 TUBE	
13	84718545	2	HOSE ASSY	
14	86683122	AR	TIE WRAP	
15	88661002	2	MALE CONNECTOR, 1/8X3/16 TUBE	
16	88671001	2	LUBE FITTING, STRAIGHT 1/8	

SECTION 8 - HYDRAULIC CIRCUITS

FIGURE 8-15. LIFT CYLINDER (SN 0160040678 to Present)



PY6260

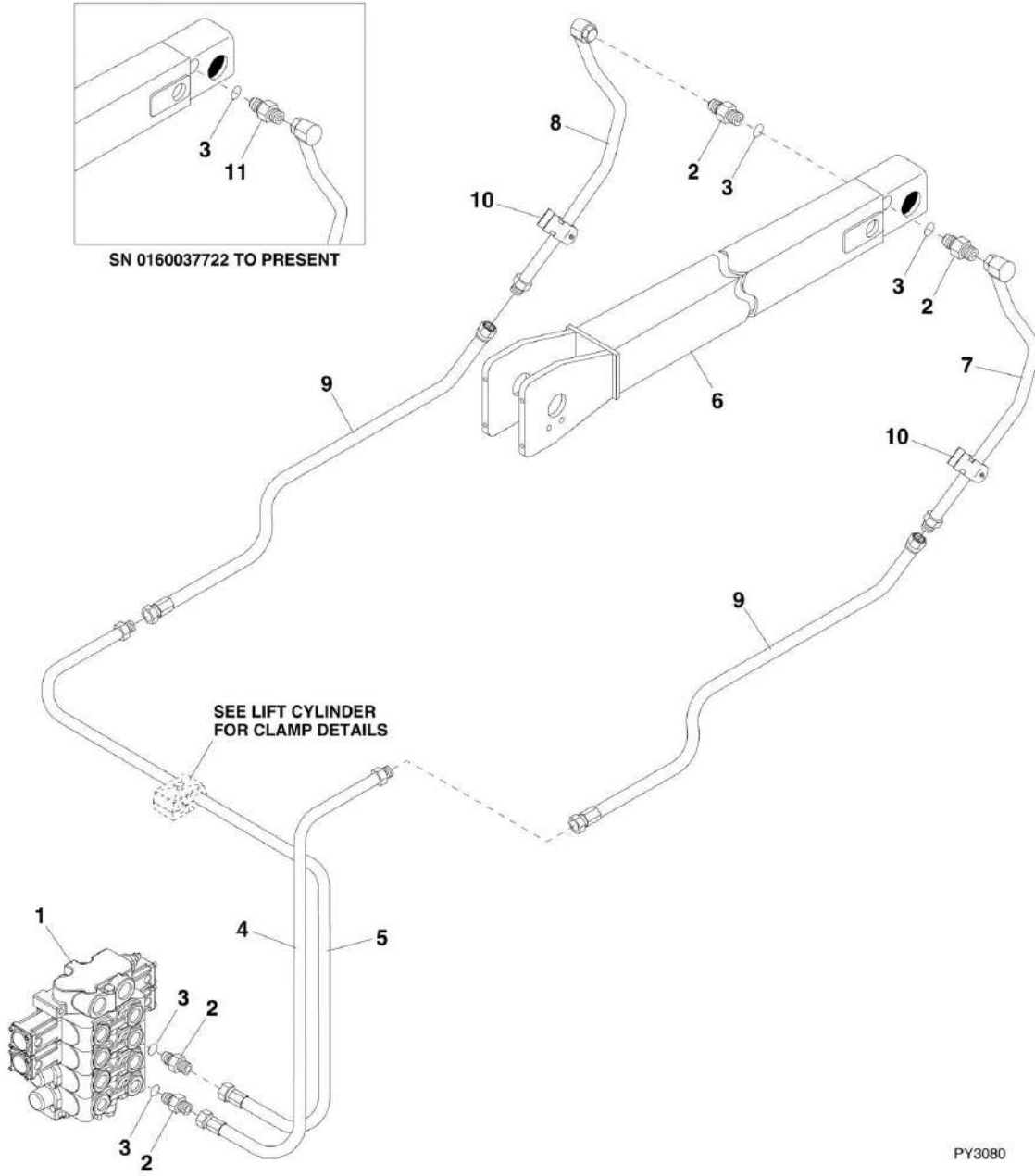
SECTION 8 - HYDRAULIC CIRCUITS

FIGURE 8-15. LIFT CYLINDER (SN 0160040678 to Present)

ITEM	PART NUMBER	QTY	DESCRIPTION	REV
2	0641418	3	HEX HD CAPSCREW, 1/4-20X2-1/4, GR5	
4	0641511	1	HEX HD CAPSCREW, 5/16-18X1-3/8, GR5	
16	4751400	6	WASHER, 1/4	
25	77133139	1	CLAMP SET	
26	77133140	1	COVER PLATE	
30	88521304	3	HEX LOCKNUT, 1/4-20	
40	1001098932	1	TUBE ASSY	
41	1001098933	1	TUBE ASSY	
52	1001117929	1	SPECIAL TUBE CLAMP	
101		Ref	LIFT CYLINDER, (See HYDRAULIC COMPONENTS SECTION for Breakdown)	
106	1001001250	2	HYDRAULIC SWIVEL	
111	1001098560	2	HOSE ASSY	
231	86683122	6	TIE WRAP	
243	2160001	2	GREASE FITTING, STRAIGHT	
299	84718545	2	HOSE ASSY	
300	88661002	2	ADAPTER, STRAIGHT	
403	2111010	2	ADAPTER, STRAIGHT, (includes o-ring)	
410		Ref	MAIN CONTROL VALVE, (See HYDRAULIC COMPONENTS SECTION for Breakdown)	

SECTION 8 - HYDRAULIC CIRCUITS

FIGURE 8-16. CROWD CYLINDER (Prior to SN 0160040678)



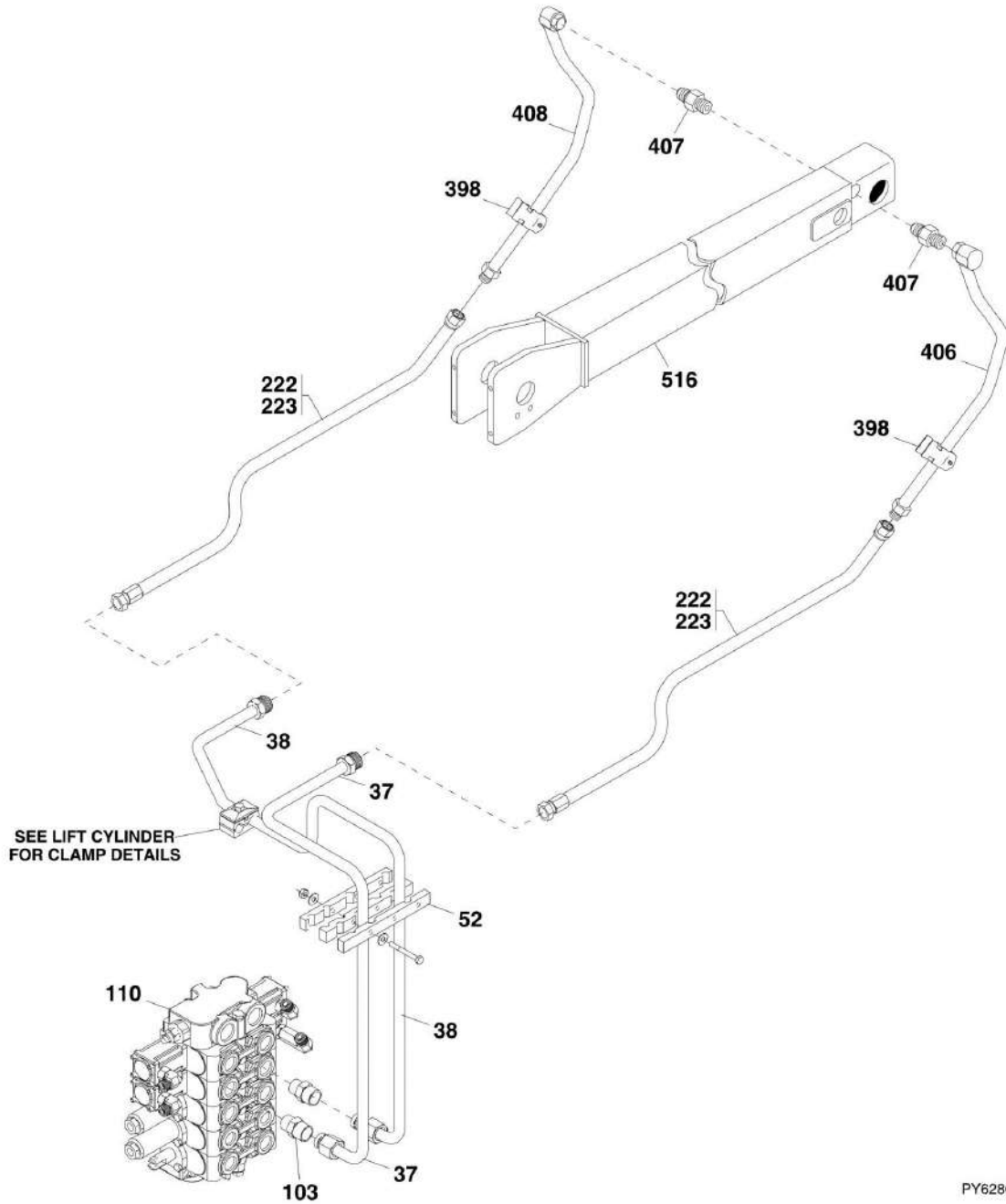
SECTION 8 - HYDRAULIC CIRCUITS

FIGURE 8-16. CROWD CYLINDER (Prior to SN 0160040678)

ITEM	PART NUMBER	QTY	DESCRIPTION	REV
1		Ref	MAIN CONTROL VALVE, (See HYDRAULIC COMPONENTS SECTION for Breakdown)	
2	2220947	4	CONNECTOR, (includes item 3) (Prior to SN 0160037722)	
2	2220947	2	CONNECTOR, (includes item 3) (SN 0160037722 to Present)	
3	88591206	4	O-RING	
4	91473048	1	TUBE ASSY	
5	91473049	1	TUBE ASSY	
6		Ref	CROWD CYLINDER, (See HYDRAULIC COMPONENTS SECTION for Breakdown)	
7	91403506	1	TUBE ASSY (Prior to SN 0160037722)	
7	1001098362	1	TUBE ASSY (SN 0160037722 to Present)	
8	91403507	1	TUBE ASSY (Prior to SN 0160037722)	
8	1001098363	1	TUBE ASSY (SN 0160037722 to Present)	
9	84719685	2	HOSE ASSY (Prior to SN 0160037722)	
9	1001102747	2	HOSE ASSY (SN 0160037722 through 0160040659)	
10	91083217	2	CLAMP	
11	2111010	2	CONNECTOR, (includes item 3) (SN 0160037722 to Present)	

SECTION 8 - HYDRAULIC CIRCUITS

FIGURE 8-17. CROWD CYLINDER (SN 0160040678 to Present)



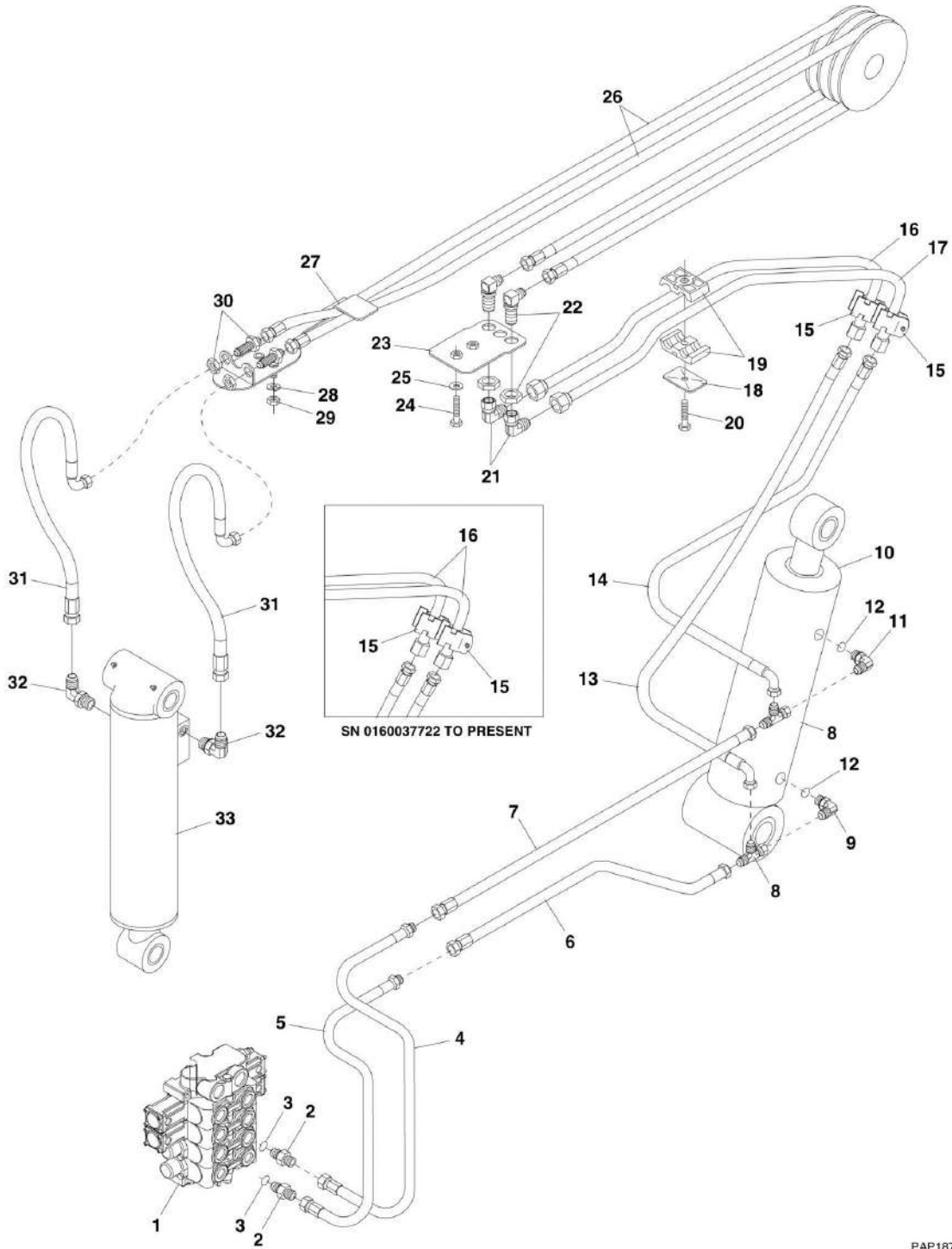
SECTION 8 - HYDRAULIC CIRCUITS

FIGURE 8-17. CROWD CYLINDER (SN 0160040678 to Present)

ITEM	PART NUMBER	QTY	DESCRIPTION	REV
37	1001097788	1	TUBE ASSY	
38	1001098360	1	TUBE ASSY	
52		Ref	SPECIAL TUBE CLAMP, (See LIFT CYLINDER for Breakdown)	
110		Ref	MAIN CONTROL VALVE,(See HYDRAULIC COMPONENTS SECTION for Breakdown)	
103	2111010	2	ADAPTER, STRAIGHT, (includes o-ring)	
222	1001101593	2	HOSE ASSY	
223	4100026	2	NYLON SLEEVE	
398	91083217	2	CLAMP	
406	1001098362	1	TUBE ASSY	
407	2111010	2	ADAPTER, STRAIGHT, (includes o-ring)	
408	1001098363	1	TUBE ASSY	
516		Ref	CROWD CYLINDER, (See HYDRAULIC COMPONENTS SECTION for Breakdown)	

SECTION 8 - HYDRAULIC CIRCUITS

FIGURE 8-18. TILT AND TILT COMPENSATING CYLINDER (Prior to SN 0160040678)



PAP18710

SECTION 8 - HYDRAULIC CIRCUITS

FIGURE 8-18. TILT AND TILT COMPENSATING CYLINDER (Prior to SN 0160040678)

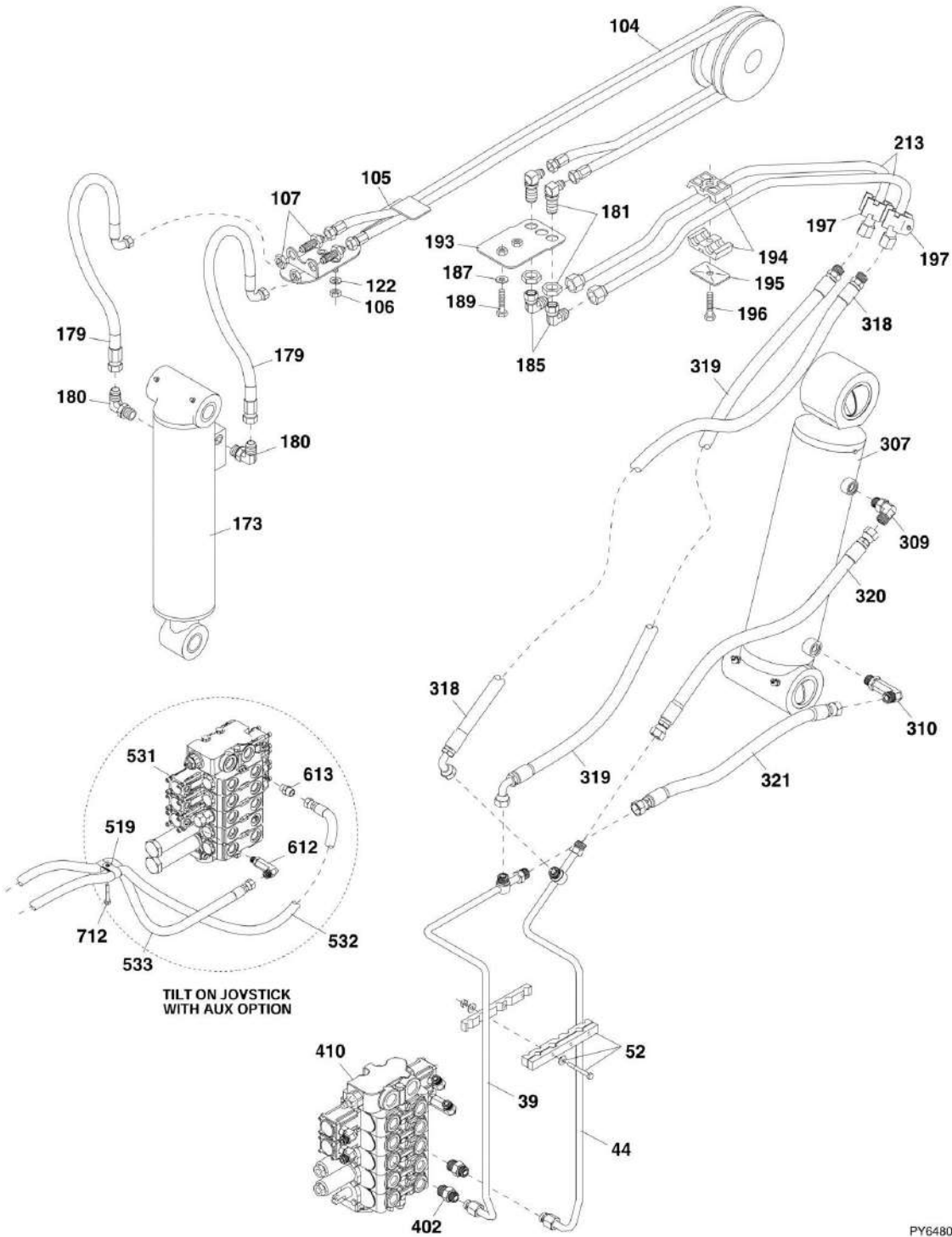
ITEM	PART NUMBER	QTY	DESCRIPTION	REV
1		Ref	MAIN CONTROL VALVE, (See HYDRAULIC COMPONENTS SECTION for Breakdown)	
2	2220374	2	CONNECTOR, (includes item 3)	
3	88591206	2	O-RING	
4	91473174	1	TUBE ASSY	
5	91473052	1	TUBE ASSY	
6	84719677	1	HOSE ASSY	
7	84719676	1	HOSE ASSY	
8	2220385	2	SWIVEL NUT RUN TEE, 1/2 TUBE	
9	2220474	1	ADAPTER, 90, (includes item 12)	
10		Ref	COMPENSATING CYLINDER, (See HYDRAULIC COMPONENTS SECTION for Breakdown)	
11	2220596	1	ELBOW, 90, (includes item 12)	
12	88591205	2	O-RING	
13	84719609	1	HOSE ASSY (Prior to SN 0160037722)	
13	1001102744	1	HOSE ASSY (SN 0160037722 through 0160040659)	
14	84719608	1	HOSE ASSY (Prior to SN 0160037722)	
14	1001102743	1	HOSE ASSY (SN 0160037722 through 0160040659)	
15	91083216	2	CLAMP	
16	91403393	1	TUBE ASSY (Prior to SN 0160037722)	
16	1001001332	2	TUBE ASSY (SN 0160037722 through 0160040659)	
17	91403392	1	TUBE ASSY (Prior to SN 0160037722)	
18	77133140	6	COVER PLATE	
19	77133168	6	CLAMP SET	
20	77133177	6	HEX HD CAPSCREW, 5/16X1-3/8 (Prior to SN 0160037722)	
20	0641511	6	HEX HD CAPSCREW, 5/16X1-3/8 (SN 0160037722 to Present)	
21	91403415	2	FITTING, 90, (Prior to SN 0160037722)	
21	2221253	2	FITTING, 90, (SN 0160037722 to Present)	
22	2230043	2	BULKHEAD FITTING, 90, (Prior to SN 0160037722)	
22	2171206	2	BULKHEAD FITTING, 90, (SN 0160037722 to Present)	
23	91401344	1	HOSE BRACKET (Prior to SN 0160037722)	
23	1001090364	1	HOSE BRACKET (SN 0160037722 to Present)	
24	88201034	2	HEX HD CAPSCREW, 3/8-16X7/8, GR5 (Prior to SN 0160037722)	
24	0641607	2	HEX HD CAPSCREW, 3/8-16X1-1/4, GR5 (SN 0160037722 to Present)	
25	88561109	2	FLAT WASHER, 3/8 (Prior to SN 0160037722)	
25	4711600	2	FLAT WASHER, 3/8 (SN 0160037722 to Present)	
26	84719168	2	HOSE ASSY (Prior to SN 0160037722)	
26	1001112207	2	HOSE ASSY (SN 0160037722 through 0160040659)	
27	91406129	1	HOSE RETAINER (Prior to SN 0160037722)	
27	0903293	1	HOSE RETAINER (SN 0160037722 to Present)	
28	88551011	2	LOCKWASHER, 3/8 (Prior to SN 0160037722)	
28	4761600	2	LOCKWASHER, 3/8 (SN 0160037722 to Present)	
29	88501006	2	HEX NUT, 3/8-16	
30	88661084	2	BULKHEAD UNION, 9/16-18X3/8, TUBE (Prior to SN 0160037722)	
30	2171106	2	BULKHEAD UNION, 9/16-18X3/8, TUBE (SN 0160037722 to Present)	
31	84717541	2	HOSE ASSY (Prior to SN 0160037722)	
31	1001101617	2	HOSE ASSY (SN 0160037722 to Present)	
32	2220828	2	ELBOW, 90, (Prior to SN 0160037722)	

SECTION 8 - HYDRAULIC CIRCUITS

ITEM	PART NUMBER	QTY	DESCRIPTION	REV
32	2130610	2	ELBOW, 90, (SN 0160037722 to Present)	
33		Ref	TILT CYLINDER, (See HYDRAULIC COMPONENTS SECTION for Breakdown)	

SECTION 8 - HYDRAULIC CIRCUITS

FIGURE 8-19. TILT AND TILT COMPENSATING CYLINDER (SN 0160040678 to Present)



PY6480

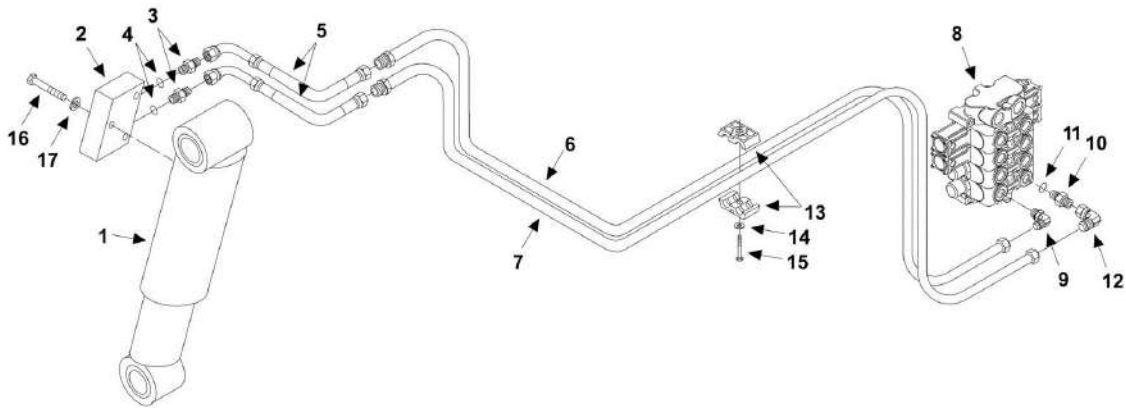
SECTION 8 - HYDRAULIC CIRCUITS

FIGURE 8-19. TILT AND TILT COMPENSATING CYLINDER (SN 0160040678 to Present)

ITEM	PART NUMBER	QTY	DESCRIPTION	REV
39	1001098361	1	HYDRAULIC TUBE ASSY	
44	1001102623	1	HYDRAULIC TUBE ASSY	
52		Ref	SPECIAL TUBE CLAMP, (See LIFT CYLINDER for Breakdown)	
104	1001112207	2	HOSE ASSY	
105	0903293	1	HOSE RETAINER	
106	88501006	2	HEX NUT, 3/8-16	
107	2171106	2	BULKHEAD UNION, 9/16-18X3/8, TUBE	
122	4761600	2	LOCKWASHER, 3/8	
173		Ref	TILT CYLINDER, (See HYDRAULIC COMPONENTS SECTION for Breakdown)	
179	1001101617	2	HOSE ASSY	
180	2130610	2	ELBOW, 90	
181	2171206	2	BULKHEAD FITTING, 90	
185	2221253	2	FITTING, 90	
187	4711600	2	FLAT WASHER, 3/8	
189	0641607	2	HEX HD CAPSCREW, 3/8-16X7/8, GR5	
193	1001090364	1	HOSE BRACKET	
194	77133168	3	CLAMP SET	
195	77133140	3	COVER PLATE	
196	0641511	3	HEX HD CAPSCREW, 5/16-18X1-3/8, GR5	
197	91083216	2	CLAMP	
213	1001001332	2	TUBE ASSY	
307		Ref	COMPENSATING CYLINDER, (See HYDRAULIC COMPONENTS SECTION for Breakdown)	
309	2130808	1	ELBOW, 90, (includes o-ring)	
310	2170208	1	ELBOW, 90, (swivel nut)	
318	1001101588	1	HOSE ASSY	
319	1001101589	1	HOSE ASSY	
320	1001101591	1	HOSE ASSY	
321	1001101592	1	HOSE ASSY	
402	2110810	2	ADAPTER, STRAIGHT, (includes o-ring)	
410		Ref	MAIN CONTROL VALVE, (See HYDRAULIC COMPONENTS SECTION for Breakdown)	
519	91043147	2	SUPPORT CLAMP	
531		Ref	MAIN CONTROL VALVE, TILT ON JOYSTICK WITH AUX, (See HYDRAULIC COMPONENTS SECTION for Breakdown)	
532	1001128535	1	HOSE ASSY	
533	1001128536	1	HOSE ASSY	
612	2170206	1	ELBOW, 90, (includes o-ring)	
613	2110606	1	STRAIGHT, (includes o-ring)	
712		Ref	HEX HD CAPSCREW, (See STEER SELECT VALVE for Breakdown)	

SECTION 8 - HYDRAULIC CIRCUITS

FIGURE 8-20. SWAY CYLINDER (Prior to SN 0160040678)



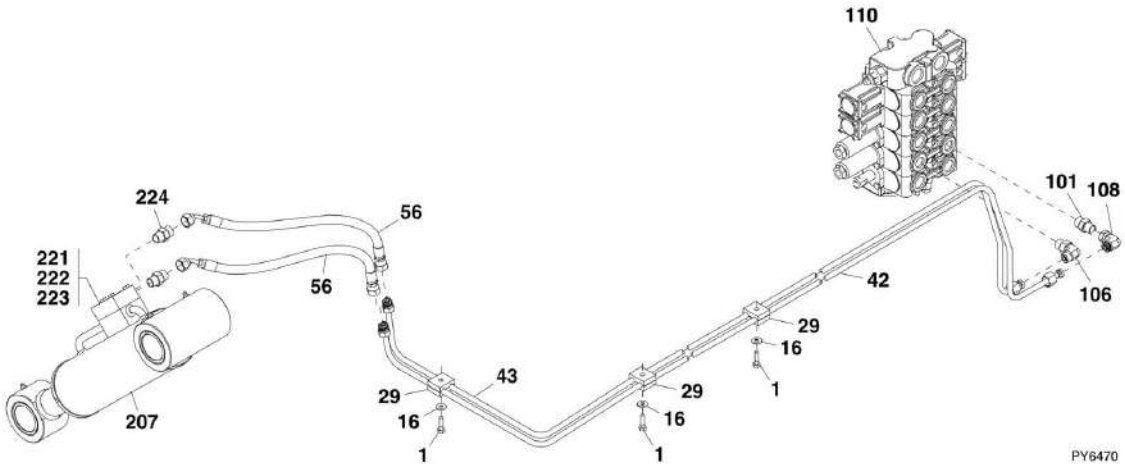
SECTION 8 - HYDRAULIC CIRCUITS

FIGURE 8-20. SWAY CYLINDER (Prior to SN 0160040678)

ITEM	PART NUMBER	QTY	DESCRIPTION	REV
1		Ref	SWAY CYLINDER, (See HYDRAULIC COMPONENTS SECTION for Breakdown)	
2		Ref	SWAY CYLINDER VALVE, (See HYDRAULIC COMPONENTS SECTION for Breakdown)	
3	2220371	2	STRAIGHT ADAPTER, (includes o-ring)	
5	84719670	2	HOSE ASSY	
6	91473182	1	TUBE ASSY	
7	91473181	1	TUBE ASSY	
8		Ref	MAIN CONTROL VALVE, (See HYDRAULIC COMPONENTS SECTION for Breakdown)	
9	91083222	1	ELBOW, 90	
10	2220372	1	STRAIGHT ADAPTER, (includes o-ring)	
12	88662105	1	ELBOW, 90, (swivel nut)	
13	77133270	3	CLAMP SET	
14	88561002	3	FLAT WASHER, 1/4	
15	88201005	3	HEX HD CAPSCREW, 1/4-20X1, GR5	
16	88201008	3	HEX HD CAPSCREW, 1/4-20X1-3/4, GR5	
17	88551009	3	LOCKWASHER, 1/4	

SECTION 8 - HYDRAULIC CIRCUITS

FIGURE 8-21. SWAY CYLINDER (SN 0160040678 to Present)



PY6470

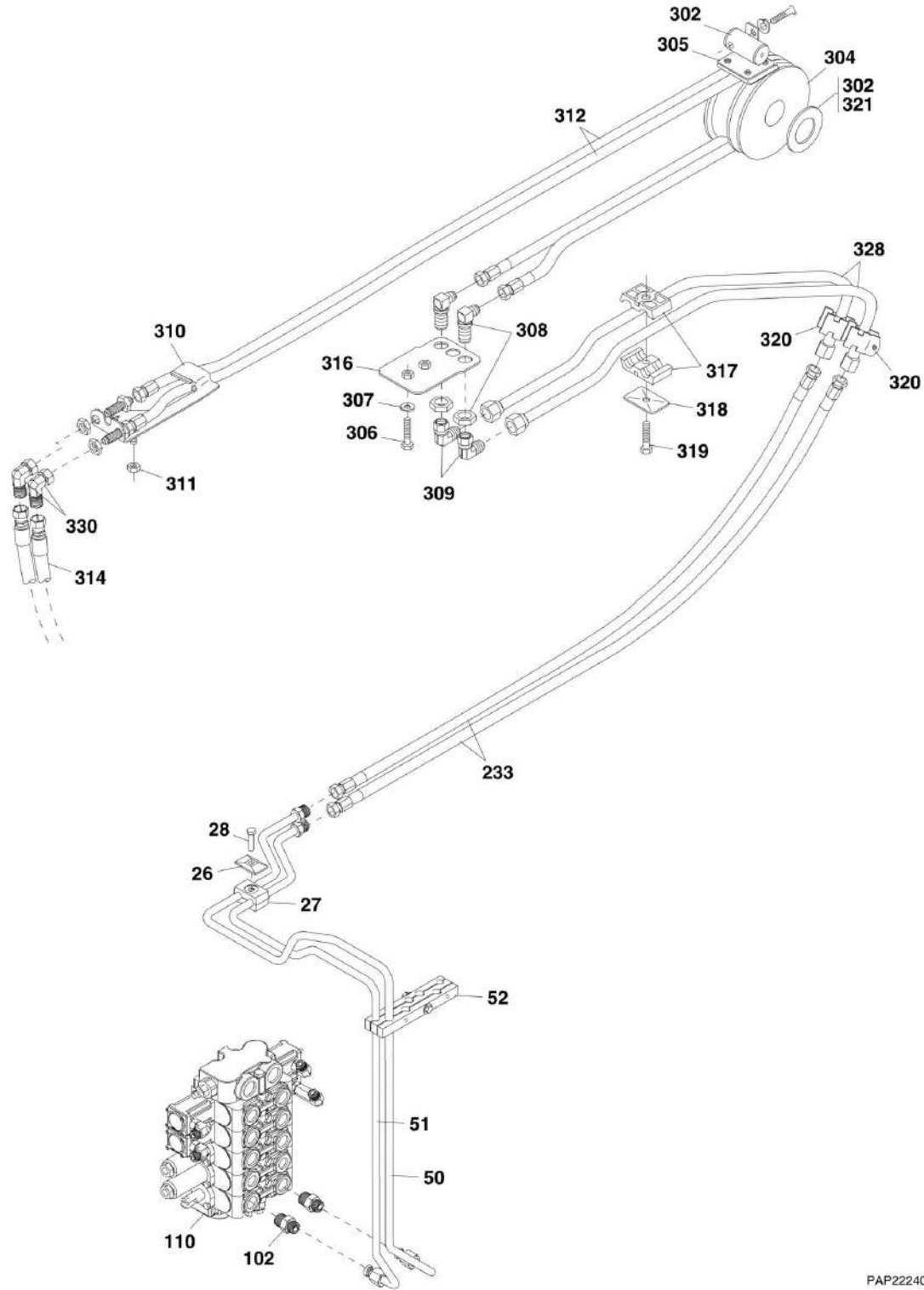
SECTION 8 - HYDRAULIC CIRCUITS

FIGURE 8-21. SWAY CYLINDER (SN 0160040678 to Present)

ITEM	PART NUMBER	QTY	DESCRIPTION	REV
1	0641408	3	HEX HD CAPSCREW, 1/4-20X1, GR5	
16	4751400	3	WASHER, 1/4	
29	77133270	3	CLAMP SET	
42	1001101615	1	HYDRAULIC PIPE	
43	1001101616	1	HYDRAULIC PIPE	
56	1001096957	2	HOSE ASSY	
101	2110608	1	ADAPTER, STRAIGHT, (includes o-ring)	
106	2130608	1	ADAPTER, 90, (includes o-ring)	
108	2172106	1	ADAPTER, 90, (includes o-ring)	
110		Ref	MAIN CONTROL VALVE, (See HYDRAULIC COMPONENTS SECTION for Breakdown)	
207		Ref	SWAY CYLINDER, (See HYDRAULIC COMPONENTS SECTION for Breakdown)	
221		Ref	SWAY CYLINDER CHECK VALVE, (See HYDRAULIC COMPONENTS SECTION for Breakdown)	
222	88201008	3	HEX HD CAPSCREW, 1/4-20X1-3/4, GR5	
223	88551009	3	LOCKWASHER, 1/4	
224	2110606	2	ADAPTER, STRAIGHT, (includes o-ring)	

SECTION 8 - HYDRAULIC CIRCUITS

FIGURE 8-22. AUXILIARY HYDRAULICS (SN 0160040678 to Present)



PAP22240

SECTION 8 - HYDRAULIC CIRCUITS

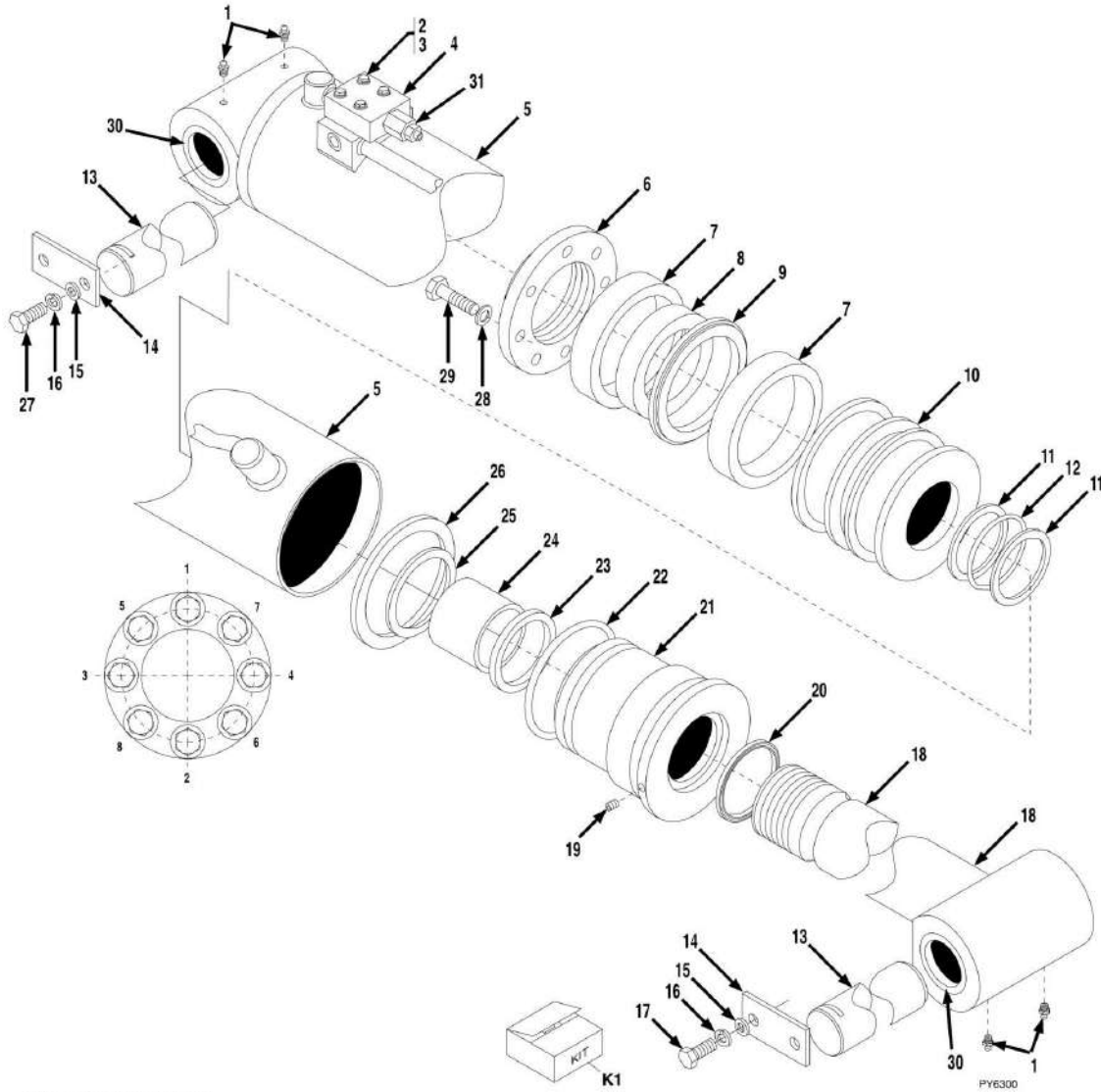
FIGURE 8-22. AUXILIARY HYDRAULICS (SN 0160040678 to Present)

ITEM	PART NUMBER	QTY	DESCRIPTION	REV
26	77133140	1	COVER PLATE	
27	77133168	1	CLAMP SET	
28	77133177	1	HEX HD CAPSCREW, 3/8-24X1-3/4, GR5	
50	1001117887	1	TUBE ASSY	
51	1001117888	1	TUBE ASSY	
52		Ref	SPECIAL TUBE CLAMP, (See LIFT CYLINDER for Breakdown)	
102	2110810	2	ADAPTER, STRAIGHT, (includes o-ring)	
110		Ref	MAIN CONTROL VALVE, (See HYDRAULIC COMPONENTS SECTION for Breakdown)	
233	1001120497	2	HOSE ASSY	
302	91403127	AR	THRUST WASHER	
304	3580347	1	HOSE SHEAVE PULLEY	
305	91405086	1	HOSE RETAINER ASSY, (includes the following items)	B
305	91401436	1	HOSE RETAINER, RH	
305	91403499	1	PAD	
305	88241023	4	SOCKET FLAT HD CAPSCREW, #10-24X5/8	
305	88501612	4	HEX NUT, #10-24	
306	0641607	2	HEX HD CAPSCREW, 3/8-16X7/8, GR5	
307	4711600	2	FLAT WASHER, 3/8	
308	2171206	2	BULKHEAD FITTING, 90, (includes o-ring)	
309	2221253	2	ELBOW, 90	
310	1001101788	1	HOSE RETAINER	
311	88501006	2	HEX NUT, 3/8-16	
312	1001112207	1	HOSE ASSY	
314		Ref	HOSE ASSY, (See BOOM SECTION for Breakdown)	
316	1001090032	1	HOSE BRACKET	
317	77133168	3	CLAMP	
318	77133140	3	COVER PLATE	
319	0641511	3	HEX BOLT, 5/16X1-3/8	
320	91083216	2	HOSE CLAMP	
321	91403126	1	THRUST WASHER	
328	1001001333	2	HYDRAULIC TUBE	
330	2172106	2	ADAPTER, 90, SWIVEL	

SECTION 9 - HYDRAULIC COMPONENTS

SECTION 9 - HYDRAULIC COMPONENTS

FIGURE 9-1. LIFT CYLINDER (SN 0190001 through 0190457, SN 016000022 through 0160007820)



NOTE: ITEMS 6, 28 & 29
 PISTON TORQUE FOR ITEMS 6, 28 & 29.
 TORQUE ITEM 29 IN SEQUENCE SHOWN AT 35 LB-FT
 TORQUE ITEM 29 IN SEQUENCE SHOWN AT 75 LB-FT
 TORQUE ITEM 29 IN SEQUENCE SHOWN AT 95 LB-FT
 CHECK TORQUE IN CIRCULAR PATTERN (MIN 2 TIMES).

SECTION 9 - HYDRAULIC COMPONENTS

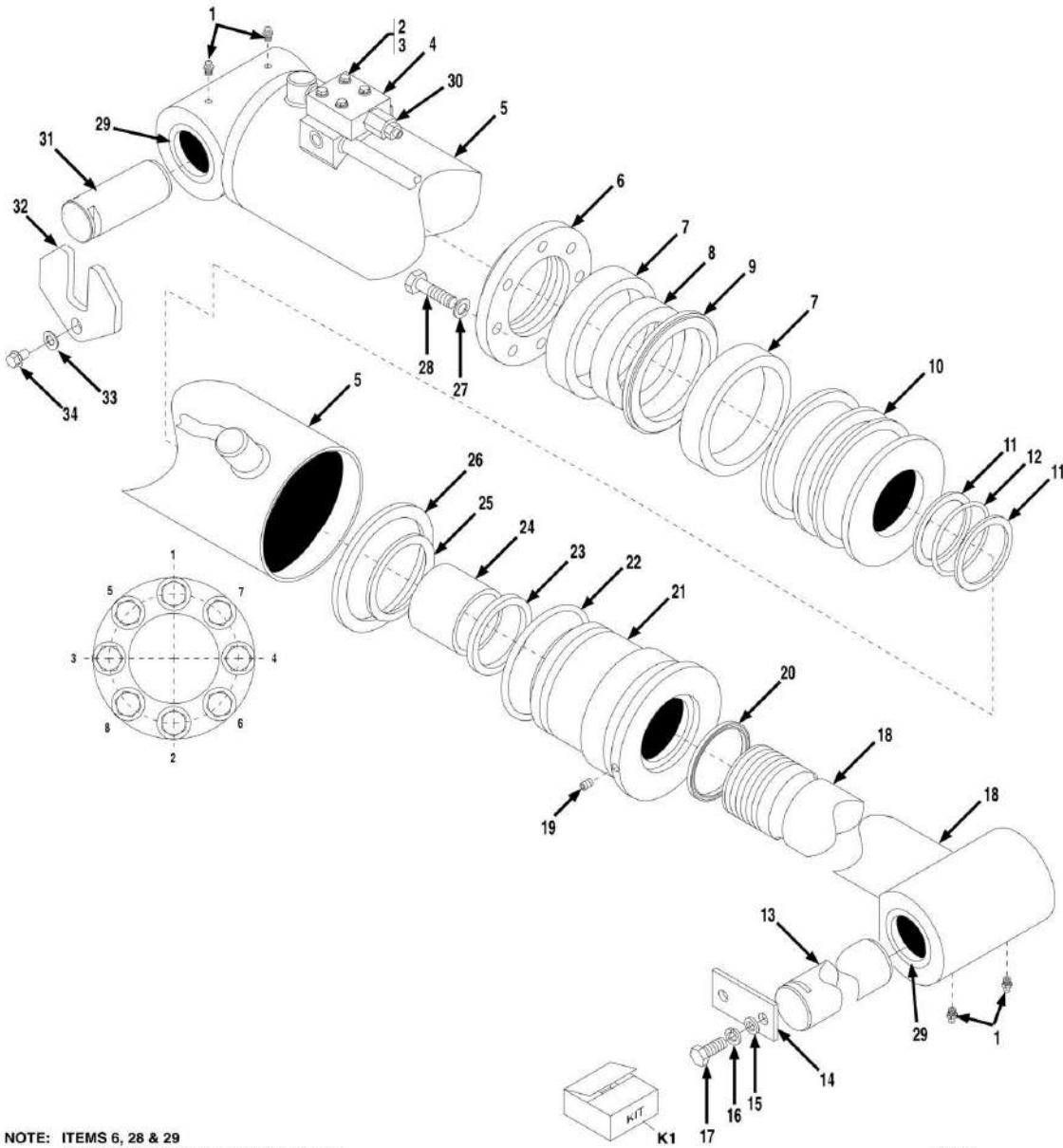
FIGURE 9-1. LIFT CYLINDER (SN 0190001 through 0190457, SN 016000022 through 0160007820)

ITEM	PART NUMBER	QTY	DESCRIPTION	REV
	91403009	1	LIFT CYLINDER, (includes all items except items 13 thru 17 & 27)	F
1	91144128	4	GREASE FITTING	
2	91404132	4	CAPSCREW, (torque to 10-12 lb-ft)	
3	91404152	4	LOCKWASHER	
4	91404138	1	VALVE BLOCK, (includes item 31)	
5	91404133	1	CASE ASSY	
6	91404137	1	BOLT PLATE	
7	Kit	2	WEAR RING	
8	91404136	1	SPLIT RING	
9	Kit	1	PISTON SEAL	
10	91404134	1	PISTON	
11	Kit	2	BACK-UP RING	
12	Kit	1	O-RING	
13	91403027	2	PIN	
14	91401189	2	KEEPER	
15	88561111	4	WASHER, 1/2	
16	88551013	4	LOCKWASHER, 1/2	
17	88211105	2	SOCKET HD CAPSCREW, 1/2-13X1, GR8	
18	91404139	1	SHAFT ASSY	
19	91124096	1	SET SCREW, (torque to 11 lb-ft)	
20	Kit	1	CANNED WIPER	
21	91404135	1	HEAD, (torque to 100 lb-ft)	
22	Kit	1	O-RING	
23	Kit	1	ROD SEAL	
24	Kit	1	WEAR RING	
25	Kit	1	STEP SEAL	
26	Kit	1	U-CUP	
27	88201065	2	HEX HD CAPSCREW, 1/2-13X1, GR5	
28	91404131	8	WASHER	
29	91404151	8	CAPSCREW, (see service note for torque specifications)	
30	91404288	4	BUSHING	
31	1001109225	1	VALVE, (torque to 44 lb-ft)	
31	91404382	1	SEAL KIT	
K1	91404140	1	SEAL KIT, (includes items 7, 9, 11, 12, 20 & 22 thru 26)	

SECTION 9 - HYDRAULIC COMPONENTS

FIGURE 9-2. LIFT CYLINDER (SN 0160007868 through 0160007974)

SN RANGE PROVIDED IS AN APPROXIMATION. IF LIFT CYLINDER PIN CONFIGURATION DIFFERS, SEE LIFT CYLINDER FOR BREAKDOWN, SN 0160008059 THROUGH 0160010475.



NOTE: ITEMS 6, 28 & 29
 PISTON TORQUE FOR ITEMS 6, 28 & 29.
 TORQUE ITEM 29 IN SEQUENCE SHOWN AT 35 LB-FT
 TORQUE ITEM 29 IN SEQUENCE SHOWN AT 75 LB-FT
 TORQUE ITEM 29 IN SEQUENCE SHOWN AT 95 LB-FT
 CHECK TORQUE IN CIRCULAR PATTERN (MIN 2 TIMES).

PY6310

SECTION 9 - HYDRAULIC COMPONENTS

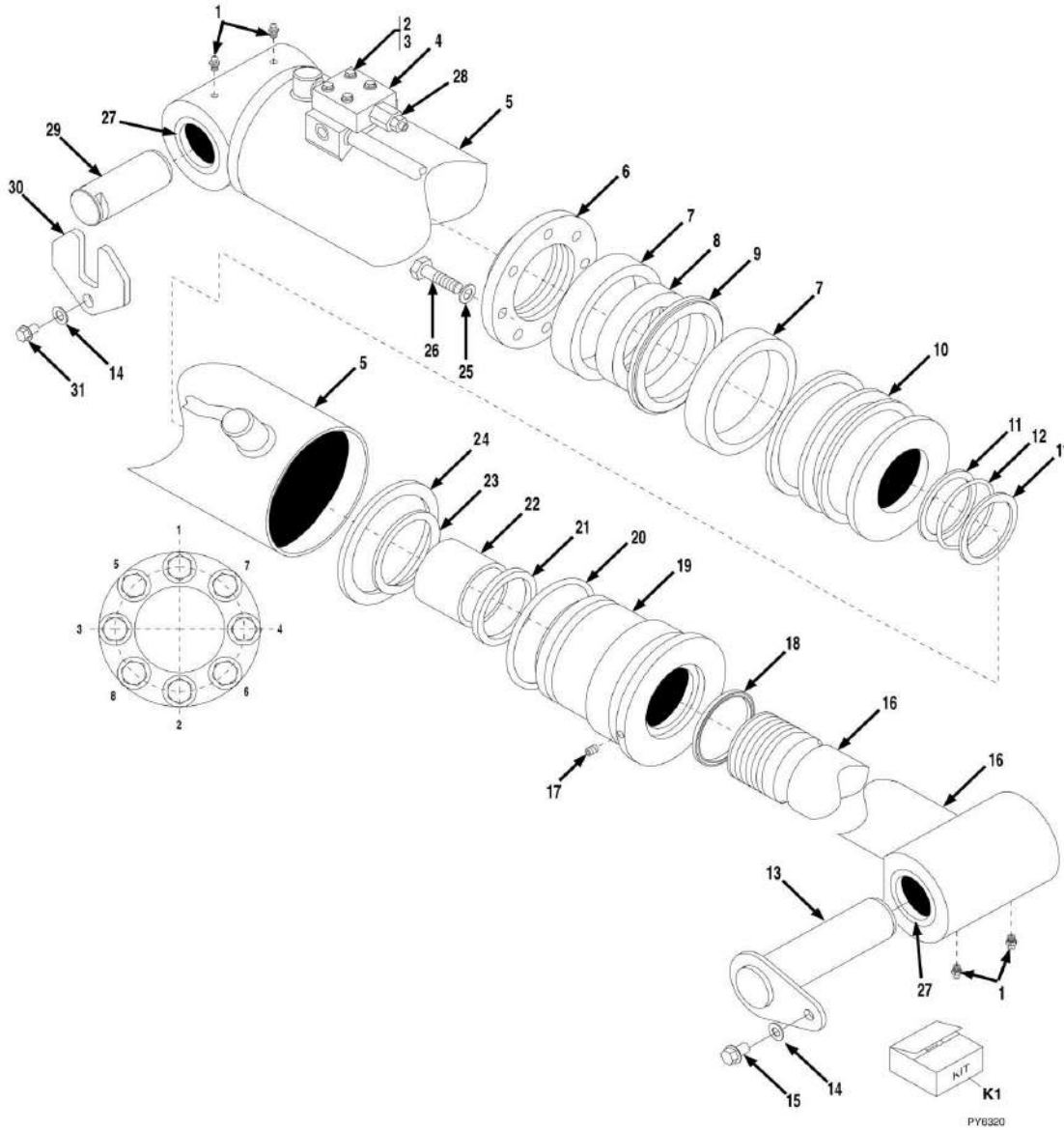
FIGURE 9-2. LIFT CYLINDER (SN 0160007868 through 0160007974)

ITEM	PART NUMBER	QTY	DESCRIPTION	REV
	91403009	1	LIFT CYLINDER, (includes all items except items 13 thru 17 & 31 thru 34)	G
1	91144128	4	GREASE FITTING	
2	91404132	4	CAPSCREW, (torque to 10-12 lb-ft)	
3	91404152	4	LOCKWASHER	
4	91404138	1	VALVE BLOCK, (includes item 30)	
5	91404133	1	CASE ASSY	
6	91404137	1	BOLT PLATE	
7	Kit	2	WEAR RING	
8	91404136	1	SPLIT RING	
9	Kit	1	PISTON SEAL	
10	91404134	1	PISTON	
11	Kit	2	BACK-UP RING	
12	Kit	1	O-RING	
13	91403027	1	PIN	
14	91401189	1	KEEPER	
15	88561111	2	WASHER, 1/2	
16	88551013	2	LOCKWASHER, 1/2	
17	88201065	2	HEX HD CAPSCREW, 1/2-13X1, GR5	
18	91404139	1	SHAFT ASSY	
19	91124096	1	SET SCREW, (torque to 11 lb-ft)	
20	Kit	1	CANNED WIPER	
21	91404135	1	HEAD, (torque to 100 lb-ft)	
22	Kit	1	O-RING	
23	Kit	1	ROD SEAL	
24	Kit	1	WEAR RING	
25	Kit	1	STEP SEAL	
26	Kit	1	U-CUP	
27	91404131	8	WASHER	
28	91404151	8	CAPSCREW, (see service note for torque specifications)	
29	91404288	4	BUSHING	
30	1001109225	1	VALVE, (torque to 44 lb-ft)	
30	91404382	1	SEAL KIT	
31	91473233	1	PIN	
32	91471240	1	KEEPER PLATE	
33	4891800	1	HARD WASHER, 1/2	
34	0681810	1	HEX HD CAPSCREW, 5/8-11X1 1/4, GR8, (torque to 100-110 lb-ft)	
K1	91404140	1	SEAL KIT, (includes items 7, 9, 11, 12, 20 & 22 thru 26)	

SECTION 9 - HYDRAULIC COMPONENTS

FIGURE 9-3. LIFT CYLINDER (SN 0160008059 through 0160010475)

SN RANGE PROVIDED IS AN APPROXIMATION. IF LIFT CYLINDER PIN CONFIGURATION DIFFERS, SEE LIFT CYLINDER FOR BREAKDOWN, SN 0160007868 THROUGH 0160007974.



NOTE: ITEMS 6, 28 & 29
PISTON TORQUE FOR ITEMS 6, 28 & 29.
TORQUE ITEM 29 IN SEQUENCE SHOWN AT 35 LB-FT
TORQUE ITEM 29 IN SEQUENCE SHOWN AT 75 LB-FT
TORQUE ITEM 29 IN SEQUENCE SHOWN AT 95 LB-FT
CHECK TORQUE IN CIRCULAR PATTERN (MIN 2 TIMES).

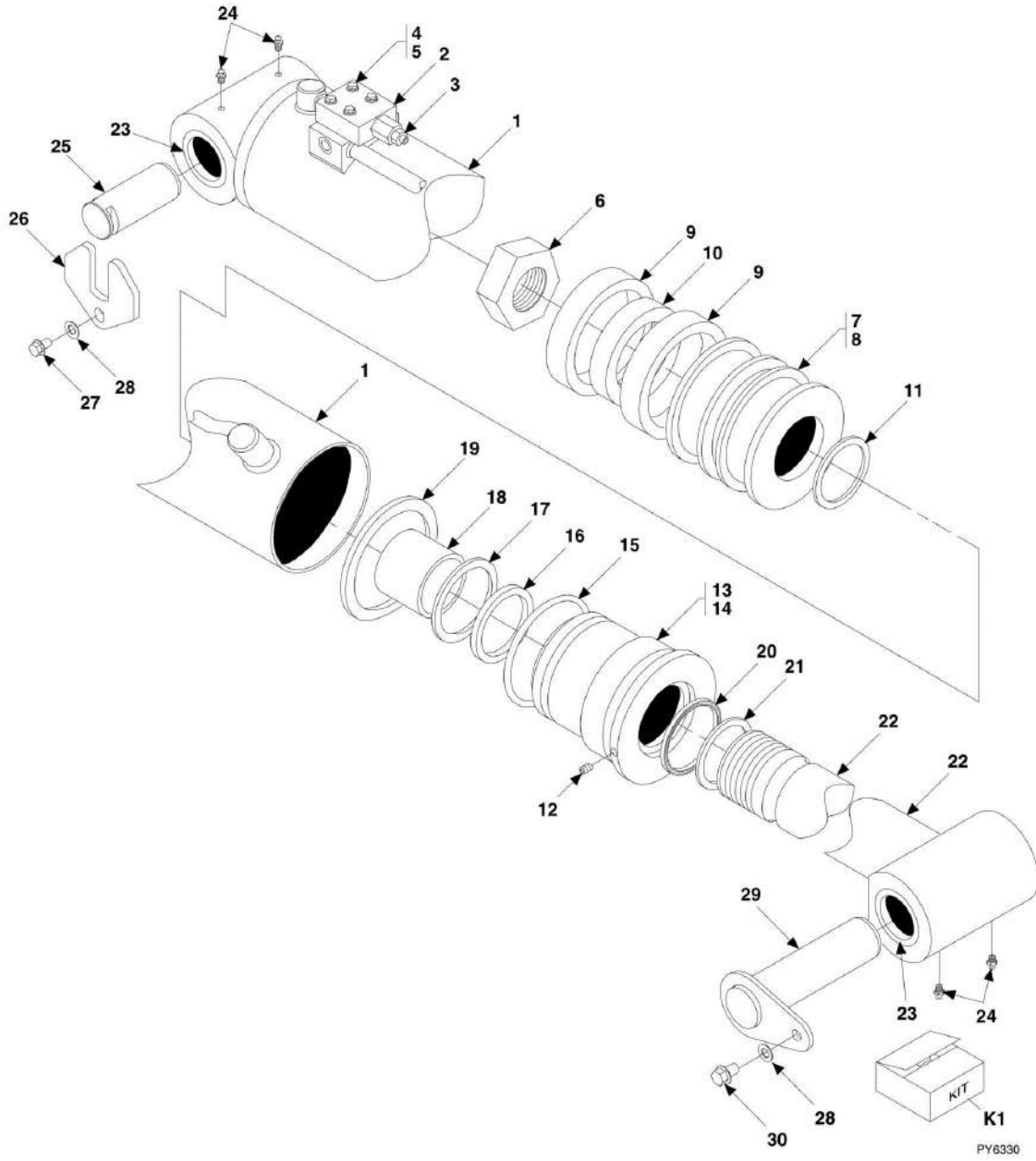
SECTION 9 - HYDRAULIC COMPONENTS

FIGURE 9-3. LIFT CYLINDER (SN 0160008059 through 0160010475)

ITEM	PART NUMBER	QTY	DESCRIPTION	REV
	91403009	1	LIFT CYLINDER, (includes all items except items 13 thru 15 & 29 thru 31)	H
1	91144128	4	GREASE FITTING	
2	91404132	4	CAPSCREW, (torque to 10-12 lb-ft)	
3	91404152	4	LOCKWASHER	
4	91404138	1	VALVE BLOCK, (includes item 28)	
5	91404133	1	CASE ASSY	
6	91404137	1	BOLT PLATE	
7	Kit	2	WEAR RING	
8	91404136	1	SPLIT RING	
9	Kit	1	PISTON SEAL	
10	91404134	1	PISTON	
11	Kit	2	BACK-UP RING	
12	Kit	1	O-RING	
13	1001101703	1	PIN	
14	4891800	2	HARD WASHER, 1/2	
15	88201066	1	HEX HD CAPSCREW, 1/2-13X1-1/4, GR5, (torque to 100 lb-ft)	
16	91404139	1	SHAFT ASSY	
17	91124096	1	SET SCREW, (torque to 11 lb-ft)	
18	Kit	1	CANNED WIPER	
19	91404135	1	HEAD, (torque to 100 lb-ft)	
20	Kit	1	O-RING	
21	Kit	1	ROD SEAL	
22	Kit	1	WEAR RING	
23	Kit	1	STEP SEAL	
24	Kit	1	U-CUP	
25	91404131	8	WASHER	
26	91404151	8	CAPSCREW, (see service note for torque specifications)	
27	91404288	4	BUSHING	
28	1001109225	1	VALVE, (torque to 44 lb-ft)	
28	91404382	1	SEAL KIT	
29	91473233	1	PIN	
30	91471240	1	KEEPER PLATE	
31	0681810	1	HEX HD CAPSCREW, 1/2-13X1-1/4, GR8, (torque to 100-110 lb-ft)	
K1	91404140	1	SEAL KIT, (includes items 7, 9, 11, 12, 18, 20 thru 24)	

SECTION 9 - HYDRAULIC COMPONENTS

FIGURE 9-4. LIFT CYLINDER (SN 0160010497 through 0160033619)



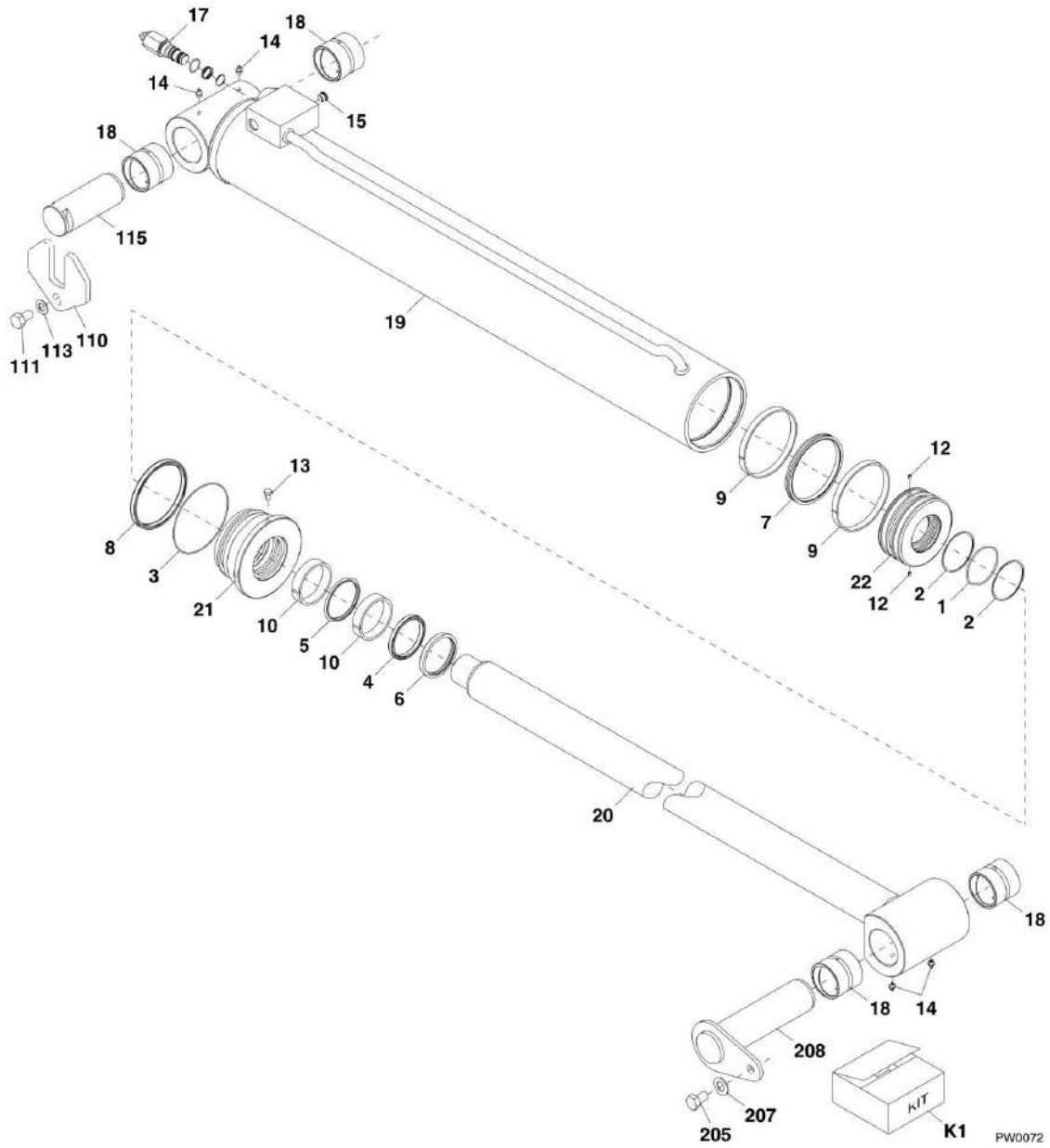
SECTION 9 - HYDRAULIC COMPONENTS

FIGURE 9-4. LIFT CYLINDER (SN 0160010497 through 0160033619)

ITEM	PART NUMBER	QTY	DESCRIPTION	REV
	91413158	1	LIFT CYLINDER, (includes items 1 thru 24)	B
1	91404133	1	CASE ASSY	
2	91404138	1	VALVE BLOCK ASSY, (includes item 3)	
3	1001109225	1	VALVE, (torque to 44 lb-ft)	
3	91404382	1	SEAL KIT	
4	91404132	4	CAPSCREW, (torque to 10-12 lb-ft)	
5	91404152	4	LOCKWASHER	
6	91034153	1	LOCKNUT	
7	91414065	1	PISTON ASSY, (includes items 8 thru 11)	
8	91414066	1	PISTON	
9	Kit	2	WEAR RING	
10	Kit	1	CAP SEAL	
11	Kit	1	O-RING	
12	91124096	1	SET SCREW	
13	91414067	1	HEAD ASSY, (includes items 14 thru 20)	
14	91404135	1	HEAD	
15	Kit	1	O-RING	
16	Kit	1	ROD SEAL	
17	Kit	1	STEP SEAL	
18	Kit	1	WEAR RING	
19	Kit	1	U-CUP	
20	Kit	1	CANNED WIPER	
21	7026458	1	O-RING	
22	91414068	1	SHAFT ASSY	
23	91404288	4	BUSHING	
24	91144128	4	GREASE FITTING	
25	91473233	1	LOWER LIFT CYLINDER PIN	
26	91471240	1	KEEPER PLATE	
27	0681810	1	HEX HD CAPSCREW, 1/2-13X1-1/4, GR8, (torque to 100-110 lb-ft)	
28	4891800	2	HARD WASHER, 1/2	
29	1001101703	1	UPPER LIFT CYLINDER PIN	
30	88201066	1	HEX HD CAPSCREW, 1/2-13X1-1/4, GR5, (torque to 100-110 lb-ft)	
K1	91414069	1	SEAL KIT, (includes items 9 thru 11 & 15 thru 20)	

SECTION 9 - HYDRAULIC COMPONENTS

FIGURE 9-5. LIFT CYLINDER (SN 0160033656 to Present)



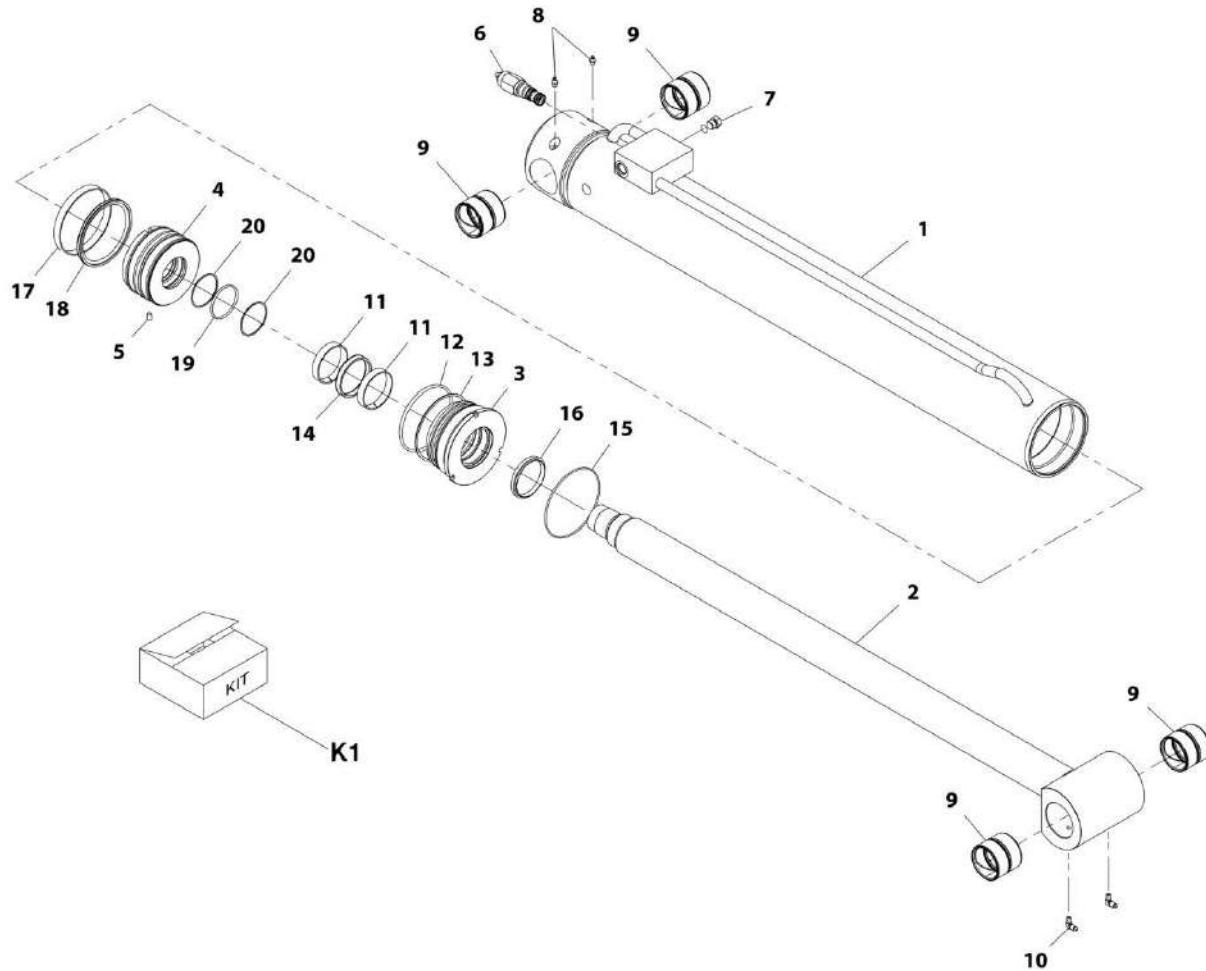
SECTION 9 - HYDRAULIC COMPONENTS

FIGURE 9-5. LIFT CYLINDER (SN 0160033656 to Present)

ITEM	PART NUMBER	QTY	DESCRIPTION	REV
	91413155	1	LIFT CYLINDER, (includes items 1 thru 22) (SN 0160033656 through 0160035819)	C
	1001101280	NLA	LIFT CYLINDER, (no longer available, see items 1 thru 22 for service or use 1001152917 for replacement) (SN 0160035857 to Present)	E
1	Kit	1	O-RING	
2	Kit	2	BACK-UP RING	
3	Kit	1	O-RING	
4	Kit	1	SEAL	
5	Kit	1	SEAL	
6	Kit	1	WIPER	
7	Kit	1	SEAL	
8	Kit	1	SEAL	
9	Kit	2	WEAR RING	
10	Kit	2	WEAR RING	
12	70021757	2	SET SCREW	
13	70021630	1	SELF-TAPPING SCREW	
14	7003242	4	LUBE FITTING	
15	20021648	1	PORT PLUG	
17	1001109225	1	VALVE	
18	70021756	4	BUSHING	
19	70021755	NLA	TUBE ASSY, (no longer available, use both 70021957 head & 70021958 tube assy for replacement) (SN 0160033656 through 0160035819)	
19	70021958	1	TUBE ASSY (SN 0160035857 to Present)	
20	70021754	1	ROD ASSY	
21	70021753	NLA	HEAD, (no longer available, use both 70021957 head & 70021958 tube assy for replacement) (SN 0160033656 through 0160035819)	
21	70021957	1	HEAD (SN 0160035857 to Present)	
22	70021752	1	PISTON	
110	91471240	1	KEEPER PLATE	
111	0681810	1	HEX HD CAPSCREW, 1/2-13X1-1/4, GR8	
113	4891800	1	HARD WASHER, 1/2	
115	91473233	1	LIFT CYLINDER PIN	
205	0681810	1	HEX HD CAPSCREW, 1/2-13X1-1/4, GR8	
207	4891800	1	HARD WASHER, 1/2	
208	1001101703	1	LIFT CYLINDER PIN	
K1	70021758	1	SEAL KIT, (includes items 1 thru 10)	

SECTION 9 - HYDRAULIC COMPONENTS

FIGURE 9-6. LIFT CYLINDER (SN 0160035857 to Present)



ART_1001152917-A

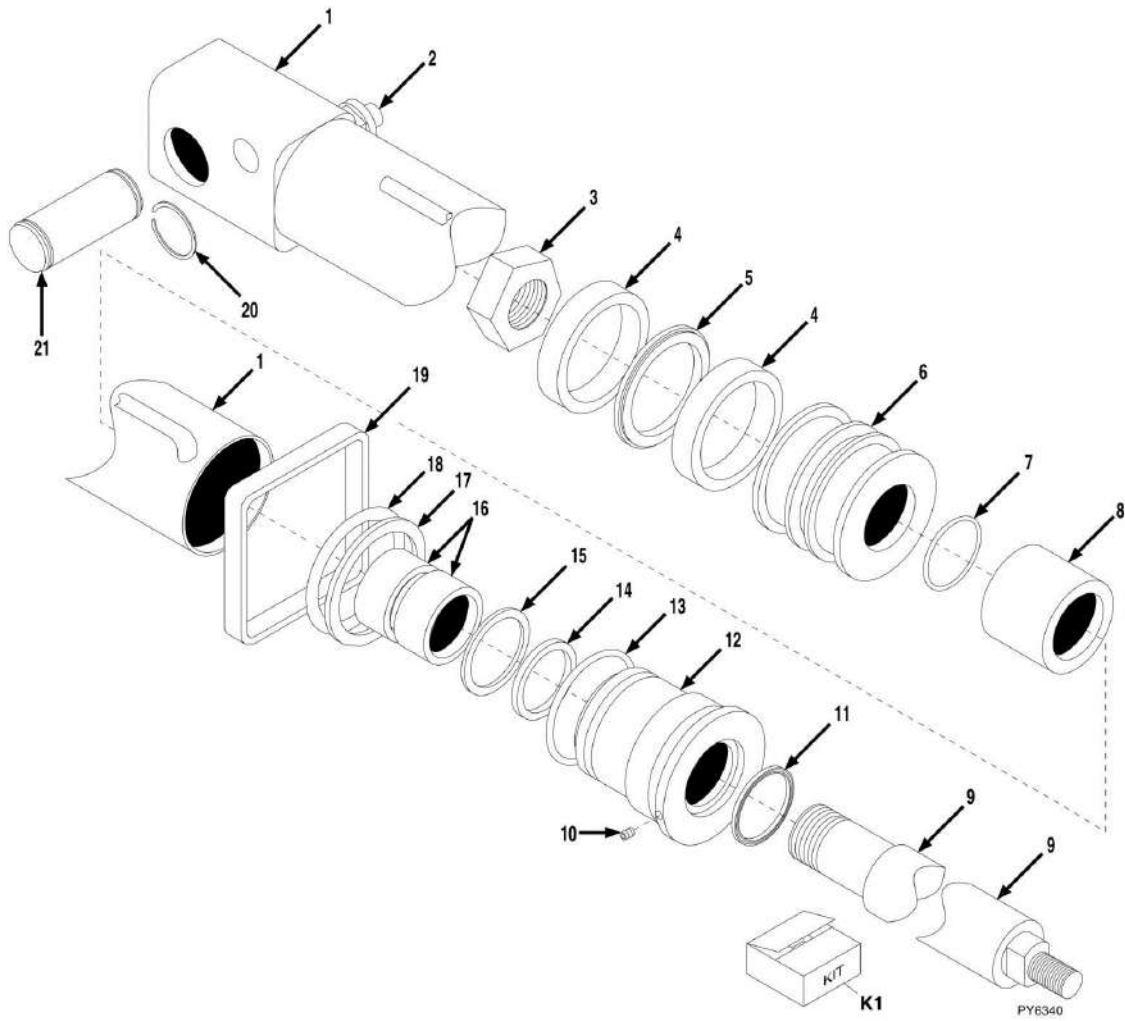
SECTION 9 - HYDRAULIC COMPONENTS

FIGURE 9-6. LIFT CYLINDER (SN 0160035857 to Present)

ITEM	PART NUMBER	QTY	DESCRIPTION	REV
	1001152917	1	LIFT CYLINDER	A
1	70025329	1	BARREL	
2	70025330	1	ROD	
3	70025331	1	ROD GUIDE	
4	70025332	1	PISTON	
5	70020438	1	SCREW	
6	70023324	1	COUNTERBALANCE VALVE	
7	70026003	1	STEEL PLUG	
8	70026004	2	GREASE NIPPLE	
9	70026005	4	BUSHING	
10	70026006	2	ADAPTOR	
11	Kit	2	BEARING	
12	Kit	1	O-RING	
13	Kit	1	BACKUP RING	
14	Kit	1	ROD SEAL	
15	Kit	1	O-RING	
16	Kit	1	WIPER	
17	Kit	2	BEARING	
18	Kit	1	PISTON SEAL	
19	Kit	1	O-RING	
20	Kit	2	BACKUP RING	
K1	70025333	1	SEAL KIT, (includes items 11 thru 20)	

SECTION 9 - HYDRAULIC COMPONENTS

FIGURE 9-7. EXTEND/RETRACT CYLINDER - IOWA (SN 0190001 through 0190457, SN 016000022 through 0160033619)



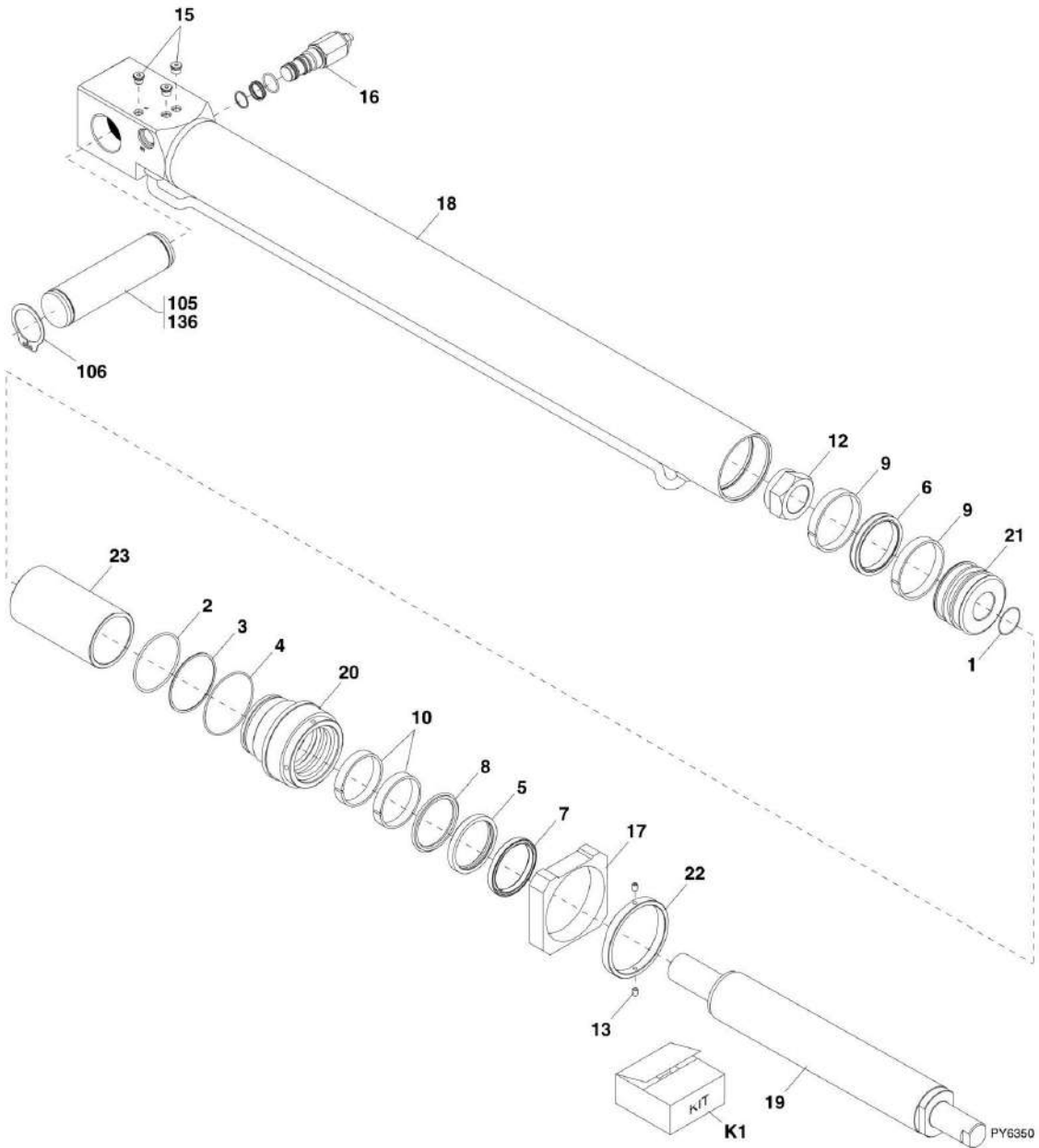
SECTION 9 - HYDRAULIC COMPONENTS

FIGURE 9-7. EXTEND/RETRACT CYLINDER - IOWA (SN 0190001 through 0190457, SN 016000022 through 0160033619)

ITEM	PART NUMBER	QTY	DESCRIPTION	REV
	91403006	1	EXTEND/RETRACT CYLINDER, (includes items 1 thru 19)	G
1	91404112	1	CASE ASSY	
2	1001109225	1	VALVE, (torque to 40-45 lb-ft)	
2	91404382	1	SEAL KIT	
3	91034267	1	LOCK NUT, (torque to 600-650 lb-ft)	
4	Kit	2	WEAR RING	
5	Kit	1	PISTON SEAL	
6	70020494	1	PISTON ASSY, (includes items 4, 5 & 7)	
7	Kit	1	O-RING	
8	91404113	1	SPACER	
9	91404114	1	SHAFT	
10	91404130	1	SET SCREW, (torque to 11 lb-ft)	
11	Kit	1	CANNED WIPER	
12	70020495	1	HEAD ASSY, (includes items 11 & 13 thru 18), (torque to 100 lb-ft)	
13	Kit	1	O-RING	
14	Kit	1	U-CUP	
15	Kit	1	STEP SEAL	
16	Kit	2	WEAR RING	
17	Kit	1	BACKUP	
18	Kit	1	O-RING	
19	91409117	1	WEAR BAND	
20	88581149	2	RETAINING RING	
21	91403022	1	EXTEND/RETRACT CYLINDER PIN	
K1	70020432	1	SEAL KIT, (includes items 4, 5, 7, 11 & 13 thru 18)	

SECTION 9 - HYDRAULIC COMPONENTS

FIGURE 9-8. EXTEND/RETRACT CYLINDER - TEXAS HYDRAULICS (SN 0160033656 to Present)



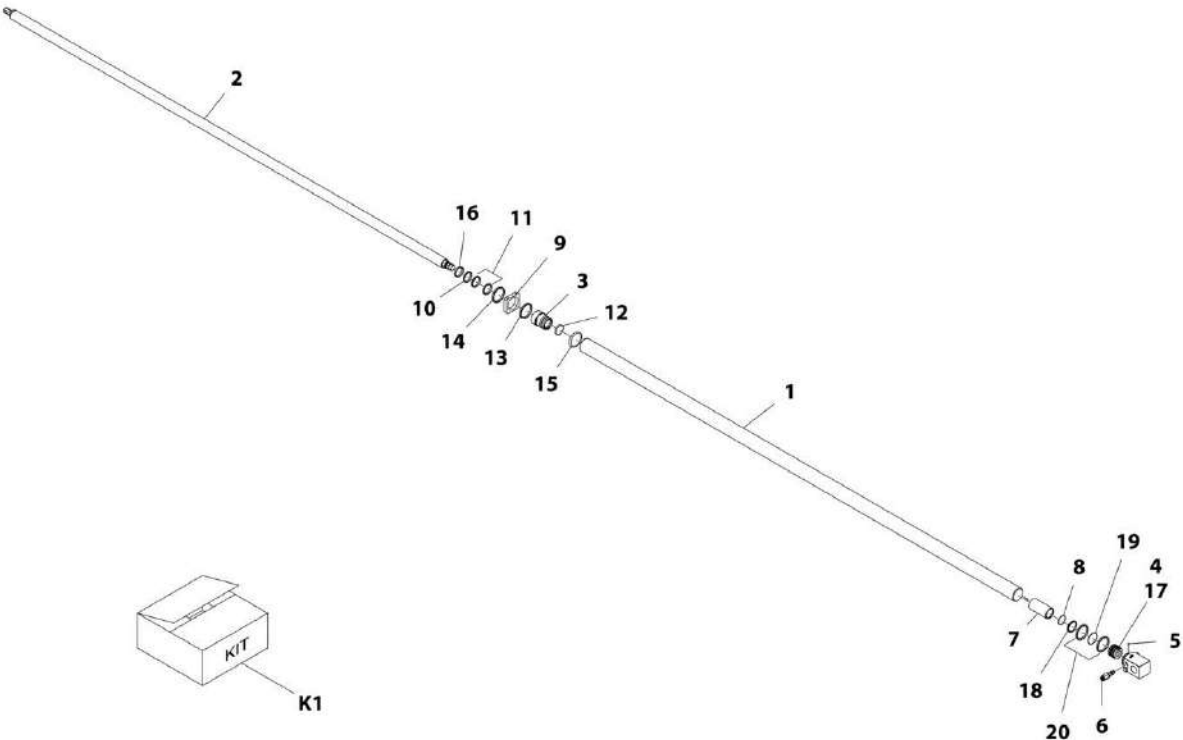
SECTION 9 - HYDRAULIC COMPONENTS

FIGURE 9-8. EXTEND/RETRACT CYLINDER - TEXAS HYDRAULICS (SN 0160033656 to Present)

ITEM	PART NUMBER	QTY	DESCRIPTION	REV
	91473230	NLA	EXTEND/RETRACT CYLINDER, (no longer available, see items 1 thru 23 for service or use 1001152916 for replacement)	C
1	Kit	1	O-RING	
2	Kit	1	O-RING	
3	Kit	1	BACK-UP RING	
4	Kit	1	O-RING	
5	Kit	1	SEAL	
6	Kit	1	SEAL	
7	Kit	1	WIPER	
8	Kit	1	SEAL	
9	Kit	2	WEAR RING	
10	Kit	2	WEAR RING	
12	7003226	1	LOCKNUT	
13	70021774	2	SET SCREW	
15	7005365	3	PORT PLUG	
16	1001109225	1	COUNTERBALANCE VALVE	
17	70021772	1	WEAR PAD	
18	70021771	1	TUBE ASSY	
19	70021770	1	ROD	
20	70021769	1	HEAD	
21	70021768	1	PISTON	
22	70021767	1	COLLAR	
23	70021766	1	SPACER	
105	91403022	1	EXTEND/RETRACT CYLINDER PIN	
106	88581149	2	RETAINING RING	
136	14403323	AR	NEVER SEEZE LUBE	
K1	70021775	1	SEAL KIT, (includes items 1 thru 10)	

SECTION 9 - HYDRAULIC COMPONENTS

FIGURE 9-9. EXTEND/RETRACT CYLINDER



ART_1001152916-C

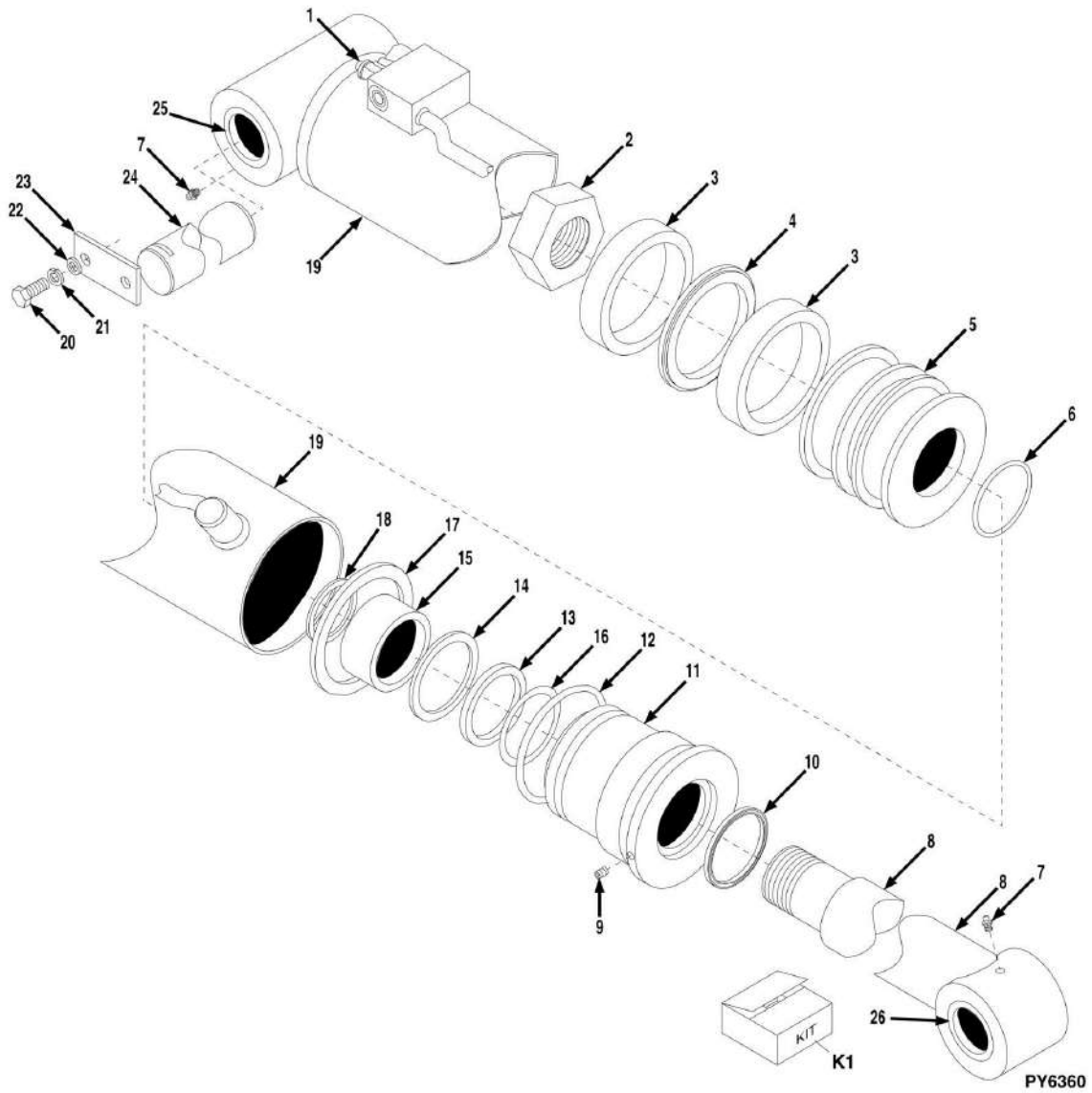
SECTION 9 - HYDRAULIC COMPONENTS

FIGURE 9-9. EXTEND/RETRACT CYLINDER

ITEM	PART NUMBER	QTY	DESCRIPTION	REV
	1001152916	1	EXTEND/RETRACT CYLINDER, (includes items 1 thru 20)	C
1	70025320	1	BARREL ASSY	
2	70025321	1	ROD ASSY	
3	70025322	1	ROD GUIDE	
4	70025323	1	PISTON	
5	70023915	2	SCREW	
6	1001109225	1	COUNTERBALANCE VALVE	
7	70025324	1	SPACER	
8	70025325	1	RING	
9	70025326	1	WEAR RING	
10	70025327	1	GLAND	
11	Kit	2	BEARING	
12	Kit	1	O-RING	
13	Kit	1	BACK-UP RING	
14	Kit	1	ROD SEAL	
15	Kit	1	O-RING	
16	Kit	1	WIPER	
17	Kit	2	BEARING	
18	Kit	1	PISTON SEAL	
19	Kit	1	O-RING	
20	Kit	2	BACK-UP RING	
K1	70025328	1	SEAL KIT, (includes items 11 thru 20)	

SECTION 9 - HYDRAULIC COMPONENTS

FIGURE 9-10. TILT CYLINDER - IOWA (SN 0190001 through 0190457, SN 016000022 through 0160033619)



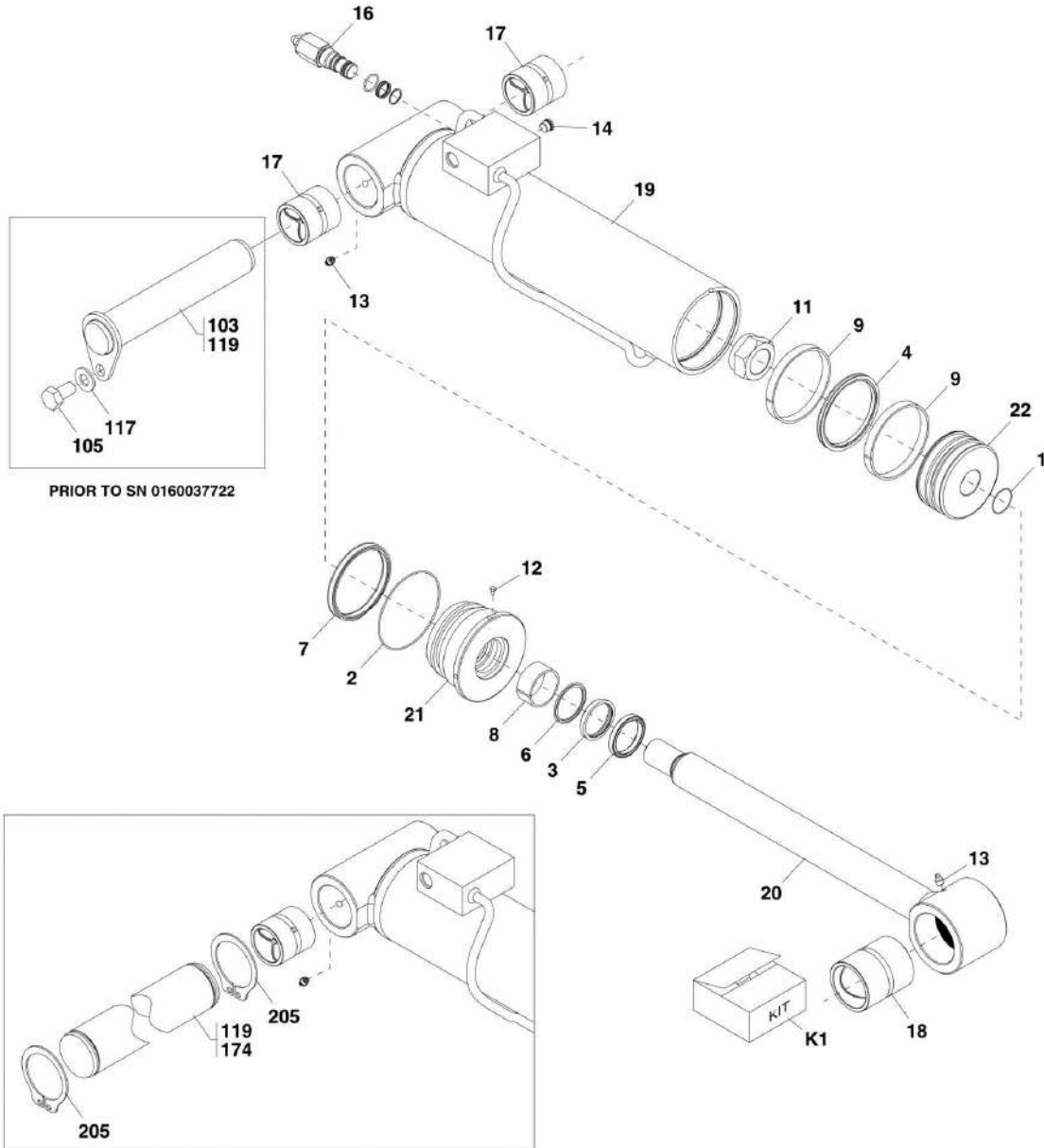
SECTION 9 - HYDRAULIC COMPONENTS

FIGURE 9-10. TILT CYLINDER - IOWA (SN 0190001 through 0190457, SN 016000022 through 0160033619)

ITEM	PART NUMBER	QTY	DESCRIPTION	REV
	91403008	1	TILT CYLINDER, (includes all items except items 20 thru 24)	J
1	1001109225	1	VALVE, (torque to 45-50 lb-ft)	
1	91404382	1	SEAL KIT	
2	91034267	1	LOCK NUT, (torque to 1250-1300 lb-ft)	
3	Kit	2	WEAR RING	
4	Kit	1	PISTON SEAL	
5	91404153	1	PISTON	
6	Kit	1	O-RING	
7	91144128	3	GREASE FITTING	
8	91404156	1	SHAFT ASSY	
9	91124096	1	SET SCREW, (torque to 11 lb-ft)	
10	Kit	1	CANNED WIPER	
11	91404154	1	HEAD, (torque to 200 lb-ft)	
12	Kit	1	O-RING	
13	Kit	1	U-CUP SEAL	
14	Kit	1	STEP SEAL	
15	Kit	1	WEAR RING	
16	Kit	1	BACK-UP RING	
17	Kit	1	U-CUP	
18	91084372	1	RETAINING RING	
19	91404155	1	CASE ASSY	
20	88201064	2	HEX HD CAPSCREW, 1/2-13X7/8, GR5	
21	88551013	2	LOCKWASHER, 1/2	
22	88561111	2	WASHER, 1/2	
23	91401189	1	KEEPER	
24	91403021	1	TILT CYLINDER PIN	
25	91404286	2	BUSHING, (manganese phosphate coating)	
26	91404287	1	BUSHING, (manganese phosphate coating)	
K1	91404157	1	SEAL KIT, (includes items 3, 4, 6, 10 & 12 thru 17)	

SECTION 9 - HYDRAULIC COMPONENTS

FIGURE 9-11. TILT CYLINDER - TEXAS HYDRAULICS (SN 0160033656 to Present)



SN 0160037722 TO PRESENT

PAP22170

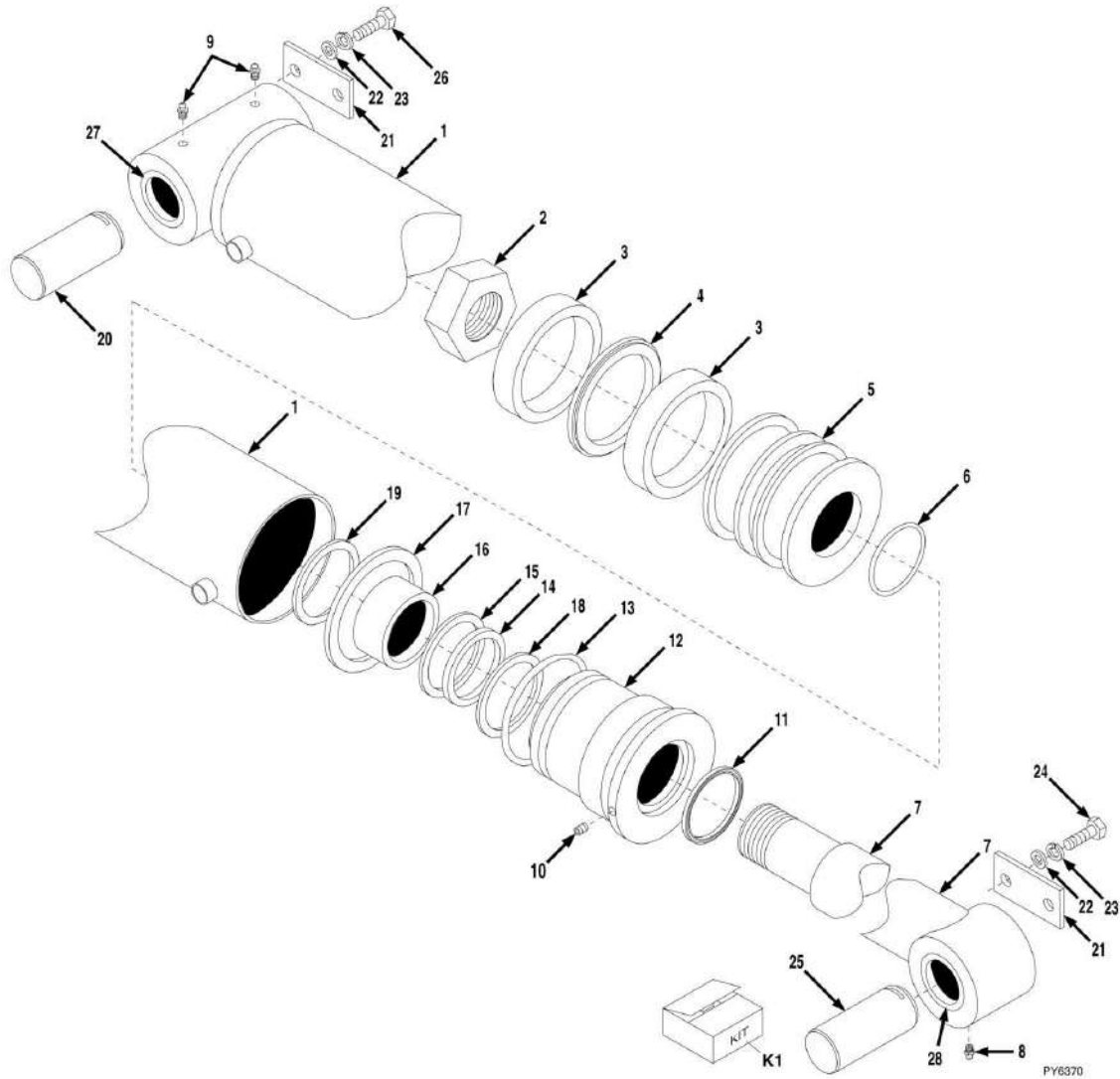
SECTION 9 - HYDRAULIC COMPONENTS

FIGURE 9-11. TILT CYLINDER - TEXAS HYDRAULICS (SN 0160033656 to Present)

ITEM	PART NUMBER	QTY	DESCRIPTION	REV
	91413156	1	TILT CYLINDER, (includes items 1 thru 22)	A
1	Kit	1	O-RING	
2	Kit	1	O-RING	
3	Kit	1	SEAL	
4	Kit	1	SEAL	
5	Kit	1	WIPER	
6	Kit	1	SEAL	
7	Kit	1	SEAL	
8	Kit	1	WEAR RING	
9	Kit	2	WEAR RING	
11	7003226	1	LOCKNUT	
12	70021630	1	SELF-TAPPING SCREW	
13	7003242	3	LUBE FITTING	
14	70021648	1	PORT PLUG	
16	1001109225	1	COUNTERBALANCE VALVE	
17	70021763	2	BUSHING	
18	70021765	1	BUSHING	
19	70021762	1	TUBE ASSY	
20	70021761	1	ROD ASSY	
21	70021760	1	HEAD	
22	70021759	1	PISTON	
103	91473234	1	CYLINDER PIN (Prior to SN 0160037722)	
105	0681810	1	HEX HD CAPSCREW, 1/2-13X1-1/4, GR8	
117	4891800	1	WASHER, 1/2	
119	14403323	AR	NEVER SEEZE LUBE	
174	1001098223	1	CYLINDER PIN (SN 0160037722 to Present)	
205	88581149	2	RETAINING RING (SN 0160037722 to Present)	
217	8307904	AR	WASHER, SHIM, (not shown) (SN 0160037722 to Present)	
218	8310093	AR	WASHER, SHIM, (not shown) (SN 0160037722 to Present)	
219	8307918	AR	WASHER, SHIM, (not shown) (SN 0160037722 to Present)	
K1	70021764	1	SEAL KIT, (includes items 1 thru 9)	

SECTION 9 - HYDRAULIC COMPONENTS

FIGURE 9-12. COMPENSATING CYLINDER (SN 0190001 through 0190457, SN 016000022 through 0160007820)



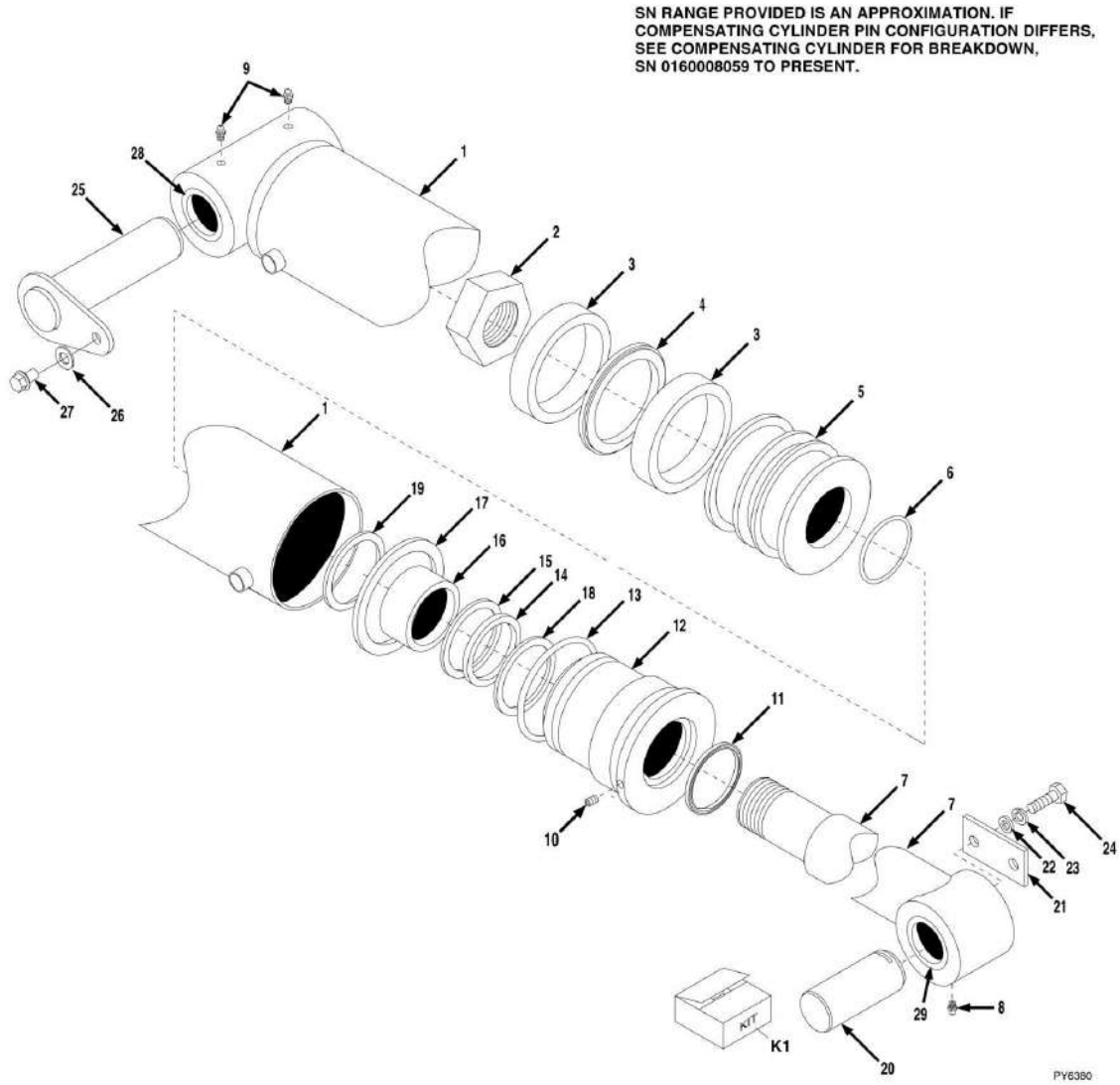
SECTION 9 - HYDRAULIC COMPONENTS

FIGURE 9-12. COMPENSATING CYLINDER (SN 0190001 through 0190457, SN 016000022 through 0160007820)

ITEM	PART NUMBER	QTY	DESCRIPTION	REV
	91403585	1	COMPENSATING CYLINDER, (includes all items except 20 thru 26)	
1	91404204	1	CASE ASSY	
2	91034267	1	LOCK NUT, (torque to 1250-1300 lb-ft)	
3	Kit	2	WEAR RING	
4	Kit	1	PISTON SEAL	
5	91404153	1	PISTON	
6	Kit	1	O-RING	
7	91404205	1	SHAFT ASSY	
8	91144128	1	GREASE FITTING	
9	91404203	2	GREASE FITTING	
10	91124096	1	SET SCREW	
11	Kit	1	CANNED WIPER	
12	91404154	1	HEAD, (torque to 200 lb-ft)	
13	Kit	1	O-RING	
14	Kit	1	U-CUP SEAL	
15	Kit	1	STEP SEAL	
16	Kit	1	WEAR RING	
17	Kit	1	U-CUP	
18	Kit	1	O-RING	
19	Kit	1	RETAINING RING	
20	91403108	1	COMPENSATING CYLINDER PIN	
21	91401189	2	KEEPER	
22	88561111	4	WASHER, 1/2	
23	88551013	4	LOCKWASHER, 1/2	
24	88211105	2	SOCKET HD CAPSCREW, 1/2-13X1, GR8	
25	91403026	1	PIN	
26	88201065	2	HEX HD CAPSCREW, 1/2-13X1, GR5	
27	91404286	2	BUSHING, (manganese phosphate coating)	
28	91404287	1	BUSHING, (manganese phosphate coating)	
K1	91404206	1	SEAL KIT, (includes items 3, 4, 6, 11 & 13 thru 19)	

SECTION 9 - HYDRAULIC COMPONENTS

FIGURE 9-13. COMPENSATING CYLINDER (SN 0160007868 through 0160007974)



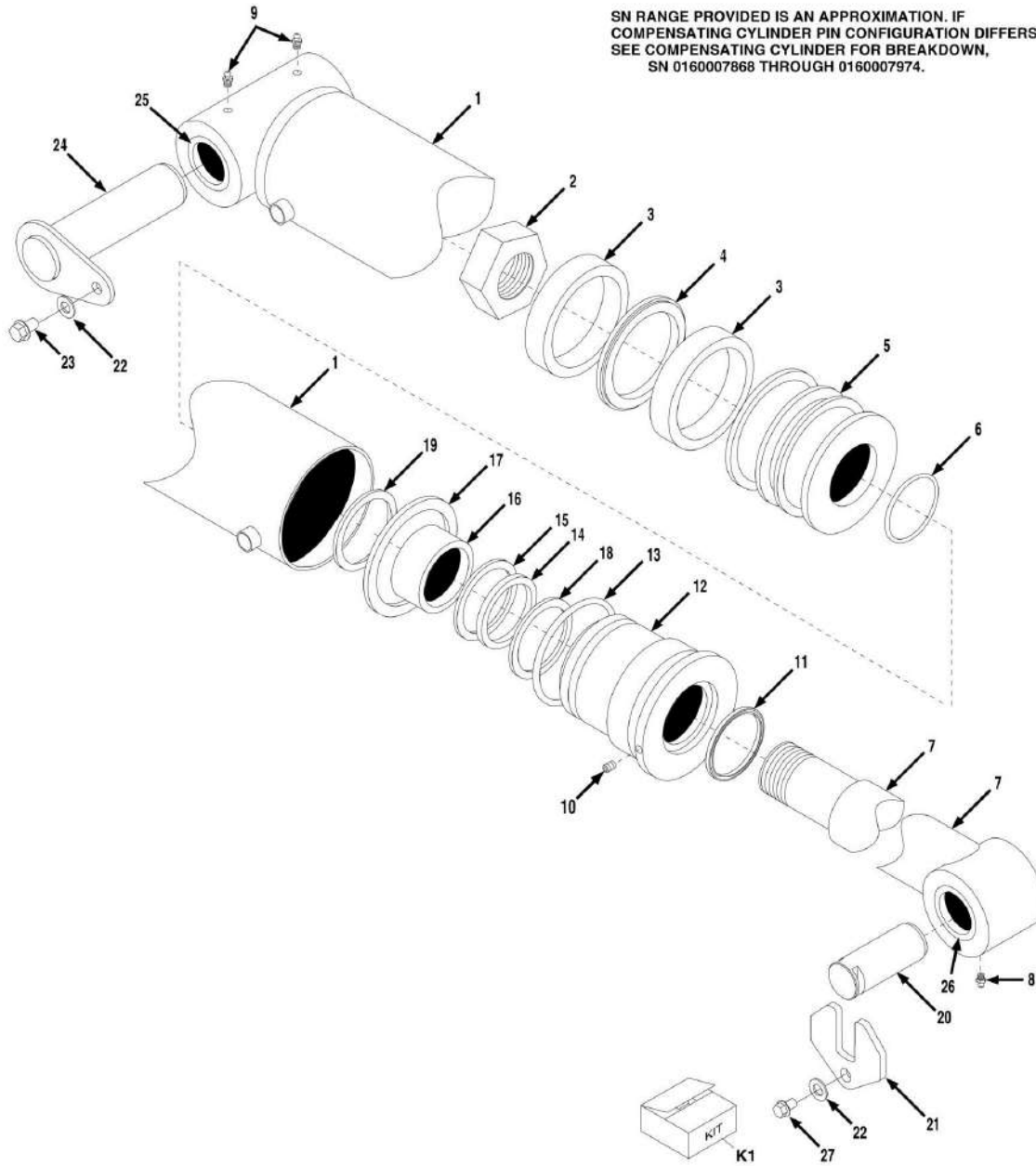
SECTION 9 - HYDRAULIC COMPONENTS

FIGURE 9-13. COMPENSATING CYLINDER (SN 0160007868 through 0160007974)

ITEM	PART NUMBER	QTY	DESCRIPTION	REV
	91403585	1	COMPENSATING CYLINDER, (includes all items except 20 thru 27)	
1	91404204	1	CASE ASSY	
2	91034267	1	LOCK NUT, (torque to 1250-1300 lb-ft)	
3	Kit	2	WEAR RING	
4	Kit	1	PISTON SEAL	
5	91404153	1	PISTON	
6	Kit	1	O-RING	
7	91404205	1	SHAFT ASSY	
8	91144128	1	GREASE FITTING	
9	91404203	2	GREASE FITTING	
10	91124096	1	SET SCREW	
11	Kit	1	CANNED WIPER	
12	91404154	1	HEAD, (torque to 200 lb-ft)	
13	Kit	1	O-RING	
14	Kit	1	U-CUP SEAL	
15	Kit	1	STEP SEAL	
16	Kit	1	WEAR RING	
17	Kit	1	U-CUP	
18	Kit	1	O-RING	
19	Kit	1	RETAINING RING	
20	91403026	1	PIN	
21	91401189	1	KEEPER	
22	88561111	2	WASHER, 1/2	
23	88551013	2	LOCKWASHER, 1/2	
24	88201065	2	HEX HD CAPSCREW, 1/2-13X1, GR5	
25	91473235	1	PIN	
26	4891800	1	HARD WASHER, 1/2	
27	0681810	1	HEX HD CAPSCREW, 1/2-13X1-1/4, GR8, (torque to 100-110 lb-ft)	
28	91404286	2	BUSHING, (manganese phosphate coating)	
29	91404287	1	BUSHING, (manganese phosphate coating)	
K1	91404206	1	SEAL KIT, (includes items 3, 4, 6, 11 & 13 thru 19)	

SECTION 9 - HYDRAULIC COMPONENTS

FIGURE 9-14. COMPENSATING CYLINDER (SN 0160008059 through 0160017476)



PV6390

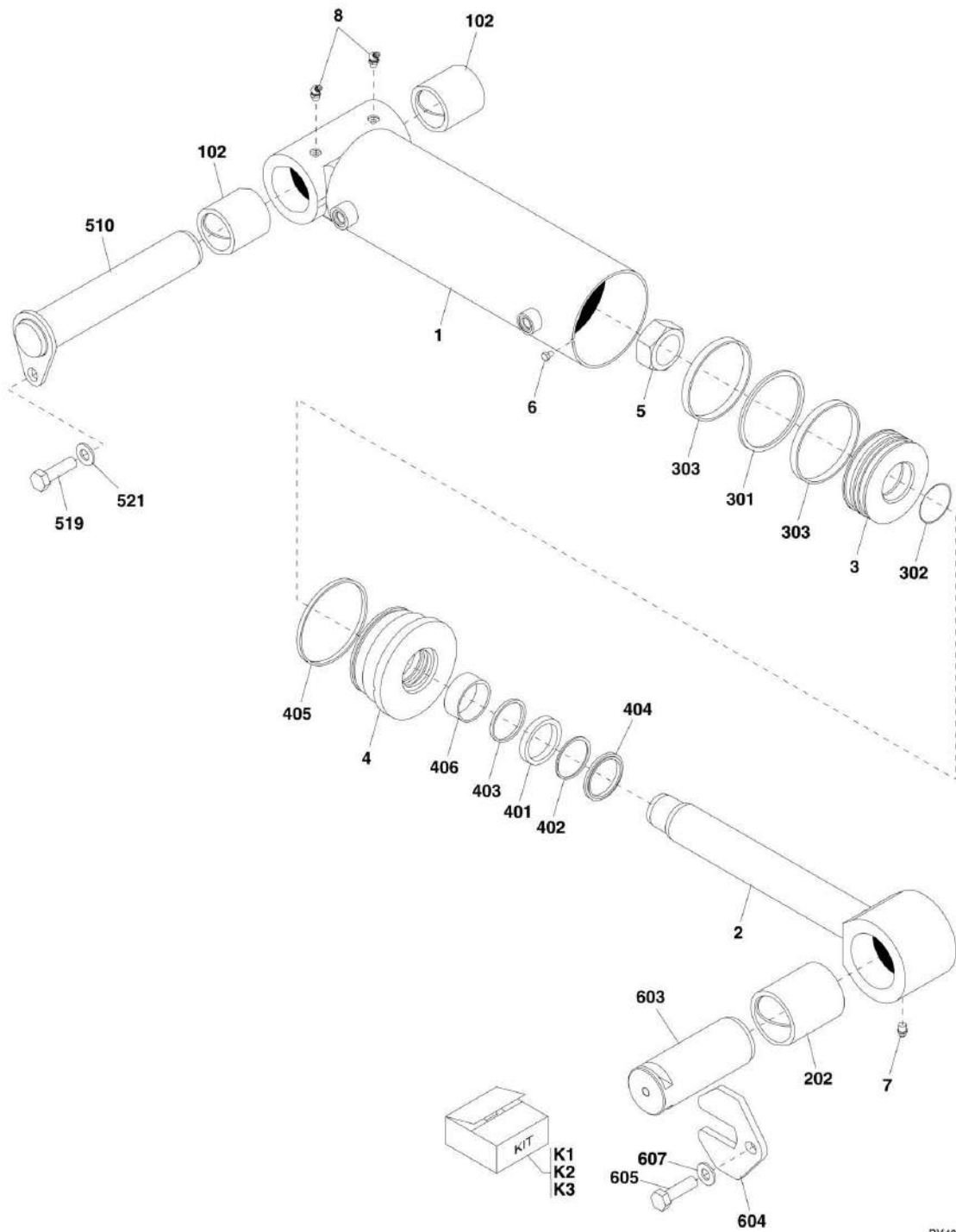
SECTION 9 - HYDRAULIC COMPONENTS

FIGURE 9-14. COMPENSATING CYLINDER (SN 0160008059 through 0160017476)

ITEM	PART NUMBER	QTY	DESCRIPTION	REV
	91403585	1	COMPENSATING CYLINDER, (includes all items except 20 thru 24 & 27)	C
1	91404204	1	CASE ASSY	
2	91034267	1	LOCK NUT, (torque to 1250-1300 lb-ft)	
3	Kit	2	WEAR RING	
4	Kit	1	PISTON SEAL	
5	91404153	1	PISTON	
6	Kit	1	O-RING	
7	91404205	1	SHAFT ASSY	
8	91144128	1	GREASE FITTING	
9	91404203	2	GREASE FITTING	
10	91124096	1	SET SCREW	
11	Kit	1	CANNED WIPER	
12	91404154	1	HEAD, (torque to 200 lb-ft)	
13	Kit	1	O-RING	
14	Kit	1	U-CUP SEAL	
15	Kit	1	STEP SEAL	
16	Kit	1	WEAR RING	
17	Kit	1	U-CUP	
18	Kit	1	O-RING	
19	Kit	1	RETAINING RING	
20	91513282	1	PIN	
21	91471240	1	KEEPER PLATE	
22	4891800	2	HARD WASHER, 1/2	
23	0681810	1	HEX HD CAPSCREW, 1/2-13X1-1/4, GR8, (torque to 100-110 lb-ft)	
24	91473235	1	PIN	
25	91404286	2	BUSHING, (manganese phosphate coating)	
26	91404287	1	BUSHING, (manganese phosphate coating)	
27	88201066	1	HEX HD CAPSCREW, 1/2-13X1-1/4, GR8, (torque to 100-110 lb-ft)	
K1	91404206	1	SEAL KIT, (includes items 3, 4, 6, 11 & 13 thru 19)	

SECTION 9 - HYDRAULIC COMPONENTS

FIGURE 9-15. COMPENSATING CYLINDER (SN 0160017503 to Present)



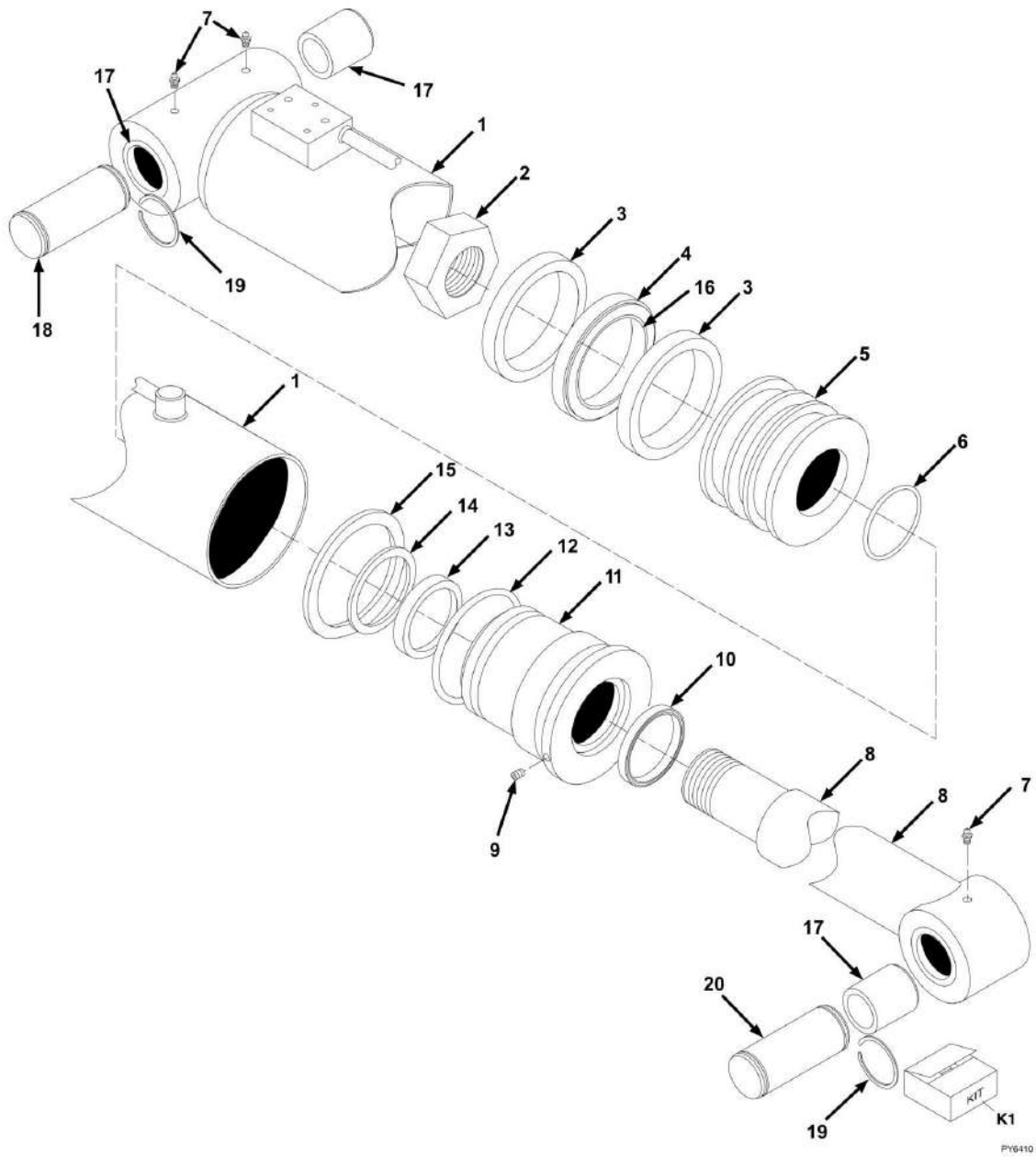
SECTION 9 - HYDRAULIC COMPONENTS

FIGURE 9-15. COMPENSATING CYLINDER (SN 0160017503 to Present)

ITEM	PART NUMBER	QTY	DESCRIPTION	REV
	91413154	1	COMPENSATING CYLINDER, (includes items 1 thru 8)	B
1	7029866	1	BARREL ASSY, (includes item 102)	
2	7029869	1	ROD ASSY, (includes item 202)	
3	7029868	1	PISTON ASSY, (includes items 301 thru 303)	
4	7029870	1	ROD BEARING ASSY, (includes items 401 thru 406)	
5	91014066	1	NUT	
6	7029760	1	CAPSCREW	
7	91044080	1	GREASE FITTING	
8	70021913	2	GREASE FITTING	
102	7029871	2	BUSHING	
202	7029872	1	BUSHING	
301	Kit	1	PISTON SEAL	
302	Kit	1	O-RING	
303	Kit	2	WEAR RING	
401	Kit	1	ROD SEAL	
402	Kit	1	BACK-UP RING	
403	Kit	1	BUFFER	
404	Kit	1	WIPER	
405	Kit	1	SEAL	
406	Kit	1	WEAR RING	
510	91473234	1	CYLINDER PIN (Prior to SN 0160048049, Except SN 0160046916 through 0160046921, Excluding 0160048045)	
510	1001142989	1	CYLINDER PIN (SN 0160048049 to Present, SN 0160046916 through 0160046921, Including 0160048045)	
519	0681810	1	HEX HD CAPSCREW, 1/2-13X1-1/4, GR8	
521	4891800	1	HARD WASHER, 1/2	
603	91513282	1	CYLINDER PIN	
604	91471240	1	KEEPER PLATE	
605	0681810	1	HEX HD CAPSCREW, 1/2-13X1-1/4, GR8	
607	4891800	1	HARD WASHER, 1/2	
K1	7029873	1	PISTON SEAL KIT, (includes items 301 thru 303)	
K2	7029874	1	ROD BEARING SEAL KIT, (includes items 401 thru 406)	
K3	7029821	1	CYLINDER SEAL KIT, (includes items 301 thru 406)	

SECTION 9 - HYDRAULIC COMPONENTS

FIGURE 9-16. FRAME LEVEL CYLINDER (SN 0190001 through 0190446)



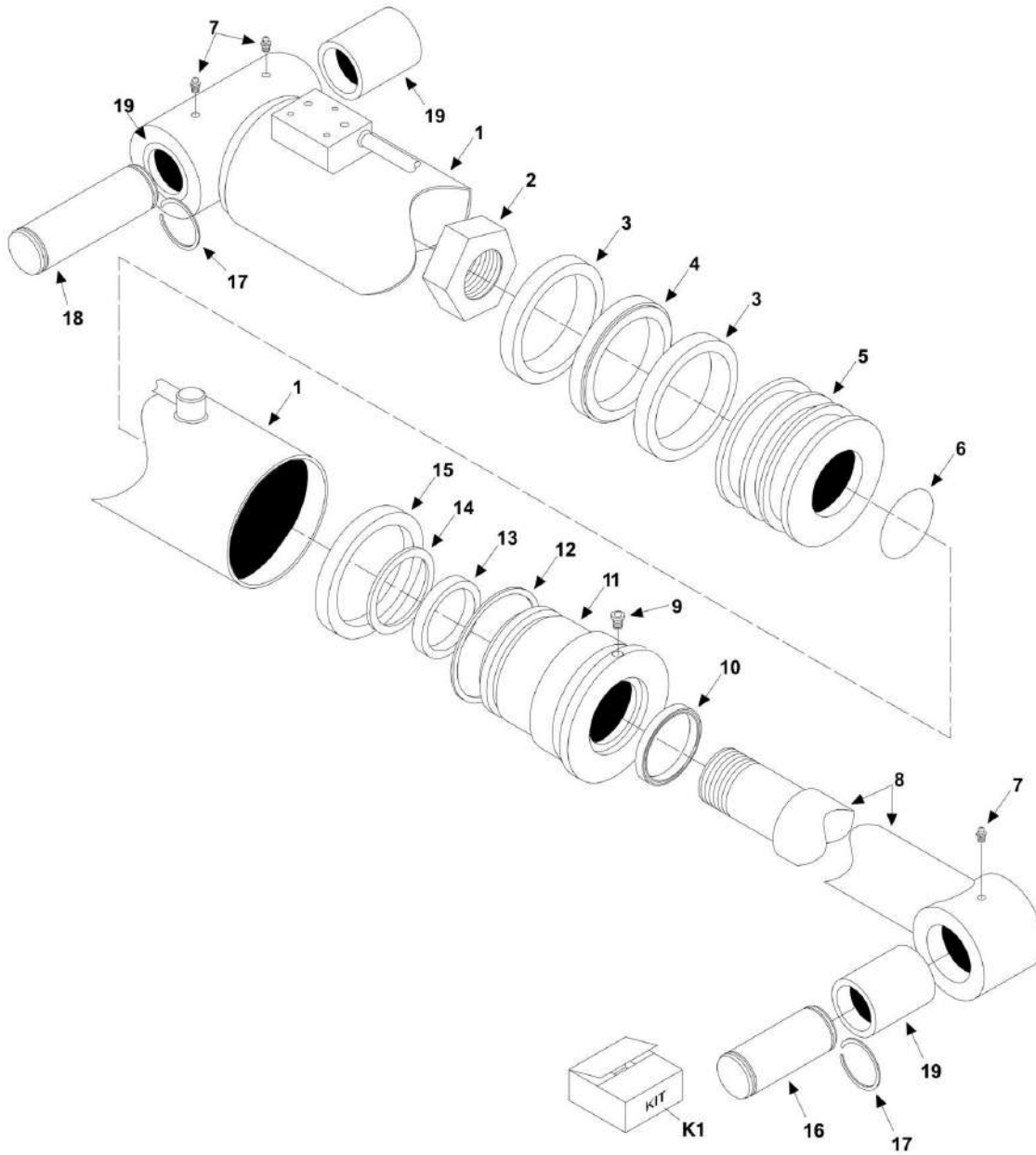
SECTION 9 - HYDRAULIC COMPONENTS

FIGURE 9-16. FRAME LEVEL CYLINDER (SN 0190001 through 0190446)

ITEM	PART NUMBER	QTY	DESCRIPTION	REV
	91473014	1	SWAY CYLINDER (includes all items 1 thru 17)	
1	91474005	1	CASE ASSY	
2	91474019	1	LOCK NUT, (torque to 400 lb-ft)	
3	Kit	2	WEAR RING	
4	Kit	1	PISTON SEAL	
5	91474014	1	PISTON	
6	Kit	1	O-RING	
7	91474020	3	GREASE FITTING	
8	91474006	1	SHAFT ASSY	
9	91474021	1	SET SCREW	
10	Kit	1	ROD WIPER	
11	91474007	1	HEAD	
12	Kit	1	BACKUP	
13	Kit	1	ROD SEAL	
14	Kit	1	BUFFER SEAL	
15	Kit	1	O-RING	
16	Kit	1	LOADER	
17	91474013	3	BUSHING	
18	91403226	2	SWAY CYLINDER PIN	
19	90028935	4	RETAINING RING	
20	90207352	1	SWAY PIN	
K1	91474004	1	SEAL KIT (Includes items 3, 4, 6, 10, 12 thru 16)	

SECTION 9 - HYDRAULIC COMPONENTS

FIGURE 9-17. FRAME LEVEL CYLINDER (SN 0190447 through 0190457, SN 016000022 through 0160033619)



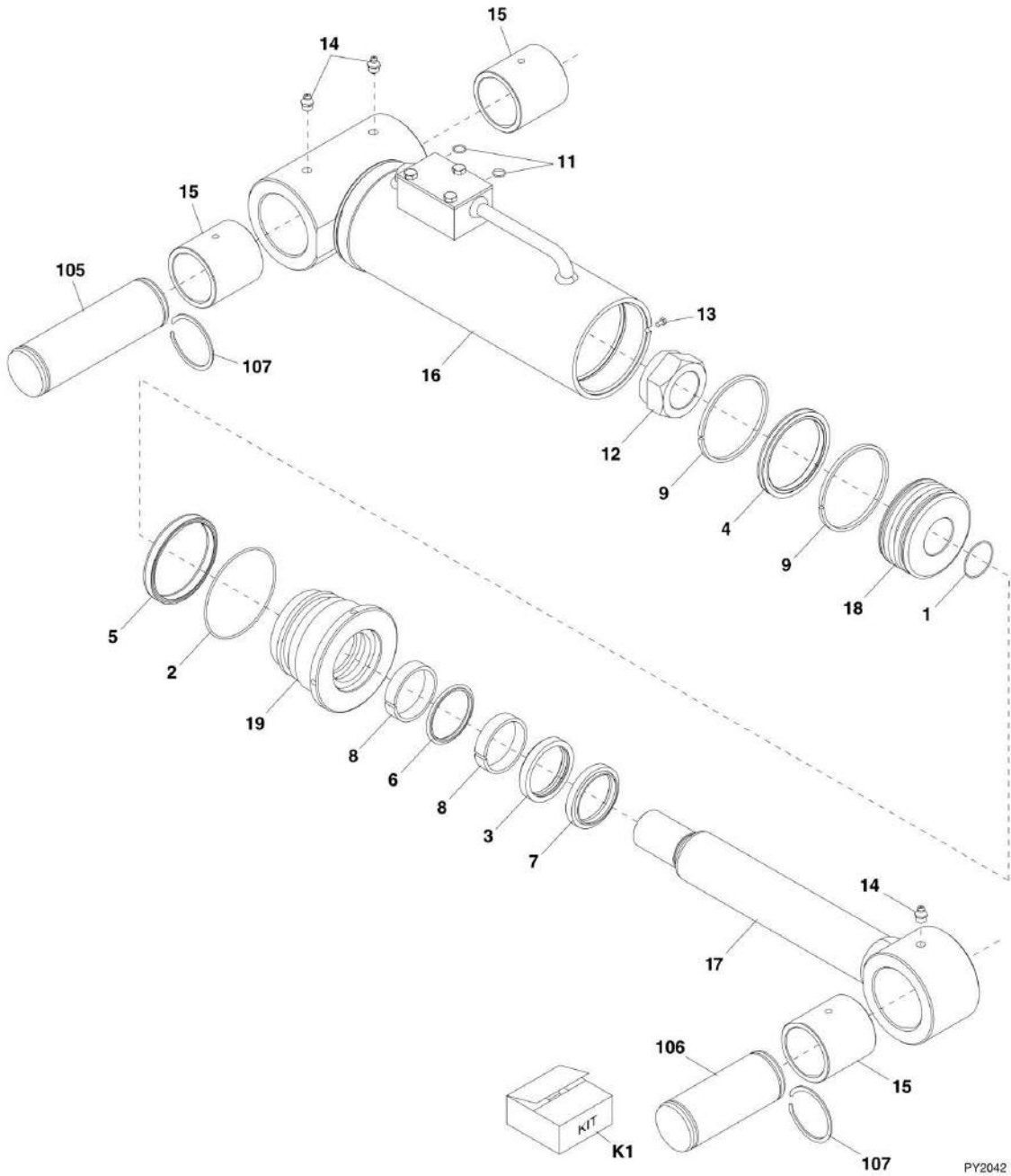
SECTION 9 - HYDRAULIC COMPONENTS

FIGURE 9-17. FRAME LEVEL CYLINDER (SN 0190447 through 0190457, SN 016000022 through 0160033619)

ITEM	PART NUMBER	QTY	DESCRIPTION	REV
	91473069	1	SWAY CYLINDER (includes all items 1 thru 15)	D
1	91474608	1	CASE ASSY	
2	91144038	1	LOCK NUT, (torque to 550-600 lb-ft)	
3	Kit	2	WEAR RING	
4	Kit	1	PISTON SEAL	
5	91404171	1	PISTON	
6	Kit	1	O-RING	
7	91144128	3	GREASE FITTING	
8	91474609	1	SHAFT ASSY	
9	91124096	1	SET SCREW	
10	Kit	1	CANNED WIPER	
11	91474610	1	HEAD, (torque to 100 lb-ft)	
12	Kit	1	O-RING	
13	Kit	1	U-CUP SEAL	
14	Kit	1	STEP SEAL	
15	Kit	1	U-CUP SEAL	
16	91403225	1	SWAY PIN	
17	90028935	4	RETAINING RING	
18	91403226	1	SWAY CYLINDER PIN	
19	91404352	3	BUSHING	
K1	91404172	1	SEAL KIT (Includes items 3, 4, 6, 10 & 12 thru 15)	

SECTION 9 - HYDRAULIC COMPONENTS

FIGURE 9-18. FRAME LEVEL CYLINDER (SN 0160033656 to Present)



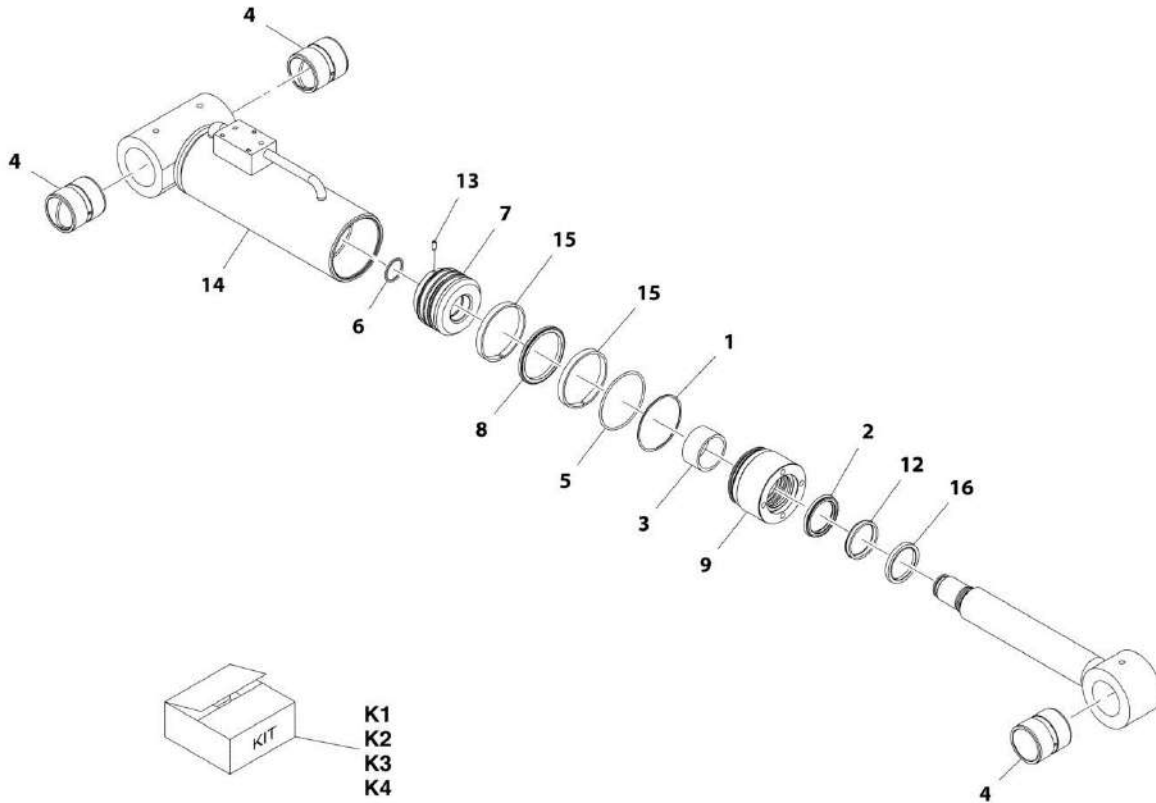
SECTION 9 - HYDRAULIC COMPONENTS

FIGURE 9-18. FRAME LEVEL CYLINDER (SN 0160033656 to Present)

ITEM	PART NUMBER	QTY	DESCRIPTION	REV
	91473231	1	SWAY CYLINDER, (includes items 1 thru 19)	A
1	Kit	1	O-RING	
2	Kit	1	O-RING	
3	Kit	1	SEAL	
4	Kit	1	SEAL	
5	Kit	1	SEAL	
6	Kit	1	SEAL	
7	Kit	1	WIPER	
8	Kit	2	WEAR RING	
9	Kit	2	WEAR RING	
11	7023500	2	O-RING	
12	7003226	1	LOCKNUT	
13	70021630	1	SELF TAPPING SCREW	
14	7003242	3	LUBE FITTING	
15	70021634	3	BUSHING	
16	70021637	1	TUBE ASSY	
17	70021638	1	ROD ASSY	
18	70021635	1	PISTON	
19	70021636	1	HEAD	
105	91403226	1	CYLINDER PIN	
106	91403225	1	CYLINDER PIN	
107	90028935	4	RETAINING RING	
K1	70021633	1	SEAL KIT, (includes items 1 thru 9)	

SECTION 9 - HYDRAULIC COMPONENTS

FIGURE 9-19. FRAME LEVEL CYLINDER (ARCTIC)



ART_1001158762-A

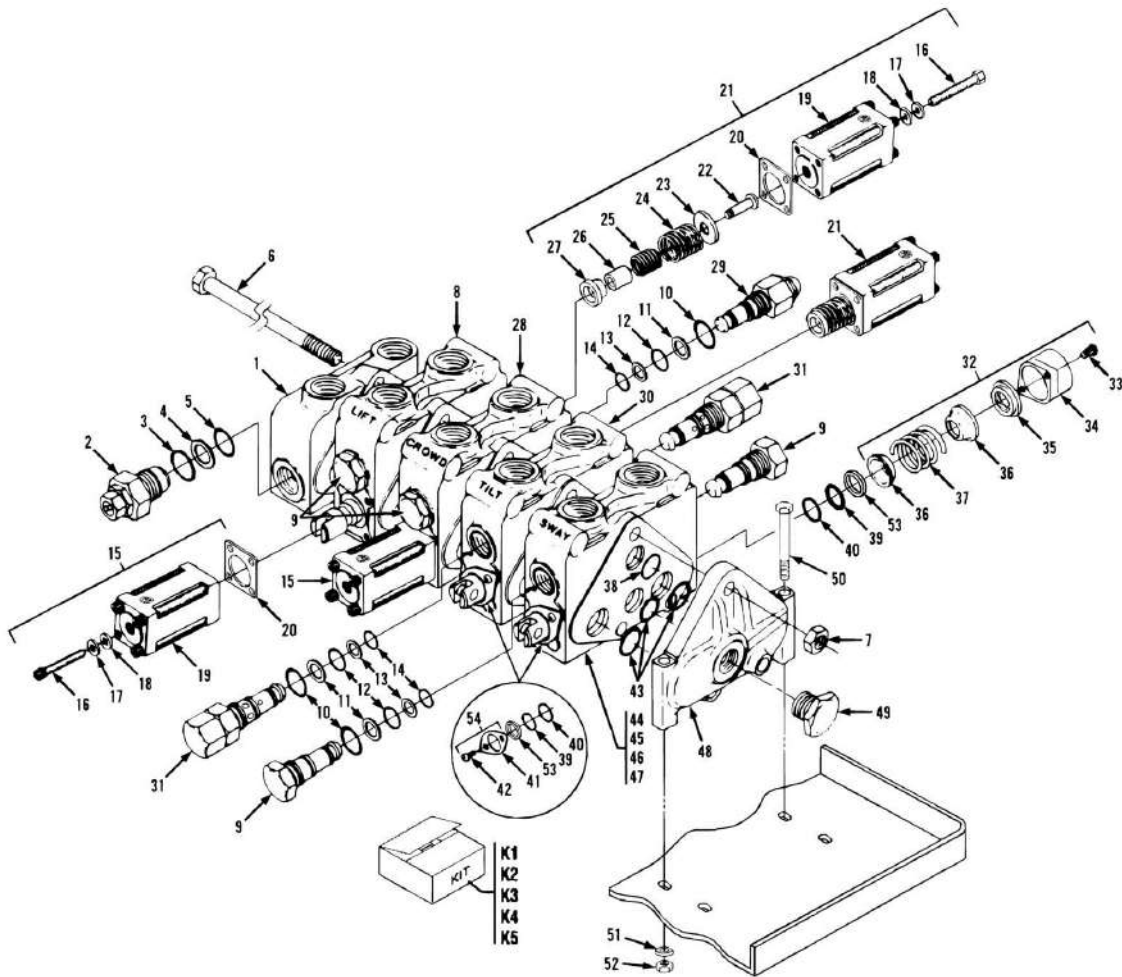
SECTION 9 - HYDRAULIC COMPONENTS

FIGURE 9-19. FRAME LEVEL CYLINDER (ARCTIC)

ITEM	PART NUMBER	QTY	DESCRIPTION	REV
	1001158762	1	FRAME LEVEL CYLINDER, (G6-42A) (ARCTIC), (included items 1 thru 16)	A
1	Kit	1	BACKUP RING	
2	Kit	1	BUFFER RING	
3	Kit	1	BUSHING	
4	Kit	3	BUSHING	
5	Kit	1	O-RING	
6	Kit	1	O-RING	
7	Kit	1	PISTON	
8	Kit	1	PISTON SEAL	
9	Kit	1	RETAINER	
12	Kit	1	ROD SEAL	
13	Kit	1	SET SCREW	
14	70025936	1	BARREL	
15	Kit	2	WEAR RING	
16	Kit	1	WIPER	
K1	70025941	1	SERVICE KIT, (include items 1 thru 3, 5, 6, 8, 12, 15 & 16)	
K2	70025938	1	ROD ASSY KIT, (include item 4)	
K3	70025942	1	RETAINER SUB ASY KIT, (include items 1 thru 3, 5, 9, 12 & 16)	
K4	70025940	1	PISTON SUB ASSY KIT, (include items 7, 8, 13 & 15)	

SECTION 9 - HYDRAULIC COMPONENTS

FIGURE 9-20. MAIN CONTROL VALVE (Prior to SN 0160037722)



SECTION 9 - HYDRAULIC COMPONENTS

FIGURE 9-20. MAIN CONTROL VALVE (Prior to SN 0160037722)

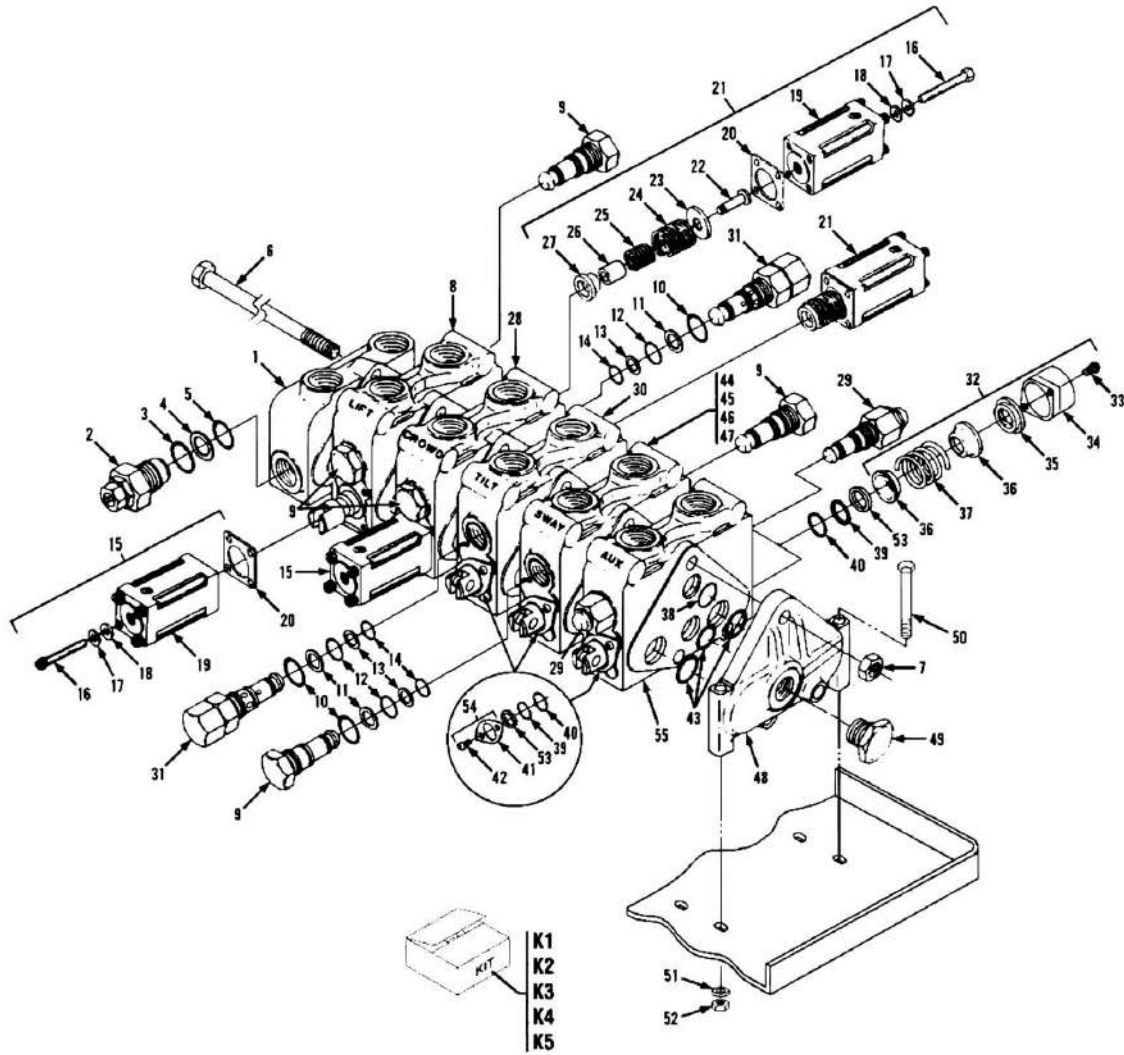
ITEM	PART NUMBER	QTY	DESCRIPTION	REV
	91403541	1	MAIN HYDRAULIC CONTROL VALVE, (includes all items except 50 thru 52)	1
1	91084008	1	INLET COVER ASSY, (includes item 2)	
2	91084009	1	MAIN RELIEF, (includes items 3, 4 & 5)	
3	Kit	1	O-RING	
4	Kit	1	BACK-UP RING	
5	Kit	1	O-RING	
6	Kit	3	HEX HD CAPSCREW	
7	Kit	3	HEX NUT	
8	91404182	1	VALVE SECTION ASSY, (Hoist), (includes one each of items 15 & 21 and two of item 9)	
9	91404183	5	LOAD CHECK PLUG, (includes items 10 thru 14)	
10	Kit	2	O-RING	
11	Kit	1	BACK-UP RING	
12	Kit	1	O-RING	
13	Kit	1	O-RING	
14	Kit	2	BACK-UP RING	
15	91404184	2	HYDRAULIC REMOTE POSITIONER, (includes items 16 thru 20)	
16	N.S.S.	4	SCREW	
17	N.S.S.	4	LOCKWASHER	
18	N.S.S.	4	BEARING PLATE	
19	N.S.S.	1	BONNET	
20	N.S.S.	1	SEAL	
21	91404185	2	HYDRAULIC REMOTE POSITIONER, (includes items 16 thru 20 & 22 thru 27)	
22	N.S.S.	1	SPOOL POSITIONER	
23	N.S.S.	1	WASHER	
24	N.S.S.	1	SPRING, (large)	
25	N.S.S.	1	SPRING, (small)	
26	N.S.S.	1	STOP SLEEVE	
27	N.S.S.	1	STOP COLLAR	
28	91404186	1	VALVE SECTION ASSY, (Crowd), (includes one each of items 9, 15, 21 & 29)	
29	91404187	1	RELIEF CARTRIDGE, (includes items 10 thru 14)	
30	91404188	1	VALVE SECTION ASSY, (Tilt), (includes one each of items 32 & 54 and two each of 31, 39, 40 & 53)	
31	91404189	2	RELIEF CARTRIDGE, (includes items 10 thru 14)	
32	91404190	2	SPOOL POSITIONER ASSY, (includes items 33 thru 37)	
33	N.S.S.	2	SCREW	
34	N.S.S.	1	BONNET	
35	N.S.S.	1	SPOOL SPUD	
36	N.S.S.	2	SPRING COLLAR	
37	N.S.S.	1	SPRING	
38	Kit	1	O-RING	
39	Kit	4	BACK-UP WASHER	
40	Kit	4	O-RING	
41	N.S.S.	1	RETAINER PLATE	
42	N.S.S.	2	SCREW	
43	Kit	3	O-RING	
44	91404191	1	VALVE SECTION ASSY, (Sway), (includes one each of items 32 & 54 and two each of 9, 39, 40 & 53)	

SECTION 9 - HYDRAULIC COMPONENTS

ITEM	PART NUMBER	QTY	DESCRIPTION	REV
45	91404192	2	PORT RESTRICTER ASSY, (includes items 46 & 47)	
46	N.S.S.	1	ORIFICE PLATE	
47	N.S.S.	1	CONICAL SPRING	
48	91084278	1	OUTLET COVER ASSY, (includes item 49)	
49	91084279	1	PLUG	
50	88201028	3	HEX HD CAPSCREW, 5/16-18X3, GR5	
51	88561003	3	FLAT WASHER, 5/16	
52	88521305	3	HEX LOCKNUT, 5/16-18	
53	91404214	4	SEAL RETAINER	
54	91404180	2	SEAL RETAINER KIT, (includes items 41 & 42)	
K1	91404177	1	STUD KIT, (includes items 6 & 7)	
K2	91404178	5	VALVE SECTION SEAL KIT, (includes items 38 & 43)	
K3	91404179	1	MAIN RELIEF SEAL KIT, (includes items 3 thru 5)	
K4	70020717	8	PLUG SEAL KIT, (includes items 10 thru 14)	
K5	91404181	4	SPOOL SEAL KIT, (includes one each of items 39 & 40)	

SECTION 9 - HYDRAULIC COMPONENTS

FIGURE 9-21. MAIN CONTROL VALVE (SN 0160037722 to Present)



PY6490

SECTION 9 - HYDRAULIC COMPONENTS

FIGURE 9-21. MAIN CONTROL VALVE (SN 0160037722 to Present)

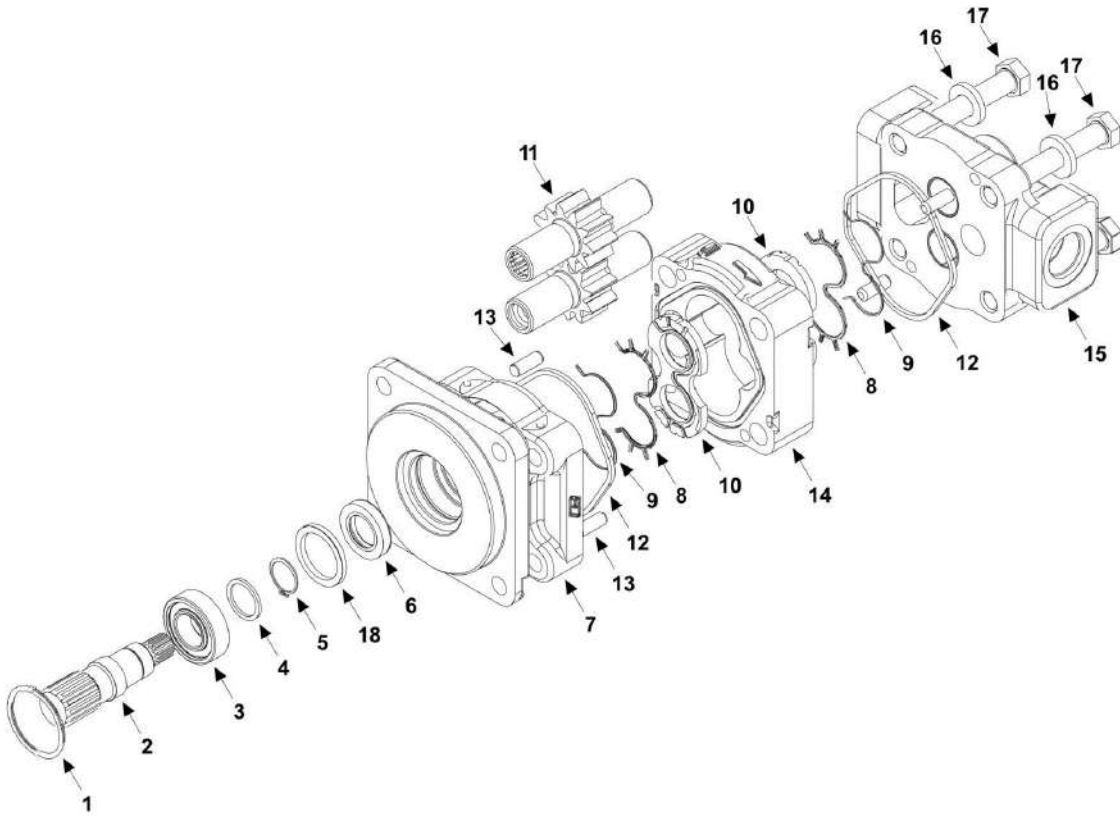
ITEM	PART NUMBER	QTY	DESCRIPTION	REV
	1001109217	1	MAIN HYDRAULIC CONTROL VALVE, (includes all items)	A
1	91084008	1	INLET COVER ASSY, (includes item 2)	
2	91084009	1	MAIN RELIEF, (includes items 3 thru 5)	
3	Kit	1	O-RING	
4	Kit	1	BACK-UP RING	
5	Kit	1	O-RING	
6	Kit	3	HEX HD CAPSCREW	
7	Kit	3	HEX NUT	
8	91404182	1	VALVE SECTION ASSY, (Lift), (includes one each of items 15 & 21 and two of item 9)	
9	91084010	3	LOAD CHECK PLUG, (includes items 10 thru 14)	
10	Kit	2	O-RING	
11	Kit	1	BACK-UP RING	
12	Kit	1	O-RING	
13	Kit	1	O-RING	
14	Kit	2	BACK-UP RING	
15	91094023	2	HYDRAULIC REMOTE POSITIONER, (includes items 16 thru 20)	
16	N.S.S.	4	SCREW	
17	N.S.S.	4	LOCKWASHER	
18	N.S.S.	4	BEARING PLATE	
19	N.S.S.	1	BONNET	
20	N.S.S.	1	SEAL	
21	91094024	2	HYDRAULIC REMOTE POSITIONER, (includes items 16 thru 20 & 22 thru 27)	
22	N.S.S.	1	SPOOL POSITIONER	
23	N.S.S.	1	WASHER	
24	N.S.S.	1	SPRING, (large)	
25	N.S.S.	1	SPRING, (small)	
26	N.S.S.	1	STOP SLEEVE	
27	N.S.S.	1	STOP COLLAR	
28	91404186	1	VALVE SECTION ASSY, (Crowd), (includes one each of items 9, 15, 21 & 31)	
29	91404187	1	RELIEF CARTRIDGE, (includes items 10 thru 14)	
30	91404188	1	VALVE SECTION ASSY, (Tilt), (includes one each of items 32 & 53 and two each of 31, 39, 40 & 54)	
31	91404189	2	RELIEF CARTRIDGE, (includes items 10 thru 14)	
32	91084004	3	SPOOL POSITIONER ASSY, (includes items 33 thru 37)	
33	N.S.S.	2	SCREW	
34	N.S.S.	1	BONNET	
35	N.S.S.	1	SPOOL SPUD	
36	N.S.S.	2	SPRING COLLAR	
37	N.S.S.	1	SPRING	
38	Kit	1	O-RING	
39	Kit	6	BACK-UP WASHER	
40	Kit	6	O-RING	
41	N.S.S.	1	RETAINER PLATE	
42	N.S.S.	2	SCREW	
43	Kit	3	O-RING	
44	91404191	1	VALVE SECTION ASSY, (Sway), (includes one each of items 32 & 53 & two each of 9, 39, 40 & 54)	
45	91404192	2	PORT RESTRICTER ASSY, (includes items 46 & 47)	

SECTION 9 - HYDRAULIC COMPONENTS

ITEM	PART NUMBER	QTY	DESCRIPTION	REV
46	N.S.S.	1	ORIFICE PLATE	
47	N.S.S.	1	CONICAL SPRING	
48	91084278	1	OUTLET COVER ASSY, (includes item 49)	
49	91084279	1	PLUG	
50	88201028	3	HEX HD CAPSCREW, 5/16-18X3, GR5	
51	88561003	3	FLAT WASHER, 5/16	
52	88521305	3	NYLOCK NUT, 5/16-18	
53	91404214	6	SEAL RETAINER	
54	91084006	3	SEAL RETAINER KIT, (includes items 41 & 42)	
55	7029862	1	VALVE SECTION ASSY, (Aux), (includes one each of items 32 & 54 & two each of items 29, 39, 40 & 53)	
K1	91084203	1	STUD KIT, (includes items 6 & 7)	
K2	91404178	6	VALVE SECTION SEAL KIT, (includes items 38 & 43)	
K3	91404179	1	MAIN RELIEF SEAL KIT, (includes items 3 thru 5)	
K4	70020717	8	PLUG SEAL KIT, (includes items 10 thru 14)	
K5	91084005	6	SPOOL SEAL KIT, (includes one each of items 39, 40 & 53)	

SECTION 9 - HYDRAULIC COMPONENTS

FIGURE 9-22. IMPLEMENT PUMP (SN 0190001 through 0190457, SN 016000022 through 0160000715)



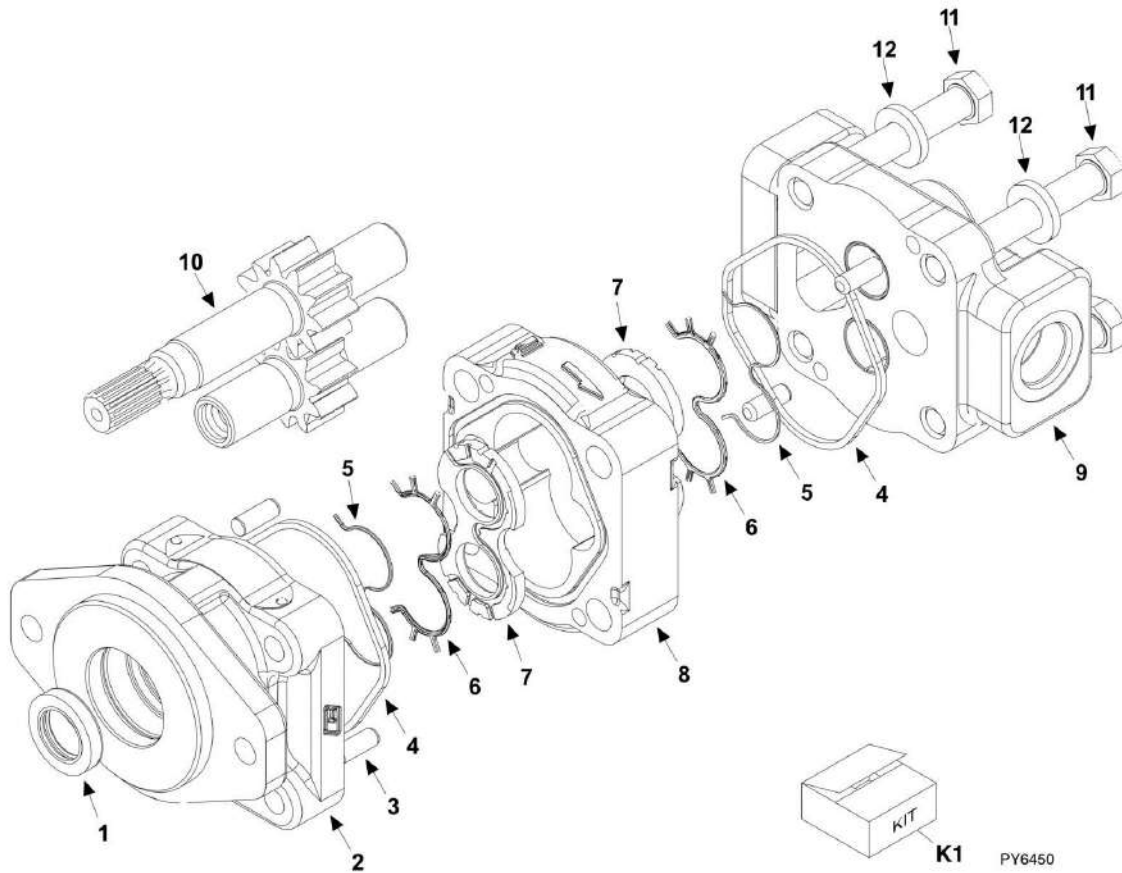
SECTION 9 - HYDRAULIC COMPONENTS

FIGURE 9-22. IMPLEMENT PUMP (SN 0190001 through 0190457, SN 016000022 through 0160000715)

ITEM	PART NUMBER	QTY	DESCRIPTION	REV
	91473075	1	IMPLEMENT PUMP, (includes all items)	
1	77134079	1	SNAP RING	
2	83674124	1	SHAFT	
3	7000505	1	BEARING	
4	77384004	1	BEARING RETAINER	
5	77364005	1	RETAINING RING	
6	7000478	1	SEAL	
7	83674126	1	SHAFT END COVER ASSY	
8	91474182	2	SEAL	
9	91474038	2	BACK-UP SEAL	
10	83674096	2	THRUST PLATE	
11	91474180	1	GEAR SET	
12	91474184	2	O-RING	
13	83671037	4	DOWEL PIN	
14	91474179	1	GEAR HOUSING	
15	91474178	1	PORT END COVER ASSY	
16	77134044	4	WASHER	
17	91474181	4	CAPSCREW	
18	77134081	1	SEAL RETAINER	

SECTION 9 - HYDRAULIC COMPONENTS

FIGURE 9-23. IMPLEMENT PUMP (SN 016000797 through 0160040677)



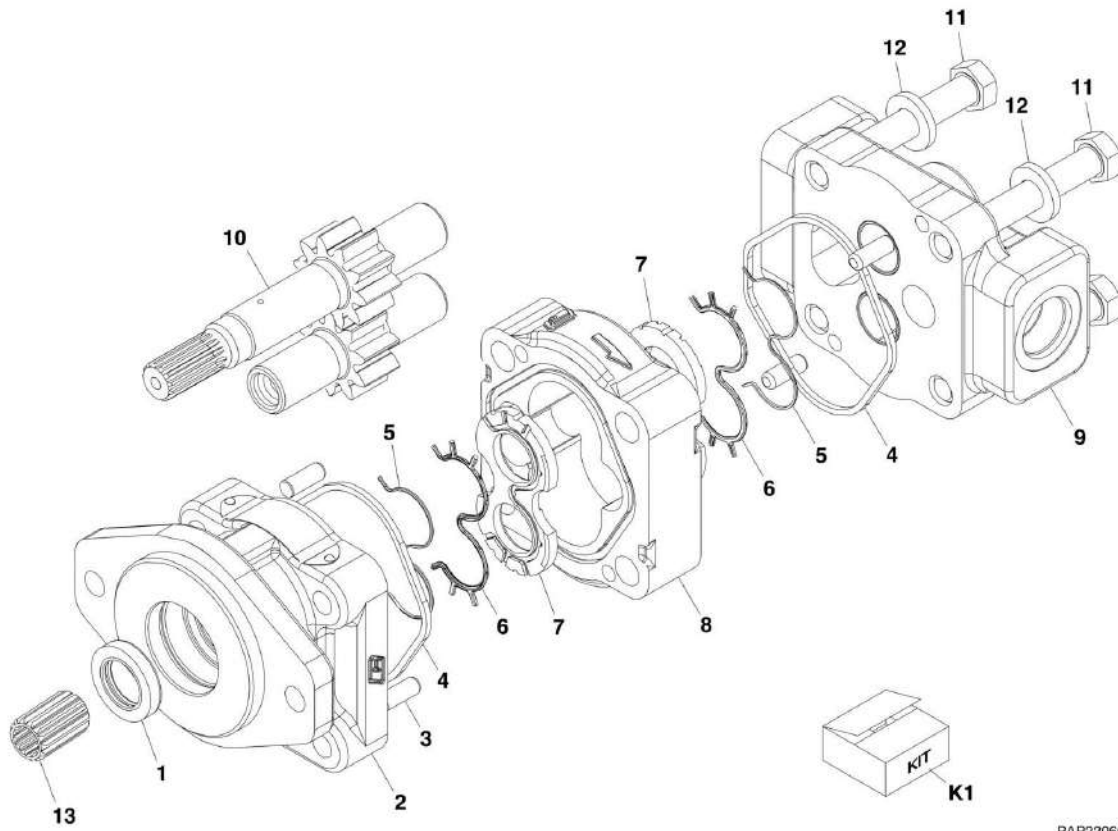
SECTION 9 - HYDRAULIC COMPONENTS

FIGURE 9-23. IMPLEMENT PUMP (SN 0160000797 through 0160040677)

ITEM	PART NUMBER	QTY	DESCRIPTION	REV
	91473190	1	IMPLEMENT PUMP, (includes all items)	A
1	Kit	1	LIP SEAL	
2	8035265	1	SHAFT END COVER ASSY	
3	83671037	4	DOWEL PIN	
4	Kit	2	O-RING	
5	Kit	2	BACK-UP SEAL	
6	Kit	2	CHANNEL SEAL	
7	83674096	2	THRUST PLATE	
8	91474179	1	GEAR HOUSING	
9	91474178	1	PORT END COVER ASSY	
10	91474626	1	GEAR SHAFT SET	
11	91474181	4	CAPSCREW	
12	8035261	4	WASHER	
K1	91474624	1	SEAL KIT, (includes items 1 & 4 thru 6)	

SECTION 9 - HYDRAULIC COMPONENTS

FIGURE 9-24. IMPLEMENT PUMP (SN 0160040678 to Present)



PAP22060

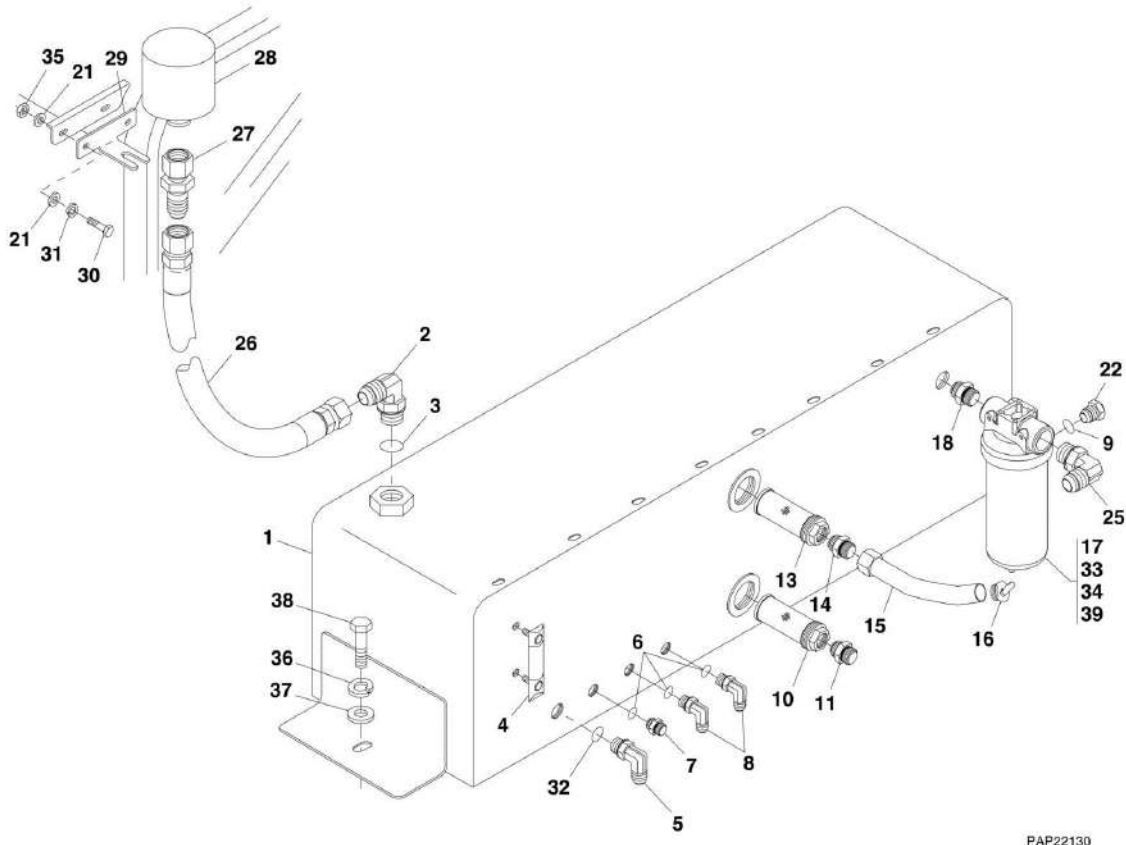
SECTION 9 - HYDRAULIC COMPONENTS

FIGURE 9-24. IMPLEMENT PUMP (SN 0160040678 to Present)

ITEM	PART NUMBER	QTY	DESCRIPTION	REV
	3600449	1	IMPLEMENT PUMP, (includes all items) (SN 0160040678 through 0160045463)	B
	1001110686	1	IMPLEMENT PUMP, (includes all items) (SN 0160045464 to Present)	C
1	Kit	1	LIP SEAL	
2	7729844	1	SHAFT END COVER ASSY	
3	83671037	4	DOWEL PIN	
4	Kit	2	O-RING	
5	Kit	2	BACK-UP SEAL	
6	Kit	2	CHANNEL SEAL	
7	83674096	2	THRUST PLATE	
8	91474179	1	GEAR HOUSING	
9	91474178	1	PORT END COVER ASSY	
10	7729843	1	GEAR SHAFT SET	
11	91474181	4	CAPSCREW	
12	8035261	4	WASHER	
13	8035744	1	SPLINE ADAPTER	
K1	91474624	1	SEAL KIT, (includes items 1 & 4 thru 6)	

SECTION 9 - HYDRAULIC COMPONENTS

FIGURE 9-25. HYDRAULIC TANK ASSEMBLY (Prior to SN 0160040678)



PAP22130

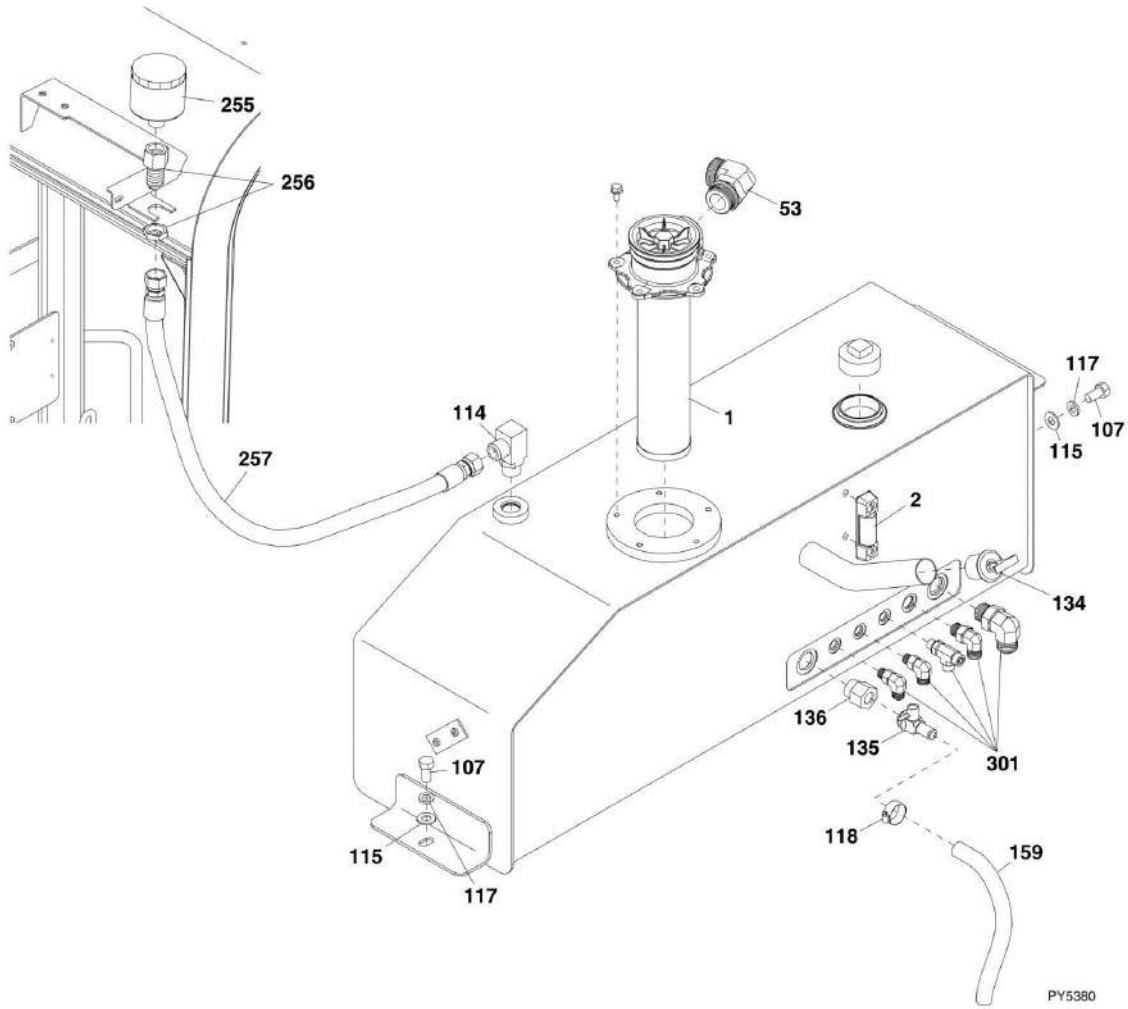
SECTION 9 - HYDRAULIC COMPONENTS

FIGURE 9-25. HYDRAULIC TANK ASSEMBLY (Prior to SN 0160040678)

ITEM	PART NUMBER	QTY	DESCRIPTION	REV
	91475011	Ref	HYDRAULIC TANK ASSY, (includes items 1 thru 25)	G
1	91473009	1	HYDRAULIC RESERVOIR	
2	2220578	1	ELBOW, 90, (includes item 3)	
3	88591207	1	O-RING	
4	7024441	1	FLUID LEVEL GAUGE, (torque to 7 lb-ft), (includes mounting hardware)	
5	2220596	1	ELBOW, 90, (includes item 32)	
6	88591204	3	O-RING	
7	2220371	1	CONNECTOR, (includes item 6)	
8	2220473	2	ELBOW, 90, (includes item 6)	
9	88591210	1	O-RING	
10	91083301	1	TANK FILTER	
11	91403617	1	CONNECTOR	
13	91403575	1	TANK FILTER	
14	2220690	1	CONNECTOR	
15	91473060	1	FILL TUBE	
16	91403579	1	FILLER CAP	
17	91403158	1	OIL FILTER, (includes items 33 & 34)	
18	2220893	1	CONNECTOR	
22	2220243	1	HEX HD PLUG, (includes item 9)	
25	2220464	1	ELBOW, 90	
26	84719610	1	BREATHER HOSE	
27	91163100	1	BULKHEAD	
28	1340021	1	BREATHER	
29	91471174	1	BREATHER BRACKET	
30	88201020	2	HEX HD CAPSCREW, 5/16-18X1, GR5	
31	88551010	2	LOCKWASHER, 5/16	
32	88591205	1	O-RING	
33	1001093626	1	FILTER ELEMENT	
34	91404084	1	BAR GAUGE	
35	88501005	2	HEX NUT, 5/16-18	
36	88551013	3	LOCKWASHER, 1/2	
37	88561111	3	FLAT WASHER, 1/2	
38	88201065	3	HEX HD CAPSCREW, 1/2-13X1, GR5	
39	7029833	1	SEAL RING, (between element and housing)	

SECTION 9 - HYDRAULIC COMPONENTS

FIGURE 9-26. HYDRAULIC TANK ASSEMBLY (SN 0160040678 to Present)



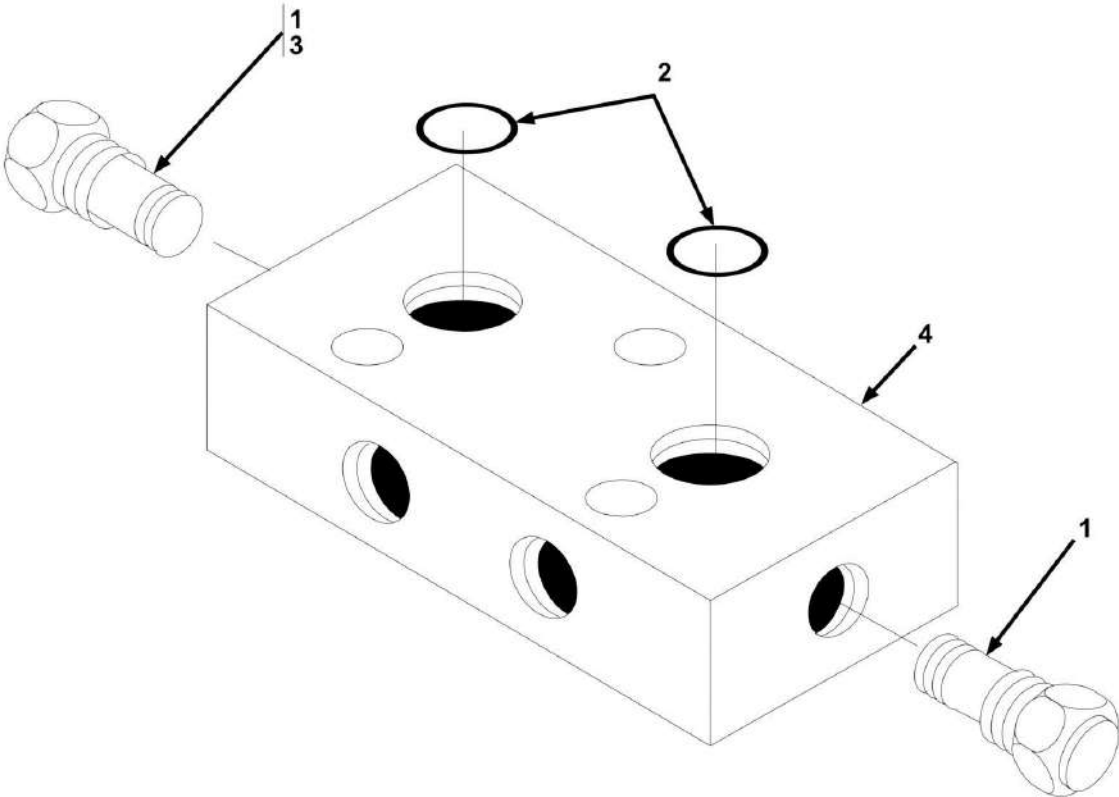
SECTION 9 - HYDRAULIC COMPONENTS

FIGURE 9-26. HYDRAULIC TANK ASSEMBLY (SN 0160040678 to Present)

ITEM	PART NUMBER	QTY	DESCRIPTION	REV
	1001128744	1	HYDRAULIC TANK ASSY, (includes items 1 & 2)	A
1	1001097732	1	HYDRAULIC FILTER	
2	91563136	1	FLUID LEVEL GAUGE	
53	2132020	1	ADAPTER, 90	
107	0641808	3	HEX HD CAPSCREW, 1/2-13X1, GR5	
114	2220578	1	ADAPTER, 90	
115	4711800	3	WASHER, 1/2	
117	4761800	3	LOCKWASHER, 1/2	
118	8405007	1	GEAR CLAMP	
134	91403579	1	FILLER CAP	
135	1001093019	1	OIL DRAIN VALVE	
136	1001097250	1	STRAIGHT ADAPTER	
159	1001109504	1	HOSE	
255	1340021	1	AIR BREATHER	
256	91163100	1	STRAIGHT BULKHEAD ADAPTER	
257	84719610	1	HOSE ASSY	
301		Ref	HYDRAULIC FITTINGS, (See HYDRAULIC CIRCUITS SECTION for Breakdown)	

SECTION 9 - HYDRAULIC COMPONENTS

FIGURE 9-27. SWAY CYLINDER VALVE (SN 0190001 through 0190357)



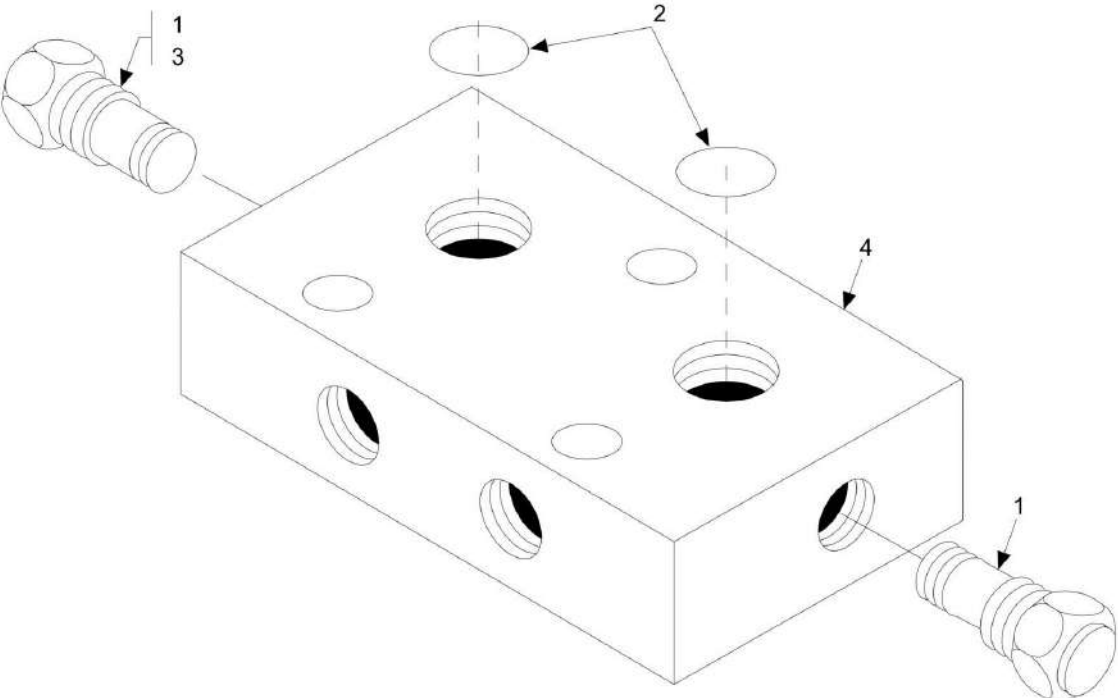
SECTION 9 - HYDRAULIC COMPONENTS

FIGURE 9-27. SWAY CYLINDER VALVE (SN 0190001 through 0190357)

ITEM	PART NUMBER	QTY	DESCRIPTION	REV
	91403180	1	SWAY CYLINDER VALVE, (includes all items)	E
1	91404216	2	VALVE CARTRIDGE	
2	91404215	2	O-RING	
3	91404217	1	PISTON	
4	91404218	1	VALVE BODY	

SECTION 9 - HYDRAULIC COMPONENTS

FIGURE 9-28. SWAY CYLINDER VALVE (SN 016000022 to Present, SN 0190358 through 0190457)



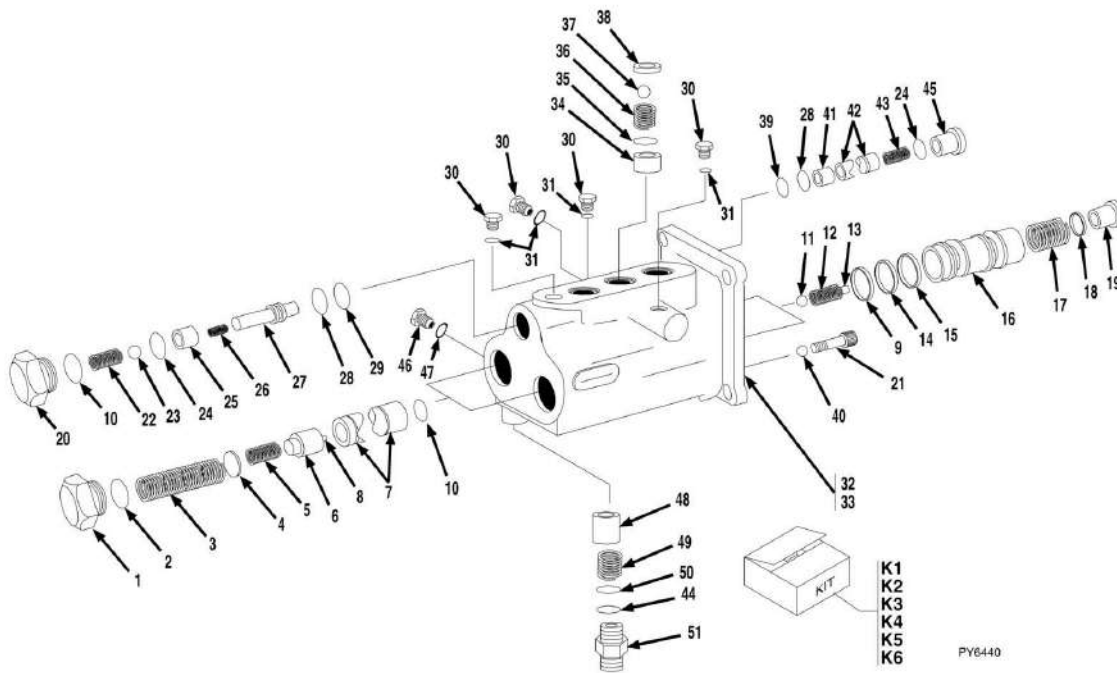
SECTION 9 - HYDRAULIC COMPONENTS

FIGURE 9-28. SWAY CYLINDER VALVE (SN 016000022 to Present, SN 0190358 through 0190457)

ITEM	PART NUMBER	QTY	DESCRIPTION	REV
	91473188	1	SWAY CYLINDER VALVE, (includes all items)	
1	91474490	2	VALVE CARTRIDGE	
2	91404215	2	O-RING	
3	91404217	1	PISTON	
4	91474491	1	VALVE BODY	

SECTION 9 - HYDRAULIC COMPONENTS

FIGURE 9-29. BRAKE VALVE (SN 0190001 through 0190457, SN 016000022 through 0160000843)



SECTION 9 - HYDRAULIC COMPONENTS

FIGURE 9-29. BRAKE VALVE (SN 0190001 through 0190457, SN 016000022 through 0160000843)

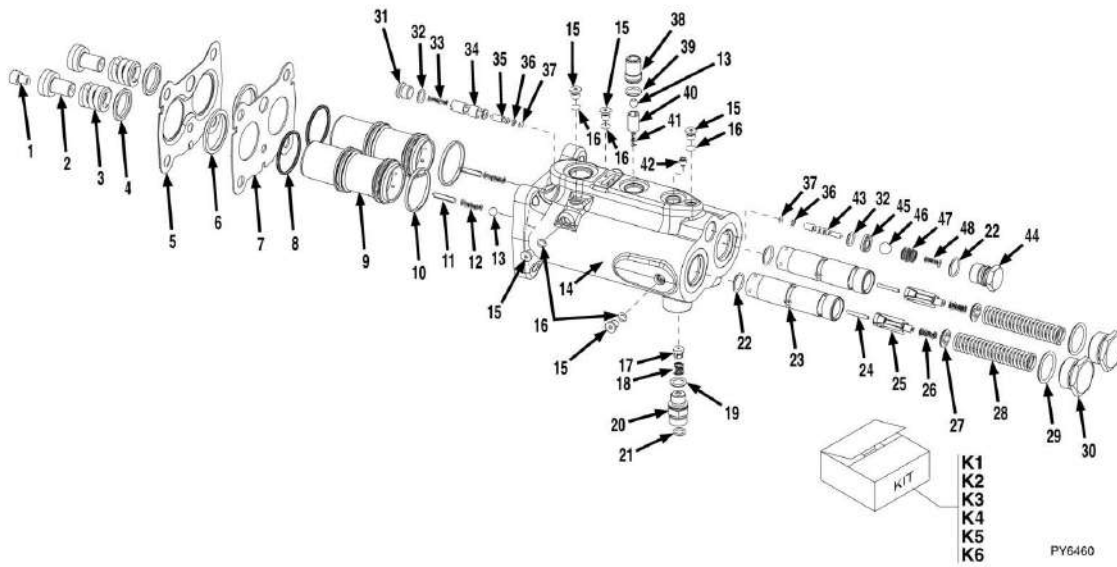
ITEM	PART NUMBER	QTY	DESCRIPTION	REV
	91473160	1	BRAKE VALVE ASSY, (includes all items)	
1	91474434	2	PLUG	
2	91474435	2	O-RING	
3	Kit	2	SPRING	
4	Kit	2	SPRING GUIDE	
5	Kit	2	SPRING	
6	Kit	2	MAKEUP CHECK	
7	91474436	2	SPOOL	
8	Kit	2	NEEDLE ROLLER	
9	Kit	2	SEAL RING	
10	91514197	3	O-RING	
11	Kit	2	BALL	
12	91474438	2	SPRING	
13	Kit	2	PIN	
14	91474439	2	QUAD RING	
15	91474440	2	WIPER RING	
16	Kit	2	PISTON	
17	Kit	2	SPRING	
18	91474441	2	WIPER RING	
19	91474442	2	ACTUATOR PIN	
20	91474443	1	PLUG	
21	91474454	1	SOCKET HD SCREW	
22	Kit	1	SPRING	
23	Kit	1	BALL	
24	91514198	2	O-RING	
25	91474446	1	SEAT	
26	Kit	1	SPRING	
27	91474447	1	PISTON	
28	91514199	2	BACK-UP RING	
29	91474449	1	O-RING	
30	91474450	4	PLUG	
31	91474451	4	O-RING	
32	Kit	1	WIPER RETAINER COVER	
33	Kit	1	STROKE LIMITER COVER	
34	Kit	1	RETAINER	
35	Kit	1	O-RING	
36	Kit	1	SPRING	
37	91474452	1	BALL	
38	Kit	1	SEAT	
39	91474453	1	O-RING	
40	91474457	1	BALL	
41	91474455	1	PISTON DUMP	
42	91474456	1	SPOOL	
43	Kit	1	SPRING	
44	91474444	1	O-RING	
45	91474458	1	PLUG	
46	91474459	1	PLUG	
47	91474460	1	O-RING	
48	Kit	1	ORIFICE	
49	Kit	1	SPRING	

SECTION 9 - HYDRAULIC COMPONENTS

ITEM	PART NUMBER	QTY	DESCRIPTION	REV
50	91474461	1	O-RING	
51	91474462	1	FITTING	
K1	91474428	1	PISTON KIT, (includes items 9, 13 & 16)	
K2	91474429	1	COVER KIT, (includes items 32 & 33)	
K3	91474430	1	MAKE-UP CHECK KIT, (includes 4 thru 6 & 8)	
K4	91474431	1	INLET KIT, (includes items 11, 34 thru 36 & 38)	
K5	91474433	1	ORIFICE KIT, (includes items 48 & 49)	
K6	91474432	1	HARDWARE KIT, (includes items 3, 17, 22, 23, 26, 43, 48 & 49)	

SECTION 9 - HYDRAULIC COMPONENTS

FIGURE 9-30. BRAKE VALVE (SN 016000847 through 0160029212)



SECTION 9 - HYDRAULIC COMPONENTS

FIGURE 9-30. BRAKE VALVE (SN 0160000847 through 0160029212)

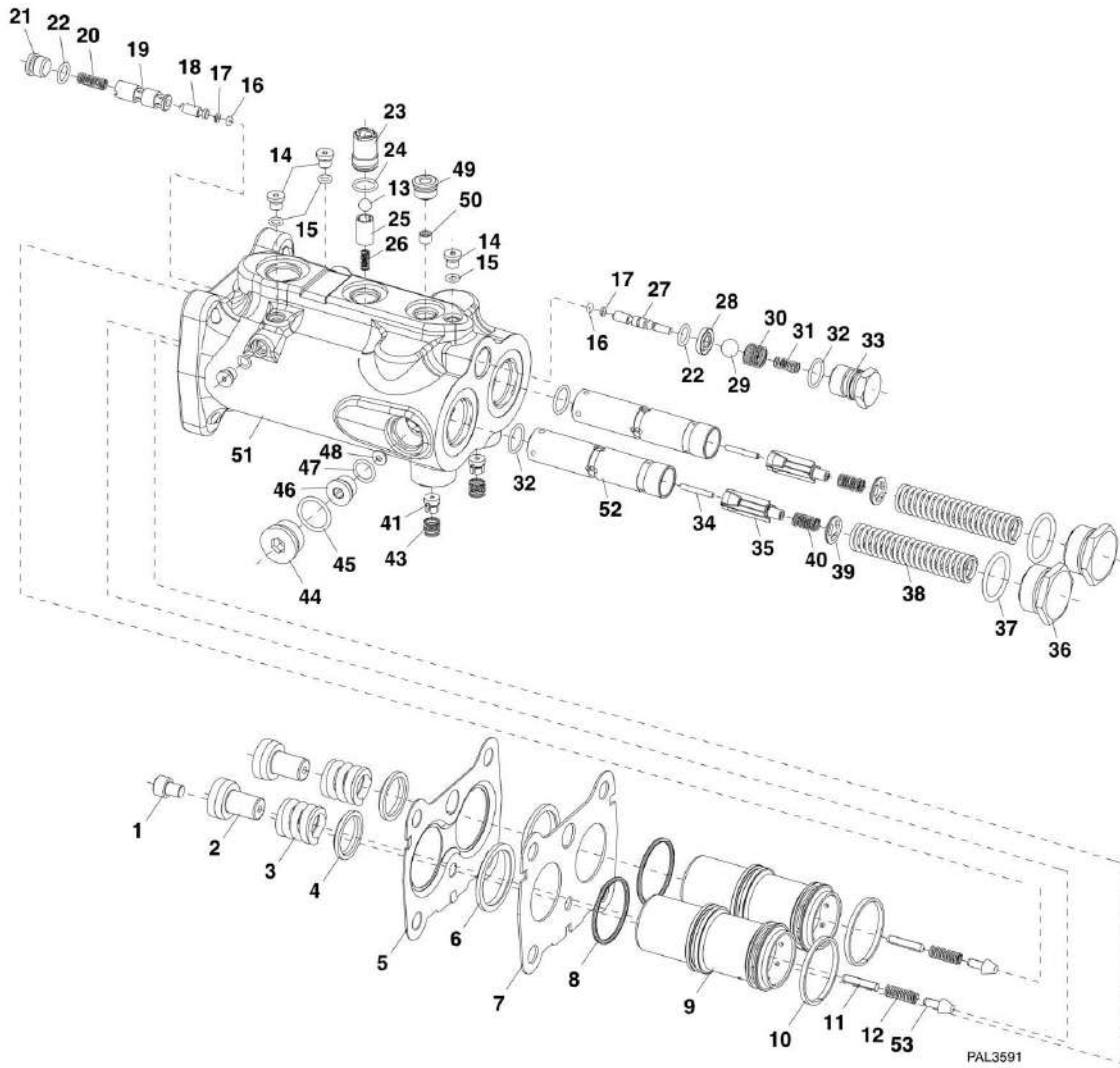
ITEM	PART NUMBER	QTY	DESCRIPTION	REV
	91513072	1	POWER BRAKE VALVE, (includes all items)	D
1	91474454	1	BOLT	
2	91474442	2	PIN	
3	Kit	2	SPRING	
4	91474441	2	WIPER	
5	Kit	1	COVER	
6	91474440	2	WIPER	
7	Kit	1	COVER	
8	91474439	2	QUAD-RING	
9	Kit	2	PISTON	
10	Kit	2	RING	
11	Kit	2	SPRING	
12	Kit	2	SPRING	
13	Kit	2	BALL	
14	91514201	1	HOUSING	
15	91474450	5	PLUG	
16	91474451	5	O-RING	
17	Kit	1	ORIFICE	
18	Kit	1	SPRING	
19	91474461	1	O-RING	
20	91514196	1	FITTING	
21	91474444	1	O-RING	
22	91514197	3	O-RING	
23	91474436	2	SPOOL	
24	Kit	2	PIN	
25	Kit	2	MAKE-UP CHECK	
26	Kit	2	SPRING	
27	Kit	2	SPRING GUIDE	
28	Kit	2	SPRING	
29	91474435	2	O-RING	
30	91474434	2	PLUG	
31	91474458	1	PLUG	
32	91514198	2	O-RING	
33	Kit	1	SPRING	
34	91474456	1	SPOOL	
35	91474455	1	PISTON	
36	91514199	2	BACK-UP RING	
37	91474453	2	O-RING	
38	Kit	1	SEAT	
39	Kit	1	O-RING	
40	Kit	1	RETAINER	
41	Kit	1	SPRING	
42	91514202	1	ORIFICE	
43	91474447	1	PISTON	
44	91514200	1	PLUG	
45	91474446	1	SEAT	
46	Kit	1	BALL	
47	Kit	1	SPRING	
48	Kit	1	SPRING	
K1	91474428	1	PISTON KIT, (includes items 9 thru 11)	

SECTION 9 - HYDRAULIC COMPONENTS

ITEM	PART NUMBER	QTY	DESCRIPTION	REV
K2	91474429	1	COVER KIT, (includes items 5 & 7)	
K3	91474430	1	MAKE-UP CHECK KIT, (includes items 24 thru 27)	
K4	91474431	1	INLET CHECK KIT, (includes items 13 & 38 thru 41)	
K5	91474433	1	ORIFICE KIT, (includes items 17 & 18)	
K6	91474432	1	HARDWARE KIT, (includes items 3, 12, 13, 26, 28, 33 & 46 thru 48)	

SECTION 9 - HYDRAULIC COMPONENTS

FIGURE 9-31. BRAKE VALVE (SN 0160029242 through 0160040659)



SECTION 9 - HYDRAULIC COMPONENTS

FIGURE 9-31. BRAKE VALVE (SN 0160029242 through 0160040659)

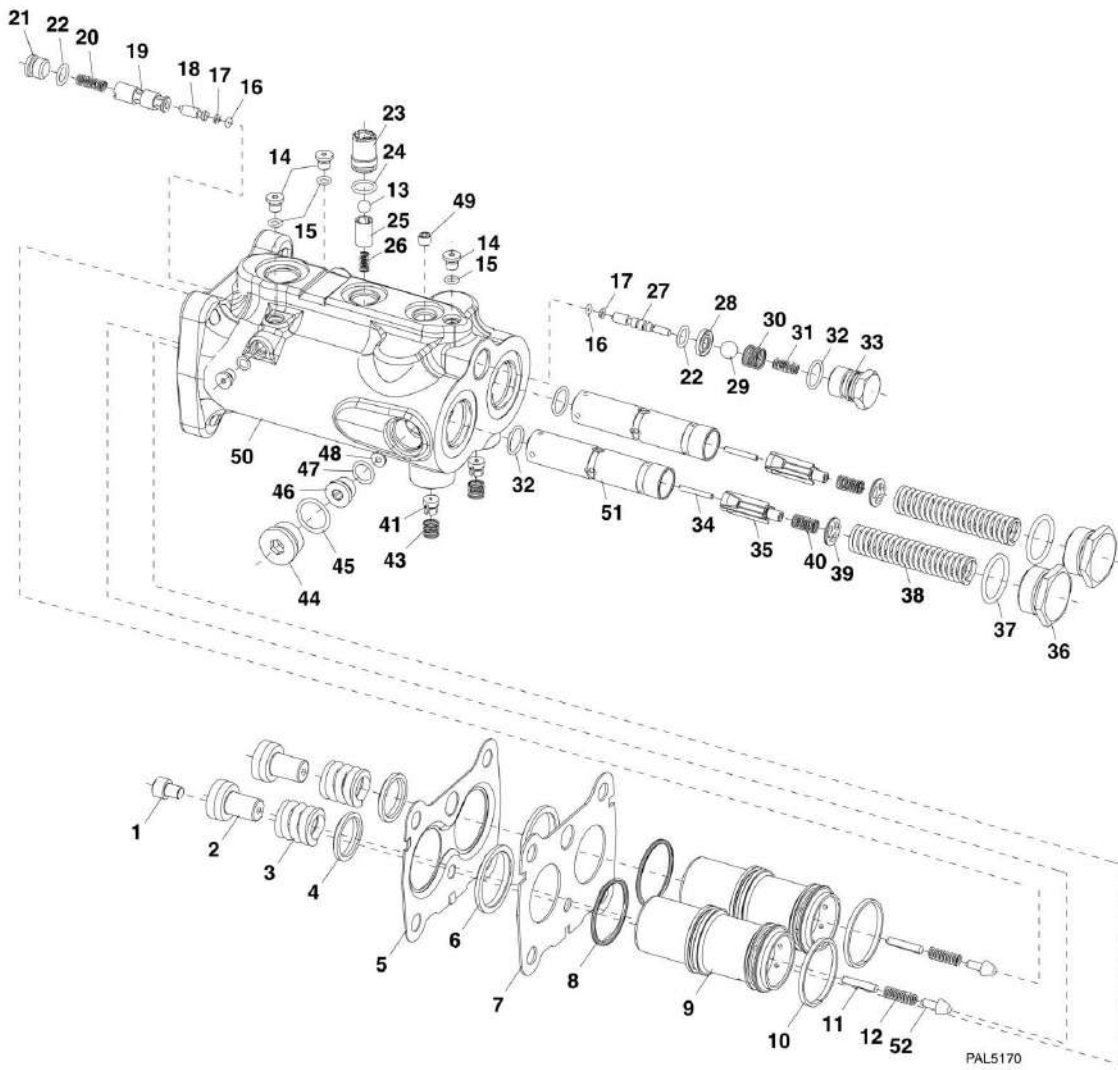
ITEM	PART NUMBER	QTY	DESCRIPTION	REV
	1001091959	NLA	POWER BRAKE VALVE, (no longer available, order 1001107090 for replacement or items 1 thru 51 for service)	C
	1001107090	1	POWER BRAKE VALVE, (includes all items)	B
1	91474454	1	SCREW	
2	91474442	2	PIN	
3	70020659	2	SPRING	
4	91474441	2	WIPER	
5	70020660	1	COVER	
6	91474440	2	WIPER	
7	70020661	1	COVER	
8	91474439	2	QUAD RING	
9	70020662	2	PISTON	
10	70020663	2	PISTON RING	
11	70023037	2	PIN	
12	91474438	2	SPRING	
13	91474452	1	BALL	
14	91474450	4	PLUG	
15	91474451	4	O-RING	
16	91474453	2	O-RING	
17	91514199	2	BACK-UP RING	
18	91474455	1	DUMP PISTON	
19	91474456	1	DUMP SPOOL	
20	70020665	1	SPRING	
21	91474458	1	PLUG	
22	91514198	2	O-RING	
23	70020666	1	INLET SEAT	
24	70020667	1	O-RING	
25	70020668	1	RETAINER	
26	70020669	1	SPRING	
27	91474447	1	PISTON	
28	91474446	1	SEAT	
29	70020670	1	BALL	
30	70020671	1	SPRING	
31	70020672	1	SPRING	
32	91514197	3	O-RING	
33	91474443	1	PLUG	
34	70020673	2	NEEDLE ROLLER	
35	70020674	2	MAKE-UP CHECK	
36	91474434	2	PLUG	
37	91474435	2	O-RING	
38	70020675	2	SPRING	
39	70020676	2	SPRING GUIDE	
40	70020677	2	SPRING	
41	70020678	2	ORIFICE	
43	70020679	2	SPRING	
44	91474459	1	PLUG	
45	91474460	1	O-RING	
46	70020680	1	PLUG	
47	70020681	1	O-RING	
48	70020682	1	ORIFICE	

SECTION 9 - HYDRAULIC COMPONENTS

ITEM	PART NUMBER	QTY	DESCRIPTION	REV
49	70020683	1	PLUG	
50	70020684	1	PLUG	
51	N.S.S.	1	HOUSING	
52	N.S.S.	1	SPOOL	
53	70023038	2	POPPET	

SECTION 9 - HYDRAULIC COMPONENTS

FIGURE 9-32. BRAKE VALVE (SN 0160040678 to Present)



SECTION 9 - HYDRAULIC COMPONENTS

FIGURE 9-32. BRAKE VALVE (SN 0160040678 to Present)

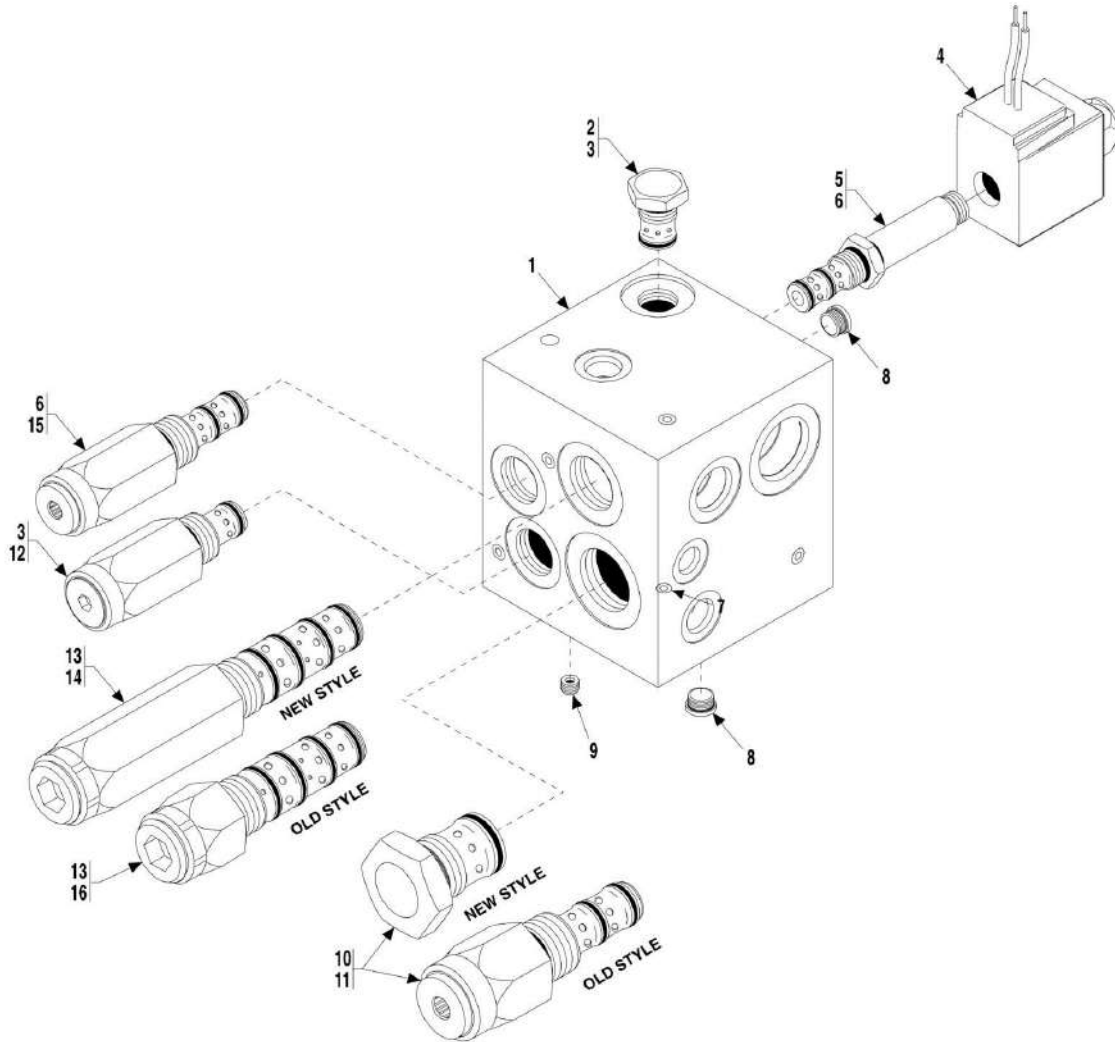
ITEM	PART NUMBER	QTY	DESCRIPTION	REV
	1001106836	1	POWER BRAKE VALVE, (includes all items)	A
1	91474454	1	SCREW	
2	91474442	2	PIN	
3	70020659	2	SPRING	
4	91474441	2	WIPER	
5	70020660	1	COVER	
6	91474440	2	WIPER	
7	70020661	1	COVER	
8	91474439	2	QUAD RING	
9	70020662	2	PISTON	
10	70020663	2	PISTON RING	
11	70023037	2	PIN	
12	91474438	2	SPRING	
13	91474452	1	BALL	
14	91474450	4	PLUG	
15	91474451	4	O-RING	
16	91474453	2	O-RING	
17	91514199	2	BACK-UP RING	
18	91474455	1	DUMP PISTON	
19	91474456	1	DUMP SPOOL	
20	70020665	1	SPRING	
21	91474458	1	PLUG	
22	91514198	2	O-RING	
23	70020666	1	INLET SEAT	
24	70020667	1	O-RING	
25	70020668	1	RETAINER	
26	70020669	1	SPRING	
27	91474447	1	PISTON	
28	91474446	1	SEAT	
29	70020670	1	BALL	
30	70020671	1	SPRING	
31	70020672	1	SPRING	
32	91514197	3	O-RING	
33	91474443	1	PLUG	
34	70020673	2	NEEDLE ROLLER	
35	70020674	2	MAKE-UP CHECK	
36	91474434	2	PLUG	
37	91474435	2	O-RING	
38	70020675	2	SPRING	
39	70020676	2	SPRING GUIDE	
40	70020677	2	SPRING	
41	70020678	2	ORIFICE	
43	70020679	2	SPRING	
44	91474459	1	PLUG	
45	91474460	1	O-RING	
46	70020680	1	PLUG	
47	70020681	1	O-RING	
48	70020682	1	ORIFICE	
49	70023039	1	ORIFICE	
50	N.S.S.	1	HOUSING	

SECTION 9 - HYDRAULIC COMPONENTS

ITEM	PART NUMBER	QTY	DESCRIPTION	REV
51	N.S.S.	2	SPOOL	
52	70023038	2	POPPET	

SECTION 9 - HYDRAULIC COMPONENTS

FIGURE 9-33. PRIORITY VALVE (SN 0190001 through 0190457, SN 016000022 through 0160001862)



NOTE: BOTH OLD STYLE CARTRIDGES, ITEMS 10 & 13 ARE NO LONGER AVAILABLE FOR SERVICE. IF EITHER NEEDS SERVICED, YOU MUST REPLACE BOTH WITH THE NEW STYLE CARTRIDGES 91474487 & 91474488.

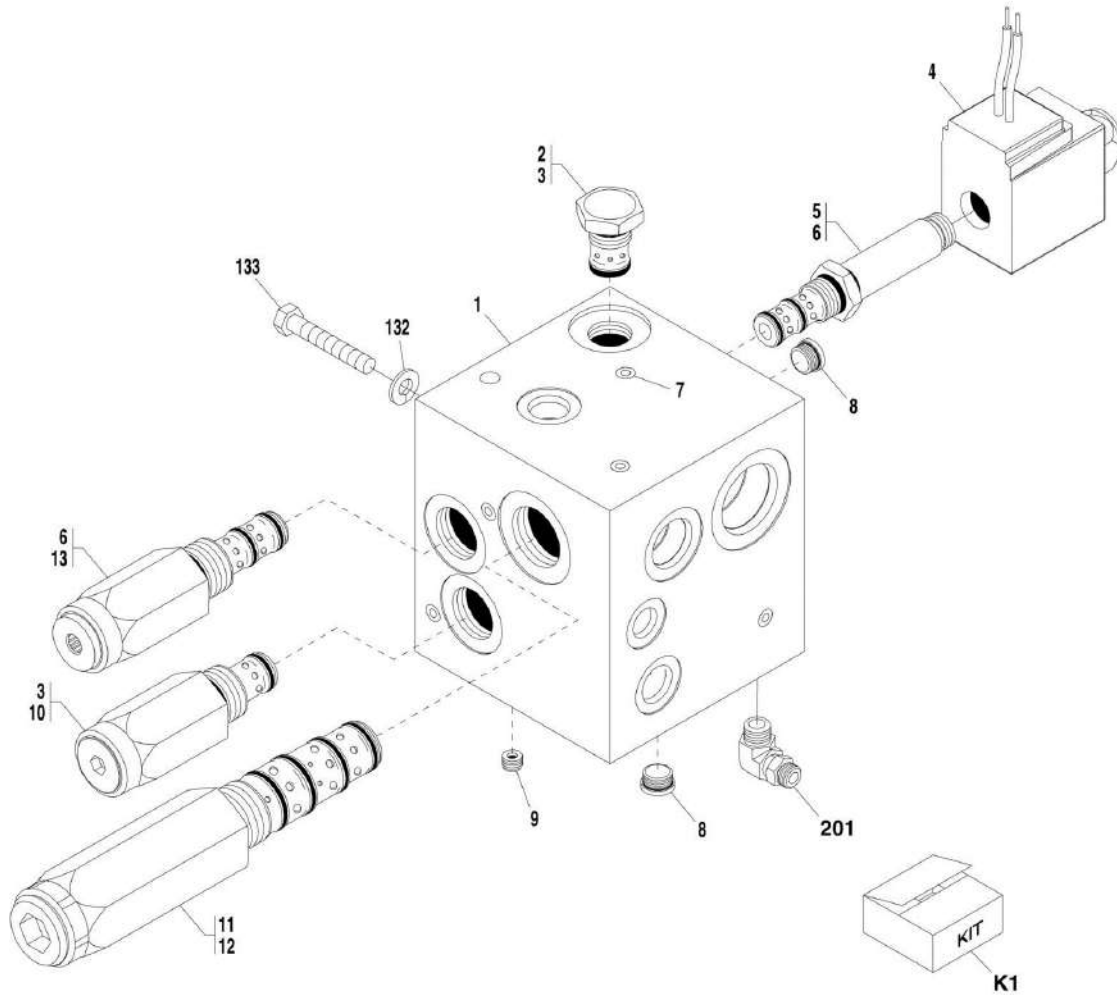
SECTION 9 - HYDRAULIC COMPONENTS

FIGURE 9-33. PRIORITY VALVE (SN 0190001 through 0190457, SN 016000022 through 0160001862)

ITEM	PART NUMBER	QTY	DESCRIPTION	REV
	91473159	1	PRIORITY VALVE ASSY, (includes all items)	
1	91474022	1	VALVE BODY	
2	91474023	1	CHECK VALVE CARTRIDGE, (includes item 3)	
3	91474024	2	SEAL KIT	
4	91474484	1	COIL ASSY	
5	91474026	1	SOLENOID VALVE, (includes item 6)	
6	91474027	2	SEAL KIT	
7	91474028	12	EXPANDER PLUG	
8	91474485	2	PLUG	
9	91474486	1	ORIFICE PLUG	
10	91474487	1	SEQUENCE CARTRIDGE, (includes item 11), (New Style)	
10	N.S.S.	NLA	SEQUENCE CARTRIDGE, (includes item 11), (Old Style), (no longer available, use 91474487 for replacement)	
11	91474032	1	SEAL KIT	
12	91474033	1	RELIEF VALVE CARTRIDGE, (includes item 3)	
13	91474488	1	COMPENSATOR CARTRIDGE, (includes item 14), (New Style)	
13	N.S.S.	NLA	COMPENSATOR CARTRIDGE, (includes item 16), (Old Style), (no longer available, use 91474488 for replacement)	
14	91474489	1	SEAL KIT	
15	91474034	1	REDUCING VALVE CARTRIDGE, (includes item 6)	
16	91474030	1	SEAL KIT	

SECTION 9 - HYDRAULIC COMPONENTS

FIGURE 9-34. PRIORITY VALVE (SN 0160001866 through 0160022230)



PAP18730

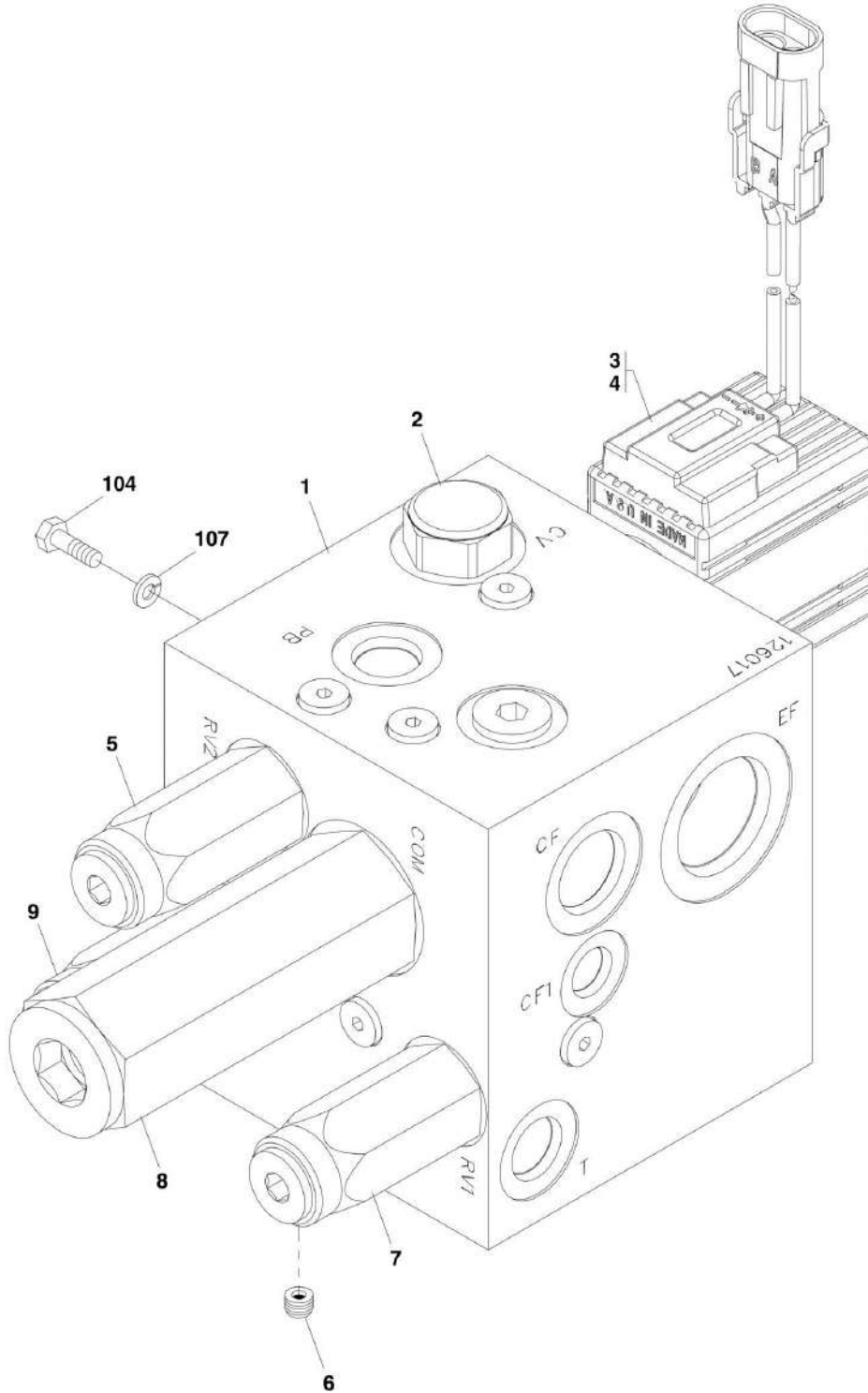
SECTION 9 - HYDRAULIC COMPONENTS

FIGURE 9-34. PRIORITY VALVE (SN 0160001866 through 0160022230)

ITEM	PART NUMBER	QTY	DESCRIPTION	REV
	91473191	NLA	PRIORITY VALVE ASSY, (no longer available, use 2915258 for replacement or item 1 thru 13 for service)	C
1	N.S.S.	1	VALVE BODY	
2	91474023	1	CHECK VALVE CARTRIDGE, (includes item 3)	
3	91474024	2	SEAL KIT	
4	91474484	1	COIL ASSY	
5	91474026	1	SOLENOID VALVE, (includes item 6)	
6	91474027	2	SEAL KIT	
7	91474028	12	EXPANDER PLUG	
8	91474485	2	PLUG	
9	91474486	1	ORIFICE PLUG	
10	91474033	1	RELIEF VALVE CARTRIDGE, (includes item 3)	
11	91474488	1	COMPENSATOR CARTRIDGE, (includes item 12)	
12	91474489	1	SEAL KIT	
13	91474034	1	REDUCING VALVE CARTRIDGE, (includes item 6)	
132	88551011	3	LOCKWASHER, 3/8 (SN 0160001866 through 0160021166)	
132	4761600	3	LOCKWASHER, 3/8 (SN 0160021195 to Present)	
133	88201036	3	HEX HD CAPSCREW, 3/8-16X1-1/4, GR5	
133	0641610	3	HEX HD CAPSCREW, 3/8-16X1-1/4	
201	2220472	1	ELBOW, 90, (includes o-ring)	
K1	2915258	1	PRIORITY VALVE REPLACEMENT KIT, (includes item 201 & 4641417 on next page)	A

SECTION 9 - HYDRAULIC COMPONENTS

FIGURE 9-35. PRIORITY VALVE (SN 016002231 to Present)



PAP22270

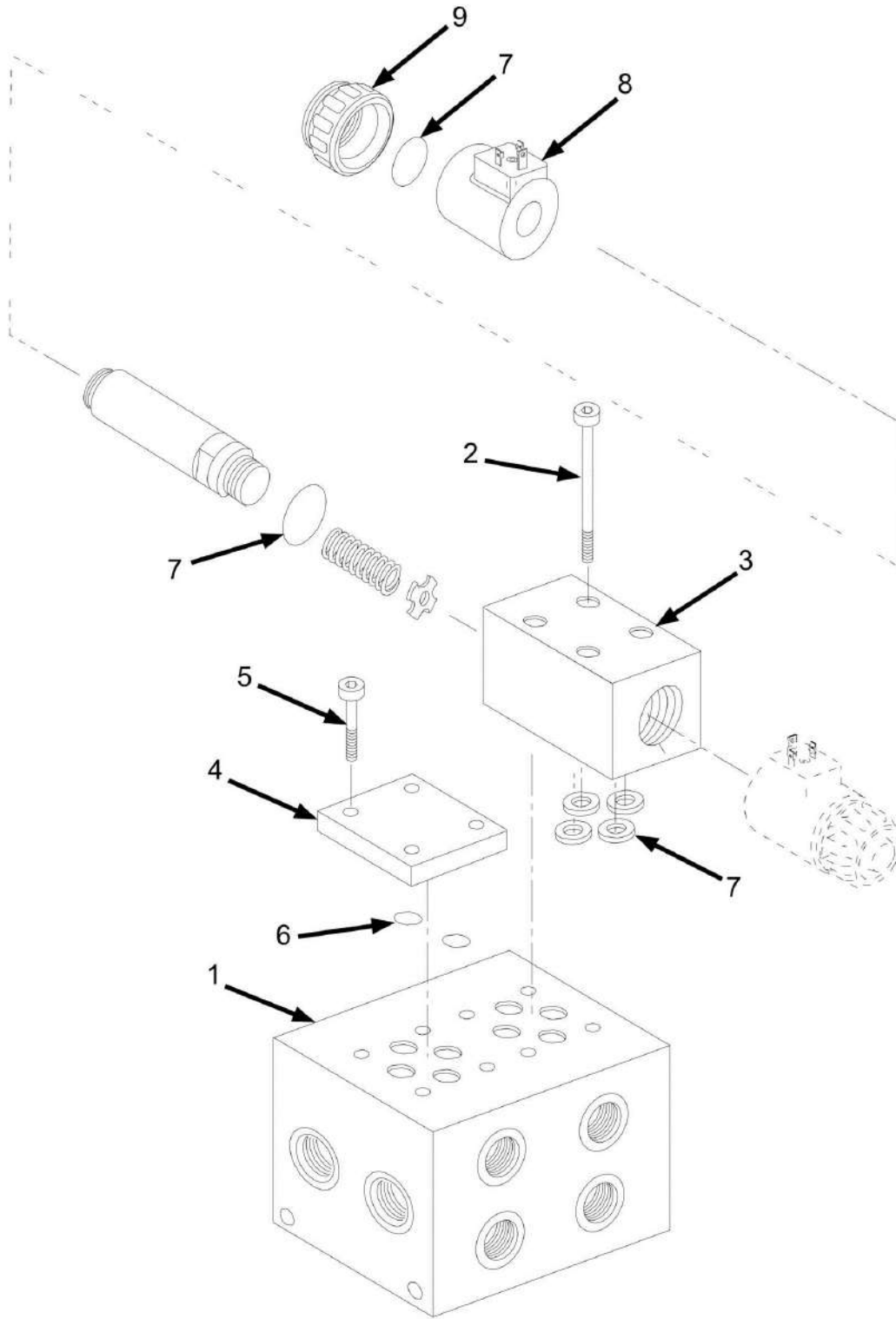
SECTION 9 - HYDRAULIC COMPONENTS

FIGURE 9-35. PRIORITY VALVE (SN 0160022231 to Present)

ITEM	PART NUMBER	QTY	DESCRIPTION	REV
	4641417	1	PRIORITY VALVE ASSY, (includes items 1 thru 9)	E
1		Ref	VALVE BODY	
2	91474023	1	CHECK VALVE CARTRIDGE	
2	7010769	1	SEAL KIT	
3	7029884	1	COIL ASSY	
4	7029883	1	SOLENOID VALVE	
4	2900698	1	SEAL KIT	
5	7029887	1	RELIEF VALVE CARTRIDGE	
5	91474024	1	SEAL KIT	
6	91474486	1	ORIFICE PLUG	
7	7029886	1	RELIEF VALVE CARTRIDGE	
7	91474024	1	SEAL KIT	
8	91474488	1	COMPENSATOR CARTRIDGE	
8	91474489	1	SEAL KIT	
9	7029885	1	REDUCING VALVE CARTRIDGE	
9	91474027	1	SEAL KIT	
104	0641610	3	HEX HD CAPSCREW, 3/8-16X1-1/4, GR5	
107	4761600	3	LOCKWASHER, 3/8	

SECTION 9 - HYDRAULIC COMPONENTS

FIGURE 9-36. STEER SELECT VALVE (Prior to SN 0160004856)



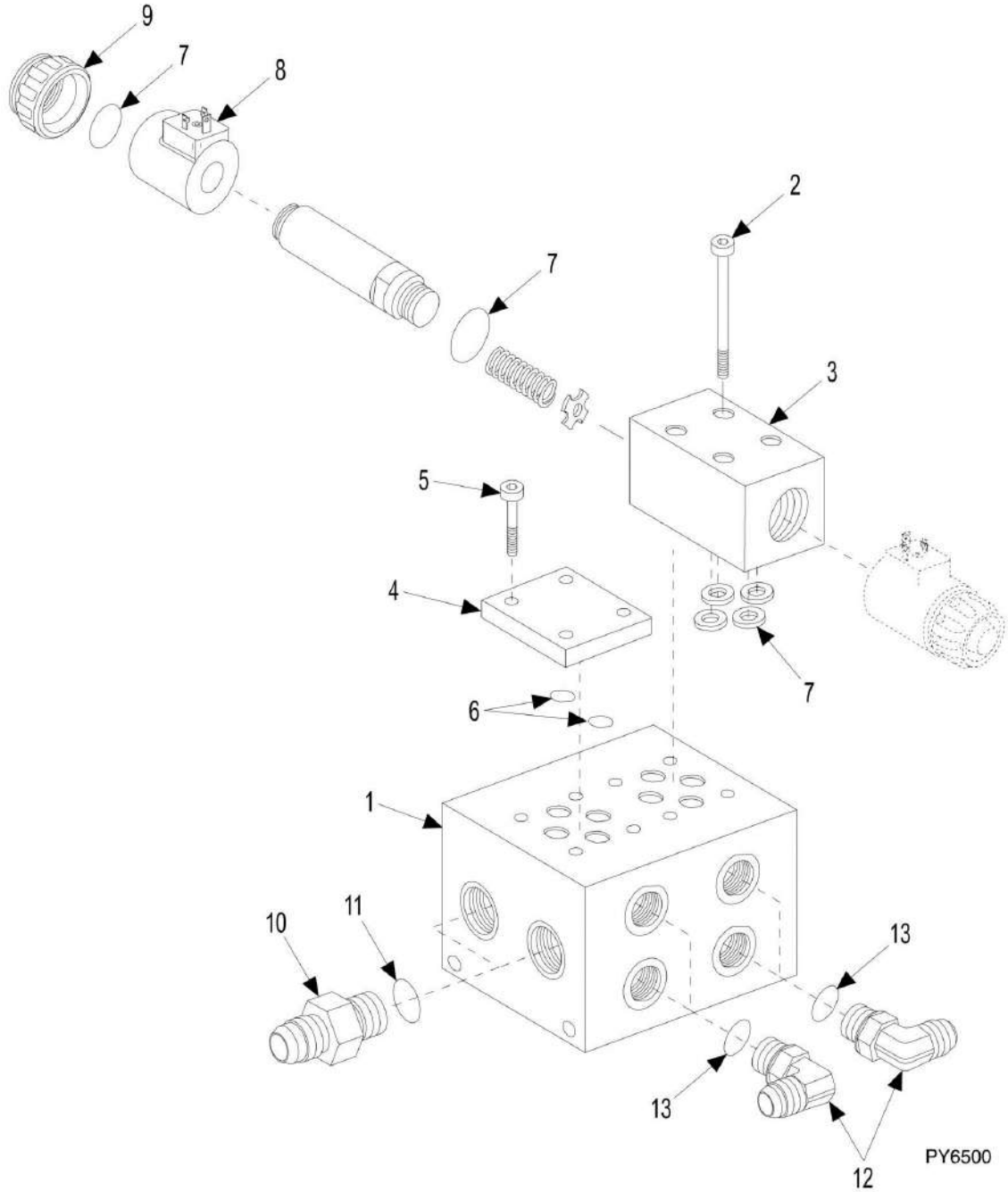
SECTION 9 - HYDRAULIC COMPONENTS

FIGURE 9-36. STEER SELECT VALVE (Prior to SN 0160004856)

ITEM	PART NUMBER	QTY	DESCRIPTION	REV
	91473091	1	STEER SELECT VALVE, (includes all items)	D
1	91474400	1	STEERING MANIFOLD	
2	91474401	4	CAPSCREW	
3	91474402	1	STEERING CONTROL, (includes items 7 thru 9)	
4	91474403	1	COVER PLATE	
5	91474404	4	CAPSCREW	
6	91474405	2	O-RING	
7	91474406	1	SEAL KIT	
8	91474407	2	SOLENOID	
9	80334379	2	HAND NUT	

SECTION 9 - HYDRAULIC COMPONENTS

FIGURE 9-37. STEER SELECT VALVE (SN 0160004856 through 0160040659)



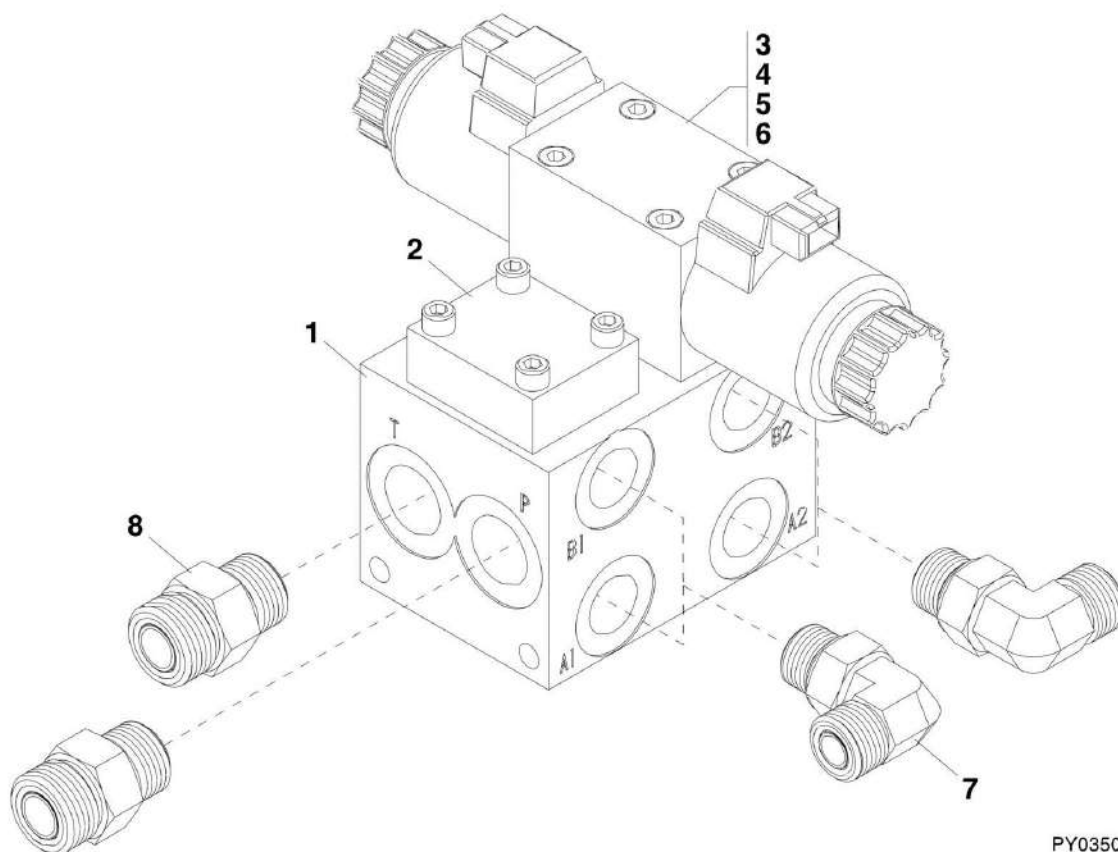
SECTION 9 - HYDRAULIC COMPONENTS

FIGURE 9-37. STEER SELECT VALVE (SN 0160004856 through 0160040659)

ITEM	PART NUMBER	QTY	DESCRIPTION	REV
	91475051	1	STEERING SELECT VALVE, (includes all items)	C
1	91474400	1	STEERING MANIFOLD	
2	91474401	4	CAPSCREW	
3	91474402	1	STEERING CONTROL, (includes items 7 thru 9)	
4	91474403	1	COVER PLATE	
5	91474404	4	CAPSCREW	
6	91474405	2	O-RING	
7	91474406	1	SEAL KIT	
8	91474407	2	SOLENOID	
9	80334379	2	HAND NUT	
10	2220374	2	CONNECTOR, (includes item 11)	
11	88591206	2	O-RING	
12	88662065	4	ADAPTER, 90, (includes items 13)	
13	88591205	4	O-RING	

SECTION 9 - HYDRAULIC COMPONENTS

FIGURE 9-38. STEER SELECT VALVE (SN 0160040678 to Present)



PY0350

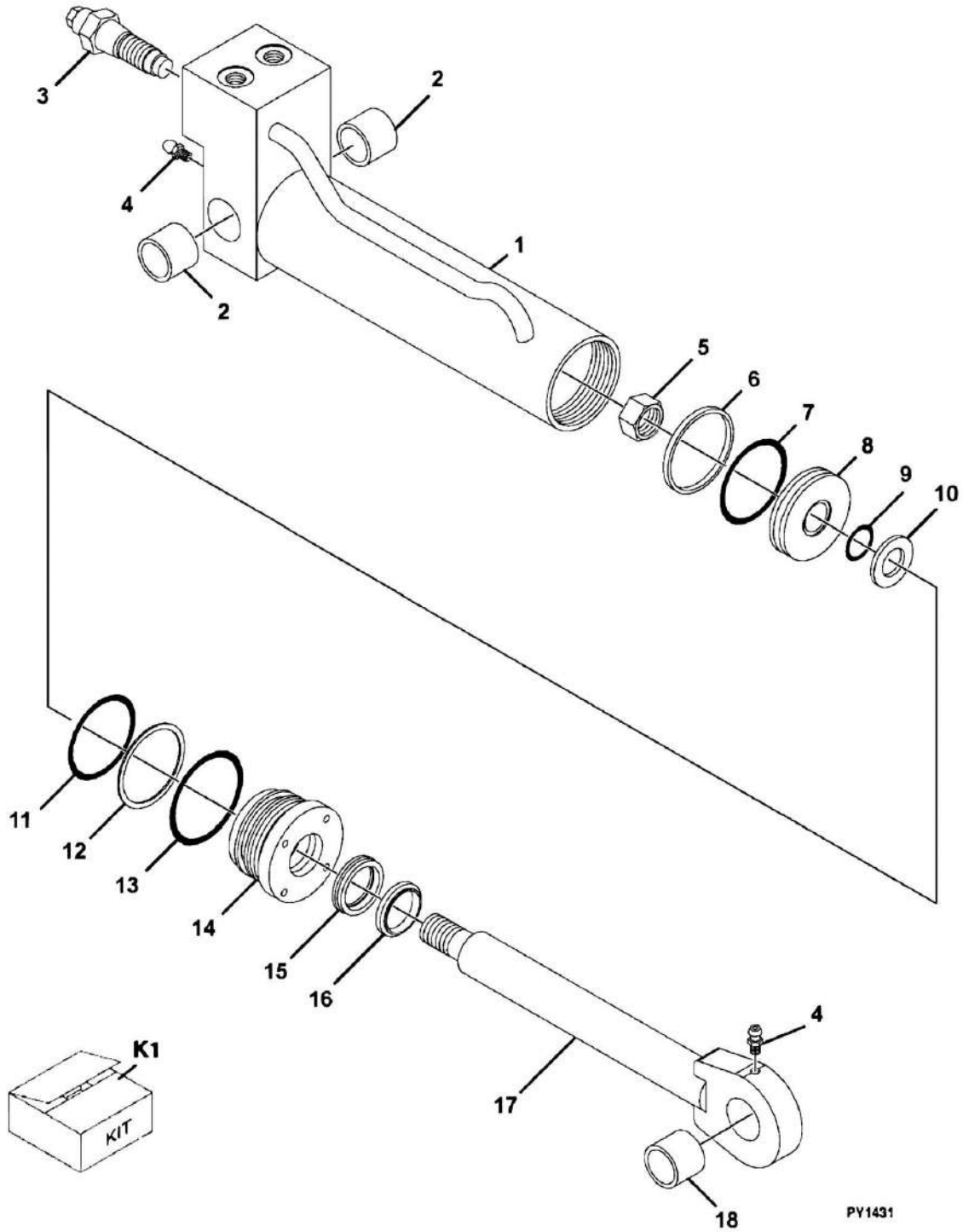
SECTION 9 - HYDRAULIC COMPONENTS

FIGURE 9-38. STEER SELECT VALVE (SN 0160040678 to Present)

ITEM	PART NUMBER	QTY	DESCRIPTION	REV
	1001001016	1	STEERING SELECT VALVE, (includes all items)	C
1	7029915	1	STEERING MANIFOLD	
2	7029916	1	COVER PLATE	
3	91474402	1	DIRECTIONAL CONTROL VALVE, (includes items 4 thru 6)	
4	91474407	2	COIL	
5	7029917	2	NUT	
6	7012773	1	SEAL KIT	
7	88662065	4	ADAPTER, 90, (includes o-ring)	
8	2220374	2	CONNECTOR, (includes o-ring)	

SECTION 9 - HYDRAULIC COMPONENTS

FIGURE 9-39. GRAPPLE BUCKET CYLINDER



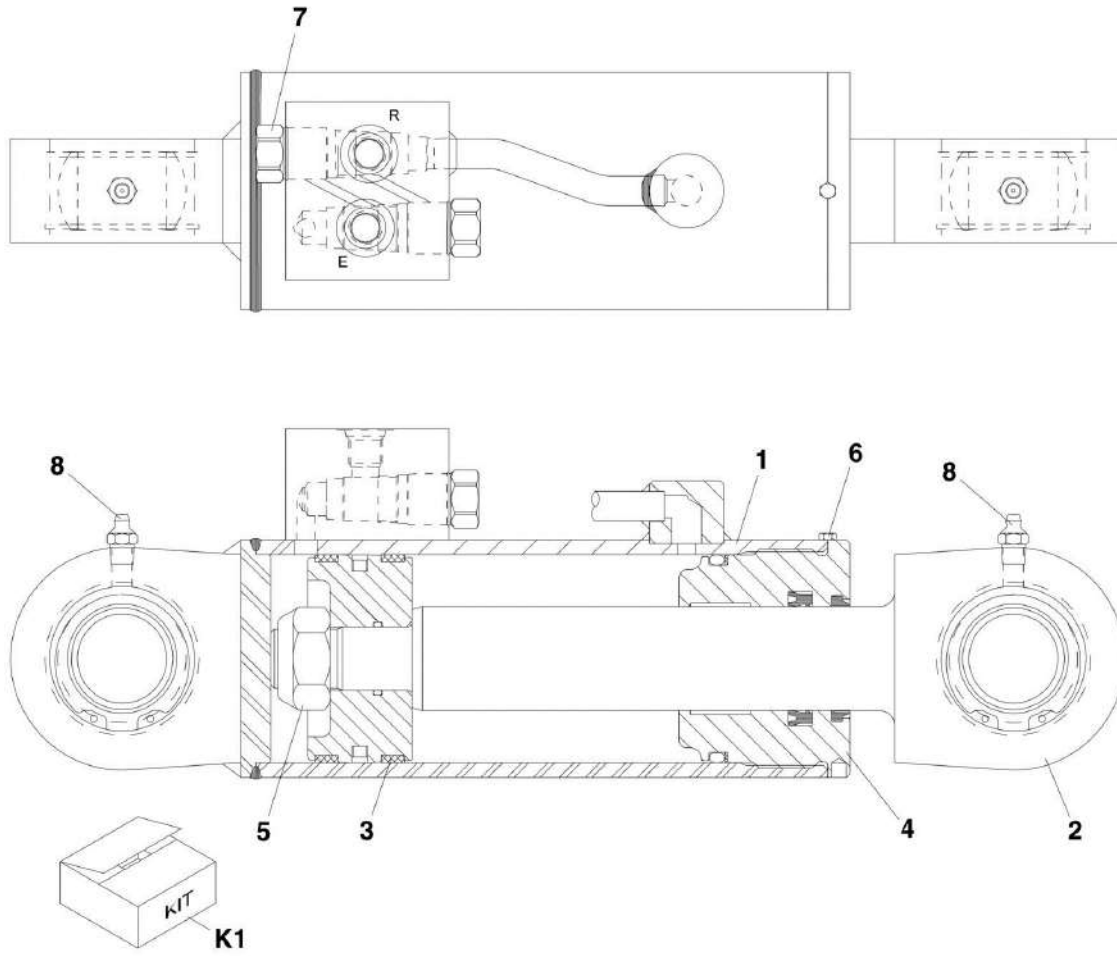
SECTION 9 - HYDRAULIC COMPONENTS

FIGURE 9-39. GRAPPLE BUCKET CYLINDER

ITEM	PART NUMBER	QTY	DESCRIPTION	REV
	70021393	1	GRAPPLE BUCKET CYLINDER, (includes all items)	
1	70021465	1	CYLINDER TUBE	
2	70021448	2	BUSHING	
3	70021464	2	VALVE CARTRIDGE	
4	90554045	2	GREASE FITTING	
5	70021440	1	HEX NUT	
6	Kit	1	PISTON RING	
7	Kit	1	O-RING	
8	70021451	1	PISTON	
9	Kit	1	O-RING	
10	70021444	1	WASHER	
11	Kit	1	O-RING	
12	Kit	1	BACK-UP WASHER	
13	Kit	1	O-RING	
14	70021446	1	CYLINDER GLAND	
15	Kit	1	POLY-PAK SEAL	
16	Kit	1	ROD WIPER	
17	70021466	1	PISTON ROD	
18	70021447	1	BUSHING	
K1	70021452	1	SEAL KIT (includes items 6, 7, 9, 11 thru 13, 15 & 16)	

SECTION 9 - HYDRAULIC COMPONENTS

FIGURE 9-40. SIDE TILT CARRIAGE CYLINDER



PY1581

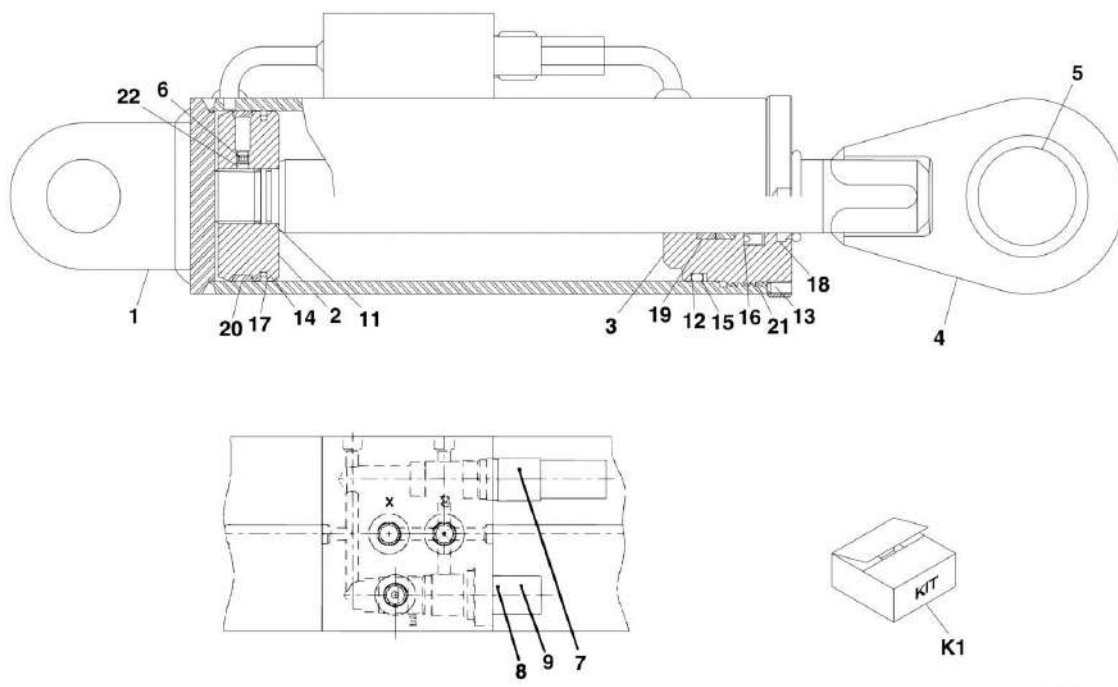
SECTION 9 - HYDRAULIC COMPONENTS

FIGURE 9-40. SIDE TILT CARRIAGE CYLINDER

ITEM	PART NUMBER	QTY	DESCRIPTION	REV
	1001090134	1	SIDE TILT CARRIAGE CYLINDER, (includes all items)	B
1	70022038	1	BARREL ASSY	
2	70022039	1	ROD ASSY	
3	70022040	1	PISTON	
3	70022042	1	SEAL KIT	
4	70021908	1	ROD BEARING	
4	70022043	1	SEAL KIT	
5	90022230	1	HEX NUT	
6	7029760	1	CAPSCREW	
7	4640438	2	CHECK VALVE	
7	2900770	1	SEAL KIT	
8	91044080	2	GREASE FITTING	
K1	70022041		SEAL KIT, (contains 70022042 & 70022043)	

SECTION 9 - HYDRAULIC COMPONENTS

FIGURE 9-41. 72IN 90, SWING CARRIAGE CYLINDER



PAP18860

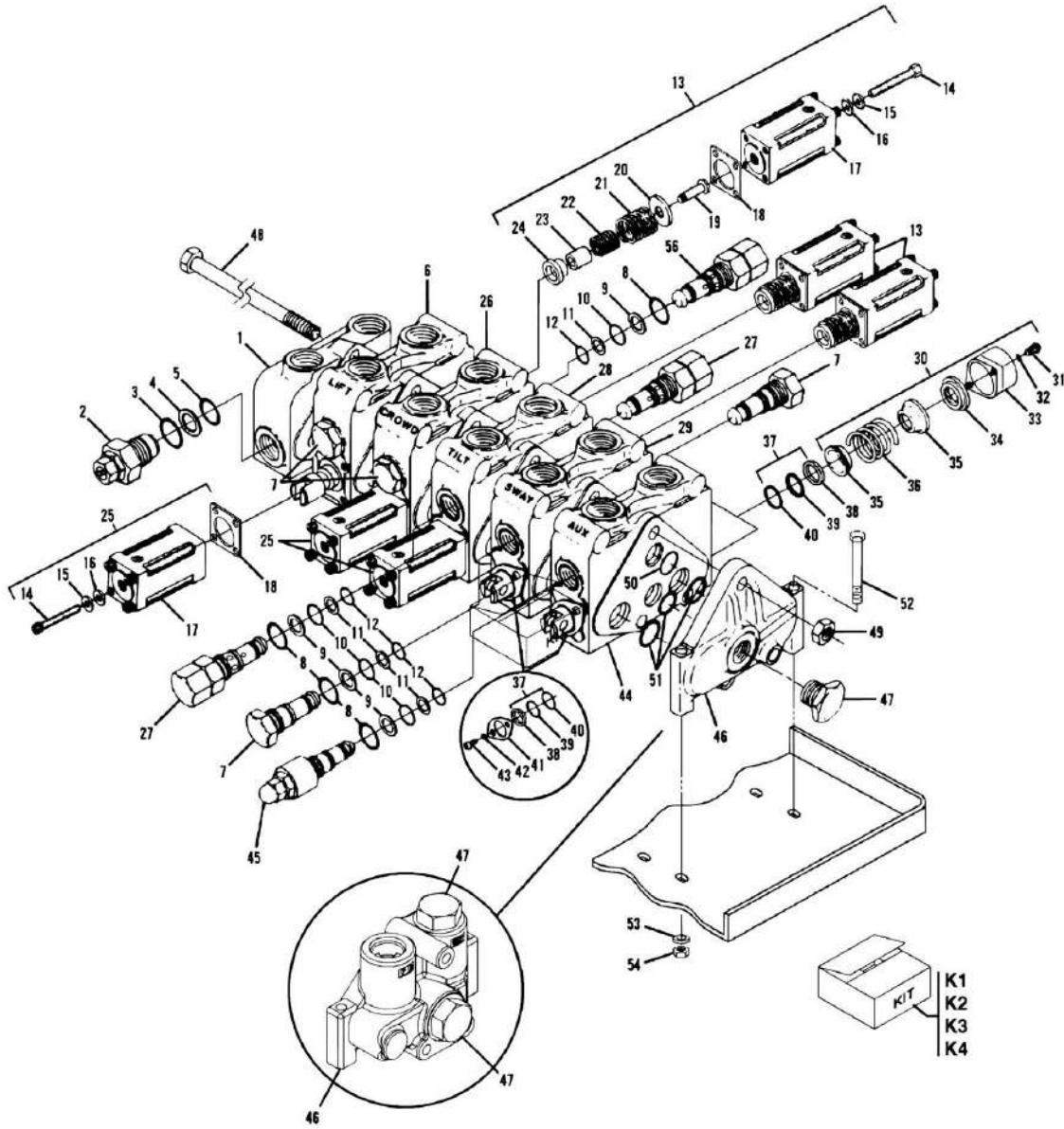
SECTION 9 - HYDRAULIC COMPONENTS

FIGURE 9-41. 72IN 90, SWING CARRIAGE CYLINDER

ITEM	PART NUMBER	QTY	DESCRIPTION	REV
	1001103182	1	SWING CARRIAGE CYLINDER, (includes items 1 thru 22)	B
1	70022044	1	TUBE ASSY	
2	8035863	1	PISTON	
3	8035862	1	HEAD GLAND	
4	70022045	1	ROD ASSY	
5	70022046	1	BEARING	
6	8035536	2	SET SCREW, 5/16-18X1/2	
7	70020428	1	RELIEF VALVE, (preset to 2000 psi)	
7	7024574	1	SEAL KIT	
8	8033786	1	COUNTER BALANCE VALVE, (preset to 3000 psi)	
8	8205655	1	SEAL KIT	
9	70021812	1	TAMPERPROOF CAP	
11	Kit	1	O-RING	
12	Kit	1	O-RING	
13	Kit	1	O-RING	
14	Kit	1	SQUARE RING	
15	Kit	1	BACK-UP RING	
16	Kit	1	SEAL	
17	Kit	1	PISTON SEAL	
18	Kit	1	ROD WIPER	
19	Kit	2	WEAR BAND	
20	Kit	1	WARBLED	
21	Kit	2	INSERT	
22	Kit	2	INSERT	
K1	2915023	1	SEAL KIT, (includes items 11 thru 22)	

SECTION 9 - HYDRAULIC COMPONENTS

FIGURE 9-42. MAIN CONTROL VALVE, TILT ON JOYSTICK WITH AUX (SN 0160040678 to Present)



PAP22300

SECTION 9 - HYDRAULIC COMPONENTS

FIGURE 9-42. MAIN CONTROL VALVE, TILT ON JOYSTICK WITH AUX (SN 0160040678 to Present)

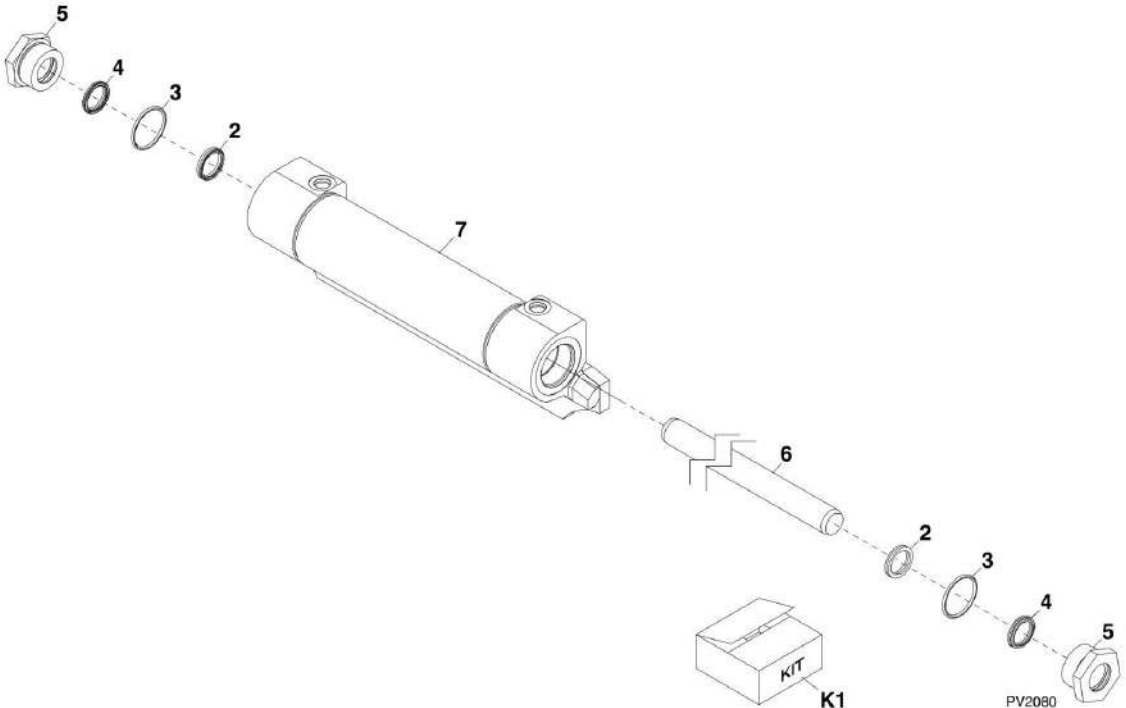
ITEM	PART NUMBER	QTY	DESCRIPTION	REV
	1001001062	1	MAIN CONTROL VALVE, (includes items 1 thru 51 & 56)	C
1	91084008	1	INLET COVER ASSY, (includes item 2)	
2	70021544	1	MAIN RELIEF, 4000PSI, (includes items 3, 4 & 5)	
3	Kit	1	O-RING	
4	Kit	1	BACK-UP RING	
5	Kit	1	O-RING	
6	91404182	1	VALVE SECTION ASSY, (Lift), (includes one each of items 13 & 25 and two of item 7)	
7	91084010	5	LOAD CHECK PLUG, (includes items 8 thru 12)	
8	Kit	10	O-RING	
9	Kit	10	BACK-UP RING	
10	Kit	10	O-RING	
11	Kit	10	BACK-UP RING	
12	Kit	10	O-RING	
13	91094024	3	HYDRAULIC REMOTE POSITIONER, (includes items 14 thru 24)	
14	N.S.S.	24	HEX HD CAPSCREW, 1/4-20X3	
15	N.S.S.	24	LOCKWASHER, 1/4	
16	N.S.S.	6	BEARING PLATE	
17	N.S.S.	6	BONNET	
18	N.S.S.	6	SEAL	
19	N.S.S.	3	SPOOL POSITIONER	
20	N.S.S.	3	WASHER	
21	N.S.S.	3	SPRING, (large)	
22	N.S.S.	3	SPRING, (small)	
23	N.S.S.	3	STOP SLEEVE	
24	N.S.S.	3	STOP COLLAR	
25	91094023	3	HYDRAULIC REMOTE POSITIONER, (includes items 14 thru 18)	
26	91404186	1	VALVE SECTION ASSY, (Crowd), (includes one each of items 7, 13, 25 & 56)	
27	70021460	2	RELIEF CARTRIDGE, 4300 PSI, (includes items 8 thru 12)	
28	91504080	1	VALVE SECTION ASSY, (Tilt), (includes one each of items 13 & 25 and two of item 27)	
29	91404191	1	VALVE SECTION ASSY, (Sway), (includes one each of items 30 & 41 and two each of 7 & 37)	
30	91084004	2	SPOOL POSITIONER ASSY, (includes items 31 thru 36)	
31	N.S.S.	4	SCREW	
32	N.S.S.	4	WASHER	
33	N.S.S.	2	BONNET	
34	N.S.S.	2	SPOOL COLLAR	
35	N.S.S.	4	SPRING COLLAR	
36	N.S.S.	2	SPRING	
37	91084005	4	SPOOL SEAL KIT, (includes items 38 thru 40)	
38	N.S.S.	4	RETAINER	
39	N.S.S.	1	WASHER	
40	N.S.S.	4	SEAL	
41	91084006	2	SPOOL RETAINER, (includes items 42 & 43)	
42	N.S.S.	4	WASHER	
43	N.S.S.	4	SCREW	
44	7029862	1	VALVE SECTION ASSY, (Aux), (includes one each of items 30 &	

SECTION 9 - HYDRAULIC COMPONENTS

ITEM	PART NUMBER	QTY	DESCRIPTION	REV
			41 and two each of 37 & 45)	
45	70021461	2	RELIEF CARTRIDGE, 3000 PSI, (includes items 8 thru 12)	
46	91084278	1	OUTLET COVER ASSY, (includes item 47)	
47	91084279	1	PLUG	
48	Kit	3	HEX HD CAPSCREW	
49	Kit	3	HEX NUT	
50	Kit	7	O-RING	
51	Kit	17	O-RING	
52	88411045	3	CARRIAGE BOLT, 5/16-18X3	
53	4761500	3	FLAT WASHER, 5/16	
54	88521305	3	HEX LOCKNUT, 5/16-18	
56	70021459	1	RELIEF CARTRIDGE, 3800 PSI, (includes items 8 thru 12)	
K1	7029863	1	VALVE SECTION SEAL KIT, (includes items 50 & 51)	
K2	7029864	1	STUD KIT, (includes items 48 & 49)	
K3	91034237	1	MAIN RELIEF SEAL KIT, (includes items 3 thru 5)	
K4	7029865	5	PLUG SEAL KIT, (includes items 8 thru 12)	

SECTION 9 - HYDRAULIC COMPONENTS

FIGURE 9-43. 50 IN SIDE SHIFT CARRIAGE CYLINDER (SN 0160023798 to Present)



SECTION 9 - HYDRAULIC COMPONENTS

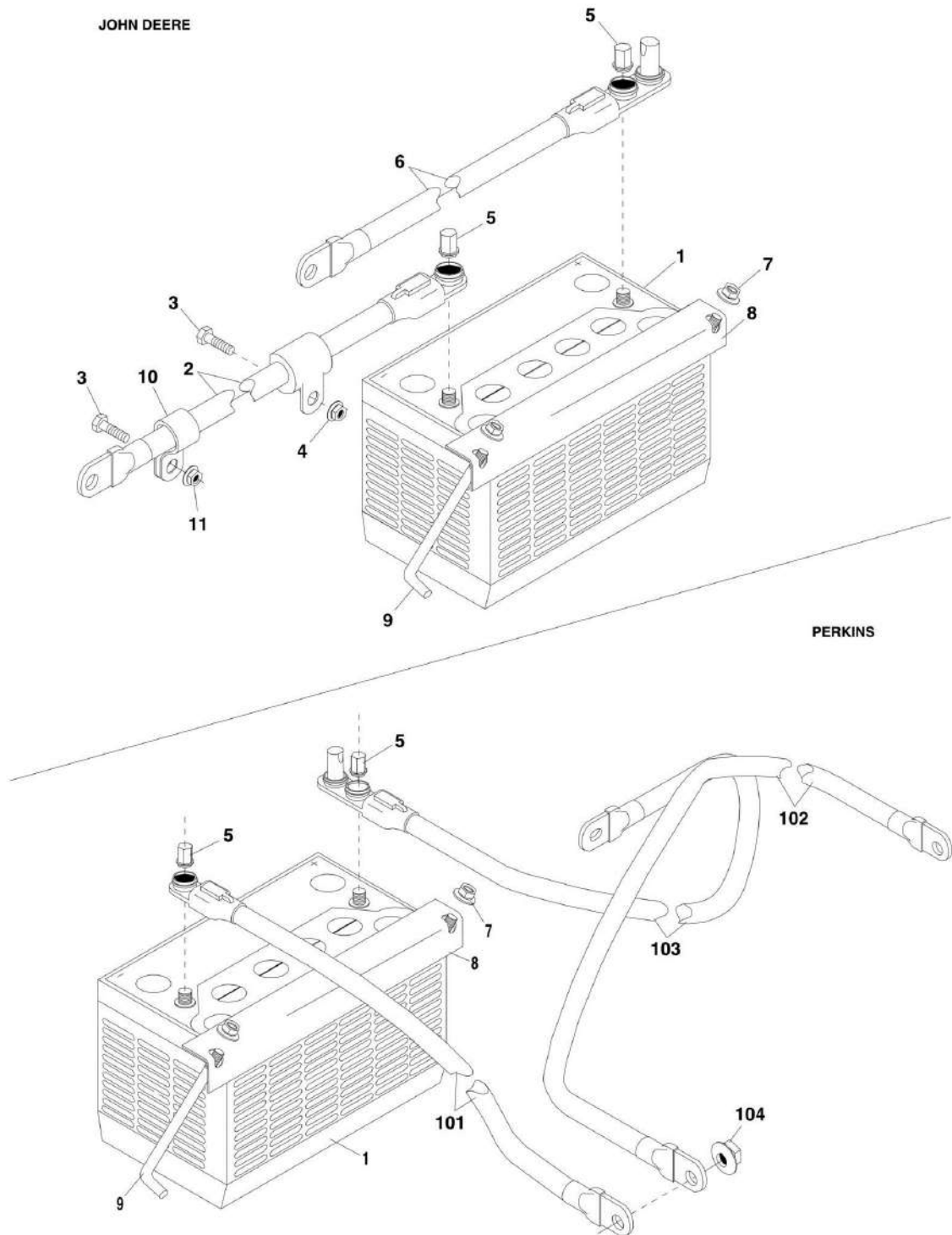
FIGURE 9-43. 50 IN SIDE SHIFT CARRIAGE CYLINDER (SN 0160023798 to Present)

ITEM	PART NUMBER	QTY	DESCRIPTION	REV
	70024539	1	50 IN SIDE SHIFT CARRIAGE CYLINDER, (includes all items)	B
2	Kit	2	ROD SEAL	
3	70024547	2	O-RING	
4	Kit	2	ROD WIPER SEAL	
5	70024548	2	RETAINER SEAL	
6	N.S.S.	1	ROD	
7	N.S.S.	1	BARREL	
K1	70024549	1	SEAL KIT, (includes items 2 & 4)	

SECTION 10 - ELECTRICAL

SECTION 10 - ELECTRICAL

FIGURE 10-1. BATTERY AND CABLES (Prior to SN 0160040678)



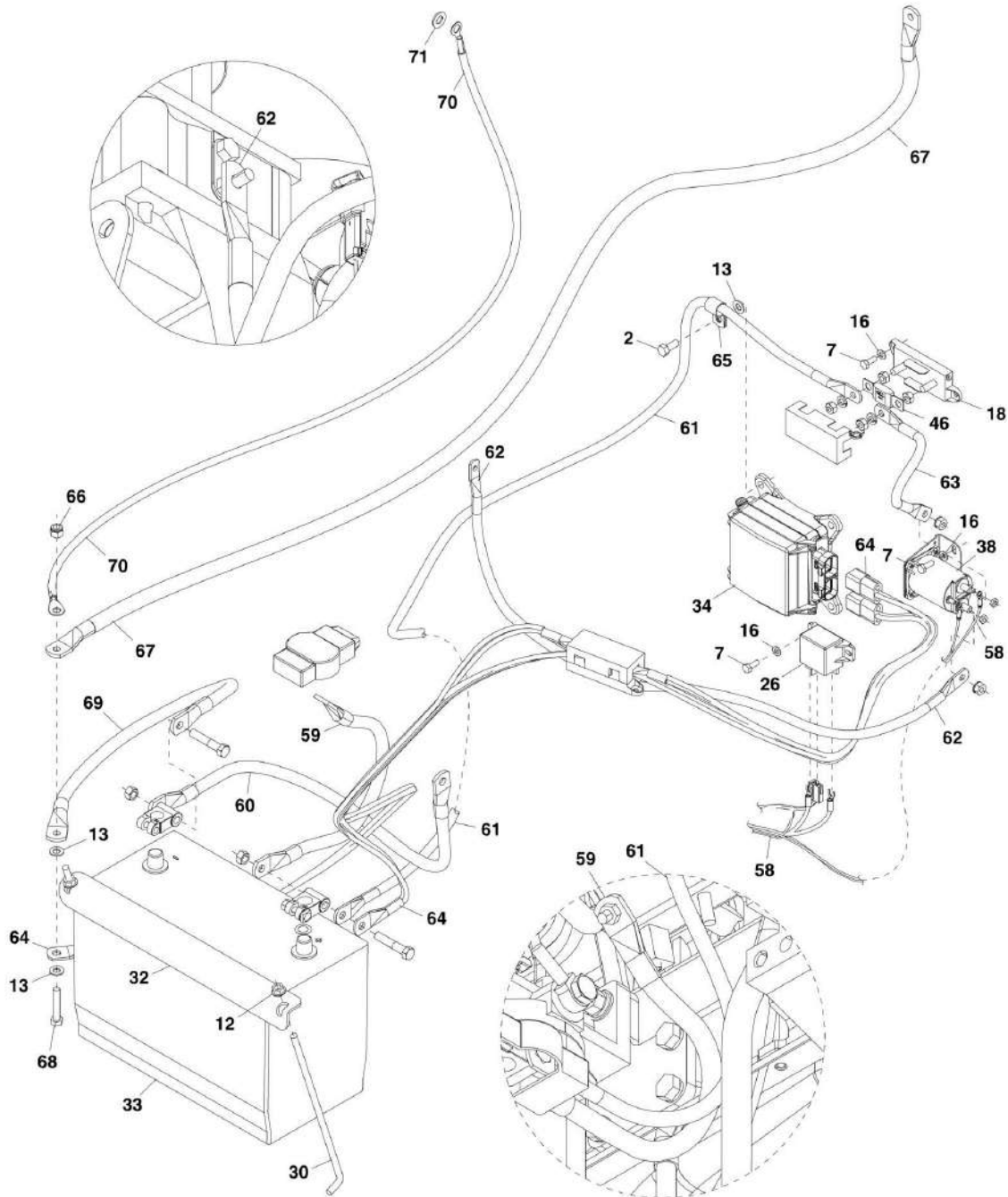
SECTION 10 - ELECTRICAL

FIGURE 10-1. BATTERY AND CABLES (Prior to SN 0160040678)

ITEM	PART NUMBER	QTY	DESCRIPTION	REV
1	91083483	1	BATTERY, (12 volt, 1000 amps), TOP STUD, 3/8-16 UNC THREAD, BCI GROUP 31	
2	91473065	1	NEGATIVE BATTERY CABLE, (John Deere)	
3	80973025	2	WHIZ-LOCK SCREW, 3/8-16, (John Deere)	
4	77143015	1	WHIZ-LOCK NUT, 3/8-16, (John Deere)	
5	77383567	2	TERMINAL NUT, (John Deere)	
6	91473228	1	POSITIVE BATTERY CABLE, (John Deere)	
7	77143006	2	WHIZ-LOCK NUT, 5/16-18	
8	91401281	1	BATTERY HOLD DOWN	
9	91081640	2	HOLD DOWN STUD, 5/16-18	
9	14403416	AR	DI-ELECTRIC GREASE, (add to caps on battery terminals)	
10	91143122	1	SUPPORT CLAMP, (John Deere)	
11	91143015	1	WHIZ-LOCK NUT, 3/8, (John Deere)	
101	1001001520	1	NEGATIVE BATTERY CABLE, (battery to frame), (Perkins) (SN 0160021195 through 0160040659)	
102	1001001521	1	NEGATIVE BATTERY CABLE, (frame to starter), (Perkins) (SN 0160021195 through 0160040659)	
103	1001001522	1	POSITIVE BATTERY CABLE, (Perkins) (SN 0160021195 through 0160040659)	
104	77143015	1	WHIZ-LOCK NUT, 3/8-16, (Perkins) (SN 0160021195 through 0160040659)	

SECTION 10 - ELECTRICAL

FIGURE 10-2. BATTERY AND CABLES (SN 0160040678 to Present)



ART_91474001-10-2

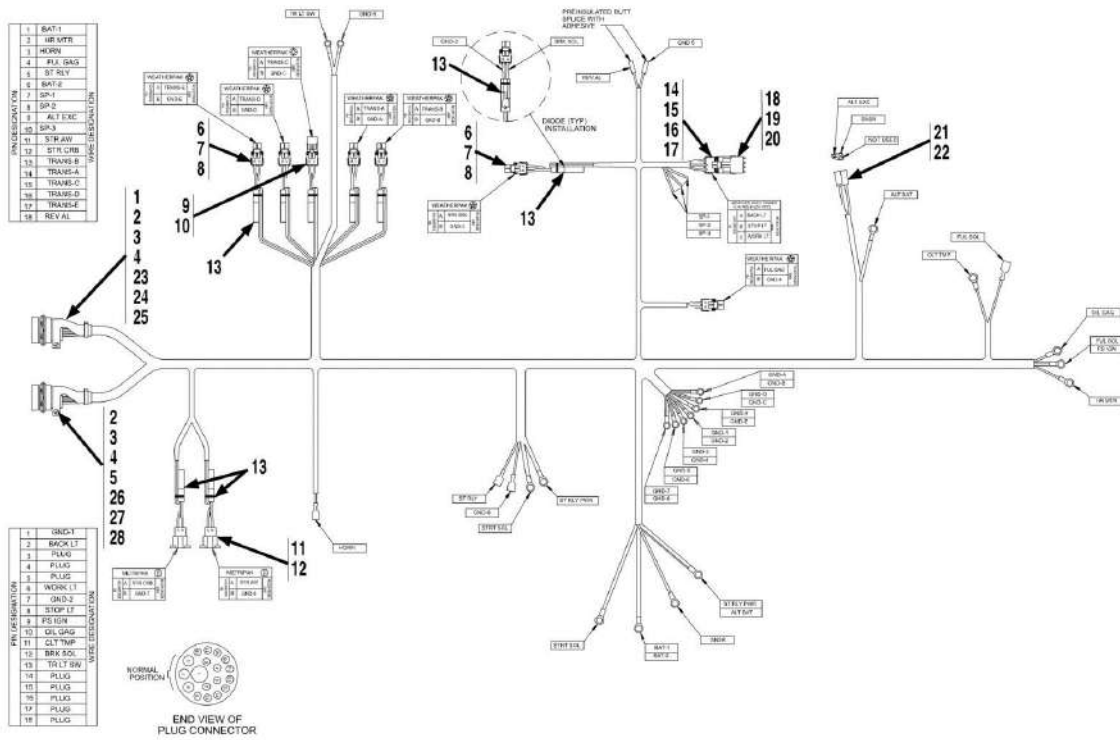
SECTION 10 - ELECTRICAL

FIGURE 10-2. BATTERY AND CABLES (SN 0160040678 to Present)

ITEM	PART NUMBER	QTY	DESCRIPTION	REV
2	0641506	4	HEX HD CAPSCREW, 5/16-18X3/4, GR5	
7	0760608	6	HEX HD CAPSCREW, 6X16MM, GR8.8	
12	3311508	2	HEX NUT, 5/16-18	
13	4711500	6	WASHER, 5/16	
16	4811700	6	WASHER, 6mm	
18	8229260	1	FUSE HOLDER	
26	77383377	1	RELAY	
30	91081640	2	BATTERY HOLD DOWN BOLT	
32	91401281	1	BATTERY HOLD DOWN BRACKET	
33	1001101043	NLA	BATTERY, 12 VOLT, (no longer available, use 1001155219 for replacement)	
33	1001155219	1	BATTERY, 12 VOLT	
34	1001108433	1	VEC CONTROL MODULE	
38	1001117308	1	RELAY	
46	1001118245	1	FUSE, 250 AMP	
58		Ref	ENGINE HARNESS, (See ENGINE HARNESS - CUMMINS ENGINE for Breakdown)	
59	1001126906	1	POSITIVE BATTERY CABLE	
60	1001126925	1	NEGATIVE BATTERY CABLE	
61	1001126939	1	CABLE	
62	1001126976	1	CABLE	
63	1001126983	1	CABLE, FUSE TO RELAY	
64	1001126984	1	VEC HARNESS	
65	8406101	1	TUBE CLIP	
66	88521205	1	LOCKNUT, 5/16-18	
67	1001115371	1	CABLE, CAB GROUND	
68	0641512	1	HEX HD CAPSCREW, 5/16-18X1-3/4, GR5	
69	1001128681	1	CABLE, NEGATIVE TO POD GROUND	
70	1001128696	1	CABLE, ALTERNATOR GROUND	
71	4812000	1	WASHER, 10mm	

SECTION 10 - ELECTRICAL

FIGURE 10-3. ENGINE HARNESS - JOHN DEERE ENGINE (SN 0190001 through 0190457, SN 016000022 through 0160002053)



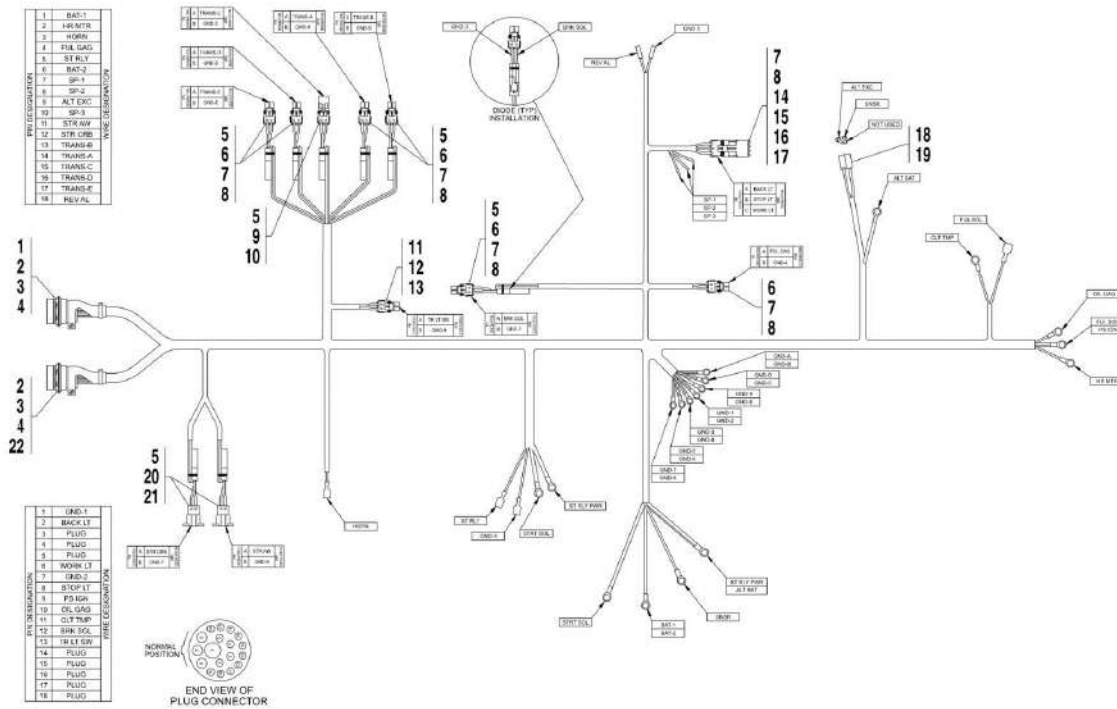
SECTION 10 - ELECTRICAL

FIGURE 10-3. ENGINE HARNESS - JOHN DEERE ENGINE (SN 0190001 through 0190457, SN 016000022 through 0160002053)

ITEM	PART NUMBER	QTY	DESCRIPTION	REV
	91473101	1	ENGINE HARNESS, (includes all items)	H
1	91404337	1	PLUG CONNECTOR	
2	83481286	2	PANEL NUT	
3	83481285	2	PANEL LOCKWASHER	
4	91474467	2	STRAIN RELIEF	
5	91364010	1	PLUG CONNECTOR	
6	80963057	5	WEATHER PACK CONNECTOR	
7	80963068	5	FEMALE PIN TERMINAL	
8	91364009	5	CABLE SEALS	
9	80963058	1	WEATHER PACK CONNECTOR	
10	80963070	1	CAVITY PLUG	
11	91474468	2	CLIP AND SEAL	
12	91474469	2	DELPHI CONTACT	
13	91363021	8	MOLDED DIODE	
14	80963059	1	WEATHER PACK CONNECTOR	
15	80963068	1	FEMALE PIN TERMINAL	
16	91364009	1	CABLE SEAL	
17	80963067	1	CABLE SEAL	
18	80963060	1	WEATHER PACK CONNECTOR	
19	80963069	1	MALE PIN TERMINAL	
20	91364009	1	CABLE SEALS	
21	83683254	1	3 CONTACT PLUG	
22	90026803	1	CONNECTOR	
23	91143340	1	SOCKET CONTACT, #8	
24	77363347	3	SOCKET CONTACT, #12	
25	77363229	14	SOCKET CONTACT, #16	
26	91143339	1	PIN CONTACT, #8	
27	77363345	3	PIN CONTACT, #12	
28	77363228	6	PIN CONTACT, #16	

SECTION 10 - ELECTRICAL

FIGURE 10-4. ENGINE HARNESS - JOHN DEERE ENGINE (SN 0160002056 through 0160006654, Including 0160006659, 0160006662, 0160006665 and 0160006667)



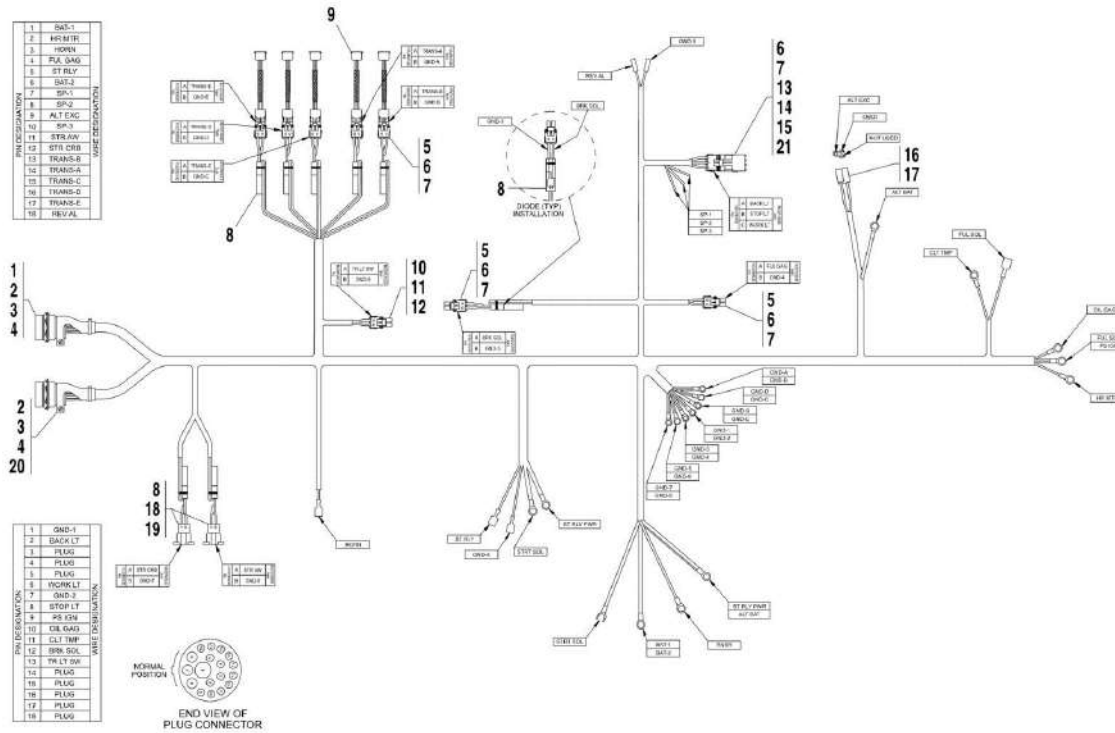
SECTION 10 - ELECTRICAL

**FIGURE 10-4. ENGINE HARNESS - JOHN DEERE ENGINE (SN 0160002056 through 0160006654,
Including 0160006659, 0160006662, 0160006665 and 0160006667)**

ITEM	PART NUMBER	QTY	DESCRIPTION	REV
	91473220	1	ENGINE HARNESS, (includes all items)	B
1	91404337	1	PLUG CONNECTOR	
2	83481286	2	NUT	
3	83481285	2	LOCKWASHER	
4	91474467	2	STRAIN RELIEF	
5	91363021	8	MOLDED DIODE	
6	80963057	6	CONNECTOR	
7	80963068	7	TERMINAL	
8	91364009	8	CABLE SEAL	
9	80963058	1	SHROUD	
10	80963070	1	DUST CAP PLUG	
11	1001117073	1	CONNECTOR	
12	4460693	1	TERMINAL	
13	4460608	1	SEAL	
14	4460459	1	CONNECTOR	
15	80963067	1	CABLE SEAL, BLUE	
16	80963060	1	SHROUD	
17	80963069	1	TERMINAL	
18	83683254	1	3 CONTACT	
19	90026803	1	FEMALE TERMINAL	
20	91474468	2	CONNECTOR	
21	91474469	2	TERMINAL	
22	91364010	1	RECEPTACLE CONNECTOR	

SECTION 10 - ELECTRICAL

FIGURE 10-5. ENGINE HARNESS - JOHN DEERE ENGINE (SN 0160006593 through 0160011034, Excluding 0160006659, 0160006662, 0160006665 and 0160006667)



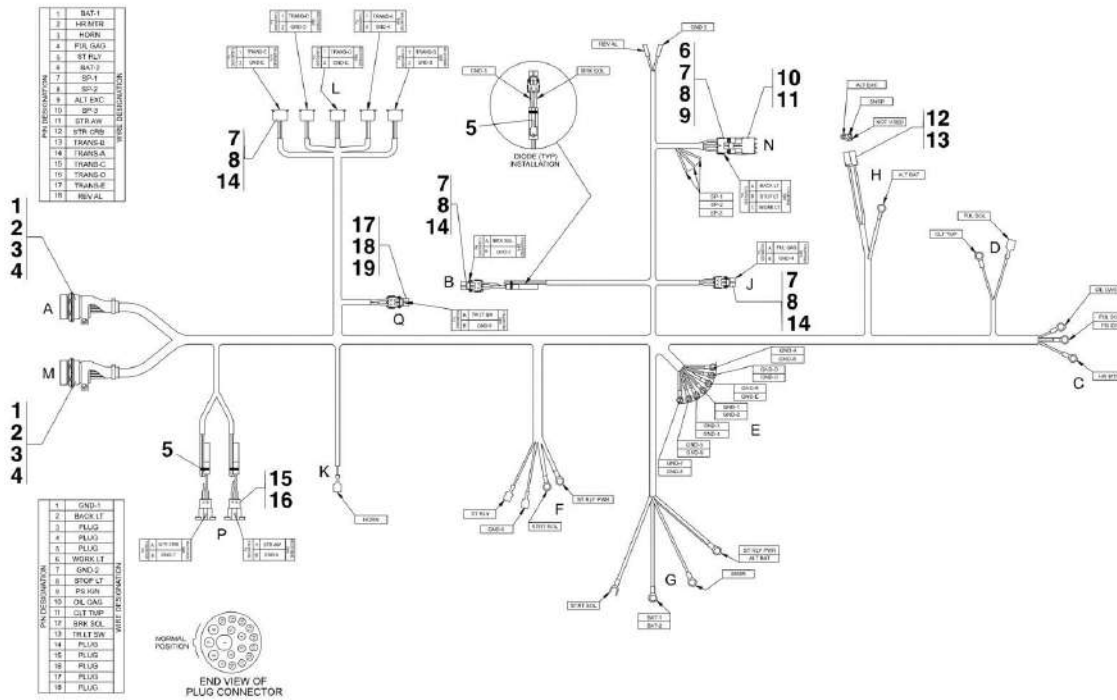
SECTION 10 - ELECTRICAL

**FIGURE 10-5. ENGINE HARNESS - JOHN DEERE ENGINE (SN 0160006593 through 0160011034,
Excluding 0160006659, 0160006662, 0160006665 and 0160006667)**

ITEM	PART NUMBER	QTY	DESCRIPTION	REV
	91473229	1	ENGINE HARNESS, (includes all items)	C
1	91404337	1	PLUG CONNECTOR	
2	83481286	2	NUT	
3	83481285	2	LOCKWASHER	
4	91474467	2	STRAIN RELIEF	
5	80963057	7	CONNECTOR	
6	80963068	8	TERMINAL	
7	91364009	9	CABLE SEAL	
8	91363021	8	MOLDED DIODE	
9	91513287	5	JUMPER WIRES	
10	1001117073	1	CONNECTOR	
11	4460693	1	TERMINAL	
12	4460608	1	SEAL	
13	4460459	1	CONNECTOR	
14	80963060	1	SHROUD	
15	80963069	1	TERMINAL	
16	83683254	1	3 CONTACT	
17	90026803	1	FEMALE TERMINAL	
18	91474468	2	CONNECTOR	
19	91474469	2	TERMINAL	
20	91364010	1	RECEPTACLE CONNECTOR	
21	80963067	1	CABLE SEAL, BLUE	

SECTION 10 - ELECTRICAL

FIGURE 10-6. ENGINE HARNESS - JOHN DEERE ENGINE (SN 0160011059 through 0160018126)



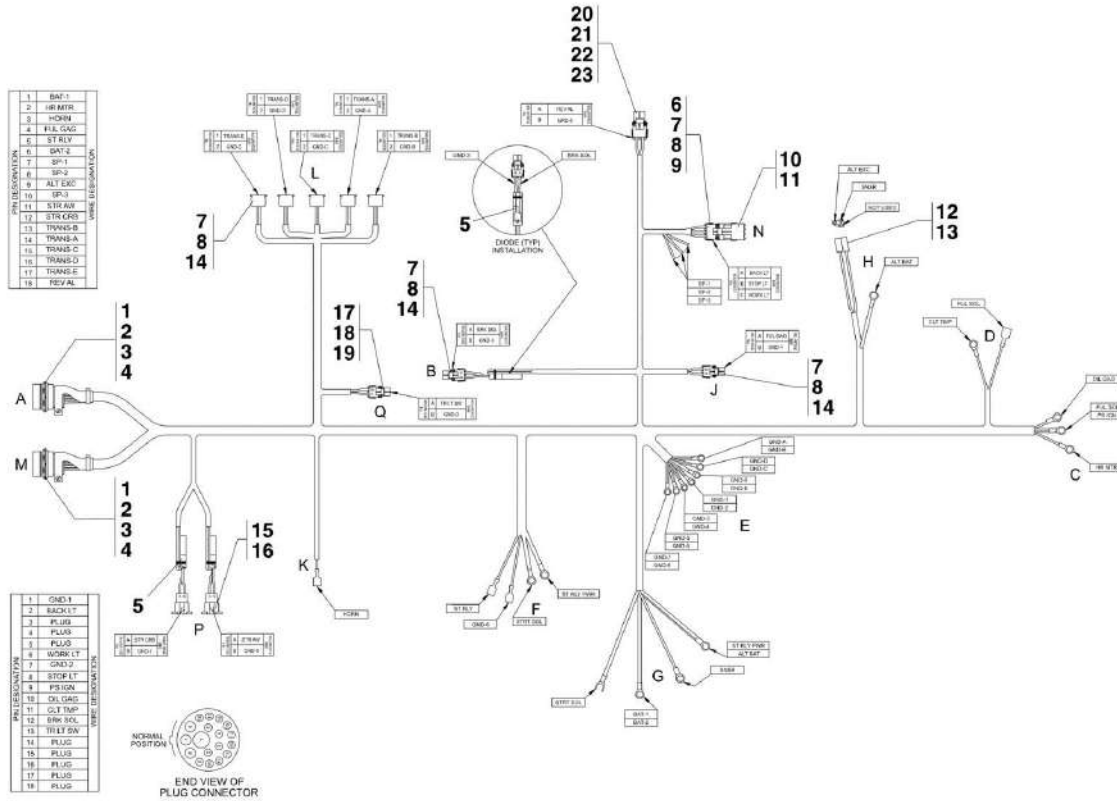
SECTION 10 - ELECTRICAL

FIGURE 10-6. ENGINE HARNESS - JOHN DEERE ENGINE (SN 0160011059 through 0160018126)

ITEM	PART NUMBER	QTY	DESCRIPTION	REV
	91513285	1	ENGINE HARNESS, (includes all items)	D
1	91404337	2	PLUG CONNECTOR	
2	83481286	2	NUT	
3	83481285	2	LOCKWASHER	
4	91474467	2	STRAIN RELIEF	
5	91363021	2	MOLDED DIODE	
6	80963095	2	CONNECTOR	
7	80963068	8	TERMINAL	
8	91364009	8	SEAL	
9	80963067	1	SEAL	
10	80963060	1	CONNECTOR	
11	80963070	1	PLUG	
12	83683254	1	PLUG	
13	90026803	3	CONNECTOR	
14	80963057	7	CONNECTOR	
15	91474468	2	CONNECTOR	
16	91474469	2	TERMINAL	
17	1001117073	1	CONNECTOR	
18	4460693	1	TERMINAL	
19	4460608	1	SEAL	

SECTION 10 - ELECTRICAL

FIGURE 10-7. ENGINE HARNESS - JOHN DEERE ENGINE (SN 0160018150 through 0160021166)



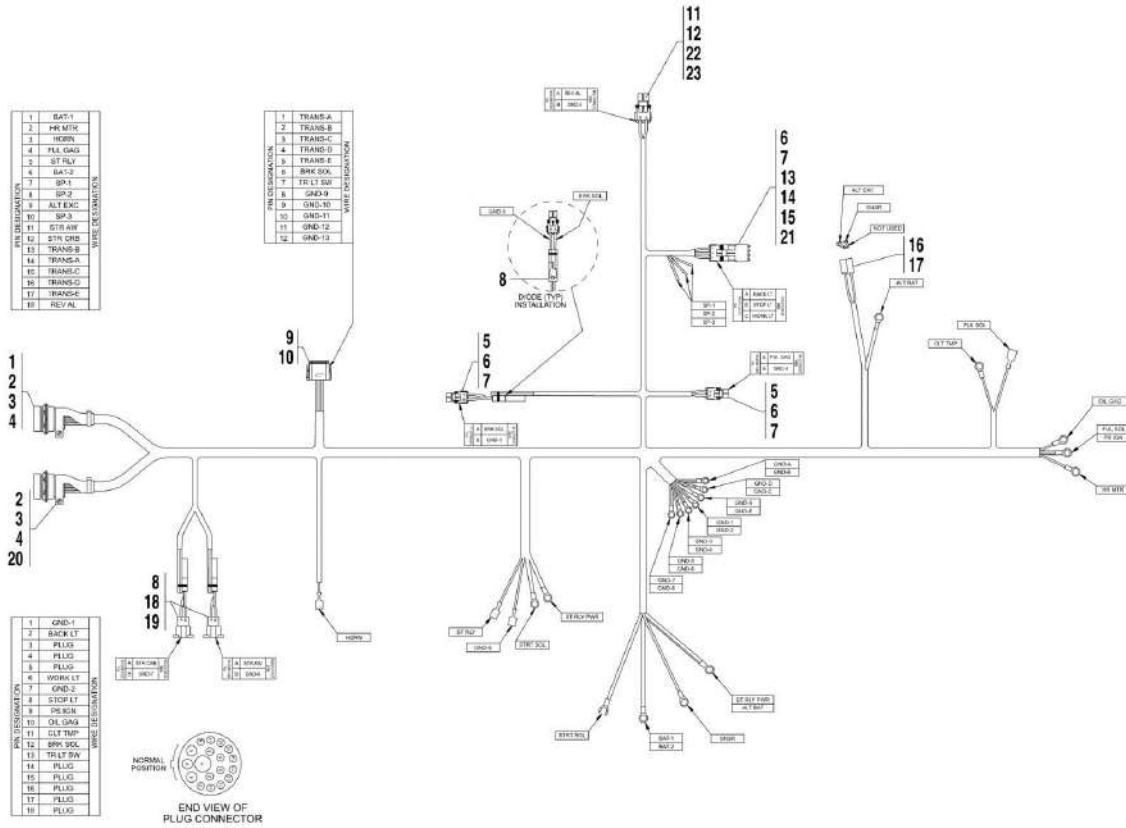
SECTION 10 - ELECTRICAL

FIGURE 10-7. ENGINE HARNESS - JOHN DEERE ENGINE (SN 0160018150 through 0160021166)

ITEM	PART NUMBER	QTY	DESCRIPTION	REV
	4923403	1	ENGINE HARNESS, (includes all items)	B
1	91404337	2	PLUG CONNECTOR	
2	83481286	2	NUT	
3	83481285	2	LOCKWASHER	
4	91474467	2	STRAIN RELIEF	
5	91363021	2	MOLDED DIODE	
6	80963095	2	CONNECTOR	
7	80963068	8	TERMINAL	
8	91364009	8	SEAL	
9	80963067	1	SEAL	
10	80963060	1	CONNECTOR	
11	80963070	1	PLUG	
12	83683254	1	PLUG	
13	90026803	3	CONNECTOR	
14	80963057	7	CONNECTOR	
15	91474468	2	CONNECTOR	
16	91474469	2	TERMINAL	
17	1001117073	1	CONNECTOR	
18	4460693	1	TERMINAL	
19	4460608	1	SEAL	
20	1001117021	1	CONNECTOR	
21	7029755	1	SECONDARY LOCK	
22	4460746	1	TERMINAL	
23	4460789	1	SEAL	

SECTION 10 - ELECTRICAL

FIGURE 10-8. ENGINE HARNESS - JOHN DEERE ENGINE (SN 0160021195 through 0160040659)



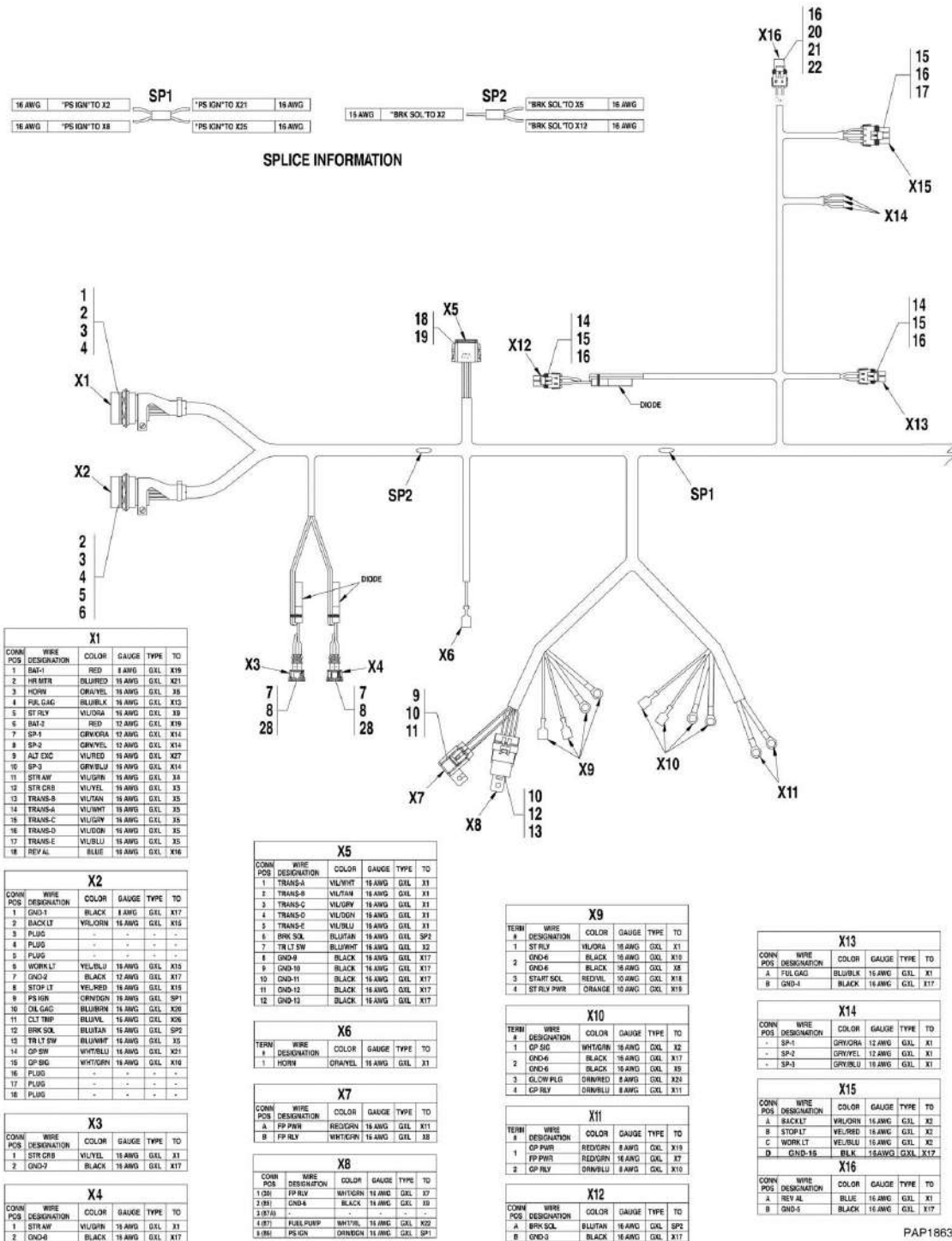
SECTION 10 - ELECTRICAL

FIGURE 10-8. ENGINE HARNESS - JOHN DEERE ENGINE (SN 0160021195 through 0160040659)

ITEM	PART NUMBER	QTY	DESCRIPTION	REV
	1001001516	1	ENGINE HARNESS, (includes all items)	B
1	91404337	1	PLUG CONNECTOR	
2	83481286	2	NUT	
3	83481285	2	LOCKWASHER	
4	91474467	2	STRAIN RELIEF	
5	80963057	2	CONNECTOR	
6	80963068	3	TERMINAL	
7	91364009	4	CABLE SEAL	
8	91363021	3	MOLDED DIODE	
9	7026425	1	PLUG CONNECTOR	
10	80604016	1	WEDGE	
11	1001117021	1	CONNECTOR	
12	4460746	1	TERMINAL	
13	4460459	1	CONNECTOR	
14	80963060	1	SHROUD	
15	80963069	1	TERMINAL	
16	83683254	1	3 CONTACT	
17	90026803	1	FEMALE TERMINAL	
18	91474468	2	CONNECTOR	
19	91474469	2	TERMINAL	
20	91364010	1	RECEPTACLE CONN	
21	80963067	1	CABLE SEAL, BLUE	
22	80963066	1	SEAL	
23	7029755	1	SECONDARY LOCK	

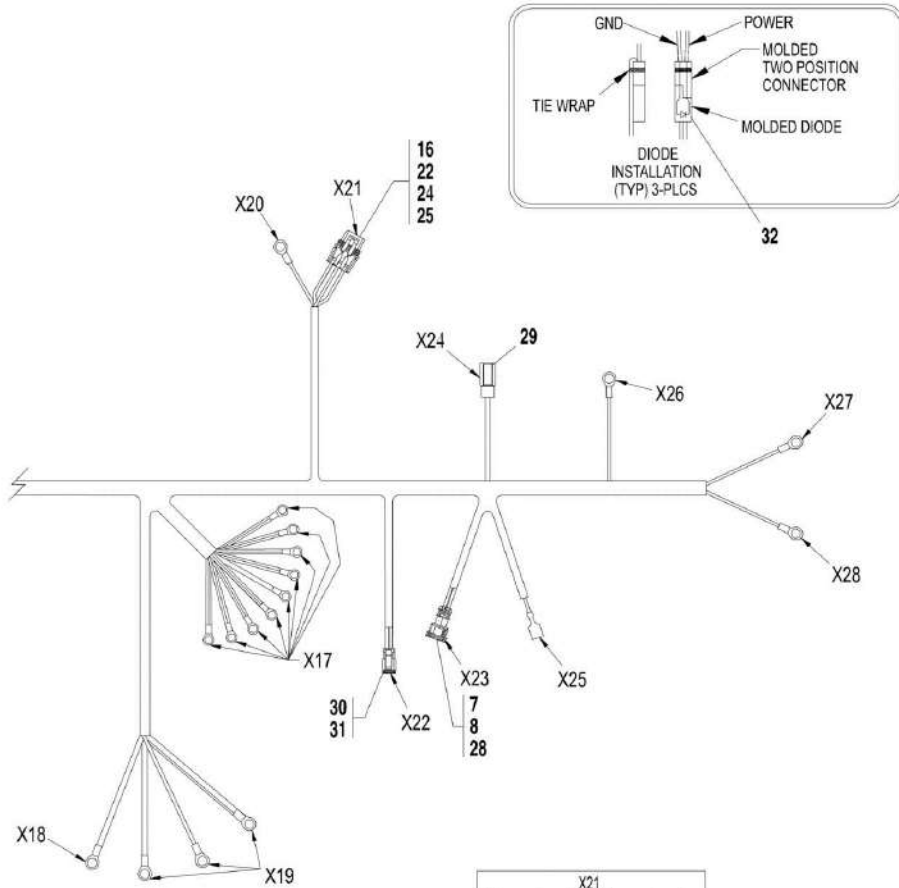
SECTION 10 - ELECTRICAL

FIGURE 10-9. ENGINE HARNESS - PERKINS ENGINE (SN 0160021195 through 0160040659)



PAP18630

SECTION 10 - ELECTRICAL



X17					
TERM #	WIRE DESIGNATION	COLOR	GAUGE	TYPE	TD
1	GND-1	BLACK	18 AWG	GXL	X2
2	GND-3	BLACK	18 AWG	GXL	X12
	GND-4	BLACK	18 AWG	GXL	X13
3	GND-5	BLACK	18 AWG	GXL	X16
	GND-6	BLACK	18 AWG	GXL	X10
4	GND-7	BLACK	18 AWG	GXL	X3
	GND-8	BLACK	18 AWG	GXL	X4
5	GND-9	BLACK	18 AWG	GXL	X5
	GND-10	BLACK	18 AWG	GXL	X5
6	GND-11	BLACK	18 AWG	GXL	X5
	GND-12	BLACK	18 AWG	GXL	X5
7	GND-13	BLACK	18 AWG	GXL	X5
	GND-14	BLACK	18 AWG	GXL	X23
8	GND-15	BLACK	18 AWG	GXL	X22
	GND-2	BLACK	12 AWG	GXL	X2
9	GND-16	BLACK	18 AWG	GXL	X15

X18					
TERM #	WIRE DESIGNATION	COLOR	GAUGE	TYPE	TD
1	START SOL	RED/BL	18 AWG	GXL	X8

X19					
TERM #	WIRE DESIGNATION	COLOR	GAUGE	TYPE	TD
1	ALT BAT 1	RED/WH	8 AWG	GXL	X28
	ALT BAT 2	RED/WH	8 AWG	GXL	X28
2	BAT-1	RED	8 AWG	GXL	X1
	BAT-2	RED	12 AWG	GXL	X1
3	ST FLY PWR	ORANGE	10 AWG	GXL	X8
	GP PWR	RED/GRN	8 AWG	GXL	X11

X20					
TERM #	WIRE DESIGNATION	COLOR	GAUGE	TYPE	TD
1	OL GAD	BLU/BRN	18 AWG	GXL	X2

X21					
CONN POS	WIRE DESIGNATION	COLOR	GAUGE	TYPE	TD
A	HR MTR	BLU/RED	18 AWG	GXL	X1
B	PS IGN	DRN/GRN	18 AWG	GXL	SP1
C	GP SW	WH/BLU	18 AWG	GXL	X2

X22					
CONN POS	WIRE DESIGNATION	COLOR	GAUGE	TYPE	TD
1	FUEL PUMP	WH/BL	16 AWG	GXL	X8
2	GND-15	BLACK	18 AWG	GXL	X17

X23					
CONN POS	WIRE DESIGNATION	COLOR	GAUGE	TYPE	TD
1	PS IGN	DRN/GRN	18 AWG	GXL	X25
2	GND-11	BLACK	18 AWG	GXL	X17

X24					
CONN POS	WIRE DESIGNATION	COLOR	GAUGE	TYPE	TD
1	SLOW PLG	DRN/RED	8 AWG	GXL	X10

X25					
TERM #	WIRE DESIGNATION	COLOR	GAUGE	TYPE	TD
1	PS IGN	DRN/GRN	18 AWG	GXL	SP1
1	PS IGN	DRN/GRN	18 AWG	GXL	X23

X26					
TERM #	WIRE DESIGNATION	COLOR	GAUGE	TYPE	TD
1	CLT TMP	BLU/BL	18 AWG	GXL	X2

X27					
TERM #	WIRE DESIGNATION	COLOR	GAUGE	TYPE	TD
1	ALT EXC	VL/RED	16 AWG	GXL	X1

X28					
TERM #	WIRE DESIGNATION	COLOR	GAUGE	TYPE	TD
1	ALT BAT 1	RED/WH	8 AWG	GXL	X15
1	ALT BAT 2	RED/WH	8 AWG	GXL	X15

PAL1041

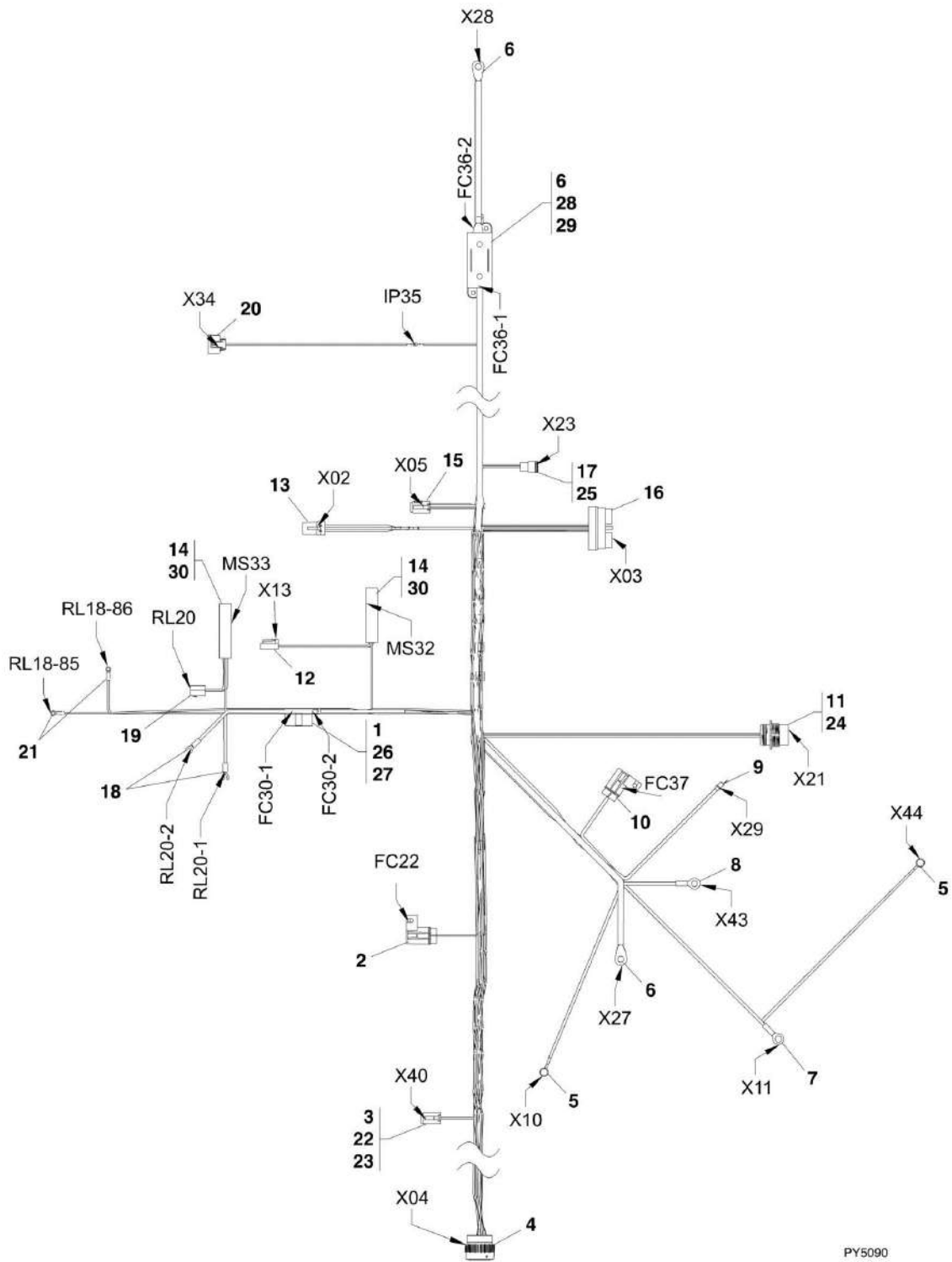
SECTION 10 - ELECTRICAL

FIGURE 10-9. ENGINE HARNESS - PERKINS ENGINE (SN 0160021195 through 0160040659)

ITEM	PART NUMBER	QTY	DESCRIPTION	REV
	1001001510	1	PERKINS ENGINE HARNESS, (includes all items)	D
1	91404337	1	CONNECTOR	
2	83481286	2	NUT	
3	83481285	2	LOCKWASHER	
4	91474467	2	STRAIN RELIEF	
5	91364010	1	CONNECTOR	
6	4460466	1	PLUG	
7	1001116983	3	CONNECTOR	
8	1001116706	3	TERMINAL	
9	1001117022	1	CONNECTOR ASSY, (includes 7.5 amp fuse)	
9	1001117019	1	CONNECTOR	
10	1001116733	2	TERMINAL	
11	7029771	1	COVER	
12	1001117057	1	CONNECTOR	
13	3740080	1	RELAY	
14	80963057	2	CONNECTOR	
15	80963068	3	TERMINAL	
16	80963065	5	SEAL	
17	80963061	1	CONNECTOR	
18	7026425	1	CONNECTOR	
19	80604016	1	LOCK CONNECTOR	
20	1001117021	1	CONNECTOR	
21	7029755	1	SECONDARY LOCK	
22	4460746	2	TERMINAL	
24	1001117020	1	CONNECTOR	
25	7029775	1	TPA	
28	4461006	3	SEAL	
29	1001116707	1	CONNECTOR	
30	7026408	1	CONNECTOR	
31	80684018	1	WEDGE	
32	91363021	1	DIODE	

SECTION 10 - ELECTRICAL

FIGURE 10-10. ENGINE HARNESS - CUMMINS ENGINE (SN 0160040678 to Present)



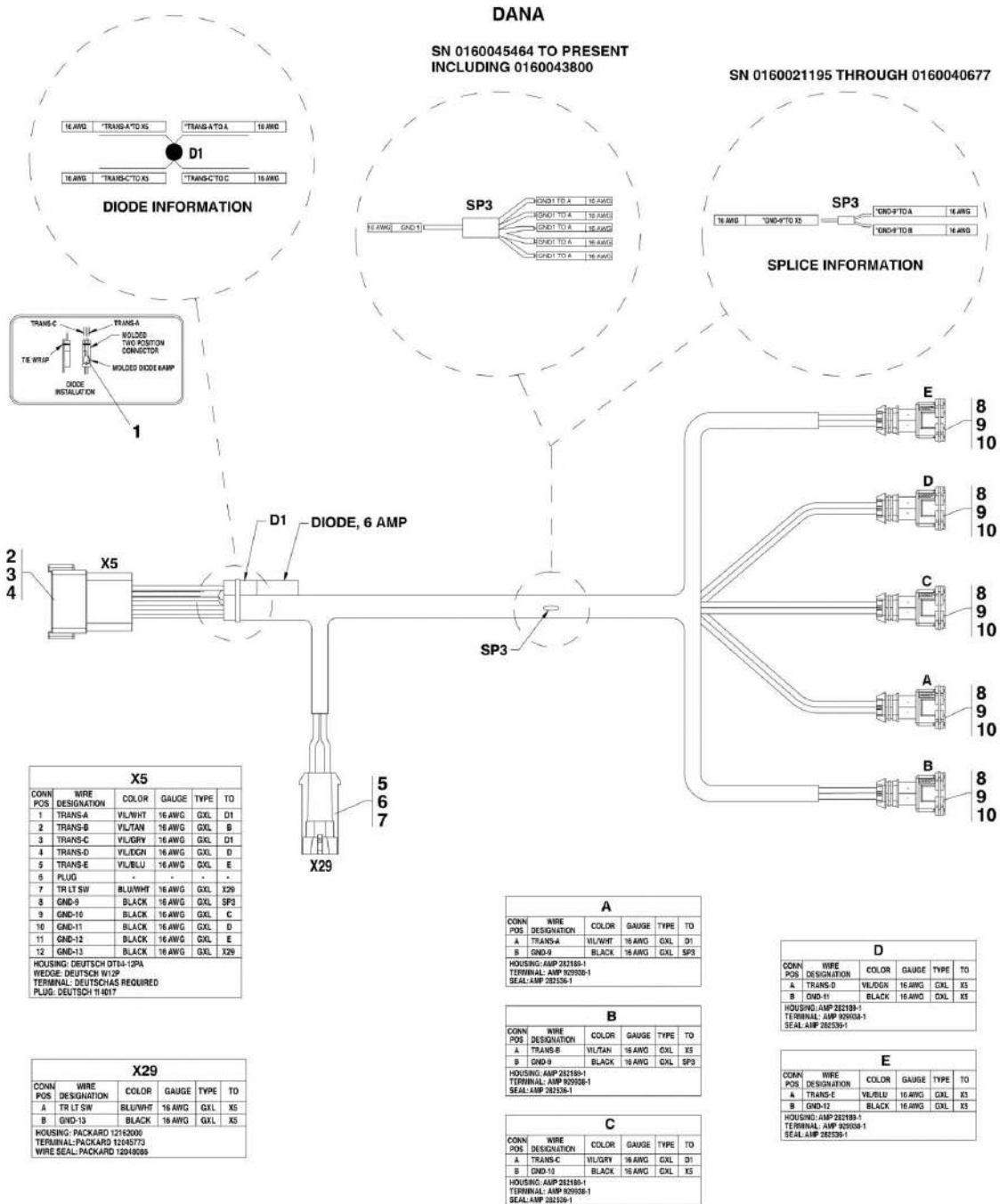
SECTION 10 - ELECTRICAL

FIGURE 10-10. ENGINE HARNESS - CUMMINS ENGINE (SN 0160040678 to Present)

ITEM	PART NUMBER	QTY	DESCRIPTION	REV
	1001125280	1	CUMMINS ENGINE HARNESS, (includes all items)	D
1	4460142	2	TERMINAL RING	
2	1001117074	1	METRI-PACK CONNECTOR	
3	4460884	1	TERMINAL	
4	1001116962	1	CONNECTOR	
5	4460019	2	LUG TERMINAL	
6	4460443	4	TERMINAL	
7	8220164	1	RING TERMINAL	
8	8220045	1	RING TERMINAL	
9	4460806	1	FORK TERMINAL	
10	1001117070	1	METRI-PACK CONNECTOR	
11	1001112612	1	CONNECTOR	
12	4460891	1	TERMINAL	
13	1001116810	1	CONNECTOR	
14	91363021	1	MOLDED DIODE	
15	4460933	1	TERMINAL	
16	1001116831	1	CONNECTOR	
17	4461095	1	PLUG TERMINAL	
18	1001117111	2	FORK TERMINAL	
19	4460994	1	HOUSING TERMINAL	
20	1001125748	1	TERMINAL	
21	4460247	2	RING TERMINAL	
22	4460932	1	MATING CONNECTOR	
23	4460466	1	TERMINAL	
24	1001106736	1	DUST CAP WITH LANYARD	
25	4461070	1	MATING CONNECTOR	
26	1001125389	1	FUSE HOLDER	
27	1001126833	1	FUSE, 80 AMP	
28	8229260	1	FUSE HOLDER	
29	1001095336	1	FUSE, 150 AMP	
30	91363021	2	MOLDED DIODE	

SECTION 10 - ELECTRICAL

FIGURE 10-11. TRANSMISSION HARNESS (SN 0160045464 to Present, SN 0160021195 through 0160040677, Including 0160043800)



PAP18640

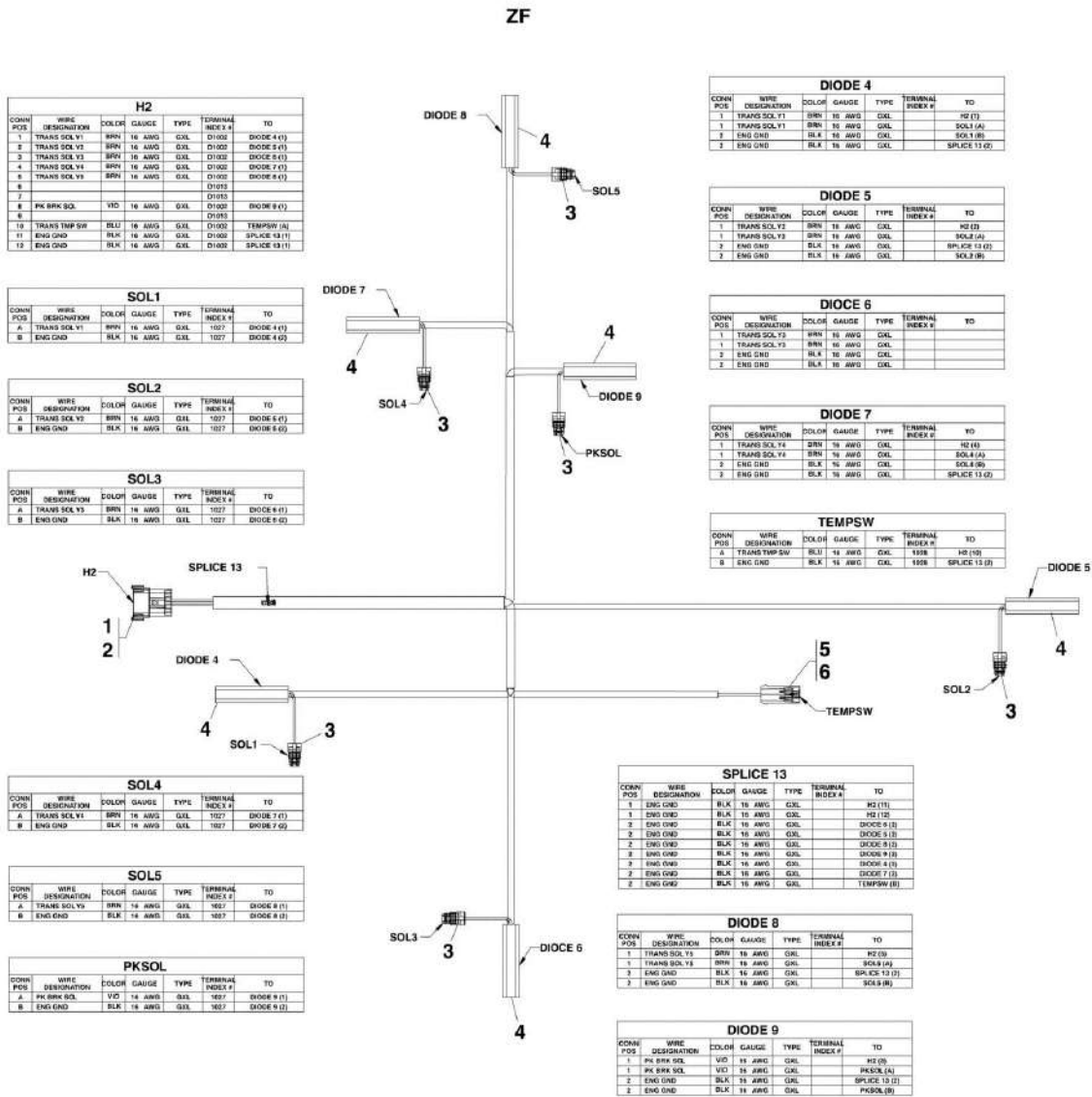
SECTION 10 - ELECTRICAL

FIGURE 10-11. TRANSMISSION HARNESS (SN 0160045464 to Present, SN 0160021195 through 0160040677, Including 0160043800)

ITEM	PART NUMBER	QTY	DESCRIPTION	REV
	1001001511	1	TRANSMISSION HARNESS, (DANA), (includes all items) (SN 0160021195 through 0160040677)	B
	1001138965	1	TRANSMISSION HARNESS, (DANA), (includes all items) (SN 0160045464 to Present, Including 0160043800)	B
1	91363021	1	MOLDED DIODE, 6amp	
2	4460532	1	CONNECTOR	
3	80363179	1	WEDGE	
4	4460466	1	PLUG	
5	1001117073	1	CONNECTOR	
6	4460693	1	TERMINAL	
7	4460608	1	SEAL	
8	1001116983	5	CONNECTOR	
9	70022608	5	TERMINAL	
10	70022609	5	SEAL	

SECTION 10 - ELECTRICAL

FIGURE 10-12. TRANSMISSION HARNESS (SN 0160040678 through 0160045456, Excluding 0160043800)



ART_1001115526-C

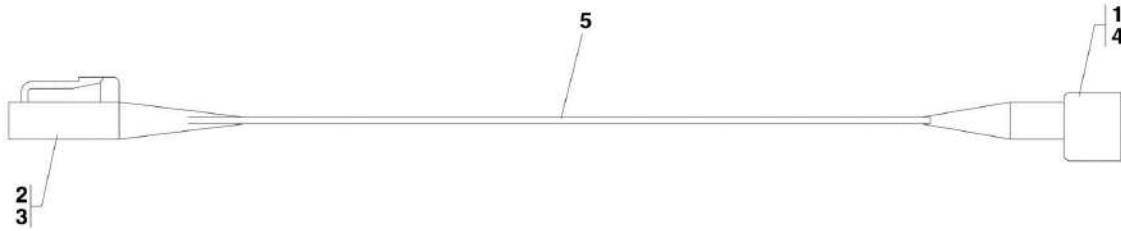
SECTION 10 - ELECTRICAL

FIGURE 10-12. TRANSMISSION HARNESS (SN 0160040678 through 0160045456, Excluding 0160043800)

ITEM	PART NUMBER	QTY	DESCRIPTION	REV
	1001115528	1	TRANSMISSION HARNESS, (ZF), (includes all items)	C
1	4460970	1	FEMALE RECEPTACLE	
2	80363179	1	SECONDARY WEDGE LOCK	
3	4460955	6	CONNECTOR	
4	91363021	6	MOLDED DIODE	
5	1001117073	1	CONNECTOR	
6	70022741	1	WEDGE LOCK	

SECTION 10 - ELECTRICAL

FIGURE 10-13. CAB WORK LIGHT HARNESS (SN 0160035560 to Present)



PY1770

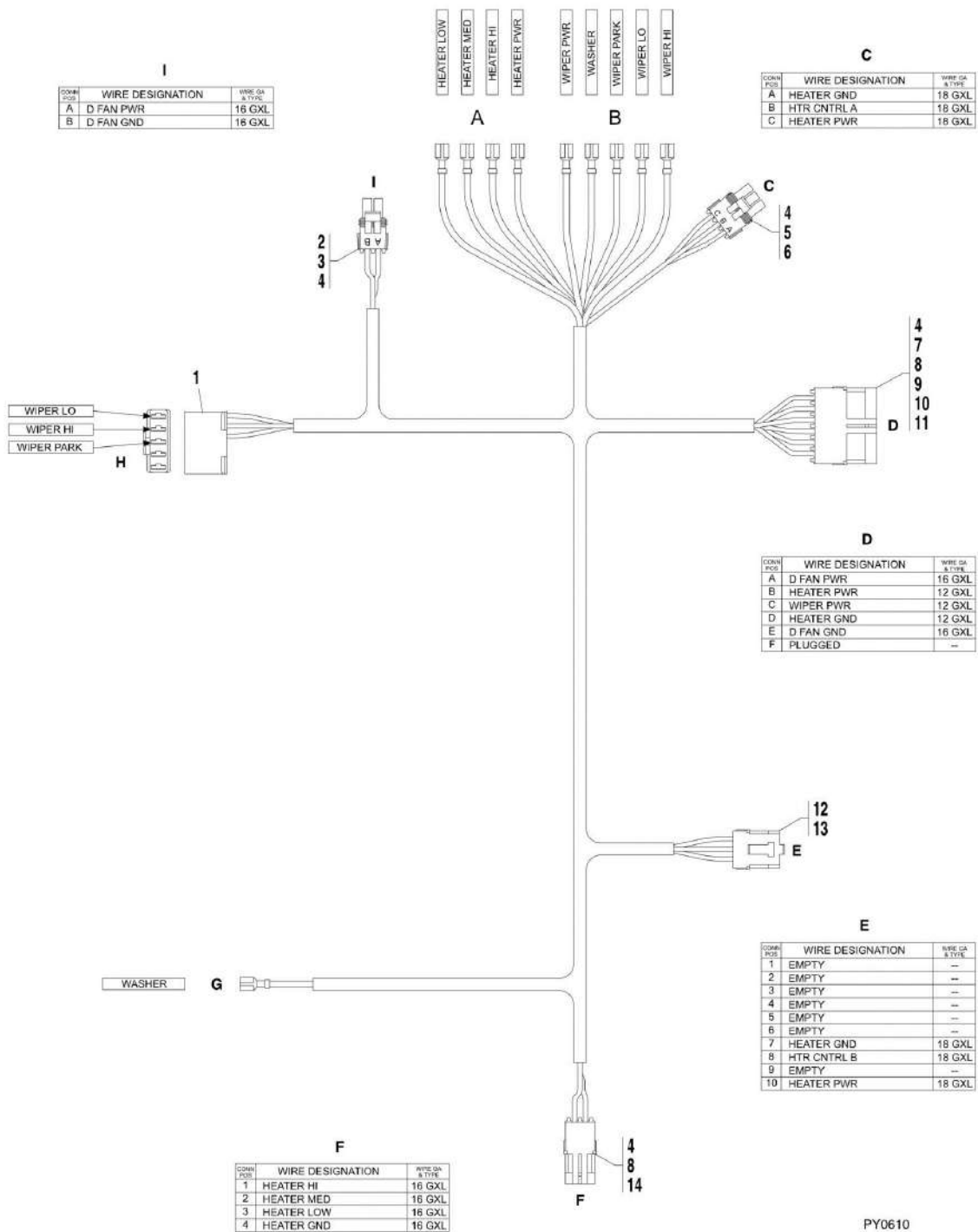
SECTION 10 - ELECTRICAL

FIGURE 10-13. CAB WORK LIGHT HARNESS (SN 0160035560 to Present)

ITEM	PART NUMBER	QTY	DESCRIPTION	REV
	1001100895	1	CAB WORK LIGHT HARNESS, (if equipped with front or top brick guard), (includes all items)	A
1	4460464	2	TERMINAL	
2	4460465	2	TERMINAL	
3	4460891	1	TERMINAL	
4	4460897	1	TERMINAL	
5	4920018	2	WIRE, 16 GA, BLACK	

SECTION 10 - ELECTRICAL

FIGURE 10-14. ENCLOSED CAB HARNESS (SN 0160040678 to Present)



PY0610

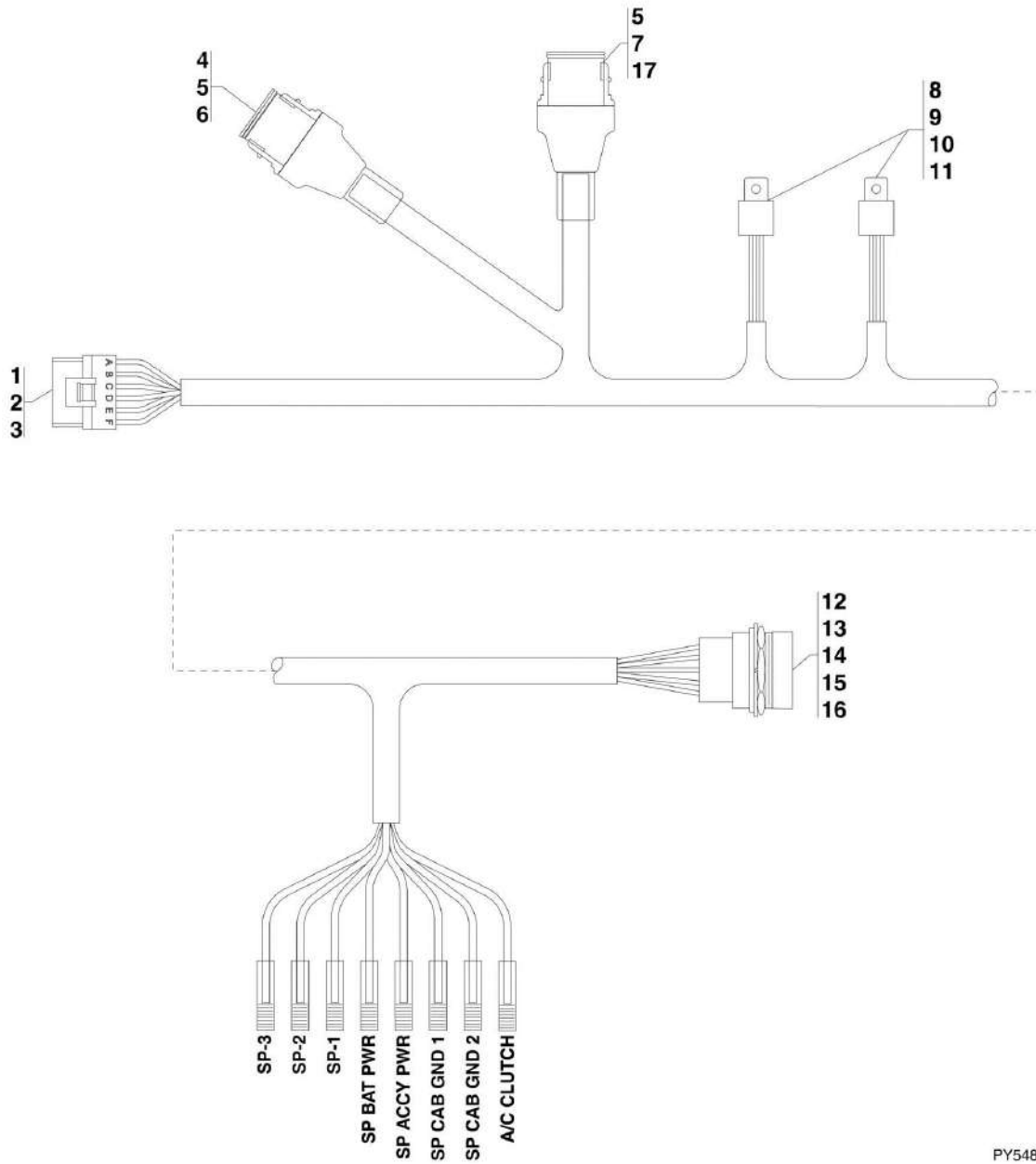
SECTION 10 - ELECTRICAL

FIGURE 10-14. ENCLOSED CAB HARNESS (SN 0160040678 to Present)

ITEM	PART NUMBER	QTY	DESCRIPTION	REV
	91563185	1	ENCLOSED CAB HARNESS, (if equipped), (includes all items)	B
1	7026431	1	CONNECTOR	
2	80963057	1	CONNECTOR	
3	80963068	1	TERMINAL	
4	80963065	4	SEAL	
5	4460459	1	CONNECTOR	
6	4460743	1	TERMINAL	
7	80963064	1	SHROUD	
8	80963069	2	TERMINAL	
9	4460850	1	TERMINAL	
10	80963067	1	SEAL	
11	80963070	1	DUST CAP PLUG	
12	7026429	1	CONNECTOR	
13	7026430	1	TERMINAL	
14	80963062	1	CONNECTOR	

SECTION 10 - ELECTRICAL

FIGURE 10-15. CAB CONTROL HARNESS (Prior to SN 0160045456, Excluding 0160043800)



PY5480

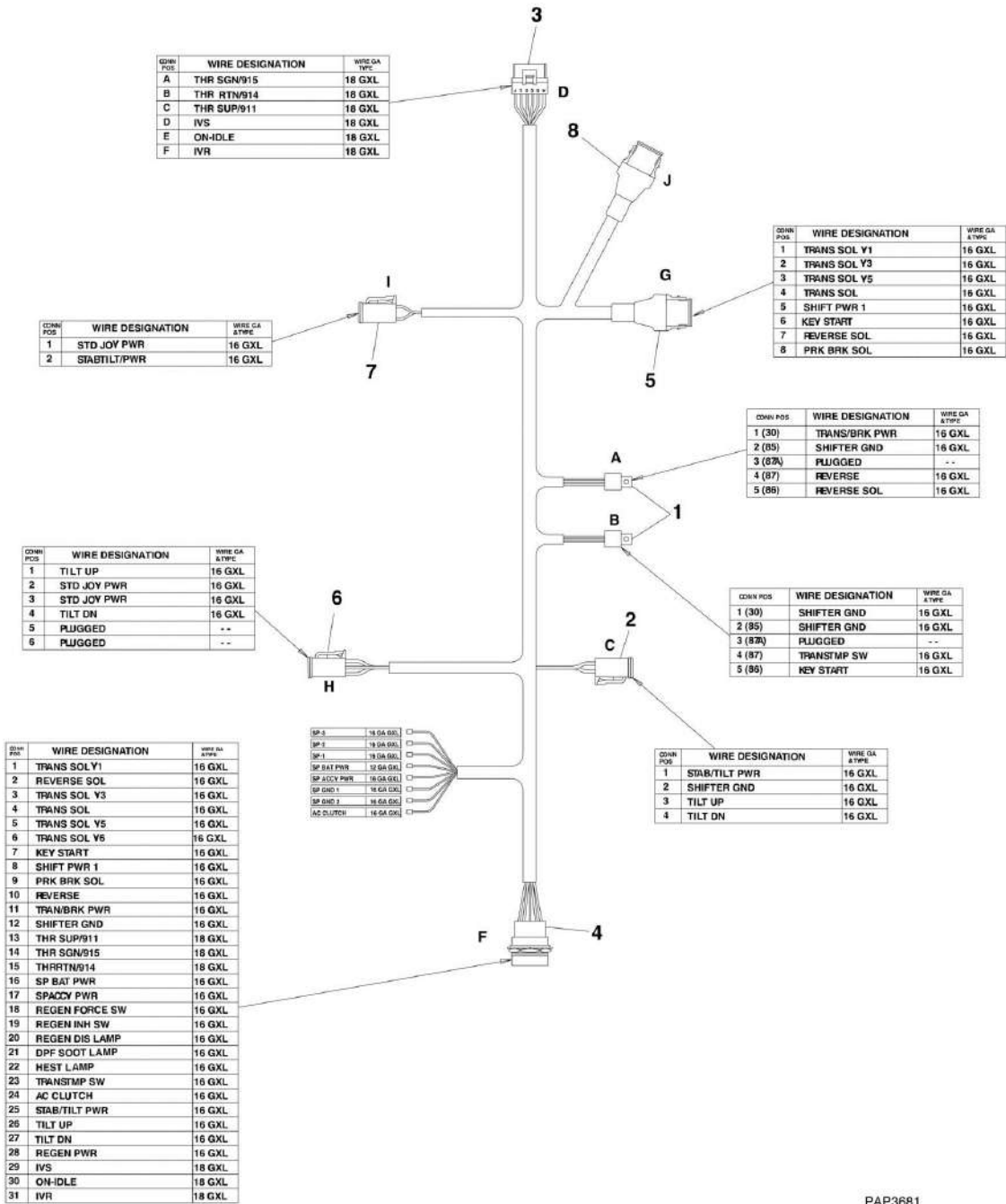
SECTION 10 - ELECTRICAL

FIGURE 10-15. CAB CONTROL HARNESS (Prior to SN 0160045456, Excluding 0160043800)

ITEM	PART NUMBER	QTY	DESCRIPTION	REV
	1001108838	NLA	CAB CONTROL HARNESS, (no longer available, use 1001099318 for replacement), (includes all items)	D
1	1001116751	1	PLUG	
2	91554014	1	TERMINAL	
3	1001117064	1	CONNECTOR	
4	N.S.S.	1	BOOT	
5	4460465	2	CONTACT	
6	4460933	1	CONNECTOR	
6	80604016	1	WEDGE LOCK	
7	4460930	1	CONNECTOR	
7	8220525	1	WEDGE LOCK	
8	1001118282	2	CONNECTOR, (includes item 9)	
9	3740080	2	RELAY	
10	1001116733	2	TERMINAL	
11	91554023	2	PLUG	
12	4460503	1	CONNECTOR	
13	4460464	1	CONTACT	
14	4460466	1	PLUG	
15	83481286	1	NUT	
16	83481285	1	WASHER	
17	70020870	1	BOOT	

SECTION 10 - ELECTRICAL

FIGURE 10-16. CAB CONTROL HARNESS (SN 0160045464 to Present, Including 0160043800)



PAP3681

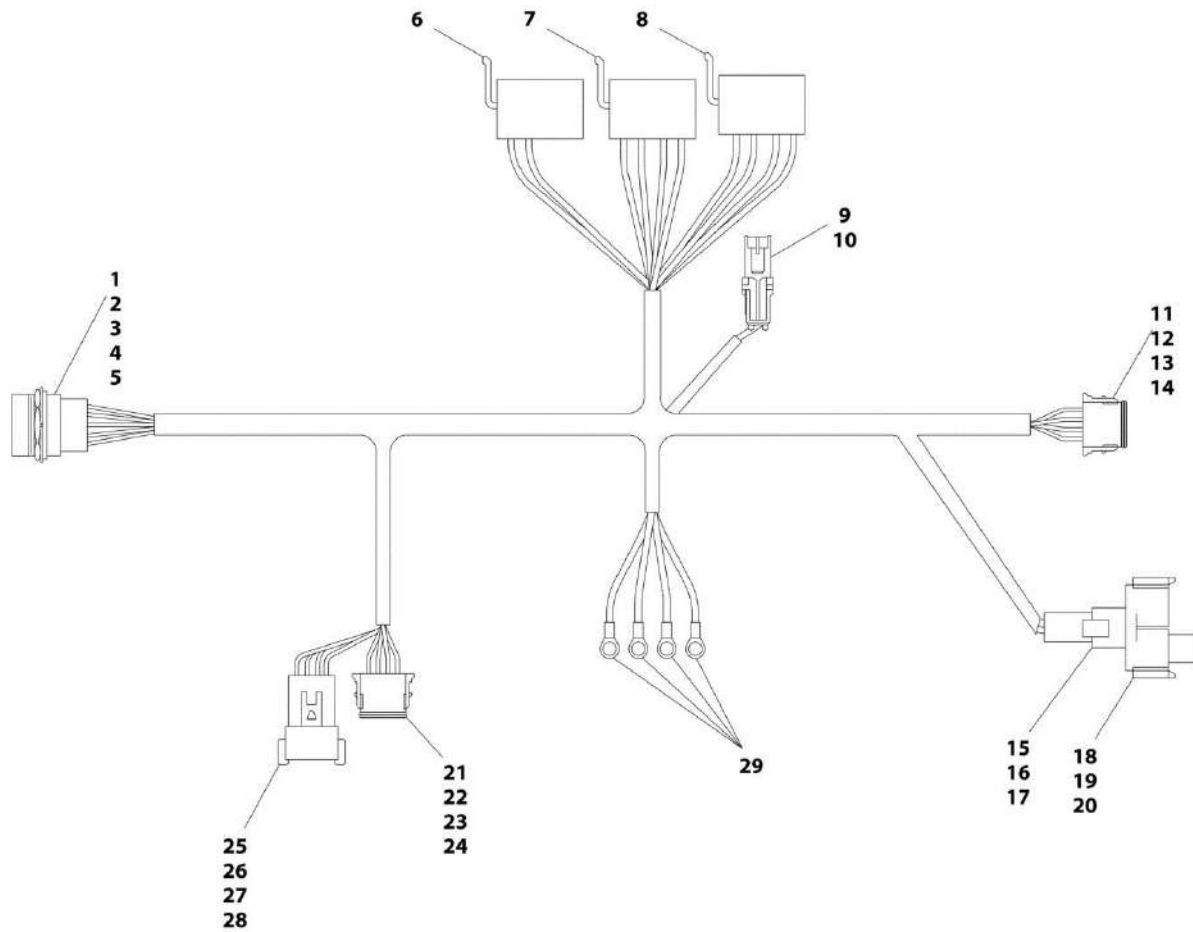
SECTION 10 - ELECTRICAL

FIGURE 10-16. CAB CONTROL HARNESS (SN 0160045464 to Present, Including 0160043800)

ITEM	PART NUMBER	QTY	DESCRIPTION	REV
	1001099318	1	CAB CONTROL HARNESS, (includes all items)	I
1	3740080	2	RELAY	
1	4460374	2	CONNECTOR	
1	1001116733	4	TERMINAL	
1	91554023	1	PLUG	
2	4460884	1	CONNECTOR KIT, (includes rear seal)	
2	80604021	1	WEDGE LOCK	
2	4460465	4	SOCKET TERMINAL	
3	1001117064	1	CONNECTOR	
3	91554014	6	TERMINAL	
4	4460503	1	CONNECTOR	
4	4460464	31	TERMINAL	
4	4460470	1	NUT	
4	4460471	1	LOCKWASHER	
5	4460930	1	CONNECTOR KIT, (includes rear seal)	
5	8220525	1	WEDGE LOCK	
5	4460465	8	CONTACT	
5	70020870	1	BOOT	
6	4460894	1	CONNECTOR KIT, (includes locking seal)	
6	91504107	1	WEDGE LOCK	
6	4460465	4	CONTACT	
6	4460466	2	PLUG	
7	4460891	1	RELAY	
7	80604018	1	WEDGE LOCK	
7	4460465	2	SOCKET TERMINAL	
8	N.S.S.	1	CONNECTOR, (not used)	

SECTION 10 - ELECTRICAL

FIGURE 10-17. CAB DASH HARNESS (SN 0160040678 to Present)



ART_1001108B41-F

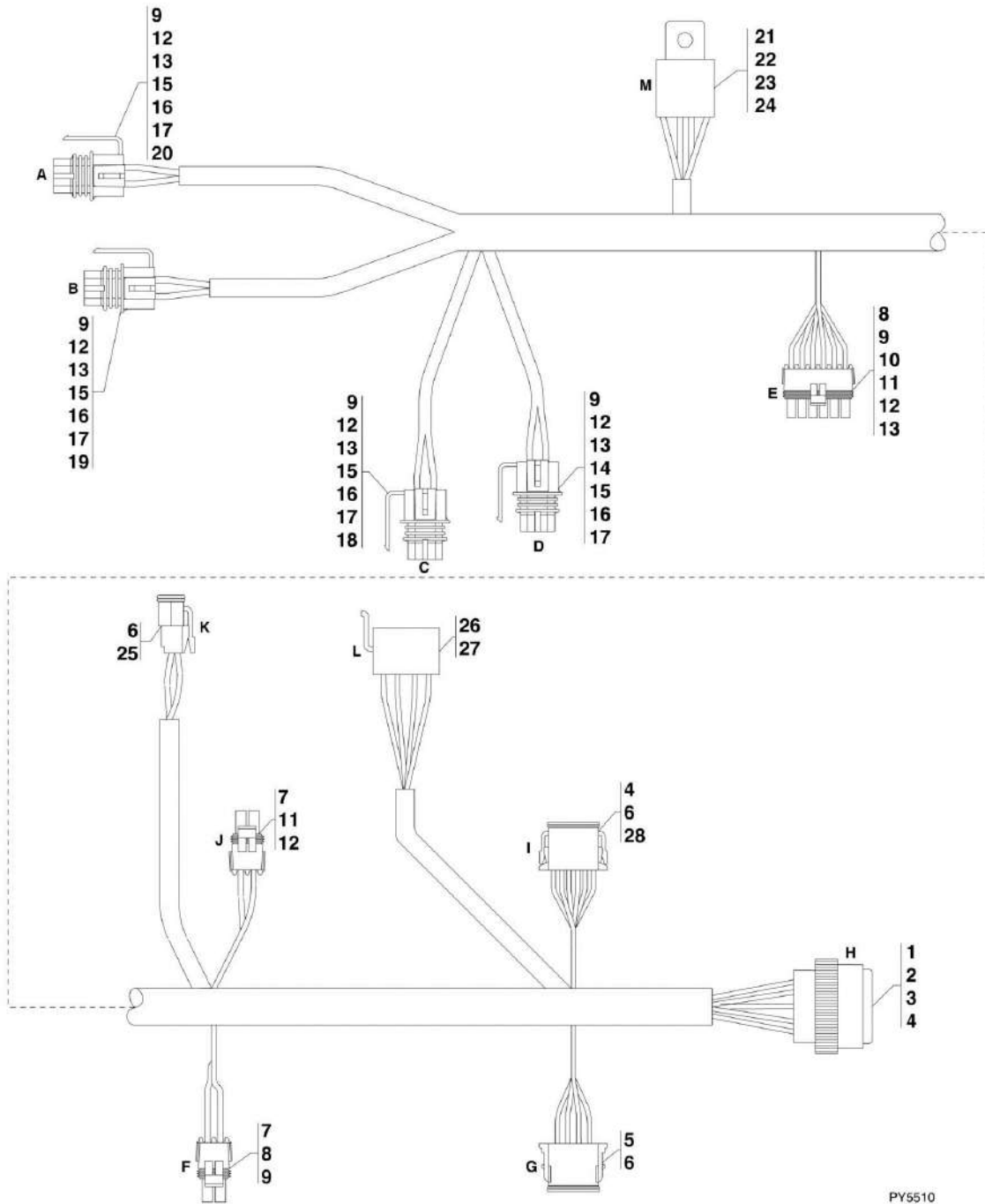
SECTION 10 - ELECTRICAL

FIGURE 10-17. CAB DASH HARNESS (SN 0160040678 to Present)

ITEM	PART NUMBER	QTY	DESCRIPTION	REV
	1001108841	1	CAB DASH HARNESS, (includes all items)	F
1	4460500	1	CONNECTOR	
2	4460465	30	TERMINAL	
3	4460466	1	PLUG	
4	83481286	1	NUT	
5	83481285	1	LOCKWASHER	
6	4460419	2	METRI-PACK CONNECTOR	
7	4460419	6	METRI-PACK CONNECTOR	
8	4460419	4	METRI-PACK CONNECTOR	
9	80963056	1	CONNECTOR	
10	4460475	1	TERMINAL	
11	8220524	1	CONNECTOR	
12	8220525	1	WEDGE LOCK	
13	4460465	7	TERMINAL	
14	4460466	1	PLUG	
15	77363242	1	CONNECTOR	
16	91554019	1	CONNECTOR LOCK	
17	4460944	2	TERMINAL	
18	7026425	1	CONNECTOR	
19	80604016	1	LOCK, CONNECTOR	
20	4460465	10	TERMINAL	
21	4460466	1	TERMINAL	
22	80363178	1	CONNECTOR	
23	80363179	1	LOCK, CONNECTOR	
24	4460465	1	TERMINAL	
25	4460466	1	PLUG	
26	4460945	1	TERMINAL	
27	70022224	1	CONNECTOR	
28	91554019	1	LOCK, CONNECTOR	
29	4460042	4	16 GA TERMINAL RING	

SECTION 10 - ELECTRICAL

FIGURE 10-18. VEC BOX HARNESS (SN 0160040678 to Present)



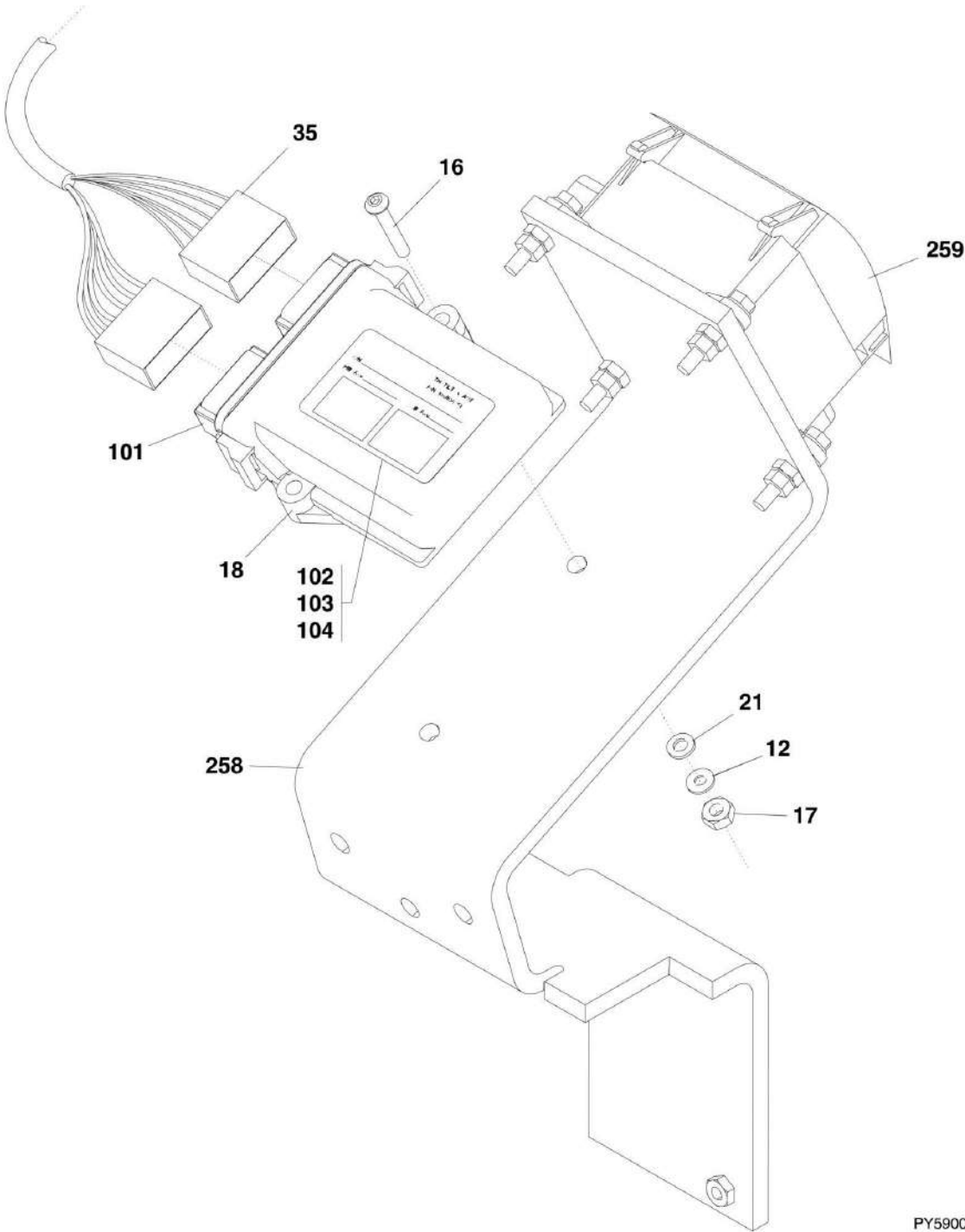
SECTION 10 - ELECTRICAL

FIGURE 10-18. VEC BOX HARNESS (SN 0160040678 to Present)

ITEM	PART NUMBER	QTY	DESCRIPTION	REV
	1001112039	1	VEC BOX HARNESS, (includes all items)	E
1	91504089	1	CONNECTOR	
2	4460464	1	CONTACT	
3	4460508	1	CONTACT	
4	4460466	1	PLUG	
5	4460930	1	CONNECTOR	
5	80604025	1	WEDGE LOCK	
6	4460465	2	TERMINAL	
7	4460742	2	CONNECTOR	
8	4460790	2	TERMINAL	
9	8220089	6	SEAL	
10	4460461	1	CONNECTOR	
11	4460457	2	TERMINAL	
12	4460458	4	SEAL	
13	1001116727	3	PLUG	
14	80484081	1	GREEN CONNECTOR	
15	7026414	4	CONNECTOR LOCK	
16	4460746	4	TERMINAL	
17	1001116747	4	TERMINAL	
18	80484084	1	BLUE CONNECTOR	
19	80484085	1	GRAY CONNECTOR	
20	1001121557	1	BLACK CONNECTOR	
21	1001118282	1	CONNECTOR, (includes item 22)	
22	3740080	1	RELAY	
23	1001116733	1	TERMINAL	
24	91554023	1	PLUG	
25	4460891	1	CONNECTOR	
25	80604018	1	WEDGE LOCK	
26	7026439	1	HOUSING	
27	4460419	1	TERMINAL	
28	4460933	1	CONNECTOR	
28	80604016	1	WEDGE LOCK	

SECTION 10 - ELECTRICAL

FIGURE 10-19. TILT AND AUX CONTROL MODULE (SN 0160040678 to Present)



PY5900

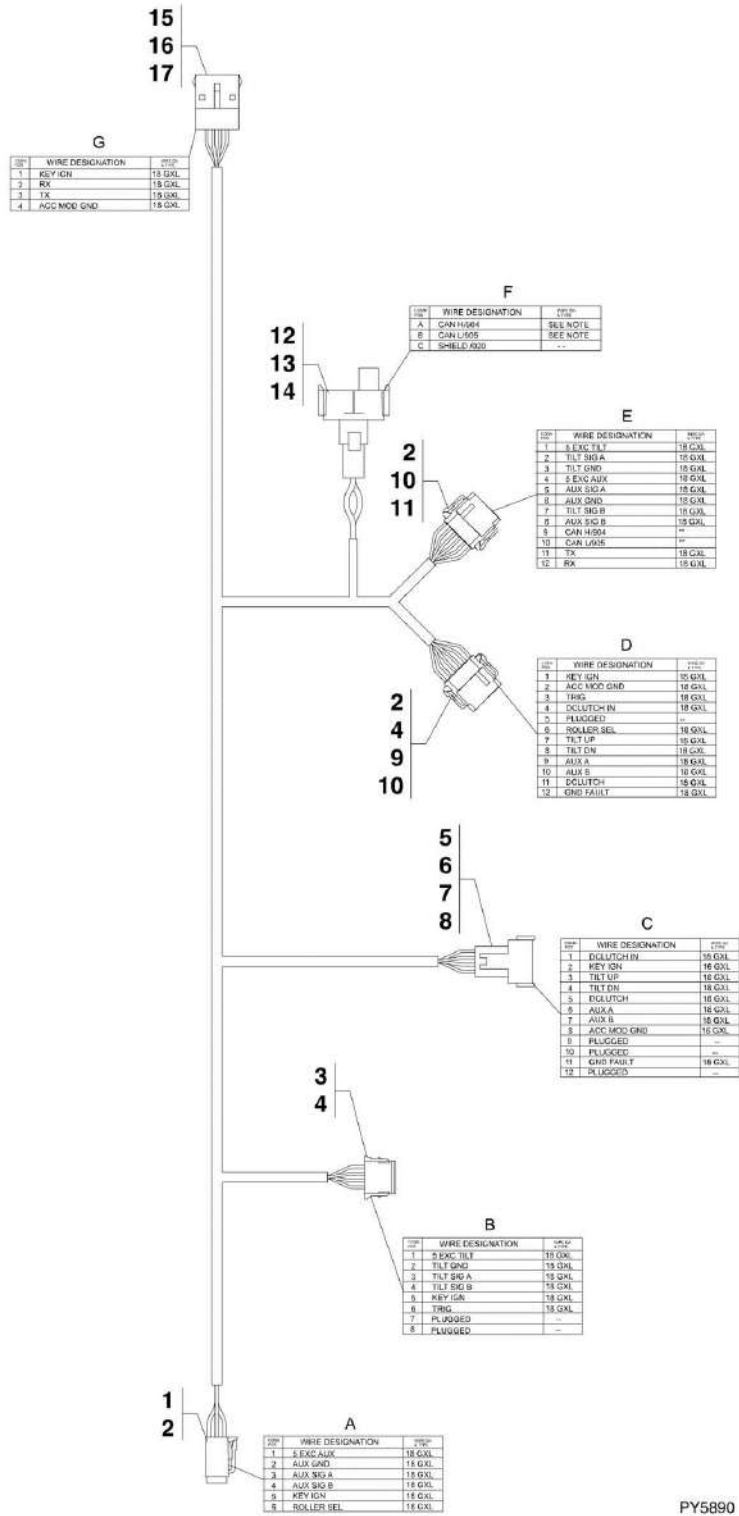
SECTION 10 - ELECTRICAL

FIGURE 10-19. TILT AND AUX CONTROL MODULE (SN 0160040678 to Present)

ITEM	PART NUMBER	QTY	DESCRIPTION	REV
12	4761400	2	LOCKWASHER, 1/4	
16	8310722	2	BUTTON HD CAPSCREW, 1/4-20X1-1/2	
17	10701506	2	HEX NUT, 1/4-20	
18	1001106351	1	TILT AND AUX CONTROL MODULE, (includes items 101 thru 104)	D
21	4711400	2	WASHER, 1/4	
35		Ref	ACCESSORY MODULE HARNESS, (See ACCESSORY MODULE HARNESS for Breakdown)	
101	1001106352	1	ACCESSORY MODULE PC BOARD	
101	4460909	2	MATING CONNECTOR	
101	4460928	2	TERMINAL	
101	4460916	2	PLUG	
102	0861493	1	CIRCUIT CARD BOX	
103	1001106353	1	TILT AND AUX DECAL	
104	1001106354	1	SOFTWARE	
258		Ref	ACCELERATOR BRACKET, (See CONTROLS SECTION for Breakdown)	
259		Ref	VEC BOX ASSY, (See CAB SECTION for Breakdown)	

SECTION 10 - ELECTRICAL

FIGURE 10-20. ACCESSORY MODULE HARNESS (SN 0160040678 to Present)



PY5890

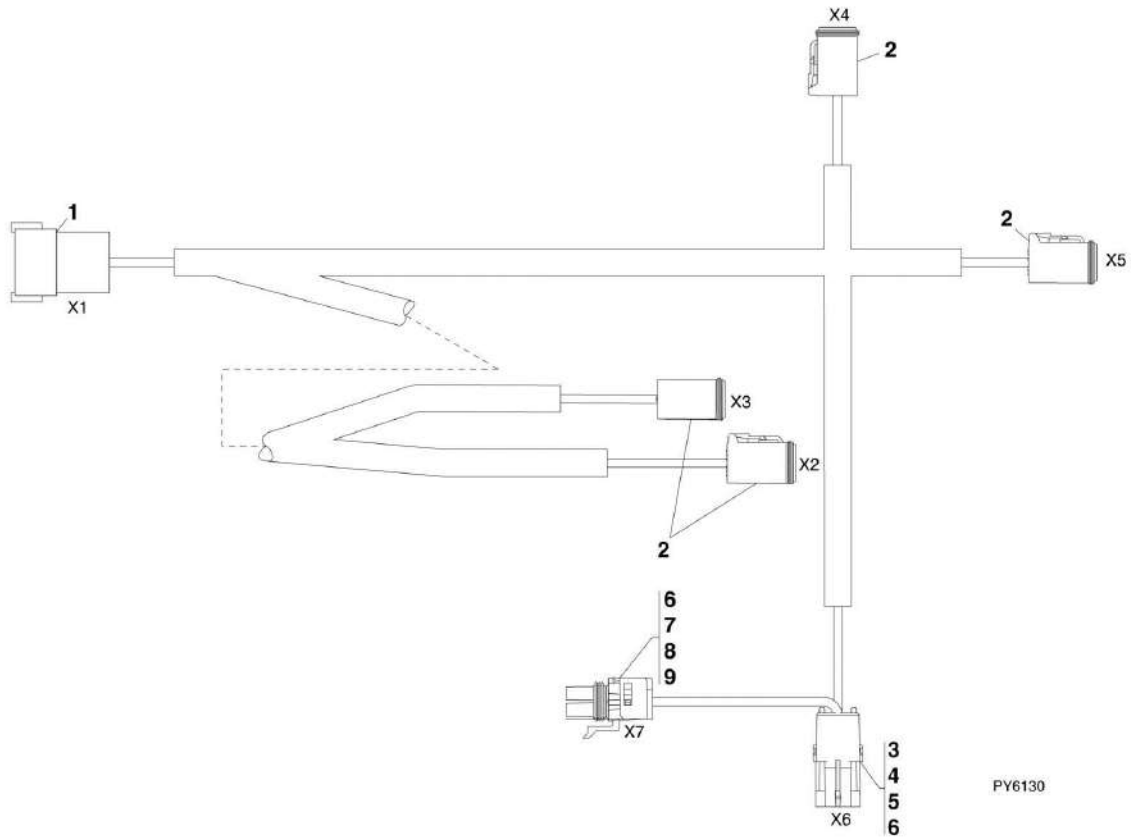
SECTION 10 - ELECTRICAL

FIGURE 10-20. ACCESSORY MODULE HARNESS (SN 0160040678 to Present)

ITEM	PART NUMBER	QTY	DESCRIPTION	REV
	1001111148	1	ACCESSORY MODULE HARNESS, (includes all items)	D
1	1001126007	1	CONNECTOR	
1	N.S.S.	1	LOCK	
1	N.S.S.	1	REAR SEAL	
2	1001116694	4	TERMINAL	
3	70023831	1	CONNECTOR	
3	N.S.S.	1	LOCK	
3	N.S.S.	1	REAR SEAL	
4	4460518	2	TERMINAL	
5	80363178	1	CONNECTOR	
6	80363179	1	SECONDARY LOCK WEDGE	
7	4460464	1	CONNECTOR	
8	4460466	1	TERMINAL	
9	1001116808	1	CONNECTOR	
10	4460915	2	WEDGE LOCK	
11	1001116774	1	CONNECTOR, DTM SERIES PLUG	
12	4460539	1	CONNECTOR, DTM SERIES PLUG	
13	91554019	1	SECONDARY WEDGE LOCK	
14	4460944	1	TERMINAL	
15	1001119032	1	CONNECTOR	
16	4460761	1	CONNECTOR	
17	4460267	1	TERMINAL	

SECTION 10 - ELECTRICAL

FIGURE 10-21. FRAME ROAD LIGHTS HARNESS



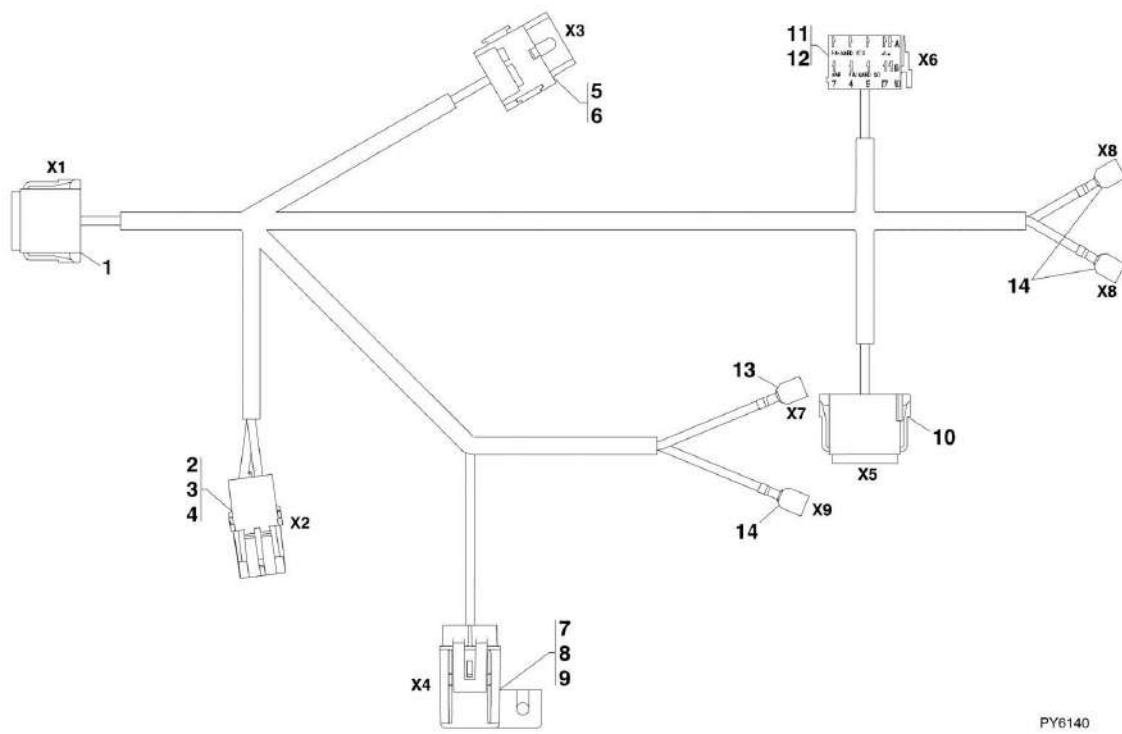
SECTION 10 - ELECTRICAL

FIGURE 10-21. FRAME ROAD LIGHTS HARNESS

ITEM	PART NUMBER	QTY	DESCRIPTION	REV
	1001125385	1	FRAME ROAD LIGHTS HARNESS, (if equipped), (includes all items)	A
1	91503105	1	CONNECTOR	
1	91503106	1	WEDGE LOCK	
2	7026909	4	CONNECTOR	
2	80604023	4	WEDGE LOCK	
3	80963062	1	CONNECTOR	
4	4460789	3	TERMINAL	
5	8220089	1	SEAL	
6	80963070	4	PLUG	
7	80963061	1	CONNECTOR	
8	4460457	2	TERMINAL	
9	4460458	1	SEAL	

SECTION 10 - ELECTRICAL

FIGURE 10-22. CAB ROAD LIGHTS HARNESS



PY6140

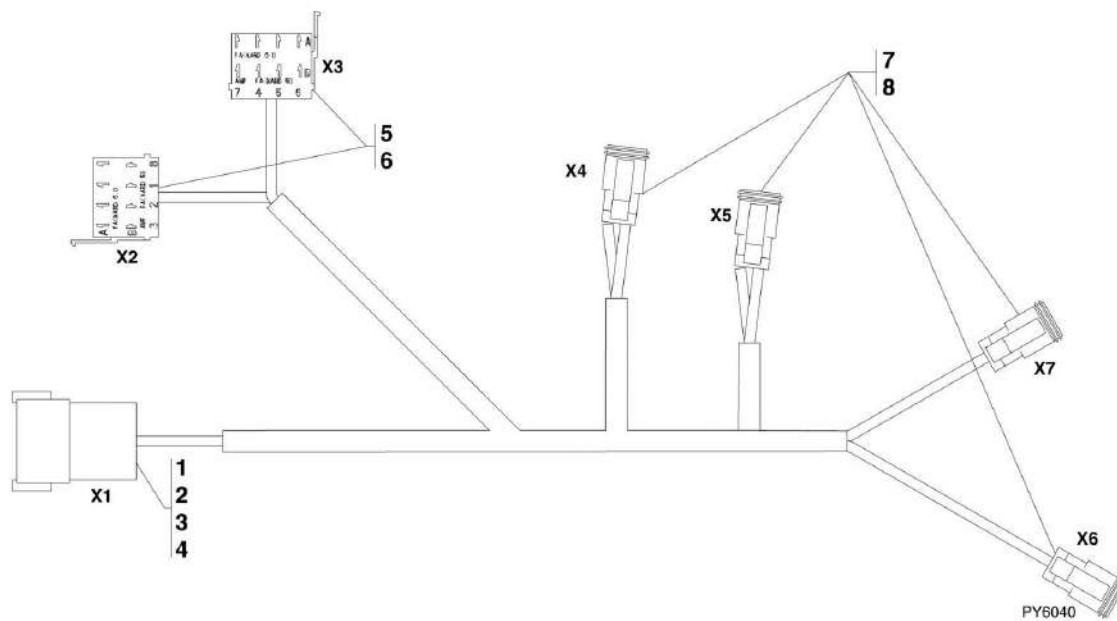
SECTION 10 - ELECTRICAL

FIGURE 10-22. CAB ROAD LIGHTS HARNESS

ITEM	PART NUMBER	QTY	DESCRIPTION	REV
	1001090509	1	CAB ROAD LIGHTS HARNESS, (if equipped), (includes all items)	C
1	4460851	1	CONNECTOR	
1	80604025	1	WEDGE LOCK	
2	4461157	1	CONNECTOR	
3	4460475	2	TERMINAL	
4	8220081	1	SEAL	
5	1001117058	1	CONNECTOR	
6	4460419	2	TERMINAL	
7	1001117018	1	CONNECTOR, (includes 15 amp fuse)	
8	1001116733	2	TERMINAL	
9	7029771	1	COVER	
10	4460934	1	CONNECTOR	
10	80604016	1	WEDGE LOCK	
11	1001117079	1	CONNECTOR	
12	1001118384	7	TERMINAL	
13	N.S.S.	1	1/4 SPADE TERMINAL	
14	N.S.S.	3	1/4 FEMALE TERMINAL	

SECTION 10 - ELECTRICAL

FIGURE 10-23. CAB WORK LIGHT HARNESS



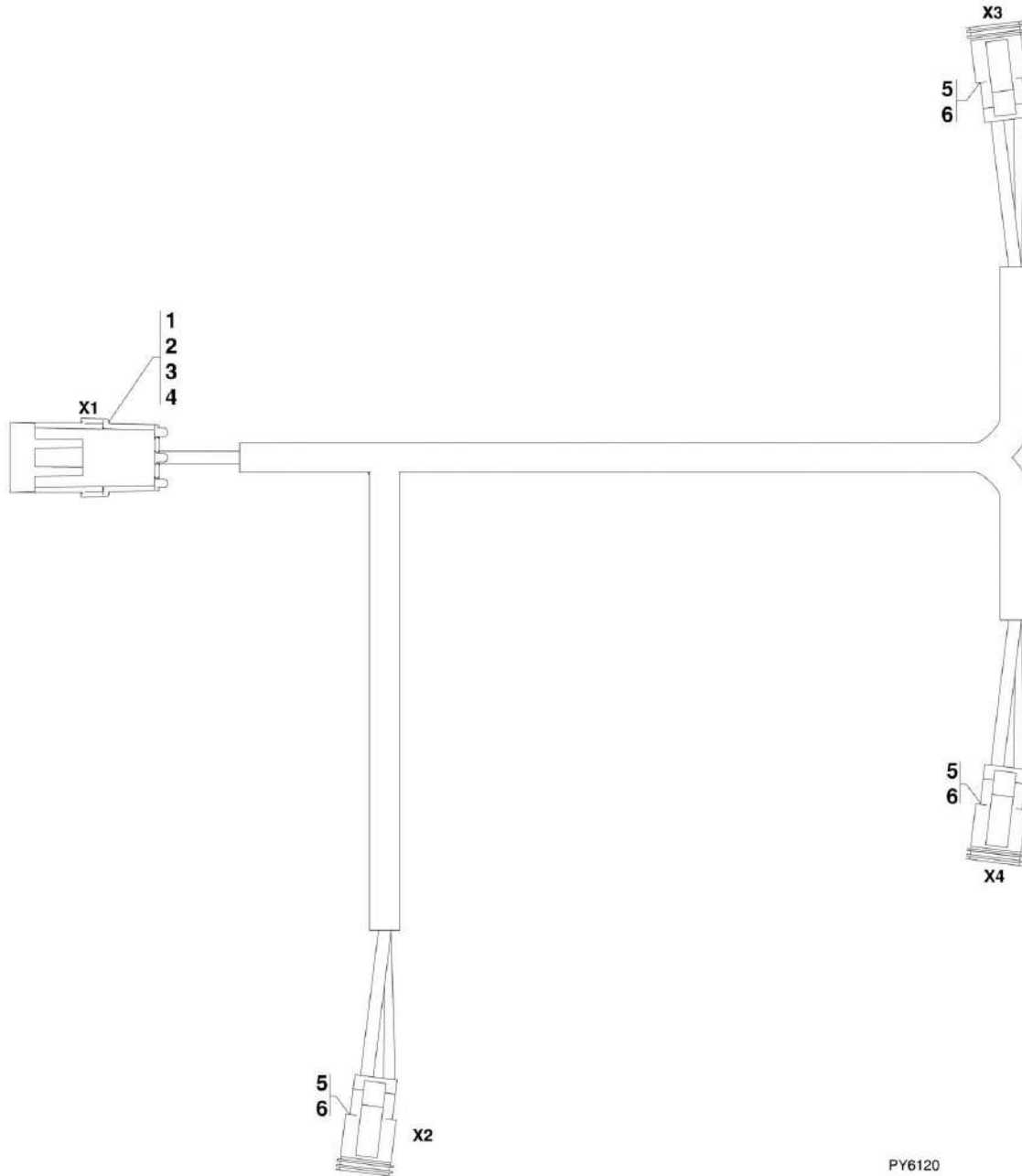
SECTION 10 - ELECTRICAL

FIGURE 10-23. CAB WORK LIGHT HARNESS

ITEM	PART NUMBER	QTY	DESCRIPTION	REV
	1001125384	1	CAB WORK LIGHT HARNESS, (if equipped), (includes all items)	A
1	4460931	1	CONNECTOR	
1	80604025	1	WEDGE LOCK	
2	4460465	2	TERMINAL	
3	4460942	4	TERMINAL	
4	4460466	2	PLUG	
5	7026439	2	CONNECTOR	
6	1001118384	8	TERMINAL	
7	4460891	4	CONNECTOR	
7	80604018	4	WEDGE LOCK	
8	4460942	8	TERMINAL	

SECTION 10 - ELECTRICAL

FIGURE 10-24. BOOM WORK LIGHTS HARNESS



PY6120

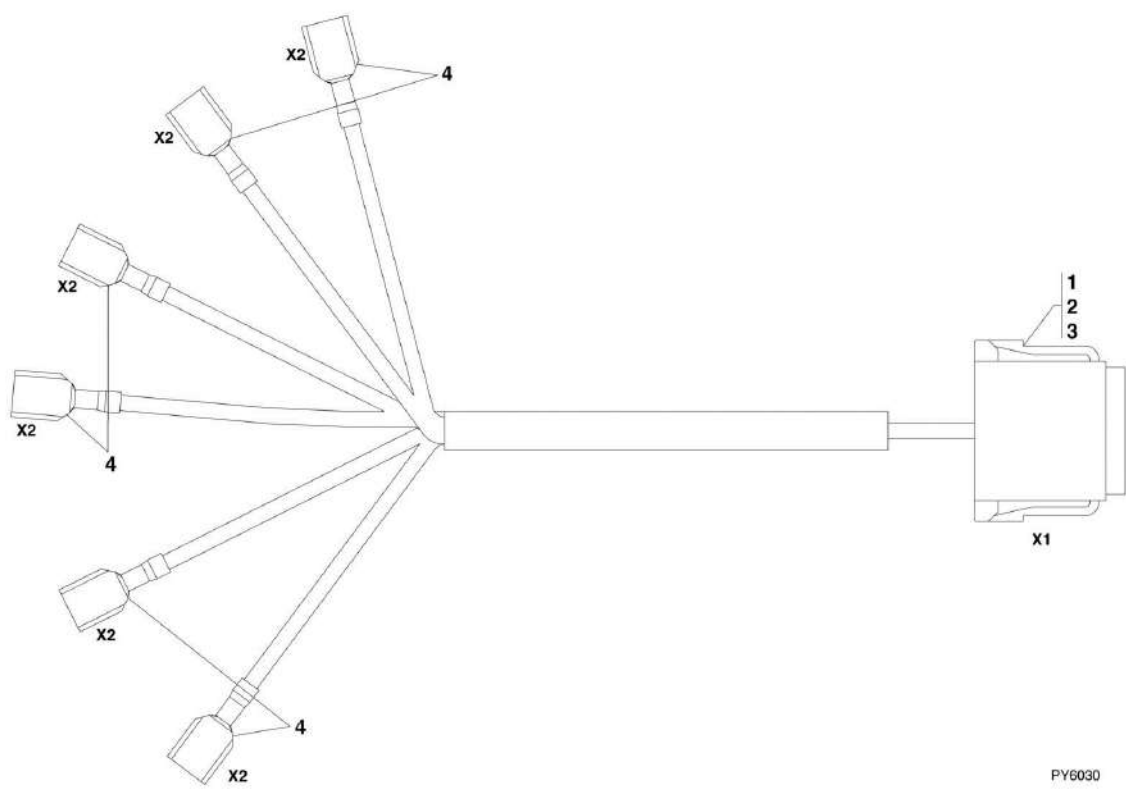
SECTION 10 - ELECTRICAL

FIGURE 10-24. BOOM WORK LIGHTS HARNESS

ITEM	PART NUMBER	QTY	DESCRIPTION	REV
	1001125382	1	BOOM WORK LIGHTS HARNESS, (if equipped), (includes all items)	A
1	80963062	1	CONNECTOR	
2	4460850	2	TERMINAL	
3	4460789	1	SEAL	
4	1001116727	2	PLUG	
5	4460891	3	CONNECTOR KIT	
5	80604018	3	WEDGE LOCK	
6	4460942	6	TERMINAL	

SECTION 10 - ELECTRICAL

FIGURE 10-25. CAB WORK LIGHT AND BEACON LIGHT HARNESS (Prior to SN 0160040678)



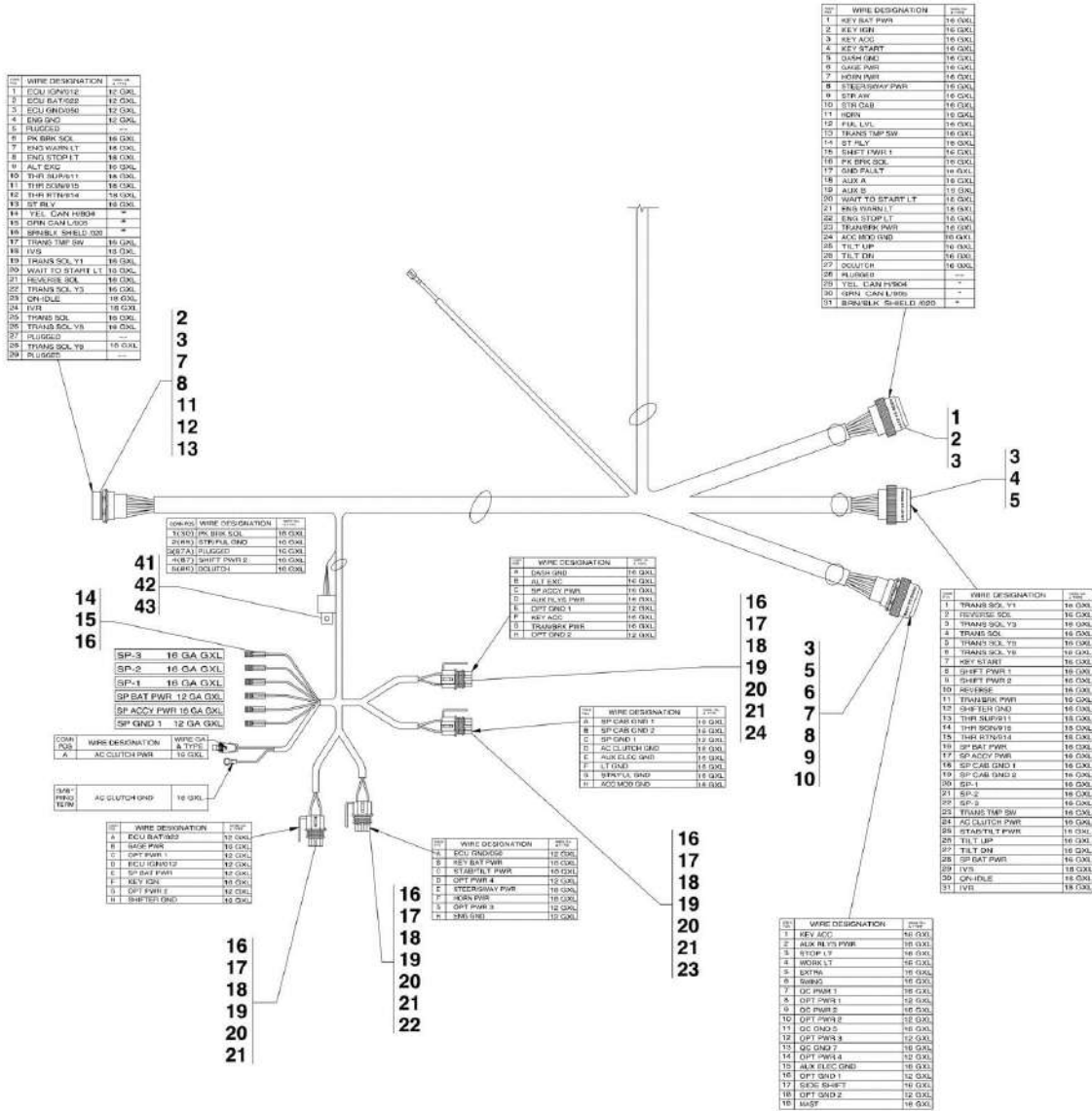
SECTION 10 - ELECTRICAL

FIGURE 10-25. CAB WORK LIGHT AND BEACON LIGHT HARNESS (Prior to SN 0160040678)

ITEM	PART NUMBER	QTY	DESCRIPTION	REV
	1001090507	1	CAB WORK LIGHT AND BEACON LIGHT SWITCH HARNESS, (if equipped), (includes all items)	B
1	4460930	1	CONNECTOR	
1	80604025	1	WEDGE LOCK	
2	N.S.S.	7	TERMINAL	
3	4460466	1	PLUG	
4	N.S.S.	6	TERMINAL, 1/4 FULLY INSULATED	

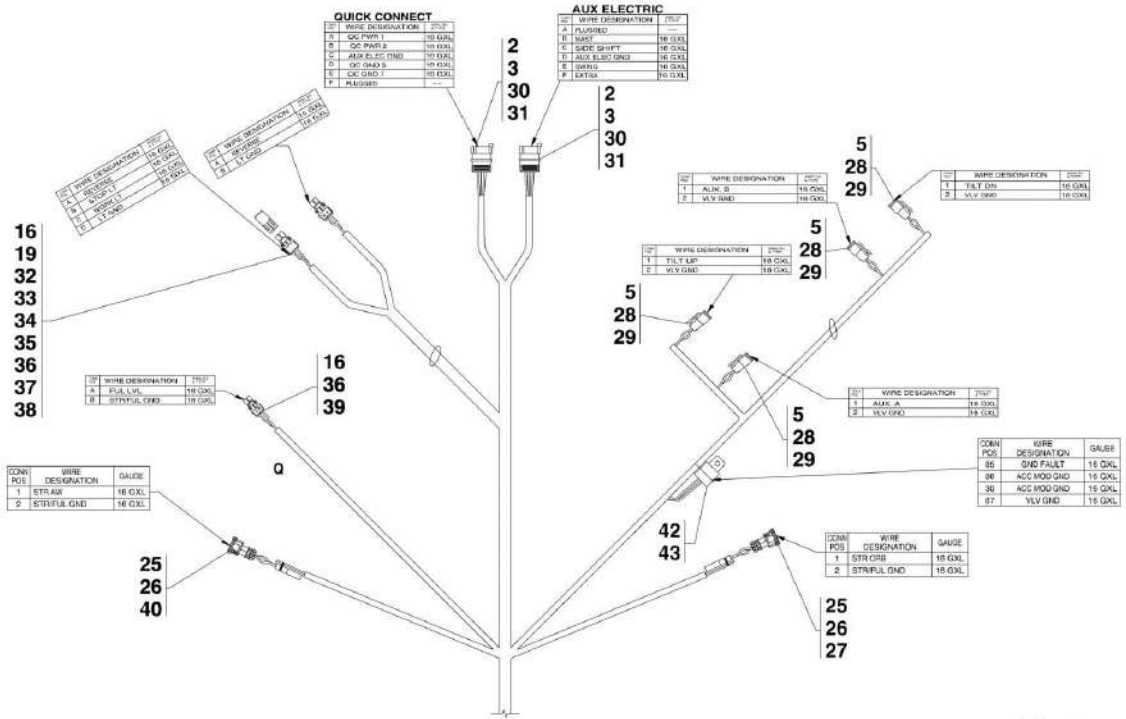
SECTION 10 - ELECTRICAL

FIGURE 10-26. CHASSIS HARNESS (SN 0160040678 to Present)



PAP11240

SECTION 10 - ELECTRICAL



PAP11180

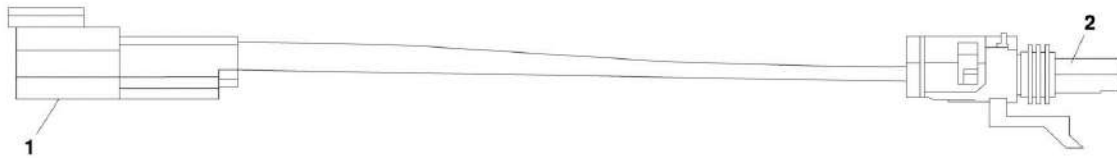
SECTION 10 - ELECTRICAL

FIGURE 10-26. CHASSIS HARNESS (SN 0160040678 to Present)

ITEM	PART NUMBER	QTY	DESCRIPTION	REV
	1001108840	1	CHASSIS HARNESS, (includes all items)	E
1	7026910	1	CONNECTOR	
2	77363228	4	TERMINAL	
3	4460466	6	PLUG	
4	4460502	1	CONNECTOR	
5	77363229	3	CONTACT	
6	7026415	1	CONNECTOR	
7	83481286	2	NUT	
8	83481285	2	LOCKWASHER	
9	77363347	1	CONTACT	
10	4460469	1	CAP	
11	1001116968	1	CONNECTOR	
12	77363345	1	CONTACT	
13	4060518	1	PLUG	
14	80963056	1	CONNECTOR	
15	80963069	1	TERMINAL	
16	80963065	4	SEAL	
17	80484086	1	CONNECTOR	
18	7026414	1	LOCK	
19	4460746	2	TERMINAL	
20	1001116747	1	TERMINAL	
21	80963067	1	SEAL	
22	80484085	1	CONNECTOR	
23	80484084	1	CONNECTOR	
24	80484081	1	CONNECTOR	
25	1001116983	2	CONNECTOR	
26	1001116706	2	TERMINAL	
27	4461006	1	SEAL	
28	7026408	1	CONNECTOR	
29	80604018	1	LOCK	
30	7026413	1	CONNECTOR	
31	7026419	1	CAP	
32	1001117021	1	CONNECTOR	
33	8020890	1	LOCK	
34	4460789	1	SEAL	
35	80963061	1	CONNECTOR	
36	80963068	2	TERMINAL	
37	80963062	1	CONNECTOR	
38	80963070	1	DUST CAP	
39	80963057	1	CONNECTOR	
40	4461006	1	SEAL	
41	3740080	1	RELAY	
42	1001117057	2	CONNECTOR	
43	1001116733	2	TERMINAL	

SECTION 10 - ELECTRICAL

FIGURE 10-27. PARK BRAKE HARNESS



PAP21910

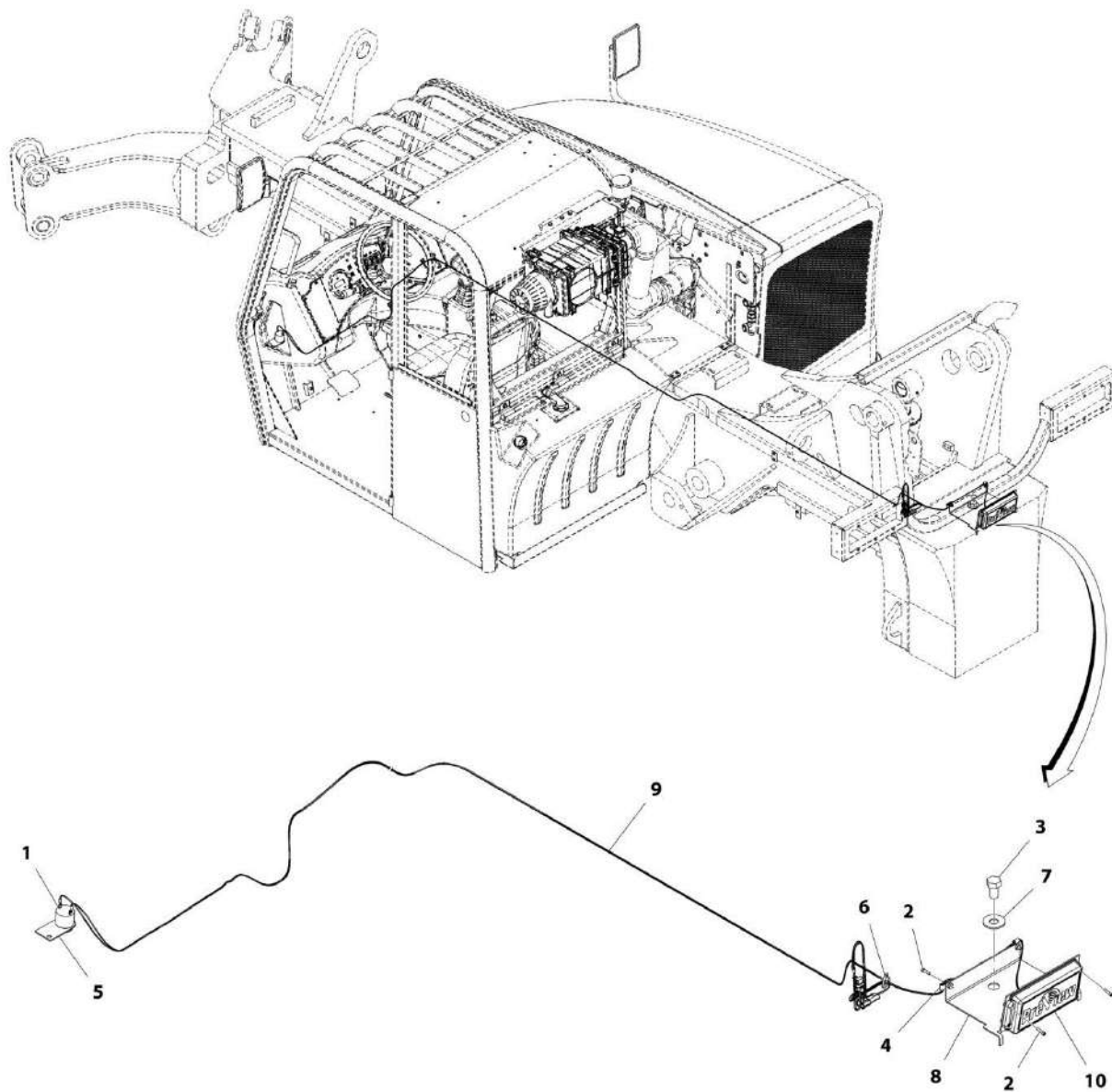
SECTION 10 - ELECTRICAL

FIGURE 10-27. PARK BRAKE HARNESS

ITEM	PART NUMBER	QTY	DESCRIPTION	REV
1	4460897	1	CONNECTOR, (includes rear seal)	
1	80604017	1	WEDGE LOCK	
1	4460464	2	TERMINAL	
2	4460742	1	CONNECTOR	
2	4460458	1	CABLE SEAL	
2	4460457	2	TERMINAL	

SECTION 10 - ELECTRICAL

FIGURE 10-28. REVERSE SENSING SYSTEM INSTALLATION



ART_1001152538-A

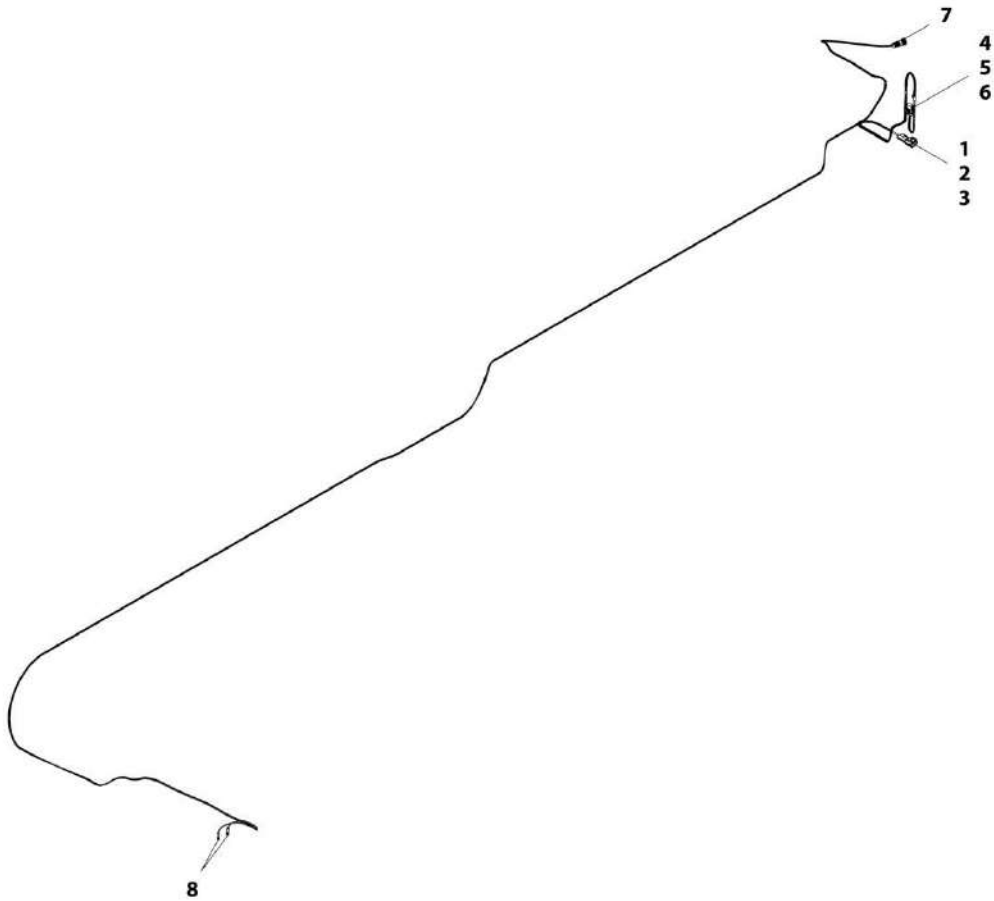
SECTION 10 - ELECTRICAL

FIGURE 10-28. REVERSE SENSING SYSTEM INSTALLATION

ITEM	PART NUMBER	QTY	DESCRIPTION	REV
	1001152538	Ref	REVERSE SENSING SYSTEM INSTALLATION	A
1	0140011	1	AUDIBLE SIGNAL DEVICE	
2	3931012	6	BOLT, 10-24X3/4	
3	0642210	1	HEX HD CAPSCREW, 3/4-10X1-1/4, GR5	
4	1320136	2	CLAMP, CABLE	
5	1001182662	1	BRACKET, AUDIBLE ALARM	
6	4240033	AR	STRAP, TIE	
7	4752200	1	WASHER, 3/4	
8	1001152220	1	BRACKET, BACKUP SENSOR	
9	1001153084	1	HARNES, REVERSE SENSOR, (See Separate Breakdown in this Section)	
10	1001182358	1	CONTROL, REVERSE SENSOR	

SECTION 10 - ELECTRICAL

FIGURE 10-29. REVERSE SENSOR HARNESS



ART_1001153084-B

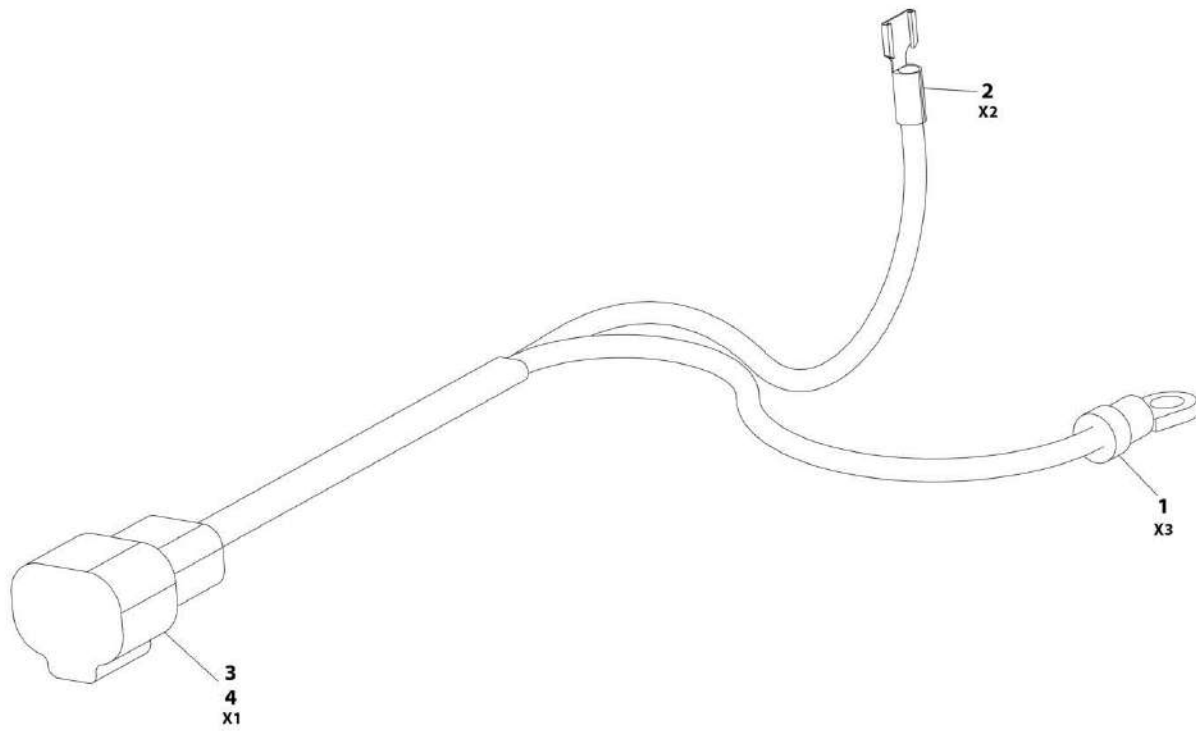
SECTION 10 - ELECTRICAL

FIGURE 10-29. REVERSE SENSOR HARNESS

ITEM	PART NUMBER	QTY	DESCRIPTION	REV
	1001153084	Ref	REVERSE SENSOR HARNESS	B
1	1001117021	1	CONNECTOR	
2	1001116728	2	TERMINAL	
3	4460458	2	TERMINAL, SEAL	
4	1001117026	1	CONNECTOR	
5	1001116745	2	TERMINAL	
6	4460458	2	TERMINAL, SEAL	
7	1001175733	1	CONNECTOR	
8	1001098122	2	TERMINAL, RING	

SECTION 10 - ELECTRICAL

FIGURE 10-30. WIPER MOTOR HARNESS



ART_1001093828-A

SECTION 10 - ELECTRICAL

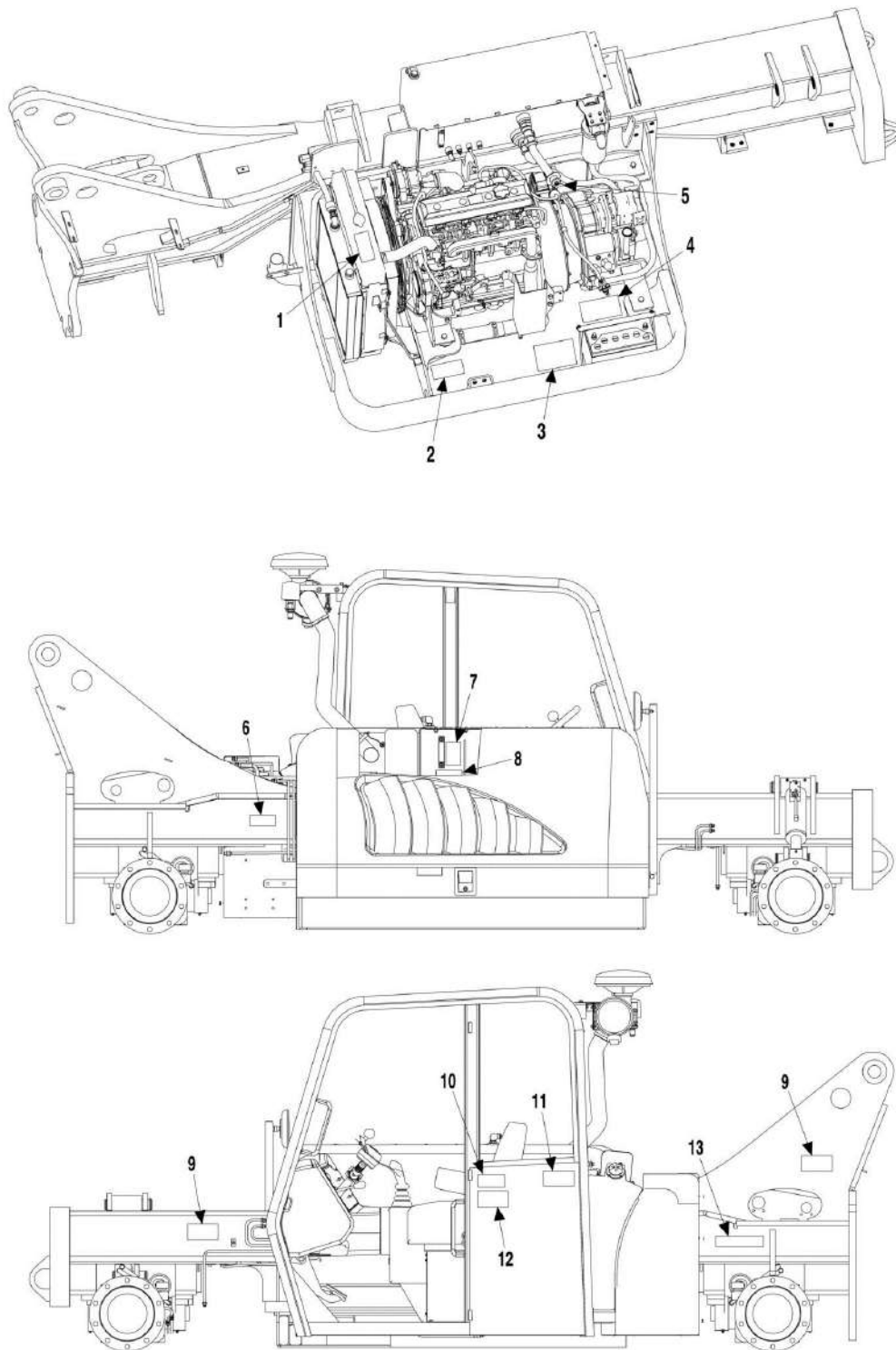
FIGURE 10-30. WIPER MOTOR HARNESS

ITEM	PART NUMBER	QTY	DESCRIPTION	REV
	1001093828	Ref	WIPER MOTOR HARNESS	A
1	4460042	1	TERMINAL	
2	4460185	1	TERMINAL	
3	4460464	2	TERMINAL	
4	4460897	1	TERMINAL	

SECTION 11 - DECALS

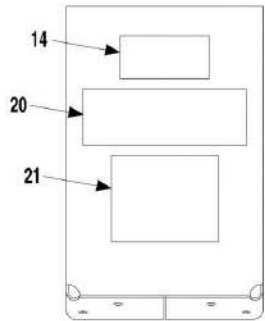
SECTION 11 - DECALS

FIGURE 11-1. CAB AND FRAME DECALS (SN 0190001 through 0190457, SN 016000022 through 0160003959)

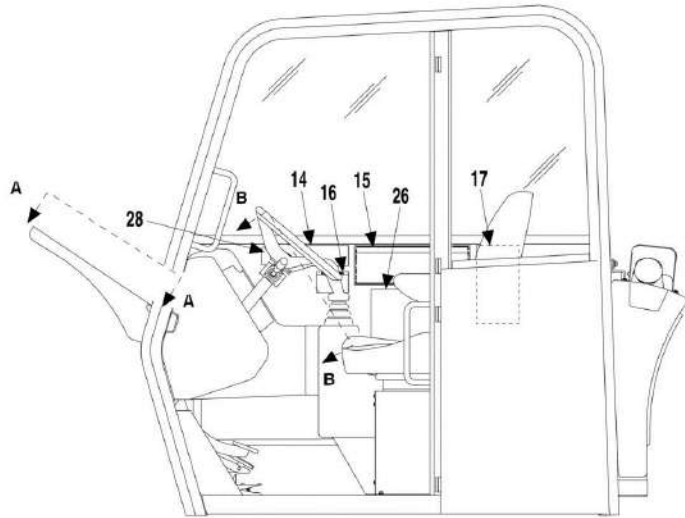


PY3250

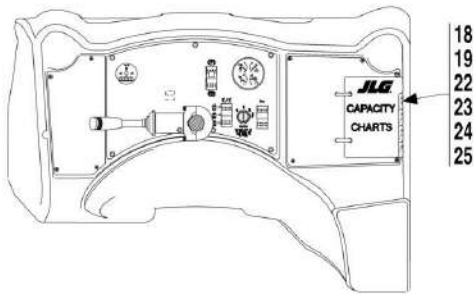
SECTION 11 - DECALS



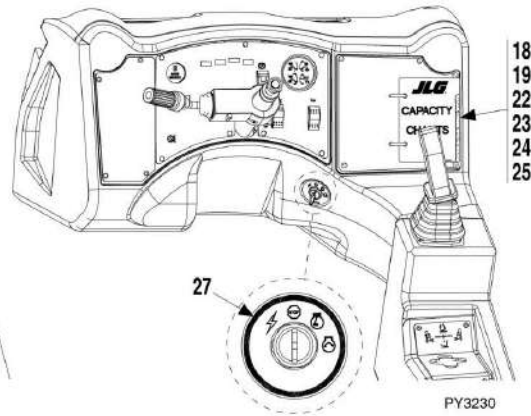
VIEW A - A



VIEW B - B
SN 0190001 through 0160001277



VIEW B - B
SN 0160001283 through 0160003959



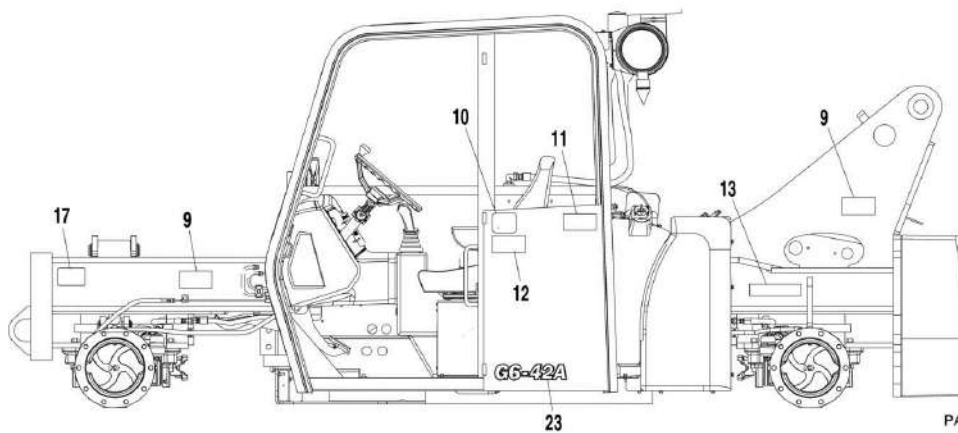
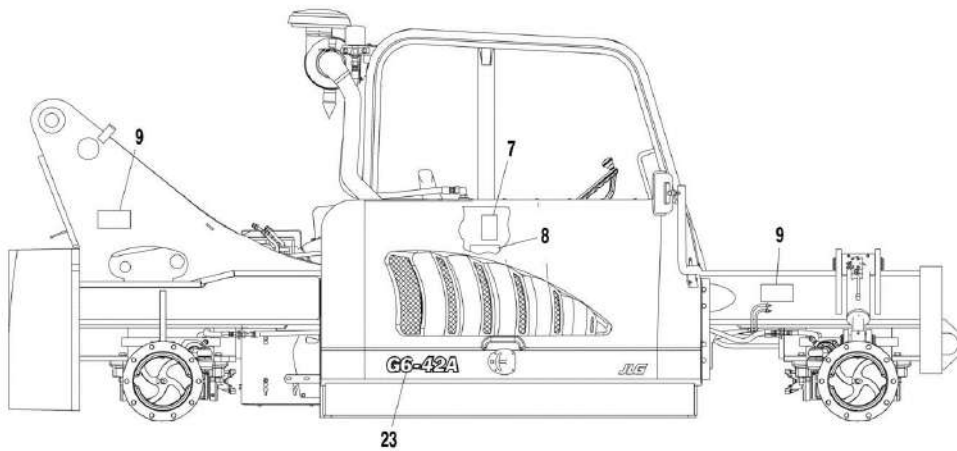
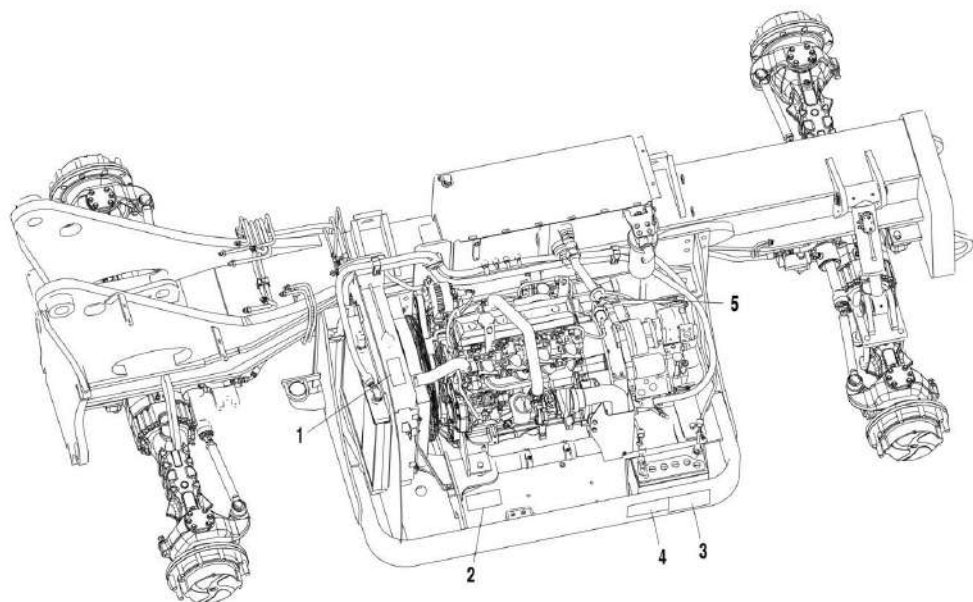
SECTION 11 - DECALS

FIGURE 11-1. CAB AND FRAME DECALS (SN 0190001 through 0190457, SN 016000022 through 0160003959)

ITEM	PART NUMBER	QTY	DESCRIPTION	REV
1	80603026	1	CAUTION DECAL	
2	91143281	1	WARNING DECAL	
3	91143285	1	INSTRUCTION DECAL	
4	91143284	1	WARNING DECAL	
5	91403573	1	HYDRAULIC FLUID DECAL	
6	91143280	1	WARNING DECAL	
7	91403569	1	OIL LEVEL DECAL	
8	91143288	1	HYDRAULIC OIL LEVEL	
9	91143282	4	WARNING DECAL	
10	77333027	1	USA DECAL	
11	91143286	1	WARNING DECAL	
12	91143283	1	WARNING DECAL	
13	91083492	1	OIL WARNING DECAL	
14	91323030	2	WARNING DECAL	
15	90553028	1	WARNING DECAL	
16	91503102	1	BOOM OPERATION DECAL	
17	N.S.S.	1	SN PLATE	
18	91403618	1	LOAD CHART COVER	
19	91473139	1	CARRIAGE CHART	
20	90553027	1	WARNING DECAL	
21	80603022	1	DANGER DECAL	
22	91473162	1	CAPACITY CHART	
23	91473171	1	CAPACITY CHART	
24	91473176	1	CAPACITY CHART	
25	91473177	1	CAPACITY CHART	
26	91473123	1	SERVICE INSTRUCTION PLATE (SN 0190001 through 0160000843)	
26	91473217	1	SERVICE INSTRUCTION PLATE (SN 0160000847 through 0160003959)	
27	91413061	1	IGNITION SWITCH DECAL (SN 0160001283 through 0160003959)	
28	91343016	1	CAUTION DECAL (SN 0160003613 through 0160003959)	

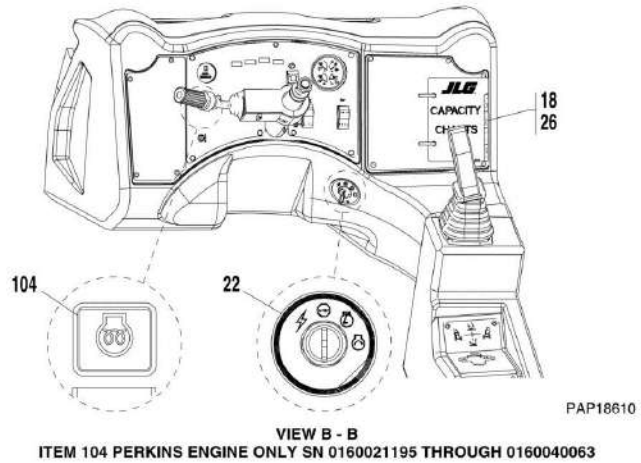
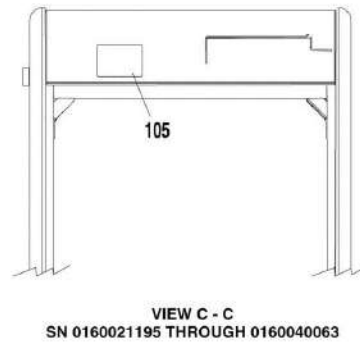
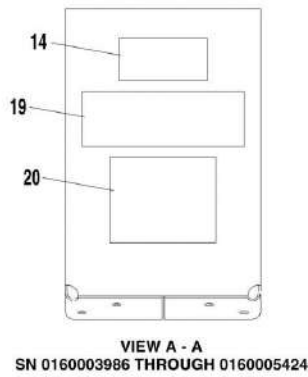
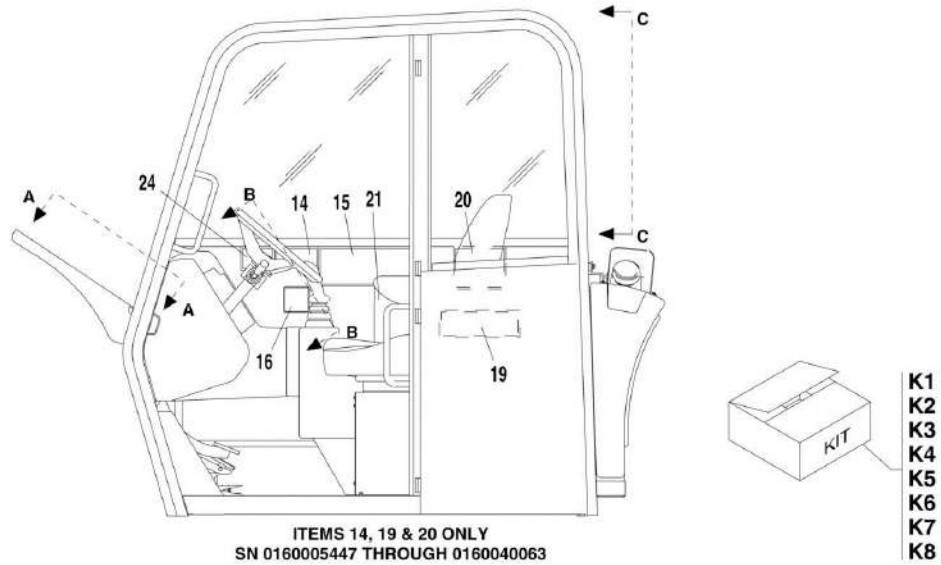
SECTION 11 - DECALS

FIGURE 11-2. CAB AND FRAME DECALS (SN 016003986 through 016004063)



PAP22190

SECTION 11 - DECALS



SECTION 11 - DECALS

FIGURE 11-2. CAB AND FRAME DECALS (SN 0160003986 through 0160040063)

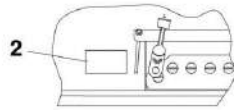
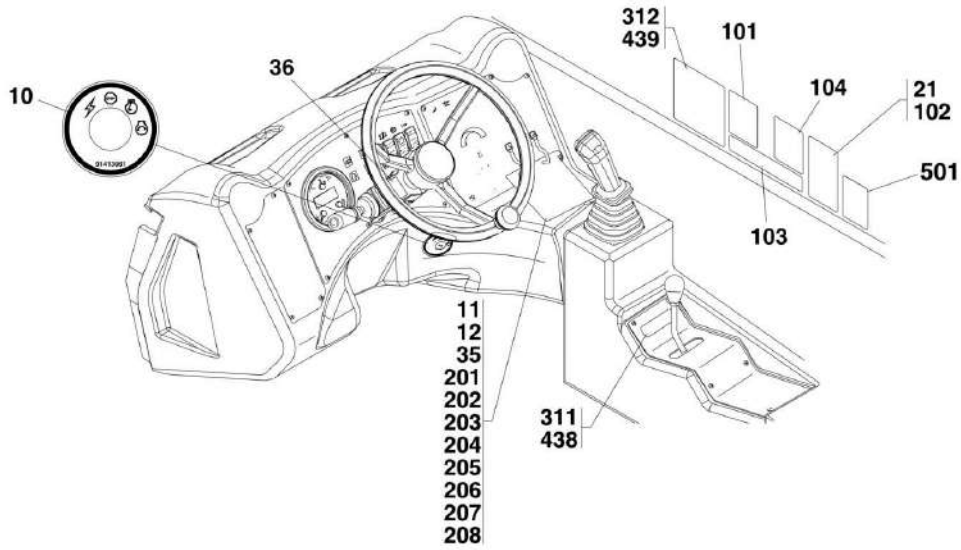
ITEM	PART NUMBER	QTY	DESCRIPTION	REV
1	80603026	1	CAUTION DECAL	
2	91143281	1	WARNING DECAL	
3	91143285	1	INSTRUCTION DECAL	
4	91143284	1	WARNING DECAL	
5	91403573	1	HYDRAULIC FLUID DECAL	
7	91403569	1	OIL LEVEL DECAL	
8	91143288	1	HYDRAULIC OIL LEVEL	
9	91143282	4	WARNING DECAL	
10	3251813	1	USA DECAL	
11	91143286	1	WARNING DECAL	
12	91143283	1	WARNING DECAL	
13	91083492	1	OIL WARNING DECAL	
14	91323030	2	WARNING DECAL (SN 0160003986 through 0160005424)	
14	91323030	1	WARNING DECAL (SN 0160005447 through 0160040063)	
15	90553028	1	WARNING DECAL	
16	91503102	1	BOOM OPERATION DECAL	
17	N.S.S.	1	SN PLATE	
18	91403618	1	LOAD CHART COVER	
19	90553027	1	WARNING DECAL	
20	80603022	1	DANGER DECAL	
21	91473217	1	SERVICE INSTRUCTION PLATE	
22	91413061	1	IGNITION SWITCH DECAL	
23	1706189	2	G6-42A DECAL (SN 0160006238 through 0160040063)	
24	91343016	1	CAUTION DECAL	
25	1704885	1	WEBSITE DECAL (SN 0160006238 through 0160040063)	
26	91473139	1	CAPACITY CHART, STD CARRIAGE (Prior to SN 0160037722)	
26	1001106033	1	CAPACITY CHART, STD CARRIAGE (SN 0160037722 through 0160040063)	
26	91473162	1	CAPACITY CHART (Prior to SN 0160037722)	
26	1707159	1	CAPACITY CHART, GRAPPLE BUCKET, 96 IN (Prior to SN 0160037722)	
26	91473171	1	CAPACITY CHART, SWING/TILT CARRIAGE (Prior to SN 0160037722)	
26	1001106083	1	CAPACITY CHART, SWING/TILT CARRIAGE (SN 0160037722 through 0160040063)	
26	91473176	1	CAPACITY CHART (Prior to SN 0160037722)	
26	91473177	1	CAPACITY CHART, BUCKET/TRUSS BOOM (Prior to SN 0160037722)	
26	1001106133	1	CAPACITY CHART, BUCKET/TRUSS BOOM (SN 0160037722 through 0160040063)	
104	1001090005	1	ENGINE PREHEAT DECAL (SN 0160021195 through 0160040063)	
105	1706300	1	WARNING DECAL (SN 0160021195 through 0160040063)	
K1	91475050	Ref	DECAL KIT, (includes items 1 thru 16 & 19 thru 25 & items 2, 6 thru 9, 101 & 102 on BOOM DECALS) (SN 0160006238 through 0160040063)	F
K2	91475080	1	DECAL KIT, (Spanish)	
K3	91475104	1	DECAL KIT, (Portuguese)	
K4	91515073	1	NES DECAL KIT	
K5	91475063	1	SUN BELT RENTALS DECAL KIT	
K6	91515055	1	UNITED RENTALS DECAL KIT	
K7	91515074	1	H & E RENTALS DECAL KIT	

SECTION 11 - DECALS

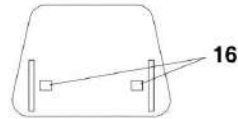
ITEM	PART NUMBER	QTY	DESCRIPTION	REV
K8	1001094529	1	RSC DECAL KIT	

SECTION 11 - DECALS

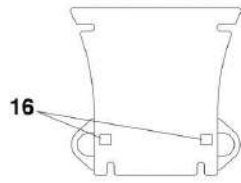
FIGURE 11-3. CAB AND FRAME DECALS (SN 0160040169 to Present)



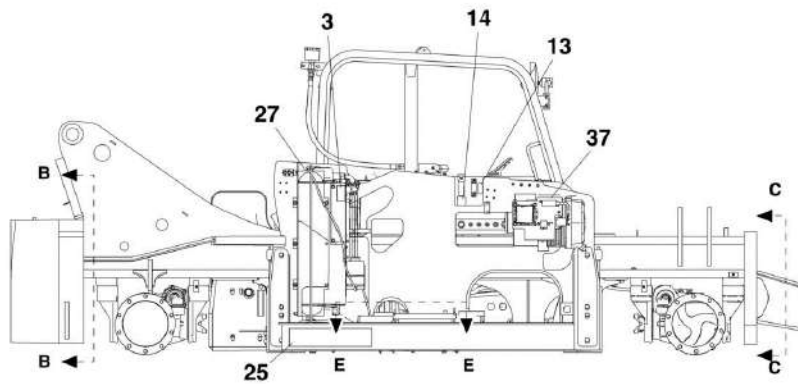
VIEW E-E



VIEW C-C

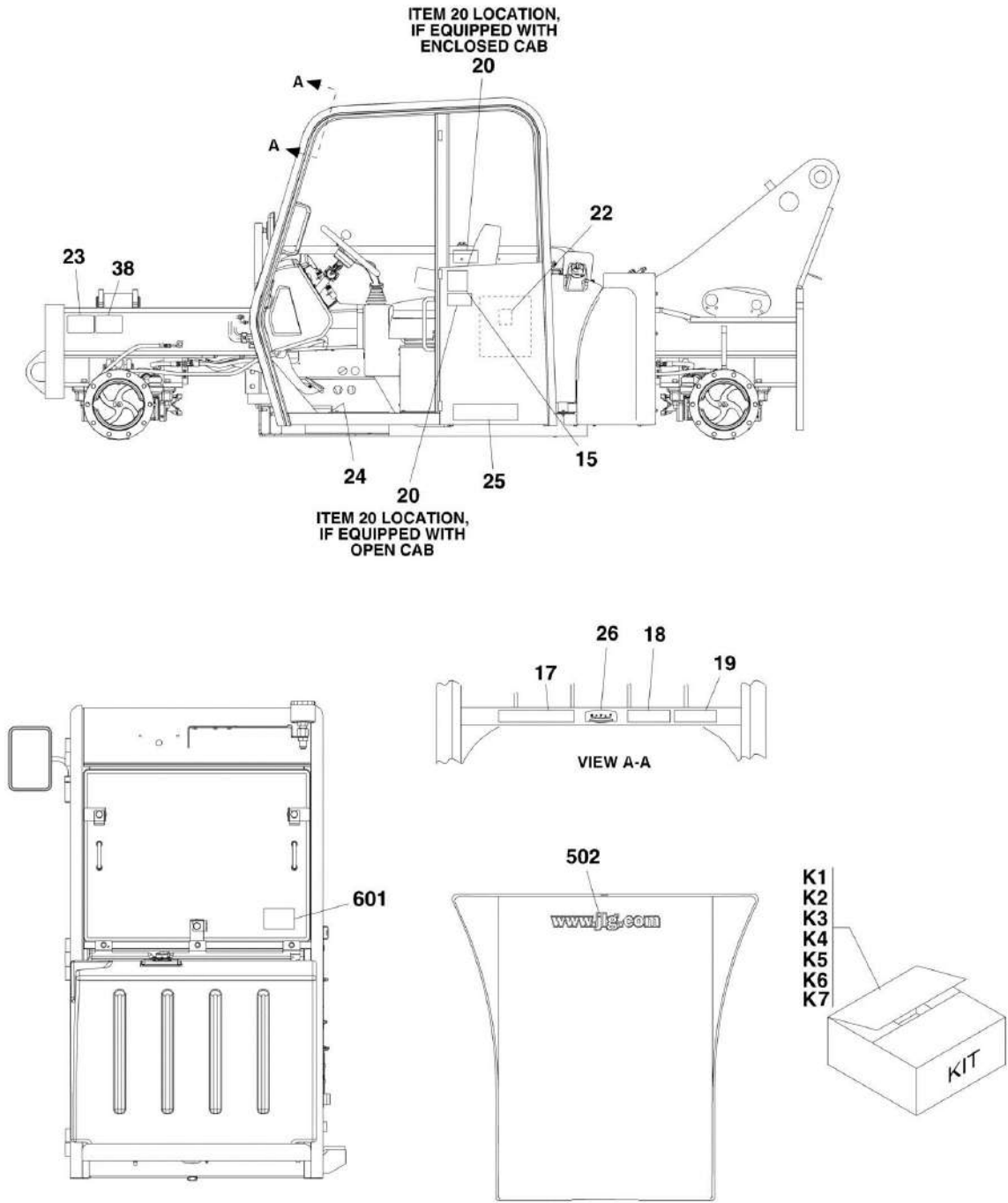


VIEW B-B



ART_91474001-11-3_1

SECTION 11 - DECALS



ART_91474001-11-3_2

SECTION 11 - DECALS

FIGURE 11-3. CAB AND FRAME DECALS (SN 0160040169 to Present)

ITEM	PART NUMBER	QTY	DESCRIPTION	REV
	1001112807	Ref	DECAL KIT INSTALLATION, ANSI, (if equipped), (not available to order, see items 1 thru 38 for service)	
	1001112808	Ref	DECAL KIT INSTALLATION, ISO, (if equipped), (not available to order, see items 1 thru 38 for service)	D
1		Ref	CARRY PERSONNEL DECAL, ANSI, (not shown), (See BOOM DECALS for Breakdown)	
1		Ref	CARRY PERSONNEL DECAL, ISO, (not shown), (See BOOM DECALS for Breakdown)	
2	1706296	1	BATTERY DECAL, ANSI	
2	1706281	1	BATTERY DECAL, ISO	
3	1706301	1	ROTATING PARTS DECAL, ANSI	
3	1706285	1	ROTATING PARTS DECAL, ISO	
5		Ref	BOOM HOLES PINCH POINT DECAL, (not shown), (See BOOM DECALS for Breakdown)	
10	91413061	1	IGNITION SWITCH DECAL	
11	1001130782	1	LUBRICATION CHART DECAL	
12	1001130802	1	MAINTENANCE CHART DECAL	
13	91563220	1	OIL LEVEL DECAL	
14	4100181	1	HYDRAULIC OIL DECAL	
15	3251813	1	USA DECAL	
16	4109801	4	TIE-DOWN DECAL	
17	1706306	1	TIP-OVER DECAL, ANSI	
17	1706288	1	TIP-OVER DECAL, ISO	
18	1706299	1	ELECTROCUTION HAZARD DECAL, ANSI	
18	1706284	1	ELECTROCUTION HAZARD DECAL, ISO	
19	1706850	1	CRUSH HAZARD WARNING DECAL, ANSI	
19	1001092877	1	CRUSH HAZARD WARNING DECAL, ISO	
20	1706768	1	NO RIDERS DECAL, ANSI	
20	1001092878	1	NO RIDERS DECAL, ISO	
21	1001115205	1	RIGHT SIDE DASH DECAL KIT, ANSI, (includes items 101 thru 104)	1
21	1001115206	1	RIGHT SIDE DASH DECAL KIT, ISO, (includes items 101 thru 104)	1
22	1701640	1	MANUAL DECAL	
23	N.S.S.	1	SN PLATE	
24	91473210	1	NON SKID FLOOR	
25	1706189	2	G6-42A DECAL	
26		Ref	TILT GAUGE, (with adhesive), (See FRAME AND ATTACHING PARTS SECTION for Breakdown)	
27	1001109053	1	COOLANT FILL DECAL	
28		Ref	BOOM ANGLE INDICATOR DECAL, (not shown), (See BOOM DECALS for Breakdown)	
29		Ref	PENDULUM, (not shown), (See BOOM DECALS for Breakdown)	
30		Ref	GOOSENECK DECAL, 6, (not shown), (See BOOM DECALS for Breakdown)	
31		Ref	BOOM ANGLE INDICATOR SPACER SLEEVE, (not shown), (See BOOM DECALS for Breakdown)	
32		Ref	WASHER, 3/8, (not shown), (See BOOM DECALS for Breakdown)	
33		Ref	HEX LOCKNUT, 3/8-16, (not shown), (See BOOM DECALS for Breakdown)	
34		Ref	BOOM NUMBERS DECAL, (not shown), (See BOOM DECALS for Breakdown)	

SECTION 11 - DECALS

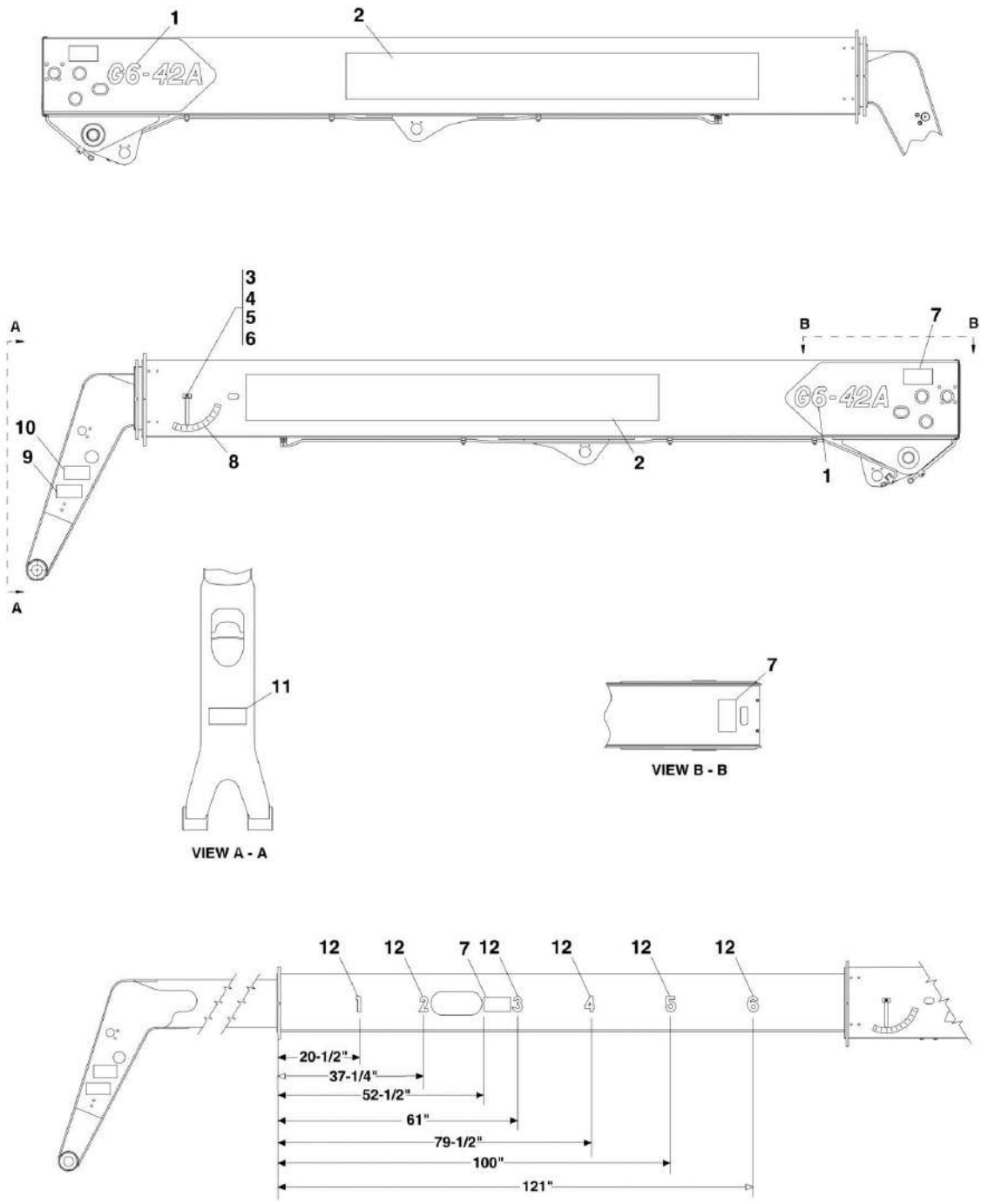
ITEM	PART NUMBER	QTY	DESCRIPTION	REV
35	1001130920	1	MAINTENANCE CHART DECAL	
36	91163028	1	SHIFTER DECAL	
37	1706300	1	ETHER STARTING WARNING DECAL, ANSI	
37	1706098	1	ETHER STARTING WARNING DECAL, ISO	
38	1001131271	1	PATENT TELEHANDLERS DECAL	
101	1706851	1	DO NOT JUMP WARNING DECAL, ANSI	
101	1706283	1	DO NOT JUMP WARNING DECAL, ISO	
102	1706304	1	RUN OVER DECAL, ANSI	
102	1706293	1	RUN OVER DECAL, ISO	
103	1706303	1	READ MANUAL DECAL, ANSI	
103	1706287	1	READ MANUAL DECAL, ISO	
104	1706767	1	ROLL-OVER WARNING DECAL, ANSI	
104	1706289	1	ROLL-OVER WARNING DECAL, ISO	
201	1001106001	1	CAPACITY CHART BOOKLET, ANSI (SN 0160040169 through 0160040659)	B
201	1001110714	1	CAPACITY CHART COVER	
201	1001106033	1	STANDARD CARRIAGE CAPACITY CHART	
201	1001106058	1	SIDE TILT CARRIAGE CAPACITY CHART	
201	1001106083	1	SWING CARRIAGE CAPACITY CHART	
201	1001106108	1	102 IN BUCKET CAPACITY CHART	
201	1001106133	1	15 FT TRUSS BOOM CAPACITY CHART	
201	1001156118	1	STANDARD CARRIAGE LIFT LUG CAPACITY CHART	
202	1001130793	1	CAPACITY CHART BOOKLET, ANSI (SN 0160040678 to Present)	B
202	1001130794	1	CAPACITY CHART COVER	
202	1001130795	NLA	STANDARD CARRIAGE CAPACITY CHART, (no longer available, use 1001150773 for replacement)	
202	1001150773	1	STANDARD CARRIAGE CAPACITY CHART	
202	1001130796	1	SIDE TILT CARRIAGE CAPACITY CHART	
202	1001130797	1	SWING CARRIAGE CAPACITY CHART	
202	1001130798	1	102 IN BUCKET CAPACITY CHART	
202	1001130799	1	15 FT TRUSS BOOM CAPACITY CHART	
202	1001150774	1	STANDARD CARRIAGE LIFT LUG CAPACITY CHART	
203	1001112810	1	CAPACITY CHART BOOKLET, ISO (SN 0160040169 through 0160040659)	B
203	1001119864	1	CAPACITY CHART COVER	
203	1001112811	1	STANDARD CARRIAGE CAPACITY CHART	
203	1001119865	1	SIDE TILT CARRIAGE CAPACITY CHART	
203	1001112813	1	SWING CARRIAGE CAPACITY CHART	
203	1001119866	1	102 IN BUCKET CAPACITY CHART	
203	1001112814	1	15 FT TRUSS BOOM CAPACITY CHART	
203	1001156123	1	STANDARD CARRIAGE LIFT LUG CAPACITY CHART	
204	1001131185	1	CAPACITY CHART BOOKLET, ISO (SN 0160040678 to Present)	C
204	1001131186	1	CAPACITY CHART COVER	
204	1001131187	NLA	STANDARD CARRIAGE CAPACITY CHART, (no longer available, use 1001150775 for replacement)	
204	1001150775	1	STANDARD CARRIAGE CAPACITY CHART	
204	1001131188	1	SIDE TILT CARRIAGE CAPACITY CHART	
204	1001131189	1	SWING CARRIAGE CAPACITY CHART	
204	1001131190	1	102 IN BUCKET CAPACITY CHART	
204	1001131191	1	15 FT TRUSS BOOM CAPACITY CHART	
204	1001150776	1	STANDARD CARRIAGE LIFT LUG CAPACITY CHART	
205	1001110401	1	CAPACITY CHART BOOKLET, ANSI, (if equipped) (SN	B

SECTION 11 - DECALS

ITEM	PART NUMBER	QTY	DESCRIPTION	REV
			0160040169 through 0160040659)	
205	1001106187	1	BUCKET CAPACITY CHART	
205	1001106222	1	12 FT TRUSS BOOM CAPACITY CHART	
205	1001106292	1	8 FT VERTICAL MAST CAPACITY CHART	
205	1001156126	1	SIDE SHIFT CAPACITY CHART	
206	1001130739	1	CAPACITY CHART BOOKLET, ANSI, (if equipped) (SN 0160040678 to Present)	C
206	1001130740	1	BUCKET CAPACITY CHART	
206	1001130741	1	12 FT TRUSS BOOM CAPACITY CHART	
206	1001130742	1	8 FT VERTICAL MAST CAPACITY CHART	
206	1001146987	1	SIDESHIFT CAPACITY CHART	
206	1001189107	1	TRUSS BOOM CAPACITY CHART	
207	1001112815	1	CAPACITY CHART BOOKLET, ISO,(if equipped) (SN 0160040169 through 0160040659)	B
207	1001112816	1	BUCKET CAPACITY CHART	
207	1001112817	1	12 FT TRUSS BOOM CAPACITY CHART	
207	1001122819	1	8 FT VERTICAL MAST CAPACITY CHART	
207	1001156131	1	SIDE SHIFT CAPACITY CHART	
208	1001130743	1	CAPACITY CHART BOOKLET, ISO, (if equipped) (SN 0160040678 to Present)	D
208	1001130744	1	BUCKET CAPACITY CHART	
208	1001130745	1	12 FT TRUSS BOOM CAPACITY CHART	
208	1001130746	1	8 FT VERTICAL MAST CAPACITY CHART	
208	1001146988	1	SIDESHIFT CAPACITY CHART	
208	1001191280	1	TRUSS BOOM CAPACITY CHART	
311	1001108836	1	TILT/FRAME LEVEL DECAL, (if equipped)	
312	1001109459	1	JOYSTICK DECAL, (if equipped)	
438	1001108847	1	FRAME LEVEL DECAL, (if equipped with tilt on joystick)	
439	1001131745	1	JOYSTICK DECAL, (if equipped with tilt on joystick)	
501	1001160072	1	DECAL, REVERSE SENSING SYSTEM, (ANSI)	
501	1001160945	1	DECAL, REVERSE SENSING SYSTEM, (ENGLISH/FRENCH)	
501	1001160916	1	DECAL, REVERSE SENSING SYSTEM, (ISO)	
502	1704885	1	WEBSITE DECAL	
601	1001160071	1	DECAL, REAR WINDOW EXIT (ENGLISH)	
601	1001160787	1	DECAL, REAR WINDOW EXIT (ENGLISH/FRANCE)	
601	1001160912	1	DECAL, REAR WINDOW EXIT (ISO)	
K1	91475063	1	SUN BELT DECAL KIT	
K2	91515055	1	UNITED RENTALS DECAL KIT	
K3	91515073	1	NES RENTALS DECAL KIT	
K4	91515074	1	H & E DECAL KIT	
K5	1001094529	1	RSC DECAL KIT	
K6	1001128553	1	HERTZ DECAL KIT	
K7	91475050	Ref	DECAL KIT, (includes items 2, 3, 10, 13, 14, 16 thru 25, 27, 37, 38, 101 thru 104 & 502 & items 2 thru 8, 101, 102 & 231 on BOOM DECALS) (SN 0160040678 to Present)	G

SECTION 11 - DECALS

FIGURE 11-4. BOOM DECALS (SN 0190001 through 0190457, SN 016000022 through 0160006219)



PAP22210

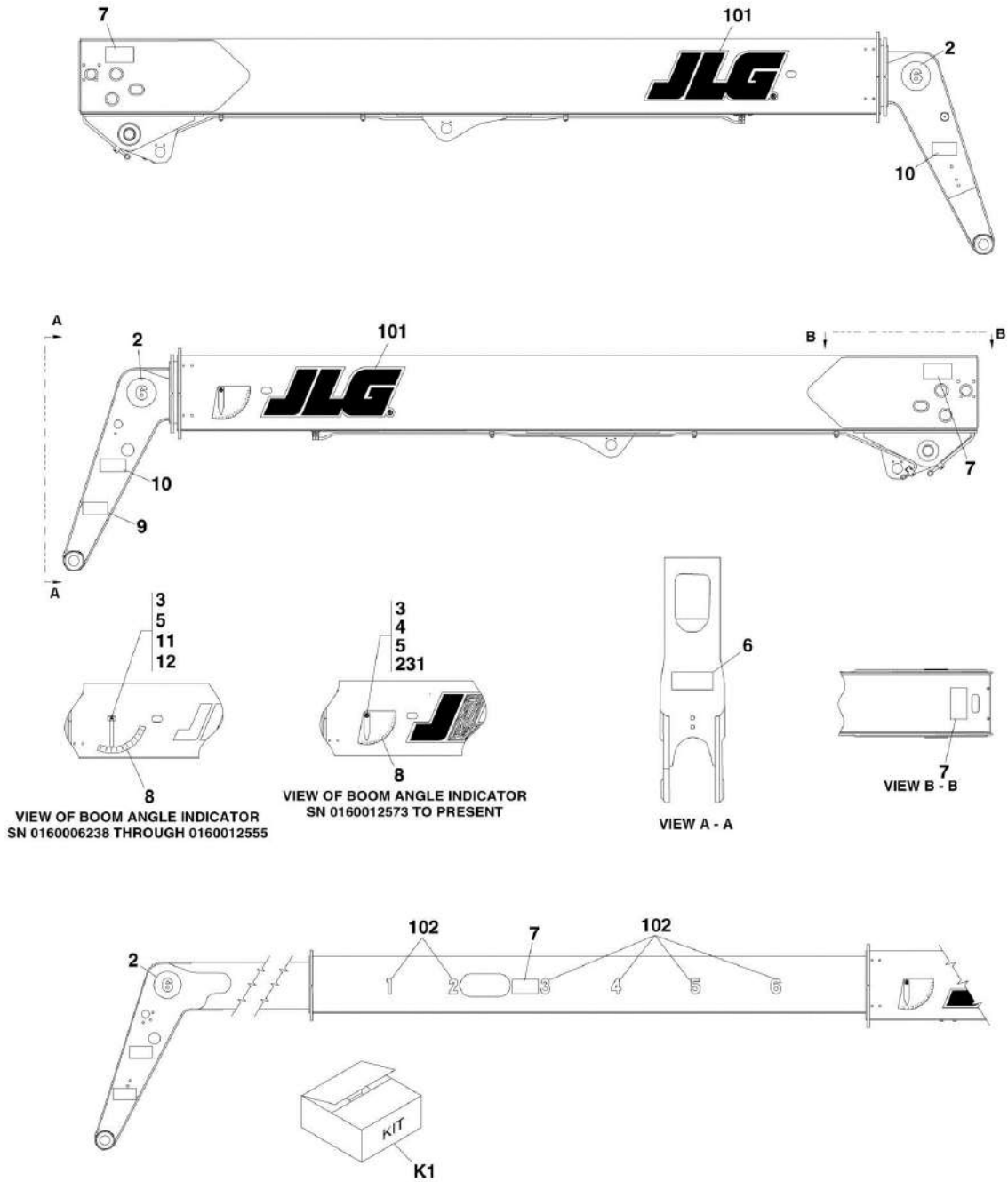
SECTION 11 - DECALS

FIGURE 11-4. BOOM DECALS (SN 0190001 through 0190457, SN 016000022 through 0160006219)

ITEM	PART NUMBER	QTY	DESCRIPTION	REV
1		Ref	G6-42A DECAL, (no longer available, use decal kit on BOOM DECALS for replacement) (SN 0160006238 to Present)	
2		Ref	GRADALL DECAL - WHITE, (no longer available, use decal kit on BOOM DECALS for replacement) (SN 0160006238 to Present)	
3	90200445	1	PENDULUM	
4	90200688	1	BEARING	
5	90026491	1	SHOULDER BOLT, 1/4-20	
6	88561108	1	FLAT WASHER, 5/16	
7	80603037	5	WARNING DECAL	
8	91003031	1	BOOM ANGLE DECAL	
9	91143290	1	WARNING DECAL	
10	91143282	1	WARNING DECAL	
11	90553026	1	WARNING DECAL	
12	91553072	1	BOOM NUMBERS DECAL KIT	

SECTION 11 - DECALS

FIGURE 11-5. BOOM DECALS (SN 0160006238 to Present)



PAP18620

SECTION 11 - DECALS

FIGURE 11-5. BOOM DECALS (SN 0160006238 to Present)

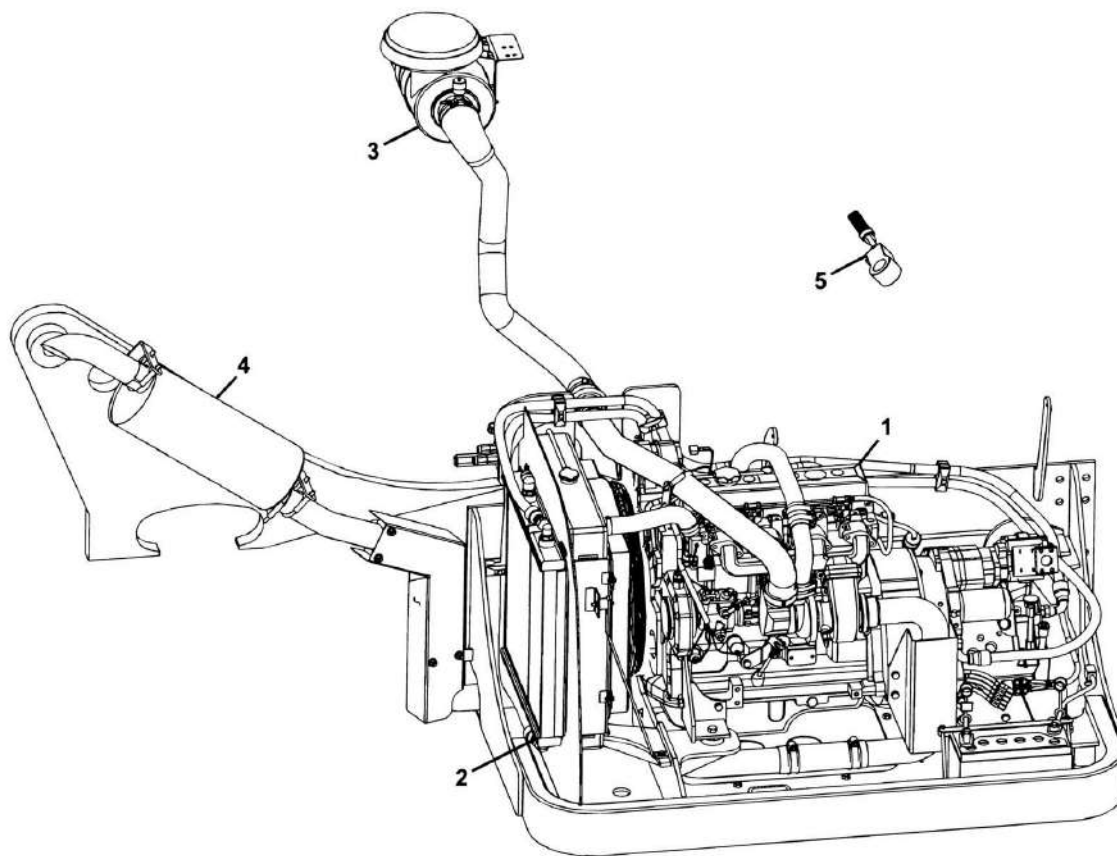
ITEM	PART NUMBER	QTY	DESCRIPTION	REV
2	1706170	2	GOOSENECK DECAL, 6	
3	90200445	1	PENDULUM (SN 0160006238 through 0160012555)	
3	7075611	1	PENDULUM (SN 0160012573 through 0160040659)	
3	1001098769	1	PENDULUM (SN 0160040678 to Present)	
4	8305647	1	NUT (SN 0160012573 through 0160040659)	
4	8305645	1	HEX LOCKNUT, 3/8-16 (SN 0160040678 to Present)	
5	88561108	1	FLAT WASHER, 5/16 (SN 0160006238 through 0160012555)	
5	8307113	3	WASHER (SN 0160012573 through 0160040659)	
5	4711600	1	WASHER, 3/8 (SN 0160040678 to Present)	
6	90553026	1	WARNING DECAL (Prior to SN 0160040678)	
6	1706298	1	CARRY PERSONNEL DECAL, ANSI (SN 0160040678 to Present)	
6	1706282	1	CARRY PERSONNEL DECAL, ISO (SN 0160040678 to Present)	
7	80603037	5	PINCH POINT DECAL (Prior to SN 0160040169)	
7	1706302	5	PINCH POINT DECAL, ANSI (SN 0160040169 to Present)	
7	1706292	5	PINCH POINT DECAL, ISO (SN 0160040169 to Present)	
8	91003031	1	BOOM ANGLE DECAL (SN 0160006238 through 0160012555)	
8	4105262	1	BOOM ANGLE INDICATOR DECAL (SN 0160012573 to Present)	
9	91143290	1	WARNING DECAL (Prior to SN 0160040678)	
10	91143282	1	WARNING DECAL (Prior to SN 0160040678)	
11	90200688	1	BEARING (SN 0160006238 through 0160012555)	
12	90026491	1	SHOULDER BOLT, 1/4-20 (SN 0160006238 through 0160012555)	
101	1705864	2	JLG DECAL	
102	91553072	1	BOOM NUMBERS DECAL KIT	
231	1001096404	1	BOOM ANGLE INDICATOR SPACER SLEEVE (SN 0160040678 to Present)	
K1	91475050	Ref	DECAL KIT, (includes items 2, 6 thru 9, 101 & 102 & items 1 thru 16 & 19 thru 25 on CAB AND FRAME DECALS) (SN 0160003986 through 0160040659)	F
K1	91475050	Ref	DECAL KIT, (includes items 2 thru 8, 101, 102, 231 & items 2, 3, 10, 13, 14, 16 thru 25, 27, 37, 38, 101 thru 104, 502 on CAB AND FRAME DECALS) (SN 0160040678 to Present)	G

SECTION 12 - OPTIONS

SECTION 12 - OPTIONS

FIGURE 12-1. TURBO OPTION (SN 0190001 through 0190457, SN 016000022 through 0160003126)

NOTE: AFTER SN 0160003126, See ENGINE AND ATTACHING PARTS SECTION for Breakdown.



PAP21980

SECTION 12 - OPTIONS

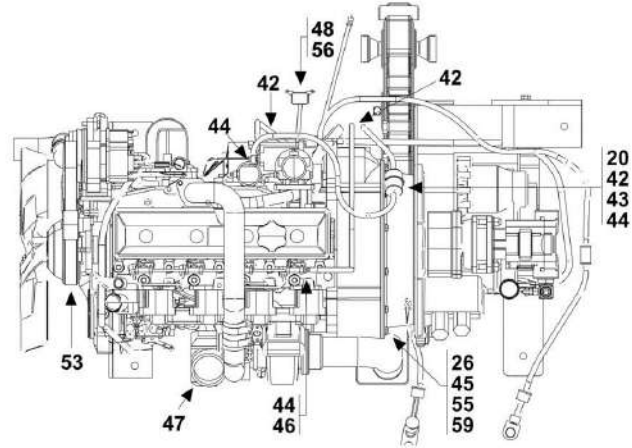
FIGURE 12-1. TURBO OPTION (SN 0190001 through 0190457, SN 016000022 through 0160003126)

ITEM	PART NUMBER	QTY	DESCRIPTION	REV
1	91475015	1	TURBO OPTION, (includes all items)	K
		Ref	TURBO ENGINE ASSY, (See TURBO ENGINE ASSEMBLY, LH VIEW thru JOHN DEERE TURBO ENGINE for Breakdown)	
2		Ref	TURBO RADIATOR ASSY, (See TURBO RADIATOR ASSEMBLY for Breakdown)	
3		Ref	TURBO AIR CLEANER AND ATTACHING PARTS, (See TURBO AIR CLEANER AND INSTALLATION for Breakdown)	
4		Ref	TURBO EXHAUST AND ATTACHING PARTS, (See TURBO EXHAUST INSTALLATION for Breakdown)	
5		Ref	SHIFTER, 4-SPEED, (See CONTROLS SECTION for Breakdown)	

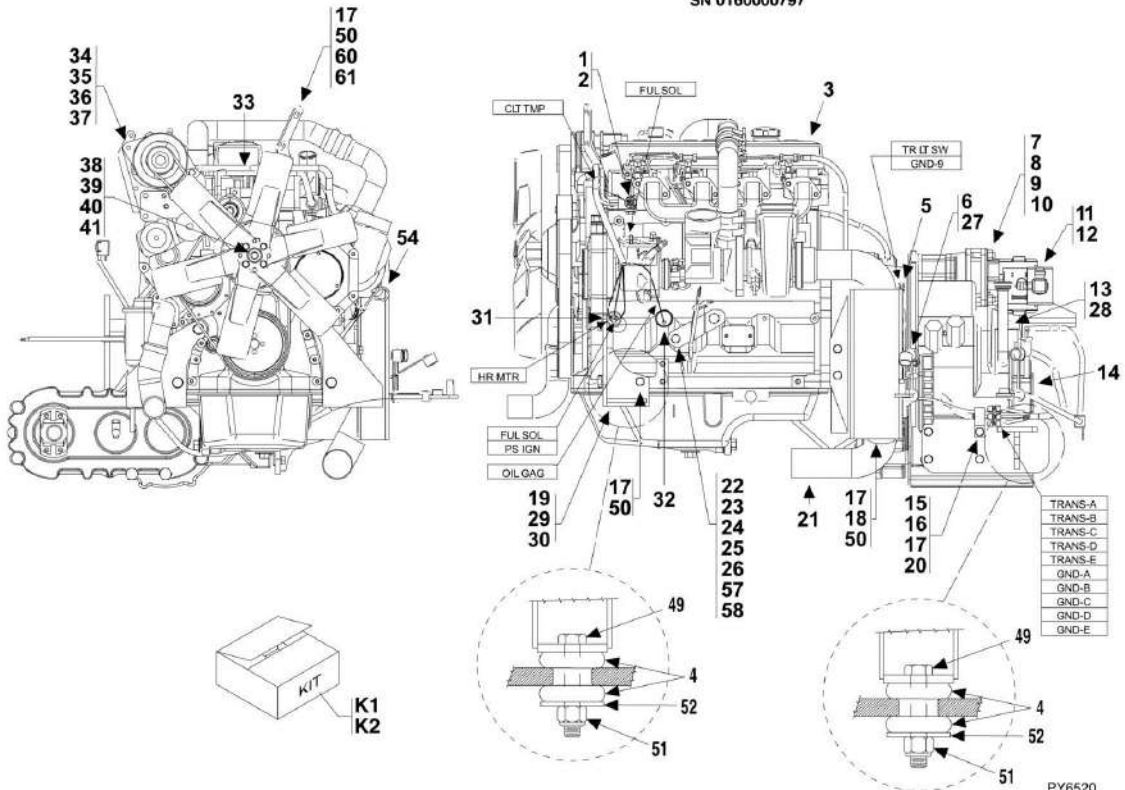
SECTION 12 - OPTIONS

FIGURE 12-2. TURBO ENGINE ASSEMBLY, LH VIEW (SN 0190001 through 0190457, SN 016000022 through 0160003126)

NOTE: AFTER SN 0160003126, See ENGINE AND ATTACHING PARTS SECTION for Breakdown.



NOTE: HYDRAULIC PUMP, (ITEM 7), ROTATED 180° AFTER SN 0160000797



NOTE: USE LOCTITE® 242™ (0100011) ON ALL BOLT THREADS.
USE LOCTITE® 545™ (14404043) ON ALL FITTINGS

PY6520

SECTION 12 - OPTIONS

FIGURE 12-2. TURBO ENGINE ASSEMBLY, LH VIEW (SN 0190001 through 0190457, SN 016000022 through 0160003126)

ITEM	PART NUMBER	QTY	DESCRIPTION	REV
	91475014	Ref	TURBO ENGINE ASSY, (includes all items except 4, 49, 51, 52 & 56 on See TURBO ENGINE ASSEMBLY, LH VIEW and all items on TURBO ENGINE ASSEMBLY, RH VIEW for Breakdown)	S
1	91143314	1	WATER TEMPERATURE SENSOR	
2	91403265	1	ADAPTER FITTING	
3		Ref	JOHN DEERE ENGINE, TURBO, (See JOHN DEERE TURBO ENGINE for Breakdown)	
4	91473093	4	SHOCK MOUNT	
5	91473115	1	TEMPERATURE SWITCH	
6	2220408	1	CONNECTOR, (includes item 27)	
7		Ref	HYDRAULIC PUMP, (See HYDRAULIC COMPONENTS SECTION for Breakdown)	
8	91471167	4	STUD, 1/2-13X3 (SN 0190001 through 0160000715)	
8	88201067	2	HEX HD CAPSCREW, 1/2-13X1-1/2, GR5 (SN 0160000797 through 0160003126)	
9	88501008	4	HEX NUT, 1/2-13 (SN 0190001 through 0160000715)	
10	90027471	4	WASHER, 1/2 (SN 0190001 through 0160000715)	
10	88551013	2	LOCKWASHER, 1/2 (SN 0160000797 through 0160003126)	
11	91413015	1	MODIFIED FITTING	
12	91053020	1	TEST COUPLING	
13	2220865	1	CONNECTOR, (includes item 28)	
14		Ref	TRANSMISSION, (See ENGINE AND ATTACHING PARTS SECTION for Breakdown)	
15	91476028	1	LH TRANSMISSION MOUNT	
16	83191032	4	HEX HD CAPSCREW, M12X1-3/4X35, (torque to 66-76 lb-ft)	
17	83191010	9	LOCKWASHER, M12	
18	91471145	1	HEAT SHIELD	
19	83191043	4	HEX HD CAPSCREW, M16X2X30, (torque to 166-181 lb-ft)	
20	90028660	3	SUPPORT CLAMP	
21		Ref	TURBO EXHAUST AND INSTALLATION, (See TURBO EXHAUST INSTALLATION for Breakdown)	
22	91471172	1	ACCELERATOR CABLE BRACKET (SN 0190001 through 160001384)	
22	91471230	1	ACCELERATOR CABLE BRACKET (SN 0160001386 through 0160003126)	
23	83191038	1	HEX HD CAPSCREW, M10X1-1/2X20	
24	91403293	1	HEX HD CAPSCREW, M14X2X25	
25	83191014	1	LOCKWASHER, M14	
26	83191013	11	LOCKWASHER, M10	
27	88591206	1	O-RING	
28	88591207	1	O-RING	
29	91406026	1	LH FRONT ENGINE MOUNT	
29	91406027	1	RH FRONT ENGINE MOUNT	
30	83783030	4	LOCKWASHER, M16	
31	24741047	1	OIL PRESSURE SWITCH	
32	91143315	1	OIL PRESSURE SENSOR	
33	90027187	6	TIE WRAP	
34	83191025	1	HEX HD CAPSCREW, M10X1-1/4X20, (torque to 38-48 lb-ft)	
35	83191046	1	HEX HD CAPSCREW, M8X1-1/4X20, (torque to 38-48 lb-ft)	
36	88561109	1	FLAT WASHER, 3/8	
37	83191015	1	HEX NUT, M10X1-1/2	

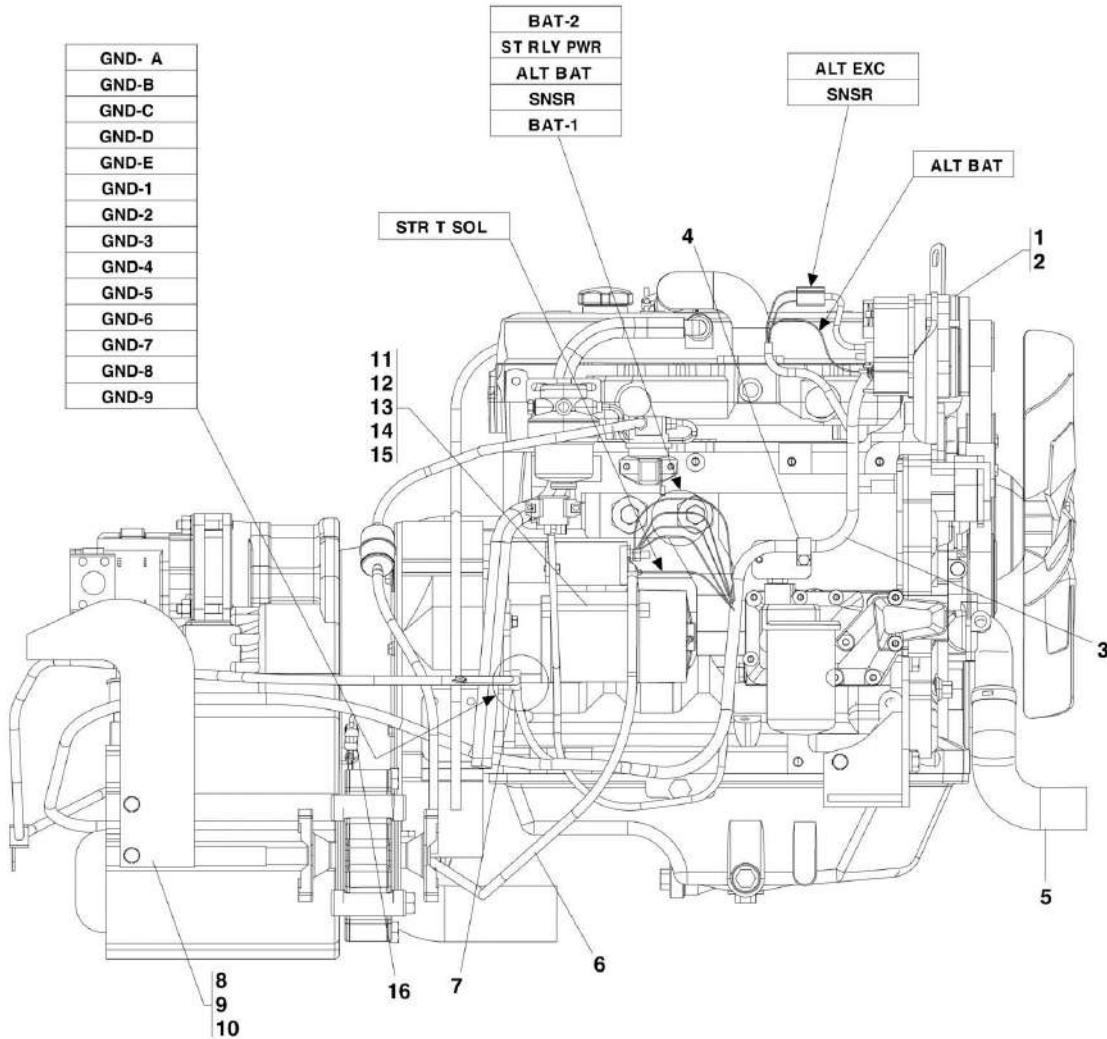
SECTION 12 - OPTIONS

ITEM	PART NUMBER	QTY	DESCRIPTION	REV
38	91403105	1	FAN	
39	91403248	1	FAN SPACER	
40	83191041	4	HEX HD CAPSCREW, M8X1-1/4X70	
41	88561108	4	FLAT WASHER, 5/16	
42	82092118	200 in	FUEL LINE, 5/16	
43	91083218	1	FUEL STRAINER	
44	86883106	4	HOSE CLAMP	
45	83193026	10	HEX HD CAPSCREW, M10X1-1/2X30, GR10, (torque to 53-58 lb-ft)	
46	80373025	1	PUSH LOCK FITTING	
47		Ref	TURBO AIR CLEANER AND INSTALLATION, (See TURBO EXHAUST INSTALLATION for Breakdown)	
48	77383377	1	STARTER RELAY	
49	83201044	4	HEX HD CAPSCREW, 5/8-11X4	
50	83191004	5	HEX HD CAPSCREW, M12X1-3/4X30, (torque to 66-76 lb-ft)	
51	88521010	4	HEX LOCKNUT, 5/8-11	
52	91081158	4	ROUND WASHER SPECIAL	
53	91404086	1	FAN BELT	
54	91474171	1	DIPSTICK	
55	88201537	8	HEX HD CAPSCREW, 3/8-24X1-3/4, GR5, (torque converter mounting)	
56	88201001	2	HEX HD CAPSCREW, 1/4-20X1/2, GR5	
57	80233220	1	FLAT WASHER, M10	
58	88561007	1	FLATWARE, 9/16	
59	91513234	1	SOCKET HD CAPSCREW, M10X1-1/2X30, GR10.9, (torque to 53-58 lb-ft)	
60	91511166	1	AIR INTAKE BRACKET	
61	88561111	1	FLAT WASHER, 3/4	
K1	91415035	1	ENGINE FILTER KIT, (includes all items) (SN 0190001 through 0160001891)	C
K1	91404005	1	OIL FILTER ELEMENT	
K1	91404004	1	FUEL FILTER	
K1	80273042	1	AIR FILTER SAFETY ELEMENT	
K1	80273010	1	AIR FILTER ELEMENT	
K1	91083218	1	FUEL STRAINER	
K2	91415064	1	ENGINE FILTER KIT, (includes all items) (SN 0160001893 through 0160003126)	C
K2	91404005	1	OIL FILTER ELEMENT	
K2	91404004	1	FUEL FILTER	
K2	1101313	1	AIR FILTER SAFETY ELEMENT	
K2	1101312	1	AIR FILTER ELEMENT	
K2	91083218	1	FUEL STRAINER	

SECTION 12 - OPTIONS

FIGURE 12-3. TURBO ENGINE ASSEMBLY, RH VIEW (SN 0190001 through 0190457, SN 016000022 through 0160003126)

NOTE: AFTER SN 0160003126, See ENGINE AND ATTACHING PARTS SECTION for Breakdown.



NOTE: USE LOCTITE® 242™ (0100011) ON ALL BOLT THREADS.
USE LOCTITE® 545™ (14404043) ON ALL FITTINGS.

PAP18700

SECTION 12 - OPTIONS

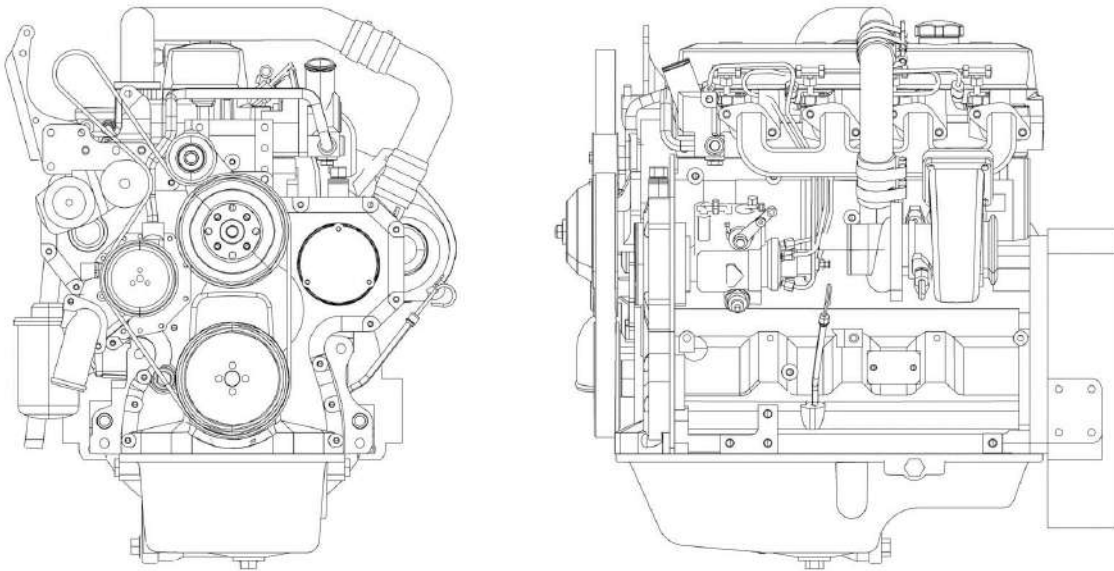
FIGURE 12-3. TURBO ENGINE ASSEMBLY, RH VIEW (SN 0190001 through 0190457, SN 016000022 through 0160003126)

ITEM	PART NUMBER	QTY	DESCRIPTION	REV
	91475014	Ref	TURBO ENGINE ASSY, (includes all items except 4, 49, 51, 52 & 56 on See TURBO ENGINE ASSEMBLY, LH VIEW and all items on TURBO ENGINE ASSEMBLY, RH VIEW for Breakdown)	S
1	91343222	1	ALTERNATOR, (includes item 2)	
2	91083504	1	REGULATOR	
3		Ref	WIRING HARNESS , (See ELECTRICAL SECTION for Breakdown)	
4	91143122	1	SUPPORT CLAMP	
5		Ref	TURBO RADIATOR ASSY AND INSTALLATION, (See TURBO RADIATOR ASSEMBLY for Breakdown)	
6		Ref	POSITIVE BATTERY CABLE, (See ELECTRICAL SECTION for Breakdown)	
7		Ref	NEGATIVE BATTERY CABLE, (See ELECTRICAL SECTION for Breakdown)	
8	91476022	1	RH TRANSMISSION MOUNT	
9	83191032	2	HEX HD CAPSCREW, M12X1-3/4X35, (torque to 66-76 lb-ft)	
10	83191010	2	LOCKWASHER, M12	
11	83191013	3	LOCKWASHER, M10	
12	91403160	1	STARTER, (includes item 14) (SN 0190001 through 0190405)	
12	91413104	1	STARTER, (includes item 14) (SN 0190406 through 0160003126)	
13	83191040	1	SOCKET HD CAPSCREW, M10X1-1/2X30, (top inner mtg hole) (SN 0190406 through 0160003126)	
14	91404274	1	STARTER SOLENOID (SN 0190001 through 0190405)	
14	91414040	1	STARTER SOLENOID (SN 0190406 through 0160003126)	
15	83191062	3	SOCKET HD CAPSCREW, M10X1-1/2X40, (torque to 38-48 lb-ft) (SN 0190001 through 0190405)	
15	83191062	2	SOCKET HD CAPSCREW, M10X1-1/2X40, (torque to 38-48 lb-ft) (SN 0190406 through 0160003126)	
16	91563121	1	TRANSMISSION TEMPERATURE SWITCH	

SECTION 12 - OPTIONS

FIGURE 12-4. JOHN DEERE TURBO ENGINE (SN 0190001 through 0190457, SN 016000022 through 0160003126)

NOTE: AFTER SN 0160003126, See ENGINE AND ATTACHING PARTS SECTION for Breakdown.



SECTION 12 - OPTIONS

FIGURE 12-4. JOHN DEERE TURBO ENGINE (SN 0190001 through 0190457, SN 016000022 through 0160003126)

ITEM	PART NUMBER	QTY	DESCRIPTION	REV
	91473017	1	JOHN DEERE ENGINE, TURBO, (includes all items)	
	91404219	1	GASKET KIT OVERHAUL	
	91404220	1	ENGINE CYLINDER HEAD GASKET	
	91404221	1	BOLT, BELT TENSIONER	
	91404222	1	SCREW, BELT TENSIONER	
	91404223	1	SHEAVE, BELT TENSIONER	
	91404265	1	GASKET	
	91404266	2	O-RING	
	91404267	1	GASKET	
	91404268	1	HYDRAULIC HOSE	
	91404269	1	TURBO CHARGER	
	91404224	1	OIL COOLER	
	91404225	1	GASKET, OIL COOLER	
	91404226	1	GASKET, OIL COOLER	
	91404227	2	O-RING, OIL COOLER	
	91404228	2	O-RING, OIL COOLER	
	91404229	1	O-RING, WATER PUMP INLET	
	91404230	1	KIT, WATER PUMP REPAIR	
	91404231	1	SEAL KIT, FRONT MAIN SEAL	
	91404232	1	GASKET, WATER PUMP	
	91404233	1	WATER PUMP	
	91404234	4	GASKET, EXHAUST MANIFOLD	
	91404235	1	PULLEY, FAN	
	91404236	1	SCREW, FAN PULLEY	
	91404237	1	SPACER, FAN PULLEY	
	91404238	1	SLEEVE, FAN PULLEY	
	91404239	1	BEARING HOUSING W/BEARING	
	7026927	1	GASKET, THERMOSTAT	
	91404241	3	PLUG, OIL PAN	
	91404242	1	GASKET, OIL PAN	
	91404243	2	O-RING, OIL DRAIN	
	91404270	1	WASHER, INJECTOR	
	91404248	1	SLEEVE, INJECTOR	
	91404271	1	PACKING, INJECTOR	
	91404272	1	INJECTOR NOZZLE	
	91404273	1	PLUG INJECTOR	
	91474185	1	FLYWHEEL W/RINGEAR	
	91404251	1	SEAL, REAR MAIN	
	91404252	1	PULLEY, MAIN	
	91404253	2	GASKET, OIL FILLER	
	91404254	1	PACKING, VALVE COVER NUT	
	91404255	1	PACKING, FILLER CAP	
	91404256	4	PLUG, VALVE COVER	
	91404259	4	O-RING, VALVE COVER	
	91404260	1	COOLANT, PRE MIX, (2.5 gal)	
	91404261	1	COOLANT, CONDITION	
	91404262	1	FUEL TRANSFER PUMP	
	91404263	1	THERMOSTAT	
	91404264	1	THERMOSTAT COVER SEAL	

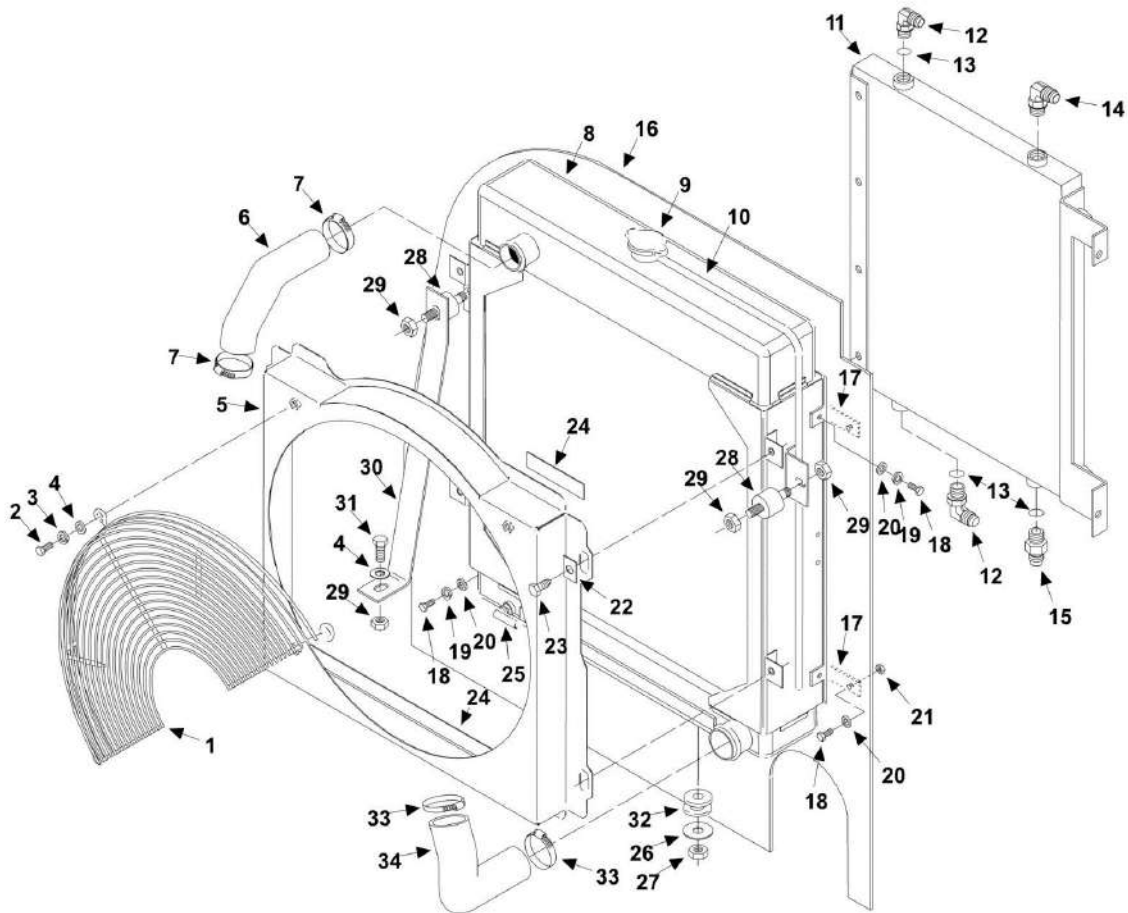
SECTION 12 - OPTIONS

ITEM	PART NUMBER	QTY	DESCRIPTION	REV
	91404257	1	GASKET, VALVE COVER	
	91404258	1	FILLER CAP, VALVE COVER	

SECTION 12 - OPTIONS

FIGURE 12-5. TURBO RADIATOR ASSEMBLY (SN 0190001 through 0190457, SN 016000022 through 0160003126)

NOTE: AFTER SN 0160003126, See ENGINE AND ATTACHING PARTS SECTION for Breakdown.



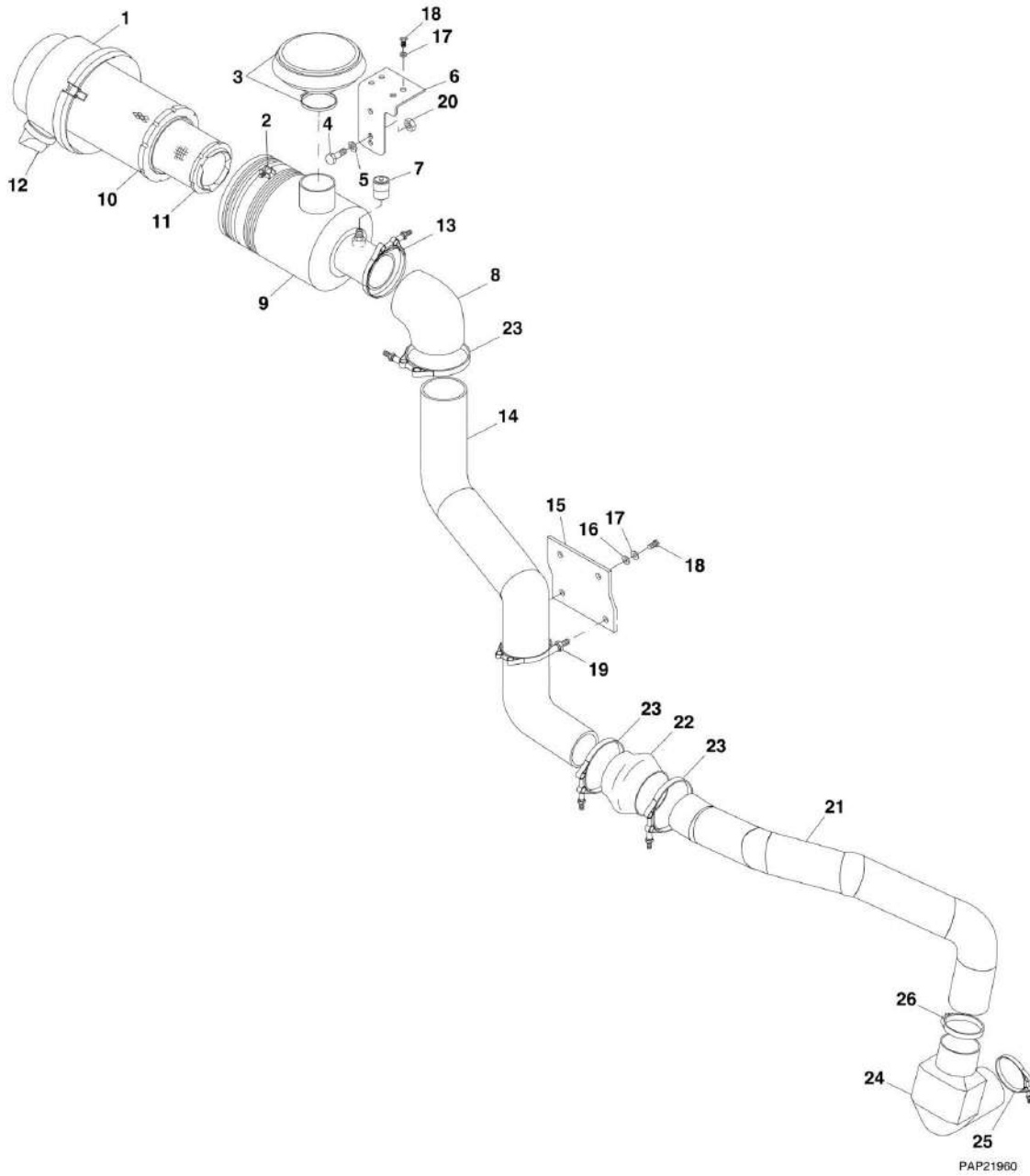
SECTION 12 - OPTIONS

FIGURE 12-5. TURBO RADIATOR ASSEMBLY (SN 0190001 through 0190457, SN 016000022 through 0160003126)

ITEM	PART NUMBER	QTY	DESCRIPTION	REV
	91475017	1	RADIATOR ASSY, (includes items 5 thru 25)	F
1	91473108	1	FAN GUARD	
2	88201034	3	HEX HD CAPSCREW, 3/8-16X7/8, GR5	
3	88551011	3	LOCKWASHER, 3/8	
4	88561003	4	FLAT WASHER, 5/16	
5	91476033	1	FAN SHROUD	
6	91403095	1	UPPER RADIATOR HOSE	
7	85071128	2	HOSE CLAMP	
8	91403142	1	RADIATOR, (includes items 9 & 10)	
9	91404008	1	RADIATOR CAP, 10 PSI	
10	Bulk	38 in	OVERFLOW HOSE	
11	91473019	1	OIL COOLER	
12	88662067	2	ELBOW, 90, (includes item 13)	
13	88591207	3	O-RING	
14	83251198	1	ELBOW, 90	
15	2220451	1	CONNECTOR, (includes item 13)	
16	91473136	1	RUBBER AIR DAM	
17	91471132	2	AIR DAM BRACKET	
18	88201019	8	HEX HD CAPSCREW, 5/16-18X7/8, GR5	
19	88551010	6	LOCKWASHER, 5/16	
20	88561108	8	FLAT WASHER, 5/16	
21	77143006	2	WHIZ-LOCK NUT, 5/16-18	
22	91143348	4	CLAMP BAR	
23	77143003	4	WHIZ-LOCK SCREW, 5/16-18X5/8	
24	Bulk	28 in	GASKA-TAPE	
25	84521056	1	DRAIN COCK	
26	90205918	2	HARDENED WASHER, 3/8	
27	88521206	2	HEX LOCKNUT, 3/8-16	
28	91033137	2	SHOCK MOUNT	
29	77143006	5	WHIZ-LOCK NUT, 5/16-18	
30	91471108	1	RADIATOR BRACKET	
31	88201021	1	HEX HD CAPSCREW, 5/16-18X1-1/4, GR5	
32	83683308	2	PAD MOUNTING	
33	86883327	2	HOSE CLAMP	
34	91403096	1	LOWER RADIATOR HOSE	

SECTION 12 - OPTIONS

FIGURE 12-6. TURBO AIR CLEANER AND INSTALLATION (SN 0190001 through 0190457, SN 016000022 through 0160001891)



SECTION 12 - OPTIONS

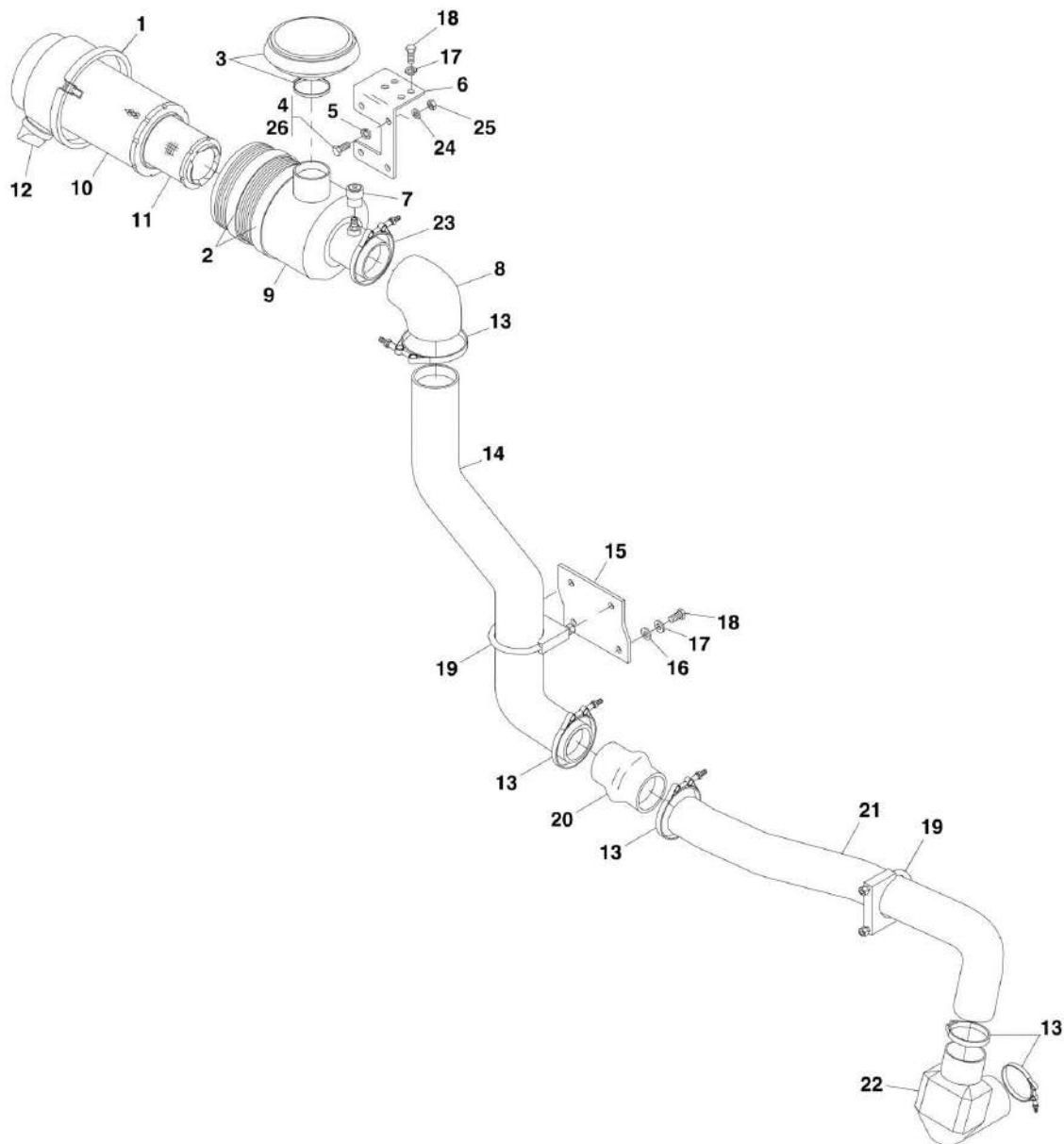
FIGURE 12-6. TURBO AIR CLEANER AND INSTALLATION (SN 0190001 through 0190457, SN 016000022 through 0160001891)

ITEM	PART NUMBER	QTY	DESCRIPTION	REV
	91475046	Ref	AIR CLEANER INSTALLATION, (not available to order, see items 1 thru 13 & 20 for service)	C
1	80274004	1	COVER ASSY	
2	80273011	1	AIR CLEANER MOUNT BAND	
3	91473100	1	AIR INLET HOOD, (includes clamp)	
4	88201018	2	HEX HD CAPSCREW, 5/16-18X3/4, GR5	
5	88551010	2	LOCKWASHER, 5/16	
6	91471181	1	CLAMP MOUNT BRACKET	
7	83671475	1	SERVICE INDICATOR	
8	91083129	1	ELBOW, 90	
9	91403101	1	AIR CLEANER, (includes items 1 & 10 thru 12)	
10	80273010	1	ELEMENT, (outer)	
11	80273042	1	ELEMENT, (inner)	
12	10733183	1	VACUATOR	
13	91163137	1	BAND CLAMP	
14	91473104	1	AIR INTAKE TUBE	
15	91471133	1	BRACKET	
16	88561004	2	FLAT WASHER, 3/8	
17	88551011	4	LOCKWASHER, 3/8	
18	88201033	4	HEX HD CAPSCREW, 3/8-16X3/4, GR5	
19	24921332	2	MUFFLER CLAMP	
20	77143006	2	WHIZ-LOCK NUT, 5/16-18	
21	91473103	1	AIR INTAKE TUBE	
22	91403244	1	STRAIGHT HUMP	
23	91163129	3	BAND CLAMP	
24	91083126	1	RUBBER ELBOW, 90	
25	91303049	1	HOSE CLAMP	
26	91163129	1	HEAVY DUTY CLAMP	

SECTION 12 - OPTIONS

FIGURE 12-7. TURBO AIR CLEANER AND INSTALLATION (SN 0160001893 through 0160003126)

NOTE: AFTER SN 0160003126, See ENGINE AND ATTACHING PARTS SECTION for Breakdown.



PAP21970

SECTION 12 - OPTIONS

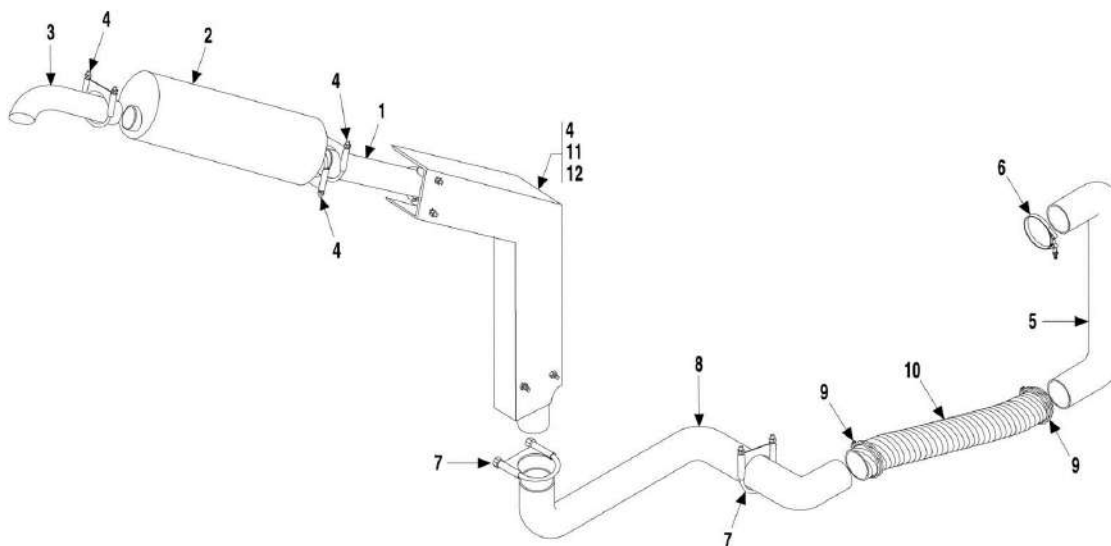
FIGURE 12-7. TURBO AIR CLEANER AND INSTALLATION (SN 0160001893 through 0160003126)

ITEM	PART NUMBER	QTY	DESCRIPTION	REV
	91515041	Ref	AIR CLEANER INSTALLATION, (not available to order, see items 1 thru 12 for service)	B
1	91364023	1	COVER ASSY	
2	10268516	2	MOUNTING BAND	
3	8273257	1	AIR INLET HOOD, (includes clamp)	
4	88201021	4	HEX HD CAPSCREW, 5/16-18X1-1/4, GR5	
5	88551010	4	LOCKWASHER, 5/16	
6	91511144	1	MOUNTING BRACKET	
7	77383154	1	SERVICE INDICATOR	
8	91153007	1	ELBOW, 90	
9	8273029	1	AIR CLEANER, (includes items 1 & 10 thru 12)	
10	1101312	1	OUTER ELEMENT	
11	1101313	1	INNER ELEMENT	
12	80373094	1	VACUATOR	
13	91163129	5	BAND CLAMP	
14	91473104	1	AIR INTAKE TUBE	
15	91471133	1	INTAKE SUPPORT BRACKET	
16	88561004	2	FLAT WASHER, 3/8	
17	88551011	4	LOCKWASHER, 3/8	
18	88201033	4	HEX HD CAPSCREW, 3/8-16X3/4, GR5	
19	24921332	2	CLAMP	
20	91403244	1	STRAIGHT HUMP	
21	91473103	1	AIR INTAKE TUBE	
22	91083126	1	AIR INTAKE ELBOW	
23	77383790	1	BAND CLAMP	
24	88561108	4	FLAT WASHER, 5/16	
25	77143006	4	WHIZ-LOCK NUT, 5/16-18	
26	0100011	AR	LOCTITE 242	

SECTION 12 - OPTIONS

FIGURE 12-8. TURBO EXHAUST INSTALLATION (SN 0190001 through 0190457, SN 016000022 through 0160003126)

NOTE: AFTER SN 0160003126, See ENGINE AND ATTACHING PARTS SECTION for Breakdown.



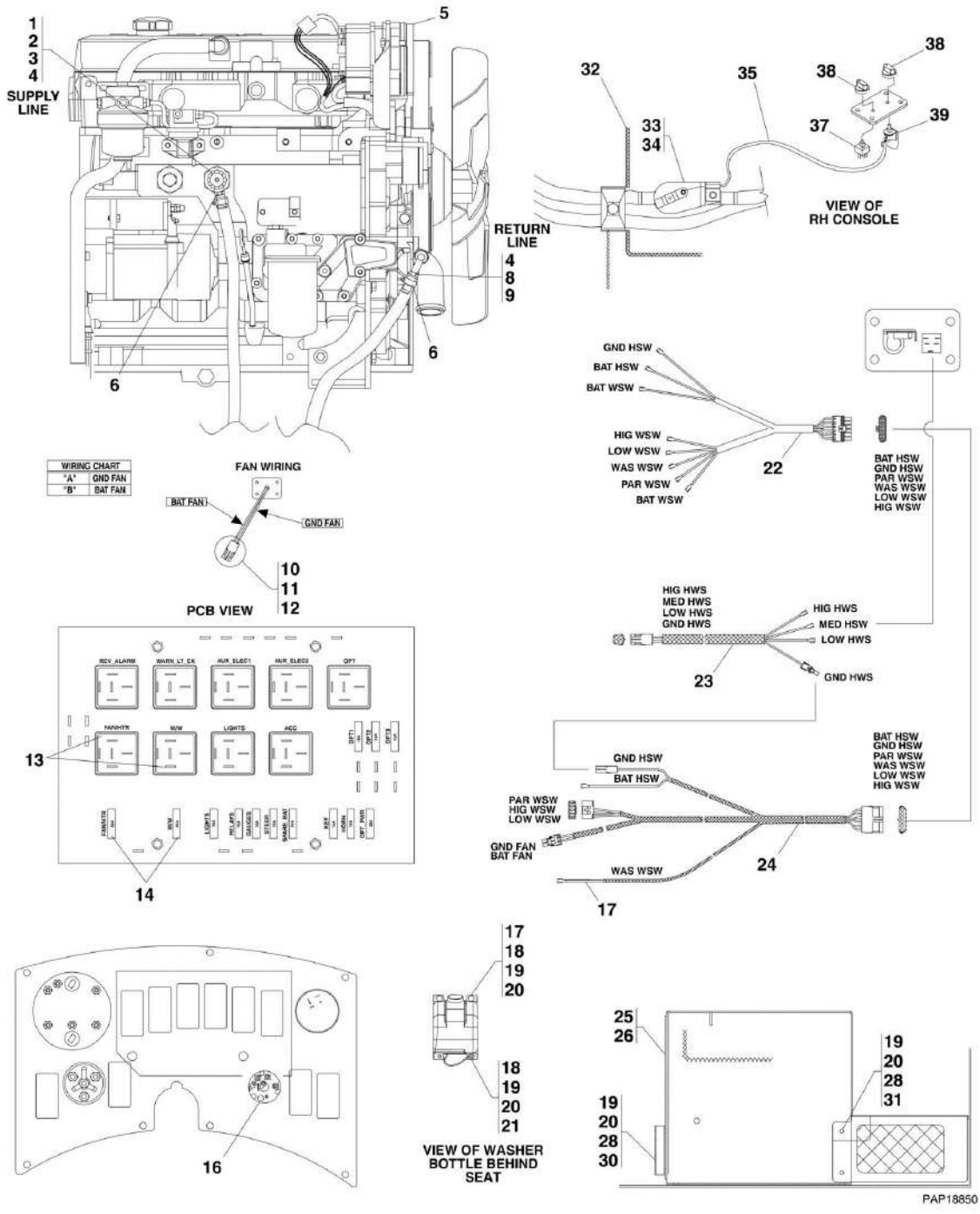
SECTION 12 - OPTIONS

FIGURE 12-8. TURBO EXHAUST INSTALLATION (SN 0190001 through 0190457, SN 016000022 through 0160003126)

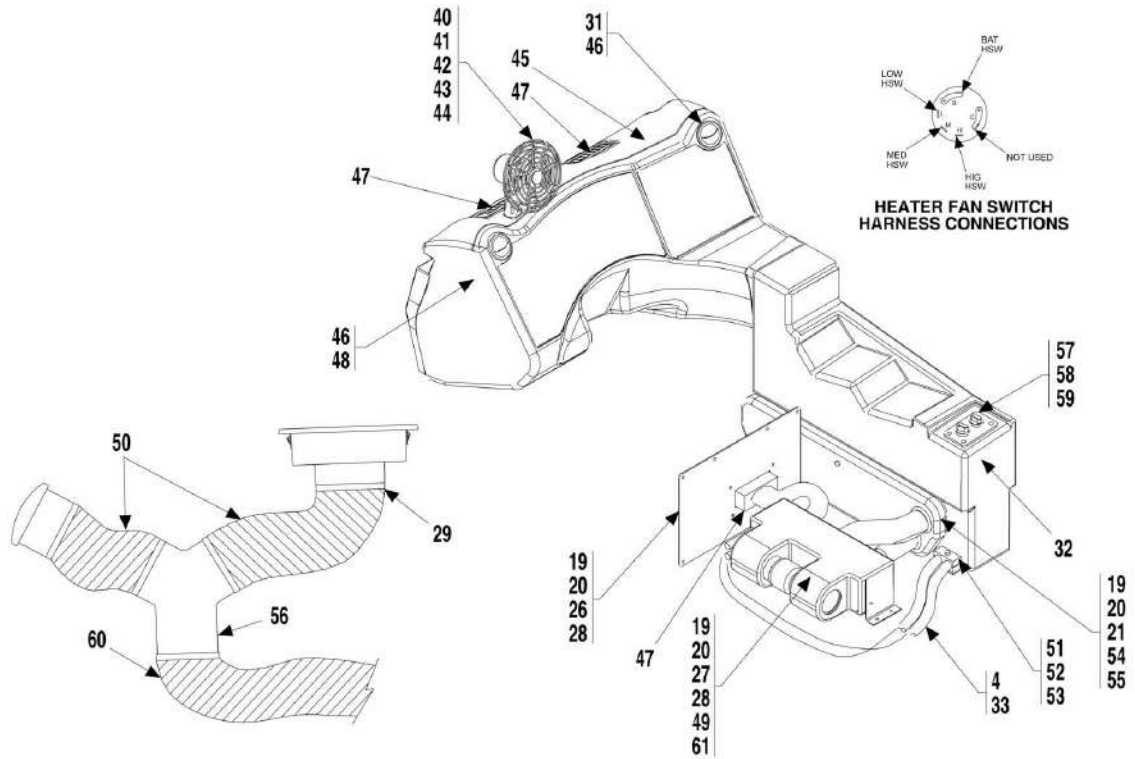
ITEM	PART NUMBER	QTY	DESCRIPTION	REV
1	91473178	1	MUFFLER TUBE	
2	91163035	1	MUFFLER	
3	91403489	1	TAIL PIPE	
4	24921332	5	MUFFLER CLAMP	
5	91473117	1	EXHAUST TUBE	
6	91403216	1	V-BAND CLAMP	
7	24921332	2	MUFFLER CLAMP	
8	91473036	1	MUFFLER TUBE	
9	91403601	2	CLAMP PIPE	
10	91473119	1	FLEX TUBE	
11	88561004	4	FLAT WASHER, 3/8	
12	91476045	1	HEAT SHIELD	

SECTION 12 - OPTIONS

FIGURE 12-9. ENCLOSED CAB HEATER COMPONENTS (SN 0190001 through 0190457, SN 016000022 through 0160015432)



SECTION 12 - OPTIONS



SECTION 12 - OPTIONS

FIGURE 12-9. ENCLOSED CAB HEATER COMPONENTS (SN 0190001 through 0190457, SN 016000022 through 0160015432)

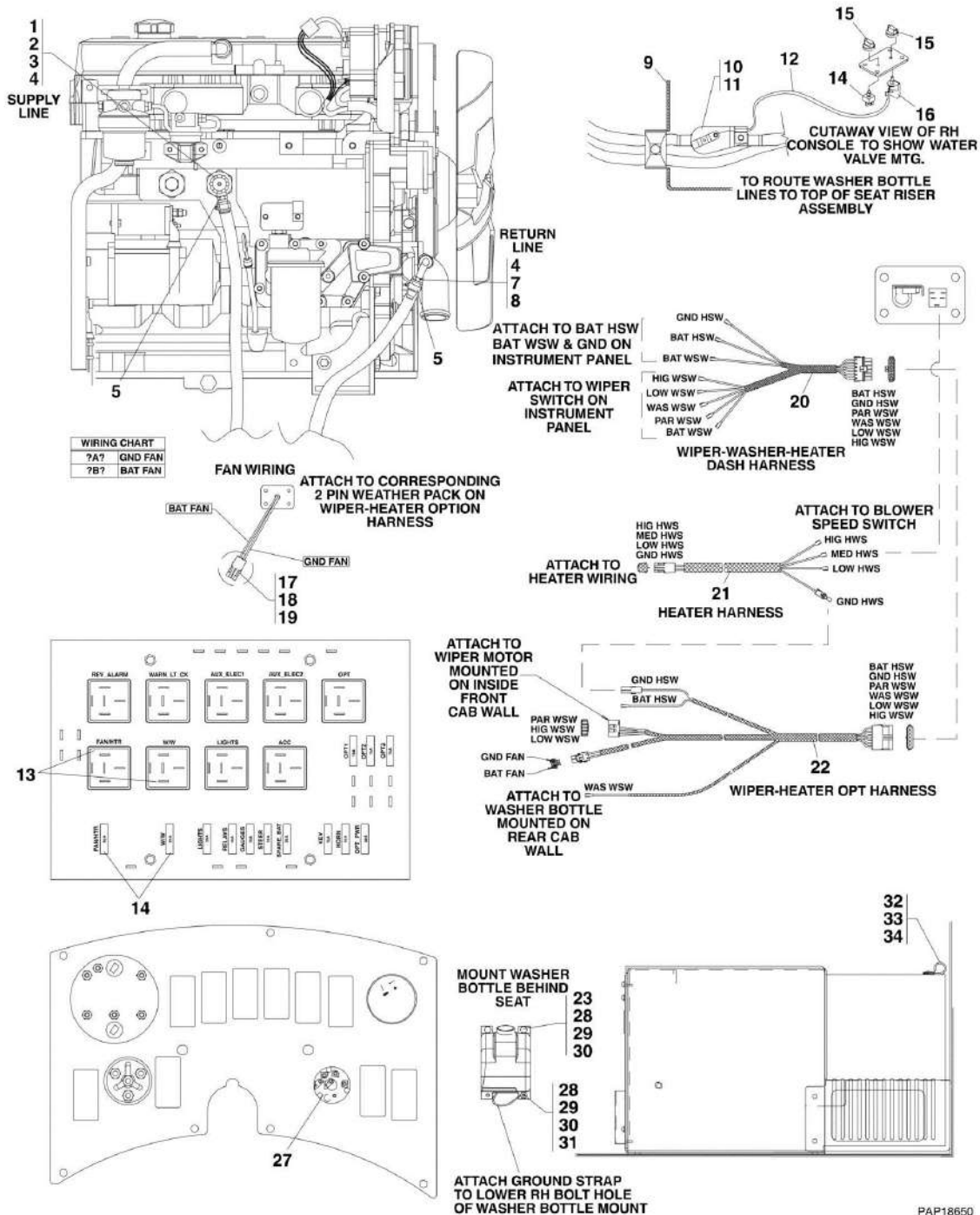
ITEM	PART NUMBER	QTY	DESCRIPTION	REV
	91405056	1	ENCLOSED CAB HEATER COMPONENTS, (includes all items)	K
1		Ref	FITTING, (See ENGINE HEATER COMPONENTS for Breakdown)	
2		Ref	TRUCK VALVE, (See ENGINE HEATER COMPONENTS for Breakdown)	
3		Ref	COOLANT RESTRICTOR ORIFICE, (See ENGINE HEATER COMPONENTS for Breakdown)	
4		Ref	HEATER HOSE, 5/8 IN, (See ENGINE HEATER COMPONENTS for Breakdown)	
5		Ref	ENGINE ASSY, (See ENGINE AND ATTACHING PARTS SECTION for Breakdown)	
6		Ref	HEATER HOSE CLAMP, (See ENGINE HEATER COMPONENTS for Breakdown)	
8		Ref	STRAIGHT FITTING, (See ENGINE HEATER COMPONENTS for Breakdown)	
9		Ref	BARBED FITTING, 90, (See ENGINE HEATER COMPONENTS for Breakdown)	
10	80963058	1	WEATHER PACK CONNECTOR, (shroud)	
11	80963069	2	WEATHER PACK CONNECTOR, (pins)	
12	80963065	2	WEATHER PACK CONNECTOR, (seals)	
13	77363265	2	RELAY	
14	80964009	2	AUTO FUSE, 25 AMP	
16	80963101	1	WIPER SWITCH	
17	83683085	1	WIPER BOTTLE	
18	88201005	3	HEX HD CAPSCREW, 1/4-20X1, GR5	
19	88561002	25	FLAT WASHER, 1/4	
20	88551009	24	LOCKWASHER, 1/4	
21	88501004	2	HEX NUT, 1/4-20	
22	91403351	1	WIPE/WASH HARNESS	
23	91403352	1	HEATER HARNESS	
24	91403350	1	WIPE/HEATER HARNESS	
25	91406114	1	HEATER COVER WELDMENT	
26	91406113	1	ACCESS, BEZEL COVER	
27	70022804	1	HEATER FAN MOTOR REPLACEMENT KIT	
28	88261015	20	SOCKET BUTTON HD CAPSCREW, 1/4-20X5/8	
29	84231107	18	HOSE CLAMP	
30	91401421	1	VENT COVER	
31	91406119	1	HEATER COVER WELDMENT	
32	91403288	1	RH CONSOLE WITH HEATER	
33	86683193	4	HOSE CLAMP	
34	83683182	1	WATER VALVE	
35	91413038	1	HEATER CONTROL CABLE	
37	80964001	1	BLOWER SWITCH	
38	80363069	2	KNOB, 3/16 SHAFT	
39	80363028	1	ROTARY CONTROL	
40	91403608	1	DEFROSTER FAN	
41	91401443	1	FAN BASE PLATE	
42	91033425	1	RUBBER GROMMET	
43	88211030	4	SOCKET HD CAPSCREW, #10-24X3/4, GR8	
44	77143017	4	WHIZ-LOCK NUT, #10-24	
45	91403299	1	DASH, ENCLOSED CAB	

SECTION 12 - OPTIONS

ITEM	PART NUMBER	QTY	DESCRIPTION	REV
46	80363106	2	VENT, CIRCULAR	
47	91403538	3	VENT, RECTANGULAR	
48	91403596	2	VENT REDUCER	
49	91403280	NLA	HEATER UNIT, (no longer available, order 1001114282 or see items 27 & 61 for service)	
50	71492150	1	VENT HOSE, 2	
51	77133279	1	CLAMP SET	
52	77133137	1	COVER PLATE	
53	88201023	1	HEX HD CAPSCREW, 5/16-18X1-3/4, GR5	
54	91403329	1	PLENUM, HEAT/AC	
55	88201011	1	HEX HD CAPSCREW, 1/4-20X2-1/2, GR5	
56	91403539	2	CONNECTOR, 3 WAY	
57	91403445	1	HEATER CONTROL PANEL	
58	91413051	4	SOCKET FLAT HD CAPSCREW, #10-24X1-1/4	
59	80363034	4	TINNERMAN NUT, #10-24	
60	71492152	1	VENT HOSE, 2-1/2	
61	91404439	2	HEATER FAN WHEEL	

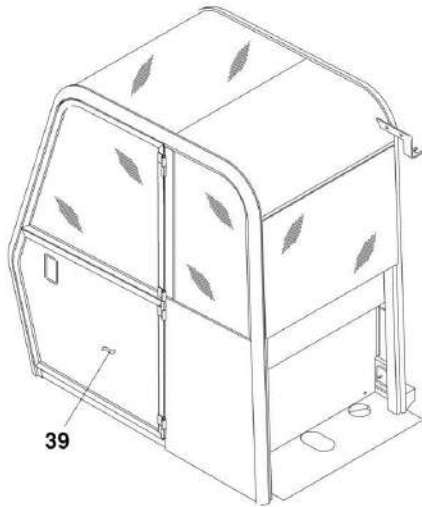
SECTION 12 - OPTIONS

FIGURE 12-10. ENCLOSED CAB HEATER COMPONENTS (SN 0160015458 through 0160040659)

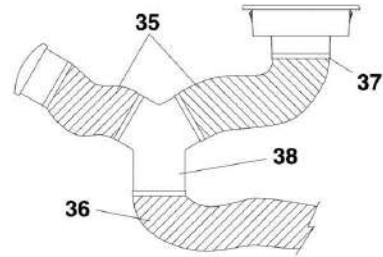


PAP18650

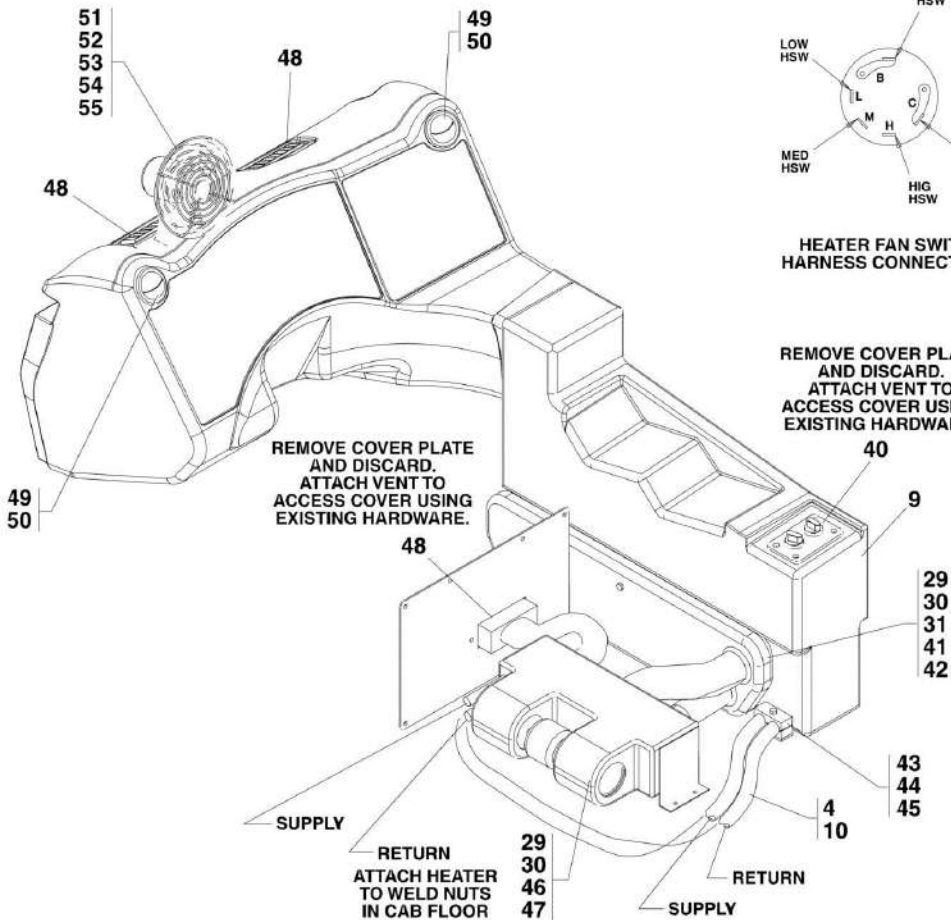
SECTION 12 - OPTIONS



USE THIS CLAMP TO ATTACH VENT HOSE TO VENTS, PLENUM AND HEATER

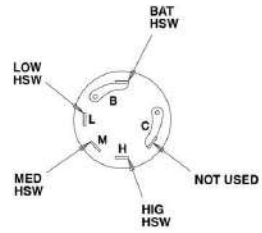


ATTACH HOSES FROM 3-WAY CONNECTORS TO FRONT OPENING ON THE PLENUM.



REMOVE COVER PLATE AND DISCARD. ATTACH VENT TO ACCESS COVER USING EXISTING HARDWARE.

REMOVE COVER PLATE AND DISCARD. ATTACH VENT TO ACCESS COVER USING EXISTING HARDWARE.



HEATER FAN SWITCH HARNESS CONNECTIONS

SECTION 12 - OPTIONS

FIGURE 12-10. ENCLOSED CAB HEATER COMPONENTS (SN 0160015458 through 0160040659)

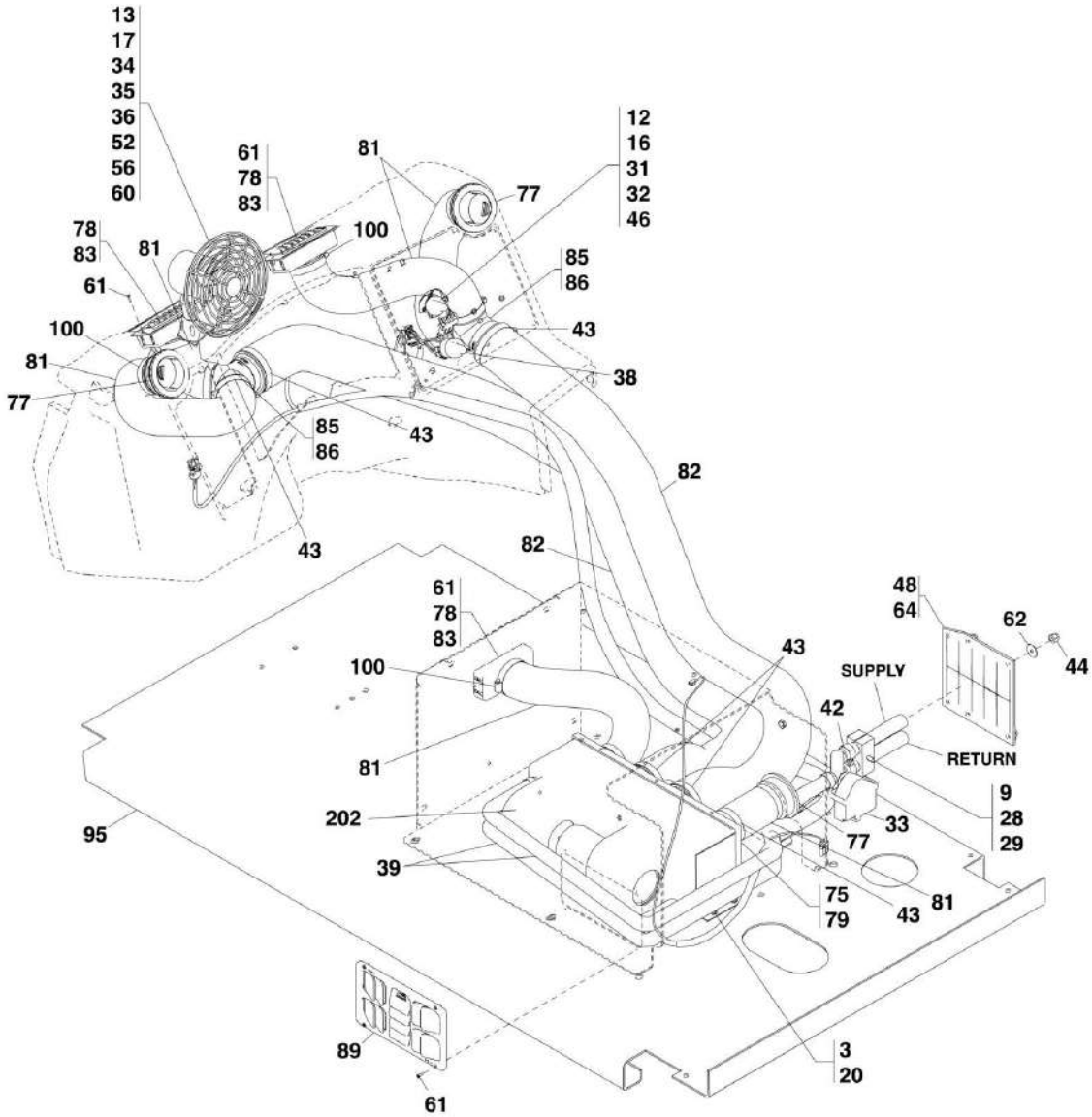
ITEM	PART NUMBER	QTY	DESCRIPTION	REV
	91475108	Ref	CAB ENCLOSURE KIT INSTALLATION, (not available to order, see items 1 thru 55 for service)	B
1		Ref	FITTING, (See ENGINE HEATER COMPONENTS for Breakdown)	
2		Ref	TRUCK VALVE, (See ENGINE HEATER COMPONENTS for Breakdown)	
3		Ref	COOLANT RESTRICTER ORIFICE, (See ENGINE HEATER COMPONENTS for Breakdown)	
4		Ref	HEATER HOSE, 5/8 IN, (See ENGINE HEATER COMPONENTS for Breakdown)	
5		Ref	HEATER HOSE CLAMP, (See ENGINE HEATER COMPONENTS for Breakdown)	
7		Ref	STRAIGHT FITTING, (See ENGINE HEATER COMPONENTS for Breakdown)	
8		Ref	BARBED FITTING, 90, (See ENGINE HEATER COMPONENTS for Breakdown)	
9		Ref	RH CONSOLE, (See CAB SECTION for Breakdown)	
10	86683193	4	HOSE CLAMP	
11	83683182	1	WATER VALVE	
12	91413038	1	HEATER CABLE	
14	80964001	1	BLOWER SWITCH	
15	80363069	2	KNOB, 3/16 SHAFT	
16	80363028	1	ROTARY CONTROL	
17	80963058	1	WEATHER PACK SHROUD	
18	80963069	2	WEATHER PACK PINS	
19	80963065	2	WEATHER PACK SEALS	
20	91403351	1	WIPER/WASHER HARNESS	
21	91403352	1	HEATER HARNESS	
22	91403350	1	WIPER/HEATER HARNESS	
23	83683085	1	WASHER BOTTLE	
24	77363265	2	RELAY	
25	80964009	2	AUTO FUSE, 25 AMP	
27	80963101	1	WIPER SWITCH	
28	88201005	3	HEX HD CAPSCREW, 1/4-20X1	
29	88561002	9	FLAT WASHER, 1/4	
30	88551009	8	LOCKWASHER, 1/4	
31	88501004	2	HEX NUT, 1/4-20	
32	91413036	2	SELF-TAPPING SCREW, #6X1/2	
33	24861170	2	CLAMP	
34	88561105	2	FLAT WASHER, #10	
35	71492150	10 ft	VENT HOSE, 2 IN	
36	71492152	10.5 ft	VENT HOSE, 2-1/2 IN	
37	84231107	18	HOSE CLAMP	
38	91403539	2	3 WAY CONNECTOR	
39		Ref	CAB ENCLOSURE, (See CAB SECTION for Breakdown)	
40	91403445	1	HEATER CONTROL PANEL	
41	91403329	1	HEAT AND A/C PLENUM	
42	88201011	1	HEX HD CAPSCREW, 1/4-20X2-1/2	
43	77133279	1	CLAMP SET	
44	77133137	1	COVER PLATE	
45	88201023	1	HEX HD CAPSCREW, 5/16-18X1-3/4	
46	91403280	NLA	HEATER UNIT, (no longer available use 1001114282 for	

SECTION 12 - OPTIONS

ITEM	PART NUMBER	QTY	DESCRIPTION	REV
			replacement) (Prior to SN 0160037944)	
46	1001114282	1	3 SPEED HEATER UNIT (SN 0160037944 to Present)	
47	88261015	4	BUTTON HD CAPSCREW, 1/4-20X5/8	
48	91413053	3	RECTANGULAR VENT	
49	91403596	2	VENT REDUCER	
50	80363106	2	CIRCULAR VENT	
51	91403608	1	DEFROSTER FAN	
52	91401443	1	FAN BASE PLATE	
53	91033425	1	RUBBER GROMMET	
54	88211030	4	SOCKET HD CAPSCREW, #10-24X3/4	
55	77143017	4	WHIZ-LOCK NUT, #10-24	

SECTION 12 - OPTIONS

FIGURE 12-11. ENCLOSED CAB HEATER COMPONENTS (SN 0160040678 to Present)



ART_91474001-12-11

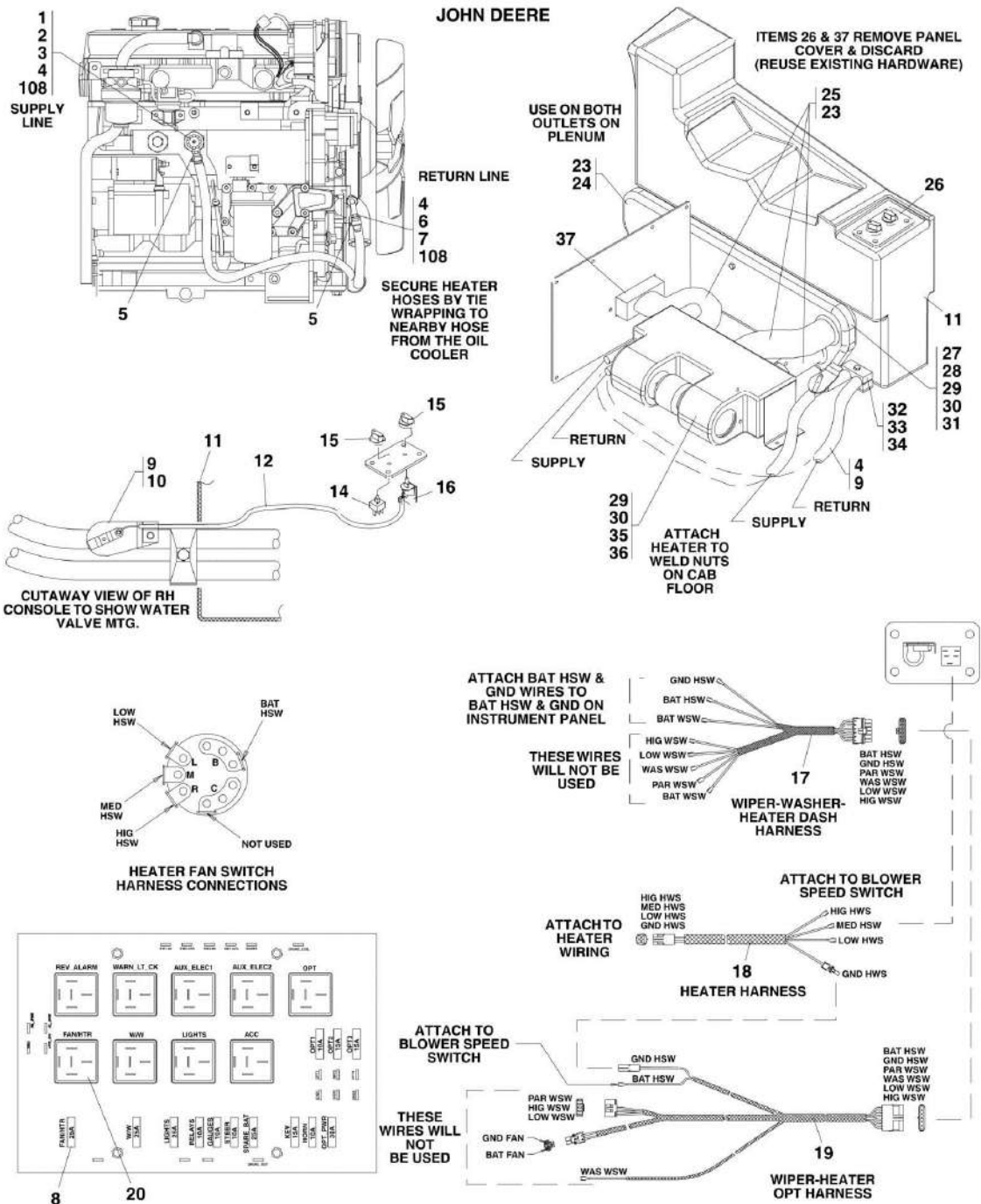
SECTION 12 - OPTIONS

FIGURE 12-11. ENCLOSED CAB HEATER COMPONENTS (SN 0160040678 to Present)

ITEM	PART NUMBER	QTY	DESCRIPTION	REV
3	0641405	4	HEX HD CAPSCREW, 1/4-20X5/8, GR5	
9	0641518	1	HEX HD CAPSCREW, 5/16-18X2-1/4, GR5	
12		Ref	FLAT HD CAPSCREW, #6-32X0.62, (See CAB SECTION for Breakdown)	
13	0741006	4	SOCKET HD CAPSCREW, #10-24X3/4	
16		Ref	HEX NUT, #6-32, GR2, (See CAB SECTION for Breakdown)	
17	3311005	4	HEX NUT, #10-24, GR2	
20	4711400	4	WASHER, 1/4	
28	77133137	1	COVER PLATE	
29	77133279	1	CLAMP SET	
31		Ref	KNOB, (See CAB SECTION for Breakdown)	
32		Ref	POTENTIOMETER ASSY, (8k ohms), (See CAB SECTION for Breakdown)	
33	80383231	1	HEATER CONTROL VALVE	
34	80963058	1	WEATHER PACK SHROUD	
35	80963065	2	WEATHER PACK SEALS	
36	80963069	2	WEATHER PACK PINS	
38		Ref	BLOWER SWITCH, (See CAB SECTION for Breakdown)	
39		Ref	HEATER HOSE, (See ENGINE HEATER COMPONENTS for Breakdown)	
42	86683193	6	HOSE CLAMP	
43	86883328	15	HOSE CLAMP	
44	88521004	4	LOCKNUT, 1/4-20	
46		Ref	TUBING CLIP, (See CAB SECTION for Breakdown)	
48	90206195	18 in	TRIM-LOCK	
52	91033425	1	RUBBER GROMMET	
56	91401443	1	FAN BASE PLATE	
60	91403608	1	DEFROSTER FAN	
61	91413036	10	SELF-TAPPING SCREW, #6X1/2	
62	91413050	4	WASHER, 1/4	
64	91473163	1	HOSE GUARD	
75	N.S.S.	32 in	NEOPRENE TAPE, 1/16X1/2	
77	1001100278	3	ROUND VENT	
78	1001100279	3	DEFROST VENT	
79	N.S.S.	1	BLOWER UNIT COVER	
81	1001100446	78 in	HOSE	
82	1001100447	148 in	3 IN HOSE	
83	1001101216	3	DEFROST BASE VENT	
85	1001101668	2	3-WAY CONDUIT	
86	1001101669	2	3 IN CONDUIT	
89	1001106849	1	RETURN AIR VENT	
95		Ref	ENCLOSED CAB, (See CAB SECTION for Breakdown)	
100	84231107	3	HOSE CLAMP	
202	1001114282	1	3 SPEED HEATER ASSY, (includes items 75 and 79)	

SECTION 12 - OPTIONS

FIGURE 12-12. OPEN CAB HEATER COMPONENTS (SN 0160015458 through 0160040659)



PY4050

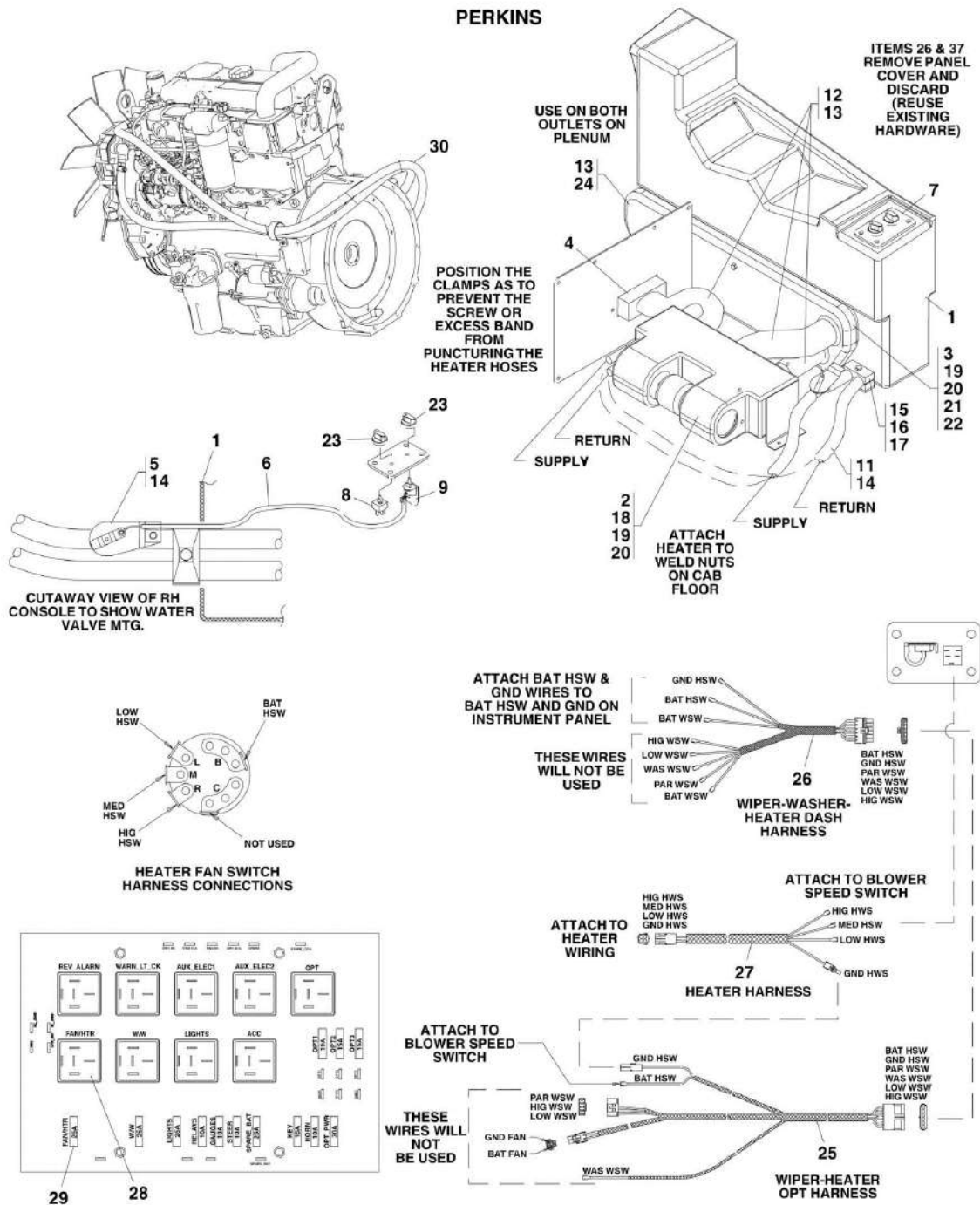
SECTION 12 - OPTIONS

FIGURE 12-12. OPEN CAB HEATER COMPONENTS (SN 0160015458 through 0160040659)

ITEM	PART NUMBER	QTY	DESCRIPTION	REV
	91475109	1	OPEN CAB HEATER OPTION, (John Deere), (includes items 1 thru 37)	D
1		Ref	FITTING, (See ENGINE HEATER COMPONENTS for Breakdown)	
2		Ref	TRUCK VALVE, (See ENGINE HEATER COMPONENTS for Breakdown)	
3		Ref	COOLANT RESTRICTER ORIFICE, (See ENGINE HEATER COMPONENTS for Breakdown)	
4		Ref	HEATER HOSE, 5/8 IN, (See ENGINE HEATER COMPONENTS for Breakdown)	
5		Ref	HEATER HOSE CLAMP, (See ENGINE HEATER COMPONENTS for Breakdown)	
6		Ref	STRAIGHT FITTING, (See ENGINE HEATER COMPONENTS for Breakdown)	
7		Ref	BARBED FITTING, 90, (See ENGINE HEATER COMPONENTS for Breakdown)	
8	8229262	1	AUTO FUSE, 25 AMP	
9	86683193	4	HOSE CLAMP	
10	83683182	1	WATER VALVE	
11		Ref	RH CONSOLE WITH HEATER, (See CAB SECTION for Breakdown)	
12	91413038	1	HEATER CONTROL CABLE	
14	80964001	1	BLOWER SWITCH	
15	80363069	2	KNOB, 3/16 SHAFT	
16	80363028	1	ROTARY CONTROL	
17	91403351	1	WIPER/WASHER HARNESS	
18	91403352	1	HEATER HARNESS	
19	91403350	1	WIPER/HEATER HARNESS	
20	77363265	1	RELAY	
23	84231107	8	HOSE CLAMP	
24	91416020	2	VENT WELDMENT	
25	71492152	5.5 ft	VENT HOSE, 2-1/2 IN	
26	91403445	1	HEATER CONTROL CABLE	
27	91403329	1	HEAT/AC PLENUM	
28	88201011	1	HEX HD CAPSCREW, 1/4-20X2-1/2	
29	88561002	6	FLAT WASHER, 1/4	
30	88551009	5	LOCKWASHER, 1/4	
31	88501004	1	HEX NUT, 1/4-20	
32	77133279	1	CLAMP SET	
33	77133137	1	COVER PLATE	
34	88201023	1	HEX HD CAPSCREW, 5/16-18X1-3/4	
35	91403280	1	HEATER UNIT	
36	88261015	4	BUTTON HD CAPSCREW, 1/4-20X5/8	
37	91413053	1	RECTANGULAR VENT	
108	0100020	AR	LOCTITE 567	

SECTION 12 - OPTIONS

FIGURE 12-13. OPEN CAB HEATER COMPONENTS (SN 0160021195 through 0160040659)



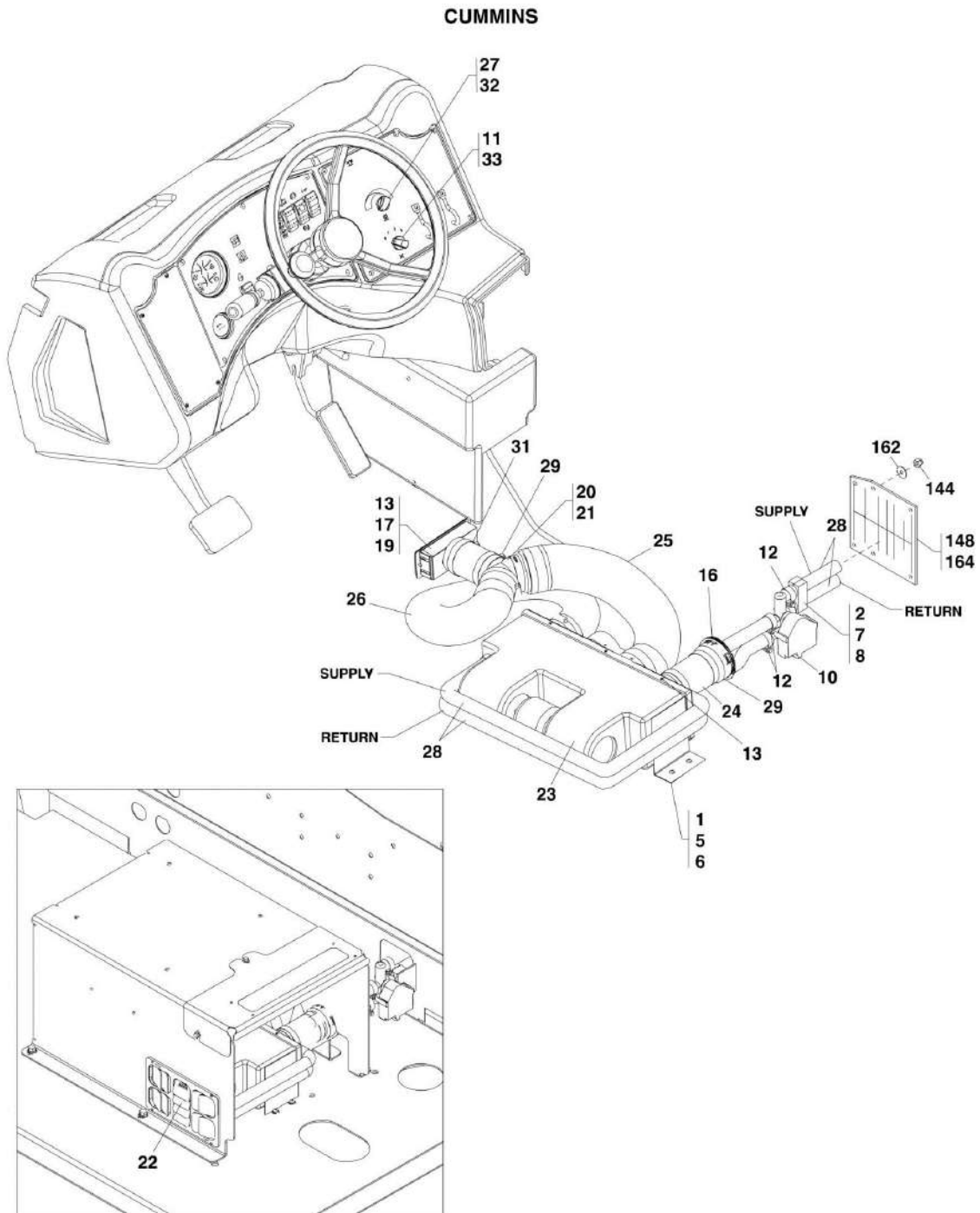
SECTION 12 - OPTIONS

FIGURE 12-13. OPEN CAB HEATER COMPONENTS (SN 0160021195 through 0160040659)

ITEM	PART NUMBER	QTY	DESCRIPTION	REV
	0275753	1	OPEN CAB HEATER COMPONENTS, (PERKINS), (includes items 1 thru 30)	D
1		Ref	RH CONSOLE WITH HEATER, (See CAB SECTION for Breakdown)	
2	91403280	1	HEATER UNIT	
3	91403329	1	HEATER/AC PLENUM	
4	91413053	1	RECTANGULAR VENT	
5	83683182	1	WATER VALVE	
6	91413038	1	HEATER CONTROL CABLE	
7	91403445	1	HEATER CONTROL PANEL	
8	80964001	1	BLOWER SWITCH	
9	80363028	1	ROTARY CONTROL	
11	82033995	300 in	HEATER HOSE, 5/8 IN	
12	71492152	5.5 ft	VENT HOSE, 2-1/2 IN	
13	84231107	8	HOSE CLAMP	
14	86683193	4	HOSE CLAMP	
15	77133279	1	CLAMP SET	
16	77133137	1	COVER PLATE	
17	88201023	1	HEX HD CAPSCREW, 5/16-18X1-3/4, GR5	
18	88261015	4	BUTTON HD CAPSCREW, 1/4-20X5/8	
19	88561002	6	FLAT WASHER, 1/4	
20	88551009	5	LOCKWASHER, 1/4	
21	88201011	1	HEX HD CAPSCREW, 1/4-20X2-1/2, GR5	
22	88501004	1	HEX NUT, 1/4-20	
23	80363069	2	KNOB, 3/16 SHAFT	
24	91416020	2	VENT WELDMENT	
25	91403350	1	WIPER/HEATER HARNESS	
26	91403351	1	WIPER/WASHER HARNESS	
27	91403352	1	HEATER HARNESS	
28	77363265	1	RELAY	
29	80964009	1	FUSE, 25 AMP	
30		Ref	ENGINE HEATER COMPONENTS INSTALLATION, (See ENGINE HEATER COMPONENTS for Breakdown)	

SECTION 12 - OPTIONS

FIGURE 12-14. OPEN CAB HEATER COMPONENTS (SN 0160040678 to Present)



ART_91474001-12-14

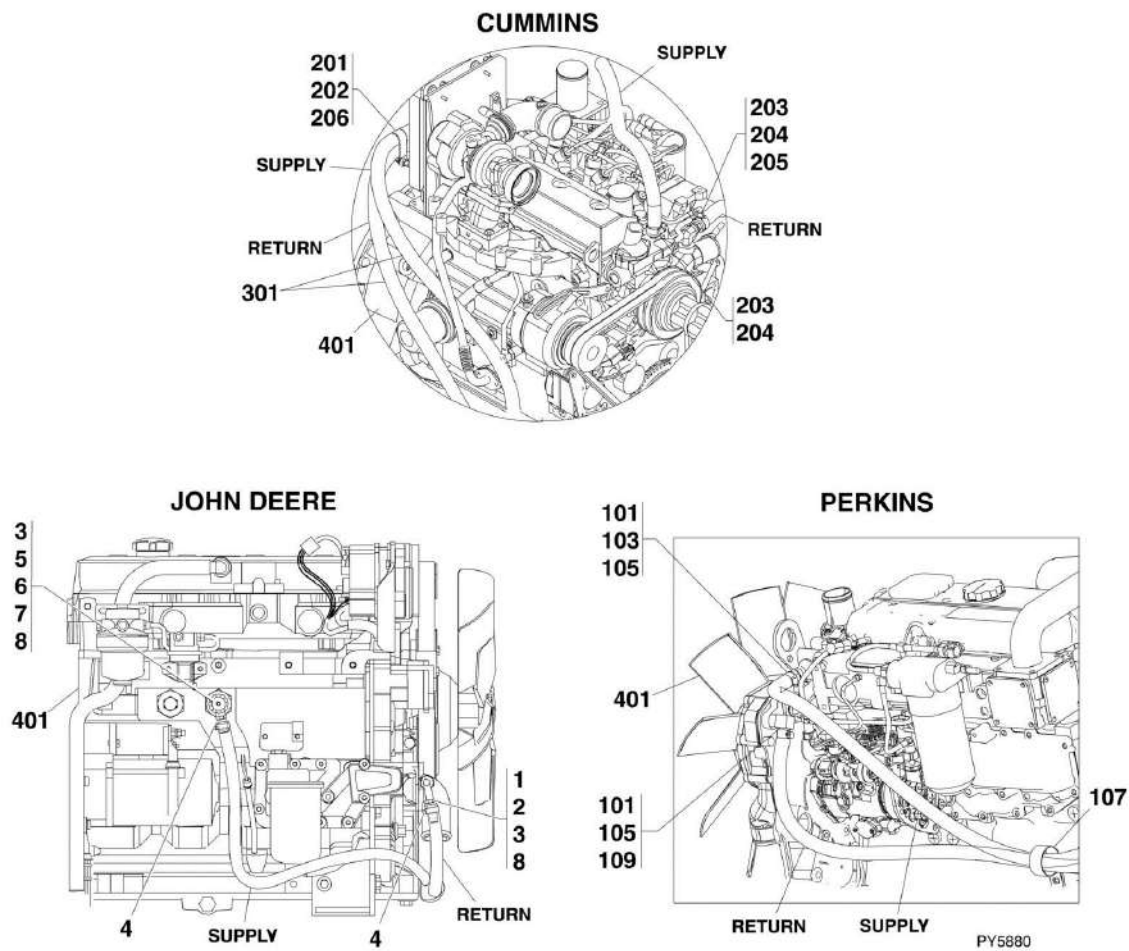
SECTION 12 - OPTIONS

FIGURE 12-14. OPEN CAB HEATER COMPONENTS (SN 0160040678 to Present)

ITEM	PART NUMBER	QTY	DESCRIPTION	REV
	1001130586	Ref	HEATER OPTION INSTALLATION, (Cummins), (not available to order, see items 1 thru 33 for service)	D
1	0630407	4	BUTTON HD CAPSCREW, 1/4-20X5/8	
2	0641518	1	HEX HD CAPSCREW, 5/16-18X2-1/4, GR5	
5	4711400	4	WASHER, 1/4	
6	4761400	4	LOCKWASHER, 1/4	
7	77133137	1	TWIN CLAMP COVER PLATE	
8	77133279	1	CLAMP SET	
10	80383231	1	HEATER CONTROL VALVE	
11		Ref	BLOWER SWITCH, (See CAB SECTION for Breakdown)	
12	86683193	6	HOSE CLAMP	
13	91413036	8	SELF-TAPPING SCREW, #6X1/2	
14		Ref	CAB OPTIONS HARNESS, (not shown), (See ELECTRICAL SECTION for Breakdown)	
16	1001100278	1	ROUND VENT	
17	1001100279	1	DEFROST VENT	
19	1001101216	1	DEFROST BASE VENT	
20	1001101668	1	3-WAY CONDUIT	
21	1001101669	1	3 IN CONDUIT	
22	1001106849	1	RETURN AIR VENT	
23	1001114282	1	3 SPEED HEATER ASSY	
24	1001100446	0.9 ft	HOSE	
25	1001100447	1.4 ft	HOSE	
26	71492152	2.5 ft	HOSE	
27		Ref	POTENTIOMETER ASSY, (See CAB SECTION for Breakdown)	
28		Ref	HEATER HOSE, (See ENGINE HEATER COMPONENTS for Breakdown)	
29	86883328	7	HOSE CLAMP	
31	84231107	1	HOSE CLAMP	
32		Ref	KNOB, (See Separate Breakdown in CAB Section)	
33		Ref	KNOB, (See Separate Breakdown in CAB Section)	
101		Ref	OPEN CAB, (not shown), (See CAB SECTION for Breakdown)	
144	88521004	4	LOCKNUT, 1/4-20	
148	90206195	24 in	TRIM-LOCK	
162	91413050	4	WASHER, 1/4	
164	91473163	1	HOSE GUARD	

SECTION 12 - OPTIONS

FIGURE 12-15. ENGINE HEATER COMPONENTS



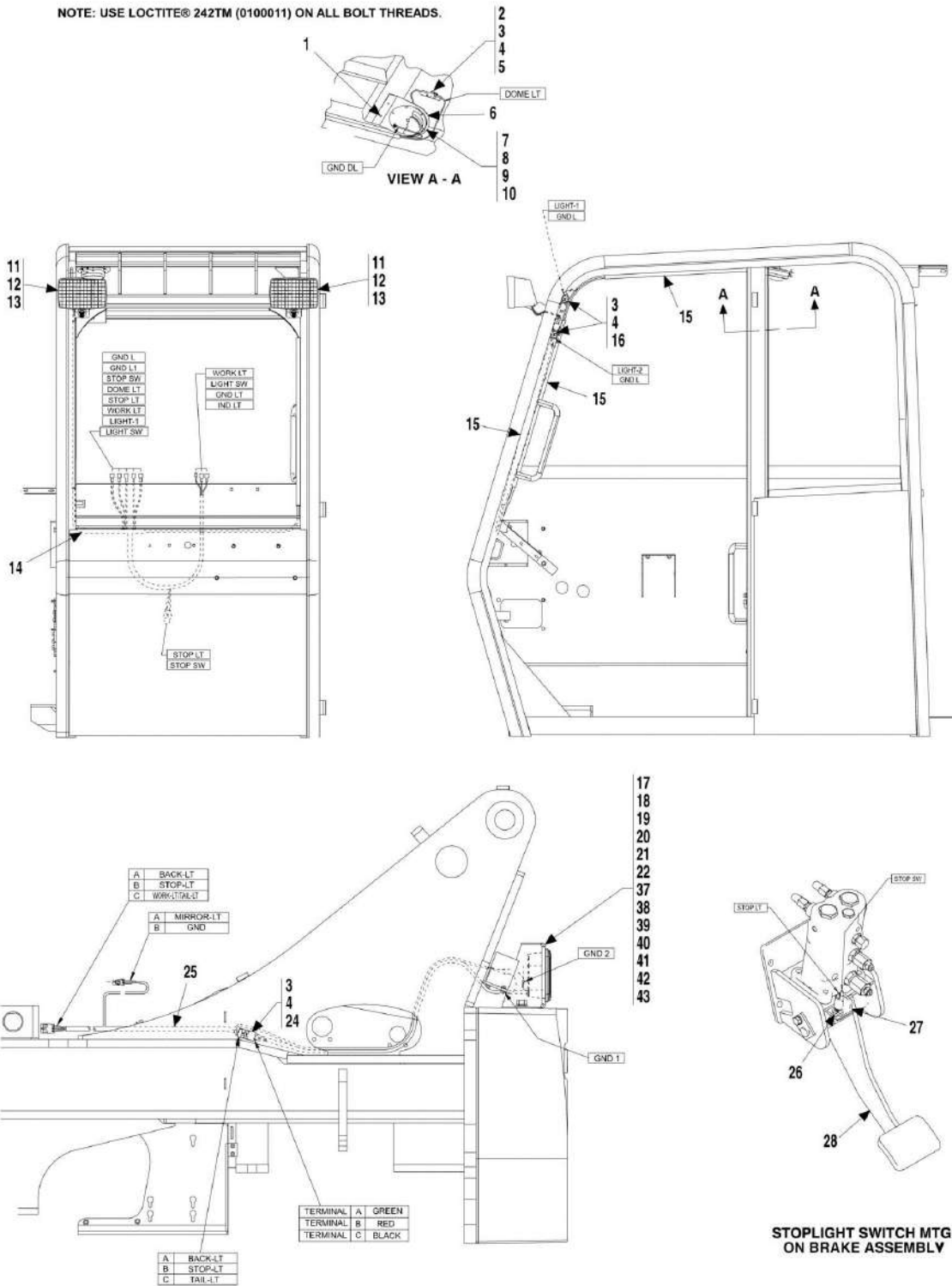
SECTION 12 - OPTIONS

FIGURE 12-15. ENGINE HEATER COMPONENTS

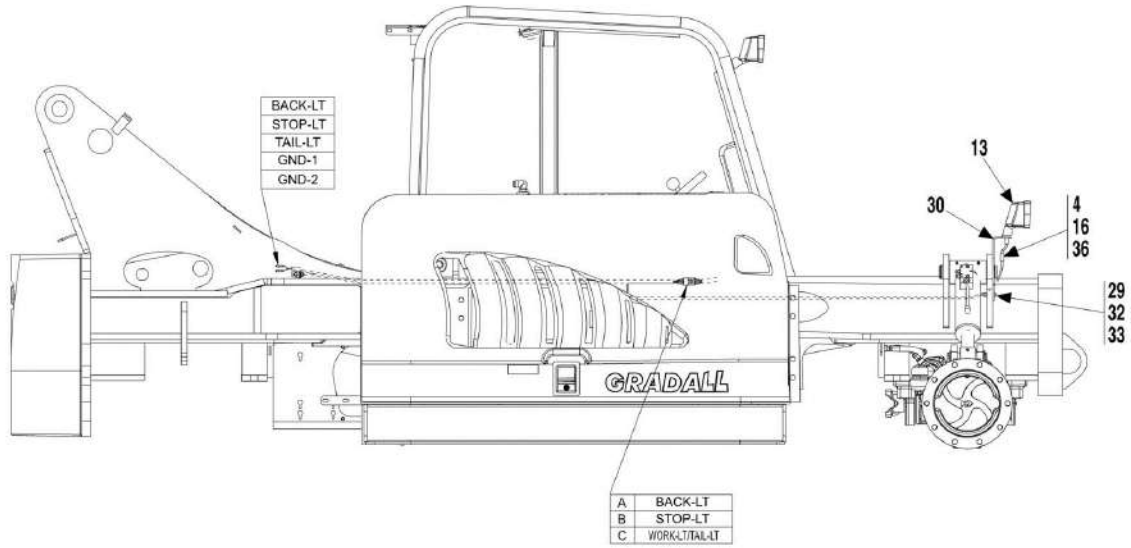
ITEM	PART NUMBER	QTY	DESCRIPTION	REV
	0275707	Ref	ENGINE HEATER COMPONENTS INSTALLATION, (JOHN DEERE, if equipped), (not available to order, see items 1 thru 8 for service) (Prior to SN 0160040678)	A
1	80683073	1	STRAIGHT FITTING	
2	91403443	1	BARBED FITTING, 90	
3	82033995	20 ft	HEATER HOSE, 5/8 IN, (ENCLOSED CAB) (SN 0190001 through 01990457, SN 016000022 through 0160015432)	
3	82033995	17 ft	HEATER HOSE, 5/8 IN, (ENCLOSED CAB) (SN 0160015458 through 0160040659)	
3	82033995	26 ft	HEATER HOSE, 5/8 IN, (OPEN CAB) (SN 0160015458 through 0160040659)	
4	86671187	2	HEATER HOSE CLAMP	
5	80373046	1	FITTING	
6	91083155	1	TRUCK VALVE	
7	77383540	1	COOLANT RESTRICTER ORIFICE	
8	0100020	AR	LOCTITE 567	
	0275750	Ref	ENGINE HEATER COMPONENTS INSTALLATION, (PERKINS, if equipped), (not available to order, see items 101 thru 109 for service) (SN 0160021195 through 0160040659)	F
101	8405007	2	GEAR CLAMP	
103	77383540	1	COOLANT RESTRICTER ORIFICE	
105	82033995	25 ft	HEATER HOSE, 5/8 IN	
106	0100020	AR	LOCTITE 567	
107	90028660	1	LOOP CLAMP	
109	84712749	1	BRASS ELBOW	
	1001127693	Ref	HEATER-ENGINE COMPONENTS INSTALLATION, (CUMMINS), (not available to order, see items 201 thru 206 for service) (SN 0160040678 to Present)	B
201	0791607	1	WHIZ-LOCK SCREW, 3/8-16X7/8	
202	1321716	1	1 IN CLAMP	
203	2220806	2	STRAIGHT FITTING	
204	8405007	2	CLAMP	
205	8540205	1	ADAPTER, 90	
206	77143015	1	WHIZ-LOCK NUT, 3/8-16	
301	82033995	17 ft	HEATER HOSE, (CUMMINS)	
401		Ref	ENGINE ASSY, (See ENGINE AND ATTACHING PARTS SECTION for Breakdown)	

SECTION 12 - OPTIONS

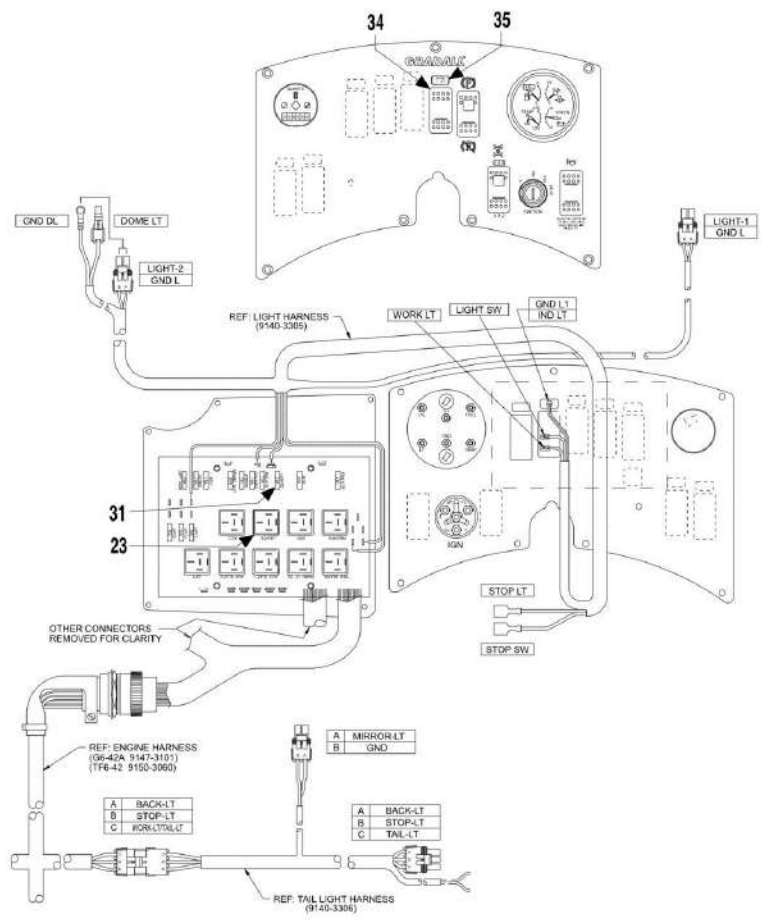
FIGURE 12-16. WORKLIGHT PACKAGE (SN 0190001 through 016000843, SN 016000847 through 0160031618)



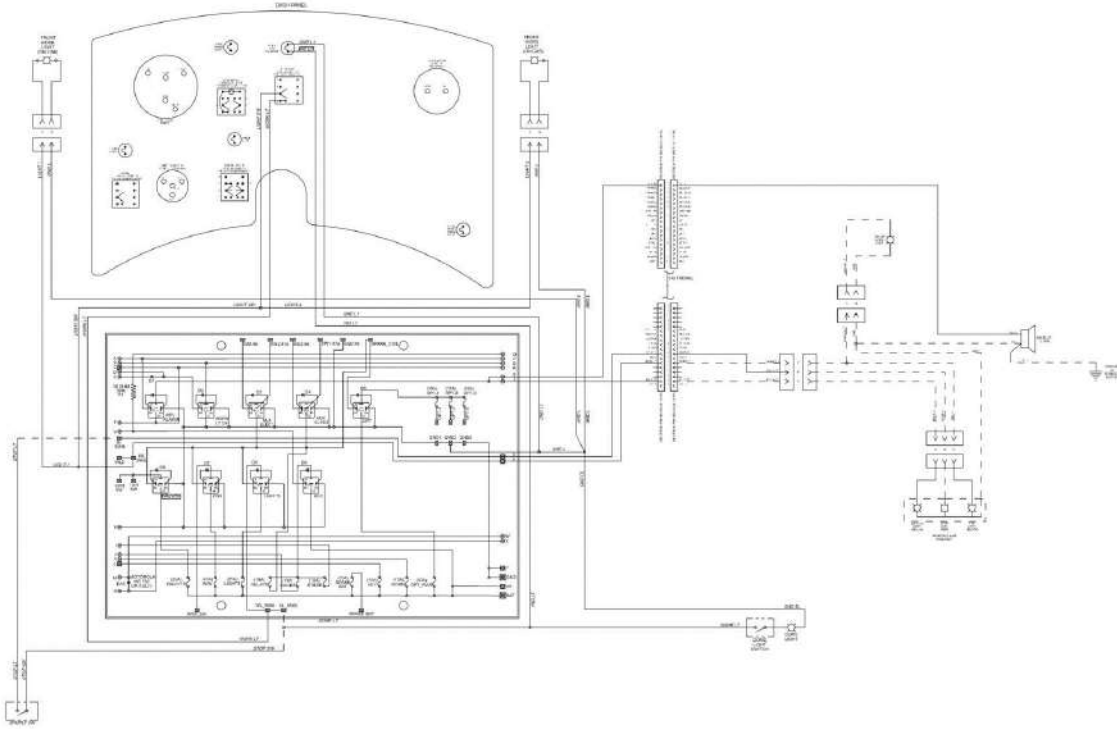
SECTION 12 - OPTIONS



- A BACK-LT
- B STOP-LT
- C WORKL/TAIL-LT



SECTION 12 - OPTIONS



ELECTRICAL SCHEMATIC

SECTION 12 - OPTIONS

FIGURE 12-16. WORKLIGHT PACKAGE (SN 0190001 through 0160000843, SN 0160000847 through 0160031618)

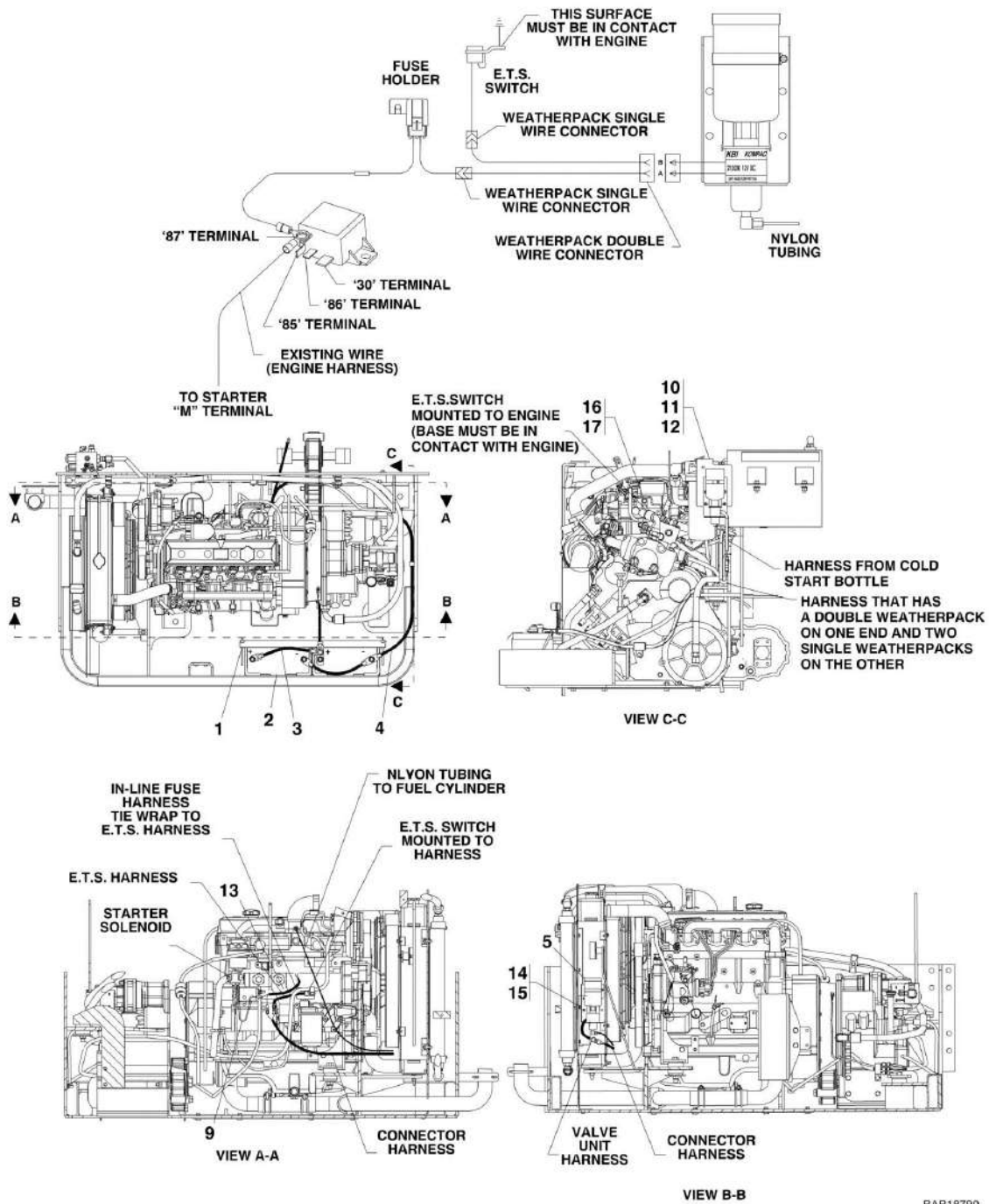
ITEM	PART NUMBER	QTY	DESCRIPTION	REV
	91475062	1	WORKLIGHT PACKAGE, (includes all items) (SN 0190001 through 0160000843)	C
	91475095	1	WORKLIGHT PACKAGE, (includes all items) (SN 0160000847 through 0160031618)	E
1	88321022	2	SELF-TAPPING SCREW, #8-32X3/8	
2	80963056	1	WEATHER PACK SHROUD	
3	80963069	8	MALE PIN TERMINAL	
4	80963066	10	CABLE SEAL	
5	90029955	1	RUBBER GROMMET	
6	91361003	1	MOUNTING UNIT	
7	24861167	1	INTERIOR LIGHT	
8	88551006	3	LOCKWASHER, #8	
9	89981036	3	PAN HD SCREW, #8-32X3/8	
10	88501610	3	HEX NUT, #8	
11	91403503	2	SPACER	
12	91413052	2	MOUNTING BOLT	
13	80963050	3	UTILITY FLOOD LIGHT	
13	80964070	3	BULB	
14	91403305	1	LIGHT HARNESS	
15	80961142	3	ECONOMY WIRING DUCT	
16	80963058	3	WEATHER PACK SHROUD	
17	91121145	1	TAIL LIGHT HOUSING	
18	91121146	1	TAIL LIGHT BRACKET	
19	91365045	1	TAIL LIGHT ASSY, (includes items 37 thru 43)	B
20	88201108	1	HEX HD CAPSCREW, 3/4-10X1-1/4, GR5	
21	88561115	1	FLAT WASHER, 3/4	
22	88551016	1	LOCKWASHER, 3/4	
23	77363265	1	RELAY	
24	80963060	1	WEATHER PACK SHROUD	
25	91403306	1	TAIL LIGHT HARNESS	
26	91143117	1	STOPLIGHT SWITCH	
27	91511127	1	STOPLIGHT MOUNTING TAB	
28	91476046	1	PEDAL BRAKE WITH STOPLIGHT TAB (SN 0190001 through 0160000843)	
28	91516030	1	PEDAL BRAKE WITH STOPLIGHT TAB (SN 0160000847 through 0160031618)	
29	88201039	2	HEX HD CAPSCREW, 3/8-16X2, GR5	
30	91471221	1	FLOOD LIGHT BRACKET	
31	80964009	1	FUSE, 25 AMP	
32	88501006	2	HEX NUT, 3/8-16	
33	88551011	2	LOCKWASHER, 3/8	
34	91403304	1	TOGGLE SWITCH	
35	91403613	1	WORK LIGHTS DECAL	
36	80963068	2	FEMALE PIN TERMINAL	
37	91123065	1	TAIL LIGHT	
38	86661147	38 in	BLACK WIRE, 16 GA	
39	86661149	38 in	GREEN WIRE, 16 GA	
40	86661152	38 in	RED WIRE, 16 GA	
41	4460035	3	BUTT CONNECTOR	
42	82033996	45 in	WIRE LOOM	

SECTION 12 - OPTIONS

ITEM	PART NUMBER	QTY	DESCRIPTION	REV
43	86683122	2	TIE WRAP	
44	14404173	AR	SILICONE SEALANT, (not shown) (SN 0160000847 through 0160031618)	

SECTION 12 - OPTIONS

FIGURE 12-17. COLD START INSTALLATION - JOHN DEERE ENGINE (Prior to SN 0160040678)



PAP18790

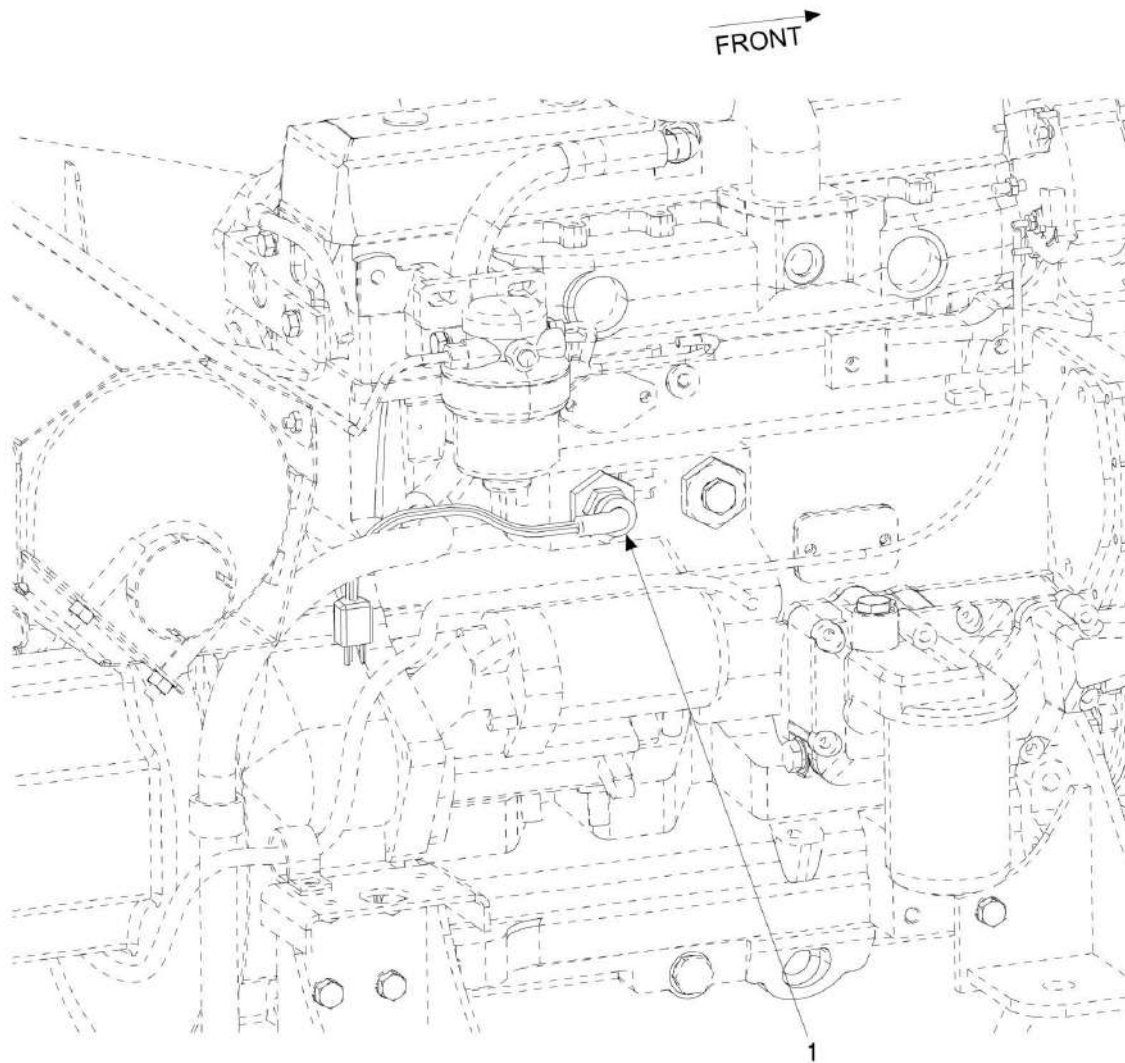
SECTION 12 - OPTIONS

FIGURE 12-17. COLD START INSTALLATION - JOHN DEERE ENGINE (Prior to SN 0160040678)

ITEM	PART NUMBER	QTY	DESCRIPTION	REV
	91475047	Ref	COLD START INSTALLATION, (not available to order, see items 5 thru 19 for service)	G
1	91401299	1	TIE DOWN (SN 0190001 through 0160018283)	
2	91083483	1	BATTERY, (12 volt, 1000 amps), TOP STUD, 3/8-16 UNC THREAD,BCI GROUP 31	
3	91403390	1	POSITIVE BATTERY CABLE (SN 0190001 through 0160018283)	
4	91473166	1	NEGATIVE BATTERY CABLE (SN 0190001 through 0160018283)	
5	91403295	1	COLD START KIT	
5	70023156	1	VALVE, 12VDC	
6	88501004	2	HEX NUT, 1/4-20	
7	88551009	2	LOCKWASHER, 1/4	
9	91473239	1	COLD START WIRE	
10	91511156	1	FILTER BRACKET	
11	88261022	2	SOCKET BUTTON HD CAPSCREW, 5/16-18X3/4	
12	88561003	2	FLAT WASHER, 5/16	
13	90027187	AR	TIE WRAP	
14	88201003	4	HEX HD CAPSCREW, 1/4-20X3/4, GR5	
15	88561002	4	FLAT WASHER, 1/4	
16	83191038	1	HEX HD CAPSCREW, M10-1-1/2X20	
17	83191013	1	LOCKWASHER, M10	
18	14404082	AR	LOCTITE PIPE SEALANT, (not shown)	
19	14403364	AR	LOCTITE 242 (not shown)	

SECTION 12 - OPTIONS

FIGURE 12-18. BLOCK HEATER INSTALLATION - JOHN DEERE ENGINE (Prior to SN 0160040678)



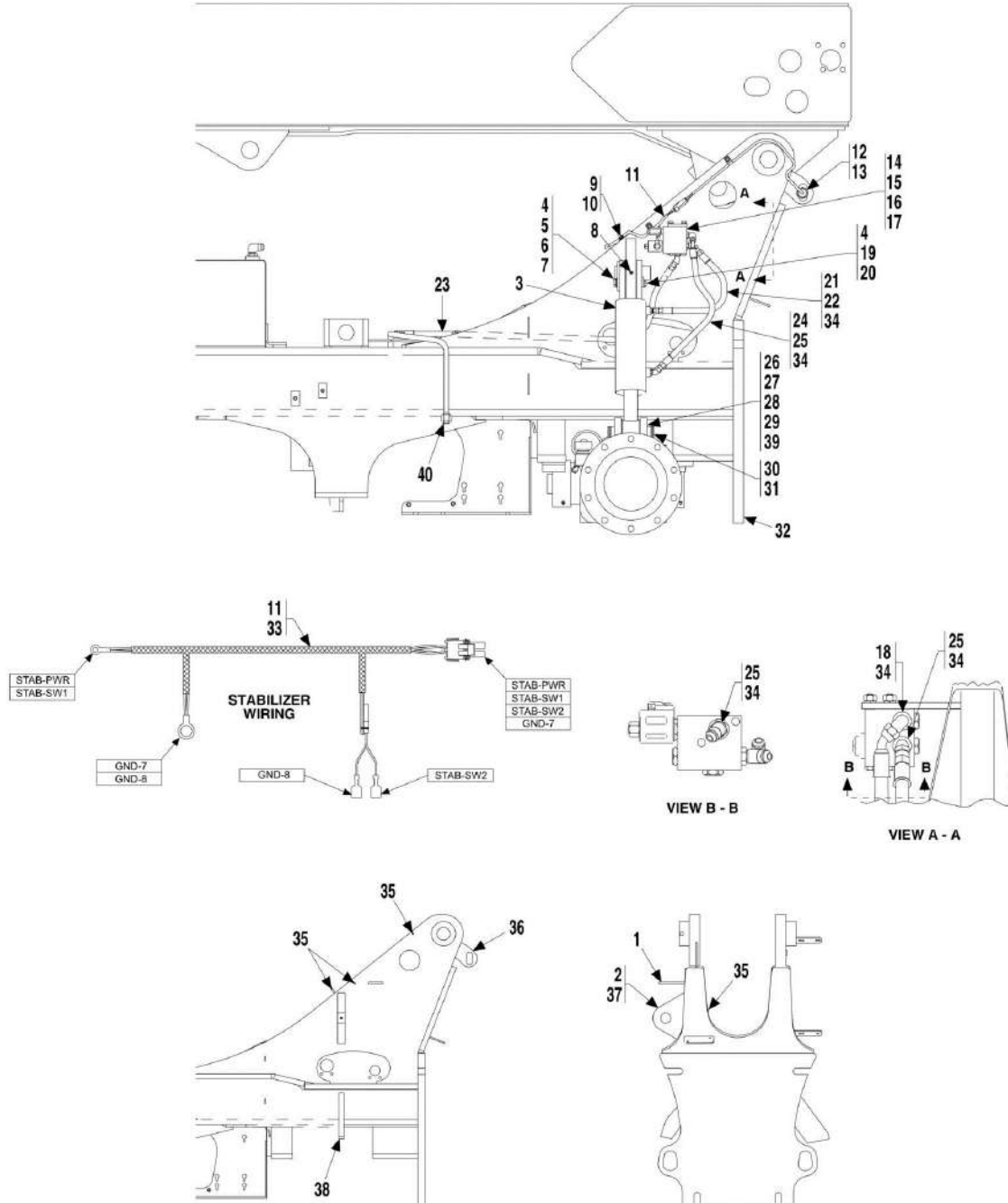
SECTION 12 - OPTIONS

FIGURE 12-18. BLOCK HEATER INSTALLATION - JOHN DEERE ENGINE (Prior to SN 0160040678)

ITEM	PART NUMBER	QTY	DESCRIPTION	REV
	80375012	Ref	BLOCK HEATER INSTALLATION, (not available to order, see item 1 for service)	
1	80373088	1	BLOCK HEATER	

SECTION 12 - OPTIONS

FIGURE 12-19. STABILIZER OPTION (SN 0190001 through 0190457, SN 016000022 through 0160000843)



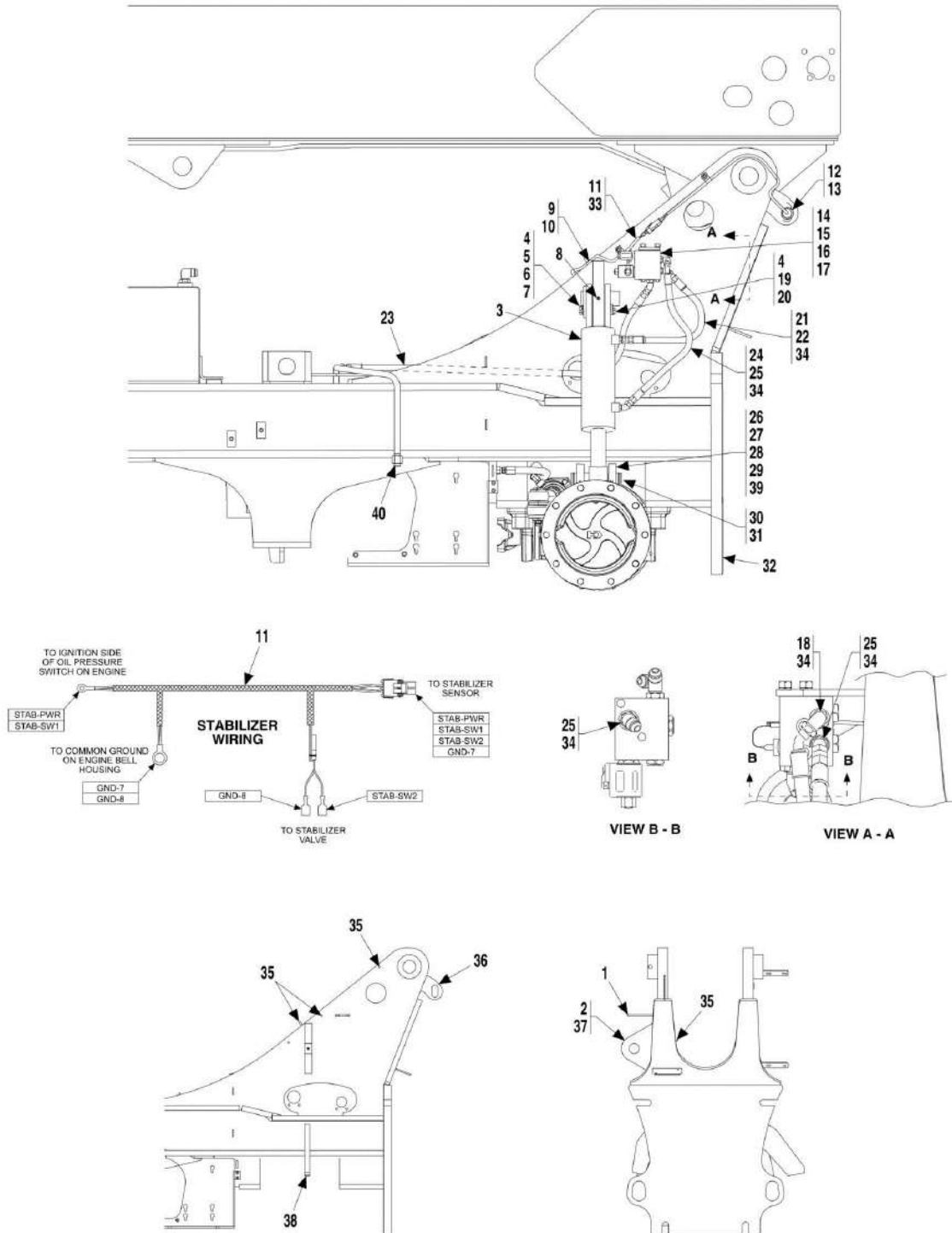
SECTION 12 - OPTIONS

FIGURE 12-19. STABILIZER OPTION (SN 0190001 through 0190457, SN 016000022 through 0160000843)

ITEM	PART NUMBER	QTY	DESCRIPTION	REV
	91475043	1	STABILIZER OPTION, (includes all items)	
1	91361026	1	STABILIZER VALVE MOUNTING PLATE	
2	91471126	1	STABILIZER LUG, (includes item 37)	
3		Ref	STABILIZER CYLINDER, (See TURBO RADIATOR ASSEMBLY for Breakdown)	
4	88561111	3	FLAT WASHER, 1/2	
5	88551013	2	LOCKWASHER, 1/2	
6	88201066	2	HEX HD CAPSCREW, 1/2-13X1-1/4, GR5	
7	91166062	1	PIN WELDMENT	
8	88671001	1	LUBE FITTING-STRAIGHT, 1/8	
9	77143006	4	WHIZ-LOCK NUT, 5/16	
10	86621230	4	SUPPORT CLAMP	
11	91403297	1	STABILIZER HARNESS	
12	91365037	1	STABILIZER SENSOR ASSY, (includes the following five items)	B
12	91143155	1	PROXIMITY SENSOR SWITCH	
12	80963062	1	WEATHER PACK CONNECTOR, (shroud)	
12	80963069	4	WEATHER PACK CONNECTOR, (male pin terminal)	
12	80963065	4	WEATHER PACK CONNECTOR, (cable seals)	
12	91053419	1	TIE WRAP	
13	91403156	2	WASHER	
14	91113003	1	STABILIZER VALVE	
15	83481673	2	HEX HD CAPSCREW, 3/8-16	
16	88551011	2	LOCKWASHER, 3/8	
17	88501006	2	HEX NUT, 3/8-16	
18	88662065	1	ELBOW, 90, (includes item 34)	
19	91161269	1	KEEPER	
20	88201065	1	HEX HD CAPSCREW, 1/2-13X1, GR5	
21	84717556	1	HOSE ASSY	
22	2220373	1	CONNECTOR, (includes item 34)	
23	84719598	1	HOSE ASSY	
24	84718631	1	HOSE ASSY	
25	88662085	3	ELBOW, 45, (includes item 34)	
26	91476006	1	SWAY LUG WELDMENT	
27	91471034	2	RETAINING PLATE	
28	83201163	4	HEX HD CAPSCREW, 1-8X10	
29	88551018	4	LOCKWASHER, 1	
30	91403225	1	SWAY PIN	
31	90028935	2	SNAP RING	
32	N.S.S.	1	FRAME WELDMENT, (includes items 1, 2 & 35 thru 38)	
33	90027187	4	TIE WRAP	
34	88591205	5	O-RING	
35	N.S.S.	4	WELD STUD, 5/16-18X1	
36	91471138	1	SENSOR MOUNTING BRACKET	
37	91163018	1	BUSHING	
38	91471204	1	AXLE STOP	
39	91143051	2	BUSHING	
40	91503080	1	TUBE ASSY	

SECTION 12 - OPTIONS

FIGURE 12-20. STABILIZER OPTION (SN 016000847 through 0160040659)



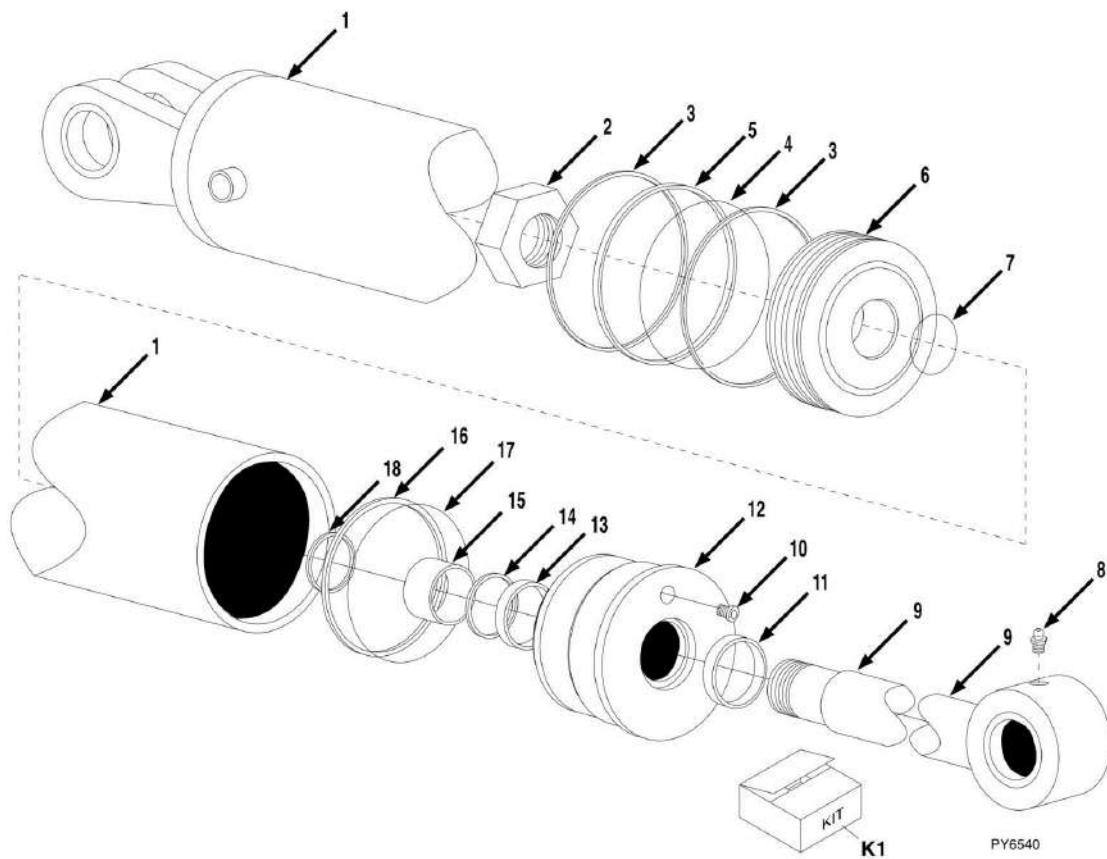
SECTION 12 - OPTIONS

FIGURE 12-20. STABILIZER OPTION (SN 0160000847 through 0160040659)

ITEM	PART NUMBER	QTY	DESCRIPTION	REV
	91475079	1	STABILIZER OPTION, (includes all items)	B
1	91361026	1	STABILIZER VALVE MOUNTING PLATE	
2	91471126	1	STABILIZER LUG, (includes item 37)	
3		Ref	STABILIZER CYLINDER, (See TURBO RADIATOR ASSEMBLY for Breakdown)	
4	88561111	3	FLAT WASHER, 1/2	
5	88551013	2	LOCKWASHER, 1/2	
6	88201066	2	HEX HD CAPSCREW, 1/2-13X1-1/4, GR5	
7	91166062	1	PIN WELDMENT	
8	88671001	1	LUBE FITTING-STRAIGHT, 1/8	
9	77143006	4	WHIZ-LOCK NUT, 5/16	
10	86621230	4	SUPPORT CLAMP	
11	91403297	1	STABILIZER HARNESS	
12	91365037	1	STABILIZER SENSOR ASSY, (includes the following five items)	B
12	91143155	1	PROXIMITY SENSOR SWITCH	
12	80963062	1	WEATHER PACK CONNECTOR, (shroud)	
12	80963069	4	WEATHER PACK CONNECTOR, (male pin terminal)	
12	80963065	4	WEATHER PACK CONNECTOR, (cable seals)	
12	91053419	1	TIE WRAP	
13	91403156	2	WASHER	
14	91113003	1	STABILIZER VALVE	
15	83481673	2	HEX HD CAPSCREW, 3/8-16	
16	88551011	2	LOCKWASHER, 3/8	
17	88501006	2	HEX NUT, 3/8-16	
18	88662065	1	ELBOW, 90, (includes item 34)	
19	91161269	1	KEEPER	
20	88201065	1	HEX HD CAPSCREW, 1/2-13X1, GR5	
21	84717556	1	HOSE ASSY	
22	2220373	1	CONNECTOR, (includes item 34)	
23	84719598	1	HOSE ASSY	
24	84718631	1	HOSE ASSY	
25	88662085	3	ADAPTER, 45, (includes item 34)	
26	91475074	1	SWAY LUG ASSY, (includes item 39)	
27	91471213	2	RETAINING PLATE	
28	91473196	4	HEX HD CAPSCREW, 1-8X9, GR8	
29	90027475	8	HARDENED WASHER, 1	
30	91403225	1	SWAY PIN	
31	90028935	2	SNAP RING	
32	N.S.S.	1	FRAME WELDMENT, (includes items 1, 2 & 35 thru 38)	
33	90027187	4	TIE WRAP	
34	88591205	5	O-RING	
35	N.S.S.	4	WELD STUD, 5/16-18X1	
36	91471138	1	SENSOR MOUNTING BRACKET	
37	91163018	1	BUSHING	
38	91471220	1	AXLE STOP	
39	91143051	2	BUSHING	
40	91503080	1	TUBE ASSY	

SECTION 12 - OPTIONS

FIGURE 12-21. STABILIZER CYLINDER



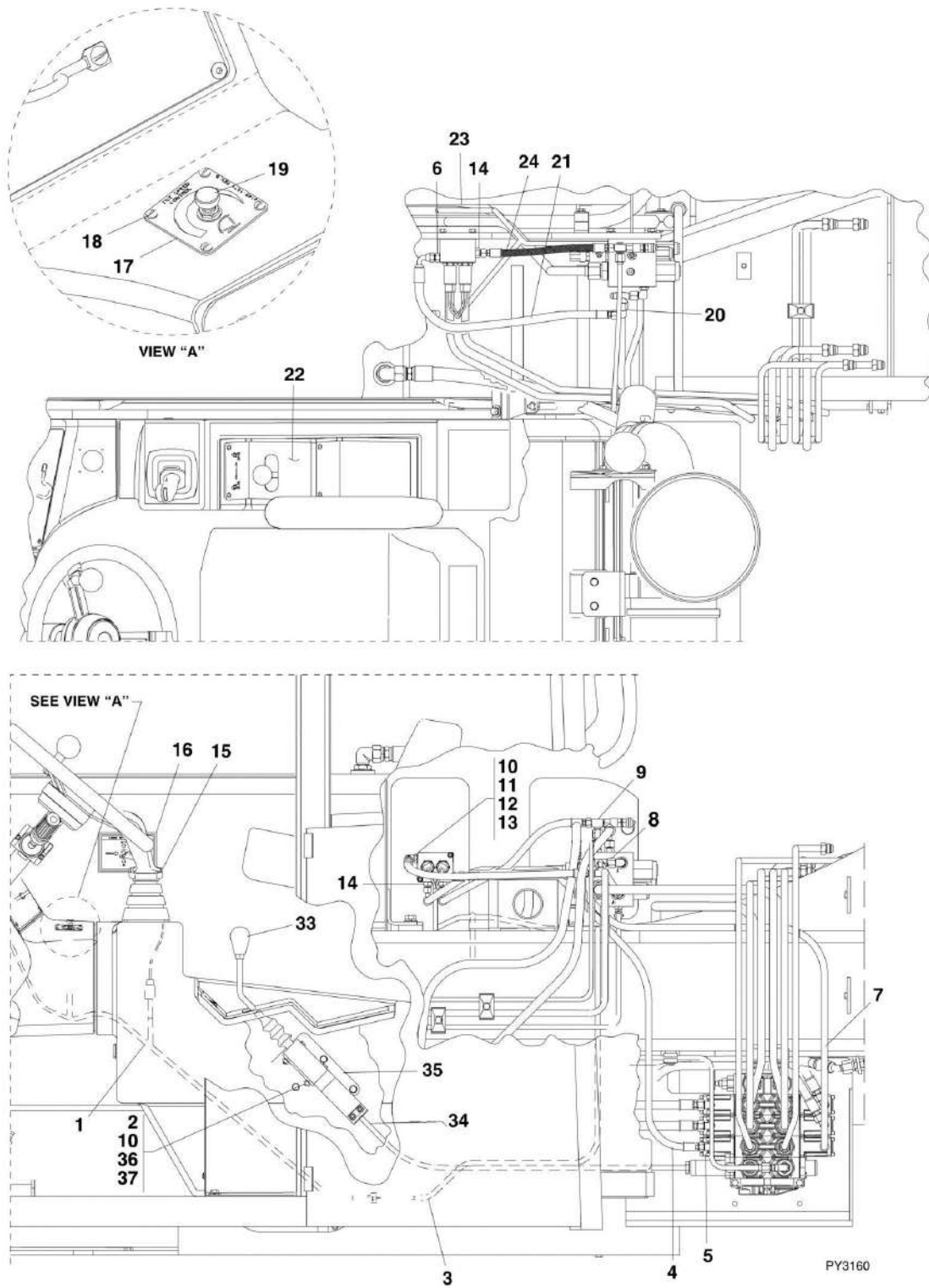
SECTION 12 - OPTIONS

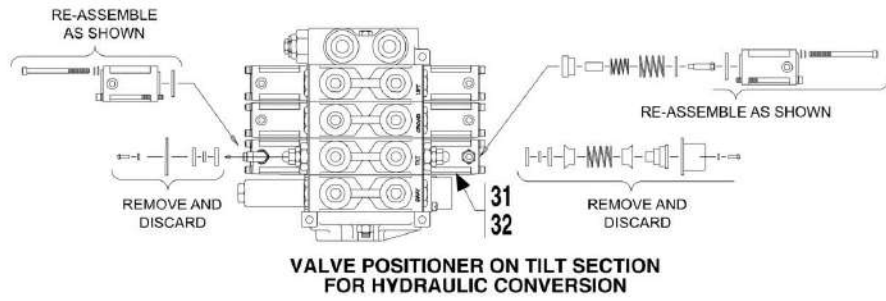
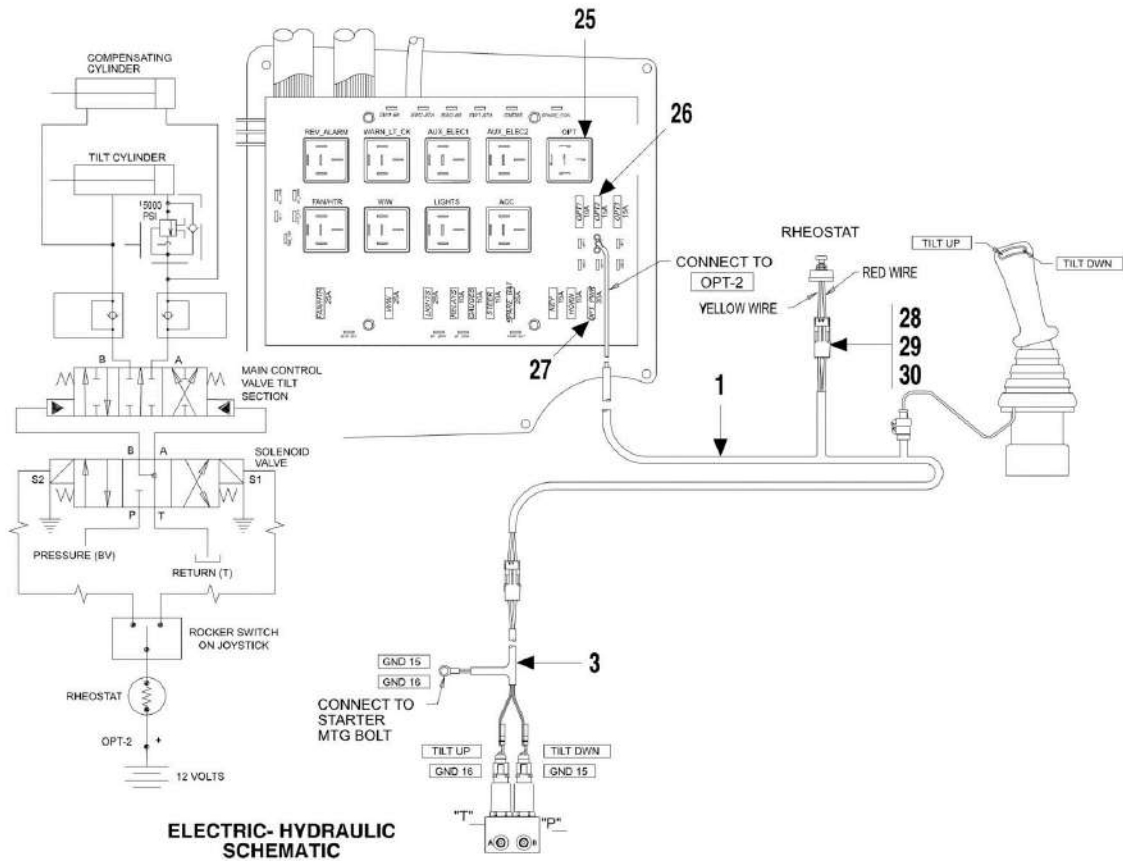
FIGURE 12-21. STABILIZER CYLINDER

ITEM	PART NUMBER	QTY	DESCRIPTION	REV
	91473098	1	STABILIZER CYLINDER, (if equipped), (includes all items)	
1	91404276	1	CASE ASSEMBLY	
2	91064017	1	LOCK NUT	
3	Kit	2	WEAR RING	
4	Kit	1	O-RING	
5	Kit	1	PISTON SEAL	
6	91144033	1	PISTON	
7	Kit	1	O-RING	
8	91144128	1	GREASE FITTING	
9	91404281	1	SHAFT ASSY	
10	91404282	1	SETSCREW	
11	91124103	1	CANNED WIPER	
12	91404283	1	HEAD	
13	Kit	1	U-CUP SEAL	
14	Kit	1	STEP SEAL	
15	Kit	1	WEAR RING	
16	Kit	1	BACKUP	
17	Kit	1	O-RING	
18	91084372	1	RETAINING RING	
K1	91144005	1	SEAL KIT, (includes items 3 thru 5, 7 & 13 thru 17)	

SECTION 12 - OPTIONS

FIGURE 12-22. TILT ON JOYSTICK WITH RH FRAME LEVEL (Prior to SN 0160040678)





SECTION 12 - OPTIONS

FIGURE 12-22. TILT ON JOYSTICK WITH RH FRAME LEVEL (Prior to SN 0160040678)

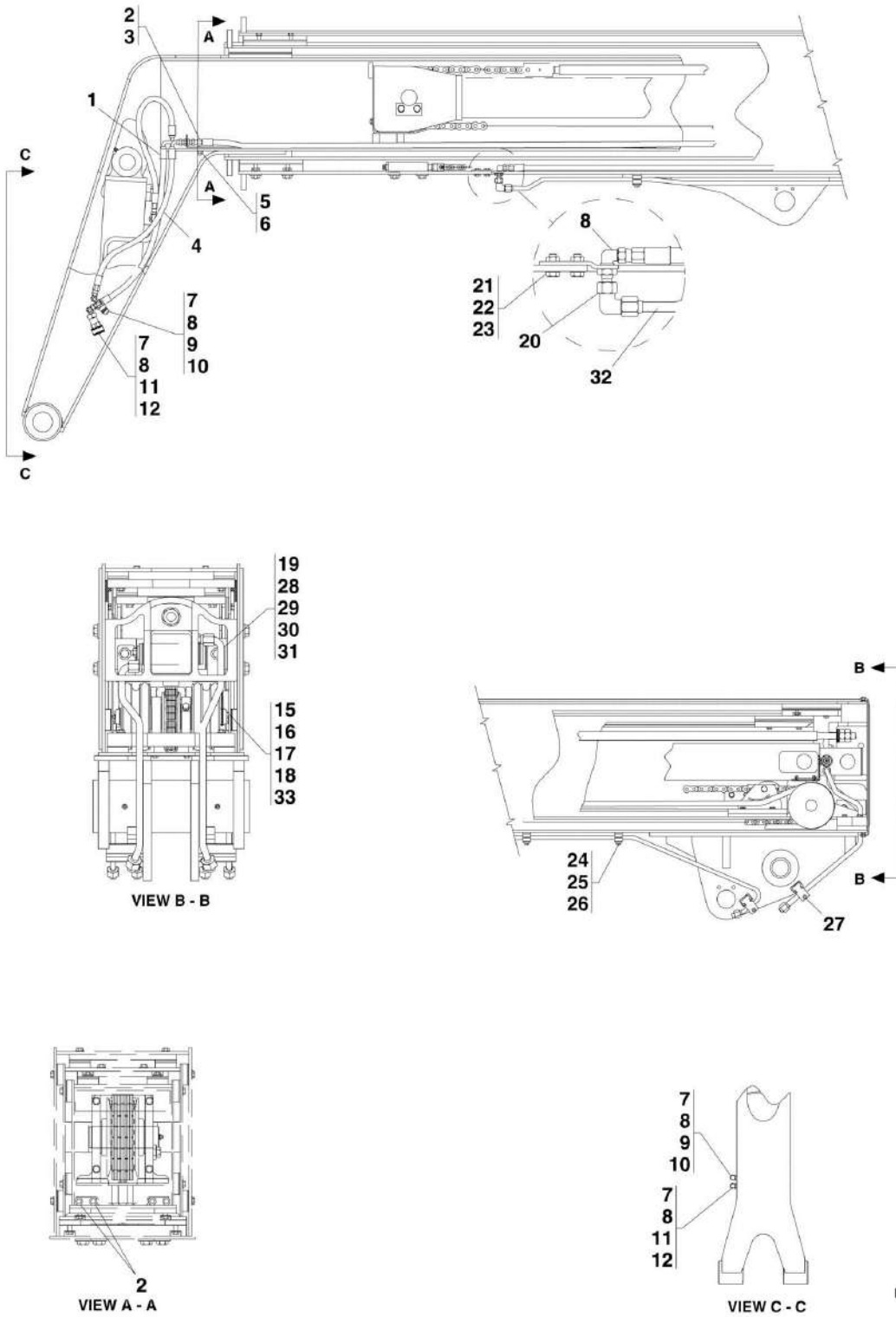
ITEM	PART NUMBER	QTY	DESCRIPTION	REV
	91475057	Ref	TILT ON JOYSTICK WITH RH FRAME LEVEL INSTALLATION, (not available to order, see items 1 thru 37 for service)	I
1	91403614	1	TILT ON JOYSTICK CAB HARNESS (Prior to SN 0160032100)	
1	91513119	1	TILT ON JOYSTICK CAB HARNESS (SN 0160032100 through 0160033619)	
1	1001099319	1	TILT ON JOYSTICK CAB HARNESS (SN 0160033656 through 0160040659)	
2	88501004	3	HEX NUT, 1/4-20	
3	91473164	1	JOYSTICK ENGINE HARNESS, (adj)	
4	84717460	1	HOSE ASSY	
5	2220473	1	ADAPTER, 90, (includes item 32)	
6	2220371	2	CONNECTOR, (includes item 32)	
7	84719686	1	HOSE ASSY	
8	2220635	1	SWIVEL NUT RUN TEE, 3/8 TUBE	
9	2220579	1	SWIVEL NUT BRANCH TEE, 3/8 TUBE	
10	88501004	5	HEX NUT, 1/4-20	
11	88551009	2	LOCKWASHER, 1/4	
12	88211048	2	SOCKET HD CAPSCREW, 1/4-20X2-1/2, GR8	
13	91403516	1	SOLENOID VALVE	
13	7026991	2	SOLENOID	
14	2220603	3	STRAIGHT THREAD CONNECTOR	
15		Ref	JOYSTICK, (See ELECTRICAL SECTION for Breakdown)	
16	91403311	1	BOOM CONTROL DECAL	
17	91401571	1	MOUNTING PLATE	
18	88321015	4	SELF-TAPPING SCREW, #6-32X1/2	
19	80964002	1	RHEOSTAT (Prior to SN 0160033656)	
19	1001099174	1	RHEOSTAT (SN 0160033656 through 0160040659)	
20	8760268	1	ADAPTER, 90, (swivel nut)	
21	84718735	1	HOSE ASSY	
22	91413029	1	RH FRAME LEVEL CONTROL PANEL (Prior to SN 0160000875)	
22	91413113	1	RH FRAME LEVEL CONTROL PANEL (SN 0160000887 through 0160040659)	
23	86683122	6	TIE WRAP	
24	90204098	1	HOSE ASSY	
25	77363265	1	RELAY	
26	77363268	1	AUTO FUSE, 15 AMP	
27	77363269	1	AUTO FUSE, 30 AMP	
28	80963057	1	WEATHER PACK CONNECTOR, (tower)	
29	80963068	2	WEATHER PACK CONNECTOR, (female pin terminal)	
30	80963066	1	WEATHER PACK CONNECTOR, (cable seal)	
31	91123075	1	HYDRAULIC VALVE POSITIONER KIT	
32	88591204	3	O-RING	
33		Ref	FRAME LEVEL JOYSTICK INSTALLATION, (See ELECTRICAL SECTION for Breakdown)	
34	91473146	1	TILT/FRAME LEVEL CABLE	
35	91416011	1	RH SWAY BRACKET (Prior to SN 0160031471)	
35	1001092843	1	RH SWAY BRACKET (SN 0160031471 through 0160040659)	
36	88201010	3	HEX HD CAPSCREW, 1/4-20X2-1/4, GR5 (Prior to SN 0160001825)	
36	88201009	3	HEX HD CAPSCREW, 1/4-20X2-1/4, GR5 (SN 0160001828 through 0160040659)	

SECTION 12 - OPTIONS

ITEM	PART NUMBER	QTY	DESCRIPTION	REV
37	88551009	3	LOCKWASHER, 1/4	

SECTION 12 - OPTIONS

FIGURE 12-23. AUXILIARY BOOM ASSEMBLY (Prior to SN 0160037722)



PAP22220

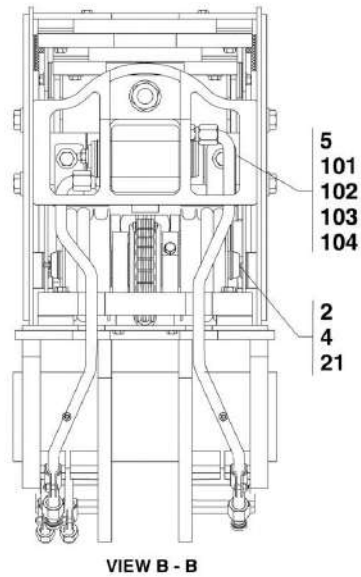
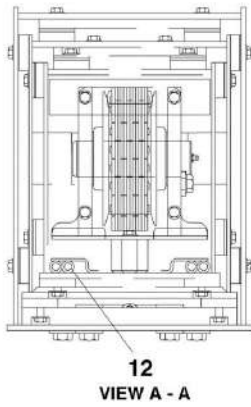
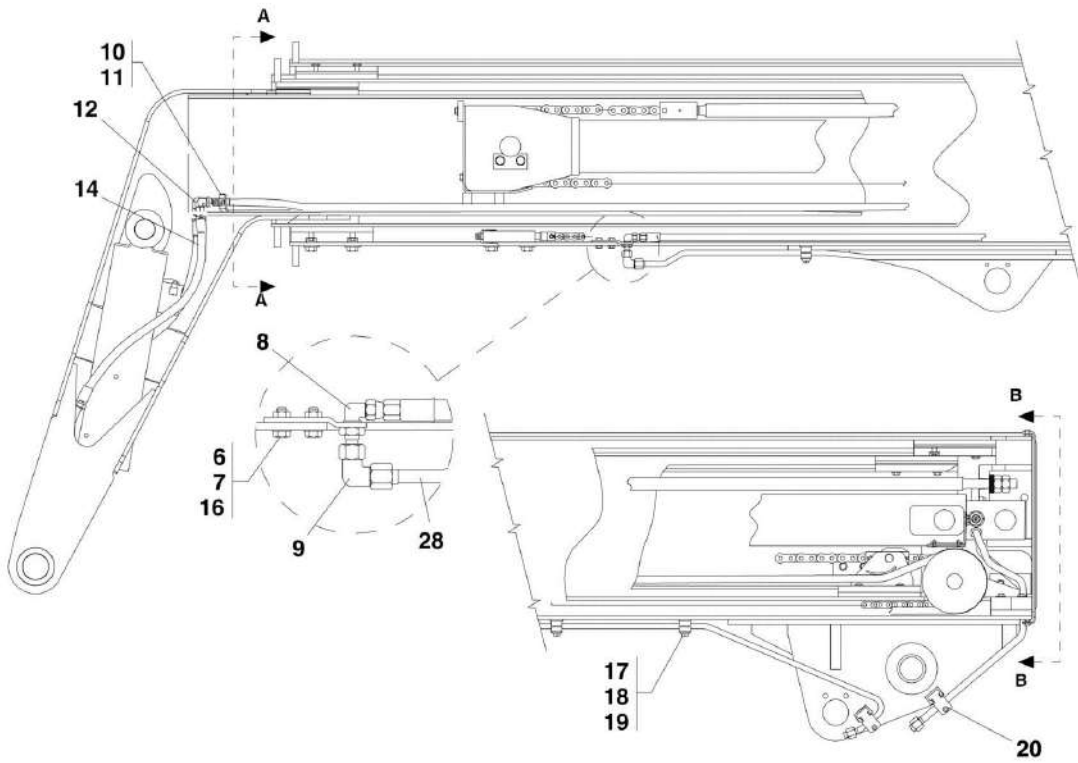
SECTION 12 - OPTIONS

FIGURE 12-23. AUXILIARY BOOM ASSEMBLY (Prior to SN 0160037722)

ITEM	PART NUMBER	QTY	DESCRIPTION	REV
	91405100	1	AUXILIARY BOOM ASSY, (includes all items)	J
1	84719359	1	HOSE ASSY	
2	84719168	2	HOSE ASSY (Prior to SN 0160016290)	
2	2754603	1	HOSE ASSY (SN 0160016290 to Present)	
3	2230024	1	BULKHEAD UNION, 9/16-18X3/8 TUBE	
4	84719358	1	HOSE ASSY	
5	91401354	1	HOSE RETAINER	
6	88501006	2	HEX NUT, 3/8-16	
7	91403444	2	ADAPTER, 90	
8	2230043	4	BULKHEAD FITTING, 90	
9	91403414	1	MALE QUICK CONNECT	
10	91043126	1	DUST CAP	
11	91403413	1	FEMALE QUICK CONNECT	
12	91043125	1	DUST PLUG	
15	91403019	1	RETRACT SHEAVE PIN	
16	91403127	AR	THRUST WASHER	
17	90028932	1	RETAINING RING	
18	3580347	1	HOSE SHEAVE	
19	91405086	1	HOSE RETAINER ASSY, (includes items 28 thru 31)	
20	91403415	2	ADAPTER, 90	
21	88201034	2	HEX HD CAPSCREW, 3/8-16X1-1/4, GR5	
22	88561109	2	FLAT WASHER, 3/8	
23	91401344	1	HOSE BRACKET	
24	77133168	3	CLAMP SET, 1/2-1/2	
25	77133140	3	COVER PLATE	
26	77133177	3	HEX HD CAPSCREW, 5/16X1-3/8	
27	91083216	2	CLAMP, 1/2	
28	91401436	1	RH HOSE RETAINER	
29	91403499	1	PAD	
30	88241023	4	SOCKET FLAT HD CAPSCREW, #10-24X5/8	
31	88501612	4	HEX NUT, #10-24	
32	4569358	2	TUBE ASSY	
33	91403126	AR	THRUST WASHER	

SECTION 12 - OPTIONS

FIGURE 12-24. AUXILIARY BOOM ASSEMBLY (SN 0160037722 to Present)



PAP22230

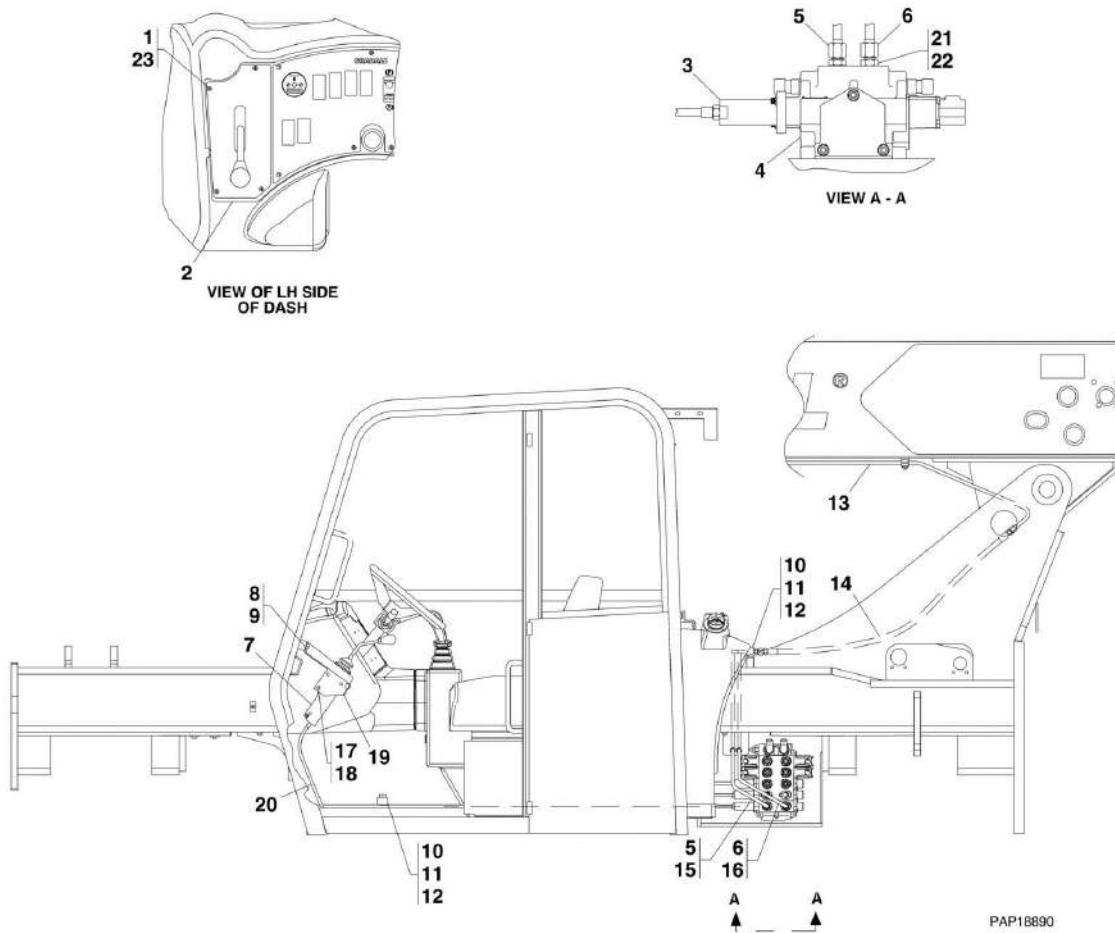
SECTION 12 - OPTIONS

FIGURE 12-24. AUXILIARY BOOM ASSEMBLY (SN 0160037722 to Present)

ITEM	PART NUMBER	QTY	DESCRIPTION	REV
	1001100092	1	AUXILIARY BOOM ASSY, (includes items 2 thru 28)	F
2	91403127	AR	THRUST WASHER	
4	3580347	1	HOSE SHEAVE	
5	91405086	1	HOSE RETAINER ASSY, (includes items 101 thru 104)	B
6	0641607	2	HEX HD CAPSCREW, 3/8-16X1-1/4, GR5	
7	4711600	2	FLAT WASHER, 3/8	
8	2171206	2	BULKHEAD FITTING, 90	
9	2221253	2	FITTING, 90	
10	1001101788	1	HOSE RETAINER	
11	88501006	2	HEX NUT, 3/8-16	
12	1001112207	1	HOSE ASSY	
14		Ref	HOSE ASSY, (See BOOM SECTION for Breakdown)	
16	1001090032	1	HOSE BRACKET	
17	77133168	3	CLAMP SET, 1/2-1/2	
18	77133140	3	COVER PLATE	
19	0641511	3	HEX HD CAPSCREW, 5/16X1-3/8	
20	91083216	2	CLAMP, 1/2	
21	91403126	AR	THRUST WASHER	
28	1001001333	2	TUBE ASSY	
101	91401436	1	RH HOSE RETAINER	
102	91403499	1	PAD	
103	88241023	4	SOCKET FLAT HD CAPSCREW, #10-24X5/8	
104	88501612	4	HEX NUT, #10-24	

SECTION 12 - OPTIONS

FIGURE 12-25. LH AUXILIARY HYDRAULIC ASSEMBLY (Prior to SN 0160040678)



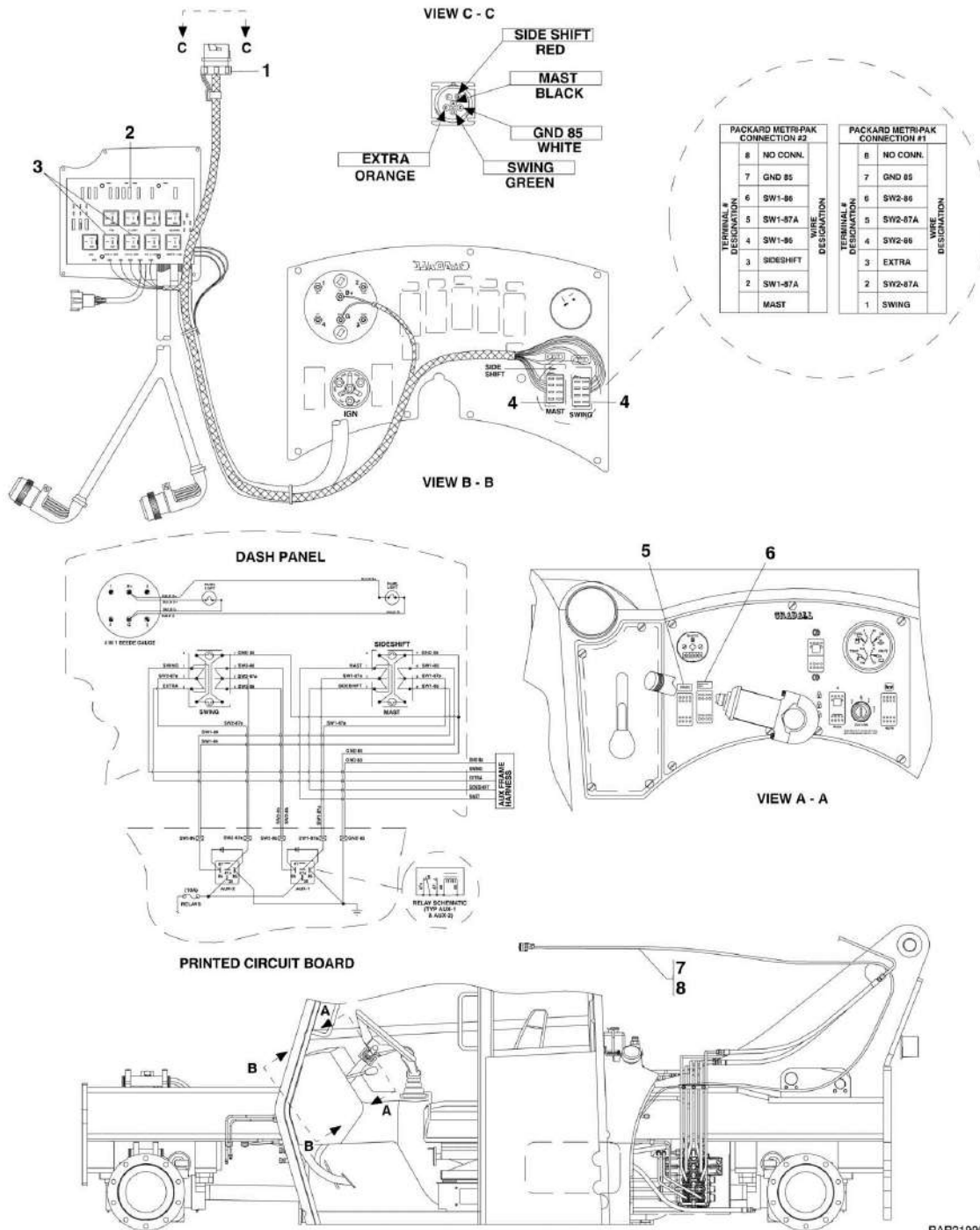
SECTION 12 - OPTIONS

FIGURE 12-25. LH AUXILIARY HYDRAULIC ASSEMBLY (Prior to SN 0160040678)

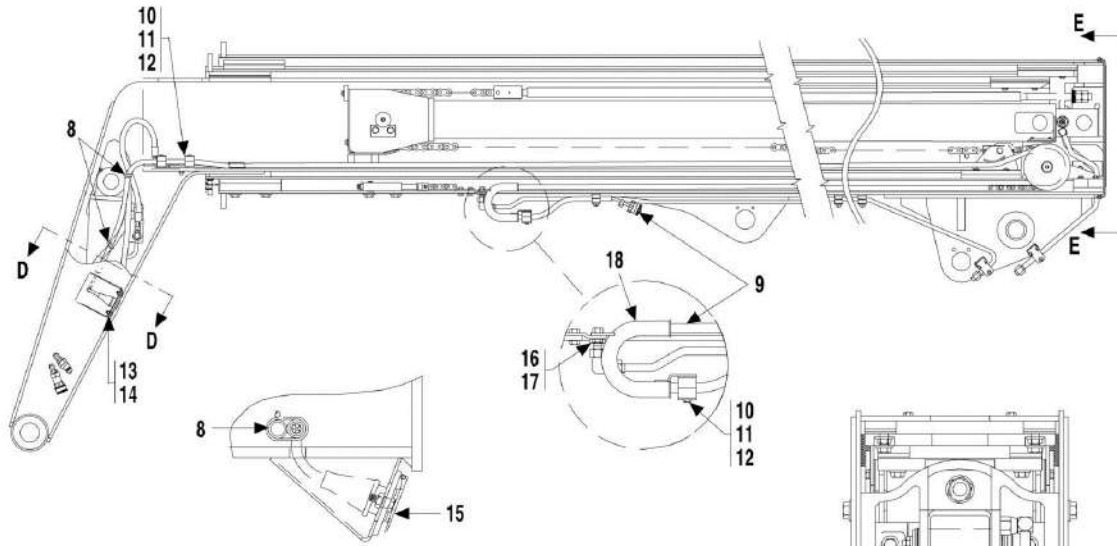
ITEM	PART NUMBER	QTY	DESCRIPTION	REV
	91475020	1	LH AUX HYDRAULIC ASSY, (includes items 1 thru 20) (Prior to SN 0160037722)	F
	1001105693	1	LH AUX HYDRAULIC ASSY, (includes items 1 thru 20) (SN 0160037722 through 0160040659)	C
1	80363033	Ref	FLAT HD CAPSCREW, #10-24X1	
2	91403316	1	LH DASH PANEL	
3	91123062	1	CABLE ADAPTER BONNET	
4		Ref	MAIN CONTROL VALVE, (See MAIN CONTROL VALVE WITH AUXILIARY HYDRAULICS for Breakdown)	
5	91473140	1	HYDRAULIC TUBE	
6	91473141	1	HYDRAULIC TUBE	
7	91403273	1	JOYSTICK	
7	91404091	1	OVAL KNOB HANDLE	
8	88201065	2	HEX HD CAPSCREW, 1/2-13X1, GR5	
9	88561111	2	FLAT WASHER, 1/2	
10	77133177	3	HEX HD CAPSCREW, 5/16-18X1-3/8	
11	77133140	3	COVER PLATE	
12	77133168	3	CLAMP SET	
13		Ref	AUX BOOM ASSY, (See AUXILIARY BOOM ASSEMBLY for Breakdown)	
14	84719648	2	HOSE ASSY (Prior to SN 0160037722)	
14	1001102748	2	HOSE ASSY (SN 0160037722 through 0160040659)	
15	91473142	1	HYDRAULIC TUBE	
16	91473143	1	HYDRAULIC TUBE	
17	88201011	3	HEX HD CAPSCREW, 1/4-20X2-1/2, GR5	
18	88501004	3	HEX NUT, 1/4	
19	91401432	1	LH BRACKET (Prior to SN 0160029242)	
19		Ref	LH BRACKET, (See CONTROLS SECTION for Breakdown) (SN 0160029244 through 0160040659)	
20	91473088	1	CONTROL CABLE	
21	2220374	2	CONNECTOR, (includes item 22)	
22	88591206	2	O-RING	
23	80363034	4	TINNERMAN NUT, #10-24	

SECTION 12 - OPTIONS

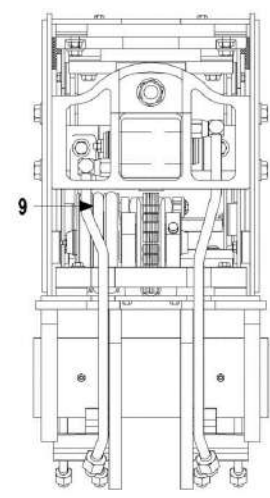
FIGURE 12-26. AUXILIARY ELECTRICS ASSEMBLY (Prior to SN 0160037722)



SECTION 12 - OPTIONS

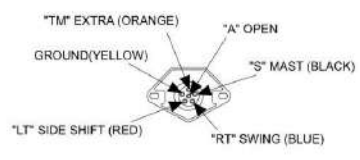


VIEW D - D



VIEW E - E

PLUG CONNECTOR WIRE CHART		
CONN. BODY LETTER	WIRE COLOR	WIRE DESIGNATION
A	BLACK	MAST
B	RED	SIDESHIFT
C	YELLOW	GND 85
D	BLUE	SWING
E	ORANGE	EXTRA
F	NO CONN.	NO CONN.



NOTE: 1) USE LOCTITE® 242™ (0100011) ON ALL BOLT THREADS.
 2) USE LOCTITE® 545™ (14404043) ON ALL FITTINGS.
 3) USE LOCTITE PIPE SEALANT (14403303) ON ALL PIPE THREADS.

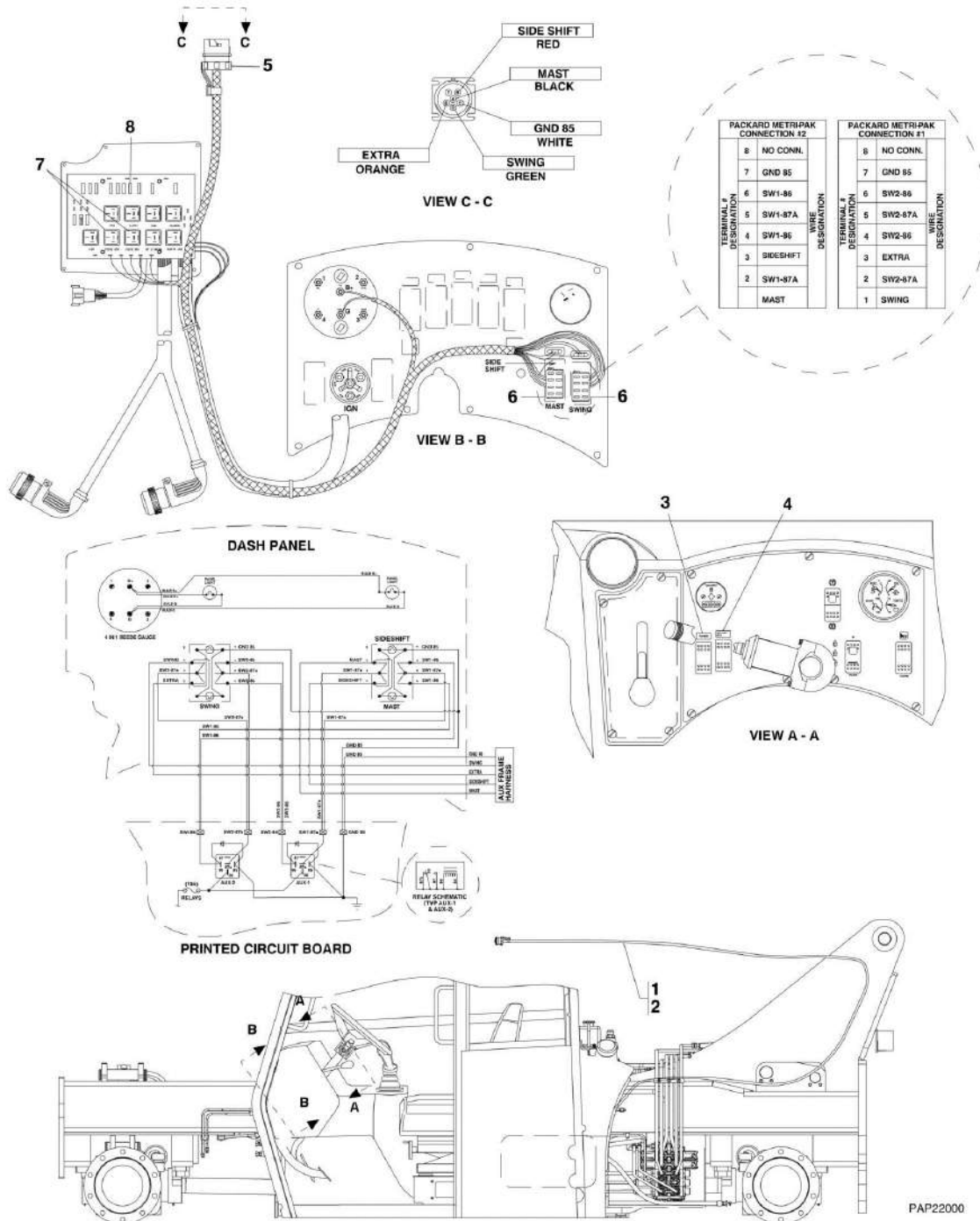
SECTION 12 - OPTIONS

FIGURE 12-26. AUXILIARY ELECTRICS ASSEMBLY (Prior to SN 0160037722)

ITEM	PART NUMBER	QTY	DESCRIPTION	REV
	91475023	1	AUX ELECTRICS ASSY, (includes all items)	E
1	91473125	1	AUX DASH HARNESS	
2	77363267	1	AUTO FUSE, 10 AMP	
3	77363265	2	RELAY	
4	91473127	2	SWITCH, DPDT	
5	91403607	1	SWING DECAL	
6	91403606	1	SWING MAST DECAL	
7	91403318	1	AUX FRAME HARNESS	
8	90027187	8	NYLON TIE	
9	91403522	1	AUX ELECTRICS HARNESS	
10	77133497	3	CLAMP	
11	77133498	3	COVER PLATE	
12	77133209	6	HEX HD CAPSCREW, 1/4-20X1-3/8	
13	91401276	1	CONNECTOR COVER	
14	88201005	2	HEX HD CAPSCREW, 1/4-20X1, GR5	
15	90207661	1	6 CONTACT SOCKET	
16	88201034	1	HEX HD CAPSCREW, 3/8-16X7/8, GR5	
17	88561004	1	FLAT WASHER, 3/8	
18	91403520	1	TUBE WELD	

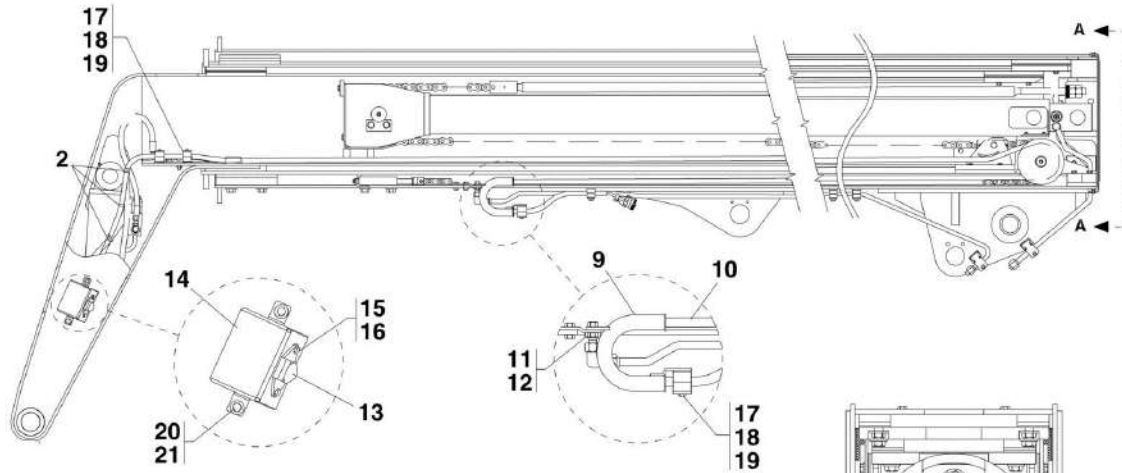
SECTION 12 - OPTIONS

FIGURE 12-27. AUXILIARY ELECTRICS ASSEMBLY (SN 0160037722 through 0160040659)

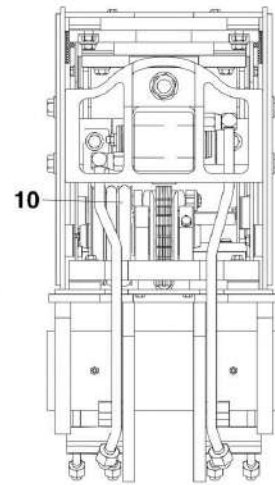
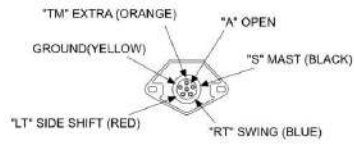


PAP22000

SECTION 12 - OPTIONS



PLUG CONNECTOR WIRE CHART		
CONN. BODY LETTER	WIRE COLOR	WIRE DESIGNATION
A	BLACK	MAST
B	RED	SIDESHIFT
C	YELLOW	GND 85
D	BLUE	SWING
E	ORANGE	EXTRA
F	NO CONN.	NO CONN.



VIEW A - A

PY3060

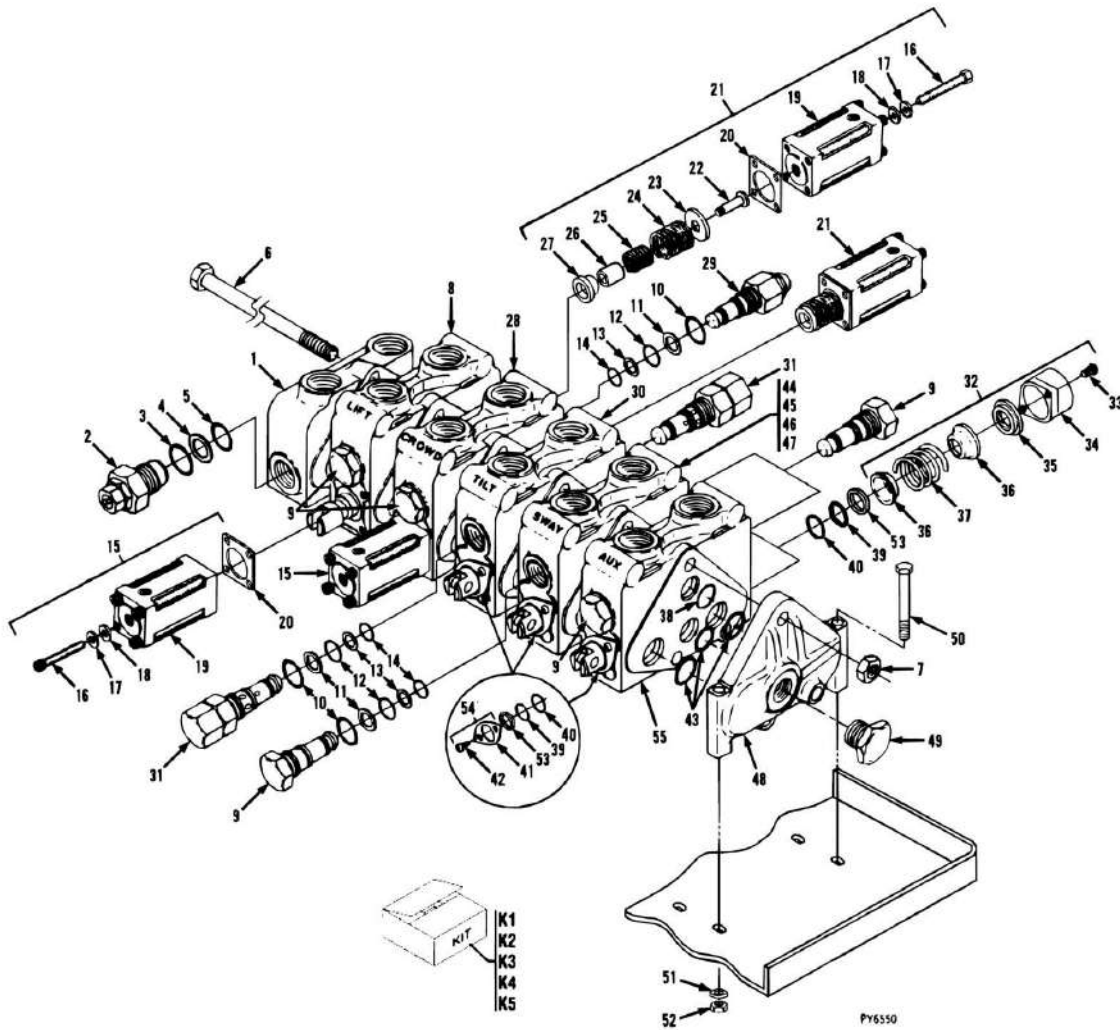
SECTION 12 - OPTIONS

FIGURE 12-27. AUXILIARY ELECTRICS ASSEMBLY (SN 0160037722 through 0160040659)

ITEM	PART NUMBER	QTY	DESCRIPTION	REV
	1001101743	1	AUX ELECTRICS ASSY, (includes all items)	B
1	91403318	1	AUX FRAME HARNESS (Prior to SN 0160038630)	
1	1001128320	1	AUX FRAME HARNESS (SN 0160038630 to Present)	
2	8584003	9	NYLON TIE	
3	91403607	1	SWING DECAL (Prior to SN 0160038630)	
4	91403606	1	SWING MAST DECAL (Prior to SN 0160038630)	
5	91473125	1	AUX DASH HARNESS (Prior to SN 0160038630)	
6	91473127	2	SWITCH, DPDT (Prior to SN 0160038630)	
7	77363265	2	RELAY (Prior to SN 0160038630)	
8	77363267	1	AUTO FUSE, 10 AMP (Prior to SN 0160038630)	
9	91403520	1	TUBE WELD	
10	91403522	1	AUX ELECTRIC HARNESS	
11	0641607	1	HEX HD CAPSCREW, 3/8-16X7/8, GR5	
12	4751600	1	FLAT WASHER, 3/8	
13	90207661	1	6 CONTACT SOCKET	
14	1001099812	1	CONNECTOR COVER	
15	4711400	2	FLAT WASHER, 1/4	
16	0641408	2	HEX HD CAPSCREW, 1/4-20X1, GR5	
17	77133497	3	CLAMP	
18	77133498	3	COVER PLATE	
19	77133209	6	HEX HD CAPSCREW, 1/4-20X1-3/8	
20	4711600	2	FLAT WASHER, 3/8	
21	0641808	2	HEX HD CAPSCREW, 1/4-20X1	

SECTION 12 - OPTIONS

FIGURE 12-28. MAIN CONTROL VALVE WITH AUXILIARY HYDRAULICS (Prior to SN 0160037722)



SECTION 12 - OPTIONS

FIGURE 12-28. MAIN CONTROL VALVE WITH AUXILIARY HYDRAULICS (Prior to SN 0160037722)

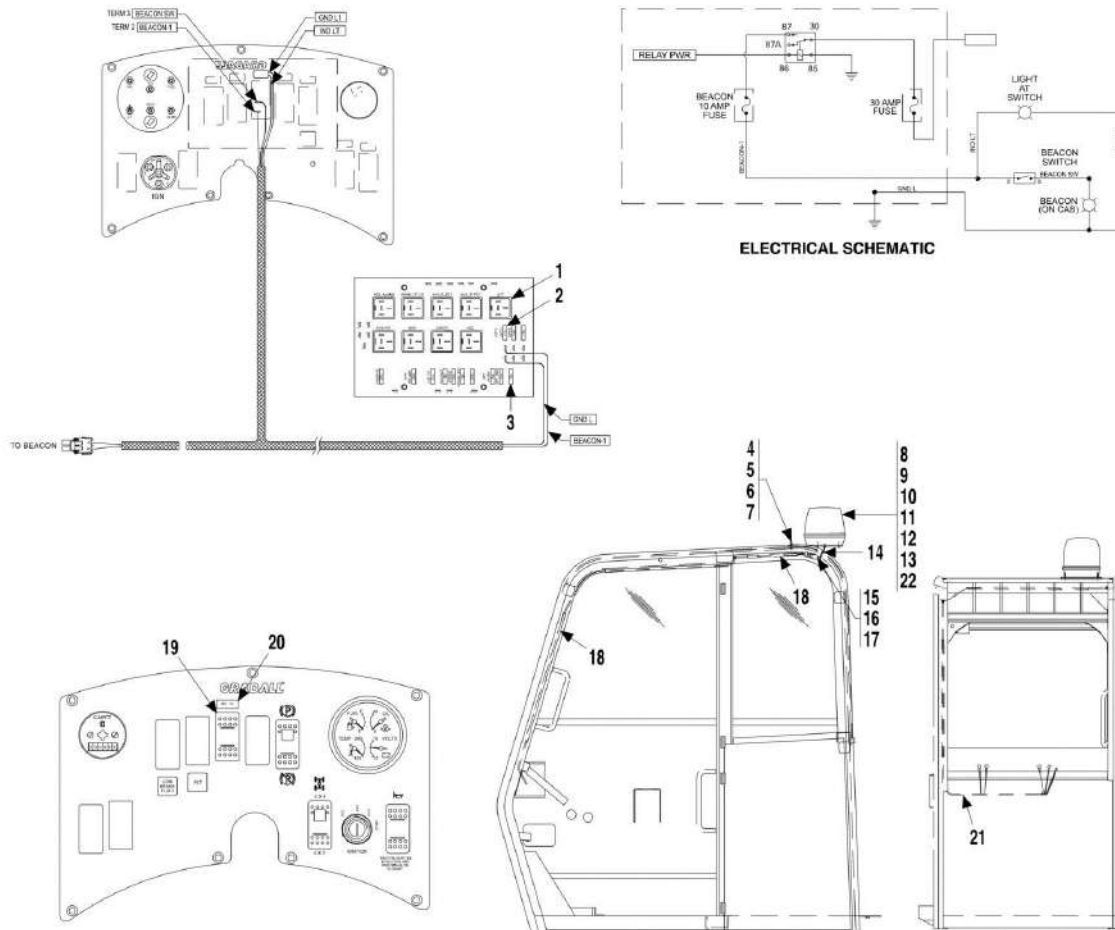
ITEM	PART NUMBER	QTY	DESCRIPTION	REV
	91403540	1	MAIN HYDRAULIC CONTROL VALVE, (includes all items except 50 thru 52)	J
1	91084008	1	INLET COVER ASSY, (includes item 2)	
2	91084009	1	MAIN RELIEF, (includes items 3, 4 & 5)	
3	Kit	1	O-RING	
4	Kit	1	BACK-UP RING	
5	Kit	1	O-RING	
6	Kit	3	HEX HD CAPSCREW	
7	Kit	3	HEX NUT	
8	91404182	1	VALVE SECTION ASSY, (Lift), (includes one each of items 15 & 21 & two of item 9)	
9	91404183	7	LOAD CHECK PLUG, (includes items 10 thru 14)	
10	Kit	2	O-RING	
11	Kit	1	BACK-UP RING	
12	Kit	1	O-RING	
13	Kit	1	O-RING	
14	Kit	2	BACK-UP RING	
15	91404184	2	HYDRAULIC REMOTE POSITIONER, (includes items 16 thru 20)	
16	N.S.S.	4	SCREW	
17	N.S.S.	1	LOCKWASHER	
18	N.S.S.	1	BEARING PLATE	
19	N.S.S.	1	BONNET	
20	N.S.S.	1	SEAL	
21	91404185	2	HYDRAULIC REMOTE POSITIONER, (includes items 16 thru 20 & 22 thru 27)	
22	N.S.S.	1	SPOOL POSITIONER	
23	N.S.S.	1	WASHER	
24	N.S.S.	1	SPRING, (large)	
25	N.S.S.	1	SPRING, (small)	
26	N.S.S.	1	STOP SLEEVE	
27	N.S.S.	1	STOP COLLAR	
28	91404186	1	VALVE SECTION ASSY, (Crowd), (includes one each of items 9, 15, 21 & 29)	
29	91404187	1	RELIEF CARTRIDGE, (includes items 10 thru 14)	
30	91404188	1	VALVE SECTION ASSY, (Tilt), (includes one each of items 32 & 53 & two each of 31, 39, 40 & 54)	
31	91404189	2	RELIEF CARTRIDGE, (includes items 10 thru 14)	
32	91404190	3	SPOOL POSITIONER ASSY, (includes items 33 thru 37)	
33	N.S.S.	2	SCREW	
34	N.S.S.	1	BONNET	
35	N.S.S.	1	SPOOL SPUD	
36	N.S.S.	2	SPRING COLLAR	
37	N.S.S.	1	SPRING	
38	Kit	1	O-RING	
39	Kit	6	BACK-UP WASHER	
40	Kit	6	O-RING	
41	N.S.S.	1	RETAINER PLATE	
42	N.S.S.	2	SCREW	
43	Kit	3	O-RING	
44	91404191	1	VALVE SECTION ASSY, (Sway), (includes one each of items 32 & 53 & two each of 9, 39, 40 & 54)	

SECTION 12 - OPTIONS

ITEM	PART NUMBER	QTY	DESCRIPTION	REV
45	91404192	2	PORT RESTRICTER ASSY, (includes items 46 & 47)	
46	N.S.S.	1	ORIFICE PLATE	
47	N.S.S.	1	CONICAL SPRING	
48	91084278	1	OUTLET COVER ASSY, (includes item 49)	
49	91084279	1	PLUG	
50	88201028	3	HEX HD CAPSCREW, 5/16-18X3, GR5	
51	88561003	3	FLAT WASHER, 5/16	
52	88521305	3	NYLOCK NUT, 5/16-18	
53	Kit	6	SEAL RETAINER	
54	91404180	3	SEAL RETAINER KIT, (includes items 41 & 42)	
55	91084014	1	VALVE SECTION ASSY, (Aux), (includes one each of items 32 & 54 & two each of items 9, 39, 40 & 53)	
K1	91084203	1	STUD KIT, (includes items 6 & 7)	
K2	91404178	6	VALVE SECTION SEAL KIT, (includes items 38 & 43)	
K3	91404179	1	MAIN RELIEF SEAL KIT, (includes items 3 thru 5)	
K4	70020717	8	PLUG SEAL KIT, (includes items 10 thru 14)	
K5	91404181	6	SPOOL SEAL KIT, (includes one each of items 39, 40 & 53)	

SECTION 12 - OPTIONS

FIGURE 12-29. BEACON LIGHT PACKAGE (Prior to SN 0160031634)



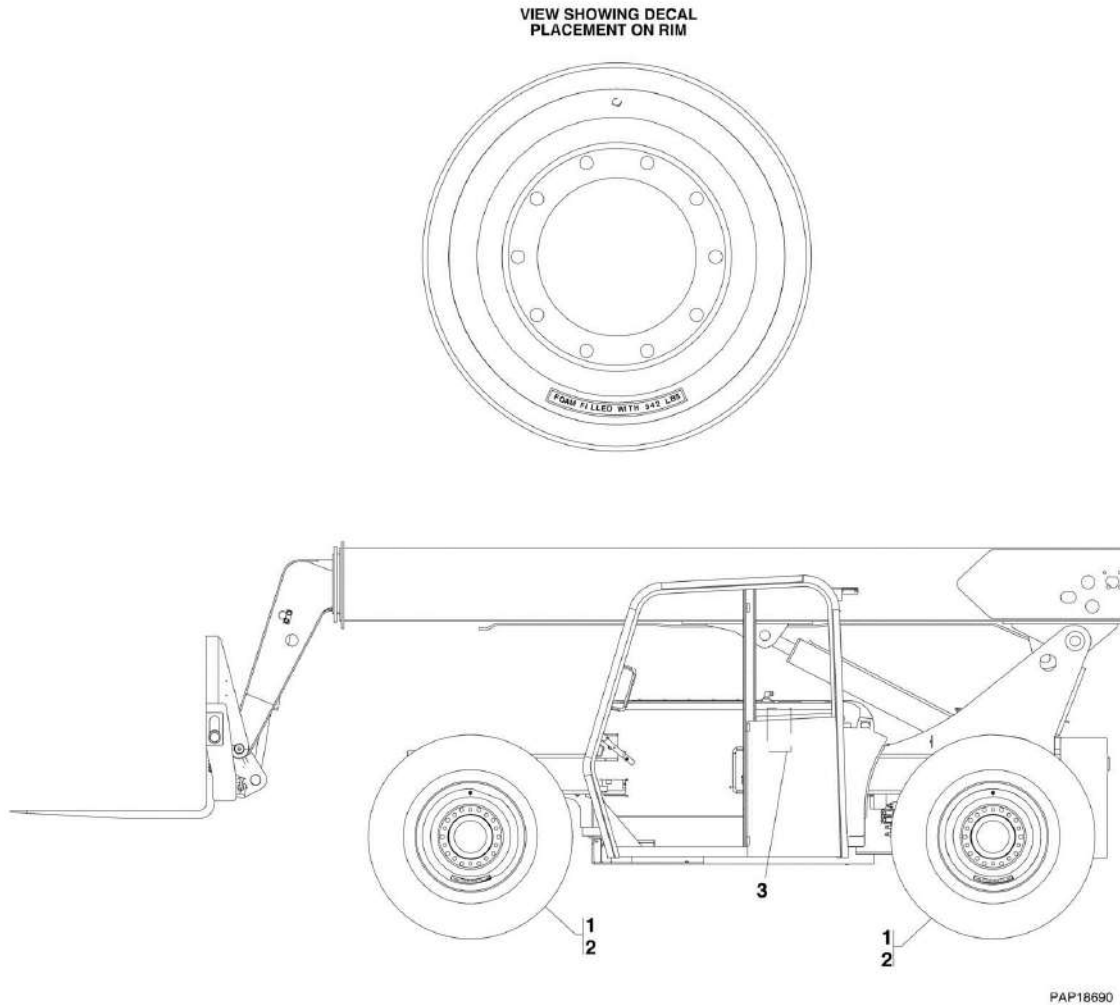
SECTION 12 - OPTIONS

FIGURE 12-29. BEACON LIGHT PACKAGE (Prior to SN 0160031634)

ITEM	PART NUMBER	QTY	DESCRIPTION	REV
	91475059	1	BEACON LIGHT PACKAGE, (includes all items)	D
1	77363265	1	RELAY	
2	77363267	1	10 AMP FUSE	
3	77363269	1	30 AMP FUSE	
4	88201005	2	HEX HD CAPSCREW, 1/4-20X1-1/4, GR5	
5	88561002	2	FLAT WASHER, 1/4	
6	88551009	2	LOCKWASHER, 1/4	
7	88501004	2	HEX NUT, 1/4-20	
8	91343031	1	ROTATING BEACON, (includes item 22)	
9	91511206	1	BEACON BRACKET	
10	90027214	1	RUBBER GROMMET	
11	88301093	3	ROUND HD MACHINE SCREW, #10-24X3/4	
12	88551007	3	LOCKWASHER, #10	
13	88501612	3	HEX NUT, #10-24	
14	90029955	1	RUBBER GROMMET	
15	80963058	1	WEATHER PACK, (shroud)	
16	80963069	2	WEATHER PACK, (male pin terminal)	
17	80963065	2	WEATHER PACK, (cable seal)	
18	8096D097	1	ECONOMY WIRING DUCT, 79 IN	
19	91403304	1	TOGGLE SWITCH	
20	91413045	1	DECAL BEACON	
21	91413044	1	BEACON HARNESS	
22	91344053	1	BULB	

SECTION 12 - OPTIONS

FIGURE 12-30. FOAM TIRE OPTION



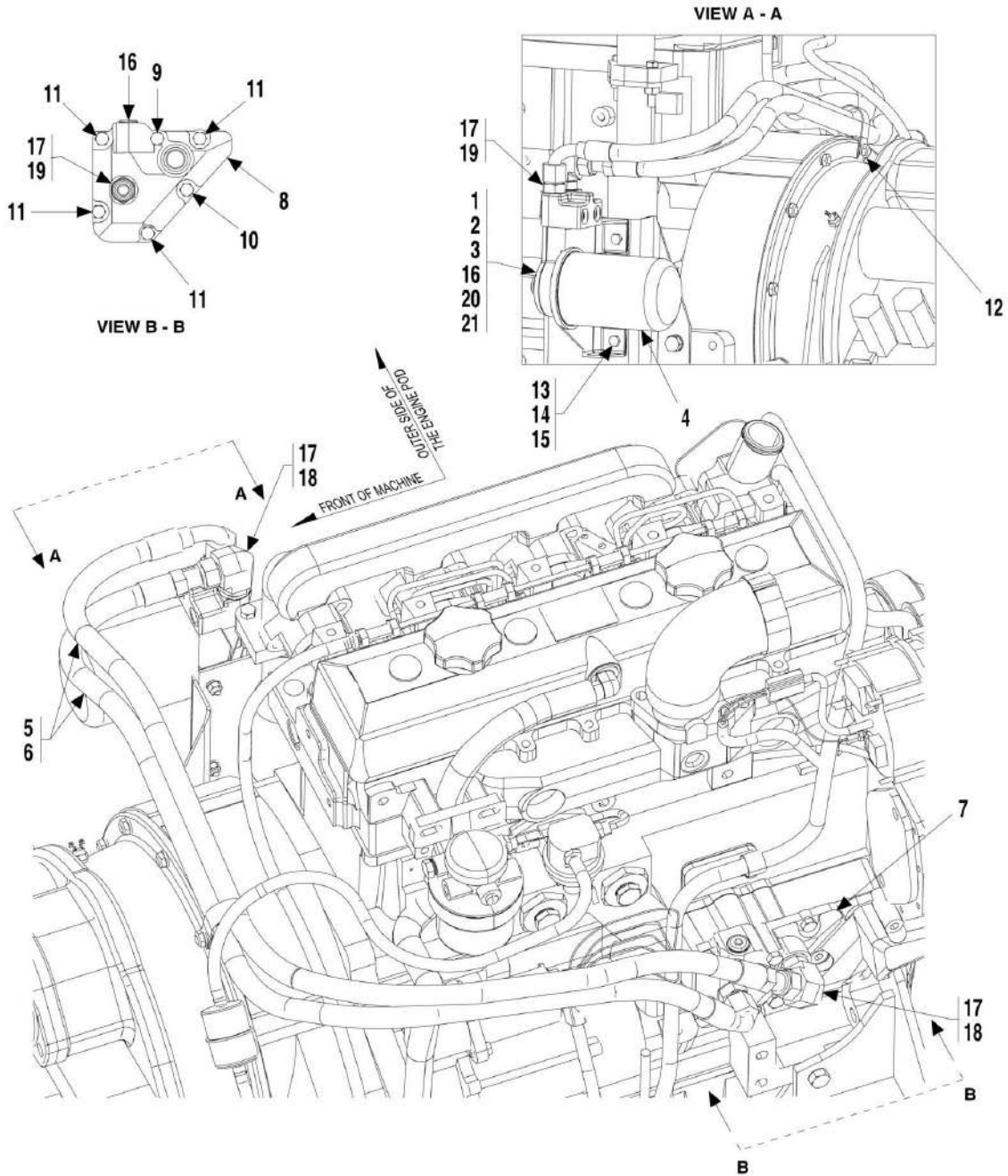
SECTION 12 - OPTIONS

FIGURE 12-30. FOAM TIRE OPTION

ITEM	PART NUMBER	QTY	DESCRIPTION	REV
	91475053	1	FOAM TIRE OPTION, (includes all items)	C
1		Ref	RH WHEEL ASSY, (See DRIVE TRAIN SECTION for Breakdown)	
2		Ref	LH WHEEL ASSY, (See DRIVE TRAIN SECTION for Breakdown)	
3	N.S.S.	1	SN PLATE	

SECTION 12 - OPTIONS

FIGURE 12-31. REMOTE OIL FILTER KIT (Prior to SN 0160040678)



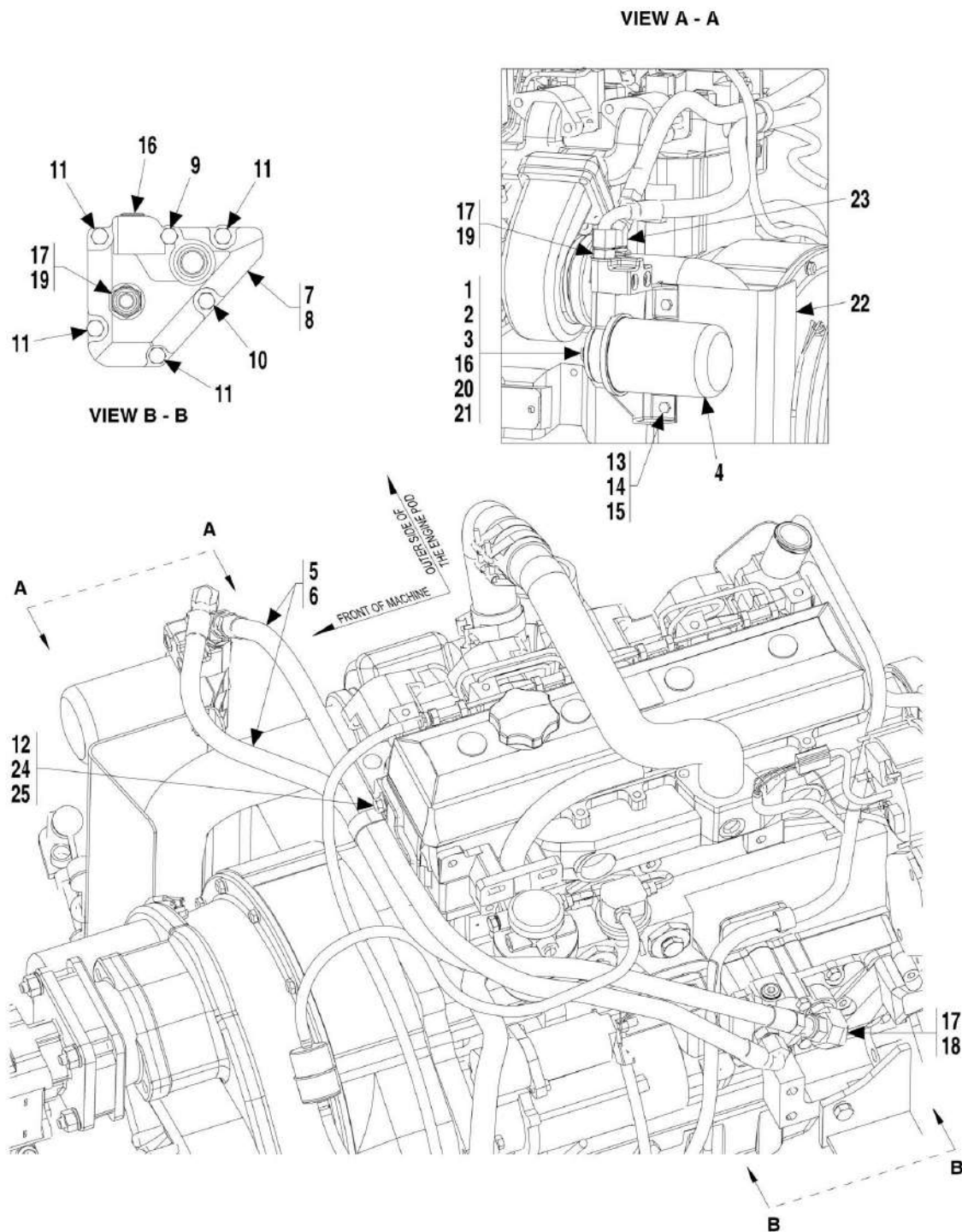
SECTION 12 - OPTIONS

FIGURE 12-31. REMOTE OIL FILTER KIT (Prior to SN 0160040678)

ITEM	PART NUMBER	QTY	DESCRIPTION	REV
	91475069	1	REMOTE OIL FILTER OPTION, (includes all items)	B
1	91473189	1	REMOTE OIL FILTER KIT, (includes items 2 thru 11 & 16 thru 21)	
2	91474500	1	FILTER HEAD, (includes items 20, 21, one of items 6, 16, 18, 19 & two of item 17), (Prior to Engine SN 793940)	
2	91474493	1	ADAPTER, (Engine SN 793940 to Present) (includes items 20, 21, one of items 6, 16, 18, 19 & two of item 17)	
3	91474505	1	SCREW	
4	91404005	1	OIL FILTER	
5	91474494	2	HYDRAULIC HOSE	
6	91474495	4	O-RING	
7	91474496	1	ADAPTER, (includes one of items 16, 18, 19 & two of item 17)	
8	80374025	1	GASKET	
9	91474497	1	SCREW, M8X90	
10	91474498	1	SCREW, M8X20	
11	91474499	4	SCREW, M8X65	
12	85841150	1	SUPPORT CLAMP	
13	88201019	2	HEX HD CAPSCREW, 5/16-18X7/8, GR5	
14	88551010	2	LOCKWASHER, 5/16	
15	88501005	2	HEX NUT, 5/16-18	
16	91474501	2	PLUG, (Prior to Engine SN 793940)	
16	91474506	1	PLUG, (Engine SN 793940 to Present)	
17	80374021	4	O-RING	
18	91474502	2	ELBOW, 90	
19	91474503	2	CONNECTOR	
20	N.S.S.	1	CONNECTOR	
21	91474504	1	FILTER HEAD, (includes item 20)	

SECTION 12 - OPTIONS

FIGURE 12-32. TURBO REMOTE ENGINE OIL FILTER KIT (Prior to SN 0160040678)



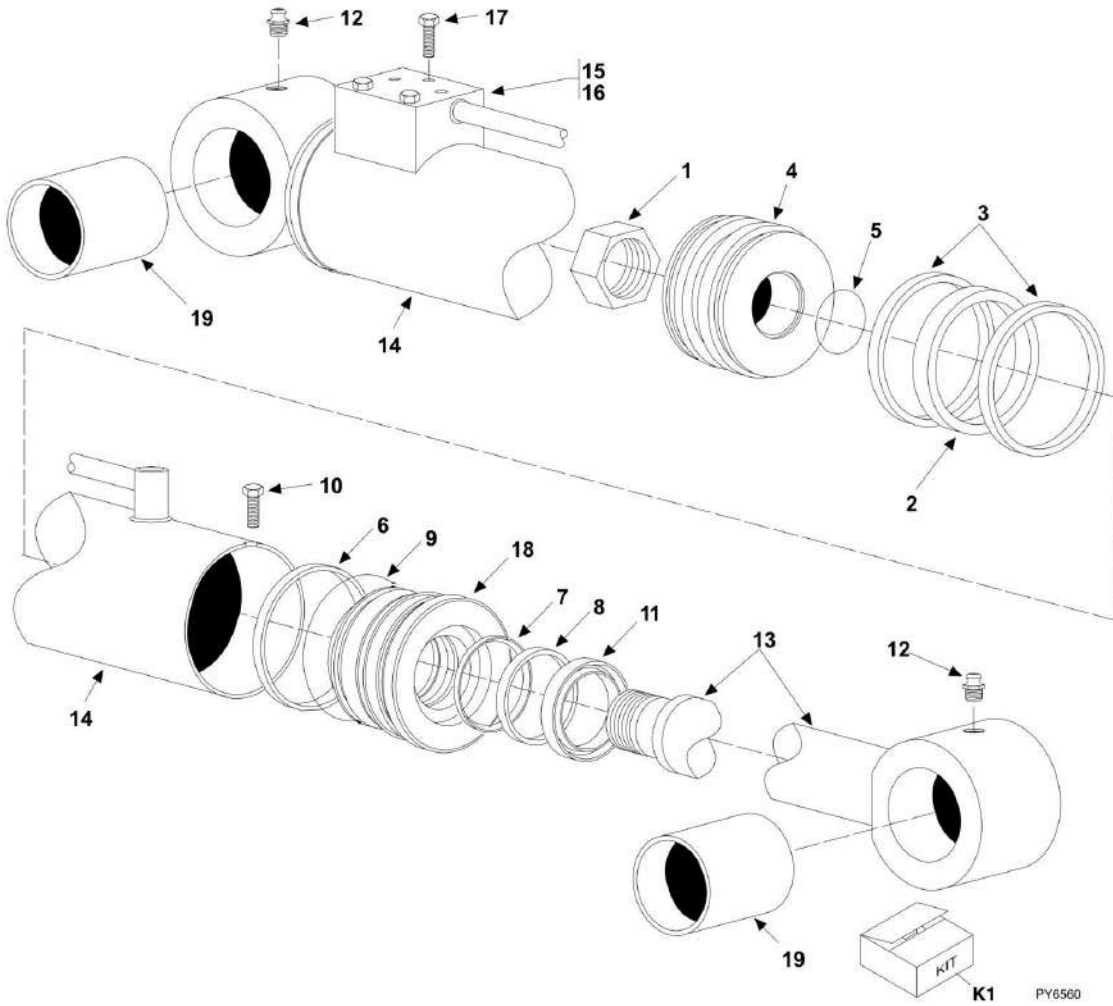
SECTION 12 - OPTIONS

FIGURE 12-32. TURBO REMOTE ENGINE OIL FILTER KIT (Prior to SN 0160040678)

ITEM	PART NUMBER	QTY	DESCRIPTION	REV
	91475070	1	TURBO REMOTE OIL FILTER OPTION, (includes all items)	
1	91473189	1	REMOTE OIL FILTER KIT, (includes items 2 thru 11 & 16 thru 21)	
2	91474500	1	FILTER HEAD, (Engine Prior to SN 793940), (includes items 20, 21 and one of items 6, 16, 17 & 19)	
2	91474493	1	ADAPTER, (Engine SN 793940 to Present), (includes items 20, 21 and one of items 6, 16, 17 & 19)	
3	91474505	1	SCREW	
4	91404005	1	OIL FILTER	
5	91474494	2	HYDRAULIC HOSE	
6	91474495	4	O-RING	
7	91474496	1	ADAPTER, (includes item 18, one of items 16, 19 and two of item 17)	
8	80374025	1	GASKET	
9	91474497	1	SCREW, M8X90	
10	91474498	1	SCREW, M8X20	
11	91474499	4	SCREW, M8X65	
12	85841150	1	SUPPORT CLAMP	
13	88201019	2	HEX HD CAPSCREW, 5/16-18X7/8, GR5	
14	88551010	2	LOCKWASHER, 5/16	
15	88501005	2	HEX NUT, 5/16-18	
16	91474501	2	PLUG, (Engine Prior to SN 793940)	
16	91474506	1	PLUG, (Engine SN 793940 to Present)	
17	80374021	3	O-RING	
18	91474502	1	ELBOW, 90	
19	91474503	2	CONNECTOR	
20	N.S.S.	1	CONNECTOR	
21	91474504	1	FILTER HEAD, (includes item 20)	
22	91471206	1	TURBO HEAT SHIELD	
23	88662526	1	ELBOW, 45	
24	83191038	1	HEX HD CAPSCREW, M10X20	
25	83191013	1	LOCKWASHER, M10	

SECTION 12 - OPTIONS

FIGURE 12-33. SWAY CYLINDER (Prior to SN 0160038600)



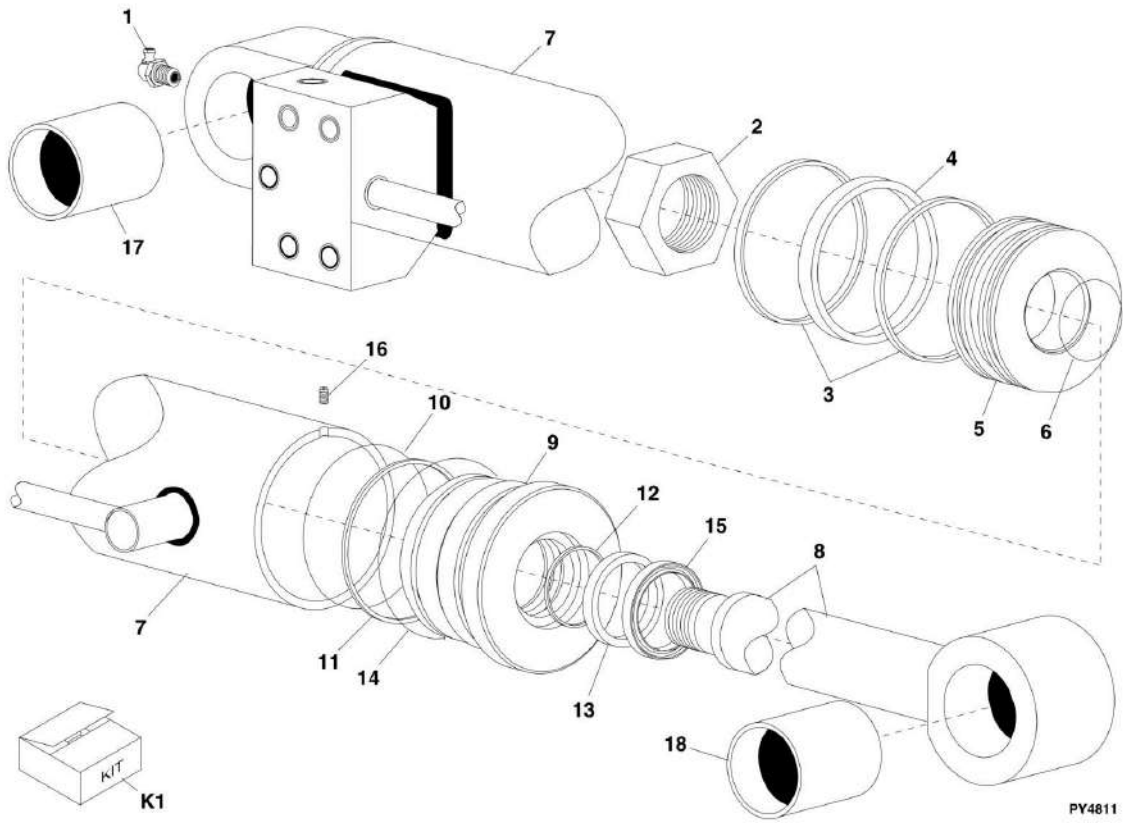
SECTION 12 - OPTIONS

FIGURE 12-33. SWAY CYLINDER (Prior to SN 0160038600)

ITEM	PART NUMBER	QTY	DESCRIPTION	REV
	91403279	1	SWAY CYLINDER, (includes all items)	B
1	91144038	1	LOCK NUT	
2	Kit	1	PISTON SEAL	
3	Kit	2	WEAR RING	
4	91404355	1	PISTON	
5	Kit	1	O-RING	
6	Kit	1	U-CUP SEAL	
7	Kit	1	STEP SEAL	
8	Kit	1	U-CUP SEAL	
9	Kit	1	O-RING	
10	91124096	1	SELF-TAPPING SCREW	
11	Kit	1	WIPER	
12	91144128	2	GREASE FITTING	
13	91404361	1	SHAFT ASSY	
14	91404362	1	CASE ASSY	
15	91404363	1	COVER	
16	Kit	1	GASKET	
17	91404365	3	CAPSCREW	
18	91404366	1	HEAD	
19	91404352	2	BUSHING	
K1	91404367	AR	SEAL KIT, (includes items 2, 3, 5 thru 9, 11 & 16)	

SECTION 12 - OPTIONS

FIGURE 12-34. SWING CYLINDER



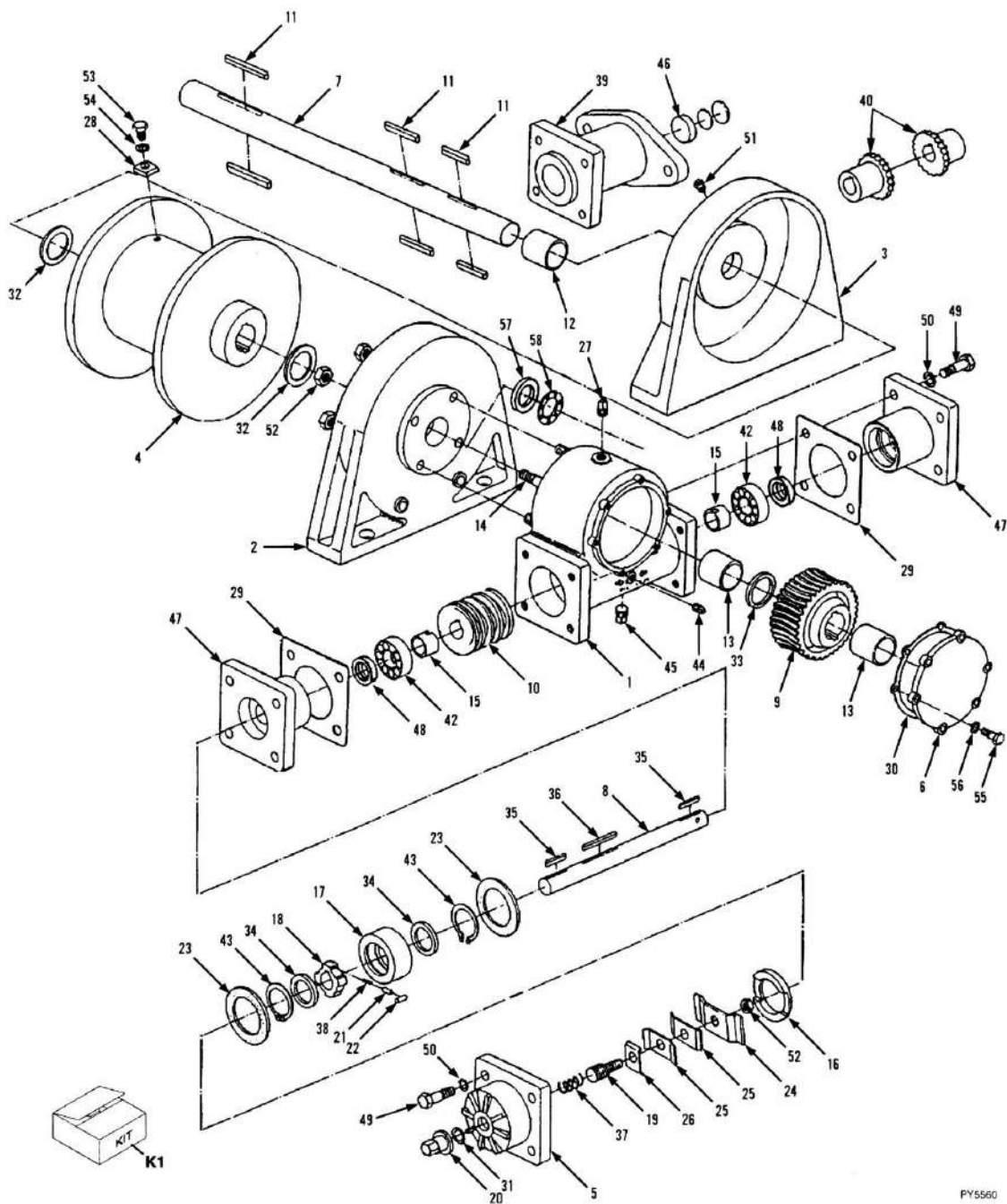
SECTION 12 - OPTIONS

FIGURE 12-34. SWING CYLINDER

ITEM	PART NUMBER	QTY	DESCRIPTION	REV
	91403322	1	SWING CYLINDER, (includes all items)	A
1	91144125	1	GREASE FITTING	
2	91034156	1	LOCKNUT	
3	Kit	2	WEAR RING	
4	Kit	1	PISTON SEAL	
5	91404370	1	PISTON	
6	Kit	1	O-RING	
7	91404371	1	CASE ASSY	
8	91404372	1	SHAFT ASSY	
9	91404373	1	HEAD	
10	Kit	1	O-RING	
11	Kit	1	BACK-UP RING	
12	Kit	1	STEP SEAL	
13	Kit	1	U-CUP	
14	Kit	1	O-RING	
15	Kit	1	WIPER	
16	91404380	1	SETSCREW	
17	91034157	1	BUSHING	
18	91144267	1	BUSHING	
K1	91404381	AR	SEAL KIT, (includes items 3, 4, 6 & 10 thru 15)	

SECTION 12 - OPTIONS

FIGURE 12-35. TRUSS BOOM WINCH



PY5560

SECTION 12 - OPTIONS

FIGURE 12-35. TRUSS BOOM WINCH

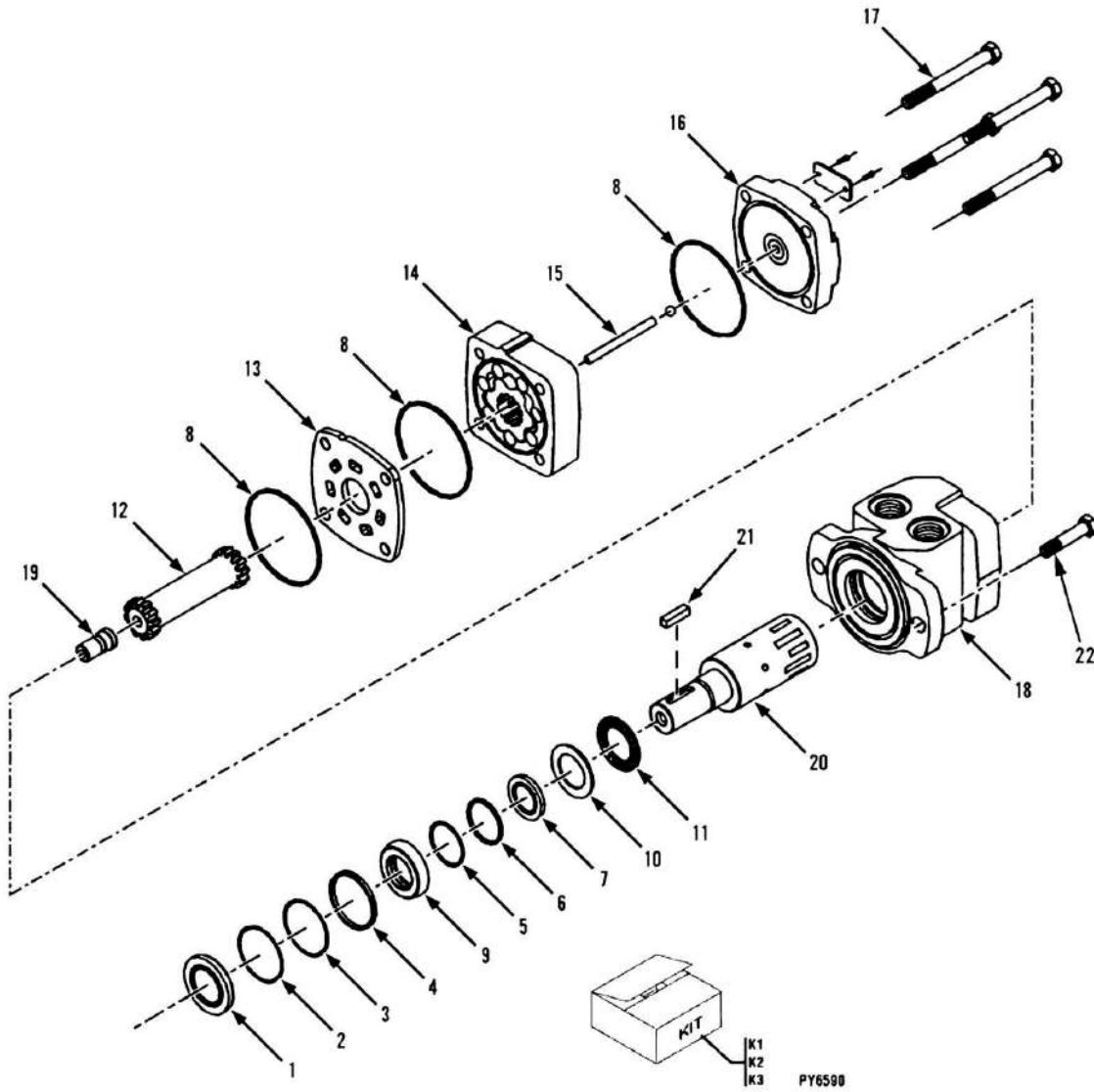
ITEM	PART NUMBER	QTY	DESCRIPTION	REV
	91413160	1	WINCH, 5 IN DRUM, (includes all items on this page and on WINCH MOTOR)	B
	91413159	NLA	WINCH, 8 IN DRUM, (no longer available, use 1001114795 on WINCH for replacement), (includes all items of this page and on WINCH MOTOR)	B
1	91404383	1	GEAR CASE	
2	N.S.S.	1	LOCK SET A	
3	91404385	1	LOCK SET B	
4	91404386	1	CABLE DRUM, 5 IN	
4	91404432	1	CABLE DRUM, 8 IN	
5	Kit	1	BRAKE DRUM	
6	91404388	1	GEAR CASE COVER	
7	90208148	1	CABLE DRUM SHAFT, 5 IN	
7	91404433	1	CABLE DRUM SHAFT, 8 IN	
8	91404389	1	WORM SHAFT, (includes item 10)	
9	N.S.S.	1	WORM GEAR	
10	N.S.S.	1	WORM	
11	91404392	6	CABLE DRUM SHAFT KEY	
12	N.S.S.	1	LOCK SEAT A BUSHING	
13	91404394	2	BUSHING	
14	91404395	4	STUD BOLT, 1/2X1-1/2	
15	91404396	2	COLLAR	
16	Kit	1	BRAKE PLATE	
17	Kit	1	BRAKE HOUSING	
18	Kit	1	BRAKE DRUM	
19	Kit	1	ADJUSTING BOLT	
20	Kit	1	ADJUSTING NUT	
21	Kit	1	SPRING SEAT	
22	Kit	1	ROLLER	
23	Kit	2	BRAKE LINING	
24	Kit	1	BRAKE PLATE A	
25	Kit	2	BRAKE PLATE B	
26	Kit	1	FIXING PLATE	
27	N.S.S.	1	OIL FILL PLUG	
28	N.S.S.	1	BEARING SHIM	
29	91404408	2	BEARING HUB GASKET	
30	91404409	1	GEAR CASE GASKET	
31	Kit	1	O-RING	
32	91404411	2	WASHER	
33	91404412	1	BUSHING	
34	Kit	2	SEAL	
35	91404413	2	WORM SHAFT KEY	
36	N.S.S.	1	WORM SHAFT KEY	
37	Kit	1	SPRING	
38	Kit	1	BRAKE DRUM SPRING	
39	N.S.S.	1	MOTOR MOUNT ADAPTER	
40	90208181	1	COUPLER	
42	91404416	2	BEARING	
43	Kit	2	V.C. TYPE LOCK RING	
44	91404418	1	OIL LEVEL PLUG	

SECTION 12 - OPTIONS

ITEM	PART NUMBER	QTY	DESCRIPTION	REV
45	91404419	1	OIL DRAIN PLUG	
46	N.S.S.	1	COUPLER SPACER	
47	91404420	2	BEARING HUB	
48	91404421	2	OIL SEAL	
49	Kit	8	CAPSCREW, 3/8X1-1/2	
50	Kit	8	LOCKWASHER	
51	N.S.S.	1	GREASE FITTING	
52	Kit	5	NUT	
53	91404426	1	HEX HD CAPSCREW, 3/8X1	
54	N.S.S.	1	LOCKWASHER	
55	N.S.S.	1	HEX HD CAPSCREW, 3/8X1	
56	Kit	1	BRAKE COVER GASKET	
57	91404430	1	OIL SEAL	
58	N.S.S.	1	LOCK SEAT GASKET	
K1	70020227	1	BRAKE LINING ASSY, (includes items 5, 16 thru 26, 31, 34, 37, 38, 43, 49, 50, 52 & 56)	

SECTION 12 - OPTIONS

FIGURE 12-36. WINCH MOTOR



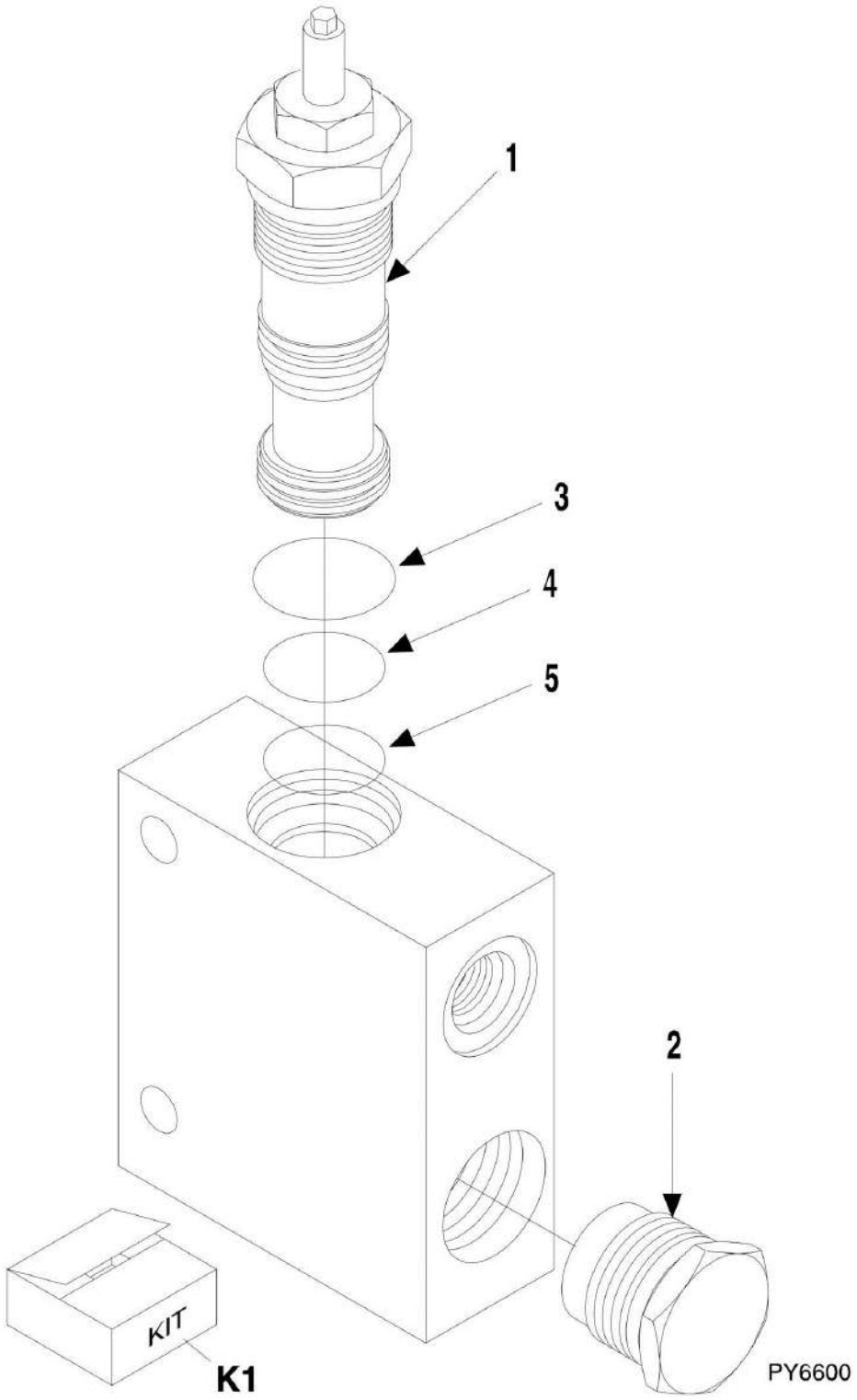
SECTION 12 - OPTIONS

FIGURE 12-36. WINCH MOTOR

ITEM	PART NUMBER	QTY	DESCRIPTION	REV
	91413039	1	WINCH MOTOR, (includes all items)	C
1	Kit	1	DUST SEAL	
2	Kit	1	SPLIT WIRE RING	
3	Kit	1	METAL BACKUP SHIM	
4	Kit	1	HIGH PRESSURE SEAL	
5	Kit	1	METAL BACKUP SHIM	
6	Kit	1	TEFLON BACKUP SHIM	
7	Kit	1	SHAFT SEAL	
8	Kit	1	BODY SEAL KIT	
9	Kit	1	SEAL CARRIER	
10	Kit	1	THRUST WASHER	
11	91414053	1	THRUST BEARING	
12	91414054	1	DRIVE LINK	
13	91414055	1	MID MOUNT WEAR PLATE	
14	91414056	1	ROTOR KIT	
15	91414057	1	DRIVE LINK PIN	
16	91414058	1	END COVER	
17	91414059	1	BOLT SET	
18	91414060	1	HOUSING	
19	91414061	1	COOLING PLUG	
20	91414062	1	SHAFT, (includes item 21)	
21	91414063	1	KEY	
22	88201024	2	HEX HD CAPSCREW, 5/16-18X2, GR5	
K1	91414049	1	SEAL KIT, (includes items 1 thru 10)	
K2	91414050	1	SEAL KIT, (includes items 1 thru 8)	
K3	90208212	1	SEAL KIT, (includes items 9 & 10)	

SECTION 12 - OPTIONS

FIGURE 12-37. TRUSS BOOM PRESSURE REDUCER VALVE - 1200 PSI



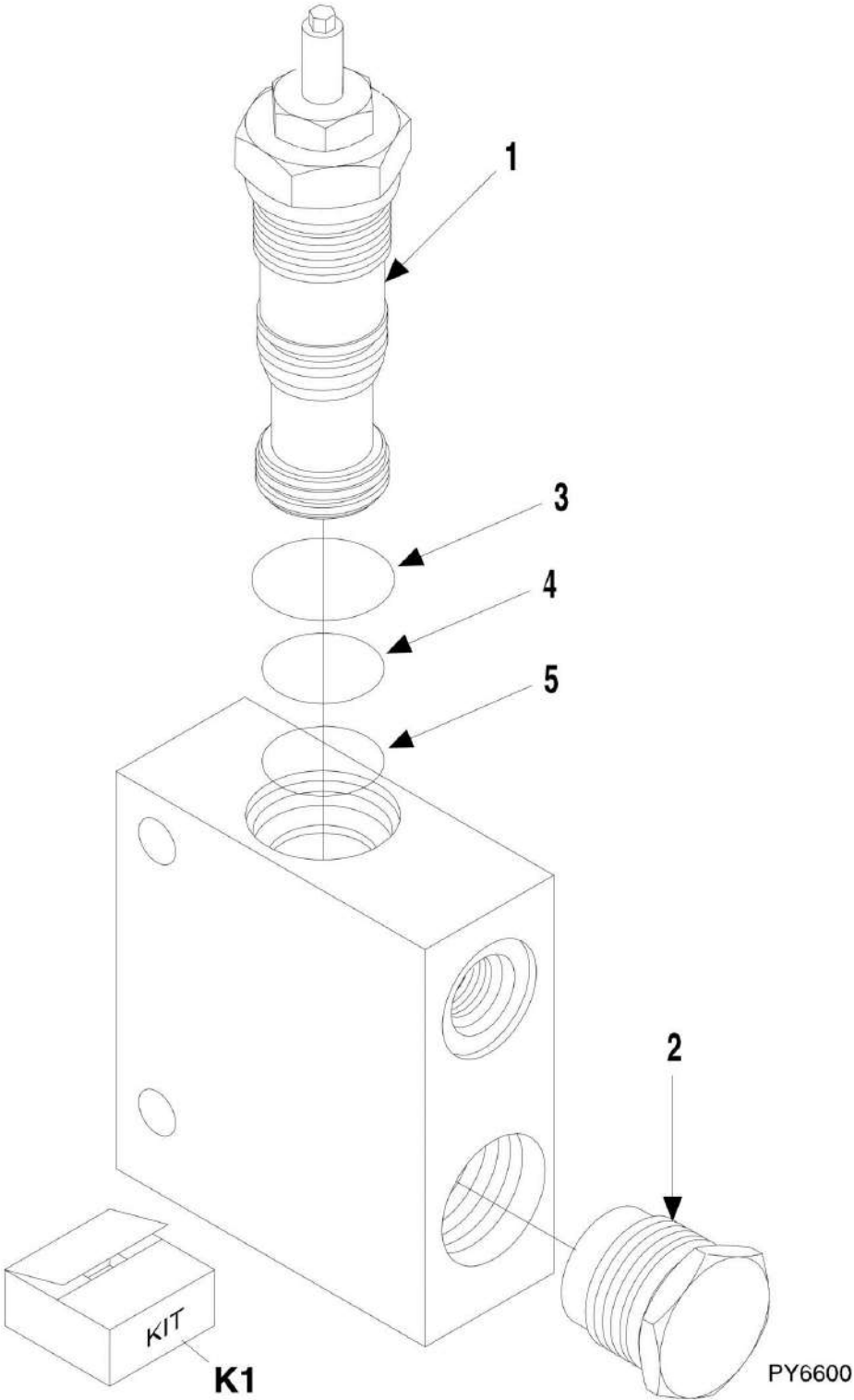
SECTION 12 - OPTIONS

FIGURE 12-37. TRUSS BOOM PRESSURE REDUCER VALVE - 1200 PSI

ITEM	PART NUMBER	QTY	DESCRIPTION	REV
	91413041	1	TRUSS BOOM PRESSURE REDUCER VALVE, 1200 PSI, (if equipped), (includes all items)	B
1	91414046	1	PRESSURE REDUCING CARTRIDGE	
2	91414047	1	CHECK CARTRIDGE	
3	Kit	1	O-RING	
4	Kit	1	O-RING	
5	Kit	1	O-RING	
K1	91414045	1	SEAL KIT, (includes items 3, 4 & 5)	

SECTION 12 - OPTIONS

FIGURE 12-38. TRUSS BOOM PRESSURE REDUCER VALVE - 1360 PSI



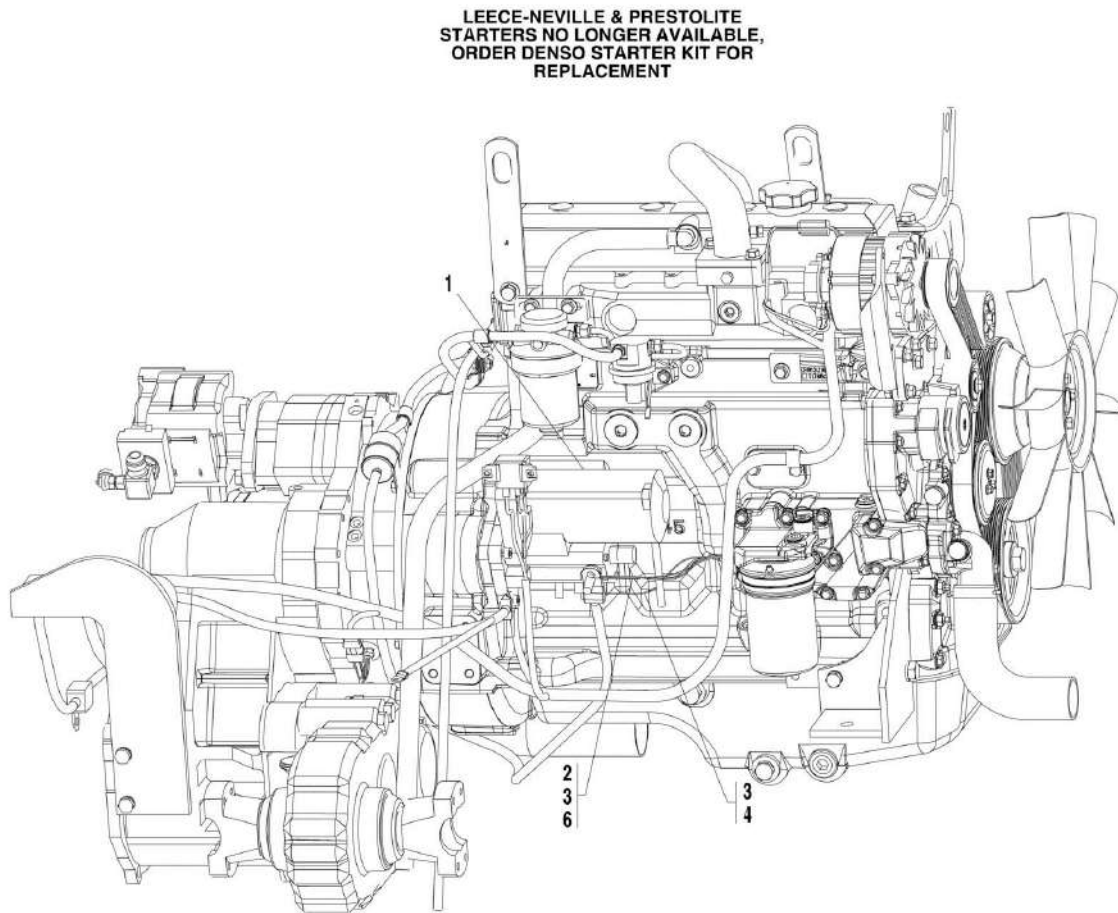
SECTION 12 - OPTIONS

FIGURE 12-38. TRUSS BOOM PRESSURE REDUCER VALVE - 1360 PSI

ITEM	PART NUMBER	QTY	DESCRIPTION	REV
	91413040	1	TRUSS BOOM PRESSURE REDUCER VALVE, 1360 PSI, (if equipped), (includes all items)	
1	91414048	1	PRESSURE REDUCING CARTRIDGE	
2	91414047	1	CHECK CARTRIDGE	
3	Kit	1	O-RING	
4	Kit	1	O-RING	
5	Kit	1	O-RING	
K1	91414045	1	SEAL KIT, (includes items 3, 4 & 5)	

SECTION 12 - OPTIONS

FIGURE 12-39. STARTER KIT (SN 0190001 through 0190457, SN 016000022 through 016006554, Including 0160006659, 0160006662, 0160006665 and 0160006667)



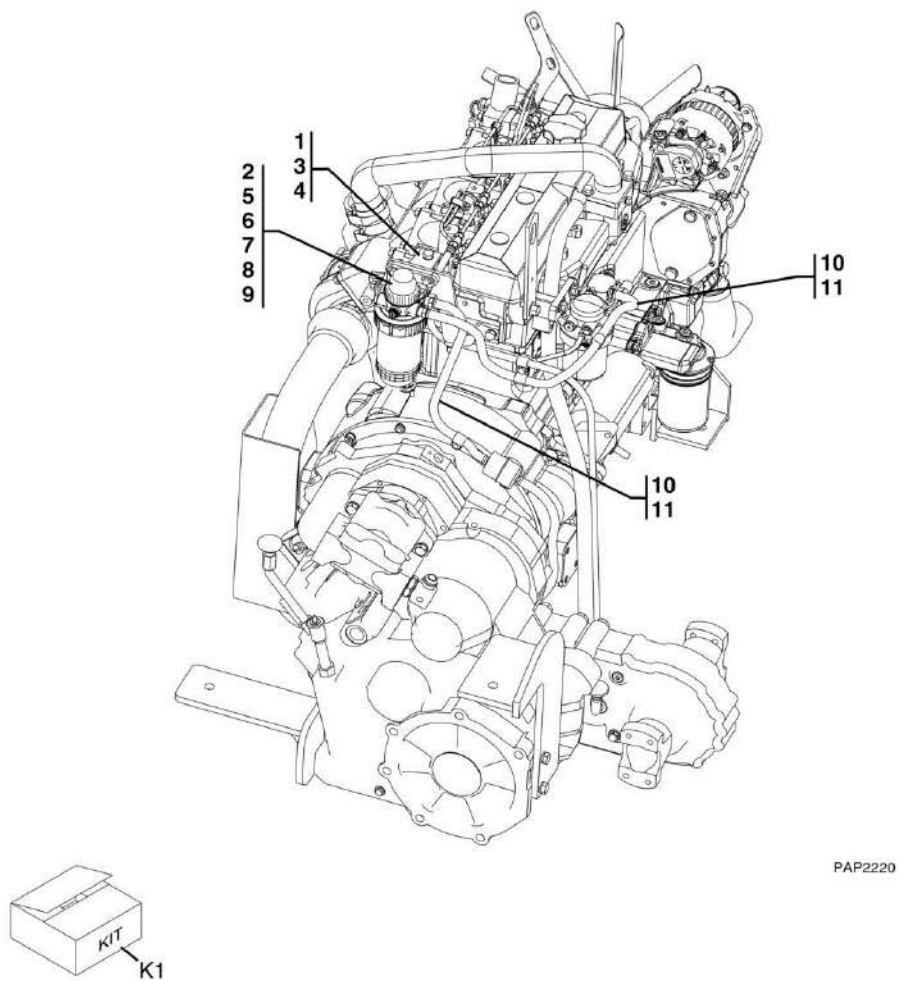
SECTION 12 - OPTIONS

FIGURE 12-39. STARTER KIT (SN 0190001 through 0190457, SN 016000022 through 016006554, Including 0160006659, 0160006662, 0160006665 and 0160006667)

ITEM	PART NUMBER	QTY	DESCRIPTION	REV
	91415083	1	STARTER KIT, (includes all items)	A
1	7026921	1	STARTER, (DENSO)	
2	91413148	1	JUMPER WIRES	
3	83681905	12 in	HEAT SHRINK INSULATION	
4	91413149	1	JUMPER WIRE	
6	71492134	12 in	SPLIT LOOM	

SECTION 12 - OPTIONS

FIGURE 12-40. FUEL/WATER SEPARATOR INSTALLATION - JOHN DEERE ENGINE (Prior to SN 0160040678)



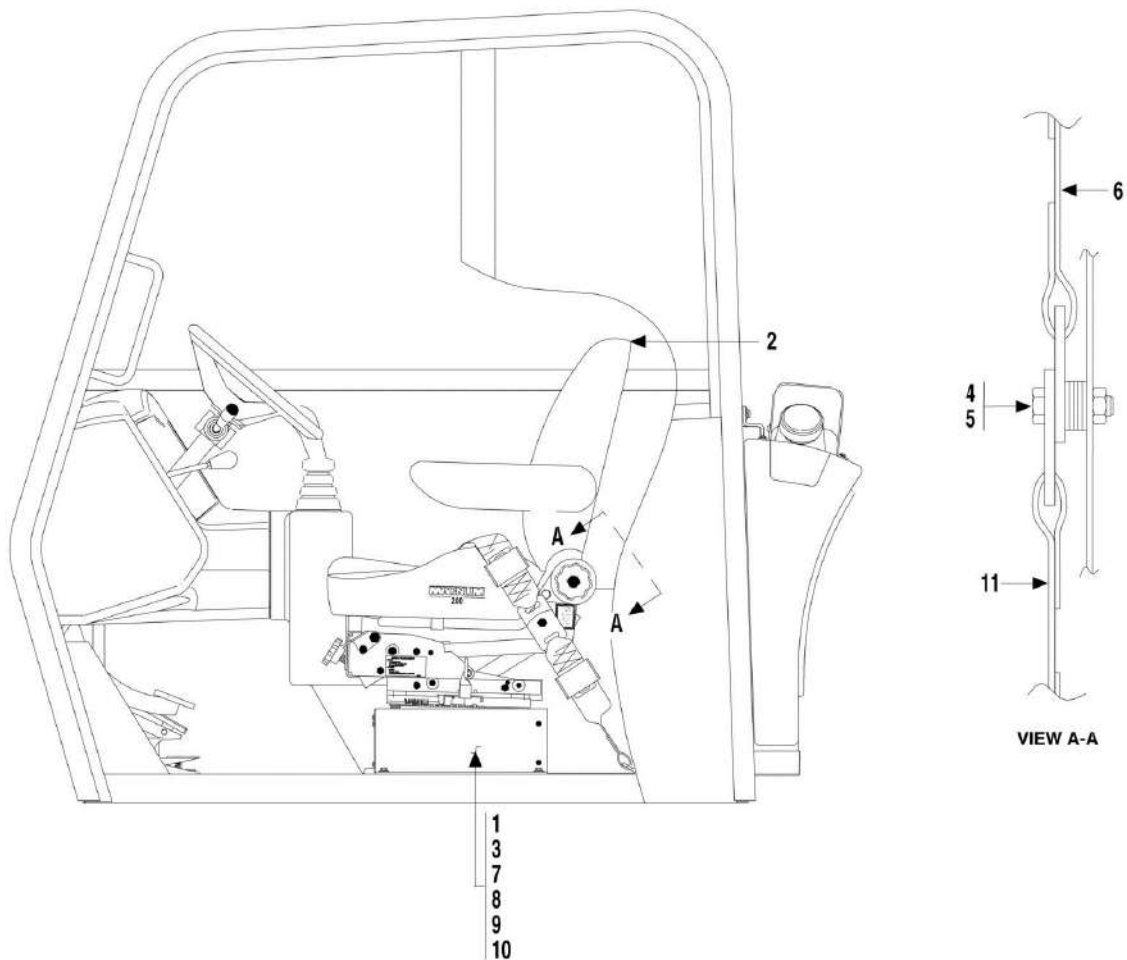
SECTION 12 - OPTIONS

FIGURE 12-40. FUEL/WATER SEPARATOR INSTALLATION - JOHN DEERE ENGINE (Prior to SN 0160040678)

ITEM	PART NUMBER	QTY	DESCRIPTION	REV
	91475107	Ref	FUEL/WATER SEPARATOR INSTALLATION, (not available to order, see items 1 thru 11 for service)	B
1	91471242	1	FILTER BRACKET	
2	91473240	1	FUEL/WATER SEPARATOR	
2	91474633	1	FUEL/WATER SEPARATOR ELEMENT	
2	91474634	1	WATER COLLECTION BOWL	
2	91474635	1	REVERSE FLOW HAND PRIMER	
3	4832000	2	LOCKWASHER, 10mm	
4	0761012	2	HEX HD CAPSCREW, M10X1-1/2X25, GR5	
5	4761500	2	LOCKWASHER, 5/16	
6	3311501	2	HEX NUT, 5/16-18	
7	0641510	2	HEX HD CAPSCREW, 5/16-18X1-1/4, GR5	
8	2200233	2	SOCKET HD PIPE PLUG, (ports #1 & #2)	
9	2221114	2	BARBED FITTING, (ports #3 & #4)	
10	1320022	4	Hose Clamp	
11	2750532	3.83 ft	FUEL LINE, 3/8	
K1	2915111	1	FUEL/WATER SEPARATOR SERVICE KIT, (includes items 1 thru 11)	

SECTION 12 - OPTIONS

FIGURE 12-41. SUSPENSION SEAT OPTION (SN 0190001 through 0190457, SN 016000022 through 0160015432)



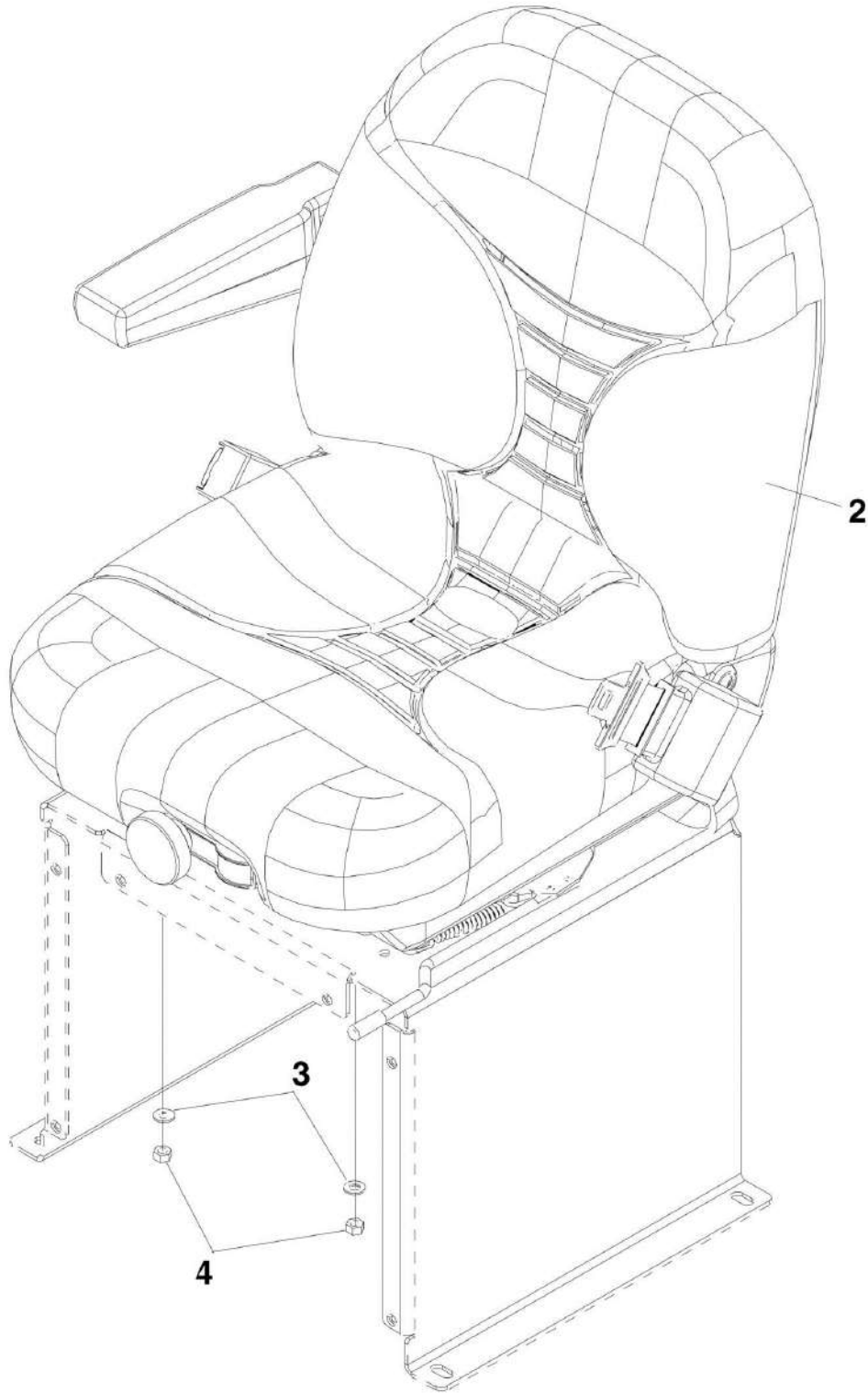
SECTION 12 - OPTIONS

FIGURE 12-41. SUSPENSION SEAT OPTION (SN 0190001 through 0190457, SN 016000022 through 0160015432)

ITEM	PART NUMBER	QTY	DESCRIPTION	REV
	Not Available	NLA	SUSPENSION SEAT OPTION WITH OPEN CAB, (no longer available, use HEAVY SEAT REPLACEMENT KIT for replacement or items 1 thru 11 for service)	
	Not Available	NLA	SUSPENSION SEAT OPTION WITH ENCLOSED CAB, (no longer available, use HEAVY SEAT REPLACEMENT KIT for replacement or items 1 thru 11 for service)	
1	91405050	1	SEAT RISER ASSY, (open cab), (includes items 3, 7, 8, 9 & 10)	
1	91415045	1	SEAT RISER ASSY, (enclosed cab), (includes items 3, 7, 8, 9 & 10)	
2	91403527	1	TRIMLINE MAGNUM 200 SEAT	
3	88551009	6	LOCKWASHER, 1/4	
4	88201551	2	HEX HD CAPSCREW, 7/16-20X1-1/2, GR5	
5	88561111	10	FLAT WASHER, 1/2	
6	91033029	1	STD SEAT BELT	
6	91033486	1	CALIFORNIA SEAT BELT	
7	91406116	1	SUSPENSION RISER WELDMENT	
8	88561002	6	FLAT WASHER, 1/4	
9	91401417	1	ACCESS COVER, (open cab)	
9	91406114	1	ACCESS COVER, (enclosed cab)	
10	88261015	6	SOCKET BUTTON HD CAPSCREW, 1/4-20X5/8	
11	91403191	1	TETHER	

SECTION 12 - OPTIONS

FIGURE 12-42. STANDARD SEAT REPLACEMENT KIT (SN 0160015458 to Present)



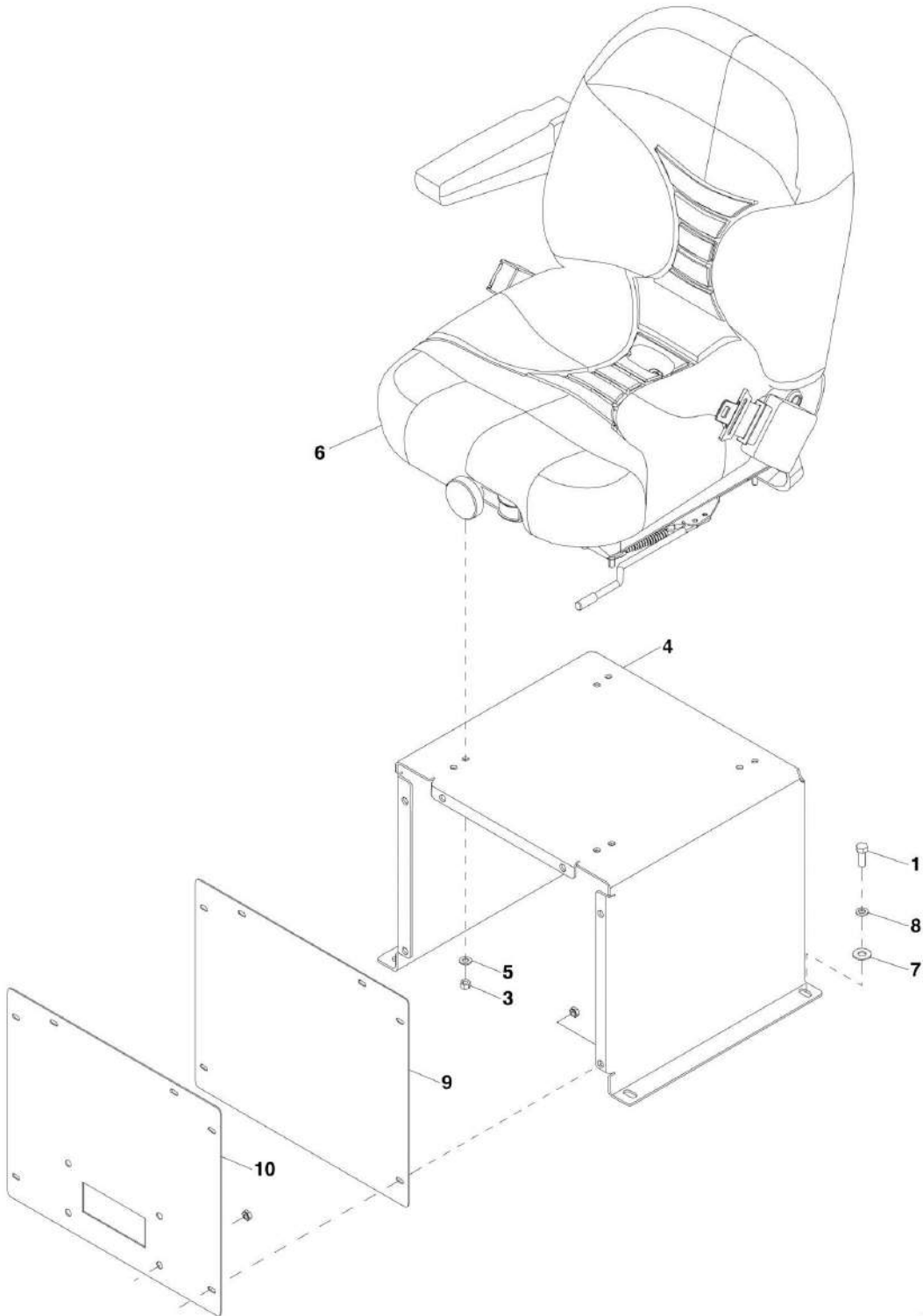
SECTION 12 - OPTIONS

FIGURE 12-42. STANDARD SEAT REPLACEMENT KIT (SN 0160015458 to Present)

ITEM	PART NUMBER	QTY	DESCRIPTION	REV
	2915166	1	STANDARD SEAT REPLACEMENT KIT, (includes all items)	A
1	3128987	1	KIT INSTALLATION INSTRUCTIONS, (not shown)	
2	91563158	1	SUSPENSION SEAT WITH 2 IN SEAT BELT	
3	4711500	4	PLAIN WASHER, 5/16	
4	3311505	4	HEX LOCK NUT, 5/16-18	

SECTION 12 - OPTIONS

FIGURE 12-43. HEAVY SEAT REPLACEMENT KIT (SN 0160015458 through 0160040659)



PAP11300

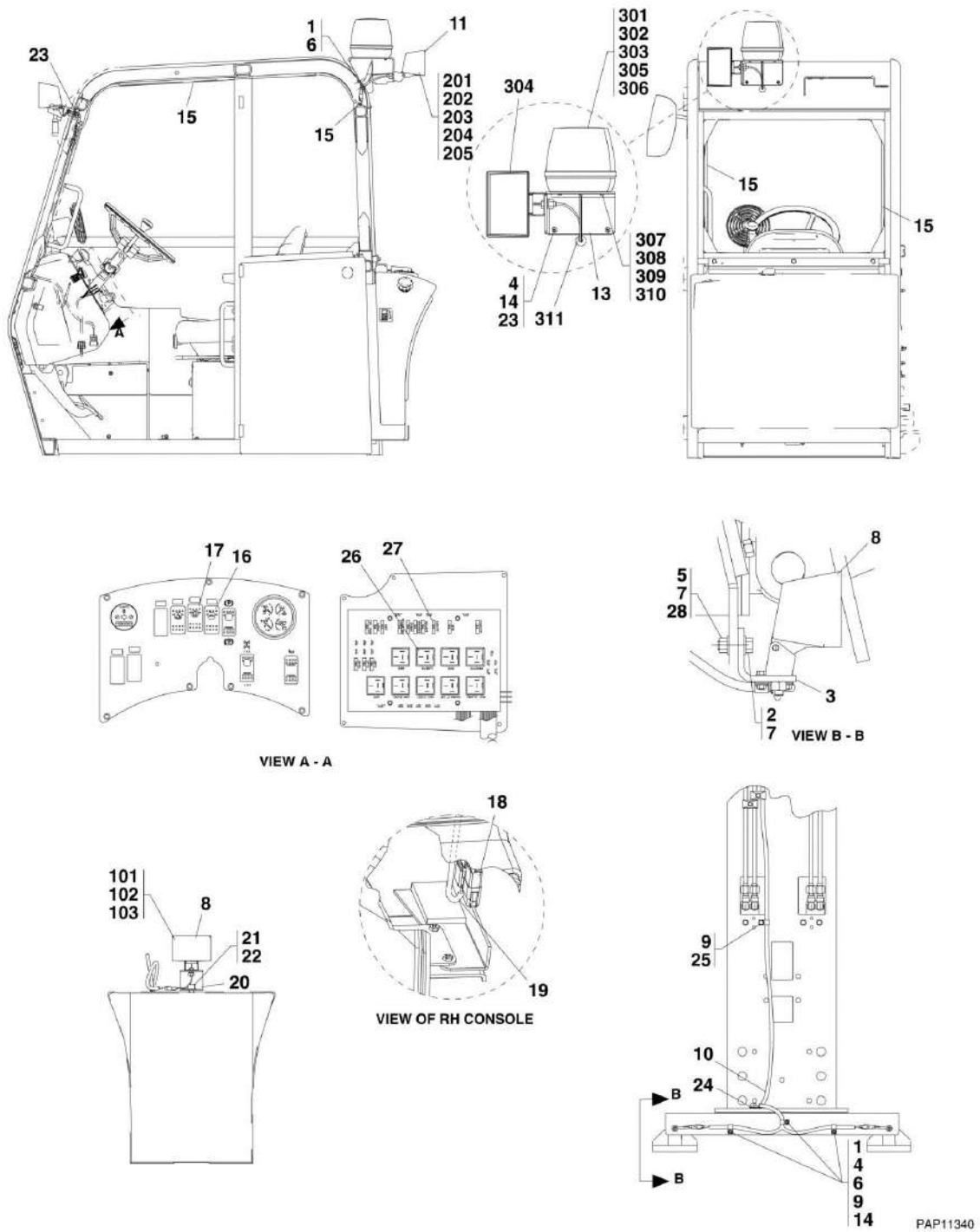
SECTION 12 - OPTIONS

FIGURE 12-43. HEAVY SEAT REPLACEMENT KIT (SN 0160015458 through 0160040659)

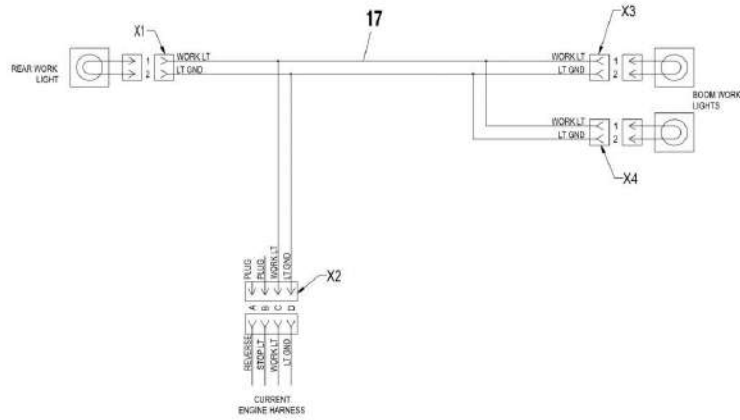
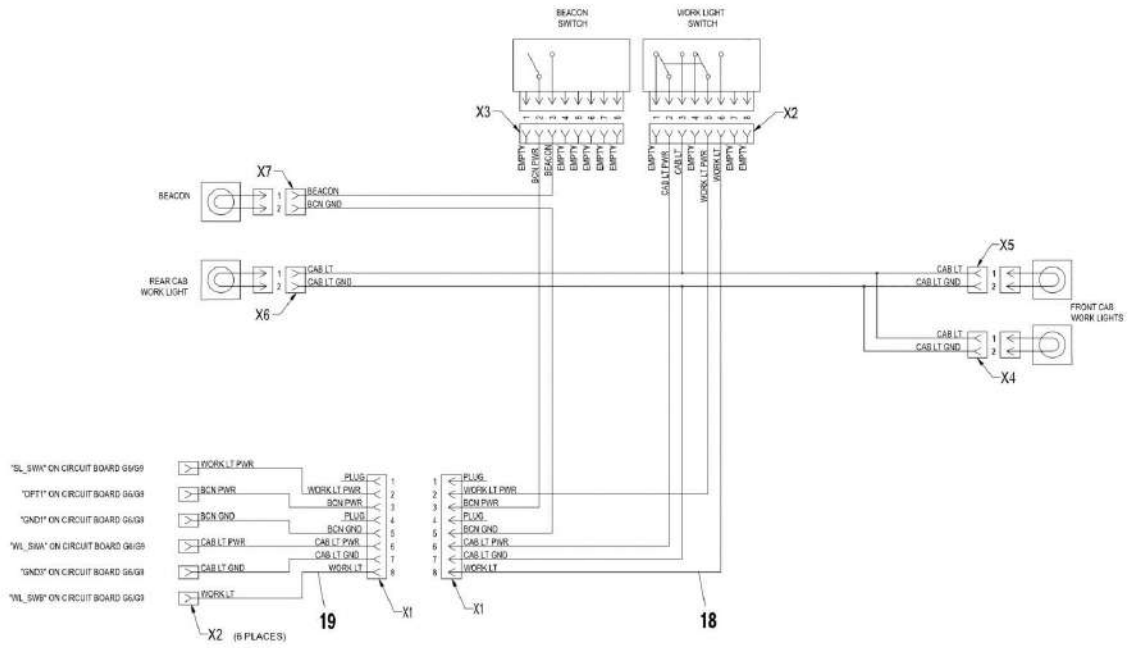
ITEM	PART NUMBER	QTY	DESCRIPTION	REV
	2915167	1	HEAVY DUTY SEAT REPLACEMENT KIT, (includes all items)	B
1	0641608	4	HEX HD CAP SCREW, 3/8-16	
3	3311505	4	LOCK NUT, 5/16-18	
4	91406115	1	SEAT RISER WELDMENT	
5	4711500	4	PLAIN WASHER, 5/16	
6	91563158	1	SUSPENSION SEAT WITH 2 IN SEAT BELT	
7	4751600	4	WASHER, 3/8	
8	4761600	4	LOCKWASHER, 3/8	
9	91401415	1	ACCESS COVER PLATE	
10	91406113	1	ACCESS BEZEL COVER	

SECTION 12 - OPTIONS

FIGURE 12-44. WORK LIGHT INSTALLATION (SN 0160031634 through 0160040659)



SECTION 12 - OPTIONS



PAL2720

SECTION 12 - OPTIONS

FIGURE 12-44. WORK LIGHT INSTALLATION (SN 0160031634 through 0160040659)

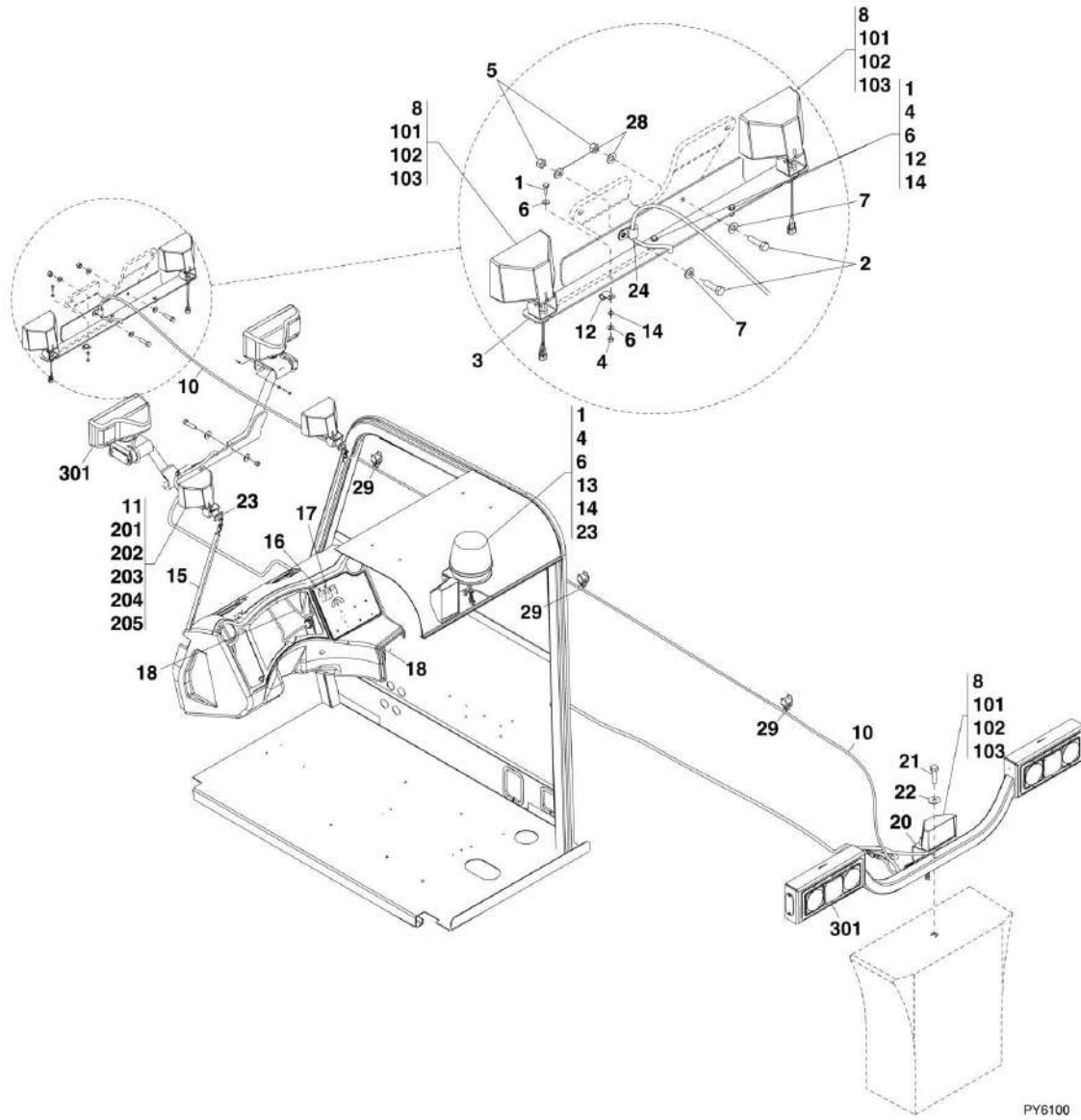
ITEM	PART NUMBER	QTY	DESCRIPTION	REV
	1001090468	Ref	WORK LIGHT INSTALLATION, (not available to order, see items 1 thru 28 for service)	H
1	0641407	5	HEX HD CAPSCREW, 1/4-20X7/8, GR5	
2	0641814	2	HEX HD CAPSCREW, 1/2-13X1-3/4, GR5	
3	0903661	1	BOOM LIGHT MOUNTING BRACKET	
4	3311401	5	HEX NUT, 1/4-20	
5	3311801	2	HEX NUT, 1/2-13	
6	4711400	8	FLAT WASHER, 1/4	
7	4711800	8	FLAT WASHER, 1/2	
8	1001095342	3	FLOOD LIGHT ASSY, (includes items 101 thru 103)	B
8	80964070	3	BULB	
9	85941016	3	CLAMP	
10		Ref	BOOM WORK LIGHTS HARNESS, (See ELECTRICAL SECTION for Breakdown)	
11	1001090580	2	FLOOD LIGHT ASSY, (includes items 201 thru 205)	B
13	1001090581	1	BEACON/FLOODLIGHT INSTALLATION, (includes items 301 thru 311)	D
14	4761400	5	LOCKWASHER, 1/4	
15	8096D097	8.3 ft	WIRING DUCT	
16	1001090460	1	WORK LIGHTS SWITCH	
17	1001090461	1	BEACON SWITCH	
18		Ref	CAB WORK LIGHTS HARNESS, (See ELECTRICAL SECTION for Breakdown)	
19		Ref	CAB WORK LIGHT AND BEACON LIGHT SWITCH HARNESS, (See ELECTRICAL SECTION for Breakdown)	
20	1001090522	1	BACK-UP LIGHT MOUNTING BRACKET	
21	0642210	1	HEX HD CAPSCREW, 3/4-10X1-1/4, GR5	
22	4712200	1	WASHER, 3/4	
23	14404173	AR	SILICONE SEALANT	
24	8406105	1	CLIP	
25	0641608	1	HEX HD CAPSCREW, 3/8-16X1, GR5	
26	77363265	1	RELAY	
27	80964009	1	FUSE	
28	4761800	2	LOCKWASHER, 1/2	
101	4460464	2	PIN TERMINAL	
102	4460897	1	2 POSITION TERMINAL	
103	80963050	1	FLOOD LIGHT ASSY	A, 1
103	80964070	2	BULB	
201	4460464	2	PIN TERMINAL	
202	4460897	1	2 POSITION TERMINAL	
203	80963050	1	FLOOD LIGHT ASSY	A, 1
203	80964070	1	BULB	
204	91403503	1	SPACER	
205	91413052	1	WORK LIGHT MOUNTING BOLT	
301	0903669	1	BEACON BRACKET	
302	4460464	4	PIN TERMINAL	
303	4460897	2	2 POSITION TERMINAL	
304	1001099276	1	FLOOD LIGHT ASSY	A
304	80964070	1	BULB	
305	91343031	1	ROTATING BEACON	
305	91344053	1	BULB	

SECTION 12 - OPTIONS

ITEM	PART NUMBER	QTY	DESCRIPTION	REV
306	1001090615	1	GROMMET	
307	0721006	3	INDENTED HEX HD MACHINE SCREW, #10-24X3/4	
308	3311001	3	NUT, #10-24, GR2	
309	4751000	3	WASHER, #10	
310	4761000	3	LOCKWASHER, #10	
311	2820035	AR	INSULATE	

SECTION 12 - OPTIONS

FIGURE 12-45. WORK LIGHT INSTALLATION (SN 0160040678 to Present)



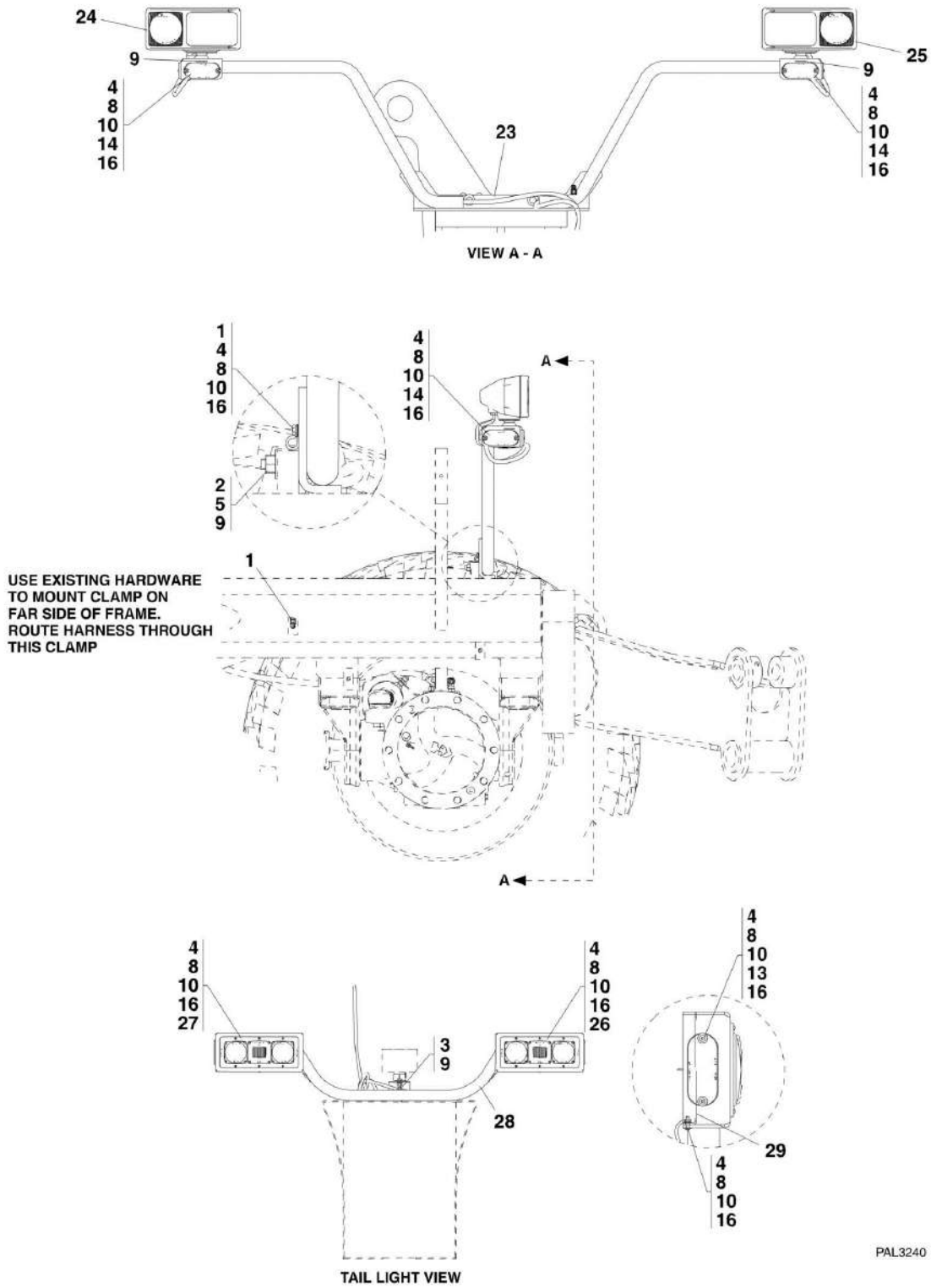
SECTION 12 - OPTIONS

FIGURE 12-45. WORK LIGHT INSTALLATION (SN 0160040678 to Present)

ITEM	PART NUMBER	QTY	DESCRIPTION	REV
	1001110091	Ref	WORK LIGHT INSTALLATION, (if equipped), (not available to order, see items 1 thru 29 for service)	B
1	0641407	3	HEX HD CAPSCREW, 1/4-20X7/8	
1		Ref	HEX HD CAPSCREW, 1/4-20X7/8, (See BEACON LIGHT PACKAGE for Breakdown)	
2	0641814	2	HEX HD CAPSCREW, 1/2-13X2-3/4	
3	0903661	1	BOOM LIGHT MOUNTING BRACKET	
4	3311401	3	HEX NUT, 1/4-20, GR2	
4		Ref	HEX NUT, 1/4-20, GR2, (See BEACON LIGHT PACKAGE for Breakdown)	
5	3311801	2	HEX NUT, 1/2-13, GR2	
6	4711400	6	WASHER, 1/4	
6		Ref	WASHER, 1/4, (See BEACON LIGHT PACKAGE for Breakdown)	
7	4711800	8	WASHER, 1/2	
8	1001095342	3	FLOOD LIGHT ASSY, (includes items 101 thru 103)	B
10		Ref	BOOM WORK LIGHT HARNESS, (See ELECTRICAL SECTION for Breakdown)	
11	1001090580	2	FLOOD LIGHT ASSY, (includes items 201 thru 205)	B
12	1320263	3	CLAMP, 3/8	
13		Ref	BEACON LIGHT INSTALLATION, (See BEACON LIGHT PACKAGE for Breakdown)	
14	4761400	5	LOCKWASHER, 1/4	
14		Ref	LOCKWASHER, 1/4, (See BEACON LIGHT PACKAGE for Breakdown)	
15	8096D097	7.3 ft	ECONOMY WIRING DUCT	
16	1001090460	1	WORK LIGHT SWITCH	
17		Ref	BEACON LIGHT SWITCH, (See BEACON LIGHT PACKAGE for Breakdown)	
18		Ref	CAB WORK LIGHT HARNESS, (See BEACON LIGHT PACKAGE for Breakdown)	
20	1001090522	1	BACK-UP LIGHT MOUNTING BRACKET	
21	0642210	1	HEX HD CAPSCREW, 3/4-10X1-1/4	
22	4712200	1	WASHER, 3/4	
23	14404173	AR	SILICONE SEALANT	
24	8406105	1	CLAMP, 3/4	
28	4761800	2	LOCKWASHER, 1/2	
29	1320263	3	CLAMP, 3/8	
101	4460464	2	PIN TERMINAL	
102	4460897	1	2 POSITION TERMINAL	
103	80963050	1	FLOOD LIGHT ASSY	A, 1
103	80964070	2	BULB	
201	4660508	4	PIN TERMINAL	
202	4461017	2	2 POSITION TERMINAL	
203	80963050	2	FLOOD LIGHT ASSY	A, 1
203	83664354	2	BULB	
204	91403503	2	SPACER	
205	91413052	2	WORK LIGHT MOUNTING BOLT	
301		Ref	ROAD LIGHT INSTALLATION, (See ROAD LIGHTS INSTALLATION for Breakdown)	

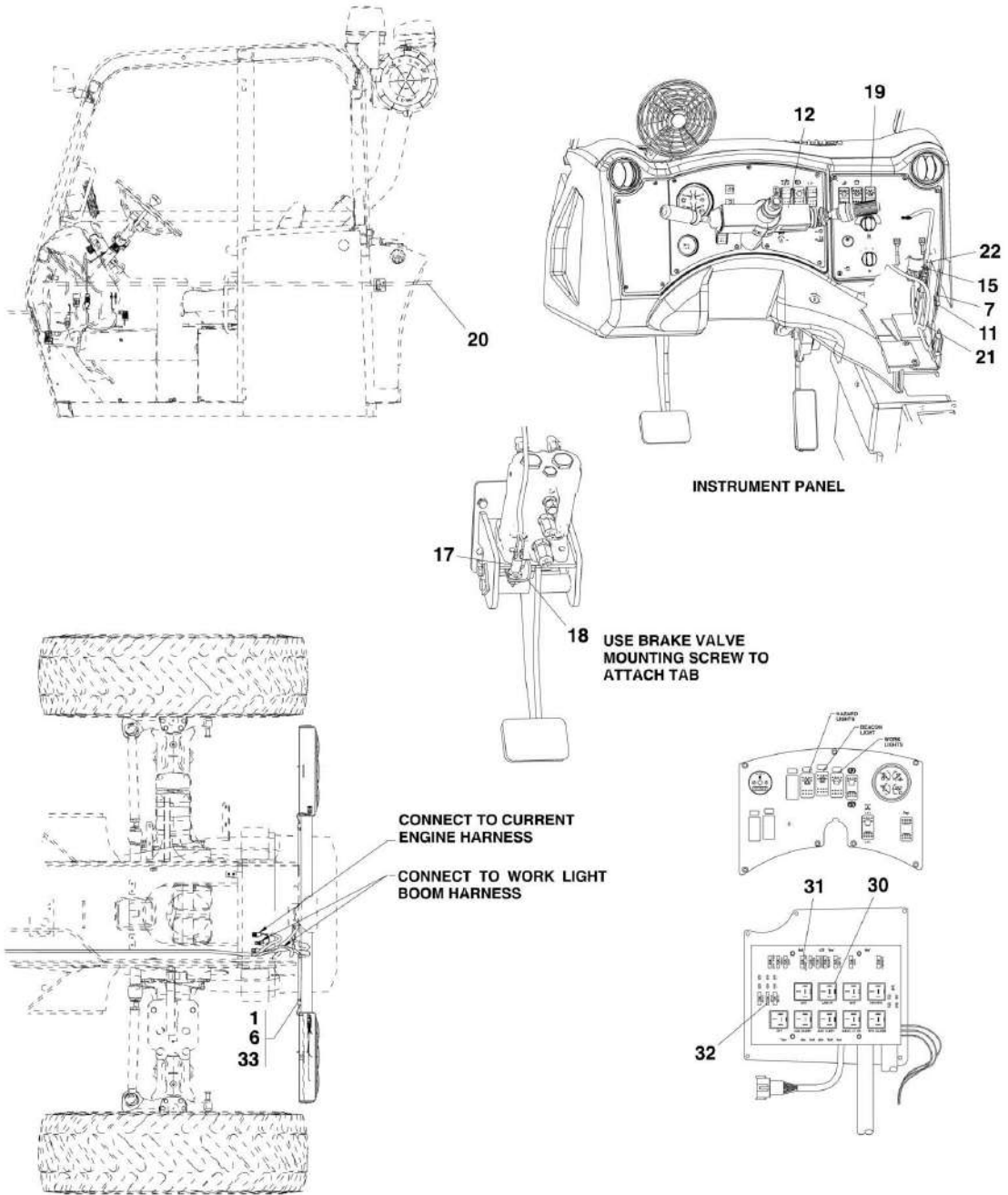
SECTION 12 - OPTIONS

FIGURE 12-46. ROAD LIGHTS INSTALLATION (Prior to SN 0160040678)



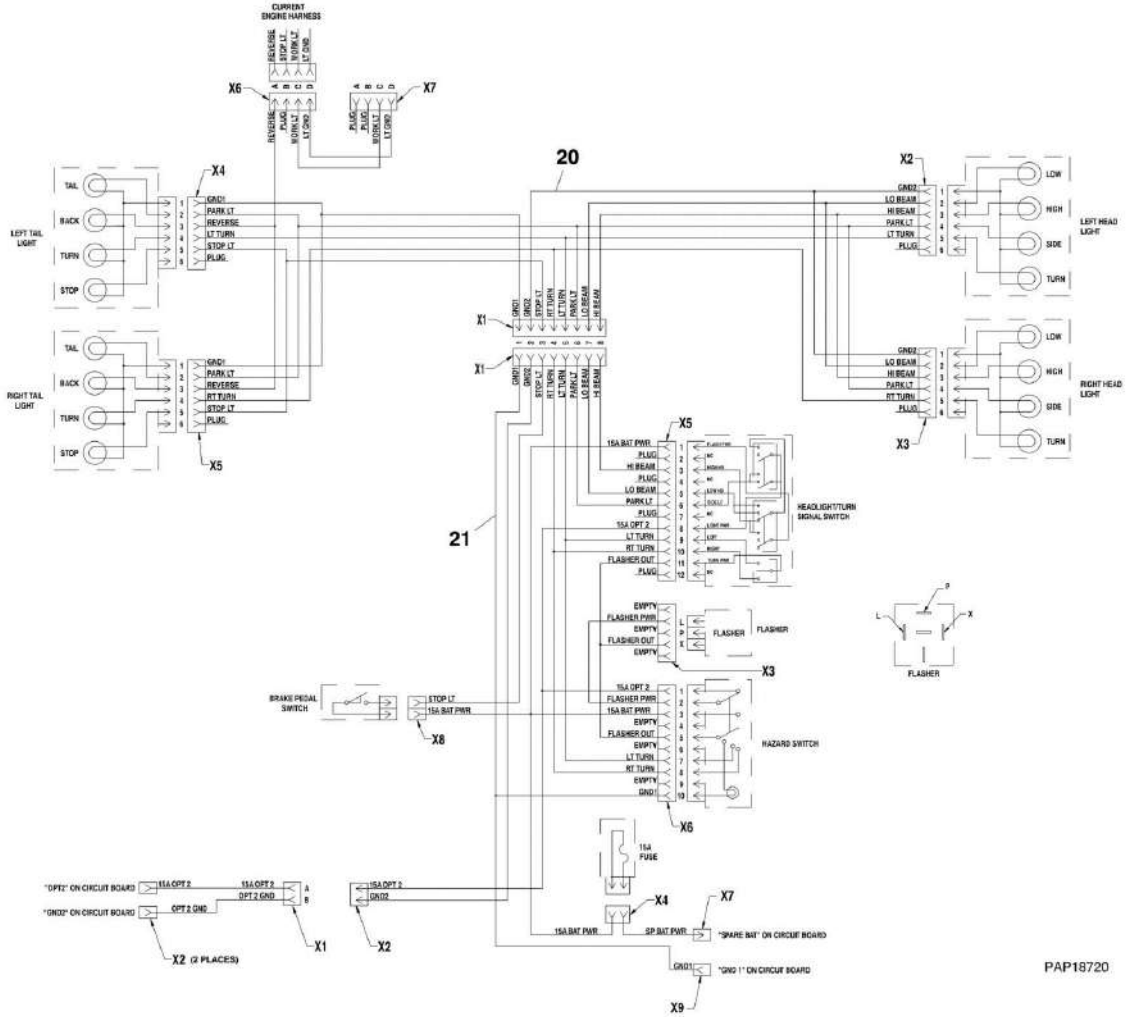
PAL3240

SECTION 12 - OPTIONS



PAP11390

SECTION 12 - OPTIONS



PAP18720

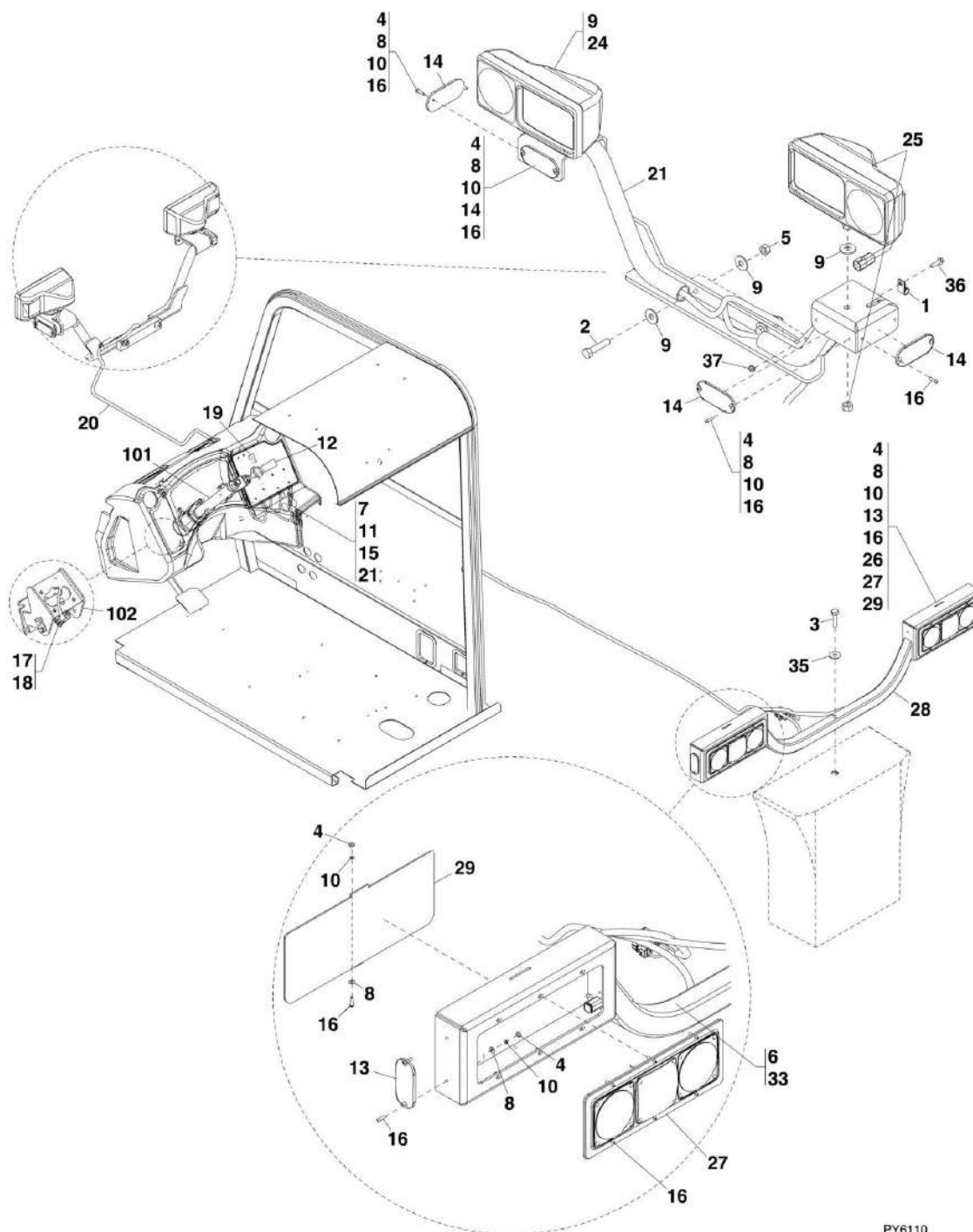
SECTION 12 - OPTIONS

FIGURE 12-46. ROAD LIGHTS INSTALLATION (Prior to SN 0160040678)

ITEM	PART NUMBER	QTY	DESCRIPTION	REV
	1001090469	Ref	ROAD LIGHTS INSTALLATION, (ZF), (if equipped), (includes all items)	F
	1001104289	Ref	ROAD LIGHTS INSTALLATION, (DANA), (if equipped), (includes items 1 thru 32)	A
1	80630	2	CLAMP, 1/2, (ZF)	
1	80630	4	CLAMP, 1/2, (DANA)	
2	0641818	2	HEX HD CAPSCREW, 1/2-13X2-1/4, GR5, (torque to 75 lb-ft)	
3	0641822	1	HEX HD CAPSCREW, 1/2-13X2-3/4, GR5, (torque to 80 lb-ft)	
4	3311001	27	HEX NUT, 10-24	
5	3311805	2	HEX LOCKNUT, 1/2-13	
6	3941506	2	TAP SCREW	
7	4461254	1	FASTON TERMINAL	
8	4711000	30	FLAT WASHER, #10	
9	4751800	7	FLAT WASHER, 1/2	
10	4761000	27	LOCKWASHER, #10	
11	8220050	1	CONNECT TERMINAL, MALE	
12	8223073	1	TURN SIGNAL SELECTOR	
13	10718991	2	REFLECTOR, RED	
14	10718992	4	REFLECTOR, YELLOW	
15	80983168	1	VARIABLE LOAD FLASHER	
16	88261010	27	SOCKET BUTTON HD CAPSCREW, #10-24X3/4	
17	91143117	1	STOPLIGHT SWITCH	
18	91511127	1	MOUNTING TAB	
19	1001090459	1	SWITCH	
20		Ref	FRAME ROAD LIGHTS HARNESS, (See ELECTRICAL SECTION for Breakdown)	
21		Ref	CAB ROAD LIGHTS HARNESS, (See ELECTRICAL SECTION for Breakdown)	
22	1001090510	1	ROAD LIGHTS HARNESS	
23	1001094264	1	FRONT ROAD LIGHTS BRACKET	
24	1001094390	1	RH FRONT ROAD LIGHTS, (torque to 50 lb-ft)	
24	91503103	1	CONNECTOR	
24	91504107	1	LOCK CONNECTOR	
25	1001094391	1	LH FRONT ROAD LIGHTS, (torque to 50 lb-ft)	
25	91503103	1	CONNECTOR	
25	91504107	1	LOCK CONNECTOR	
26	1001094392	1	RH TAIL LIGHT	
26	91503103	1	CONNECTOR	
26	91504107	1	LOCK CONNECTOR	
27	1001094393	1	LH TAIL LIGHT	
27	91503103	1	CONNECTOR	
27	91504107	1	LOCK CONNECTOR	
28	1001094523	1	TAIL LIGHT BRACKET	
29	1001094824	2	TAIL LIGHT COVER	
30	77363265	1	RELAY	
31	8229262	1	25A FUSE	
32	77363268	1	15A FUSE	
33	86621230	2	SUPPORT CLAMP	

SECTION 12 - OPTIONS

FIGURE 12-47. ROAD LIGHTS INSTALLATION (SN 0160040678 to Present)



PY6110

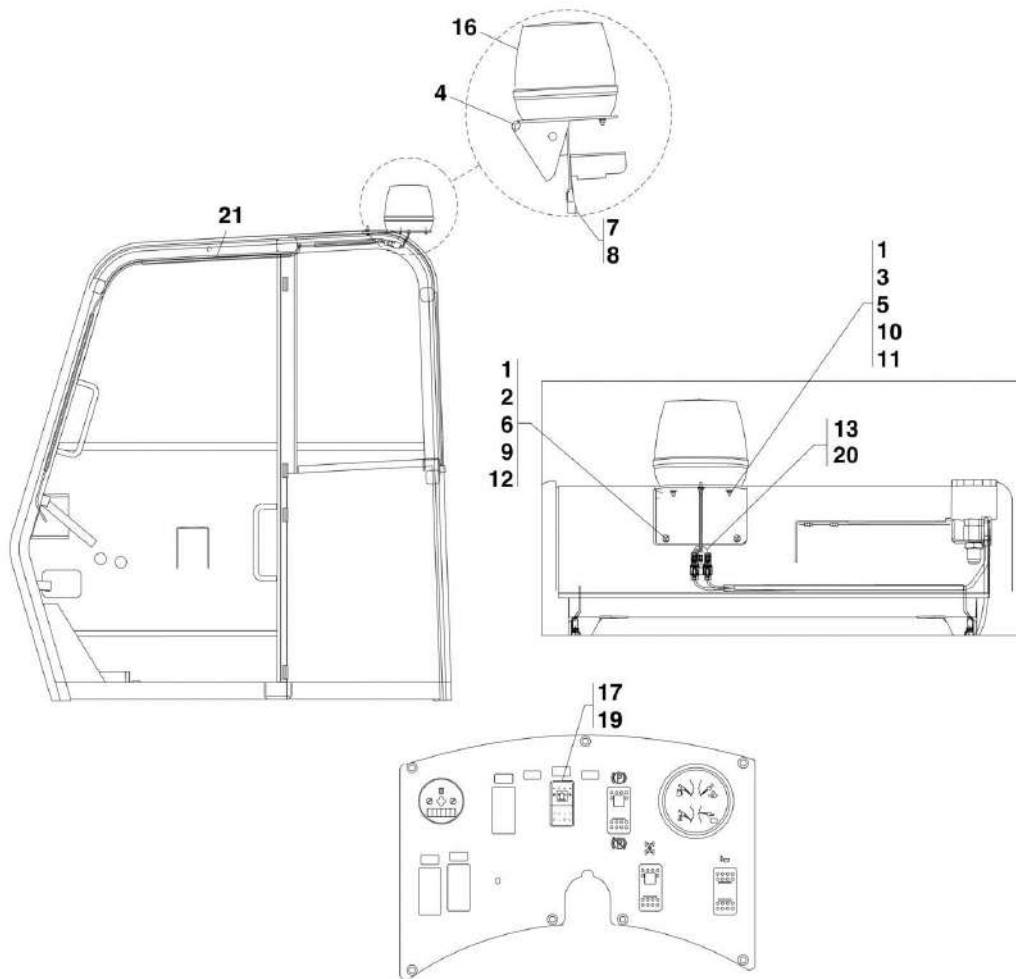
SECTION 12 - OPTIONS

FIGURE 12-47. ROAD LIGHTS INSTALLATION (SN 0160040678 to Present)

ITEM	PART NUMBER	QTY	DESCRIPTION	REV
	1001113091	Ref	ROAD LIGHTS INSTALLATION, (if equipped), (not available to order, see items 1 thru 37 for service)	A, 4
1	85941016	1	CLAMP, 1/2 IN	
2	0641818	2	HEX HD CAPSCREW, 1/2-13X2-1/4, GR5	
3		Ref	HEX HD CAPSCREW, 3/4-10X2-3/4, GR5, (See WORK LIGHT INSTALLATION for Breakdown)	
4	3311001	26	HEX NUT, #10-24, GR2	
5	3311805	2	HEX LOCKNUT, 1/2-13, GR2	
6	3941506	2	SELF-TAPPING MACHINE SCREW, 5/16X3/4	
7	4461254	1	CONNECTOR	
8	4711000	28	WASHER, #10	
9	4751800	6	WASHER, 1/2	
10	4761000	26	LOCKWASHER, #10	
11	8220050	1	CONNECTOR	
12	8223073	1	TURN SIGNAL SELECTOR	
13	10718991	2	RED REFLECTOR	
14	10718992	4	YELLOW REFLECTOR	
15	8093168	1	VARIABLE LOAD FLASHER, (mounted under right dash panel)	
16	88261010	26	BUTTON HD CAPSCREW, #10-24X3/4	
17	91143117	1	STOPLIGHT SWITCH	
18	91511127	1	STOPLIGHT SWITCH MOUNTING TAB	
19	1001090459	1	HAZARD SWITCH	
20		Ref	FRAME ROAD LIGHTS HARNESS, (See ELECTRICAL SECTION for Breakdown)	
21		Ref	CAB ROAD LIGHTS HARNESS, (See ELECTRICAL SECTION for Breakdown)	
23	1001094264	1	FRONT ROAD LIGHTS BRACKET	
24	1001094390	1	RH FORWARD ROAD LIGHT ASSY, (torque to 50 lb-ft)	
25	1001094391	1	LH FORWARD ROAD LIGHT ASSY, (torque to 50 lb-ft)	
26	1001094392	1	RH TAIL LIGHT ASSY	
27	1001094393	1	LH TAIL LIGHT ASSY	
28	1001094523	1	TAIL LIGHT BRACKET	
29	1001094824	2	TAIL LIGHT COVER	
33	1320263	2	CLAMP, 3/8 IN	
35		Ref	WASHER, 3/4, (See WORK LIGHT INSTALLATION for Breakdown)	
36	0791408	1	SERRATED FLANGE HEX HD CAPSCREW, 1/4-20X1	
37	3311408	1	FLANGE NUT, 1/4-20, GRADE F	
101		Ref	STEERING COLUMN, (See CONTROLS SECTION for Breakdown)	
102		Ref	BRAKE PEDAL INSTALLATION, (See CONTROLS SECTION for Breakdown)	

SECTION 12 - OPTIONS

FIGURE 12-48. BEACON LIGHT INSTALLATION (SN 0160031634 through 0160040659)



PAP11090

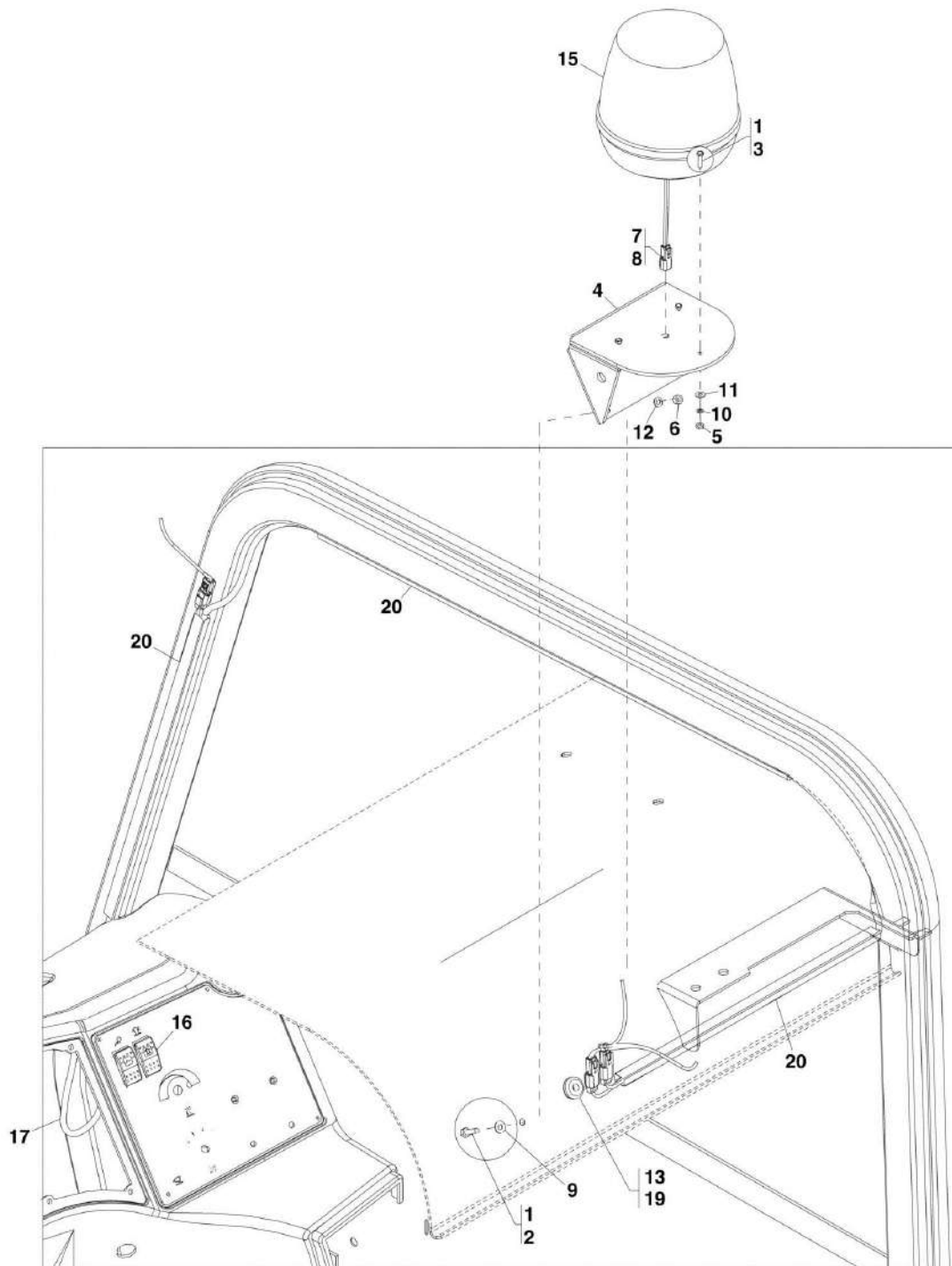
SECTION 12 - OPTIONS

FIGURE 12-48. BEACON LIGHT INSTALLATION (SN 0160031634 through 0160040659)

ITEM	PART NUMBER	QTY	DESCRIPTION	REV
	1001098035	Ref	BEACON LIGHT INSTALLATION, (if equipped), (not available to order, see items 1 thru 21 for service)	C
1	0100011	AR	LOCTITE 242	
2	0641407	2	HEX HD CAPSCREW, 1/4-20X7/8, GR5	
3	0721006	3	INDENTED HEX HD MACHINE SCREW, #10-24X3/4	
4	0903669	1	BEACON BRACKET	
5	3311001	3	HEX NUT, #10-24, GR2	
6	3311401	2	HEX NUT, 1/4-20, GR2	
7	4460508	2	Terminal	
8	4461017	1	2 POSITION TERMINAL	
9	4711400	2	WASHER, 1/4	
10	4751000	3	WASHER, #10	
11	4761000	3	LOCKWASHER, #10	
12	4761400	2	LOCKWASHER, 1/4	
13	14404173	AR	SILICONE SEALANT	
16	91343031	1	ROTATING BEACON	
16	91344053	1	BULB	
17	1001090461	1	BEACON SWITCH	
18		Ref	CAB WORKLIGHT HARNESS, (not shown), (See ELECTRICAL SECTION for Breakdown)	
19		Ref	CAB WORKLIGHT AND BEACON LIGHT SWITCH HARNESS, (See ELECTRICAL SECTION for Breakdown)	
20	1001090615	1	GROMMET	
21	8096D097	72 in	ECONOMY WIRING DUCT	

SECTION 12 - OPTIONS

FIGURE 12-49. BEACON LIGHT INSTALLATION (SN 0160040678 to Present)



PAP11080

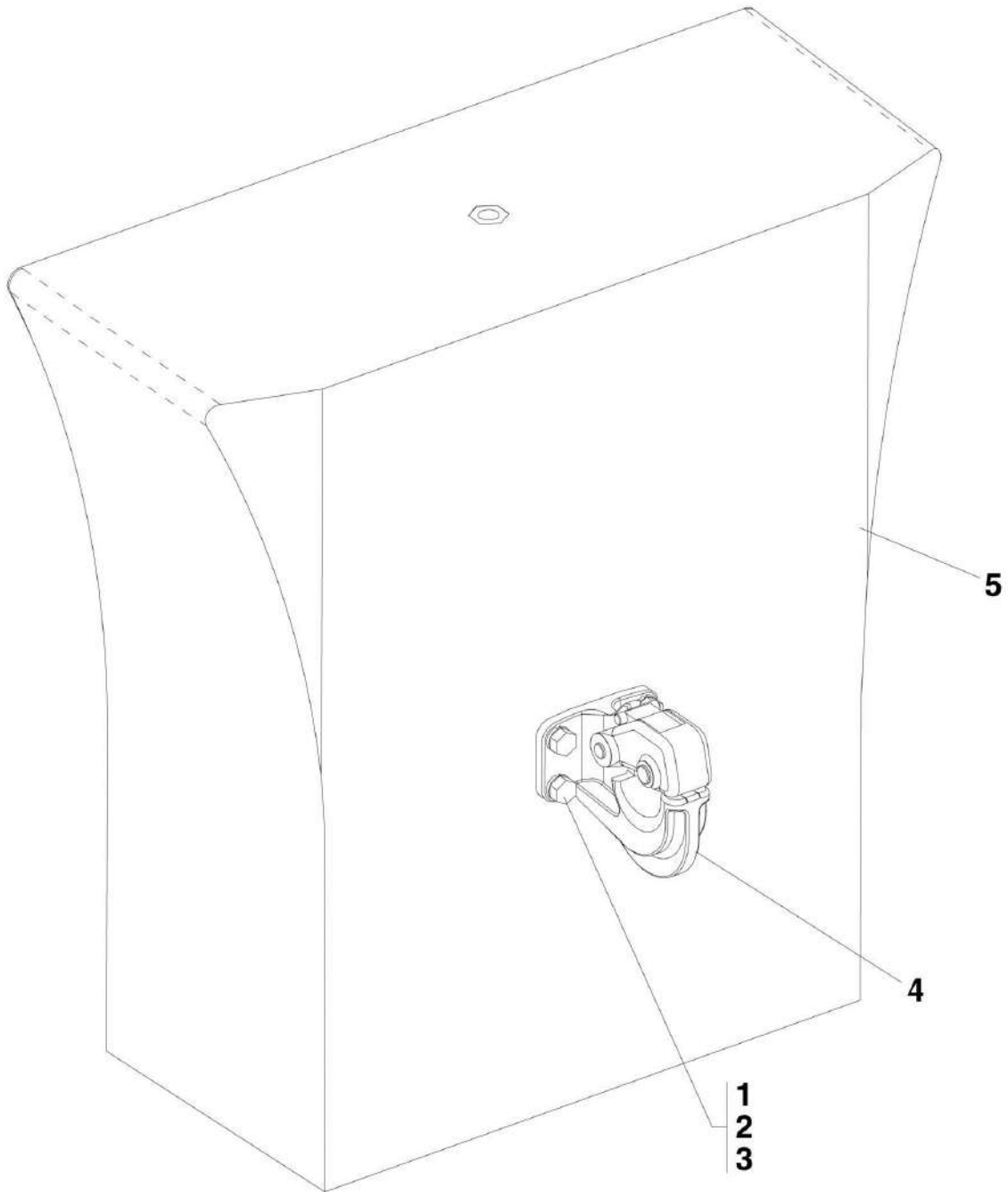
SECTION 12 - OPTIONS

FIGURE 12-49. BEACON LIGHT INSTALLATION (SN 0160040678 to Present)

ITEM	PART NUMBER	QTY	DESCRIPTION	REV
	1001114492	Ref	BEACON LIGHT INSTALLATION, (if equipped), (not available to order, see items 1 thru 20 for service)	A-3
1	0100011	AR	LOCTITE 242	
2	0641407	2	HEX HD CAPSCREW, 1/4-20X7/8, GR5	
3	0721006	3	INDENTED HEX HD MACHINE SCREW, #10-24X3/4	
4	0903669	1	BEACON BRACKET	
5	3311001	3	HEX NUT, #10-24, GR2	
6	3311401	2	HEX NUT, 1/4-20, GR2	
7	4460508	2	TERMINAL	
8	4461017	1	2 POSITION TERMINAL	
9	4711400	2	WASHER, 1/4	
10	4751000	3	WASHER, #10	
11	4761000	3	LOCKWASHER, #10	
12	4761400	2	LOCKWASHER, 1/4	
13	14404173	AR	SILICONE SEALANT	
15	91343031	1	ROTATING BEACON	
15	91344053	1	BULB	
16	1001090461	1	BEACON SWITCH	
17		Ref	CAB WORKLIGHT HARNESS, (See ELECTRICAL SECTION for Breakdown)	
19	1001090615	1	GROMMET	
20	8096D097	72 in	ECONOMY WIRING DUCT	

SECTION 12 - OPTIONS

FIGURE 12-50. COUNTERWEIGHT WITH PINTLE HOOK



PY1020

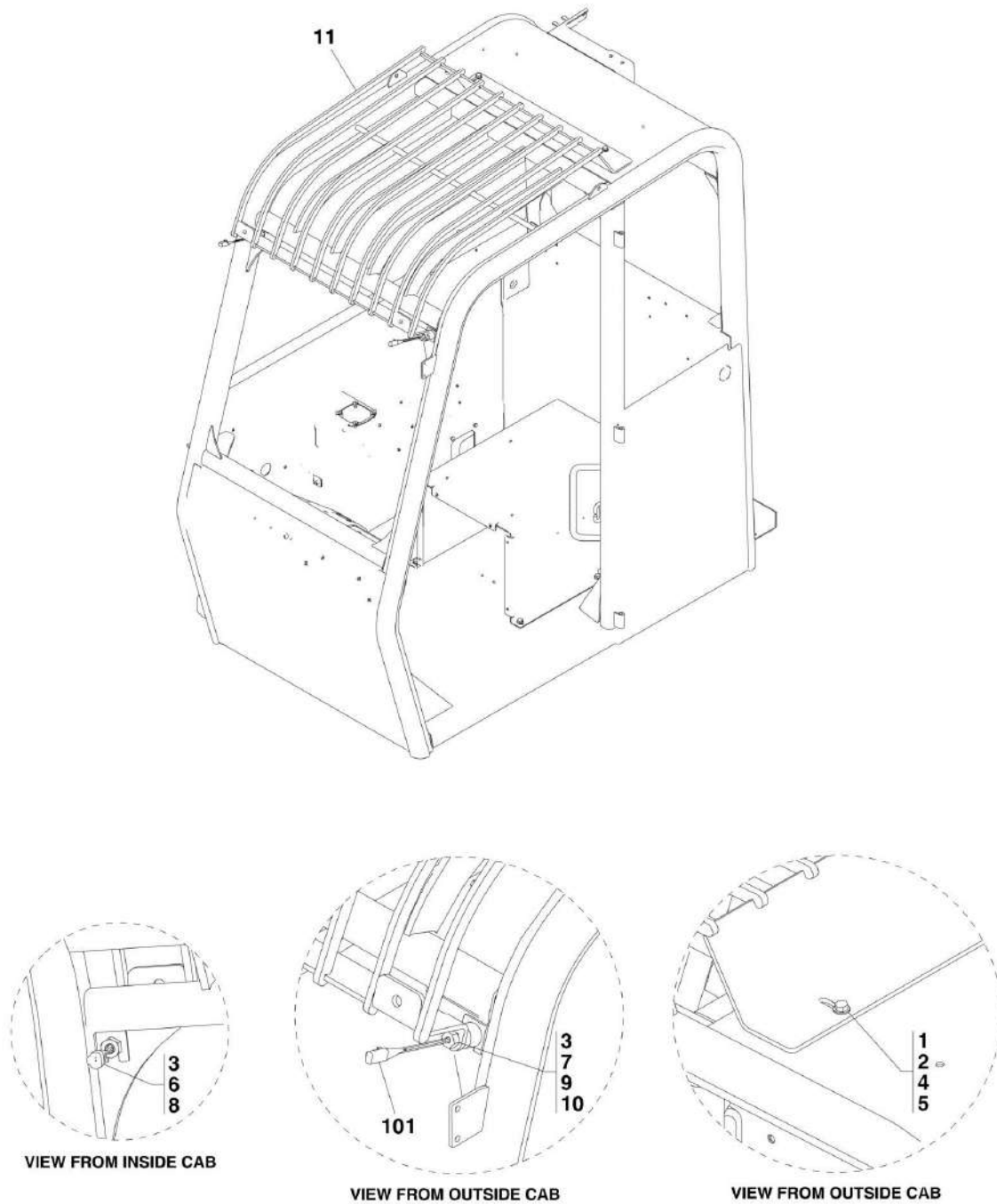
SECTION 12 - OPTIONS

FIGURE 12-50. COUNTERWEIGHT WITH PINTLE HOOK

ITEM	PART NUMBER	QTY	DESCRIPTION	REV
	1001097095	1	COUNTERWEIGHT WITH PINTLE HOOK, (Includes all items)	C
1	0100011	AR	LOCTITE 242	
2	0681814	4	HEX HD CAPSCREW, 1/2-13X1-3/4	
3	88551013	4	LOCKWASHER, 1/2	
4	90200602	1	PINTLE HOOK	
5		Ref	COUNTERWEIGHT, (See FRAME AND ATTACHING PARTS for Breakdown)	

SECTION 12 - OPTIONS

FIGURE 12-51. TOP CAB GLASS SHIELD



ART_91474001-12-51

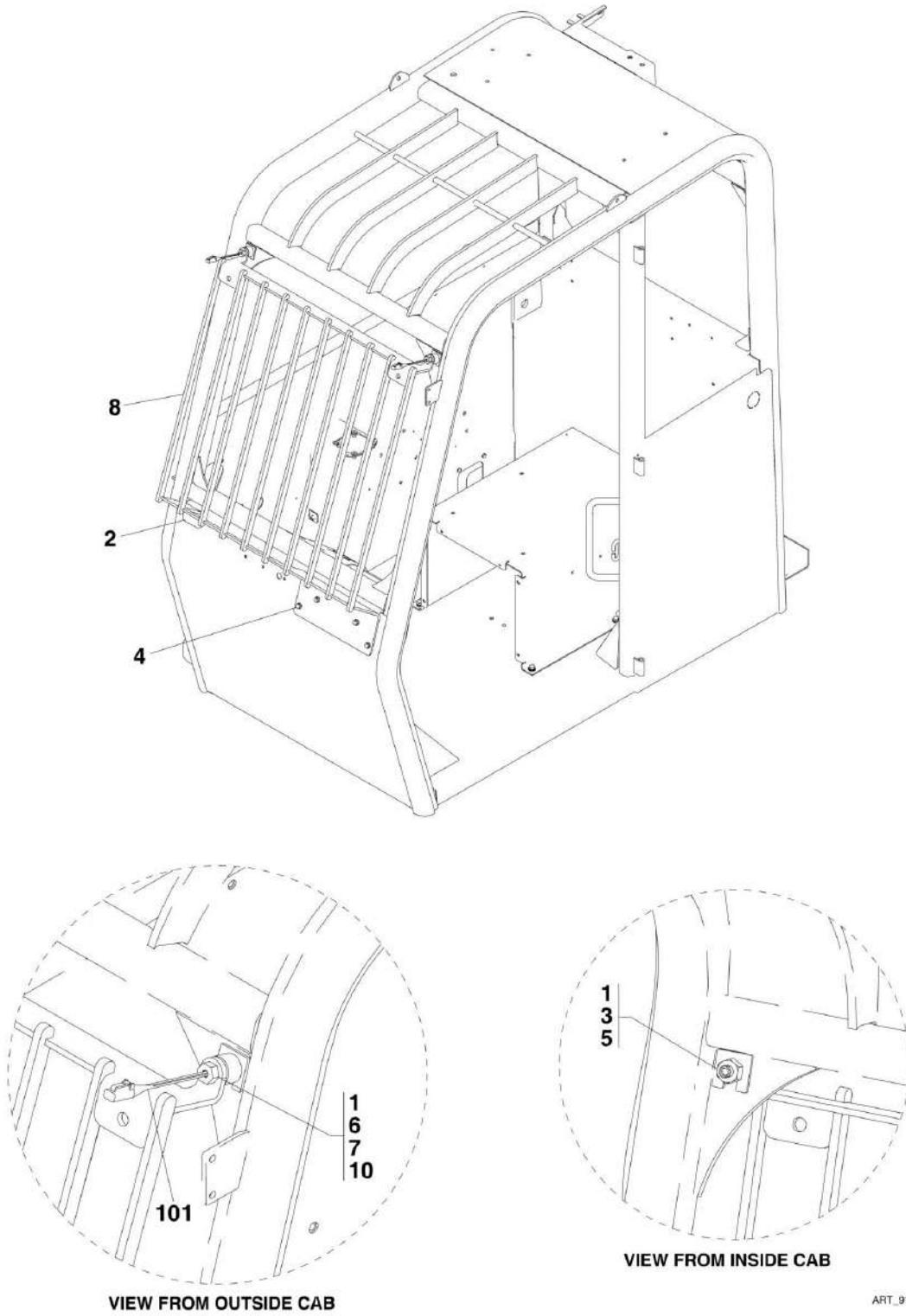
SECTION 12 - OPTIONS

FIGURE 12-51. TOP CAB GLASS SHIELD

ITEM	PART NUMBER	QTY	DESCRIPTION	REV
	1001100879	Ref	TOP CAB GLASS SHIELD INSTALLATION, (not available to order, see items 1 thru 12 for service)	B
1	0641608	2	HEX HD CAPSCREW, 3/8-16X1	
2	3271601	2	HEX NUT, 3/8-16 GR8	
3	4071133	4	SHIM	
4	4711600	4	WASHER, 3/8	
5	4761600	2	LOCK WASHER, 3/8	
6	4761800	2	LOCK WASHER, 1/2	
7	14404173	AR	SILICONE SEALANT	
8	88501008	2	HEX NUT, 1/2-13	
9	91403503	2	SPACER	
10	1001096728	2	BOLT, 1/2-13 HOLLOW	
11	1001098344	1	SHIELD	
101		Ref	CAB WORK LIGHT HARNESS, (See ELECTRICAL SECTION for Breakdown)	

SECTION 12 - OPTIONS

FIGURE 12-52. FRONT CAB GLASS SHIELD



ART_91474001-12-52

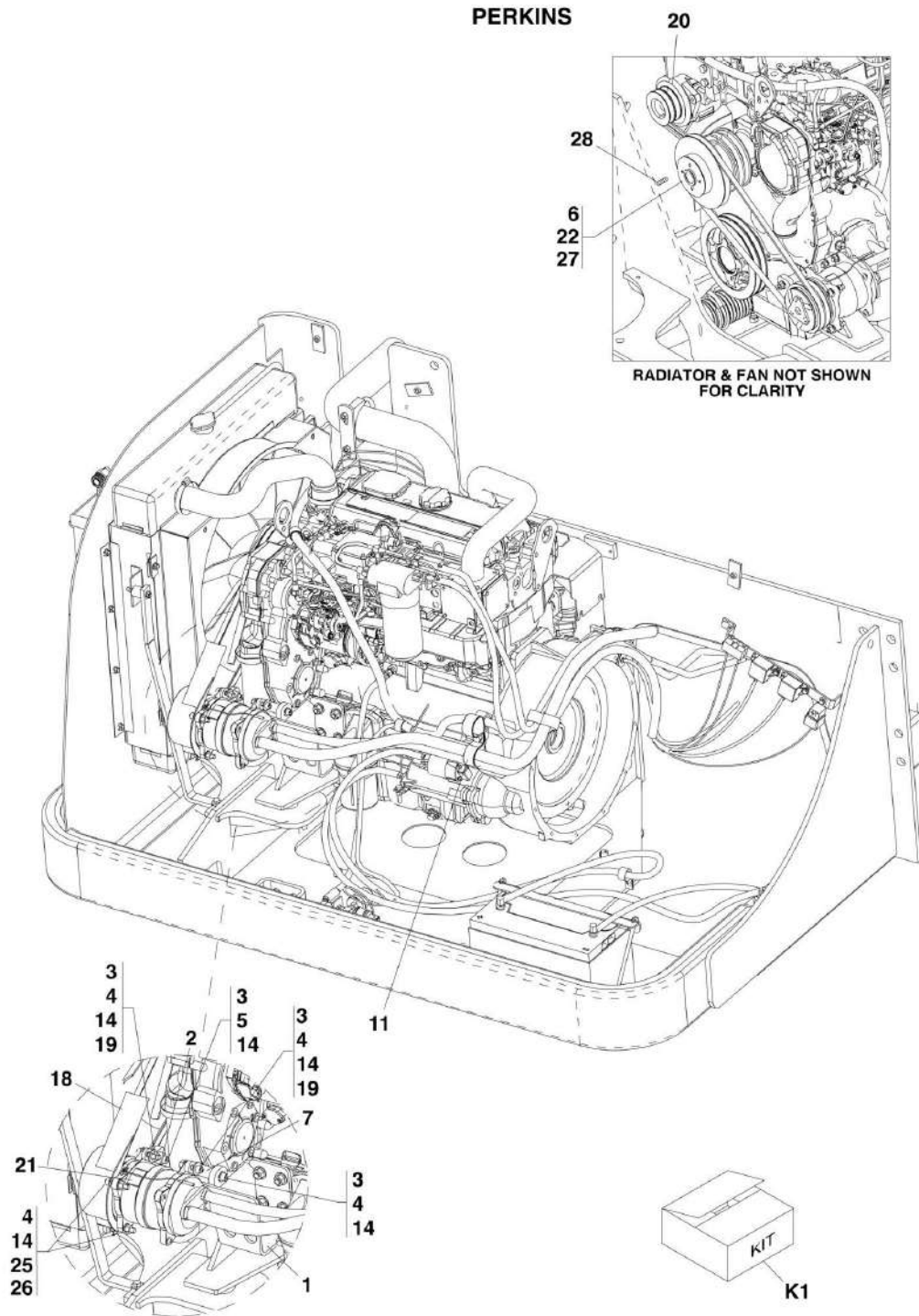
SECTION 12 - OPTIONS

FIGURE 12-52. FRONT CAB GLASS SHIELD

ITEM	PART NUMBER	QTY	DESCRIPTION	REV
	1001100880	1	FRONT CAB GLASS SHEILD, (includes all items)	B
1	4071133	4	SHIM	
2	4420060	1	TAPE	
3	4761800	2	LOCK WASHER, 1/2	
4	77143003	4	WHIZ LOCK SCREW, 5/16-18X0.625	
5	88501008	2	HEX NUT, 1/2-13	
6	91403503	2	SPACER	
7	1001096728	2	BOLT, 1/2-13 HOLLOW	
8	1001098042	1	SHIELD	
10	14404173	AR	SILICONE SEALANT	
101		Ref	CAB WORK LIGHT HARNESS, (See ELECTRICAL SECTION for Breakdown)	

SECTION 12 - OPTIONS

FIGURE 12-53. ENGINE AIR CONDITIONING COMPONENTS PERKINS (Prior to SN 0160040678)



PAP18770

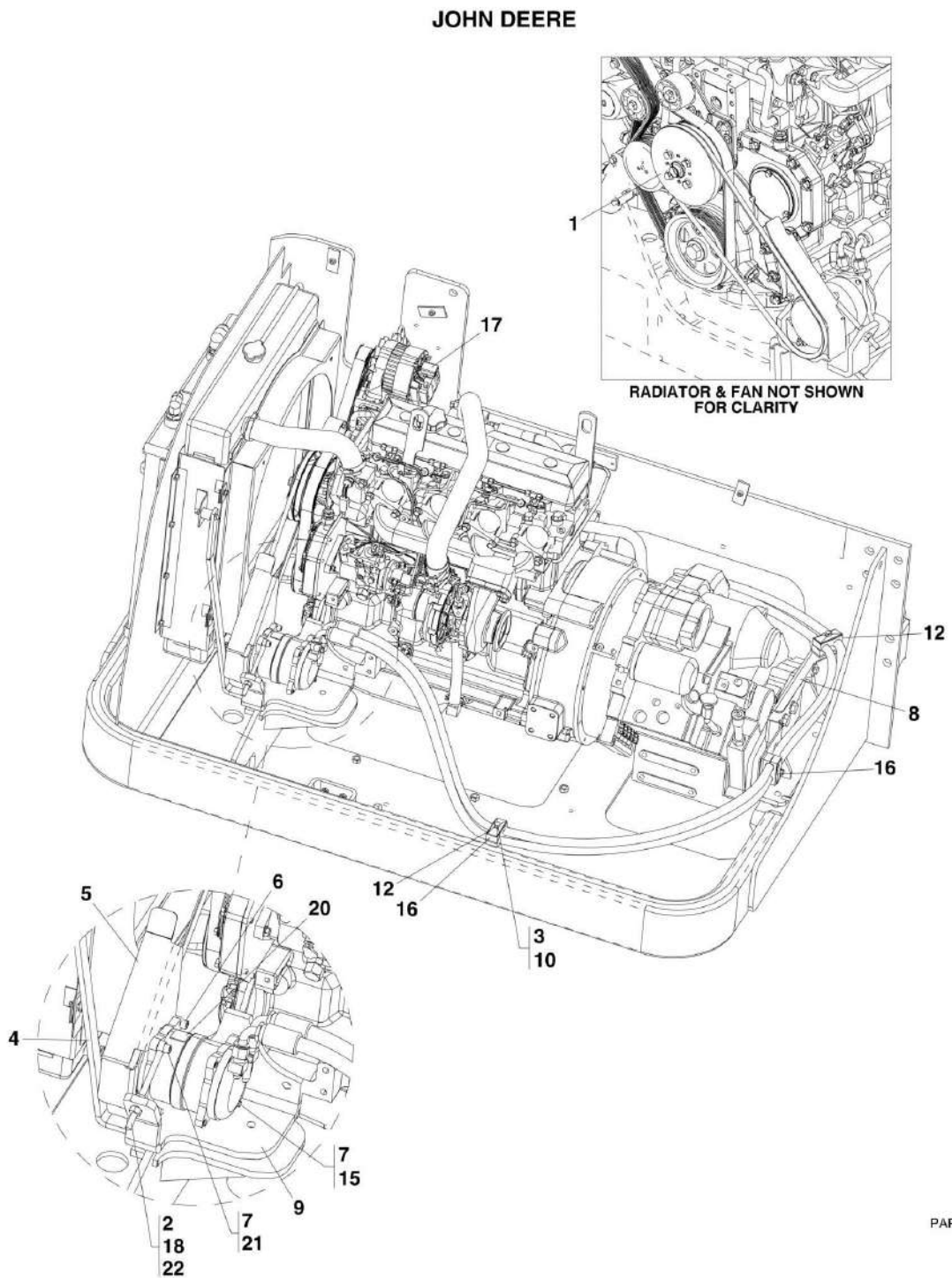
SECTION 12 - OPTIONS

FIGURE 12-53. ENGINE AIR CONDITIONING COMPONENTS PERKINS (Prior to SN 0160040678)

ITEM	PART NUMBER	QTY	DESCRIPTION	REV
	1001090080	NLA	AIR CONDITIONING, (Perkins), (no longer available, use 1001120089 for replacement or items 1 thru 28 for service)	K
	1001120089	1	AIR CONDITIONING, (Perkins), (includes all items)	B
1	1001091721	1	COMPRESSOR BRACKET	
2	1001090644	1	ADJUSTMENT BRACKET	
3	3311605	6	HEX LOCK NUT, 3/8-16, GR2	
4	3931624	7	SOC HD CAPSCREW, 3/8-16X1-1/2	
5	3931620	1	SOC HD CAPSCREW, 3/8-16X1-1/4	
6	1001091724	NLA	PULLEY, (no longer available, order Kit K1 for replacement) (Prior to SN 0160039611)	
6	1001112888	1	PULLEY (SN 0160039611 to Present)	
7	1001097848	1	FRONT ADJUSTMENT BRACKET	
11	90028660	1	CLAMP, 1-3/4	
14	4711600	14	WASHER, 3/8	
18	1001097849	1	COVER	
19	4751600	2	WASHER, 3/8	
20	1001090078	1	ALTERNATOR, 85 AMP	
21	1001093526	1	A/C REFRIGERANT DECAL	
22	1001093244	AR	SHIM	
23		Ref	COMPRESSOR, (See AIR CONDITIONING COMPONENTS for Breakdown)	
24		Ref	BELT, (See AIR CONDITIONING COMPONENTS for Breakdown)	
25	3311601	2	HEX NUT, 3/8-16 (SN 0160039611 to Present)	
26	4761600	2	LOCKWASHER, 3/8 (SN 0160039611 to Present)	
27	1001112960	1	SPACER, AC PULLEY (SN 0160039611 to Present)	
28	1001121270	4	STUD, M8X90 (SN 0160039611 to Present)	
K1	1001119506	1	PULLEY REPLACEMENT KIT, (includes items 6 & 27)	

SECTION 12 - OPTIONS

FIGURE 12-54. ENGINE AIR CONDITIONING COMPONENTS JOHN DEERE (Prior to SN 0160040678)



PAP18740

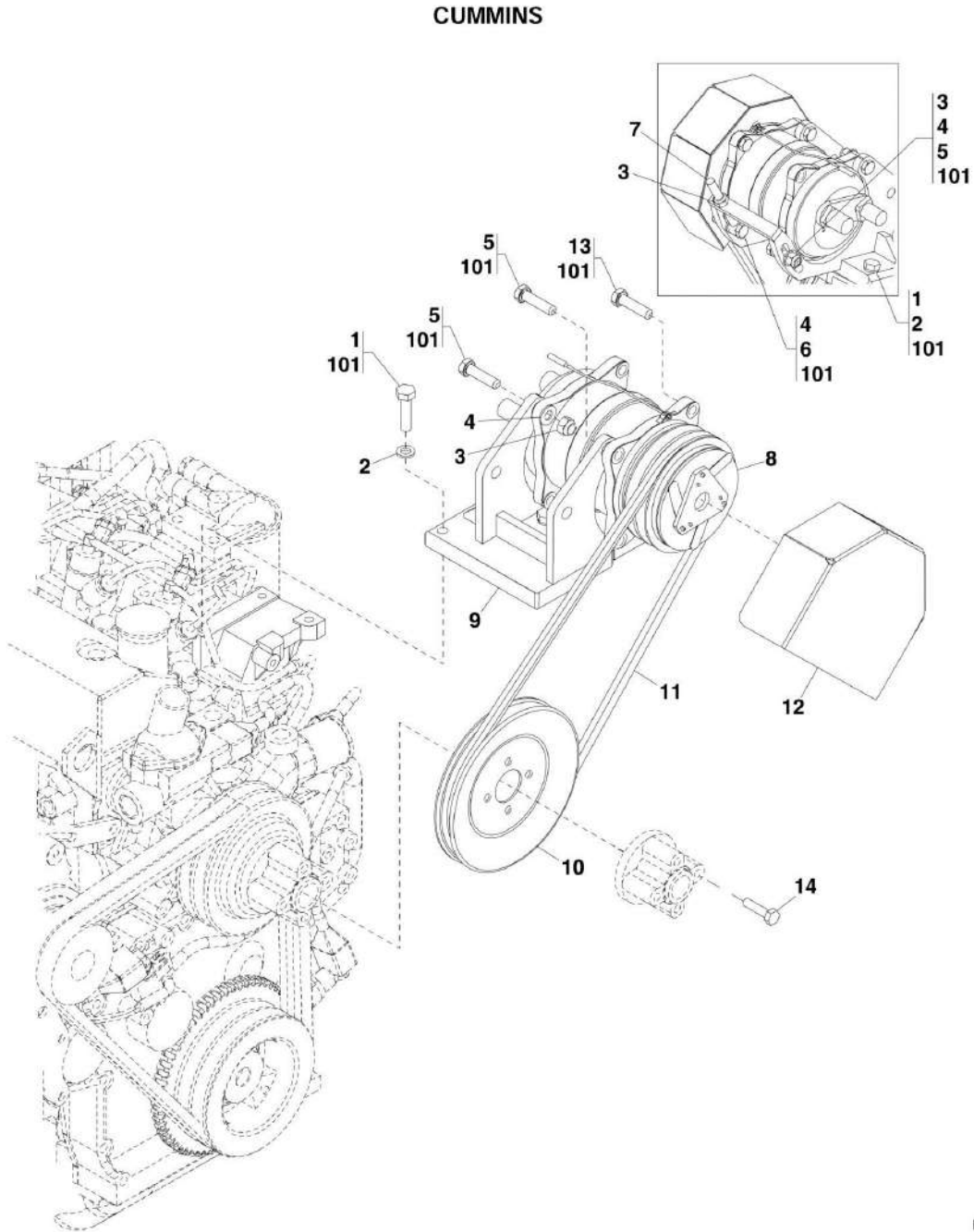
SECTION 12 - OPTIONS

FIGURE 12-54. ENGINE AIR CONDITIONING COMPONENTS JOHN DEERE (Prior to SN 0160040678)

ITEM	PART NUMBER	QTY	DESCRIPTION	REV
	0275723	1	AIR CONDITIONING, (JOHN DEERE), (includes all items)	E
1	80373112	1	PULLEY	
2	88681311	1	ROD END	
3	0641520	1	HEX HD CAPSCREW, 5/16-18X2-1/2	
4	0903646	1	RADIATOR BRACKET	
5	3380770	1	BELT GUARD	
6	3931620	1	SOC HD CAPSCREW, 3/8-16X1-1/2	
7	3931624	3	SOC HD CAPSCREW, 3/8-16X1-1/4	
8	4341376	1	HOSE CLAMP SUPPORT	
9	4341385	1	MOUNT BRACKET	
10	8305626	1	HEX LOCK NUT, 5/16-18	
12	77133137	3	COVER PLATE	
15	77143015	2	LOCKNUT, 3/8-16	
16	77133279	3	CLAMP SET	
17	80973108	1	ALTERNATOR (Prior to SN 0160037722)	
17	1001108292	1	ALTERNATOR (SN 0160037722 through 0160040659)	
18	88501006	2	HEX NUT, 3/8-16	
20	1001093526	1	A/C REFRIGERANT DECAL	
21	4751600	1	FLAT WASHER, 3/8	
22	4891600	2	HARDENED WASHER, 3/8	

SECTION 12 - OPTIONS

FIGURE 12-55. ENGINE AIR CONDITIONING COMPONENTS CUMMINS (SN 0160040678 to Present)



PAP18780

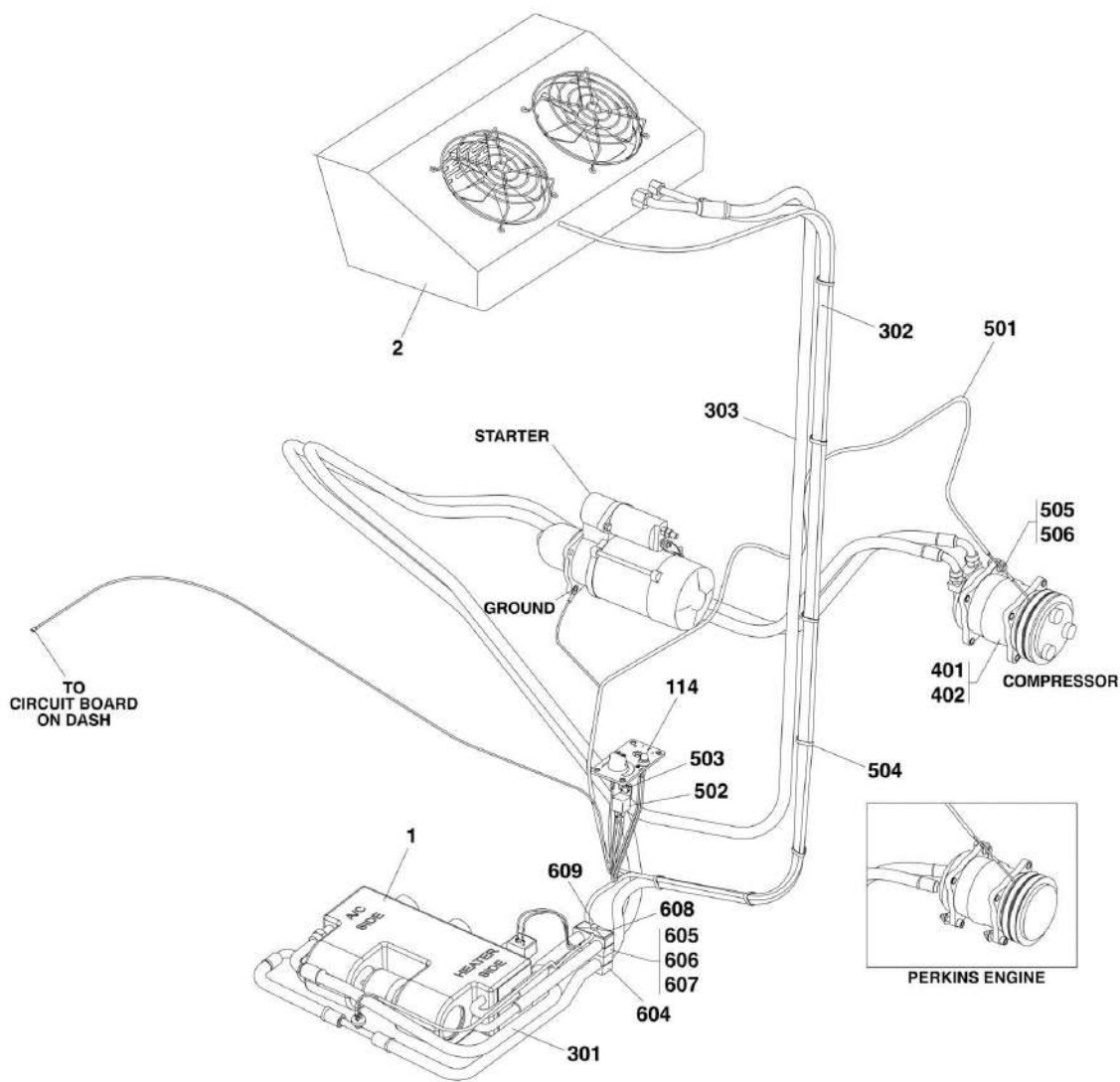
SECTION 12 - OPTIONS

FIGURE 12-55. ENGINE AIR CONDITIONING COMPONENTS CUMMINS (SN 0160040678 to Present)

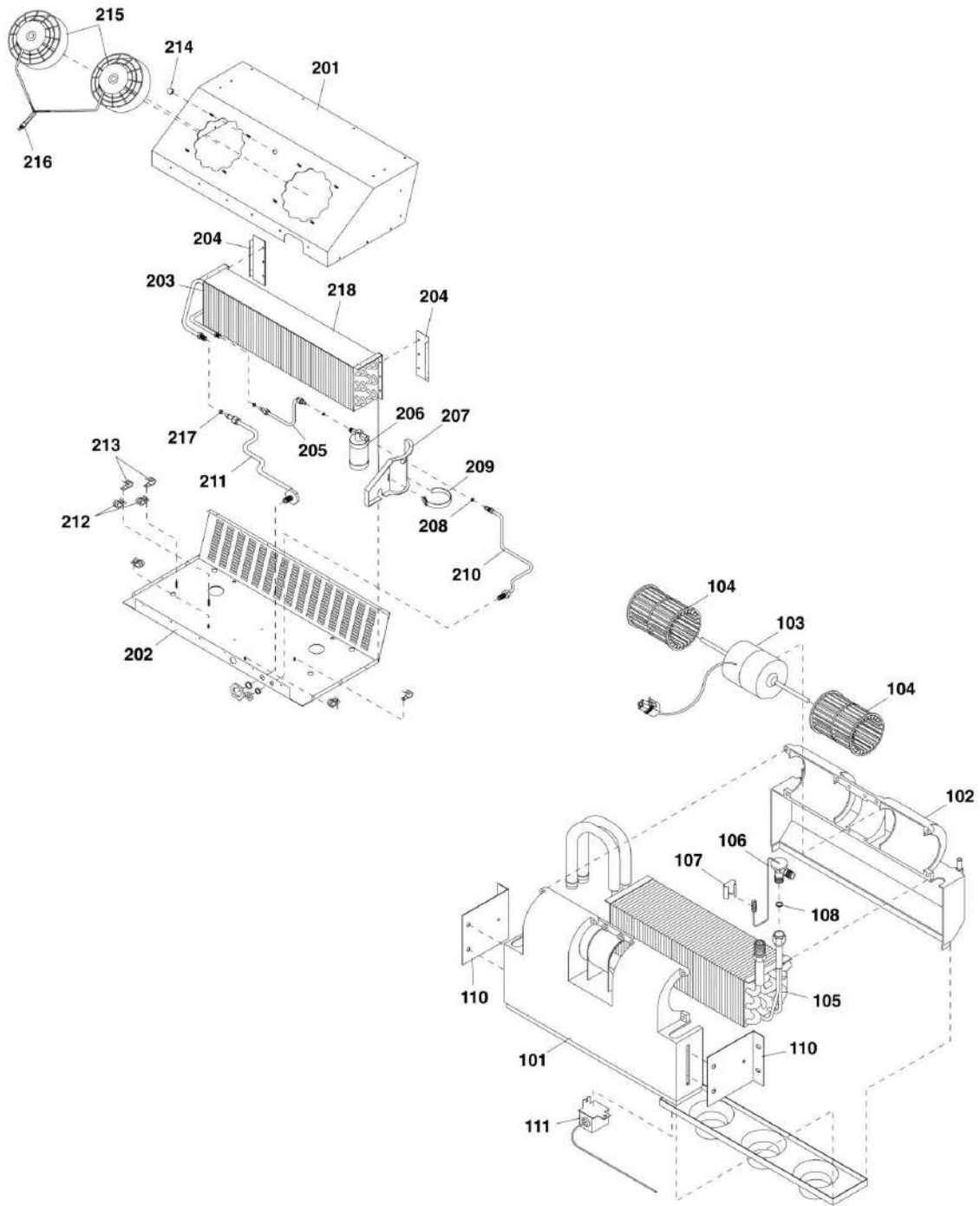
ITEM	PART NUMBER	QTY	DESCRIPTION	REV
	1001120451	Ref	AIR CONDITIONING COMPONENTS INSTALLATION, (Cummins), (not available to order, see items 1 thru 14 for service)	C
1	0711016	3	HEX HD CAPSCREW, M10X40, GR10.9	
2	4832000	3	SPRING LOCKWASHER, M10	
3	8305630	3	HEX LOCKNUT, M10X1-1/2	
4	8307221	3	WASHER, M10	
5	8310534	3	HEX HD CAPSCREW, M10X40, GR10.9	
6	8310736	1	HEX HD CAPSCREW, M10X50, GR10.9	
7	8310737	1	ROD END, M10X100	
8	1001107339	1	A/C COMPRESSOR CLUTCH	
9	1001120420	1	A/C MOUNT BRACKET	
10	1001120544	1	A/C DRIVE PULLEY	
11	1001120680	1	A/C BELT	
12	1001120856	1	A/C BELT SHIELD	
13	8310688	1	HEX HD CAPSCREW, M10X30	
14	0710829	4	HEX HD CAPSCREW, M8X120	
101	0100011	AR	LOCTITE 242	

SECTION 12 - OPTIONS

FIGURE 12-56. AIR CONDITIONING COMPONENTS (Prior to SN 0160040678)



SECTION 12 - OPTIONS



PAL3651

SECTION 12 - OPTIONS

FIGURE 12-56. AIR CONDITIONING COMPONENTS (Prior to SN 0160040678)

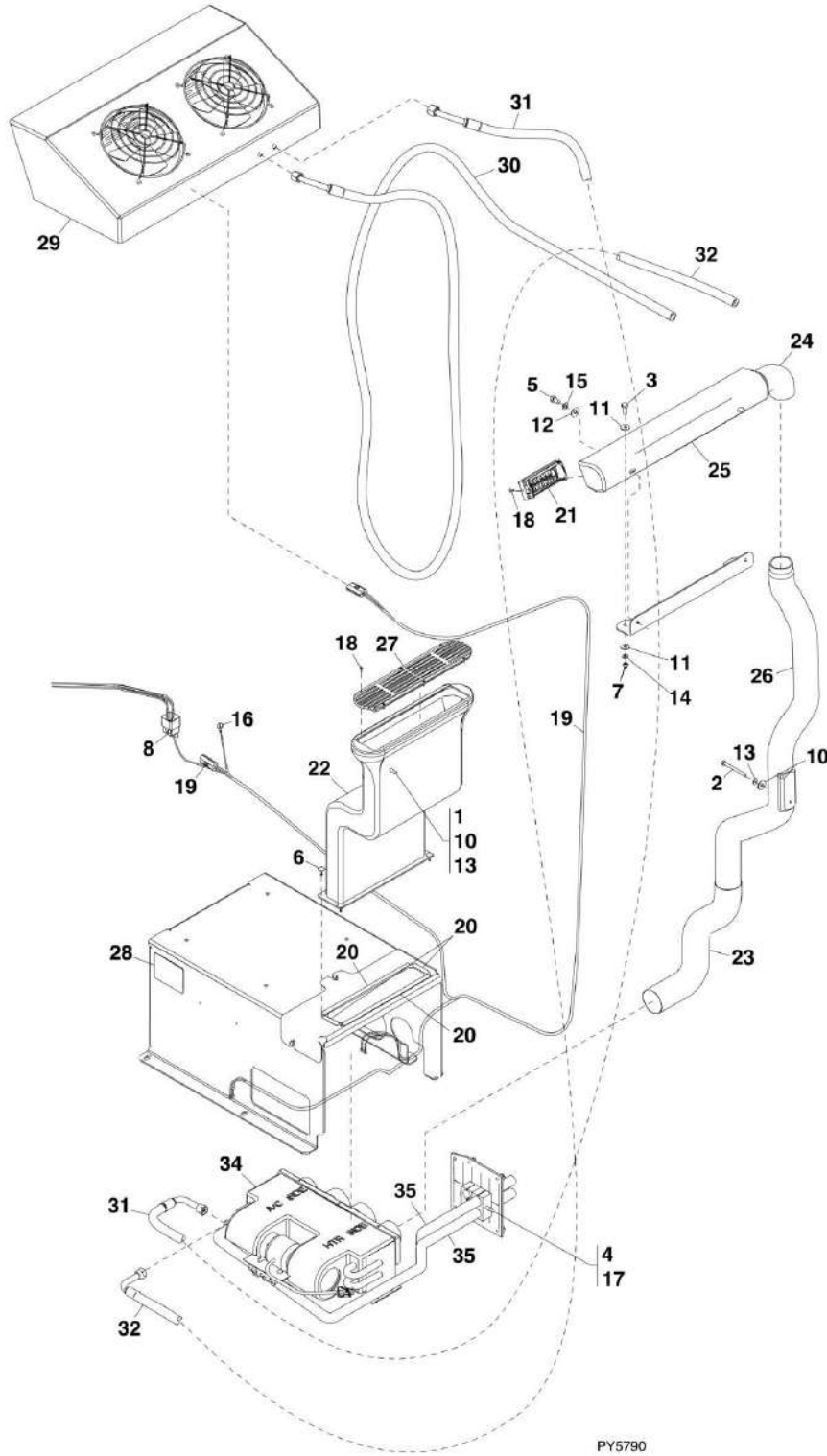
ITEM	PART NUMBER	QTY	DESCRIPTION	REV
1	1001107343	1	EVAPORATOR/HEATER UNIT, (includes items 101 thru 119)	B
2	1001107340	1	CONDENSER, (includes items 201 thru 225)	A
101	70022552	1	CASE TOP	
102	70022553	1	CASE BOTTOM	
103	91404438	1	BLOWER MOTOR	
104	91404439	1	BLOWER WHEEL	
105	70022876	1	HEATER/COOLER COIL	
106	91514272	1	VALVE	
107	70022877	1	BULB CLAMP	
108	80363103	1	O-RING, #8	
110	70022878	2	LEG	
111	91514265	1	THERMOSTAT	
112	70022879	4	WORM GEAR CLAMP, (not shown)	
113	70022555	1	AIR RESTRICTER, (not shown)	
114	91514296	1	METRO SWITCH	
115	70022892	1.5 ft	CORK TAPE, (not shown)	
116	70022556	3 ft	DRAIN HOSE, 3/8, (not shown)	
117	70022557	1	DRAIN ELBOW, 3/8, (not shown)	
118	70022558	1	DRAIN TEE, 3/8, (not shown)	
119	80363099	1	PRESSURE SWITCH, (not shown)	
201	70020643	1	CASE TOP	
202	70022880	1	CASE BOTTOM	
203	70020644	1	OVERHEAD CONDENSER COIL	
204	70022881	2	MOUNTING BRACKET	
205	91514270	1	TUBE ASSY	
206	91514266	1	DRIER	
207	70022882	1	DRIER MOUNT	
208	80363102	1	O-RING	
209	70022883	1	HOSE CLAMP	
210	70020645	1	TUBE ASSY	
211	70020646	1	TUBE ASSY	
212	70022884	4	HOSE CLAMP	
213	70022885	3	CUSHION CLAMP	
214	70022886	1	HOLE PLUG	
215	91514295	2	CONDENSER FAN	
216	70020647	1	HARNESS PIGTAIL	
217	80363103	1	O-RING, #8	
218	70022891	2 ft	CLOSED CELL FOAM	
219	70020648	4	WELL NUT, (not shown)	
220	70022887	8	NYLON INSERT NUT, 1/4-20, (not shown)	
221	70020649	1	RELAY, (not shown)	
222	70022890	4	HEX HD CAPSCREW, 3/8-16X3, (not shown)	
223	70020650	1	HARNESS, (not shown)	
224	70022888	4	FLAT WASHER, 3/8, (not shown)	
225	70022889	4	LOCKWASHER, 3/8, (not shown)	
301	1001107427	1	HOSE ASSY	
302	1001107428	1	HOSE ASSY	
303	1001107429	1	HOSE ASSY	
401	1001107339	1	COMPRESSOR	
402	1001107344	1	BELT	

SECTION 12 - OPTIONS

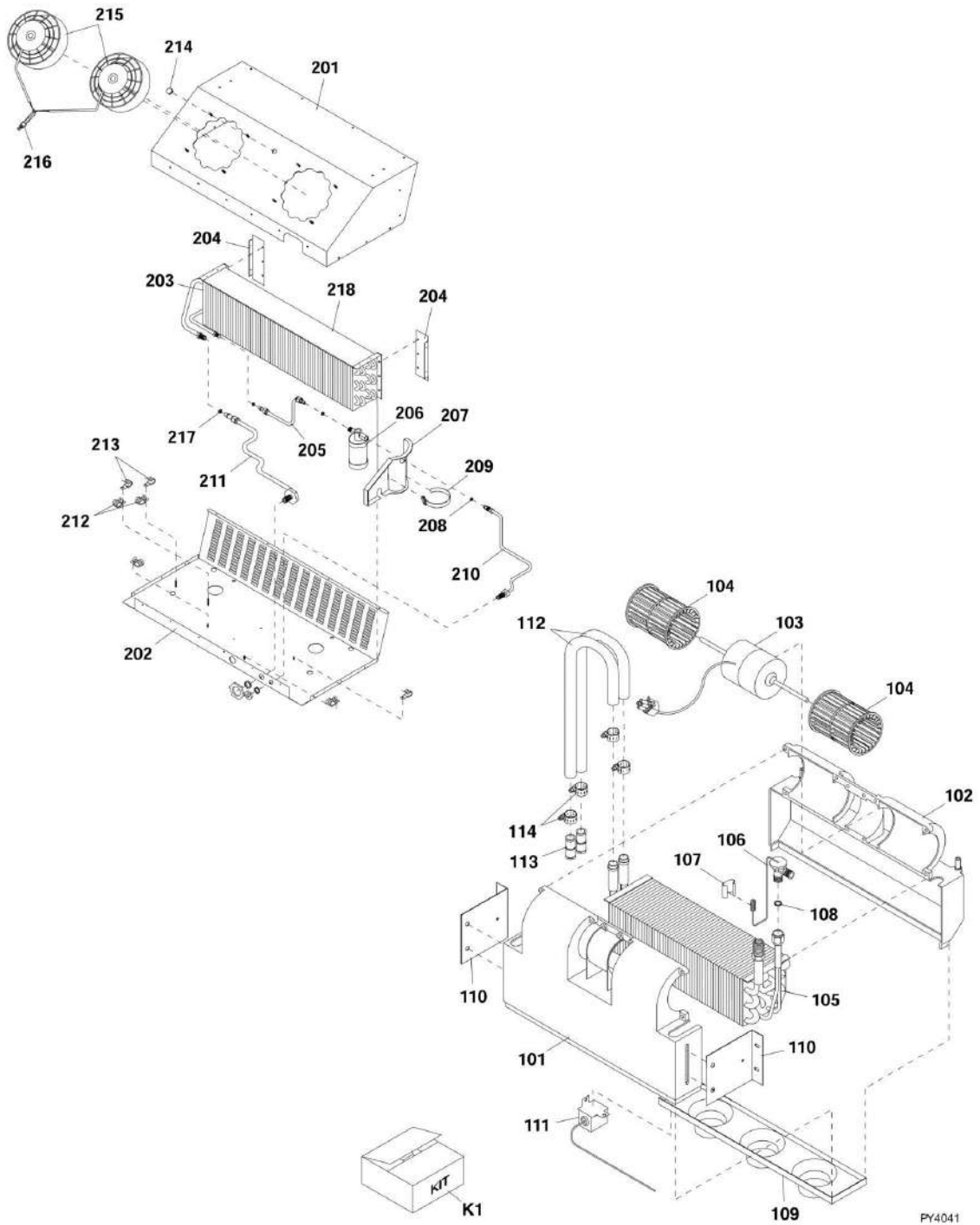
ITEM	PART NUMBER	QTY	DESCRIPTION	REV
403	80363102	2	O-RING, #6, (not shown)	
404	80363103	2	O-RING, #8, (not shown)	
405	80363104	2	O-RING, #10, (not shown)	
501	91513217	1	A/C WIRING HARNESS	
502	77383410	1	RELAY	
503	88201016	1	HEX HD CAPSCREW, 5/16-18X1/2	
504	90027187	14	TIE WRAP	
505	0791608	1	SCREW, 3/8-16X1, (Perkins engine)	
505	80973025	1	BOLT, 3/8-16X1, (John Deere Engine)	
506	77143015	1	LOCK NUT, 3/8-16	
604	77323029	1	CLAMP SET	
605	77133279	1	CLAMP SET	
606	77133306	1	STACK BOLT	
607	77133390	1	SAFETY CLIP	
608	77133137	1	COVER PLATE	
609	88201023	1	HEX HD CAPSCREW, 5/16-18X1-3/4	

SECTION 12 - OPTIONS

FIGURE 12-57. AIR CONDITIONING COMPONENTS (SN 0160040678 to Present)



SECTION 12 - OPTIONS



PY4041

SECTION 12 - OPTIONS

FIGURE 12-57. AIR CONDITIONING COMPONENTS (SN 0160040678 to Present)

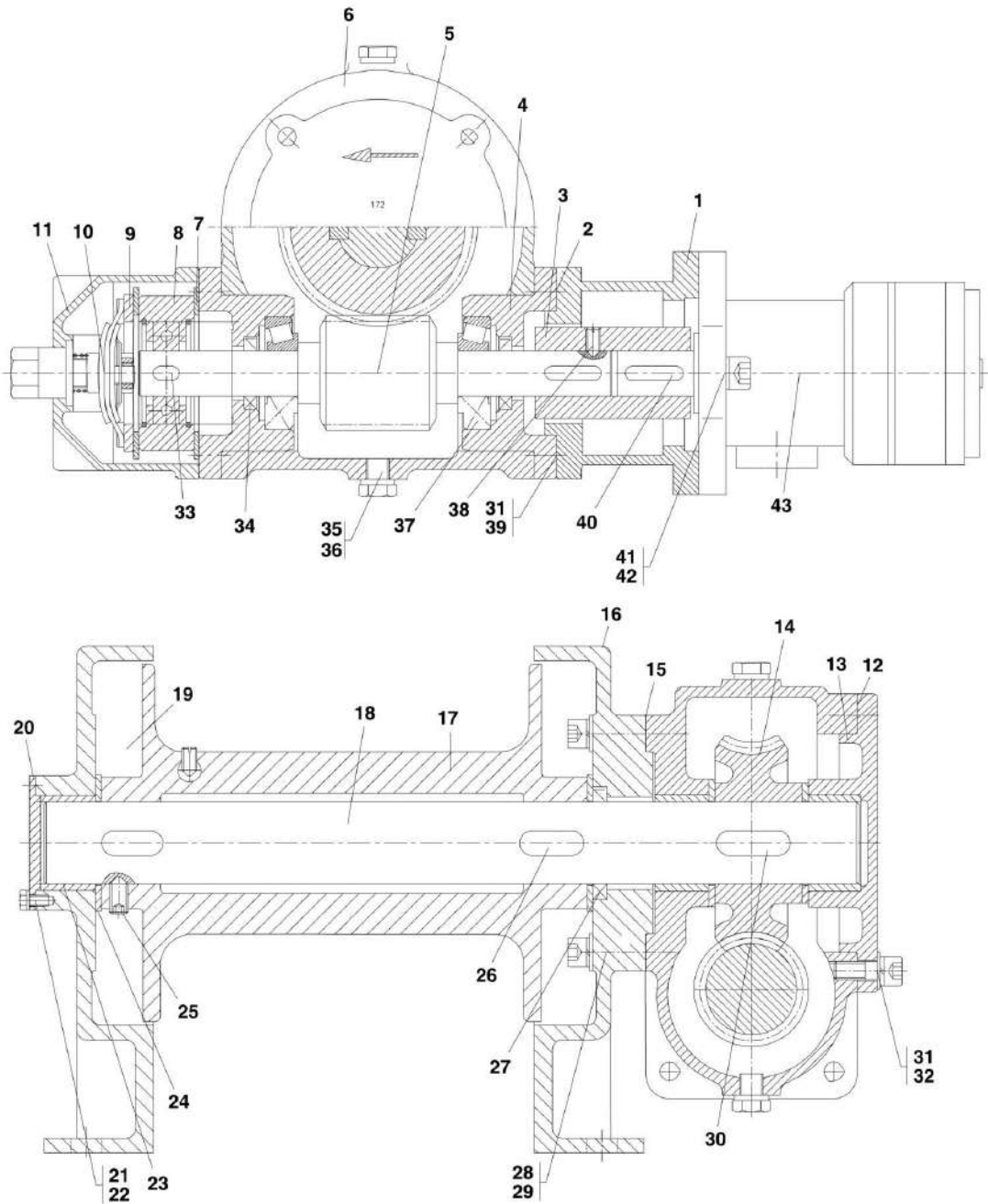
ITEM	PART NUMBER	QTY	DESCRIPTION	REV
	1001119691	Ref	AIR CONDITIONING COMPONENTS INSTALLATION, (if equipped), (not available to order, see items 1 thru 35 for service)	B
1	0641408	1	HEX HD CAPSCREW, 1/4-20X1, GR5	
2	0641424	1	HEX HD CAPSCREW, 1/4-20X3, GR5	
3	0641507	2	HEX HD CAPSCREW, 5/16-18X7/8, GR5	
4	0641532	1	HEX HD CAPSCREW, 5/16-18X4, GR5	
5	0641605	2	HEX HD CAPSCREW, 3/8-16X5/8, GR5	
6	1380158	4	RETAINER CLIP	
7	2080063	2	NYLON LOCK NUT, 1/4-20	
8	3740080	1	RELAY	
9	4240033	5	WIRE TIE, (not shown)	
10	4711400	2	WASHER, 1/4	
11	4751500	4	WASHER, 5/16	
12	4751600	2	WASHER, 3/8	
13	4761400	2	LOCKWASHER, 1/4	
14	4761500	2	LOCKWASHER, 5/16	
15	4761600	2	LOCKWASHER, 3/8	
16	10726703	1	MALE TERMINAL	
17	77323029	1	CLAMP SET	
18	91413036	10	SELF-TAPPING SCREW, #6X1/2	
19	91563247	1	A/C HARNESS	
20	1001090344	28 in	NEOPRENE TAPE	
21	1001100279	2	DEFROST VENT	
22	1001100281	1	MAIN SUCTION VENT	
23	1001100446	21 in	HOSE	
24	1001100770	1	TUBE ASSY	
25	1001100773	1	BRACKET	
26	1001101259	1	TUBE ASSY	
27	1001101640	1	SUCTION VENT FILTER	
28	1001103956	1	A/C DECAL	
29	1001107340	1	CONDENSER, (includes items 201 thru 225)	A
30	1001107427	1	HOSE ASSY	
31	1001107428	1	HOSE ASSY	
32	1001107429	1	HOSE ASSY	
33		Ref	ENCLOSED CAB, (not shown), (See CAB SECTION for Breakdown)	
34	1001114283	NLA	EVAPORATOR/HEATER UNIT, (no longer available, use 1001142350 or see items 101 thru 121 for service) (Prior to SN 0160045464)	B
34	1001142350	1	EVAPORATOR/HEATER UNIT, (includes items 101 thru 121) (SN 0160045464 to Present)	B
35	82033995	32 in	HOSE	
101	70022552	1	CASE TOP	
102	70022553	1	CASE BOTTOM	
103	70022805	1	BLOWER MOTOR	
104	91404439	1	BLOWER WHEEL	
105	70022876	1	HEATER/COOLER COIL	
106	91514272	1	VALVE	
107	70022877	1	BULB CLAMP	
108	80363103	1	O-RING, #8	
109	N.S.S.	1	3 HOLE DEFROST TOP	

SECTION 12 - OPTIONS

ITEM	PART NUMBER	QTY	DESCRIPTION	REV
110	70022878	2	LEG (Prior to SN 0160045464)	
110	70024388	2	LEG (SN 0160045464 to Present)	
111	91514265	1	THERMOSTAT (Prior to SN 0160045464)	
111	70024386	1	THERMOSTAT (SN 0160045464 to Present)	
112	70020639	2	HEATER HOSE (Prior to SN 0160045464)	
112	70024389	2	HEATER HOSE (SN 0160045464 to Present)	
113	N.S.S.	2	HEATER SPLICE	
114	70022879	4	WORM GEAR CLAMP	
115	70022555	1	AIR RESTRICTER, (not shown)	
116	91514296	1	METRO SWITCH, (not shown)	
117	70020640	1	12 VOLT RELAY, (not shown)	
118	70022556	3 ft	DRAIN HOSE, 3/8, (not shown)	
119	70022557	1	DRAIN ELBOW, 3/8, (not shown)	
120	70022558	1	DRAIN TEE, 3/8, (not shown)	
121	80363099	1	PRESSURE SWITCH, (not shown)	
201	70020643	1	CASE TOP	
202	70022880	1	CASE BOTTOM	
203	70020644	1	OVERHEAD CONDENSER COIL	
204	70022881	2	MOUNTING BRACKET	
205	91514270	1	TUBE ASSY	
206	91514266	1	DRIER	
207	70022882	1	DRIER MOUNT	
208	80363102	1	O-RING	
209	70022883	1	HOSE CLAMP	
210	70020645	1	TUBE ASSY	
211	70020646	1	TUBE ASSY	
212	70022884	4	HOSE CLAMP	
213	70022885	3	CUSHION CLAMP	
214	70022886	1	HOLE PLUG	
215	91514295	2	CONDENSER FAN	
216	70020647	1	HARNES PIGTAIL	
217	80363103	1	O-RING, #8	
218	70022891	2 ft	CLOSED CELL FOAM	
219	70020648	4	WELL NUT, (not shown)	
220	70022887	8	NYLON INSERT NUT, 1/4-20, (not shown)	
221	70020649	1	RELAY, (not shown)	
222	70022890	4	HEX HD CAPSCREW, 3/8-16X3, (not shown)	
223	70020650	1	HARNES, (not shown)	
224	70022888	4	FLAT WASHER, 3/8, (not shown)	
225	70022889	4	LOCKWASHER, 3/8, (not shown)	
301	70023109	1	WHITE MOTOR GASKET, (not shown)	
302	N.S.S.	2	BLACK FOAM, (not shown)	
303	70023110	1	RESISTOR, (not shown)	
304	N.S.S.	1	BOLT, (not shown)	
305	N.S.S.	1	NUT, (not shown)	
306	N.S.S.	1	CORK TAPE, (not shown)	
307	N.S.S.	2	CORK TAPE, (not shown)	
K1	70022804	1	BLOWER MOTOR KIT, (includes items 103 & 301 thru 307)	

SECTION 12 - OPTIONS

FIGURE 12-58. WINCH



PAP2630

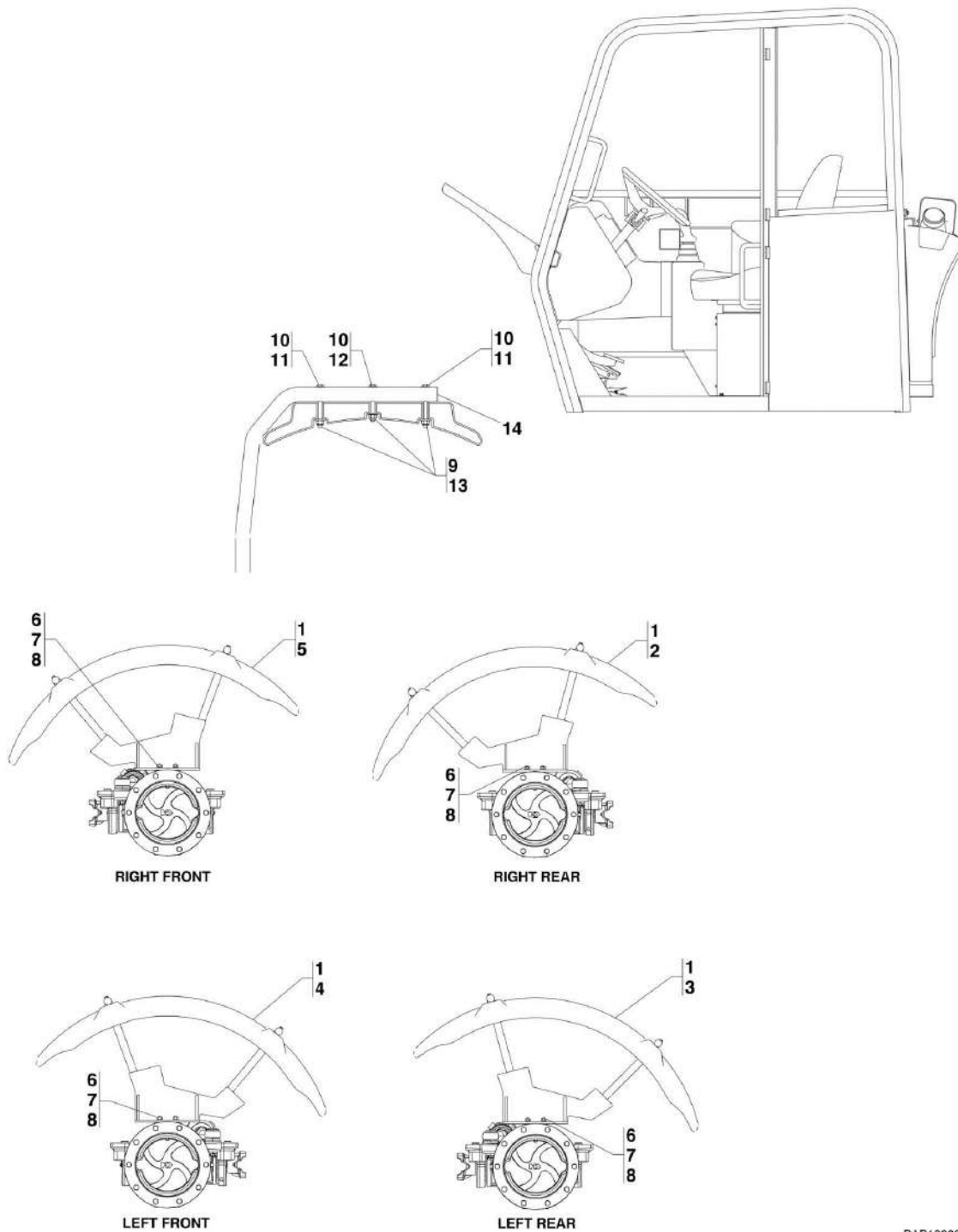
SECTION 12 - OPTIONS

FIGURE 12-58. WINCH

ITEM	PART NUMBER	QTY	DESCRIPTION	REV
	1001114795	1	WINCH WITH MOTOR, (includes all items)	A
1	70023747	1	MOTOR ADAPTER	
2	70023748	5	PAPER MAT	
3	70023749	1	COUPLING SHAFT	
4	70023750	2	BEARING HOUSING	
5	70023751	1	WORM	
6	70023752	1	GEAR HOUSING	
7	70023753	2	FRICTION PLATE	
8	70023754	1	OVER RUNNING CLUTCH	
9	70023755	1	FRICTION DISK	
10	70023756	1	BRAKE	
11	70023757	1	BRAKE SHELL	
12	70023758	2	PAPER MAT	
13	70023759	1	END CAP	
14	70023760	1	WORM GEAR	
15	70023761	1	PAPER MAT2	
16	70023762	1	CENTER BRACKET	
17	70023763	1	WINCH DRUM	
18	70023764	1	WORM GEAR SHAFT	
19	70023765	1	END BRACKET	
20	70023766	1	LEFT END CAP	
21	70023767	4	END CAP BOLT	
22	70023768	4	END CAP WASHER	
23	70023769	3	SELF LUBRICATING BEARING	
24	70023770	4	THRUST WASHER	
25	70023771	1	SHAFT BOLT	
26	70023772	4	DRUM SHAFT KEY	
27	70023773	1	CENTER BRACKET SEAL	
28	70023774	18	SPRING WASHER	
29	70023775	6	CENTER BRACKET BOLT	
30	70023776	2	DRUM SHAFT KEY	
31	70023777	10	GEAR COVER WASHER	
32	70023778	4	GEAR COVER BOLT	
33	70023779	1	WORM SHAFT KEY1	
34	70023780	2	WORM SHAFT SEAL	
35	70023781	3	GEAR HOUSING BOLT	
36	70023782	3	GEAR HOUSING WASHER	
37	70023783	2	TAPERED ROLLER BEARING	
38	70023784	3	MOTOR COUPLER SCREW	
39	70023785	8	MOTOR ADAPTER BOLT	
40	70023786	1	MOTOR COUPLER KEY	
41	70023787	2	MOTOR BOLT	
42	70023788	2	MOTOR WASHER	
43	70023789	1	MOTOR	

SECTION 12 - OPTIONS

FIGURE 12-59. FENDER INSTALLATION



PAP18680

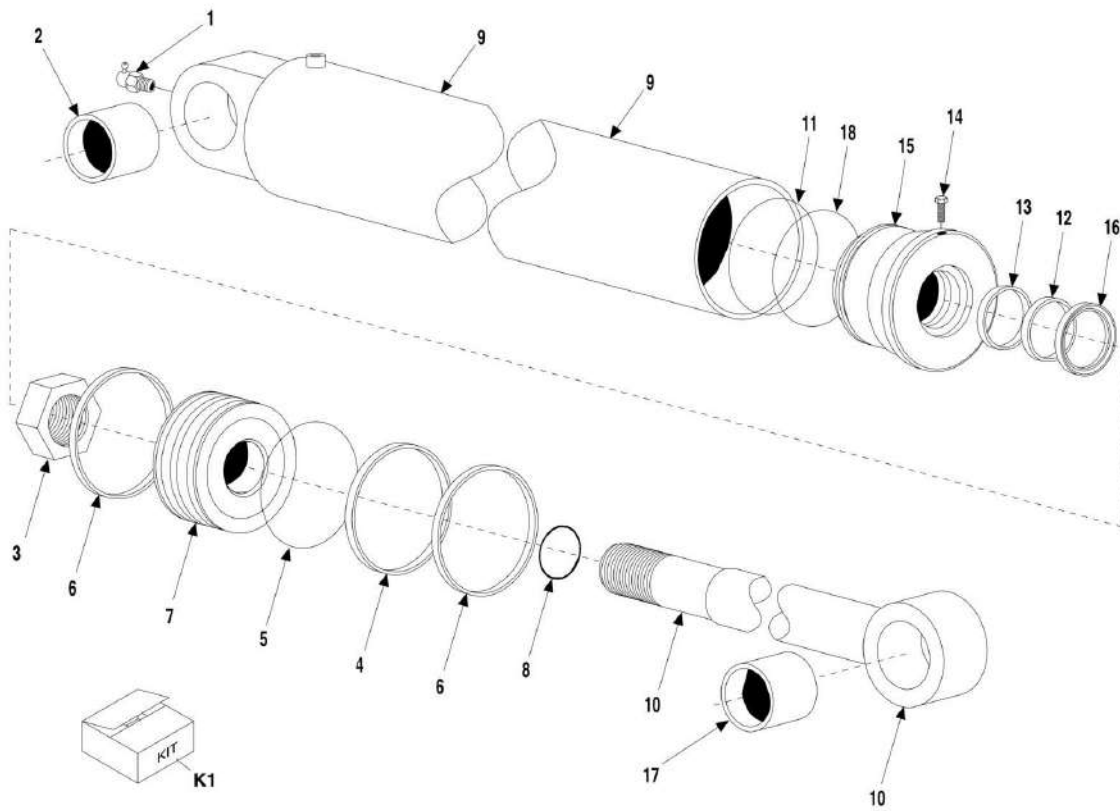
SECTION 12 - OPTIONS

FIGURE 12-59. FENDER INSTALLATION

ITEM	PART NUMBER	QTY	DESCRIPTION	REV
	91475103	1	FENDER INSTALLATION, (includes all items)	C
1	91473126	4	ROTOMOLD FENDER	
2	91476054	1	RH REAR FENDER MOUNT	
3	91476055	1	LH REAR FENDER MOUNT	
4	91516040	1	LH FRONT FENDER MOUNT	
5	91516042	1	RH FRONT FENDER MOUNT	
6	91514118	16	FENDER STUD, (torque to 94-104 lb-ft)	
7	91513266	16	HEX NUT, M12X1-1/4	
8	88551013	16	LOCKWASHER, 1/2	
9	88561003	24	FLAT WASHER, 5/16	
10	88561108	24	FLAT WASHER, 5/16	
11	88201030	16	HEX HD CAPSCREW, 5/16-18X3-1/2, GR5	
12	88201028	8	HEX HD CAPSCREW, 5/16-18X3-1/2, GR5	
13	88521205	24	LOCKNUT, 5/16-18	
14	3520176	8	PLUG, 1-1/4	

SECTION 12 - OPTIONS

FIGURE 12-60. SWING CYLINDER



PY4960

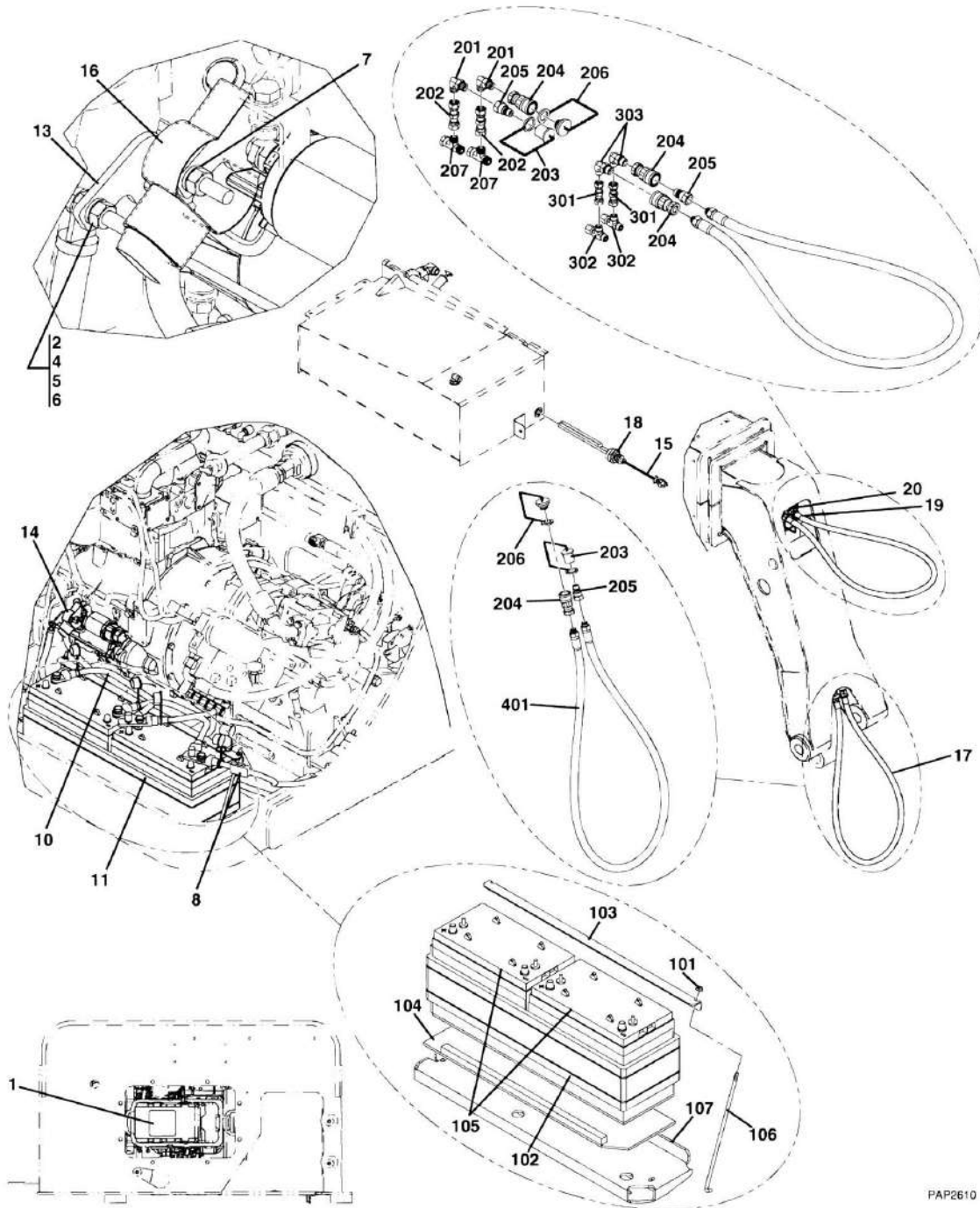
SECTION 12 - OPTIONS

FIGURE 12-60. SWING CYLINDER

ITEM	PART NUMBER	QTY	DESCRIPTION	REV
	90453034	1	SWING CYLINDER, (includes all items)	C
1	91144125	1	GREASE FITTING	
2	91034157	1	BUSHING	
3	91144038	1	LOCKNUT	
4	Kit	1	PISTON SEAL	
5	Kit	1	O-RING	
6	Kit	2	WEAR RING	
7	91144039	1	PISTON	
8	Kit	1	O-RING	
9	91034435	1	BARREL	
10	91034436	1	PISTON ROD	
11	Kit	1	BACK-UP RING	
12	Kit	1	U-CUP	
13	Kit	1	STEP SEAL	
14	91124096	1	SELF-TAPING SCREW	
15	91144040	1	CYLINDER HEAD	
16	Kit	1	WIPER	
17	91124087	1	BUSHING	
18	Kit	1	O-RING	
K1	91144006	1	SEAL KIT, (includes items 4 thru 6, 8, 11 thru 13, 16 & 18)	

SECTION 12 - OPTIONS

FIGURE 12-61. ARCTIC PACKAGE (SN 0160021195 through 0160040659)



PAP2610

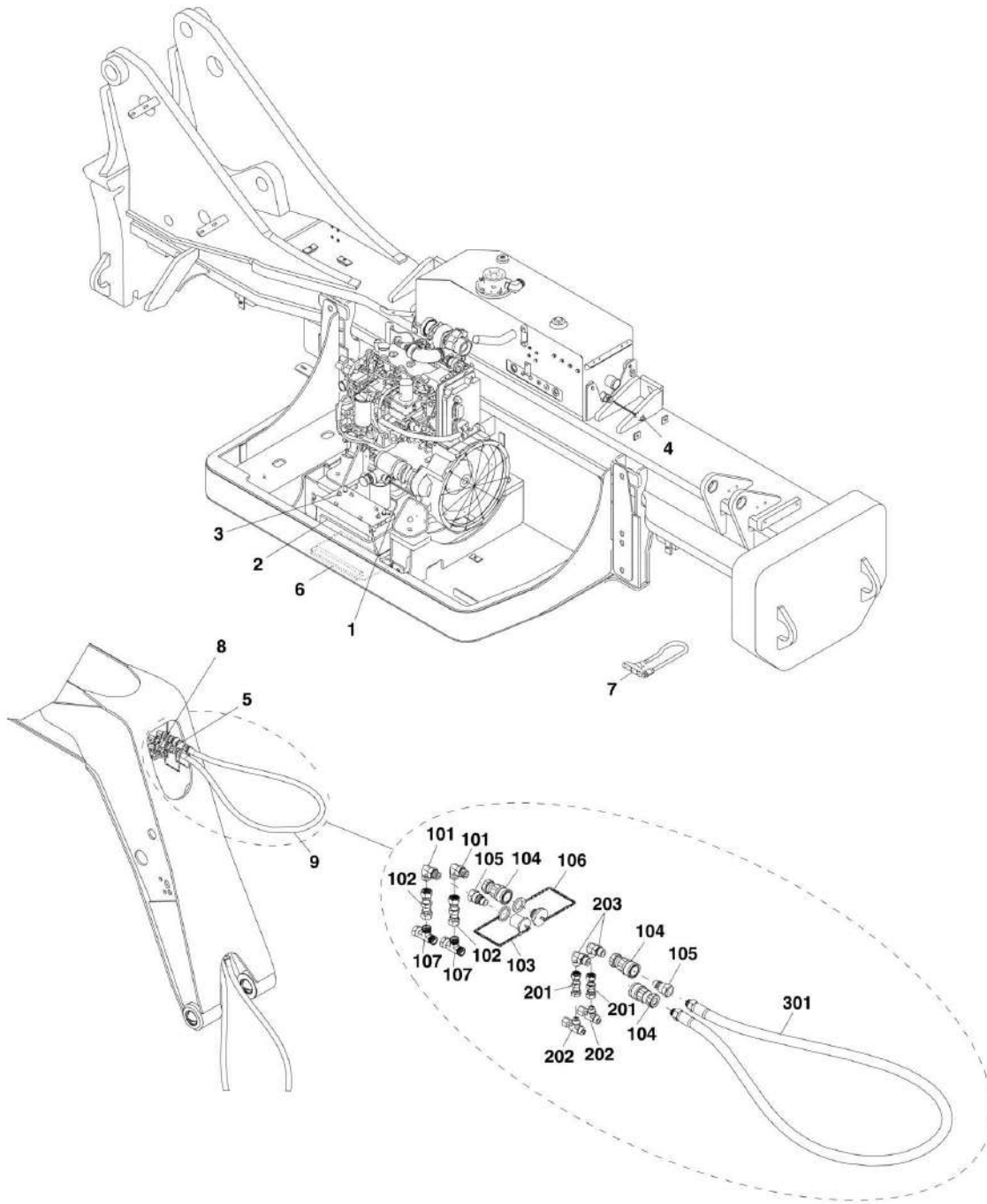
SECTION 12 - OPTIONS

FIGURE 12-61. ARCTIC PACKAGE (SN 0160021195 through 0160040659)

ITEM	PART NUMBER	QTY	DESCRIPTION	REV
	1001105968	1	ARCTIC PACKAGE, (includes all items)	C
1	0252654	1	OIL PAN HEATER	
2	0760815	2	HEX HD CAPSCREW, M8X35, GR8.8	
3	1060626	1	3 WAY EXTENSION CORD, (not shown)	
4	3290801	2	HEX NUT, M8X1-1/4	
5	4811900	2	WASHER, 8mm	
6	4831900	2	SPRING LOCKWASHER, 8mm	
7	8310046	2	LOCKWASHER	
8	1001001616	1	NEGATIVE BATTERY CABLE	
10	1001098843	1	NEGATIVE BATTERY CABLE JUMPER	
11	1001098904	1	ARCTIC DUAL BATTERY, (includes items 101 thru 107)	A
13	1001104797	2	STARTER PLATE	
14	1001121391	1	STARTER MOTOR, (12V, 4.2 KW)	
15	1001105886	1	IMMERSION HYDRAULIC HEATER	
16	1001106507	1	BOOT POSITION STARTER TERMINAL	
17	1001121460	2	RECIRC HOSE, (includes items 203 thru 206 & 401)	A
18	1001107835	1	ADAPTER	
19	1001121459	1	TILT RECIR, (includes items 201 thru 207)	A
20	1001121458	1	TILT RECIR, (includes items 203 thru 206 & 301 thru 303)	A
101	77143006	2	WHIZ-LOCK NUT, 5/16-18	
102	1001097000	1	BATTERY HEATER	
103	1001098473	1	BRACKET	
104	1001098739	1	DUAL BATTERY INSULATE	
105	1001098762	2	BATTERY, EV12A 1375 CCA	
106	1001098824	2	BATTERY HOLD DOWN BOLT	
107	1001099104	1	DUAL BATTERY MOUNT	
201	2130808	2	ELBOW, 90	
202	2172408	2	FITTING, 8-8 FG	
203	91043126	1	DUST CAP	
204	91403413	1	FEMALE QUICK DISCONNECT	
205	91403414	1	MALE QUICK DISCONNECT	
206	91043125	1	PLUG	
207	2170708	2	SWIVEL NUT RUN TEE, 1/2 TUBE	
301	2172406	2	FITTING, 6-6 FG	
302	2170706	2	SWIVEL NUT RUN TEE, 3/8 TUBE	
303	2130608	2	CONNECTOR, (includes o-ring)	
401	1001121454	1	HOSE ASSY	

SECTION 12 - OPTIONS

FIGURE 12-62. ARCTIC PACKAGE (SN 0160040678 to Present)



PAP11480

SECTION 12 - OPTIONS

FIGURE 12-62. ARCTIC PACKAGE (SN 0160040678 to Present)

ITEM	PART NUMBER	QTY	DESCRIPTION	REV
	1001130470	1	ARCTIC PACKAGE, (includes all items)	A
1	0252654	1	OIL PAN HEATER	
2	1001093564	1	BATTERY HEATER	
3	1001098762	1	BATTERY, EV12A, 1375 CCA	
4	1001105886	1	IMMERSION HYDRAULIC HEATER	
5	1001121458	1	TILT RECIR, (includes items 103 thru 106 & 201 thru 203)	A
6	1001115878	1	BATTERY BASE INSULATE	
7	1060626	1	3 WAY EXTENSION CORD	
8	1001121459	1	TILT RECIR, (includes items 101 thru 107)	A
9	1001121460	2	RECIRC HOSE, (includes items 103 thru 106 & 301)	A
101	2130808	2	ELBOW, 90	
102	2172408	2	FITTING, 8-8 FG	
103	91043126	1	DUST CAP	
104	91403413	1	FEMALE QUICK DISCONNECT	
105	91403414	1	MALE QUICK DISCONNECT	
106	91043125	1	PLUG	
107	2170708	2	SWIVEL NUT RUN TEE, 1/2 TUBE	
201	2172406	2	FITTING, 6-6 FG	
202	2170706	2	SWIVEL NUT RUN TEE, 3/8 TUBE	
203	2130608	2	CONNECTOR, (includes o-ring)	
301	1001121454	1	HOSE ASSY	

SECTION 13 - RECOMMENDED SPARE PARTS

SECTION 13 - RECOMMENDED SPARE PARTS

FIGURE 13-1. RECOMMENDED SPARE PARTS

ITEM	PART NUMBER	QTY	DESCRIPTION	REV
	Note	Ref	Note: The following list will service fleets of machines (built to current production per date on the front cover) with repair parts which can be installed in the field. Parts from the list should be replaced when inventory is depleted to keep service parts stock supplied. For further information, contact your JLG dealer or the JLG Industries Parts Department.	
		Ref	BOOM ASSEMBLY	
	84717541	2	Tilt Cylinder Hose (Prior to SN 0160037722)	
	1001101617	2	Tilt Cylinder Hose (SN 0160037722 to Present)	
	84719168	2	Boom Hose (Prior to SN 0160037722)	
	1001112207	2	Boom Hose (SN 0160040678 to Present, SN 0160037722 through 0160040659)	
	91503001	1	Hose Sheave (Prior to SN 0160037722)	
	3580347	1	Hose Sheave (SN 0160037722 to Present)	
	91403530	10	Bearing Pad	
	91403531	4	Bearing Pad	
	91403532	4	Bearing Pad	
	91403533	2	Bearing Pad	
	1001117654	4	Bearing Pad	
	91403535	2	Bearing Pad (Prior to SN 0160037722)	
	1001117655	2	Bearing Pad (SN 0160037722 to Present)	
	91401212	AR	Shim, 0.0598 (Prior to SN 0160037722)	
	91401213	AR	Shim, 0.0359 (Prior to SN 0160037722)	
	91471226	AR	Shim, 0.0598 (SN 0160037722 to Present)	
	91471227	AR	Shim, 0.0359 (SN 0160037722 to Present)	
	91401215	AR	Shim, 0.0598	
	91401216	AR	Shim, 0.0359	
	91401218	AR	Shim, 0.0598	
	91401219	AR	Shim, 0.0359	
	91471228	AR	Shim, 0.0598 (SN 0160037722 to Present)	
	91471229	AR	Shim, 0.0359 (SN 0160037722 to Present)	
	91401453	AR	Shim, 0.0598	
	91401454	AR	Shim, 0.0359	
	91401456	AR	Shim, 0.0598	
	91401457	AR	Shim, 0.0359	
	91401191	AR	Spacer, 0.1875	
	91401223	6	Spacer, 0.0598	
	91401224	4	Spacer, 0.0598	
	91401225	4	Spacer, 0.0598	
	91401226	2	Spacer, 0.0598	
	91401450	4	Spacer, 0.0598	
	91401451	2	Spacer, 0.0598	
	91403087	1	Bearing Pad, Push Beam	
	91403404	1	Quick Switch Pin (Prior to SN 0160037722)	
	91403407	1	Quick Release Pin (Prior to SN 0160037722)	
	1001105441	1	Quick Switch Pin (SN 0160037722 to Present)	
	1001143692	1	Quick Release Pin (SN 0160037722 to Present)	
	2940074	1	Latch	
	88671027	2	Grease Fitting (SN 0160037722 to Present)	
		Ref	ENGINE	

SECTION 13 - RECOMMENDED SPARE PARTS

ITEM	PART NUMBER	QTY	DESCRIPTION	REV
	91405102	1	250 Hour Filter Kit, (Standard), (John Deere) (SN 0190001 through 0160001891)	
	1001128957	1	1000 Hour Filter Kit, (John Deere) (SN 0190001 through 0160001891)	
	91415035	1	250 Hour Filter Kit, (Turbo), (John Deere) (SN 0190001 through 0160001891)	
	91415035	1	250 Hour Filter Kit, (Standard), (John Deere) (SN 0160001893 through 0160003126)	
	1001128964	1	1000 Hour Filter Kit, (John Deere) (SN 0160001893 through 0160003126)	
	91415064	1	Engine Filter Kit, (Turbo), (John Deere) (SN 0160001893 through 0160003126)	
	91535011	1	250 Hour Filter Kit, (John Deere) (SN 0160003208 through 0160040659)	
	2915175	1	1000 Hour Filter Kit, (John Deere) (SN 0160003208 through 0160040659)	
	1001001532	1	250 Hour Filter Kit, (Perkins) (Prior to SN 0160040678)	
	1001111852	1	1000 Hour Filter Kit, (Perkins) (Prior to SN 0160040678)	
	91403513	1	Fuel Tank Cap (Prior to SN 0160020148)	
	1001093641	1	Non-locking Fuel Cap, (if equipped) (SN 0160020148 to Present)	
	1001102657	1	Locking Fuel Cap, (if equipped) (SN 0160040678 to Present)	
	91403105	1	Fan, (John Deere) (SN 0190001 through 0160003126)	
	91513159	1	Fan, (John Deere) (SN 0160003208 through 0160040659)	
	7029784	1	Fan, (Perkins) (SN 0160021195 through 0160040659)	
	1001098559	1	Fan, (Cummins) (SN 10160040678 to Present)	
	91404086	1	Alternator Belt, (John Deere) (Prior to SN 0160040678)	
	7029779	1	Alternator Belt, (Perkins) (Prior to SN 0160040678)	
	70021852	2	Alternator Belt, (Cummins) (SN 0160040678 to Present)	
	91474171	1	Dipstick, (John Deere) (Prior to SN 0160040678)	
	7029894	1	Dipstick, (Perkins) (Prior to SN 0160040678)	
	70021854	1	Dipstick, (Cummins) (SN 0160040678 to Present)	
	Ref		DRIVE TRAIN	
	91473061	1	F-N-R Shifter, 3-Speed (Prior to SN 0160040678)	
	91473031	1	F-N-R Shifter, 4-Speed (Prior to SN 0160040678)	
	91563226	1	F-N-R Shifter Assy (SN 0160040678 through 0160045456, Excluding 0160043800)	
	91473031	1	F-N-R Shifter Assy (SN 0160045464 to Present, Including 0160043800)	
	91473099	1	Accelerator Cable (Prior to SN 0160038504, Excluding 0160025238)	
	91473219	1	Accelerator Cable (SN 0160038504 through 0160040659, Including 0160025238)	
	70023325	1	Accelerator Pedal Kit (SN 0160040678 to Present)	
	70020551	1	Accelerator Sensor Kit (SN 0160040678 to Present)	
	Ref		Carraro Axles (SN 0190001 through 0160000843)	
	91474478	4	Wheel End Seal (SN 0190001 through 0190065)	
	91474086	4	Wheel End Seal (SN 0190066 through 0160000843)	
	91474087	4	Wheel End Bushing (SN 0190001 through 0190457, SN 0160000022 through 0160000843)	
	91474479	2	Wheel Hub Seal (SN 0190001 through 0190065)	
	91474161	2	Wheel Hub Seal (SN 0190066 through 0160000843)	
	Ref		Dana Axles (SN 0160000847 to Present)	
	91514110	4	Wheel End Seal, (Prior to Axle SN FITA733977)	
	7028718	4	Wheel End Seal, (Axle SN FITA733977 to Present)	

SECTION 13 - RECOMMENDED SPARE PARTS

ITEM	PART NUMBER	QTY	DESCRIPTION	REV
	91514111	4	Wheel End Bushing	
	7028721	2	Wheel Hub Seal	
	91474035	4	Universal Joint Kit, (Carraro) (SN 0190001 through 0190457, SN 016000022 through 016000843)	
	91474035	2	Universal Joint Kit, (Dana) (SN 016000847 through 0160020658)	
	8036433	4	Universal Joint Kit, (Dana) (SN 0160020685 to Present)	
		Ref	HYDRAULIC SYSTEMS	
	91403490	1	Boom Joystick Assy, (if equipped)	
	91403491	1	Boom Joystick With Adjustable Tilt, (if equipped)	
	91404010	1	Boom Joystick Handle Assy, (if equipped)	
	91404325	1	Boom Joystick Handle With Wire and Connector, (if equipped)	
	91404140	1	Lift Cylinder Seal Kit (SN 0190001 through 0160010475)	
	91414069	1	Lift Cylinder Seal Kit (SN 0160010497 through 0160033619)	
	70021758	1	Lift Cylinder Seal Kit (SN 0160033656 to Present)	
	70020432	1	Extend/Retract Cylinder Seal Kit (SN 0190001 through 0190457, SN 016000022 through 0160033619)	
	70021775	1	Extend/Retract Cylinder Seal Kit (SN 0160033656 to Present)	
	91404157	1	Tilt Cylinder Seal Kit (SN 0190001 through 0190457, SN 016000022 through 0160033619)	
	70021764	1	Tilt Cylinder Seal Kit (SN 0160033656 to Present)	
	91404206	1	Comp Cylinder Seal Kit (SN 0190001 through 0160017476)	
	7029821	1	Comp Cylinder Seal Kit (SN 0160017503 to Present)	
	91474004	1	Frame Level Cylinder Seal Kit (SN 0190001 through 0190446)	
	91404172	1	Frame Level Cylinder Seal Kit (SN 0190447 through 0190457, SN 016000022 through 0160033619)	
	70021633	1	Frame Level Cylinder Seal Kit (SN 0160033656 to Present)	
	1001093626	1	Hydraulic Filter Element (Prior to SN 0160040678)	
	1001097732	1	Hydraulic Filter (SN 0160040678 to Present)	
	91083301	1	Tank Filter (Prior to SN 0160040678)	
	91403575	1	Tank Filter (Prior to SN 0160040678)	
	1340021	1	Breather	
	7024441	1	Fluid Level Gauge (Prior to SN 0160040678)	
	91563136	1	Fluid Level Gauge (SN 0160040678 to Present)	
	91404084	1	Bar Gauge (Prior to SN 0160040678)	
		Ref	ELECTRICAL	
	91143314	1	Water Temperature Sender, (John Deere) (Prior to SN 0160040678)	
	1001001535	1	Water Temperature Sender, (Perkins) (SN 0160021195 through 0160040659)	
	91473115	1	Transmission Temp Switch (SN 0190001 through 0160002053)	
	91563121	1	Transmission Temp Switch (SN 0160003208 to Present)	
	24741047	1	Oil Press Switch, (John Deere) (Prior to SN 0160040678)	
	91143315	1	Oil Press Sender (Prior to SN 0160040678)	
	91403609	1	Fuel Level Sender (Prior to SN 0160020148)	
	1001093388	NLA	Fuel Level Sender (no longer available, use 1001148837 for replacement)	
	1001148837	1	Fuel Level Sender	
	77383377	1	Starter Relay (Prior to SN 0160040678)	
	91403574	1	Back-up Alarm (Prior to SN 0160018150)	
	8270621	1	Back-up Alarm (SN 0160018150 to Present)	
	91033317	1	Ignition Switch	
	1001108293	1	Alternator, (John Deere) (Prior to SN 0160040678)	

SECTION 13 - RECOMMENDED SPARE PARTS

ITEM	PART NUMBER	QTY	DESCRIPTION	REV
	7029783	1	Alternator, (Perkins) (Prior to SN 0160040678)	
	70021849	1	Alternator, (Cummins) (SN 0160040678 to Present)	
	1001108291	1	Regulator (Prior to SN 0160040678)	
	91415083	1	Starter Kit (SN 0190001 through 0160006554, Including 016006659, 016006662, 016006665 and 016006667)	
	7026921	1	Starter, (John Deere) (SN 0160006593 through 0160040659)	
	7029782	1	Starter, (Perkins) (Prior to SN 0160040678)	
	70021850	1	Starter, (Cummins) (SN 0160040678 to Present)	
	91404274	1	Starter Solenoid (SN 0190001 through 0190405)	
	91414040	1	Starter Solenoid (SN 0190406 to Present)	
	91143357	1	Horn	
		Ref	MISC	
	77384578	1	Ignition Key	
	80964051	1	Cab Door Key	
	91404275	1	Engine Cover Key	
	80904003	1	Hydraulic Test Kit	
	24604083	1	ORS O-Ring Kit	
	90214009	1	O-Ring Kit (Prior to SN 0160040678)	
	91474003	1	Owner/Operator Manual (SN 0190001 through 0160003985)	
	31200149	1	Operation and Safety Manual (SN 0160003986 to Present)	
	31200151	1	Service Manual	
		Ref	SPECIAL TOOLS	
	8035818	1	Ring Nut Wrench, Carraro Axle	
	70020309	1	Interchangeable Handle, Carraro Axle	
	91474605	1	Pinion Lock Nut Wrench, Carraro Axle	
	8035820	1	Bearing Inner Ring Driver, Carraro Axle	
	7027858	1	Pinion Shaft Lock Wrench, Carraro Axle	
	8035822	1	Bearing Cone Driver, Carraro Axle	
	8035826	1	Bushing Driver, Carraro Axle	
	8035825	1	Bushing Driver, Carraro Axle	
	8035817	1	Dummy Pinion, Carraro Axle	
	8035828	1	False Differential Box, Carraro Axle	
	8035819	1	Driver for Oil Seal, Carraro Axle	
	70020308	1	Kit for Backlask Measurement, Carraro Axle	
	91474613	1	Oil Seal Driver, Carraro Axle	
	70021968	1	Indicator Plate, Dana Axle	
	70021969	1	Pinion Gauge, Dana Axle	
	70021970	1	Pinion Gauge, Dana Axle	
	10837075	1	Drive Plate Kit, 13.5 IN, Dana Transmission	

PART NUMBER INDEX

PART NUMBER INDEX

0080272.....173	0641610..... 25, 175, 437, 559, 561	0760610 195	1001001827.....201
0100011..21, 51, 67, 134, 138, 141, 143, 147, 148, 181, 191, 193, 205, 243, 393, 407, 409, 419, 427, 685, 789, 791, 793, 803	0641612 55, 67	0760808 148	1001001828.....201
0100019.....21, 25	0641617 391	0760810 148	1001001829.....201
0100020....147, 205, 699, 705	0641628 438	0760812 148, 201	1001001831.....201
0100075.....51	0641632 41	0760815 819	1001001834.....181
0100093..... 173, 175	0641709 152	0760822 137	1001001839.....167
0140011.....641	0641807 43	0761010 137, 205, 243	1001001841.....201
0240156.....113	0641808 .39, 51, 55, 425, 535, 738	0761012 ... 147, 193, 201, 769	1001001851..... 148, 193
0252654..... 819, 821	0641809 16, 21	0761014 152	1001001853..... 148, 193
0274674.....51	0641810 37	0761015 201	1001080707..... 173, 175
0274799.....51	0641812 148	0761016 201	1001081307.....369
0275537.....147	0641814 778, 781	0761214 137, 143	1001081308.....369
0275644.....179	0641818 785, 787	0761215 143, 147, 201	1001081310.....369
0275707.....705	0641820 183	0761614 137, 143	1001081311.....369
0275723.....801	0641822 785	0791406 367	1001090005.....654
0275750.....705	0641829 41	0791408 787	1001090032.....477, 729
0275753.....701	0641830 148	0791506 24, 143, 183	1001090063.....67
0275798.....51	0642012 37	0791607 705	1001090064.....67
05101441.....65	0642032 61, 67	0791608 25, 381, 807	1001090078.....799
0630407.....26, 703	0642210 641, 778, 781	0791610 21, 24	1001090080.....799
0641404.....138	0651605 44, 49	0791612 24	1001090134.....571
0641405.....98, 381, 697	0651606 39, 43, 44, 49	0791808 437	1001090140.....67
0641406.....21, 25, 147	0651607 39, 43, 49	0860520 97	1001090344.....810
0641407....778, 781, 789, 791	0651608 39, 43	0861493 621	1001090364.....467, 471
064140821, 25, 371, 381, 407, 457, 475, 738, 810	0651610 39	0902991 147	1001090459.....785, 787
0641409.....24	0651611 43, 47, 147	0903293 467, 471	1001090460.....778, 781
0641412....388, 433, 435, 453	0651616 43	0903646 801	1001090461.....778, 789, 791
0641416.....427	0651805 44	0903661 778, 781	1001090468.....778
0641418.....461	0651806 44	0903669 778, 789, 791	1001090469.....785
0641420.....438, 443	0651807 44	0930019 111	1001090507.....633
0641424.....453, 810	0651808 44	0930020 111	1001090509.....627
0641436.....391	0651810 39, 44, 49	1001001016 567	1001090510.....785
0641504.....19, 25	0651812 39, 44, 49	1001001062 575	1001090522.....778, 781
0641506....183, 381, 447, 585	0681510 147	1001001213 411	1001090580.....778, 781
0641507.....810	0681610 47, 147	1001001250 35, 461	1001090581.....778
0641508....381, 407, 419, 427	0681712 437, 441	1001001332 467, 471	1001090581.....778
0641510....179, 381, 769	068181035, 67, 483, 485, 487, 489, 501, 505, 507, 509	1001001333 477, 729	1001090615.....779, 789, 791
0641511....461, 467, 471, 477, 729	0681814 793	1001001422 173, 175	1001090644.....799
0641512.....183, 585	0682012 95	1001001491 147	1001090741.....417, 419
0641514....181, 315, 381, 443, 447	0682048 35, 37	1001001506 148	1001091118.....417, 419
0641516.....437, 441	0682230 25	1001001507 148	1001091157.....425
0641518.....697, 703	0682244 55	1001001510 600	1001091173.....419
0641520.....438, 801	0682420 24	1001001511 605	1001091320.....425
0641524.....95	0682440 25, 153	1001001514 148	1001091458.....19, 25
0641532.....810	0682444 153	1001001515 385	1001091721.....799
0641605.....810	0682676 315	1001001516 597	1001091724.....799
0641606.....47, 191, 193, 411	0700610 25	1001001517 385	1001091892.....175
064160739, 47, 179, 181, 467, 471, 477, 729, 738	0700815 147	1001001518 148	1001091893.....175
0641608....24, 367, 409, 411, 417, 419, 775, 778, 795	0701014 152, 417, 419	1001001519 385	1001091959.....549
	0701214 148	1001001520 148, 583	1001091983.....417
	0701215 152, 437	1001001521 148, 583	1001092280.....97
	0701617 147	1001001522 148, 583	1001092391.....105
	0710829 803	1001001523 181	1001092481.....97
	0711014 205, 243	1001001528 148	1001092482.....97
	0711015 147	1001001532 149, 825	1001092843.....427, 724
	0711016 803	1001001535 148, 826	1001092849.....388
	0721006 779, 789, 791	1001001616 819	1001092877.....658
	0731003 175	1001001804 148, 193	1001092878.....658
	0740605 388	1001001805 148, 193	1001093019.....443, 535
	0741006 697	1001001813 181	1001093127.....181
	0741610 67	1001001814 201	1001093140.....97
	0760608 585	1001001817 181	1001093171.97, 107, 109
		1001001819 201	1001093244.....799
		1001001820 201	1001093273.....113
		1001001821 148	1001093377.....87, 113

PART NUMBER INDEX

1001093388 173, 826	1001097890..... 443	1001100880..... 797	1001106033 654, 659
1001093465 113	1001098035..... 789	1001100895..... 609	1001106058 659
1001093526 799, 801	1001098042..... 797	1001100961..... 26	1001106083 654, 659
1001093564 821	1001098122..... 643	1001101043..... 585	1001106108 659
1001093626 533, 826	1001098174..... 55	1001101115..... 87	1001106133 654, 659
1001093641 173, 175, 825	1001098218..... 55	1001101116..... 87	1001106187 660
1001093828 395, 645	1001098223..... 501	1001101216..... 697, 703	1001106222 660
1001094197 339	1001098233..... 55	1001101259..... 810	1001106292 660
1001094264 785, 787	1001098254..... 25	1001101280..... 489	1001106351 621
1001094330 113	1001098344..... 795	1001101588..... 35, 471	1001106352 621
1001094390 785, 787	1001098360..... 465	1001101589..... 35, 471	1001106353 621
1001094391 785, 787	1001098361..... 471	1001101591..... 35, 471	1001106354 621
1001094392 785, 787	1001098362..... 463, 465	1001101592..... 35, 471	1001106507 819
1001094393 785, 787	1001098363..... 463, 465	1001101593..... 35, 465	1001106736 603
1001094523 785, 787	1001098382..... 55	1001101615..... 475	1001106786 443
1001094529 655, 660	1001098388..... 453	1001101616..... 475	1001106836 553
1001094695 117	1001098425..... 55	1001101617..... 467, 471, 824	1001106849 697, 703
1001094824 785, 787	1001098473..... 819	1001101640..... 810	1001106866 25
1001094830 113	1001098559..... 152, 825	1001101666..... 388	1001107090 549
1001095336 603	1001098560..... 35, 461	1001101668..... 697, 703	1001107339 803, 806
1001095342 778, 781	1001098582..... 98	1001101669..... 697, 703	1001107340 806, 810
1001095418 83	1001098739..... 819	1001101669..... 697, 703	1001107343 806
1001095738 269	1001098762..... 819, 821	1001101703 35, 485, 487, 489	1001107344 806
1001095744 269	1001098769..... 665	1001101743..... 738	1001107427 806, 810
1001095810 97	1001098824..... 819	1001101748..... 477, 729	1001107428 806, 810
1001096019 97	1001098843..... 819	1001101788..... 477, 729	1001107429 806, 810
1001096020 97	1001098904..... 819	1001101956..... 67	1001107799 395
1001096021 97	1001098932..... 461	1001102378..... 67	1001107835 819
1001096023 97	1001098933..... 461	1001102561..... 405	1001108291 141, 143, 827
1001096024 97	1001098934..... 175	1001102575..... 47	1001108292 801
1001096025 97	1001099104..... 819	1001102623..... 471	1001108293 141, 143, 826
1001096306 97	1001099113..... 67	1001102641..... 25	1001108383 15, 19, 25
1001096327 21	1001099115..... 67	1001102649..... 179, 181	1001108433 585
1001096344 21	1001099163..... 388	1001102654..... 179	1001108436 443
1001096390 447	1001099174..... 371, 724	1001102655..... 181	1001108668 120
1001096404 665	1001099251..... 183	1001102657..... 173, 175, 825	1001108669 124
1001096728 21, 795, 797	1001099276..... 778	1001102743..... 467	1001108836 660
1001096786 243	1001099318..... 615	1001102744..... 467	1001108838 613
1001096949 447	1001099319..... 724	1001102747..... 463	1001108840 636
1001096950 447	1001099351..... 75	1001102748..... 731	1001108841 617
1001096951 447	1001099378..... 388	1001102748..... 731	1001108847 660
1001096952 447	1001099812..... 738	1001102813..... 98	1001108890 381
1001096957 447	1001099889..... 55	1001102815..... 388	1001108965 24
1001096957 447	1001099901..... 71	1001102931..... 175	1001108966 24
1001097000 819	1001099902..... 71	1001102933..... 175	1001109038 195
1001097053 243	1001099976..... 364	1001102933..... 175	1001109053 658
1001097072 97	1001100092..... 729	1001103182..... 573	1001109217 523
1001097095 793	1001100092..... 729	1001103553..... 381	1001109225 481, 483, 485, 487, 489, 493, 495, 497, 499, 501
1001097149 21	1001100189..... 203	1001103567... 19, 26, 371	1001109338 24
1001097168 97	1001100227..... 87	1001103637..... 97	1001109459 660
1001097250 443, 535	1001100228..... 87	1001103647..... 335	1001109504 443, 535
1001097732 535, 826	1001100229..... 87	1001103663..... 24, 367	1001109536 153, 243
1001097742 315	1001100278..... 697, 703	1001103730..... 97	1001110055 195
1001097743 337	1001100279..... 697, 703, 810	1001103736..... 97	1001110079 195
1001097744 315, 337	1001100281..... 810	1001103945..... 437	1001110091 781
1001097745 315, 337	1001100284..... 364	1001103947..... 437	1001110401 659
1001097747 457	1001100322..... 379, 381	1001103956..... 810	1001110445 315
1001097748 443, 457	1001100323..... 363	1001103997..... 437	1001110446 437
1001097788 465	1001100446..... 697, 703, 810	1001104289..... 785	1001110447 437
1001097848 799	1001100447..... 697, 703	1001104327..... 21	1001110686 531
1001097849 799	1001100770..... 810	1001104327..... 21	1001110704 83
1001097873 457	1001100773..... 810	1001104681..... 21	1001110714 659
1001097874 457	1001100822..... 63	1001104797..... 819	1001110799 381
1001097875 457	1001100823..... 63	1001105441..... 55, 824	
1001097876 457	1001100824..... 63	1001105623..... 443	
1001097883 453	1001100879..... 795	1001105693..... 731	
1001097885 453		1001105886..... 819, 821	
		1001105968..... 819	
		1001106001..... 659	

PART NUMBER INDEX

1001111086.....393, 395	1001116747..... 619, 636	1001119891..... 183	1001126976..... 585
1001111112.....371	1001116751..... 613	1001119892..... 183	1001126983..... 585
1001111148.....623	1001116774..... 623	1001119893..... 183	1001126984..... 585
1001111190.....83, 120, 124	1001116808..... 623	1001119894..... 183	1001127174..... 24
1001111377.....443	1001116810..... 603	1001119931..... 203	1001127519..... 153
1001111852..... 149, 825	1001116831..... 603	1001119958..... 367	1001127693..... 705
1001111903.....24, 195	1001116902..... 25	1001119959..... 369	1001127932..... 203
1001111904..... 24, 195	1001116961..... 153	1001119967..... 195	1001128273..... 37
1001112039..... 619	1001116962..... 603	1001119994..... 203	1001128320..... 738
1001112158.....24	1001116968..... 636	1001120026..... 153	1001128488..... 443
1001112207.....467, 471, 477, 729, 824	1001116983..... 600, 605, 636	1001120089..... 799	1001128535..... 471
1001112612.....603	1001117018..... 627	1001120192..... 443	1001128536..... 471
1001112717.....381	1001117019..... 600	1001120370..... 184	1001128553..... 660
1001112807.....658	1001117020..... 600	1001120376..... 183	1001128601..... 152
1001112808.....658	1001117021..... 595, 597, 600, 636, 643	1001120377..... 183	1001128662..... 443
1001112810.....659	1001117022..... 600	1001120418..... 35	1001128671..... 437
1001112811.....659	1001117026..... 643	1001120420..... 803	1001128674..... 437
1001112813.....659	1001117057..... 600, 636	1001120451..... 803	1001128681..... 585
1001112814.....659	1001117058..... 627	1001120497..... 35, 477	1001128684..... 438
1001112815.....660	1001117064..... 613, 615	1001120544..... 803	1001128696..... 585
1001112816.....660	1001117070..... 603	1001120550..... 24	1001128744..... 535
1001112817.....660	1001117073..... 589, 591, 593, 595, 605, 607	1001120554..... 24	1001128957..... 134, 825
1001112888.....799	1001117074..... 603	1001120620..... 443	1001128964..... 134, 825
1001112960.....799	1001117079..... 627	1001120625..... 443	1001130470..... 821
1001113091.....787	1001117111..... 603	1001120639..... 24	1001130586..... 703
1001113251..... 171, 173	1001117136..... 367	1001120665..... 443	1001130739..... 660
1001113511..... 175	1001117143..... 437	1001120680..... 803	1001130740..... 660
1001113861..... 199	1001117308..... 585	1001120777..... 183	1001130741..... 660
1001113863..... 199	1001117654..... 39, 44, 824	1001120856..... 803	1001130742..... 660
1001113935..... 137	1001117655..... 43, 49, 824	1001120914..... 67	1001130743..... 660
1001114282.....695, 697, 703	1001117865..... 361	1001120915..... 67	1001130744..... 660
1001114283..... 810	1001117887..... 477	1001120963..... 363	1001130745..... 660
1001114294..... 24	1001117888..... 477	1001121101..... 363	1001130746..... 660
1001114295..... 24	1001117929..... 461	1001121270..... 799	1001130776..... 173, 175
1001114296..... 24	1001118045..... 183	1001121391..... 819	1001130780..... 175
1001114297..... 24	1001118046..... 183	1001121454..... 819, 821	1001130782..... 658
1001114492..... 791	1001118068..... 438	1001121458..... 819, 821	1001130793..... 659
1001114560..... 183	1001118071..... 183	1001121459..... 819, 821	1001130794..... 659
1001114675..... 25	1001118092..... 184	1001121460..... 819, 821	1001130795..... 659
1001114795..... 813	1001118101..... 24	1001121467..... 443	1001130796..... 659
1001114803..... 183	1001118102..... 24	1001121519..... 363	1001130797..... 659
1001115014..... 89	1001118138..... 184	1001121557..... 619	1001130798..... 659
1001115153..... 24	1001118194..... 443	1001121659..... 24	1001130799..... 659
1001115205..... 658	1001118217..... 183	1001121676..... 184	1001130802..... 658
1001115206..... 658	1001118245..... 585	1001121717..... 184	1001130920..... 659
1001115371..... 585	1001118282..... 613, 619	1001121964..... 24	1001131130..... 371
1001115528..... 607	1001118384..... 627, 629	1001121965..... 24	1001131185..... 659
1001115878..... 821	1001118429..... 437	1001122219..... 24	1001131186..... 659
1001115891..... 388	1001119032..... 623	1001122220..... 195	1001131187..... 659
1001116122..... 184	1001119482..... 152	1001122819..... 660	1001131188..... 659
1001116274..... 25	1001119483..... 152	1001125246..... 183	1001131189..... 659
1001116318..... 24	1001119484..... 152	1001125280..... 603	1001131190..... 659
1001116418..... 195	1001119485..... 152	1001125382..... 631	1001131191..... 659
1001116461..... 24	1001119506..... 799	1001125384..... 629	1001131271..... 659
1001116505..... 195	1001119642..... 152	1001125385..... 625	1001131745..... 660
1001116612..... 369	1001119691..... 810	1001125389..... 603	1001131759..... 369
1001116613..... 369	1001119756..... 169	1001125748..... 603	1001131760..... 369
1001116694..... 623	1001119801..... 438	1001126007..... 623	1001132514..... 61
1001116706..... 600, 636	1001119809..... 438	1001126833..... 603	1001133019..... 173, 175
1001116707..... 600	1001119815..... 438	1001126835..... 183	1001133072..... 67
1001116727..... 619, 631	1001119828..... 438	1001126836..... 183	1001133364..... 205
1001116728..... 643	1001119864..... 659	1001126860..... 183	1001133465..... 152
1001116733..... 600, 613, 615, 619, 627, 636	1001119865..... 659	1001126892..... 203	1001133923..... 207
1001116745..... 643	1001119866..... 659	1001126906..... 585	1001134413..... 173, 175
		1001126918..... 153	1001136365..... 317
		1001126925..... 585	1001136366..... 339
		1001126939..... 585	1001136897..... 175

PART NUMBER INDEX

2150808.....411	2220609.....83	2915023.....573	3820020.....97
2151212.....438	2220619... 413, 415, 417, 419	2915111.....769	3841203.....67
2151216.....438	2220620... 413, 415, 417	2915166.....773	3900140.....173
2160001.....41, 461	2220628.....83	2915167.....775	3900283.....25
2160002.....55	2220635.....313, 724	2915175.....138, 825	3900316.....24
2170116.....183	2220657.....80, 92	2915258.....559	3900395.....20
2170206....453, 457, 471	2220664.....179, 181	2940074.....95, 97, 824	3911008.....95
2170208.....35, 471	2220671.....89	3020039.....417, 419	3911410.....381
2170306.....438, 453	2220690.....533	31200149.....827	3911428.....95
2170312.....438	2220726.....73, 89	31200151.....827	3911528.....95
2170410.....438	2220806.....705	31200160.....95, 97	3931012.....641
2170706....315, 453, 819, 821	2220819.....455	31200336.....97	3931440.....438
2170708.....819, 821	2220828.....467	31200387.....97	3931620.....799, 801
2170716.....443	2220865... 133, 137, 671	31200388.....97	3931624.....799, 801
2170806.....315, 337	2220893.....533	3128987.....773	3941506.....785, 787
2170906.....438	2220899.....103	3140007.....25	3960616.....171
2170912.....443	2220947.....459, 463	3251813.....654, 658	3968141.....323, 345
2171106....55, 467, 471	2221114.....769	3271601.....795	3984436.....329, 353
2171108.....447	2221164.....147	3290305.....147	3984447.....329, 353
2171206....467, 471, 477, 729	2221165.....147	3290401.....20	3984458.....329, 353
2171216.....443	2221244.....419, 443	3290501.....147	3984469.....329, 353
217210655, 67, 419, 453, 475, 477	2221253... 467, 471, 477, 729	3290601.....147	4010308.....147
2172112.....437, 443	2221257.....419, 443	3290605.....24	4040292.....361
2172406.....819, 821	2221262.....313	3290801... 148, 153, 819	4040294.....361
2172408.....819, 821	2221279.....453	3291201.....143	4040295.....361
2172416.....443	2230024.....102, 727	3300240.....61, 67	4060518.....636
2180849.....55	2230025.....445	3310601.....388	4071133.....795, 797
2200233.....769	2230043.....467, 727	3311001... 95, 779, 785, 787, 789, 791	4100026.....35, 465
2220240.....443	2340037.....105	3311005.....697	4100181.....658
2220243.....533	2340038.....105	3311401... 388, 427, 778, 781, 789, 791	4105262.....665
222037179, 91, 455, 473, 533, 724	2340039.....105	3311405.....24, 98	4109801.....658
2220372..65, 79, 91, 102, 473	2340045.....105	3311408.....787	4110422.....71, 75
2220373..73, 79, 92, 102, 409, 431, 433, 435, 445, 717, 719	2340046.....105	3311501.....95, 769	4110473.....115
2220374....73, 445, 467, 565, 567, 731	2400073.....147	3311502.....20	4240033... 388, 641, 810
2220385.....73, 89, 467	2400074.....147	3311505.....773, 775	4341302.....20
2220408... 133, 138, 148, 671	24431386.....117	3311508.....183, 585	4341318.....147
2220415.....83	24601710.....148, 179	3311601.....799	4341376.....801
2220435....431, 433, 435	24604083.....827	3311605... 20, 147, 799	4341385.....801
2220451... 148, 177, 179, 181, 431, 433, 435, 441, 681	24741047. 133, 137, 671, 826	3311801... 183, 778, 781	4400483.....184
2220464.....533	24861167.....709	3311805... 148, 785, 787	4400490.....173
2220466.....409	24861170.....143, 694	33180770.....801	4400496.....173
2220472.....435, 559	24921332. 148, 187, 189, 191, 193, 199, 201, 203, 683, 685, 687	3421453.....98	4420060.....21, 797
2220473.....83, 103, 533, 724	2600216.....95	3423242.....61, 67	4460019.....603
2220474.....467	2600281.....97	3423263.....65	4460035.....709
2220490.....103	2716143.....125	3423275.....61, 67	4460042.....603
2220499.....73	2717160.....115	3423276.....61, 67, 83	4460185.....645
2220574.....147	2717161.....115	3423307.....67	4460247.....603
2220578.... 179, 181, 533, 535	2717162.....115	3440832.....53	4460267.....623
2220579.... 313, 335, 724	2717283.....115	3510809.....95	4460374.....615
222059673, 89, 313, 335, 467, 533	2717287.....83	3520072.....95, 97	4460419... 617, 619, 627
2220603.... 431, 433, 435, 724	2720058... 137, 143, 147, 175	3520176.....24, 815	4460443.....603
2220606.79, 91, 449, 451	2750532... 143, 148, 769	3520198.....97	4460457... 619, 625, 639
	2753000.....147	3539685.....95	4460458... 619, 625, 639, 643
	2753902.....89	3573363.....95	4460459... 589, 591, 597, 611
	2754603.....727	3580347... 41, 477, 727, 729, 824	4460461.....619
	2755073.....433, 435	3600449.....531	4460464... 153, 609, 613, 615, 619, 623, 639, 645, 778, 781
	2820035.....779	3641438.....95	4460465... 153, 609, 613, 615, 617, 619, 629
	2890228.....67	3740080... 600, 613, 615, 619, 636, 810	4460466... 388, 600, 603, 605, 613, 615, 617, 619, 623, 629, 633, 636
	2900698.....561	3760170.....98	4460469.....636
	2900770.....571	3780140.....103	
	2902446.....173	3780177.....103	
		3790045.....148	
		3790222.....437, 441	

PART NUMBER INDEX

4460470 615	4520461 363	4811900 148, 819	70020666 549, 553
4460471 615	4520462 363	4812000 147, 201, 205, 243, 585	70020667 549, 553
4460475 617, 627	4520645 364	4831600 147	70020668 549, 553
4460500 617	4520646 364	4831700 147	70020669 549, 553
4460502 636	4520647 364	4831900 147, 153, 201, 819	70020670 549, 553
4460503 613, 615	4540020 245	4832000 147, 152, 193, 201, 417, 419, 769, 803	70020671 549, 553
4460508 619, 789, 791	4569358 727	4832100 147, 153, 201	70020672 549, 553
4460518 623	4640438 571	4846265 95	70020673 549, 553
4460532 605	4641417 561	4846452 97	70020674 549, 553
4460539 623	4641501 115	4846528 95	70020675 549, 553
4460608 589, 591, 593, 595, 605	4641502 115	4891600 147, 801	70020676 549, 553
4460693 589, 591, 593, 595, 605	4660508 781	4891800 35, 67, 437, 483, 485, 487, 489, 501, 505, 507, 509	70020677 549, 553
4460742 619, 639	4711000 785, 787	4892400 24	70020678 549, 553
4460743 611	4711400 21, 25, 95, 98, 371, 407, 621, 697, 703, 738, 778, 781, 789, 791, 810	4892500 153	70020679 549, 553
4460746 595, 597, 600, 619, 636	4711500 20, 95, 137, 147, 181, 183, 407, 447, 585, 773, 775	4920018 609	70020680 549, 553
4460761 623	4711600 24, 47, 201, 367, 438, 467, 471, 477, 665, 729, 738, 795, 799	4923403 595	70020681 549, 553
4460789 595, 625, 631, 636	4711700 152	4923452 173, 175	70020682 549, 553
4460790 619	4711800 37, 43, 143, 425, 535, 778, 781	5200605 148	70020683 550
4460806 603	4712000 37, 137, 143, 147	5200814 195	70020684 550
4460850 611, 631	4712200 778, 781	5251016 143	70020717 520, 524, 742
4460851 627	4740003 55	5261000 143	70020870 613, 615
4460884 603, 615	4740274 183	6604662 83	70020898 389
4460891 153, 603, 609, 615, 619, 629, 631	4740553 395	6621412 148	70020923 409, 411
4460894 615	4751000 95, 779, 789, 791	70000656 267	70021140 347
4460897 153, 609, 639, 645, 778, 781	4751400 21, 24, 25, 97, 381, 457, 461, 475	7000478 527	70021227 259
4460909 621	4751500 179, 181, 381, 388, 405, 419, 810	7000505 527	70021228 259
4460915 623	4751600 24, 25, 175, 179, 181, 191, 193, 738, 775, 799, 801, 810	70020036 271	70021268 259
4460916 621	4751800 21, 41, 148, 183, 785, 787	70020172 167	70021269 259
4460928 621	4751900 137	70020227 758	70021342 75, 111
4460930 613, 615, 619, 633	4752200 641	70020308 827	70021349 75
4460931 629	4761000 95, 779, 785, 787, 789, 791	70020309 827	70021358 111
4460932 603	4761400 24, 147, 427, 438, 457, 621, 703, 778, 781, 789, 791, 810	70020403 209	70021359 111
4460933 603, 613, 619	4761500 19, 25, 181, 399, 405, 419, 427, 447, 576, 769, 810	70020405 209	70021360 111
4460934 627	4761600 . 25, 41, 47, 175, 179, 181, 191, 193, 367, 411, 417, 419, 437, 438, 467, 471, 559, 561, 775, 795, 799, 810	70020406 209	70021361 111
4460942 629, 631	4761700 152, 437, 441	70020407 219	70021362 111
4460944 388, 617, 623	4761800 . 21, 41, 51, 148, 535, 778, 781, 795, 797	70020428 573	70021364 111
4460945 617	4762000 95	70020432 493, 826	70021365 111
4460955 607	4791400 371	70020438 491	70021366 111
4460970 607	4811400 20	70020493 271	70021367 111
4460994 603	4811600 175	70020494 493	70021387 111
4461006 600, 636	4811700 24, 195, 585	70020495 493	70021391 111
4461017 781, 789, 791		70020549 271	70021392 111
4461070 603		70020551 407, 825	70021393 569
4461095 603		70020555 109	70021394 111
4461157 627		70020562 111	70021395 111
4461254 785, 787		70020574 167	70021396 111
4520368 363		70020639 811	70021399 111
4520369 363		70020640 811	70021415 75
4520370 363		70020643 806, 811	70021440 77, 569
4520371 363		70020644 806, 811	70021444 569
4520374 363		70020645 806, 811	70021446 569
4520375 363		70020646 806, 811	70021447 569
4520449 363		70020647 806, 811	70021448 569
4520450 363		70020648 806, 811	70021451 569
4520451 363		70020649 806, 811	70021452 569
4520453 363		70020650 806, 811	70021459 576
4520455 363		70020659 549, 553	70021460 575
4520456 363		70020660 549, 553	70021461 576
4520458 363		70020661 549, 553	70021464 569
4520459 363		70020662 549, 553	70021465 569
		70020663 549, 553	70021466 569
		70020665 549, 553	70021472 156
			70021478 389
			70021485 389
			70021487 167
			70021526 263
			70021533 167

PART NUMBER INDEX

70021544.....	575	70022341.....	167	70022951.....	125	70023156.....	713
70021613.....	329, 353	70022342.....	167	70022952.....	121	70023193.....	373
70021630.....	489, 501, 515	70022351.....	167	70022957.....	120, 124	70023195.....	195
70021633.....	515, 826	70022352.....	167	70022958.....	125	70023266.....	271
70021634.....	515	70022353.....	167	70022959.....	126	70023267.....	271
70021635.....	515	70022357.....	167	70022960.....	120, 124	70023324.....	491
70021636.....	515	70022527.....	111	70022961.....	125	70023325.....	407, 825
70021637.....	515	70022552.....	806, 810	70022962.....	125	70023331.....	183
70021638.....	515	70022553.....	806, 810	70022963.....	126	70023332.....	183
70021648.....	501	70022555.....	806, 811	70022964.....	126	70023334.....	183
70021752.....	489	70022556.....	806, 811	70022965.....	125	70023335.....	183
70021753.....	489	70022557.....	806, 811	70022966.....	125	70023336.....	183
70021754.....	489	70022558.....	806, 811	70022967.....	125	70023337.....	183
70021755.....	489	70022608.....	605	70022968.....	126	70023338.....	183
70021756.....	489	70022609.....	605	70022969.....	120, 124	70023339.....	183
70021757.....	489	70022611.....	385	70022970.....	120, 124	70023340.....	183
70021758.....	489, 826	70022691.....	388	70022971.....	125	70023341.....	183
70021759.....	501	70022741.....	607	70022972.....	125	70023342.....	183
70021760.....	501	70022790.....	267	70022973.....	125	70023404.....	271
70021761.....	501	70022794.....	327, 349	70022974.....	125	70023425... 155, 159, 163	
70021762.....	501	70022795.....	353	70022975.....	125	70023747.....	813
70021763.....	501	70022796.....	353	70022976.....	125	70023748.....	813
70021764.....	501, 826	70022797.....	323, 345	70022977.....	125	70023749.....	813
70021765.....	501	70022798.....	319, 341	70022978.....	125	70023750.....	813
70021766.....	495	70022799.....	329, 341	70022979.....	125	70023751.....	813
70021767.....	495	70022804.....	690, 811	70022980.....	121, 125	70023752.....	813
70021768.....	495	70022805.....	810	70022981.....	126	70023753.....	813
70021769.....	495	70022843.....	169	70022982.....	125	70023754.....	813
70021770.....	495	70022844.....	169	70022983.....	126	70023755.....	813
70021771.....	495	70022846.....	169	70022984.....	120, 124	70023756.....	813
70021772.....	495	70022876.....	806, 810	70022985.....	120, 124	70023757.....	813
70021774.....	495	70022877.....	806, 810	70022986.....	126	70023758.....	813
70021775.....	495, 826	70022878.....	806, 811	70022987.....	120, 124	70023759.....	813
70021812.....	573	70022879.....	806, 811	70022988.....	125	70023760.....	813
70021830.....	219	70022880.....	806, 811	70022989.....	126	70023761.....	813
70021847.....	169	70022881.....	806, 811	70022990.....	121, 125	70023762.....	813
70021849.....	169, 827	70022882.....	806, 811	70022991.....	125	70023763.....	813
70021850.....	169, 827	70022883.....	806, 811	70022992.....	120, 124	70023764.....	813
70021852.....	169, 825	70022884.....	806, 811	70022993.....	120, 124	70023765.....	813
70021854.....	169, 825	70022885.....	806, 811	70022994.....	120, 124	70023766.....	813
70021908.....	571	70022886.....	806, 811	70022995.....	120, 124	70023767.....	813
70021913.....	509	70022887.....	806, 811	70022996.....	126	70023768.....	813
70021921.....	75	70022888.....	806, 811	70022997.....	125, 129	70023769.....	813
70021935.....	75	70022889.....	806, 811	70022998.....	121, 125	70023770.....	813
70021957.....	489	70022890.....	806, 811	70022999.....	125	70023771.....	813
70021958.....	489	70022891.....	806, 811	70023000.....	125, 126	70023772.....	813
70021968.....	827	70022892.....	806	70023001.....	125	70023773.....	813
70021969.....	827	70022931.....	120, 124	70023002.....	125	70023774.....	813
70021970.....	827	70022932.....	120, 124	70023003.....	120, 124	70023775.....	813
70021977.....	75	70022933.....	124	70023004.....	120, 124	70023776.....	813
70021978.....	75	70022934.....	120, 124	70023005.....	121, 126	70023777.....	813
70021979.....	75	70022935.....	121, 125	70023006.....	121, 126	70023778.....	813
70021980.....	111	70022936.....	120, 125	70023007.....	121, 126	70023779.....	813
70021981.....	111	70022937.....	121, 125	70023008.....	120, 124	70023780.....	813
70022028.....	75	70022938.....	125	70023009.....	120, 124	70023781.....	813
70022038.....	571	70022939.....	121, 125	70023010.....	120, 124	70023782.....	813
70022039.....	571	70022940.....	125	70023011.....	126	70023783.....	813
70022040.....	571	70022941.....	125	70023013.....	126	70023784.....	813
70022041.....	571	70022942.....	121, 125	70023014.....	120, 124	70023785.....	813
70022042.....	571	70022943.....	125	70023015.....	121, 126	70023786.....	813
70022043.....	571	70022944.....	125	70023016 ..	120, 124, 125	70023787.....	813
70022044.....	573	70022945.....	125	70023037.....	549, 553	70023788.....	813
70022045.....	573	70022946.....	121, 125	70023038.....	550, 554	70023789.....	813
70022046.....	573	70022947.....	125	70023039.....	553	70023791.....	169
70022224.....	617	70022948.....	125	70023109.....	811	70023792.....	169
70022339.....	167	70022949.....	121, 125	70023110.....	811	70023793.....	169
70022340.....	167	70022950.....	121, 125	70023139.....	377	70023794.....	169

PART NUMBER INDEX

70023796.....	183	70025327.....	497	7026758.....	251, 253, 255,	7028110.....	207
70023800.....	271	70025328.....	497	257, 259, 261		7028403.....	283, 303
70023801.....	271	70025329.....	491	7026759.....	251, 253, 255,	7028492.....	293, 311
70023807.....	169	70025330.....	491	257, 259, 261		7028654.....	167
70023808.....	169	70025331.....	491	7026760.....	251, 253, 255,	7028655.....	167
70023810.....	169	70025332.....	491	257, 259, 261		7028663.....	167
70023811.....	169	70025333.....	491	7026761.....	251, 253, 255,	7028664.....	167
70023812.....	169	70025893.....	169	257, 259, 261		7028666.....	167
70023813.....	169	70025936.....	517	7026762.....	253	7028676.....	167
70023831.....	623	70025938.....	517	7026763.....	257	7028677.....	167
70023836.....	405	70025940.....	517	7026764.....	259	7028678.....	167
70023837.....	405	70025941.....	517	7026765.....	259	7028680.....	167
70023838.....	405	70025942.....	517	7026766.....	259	7028681.....	167
70023839.....	405	70026003.....	491	7026769.....	259, 263, 271	7028689.....	167
70023840.....	405	70026004.....	491	7026770.....	261	7028706.....	341
70023841.....	405	70026005.....	491	7026771.....	263	7028709.....	325
70023842.....	405	70026006.....	491	7026772.....	263	7028710.....	325
70023843.....	405	70026699.....	77	7026773.....	263	7028714.....	321, 343
70023844.....	405	70026747.....	77	7026774.....	263	7028715.....	321, 343
70023845.....	405	70026944.....	77	7026775.....	263	7028716.....	321, 343
70023846.....	405	70026946.....	77	7026776.....	265	7028718.....	327, 349, 825
70023847.....	405	70026948.....	77	7026777.....	265	7028721.....	331, 355, 826
70023848.....	405	70026949.....	77	7026778.....	265	7028733.....	321, 343
70023849.....	405	70027300.....	169	7026779.....	265	7029129.....	325
70023850.....	405	7003226.....	495, 501, 515	7026780.....	265	7029131.....	325
70023851.....	405	7003242.....	489, 501, 515	7026781.....	265	7029279.....	319, 341
70023852.....	405	7005365.....	495	7026782.....	265	7029280.....	319
70023853.....	405	7010769.....	561	7026783.....	265	7029281.....	319
70023854.....	405	7012773.....	567	7026784.....	265	7029282.....	319, 341
70023900.....	333, 357	7023500.....	515	7026785.....	267	7029283.....	319, 341
70023915.....	497	7024441.....	533, 826	7026786.....	267	7029284.....	321, 343
70023925.....	121, 126	7024574.....	573	7026787.....	267	7029285.....	321, 343
70024062.....	77	7026408.....	600, 636	7026788.....	267	7029286.....	333, 357
70024123.....	129	7026413.....	636	7026789.....	267	7029287.....	333, 357
70024306.....	105	7026414.....	619, 636	7026790.....	267	7029417.....	269
70024307.....	105	7026415.....	636	7026791.....	269	7029431.....	333, 357
70024386.....	811	7026419.....	636	7026792.....	269	7029520.....	107, 109
70024388.....	811	7026425.....	597, 600, 617	7026793.....	269	7029521.....	109
70024389.....	811	7026429.....	611	7026794.....	269	7029527.....	321, 343
70024535.....	129	7026430.....	611	7026797.....	245	7029528.....	321, 343
70024536.....	129	7026431.....	611	7026798.....	377	7029529.....	321, 343
70024537.....	129	7026437.....	388	7026799.....	377	7029532.....	255, 257
70024538.....	129	7026438.....	388	7026900.....	377	7029533.....	255, 257
70024539.....	579	7026439.....	619, 629	7026901.....	377	7029692.....	75, 111
70024540.....	129	7026440.....	388	7026902.....	377	7029714.....	111
70024541.....	129	7026458.....	487	7026904.....	377	7029736.....	333, 357
70024542.....	129	7026477.....	409, 411	7026905.....	377	7029737.....	331, 355
70024543.....	129	7026478.....	409, 411	7026906.....	377	7029755.....	595, 597, 600
70024544.....	129	7026481.....	407	7026909.....	625	7029760.....	509, 571
70024545.....	129	7026572.....	195	7026910.....	636	7029771.....	600, 627
70024546.....	129	7026573.....	195	7026918.....	159, 163	7029775.....	600
70024547.....	579	7026577.....	271	7026920.....	159, 163	7029779.....	167, 825
70024548.....	579	7026578.....	271	7026921.....	163, 767, 827	7029782.....	167, 827
70024549.....	579	7026744.....	247	7026923.....	159, 163	7029783.....	167, 827
70024550.....	129	7026745.....	247	7026927.....	155, 159, 163,	7029784.....	167, 825
70024551.....	129	7026746.....	247	677		7029785.....	329
70024552.....	129	7026747.....	247	7026991.....	724	7029786.....	353
70024553.....	129	7026748.....	247	7027270.....	271	7029788.....	329, 351
70024554.....	129	7026749.....	247	7027271.....	271	7029811.....	327, 349
70024555.....	129	7026750.....	249	7027273.....	271	7029821.....	509, 826
70025320.....	497	7026751.....	249	7027772.....	16, 21	7029822.....	209
70025321.....	497	7026752.....	249	7027858.....	827	7029833.....	533
70025322.....	497	7026753.....	249	7028055.....	211	7029834.....	287, 307
70025323.....	497	7026754.....	249	7028058.....	209	7029835.....	287, 307
70025324.....	497	7026755.....	249	7028060.....	215	7029836.....	287, 307
70025325.....	497	7026756.....	249	7028063.....	219	7029837.....	287, 307
70025326.....	497	7026757.....	251	7028109.....	241		

PART NUMBER INDEX

7029849.....251, 253, 255, 257, 259, 261	77133137 . 102, 315, 443, 445, 447, 691, 694, 697, 699, 701, 703, 801, 807	77384578 . 383, 385, 388, 827	8035862.....573
7029850.....251, 253, 255, 257, 259, 261	77133139..... 459, 461	8006013 167	8035863.....573
7029851.....251, 253, 255, 257, 259, 261	77133140 . 451, 459, 461, 467, 471, 477, 727, 729, 731	8007751 325	8036088.....395
7029852.....251, 253, 255, 257, 259, 261	77133168 . 467, 471, 477, 727, 729, 731	8007752 325	8036204.....169
7029860.....369	77133177 . 451, 459, 467, 477, 727, 731	8007755 325	8036250.....269
7029862.....524, 575	77133201..... 103	8007824 241	80363028.. 690, 694, 699, 701
7029863.....576	77133209 .. 102, 734, 738	80204005 . 319, 327, 341, 349	80363033.....731
7029864.....576	77133270 .. 451, 473, 475	80204060 329	80363034.. 379, 381, 691, 731
7029865.....576	77133279 . 691, 694, 697, 699, 701, 703, 801, 807	80204065 343	80363067.....388
7029866.....509	77133306..... 315, 807	80204071 327, 349	80363069.. 690, 694, 699, 701
7029868.....509	77133390..... 807	80204108 329	80363099.....806, 811
7029869.....509	77133395..... 451	80204117 . 319, 321, 329, 341, 343, 351, 353	80363102... 806, 807, 811
7029870.....509	77133497 .. 451, 734, 738	80204281 .. 329, 351, 353	80363103.. 806, 807, 810, 811
7029871.....509	77133498 .. 451, 734, 738	8020890 636	80363104.....807
7029872.....509	77133810..... 102	80214120 331, 355	80363106.....691, 695
7029873.....509	77133893..... 453	80233141 275	80363178.....617, 623
7029874.....509	77134044 527	80233142 .. 413, 415, 417	80363179.. 605, 607, 617, 623
7029883.....561	77134079 527	80233220 .. 134, 137, 672	80363208.....388
7029884.....561	77134081 527	80241137 15, 19, 25	80364001.....373
7029885.....561	77143003 . 143, 171, 177, 179, 181, 681, 797	80263012 97	80364009.....373, 375
7029886.....561	77143006..... 16, 20, 103, 143, 177, 179, 181, 183, 187, 189, 191, 193, 583, 681, 683, 685, 717, 719, 819	80263053 15, 19	80364012.....375
7029887.....561	77143013..... 103	80263108 .. 403, 413, 415	80364023.....369
7029892.....385	77143015... 65, 148, 583, 705, 801, 807	80264031 367	80364023.....369
7029894.....167, 825	77143017..... 690, 695	80264066 373	80364030.....375
7029895.....167	7729843..... 531	80264138 421, 423	80364030.....375
7029896.....167	7729844..... 531	80264139 423	80364088.....373
7029912.....20	77321274 15, 19	80273010 .. 189, 672, 683	80364095.....421, 423
7029915.....567	77323029 . 315, 445, 447, 807, 810	80273011 189, 683	8036433.....361, 826
7029916.....567	77333027..... 650	80273042 .. 189, 672, 683	80365027.....388
7029917.....567	77363228 .. 388, 587, 636	80274004 189, 683	8036528.....265, 267
7057141.....179, 181	77363229 587, 636	80304227 259	8036529.....265
7062922.....83	77363242 617	80304327 .. 249, 267, 269	8036575... 251, 253, 255, 257, 259, 261
7075611.....665	77363265 . 383, 385, 690, 694, 699, 701, 709, 724, 734, 738, 745, 778, 785	80304394 .. 249, 263, 269	8036678.....395
7110702.....83	77363267 . 383, 385, 734, 738, 745	80304405 247	8036847.....249
7110712.....83	77363269 724, 745	8032509 209	80373025.. 133, 137, 143, 672
7110722.....83	77363328 .. 388, 587, 636	8032526 207, 209	80373046.....705
7112642.....87	77363329 587, 636	8032528 209	80373049.....153
7114941.....87	77363242 617	80334379 563, 565	80373088.....715
7139913.....361	77363265 . 383, 385, 690, 694, 699, 701, 709, 724, 734, 738, 745, 778, 785	8033786 573	80373094... 191, 193, 685
7139918.....115	77363267 . 383, 385, 734, 738, 745	8034805 395	80373112.....801
71492134.....767	77363268 . 383, 385, 724, 785	8034807 395	80374020.....159, 163
71492142.....80, 92	77363269 724, 745	8034940 209	80374021.....749, 751
71492150.....691, 694	77363345 587, 636	8034968 211	80374025.....749, 751
71492152.. 691, 694, 699, 701, 703	77363347 587, 636	8035075 233, 235	80374031.....159, 163
7300364.....20	77364005 527	8035081 233, 235	80374033.....159, 163
7301295.....115	77383154 .. 191, 193, 685	8035082 233, 235	80374036.....159, 163
7301579.....115	77383377 . 134, 137, 148, 585, 672, 826	8035092 207	80374037.....159, 163
77101143.....275	77383410..... 807	8035118 279, 299	80374047.....156
77104007.....239	77383540 705	8035120 279, 299	80374050.....159, 163
77104039.....211	77383567 148, 583	8035180 285, 305	80374054.....159, 163
77104041.....211	77383790 .. 191, 193, 685	8035261 529, 531	80375012.....715
77104044.....239	77384004 527	8035265 529	80383231.....697, 703
77104056.....209		8035498 395	80383410.....407
77104081.....231		8035536 573	80384184.....373
77104140.....231		8035744 531	80384186.....373
77133052... 102, 431, 453		8035817 827	80384187.....373
77133053..... 103, 431		8035818 827	80384189.....373
77133075.....443		8035820 827	80384191.....373
77133076.....443		8035822 827	80384192.....373
77133133.....437, 441		8035825 827	80384203.....369
77133134.....437, 441		8035826 827	80384205.....373
77133136... 102, 315, 443		8035828 827	80384207.....369
		8035831 126	

PART NUMBER INDEX

80384213 369	80964002 724	8310308.....53	83683308 . 177, 179, 181,
80384218 373	80964009 . 690, 694, 701,	8310382.....95	681
80384396 169	709, 778	8310435.....115	83783030 133, 671
80484081 619, 636	80964051 827	8310523.....437	8405007 ... 152, 205, 243,
80484084 619, 636	80964070 .. 709, 778, 781	8310534.....803	443, 535, 705
80484085 619, 636	8096D097 . 393, 745, 778,	8310688.....803	8405104 183
80484086 636	781, 789, 791	8310722.....621	8405211 183
80484088 388	80973025 15, 19, 37, 379,	8310736.....803	8405212 183
80603022 650, 654	583, 807	8310737.....803	8406101 585
80603026 650, 654	80973096 15, 19	83191004.....133, 672	8406105 778, 781
80603037 663, 665	80973108 801	83191010.. 133, 137, 141,	8406303 437
80604016 . 597, 600, 613,	80983168 785	143, 148, 671, 675	8410009 175
617, 619, 627	8160419 401	83191013.. 133, 137, 141,	8420053 115, 129
80604017 153, 639	82033995 .. 701, 705, 810	143, 413, 415, 671,	8420055 115, 129
80604018 . 153, 615, 619,	82033996 709	675, 713, 751	8420231 173
629, 631, 636	82033997 371	83191014... 133, 137, 671	84231107 . 690, 694, 697,
80604021 615	8205655 573	83191015.....671	699, 701, 703
80604023 625	82092118 .. 133, 141, 672	83191021.....413, 415	8430007 173
80604025 . 619, 627, 629,	8220045 603	83191025.....671	84521056 . 177, 179, 181,
633	8220050 785, 787	83191032.. 133, 137, 141,	681
80630 785	8220081 627	671, 675	84521062 65
8065062 83	8220089 619, 625	83191038.. 133, 671, 713,	8466306 16, 20, 25
80673023 148	8220164 603	751	84711334 437, 441
80683013 148	8220524 617	83191040.....141, 675	84712749 705
80683073 705	8220525 613, 615, 617	83191041.....133, 672	84717020 455
80684018 600	8223073 785, 787	83191043.....133, 671	84717460 724
80904003 827	8229242 389	83191046.....671	84717541 467, 824
8093168 787	8229246 389	83191059.....409	84717556 717, 719
8093191 389	8229247 389	83191062... 141, 143, 675	84717593 73
8093192 389	8229260 585, 603	83193009 413	84717782 441
80933113 269	8229262 699, 785	83193018... 413, 415, 417	84718208 80, 92
80934498 421, 423	8270621 21, 25, 826	83193026... 133, 137, 672	84718545 459, 461
80961142 709	8273029 191, 193, 685	83201001.....29	84718631 717, 719
80963050 .. 709, 778, 781	8273257 191, 193, 685	83201006.....16, 20	84718735 724
80963056 .. 617, 636, 709	8273291 195	83201024.....79, 91, 103	84718737 102
80963057 . 587, 589, 591,	8275247 203	83201026.....79, 91, 103	84719060 102
593, 595, 597, 600,	8303626 87	83201030 15, 19, 25	84719167 79, 91
611, 636, 724	8303634 83, 115	83201044... 134, 138, 672	84719168 .. 467, 727, 824
80963058 . 587, 589, 690,	8303656 181	83201058.....15, 19	84719185 102
694, 697, 709, 745	8303658 115	83201062.....73, 89	84719197 79, 91
80963059 587	8303715 83, 181	83201095.....89	84719223 65
80963060 . 587, 589, 591,	8303799 21	83201102.....89	84719229 102, 117
593, 595, 597, 709	8305012 87	83201115.....47	84719236 89
80963061 .. 600, 625, 636	8305038 201	83201118 31	84719358 727
80963062 . 611, 625, 631,	8305624 21, 25, 115	83201163 717	84719359 727
636, 717, 719	8305626 801	83251198.....177, 681	84719499 102
80963064 611	8305630 803	8342813.....19, 173	84719598 717, 719
80963065 . 600, 611, 636,	8305634 153	83481285 . 587, 589, 591,	84719604 449
690, 694, 697, 717,	8305643 83, 115	593, 595, 597, 600,	84719608 467
719, 745	8305644 87	613, 617, 636	84719609 467
80963066 .. 597, 709, 724	8305645 55, 665	83481286 . 587, 589, 591,	84719610 533, 535
80963067 . 587, 589, 591,	8305647 665	593, 595, 597, 600,	84719614 445
593, 595, 597, 611, 636	8307007 87	613, 617, 636	84719615 455
80963068 . 587, 589, 591,	8307024 21, 25	83481673.....717, 719	84719616 455
593, 595, 597, 600,	8307112 87	83664354.....781	84719617 455
611, 636, 709, 724	8307113 665	83671037... 527, 529, 531	84719618 455
80963069 . 587, 589, 591,	8307221 803	83671475... 187, 189, 683	84719621 445
597, 611, 636, 690,	8307904 83, 501	83674096... 527, 529, 531	84719622 445
694, 697, 709, 717,	8307916 55	83674124 527	84719630 449, 451
719, 745	8307917 55	83674126 527	84719631 431, 435
80963070 . 587, 589, 593,	8307918 83, 501	83681905.....767	84719634 .. 431, 433, 435
595, 611, 625, 636	8310046 819	83683085.....690, 694	84719642 441
80963095 593, 595	8310067 55	83683175.....197	84719648 731
80963101 . 371, 388, 690,	8310093 501	83683182.. 690, 694, 699,	84719649 275, 295
694	8310160 83	701	84719670 473
80964001 . 690, 694, 699,	8310161 83	83683254 . 587, 589, 591,	84719671 441
701	8310302 115	593, 595, 597	84719672 431

PART NUMBER INDEX

84719673...431, 433, 435	8770064 ... 313, 335, 415, 417	88201105 . 59, 65, 79, 85, 91	88521005.....381
84719676.....467	8770109 315	88201108 709	88521010.....35, 37, 134, 138, 672
84719677.....467	8770258 419	88201120 21	88521012..... 15, 53
84719679.....455	8780031 363	88201530 44	88521016.....65
84719685.....463	8780036 364	88201533 .. 39, 43, 44, 49	88521204..... 16, 21
84719686.....724	8780045 364	88201534 39, 65	88521205.....585, 815
84719732.....73	8780048 364	88201535 65	88521206.. 177, 179, 181, 443, 681
84719733.....459	8780050 364	88201537 43, 47, 133, 137, 672	88521304.....403, 461
84719756.....449	8780264 364	88201549 16, 20	88521305.. 520, 524, 576, 742
84719760.....79, 92	8786514 363	88201551 16, 20, 771	88521310.. 59, 65, 79, 85, 91
84719761.....441	88201001 134, 672	88201563 44	88551006.....709
84719762.....441	88201002 379	88201564 39	88551007.....745
84719763.....441	88201003 713	88201566 49	88551009.. 15, 19, 65, 79, 91, 399, 455, 473, 475, 690, 694, 699, 701, 713, 724, 725, 745, 771
84719764.....441	88201005 16, 20, 379, 403, 451, 455, 473, 690, 694, 734, 745	88204912 16, 20	88551010.. 15, 73, 79, 89, 92, 102, 177, 179, 187, 189, 191, 193, 403, 413, 415, 445, 533, 681, 683, 685, 749, 751
84719765.....102	88201006 399	88211030 690, 695	88551011.. 15, 20, 41, 47, 85, 92, 117, 171, 173, 177, 187, 189, 197, 409, 413, 415, 467, 559, 681, 683, 685, 709, 717, 719
84719766.....102	88201007 431, 451	88211048 724	88551012..... 16, 20
84719767.....102	88201008 65, 79, 91, 102, 473, 475	88211073 403	88551013.... 65, 133, 137, 481, 483, 499, 503, 505, 533, 671, 717, 719, 793, 815
84719781.....445	88201009 724	88211105 481, 503	88551016.....709
84719782.....445	88201010 724	88221276 53	88551018.....717
84719846.....313, 335	88201011, 425, 691, 694, 699, 701, 731	88241023 ... 41, 477, 727, 729	88561002.. 16, 20, 80, 92, 102, 379, 451, 455, 473, 690, 694, 699, 701, 713, 745, 771
84719936.....313, 335	88201016 15, 807	88241053 85, 91	88561003..... 16, 20, 177, 379, 403, 413, 415, 520, 524, 681, 713, 742, 815
84719939.....451	88201018 15, 19, 187, 189, 403, 445, 683	88251019 403	88561004..... 15, 19, 117, 171, 173, 187, 189, 199, 201, 683, 685, 687, 734
84721016.....441	88201019 . 177, 179, 681, 749, 751	88261010 785, 787	88561007..... 134, 672
84721029...431, 433, 435	88201020 . 379, 399, 405, 413, 415, 533	88261014 171	88561105.....53, 694
84721030.....441	88201021 . 177, 191, 193, 681, 685	88261015 15, 19, 690, 695, 699, 701, 771	88561107.....16, 21, 399
84721031.....441	88201022 179	88261022 713	88561108.. 103, 134, 177, 179, 191, 193, 403, 445, 663, 665, 672, 681, 685, 815
84721061.....313	88201023 ... 89, 102, 445, 691, 694, 699, 701, 807	88261027 16, 20	88561109 16, 47, 65, 403, 467, 671, 727
84721064.....451	88201024 73, 761	88261128 49	88561111.....37, 43, 481, 483, 499, 503, 505, 533, 672, 717, 719, 731, 771
85071128... 177, 179, 681	88201025 103	88301093 745	88561113.....37
8522012.....41, 51	88201026 379	88301191 171	88561115.....709
8540205.....705	88201028 . 520, 524, 742, 815	88301193 53	88581112.....51
8580315.....83	88201029 79, 91, 102	88302125 379	88581136.....79, 91, 103
8584001.....83	88201030 815	8832192 173, 175	
8584003.....738	88201033 . 187, 189, 409, 683, 685	88321015 371, 724	
85841150.....749, 751	88201034 ... 47, 177, 467, 681, 727, 734	88321022 709	
85941016.....778, 787	88201035 15, 19, 171, 173, 413, 415	88341022 95, 107	
8630003.....115	88201036 15, 19, 171, 173, 559	88411045 576	
8630019.....437	88201037 117	8841322 269	
8642207.....83	88201038 197	88501004 . 425, 438, 690, 694, 699, 701, 713, 724, 731, 745	
86521144.....103	88201039 709	88501005 . 15, 19, 73, 79, 91, 102, 533, 749, 751	
86621230.. 184, 717, 719, 785	88201047 41	88501006 . 15, 19, 24, 85, 92, 117, 197, 403, 467, 471, 477, 709, 717, 719, 727, 729, 801	
86661147.....709	88201064 43, 499	8841222 269	
86661149.....709	88201065 39, 65, 481, 483, 503, 505, 533, 717, 719, 731	88501007 . 69, 73, 134, 671, 795, 797	
86661152.....709	88201066 ... 37, 485, 487, 507, 717, 719	88501010 73, 89	
86671187.....705	88201067 ... 53, 133, 137, 671	88501012 . 19, 21, 25, 29, 31	
86681572..... 15, 19	88201073 69, 73	88501014 15, 19, 25	
86683122..... 80, 92, 409, 459, 461, 710, 724	88201095 37	88501016 65	
86683193.. 690, 694, 697, 699, 701, 703		88501307 16, 20	
86683106.. 133, 137, 141, 143, 171, 672		88501310 37	
86883327... 177, 181, 681		88501322 51	
86883328..... 697, 703		88501410 37	
86983648..... 195		88501610 709	
8750001.....438		88501612 ... 41, 477, 727, 729, 745	
8750005.....438		88521004 697, 703	
8750022.....438			
8750025.....438			
8750029.....433, 435			
8760268.. 65, 79, 91, 102, 417, 724			
8765204..... 80, 92, 103			
8769132.....83			
8769153.....433, 435			
8770016.....83			

PART NUMBER INDEX

88581149 ... 37, 493, 495, 501	90027471 39, 43, 49, 134, 671	90554017.....111	91053419..... 717, 719
88591204 79, 91, 431, 433, 435, 449, 451, 455, 533, 724	90027472 73, 89	90554018.....111	91054002..... 143
88591205 .65, 73, 79, 89, 91, 335, 431, 433, 435, 445, 467, 533, 565, 717, 719	90027473 .. 16, 20, 25, 31	90554020.....75	91064017 721
88591206 73, 89, 133, 138, 445, 459, 463, 467, 565, 671, 731	90027475 .275, 313, 315, 719	90554033.....77	91081158.. 134, 138, 672
88591207 . 134, 138, 177, 179, 431, 433, 435, 441, 533, 671, 681	90028482437	90554034.....77	91081313..... 65
88591209 .. 431, 433, 435	90028488 .. 133, 187, 189	90554042.....75, 111	91081577..... 65
88591210 533	90028631 195	90554045.....569	91081594..... 65
88621230 148	90028660 . 133, 137, 141, 143, 147, 671, 705, 799	90554054.....75	91081622..... 65
88631302 41	90028695437	90554061.....111	91081630..... 65
88631449 79, 91, 95, 103	90028720437	90554062.....75, 111	91081640..... 583, 585
88661002 459, 461	90028932 41, 727	90554063.....111	91083126.. 191, 683, 685
88661084 467	90028935 .511, 513, 515, 717, 719	90554065.....111	91083128..... 187
88661102 459	90028946403	90554076.....75, 111	91083129..... 189, 683
88661364 413, 415	90028990 73	90554077.....111	91083136..... 403
88662005 .. 431, 433, 435	90029955 709, 745	90554079.....107	91083155..... 705
88662017 .. 431, 433, 435	90029999 89	90554080..... 107, 109	91083216. 467, 471, 477, 727, 729
88662064 . 431, 433, 435, 449, 451, 455	90200003 .59, 61, 65, 67, 79, 83, 85, 91, 115	91003031.....663, 665	91083217..... 463, 465
88662065 . 565, 567, 717, 719	90200445 663, 665	91014066.....509	91083218. 141, 143, 144, 148, 672
88662067 177, 681	90200602793	91023098.....381	91083222..... 473
88662085 717, 719	90200688 663, 665	91031236.....65	91083248..... 65
88662105 . 413, 415, 431, 433, 435, 449, 451, 473	90200755 .. 179, 181, 371	91033029..... 16, 20, 771	91083250..... 197
88662106 445	90201443 89	91033038.79, 91, 95, 102	91083301..... 533, 826
88662108 . 431, 433, 435, 441	90203384 103	91033137.. 177, 179, 181, 183, 681	91083483..... 583, 713
88662523 16, 20, 25	90204007 65	91033186.....65	91083492..... 650, 654
88662526 751	90204097 103	91033317.. 381, 383, 385, 388, 826	91083504..... 675
8866348 24	90204098 724	91033320..... 16	91083533..... 379
8866514 21	90204781 211	91033425...690, 695, 697	91083535..... 89
8866530 21	90204823 209	91033486.....771	91084004..... 523, 575
88671001 . 37, 41, 51, 67, 69, 73, 459, 717, 719	90205688 383, 385	91034153.....487	91084005..... 524, 575
88671008 . 39, 53, 79, 91, 103	90205870 65	91034156.....755	91084006..... 524, 575
88671018 79, 91, 103	90205918 177, 681	91034157..... 755, 817	91084008 . 519, 523, 575, 741
88671022 65	90206195 .. 175, 697, 703	91034237.....576	91084009 .. 519, 523, 741
88671027 44, 49, 824	90206198 371	91034267..493, 499, 503, 505, 507	91084010..... 523, 575
88681311 801	90206199437	91034374..... 102, 117	91084014..... 742
88681344 41	90206202438	91034375..... 102, 117	91084203..... 524, 742
88691387 388	90206203447	91034377..... 103, 117	91084278 . 520, 524, 576, 742
88711283 .. 171, 173, 175	90207352 511	91034399..... 103	91084279 . 520, 524, 576, 742
88712306 137	90207463437	91034400..... 103	91084372..... 499, 721
88991001 138	90207661 734, 738	91034435.....817	91094023..... 523, 575
88991005 39, 44, 49	90207662 102	91034436.....817	91094024..... 523, 575
89981036 709	90207882 73	91041322..... 79, 91, 102	91113003..... 717, 719
90022230 571	90208148 757	91041325..... 79, 91, 103	91121145..... 709
90026491 663, 665	90208181 757	91041326..... 79, 91, 103	91121146..... 709
90026803 . 587, 589, 591, 593, 595, 597	90208212 761	91041327..... 79, 91, 103	91123062.. 425, 427, 731
90026965 73	90214009 827	91041356..... 79, 91, 102	91123065..... 709
90027187 . 133, 143, 671, 713, 717, 719, 734, 807	90402948 69, 73	91041361..... 80, 92, 103	91123075..... 724
90027214 745	90403056 73	91041362..... 103	91123126..... 409, 411
90027470 .. 20, 39, 43, 49	90451053 69	91041387..... 65	91124087..... 817
	90451058 115	91041451.....51	91124096 . 481, 483, 485, 487, 499, 503, 505, 507, 513, 753, 817
	90451061 103	91041596.....51	91124103..... 721
	90453018 102	91043125 . 55, 65, 67, 73, 79, 83, 91, 102, 121, 125, 727, 819, 821	91140001..... 15, 19, 25
	90453023 102	91043126 . 55, 65, 67, 73, 79, 83, 91, 102, 117, 121, 125, 727, 819, 821	91141128..... 41
	90453034 817	91043147.....471	91143015..... 583
	90453040 69	91043186.....80, 92	91143051 . 275, 313, 315, 717, 719
	90453041 69	91043221.79, 91, 95, 103	91143117 .. 709, 785, 787
	90553012 85, 92	91043342.....143	91143122 . 141, 143, 148, 583, 675
	90553013 85, 91	91044080.....509, 571	91143155..... 717, 719
	90553026 663, 665	91053020... 134, 143, 671	
	90553027 650, 654		
	90553028 650, 654		
	90553036 107		
	90554016 75, 77, 111		

PART NUMBER INDEX

91143172..431, 433, 435, 449, 451, 453	91344046..... 373	91403009.. 481, 483, 485	91403297..... 717, 719
91143220.....21	91344053 . 745, 778, 789, 791	91403017..... 51	91403298..... 379
91143280..... 650	91361003..... 709	91403018..... 41	91403299..... 690
91143281..... 650, 654	91361026..... 717, 719	91403019..... 41, 727	91403304..... 709, 745
91143282..... 79, 91, 102, 650, 654, 663, 665	91363021 . 587, 589, 591, 593, 595, 597, 600, 603, 605, 607	91403020..... 53	91403305..... 709
91143283..... 650, 654	91364009 . 587, 589, 591, 593, 595, 597	91403021..... 499	91403306..... 709
91143284..... 650, 654	91364010 . 587, 589, 591, 597, 600	91403022..... 493, 495	91403311..... 724
91143285..... 650, 654	91364023 . 191, 193, 685	91403025..... 35, 37	91403316..... 731
91143286..... 650, 654	91365037..... 717, 719	91403026..... 503, 505	91403318..... 734, 738
91143288..... 650, 654	91365045..... 709	91403027..... 481, 483	91403322..... 755
91143290..... 663, 665	91401189... 51, 481, 483, 499, 503, 505	91403045..... 51	91403324..... 379
91143314.. 133, 137, 671, 826	91401190..... 51	91403047..... 51	91403329.. 691, 694, 699, 701
91143315.. 133, 137, 148, 671, 826	91401191..... 43, 824	91403052..... 41	91403338..... 103
91143339..... 587	91401193..... 37	91403053..... 41	91403339..... 117
91143340..... 587	91401197..... 43	91403060..... 53	91403350.. 690, 694, 699, 701
91143348.. 177, 179, 181, 681	91401198.. 171, 173, 175	91403061..... 37	91403351.. 690, 694, 699, 701
91143357. 15, 19, 25, 827	91401204..... 47	91403065..... 51	91403352.. 690, 694, 699, 701
91144005..... 721	91401212..... 39, 43, 824	91403071..... 41	91403359..... 105
91144006..... 817	91401213..... 39, 43, 824	91403087..... 47, 824	91403364..... 102, 105
91144033..... 721	91401215..... 39, 43, 824	91403095.. 177, 179, 681	91403366..... 85, 91, 105
91144038.. 513, 753, 817	91401216..... 39, 43, 824	91403096.. 177, 179, 681	91403377..... 47
91144039..... 817	91401218..... 43, 49, 824	91403097..... 15, 19, 25	91403384..... 89
91144040..... 817	91401219..... 43, 824	91403098..... 15, 19, 25	91403390..... 713
91144125..... 755, 817	91401222..... 39, 44, 824	91403100..... 187	91403392..... 467
91144128.. 481, 483, 485, 487, 499, 503, 505, 507, 513, 721, 753	91401225..... 43, 49, 824	91403101..... 189, 683	91403393..... 467
91144190..... 409, 411	91401226..... 49, 824	91403102..... 187	91403404..... 53, 824
91144267..... 755	91401266.. 79, 91, 95, 102	91403103..... 187	91403405..... 53
91144478..... 369	91401276..... 734	91403104..... 187	91403407..... 53, 824
91153007... 191, 193, 685	91401281..... 583, 585	91403105.. 133, 672, 825	91403408..... 117
91161222..... 39, 43, 49	91401296..... 89	91403108..... 503	91403409..... 117
91161269..... 717, 719	91401299..... 713	91403114..... 37	91403411..... 53
91163018..... 717, 719	91401303..... 59, 65	91403119..... 51	91403412..... 31, 53
91163028..... 659	91401324..... 59, 65, 79	91403126..... 41, 43, 477, 727, 729	91403413.. 55, 65, 67, 73, 79, 83, 89, 91, 102, 115, 121, 125, 129, 727, 819, 821
91163035.. 199, 201, 203, 687	91401340..... 85, 91	91403127..... 41, 43, 477, 727, 729	91403414.. 55, 65, 67, 73, 79, 83, 89, 91, 102, 115, 117, 121, 125, 129, 727, 819, 821
91163087..... 379, 381	91401344..... 467, 727	91403141..... 177	91403415... 103, 467, 727
91163100..... 533, 535	91401354..... 727	91403142.. 179, 181, 681	91403425..... 47
91163129.. 148, 187, 189, 191, 193, 683, 685	91401415..... 15, 19, 775	91403153..... 15, 19, 25	91403432..... 51
91163137.. 189, 191, 193, 683	91401417..... 771	91403156..... 717, 719	91403433..... 41
91163268..... 197	91401421..... 690	91403158..... 533	91403437..... 171
91164086..... 367	91401423..... 403	91403160..... 141, 675	91403443..... 705
91164087..... 367	91401432..... 731	91403176..... 171	91403444..... 727
91164094..... 367	91401435..... 41	91403178..... 401	91403445.. 691, 694, 699, 701
91164440..... 69	91401436.. 477, 727, 729	91403180..... 537	91403448..... 73
91166062..... 717, 719	91401443.. 690, 695, 697	91403181..... 771	91403473..... 403
91203039..... 143	91401450..... 39, 43, 824	91403191..... 771	91403474..... 403
91303049..... 683	91401451..... 43, 49, 824	91403193..... 364	91403476..... 403
91323030..... 650, 654	91401453..... 43, 49, 824	91403216..... 199, 687	91403488..... 197
91334024..... 369	91401454..... 43, 49, 824	91403217..... 15, 19, 25	91403489.. 199, 201, 203, 687
91334031..... 373	91401456..... 39, 824	91403225 . 513, 515, 717, 719	91403490..... 421, 826
91334032..... 373	91401457..... 39, 824	91403226.. 511, 513, 515	91403491..... 423, 826
91334038..... 383, 385	91401469..... 39	91403230.. 16, 20, 25, 95	91403493..... 37
91334135..... 369	91401472..... 39	91403240..... 187, 189	91403499... 41, 477, 727, 729
91343016..... 650, 654	91401487..... 15, 19, 25	91403244 . 187, 189, 191, 193, 683, 685	91403503... 21, 709, 778, 781, 795, 797
91343031.. 745, 778, 789, 791	91401516..... 379, 381	91403247..... 413, 415	
91343222..... 675	91401568..... 47	91403248.. 133, 137, 672	
91344018..... 373	91401571..... 371, 724	91403254..... 171	
	91401581..... 171	91403265..... 133, 671	
	91401590..... 379, 381	91403273..... 425, 731	
	91403006..... 493	91403279..... 753	
	91403008..... 499	91403280 . 691, 694, 699, 701	
		91403288..... 379, 690	
		91403293.. 133, 137, 671	
		91403295..... 713	

PART NUMBER INDEX

91403506 463	91404098 401	91404208 401	91404259 . 155, 159, 163, 677
91403507 463	91404099 401	91404209 401	91404260 155, 677
91403512 187	91404100 401	91404210 401	91404261 155, 677
91403513 171, 825	91404101 401	91404211 403, 405	91404262 . 155, 159, 163, 677
91403514 171	91404102 401	91404212 403, 405	91404263 155, 677
91403516 438, 724	91404103 401	91404213 403, 405	91404264 . 155, 159, 163, 677
91403519 41	91404105 401	91404214 520, 524	91404265 .. 159, 163, 677
91403520 734, 738	91404106 401	91404215 537, 539	91404266 677
91403521 403	91404107 401	91404216 537	91404267 .. 159, 163, 677
91403522 734, 738	91404109 375	91404217 537, 539	91404268 677
91403524 171	91404110 375	91404218 537	91404269 677
91403526 16, 20	91404112 493	91404219 155, 677	91404270 677
91403527 771	91404113 493	91404220 .. 155, 159, 163, 677	91404271 677
91403528 441	91404114 493	91404221 .. 155, 159, 163, 677	91404272 164, 677
91403530 39, 43, 824	91404130 493	91404222 .. 155, 159, 163, 677	91404273 677
91403531 43, 49, 824	91404131 .. 481, 483, 485	91404223 . 155, 159, 163, 677	91404274 .. 141, 675, 827
91403532 39, 43, 824	91404132 . 481, 483, 485, 487	91404224 .. 155, 159, 163, 677	91404275 15, 24, 827
91403533 49, 824	91404133 . 481, 483, 485, 487	91404225 .. 155, 159, 163, 677	91404276 721
91403535 49, 824	91404134 .. 481, 483, 485	91404226 .. 155, 159, 163, 677	91404281 721
91403538 691	91404135 . 481, 483, 485, 487	91404227 155, 677	91404282 721
91403539 691, 694	91404136 .. 481, 483, 485	91404228 155, 677	91404283 721
91403540 741	91404137 .. 481, 483, 485	91404229 .. 155, 159, 163, 677	91404286 . 499, 503, 505, 507
91403541 519	91404138 . 481, 483, 485, 487	91404230 155, 677	91404287 . 499, 503, 505, 507
91403569 650, 654	91404139 .. 481, 483, 485	91404231 677	91404288 . 481, 483, 485, 487
91403573 650, 654	91404140 . 481, 483, 485, 826	91404232 .. 155, 159, 163, 677	91404290 375
91403574 15, 19, 826	91404151 .. 481, 483, 485	91404233 .. 155, 159, 163, 677	91404291 375
91403575 533, 826	91404152 . 481, 483, 485, 487	91404234 .. 155, 159, 163, 677	91404292 373
91403579 533, 535	91404153 . 499, 503, 505, 507	91404235 155, 677	91404293 369
91403580 105	91404154 . 499, 503, 505, 507	91404236 155, 677	91404294 373
91403585 .. 503, 505, 507	91404155 499	91404237 155, 677	91404295 369
91403596 691, 695	91404156 499	91404238 155, 677	91404296 375
91403600 15	91404157 499, 826	91404239 155, 677	91404297 369
91403601 . 199, 201, 203, 687	91404171 513	91404241 155, 677	91404298 369
91403606 734, 738	91404172 513, 826	91404242 .. 155, 159, 163, 677	91404299 369
91403607 734, 738	91404177 520	91404243 155, 677	91404300 373
91403608 .. 690, 695, 697	91404178 .. 520, 524, 742	91404244 155	91404301 369
91403609 171, 826	91404179 .. 520, 524, 742	91404245 155	91404302 373, 375
91403613 709	91404180 520, 742	91404246 155	91404303 373
91403614 724	91404181 520, 742	91404247 155	91404304 373
91403617 533	91404182 . 519, 523, 575, 741	91404248 677	91404305 373
91403618 650, 654	91404183 519, 741	91404249 155	91404306 373
91403620 379	91404184 519, 741	91404251 .. 155, 159, 163, 677	91404309 373
91403630 44	91404185 519, 741	91404252 155, 677	91404310 373
91404004 . 144, 159, 163, 672	91404186 . 519, 523, 575, 741	91404253 .. 155, 159, 163, 677	91404311 373
91404005 . 144, 672, 749, 751	91404187 .. 519, 523, 741	91404254 155, 677	91404312 373
91404007 187	91404188 .. 519, 523, 741	91404255 .. 155, 159, 163, 677	91404313 373
91404008 . 177, 179, 181, 681	91404189 .. 519, 523, 741	91404256 .. 155, 159, 163, 677	91404314 373
91404010 421, 826	91404190 519, 741	91404257 .. 155, 159, 163, 678	91404315 373
91404011 421, 423	91404191 . 519, 523, 575, 741	91404258 .. 155, 159, 163, 678	91404316 373
91404013 421, 423	91404192 .. 520, 523, 742		91404317 373
91404016 421, 423	91404203 .. 503, 505, 507		91404318 373
91404068 171	91404204 .. 503, 505, 507		91404319 373
91404084 533, 826	91404205 .. 503, 505, 507		91404320 373
91404086 . 134, 159, 163, 672, 825	91404206 . 503, 505, 507, 826		91404321 373
91404088 401	91404207 401		91404322 375
91404089 401			91404323 373
91404091 401, 731			91404324 373
91404093 401			91404325 423, 826
91404094 401			91404326 421, 423
91404095 401			91404327 421, 423
91404096 401			91404329 383, 385
91404097 401			

PART NUMBER INDEX

91404330.....	383, 385	91405071.....	63	91413138.....	37	91471200.....	15, 19
91404331.....	383, 385	91405073.....	59	91413139.....	37	91471204.....	717
91404332.....	383, 385	91405074.....	59	91413148.....	767	91471206.....	751
91404333.....	383, 385	91405075.....	79	91413149.....	767	91471213... 313, 315, 719	
91404334.....	383, 385	91405077.....	85	91413154.....	509	91471220.....	719
91404335.....	383, 385	91405078.....	91	91413155.....	489	91471221.....	709
91404336.....	383, 385	91405079.....	65	91413156.....	501	91471226.....	39, 43, 824
91404337.. 587, 589, 591, 593, 595, 597, 600		91405080.....	73	91413158.....	487	91471227.....	39, 43, 824
91404349.....	383, 385	91405081.....	73	91413159.....	757	91471228.....	43, 49, 824
91404350.....	383, 385	91405082.....	69	91413160.....	757	91471229.....	43, 824
91404352.....	513, 753	91405083.....	69	91414028.....	409	91471230... 133, 137, 671	
91404355.....	753	91405085.....	41	91414029.....	409	91471238.....	20
91404361.....	753	91405086.. 477, 727, 729		91414040 . 141, 143, 169, 675, 827		91471240... 35, 483, 485, 487, 489, 507, 509	
91404362.....	753	91405100.....	727	91414045 73, 763, 765		91471242.....	769
91404363.....	753	91405101.....	65	91414046.....	763	91471243.....	379
91404365.....	753	91405102.....	134, 825	91414047.....	763, 765	91473002.....	297
91404366.....	753	91406015.....	51	91414048.....	765	91473003.....	277
91404367.....	753	91406026.. 133, 137, 671		91414049.....	761	91473009.....	533
91404370.....	755	91406027.. 133, 143, 671		91414050.....	761	91473014.....	511
91404371.....	755	91406069.. 79, 91, 95, 102		91414053.....	761	91473016.....	155
91404372.....	755	91406070.. 79, 91, 95, 102		91414054.....	761	91473017.....	677
91404373.....	755	91406072.....	102	91414055.....	761	91473019.. 177, 179, 181, 681	
91404380.....	755	91406113.....	690, 775	91414056.....	761	91473025.....	275
91404381.....	755	91406114.....	690, 771	91414057.....	761	91473026.....	275
91404382.. 481, 483, 485, 487, 493, 499		91406115.....	16, 20, 775	91414058.....	761	91473027.....	359, 361
91404383.....	757	91406116.....	771	91414059.....	761	91473028.....	359, 361
91404385.....	757	91406119.....	690	91414060.....	761	91473029.....	359
91404386.....	757	91406129.....	467	91414061.....	761	91473031... 409, 411, 825	
91404388.....	757	91406139.....	403	91414062.....	761	91473036.....	199, 687
91404389.....	757	91406147.....	403	91414063.....	761	91473037.....	197
91404392.....	757	91406148.....	403	91414065.....	487	91473048.....	463
91404394.....	757	91406155.....	103	91414066.....	487	91473049.....	463
91404395.....	757	91406156.....	95	91414067.....	487	91473052.....	467
91404396.....	757	91409117.....	493	91414068.....	487	91473060.....	533
91404408.....	757	91411044.....	89	91414069.....	487, 826	91473061.....	409, 825
91404409.....	757	91411050.....	80, 92, 103	91415025.....	95	91473065.....	583
91404411.....	757	91411073.....	79, 91, 102	91415035.. 134, 672, 825		91473067.....	449, 451
91404412.....	757	91413013.....	459	91415045.....	771	91473069.....	513
91404413.....	757	91413014.....	403	91415064.....	672, 825	91473072... 431, 433, 435	
91404416.....	757	91413015.. 134, 143, 671		91415083.....	767, 827	91473075.....	527
91404418.....	757	91413016.....	409	91415084.....	144	91473082.....	317
91404419.....	758	91413029.....	724	91416011.....	724	91473083.....	339
91404420.....	758	91413036... 26, 694, 697, 703, 810		91416013.....	399	91473085.....	16, 20, 25
91404421.....	758	91413038 . 690, 694, 699, 701		91416017.....	399	91473086.....	275, 295
91404426.....	758	91413039.....	761	91416018.....	102	91473088.....	425, 731
91404430.....	758	91413040.....	765	91416020.....	699, 701	91473091.....	563
91404432.....	757	91413041.....	73, 763	91471034.....	275, 717	91473093... 134, 138, 671	
91404433.....	757	91413044.....	745	91471108 . 177, 179, 181, 681		91473094... 431, 433, 435	
91404437.....	16, 21	91413045.....	745	91471112.....	15, 19	91473095.....	15
91404438.....	806	91413050 . 379, 381, 697, 703		91471126.....	717, 719	91473097.....	383
91404439.. 691, 806, 810		91413051.....	691	91471129.....	409	91473098.....	721
91404443.....	171	91413052.. 709, 778, 781		91471132 . 177, 179, 181, 681		91473099.....	403, 825
91404451.....	156	91413053.. 695, 699, 701		91471133 . 187, 189, 191, 193, 683, 685		91473100.....	189, 683
91405024.....	89	91413061.. 650, 654, 658		91471134.....	187	91473101.....	587
91405032.....	53	91413096.....	133	91471138.....	717, 719	91473102.....	187, 189
91405035.....	363	91413099.....	79, 91, 102	91471145.....	137, 671	91473103... 191, 683, 685	
91405036.....	363	91413100.....	79, 91	91471146.....	133	91473104... 187, 189, 191, 193, 683, 685	
91405042.....	171	91413104.. 141, 143, 675		91471150.....	15, 19	91473108.. 177, 179, 181, 681	
91405050.....	771	91413111.....	379	91471167.....	133, 671	91473115... 134, 671, 826	
91405054.....	63	91413113.....	724	91471172.....	133, 671	91473116... 431, 433, 435	
91405055.....	63	91413122.....	51	91471174.....	533	91473117.....	199, 687
91405056.....	690	91413123.....	51	91471181.....	189, 683	91473118.....	197
91405060.....	117	91413127.....	41	91471191.....	15, 20	91473119... 199, 201, 687	
91405061.....	117	91413130.....	371				

PART NUMBER INDEX

91473120	197	91474007	511	91474086	281, 301, 825	91474155	291, 309
91473123	650	91474013	511	91474087	281, 301, 825	91474156	291, 309
91473125	734, 738	91474014	511	91474088	281, 301	91474157	291, 309
91473126	815	91474019	511	91474089	281, 301	91474158	291, 309
91473127	388, 734, 738	91474020	511	91474090	281, 301	91474159	291, 309
91473134	449, 451	91474021	511	91474091	281, 301	91474160	291, 309
91473136	177, 179, 181, 681	91474022	557	91474092	281, 301	91474161	291, 309, 825
91473139	650, 654	91474023	557, 559, 561	91474093	281, 301	91474162	293, 311
91473140	731	91474024	557, 559, 561	91474094	281, 301	91474163	293, 311
91473141	731	91474026	557, 559	91474095	281, 301	91474164	293, 311
91473142	731	91474027	557, 559, 561	91474096	281, 301	91474165	293, 311
91473143	731	91474028	557, 559	91474097	281, 301	91474166	293, 311
91473143	731	91474030	557	91474098	281, 301	91474167	293, 311
91473146	399, 427, 724	91474032	557	91474099	283	91474168	293, 311
91473150	359	91474033	557, 559	91474100	283, 303	91474169	293, 311
91473151	361	91474034	557, 559	91474101	283, 303	91474171	134, 159, 163, 672, 825
91473155	441	91474035	359, 361, 826	91474102	283, 303	91474172	299
91473156	369	91474036	279, 299	91474103	283, 303	91474173	299
91473159	557	91474037	279, 293, 299, 311	91474104	283, 303	91474174	303
91473160	541	91474038	279, 299, 527	91474105	283, 303	91474175	305
91473162	650, 654	91474039	279	91474106	283, 303	91474176	305
91473163	381, 697, 703	91474040	279	91474107	283, 303	91474178	527, 529, 531
91473164	724	91474041	279, 299	91474108	283, 303	91474179	527, 529, 531
91473166	713	91474042	279, 299	91474109	283, 303	91474180	527
91473171	650, 654	91474043	279, 299	91474110	283, 303	91474181	527, 529, 531
91473172	459	91474044	279, 299	91474111	283, 303	91474182	527
91473173	459	91474045	279, 299	91474112	283, 303	91474184	527
91473174	467	91474046	279, 299	91474113	283, 303	91474185	155, 159, 163, 677
91473176	650, 654	91474047	279, 299	91474116	283, 303	91474186	207
91473177	650, 654	91474048	279, 299	91474117	283, 303	91474188	207, 209
91473178	199, 201, 687	91474049	279, 299	91474118	283, 303	91474189	207, 209
91473179	207	91474050	279, 299	91474119	283, 303	91474191	207
91473180	207	91474051	279, 299	91474120	285	91474192	207, 209
91473181	473	91474052	279, 299	91474121	285, 305	91474193	207
91473182	473	91474053	279, 299	91474122	285, 305	91474194	207
91473188	539	91474054	279, 299	91474123	285	91474195	207
91473189	749, 751	91474055	279, 299	91474124	285	91474198	209
91473190	529	91474056	279, 299	91474125	285	91474199	209
91473191	559	91474057	279, 299	91474126	285, 305	91474200	209, 241
91473196	313, 719	91474058	279, 299	91474128	285, 305	91474201	209
91473206	363	91474059	279, 299	91474129	285, 305	91474203	209
91473207	364	91474060	279, 299	91474130	285, 305	91474204	209
91473210	658	91474061	279, 299	91474131	285, 305	91474205	209
91473211	379, 381	91474062	279	91474132	287, 307	91474206	209
91473212	379	91474063	279	91474133	287, 307	91474207	209
91473213	385	91474064	279	91474134	287, 307	91474208	209
91473215	207	91474065	279	91474135	287, 307	91474209	209, 241
91473217	650, 654	91474066	279	91474136	289	91474210	209
91473219	405, 825	91474067	279	91474137	289	91474211	209
91473220	589	91474068	279, 299	91474138	289	91474212	209
91473222	134	91474069	279, 299	91474139	289	91474213	209
91473223	137	91474071	279, 299	91474140	289	91474214	209
91473228	583	91474072	279, 299	91474141	289	91474216	211
91473229	591	91474073	279, 299	91474142	289	91474217	211
91473230	495	91474075	279	91474143	289	91474218	211
91473231	515	91474076	281, 301	91474144	289	91474219	211
91473233	35, 483, 485, 487, 489	91474077	281, 301	91474145	289	91474220	211
91473234	501, 509	91474078	281, 301	91474146	289	91474221	211
91473235	505, 507	91474079	281, 301	91474147	289	91474224	211
91473239	713	91474080	281, 301	91474148	289	91474226	211
91473240	769	91474081	281, 301	91474149	289	91474228	211
91473241	19	91474082	281, 301	91474150	289	91474229	213
91474003	827	91474083	281, 301	91474151	289	91474230	213, 215
91474004	511, 826	91474084	281, 301	91474152	289	91474231	213, 215
91474005	511	91474085	281, 291, 301, 309	91474153	291, 309	91474232	213, 215
91474006	511			91474154	291, 309		

PART NUMBER INDEX

91474233.....	213	91474303..	225, 227, 229	91474380	241	91474449.....	541
91474234.....	213	91474304	225, 227	91474381	241	91474450..	541, 545, 549, 553
91474235.....	213	91474306 ..	225, 227, 229	91474382	241	91474451..	541, 545, 549, 553
91474236.....	213, 215	91474307	225, 227	91474383	241	91474452... 541, 549, 553	
91474237.....	213	91474308 ..	223, 225, 227, 229	91474385	211	91474453..	541, 545, 549, 553
91474238.....	213	91474309 ..	223, 225, 227, 229	91474387	215	91474454..	541, 545, 549, 553
91474239.....	213, 215	91474310 ..	223, 225, 227, 229	91474388	215	91474455..	541, 545, 549, 553
91474240.....	213	91474311	225, 227	91474389	215	91474456..	541, 545, 549, 553
91474241.....	217	91474312	225, 227	91474390	215	91474457.....	541
91474242.....	217	91474313 ..	225, 227, 231	91474391	215	91474458..	541, 545, 549, 553
91474243.....	217	91474314	229	91474393	215	91474459... 541, 549, 553	
91474245.....	217	91474315	229	91474394	215	91474460... 541, 549, 553	
91474247.....	217	91474316	229	91474395	215	91474461.....	542, 545
91474248.....	217	91474317	229	91474396	215	91474462.....	542
91474250.....	219	91474318	229	91474398	223	91474463.....	383, 385
91474251.....	219	91474319	229	91474399	227	91474464.....	383, 385
91474252.....	219	91474320	231	91474400	563, 565	91474465.....	388
91474253.....	219	91474321	231, 241	91474401	563, 565	91474467..	587, 589, 591, 593, 595, 597, 600
91474254.....	219	91474322	231	91474402 ..	563, 565, 567	91474468..	587, 589, 591, 593, 595, 597
91474255.....	219	91474323	231	91474403	563, 565	91474469..	587, 589, 591, 593, 595, 597
91474256.....	219	91474324	231	91474404	563, 565	91474472.....	15
91474257.....	219	91474325	233, 235	91474405	563, 565	91474473.....	16
91474258.....	219	91474326	233, 235	91474406	563, 565	91474476.....	279, 299
91474259.....	219	91474331	233, 235	91474407 ..	563, 565, 567	91474477.....	291, 309
91474262.....	219	91474332	233, 235	91474409	15, 19	91474478... 281, 301, 825	
91474263.....	219	91474333	233, 235	91474410	15	91474479... 291, 309, 825	
91474264.....	219	91474334	233, 235	91474411	15, 19	91474480	279, 299
91474265..	207, 209, 219, 241	91474335	233, 235	91474412	16	91474481.....	373
91474266.....	219	91474336	233, 235	91474413	16	91474482.....	373
91474267.....	219	91474338 ..	233, 235, 237	91474414	16	91474484.....	557, 559
91474268.....	219	91474339 ..	233, 235, 237	91474415	16	91474485.....	557, 559
91474269.....	219	91474340 ..	233, 235, 237	91474416	16	91474486... 557, 559, 561	
91474270.....	219	91474341 ..	233, 235, 237	91474417	16	91474487.....	557
91474271.....	219	91474342 ..	233, 235, 237	91474418	16	91474488... 557, 559, 561	
91474272.....	219	91474343 ..	233, 235, 237	91474419	16	91474489... 557, 559, 561	
91474273.....	219	91474344 ..	233, 235, 237	91474420	15, 19	91474490.....	539
91474274.....	219	91474345 ..	233, 235, 237	91474422	16, 20	91474491.....	539
91474275.....	221	91474346 ..	233, 235, 237	91474423	15, 19	91474492.....	373
91474276.....	221	91474347 ..	233, 235, 237	91474424	15, 19	91474493.....	749, 751
91474277.....	221	91474348 ..	233, 235, 237	91474425	15, 19	91474494.....	749, 751
91474278.....	221	91474349 ..	233, 235, 237	91474427	16	91474495.....	749, 751
91474279.....	221	91474350 ..	233, 235, 237	91474428	542, 545	91474496.....	749, 751
91474280.....	221	91474351 ..	233, 235, 237	91474429	542, 546	91474497.....	749, 751
91474281.....	221	91474352 ..	233, 235, 237	91474430	542, 546	91474498.....	749, 751
91474282.....	221	91474353	233	91474431	542, 546	91474499.....	749, 751
91474283.....	223	91474354	239	91474432	542, 546	91474500.....	749, 751
91474284.....	223	91474355	241	91474433	542, 546	91474501.....	749, 751
91474285.....	223	91474356	241	91474434 ..	541, 545, 549, 553	91474502.....	749, 751
91474287.....	223	91474357	241	91474435 ..	541, 545, 549, 553	91474503.....	749, 751
91474288..	223, 225, 227, 229	91474358	241	91474436	541, 545	91474504.....	749, 751
91474289..	223, 225, 227, 229	91474359	241	91474438 ..	541, 549, 553	91474505.....	749, 751
91474294..	223, 225, 227, 229	91474360	241	91474439 ..	541, 545, 549, 553	91474506..	159, 163, 749, 751
91474295..	223, 225, 227, 229	91474361	241	91474440 ..	541, 545, 549, 553	91474507.....	319, 341
91474296..	223, 225, 227, 229	91474362	241	91474441 ..	541, 545, 549, 553	91474508.....	319, 341
91474297..	223, 225, 227, 229	91474363	241	91474442 ..	541, 545, 549, 553	91474509.....	319, 341
91474298.....	223, 229	91474364	241	91474443 ..	541, 549, 553	91474512.....	319, 341
91474299.....	223, 229	91474365	241	91474444	541, 545		
91474300.....	223	91474366	241	91474446 ..	541, 545, 549, 553		
91474301.....	225	91474367	241	91474447 ..	541, 545, 549, 553		
91474302.....	225, 227	91474368	241				
		91474369	241				
		91474370	241				
		91474371	241				
		91474372	241				
		91474373	241				
		91474374	241				
		91474375	241				
		91474376	241				
		91474377	241				

PART NUMBER INDEX

91474513	319, 341	91474599	351	91475099.....	137, 143	91513282....	35, 507, 509
91474515	319, 341	91474600	241	91475103.....	815	91513284.....	207
91474516	319, 341	91474601	241	91475104.....	654	91513285.....	593
91474518	319, 341	91474602	219	91475105.....	363	91513287.....	591
91474519	319, 341	91474605	827	91475107.....	769	91514081.....	319, 341
91474521	321, 343	91474608	513	91475108.....	694	91514082.....	319, 341
91474522	321, 343	91474609	513	91475109.....	699	91514083.....	319, 341
91474524	321, 343	91474610	513	91476006.....	717	91514084.....	319, 341
91474526	321	91474613	827	91476022... 141, 143, 675		91514095.....	321, 343
91474527	321	91474614	277, 297	91476027.....	403	91514098.....	319, 341
91474528	323, 345	91474615	277, 297	91476028... 133, 137, 671		91514099. 319, 321, 341,	
91474529	323, 345	91474616	207	91476031.. 413, 415, 417,		343	
91474530	345	91474617	209	419		91514110.. 327, 349, 825	
91474531	323, 345	91474618	209	91476033... 177, 179, 681		91514111.. 327, 349, 826	
91474532	323, 345	91474619	209	91476035.....	15, 19	91514112.....	321, 343
91474533	323, 345	91474623	241	91476037.....	413	91514113.....	321, 343
91474535	323, 345	91474624	529, 531	91476038.....	413	91514114.....	321, 343
91474536	323, 345	91474626	529	91476041.....	37	91514115.....	321, 343
91474537	323, 345	91474627	241	91476042.....	41	91514117.....	343
91474538	323, 345	91474628	383	91476043.....	47	91514118.....	815
91474539	323, 345	91474629 .. 155, 159, 164		91476044.....	16	91514123. 321, 325, 343,	
91474540	323, 345	91474630 .. 155, 160, 164		91476045... 199, 201, 687		347	
91474541	323, 345	91474631 .. 155, 160, 164		91476046.....	709	91514134.....	325, 347
91474542	323, 345	91474632	287, 307	91476054.....	815	91514146.....	327, 349
91474543	323, 345	91474633	769	91476055.....	815	91514147.....	327, 349
91474544	323	91474634	769	91476056.....	20	91514148.....	327, 349
91474547	325, 347	91474635	769	91501087.....	19	91514149.....	327, 349
91474548	325, 347	91475002	295	91503001.....	41, 824	91514153.....	329, 351
91474549	325	91475003	275	91503040.....	197	91514154.. 329, 351, 353	
91474550	325	91475010	133, 141	91503080.....	717, 719	91514155.. 329, 351, 353	
91474551	325, 347	91475011	533	91503102.....	650, 654	91514159.. 329, 351, 353	
91474552	325	91475014	671, 675	91503103.....	785	91514160.. 329, 351, 353	
91474553	325	91475015	669	91503105.. 383, 385, 388,		91514165.. 329, 351, 353	
91474554	325	91475016	177	625		91514167.....	329, 351
91474556	327, 349	91475017	179, 681	91503106.....	388, 625	91514181.....	331, 355
91474558	329	91475020	731	91504028.....	421, 423	91514188. 319, 333, 341,	
91474559	329	91475023	734	91504029.....	421, 423	357	
91474560	329	91475027	403	91504080.....	575	91514189.....	333, 357
91474561	329	91475031	363	91504089.....	619	91514196.....	545
91474562	329, 351	91475032	363	91504107.....	615, 785	91514197. 541, 545, 549,	
91474563	329, 351	91475033	399	91511127... 709, 785, 787		553	
91474564	329	91475042	413	91511144... 191, 193, 685		91514198. 541, 545, 549,	
91474565	329, 351	91475043	717	91511145... 415, 417, 419		553	
91474567	329	91475044	275	91511156.....	713	91514199. 541, 545, 549,	
91474568 .. 329, 351, 353		91475045	187	91511166.....	143, 672	553	
91474569 .. 329, 351, 353		91475046	189, 683	91511206.....	745	91514200.....	545
91474570	329, 351	91475047	713	91511215.....	171, 173	91514201.....	545
91474571	329	91475048	409	91513029.....	51	91514202.....	545
91474572	329	91475050 .. 654, 660, 665		91513072.....	545	91514246.....	19
91474573	329	91475051	565	91513099.....	16, 20	91514256.....	159, 163
91474574	329	91475053	747	91513119.....	724	91514257.....	159, 163
91474576	331, 355	91475054	363	91513121.....	16, 20	91514258.....	159, 163
91474579	331, 355	91475055	363	91513125.....	409, 411	91514259.....	159, 163
91474580	331, 355	91475057	724	91513141.....	207	91514260.....	159, 163
91474581	331, 355	91475059	745	91513159.....	137, 825	91514265.....	806, 811
91474582	331, 355	91475062	709	91513180... 415, 417, 419		91514266.....	806, 811
91474583	331, 355	91475063	654, 660	91513186.....	367	91514270.....	806, 811
91474584	331, 355	91475066	369	91513201.....	371	91514272.....	806, 810
91474585	333, 357	91475069	749	91513204.....	427	91514275.....	321, 343
91474590	329	91475070	751	91513206.....	105	91514287.....	237
91474591	325, 347	91475074 .. 313, 315, 719		91513215.....	179	91514288.....	237
91474592	323, 345	91475075	313	91513217.....	807	91514289.....	237
91474594	325	91475076	335	91513231.....	159	91514290.....	237
91474595	325	91475079	719	91513234.. 134, 138, 143,		91514291.....	237
91474596	325	91475080	654	147, 205, 672		91514292.....	237
91474597	351	91475093	363	91513266.....	815	91514293.....	237
91474598	351	91475095	709	91513271.....	163	91514294.....	237

PART NUMBER INDEX

91514295.....	806, 811	91516030.....	415, 709	91561150.....	19	91563164.....	377
91514296.....	806, 811	91516040.....	815	91561192.....	407	91563185.....	611
91515008.....	369	91516042.....	815	91561200.....	21	91563191.....	388
91515033.....	409	91516044.....	20	91561240.....	148	91563208.....	409, 411
91515041... 191, 193, 685		91534005.....	159, 163	91561241.....	148	91563213.....	149
91515047.....	427	91535011.....	138, 825	91563121 . 141, 143, 147,		91563220.....	658
91515048.....	415	91535017.....	363	205, 675, 826		91563226.....	411, 825
91515055.....	654, 660	91535019.....	363	91563129.....	195	91563243.....	47
91515056.....	363	91553057.....	159, 163	91563134.....	24, 195	91563247.....	810
91515066.....	363	91553072.....	663, 665	91563136.....	535, 826	91565067.....	25
91515073.....	654, 660	91554014.....	613, 615	91563141.....	105	91565094.....	109
91515074.....	654, 660	91554019.....	617, 623	91563142.....	105	N.S.S.....	115
91516029.....	415	91554023..	613, 615, 619	91563158 ..	377, 773, 775		



91474001



An Oshkosh Corporation Company

Corporate Office
JLG Industries, Inc.
1 JLG Drive
McConnellsburg, PA 17233-9533
USA

+1-717-485-5161 (Corporate)
+1-877-554-5438 (Customer Support Toll Free)
+1-717-485-6417

JLG Worldwide Locations

JLG Industries
358 Park Road
Regents Park
NSW 2143
Sydney 2143
Australia
+6 (12) 87186300
+6 (12) 65813058
Email: techservicesaus@jlg.com

JLG Ground Support Oude
Bunders 1034
Breitwaterstraat 12A
3630 Maasmechelen
Belgium
+32 (0)89 84 82 26
Email: emeaservice@jlg.com

JLG Latino Americana LTDA
Rua Antonia Martins Luiz, 580
Distrito Industrial Joao Narezzi
Indaiatuba-SP 13347-404
Brasil
+55 (19) 3936 7664 (Parts)
+55 (19) 3936 9049 (Service)
Email: comercialpecas@jlg.com
Email: servicosa@jlg.com

Oshkosh-JLG (Tianjin)
Equipment Technology LTD
Shanghai Branch
No 465 Xiao Nan Road
Feng Xian District
Shanghai 201204
China
+86 (21) 800 819 0050

JLG Industries Dubai
Jafza View
PO Box 262728, LB 19
20th Floor, Office 05
Jebel Ali, Dubai
+971 (0) 4 884 1131
+971 (0) 4 884 7683
Email: emeaservice@jlg.com

JLG France SAS
Z.I. Guillaume Mon Amy
30204 Fauillet
47400 Tonniens
France
+33 (0) 553 84 85 86
+33 (0) 553 84 85 74
Email: pieces@jlg.com

JLG Deutschland GmbH
M. Planck Str. 21
27721 Ritterhude-lhlpohl
Germany
+49 (0) 421 69350-0
+49 (0) 421 69350-45
Email: german-parts@jlg.com

JLG Equipment Services Ltd.
Rm 1107 Landmark North
39 Lung Sum Avenue
Sheung Shui N. T.
Hong Kong
+(852) 2639 5783
+(852) 2639 5797

JLG Industries (Italia) S. R. L.
Via Po, 22
IT-20010 Pregnana Milanese (MI)
Italy
+39 (0) 2 9359 5210
+39 (0) 2 9359 5211
Email: ricambi@jlg.com

JLG EMEA B.V.
Polaris Avenue 63
2132 JH Hoofddorp
The Netherlands
+31 (0) 23 565 5665
Email: emeaservice@jlg.com

JLG NZ Access Equipment & Services
2B Fisher Crescent
Mt Wellington 1060
Auckland, New Zealand
+6 (12) 87186300
+6 (12) 65813058
Email: techservicesaus@jlg.com

JLG Industries
Vahutinskoe shosse 24b
Khimki,
Moscow Region 141400
Russia Federation
+7 (499) 922 06 99
+7 (499) 922 06 99

Oshkosh-JLG Singapore
Technology Equipment P te Ltd.
35 Tuas Avenue 2
Jurong Industrial Estate
Singapore 639454
+65 6591 9030
+65 6591 9045
Email: SEA@jlg.com

JLG Iberica S. L.
Trapadella, 2
Pol. Ind. Castellbisbal Sur
08755 Castellbisbal
Barcelona
Spain
+34 (0) 93 772 47 00
+34 (0) 93 77 117 62
Email: parts_iberica@jlg.com

JLG Sverige AB
Enkopingsvagen 150
17627 Jarfalla
Sweden
+46 (0) 8 506 595 00
+46 (0) 8 506 595 27
Email: nordicsupport@jlg.com

JLG Industries (UK) Ltd.
Bentley House
Bentley Avenue
Middleton, Greater Manchester
M24 2GP
United Kingdom
+44 (0) 161 654 1000
+44 (0) 161 654 1003
Email: ukparts@jlg.com

www.jlg.com