



Illustrated Parts Manual

Models ***G9-43A*** ***G10-43A***

SN 0193001 through 0193007
& 016000008 through
0160048670 including
0160048773

91514001

Revised
September 6, 2017



EFFECTIVITY PAGE

December 17, 2004 - A - Revised Manual
June 15, 2005 - B - Revised Manual
September 30, 2005 - C - Revised Manual
May 5, 2006 - D - Revised Manual
August 25, 2006 - E - Revised Manual
February 23, 2007 - F - Revised Manual
July 8, 2007 - G - Revised Manual
November 12, 2008 - H - Revised Manual
April 21, 2009 - I - Revised Manual
May 2, 2011 - J - Revised Manual
October 27, 2011 - K - Revised Manual
April 4, 2012 - L - Revised Manual
July 7, 2012 - M - Revised Manual
April 3, 2014 - N - Revised Manual
February 22, 2016 - O - Revised Manual
May 19, 2017 - P - Revised Manual
September 6, 2017 - Q - Revised Manual

TABLE OF CONTENTS

SECTION 1 - FRAME AND ATTACHING PARTS.....	13
FIGURE 1-1. FRAME SHROUDING AND TRIM (Prior to SN 0160040675, Excluding 0160040468 and 0160040672)	14
FIGURE 1-2. FRAME SHROUDING AND TRIM (SN 0160040675 to Present, Including 0160040468 and 0160040672)	20
FIGURE 1-3. AXLE MOUNTING	26
FIGURE 1-4. OUTRIGGER MOUNTING G10-43A.....	28
SECTION 2 - BOOM.....	31
FIGURE 2-1. FIRST BOOM SECTION.....	32
FIGURE 2-2. BEARING PADS, SPACERS AND SHIMS, (FIRST BOOM SECTION).....	34
FIGURE 2-3. SECOND BOOM SECTION.....	36
FIGURE 2-4. BEARING PADS, SPACERS AND SHIMS, (SECOND BOOM SECTION).....	38
FIGURE 2-5. THIRD BOOM SECTION.....	40
FIGURE 2-6. BEARING PADS, SPACERS AND SHIMS, (THIRD BOOM SECTION)	42
FIGURE 2-7. PUSH BEAM/EXTEND CHAIN AND ROLLER ASSEMBLY (Prior to SN 0160037671).....	44
FIGURE 2-8. PUSH BEAM/EXTEND CHAIN AND ROLLER ASSEMBLY (SN 0160037671 to Present).....	46
FIGURE 2-9. MANUAL QUICK SWITCH ASSEMBLY (Prior to SN 0160037671).....	48
FIGURE 2-10. MANUAL QUICK SWITCH ASSEMBLY (SN 0160037671 to Present).....	50
SECTION 3 - ATTACHMENTS	53
FIGURE 3-1. TILT CARRIAGE (Prior to SN 0160028566)	54
FIGURE 3-2. TILT CARRIAGE (SN 0160028566 to Present)	56
FIGURE 3-3. BUCKETS	60
FIGURE 3-4. SIDE TILT CARRIAGE (Prior to SN 0160037671).....	62
FIGURE 3-5. SIDE TILT CARRIAGE (SN 0160037671 to Present)	64
FIGURE 3-6. TRUSS BOOM (Prior to SN 0160037671)	66
FIGURE 3-7. TRUSS BOOM (SN 0160037671 to Present)	68
FIGURE 3-8. TRUSS BOOM WITH WINCH (Prior to SN 0160037671).....	70
FIGURE 3-9. TRUSS BOOM WITH WINCH (SN 0160037671 to Present)	72
FIGURE 3-10. ADJUSTABLE TRUSS BOOM.....	74
FIGURE 3-11. SWING CARRIAGE (Prior to SN 0160037671)	76
FIGURE 3-12. SWING CARRIAGE (SN 0160037671 to Present).....	80
FIGURE 3-13. SHEET MATERIAL HANDLER (Prior to SN 0160037671)	82
FIGURE 3-14. SHEET MATERIAL HANDLER (SN 0160037671 to Present).....	84
FIGURE 3-15. WINCH INSTALLATION	86
FIGURE 3-16. 100, DRYWALL SWING CARRIAGE ASSEMBLY (Prior to SN 0160037671).....	88
FIGURE 3-17. PERSONNEL PLATFORM (Prior to SN 0160037671).....	92
FIGURE 3-18. FORK MOUNTED PLATFORM.....	94
FIGURE 3-19. 100, SWING CARRIAGE WITH SIDE SHIFT (Prior to SN 0160037671).....	98
FIGURE 3-20. FORKS.....	102
FIGURE 3-21. FORK MOUNTED LIFTING HOOK PRIOR TO SN 2005134-01	104
FIGURE 3-22. FORK MOUNTED LIFTING HOOK SN 2005134-01 TO PRESENT.....	106
FIGURE 3-23. GRAPPLE BUCKET.....	108
FIGURE 3-24. FORK PIN LOCK INSTALLATION (SN 0160037671 to Present)	110
FIGURE 3-25. DUAL FORK POSITIONING CARRIAGE ASSEMBLY (SN 0160037671 to Present).....	112
FIGURE 3-26. 6 FT MAST WITH 72 IN CARRIAGE (Prior to SN 0160037671).....	114
FIGURE 3-27. 8 FT STANDARD MAST (SN 0160037671 to Present).....	116
FIGURE 3-28. 8 FT SIDE TILT ELECTRIC MAST (SN 0160037671 to Present).....	120
FIGURE 3-29. 50 IN SIDE SHIFT CARRIAGE (SN 0160037671 to Present).....	126
SECTION 4 - ENGINE AND ATTACHING PARTS	129
FIGURE 4-1. ENGINE ASSEMBLY, LH VIEW - JOHN DEERE ENGINE (SN 0193001 through 0193007, SN 016000008 through 0160003121, Excluding 0160002658)	130
FIGURE 4-2. ENGINE ASSEMBLY, LH VIEW - JOHN DEERE ENGINE (SN 0160003210 through 0160040674, Including 0160002658, Excluding 0160040468 and 0160040672)	134
FIGURE 4-3. ENGINE ASSEMBLY, RH VIEW - JOHN DEERE ENGINE (SN 0193001 through 0193007, SN 016000008 through 0160003121, Excluding 0160002658)	138
FIGURE 4-4. ENGINE ASSEMBLY, RH VIEW - JOHN DEERE ENGINE (SN 0160003210 through 0160040674, Including 0160002658, Excluding 0160040468 and 0160040672)	140
FIGURE 4-5. ENGINE ASSEMBLY - PERKINS ENGINE (SN 0160020943 through 0160040674, Including 0160020803, 0160020823 and 0160020824, Excluding 0160040468 and 0160040672).....	142
FIGURE 4-6. ENGINE ASSEMBLY - CUMMINS (SN 0160040675 to Present, Including 0160040468 and 0160040672)	146

TABLE OF CONTENTS

FIGURE 4-7. DEERE ENGINE (SN 0193001 through 0193007, SN 0160000008 through 0160003121, Excluding 0160002658)	150
FIGURE 4-8. DEERE ENGINE (SN 0160003210 through 0160006663, Including 0160002658, Excluding 0160006594, 0160006599, 0160006617 and 0160006621)	154
FIGURE 4-9. DEERE ENGINE (SN 0160006686 through 0160040674, Including 0160006594, 0160006599, 0160006617 and 0160006621, Excluding 0160040468 and 0160040672)	158
FIGURE 4-10. PERKINS ENGINE (SN 0160020943 through 0160040674, Including 0160020803, 0160020823 and 0160020824, Excluding 0160040468 and 0160040672)	162
FIGURE 4-11. CUMMINS ENGINE (SN 0160040675 to Present, Including 0160040468 and 0160040672)	164
FIGURE 4-12. FUEL TANK AND LINES (Prior to SN 0160040675, Excluding 0160040468 and 0160040672)	166
FIGURE 4-13. FUEL TANK AND LINES (SN 0160040675 to Present, Including 0160040468 and 0160040672)	170
FIGURE 4-14. RADIATOR ASSEMBLY - JOHN DEERE ENGINE (SN 019001 through 0193007, SN 0160000008 through 0160000240)	172
FIGURE 4-15. RADIATOR ASSEMBLY - JOHN DEERE ENGINE (SN 0160000246 through 0160040674, Excluding 0160040468 and 0160040672)	174
FIGURE 4-16. RADIATOR ASSEMBLY - PERKINS ENGINE (SN 0160020943 through 0160040674, Including 0160020803, 0160020823 and 0160020824, Excluding 0160040468 and 0160040672)	176
FIGURE 4-17. RADIATOR ASSEMBLY - CUMMINS ENGINE (SN 0160040675 to Present, Including 0160040468 and 0160040672)	178
FIGURE 4-18. AIR CLEANER AND INSTALLATION - JOHN DEERE ENGINE (Prior to SN 0160040675, Excluding 0160040468 and 0160040672)	182
FIGURE 4-19. AIR CLEANER AND INSTALLATION - PERKINS ENGINE (SN 0160020943 through 0160040674, Including 0160020803, 0160020823 and 0160020824, Excluding 0160040468 and 0160040672)	184
FIGURE 4-20. AIR CLEANER AND INSTALLATION - CUMMINS ENGINE (SN 0160040675 to Present, Including 0160040468 and 0160040672)	186
FIGURE 4-21. EXHAUST INSTALLATION - JOHN DEERE ENGINE (Prior to SN 0160040675, Excluding 0160040468 and 0160040672)	188
FIGURE 4-22. EXHAUST INSTALLATION - PERKINS ENGINE (SN 0160020943 through 0160040674, Including 0160020803, 0160020823 and 0160020824, Excluding 0160040468 and 0160040672)	190
FIGURE 4-23. EXHAUST INSTALLATION - CUMMINS ENGINE (SN 0160040675 to Present, Including 0160040468 and 0160040672)	192
FIGURE 4-24. DANA TRANSMISSION - CONVERTER HOUSING GROUP (Prior to SN 0160040675, Excluding 0160040468 and 0160040672)	194
FIGURE 4-25. DANA TRANSMISSION - CASE AND PLATE GROUP (Prior to SN 0160040675, Excluding 0160040468 and 0160040672)	196
FIGURE 4-26. DANA TRANSMISSION - TORQUE CONVERTER GROUP (Prior to SN 0160040675, Excluding 0160040468 and 0160040672)	198
FIGURE 4-27. DANA TRANSMISSION - GEAR GROUP (Prior to SN 0160040675, Excluding 0160040468 and 0160040672)	200
FIGURE 4-28. DANA TRANSMISSION - PUMP DRIVE GROUP (Prior to SN 0160040675, Excluding 0160040468 and 0160040672)	202
FIGURE 4-29. DANA TRANSMISSION - CHARGING PUMP GROUP (Prior to SN 0160040675, Excluding 0160040468 and 0160040672)	204
FIGURE 4-30. DANA TRANSMISSION - REVERSE IDLER GROUP (Prior to SN 0160040675, Excluding 0160040468 and 0160040672)	206
FIGURE 4-31. DANATRANSMISSION - FORWARD AND REVERSE SHAFT GROUP (Prior to SN 0160040675, Excluding 0160040468 and 0160040672)	208
FIGURE 4-32. DANA TRANSMISSION - 3RD SHAFT GROUP (Prior to SN 0160040675, Excluding 0160040468 and 0160040672)	210
FIGURE 4-33. DANA TRANSMISSION - FIRST AND SECOND SHAFT GROUP (Prior to SN 0160040675, Excluding 0160040468 and 0160040672)	212
FIGURE 4-34. DANA TRANSMISSION - OUTPUT SHAFT GROUP (Prior to SN 0160040675, Excluding 0160040468 and 0160040672)	214
FIGURE 4-35. DANA TRANSMISSION - ELECTRIC CONTROL GROUP (SN 0193001 through 0193007, SN 0160000008 through 0160011036)	216
FIGURE 4-36. DANA TRANSMISSION - ELECTRIC CONTROL GROUP (SN 0160011061 through 0160040675, Excluding 0160040468 and 0160040672)	218
FIGURE 4-37. DANA TRANSMISSION - DRIVE PLATE GROUP (Prior to SN 0160040675, Excluding 0160040468 and 0160040672)	220
FIGURE 4-38. DANA TRANSMISSION - DROP BOX GROUP (Prior to SN 0160040675, Excluding 0160040468 and 0160040672)	222
FIGURE 4-39. ZF TRANSMISSION (SN 0160040675 to Present, Including 0160040468 and 0160040672)	224
FIGURE 4-40. ZF TRANSMISSION - TRANSMISSION CONVERTER AND INPUT (SN 0160040675 to Present, Including 0160040468 and 0160040672)	226
FIGURE 4-41. ZF TRANSMISSION - GEARBOX HOUSING (SN 0160040675 to Present, Including 0160040468 and 0160040672)	228

TABLE OF CONTENTS

FIGURE 4-42. ZF TRANSMISSION - REVERSING GEAR (SN 0160040675 to Present, Including 0160040468 and 0160040672)	230
FIGURE 4-43. ZF TRANSMISSION - REVERSE GEAR GROUP (SN 0160040675 to Present, Including 0160040468 and 0160040672)	232
FIGURE 4-44. ZF TRANSMISSION - 1ST SHAFT GROUP (SN 0160040675 to Present, Including 0160040468 and 0160040672)	234
FIGURE 4-45. ZF TRANSMISSION - 2ND SHAFT GROUP (SN 0160040675 to Present, Including 0160040468 and 0160040672)	236
FIGURE 4-46. ZF TRANSMISSION - 3RD SHAFT GROUP (SN 0160040675 to Present, Including 0160040468 and 0160040672)	238
FIGURE 4-47. ZF TRANSMISSION - 4TH SHAFT GROUP (SN 0160040675 to Present, Including 0160040468 and 0160040672)	240
FIGURE 4-48. ZF TRANSMISSION - POWER TAKE-OFF (SN 0160040675 to Present, Including 0160040468 and 0160040672)	242
FIGURE 4-49. ZF TRANSMISSION - CONTROL UNIT AND PRESSURE REGULATOR (SN 0160040675 to Present, Including 0160040468 and 0160040672)	244
FIGURE 4-50. ZF TRANSMISSION - GEARSHIFT SYSTEM (SN 0160040675 to Present, Including 0160040468 and 0160040672)	246
FIGURE 4-51. ZF TRANSMISSION - OIL PUMP, FILTER AND DIPSTICK (SN 0160040675 to Present, Including 0160040468 and 0160040672)	248
FIGURE 4-52. ZF TRANSMISSION - TRANSFER BOX (SN 0160040675 to Present, Including 0160040468 and 0160040672)	250
FIGURE 4-53. AIR CLEANER INSTALLATION	252
FIGURE 4-54. AIR CLEANER INSTALLATION	254
SECTION 5 - DRIVE TRAIN	257
FIGURE 5-1. FRONT AXLE ASSEMBLY	258
FIGURE 5-2. FRONT AXLE (Prior to SN 0160048624)	260
FIGURE 5-3. FRONT AXLE HOUSING ASSEMBLY (Prior to SN 0160048624)	262
FIGURE 5-4. FRONT STEERING COMPONENTS (Prior to SN 0160048624)	264
FIGURE 5-5. FRONT GEAR COMPONENTS (Prior to SN 0160048624)	266
FIGURE 5-6. FRONT DIFFERENTIAL (Prior to SN 0160048624)	268
FIGURE 5-7. FRONT DOUBLE JOINT (Prior to SN 0160048624)	270
FIGURE 5-8. FRONT BRAKES (Prior to SN 0160048624)	272
FIGURE 5-9. FRONT WHEEL HUB (Prior to SN 0160048624)	274
FIGURE 5-10. FRONT REDUCTION GEARS (Prior to SN 0160048624)	276
FIGURE 5-11. FRONT AXLE (SN 0160048624 to Present)	278
FIGURE 5-12. CENTRAL HOUSING AND STEERING (SN 0160048624 to Present)	280
FIGURE 5-13. DIFFERENTIAL (SN 0160048624 to Present)	282
FIGURE 5-14. HUB REDUCTION (SN 0160048624 to Present)	284
FIGURE 5-15. BRAKES (SN 0160048624 to Present)	288
FIGURE 5-16. REAR AXLE ASSEMBLY	290
FIGURE 5-17. REAR AXLE	292
FIGURE 5-18. REAR AXLE HOUSING ASSEMBLY (Prior to SN 0160048624)	294
FIGURE 5-19. REAR STEERING COMPONENTS (Prior to SN 0160048624)	296
FIGURE 5-20. REAR GEAR COMPONENTS (Prior to SN 0160048624)	298
FIGURE 5-21. REAR DIFFERENTIAL (Prior to SN 0160048624)	300
FIGURE 5-22. REAR DOUBLE JOINT (Prior to SN 0160048624)	302
FIGURE 5-23. REAR BRAKES (Prior to SN 0160035189, Excluding 0160035166)	304
FIGURE 5-24. REAR BRAKES (SN 0160035189 through 0160048624, Including 0160035166)	306
FIGURE 5-25. REAR WHEEL HUB (Prior to SN 0160048624)	308
FIGURE 5-26. REAR REDUCTION GEARS (Prior to SN 0160048624)	310
FIGURE 5-27. REAR AXLE (SN 0160048624 to Present)	312
FIGURE 5-28. CENTRAL HOUSING AND STEERING (SN 0160048624 to Present)	314
FIGURE 5-29. DIFFERENTIAL (SN 0160048624 to Present)	316
FIGURE 5-30. HUB REDUCTION (SN 0160048624 to Present)	318
FIGURE 5-31. BRAKES (SN 0160048624 to Present)	322
FIGURE 5-32. DRIVE SHAFT ASSEMBLY	324
FIGURE 5-33. TIRES AND RIMS G9-43A	326
FIGURE 5-34. TIRES AND RIMS G10-43A	330
SECTION 6 - CAB	333
FIGURE 6-1. OPEN CAB	334
FIGURE 6-2. CAB ENCLOSURES	336
FIGURE 6-3. CAB COMPONENTS	340

TABLE OF CONTENTS

FIGURE 6-4. CAB DOOR ASSEMBLY	342
FIGURE 6-5. CAB GLASS	344
FIGURE 6-6. SUSPENSION SEAT (SN 0160015460 to Present)	346
FIGURE 6-7. DASH PANEL (Prior to SN 0160040675, Excluding 0160040468 and 0160040672)	348
FIGURE 6-8. DASH PANEL (SN 0160040675 to Present, Including 0160040468 and 0160040672)	350
FIGURE 6-9. INSTRUMENT PANEL (Prior to SN 0160040675, Excluding 0160040468 and 0160040672).....	352
FIGURE 6-10. INSTRUMENT PANEL (SN 0160040675 to Present, Including 0160040468 and 0160040672)	354
FIGURE 6-11. TOP CAB GLASS SHIELD	358
FIGURE 6-12. FRONT CAB GLASS SHIELD	360
FIGURE 6-13. REAR WINDOW EXIT INSTALLATION.....	362
 SECTION 7 - CONTROLS.....	 365
FIGURE 7-1. TILT AND FRAME LEVEL JOYSTICK INSTALLATION	366
FIGURE 7-2. TILT AND SWAY JOYSTICK ASSEMBLY	368
FIGURE 7-3. ACCELERATOR PEDAL INSTALLATION (Prior to SN 0160001378, Excluding 0160001280).....	370
FIGURE 7-4. ACCELERATOR PEDAL INSTALLATION (SN 0160001378 through 0160038394, Including 0160001280)	372
FIGURE 7-5. ACCELERATOR PEDAL INSTALLATION (SN 0160038525 through 0160040674, Excluding 0160040468 and 0160040672)	374
FIGURE 7-6. ACCELERATOR PEDAL INSTALLATION (SN 0160040675 to Present, Including 0160040468 and 0160040672).....	376
FIGURE 7-7. STEERING COLUMN AND ATTACHING PARTS (Prior to SN 0160040675, Excluding 0160040468 and 016004062)	378
FIGURE 7-8. ACCELERATOR PEDAL INSTALLATION.....	380
FIGURE 7-9. STEERING COLUMN AND ATTACHING PARTS (SN 0160040675 to Present, Including 0160040468 and 0160040672).....	382
FIGURE 7-10. BRAKE PEDAL INSTALLATION (Prior to SN 0160029241).....	384
FIGURE 7-11. BRAKE PEDAL INSTALLATION (SN 0160029241 through 0160040674, Excluding 0160040468 and 0160040672)	386
FIGURE 7-12. BRAKE PEDAL INSTALLATION (SN 0160040675 to Present, Including 0160040468 and 0160040672)	388
FIGURE 7-13. BOOM JOYSTICK (Prior to SN 0160040675, Excluding 0160040468 and 0160040672)	390
FIGURE 7-14. BOOM JOYSTICK (SN 0160040675 to Present, Including 0160040468 and 0160040672).....	392
FIGURE 7-15. OUTRIGGER JOYSTICKS G10-43A.....	394
FIGURE 7-16. FRAME LEVEL JOYSTICK ASSEMBLY	396
FIGURE 7-17. ELECTRIC AUXILIARY HYDRAULIC JOYSTICK	398
FIGURE 7-18. AUXILIARY HYDRAULIC JOYSTICK.....	400
FIGURE 7-19. TILT HYDRAULIC JOYSTICK	402
 SECTION 8 - HYDRAULIC CIRCUITS	 405
FIGURE 8-1. PRIORITY VALVE CIRCUIT (SN 0193001 through 0193007, SN 0160000008 through 0160012095).....	406
FIGURE 8-2. PRIORITY VALVE CIRCUIT G9-43A (SN 0160012153 through 0160040674, Excluding 0160040468 and 0160040672)	408
FIGURE 8-3. PRIORITY VALVE CIRCUIT G10-43A (Prior to SN 0160040675, Excluding 0160040468 and 0160040672).....	412
FIGURE 8-4. PRIORITY VALVE CIRCUIT (SN 0160040675 to Present, Including 0160040468 and 0160040672)	414
FIGURE 8-5. DUMP CIRCUIT (Prior to SN 0160040675, Excluding 0160040468 and 0160040672).....	418
FIGURE 8-6. DUMP CIRCUIT (SN 0160040675 to Present, Including 0160040468 and 0160040672)	420
FIGURE 8-7. STEER SELECT VALVE (Prior to SN 0160040675, Excluding 0160040468 and 0160040672)	424
FIGURE 8-8. STEER SELECT VALVE (SN 0160040675 to Present, Including 0160040468 and 0160040672)	426
FIGURE 8-9. SERVICE/PARKING BRAKE (Prior to SN 0160040675, Excluding 0160040468 and 0160040672).....	428
FIGURE 8-10. SERVICE/PARKING BRAKE (SN 0160040675 to Present, Including 0160040468 and 0160040672)	430
FIGURE 8-11. BOOM JOYSTICK CIRCUIT G9-43A (Prior to SN 0160040675, Excluding 0160040468 and 0160040672)	432
FIGURE 8-12. BOOM JOYSTICK CIRCUIT G9-43A (SN 0160040675 to Present, Including 0160040468 and 0160040672)	434
FIGURE 8-13. BOOM JOYSTICK CIRCUIT G10-43A (Prior to SN 0160040675, Excluding 0160040468 and 0160040672).....	436
FIGURE 8-14. BOOM JOYSTICK CIRCUIT G10-43A (SN 0160040675 to Present, Including 0160040468 and 0160040672)	438
FIGURE 8-15. LIFT CYLINDER (Prior to SN 0160040675, Excluding 0160040468 and 0160040672)	440
FIGURE 8-16. LIFT CYLINDER (SN 0160040675 to Present, Including 0160040468 and 0160040672).....	442
FIGURE 8-17. CROWD CYLINDER (Prior to SN 0160040675, Excluding 0160040468 and 0160040672).....	444
FIGURE 8-18. CROWD CYLINDER (SN 0160040675 to Present, Including 0160040468 and 0160040672)	446
FIGURE 8-19. TILT AND TILT COMPENSATING CYLINDER (Prior to SN 0160040675, Excluding 0160040468 and 0160040672)	448
FIGURE 8-20. TILT AND TILT COMPENSATING CYLINDER (SN 0160040675 to Present, Including 0160040468 and 0160040672)	452
FIGURE 8-21. SWAY CYLINDER	454
FIGURE 8-22. OUTRIGGER CYLINDERS G10-43A (Prior to SN 0160040675, Excluding 0160040468 and 0160040672)	456
FIGURE 8-23. OUTRIGGER CYLINDERS G10-43A (SN 0160040675 to Present, Including 0160040468 and 0160040672).....	458
FIGURE 8-24. OUTRIGGER JOYSTICKS G10-43A (Prior to SN 0160040675, Excluding 0160040468 and 0160040672).....	460

TABLE OF CONTENTS

FIGURE 8-25. OUTRIGGER JOYSTICKS G10-43A (SN 0160040675 to Present, Including 0160040468 and 0160040672).....	462
FIGURE 8-26. AUXILIARY HYDRAULICS (SN 0160040675 to Present, Including 0160040468 and 0160040672).....	464
SECTION 9 - HYDRAULIC COMPONENTS.....	467
FIGURE 9-1. LIFT CYLINDER (SN 0193001 through 0193007, SN 0160000008 through 0160007141)	468
FIGURE 9-2. LIFT CYLINDER (SN 0160007176 through 0160007822)	470
FIGURE 9-3. LIFT CYLINDER (SN 0160008020 through 0160033297, Excluding 0160032951).....	472
FIGURE 9-4. LIFT CYLINDER (G9-43A SN 016003316 through 0160040675; G10-43A SN 0160038081 through 0160040208; Including 0160032951, Excluding 0160040468).....	474
FIGURE 9-5. LIFT CYLINDER (G9-43A SN 0160040675 to Present; G10-43A SN 0160041167 to Present; Including 0160040468)	476
FIGURE 9-6. LIFT CYLINDER INSTALLATION (ARCTIC)	478
FIGURE 9-7. LIFT CYLINDER (ARCTIC).....	480
FIGURE 9-8. CROWD CYLINDER - IOWA (Prior to SN 0160033222).....	482
FIGURE 9-9. CROWD CYLINDER (SN 0160033222 to Present)	484
FIGURE 9-10. CROWD CYLINDER (ARCTIC)	486
FIGURE 9-11. TILT CYLINDER (SN 0193001 through 0193007, SN 0160000008 through 0160007141).....	488
FIGURE 9-12. TILT CYLINDER (SN 0160007142 through 0160033297)	490
FIGURE 9-13. TILT CYLINDER (SN 0160033316 to Present)	492
FIGURE 9-14. TILT CYLINDER.....	494
FIGURE 9-15. TILT CYLINDER (ARCTIC).....	496
FIGURE 9-16. COMPENSATING CYLINDER (SN 0193001 through 0193007, SN 0160000008 through 0160007141)	498
FIGURE 9-17. COMPENSATING CYLINDER (SN 0160007176 through 0160007822).....	500
FIGURE 9-18. COMPENSATING CYLINDER (SN 0160007869 through 0160007970).....	502
FIGURE 9-19. COMPENSATING CYLINDER (SN 0160008020 through 0160033297).....	504
FIGURE 9-20. COMPENSATING CYLINDER (SN 0160033316 to Present)	506
FIGURE 9-21. COMPENSATING CYLINDER.....	508
FIGURE 9-22. COMPENSATING CYLINDER.....	510
FIGURE 9-23. SWAY CYLINDER (SN 0193001 through 0193007, SN 0160000008 through 0160033206)	512
FIGURE 9-24. SWAY CYLINDER (SN 0160033222 to Present)	514
FIGURE 9-25. SWAY CYLINDER (ARCTIC).....	516
FIGURE 9-26. MAIN CONTROL VALVE G9-43A (Prior to SN 0160040675, Excluding 0160040468 and 0160040672).....	518
FIGURE 9-27. MAIN CONTROL VALVE G9-43A (SN 0160040675 to Present, Including 0160040468 and 0160040672)	522
FIGURE 9-28. MAIN CONTROL VALVE G10-43A (Prior to SN 0160040675, Excluding 0160040468 and 0160040672).....	524
FIGURE 9-29. MAIN CONTROL VALVE G10-43A (SN 0160040675 to Present, Including 0160040468 and 0160040672)	528
FIGURE 9-30. HYDRAULIC PUMP (Prior to SN 0160040675, Excluding 0160040468 and 0160040672)	530
FIGURE 9-31. HYDRAULIC PUMP (SN 0160040675 to Present, Including 0160040468 and 0160040672).....	532
FIGURE 9-32. HYDRAULIC PUMP (SN 0160040675 through 0160061444, Including 0160040468 and 0160040672)	534
FIGURE 9-33. HYDRAULIC PUMP (SN 0160061445 to Present).....	538
FIGURE 9-34. HYDRAULIC TANK ASSEMBLY (Prior to SN 0160040675, Excluding 0160040468 and 0160040672).....	540
FIGURE 9-35. HYDRAULIC TANK ASSEMBLY (SN 0160040675 to Present, Including 0160040468 and 0160040672)	542
FIGURE 9-36. SWAY CYLINDER VALVE.....	544
FIGURE 9-37. POWER BRAKE VALVE (Prior to SN 0160029241)	546
FIGURE 9-38. POWER BRAKE VALVE (SN 0160029241 through 0160040674, Excluding 0160040468 and 0160040672).....	550
FIGURE 9-39. POWER BRAKE VALVE (SN 0160040675 to Present, Including 0160040468 and 0160040672)	554
FIGURE 9-40. PRIORITY VALVE (Prior to SN 0160025316).....	558
FIGURE 9-41. PRIORITY VALVE (SN 0160025316 through 0160040674, Excluding 0160040468 and 0160040672)	560
FIGURE 9-42. STEER SELECT VALVE (Prior to SN 0160040675).....	562
FIGURE 9-43. STEER SELECT VALVE (SN 0160040675 to Present)	564
FIGURE 9-44. GRAPPLE BUCKET CYLINDER.....	566
FIGURE 9-45. SIDE TILT CARRIAGE CYLINDER (Prior to SN 0160064375)	568
FIGURE 9-46. SIDE TILT CARRIAGE CYLINDER (SN 0160064375 to Present)	570
FIGURE 9-47. 72IN 90, SWING CARRIAGE CYLINDER.....	572
FIGURE 9-48. OUTRIGGER CONTROL VALVE (Prior to SN 0160040675, Excluding 0160040468 and 0160040672)	574
FIGURE 9-49. OUTRIGGER CONTROL VALVE G10-43A (SN 0160040675 to Present, Including 0160040468 and 0160040672)	576
FIGURE 9-50. OUTRIGGER CYLINDER (Prior to SN 0160039840).....	578
FIGURE 9-51. OUTRIGGER CYLINDER G10-43A (SN 0160039840 to Present)	580
FIGURE 9-52. HYDRAULIC MANIFOLD G10-43A (SN 0160040675 to Present, Including 0160040468 and 0160040672)	582
FIGURE 9-53. 50 IN SIDE SHIFT CARRIAGE CYLINDER (SN 0160037671 to Present).....	584
SECTION 10 - ELECTRICAL.....	587
FIGURE 10-1. BATTERY AND CABLES (Prior to SN 0160040675, Excluding 0160040468 and 0160040672)	588
FIGURE 10-2. BATTERY AND CABLES (SN 0160040675 to Present, Including 0160040468 and 0160040672)	590

TABLE OF CONTENTS

FIGURE 10-3. ENGINE HARNESS - JOHN DEERE ENGINE (SN 0193001 through 0193007, SN 016000008 through 0160002051)	592
FIGURE 10-4. ENGINE HARNESS - JOHN DEERE ENGINE (SN 0160002054 through 0160006663, Excluding 0160006594, 0160006599, 0160006617 and 0160006621)	594
FIGURE 10-5. ENGINE HARNESS - JOHN DEERE ENGINE (SN 0160006686 through 0160011036, Including 0160006594, 0160006599, 0160006617 and 0160006621)	596
FIGURE 10-6. ENGINE HARNESS - JOHN DEERE ENGINE (SN 0160011061 through 0160018121)	598
FIGURE 10-7. ENGINE HARNESS - JOHN DEERE ENGINE (SN 0160018152 through 0160020933, Excluding 0160020803, 0160020823 and 0160020824)	600
FIGURE 10-8. ENGINE HARNESS - JOHN DEERE ENGINE (SN 0160020943 through 0160040674, Including 0160020803, 0160020823 and 0160020824, Excluding 0160040468 and 0160040672)	602
FIGURE 10-9. ENGINE HARNESS - PERKINS ENGINE (SN 0160020943 through 0160040674, Including 0160020803, 0160020823 and 0160020824, Excluding 0160040468 and 0160040672)	604
FIGURE 10-10. ENGINE HARNESS - CUMMINS ENGINE (SN 0160040675 to Present, Including 0160040468 and 0160040672)	608
FIGURE 10-11. TRANSMISSION HARNESS - DANA TRANSMISSION (SN 0160020943 through 0160040675, Including 0160020803, 0160020823 and 0160020824, Excluding 0160040468 and 0160040672)	610
FIGURE 10-12. TRANSMISSION HARNESS - ZF (SN 0160040675 to Present, Including 0160040468 and 0160040672)	612
FIGURE 10-13. CAB WORK LIGHT HARNESS (SN 0160034649 to Present)	614
FIGURE 10-14. ANTI-STALL HARNESS AND CONTROL (SN 0160040675 to Present, Including 0160040468 and 0160040672)	616
FIGURE 10-15. CAB CONTROL HARNESS (SN 0160040675 through 0160045923, Including 0160040468 and 0160040672)	618
FIGURE 10-16. CAB CONTROL HARNESS (SN 0160045923 through 0160056012)	620
FIGURE 10-17. CAB CONTROL HARNESS (SN 0160056012 to Present)	622
FIGURE 10-18. CAB DASH HARNESS (SN 0160040675 to Present, Including 0160040468 and 0160040672)	624
FIGURE 10-19. VEC BOX HARNESS (SN 0160040675 to Present, Including 0160040468 and 0160040672)	626
FIGURE 10-20. CAB OPTIONS HARNESS (SN 0160040675 to Present, Including 0160040468 and 0160040672)	628
FIGURE 10-21. ACCESSORY MODULE HARNESS (SN 0160040675 to Present, Including 0160040468 and 0160040672)	630
FIGURE 10-22. TILT AND AUX CONTROL MODULE (SN 0160040675 to Present, Including 0160040468 and 0160040672)	632
FIGURE 10-23. TILT ON JOYSTICK HARNESS (Prior to SN 0160040675, Excluding 0160040468 and 0160040672)	634
FIGURE 10-24. CAB WORK LIGHT HARNESS (Prior to SN 0160059327, Including 0160040468 and 0160040672 , Excluding 0160058678, 0160058998, 0160059008, 0160059160, 0160059170 and 0160059320)	636
FIGURE 10-25. WORK LIGHT HARNESS (SN 0160059335 to Present, Including 0160058678, 0160058998, 0160059008, 0160059160, 0160059170 and 0160059320)	638
FIGURE 10-26. CAB WORK LIGHT AND BEACON LIGHT SWITCH HARNESS (Prior to SN 0160040675, Excluding 0160040468 and 0160040672)	640
FIGURE 10-27. BOOM WORK LIGHTS HARNESS	642
FIGURE 10-28. FRAME ROAD LIGHTS HARNESS	644
FIGURE 10-29. CAB ROAD LIGHTS HARNESS	646
FIGURE 10-30. CHASSIS HARNESS	648
FIGURE 10-31. REVERSE SENSING SYSTEM INSTALLATION	652
FIGURE 10-32. REVERSE SENSOR HARNESS	654
FIGURE 10-33. CAB WORK LIGHT HARNESS	656
 SECTION 11 - DECALS	 659
FIGURE 11-1. CAB AND FRAME DECALS (SN 0193001 through 0193007, SN 016000008 through 0160000668)	660
FIGURE 11-2. CAB AND FRAME DECALS (SN 0160000683 through 0160006218)	664
FIGURE 11-3. CAB AND FRAME DECALS (SN 0160006234 through 0160040674, Excluding 0160040468 and 0160040672)	668
FIGURE 11-4. CAB AND FRAME DECALS (SN 0160040675 to Present, Including 0160040468 and 0160040672)	672
FIGURE 11-5. BOOM DECALS (SN 0193001 through 0193007, SN 016000008 through 0160000668)	678
FIGURE 11-6. BOOM DECALS (SN 0160000683 through 0160006218)	680
FIGURE 11-7. BOOM DECALS (SN 0160006234 through 0160040674, Excluding 0160040468 and 0160040672)	682
FIGURE 11-8. BOOM DECALS (SN 0160040675 to Present, Including 0160040468 and 0160040672)	684
 SECTION 12 - OPTIONS	 687
FIGURE 12-1. ENCLOSED CAB HEATER COMPONENTS (SN 0193001 through 0193007, SN 016000008 through 0160015259)	688
FIGURE 12-2. ENCLOSED CAB HEATER COMPONENTS (SN 0160015460 through 0160040674, Excluding 0160040468 and 0160040672)	692
FIGURE 12-3. ENCLOSED CAB HEATER COMPONENTS (SN 0160040675 to Present, Including 0160040468 and 0160040672)	696
FIGURE 12-4. OPEN CAB HEATER COMPONENTS (SN 0160015460 through 0160040674, Excluding 0160040468 and 0160040672)	698

TABLE OF CONTENTS

FIGURE 12-5. OPEN CAB HEATER COMPONENTS (SN 0160020943 through 0160040674, Including 0160020803, 0160020823 and 0160020824, Excluding 0160040675 and 0160040672).....	700
FIGURE 12-6. OPEN CAB HEATER COMPONENTS (SN 0160040675 to Present, Including 0160040468 and 0160040672) ..	702
FIGURE 12-7. ENGINE HEATER COMPONENTS	704
FIGURE 12-8. WORKLIGHT PACKAGE (Prior to SN 0160031635)	706
FIGURE 12-9. COLD START INSTALLATION - JOHN DEERE ENGINE (Prior to SN 0160040675, Excluding 0160040468 and 0160040672)	710
FIGURE 12-10. BLOCK HEATER INSTALLATION - JOHN DEERE ENGINE (Prior to SN 0160040675, Excluding 0160040468 and 0160040672).....	712
FIGURE 12-11. STABILIZER OPTION.....	714
FIGURE 12-12. STABILIZER OPTION - STABILIZER CYLINDER	716
FIGURE 12-13. TILT ON JOYSTICK WITH RH SWAY (Prior to SN 0160040675, Excluding 0160040468 and 0160040672)	718
FIGURE 12-14. AUXILIARY BOOM ASSEMBLY (Prior to SN 0160037671)	722
FIGURE 12-15. AUXILIARY BOOM ASSEMBLY (SN 0160037671 to Present).....	724
FIGURE 12-16. LH AUXILIARY HYDRAULIC ASSEMBLY (Prior to SN 0160040675, Excluding 0160040468 and 0160040672)	726
FIGURE 12-17. AUXILIARY ELECTRICS ASSEMBLY (Prior to SN 0160037671)	728
FIGURE 12-18. AUXILIARY ELECTRICS ASSEMBLY (SN 0160037671 to Present).....	732
FIGURE 12-19. SWAY CYLINDER VALVE	736
FIGURE 12-20. SWAY CYLINDER	738
FIGURE 12-21. BEACON LIGHT INSTALLATION (Prior to SN 0160035414)	740
FIGURE 12-22. BEACON LIGHT INSTALLATION (SN 0160035414 through 0160040674, Excluding 0160040468 and 0160040672)	742
FIGURE 12-23. BEACON LIGHT INSTALLATION (SN 0160040675 through 0160059327, Including 0160040468 and 0160040672, Excluding 0160058678, 0160058998, 0160059008, 0160059160, 0160059170 and 0160059320).....	744
FIGURE 12-24. BEACON LIGHT INSTALLATION (SN 0160059335 to Present, Including 0160058678, 0160058998, 0160059008, 0160059160, 0160059170 and 0160059320).....	746
FIGURE 12-25. PINTLE HOOK INSTALLATION.....	748
FIGURE 12-26. SUSPENSION SEAT (SN 0193001 through 0193007, SN 0160000008 through 0160015259)	750
FIGURE 12-27. SWING CYLINDER.....	752
FIGURE 12-28. MAIN CONTROL VALVE WITH AUXILIARY HYDRAULICS (Prior to SN 0160037671).....	754
FIGURE 12-29. MAIN CONTROL VALVE WITH AUXILIARY HYDRAULICS (SN 0160037671 through 0160040674, Excluding 0160040468 and 0160040672).....	758
FIGURE 12-30. MAIN CONTROL VALVE WITH TILT ON JOYSTICK (Prior to SN 0160040675, Excluding 0160040468 and 0160040672)	762
FIGURE 12-31. MAIN CONTROL VALVE WITH AUXILIARY HYDRAULICS AND TILT ON JOYSTICK (Prior to SN 0160037671)	766
FIGURE 12-32. MAIN CONTROL VALVE WITH AUXILIARY HYDRAULICS AND TILT ON JOYSTICK (SN 0160037671 through 0160040674, Excluding 0160040468 and 0160040672)	770
FIGURE 12-33. TRUSS BOOM PRESSURE VALVE - 1200 PSI	774
FIGURE 12-34. TRUSS BOOM PRESSURE VALVE - 1360 PSI	776
FIGURE 12-35. TRUSS BOOM WINCH.....	778
FIGURE 12-36. WINCH MOTOR.....	782
FIGURE 12-37. SWING CYLINDER.....	784
FIGURE 12-38. STARTER KIT (SN 0193001 through 0193007, SN 0160000008 through 0160006660, Excluding 0160006594, 0160006599 and 0160006621).....	786
FIGURE 12-39. FUEL/WATER SEPARATOR INSTALLATION - JOHN DEERE ENGINE (Prior to SN 0160040675, Excluding 0160040468 and 0160040672).....	788
FIGURE 12-40. STANDARD SEAT REPLACEMENT KIT.....	790
FIGURE 12-41. HEAVY DUTY SEAT REPLACEMENT KIT	792
FIGURE 12-42. WORK LIGHT INSTALLATION (Prior to SN 0160030299)	794
FIGURE 12-43. WORK LIGHT INSTALLATION (SN 0160030299 through 0160040674, Excluding 0160040468 and 0160040672)	798
FIGURE 12-44. WORK LIGHT INSTALLATION (SN 0160040675 through 0160059327, Including 0160040468 and 0160040672, Excluding 0160058678, 0160058998, 0160059008, 0160059160, 0160059170 and 0160059320).....	802
FIGURE 12-45. WORK LIGHT INSTALLATION (SN 0160059335 to Present, Including 0160058678, 0160058998, 0160059008, 0160059160, 0160059170 and 0160059320).....	806
FIGURE 12-46. ROAD LIGHTS INSTALLATION (Prior to SN 0160040675, Excluding 0160040468 and 0160040672)	808
FIGURE 12-47. ROAD LIGHTS INSTALLATION (SN 0160040675 to Present, Including 0160040468 and 0160040672)	812
FIGURE 12-48. ENGINE AIR CONDITIONING COMPONENTS PERKINS (Prior to SN 0160040675, Excluding 0160040468 and 0160040672)	814
FIGURE 12-49. ENGINE AIR CONDITIONING COMPONENTS JOHN DEERE (Prior to SN 0160040675, Excluding 0160040468 and 0160040672).....	816
FIGURE 12-50. ENGINE AIR CONDITIONING COMPONENTS (SN 0160040675 to Present, Including 016004068 and 0160040672)	818
FIGURE 12-51. AIR CONDITIONING COMPONENTS (Prior to SN 0160040675, Excluding 0160040468 and 0160040672)	820

TABLE OF CONTENTS

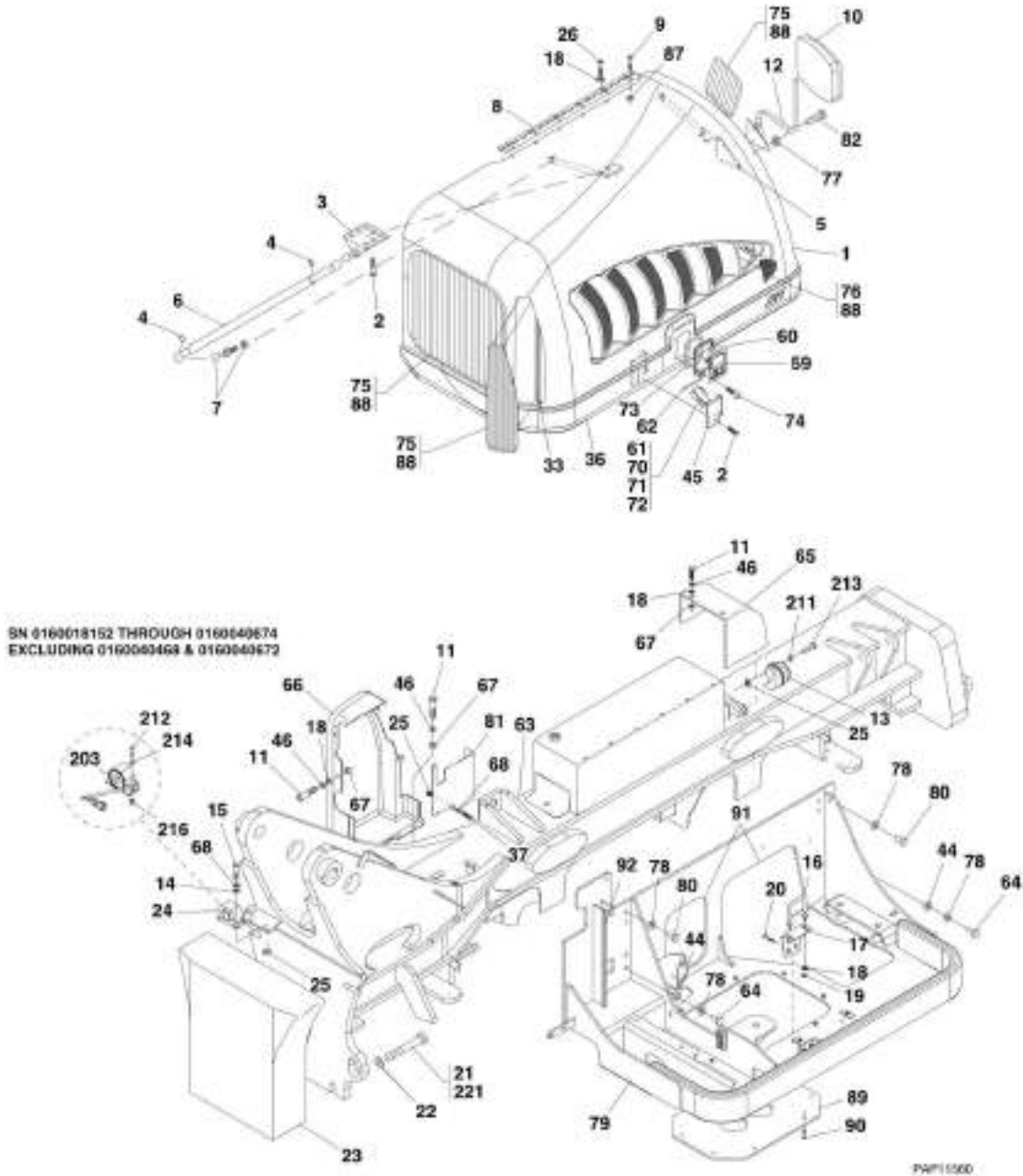
FIGURE 12-52. AIR CONDITIONING COMPONENTS (SN 0160040675 to Present, Including 016004068 and 0160040672) ...	824
FIGURE 12-53. WINCH	828
FIGURE 12-54. AUXILIARY ELECTRIC HARNESS	830
FIGURE 12-55. ARCTIC PACKAGE (SN 0160037905 through 0160040674).....	832
FIGURE 12-56. ARCTIC PACKAGE (SN 0160040675 to Present)	834
FIGURE 12-57. FENDER INSTALLATION	836
SECTION 13 - RECOMMENDED SPARE PARTS	839
FIGURE 13-1. RECOMMENDED SPARE PARTS.....	840
PART NUMBER INDEX.....	845

SECTION 1 - FRAME AND ATTACHING PARTS

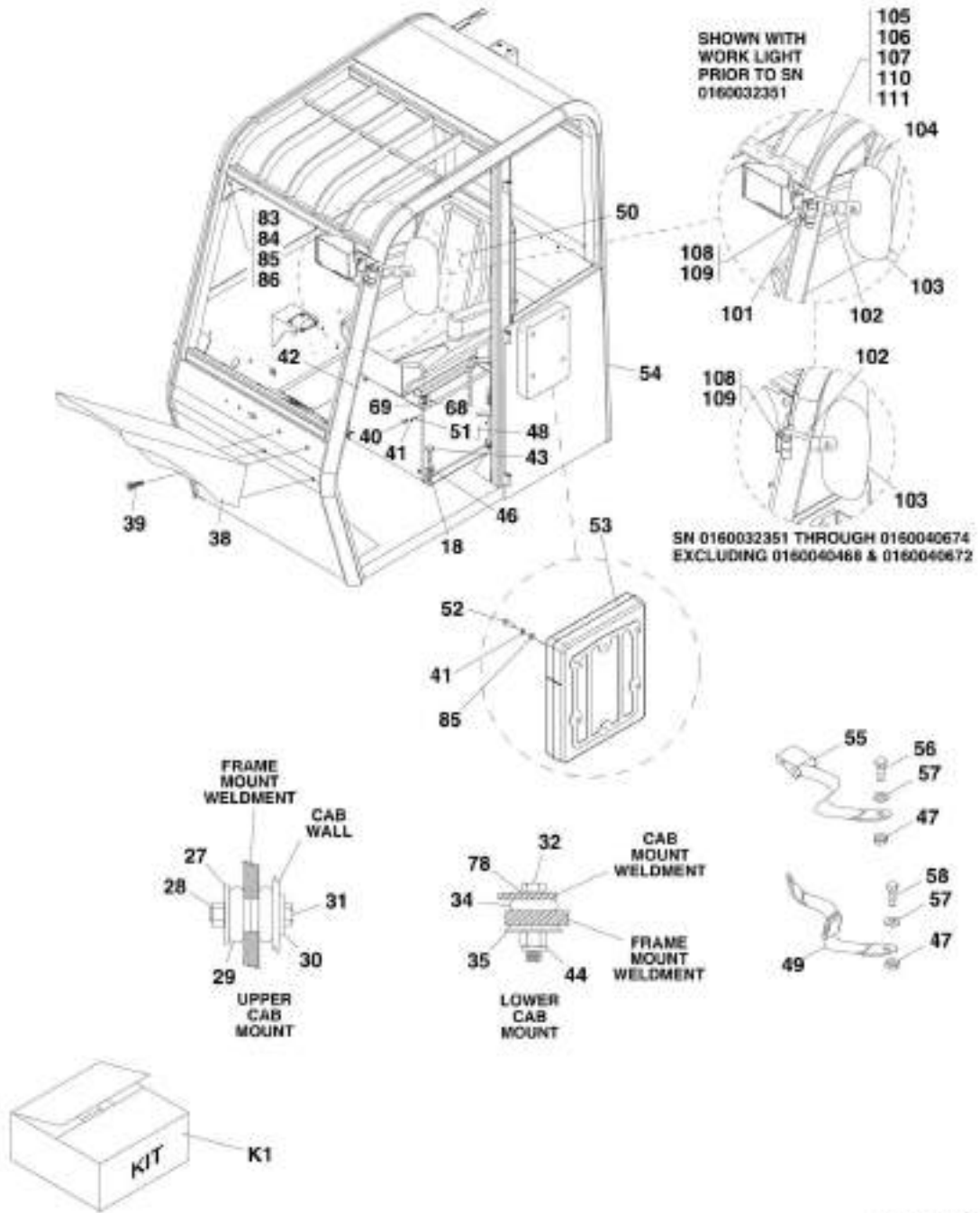
SECTION 1 - FRAME AND ATTACHING PARTS

SECTION 1 - FRAME AND ATTACHING PARTS

FIGURE 1-1. FRAME SHROUDING AND TRIM (Prior to SN 0160040675, Excluding 0160040468 and 0160040672)



SECTION 1 - FRAME AND ATTACHING PARTS



ART. 91514001-1-1.2

SECTION 1 - FRAME AND ATTACHING PARTS

FIGURE 1-1. FRAME SHROUDING AND TRIM (Prior to SN 0160040675, Excluding 0160040468 and 0160040672)

ITEM	PART NUMBER	QTY	DESCRIPTION	REV
1	91513120	NLA	ENGINE COVER, (no longer available, use 1001114806 for replacement or use items 2, 3, 4, 6, 7, 8, 9, 33, 36, 37, 45, 59, 60, 61, 62, 70 thru 77 & 87 for service)	
1	91513290	NLA	ENGINE COVER, (no longer available, use 1001114806 for replacement or use items 2, 3, 4, 6, 7, 8, 9, 33, 36, 37, 45, 59, 60, 61, 62, 70 thru 77 & 87 for service)	
1	1001114806	1	ENGINE COVER, (includes items 2, 3, 4, 6, 7, 8, 9, 33, 36, 37, 45, 59, 60, 61, 62, 70 thru 77 & 87)	
1	91404275	1	ENGINE COVER KEY	
2	91474411	23	HEX HD CAPSCREW, 8X3/4	
3	91514246	2	PROP BRACKETS	
4	91474425	4	PROP CLIPS	
5	91514286	2	MIRROR MOUNT BACK PLATE	
6	91514245	2	GAS PROP	
7	91474424	2	BALL STUD, 13mm	
8	91514244	1	HINGE, 34 IN	
9	91474420	6	SOCKET BUTTON HD CAPSCREW, 3/8-16X1-1/4	
10	80363195	1	MIRROR	
11	0641610	7	HEX HD CAPSCREW, 3/8-16 X 1-1/4, GR5	
12	91513194	1	MIRROR BRACKET WELDMENT	
13	91143357	1	HORN	
14	4711500	2	FLAT WASHER, 1/4 (Prior to SN 0160018152)	
15	88201018	2	HEX HD CAPSCREW, 5/16-18X3/4, GR5 (Prior to SN 0160018152)	
16	91403600	1	U-BOLT	
17	91471150	1	LATCH MOUNTING BRACKET	
18	4751600	18	FLAT WASHER, 3/8	
19	88501006	2	HEX NUT, 3/8-16	
20	0791612	4	SCREW, 3/8-16X1-1/2	
21	83201147	4	HEX HD CAPSCREW, 1/8X8-1/2	
22	80241137	4	WASHER	
23	91140001	1	COUNTERWEIGHT, (no pintle hook)	
23	1001091458	1	COUNTERWEIGHT, (with pintle hook)	
24	91403574	1	BACK-UP ALARM (Prior to SN 0160018152)	
25	88501005	6	HEX NUT, 5/16-18	
26	0630240	6	SOCKET BUTTON HD CAPSCREW, 3/8-16X3/4	
27	91403217	2	REBOUND WASHER	
28	88501014	2	HEX NUT, 7/8-9	
29	91403153	4	SHOCK MOUNT	
30	91403325	2	HARDENED WASHER	
31	77321274	2	HEX HD CAPSCREW, 7/8-9X5, (torque to 530-565 lb-ft)	
32	0682230	4	HEX HD CAPSCREW, 3/4-10X3-3/4, (torque to 340-365 lb-ft)	
33	7131952	6 ft	BULB SEAL	
34	91403097	4	CAB ISOLATOR MOUNT	
35	91403098	4	TAIL WASHER	
36	91404437	13 ft	BULB SEAL	
37	0641508	3	HEX HD CAPSCREW, 5/16-18X1, GR5	
38	91401487	1	CAB FENDER	
39	80973025	4	WHIZ-LOCK BOLT, 3/8-16X1	

SECTION 1 - FRAME AND ATTACHING PARTS

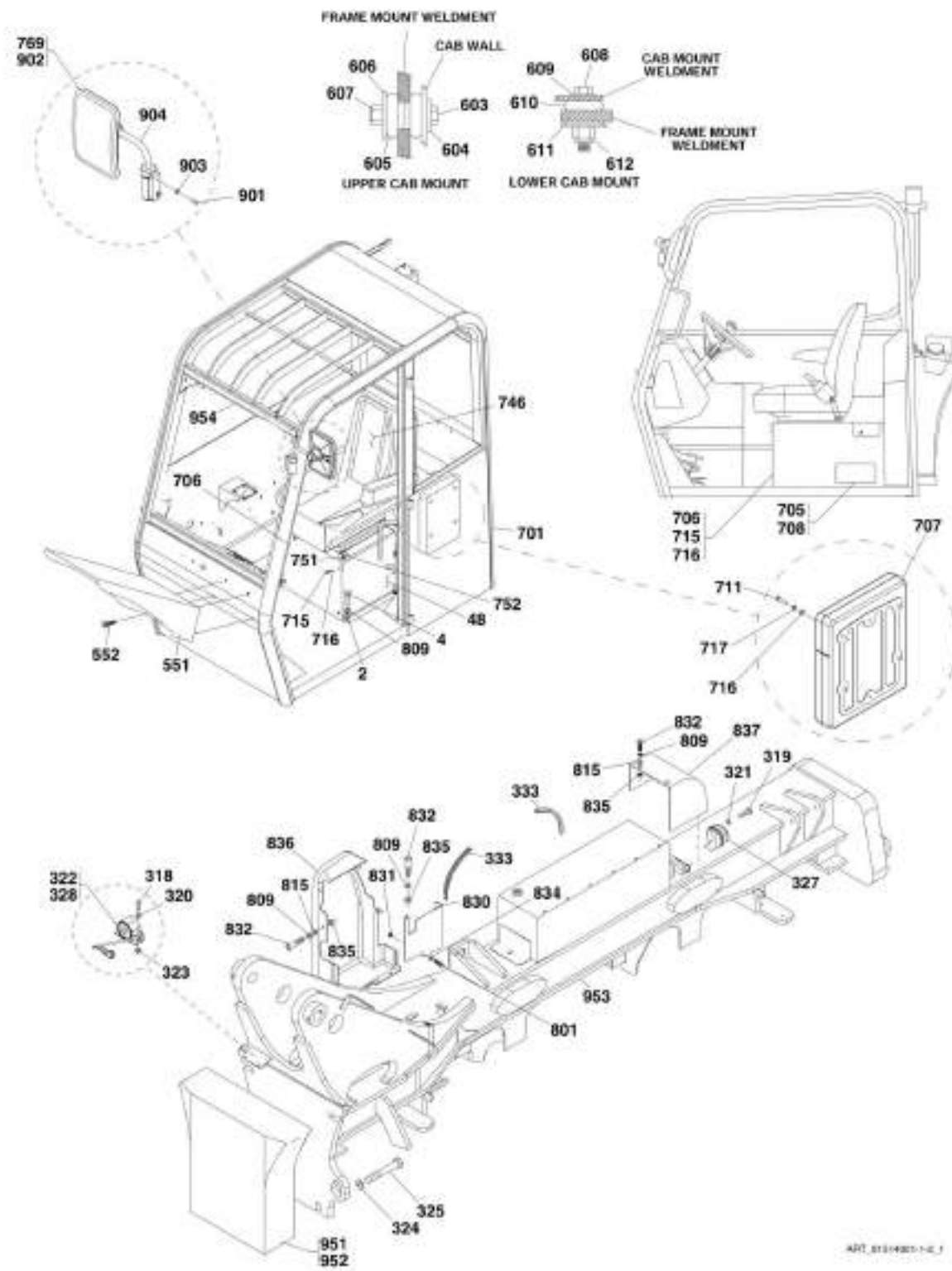
ITEM	PART NUMBER	QTY	DESCRIPTION	REV
40	0630407	6	SOCKET BUTTON HD CAPSCREW, 1/4-20X5/8	
41	4761400	10	LOCKWASHER, 1/4	
42	91401415	1	ACCESS COVER (SN 0193001 through 0160015258)	
42	1001104681	1	ACCESS COVER (SN 0160015259 through 0160039217)	
42	1001103567	1	ACCESS COVER (SN 0160039218 to Present)	
43	0641608	4	HEX HD CAPSCREW, 3/8-16X1, GR5	
44	88501012	8	HEX LOCKNUT, 3/4-10	
45	91474472	1	ROTARY MOUNTING BRACKET	
46	4761600	4	LOCKWASHER, 3/8	
47	88501307	4	HEX NUT, 7/16-20 (SN 0193001 through 0160015259)	
48	91406115	1	RISER WELDMENT (SN 0193001 through 0160015259)	
48	91516044	1	RISER WELDMENT (SN 00160015460 through 0160040674, Excluding 0160040468 and 0160040672)	
49	91513099	1	TETHER, (includes items 47, 57 & 58) (SN 0193001 through 0160015259)	
50	91403526	NLA	TRIMLINE SEAT, (no longer available, See OPTIONS SECTION for replacement) (SN 0193001 through 0160015259)	
		Ref	SUSPENSION SEAT WITH 2 IN SEAT BELT, (See CAB SECTION for Breakdown) (SN 0160015460 through 0160040674, Excluding 0160040468 and 0160040672)	
51	4751400	6	FLAT WASHER, 1/4	
52	0641408	4	HEX HD CAPSCREW, 1/4-20X1, GR5	
53	91403230	1	MANUAL CASE	
54		Ref	CAB ASSY, (See CAB SECTION for Breakdown)	
55	91033029	1	SEAT BELT, (not used with optional seat), (includes items 47, 56 & 57)	
56	88201549	2	HEX HD CAPSCREW, 7/16-20X1, GR5	
57	4761700	4	LOCKWASHER, 7/16 (SN 0193001 through 0160015259)	
58	0651712	2	HEX HD CAPSCREW, 7/16-20X1-1/2, GR5 (SN 0193001 through 0160015259)	
59	91474419	1	LOCKING PADDLE HANDLE	
60	91474417	1	PADDLE HANDLE GASKET	
61	91474418	1	ROTARY LATCH	
62	91514253	1	LINKAGE ROD	
63	N.S.S.	1	FRAME WELDMENT	
64	0642236	4	HEX HD CAPSCREW, 3/4-10X4-1/2, (torque to 240-255 lb-ft)	
65	91513121	1	FRONT COVER, (G9-43A)	
65	1001116366	1	FRONT COVER, (G10-43A)	
66	91513122	1	MAIN VALVE COVER	
67	88662523	9	TINNERMAN NUT	
68	4751500	9	FLAT WASHER, 5/16 (SN 0193001 through 0160015259)	
69	77143006	4	WHIZ-LOCK NUT, 5/16-18 (SN 0193001 through 0160015259)	
70	N.S.S.	2	BOLT, 5/16X1-1/2	
71	91474413	2	NUT, 5/16	
72	91474412	2	LOCKWASHER, 5/16	
73	91474427	1	LATCH BACKING PLATE	
74	91474416	4	RIVETS, 3/16X1/2	
75	91514263	1	3 PC SCREEN KIT, (adhesive not included)	
76	91514262	1	6 PC SCREEN KIT, (adhesive not included)	
77	4831700	2	SPRING LOCKWASHER, 6mm	
78	90027473	20	HARDENED WASHER, 3/4	
79	91516024	1	ENGINE POD WELDMENT (SN 0193001 through 0160012095)	

SECTION 1 - FRAME AND ATTACHING PARTS

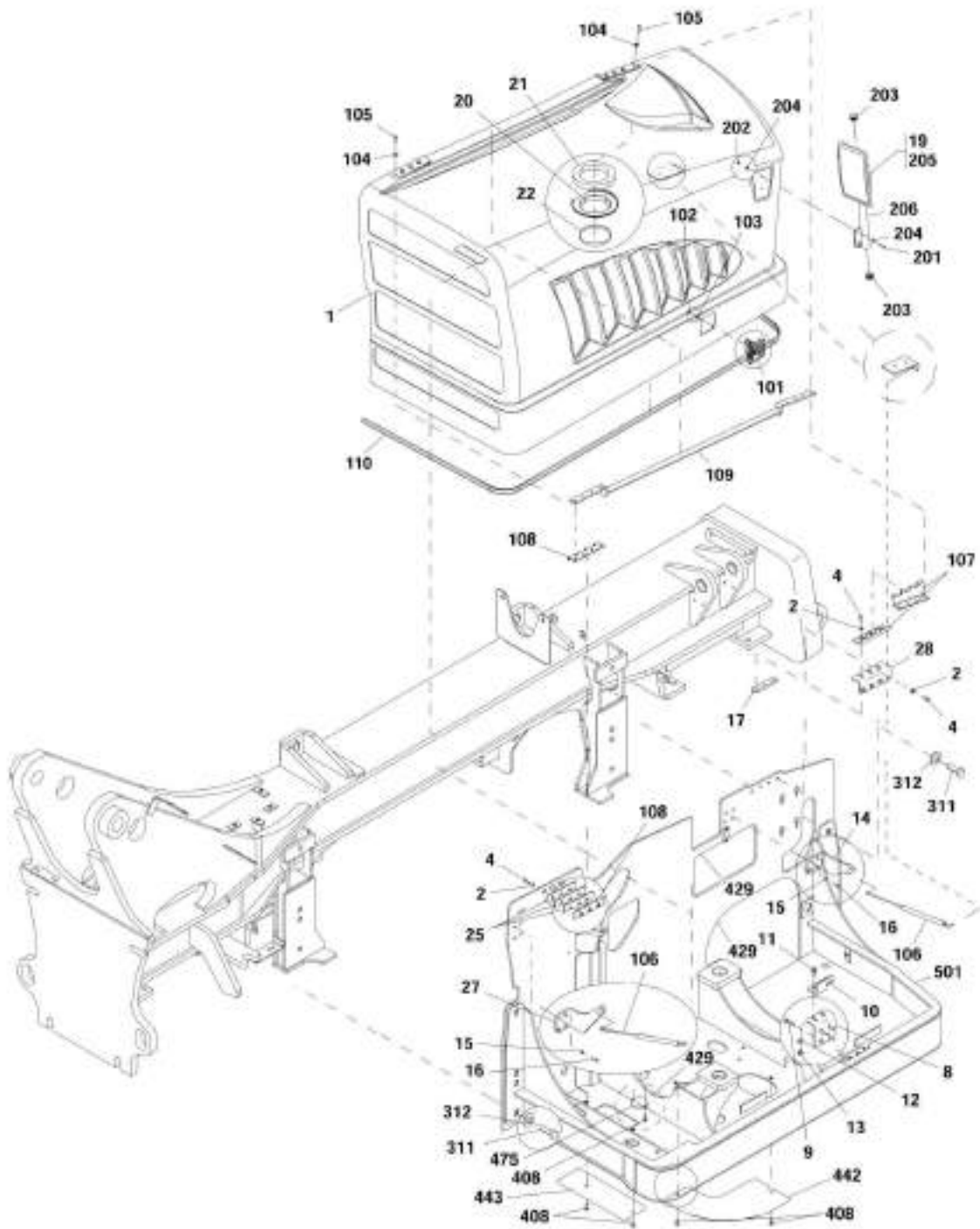
ITEM	PART NUMBER	QTY	DESCRIPTION	REV
79	91516045	1	ENGINE POD WELDMENT (SN 0160012153 through 016002093)	
79	4341287	1	ENGINE POD WELDMENT (SN 0160020943 through 0160040674, Excluding 0160040468 and 0160040672)	
80	0682216	8	HEX HD CAPSCREW, 3/4-10X2, (torque to 240-255 lb-ft)	
81	91511167	1	COVER PLATE	
82	0760612	2	HEX HD CAPSCREW, M6X1X20, GR8	
83		Ref	TILT GAUGE, (no longer available to order, use 8466306 for replacement or items 84 thru 86 for replacement) (Prior to SN 0160005715)	
83	8466306	1	TILT GAUGE, (with adhesive) (SN 0160005715 through 0160040674, Excluding 0160040468 and 0160040672)	
84	0641408	1	HEX HD CAPSCREW, 1/4-20X1, GR5 (Prior to SN 0160005715)	
85	4711400	5	FLAT WASHER, 1/4 (Prior to SN 0160005715)	
86	88521204	1	HEX LOCKNUT, 1/4-20 (Prior to SN 0160005715)	
87	8310522	6	WHIZ-LOCK NUT, 3/8-16	
88	7027772	1	ADHESIVE KIT, (includes 3 tubes and applicator), (enough to do 6 pc screen kit)	
89	91511136	1	OIL PAN COVER	
90	0641809	8	HEX HD CAPSCREW, 1/2-13X1 1/8	
91	91143220	60 in	TRIM-LOCK	
92	91513197	AR	BULB SEAL	
	1001096344	Ref	LH MIRROR INSTALLATION, (not available to order, see items 101 thru 111 for service) (Prior to SN 0160032315)	B
	1001097149	Ref	LH MIRROR INSTALLATION, (not available to order, see items 102, 103, 108 & 109 for service) (SN 0160032351 through 0160040674, Excluding 0160040468 and 0160040672)	B
101	1001096327	1	MIRROR BRACKET	
102	8866530	1	MIRROR MOUNT ARM ASSY	
103	8866514	1	MIRROR HEAD	
104	4420060	AR	DOUBLE SIDED TAPE	
105	1001096728	1	BOLT, 1/2-13	
106	4751800	1	WASHER, 1/2	
107	4761800	1	LOCKWASHER, 1/2	
108	8303799	2	HEX HD CAPSCREW, 6-1X14mm, GR8.8	
109	8307024	2	LOCKWASHER, M6	
110	88501008	1	HEX NUT, 1/2-13	
111	91403503	1	SPACER	
203	8270621	1	BACK-UP ALARM (SN 0160018152 through 0160040674, Excluding 0160040468 and 0160040672)	
211	88551010	1	LOCKWASHER, 5/16	
212	0641406	2	HEX HD CAPSCREW, 1/4-20X3/4, GR5 (SN 0160018152 through 0160040674, Excluding 0160040468 and 0160040672)	
213	0641506	1	HEX HD CAPSCREW, 5/16-18X3/4, GR5	
214	4711400	2	FLAT WASHER, 1/4 (SN 0160018152 through 0160040674, Excluding 0160040468 and 0160040672)	
216	8305624	2	ELASTIC LOCKNUT, 1/4-20 (SN 0160018152 through 0160040674, Excluding 0160040468 and 0160040672)	
221	0100019	AR	LOCTITE 271	
K1	91505062	1	REPLACEMENT PADDLE KIT, (includes items 59 & 61)	

SECTION 1 - FRAME AND ATTACHING PARTS

FIGURE 1-2. FRAME SHROUDING AND TRIM (SN 0160040675 to Present, Including 0160040468 and 0160040672)



SECTION 1 - FRAME AND ATTACHING PARTS



ART 9114001-1-2,2

SECTION 1 - FRAME AND ATTACHING PARTS

FIGURE 1-2. FRAME SHROUDING AND TRIM (SN 0160040675 to Present, Including 0160040468 and 0160040672)

ITEM	PART NUMBER	QTY	DESCRIPTION	REV
	1001112158	Ref	HOOD INSTALLATION, (not available to order, see items 1 thru 28 for service)	G
1	1001109338	1	ENGINE COVER, (includes items 101 thru 109)	K
2	4711600	10	WASHER, 3/8	
4	0641608	10	HEX HD CAPSCREW, 3/8-16X1, GR5	
8	1001108965	1	LATCH MOUNT BRACKET	
9	0791612	4	SCREW, 3/8-16X1-1/2	
10	1001108966	1	LATCH CATCH BRACKET	
11	0791610	2	WHIZ-LOCK SCREW, 3/8-16X1-1/4	
12	4751600	2	WASHER, 3/8	
13	88501006	2	HEX NUT, 3/8-16	
14	1001121964	1	GAS STRUT FRONT BRACKET	
15	4761400	8	LOCKWASHER, 1/4	
16	0641409	8	HEX HD CAPSCREW, 1/4-20X1-1/8, GR5	
17	1001120550	1	HOOD HINGE SUPPORT PLATE	
19	1001116461	1	RH MIRROR INSTALLATION, (includes items 201 thru 206)	A
20		Ref	AIR FILTER INTAKE ADAPTER, (See ENGINE AND ATTACHING PARTS SECTION for Breakdown)	
21		Ref	FOAM SEAL, (See ENGINE AND ATTACHING PARTS SECTION for Breakdown)	
22		Ref	BAND CLAMP, (See ENGINE AND ATTACHING PARTS SECTION for Breakdown)	
25	1001120554	3	ENGINE HOOD SHIM	
27	1001121965	1	GAS STRUT REAR BRACKET	
28	1001121659	1	HOOD HINGE MOUNT PLATE	
48	1001103663	1	RISER WELDMENT	
101	1001122219	1	COMPRESSION LATCH	
102	3290605	4	LOCKNUT, 6X1mm	
103	4811700	4	WASHER, 6mm	
104	4711600	8	WASHER, 3/8	
105	3900316	8	BUTTON HD CAPSCREW, 3/8-16X1	
106	1001114294	2	GAS SPRING	
107	1001114295	1	ENGINE COVER HINGE, FRONT	
108	1001114296	1	ENGINE COVER HINGE, REAR	
109	1001114297	1	ENGINE COVER SUPPORT BAR	
110	1001120639	1	SEAL, BULB	
201	0641409	2	HEX HD CAPSCREW, 1/4-20X1-1/8, GR5	
202	3311405	2	HEX LOCKNUT, 1/4-20	
203	3520176	2	PLUG, 1.25	
204	4751400	4	WASHER, 1/4	
205	8866348	1	MIRROR ASSEMBLY	
206	1001116318	1	MIRROR BRACKET	
311	0682420	8	HEX HD CAPSCREW, 7/8-9X2-1/2, GR8	
312	4892400	8	WASHER, 7/8	
318	0641406	2	HEX HD CAPSCREW, 1/4-20X3/4, GR5	
319	0641504	1	HEX HD CAPSCREW, 5/16-18X1/2, GR5	
320	4711400	2	WASHER, 1/4	
321	4761500	1	LOCKWASHER, 5/16	
322	8270621	1	BACK-UP ALARM	

SECTION 1 - FRAME AND ATTACHING PARTS

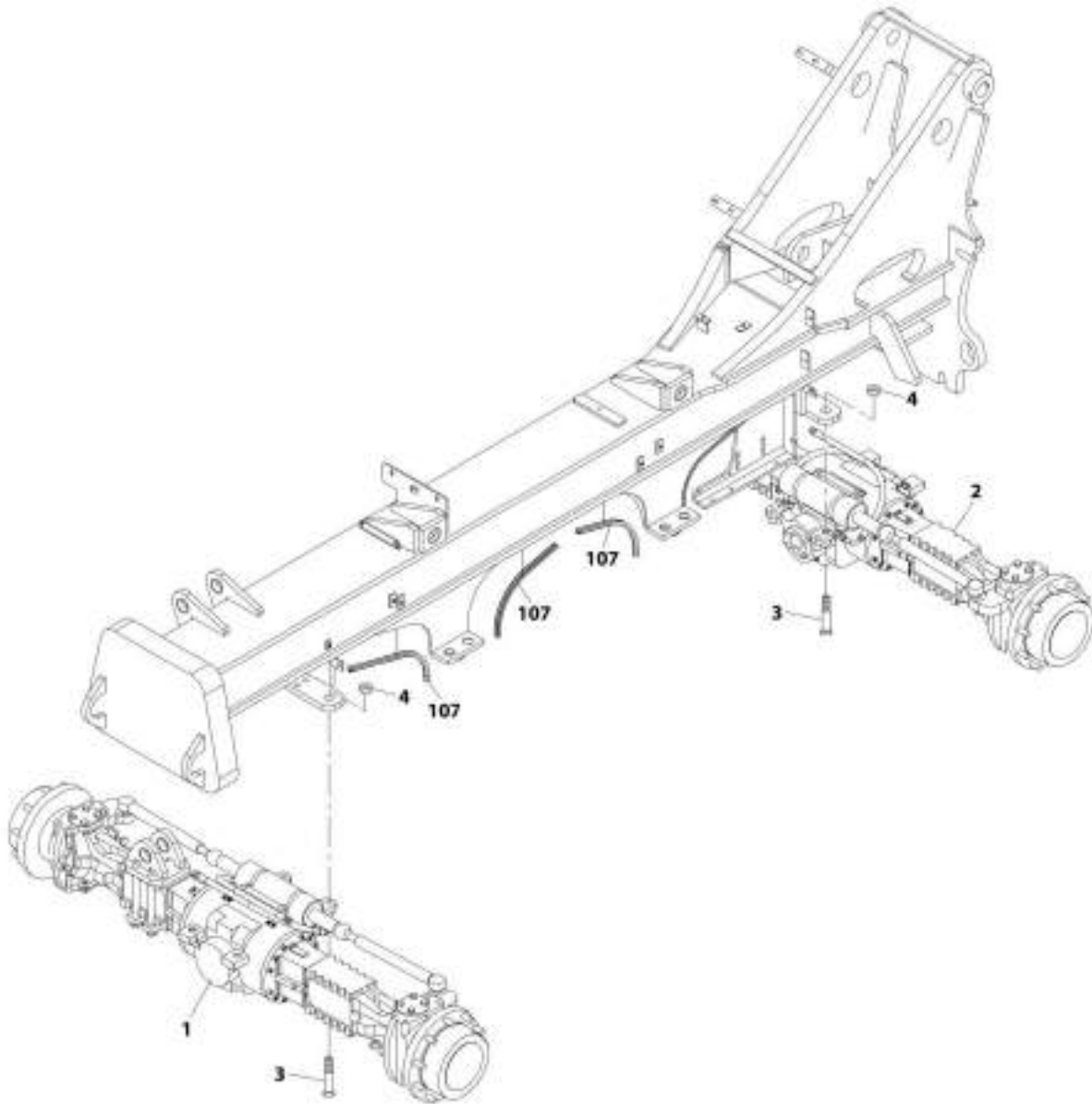
ITEM	PART NUMBER	QTY	DESCRIPTION	REV
323	8305624	2	LOCKNUT, 1/4-20	
324	80241137	4	SPECIAL WASHER	
325	83201147	4	HEX HD CAPSCREW, 1/8X9-1/2	
327	91143357	1	HORN	
328	1001116274	1	MOLDED RESISTOR	
333	91143220	36 in	TRIM-LOCK, 1/2	
408	0791506	6	WHIZ-LOCK SCREW, 5/16-18X3/4	
429	90206202	180 in	TRIM-LOCK	
442	1001118101	1	ENGINE DRAIN COVER	
443	1001118102	1	COOLER HOSES COVER	
475	1001127174	1	FILTER COVER PLATE	
501	1001100961	1	ENGINE POD WELDMENT	
	91565067	Ref	CAB FENDER INSTALLATION, (not available to order, see items 551 & 552 for service)	A
551	91401487	1	CAB FENDER	
552	80973025	4	WHIZ-LOCK BOLT, 3/8-16X1	
	1001098254	Ref	CAB MOUNTING INSTALLATION, (not available to order, see items 603 thru 612 for service)	D
603	0682440	2	HEX HD CAPSCREW, 7/8-9X5, GR8	
604	1001108383	2	TAIL WASHER	
605	91403153	4	SHOCK MOUNT	
606	91403217	2	REBOUND WASHER	
607	88501014	2	HEX NUT, 7/8-9	
608	0682230	4	HEX HD CAPSCREW, 3/4-10X3-3/4, GR8	
609	90027473	4	HARD WASHER, 3/4	
610	91403097	4	CENTER BONDED MOUNT	
611	91403098	4	TAIL WASHER	
612	88501012	4	HEX NUT, 3/4-10	
701		Ref	OPEN CAB, (See CAB SECTION for Breakdown), (includes item 48)	
705	1001106866	1	SEAT RISER SIDE PANEL	
706	1001103567	1	ACCESS COVER PLATE	
707	91403230	1	MANUAL STORAGE BOX	
708	91413036	4	SELF TAP SCREW	
711	0641408	4	HEX HD CAPSCREW, 1/4-20X1, GR5	
715	0630407	4	SOC-BUT HD CAP BOLT, .25-20X.625	
716	4711400	8	FLATWASHER, .25	
717	4761400	4	LOCKWASHER, 1/4	
746		Ref	SUSPENSION SEAT WITH 2 IN SEAT BELT, (See CAB SECTION for Breakdown)	
751	3311505	4	HEX LOCKNUT, 5/16-18	
752	4711500	4	WASHER, 5/16	
769	1001115153	Ref	LH MIRROR INSTALLTION, (not available to order, see items 901 thru 904 for service)	C
801	0641508	3	HEX HD CAPSCREW, 5/16-18X1, GR5	
809	4761600	13	LOCKWASHER, 3/8	
815	4751600	9	WASHER, 3/8	
830	1001119632	1	VALVE COVER PANEL	
831	88501005	3	HEX NUT, 5/16-18	
832	0641610	9	HEX HD CAPSCREW, 3/8-16X1-1/4, GR5	
834	4751500	3	WASHER, 5/16	
835	88662523	9	TINNERMAN NUT	

SECTION 1 - FRAME AND ATTACHING PARTS

ITEM	PART NUMBER	QTY	DESCRIPTION	REV
836	91513122	1	MAIN VALVE COVER	
837	1001116902	1	FRONT COVER	
901	0700610	2	HEX HD CAPSCREW, M6X20, GR8.8	
902	1001148177	1	RECTANGULAR MIRROR	
903	8307024	2	LOCKWASHER, 6MM	
904	1001114675	1	MIRROR ARM	
951	91140001	1	COUNTERWEIGHT, (if equipped)	
952	1001097095	1	COUNTERWEIGHT WITH PINTLE HOOK, (if equipped)	
953	N.S.S.	1	FRAME	
954	8466306	1	TILT GAUGE, (with adhesive)	

SECTION 1 - FRAME AND ATTACHING PARTS

FIGURE 1-3. AXLE MOUNTING



ART_91514001-1-3

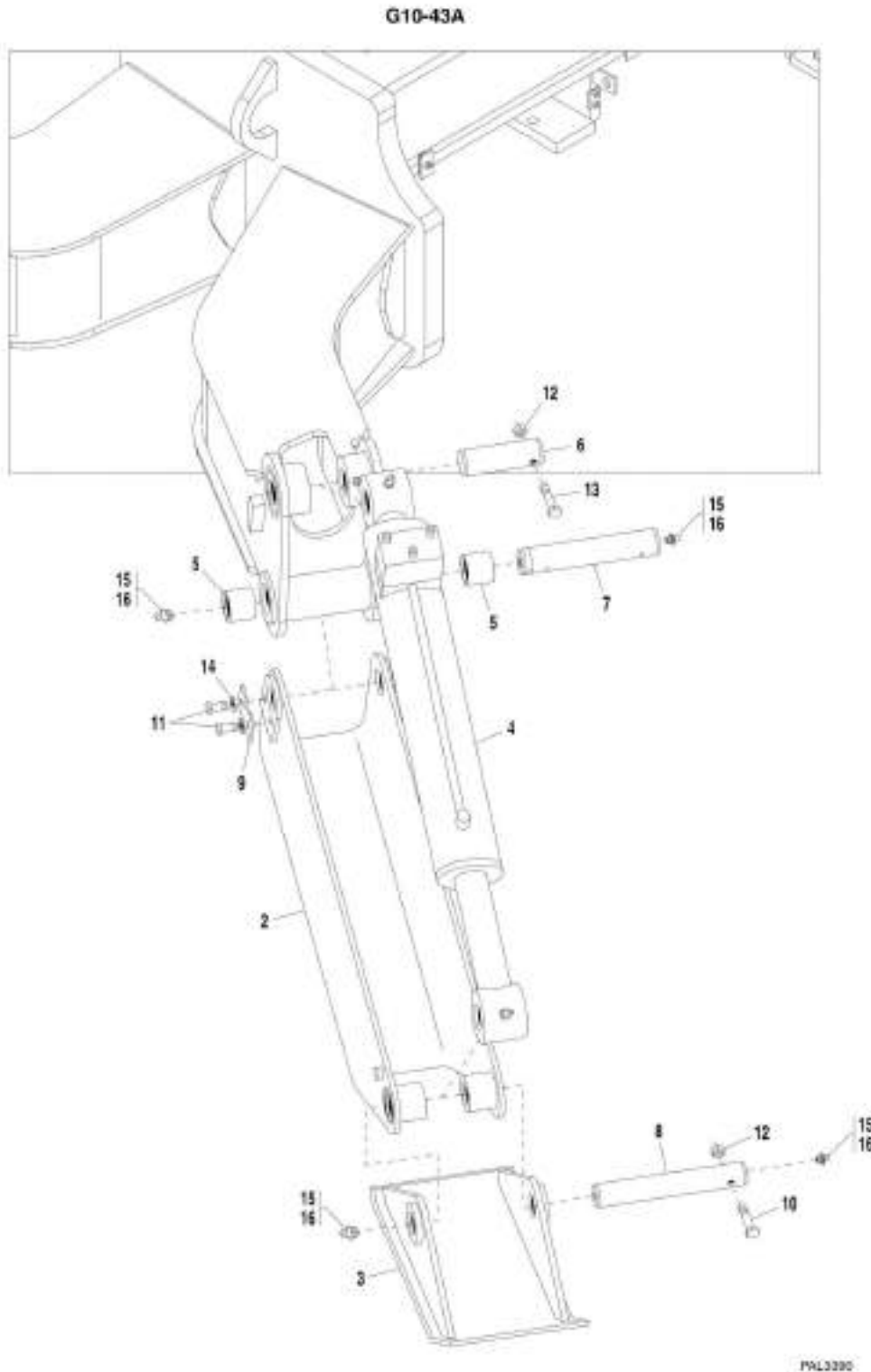
SECTION 1 - FRAME AND ATTACHING PARTS

FIGURE 1-3. AXLE MOUNTING

ITEM	PART NUMBER	QTY	DESCRIPTION	REV
1		Ref	FRONT AXLE ASSY, (See DRIVE TRAIN SECTION for Breakdown)	
2		Ref	REAR AXLE ASSY, (See DRIVE TRAIN SECTION for Breakdown)	
3	0682444	16	HEX HD CAPSCREW, 7/8-9X5-1/2, (loctite and torque to 530-565 lb ft)	
4	77383118	16	WASHER, 7/8	
106	90206198	3.5 in	TRIM, PVC VINLY EDGE, (not shown)	
107	90206203	91 in	TRIM, PVC VINLY EDGE	

SECTION 1 - FRAME AND ATTACHING PARTS

FIGURE 1-4. OUTRIGGER MOUNTING G10-43A



SECTION 1 - FRAME AND ATTACHING PARTS

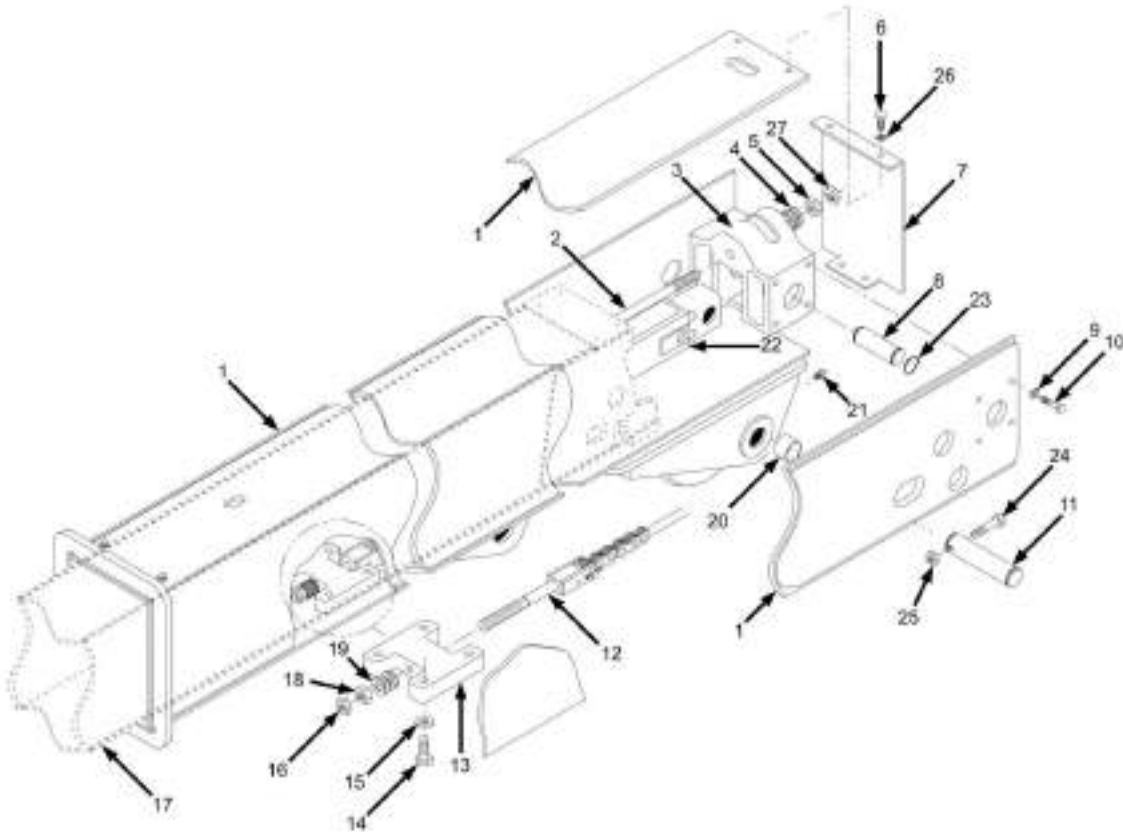
FIGURE 1-4. OUTRIGGER MOUNTING G10-43A

ITEM	PART NUMBER	QTY	DESCRIPTION	REV
	1001110734	1	OUTRIGGER ASSEMBLY, (G10-43A), (includes all items)	A
2	91566050	2	ARM WELDMENT	
3	91566051	2	OUTRIGGER SHOE	
4		Ref	OUTRIGGER CYLINDER AND VALVE, (See HYDRAULIC COMPONENTS SECTION for Breakdown)	
5	91163014	4	BUSHING	
6	91563197	2	OUTRIGGER CYLINDER PIN	
7	91563198	2	ARM PIN	
8	91563199	2	SHOE PIN	
9	91081313	2	KEEPER	
10	0641634	2	HEX HD CAPSCREW, 3/8-16X4-1/4, GR5	
11	0641808	4	HEX HD CAPSCREW, 1/2-13X1, GR5	
12	3300143	4	HEX LOCKNUT, 3/8-16	
13	3931672	2	SOCKET HD CAPSCREW, 3/8-16X4-1/2, GR8	
14	4761800	4	LOCKWASHER, 1/2	
15	88671001	4	LUBE FITTING, STRAIGHT, 1/8	
16	0100011	AR	LOCTITE 242	
17		Ref	HOSE ASSEMBLY, (not shown), (See HYDRAULIC CIRCUITS SECTION for Breakdown)	

SECTION 2 - BOOM

SECTION 2 - BOOM

FIGURE 2-1. FIRST BOOM SECTION



- NOTE: 1. USE LOCTITE® 242™ (0100011) ON ALL BOLT THREADS AND JAM NUTS.
2. PRIOR TO SN 0160037671 COAT STATIC, NON-ROTATING, PIN BORES WITH NEVER SEEZE LUBE (14403323).
SN 0160037671 TO PRESENT COAT STATIC, NON-ROTATING, PIN BORES WITH MOLY-PASTE (3020040).
DO NOT COAT THE PIN OR ANY ROTATING PARTS.
3. COAT ALL WEAR PADS, SHEAVES, AND ROTATING PIN BORES WITH MYSTIK XD2 GREASE (14404703)
PRIOR TO INSTALLATION OF THE PIN.

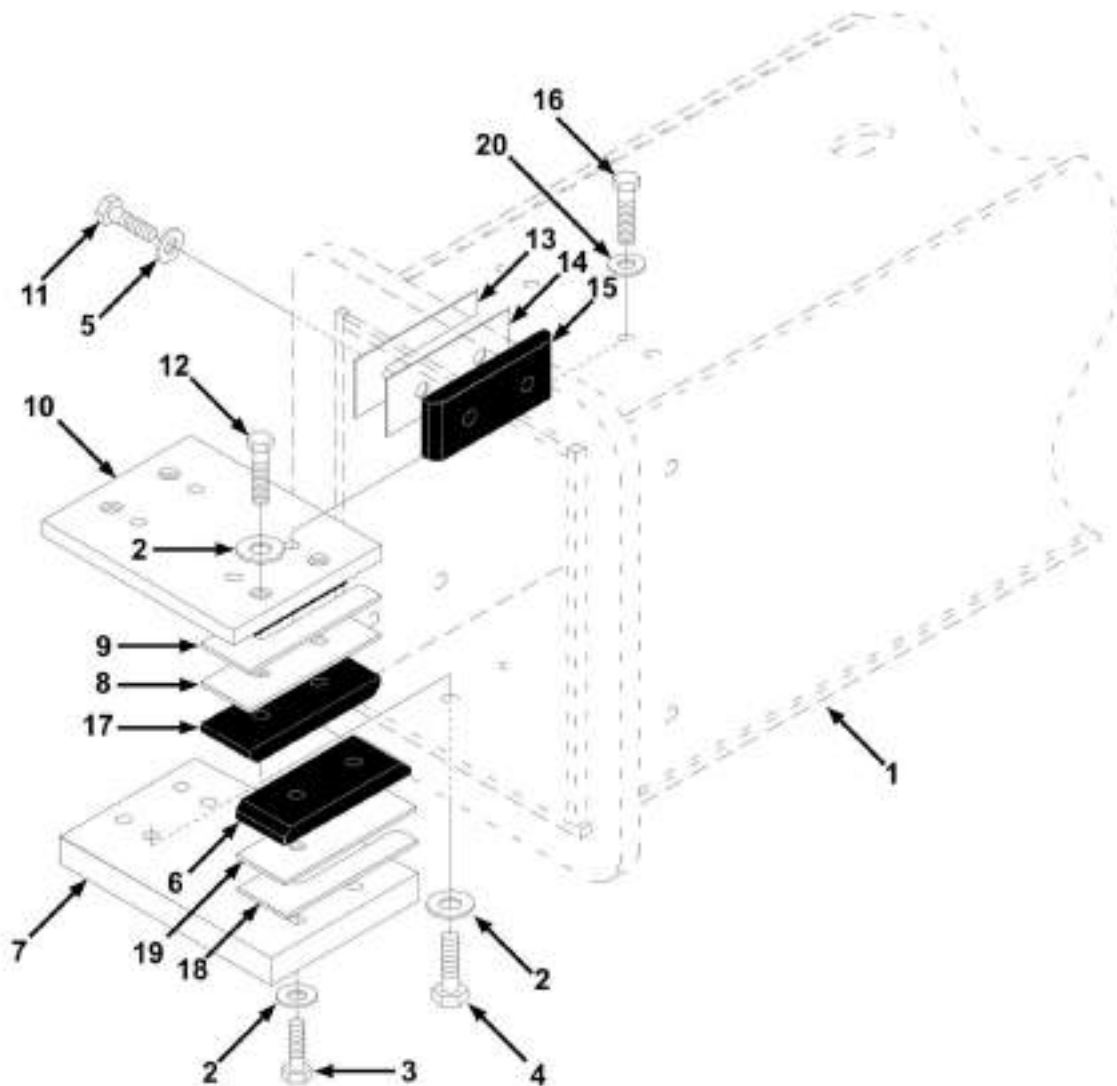
SECTION 2 - BOOM

FIGURE 2-1. FIRST BOOM SECTION

ITEM	PART NUMBER	QTY	DESCRIPTION	REV
1	91516009	1	FIRST BOOM SECTION	
2		Ref	CHAIN CLEVIS ROD, (See PUSH BEAM/EXTEND CHAIN AND ROLLER ASSEMBLY, item 4 for Breakdown)	
3	91513003	1	STRONG BACK	
4	91513200	6	BELLEVILLE WASHER, 1-1/4	
5	88501020	1	HEX NUT, 1-1/4-7, (torque to 100-110 lb-ft)	
6	88201033	4	HEX HD CAPSCREW, 3/8-16X3/4, GR5	
7	1001128274	1	REAR COVER	
8		Ref	CYLINDER PIN, (See HYDRAULIC COMPONENTS SECTION for Breakdown)	
9	4712200	8	FLAT WASHER, 3/4	
10	0642216	8	HEX HD CAPSCREW, 3/4-10X2, GR5, (torque to 240-265 lb-ft)	
11	91513047	1	BOOM PIVOT PIN	
12		Ref	CHAIN ANCHOR, (See SECOND BOOM SECTION, item 12 for Breakdown)	
13	91511049	1	ANCHOR PLATE	
14	0642012	4	HEX HD CAPSCREW, 5/8-11 X1.500	
15	90027472	4	HARDENED WASHER	
16	88501412	1	HEX JAM NUT, 3/4-16, (torque to 100-110 lb-ft)	
17		Ref	SECOND BOOM SECTION, (See SECOND BOOM SECTION for Breakdown)	
18	88501312	1	HEX NUT, 3/4-16	
19	91513199	14	BELLEVILLE WASHER, 3/4	
20	91513104	2	BOOM PIVOT BUSHING	
21	88671001	2	LUBE FITTING, STRAIGHT, 1/8	
22		Ref	PUSH BEAM, (See PUSH BEAM/EXTEND CHAIN AND ROLLER ASSEMBLY for Breakdown)	
23	90028935	2	RETAINING RING	
24	88212288	1	HEX HD CAPSCREW, 3/4-10x6-1/2	
25	88521012	1	STOVER NUT, 3/4-10 (Prior to SN 0160037671)	
25	8310067	1	HEX LOCK NUT, 3/4-10 (SN 0160037671 to Present)	
26	88551011	4	LOCK WASHER, 3/8	
27	88501120	1	HEAVY HEX JAM NUT, 1-1/4-7	

SECTION 2 - BOOM

FIGURE 2-2. BEARING PADS, SPACERS AND SHIMS, (FIRST BOOM SECTION)



NOTE: 1. WEAR PAD SHIMMING:

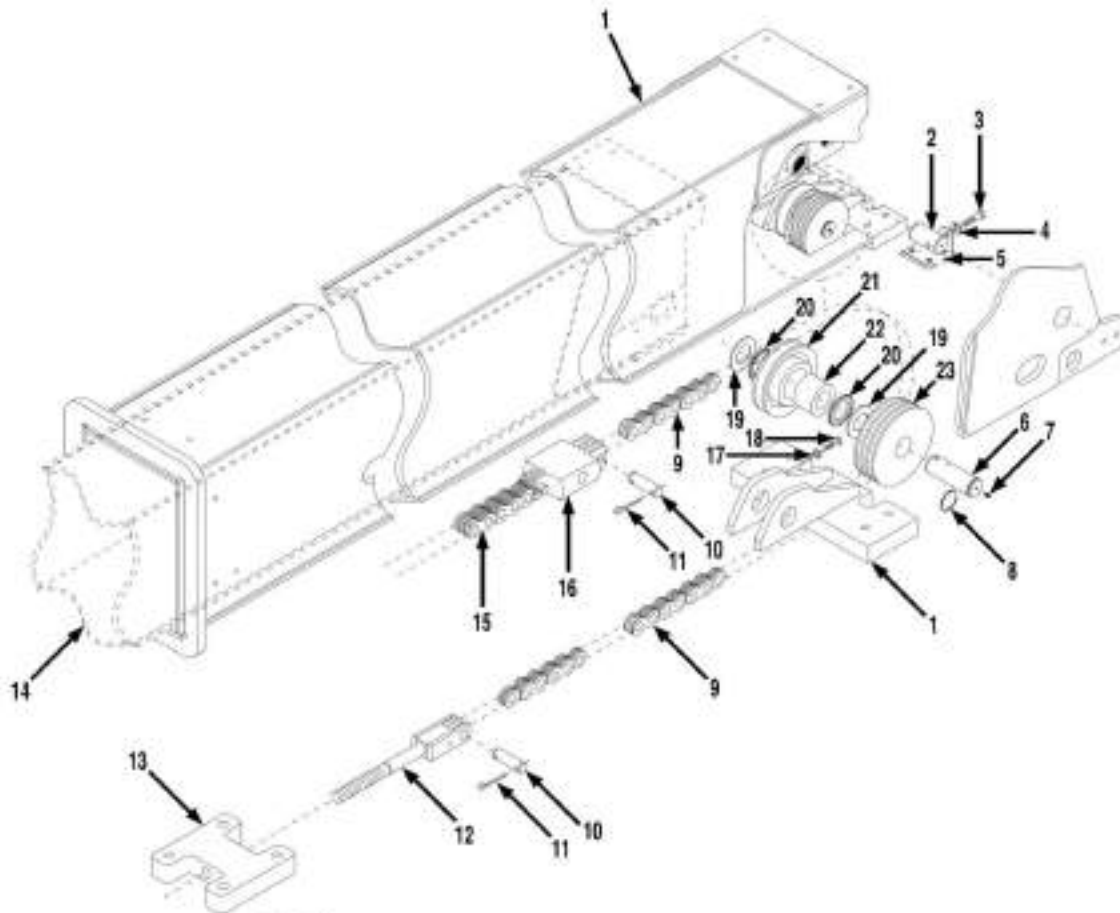
- A. WHENEVER A SHIM IS USED WITH A PAD, A SPACER WITH HOLES MUST BE INSERTED BETWEEN PAD & SHIM.
 - B. THE WEAR PAD OR WEAR PAD INSERT MUST NOT SIT DIRECTLY ON THE SLOTTED SURFACE OF SHIMS.
 - C. PRIOR TO SN 0160037671 ADD BEARING PAD SHIMS & SPACERS AS REQUIRED TO SHIM BOOM TO WITHIN 1/16 IN. (1.58 MM) OF A TIGHT FIT.
SN 0160037671 TO PRESENT ADD BEARING PAD SHIMS & SPACERS AS REQUIRED TO SHIM BOOM TO MAINTAIN A TOTAL MINIMUM GAP OF 0.070 TO 0.130 IN. (1.8 TO 3.3 MM) BOTH HORIZONTAL & VERTICAL DIRECTIONS.
 - D. THE LENGTH OF PAD BOLTS DEPENDS ON THE NUMBER OF THE SHIMS USED. THE BOLT CANNOT EXTEND PAST CHAMFER ON WEAR PAD.
2. USE LOCTITE® 242™ (0160011) ON ALL BOLT THREADS.
 3. ADD MYSTIK TETRIMOLY GREASE (14464793) TO ALL PAD SLIDE PATHWAYS. IF APPLICABLE, THIS INCLUDES ALL PAD GREASE FITTINGS AT THE REAR OF BOOM.

SECTION 2 - BOOM

FIGURE 2-2. BEARING PADS, SPACERS AND SHIMS, (FIRST BOOM SECTION)

ITEM	PART NUMBER	QTY	DESCRIPTION	REV
1		Ref	FIRST BOOM SECTION, (See FIRST BOOM SECTION for Breakdown)	
2	90027471	AR	HARDENED WASHER, 1/2	
3	0651812	AR	HEX HD CAPSCREW, 1/2-20X1-1/2, GR5, (torque to 76-86 lb-ft)	
3	0651811	AR	HEX HD CAPSCREW, 1/2-20X1.375	
4	0641810	4	HEX HD CAPSCREW, 1/2-13X 1.250, GR5	
5	90027470	8	HARDENED WASHER, 3/8	
6	1001117656	2	BEARING PAD	
7	91511039	1	MOUNT PLATE	
8	91401450	2	SPACER	
9	91401456	AR	SHIM	
9	91401457	AR	SHIM	
10	91511038	1	MOUNT PLATE	
11	0651606	AR	HEX HD CAPSCREW, 3/8-24X3/4, GR5, (torque to 32-37 lb-ft)	
11	0651607	AR	HEX HD CAPSCREW, 3/8-24X7/8, GR5, (torque to 32-37 lb-ft)	
11	0651608	AR	HEX HD CAPSCREW, 3/8-24X1, GR5, (torque to 32-37 lb-ft)	
12	0651814	AR	HEX HD CAPSCREW, 1/2-20X1-1/4, GR5, (torque to 76-86 lb-ft)	
13	91401212	AR	SHIM	
13	91401213	AR	SHIM	
14	91401223	4	SPACER	
15	91403530	4	BEARING PAD	
16	0641708	4	HEX HD CAPSCREW, 7/16-14X1, GR5	
17	1001117654	2	BEARING PAD	
18	91511101	AR	SHIM	
18	91511102	AR	SHIM	
19	91511100	2	SPACER	
20	4711700	4	FLAT WASHER, 7/16	

FIGURE 2-3. SECOND BOOM SECTION



- NOTE: 1. USE LOCTITE® 242™ (0100011) ON ALL BOLT THREADS AND JAM NUTS.
 2. PRIOR TO SN 0160037671 COAT STATIC, NON-ROTATING, PIN BORES WITH NEVER SEEZE LUBE (14403323).
 SN 0160037671 TO PRESENT COAT STATIC, NON-ROTATING, PIN BORES WITH MOLY-PASTE (3020040).
 DO NOT COAT THE PIN OR ANY ROTATING PARTS.
 3. COAT ALL WEAR PADS, SHEAVES, AND ROTATING PIN BORES WITH MYSTIK XD2 GREASE (14404793) PRIOR TO
 INSTALLATION OF THE PIN.

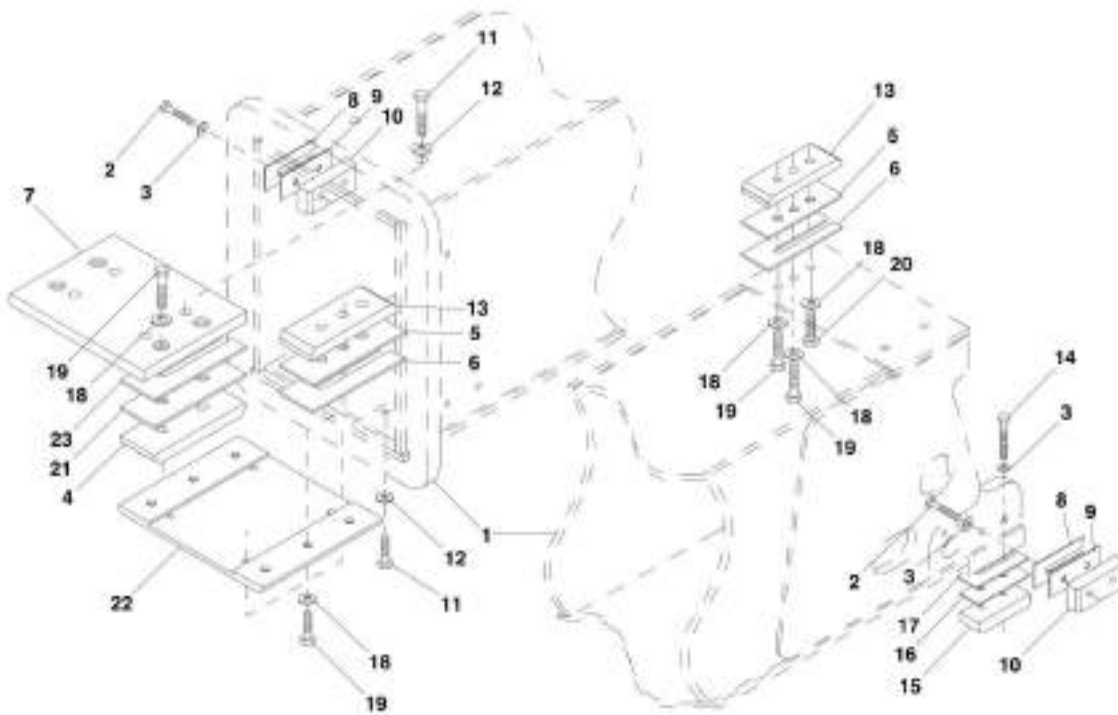
SECTION 2 - BOOM

FIGURE 2-3. SECOND BOOM SECTION

ITEM	PART NUMBER	QTY	DESCRIPTION	REV
1	91516010	1	SECOND BOOM SECTION (Prior to SN 0160037671)	
1	1001102967	1	SECOND BOOM SECTION (SN 0160037671 to Present)	
2	91141128	2	PUSH BEAM PIN	
3	0641832	2	HEX HD CAPSCREW, 1/2-13X4	
4	4761800	2	LOCKWASHER, 1/2	
5	91515002	1	HOSE RETAINER, (includes the following items)	
5	91511050	1	LH HOSE RETAINER	
5	91513026	1	PAD	
5	88241023	4	SOCKET FLAT HD CAPSCREW, #10-24X5/8	
5	88501612	4	HEX NUT, #10-24	
6	91513013	1	RETRACTION SHEAVE PIN (Prior to SN 0160037671)	
6	91513110	1	RETRACTION SHEAVE PIN (SN 0160037671 to Present)	
7	88671001	1	LUBE FITTING, STRAIGHT, 1/8	
8	90028932	1	RETAINING RING	
9	91513035	1	LEAF CHAIN 834	
10	91513177	2	CHAIN PIN	
11	88581112	4	COTTER PIN, 1/16X3/4	
12	1360294	1	CHAIN ANCHOR	
13		Ref	ANCHOR PLATE, (See FIRST BOOM SECTION, item 13 for Breakdown)	
14		Ref	THIRD BOOM SECTION, (See THIRD BOOM SECTION for Breakdown)	
15		Ref	EXTENSION CHAIN 1066, (See PUSH BEAM/EXTEND CHAIN AND ROLLER ASSEMBLY, item 1 for Breakdown)	
16		Ref	CLEVIS 1066-834, (See PUSH BEAM/EXTEND CHAIN AND ROLLER ASSEMBLY, item 8 for Breakdown)	
17	88551011	1	LOCKWASHER, 3/8 (Prior to SN 0160037671)	
17	4761600	1	LOCKWASHER, 3/8 (SN 0160037671 through 0160040674, Excluding 0160040468 and 0160040672)	
18	0641634	1	HEX HD CAPSCREW, 3/8-16X4-1/4, GR5	
19	91403126	AR	THRUST WASHER	
19	91403127	AR	THRUST WASHER	
20	91403053	2	SEAL	
21	91513242	1	RETRACT ROLLER ASSY, (includes items 20 & 22)	
22	91513011	1	BUSHING	
23	3580346	1	HOSE SHEAVE	

SECTION 2 - BOOM

FIGURE 2-4. BEARING PADS, SPACERS AND SHIMS, (SECOND BOOM SECTION)



NOTE: 1. WEAR PAD SHIMMING:

- A. WHENEVER A SHIM IS USED WITH A PAD, A SPACER WITH HOLES MUST BE INSERTED BETWEEN PAD & SHIM.
 - B. THE WEAR PAD OR WEAR PAD INSERT MUST NOT SIT DIRECTLY ON THE SLOTTED SURFACE OF SHIMS.
 - C. PRIOR TO SN 01990376T1 ADD BEARING PAD SHIMS & SPACERS AS REQUIRED TO SHIM BOOM TO WITHIN 1/16 IN. (1.58 MM) OF A TIGHT FIT.
SN 01690376T1 TO PRESENT ADD BEARING PAD SHIMS & SPACERS AS REQUIRED TO SHIM BOOM TO MAINTAIN A TOTAL MINIMUM GAP OF 0.070 TO 0.130 IN. (1.8 TO 3.3 MM) BOTH HORIZONTAL & VERTICAL DIRECTIONS.
 - D. THE LENGTH OF PAD BOLTS DEPENDS ON THE NUMBER OF THE SHIMS USED. THE BOLT CANNOT EXTEND PAST CHAMFER ON WEAR PAD.
2. USE LOCTITE® 242™ (0199011) ON ALL BOLT THREADS.
 3. ADD MYSTIK TETRAMOLY GREASE (14404703) TO ALL PAD SLIDE PATHWAYS. IF APPLICABLE, THIS INCLUDES ALL PAD GREASE FITTINGS AT THE REAR OF BOOM.

PAR11410

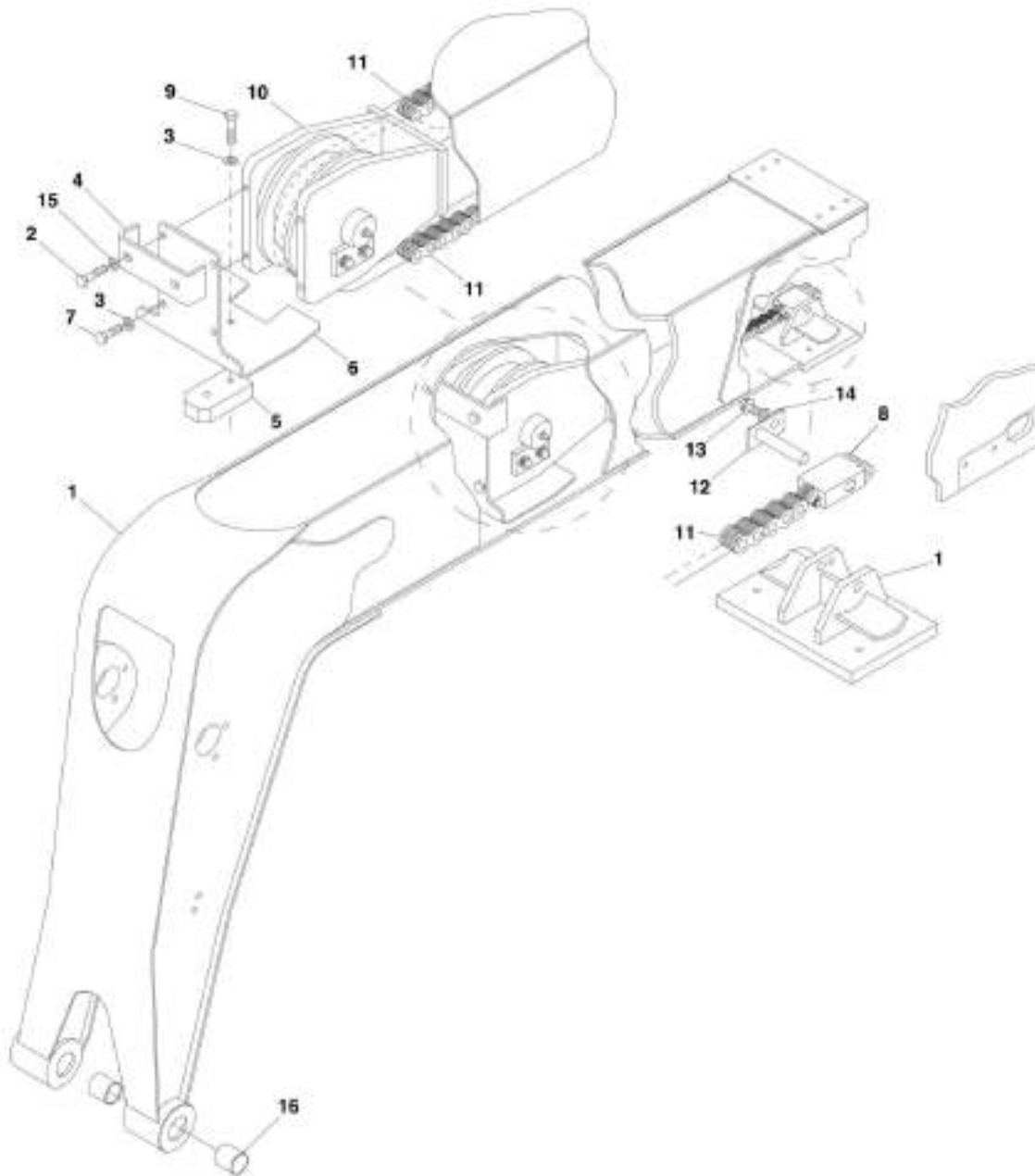
SECTION 2 - BOOM

FIGURE 2-4. BEARING PADS, SPACERS AND SHIMS, (SECOND BOOM SECTION)

ITEM	PART NUMBER	QTY	DESCRIPTION	REV
1		Ref	SECOND BOOM SECTION, (See SECOND BOOM SECTION for Breakdown)	
2	0651605	AR	HEX HD CAPSCREW, 3/8-24X5/8, GR5, (torque to 32-37 lb-ft)	
2	0651606	AR	HEX HD CAPSCREW, 3/8-24X3/4, GR5, (torque to 32-37 lb-ft)	
2	0651607	AR	HEX HD CAPSCREW, 3/8-24X7/8, GR5, (torque to 32-37 lb-ft)	
3	90027470	AR	HARDENED WASHER, 3/8	
4	91403532	2	BEARING PAD	
5	91511100	4	SPACER	
6	91511101	AR	SHIM	
6	91511102	AR	SHIM	
7	91511009	1	MOUNT PLATE (Prior to SN 0160037671)	
7	1001102973	1	MOUNT PLATE (SN 0160037671 to Present)	
8	91401212	AR	SHIM	
8	91401213	AR	SHIM	
9	91401223	6	SPACER	
10	91403530	6	BEARING PAD	
11	0651806	AR	HEX HD CAPSCREW, 1/2-20X3/4, GR5, (torque to 45-50 lb-ft)	
12	4711800	8	FLAT WASHER, 1/2	
13	1001117656	4	BEARING PAD	
14	0641806	AR	HEX HD CAPSCREW, 1/2-20X3/4, GR5, (torque to 45-50 lb-ft)	
14	0651612	AR	HEX HD CAPSCREW, 3/8-24X1-1/2, GR5, (torque to 32-37 lb-ft)	
14	0651614	AR	HEX HD CAPSCREW, 3/8-24X1-3/4, GR5, (torque to 32-37 lb-ft)	
15	91513074	2	BEARING PAD	
16	91511094	2	SPACER	
17	91361049	AR	SHIM	
17	91511096	AR	SHIM	
18	90027471	AR	HARDENED WASHER, 1/2	
19	0651806	AR	HEX HD CAPSCREW, 1/2-20X3/4, GR5, (torque to 45-50 lb-ft)	
19	0651807	AR	HEX HD CAPSCREW, 1/2-20X7/8, GR5, (torque to 76-86 lb-ft)	
19	0651808	AR	HEX HD CAPSCREW, 1/2-20X1, GR5, (torque to 76-86 lb-ft)	
20	0651810	AR	HEX HD CAPSCREW, 1/2-20X1-1/4, GR5, (torque to 76-86 lb-ft)	
20	0651812	AR	HEX HD CAPSCREW, 1/2-20X1-1/2, GR5, (torque to 76-86 lb-ft)	
20	0651814	AR	HEX HD CAPSCREW, 1/2-20X1-3/4, GR5, (torque to 76-86 lb-ft)	
21	91401224	2	SPACER	
22	91511008	1	MOUNT PLATE	
23	91401456	AR	SHIM	
23	91401457	AR	SHIM	

SECTION 2 - BOOM

FIGURE 2-5. THIRD BOOM SECTION



- NOTE: 1. USE LOCTITE® 242™ (0100011) ON ALL BOLT THREADS AND JAM NUTS.
2. PRIOR TO SN 0160037671 COAT STATIC, NON-ROTATING, PIN BORES WITH NEVER SEEZE LUBE (14403323).
SN 0160037671 TO PRESENT COAT STATIC, NON-ROTATING, PIN BORES WITH MOLY-PASTE (3020040).
DO NOT COAT THE PIN OR ANY ROTATING PARTS.
3. COAT ALL WEAR PADS, SHEAVES, AND ROTATING PIN BORES WITH MYSTIK XDQ GREASE (14404793) PRIOR TO
INSTALLATION OF THE PIN.

PAP15530

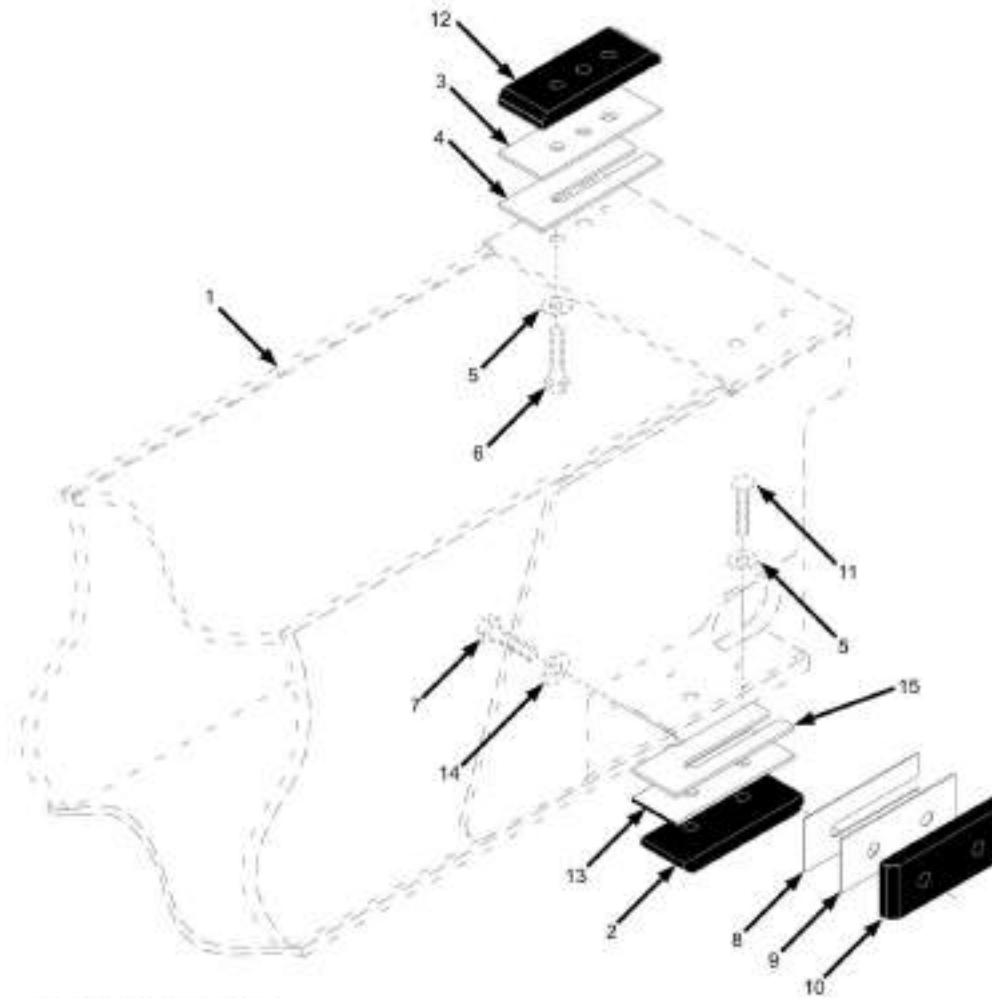
SECTION 2 - BOOM

FIGURE 2-5. THIRD BOOM SECTION

ITEM	PART NUMBER	QTY	DESCRIPTION	REV
1	91516011	1	THIRD BOOM SECTION (Prior to SN 0160037671)	
1	1001102958	1	THIRD BOOM SECTION (SN 0160037671 to Present)	
2	0641610	2	HEX HD CAPSCREW, 3/8-16X1-1/4, GR5	
3	4711600	6	FLAT WASHER, 3/8	
4	91511047	1	GUIDE BAR	
5	91513023	1	PUSH BEAM BEARING PAD (Prior to SN 0160037671)	
5	1001102974	1	PUSH BEAM BEARING PAD (SN 0160037671 to Present)	
6	91511048	1	CHAIN RETAINER	
7	0641607	2	HEX HD CAPSCREW, 3/8-16X7/8, GR5	
8		Ref	CLEVIS 1066-834, (See PUSH BEAM/EXTEND CHAIN AND ROLLER ASSEMBLY, item 8 for Breakdown)	
9	0651624	2	HEX HD CAPSCREW, 3/8-24X3, GR5, (torque to 32-37 lb-ft)	
10		Ref	PUSH BEAM ASSY, (See PUSH BEAM/EXTEND CHAIN AND ROLLER ASSEMBLY for Breakdown)	
11		Ref	LEAF CHAIN 1066, (See PUSH BEAM/EXTEND CHAIN AND ROLLER ASSEMBLY, item 1 for Breakdown)	
12	91513022	1	ANCHOR PIN	
13	0641607	1	HEX HD CAPSCREW, 3/8-16X7/8, GR5	
14	88551011	1	LOCKWASHER, 3/8 (Prior to SN 0160037671)	
14	4761600	1	LOCKWASHER, 3/8 (SN 0160037671 through 0160040674, Excluding 0160040468 and 0160040672)	
15	90027470	2	HARD WASHER, 3/8	
16	91563243	4	BUSHING	

SECTION 2 - BOOM

FIGURE 2-6. BEARING PADS, SPACERS AND SHIMS, (THIRD BOOM SECTION)



NOTE: 1. WEAR PAD SHIMMING:

- A. WHENEVER A SHIM IS USED WITH A PAD, A SPACER WITH HOLES MUST BE INSERTED BETWEEN PAD & SHIM.
 - B. THE WEAR PAD OR WEAR PAD INSERT MUST NOT SIT DIRECTLY ON THE SLOTTED SURFACE OF SHIMS.
 - C. PRIOR TO SN 0160037671 ADD BEARING PAD SHIMS & SPACERS AS REQUIRED TO SHIM BOOM TO WITHIN 1/16 IN. (1.58 MM) OF A TIGHT FIT.
SN 0160037671 TO PRESENT ADD BEARING PAD SHIMS & SPACERS AS REQUIRED TO SHIM BOOM TO MAINTAIN A TOTAL MINIMUM GAP OF 0.070 TO 0.130 IN. (1.8 TO 3.3 MM) BOTH HORIZONTAL & VERTICAL DIRECTIONS.
 - D. THE LENGTH OF PAD BOLTS DEPENDS ON THE NUMBER OF THE SHIMS USED. THE BOLT CANNOT EXTEND PAST CHAMFER ON WEAR PAD.
- 2. USE LOCTITE® 242™ (0100011) ON ALL BOLT THREADS.
 - 3. ADD MYSTIK TETRAMOLY GREASE (14404793) TO ALL PAD SLIDE PATHWAYS. IF APPLICABLE, THIS INCLUDES ALL PAD GREASE FITTINGS AT THE REAR OF BOOM.

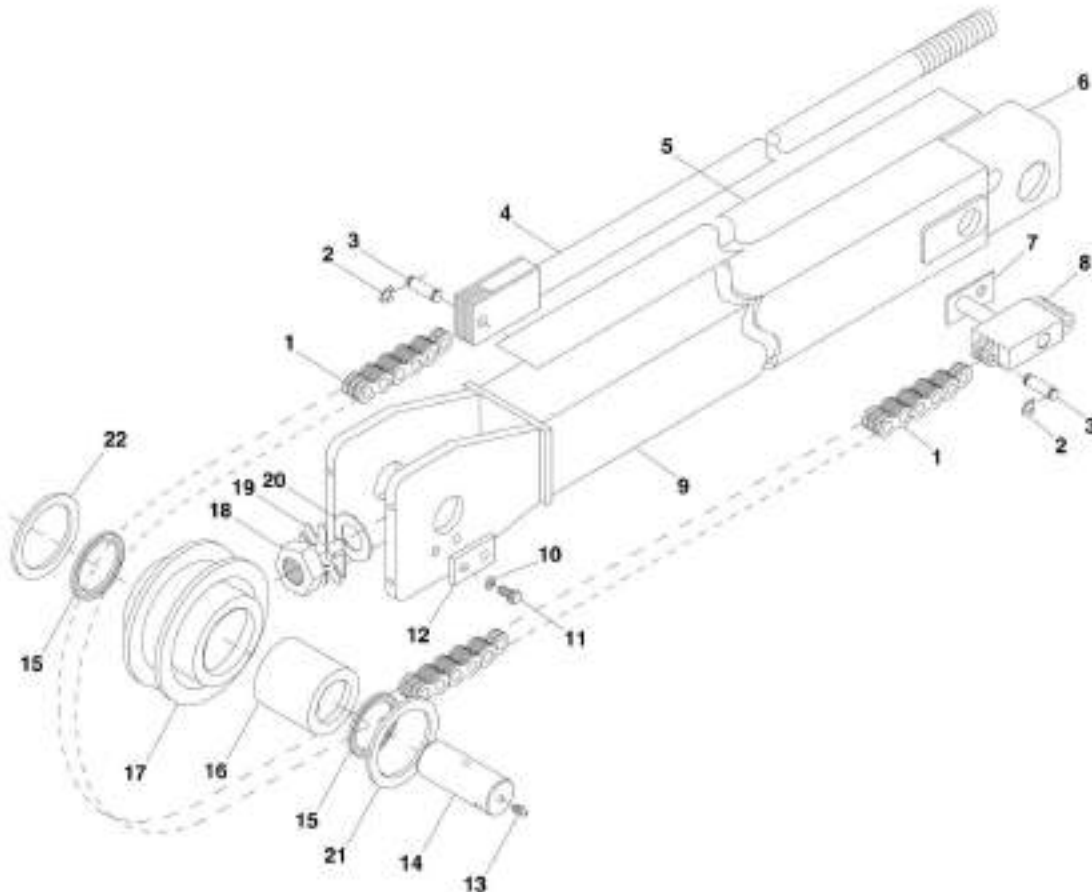
SECTION 2 - BOOM

FIGURE 2-6. BEARING PADS, SPACERS AND SHIMS, (THIRD BOOM SECTION)

ITEM	PART NUMBER	QTY	DESCRIPTION	REV
1		Ref	THIRD BOOM SECTION, (See THIRD BOOM SECTION for Breakdown)	
2	1001117658	2	BEARING PAD	
3	91511100	2	SPACER	
4	91511101	AR	SHIM	
4	91511102	AR	SHIM	
5	90027471	AR	HARDENED WASHER, 1/2	
6	0651810	AR	HEX HD CAPSCREW, 1/2-20X1-1/4, GR5, (torque to 76-86 lb-ft)	
6	0651811	AR	HEX HD CAPSCREW, 1/2-20X1-3/8, GR5, (torque to 76-86 lb-ft)	
6	0651812	AR	HEX HD CAPSCREW, 1/2-20X1-1/2, GR5, (torque to 76-86 lb-ft)	
7	0651605	AR	HEX HD CAPSCREW, 3/8-24X5/8, GR5, (torque to 32-37 lb-ft)	
7	0651606	AR	HEX HD CAPSCREW, 3/8-24X3/4, GR5, (torque to 32-37 lb-ft)	
7	0651607	AR	HEX HD CAPSCREW, 3/8-24X7/8, GR5, (torque to 32-37 lb-ft)	
8	91401218	AR	SHIM	
8	91401219	AR	SHIM	
9	91401225	2	SPACER	
10	91403531	2	BEARING PAD	
11	0651806	AR	HEX HD CAPSCREW, 1/2-20X3/4, GR5, (torque to 45-50 lb-ft)	
11	0651807	AR	HEX HD CAPSCREW, 1/2-20X7/8, GR5, (torque to 76-86 lb-ft)	
11	0651808	AR	HEX HD CAPSCREW, 1/2-20X1, GR5, (torque to 76-86 lb-ft)	
12	1001117656	2	BEARING PAD	
13	91511097	4	SPACER	
14	90027470	AR	HARDENED WASHER, 3/8	
15	91511098	AR	SHIM	
15	91511099	AR	SHIM	

SECTION 2 - BOOM

FIGURE 2-7. PUSH BEAM/EXTEND CHAIN AND ROLLER ASSEMBLY (Prior to SN 0160037671)



- NOTE: 1). ADD MYSTIK TETRIMOLY GREASE (14404793) TO EXTEND CHAIN SHEAVE PIN (ITEM 14), AS REQUIRED.
- 2). PRIOR TO SN 0160037671 ADD NEVER SEEZE LUBE (14403323) TO CROWD CYLINDER PIN BORE AT TIME OF ASSEMBLY. SN 0160037671 TO PRESENT COAT STATIC, NON-ROTATING, PIN BORES WITH MOLY-PASTE (3920040). DO NOT COAT THE PIN OR ANY ROTATING PARTS.
- 3). ADD ITEMS 21 & 22 TO AS NECESSARY TO SHIM EXTEND CHAIN ROLLER WITHIN 1/16 IN. (1.587 MM) OF A TIGHT FIT. EXTENDED CHAIN ROLLER IS TO BE CENTERED BETWEEN PUSH BEAM PLATES. AT LEAST (1) WASHER IS TO BE USED ON EACH SIDE OF CHAIN SHEAVE.
- 4). THE CLEVIS (ITEM 8), SEATS IN THE REAR OF THE THIRD BOOM SECTION, ILLUSTRATED ON SEE THIRD BOOM SECTION FOR BREAKDOWN.
- 5). THE CHAIN CLEVIS ROD (ITEM 4) ATTACHES TO THE STRONG BACK (ITEM 3), ON SEE FIRST BOOM SECTION FOR BREAKDOWN. COAT ITEM 3 WITH ANTI-SEIZE LUBE (9522012).
- 6). SEE THIRD BOOM SECTION FOR PUSH BEAM, CHAIN RETAINER & BEARING PADS.
- 7). USE LOCTITE[®] 242TM (0100011) ON ALL BOLT THREADS.

RAP11540

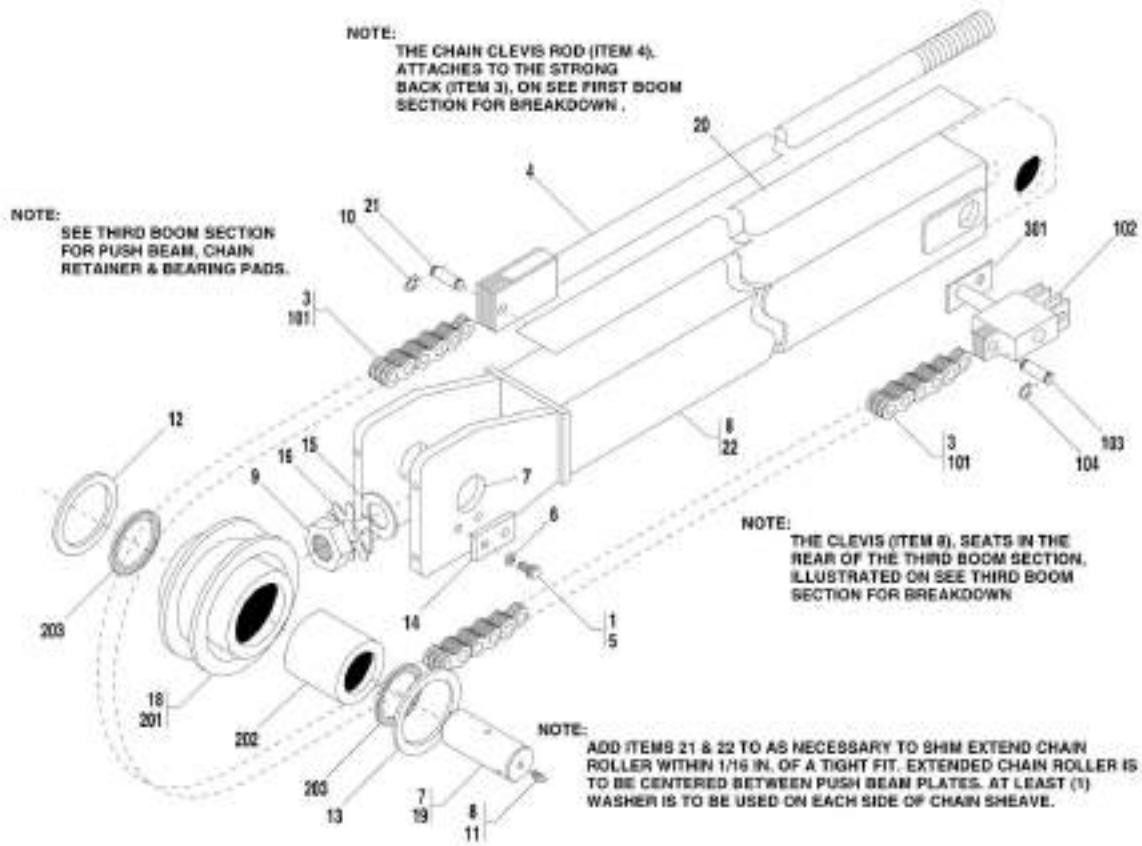
SECTION 2 - BOOM

FIGURE 2-7. PUSH BEAM/EXTEND CHAIN AND ROLLER ASSEMBLY (Prior to SN 0160037671)

ITEM	PART NUMBER	QTY	DESCRIPTION	REV
1	91513028	1	EXTENTION CHAIN 1066	
2	88581115	4	SNAP RING	
3	91513176	2	CHAIN PIN	
4	0274800	1	CHAIN CLEVIS ROD ASSY	
5	91513029	160 in	UHMW TAPE	
6		Ref	CROWD CYLINDER, (See HYDRAULIC COMPONENTS SECTION for Breakdown)	
7		Ref	ANCHOR PIN, (See THIRD BOOM SECTION, item 12 for Breakdown)	
8	1360302	1	CLEVIS 1066-834	
9	91516008	1	PUSH BEAM WELDMENT	
10	4761800	2	FLAT WASHER, 1/2	
11	0641808	2	HEX HD CAPSCREW, 1/2-13X1, GR5	
12	91401189	1	KEEPER	
13	88671001	1	LUBE FITTING, STRAIGHT, 1/8	
14	91513018	1	EXTEND SHEAVE PIN	
15	91403119	2	SEAL	
16	91513017	1	BUSHING	
17	91513016	1	EXTEND CHAIN ROLLER ASSY, (includes items 15 & 16)	
18	88501022	1	HEX NUT, 1-3/8-6, (torque to 155-195 lb-ft)	
19	91511142	1	TAB WASHER, (bend two tabs against nut, item 18)	
20	91403065	1	HARDENED WASHER	
21	91041596	AR	WASHER, (shim)	
22	91041451	AR	WASHER, (shim)	

SECTION 2 - BOOM

FIGURE 2-8. PUSH BEAM/EXTEND CHAIN AND ROLLER ASSEMBLY (SN 0160037671 to Present)



ART. 0101801-0-0

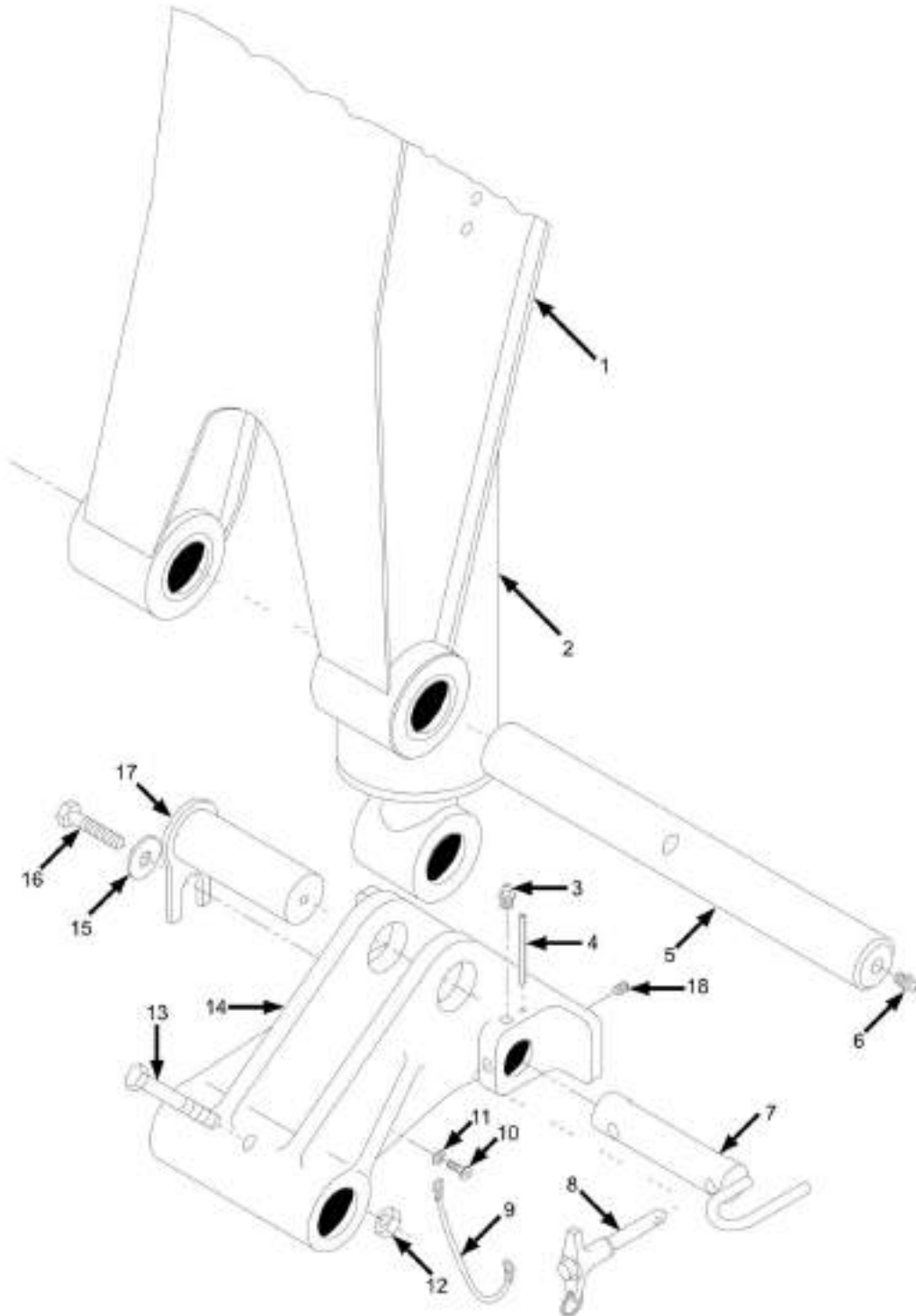
SECTION 2 - BOOM

FIGURE 2-8. PUSH BEAM/EXTEND CHAIN AND ROLLER ASSEMBLY (SN 0160037671 to Present)

ITEM	PART NUMBER	QTY	DESCRIPTION	REV
	0275799	1	PUSH BEAM ASSY, (includes items 1 thru 22)	D
1	0100011	AR	LOCTITE 242	
3	0274676	Ref	EXTEND CHAIN INSTALL, (not available to order, see items 101 thru 105 for service)	
4	0274800	1	CHAIN CLEVIS BAR INSTALLATION	
5	0641808	2	HEX HAD CAPSCREW, 1/2-13X1, GR5	
6	4761800	2	LOCKWASHER, 1/2	
7	14403323	AR	NEVER SEEZ LUBE	
8	14404793	AR	MYSTIK TETRIMOLY GREASE	
9	88501022	1	HEX NUT, 1-3/8-6, (torque to 155-195 lb-ft)	
10	88581115	2	SNAP RING	
11	88671001	1	LUBE FITTING, STRAIGHT, 1/8	
12	91041451	AR	WASHER, (shim)	
13	91041596	AR	WASHER, (shim)	
14	91401189	1	KEEPER	
15	91403065	1	HARDENED WASHER	
16	91511142	1	TAB WASHER	
18	91513016	1	EXTEND CHAIN ROLLER ASSY, (includes items 201 thru 203)	
19	91513018	1	EXTEND SHEAVE PIN	
20	91513029	AR	UHMW TAPE	
21	91513176	1	CHAIN PIN	
22	91516008	1	PUSH BEAM WELDMENT	
101	91513028	1	EXTEND CHAIN	
102	1360302	1	CHAIN CLEVIS	
103	91513176	1	CHAIN PIN	
104	88581115	2	SNAP RING	
105	8522012	AR	ANTI-SEIZE LUBE, (not shown)	
201	91513015	1	EXTEND CHAIN ROLLER	
202	91513017	1	BUSHING	
203	91403119	2	SEAL	
301		Ref	ANCHOR PIN, (See THIRD BOOM SECTION for Breakdown)	

SECTION 2 - BOOM

FIGURE 2-9. MANUAL QUICK SWITCH ASSEMBLY (Prior to SN 0160037671)



NOTE: 1. USE LOCTITE® 242™ (0100011) ON ALL BOLT THREADS.

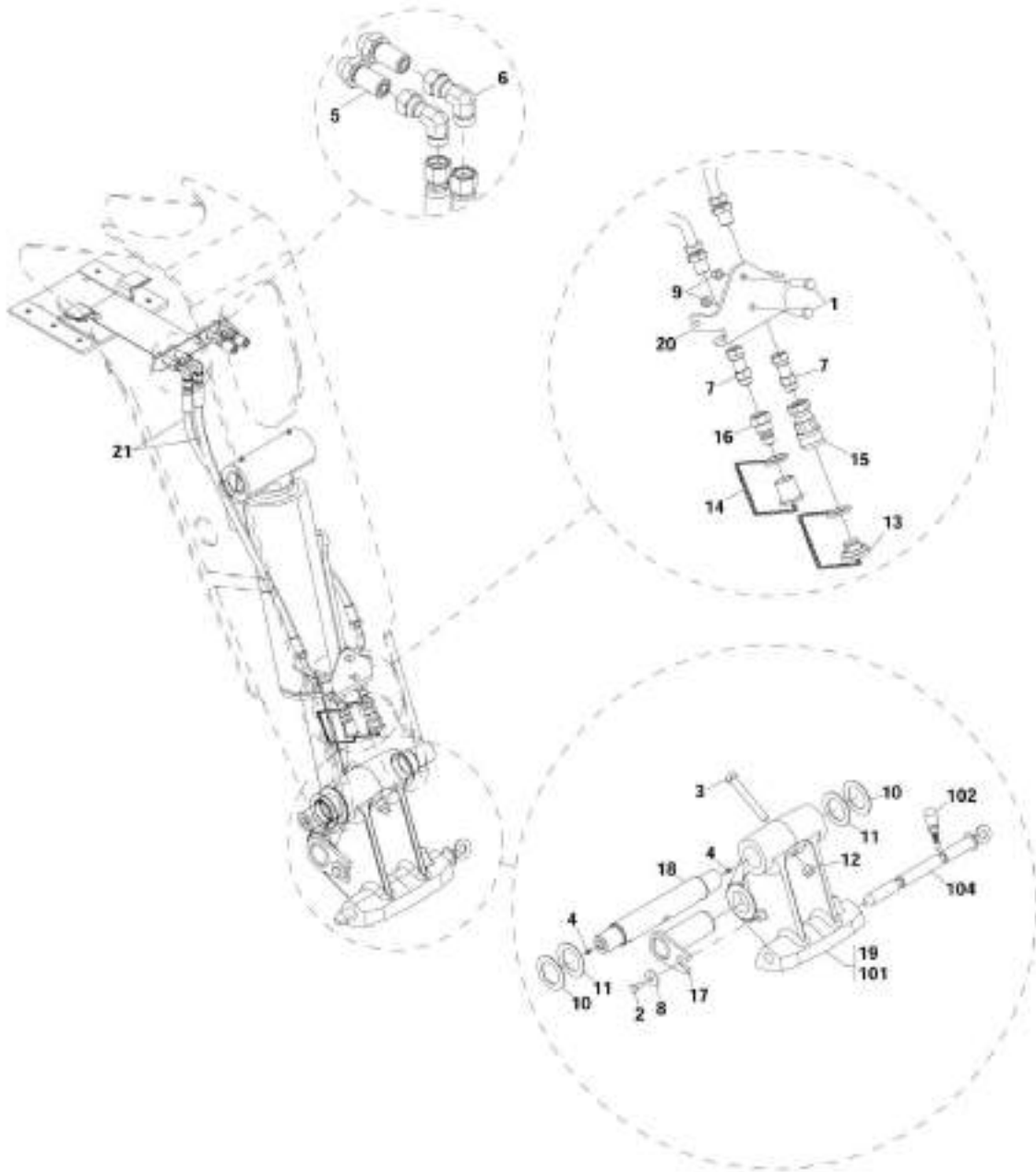
SECTION 2 - BOOM

FIGURE 2-9. MANUAL QUICK SWITCH ASSEMBLY (Prior to SN 0160037671)

ITEM	PART NUMBER	QTY	DESCRIPTION	REV
1	91405032	1	QUICK SWITCH ASSY, (includes items 3, 4, 7 thru 11, 14 & 18)	F
1		Ref	THIRD BOOM SECTION, (See THIRD BOOM SECTION for Breakdown)	
2		Ref	TILT CYLINDER, (See HYDRAULIC COMPONENTS SECTION for Breakdown)	
3	88671008	1	LUBE FITTING, STRAIGHT, 1/4-28	
4	3440832	1	ROLL PIN, 1/4X2	
5	91403020	1	HEAD PIN	
6	N.S.S.	2	LUBE FITTING	
7	91403404	1	QUICK SWITCH PIN	
8	91403407	1	QUICK RELEASE PIN	
9	91403411	1	TETHER CABLE	
10	88301193	1	ROUND HD MACHINE SCREW, #10-32X1/2	
11	88561105	1	FLAT WASHER, #10	
12	88521012	1	HEX LOCKNUT, 3/4-10	
13	91403412	1	HEX HD CAPSCREW, 1/2-13X6	
14	91403060	1	QUICK SWITCH CASTING	
15	88561006	1	FLAT WASHER, 1/2	
16	88201067	1	HEX HD CAPSCREW, 1/2-13X1-1/2, GR5	
17	91403405	1	PIN WELDMENT	
18	88221276	1	SOCKET SET SCREW, (flat point), 1/2-13X1/2	

SECTION 2 - BOOM

FIGURE 2-10. MANUAL QUICK SWITCH ASSEMBLY (SN 0160037671 to Present)



PAP18110

SECTION 2 - BOOM

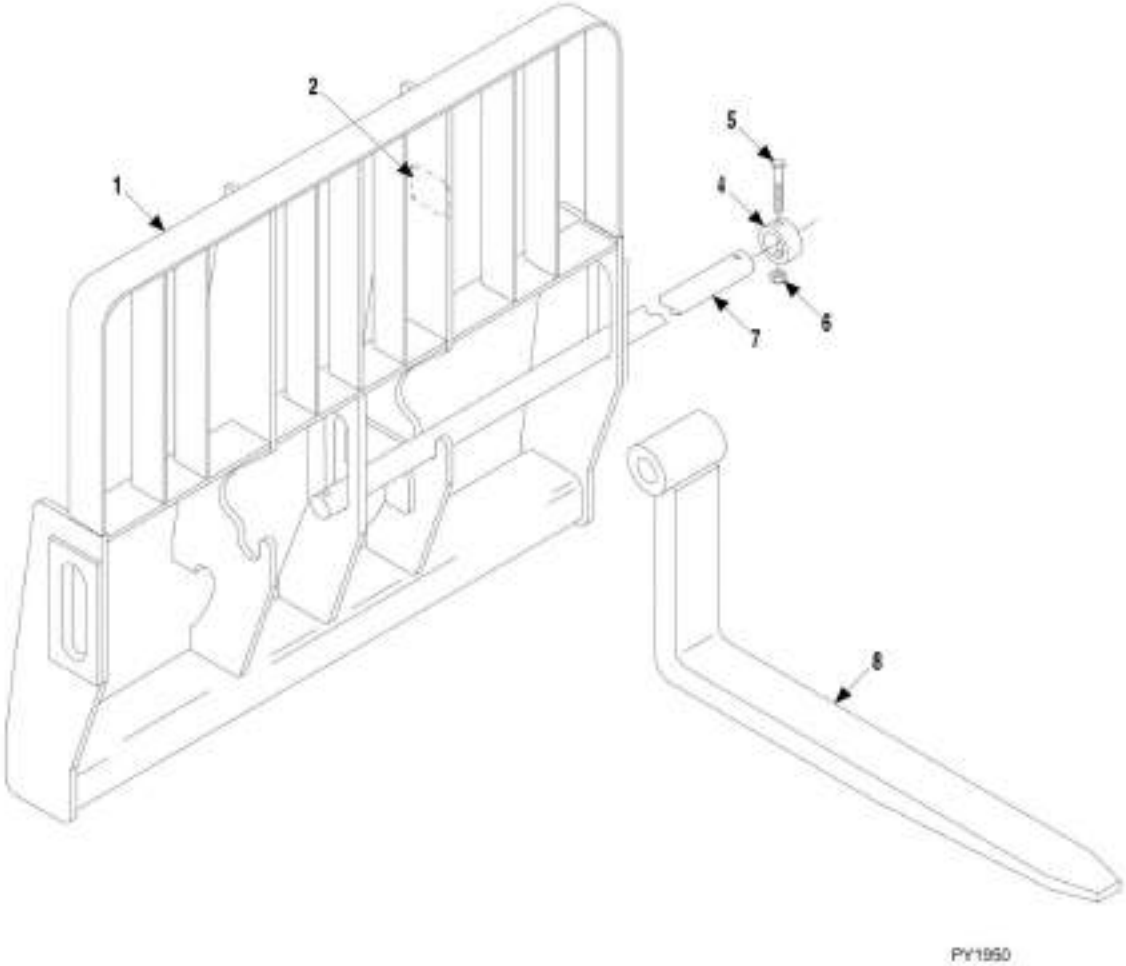
FIGURE 2-10. MANUAL QUICK SWITCH ASSEMBLY (SN 0160037671 to Present)

ITEM	PART NUMBER	QTY	DESCRIPTION	REV
	1001142788	Ref	MANUAL QUICK SWITCH INSTALLATION, (not available to order, see items 1 thru 104 for service)	A
1	0641612	2	HEX HD CAPSCREW, 3/8-16X1-1/2, GR5	
2	0641808	1	HEX HD CAPSCREW, 1/2-13X1, GR5	
3	0682244	1	HEX HD CAPSCREW, 3/4-10X5-1/2, GR8	
4	2160002	2	STRAIGHT GREASE FITTING	
5	2171108	2	BULKHEAD FITTING	
6	2172108	2	ADAPTER, 90, (includes o-ring)	
7	2180849	2	ADAPTER	
8	4740003	1	WASHER, 1/2	
9	8305645	2	HEX LOCK NUT, 3/8-16	
10	8307916	AR	WASHER, SHIM	
11	8307917	AR	WASHER, SHIM	
12	8310067	1	LOCKNUT, 3/4-10	
13	91043125	1	DUST PLUG	
14	91043126	1	DUST CAP	
15	91403413	1	FEMALE QUICK CONNECT	
16	91403414	1	MALE QUICK DISCONNECT	
17	1001098218	1	PIN WELDMENT	
18	1001098233	1	PIVOT PIN	
19	1001098382	1	QUICK SWITCH COUPLING ASSY, (includes items 101 thru 104)	E
20	1001098425	1	BRACKET	
21	1001099890	2	HOSE ASSY	
101	1001098174	1	QUICK SWITCH COUPLER	
102	1001143692	1	POPPIN PIN ASSY	
104	1001105441	1	QUICK SWITCH LOCK PIN	

SECTION 3 - ATTACHMENTS

SECTION 3 - ATTACHMENTS

FIGURE 3-1. TILT CARRIAGE (Prior to SN 0160028566)



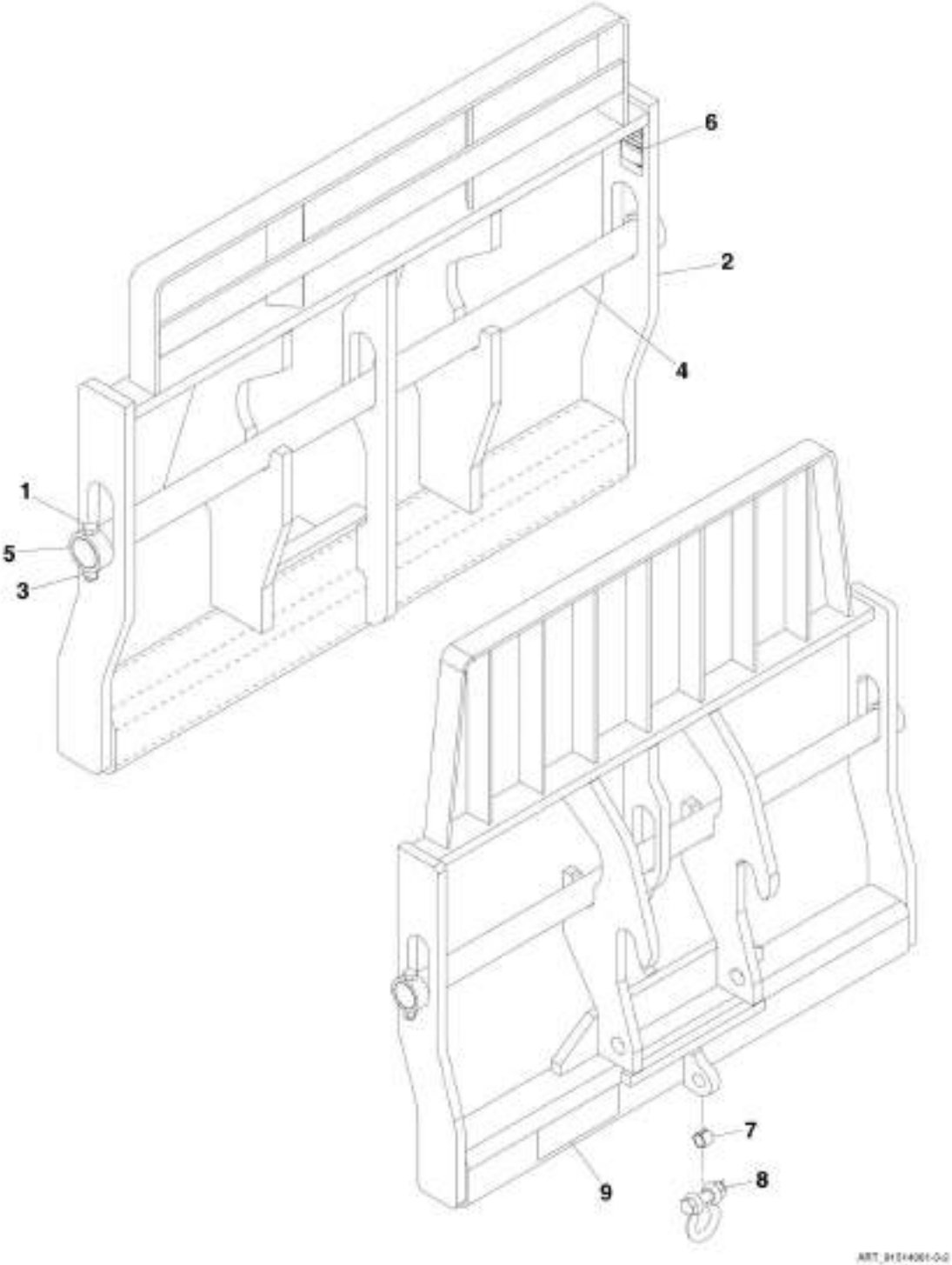
SECTION 3 - ATTACHMENTS

FIGURE 3-1. TILT CARRIAGE (Prior to SN 0160028566)

ITEM	PART NUMBER	QTY	DESCRIPTION	REV
	91405073	1	48 IN CARRIAGE ASSY, (includes items 1 thru 7)	D
	91405074	1	72 IN CARRIAGE ASSY, (includes items 1 thru 7)	D
1	N.S.S.	1	48 IN CARRIAGE WELDMENT	
1	N.S.S.	1	72 IN CARRIAGE WELDMENT	
2	N.S.S.	1	SN PLATE	
4	90200003	2	COLLAR	
5	88201105	2	HEX HD CAPSCREW, 5/8-11X4, GR5	
6	88521310	2	HEX LOCKNUT, 5/8-11, (nylok)	
7	91401303	1	FORK PIN, (48 in carriage)	
7	91401324	1	FORK PIN, (72 in carriage)	
8		Ref	FORK, (See FORKS for Breakdown)	

SECTION 3 - ATTACHMENTS

FIGURE 3-2. TILT CARRIAGE (SN 0160028566 to Present)



ART. 91514001-02

SECTION 3 - ATTACHMENTS

FIGURE 3-2. TILT CARRIAGE (SN 0160028566 to Present)

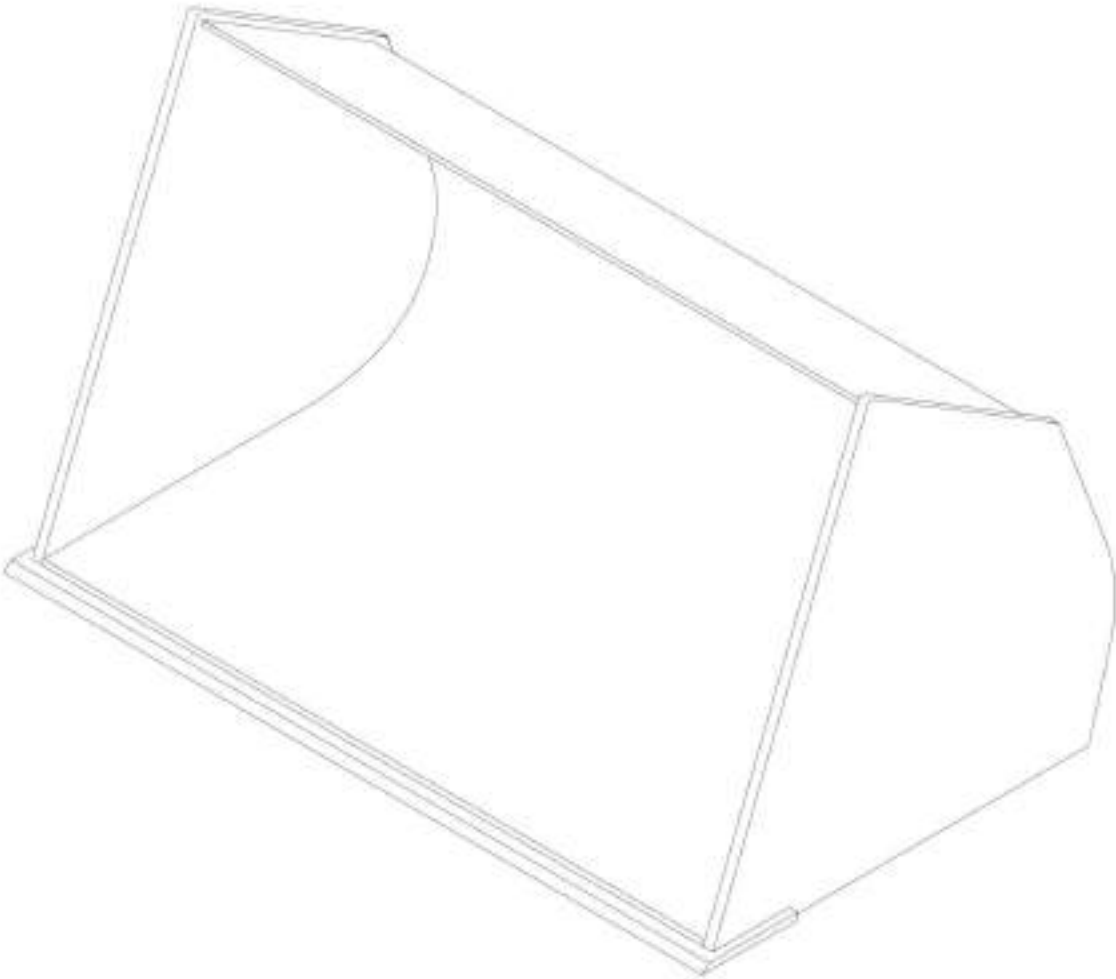
ITEM	PART NUMBER	QTY	DESCRIPTION	REV
	1170019	1	50 IN TILT CARRIAGE, (includes items 1 through 6) (SN 0160028566 through 0160037665)	C
	1170021	1	50 IN TILT CARRIAGE, (includes items 1 through 6) (SN 016003766 through 0160051902, Excluding 0160051085, 0160051086, 0160051087, 0160051088, 0160051101, 0160051206, 0160051207, 0160051208, 0160051209, 0160051220, 0160051223, 0160051232, 0160051368, 0160051376, 0160051378, 0160051381, 0160051382 and 0160051387)	E
	1001146084	1	50 IN TILT CARRIAGE, (includes all items) (SN 160051085 to Present, Including 0160051088, 0160051101, 160051206, 160051207, 160051208, 160051209, 0160051220, 0160051223, 0160051232, 0160051368, 0160051376, 0160051378, 0160051381, 0160051382 and 0160051387)	C
	1170022	1	60 IN TILT CARRIAGE, (includes items 1 through 6) (SN 0160028566 through 0160037665)	C
	1170024	1	60 IN TILT CARRIAGE, (includes items 1 through 6) (SN 0160037666 through 0160051902, Excluding 0160051085, 0160051086, 0160051087, 0160051088, 0160051101, 0160051206, 0160051207, 0160051208, 0160051209, 0160051220, 0160051223, 0160051232, 0160051368, 0160051376, 0160051378, 0160051381, 0160051382 and 0160051387)	E
	1001146086	1	60 IN TILT CARRIAGE, (includes all items) (SN 160051085 to Present, Including 0160051088, 0160051101, 160051206, 160051207, 160051208, 0160051209, 0160051220, 0160051223, 0160051232, 0160051368, 0160051376, 0160051378, 0160051381, 0160051382 and 0160051387)	C
	1170025	1	72 IN TILT CARRIAGE, (includes items 1 through 6) (SN 0160028566 through 0160037665)	C
	1170027	1	72 IN TILT CARRIAGE, (includes items 1 through 6) (SN 0160037666 through 0160051902, Excluding 0160051085, 0160051086, 0160051087, 0160051088, 0160051101, 0160051206, 0160051207, 0160051208, 0160051209, 0160051220, 0160051223, 0160051232, 0160051368, 0160051376, 0160051378, 0160051381, 0160051382 and 0160051387)	D
	1001132514	1	72 IN TILT CARRIAGE, (includes items 1 through 6) (SN 160051085 to Present, Including 0160051088, 0160051101, 160051206, 160051207, 160051208, 0051209, 0160051220, 0160051223, 0160051232, 0160051368, 0160051376, 0160051378, 0160051381, 0160051382 and 0160051387)	B
	1001146088	1	72 IN TILT CARRIAGE, (includes all items) (SN 160051085 to Present, Including 0160051088, 0160051101, 160051206, 160051207, 160051208, 0160051209, 0160051220, 0160051223, 0160051232, 0160051368, 0160051376, 0160051378, 0160051381, 0160051382 and 0160051387)	C
1	0642032	2	HEX HD CAPSCREW, 5/8-11X4, GR5	
2	N.S.S.	1	TILT CARRIAGE	
3	3300240	2	LOCKNUT, 5/8-11	
4	3423275	1	50 IN FORK PIN	
4	3423242	1	60 IN FORK PIN	
4	3423276	1	72 IN FORK PIN	
5	90200003	2	COLLAR	
6	N.S.S.	1	SN PLATE	
7	1001146159	1	SLEEVE (SN 160051085 to Present, Including 0160051088, 0160051101, 160051206, 160051207, 160051208, 0160051209,	

SECTION 3 - ATTACHMENTS

ITEM	PART NUMBER	QTY	DESCRIPTION	REV
8	1001146160	1	<p>0160051220, 0160051223, 0160051232, 0160051368, 0160051376, 0160051378, 0160051381, 0160051382 and 0160051387)</p> <p>SHACKLE BOLT (SN 160051085 to Present, Including 0160051088, 0160051101, 160051206, 160051207, 160051208, 0160051209, 0160051220, 0160051223, 0160051232, 0160051368, 0160051376, 0160051378, 0160051381, 0160051382 and 0160051387)</p>	
9	1001151561	1	<p>WARNING SWINGING LOADS DECAL (SN 160051085 to Present, Including 0160051088, 0160051101, 160051206, 160051207, 160051208, 0160051209, 0160051220, 0160051223, 0160051232, 0160051368, 0160051376, 0160051378, 0160051381, 0160051382 and 0160051387)</p>	

SECTION 3 - ATTACHMENTS

FIGURE 3-3. BUCKETS



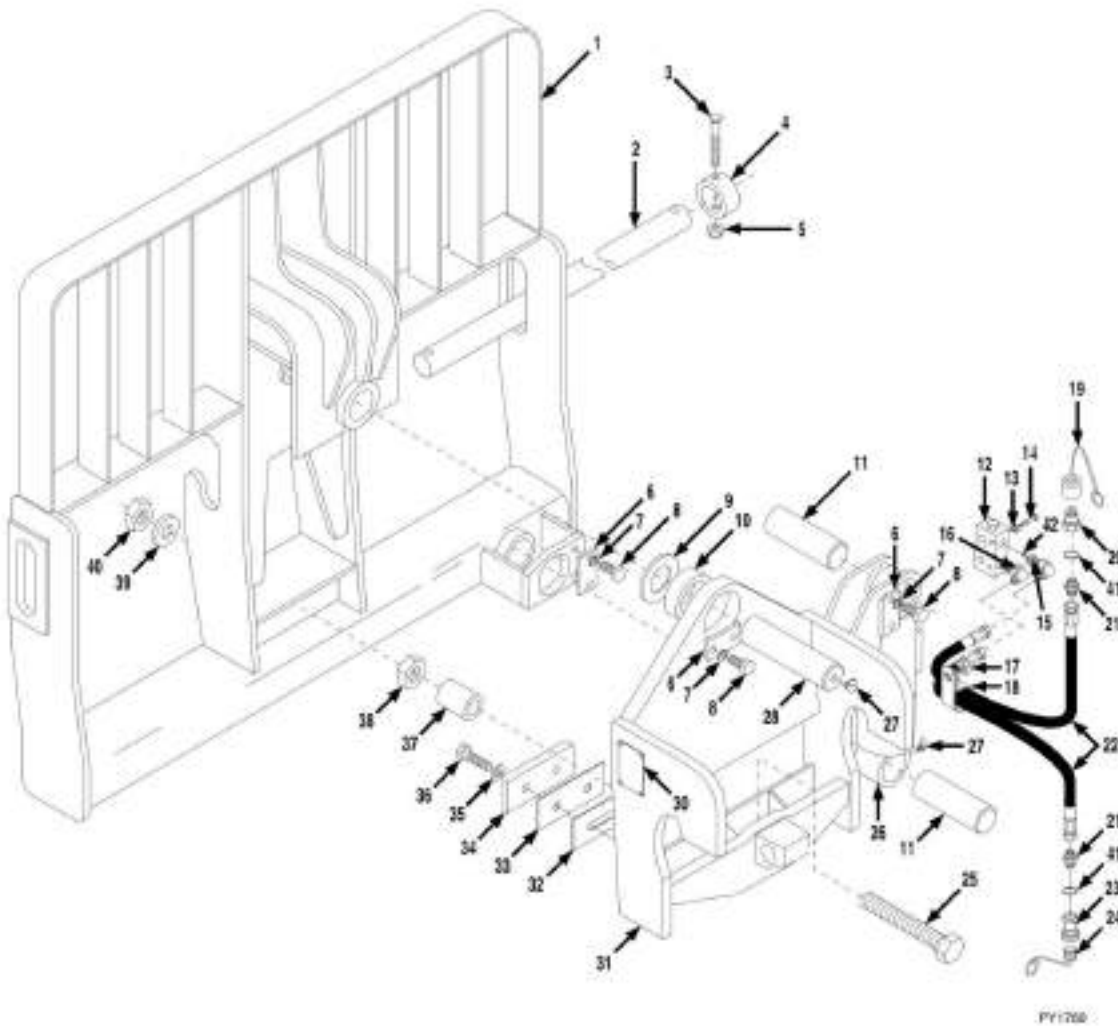
SECTION 3 - ATTACHMENTS

FIGURE 3-3. BUCKETS

ITEM	PART NUMBER	QTY	DESCRIPTION	REV
	91405054	1	60 IN BUCKET, 3/4 ³ YARD (Prior to SN 0160037671)	
	1001100822	1	72 IN BUCKET, 1.0 ³ YARD (SN 0160037671 to Present)	
	91405055	1	74 IN BUCKET, 1-1/4 ³ YARD (Prior to SN 0160037671)	
	1001100823	1	96 IN BUCKET, 1.5 ³ YARD (SN 0160037671 to Present)	
	91405071	1	102 IN BUCKET, 1-1/4 ³ YARD (Prior to SN 0160037671)	
	1001100824	1	102 IN BUCKET, 2.0 ³ YARD (SN 0160037671 to Present)	

SECTION 3 - ATTACHMENTS

FIGURE 3-4. SIDE TILT CARRIAGE (Prior to SN 0160037671)



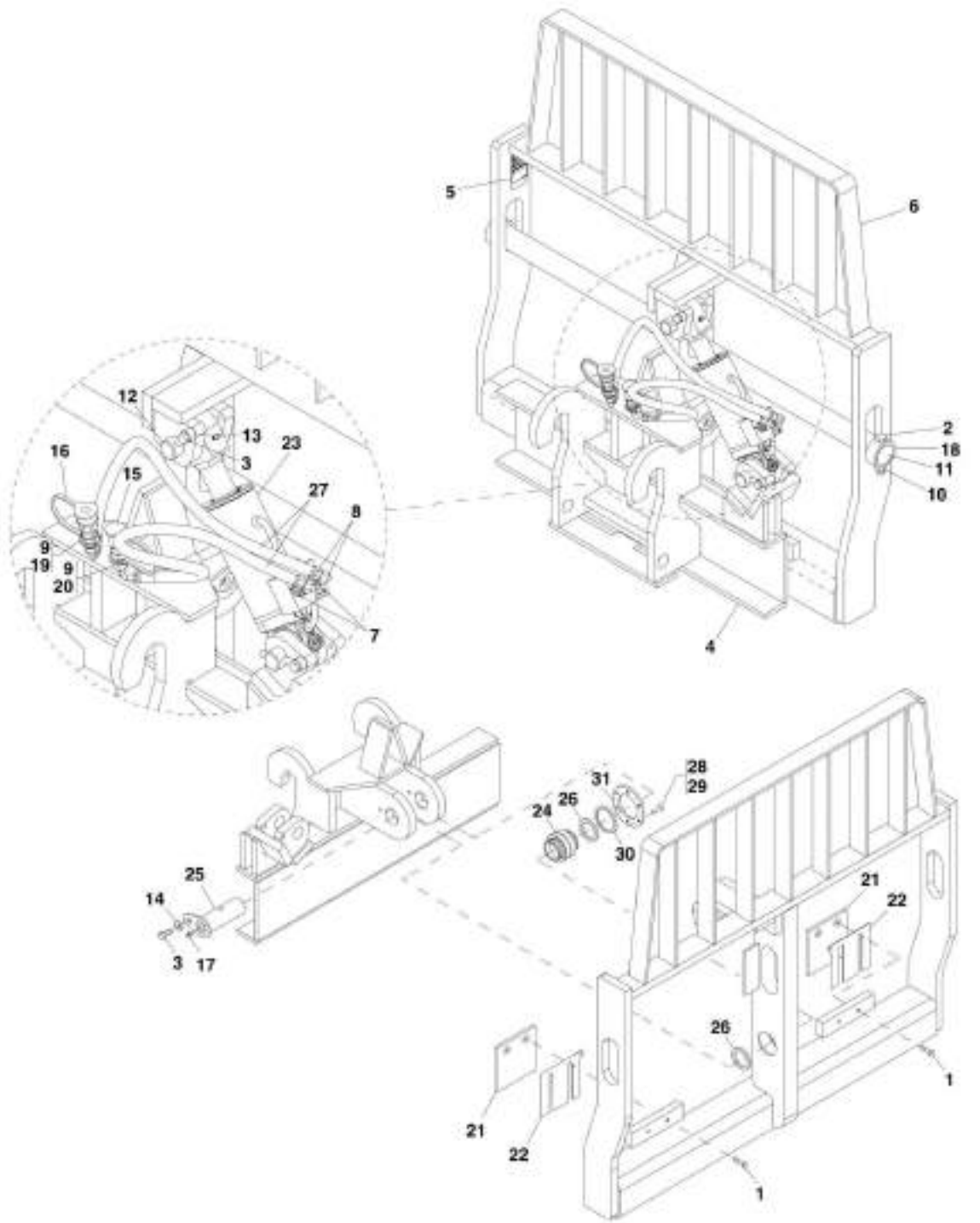
SECTION 3 - ATTACHMENTS

FIGURE 3-4. SIDE TILT CARRIAGE (Prior to SN 0160037671)

ITEM	PART NUMBER	QTY	DESCRIPTION	REV
	91405101	1	48 IN TILT CARRIAGE, (includes all items)	O
	91405079	1	72 IN TILT CARRIAGE, (includes all items)	T
1	N.S.S.	1	48 IN CARRIAGE WELDMENT	
1	N.S.S.	1	72 IN CARRIAGE WELDMENT	
2	91401324	1	FORK PIN, (72 in carriage)	
2	91401303	1	FORK PIN, (48 in carriage)	
3	88201105	2	HEX HD CAPSCREW, 5/8-11X4, GR5	
4	90200003	2	COLLAR	
5	88521310	2	HEX LOCKNUT, 5/8-11, (nylok)	
6	91081313	3	KEEPER PLATE	
7	88551013	6	LOCKWASHER, 1/2	
8	88201065	6	HEX HD CAPSCREW, 1/2-13X1, GR5	
9	91081594	1	THRUST WASHER	
10	91083248	1	BUSHING	
11	3423263	2	PIN, (sway cyl)	
12		Ref	SWAY CYLINDER VALVE, (See OPTIONS SECTION for Breakdown)	
13	88551009	3	LOCKWASHER, 1/4	
14	88201008	3	HEX HD CAPSCREW, 1/4-20X1-3/4, GR5	
15	91081630	2	MODIFIED CONNECTOR	
16	8760268	2	ELBOW, 90, (swivel nut)	
17	77143015	1	WHIZ-LOCK NUT, 3/8-16	
18	84521062	1	SUPPORT CLAMP	
19	91043126	1	DUST CAP	
20	91403414	1	MALE QUICK DISCONNECT	
21	2220372	2	CONNECTOR, (includes item 41)	
22	84719223	2	HOSE ASSY	
23	91403413	1	FEMALE QUICK DISCONNECT	
24	91043125	1	DUST PLUG	
25	91081577	1	TAP BOLT	
26		Ref	SWAY CYLINDER, (See OPTIONS SECTION for Breakdown)	
27	88671022	2	LUBE FITTING, 90, 1/8	
28	91081622	1	PIN, (adapter weldment)	
30	N.S.S.	1	SN PLATE	
31	91406048	1	ADAPTER WELDMENT	
32	90205870	AR	SHIM, (16 GA)	
33	91031236	2	SPACER, (.06 thick)	
34	91033186	2	BEARING PAD	
35	88561109	4	FLAT WASHER, 3/8	
36	88201534	4	HEX HD CAPSCREW, 3/8-24X1, GR5	
36	88201535	4	HEX HD CAPSCREW, 3/8-24X1-1/4, GR5	
37	90204007	1	TUBE	
38	88521016	1	HEX LOCKNUT, 1-8	
39	05101441	1	WASHER, 1-1/16	
40	88501016	1	HEX NUT, 1-8	
41	88591205	2	O-RING	
42	91041387	2	ORIFICE PLUG	

SECTION 3 - ATTACHMENTS

FIGURE 3-5. SIDE TILT CARRIAGE (SN 0160037671 to Present)



ART_91514001-3-5

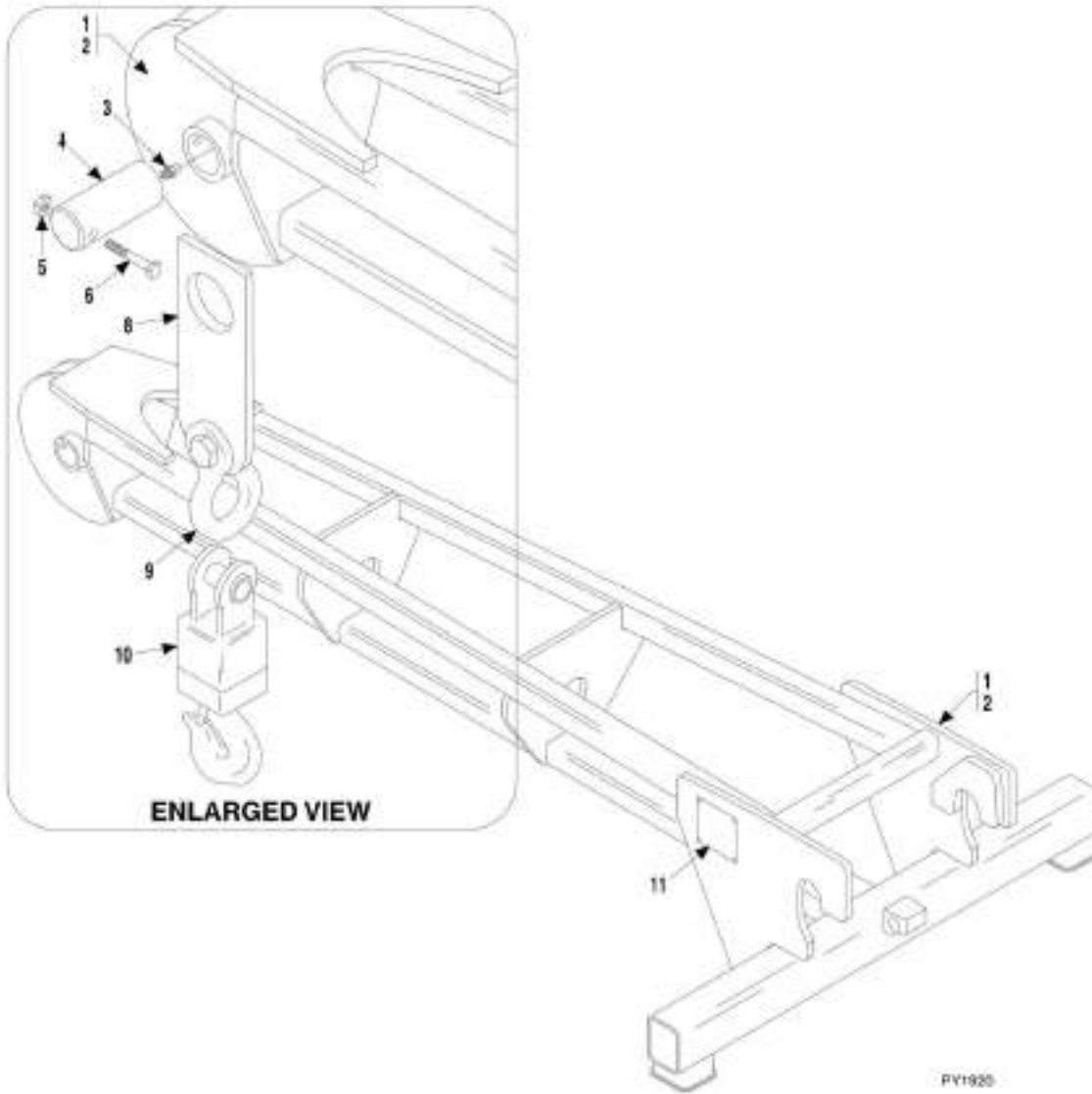
SECTION 3 - ATTACHMENTS

FIGURE 3-5. SIDE TILT CARRIAGE (SN 0160037671 to Present)

ITEM	PART NUMBER	QTY	DESCRIPTION	REV
	1170054	1	50 IN SIDE TILT CARRIAGE, (includes all items)	J
	1001101956	1	60 IN SIDE TILT CARRIAGE, (includes all items)	J
	1170057	1	72 IN SIDE TILT CARRIAGE, (includes all items)	J
1	0641612	4	HEX HD CAPSCREW, 3/8-16X1-1/2	
2	0642032	2	HEX HD CAPSCREW, 5/8-11X4	
3	0681810	3	HEX HD CAPSCREW, 1/2-13X1-1/4	
4	1001133072	1	CARRIAGE BASE	
5	N.S.S.	1	SN PLATE	
6	N.S.S.	1	CARRIAGE, SIDE TILT	
7	2110606	2	CONNECTOR	
8	2172106	2	CONNECTOR, 90	
9	2110808	2	CONNECTOR	
10	3300240	2	LOCK NUT, 5/8-11	
11	3423275	1	50 IN FORK PIN	
11	3423242	1	60 IN FORK PIN	
11	3423276	1	72 IN FORK PIN	
12	3423307	2	PIN	
13	3841203	2	KEEPER	
14	4891800	1	WASHER, 1/2	
15	8420053	1	DUST CAP	
16	8420055	1	DUST PLUG	
17	88671001	1	GREASE FITTING	
18	90200003	2	COLLAR	
19	91403413	1	CONNECTOR	
20	91403414	1	CONNECTOR	
21	1001090063	2	WEAR PAD	
22	1001090064	AR	SHIM	
23		Ref	HYDRAULIC CYLINDER, (See HYDRAULIC COMPONENTS SECTION for Breakdown)	
24	1001090140	1	BEARING	
25	1001099113	1	PIN	
26	1001099115	2	SLEEVE	
27	1001102378	2	HOSE ASSY, 3/8X39	
28	0100011	AR	LOCTITE 242	
29	0741610	6	FLAT HD SOCKET SCREW, 3/8-16	
30	1001120914	1	BEARING RETAINER SHIM	
31	1001120915	1	BEARING RETAINER PLATE	

SECTION 3 - ATTACHMENTS

FIGURE 3-6. TRUSS BOOM (Prior to SN 0160037671)



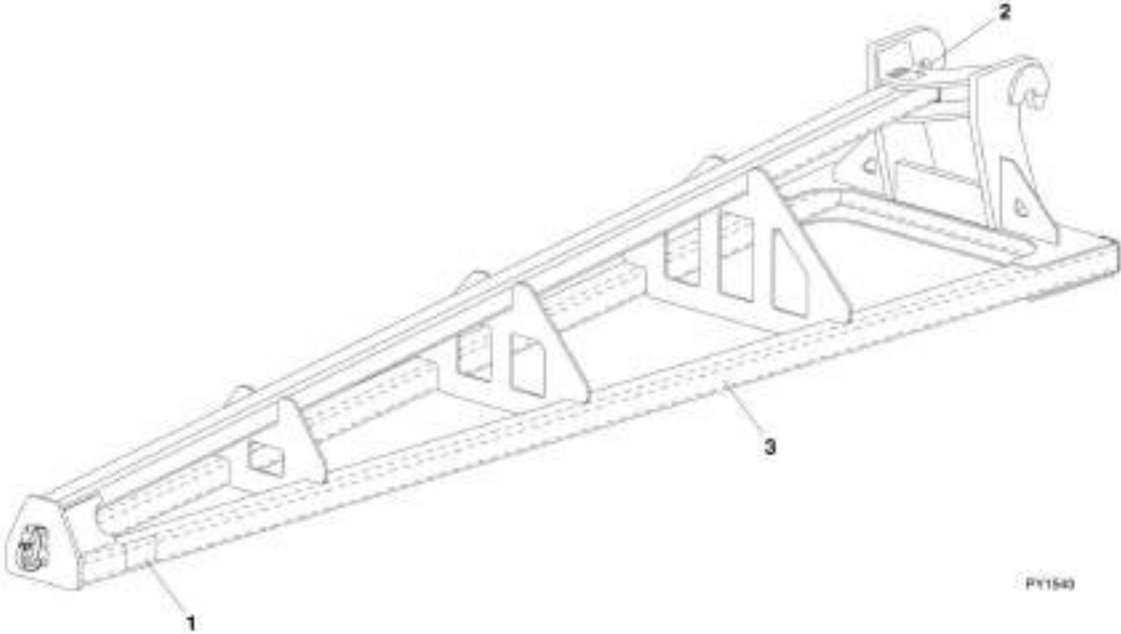
SECTION 3 - ATTACHMENTS

FIGURE 3-6. TRUSS BOOM (Prior to SN 0160037671)

ITEM	PART NUMBER	QTY	DESCRIPTION	REV
	91405083	1	10 FT TRUSS BOOM ASSY, (includes all items, except item 2)	D
	91405082	1	15 FT TRUSS BOOM ASSY, (includes all items, except item 1)	D
1	N.S.S.	1	10 FT TRUSS BOOM WELDMENT	
2	N.S.S.	1	15 FT TRUSS BOOM WELDMENT	
3	88671001	1	LUBE FITTING, STRAIGHT, 1/8	
4	90402948	1	PIN	
5	88501008	1	HEX NUT, 1/2-13	
6	88201073	1	HEX HD CAPSCREW, 1/2-13X3, GR5	
8	90451053	1	HANGER	
9	90453041	1	SHACKLE	
10	90453040	1	SWIVEL HOOK	
10	91164440	1	SAFETY LATCH KIT	
11	N.S.S.	1	ATTACHMENT SN PLATE	

SECTION 3 - ATTACHMENTS

FIGURE 3-7. TRUSS BOOM (SN 0160037671 to Present)



Py1540

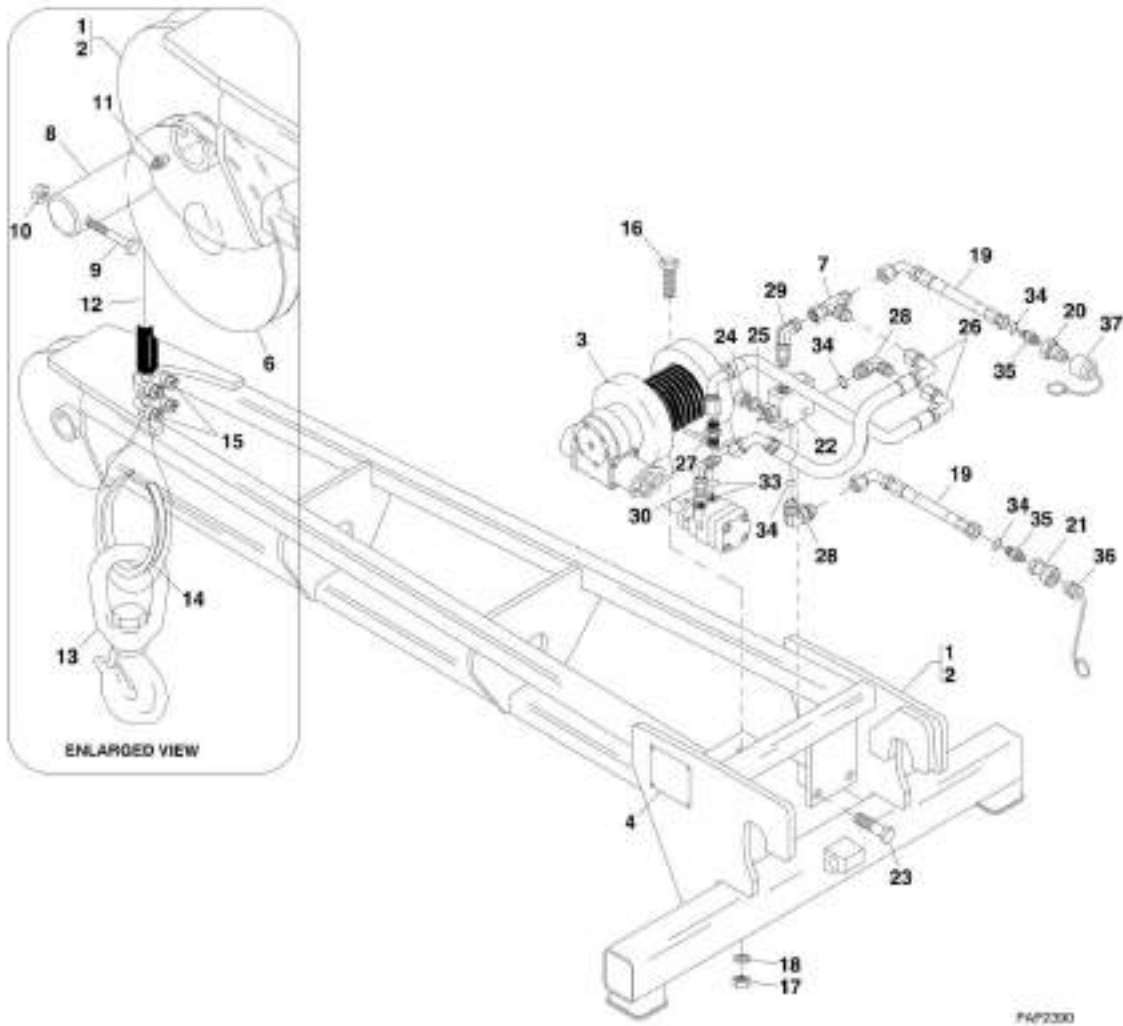
SECTION 3 - ATTACHMENTS

FIGURE 3-7. TRUSS BOOM (SN 0160037671 to Present)

ITEM	PART NUMBER	QTY	DESCRIPTION	REV
	1001099902	1	12 FT TRUSS BOOM, (includes all items)	A
	1001099901	1	15 FT TRUSS BOOM, (includes all items)	A
1	4110422	2	WARNING SWINGING LOADS DECAL	
2	N.S.S.	1	SN PLATE	
3	N.S.S.	1	TRUSS BOOM	

SECTION 3 - ATTACHMENTS

FIGURE 3-8. TRUSS BOOM WITH WINCH (Prior to SN 0160037671)



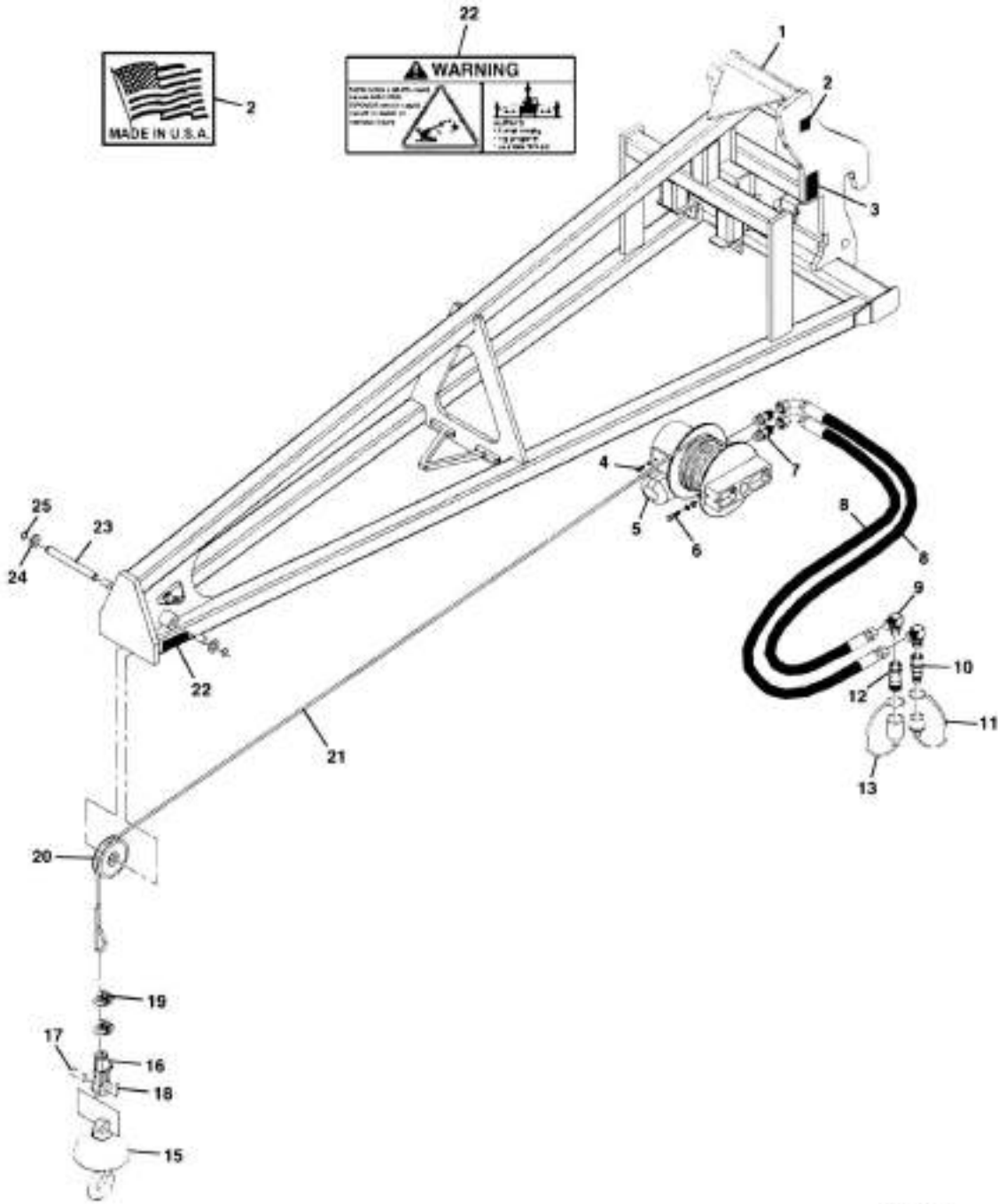
SECTION 3 - ATTACHMENTS

FIGURE 3-8. TRUSS BOOM WITH WINCH (Prior to SN 0160037671)

ITEM	PART NUMBER	QTY	DESCRIPTION	REV
	91405081	1	10 FT TRUSS BOOM WITH WINCH, (includes items 1 & 3 thru 35)	O
	91405080	1	15 FT TRUSS BOOM WITH WINCH, (includes items 2 thru 35)	O
1	N.S.S.	1	10 FT TRUSS BOOM WELDMENT	
2	N.S.S.	1	15 FT TRUSS BOOM WELDMENT	
3		Ref	WINCH WITH MOTOR, (See OPTIONS SECTION for Breakdown)	
4	N.S.S.	1	SN PLATE	
6	90403056	1	SHEAVE	
7	2220385	1	SWIVEL NUT RUN TEE, 1/2 TUBE	
8	90402948	1	PIN	
9	88201073	1	HEX HD CAPSCREW, 1/2-13X3, GR5	
10	88501008	1	HEX NUT, 1/2-13	
11	88671001	1	LUBE FITTING, STRAIGHT, 1/8	
12	90207882	1	WIRE ROPE, 3/8 IA	
13	91403448	1	SWIVEL HOOK	
14	90026965	1	THIMBLE	
15	90028990	2	WIRE ROPE CLIP	
16	83201062	4	HEX HD CAPSCREW, 5/8-11X2-1/4	
17	88501010	4	HEX NUT, 5/8-11	
18	90027472	4	HARDENED WASHER, 5/8	
19	84717593	2	HOSE ASSY	
20	91403414	1	MALE QUICK DISCONNECT	
21	91403413	1	FEMALE QUICK DISCONNECT	
22		Ref	TRUSS BOOM PRESSURE REDUCER VALVE, (See OPTIONS SECTION for Breakdown)	
23	88201024	2	HEX HD CAPSCREW, 5/16-18X2, GR5	
24	88501005	2	HEX NUT, 5/16-18	
25	88551010	2	LOCKWASHER, 5/16	
26	84719732	2	HOSE ASSY	
27	2220374	1	CONNECTOR, (includes item 33)	
28	2220596	2	ELBOW, 90, (includes item 34)	
29	2220726	2	ELBOW, 90	
30	2220499	1	ELBOW, 45, (includes item 33)	
33	88591206	2	O-RING	
34	88591205	4	O-RING	
35	2220373	2	CONNECTOR, (includes two of item 34)	
36	91043125	1	DUST PLUG	
37	91043126	1	DUST CAP	

SECTION 3 - ATTACHMENTS

FIGURE 3-9. TRUSS BOOM WITH WINCH (SN 0160037671 to Present)



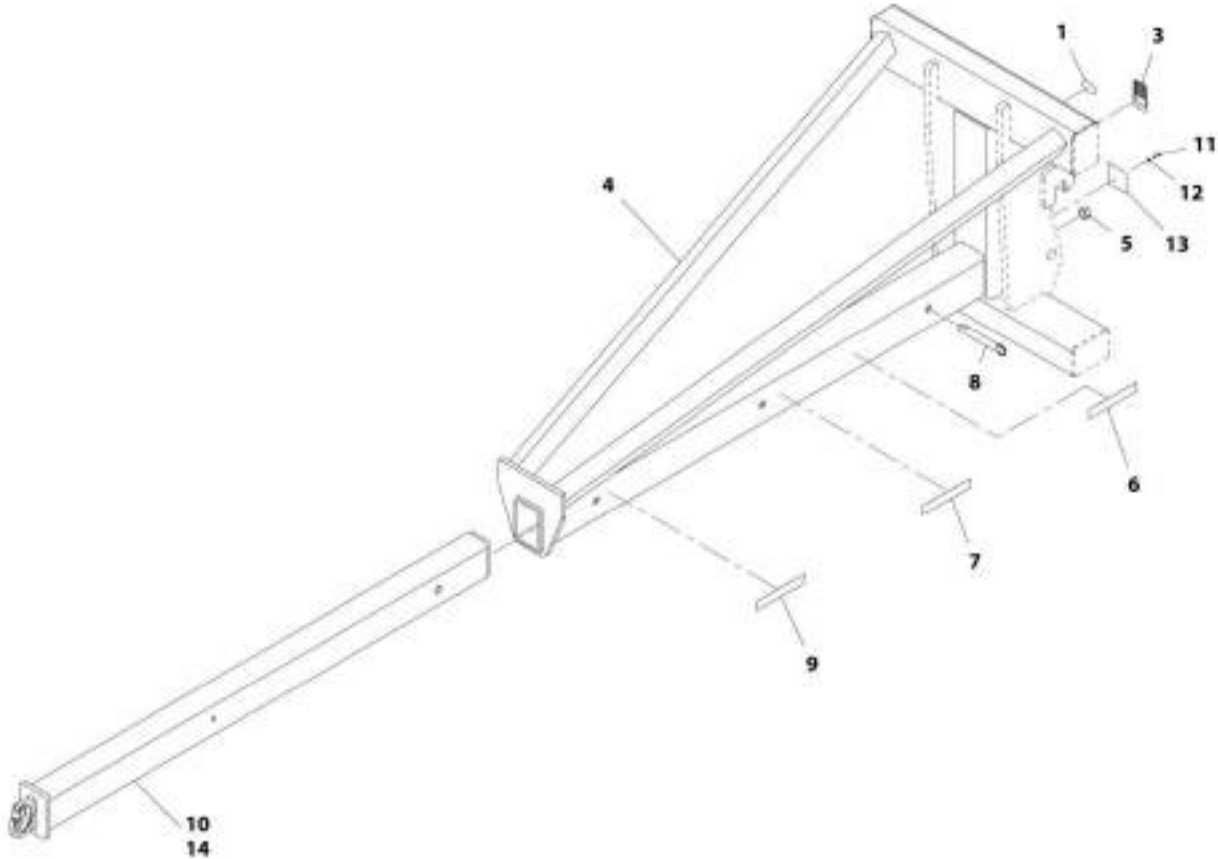
SECTION 3 - ATTACHMENTS

FIGURE 3-9. TRUSS BOOM WITH WINCH (SN 0160037671 to Present)

ITEM	PART NUMBER	QTY	DESCRIPTION	REV
	1001099351	1	12 FT TRUSS BOOM WITH WINCH, (includes all items)	F
1	N.S.S.	1	TRUSS BOOM FRAME	
2	90554016	1	MADE IN USA DECAL	
3	N.S.S.	1	SN PLATE	
4	70021349	4	HEX HD CAPSCREW, 3/8X1	
4	90554042	4	LOCK WASHER, 3/8	
5	70021921	1	TRUSS BOOM WINCH MOTOR	
6	N.S.S.	2	HEX HD CAPSCREW, 1/2X1-3/4	
6	90554020	2	LOCK WASHER, 1/2	
6	90554054	2	HEX NUT, 1/2	
7	70021415	2	CONNECTOR	
8	70021977	2	HOSE ASSY, 3/8X32	
9	70022527	1	ELBOW, 90	
10	7029692	1	MALE QUICK COUPLER	
11	90554062	1	DUST CAP	
12	70021342	1	FEMALE QUICK COUPLER	
13	90554076	1	DUST COVER	
15	70021978	1	BALL SWIVEL WITH SAFETY HOOK	
16	70021979	1	SOCKET ASSY	
17	N.S.S.	1	PIN	
18	N.S.S.	1	COTTER PIN	
19	70022528	2	CLAMP	
20	70021935	1	PULLEY	
21	70022028	1	CABLE	
22	4110422	2	WARNING SWINGING LOADS DECAL	
23	70022529	1	PIN	
24	N.S.S.	2	FLAT WASHER, 1	
25	N.S.S.	2	SNAP RING	

SECTION 3 - ATTACHMENTS

FIGURE 3-10. ADJUSTABLE TRUSS BOOM



ART_100113651S-A

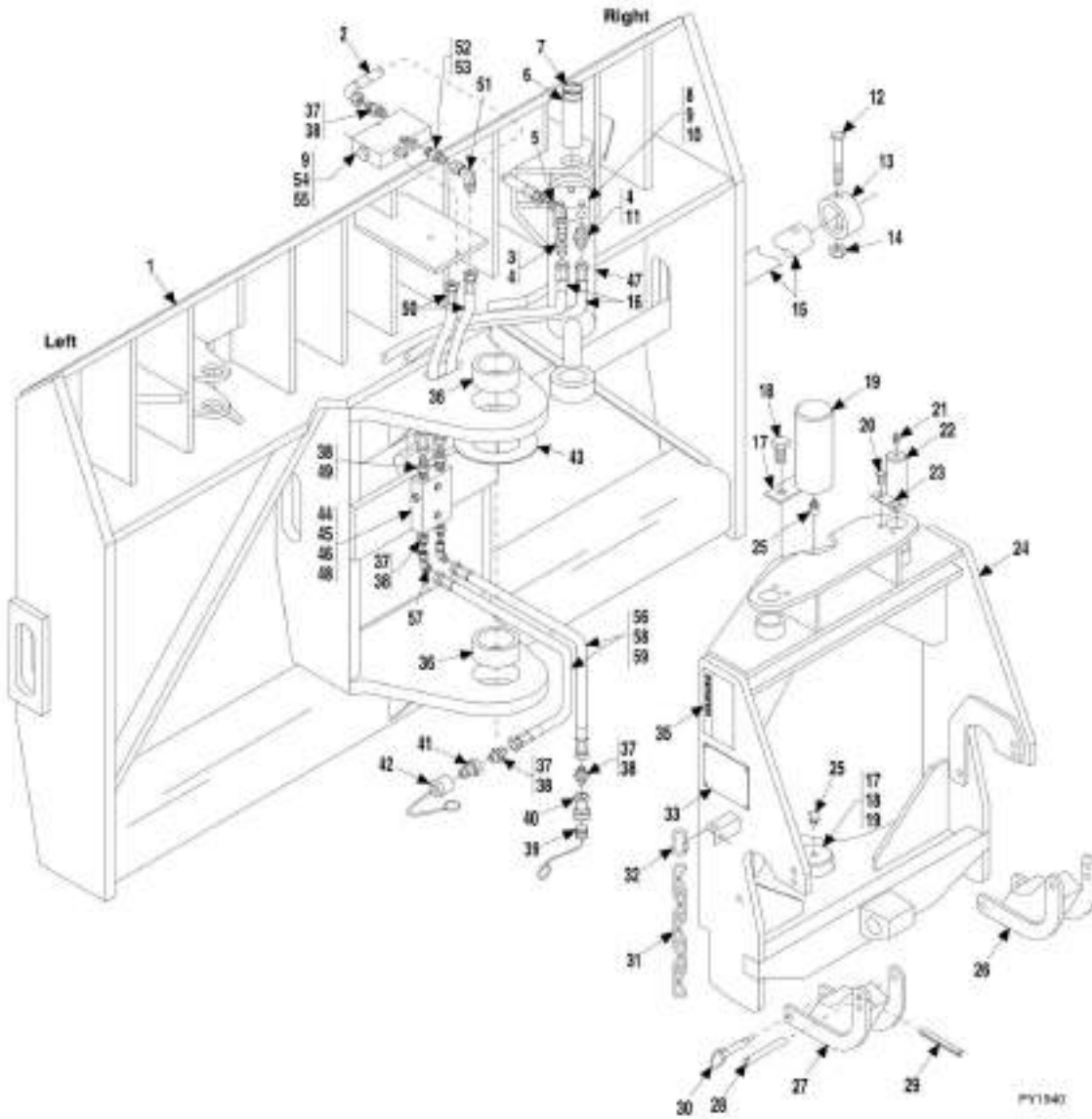
SECTION 3 - ATTACHMENTS

FIGURE 3-10. ADJUSTABLE TRUSS BOOM

ITEM	PART NUMBER	QTY	DESCRIPTION	REV
	1001176515	1	ADJUSTABLE TRUSS BOOM	A
1	90554016	1	DECAL, MADE IN USA	
3	N.S.S.	1	SN PLATE	
4	N.S.S.	1	TRUSS BOOM, ADJUSTABLE	
5	70021440	1	NUT, LOCK	
6	70024062	2	DECAL, 4000 LBS CAP	
7	70026944	2	DECAL, 3000 LBS CAP	
8	70026946	1	PIN	
9	70026699	2	DECAL, 2000 LBS CAP	
10	70026747	1	STOP ROD, BOOM EXTENSION	
11	90554033	1	BOLT, 3/4X1/4	
12	90554034	1	WASHER, LOCK 1/4	
13	70026948	1	PLATE, STOP	
14	70026949	1	BOOM, TELESCOPIC	

SECTION 3 - ATTACHMENTS

FIGURE 3-11. SWING CARRIAGE (Prior to SN 0160037671)



SECTION 3 - ATTACHMENTS

FIGURE 3-11. SWING CARRIAGE (Prior to SN 0160037671)

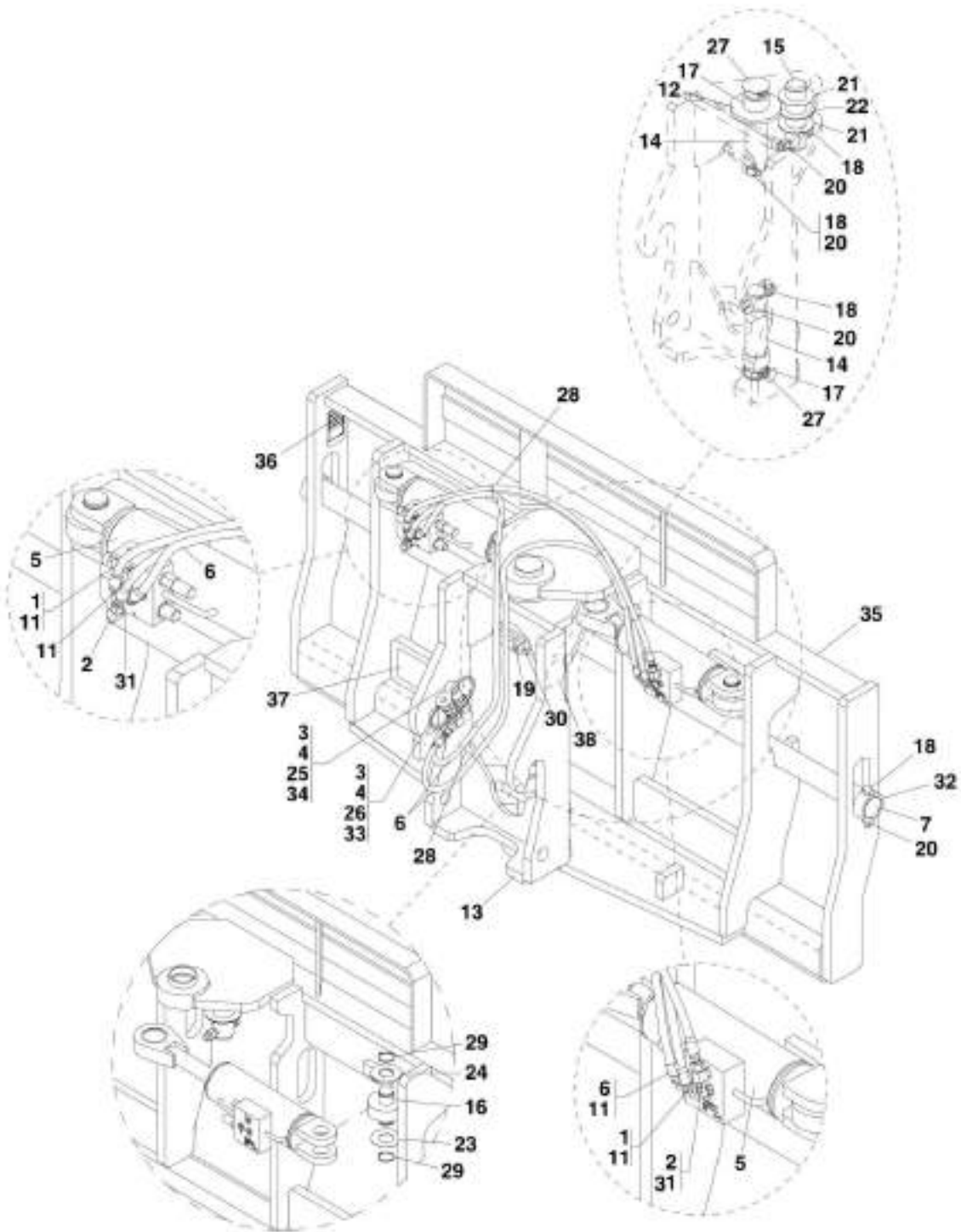
ITEM	PART NUMBER	QTY	DESCRIPTION	REV
	91405075	1	100, SWING CARRIAGE, 72 IN, (includes all items)	O
1	N.S.S.	1	CARRIAGE WELDMENT	
2	84719167	2	HOSE ASSY	
3	2220606	2	RUN TEE, (includes item 4)	
4	88591204	4	O-RING	
5	8760268	2	ELBOW, 90, (swivel nut)	
6	91041326	2	PIVOT PIN, (swing cyl)	
7	88581136	4	SNAP RING	
8	91413100	2	MANIFOLD BLOCK	
9	88201008	8	HEX HD CAPSCREW, 1/4-20X1-3/4, GR5	
10	88551009	6	LOCKWASHER, 1/4	
11	2220371	2	CONNECTOR, (includes item 4)	
12	88201105	2	HEX HD CAPSCREW, 5/8-11X4, GR5	
13	90200003	2	COLLAR	
14	88521310	2	HEX LOCKNUT, 5/8-11	
15	91401324	1	FORK PIN	
16	84719197	2	HOSE ASSY	
17	91041322	2	LOCKING PLATE	
18	83201026	4	HEX HD CAPSCREW, 1/2-13X1-1/2, GR8	
19	91041325	2	PIVOT PIN	
20	83201024	4	HEX HD CAPSCREW, 3/8-16X1, GR8	
21	88671008	2	LUBE FITTING, STRAIGHT, 1/4-28	
22	91041324	2	PIVOT PIN	
23	91411073	2	LOCKING PLATE	
24	N.S.S.	1	PIVOT WELDMENT	
25	88671018	2	LUBE FITTING, 45, 1/8	
26	91406070	1	RH SUPPORT BRACKET	
27	91406069	1	LH SUPPORT BRACKET	
28	91401266	2	PIN	
29	88631449	2	ROLL PIN, 1/8X1-1/2	
30	91043221	2	DETENT PIN	
31	91033038	24 in	CHAIN	
32	91033039	2	CHAIN CONNECTION	
33	N.S.S.	1	SN PLATE	
35	91143282	2	PINCH POINT DECAL	
36	91041327	2	BUSHING	
37	2220372	6	CONNECTOR, (includes item 38)	
38	88591205	8	O-RING	
39	91043125	1	DUST PLUG	
40	91403413	1	FEMALE QUICK DISCONNECT	
41	91403414	1	MALE QUICK DISCONNECT	
42	91043126	1	DUST CAP	
43	91041356	6	SPACER	
44	91413099	1	RELIEF VALVE	
45	88201029	2	HEX HD CAPSCREW, 5/16-18X3-1/4, GR5	
46	88551010	2	LOCKWASHER, 5/16	
47		Ref	SWING CYLINDER, (See OPTIONS SECTION for Breakdown)	
47	91404381	2	SEAL KIT	
48	88501005	2	HEX NUT, 5/16-18	

SECTION 3 - ATTACHMENTS

ITEM	PART NUMBER	QTY	DESCRIPTION	REV
49	2220373	2	CONNECTOR, (includes item 38)	
50	84719760	2	HOSE ASSY	
51	8765204	2	ELBOW, 90, (swivel nut)	
52	91041361	2	MODIFIED FITTING	
53	91411050	2	ORIFICE	
54	88561002	2	FLAT WASHER, 1/4	
55	91043186	1	DOUBLE PILOT CHECK VALVE	
56	84718208	2	HOSE ASSY	
57	2220657	2	ELBOW, 45, (swivel nut)	
58	71492142	24 in	FLEX LOOM	
59	86683122	4	TIE WRAP	

SECTION 3 - ATTACHMENTS

FIGURE 3-12. SWING CARRIAGE (SN 0160037671 to Present)



PAP3360

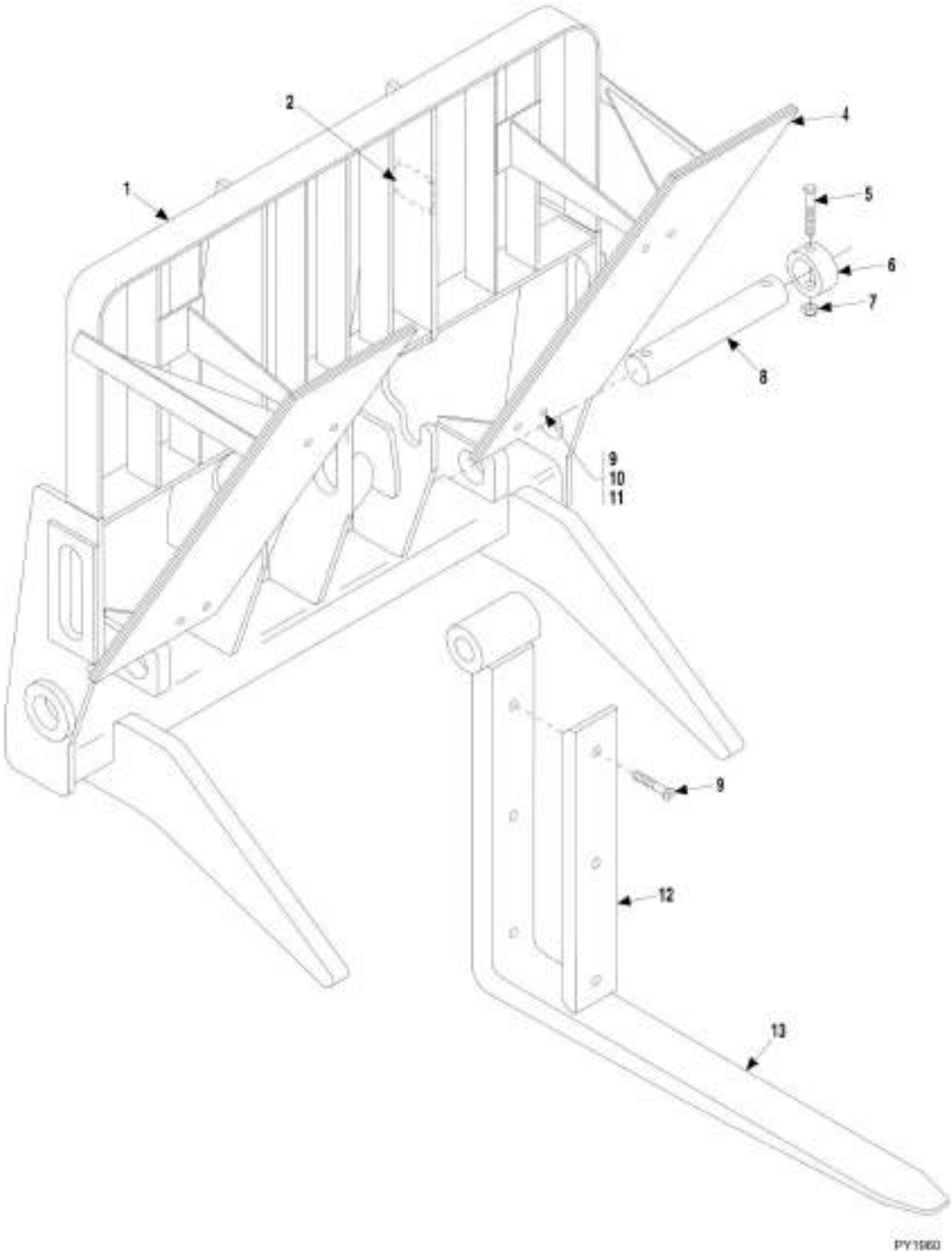
SECTION 3 - ATTACHMENTS

FIGURE 3-12. SWING CARRIAGE (SN 0160037671 to Present)

ITEM	PART NUMBER	QTY	DESCRIPTION	REV
	1001095418	1	90, SWING CARRIAGE, 72 IN (includes all items)	K
1	2220415	4	CONNECTOR	
2	2220473	2	CONNECTOR, 90	
3	2220609	2	CONNECTOR	
4	2220628	2	CONNECTOR, 90	
5		Ref	SWING CYLINDER, (See HYDRAULIC COMPONENTS SECTION for Breakdown)	
6	2717287	2	HOSE ASSY, 1/4X58	
7	3423276	1	PIN	
11	6604662	2	HOSE ASSY, 1/4X40.5	
12	7062922	1	WASHER	
13	N.S.S.	1	PIVOT WELDMENT	
14	7110702	2	PIVOT PIN	
15	7110712	1	PIN	
16	7110722	2	PIN	
17	8065062	2	BUSHING	
18	8303634	5	HEX HD CAPSCREW, 5/8-11X4, GR5	
19	8303715	3	HEX HD CAPSCREW, 5/16-18X1.5, GR5	
20	8305643	5	HEX NUT, 5/8-11	
21	8307904	AR	SHIM	
22	8307918	AR	SHIM	
23	8310160	AR	SHIM	
24	8310161	AR	SHIM	
25	91043126	1	DUST CAP	
26	91043125	1	DUST PLUG	
27	8580315	2	PLUG	
28	8584001	5	TIE WRAP	
29	8642207	4	RETAINING RING	
30	8769132	2	CLAMP	
31	8770016	2	CONNECTOR	
32	90200003	2	COLLAR	
33	91403413	1	FEMALE QUICK DISCONNECT	
34	91403414	1	MALE QUICK DISCONNECT	
35	N.S.S.	1	CARRIAGE FRAME	
36	N.S.S.	1	SN PLATE	
37	1001110704	1	WARNING CRUSH HAZARD DECAL	
38	1001111190	2	WARNING DECAL	

SECTION 3 - ATTACHMENTS

FIGURE 3-13. SHEET MATERIAL HANDLER (Prior to SN 0160037671)



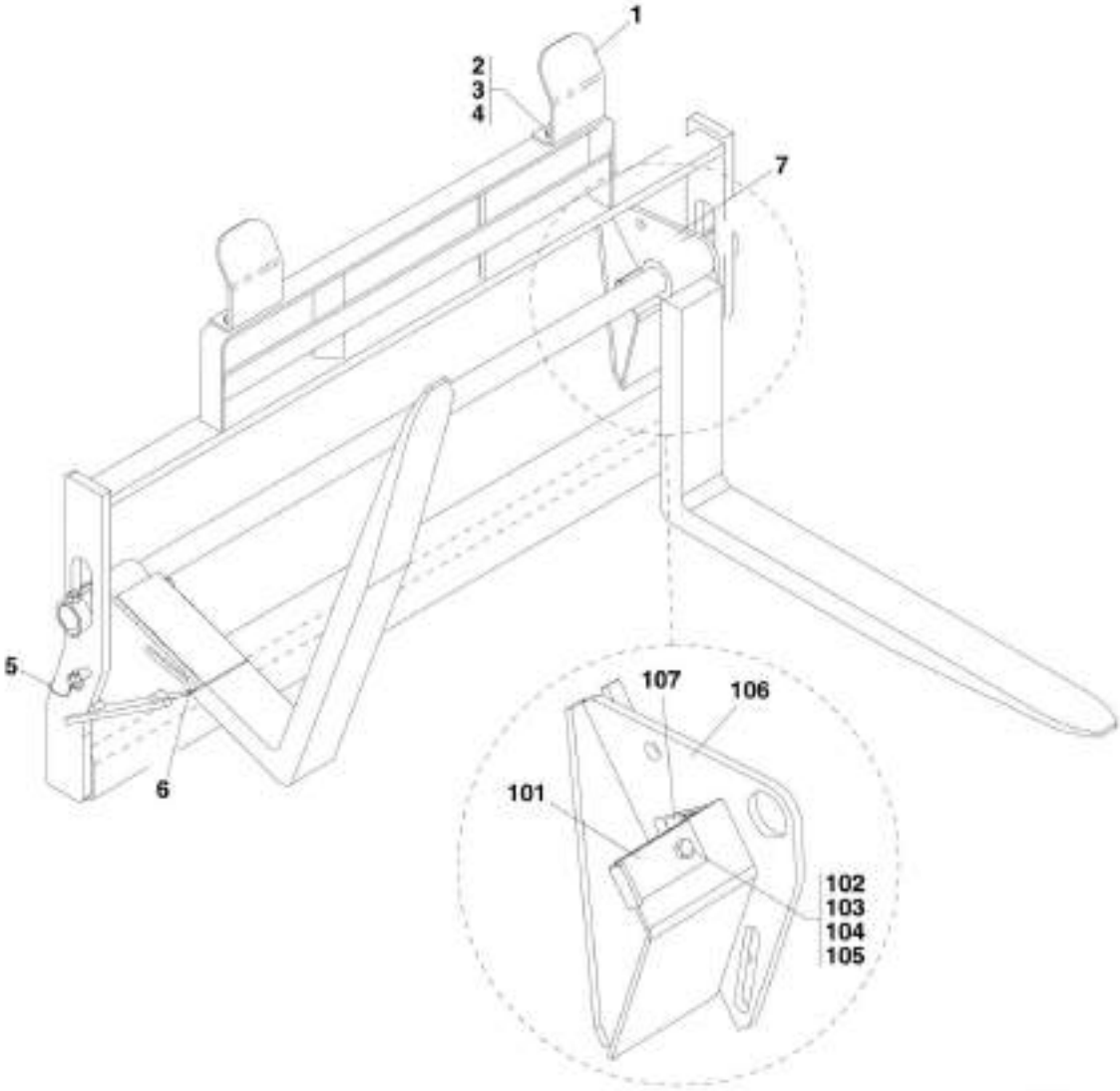
SECTION 3 - ATTACHMENTS

FIGURE 3-13. SHEET MATERIAL HANDLER (Prior to SN 0160037671)

ITEM	PART NUMBER	QTY	DESCRIPTION	REV
	91405077	1	SHEET MATERIAL HANDLER ASSY, (includes all items)	E
1	N.S.S.	1	CARRIAGE WELDMENT	
2	N.S.S.	1	ATTACHMENT SN PLATE	
4	90553012	2	SIDE DRYWALL GUARD	
5	88201105	4	HEX HD CAPSCREW, 5/8-11X4, GR5	
6	90200003	4	COLLAR	
7	88521310	4	HEX LOCKNUT, 5/8-11, (nylok)	
8	91401340	2	FORK PIN	
9	88241053	14	SOCKET FLAT HD CAPSCREW, 3/8-16X1-1/2	
10	88551011	8	LOCKWASHER, 3/8	
11	88501006	8	HEX NUT, 3/8-16	
12	90553013	2	BOTTOM DRYWALL GUARD	
13	91403366	2	DRYWALL FORK	

SECTION 3 - ATTACHMENTS

FIGURE 3-14. SHEET MATERIAL HANDLER (SN 0160037671 to Present)



PY1510

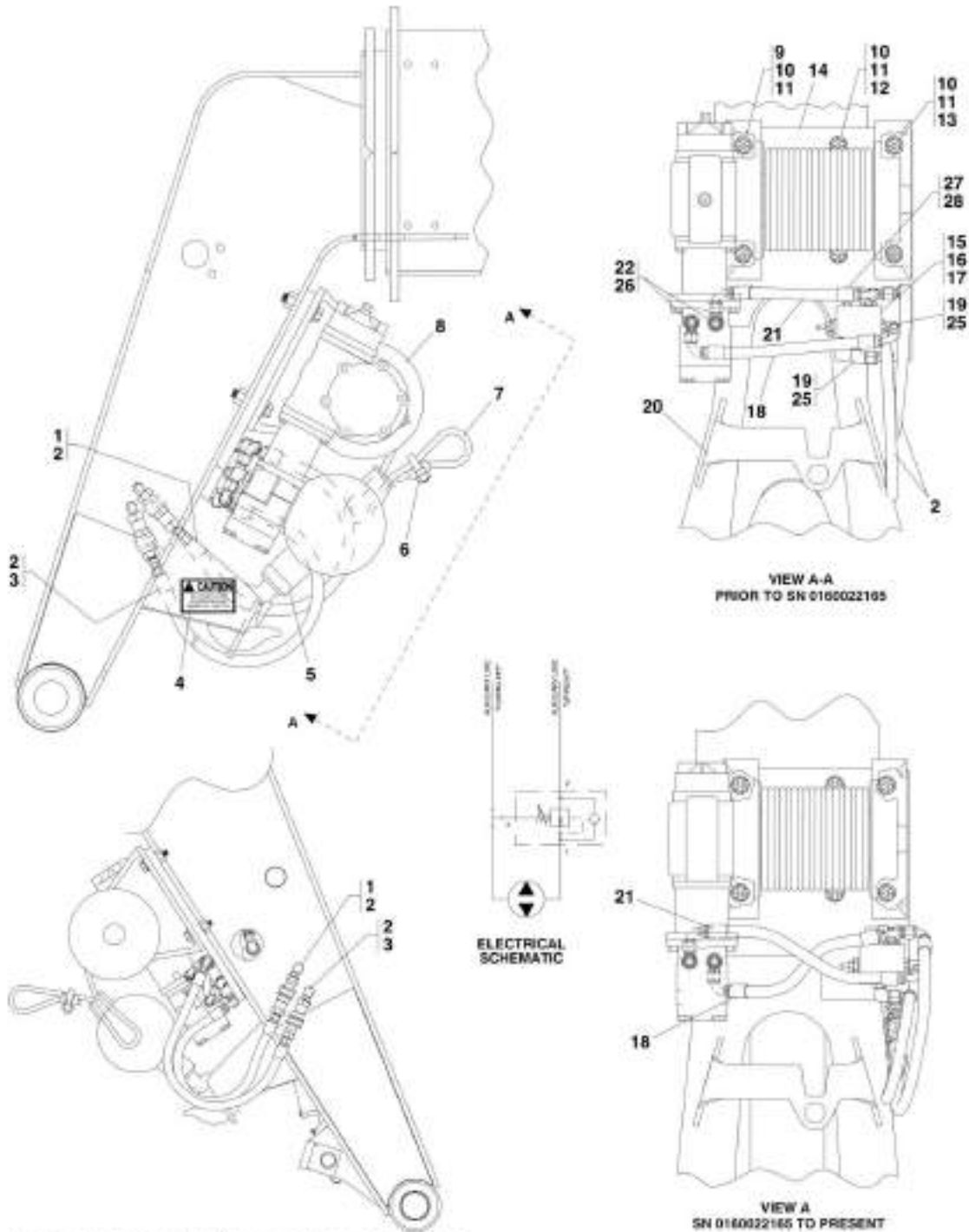
SECTION 3 - ATTACHMENTS

FIGURE 3-14. SHEET MATERIAL HANDLER (SN 0160037671 to Present)

ITEM	PART NUMBER	QTY	DESCRIPTION	REV
	1001100227	1	SHEET MATERIAL HANDLER ASSY, (includes all items)	A
1	7112642	2	BACKREST EXTENSION	
2	8303626	4	HEX HD CAPSCREW, 1/2-13X1-1/2, GR5	
3	8305012	4	HEX NUT, 1/2-13	
4	8307007	4	LOCKWASHER, 1/2	
5	1001093377	2	HITCH PIN	
6	1001101115	1	FORK SUPPORT ASSY, RH, (includes items 101 thru 107)	A
7	1001101116	1	FORK SUPPORT ASSY, LH, (includes items 101 thru 107)	B
101	7114941	1	LOCK BAR	
102	8303626	1	HEX HD CAPSCREW, 1/2-13X1-1/2, GR5	
103	8305644	1	HEX LOCK NUT, 1/2-13	
104	8307007	4	LOCKWASHER, 1/2	
105	8307112	1	WASHER, 1/2	
106	1001100228	1	FORK SUPPORT, RH, (not shown)	
106	1001100229	1	FORK SUPPORT, LH, (shown)	
107	N.S.S.	1	SN PLATE	

SECTION 3 - ATTACHMENTS

FIGURE 3-15. WINCH INSTALLATION



VIEW A-A
PRIOR TO SN 0160022165

VIEW A
SN 0160032165 TO PRESENT

NOTE: 1. ADD LOCTITE® 242™ (0100011) ON ALL BOLT THREADS.
2. USE LOCTITE® 545™ (0100075) ON ALL FITTING THREADS.

PY1032

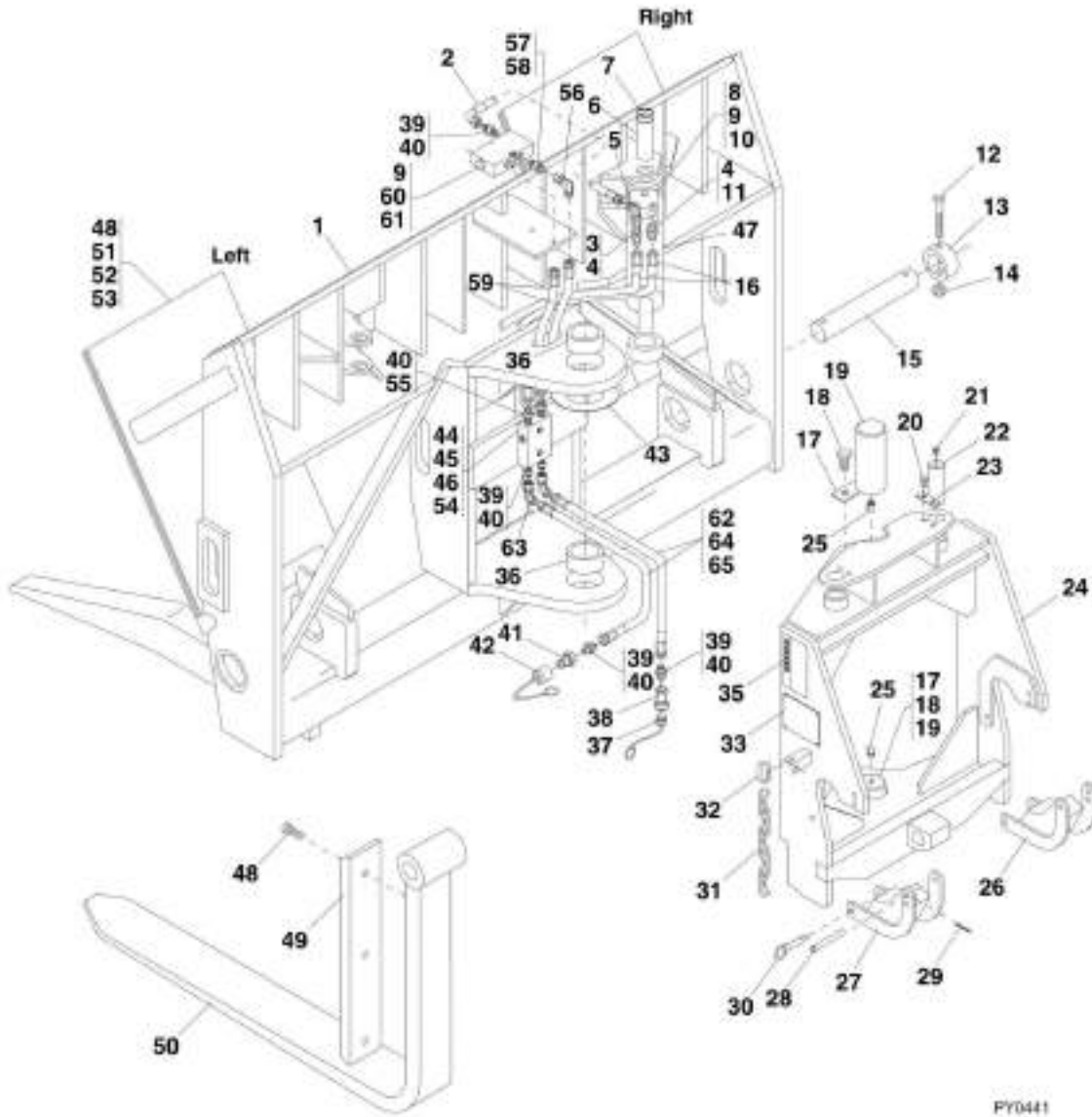
SECTION 3 - ATTACHMENTS

FIGURE 3-15. WINCH INSTALLATION

ITEM	PART NUMBER	QTY	DESCRIPTION	REV
	91515036	1	WINCH INSTALLATION, (includes all items)	E
1	91403413	1	FEMALE QUICK DISCONNECT	
2	84719236	2	HOSE ASSEMBLY	
3	91403414	1	MALE QUICK DISCONNECT	
4	91083535	1	CAUTION DECAL	
5	90201443	1	HOOK AND BALL	
6	90029999	1	WIRE ROPE CLIP, 7/16	
7	91403384	1	CABLE	
8		Ref	WINCH WITH MOTOR, 8 IN, (See OPTIONS SECTION for Breakdown)	
9	83201095	2	HEX HD CAPSCREW, 5/8-11X2-3/4, GR8	
10	90027472	6	HARDENED WASHER	
11	88501010	6	HEX NUT, 5/8-11	
12	83201062	2	HEX HD CAPSCREW, 5/8-11X2-1/4, GR8	
13	83201102	2	HEX HD CAPSCREW, 5/8-11X2-1/2, GR8	
14	91511129	1	WINCH MOUNTING PLATE	
15		Ref	VALVE BLOCK, (See OPTIONS SECTION for Breakdown)	
16	88201023	2	HEX HD CAPSCREW, 5/16-18X1-3/4, GR5	
17	88551010	2	LOCKWASHER, 5/16	
18	84719235	1	HOSE ASSEMBLY (Prior to SN 0160022165)	
18	1001115014	1	HOSE ASSEMBLY (SN 0160022165 to Present)	
19	2220596	2	ELBOW, 90, (includes item 25)	
20	91411044	1	STOWAGE BRACKET	
21	84719729	1	HOSE ASSEMBLY (Prior to SN 0160022165)	
21	2753902	1	HOSE ASSEMBLY (SN 0160022165 to Present)	
22	2220671	2	ELBOW, 90, (includes item 26)	
25	3780140	2	O-RING	
26	88591206	2	O-RING	
27	2220726	1	ELBOW, 90	
28	2220385	1	SWIVEL NUT RUN TEE, 1/2 IN TUBE	

SECTION 3 - ATTACHMENTS

FIGURE 3-16. 100, DRYWALL SWING CARRIAGE ASSEMBLY (Prior to SN 0160037671)



PY0441

SECTION 3 - ATTACHMENTS

FIGURE 3-16. 100, DRYWALL SWING CARRIAGE ASSEMBLY (Prior to SN 0160037671)

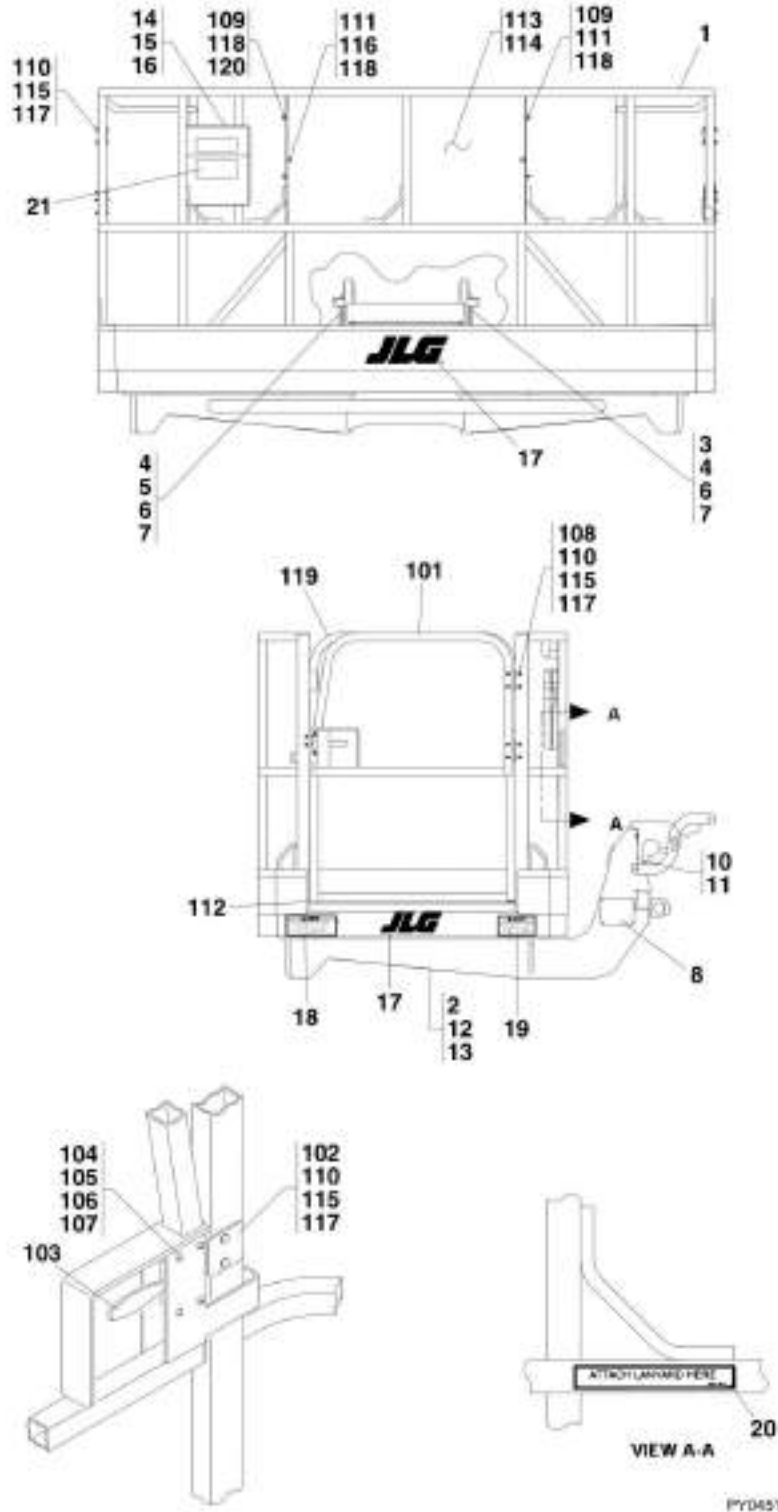
ITEM	PART NUMBER	QTY	DESCRIPTION	REV
	91405078	1	100, DRYWALL SWING CARRIAGE, (includes all items)	O
1	N.S.S.	1	DRYWALL CARRIAGE WELD	
2	84719167	2	HOSE ASSY	
3	2220606	2	RUN TEE, (includes o-ring)	
4	88591204	4	O-RING	
5	8760268	2	ELBOW, 90, (swivel nut)	
6	91041326	2	PIVOT PIN	
7	88581136	4	SNAP RING	
8	91413100	2	MANIFOLD BLOCK	
9	88201008	8	HEX HD CAPSCREW, 1/4-20X1-3/4, GR5	
10	88551009	6	LOCKWASHER, 1/4	
11	2220371	2	CONNECTOR, (includes o-ring)	
12	88201105	4	HEX HD CAPSCREW, 5/8-11X4, GR5	
13	90200003	4	COLLAR	
14	88521310	4	HEX LOCKNUT, 5/8-11	
15	91401340	2	FORK PIN	
16	84719197	2	HOSE ASSY	
17	91041322	2	LOCKING PLATE	
18	83201026	4	HEX HD CAPSCREW, 1/2-13X1-1/2, GR8	
19	91041325	2	PIVOT PIN	
20	83201024	4	HEX HD CAPSCREW, 3/8-16X1, GR8	
21	88671008	2	LUBE FITTING, STRAIGHT, 1/4-28	
22	91041324	2	PIVOT PIN	
23	91411073	2	LOCKING PLATE	
24	N.S.S.	1	PIVOT WELDMENT	
25	88671018	2	LUBE FITTING, 45, 1/8	
26	91406070	1	RH SUPPORT BRACKET	
27	91406069	1	LH SUPPORT BRACKET	
28	91401266	2	PIN	
29	88631449	2	ROLL PIN, 1/8X1-1/2	
30	91043221	2	DETENT PIN	
31	91033038	24 in	CHAIN	
32	91033039	2	CHAIN CONNECTION	
33	N.S.S.	1	SN PLATE	
35	91143282	2	PINCH POINT DECAL	
36	91041327	2	BUSHING	
37	91043125	1	DUST PLUG	
38	91403413	1	FEMALE QUICK DISCONNECT	
39	2220372	6	CONNECTOR	
41	91403414	1	MALE QUICK DISCONNECT	
42	91043126	1	DUST CAP	
43	91041356	6	SPACER	
44	91413099	1	RELIEF VALVE	
45	88201029	2	HEX HD CAPSCREW, 5/16-18X3-1/4, GR5	
46	88501005	2	HEX NUT, 5/16-18	
47		Ref	SWING CYLINDER, (See OPTIONS SECTION for Breakdown)	
47	91404381	2	SEAL KIT	
48	88241053	14	SOCKET FLAT HD CAPSCREW, 3/8-16X1-1/2	
49	90553013	2	BOTTOM DRYWALL GUARD	

SECTION 3 - ATTACHMENTS

ITEM	PART NUMBER	QTY	DESCRIPTION	REV
50	91403366	2	DRYWALL FORK	
51	90553012	2	SIDE DRYWALL GUARD	
52	88551011	8	LOCKWASHER, 3/8	
53	88551006	8	HEX NUT, 3/8-16	
54	88551010	2	LOCKWASHER, 5/16	
55	2220373	2	CONNECTOR	
56	8765204	2	ELBOW, 90, (swivel nut)	
57	91041361	2	MODIFIED FITTING	
58	91411050	2	ORIFICE	
59	84719760	2	HOSE ASSY	
60	91043186	1	DBL PILOT CHECK VALVE	
61	88561002	2	FLAT WASHER, 1/4	
62	84718208	2	HOSE ASSY	
63	2220657	2	ELBOW, 45, (swivel nut)	
64	71492142	24 in	FLEX LOOM	
65	86683122	4	TIE WRAP	

SECTION 3 - ATTACHMENTS

FIGURE 3-17. PERSONNEL PLATFORM (Prior to SN 0160037671)



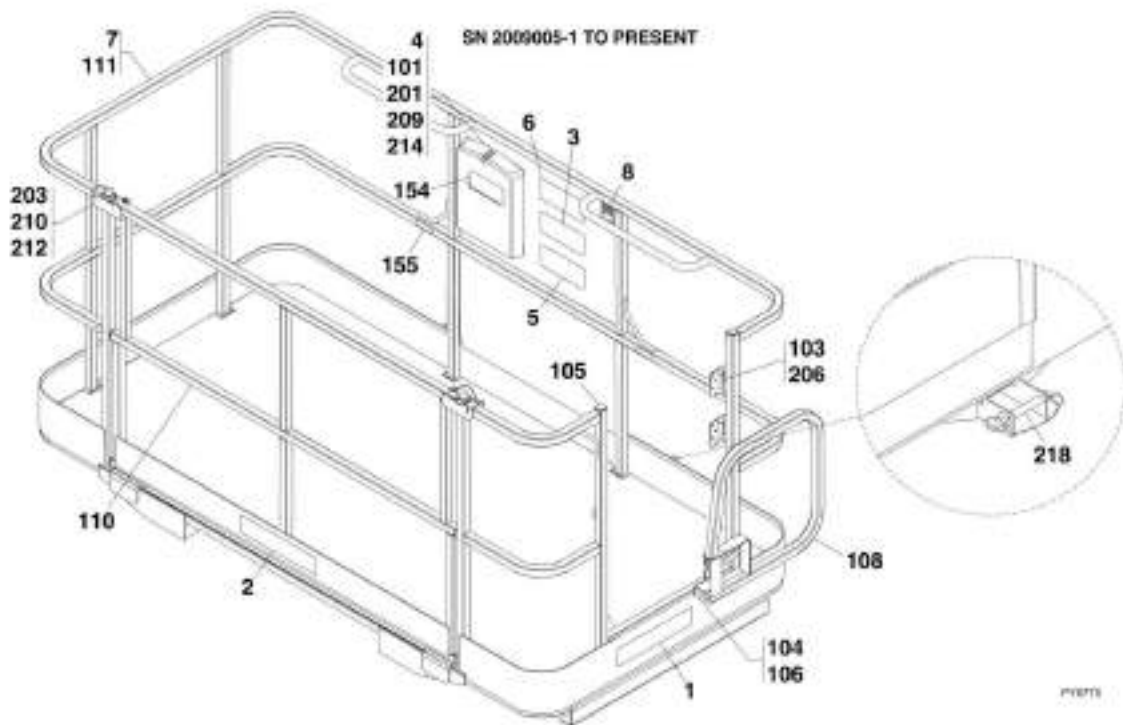
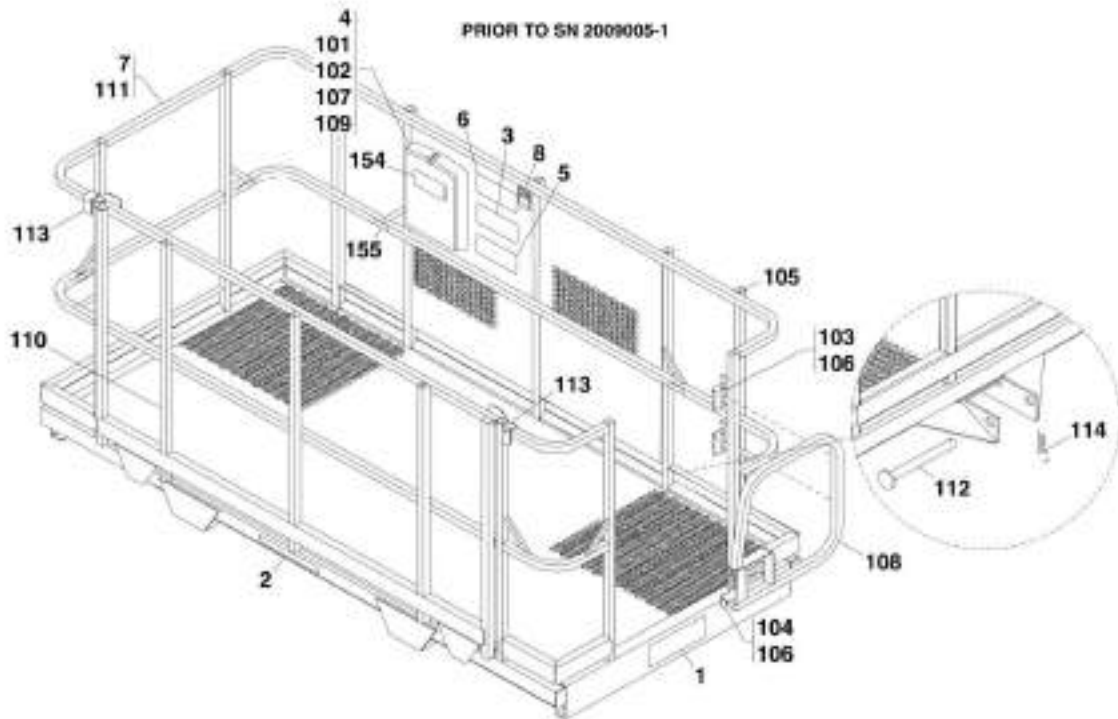
SECTION 3 - ATTACHMENTS

FIGURE 3-17. PERSONNEL PLATFORM (Prior to SN 0160037671)

ITEM	PART NUMBER	QTY	DESCRIPTION	REV
	91415025	1	PERSONNEL PLATFORM ASSY, (includes all items)	H
1	N.S.S.	1	106 IN PERSONNEL PLATFORM, (includes items 101 thru 120)	
1	3510809	1	96 IN PERSONNEL PLATFORM, (includes items 101 thru 120)	
1	3510807	1	8 FT PLATFORM WELDMENT	
2	91406156	1	ADAPTER SUPPORT	
3	91406069	1	LH SUPPORT BRACKET	
4	91401266	2	PIN	
5	91406070	1	RH SUPPORT BRACKET	
6	88631449	2	ROLL PIN, 1/8X1-1/2	
7	91043221	2	DETENT PIN	
8	N.S.S.	1	SN PLATE	
10	91033039	2	CHAIN CONNECTION	
11	91033038	24 in	CHAIN	
12	0682012	8	HEX HD CAPSCREW, 5/8-11X1-1/2	
13	4762000	8	LOCKWASHER, 5/8	
14	91403230	1	MANUAL HOLDER	
15	8310382	4	WHIZ-LOCK NUT, 1/4-20	
16	31200160	1	PERSONNEL WORK PLATFORM MANUAL	
17	1702773	3	JLG DECAL	
18	1706893	1	WARNING DECAL	
19	1706892	1	WARNING DECAL	
20	1704277	6	LANYARD DECAL	
21	1701509	1	MANUAL DECAL	
101	4846265	1	GATE	
102	3539685	1	LATCH PLATE	
103	2940074	1	LATCH	
104	3911008	4	ROUND HD SCREW	
105	3311001	4	HEX NUT, #10-24	
106	4751000	4	WASHER, #10	
107	4761000	4	WASHER	
108	2600216	2	HINGE	
109	0641524	4	HEX HD CAPSCREW, 5/16-18X3	
110	2080063	16	NYLON LOCK NUT, 1/4-20	
111	2080064	14	NYLON LOCK NUT, 5/16-18	
112	3520072	5	CAP PLUG	
113	3573363	1	GUARD PLATE	
114	3641438	1	BENT RAIL	
115	3911428	16	ROUND HD SCREW, 1/4-20X1-3/4	
116	3911528	12	ROUND HD SCREW, 5/16-18X1-3/4	
117	4711400	16	WASHER, 1/4	
118	4711500	32	WASHER, 5/16	
119	4846528	1	BASKET END WELDMENT	
120	3311501	2	HEX NUT, 5/16-18	

SECTION 3 - ATTACHMENTS

FIGURE 3-18. FORK MOUNTED PLATFORM



SECTION 3 - ATTACHMENTS

FIGURE 3-18. FORK MOUNTED PLATFORM

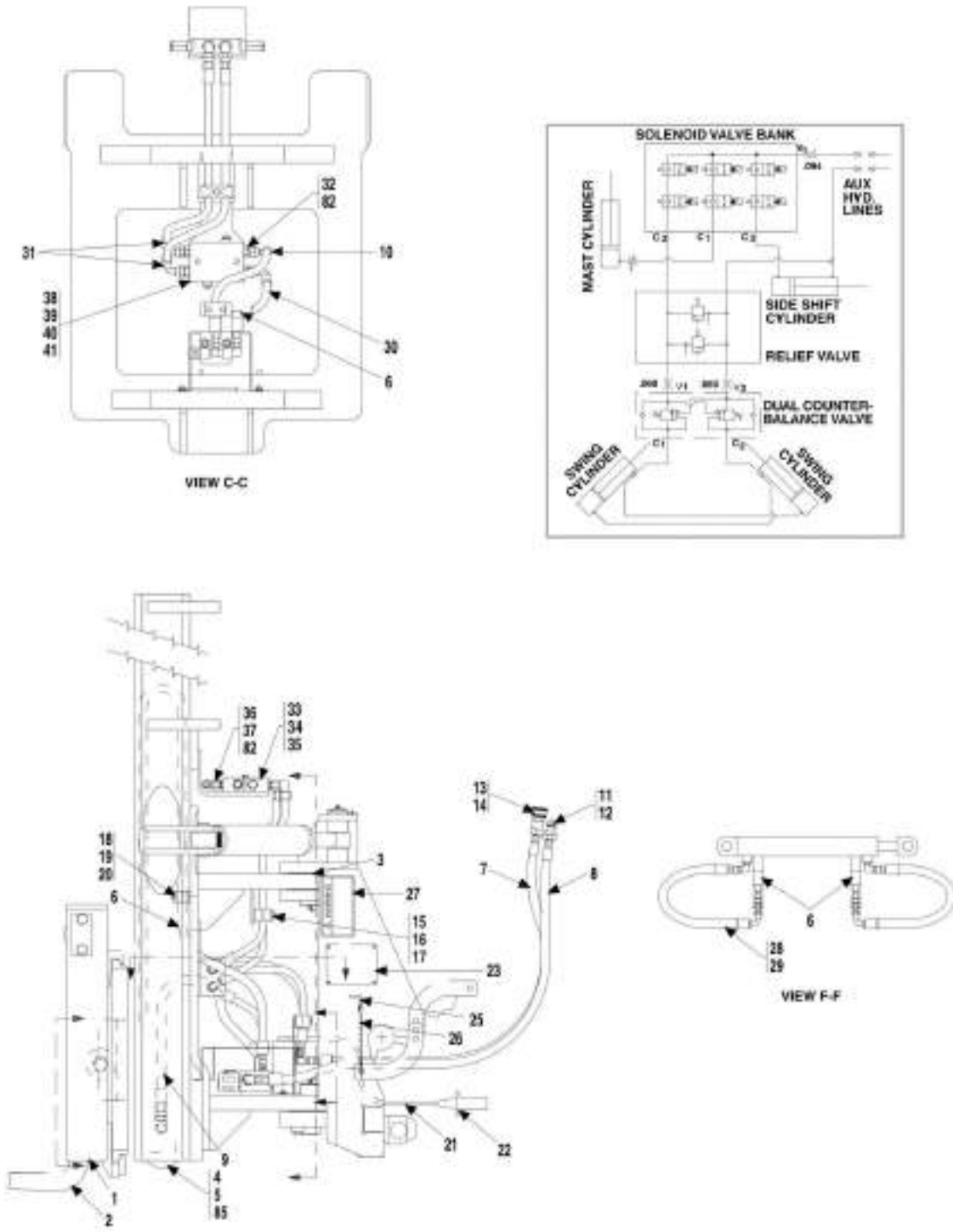
ITEM	PART NUMBER	QTY	DESCRIPTION	REV
	1001092280	NLA	FORK MOUNTED PLATFORM, (Prior to SN 2009005-1), (ASME), (no longer available, order 1001103637 for replacement or items 1 thru 8 for service)	E
	1001103637	1	FORK MOUNTED PLATFORM, (SN 2009005-1 to Present), (ASME), (includes items 1 thru 8)	B
	1001096306	NLA	FORK MOUNTED PLATFORM, (Prior to SN 2009005-1), (ISO), (no longer available, order 1001103730 for replacement or items 1 thru 8 for service)	C
	1001103730	1	FORK MOUNTED PLATFORM, (SN 2009005-1 to Present), (ISO), (includes items 1 thru 8)	B
	1001097072	NLA	FORK MOUNTED PLATFORM, (Prior to SN 2009005-1), (ASME - FRENCH), (no longer available, order 1001103736 for replacement or items 1 thru 8 for service)	C
	1001103736	1	FORK MOUNTED PLATFORM, (SN 2009005-1 to Present), (ASME - FRENCH), (includes items 1 thru 8)	B
1	1702773	2	JLG DECAL	
2	1704885	1	WEBSITE DECAL	
3	1706892	1	PLATFORM WARNING DECAL, (ASME)	
3	1001096025	1	PLATFORM WARNING DECAL, (ISO)	
3	1001096024	1	PLATFORM WARNING DECAL, (ASME - FRENCH)	
4	31200160	1	OPERATION AND SAFETY MANUAL, (ASME)	
4	31200387	1	OPERATION AND SAFETY MANUAL, (ISO - SPANISH)	
4	31200388	1	OPERATION AND SAFETY MANUAL, (ISO - PORTUGUESE)	
4	31200336	1	OPERATION AND SAFETY MANUAL, (ASME - FRENCH)	
5	1001092481	1	WARNING DECAL, (ASME)	
5	1001096021	1	WARNING DECAL, (ISO)	
5	1001096019	1	WARNING DECAL, (ASME - FRENCH)	
6	1001092482	1	CAPACITY DECAL, (ASME)	
6	1001096023	1	CAPACITY DECAL, (ISO)	
6	1001096020	1	CAPACITY DECAL, (ASME - FRENCH)	
7	N.S.S.	1	FORK MOUNTED PLATFORM, (Prior to SN 2009005-1), (includes items 101 thru 114, 154 & 155)	B
7	N.S.S.	1	FORK MOUNTED PLATFORM, (SN 2009005-1 to Present), (includes items 101, 103 thru 106, 108, 110, 111, 154, 155, 201, 203, 206, 210, 212, 214 & 218)	H
8	N.S.S.	1	SN PLATE	
101	0860520	1	MANUAL STORAGE BOX	
102	2080044	4	RIVNUT FASTENER 1/4-20	
103	2600281	2	HINGE	
104	2940074	1	LATCH	
105	3520198	21	PLUG, (Prior to SN 2009005-1)	
105	3520072	10	PLUG, (SN 2009005-1 to Present)	
106	3820020	20	POP RIVET, (Prior to SN 2009005-1)	
106	3820020	4	POP RIVET, (SN 2009005-1 to Present)	
107	4751400	4	WASHER, 1/4	
108	4846452	1	GATE WELDMENT	
109	80263012	4	SCREW WHIZ LOCK 1/4-20 X 1/2	
110	1001093140	1	GATE WELDMENT, (Prior to SN 2009005-1)	
110	1001095810	1	GATE WELDMENT, (SN 2009005-1 to Present)	
111	N.S.S.	1	PLATFORM WELDMENT	
112	1001093171	2	PIN	

SECTION 3 - ATTACHMENTS

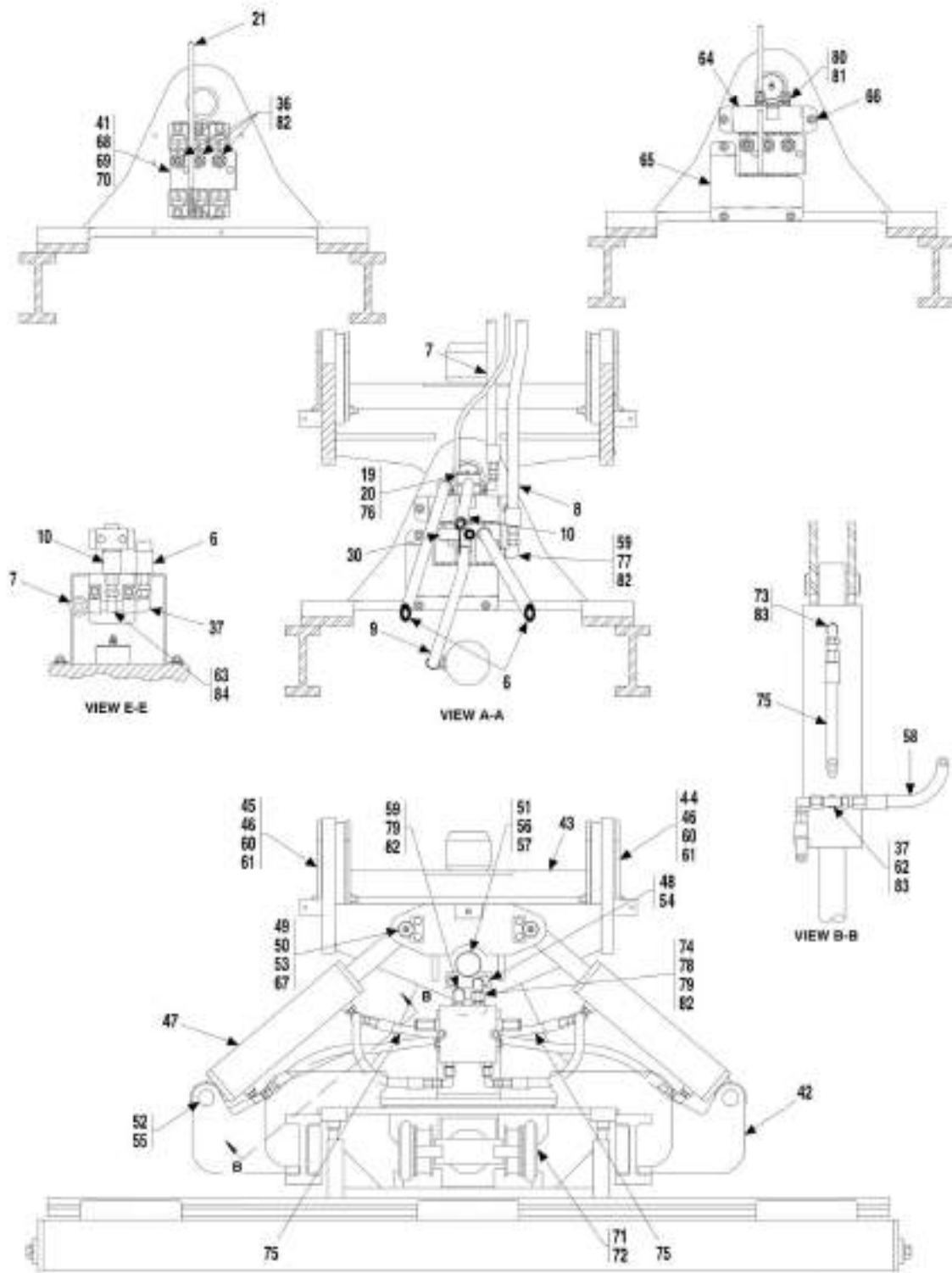
ITEM	PART NUMBER	QTY	DESCRIPTION	REV
113	1001097168	2	PIN, SAFETY SNAP, WITH LANYARD	
114	1001098582	2	LYNCH PIN 3/16 WITH LANYARD	
154	1701509	1	MANUAL DECAL	
155	1704277	3	LANYARD ATTACH DECAL	
201	0641405	4	HEX HD CAPSCREW, 1/4-20X5/8	
203	1060379	2	6IN LANYARD CABLE	
206	2080040	16	FASTENER	
209	3311405	4	HEX NUT, 1/4-20	
210	3421453	2	PIN	
212	3760170	4	RING	
214	4711400	8	WASHER, 1/4	
218	1001102813	2	HITCH PIN	

SECTION 3 - ATTACHMENTS

FIGURE 3-19. 100, SWING CARRIAGE WITH SIDE SHIFT (Prior to SN 0160037671)



SECTION 3 - ATTACHMENTS



SECTION 3 - ATTACHMENTS

FIGURE 3-19. 100, SWING CARRIAGE WITH SIDE SHIFT (Prior to SN 0160037671)

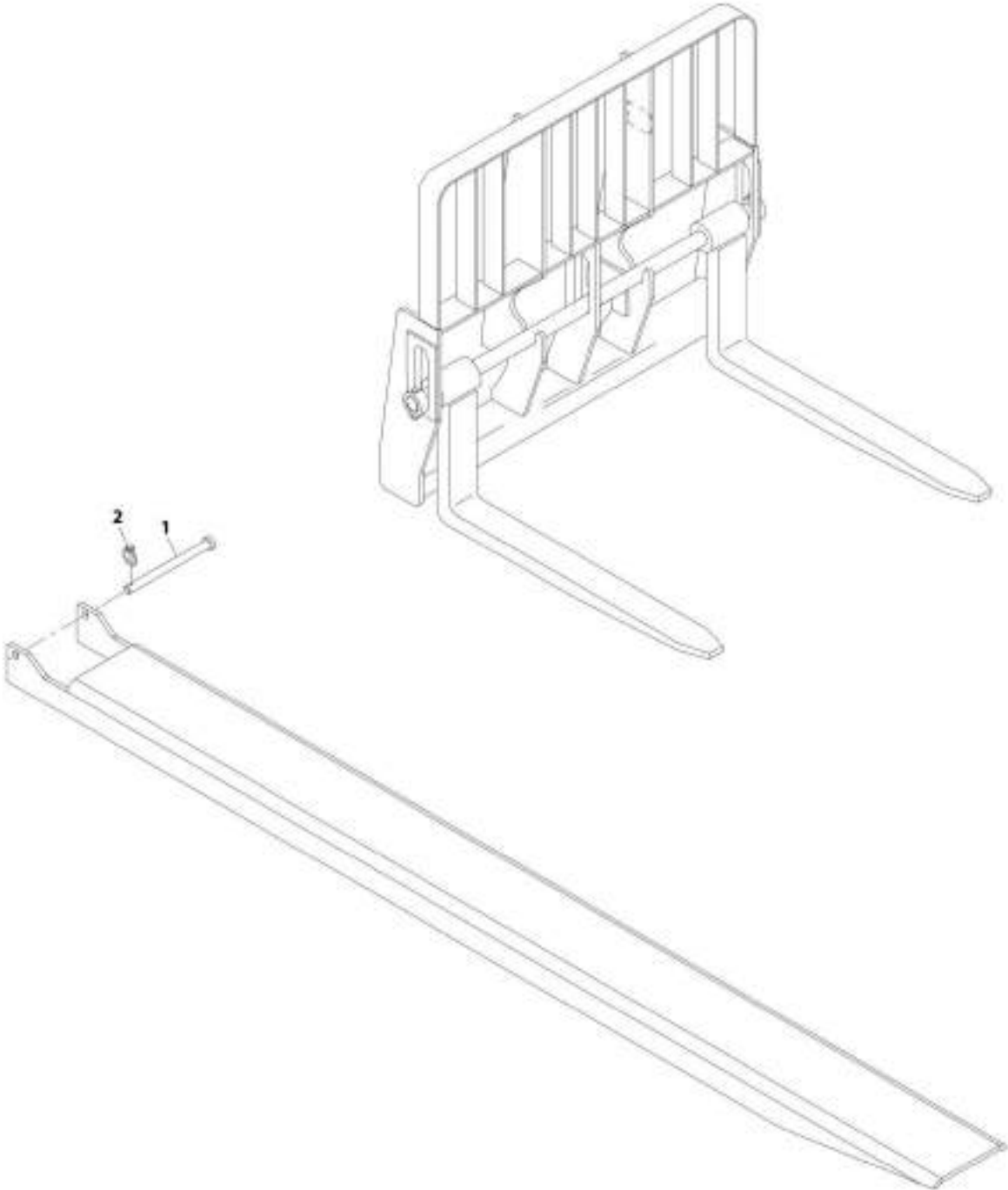
ITEM	PART NUMBER	QTY	DESCRIPTION	REV
	91405070	1	100, SWING CARRIAGE WITH SIDE SHIFT, 48IN FORKS, (includes all items)	N
	91415026	1	100, SWING CARRIAGE WITH SIDE SHIFT, 60IN FORKS, (includes all items)	I
1	N.S.S.	1	72IN SIDE SHIFT CARRIAGE	
2	91403364	2	FORK, 1-3/4X4X48	
2	91403580	2	FORK, 2X6X60	
3	91041356	6	SPACER	
4	91034374	6	LOAD ROLLER	
5	91034375	12	SHIM	
6	84719060	2	HOSE ASSY	
7	84719229	1	HOSE ASSY	
8	84719499	1	HOSE ASSY	
9	84718737	1	HOSE ASSY	
10	84719765	1	HOSE ASSY	
11	91403414	1	MALE QUICK DISCONNECT COUPLING	
12	91043126	1	DUST CAP	
13	91403413	1	FEMALE QUICK DISCONNECT COUPLING	
14	91043125	1	DUST CAP	
15	77133136	1	CLAMP SET	
16	77133137	1	COVER PLATE	
17	88201023	1	HEX HD CAPSCREW, 5/16-18X1-3/4, GR5	
18	77133810	2	STANDARD CLAMP KIT	
19	77133052	3	COVER PLATE	
20	77133209	6	HEX HD CAPSCREW, 1/4-20X1-3/8	
21	90453023	1	WIRING HARNESS	
22	90207662	1	6 CONTACT PLUG	
23	N.S.S.	1	SN PLATE	
25	91033039	2	CHAIN CONNECTION	
26	91033038	24 in	CHAIN	
27	91143282	2	PINCH POINT DECAL	
28	84719185	2	HOSE ASSY	
29	2230024	2	BULKHEAD UNION, 9/16-18X3/8 TUBE	
30	84719766	1	HOSE ASSY	
31	84719767	2	HOSE ASSY	
32	2220373	4	CONNECTOR, (includes item 82)	
33	90453018	1	DUAL COUNTERBALANCE VALVE	
34	88201008	2	HEX HD CAPSCREW, 1/4-20X1-3/4, GR5	
35	88561002	2	FLAT WASHER, 1/4	
36	2220372	5	CONNECTOR, (includes item 82)	
37	8760268	3	ELBOW, 90, SWIVEL NUT	
38	91413099	1	RELIEF VALVE	
39	88201029	2	HEX HD CAPSCREW, 5/16-18X3-1/4, GR5	
40	88501005	2	HEX NUT, 5/16-18	
41	88551010	4	LOCKWASHER, 5/16	
42	91406072	1	MAST WELDMENT	
43	91416018	1	SWING FORK PIVOT WELDMENT	
44	91406069	1	LH PIN SUPPORT WELDMENT	
45	91406070	1	RH PIN SUPPORT WELDMENT	

SECTION 3 - ATTACHMENTS

ITEM	PART NUMBER	QTY	DESCRIPTION	REV
46	91401266	2	PIN	
47		Ref	SWING CYLINDER, (See OPTIONS SECTION for Breakdown)	
48	91041322	2	LOCKING PLATE	
49	91411073	2	LOCKING PLATE	
50	91041324	2	PIVOT PIN	
51	91041325	2	PIVOT PIN	
52	91041326	2	PIVOT PIN	
53	83201024	4	HEX HD CAPSCREW, 3/8-16X1, GR8	
54	83201026	4	HEX HD CAPSCREW, 1/2-13X1-1/2, GR8	
55	88581136	4	SNAP RING	
56	88671018	2	LUBE FITTING, 45, 1/8	
57	91041327	2	BUSHING	
58	77133201	2	HOSE ASSY	
59	90203384	2	90, ELBOW, MODIFIED	
60	88631449	2	ROLL PIN, 1/8X1-1/2	
61	91043221	2	DETENT PIN	
62	2220899	2	BRANCH TEE, (includes item 83)	
63	2220490	1	UNION TEE, 3/8 TUBE	
64	91406155	1	FRONT COVER WELDMENT	
65	90451061	1	BACK COVER SOLENOID VALVE	
66	77143013	5	WHIZ-LOCKNUT, 1/4-20	
67	88671008	2	LUBE FITTING, STRAIGHT, 1/4-28	
68	91403338	1	SOLENOID VALVE BANK	
69	88201025	2	HEX HD CAPSCREW, 5/16-18X2-1/4, GR5	
70	88561108	2	FLAT WASHER, 5/16	
71	91034399	2	HOSE SHEAVE	
72	91034400	2	SHOULDER BOLT	
73	2220473	2	ELBOW, 90, (includes item 83)	
74	91041361	1	MODIFIED FITTING	
75	90204097	2	HOSE ASSY	
76	77133053	1	CLAMP SET	
77	91041362	1	ORIFICE FITTING	
78	8765204	1	ELBOW, 90, SWIVEL NUT	
79	91411050	2	ORIFICE	
80	86521144	2	SUPPORT CLAMP	
81	77143006	2	WHIZ-LOCKNUT, 5/16-18	
82	3780140	9	O-RING	
83	3780177	4	O-RING	
84	91403415	1	ELBOW, 90, SWIVEL NUT	
85	91034377	2	SCREW	

SECTION 3 - ATTACHMENTS

FIGURE 3-20. FORKS



APP_91514001-3-20

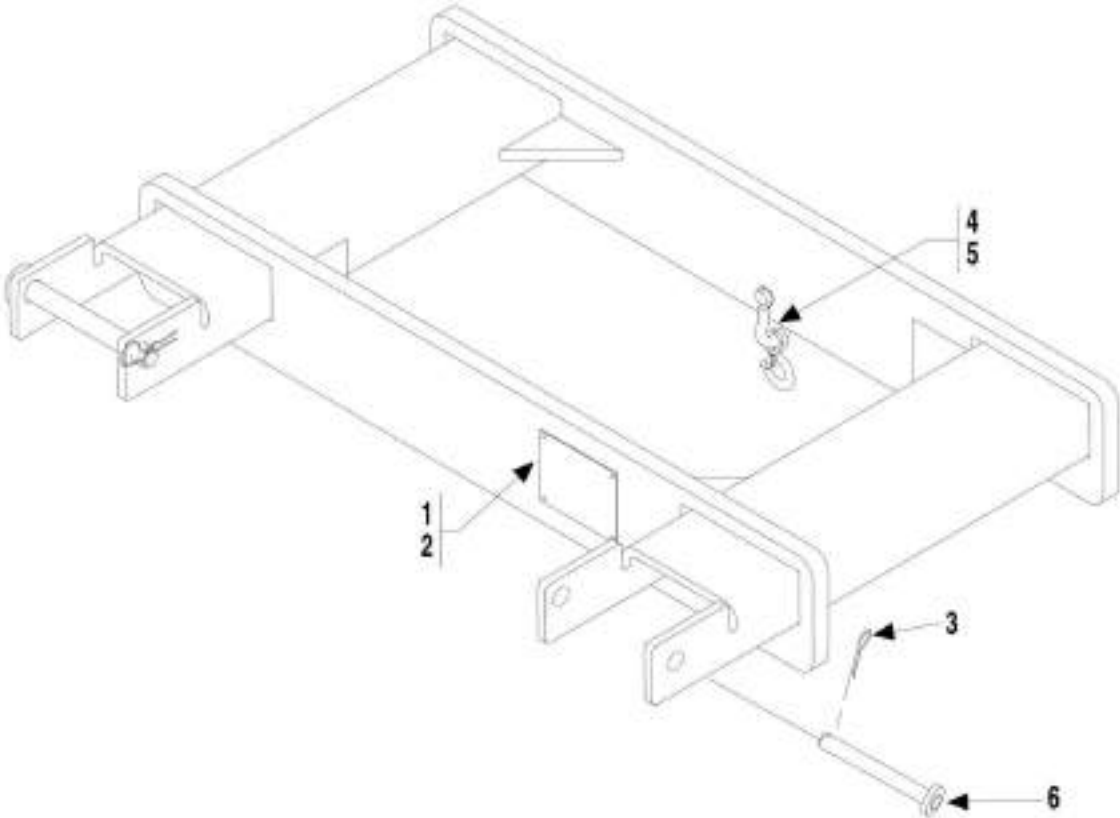
SECTION 3 - ATTACHMENTS

FIGURE 3-20. FORKS

ITEM	PART NUMBER	QTY	DESCRIPTION	REV
	91403359	6	48IN CUBING FORK, 2X2, 3,880lbs (Prior to SN 0160037671)	B
	2340037	6	48IN CUBING FORK, 2X2, 3,880lbs	A
	91403364	2	48IN PALLET FORK, 1-3/4X4, 6,100lbs, (only used with 100, Swing Carriage with Side Shift, 91405070 or 91415026)	B
	2340045	2	48IN PALLET FORK, 2-23/64X4, 10,950lbs	B
	2340038	2	48IN PALLET FORK, 2-23/64X5, 13,700lbs (Prior to SN 0160037671)	B
	91563141	2	48IN PALLET FORK, 2-1/4X5, 13,700lbs	C
	91403366	2	48IN DRYWALL CARRIAGE FORK, 2X6, 5,000lbs, (only used with Drywall Carriage, 91405077 or 100, Drywall Swing Carriage, 91405078) (Prior to SN 0160037671)	B
	91513206	2	48IN PALLET FORK, 2-1/4X4, 10,950lbs (Prior to SN 0160037671)	D
	91403580	2	60IN PALLET FORK, 2X6, 11,300lbs, (only used with 100, Swing Carriage with Side Shift, 91405070 or 91415026)	B
	91563142	2	60IN PALLET FORK, 2-1/4X6, 16,300lbs (Prior to SN 0160037671)	C
	2340046	2	60IN DUAL TAPER FORK, 1-3/4X7, 10,800lbs	B
	2340039	2	60IN DUAL TAPER FORK, 2-23/64X6, 16,300lbs	B
	1001092391	2	72IN DUAL TAPER FORK, 2X6, 11,300lbs	B
	91563143	2	72IN PALLET FORK, 2-1/4X6, 16,300lbs (Prior to SN 0160037671)	C
	1001137512	2	90IN FORK EXTENSION, (includes items 1 thru 2)	E
1	70024306	1	PIN	
2	70024307	1	CLIP	
N1	Note	Ref	FORKS RATED LESS THAN THE ATTACHMENT OR MACHINE'S CAPACITY DECREASES CAPACITY OF THE ATTACHMENT OR MACHINE TO THAT OF THE FORKS. FORKS RATED MORE THAN THE ATTACHMENT OR MACHINE'S CAPACITY DO NOT INCREASE ATTACHMENT OR MACHINE'S CAPACITY.	
N2	Note	Ref	PLEASE CONSULT JLG PARTS DEPARTMENT TO DETERMINE THE CORRECT FORKS APPLICABLE TO YOUR SPECIFIC CARRIAGE ASSEMBLY AND APPLICATION.	

SECTION 3 - ATTACHMENTS

FIGURE 3-21. FORK MOUNTED LIFTING HOOK PRIOR TO SN 2005134-01



NOTE: PALLET/LUMBER FORKS OF AN APPROPRIATE LOAD RATING MUST BE USED.

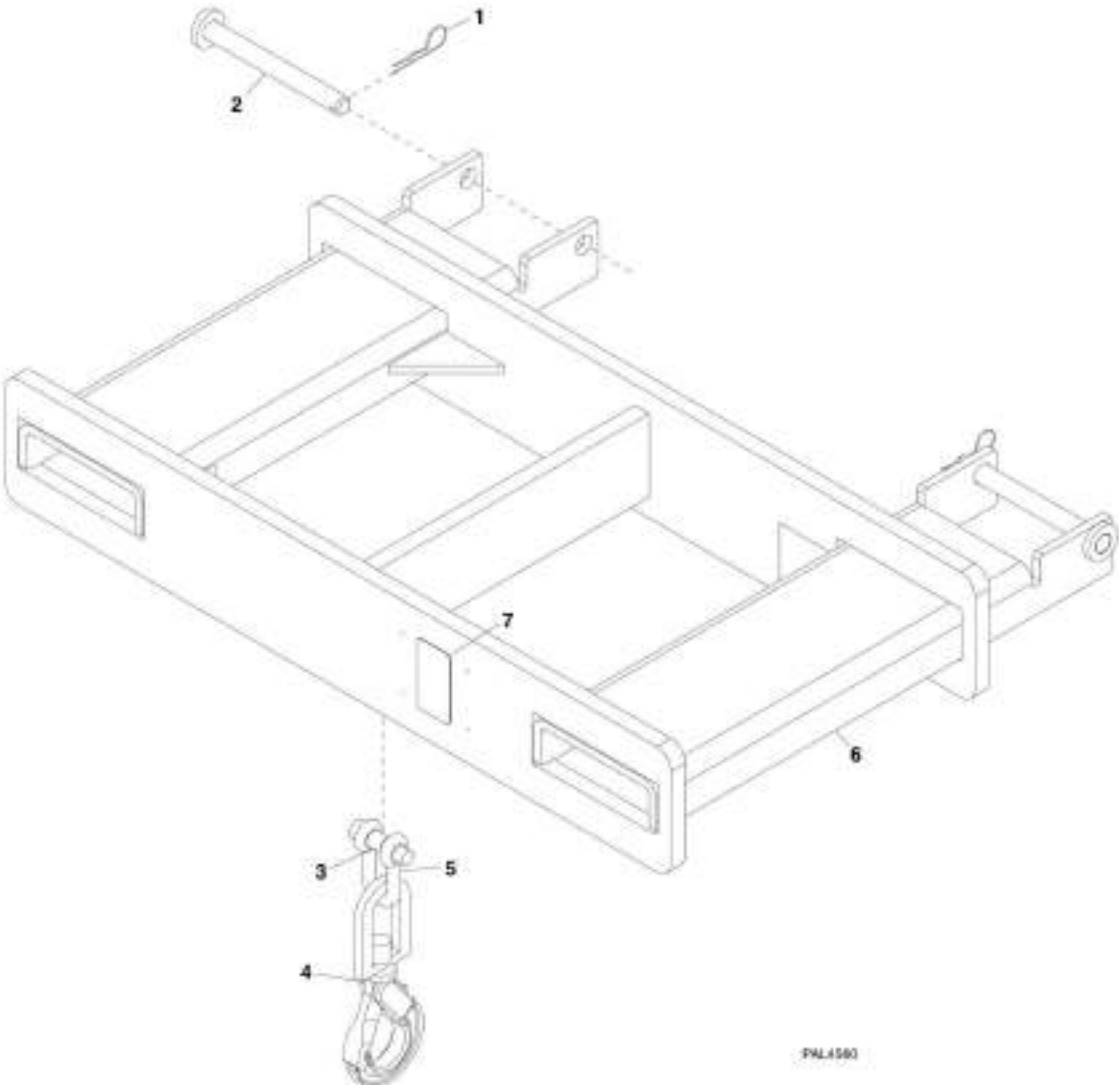
SECTION 3 - ATTACHMENTS

FIGURE 3-21. FORK MOUNTED LIFTING HOOK PRIOR TO SN 2005134-01

ITEM	PART NUMBER	QTY	DESCRIPTION	REV
	90553036	NLA	FORK MOUNTED LIFTING HOOK, (no longer available, order 91565094 for replacement or see items 1 thru 6 for service)	E
1	N.S.S.	1	SN ATTACHMENT PLATE	
2	88341022	4	DRIVE SCREW, 3/8	
3	7029520	2	HAIRPIN CLIP	
4	90554079	1	CLEVIS CONNECTOR	
5	90554080	1	HOOK	
6	1001093171	2	PIN	

SECTION 3 - ATTACHMENTS

FIGURE 3-22. FORK MOUNTED LIFTING HOOK SN 2005134-01 TO PRESENT



NOTE: PALLET/LUMBER FORKS OF AN APPROPRIATE LOAD RATING MUST BE USED.

PAL1580

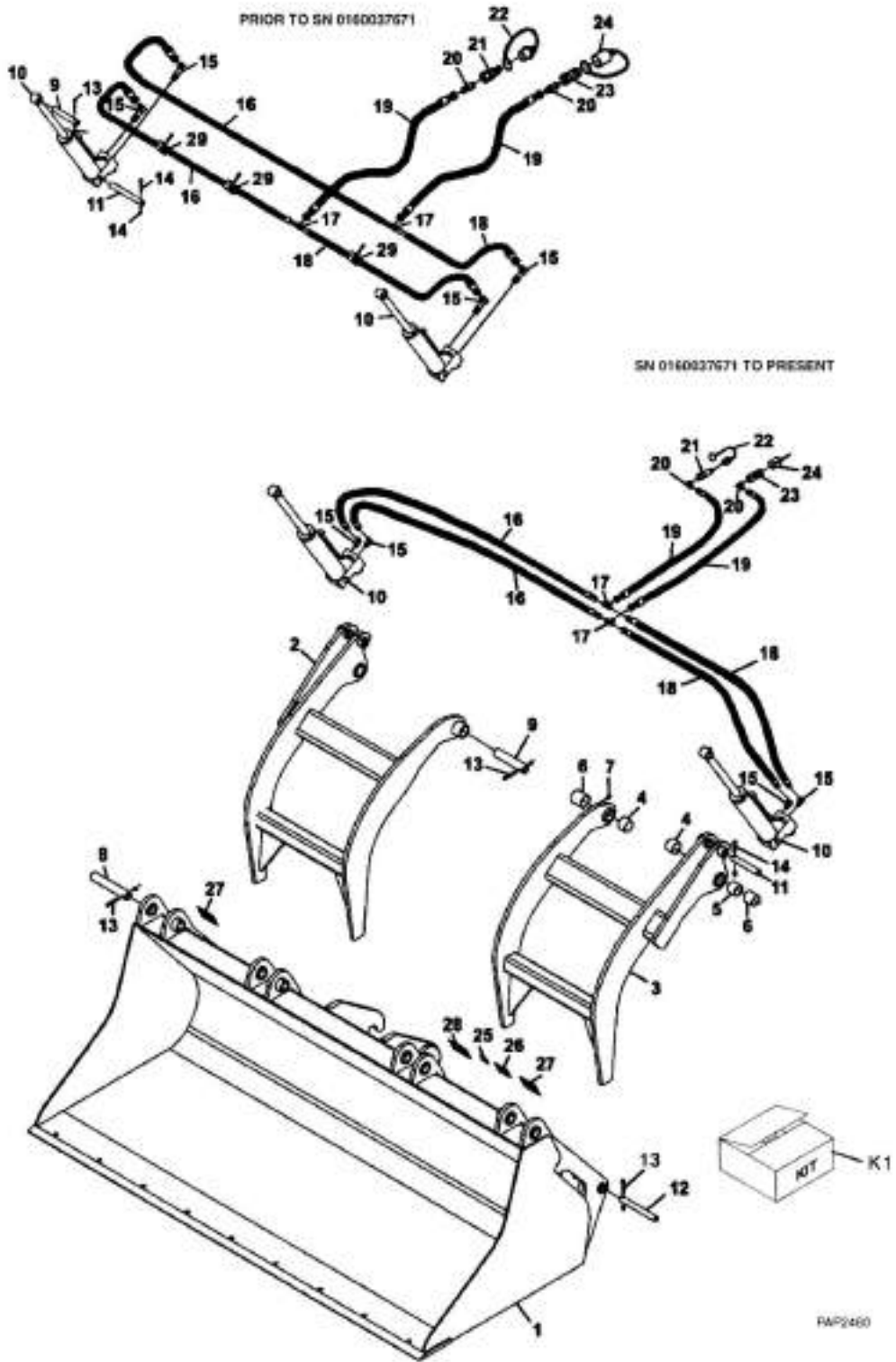
SECTION 3 - ATTACHMENTS

FIGURE 3-22. FORK MOUNTED LIFTING HOOK SN 2005134-01 TO PRESENT

ITEM	PART NUMBER	QTY	DESCRIPTION	REV
	91565094	1	FORK MOUNTED LIFTING HOOK, (INCLUDES ALL ITEMS)	F
1	7029520	2	HAIRPIN CLIP	
2	1001093171	2	PIN	
3	70020555	1	SPRING BUSHING	
4	90554080	1	SLING HOOK	
5	7029521	1	CHAIN SHACKLE, 12,000LB	
6	N.S.S.	1	LIFTING HOOK	
7	N.S.S.	1	SN PLATE	

SECTION 3 - ATTACHMENTS

FIGURE 3-23. GRAPPLE BUCKET



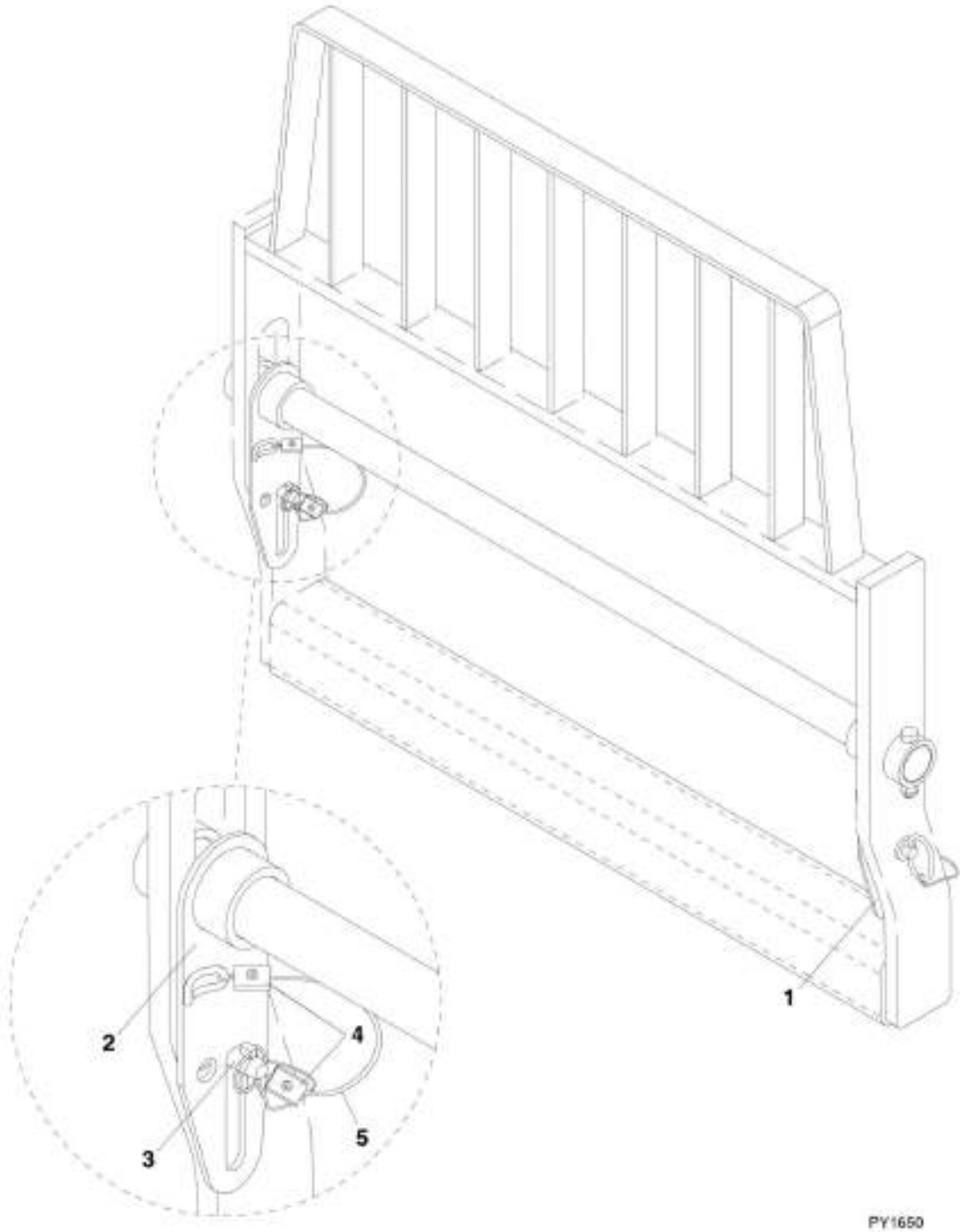
SECTION 3 - ATTACHMENTS

FIGURE 3-23. GRAPPLE BUCKET

ITEM	PART NUMBER	QTY	DESCRIPTION	REV
	0930019	1	GRAPPLE BUCKET, (includes all items) (Prior to SN 0160037671)	B
	0930020	1	GRAPPLE BUCKET, (includes all items) (SN 0160037671 to Present)	G
1	N.S.S.	1	BUCKET	
2	70021391	1	RIGHT GRAPPLE HOOK	
3	70021392	1	LEFT GRAPPLE HOOK	
4	70021358	4	BUSHING	
5	70021359	2	SPACER	
6	70021360	4	BUSHING	
7	7029714	4	GREASE FITTING	
8	70021361	2	OUTER PIVOT PIN	
9	70021362	2	INNER PIVOT PIN	
10		Ref	CYLINDER ASSY, (See HYDRAULIC COMPONENT for Breakdown)	
11	70021364	2	PIN	
12	70021365	2	PIN	
13	70021366	4	HEX HD CAPSCREW, 3/8X2.75	
13	70021367	4	LOCK NUT, 3/8	
14	N.S.S.	8	HEX HD CAPSCREW, 0.38X2.5 (Prior to SN 0160037671)	
14	90554042	8	LOCKWASHER, 0.38 (Prior to SN 0160037671)	
14	70021399	4	HEX HD CAPSCREW, 3/8X2.25 (SN 0160037671 to Present)	
14	70021367	4	LOCK NUT, 3/8 (SN 0160037671 to Present)	
15	N.S.S.	4	ELBOW, 90, (Prior to SN 0160037671)	
15	90554065	4	ELBOW, 90, (SN 0160037671 to Present)	
16	70021395	2	HOSE ASSY, 0.38X64	
16	70021980	2	HOSE ASSY, 3/8X73	
17	70020562	2	FITTING, TEE	
18	70021396	2	HOSE ASSY, 0.38X44 (Prior to SN 0160037671)	
18	70021981	2	HOSE ASSY, 3/8X46 (SN 0160037671 to Present)	
19	70021394	2	HOSE ASSY, 0.38X76 (Prior to SN 0160037671)	
19	70021395	2	HOSE ASSY, 3/8X64 (SN 0160037671 to Present)	
20	90554063	2	STRAIGHT CONNECTOR (Prior to SN 0160037671)	
20	70022527	2	ELBOW, 90, (SN 0160037671 to Present)	
21	90554061	1	MALE QUICK COUPLER (Prior to SN 0160037671)	
21	7029692	1	MALE QUICK COUPLER (SN 0160037671 to Present)	
22	90554062	1	DUST COVER	
23	90554077	1	FEMALE QUICK COUPLER (Prior to SN 0160037671)	
23	70021342	1	FEMALE QUICK COUPLER (SN 0160037671 to Present)	
24	90554076	1	DUST COVER	
25	90554016	1	MADE IN USA DECAL	
26	N.S.S.	1	SN PLATE	
27	90554017	2	DANGER PINCH POINT DECAL	
28	90554018	1	WARNING HIGH PRESSURE DECAL	
29	70021387	3	HOSE CLAMP (Prior to SN 0160037671)	
29	70021387	4	HOSE CLAMP (SN 0160037671 to Present)	
K1	0930021	1	GRAPPLE BUCKET KIT, (includes 0930019 bucket and the appropriate load chart, See DECALS SECTION for Breakdown) (Prior to SN 0160037689)	

SECTION 3 - ATTACHMENTS

FIGURE 3-24. FORK PIN LOCK INSTALLATION (SN 0160037671 to Present)



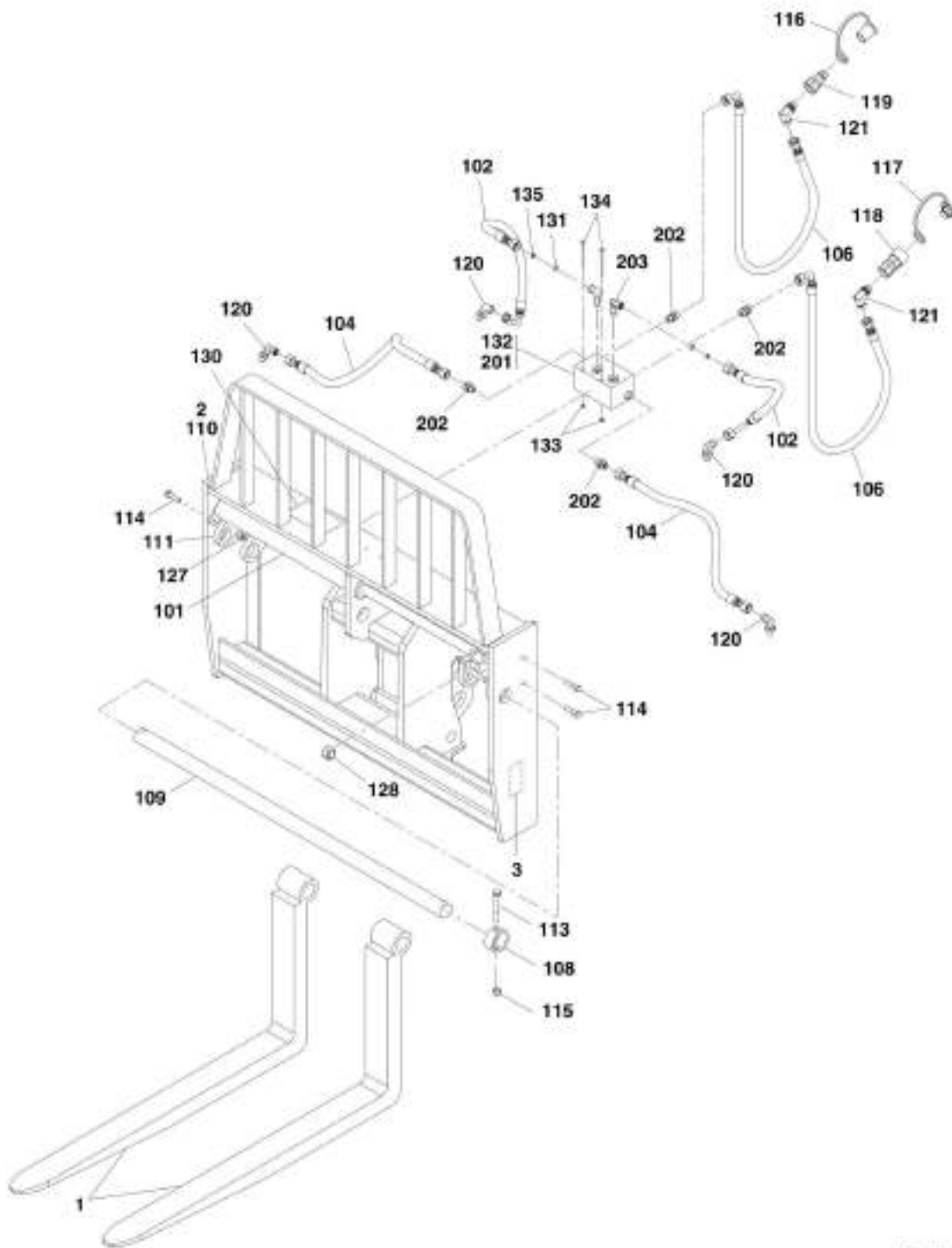
SECTION 3 - ATTACHMENTS

FIGURE 3-24. FORK PIN LOCK INSTALLATION (SN 0160037671 to Present)

ITEM	PART NUMBER	QTY	DESCRIPTION	REV
	1001093465	1	FORK PIN LOCK INSTALLATION, (includes all items)	B
1	0240156	1	FORK PIN LOCK, LH	
2	1001093273	1	FORK PIN LOCK, RH	
3	1001093377	2	HITCH PIN	
4	1001094830	4	CLAMP	
5	1001094330	2	LANYARD	

SECTION 3 - ATTACHMENTS

FIGURE 3-25. DUAL FORK POSITIONING CARRIAGE ASSEMBLY (SN 0160037671 to Present)



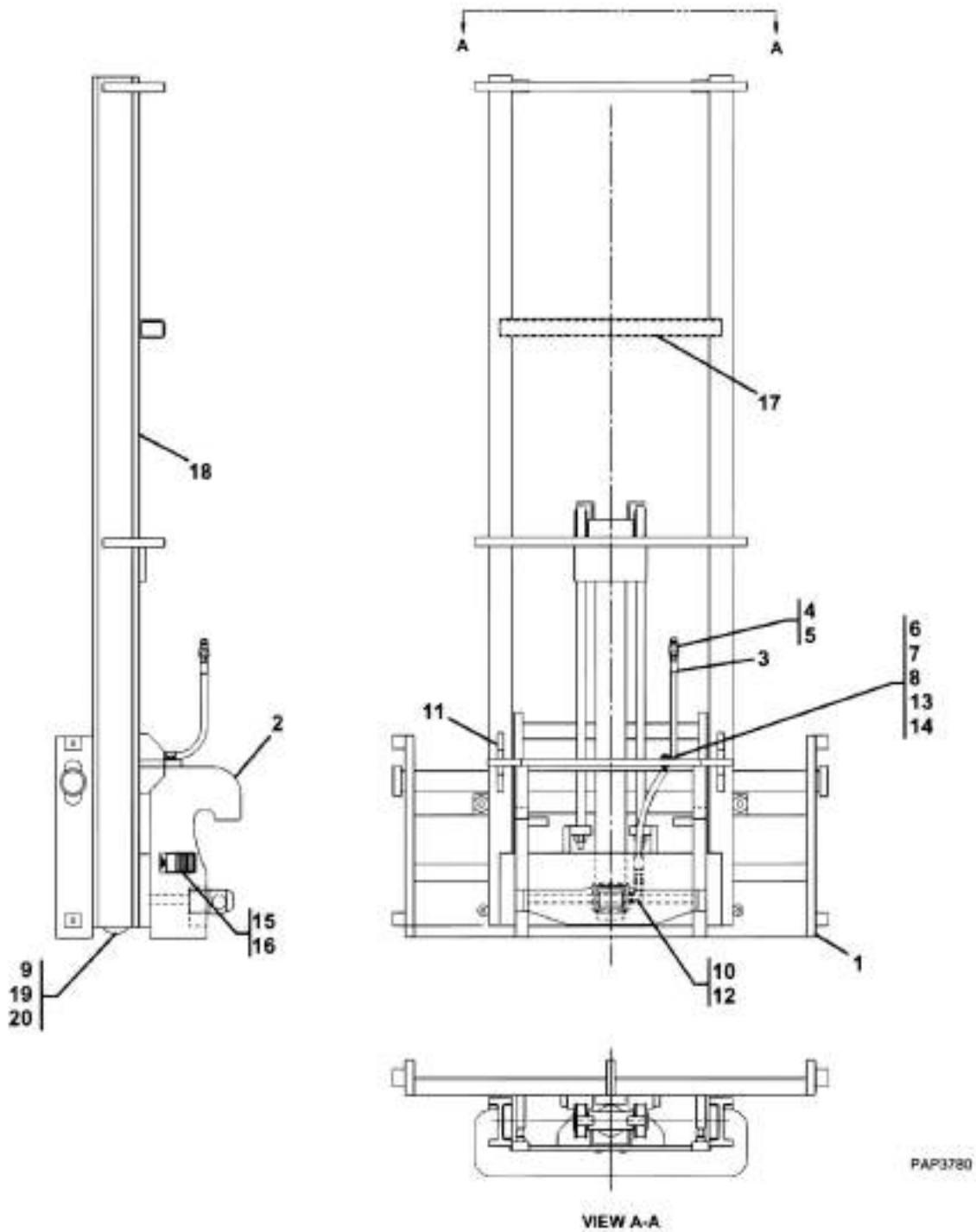
SECTION 3 - ATTACHMENTS

FIGURE 3-25. DUAL FORK POSITIONING CARRIAGE ASSEMBLY (SN 0160037671 to Present)

ITEM	PART NUMBER	QTY	DESCRIPTION	REV
	7301295	1	50IN DUAL FORK CARRIAGE ASSEMBLY, (includes items 1 thru 3)	F
1	N.S.S.	2	PALLET FORK, (60X100X1220MM)	
2	N.S.S.	1	50IN CARRIAGE, (includes items 101 thru 135)	I
3	N.S.S.	1	SN PLATE	
101	2717283	2	FORK POSITIONING CYLINDER	
102	2717160	2	HOSE ASSY	
104	2717161	2	HOSE ASSY	
106	2717162	2	HOSE ASSY	
108	90200003	2	FORK PIN COLLAR	
109	90451058	1	FORK SHAFT	
110	N.S.S.	1	50 IN CARRIAGE WELDMENT	
111	7301579	2	FORK ADAPTER WELDMENT	
113	8303634	2	HEX HD CAPSCREW, 5/8-11X4, GR5	
114	8303658	4	HEX HD CAPSCREW, 1/2-13X2, GR5	
115	8305643	2	HEX LOCKNUT, 5/8-11	
116	8420053	1	DUST CAP	
117	8420055	1	DUST PLUG	
118	91403413	1	CONNECTOR	
119	91403414	1	CONNECTOR	
120	2130606	4	ELBOW, 90, (includes o-ring)	
121	2130608	2	ELBOW, 90, (includes o-ring)	
127	8310302	4	HEX LOCKNUT, 1/2-13	
128	10705034	2	HEX LOCKNUT, 1-14	
130	4110473	1	HOSE ROUTING DECAL	
131	7139918	2	ORIFICE DISK	
132	4641502	1	VALVE ASSY, (includes items 201 thru 203)	B
133	8305624	2	HEX LOCKNUT, 1/4-20	
134	8310435	2	HEX HD CAPSCREW, 1/4-20X3-3/4, GR5	
135	8630003	2	O-RING	
201	4641501	1	FLOW DIVIDER VALVE	
202	2110606	4	CONNECTOR	
203	2130606	2	ELBOW, 90, (includes o-ring)	

SECTION 3 - ATTACHMENTS

FIGURE 3-26. 6 FT MAST WITH 72 IN CARRIAGE (Prior to SN 0160037671)



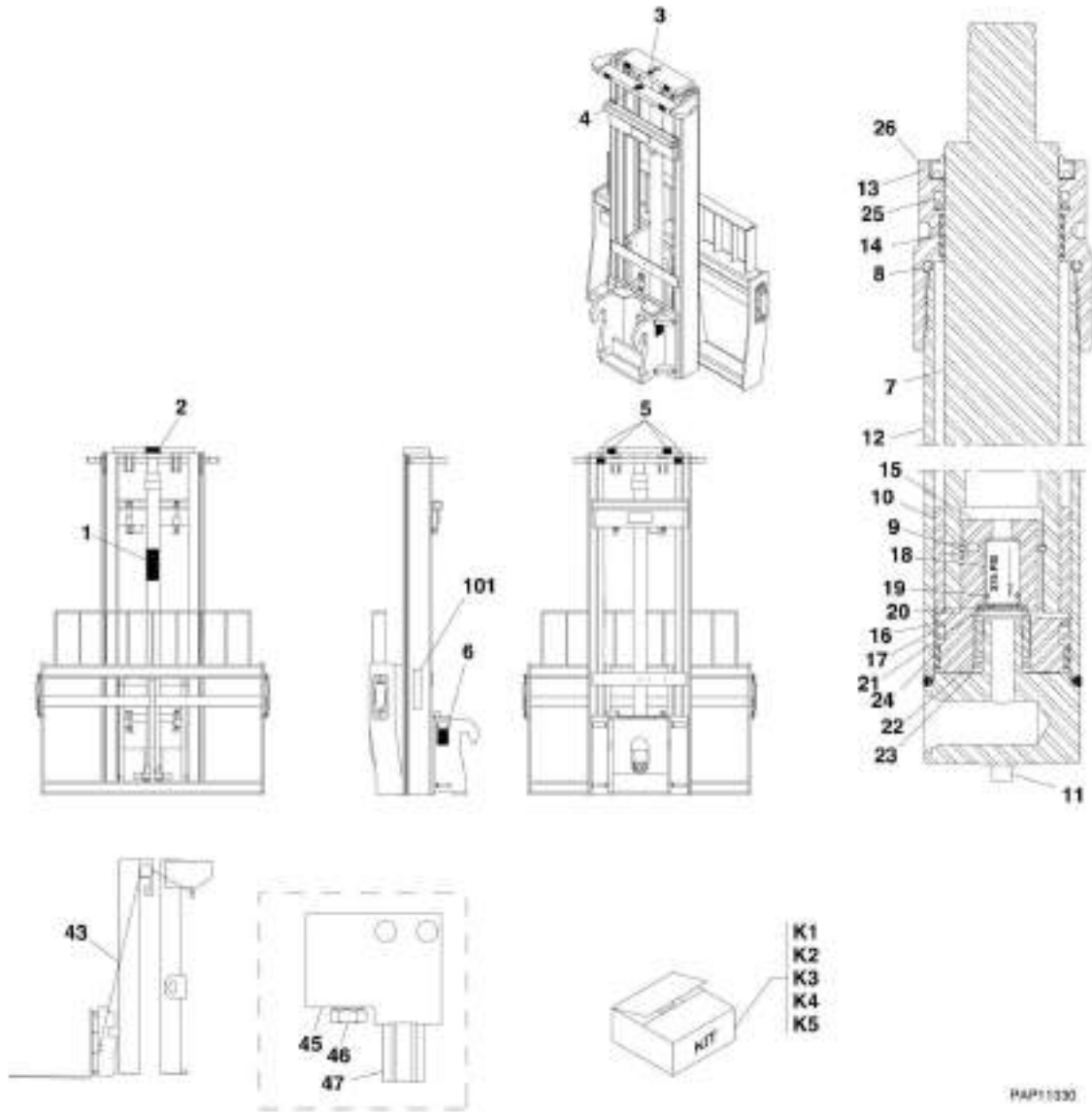
SECTION 3 - ATTACHMENTS

FIGURE 3-26. 6 FT MAST WITH 72 IN CARRIAGE (Prior to SN 0160037671)

ITEM	PART NUMBER	QTY	DESCRIPTION	REV
	91405060	1	6FT MAST WITH 72IN CARRIAGE, (includes all items)	L
	91405061	1	6FT MAST WITH 72IN CARRIAGE, (includes all items)	H
1	91403408	1	45 1/2IN CARRIAGE	
1	91403409	1	69 1/2IN CARRIAGE	
2	N.S.S.	1	ADAPTOR	
3	84719229	1	HOSE ASSY	
4	91403414	1	ADAPTOR	
5	91043126	1	DUST CAP	
6	24431386	1	CLAMP	
7	88201037	1	HEX HD SCREW, 3/8-16	
8	88561004	1	FLAT WASHER	
9	91034377	2	SCREW	
10	1001094695	1	ADAPTOR	
11	N.S.S.	4	GUSSET	
13	88501006	1	HEX NUT, 3/8-16	
14	88551011	1	LOCK WASHER, 3/8	
15	N.S.S.	1	SN PLATE	
17	N.S.S.	1	STOP TUBE	
18	91403339	1	6FT MAST	
19	91034374	6	LOAD ROLLER	
20	91034375	12	SHIM	

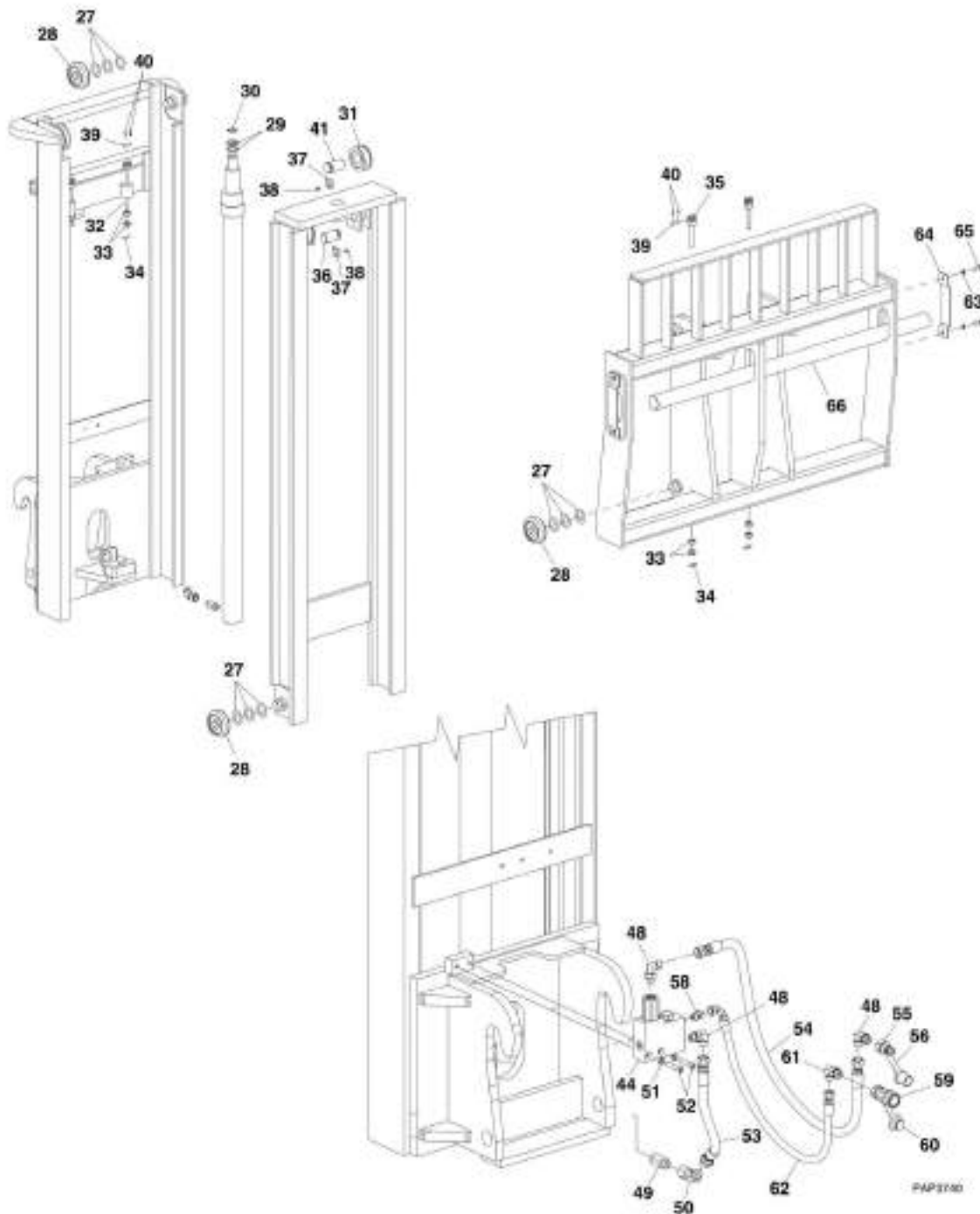
SECTION 3 - ATTACHMENTS

FIGURE 3-27. 8 FT STANDARD MAST (SN 0160037671 to Present)



PAP11330

SECTION 3 - ATTACHMENTS



SECTION 3 - ATTACHMENTS

FIGURE 3-27. 8 FT STANDARD MAST (SN 0160037671 to Present)

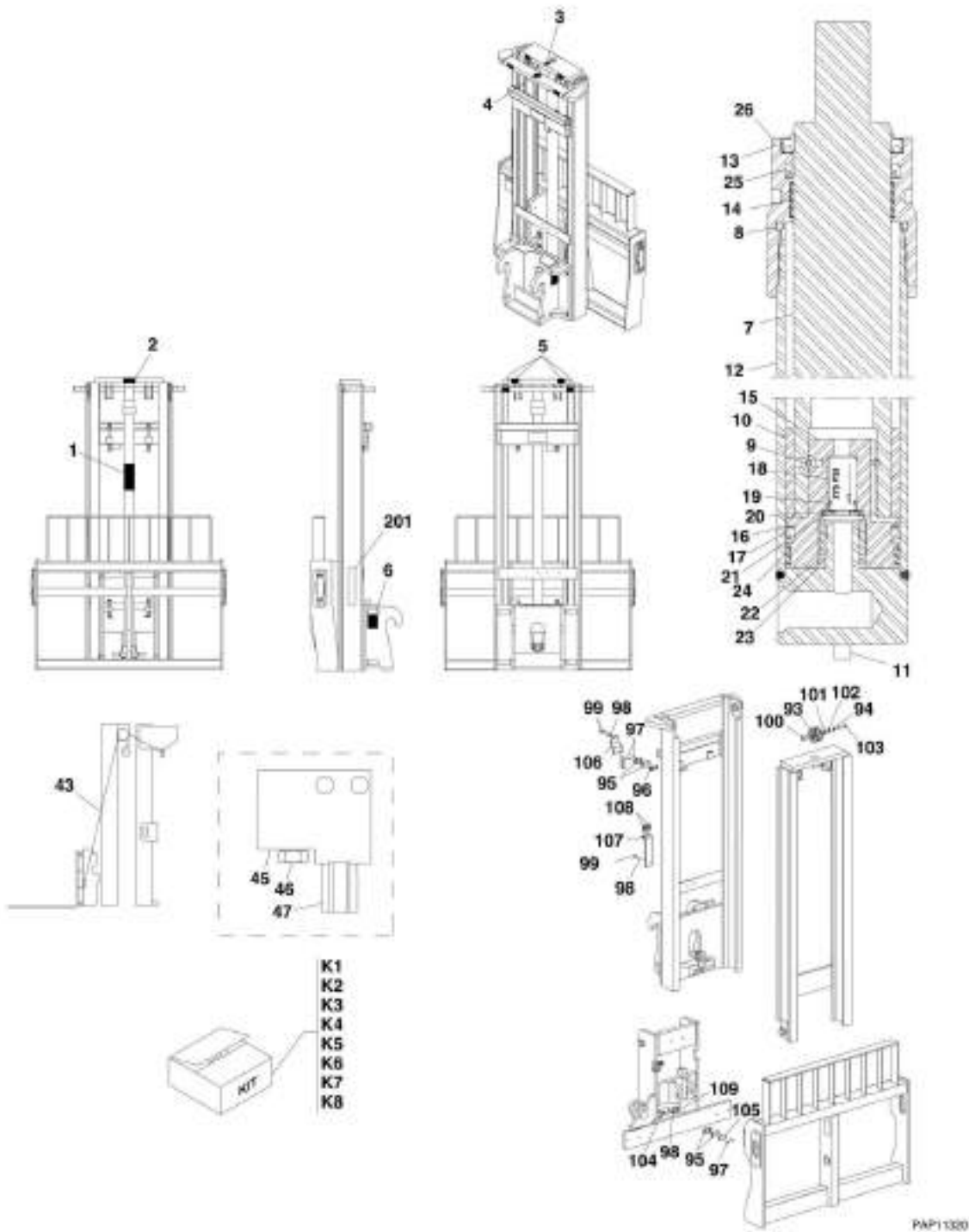
ITEM	PART NUMBER	QTY	DESCRIPTION	REV
	1001108668	1	8 FT STANDARD MAST, (includes all items)	B
1	Kit	1	WARNING DECAL	
2	Kit	1	WARNING DECAL	
3	Kit	1	NO STEP DECAL	
4	Kit	1	NO STEP DECAL	
5	Kit	4	HANDS OFF DECAL	
6	1001111190	2	HOSE ROUTING	
6	70023008	1	MAIN LIFT CYLINDER	
7	N.S.S.	1	ROD/PLUNGER	
8	Kit	1	O-RING	
9	Kit	1	PULL WIRE	
10	N.S.S.	1	SPACER	
11	N.S.S.	2	ROLL PIN	
12	N.S.S.	1	BARREL	
13	Kit	1	WIPER	
14	Kit	1	BUSHING	
15	N.S.S.	1	PISTON	
16	Kit	1	NYLON RING	
17	Kit	1	PISTON SEAL	
18	Kit	1	CHECK VALVE	
19	Kit	1	O-RING	
20	Kit	1	WASHER	
21	Kit	1	CIRCLIP	
22	N.S.S.	1	SLEEVE	
23	Kit	1	RETAINING RING	
24	Kit	1	WEAR RING	
25	Kit	1	ROD SEAL	
26	70023004	1	RETAINER/GLAND	
27	70023014	24	SHIM	
28	70022987	8	BALL BEARING	
29	Kit	2	WASHER SHIM	
30	70023016	1	SNAP RING	
31	70022969	2	SHEAVE ASSY	
32	70022960	2	CHAIN ANCHOR	
33	70022957	8	NUT, 0.625-18UNF	
34	70022993	4	COTTER PIN	
35	70022995	2	CHAIN ANCHOR	
36	70022984	1	SHEAVE SHAFT	
37	70022970	2	RETAINER BAR	
38	70023003	2	FLAT HD CAPSCREW	
39	70022994	4	CHAIN ANCHOR PIN	
40	70022992	8	COTTER PIN	
41	70022985	1	SHEAVE SHAFT	
43	70023009	2	LIFT CHAIN	
44	70022932	1	PO CHECK VALVE ASSY, (includes items 45, 46 & 47)	
45	N.S.S.	1	MANIFOLD	
46	70022931	1	PO CHECK VALVE CARTRIDGE	
47	70023010	1	P.O. CHECK	
48	70022934	3	FITTING, 90	

SECTION 3 - ATTACHMENTS

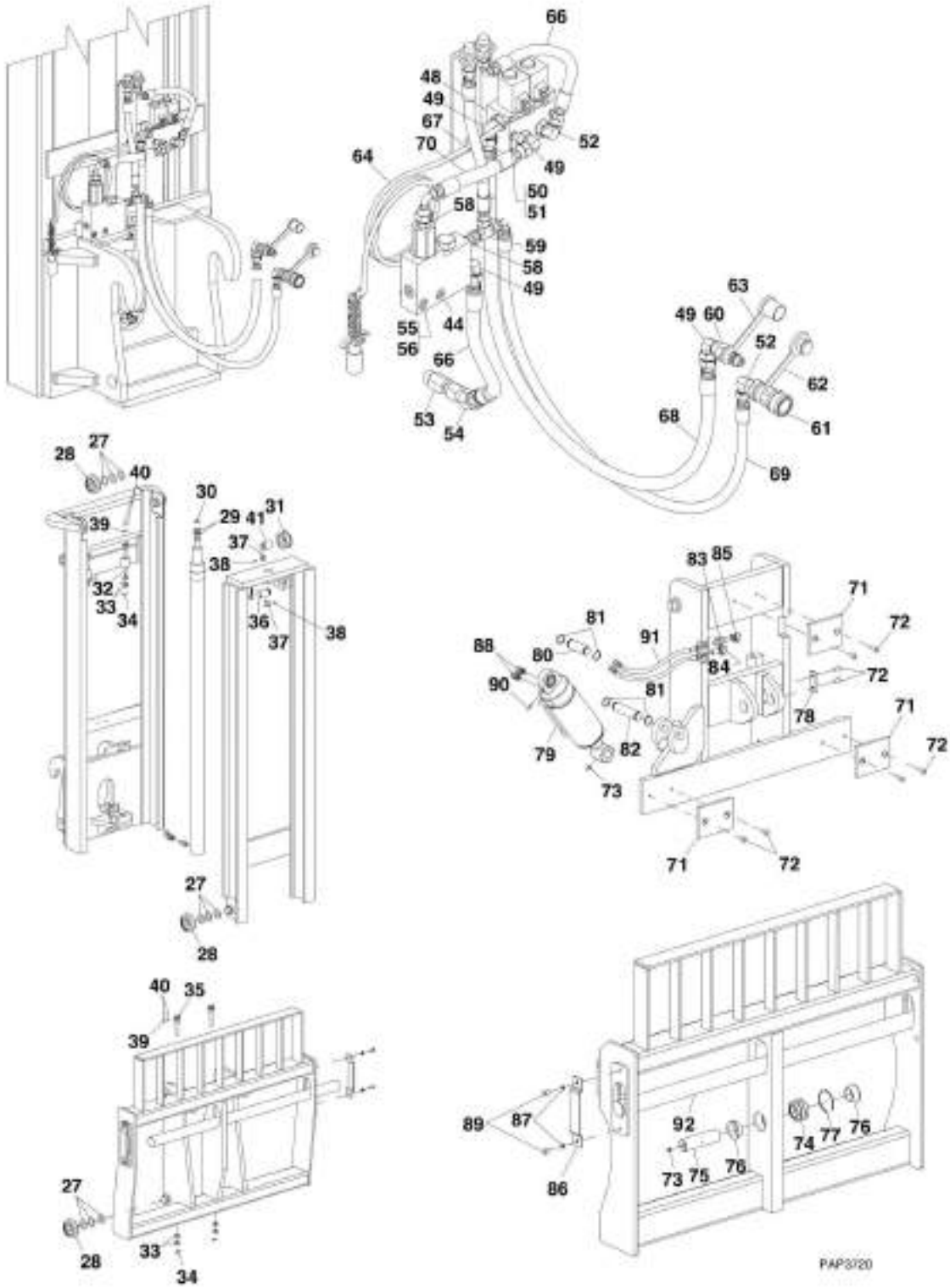
ITEM	PART NUMBER	QTY	DESCRIPTION	REV
49	70022936	1	FLOW LIMITER	
50	70022937	1	FITTING, 45	
51	70022949	2	LOCKWASHER, M10	
52	70022950	2	HEX SOCKET CAPSCREW	
53	70022942	1	HOSE ASSY	
54	70022952	1	HOSE ASSY	
55	91403414	1	MALE QUICK DISCONNECT COUPLING	
56	91043126	1	DUST CAP	
58	70022939	1	STRAIGHT FITTING, #6	
59	91403413	1	FEMALE QUICK DISCONNECT COUPLING	
60	91043125	1	DUST PLUG	
61	70022935	1	ELBOW, STRAIGHT THREAD	
62	70022946	1	HOSE ASSY	
63	70022949	4	LOCKWASHER, M10	
64	70022980	2	FORK PIN KEEPER	
65	70022998	4	CAPSCREW, M10X20 LG	
66	70022990	1	FORK PIN	
101	N.S.S.	1	SN PLATE	
K1	70023925	1	DECAL KIT, (includes items 1 thru 6)	
K2	70023005	1	SEAL KIT, MAIN LIFT CYLINDER, (includes items 8, 9, 13, 14, 16, 17, 19, 21, 23, 24 & 25)	
K3	70023006	1	CHECK VALVE KIT, (includes items 18, 19, 20, 21 & 23)	
K4	70023007	1	SHIM KIT	
K5	70023015	1	MAST COMMON PARTS KIT, (includes items 27 thru 41)	

SECTION 3 - ATTACHMENTS

FIGURE 3-28. 8 FT SIDE TILT ELECTRIC MAST (SN 0160037671 to Present)



SECTION 3 - ATTACHMENTS



SECTION 3 - ATTACHMENTS

FIGURE 3-28. 8 FT SIDE TILT ELECTRIC MAST (SN 0160037671 to Present)

ITEM	PART NUMBER	QTY	DESCRIPTION	REV
	1001108669	1	8 FT SIDE TILT ELECTRIC MAST, (includes all items)	B
1	Kit	1	WARNING DECAL	
2	Kit	1	WARNING DECAL	
3	Kit	1	NO STEP DECAL	
4	Kit	1	NO STEP DECAL	
5	Kit	4	HANDS OFF DECAL	
6	1001111190	2	WARNING DECAL	
6	70023008	1	MAIN LIFT CYLINDER	
7	N.S.S.	1	ROD/PLUNGER	
8	Kit	1	O-RING	
9	Kit	1	PULL WIRE	
10	N.S.S.	1	SPACER	
11	N.S.S.	2	ROLL PIN	
12	N.S.S.	1	BARREL	
13	Kit	1	WIPER	
14	Kit	1	BUSHING	
15	N.S.S.	1	PISTON	
16	Kit	1	NYLON RING	
17	Kit	1	PISTON SEAL	
18	Kit	1	CHECK VALVE	
19	Kit	1	O-RING	
20	Kit	1	WASHER	
21	Kit	1	CIRCLIP	
22	N.S.S.	1	SLEEVE	
23	Kit	1	RETAINING RING	
24	Kit	1	WEAR RING	
25	Kit	1	ROD SEAL	
26	70023004	1	RETAINER/GLAND	
27	70023014	24	SHIM	
28	70022987	8	BALL BEARING	
29	Kit	2	WASHER SHIM	
30	70023016	1	SNAP RING	
31	70022969	2	SHEAVE ASSY	
32	70022960	2	CHAIN ANCHOR	
33	70022957	8	NUT, 0.625-18UNF	
34	70022993	4	COTTER PIN	
35	70022995	2	CHAIN ANCHOR	
36	70022984	1	SHEAVE SHAFT	
37	70022970	2	RETAINER BAR	
38	70023003	2	FLAT HD CAPSCREW	
39	70022994	4	PIN, CHAIN ANCHOR	
40	70022992	8	COTTER PIN	
41	70022985	1	SHEAVE SHAFT	
43	70023009	2	LIFT CHAIN	
44	70022932	1	PO CHECK VALVE ASSY, (includes items 45, 46 & 47)	
45	N.S.S.	1	MANIFOLD	
46	70022931	1	PO CHECK VALVE CARTRIDGE	
47	70023010	1	P.O. CHECK	
48	70022933	1	SOLENOID VALVE BANK	

SECTION 3 - ATTACHMENTS

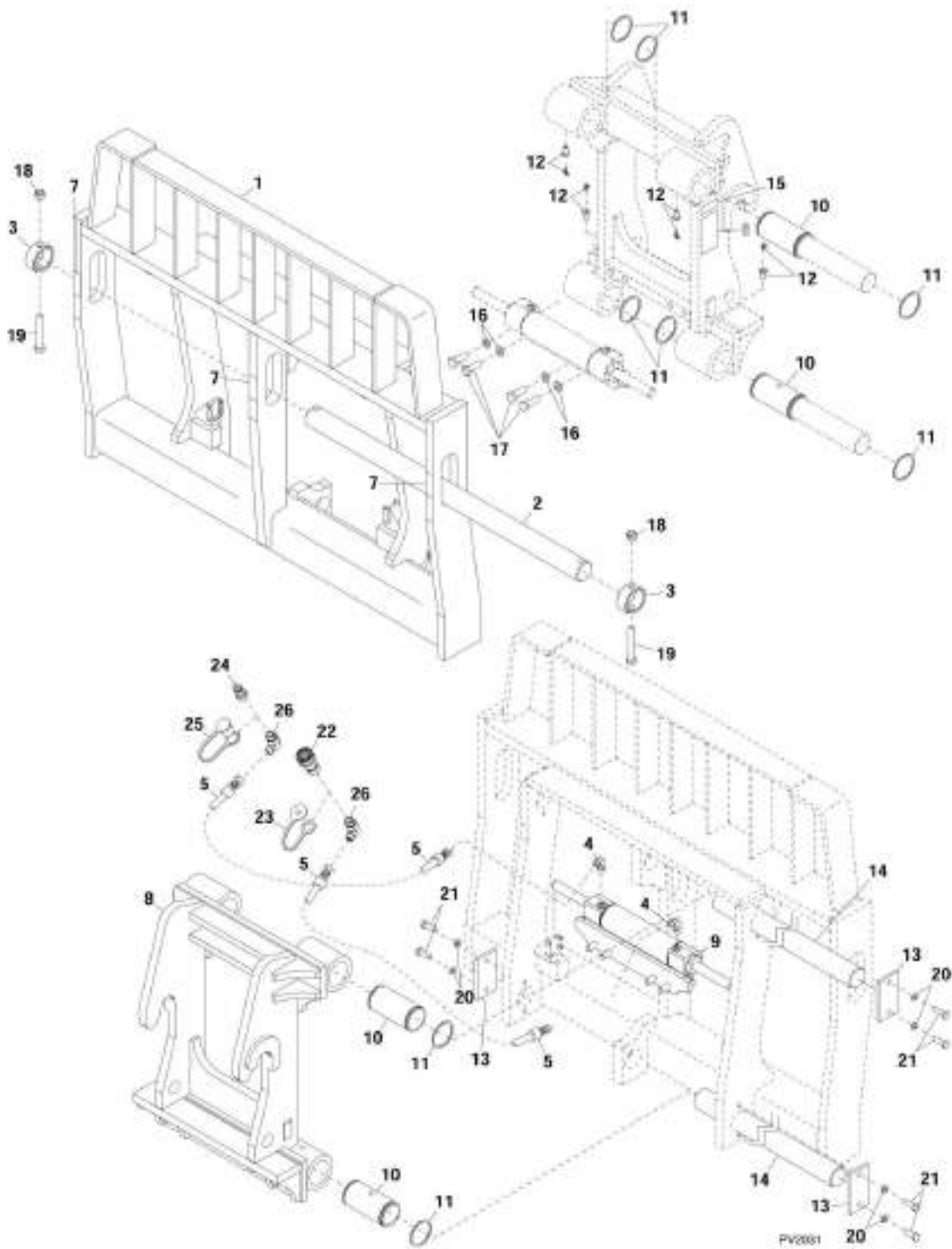
ITEM	PART NUMBER	QTY	DESCRIPTION	REV
49	70022934	4	FITTING, 90	
50	70022948	2	LOCKWASHER, M8	
51	70022951	2	CAPSCREW, M8X60	
52	70022935	2	STRAIGHT THREAD ELBOW	
53	70022936	1	FLOW LIMITER	
54	70022937	1	FITTING, 45	
55	70022949	2	LOCKWASHER, M10	
56	70022950	2	HEX SOCKET CAPSCREW	
57	70022938	1	STRAIGHT FITTING	
58	70022939	1	STRAIGHT FITTING, #6	
59	70022940	1	TEE FITTING	
60	91403414	1	MALE QUICK DISCONNECT COUPLING	
61	91403413	1	FEMALE QUICK DISCONNECT COUPLING	
62	91043125	1	DUST PLUG	
63	91043126	1	DUST CAP	
64	70022941	1	HARNESS	
65	70022942	1	HOSE ASSY	
66	70022943	1	HOSE ASSY	
67	70022944	1	HOSE ASSY	
68	70022945	1	HOSE ASSY	
69	70022946	1	HOSE ASSY	
70	70022947	1	HOSE ASSY	
71	70022972	3	WEAR PAD	
72	70022971	8	FLAT HD CAPSCREW	
73	70023001	2	GREASE FITTING	
74	70022975	1	BEARING	
75	70022973	1	PIVOT SHAFT	
76	70022974	2	BEVELED SPACER	
77	70022988	1	RETAINING RING	
78	70022976	1	RETAINER PLATE	
79	2716143	1	TILT CYLINDER	
80	70022977	1	PIN, 128.1mm	
81	70023016	4	SNAP RING, 1-1/4	
82	70022978	1	PIN, 128.1mm	
83	70023000	1	BULKHEAD UNION, (with locknut)	
84	70022999	1	BULKHEAD UNION ELBOW	
85	70022982	1	STRAIGHT THREAD ELBOW	
86	70022980	2	FORK PIN KEEPER	
87	70022949	4	LOCKWASHER, M10	
88	70022991	2	STRAIGHT THREAD ELBOW, 90	
89	70022998	4	CAPSCREW, M10X20 LG	
90	70022966	1	GREASE FITTING	
91	70022979	2	HOSE ASSY	
92	70022990	1	FORK PIN	
93	70022965	1	SHEAVE	
94	70022997	1	LOCKWASHER, M12	
95	70022967	4	HOSE CLAMP	
96	70022962	1	BAR ASSY	
97	70023002	4	CAPSCREW, M6X25 LG	
98	70022949	5	LOCKWASHER, M10	
99	70022958	3	CAPSCREW, M10X20	

SECTION 3 - ATTACHMENTS

ITEM	PART NUMBER	QTY	DESCRIPTION	REV
100	70022961	1	SHAFT	
101	70022959	1	WASHER	
102	70022989	1	RETAINING RING	
103	70022964	1	CAPSCREW, M12X55	
104	70022981	1	IHR BRACKET	
105	70022968	1	HOSE CLAMP BAR	
106	70023011	1	IHR BRACKET	
107	70022983	1	TERMINATION BRACKET	
108	70023000	2	BULKHEAD UNION AND LOCKNUT	
109	70022996	3	CAPSCREW, M10X16 LG	
110	70022963	2	HOSE ASSY, (not shown)	
201	N.S.S.	1	SN PLATE	
K1	70023925	1	DECAL KIT, (includes items 1 thru 6)	
K2	70023005	1	SEAL KIT, MAIN LIFT CYLINDER, (includes items 8, 9, 13, 14, 16, 17, 19, 21, 23, 24 & 25)	
K3	70023006	1	CHECK VALVE KIT, (includes items 18, 19, 20, 21 & 23)	
K4	70023007	1	SHIM KIT	
K5	70023015	1	MAST COMMON PARTS KIT, (includes items 27 thru 42)	
K6	8035831	1	SEAL KIT, TILT CYLINDER	
K7	70023013	1	IHR COMMON PARTS KIT, (includes items 93 thru 109)	
K8	70022986	1	IHR KIT, (includes items 93 thru 110)	

SECTION 3 - ATTACHMENTS

FIGURE 3-29. 50 IN SIDE SHIFT CARRIAGE (SN 0160037671 to Present)



SECTION 3 - ATTACHMENTS

FIGURE 3-29. 50 IN SIDE SHIFT CARRIAGE (SN 0160037671 to Present)

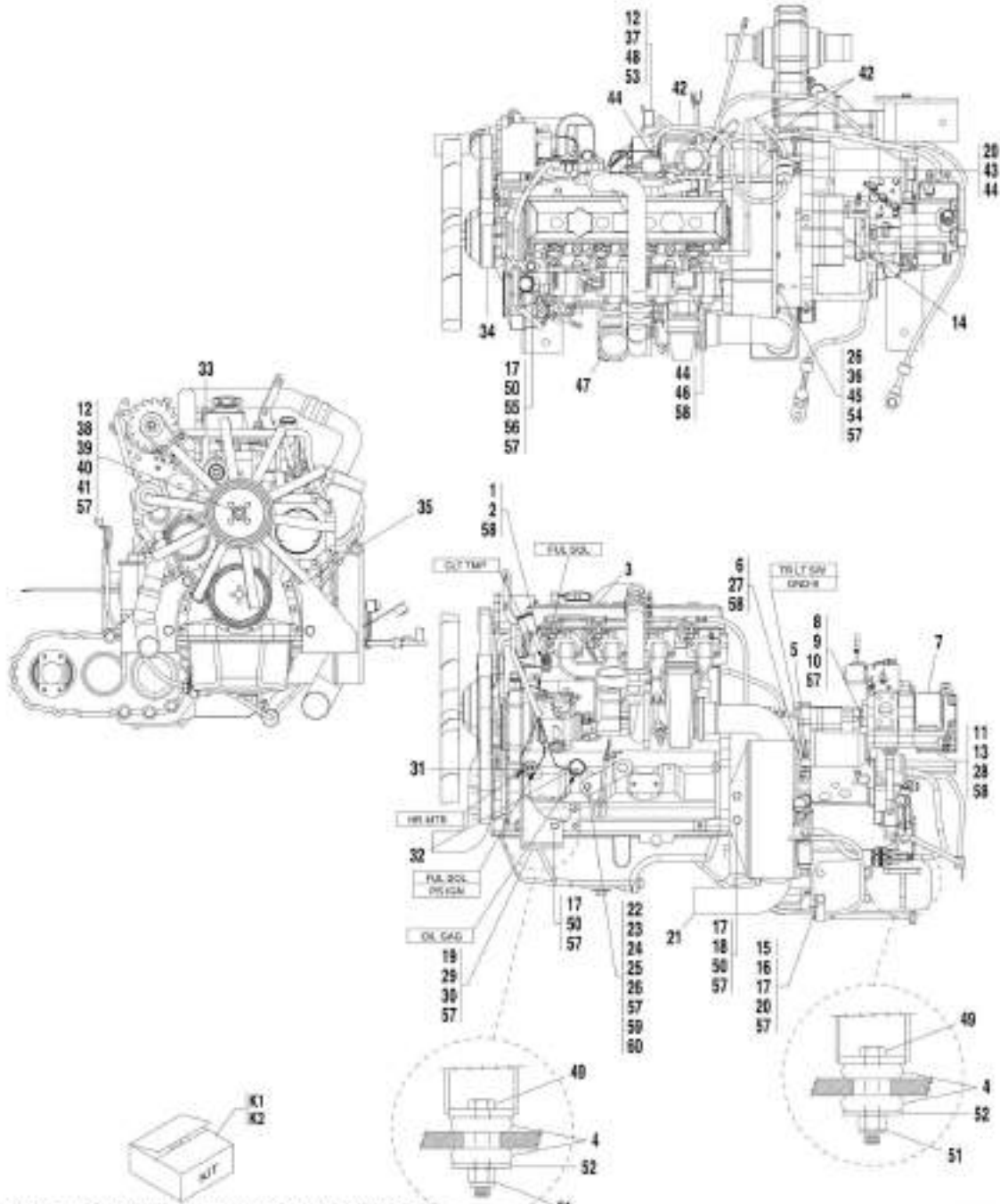
ITEM	PART NUMBER	QTY	DESCRIPTION	REV
	1001142790	1	50 IN SIDE SHIFT CARRIAGE, (includes all items)	B
1	N.S.S.	1	WELDMENT	
2	70024535	1	SHAFT	
3	70024536	2	COLLAR	
4	70024123	2	ADAPTER, 90, (includes o-ring)	
5	70024537	2	HOSE ASSEMBLY	
6	N.S.S.	1	SN PLATE	
7	70024538	3	WARNING DECAL	
8	N.S.S.	1	WELDMENT	
9		Ref	50 IN SIDE SHIFT CYLINDER, (See HYDRAULIC COMPONENTS SECTION for Breakdown)	
10	70024540	4	BUSHING	
11	70024541	8	CIRCLIP	
12	70024542	4	GREASE FITTING	
13	70024543	4	RETAINER	
14	70024544	2	SHAFT	
15	N.S.S.	1	SN PLATE	
16	70024551	4	LOCKWASHER, 16mm	
17	70024552	4	HEX HD CAPSCREW, M16X45, GR10.9	
18	70024553	2	HEX NUT, M16, GR8	
19	70024554	2	HEX HD CAPSCREW, M16X100, GR10.9	
20	70022997	8	LOCKWASHER, 12mm	
21	70024555	8	HEX HD CAPSCREW, M12X35, GR10.9	
22	91403413	1	FEMALE QUICK DISCONNECT	
23	8420055	1	DUST PLUG	
24	91403414	1	MALE QUICK DISCONNECT	
25	8420053	1	DUST CAP	
26	70024550	2	ADAPTER, 90, (includes o-ring)	
K1	70024545	1	HYDRAULIC REPAIR KIT, (includes items 5, 22 thru 26)	B
K2	70024546	1	RETAINER KIT, (includes items 13, 20 & 21)	B

SECTION 4 - ENGINE AND ATTACHING PARTS

SECTION 4 - ENGINE AND ATTACHING PARTS

SECTION 4 - ENGINE AND ATTACHING PARTS

FIGURE 4-1. ENGINE ASSEMBLY, LH VIEW - JOHN DEERE ENGINE (SN 0193001 through 0193007, SN 016000008 through 0160003121, Excluding 0160002658)



NOTE: 1. USE LOCTITE® 242™ (0100010) ON ALL BOLT THREADS.
 2. USE LOCTITE® 545™ (0100075) ON ALL FITTINGS.

PY0790

SECTION 4 - ENGINE AND ATTACHING PARTS

FIGURE 4-1. ENGINE ASSEMBLY, LH VIEW - JOHN DEERE ENGINE (SN 0193001 through 0193007, SN 016000008 through 0160003121, Excluding 0160002658)

ITEM	PART NUMBER	QTY	DESCRIPTION	REV
	91515040	Ref	ENGINE ASSY, (not available to order, see items 1, 2, 3, 5 thru 11, 13 thru 35, 38 thru 52, four of item 12, 54 thru 60 and all items on ENGINE ASSEMBLY, RH VIEW - JOHN DEERE ENGINE for service)	K
1	91143314	1	WATER TEMPERATURE SENSOR	
2	91403265	1	ADAPTER FITTING	
3		Ref	JOHN DEERE ENGINE, (See DEERE ENGINE for Breakdown)	
4	91473093	4	SHOCK MOUNT	
5	91473115	1	TRANSMISSION TEMPERATURE SWITCH (SN 0193001 through 0160002051)	
6	2220408	1	CONNECTOR, (includes item 27)	
7		Ref	TANDEM IMPLEMENT PUMP, (See HYDRAULIC COMPONENTS SECTION for Breakdown)	
8	4761800	2	LOCKWASHER, 1/2	
9	0641812	2	HEX HD CAPSCREW, 1/2-13X1-1/2, GR5	
10	88991001	1	O-RING	
11	2220655	1	ELBOW, 90, (swivel nut)	
12	4761500	6	LOCKWASHER, 5/16	
13	2220451	1	CONNECTOR, (includes item 28)	
14		Ref	TRANSMISSION, (See DANATRANSMISSION - CONVERTER HOUSING GROUP for Breakdown)	
15	91476028	1	LH TRANSMISSION MOUNT	
16	0761215	6	HEX HD CAPSCREW, M12X1.50X20, (torque to 66-76 lb-ft)	
17	83191010	9	LOCKWASHER, M12	
18	91471145	1	HEAT SHIELD	
19	0761614	4	HEX HD CAPSCREW, M16X2X30, (torque to 166-181 lb-ft)	
20	90028660	5	SUPPORT CLAMP	
21		Ref	EXHAUST AND INSTALLATION, (See EXHAUST INSTALLATION - JOHN DEERE ENGINE for Breakdown)	
22	91471172	1	ACCELERATOR CABLE BRACKET (SN 0193001 through 0160001382)	
22	91471230	1	ACCELERATOR CABLE BRACKET (SN 0160001392 through 0160003121)	
23	0761010	1	HEX HD CAPSCREW, M10X1.50X20	
24	91403293	1	HEX HD CAPSCREW, M14X2.00X25	
25	83191014	1	LOCKWASHER, M14	
26	83191013	12	LOCKWASHER, M10	
27	88591206	1	O-RING	
28	88591207	1	O-RING	
29	91406026	1	LH FRONT ENGINE MOUNT	
29	91406027	1	RH FRONT ENGINE MOUNT	
30	83783030	4	LOCKWASHER, M16	
31	24741047	1	OIL PRESSURE SWITCH	
32	91143315	1	OIL PRESSURE SENSOR	
33	90027187	6	TIE WRAP	
34	91404086	1	FAN BELT	
35	91474171	1	DIPSTICK	
36	0651614	8	HEX HD CAPSCREW, 3/8-24X1-3/4, GR5	
37	0641408	2	HEX HD CAPSCREW, 1/4-20X1, GR5	
38	91513159	1	FAN	

SECTION 4 - ENGINE AND ATTACHING PARTS

ITEM	PART NUMBER	QTY	DESCRIPTION	REV
39	91403248	1	FAN SPACER	
40	0760822	4	HEX HD CAPSCREW	
41	4711500	4	FLAT WASHER, 5/16	
42	82092118	200 in	FUEL LINE, 5/16, ID	
43	91083218	1	FUEL STRAINER	
44	86883106	4	HOSE CLAMP	
45	0771014	10	HEX HD CAPSCREW, M10X1.50X30, (torque to 53-58 lb-ft)	
46	80373025	1	PUSH LOCK FITTING	
47		Ref	AIR CLEANER AND INSTALLATION, (See AIR CLEANER AND INSTALLATION - JOHN DEERE ENGINE for Breakdown)	
48	77383377	1	STARTER RELAY	
49	83201044	4	HEX HD CAPSCREW, 5/8-11X4	
50	83191004	5	HEX HD CAPSCREW, M12X1.75X30, (torque to 66-76 lb-ft)	
51	88521010	4	HEX LOCKNUT, 5/8-11	
52	91081158	4	ROUND WASHER SPECIAL	
53	88501004	2	HEX NUT, 1/4-20	
54	91513234	1	SOCKET HD CAPSCREW, M10X1.5X30, GR10.9	
55	91511166	1	AIR INTAKE BRACKET	
56	88561111	1	FLAT WASHER, 1/2	
57	0100011	AR	LOCTITE 242	
58	0100075	AR	LOCTITE 545	
59	80233220	1	FLAT WASHER, 10mm	
60	88561007	1	FLAT WASHER, 9/16	
K1	91415064	1	250 HOUR FILTER KIT, (includes oil filter, fuel filter, fuel strainer, primary air filter element and safety air filter element)	C
K2	1001128960	1	1000 HOUR FILTER KIT, (includes oil filter, fuel filter, fuel strainer, primary air filter element, safety air filter element, hydraulic filter, hydraulic breather and transmission filter)	1

SECTION 4 - ENGINE AND ATTACHING PARTS

FIGURE 4-2. ENGINE ASSEMBLY, LH VIEW - JOHN DEERE ENGINE (SN 0160003210 through 0160040674, Including 0160002658, Excluding 0160040468 and 0160040672)

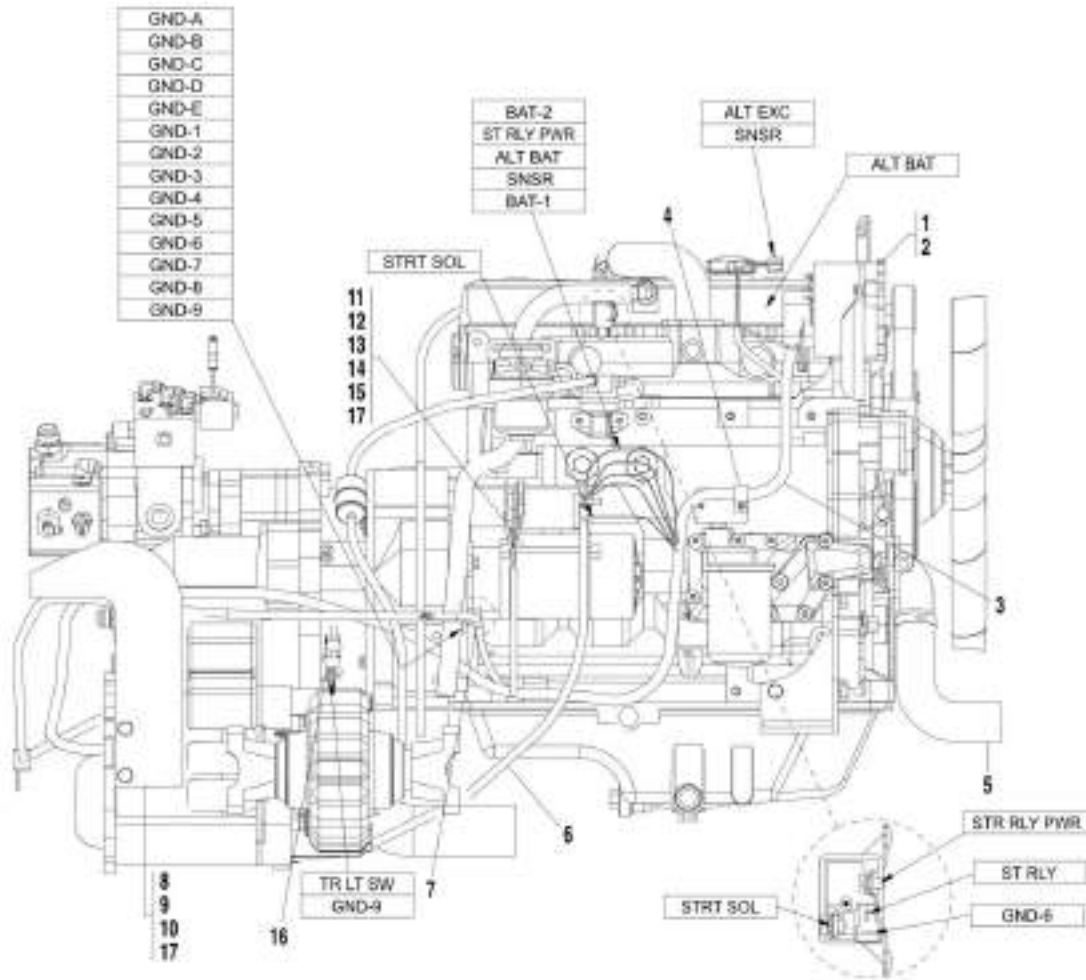
ITEM	PART NUMBER	QTY	DESCRIPTION	REV
	91515060	Ref	ENGINE ASSY, (not available to order, see items 1 thru 33, 35 thru 53 & 57 thru 62 on ENGINE ASSEMBLY, LH VIEW - JOHN DEERE ENGINE and all items on ENGINE ASSEMBLY, RH VIEW - JOHN DEERE ENGINE for service)	N
1		Ref	AIR CLEANER INSTALLATION, (See AIR CLEANER AND INSTALLATION - JOHN DEERE ENGINE for Breakdown)	
2		Ref	JOHN DEERE ENGINE, (See DEERE ENGINE for Breakdown)	
3		Ref	EXHAUST INSTALLATION, (See EXHAUST INSTALLATION - JOHN DEERE ENGINE for Breakdown)	
4	0651614	8	HEX HD CAPSCREW, 3/8-24X1-3/4, GR5	
5	83191013	12	LOCKWASHER, M12	
6	0771014	10	HEX HD CAPSCREW, M10X1.5X30, GR10.9	
7		Ref	TRANSMISSION, (See DANATRANSMISSION - CONVERTER HOUSING GROUP for Breakdown)	
8	90028660	1	SUPPORT CLAMP	
9	91476028	1	LH TRANSMISSION MOUNT	
10	83191010	8	LOCKWASHER, M12	
11	83191032	5	HEX HD CAPSCREW, M12X1.75X35, (torque to 66-76 lb-ft)	
12	91471145	1	HEAT SHIELD	
13	83191004	3	HEX HD CAPSCREW, M12X1.75X30, (torque to 66-76 lb-ft)	
14	91403293	1	HEX HD CAPSCREW, M14X2X25	
15	83191014	1	LOCKWASHER, M14	
16	88561007	1	FLAT WASHER, 9/16	
17	91471230	1	ACCELERATOR CABLE BRACKET	
18	83191038	1	HEX HD CAPSCREW, M10X1.5X20	
19	80233220	1	FLAT WASHER, M10	
20	91143315	1	OIL PRESSURE SENDER	
21	91406026	1	LH FRONT ENGINE MOUNT	
22	83783030	2	LOCKWASHER, M16	
23	83191043	2	HEX HD CAPSCREW, M16X2X30, (torque to 166-181 lb-ft)	
24	24741047	1	OIL PRESSURE SWITCH	
25	91473223	1	MALE SPADE TAB	
26	91143314	1	WATER TEMPERATURE SENDER	
27	88712306	1	REDUCER BUSHING	
28	91513159	1	FAN	
29	91403248	1	FAN SPACER	
30	83191041	4	HEX HD CAPSCREW, M8X1.25X70	
31	88561108	4	FLAT WASHER, 5/16	
32	88551010	4	LOCKWASHER, 5/16	
33	80373025	1	PUSH LOCK FITTING	
34	0682032	4	HEX HD CAPSCREW, 5/8-11X4	
35	91203039	3	SUPPORT CLAMP, 1/4 DIA	
36	77143003	2	WHIZ-LOCK SCREW, 5/16-18X5/8	
37	24861170	2	SUPPORT CLAMP, 11/16 DIA	
38	2750532	30 in	FUEL LINE, 3/8 ID	
39	86883106	3	HOSE CLAMP	
40	77143006	3	WHIZ-LOCK NUT, 5/16-18	
41		Ref	TANDEM IMPLEMENT PUMP, (See HYDRAULIC COMPONENTS SECTION for Breakdown)	

SECTION 4 - ENGINE AND ATTACHING PARTS

ITEM	PART NUMBER	QTY	DESCRIPTION	REV
42	88201067	2	HEX HD CAPSCREW, 1/2-13X1-1/2	
43	88551013	2	LOCKWASHER, 1/2	
44	88991001	1	O-RING	
45	2220451	1	CONNECTOR, (includes item 46)	
46	N.S.S.	1	O-RING	
47		Ref	NEGATIVE BATTERY CABLE, (See ELECTRICAL SECTION for Breakdown)	
48		Ref	POSITIVE BATTERY CABLE, (See ELECTRICAL SECTION for Breakdown)	
49	2220408	1	CONNECTOR, (includes item 50)	
50	N.S.S.	1	O-RING	
51	91513234	1	SOCKET HD CAPSCREW, M10X1.5X30, GR10.9, (torque to 53-58 lb-ft)	
52	83191013	1	LOCKWASHER, M10	
53	0791506	1	WHIZ-LOCK SCREW, 5/16-18X3/4	
54	91473093	4	SHOCK MOUNT	
55	91081158	4	SPECIAL ROUND WASHER	
56	88521010	4	STOVER HEX NUT, 5/8-11	
57	88561111	1	FLAT WASHER, 1/2	
58	91511166	1	AIR INTAKE BRACKET	
59	91143122	2	CLAMP	
60	2720058	100 in	FUEL LINE, 5/16 ID	
61	0100011	AR	LOCTITE 242	
K1	91415084	1	250 HOUR FILTER KIT, (includes oil filter and seal, fuel filter, fuel strainer, primary air filter element and safety air filter element)	6
K2	2915176	1	1000 HOUR FILTER KIT, (includes oil filter and seal, fuel filter, fuel strainer, primary air filter element, safety air filter element, hydraulic element, hydraulic breather and transmission filter)	4

SECTION 4 - ENGINE AND ATTACHING PARTS

FIGURE 4-3. ENGINE ASSEMBLY, RH VIEW - JOHN DEERE ENGINE (SN 0193001 through 0193007, SN 016000008 through 0160003121, Excluding 0160002658)



- NOTE: 1. USE LOCTITE® 242™ (0100011) ON ALL BOLT THREADS.
 2. USE LOCTITE® 645™ (0100075) ON ALL FITTINGS.
 3. ADD 12 QTS. OF OIL (14403420) TO CRANKCASE.

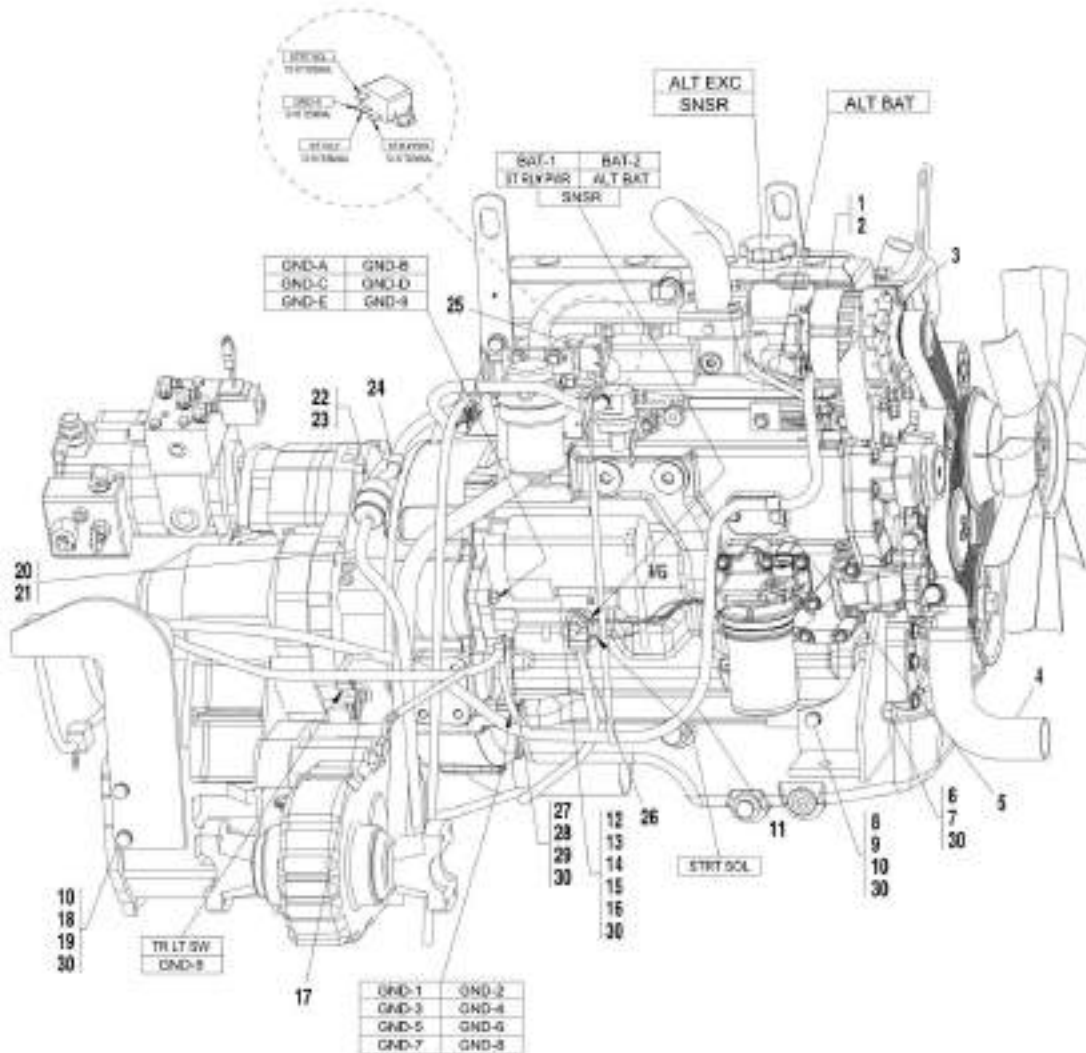
SECTION 4 - ENGINE AND ATTACHING PARTS

FIGURE 4-3. ENGINE ASSEMBLY, RH VIEW - JOHN DEERE ENGINE (SN 0193001 through 0193007, SN 016000008 through 0160003121, Excluding 0160002658)

ITEM	PART NUMBER	QTY	DESCRIPTION	REV
	91515040	Ref	ENGINE ASSY, (not available to order, see items 1, 2, 3, 5 thru 11, 13 thru 35, 38 thru 52, four of item 12, 54 thru 62 on ENGINE ASSEMBLY, LH VIEW - JOHN DEERE ENGINE and all items on ENGINE ASSEMBLY, RH VIEW - JOHN DEERE ENGINE for service)	K
1	1001108293	1	ALTERNATOR, (includes item 2)	
2	1001108291	1	REGULATOR	
3		Ref	WIRING HARNESS, (See ELECTRICAL SECTION for Breakdown)	
4	91143122	1	SUPPORT CLAMP	
5		Ref	RADIATOR ASSY, (See RADIATOR ASSEMBLY - JOHN DEERE ENGINE for Breakdown)	
6		Ref	POSITIVE BATTERY CABLE, (See ELECTRICAL SECTION for Breakdown)	
7		Ref	NEGATIVE BATTERY CABLE, (See ELECTRICAL SECTION for Breakdown)	
8	91476022	1	RH TRANSMISSION MOUNT	
9	83191032	2	HEX HD CAPSCREW, M12X1.75X35, (torque to 66-76 lb-ft)	
10	83191010	2	LOCKWASHER, M12	
11	83191013	3	LOCKWASHER, M10	
12		Ref	STARTER, (Prestolite), (includes item 14), (no longer available, See OPTIONS SECTION for Breakdown)	
13	83191062	2	SOCKET HD CAPSCREW, M10X1.5X40, (torque to 38-48 lb-ft)	
14	91414040	1	STARTER SOLENOID	
15	83191040	1	SOCKET HD CAPSCREW, M10X1.5X30, (torque to 38-48 lb-ft)	
16	91563121	1	TRANSMISSION TEMPERATURE SWITCH (SN 0160002054 through 0160003121)	
17	0100011	AR	LOCTITE 242	

SECTION 4 - ENGINE AND ATTACHING PARTS

FIGURE 4-4. ENGINE ASSEMBLY, RH VIEW - JOHN DEERE ENGINE (SN 0160003210 through 0160040674, Including 0160002658, Excluding 0160040468 and 0160040672)



NOTE: USE LOCTITE® 242™ (0100011) ON ALL BOLT THREADS.

SECTION 4 - ENGINE AND ATTACHING PARTS

FIGURE 4-4. ENGINE ASSEMBLY, RH VIEW - JOHN DEERE ENGINE (SN 0160003210 through 0160040674, Including 0160002658, Excluding 0160040468 and 0160040672)

ITEM	PART NUMBER	QTY	DESCRIPTION	REV
	91515060	Ref	ENGINE ASSY, (not available to order, see items 1 thru 33, 35 thru 53 & 57 thru 65 on ENGINE ASSEMBLY, LH VIEW - JOHN DEERE ENGINE and all items on ENGINE ASSEMBLY, RH VIEW - JOHN DEERE ENGINE for service)	N
1	1001108293	1	ALTERNATOR, (includes item 2)	
2	1001108291	1	REGULATOR	
3	90027187	6	TIE WRAP	
4		Ref	RADIATOR INSTALLATION, (See RADIATOR ASSEMBLY - JOHN DEERE ENGINE for Breakdown)	
5	91143122	1	SUPPORT CLAMP	
6	83783030	2	LOCKWASHER, M16	
7	83191043	2	HEX HD CAPSCREW, M12X2X30, (torque to 166-181 lb-ft)	
8	91406027	1	RH FRONT ENGINE MOUNT	
9	83191004	1	HEX HD CAPSCREW, M12X1.75X30, (torque to 66-76 lb-ft)	
10	83191010	3	LOCKWASHER, M12	
11		Ref	WIRING HARNESS, (See ELECTRICAL SECTION for Breakdown)	
12		Ref	STARTER , (Prestolite), (includes item 13), (no longer available, See OPTIONS SECTION for Breakdown) (SN 0160003210 through 0160006663, Including 0160002658, Excluding 0160006594, 0160006617, 0160006621 and 0160006599)	
13	91414040	1	STARTER SOLENOID	
14	83191062	2	SOCKET HD CAPSCREW, M10X1.5X40, (torque to 38-48 lb-ft)	
15	83191040	1	SOCKET HD CAPSCREW, M10X1.5X30, (torque to 38-48 lb-ft), (top inner mtg hole)	
16	83191013	3	LOCKWASHER, M10	
17	91563121	1	TEMPERATURE SWITCH	
18	83191032	2	HEX HD CAPSCREW, M12X1.75X35, (torque to 66-76 lb-ft)	
19	91476022	1	RH TRANSMISSION MOUNT	
20	2750532	72 ft	FUEL LINE, 3/8 ID	
21	86883106	1	HOSE CLAMP	
22	91083218	1	FUEL STRAINER	
23	90028660	1	SUPPORT CLAMP	
24	91143122	1	SUPPORT CLAMP, 5/8 DIA	
25	77383377	1	STARTER RELAY	
26	3291201	1	HEX NUT, 12mm-1.75	
27	5251016	1	HEX FLANGE SCREW, 10-15X40mm	
28	5261000	1	HEX FLANGE NUT, 10mm-15	
29	91043342	1	STUD	
30	0100011	AR	LOCTITE 242	

SECTION 4 - ENGINE AND ATTACHING PARTS

FIGURE 4-5. ENGINE ASSEMBLY - PERKINS ENGINE (SN 0160020943 through 0160040674, Including 0160020803, 0160020823 and 0160020824, Excluding 0160040468 and 0160040672)

ITEM	PART NUMBER	QTY	DESCRIPTION	REV
1	0275537	Ref	DANA TRANSMISSION ASSY, (not available to order, see items 101 thru 112 for service)	A
4	1001001491	Ref	ENGINE COMPONENTS, (not available to order, see items 201 thru 291 for service)	J
5		Ref	RADIATOR ASSY, (See RADIATOR ASSEMBLY - PERKINS ENGINE for Breakdown)	
6		Ref	PERKINS ENGINE, (See PERKINS ENGINE for Breakdown)	
101	0100011	AR	LOCTITE 242	
102	0651614	8	HEX HD CAPSCREW, 3/8-24X1-3/4	
103	0701617	5	HEX HD CAPSCREW, M16X45	
104	0711015	10	HEX HD CAPSCREW, M10X35	
105	4341318	1	TRANSMISSION MOUNT BRACKET WELDMENT	
106	4712000	5	PLAIN WASHER, 5/8	
107	4812000	11	WASHER, 10mm	
108	91513234	1	SOCKET HD CAPSCREW, M10X1.5X30mm	
109		Ref	DANA 4-SPEED TRANSMISSION, (See DANATRANSMISSION - CONVERTER HOUSING GROUP for Breakdown)	
110	0100020	AR	LOCTITE 567	
111	91563121	1	TEMPERATURE SWITCH	
112		Ref	DANA TRANSMISSION HARNESS, (See ELECTRICAL SECTION for Breakdown)	
201	0641406	2	HEX HD CAPSCREW, 1/4-20X3/4	
202	0681510	2	HEX HD CAPSCREW, 5/16-18X1-1/4	
203	0681610	1	HEX HD CAPSCREW, 3/8-16X1-1/4	
204	0700815	2	HEX HD CAPSCREW, 8X35mm, GR8.8	
205	0761012	2	HEX HD CAPSCREW, M10X25	
207	0761215	1	HEX HD CAPSCREW, M12X35	
208	0902991	1	ELECTRIC RELAY BRACKET	
209	1320022	4	BAND CLAMP	
210	90028660	1	LOOP CLAMP, 1-3/4	
211	2220574	1	FITTING, 1/8MP-1/4MJ	
212	2221164	1	FITTING, 1/8PT-1/4JIC BULKHEAD	
213	2221165	1	TEE FITTING, 1/8FPT	
214	2400073	1	FUSE HOLDER	
215	2400074	1	FUSE, 50 AMP	
216	2720058	128 in	FUEL LINE HOSE	
217	2753000	1	HOSE	
218	3311605	1	HEX NUT, 3/8-16, GR2	
219	3290305	2	PREV TORQUE HEX LOCKNUT, M3X0.5	
220	3290501	1	HEX NUT, M5X0.8	
221	3290601	1	HEX NUT, M6X1	
224	4010308	2	POZIDRIVEN PAN HD SCREW, 3X16	
226	4711500	4	PLAIN WASHER, 5/16	
227	4761400	2	LOCKWASHER, 1/4	
229	4831600	1	SPRING LOCKWASHER, 5mm	
230	4831700	1	SPRING LOCKWASHER, 6mm	
231	4831900	4	SPRING LOCKWASHER, 8mm	
232	4832000	2	SPRING LOCKWASHER, 10mm	
233	4832100	1	SPRING LOCKWASHER, 12mm	

SECTION 4 - ENGINE AND ATTACHING PARTS

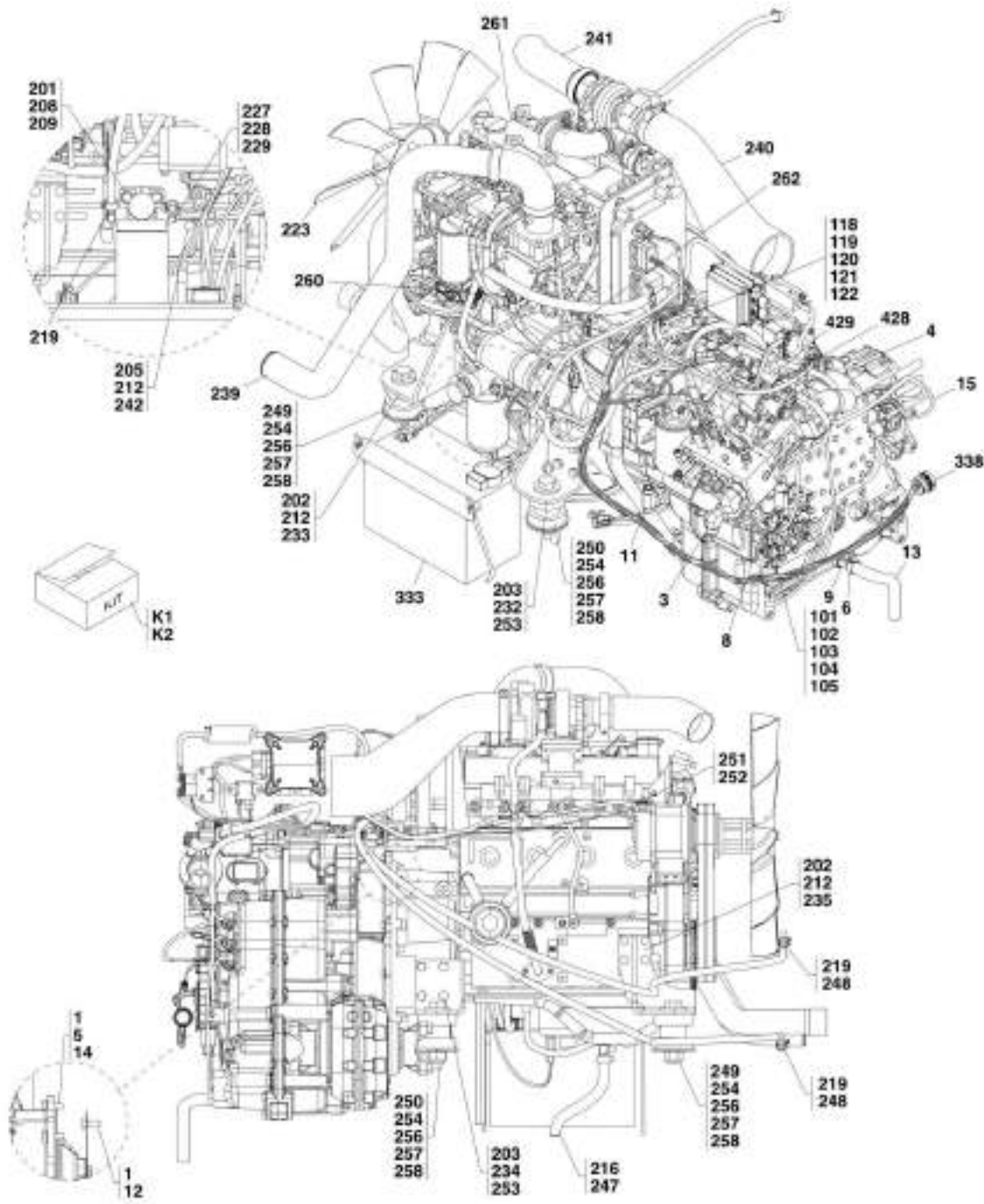
ITEM	PART NUMBER	QTY	DESCRIPTION	REV
234	4891600	2	HARDENED WASHER, 3/8	
235	5200605	5	RIPP BOLT, 6X10mm	
237	10701361	1	EXTERNAL TOOTH LOCKWASHER, 0.500	
238	24921332	1	EXHAUST CLAMP, (not shown)	
239	77383377	2	BOSCH STARTER RELAY	
243	91083218	1	FUEL STRAINER	
244	91143122	1	SUPPORT CLAMP	
245	91143314	1	WATER TEMPERATURE SENSOR, 1/8NPT	
245	1001001535	1	WATER TEMPERATURE SENSOR, 1/2-14NPT	
246	91143315	1	OIL PRESSURE SENSOR	
247	91163129	1	BAND CLAMP, (not shown)	
250	1001001506	1	RH ENGINE MOUNT	
251	1001001507	1	LH ENGINE MOUNT	
252		Ref	ENGINE HARNESS, (See ELECTRICAL SECTION for Breakdown)	
253	1001001514	1	OIL PRESSURE SENDER	
254	1001001518	1	MOUNT PLATE BRACKET	
255	1001001520	1	BATTERY CABLE, (negative battery to frame)	
256	1001001521	1	BATTERY CABLE, (negative frame to starter)	
257	1001001522	1	BATTERY CABLE, (positive)	
258	1001001528	1	CAB GROUND CABLE	
259		Ref	TURBO INTAKE TUBE, (See AIR CLEANER AND INSTALLATION - PERKINS ENGINE for Breakdown)	
260		Ref	TURBO INTAKE MOUNTING BRACKET, (See AIR CLEANER AND INSTALLATION - PERKINS ENGINE for Breakdown)	
264	1001001821	1	THROTTLE CABLE BRACKET	
271	1001001851	1	ELBOW, 90, (not shown)	
272	1001001853	1	BAND CLAMP, (not shown)	
273	77143015	1	WHIZ-LOCK NUT, 3/8-16	
274	77383567	2	BATTERY TERMINAL NUT	
275	0760808	1	HEX HD CAPSCREW, M8X16	
276	24601710	3	SUPPORT CLAMP	
277	88621230	1	SUPPORT CLAMP	
278	80683013	2	SUPPORT CLAMP	
279	0760810	2	HEX HD CAPSCREW, M8X20	
280	0100011	AR	LOCTITE 242	
281	0701214	1	HEX HD CAPSCREW, M12X30	
282	80673023	2	SUPPORT CLAMP	
283	83191010	1	LOCKWASHER, M12	
285	4711600	7	PLAIN WASHER, 3/8	
287	2750532	96 in	FUEL HOSE	
288	6621412	2	STARTER TERMINAL	
289	0760812	1	HEX HD CAPSCREW, 8X25mm, GR8.8, (not shown)	
290	4811900	4	FLAT WASHER, 8mm	
291	3290801	2	HEX NUT, 8X1-1/4mm	
301		Ref	IMPLEMENT HYDRAULIC PUMP, (See HYDRAULIC COMPONENTS SECTION for Breakdown)	
303	0641812	2	HEX HD CAPSCREW, 1/2-13X1-1/2	
304	2220408	1	CONNECTOR	
305	2220451	1	CONNECTOR	
307	3790045	2	O-RING	
308	4761800	2	LOCKWASHER, 1/2	

SECTION 4 - ENGINE AND ATTACHING PARTS

ITEM	PART NUMBER	QTY	DESCRIPTION	REV
323	0100011	AR	LOCTITE 242	
402	0641830	4	HEX HD CAPSCREW, 1/2-13X3-3/4	
403	3311805	4	HEX LOCKNUT, 1/2-13	
405	4751800	4	PLAIN WASHER, 1/2	
412	91561240	4	ENGINE MOUNT SHIM	
413	91561241	4	ENGINE MOUNT WASHER	
414	91563213	4	RUBBER ENGINE MOUNT	
K1	1001001532	1	250 HOUR FILTER KIT, (includes oil filter and seal, fuel filter, fuel strainer, primary air filter element and safety air filter element)	4
K2	1001113602	1	1000 HOUR FILTER KIT, (includes oil filter and seal, fuel filter, fuel strainer, primary air filter element, safety air filter element, hydraulic filter, hydraulic breather and transmission filter)	2

SECTION 4 - ENGINE AND ATTACHING PARTS

FIGURE 4-6. ENGINE ASSEMBLY - CUMMINS (SN 0160040675 to Present, Including 0160040468 and 0160040672)



APT. 91514001-4-6

SECTION 4 - ENGINE AND ATTACHING PARTS

FIGURE 4-6. ENGINE ASSEMBLY - CUMMINS (SN 0160040675 to Present, Including 0160040468 and 0160040672)

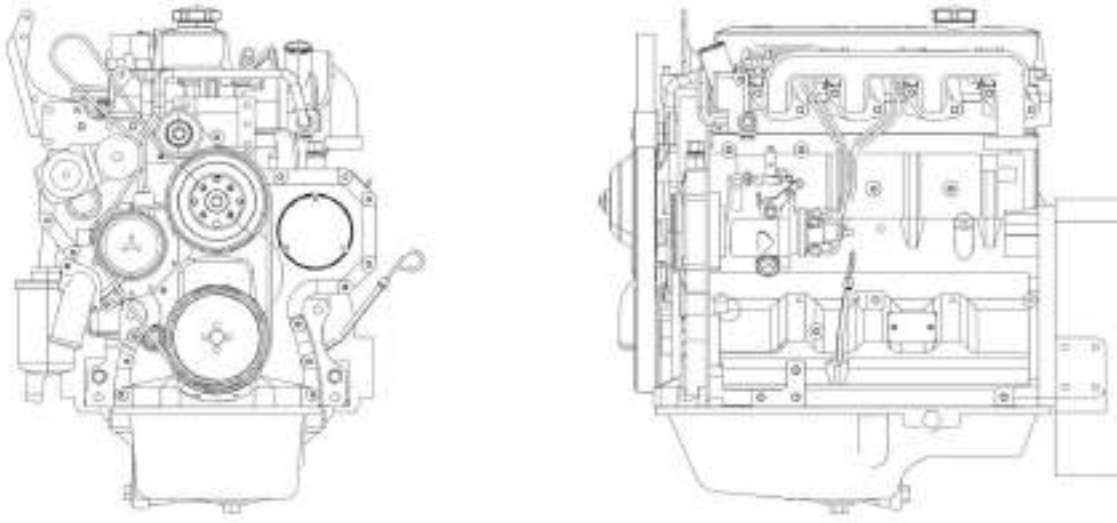
ITEM	PART NUMBER	QTY	DESCRIPTION	REV
	1001096786	Ref	ZF TRANSMISSION INSTALLATION, (not available to order, see items 1 thru 15 for service)	I
	1001119480	Ref	ENGINE HYDRAULICS INSTALLATION, (if equipped with hydraulic pump 1001128072), (not available to order, see items 101 thru 122, 428 & 429 for service)	E
	1001136342	Ref	ENGINE HYDRAULICS INSTALLATION, (if equipped with hydraulic pump 1001105613 & 1001170639), (not available to order, see items 101 thru 122, 428 & 429 for service)	D
	1001119642	Ref	ENGINE COMPONENTS INSTALLATION, (not available to order, see items 201 thru 262 for service)	F
1	0100011	AR	LOCTITE 242	
3	2131210	1	ELBOW, 90, (includes o-ring)	
4		Ref	ZF TRANSMISSION, (See ZF TRANSMISSION for Breakdown)	
5	4812000	12	WASHER, 10mm	
6	8405007	1	GEAR CLAMP	
8	91563121	NLA	TRANSMISSION OIL TEMPERATURE SWITCH, (no longer available, use 1001147072 for replacement)	
8	1001147072	1	TRANSMISSION OIL TEMPERATURE SWITCH	
9	1001097053	1	OIL DRAIN	
11	2170410	1	BRANCH TEE, (includes o-ring)	
12	0761010	4	HEX HD CAPSCREW, 10X20mm, GR8.8, (torque to 23-26 lb-ft)	
13	1001109536	1	DRAIN HOSE	
14	0711014	12	HEX HD CAPSCREW, 10X30mm, GR10.9	
15		Ref	ZF TRANSMISSION HARNESS, (See ELECTRICAL SECTION for Breakdown)	
101		Ref	DISPLACEMENT PUMP, (See HYDRAULIC COMPONENTS SECTION for Breakdown)	
102	8630019	1	O-RING, (located between hydraulic pump & transmission)	
103	5241200	4	WASHER, 12mm	
104	0701215	4	HEX HD CAPSCREW, 12X35mm, GR8.8	
105		Ref	HYDRAULIC MANIFOLD, (See HYDRAULIC COMPONENTS SECTION for Breakdown)	
118	0791607	1	WHIZ-LOCK SCREW, 3/8-16X7/8	
119	8406101	1	TUBE CLIP, 5/8	
120	8406201	1	TUBE CLIP, 1-1/2	
121	77143015	1	WHIZ-LOCK NUT, 3/8-16	
122	1001131278	1	SUPPORT BAR CLAMP	
201	0641709	2	HEX HD CAPSCREW, 7/16-14X1-1/8, GR5	
202	0701014	8	HEX HD CAPSCREW, 10X30mm, GR8.8	
203	0701215	8	HEX HD CAPSCREW, 12X35MM, GR8.8	
205	0761014	3	HEX HD CAPSCREW, 10X30mm, GR8.8	
208	4711700	2	WASHER, 7/16	
209	4761700	2	LOCKWASHER, 7/16	
212	4832000	11	SPRING LOCKWASHER, 10mm	
216	8405007	1	GEAR CLAMP	
219	8410009	6	GEAR CLAMP	
223	1001098559	1	FAN	
227	1001102931	2	BANJO BOLT, 14mm	
228	1001102933	4	COPPER RING SEAL	
229	1001113511	2	BANJO ADAPTER	

SECTION 4 - ENGINE AND ATTACHING PARTS

ITEM	PART NUMBER	QTY	DESCRIPTION	REV
232	1001119482	1	ENGINE MOUNT	
233	1001119483	1	ENGINE MOUNT	
234	1001119484	1	ENGINE MOUNT	
235	1001119485	1	ENGINE MOUNT	
239		Ref	RADIATOR HOSE, LOWER, (See RADIATOR ASSEMBLY - CUMMINS ENGINE for Breakdown)	
240		Ref	AIR CLEANER, INTAKE HOSE, (See AIR CLEANER AND INSTALLATION - CUMMINS ENGINE for Breakdown)	
241		Ref	EXHAUST PIPE, (See EXHAUST INSTALLATION - CUMMINS ENGINE for Breakdown)	
242	1001120026	1	FUEL FILTER MOUNT PLATE	
247	1001109536	1	OIL DRAIN HOSE	
248	8390001	231 in	FUEL LINE HOSE	
249	0682440	2	HEX HD CAPSCREW, 7/8-9X5, GR8, (torque to 605 lb-ft)	
250	0682444	2	HEX HD CAPSCREW, 7/8-9X5-1/2, GR8, (torque to 605 lb-ft)	
251	3290801	1	HEX NUT, M8X1.25	
252	4831900	1	SPRING LOCKWASHER, 8mm	
253	4832100	8	SPRING LOCKWASHER, 12mm	
254	4892500	4	HARDENED THICK WASHER, 7/8	
256	8305634	4	LOCKNUT, 7/8-9	
257	80373049	4	REBOUND WASHER	
258	1001116961	4	ENGINE MOUNT	
260	1001126918	1	DIAGNOSTIC PORT PLATE	
261		Ref	ENGINE, (See CUMMINS ENGINE for Breakdown)	
262	1001127519	1	FUEL HARNESS	
333		Ref	BATTERY, (See ELECTRICAL SECTION for Breakdown)	
338		Ref	ENGINE HARNESS, (See ELECTRICAL SECTION for Breakdown)	
428	91053020	1	COUPLING, TEST PORT	
429	2130604	1	ADAPTER, 90 S, (if equipped with hydraulic pump 1001128072)	
429	2150604	1	ELBOW, 45, (includes o-ring), (if equipped with hydraulic pump 1001105613 & 1001170639)	
K1	1001133662	1	250 HOUR FILTER KIT, (includes oil filter, primary fuel filter, secondary fuel filter, primary air filter element and safety air filter element)	1
K2	1001133663	1	1000 HOUR FILTER KIT, (includes oil filter, primary fuel filter, secondary fuel filter, primary air filter element, safety air filter element, hydraulic filter, hydraulic breather and transmission filter)	

SECTION 4 - ENGINE AND ATTACHING PARTS

FIGURE 4-7. DEERE ENGINE (SN 0193001 through 0193007, SN 016000008 through 0160003121, Excluding 0160002658)



SECTION 4 - ENGINE AND ATTACHING PARTS

**FIGURE 4-7. DEERE ENGINE (SN 0193001 through 0193007, SN 016000008 through 0160003121,
Excluding 0160002658)**

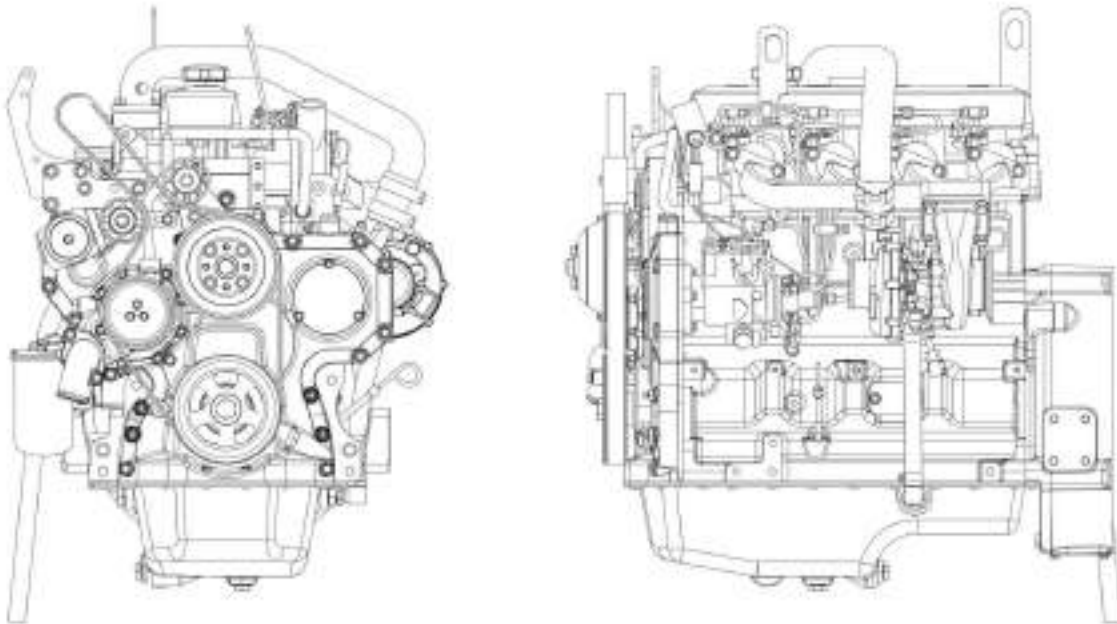
ITEM	PART NUMBER	QTY	DESCRIPTION	REV
	91473017	1	JOHN DEERE ENGINE, (includes all items)	
	91404219	1	GASKET KIT OVERHAUL	
	91404220	1	ENGINE CYLINDER HEAD GASKET	
	91404221	1	BOLT, BELT TENSIONER	
	91404222	1	SCREW, BELT TENSIONER	
	91404223	1	SHEAVE, BELT TENSIONER	
	91404265	1	GASKET	
	91404266	2	O-RING	
	91404267	1	GASKET	
	91404268	1	HYDRAULIC HOSE	
	91404269	1	TURBO CHARGER	
	91404224	1	OIL COOLER	
	91404225	1	GASKET, OIL COOLER	
	91404226	1	GASKET, OIL COOLER	
	91404227	2	O-RING, OIL COOLER	
	91404228	2	O-RING, OIL COOLER	
	91404229	1	O-RING, WATER PUMP INLET	
	91404230	1	KIT, WATER PUMP REPAIR	
	70023425	1	SEAL, FRONT MAIN SEAL	
	91404232	1	GASKET, WATER PUMP	
	91404233	1	WATER PUMP	
	91404234	4	GASKET, EXHAUST MANIFOLD	
	91404235	1	PULLEY, FAN	
	91404236	1	SCREW, FAN PULLEY	
	91404237	1	SPACER, FAN PULLEY	
	91404238	1	SLEEVE, FAN PULLEY	
	91404239	1	BEARING HOUSING WITH BEARING	
	7026927	1	GASKET, THERMOSTAT	
	91404241	3	PLUG, OIL PAN	
	91404242	1	GASKET, OIL PAN	
	91404243	2	O-RING, OIL DRAIN	
	91404270	1	WASHER, INJECTOR	
	91404248	1	SLEEVE, INJECTOR	
	91404271	1	PACKING, INJECTOR	
	91404272	1	INJECTOR NOZZLE	
	91404273	1	PLUG INJECTOR	
	91474185	1	FLYWHEEL WITH RINGEAR	
	91404251	1	SEAL, REAR MAIN	
	91404252	1	PULLEY, MAIN	
	91404253	2	GASKET, OIL FILLER	
	91404254	1	PACKING, VALVE COVER NUT	
	91404255	1	PACKING, FILLER CAP	
	91404256	4	PLUG, VALVE COVER	
	91404259	4	O-RING, VALVE COVER	
	91404260	1	COOLANT, PRE MIX, (2.5 gal)	
	91404261	1	COOLANT, CONDITION	
	91404262	1	FUEL TRANSFER PUMP	
	91404263	1	THERMOSTAT	

SECTION 4 - ENGINE AND ATTACHING PARTS

ITEM	PART NUMBER	QTY	DESCRIPTION	REV
	91404264	1	THERMOSTAT COVER SEAL	
	91404257	1	GASKET, VALVE COVER	
	91404258	1	FILLER CAP, VALVE COVER	
	91474629	1	ALTERNATOR BRACKET	
	91474630	1	ALTERNATOR SUPPORT	
	91474631	1	ALTERNATOR STRAP	

SECTION 4 - ENGINE AND ATTACHING PARTS

FIGURE 4-8. DEERE ENGINE (SN 0160003210 through 0160006663, Including 0160002658, Excluding 0160006594, 0160006599, 0160006617 and 0160006621)



SECTION 4 - ENGINE AND ATTACHING PARTS

FIGURE 4-8. DEERE ENGINE (SN 0160003210 through 0160006663, Including 0160002658, Excluding 0160006594, 0160006599, 0160006617 and 0160006621)

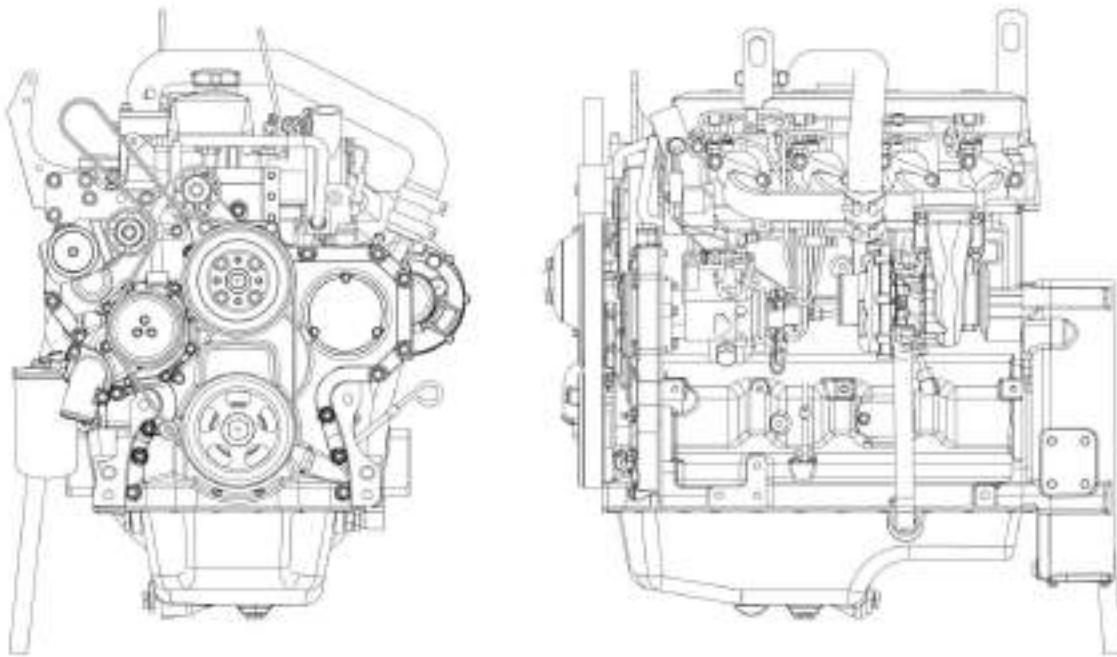
ITEM	PART NUMBER	QTY	DESCRIPTION	REV
	91513231	1	JOHN DEERE ENGINE, 99HP, (includes all items)	C
	91404257	1	GASKET, VALVE COVER	
	91404256	4	PLUG, VALVE COVER	
	91404259	4	O-RING, VALVE COVER PLUG	
	91404258	1	FILLER CAP, VALVE COVER, (includes Packing)	
	91404255	1	PACKING, FILLER CAP	
	91404253	2	GASKET, OIL FILLER	
	91404251	1	SEAL, REAR MAIN	
	91474185	1	FLYWHEEL, (includes Ring Gear)	
	80374031	1	RING GEAR	
	91514256	1	FUEL PUMP	
	91553057	1	GASKET, AIR INLET	
	7026918	1	GASKET, AIR INLET	
	91404242	1	GASKET, OIL PAN	
	80374037	1	O-RING, OIL PUMP INTAKE	
	7026927	1	GASKET, THERMOSTAT COVER	
	7026920	1	THERMOSTAT	
	91404086	1	BELT	
	91404234	4	GASKET, EXHAUST MANIFOLD	
	91404004	1	FUEL FILTER ELEMENT	
	80374054	1	KIT, FUEL FILTER	
	80374050	1	SEAL KIT, FUEL FILTER	
	91404262	1	FUEL PUMP, (includes o-ring)	
	7026923	1	O-RING, FUEL PUMP	
	91474171	1	DIPSTICK	
	80374033	1	DIPSTICK TUBE	
	91404233	1	WATER PUMP	
	91404232	1	GASKET, WATER PUMP	
	91404264	1	GASKET, WATER PUMP	
	70023425	1	SEAL, FRONT MAIN	
	91514260	1	GASKET, FRONT MAIN	
	91514257	1	O-RING, FRONT MAIN COVER	
	91514258	1	OIL PUMP	
	91404220	1	GASKET, CYLINDER HEAD	
	91404229	1	O-RING, WATER PUMP INLET	
	91404224	1	OIL COOLER	
	91404225	1	GASKET, OIL COOLER	
	91404226	1	GASKET, OIL COOLER	
	91514259	1	TURBOCHARGER	
	91404267	1	GASKET, TURBOCHARGER	
	91404265	1	GASKET, TURBOCHARGER	
	91534005	1	OIL FILTER	
	80374036	1	GASKET, OIL FILTER	
	91474506	1	DRAIN PLUG, OIL FILTER HEAD, (includes o-ring)	
	80374020	1	O-RING, DRAIN PLUG	
	91404221	1	BOLT, BELT TENSIONER	
	91404222	1	SCREW, BELT TENSIONER	
	91404223	1	SHEAVE, BELT TENSIONER	

SECTION 4 - ENGINE AND ATTACHING PARTS

ITEM	PART NUMBER	QTY	DESCRIPTION	REV
	91474629	1	ALTERNATOR BRACKET	
	91474630	1	ALTERNATOR SUPPORT	
	91474631	1	ALTERNATOR STRAP	

SECTION 4 - ENGINE AND ATTACHING PARTS

FIGURE 4-9. DEERE ENGINE (SN 0160006686 through 0160040674, Including 0160006594, 0160006599, 0160006617 and 0160006621, Excluding 0160040468 and 0160040672)



SECTION 4 - ENGINE AND ATTACHING PARTS

FIGURE 4-9. DEERE ENGINE (SN 0160006686 through 0160040674, Including 0160006594, 0160006599, 0160006617 and 0160006621, Excluding 0160040468 and 0160040672)

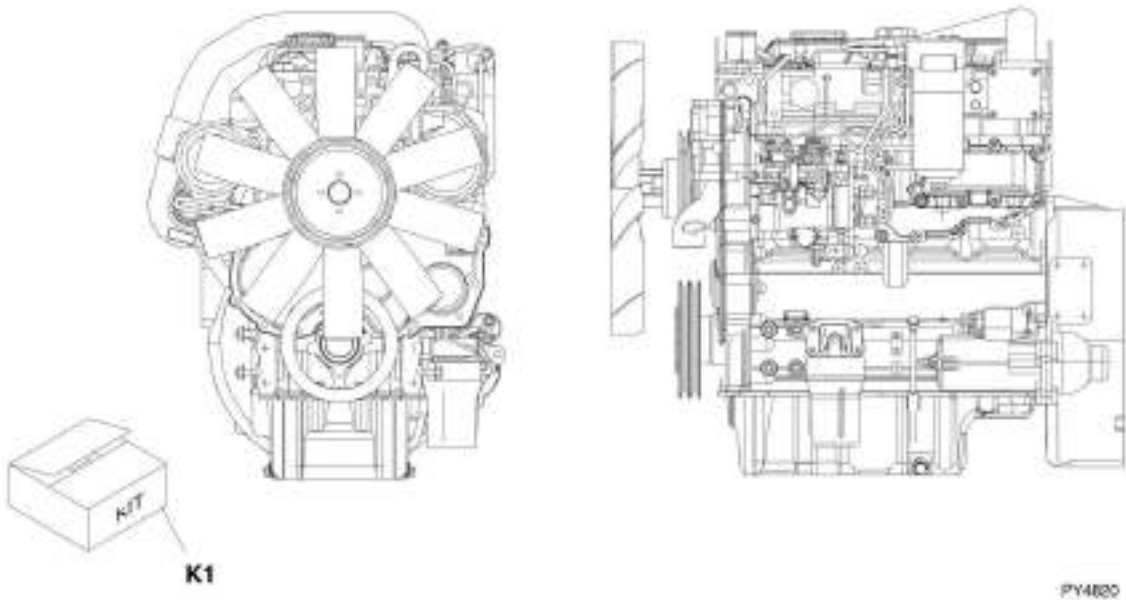
ITEM	PART NUMBER	QTY	DESCRIPTION	REV
	91513271	1	JOHN DEERE ENGINE, 99HP, (includes all items)	B
	91404257	1	GASKET, VALVE COVER	
	91404256	4	PLUG, VALVE COVER	
	91404259	4	O-RING, VALVE COVER PLUG	
	91404258	1	FILLER CAP, VALVE COVER, (includes Packing)	
	91404255	1	PACKING, FILLER CAP	
	91404253	2	GASKET, OIL FILLER	
	91404251	1	SEAL, REAR MAIN	
	91474185	1	FLYWHEEL, (includes Ring Gear)	
	80374031	1	RING GEAR	
	91514256	1	FUEL PUMP	
	91553057	1	GASKET, AIR INLET	
	7026918	1	GASKET, AIR INLET	
	91404242	1	GASKET, OIL PAN	
	80374037	1	O-RING, OIL PUMP INTAKE	
	7026927	1	GASKET, THERMOSTAT COVER	
	7026920	1	THERMOSTAT	
	91404086	1	BELT	
	91404234	4	GASKET, EXHAUST MANIFOLD	
	91404004	1	FUEL FILTER ELEMENT	
	80374054	1	KIT, FUEL FILTER	
	80374050	1	SEAL KIT, FUEL FILTER	
	91404262	1	FUEL PUMP, (includes o-ring)	
	7026923	1	O-RING, FUEL PUMP	
	91474171	1	DIPSTICK	
	80374033	1	DIPSTICK TUBE	
	91404233	1	WATER PUMP	
	91404232	1	GASKET, WATER PUMP	
	91404264	1	GASKET, WATER PUMP	
	70023425	1	SEAL, FRONT MAIN	
	91514260	1	GASKET, FRONT MAIN	
	91514257	1	O-RING, FRONT MAIN COVER	
	91514258	1	OIL PUMP	
	91404220	1	GASKET, CYLINDER HEAD	
	91404229	1	O-RING, WATER PUMP INLET	
	91404224	1	OIL COOLER	
	91404225	1	GASKET, OIL COOLER	
	91404226	1	GASKET, OIL COOLER	
	91514259	1	TURBOCHARGER	
	91404267	1	GASKET, TURBOCHARGER	
	91404265	1	GASKET, TURBOCHARGER	
	91534005	1	OIL FILTER	
	70026994	1	Oil Filter Head, (includes valve and seal)	
	80374036	1	GASKET, OIL FILTER	
	91474506	1	DRAIN PLUG, OIL FILTER HEAD, (includes o-ring)	
	80374020	1	O-RING, DRAIN PLUG	
	91404221	1	BOLT, BELT TENSIONER	
	91404222	1	SCREW, BELT TENSIONER	

SECTION 4 - ENGINE AND ATTACHING PARTS

ITEM	PART NUMBER	QTY	DESCRIPTION	REV
	91404223	1	SHEAVE, BELT TENSIONER	
	7026921	1	STARTER	
	91474629	1	ALTERNATOR BRACKET	
	91474630	1	ALTERNATOR SUPPORT	
	91474631	1	ALTERNATOR STRAP	
	91404272	4	FUEL INJECTOR	

SECTION 4 - ENGINE AND ATTACHING PARTS

FIGURE 4-10. PERKINS ENGINE (SN 0160020943 through 0160040674, Including 0160020803, 0160020823 and 0160020824, Excluding 0160040468 and 0160040672)



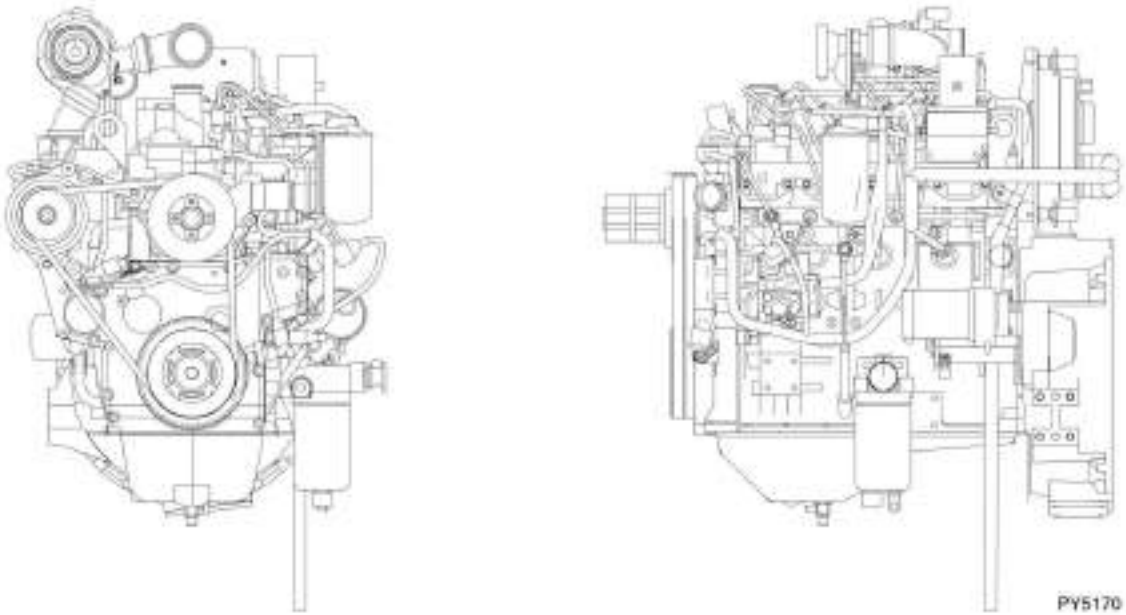
SECTION 4 - ENGINE AND ATTACHING PARTS

FIGURE 4-10. PERKINS ENGINE (SN 0160020943 through 0160040674, Including 0160020803, 0160020823 and 0160020824, Excluding 0160040468 and 0160040672)

ITEM	PART NUMBER	QTY	DESCRIPTION	REV
	1001001839	1	PERKINS ENGINE, (includes all items)	B
	7028655	1	FUEL FILTER KIT	
	7029894	1	DIPSTICK	
	7029895	1	DIPSTICK TUBE	
	8006013	1	OIL FILTER	
	7029782	1	STARTER MOTOR	
	7029783	1	ALTERNATOR	
	70021487	1	ALTERNATOR BRACKET	
	70022341	1	ALTERNATOR PULLEY, TWO GROOVE	
	7029896	1	THERMOSTAT, (includes o-ring)	
	7029779	1	FAN BELT	
	7029784	1	FAN	
	70022342	1	PULLEY, FAN DRIVE	
	70022353	1	HOUSING, FAN DRIVE	
	70020172	1	FUEL INJECTION PUMP	
	7028681	1	OIL FILLER CAP	
	70020574	1	FUEL LIFT PUMP	
	70022357	1	MOUNTING KIT, FUEL LIFT PUMP	
	70022340	1	BOWL, LIFT PUMP	
	70022339	1	DRAIN PLUG, LIFT PUMP	
	7028677	1	COLD START TEMP. SWITCH	
	7028678	1	COLD START TEMP. SWITCH CABLE	
	7028663	1	WATER PUMP ASSY, (includes water pump gasket)	
	7028666	1	WATER PUMP GASKET	
	70021533	1	TURBOCHARGER	
	70022351	1	OIL FILTER HEAD	
	7028654	1	GASKET, OIL FILTER HEAD	
	7028676	4	GLOW PLUG	
	7028680	1	STARTER RING GEAR	
	7028689	1	FUEL SHUT-OFF SOLENOID	
	70022352	1	COVER, CYLINDER HEAD	
K1	7028664	1	WATER PUMP REPAIR KIT, (includes parts within the water pump and water pump gasket)	
	70026635	1	Gasket Kit, Top End	
	70026629	1	Gasket Kit, Bottom End	

SECTION 4 - ENGINE AND ATTACHING PARTS

FIGURE 4-11. CUMMINS ENGINE (SN 0160040675 to Present, Including 0160040468 and 0160040672)



PY5170

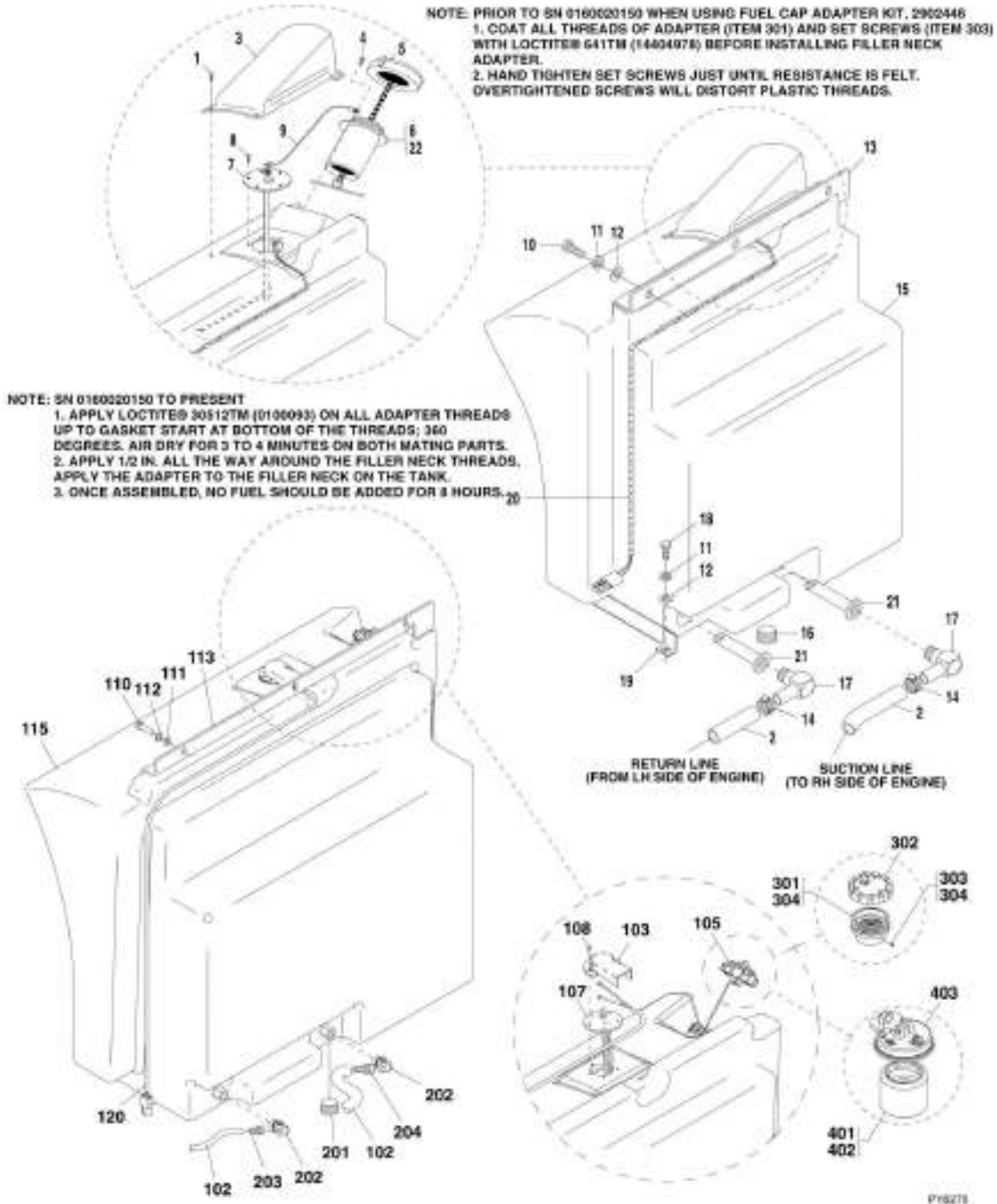
SECTION 4 - ENGINE AND ATTACHING PARTS

FIGURE 4-11. CUMMINS ENGINE (SN 0160040675 to Present, Including 0160040468 and 0160040672)

ITEM	PART NUMBER	QTY	DESCRIPTION	REV
	1001119756	1	CUMMINS ENGINE, 99HP, QSB3.3, (includes all items)	C
	70021849	1	ALTERNATOR	
	70021854	1	DIPSTICK	
	70023793	1	DIPSTICK TUBE	
	70021852	2	FAN BELT	
	8036204	1	OIL FILTER ELEMENT	
	70022843	1	OIL FILL CAP	
	70021850	1	STARTER	
	91414040	1	STARTER SOLENOID	
	70022844	1	OIL PAN PLUG	
	70023807	1	AIR INTAKE HEATER	
	70023791	1	AIR INTAKE HEATER GASKET	
	70023808	1	BLOCK HEATER AND CABLE	
	80384396	2	HEX HD CAPSCREW, 10X30 mm, (secondary fuel filter mounting)	
	70023792	1	SECONDARY FUEL FILTER ASSY, (includes filter element, filter head and seal)	
	70022846	1	FUEL FILTER ELEMENT	
	70023794	1	OIL PAN	
	70023810	1	FAN SPACER	
	70023811	1	PRIMARY FUEL FILTER ASSY, (includes filter element and filter head)	
	70023812	1	PRIMARY FUEL FILTER ELEMENT	
	70023813	1	O-RING SEAL, (used with primary fuel filter)	
	70025893	1	TURBOCHARGER KIT, (includes mounting gasket)	
	70027300	1	Sensor Assy, Speed, (includes o-ring)	

SECTION 4 - ENGINE AND ATTACHING PARTS

FIGURE 4-12. FUEL TANK AND LINES (Prior to SN 0160040675, Excluding 0160040468 and 0160040672)



SECTION 4 - ENGINE AND ATTACHING PARTS

FIGURE 4-12. FUEL TANK AND LINES (Prior to SN 0160040675, Excluding 0160040468 and 0160040672)

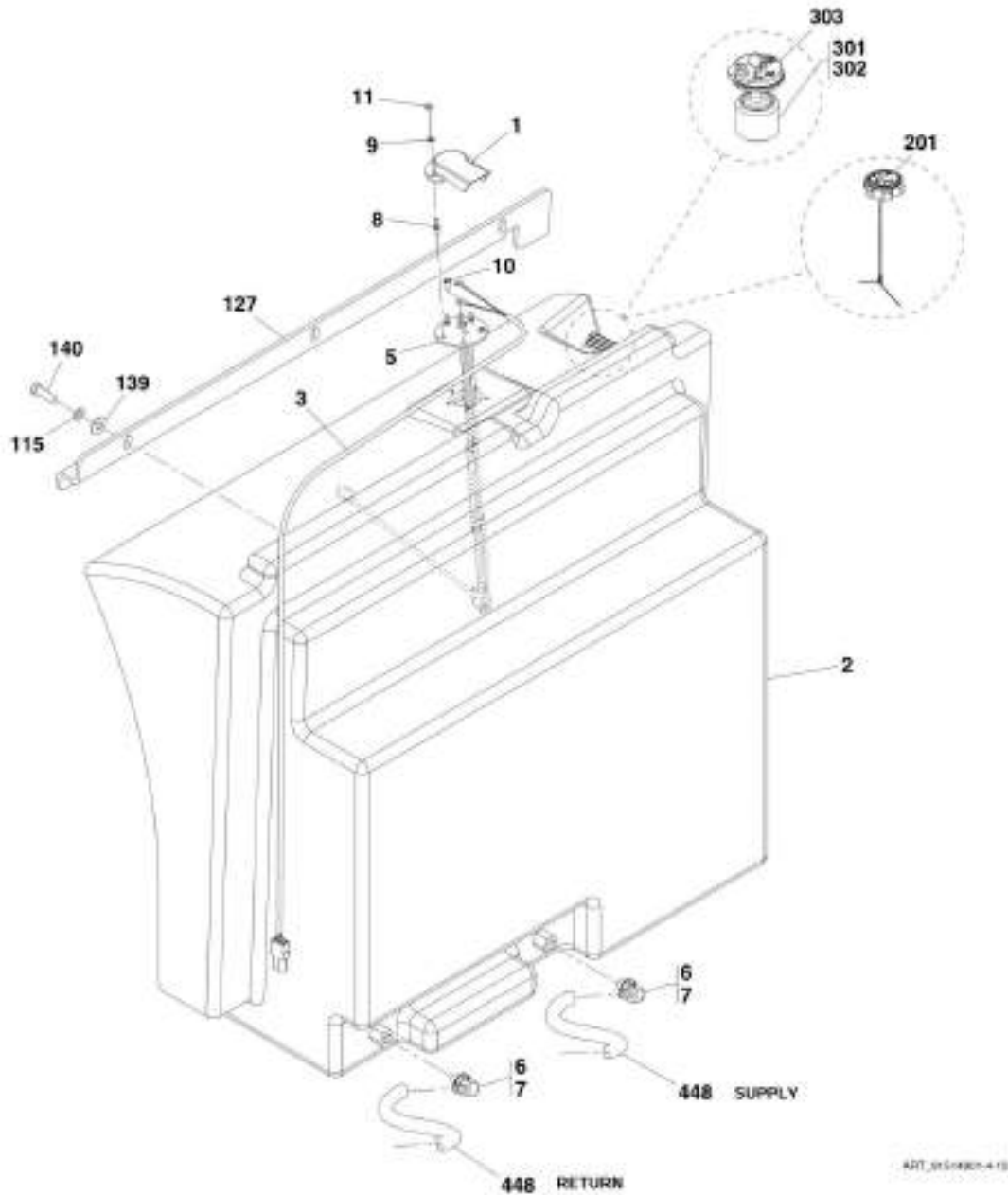
ITEM	PART NUMBER	QTY	DESCRIPTION	REV
	91405042	Ref	FUEL TANK ASSY, (not available to order, see items 4 thru 9, 15, 20 & 22 for service) (Prior to SN 0160020150)	K
	4400496	Ref	FUEL TANK ASSY, (not available to order, see items 103, 107, 108, 115 & 120 for service) (SN 0160020150 to Present)	E
1	77143003	4	WHIZ-LOCK BOLT, 5/16-18X5/8	
2		Ref	FUEL LINE, 5/16 ID, (See ENGINE ASSEMBLY, LH VIEW - JOHN DEERE ENGINE or ENGINE ASSEMBLY, RH VIEW - JOHN DEERE ENGINE for Breakdown)	
3	91403254	1	FUEL SENDER COVER	
4	88261014	4	SOCKET BUTTON HD CAPSCREW, 1/4-20X1/2	
5	91403513	Ref	FUEL TANK CAP WITH CHAIN, (non-locking)	
5	91403514	1	LOCKING FUEL TANK CAP, (optional), (includes key)	
5	91404443	1	KEY	
6	91403524	1	FILLER NECK	
7	91403609	1	FUEL LEVEL SENDER, (gaskets included)	
8	88301191	5	ROUND HD MACHINE SCREW, #10-32X3/8	
9	91401581	1	JUMPER WIRE (Prior to SN 0160002036)	
10	88201036	3	HEX HD CAPSCREW, 3/8-16X1-1/4, GR5	
11	88561004	5	FLAT WASHER, 3/8	
12	88551011	5	LOCKWASHER, 3/8	
13	91401198	NLA	FUEL TANK HOLD DOWN, (no longer available, use 1001150364 for replacement)	
13	1001150364	3	BRACKET, TANK FUEL HOLD	
14	86883106	2	HOSE CLAMP	
15	91403176	1	FUEL TANK, (includes items 16, 17 & 21)	
16	88711283	1	HEX SOCKET PIPE PLUG, 1/2	
17	1001113251	2	ELBOW, 90	
18	88201035	2	HEX HD CAPSCREW, 3/8-16X1, GR5	
19	91416014	1	FUEL TANK STRAP WELDMENT	
20	91403437	1	FUEL GAUGE HARNESS, (jumper wire included) (SN 0160002036 to Present)	
21	91404068	2	PICK-UP TUBE, 6IN	
22	3960616	1	GASKET, FILLER NECK	
23	91511215	1	FUEL TANK STRAP, (not shown) (Prior to SN 0160033655)	
102		Ref	FUEL LINE, (See ENGINE ASSEMBLY, RH VIEW - JOHN DEERE ENGINE or ENGINE ASSEMBLY - PERKINS ENGINE for Breakdown)	
103	1671313	1	FUEL SENDER COVER	
105	1120590	NLA	FUEL CAP, (non-locking), (no longer available, order 1001093641)	
105	1001093641	1	FUEL CAP, (non-locking)	
105	2902446	NLA	FUEL CAP ADAPTER KIT, LOCKING, (no longer available, order 1001102657 or see items 301 thru 304 for service)	
105	1001102657	1	FUEL CAP, LOCKING, (includes items 401 thru 403), (padlock not included)	
107	1001093388	NLA	FUEL LEVEL SENDER (no longer available, use 1001148837 for replacement)	
107	1001148837	1	FUEL LEVEL SENDER, (gaskets included)	
108	88302192	5	ROUND HD MACHINE SCREW, #10-32X3/8	
110	88201036	3	HEX HD CAPSCREW, 3/8-16X1-1/4, GR5	
111	88561004	3	FLAT WASHER, 3/8	

SECTION 4 - ENGINE AND ATTACHING PARTS

ITEM	PART NUMBER	QTY	DESCRIPTION	REV
112	88551011	3	LOCKWASHER, 3/8	
113	91401198	1	FUEL TANK HOLD DOWN	
115	4400490	1	FUEL TANK	
120	4923452	1	FUEL GAUGE HARNESS	
201	88711283	1	HEX SOCKET PIPE PLUG, 1/2	
202	90030271	2	FITTING, 90	
203	8420231	1	FITTING, HOSE BARB	
204	8430007	1	FITTING, HOSE BARB	
301	0080272	1	FILLER NECK ADAPTER	
302	1120591	NLA	FUEL CAP, LOCKING, (no longer available, order 1001102657)	
302	8342813	1	KEY	
303	3900140	2	SET SCREW, 1/4-20X3/8	
304	14404978	AR	LOCTITE 641	
401	0100093	AR	LOCTITE 30512	
402	1001001422	1	FILLER NECK ADAPTER	
403	1001080707	1	FUEL CAP, LOCKING, (padlock not included)	

SECTION 4 - ENGINE AND ATTACHING PARTS

FIGURE 4-13. FUEL TANK AND LINES (SN 0160040675 to Present, Including 0160040468 and 0160040672)



NOTE: 1. APPLY LOCTITE® 30512™ (0160093) ON ALL ADAPTER THREADS UP TO GASKET START AT BOTTOM OF THE THREADS; 360 DEGREES. AIR DRY FOR 3 TO 4 MINUTES ON BOTH MATING PARTS.
 2. APPLY 1/2 IN. ALL THE WAY AROUND THE FILLER NECK THREADS. APPLY THE ADAPTER TO THE FILLER NECK ON THE TANK.
 3. ONCE ASSEMBLED, NO FUEL SHOULD BE ADDED FOR 8 HOURS.

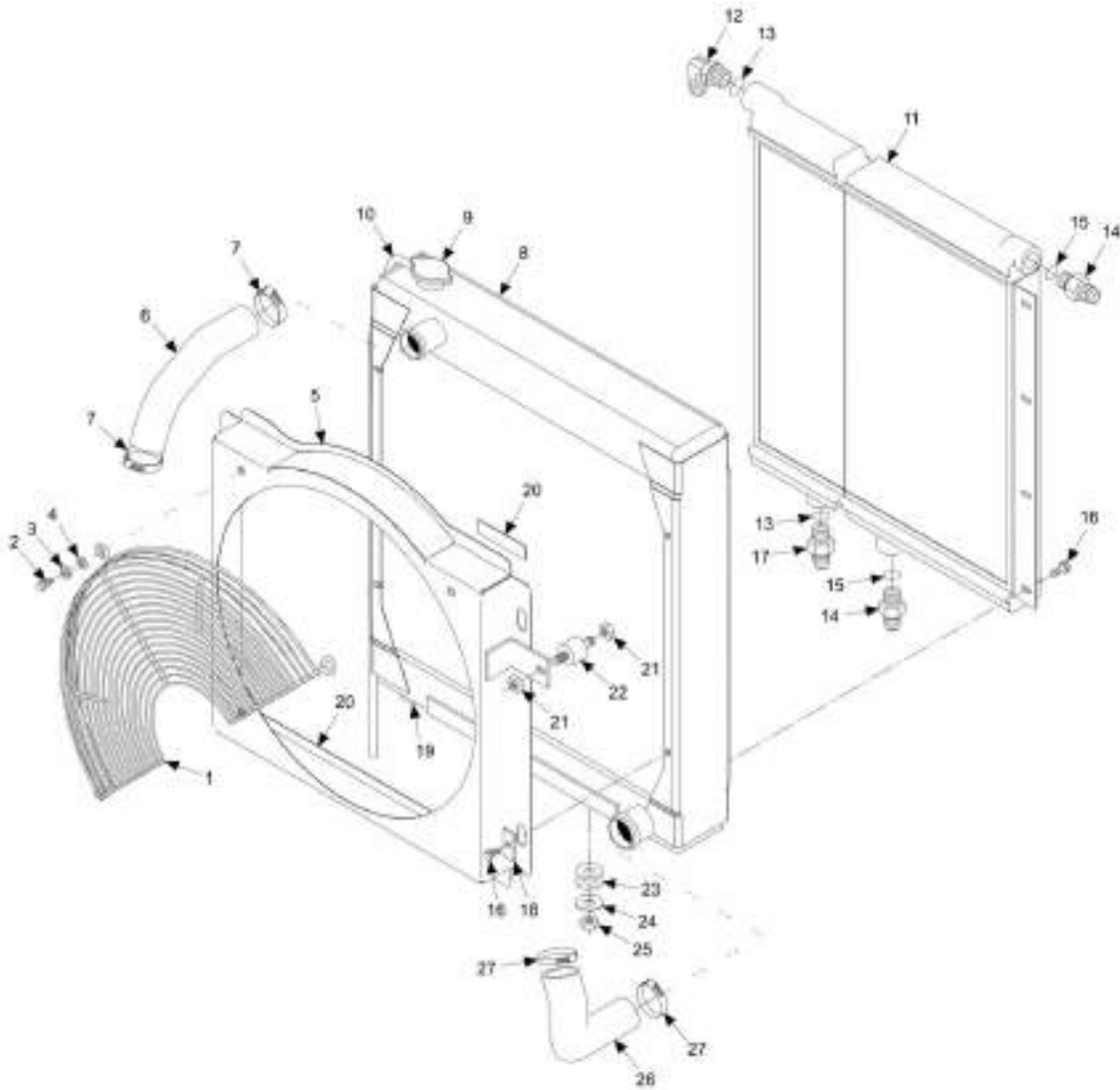
SECTION 4 - ENGINE AND ATTACHING PARTS

FIGURE 4-13. FUEL TANK AND LINES (SN 0160040675 to Present, Including 0160040468 and 0160040672)

ITEM	PART NUMBER	QTY	DESCRIPTION	REV
	1001130780	1	FUEL TANK, (includes items 1 thru 11)	C
1	1671313	1	FUEL SENDER COVER, (4 hole), (Prior to SN 0160050904)	
1	1671313	1	FUEL SENDER COVER, (3 hole), (SN 0160050904 to Present)	
2	1001134413	1	FUEL TANK, 40 GALLON CAPACITY	
3	4923452	1	FUEL SENDER HARNESS	
4	88302192	4	ROUND HD SCREW, 10-32X0.44 (not shown) (Prior to SN 0160050904)	
5	1001093388	NLA	FUEL LEVEL SENDER (no longer available, use 1001148837 for replacement)	
5	1001148837	1	FUEL LEVEL SENDER, (gaskets included)	
6	1001130776	2	HOSE BARB ADAPTER	
7	0100093	AR	LOCTITE (SN 0160050904 to Present)	
8	1001148847	3	ADAPTOR (SN 0160050904 to Present)	
9	4811600	3	WASHER, 5mm (SN 0160050904 to Present)	
10	0731003	2	SCREW, 10 X 0.5 (SN 0160050904 to Present)	
11	1001149344	3	NUT (SN 0160050904 to Present)	
115	4711600	3	LOCKWASHER, 3/8	
127	91401198	NLA	FUEL TANK HOLD DOWN (no longer available, use 1001150364 for replacement)	
127	1001150364	3	BRACKET, TANK FUEL HOLD	
139	4751600	3	WASHER, 3/8	
140	0641608	3	HEX HD CAPSCREW, 3/8-16X1	
201	1001093641	1	FUEL CAP, NON-LOCKING	
	1001102657	1	FUEL CAP, LOCKING, (includes items 301 thru 303), (padlock not included)	A
301	0100093	AR	LOCTITE 30512	
302	1001001422	1	FILLER NECK TANK ADAPTER	
303	1001080707	1	LOCKING FUEL CAP	
448		Ref	FUEL LINE HOSE, (See ENGINE ASSEMBLY - CUMMINS for Breakdown)	

SECTION 4 - ENGINE AND ATTACHING PARTS

FIGURE 4-14. RADIATOR ASSEMBLY - JOHN DEERE ENGINE (SN 019001 through 0193007, SN 016000008 through 0160000240)



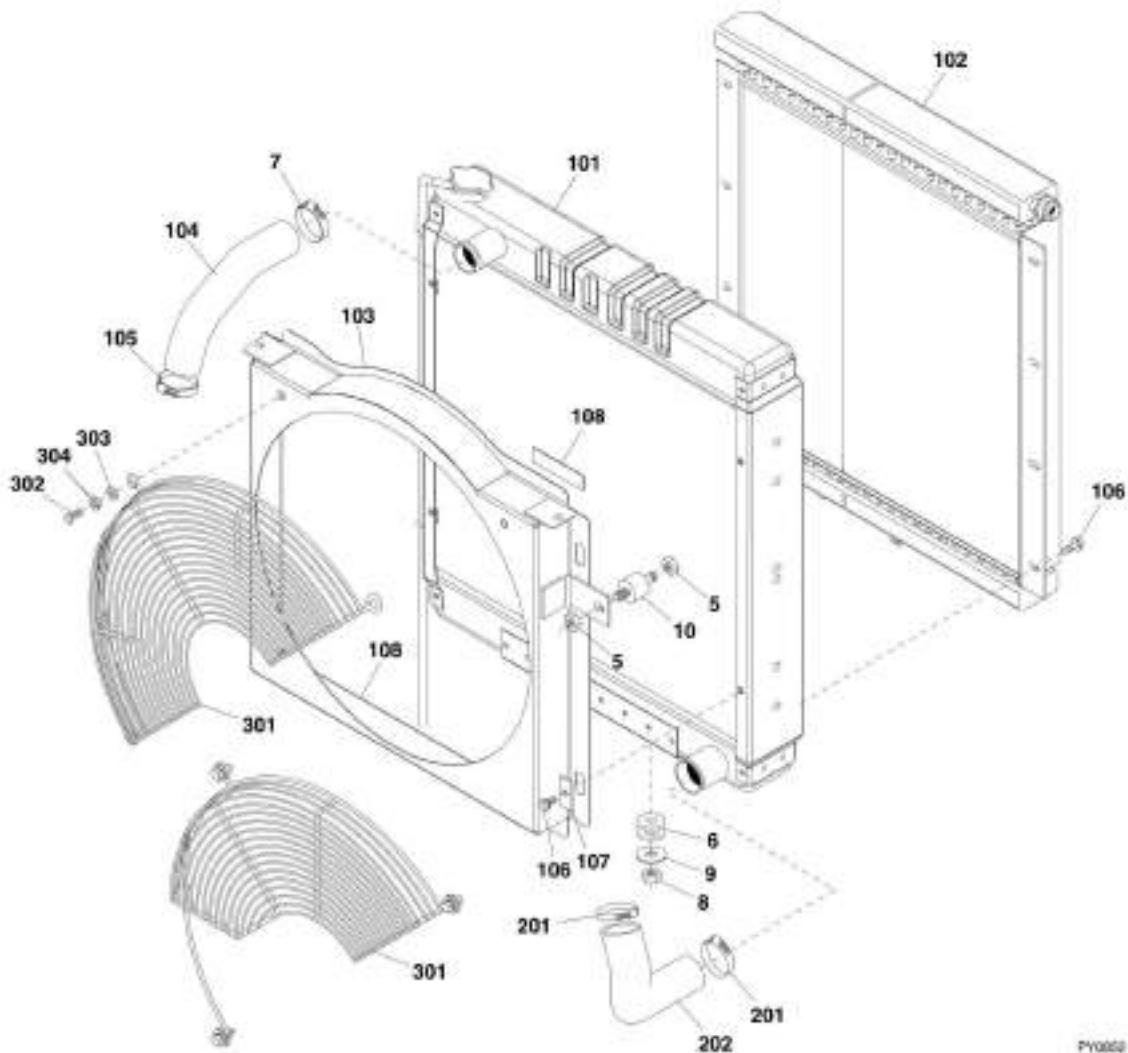
SECTION 4 - ENGINE AND ATTACHING PARTS

FIGURE 4-14. RADIATOR ASSEMBLY - JOHN DEERE ENGINE (SN 019001 through 0193007, SN 016000008 through 016000240)

ITEM	PART NUMBER	QTY	DESCRIPTION	REV
	91515039	Ref	RADIATOR ASSY, (not available to order, see items 5 thru 20 for service)	
1	91473108	1	FAN GUARD	
2	88201034	3	HEX HD CAPSCREW, 3/8-16X7/8, GR5	
3	88551011	3	LOCKWASHER, 3/8	
4	88561003	3	FLAT WASHER, 5/16	
5	91516025	1	FAN SHROUD	
6	91403095	1	UPPER RADIATOR HOSE	
7	85071128	2	HOSE CLAMP	
8	91513149	1	RADIATOR, (includes items 9 & 10)	
9	91404008	1	RADIATOR CAP, 10PSI	
10	Bulk	41 ft	OVERFLOW HOSE	
11	91513150	1	OIL COOLER	
12	2220578	1	ELBOW, 90, (includes item 13)	
13	88591207	2	O-RING	
14	2220377	2	CONNECTOR, (includes item 15)	
15	88591209	2	O-RING	
16	77143003	12	WHIZ-LOCK SCREW, 5/16-18X5/8	
17	2220451	1	CONNECTOR, (includes item 13)	
18	91143348	4	CLAMP BAR	
19	84521056	1	DRAIN COCK	
20	Bulk	54 ft	GASKA-TAPE	
21	77143006	2	WHIZ-LOCKNUT, 5/16-18	
22	91033137	1	SHOCK MOUNT	
23	83683308	2	MOUNTING PAD	
24	90205918	2	HARDENED WASHER, 3/8	
25	88521206	2	HEX LOCKNUT, 3/8-16	
26	91403096	1	LOWER RADIATOR HOSE	
27	86883327	2	HOSE CLAMP	

SECTION 4 - ENGINE AND ATTACHING PARTS

FIGURE 4-15. RADIATOR ASSEMBLY - JOHN DEERE ENGINE (SN 016000246 through 0160040674, Excluding 0160040468 and 0160040672)



PY0060

NOTE:
1. ADD LOCTITE® 242™ (0100011) ON ALL BOLT THREADS.
2. USE LOCTITE® 545™ (0100075) ON ALL HYDRAULIC FITTING THREADS.

SECTION 4 - ENGINE AND ATTACHING PARTS

**FIGURE 4-15. RADIATOR ASSEMBLY - JOHN DEERE ENGINE (SN 0160000246 through 0160040674,
Excluding 0160040468 and 0160040672)**

ITEM	PART NUMBER	QTY	DESCRIPTION	REV
	0275643	Ref	RADIATOR ASSY, (not available to order, see items 1 thru 10 for service)	D
1	91515049	1	RADIATOR ASSY, (includes items 101 thru 110)	E
5	77143006	2	WHIZ-LOCKNUT, 5/16-18	
6	83683308	2	MOUNTING PAD	
7	85071128	1	HOSE CLAMP	
8	88521206	2	HEX LOCKNUT, 3/8-16, (torque to 26-31 lb-ft)	
9	7057141	2	FLAT WASHER, REBOUND	
10	91033137	1	SHOCK MOUNT	
101	91513202	1	RADIATOR (SN 0160000246 through 0160033636)	
101	1001125462	1	RADIATOR (SN 0160033655 through 0160040674, Excluding 0160040468 and 0160040672)	
101	7026442	1	RADIATOR CAP, 10PSI (SN 0160000246 through 0160033636)	
101	91084198	1	RADIATOR CAP, 14PSI (SN 0160033655 through 0160040674, Excluding 0160040468 and 0160040672)	
101	Bulk	41 ft	OVERFLOW HOSE	
101	91514261	1	DRAIN COCK, (not shown)	
102	91513203	1	OIL COOLER	
103	91516025	1	FAN SHROUD	
104	91403095	1	UPPER RADIATOR HOSE	
105	85071128	1	CLAMP	
106	77143003	12	WHIZ-LOCK SCREW, 5/16-18X5/8	
107	91143348	4	CLAMP BAR	
108	90200755	28 ft	GASKA-TAPE	
109	0100011	AR	LOCTITE 242	
110	0100075	AR	LOCTITE 545	
201	85071128	2	HOSE CLAMP	
202	91403096	1	LOWER RADIATOR HOSE	
202	1001102649	Ref	FAN GUARD INSTALLATION, (without A/C), (not available to order, see items 301 thru 304 for service)	A
202	1001102649	Ref	FAN GUARD INSTALLATION, (with A/C), (not available to order, see items 301 thru 304 for service)	A
301	91473108	1	FAN GUARD, (without A/C)	
301	91513215	1	FAN GUARD, (with A/C)	
302	0641607	3	HEX HD CAPSCREW, 3/8-16X7/8, GR5	
303	4751600	3	WASHER, 3/8	
304	4761600	3	LOCKWASHER, 3/8	

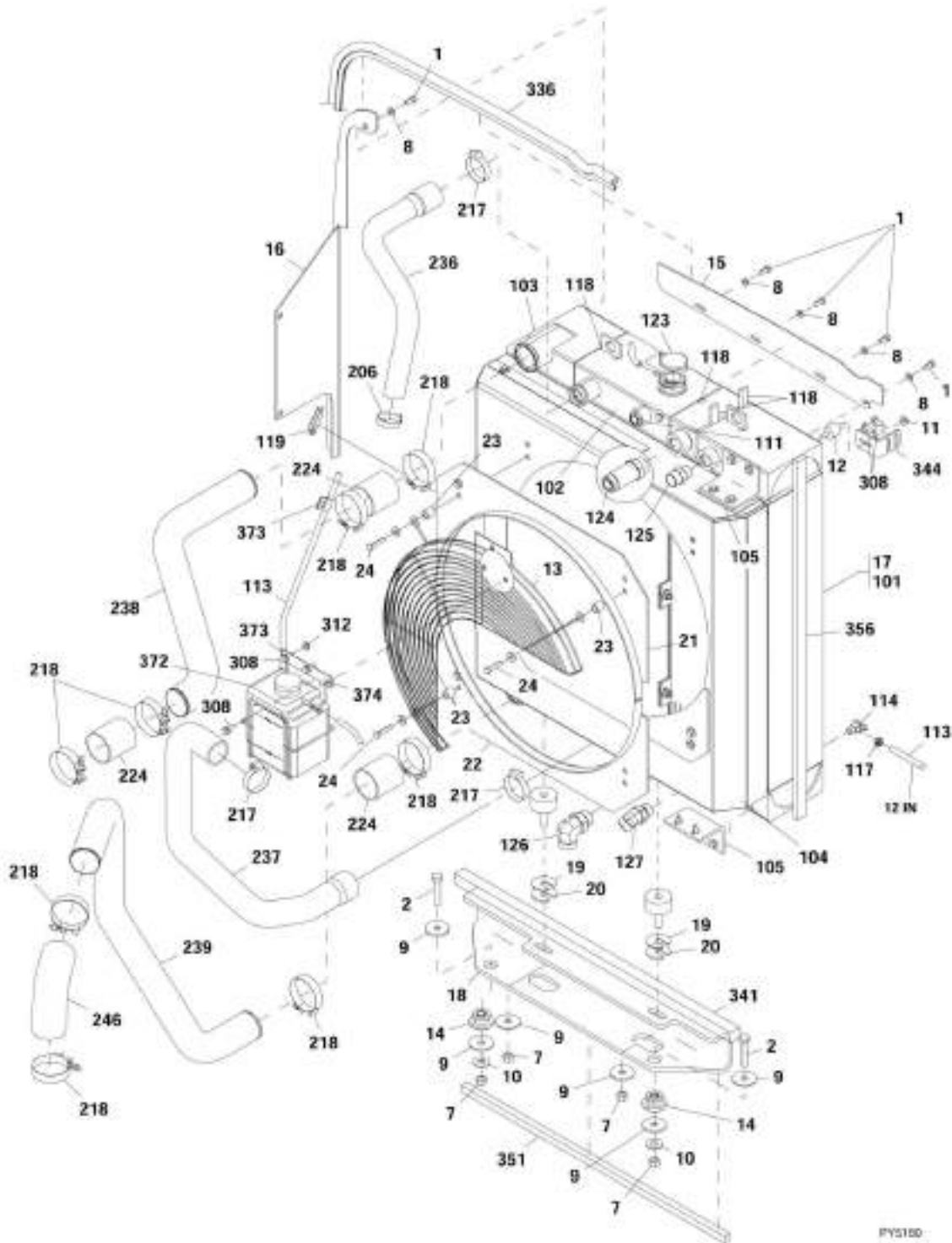
SECTION 4 - ENGINE AND ATTACHING PARTS

FIGURE 4-16. RADIATOR ASSEMBLY - PERKINS ENGINE (SN 0160020943 through 0160040674, Including 0160020803, 0160020823 and 0160020824, Excluding 0160040468 and 0160040672)

ITEM	PART NUMBER	QTY	DESCRIPTION	REV
	1001001811	Ref	RADIATOR ASSY, (not available to order, see items 1 thru 22 for service)	H
1	0100011	AR	LOCTITE 242	
6	77143003	12	WHIZ-LOCK SCREW, 5/16-18X0.625	
7	77143006	2	WHIZ-LOCKNUT, 5/16-18	
8	83683308	2	MOUNTING PAD	
9	86883327	4	HOSE CLAMP	
10	88521206	2	LOCKNUT, 3/8-16, (torque to 26-31 lb-ft)	
11	90200755	4.5 ft	GASKA-TAPE	
12	7057141	2	FLAT WASHER, REBOUND	
13	91033137	1	SHOCK MOUNT	
14	91143348	12	BAR CLAMP	
16	91513202	1	RADIATOR (SN 0160020943 through 0160033636, Including 0160020803, 0160020823 and 0160020824)	
16	1001125462	1	RADIATOR (SN 0160033655 through 0160040674, Excluding 0160040468 and 0160040672)	
16	7026442	1	RADIATOR CAP, 10PSI (SN 0160020943 through 0160033636, Including 0160020803, 0160020823 and 0160020824)	
16	91084198	1	RADIATOR CAP, 14PSI (SN 0160033655 through 0160040674, Excluding 0160040468 and 0160040672)	
16	Bulk	41 ft	OVERFLOW HOSE	
16	91514261	1	DRAIN COCK, (not shown)	
19	1001001812	1	UPPER RADIATOR HOSE	
20	1001001813	1	LOWER RADIATOR HOSE	
21	1001001822	1	OIL COOLER	
22	1001001826	1	FAN SHROUD	
	1001102649	Ref	FAN GUARD INSTALLATION, (without A/C), (not available to order, see items 101 thru 104 for service)	A
	1001102655	Ref	FAN GUARD INSTALLATION, (with A/C), (not available to order, see items 101 thru 104 for service)	A
101	91473108	1	FAN GUARD, (without A/C)	
101	1001093127	1	FAN GUARD, (with A/C)	
102	0641607	3	HEX HD CAPSCREW, 3/8-16X7/8, GR5	
103	4751600	3	WASHER, 3/8	
104	4761600	3	LOCKWASHER, 3/8	

SECTION 4 - ENGINE AND ATTACHING PARTS

FIGURE 4-17. RADIATOR ASSEMBLY - CUMMINS ENGINE (SN 0160040675 to Present, Including 0160040468 and 0160040672)



PY5150

SECTION 4 - ENGINE AND ATTACHING PARTS

FIGURE 4-17. RADIATOR ASSEMBLY - CUMMINS ENGINE (SN 0160040675 to Present, Including 0160040468 and 0160040672)

ITEM	PART NUMBER	QTY	DESCRIPTION	REV
	1001120777	Ref	RADIATOR ASSY, (not available to order, see items 1 thru 24 for service)	C
1	0641506	5	HEX HD CAPSCREW, 5/16-18X3/4, GR5	
2	0641820	2	HEX HD CAPSCREW, 1/2-13X2-1/2, GR5	
7	3311801	4	HEX NUT, 1/2-13, GR2	
8	4711500	5	WASHER, 5/16	
9	4740274	6	SPECIAL WASHER	
10	4751800	2	WASHER, 1/2	
11	77143006	1	WHIZ-LOK NUT, 5/16-18	
12	91033137	1	SHOCK MOUNT	
13	1001114560	1	FAN GUARD GRILL	
14	1001114803	2	ISOLATOR MOUNT	
15	1001118045	1	TOP AIR DAM PLATE	
16	1001118046	1	BOTTOM AIR DAM PLATE	
17	1001118071	NLA	RADIATOR, (no longer available, order 1001194145 for replacement or items 101 thru 127 for service) (Prior to SN 0160070432)	F
17	1001194145	1	RADIATOR (SN 0160070432 to Present)	
18	1001118217	1	RADIATOR MOUNT BRACKET	
19	1001120376	2	SHIM, 14 GA	
20	1001120377	2	SHIM, 3/16	
21	1001126835	1	FAN SHROUD TOP PANEL	
22	1001126836	1	FAN SHROUD BOTTOM PANEL	
23	1001126860	3	FAN SPACER SLEEVE	
24	0641512	3	HEX HD CAPSCREW, 5/16-18X1-1/2, GR5	
101	70023331	1	HYDRAULIC/TRANSMISSION OIL COOLER	
102	70023332	1	RADIATOR	
103	70023341	1	CHARGE AIR COOLER	
104	70023342	1	SHROUD	
105	70023334	2	MOUNTING ANGLE BRACKET	
111	70023335	1	SIGHT GAUGE	
113	70023337	76 in	DRAIN HOSE	
114	70023338	1	PETCOCK	
117	70023796	1	CLAMP	
118	70023339	AR	FOAM RUBBER	
119	70023340	AR	LOCKING RUBBER SEAL	
123	70023336	1	RADIATOR CAP, (15psi)	
124	2170116	1	CONNECTOR, (includes o-ring)	
125	2111212	1	CONNECTOR, (includes o-ring)	
126	2131616	1	ELBOW, 90, (includes o-ring)	
127	2111616	1	ELBOW, 45, (includes o-ring)	
206	1320012	1	CLAMP, 2.5 DIA	
217	8405104	3	GEAR CLAMP, 2.25 MAX DIA	
218	8405212	8	T-BOLT CLAMP	
224	1001099251	3	HOSE	
236	1001119891	1	UPPER RADIATOR HOSE	
237	1001119892	1	LOWER RADIATOR HOSE	
238	1001119893	1	INLET PIPE	
239	1001119894	1	OUTLET PIPE	

SECTION 4 - ENGINE AND ATTACHING PARTS

ITEM	PART NUMBER	QTY	DESCRIPTION	REV
246	1001125246	1	ELBOW	
308	0791506	5	WHIZ-LOCK SCREW, 5/16-18X3/4	
312	3311508	1	HEX NUT, 5/16-18	
336	1001116122	68 in	BULB SEAL	
341	1001118092	1	FOAM GASKET SEAL	
344	1001118138	1	ISOLATOR MOUNT SUPPORT	
351	1001120370	1	FOAM GASKET SEAL	
356	1001121717	1	FOAM GASKET SEAL	
372	4400483	1	COOLANT RETURN RESERVOIR	
373	86621230	2	SUPPORT CLAMP	
374	1001121676	1	COOLANT BOTTLE PLATE	

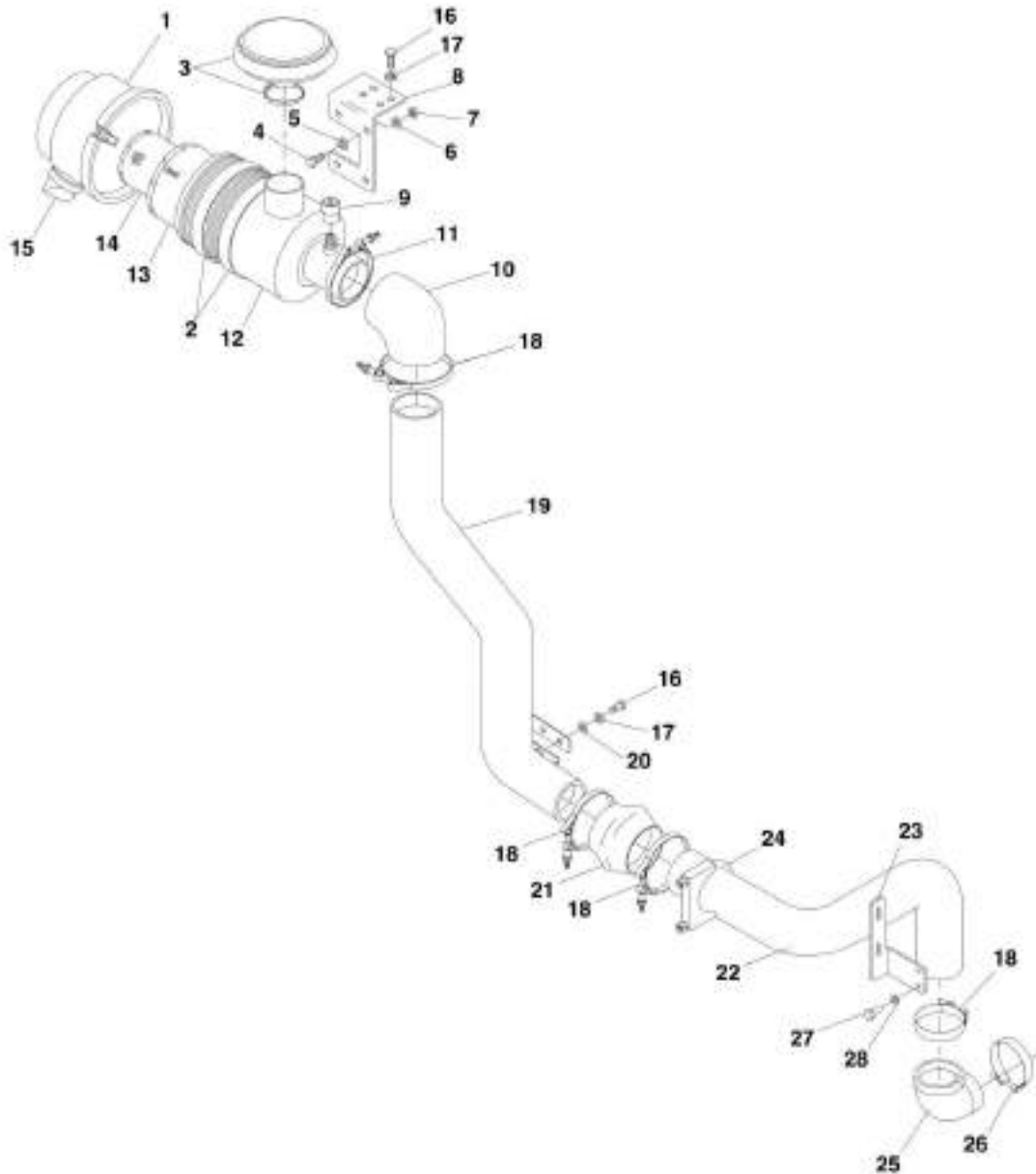
SECTION 4 - ENGINE AND ATTACHING PARTS

**FIGURE 4-18. AIR CLEANER AND INSTALLATION - JOHN DEERE ENGINE (Prior to SN 0160040675,
Excluding 0160040468 and 0160040672)**

ITEM	PART NUMBER	QTY	DESCRIPTION	REV
	91515041	Ref	AIR CLEANER ASSY, (not available to order, see items 1 thru 15 for service)	B
1	91364023	1	COVER ASSY	
2	10268516	2	MOUNTING BAND	
3	8273257	1	AIR INTAKE HOOD, (includes clamp)	
4	88201021	4	HEX HD CAPSCREW, 5/16-18X1-1/4, GR5	
5	88551010	4	LOCKWASHER, 5/16	
6	88561108	4	FLAT WASHER, 5/16	
7	77143006	4	WHIZ-LOCKNUT, 5/16-18	
8	91511144	1	MOUNTING BRACKET	
9	77383154	1	SERVICE INDICATOR	
10	91153007	1	ELBOW, 90	
11	77383790	1	BAND CLAMP	
12	8273029	1	AIR CLEANER, (includes items 1, 13, 14 & 15)	
13	1101312	1	ELEMENT, (outer)	
14	1101313	1	ELEMENT, (inner)	
15	80373094	1	VACUATOR	
16	88201033	4	HEX HD CAPSCREW, 3/8-16X3/4, GR5	
17	88551011	4	LOCKWASHER, 3/8	
18	91163129	5	BAND CLAMP	
19	91513205	1	AIR INTAKE TUBE	
20	88561004	2	FLAT WASHER, 3/8	
21	91403244	1	STRAIGHT HUMP	
22	91473103	1	AIR INTAKE TUBE	
23	91083126	1	AIR INTAKE ELBOW	
24	24921332	1	MUFFLER CLAMP	

SECTION 4 - ENGINE AND ATTACHING PARTS

FIGURE 4-19. AIR CLEANER AND INSTALLATION - PERKINS ENGINE (SN 0160020943 through 0160040674, Including 0160020803, 0160020823 and 0160020824, Excluding 0160040468 and 0160040672)



PAP11420

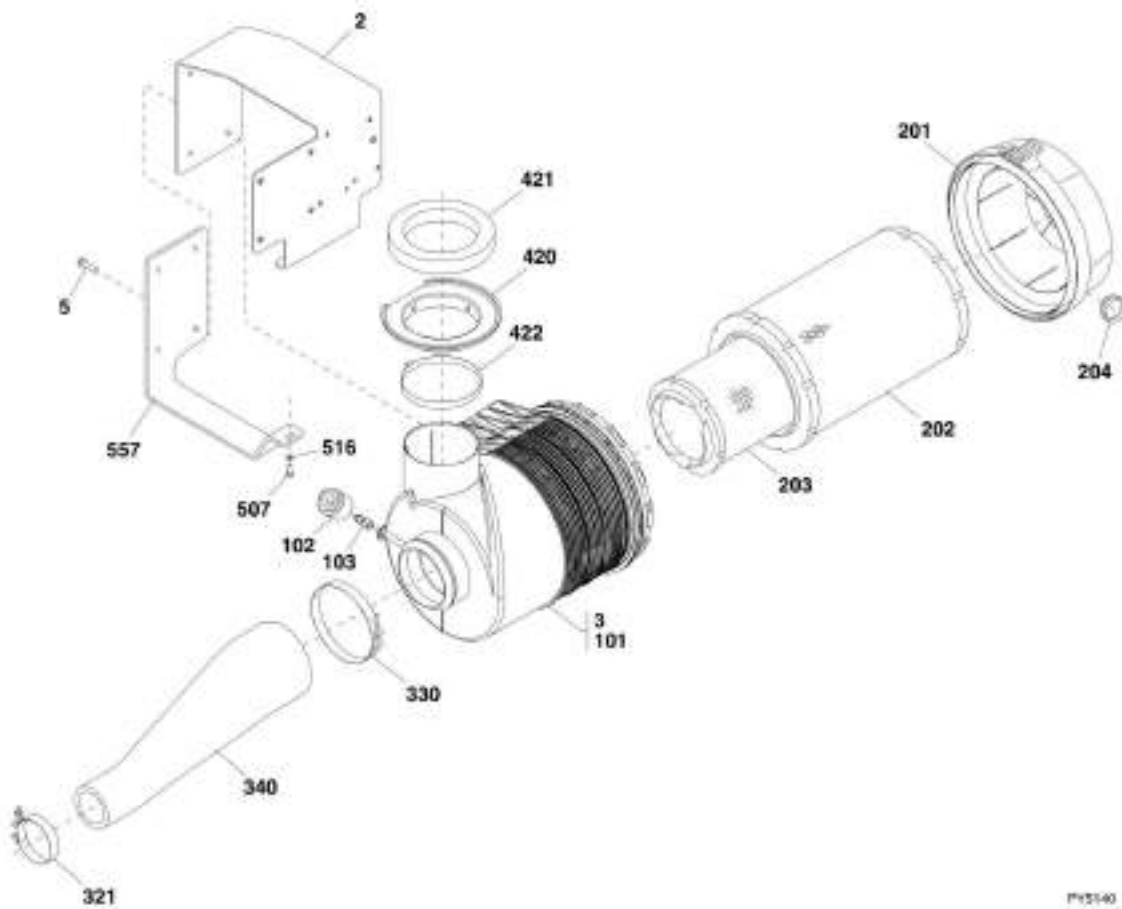
SECTION 4 - ENGINE AND ATTACHING PARTS

FIGURE 4-19. AIR CLEANER AND INSTALLATION - PERKINS ENGINE (SN 0160020943 through 0160040674, Including 0160020803, 0160020823 and 0160020824, Excluding 0160040468 and 0160040672)

ITEM	PART NUMBER	QTY	DESCRIPTION	REV
	91515041	Ref	AIR CLEANER ASSY, (not available to order, see items 1 thru 15 for service)	B
1	91364023	1	COVER ASSY	
2	10268516	2	MOUNTING BAND	
3	8273257	1	AIR INTAKE HOOD, (includes clamp)	
4	88201021	4	HEX HD CAPSCREW, 5/16-18X1-1/4, GR5	
5	88551010	4	LOCKWASHER, 5/16	
6	88561108	4	FLAT WASHER, 5/16	
7	77143006	4	WHIZ-LOCKNUT, 5/16-18	
8	91511144	1	MOUNTING BAND	
9	77383154	1	SERVICE INDICATOR	
10	91153007	1	ELBOW, 90	
11	77383790	1	BAND CLAMP	
12	8273029	1	AIR CLEANER, (includes items 1, 13, 14 & 15)	
13	1101312	1	ELEMENT, (outer)	
14	1101313	1	ELEMENT, (inner)	
15	80373094	1	VACUATOR	
16	88201033	4	HEX HD CAPSCREW, 3/8-16X3/4, GR5	
17	88551011	4	LOCKWASHER, 3/8	
18	91163129	4	BAND CLAMP	
19	91513205	1	AIR INTAKE TUBE	
20	88561004	2	FLAT WASHER, 3/8	
21	91403244	1	STRAIGHT HUMP	
22	1001001804	1	TURBO INTAKE TUBE	
23	1001001805	1	TURBO INTAKE MOUNTING BRACKET	
24	24921332	1	MUFFLER CLAMP	
25	1001001851	1	REDUCING ELBOW, 90	
26	1001001853	1	BAND CLAMP	
27	0761012	2	HEX HD CAPSCREW, M10X25	
28	4832000	2	SPRING LOCKWASHER, M10	

SECTION 4 - ENGINE AND ATTACHING PARTS

FIGURE 4-20. AIR CLEANER AND INSTALLATION - CUMMINS ENGINE (SN 0160040675 to Present, Including 0160040468 and 0160040672)



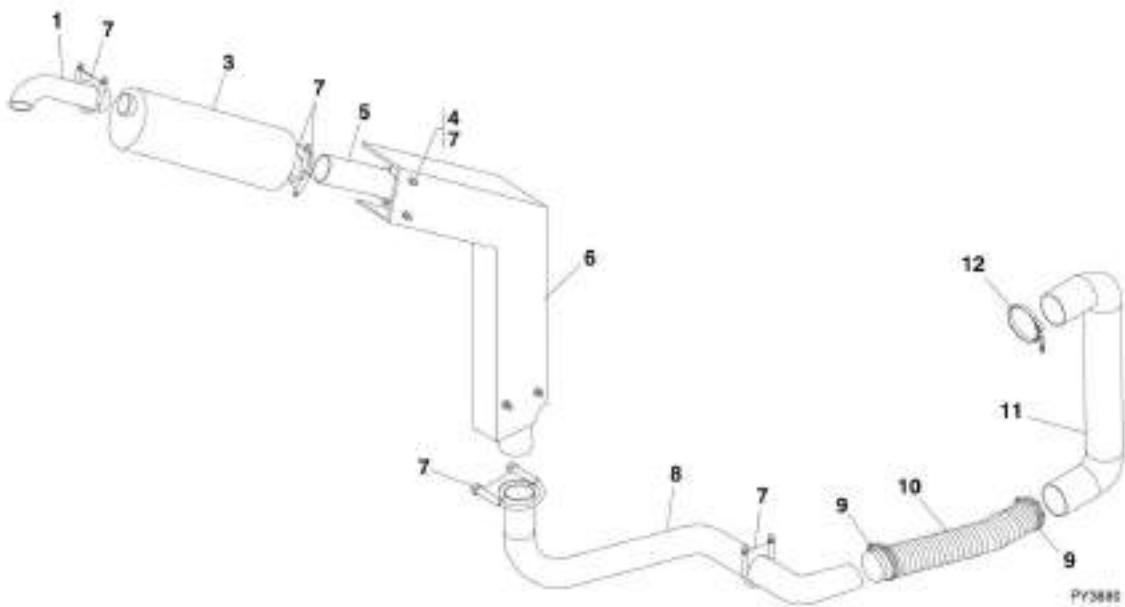
SECTION 4 - ENGINE AND ATTACHING PARTS

FIGURE 4-20. AIR CLEANER AND INSTALLATION - CUMMINS ENGINE (SN 0160040675 to Present, Including 0160040468 and 0160040672)

ITEM	PART NUMBER	QTY	DESCRIPTION	REV
	1001110079	1	AIR CLEANER INSTALLATION, (not available to order, see items 2 thru 5 for service)	D
2	1001110055	1	BRACKET	
3	1001116505	Ref	AIR CLEANER INSTALLATION, (not available to order, see items 101 thru 103 for service)	A
5	5200814	4	RIPP BOLT, 8X30mm	
101	1001109038	1	AIR CLEANER, 11IN, (includes items 201 thru 204)	D
102	91563129	1	RESTRICTION INDICATOR	
103	86983648	1	ELBOW, 90	
201	70023195	1	COVER ASSY	
202	7026573	1	PRIMARY ELEMENT	
203	7026572	1	SAFETY ELEMENT	
204	8273291	1	VACUATOR VALVE	
321	90028631	1	HEAVY DUTY BAND CLAMP	
330	1001116418	1	BAND CLAMP	
340	1001119967	1	AIR INTAKE PIPE	
420	1001111903	1	AIR FILTER INTAKE ADAPTER	
421	1001111904	1	FOAM SEAL	
422	91563134	1	BAND CLAMP	
507	0760608	1	HEX HD CAPSCREW, 6X16mm, GR8.8	
516	4811700	1	WASHER, 6mm	
557	1001122220	1	AIR FILTER SUPPORT	

SECTION 4 - ENGINE AND ATTACHING PARTS

FIGURE 4-21. EXHAUST INSTALLATION - JOHN DEERE ENGINE (Prior to SN 0160040675, Excluding 0160040468 and 0160040672)



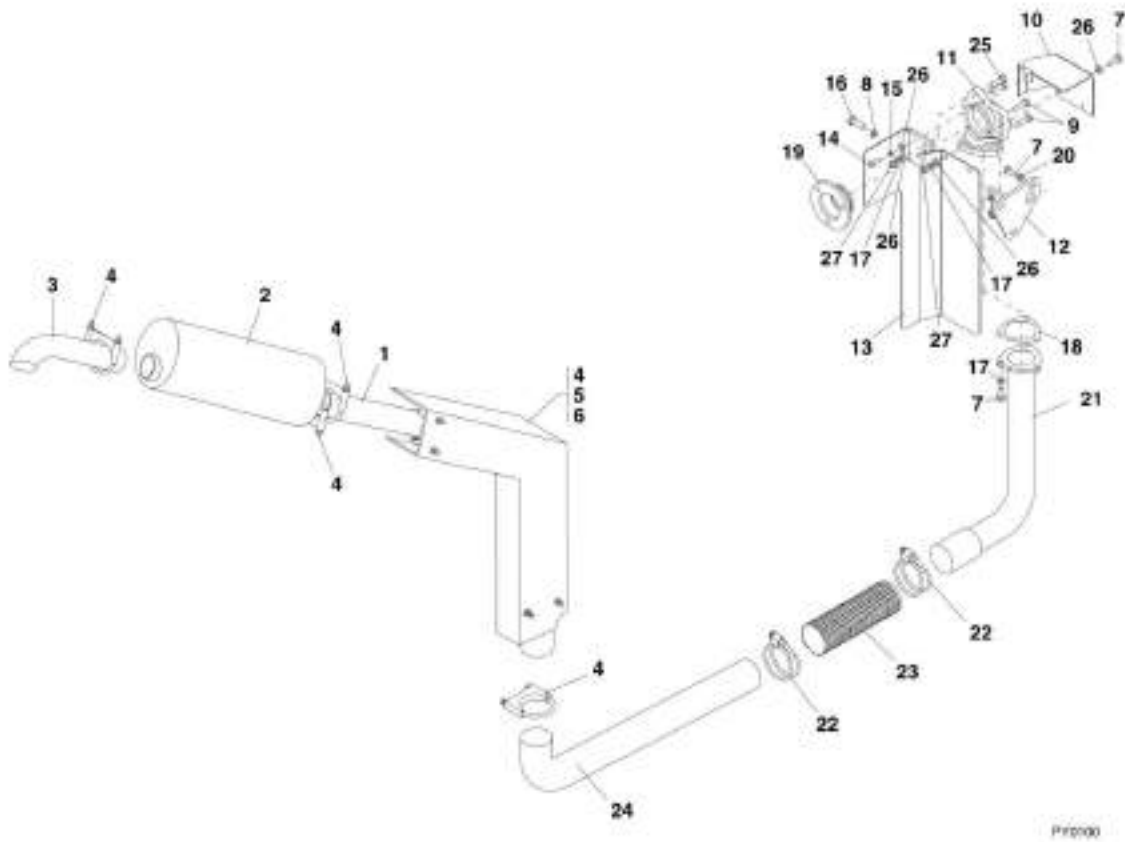
SECTION 4 - ENGINE AND ATTACHING PARTS

FIGURE 4-21. EXHAUST INSTALLATION - JOHN DEERE ENGINE (Prior to SN 0160040675, Excluding 0160040468 and 0160040672)

ITEM	PART NUMBER	QTY	DESCRIPTION	REV
1	91403489	1	TAILPIPE	
3	91163035	1	MUFFLER	
4	4751600	4	FLAT WASHER, 3/8	
5	91473178	1	MUFFLER TUBE	
6	91476045	1	HEAT SHIELD	
7	24921332	7	MUFFLER CLAMP	
8	91473036	1	MUFFLER TUBE	
9	91403601	2	CLAMP PIPE	
10	91473119	1	FLEX TUBE	
11	91473117	1	EXHAUST TUBE	
12	91403216	1	CLAMP	

SECTION 4 - ENGINE AND ATTACHING PARTS

FIGURE 4-22. EXHAUST INSTALLATION - PERKINS ENGINE (SN 0160020943 through 0160040674, Including 0160020803, 0160020823 and 0160020824, Excluding 0160040468 and 0160040672)



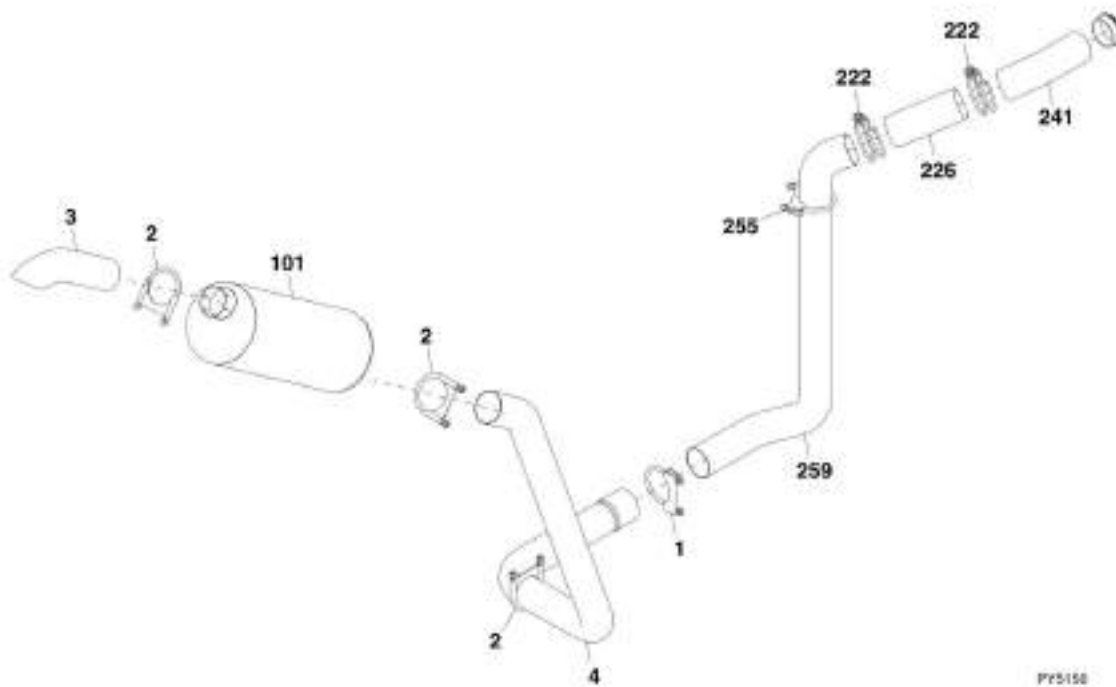
SECTION 4 - ENGINE AND ATTACHING PARTS

FIGURE 4-22. EXHAUST INSTALLATION - PERKINS ENGINE (SN 0160020943 through 0160040674, Including 0160020803, 0160020823 and 0160020824, Excluding 0160040468 and 0160040672)

ITEM	PART NUMBER	QTY	DESCRIPTION	REV
1	91473178	1	MUFFLER TUBE	
2	91163035	1	MUFFLER	
3	91403489	1	TAIL PIPE	
4	24921332	6	MUFFLER CLAMP	
5	91476045	1	HEAT SHIELD	
6	88561004	4	FLAT WASHER, 3/8	
7	0761012	8	HEX HD CAPSCREW, 10X25	
8	4832100	2	SPRING LOCKWASHER, M12	
9	0761015	2	HEX HD CAPSCREW, M10X35	
10	1001001841	1	EXHAUST HEAT SHIELD	
11	1001001820	1	EXHAUST OUTLET ELBOW	
12	1001001828	1	TURBO MOUNTING BRACKET	
13	1001001829	1	EXHAUST HEAT SHIELD	
14	0760812	1	HEX HD CAPSCREW, M8X25	
15	4831900	1	SPRING LOCKWASHER, M8	
16	0761215	2	HEX HD CAPSCREW, M12X35	
17	4832000	7	SPRING LOCKWASHER, M10	
18	1001001831	1	EXHAUST JOINT	
19	1001001819	1	TURBO EXHAUST OUTLET ADAPTER	
20	4812000	3	FLAT WASHER, 10mm	
21	1001001814	1	UPPER EXHAUST WITH FLANGE	
22	91403601	2	PIPE CLAMP	
23	91473119	1	FLEX TUBE	
24	1001001827	1	LOWER EXHAUST TUBE	
25	0761016	2	HEX HD CAPSCREW, M10X40	
26	4711600	7	FLAT WASHER, 3/8	
27	8305038	4	HEX NUT, M10X1.5	

SECTION 4 - ENGINE AND ATTACHING PARTS

FIGURE 4-23. EXHAUST INSTALLATION - CUMMINS ENGINE (SN 0160040675 to Present, Including 0160040468 and 0160040672)



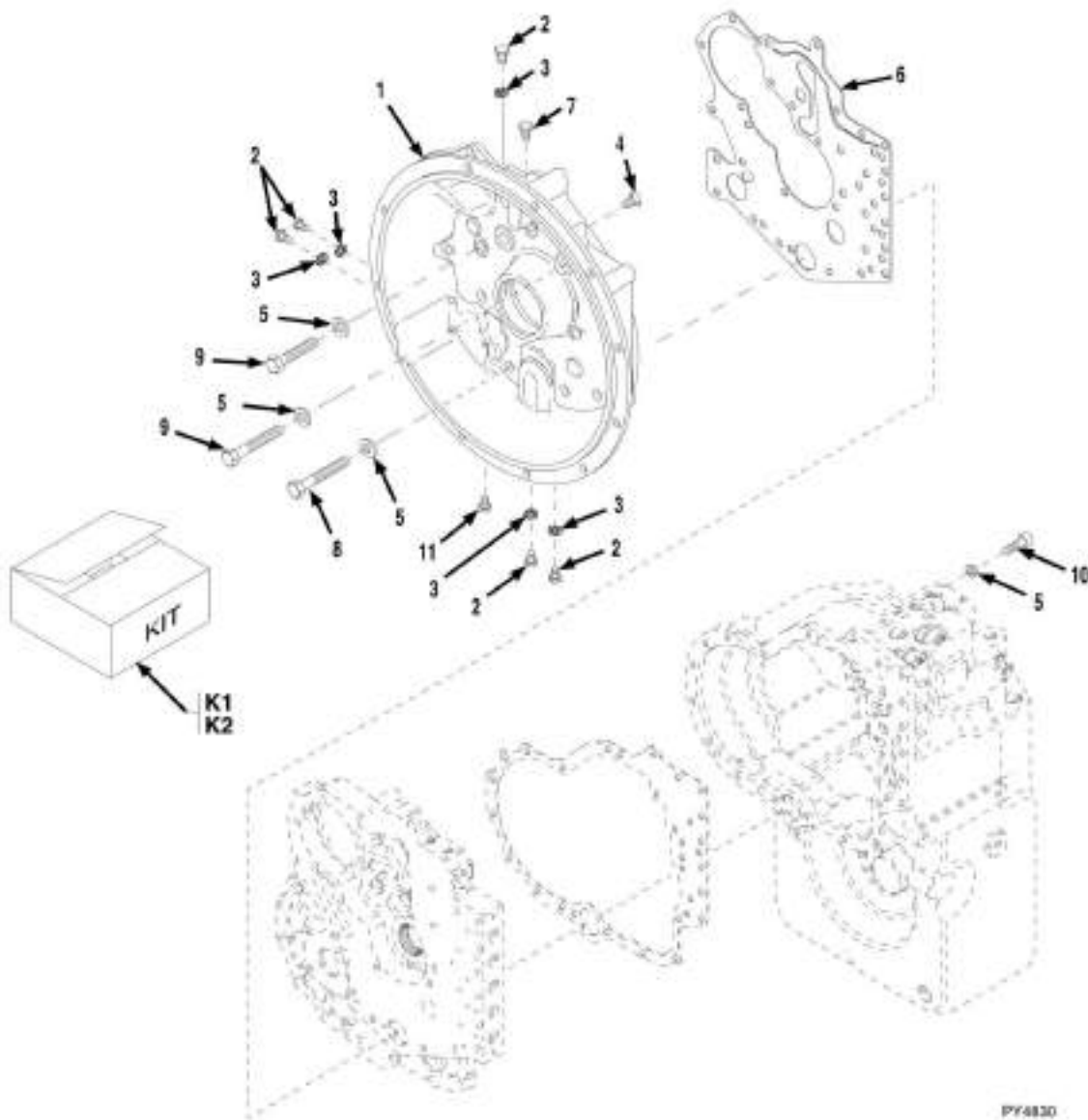
SECTION 4 - ENGINE AND ATTACHING PARTS

FIGURE 4-23. EXHAUST INSTALLATION - CUMMINS ENGINE (SN 0160040675 to Present, Including 0160040468 and 0160040672)

ITEM	PART NUMBER	QTY	DESCRIPTION	REV
	1001119731	Ref	EXHAUST INSTALLATION, (not available to order, see items 1 thru 4 for service)	A
1	8275247	1	MUFFLER CLAMP, 3IN	
2	24921332	3	EXHAUST CLAMP, 3IN	
3	91403489	1	TAIL PIPE TUBE	
4	1001117301	1	EXHAUST PIPE	
101	91163035	1	MUFFLER, 3IN	
222	91403601	2	PIPE CLAMP	
226	1001100189	1	FLEX TUBE	
241	1001119994	1	EXHAUST PIPE, FLANGED	
255	8275247	1	MUFFLER CLAMP, 3IN	
259	1001126892	1	EXHAUST PIPE	

SECTION 4 - ENGINE AND ATTACHING PARTS

FIGURE 4-24. DANA TRANSMISSION - CONVERTER HOUSING GROUP (Prior to SN 0160040675, Excluding 0160040468 and 0160040672)



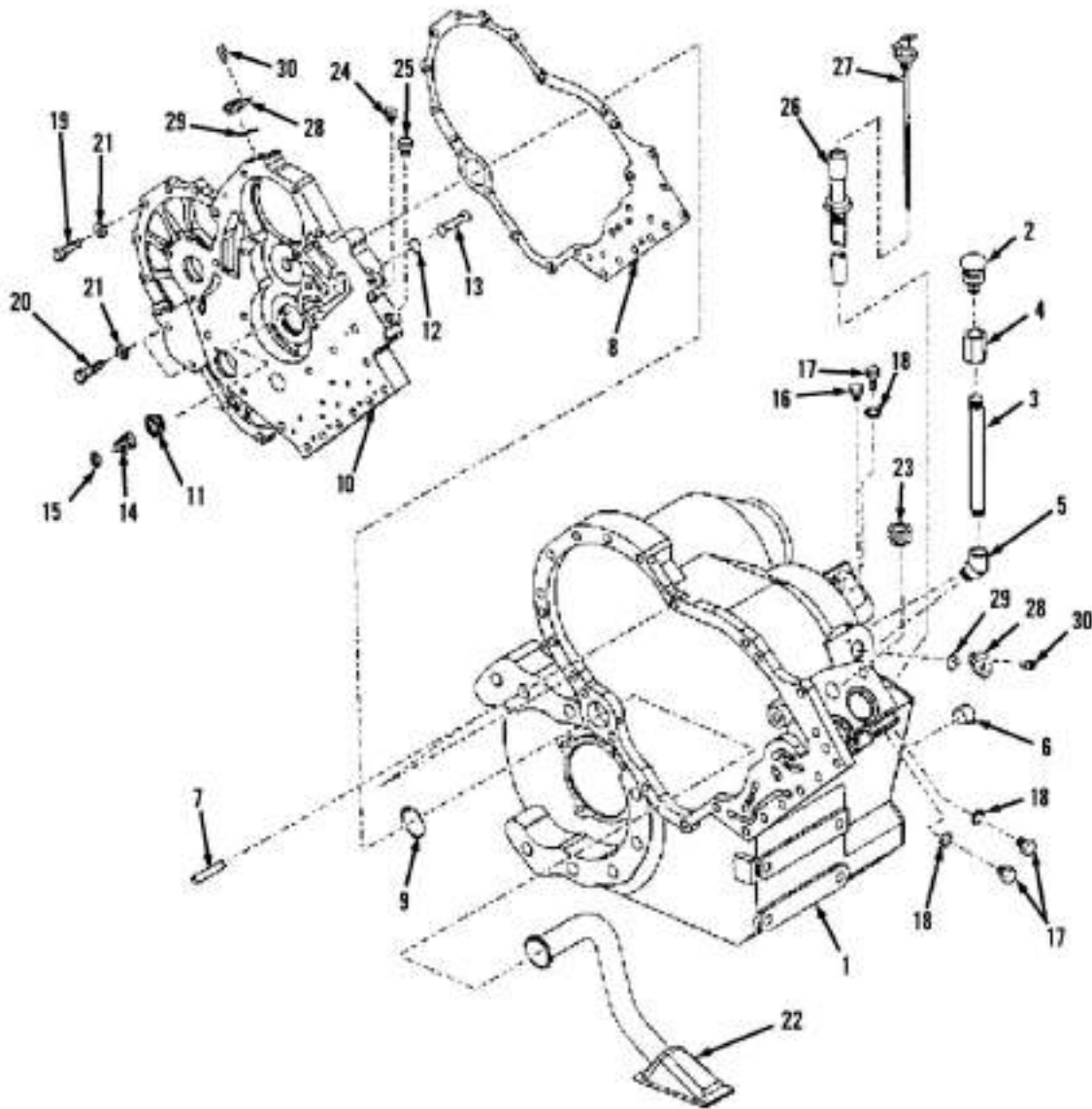
SECTION 4 - ENGINE AND ATTACHING PARTS

**FIGURE 4-24. DANA TRANSMISSION - CONVERTER HOUSING GROUP (Prior to SN 0160040675,
Excluding 0160040468 and 0160040672)**

ITEM	PART NUMBER	QTY	DESCRIPTION	REV
	91513141	1	FOUR SPEED TRANSMISSION, (includes all items on DANA TRANSMISSION - CONVERTER HOUSING GROUP thru DANA TRANSMISSION - DROP BOX GROUP) (SN 0193001 through 0160011036)	
	91513284	1	FOUR SPEED TRANSMISSION, (includes all items on DANA TRANSMISSION - CONVERTER HOUSING GROUP thru DANA TRANSMISSION - DROP BOX GROUP) (SN 0160011061 to Present)	
1	91474186	1	CONVERTER HOUSING	
2	8032526	5	PLUG, (includes item 3)	
3	91474188	5	O-RING	
4	91474189	1	PLUG	
5	91474190	23	LOCKWASHER	
6	91474191	1	GASKET	
7	91474192	1	PLUG	
8	91474193	6	SCREW	
9	91474194	16	SCREW	
10	91474195	1	SCREW	
11	8035092	1	PLUG	
K1	7028110	1	GASKET AND SEAL KIT, (contains all gaskets and seals for an entire transmission with the exception of the 3-shaft Drop Box)	
K2		Ref	3-SHAFT DROP BOX GASKET AND SEAL KIT, (See DANA TRANSMISSION - DROP BOX GROUP for Breakdown)	

SECTION 4 - ENGINE AND ATTACHING PARTS

FIGURE 4-25. DANA TRANSMISSION - CASE AND PLATE GROUP (Prior to SN 0160040675, Excluding 0160040468 and 0160040672)



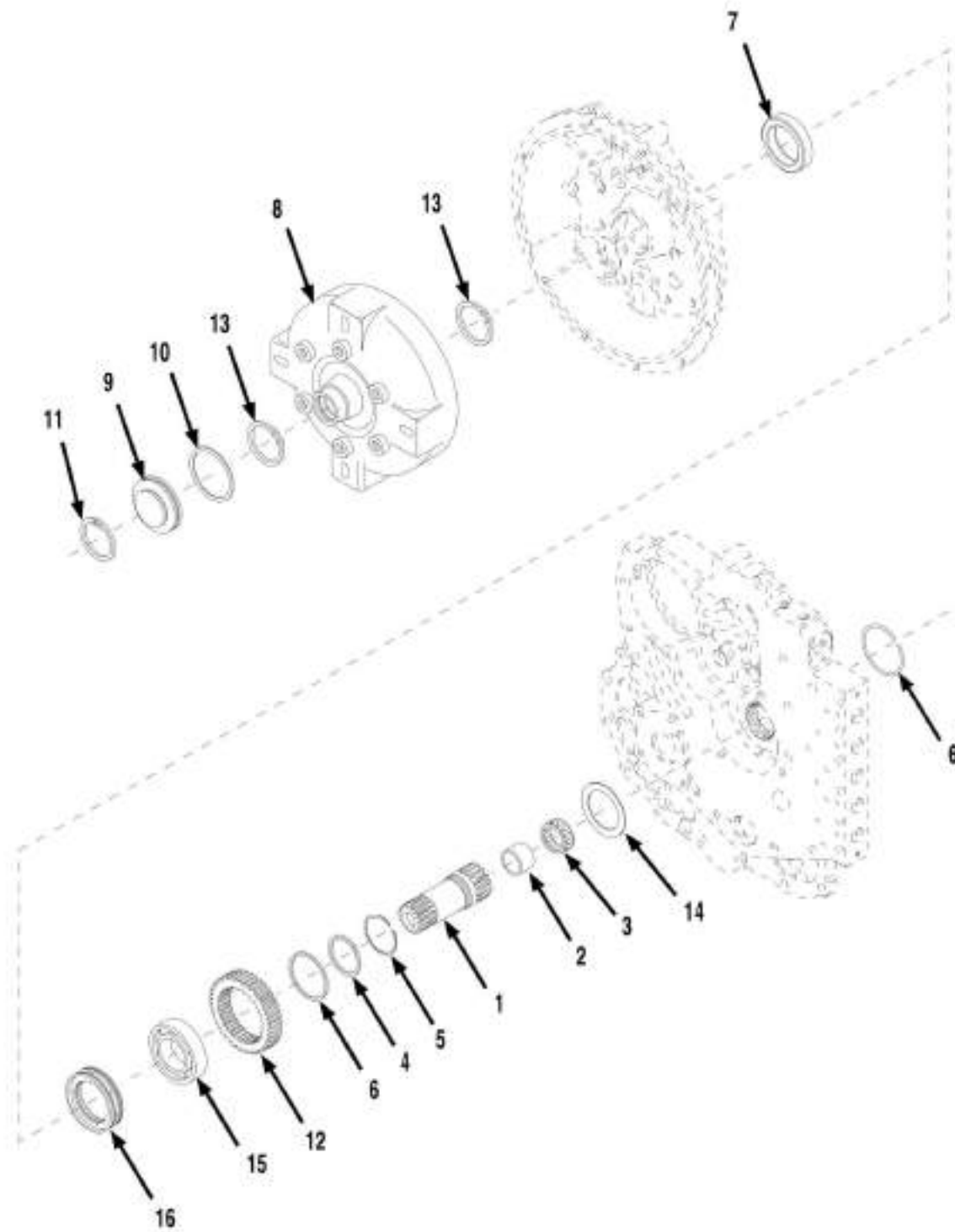
SECTION 4 - ENGINE AND ATTACHING PARTS

**FIGURE 4-25. DANA TRANSMISSION - CASE AND PLATE GROUP (Prior to SN 0160040675,
Excluding 0160040468 and 0160040672)**

ITEM	PART NUMBER	QTY	DESCRIPTION	REV
1	70020402	1	TRANSMISSION CASE	
2	8032509	1	AIR BREATHER	
3	91474197	1	PIPE NIPPLE	
4	91474198	1	PIPE COUPLING	
5	91474199	1	FITTING	
6	8032528	2	MAGNETIC DRAIN PLUG	
7	91474200	2	PIN	
8	91474201	1	GASKET	
9	10837074	1	SEAL RING	
10	91474203	1	PLATE SPACER (SN 0193001 through 0160011036)	
10	7029822	1	PLATE SPACER (SN 0160011061 to Present)	
11	91474204	1	SAFETY VALVE PLATE	
12	91474205	1	SNAP RING	
13	91474206	1	POPPET	
14	77104056	1	SPRING	
15	91474207	1	WASHER	
16	91474189	1	PLUG	
17	8032526	3	PLUG, (includes item 18)	
18	91474188	3	O-RING	
19	91474208	7	SCREW	
20	91474209	2	SCREW	
21	91474190	9	LOCKWASHER	
22	91474210	1	TUBE AND SCREEN ASSY	
23	91474211	1	FILLER PLUG	
24	91474189	1	PLUG	
25	91474192	1	PLUG	
26	90204823	1	DIPSTICK TUBE ASSY	
27	91474212	1	DIPSTICK	
28	91474213	2	PLUG	
29	91474214	2	O-RING	
30	8034940	2	SCREW	

SECTION 4 - ENGINE AND ATTACHING PARTS

FIGURE 4-26. DANA TRANSMISSION - TORQUE CONVERTER GROUP (Prior to SN 0160040675, Excluding 0160040468 and 0160040672)



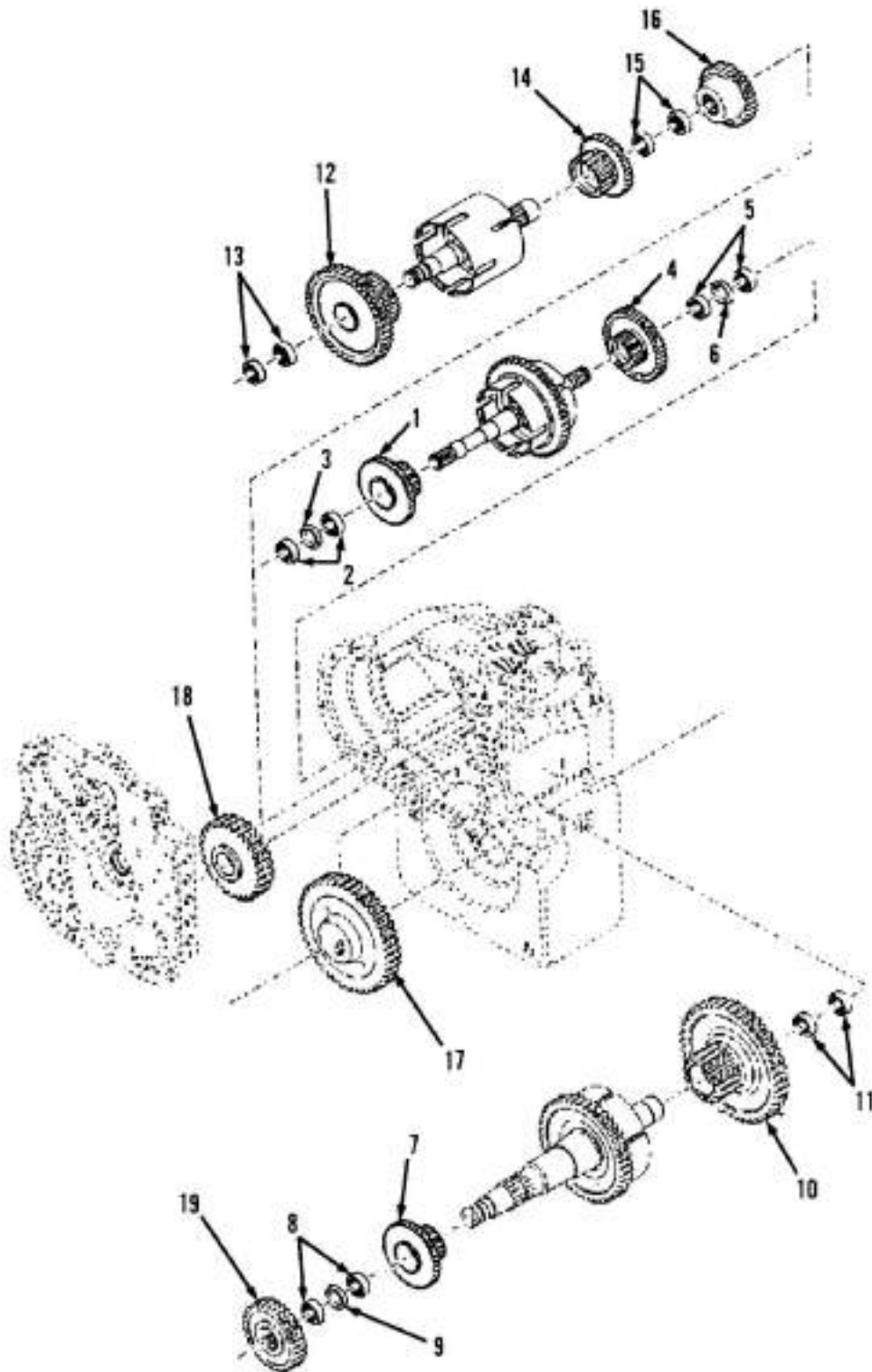
SECTION 4 - ENGINE AND ATTACHING PARTS

**FIGURE 4-26. DANA TRANSMISSION - TORQUE CONVERTER GROUP (Prior to SN 0160040675,
Excluding 0160040468 and 0160040672)**

ITEM	PART NUMBER	QTY	DESCRIPTION	REV
1	91474216	1	STATOR SUPPORT ASSY, (includes items 2 & 3)	
2	91474217	1	BUSHING	
3	91474218	1	BEARING	
4	91474219	1	RING	
5	91474220	1	EXPANDER	
6	91474221	2	SNAP RING	
7	10837072	1	OIL SEAL	
8	91474385	1	TORQUE CONVERTER ASSEMBLY	
9	90204781	1	PLUG	
10	77104039	1	O-RING	
11	77104041	1	SNAP RING	
12	91474224	1	GEAR	
13	8034968	2	SNAP RING	
14	91474226	1	WASHER	
15	10868235	1	BEARING	
16	91474228	1	RING	

SECTION 4 - ENGINE AND ATTACHING PARTS

FIGURE 4-27. DANA TRANSMISSION - GEAR GROUP (Prior to SN 0160040675, Excluding 0160040468 and 0160040672)



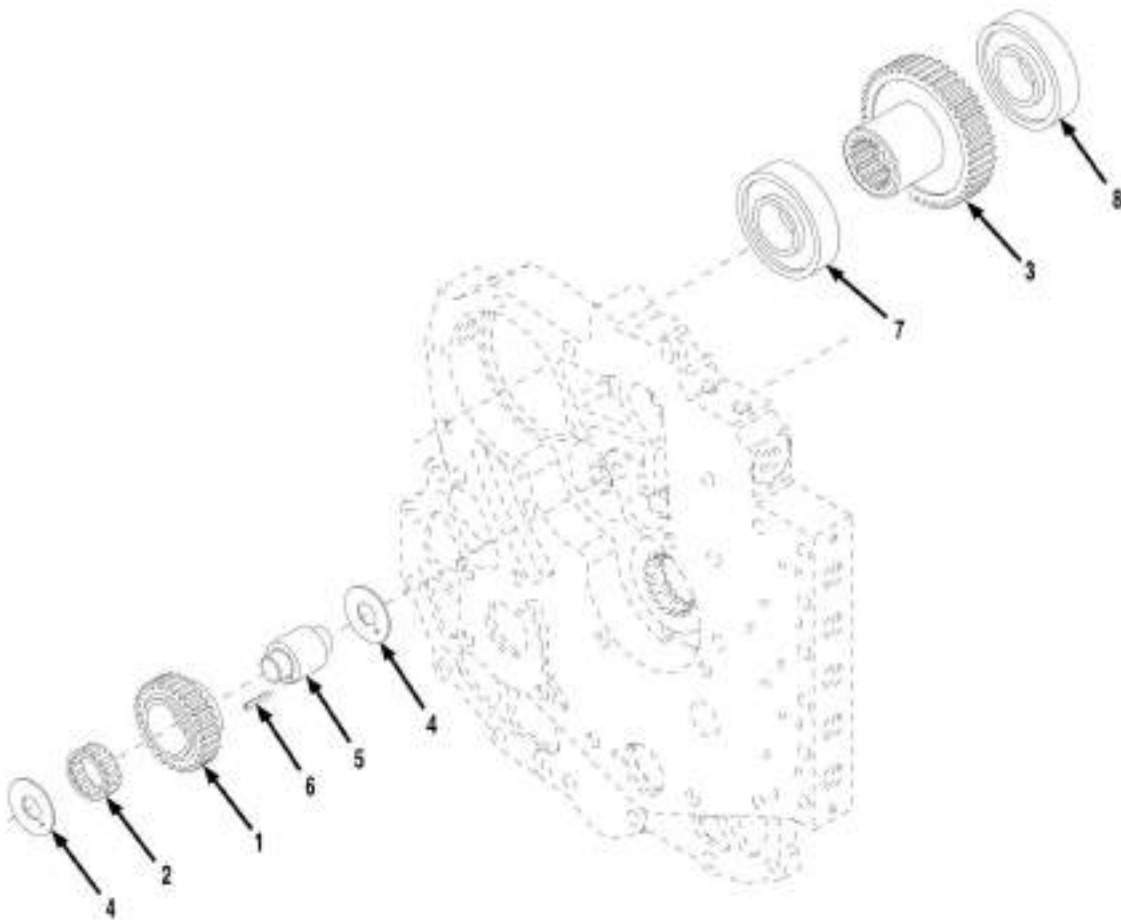
SECTION 4 - ENGINE AND ATTACHING PARTS

FIGURE 4-27. DANA TRANSMISSION - GEAR GROUP (Prior to SN 0160040675, Excluding 0160040468 and 0160040672)

ITEM	PART NUMBER	QTY	DESCRIPTION	REV
1	7028060	1	GEAR AND BEARING ASSY, (includes items 2 & 3)	
2	91474230	2	BEARING	
3	91474231	1	SPACER	
4	91474232	1	GEAR AND BEARING ASSY, (includes items 5 & 6)	
5	91474230	2	BEARING	
6	91474231	1	SPACER	
7	91474391	1	GEAR AND BEARING ASSY, (includes items 8 & 9)	
8	91474387	2	BEARING	
9	91474388	1	SPACER	
10	91474389	1	THIRD CLUTCH GEAR AND BEARING ASSY, (includes item 11)	
11	91474236	2	BEARING	
12	91474390	1	FIRST CLUTCH GEAR AND BEARING, (includes item 13)	
13	91474230	2	BEARING	
14	91474239	1	SECOND CLUTCH GEAR AND BEARING, (includes item 15)	
15	91474230	2	BEARING	
16	91474393	1	THIRD DRIVEN GEAR	
17	91474394	1	OUTPUT SHAFT GEAR	
18	91474395	1	REVERSE IDLER GEAR	
19	91474396	1	FIRST DRIVEN GEAR	

SECTION 4 - ENGINE AND ATTACHING PARTS

FIGURE 4-28. DANA TRANSMISSION - PUMP DRIVE GROUP (Prior to SN 0160040675, Excluding 0160040468 and 0160040672)



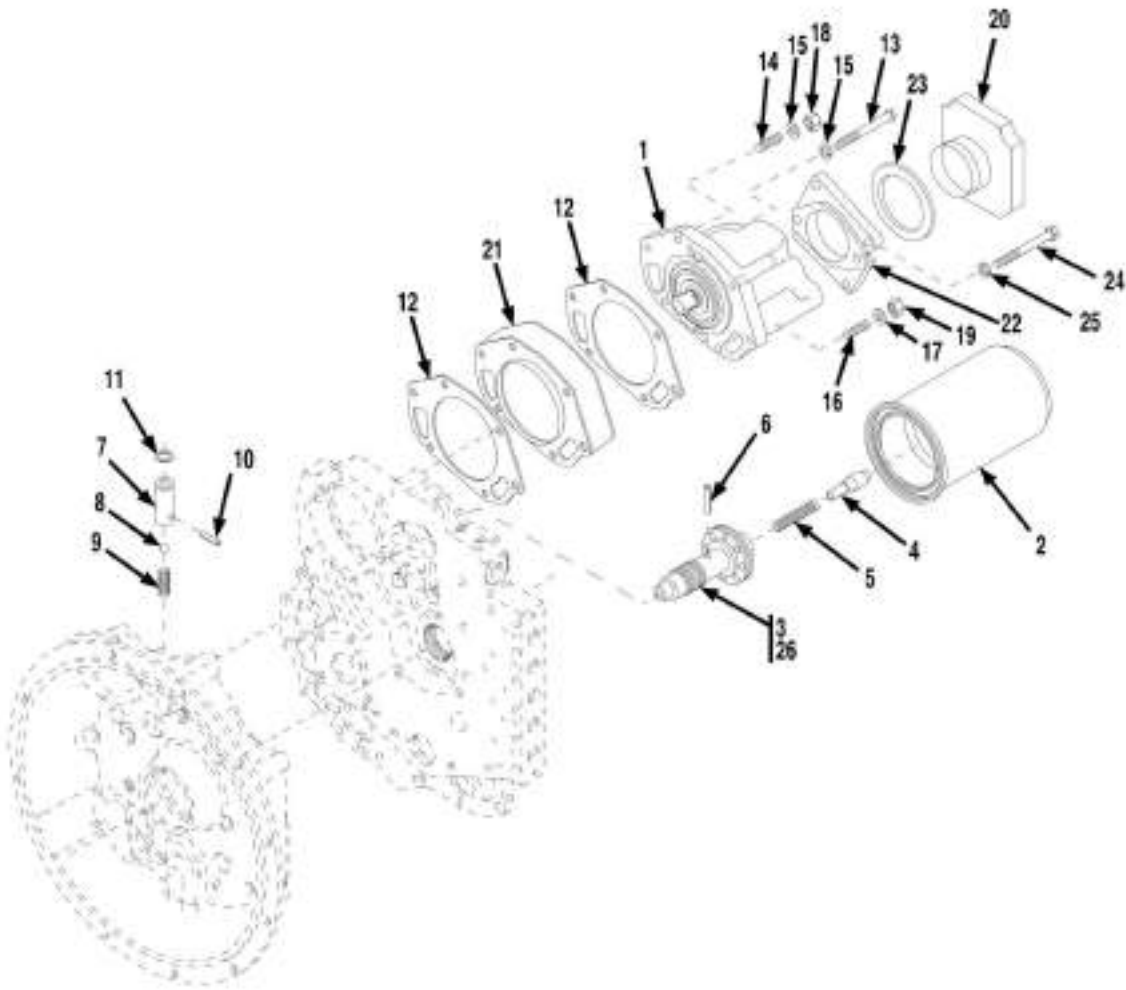
SECTION 4 - ENGINE AND ATTACHING PARTS

FIGURE 4-28. DANA TRANSMISSION - PUMP DRIVE GROUP (Prior to SN 0160040675, Excluding 0160040468 and 0160040672)

ITEM	PART NUMBER	QTY	DESCRIPTION	REV
1	91474241	1	PUMP DRIVE IDLER GEAR	
2	91474242	1	BEARING	
3	91474243	1	GEAR	
4	10868243	2	THRUST WASHER	
5	91474245	1	PUMP DRIVE SHAFT AND PIN ASSY, (includes item 6)	
6	10868248	1	PIN	
7	91474247	1	BEARING	
8	91474248	1	BEARING	

SECTION 4 - ENGINE AND ATTACHING PARTS

FIGURE 4-29. DANA TRANSMISSION - CHARGING PUMP GROUP (Prior to SN 0160040675, Excluding 0160040468 and 0160040672)



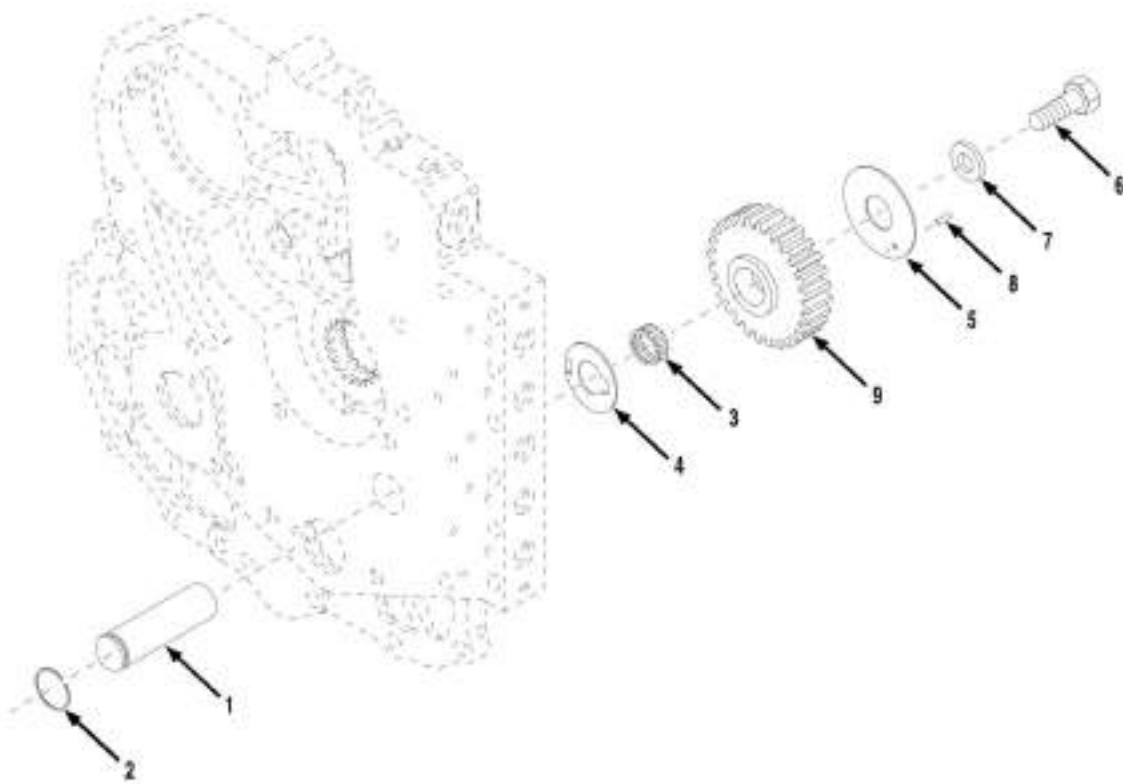
SECTION 4 - ENGINE AND ATTACHING PARTS

**FIGURE 4-29. DANA TRANSMISSION - CHARGING PUMP GROUP (Prior to SN 0160040675,
Excluding 0160040468 and 0160040672)**

ITEM	PART NUMBER	QTY	DESCRIPTION	REV
1	70020407	1	CHARGING PUMP ASSY	
1	70021830	1	O-RING, (located between two halves of charge pump)	
2	91474250	1	FILTER ASSY	
3	91474251	1	REGULATOR VALVE SLEEVE	
4	91474252	1	REGULATOR VALVE PISTON	
5	91474253	1	REGULATOR VALVE SPRING	
6	91474254	1	PIN	
7	91474255	1	BALL CHECK VALVE, (includes items 8 thru 11)	
8	91474256	1	BALL	
9	91474257	1	CHECK VALVE SPRING	
10	91474258	1	CHECK VALVE PIN	
11	91474259	1	O-RING	
12	10868254	2	CHARGING PUMP GASKET	
13	7028063	4	SCREW	
14	91474262	1	STUD	
15	91474263	5	LOCKWASHER	
16	91474264	1	STUD	
17	91474265	1	LOCKWASHER	
18	91474266	1	NUT	
19	91474274	1	NUT	
20	91474267	1	ADAPTOR	
21	91474268	1	ADAPTOR	
22	91474269	1	PLATE	
23	91474270	1	O-RING	
24	91474271	2	SCREW	
25	91474272	2	LOCKWASHER	
26	91474273	1	REGULATOR VALVE ASSY, (includes items 3 thru 6)	

SECTION 4 - ENGINE AND ATTACHING PARTS

FIGURE 4-30. DANA TRANSMISSION - REVERSE IDLER GROUP (Prior to SN 0160040675, Excluding 0160040468 and 0160040672)



SECTION 4 - ENGINE AND ATTACHING PARTS

FIGURE 4-30. DANA TRANSMISSION - REVERSE IDLER GROUP (Prior to SN 0160040675, Excluding 0160040468 and 0160040672)

ITEM	PART NUMBER	QTY	DESCRIPTION	REV
1	91474275	1	IDLER AND PILOT SHAFT	
2	91474276	1	SNAP RING	
3	91474277	1	BEARING	
4	91474278	1	THRUST WASHER	
5	91474279	1	END PLATE	
6	91474280	1	CAPSCREW	
7	91474281	1	WASHER	
8	91474282	1	ROLL PIN	
9		Ref	GEAR, (See DANA TRANSMISSION - GEAR GROUP for Breakdown)	

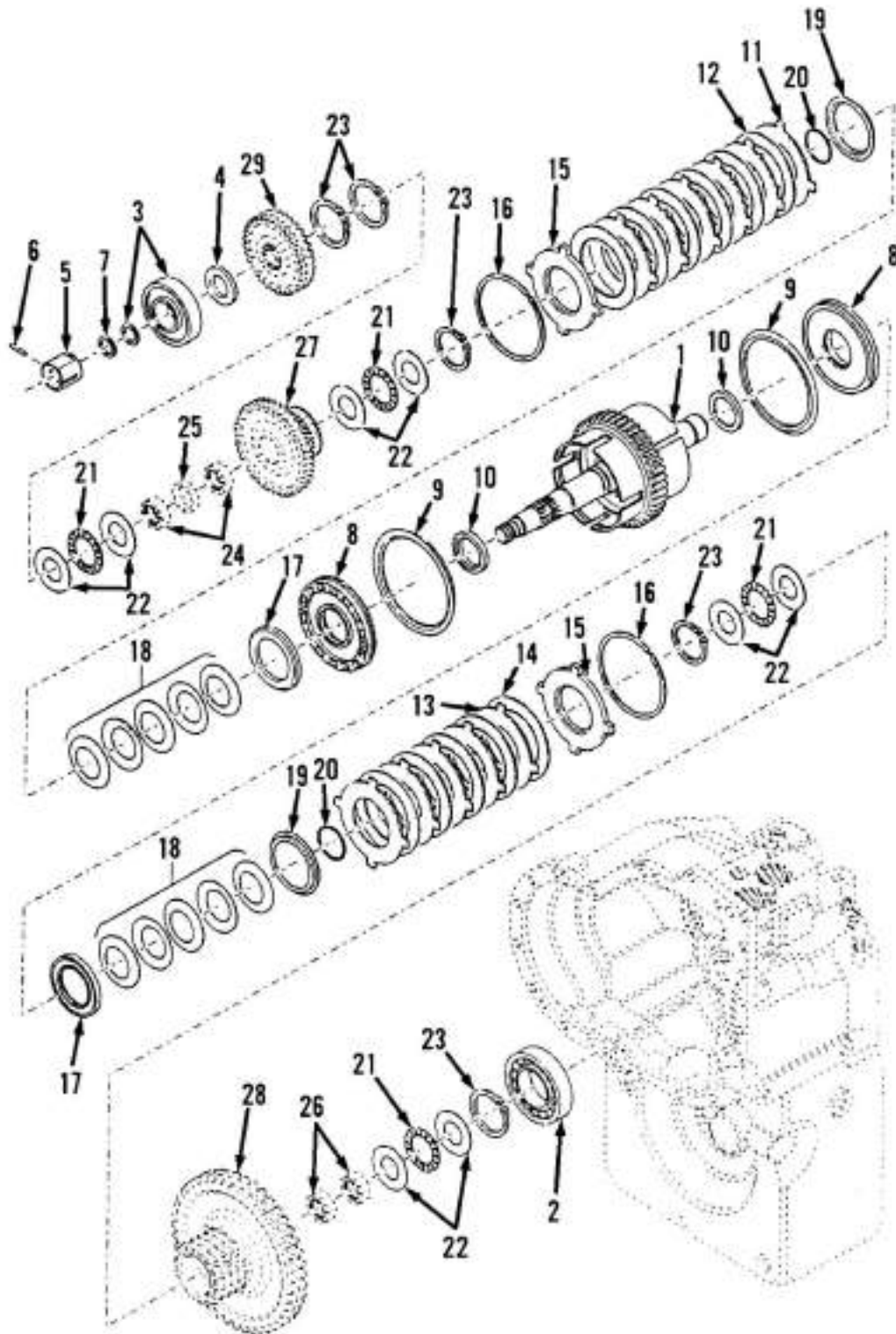
SECTION 4 - ENGINE AND ATTACHING PARTS

FIGURE 4-31. DANATRANSMISSION - FORWARD AND REVERSE SHAFT GROUP (Prior to SN 0160040675, Excluding 0160040468 and 0160040672)

ITEM	PART NUMBER	QTY	DESCRIPTION	REV
1	91474398	1	TURBINE SHAFT DRUM AND PLUG ASSY	
2	91474284	1	OIL DISTRIBUTOR SLEEVE	
3	91474285	1	RETAINER SCREW	
4	10837060	3	PISTON RING	
5	91474287	2	PISTON AND SEAL ASSY, (includes items 6 & 7)	
6	91474288	2	OUTER SEAL	
7	91474289	2	INNER SEAL	
8	91474290	2	END PLATE	
9	91474309	2	SNAP RING	
10	10868277	2	WEAR PLATE	
11	91474310	2	DISC SPRING ASSY	
12	91474294	2	SNAP RING	
13	91474295	2	SNAP RING	
14	91474296	12	OUTER DISC	
15	91474297	12	INNER DISC	
16	91474298	4	BEARING	
17	91474299	8	THRUST WASHER	
18	91474300	1	BEARING	
19		Ref	BEARING, (See DANA TRANSMISSION - GEAR GROUP for Breakdown)	
20		Ref	SPACER, (See DANA TRANSMISSION - GEAR GROUP for Breakdown)	
21		Ref	GEAR, (See DANA TRANSMISSION - GEAR GROUP for Breakdown)	
22		Ref	GEAR, (See DANA TRANSMISSION - GEAR GROUP for Breakdown)	

SECTION 4 - ENGINE AND ATTACHING PARTS

FIGURE 4-32. DANA TRANSMISSION - 3RD SHAFT GROUP (Prior to SN 0160040675, Excluding 0160040468 and 0160040672)



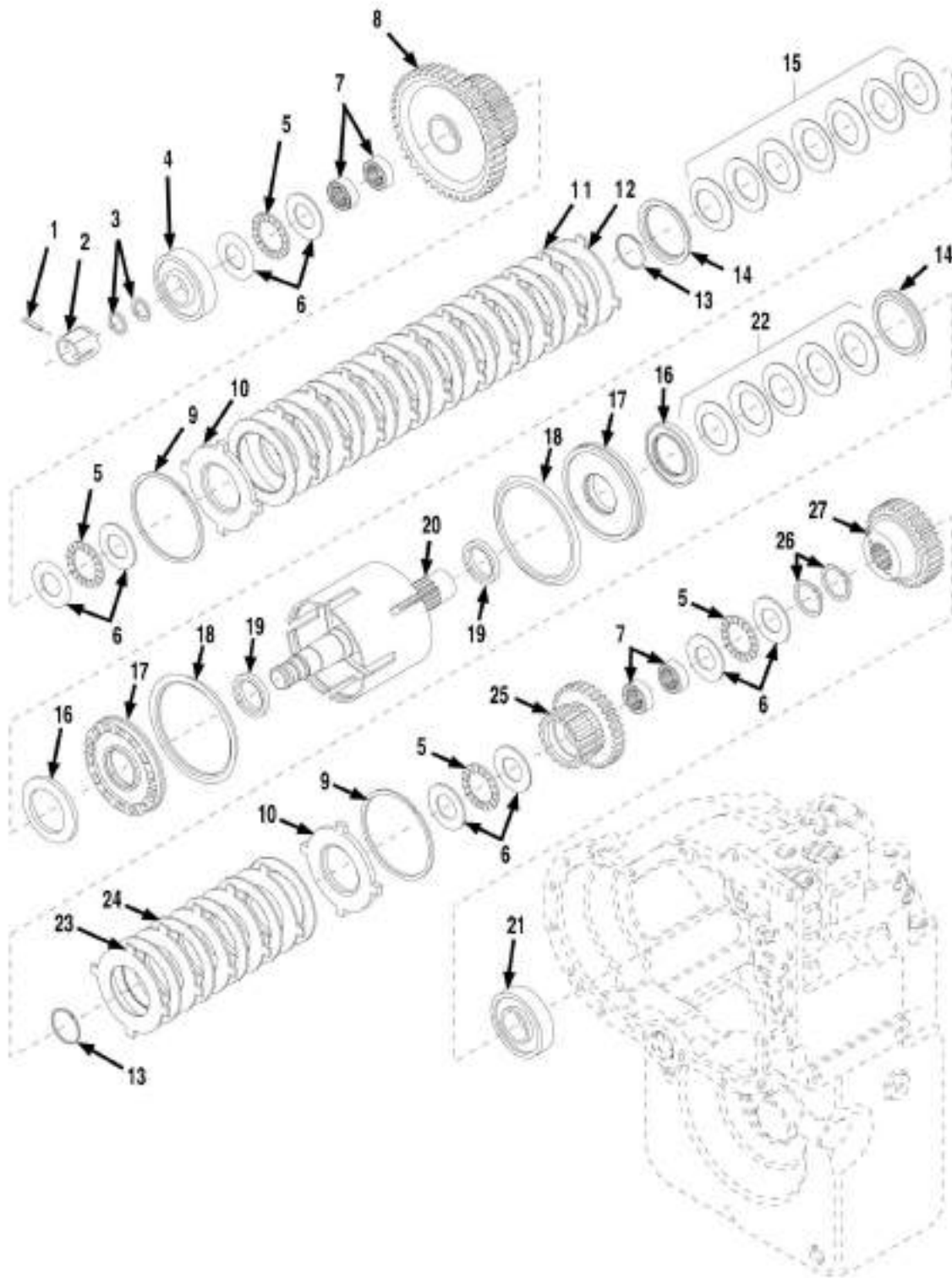
SECTION 4 - ENGINE AND ATTACHING PARTS

FIGURE 4-32. DANA TRANSMISSION - 3RD SHAFT GROUP (Prior to SN 0160040675, Excluding 0160040468 and 0160040672)

ITEM	PART NUMBER	QTY	DESCRIPTION	REV
1	91474399	1	SHAFT DRUM AND PLUG ASSY	
2	91474302	1	ROLLER BEARING	
3	91474303	1	BEARING AND SEAL ASSY	
4	91474304	1	WASHER	
5	10868284	1	OIL DISTRIBUTOR SLEEVE	
6	91474306	1	SLEEVE RETAINING SCREW	
7	10837060	2	PISTON RING	
8	91474307	2	PISTON AND SEAL ASSY, (includes items 9 & 10)	
9	91474288	2	OUTER SEAL	
10	91474289	2	INNER SEAL	
11	91474296	6	OUTER DISC	
12	91474297	6	INNER DISC	
13	91474296	5	OUTER DISC	
14	91474297	5	INNER DISC	
15	91474290	2	END PLATE	
16	91474309	2	SNAP RING	
17	10868277	2	WEAR PLATE	
18	91474310	2	DISC SPRING ASSY	
19	91474294	2	SNAP RING	
20	91474295	2	SNAP RING	
21	91474311	4	BEARING	
22	91474312	8	THRUST WASHER	
23	91474313	5	SNAP RING	
24		Ref	BEARING, (See DANA TRANSMISSION - GEAR GROUP for Breakdown)	
25		Ref	SPACER, (See DANA TRANSMISSION - GEAR GROUP for Breakdown)	
26		Ref	BEARING, (See DANA TRANSMISSION - GEAR GROUP for Breakdown)	
27		Ref	GEAR, (See DANA TRANSMISSION - GEAR GROUP for Breakdown)	
28		Ref	GEAR, (See DANA TRANSMISSION - GEAR GROUP for Breakdown)	
29		Ref	GEAR, (See DANA TRANSMISSION - GEAR GROUP for Breakdown)	

SECTION 4 - ENGINE AND ATTACHING PARTS

FIGURE 4-33. DANA TRANSMISSION - FIRST AND SECOND SHAFT GROUP (Prior to SN 0160040675, Excluding 0160040468 and 0160040672)



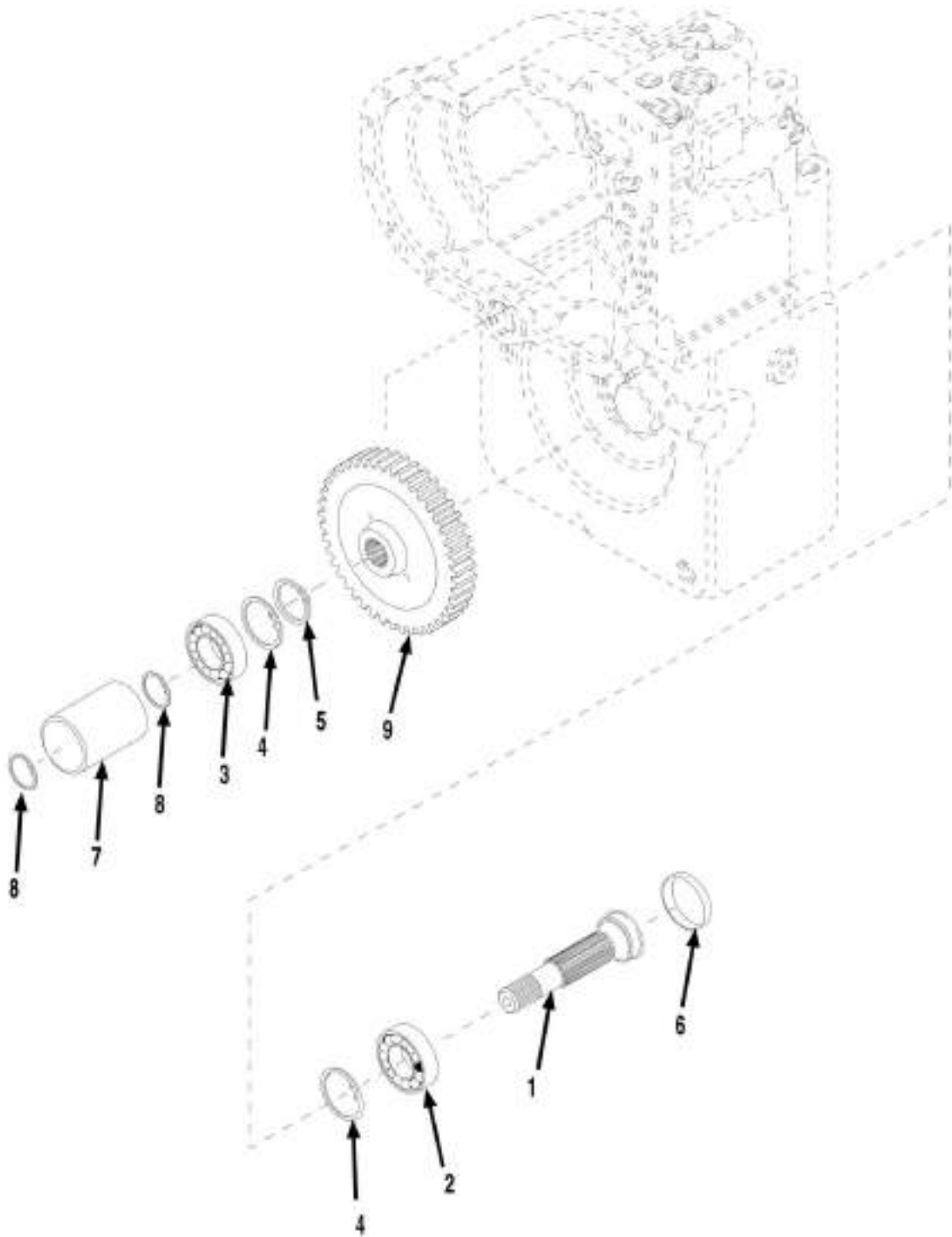
SECTION 4 - ENGINE AND ATTACHING PARTS

FIGURE 4-33. DANA TRANSMISSION - FIRST AND SECOND SHAFT GROUP (Prior to SN 0160040675, Excluding 0160040468 and 0160040672)

ITEM	PART NUMBER	QTY	DESCRIPTION	REV
1	91474306	1	SLEEVE RETAINING SCREW	
2	91474319	1	OIL DISTRIBUTOR SLEEVE	
3	10837060	2	PISTON RING	
4	91474303	1	BEARING AND SEAL ASSY	
5	91474298	4	BEARING	
6	91474299	8	THRUST WASHER	
7		Ref	BEARING, (See DANA TRANSMISSION - GEAR GROUP for Breakdown)	
8		Ref	GEAR, (See DANA TRANSMISSION - GEAR GROUP for Breakdown)	
9	91474309	2	SNAP RING	
10	91474308	2	END PLATE	
11	91474297	10	INNER DISC	
12	91474296	10	OUTER DISC	
13	91474295	2	SNAP RING	
14	91474294	2	SNAP RING	
15	91474317	1	DISC SPRING ASSY	
16	10868277	2	WEAR PLATE	
17	91474316	2	PISTON AND SEAL ASSY	
18	91474288	2	OUTER SEAL	
19	91474289	2	INNER SEAL	
20	91474314	1	SHAFT, DRUM, PLUG AND SEAT ASSY	
21	91474315	1	ROLLER BEARING	
22	91474310	1	DISC SPRING ASSY	
23	91474296	5	OUTER DISC	
24	91474297	5	INNER DISC	
25		Ref	GEAR, (See DANA TRANSMISSION - GEAR GROUP for Breakdown)	
26	91474318	2	SNAP RING	
27		Ref	GEAR, (See DANA TRANSMISSION - GEAR GROUP for Breakdown)	

SECTION 4 - ENGINE AND ATTACHING PARTS

FIGURE 4-34. DANA TRANSMISSION - OUTPUT SHAFT GROUP (Prior to SN 0160040675, Excluding 0160040468 and 0160040672)



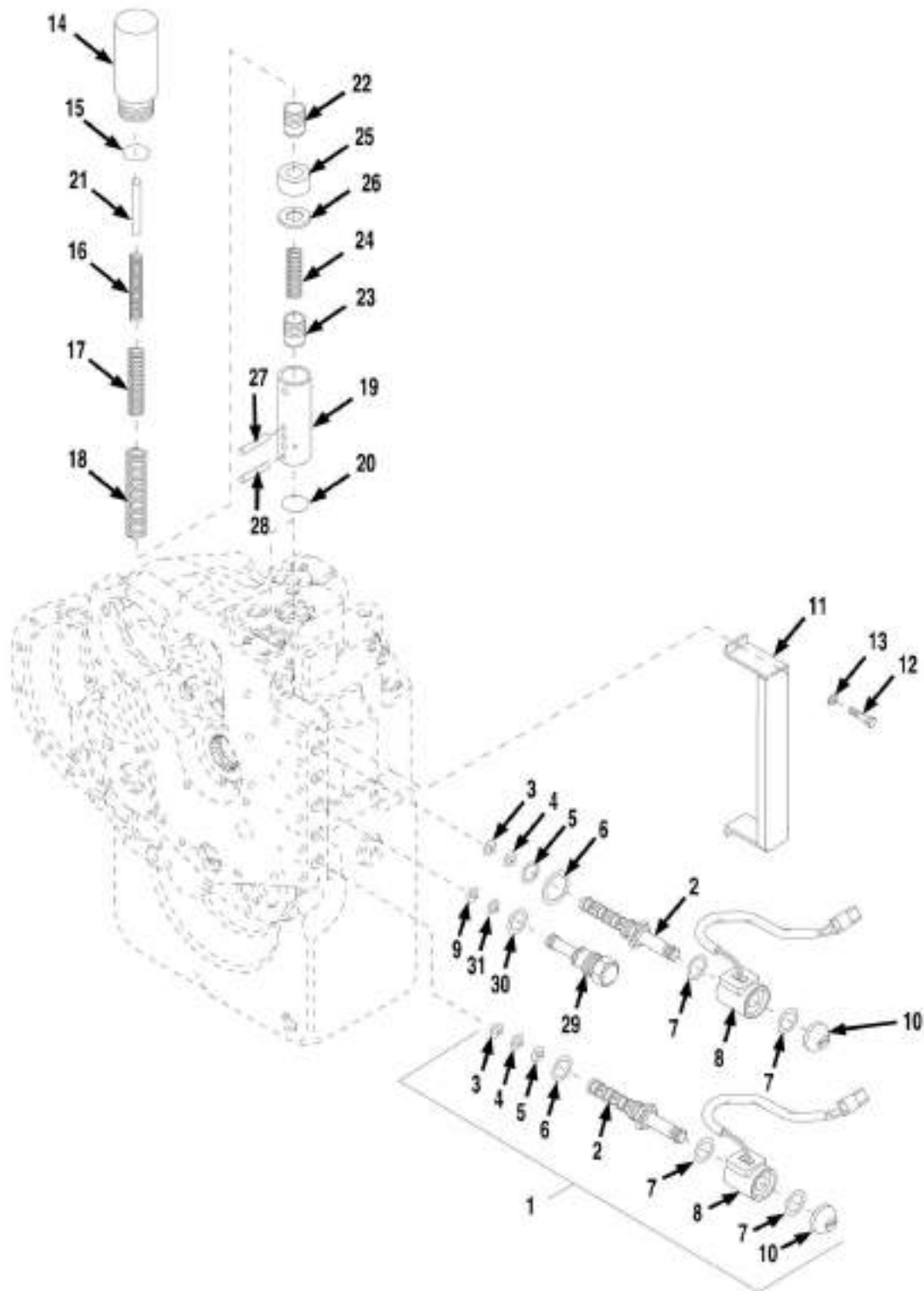
SECTION 4 - ENGINE AND ATTACHING PARTS

FIGURE 4-34. DANA TRANSMISSION - OUTPUT SHAFT GROUP (Prior to SN 0160040675, Excluding 0160040468 and 0160040672)

ITEM	PART NUMBER	QTY	DESCRIPTION	REV
1	91474320	1	OUTPUT SHAFT	
2	77104140	1	BEARING	
3	77104081	1	BEARING	
4	91474321	2	RETAINING RING	
5	91474322	1	RETAINING RING	
6	91474323	1	END PLUG	
7	91474324	1	DRIVE COUPLING	
8	91474313	2	SNAP RING	
9		Ref	GEAR, (See DANA TRANSMISSION - GEAR GROUP for Breakdown)	

SECTION 4 - ENGINE AND ATTACHING PARTS

FIGURE 4-35. DANA TRANSMISSION - ELECTRIC CONTROL GROUP (SN 0193001 through 0193007, SN 016000008 through 0160011036)



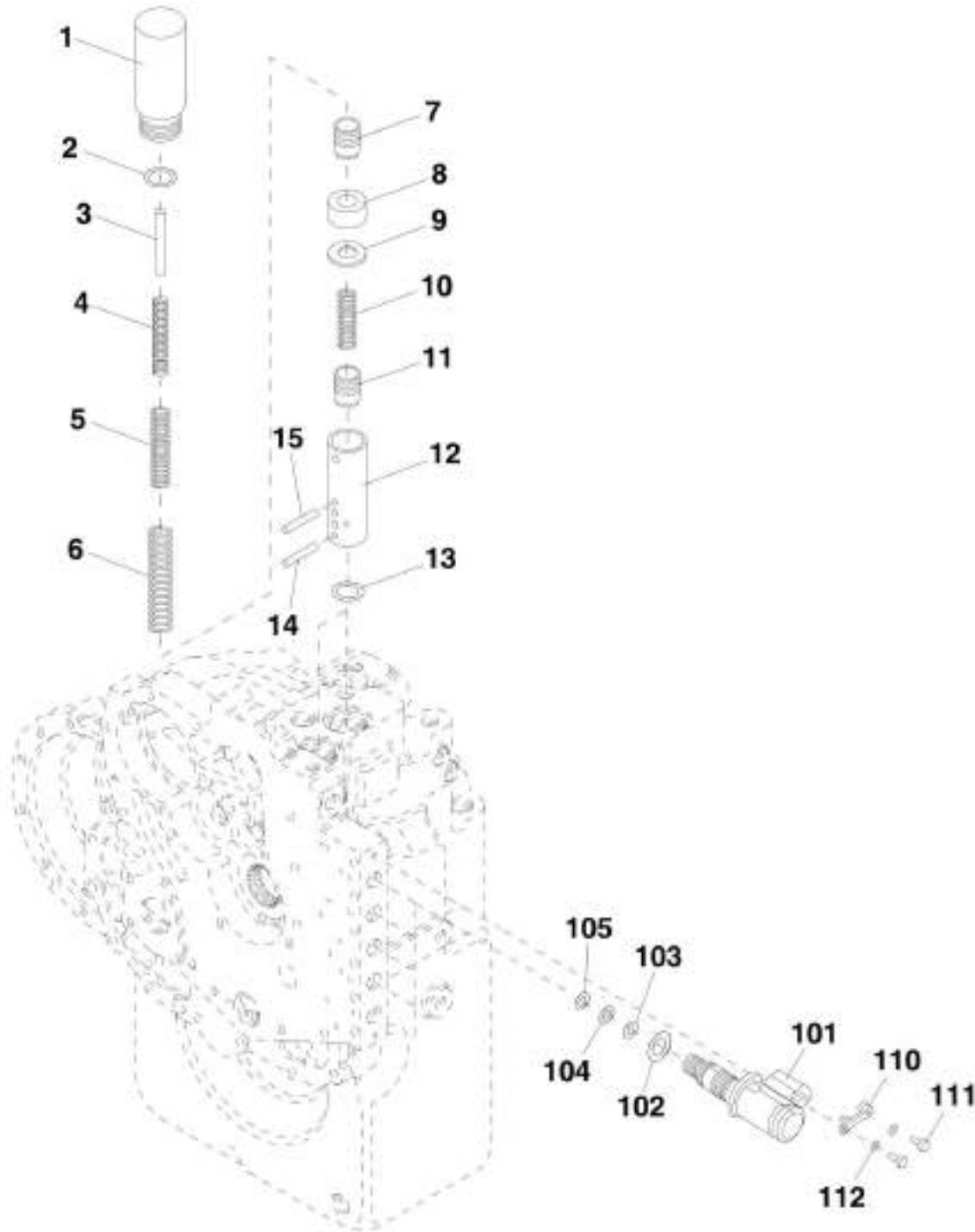
SECTION 4 - ENGINE AND ATTACHING PARTS

**FIGURE 4-35. DANA TRANSMISSION - ELECTRIC CONTROL GROUP (SN 0193001 through 0193007,
SN 016000008 through 0160011036)**

ITEM	PART NUMBER	QTY	DESCRIPTION	REV
1	91474325	4	SOLENOID ASSY, (includes items 2 thru 10)	
2	91474326	4	VALVE CARTRIDGE, (includes items 3 thru 6)	
3	8035081	4	O-RING	
4	91474328	4	O-RING	
5	10868329	4	O-RING	
6	91474330	4	O-RING	
7	91474331	8	O-RING	
8	91474332	4	SOLENOID COIL	
9	8035081	1	O-RING	
10	91474334	4	RETAINER NUT	
11	10868323	1	PROTECTIVE COVER	
12	91474336	2	SCREW	
13	8035075	2	LOCKWASHER	
14	91474338	2	HOUSING	
15	91474339	2	O-RING	
16	91474340	2	INNER SPRING	
17	91474341	2	MIDDLE SPRING	
18	91474342	2	OUTER SPRING	
19	91474343	2	SLEEVE	
20	91474344	2	O-RING	
21	91474345	2	PIN	
22	91474346	2	SPOOL	
23	91474347	2	SPOOL	
24	91474348	2	SPRING	
25	91474349	2	SPRING RETAINER	
26	91474350	2	SPRING SPACER	
27	91474351	2	UPPER PIN	
28	91474352	2	LOWER PIN	
29	91474353	1	PLUG	
30	91474330	1	O-RING	
31	10868329	1	O-RING	

SECTION 4 - ENGINE AND ATTACHING PARTS

FIGURE 4-36. DANA TRANSMISSION - ELECTRIC CONTROL GROUP (SN 0160011061 through 0160040675, Excluding 0160040468 and 0160040672)



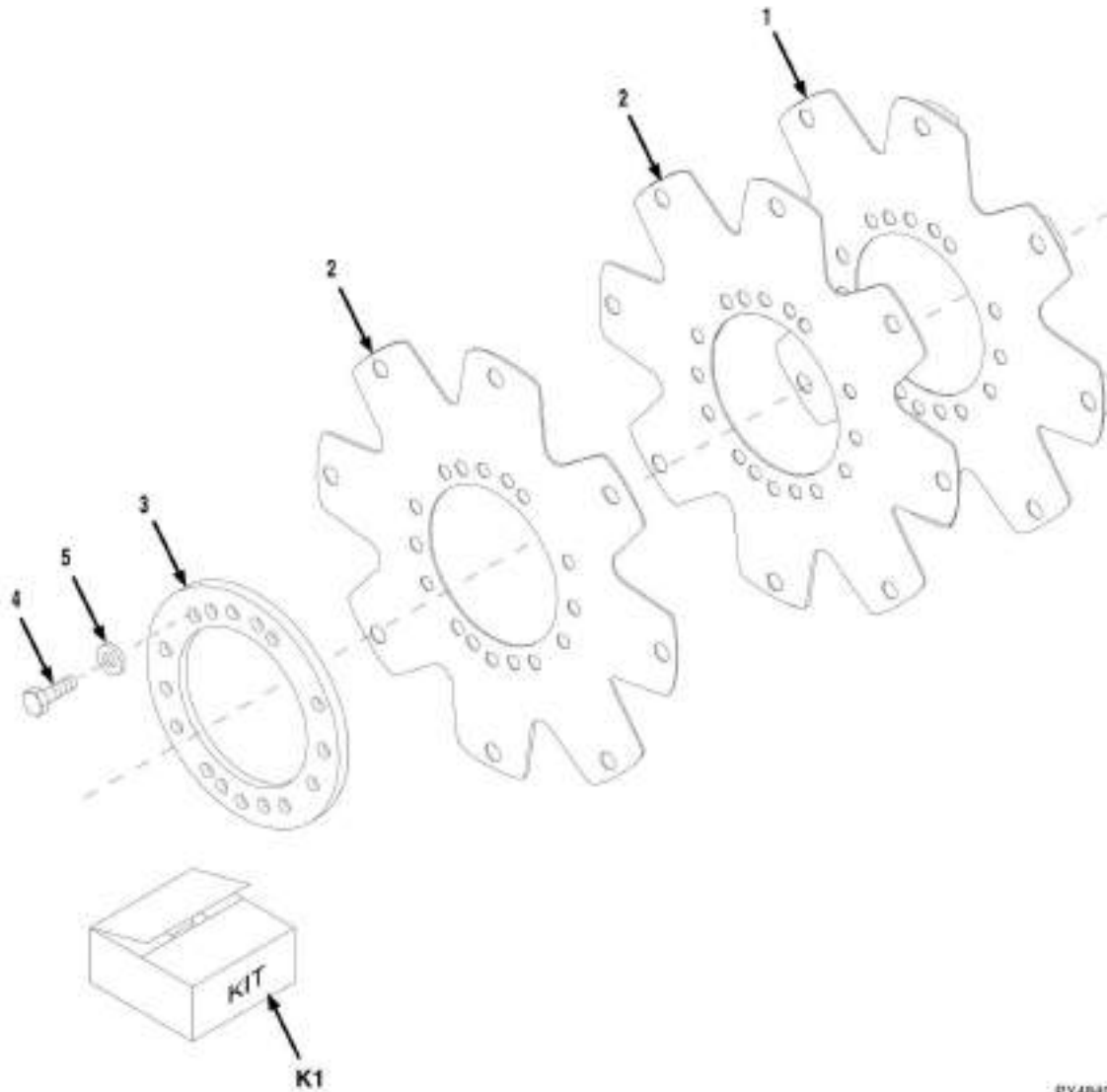
SECTION 4 - ENGINE AND ATTACHING PARTS

FIGURE 4-36. DANA TRANSMISSION - ELECTRIC CONTROL GROUP (SN 0160011061 through 0160040675, Excluding 0160040468 and 0160040672)

ITEM	PART NUMBER	QTY	DESCRIPTION	REV
1	91474338	2	HOUSING	
2	91474339	2	O-RING	
3	91474345	2	PIN	
4	91474340	2	INNER SPRING	
5	91474341	2	MIDDLE SPRING	
6	91474342	2	OUTER SPRING	
7	91474346	2	SPOOL	
8	91474349	2	SPRING RETAINER	
9	91474350	2	SPRING SPACER	
10	91474348	2	SPRING	
11	91474347	2	SPOOL	
12	91474343	2	SLEEVE	
13	91474344	2	O-RING	
14	91474352	2	LOWER PIN	
15	91474351	2	UPPER PIN	
101	91514287	5	DROP IN WITH AMP, SOLENOID ASSY, (includes items 102 thru 105)	
102	91514288	5	O-RING	
103	91514289	5	O-RING	
104	91514290	5	O-RING	
105	91514291	5	O-RING	
110	91514292	6	SOLENOID CLAMP	
111	91514293	12	CAPSCREW	
112	91514294	12	PLAIN WASHER	

SECTION 4 - ENGINE AND ATTACHING PARTS

FIGURE 4-37. DANA TRANSMISSION - DRIVE PLATE GROUP (Prior to SN 0160040675, Excluding 0160040468 and 0160040672)



PY4840

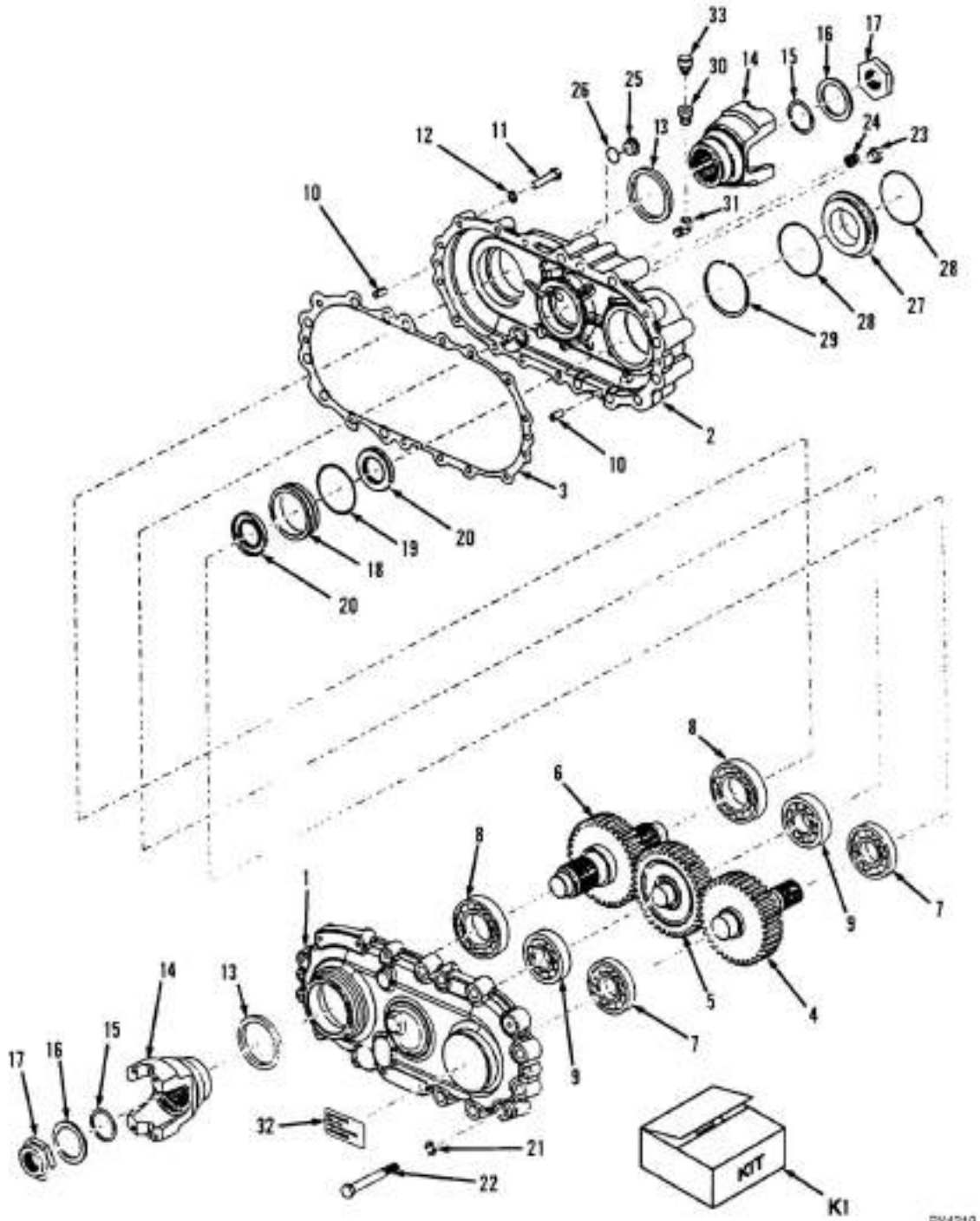
SECTION 4 - ENGINE AND ATTACHING PARTS

FIGURE 4-37. DANA TRANSMISSION - DRIVE PLATE GROUP (Prior to SN 0160040675, Excluding 0160040468 and 0160040672)

ITEM	PART NUMBER	QTY	DESCRIPTION	REV
1	Kit	1	DRIVE PLATE ASSY	
2	Kit	1	DRIVE PLATE	
3	77104044	1	RING	
4	91474356	6	SCREW	
5	77104007	6	LOCKWASHER	
K1	10837075	1	DRIVE PLATE KIT, (includes items 1 thru 5)	

SECTION 4 - ENGINE AND ATTACHING PARTS

FIGURE 4-38. DANA TRANSMISSION - DROP BOX GROUP (Prior to SN 0160040675, Excluding 0160040468 and 0160040672)



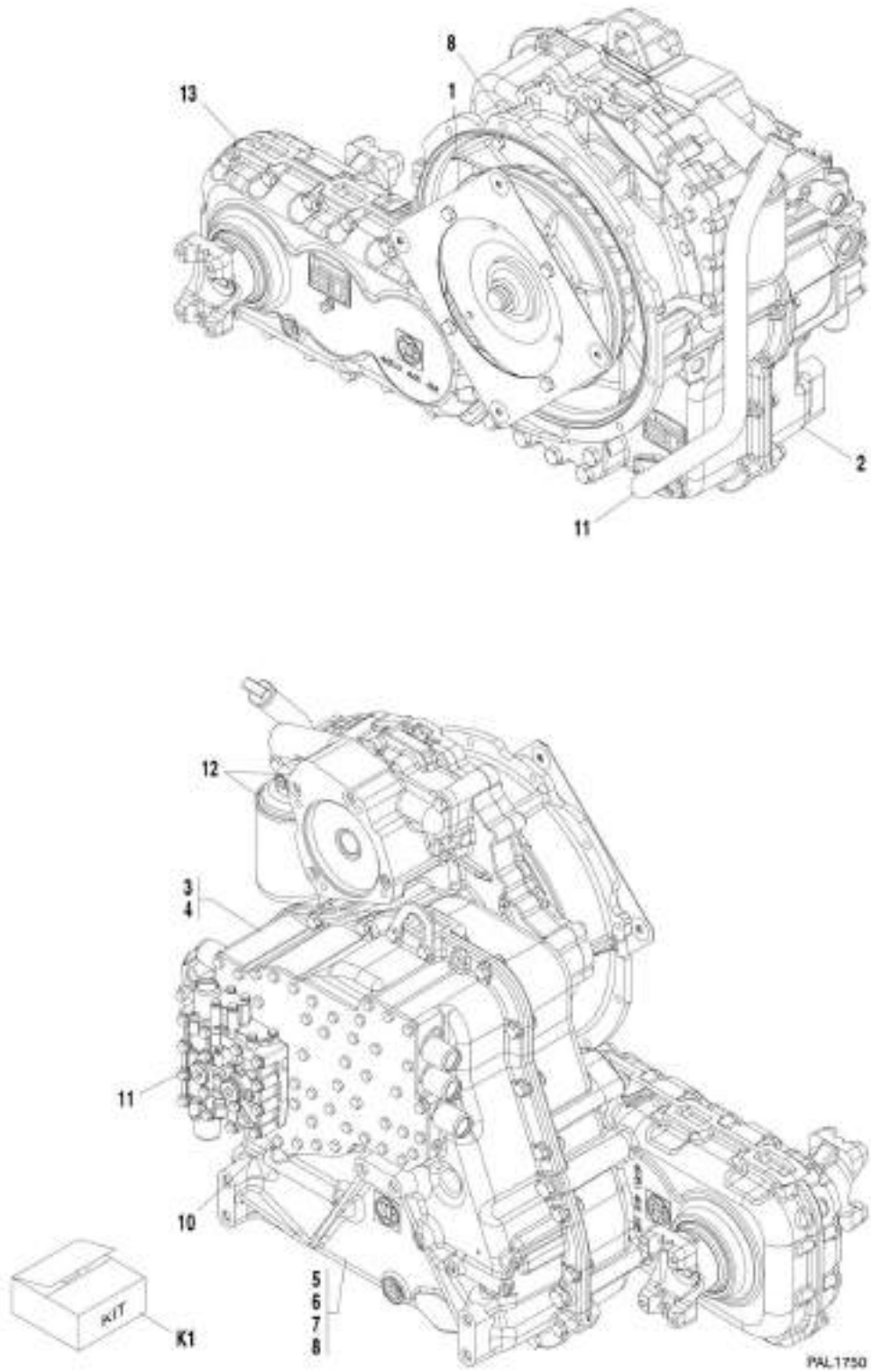
SECTION 4 - ENGINE AND ATTACHING PARTS

FIGURE 4-38. DANA TRANSMISSION - DROP BOX GROUP (Prior to SN 0160040675, Excluding 0160040468 and 0160040672)

ITEM	PART NUMBER	QTY	DESCRIPTION	REV
	91474627	1	DROP BOX, (includes all items)	
1	91474358	1	REAR COVER	
2	91474359	1	FRONT COVER	
3	Kit	1	GASKET	
4	91474361	1	INPUT SHAFT	
5	91474362	1	IDLER GEAR	
6	91474363	1	OUTPUT SHAFT	
7	91474364	2	BEARING	
8	91474365	2	BEARING	
9	91474366	2	BEARING	
10	91474200	2	PIN	
11	91474209	10	SCREW	
12	91474265	10	LOCKWASHER	
13	Kit	2	SEAL	
14	91474368	2	FLANGE	
15	Kit	1	O-RING	
16	91474370	2	WASHER	
17	91474371	2	NUT	
18	91474372	1	SLEEVE	
19	Kit	1	O-RING	
20	Kit	2	SEAL	
21	91474375	8	LOCKWASHER	
22	91474376	8	SCREW	
23	91474377	1	OIL LEVEL GLASS	
24	8007824	1	MAGNETIC DRAIN PLUG	
25	91474623	1	PLUG, (includes item 26)	
26	91474380	1	O-RING	
27	91474381	1	SLEEVE	
28	Kit	2	O-RING	
29	91474321	1	RETAINING RING	
30	91474600	1	ADAPTER	
31	91474383	1	FITTING	
32	N.S.S.	1	STICKER	
33	91474601	1	BREATHER	
K1	7028109	1	3-SHAFT DROP BOX GASKET AND SEAL KIT, (includes items 3, 13, 15, 19, 20 & 28)	

SECTION 4 - ENGINE AND ATTACHING PARTS

FIGURE 4-39. ZF TRANSMISSION (SN 0160040675 to Present, Including 0160040468 and 0160040672)



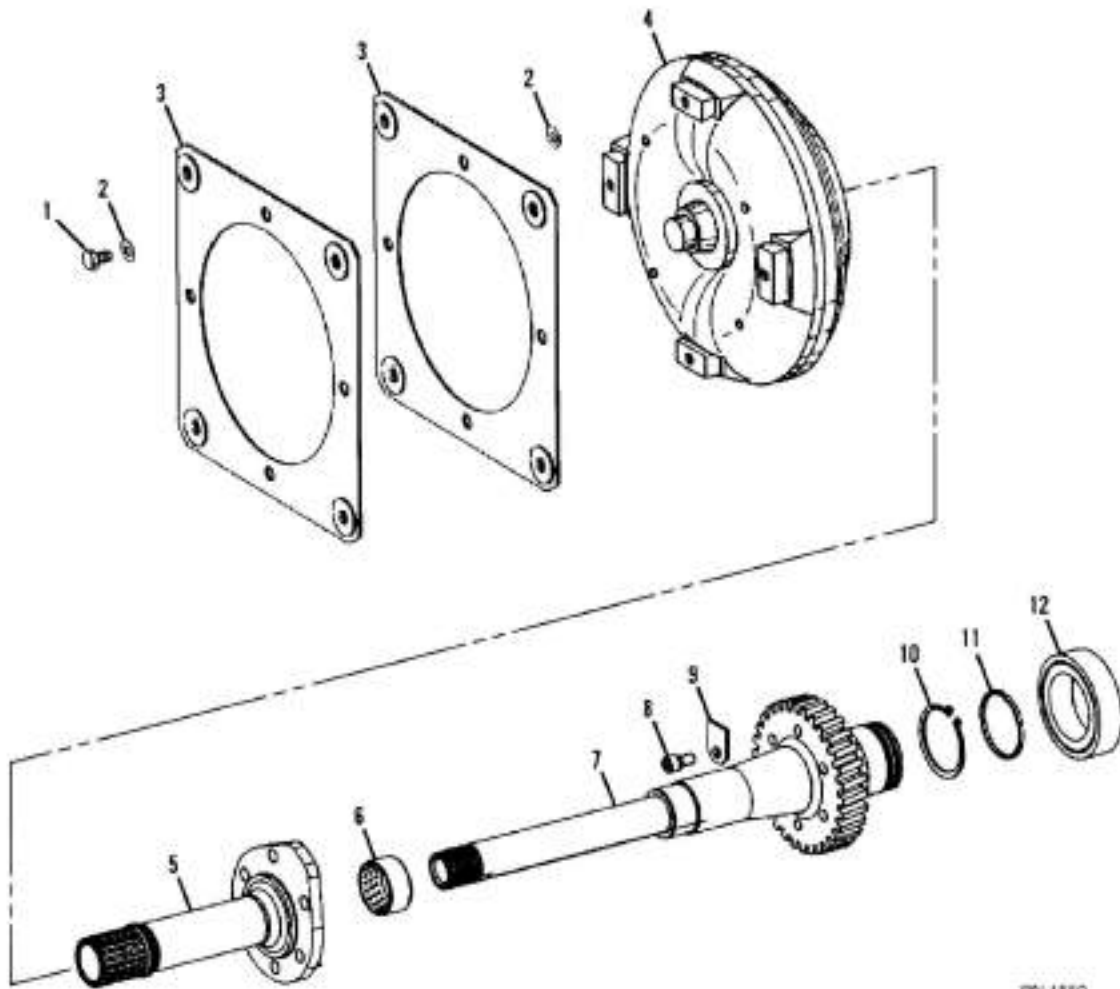
SECTION 4 - ENGINE AND ATTACHING PARTS

FIGURE 4-39. ZF TRANSMISSION (SN 0160040675 to Present, Including 0160040468 and 0160040672)

ITEM	PART NUMBER	QTY	DESCRIPTION	REV
	4540020	1	ZF TRANSMISSION, (includes all items)	C
1		Ref	TORQUE CONVERTER AND INPUT, (See ZF TRANSMISSION - TRANSMISSION CONVERTER AND INPUT for Breakdown)	
2		Ref	GEARBOX HOUSING, (See ZF TRANSMISSION - GEARBOX HOUSING for Breakdown)	
3		Ref	FORWARD GEAR GROUP, (See ZF TRANSMISSION - REVERSING GEAR for Breakdown)	
4		Ref	REVERSE GEAR GROUP, (See ZF TRANSMISSION - REVERSE GEAR GROUP for Breakdown)	
5		Ref	1ST SHAFT GROUP, (See ZF TRANSMISSION - 1ST SHAFT GROUP for Breakdown)	
6		Ref	2ND SHAFT GROUP, (See ZF TRANSMISSION - 2ND SHAFT GROUP for Breakdown)	
7		Ref	3RD SHAFT GROUP, (See ZF TRANSMISSION - 3RD SHAFT GROUP for Breakdown)	
8		Ref	4TH SHAFT GROUP, (See ZF TRANSMISSION - 4TH SHAFT GROUP for Breakdown)	
9		Ref	POWER TAKE-OFF, (not shown), (See ZF TRANSMISSION - POWER TAKE-OFF for Breakdown)	
10		Ref	CONTROL UNIT AND PRESSURE REGULATOR, (See ZF TRANSMISSION - CONTROL UNIT AND PRESSURE REGULATOR for Breakdown)	
11		Ref	GEARSHIFT SYSTEM, (See ZF TRANSMISSION - GEARSHIFT SYSTEM for Breakdown)	
12		Ref	OIL PUMP, FILTER AND DIPSTICK, (See ZF TRANSMISSION - OIL PUMP, FILTER AND DIPSTICK for Breakdown)	
13		Ref	TRANSFER BOX, (See ZF TRANSMISSION - TRANSFER BOX for Breakdown)	
K1	7026797	1	SEAL KIT, (includes all seals required for rebuild)	

SECTION 4 - ENGINE AND ATTACHING PARTS

FIGURE 4-40. ZF TRANSMISSION - TRANSMISSION CONVERTER AND INPUT (SN 0160040675 to Present, Including 0160040468 and 0160040672)



PRL1590

SECTION 4 - ENGINE AND ATTACHING PARTS

FIGURE 4-40. ZF TRANSMISSION - TRANSMISSION CONVERTER AND INPUT (SN 0160040675 to Present, Including 0160040468 and 0160040672)

ITEM	PART NUMBER	QTY	DESCRIPTION	REV
1	7026744	4	HEX HD CAPSCREW, M10X16, GR8.8	
2	7026745	8	WASHER	
3	1319229	2	DIAPHRAGM	
4	7026746	1	CONVERTER	
5	7026748	1	STATOR SHAFT	
6	1319558	1	BEARING BUSHING	
7	7026747	1	TURBINE SHAFT	
8	N.S.S.	2	CAPSCREW, M8X16, GR8.8	
9	N.S.S.	2	SHACKLE	
10	80304405	1	RETAINING RING	
11	7026749	1	PISTON RING	
12	1319563	1	BALL BEARING	

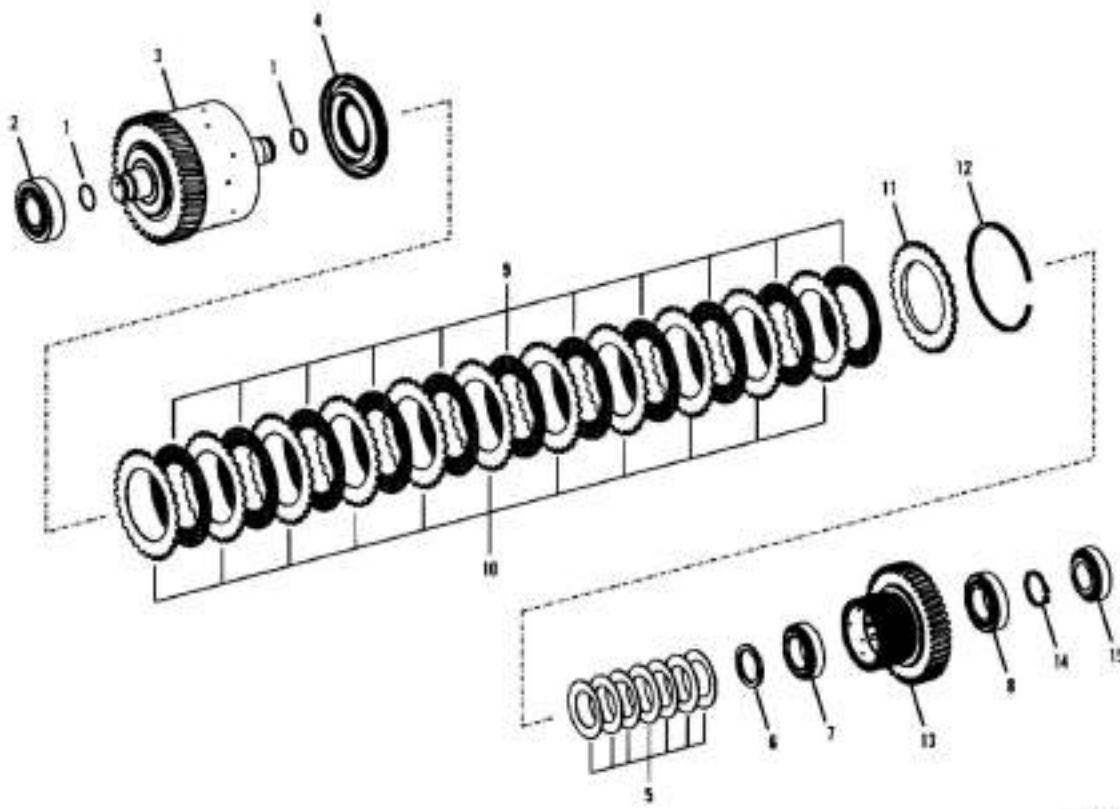
SECTION 4 - ENGINE AND ATTACHING PARTS

FIGURE 4-41. ZF TRANSMISSION - GEARBOX HOUSING (SN 0160040675 to Present, Including 0160040468 and 0160040672)

ITEM	PART NUMBER	QTY	DESCRIPTION	REV
1	7026751	1	PIPE	
2	1319585	11	HEX HD CAPSCREW, M8X16, GR8.8	
3	8036847	8	O-RING	
4	7026750	1	PIPE	
5	7026752	1	PIPE	
6	1319670	7	PLUG	
7	80304327	7	O-RING	
8	N.S.S.	1	ORIFICE	
9	N.S.S.	1	HOUSING	
10	1319590	1	BRACKET	
11	N.S.S.	6	HEX HD CAPSCREW, M10X50, GR8.8	
12	N.S.S.	1	PLUG	
13	1319571	4	PIN	
14	80304394	31	HEX HD CAPSCREW, M10X30, GR8.8	
15	1319646	5	HEX HD CAPSCREW	
16	7026756	1	SCREEN SHEET	
17	7026755	1	SCREEN SHEET	
18	N.S.S.	3	CAPSCREW, M8X12, GR8.8	
19	7026753	1	SUCTION TUBE	
20	1319581	2	O-RING	
21	7026754	1	PIPE	
22	N.S.S.	1	HOUSING	
23	N.S.S.	2	O-RING	
24	N.S.S.	1	HOUSING	
25	N.S.S.	6	CAPSCREW, M10X30, GR8.8	
26	10731744	1	BREATHER	
27	N.S.S.	4	GROOVED STUD, 3X5	
28	N.S.S.	1	TYPE PLATE	
29	1319641	1	SHAFT SEAL	

SECTION 4 - ENGINE AND ATTACHING PARTS

FIGURE 4-42. ZF TRANSMISSION - REVERSING GEAR (SN 0160040675 to Present, Including 0160040468 and 0160040672)



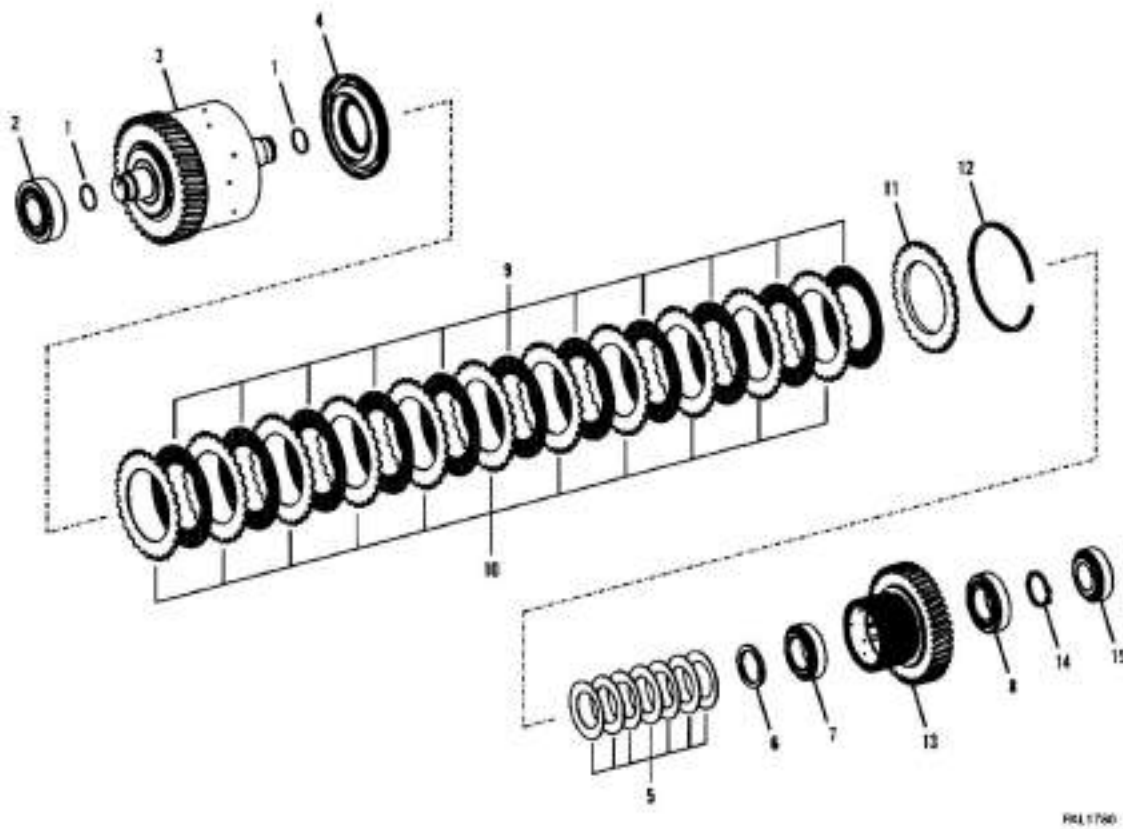
SECTION 4 - ENGINE AND ATTACHING PARTS

FIGURE 4-42. ZF TRANSMISSION - REVERSING GEAR (SN 0160040675 to Present, Including 0160040468 and 0160040672)

ITEM	PART NUMBER	QTY	DESCRIPTION	REV
1	7026761	2	PISTON RING	
2	1319615	1	ROLLER BEARING	
3	7026757	1	COUPLING	
4	8036575	1	PISTON	
5	1319595	7	CUP SPRING	
6	1319617	1	SUPPORT SHIM	
7	1319618	1	ROLLER BEARING	
8	1319620	1	ROLLER BEARING	
9	7026758	11	FRICTION DISC	
10	7026759	11	STATIC DISC	
11	7026760	1	END SHIM	
12	1319600	AR	SNAP RING, 4.0	
12	7029850	AR	SNAP RING, 3.75	
12	1319601	AR	SNAP RING, 3.5	
12	7029849	AR	SNAP RING, 3.25	
12	1319602	AR	SNAP RING, 3.0	
12	7029852	AR	SNAP RING, 2.75	
12	1319603	AR	SNAP RING, 2.5	
12	7029851	AR	SNAP RING, 2.25	
12	1319604	AR	SNAP RING, 2.0	
13	1319638	1	DISC CARRIER	
14	1319621	AR	RETAINING RING, 3.20	
14	1319622	AR	RETAINING RING, 3.10	
14	1319623	AR	RETAINING RING, 3.00	
14	1319624	AR	RETAINING RING, 2.90	
14	1319625	AR	RETAINING RING, 2.80	
14	1319626	AR	RETAINING RING, 2.70	
14	1319627	AR	RETAINING RING, 2.60	
14	1319628	AR	RETAINING RING, 2.50	
14	1319629	AR	RETAINING RING, 2.40	
14	1319630	AR	RETAINING RING, 2.30	
14	1319631	AR	RETAINING RING, 2.20	
14	1319632	AR	RETAINING RING, 2.10	
15	1319636	1	ROLLER BEARING	

SECTION 4 - ENGINE AND ATTACHING PARTS

FIGURE 4-43. ZF TRANSMISSION - REVERSE GEAR GROUP (SN 0160040675 to Present, Including 0160040468 and 0160040672)



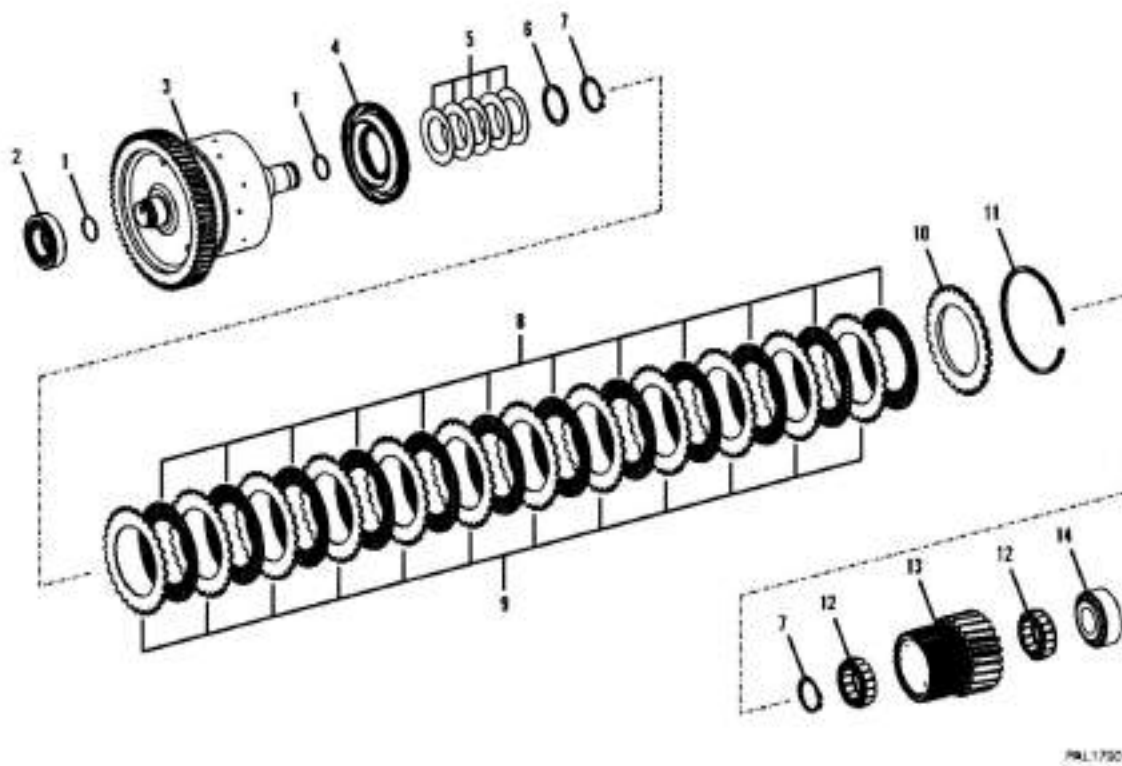
SECTION 4 - ENGINE AND ATTACHING PARTS

FIGURE 4-43. ZF TRANSMISSION - REVERSE GEAR GROUP (SN 0160040675 to Present, Including 0160040468 and 0160040672)

ITEM	PART NUMBER	QTY	DESCRIPTION	REV
1	7026761	2	PISTON RING	
2	1319615	1	ROLLER BEARING	
3	7026762	1	COUPLING	
4	8036575	1	PISTON	
5	1319595	7	CUP SPRING	
6	1319617	1	SUPPORT SHIM	
7	1319618	1	ROLLER BEARING	
8	7026758	11	FRICTION DISC	
9	7026759	11	STATIC DISC	
10	7026760	1	END SHIM	
11	1319600	AR	SNAP RING, 4.0	
11	7029850	AR	SNAP RING, 3.75	
11	1319601	AR	SNAP RING, 3.5	
11	7029849	AR	SNAP RING, 3.25	
11	1319602	AR	SNAP RING, 3.0	
11	7029852	AR	SNAP RING, 2.75	
11	1319603	AR	SNAP RING, 2.5	
11	7029851	AR	SNAP RING, 2.25	
11	1319604	AR	SNAP RING, 2.0	
12	1319638	1	DISC CARRIER	
13	1319620	1	ROLLER BEARING	
14	1319621	AR	RETAINING RING, 3.20	
14	1319622	AR	RETAINING RING, 3.10	
14	1319623	AR	RETAINING RING, 3.00	
14	1319624	AR	RETAINING RING, 2.90	
14	1319625	AR	RETAINING RING, 2.80	
14	1319626	AR	RETAINING RING, 2.70	
14	1319627	AR	RETAINING RING, 2.60	
14	1319628	AR	RETAINING RING, 2.50	
14	1319629	AR	RETAINING RING, 2.40	
14	1319630	AR	RETAINING RING, 2.30	
14	1319631	AR	RETAINING RING, 2.20	
14	1319632	AR	RETAINING RING, 2.10	
15	1319636	1	ROLLER BEARING	

SECTION 4 - ENGINE AND ATTACHING PARTS

FIGURE 4-44. ZF TRANSMISSION - 1ST SHAFT GROUP (SN 0160040675 to Present, Including 0160040468 and 0160040672)



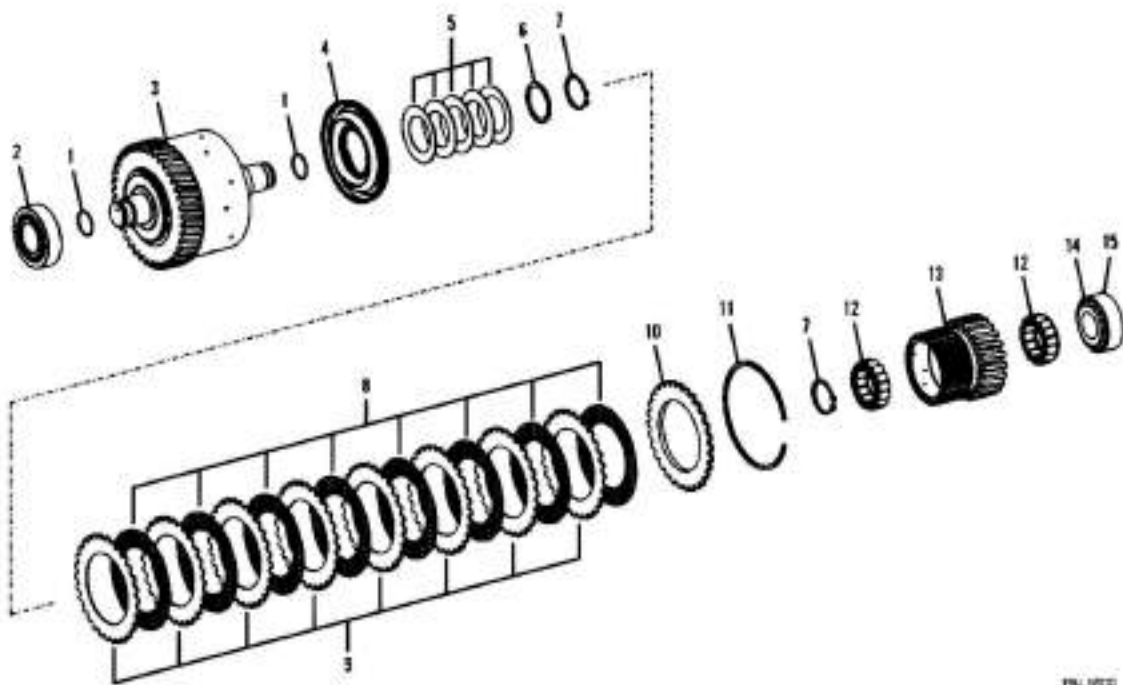
SECTION 4 - ENGINE AND ATTACHING PARTS

FIGURE 4-44. ZF TRANSMISSION - 1ST SHAFT GROUP (SN 0160040675 to Present, Including 0160040468 and 0160040672)

ITEM	PART NUMBER	QTY	DESCRIPTION	REV
1	7026761	2	PISTON RING	
2	1319608	1	ROLLER BEARING	
3	1319591	1	COUPLING	
4	8036575	1	PISTON	
5	1319595	5	CUP SPRING	
6	1319596	1	SHIM	
7	10731845	2	RETAINING RING	
8	7026758	12	FRICTION DISC	
9	7026759	12	STATIC DISC	
10	7026760	1	END SHIM	
11	1319600	AR	SNAP RING, 4.0	
11	7029850	AR	SNAP RING, 3.75	
11	1319601	AR	SNAP RING, 3.5	
11	7029849	AR	SNAP RING, 3.25	
11	1319602	AR	SNAP RING, 3.0	
11	7029852	AR	SNAP RING, 2.75	
11	1319603	AR	SNAP RING, 2.5	
11	7029851	AR	SNAP RING, 2.25	
11	1319604	AR	SNAP RING, 2.0	
12	1319606	2	ROLLER CAGE	
13	1319607	1	DISC CARRIER	
14	8036190	1	ROLLER BEARING	

SECTION 4 - ENGINE AND ATTACHING PARTS

FIGURE 4-45. ZF TRANSMISSION - 2ND SHAFT GROUP (SN 0160040675 to Present, Including 0160040468 and 0160040672)



PHILIPCO

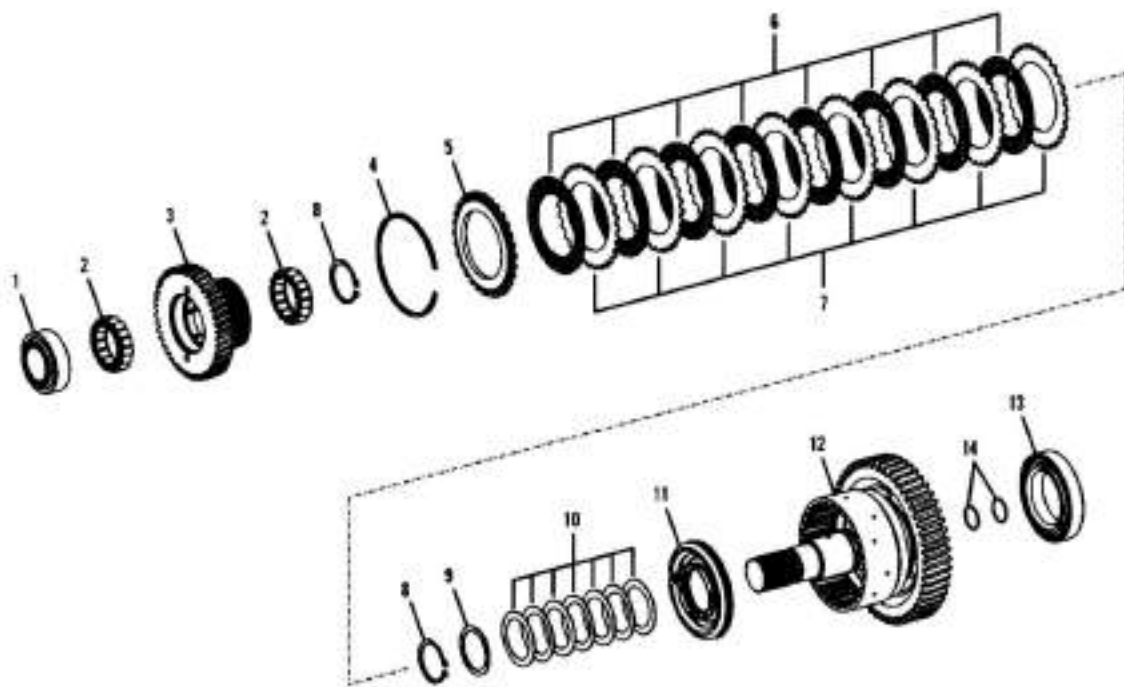
SECTION 4 - ENGINE AND ATTACHING PARTS

FIGURE 4-45. ZF TRANSMISSION - 2ND SHAFT GROUP (SN 0160040675 to Present, Including 0160040468 and 0160040672)

ITEM	PART NUMBER	QTY	DESCRIPTION	REV
1	7026761	2	PISTON RING	
2	1319615	1	ROLLER BEARING	
3	7026763	1	COUPLING	
4	8036575	1	PISTON	
5	1319595	5	CUP SPRING	
6	1319596	1	SHIM	
7	10731845	2	RETAINING RING	
8	7026758	8	FRICTION DISC	
9	7026759	8	STATIC DISC	
10	7026760	1	END SHIM	
11	1319600	AR	SNAP RING, 4.0	
11	7029850	AR	SNAP RING, 3.75	
11	1319601	AR	SNAP RING, 3.5	
11	7029849	AR	SNAP RING, 3.25	
11	1319602	AR	SNAP RING, 3.0	
11	7029852	AR	SNAP RING, 2.75	
11	1319603	AR	SNAP RING, 2.5	
11	7029851	AR	SNAP RING, 2.25	
11	1319604	AR	SNAP RING, 2.0	
12	1319606	2	ROLLER CAGE	
13	1319614	1	DISC CARRIER	
14	8036190	1	ROLLER BEARING	
15	7029533	1	INNER RING	

SECTION 4 - ENGINE AND ATTACHING PARTS

FIGURE 4-46. ZF TRANSMISSION - 3RD SHAFT GROUP (SN 0160040675 to Present, Including 0160040468 and 0160040672)



PKL/210

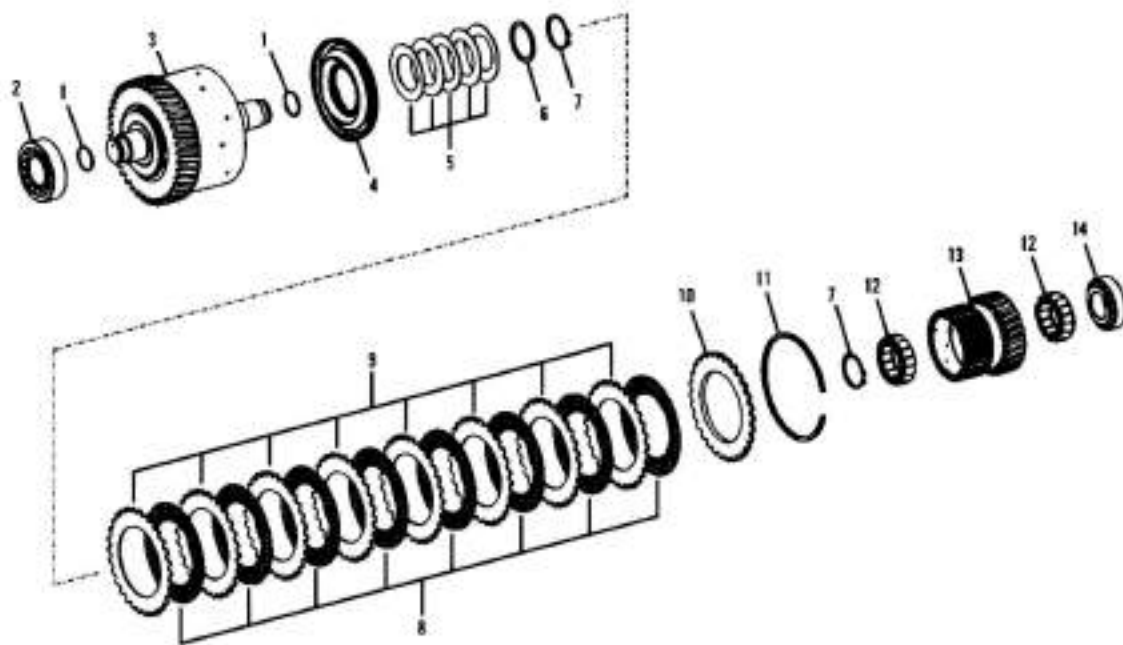
SECTION 4 - ENGINE AND ATTACHING PARTS

FIGURE 4-46. ZF TRANSMISSION - 3RD SHAFT GROUP (SN 0160040675 to Present, Including 0160040468 and 0160040672)

ITEM	PART NUMBER	QTY	DESCRIPTION	REV
1	7026768	1	ROLLER BEARING	
2	7026767	1	ROLLER BEARING	
3	1319619	1	DISC CARRIER	
4	1319600	AR	SNAP RING, 4.0	
4	7029850	AR	SNAP RING, 3.75	
4	1319601	AR	SNAP RING, 3.5	
4	7029849	AR	SNAP RING, 3.25	
4	1319602	AR	SNAP RING, 3.0	
4	7029852	AR	SNAP RING, 2.75	
4	1319603	AR	SNAP RING, 2.5	
4	7029851	AR	SNAP RING, 2.25	
4	1319604	AR	SNAP RING, 2.0	
5	7026760	1	END SHIM	
6	7026758	8	FRICTION DISC	
7	7026759	8	STATIC DISC	
8	80304227	2	RETAINING RING	
9	7026766	1	WASHER	
10	7026765	7	CUP SPRING	
11	8036575	1	PISTON	
12	7026764	1	COUPLING	
13	7026769	1	ROLLER BEARING	
14	7026761	2	PISTON BEARING	

SECTION 4 - ENGINE AND ATTACHING PARTS

FIGURE 4-47. ZF TRANSMISSION - 4TH SHAFT GROUP (SN 0160040675 to Present, Including 0160040468 and 0160040672)



PA1 1000

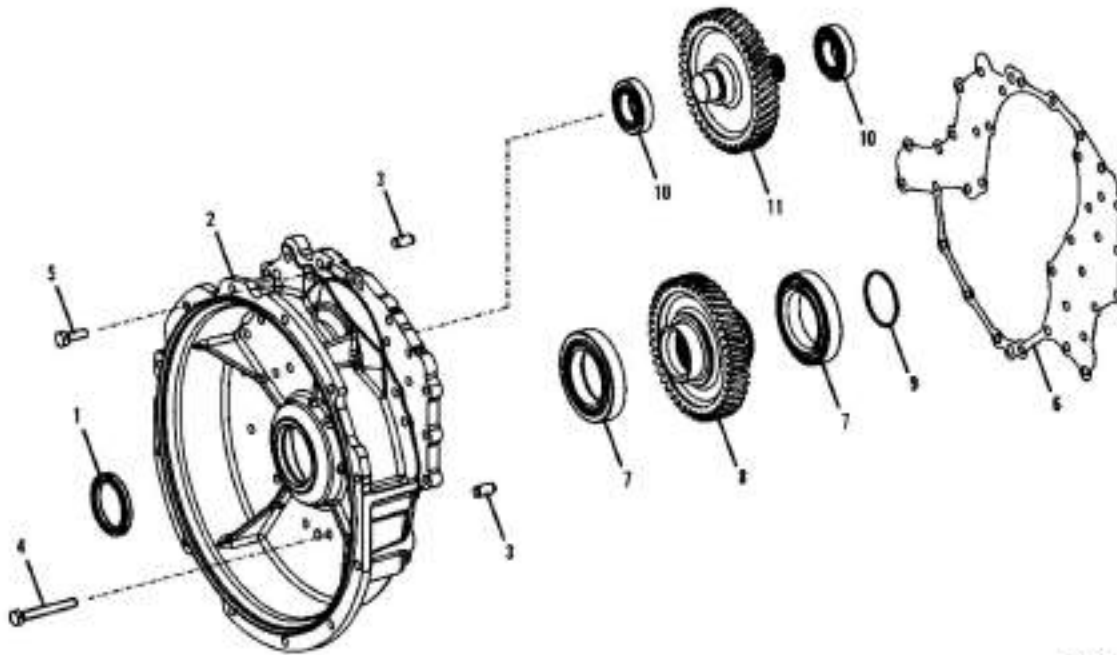
SECTION 4 - ENGINE AND ATTACHING PARTS

FIGURE 4-47. ZF TRANSMISSION - 4TH SHAFT GROUP (SN 0160040675 to Present, Including 0160040468 and 0160040672)

ITEM	PART NUMBER	QTY	DESCRIPTION	REV
1	7026761	2	PISTON RING	
2	1319615	1	ROLLER BEARING	
3	7026770	1	COUPLING	
4	8036575	1	PISTON	
5	1319595	5	CUP SPRING	
6	1319596	1	SHIM	
7	10731845	2	RETAINING RING	
8	7026758	12	FRICTION DISC	
9	7026759	12	STATIC DISC	
10	7026760	1	END SHIM	
11	1319600	AR	SNAP RING, 4.0	
11	7029850	AR	SNAP RING, 3.75	
11	1319601	AR	SNAP RING, 3.5	
11	7029849	AR	SNAP RING, 3.25	
11	1319602	AR	SNAP RING, 3.0	
11	7029852	AR	SNAP RING, 2.75	
11	1319603	AR	SNAP RING, 2.5	
11	7029851	AR	SNAP RING, 2.25	
11	1319604	AR	SNAP RING, 2.0	
12	1319606	2	ROLLER CAGE	
13	1319635	1	DISC CARRIER	
14	1319636	1	ROLLER BEARING	

SECTION 4 - ENGINE AND ATTACHING PARTS

FIGURE 4-48. ZF TRANSMISSION - POWER TAKE-OFF (SN 0160040675 to Present, Including 0160040468 and 0160040672)



PHL 1820

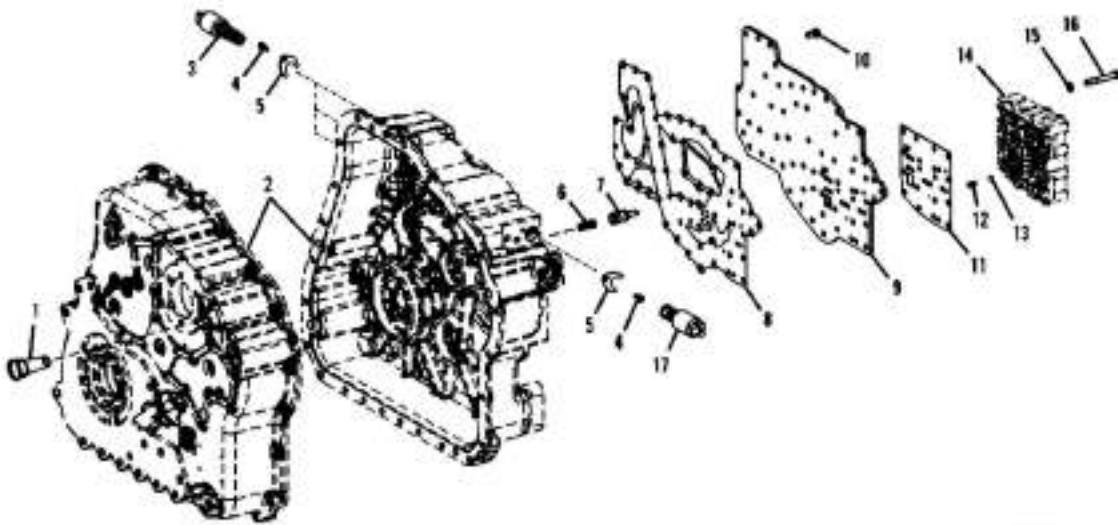
SECTION 4 - ENGINE AND ATTACHING PARTS

FIGURE 4-48. ZF TRANSMISSION - POWER TAKE-OFF (SN 0160040675 to Present, Including 0160040468 and 0160040672)

ITEM	PART NUMBER	QTY	DESCRIPTION	REV
1	1319576	1	SHAFT SEAL	
2	70021526	1	HOUSING	
3	1319571	2	CYLINDRICAL PIN	
4	7026775	15	HEX HD CAPSCREW, M10X80, GR8.8	
5	80304394	21	HEX HD CAPSCREW, M10X30, GR8.8	
6	7026774	1	GASKET	
7	7026769	2	ROLLER BEARING	
8	7026771	1	SHAFT	
9	7026772	1	PISTON RING	
10	1319608	2	ROLLER BEARING	
11	7026773	1	SHAFT	

SECTION 4 - ENGINE AND ATTACHING PARTS

FIGURE 4-49. ZF TRANSMISSION - CONTROL UNIT AND PRESSURE REGULATOR (SN 0160040675 to Present, Including 0160040468 and 0160040672)



PHL 1530

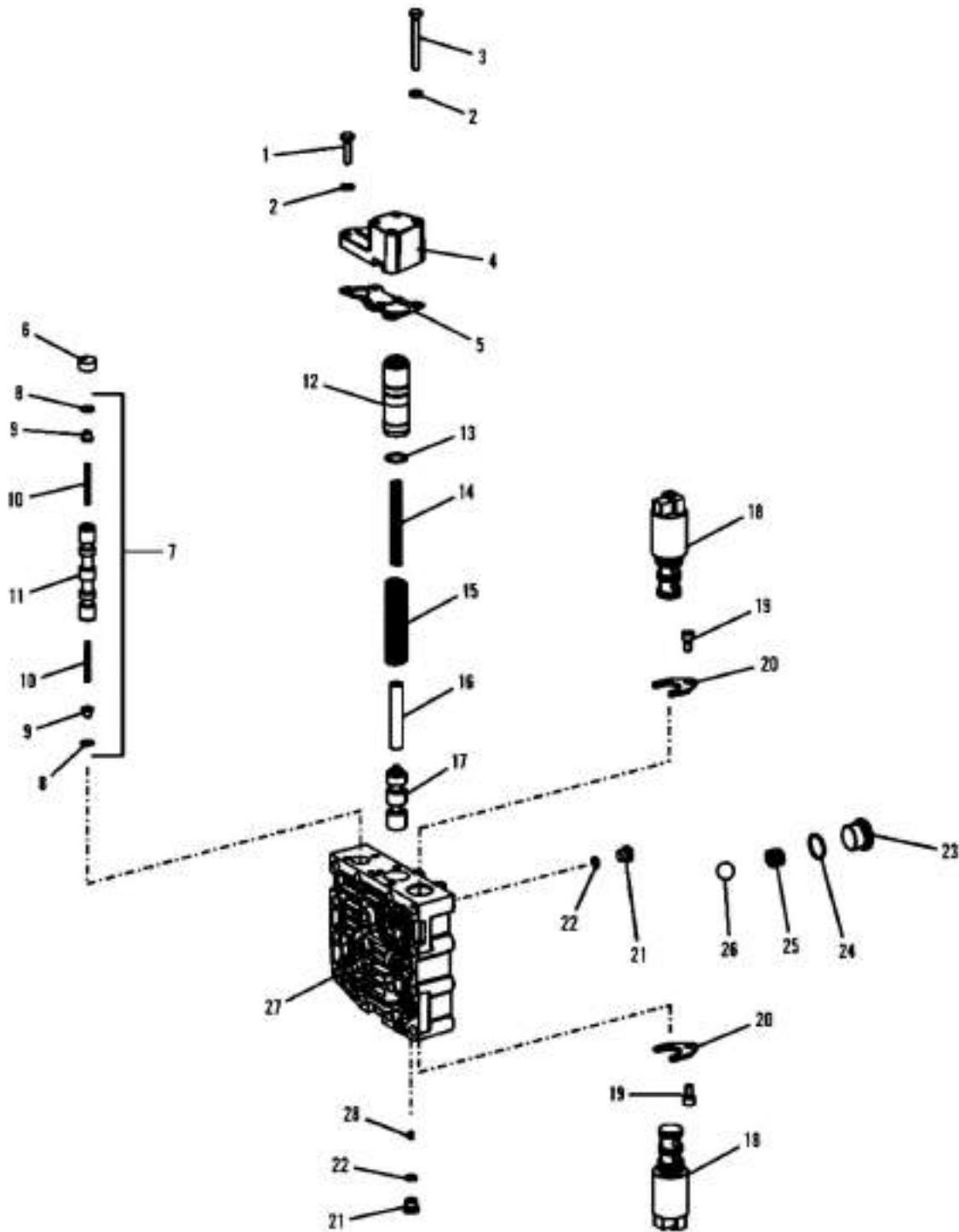
SECTION 4 - ENGINE AND ATTACHING PARTS

FIGURE 4-49. ZF TRANSMISSION - CONTROL UNIT AND PRESSURE REGULATOR (SN 0160040675 to Present, Including 0160040468 and 0160040672)

ITEM	PART NUMBER	QTY	DESCRIPTION	REV
1	7026782	1	VALVE	
2		Ref	HOUSING, (See DANA TRANSMISSION - TORQUE CONVERTER GROUP for Breakdown)	
3	8036529	3	SOLENOID VALVE	
4	7029715	4	CAPSCREW, M6X12, GR8.8	
5	7029267	4	BRACKET	
6	7026784	1	COMPRESSED SPRING	
7	7026783	1	PISTON	
8	7026776	1	GASKET	
9	7026777	1	PLATE	
10	7026780	46	HEX HD CAPSCREW	
11	7026779	1	INTERMEDIATE SHEET	
12	7026778	1	COMPRESSED SPRING	
13	10731761	1	BALL	
14		Ref	VALVE HOUSING, (See DANA TRANSMISSION - ELECTRIC CONTROL GROUP for Breakdown)	
15	10731756	16	WASHER	
16	7026781	16	HEX HD CAPSCREW, M8X60, GR10.9	
17	8036528	1	SOLENOID VALVE	

SECTION 4 - ENGINE AND ATTACHING PARTS

FIGURE 4-50. ZF TRANSMISSION - GEARSHIFT SYSTEM (SN 0160040675 to Present, Including 0160040468 and 0160040672)



FAL1640

SECTION 4 - ENGINE AND ATTACHING PARTS

FIGURE 4-50. ZF TRANSMISSION - GEARSHIFT SYSTEM (SN 0160040675 to Present, Including 0160040468 and 0160040672)

ITEM	PART NUMBER	QTY	DESCRIPTION	REV
1	1319693	2	HEX HD CAPSCREW, M6X25, GR10.9	
2	1319661	6	WASHER	
3	1321265	4	HEX HD CAPSCREW, M6X55, GR10.9	
4	7026789	1	COVER	
5	7026788	1	GASKET	
6	7026787	1	SPACER	
7	1319694	1	VALVE ASSY, (includes items 8 thru 11)	
8	N.S.S.	2	SNAP RING	
9	N.S.S.	2	SPRING SLEEVE	
10	N.S.S.	2	COMPRESSED SPRING	
11	N.S.S.	1	PISTON	
12	7026790	1	PISTON	
13	1319685	AR	WASHER, 2.0	
13	1319686	AR	WASHER, 1.0	
13	1319687	AR	WASHER, 0.5	
13	1319688	AR	WASHER, 0.3	
13	1319689	AR	WASHER, 0.2	
14	1319684	1	COMPRESSED SPRING	
15	1319683	1	COMPRESSED SPRING	
16	7026786	1	SLEEVE	
17	7026785	1	CONTROL PISTON	
18	8036528	2	SOLENOID VALVE	
19	N.S.S.	2	HEX HD CAPSCREW, M6X12, GR8.8	
20	N.S.S.	2	BRACKET	
21	1319670	2	PLUG, M10	
22	80304327	2	O-RING	
23	N.S.S.	2	PLUG, M24	
24	70000656	2	O-RING	
25	10732072	2	COMPRESSED SPRING	
26	10732071	2	BALL	
27	70022790	1	VALVE HOUSING	
28	1319652	1	ORIFICE	

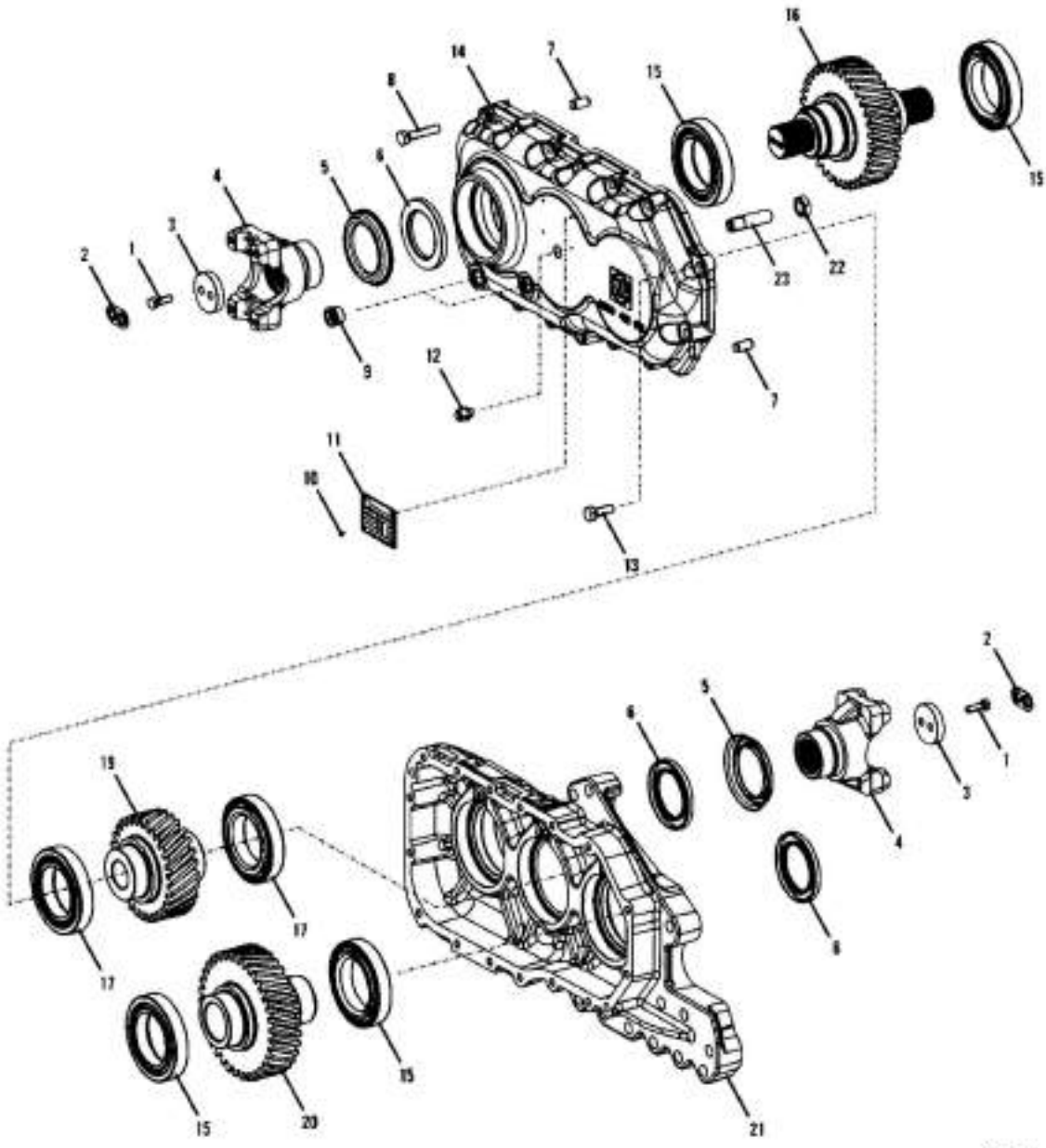
SECTION 4 - ENGINE AND ATTACHING PARTS

**FIGURE 4-51. ZF TRANSMISSION - OIL PUMP, FILTER AND DIPSTICK (SN 0160040675 to Present,
Including 0160040468 and 0160040672)**

ITEM	PART NUMBER	QTY	DESCRIPTION	REV
1	1319670	2	PLUG, M10X1	
2	80304327	2	O-RING	
3	7026794	1	HEX HD CAPSCREW, M10X50, GR8.8	
4	80304394	1	HEX HD CAPSCREW, M10X30, GR8.8	
5	7026793	4	CAPSCREW, M12X80, GR10.9	
6	7026791	1	PUMP	
6	7029417	1	O-RING, (located between two halves of oil pump)	
7	7026792	3	O-RING	
8	1319719	1	O-RING	
9	1319726	1	FILTER	
10	8841322	1	DIPSTICK	
11	1001095744	1	DIPSTICK TUBE	
12	1319585	2	CAPSCREW, M8X16, GR8.8	
13	1319581	1	O-RING	
14		Ref	O-RING, (located between implement pump and charge pump), (See ENGINE ASSEMBLY, LH VIEW - JOHN DEERE ENGINE, ENGINE ASSEMBLY - PERKINS ENGINE, or ENGINE ASSEMBLY - CUMMINS)	
15	8036250	1	O-RING, (located between oil pump and transmission)	

SECTION 4 - ENGINE AND ATTACHING PARTS

FIGURE 4-52. ZF TRANSMISSION - TRANSFER BOX (SN 0160040675 to Present, Including 0160040468 and 0160040672)



PAL 1740

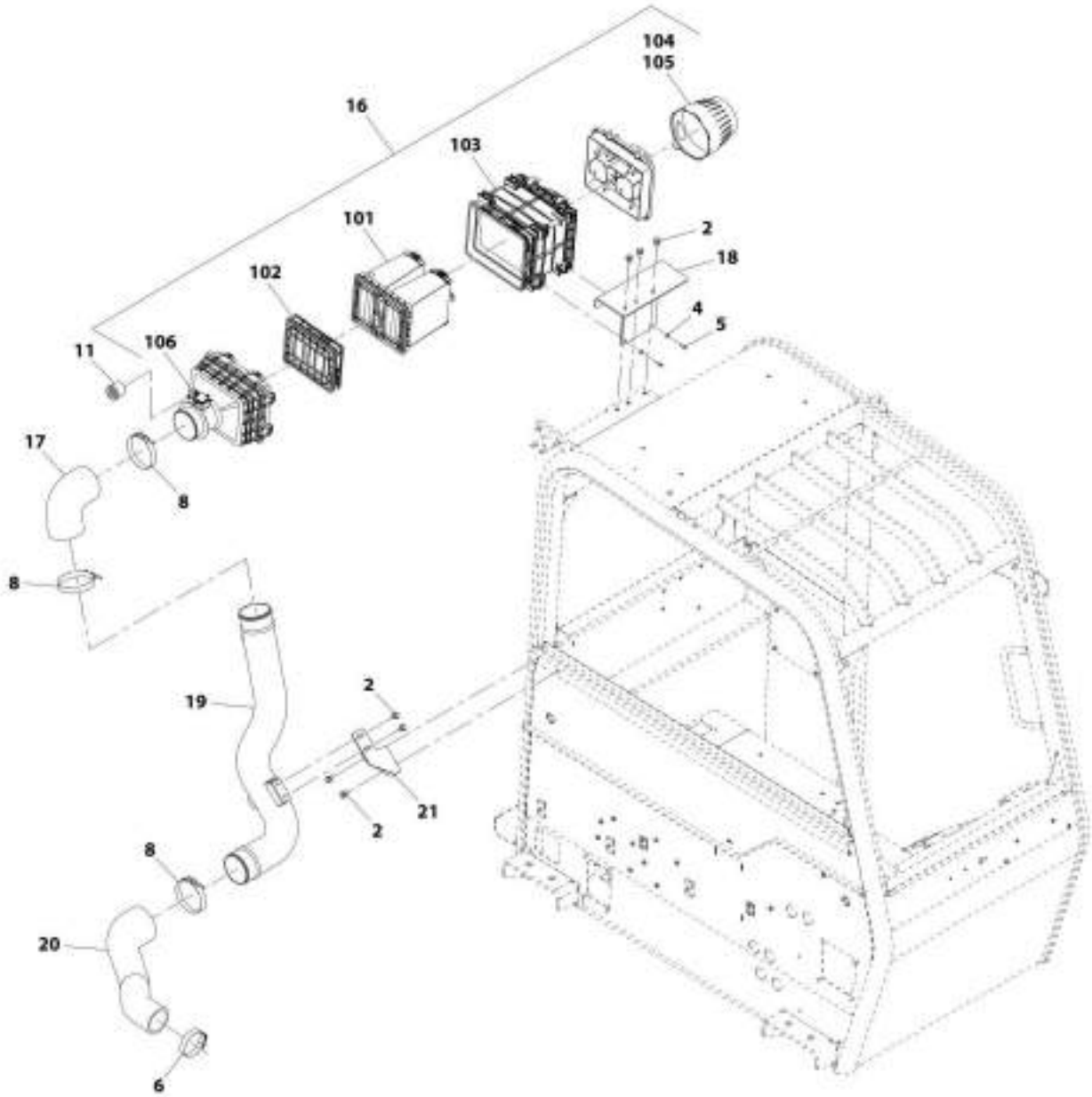
SECTION 4 - ENGINE AND ATTACHING PARTS

FIGURE 4-52. ZF TRANSMISSION - TRANSFER BOX (SN 0160040675 to Present, Including 0160040468 and 0160040672)

ITEM	PART NUMBER	QTY	DESCRIPTION	REV
	70020549	1	TRANSFER BOX, (includes all items)	
1	10731959	4	HEX HD CAPSCREW, M8X25, GR10.9	
2	N.S.S.	2	TAB WASHER	
3	1319648	2	WASHER	
4	7027273	2	FLANGE	
5	1319647	2	SCREEN SHEET	
6	1320755	3	SHAFT SEAL	
7	1319571	2	CYLINDRICAL PIN	
8	70023801	15	HEX HD CAPSCREW, M10X50, GR8.8	
9	70023404	2	PLUG	
10	10731758	4	STUD, 3X5	
11	N.S.S.	1	PLATE	
12	1319436	1	BREATHER	
13	70023800	1	HEX HD CAPSCREW, M10X30, GR8.8	
14	70023267	1	HOUSING	
15	7026769	4	ROLLER BEARING	
16	7027271	1	OUTPUT SHAFT	
17		Ref	TAPERED ROLLER BEARING	
17	1320748	1	CUP	
17	1320754	1	CONE	
19	7027270	1	IDLER GEAR	
20		Ref	INPUT SHAFT	
20	70020493	1	INPUT GEAR	
20	70020036	1	SEAL	
21	70023266	1	HOUSING	
22	7026578	1	HEX NUT, M16	
23	7026577	1	SLEEVE	

SECTION 4 - ENGINE AND ATTACHING PARTS

FIGURE 4-53. AIR CLEANER INSTALLATION



REF. 1001120484 F

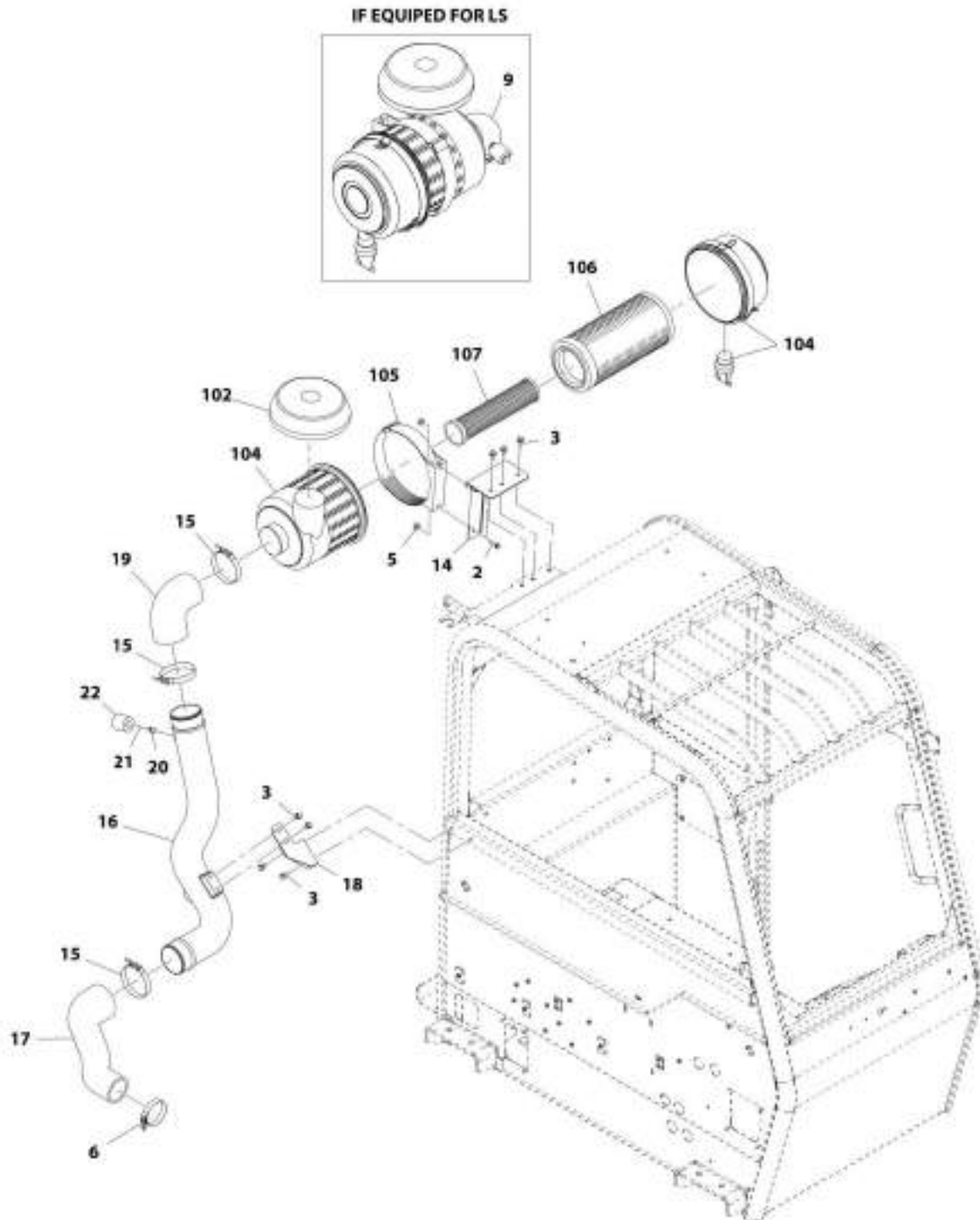
SECTION 4 - ENGINE AND ATTACHING PARTS

FIGURE 4-53. AIR CLEANER INSTALLATION

ITEM	PART NUMBER	QTY	DESCRIPTION	REV
	1001129484	Ref	AIR CLEANER INSTALLATION, (not available to order, see items 2 thru 21 for service)	F
2	0811606	7	FLANGE SCREW, 3/8-16X3/4	
4	4811700	4	WASHER, M6	
5	8303544	4	HEX HD CAPSCREW, M6X20, GR8.8, (torque to 2.9 lb-ft/.3 Nm)	
6	8405305	1	T-BOLT CLAMP, 3.38 ID	
8	80933367	3	BAND CLAMP	
11	91563129	1	RESTRICTION INDICATOR, (torque to 15-20 lb-ft/1.7-2.3 Nm)	
16	1001132110	1	AIR FILTER, (includes items 101 thru 106)	D
17	1001165357	1	REDUCTION ELBOW	
18	1001161231	1	AIR CLEANER SUPPORT BRACKET	
19	91563079	1	AIR INTAKE TUBE	
20	1001162379	1	AIR FILTER PIPE	
21	1001160987	1	BRACKET	
101	70024177	1	PRIMARY ELEMENT	
102	70024176	1	SAFETY ELEMENT	
103	70024318	1	COVER	
104	70024270	1	VACUATOR VALVE	
105	70024271	1	PRE-CLEANER	
106	70024841	1	MASS AIR FLOW SENSOR	

SECTION 4 - ENGINE AND ATTACHING PARTS

FIGURE 4-54. AIR CLEANER INSTALLATION



ARL1001138706-E

SECTION 4 - ENGINE AND ATTACHING PARTS

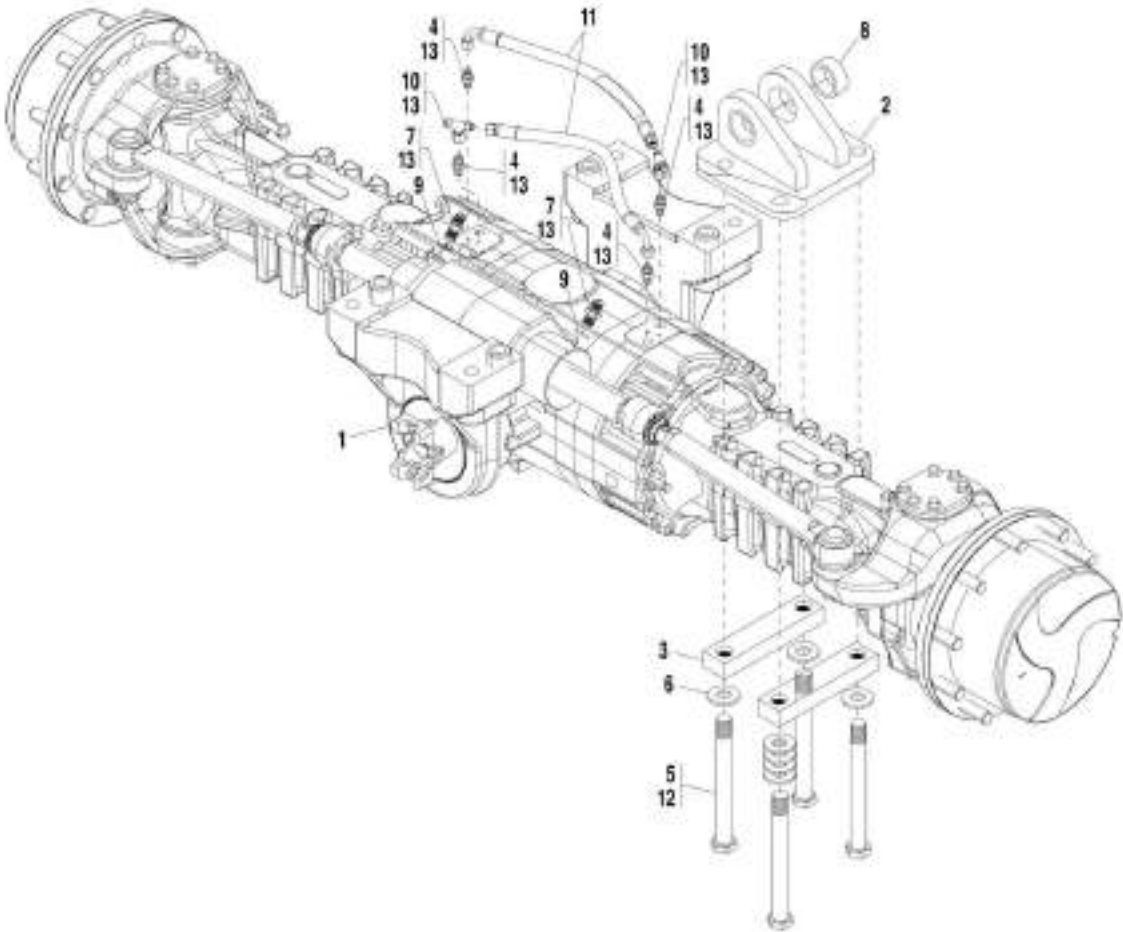
FIGURE 4-54. AIR CLEANER INSTALLATION

ITEM	PART NUMBER	QTY	DESCRIPTION	REV
	1001138706	Ref	AIR CLEANER INSTALLATION, (not available to order, see items 1 thru 22 for service)	E
2	0811510	2	SCREW, 5/16-18X1-1/4	
3	0811606	7	FLANGE SCREW, 3/8-16X3/4	
5	8310420	2	FLANGE NUT, 5/16-18	
6	8405305	1	T-BOLT CLAMP, 3.38 ID	
9	1001121278	1	AIR CLEANER, (includes items 102 thru 107)	G
14	1001160930	1	BRACKET, AIR CLEANER	
15	80933367	3	BAND CLAMP	
16	1001162955	1	TUBE, AIR INTAKE	
17	1001162379	1	HOSE, AIR INTAKE	
18	1001160987	1	BRACKET, AIR INTAKE	
19	1001165357	1	HOSE	
20	1001176983	1	ADAPTER	
21	1001177201	1	FILTER	
22	1001180469	1	SENSOR	
102	70023532	1	RAIN CAP	
104	N.S.S.	1	COVER AND BODY ASSY	
105	70023534	1	MOUNTING BAND	
106	70023535	1	PRIMARY ELEMENT	
107	70023536	1	SECONDARY ELEMENT	

SECTION 5 - DRIVE TRAIN

SECTION 5 - DRIVE TRAIN

FIGURE 5-1. FRONT AXLE ASSEMBLY



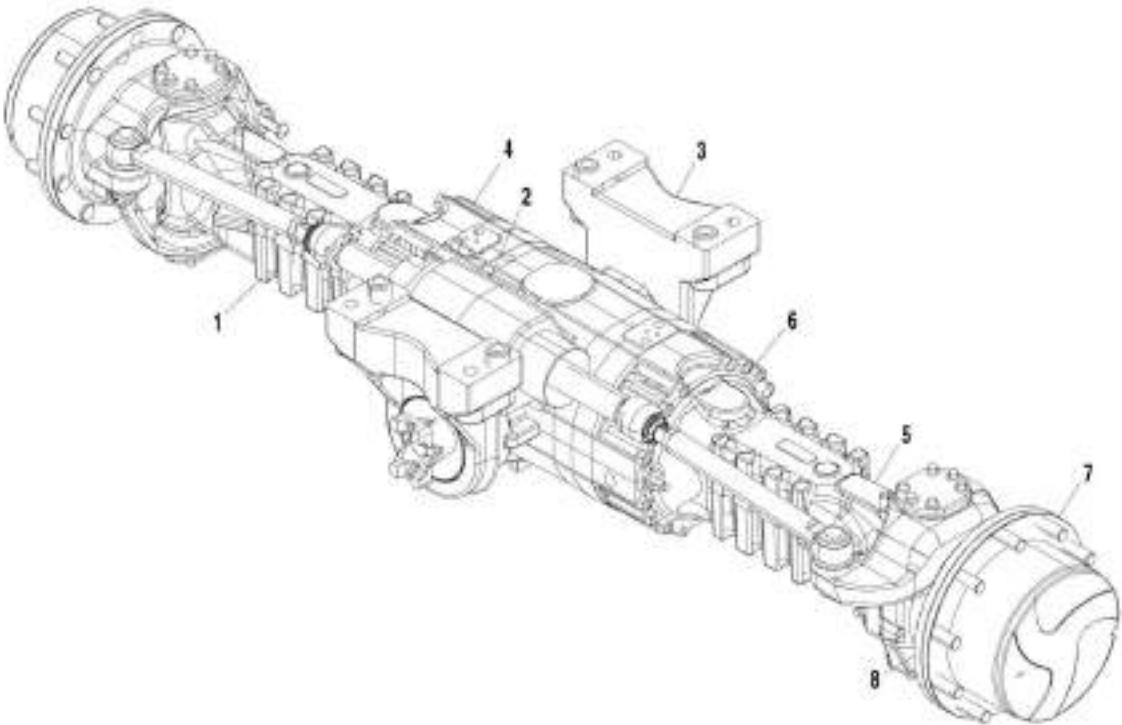
SECTION 5 - DRIVE TRAIN

FIGURE 5-1. FRONT AXLE ASSEMBLY

ITEM	PART NUMBER	QTY	DESCRIPTION	REV
	91515003	Ref	FRONT AXLE ASSY, (not available to order, see items 1 thru 11 for service) (Prior to SN 0160040675, Excluding 0160040468 and 0160040672)	E
	1001097463	Ref	FRONT AXLE ASSY, (not available to order, see items 1 thru 11 for service) (SN 0160040675 to Present, Including 0160040468 and 0160040672)	E
1		Ref	FRONT AXLE, (See FRONT AXLE for Breakdown)	
2	91515022	1	SWAY PIVOT ASSY, (includes item 8)	
3	91511105	2	RETAINER PLATE	
4	8770064	4	FITTING, M14X1.5 (Prior to SN 0160040675, Excluding 0160040468 and 0160040672)	
4	2144605	4	CONNECTOR, (includes o-ring) (SN 0160040675 to Present, Including 0160040468 and 0160040672)	
5	77101143	4	HEX HD CAPSCREW, 1-8X10, (torque to 545-595 lb-ft)	
6	90027475	7	HARDENED FLAT WASHER, 1 IN	
7	2220373	2	CONNECTOR, (includes item 9) (Prior to SN 0160040675, Excluding 0160040468 and 0160040672)	
7	2110808	2	CONNECTOR, (includes o-ring) (SN 0160040675 to Present, Including 0160040468 and 0160040672)	
8	91143051	2	BUSHING	
9	3780140	2	O-RING	
10	2220579	2	SWIVEL NUT BRANCH TEE, 3/8 TUBE (Prior to SN 0160040675, Excluding 0160040468 and 0160040672)	
10	2170806	2	SWIVEL NUT BRANCH TEE (SN 0160040675 to Present, Including 0160040468 and 0160040672)	
11	84719846	2	HOSE ASSY (Prior to SN 0160040675, Excluding 0160040468 and 0160040672)	
11	1001097466	2	HOSE ASSY (SN 0160040675 to Present, Including 0160040468 and 0160040672)	
12	0100011	AR	LOCTITE 242	
13	0100075	AR	LOCTITE 545	

SECTION 5 - DRIVE TRAIN

FIGURE 5-2. FRONT AXLE (Prior to SN 0160048624)



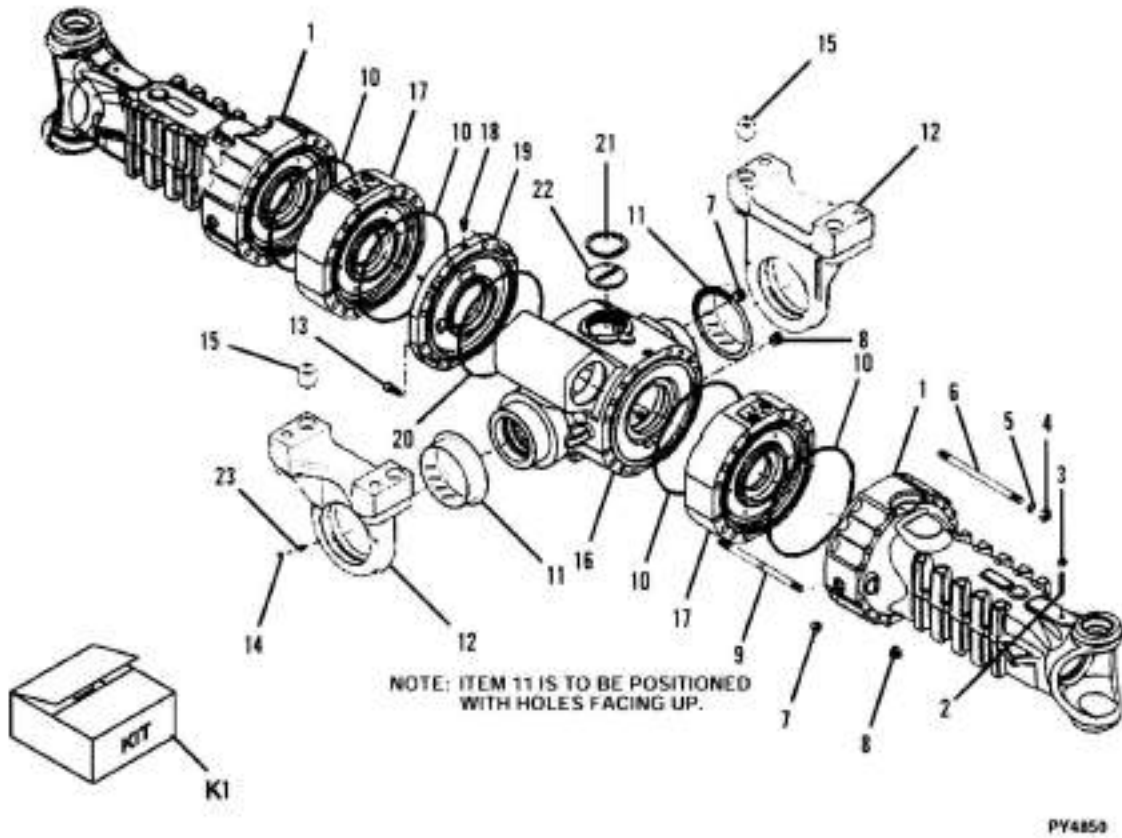
SECTION 5 - DRIVE TRAIN

FIGURE 5-2. FRONT AXLE (Prior to SN 0160048624)

ITEM	PART NUMBER	QTY	DESCRIPTION	REV
1	91513036	1	FRONT AXLE, (includes all items)	A
		Ref	AXLE HOUSING ASSY, (See FRONT AXLE HOUSING ASSEMBLY for Breakdown)	
2		Ref	STEERING COMPONENTS, (See FRONT STEERING COMPONENTS for Breakdown)	
3		Ref	BEVEL GEAR SET, (See FRONT GEAR COMPONENTS for Breakdown)	
4		Ref	DIFFERENTIAL, (See FRONT DIFFERENTIAL for Breakdown)	
5		Ref	DOUBLE JOINT, (See FRONT DOUBLE JOINT for Breakdown)	
6		Ref	BRAKES, (See FRONT BRAKES for Breakdown)	
7		Ref	WHEEL HUB, (See FRONT WHEEL HUB for Breakdown)	
8		Ref	REDUCTION GEARS, (See FRONT REDUCTION GEARS for Breakdown)	

SECTION 5 - DRIVE TRAIN

FIGURE 5-3. FRONT AXLE HOUSING ASSEMBLY (Prior to SN 0160048624)



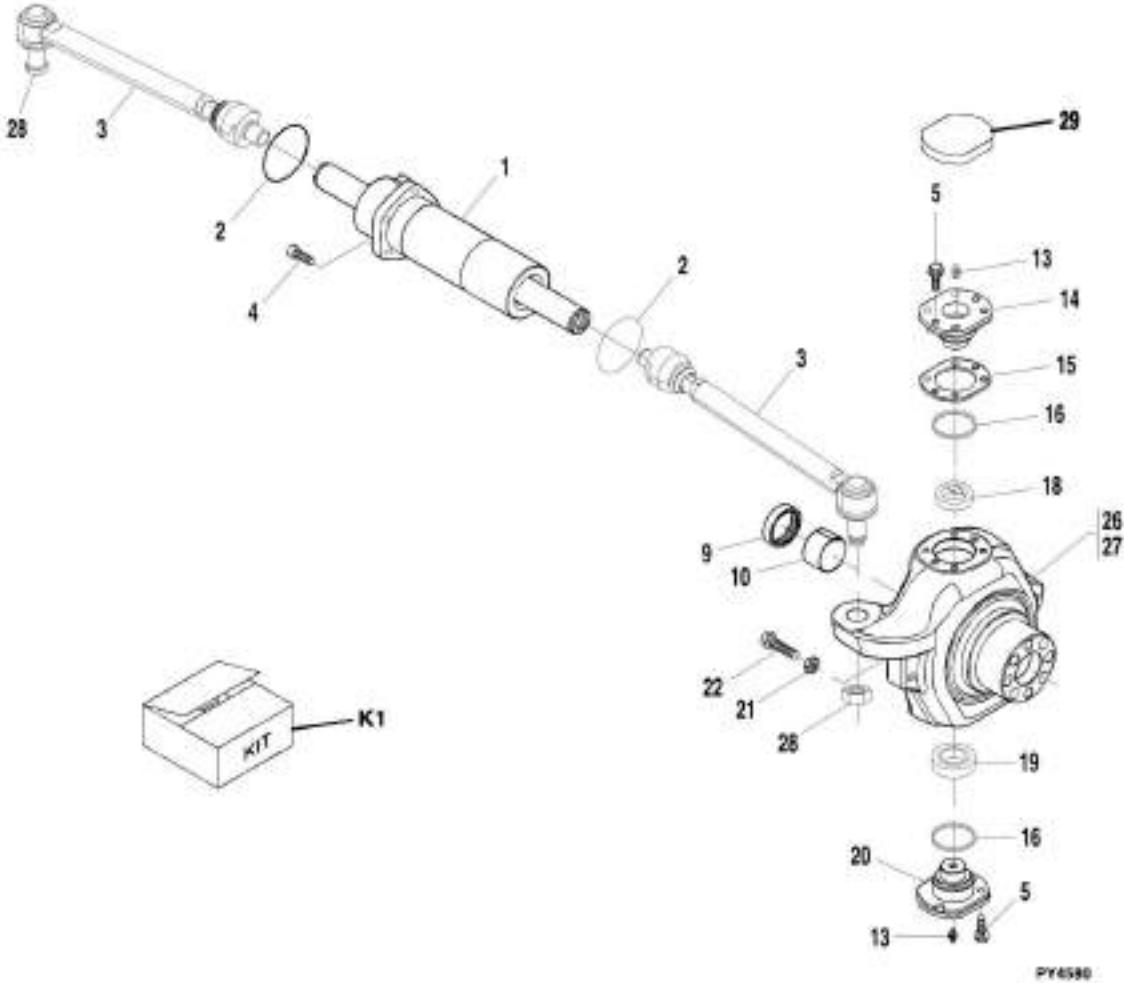
SECTION 5 - DRIVE TRAIN

FIGURE 5-3. FRONT AXLE HOUSING ASSEMBLY (Prior to SN 0160048624)

ITEM	PART NUMBER	QTY	DESCRIPTION	REV
1	91514080	2	AXLE CASE	A
2	91514081	2	BOLT	
3	91514082	2	NUT	
4	91514083	32	NUT	
5	91514084	32	WASHER	
6	91514085	24	STUD	
7	91514087	3	PLUG	
8	70021177	3	MAGNET PLUG	
9	91514088	8	STUD	
10	91514089	4	O-RING	
11	91514090	2	THRUST BUSHING	
12	7029291	2	SUPPORT	
13	91514101	4	BOLT	
14	80204117	2	PLUG	
15	7029290	4	REDUCTION BUSHING	
16	91514100	1	HOUSING, (Prior to Axle SN FITA714988)	
16	7029289	1	HOUSING, (Axle SN FITA714988 to Present)	
17		Ref	INTERMEDIATE COVER, (See FRONT BRAKES for Breakdown)	
18	91474512	1	VENT	
19	7029288	1	INTERMEDIATE COVER	
20	80204002	1	O-RING	
21	80204005	1	CIRCLIP	
22	91514098	1	PLUG	
23	91514099	2	GREASE FITTING	
K1	7029292	2	SUPPORT ASSY, (includes items 11, 12, 14, 15 & 23)	

SECTION 5 - DRIVE TRAIN

FIGURE 5-4. FRONT STEERING COMPONENTS (Prior to SN 0160048624)



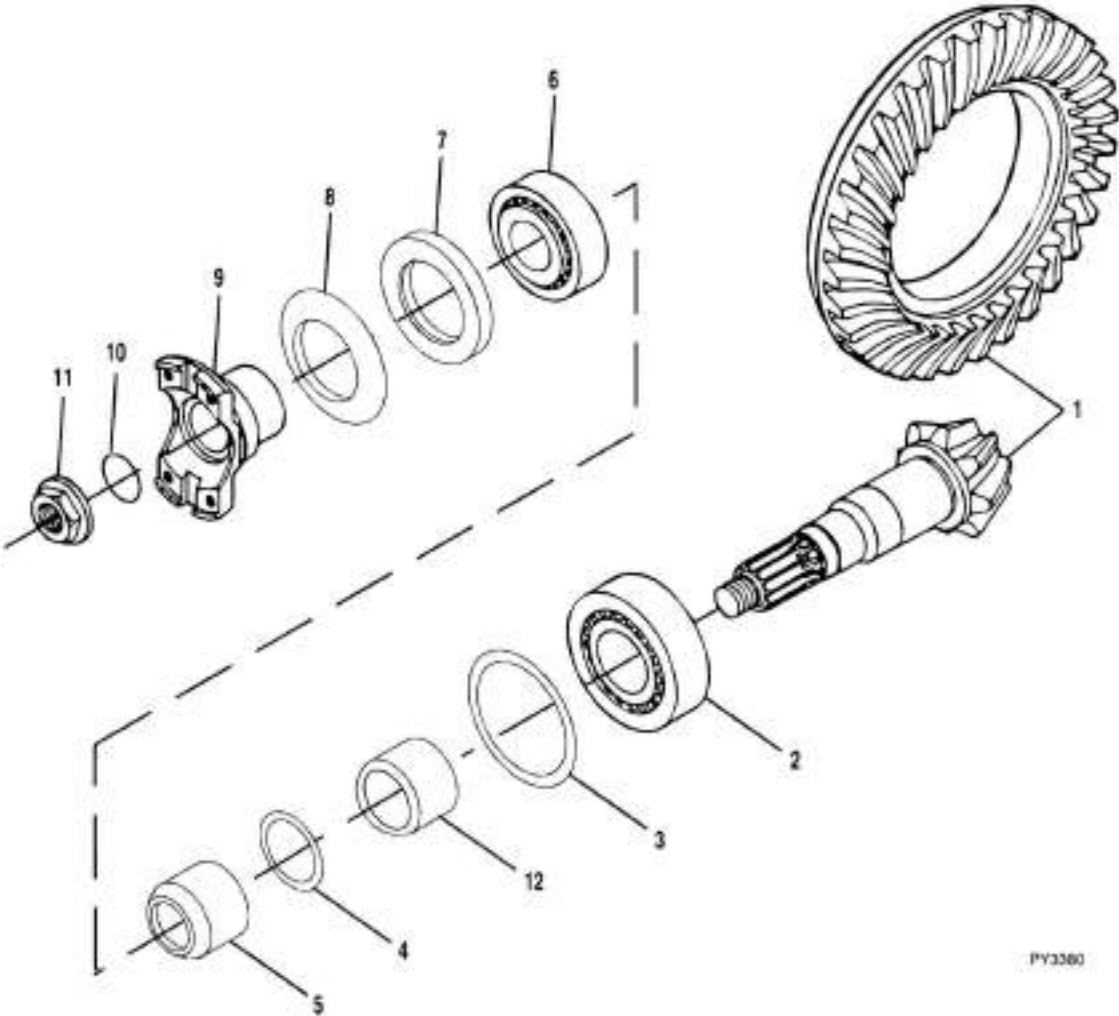
SECTION 5 - DRIVE TRAIN

FIGURE 5-4. FRONT STEERING COMPONENTS (Prior to SN 0160048624)

ITEM	PART NUMBER	QTY	DESCRIPTION	REV
1	91514104	NLA	CYLINDER, (Prior to Axle SN EITA716066), (no longer available, use 7026490)	A
1	91514255	1	SEAL KIT	
1	7026490	1	CYLINDER, (Axle SN EITA716066 to Present)	
1	7029127	1	SEAL KIT	
2	80204143	2	O-RING	
3	91514219	2	TIE ROD, (includes item 28), (Prior to Axle SN CITA718597)	
3	7029293	2	TIE ROD, (includes item 28), (Axle SN CITA718597 to Present)	
4	80204144	5	CYLINDER BOLT	
5	91514123	24	BOLT	
9	91514110	2	SEAL, (Prior to Axle SN FITA726779)	
9	7028718	2	SEAL, (Axle SN FITA726779 to Present)	
10	91514111	2	THRUST BUSHING	
13	91514099	4	GREASE FITTING	
14	91514112	2	PIVOT PIN, (includes item 13)	
15	91514113	2	SHIM	
15	91514114	2	SHIM	
15	91514115	2	SHIM	
16	7028716	4	DUST EXCLUDER	
18	7028714	2	OUTER RACE	
19	91514095	2	BEARING	
20	7028715	2	PIVOT PIN, (includes items 16 & 19)	
21	Kit	4	NUT	
22	Kit	4	BOLT	
26	7029294	1	STEERING CASE, RH	
27	7029295	1	STEERING CASE, LH	
28	70022773	2	LOCKNUT	
29	91474524	2	COVER	
K1	7028733	4	STEERING ADJUST BOLT KIT, (includes items 21 & 22)	

SECTION 5 - DRIVE TRAIN

FIGURE 5-5. FRONT GEAR COMPONENTS (Prior to SN 0160048624)



PY3380

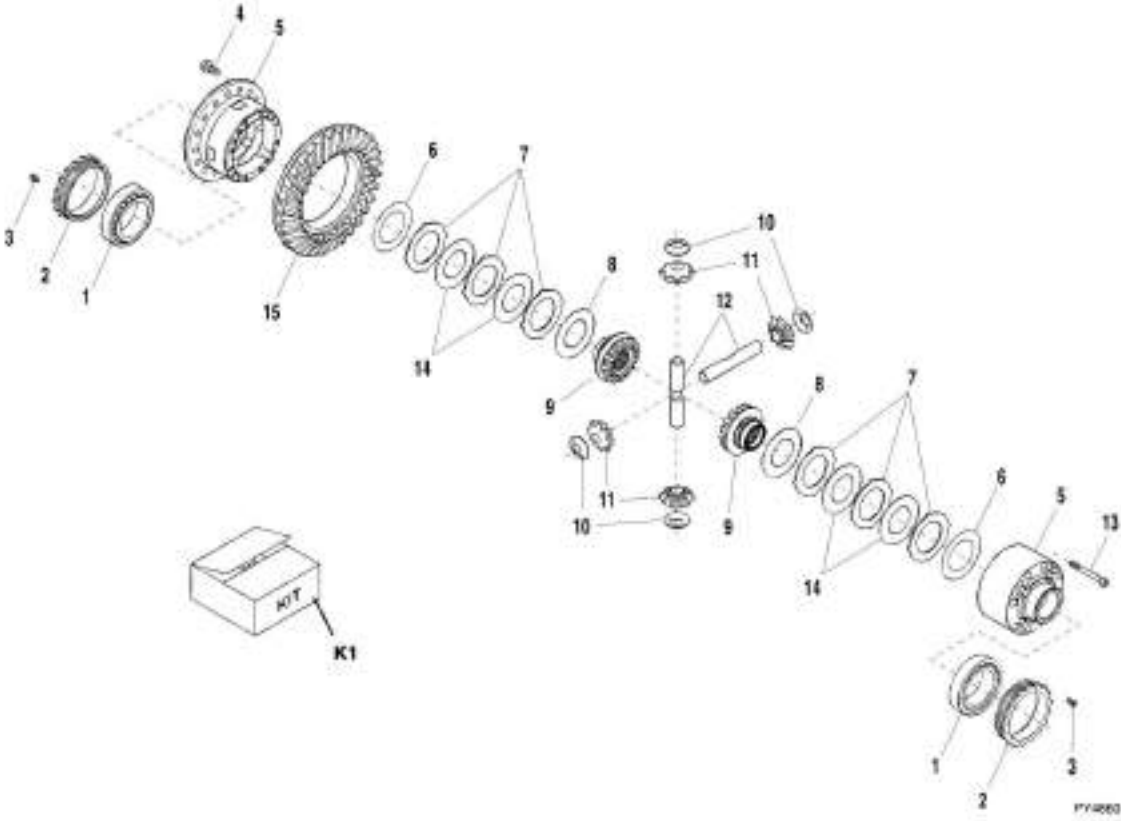
SECTION 5 - DRIVE TRAIN

FIGURE 5-5. FRONT GEAR COMPONENTS (Prior to SN 0160048624)

ITEM	PART NUMBER	QTY	DESCRIPTION	REV
1	91514124	1	BEVEL GEAR SET	
2	80204035	1	TAPER ROLLER BEARING	
3	80204049	1	SHIM	
3	80204050	1	SHIM	
3	80204051	1	SHIM	
3	80204052	1	SHIM	
4	70022136	1	SPACER, 5.000mm, (as required), (Prior to Axle SN KITA723237), (replace items 4, 5 & 12 together as they are not interchangeable with prior design)	
4	70022137	1	SPACER, 5.025mm, (as required)	
4	70022138	1	SPACER, 5.050mm, (as required)	
4	70022139	1	SPACER, 5.075mm, (as required)	
5	70022140	1	SPACER, (Prior to Axle SN KITA723237), (replace items 4, 5 & 12 together as they are not interchangeable with prior design)	
6	80204048	1	TAPER ROLLER BEARING	
7	80204047	1	SEAL	
8	91514130	1	COVER PLATE	
9	91514131	1	FLANGE	
10	80204044	1	O-RING	
11	80204043	1	NUT	
12	70022126	1	SPACER, 60.5X50X11.8mm, (as required)	
12	70022127	1	SPACER, 60.5X50X11.9mm, (as required)	
12	70022128	1	SPACER, 60.5X50X12.0mm, (as required)	
12	70022129	1	SPACER, 60.5X50X12.1mm, (as required)	
12	70022130	1	SPACER, 60.5X50X12.2mm, (as required)	
12	70022131	1	SPACER, 60.5X50X12.3mm, (as required)	
12	70022132	1	SPACER, 60.5X50X12.4mm, (as required)	
12	70022133	1	SPACER, 60.5X50X12.5mm, (as required)	
12	70022134	1	SPACER, 60.5X50X12.6mm, (as required)	
12	70022135	1	SPACER, 60.5X50X12.7mm, (as required)	

SECTION 5 - DRIVE TRAIN

FIGURE 5-6. FRONT DIFFERENTIAL (Prior to SN 0160048624)



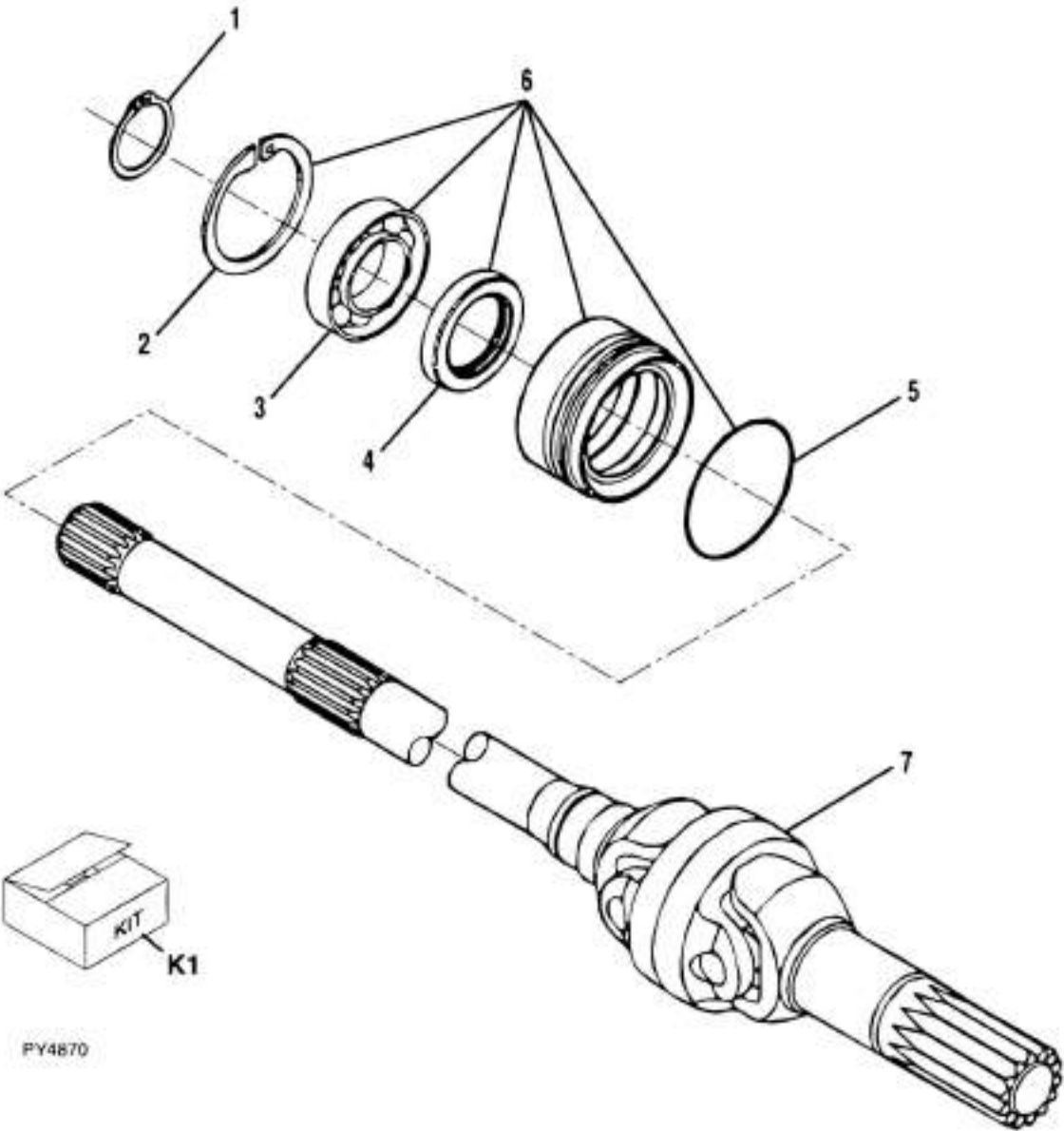
SECTION 5 - DRIVE TRAIN

FIGURE 5-6. FRONT DIFFERENTIAL (Prior to SN 0160048624)

ITEM	PART NUMBER	QTY	DESCRIPTION	REV
1	80204033	2	TAPER ROLLER BEARING	
2	91514133	2	RING NUT	
3	91514134	2	CYLINDER BOLT	
4	91514123	16	BOLT	
5	91514135	NLA	DIFFERENTIAL CARRIER, (Prior to Axle SN NITA738304), (no longer available, order items 5, 6, 7, 12 & 13 for replacement)	
5	70027004	1	DIFFERENTIAL CARRIER, (Axle SN NITA738304 to Present)	
6	91514136	2	SHIM, (Prior to Axle SN NITA738304)	
6	91514137	2	SHIM, (Prior to Axle SN NITA738304)	
6	91514138	2	SHIM, (Prior to Axle SN NITA738304)	
6	70023496	2	CLUTCH DISC, (Axle SN NITA738304 to Present)	
7	91514139	10	DISC	
8	91514140	2	DISC	
9	91514141	2	DIFFERENTIAL SIDE GEAR	
10	80204026	4	FRICITION WASHER	
11	80204025	4	DIFFERENTIAL PINION	
12	91514142	NLA	PIN, (Prior to Axle SN NITA738304), (no longer available, order items 5, 6, 7, 12 & 13 for replacement)	
12	70023490	2	DIFFERENTIAL SHAFT, (Axle SN NITA738304 to Present)	
13	91514143	16	BOLT	
14	91514144	8	DISC	
15		Ref	BEVEL GEAR, (See FRONT GEAR COMPONENTS for Breakdown)	
K1	91514145	Ref	DIFFERENTIAL KIT, (Prior to Axle SN NITA738304), (includes items 5 thru 14)	
K1	70027005	1	DIFFERENTIAL KIT, (Axle SN NITA738304 to Present), (includes Items 5 thru 14)	

SECTION 5 - DRIVE TRAIN

FIGURE 5-7. FRONT DOUBLE JOINT (Prior to SN 0160048624)



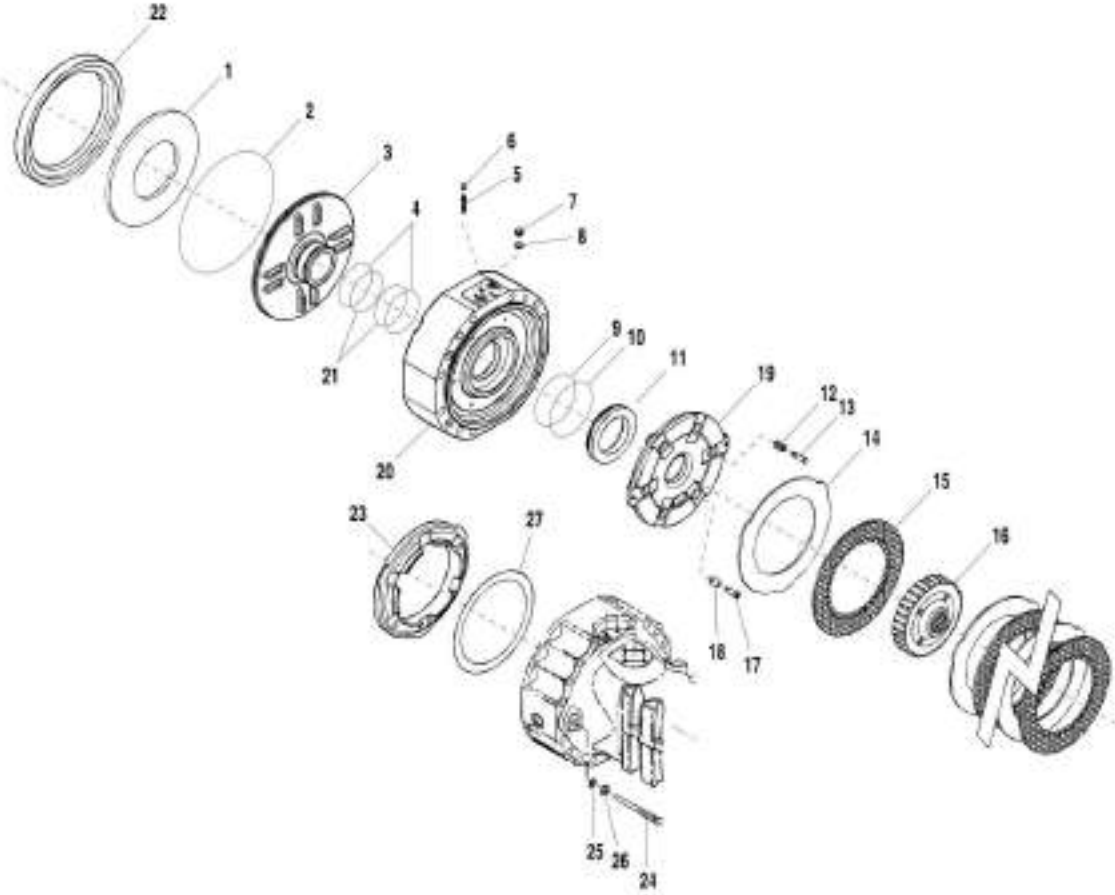
SECTION 5 - DRIVE TRAIN

FIGURE 5-7. FRONT DOUBLE JOINT (Prior to SN 0160048624)

ITEM	PART NUMBER	QTY	DESCRIPTION	REV
1	80204071	2	CIRCLIP	
2	80204005	2	CIRCLIP	
3	91514146	2	BALL BEARING	
4	91514147	2	SEAL	
5	91514148	2	O-RING	
6	91514149	2	REDUCTION BUSHING, (includes items 2, 3, 4 & 5)	
7	7029296	2	JOINT AND SHAFT ASSY	
K1	70021615	2	CROSS KIT, (includes circlips)	

SECTION 5 - DRIVE TRAIN

FIGURE 5-8. FRONT BRAKES (Prior to SN 0160048624)



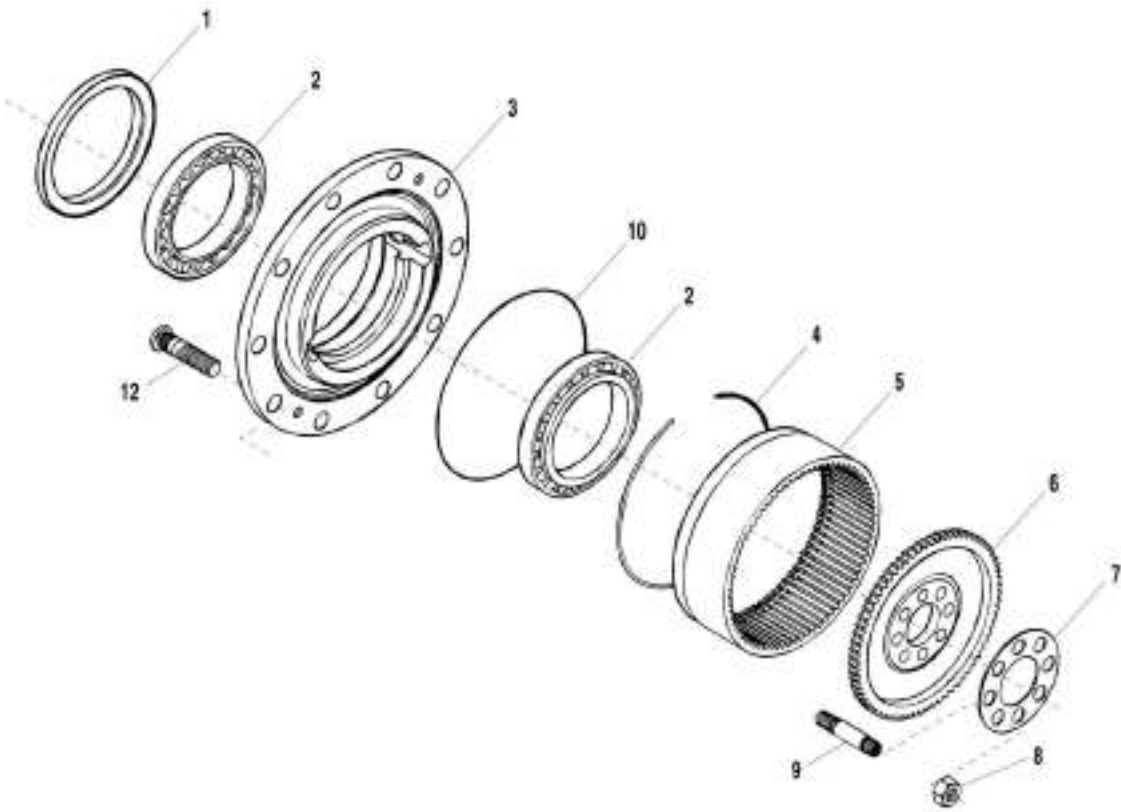
SECTION 5 - DRIVE TRAIN

FIGURE 5-8. FRONT BRAKES (Prior to SN 0160048624)

ITEM	PART NUMBER	QTY	DESCRIPTION	REV
1	91514151	2	SPRING	A
2	91514089	2	O-RING	
3	91514152	2	PISTON	
4	91514153	4	BACK-UP RING	
5	80204281	4	BLEEDING BOLT	
6	80204117	4	PLUG	
7	91514154	4	BOLT	
8	91514155	4	SEAL WASHER	
9	91514156	2	O-RING	
10	91514157	2	BACK-UP RING	
11	91514158	2	PISTON	
12	91514159	6	SPRING	
13	91514160	6	ADJUSTING BOLT	
14	91514161	6	INTERMEDIATE BRAKE DISC	
15	7029299	6	BRAKE DISC, (Prior to Axle SN GITA742987)	
15	7029735	6	BRAKE DISC, (Axle SN GITA742987 to Present)	
16	91514163	2	SELECTOR, (Prior to Axle SN GITA742987)	
16	7029734	2	REDUCTION BUSHING, (Axle SN GITA742987 to Present)	
17	7029789	6	ADJUSTING BOLT	
18	91514165	6	SPRING	
19	91514166	2	INTERMEDIATE BRAKE DISC	
20	91514096	2	INTERMEDIATE COVER	
21	91514167	4	O-RING	
22	91514168	2	SPACER	
23	7029298	2	SPACER	
24	91514170	4	BOLT	
25	80204108	4	LOCK WASHER	
26	80204060	4	NUT	
27	91514171	2	SHIM, 0.2mm	
27	91514172	2	SHIM, 0.3mm	
27	91514173	2	SHIM, 0.5mm	

SECTION 5 - DRIVE TRAIN

FIGURE 5-9. FRONT WHEEL HUB (Prior to SN 0160048624)



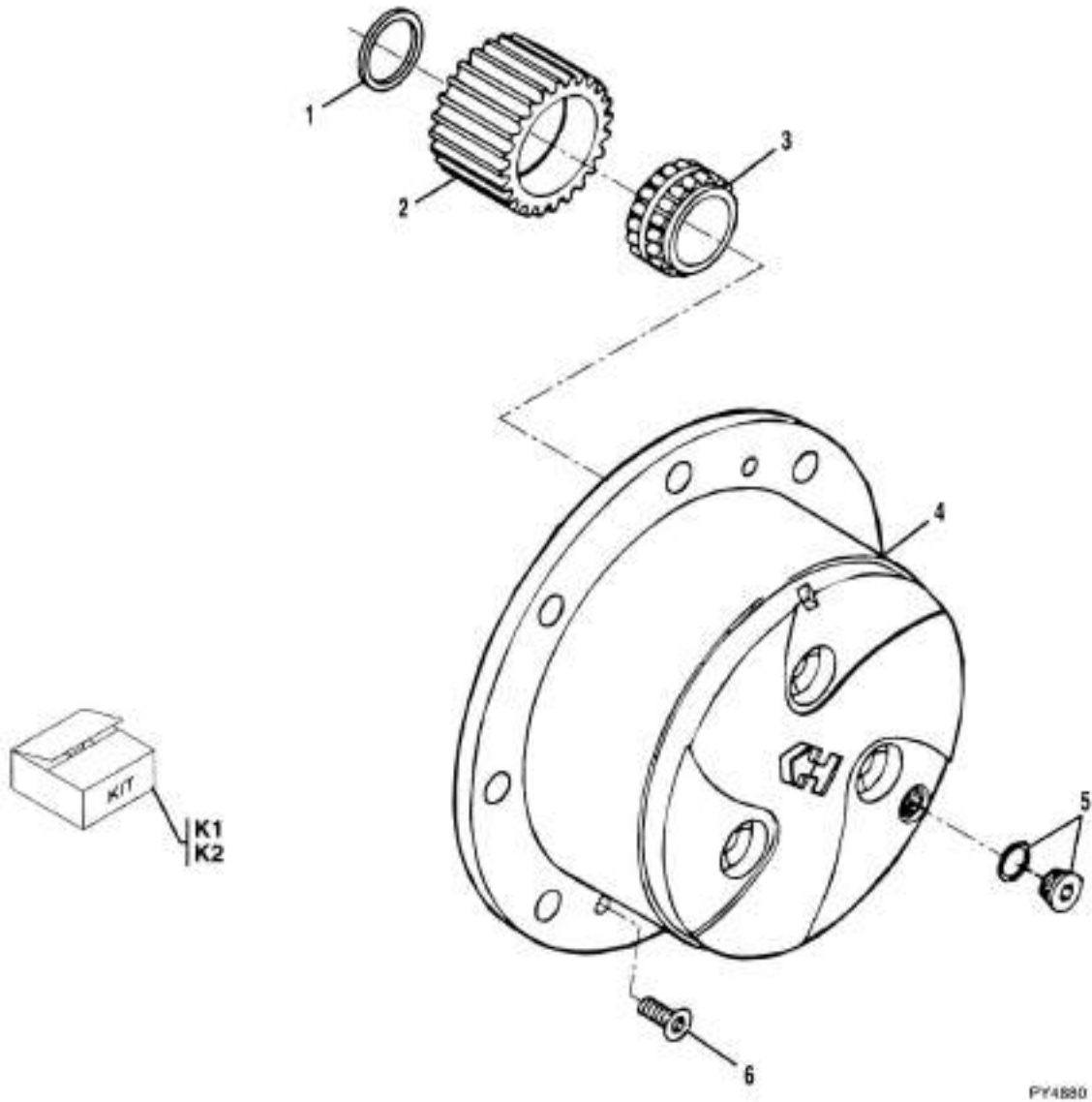
SECTION 5 - DRIVE TRAIN

FIGURE 5-9. FRONT WHEEL HUB (Prior to SN 0160048624)

ITEM	PART NUMBER	QTY	DESCRIPTION	REV
1	7029300	2	SEAL	
2	80204076	4	BEARING	
3	91514174	2	WHEEL HUB	
4	91514175	2	CIRCLIP	
5	91514176	2	RING GEAR	
6	91514177	2	GEAR SUPPORT	
7	91514178	2	LOCKING PLATE	
8	91514179	16	NUT	
9	91514180	16	STUD	
10	91514181	2	O-RING	
12	80214120	20	WHEEL STUD	

SECTION 5 - DRIVE TRAIN

FIGURE 5-10. FRONT REDUCTION GEARS (Prior to SN 0160048624)



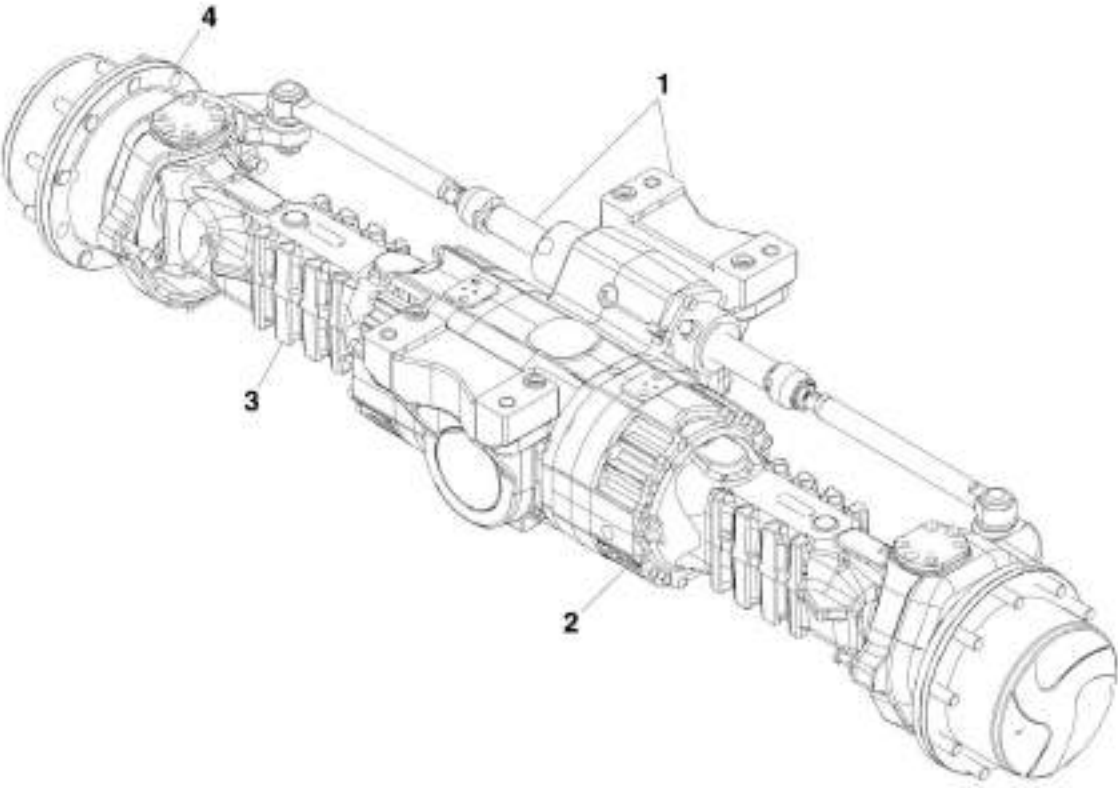
SECTION 5 - DRIVE TRAIN

FIGURE 5-10. FRONT REDUCTION GEARS (Prior to SN 0160048624)

ITEM	PART NUMBER	QTY	DESCRIPTION	REV
1	91514184	6	CIRCLIP	A
2	91514185	6	PLANETARY GEAR	
3	91514186	6	BEARING	
4	7026731	2	PLANETARY GEAR CARRIER	
5	91514188	2	PLUG	
6	91514189	4	COUNTERSUNK BOLT	
K1	7026730	2	PLANETARY CARRIER KIT, (Prior to Axle SN GITA714765), (includes items 1 thru 4 and items 4, 5 & 6 on FRONT WHEEL HUB)	
K1	7029733	1	PLANETARY CARRIER KIT, (Axle SN GITA714765 to Present), (includes items 1 thru 4)	
K2	7029732	1	RING GEAR SUPPORT, (Axle SN GITA714765 to Present), (includes items 4, 5 & 6 on FRONT WHEEL HUB)	

SECTION 5 - DRIVE TRAIN

FIGURE 5-11. FRONT AXLE (SN 0160048624 to Present)



AWT_1501130207-D

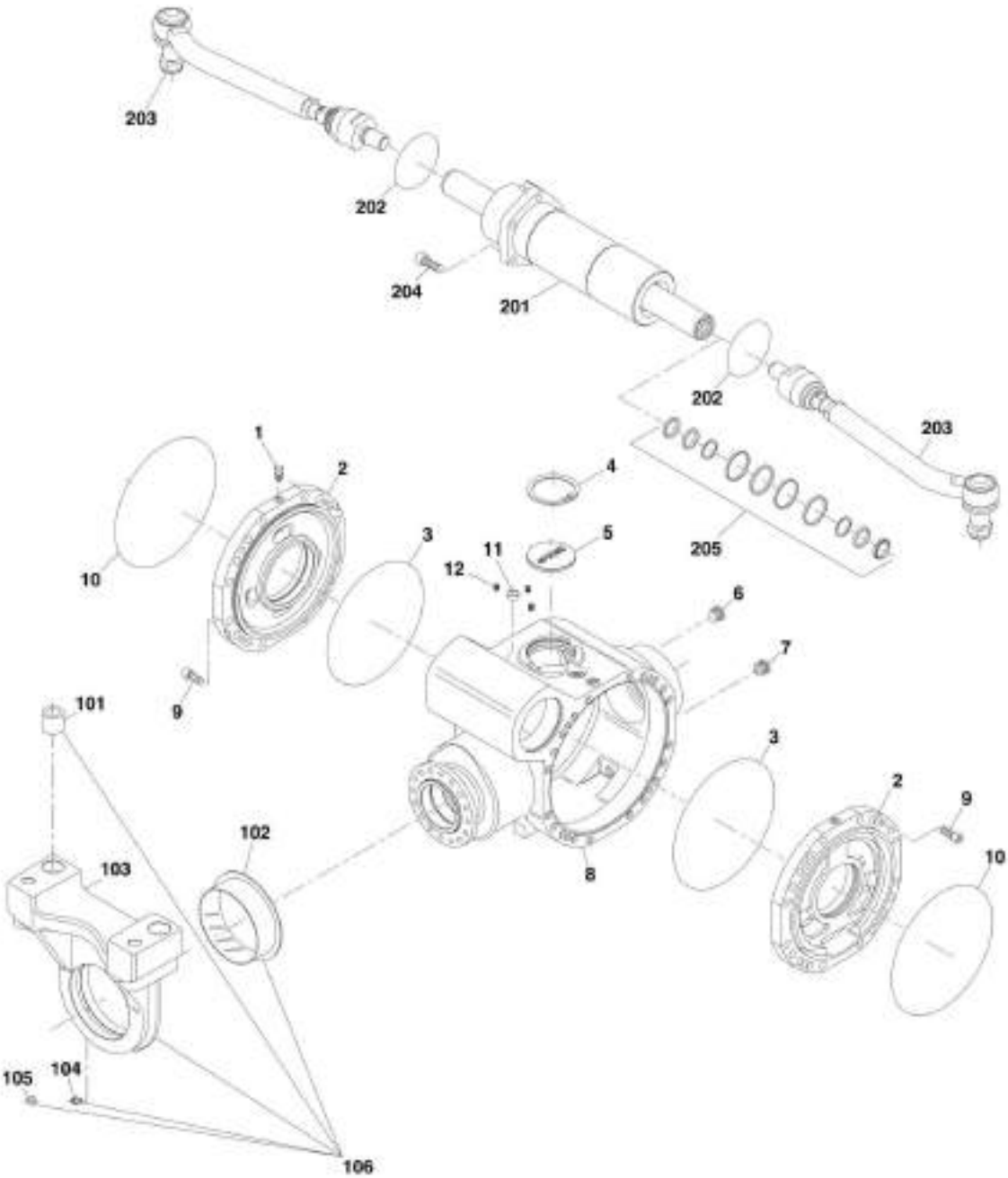
SECTION 5 - DRIVE TRAIN

FIGURE 5-11. FRONT AXLE (SN 0160048624 to Present)

ITEM	PART NUMBER	QTY	DESCRIPTION	REV
1	1001136367	1	FRONT AXLE, (includes all items)	D
		Ref	CENTRAL HOUSING AND STEERING, (See Separate Breakdown in this Section)	
2		Ref	DIFFERENTIAL, (See Separate Breakdown in this Section)	
3		Ref	HUB REDUCTION, (See Separate Breakdown in this Section)	
4		Ref	BRAKES, (See Separate Breakdown in this Section)	

SECTION 5 - DRIVE TRAIN

FIGURE 5-12. CENTRAL HOUSING AND STEERING (SN 0160048624 to Present)



ART. 00100001.1 ©

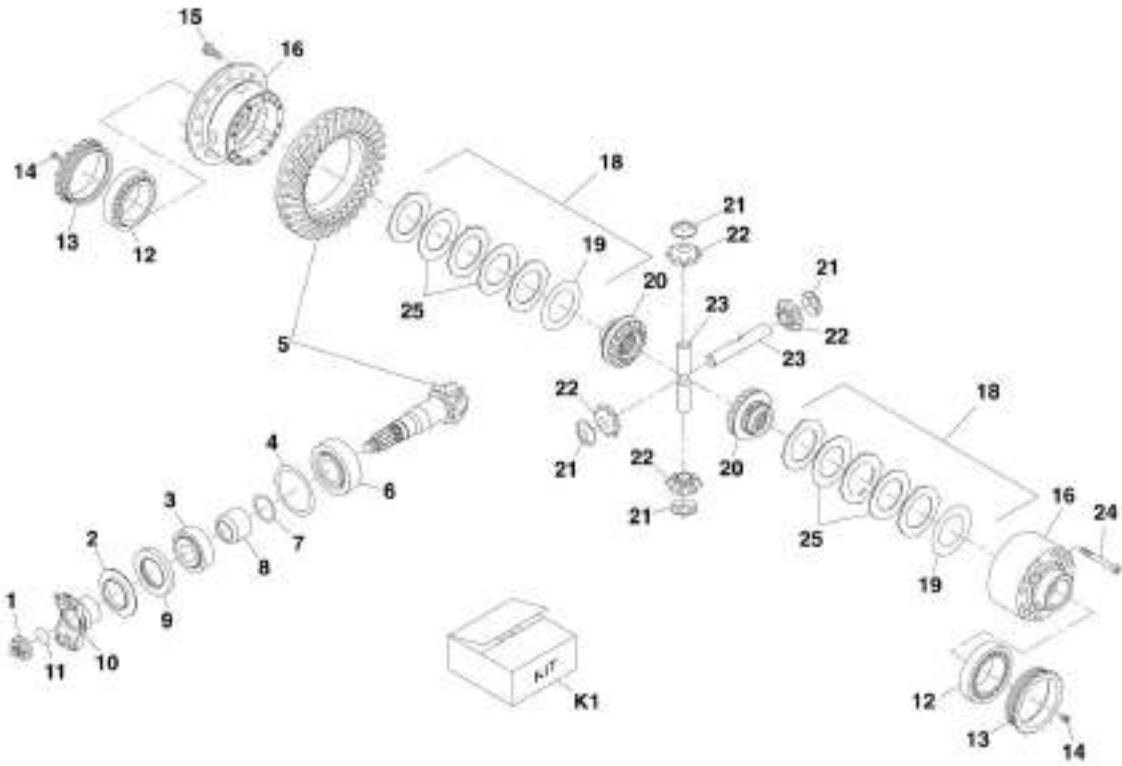
SECTION 5 - DRIVE TRAIN

FIGURE 5-12. CENTRAL HOUSING AND STEERING (SN 0160048624 to Present)

ITEM	PART NUMBER	QTY	DESCRIPTION	REV
1	91474512	1	VENT	
2	7029288	1	INTERMEDIATE COVER	
3	80204002	1	O-RING	
4	80204005	1	CIRCLIP	
5	91514098	1	PLUG	
6	91514087	1	PLUG	
7	70021177	1	MAGNET PLUG	
8	7029289	1	HOUSING	
9	91514101	4	BOLT	
10	91514089	2	O-RING	
11	7029307	1	PLUG	
12	7029306	3	BOLT	
101	7029290	4	BUSHING	
102	91514090	2	BUSHING	
103	7029291	2	SUPPORT	
104	91514099	2	GREASE FITTING	
105	80204117	2	PLUG	
106	7029292	2	SUPPORT ASSY, (includes items 101 thru 105)	
201	7026490	1	STEERING CYLINDER	
202	80204143	2	O-RING	
203	70021614	2	TIE ROD	
204	80204144	5	BOLT	
205	7029127	1	STEERING CYLINDER SEAL KIT	

SECTION 5 - DRIVE TRAIN

FIGURE 5-13. DIFFERENTIAL (SN 0160048624 to Present)



MIT_00100007_00

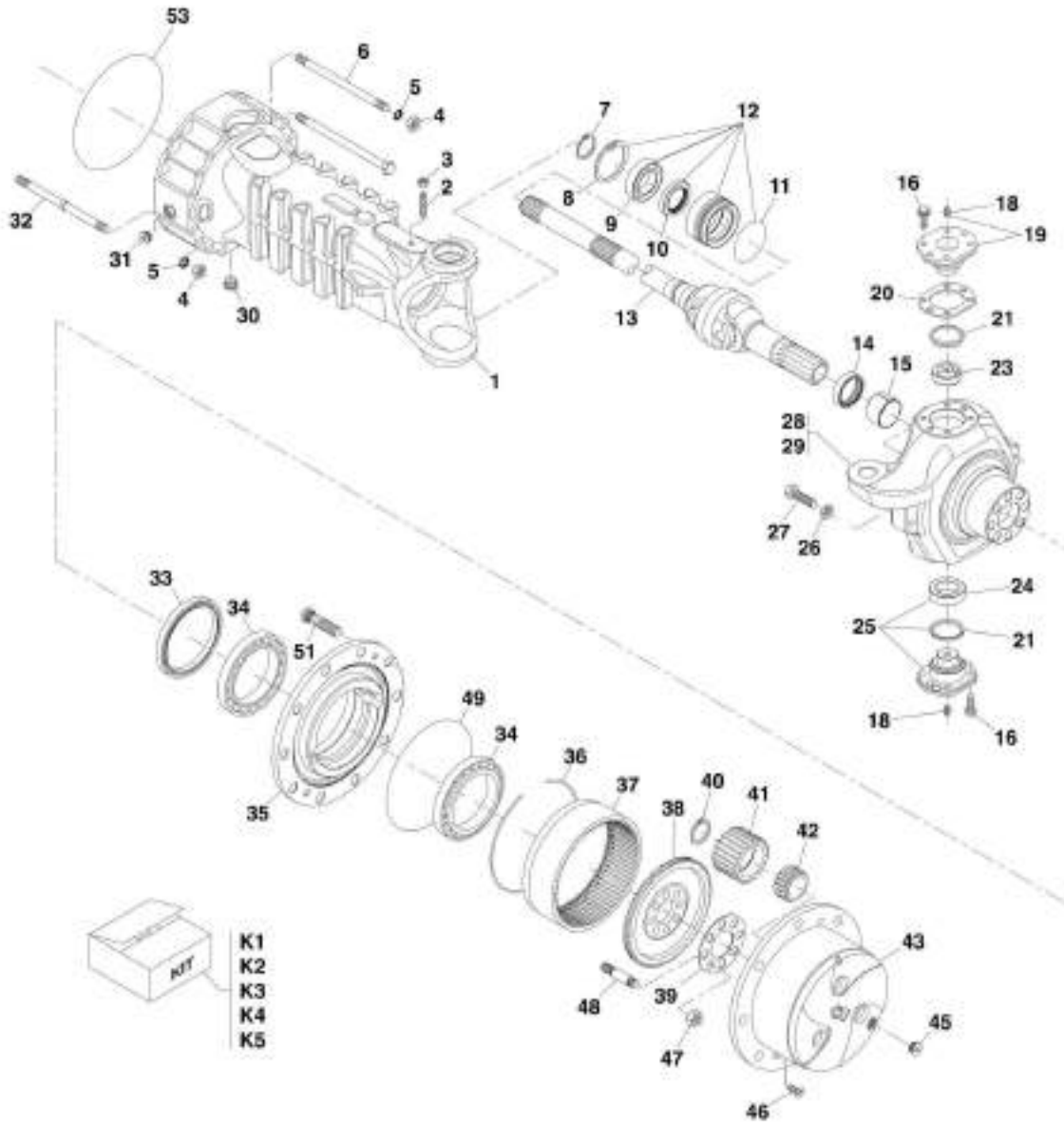
SECTION 5 - DRIVE TRAIN

FIGURE 5-13. DIFFERENTIAL (SN 0160048624 to Present)

ITEM	PART NUMBER	QTY	DESCRIPTION	REV
1	80204043	1	NUT	
2	91514130	1	COVER PLATE	
3	80204048	1	TAPER ROLLER BEARINGS	
4	70023469	1	SHIM	
5	91514124	1	BEVEL GEAR SET	
6	80204035	1	TAPER ROLLER BEARING	
7	70023494	1	RING KIT	
8	70022140	1	SPACER	
9	70025887	1	SEAL	
10	91514131	1	FLANGE	
11	10725554	1	O-RING	
12	80204033	2	TAPER ROLLER BEARING	
13	91514133	2	RING NUT	
14	91514134	2	BOLT	
15	91514123	16	BOLT	
16	70024004	1	DIFFERENTIAL CARRIER	
18	70023496	2	CLUTCH DISC, (includes items 19 and 25)	
19	N.S.S.	2	DISC	
20	70025856	2	DIFFERENTIAL SIDE GEAR	
21	70023491	4	FRICTION WASHER	
22	70025339	4	DIFFERENTIAL PINION	
23	70023490	2	DIFFERENTIAL SHAFT	
24	91514143	15	BOLT	
25	N.S.S.	4	DISC	
K1	70024005	1	DIFFERENTIAL KIT, (includes items 16 thru 25)	

SECTION 5 - DRIVE TRAIN

FIGURE 5-14. HUB REDUCTION (SN 0160048624 to Present)



ART. 160136807.3-D

SECTION 5 - DRIVE TRAIN

FIGURE 5-14. HUB REDUCTION (SN 0160048624 to Present)

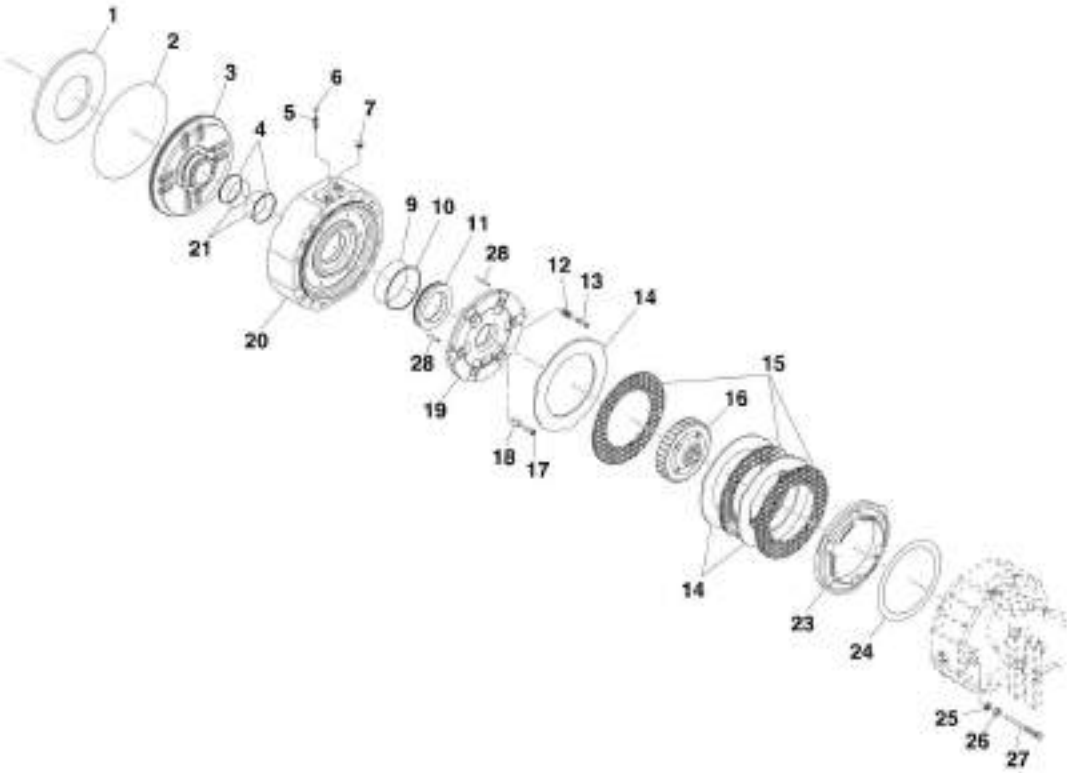
ITEM	PART NUMBER	QTY	DESCRIPTION	REV
1	N.S.S.	2	AXLE CASE	
2	91514081	2	BOLT	
3	91514082	2	NUT	
4	91514083	8	NUT	
5	91514084	8	WASHER	
6	7029309	24	BOLT	
7	80204071	2	CIRCLIP	
8	80204005	2	CIRCLIP	
9	91514146	2	BALL BEARING	
10	91514147	2	SEAL	
11	91514148	2	O-RING	
12	91514149	2	REDUCTION BUSHING	
13	70024671	2	DOUBLE UNIVERSAL JOINT	
14	70025857	2	SEAL	
15	91514111	1	THRUST BUSHING	
16	91514123	24	BOLT	
18	91514099	2	GREASE FITTING	
19	91514112	2	PIVOT PIN	
20	70025561	1	SHIM KIT	
21	7028716	2	DUST EXCLUDER	
23	7028714	2	BUSHING	
24	91514095	2	BEARING	
25	7028715	2	PIVOT PIN	
26	80204065	4	NUT	
27	91514117	4	BOLT	
28	7029750	1	LH STEERING CASE	
29	7029295	1	RH STEERING CASE	
30	70021177	2	MAGNET PLUG	
31	91514087	2	PLUG	
32	70024851	8	STUD	
33	7029300	2	SEAL	
34	80204076	4	TAPER ROLLER BEARING	
35	91514174	2	WHEEL HUB	
36	91514175	2	CIRCLIP	
37	70024147	2	RING GEAR	
38	91514177	2	RING GEAR SUPPORT	
39	91514178	2	LOCKING PLATE	
40	91514184	6	SNAP RING	
41	91514185	6	PLANET GEAR	
42	91514186	6	BEARING	
43	7026731	2	PLANET GEAR CARRIER	
45	91514188	2	PLUG	
46	91514189	4	COUNTERSUNK BOLT	
47	91514179	16	NUT	
48	91514180	16	STUD	
49	91514181	2	O-RING	
51	80214120	20	WHEEL STUD	
53	91514089	2	O-RING	
K1	7029733	2	PLANET GEAR CARRIER KIT, (includes items 36 thru 38 & 40 thru	

SECTION 5 - DRIVE TRAIN

ITEM	PART NUMBER	QTY	DESCRIPTION	REV
K2	7029750	1	43) LEFT STEERING CASE KIT, (includes items 15 & 28)	
K3	7029751	1	RIGHT STEERING CASE KIT, (includes items 15 & 29)	
K4	7028733	4	STEERING ADJUST BOLT KIT, (includes items 26 & 27)	
K5	70024146	2	RING GEAR SUPPORT KIT, (includes items 36 thru 38)	

SECTION 5 - DRIVE TRAIN

FIGURE 5-15. BRAKES (SN 0160048624 to Present)



ART. 190119087_A.D

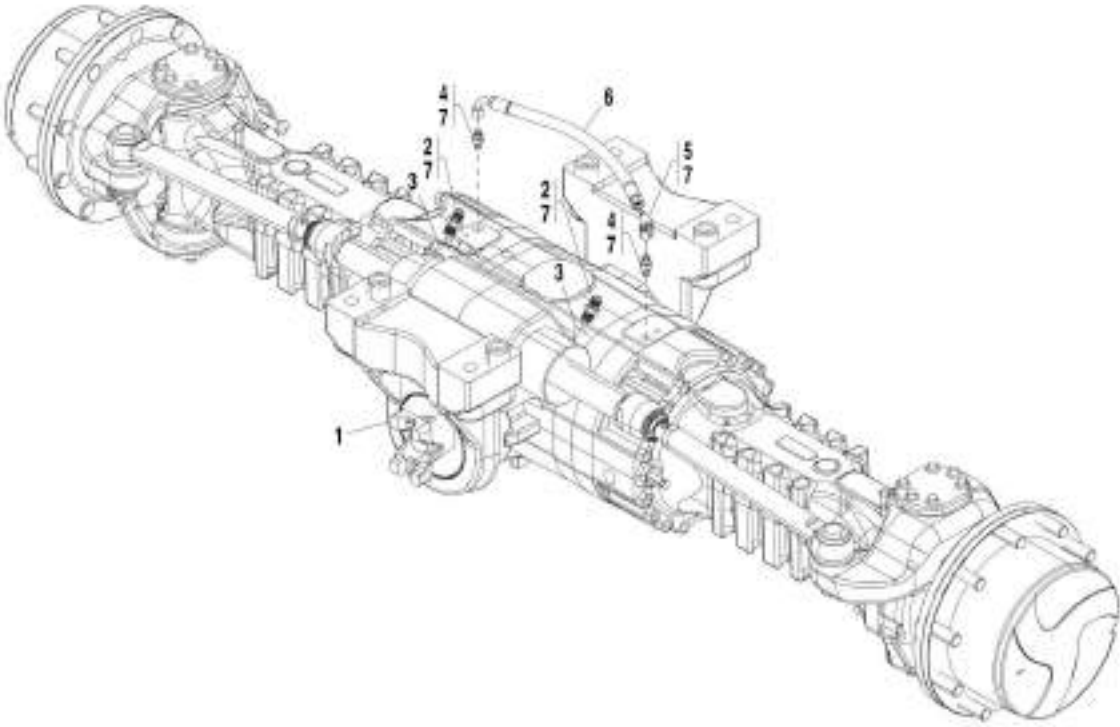
SECTION 5 - DRIVE TRAIN

FIGURE 5-15. BRAKES (SN 0160048624 to Present)

ITEM	PART NUMBER	QTY	DESCRIPTION	REV
1	91514151	2	SPRING	
2	91514089	2	O-RING	
3	91514152	2	PISTON	
4	91514153	4	BACKUP RING	
5	80204281	4	BLEEDING BOLT	
6	80204117	4	PLUG	
7	91514154	4	PLUG	
9	91514156	2	O-RING	
10	91514157	2	BACKUP RING	
11	91514158	2	PISTON	
12	91514159	6	SPRING	
13	7029789	6	ADJUSTING BOLT	
14	91514161	6	INTERMEDIATE BRAKE DISC	
15	7029735	6	BRAKE DISC	
16	7029734	2	REDUCTION BUSHING	
17	7029789	6	ADJUSTING BOLT	
18	91514165	6	SPRING	
19	70024849	2	DISC, INTERMEDIATE BRAKE	
20	70024848	2	COVER	
21	91514167	4	O-RING	
23	7029298	2	SPACER	
24	70025970	1	SHIM	
25	80204108	4	LOCKWASHER	
26	80204060	4	NUT	
27	70024213	4	BOLT	
28	70024215	4	DOWEL	

SECTION 5 - DRIVE TRAIN

FIGURE 5-16. REAR AXLE ASSEMBLY



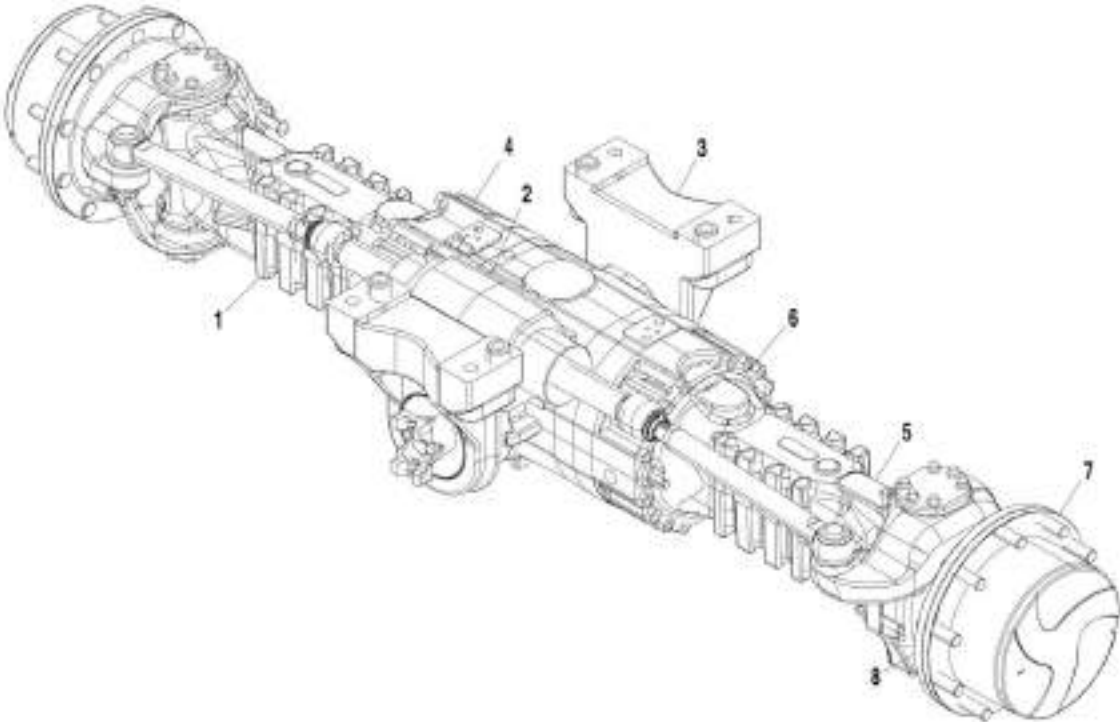
SECTION 5 - DRIVE TRAIN

FIGURE 5-16. REAR AXLE ASSEMBLY

ITEM	PART NUMBER	QTY	DESCRIPTION	REV
	91515004	Ref	REAR AXLE ASSY, (not available to order, see items 1 thru 7 for service) (Prior to SN 0160040675, Excluding 0160040468 and 0160040672)	E
	1001097464	Ref	REAR AXLE ASSY, (not available to order, see items 1 thru 7 for service) (SN 0160040675 to Present, Including 0160040468 and 0160040672)	E
1		Ref	REAR AXLE, (See REAR AXLE for Breakdown)	
2	2220373	2	CONNECTOR, (includes item 3) (Prior to SN 0160040675, Excluding 0160040468 and 0160040672)	
2	2110808	2	CONNECTOR, (includes o-ring) (SN 0160040675 to Present, Including 0160040468 and 0160040672)	
3	88591205	2	O-RING	
4	8770064	2	FITTING, M14X1.5 (Prior to SN 0160040675, Excluding 0160040468 and 0160040672)	
4	2144605	2	CONNECTOR, (includes o-ring) (SN 0160040675 to Present, Including 0160040468 and 0160040672)	
5	2220579	1	SWIVEL NUT RUN TEE, 3/8 TUBE (Prior to SN 0160040675, Excluding 0160040468 and 0160040672)	
5	2170806	1	SWIVEL NUT RUN TEE, 3/8 TUBE (SN 0160040675 to Present, Including 0160040468 and 0160040672)	
6	1001102506	1	HOSE ASSY (Prior to SN 0160035215)	
6	1001103647	1	HOSE ASSY (SN 0160035215 through 0160040674, Excluding 0160040468 and 0160040672)	
6	1001097466	1	HOSE ASSY (SN 0160040675 to Present, Including 0160040468 and 0160040672)	
7	0100075	AR	LOCTITE 545	

SECTION 5 - DRIVE TRAIN

FIGURE 5-17. REAR AXLE



SECTION 5 - DRIVE TRAIN

FIGURE 5-17. REAR AXLE

ITEM	PART NUMBER	QTY	DESCRIPTION	REV
	91513037	1	REAR AXLE, (includes all items) (Prior to SN 0160035189, Excluding 0160035166)	C
	1001094200	1	REAR AXLE, (includes all items) (SN 0160035189 through 0160048624, Including 0160035166)	C
1		Ref	AXLE HOUSING ASSY, (See REAR AXLE HOUSING ASSEMBLY for Breakdown)	
2		Ref	STEERING COMPONENTS, (See REAR STEERING COMPONENTS for Breakdown)	
3		Ref	BEVEL GEAR SET, (See REAR GEAR COMPONENTS for Breakdown)	
4		Ref	DIFFERENTIAL, (See REAR DIFFERENTIAL for Breakdown)	
5		Ref	DOUBLE JOINT, (See REAR DOUBLE JOINT for Breakdown)	
6		Ref	BRAKES, (See REAR BRAKES for Breakdown)	
7		Ref	WHEEL HUB, (See REAR BRAKES for Breakdown)	
8		Ref	REDUCTION GEARS, (See REAR WHEEL HUB for Breakdown)	

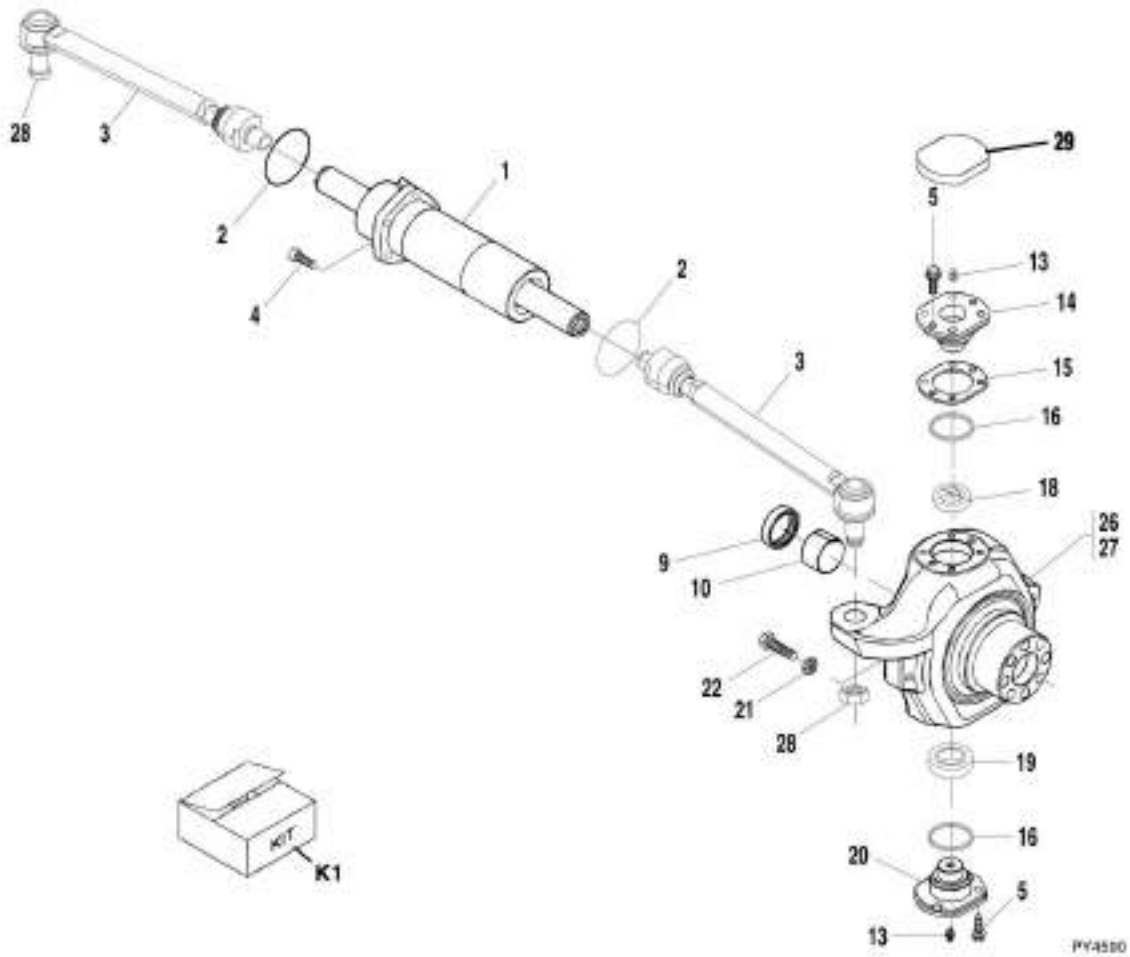
SECTION 5 - DRIVE TRAIN

FIGURE 5-18. REAR AXLE HOUSING ASSEMBLY (Prior to SN 0160048624)

ITEM	PART NUMBER	QTY	DESCRIPTION	REV
1	91514080	2	AXLE CASE (Prior to SN 0160035189, Excluding 0160035166)	
1	70022813	2	AXLE CASE (SN 0160035189 through 0160048624, Including 0160035166)	
2	91514081	2	BOLT	
3	91514082	2	NUT	
4	91514083	32	NUT (Prior to SN 0160035189, Excluding 0160035166)	
5	91514084	32	WASHER (Prior to SN 0160035189, Excluding 0160035166)	
6	91514085	24	STUD (Prior to SN 0160035189, Excluding 0160035166)	
6	70022814	8	HEX BOLT (SN 0160035189 through 0160048624, Including 0160035166)	
7	70021177	3	MAGNET PLUG	
8	91514087	3	PLUG	
9	91514088	8	STUD (Prior to SN 0160035189, Excluding 0160035166)	
10	91514089	4	O-RING	
11	91514090	2	THRUST BUSHING	
12	91514091	2	SUPPORT, (Prior to Axle SN FITA715001)	
12	7029291	2	SUPPORT, (Axle SN FITA715001 to Present)	
13	91514101	4	BOLT	
14	80204117	2	PLUG	
15	91514103	4	REDUCTION BUSHING, (Prior to Axle SN FITA715001)	
15	7029290	4	REDUCTION BUSHING, (Axle SN FITA715001 to Present)	
16	91514100	NLA	HOUSING, (Prior to Axle SN FITA715001), (no longer available; use 7029289 along with item 7029292)	
16	7029289	1	HOUSING, (Axle SN FITA715001 to Present)	
17		Ref	INTERMEDIATE COVER, (See REAR BRAKES for Breakdown)	
18	91474512	1	VENT	
19	7029288	1	INTERMEDIATE COVER	
20	80204002	1	O-RING	
21	80204005	1	CIRCLIP	
22	91514098	1	PLUG	
23	91514099	2	GREASE FITTING	
K1	91514102	2	SUPPORT ASSY, (Prior to Axle SN FITA715001), (includes items 11, 12, 14, 15 & 23)	
K1	7029292	2	SUPPORT ASSY, (Axle SN FITA715001 to Present), (includes items 11, 12, 14, 15 & 23)	

SECTION 5 - DRIVE TRAIN

FIGURE 5-19. REAR STEERING COMPONENTS (Prior to SN 0160048624)



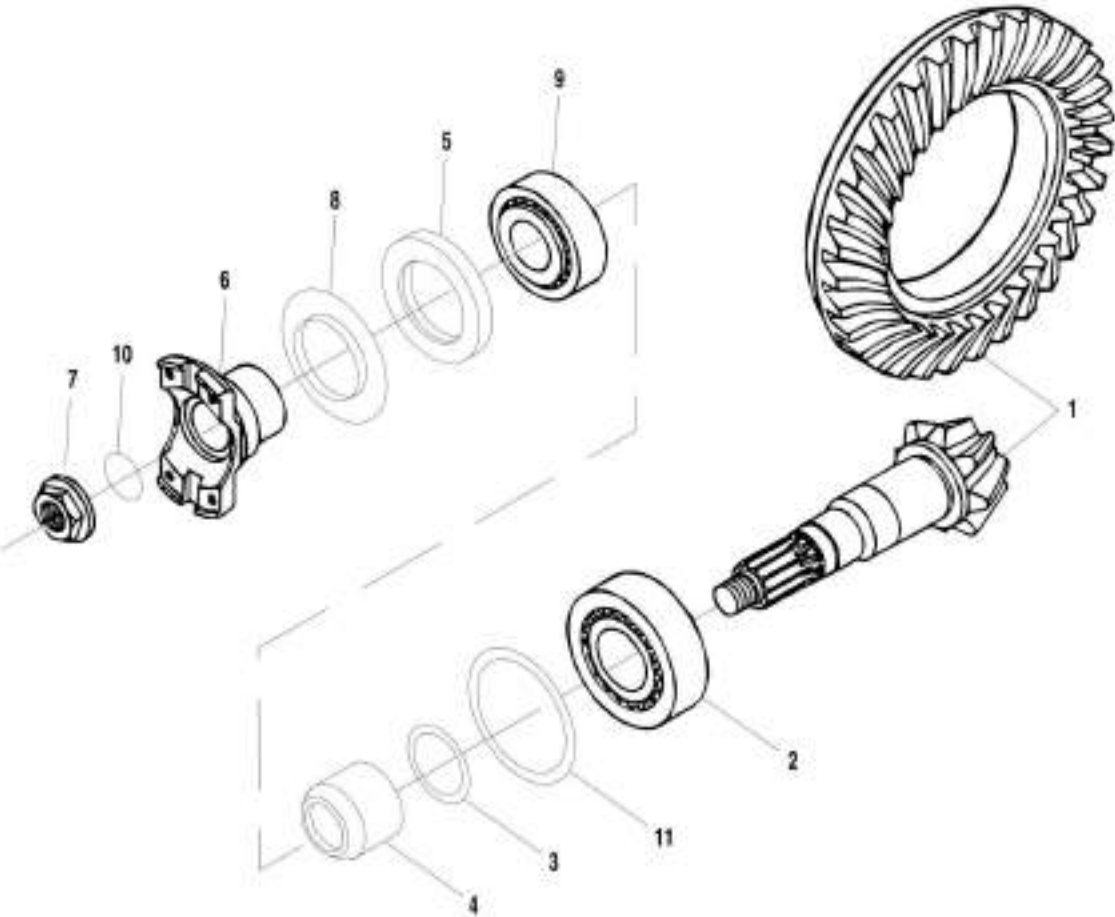
SECTION 5 - DRIVE TRAIN

FIGURE 5-19. REAR STEERING COMPONENTS (Prior to SN 0160048624)

ITEM	PART NUMBER	QTY	DESCRIPTION	REV
1	91514101	NLA	CYLINDER, (Prior to Axle SN EITA716066), (no longer available, use 7026490)	
1	91514255	1	SEAL KIT	
1	7026490	1	CYLINDER, (Axle SN EITA716066 to Present)	
1	7029127	1	SEAL KIT	
2	80204143	2	O-RING	
3	91514219	2	TIE ROD, (includes item 28), (Prior to Axle SN CITA718607)	
3	7029293	2	TIE ROD, (includes item 28), (Axle SN CITA718607 to Present)	
3	70021614	2	TIE ROD, (includes item 28) (SN 0160035189 to Present, Including 0160035166)	
4	80204144	5	CYLINDER BOLT	
5	91514123	24	BOLT	
9	91514110	2	SEAL, (Prior to Axle SN FITA726803)	
9	7028718	2	SEAL, (Axle SN FITA726803 to Present)	
10	91514111	2	THRUST BUSHING	
13	91514099	4	GREASE FITTING	
14	91514112	2	PIVOT PIN, (includes item 13)	
15	91514113	2	SHIM	
15	91514114	2	SHIM	
15	91514115	2	SHIM	
16	7028716	4	DUST EXCLUDER	
18	7028714	2	OUTER RACE	
19	91514095	2	BEARING	
20	7028715	2	PIVOT PIN, (includes items 16 & 19)	
21	80204065	4	NUT	
22	91514117	4	BOLT	
26	7029294	1	STEERING CASE, LH (Prior to SN 0160035189, Excluding 0160035166)	
26	7029750	1	STEERING CASE, LH (SN 0160035189 through 0160048624, Including 0160035166)	
27	7029295	1	STEERING CASE, RH (Prior to SN 0160035189, Excluding 0160035166)	
27	7029751	1	STEERING CASE, RH (SN 0160035189 through 0160048624, Including 0160035166)	
28	70022773	2	LOCKNUT	
29	91474524	2	COVER	
K1	7028733	4	STEERING ADJUST BOLT KIT, (includes items 21 & 22)	

SECTION 5 - DRIVE TRAIN

FIGURE 5-20. REAR GEAR COMPONENTS (Prior to SN 0160048624)



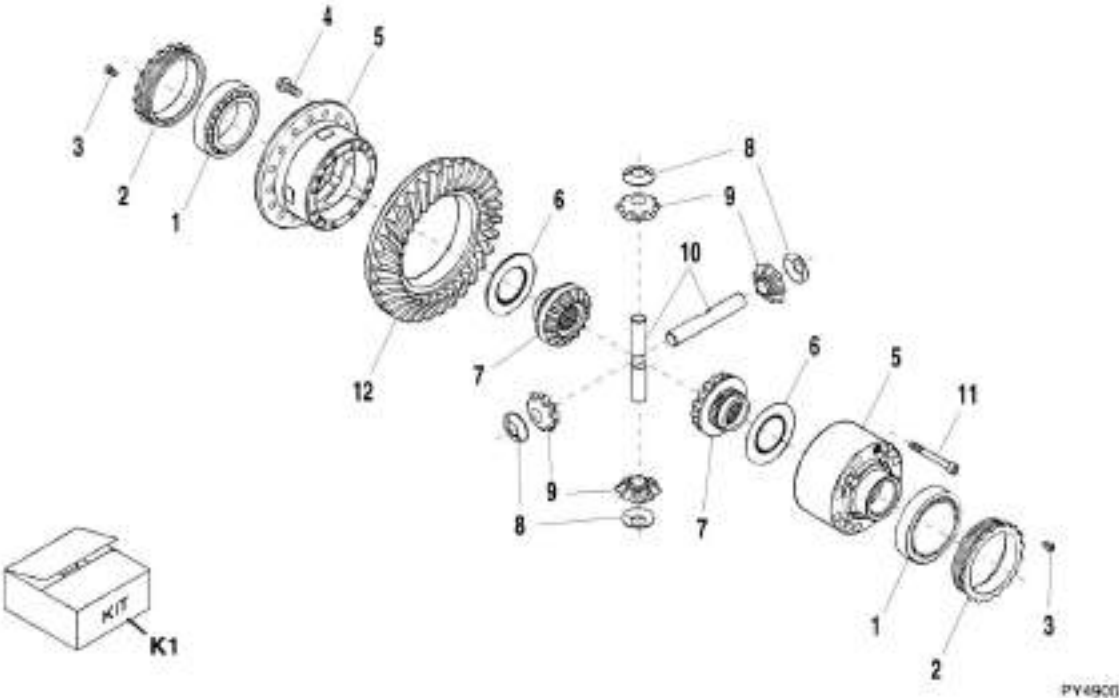
SECTION 5 - DRIVE TRAIN

FIGURE 5-20. REAR GEAR COMPONENTS (Prior to SN 0160048624)

ITEM	PART NUMBER	QTY	DESCRIPTION	REV
1	91514191	1	BEVEL GEAR SET	
2	80204035	1	TAPER ROLLER BEARING	
3	91514125	1	SHIM	
3	91514126	1	SHIM	
3	91514127	1	SHIM	
3	91514128	1	SHIM	
3	91514129	1	SHIM	
4	91514132	1	SPACER	
5	80204047	1	SEAL	
6	91514131	1	FLANGE	
7	80204043	1	NUT	
8	91514130	1	COVER PLATE	
9	80204048	1	TAPER ROLLER BEARING	
10	80204044	1	O-RING	
11	80204049	1	SHIM	
11	80204050	1	SHIM	
11	80204051	1	SHIM	
11	80204052	1	SHIM	

SECTION 5 - DRIVE TRAIN

FIGURE 5-21. REAR DIFFERENTIAL (Prior to SN 0160048624)



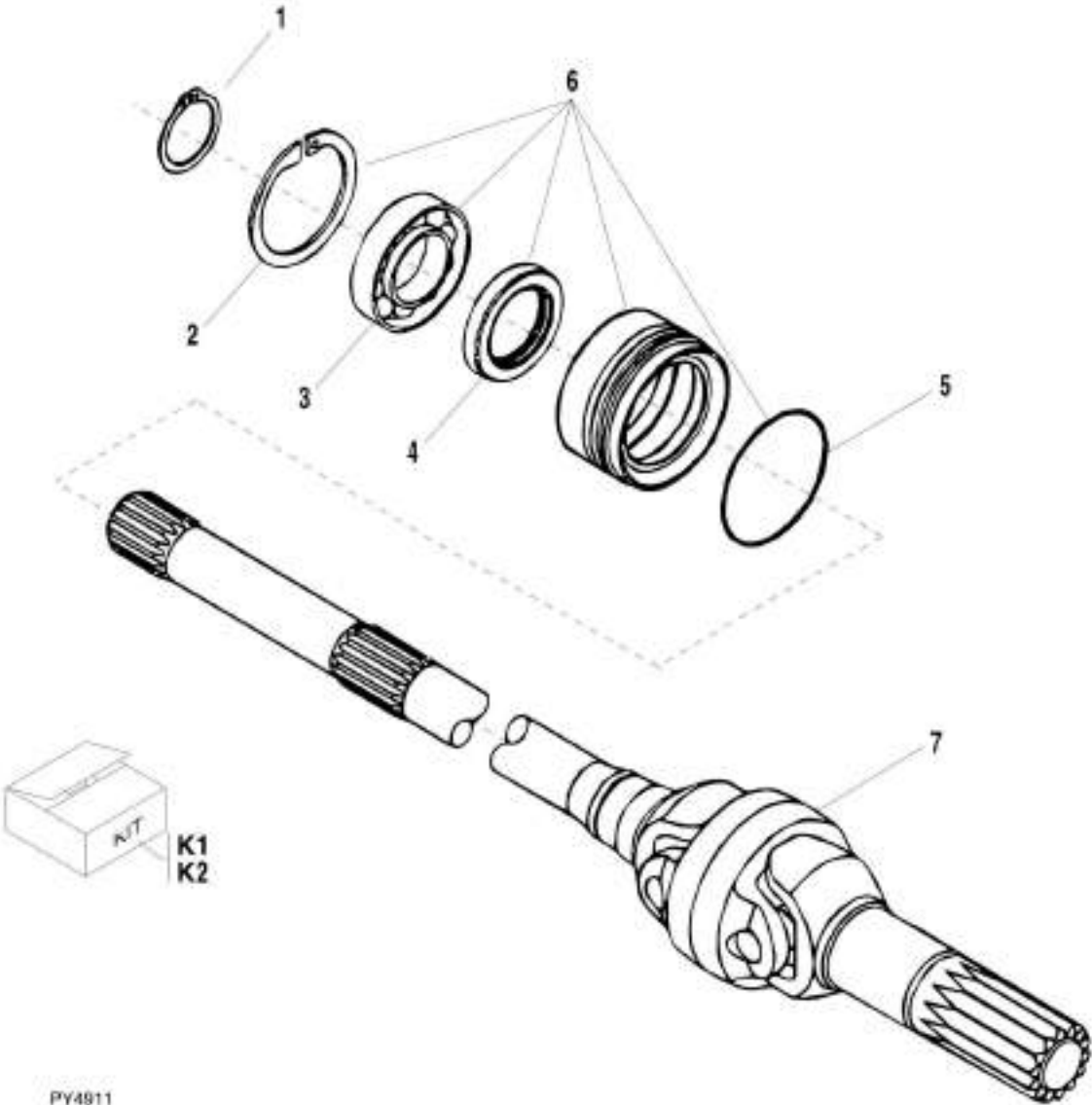
SECTION 5 - DRIVE TRAIN

FIGURE 5-21. REAR DIFFERENTIAL (Prior to SN 0160048624)

ITEM	PART NUMBER	QTY	DESCRIPTION	REV
1	80204033	2	TAPER ROLLER BEARING	A
2	91514133	2	RING NUT	
3	91514134	2	CYLINDER BOLT	
4	91514123	16	BOLT	
5	7029301	1	DIFFERENTIAL	
6	80204031	2	FRICITION WASHER	
7	80204030	2	DIFFERENTIAL SIDE GEAR	
8	80204026	4	FRICITION WASHER	
9	80204025	4	DIFFERENTIAL PINION	
10	91514142	2	PIN	
11	91514193	15	BOLT	
12		Ref	BEVEL GEAR, (See REAR GEAR COMPONENTS for Breakdown)	
K1	7029752	1	DIFFERENTIAL KIT, (includes items 5 thru 11)	

SECTION 5 - DRIVE TRAIN

FIGURE 5-22. REAR DOUBLE JOINT (Prior to SN 0160048624)



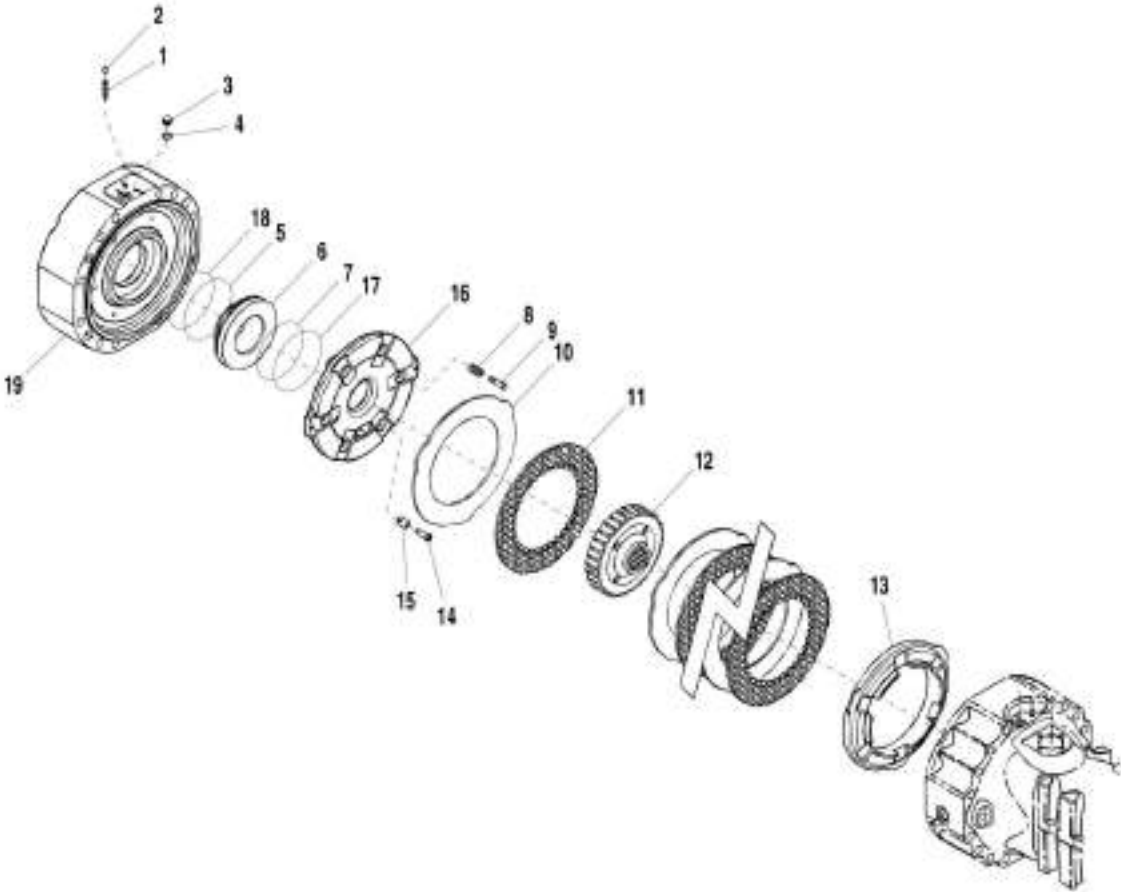
SECTION 5 - DRIVE TRAIN

FIGURE 5-22. REAR DOUBLE JOINT (Prior to SN 0160048624)

ITEM	PART NUMBER	QTY	DESCRIPTION	REV
1	80204071	2	CIRCLIP	
2	80204005	2	CIRCLIP	
3	91514146	2	BALL BEARING	
4	91514147	2	SEAL	
5	91514148	2	O-RING	
6	91514149	2	REDUCTION BUSHING, (includes items 2, 3, 4 & 5)	
7	7029296	2	JOINT AND SHAFT ASSY, Prior to Axle SN RITA 706070, (uses Kit K1) (SN 0160035189 through 0160048624, Prior to SN 0160035189, Including 0160035166, Excluding 0160035166)	
7	70022815	NLA	JOINT AND SHAFT ASSY, Prior to Axle SN RITA 706070, (no longer available, use quantity 2 of 70024671 as replacement), (uses Kit K1) (SN 0160035189 through 0160048624, Including 0160035166)	
7	70024671	2	JOINT & SHAFT ASSY, Axle SN RITA706070 to Present, (uses Kit K2) (SN 0160035189 through 0160048624, Including 0160035166)	
K1	70021615	2	CROSS KIT, (includes circlips)	
K2	70023829	2	CROSS KIT, (includes circlips)	

SECTION 5 - DRIVE TRAIN

FIGURE 5-23. REAR BRAKES (Prior to SN 0160035189, Excluding 0160035166)



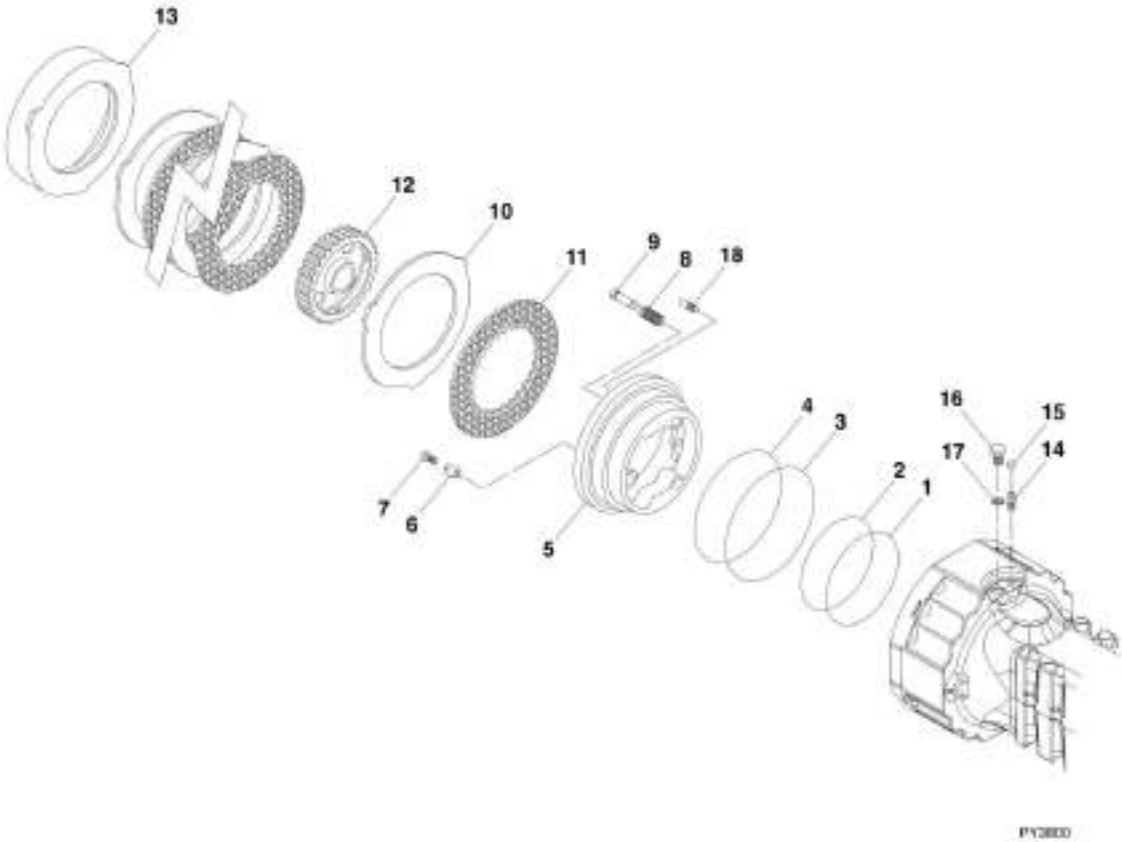
SECTION 5 - DRIVE TRAIN

FIGURE 5-23. REAR BRAKES (Prior to SN 0160035189, Excluding 0160035166)

ITEM	PART NUMBER	QTY	DESCRIPTION	REV
1	80204281	2	BLEED SCREW	A
2	80204117	2	PLUG	
3	91514154	2	BOLT	
4	91514155	2	SEAL WASHER	
5	91514167	2	O-RING	
6	91514194	2	PISTON	
7	91514156	2	O-RING	
8	91514159	6	SPRING	
9	91514160	6	ADJUSTING BOLT	
10	91514161	6	INTERMEDIATE BRAKE DISC	
11	7029299	6	BRAKE DISC, (Prior to Axle SN GITA743052)	
11	7029735	6	BRAKE DISC, (Axle SN GITA743052 to Present)	
12	91514163	2	SELECTOR, (Prior to Axle SN GITA743052)	
12	7029734	2	REDUCTION BUSHING, (Axle SN GITA743052 to Present)	
13	7029298	2	SPACER	
14	7029297	6	ADJUSTING BOLT	
15	91514165	6	SPRING	
16	91514166	2	INTERMEDIATE BRAKE DISC	
17	91514157	2	BACK-UP RING	
18	91514153	2	BACK-UP RING	
19	91514195	2	INTERMEDIATE COVER	

SECTION 5 - DRIVE TRAIN

FIGURE 5-24. REAR BRAKES (SN 0160035189 through 0160048624, Including 0160035166)



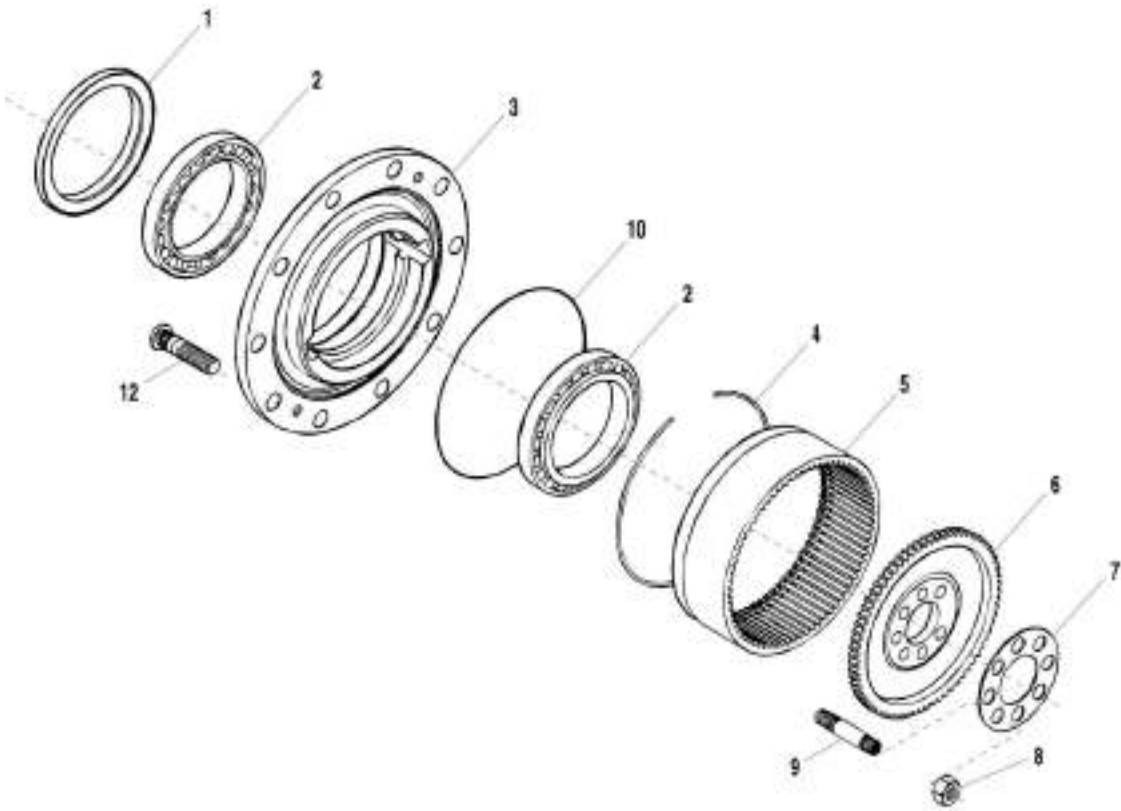
SECTION 5 - DRIVE TRAIN

FIGURE 5-24. REAR BRAKES (SN 0160035189 through 0160048624, Including 0160035166)

ITEM	PART NUMBER	QTY	DESCRIPTION	REV
1	70021609	2	BACK-UP RING	
2	70021610	2	O-RING	
3	70021612	2	BACK-UP RING	
4	70021611	2	O-RING	
5	70021608	2	PISTON	
6	91514165	6	TUBE	
7	70021607	6	ADJUSTING BOLT	
8	91514159	6	SPRING	
9	91514160	6	ADJUSTING BOLT	
10	91514161	6	INTERMEDIATE BRAKE DISC	
11	7029735	6	BRAKE DISC	
12	7029734	2	REDUCTION BUSHING	
13	70021606	2	SPACER	
14	80204281	2	BLEEDING BOLT	
15	80204117	2	PLUG	
16	91514154	2	BOLT	
17	91514155	2	SEAL WASHER	
18	70021613	2	PILOT BOLT	

SECTION 5 - DRIVE TRAIN

FIGURE 5-25. REAR WHEEL HUB (Prior to SN 0160048624)



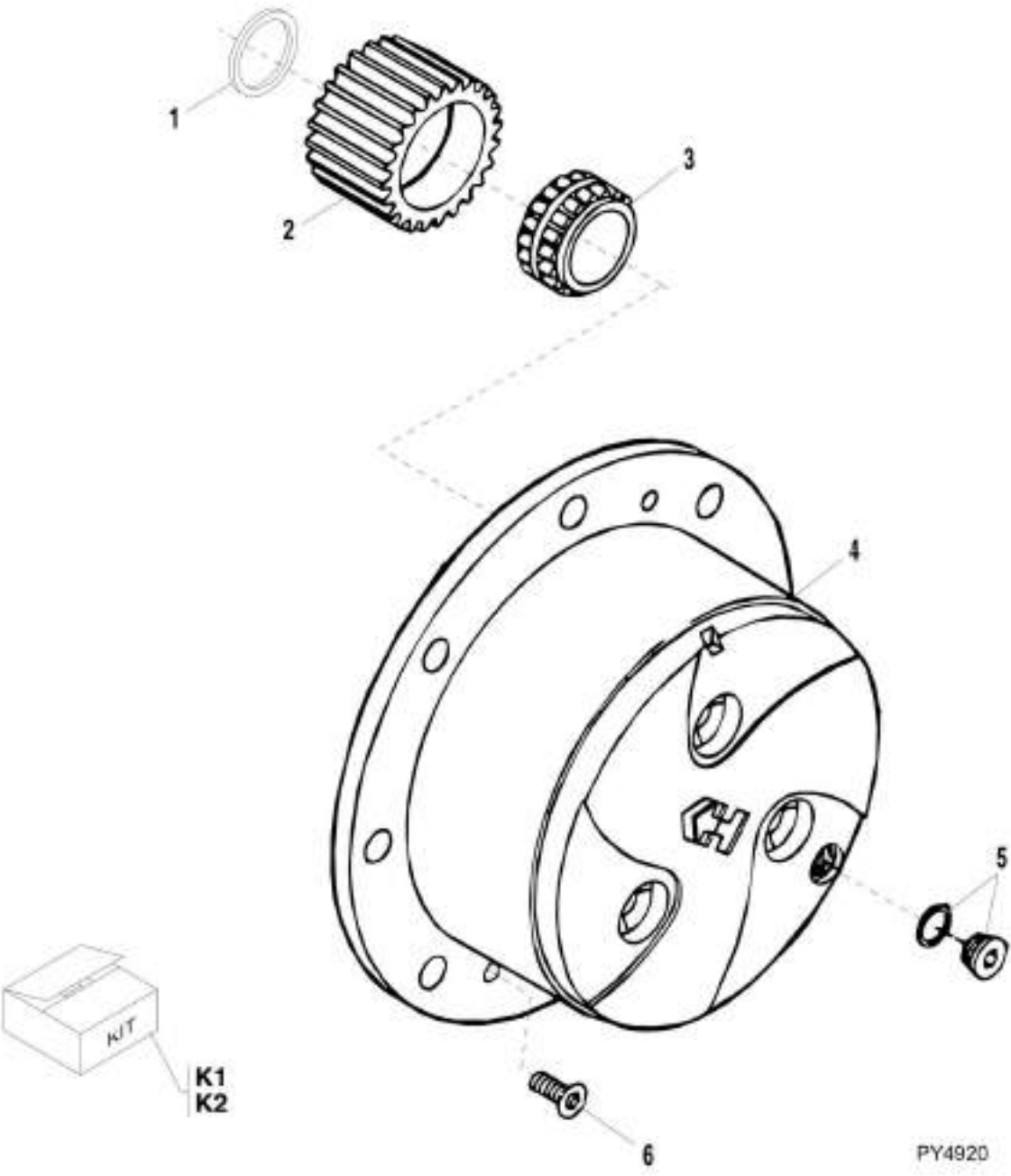
SECTION 5 - DRIVE TRAIN

FIGURE 5-25. REAR WHEEL HUB (Prior to SN 0160048624)

ITEM	PART NUMBER	QTY	DESCRIPTION	REV
1	7029300	2	SEAL	
2	80204076	4	BEARING	
3	91514174	2	WHEEL HUB	
4	91514175	2	CIRCLIP	
5	91514176	2	RING GEAR (Prior to SN 0160035189, Excluding 0160035166)	
5	70021605	2	RING GEAR (SN 0160035189 through 0160048624, Including 0160035166)	
6	91514177	2	GEAR SUPPORT	
7	91514178	2	LOCKING PLATE	
8	91514179	16	NUT	
9	91514180	16	STUD	
10	91514181	2	O-RING	
12	80214120	20	WHEEL STUD	

SECTION 5 - DRIVE TRAIN

FIGURE 5-26. REAR REDUCTION GEARS (Prior to SN 0160048624)



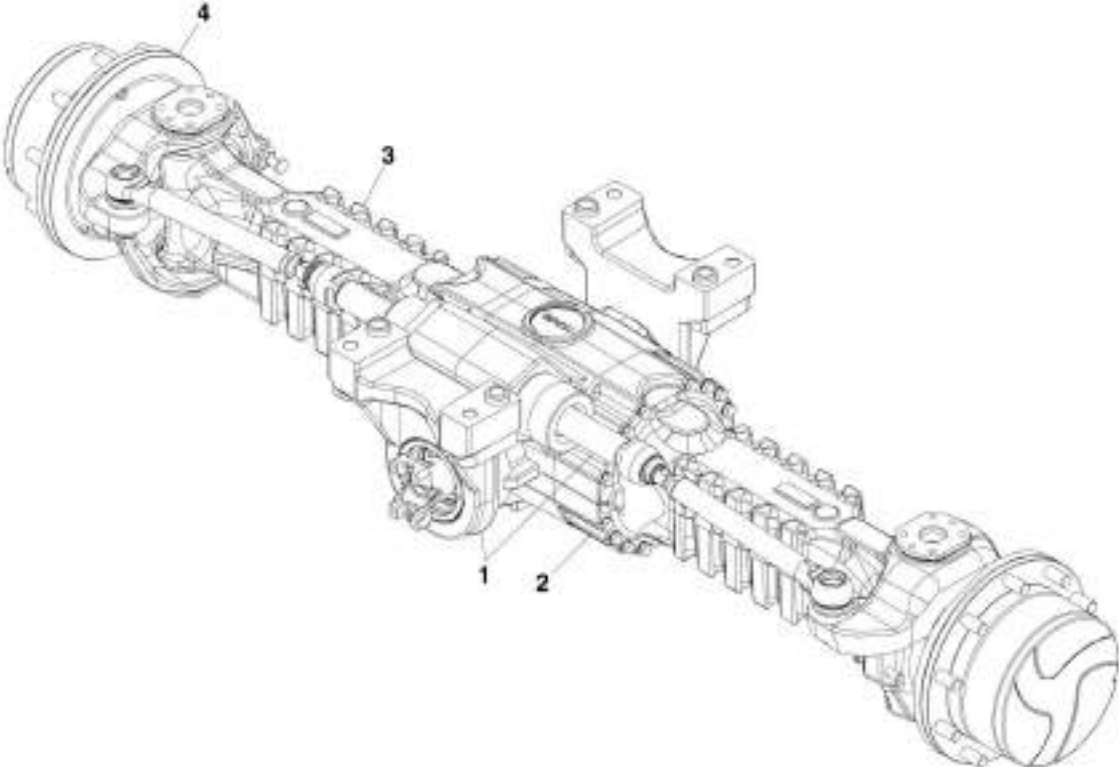
SECTION 5 - DRIVE TRAIN

FIGURE 5-26. REAR REDUCTION GEARS (Prior to SN 0160048624)

ITEM	PART NUMBER	QTY	DESCRIPTION	REV
1	91514184	6	CIRCLIP	A
2	91514185	6	PLANETARY GEAR	
3	91514186	6	BEARING	
4	7026731	2	PLANETARY GEAR CARRIER	
5	91514188	2	PLUG	
6	91514189	4	COUNTERSUNK BOLT	
K1	7026730	2	PLANETARY CARRIER KIT, (Prior to Axle SN GITA712317), (includes items 1 thru 4)	
K1	7029733	1	PLANETARY CARRIER KIT, (Axle SN GITA712317 to Present), (includes items 1 thru 4)	
K2	7029732	1	RING GEAR SUPPORT, (Axle SN GITA712317 to Present), (includes items 4, 5 & 6 on REAR BRAKES)	

SECTION 5 - DRIVE TRAIN

FIGURE 5-27. REAR AXLE (SN 0160048624 to Present)



APT_100118886-E

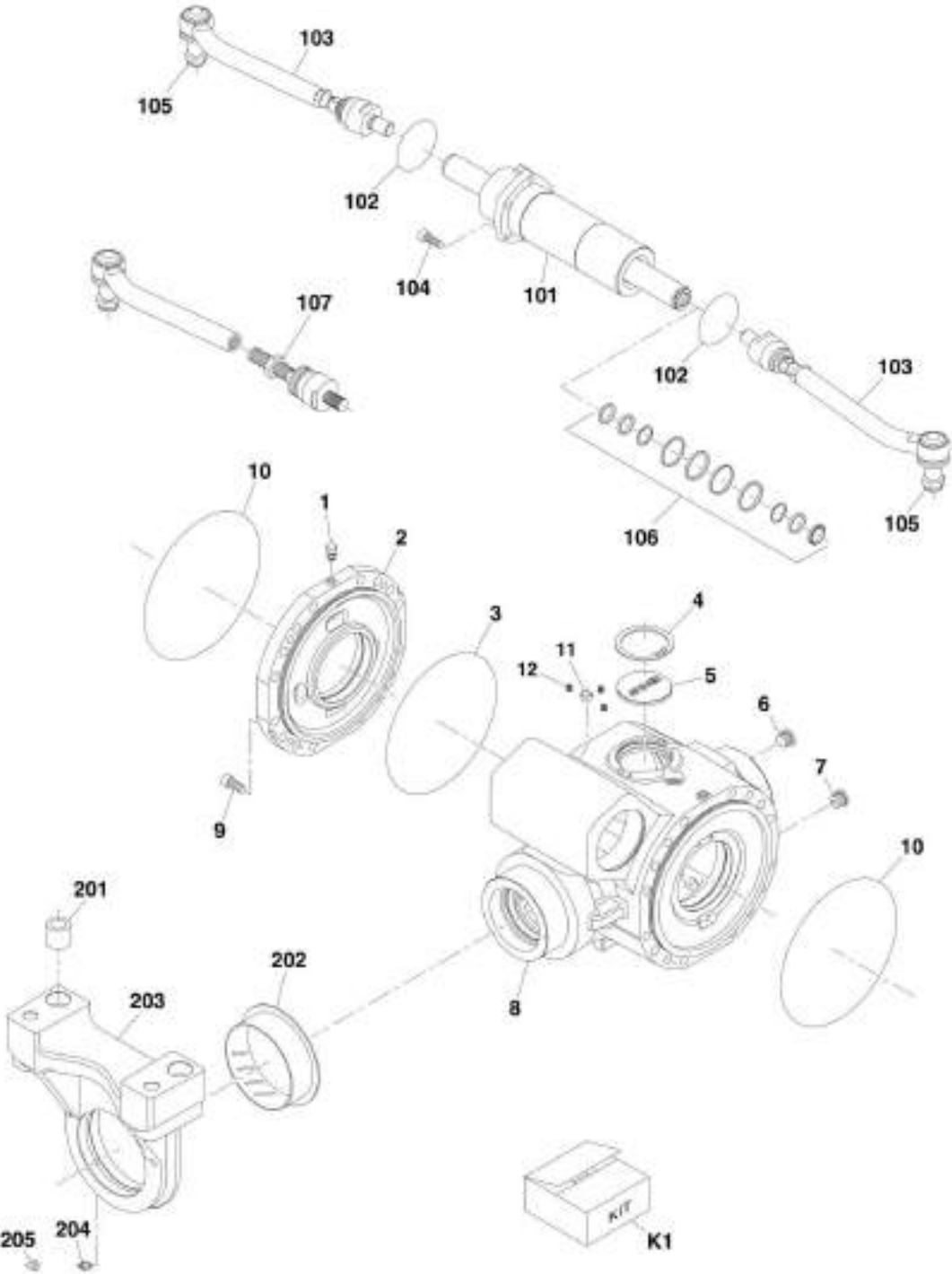
SECTION 5 - DRIVE TRAIN

FIGURE 5-27. REAR AXLE (SN 0160048624 to Present)

ITEM	PART NUMBER	QTY	DESCRIPTION	REV
1	1001136368	1	REAR AXLE, (includes all items)	E
		Ref	CENTRAL HOUSING AND STEERING, (See Separate Breakdown in this Section)	
2		Ref	DIFFERENTIAL, (See Separate Breakdown in this Section)	
3		Ref	HUB REDUCTION, (See Separate Breakdown in this Section)	
4		Ref	BRAKES, (See Separate Breakdown in this Section)	

SECTION 5 - DRIVE TRAIN

FIGURE 5-28. CENTRAL HOUSING AND STEERING (SN 0160048624 to Present)



ART_100112088_1-6

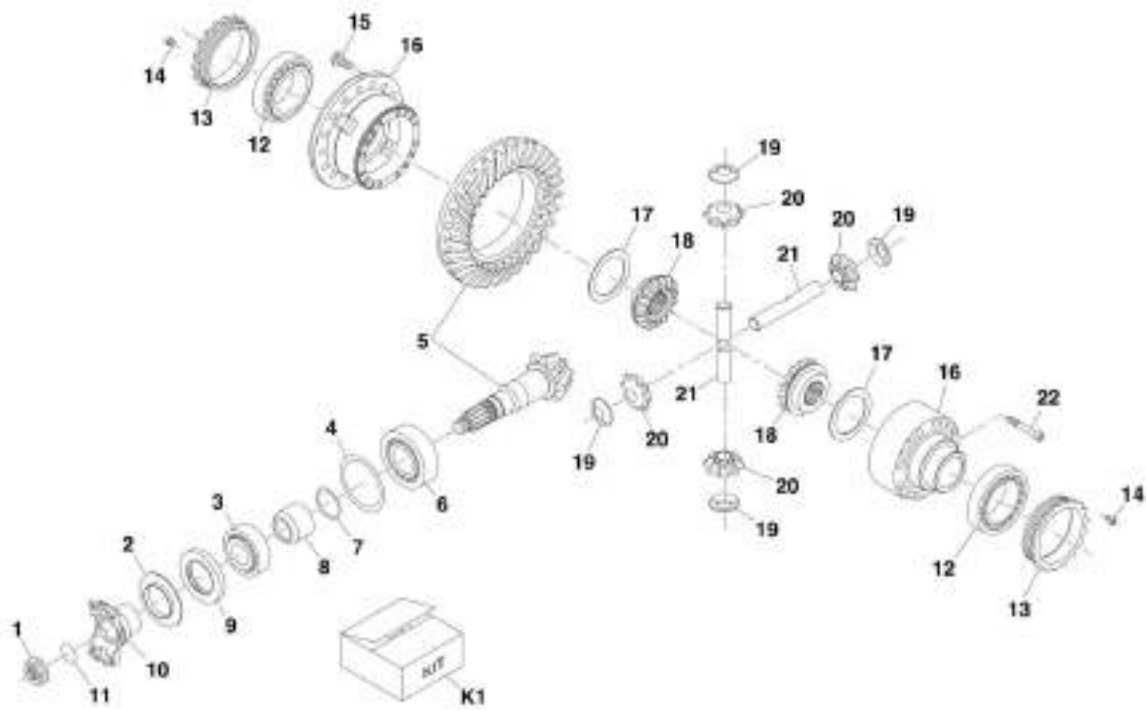
SECTION 5 - DRIVE TRAIN

FIGURE 5-28. CENTRAL HOUSING AND STEERING (SN 0160048624 to Present)

ITEM	PART NUMBER	QTY	DESCRIPTION	REV
1	91474512	1	VENT	
2	7029288	1	INTERMEDIATE COVER	
3	80204002	1	O-RING	
4	80204005	1	CIRCLIP	
5	91514098	1	PLUG	
6	91514087	1	PLUG	
7	70021177	1	MAGNET PLUG	
8	7029289	1	HOUSING	
9	91514101	4	BOLT	
10	91514089	2	O-RING	
11	7029307	1	PLUG	
12	7029306	3	BOLT	
101	7026490	1	STEERING CYLINDER	
102	80204143	2	O-RING	
103	70021614	2	TIE-ROD	
104	80204144	5	BOLT	
105	70025974	2	SELF LOCKING NUT	
106	7029127	1	SEAL KIT	
107	70025973	2	NUT	
201	7029290	4	BUSHING	
202	91514090	2	THRUST BUSHING	
203	7029291	2	SUPPORT	
204	91514099	2	GREASE FITTING	
205	80204117	2	PLUG	
K1	7029292	2	SUPPORT ASSY, (includes items 201 thru 205)	

SECTION 5 - DRIVE TRAIN

FIGURE 5-29. DIFFERENTIAL (SN 0160048624 to Present)



ART_10110286.DWG

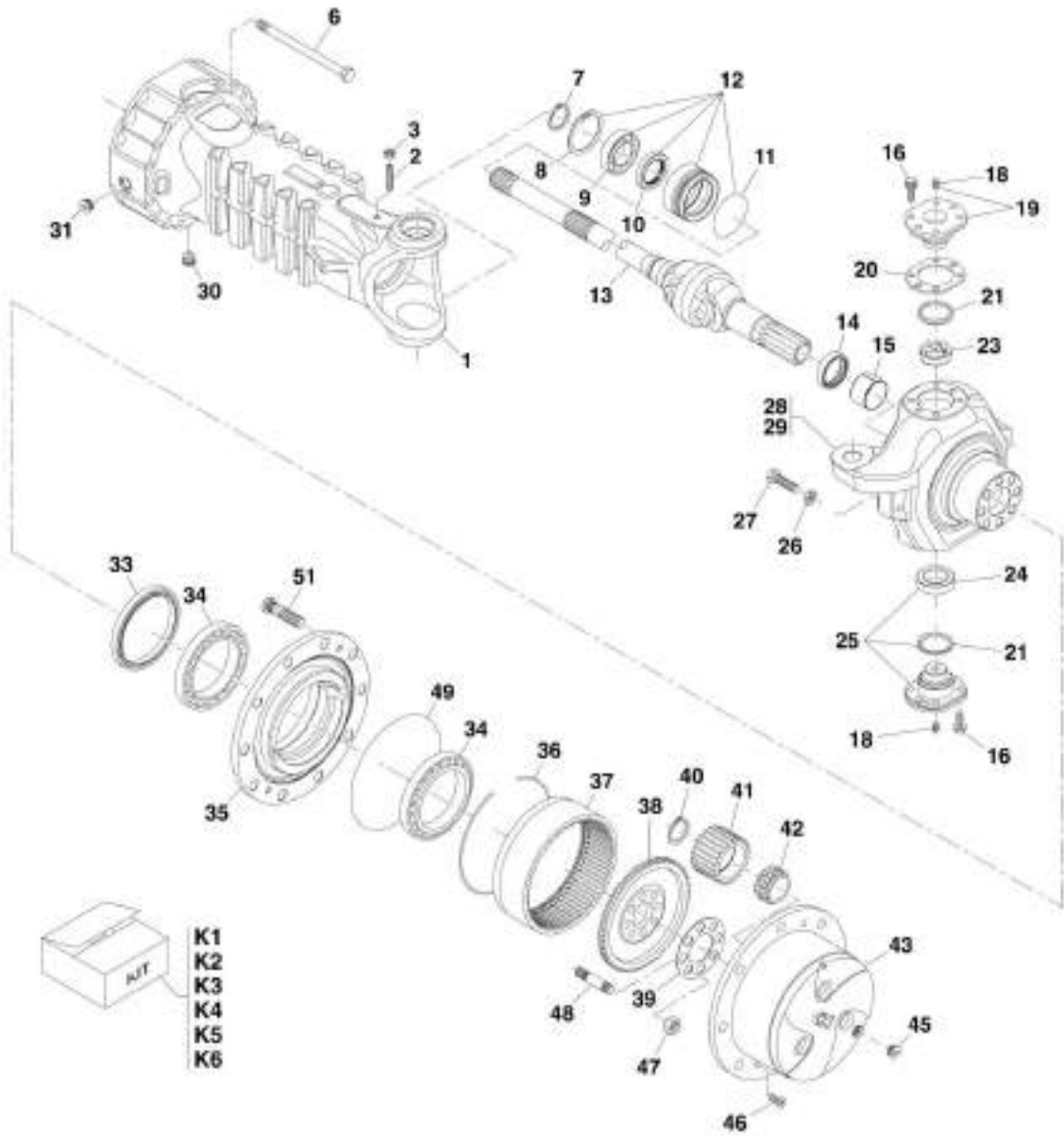
SECTION 5 - DRIVE TRAIN

FIGURE 5-29. DIFFERENTIAL (SN 0160048624 to Present)

ITEM	PART NUMBER	QTY	DESCRIPTION	REV
1	80204043	1	NUT	
2	91514130	1	COVER PLATE	
3	80204048	1	TAPER ROLLER BEARING	
4	70023469	1	SHIM	
5	91514191	1	BEVEL GEAR SET	
6	80204035	1	TAPER ROLLER BEARING	
7	70023494	1	RING KIT	
8	70022140	1	SPACER	
9	70025887	1	SEAL	
10	91514131	1	FLANGE	
11	10725554	1	O-RING	
12	80204033	2	TAPER ROLLER BEARING	
13	91514133	2	RING NUT	
14	91514134	2	BOLT	
15	91514123	16	BOLT	
16	70025337	1	DIFFERENTIAL CARRIER	
17	70023493	2	FRICTION WASHER	
18	70025338	2	DIFFERENTIAL SIDE GEAR	
19	70023491	4	FRICTION WASHER	
20	70025339	4	DIFFERENTIAL PINION	
21	70023490	2	DIFFERENTIAL SHAFT	
22	70023489	15	BOLT	
K1	70025971	Ref	DIFFERENTIAL KIT, (includes items 16 thru 22)	

SECTION 5 - DRIVE TRAIN

FIGURE 5-30. HUB REDUCTION (SN 0160048624 to Present)



ART.100130004.3E

SECTION 5 - DRIVE TRAIN

FIGURE 5-30. HUB REDUCTION (SN 0160048624 to Present)

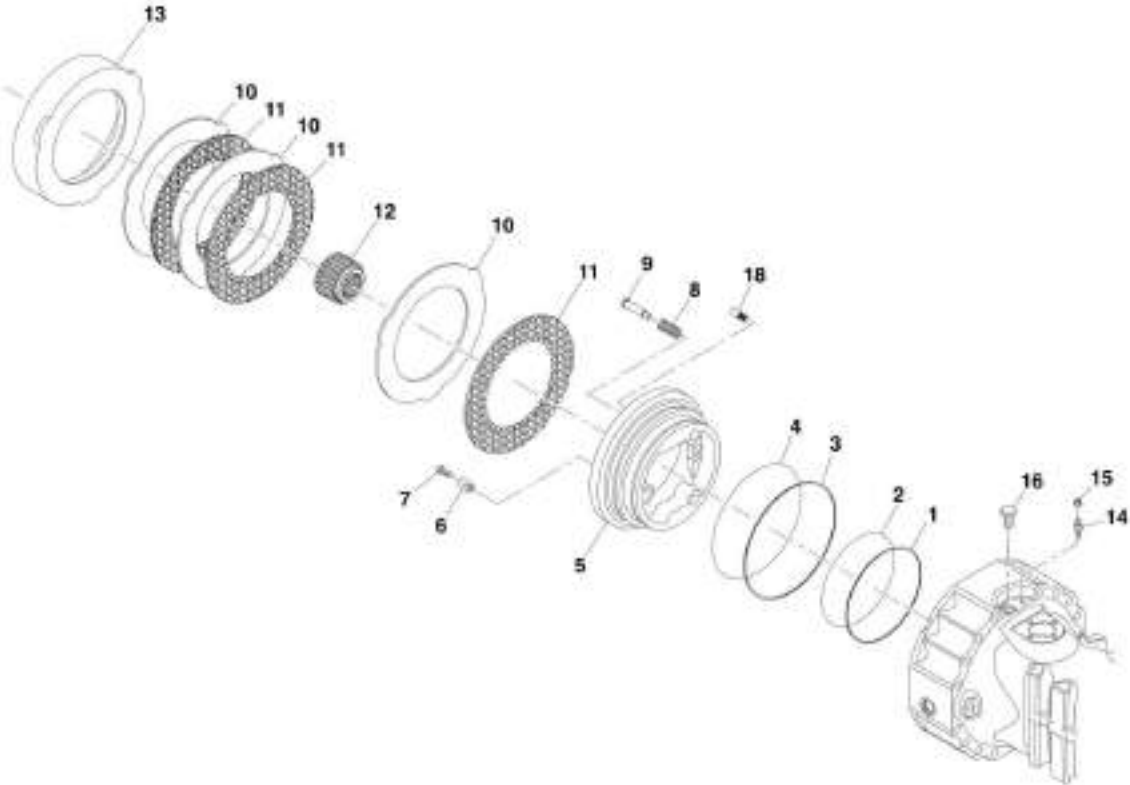
ITEM	PART NUMBER	QTY	DESCRIPTION	REV
1	70025980	2	AXLE CASE	
2	91514081	2	BOLT	
3	91514082	2	NUT	
6	70022814	32	HEXAGON BOLT	
7	80204071	2	CIRCLIP	
8	80204005	2	CIRCLIP	
9	91514146	2	BALL BEARING	
10	91514147	2	SEAL	
11	91514148	2	O-RING	
12	91514149	2	REDUCTION BUSHING	
13	70024671	2	DOUBLE UNIVERSAL JOINT	
14	70025857	2	SEAL	
15	91514111	1	THRUST BUSHING	
16	91514123	24	BOLT	
18	91514099	2	GREASE FITTING	
19	91514112	2	PIVOT PIN	
20	70025561	1	SHIM KIT	
21	7028716	2	DUST EXCLUDER	
23	7028714	2	BUSHING	
24	91514095	2	BEARING	
25	7028715	2	PIVOT PIN	
26	80204065	4	NUT	
27	91514117	4	BOLT	
28	7029750	1	LH STEERING CASE	
29	7029295	1	RH STEERING CASE	
30	70021177	2	MAGNET PLUG	
31	91514087	2	PLUG	
33	7029300	2	SEAL	
34	80204076	4	TAPER ROLLER BEARING	
35	91514174	2	WHEEL HUB	
36	91514175	2	CIRCLIP	
37	70024147	2	RING GEAR	
38	91514177	2	RING GEAR SUPPORT	
39	91514178	2	LOCKING PLATE	
40	91514184	6	SNAP RING	
41	91514185	6	PLANET GEAR	
42	91514186	6	BEARING	
43	7026731	2	PLANET GEAR CARRIER	
45	91514188	2	PLUG	
46	91514189	4	COUNTERSUNK BOLT	
47	91514179	16	NUT	
48	91514180	16	STUD	
49	91514181	2	O-RING	
51	80214120	20	WHEEL STUD	
K1	7029733	2	PLANET GEAR CARRIER KIT, (includes items 40 thru 43)	
K2	7029750	1	LH STEERING CASE KIT, (includes items 15 & 28)	
K3	7029751	1	RH STEERING CASE KIT, (includes items 15 & 29)	
K4	7028733	4	STEERING ADJUST BOLT KIT, (includes items 26 & 27)	
K5	70024146	2	RING GEAR SUPPORT KIT, (includes items 36 thru 38)	

SECTION 5 - DRIVE TRAIN

ITEM	PART NUMBER	QTY	DESCRIPTION	REV
K6	70025972	2	PLANET GEAR CARRIER SUPPORT KIT, (includes items 36 thru 38 and 40 thru 43)	

SECTION 5 - DRIVE TRAIN

FIGURE 5-31. BRAKES (SN 0160048624 to Present)



APT_130118000_4-8

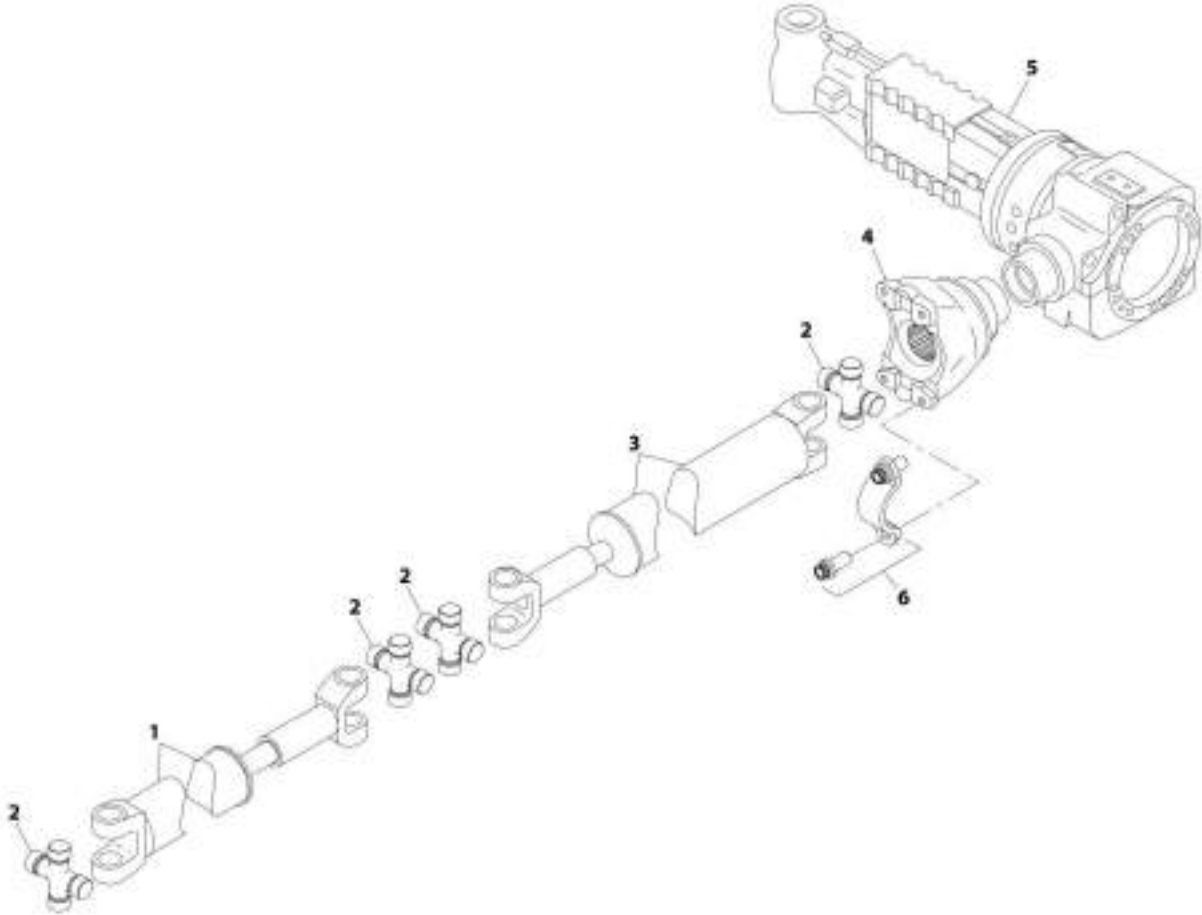
SECTION 5 - DRIVE TRAIN

FIGURE 5-31. BRAKES (SN 0160048624 to Present)

ITEM	PART NUMBER	QTY	DESCRIPTION	REV
1	70021609	2	BACKUP RING	
2	70021610	2	O-RING	
3	70021612	2	BACKUP RING	
4	70021611	2	O-RING	
5	70024216	2	PISTON	
6	91514165	6	SPRING	
7	70021607	6	ADJUSTING BOLT	
8	91514159	6	SPRING	
9	70024210	6	ADJUSTING BOLT	
10	91514161	6	INTERMEDIATE BRAKE DISC	
11	7029735	6	BRAKE DISC	
12	7029734	2	REDUCTION BUSHING	
13	70021606	2	SPACER	
14	80204281	2	BLEEDING BOLT	
15	80204117	2	PLUG	
16	91514154	2	PLUG	
18	70021613	2	PILOT BOLT	

SECTION 5 - DRIVE TRAIN

FIGURE 5-32. DRIVE SHAFT ASSEMBLY



ART_91514001-5-02

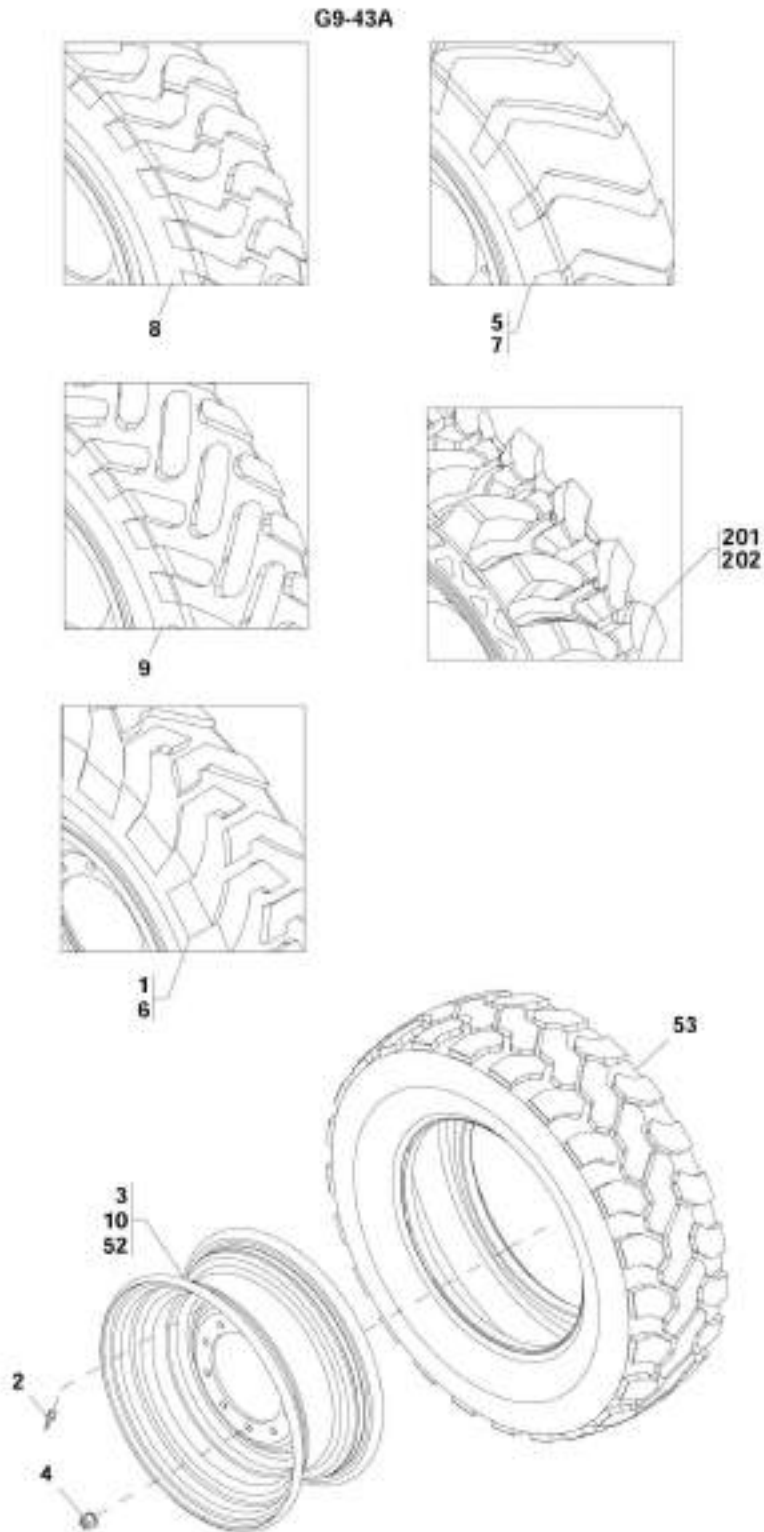
SECTION 5 - DRIVE TRAIN

FIGURE 5-32. DRIVE SHAFT ASSEMBLY

ITEM	PART NUMBER	QTY	DESCRIPTION	REV
1	4040293	1	DRIVESHAFT, (front), (includes two of item 2) (Prior to SN 0160040675, Excluding 0160040468 and 0160040672)	
1	1001106573	1	DRIVESHAFT, (front) (SN 0160040675 to Present, Including 0160040468 and 0160040672)	
2	8036433	4	UNIVERSAL JOINT KIT	
3	4040292	1	DRIVESHAFT, (rear), (includes two of item 2) (Prior to SN 0160040675, Excluding 0160040468 and 0160040672)	
3	1001106574	1	DRIVESHAFT, (rear) (SN 0160040675 to Present, Including 0160040468 and 0160040672)	
4		Ref	FLANGE, (See REAR GEAR COMPONENTS for Breakdown)	
5		Ref	AXLE ASSY, (See REAR AXLE ASSEMBLY for Breakdown)	
6	91473027	8	BEARING STRAP, (no longer available, use 8880218-OM for replacement)	
6	8880218-OM	4	KIT, STRAP	
6	8880216-OM	2	STRAP	
6	8880217-OM	4	SCREW, 0.375-24 x 0.75	
7	91473028	16	STRAP BOLT, (not shown), (no longer available, use 8880218-OM for replacement)	
133	91143220	22 in	TRIM LOCK, 1/2, (not shown) (SN 0160040675 to Present, Including 0160040468 and 0160040672)	

SECTION 5 - DRIVE TRAIN

FIGURE 5-33. TIRES AND RIMS G9-43A



ART. 9114001-1-35

SECTION 5 - DRIVE TRAIN

FIGURE 5-33. TIRES AND RIMS G9-43A

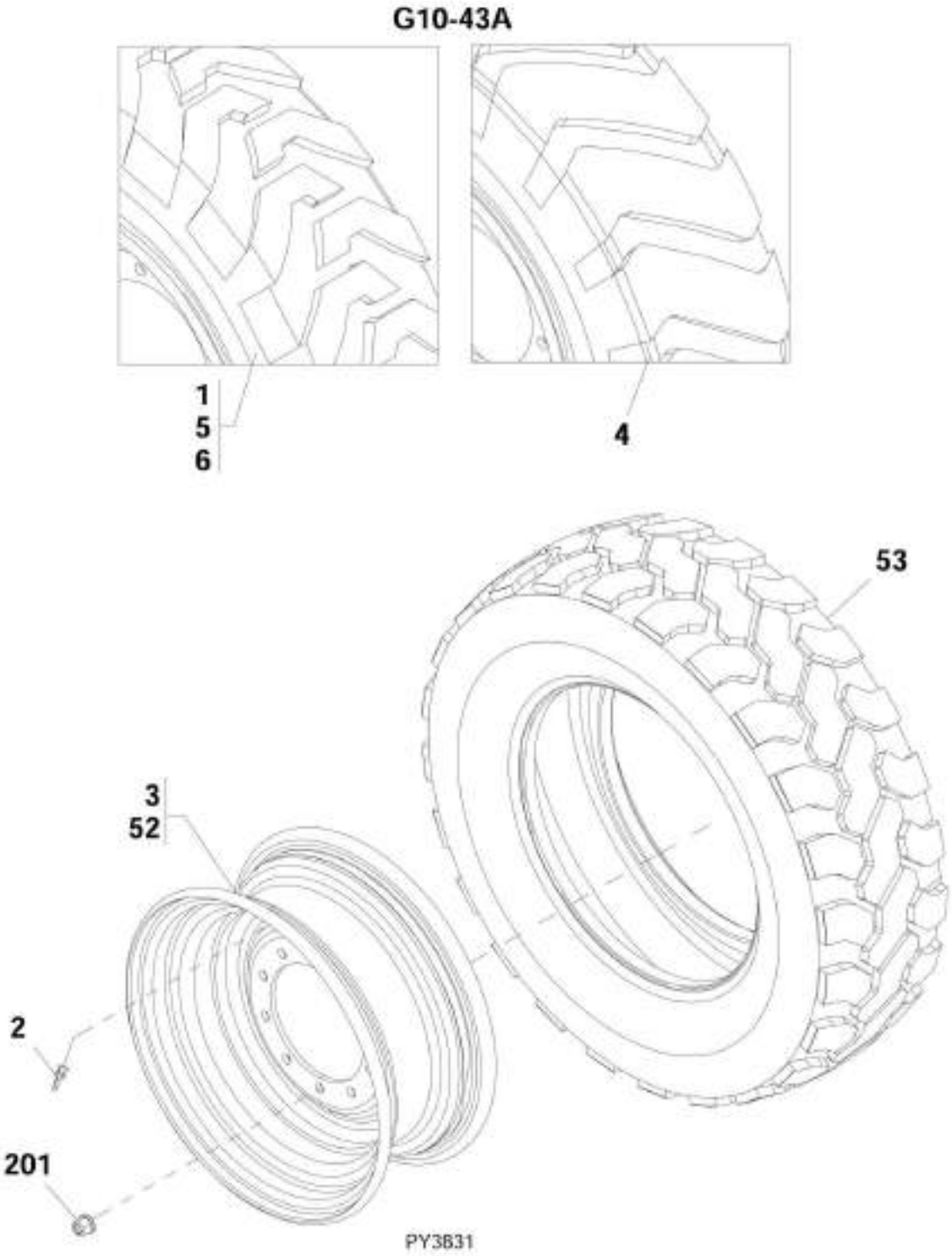
ITEM	PART NUMBER	QTY	DESCRIPTION	REV
	4520368	1	TIRE SET, 13.00-24 BIAS, G-2	B
	91405035	2	RH TIRE AND WHEEL ASSY, 13.00-24 BIAS, G-2, (includes items 1 thru 3)	I
	91405036	2	LH TIRE AND WHEEL ASSY, 13.00-24 BIAS, G-2, (includes items 1 thru 3)	I
	4520369	1	TIRE SET, 13.00-24 BIAS, ROCK TREAD	A
	91535017	4	TIRE AND WHEEL ASSY, 13.00-24 BIAS, ROCK TREAD, (includes items 2, 3 & 5)	C
	4520455	1	TIRE SET, 15.50-25 BIAS, G-2	B
	91475031	2	RH TIRE AND WHEEL ASSY, 15.50-25 BIAS, G-2, (includes items 2, 6 & 10)	D
	91475032	2	LH TIRE AND WHEEL ASSY, 15.50-25 BIAS, G-2, (includes items 2, 6 & 10)	D
	4520458	1	TIRE SET, 15.50-25 BIAS	A
	4520451	4	TIRE AND WHEEL ASSY, 15.50-25 BIAS, ROCK TREAD, (includes items 2, 7 & 10)	A
	4520374	1	TIRE SET, 13.00-24 RADIAL	A
	91515056	4	TIRE AND WHEEL ASSY, 13.00-24 RADIAL, (includes items 2, 3 & 8)	C
	4520461	1	TIRE SET, 15.50-25 RADIAL	A
	4520453	4	TIRE AND WHEEL ASSY, 15.50-25, RADIAL, (includes items 2, 9 & 10)	A
	4520370	1	TIRE SET, 13.00-24 BIAS, G-2, FOAM FILLED	B
	91475054	2	RH TIRE AND WHEEL ASSY, 13.00-24 BIAS, G-2, FOAM FILLED, 542 lb, (includes items 1 thru 3)	E
	91475055	2	LH TIRE AND WHEEL ASSY, 13.00-24 BIAS, G-2, FOAM FILLED, 542 lb, (includes items 1 thru 3)	E
	4520375	1	TIRE SET, 13.00-24 RADIAL, FOAM FILLED	A
	91475093	4	TIRE AND WHEEL ASSY, 13.00-24 RADIAL, FOAM FILLED, 542 lb, (includes items 2, 3 & 8)	F
	4520371	1	TIRE SET, 13.00-24 BIAS, ROCK TREAD, FOAM FILLED	A
	91535019	4	TIRE AND WHEEL ASSY, 13.00-24 BIAS, ROCK TREAD, FOAM FILLED, 542 lb, (includes items 2, 3 & 5)	E
	4520459	1	TIRE SET, 15.50-25, FOAM FILLED	A
	91475105	4	TIRE AND WHEEL ASSY, 15.50-25, ROCK TREAD, FOAM FILLED, 600 lb (includes items 2, 7 & 10)	B
	4520456	1	TIRE SET, 15.50-25, G-2, FOAM FILLED	B
	4520449	2	RH TIRE AND WHEEL ASSY, 15.50-25, FOAM FILLED, G-2, (includes items 2, 6 & 10)	B
	4520450	2	LH TIRE AND WHEEL ASSY, 15.50-25, FOAM FILLED, G-2, (includes items 2, 6 & 10)	B
	4520462	1	TIRE SET, 15.50-25, FOAM FILLED	A
	91515066	4	TIRE AND WHEEL ASSY, 15.50-25, RADIAL, FOAM FILLED, 600 lb,(includes items 2, 9 & 10)	D
	1001120963	1	TIRE SET, 370/75-28, 14 PLY	B
	1001100323	4	TIRE AND WHEEL ASSY, 370/75-28, 14 PLY, (includes items 2, 52 & 53)	D
	1001121519	1	TIRE SET, 370/75-28, 14 PLY, FOAM FILLED	B
	1001121101	4	TIRE AND WHEEL ASSY, 370/75-28, 14 PLY, FOAM FILLED, 464 lb,(includes items 2, 52 & 53)	B
1	8780031	1	TIRE, 13.00-24 BIAS, DIRECTIONAL	
2	8786514	1	VALVE STEM	
3	91473206	1	WHEEL, 24X9, 0.219 OFFSET	

SECTION 5 - DRIVE TRAIN

ITEM	PART NUMBER	QTY	DESCRIPTION	REV
4	91403193	10	WHEEL NUT	
5	8780045	1	TIRE, 13.00-24 BIAS, ROCK TREAD, NON-DIRECTIONAL	
6	8780036	1	TIRE, 15.50-25 BIAS, DIRECTIONAL	
7	8780050	1	TIRE, 15.50-25 BIAS, ROCK TREAD, NON-DIRECTIONAL	
8	8780264	1	TIRE, 13.0-24 RADIAL, NON-DIRECTIONAL	
9	8780048	1	TIRE, 15.50-25 RADIAL, L-2	
10	91473207	1	WHEEL, 25X13, 0.219 OFFSET	
52	1001099976	1	WHEEL, 28X11, 0.219 OFFSET, (if equipped with Firestone 370/75-28)	
53	1001100284	1	TIRE, 370/75-28, 14 PLY	
	1001151106	1	SOLIDEAL TIRE SET, 13.00X24, 0.219 OFFSET, (include items 201 & 202)	A
201	1001151097	2	LH SOLIDEAL TIRE AND WHEEL ASSY	A
202	1001151098	2	RH SOLIDEAL TIRE AND WHEEL ASSY	A

SECTION 5 - DRIVE TRAIN

FIGURE 5-34. TIRES AND RIMS G10-43A



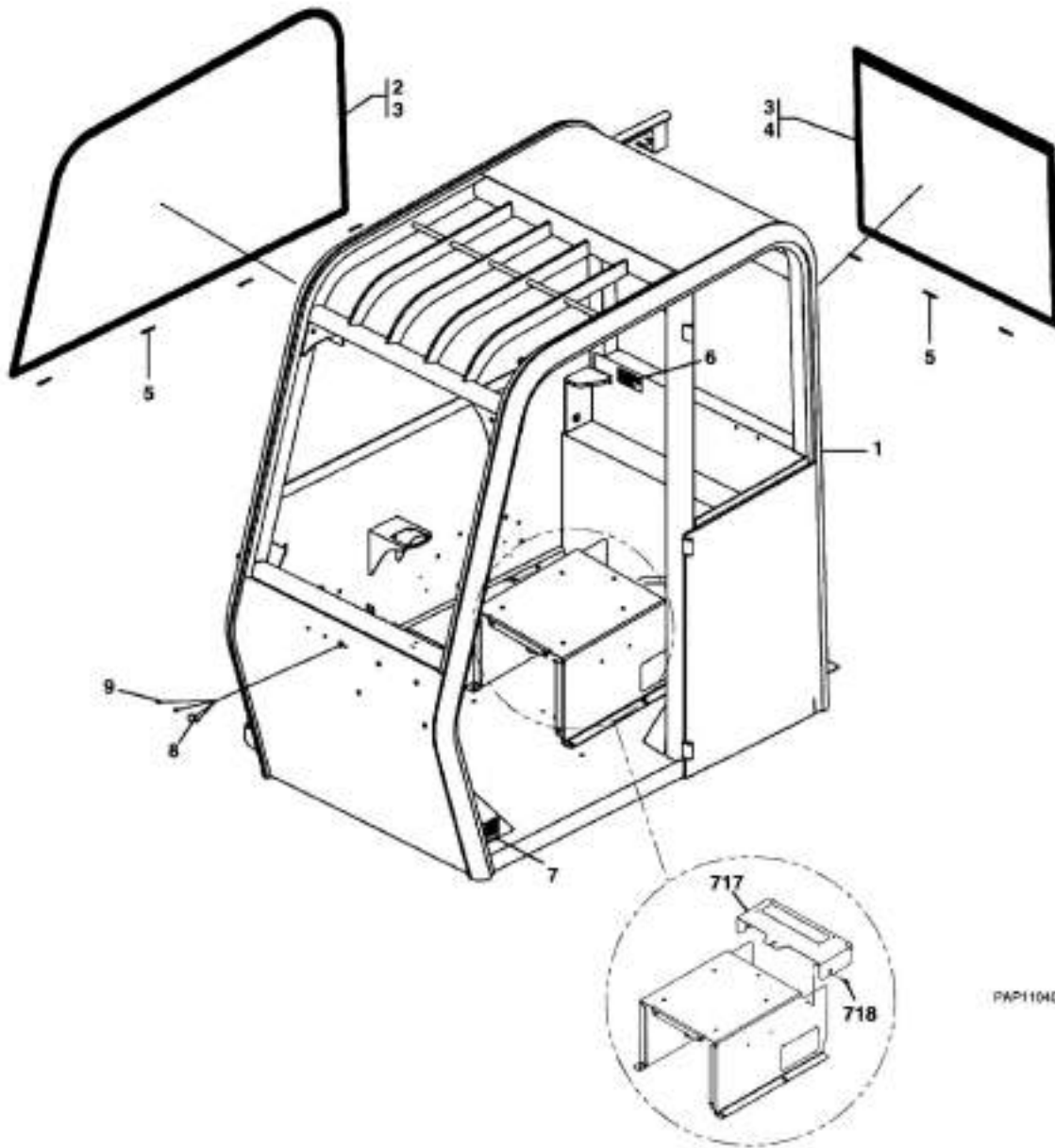
SECTION 5 - DRIVE TRAIN

FIGURE 5-34. TIRES AND RIMS G10-43A

ITEM	PART NUMBER	QTY	DESCRIPTION	REV
	4520485	1	TIRE SET, 14.00-24 BIAS, ROCK TRED, G-3	A
	91545010	4	TIRE AND WHEEL ASSY, 14.00-24 BIAS, ROCK TRED, G-3, (includes items 2 thru 4)	F
	4520481	1	TIRE SET, 14.00-24 BIAS, G-2	B
	91355034	2	RH TIRE AND WHEEL ASSY, 14.00-24 BIAS, G-2, (includes items 1 thru 3)	D
	91355035	2	LH TIRE AND WHEEL ASSY, 14.00-24 BIAS, G-2, (includes items 1 thru 3)	D
	4520486	1	TIRE SET, 14.00-24 BIAS, ROCK TRED, FOAM FILLED, G-3	A
	91545008	4	TIRE AND WHEEL ASSY, 14.00-24 BIAS, ROCK TRED, FOAM FILLED, 720 lb, G-3, (includes items 2 thru 4)	G
	4520482	1	TIRE SET, 14.00-24 BIAS, FOAM FILLED, G-2	C
	91355037	2	RH TIRE AND WHEEL ASSY, 14.00-24 BIAS, FOAM FILLED, 720 lb, G-2, (includes items 1 thru 3)	F
	91355038	2	LH TIRE AND WHEEL ASSY, 14.00-24 BIAS, FOAM FILLED, 720 lb, G-2, (includes items 1 thru 3)	F
	1001121109	1	TIRE SET, 400/75-28, 16 PLY	B
	1001121103	4	TIRE AND RIM ASSY, 400/75-28, 16 PLY, (includes items 2, 52 & 53)	B
	1001125410	1	TIRE SET, 400/75-28, 16 PLY, FOAM FILLED	B
	1001121105	4	TIRE AND RIM ASSY, 400/75-28, 16 PLY, FOAM FILLED, 464 lb, (includes items 2, 52 & 53)	B
1	91043084	1	TIRE, 14.00-24 BIAS, DIRECTIONAL	
2	8786514	1	VALVE STEM	
3	91473206	1	WHEEL, 24X9, 0.219 OFFSET	
4	91543002	1	TIRE, 14.00-24 BIAS, ROCK TRED, NON-DIRECTIONAL	
52	1001120178	1	WHEEL, 28X12, 0.75 OFFSET, (if equipped with Firestone 400/75-28)	
53	1001120179	1	TIRE, 400/75-28, 16PLY	
201	91403193	10	WHEEL NUT	

SECTION 6 - CAB

FIGURE 6-1. OPEN CAB



PAP11040

FIGURE 6-1. OPEN CAB

ITEM	PART NUMBER	QTY	DESCRIPTION	REV
	91513186	1	OPEN CAB ASSY , (includes all items) (Prior to SN 0160040675, Excluding 0160040468 and 0160040672)	R
	1001119958	1	OPEN CAB ASSY , (includes all items) (SN 0160040675 to Present, Including 0160040468 and 0160040672)	E
1	N.S.S.	1	CAB WELDMENT	
2	91404109	1	RH SIDE WINDOW, WITH BORDER	
3	80364009	AR	URETHANE SEALANT	
4	91404110	1	REAR WINDOW, WITH BORDER	
5	80264031	7	SETTING BLOCK, 1/8X1/4X2	
6	N.S.S.	1	SN PLATE	
7	91164094	1	ROPS WARNING DECAL	
8	91164087	1	HOLE PLUG, 0.75	
9	91164086	3	HOLE PLUG, 0.375	
717	1001104327	1	ACCESS PANEL (Prior to SN 0160039218)	
717	1001117136	1	ACCESS PANEL (SN 0160039218 to Present)	
718	0791406	4	FLANGE HEX HD SCREW, 1/4-20 X.750 (SN 0160020129 to Present)	

SECTION 6 - CAB

FIGURE 6-2. CAB ENCLOSURES

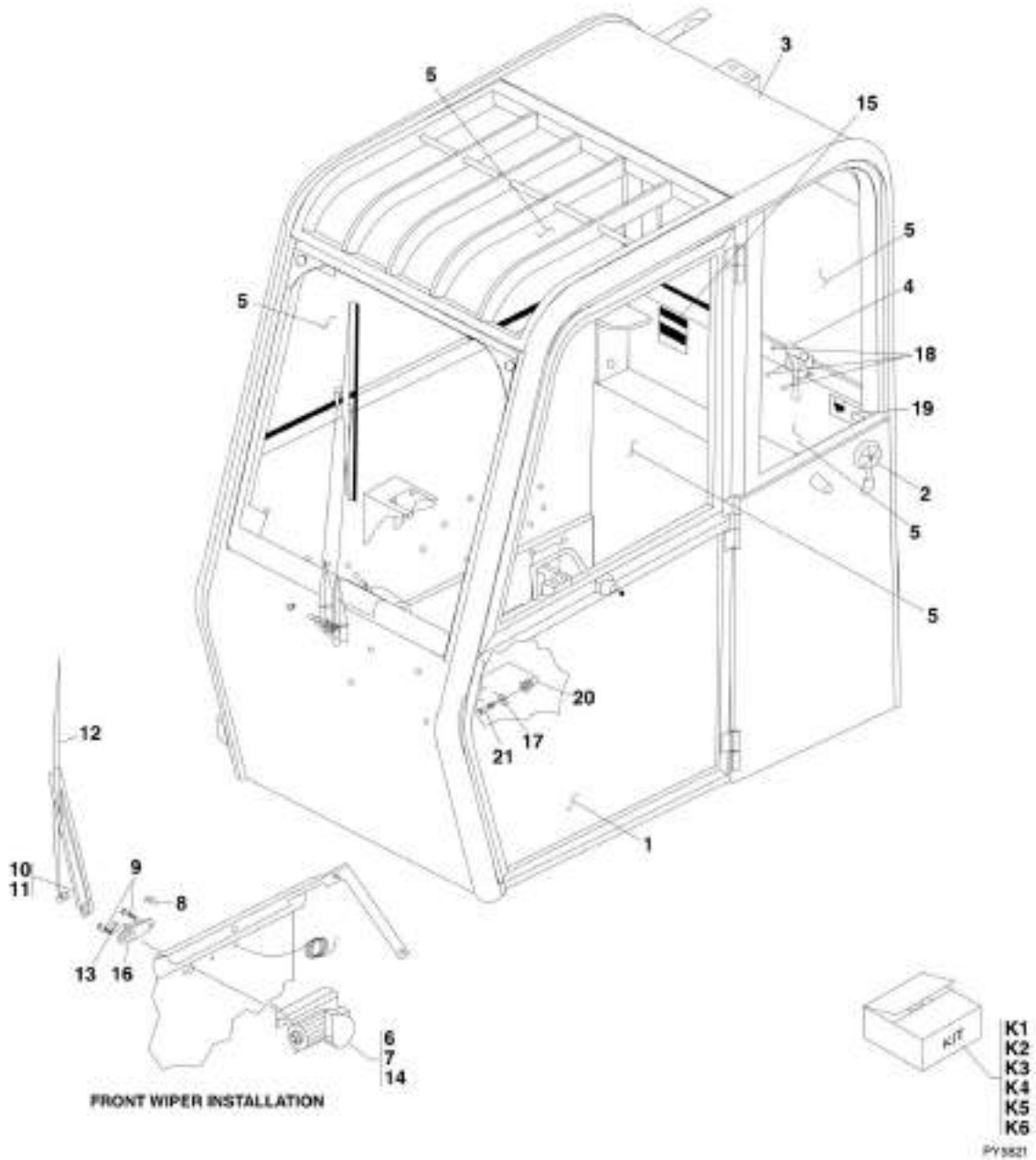


FIGURE 6-2. CAB ENCLOSURES

ITEM	PART NUMBER	QTY	DESCRIPTION	REV
	91473156	1	CAB ENCLOSURE, (includes items 1 thru 21)	
1		Ref	CAB DOOR ASSY, (See CAB DOOR ASSEMBLY for Breakdown)	
2		Ref	DOOR HOLD OPEN ASSY, (See CAB DOOR ASSEMBLY for Breakdown)	
3	91404295	1	HEADLINER, 1 IN, (inside cab)	
4	91404301	1	EMERGENCY HAMMER WITH CABLE	
5		Ref	CAB GLASS, (See CAB GLASS for Breakdown)	
6	91404293	1	WIPER MOTOR ASSY, (includes items 7 & 14)	
6	7029860	1	12V WIPER MOTOR	
7	91144478	1	SHAFT AND PIVOT ASSY	
8	1001081310	1	WET ARM SPACER	
9	80384207	2	HEX SCREW, 0.25-28X0.75	
10	1001081311	1	WET ARM KIT	
11	1001081308	1	WIPER ARM	
12	80384213	1	WIPER BLADE	
13	91334135	1	SPACER	
14	80384203	1	WIPER DRIVE ARM	
15	N.S.S.	1	SN PLATE	
16	1001081307	1	WIPER ARM ADAPTOR	
17	91404297	2	WASHER	
18	91404298	3	RIVET	
19	91404299	1	EMERGENCY EXIT DECAL	
20	80364023	1	STRIKER BOLT	
21	91334024	1	HEX BOLT, 0.375-16X0.875	
	91515008	1	ENCLOSED CAB ASSY, (includes items on OPEN CAB thru CAB GLASS) (Prior to SN 0160040675, Excluding 0160040468 and 0160040672)	
	1001119959	1	ENCLOSED CAB ASSY, (includes items on OPEN CAB thru CAB GLASS) (SN 0160040675 to Present, Including 0160040468 and 0160040672)	B
K1	91475066	1	CAB ENCLOSURE WITH HEATER KIT, (includes cab enclosure 91473156 and items shown on OPTIONS SECTION) (Prior to SN 0160033884)	D
K2	1001116612	1	CAB ENCLOSURE WITH HEATER KIT, (includes cab enclosure 91473156 and items shown on OPTIONS SECTION), (to complete cab enclosure order applicable items on OPTIONS SECTION) (SN 0160033884 through 0160040674)	C
K3	1001131759	1	CAB ENCLOSURE WITH HEATER KIT, (includes cab enclosure 91473156 and items shown on OPTIONS SECTION), (to complete cab enclosure order applicable items on OPTIONS SECTION) (SN 0160040675 through 0160064853, Including 0160040468 and 0160040672, Excluding 0160014434)	B
K3	1001144798	1	CAB ENCLOSURE WITH HEATER KIT, (includes cab enclosure 91473156 and items shown on OPTIONS SECTION), (to complete cab enclosure order applicable items on OPTIONS SECTION) (SN 0160065018 through 0160066218, Including 0160014434)	C
K4		Ref	CAB ENCLOSURE WITH HEATER AND A/C KIT, (includes cab enclosure 91473156, items shown on OPTIONS SECTION) (Prior to SN 0160033884)	
K5	1001116613	1	CAB ENCLOSURE WITH HEATER AND A/C KIT, (includes cab enclosure 91473156, items shown on OPTIONS SECTION), (to complete cab enclosure order applicable items on OPTIONS SECTION) (SN 0160033884 through 0160040674)	C
K6	1001131760	Ref	CAB ENCLOSURE WITH HEATER AND A/C KIT, (includes cab	C

SECTION 6 - CAB

ITEM	PART NUMBER	QTY	DESCRIPTION	REV
K6	1001144799	Ref	<p>enclosure 91473156, items shown on OPTIONS SECTION), (to complete cab enclosure order applicable items on OPTIONS SECTION) (SN 0160040675 through 0160064853, Including 0160040468 and 0160040672, Excluding 0160014434)</p> <p>CAB ENCLOSURE WITH HEATER AND A/C KIT, (includes cab enclosure 91473156, items shown on OPTIONS SECTION), (to complete cab enclosure order applicable items on OPTIONS SECTION) (SN 0160065018 through 0160066218, Including 0160014434)</p>	E

SECTION 6 - CAB

FIGURE 6-3. CAB COMPONENTS

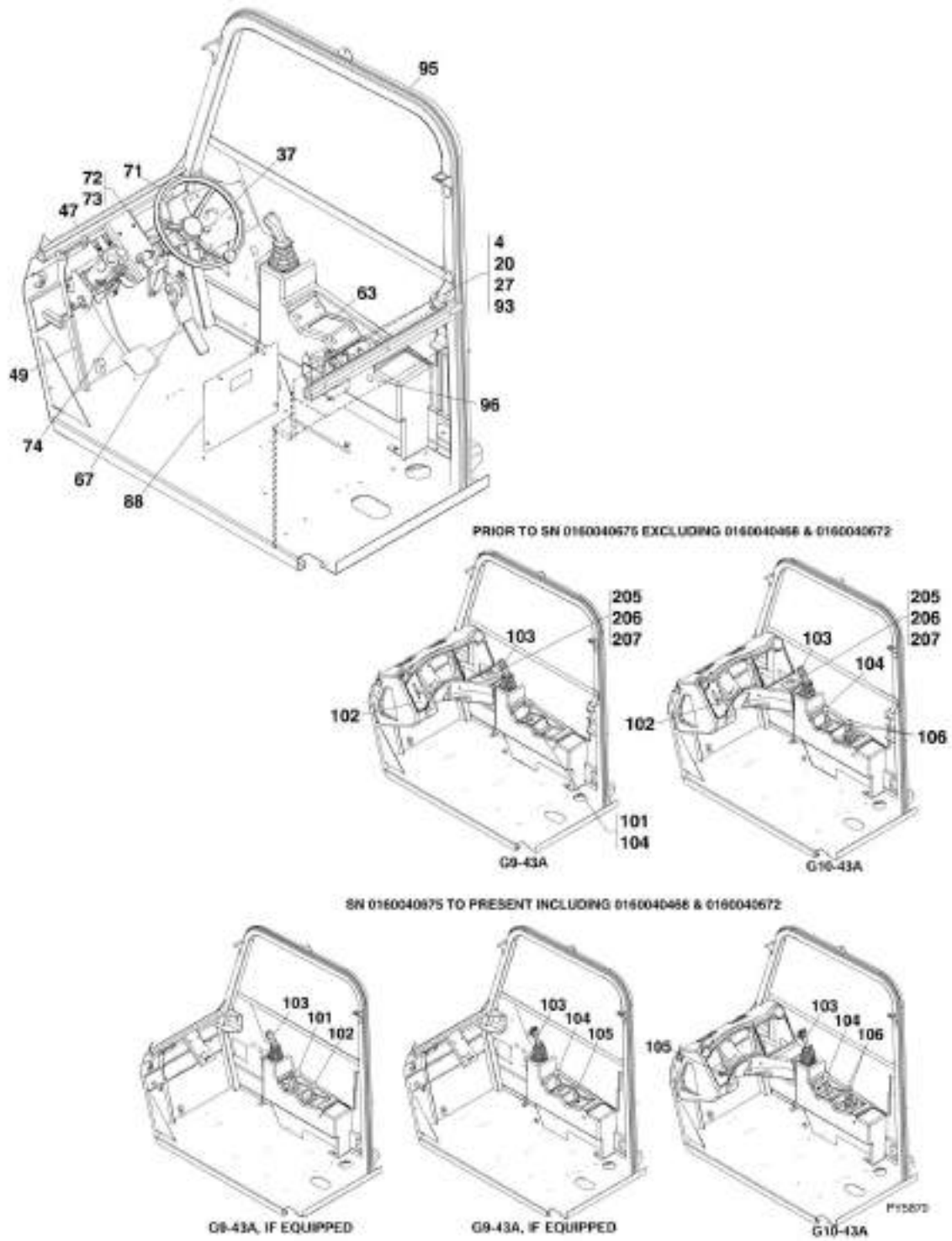


FIGURE 6-3. CAB COMPONENTS

ITEM	PART NUMBER	QTY	DESCRIPTION	REV
4	0641408	4	HEX HD CAPSCREW, 1/4-20X1, GR5	
20	4711400	7	WASHER, 1/4	
27	4791400	1	STAR WASHER, 1/4	
37	80963101	1	WIPER SWITCH	
40	82033997	108 in	WASHER FLUID HOSE, (not shown)	
47	90200755	32 in	GASKA-TAPE	
49	90206198	12 in	TRIM-LOCK	
63	91413130	4	NYLON PLUG, (inside cab wall under right hand panel)	
67		Ref	ACCELERATOR PEDAL INSTALLATION, (See CONTROLS SECTION for Breakdown)	
71		Ref	STEERING WHEEL, (See CONTROLS SECTION for Breakdown)	
72		Ref	F-N-R SHIFTER ASSY, (See CONTROLS SECTION for Breakdown)	
73		Ref	STEERING COLUMN ASSY, (See CONTROLS SECTION for Breakdown)	
74		Ref	POWER BRAKE INSTALLATION, (See CONTROLS SECTION for Breakdown)	
88		Ref	HEATER COVER WELDMENT, (See OPTIONS SECTION for Breakdown) (Prior to SN 0160039317)	
88	1001103567	1	SEAT RISER ACCESS PANEL (SN 0160039317 to Present)	
93	1001111112	1	WINDOW WASHER FLUID TANK	
95		Ref	ENCLOSED CAB ASSY, (See CAB ENCLOSURES for Breakdown)	
96	1001131130	1	PLUG	
101		Ref	TILT AND FRAME LEVEL JOYSTICK INSTALLATION, (See CONTROLS SECTION for Breakdown)	
102		Ref	AUXILIARY HYDRAULIC JOYSTICK INSTALLATION, (See CONTROLS SECTION for Breakdown)	
103		Ref	BOOM JOYSTICK, (See CONTROLS SECTION for Breakdown)	
104		Ref	FRAME LEVEL JOYSTICK ASSY, (See CONTROLS SECTION for Breakdown)	
105		Ref	ELECTRIC AUXILIARY HYDRAULIC JOYSTICK, (See CONTROLS SECTION for Breakdown)	
106		Ref	OUTRIGGER JOYSTICKS, (See CONTROLS SECTION for Breakdown)	
202	91513201	1	TILT ON JOYSTICK DECAL, (not shown) (Prior to SN 0160040675, Excluding 0160040468 and 0160040672)	
202		Ref	TILT DECAL, (not shown), (See DECALS SECTION for Breakdown) (SN 0160040675 to Present, Including 0160040468 and 0160040672)	
205	1001099174	1	RHEOSTAT (Prior to SN 0160040675, Excluding 0160040468 and 0160040672)	
206	91401571	1	MOUNTING PLATE (Prior to SN 0160040675, Excluding 0160040468 and 0160040672)	
207	88321015	4	PAN HD SCREW, 6-32X1/2 (self tap) (Prior to SN 0160040675, Excluding 0160040468 and 0160040672)	
218		Ref	TILT ON JOYSTICK CAB HARNESS, (not shown), (See ELECTRICAL SECTION for Breakdown) (Prior to SN 0160040675, Excluding 0160040468 and 0160040672)	

FIGURE 6-4. CAB DOOR ASSEMBLY

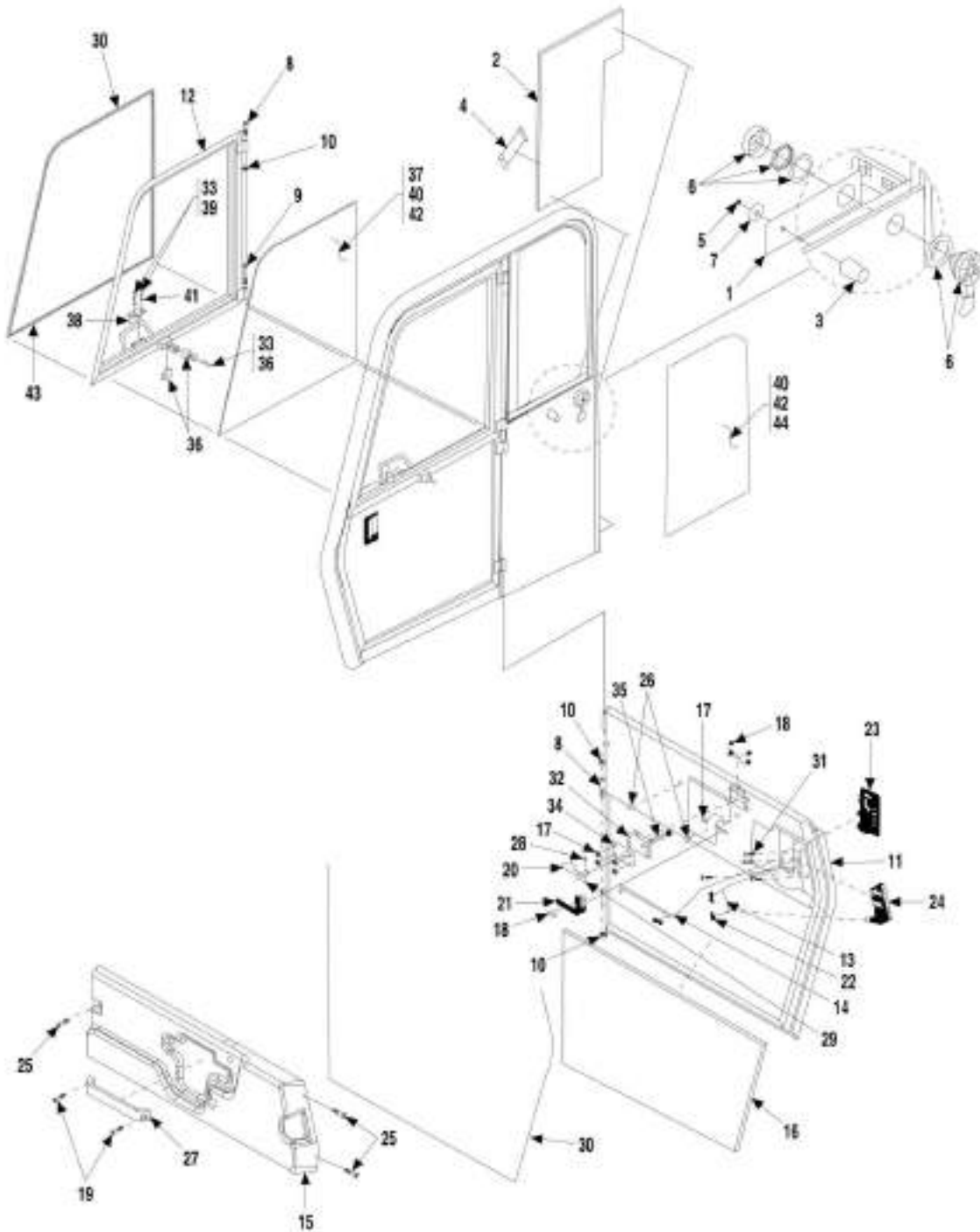


FIGURE 6-4. CAB DOOR ASSEMBLY

ITEM	PART NUMBER	QTY	DESCRIPTION	REV
1	91404292	1	HOLD OPEN PLATE	
2	91404294	1	LH SIDE PANEL FOAM	
3	91404300	1	RUBBER BUMPER	
4	80384218	1	DOOR STRAP	
5	91334031	1	HEX NUT, 0.312-18	
6	91404303	1	DOOR HOLD OPEN ASSY	
7	91404304	1	WASHER	
8	80384205	2	HEX BOLT, 0.375-16X4	
9	91404305	1	HEX BOLT, 0.375-16X5	
10	91404306	3	HEX NUT, 0.375-16	
11	91474481	1	LOWER DOOR ASSY, (includes items 13 thru 29, 8 ft of item 30, items 31, 32, 34, & 35)	
11	70023193	1	LOWER DOOR WELDMENT, (INCLUDES HINGES)	
12	91474482	1	UPPER DOOR ASSY, (includes 11 ft of item 30, item 33, & 36 thru 43)	
13	91404309	1	DOOR ROD, EXT RELEASE	
14	91404310	1	DOOR ROD, INT RELEASE	
15	91404311	1	PLASTIC DOOR COVER	
16	91404312	1	FOAM, 0.50, LOWER DOOR	
17	91404313	6	CTR. LOCKNUT, #10-24	
18	80384191	6	WHIZ LOCK SCREW, #10-24X0.50	
19	91404314	2	FLAT HD SCREW, 0.25-20X1.25	
20	91404315	1	RH WINDOW RELEASE AND LH DOOR LEVER	
21	80384192	1	HANDLE	
22	80384187	3	CLIP	
23	80384184	1	PADDLE LATCH	
24	80384186	1	CAM LATCH	
25	80264066	3	SCREW, M5X1X12 THD CUTTING	
26	80364088	2	INSERT NUT, 0.25-20	
27	91404316	1	DIE CAST GRAB HANDLE	
28	91404317	1	SCREW, #8-32X1.12	
29	91404318	1	NYLOCK NUT, #8-32	
30	80364001	19 ft	BULB SEAL, P-STEM	
31	80384189	4	HEX SCREW, 0.25-20X0.75	
32	91404319	1	LH SLAM LATCH	
33	91344018	AR	BLUE LOCTITE	
34	91404320	1	SLAM LATCH STIFFENER	
35	91404321	1	LOWER DOOR DRIVE BAR WELDMENT	
36	91474492	1	DOOR, HOLD OPEN	
37		Ref	UPPER DOOR GLASS, (See CAB GLASS for Breakdown)	
38	91404323	1	SLAM LATCH STRIKER	
39	91404324	2	HEX BOLT, 0.312-18X0.625	
40	91404302	AR	ACTIVATOR, SIKA	
41	91334032	2	FLAT WASHER, 0.313X0.75X0.06	
42	80364009	AR	SEALANT	
43	91344046	AR	SEALANT/ADHESIVE	
44		Ref	LH SIDE GLASS WINDOW, (See CAB GLASS for Breakdown)	

FIGURE 6-5. CAB GLASS

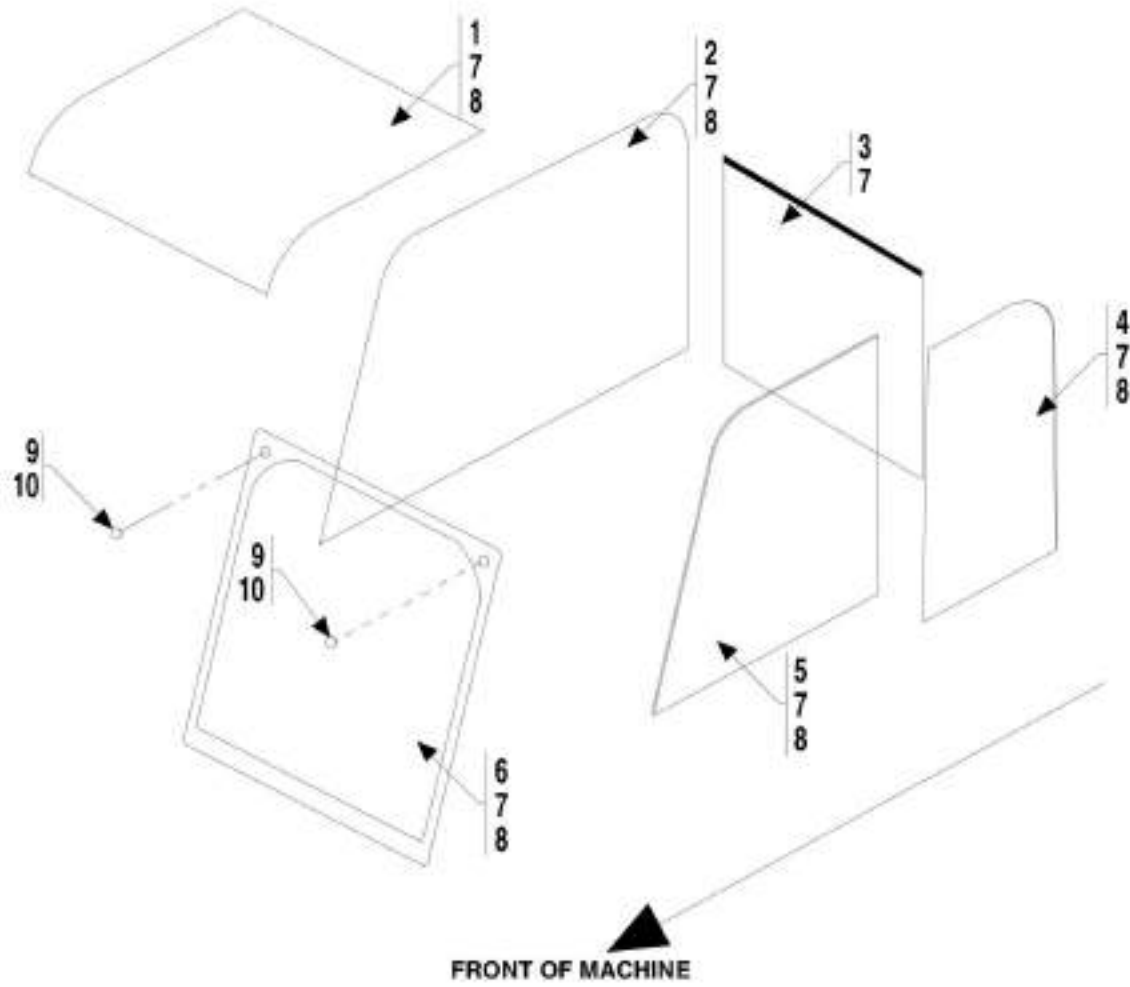
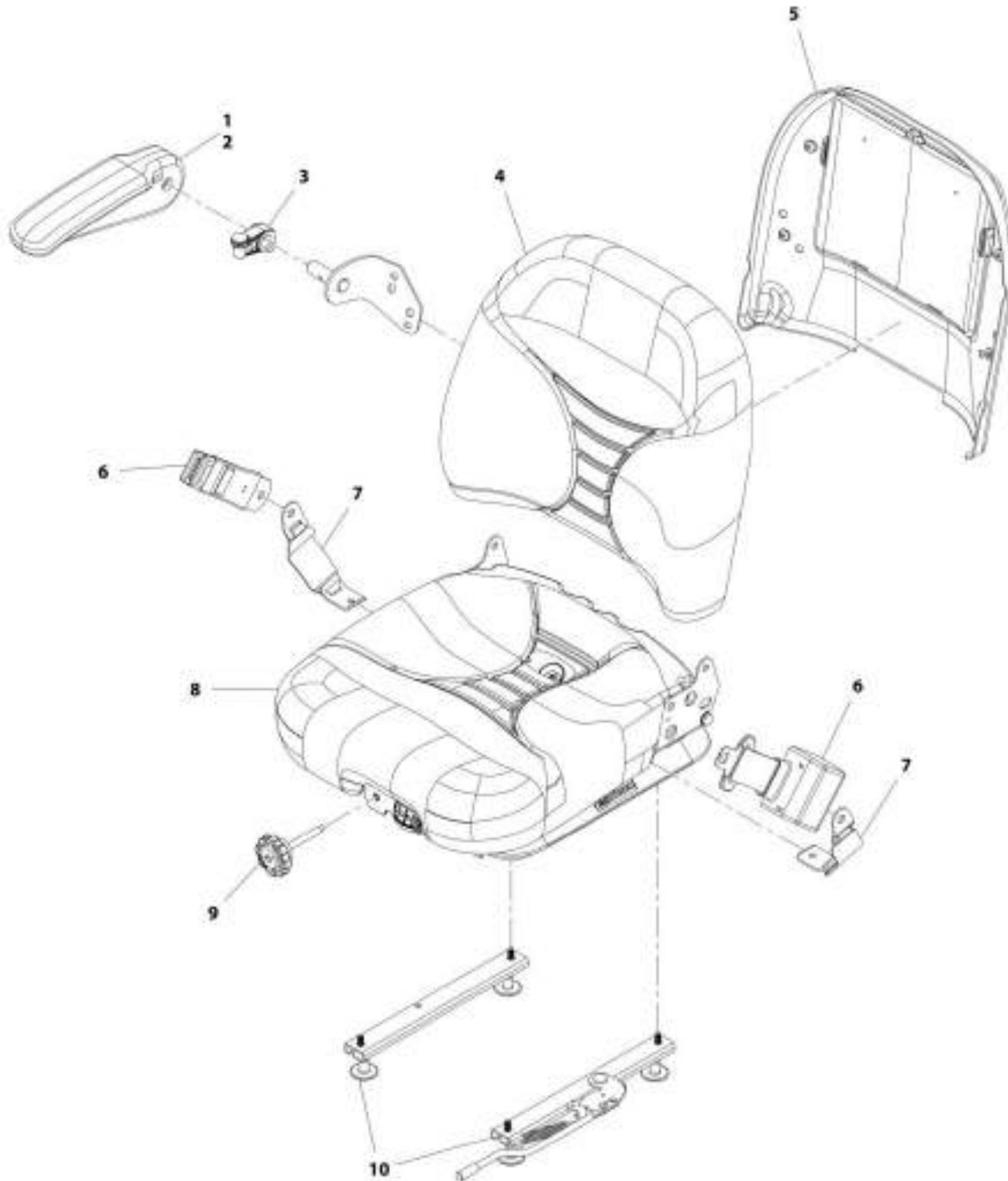


FIGURE 6-5. CAB GLASS

ITEM	PART NUMBER	QTY	DESCRIPTION	REV
1	91404290	1	SKYLIGHT WINDOW, (if equipped)	
2	91404109	1	RH SIDE WINDOW, WITH BORDER	
3	91404110	1	REAR WINDOW, WITH BORDER	
4	80364030	1	LH SIDE GLASS WINDOW, (if equipped)	
5	91404322	1	UPPER DOOR GLASS, (if equipped)	
6	91404291	1	FRONT WINDOW, (if equipped)	
7	80364009	AR	URETHANE SEALANT	
8	91404302	AR	ACTIVATOR	
9	91404296	2	HOLE PLUG, 1.25, (if equipped)	
10	80364012	AR	CLEAR SEALANT, (if equipped)	

SECTION 6 - CAB

FIGURE 6-6. SUSPENSION SEAT (SN 0160015460 to Present)



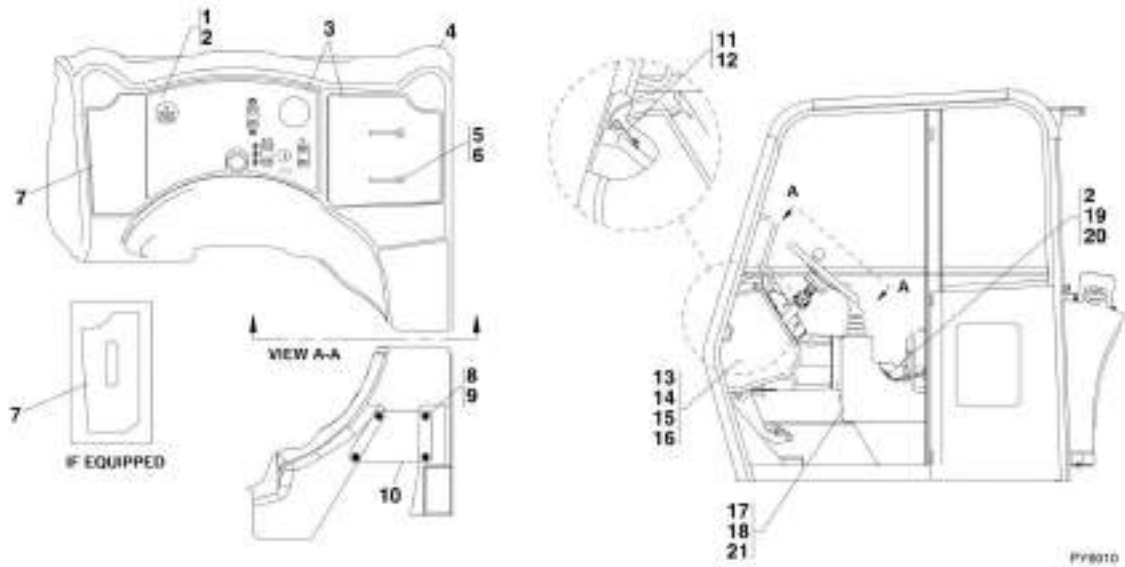
MT_01503158-0

SECTION 6 - CAB**FIGURE 6-6. SUSPENSION SEAT (SN 0160015460 to Present)**

ITEM	PART NUMBER	QTY	DESCRIPTION	REV
	91563158	1	SUSPENSION SEAT, (includes all items)	G
1	7026904	1	ARMREST ASSY RH KIT, (includes items 2 & 3)	
2	N.S.S.	1	ARMREST, MOLDED KIT	
3	N.S.S.	1	ARMREST STOP ASSY	
4	7026900	1	BACK CUSHION KIT	
5	7026902	1	BACK PANEL KIT	
6	7026905	1	2 IN SEAT BELT KIT	
7	7026906	1	TETHER KIT	
8	7026901	1	SEAT CUSHION KIT	
9	7026799	1	KNOB KIT	
10	7026798	1	SLIDE KIT	

SECTION 6 - CAB

FIGURE 6-7. DASH PANEL (Prior to SN 0160040675, Excluding 0160040468 and 0160040672)



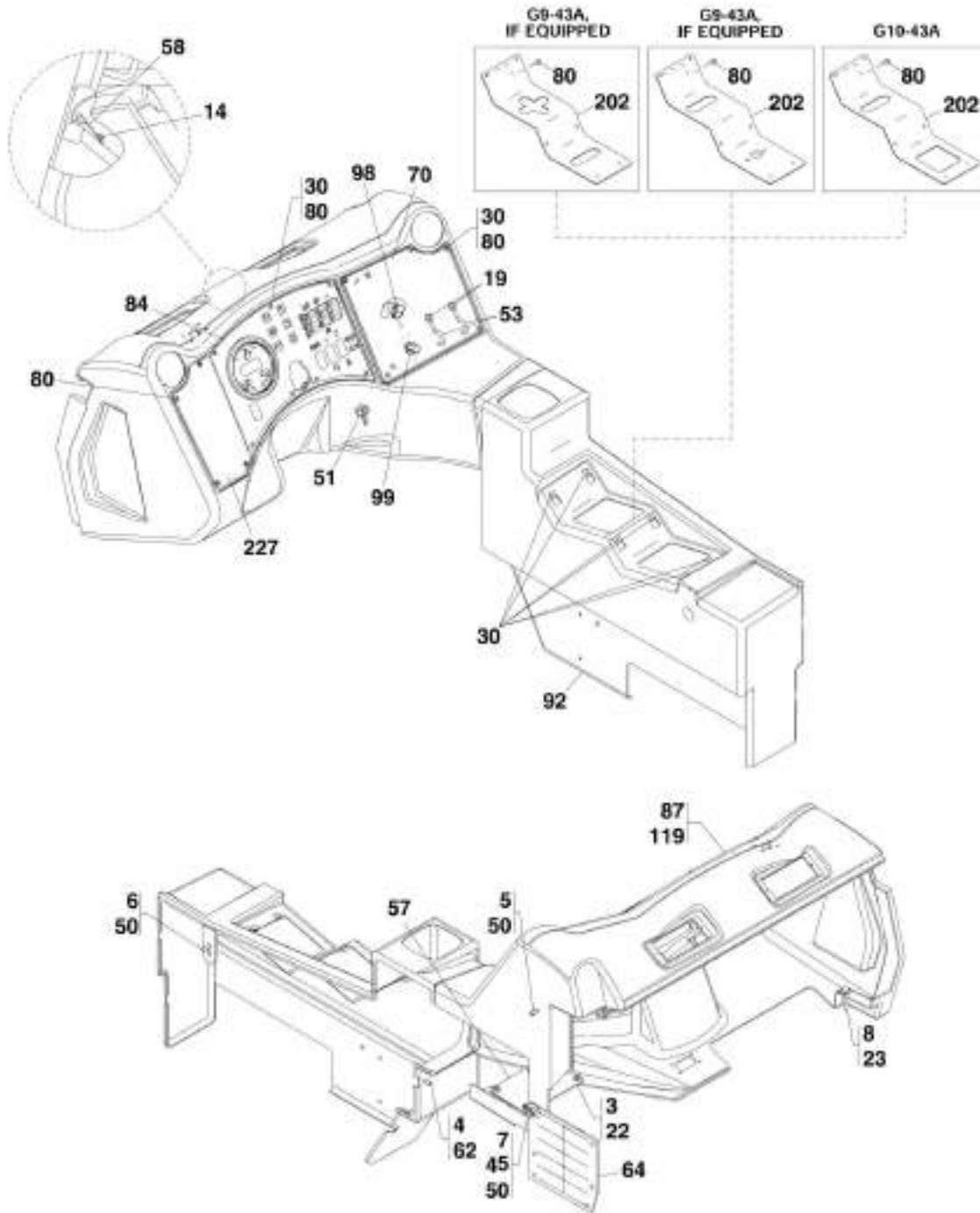
SECTION 6 - CAB

FIGURE 6-7. DASH PANEL (Prior to SN 0160040675, Excluding 0160040468 and 0160040672)

ITEM	PART NUMBER	QTY	DESCRIPTION	REV
1	80363033	16	FLAT HD CAPSCREW, #10-24X1	
2	80363034	20	NUT	
3		Ref	INSTRUMENT PANEL, (See DASH PANEL for Breakdown)	
4	91403298	1	DASH, OPEN CAB (SN 0193001 through 0160001276)	
4	91473211	1	DASH, OPEN CAB (SN 0160001284 through 0160040674, Excluding 0160040468 and 0160040672)	
5	91163087	2	LOAD CHART BRACKET	
6	88302125	6	BUTTON HD CAPSCREW, 1/4-20X5/8	
7	91403324	1	BLANK DASH PANEL	
7	91403316	1	LH AUXILIARY DASH PANEL, (if equipped)	
8	88201002	4	HEX HD CAPSCREW, 1/4-20X5/8, GR5	
9	88561002	4	FLAT WASHER, 1/4	
10	91401516	1	DASH BRACE	
11	91401590	1	DASH CLAMP	
12	80973025	2	WHIZ-LOCK BOLT, 3/8-16X1	
13	88201026	1	HEX HD CAPSCREW, 5/16-18X2-1/2, GR5	
14	88201020	4	HEX HD CAPSCREW, 5/16-18X1, GR5	
15	88561003	5	FLAT WASHER, 5/16	
16	91083533	5	WASHER	
17	88201005	6	HEX HD CAPSCREW, 1/4-20X1, GR5	
18	91403620	1	RH CONSOLE (SN 0193001 through 0160015259)	
18	91403288	1	RH CONSOLE (SN 0160015460 through 0160040674, Excluding 0160040468 and 0160040672)	
19	91403326	1	TILT/SWAY PANEL (Prior to SN 0160000877)	
19	91413111	1	TILT/SWAY PANEL (SN 0160000877 through 0160040674)	
20	91413051	4	SELF TAPPING SCREW, #10X3/4	
21	91413050	2	WASHER	

SECTION 6 - CAB

FIGURE 6-8. DASH PANEL (SN 0160040675 to Present, Including 0160040468 and 0160040672)



KRT_0106001-08

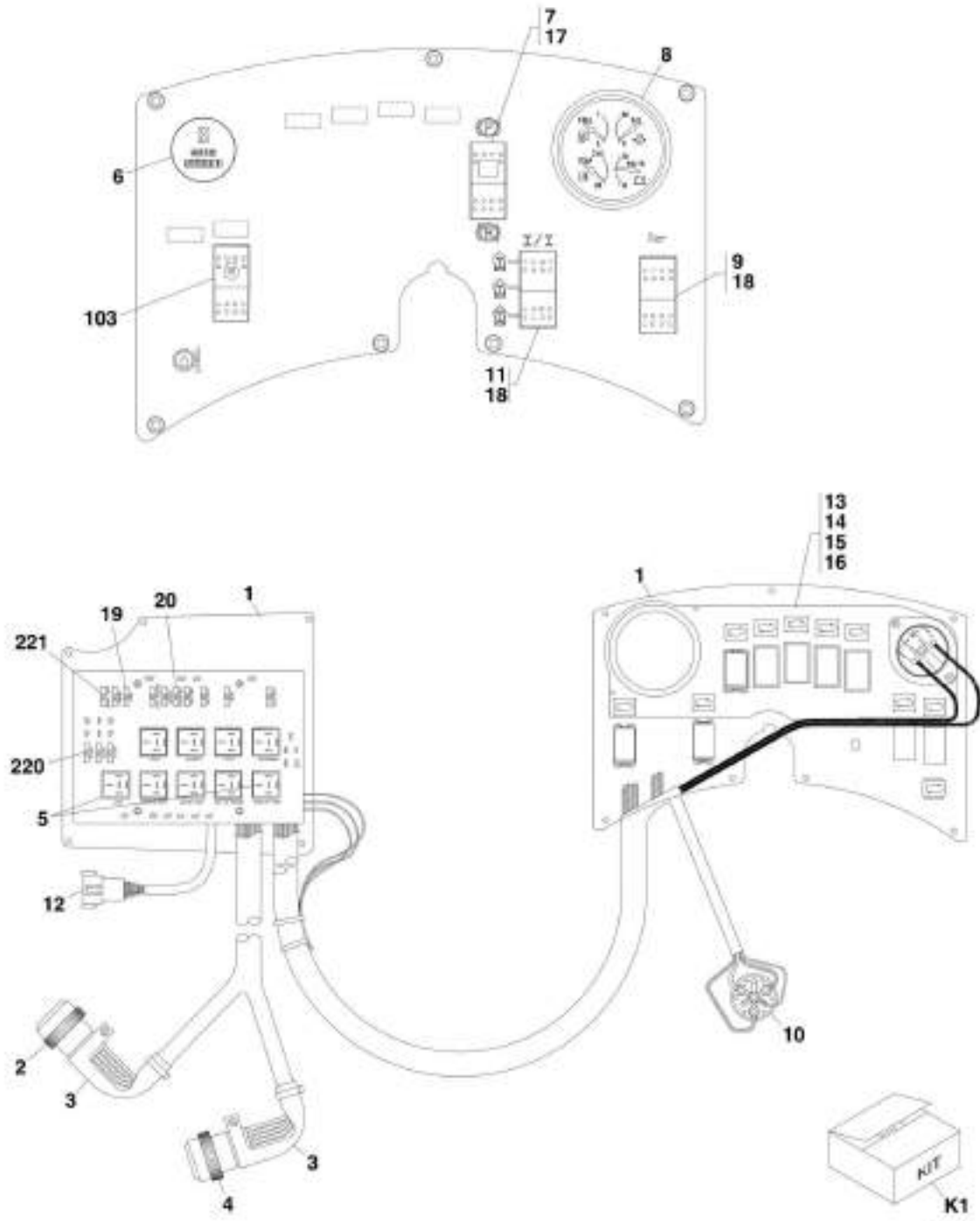
SECTION 6 - CAB

FIGURE 6-8. DASH PANEL (SN 0160040675 to Present, Including 0160040468 and 0160040672)

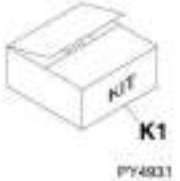
ITEM	PART NUMBER	QTY	DESCRIPTION	REV
3	0641405	4	HEX HD CAPSCREW, 1/4-20X5/8, GR5	
4	0641408	1	HEX HD CAPSCREW, 1/4-20X1, GR5	
5	0641506	1	HEX HD CAPSCREW, 5/16-18X3/4, GR5	
6	0641508	1	HEX HD CAPSCREW, 5/16-18X1, GR5	
7	0641510	1	HEX HD CAPSCREW, 5/16-18X1-1/4, GR5	
8	0641514	1	HEX HD CAPSCREW, 5/16-18X1-3/4, GR5	
14	0791608	2	SCREW, 3/8-16X1,	
19	3911410	2	ROUND HD CAPSCREW, 1/4-20X5/8	
22	4751400	4	WASHER, 1/4	
23	4751500	1	WASHER, 5/16	
30	80363034	22	TINNERMAN NUT, #10-24	
45	88521005	1	NUT, 5/16-18	
50	91023098	4	WASHER, 11/32	
51		Ref	IGNITION SWITCH, (includes keys), (See DASH PANEL for Breakdown)	
53	91163087	2	CAPACITY CHART BRACKET	
57	91401516	1	DASH BRACE	
58	91401590	1	DASH CLAMP	
62	91413050	1	WASHER	
64	91473163	1	HOSE GUARD	
70		Ref	RH INSTRUMENT PANEL, (See DASH PANEL for Breakdown)	
80	1001100322	22	PAN HD CAPSCREW, #10	
84		Ref	INSTURMENT PANEL, (See DASH PANEL for Breakdown)	
87	1001103553	1	ENCLOSED CAB DASH PANEL	
92	1001108890	1	RH CONSOLE PANEL	
98	1001151847	1	KNOB, HANDLE	
99	1001152326	1	KNOB, HANDLE	
119	91473211	1	OPEN CAB DASH PANEL	
202	1001107828	1	RH SIDE JOYSTICK PANEL, (G9-43A, if equipped)	
202	1001108252	1	RH SIDE JOYSTICK PANEL, (G9-43A, if equipped)	
202	1001110808	1	RH SIDE JOYSTICK PANEL, (G10-43A)	
227	91403324	1	BLANK DASH PANEL, (G9-43A)	
227	1001131808	1	LH DASH PANEL, (G10-43A)	

SECTION 6 - CAB

FIGURE 6-9. INSTRUMENT PANEL (Prior to SN 0160040675, Excluding 0160040468 and 0160040672)



NOTE: BLACK PLASTIC PANEL NOT AVAILABLE FOR SERVICE. MUST ORDER COMPLETE INSTRUMENT PANEL, 91473213, FOR REPLACEMENT.



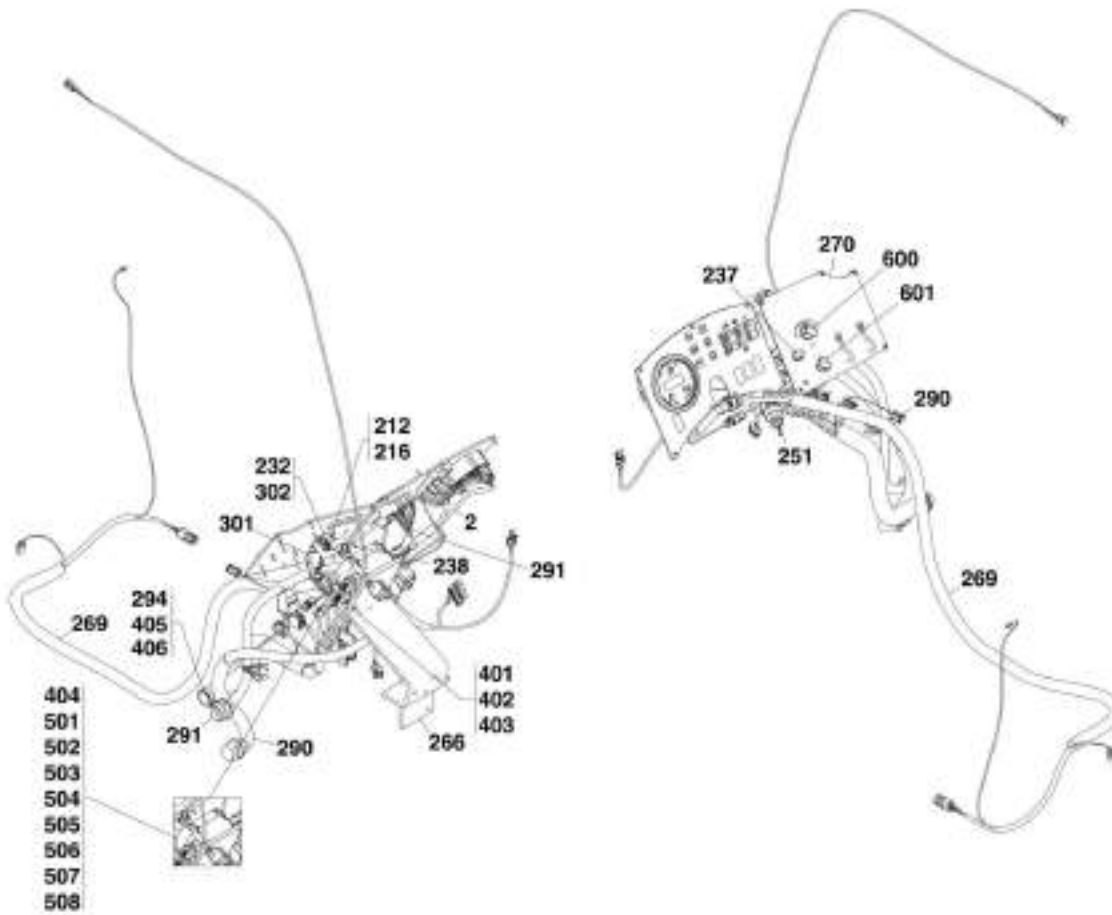
SECTION 6 - CAB

FIGURE 6-9. INSTRUMENT PANEL (Prior to SN 0160040675, Excluding 0160040468 and 0160040672)

ITEM	PART NUMBER	QTY	DESCRIPTION	REV
1	91473213	1	INSTRUMENT PANEL, (includes items 2 thru 20), (John Deere Engine)	
1	1001001519	1	INSTRUMENT PANEL, (includes items 2 thru 20), (Perkins Engine)	
2	91334038	1	CONNECTOR	
3	91474463	2	STRAIN RELIEF, 90	
4	91404331	1	CONNECTOR	
5	77363265	AR	RELAY	
6	90205688	1	HOURMETER	
7	91404329	1	PARK BRAKE SWITCH, (includes item 17)	
8	91404336	1	4 IN 1 GAUGE, (John Deere Engine)	
8	7029892	1	4 IN 1 GAUGE, (Perkins Engine)	
9	91404330	1	HORN SWITCH, (includes item 18)	
10	91033317	1	IGNITION SWITCH	
10	77384578	1	KEY	
11	91474464	1	STEER SELECT SWITCH, (includes item 18)	
12	91503105	1	RECEPTACLE	
13	91404333	1	SMALL GAUGE BRACKET	
14	91404332	1	LARGE GAUGE BRACKET	
15	91404334	4	LAMP ASSY, (includes item 16)	
16	91404335	4	BULB	
17	91404350	1	ACTUATOR	
18	91404349	2	ACTUATOR	
19	77363268	AR	15 AMP FUSE	
20	77363267	AR	10 AMP FUSE	
103	1001001515	1	PREHEAT SWITCH, (Perkins Engine) (SN 0160020803 through 0160040674)	
220	77363268	1	15A FUSE	
221	77363269	1	30A FUSE	
K1	70022611	1	INSTRUMENT PANEL ASSY, SPECIAL, (John Deere Engine), (includes PCB, components and wiring)	

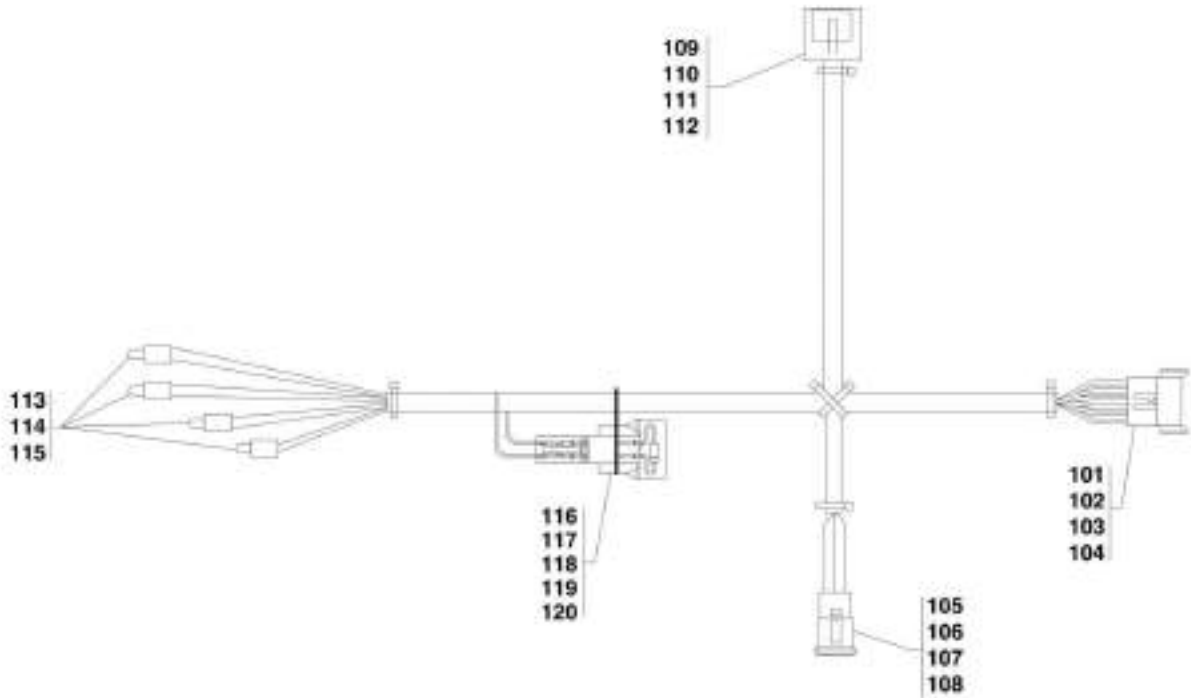
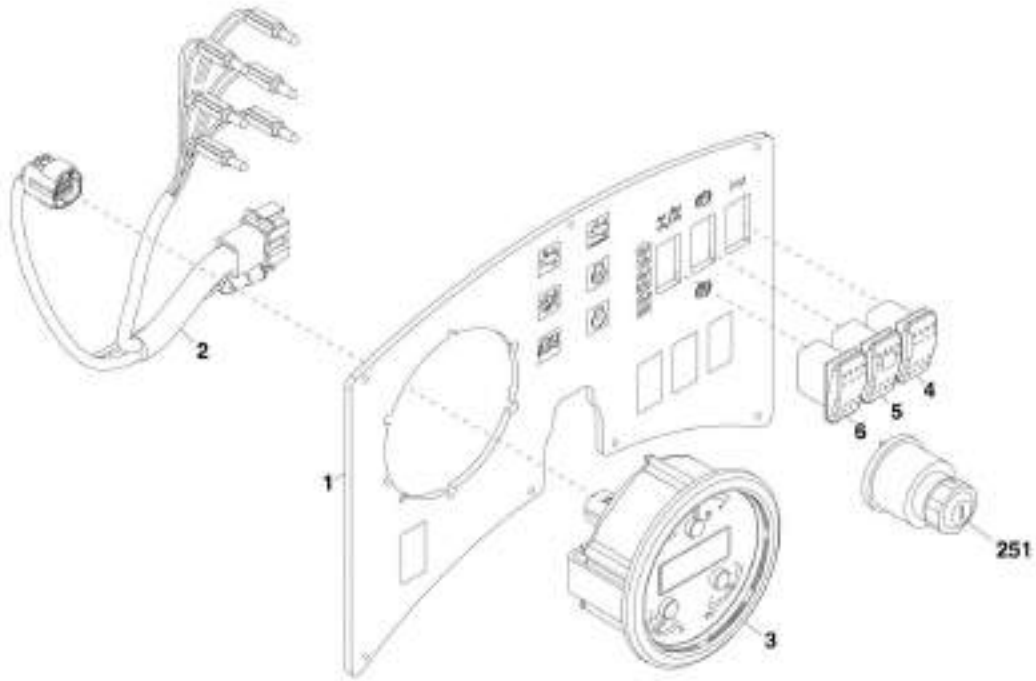
SECTION 6 - CAB

FIGURE 6-10. INSTRUMENT PANEL (SN 0160040675 to Present, Including 0160040468 and 0160040672)



ART. DS14201-6-10.1

SECTION 6 - CAB



ART. 91514001-B-10.2

SECTION 6 - CAB

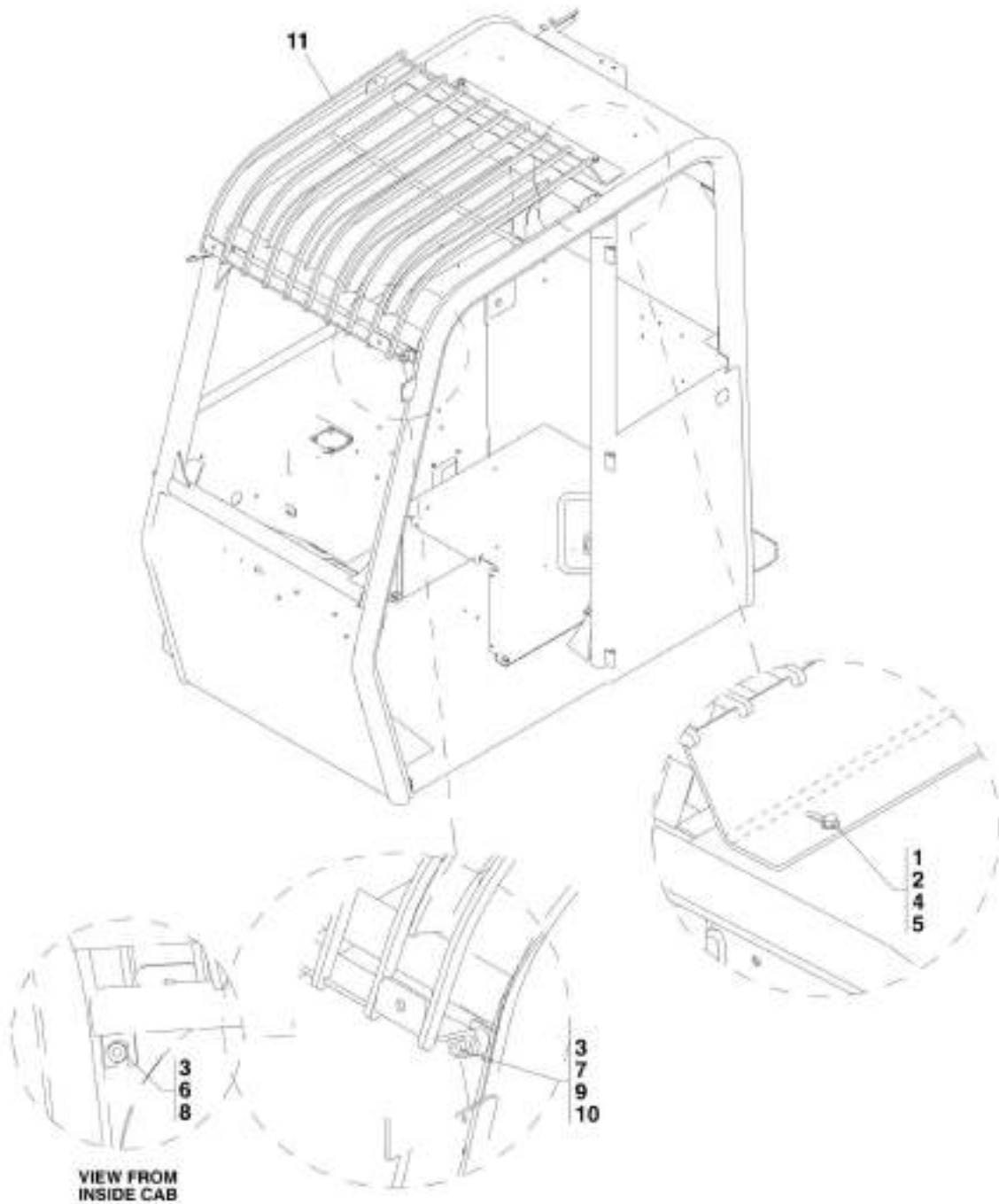
FIGURE 6-10. INSTRUMENT PANEL (SN 0160040675 to Present, Including 0160040468 and 0160040672)

ITEM	PART NUMBER	QTY	DESCRIPTION	REV
	1001101666	1	INSTRUMENT PANEL ASSY, (includes items 1 thru 6)	M
1	1001099378	1	INSTRUMENT PANEL	
2	1001102815	1	INSTURMENT PANEL HARNESS, (includes items 101 thru 120)	C
3	1001099163	1	3 IN 1 GAUGE ASSY	
4	7026440	1	HORN SWITCH	
5	91474465	1	PARK BRAKE SWITCH	
6	91473127	1	STEER SELECT SWITCH	
101	91503105	1	8 PIN RECEPTACLE	
102	91503106	1	WEDGELOCK	
103	77363228	1	TERMINAL	
104	4460466	1	PLUG	
105	N.S.S.	1	CONNECTOR	
106	70022691	1	WEDGE LOCK	
107	4460944	1	CONTACT	
108	N.S.S.	1	CONNECTOR	
109	N.S.S.	1	DOUBLE LOCK PLATE	
110	N.S.S.	1	SOCKET	
111	N.S.S.	1	WIRE SEAL	
112	N.S.S.	1	PLUG	
113	7026437	6	BULB BASE	
114	7026438	6	TERMINAL	
115	80484088	6	BULB	
116	4460884	1	4 PIN CONNECTOR	
117	80604021	1	WEDGE LOCK	
118	4460465	3	TERMINAL	
119	4460466	1	PLUG	
120	1001152266	1	4 PIN RECEPTACLE	
212	0740605	2	FLAT HD CAPSCREW, #6-32X0.62, (if equipped)	
216	3310601	2	HEX NUT, #6-32, GR2, (if equipped)	
232	1001151643	1	POTENTIOMETER ASSY, (10k ohms), (if equipped), (includes items 301 & 302)	
237	80963101	1	WIPER SWITCH	
238	80964001	1	BLOWER SWITCH, (if equipped)	
246	88691387	1	TUBING CLIP	
251	91033317	1	IGNITION SWITCH	
251	77384578	1	KEY	
266		Ref	ACCELERATOR PEDAL BRACKET, (See CONTROLS SECTION for Breakdown)	
269		Ref	ENCLOSED CAB HARNESS, (See ELECTRICAL SECTION for Breakdown)	
270	91563191	1	RH INSTRUMENT PANEL (Prior to SN 0160056012)	
270	1001156272	1	RH INSTRUMENT PANEL (SN 0160056012 to Present)	
290		Ref	CAB HARNESS, (See ELECTRICAL SECTION for Breakdown)	
291		Ref	CAB DASH HARNESS, (See ELECTRICAL SECTION for Breakdown)	
294	1001115891	Ref	POWER DISTRUTION INSTALLATION, (not available to order, see items 401 thru 406 for service)	A
301	80363208	1	POTENTIOMETER HARNESS, (if equipped)	
302	1001145206	1	POTENTIOMETER, 10k ohms, (if equipped)	

SECTION 6 - CAB

ITEM	PART NUMBER	QTY	DESCRIPTION	REV
401	0641412	4	HEX HD CAPSCREW, 1/4-20X1-1/2, GR5	C
402	3311401	4	HEX NUT, 1/4-20, GR2	
403	4751200	4	FLAT WASHER, 1/4	
404	1001092849	1	VEC BOX ASSY, (includes items 501 thru 508)	
405		Ref	VEC BOX HARNESS, (See ELECTRICAL SECTION for Breakdown)	
406	4240033	2	TIE WRAP	
501	70021478	1	COVER	
502	70021485	1	LABEL	
503	70020898	8	5-PIN MICRO RELAY	
504	8229242	1	5 AMP MINI FUSE	
505	8093191	2	10 AMP MINI FUSE	
506	8093192	1	15 AMP MINI FUSE	
507	8229246	3	20 AMP MINI FUSE	
508	8229247	1	25 AMP MINI FUSE	
600	1001151847	1	KNOB, (if equipped)	
601	1001152326	1	KNOB, (if equipped)	

FIGURE 6-11. TOP CAB GLASS SHIELD



PAP11510

FIGURE 6-11. TOP CAB GLASS SHIELD

ITEM	PART NUMBER	QTY	DESCRIPTION	REV
	1001100879	Ref	TOP CAB GLASS SHIELD INSTALLATION, (not available to order, see items 1 thru 11 for service)	B
1	0641608	2	HEX HD CAPSCREW, 3/8-16X1	
2	3271601	2	HEX NUT, 3/8-16, GR8	
3	4071133	4	WASHER	
4	4711600	4	WASHER, 3/8	
5	4761600	2	LOCKWASHER, 3/8	
6	4761800	2	LOCKWASHER, 1/2	
7	14404173	AR	SEALANT	
8	88501008	2	HEX NUT, 1/2-13	
9	91403503	2	SPACER	
10	1001096728	2	BOLT, 1/2-13	
11	1001098344	1	BRACKET	

FIGURE 6-12. FRONT CAB GLASS SHIELD

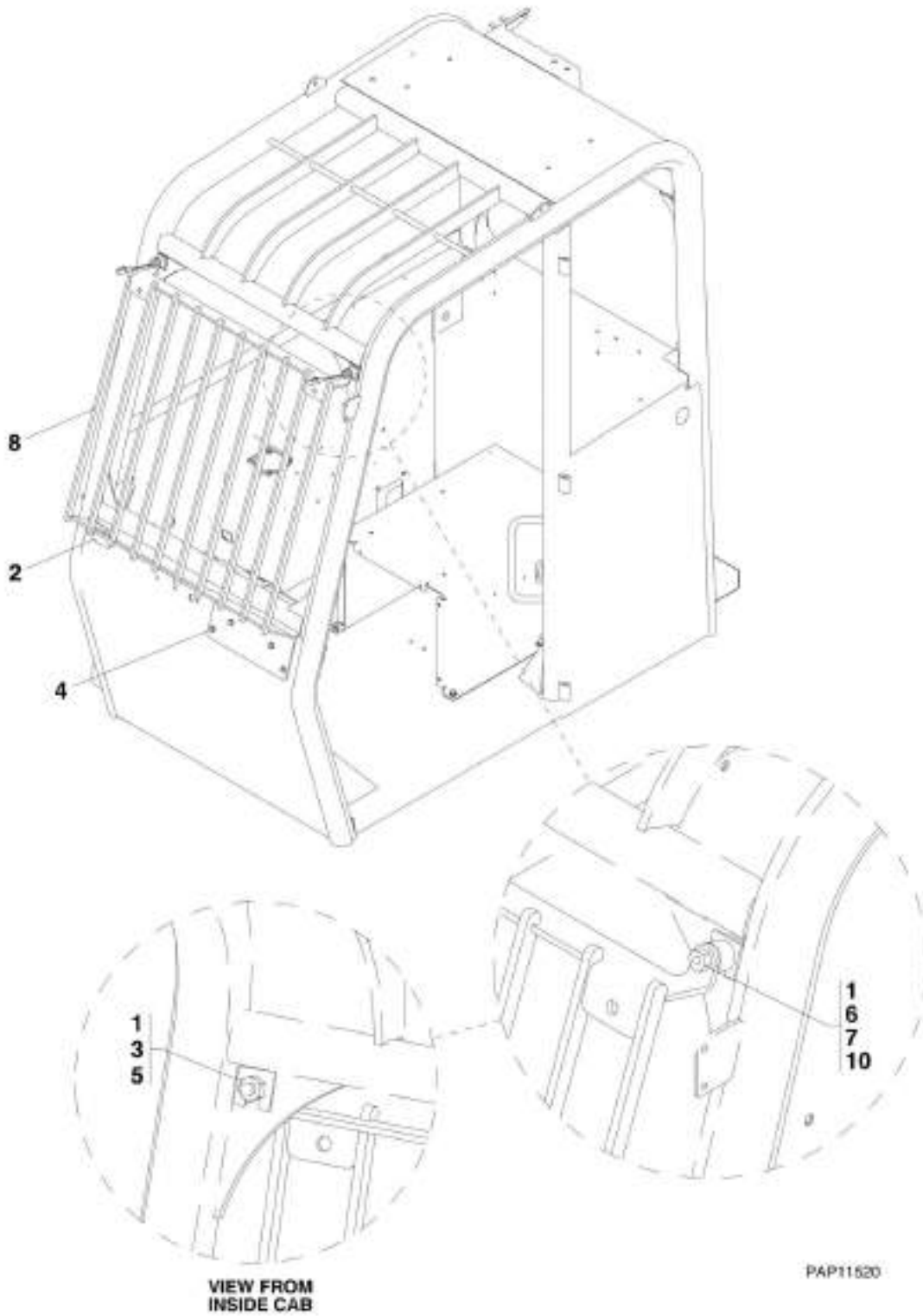
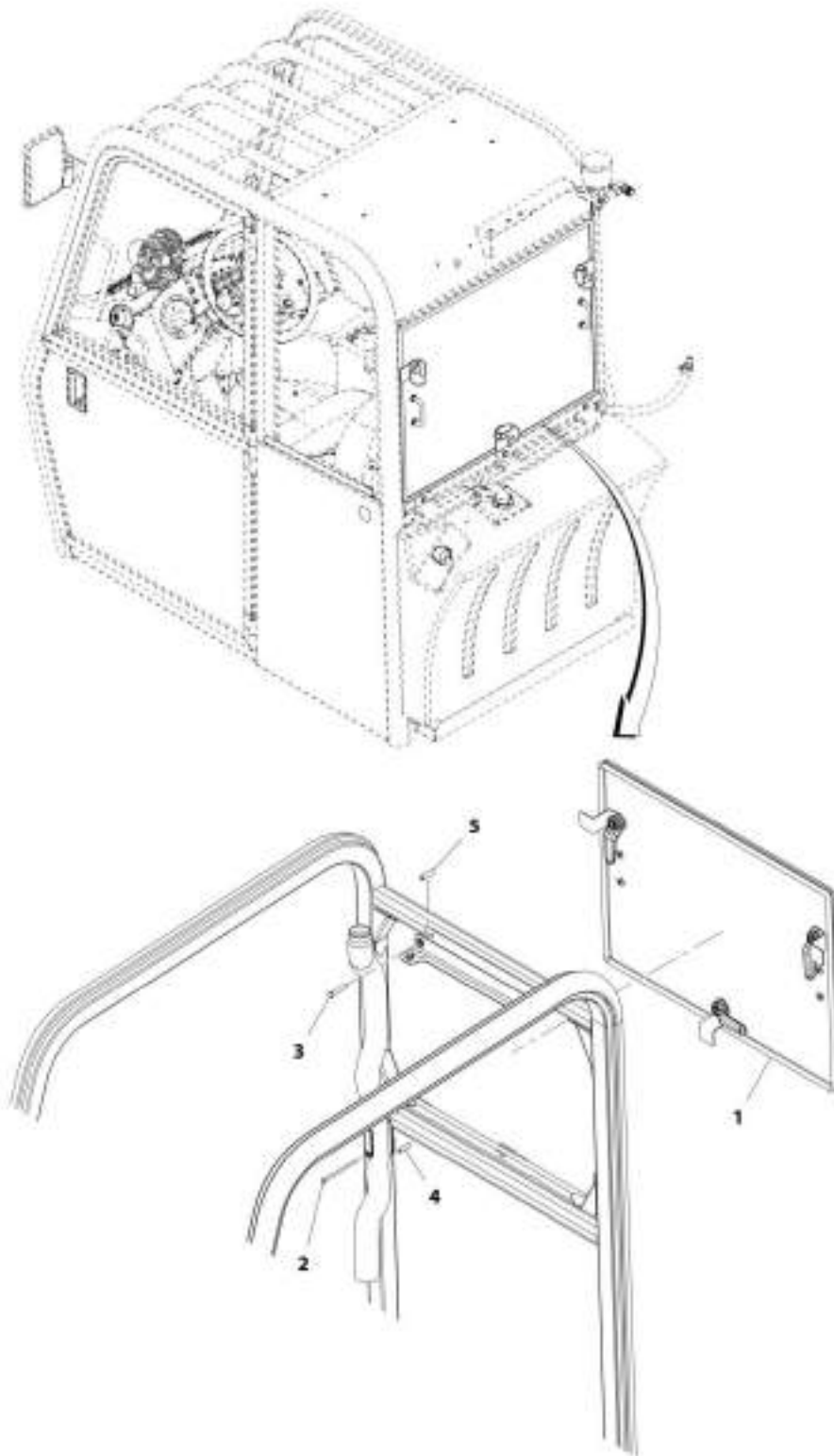


FIGURE 6-12. FRONT CAB GLASS SHIELD

ITEM	PART NUMBER	QTY	DESCRIPTION	REV
	1001100880	Ref	FRONT CAB GLASS SHIELD INSTALLATION, (not available to order, see items 1 thru 10 for service)	B
1	4071133	4	WASHER	
2	4420060	1	FOAM TAPE	
3	4761800	2	LOCKWASHER, 1/2	
4	77143003	4	SCREW, 5/16-18X5/8	
5	88501008	2	HEX NUT, 1/2-13	
6	91403503	2	SPACER	
7	1001096728	2	BOLT, 1/2-13	
8	1001098042	1	BRACKET	
10	14404173	AR	SEALANT	

FIGURE 6-13. REAR WINDOW EXIT INSTALLATION



ART_3001150649-B

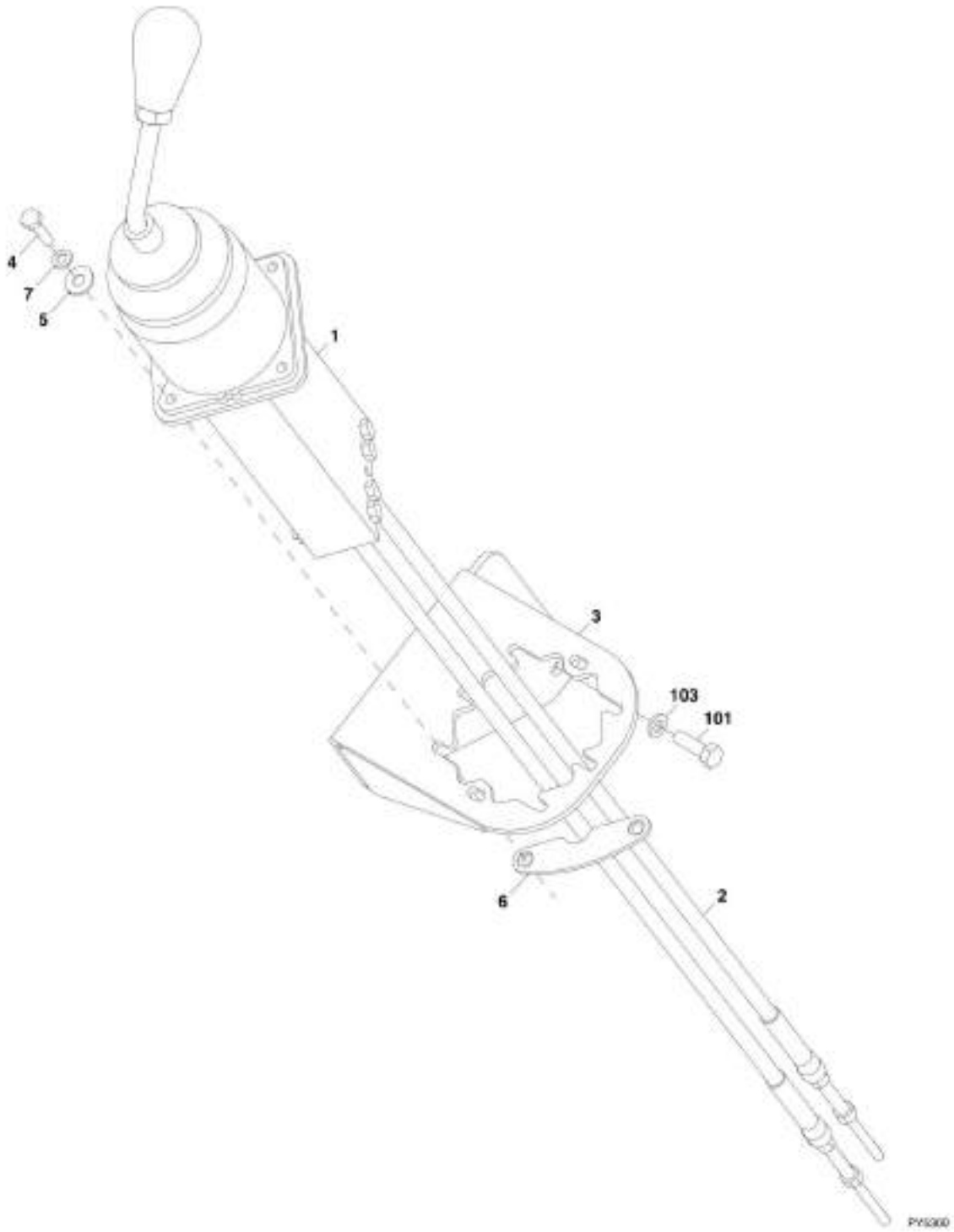
FIGURE 6-13. REAR WINDOW EXIT INSTALLATION

ITEM	PART NUMBER	QTY	DESCRIPTION	REV
	1001159949	Ref	REAR WINDOW EXIT INSTALLATION	B
1	1001160889	1	WINDOW, REAR	
2	0641436	1	BOLT, 1/4-20X4 1/2	
3	0641617	2	BOLT, 3/8-16X2 1/8	
4	1001165578	1	SHIM, AC TUBE SPACER	
5	1001165579	2	SHIM, AC BLOWER SPACER	

SECTION 7 - CONTROLS

SECTION 7 - CONTROLS

FIGURE 7-1. TILT AND FRAME LEVEL JOYSTICK INSTALLATION



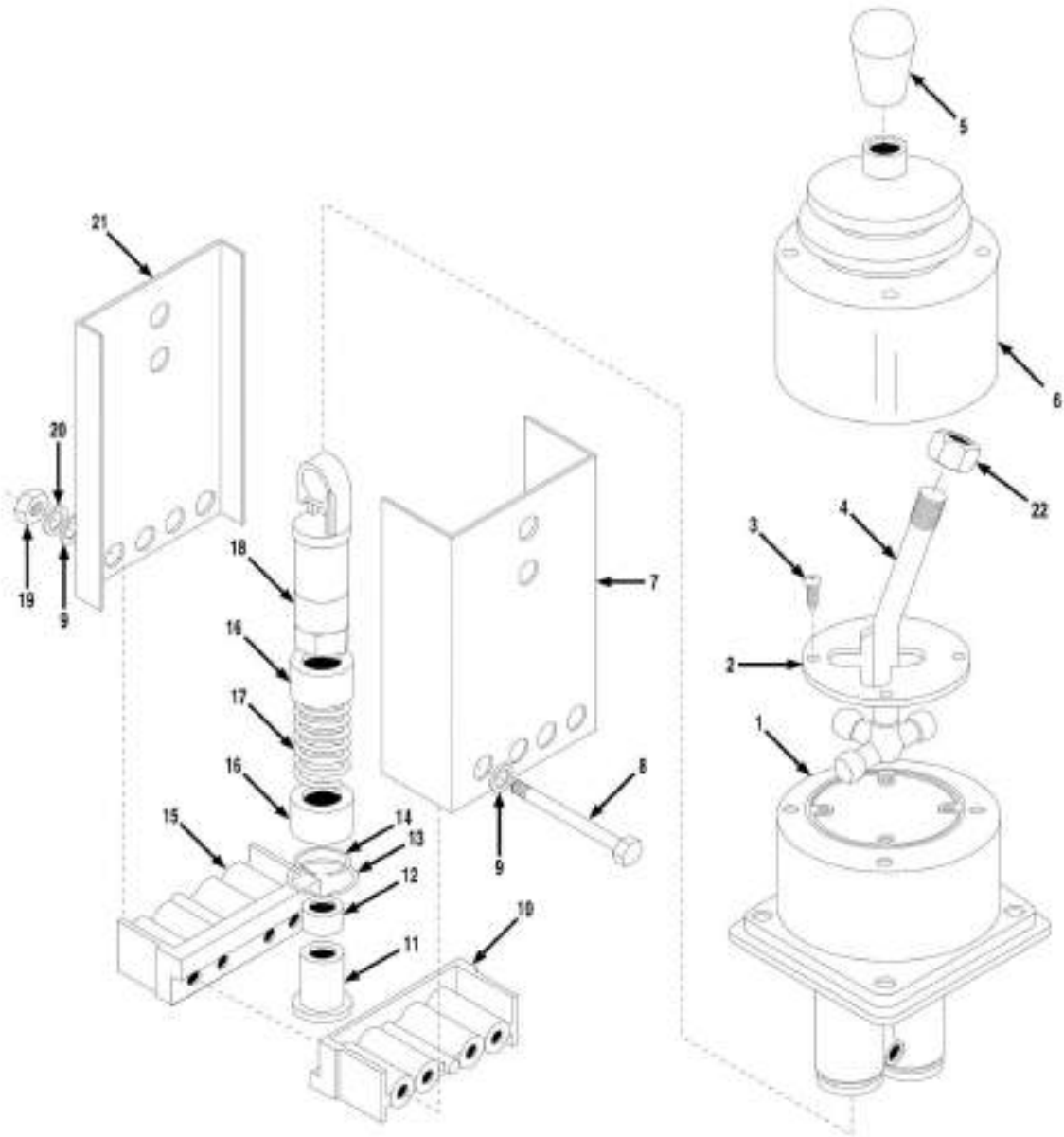
SECTION 7 - CONTROLS

FIGURE 7-1. TILT AND FRAME LEVEL JOYSTICK INSTALLATION

ITEM	PART NUMBER	QTY	DESCRIPTION	REV
	91475033	Ref	TILT AND FRAME LEVEL JOYSTICK INSTALLATION, (G9-43A, if equipped), , (not available to order, see items 1 thru 7 for service) (G10-43A Prior to SN 0160040675; Excluding 0160040468 and 0160040672)	F
1		Ref	TILT AND SWAY JOYSTICK ASSY, (See TILT AND SWAY JOYSTICK ASSEMBLY for Breakdown)	
2	91473146	2	CONTROL CABLE	
3	91416013	1	RH CONTROL BRACKET	
4	88201006	4	HEX HD CAPSCREW, 1/4-20X1-1/4, GR5	
5	88561107	4	FLAT WASHER, 1/4	
6	91416017	2	WELD NUT PLATE WELDMENT	
7	88551009	4	LOCKWASHER, 1/4	
101	0641508	3	HEX HD CAPSCREW, 5/16-18X1, GR5	
103	4761500	3	LOCKWASHER, 5/16	

SECTION 7 - CONTROLS

FIGURE 7-2. TILT AND SWAY JOYSTICK ASSEMBLY



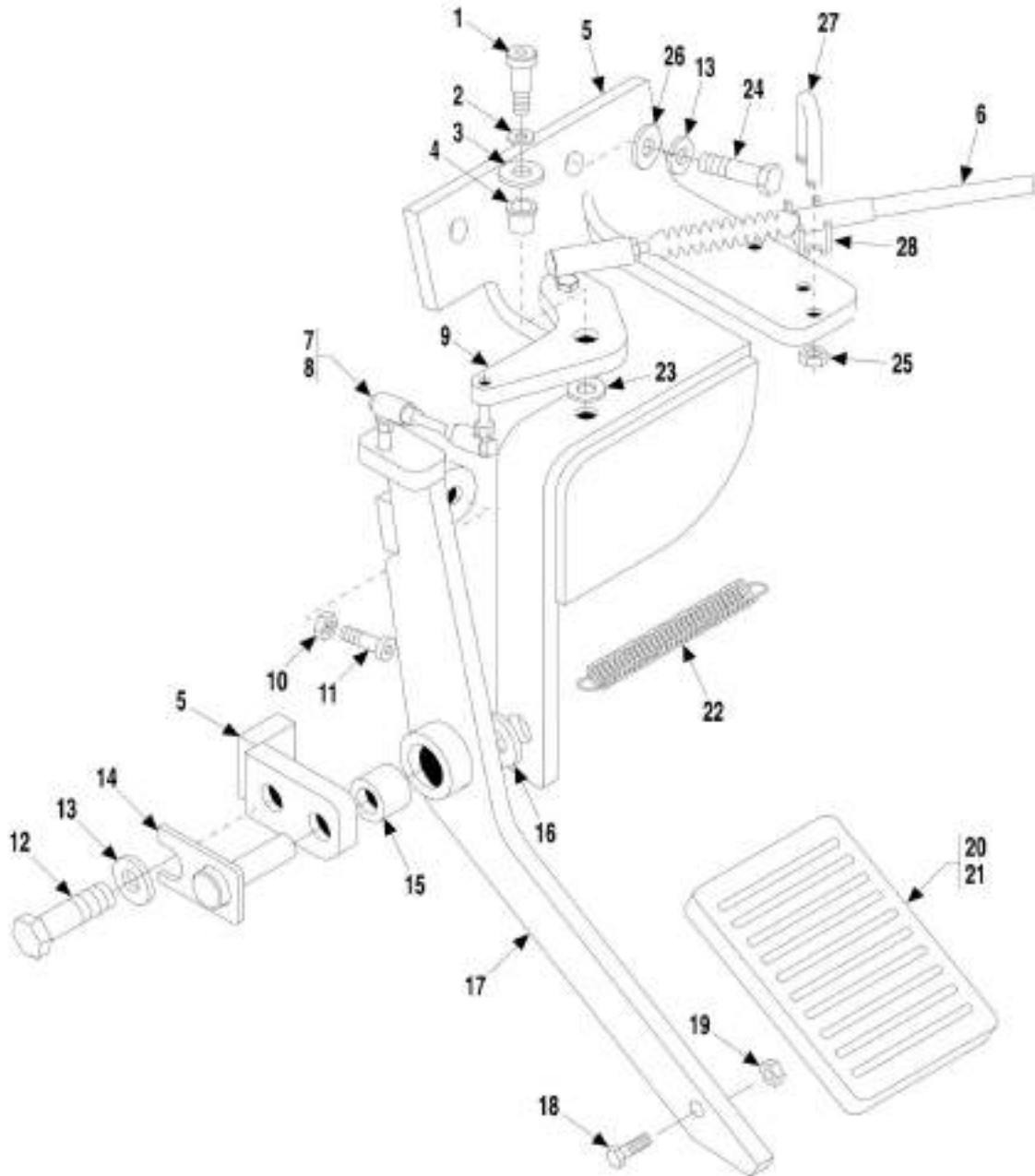
SECTION 7 - CONTROLS

FIGURE 7-2. TILT AND SWAY JOYSTICK ASSEMBLY

ITEM	PART NUMBER	QTY	DESCRIPTION	REV
	91403178	1	TILT/SWAY JOYSTICK ASSY, (G9-43A, if equipped), , (includes all items) (G10-43A Prior to SN 0160040675; Excluding 0160040468 and 0160040672)	G
1	91404207	1	HOUSING	
2	91404088	1	RESTRICTOR PLATE	
3	91404089	4	SELF-TAPPING SCREW, #10X3/4	
4	91404208	1	INPUT LEVER ASSY	
5	91404091	1	KNOB	
6	8160419	1	BOOT	
7	91404093	1	HOUSING, (outer)	
8	91404094	6	HEX HD CAPSCREW	
9	91404095	12	FLAT WASHER	
10	91404096	1	CABLE ANCHOR, (inner)	
11	91404097	2	CABLE LOCK SCREW	
12	91404098	2	CABLE BUSHING	
13	91404099	2	RETAINING RING	
14	91404100	2	RETAINING RING	
15	91404101	1	CABLE ANCHOR, (outer)	
16	91404102	4	BUSHING	
17	91404103	2	SPRING	
18	91404209	2	SLIDER ASSY	
19	91404105	6	HEX NUT, 1/4-20	
20	91404106	6	LOCKWASHER	
21	91404107	1	HOUSING, (inner)	
22	91404210	1	JAM NUT	

SECTION 7 - CONTROLS

FIGURE 7-3. ACCELERATOR PEDAL INSTALLATION (Prior to SN 0160001378, Excluding 0160001280)



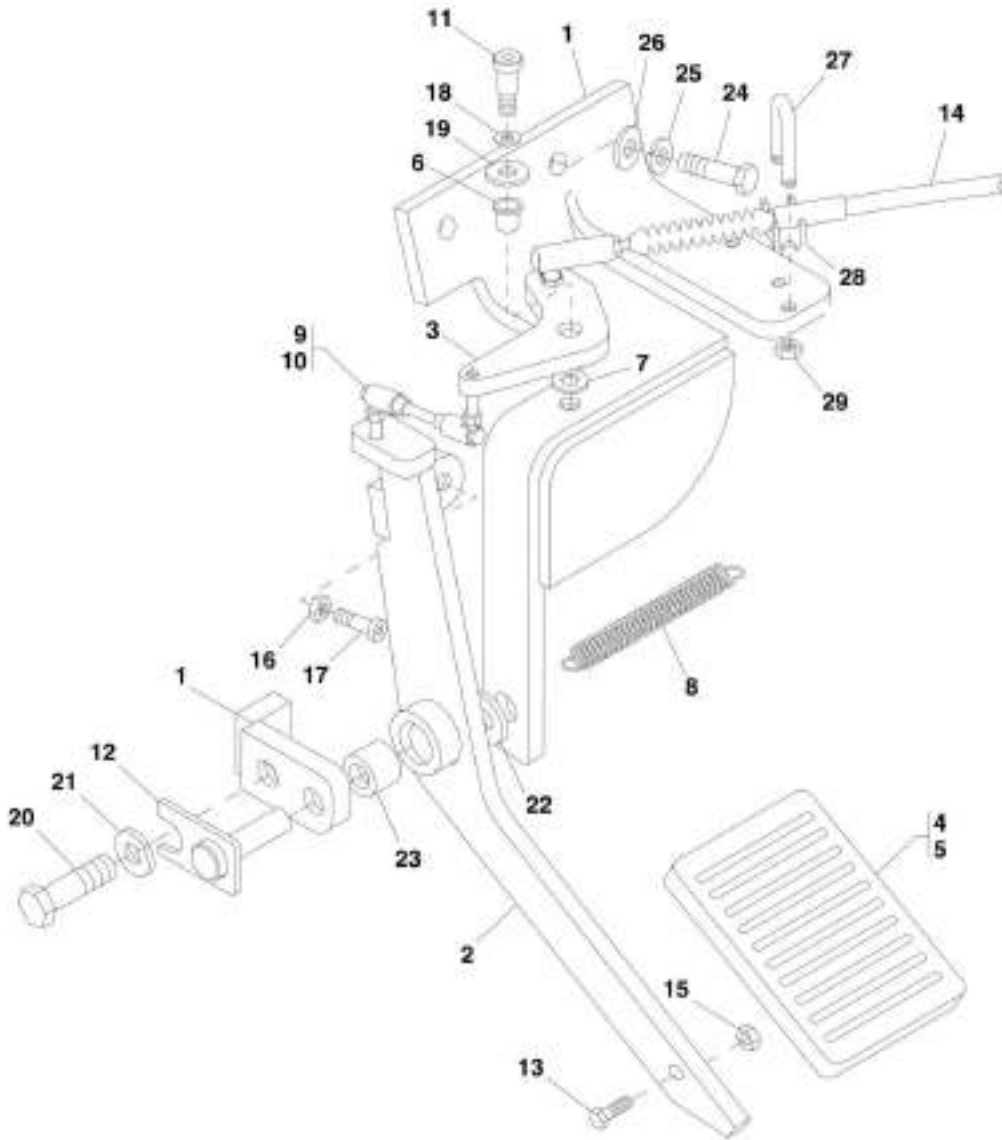
SECTION 7 - CONTROLS

FIGURE 7-3. ACCELERATOR PEDAL INSTALLATION (Prior to SN 0160001378, Excluding 0160001280)

ITEM	PART NUMBER	QTY	DESCRIPTION	REV
	91475027	Ref	ACCELERATOR PEDAL INSTALLATION, (not available to order, see items 1 thru 12, 1 of item 13, 14 thru 23, 25, 27 & 28 for service)	E
1	88251019	1	SOCKET HD SHOULDER SCREW, 3/8X5/8, GR8	
2	90028946	1	WAVE WASHER	
3	88561109	1	FLAT WASHER, 3/8	
4	91403473	1	FLANGE BUSHING	
5	91476027	1	ACCELERATOR PEDAL BRACKET	
6	91473099	1	ACCELERATOR CABLE, (includes items 25, 27 & 28)	C
7	91403476	1	STUD, #10-32X1-1/4	
8	91403521	2	BALL JOINT, 1/4-28	
9	91406139	1	ACCELERATOR BELL CRANK	
10	88501006	1	HEX NUT, 3/8-16	
11	88211073	1	SOCKET HD CAPSCREW, 3/8-16X1-1/2, GR8	
12	88201018	1	HEX HD CAPSCREW, 5/16-18X3/4, GR5	
13	88551010	3	LOCKWASHER, 5/16	
14	91406148	1	PIVOT PIN	
15	91083136	2	BUSHING	
16	88561108	1	FLAT WASHER, 5/16	
17	91406147	1	ACCELERATOR PEDAL ARM	
18	88201005	1	HEX HD CAPSCREW, 1/4-20X1, GR5	
19	88521304	1	LOCKNUT, 1/4-20	
20	91401423	1	PEDAL	
21	80263108	1	PEDAL PAD	
22	91413014	1	EXTENSION SPRING	
23	91403474	1	FLAT WASHER	
24	88201020	2	HEX HD CAPSCREW, 5/16-18X1, GR5	
25	91404213	2	HEX NUT	
26	4751500	2	FLAT WASHER, 5/16	
27	91404211	1	U-BOLT	
28	91404212	1	SADDLE	

SECTION 7 - CONTROLS

FIGURE 7-4. ACCELERATOR PEDAL INSTALLATION (SN 0160001378 through 0160038394, Including 0160001280)



P&P18380

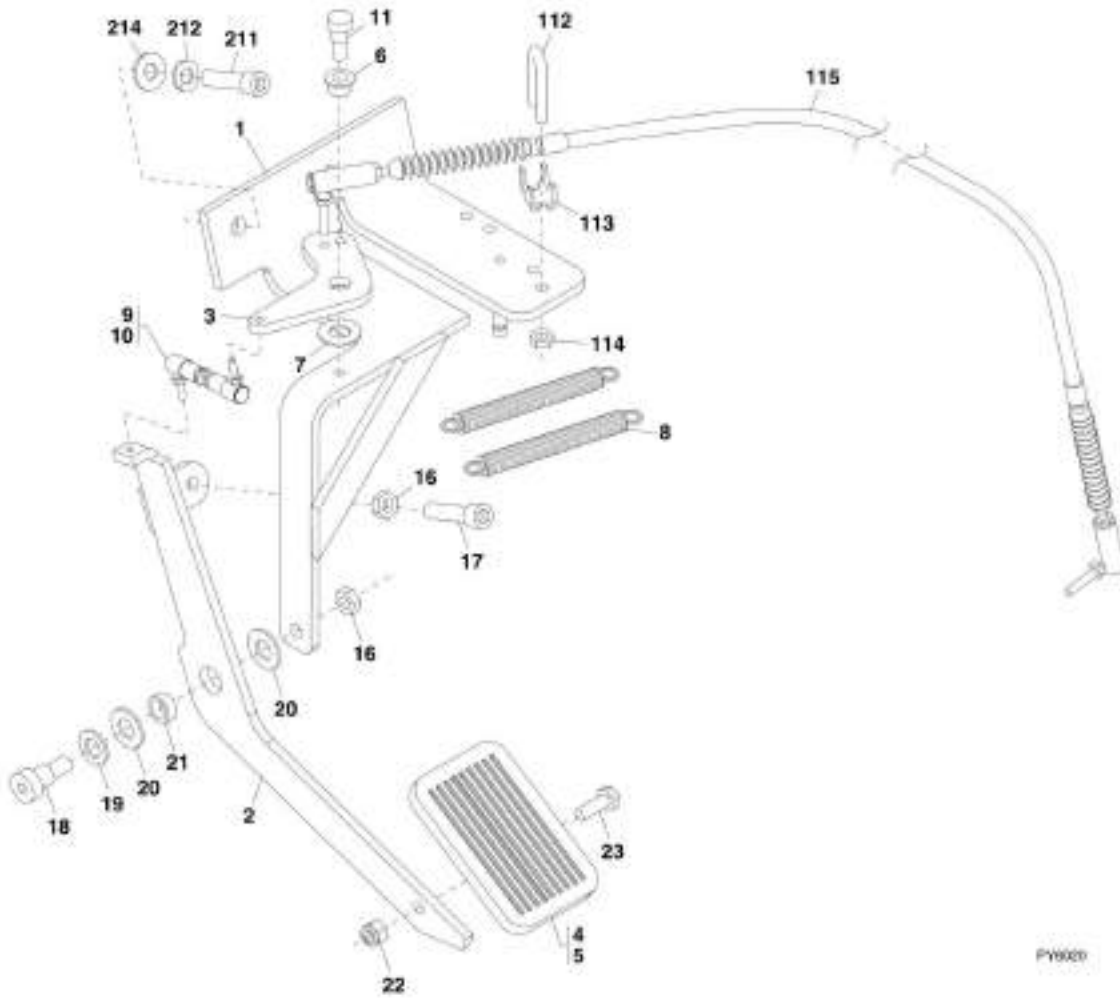
SECTION 7 - CONTROLS

FIGURE 7-4. ACCELERATOR PEDAL INSTALLATION (SN 0160001378 through 0160038394, Including 0160001280)

ITEM	PART NUMBER	QTY	DESCRIPTION	REV
	91475091	Ref	ACCELERATOR PEDAL INSTALLATION, (not available to order, see items 1 thru 23 for service)	D
1	91476053	1	ACCELERATOR PEDAL BRACKET	
2	91406147	1	ACCELERATOR PEDAL ARM	
3	91406139	1	ACCELERATOR BELL CRANK	
4	91401423	1	PEDAL	
5	80263108	1	PEDAL PAD	
6	91403473	1	FLANGE BUSHING	
7	91403474	1	TEFLON WASHER	
8	4160215	1	EXTENSION SPRING	
9	91403476	1	STUD, 10-32X1-1/4	
10	91403521	2	BALL JOINT, 1/4-28	
11	88251019	1	SOCKET BOLT, 3/8X5/8	
12	91406148	1	PIVOT PIN	
13	88201005	1	HEX HD CAPSCREW, 1/4-20X1	
14	91473219	1	ACCELERATOR CABLE	
15	88521304	1	LOCKNUT, 1/4-20	
16	88501006	1	HEX NUT, 3/8-16	
17	88211073	1	SOCKET HD CAPSCREW, 3/8-16X1-1/2	
18	90028946	1	WAVE WASHER, 3/8	
19	88561109	1	WASHER, 3/8	
20	88201018	1	HEX HD CAPSCREW, 5/16-18X3/4	
21	88551010	1	LOCKWASHER, 5/16	
22	88561108	1	FLAT WASHER, 5/16	
23	91083136	2	BUSHING	
24	88201020	2	HEX HD CAPSCREW, 5/16-18X1, GR5	
25	88551010	2	LOCKWASHER, 5/16	
26	4751500	2	FLAT WASHER, 5/16	
27	91404211	1	U-BOLT	
28	91404212	1	SADDLE	
29	91404213	2	HEX NUT	

SECTION 7 - CONTROLS

FIGURE 7-5. ACCELERATOR PEDAL INSTALLATION (SN 0160038525 through 0160040674, Excluding 0160040468 and 0160040672)



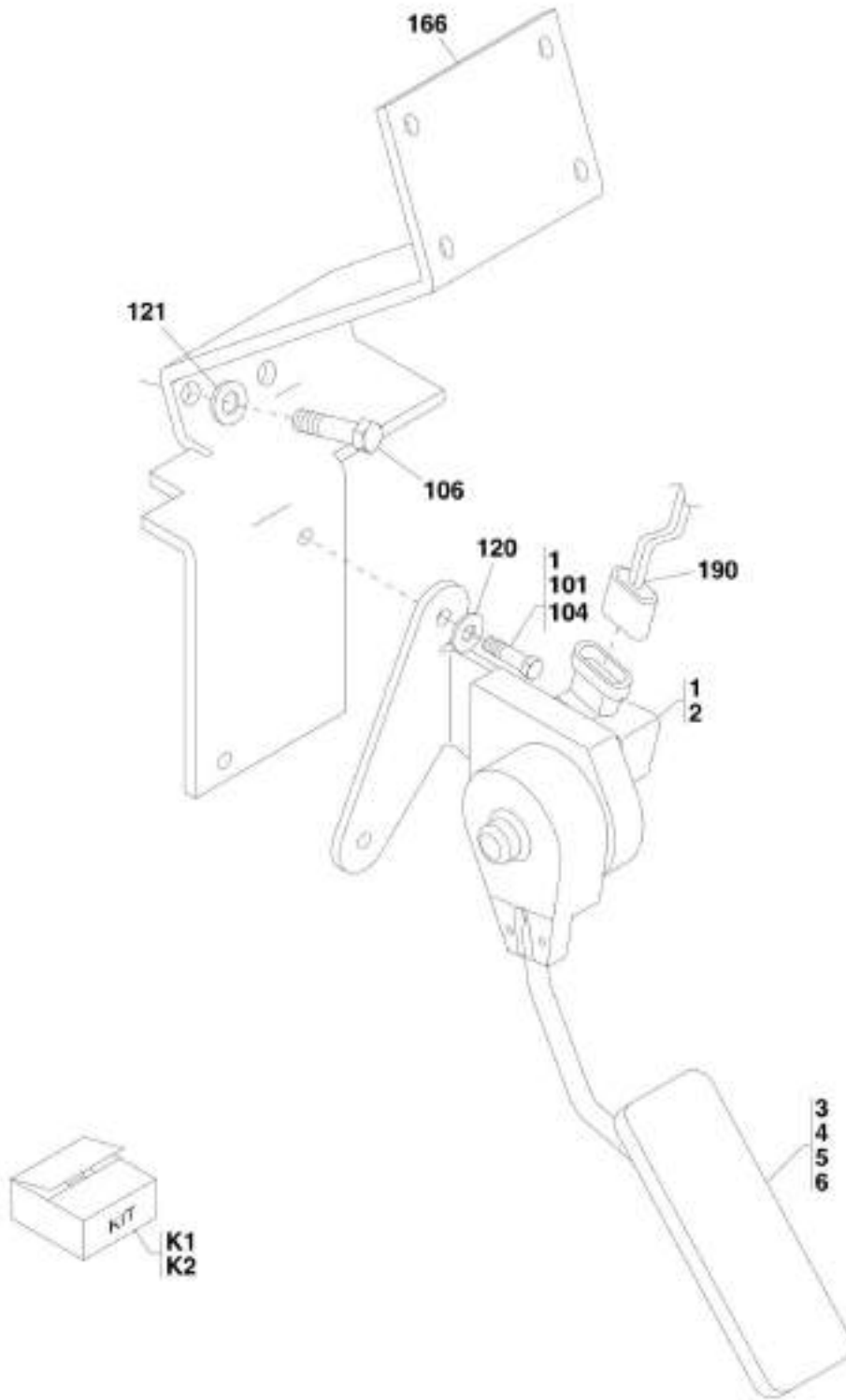
SECTION 7 - CONTROLS

**FIGURE 7-5. ACCELERATOR PEDAL INSTALLATION (SN 0160038525 through 0160040674,
Excluding 0160040468 and 0160040672)**

ITEM	PART NUMBER	QTY	DESCRIPTION	REV
	1001102561	1	ACCELERATOR PEDAL INSTALLATION, (not available to order, see items 1 thru 23 service)	A
1	70023836	1	ACCELERATOR PEDAL BRACKET	
2	70023837	1	ACCELERATOR PEDAL ARM	
3	70023838	1	ACCELERATOR BELL CRANK	
4	70023839	1	PEDAL	
5	70023840	1	PEDAL PAD	
6	70023841	1	FLANGE BUSHING	
7	70023842	1	TEFLON WASHER	
8	70023843	2	EXTENSION SPRING	
9	70023844	1	STUD, 10-32X1-1/4	
10	70023845	2	BALL JOINT, 1/4-28	
11	70023846	1	SOCKET HD SHOULDER SCREW	
16	70023847	2	HEX NUT, 3/8-16	
17	70023848	1	SOCKET HD CAPSCREW, 3/8-16X1-1/2	
18	70023849	1	SOCKET HD SHOULDER SCREW	
19	70023850	1	MACHINE BUSHING	
20	70023851	2	NYLON WASHER	
21	70023852	1	BUSHING	
22	70023853	1	STOP HEX NUT, 5/16-18	
23	70023854	1	HEX HD CAPSCREW, 5/16-18X7/8	
112	91404211	1	U-BOLT	
113	91404212	1	SADDLE	
114	91404213	2	STOP HEX NUT	
115	91473219	1	ACCELERATOR CABLE, (includes items 112 thru 114)	B
211	88201020	2	HEX HD CAPSCREW, 5/16-18X1, GR5	
212	4761500	2	LOCKWASHER, 5/16	
214	4751500	2	FLAT WASHER, 5/16	

SECTION 7 - CONTROLS

FIGURE 7-6. ACCELERATOR PEDAL INSTALLATION (SN 0160040675 to Present, Including 0160040468 and 0160040672)



PAP18320

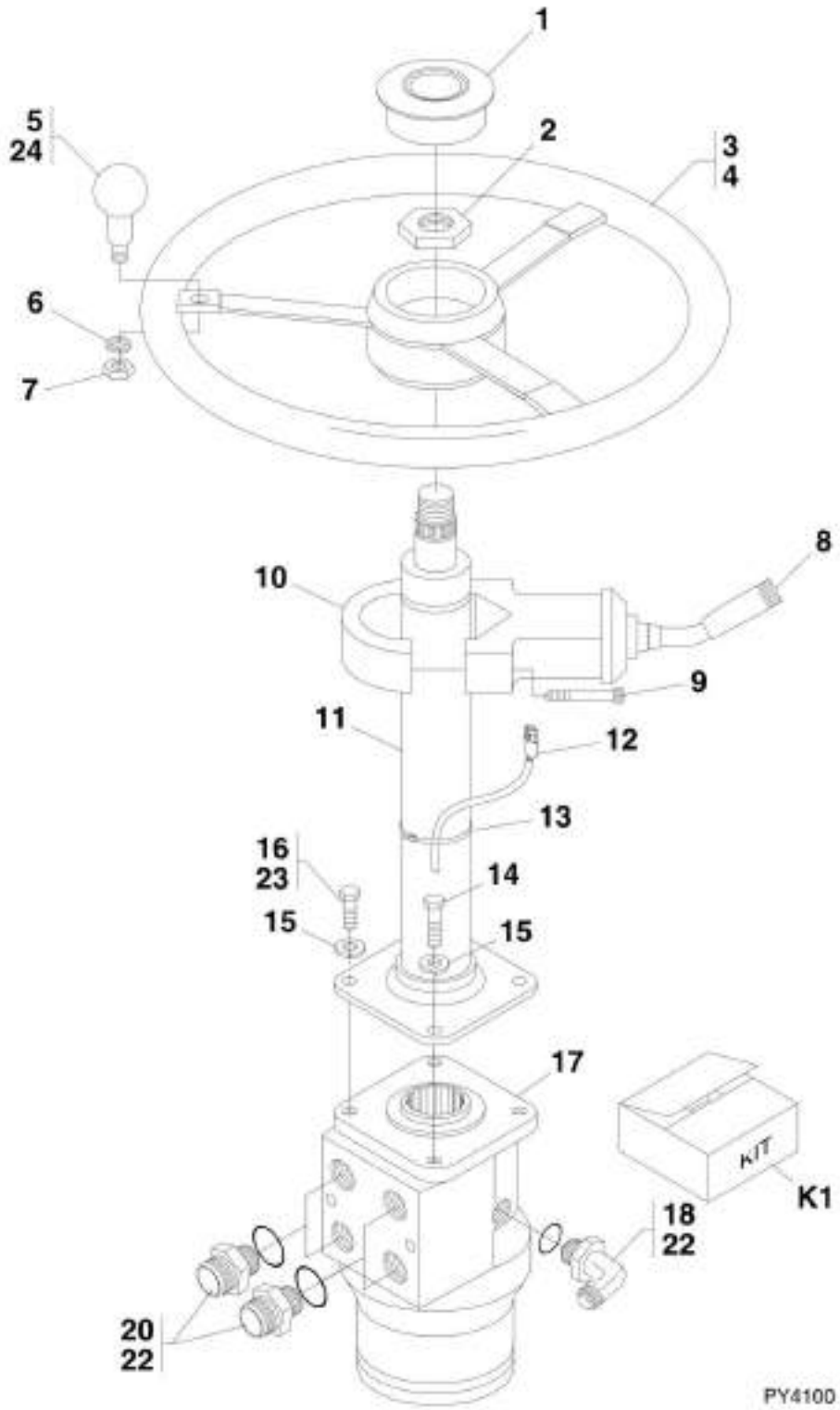
SECTION 7 - CONTROLS

FIGURE 7-6. ACCELERATOR PEDAL INSTALLATION (SN 0160040675 to Present, Including 0160040468 and 0160040672)

ITEM	PART NUMBER	QTY	DESCRIPTION	REV
	80383410	1	ACCELERATOR PEDAL INSTALLATION, (not available to order, see items 1 thru 6 for service)	1
1	N.S.S.	2	SCREW	
2	N.S.S.	1	SENSOR	
3	N.S.S.	1	PEDAL	
4	N.S.S.	1	PEDAL SPRING	
5	7026481	1	PEDAL ARM	
6	N.S.S.	1	PEDAL PIN	
101	0100011	AR	LOCTITE 242	
104	0641408	2	HEX HD CAPSCREW, 1/4-20X1, GR5	
106	0641508	3	HEX HD CAPSCREW, 5/16-18X1, GR5	
120	4711400	2	FLAT WASHER, 1/4	
121	4711500	3	FLAT WASHER, 5/16	
166	91561192	1	ACCELERATOR BRACKET	
190		Ref	CAB HARNESS, (See ELECTRICAL SECTION for Breakdown)	
K1	70023325	1	PEDAL KIT, (includes items 3, 4 & 6)	
K2	70020551	1	SENSOR KIT, (includes items 1 & 2)	

SECTION 7 - CONTROLS

FIGURE 7-7. STEERING COLUMN AND ATTACHING PARTS (Prior to SN 0160040675, Excluding 0160040468 and 016004062)



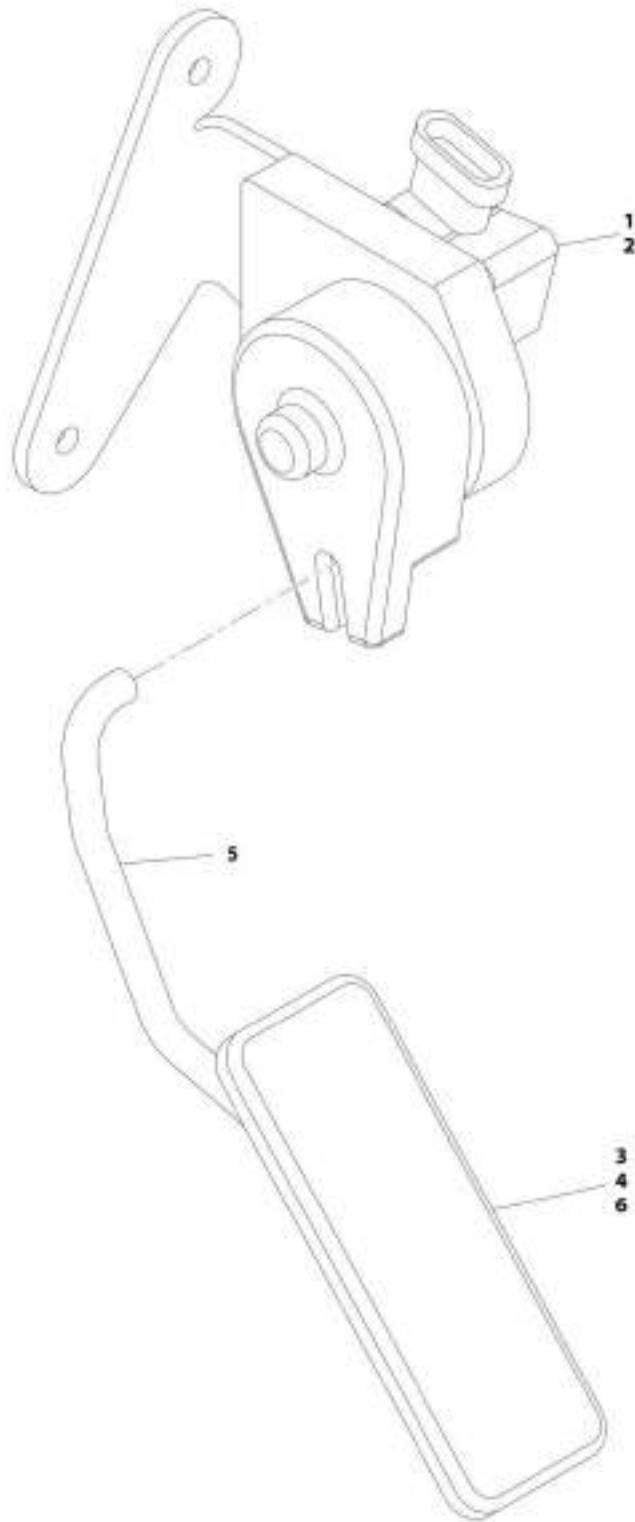
SECTION 7 - CONTROLS

FIGURE 7-7. STEERING COLUMN AND ATTACHING PARTS (Prior to SN 0160040675, Excluding 0160040468 and 016004062)

ITEM	PART NUMBER	QTY	DESCRIPTION	REV
	91515033	Ref	STEERING CONTROL ASSY, (not available to order, see items 11, 16, 17, 18, 20, 22 & 23 and two of item 15 for service)	B
1	7026477	1	HORN CAP	
2	70020923	1	STEERING WHEEL NUT, (torque to 29-34 lb-ft)	
3	91475048	Ref	STEERING WHEEL ASSY, (not available to order, see items 4 & 5 for service)	B
4	91563208	1	STEERING WHEEL, (includes items 1 & 24)	F
5	91413016	1	SPINNER KNOB, (includes items 6 & 7)	
6	91414028	1	LOCKWASHER, 1/2	
7	91414029	1	HEX NUT, 1/2-13	
8	91473031	1	SHIFTER, (includes items 9 & 10)	
9	83191059	2	SOCKET HD CAPSCREW, M5X0.8, (torque to 30-35 lb-ft)	
10	NSS	1	CLAMP SET	
11	91513125	1	STEERING COLUMN	
12		Ref	INSTRUMENT PANEL HARNESS, (See CAB SECTION for Breakdown)	
13	86683122	2	TIE WRAP	
14	0641608	2	HEX HD CAPSCREW, 3/8-16X1, GR5	
15	4761600	4	LOCKWASHER, 3/8	
16	0641606	2	HEX HD CAPSCREW, 3/8-16X3/4, GR5	
17	91123126	1	STEERING CONTROL UNIT	
18	2220466	1	ELBOW, 90, (includes o-ring)	
20	2220373	4	CONNECTOR, (includes o-ring)	
22	0100075	AR	LOCTITE 545	
23	0100011	AR	LOCTITE 242	
24	7026478	1	SPINNER KNOB	
K1	91144190	Ref	STEERING CONTROL UNIT SEAL KIT	

SECTION 7 - CONTROLS

FIGURE 7-8. ACCELERATOR PEDAL INSTALLATION



ART_1001126549-0

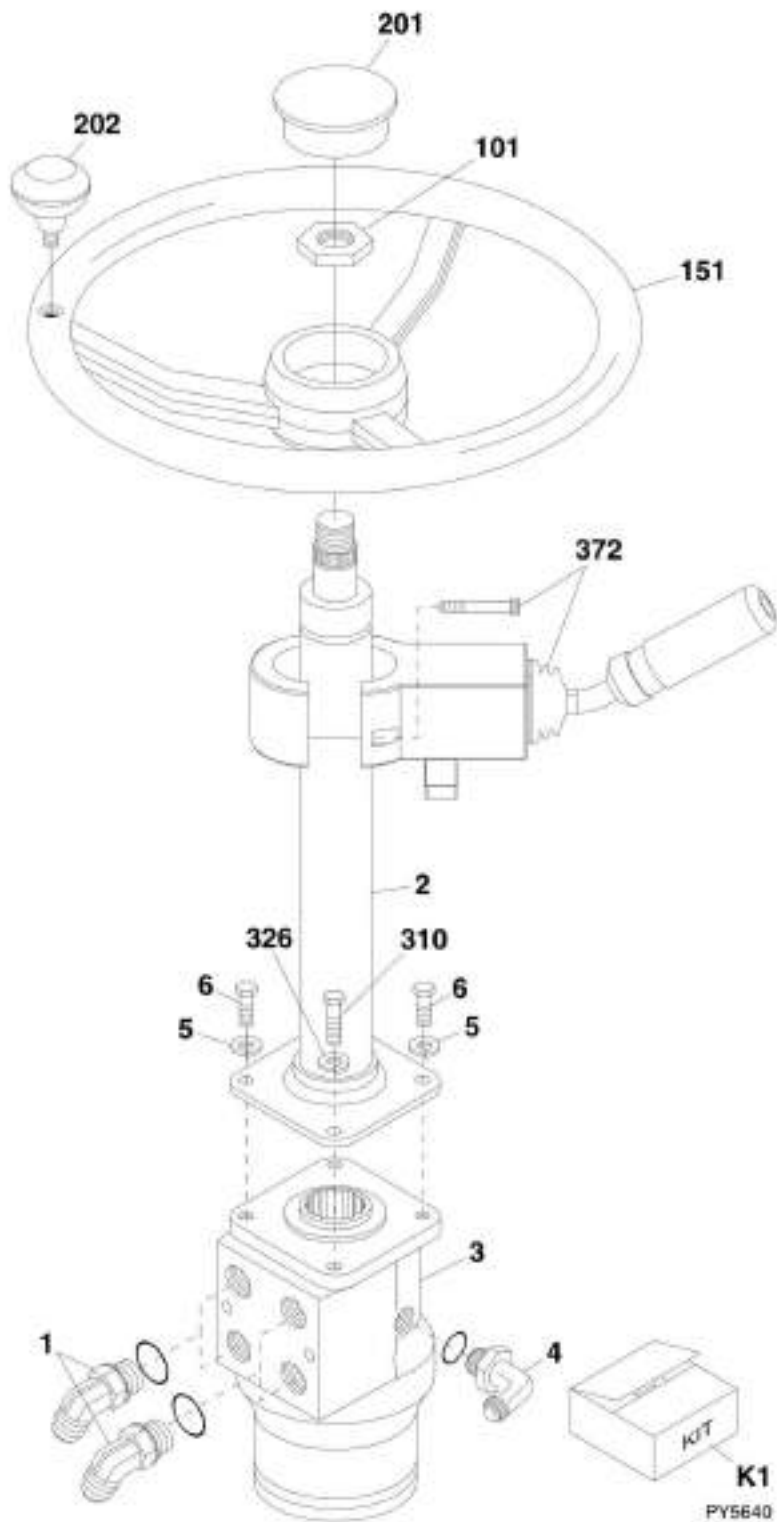
SECTION 7 - CONTROLS

FIGURE 7-8. ACCELERATOR PEDAL INSTALLATION

ITEM	PART NUMBER	QTY	DESCRIPTION	REV
	1001126589	1	ACCELERATOR PEDAL	B
1	70024319	1	SENSOR KIT, (INCLUDES SCREWS)	
2	N.S.S.	1	BRACKET	
3	70023325	1	PEDAL KIT, (INCLUDES ITEMS 4 & 6)	
4	N.S.S.	1	PEDAL SPRING	
5	7026481	1	PEDAL ARM	
6	N.S.S.	1	PEDAL PIN	

SECTION 7 - CONTROLS

FIGURE 7-9. STEERING COLUMN AND ATTACHING PARTS (SN 0160040675 to Present, Including 0160040468 and 0160040672)



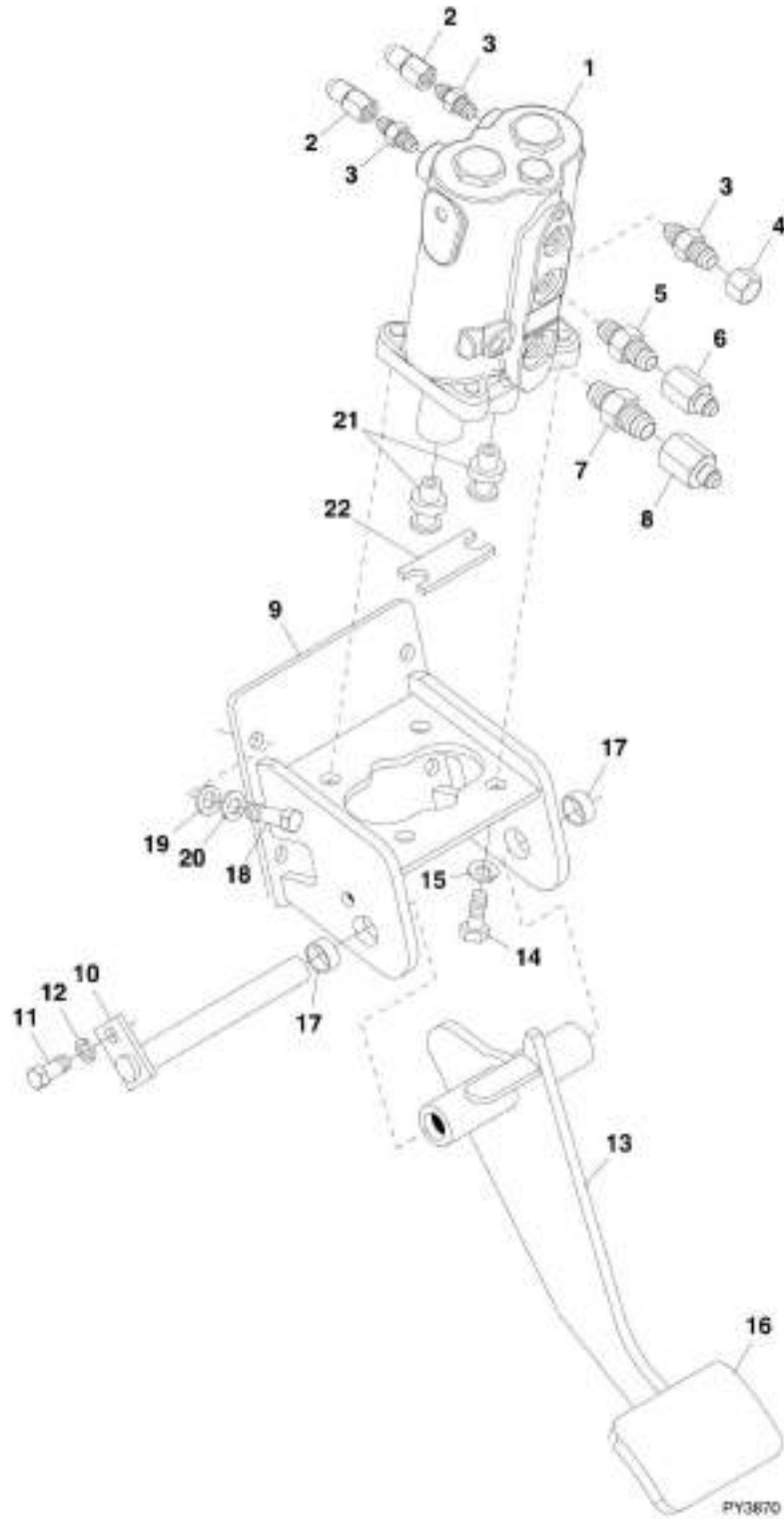
SECTION 7 - CONTROLS

FIGURE 7-9. STEERING COLUMN AND ATTACHING PARTS (SN 0160040675 to Present, Including 0160040468 and 0160040672)

ITEM	PART NUMBER	QTY	DESCRIPTION	REV
	1001001213	Ref	STEERING COLUMN INSTALLATION, (not available to order, see items 1 thru 6 for service)	A
1	2150808	4	ADAPTER, 45, (includes o-ring)	
2	91513125	1	STEERING COLUMN ASSY, (includes item 101)	
3	91123126	1	STEERING CONTROL UNIT	
4	2130404	1	ADAPTER, 90, (includes o-ring)	
5	4761600	4	LOCKWASHER, 3/8,	
6	0641606	2	HEX HD CAPSCREW, 3/8-16X3/4, GR5	
101	70020923	1	STEERING WHEEL NUT, (torque to 29-34 lb-ft)	
151	91563208	1	STEERING WHEEL ASSY, (includes items 201 & 202)	F
201	7026477	1	CENTER CAP	
202	7026478	1	SPINNER KNOB	
310	0641608	2	HEX HD CAPSCREW, 3/8-16X1	
326	4761600	2	WASHER, 3/8	
372	91563226	1	F-N-R SHIFTER ASSY, (includes clamp set and hardware)	
K1	91144190	Ref	STEERING CONTROL UNIT SEAL KIT	

SECTION 7 - CONTROLS

FIGURE 7-10. BRAKE PEDAL INSTALLATION (Prior to SN 0160029241)



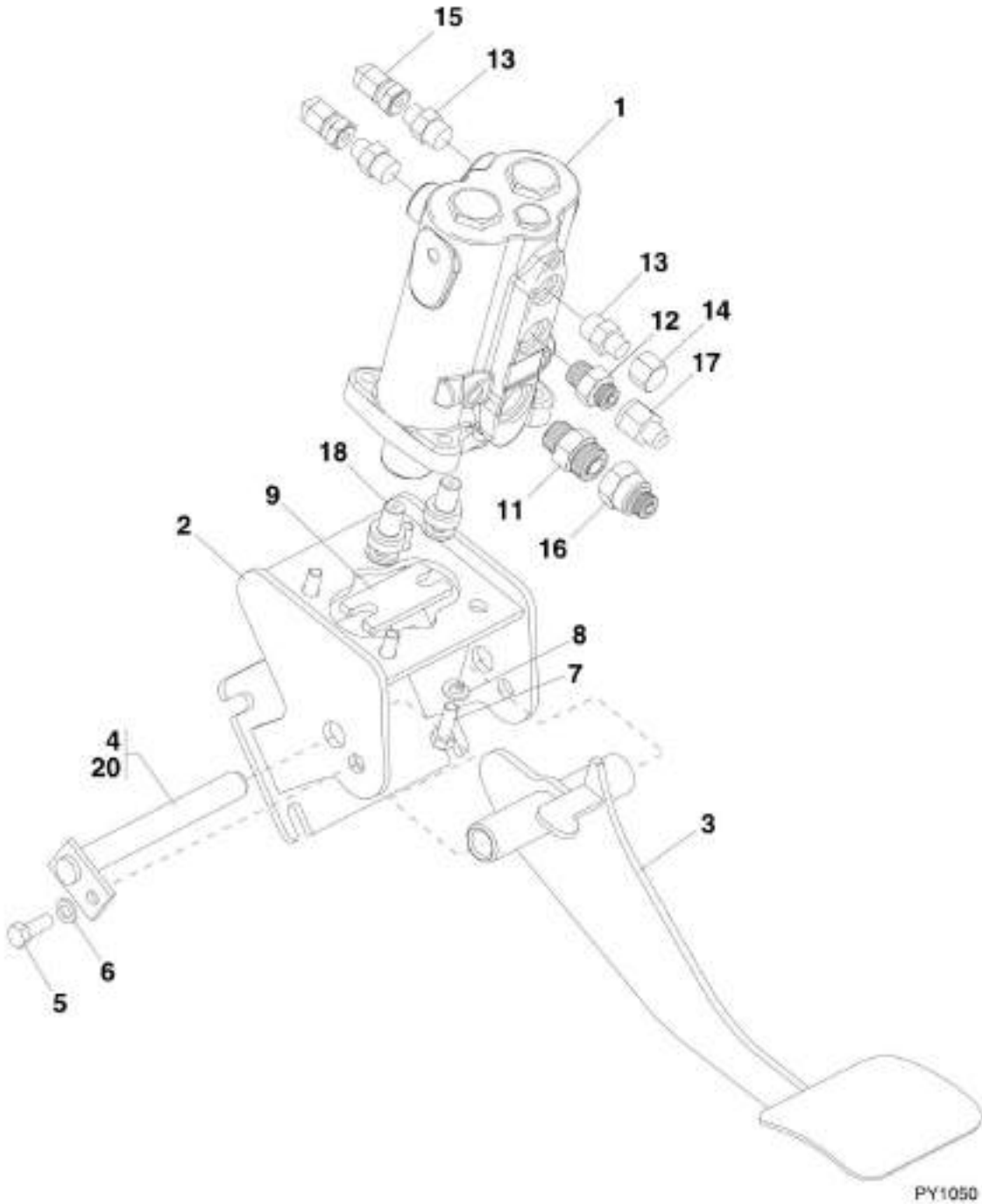
SECTION 7 - CONTROLS

FIGURE 7-10. BRAKE PEDAL INSTALLATION (Prior to SN 0160029241)

ITEM	PART NUMBER	QTY	DESCRIPTION	REV
	91515048	Ref	BRAKE PEDAL INSTALLATION, (not available to order, see items 1 thru 17, 21 & 22 for service)	D
1		Ref	POWER BRAKE VALVE, (See HYRAULIC COMPONENTS SECTION for Breakdown)	
2	88662105	2	ELBOW, 90	
3	8770064	3	CONNECTOR	
4	88661364	1	FITTING	
5	83193018	1	CONNECTOR	
6	86883469	1	FITTING REDUCER	
7	80233142	1	CONNECTOR	
8	88661343	1	FITTING REDUCER	
9	91516029	1	BRAKE BRACKET	
10	91476031	1	PIVOT PIN	
11	88201035	1	HEX HD CAPSCREW, 3/8-16X1, GR5	
12	88551011	1	LOCKWASHER, 3/8	
13	91516030	1	BRAKE PEDAL	
14	83191021	4	HEX HD CAPSCREW, M10-1.5X30	
15	83191013	4	LOCKWASHER	
16	80263108	1	PEDAL PAD	
17	91403247	2	BUSHING	
18	88201020	4	HEX HD CAPSCREW, 5/16-8X1, GR5	
19	4751500	4	FLAT WASHER, 5/16	
20	4761500	4	LOCKWASHER, 5/16	
21	91513180	2	ACTUATOR	
22	91511145	1	TIE BAR	

SECTION 7 - CONTROLS

FIGURE 7-11. BRAKE PEDAL INSTALLATION (SN 0160029241 through 0160040674, Excluding 0160040468 and 0160040672)



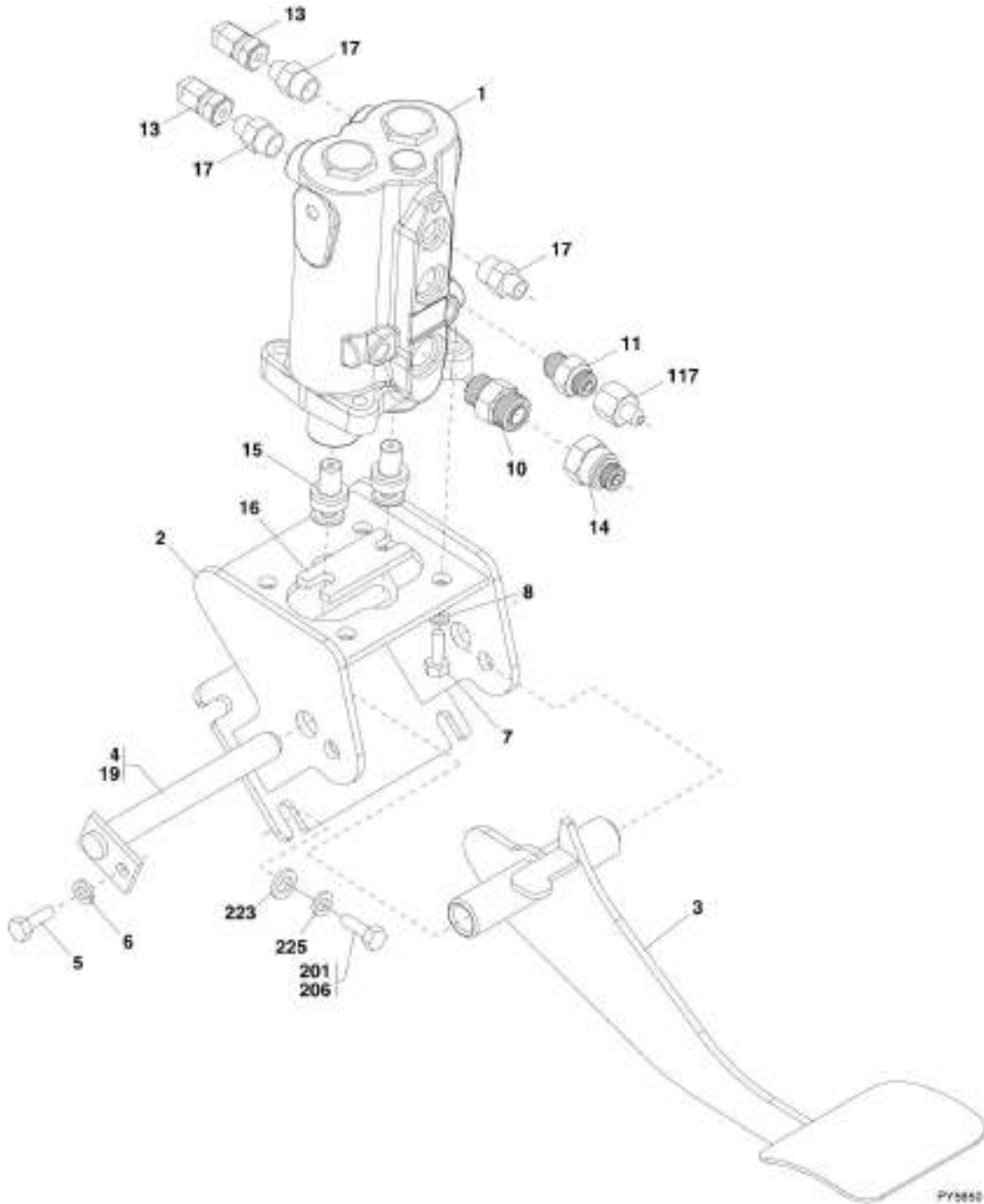
SECTION 7 - CONTROLS

FIGURE 7-11. BRAKE PEDAL INSTALLATION (SN 0160029241 through 0160040674, Excluding 0160040468 and 0160040672)

ITEM	PART NUMBER	QTY	DESCRIPTION	REV
	1001091983	Ref	BRAKE PEDAL INSTALLATION, (not available to order, see items 1 thru 20 for service)	C
1		Ref	BRAKE VALVE, (See HYDRAULIC COMPONENT SECTION for Breakdown)	
2	1001091118	1	BRAKE PEDAL BRACKET	
3	1001090741	1	BRAKE PEDAL	
4	91476031	1	PIVOT PIN	
5	0641608	1	HEX HD CAPSCREW, 3/8-16X1	
6	4761600	1	LOCKWASHER, 3/8	
7	0701014	4	HEX HD CAPSCREW, M10X30, CLS8.8	
8	4832000	4	SPRING LOCKWASER, 10mm	
9	91511145	1	TIE BAR	
11	80233142	1	CONNECTOR	
12	83193018	1	CONNECTOR	
13	8770064	3	CONNECTOR	
14	2220516	1	FITTING	
15	8760268	2	ELBOW, 90	
16	2220620	1	FITTING REDUCER	
17	2220619	1	FITTING REDUCER	
18	91513180	2	ACTUATOR	
20	3020039	AR	MOLY PASTE	

SECTION 7 - CONTROLS

FIGURE 7-12. BRAKE PEDAL INSTALLATION (SN 0160040675 to Present, Including 0160040468 and 0160040672)



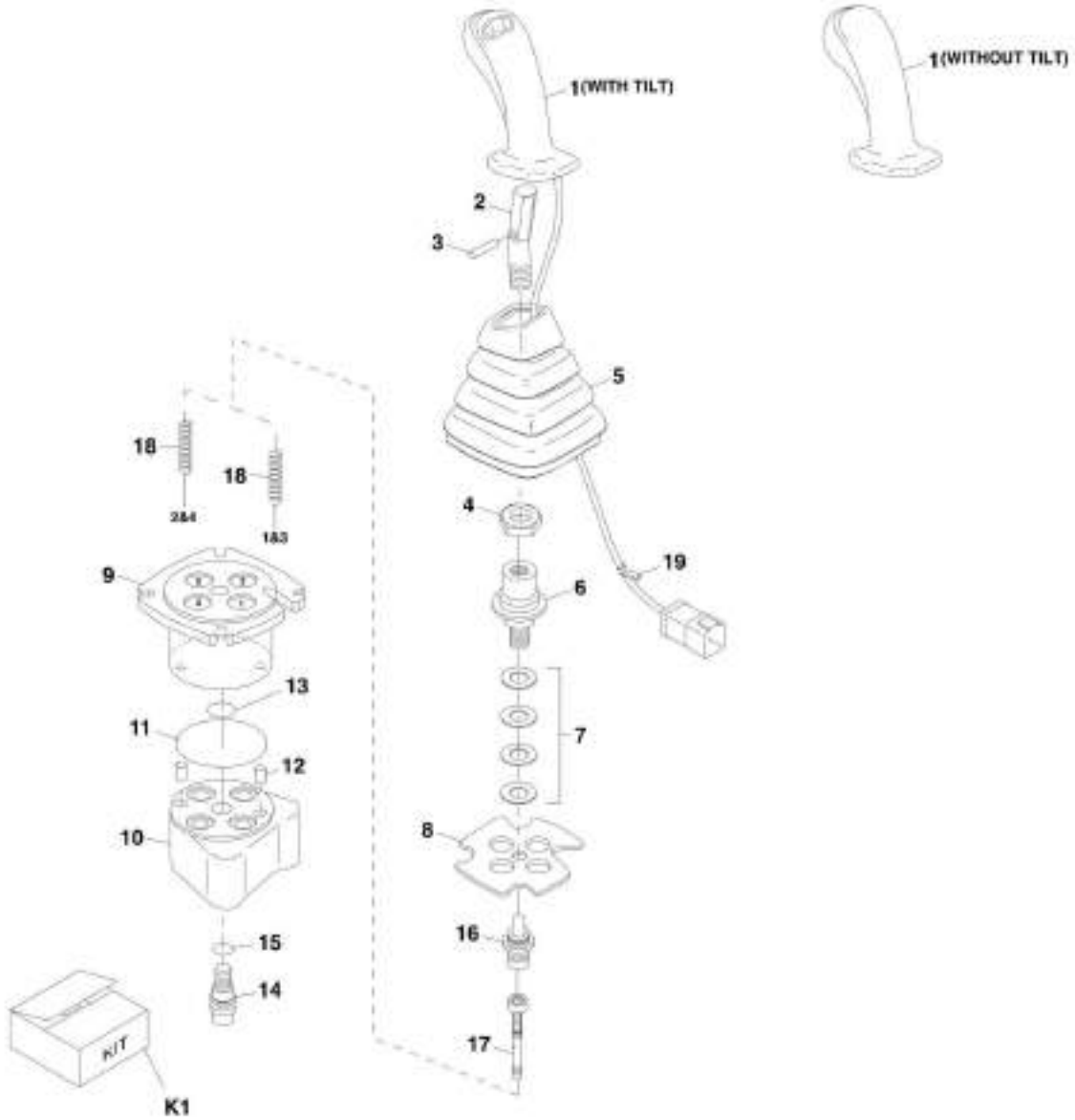
SECTION 7 - CONTROLS

FIGURE 7-12. BRAKE PEDAL INSTALLATION (SN 0160040675 to Present, Including 0160040468 and 0160040672)

ITEM	PART NUMBER	QTY	DESCRIPTION	REV
	1001091173	Ref	BRAKE PEDAL INSTALLATION, (not available to order, see items 1 thru 19 for service)	F
1		Ref	POWER BRAKE ASSY, (See HYDRAULIC COMPONENTS SECTION for Breakdown)	
2	1001091118	1	BRAKE PEDAL BRACKET	
3	1001090741	1	BRAKE PEDAL	
4	91476031	1	PIVOT PIN	
5	0641608	1	HEX HD CAPSCREW, 3/8-16X1, GR5	
6	4761600	1	LOCKWASHER, 3/8	
7	0701014	4	HEX HD CAPSCREW, 10X30mm, GR8.8	
8	4832000	4	SPRING LOCKWASHER, 10mm	
10	2221257	1	CONNECTOR	
11	8770258	1	CONNECTOR	
13	2172106	2	ELBOW, 90, (swivel nut)	
14	2221244	1	ADAPTER	
15	91513180	2	ACTUATOR	
16	91511145	1	TIE BAR	
17	2144605	1	CONNECTOR	
19	3020039	AR	MOLY PASTE	
117	2220619	1	ADAPTER	
201	0100011	AR	LOCTITE 242	
206	0641508	4	HEX HD CAPSCREW, 5/16-18X1, GR5	
223	4751500	4	WASHER, 5/16	
225	4761500	4	LOCKWASHER, 5/16	

SECTION 7 - CONTROLS

FIGURE 7-13. BOOM JOYSTICK (Prior to SN 0160040675, Excluding 0160040468 and 0160040672)



NOTE: THE JOYSTICK HANDLE SWITCH IS NOT A FIELD SERVICEABLE COMPONENT. ANY ATTEMPT BY NON-FACTORY AUTHORIZED PERSONNEL TO REPAIR OR REPLACE THE SWITCH WILL VOID THE WARRANTY AND CAN RESULT IN A JOYSTICK MALFUNCTION.

PAP18300

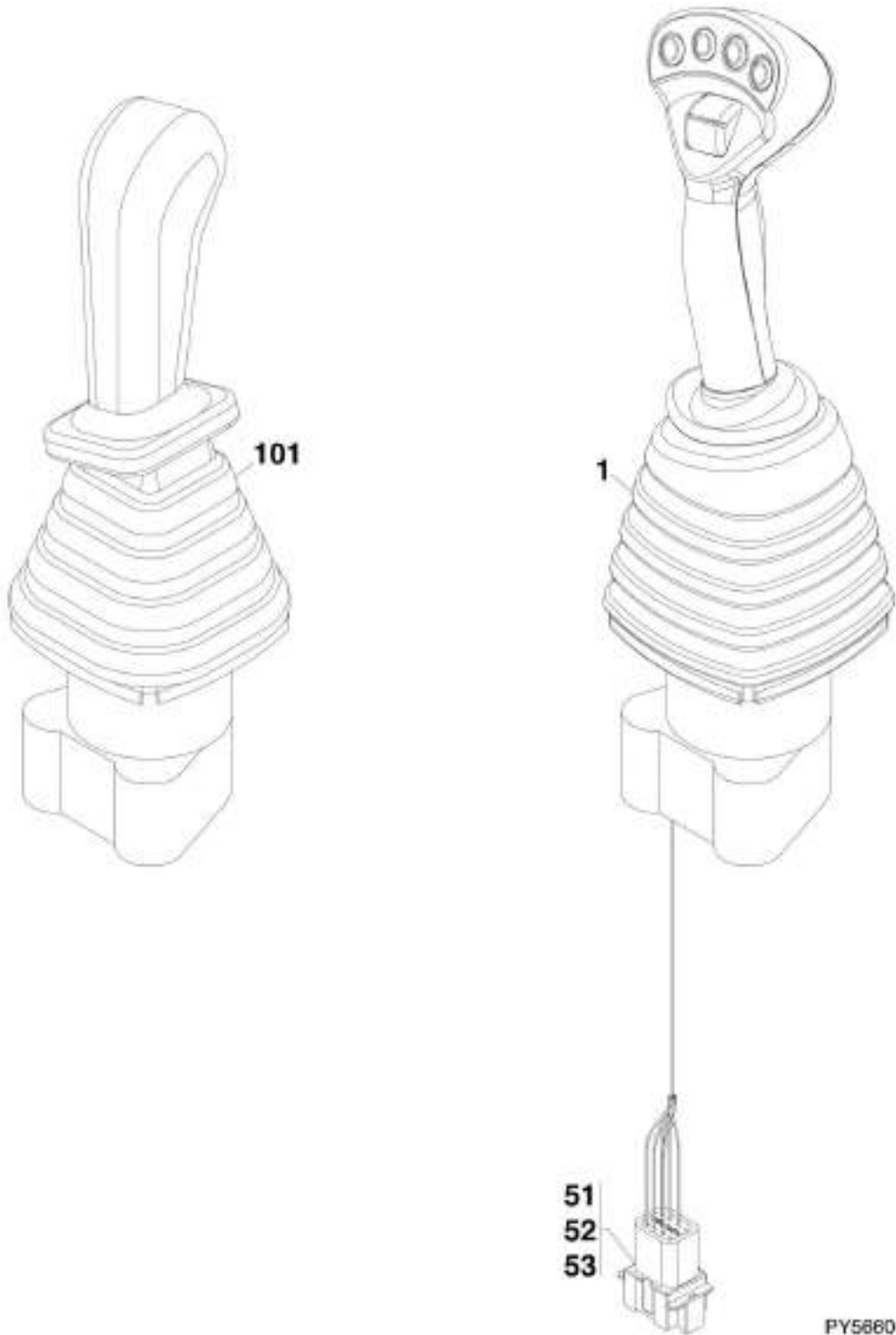
SECTION 7 - CONTROLS

FIGURE 7-13. BOOM JOYSTICK (Prior to SN 0160040675, Excluding 0160040468 and 0160040672)

ITEM	PART NUMBER	QTY	DESCRIPTION	REV
	91513211	1	BOOM JOYSTICK WITHOUT TILT, (G9-43A, if equipped), (includes items 1 thru 18)	1
	91513212	1	BOOM JOYSTICK WITH TILT, (G9-43A, if equipped), (G10-43A), (includes items 1 thru 19)	
1	91404010	1	GRIP, (without tilt)	
1	91404325	1	GRIP, (with tilt)	
2	91404011	1	BENT LEVER KIT, (includes items 3 & 4)	
3	N.S.S.	1	SPRING PIN	
4	N.S.S.	1	HEX NUT	
5	80364095	1	BOOT	
6	80264138	1	CARDON KIT, (includes item 7)	
7	N.S.S.	AR	SHIM	
8	91404013	1	RETAINING PLATE	
9	91404016	1	UPPER BODY, (includes item 10)	
10	N.S.S.	1	LOWER BODY	
11	Kit	1	O-RING	
12	Kit	2	DOWEL PIN	
13	Kit	1	O-RING	
14	Kit	1	SCREW ASSY	
15	Kit	1	O-RING	
16	80934498	4	PLUNGER AND GUIDE KIT	
17	91514224	4	REGULATING UNIT	
18	91504028	1	SPRING, (ports 1 & 3), (pack of two)	
18	91504029	1	SPRING, (ports 2 & 4), (pack of two)	
19	80264139	1	GROMMET WITH CABLE TIE KIT, (with tilt)	
K1	91404326	AR	SEAL KIT, (includes items 11 thru 15)	

SECTION 7 - CONTROLS

FIGURE 7-14. BOOM JOYSTICK (SN 0160040675 to Present, Including 0160040468 and 0160040672)



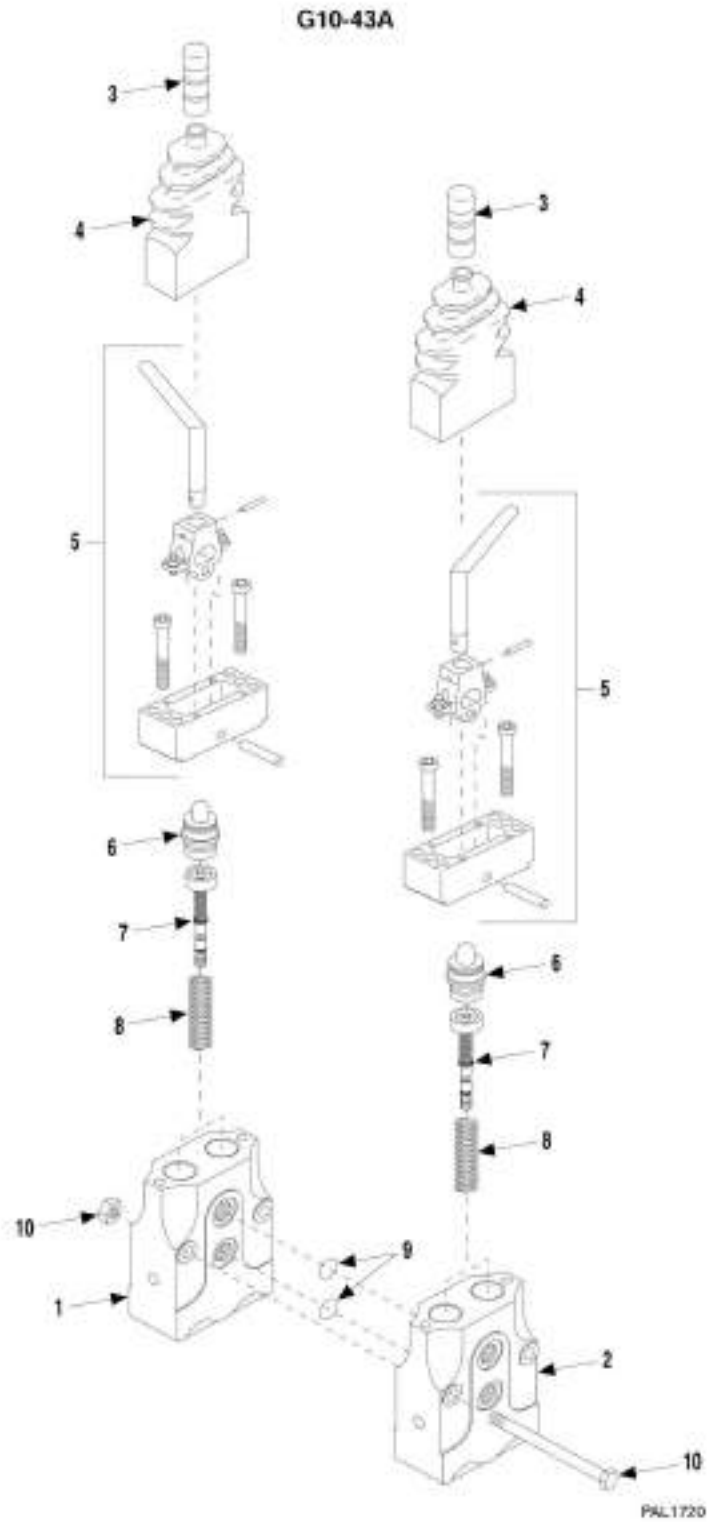
SECTION 7 - CONTROLS

FIGURE 7-14. BOOM JOYSTICK (SN 0160040675 to Present, Including 0160040468 and 0160040672)

ITEM	PART NUMBER	QTY	DESCRIPTION	REV
1	1001130045	1	BOOM JOYSTICK WITH TILT, (G9-43A, if equipped), (G10-43A), (includes items 51 thru 53)	B
51	70023500	1	CONNECTOR	
51	70023499	1	WEDGE LOCK	
52	4460917	6	TERMINAL	
53	4460518	2	PLUG	
101	1001130050	1	BOOM JOYSTICK WITHOUT TILT, (G9-43A, if equipped)	

SECTION 7 - CONTROLS

FIGURE 7-15. OUTRIGGER JOYSTICKS G10-43A



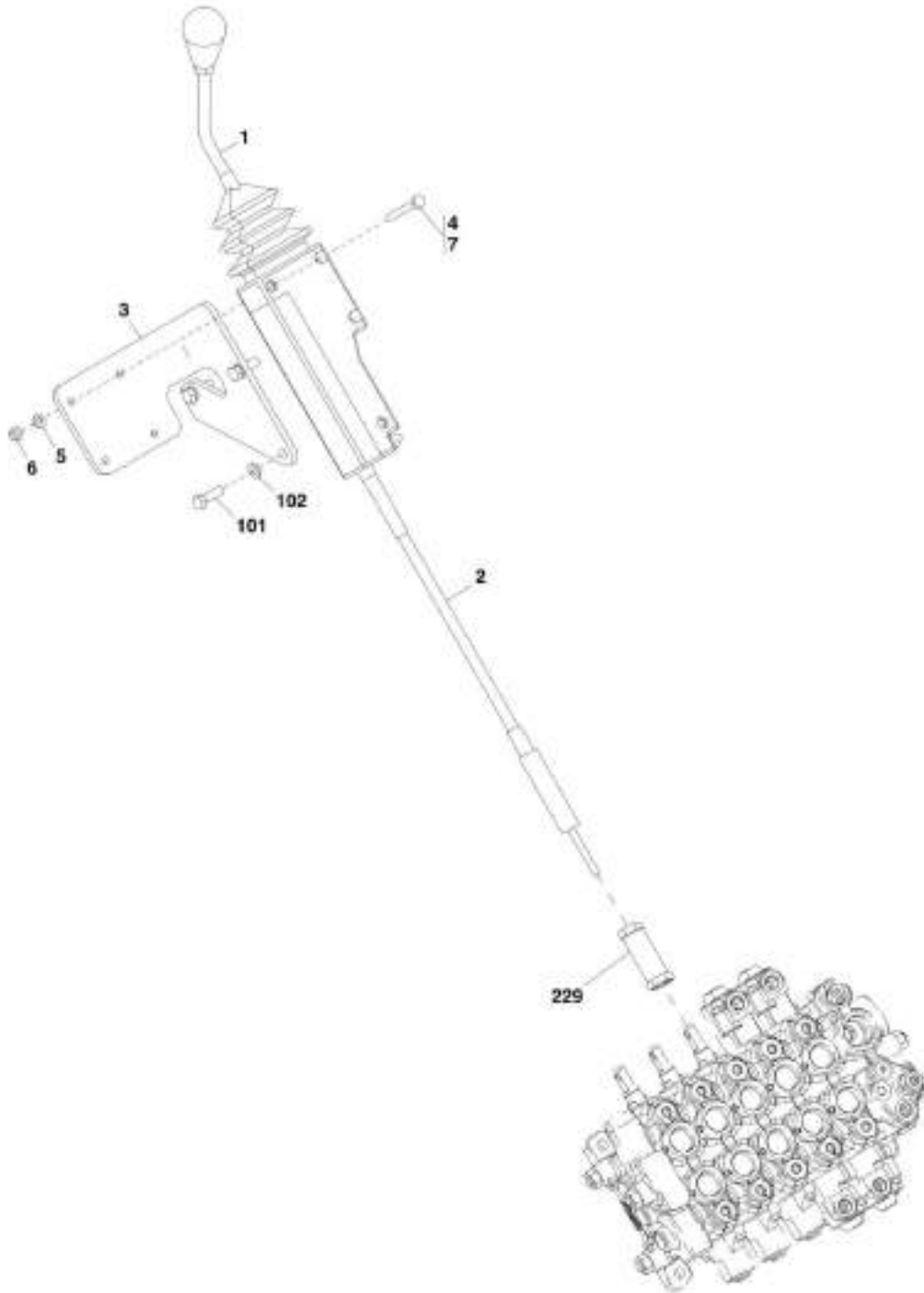
SECTION 7 - CONTROLS

FIGURE 7-15. OUTRIGGER JOYSTICKS G10-43A

ITEM	PART NUMBER	QTY	DESCRIPTION	REV
	91563200	1	OUTRIGGER JOYSTICKS, (G10-43A), (includes all items)	A
1	91563201	1	HYDRAULIC CONTROLLER, (includes one each of items 3 thru 8)	
2	7026741	1	HYDRAULIC CONTROLLER, (includes one each of items 3 thru 8)	
3	91504030	2	GRIP	
4	91504031	2	RUBBER BOOT	
5	7026739	2	LEVER OPERATION KIT	
6	80934498	2	PLUNGER KIT	
7	7026740	2	REGULATING UNIT KIT	
8	91504029	2	RETURN SPRING	
9	7026742	2	O-RING	
10	7026743	1	BOLT AND NUT KIT	

SECTION 7 - CONTROLS

FIGURE 7-16. FRAME LEVEL JOYSTICK ASSEMBLY



PAP18403

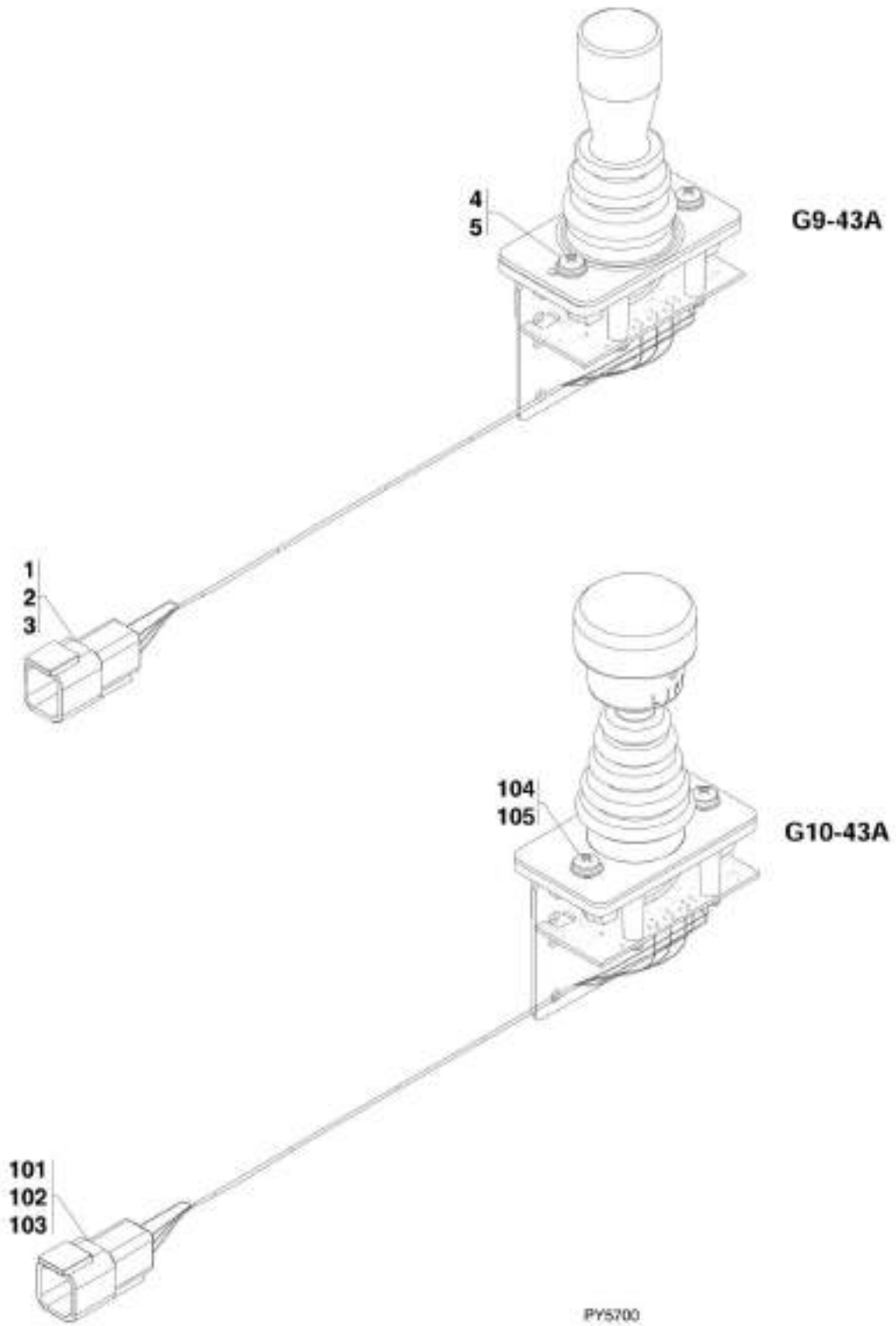
SECTION 7 - CONTROLS

FIGURE 7-16. FRAME LEVEL JOYSTICK ASSEMBLY

ITEM	PART NUMBER	QTY	DESCRIPTION	REV
	91515047	1	FRAME LEVEL JOYSTICK ASSY, (G9-43A, if equipped), (G10-43A), (includes items 1 thru 7)	E
1	91513204	1	SINGLE VALVE CONTROL	
2	91473146	1	CABLE	
3	1001092843	1	BRACKET	
4	0641416	3	HEX HD CAPSCREW, 1/4-20X2	
5	4761400	3	LOCKWASHER, 1/4	
6	3311401	3	HEX NUT, 1/4-20, GR2	
7	0100011	AR	LOCTITE 242	
101	0641508	3	HEX HD CAPSCREW, 5/16-18X1, GR5	
102	4761500	3	WASHER, 5/16	
229	91123062	1	CABLE ADAPTER BONNET	

SECTION 7 - CONTROLS

FIGURE 7-17. ELECTRIC AUXILIARY HYDRAULIC JOYSTICK



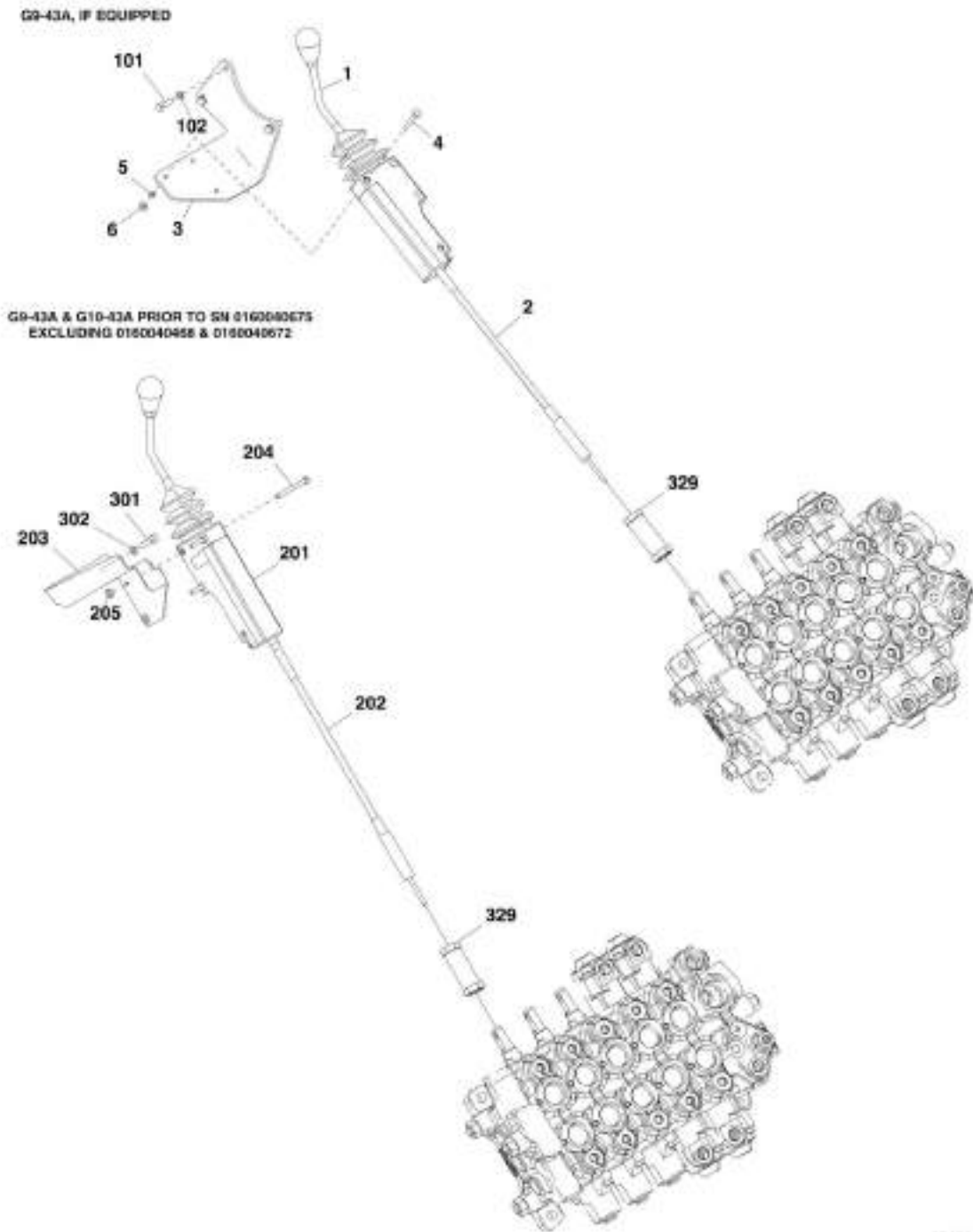
SECTION 7 - CONTROLS

FIGURE 7-17. ELECTRIC AUXILIARY HYDRAULIC JOYSTICK

ITEM	PART NUMBER	QTY	DESCRIPTION	REV
	1001106508	1	ELECTRIC AUXILIARY HYDRAULIC JOYSTICK, (G9-43A, if equipped), (includes items 1 thru 5)	A
1	4461217	1	CONNECTOR	
1	70020823	1	WEDGE LOCK	
2	4460917	5	TERMINAL	
3	4460518	1	PLUG	
4	NSS	2	PAN HD CAPSCREW, M5X12	
5	NSS	2	#10 PLASTIC WASHER	
	1001131806	1	ELECTRIC AUXILIARY HYDRAULIC JOYSTICK, , (includes items 101 thru 105) G10-43A (SN 0160040675 to Present, Including 0160040468 and 0160040672)	A
101	4461217	1	CONNECTOR	
101	70020823	1	WEDGE LOCK	
102	4460917	5	TERMINAL	
103	4460518	1	PLUG	
104	NSS	2	PAN HD CAPSCREW, M5X12	
105	NSS	2	#10 PLASTIC WASHER	

SECTION 7 - CONTROLS

FIGURE 7-18. AUXILIARY HYDRAULIC JOYSTICK



PAP10300

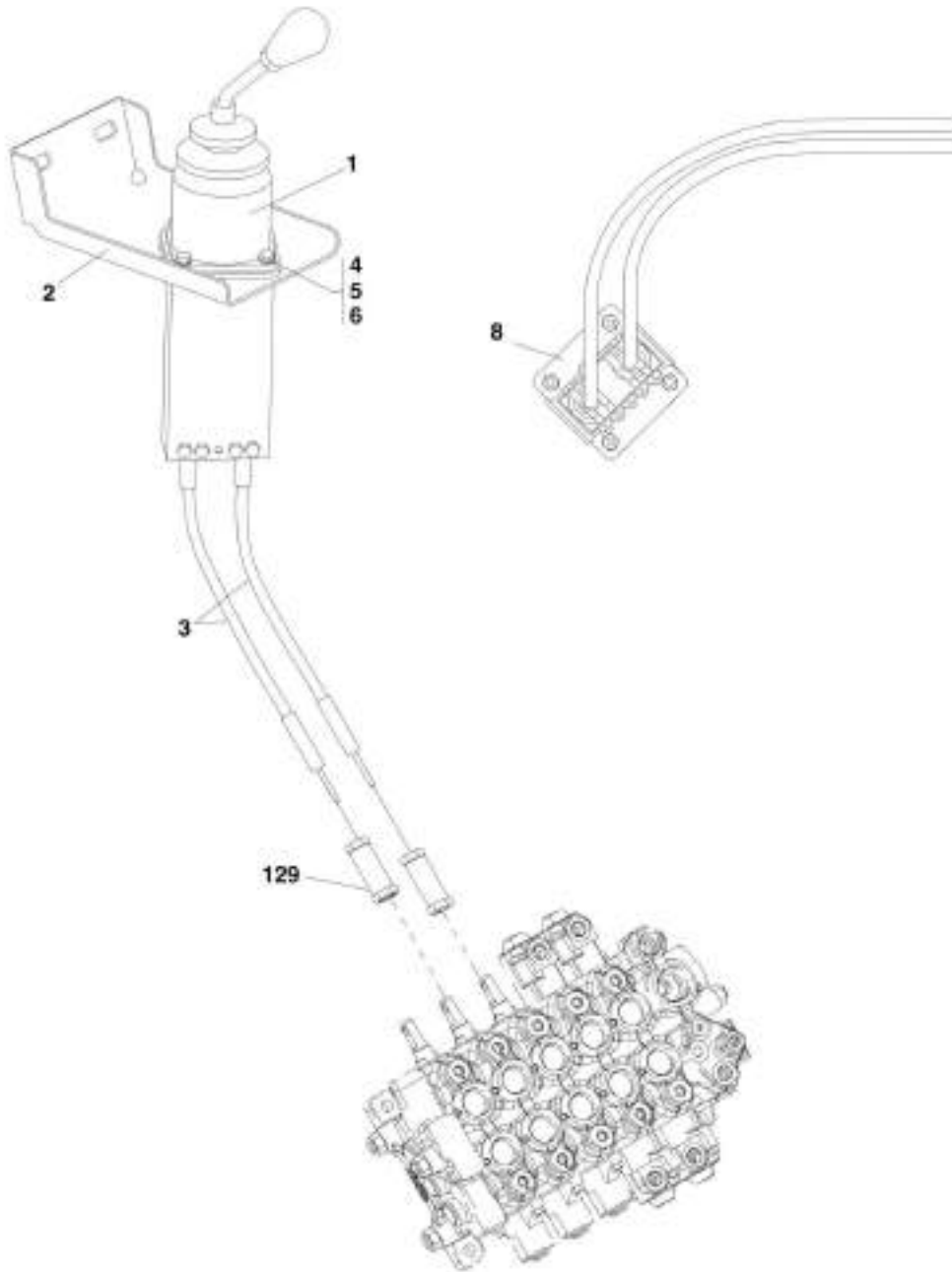
SECTION 7 - CONTROLS

FIGURE 7-18. AUXILIARY HYDRAULIC JOYSTICK

ITEM	PART NUMBER	QTY	DESCRIPTION	REV
	1001107895	Ref	AUXILIARY HYDRAULIC JOYSTICK INSTALLATION, (G9-43A, if equipped), (not available to order, see items 1 thru 6 for service)	C
1	91513204	1	SINGLE VALVE CONTROL JOYSTICK ASSY	
2	91473146	1	CABLE	
3	1001107955	1	RH AUX BRACKET	
4	0641416	3	HEX HD CAPSCREW, 1/4-20X2, GR5	
5	4761400	3	LOCKWASHER, 1/4	
6	88501004	3	HEX NUT, 1/4 -20	
101	0641508	3	HEX HD CAPSCREW, 5/16-18X1, GR5	
102	4761500	3	WASHER, 5/16	
	91475037	Ref	AUXILIARY HYDRAULIC JOYSTICK INSTALLATION, (G9-43A & G10-43A), (not available to order, see items 201 thru 205 for service) (Prior to SN 0160040675, Excluding 0160040468 and 0160040672)	B
201	91403273	1	SINGLE VALVE CONTROL JOYSTICK ASSY	
202	91473088	1	CABLE	
203	1001091157	1	BRACKET	
204	88201011	3	HEX HD CAPSCREW, 1/4-20X2-1/2	
205	88501004	3	HEX NUT, 1/4-20	
301	0641808	2	HEX HD CAPSCREW, 1/2-13X1, GR5	
302	4711800	2	FLAT WASHER, 1/2	
329	91513124	1	CABLE ADAPTER BONNET	

SECTION 7 - CONTROLS

FIGURE 7-19. TILT HYDRAULIC JOYSTICK



PAP18310

SECTION 7 - CONTROLS

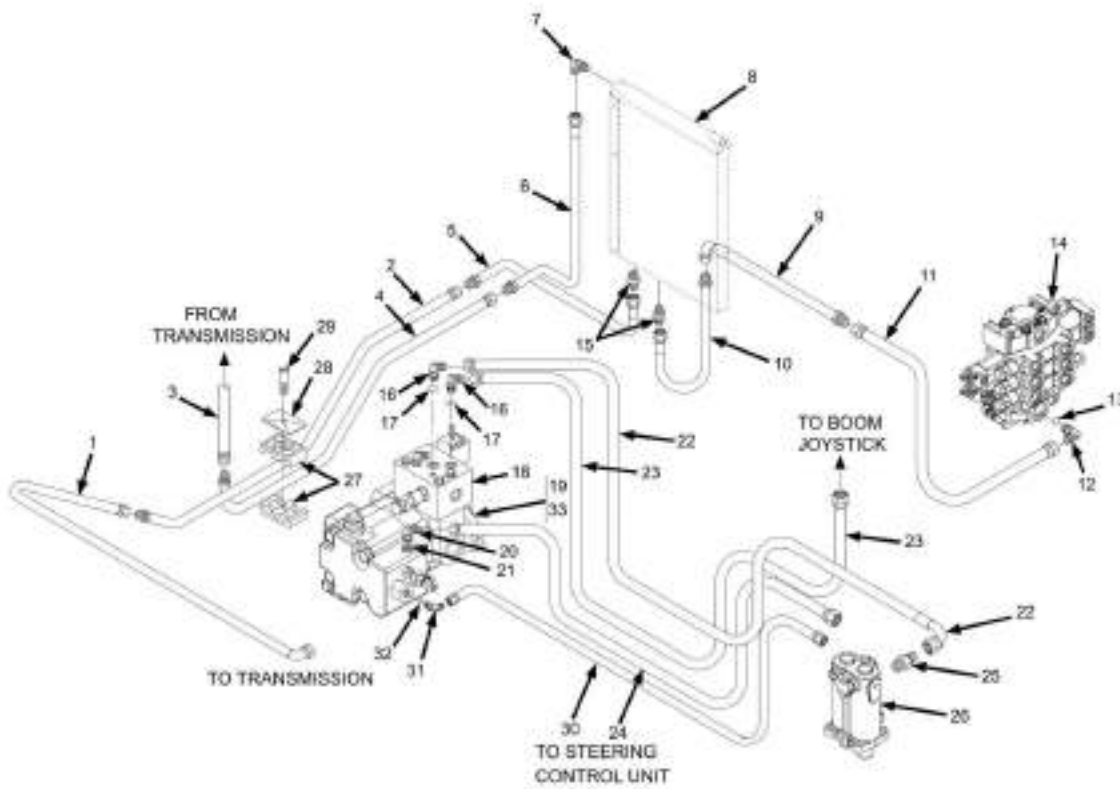
FIGURE 7-19. TILT HYDRAULIC JOYSTICK

ITEM	PART NUMBER	QTY	DESCRIPTION	REV
	91405047	Ref	AUXILIARY HYDRAULIC JOYSTICK INSTALLATION, (includes all items)	C
1		Ref	TILT/SWAY JOYSTICK ASSY, (See TILT AND SWAY JOYSTICK ASSEMBLY for Breakdown)	
2	91401168	1	LH TILT/SWAY BRACKET	
3	91403309	2	CONTROL CABLES	
4	88201005	4	HEX HD CAPSCREW, 1/4-20X1, GR5	
5	88551009	4	LOCKWASHER, 1/4	
6	88561107	4	FLATWASHER, 1/4	
8	91416006	2	WELD NUT PLATE WELDMENT	
129	91513124	1	CABLE ADAPTER BONNET	

SECTION 8 - HYDRAULIC CIRCUITS

SECTION 8 - HYDRAULIC CIRCUITS

FIGURE 8-1. PRIORITY VALVE CIRCUIT (SN 0193001 through 0193007, SN 016000008 through 0160012095)



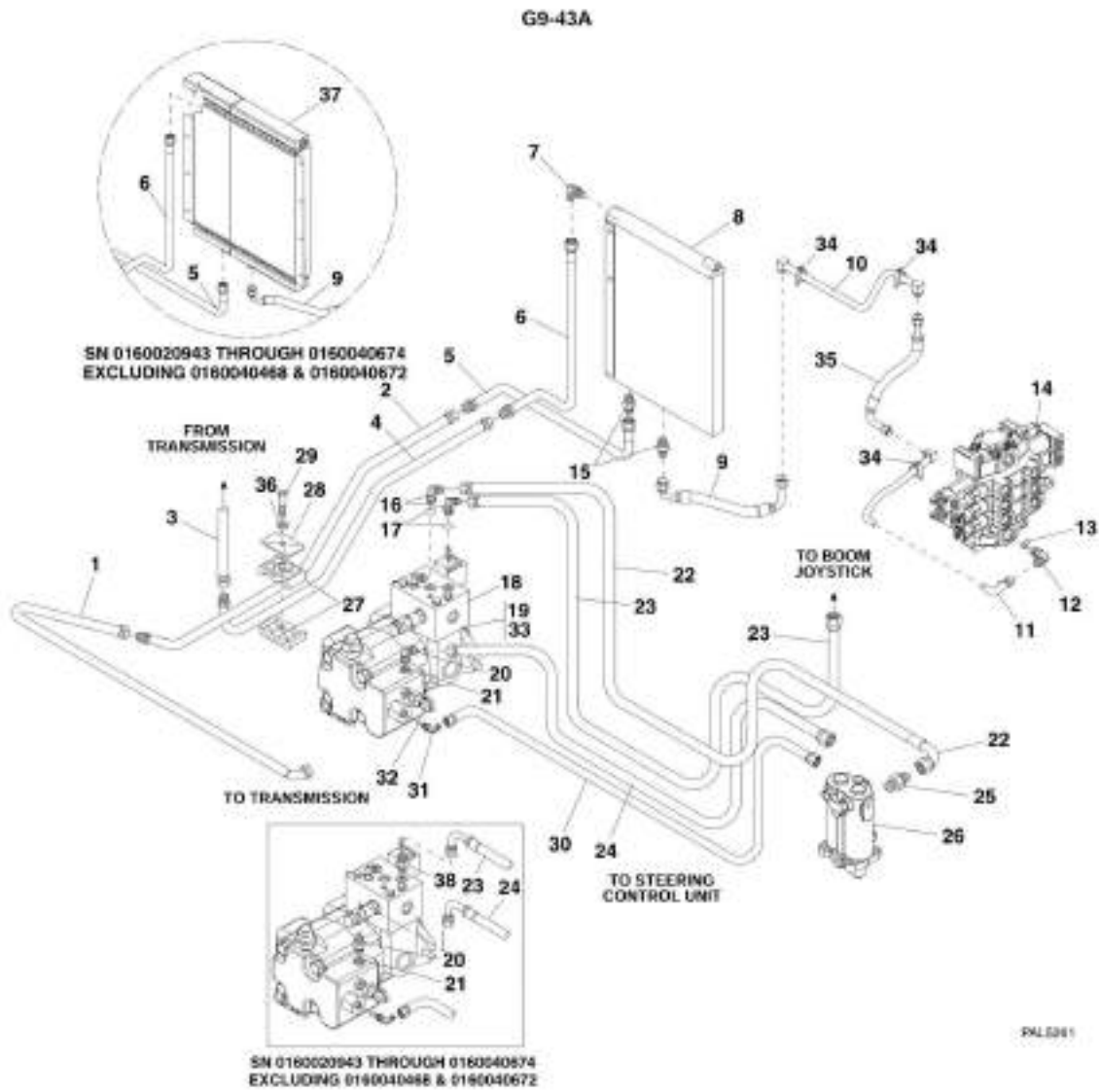
SECTION 8 - HYDRAULIC CIRCUITS

FIGURE 8-1. PRIORITY VALVE CIRCUIT (SN 0193001 through 0193007, SN 016000008 through 0160012095)

ITEM	PART NUMBER	QTY	DESCRIPTION	REV
1	84719876	1	HOSE ASSY	
2	91513156	1	TUBE ASSY	
3	84719877	1	HOSE ASSY	
4	91513155	1	TUBE ASSY	
5	91513214	1	TUBE ASSY	
6	91513213	1	TUBE ASSY	
7		Ref	ELBOW, 90, (See ENGINE AND ATTACHING PARTS SECTION for Breakdown)	
8		Ref	OIL COOLER, (See ENGINE AND ATTACHING PARTS SECTION for Breakdown)	
9	84719868	1	HOSE ASSY (SN 0193001 through 0160001733)	
9	84721039	1	HOSE ASSY (SN 0160001734 through 0160012095)	
10	91513157	1	TUBE ASSY (SN 0193001 through 0160001733)	
10	91513227	1	TUBE ASSY (SN 0160001734 through 0160012095)	
11	91513181	1	TUBE ASSY	
12	2220646	1	ELBOW, 90, (includes item 13)	
13	88591209	1	O-RING	
14		Ref	MAIN CONTROL VALVE, (See HYDRAULIC COMPONENTS SECTION for Breakdown)	
15		Ref	CONNECTOR, (See ENGINE AND ATTACHING PARTS SECTION for Breakdown)	
16	2220473	2	ELBOW, 90, (includes item 17)	
17	88591204	2	O-RING	
18		Ref	PRIORITY VALVE, (See HYDRAULIC COMPONENTS SECTION for Breakdown)	
19		Ref	IMPLEMENT PUMP, (See HYDRAULIC COMPONENTS SECTION for Breakdown)	
20	2220671	1	ELBOW, 90, (includes item 21)	
21	88591206	1	O-RING	
22	84719858	1	HOSE ASSY	
23	84719862	1	HOSE ASSY	
24	84719865	1	HOSE ASSY	
25		Ref	CONNECTOR, (See CONTROLS SECTION for Breakdown)	
26		Ref	POWER BRAKE VALVE, (See HYDRAULIC COMPONENTS SECTION for Breakdown)	
27	77133136	1	CLAMP SET	
28	77133137	1	PLATE COVER	
29	88201023	1	HEX HD CAPSCREW, 5/16-18X1-3/4	
30	84719866	1	HOSE ASSY	
31	2220466	1	ELBOW, 90, (includes item 32)	
32	88591202	1	O-RING	
33	88591013	2	O-RING	

SECTION 8 - HYDRAULIC CIRCUITS

FIGURE 8-2. PRIORITY VALVE CIRCUIT G9-43A (SN 0160012153 through 0160040674, Excluding 0160040468 and 0160040672)



SECTION 8 - HYDRAULIC CIRCUITS

FIGURE 8-2. PRIORITY VALVE CIRCUIT G9-43A (SN 0160012153 through 0160040674, Excluding 0160040468 and 0160040672)

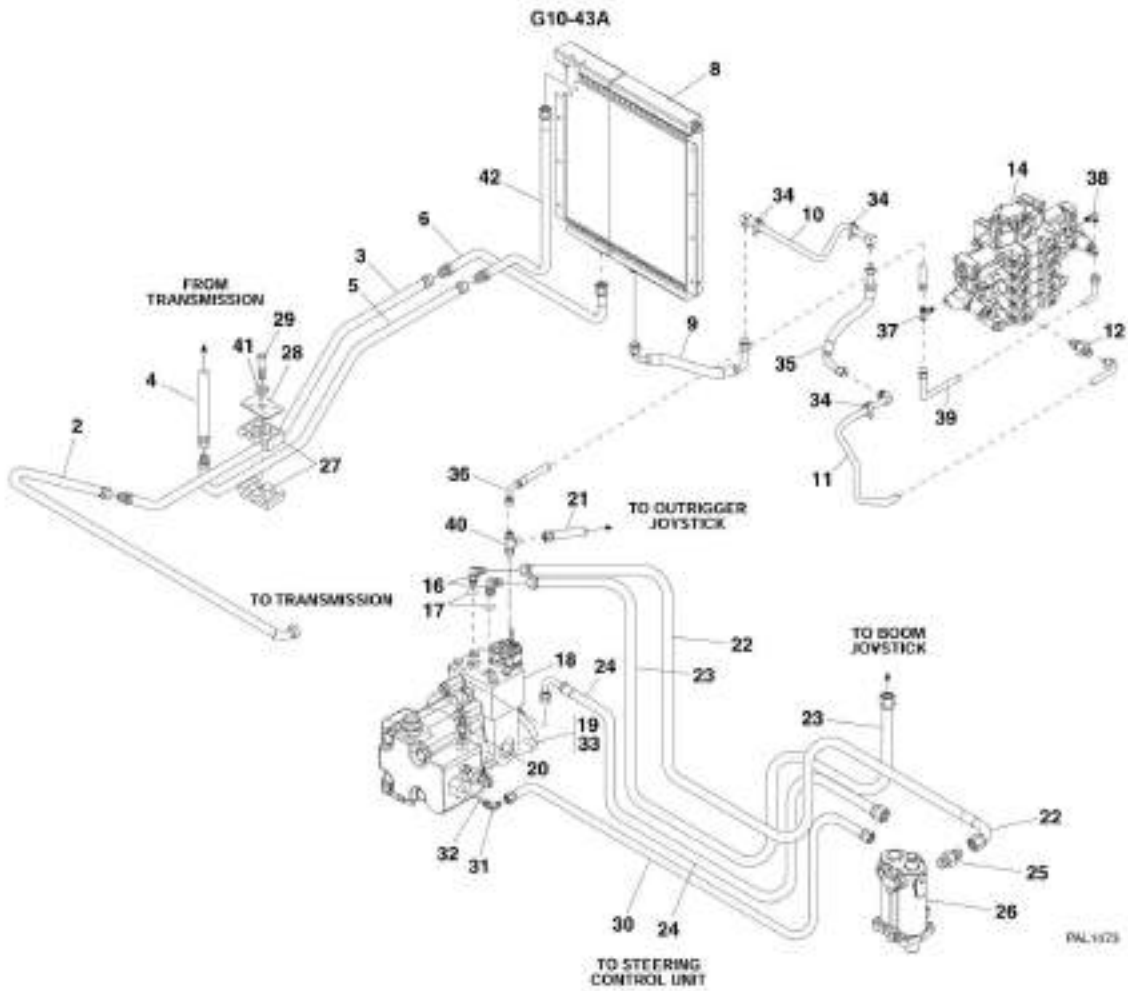
ITEM	PART NUMBER	QTY	DESCRIPTION	REV
1	84719876	1	HOSE ASSY	
2	91513156	1	TUBE ASSY	
3	84719877	1	HOSE ASSY	
4	91513155	1	TUBE ASSY	
5	91513214	1	TUBE ASSY	
6	91513213	1	TUBE ASSY	
7		Ref	ELBOW, 90, (See ENGINE AND ATTACHING PARTS for Breakdown)	
8		Ref	OIL COOLER, (See ENGINE AND ATTACHING PARTS SECTION for Breakdown)	
9	2754326	1	HOSE ASSY	
10	91513289	1	TUBE ASSY	
11	91513288	1	TUBE ASSY	
12	2220646	1	ELBOW, 90, (includes item 13)	
13	N.S.S.	1	O-RING	
14		Ref	MAIN CONTROL VALVE, (See HYDRAULIC COMPONENTS SECTION for Breakdown)	
15		Ref	CONNECTOR, (See ENGINE AND ATTACHING PARTS SECTION for Breakdown)	
16	2220473	2	ELBOW, 90, (includes item 17)	
17	N.S.S.	2	O-RING	
18		Ref	PRIORITY VALVE, (See HYDRAULIC COMPONENTS SECTION for Breakdown)	
19		Ref	IMPLEMENT PUMP, (See HYDRAULIC COMPONENTS SECTION for Breakdown)	
20	2220671	1	ELBOW, 90, (includes item 21) (Prior to SN 0160025316)	
20	2220374	1	CONNECTOR (SN 0160025316 through 0160040674, Excluding 0160040468 and 0160040674)	
21	N.S.S.	1	O-RING	
22	84719858	1	HOSE ASSY	
23	84719862	1	HOSE ASSY (Prior to SN 0160025316)	
23	2755024	1	HOSE ASSY (SN 0160025316 through 0160040674, Excluding 0160040468 and 0160040674)	
24	84719865	1	HOSE ASSY (Prior to SN 0160025316)	
24	2755025	1	HOSE ASSY (SN 0160025316 through 0160040674, Excluding 0160040468 and 0160040674)	
25		Ref	CONNECTOR, (See CONTROLS SECTION for Breakdown)	
26		Ref	POWER BRAKE VALVE, (See HYDRAULIC COMPONENTS SECTION for Breakdown)	
27	8769139	1	CLAMP SET	
28	77133137	1	PLATE COVER	
29	0641516	1	HEX HD CAPSCREW, 5/16-18X2, GR5	
30	84719866	1	HOSE ASSY (Prior to SN 0160025316)	
30	2755023	1	HOSE ASSY (SN 0160025316 through 0160040674, Excluding 0160040468 and 0160040674)	
31	2220466	1	ELBOW, 90, (includes item 32)	
32	N.S.S.	1	O-RING	
33	88591013	2	O-RING	
34	91053413	3	HYDRA-ZORB CLAMP	
35	2754327	1	HOSE ASSY	

SECTION 8 - HYDRAULIC CIRCUITS

ITEM	PART NUMBER	QTY	DESCRIPTION	REV
36	4711500	2	FLAT WASHER, 5/16	
37		Ref	OIL COOLER, (See ENGINE AND ATTACHING PARTS SECTION for Breakdown)	
38	2220371	1	CONNECTOR (SN 0160025316 through 0160040674, Excluding 0160040468 and 0160040674)	

SECTION 8 - HYDRAULIC CIRCUITS

FIGURE 8-3. PRIORITY VALVE CIRCUIT G10-43A (Prior to SN 0160040675, Excluding 0160040468 and 0160040672)



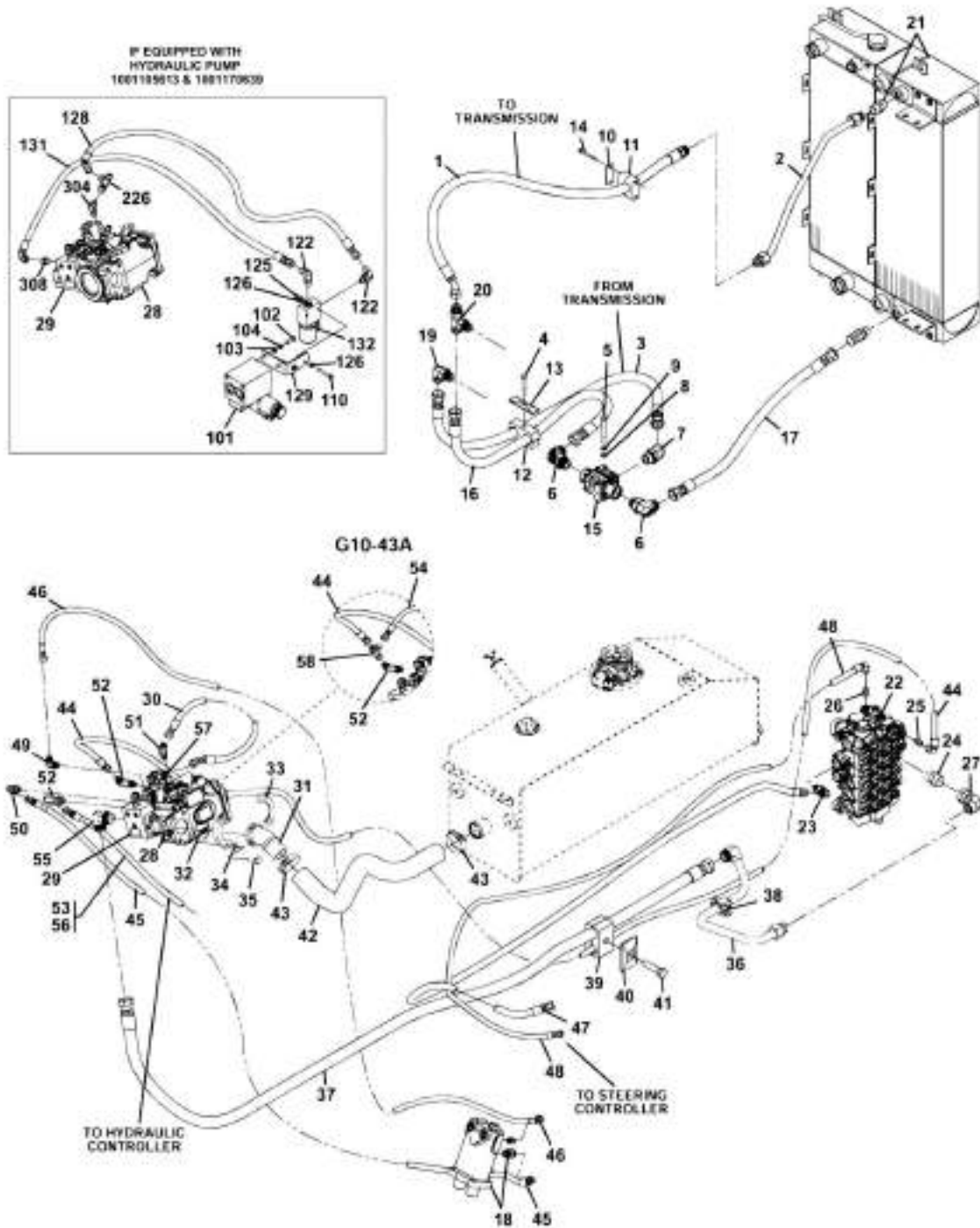
SECTION 8 - HYDRAULIC CIRCUITS

FIGURE 8-3. PRIORITY VALVE CIRCUIT G10-43A (Prior to SN 0160040675, Excluding 0160040468 and 0160040672)

ITEM	PART NUMBER	QTY	DESCRIPTION	REV
2	84719876	1	HOSE ASSY	
3	91513156	1	TUBE ASSY	
4	84719877	1	HOSE ASSY	
5	91513155	1	TUBE ASSY	
6	91513214	1	TUBE ASSY	
8		Ref	OIL COOLER, (See ENGINE AND ATTACHING PARTS SECTION for Breakdown)	
9	2754326	1	HOSE ASSY	
10	91513289	1	TUBE ASSY	
11	91513288	1	TUBE ASSY	
12	2220646	1	ELBOW, 90, (includes item 13)	
13	N.S.S.	1	O-RING	
14		Ref	MAIN CONTROL VALVE, (See HYDRAULIC COMPONENTS SECTION for Breakdown)	
16	2220473	2	ELBOW, 90, (includes item 17)	
17	N.S.S.	2	O-RING	
18		Ref	PRIORITY VALVE, (See HYDRAULIC COMPONENTS SECTION for Breakdown)	
19		Ref	IMPLEMENT PUMP, (See HYDRAULIC COMPONENTS SECTION for Breakdown)	
20	2220671	1	ELBOW, 90, (includes item 21)	
21	N.S.S.	1	O-RING	
22	84719858	1	HOSE ASSY	
23	2755024	1	HOSE ASSY	
24	2755025	1	HOSE ASSY	
25		Ref	CONNECTOR, (See CONTROLS SECTION for Breakdown)	
26		Ref	POWER BRAKE VALVE, (See HYDRAULIC COMPONENTS SECTION for Breakdown)	
27	8769139	1	CLAMP SET	
28	77133137	1	PLATE COVER	
29	0641516	1	HEX HD CAPSCREW, 5/16-18X2, GR5	
30	2755023	1	HOSE ASSY	
31	2220466	1	ELBOW, 90, (includes item 32)	
32	N.S.S.	1	O-RING	
33	88591013	2	O-RING	
34	91053413	3	HYDRA-ZORB CLAMP	
35	2754327	1	HOSE ASSY	
36	1001114699	1	HOSE ASSY	
37	1001001344	1	STR THREAD BRANCH TEE, (includes o-ring)	
38	1001001345	1	ELBOW, 90, (includes o-ring)	
39	1001110786		HOSE ASSY	
40	2170306	1	SWIVEL NUT RUN TEE, (includes o-ring)	
41	4711500	2	FLAT WASHER, 5/16	
42	91513213	1	TUBE ASSY	

SECTION 8 - HYDRAULIC CIRCUITS

FIGURE 8-4. PRIORITY VALVE CIRCUIT (SN 0160040675 to Present, Including 0160040468 and 0160040672)



ART 91514001-0-4

SECTION 8 - HYDRAULIC CIRCUITS

FIGURE 8-4. PRIORITY VALVE CIRCUIT (SN 0160040675 to Present, Including 0160040468 and 0160040672)

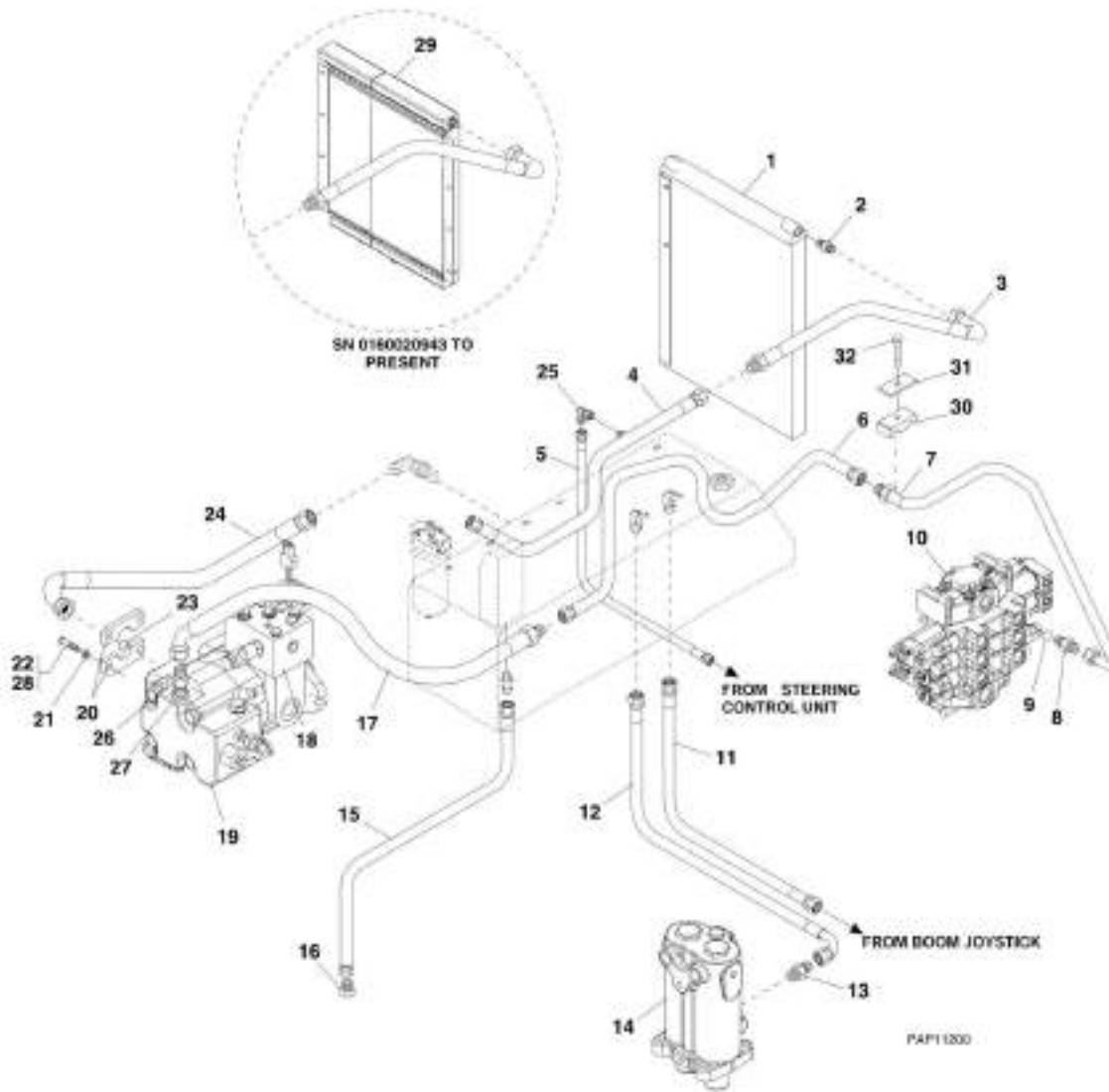
ITEM	PART NUMBER	QTY	DESCRIPTION	REV
1	1001118060	1	HOSE ASSY	
2	1001118068	1	PIPE	
3	1001119809	1	HOSE ASSY	
4	0641520	1	HEX HD CAPSCREW, 5/16-18X2-1/2, GR5	
5	0641628	2	HEX HD CAPSCREW, 3/8-16X3-1/2, GR5	
6	2131216	2	ELBOW, 90, (includes o-ring)	
7	2151216	1	ELBOW, 45, (includes o-ring)	
8	4711600	2	WASHER, 3/8	
9	4761600	2	LOCKWASHER, 3/8	
10	8750001	1	COVER PLATE	
11	8750005	1	CLAMP SET	
12	8750022	1	CLAMP SET	
13	8750025	1	COVER PLATE	
14	0641420	2	HEX HD CAPSCREW, 1/4-20X2-1/2, GR5	
15	1001119801	1	THERMAL BYPASS VALVE	
16	1001119815	1	HOSE ASSY	
17	1001119828	1	HOSE ASSY	
18		Ref	POWER BRAKE ASSY, (See CONTROLS SECTION for Breakdown)	
19	2131210	1	ELBOW, 90, (includes o-ring)	
20	2170410	1	RUN TEE, (includes o-ring)	
21		Ref	RADIATOR ASSY, (See ENGINE AND ATTACHING PARTS SECTION for Breakdown)	
22		Ref	MAIN CONTROL VALVE, (See HYDRAULIC COMPONENTS SECTION for Breakdown)	
23	21360810	1	ELBOW, 90, (includes o-ring)	
24	2111616	1	CONNECTOR, (includes o-ring)	
25	2170206	1	ELBOW, 90, (includes o-ring)	
26	2110404	1	CONNECTOR, (includes o-ring)	
27	2172116	1	ELBOW, 90, (includes o-ring)	
28		Ref	HYDRAULIC PUMP, (See HYDRAULIC COMPONENTS SECTION for Breakdown)	
29		Ref	HYDRAULIC MANIFOLD, (See HYDRAULIC COMPONENTS SECTION for Breakdown)	
30	1001119535	1	HOSE ASSY	
31	1001107814	1	PIPE	
32	3790228	1	O-RING	
33	8546407	2	FLANGE HALF	
34	4761800	4	LOCKWASHER, 1/2	
35	0641812	4	HEX HD CAPSCREW, 1/2-13X1-1/2, GR5	
36	1001105182	1	PIPE	
37	1001105194	1	HOSE ASSY	
38	91053413	1	CUSHION CLAMP	
39	77133307	1	CLAMP SET	
40	77133281	1	COVER PLATE	
41	0641520	1	HEX HD CAPSCREW, 5/16-18X2-1/2, GR5	
42	1001115367	1	SUCTION HOSE	
43	90028720	2	BAND CLAMP	
44	1001105620	1	HOSE ASSY	

SECTION 8 - HYDRAULIC CIRCUITS

ITEM	PART NUMBER	QTY	DESCRIPTION	REV
45	1001105622	1	HOSE ASSY	
46	1001105692	1	HOSE ASSY	
47	1001105627	1	HOSE ASSY	
48	1001105628	1	HOSE ASSY	
49	2130606	1	ELBOW, 90, (includes o-ring)	
50	2130608	1	ELBOW, 90, (includes o-ring)	
51	2150606	1	ELBOW, 45, (includes o-ring)	
52	2170206	1	ELBOW, 90, LONG, (includes o-ring)	
53	1001127651	1	HOSE ASSY, (G9-43A)	
54		Ref	HOSE ASSY, (See BOOM JOYSTICK CIRCUIT for Breakdown)	
55	2131616	1	ADAPTER, 90, (includes o-ring)	
56	1001130049	1	HOSE ASSY, (G10-43A)	
57	2110604	1	CONNECTOR, (includes o-ring)	
58	2170706	1	ADAPTER, TEE, (includes o-ring)	
101		Ref	STEER SELECT VALVE, (See STEER SELECT VALVE for Breakdown)	
102		Ref	HEX HD CAPSCREW, 5-16-18X3/4, (See STEER SELECT VALVE for Breakdown)	
103		Ref	WASHER, 5/16, (See STEER SELECT VALVE for Breakdown)	
104		Ref	LOCKWASHER, 5/16, (See STEER SELECT VALVE for Breakdown)	
110	0641415	2	HEX HD CAPSCREW, 1/4-20X1 7/8, GR5	
122	2130606	2	ADAPTER, 90, (includes o-ring), (if equipped with hydraulic pump 1001105613)	
125	3311405	2	HEX LOCK NUT, 1/4-20, GR2, (if equipped with hydraulic pump 1001105613 & 1001170639)	
126	4711400	4	WASHER, 1/4, (if equipped with hydraulic pump 1001105613 & 1001170639)	
128	1001136375	1	HOSE ASSY, (if equipped with hydraulic pump 1001105613 & 1001170639)	
129	1001136495	1	MOUNTING BRACKET, (if equipped with hydraulic pump 1001105613 & 1001170639)	
131	1001136500	1	HOSE ASSY, (if equipped with hydraulic pump 1001105613 & 1001170639)	
132	1001136501	1	PRESSURE REDUCING VALVE, (if equipped with hydraulic pump 1001105613 & 1001170639)	
134	0100011	AR	LOCTITE 242, (not shown), (if equipped with hydraulic pump 1001105613 & 1001170639)	
226	2170706	1	ADAPTER, TEE, (includes o-ring), (if equipped with hydraulic pump 1001105613 & 1001170639)	
304		Ref	ELBOW, 45, (includes o-ring), (See DUMP CIRCUIT for Breakdown),(if equipped with hydraulic pump 1001105613 & 1001170639)	
308	2110606	1	CONNECTOR, (includes o-ring), (if equipped with hydraulic pump 1001105613 & 1001170639)	

SECTION 8 - HYDRAULIC CIRCUITS

FIGURE 8-5. DUMP CIRCUIT (Prior to SN 0160040675, Excluding 0160040468 and 0160040672)



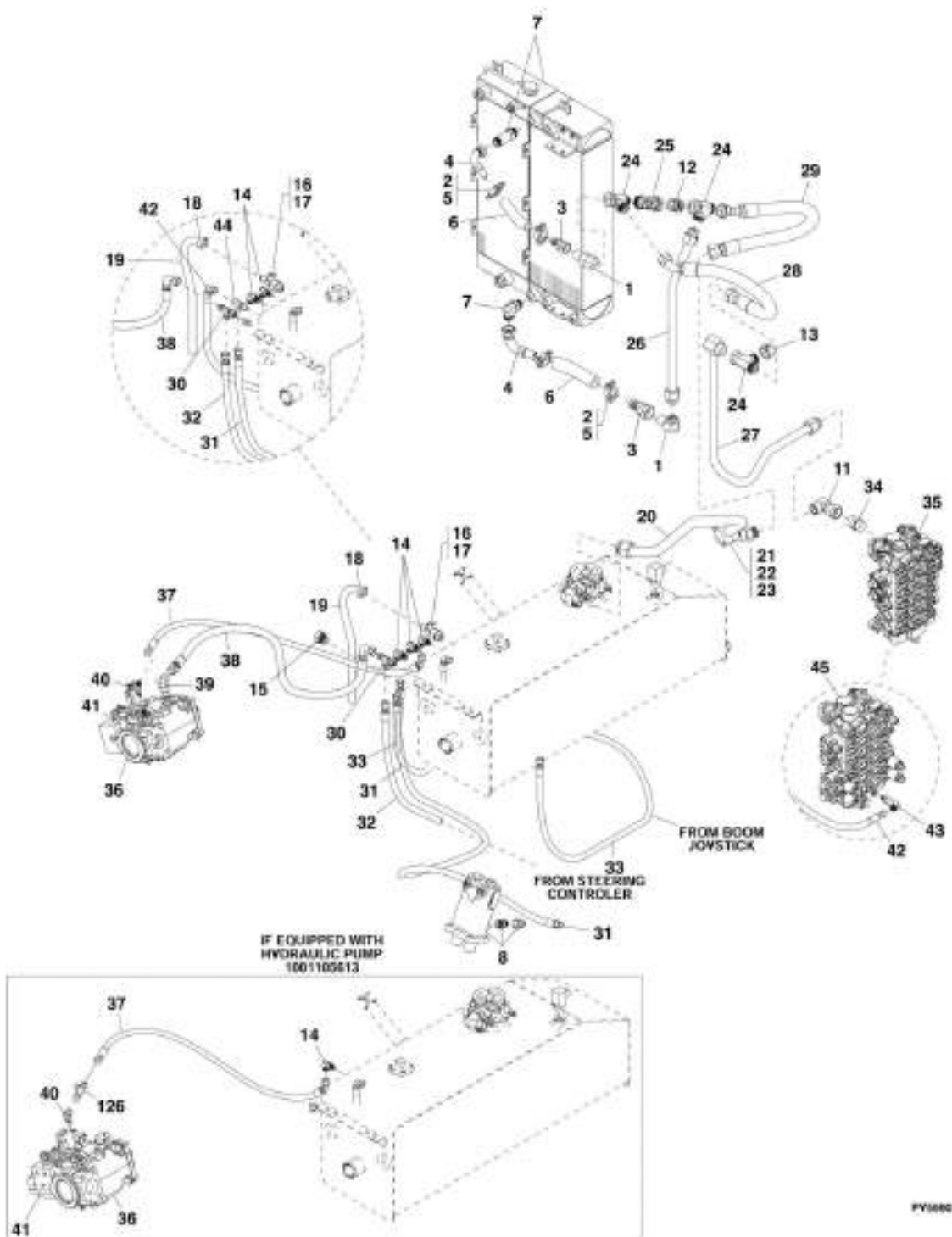
SECTION 8 - HYDRAULIC CIRCUITS

FIGURE 8-5. DUMP CIRCUIT (Prior to SN 0160040675, Excluding 0160040468 and 0160040672)

ITEM	PART NUMBER	QTY	DESCRIPTION	REV
1		Ref	OIL COOLER, (See ENGINE AND ATTACHING PARTS SECTION for Breakdown)	
2		Ref	CONNECTOR, (See ENGINE AND ATTACHING PARTS SECTION for Breakdown)	
3	84719878	1	HOSE ASSY	
4	91513183	1	TUBE ASSY	
5	84719953	1	HOSE ASSY	
6	91513182	1	TUBE ASSY	
7	91513171	1	TUBE ASSY	
8	2220377	1	CONNECTOR, (includes item 9)	
9	N.S.S.	1	O-RING	
10		Ref	MAIN CONTROL VALVE, (See HYDRAULIC COMPONENTS SECTION for Breakdown)	
11		Ref	HOSE ASSY, (See BOOM JOYSTICK CIRCUIT for Breakdown)	
12	84719642	1	HOSE ASSY	
13		Ref	CONNECTOR, (See CONTROLS SECTION for Breakdown)	
14		Ref	POWER BRAKE VALVE, (See HYDRAULIC COMPONENTS SECTION for Breakdown)	
15	84719857	1	HOSE ASSY	
16	88661367	1	FITTING	
17	84719867	1	HOSE ASSY	
18		Ref	PRIORITY VALVE, (See HYDRAULIC COMPONENTS SECTION for Breakdown)	
19		Ref	IMPLEMENT PUMP, (See HYDRAULIC COMPONENTS SECTION for Breakdown)	
20	84711342	2	SPLIT CLAMP	
21	4761800	4	LOCKWASHER, 1/2	
22	0641812	4	HEX HD CAPSCREW, 1/2-13X1-1/2, GR5	
23	83783043	1	O-RING	
24	84719856	1	HOSE ASSY	
25	8765204	1	ELBOW, 90, (swivel nut)	
26	2220377	1	CONNECTOR, (includes item 27)	
27	N.S.S.	1	O-RING	
28	0100011	AR	LOCTITE 242	
29		Ref	OIL COOLER, (See ENGINE AND ATTACHING PARTS SECTION for Breakdown)	
30	77133073	1	CLAMP, 1 IN DIA	
31	77133052	1	COVER PLATE	
32	0641412	2	HEX HD CAPSCREW, 1/4-20X1-1/2, GR5	

SECTION 8 - HYDRAULIC CIRCUITS

FIGURE 8-6. DUMP CIRCUIT (SN 0160040675 to Present, Including 0160040468 and 0160040672)



PY0800

SECTION 8 - HYDRAULIC CIRCUITS

FIGURE 8-6. DUMP CIRCUIT (SN 0160040675 to Present, Including 0160040468 and 0160040672)

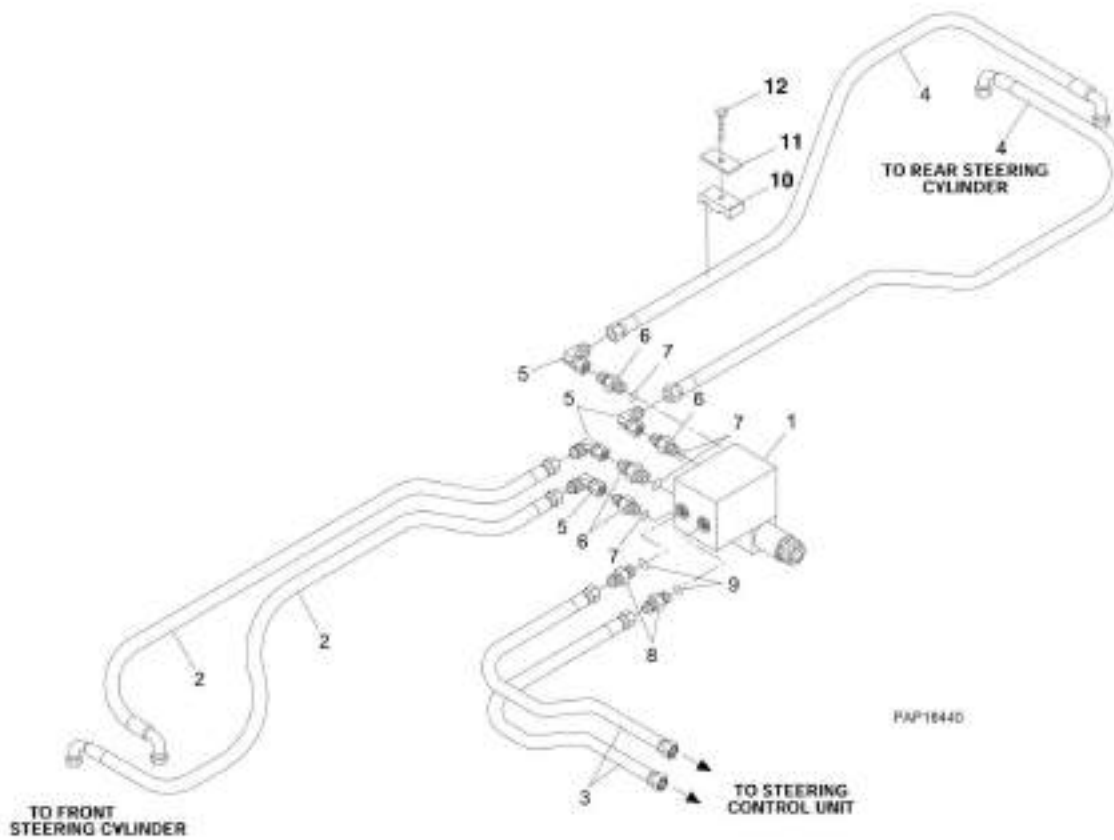
ITEM	PART NUMBER	QTY	DESCRIPTION	REV
1	2171216	2	ELBOW, 90, (bulkhead)	
2	88521206	8	LOCKNUT, 3/8-16	
3	1001118194	2	STEM FITTING, (straight)	
4	1001120620	2	STEM FITTING, (90)	
5	1001120625	4	DOUBLE BOLT HOSE CLAMP	
6	1001120665	2	COOLER HOSE	
7		Ref	RADIATOR ASSY, (See ENGINE AND ATTACHING PARTS SECTION for Breakdown)	
8		Ref	POWER BRAKE ASSY, (See CONTROLS SECTION for Breakdown)	
11	2172116	1	ELBOW, 90, (includes o-ring)	
12	1001159129	1	CHECK VALVE	
13	2170916	1	CAP	
14	2130606	3	ELBOW, 90, (includes o-ring)	
15	2220240	1	PLUG	
16	1001097250	1	ADAPTER	
17	1001093019	1	OIL DRAIN VALVE	
18	8405007	1	GEAR CLAMP	
19	1001109504	AR	HOSE ASSY	
20	1001111377	1	PIPE	
21	77133076	1	CLAMP SET	
22	77133075	1	COVER PLATE	
23	0641420	2	HEX HD CAPSCREW, 1/4-20X2-1/2, GR5	
24	2170716	3	RUN TEE, (includes o-ring)	
25	2172416	1	CONNECTOR, (includes o-ring)	
26	1001120192	1	PIPE	
27	1001120194	1	HOSE ASSY	
28	1001121466	1	HOSE ASSY	
29	1001121467	1	HOSE ASSY	
30	2170308	1	ADAPTER, RUN TEE, (includes o-ring)	
31	1001105623	1	HOSE ASSY	
32	1001105629	1	HOSE ASSY	
33	1001105630	1	HOSE ASSY	
34	2111616	1	CONNECTOR, (includes o-ring)	
35		Ref	MAIN CONTROL VALVE, (See HYDRAULIC COMPONENTS SECTION for Breakdown)	
36		Ref	HYDRAULIC PUMP, (See HYDRAULIC COMPONENTS SECTION for Breakdown)	
37	1001119536	1	HOSE ASSY	
38	1001119537	1	HOSE ASSY	
39	2130810	1	ELBOW, 90, (includes o-ring)	
40	2150606	1	ELBOW, 45, (includes o-ring)	
41		Ref	HYDRAULIC MANIFOLD, (See HYDRAULIC COMPONENTS SECTION for Breakdown)	
42	1001127302	1	HOSE ASSY	
43	2170206	1	ADAPTER, 90, (includes o-ring)	
44	2170306	1	ADAPTER, TEE, (includes o-ring)	
45		Ref	MAIN CONTROL VALVE, (See HYDRAULIC COMPONENTS SECTION for Breakdown)	
126		Ref	ADAPTER, TEE, (includes o-ring), (See PRIORITY VALVE	

SECTION 8 - HYDRAULIC CIRCUITS

ITEM	PART NUMBER	QTY	DESCRIPTION	REV
			CIRCUIT for Breakdown)	

SECTION 8 - HYDRAULIC CIRCUITS

FIGURE 8-7. STEER SELECT VALVE (Prior to SN 0160040675, Excluding 0160040468 and 0160040672)



SECTION 8 - HYDRAULIC CIRCUITS

FIGURE 8-7. STEER SELECT VALVE (Prior to SN 0160040675, Excluding 0160040468 and 0160040672)

ITEM	PART NUMBER	QTY	DESCRIPTION	REV
1		Ref	STEER SELECT VALVE, (See HYDRAULIC COMPONENTS SECTION for Breakdown)	
2	84719852	2	HOSE ASSY	
3	84719614	2	HOSE ASSY	
4	84719851	2	HOSE ASSY	
5	8765204	4	ELBOW, 90	
6	2220373	4	CONNECTOR, (includes item 7)	
7	N.S.S.	4	O-RING	
8	2220374	2	CONNECTOR, (includes item 9)	
9	N.S.S.	2	O-RING	
10	1320299	1	HOSE CLAMP	
11	77133137	1	COVER PLATE	
12	0641514	1	HEX HD CAPSCREW, 5/16-18X1-3/4, GR5	

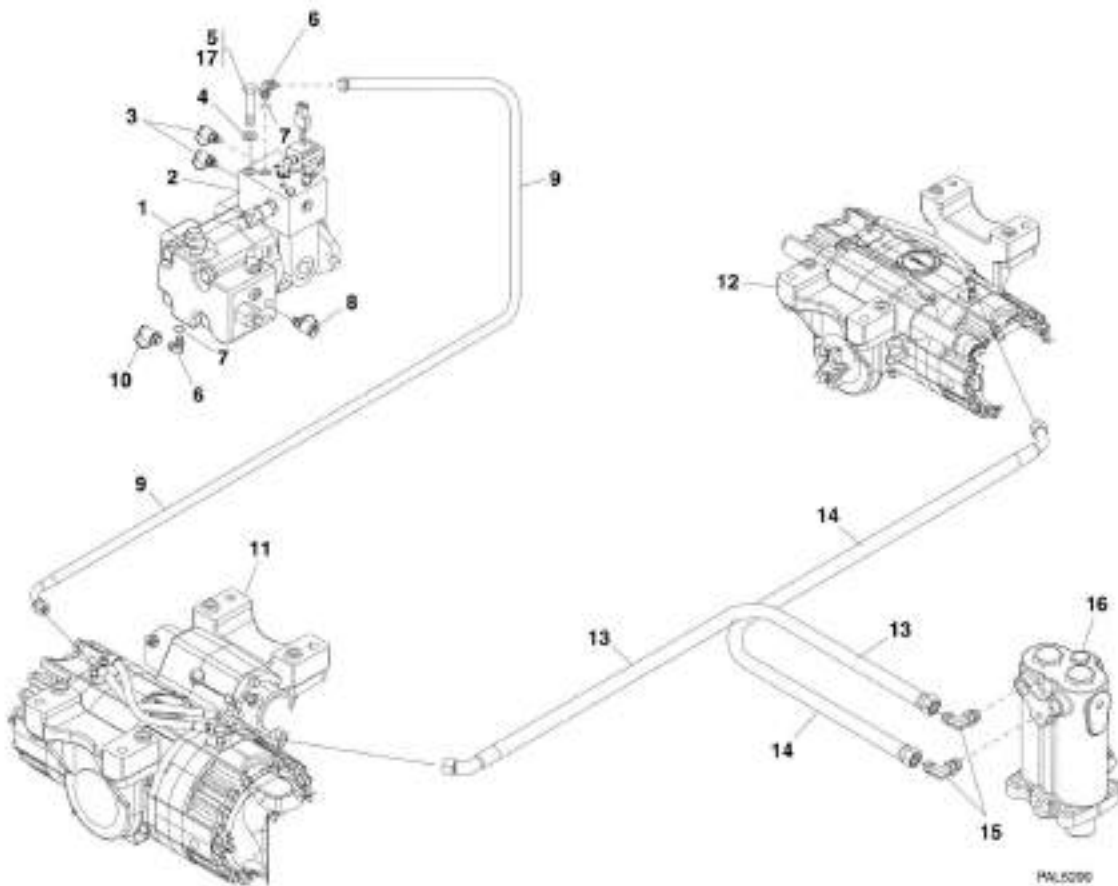
SECTION 8 - HYDRAULIC CIRCUITS

FIGURE 8-8. STEER SELECT VALVE (SN 0160040675 to Present, Including 0160040468 and 0160040672)

ITEM	PART NUMBER	QTY	DESCRIPTION	REV
1		Ref	STEER SELECT VALVE, (See HYDRAULIC COMPONENTS SECTION for Breakdown)	
2	0641506	4	HEX HD CAPSCREW, 5/16-18X3/4, GR5	
3	4711500	4	WASHER, 5/16	
4	4761500	4	LOCKWASHER, 5/16	
5	1001098440	2	HOSE ASSY	
6	1001098441	2	HOSE ASSY	
7	80933140	5	CLAMP SET	
8	77133137	5	TWIN CLAMP COVER PLATE	
9	0641514	5	HEX HD CAPSCREW, 5/16-18X1-3/4, GR5	
17	1001096390	2	HOSE ASSY	

SECTION 8 - HYDRAULIC CIRCUITS

FIGURE 8-9. SERVICE/PARKING BRAKE (Prior to SN 0160040675, Excluding 0160040468 and 0160040672)



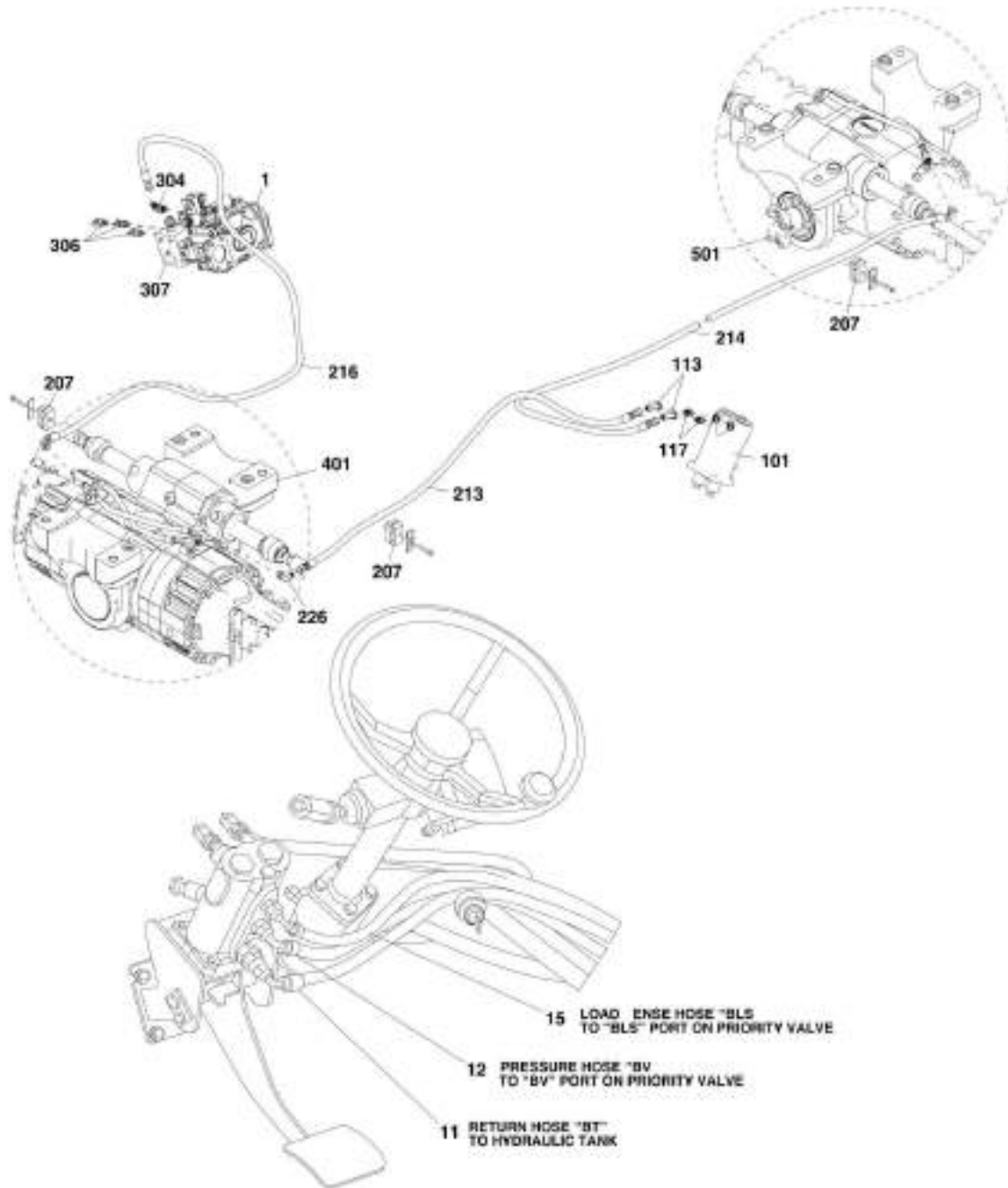
SECTION 8 - HYDRAULIC CIRCUITS

FIGURE 8-9. SERVICE/PARKING BRAKE (Prior to SN 0160040675, Excluding 0160040468 and 0160040672)

ITEM	PART NUMBER	QTY	DESCRIPTION	REV
1		Ref	IMPLEMENT PUMP, (See HYDRAULIC COMPONENTS SECTION for Breakdown)	
2		Ref	PRIORITY VALVE, (See HYDRAULIC COMPONENTS SECTION for Breakdown)	
3	77133089	2	TEST COUPLING	
4	88551011	4	LOCKWASHER	
5	0641632	4	HEX HD CAPSCREW, 3/8-16X4, GR5	
6	2220473	2	ELBOW, 90, (includes item 7)	
7	N.S.S.	2	O-RING	
8	91053020	1	TEST COUPLING	
9	84719859	1	HOSE ASSY	
10	91143172	1	TEST COUPLING	
11		Ref	FRONT AXLE ASSY, (See DRIVE TRAIN SECTION for Breakdown)	
12		Ref	REAR AXLE ASSY, (See DRIVE TRAIN SECTION for Breakdown)	
13	84719860	1	HOSE ASSY	
14	84719861	1	HOSE ASSY	
15		Ref	ELBOW, 90, (See CONTROLS SECTION for Breakdown)	
16		Ref	POWER BRAKE VALVE, (See HYDRAULIC COMPONENTS SECTION for Breakdown)	
17	0100011	AR	LOCTITE 242	

SECTION 8 - HYDRAULIC CIRCUITS

FIGURE 8-10. SERVICE/PARKING BRAKE (SN 0160040675 to Present, Including 0160040468 and 0160040672)



PAP18380

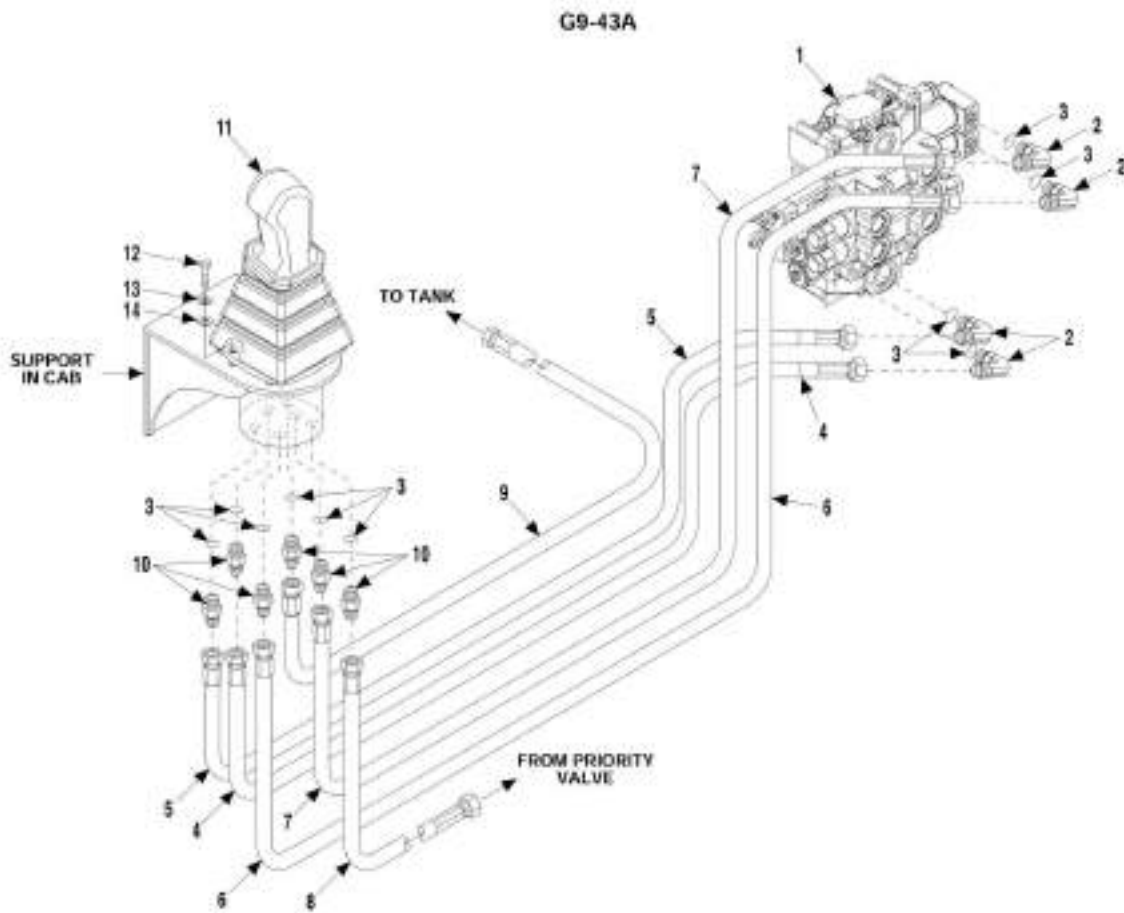
SECTION 8 - HYDRAULIC CIRCUITS

FIGURE 8-10. SERVICE/PARKING BRAKE (SN 0160040675 to Present, Including 0160040468 and 0160040672)

ITEM	PART NUMBER	QTY	DESCRIPTION	REV
1		Ref	VARIABLE DISPLACEMENT PUMP, (See HYDRAULIC COMPONENTS SECTION for Breakdown)	
11	1001105623	1	HOSE ASSY	
12	1001105622	1	HOSE ASSY	
15	1001105692	1	HOSE ASSY	
101		Ref	BRAKE VALVE, (See HYDRAULIC COMPONENTS SECTION for Breakdown)	
113	2172106	2	ADAPTER, 90, (includes o-ring)	
117	2144605	2	ADAPTER, STRAIGHT, (includes o-ring)	
207		Ref	CLAMP SET, (See STEER SELECT VALVE for Breakdown)	
213	1001098388	1	HOSE ASSY	
214	1001098389	1	HOSE ASSY	
216	1001105621	1	HOSE ASSY	
226	2172106	1	ADAPTER, 90, (includes o-ring)	
304	2150606	1	ADAPTER, 90, (includes o-ring)	
306	77133089	3	MINI-CHECK	
307		Ref	HYDRAULIC MANIFOLD, (See HYDRAULIC COMPONENTS SECTION for Breakdown)	
401		Ref	FRONT AXLE, (See DRIVE TRAIN SECTION for Breakdown)	
501		Ref	REAR AXLE, (See DRIVE TRAIN SECTION for Breakdown)	

SECTION 8 - HYDRAULIC CIRCUITS

FIGURE 8-11. BOOM JOYSTICK CIRCUIT G9-43A (Prior to SN 0160040675, Excluding 0160040468 and 0160040672)



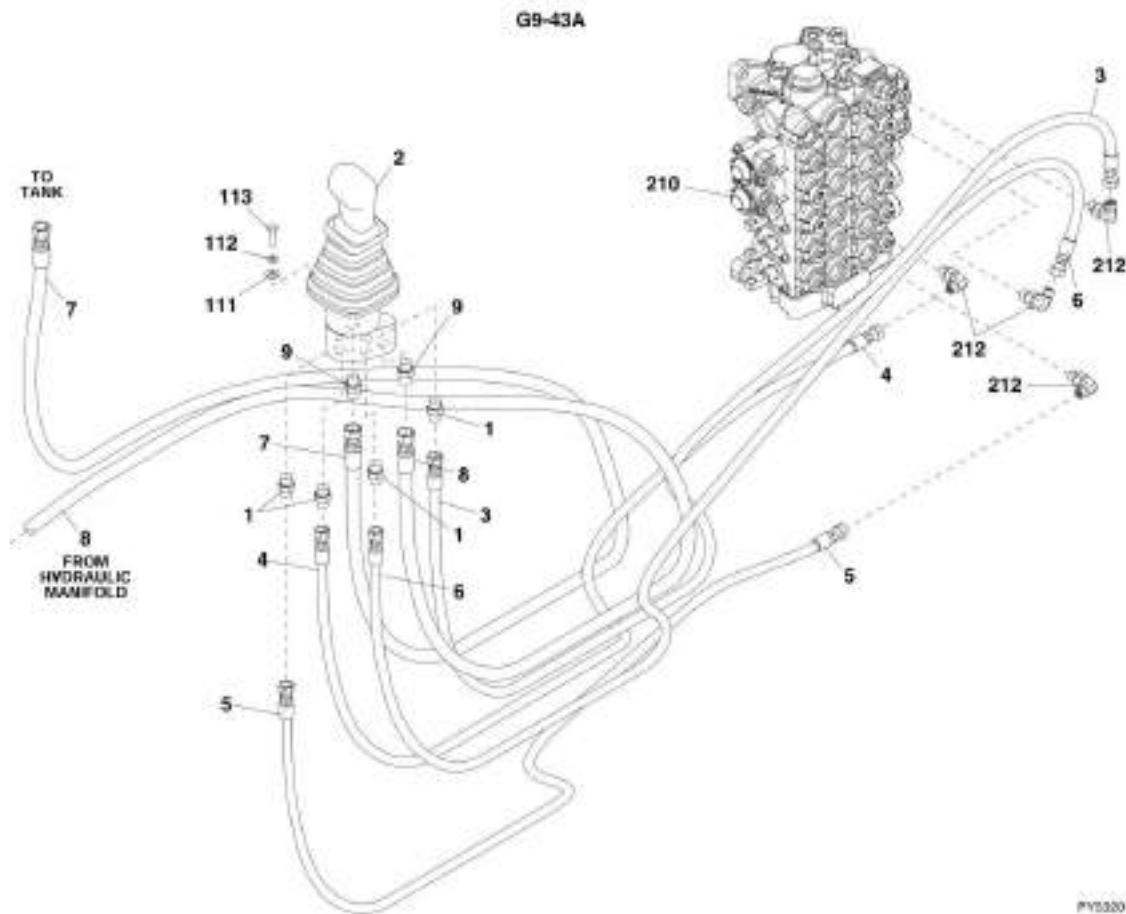
SECTION 8 - HYDRAULIC CIRCUITS

FIGURE 8-11. BOOM JOYSTICK CIRCUIT G9-43A (Prior to SN 0160040675, Excluding 0160040468 and 0160040672)

ITEM	PART NUMBER	QTY	DESCRIPTION	REV
1		Ref	MAIN CONTROL VALVE, (See HYDRAULIC COMPONENTS SECTION for Breakdown)	
2	2220473	4	ELBOW, 90, (includes item 3)	
3	N.S.S.	10	O-RING	
4	84719879	1	HOSE ASSY	
5	84719863	1	HOSE ASSY	
6	84719880	1	HOSE ASSY	
7	84719864	1	HOSE ASSY	
8	84719862	1	HOSE ASSY (Prior to SN 0160025316)	
8	2755024	1	HOSE ASSY (SN 0160025316 through 0160040674, Excluding 0160040468 and 0160040672)	
9	84717020	1	HOSE ASSY	
10	2220371	6	CONNECTOR, (includes item 3)	
11		Ref	BOOM JOYSTICK, (See CONTROLS SECTION for Breakdown)	
12	88201005	4	HEX HD CAPSCREW, 1/4-20X1, GR5	
13	88551009	4	LOCKWASHER, 1/4	
14	88551002	4	FLAT WASHER, 1/4	

SECTION 8 - HYDRAULIC CIRCUITS

FIGURE 8-12. BOOM JOYSTICK CIRCUIT G9-43A (SN 0160040675 to Present, Including 0160040468 and 0160040672)



PN0320

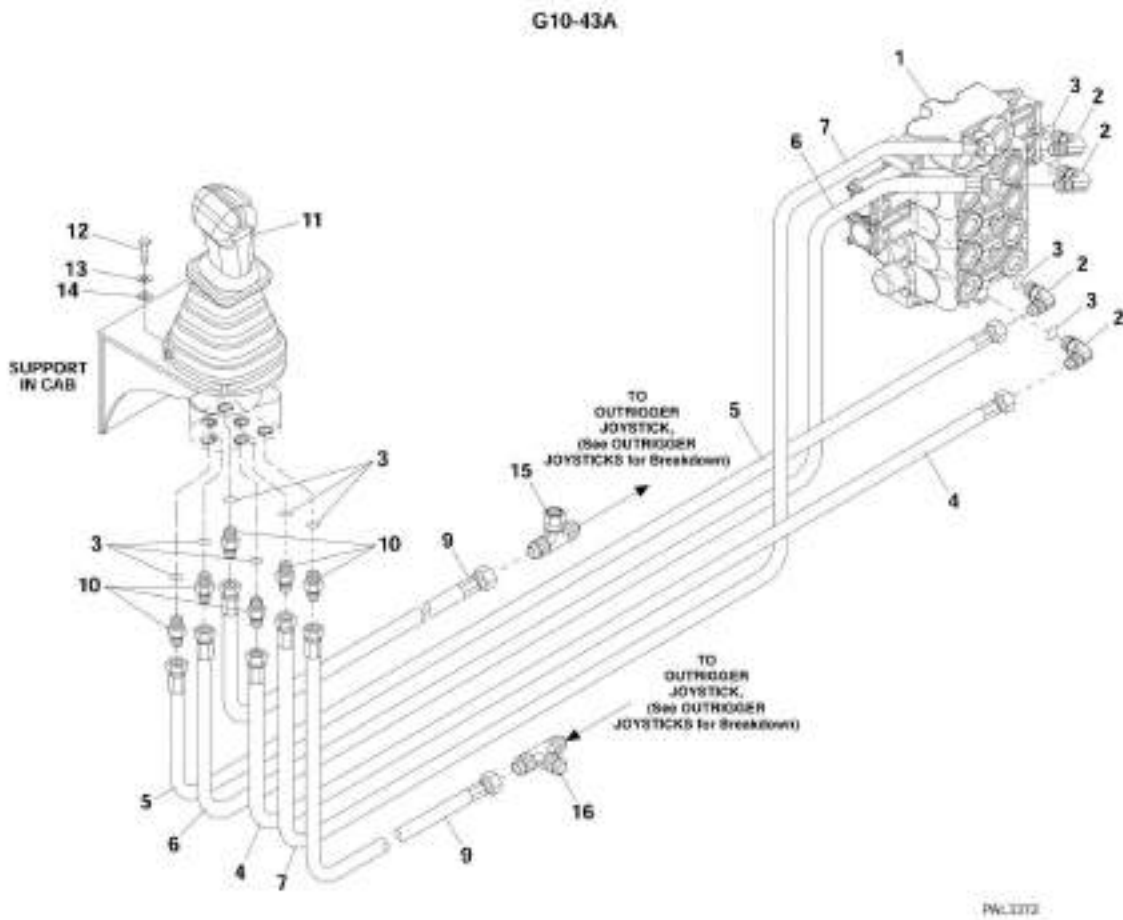
SECTION 8 - HYDRAULIC CIRCUITS

FIGURE 8-12. BOOM JOYSTICK CIRCUIT G9-43A (SN 0160040675 to Present, Including 0160040468 and 0160040672)

ITEM	PART NUMBER	QTY	DESCRIPTION	REV
	1001110480	Ref	JOYSTICK ASSY INSTALLATION, (not available to order, see items 1 thru 9 for service)	H
1	2110406	4	ADAPTER, STRAIGHT, (includes o-ring)	
2		Ref	JOYSTICK ASSY, (See CONTROLS SECTION for Breakdown)	
3	1001098395	1	HOSE ASSY	
4	1001098396	1	HOSE ASSY	
5	1001098397	1	HOSE ASSY	
6	1001098398	1	HOSE ASSY	
7	1001105630	1	HOSE ASSY	
8	1001105631	1	HOSE ASSY	
9	2110606	2	ADAPTER, STRAIGHT, (includes o-ring)	
111	4751400	4	WASHER, 1/4	
112	4761400	4	LOCKWASHER, 1/4	
113	0641408	4	HEX HD CAPSCREW, 1/4-20X1, GR5	
210		Ref	MAIN CONTROL VALVE, (See HYDRAULIC COMPONENTS SECTION for Breakdown)	
212	2130606	4	ADAPTER, 90, (includes o-ring)	

SECTION 8 - HYDRAULIC CIRCUITS

FIGURE 8-13. BOOM JOYSTICK CIRCUIT G10-43A (Prior to SN 0160040675, Excluding 0160040468 and 0160040672)



SECTION 8 - HYDRAULIC CIRCUITS

FIGURE 8-13. BOOM JOYSTICK CIRCUIT G10-43A (Prior to SN 0160040675, Excluding 0160040468 and 0160040672)

ITEM	PART NUMBER	QTY	DESCRIPTION	REV
1		Ref	MAIN CONTROL VALVE, (See HYDRAULIC COMPONENTS SECTION for Breakdown)	
2	2130606	4	ELBOW, 90, (includes item 3)	
3	N.S.S.	10	O-RING	
4	1001110741	1	HOSE ASSY	
5	1001110743	1	HOSE ASSY	
6	1001110744	1	HOSE ASSY	
7	1001110739	1	HOSE ASSY	
9	1001110742	2	HOSE ASSY	
10	2110606	6	CONNECTOR, (includes item 3)	
11		Ref	BOOM JOYSTICK, (See CONTROLS SECTION for Breakdown)	
12	0641408	4	HEX HD CAPSCREW, 1/4-20X1, GR5	
13	88551009	4	LOCKWASHER, 1/4	
14	88551002	4	FLAT WASHER, 1/4	
15		Ref	SWIVEL NUT RUN TEE, (See OUTRIGGER JOYSTICKS item 5 for Breakdown)	
16		Ref	RUN TEE, (See OUTRIGGER JOYSTICKS item 13 for Breakdown)	

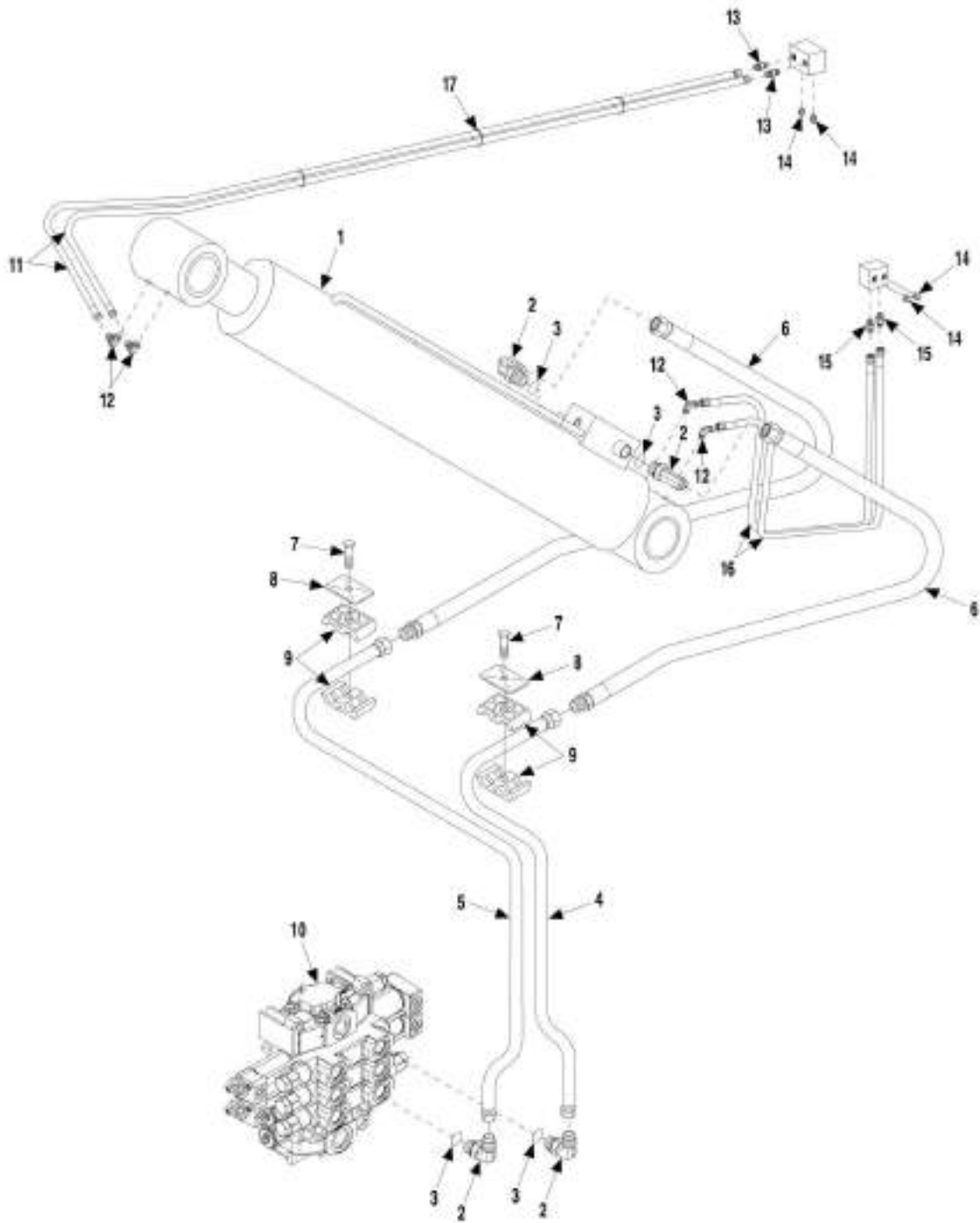
SECTION 8 - HYDRAULIC CIRCUITS

FIGURE 8-14. BOOM JOYSTICK CIRCUIT G10-43A (SN 0160040675 to Present, Including 0160040468 and 0160040672)

ITEM	PART NUMBER	QTY	DESCRIPTION	REV
	1001119528	Ref	HYDRAULIC JOYSTICK CONTROL, (not available to order, see items 1 thru 13 for service)	B
1		Ref	JOYSTICK CONTROL, (See CONTROLS SECTION for Breakdown)	
2	1001098395	1	HOSE ASSY	
3	1001098396	1	HOSE ASSY	
4	1001098397	1	HOSE ASSY	
5	1001098398	1	HOSE ASSY	
6	1001097926	2	HOSE ASSY	
7	2110406	4	ADAPTER, STRAIGHT, (includes o-ring)	
8	2110606	2	ADAPTER, STRAIGHT, (includes o-ring)	
9	2170506	2	ADAPTER, TEE, (includes o-ring)	
10	2170806	1	ADAPTER, BRANCH TEE, (includes o-ring)	
11	1001130033	1	HOSE ASSY	
12	1001130036	1	HOSE ASSY	
13	1001130037	1	HOSE ASSY	
128	4751400	4	WASHER, 1/4	
129	4761400	4	LOCKWASHER, 1/4	
130	0641408	4	HEX HD CAPSCREW, 1/4-20X1, GR5	
185	1001130047	1	HOSE ASSY	
186		Ref	HOSE ASSY, (See PRIORITY VALVE CIRCUIT for Breakdown)	
201		Ref	MAIN CONTROL VALVE, (See HYDRAULIC COMPONENTS SECTION for Breakdown)	
214	2130606	5	ADAPTER, 90, (includes o-ring)	

SECTION 8 - HYDRAULIC CIRCUITS

FIGURE 8-15. LIFT CYLINDER (Prior to SN 0160040675, Excluding 0160040468 and 0160040672)



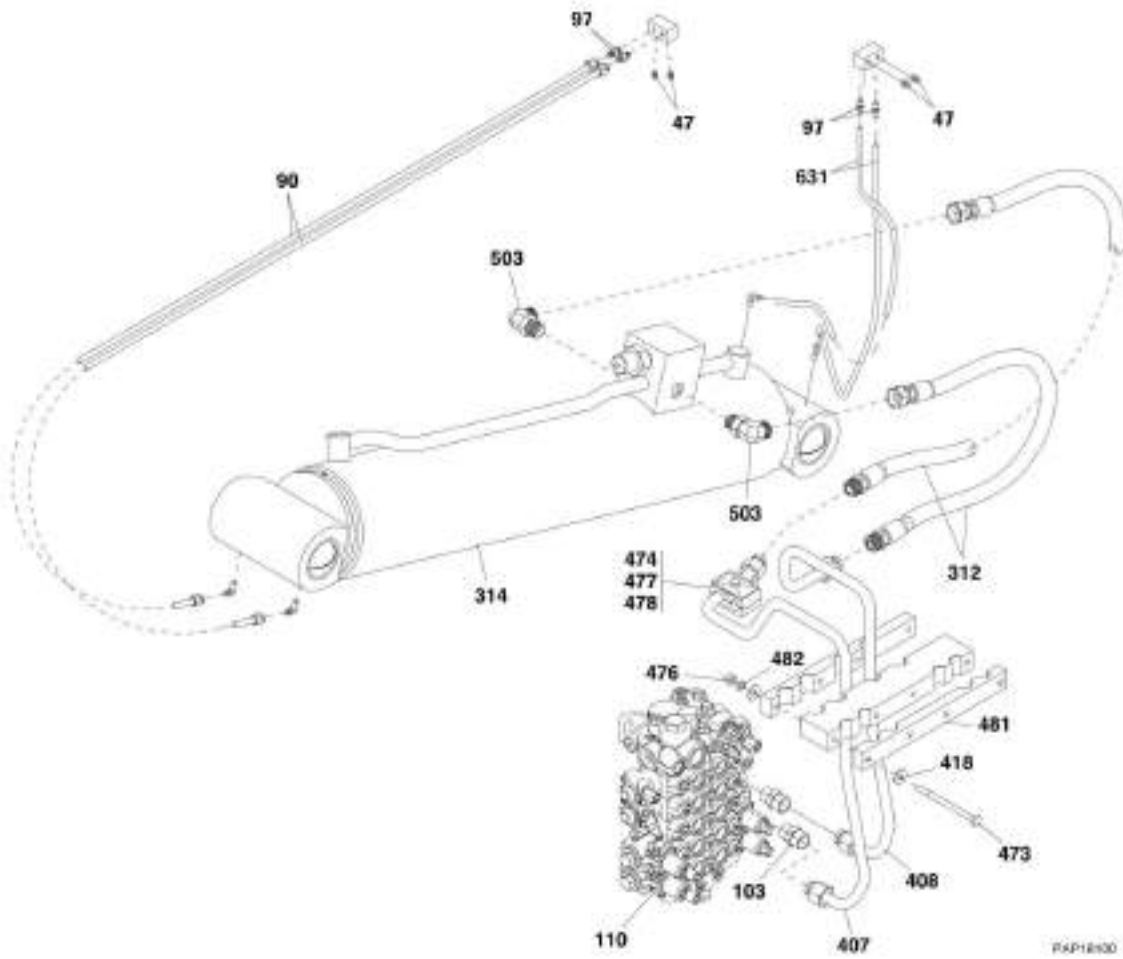
SECTION 8 - HYDRAULIC CIRCUITS

FIGURE 8-15. LIFT CYLINDER (Prior to SN 0160040675, Excluding 0160040468 and 0160040672)

ITEM	PART NUMBER	QTY	DESCRIPTION	REV
1		Ref	LIFT CYLINDER, (See HYDRAULIC COMPONENTS SECTION for Breakdown)	
2	2220578	4	ELBOW, 90, (includes item 3)	
3	N.S.S.	4	O-RING	
4	91513164	1	TUBE ASSY	
5	91513163	1	TUBE ASSY	
6	84719869	2	HOSE ASSY	
7	88201023	2	HEX HD CAPSCREW, 5/16-18X1-3/4, GR5	
8	77133137	2	COVER PLATE	
9	77133136	2	CLAMP SET	
10		Ref	MAIN CONTROL VALVE, (See HYDRAULIC COMPONENTS SECTION for Breakdown)	
11	84718545	2	HOSE ASSY	
12	88661102	4	ELBOW, 90, 3/16X1/8 TUBE (Prior to SN 0160037671)	
13	2220574	2	MALE ADAPTER, 1/8X1/4 TUBE	
14	88671001	2	LUBE FITTING, STRAIGHT, 3/16X1/8 TUBE	
15	88661002	2	MALE CONNECTOR, 3/16X1/8 TUBE	
16	84719940	2	HOSE ASSY	
17	86683122	AR	TIE WRAP	

SECTION 8 - HYDRAULIC CIRCUITS

FIGURE 8-16. LIFT CYLINDER (SN 0160040675 to Present, Including 0160040468 and 0160040672)



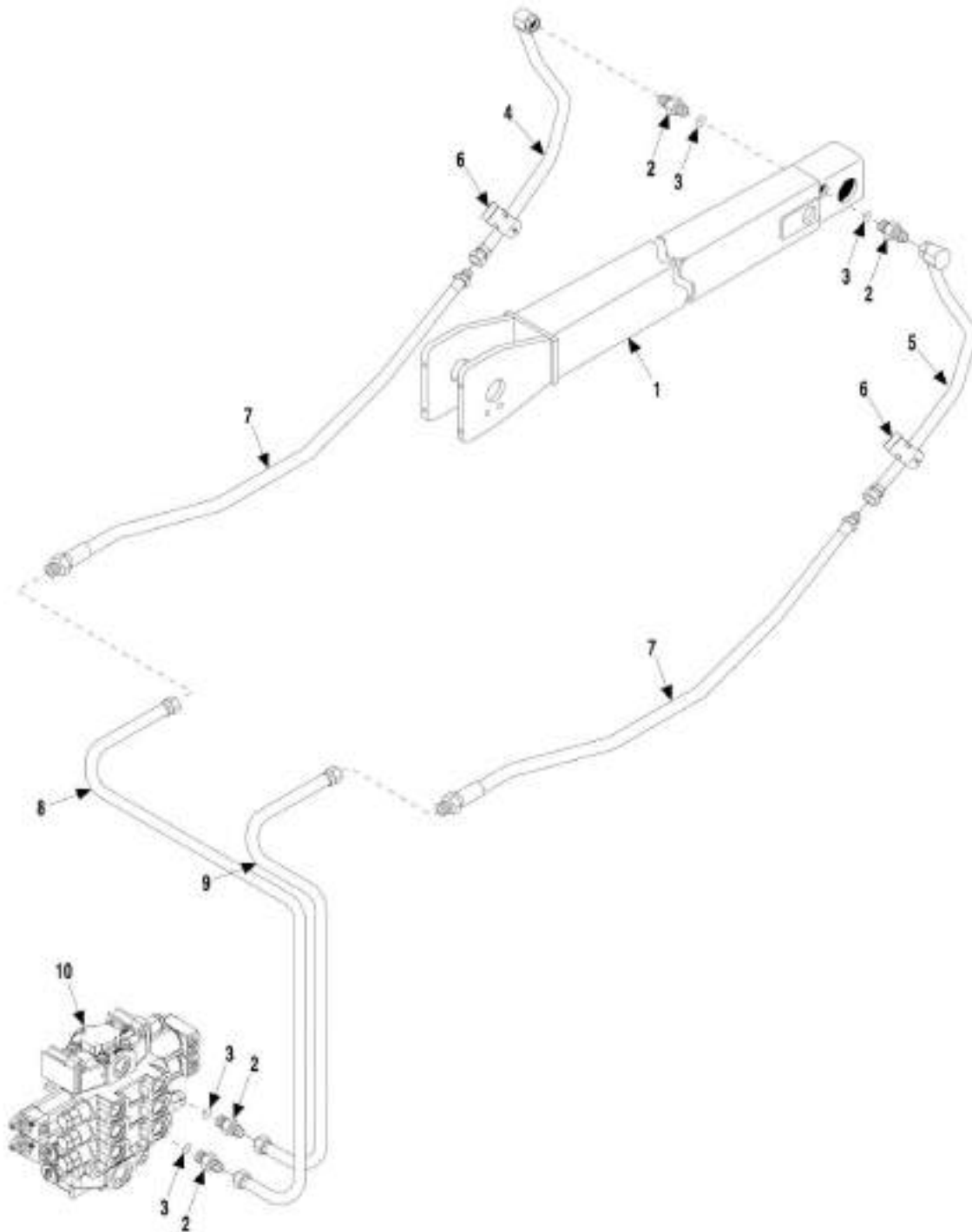
SECTION 8 - HYDRAULIC CIRCUITS

FIGURE 8-16. LIFT CYLINDER (SN 0160040675 to Present, Including 0160040468 and 0160040672)

ITEM	PART NUMBER	QTY	DESCRIPTION	REV
47	2160002	4	GREASE FITTING, (straight)	
90	84718545	2	HOSE ASSY	
97	88661002	4	CONNECTOR	
103	2111212	2	CONNECTOR, (includes o-ring)	
110		Ref	MAIN CONTROL VALVE, (See HYDRAULIC COMPONENTS SECTION for Breakdown)	
312	1001105159	2	HOSE ASSY	
314		Ref	LIFT CYLINDER, (See HYDRAULIC COMPONENTS SECTION for Breakdown)	
407	1001113495	1	PIPE ASSY	
408	1001113496	1	PIPE ASSY	
418	4751400	8	WASHER, 1/4	
473	0641430	4	HEX HD CAPSCREW, 1/4-20X3-3/4, GR5	
474	0641514	1	HEX HD CAPSCREW, 5/16-18X1-3/4, GR5	
476	3311401	4	HEX NUT, 1/4-20	
477	77133136	1	TWIN CLAMP	
478	77133137	1	COVER PLATE	
481	1001126756	1	TUBES CLAMP	
482	4761400	4	LOCKWASHER, 1/4	
503	2131212	2	ELBOW, 90, (includes o-ring)	
631	84719940	2	HOSE ASSY, GREASE	

SECTION 8 - HYDRAULIC CIRCUITS

FIGURE 8-17. CROWD CYLINDER (Prior to SN 0160040675, Excluding 0160040468 and 0160040672)



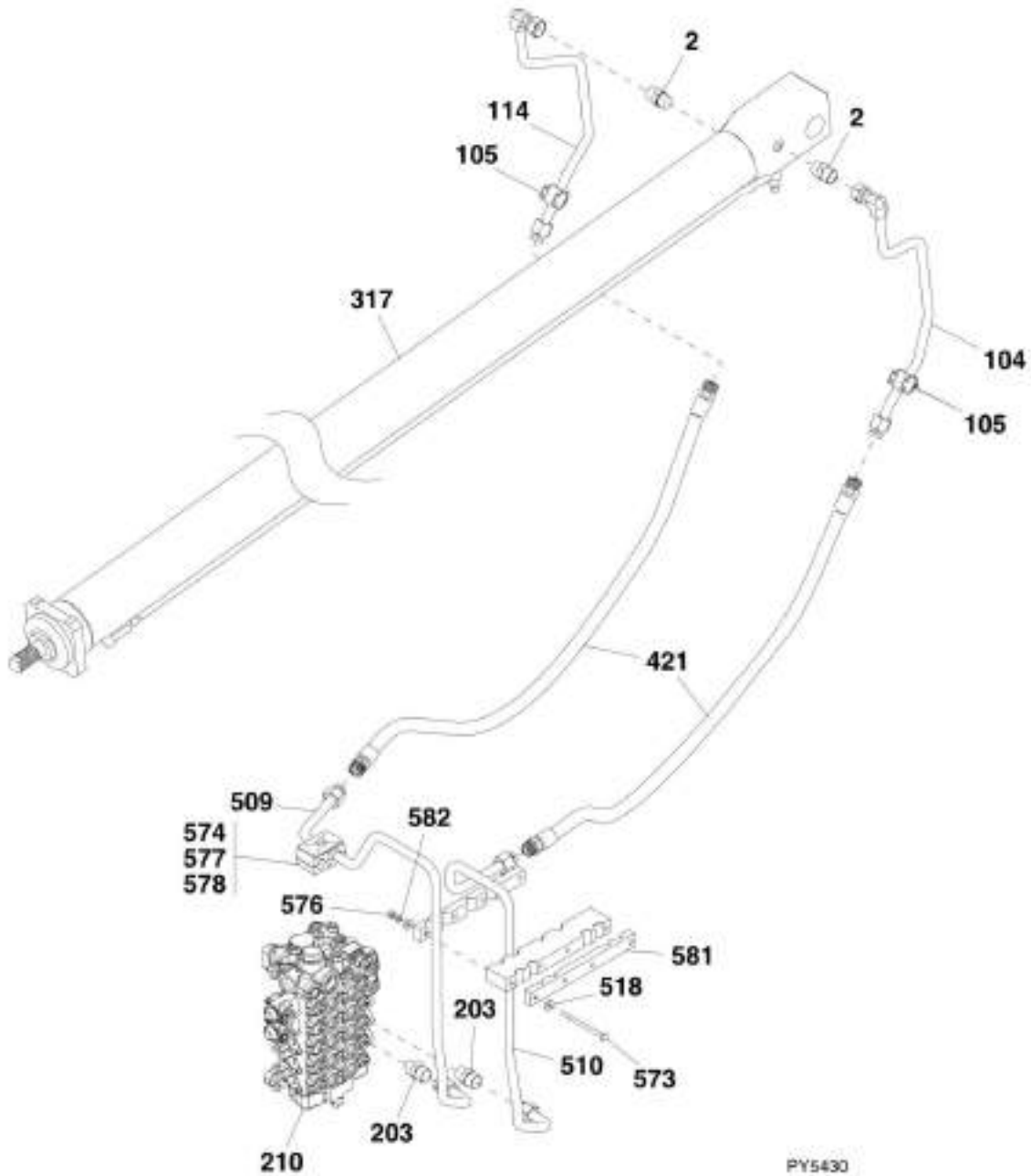
SECTION 8 - HYDRAULIC CIRCUITS

FIGURE 8-17. CROWD CYLINDER (Prior to SN 0160040675, Excluding 0160040468 and 0160040672)

ITEM	PART NUMBER	QTY	DESCRIPTION	REV
1		Ref	CROWD CYLINDER, (See HYDRAULIC COMPONENTS SECTION for Breakdown)	
2	2220451	4	CONNECTOR, (includes item 3)	
3	N.S.S.	4	O-RING	
4	91513146	1	TUBE ASSY (Prior to SN 0160037671)	
4	1001102093	1	TUBE ASSY (SN 0160037671 through 0160040674, Excluding 0160040468 and 0160040672)	
5	91513145	1	TUBE ASSY (Prior to SN 0160037671)	
5	1001102092	1	TUBE ASSY (SN 0160037671 through 0160040674, Excluding 0160040468 and 0160040672)	
6	90207463	2	CLAMP	
7	84719870	2	HOSE ASSY (Prior to SN 0160037671)	
7	1001102930	2	HOSE ASSY (SN 0160037671 through 0160040674, Excluding 0160040468 and 0160040672)	
8	91513165	1	TUBE ASSY	
9	1001113159	1	TUBE ASSY	
10		Ref	MAIN CONTROL VALVE, (See HYDRAULIC COMPONENTS SECTION for Breakdown)	

SECTION 8 - HYDRAULIC CIRCUITS

FIGURE 8-18. CROWD CYLINDER (SN 0160040675 to Present, Including 0160040468 and 0160040672)



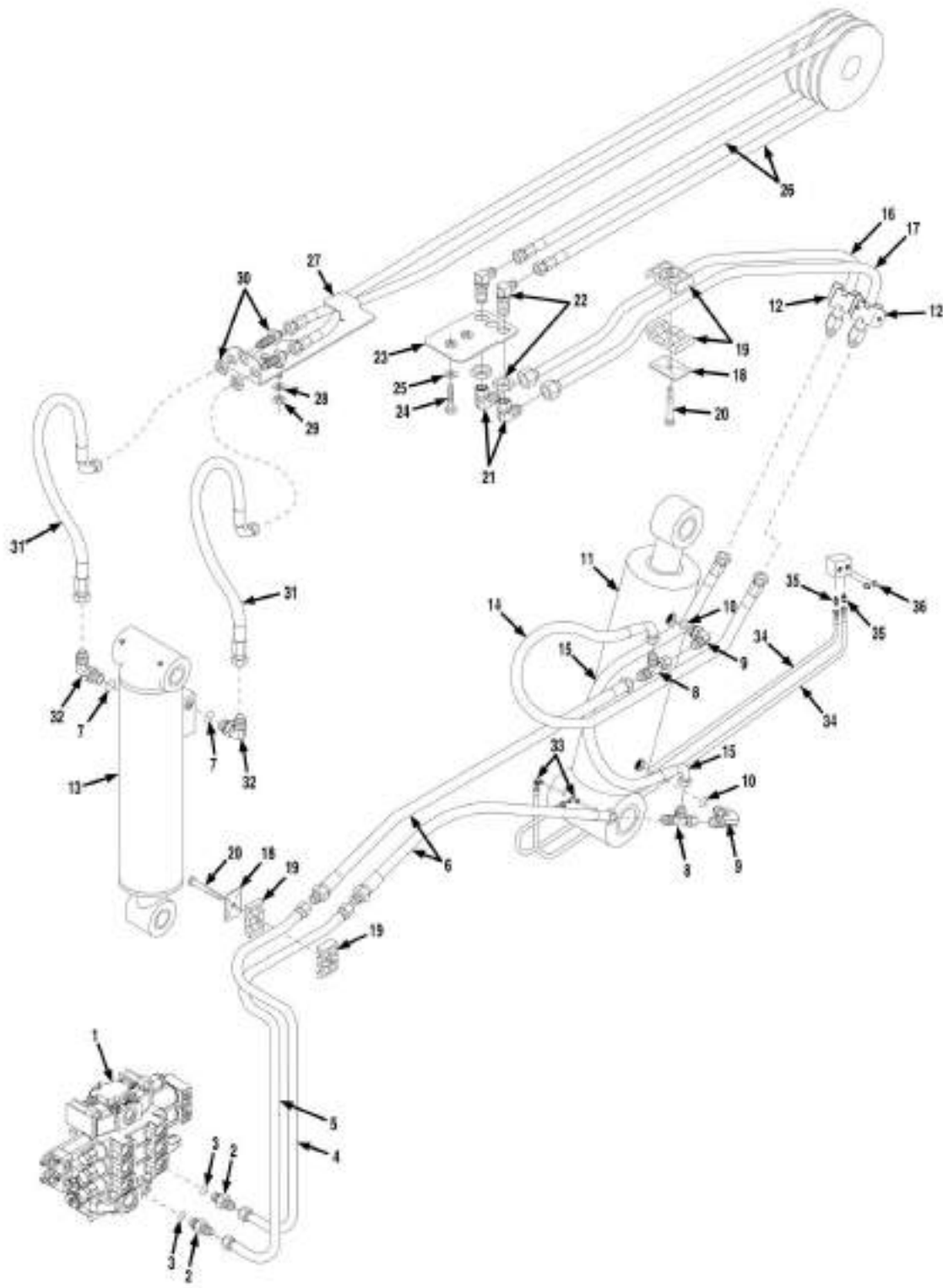
SECTION 8 - HYDRAULIC CIRCUITS

FIGURE 8-18. CROWD CYLINDER (SN 0160040675 to Present, Including 0160040468 and 0160040672)

ITEM	PART NUMBER	QTY	DESCRIPTION	REV
2	2111212	2	CONNECTOR, (includes o-ring)	
104	1001107162	1	TUBE ASSY, (left)	
105	90207463	2	CLAMP	
114	1001102093	1	TUBE ASSY, (right)	
203	2111212	2	CONNECTOR, (includes o-ring)	
210		Ref	MAIN CONTROL VALVE, (See HYDRAULIC COMPONENTS SECTION for Breakdown)	
317		Ref	CROWD CYLINDER, (See HYDRAULIC COMPONENTS SECTION for Breakdown)	
421	1001103060	2	HOSE ASSY	
509	1001113497	1	PIPE ASSY	
510	1001113498	1	PIPE ASSY	
518	4751400	8	WASHER, 1/4	
573	0641430	4	HEX HD CAPSCREW, 1/4-20X3-3/4, GR5	
574	0641514	1	HEX HD CAPSCREW, 5/16-18X1-3/4, GR5	
576	3311401	4	HEX NUT, 1/4-20	
577	77133136	1	TWIN CLAMP	
578	77133137	1	COVER PLATE	
581	1001126756	1	TUBES CLAMP	
582	4761400	4	LOCKWASHER, 1/4	

SECTION 8 - HYDRAULIC CIRCUITS

FIGURE 8-19. TILT AND TILT COMPENSATING CYLINDER (Prior to SN 0160040675, Excluding 0160040468 and 0160040672)



SECTION 8 - HYDRAULIC CIRCUITS

FIGURE 8-19. TILT AND TILT COMPENSATING CYLINDER (Prior to SN 0160040675, Excluding 0160040468 and 0160040672)

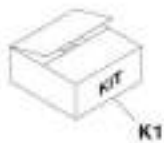
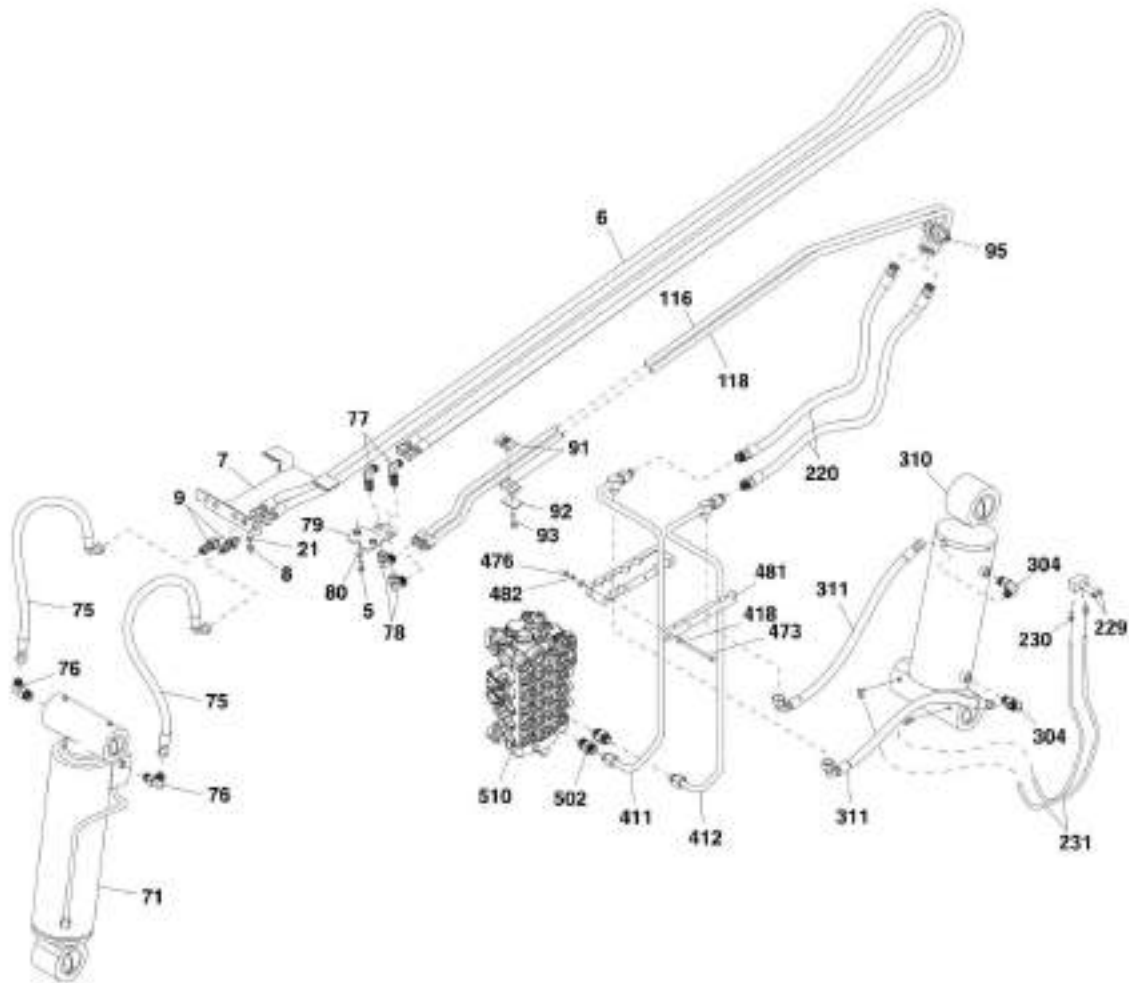
ITEM	PART NUMBER	QTY	DESCRIPTION	REV
1		Ref	MAIN CONTROL VALVE, (See HYDRAULIC COMPONENTS SECTION for Breakdown)	
2	2220947	2	CONNECTOR, (includes item 3)	
3	N.S.S.	2	O-RING	
4	1001113153	1	TUBE ASSY	
5	91513167	1	TUBE ASSY	
6	84719871	2	HOSE ASSY	
7	88591206	2	O-RING	
8	2220385	2	SWIVEL NUT RUN TEE, 1/2 TUBE	
9	2220671	2	ELBOW, 90, (includes item 10)	
10	N.S.S.	2	O-RING	
11		Ref	COMPENSATING CYLINDER, (See HYDRAULIC COMPONENTS SECTION for Breakdown)	
12	91083217	2	CLAMP	
13		Ref	TILT CYLINDER, (See HYDRAULIC COMPONENTS SECTION for Breakdown)	
14	84719873	1	HOSE ASSY (Prior to SN 0160037671)	
14	1001102745	1	HOSE ASSY (SN 0160037671 through 0160040674, Excluding 0160040468 and 0160040672)	
15	84719872	1	HOSE ASSY (Prior to SN 0160037671)	
15	1001102746	1	HOSE ASSY (SN 0160037671 through 0160040674, Excluding 0160040468 and 0160040672)	
16	4569362	1	TUBE ASSY (Prior to SN 0160037671)	
16	1001001340	1	TUBE ASSY (SN 0160037671 through 0160040674, Excluding 0160040468 and 0160040672)	
17	91513031	1	TUBE ASSY (Prior to SN 0160037671)	
17	1001001340	1	TUBE ASSY (SN 0160037671 through 0160040674, Excluding 0160040468 and 0160040672)	
18	77133140	2	COVER PLATE	
19	77133139	2	CLAMP SET	
20	77133177	2	HEX HD CAPSCREW, 5/16X1-3/8	
21	91513140	2	FITTING, 90	
22	2230044	2	BULKHEAD FITTING, 90	
23	0903289	1	HOSE BRACKET (Prior to SN 0160037671)	
24	88201034	2	HEX HD CAPSCREW, 3/8-16X7/8, GR5	
25	88561109	2	FLAT WASHER, 3/8	
26	84719754	2	HOSE ASSY (Prior to SN 0160016442, Including 0160016451 and , Excluding 0160015935 and 0160015936)	
26	2754504	1	HOSE ASSY (SN 0160016442 through 0160037670, Including 0160015935 and 0160015936, Excluding 0160016451 and)	
26	1001102977	1	HOSE ASSY (SN 0160037671 through 0160040674, Excluding 0160040468 and 0160040672)	
27	91516021	1	HOSE RETAINER	
28	88551011	2	LOCKWASHER, 3/8 (Prior to SN 0160037671)	
28	4761600	2	LOCKWASHER, 3/8 (SN 0160037671 through 0160040674, Excluding 0160040468 and 0160040672)	
29	88501006	2	HEX NUT, 3/8-16	
30	2230025	2	BULKHEAD UNION, 9/16-16X1/2, TUBE (Prior to SN 0160037671)	
30	2171108	2	BULKHEAD UNION, 9/16-16X1/2, TUBE (SN 0160037671 through 0160040674, Excluding 0160040468 and 0160040672)	

SECTION 8 - HYDRAULIC CIRCUITS

ITEM	PART NUMBER	QTY	DESCRIPTION	REV
31	84719755	2	HOSE ASSY (Prior to SN 0160037671)	
31	1001103293	2	HOSE ASSY (SN 0160037671 through 0160040674, Excluding 0160040468 and 0160040672)	
32	2220671	2	ELBOW, 90, (includes item 7)	
33	88661102	2	MALE ELBOW, 90, 3/16X1/8 TUBE (Prior to SN 0160037671)	
34	84719940	2	HOSE ASSY, GREASE	
35	88661002	2	MALE CONNECTOR, 3/16X1/8 TUBE	
36	88671001	2	LUBE FITTING, STRAIGHT, 1/8X27	

SECTION 8 - HYDRAULIC CIRCUITS

FIGURE 8-20. TILT AND TILT COMPENSATING CYLINDER (SN 0160040675 to Present, Including 0160040468 and 0160040672)



PWP11411

SECTION 8 - HYDRAULIC CIRCUITS

FIGURE 8-20. TILT AND TILT COMPENSATING CYLINDER (SN 0160040675 to Present, Including 0160040468 and 0160040672)

ITEM	PART NUMBER	QTY	DESCRIPTION	REV
5	0641607	2	HEX HD CAPSCREW, 3/8-16X7/8, GR5	
6	1001001335	1	TWINLINE HOSE	
7	1001113353	1	HOSE SUPPORT	
8	3311602	2	HEX NUT, 3/8-16	
9	2171108	2	BULKHEAD	
21	4761600	2	LOCKWASHER, 3/8	
71		Ref	TILT CYLINDER, (See HYDRAULIC COMPONENTS SECTION for Breakdown)	
75	1001001336	2	HOSE ASSY	
76	2130810	2	ELBOW, 90, (includes o-ring)	
77	2171208	2	BULKHEAD, 90	
78	2221254	2	BULKHEAD, 90, (swivel nut)	
79	1001090125	1	HOSE BRACKET (SN 0160037671 to Present)	
80	4711600	2	FLAT WASHER, 3/8	
91	77133139	4	CLAMP SET	
92	77133140	4	COVER PLATE	
93	77133177	4	HEX BOLT, 5/16X1-3/8	
95	91083217	2	CLAMP	
116	1001001340	1	TUBE ASSY	
220	1001103057	1	HOSE ASSY	
229	2160002	2	STRAIGHT LUBE FITTING	
230	88661002	2	MALE CONNECTOR, 3/16X1/8 TUBE	
231	84719940	2	HOSE ASSY, GREASE	
232	1001153342	1	HOSE ASSEMBLY	
304	2130810	2	ELBOW, 90, (includes o-ring)	
310		Ref	COMPENSATING CYLINDER, (See HYDRAULIC COMPONENTS SECTION for Breakdown)	
311	1001103039	2	HOSE ASSY	
411	1001113501	NLA	PIPE ASSY, (G9-43A), (no longer available, use Kit K1 for the replacement) (Prior to SN 0160041324)	
411	1001130277	1	PIPE ASSY, (G9-43A) (SN 0160041324 to Present)	
412	1001113502	NLA	PIPE ASSY, (G9-43A), (no longer available, use Kit K1 for the replacement) (Prior to SN 0160041324)	
412	1001130279	1	PIPE ASSY, (G9-43A) (SN 0160041324 to Present)	
418	4751400	8	WASHER, 1/4	
473	0641430	4	HEX HD CAPSCREW, 1/4-20X3-3/4, GR5	
476	3311401	4	HEX NUT, 1/4-20	
481	1001126756	1	TUBES CLAMP	
482	4761400	4	LOCKWASHER, 1/4	
502	2111012	2	CONNECTOR, (includes o-ring)	
510		Ref	MAIN CONTROL VALVE, (See HYDRAULIC COMPONENTS SECTION for Breakdown)	
K1	1001130327	1	TUBE REPLACEMENT KIT	

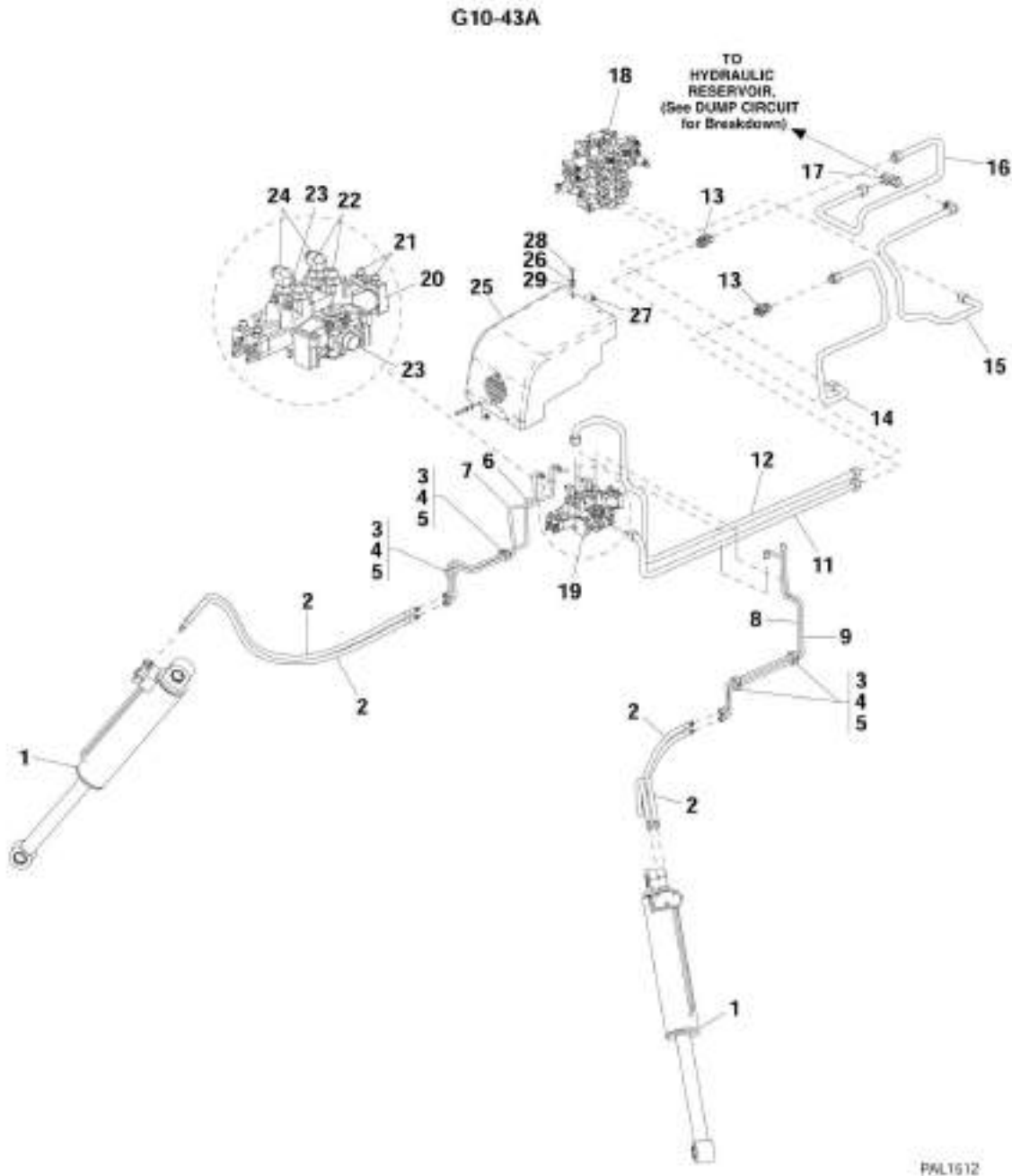
SECTION 8 - HYDRAULIC CIRCUITS

FIGURE 8-21. SWAY CYLINDER

ITEM	PART NUMBER	QTY	DESCRIPTION	REV
1		Ref	SWAY CYLINDER, (See HYDRAULIC COMPONENTS SECTION for Breakdown)	
2		Ref	SWAY CYLINDER VALVE, (See HYDRAULIC COMPONENTS SECTION for Breakdown)	
3	0641414	3	HEX HD CAPSCREW, 1/4-20X1-3/4, GR5, (torque to 9-12 lb-ft)	
4	4761400	3	LOCKWASHER, 1/4	
5	2220371	2	CONNECTOR, (includes o-ring) (Prior to SN 0160040675, Excluding 0160040468 and 0160040672)	
5	2110606	2	CONNECTOR, (includes o-ring) (SN 0160040675 to Present, Including 0160040468 and 0160040672)	
6	N.S.S.	2	O-RING	
7	84719874	2	HOSE ASSY (Prior to SN 0160040675, Excluding 0160040468 and 0160040672)	
7	1001118560	2	HOSE ASSY (SN 0160040675 to Present, Including 0160040468 and 0160040672)	
8	91513135	1	TUBE ASSY (Prior to SN 0160038369, Excluding 0160037974)	
8	1001112080	1	TUBE ASSY (SN 0160038369 through 0160040674, Including 0160037974, Excluding 0160040468 and 0160040672)	
8	1001105339	1	TUBE ASSY (SN 0160040675 to Present, Including 0160040468 and 0160040672)	
9	91513134	1	TUBE ASSY (Prior to SN 0160038369, Excluding 0160037974)	
9	1001112079	1	TUBE ASSY (SN 0160038369 through 0160040674, Including 0160037974, Excluding 0160040468 and 0160040672)	
9	1001105338	1	TUBE ASSY (SN 0160040675 to Present, Including 0160040468 and 0160040672)	
10	2220372	2	CONNECTOR, (includes o-ring) (Prior to SN 0160040675, Excluding 0160040468 and 0160040672)	
10	2110612	2	CONNECTOR, (includes o-ring) (SN 0160040675 to Present, Including 0160040468 and 0160040672)	
11	N.S.S.	2	O-RING	
12	4751400	4	FLAT WASHER, 1/4	
13	0641408	4	HEX HD CAPSCREW, 1/4-20X1, GR5	
14		Ref	MAIN CONTROL VALVE, (See HYDRAULIC COMPONENTS SECTION for Breakdown)	
15	77133270	4	CLAMP SET	
16	0100011	AR	LOCTITE 242	

SECTION 8 - HYDRAULIC CIRCUITS

FIGURE 8-22. OUTRIGGER CYLINDERS G10-43A (Prior to SN 0160040675, Excluding 0160040468 and 0160040672)



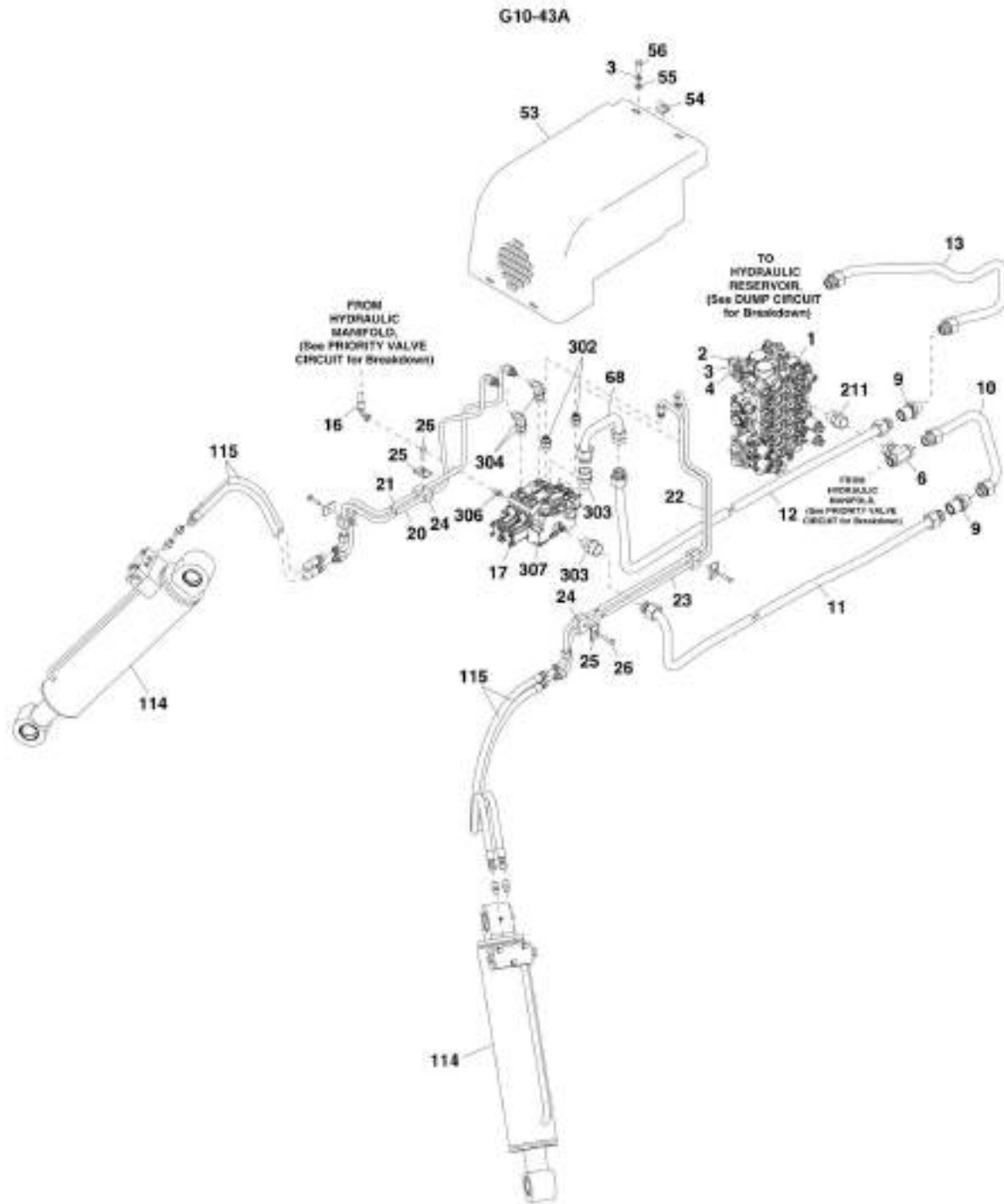
SECTION 8 - HYDRAULIC CIRCUITS

FIGURE 8-22. OUTRIGGER CYLINDERS G10-43A (Prior to SN 0160040675, Excluding 0160040468 and 0160040672)

ITEM	PART NUMBER	QTY	DESCRIPTION	REV
1		Ref	OUTRIGGER CYLINDER, (See HYDRAULIC COMPONENTS SECTION for Breakdown)	
2	1001110738	4	HOSE ASSY	
3	0641511	4	HEX HD CAPSCREW, 5/16-18X1-3/8	
4	77133140	4	COVER PLATE	
5	77133168	4	CLAMP	
6	1001090042	1	TUBE ASSY	
7	1001090039	1	TUBE ASSY	
8	1001090040	1	TUBE ASSY	
9	1001090041	1	TUBE ASSY	
11	1001090036	1	TUBE ASSY	
12	1001092252	1	TUBE ASSY	
13	2171116	2	BULKHEAD FITTING	
14	1001090035	1	TUBE ASSY	
15	1001090195	1	HYDRAULIC RETURN TUBE	
16	1001090037	1	TUBE ASSY	
17	2170716	1	SWIVEL RUN TEE	
18		Ref	MAIN CONTROL VALVE, (See HYDRAULIC COMPONENTS SECTION for Breakdown)	
19	1001090022	1	OUTRIGGER VALVE ASSY, (includes items 20 thru 24)	
20		Ref	OUTRIGGER CONTROL VALVE, (See HYDRAULIC COMPONENTS SECTION for Breakdown)	
21	2110406	4	CONNECTOR, (includes o-ring)	
22	2110812	2	CONNECTOR, (includes o-ring)	
23	2111616	2	CONNECTOR, (includes o-ring)	
24	2130812	2	ELBOW, 90, (includes o-ring)	
25		Ref	FRONT COVER, (See FRAME AND ATTACHING PARTS SECTION for Breakdown)	
26		Ref	LOCKWASHER, 3/8, (See FRAME AND ATTACHING PARTS SECTION item 46 for Breakdown)	
27		Ref	TINNERMAN NUT, (See FRAME AND ATTACHING PARTS SECTION item 67 for Breakdown)	
28		Ref	HEX HD CAPSCREW, 3/8-16X1-1/4, GR5, (See FRAME AND ATTACHING PARTS SECTION item 11 for Breakdown)	
29		Ref	FLAT WASHER, 3/8, (See FRAME AND ATTACHING PARTS SECTION 18 for Breakdown)	

SECTION 8 - HYDRAULIC CIRCUITS

FIGURE 8-23. OUTRIGGER CYLINDERS G10-43A (SN 0160040675 to Present, Including 0160040468 and 0160040672)



ART_91514001-9-23

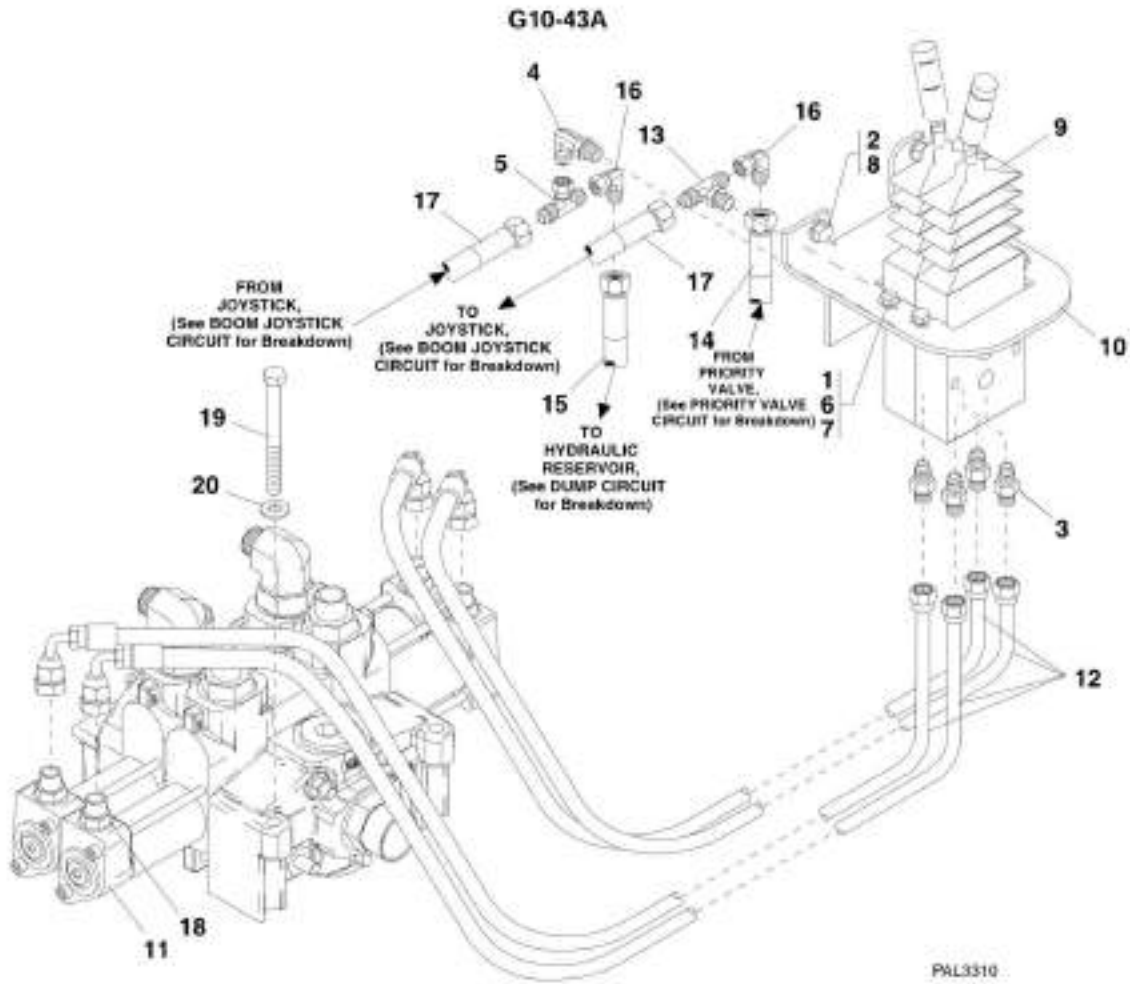
SECTION 8 - HYDRAULIC CIRCUITS

FIGURE 8-23. OUTRIGGER CYLINDERS G10-43A (SN 0160040675 to Present, Including 0160040468 and 0160040672)

ITEM	PART NUMBER	QTY	DESCRIPTION	REV
1		Ref	MAIN CONTROL VALVE ASSY, (See HYDRAULIC COMPONENTS SECTION for Breakdown)	
2	8304042	4	CARRIAGE BOLT, 3/8-16X1-1/2, GR2	
3	4761600	8	LOCKWASHER, 3/8	
4	88501006	4	HEX NUT, 3/8-16	
6	2170816	1	ADAPTER, BRANCH TEE, (includes o-ring)	
9	2171116	2	FITTING, BULKHEAD UNION	
10	1001105751	1	HYDRAULIC PIPE	
11	1001105752	1	HYDRAULIC PIPE	
12	1001105753	1	HYDRAULIC PIPE	
13	1001118065	1	HYDRAULIC PIPE	
16	1001127442	1	HOSE ASSY	
17		Ref	OUTRIGGER CONTROL VALVE ASSY, (See HYDRAULIC COMPONENTS SECTION for Breakdown)	
20	1001105755	1	HYDRAULIC PIPE	
21	1001105756	1	HYDRAULIC PIPE	
22	1001105757	1	HYDRAULIC PIPE	
23	1001105758	1	HYDRAULIC PIPE	
24	77133168	4	CLAMP SET	
25	77133140	4	COVER PLATE	
26	0641511	4	HEX HD CAPSCREW, 5/16-18X1-3/8, GR5	
53		Ref	OUTRIGGER VALVE COVER, (See FRAME AND ATTACHING PARTS SECTION for Breakdown)	
54	88662523	4	TINNERMAN NUT	
55	4751600	4	WASHER, 3/8	
56	0641610	4	HEX HD CAPSCREW, 3/8-16X1-1/4, GR5	
68	1001108288	1	HYDRAULIC PIPE	
114		Ref	OUTRIGGER CYLINDER, (See HYDRAULIC COMPONENTS SECTION for Breakdown)	
115	1001165142	4	HOSE ASSY	
211	2111616	1	ADAPTER, STRAIGHT, (includes o-ring)	
302	2110810	2	ADAPTER, STRAIGHT, (includes o-ring)	
303	2111612	2	ADAPTER, STRAIGHT, (includes o-ring)	
304	2130810	2	ADAPTER, 90, (includes o-ring)	
306	2110404	1	ADAPTER, STRAIGHT, (includes o-ring)	
307	2220240	3	ADAPTER, PLUG	

SECTION 8 - HYDRAULIC CIRCUITS

FIGURE 8-24. OUTRIGGER JOYSTICKS G10-43A (Prior to SN 0160040675, Excluding 0160040468 and 0160040672)



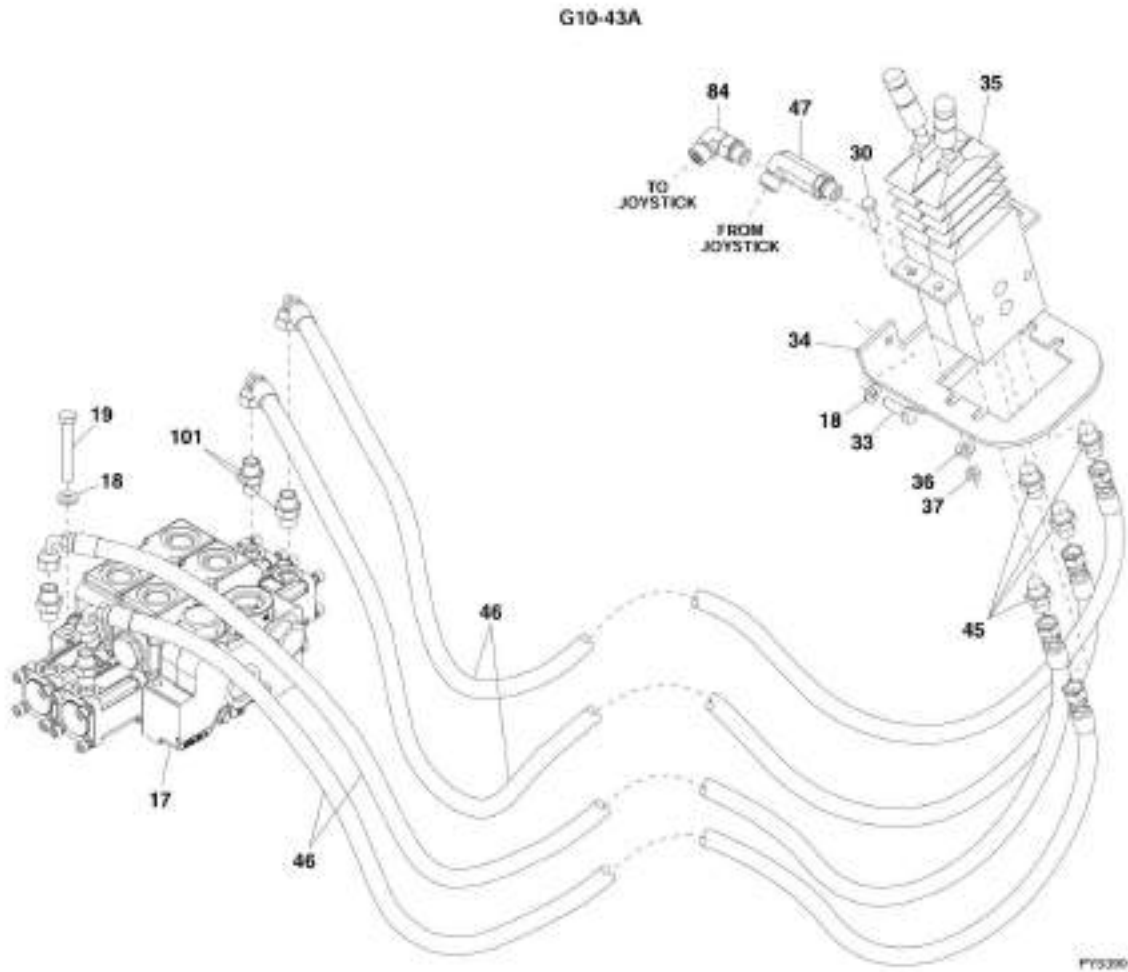
SECTION 8 - HYDRAULIC CIRCUITS

FIGURE 8-24. OUTRIGGER JOYSTICKS G10-43A (Prior to SN 0160040675, Excluding 0160040468 and 0160040672)

ITEM	PART NUMBER	QTY	DESCRIPTION	REV
1	0641408	4	HEX HD CAPSCREW, 1/4-20X1.00, GR5	
2	0641508	3	HEX HD CAPSCREW, 5/16-18X1, GR5	
3	2110406	4	CONNECTOR, (includes o-ring)	
4	2170206	1	ELBOW, 90	
5	2170806	1	CONNECTOR, BRANCH TEE, (swivel nut), (includes o-ring)	
6	3311405	4	NUT, 1/4-20, GR2	
7	4711400	4	FLAT WASHER, 1/4	
8	4711500	3	FLAT WASHER, 5/16	
9		Ref	CONTROLLER, (See CONTROLS SECTION for Breakdown)	
10	1001090021	1	CONTROLLER BRACKET	
11		Ref	OUTRIGGER CONTROL VALVE, (See HYDRAULIC COMPONENTS SECTION for Breakdown)	
12	1001110745	4	HOSE ASSY	
13	2170406	1	CONNECTOR, BRANCH TEE, (includes o-ring)	
14	1001114708	1	HOSE ASSY	
15	1001110746	1	HOSE ASSY	
16	2172106	2	ELBOW, 90, (swivel nut), (includes o-ring)	
17		Ref	HOSE ASSY, (See BOOM JOYSTICK CIRCUIT item 9 for Breakdown)	
18		Ref	CONNECTOR, (See OUTRIGGER CYLINDERS item 21 for Breakdown)	
19	0641526	3	HEX HD CAPSCREW, 5/16-18X3-1/4, GR5	
20	4711500	3	FLAT WASHER, 5/16	

SECTION 8 - HYDRAULIC CIRCUITS

FIGURE 8-25. OUTRIGGER JOYSTICKS G10-43A (SN 0160040675 to Present, Including 0160040468 and 0160040672)



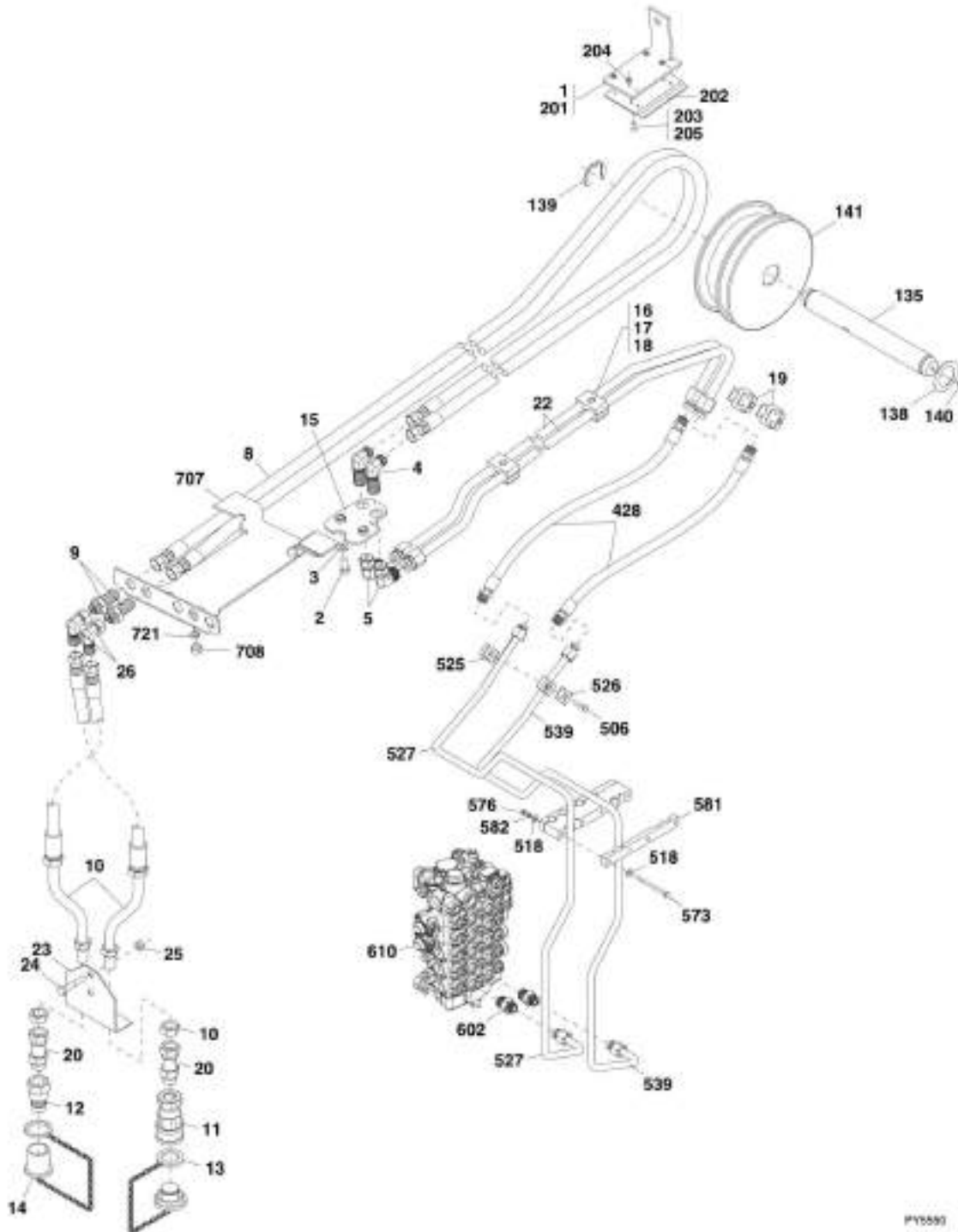
SECTION 8 - HYDRAULIC CIRCUITS

FIGURE 8-25. OUTRIGGER JOYSTICKS G10-43A (SN 0160040675 to Present, Including 0160040468 and 0160040672)

ITEM	PART NUMBER	QTY	DESCRIPTION	REV
17		Ref	OUTRIGGER VALVE ASSY, (See HYDRAULIC COMPONENTS SECTION for Breakdown)	
18	4711500	6	WASHER, 5/16	
19	0641520	3	HEX HD CAPSCREW, 5/16-18X2-1/2, GR5	
30	0641408	4	HEX HD CAPSCREW, 1/4-20X1, GR5	
33	0641508	3	HEX HD CAPSCREW, 5/16-18X1, GR5	
34	1001090021	1	BRACKET	
35		Ref	CONTROLLER, (See CONTROLS SECTION for Breakdown)	
36	4711400	4	WASHER, 1/4	
37	3311405	4	HEX LOCKNUT, 1/4-20	
45	2110406	4	ADAPTER, STRAIGHT, (includes o-ring)	
46	2753787	4	HOSE ASSY	
47	2170206	1	ADAPTER, 90, (includes o-ring)	
84	2130606	1	ADAPTER, 90, (includes o-ring)	
101	2110406	4	ADAPTER, STRAIGHT, (includes o-ring)	

SECTION 8 - HYDRAULIC CIRCUITS

FIGURE 8-26. AUXILIARY HYDRAULICS (SN 0160040675 to Present, Including 0160040468 and 0160040672)



PY5593

SECTION 8 - HYDRAULIC CIRCUITS

FIGURE 8-26. AUXILIARY HYDRAULICS (SN 0160040675 to Present, Including 0160040468 and 0160040672)

ITEM	PART NUMBER	QTY	DESCRIPTION	REV
1	91515028	1	HOSE RETAINER ASSY, (includes items 201 thru 205)	D
2	0641607	2	HEX HD CAPSCREW, 3/8-16X7/8, GR5	
3	4711600	2	FLAT WASHER, 3/8	
4	2171208	2	BULKHEAD, 90	
5	2221254	2	ELBOW, 90, (swivel nut)	
8	1001001335	1	TWINLINE HOSE	
9	2171108	2	BULKHEAD FITTING	
10	1001001338	2	HYDRAULIC HOSE	
11	91403413	1	QUICK DISCONNECT COUPLER, FEMALE	
12	91403414	1	QUICK DISCONNECT COUPLER, MALE	
13	91043125	1	DUST PLUG	
14	91043126	1	DUST CAP	
15	1001090126	1	HOSE BRACKET	
16	77133139	4	CLAMP SET	
17	77133140	4	COVER PLATE	
18	77133177	4	HEX BOLT, 5/16X1-3/8	
19	91083217	2	CLAMP	
20	2180849	2	ADAPTER, STRAIGHT	
22	1001001341	2	TUBE ASSY	
23	1001098425	1	AUX MOUNT BRACKET	
24	0641612	2	HEX HD CAPSCREW, 3/8-16X1-1/2, GR5	
25	8305645	2	HEX LOCKNUT, 3/8-16	
26	2172108	2	ADAPTER, 90, (includes o-ring)	
135	91513110	1	RETAINER SHEAVE PIN	
138	91403126	2	THRUST WASHER	
138	91403127	AR	THRUST WASHER	
139	90028932	1	RETAINING RING	
140	2160002	1	LUBE FITTING, STRAIGHT	
141	3580346	1	HOSE PULLEY	
201	91511111	1	HOSE RETAINER	
202	91513026	1	PAD	
203	88241023	4	FLAT HD SCREW, #10-24X5/8	
204	88501612	4	HEX NUT, #10-24	
205	14404102	AR	LOCTITE 277	
428	1001103250	2	HOSE ASSY	
506	0641511	1	HEX HD CAPSCREW, 5/16-18X1-3/8, GR5	
518	4751400	8	WASHER, 1/4	
525	77133139	1	CLAMP SET	
526	77133140	1	COVER PLATE	
527	1001113503	1	PIPE ASSY	
539	1001113504	1	PIPE ASSY	
573	0641430	4	HEX HD CAPSCREW, 1/4-20X3-3/4, GR5	
576	3311401	4	HEX NUT, 1/4-20	
581	1001126756	1	TUBES CLAMP	
582	4761400	4	LOCKWASHER, 1/4	
602	2111012	2	CONNECTOR, (includes o-ring)	
610		Ref	MAIN CONTROL VALVE, (See HYDRAULIC COMPONENTS SECTION for Breakdown)	

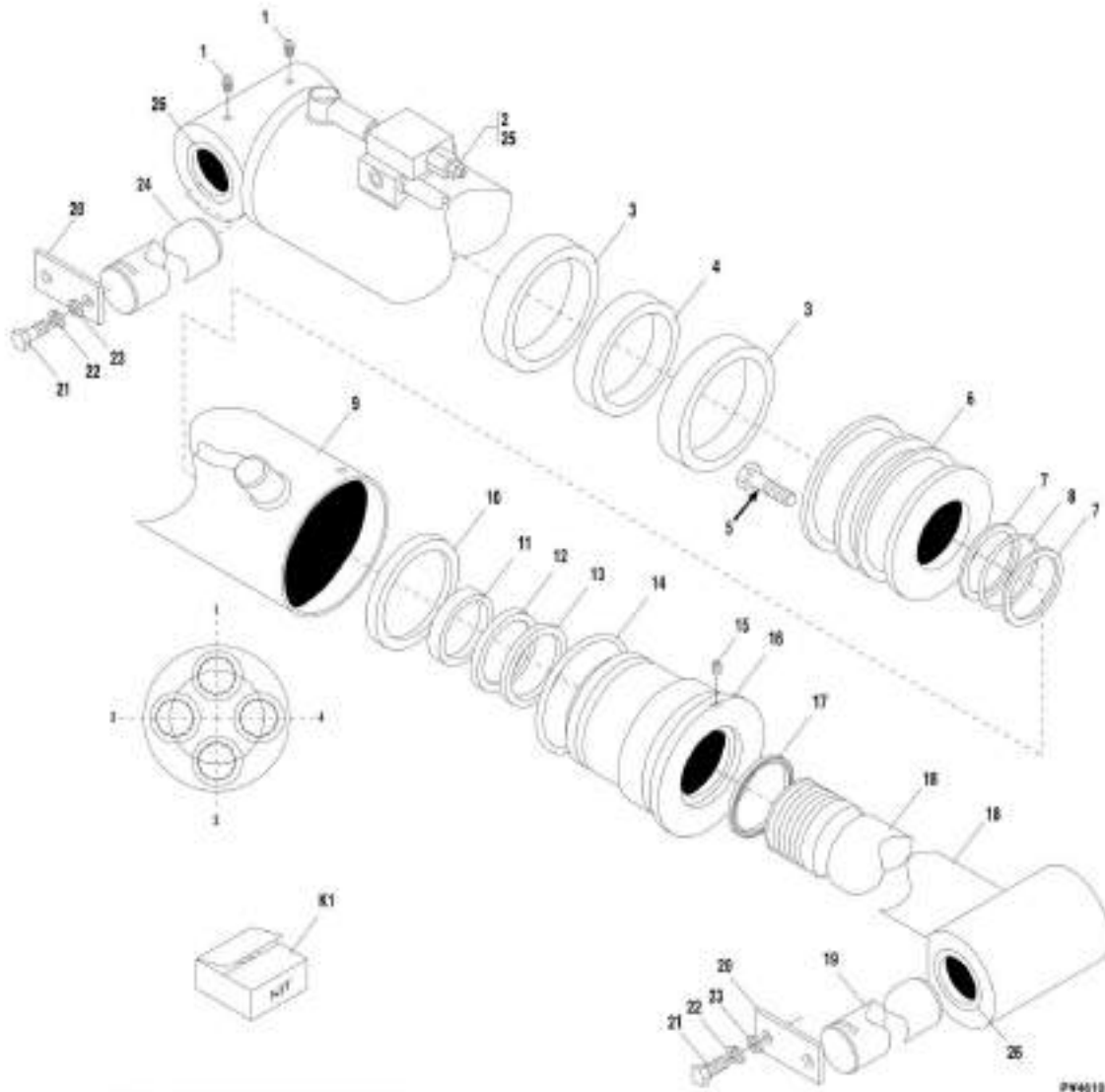
SECTION 8 - HYDRAULIC CIRCUITS

ITEM	PART NUMBER	QTY	DESCRIPTION	REV
707	1001113353	1	HOSE SUPPORT	
708	88501006	2	HEAVY HEX NUT, 3/8-16	
721	4761600	2	LOCKWASHER, 3/8	

SECTION 9 - HYDRAULIC COMPONENTS

SECTION 9 - HYDRAULIC COMPONENTS

FIGURE 9-1. LIFT CYLINDER (SN 0193001 through 0193007, SN 016000008 through 0160007141)



NOTE: PISTON TORQUE FOR ITEMS 5.
1. TORQUE ITEM 5 IN SEQUENCE SHOWN AT 190 LB-FT
2. TORQUE ITEM 5 IN SEQUENCE SHOWN AT 300 LB-FT3. TORQUE ITEM 5 IN SEQUENCE SHOWN AT 460 LB-FT
4. CHECK TORQUE IN CIRCULAR PATTERN. (MIN 2 TIMES)

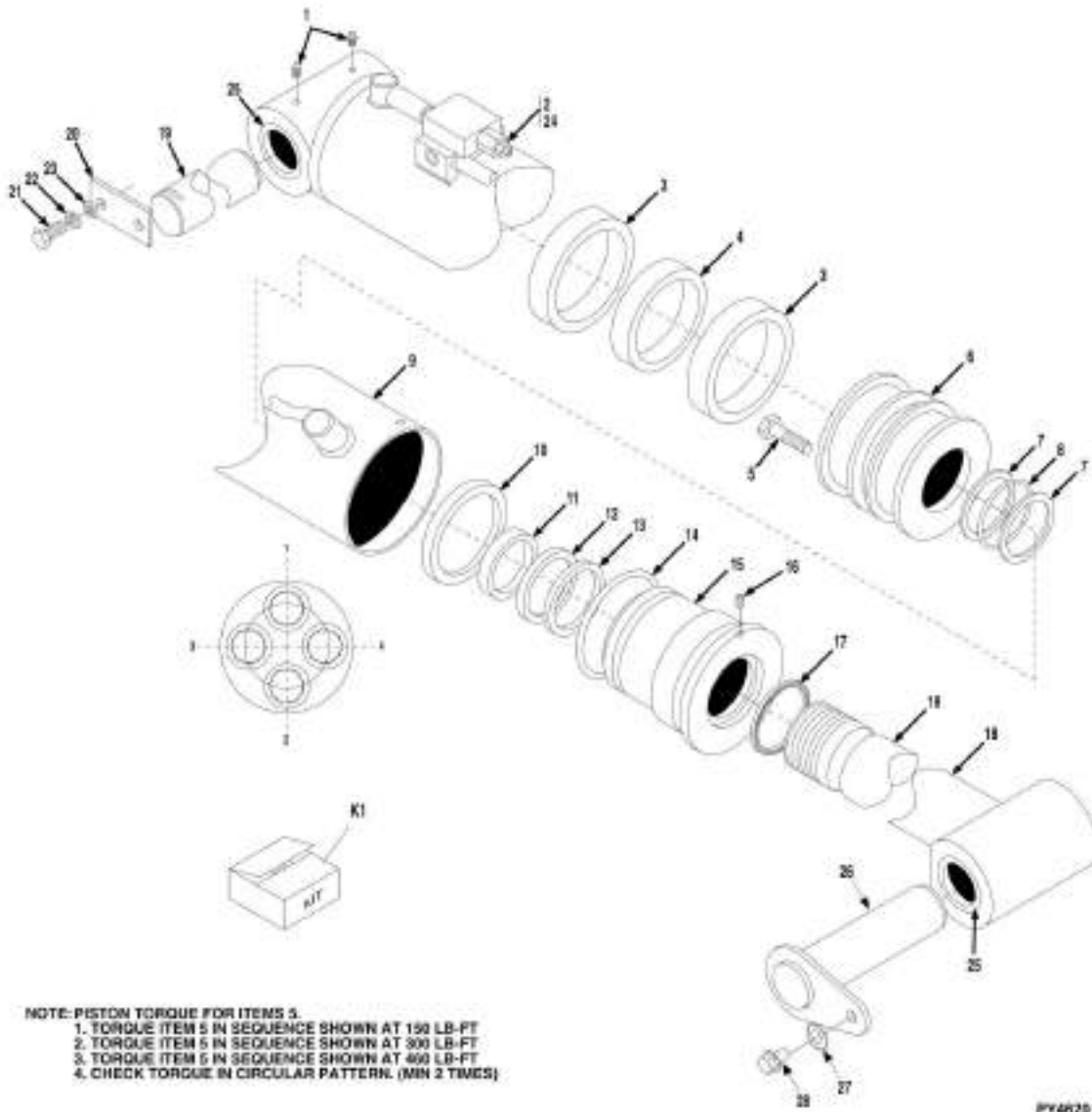
SECTION 9 - HYDRAULIC COMPONENTS

FIGURE 9-1. LIFT CYLINDER (SN 0193001 through 0193007, SN 016000008 through 0160007141)

ITEM	PART NUMBER	QTY	DESCRIPTION	REV
	91513039	1	LIFT CYLINDER, (includes items 1 thru 18)	
1	91144128	2	GREASE FITTING	
2	91514248	1	HOLDING VALVE CARTRIDGE, (includes item 25), (torque to 44 lb-ft)	
3	Kit	2	WEAR RING	
4	Kit	1	PISTON SEAL	
5	91514013	4	CAPSCREW, (torque to 460 lb-ft)	
6	91514014	1	PISTON	
7	Kit	2	BACK-UP RING	
8	Kit	1	O-RING	
9	91514009	1	CASE ASSY	
10	Kit	1	SEAL	
11	Kit	1	WEAR RING	
12	Kit	1	STEP SEAL	
13	Kit	1	U-CUP	
14	Kit	1	O-RING	
15	91514004	1	HEAD	
16	91124096	1	SETSCREW	
17	Kit	1	CANNED WIPER	
18	91514019	1	SHAFT ASSY	
19	91513056	1	PIN	
20	91401189	2	KEEPER	
21	88201065	4	HEX HD CAPSCREW, 1/2-13X1, GR5	
22	88551013	4	LOCKWASHER, 1/2	
23	88561111	4	FLAT WASHER, 1/2	
24	91513053	1	PIN	
25	91514251	1	SEAL KIT	
26	91514218	2	BUSHING	
K1	91514020	1	SEAL KIT, (includes items 3, 4, 7, 8, 10 thru 14 & 17)	

SECTION 9 - HYDRAULIC COMPONENTS

FIGURE 9-2. LIFT CYLINDER (SN 0160007176 through 0160007822)



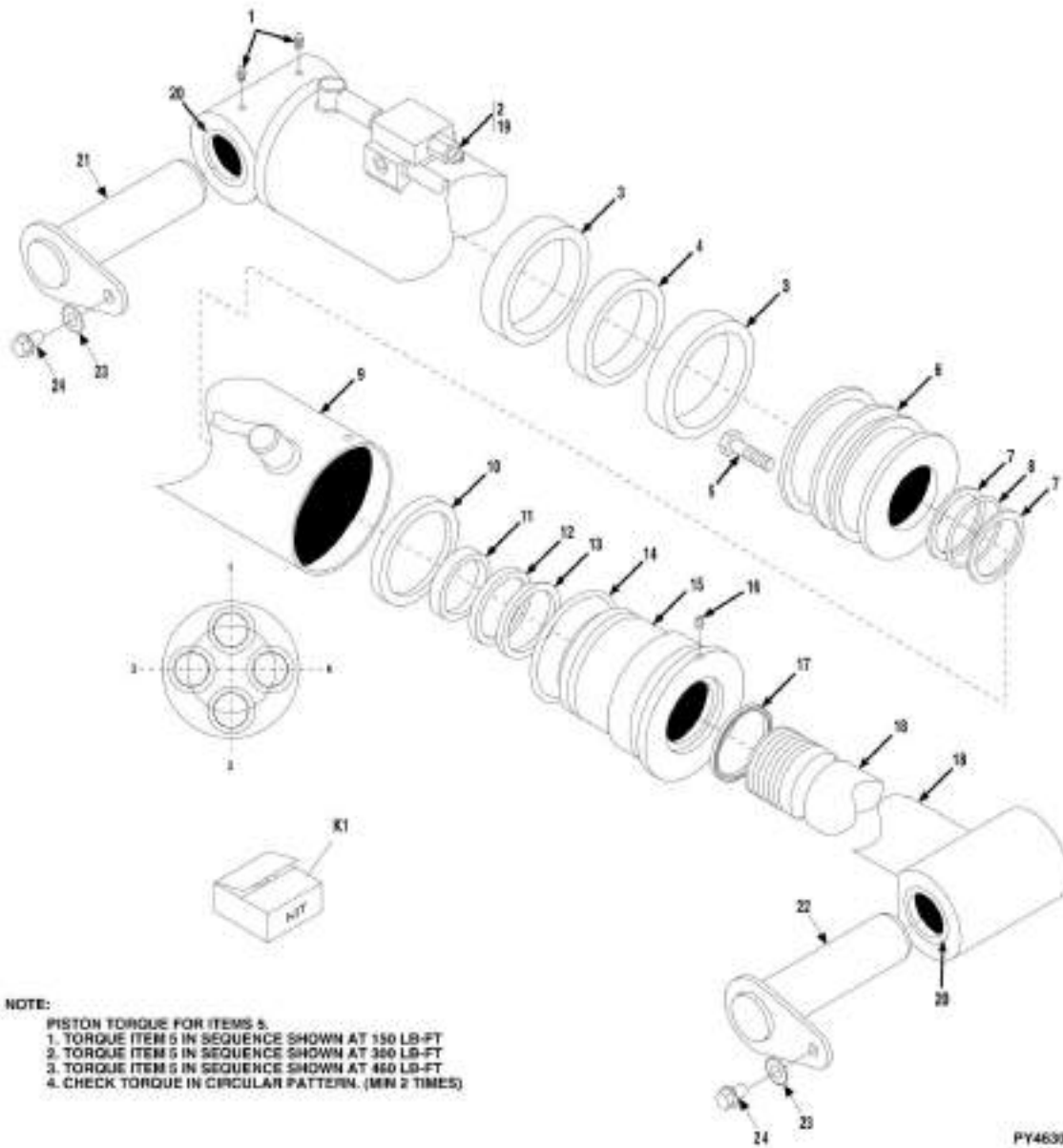
SECTION 9 - HYDRAULIC COMPONENTS

FIGURE 9-2. LIFT CYLINDER (SN 0160007176 through 0160007822)

ITEM	PART NUMBER	QTY	DESCRIPTION	REV
	91513039	1	LIFT CYLINDER, (includes items 1 thru 18)	
1	91144128	2	GREASE FITTING	
2	91514248	1	HOLDING VALVE CARTRIDGE, (includes item 24), (torque to 44 lb-ft)	
3	Kit	2	WEAR RING	
4	Kit	1	PISTON SEAL	
5	91514013	4	CAPSCREW, (torque to 460 lb-ft)	
6	91514014	1	PISTON	
7	Kit	2	BACK-UP RING	
8	Kit	1	O-RING	
9	91514009	1	CASE ASSY	
10	Kit	1	SEAL	
11	Kit	1	WEAR RING	
12	Kit	1	STEP SEAL	
13	Kit	1	U-CUP	
14	Kit	1	O-RING	
15	91514004	1	HEAD	
16	91124096	1	SETSCREW	
17	Kit	1	CANNED WIPER	
18	91514019	1	SHAFT ASSY	
19	91513053	1	PIN	
20	91401189	1	KEEPER	
21	88201065	2	HEX HD CAPSCREW, 1/2-13X1, GR5	
22	88551013	2	LOCKWASHER, 1/2	
23	88561111	2	FLAT WASHER, 1/2	
24	91514251	1	SEAL KIT	
25	91514218	2	BUSHING	
26	91513279	1	PIN	
27	4892000	1	HARD WASHER, 5/8	
28	0682010	1	HEX HD CAPSCREW, 5/8-11X1-1/4, GR8, (torque to 200-215 lb-ft)	
K1	91514020	1	SEAL KIT, (includes items 3, 4, 7, 8, 10 thru 14 & 17)	

SECTION 9 - HYDRAULIC COMPONENTS

FIGURE 9-3. LIFT CYLINDER (SN 0160008020 through 0160033297, Excluding 0160032951)



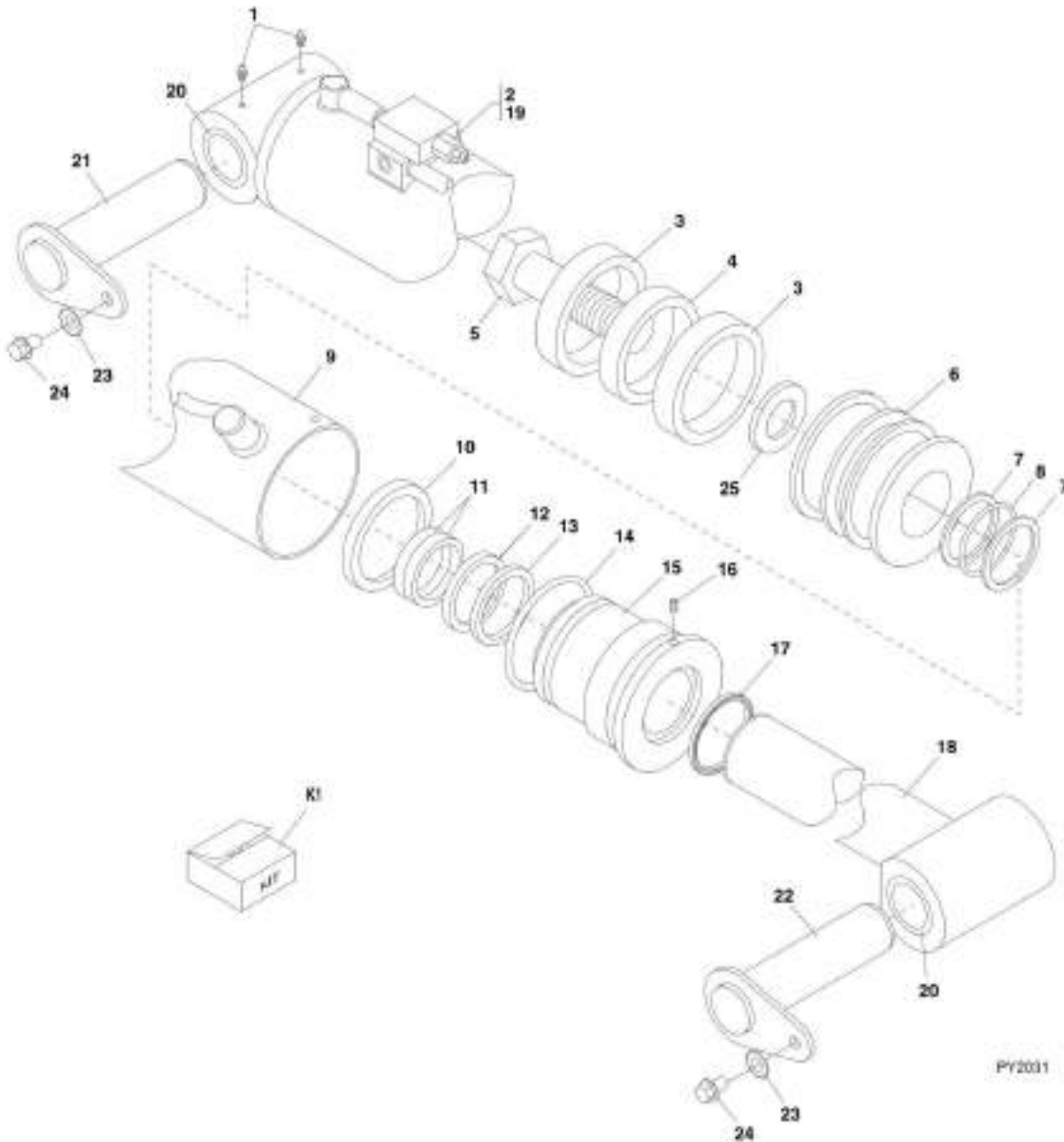
SECTION 9 - HYDRAULIC COMPONENTS

FIGURE 9-3. LIFT CYLINDER (SN 0160008020 through 0160033297, Excluding 0160032951)

ITEM	PART NUMBER	QTY	DESCRIPTION	REV
	91513039	1	LIFT CYLINDER, (includes items 1 thru 18)	
1	91144128	2	GREASE FITTING	
2	91514248	1	HOLDING VALVE CARTRIDGE, (includes item 19), (torque to 44 lb-ft)	
3	Kit	2	WEAR RING	
4	Kit	1	PISTON SEAL	
5	91514013	4	CAPSCREW, (torque to 460 lb-ft)	
6	91514014	1	PISTON	
7	Kit	2	BACK-UP RING	
8	Kit	1	O-RING	
9	91514009	1	CASE ASSY	
10	Kit	1	SEAL	
11	Kit	1	WEAR RING	
12	Kit	1	STEP SEAL	
13	Kit	1	U-CUP	
14	Kit	1	O-RING	
15	91514004	1	HEAD	
16	91124096	1	SETSCREW	
17	Kit	1	CANNED WIPER	
18	91514019	1	SHAFT ASSY	
19	91514251	1	SEAL KIT	
20	91514218	2	BUSHING	
21	91513279	1	PIN	
22	1001101706	1	PIN	
23	4892000	2	HARD WASHER, 5/8	
24	0682010	2	HEX HD CAPSCREW, 5/8-11X1-1/4, GR8, (torque to 200-215 lb-ft)	
K1	91514020	1	SEAL KIT, (includes items 3, 4, 7, 8, 10 thru 14 & 17)	

SECTION 9 - HYDRAULIC COMPONENTS

FIGURE 9-4. LIFT CYLINDER (G9-43A SN 016003316 through 0160040675; G10-43A SN 0160038081 through 0160040208; Including 0160032951, Excluding 0160040468)



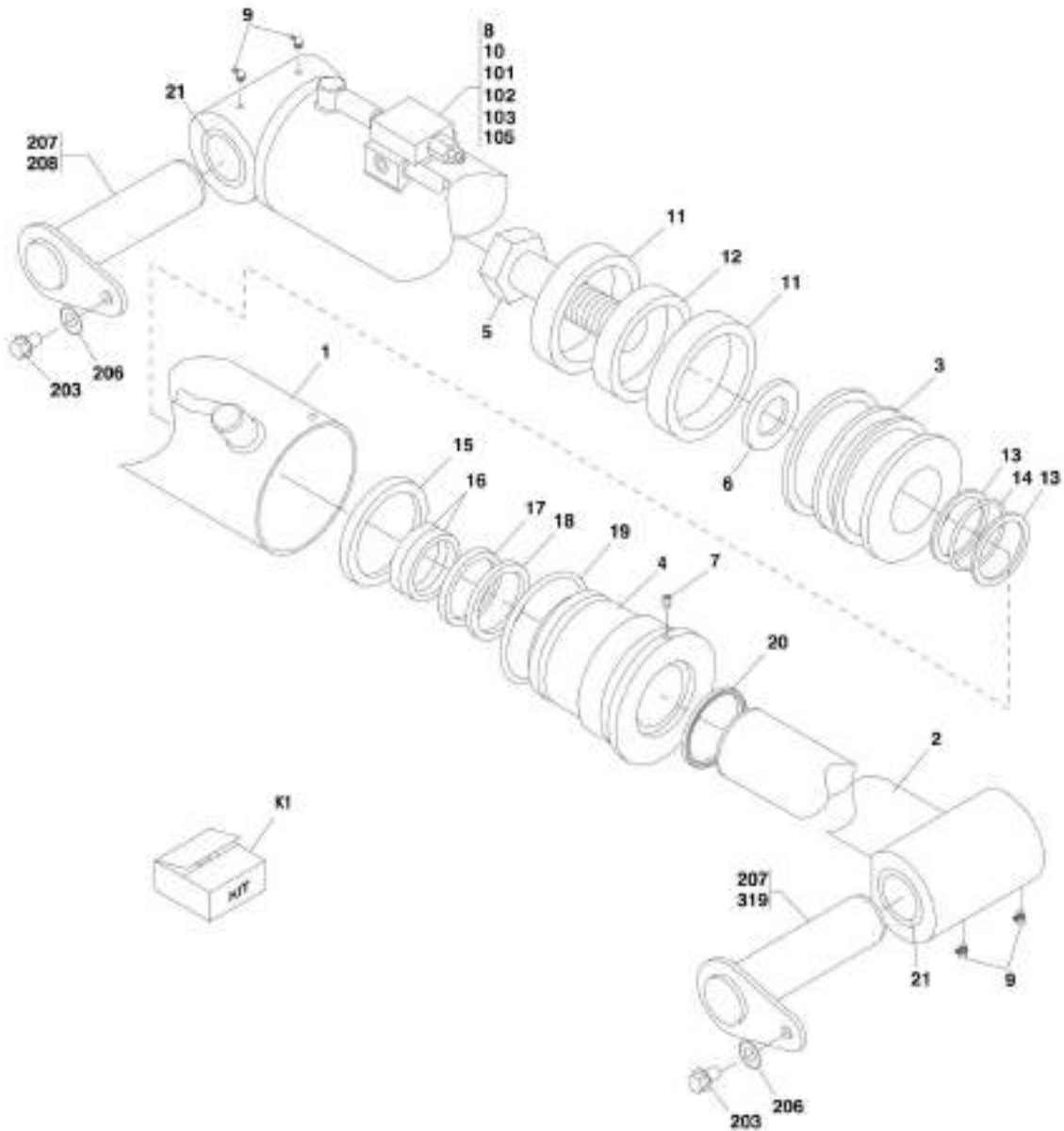
SECTION 9 - HYDRAULIC COMPONENTS

FIGURE 9-4. LIFT CYLINDER (G9-43A SN 016003316 through 0160040675; G10-43A SN 0160038081 through 0160040208; Including 0160032951, Excluding 0160040468)

ITEM	PART NUMBER	QTY	DESCRIPTION	REV
	91513274	1	LIFT CYLINDER, (includes items 1 thru 18)	B
1	70022603	2	GREASE FITTING	
2	91514248	1	HOLDING VALVE CARTRIDGE, (includes item 19), (torque to 44 lb-ft)	
3	Kit	2	WEAR RING	
4	Kit	1	PISTON SEAL	
5	70023293	1	CAPSCREW, (torque to 4000 lb-ft)	
6	70022059	1	PISTON ASSY	
7	Kit	2	BACK-UP RING	
8	Kit	1	O-RING	
9	70022057	1	BARREL ASSY, (includes item 20)	
10	Kit	1	PISTON SEAL	
11	Kit	2	WEAR RING	
12	Kit	1	BUFFER SEAL	
13	Kit	1	ROD SEAL	
14	Kit	1	O-RING	
15	70022060	1	ROD BEARING ASSY, (torque to 700 lb-ft)	
16	7029760	1	CAPSCREW	
17	Kit	1	WIPER	
18	70022058	1	ROD ASSY, (includes item 20)	
19	91514251	1	SEAL KIT	
20	70022062	4	BUSHING	
21	91513279	1	PIN	
22	1001101706	1	PIN	
23	4892000	2	HARD WASHER, 5/8	
24	0682010	2	HEX HD CAPSCREW, 5/8-11X1-1/4, GR8, (torque to 200-215 lb-ft)	
25	70023292	1	WASHER	
K1	70022061	1	SEAL KIT, (includes items 3, 4, 7, 8, 10 thru 14 & 17)	

SECTION 9 - HYDRAULIC COMPONENTS

FIGURE 9-5. LIFT CYLINDER (G9-43A SN 0160040675 to Present; G10-43A SN 0160041167 to Present; Including 0160040468)



ART. 91014801-0-0

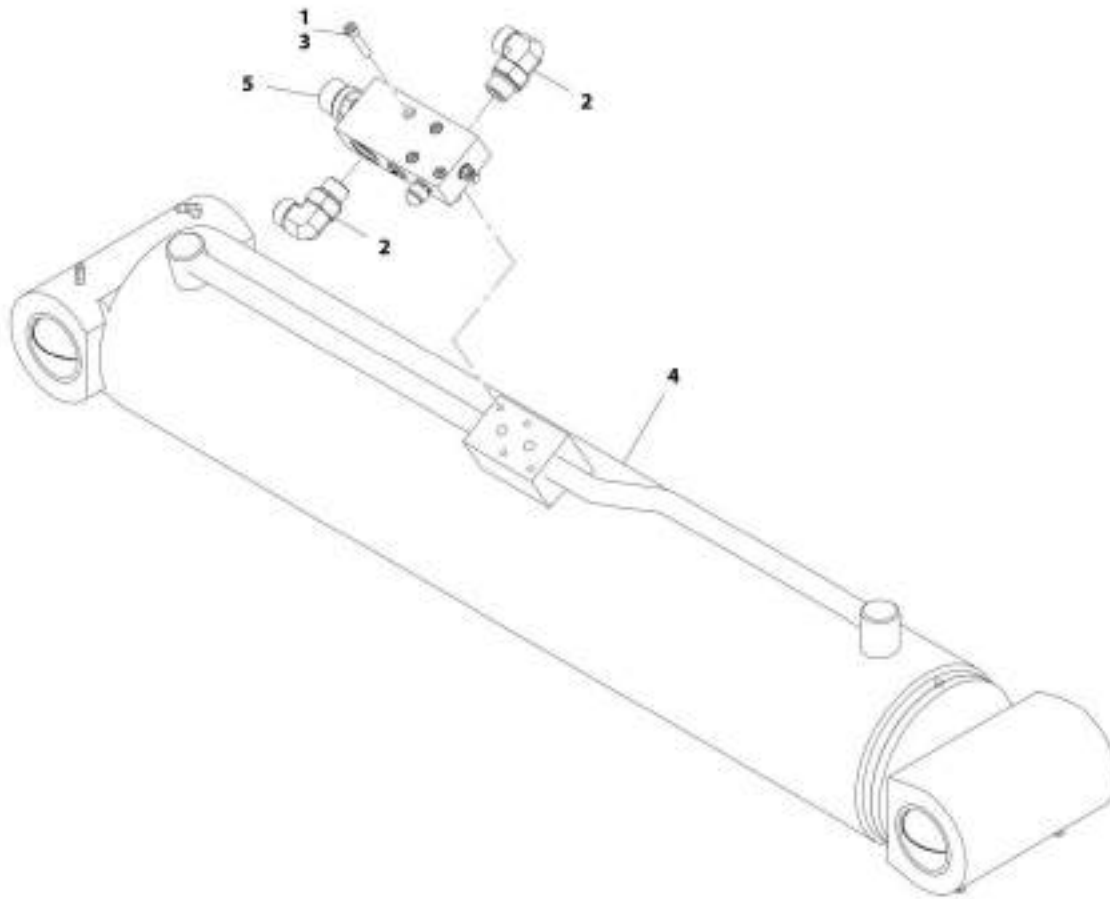
SECTION 9 - HYDRAULIC COMPONENTS

FIGURE 9-5. LIFT CYLINDER (G9-43A SN 0160040675 to Present; G10-43A SN 0160041167 to Present; Including 0160040468)

ITEM	PART NUMBER	QTY	DESCRIPTION	REV
	1001108380	1	LIFT CYLINDER, (includes items 1 thru 105)	E
	1001103347	Ref	LIFT CYLINDER, (not sold separately, use 1001108380 for replacement or use items 1 thru 21 for service)	
1	70024266	1	BARREL ASSY	
2	70022058	1	ROD ASSY, (includes item 21)	
3	70022059	1	PISTON ASSY	
4	70022060	1	ROD BEARING ASSY	
5	70023293	1	CAPSCREW	
6	70023292	1	WASHER	
7	7029760	1	CAPSCREW	
8	70024267	2	O-RING	
9	91044080	4	GREASE FITTING	
10	70024268	4	CAPSCREW	
11	Kit	2	WEAR RING	
12	Kit	1	PISTON SEAL	
13	Kit	2	BACK-UP RING	
14	Kit	1	O-RING	
15	Kit	1	PISTON SEAL	
16	Kit	2	WEAR RING	
17	Kit	1	BUFFER SEAL	
18	Kit	1	ROD SEAL	
19	Kit	1	O-RING	
20	Kit	1	WIPER	
21	70022062	4	BUSHING	
101	0100011	AR	LOCTITE 242	
102	2131212	2	ELBOW, 90, (includes o-ring)	
103	4031913	4	HEX HD CAPSCREW, M8X45	
105	1001125714	1	HOLDING VALVE CARTRIDGE	
203	0682010	2	HEX HD CAPSCREW, 5/8-11X1-1/4, GR8, (hand torque to 200-215 lb-ft)	
206	4892000	2	HARD WASHER, 5/8	
207	14403323	AR	LUBE	
208	91513279	1	PIN	
319	1001101706	1	PIN	
K1	70022061	1	SEAL KIT, (includes items 11 thru 20)	

SECTION 9 - HYDRAULIC COMPONENTS

FIGURE 9-6. LIFT CYLINDER INSTALLATION (ARCTIC)



ART_1001158763-A

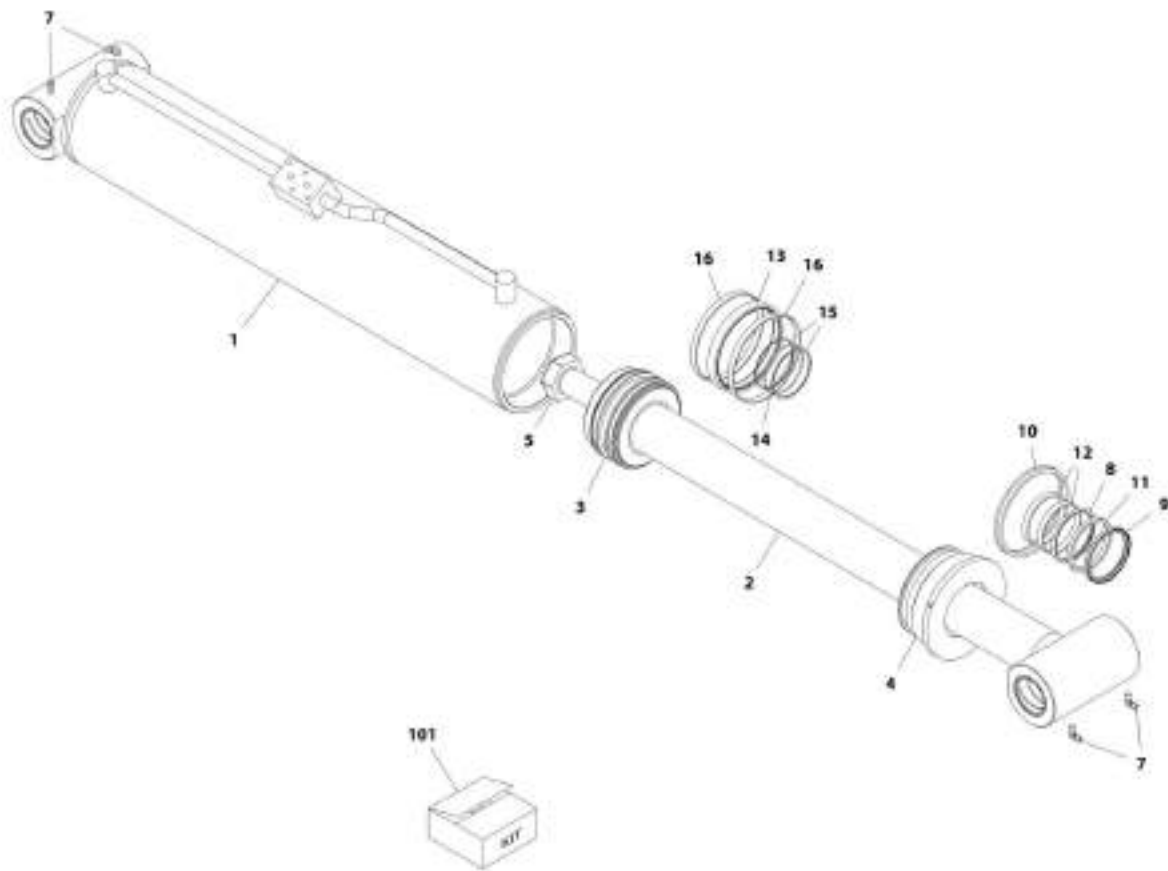
SECTION 9 - HYDRAULIC COMPONENTS

FIGURE 9-6. LIFT CYLINDER INSTALLATION (ARCTIC)

ITEM	PART NUMBER	QTY	DESCRIPTION	REV
	1001158763	1	LIFT CYLINDER INSTALLATION, (ARCTIC)	A
1	0100011	AR	LOCTITE 242	
2	2131212	2	ELBOW, 90 (includes o-ring)	
3	4031913	4	SOCKET HD CAPSCREW, M8X45	
4	1001166829	AR	CYLINDER, LIFT, (See Separate Breakdown in this Section)	
5	1001125714	1	HOLDING VALVE CARTRIDGE	

SECTION 9 - HYDRAULIC COMPONENTS

FIGURE 9-7. LIFT CYLINDER (ARCTIC)



48T 180180094A

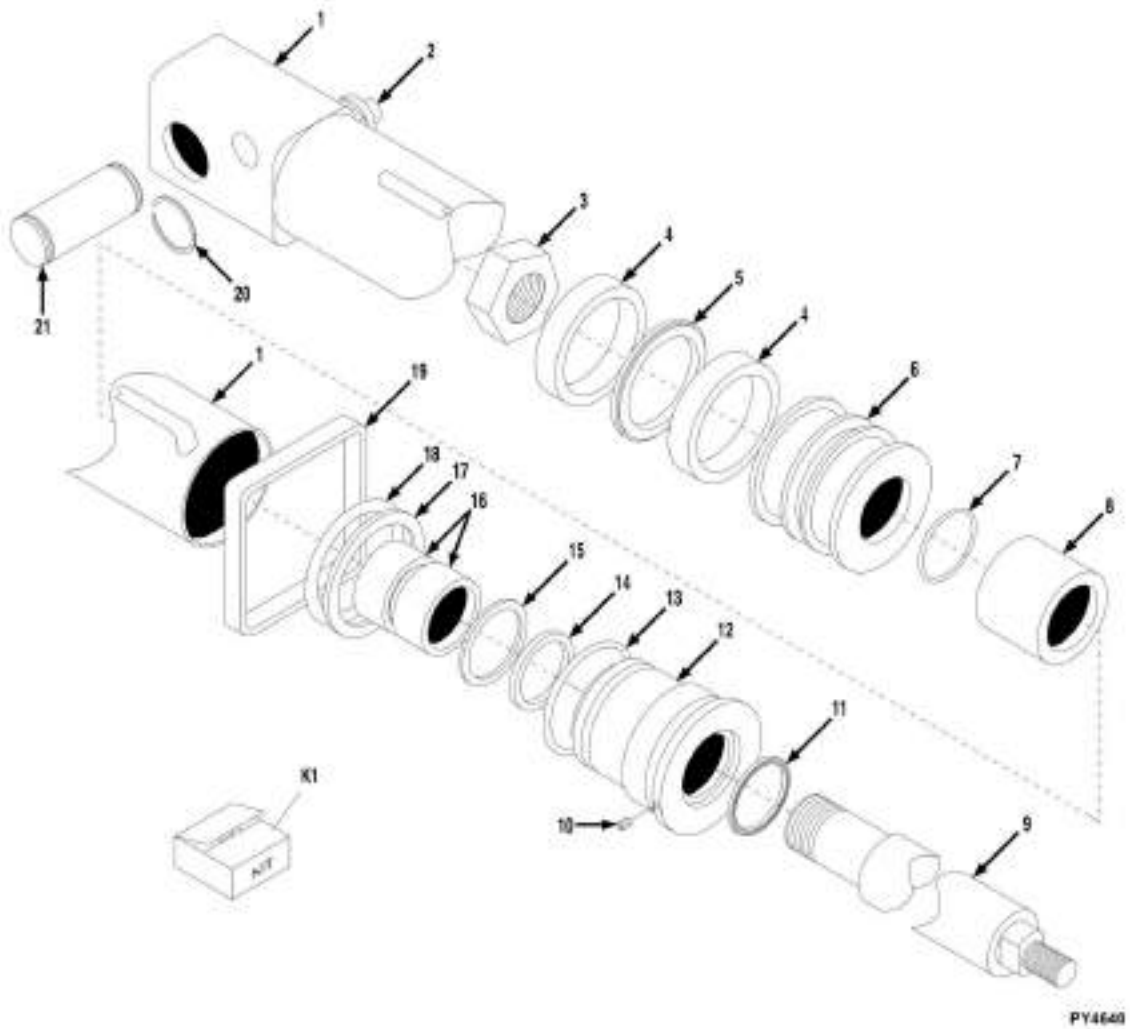
SECTION 9 - HYDRAULIC COMPONENTS

FIGURE 9-7. LIFT CYLINDER (ARCTIC)

ITEM	PART NUMBER	QTY	DESCRIPTION	REV
	1001166829	1	LIFT CYLINDER, (ARCTIC)	A
1	70026012	1	BARREL ASSEMBLY	
2	70022058	1	ROD ASSEMBLY	
3	70022059	1	PISTON ASSEMBLY	
4	70026013	1	ROD BEARING ASSEMBLY	
5	70023293	1	CAP SCREW	
7	70026014	4	GREASE FITTING	
8	Kit	1	BUFFER SEAL	
9	Kit	1	CANNED WIPER	
10	Kit	1	PISTON SEAL	
11	Kit	1	ROD SEAL	
12	Kit	2	WEAR RING	
13	Kit	1	PISTON SEAL	
14	Kit	1	O-RING	
15	Kit	2	BACK-UP RING	
16	Kit	2	WEAR RING	
101	70026015	1	SEAL KIT, (includes items 8 thru 16)	

SECTION 9 - HYDRAULIC COMPONENTS

FIGURE 9-8. CROWD CYLINDER - IOWA (Prior to SN 0160033222)



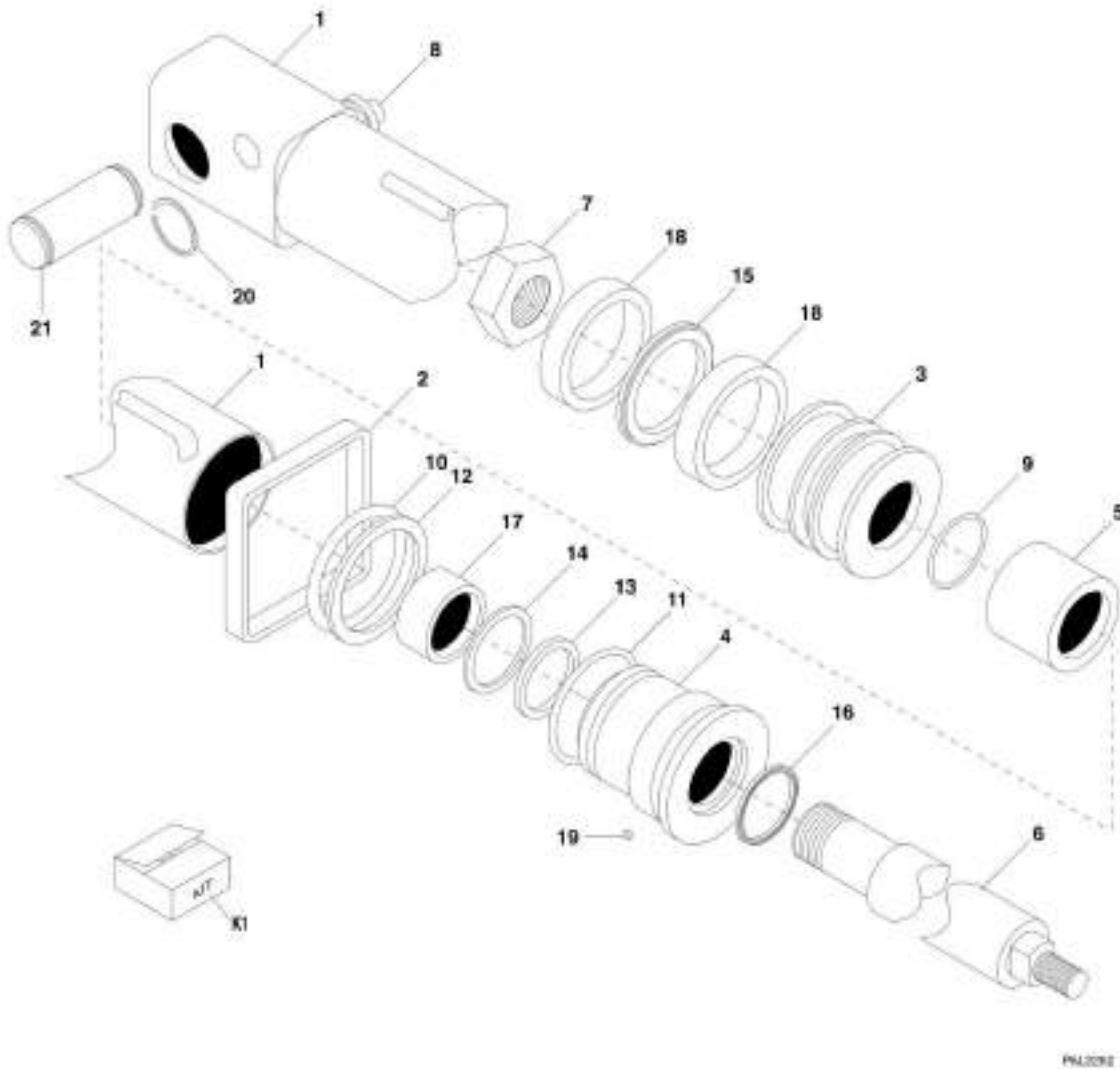
SECTION 9 - HYDRAULIC COMPONENTS

FIGURE 9-8. CROWD CYLINDER - IOWA (Prior to SN 0160033222)

ITEM	PART NUMBER	QTY	DESCRIPTION	REV
	91513002	1	CROWD CYLINDER, (includes items 1 thru 19)	C
1	91514025	1	CASE ASSY	
2	91514248	1	HOLDING VALVE CARTRIDGE, (torque to 44 lb-ft)	
2	91514251	1	SEAL KIT	
3	91034267	1	LOCK NUT, (torque to 1000 lb-ft)	
4	Kit	2	WEAR RING	
5	Kit	1	PISTON SEAL	
6	91514021	1	PISTON	
7	Kit	1	O-RING	
8	91514034	1	SPACER	
9	91514024	1	SHAFT	
10	91514031	1	SET SCREW, (torque to 11 lb-ft)	
11	Kit	1	CANNED WIPER	
12	91514026	1	HEAD, (torque to 100 lb-ft)	
13	Kit	1	O-RING	
14	Kit	1	U-CUP	
15	Kit	1	STEP SEAL	
16	Kit	1	WEAR RING	
17	Kit	1	BACK-UP RING	
18	Kit	1	O-RING	
19	91514035	1	WEAR BAND	
20	90028935	2	RETAINING RING (SN 0193001 through 0193007, SN 016000008 through 0160005550)	
20	88581149	2	RETAINING RING (SN 0160005576 to Present)	
21	91403226	1	CYLINDER PIN (SN 0193001 through 0193007, SN 016000008 through 0160005550)	
21	91141124	1	CYLINDER PIN (SN 0160005576 to Present)	
K1	91514036	1	SEAL KIT, (includes items 4, 5, 7, 11 & 13 thru 18)	

SECTION 9 - HYDRAULIC COMPONENTS

FIGURE 9-9. CROWD CYLINDER (SN 0160033222 to Present)



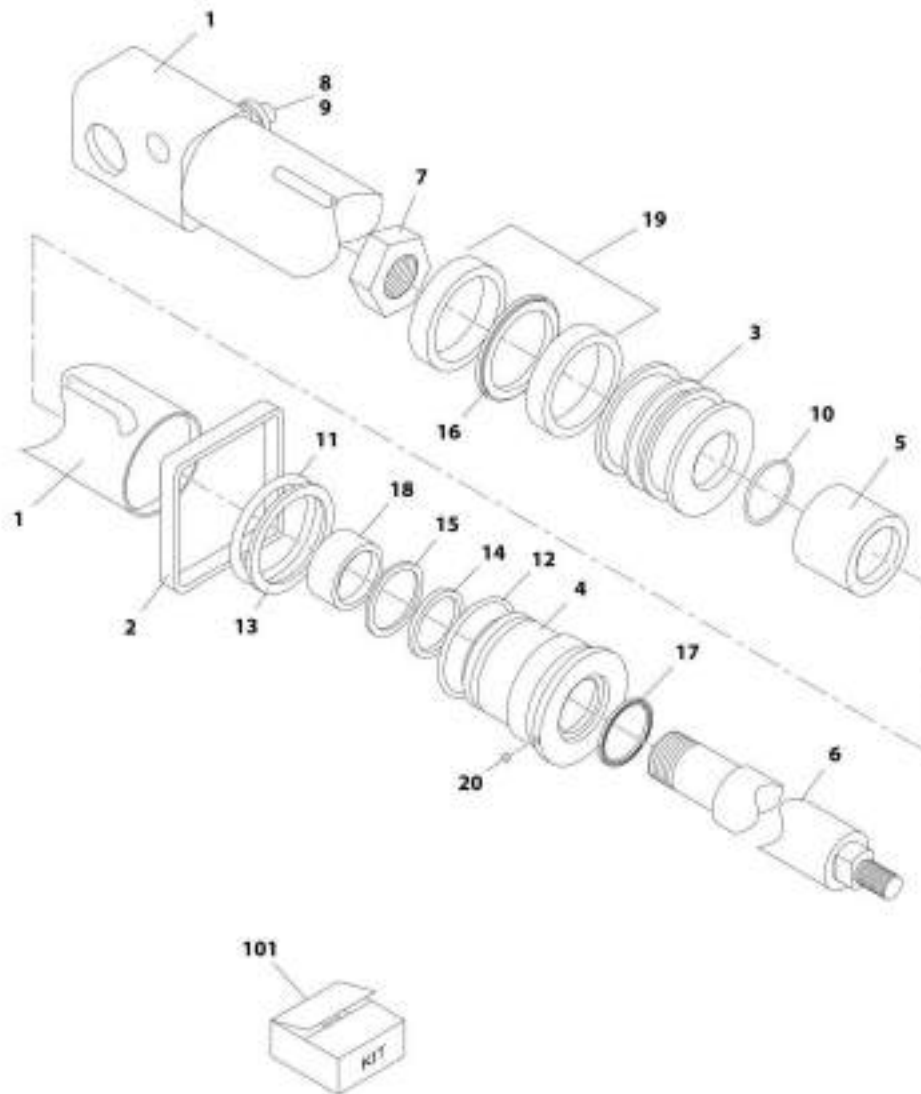
SECTION 9 - HYDRAULIC COMPONENTS

FIGURE 9-9. CROWD CYLINDER (SN 0160033222 to Present)

ITEM	PART NUMBER	QTY	DESCRIPTION	REV
	91513276	1	CROWD CYLINDER, (includes items 1 thru 19)	B
1	70022852	1	CASE ASSY	
2	70022853	1	WEAR WASHER	
3	70022854	1	PISTON	
4	70022855	2	HEAD GLAND, (torque to 300-400 lb-ft)	
5	70022856	1	ROD SPACER	
6	70022857	1	SHAFT ASSY	
7	8035865	1	LOCK NUT, (torque to 745-825 lb-ft)	
8	91514248	1	HOLDING VALVE, (torque to 105-115 lb-ft)	
8	91514251	1	SEAL KIT	
9	Kit	1	O-RING	
10	Kit	1	O-RING	
11	Kit	1	O-RING	
12	Kit	1	BACK-UP RING	
13	Kit	1	U-CUP	
14	Kit	1	BUFFER SEAL	
15	Kit	1	T-SEAL	
16	Kit	1	WIPER	
17	Kit	1	WEARBAND	
18	Kit	1	WEARBAND	
19	Kit	1	LOCKING INSERT	
20	88581149	2	RETAINING RING	
21	91141124	1	CYLINDER PIN	
K1	70022858	1	SEAL KIT, (includes items 9 thru 19)	

SECTION 9 - HYDRAULIC COMPONENTS

FIGURE 9-10. CROWD CYLINDER (ARCTIC)



ART_1001158766-A

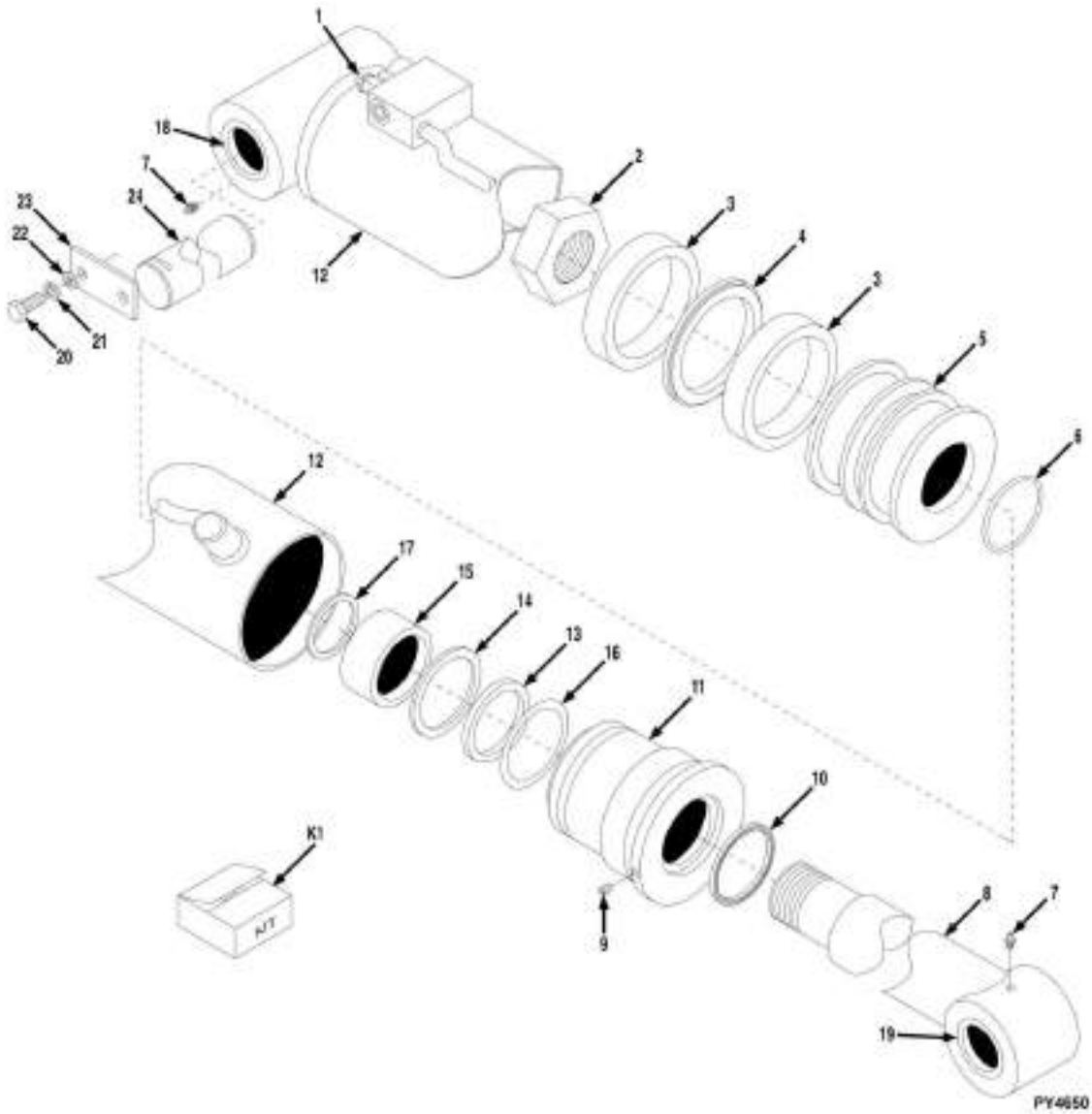
SECTION 9 - HYDRAULIC COMPONENTS

FIGURE 9-10. CROWD CYLINDER (ARCTIC)

ITEM	PART NUMBER	QTY	DESCRIPTION	REV
	1001158766	1	CROWD CYLINDER, (ARCTIC)	A
1	70022852	1	CASE ASSEMBLY	
2	70022853	1	WEAR WASHER	
3	70022854	1	PISTON	
4	70022855	1	HEAD GLAND	
5	70022856	1	ROD SPACER	
6	70022857	1	SHAFT ASSEMBLY	
7	8035865	1	LOCKNUT	
8	4641312	1	HOLDING VALVE	
9	91514251	1	HOLDING VALVE SEAL	
10	Kit	1	O-RING	
11	Kit	1	O-RING	
12	Kit	1	O-RING	
13	Kit	1	BACKUP RING	
14	Kit	1	DEEP Z-SEAL	
15	Kit	1	BUFFER SEAL	
16	Kit	1	T-SEAL	
17	Kit	1	WIPER	
18	Kit	1	WEAR BAND	
19	Kit	2	WEAR BAND	
20	Kit	2	LOCKING INSERT	
101	70025968	1	SEAL KIT, (includes items 10 thru 20)	

SECTION 9 - HYDRAULIC COMPONENTS

FIGURE 9-11. TILT CYLINDER (SN 0193001 through 0193007, SN 016000008 through 0160007141)



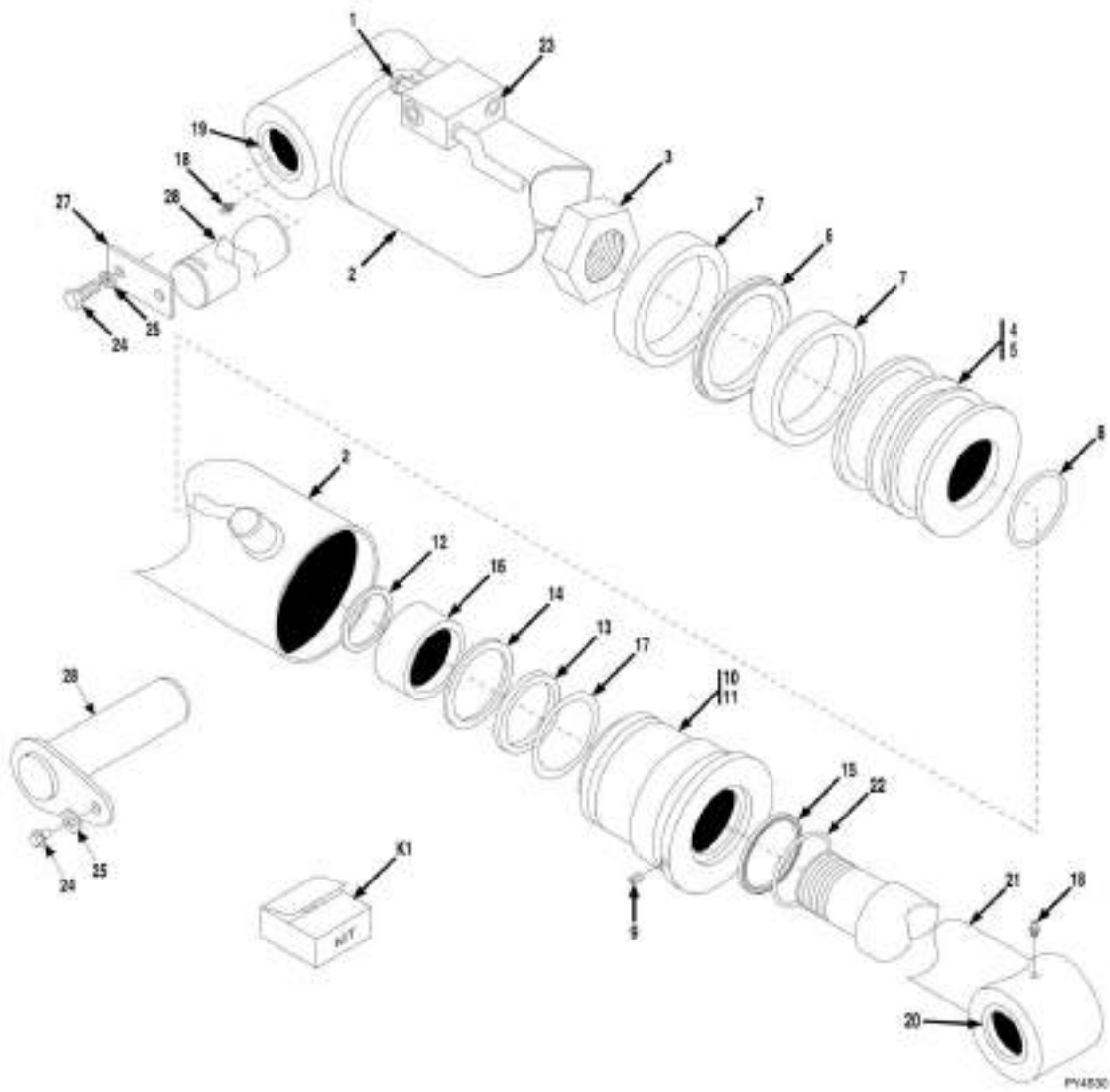
SECTION 9 - HYDRAULIC COMPONENTS

FIGURE 9-11. TILT CYLINDER (SN 0193001 through 0193007, SN 016000008 through 0160007141)

ITEM	PART NUMBER	QTY	DESCRIPTION	REV
	91513027	1	TILT CYLINDER, (includes items 1 thru 19)	
1	1001109225	1	VALVE, (torque to 45-50 lb-ft)	
1	91404382	1	SEAL KIT	
2	91034153	1	LOCK NUT, (torque to 1250-1300 lb-ft)	
3	Kit	2	WEAR RING	
4	Kit	1	PISTON SEAL	
5	91514037	1	PISTON	
6	Kit	1	O-RING	
7	91144128	3	GREASE FITTING	
8	91514040	1	SHAFT ASSY	
9	Kit	1	SET SCREW, (torque to 11 lb-ft)	
10	Kit	1	CANNED WIPER	
11	91514042	1	HEAD, (torque to 200 lb-ft)	
12	91514041	1	CASE ASSY	
13	Kit	1	U-CUP	
14	Kit	1	STEP SEAL	
15	Kit	1	WEAR RING	
16	Kit	1	O-RING	
17	Kit	1	SEAL	
18	91404286	2	BUSHING, (manganese phosphate coating)	
19	91404287	1	BUSHING, (manganese phosphate coating)	
20	88201064	2	HEX HD CAPSCREW, 1/2-13X7/8, GR5 (Prior to SN 0160000915)	
20	88201065	2	HEX HD CAPSCREW, 1/2-13X1, GR5 (SN 0160000915 to Present)	
21	88551013	2	LOCKWASHER, 1/2	
22	88561111	2	WASHER, 1/2 (Prior to SN 0160000915)	
23	91401189	1	KEEPER	
24	91513030	1	PIN	
K1	91514050	1	SEAL KIT, (includes items 3, 4, 6, 9, 10 & 13 thru 17)	

SECTION 9 - HYDRAULIC COMPONENTS

FIGURE 9-12. TILT CYLINDER (SN 0160007142 through 0160033297)



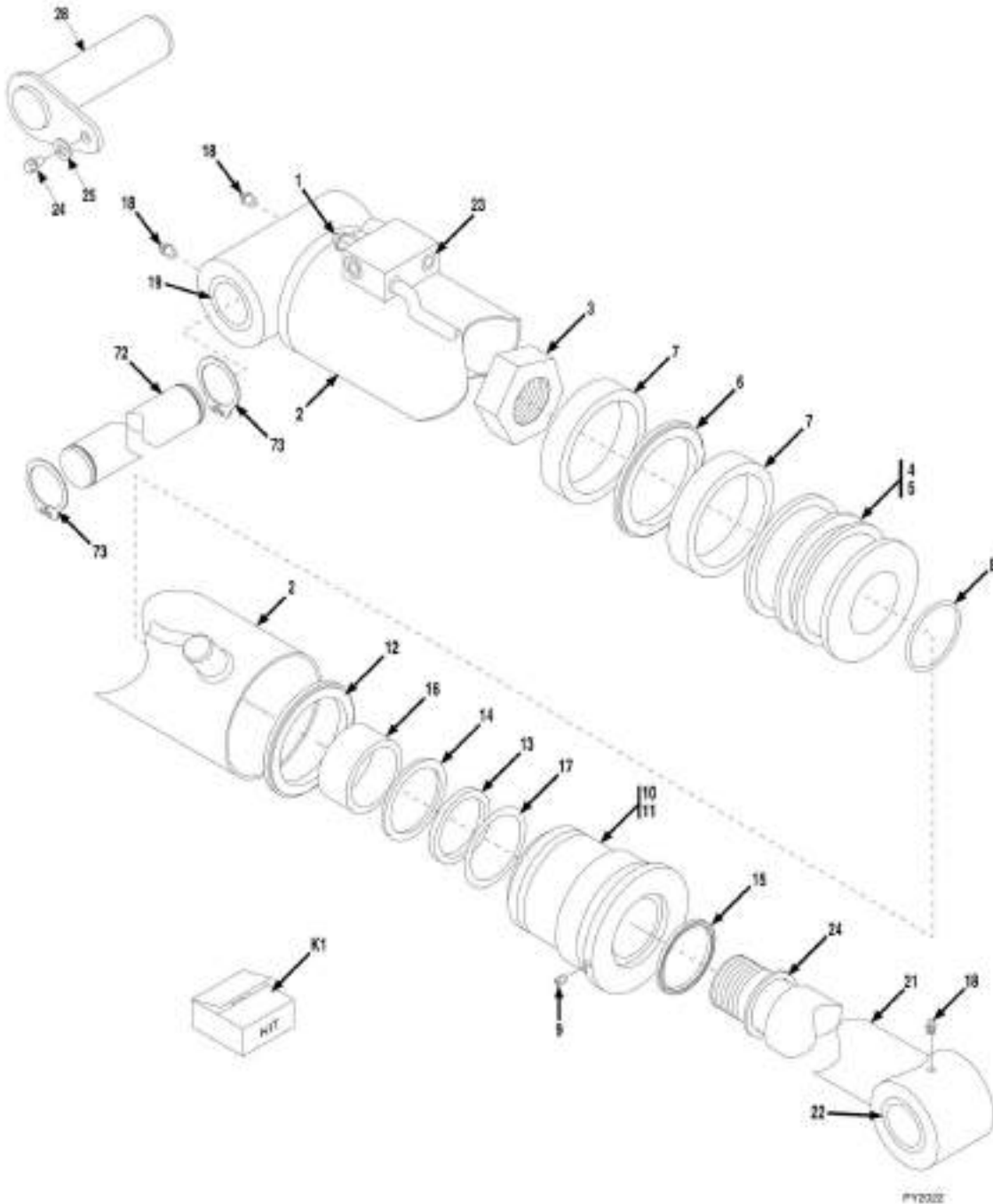
SECTION 9 - HYDRAULIC COMPONENTS

FIGURE 9-12. TILT CYLINDER (SN 0160007142 through 0160033297)

ITEM	PART NUMBER	QTY	DESCRIPTION	REV
	91513225		TILT CYLINDER, (includes items 1 thru 23)	
1	1001109225	1	CARTRIDGE VALVE, (torque to 44 lb-ft)	
1	91404382	1	SEAL KIT	
2	N.S.S.	1	CASE ASSY, (includes item 19)	
3	7026960	1	LOCKNUT, (torque to 2025-2075 lb-ft)	
4	7026952	1	PISTON ASSY, (includes items 5 thru 8)	
5	7026962	1	PISTON	
6	Kit	1	PISTON SEAL	
7	Kit	2	WEAR RING	
8	Kit	1	O-RING	
9	91124096	1	SET SCREW	
10	91514276	1	HEAD ASSY, (includes items 11 thru 17)	
11	91514277	1	HEAD, (torque to 550-600 lb-ft)	
12	Kit	1	STEP SEAL	
13	Kit	1	U-CUP	
14	Kit	1	U-CUP	
15	91514047	1	CANNED WIPER	
16	Kit	2	WEAR RING	
17	Kit	1	O-RING	
18	91144128	3	GREASE FITTING	
19	91404286	2	BUSHING, (manganese phosphate coating)	
20	91404287	1	BUSHING, (manganese phosphate coating)	
21	91514278	1	SHAFT ASSY, (includes item 20)	
22	91514279	1	O-RING	
23	91514280	2	PLUG, (torque to 10-15 lb-ft)	
24	88201065	2	HEX HD CAPSCREW, 1/2-13X1, GR5 (Prior to SN 0160008020)	
24	0681810	1	HEX HD CAPSCREW, 1/2-13X1.25, GR8, (hand torque to 100-110 lb-ft) (SN 0160008020 to Present)	
25	88551013	2	LOCKWASHER, 1/2 (Prior to SN 0160008020)	
25	4891800	1	HARDENED WASHER, 1/2 (SN 0160008020 to Present)	
27	91401189	1	KEEPER (Prior to SN 0160008020)	
28	91513030	1	PIN (Prior to SN 0160008020)	
28	91513283	1	PIN (SN 0160008020 to Present)	
K1	91514281	1	SEAL KIT, (includes items 6, 7, 8, 12, 13, 14, 16 & 17)	

SECTION 9 - HYDRAULIC COMPONENTS

FIGURE 9-13. TILT CYLINDER (SN 0160033316 to Present)



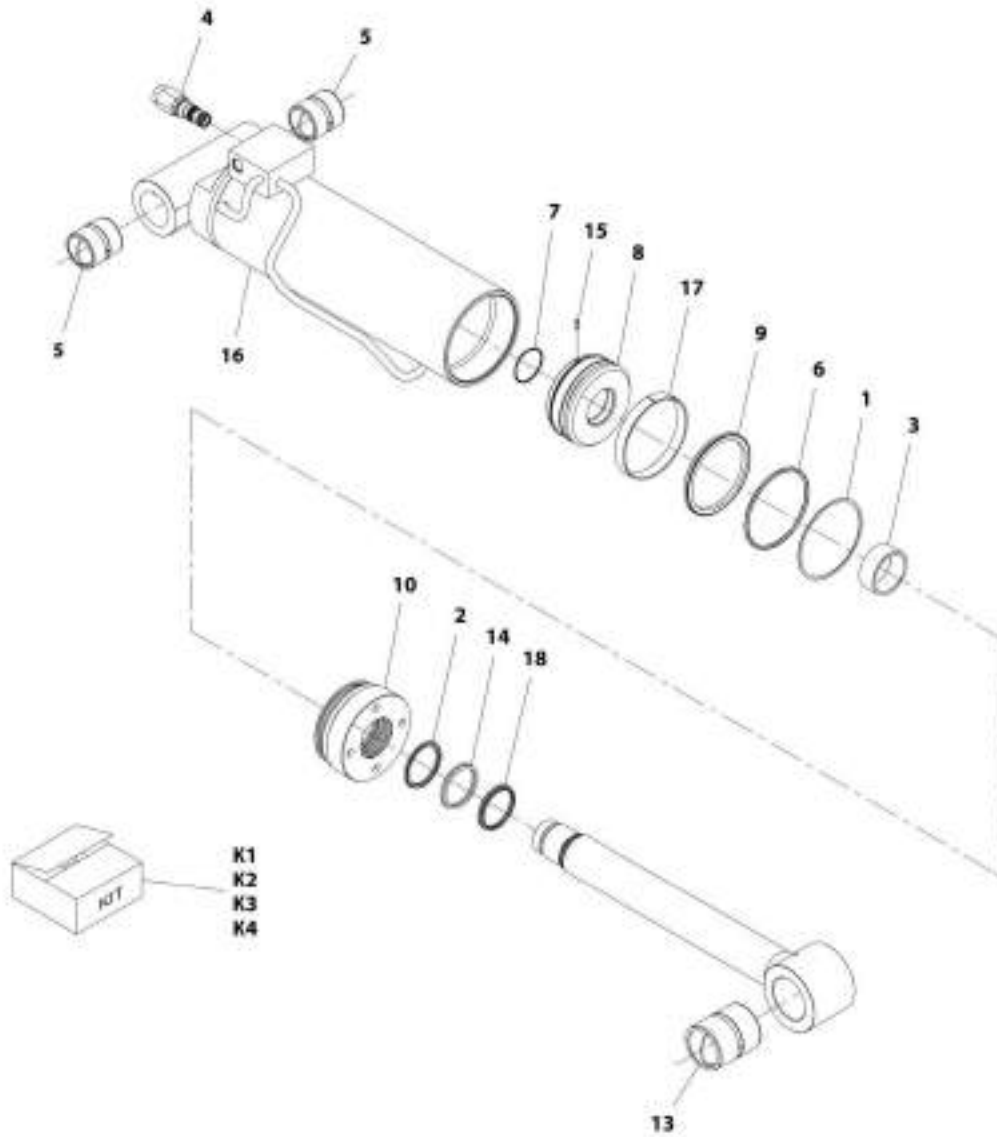
SECTION 9 - HYDRAULIC COMPONENTS

FIGURE 9-13. TILT CYLINDER (SN 0160033316 to Present)

ITEM	PART NUMBER	QTY	DESCRIPTION	REV
	91513275	NLA	TILT CYLINDER, (no longer available, use items 1 through 23 for service or 1001140445 for replacement)	B
1	1001109225	1	RELIEF VALVE, (torque to 44 lb-ft)	
1	91404382	1	SEAL KIT	
2	70022063	1	BARREL ASSY, (includes item 19)	
3	10727280	1	LOCKNUT, (torque to 2025-2075 lb-ft)	
4	70022065	1	PISTON ASSY, (includes items 5 thru 8)	
5	N.S.S.	1	PISTON	
6	Kit	1	PISTON SEAL	
7	Kit	2	WEAR RING	
8	Kit	1	O-RING	
9	7029760	1	CAPSCREW	
10	70022056	1	ROD BEARING ASSY, (includes items 11 thru 17)	
11	N.S.S.	1	ROD BEARING	
12	Kit	1	PISTON SEAL	
13	Kit	1	ROD SEAL	
14	Kit	1	BUFFER SEAL	
15	N.S.S.	1	WIPER	
16	Kit	2	WEAR RING	
17	Kit	1	O-RING	
18	91044080	3	GREASE FITTING	
19	7029871	2	BUSHING, (manganese phosphate coating)	
20	70022066	1	PLUG, (torque to 10-15 lb-ft)	
21	70022064	1	ROD ASSY	
22	7029872	1	BUSHING, (manganese phosphate coating)	
23	70022067	1	PLUG, (torque to 10-15 lb-ft)	
24	0681810	1	HEX HD CAPSCREW, 1/2-13X1.25, GR8, (hand torque to 100-110 lb-ft) (SN 0160008020 through 0160037670)	
25	4891800	1	HARDENED WASHER, 1/2 (SN 0160008020 through 0160037670)	
28	91513283	1	PIN (SN 0160008020 through 0160037670)	
72	1001115739	1	PIN (SN 0160037671 to Present)	
73	88581149	2	RETAINING RING (SN 0160037671 to Present)	
118	8307904	AR	WASHER, SHIM, (not shown)	
119	8310093	AR	WASHER, SHIM, (not shown)	
120	8307918	AR	WASHER, SHIM, (not shown)	
K1	70024013	1	SEAL KIT, (includes items 6, 7, 8, 12, 13, 14, 16 & 17)	

SECTION 9 - HYDRAULIC COMPONENTS

FIGURE 9-14. TILT CYLINDER



ART_1001140445-A

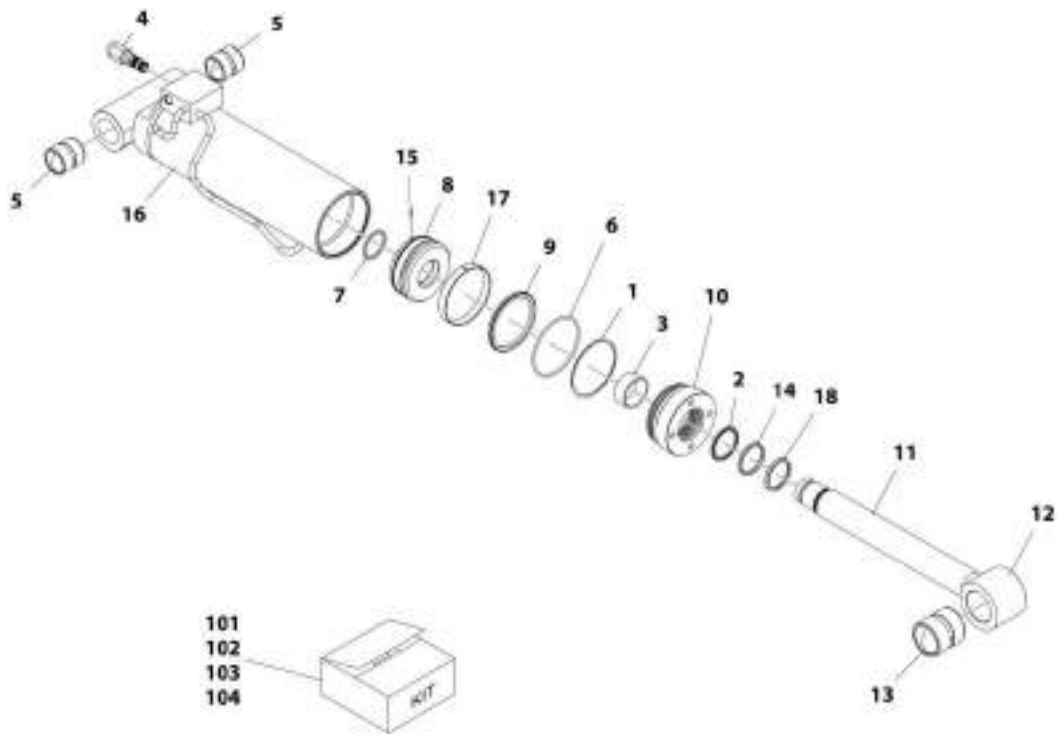
SECTION 9 - HYDRAULIC COMPONENTS

FIGURE 9-14. TILT CYLINDER

ITEM	PART NUMBER	QTY	DESCRIPTION	REV
	1001140445	1	TILT CYLINDER, (includes items 1 thru 18)	A
1	Kit	1	BACK-UP RING	
2	Kit	1	BUFFER RING	
3	Kit	1	BUSHING	
4	70025930	1	COUNTERBALANCE VALVE	
5	70025931	2	HEAD END BUSHING	
6	Kit	1	O-RING	
7	Kit	1	O-RING	
8	Kit	1	PISTON	
9	Kit	1	PISTON SEAL	
10	Kit	1	RETAINER	
13	70025924	1	ROD END BUSHING	
14	Kit	1	ROD SEAL	
15	Kit	1	SET SCREW	
16	70025932	1	BARREL	
17	Kit	1	WEAR RING	
18	Kit	1	WIPER	
K1	70025920	1	SERVICE KIT, (includes items 1,2,3,6,7,9,14,17,18)	
K2	70025933	1	ROD SERVICE KIT, (includes items 11,12,13)	
K3	70025921	1	RETAINER SUB ASSY, (includes items 1,2,3,6,10,14,18)	
K4	70025922	1	PISTON SUB ASSY, (includes items 8,9,15,17)	

SECTION 9 - HYDRAULIC COMPONENTS

FIGURE 9-15. TILT CYLINDER (ARCTIC)



ART_100174530-A

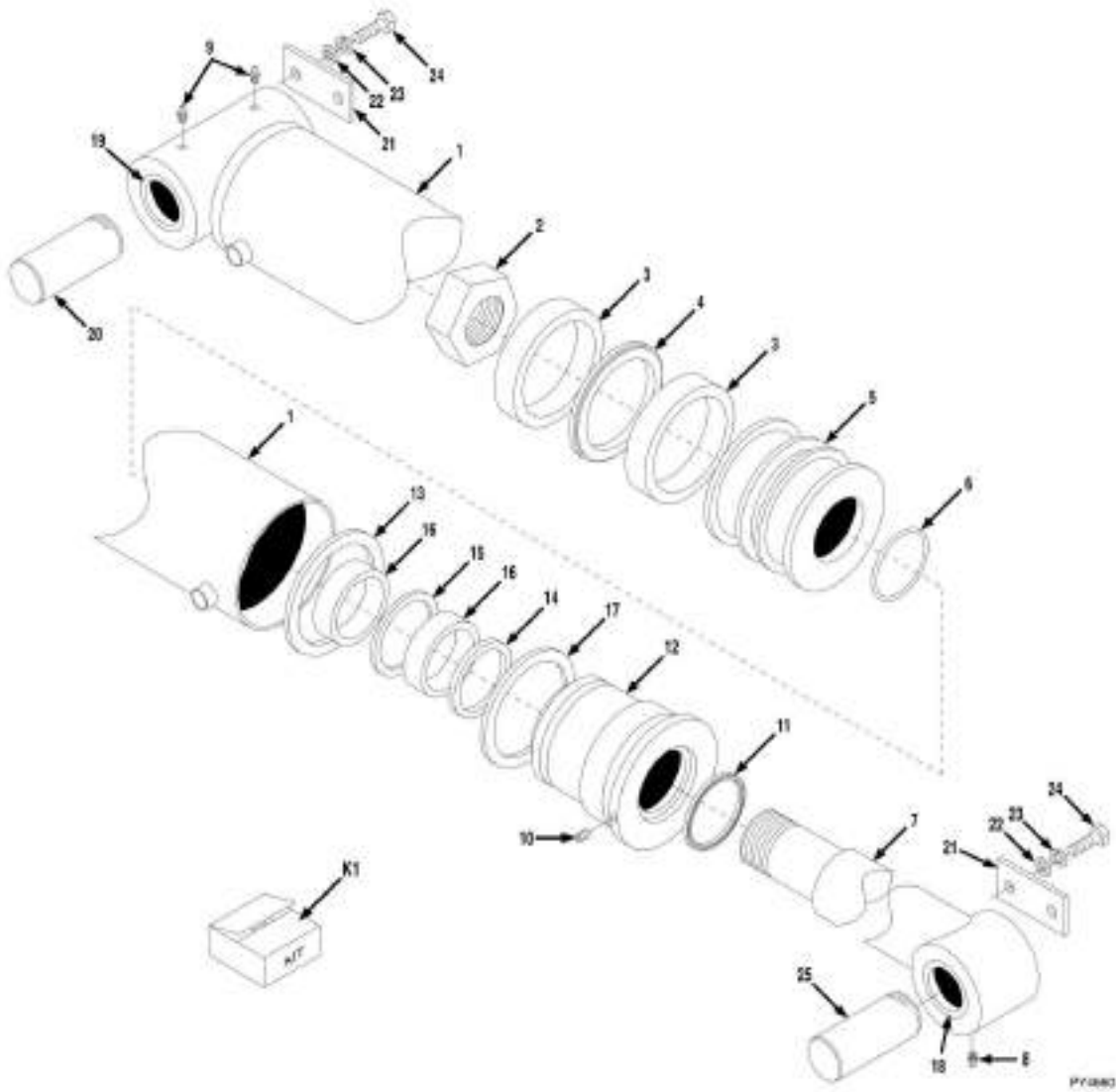
SECTION 9 - HYDRAULIC COMPONENTS

FIGURE 9-15. TILT CYLINDER (ARCTIC)

ITEM	PART NUMBER	QTY	DESCRIPTION	REV
	1001174530	1	TILT CYLINDER, (ARCTIC)	A
1	Kit	1	BACK-UP RING	
2	Kit	1	BUFFER RING	
3	Kit	1	BUSHING	
4	70025930	1	C/BALANCE VALVE	
5	70025931	2	HEAD END BUSHING	
6	Kit	1	O-RING	
7	Kit	1	O-RING	
8	Kit	1	PISTON	
9	Kit	1	PISTON SEAL	
10	Kit	1	RETAINER	
11	Kit	1	ROD	
12	Kit	1	ROD END	
13	Kit	1	ROD END BUSHING	
14	Kit	1	ROD SEAL	
15	Kit	1	SET SCREW	
16	70025932	1	BARREL	
17	Kit	1	WEAR RING	
18	Kit	1	WIPER	
101	70025934	1	SERVICE KIT, (includes items 1,2,3,6,7,9,14,17,18)	
102	70025933	1	ROD SERVICE KIT, (includes items 11,12,13)	
103	70025935	1	RETAINER SUB ASSY, (includes items 1,2,3,6,10,14,18)	
104	70025922	1	PISTON SUB ASSY, (includes items 8,9,15,17)	

SECTION 9 - HYDRAULIC COMPONENTS

FIGURE 9-16. COMPENSATING CYLINDER (SN 0193001 through 0193007, SN 016000008 through 0160007141)



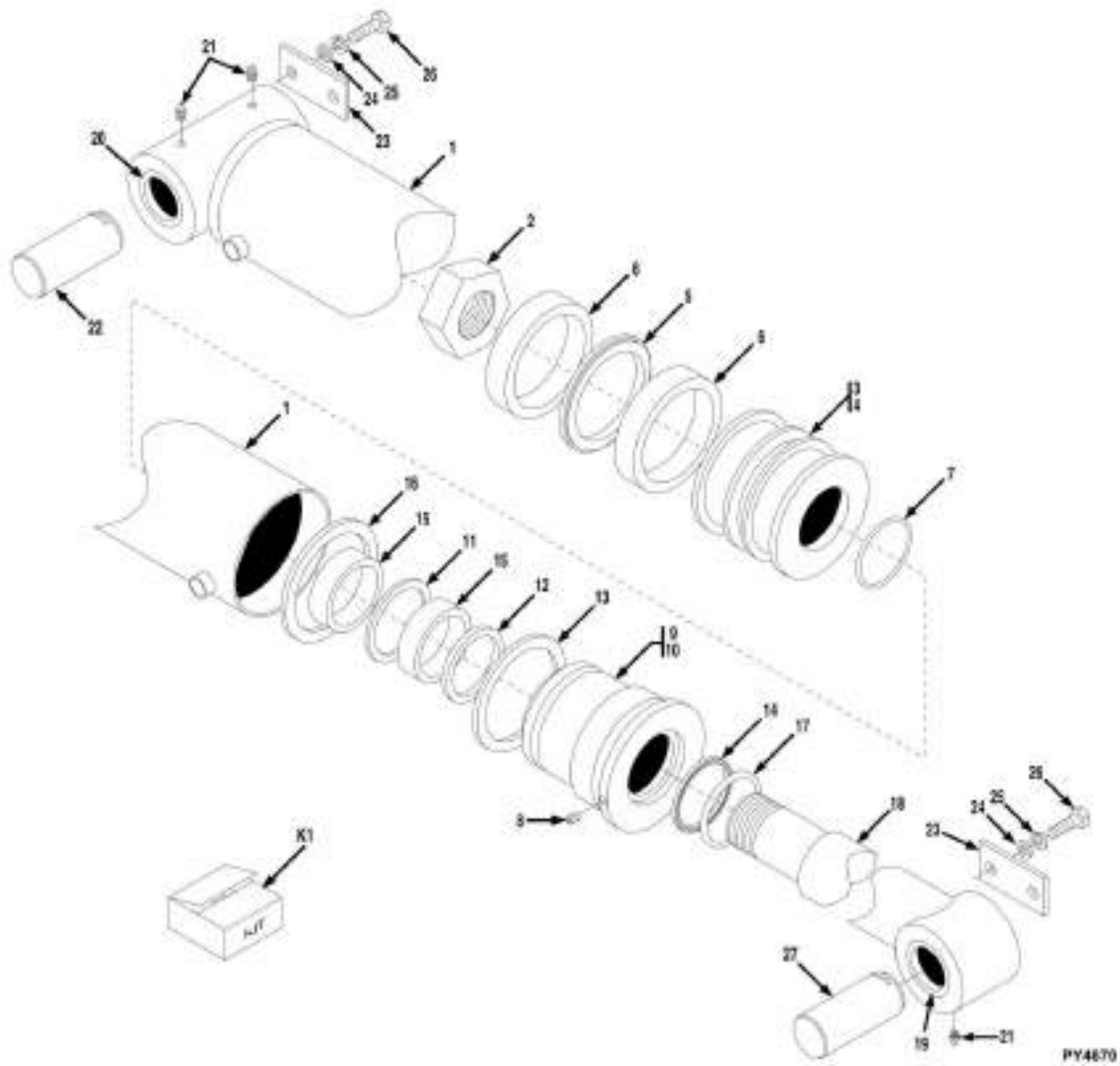
SECTION 9 - HYDRAULIC COMPONENTS

FIGURE 9-16. COMPENSATING CYLINDER (SN 0193001 through 0193007, SN 016000008 through 0160007141)

ITEM	PART NUMBER	QTY	DESCRIPTION	REV
	91513040	1	COMPENSATING CYLINDER, (includes items 1 thru 19)	
1	91514052	1	CASE ASSY	
2	91034153	1	LOCK NUT, (torque to 1250-1300 lb-ft)	
3	Kit	2	WEAR RING	
4	Kit	1	PISTON SEAL	
5	91514037	1	PISTON	
6	Kit	1	O-RING	
7	91514051	1	SHAFT ASSY	
8	91144128	1	GREASE FITTING	
9	91404203	2	GREASE FITTING	
10	Kit	1	SET SCREW	
11	Kit	1	CANNED WIPER	
12	91514042	1	HEAD, (torque to 200 lb-ft)	
13	Kit	1	O-RING	
14	Kit	1	U-CUP SEAL	
15	Kit	1	STEP SEAL	
16	Kit	2	WEAR RING	
17	Kit	1	U-CUP	
18	91404287	1	BUSHING, (manganese phosphate coating)	
19	91404286	2	BUSHING, (manganese phosphate coating)	
20	91513054	1	PIN	
21	91401189	2	KEEPER	
22	88561111	4	WASHER, 1/2	
23	88551013	4	LOCKWASHER, 1/2	
24	88201065	4	HEX HD CAPSCREW, 1/2-13X1, GR5	
25	91403026	1	PIN	
K1	91514050	1	SEAL KIT, (includes items 3, 4, 6, 10, 11 & 13 thru 17)	

SECTION 9 - HYDRAULIC COMPONENTS

FIGURE 9-17. COMPENSATING CYLINDER (SN 0160007176 through 0160007822)



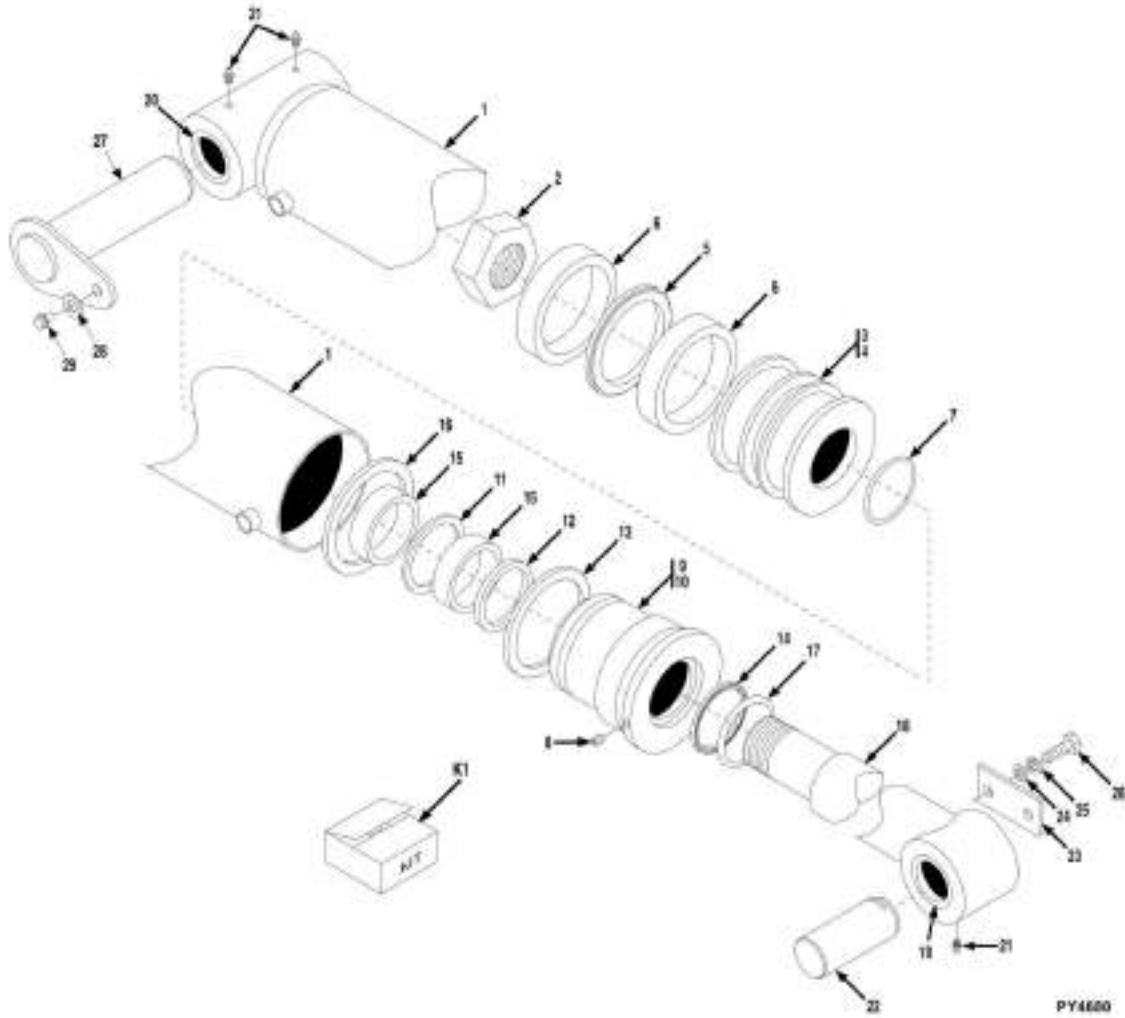
SECTION 9 - HYDRAULIC COMPONENTS

FIGURE 9-17. COMPENSATING CYLINDER (SN 0160007176 through 0160007822)

ITEM	PART NUMBER	QTY	DESCRIPTION	REV
	91513226	1	COMPENSATING CYLINDER, (includes items 1 thru 21)	
1	91514282	1	CASE ASSY, (includes item 20)	
2	91034153	1	LOCKNUT, (torque to 2025-2075 lb-ft)	
3	91514283	1	PISTON ASSY, (includes items 4 thru 7)	
4	91514284	1	PISTON	
5	Kit	1	PISTON SEAL	
6	Kit	2	WEAR RING	
7	Kit	1	O-RING	
8	91124096	1	SET SCREW	
9	91514276	1	HEAD ASSY, (includes items 10 thru 16)	
10	91514277	1	HEAD, (torque to 550-600 lb-ft)	
11	Kit	1	STEP SEAL	
12	Kit	1	U-CUP	
13	Kit	1	U-CUP	
14	Kit	1	CANNED WIPER	
15	Kit	2	WEAR RING	
16	Kit	1	O-RING	
17	7026474	1	O-RING	
18	70020552	1	SHAFT ASSY, (includes item 19)	
19	91404287	1	BUSHING, (manganese phosphate coating)	
20	91404286	2	BUSHING, (manganese phosphate coating)	
21	91144128	3	GREASE FITTING	
22	91513054	1	PIN	
23	91401189	2	KEEPER	
24	88561111	4	WASHER, 1/2	
25	88551013	4	LOCKWASHER, 1/2	
26	88201065	4	HEX HD CAPSCREW, 1/2-13X1, GR5	
27	91403026	1	PIN	
K1	91514285	1	SEAL KIT, (includes items 5, 6, 7 & 11 thru 16)	

SECTION 9 - HYDRAULIC COMPONENTS

FIGURE 9-18. COMPENSATING CYLINDER (SN 0160007869 through 0160007970)



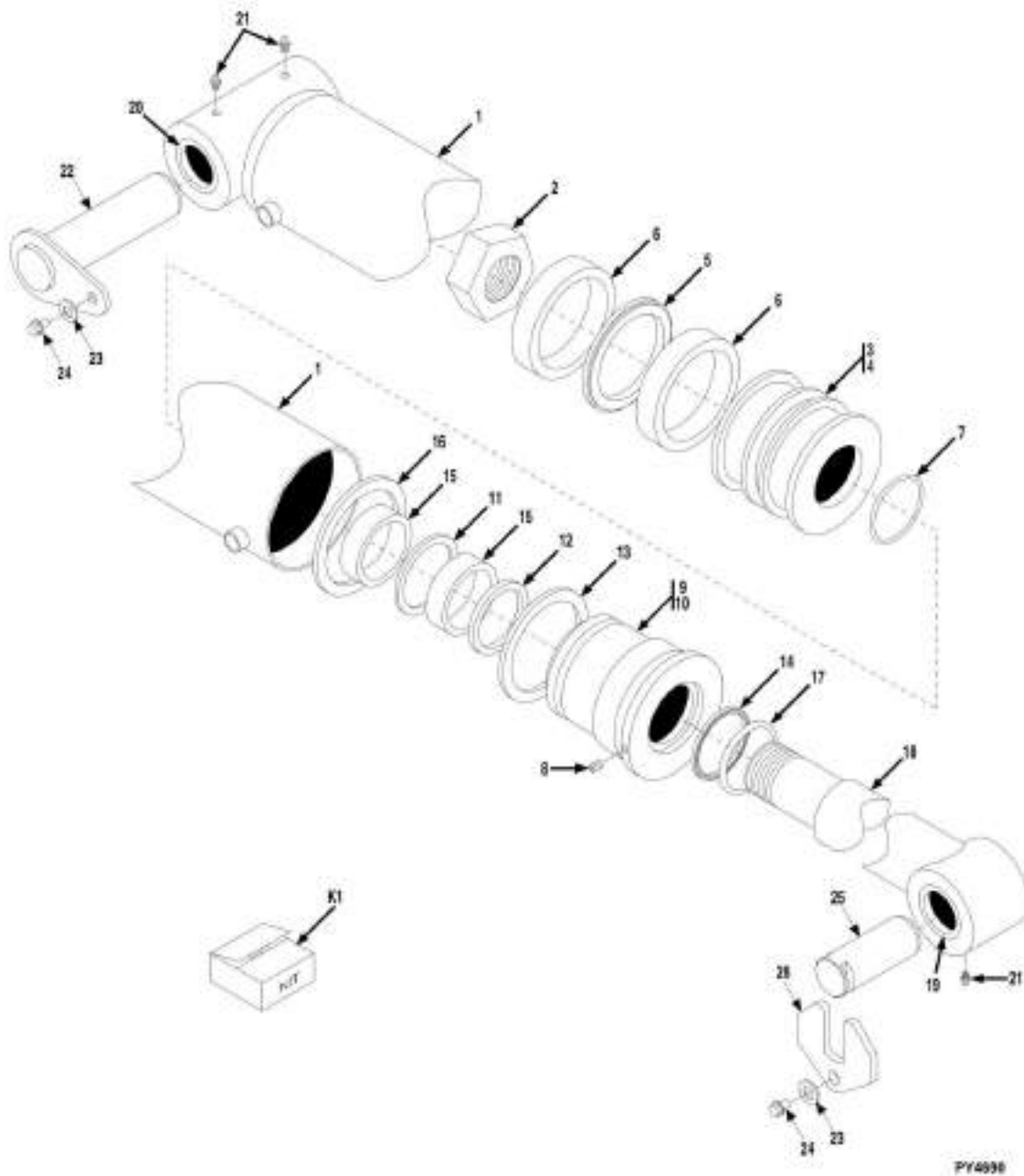
SECTION 9 - HYDRAULIC COMPONENTS

FIGURE 9-18. COMPENSATING CYLINDER (SN 0160007869 through 0160007970)

ITEM	PART NUMBER	QTY	DESCRIPTION	REV
	91513226	1	COMPENSATING CYLINDER, (includes items 1 thru 21)	
1	91514282	1	CASE ASSY, (includes item 20)	
2	91034153	1	LOCKNUT, (torque to 2025-2075 lb-ft)	
3	91514283	1	PISTON ASSY, (includes items 4 thru 7)	
4	91514284	1	PISTON	
5	Kit	1	PISTON SEAL	
6	Kit	2	WEAR RING	
7	Kit	1	O-RING	
8	91124096	1	SET SCREW	
9	91514276	1	HEAD ASSY, (includes items 10 thru 16)	
10	91514277	1	HEAD, (torque to 550-600 lb-ft)	
11	Kit	1	STEP SEAL	
12	Kit	1	U-CUP	
13	Kit	1	U-CUP	
14	Kit	1	CANNED WIPER	
15	Kit	2	WEAR RING	
16	Kit	1	O-RING	
17	7026474	1	O-RING	
18	70020552	1	SHAFT ASSY, (includes item 19)	
19	91404287	1	BUSHING, (manganese phosphate coating)	
20	91404286	2	BUSHING, (manganese phosphate coating)	
21	91144128	3	GREASE FITTING	
22	91403026	1	PIN	
23	91401189	1	KEEPER	
24	88561111	2	WASHER, 1/2	
25	88551013	2	LOCKWASHER, 1/2	
26	88201065	2	HEX HD CAPSCREW, 1/2-13X1, GR5	
27	91513280	1	PIN	
28	4891800	1	HARD WASHER, 1/2	
29	0681810	1	HEX HD CAPSCREW, 1/2-13X1-1/4, GR8, (torque to 100-110 lb-ft)	
K1	91514285	1	SEAL KIT, (includes items 5, 6, 7 & 11 thru 16)	

SECTION 9 - HYDRAULIC COMPONENTS

FIGURE 9-19. COMPENSATING CYLINDER (SN 0160008020 through 0160033297)



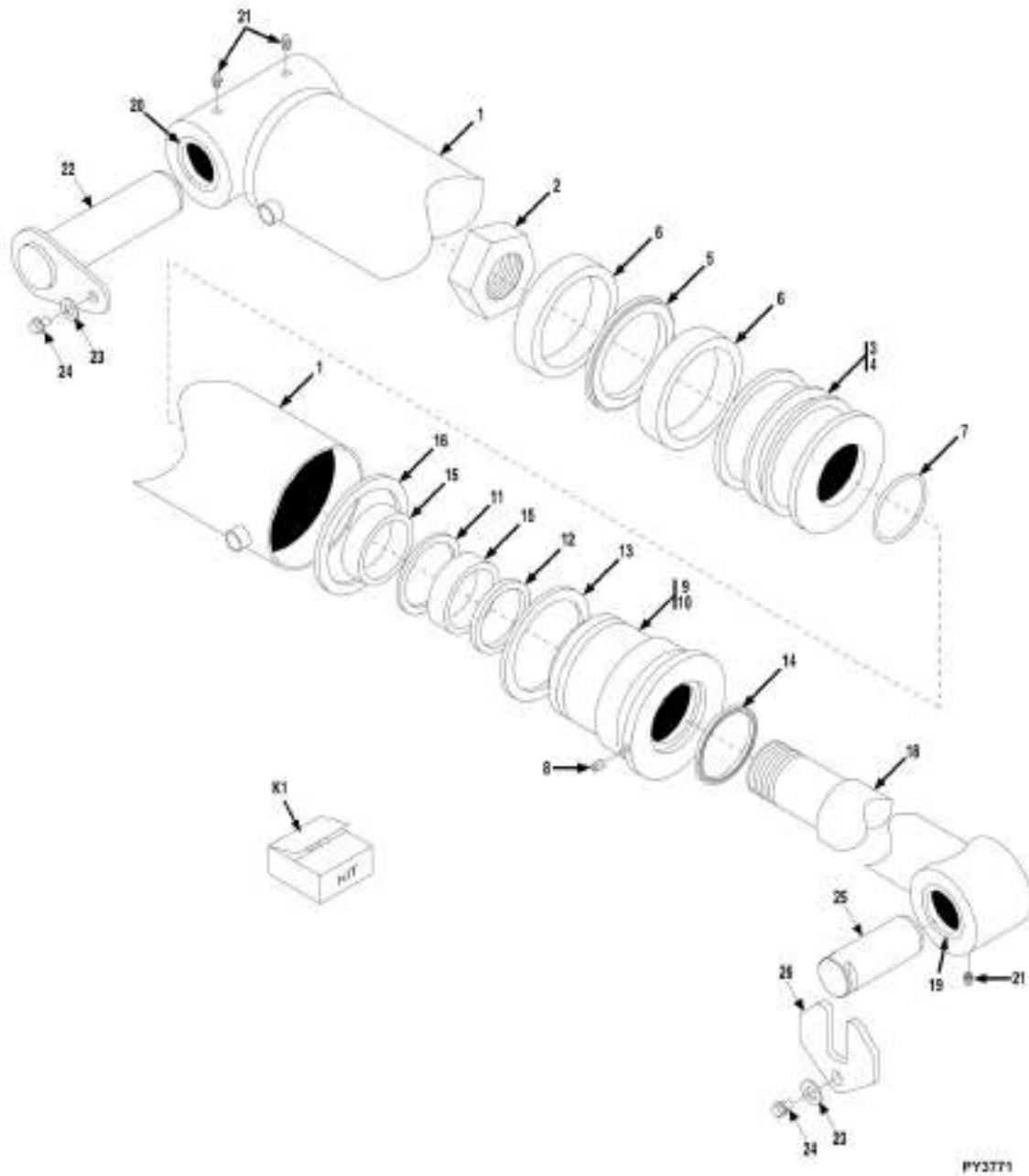
SECTION 9 - HYDRAULIC COMPONENTS

FIGURE 9-19. COMPENSATING CYLINDER (SN 0160008020 through 0160033297)

ITEM	PART NUMBER	QTY	DESCRIPTION	REV
	91513226	1	COMPENSATING CYLINDER, (includes items 1 thru 21)	
1	91514282	1	CASE ASSY, (includes item 20)	
2	91034153	1	LOCKNUT, (torque to 2025-2075 lb-ft)	
3	91514283	1	PISTON ASSY, (includes items 4 thru 7)	
4	91514284	1	PISTON	
5	Kit	1	PISTON SEAL	
6	Kit	2	WEAR RING	
7	Kit	1	O-RING	
8	91124096	1	SET SCREW	
9	91514276	1	HEAD ASSY, (includes items 10 thru 16)	
10	91514277	1	HEAD, (torque to 550-600 lb-ft)	
11	Kit	1	STEP SEAL	
12	Kit	1	U-CUP	
13	Kit	1	U-CUP	
14	Kit	1	CANNED WIPER	
15	Kit	2	WEAR RING	
16	Kit	1	O-RING	
17	7026474	1	O-RING	
18	70020552	1	SHAFT ASSY, (includes item 19)	
19	91404287	1	BUSHING, (manganese phosphate coating)	
20	91404286	2	BUSHING, (manganese phosphate coating)	
21	91144128	3	GREASE FITTING	
22	91513280	1	PIN	
23	4891800	2	HARD WASHER, 1/2	
24	0681810	2	HEX HD CAPSCREW, 1/2-13X1-1/4, GR8, (torque to 100-110 lb-ft)	
25	91513282	1	PIN	
26	91471240	1	KEEPER PLATE	
K1	91514285	1	SEAL KIT, (includes items 5, 6, 7 & 11 thru 16)	

SECTION 9 - HYDRAULIC COMPONENTS

FIGURE 9-20. COMPENSATING CYLINDER (SN 0160033316 to Present)



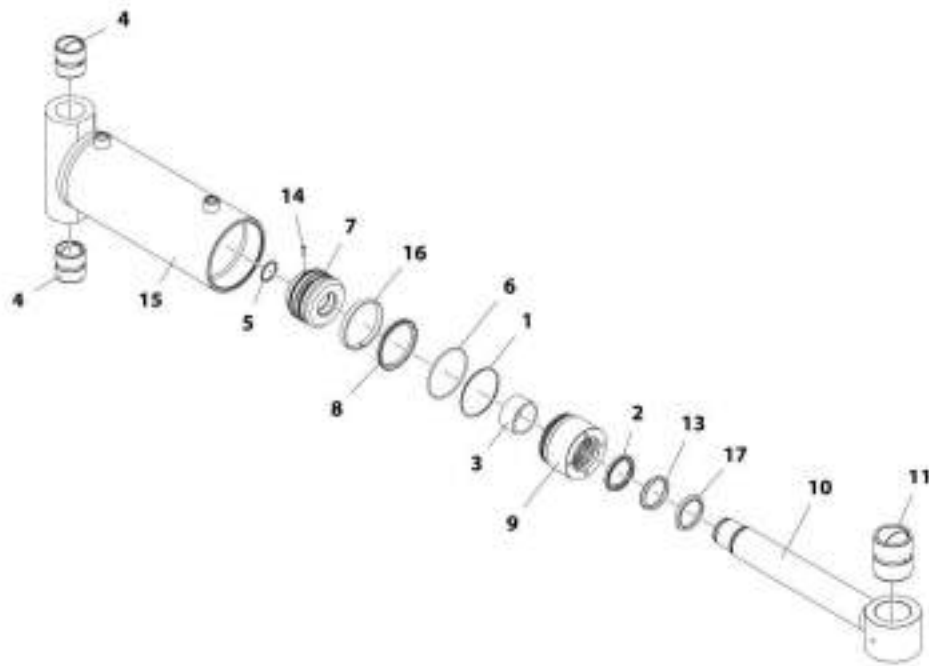
SECTION 9 - HYDRAULIC COMPONENTS

FIGURE 9-20. COMPENSATING CYLINDER (SN 0160033316 to Present)

ITEM	PART NUMBER	QTY	DESCRIPTION	REV
	91513272	NLA	COMPENSATING CYLINDER, (no longer available, use items 1 through 21 for service or 1001140446 for replacement)	B
1	70022053	1	BARREL ASSY, (includes item 20)	
2	10727280	1	LOCKNUT, (torque to 2025-2075 lb-ft)	
3	70022055	1	PISTON ASSY, (includes items 4 thru 7)	
4	N.S.S.	1	PISTON	
5	Kit	1	PISTON SEAL	
6	Kit	2	WEAR RING	
7	Kit	1	O-RING	
8	7029760	1	CAPSCREW	
9	70022056	1	ROD BEARING ASSY, (includes items 10 thru 16)	
10	N.S.S.	1	ROD BEARING, (torque to 550-600 lb-ft)	
11	Kit	1	BUFFER SEAL	
12	Kit	1	ROD SEAL	
13	Kit	1	PISTON SEAL	
14	Kit	1	WIPER	
15	Kit	2	WEAR RING	
16	Kit	1	O-RING	
18	70022054	1	ROD ASSY, (includes item 19)	
19	7029872	1	BUSHING, (manganese phosphate coating)	
20	7029871	2	BUSHING, (manganese phosphate coating)	
21	91044080	3	GREASE FITTING	
22	91513280	1	PIN	
23	4891800	2	HARD WASHER, 1/2	
24	0681810	2	HEX HD CAPSCREW, 1/2-13X1-1/4, GR8, (torque to 100-110 lb-ft)	
25	91513282	1	PIN	
26	91471240	1	KEEPER PLATE	
K1	70024012	1	SEAL KIT, (includes items 5, 6, 7 & 11 thru 16)	

SECTION 9 - HYDRAULIC COMPONENTS

FIGURE 9-21. COMPENSATING CYLINDER



WRT_1001140446-B

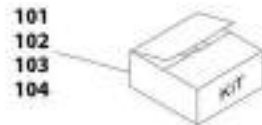
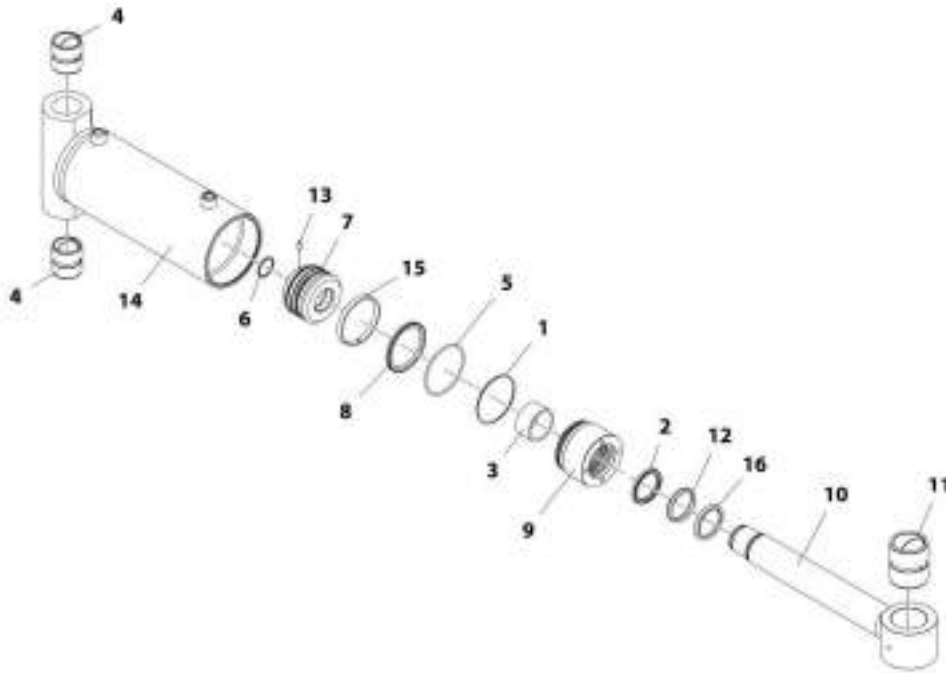
SECTION 9 - HYDRAULIC COMPONENTS

FIGURE 9-21. COMPENSATING CYLINDER

ITEM	PART NUMBER	QTY	DESCRIPTION	REV
	1001140446	1	COMPENSATING CYLINDER	B
1	Kit	1	BACK-UP RING	
2	Kit	1	BUFFER RING	
3	Kit	1	BUSHING	
4	70025918	2	HEAD END BUSHING	
5	Kit	1	O-RING	
6	Kit	1	O-RING	
7	Kit	1	PISTON	
8	Kit	1	PISTON SEAL	
9	Kit	1	RETAINER	
10	Kit	1	ROD	
11	Kit	1	ROD END BUSHING	
13	Kit	1	ROD SEAL	
14	Kit	1	SET SCREW	
15	70025919	1	BARREL	
16	Kit	1	WEAR RING	
17	Kit	1	WIPER	
101	70025920	1	SERVICE KIT, (includes items 1,2,3,5,6,8,13,16,17)	
102	70025921	1	RETAINER SUB ASSY, (includes items 1,2,3,5,9,13,17)	
103	70025922	1	PISTON SUB ASSY, (includes items 7,8,14,16)	
104	70025923	1	ROD SERVICE KIT, (includes items 10,11,12)	

SECTION 9 - HYDRAULIC COMPONENTS

FIGURE 9-22. COMPENSATING CYLINDER



ART_1001174531-B

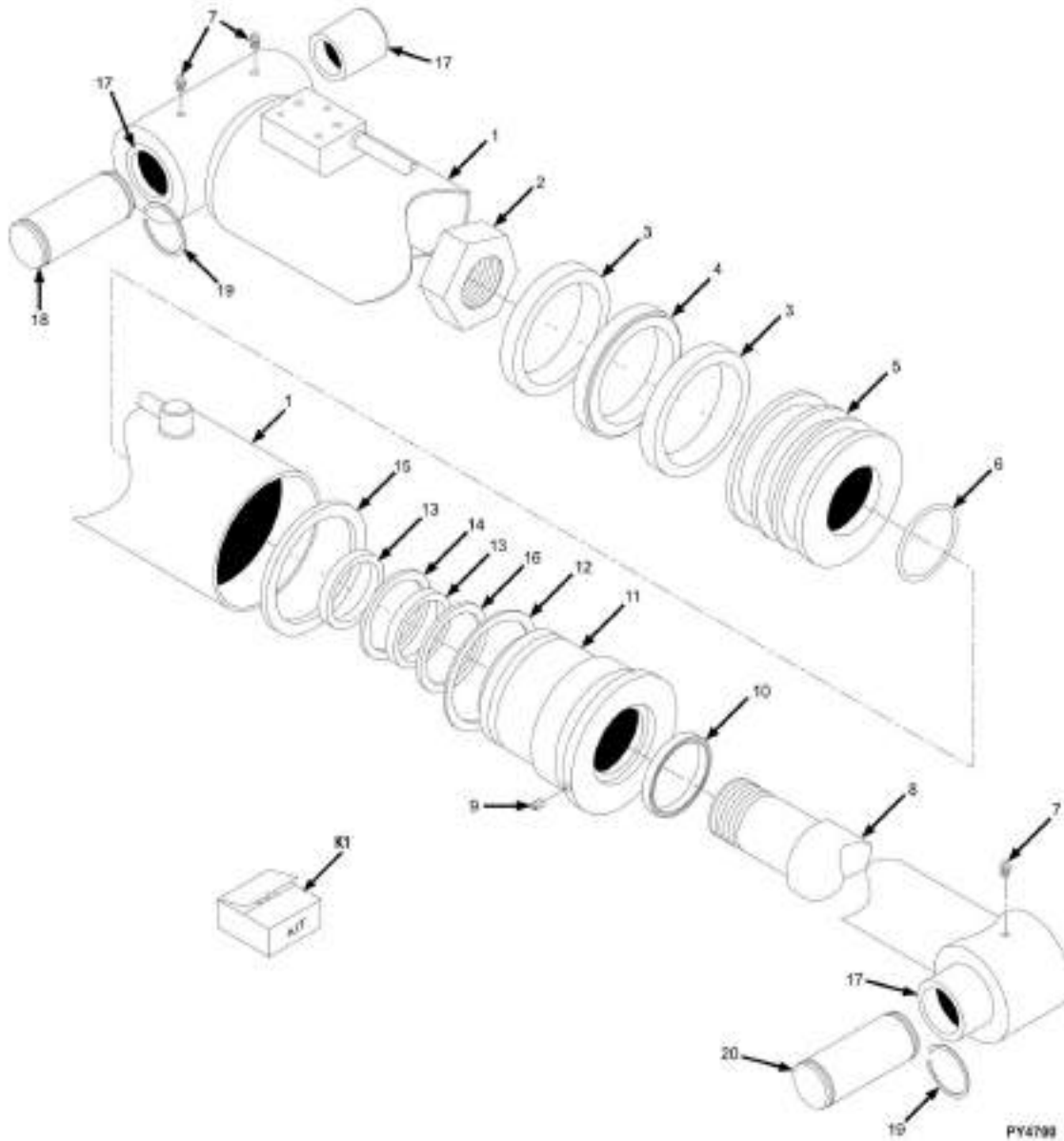
SECTION 9 - HYDRAULIC COMPONENTS

FIGURE 9-22. COMPENSATING CYLINDER

ITEM	PART NUMBER	QTY	DESCRIPTION	REV
	1001174531	1	COMPENSATING CYLINDER, (ARCTIC)	B
1	Kit	1	BACK-UP RING	
2	Kit	1	BUFFER RING	
3	Kit	1	BUSHING	
4	70025918	2	HEAD END BUSHING	
5	Kit	1	O-RING	
6	Kit	1	O-RING	
7	Kit	1	PISTON	
8	Kit	1	PISTON SEAL	
9	Kit	1	RETAINER	
10	Kit	1	ROD	
11	Kit	1	ROD END BUSHING	
12	Kit	1	ROD SEAL	
13	Kit	1	SET SCREW	
14	70025919	1	BARREL	
15	Kit	1	WEAR RING	
16	Kit	1	WIPER	
101	70025934	1	SERVICE KIT, (includes items 1,2,3,5,6,8,13,16,17)	
102	70025935	1	RETAINER KIT, (includes items 1,2,3,5,9,13,17)	
103	70025922	1	PISTON KIT, (includes items 7,8,14,16)	
104	70025923	1	ROD SERVICE KIT, (includes items 10,11,12)	

SECTION 9 - HYDRAULIC COMPONENTS

FIGURE 9-23. SWAY CYLINDER (SN 0193001 through 0193007, SN 016000008 through 0160033206)



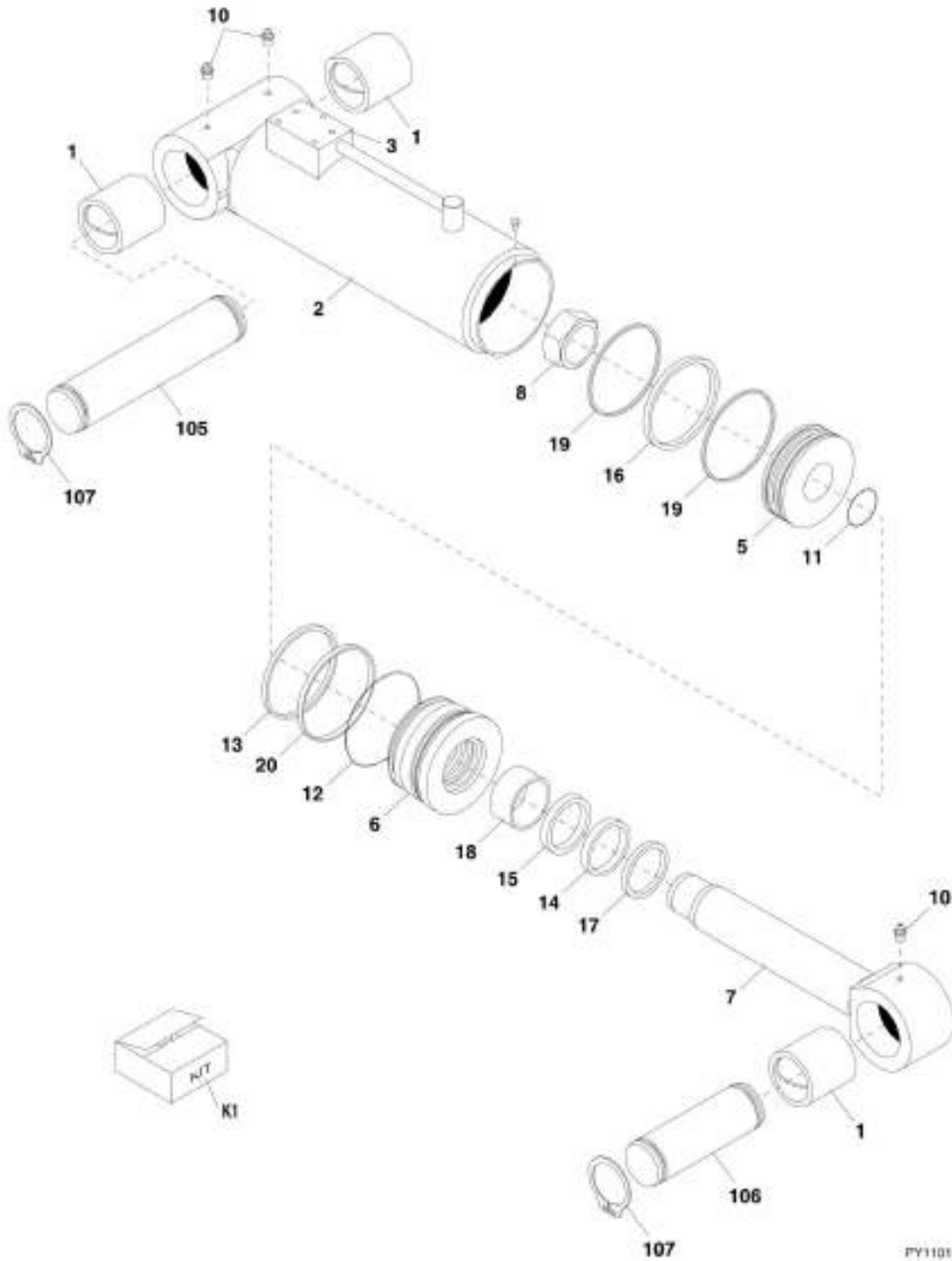
SECTION 9 - HYDRAULIC COMPONENTS

FIGURE 9-23. SWAY CYLINDER (SN 0193001 through 0193007, SN 0160000008 through 0160033206)

ITEM	PART NUMBER	QTY	DESCRIPTION	REV
	91513038	1	SWAY CYLINDER, (includes items 1 thru 17)	C
1	91514057	1	CASE ASSY	
2	91064017	1	LOCK NUT, (torque to 400 lb-ft)	
3	Kit	2	WEAR RING	
4	Kit	1	PISTON SEAL	
5	7026935	1	PISTON	
6	Kit	1	O-RING	
7	91144128	3	GREASE FITTING	
8	91514058	1	SHAFT ASSY	
9	91124096	1	SET SCREW	
10	Kit	1	CANNED WIPER	
11	91514059	1	HEAD	
12	Kit	1	BACKUP	
13	Kit	2	ROD SEAL	
14	Kit	1	STEP SEAL	
15	Kit	1	O-RING	
16	Kit	1	U-CUP	
17	91404286	3	BUSHING	
18	91403226	1	SWAY CYLINDER PIN	
19	90028935	4	RETAINING RING	
20	90207352	1	SWAY PIN	
K1	91514063	1	SEAL KIT, (includes items 3, 4, 6, 10 & 12 thru 16)	

SECTION 9 - HYDRAULIC COMPONENTS

FIGURE 9-24. SWAY CYLINDER (SN 0160033222 to Present)



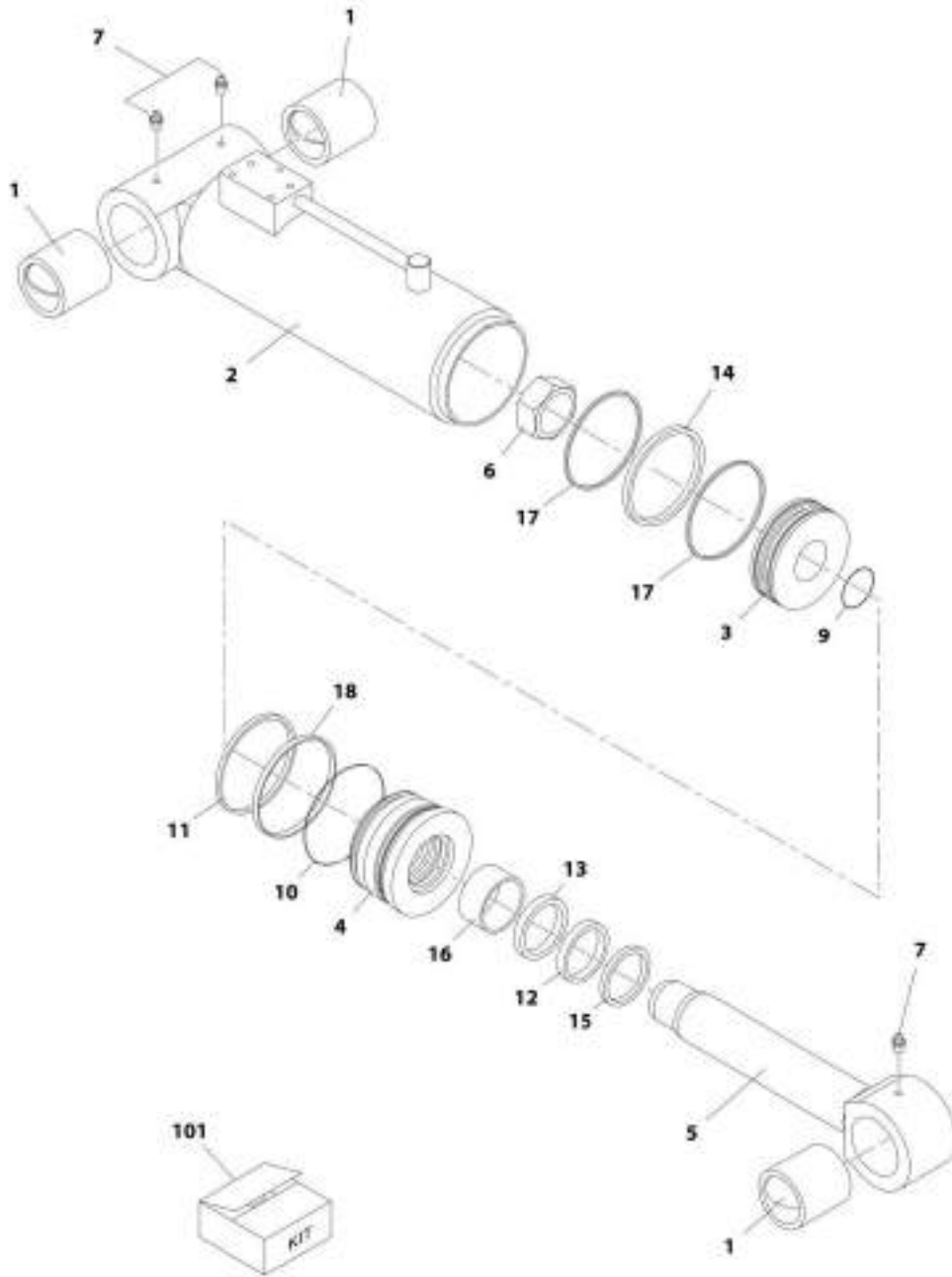
SECTION 9 - HYDRAULIC COMPONENTS

FIGURE 9-24. SWAY CYLINDER (SN 0160033222 to Present)

ITEM	PART NUMBER	QTY	DESCRIPTION	REV
	91513273	1	SWAY CYLINDER, (includes items 1 thru 20)	A
1	70022508	3	BEARING	
2	70022859	1	CASE ASSY	
3	N.S.S.	1	GASKET	
5	70022861	1	PISTON	
6	70022862	1	HEAD GLAND	
7	70022863	1	SHAFT ASSY	
8	8035865	1	LOCKNUT, (torque to 720-800 lb-ft)	
10	70020375	3	GREASE FITTING	
11	Kit	1	O-RING	
12	Kit	1	O-RING	
13	Kit	1	POLYPAK	
14	Kit	1	U-CUP	
15	Kit	1	BUFFER SEAL	
16	Kit	1	T-SEAL	
17	Kit	1	SCRAPER	
18	Kit	1	WEARBAND	
19	Kit	2	WEARBAND	
20	Kit	2	LOCKING INSERT	
105	91403226	1	SWAY CYLINDER PIN	
106	91403225	1	CYLINDER PIN	
107	90028935	4	RETAINING RING	
K1	70022864	1	SEAL KIT, (includes items 11 thru 20)	

SECTION 9 - HYDRAULIC COMPONENTS

FIGURE 9-25. SWAY CYLINDER (ARCTIC)



ART_1001138767-A

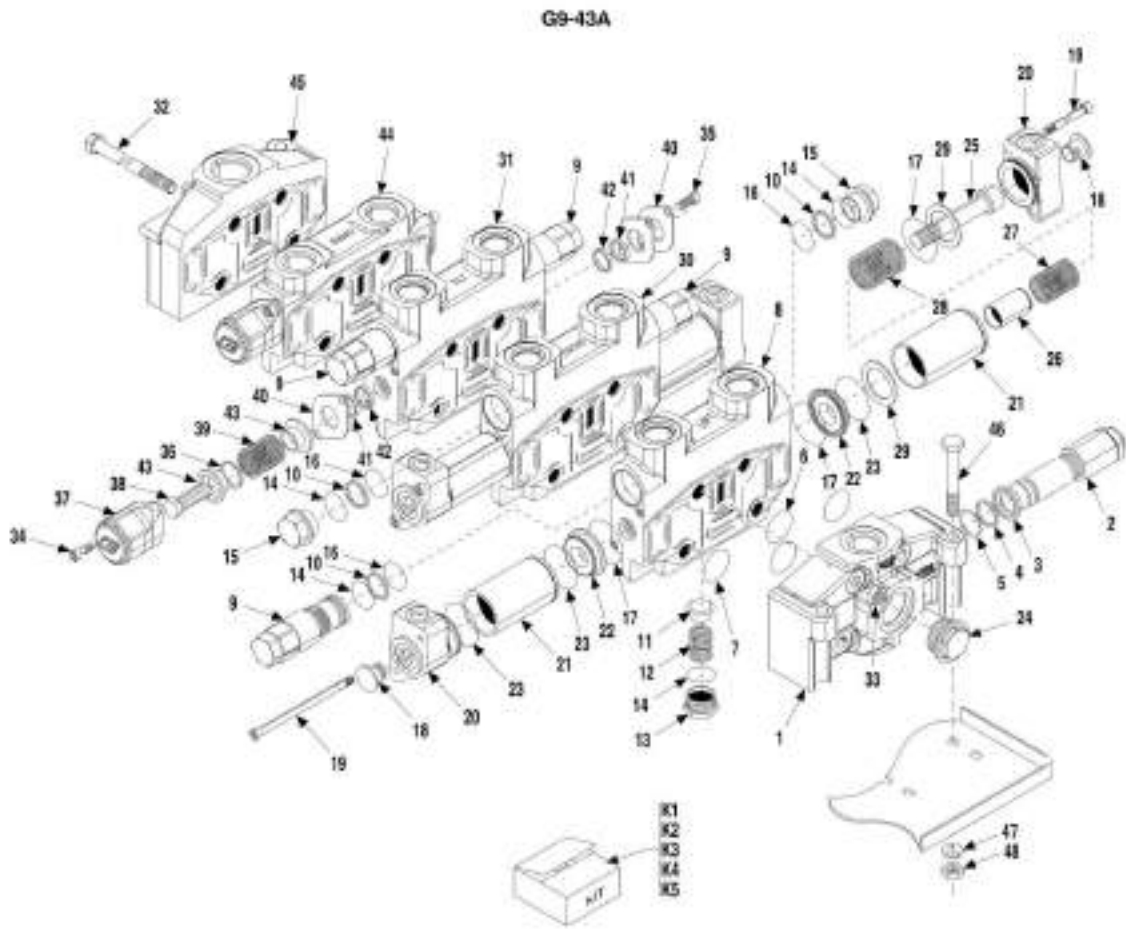
SECTION 9 - HYDRAULIC COMPONENTS

FIGURE 9-25. SWAY CYLINDER (ARCTIC)

ITEM	PART NUMBER	QTY	DESCRIPTION	REV
	1001158767	1	SWAY CYLINDER, (ARCTIC)	A
1	70022508	3	BEARING	
2	70022859	1	BARREL	
3	70022861	1	PISTON	
4	70022862	1	GLAND	
5	70022863	1	ROD	
6	8035865	1	LOCKNUT	
7	70020375	3	GREASE FITTING	
9	Kit	1	O-RING	
10	Kit	2	O-RING	
11	Kit	1	POLYPAK	
12	Kit	1	DEEP Z-SEAL	
13	Kit	1	BUFFER SEAL	
14	Kit	1	T-SEAL	
15	Kit	1	SCRAPER	
16	Kit	1	WEAR BAND	
17	Kit	2	WEAR BAND	
18	Kit	2	LOCKING INSERT	
101	70025969	1	SEAL KIT, (includes items 9 thru 18)	

SECTION 9 - HYDRAULIC COMPONENTS

FIGURE 9-26. MAIN CONTROL VALVE G9-43A (Prior to SN 0160040675, Excluding 0160040468 and 0160040672)



PHOTO

SECTION 9 - HYDRAULIC COMPONENTS

FIGURE 9-26. MAIN CONTROL VALVE G9-43A (Prior to SN 0160040675, Excluding 0160040468 and 0160040672)

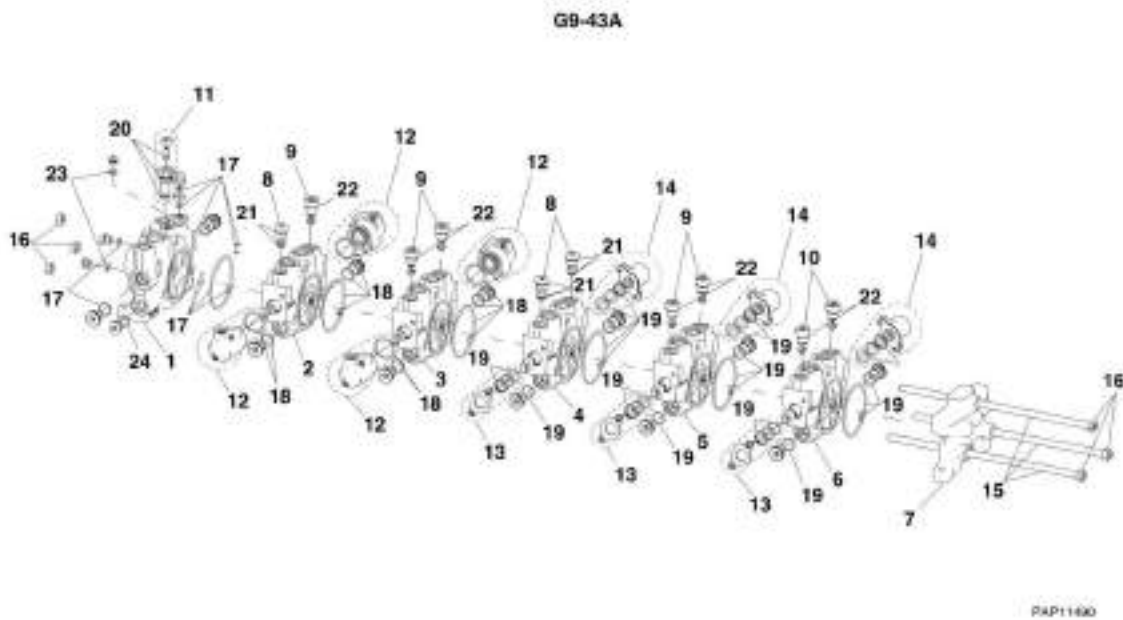
ITEM	PART NUMBER	QTY	DESCRIPTION	REV
	91513044	1	MAIN HYDRAULIC CONTROL VALVE, (G9-43A), (includes items 1 thru 45)	A
1	91514228	1	INLET COVER ASSEMBLY, (includes items 2 & 24, one of item 6 and three of item 7)	
2	91514229	1	MAIN RELIEF VALVE, (includes items 3, 4 & 5)	
3	Kit	1	GASKET WASHER	
4	Kit	1	O-RING	
5	Kit	1	BACK-UP RING	
6	Kit	5	O-RING	
7	Kit	15	O-RING	
8	91514230	1	VALVE SECTION ASSY, (lift), (includes one of items 6, 9, 11 thru 15 & 25 thru 28, two of items 17, 18, 20, 21, 22 & 29, three of item 7 and four of items 19 & 23)	
9	91514222	4	PORT RELIEF VALVE, (includes one of items 10, 14 & 16)	
10	N.S.S.	6	BACK-UP RING	
11	N.S.S.	4	TRANSITION CHECK POPPET	
12	N.S.S.	4	CHECK SPRING	
13	N.S.S.	4	CHECK CAP	
14	Kit	10	O-RING	
15	91514232	2	PORT PLUG, (includes one of items 10, 14 & 16)	
16	N.S.S.	6	O-RING	
17	Kit	4	SEAL	
18	N.S.S.	4	PLUG	
19	70021294	8	HEX SOCKET CAPSCREW, (torque to 90-110 lb-in)	
20	N.S.S.	4	VALVE CAP	
21	N.S.S.	4	END CAP TUBE	
22	N.S.S.	4	TUBE	
23	Kit	8	SEAL	
24	91514233	1	PLUG	
25	N.S.S.	2	SHOULDER BOLT	
26	N.S.S.	2	STOP TUBE	
27	N.S.S.	2	INNER SPRING	
28	N.S.S.	2	OUTER SPRING	
29	N.S.S.	4	WASHER	
30	91514234	1	VALVE SECTION ASSY, (crowd), (includes one of items 6, 9, 11 thru 15 & 25 thru 28, two of items 17, 18, 20, 21, 22 & 29, three of item 7 and four of items 19 & 23)	
31	91514235	1	VALVE SECTION ASSY, (tilt), (includes one of items 6, 11 thru 14 & 36 thru 39, two of items 9, 34, 35 & 41 thru 43 and three of items 7 & 40)	
32	Kit	4	STUD ASSY, (includes item 33), (torque to 41.6 lb-ft)	
33	Kit	4	HEX NUT	
34	N.S.S.	4	SCREW	
35	N.S.S.	4	SCREW	
36	N.S.S.	2	SPACER	
37	N.S.S.	2	VALVE CAP	
38	N.S.S.	2	STRIPPER BOLT	
39	N.S.S.	2	RETURN SPRING	
40	N.S.S.	6	RETAINING PLATE	
41	Kit	4	BACK-UP RING, (teflon)	

SECTION 9 - HYDRAULIC COMPONENTS

ITEM	PART NUMBER	QTY	DESCRIPTION	REV
42	Kit	4	QUAD SEAL	
43	N.S.S.	4	SPRING GUIDE	
44	91514236	1	VALVE SECTION ASSY, (sway), (includes one of items 6, 11 thru 14 & 36 thru 39, two of items 34, 35, 41, 42 & 43 and three of items 7 & 40)	
45	91514237	1	OUTLET COVER ASSY	
46	88411074	3	ROUND HD CARRIAGE BOLT, #3/8-16X4	
47	4761600	3	LOCKWASHER, 3/8	
48	88501006	3	HEX NUT, 3/8-16	
K1	91514220	5	VALVE SECTION SEAL KIT, (includes one of item 6 and three of item 7)	
K2	91514221	1	MAIN RELIEF SEAL KIT, (includes items 3, 4 & 5)	
K3	91514226	2	SPOOL SEAL KIT, (includes one of items 6 & 14, two of items 41 & 42 and three of item 7)	
K4	91514227	2	REMOTE SEAL KIT, (includes one of items 6 & 14, two of item 17, three of item 7 and four of item 23)	
K5	91514250	1	STUD KIT, (includes items 32 & 33)	

SECTION 9 - HYDRAULIC COMPONENTS

FIGURE 9-27. MAIN CONTROL VALVE G9-43A (SN 0160040675 to Present, Including 0160040468 and 0160040672)



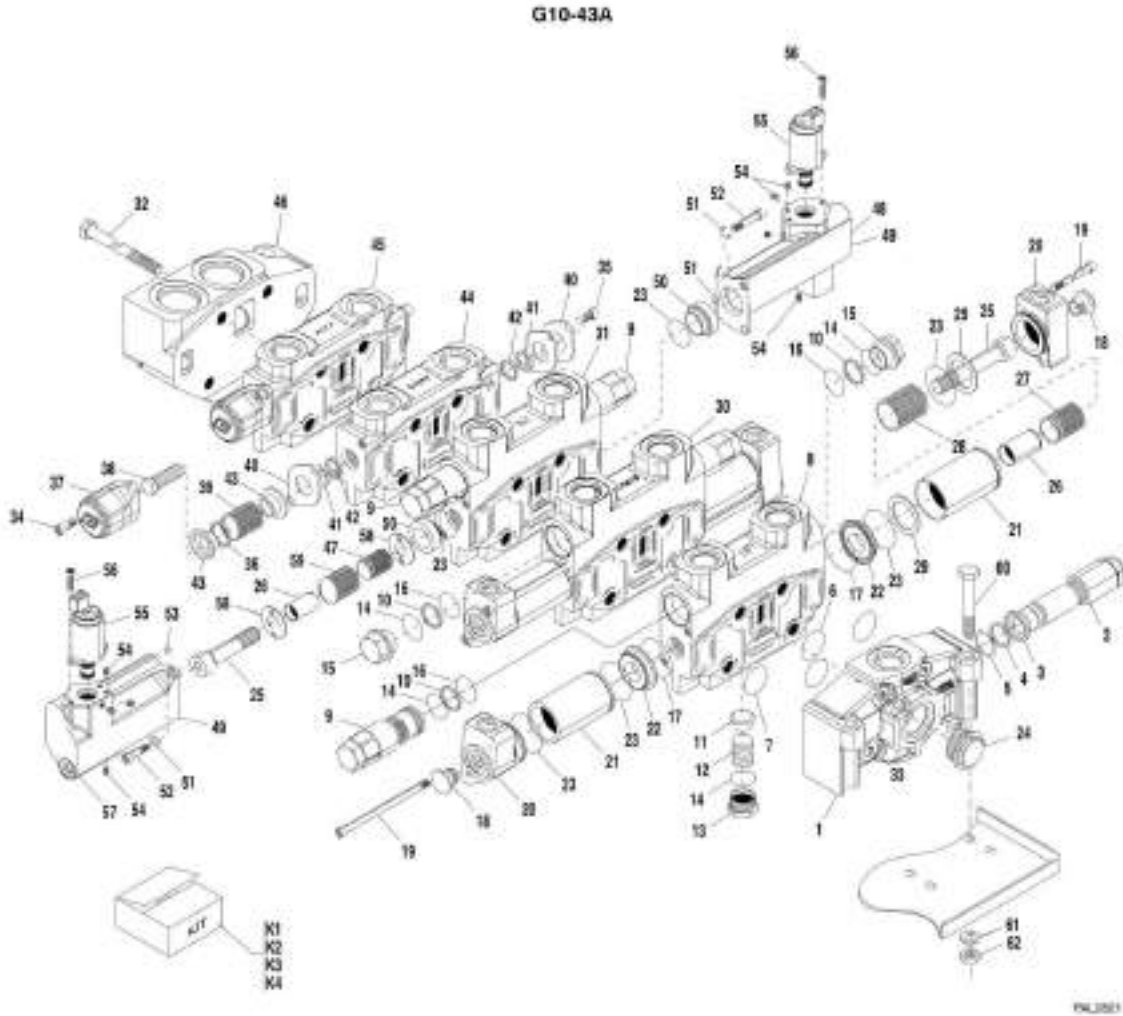
SECTION 9 - HYDRAULIC COMPONENTS

FIGURE 9-27. MAIN CONTROL VALVE G9-43A (SN 0160040675 to Present, Including 0160040468 and 0160040672)

ITEM	PART NUMBER	QTY	DESCRIPTION	REV
	1001105611	1	MAIN CONTROL VALVE, (G9-43A), (includes items 1 thru 24)	G
1	70023311	1	INLET SECTION ASSY	
2	70024192	1	SPOOL SECTION ASSY, LIFT	
3	70024193	1	SPOOL SECTION ASSY, CROWD	
4	70024194	1	SPOOL SECTION ASSY, SWAY	
5	70024195	1	SPOOL SECTION ASSY, FORK TILT	
6	70024196	1	SPOOL SECTION ASSY, AUX	
7	70024197	1	OUTLET SECTION ASSY	
8	70022008	3	SHUT-OFF PLUG ASSY	
9	70022010	5	RELIEF VALVE, 280 BAR	
10	70022011	2	RELIEF VALVE, 185 BAR	
11	70024198	1	DRAIN REGULATOR ASSY	
12	70022016	4	END MECHANISM PO KIT	
13	70023318	3	SEAL PLATE GROUP	
14	70023319	3	END MECHANISM KIT	
15	70023320	3	TIE ROD, METRIC	
16	70022019	6	TIE ROD NUT, METRIC	
17	70022020	1	INLET SEAL KIT	
18	70024199	2	PO SECTION SEAL KIT	
19	70024200	3	MANUAL SECTION SEAL KIT	
20	8036508	1	DRAIN REGULATOR SEAL KIT	
21	70022023	3	SHUT-OFF PLUG/FULL FLOW RV SEAL KIT	
22	70022025	7	O-RING	
23	70024201	2	O-RING	
24	70024202	1	O-RING	
108	8304042	4	ROUND HD CARRIAGE BOLT, 3/8-16X1-1/2, (not shown)	
109	4761600	4	LOCKWASHER, 3/8, (not shown)	
110	88501006	4	HEX NUT, 3/8-16, (not shown)	
115	4751600	4	WASHER, 3/8, (not shown)	

SECTION 9 - HYDRAULIC COMPONENTS

FIGURE 9-28. MAIN CONTROL VALVE G10-43A (Prior to SN 0160040675, Excluding 0160040468 and 0160040672)



SECTION 9 - HYDRAULIC COMPONENTS

FIGURE 9-28. MAIN CONTROL VALVE G10-43A (Prior to SN 0160040675, Excluding 0160040468 and 0160040672)

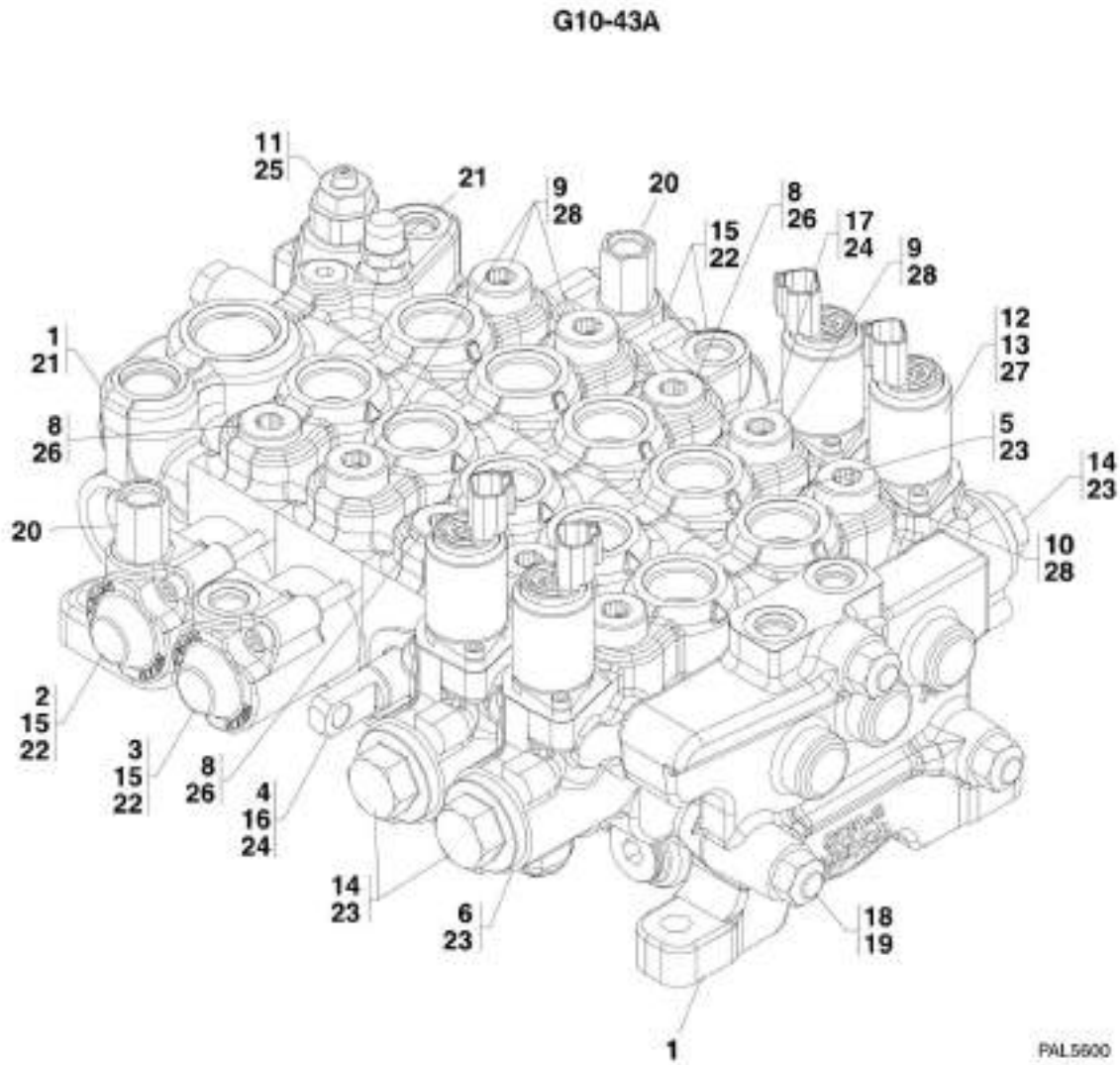
ITEM	PART NUMBER	QTY	DESCRIPTION	REV
	1001001034	1	MAIN HYDRAULIC CONTROL VALVE, (G10-43A), (includes items 1 thru 45)	C
1	7029963	1	INLET COVER ASSEMBLY, (includes items 2 & 24, one of item 6 and three of item 7)	
2	91514229	1	MAIN RELIEF VALVE, (includes items 3, 4 & 5)	
3	Kit	1	GASKET WASHER	
4	Kit	1	O-RING	
5	Kit	1	BACK-UP RING	
6	Kit	6	O-RING	
7	Kit	18	O-RING	
8	91514230	1	VALVE SECTION ASSY, (lift), (includes one of items 6, 9, 11 thru 15 & 25 thru 28, two of items 17, 18, 20, 21, 22 & 29, three of item 7 and four of items 19 & 23)	
9	91514222	4	PORT RELIEF VALVE, (includes one of items 10, 14 & 16)	
10	N.S.S.	6	BACK-UP RING	
11	N.S.S.	5	TRANSITION CHECK POPPET	
12	N.S.S.	5	CHECK SPRING	
13	N.S.S.	5	CHECK CAP	
14	Kit	11	O-RING	
15	91514232	2	PORT PLUG, (includes one of items 10, 14 & 16)	
16	N.S.S.	6	O-RING	
17	Kit	4	SEAL	
18	N.S.S.	4	PLUG	
19	N.S.S.	8	HEX SOCKET CAPSCREW	
20	N.S.S.	4	VALVE CAP	
21	N.S.S.	4	END CAP TUBE	
22	N.S.S.	4	TUBE	
23	Kit	10	SEAL	
24	Kit	1	PLUG	
25	N.S.S.	3	SHOULDER BOLT	
26	N.S.S.	3	STOP TUBE	
27	N.S.S.	2	INNER SPRING	
28	N.S.S.	2	OUTER SPRING	
29	N.S.S.	4	WASHER	
30	91514234	1	VALVE SECTION ASSY, (crowd), (includes one of items 6, 9, 11 thru 15 & 25 thru 28, two of items 17, 18, 20, 21, 22 & 29, three of item 7 and four of items 19 & 23)	
31	91514239	1	VALVE SECTION ASSY, (tilt), (includes items 41, 48 & 57, one of items 6 & 11 thru 14, two of item 9 and three of item 7)	
32	7029966	4	STUD ASSY, (includes item 33)	
33	N.S.S.	4	HEX NUT	
34	N.S.S.	4	SCREW	
35	N.S.S.	4	SCREW	
36	N.S.S.	1	SPACER	
37	N.S.S.	2	VALVE CAP	
38	N.S.S.	2	STRIPPER BOLT	
39	N.S.S.	2	RETURN SPRING	
40	N.S.S.	6	RETAINING PLATE	
41	Kit	6	BACK-UP RING, (teflon)	

SECTION 9 - HYDRAULIC COMPONENTS

ITEM	PART NUMBER	QTY	DESCRIPTION	REV
42	Kit	4	QUAD SEAL	
43	N.S.S.	4	SPRING GUIDE	
44	7029964	1	VALVE SECTION ASSY, (sway), (includes one of items 6, 11 thru 14 & 36 thru 39, two of items 34, 35, 41, 42 & 43 and three of items 7 & 40)	
45	7029965	1	VALVE SECTION ASSY, (aux), (includes one of items 6, 11 thru 14 & 37 thru 39, two of items 34, 35, 41, 42 & 43 and three of items 7 & 40)	
46	7029967	1	OUTLET COVER ASSY	
47	N.S.S.	1	SPRING	
48	91514240	1	END CAP ASSY, (includes one of items 23, 49, 50, 53 & 55, two of items 51, 52 & 56 and four of item 54)	
49	N.S.S.	2	END CAP	
50	N.S.S.	2	RETAINER SEAL	
51	N.S.S.	4	LOCKWASHER	
52	N.S.S.	4	CAPSCREW, 1/4-20X0.88	
53	N.S.S.	2	O-RING	
54	N.S.S.	8	EXPANDER PLUG	
55	70020170	2	SOLENOID	
56	N.S.S.	4	CAPSCREW	
57	91514241	1	END CAP ASSY, (includes items 47, 58 & 59, one of items 23, 25, 26, 49, 50, 53 & 55, two of items 51, 52 & 56 and four of item 54)	
58	N.S.S.	2	SPRING GUIDE	
59	N.S.S.	1	SPRING	
60	88411074	3	ROUND HD CARRIAGE BOLT, #3/8-16X4	
61	4761600	3	LOCKWASHER, 3/8	
62	88501006	3	HEX NUT, 3/8-16	
K1	91514220	6	VALVE SECTION SEAL KIT, (includes one of item 6 and three of item 7)	
K2	91514221	1	RELIEF SEAL KIT, (includes items 3, 4 & 5)	
K3	91514226	2	SPOOL SEAL KIT, (includes one of items 6 & 14, two of items 41 & 42 and three of item 7)	
K4	91514227	2	REMOTE SEAL KIT, (includes one of items 6 & 14, two of item 17, three of item 7 and four of item 23)	

SECTION 9 - HYDRAULIC COMPONENTS

FIGURE 9-29. MAIN CONTROL VALVE G10-43A (SN 0160040675 to Present, Including 0160040468 and 0160040672)



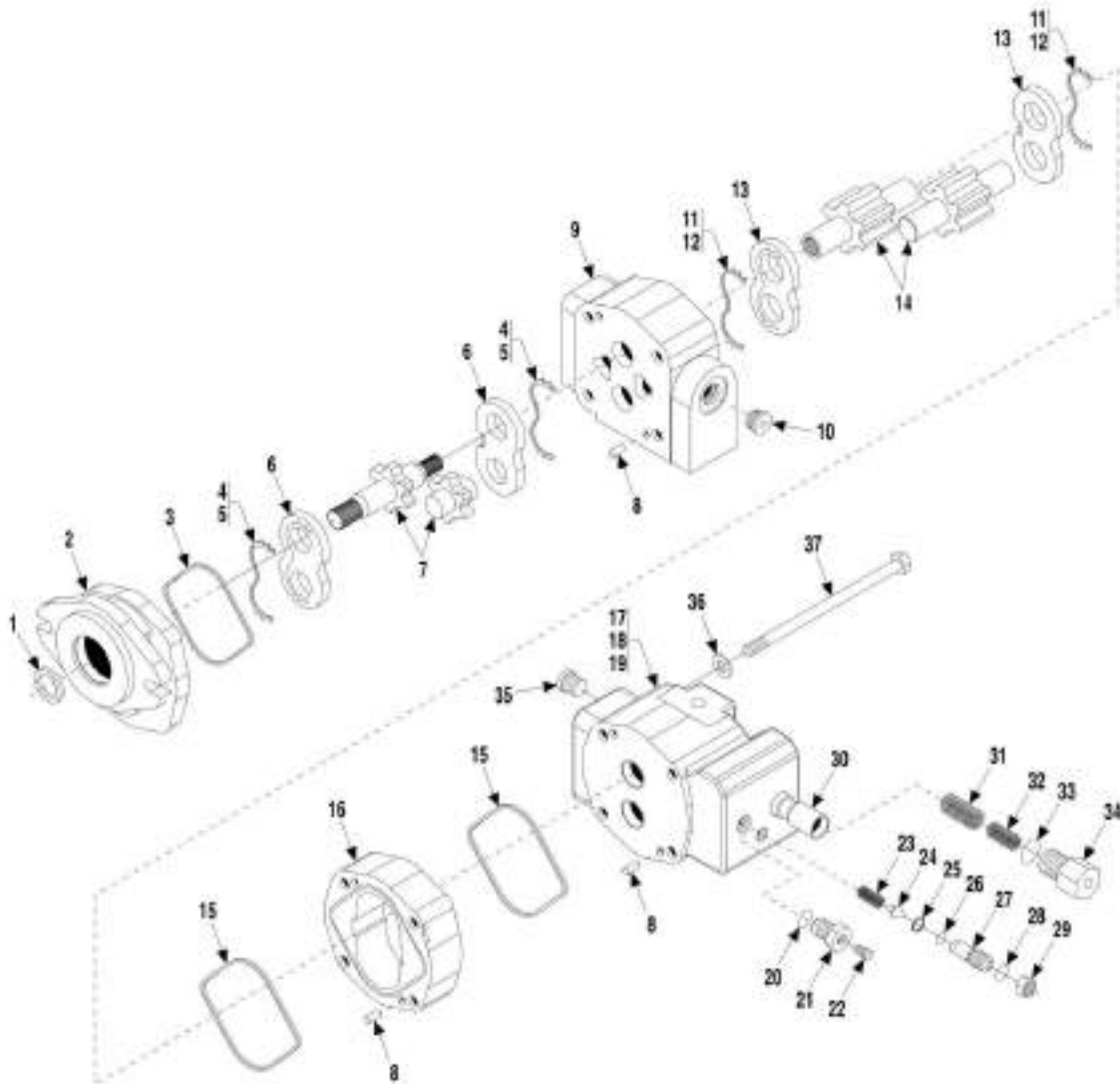
SECTION 9 - HYDRAULIC COMPONENTS

FIGURE 9-29. MAIN CONTROL VALVE G10-43A (SN 0160040675 to Present, Including 0160040468 and 0160040672)

ITEM	PART NUMBER	QTY	DESCRIPTION	REV
	1001107464	1	MAIN CONTROL VALVE, (G10-43A), (includes all items)	C
1	70023311	1	INLET SECTION ASSY	
2	70023312	1	SPOOL SECTION ASSY, LIFT	
3	70023313	1	SPOOL SECTION ASSY, CROWD	
4	70023314	1	SPOOL SECTION ASSY, SWAY	
5	70023315	1	SPOOL SECTION ASSY, TILT	
6	70023316	1	SPOOL SECTION ASSY, AUX	
7	70022007	1	OUTLET SECTION ASSY	
8	70022008	3	SHUT-OFF PLUG ASSY	
9	70022010	5	RELIEF VALVE, 280 BAR	
10	70022011	2	RELIEF VALVE, 185 BAR	
11	70023317	1	DRAIN REGULATOR ASSY	
12	70022013	4	SOLENOID-CARTRDGE VALVE	
13	70022014	8	SOCKET HD CAPSCREW	
14	70022015	4	END MECHANISM KIT	
15	70022016	4	END MECHANISM KIT, PO	
16	70023318	1	SEAL PLATE GROUP	
17	70023319	1	SPOOL END GROUP	
18	70023320	3	TIE ROD	
19	70022019	6	TIE ROD NUT	
20	70023321	2	CHECK VALVE ASSY	
21	70022020	1	INLET SEAL KIT	
22	70022021	1	PO SECTION SEAL KIT	
23	70022022	1	EH SECTION SEAL KIT	
24	70023322	1	MANUAL SECTION SEAL KIT	
25	8036508	1	DRAIN REGULATOR SEAL KIT	
26	70022023	1	SHUT-OFF PLUG AND FULL FLOW RV SEAL KIT	
27	70022024	1	PPRV SEAL KIT	
28	70023323	1	O-RING	

SECTION 9 - HYDRAULIC COMPONENTS

FIGURE 9-30. HYDRAULIC PUMP (Prior to SN 0160040675, Excluding 0160040468 and 0160040672)



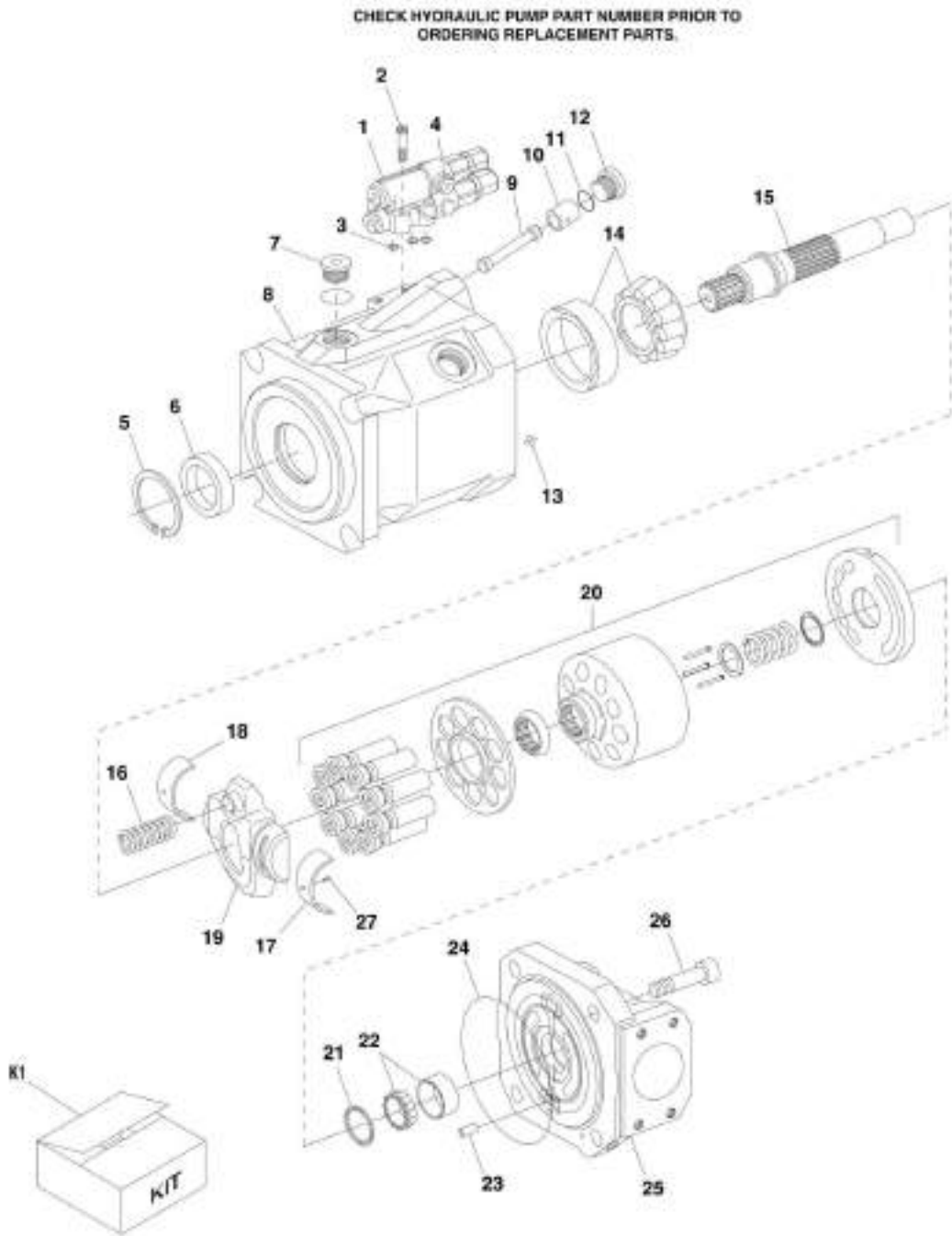
SECTION 9 - HYDRAULIC COMPONENTS

FIGURE 9-30. HYDRAULIC PUMP (Prior to SN 0160040675, Excluding 0160040468 and 0160040672)

ITEM	PART NUMBER	QTY	DESCRIPTION	REV
	91513160	1	TANDEM IMPLEMENT PUMP, (includes all items)	B
1	77134026	1	LIP SEAL	
2	91514073	1	SHAFT END COVER HOUSING	
3	91514217	1	O-RING	
4	91474182	2	SEAL	
5	91414038	2	BACK-UP SEAL	
6	83674096	2	THRUST PLATE	
7	91514077	1	GEAR SHAFT SET	
8	83671037	6	DOWEL PIN	
9	91514075	1	BEARING CARRIER HOUSING	
10	91514076	1	PLUG	
11	91514215	2	SEAL	
12	91514216	2	BACK-UP SEAL	
13	91034317	2	THRUST PLATE	
14	91034322	1	GEAR SET	
15	91514203	2	O-RING	
16	91034319	1	GEAR HOUSING	
17	91514074	1	PRIORITY VALVE ASSY, (includes items 18 thru 35)	
18	N.S.S.	1	PRIORITY PORT END	
19	83664064	2	BUSHING	
20	91514204	1	O-RING	
21	N.S.S.	1	PRIMARY GAUGE PORT PLUG	
22	77344041	1	PLUG	
23	91514205	1	RELIEF VALVE SPRING	
24	91514206	1	FLOATING POPPET	
25	91514207	1	BACK-UP RING	
26	91514208	1	O-RING	
27	91514209	1	SCREW WITH SCREEN	
28	91514210	1	O-RING	
29	91514211	1	HEX NUT	
30	N.S.S.	1	SPOOL	
31	91514212	1	OUTER SPRING, 100PSI	
32	N.S.S.	1	INNER SPRING, 50PSI	
33	91514213	1	O-RING	
34	N.S.S.	1	SPOOL SPRING END CAP	
35	91514214	1	HEX SOCKET PLUG	
36	8035261	4	WASHER	
37	91514078	4	CAPSCREW, 5/8-11X9.5, GR8	

SECTION 9 - HYDRAULIC COMPONENTS

FIGURE 9-31. HYDRAULIC PUMP (SN 0160040675 to Present, Including 0160040468 and 0160040672)



PAP11220

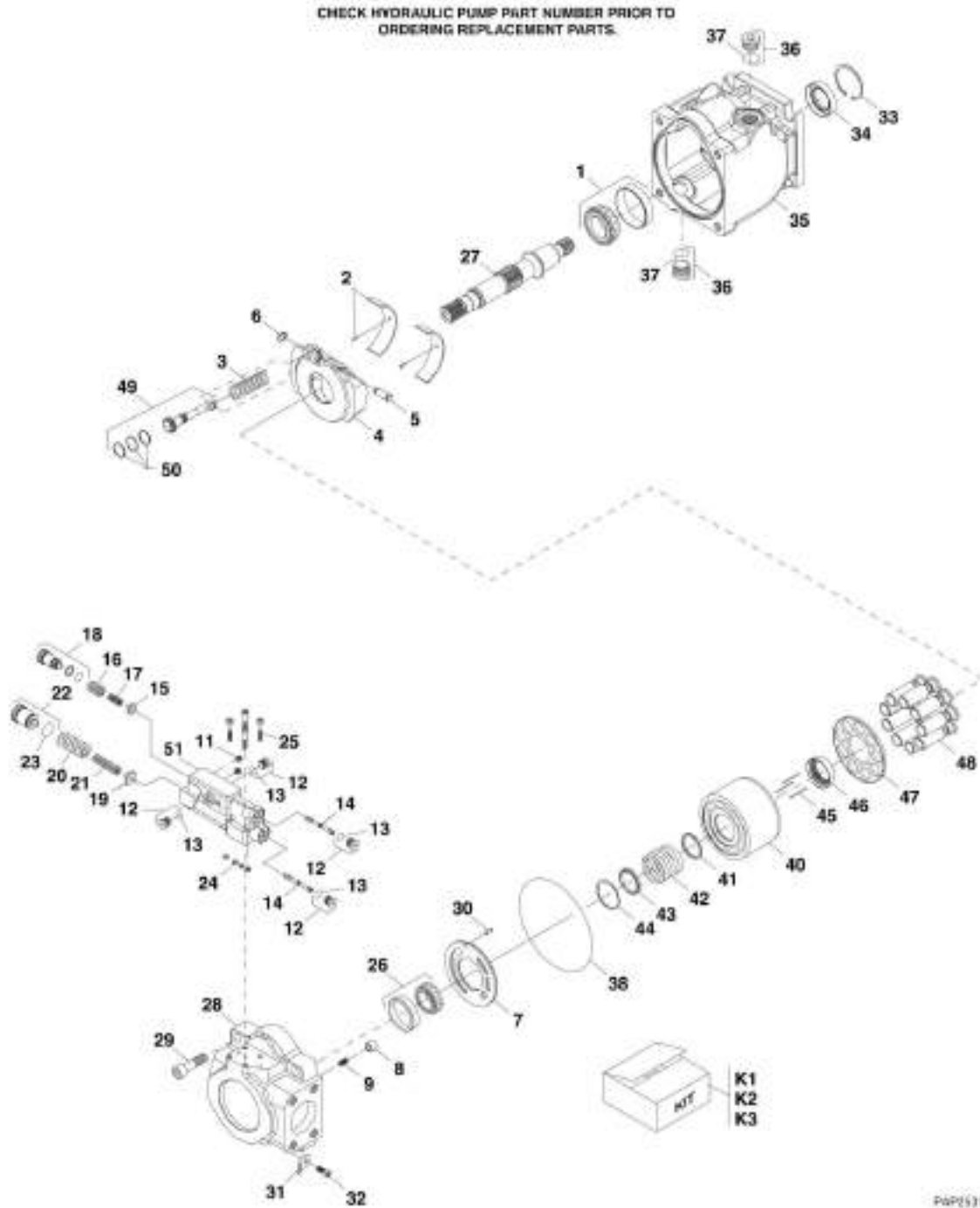
SECTION 9 - HYDRAULIC COMPONENTS

FIGURE 9-31. HYDRAULIC PUMP (SN 0160040675 to Present, Including 0160040468 and 0160040672)

ITEM	PART NUMBER	QTY	DESCRIPTION	REV
	1001128072	1	VARIABLE DISPLACEMENT PUMP, (includes all items)	B
1	70020797	1	PILOT VALVE, (includes items 2, 3 & 4)	
2	Kit	4	SOCKET SCREW, M6X30, GR10.9	
3	Kit	3	O-RING, (option)	
3	Kit	1	GASKET, (one piece design, if needed)	
4	Kit	1	PLUG	
5	Kit	1	SAFETY RING	
6	7024947	1	SHAFT SEAL	
7	N.S.S.	1	PLUG	
8	70024185	1	PUMP HOUSING	
9	7024935	1	PISTON ROD	
10	70024186	1	CONTROL VALVE	
11	Kit	1	O-RING	
12	Kit	1	SCREW PLUG	
13	Kit	2	O-RING	
14	7024943	1	TAPERED ROLLER BEARING	
15	7024939	1	DRIVE SHAFT	
16	Kit	1	SPRING	
17	7024945	1	CRADLE SHELL, RH	
18	7024946	1	CRADLE SHELL, LH	
19	7024938	1	SWASH PLATE	
20	70024188	1	ROTARY GROUP	
21	7024942	1	SHIM	
22	7024944	1	TAPERED ROLLER BEARING	
23	Kit	1	DOWEL PIN	
24	Kit	1	O-RING	
25	7024937	1	PORT PLATE	
26	Kit	4	SOCKET SCREW, M14X35, GR10.9	
27	N.S.S.	2	COUNTERSUNK SCREW, M5X16	
K1	70024189	1	SEAL KIT, (includes items 2 thru 5, 11 thru 13, 16, 23, 24 & 26)	

SECTION 9 - HYDRAULIC COMPONENTS

FIGURE 9-32. HYDRAULIC PUMP (SN 0160040675 through 0160061444, Including 0160040468 and 0160040672)



SECTION 9 - HYDRAULIC COMPONENTS

FIGURE 9-32. HYDRAULIC PUMP (SN 0160040675 through 0160061444, Including 0160040468 and 0160040672)

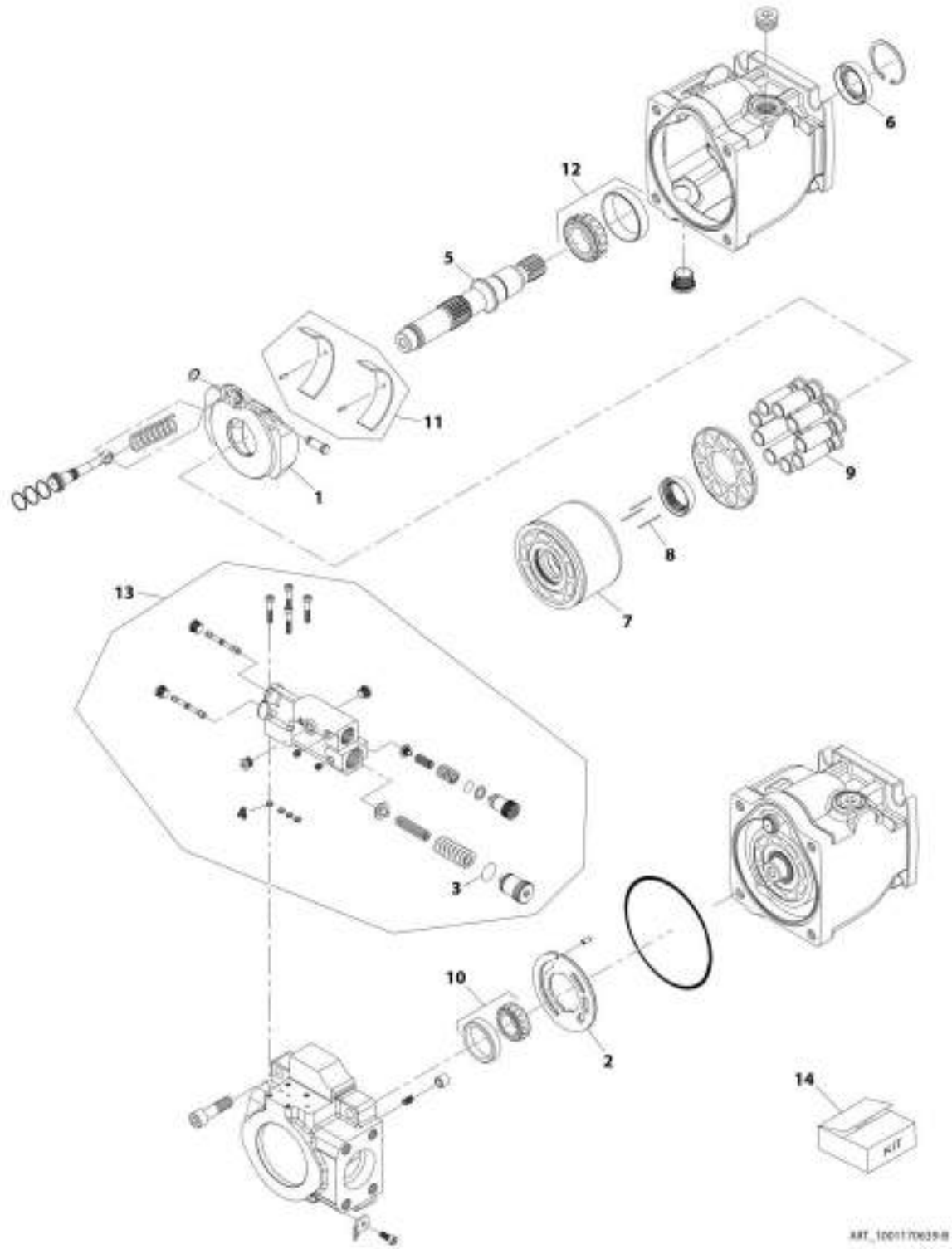
ITEM	PART NUMBER	QTY	DESCRIPTION	REV
	1001105613	NLA	HYDRAULIC PUMP, (no longer available, use 1001170639 for replacement or items 1 thru 51 for service)	D
1	70002578	1	FRONT BEARING KIT	
2	70002579	1	SWATCH PLATE BEARING KIT	
3	70002580	1	SPRING	
4	70002581	1	SWASH PLATE	
5	70002582	1	RETAINER SHAFT	
6	70002583	1	RETAING RING	
7	70023349	1	LH VALVE PLATE	
8	70001956	1	CHECK VALVE POPPET	
9	70001955	1	SPRING	
11	70023351	2	SET SCREW	
12	70002133	4	PLUG	
13	7007207	8	O-RING	
14	70023352	2	SPOOL	
15	70023353	1	SPRING GUIDE, LS	
16	70023354	1	OUTER SPRING, LS	
17	70023355	1	INNER SPRING, LS	
18	70023356	2	ADJUSTING PLUG, LS	
19	70023357	1	SPRING GUIDE, PC	
20	70023358	1	OUTER SPRING, PC	
21	70023359	1	INNER SPRING, PC	
22	70023360	1	ADJUSTING PLUG, PC	
23	70023361	2	O-RING	
24	70023362	8	SEAL RING	
25	70023363	4	SCREW	
26	70002585	1	REAR BEARING KIT	
27	70023364	1	SHAFT	
28	70023365	1	RADIAL END CAP	
29	70002588	4	SCREW	
30	7007446	1	SLOTTED PIN	
31	7022340	1	LIFTING BRACKET	
32	70002590	1	SCREW	
33	7023962	1	RETAINING RING	
34	70022287	2	LIP SEAL	
35	70022288	1	HOUSING	
36	7023964	2	PLUG	
37	7007415	4	O-RING	
38	70002595	2	END CAP SEAL	
40	70023366	1	CYLINDER BLOCK	
41	7007429	1	SPRING SEAT	
42	70002591	1	SPRING	
43	7007427	1	SPRING SEAT	
44	7007426	1	RETAINING RING	
45	7021275	3	HOLD DOWN PIN	
46	70002592	1	SLIPPER RETAINER GUIDE	
47	70002593	1	SLIPPER RETAINER	
48	70002594	9	PISTON ASSY	

SECTION 9 - HYDRAULIC COMPONENTS

ITEM	PART NUMBER	QTY	DESCRIPTION	REV
49	70023367	1	SERVO PISTON ASSY	
50	70002598	6	PISTON RING	
51	Kit	1	PILOT VALVE	
K1	70023350	1	CONTROL KIT, (includes items 11 thru 25 & 51)	
K2	70002596	1	CYLINDER BLOCK KIT, (includes items 40 thru 48)	
K3	70002599	1	OVERHAUL SEAL KIT	

SECTION 9 - HYDRAULIC COMPONENTS

FIGURE 9-33. HYDRAULIC PUMP (SN 0160061445 to Present)



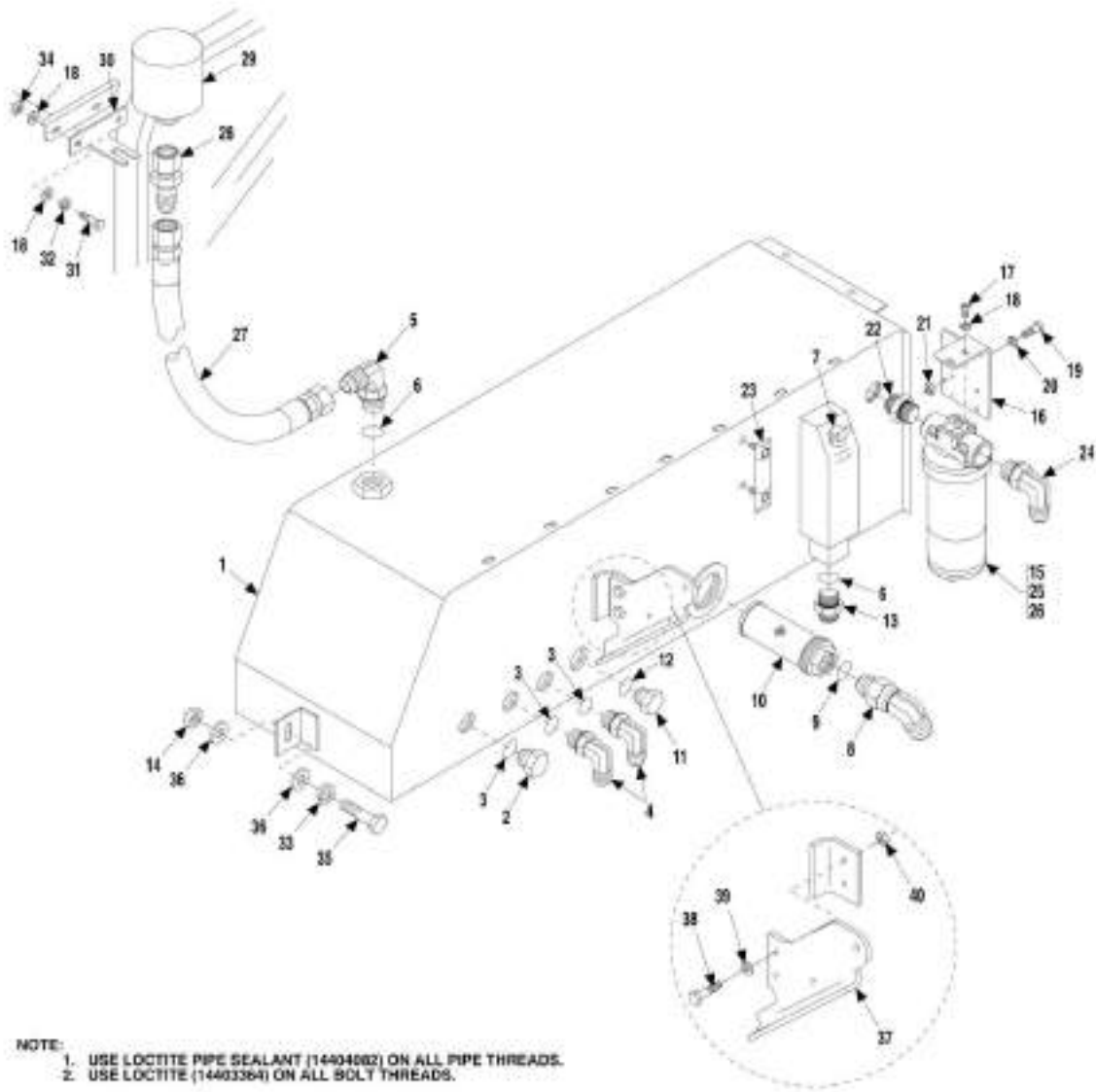
SECTION 9 - HYDRAULIC COMPONENTS

FIGURE 9-33. HYDRAULIC PUMP (SN 0160061445 to Present)

ITEM	PART NUMBER	QTY	DESCRIPTION	REV
	1001170639	Ref	HYDRAULIC PUMP	B
1	70004416	1	SWASHPLATE	
2	70026714	1	PLATE, VALVE	
3	70023361	4	O-RING	
4	70023362	4	RING, SEAL	
5	70023364	1	SHAFT	
6	70022287	1	SEAL, LIP	
7	70004421	1	CYLINDER	
8	7021275	3	PIN, HOLD DOWN	
9	70004422	9	PISTON	
10	70002585	1	KIT, REAR BEARING	
11	70004426	1	KIT, SWASHPLATE BEARING (includes qty 2 bearings and retainer)	
12	70002578	1	KIT, FRONT BEARING	
13	70023350	1	KIT, CONTROL	
14	70002599	1	KIT, OVERHAUL SEAL (includes items 3, 4 & 6)	

SECTION 9 - HYDRAULIC COMPONENTS

FIGURE 9-34. HYDRAULIC TANK ASSEMBLY (Prior to SN 0160040675, Excluding 0160040468 and 0160040672)



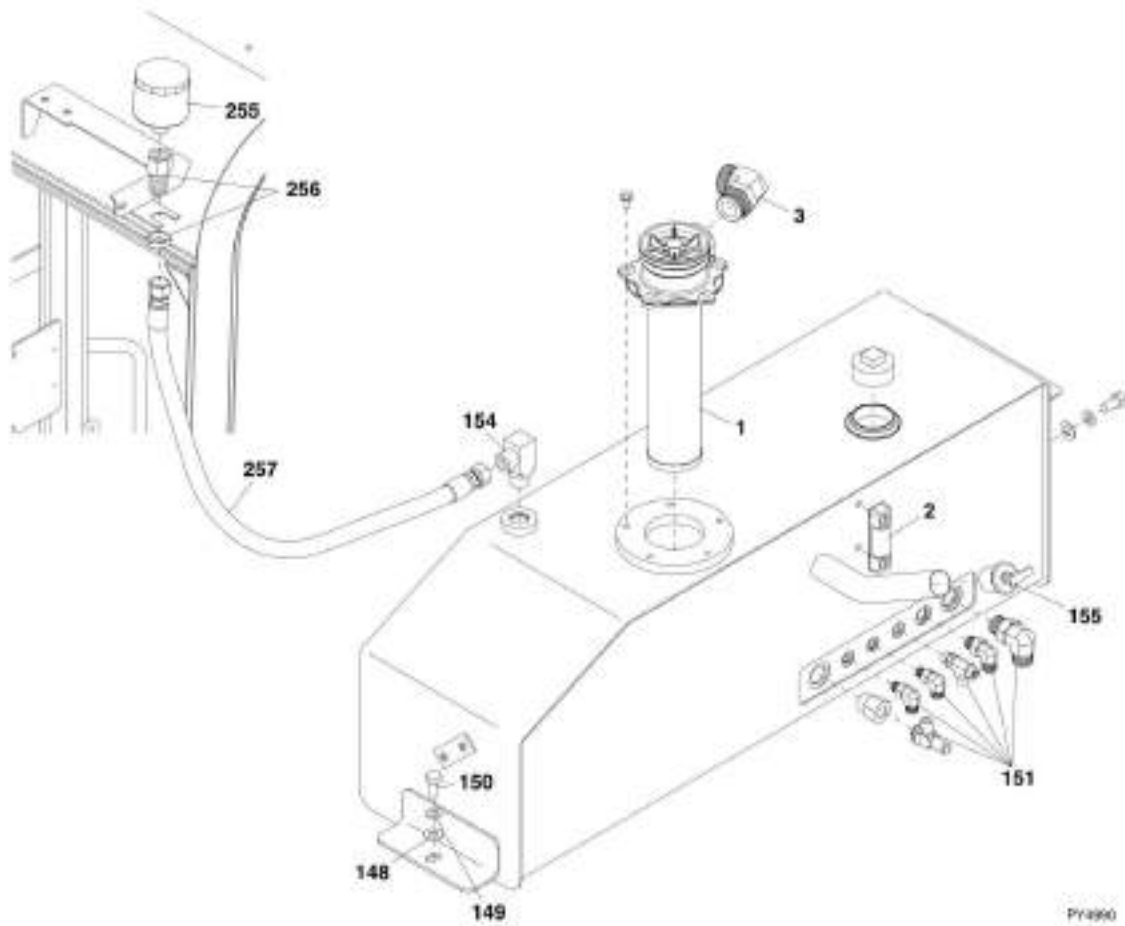
SECTION 9 - HYDRAULIC COMPONENTS

FIGURE 9-34. HYDRAULIC TANK ASSEMBLY (Prior to SN 0160040675, Excluding 0160040468 and 0160040672)

ITEM	PART NUMBER	QTY	DESCRIPTION	REV
	91515011	Ref	HYDRAULIC TANK ASSY, (includes items 1 thru 26)	E
1	91513057	1	HYDRAULIC RESERVOIR	
2	2220237	1	HEX HD PLUG, (includes item 3)	
3	88591204	3	O-RING	
4	2220473	2	ELBOW, 90, (includes item 3)	
5	2220578	1	ELBOW, 90, (includes item 6)	
6	88591207	2	O-RING	
7	91403579	1	FILLER CAP	
8	8760351	1	ELBOW, 45, (includes item 9)	
9	88591211	1	O-RING	
10	91513077	1	SUCTION SCREEN	
11	2220238	1	HEX HD PLUG, (includes item 12)	
12	88591205	1	O-RING	
13	2220451	1	CONNECTOR, (includes item 6)	
14	88501008	3	HEX NUT, 1/2-13	
15	91143218	1	HYDRAULIC OIL FILTER, (includes items 25 & 26)	
16	91511156	1	FILTER BRACKET	
17	88261022	2	SOCKET BUTTON HD CAPSCREW, 5/16-18X3/4	
18	88561003	2	FLAT WASHER, 5/16	
19	88261029	2	SOCKET BUTTON HD CAPSCREW, 3/8-16X1	
20	88551011	2	LOCKWASHER, 3/8	
21	77143015	2	WHIZ-LOCKNUT, 3/8	
22	2220893	1	CONNECTOR	
23	7024441	1	FLUID LEVEL GAUGE, (includes mounting hardware)	
24	2220464	1	ELBOW, 90	
25	2120168	1	FILTER ELEMENT	
26	91084022	1	GAUGE	
27	84719610	1	BREATHER HOSE	
28	91163100	1	BULKHEAD FITTING	
29	1340021	1	BREATHER	
30	91471174	1	BREATHER MOUNTING BRACKET	
31	88201020	2	HEX HD CAPSCREW, 5/16-18X1, GR5	
32	88551010	2	LOCKWASHER, 5/16	
33	88551013	3	LOCKWASHER, 1/2	
34	88501005	2	HEX NUT, 5/16-18	
35	88201067	3	HEX HD CAPSCREW, 1/2-13X1-1/2, GR5	
36	88561111	6	FLAT WASHER, 1/2	
37	91514297	1	STRUT MOUNTING BRACKET	
38	0641608	2	HEX HD CAPSCREW, 3/8-16, GR5	
39	4711600	2	FLAT WASHER, 3/8-16	
40	3271605	2	NYLOK NUT, 3/8-16	

SECTION 9 - HYDRAULIC COMPONENTS

FIGURE 9-35. HYDRAULIC TANK ASSEMBLY (SN 0160040675 to Present, Including 0160040468 and 0160040672)



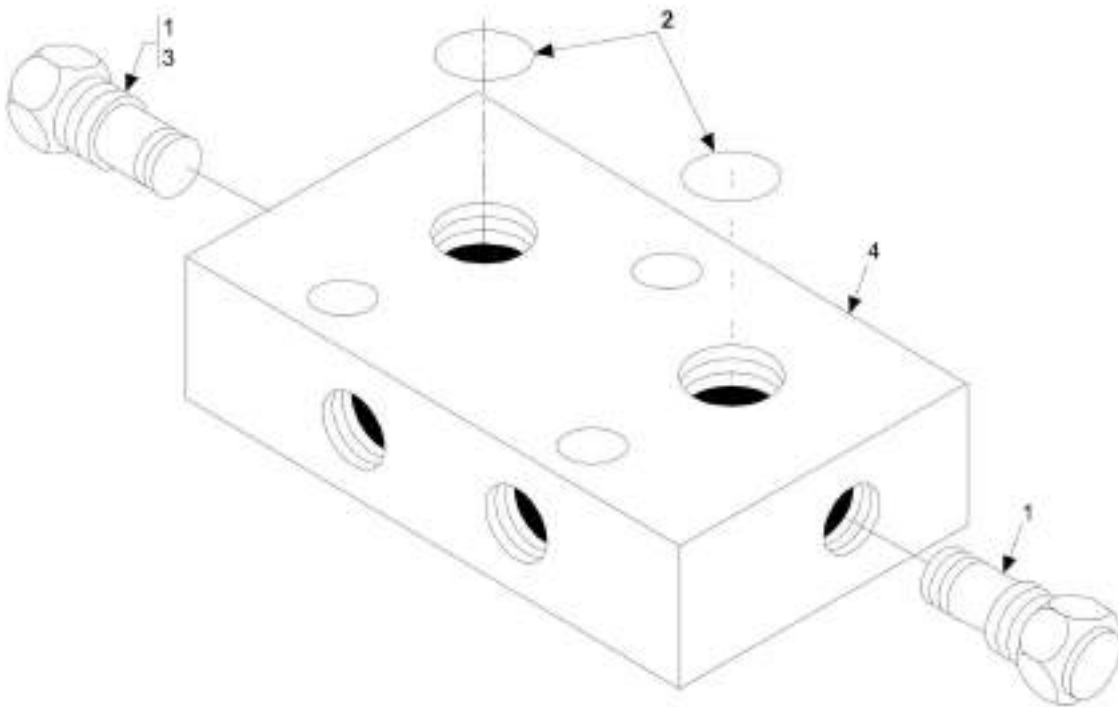
SECTION 9 - HYDRAULIC COMPONENTS

FIGURE 9-35. HYDRAULIC TANK ASSEMBLY (SN 0160040675 to Present, Including 0160040468 and 0160040672)

ITEM	PART NUMBER	QTY	DESCRIPTION	REV
	1001128744	Ref	HYDRAULIC TANK ASSY, (includes items 1 & 2)	A
1	1001097732	1	FILTER	
2	91563136	1	FLUID LEVEL GAUGE	
3	2132020	1	ELBOW, 90	
148	4711800	3	WASHER, 1/2	
149	4761800	3	LOCKWASHER, 1/2	
150	0641808	3	HEX HD CAPSCREW, 1/2-13X1, GR5	
151		Ref	HYDRAULIC FITTINGS, (See HYDRAULIC CIRCUITS SECTION for Breakdown)	
154	2220578	1	ADAPTER, 90	
155	91403579	1	BREATHER CAP	
255	1340021	1	AIR BREATHER	
256	91163100	1	BULKHEAD CONNECTOR, FEMALE	
257	84719610	1	HOSE ASSY	

SECTION 9 - HYDRAULIC COMPONENTS

FIGURE 9-36. SWAY CYLINDER VALVE



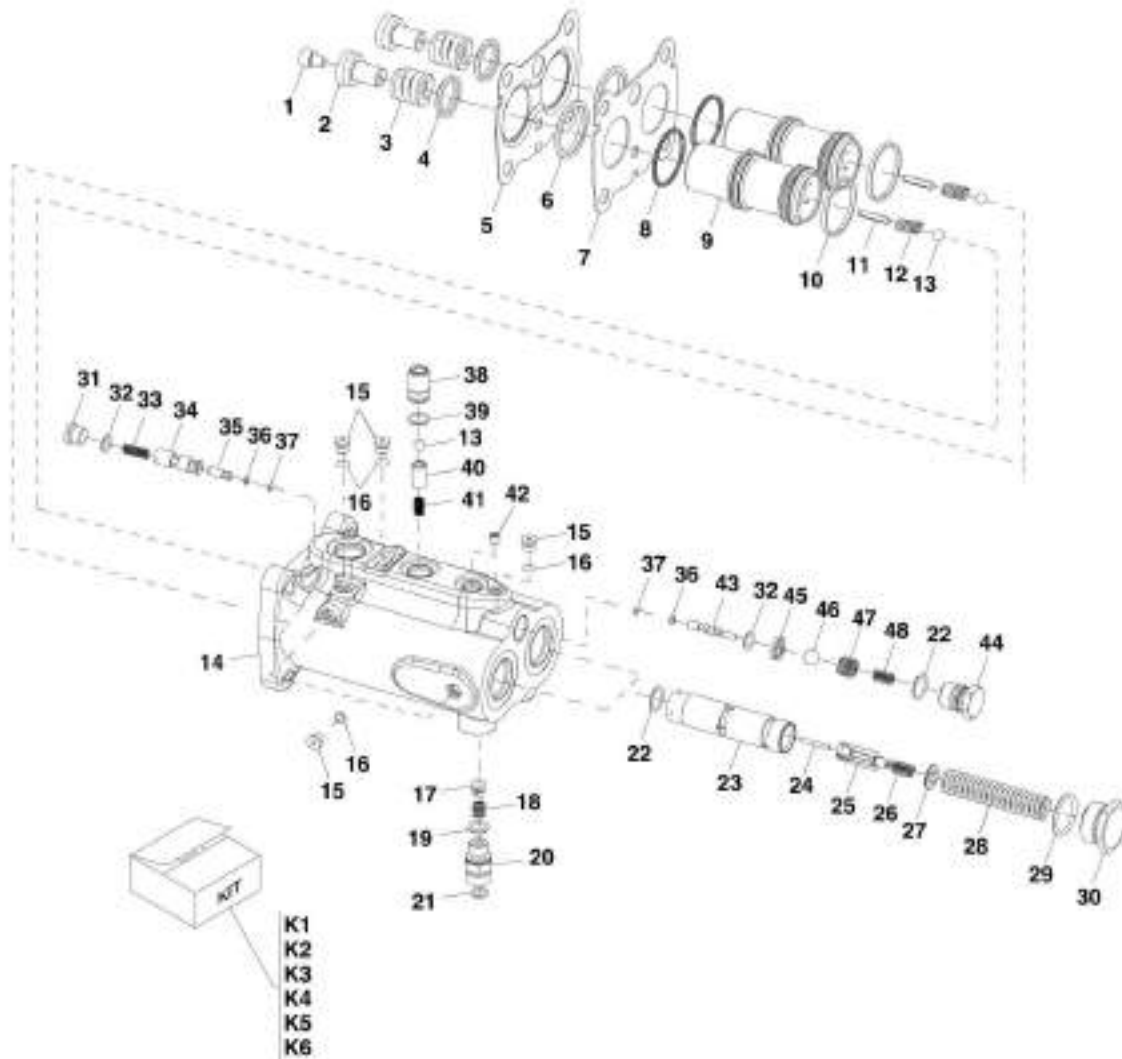
SECTION 9 - HYDRAULIC COMPONENTS

FIGURE 9-36. SWAY CYLINDER VALVE

ITEM	PART NUMBER	QTY	DESCRIPTION	REV
	91473188	1	SWAY CYLINDER VALVE, (includes all items)	
1	91474490	2	VALVE CARTRIDGE	
2	91404215	2	O-RING	
3	91404217	1	PISTON	
4	91474491	1	VALVE BODY	

SECTION 9 - HYDRAULIC COMPONENTS

FIGURE 9-37. POWER BRAKE VALVE (Prior to SN 0160029241)



SECTION 9 - HYDRAULIC COMPONENTS

FIGURE 9-37. POWER BRAKE VALVE (Prior to SN 0160029241)

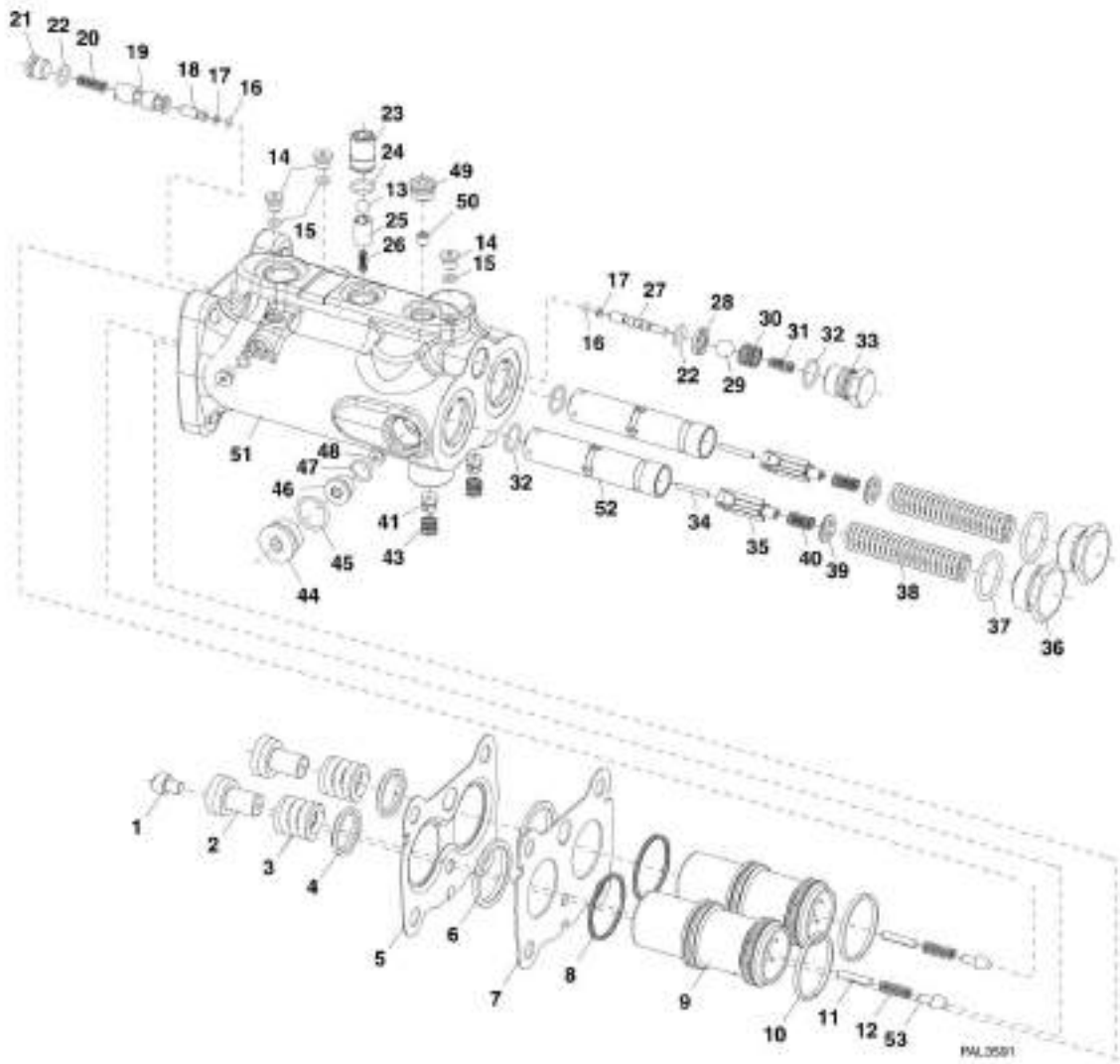
ITEM	PART NUMBER	QTY	DESCRIPTION	REV
	91513072	1	POWER BRAKE VALVE, (includes all items)	D
1	91474454	1	BOLT	
2	91474442	2	PIN	
3	Kit	2	SPRING	
4	91474441	2	WIPER	
5	Kit	1	COVER	
6	91474440	2	WIPER	
7	Kit	1	COVER	
8	91474439	2	QUAD-RING	
9	Kit	2	PISTON	
10	Kit	2	RING	
11	Kit	2	SPRING	
12	Kit	2	SPRING	
13	Kit	2	BALL	
14	91514201	1	HOUSING	
15	91474450	5	PLUG	
16	91474451	5	O-RING	
17	Kit	1	ORIFICE	
18	Kit	1	SPRING	
19	91474461	1	O-RING	
20	91514196	1	FITTING	
21	91474444	1	O-RING	
22	91514197	3	O-RING	
23	91474436	2	SPOOL	
24	Kit	2	PIN	
25	Kit	2	MAKE-UP CHECK	
26	Kit	2	SPRING	
27	Kit	2	SPRING GUIDE	
28	Kit	2	SPRING	
29	91474435	2	O-RING	
30	91474434	2	PLUG	
31	91474458	1	PLUG	
32	91514198	2	O-RING	
33	Kit	1	SPRING	
34	91474456	1	SPOOL	
35	91474455	1	PISTON	
36	91514199	2	BACK-UP RING	
37	91474453	2	O-RING	
38	Kit	1	SEAT	
39	Kit	1	O-RING	
40	Kit	1	RETAINER	
41	Kit	1	SPRING	
42	91514202	1	ORIFICE	
43	91474447	1	PISTON	
44	91514200	1	PLUG	
45	91474446	1	SEAT	
46	Kit	1	BALL	
47	Kit	1	SPRING	
48	Kit	1	SPRING	

SECTION 9 - HYDRAULIC COMPONENTS

ITEM	PART NUMBER	QTY	DESCRIPTION	REV
K1	91474428	1	PISTON KIT, (includes items 9 thru 11)	
K2	91474429	1	COVER KIT, (includes items 5 & 7)	
K3	91474430	1	MAKE-UP CHECK KIT, (includes items 24 thru 27)	
K4	91474431	1	INLET CHECK KIT, (includes items 13 & 38 thru 41)	
K5	91474433	1	ORIFICE KIT, (includes items 17 & 18)	
K6	91474432	1	HARDWARE KIT, (includes items 3, 12, 13, 26, 28, 33, 46, 47 & 48)	

SECTION 9 - HYDRAULIC COMPONENTS

FIGURE 9-38. POWER BRAKE VALVE (SN 0160029241 through 0160040674, Excluding 0160040468 and 0160040672)



SECTION 9 - HYDRAULIC COMPONENTS

FIGURE 9-38. POWER BRAKE VALVE (SN 0160029241 through 0160040674, Excluding 0160040468 and 0160040672)

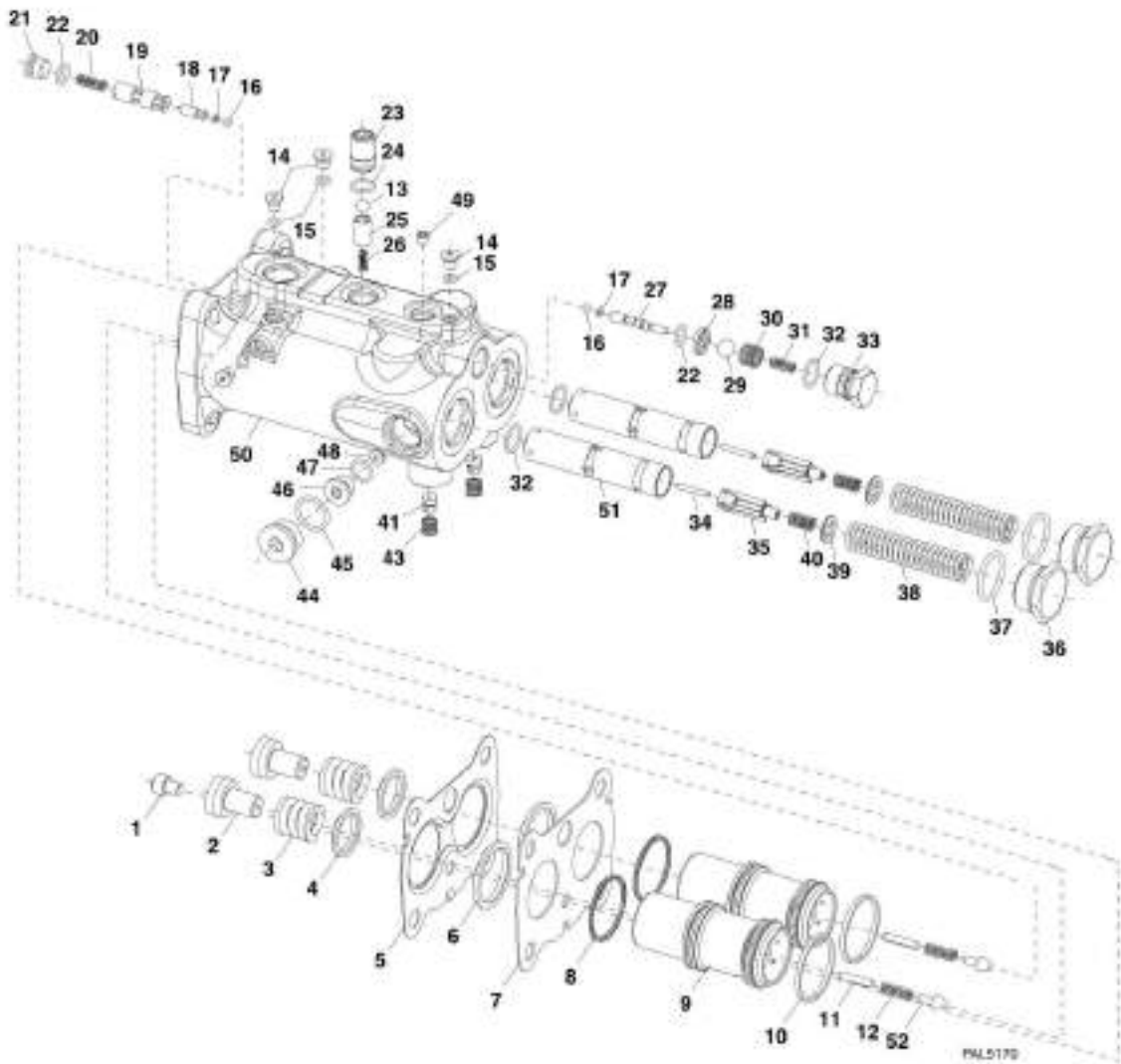
ITEM	PART NUMBER	QTY	DESCRIPTION	REV
	1001091959	NLA	POWER BRAKE VALVE, (no longer available, order 1001107090 for replacement or items 1 thru 51 for service)	C
	1001107090	1	POWER BRAKE VALVE, (includes all items)	B
1	91474454	1	SCREW	
2	91474442	2	PIN	
3	70020659	2	SPRING	
4	91474441	2	WIPER	
5	70020660	1	COVER	
6	91474440	2	WIPER	
7	70020661	1	COVER	
8	91474439	2	QUAD RING	
9	70020662	2	PISTON	
10	70020663	2	PISTON RING	
11	70023037	2	PIN	
12	91474438	2	SPRING	
13	91474452	1	BALL	
14	91474450	4	PLUG	
15	91474451	4	O-RING	
16	91474453	2	O-RING	
17	91514199	2	BACK-UP RING	
18	91474455	1	DUMP PISTON	
19	91474456	1	DUMP SPOOL	
20	70020665	1	SPRING	
21	91474458	1	PLUG	
22	91514198	2	O-RING	
23	70020666	1	INLET SEAT	
24	70020667	1	O-RING	
25	70020668	1	RETAINER	
26	70020669	1	SPRING	
27	91474447	1	PISTON	
28	91474446	1	SEAT	
29	70020670	1	BALL	
30	70020671	1	SPRING	
31	70020672	1	SPRING	
32	91514197	3	O-RING	
33	91474443	1	PLUG	
34	70020673	2	NEEDLE ROLLER	
35	70020674	2	MAKE-UP CHECK	
36	91474434	2	PLUG	
37	91474435	2	O-RING	
38	70020675	2	SPRING	
39	70020676	2	SPRING GUIDE	
40	70020677	2	SPRING	
41	70020678	2	ORIFICE	
43	70020679	2	SPRING	
44	91474459	1	PLUG	
45	91474460	1	O-RING	
46	70020680	1	PLUG	

SECTION 9 - HYDRAULIC COMPONENTS

ITEM	PART NUMBER	QTY	DESCRIPTION	REV
47	70020681	1	O-RING	
48	70020682	1	ORIFICE	
49	70020683	1	PLUG	
50	70020684	1	PLUG	
51	N.S.S.	1	HOUSING	
52	N.S.S.	2	SPOOL	
53	70023038	2	POPPET	

SECTION 9 - HYDRAULIC COMPONENTS

FIGURE 9-39. POWER BRAKE VALVE (SN 0160040675 to Present, Including 0160040468 and 0160040672)



SECTION 9 - HYDRAULIC COMPONENTS

FIGURE 9-39. POWER BRAKE VALVE (SN 0160040675 to Present, Including 0160040468 and 0160040672)

ITEM	PART NUMBER	QTY	DESCRIPTION	REV
	1001106836	1	POWER BRAKE VALVE, (includes all items)	A
1	91474454	1	SCREW	
2	91474442	2	PIN	
3	70020659	2	SPRING	
4	91474441	2	WIPER	
5	70020660	1	COVER	
6	91474440	2	WIPER	
7	70020661	1	COVER	
8	91474439	2	QUAD RING	
9	70020662	2	PISTON	
10	70020663	2	PISTON RING	
11	70023037	2	PIN	
12	91474438	2	SPRING	
13	91474452	1	BALL	
14	91474450	4	PLUG	
15	91474451	4	O-RING	
16	91474453	2	O-RING	
17	91514199	2	BACK-UP RING	
18	91474455	1	DUMP PISTON	
19	91474456	1	DUMP SPOOL	
20	70020665	1	SPRING	
21	91474458	1	PLUG	
22	91514198	2	O-RING	
23	70020666	1	INLET SEAT	
24	70020667	1	O-RING	
25	70020668	1	RETAINER	
26	70020669	1	SPRING	
27	91474447	1	PISTON	
28	91474446	1	SEAT	
29	70020670	1	BALL	
30	70020671	1	SPRING	
31	70020672	1	SPRING	
32	91514197	3	O-RING	
33	91474443	1	PLUG	
34	70020673	2	NEEDLE ROLLER	
35	70020674	2	MAKE-UP CHECK	
36	91474434	2	PLUG	
37	91474435	2	O-RING	
38	70020675	2	SPRING	
39	70020676	2	SPRING GUIDE	
40	70020677	2	SPRING	
41	70020678	2	ORIFICE	
43	70020679	2	SPRING	
44	91474459	1	PLUG	
45	91474460	1	O-RING	
46	70020680	1	PLUG	
47	70020681	1	O-RING	
48	70020682	1	ORIFICE	

SECTION 9 - HYDRAULIC COMPONENTS

ITEM	PART NUMBER	QTY	DESCRIPTION	REV
49	70023039	1	ORIFICE	
50	N.S.S.	1	HOUSING	
51	N.S.S.	2	SPOOL	
52	70023038	2	POPPET	

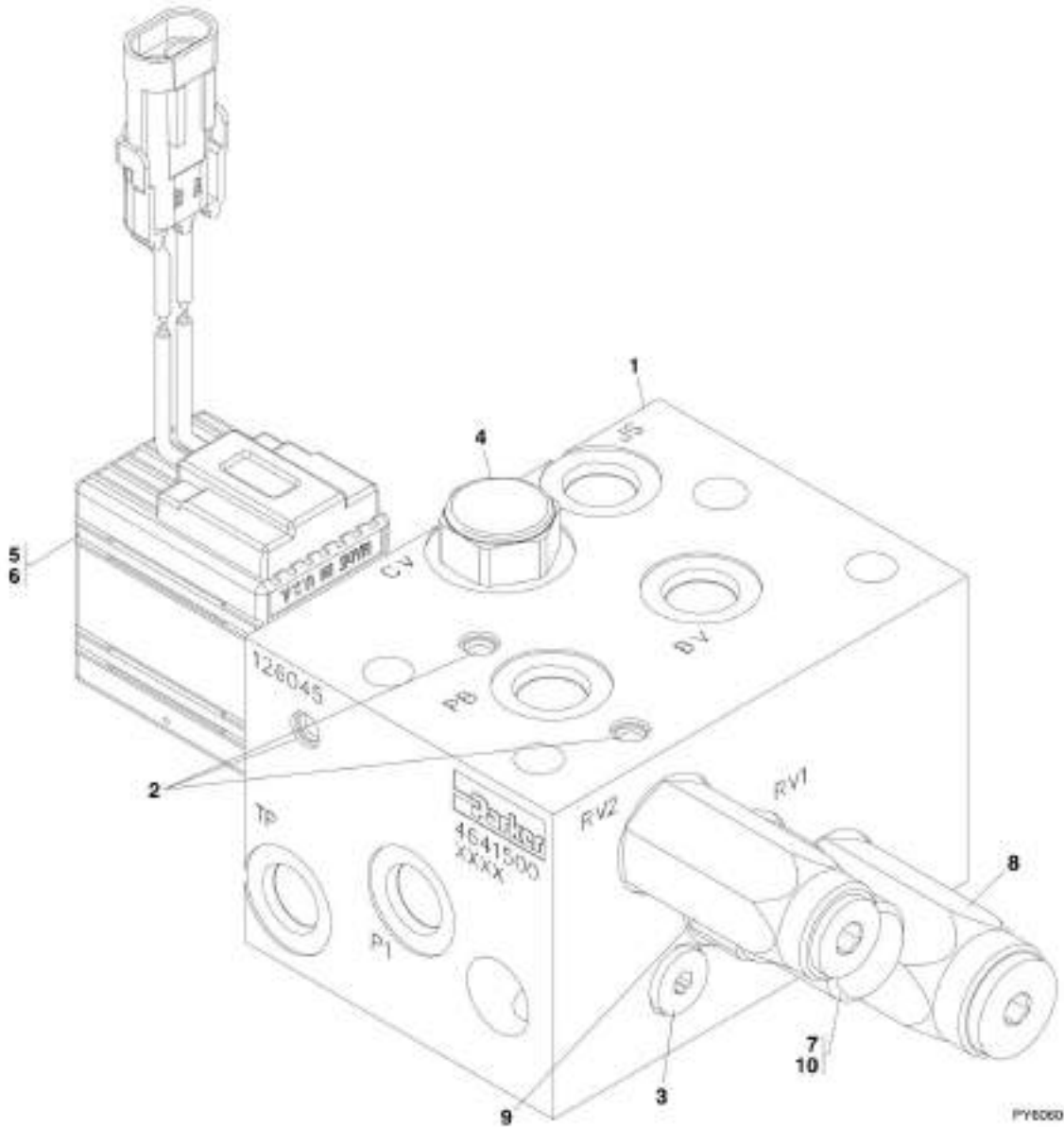
SECTION 9 - HYDRAULIC COMPONENTS

FIGURE 9-40. PRIORITY VALVE (Prior to SN 0160025316)

ITEM	PART NUMBER	QTY	DESCRIPTION	REV
	91513161	1	PRIORITY VALVE, (includes all items)	B
1	91514071	1	PUMP MANIFOLD BODY	
2	91474023	1	CHECK VALVE, (torque to 15-20 lb ft), (includes item 11)	
3	7029883	1	SOLENOID, (includes item 9)	
4	91474034	1	PRESSURE REDUCING VALVE, 500PSI, (torque to 30-35 lb-ft), (includes item 9)	
5	91514064	1	RELIEF CARTRIDGE, 1100PSI, (torque to 30-35 lb-ft), (includes item 10)	
6	91474484	1	COIL ASSEMBLY, (torque coil retaining nut to 50-55 lb-in)	
7	91474028	3	PLUG EXPANDER	
8	91514072	3	PLUG EXPANDER	
9	91474027	2	SEAL KIT	
10	91044002	1	SEAL KIT	
11	91474024	1	SEAL KIT	

SECTION 9 - HYDRAULIC COMPONENTS

FIGURE 9-41. PRIORITY VALVE (SN 0160025316 through 0160040674, Excluding 0160040468 and 0160040672)



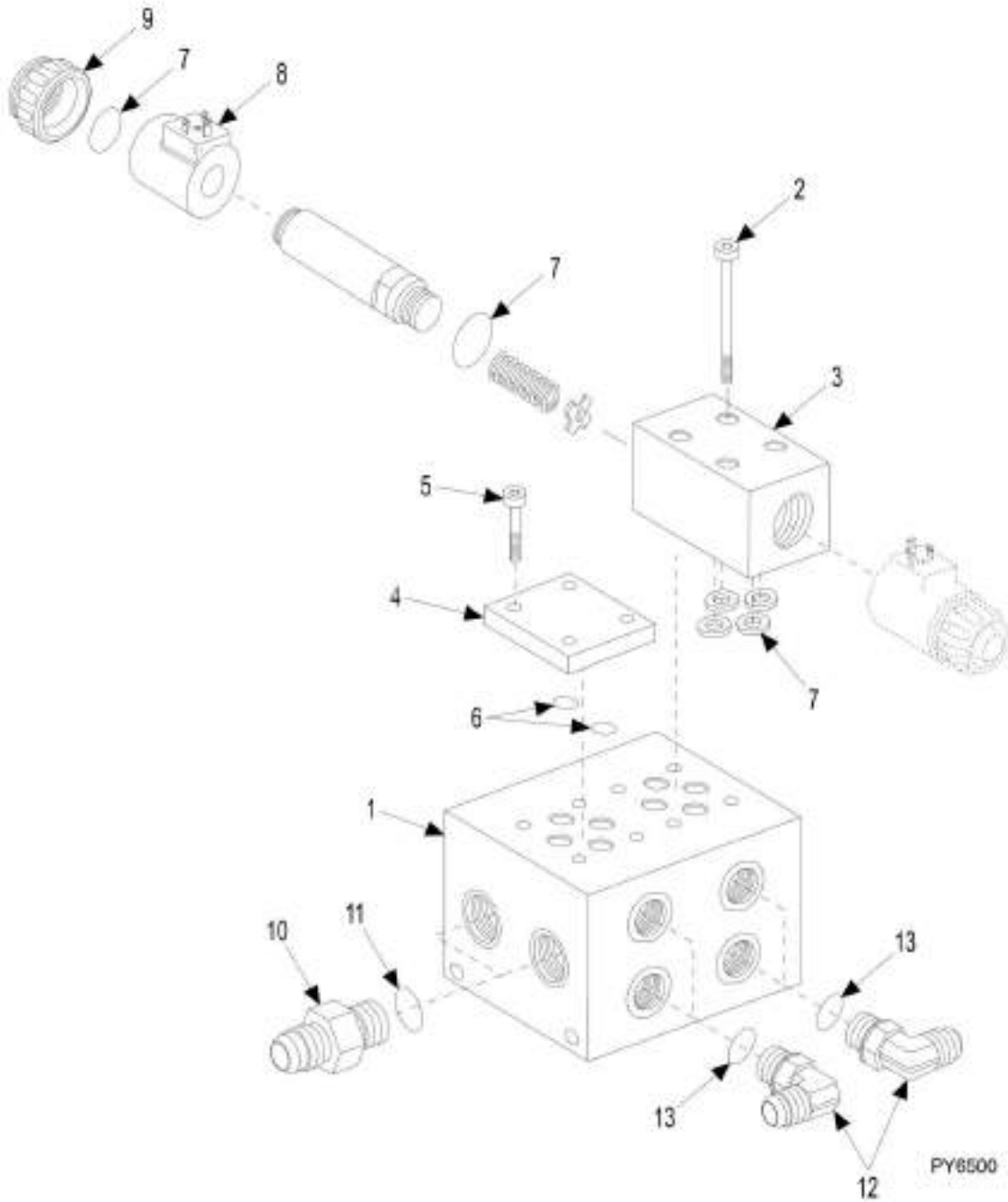
SECTION 9 - HYDRAULIC COMPONENTS

FIGURE 9-41. PRIORITY VALVE (SN 0160025316 through 0160040674, Excluding 0160040468 and 0160040672)

ITEM	PART NUMBER	QTY	DESCRIPTION	REV
	4641500	1	PRIORITY VALVE, (includes all items)	A
1	70023855	1	VALVE BODY	
2	70023856	3	EXPANDER PLUG, 8mm	
3	2220883	2	PLUG, (torque to 49-54 lb-ft)	
4	91474023	1	CHECK VALVE, (torque to 23-27 lb-ft)	
4	7010769	1	SEAL KIT	
5	7029883	1	SOLENOID VALVE, (torque to 37-41 lb-ft), (torque nut to 5-7 lb-ft)	
5	8032695	1	SEAL KIT	
6	70023857	1	UNICOIL DIODE AND W/P SHROUD	
7	91514064	1	PO RELIEF VALVE, (1100psi), (torque to 37-41 lb-ft)	
7	8032693	1	SEAL KIT	
8	7029885	1	PRESSURE REDUCER VALVE, (450psi), (torque to 30-35 lb-ft)	
8	91474027	1	SEAL KIT	
9	7029887	1	RELIEF VALVE, (550psi), (torque to 12-15 lb-ft)	
9	91474024	1	SEAL KIT	
10	70023858	1	TAMPER PROOF CAP	

SECTION 9 - HYDRAULIC COMPONENTS

FIGURE 9-42. STEER SELECT VALVE (Prior to SN 0160040675)



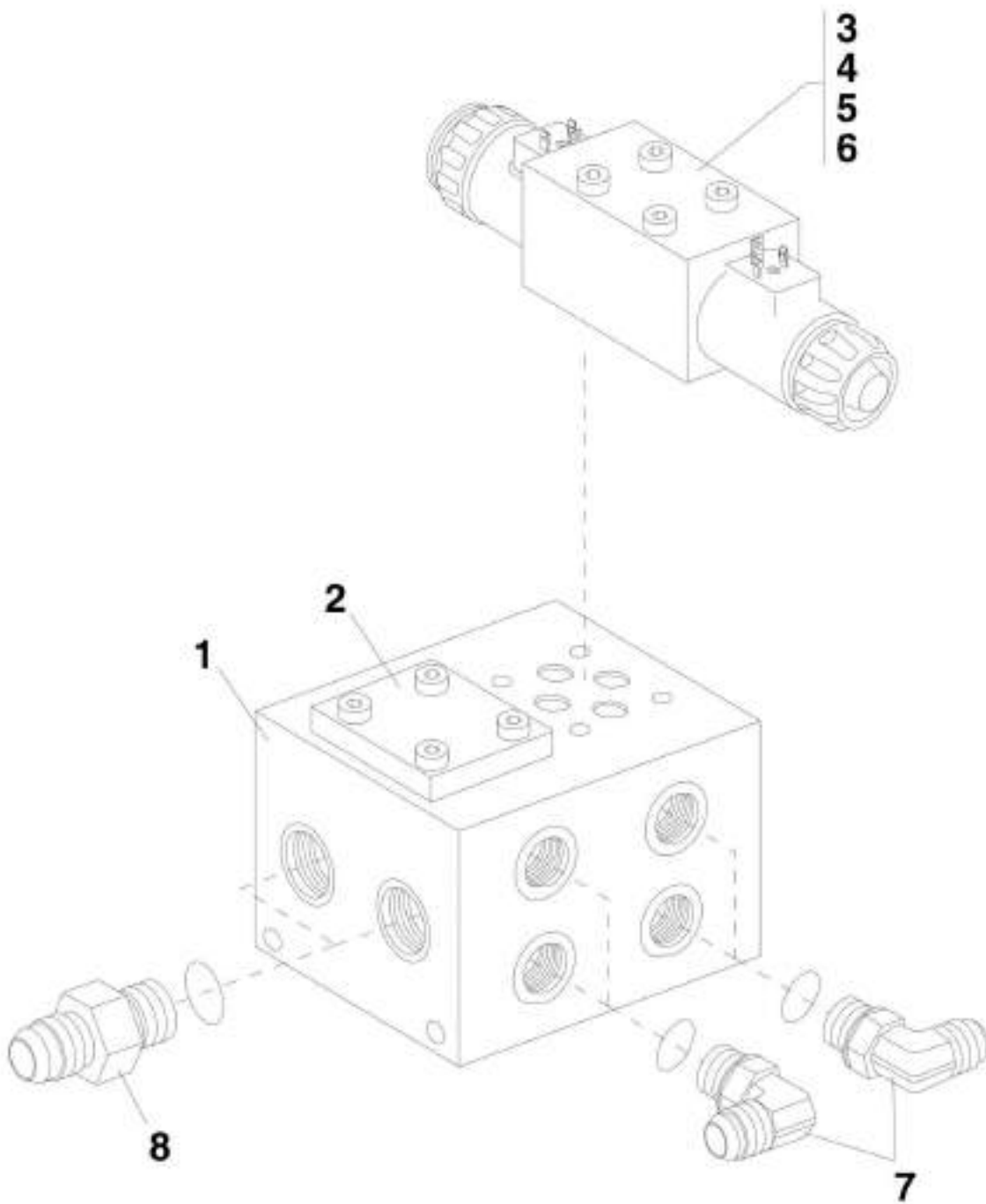
SECTION 9 - HYDRAULIC COMPONENTS

FIGURE 9-42. STEER SELECT VALVE (Prior to SN 0160040675)

ITEM	PART NUMBER	QTY	DESCRIPTION	REV
	91475051	1	STEER SELECT VALVE, (includes all items)	C
1	91474400	1	STEERING MANIFOLD	
2	91474401	4	CAPSCREW	
3	91474402	1	STEERING CONTROL, (includes items 7 thru 9)	
4	91474403	1	COVER PLATE	
5	91474404	4	CAPSCREW	
6	91474405	2	O-RING	
7	91474406	1	SEAL KIT	
8	91474407	2	SOLENOID	
9	80334379	2	HAND NUT	
10	2220374	2	CONNECTOR (includes item 11)	
11	88591206	2	O-RING	
12	2220596	4	ADAPTER, 90, (includes items 13)	
13	88591205	4	O-RING	

SECTION 9 - HYDRAULIC COMPONENTS

FIGURE 9-43. STEER SELECT VALVE (SN 0160040675 to Present)



PAL0900

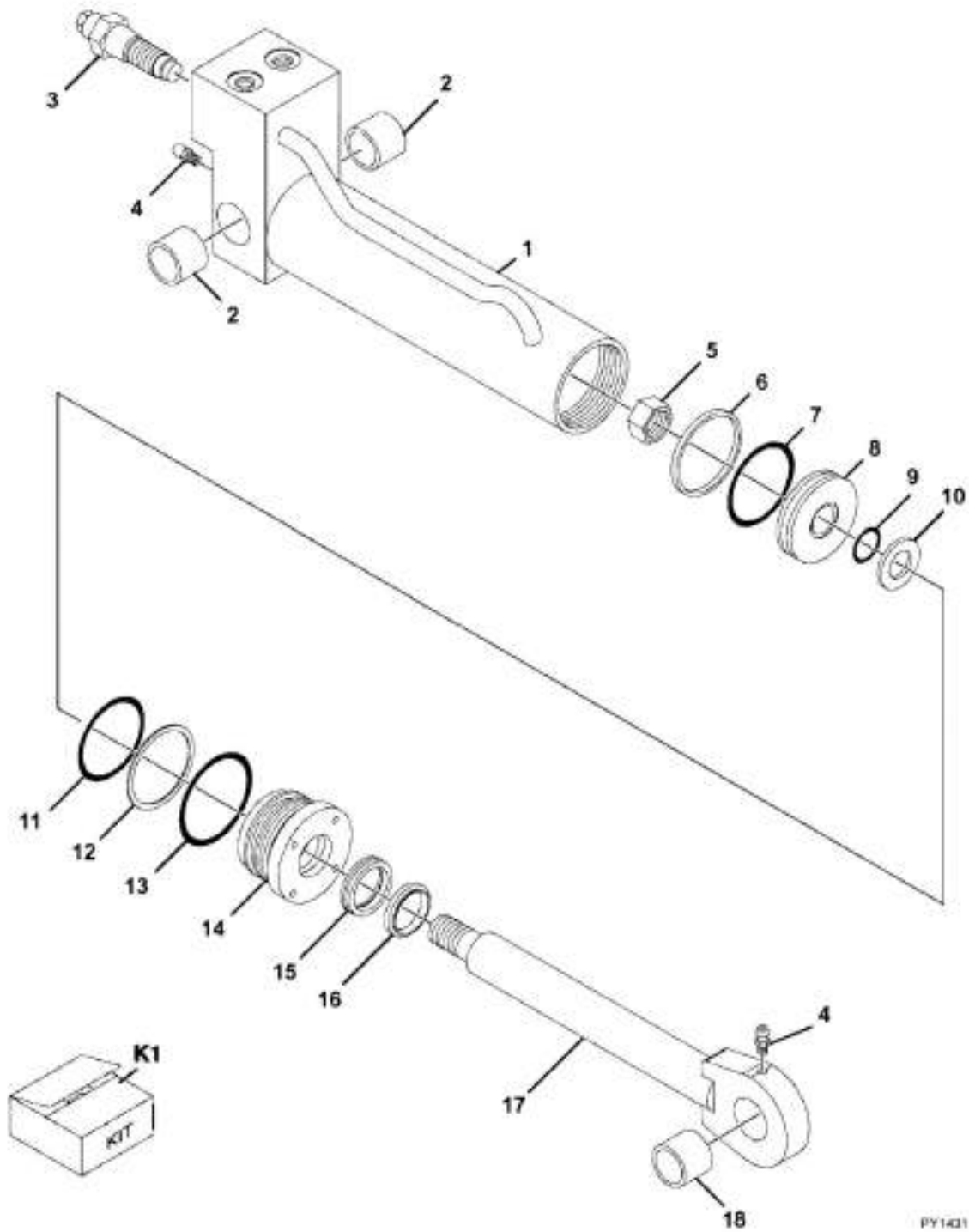
SECTION 9 - HYDRAULIC COMPONENTS

FIGURE 9-43. STEER SELECT VALVE (SN 0160040675 to Present)

ITEM	PART NUMBER	QTY	DESCRIPTION	REV
	1001001016	1	STEER SELECT VALVE, (includes all items)	C
1	7029915	1	STEERING MANIFOLD	
2	7029916	1	COVER PLATE	
3	91474402	1	DIRECTIONAL CONTROL VALVE, (includes items 4 thru 6)	
4	91474407	2	COIL	
5	7029917	2	NUT	
6	7012773	1	SEAL KIT	
7	88662065	4	ELBOW, 90, (includes o-ring)	
8	2220374	2	CONNECTOR, (includes o-ring)	

SECTION 9 - HYDRAULIC COMPONENTS

FIGURE 9-44. GRAPPLE BUCKET CYLINDER



PY1431

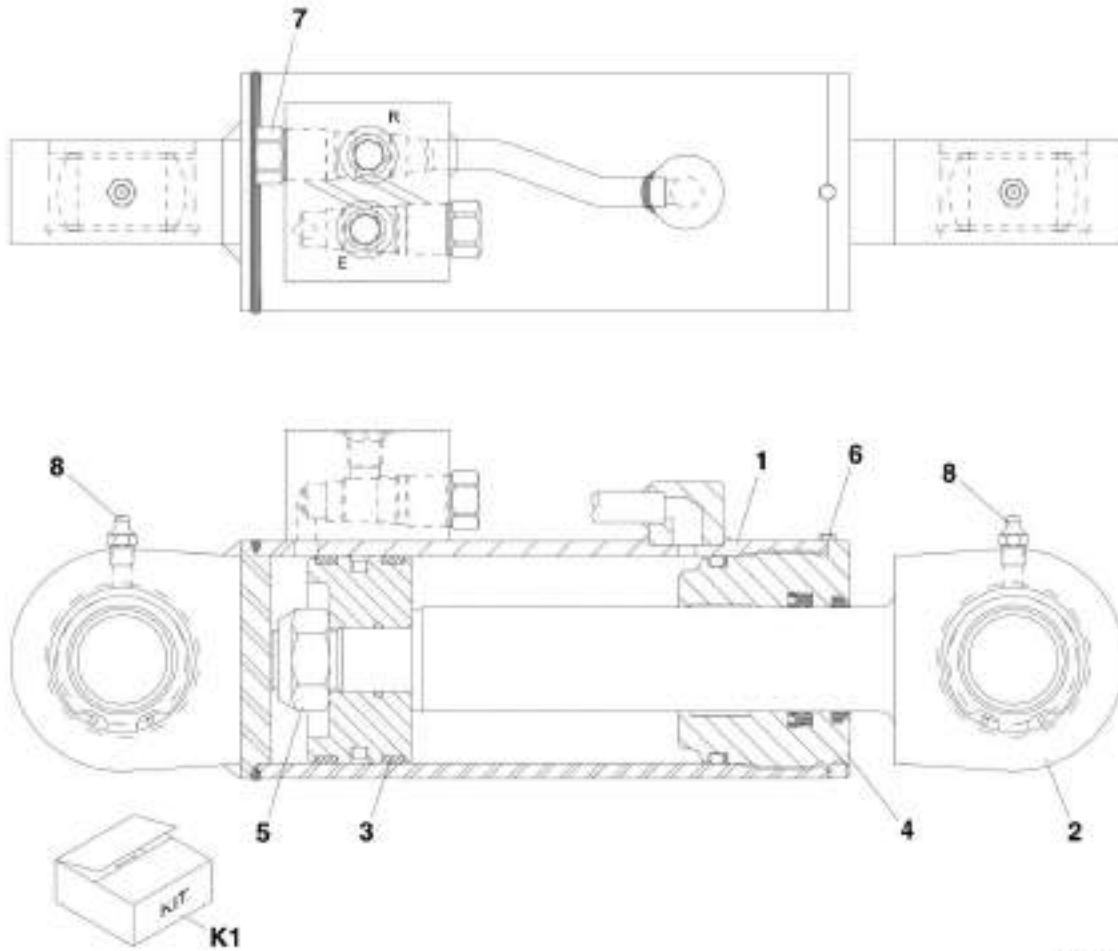
SECTION 9 - HYDRAULIC COMPONENTS

FIGURE 9-44. GRAPPLE BUCKET CYLINDER

ITEM	PART NUMBER	QTY	DESCRIPTION	REV
	70021393	1	GRAPPLE BUCKET CYLINDER, (includes all items)	
1	70021465	1	CYLINDER TUBE	
2	70021448	2	BUSHING	
3	70021464	2	VALVE CARTRIDGE	
4	90554045	2	GREASE FITTING	
5	70021440	1	HEX NUT	
6	Kit	1	PISTON RING	
7	Kit	1	O-RING	
8	70021451	1	PISTON	
9	Kit	1	O-RING	
10	70021444	1	WASHER	
11	Kit	1	O-RING	
12	Kit	1	BACK-UP WASHER	
13	Kit	1	O-RING	
14	70021446	1	CYLINDER GLAND	
15	Kit	1	POLY-PAK SEAL	
16	Kit	1	ROD WIPER	
17	70021466	1	PISTON ROD	
18	70021447	1	BUSHING	
K1	70021452	1	SEAL KIT (includes items 6, 7, 9, 11 thru 13, 15 & 16)	

SECTION 9 - HYDRAULIC COMPONENTS

FIGURE 9-45. SIDE TILT CARRIAGE CYLINDER (Prior to SN 0160064375)



PY1581

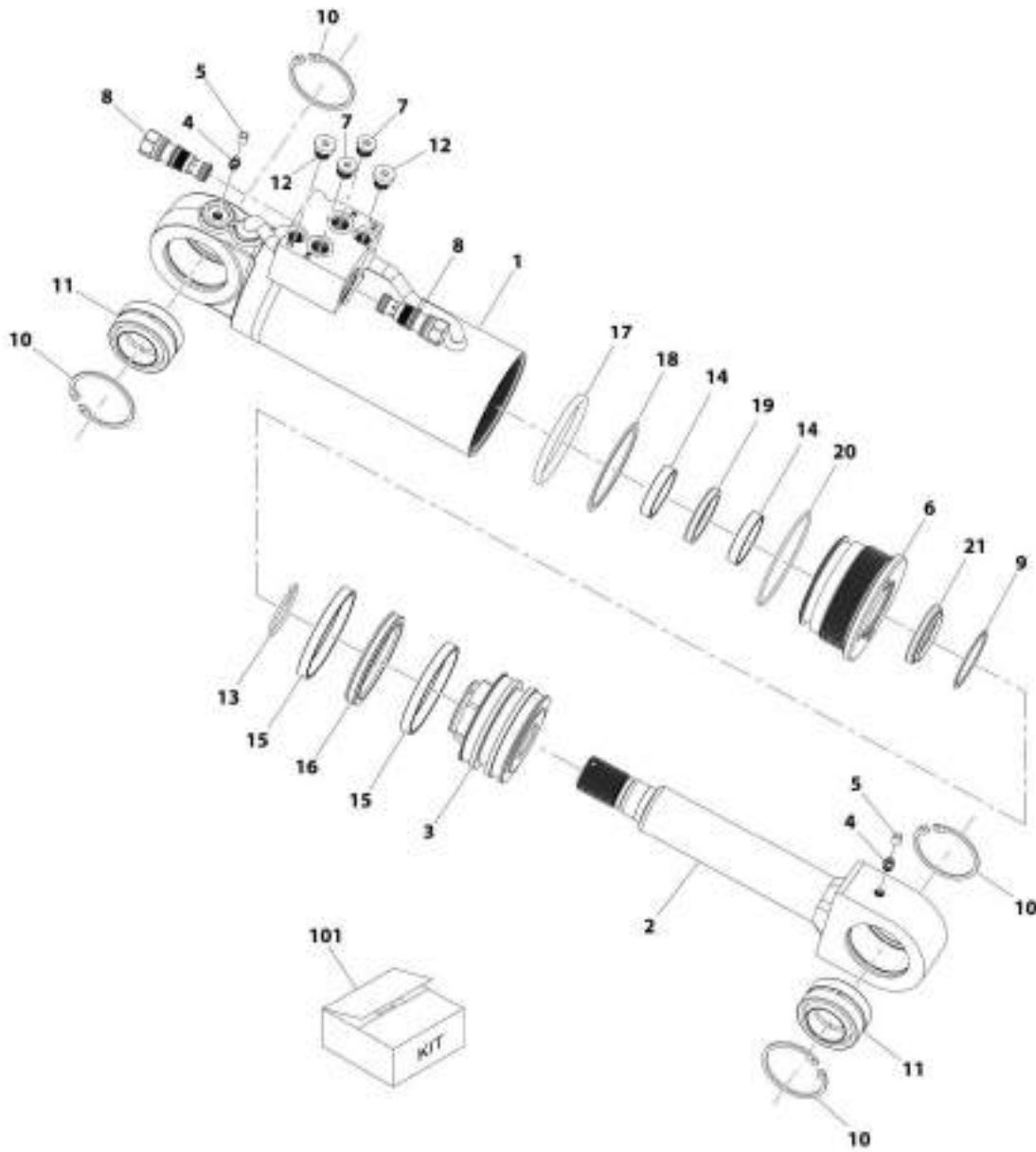
SECTION 9 - HYDRAULIC COMPONENTS

FIGURE 9-45. SIDE TILT CARRIAGE CYLINDER (Prior to SN 0160064375)

ITEM	PART NUMBER	QTY	DESCRIPTION	REV
	1001090134	1	SIDE TILT CARRIAGE CYLINDER, (includes all items)	C
1	70022038	1	BARREL ASSY	
2	70022039	1	ROD ASSY	
3	70022040	1	PISTON	
3	70022042	1	SEAL KIT	
4	70024002	1	ROD BEARING	
4	70022043	1	SEAL KIT	
5	90022230	1	HEX NUT	
6	7029760	1	CAPSCREW	
7	4640438	2	CHECK VALVE	
7	2900770	1	SEAL KIT	
8	91044080	2	GREASE FITTING	
K1	70022041	1	SEAL KIT, (includes 70022042 & 70022043)	

SECTION 9 - HYDRAULIC COMPONENTS

FIGURE 9-46. SIDE TILT CARRIAGE CYLINDER (SN 0160064375 to Present)



ART_1001103414-A

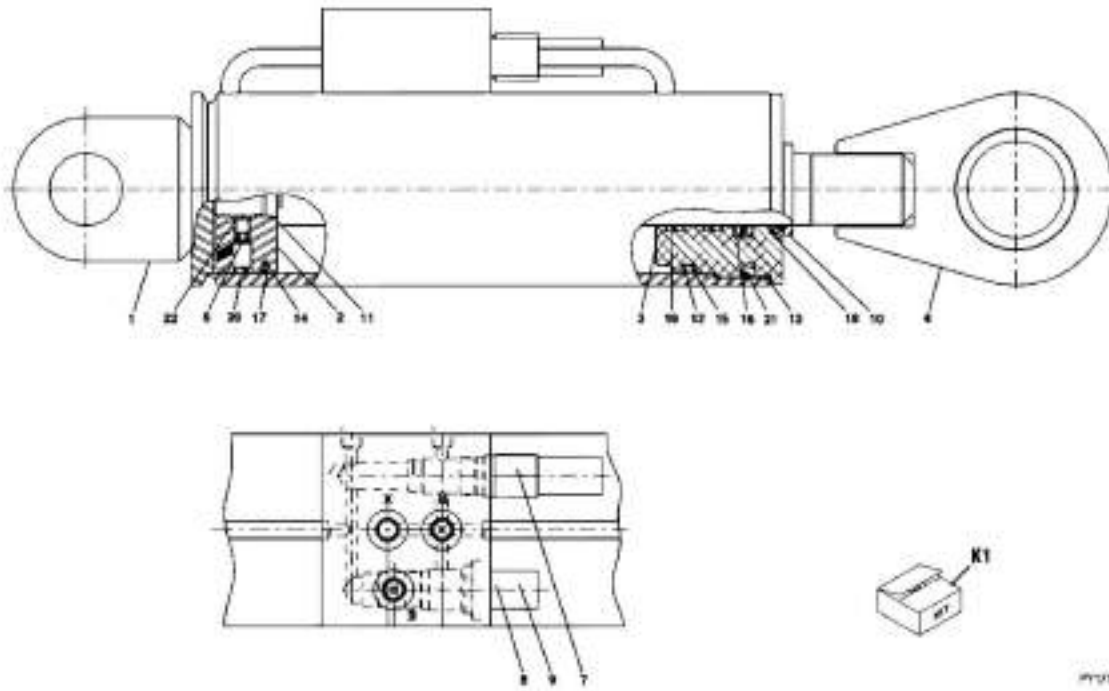
SECTION 9 - HYDRAULIC COMPONENTS

FIGURE 9-46. SIDE TILT CARRIAGE CYLINDER (SN 0160064375 to Present)

ITEM	PART NUMBER	QTY	DESCRIPTION	REV
	1001163414	Ref	SIDE TILT CYLINDER	A
1	70026056	1	BARREL	
2	70026057	1	ROD	
3	70026058	1	HEAD, PISTON	
4	70025606	2	NIPPLE, GREASE	
5	70024020	2	FITTING, GREASE	
6	70003849	1	GLAND	
7	70025959	2	PLUG	
8	70026059	2	VALVE, P.O. CHECK	
9	70002219	1	RING, INTERNAL SNAP	
10	70026060	4	RING, INTERNAL SNAP	
11	70026061	2	BEARING, SPHERICAL	
12	70024262	2	PLUG	
13	70002224	1	RING, LOCKING	
14	Kit	2	RING, ROD BEARING	
15	Kit	2	RING, PISTON BEARING	
16	Kit	1	SEAL, PISTON	
17	Kit	1	O-RING	
18	Kit	1	RING, BACK-UP	
19	Kit	1	SEAL, ROD	
20	Kit	1	O-RING	
21	Kit	1	SEAL, WIPER	
101	70026062	1	KIT, SEAL (includes items 14 thru 21)	

SECTION 9 - HYDRAULIC COMPONENTS

FIGURE 9-47. 72IN 90, SWING CARRIAGE CYLINDER



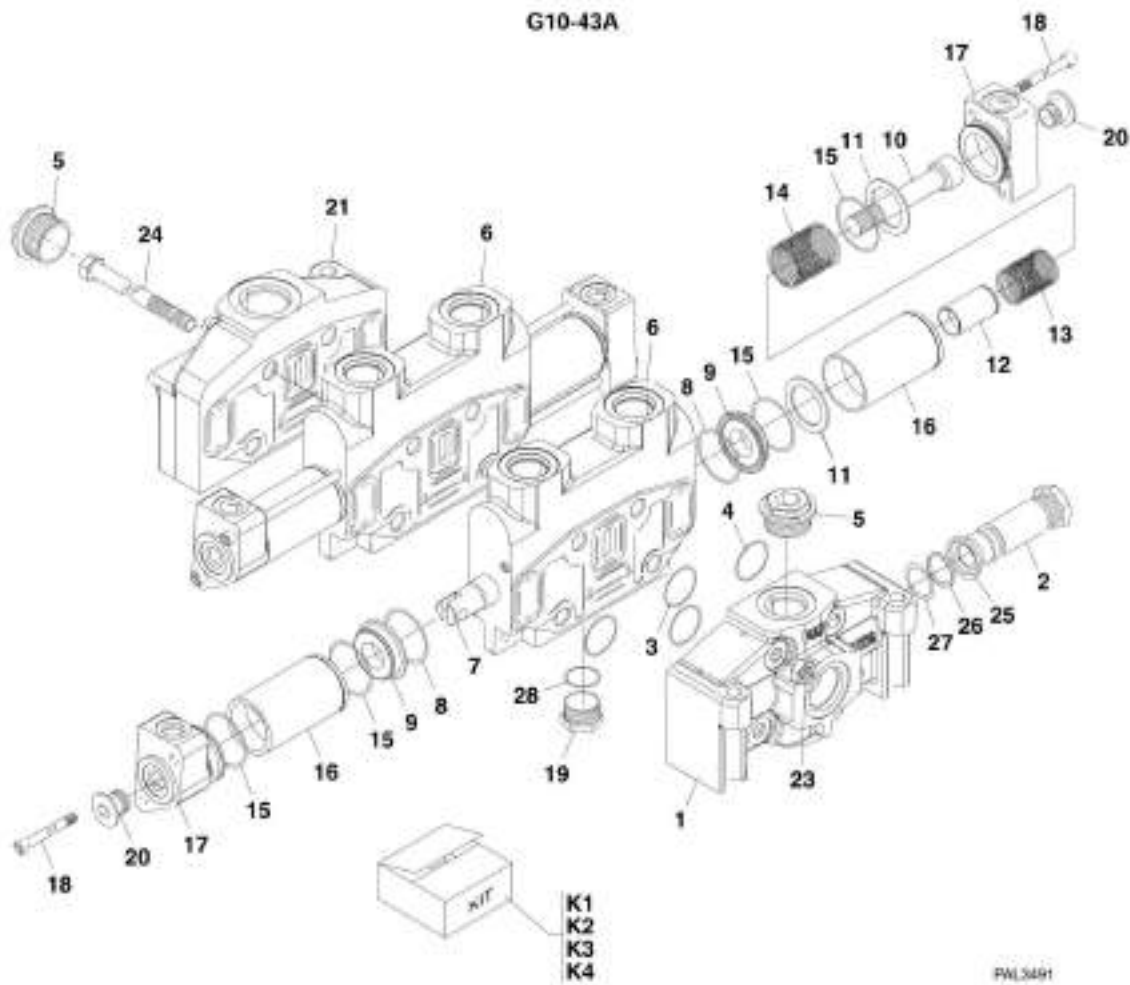
SECTION 9 - HYDRAULIC COMPONENTS

FIGURE 9-47. 72IN 90, SWING CARRIAGE CYLINDER

ITEM	PART NUMBER	QTY	DESCRIPTION	REV
	1001103182	1	SWING CARRIAGE CYLINDER, (includes items 1 thru 22)	B
1	70022044	1	TUBE ASSY	
2	8035863	1	PISTON	
3	8035862	1	HEAD GLAND	
4	70022045	1	ROD ASSY	
5	70022046	1	BEARING	
6	8035536	2	SET SCREW, 5/16-18X1/2	
7	70020428	1	RELIEF VALVE, (preset to 2000psi)	
7	7024574	1	SEAL KIT	
8	8033786	1	COUNTER BALANCE VALVE, (preset to 3000psi)	
8	8205655	1	SEAL KIT	
11	Kit	1	O-RING	
12	Kit	1	O-RING	
13	Kit	1	O-RING	
14	Kit	1	SQUARE RING	
15	Kit	1	BACK-UP RING	
16	Kit	1	SEAL	
17	Kit	1	PISTON SEAL	
18	Kit	1	ROD WIPER	
19	Kit	2	WEARBAND	
20	Kit	1	WEARBAND	
21	Kit	2	INSERT	
22	Kit	2	INSERT	
K1	2915023	1	SEAL KIT, (includes items 11 thru 22)	

SECTION 9 - HYDRAULIC COMPONENTS

FIGURE 9-48. OUTRIGGER CONTROL VALVE (Prior to SN 0160040675, Excluding 0160040468 and 0160040672)



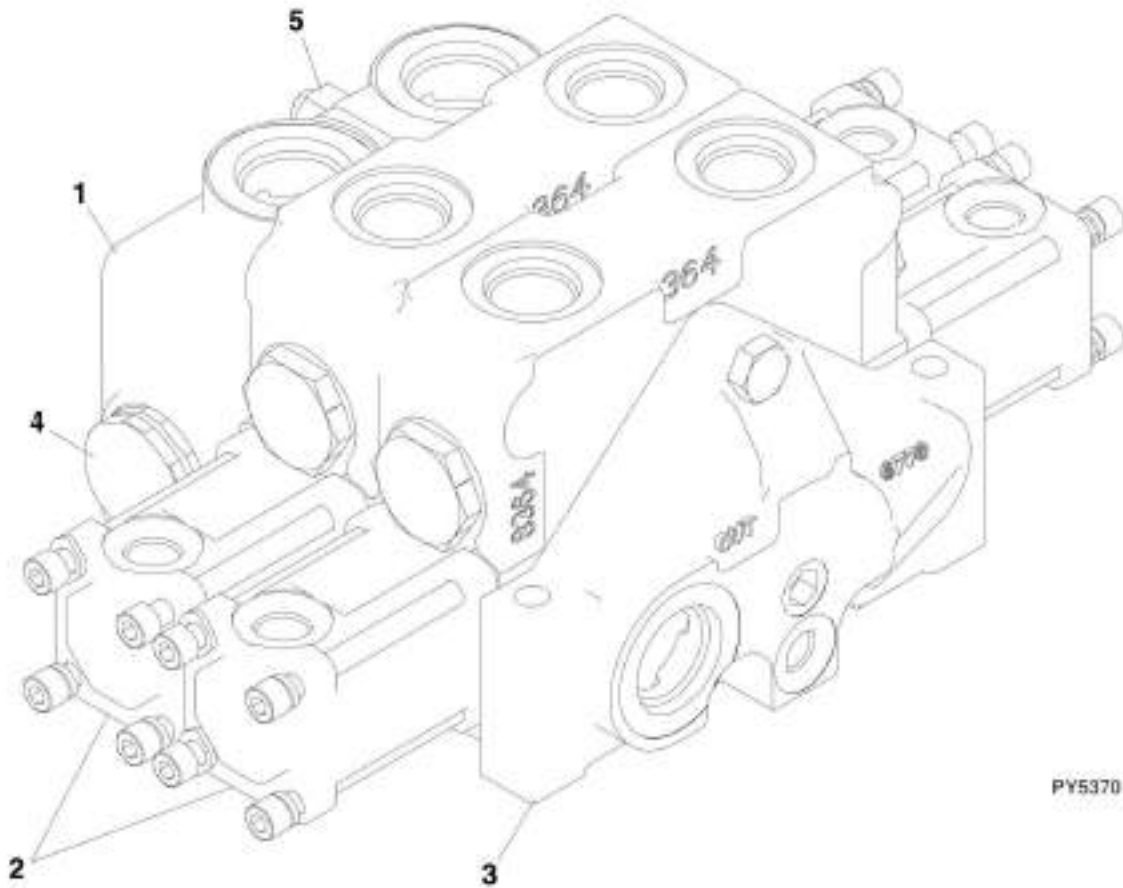
SECTION 9 - HYDRAULIC COMPONENTS

FIGURE 9-48. OUTRIGGER CONTROL VALVE (Prior to SN 0160040675, Excluding 0160040468 and 0160040672)

ITEM	PART NUMBER	QTY	DESCRIPTION	REV
	1001001067	1	OUTRIGGER CONTROL VALVE, (G10-43A), (includes all items)	B
1	70021282	1	INLET COVER ASSY, (includes items 2 thru 5)	
2	70021283	1	PLUG	
3	Kit	3	SQUARE SEAL	
4	Kit	9	O-RING	
5	70021284	2	PLUG	
6	70021285	2	VALVE SECTION ASSY, (Outriggers), (includes two of item 3, six of item 4 and items 7 thru 20)	
7	N.S.S.	2	SPOOL	
8	Kit	4	O-RING	
9	70021286	4	SEAL RETAINER	
10	70021287	2	STRIPPER BOLT	
11	70021288	4	WASHER	
12	70021289	2	TUBE	
13	70021290	2	SPRING	
14	70021291	2	SPRING	
15	Kit	8	O-RING	
16	70021292	4	TUBE	
17	70021293	4	END CAP	
18	70021294	8	SOCKET HD CAPSCREW, 4-1/2	
19	70021295	2	PLUG	
20	70021296	4	PLUG	
21	70021297	1	OUTLET COVER ASSY, (includes one of item 5)	
22	70021298	4	STUD ASSY, (includes items 23 & 24)	
23	N.S.S.	8	HEX NUT	
24	N.S.S.	4	STUD	
25	Kit	1	O-RING	
26	Kit	1	BACK-UP RING	
27	Kit	1	GASKET	
28	Kit	1	O-RING	
29	Kit	1	O-RING, (not shown)	
K1	91514220	1	VALVE SECTION SEAL KIT, (includes items 3 & 4)	
K2	70021299	1	R/V SEAL KIT, (includes items 25 thru 27)	
K3	70021300	1	REMOTE SEAL KIT, (includes two of item 8 and four of item 15)	
K4	70021301	1	WORK VALVE SEAL KIT, (includes three of item 3, two of item 8, four of item 15, item 28 & 29)	

SECTION 9 - HYDRAULIC COMPONENTS

FIGURE 9-49. OUTRIGGER CONTROL VALVE G10-43A (SN 0160040675 to Present, Including 0160040468 and 0160040672)



PY5370

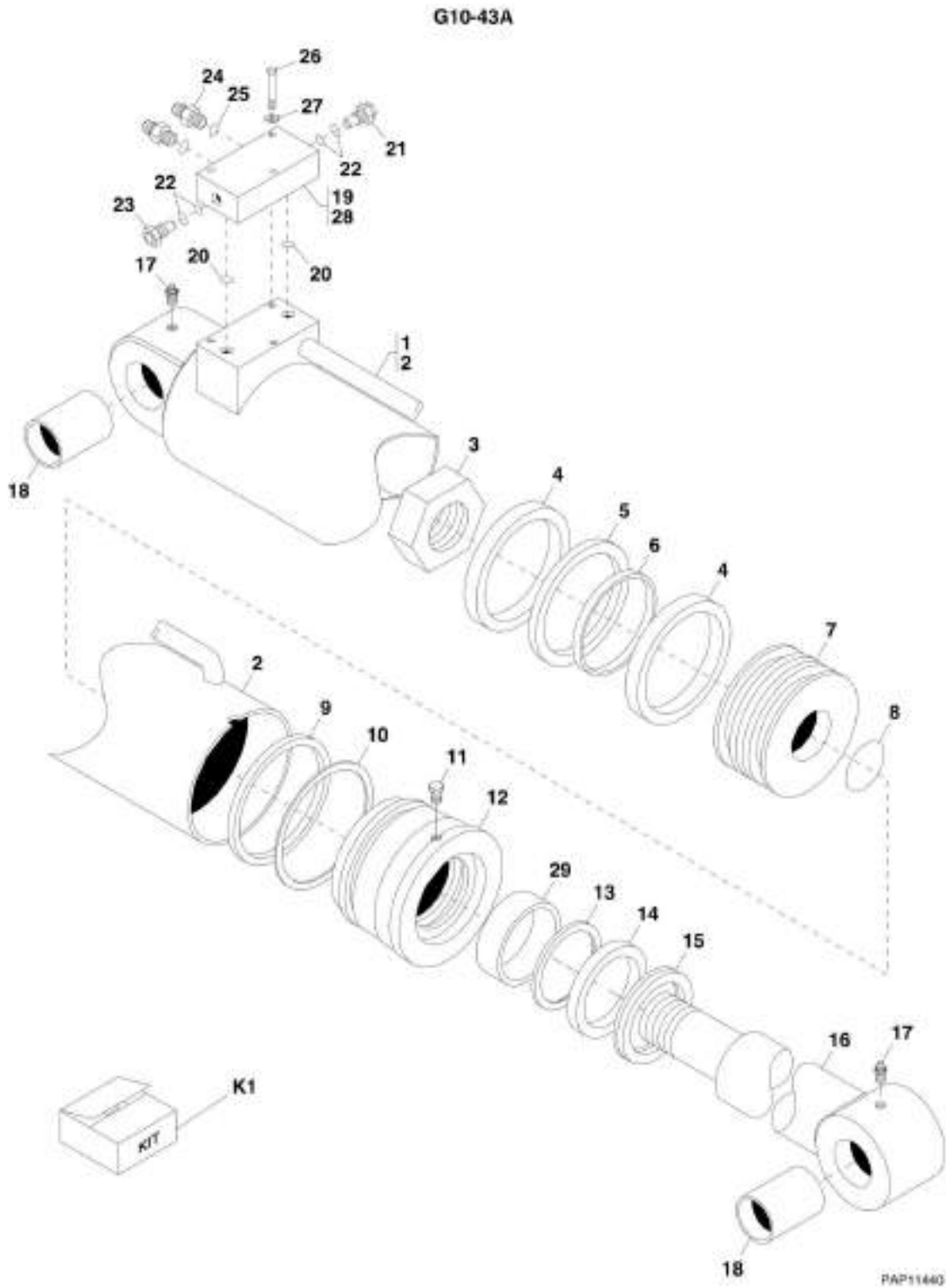
SECTION 9 - HYDRAULIC COMPONENTS

FIGURE 9-49. OUTRIGGER CONTROL VALVE G10-43A (SN 0160040675 to Present, Including 0160040468 and 0160040672)

ITEM	PART NUMBER	QTY	DESCRIPTION	REV
	1001107686	1	OUTRIGGER CONTROL VALVE, (includes all items)	A
1	70023814	1	INLET SECTION	
2	70023815	2	WORK SECTIONS	
3	70023816	1	OUTLET SECTION	
4	70023817	1	MAIN RV PLUG	
5	70023818	1	STUD KIT	

SECTION 9 - HYDRAULIC COMPONENTS

FIGURE 9-50. OUTRIGGER CYLINDER (Prior to SN 0160039840)



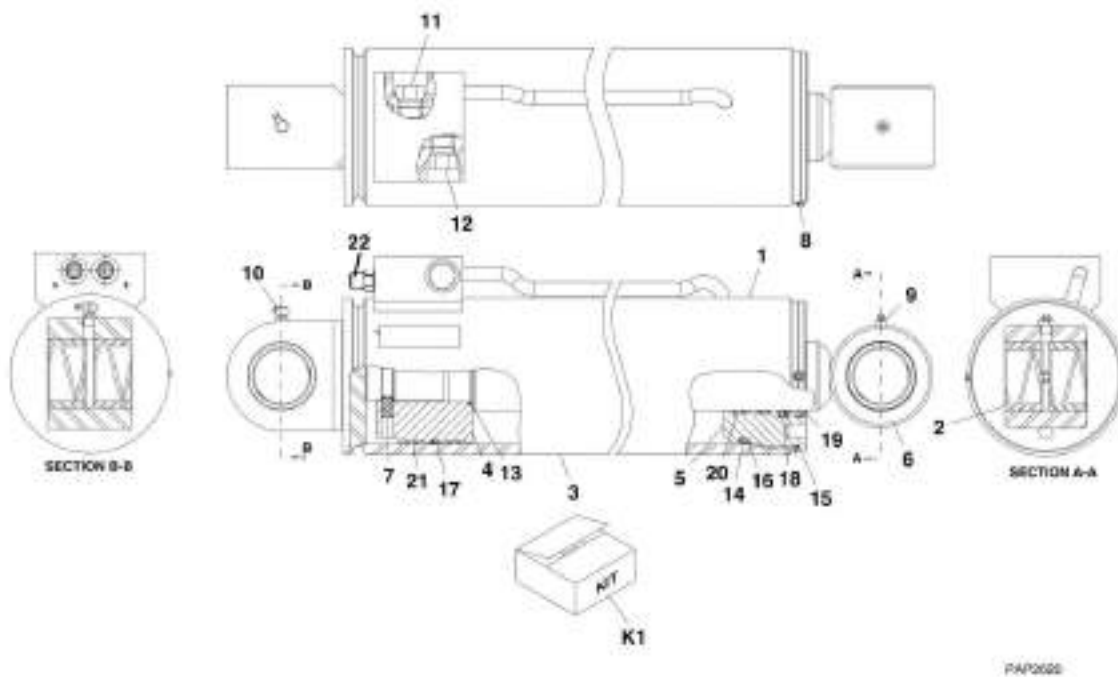
SECTION 9 - HYDRAULIC COMPONENTS

FIGURE 9-50. OUTRIGGER CYLINDER (Prior to SN 0160039840)

ITEM	PART NUMBER	QTY	DESCRIPTION	REV
	1001001211	1	OUTRIGGER CYLINDER ASSY, (G10-43A), (includes all items)	B
1	91343235	1	OUTRIGGER CYLINDER, (includes items 2 thru 18 & 29)	
2	7029968	1	BARREL, (includes item 18)	
3	91014066	1	LOCKNUT, (torque to 1300-1350 lb ft)	
4	Kit	2	WEAR RING	
5	Kit	1	PISTON SEAL	
6	Kit	1	EXPANDER	
7	7029815	1	PISTON	
8	Kit	1	O-RING	
9	Kit	1	O-RING	
10	Kit	1	BACK-UP RING	
11	7029760	1	CAPSCREW	
12	7029816	1	HEAD	
13	Kit	1	STEP SEAL	
14	Kit	1	U-CUP	
15	Kit	1	CANNED WIPER	
16	7029814	1	SHAFT ASSY, (includes item 18)	
17	91044080	2	GREASE FITTING	
18	7029817	2	BUSHING	
19	91163245	1	OUTRIGGER CYLINDER VALVE, (includes items 20 thru 23)	
20	91034118	2	O-RING	
21	91034107	1	THERMAL RELIEF VALVE	
22	91164083	2	VALVE SEAL KIT	
23	91164107	1	CHECK CARTRIDGE	
24	2110606	2	CONNECTOR, (includes item 25)	
25	88591204	2	O-RING	
26	88201040	3	HEX HD CAPSCREW, 3/8-16X2-1/4, GR5, (torque to 30-35 lb ft)	
27	4761600	3	LOCKWASHER, 3/8	
28	91163246	1	ORIFICE, (C2 port)	
29	Kit	1	WEAR RING	
K1	70024217	1	SEAL KIT, (includes items 4, 5, 6, 8, 9, 10, 13, 14, 15 & 29)	

SECTION 9 - HYDRAULIC COMPONENTS

FIGURE 9-51. OUTRIGGER CYLINDER G10-43A (SN 0160039840 to Present)



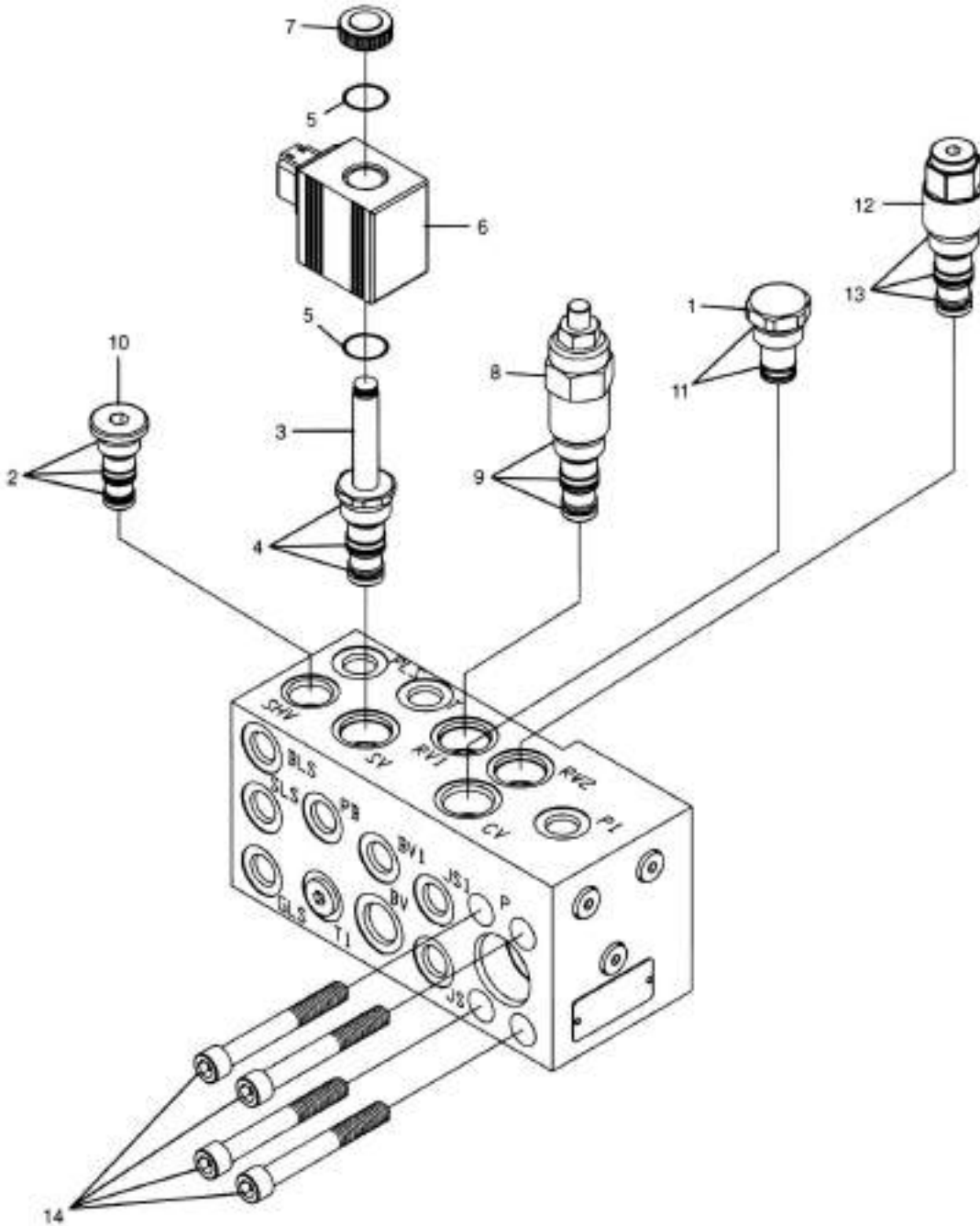
SECTION 9 - HYDRAULIC COMPONENTS

FIGURE 9-51. OUTRIGGER CYLINDER G10-43A (SN 0160039840 to Present)

ITEM	PART NUMBER	QTY	DESCRIPTION	REV
	1001001211	1	OUTRIGGER CYLINDER ASSY, (G10-43A), (includes all items)	B
1	1001116439	2	OUTRIGGER CYLINDER, (includes items 2 thru 21), (included item quantities are per single cylinder)	
2	70020370	4	BUSHING	
3	70023892	1	TUBE WELDMENT	
4	70023893	1	PISTON, (torque to 2350-2600 lb-ft)	
5	70023894	1	HEAD GLAND, (torque to 300-400 lb-ft)	
6	70023895	1	ROD WELDMENT	
7	8036629	1	SET SCREW, 3/8-16x3/4, (torque to 16-18 lb-ft)	
8	70023896	1	TAPPING SCREW	
9	70023897	1	LUBE FITTING	
10	8520021	1	LUBE FITTING, 90	
11	8036750	1	PO CHECK VALVE, (torque to 30-35 lb-ft)	
12	70023898	1	PO CHECK VALVE WITH THERMAL RELIEF, (torque to 30-35 lb-ft)	
13	Kit	1	O-RING	
14	Kit	1	O-RING	
15	Kit	1	O-RING	
16	Kit	1	BACK-UP RING	
17	Kit	1	PAC SEAL	
18	Kit	1	SEAL	
19	Kit	1	ROD WIPER	
20	Kit	2	WEARBAND	
21	Kit	2	WEARBAND	
22	2220371	2	ADAPTOR, (Includes o-ring)	
K1	70023899	2	SEAL KIT, (includes items 13 thru 21)	

SECTION 9 - HYDRAULIC COMPONENTS

FIGURE 9-52. HYDRAULIC MANIFOLD G10-43A (SN 0160040675 to Present, Including 0160040468 and 0160040672)



P16619

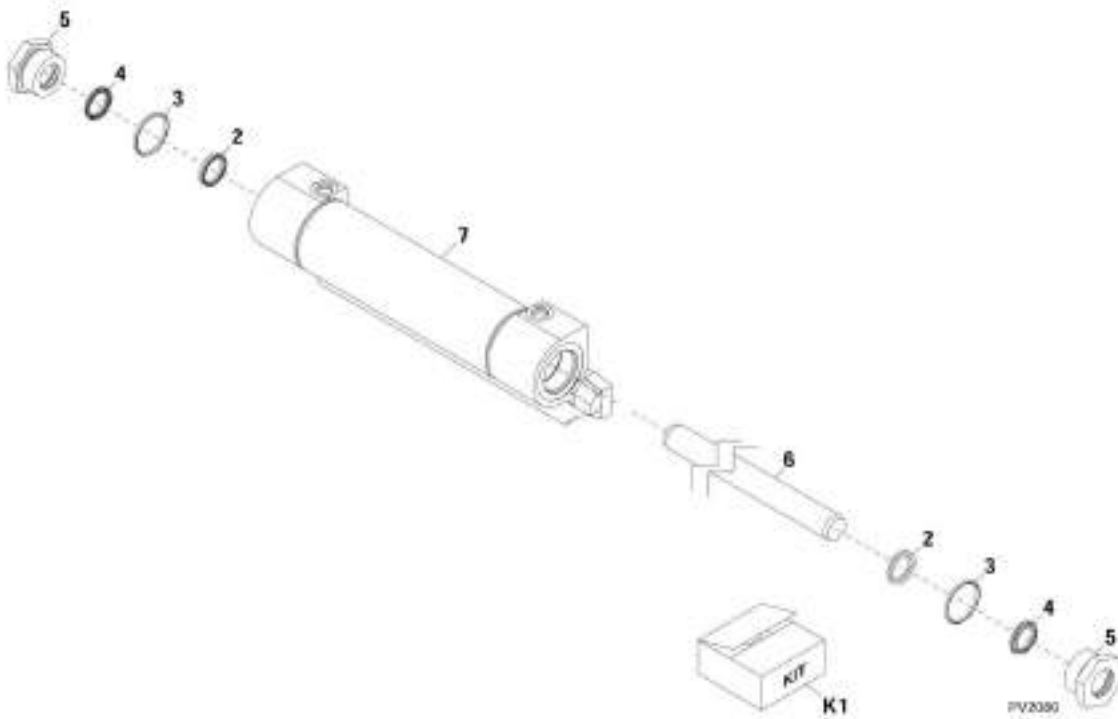
SECTION 9 - HYDRAULIC COMPONENTS

FIGURE 9-52. HYDRAULIC MANIFOLD G10-43A (SN 0160040675 to Present, Including 0160040468 and 0160040672)

ITEM	PART NUMBER	QTY	DESCRIPTION	REV
	1001128353	1	HYDRAULIC MANIFOLD, (includes all items)	B
1	70023859	1	SHUTTLE VALVE, (torque to 25-30 lb-ft)	
2	70023860	1	SEAL KIT	
3	70023861	1	SOLENOID VALVE CARTRIDGE, (torque to 32.5-41.3 lb-ft)	
4	70023862	1	SEAL KIT	
5	N.S.S.	2	O-RING	
6	70023863	1	COIL, (includes items 5 & 7)	
7	N.S.S.	1	COIL NUT, (torque to 3.5 lb-ft)	
8	70023864	1	RELIEF VALVE, (torque to 30-35 lb-ft)	
9	70023865	1	SEAL KIT	
10	70023866	1	CHECK VALVE, (torque to 30-35 lb-ft)	
11	70023867	1	SEAL KIT	
12	70023868	1	RELIEF VALVE, (torque to 30-35 lb-ft)	
13	70023865	1	SEAL KIT	
14	70023869	4	SOCKET HD CAPSCREW, 3/8-16X3	

SECTION 9 - HYDRAULIC COMPONENTS

FIGURE 9-53. 50 IN SIDE SHIFT CARRIAGE CYLINDER (SN 0160037671 to Present)



SECTION 9 - HYDRAULIC COMPONENTS

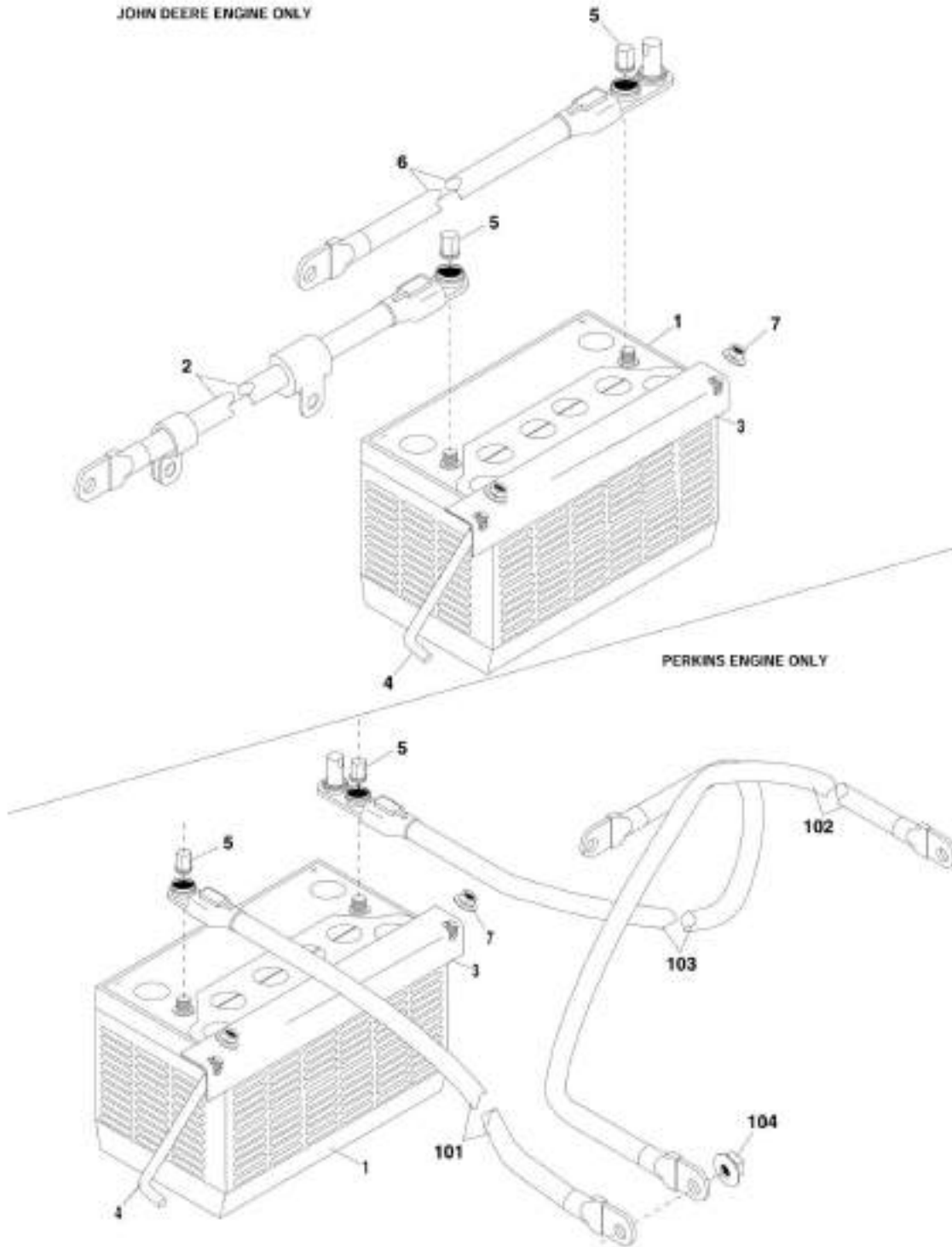
FIGURE 9-53. 50 IN SIDE SHIFT CARRIAGE CYLINDER (SN 0160037671 to Present)

ITEM	PART NUMBER	QTY	DESCRIPTION	REV
	70024539	1	50IN SIDE SHIFT CARRIAGE CYLINDER, (includes all items)	B
2	Kit	2	ROD SEAL	
3	70024547	2	O-RING	
4	Kit	2	ROD WIPER SEAL	
5	70024548	2	RETAINER SEAL	
6	N.S.S.	1	ROD	
7	N.S.S.	1	BARREL	
K1	70024549	1	SEAL KIT, (includes items 2 & 4)	

SECTION 10 - ELECTRICAL

SECTION 10 - ELECTRICAL

FIGURE 10-1. BATTERY AND CABLES (Prior to SN 0160040675, Excluding 0160040468 and 0160040672)



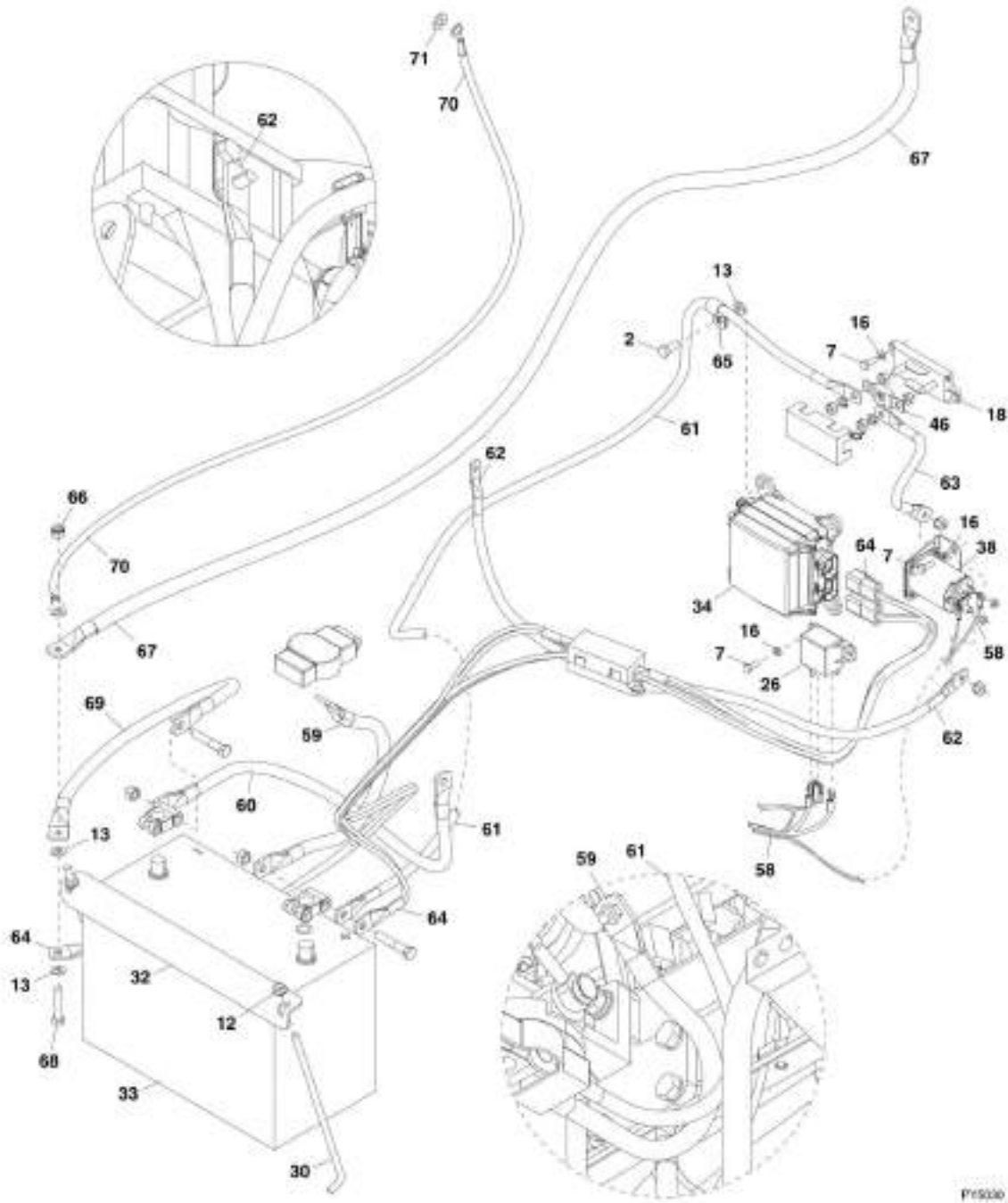
SECTION 10 - ELECTRICAL

FIGURE 10-1. BATTERY AND CABLES (Prior to SN 0160040675, Excluding 0160040468 and 0160040672)

ITEM	PART NUMBER	QTY	DESCRIPTION	REV
1	91083483	1	BATTERY, (12 volt, 1000 amps), TOP STUD, 3/8-16 UNC THREAD, BCI GROUP 31	
2	91473065	1	NEGATIVE BATTERY CABLE, (John Deere Engine)	
3	91401281	1	BATTERY HOLD DOWN	
4	91081640	2	HOLD DOWN STUD, 5/16-18	
5	77383567	2	TERMINAL NUT	
6	91473228	1	POSITIVE BATTERY CABLE, (John Deere Engine)	
7	77143006	2	WHIZ-LOCK NUT, 5/16-18	
7	14403416	AR	DI-ELECTRIC GREASE, (add to caps on battery terminals)	
101	1001001520	1	NEGATIVE BATTERY CABLE, (battery to frame), (Perkins Engine) (SN 0160020943 through 0160040674, Excluding 0160040468 and 0160040672)	
102	1001001521	1	NEGATIVE BATTERY CABLE, (frame to starter), (Perkins Engine) (SN 0160020943 through 0160040674, Excluding 0160040468 and 0160040672)	
103	1001001522	1	POSITIVE BATTERY CABLE, (Perkins Engine) (SN 0160020943 through 0160040674, Excluding 0160040468 and 0160040672)	
104	77143015	1	WHIZ-LOCK NUT, 3/8-16, (Perkins Engine) (SN 0160020943 through 0160040674, Excluding 0160040468 and 0160040672)	

SECTION 10 - ELECTRICAL

FIGURE 10-2. BATTERY AND CABLES (SN 0160040675 to Present, Including 0160040468 and 0160040672)



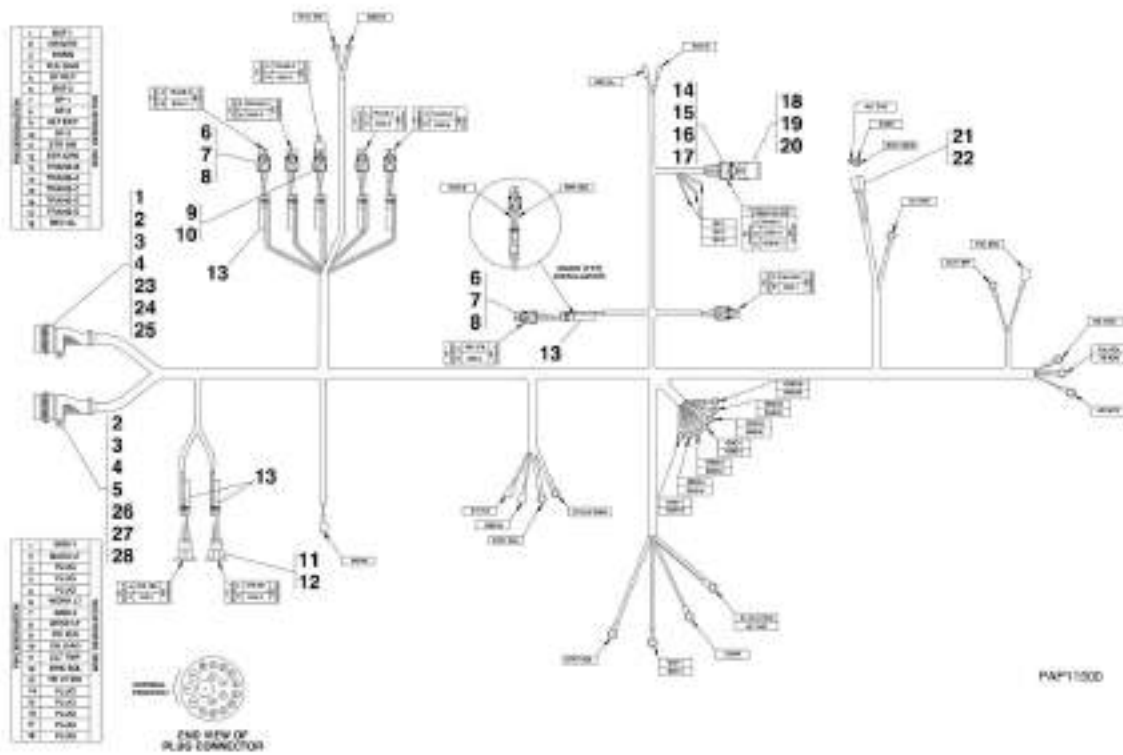
SECTION 10 - ELECTRICAL

FIGURE 10-2. BATTERY AND CABLES (SN 0160040675 to Present, Including 0160040468 and 0160040672)

ITEM	PART NUMBER	QTY	DESCRIPTION	REV
2	0641506	4	HEX HD CAPSCREW, 5/16-18X3/4, GR5	
7	0760608	6	HEX HD CAPSCREW, 6X16mm, GR8.8	
12	3311508	2	HEX NUT, 5/16-18	
13	4711500	6	WASHER, 5/16	
16	4811700	6	WASHER, 6mm	
18	8229260	1	FUSE HOLDER	
26	77383377	1	RELAY	
30	91081640	2	BATTERY HOLD DOWN BOLT	
32	91401281	1	BATTERY HOLD DOWN BRACKET	
33	0400075	1	BATTERY, 12 VOLT	
34	1001108433	1	VEC CONTROL MODULE	
38	1001117308	1	RELAY	
46	1001118245	1	FUSE, 250 AMP	
58		Ref	ENGINE HARNESS, (See ENGINE HARNESS - CUMMINS ENGINE for Breakdown)	
59	1001126906	1	POSITIVE BATTERY CABLE	
60	1001126925	1	NEGATIVE BATTERY CABLE	
61	1001126939	1	CABLE	
62	1001126976	1	CABLE	
63	1001126983	1	CABLE, FUSE TO RELAY	
64	1001126984	1	VEC HARNESS	
65	8406101	1	TUBE CLIP	
66	88521205	1	LOCKNUT, 5/16-18	
67	1001115371	1	CABLE, CAB GROUND	
68	0641514	1	HEX HD CAPSCREW, 5/16-18X1-3/4, GR5	
69	1001128681	1	CABLE, NEGATIVE TO POD GROUND	
70	1001128696	1	CABLE, ALTERNATOR GROUND	
71	4812000	1	Washer, 10mm	

SECTION 10 - ELECTRICAL

FIGURE 10-3. ENGINE HARNESS - JOHN DEERE ENGINE (SN 0193001 through 0193007, SN 016000008 through 0160002051)



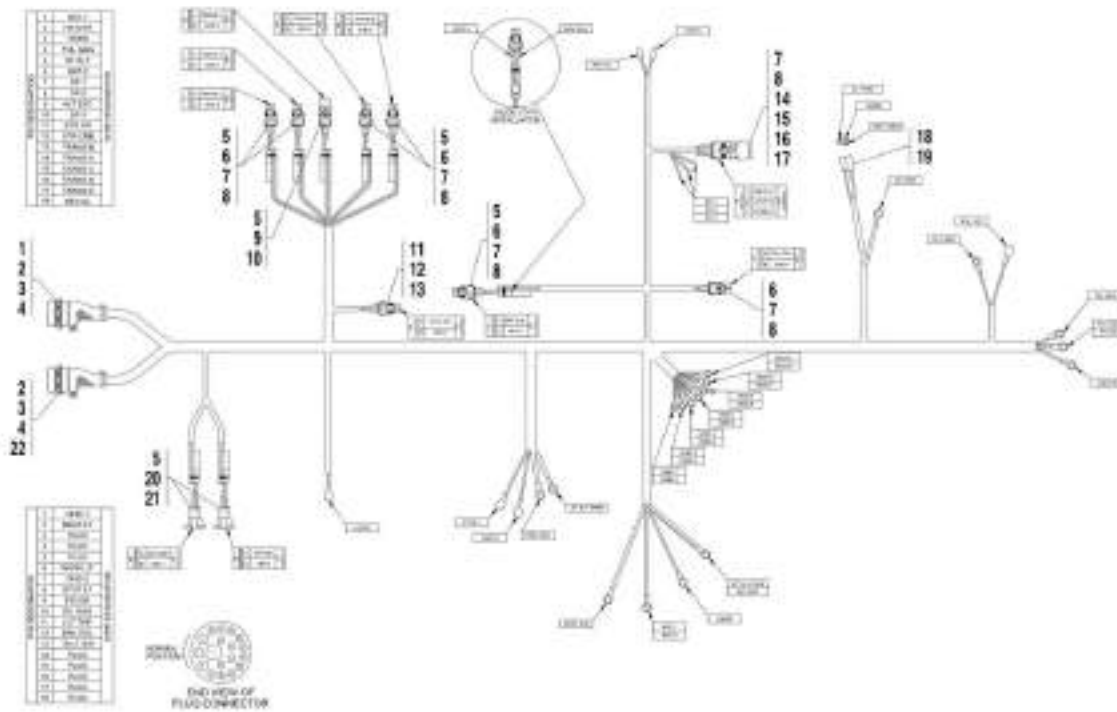
SECTION 10 - ELECTRICAL

FIGURE 10-3. ENGINE HARNESS - JOHN DEERE ENGINE (SN 0193001 through 0193007, SN 016000008 through 0160002051)

ITEM	PART NUMBER	QTY	DESCRIPTION	REV
	91473101	1	ENGINE HARNESS, (includes all items)	H
1	91404337	1	PLUG CONNECTOR	
2	83481286	2	PANEL NUT	
3	83481285	2	PANEL LOCKWASHER	
4	91474467	2	STRAIN RELIEF	
5	91364010	1	PLUG CONNECTOR	
6	80963057	5	WEATHER PACK CONNECTOR	
7	80963068	5	FEMALE PIN TERMINAL	
8	91364009	5	CABLE SEALS	
9	80963058	1	WEATHER PACK CONNECTOR	
10	80963070	1	CAVITY PLUG	
11	91474468	2	CLIP AND SEAL	
12	91474469	2	DELPHI CONTACT	
13	91363021	8	MOLDED DIODE	
14	80963059	1	WEATHER PACK CONNECTOR	
15	80963068	1	FEMALE PIN TERMINAL	
16	91364009	1	CABLE SEAL	
17	80963067	1	CABLE SEAL	
18	80963060	1	WEATHER PACK CONNECTOR	
19	80963069	1	MALE PIN TERMINAL	
20	91364009	1	CABLE SEALS	
21	83683254	1	3 CONTACT PLUG	
22	90026803	1	CONNECTOR	
23	91143340	1	SOCKET CONTACT, #8	
24	77363347	3	SOCKET CONTACT, #12	
25	77363229	14	SOCKET CONTACT, #16	
26	91143339	1	PIN CONTACT, #8	
27	77363345	3	PIN CONTACT, #12	
28	77363228	6	PIN CONTACT, #16	

SECTION 10 - ELECTRICAL

FIGURE 10-4. ENGINE HARNESS - JOHN DEERE ENGINE (SN 0160002054 through 0160006663, Excluding 0160006594, 0160006599, 0160006617 and 0160006621)



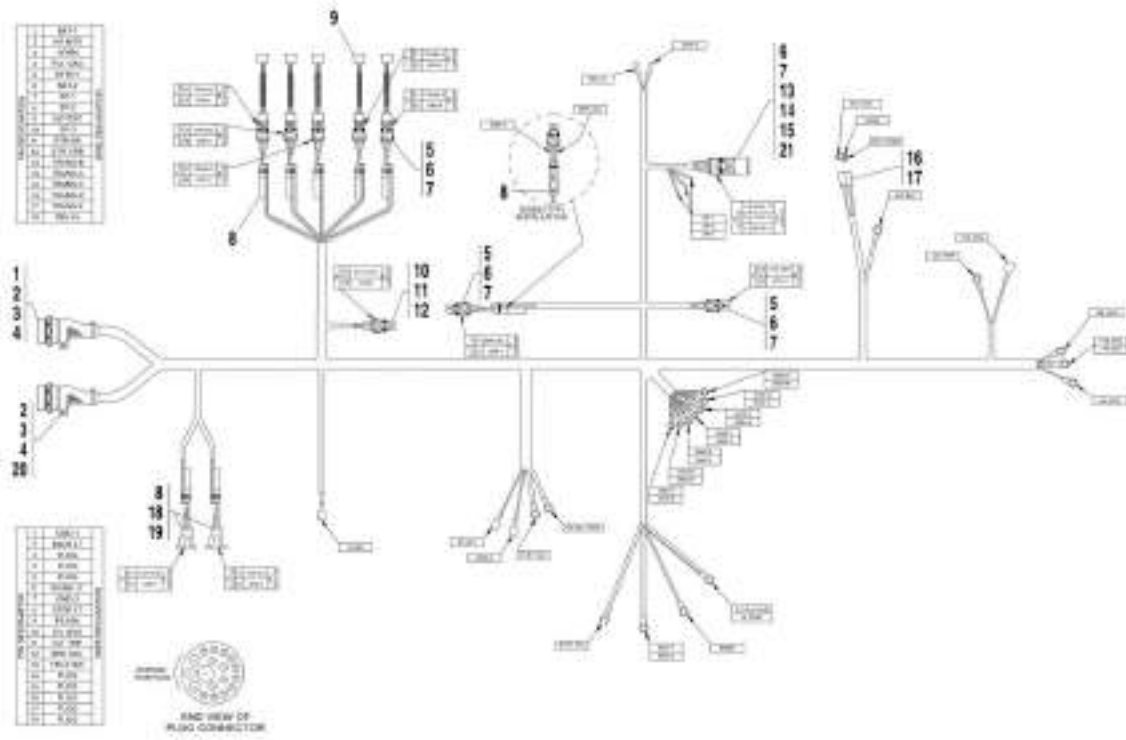
SECTION 10 - ELECTRICAL

**FIGURE 10-4. ENGINE HARNESS - JOHN DEERE ENGINE (SN 0160002054 through 0160006663,
Excluding 0160006594, 0160006599, 0160006617 and 0160006621)**

ITEM	PART NUMBER	QTY	DESCRIPTION	REV
	91473220	1	ENGINE HARNESS, (includes all items)	B
1	91404337	1	PLUG CONNECTOR	
2	83481286	2	NUT	
3	83481285	2	LOCKWASHER	
4	91474467	2	STRAIN RELIEF	
5	91363021	8	MOLDED DIODE	
6	80963057	6	CONNECTOR	
7	80963068	7	TERMINAL	
8	91364009	8	CABLE SEAL	
9	80963058	1	SHROUD	
10	80963070	1	DUST CAP PLUG	
11	1001117073	1	CONNECTOR	
12	4460693	1	TERMINAL	
13	4460608	1	SEAL	
14	4460459	1	CONNECTOR	
15	80963067	1	CABLE SEAL, BLUE	
16	80963060	1	SHROUD	
17	80963069	1	TERMINAL	
18	83683254	1	3 CONTACT	
19	90026803	1	FEMALE TERMINAL	
20	91474468	2	CONNECTOR	
21	91474469	2	TERMINAL	
22	91364010	1	RECEPTACLE CONNECTOR	

SECTION 10 - ELECTRICAL

FIGURE 10-5. ENGINE HARNESS - JOHN DEERE ENGINE (SN 0160006686 through 0160011036, Including 0160006594, 0160006599, 0160006617 and 0160006621)



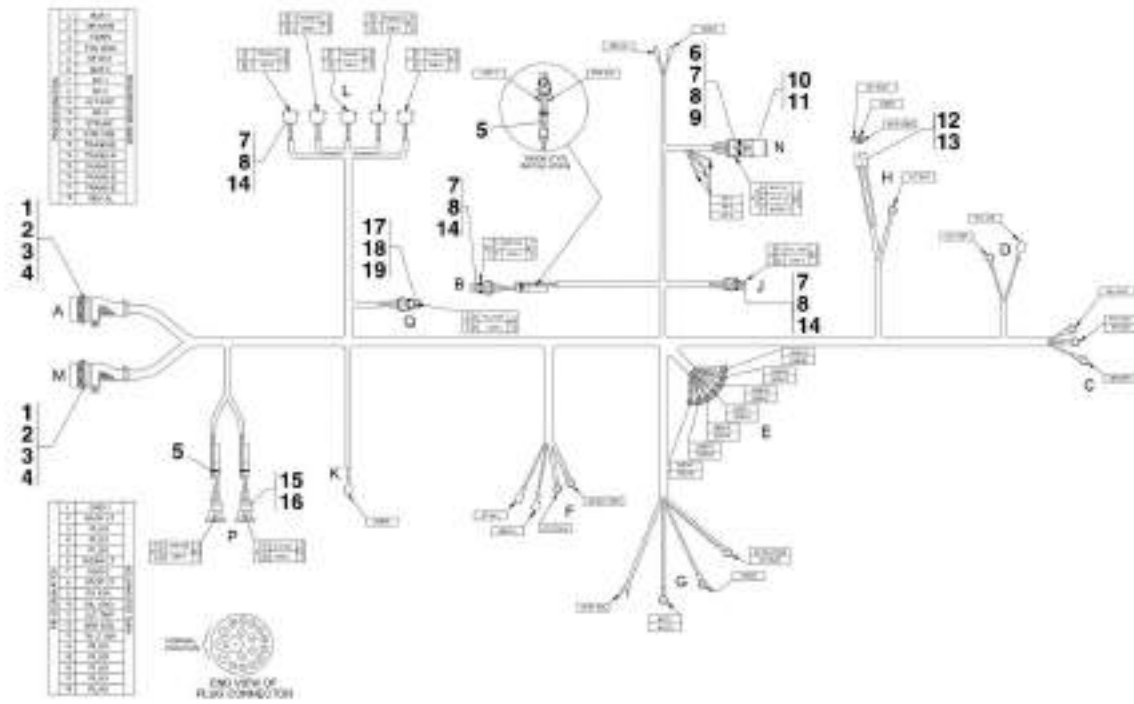
SECTION 10 - ELECTRICAL

**FIGURE 10-5. ENGINE HARNESS - JOHN DEERE ENGINE (SN 0160006686 through 0160011036,
Including 0160006594, 0160006599, 0160006617 and 0160006621)**

ITEM	PART NUMBER	QTY	DESCRIPTION	REV
	91473229	1	ENGINE HARNESS, (includes all items)	C
1	91404337	1	PLUG CONNECTOR	
2	83481286	2	NUT	
3	83481285	2	LOCKWASHER	
4	91474467	2	STRAIN RELIEF	
5	80963057	7	CONNECTOR	
6	80963068	8	TERMINAL	
7	91364009	9	CABLE SEAL	
8	91363021	8	MOLDED DIODE	
9	91513287	5	JUMPER WIRES	
10	1001117073	1	CONNECTOR	
11	4460693	1	TERMINAL	
12	4460608	1	SEAL	
13	4460459	1	CONNECTOR	
14	80963060	1	SHROUD	
15	80963069	1	TERMINAL	
16	83683254	1	3 CONTACT	
17	90026803	1	FEMALE TERMINAL	
18	91474468	2	CONNECTOR	
19	91474469	2	TERMINAL	
20	91364010	1	RECEPTACLE CONNECTOR	
21	80963067	1	CABLE SEAL, BLUE	

SECTION 10 - ELECTRICAL

FIGURE 10-6. ENGINE HARNESS - JOHN DEERE ENGINE (SN 0160011061 through 0160018121)



SECTION 10 - ELECTRICAL

FIGURE 10-6. ENGINE HARNESS - JOHN DEERE ENGINE (SN 0160011061 through 0160018121)

ITEM	PART NUMBER	QTY	DESCRIPTION	REV
	91513285	1	ENGINE HARNESS, (includes all items)	D
1	91404337	2	PLUG CONNECTOR	
2	83481286	2	NUT	
3	83481285	2	LOCKWASHER	
4	91474467	2	STRAIN RELIEF	
5	91363021	2	MOLDED DIODE	
6	80963095	2	CONNECTOR	
7	80963068	8	TERMINAL	
8	91364009	8	SEAL	
9	80963067	1	SEAL	
10	80963060	1	CONNECTOR	
11	80963070	1	PLUG	
12	83683254	1	PLUG	
13	90026803	3	CONNECTOR	
14	80963057	7	CONNECTOR	
15	91474468	2	CONNECTOR	
16	91474469	2	TERMINAL	
17	1001117073	1	CONNECTOR	
18	4460693	1	TERMINAL	
19	4460608	1	SEAL	

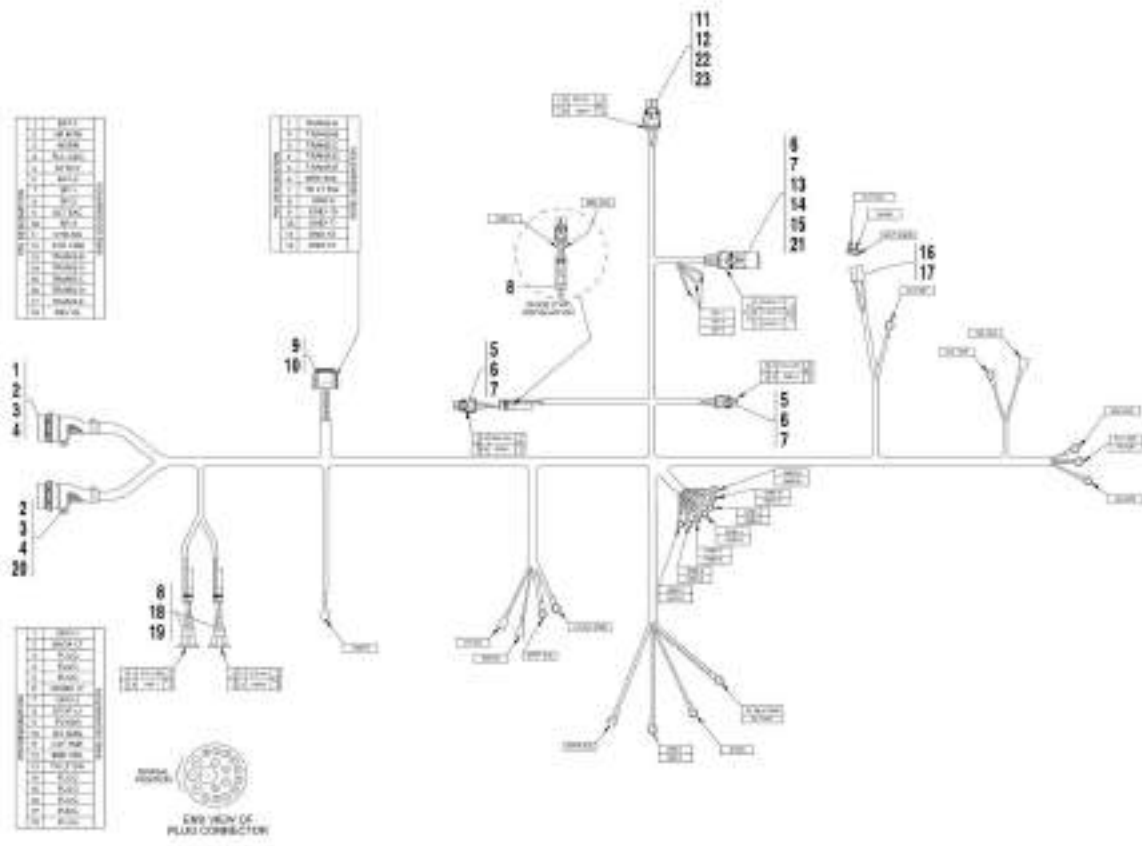
SECTION 10 - ELECTRICAL

**FIGURE 10-7. ENGINE HARNESS - JOHN DEERE ENGINE (SN 0160018152 through 0160020933,
Excluding 0160020803, 0160020823 and 0160020824)**

ITEM	PART NUMBER	QTY	DESCRIPTION	REV
	4923403	1	ENGINE HARNESS, (includes all items)	B
1	91404337	2	PLUG CONNECTOR	
2	83481286	2	NUT	
3	83481285	2	LOCKWASHER	
4	91474467	2	STRAIN RELIEF	
5	91363021	2	MOLDED DIODE	
6	80963095	2	CONNECTOR	
7	80963068	8	TERMINAL	
8	91364009	8	SEAL	
9	80963067	1	SEAL	
10	80963060	1	CONNECTOR	
11	80963070	1	PLUG	
12	83683254	1	PLUG	
13	90026803	3	CONNECTOR	
14	80963057	7	CONNECTOR	
15	91474468	2	CONNECTOR	
16	91474469	2	TERMINAL	
17	1001117073	1	CONNECTOR	
18	4460693	1	TERMINAL	
19	4460608	1	SEAL	
20	1001117021	1	CONNECTOR	
21	7029755	1	SECONDARY LOCK	
22	4460746	1	TERMINAL	
23	4460789	1	SEAL	

SECTION 10 - ELECTRICAL

FIGURE 10-8. ENGINE HARNESS - JOHN DEERE ENGINE (SN 0160020943 through 0160040674, Including 0160020803, 0160020823 and 0160020824, Excluding 0160040468 and 0160040672)

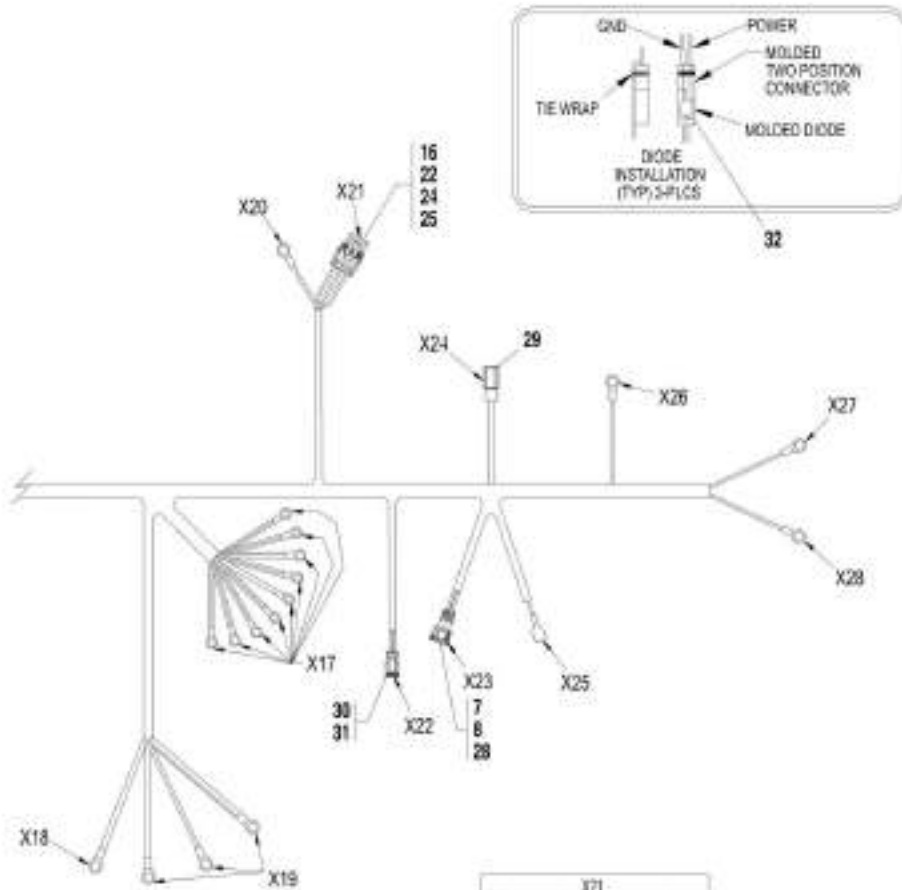


SECTION 10 - ELECTRICAL

FIGURE 10-8. ENGINE HARNESS - JOHN DEERE ENGINE (SN 0160020943 through 0160040674, Including 0160020803, 0160020823 and 0160020824, Excluding 0160040468 and 0160040672)

ITEM	PART NUMBER	QTY	DESCRIPTION	REV
	1001001516	1	ENGINE HARNESS, (includes all items)	B
1	91404337	1	PLUG CONNECTOR	
2	83481286	2	NUT	
3	83481285	2	LOCKWASHER	
4	91474467	2	STRAIN RELIEF	
5	80963057	2	CONNECTOR	
6	80963068	3	TERMINAL	
7	91364009	4	CABLE SEAL	
8	91363021	3	MOLDED DIODE	
9	7026425	1	PLUG CONNECTOR	
10	80604016	1	WEDGELOCK	
11	1001117021	1	CONNECTOR	
12	4460746	1	TERMINAL	
13	4460459	1	CONNECTOR	
14	80963060	1	SHROUD	
15	80963069	1	TERMINAL	
16	83683254	1	3 CONTACT	
17	90026803	1	FEMALE TERMINAL	
18	91474468	2	CONNECTOR	
19	91474469	2	TERMINAL	
20	91364010	1	RECEPTACLE CONN	
21	80963067	1	CABLE SEAL, BLUE	
22	80963066	1	SEAL	
23	7029755	1	SECONDARY LOCK	

SECTION 10 - ELECTRICAL



X17					
WIRE #	WIRE COLOR	WIRE GAUGE	WIRE TYPE	TYPE	TO
1	BLACK	18 AWG	CU	UL	1
2	BLACK	18 AWG	CU	UL	2
3	BLACK	18 AWG	CU	UL	3
4	BLACK	18 AWG	CU	UL	4
5	BLACK	18 AWG	CU	UL	5
6	BLACK	18 AWG	CU	UL	6
7	BLACK	18 AWG	CU	UL	7
8	BLACK	18 AWG	CU	UL	8
9	BLACK	18 AWG	CU	UL	9
10	BLACK	18 AWG	CU	UL	10
11	BLACK	18 AWG	CU	UL	11
12	BLACK	18 AWG	CU	UL	12
13	BLACK	18 AWG	CU	UL	13
14	BLACK	18 AWG	CU	UL	14
15	BLACK	18 AWG	CU	UL	15
16	BLACK	18 AWG	CU	UL	16
17	BLACK	18 AWG	CU	UL	17
18	BLACK	18 AWG	CU	UL	18
19	BLACK	18 AWG	CU	UL	19
20	BLACK	18 AWG	CU	UL	20
21	BLACK	18 AWG	CU	UL	21
22	BLACK	18 AWG	CU	UL	22
23	BLACK	18 AWG	CU	UL	23
24	BLACK	18 AWG	CU	UL	24
25	BLACK	18 AWG	CU	UL	25
26	BLACK	18 AWG	CU	UL	26
27	BLACK	18 AWG	CU	UL	27
28	BLACK	18 AWG	CU	UL	28
29	BLACK	18 AWG	CU	UL	29
30	BLACK	18 AWG	CU	UL	30
31	BLACK	18 AWG	CU	UL	31

X18					
WIRE #	WIRE COLOR	WIRE GAUGE	WIRE TYPE	TYPE	TO
1	BLACK	18 AWG	CU	UL	1
2	BLACK	18 AWG	CU	UL	2

X19					
WIRE #	WIRE COLOR	WIRE GAUGE	WIRE TYPE	TYPE	TO
1	BLACK	18 AWG	CU	UL	1
2	BLACK	18 AWG	CU	UL	2
3	BLACK	18 AWG	CU	UL	3
4	BLACK	18 AWG	CU	UL	4
5	BLACK	18 AWG	CU	UL	5
6	BLACK	18 AWG	CU	UL	6
7	BLACK	18 AWG	CU	UL	7
8	BLACK	18 AWG	CU	UL	8
9	BLACK	18 AWG	CU	UL	9
10	BLACK	18 AWG	CU	UL	10
11	BLACK	18 AWG	CU	UL	11
12	BLACK	18 AWG	CU	UL	12
13	BLACK	18 AWG	CU	UL	13
14	BLACK	18 AWG	CU	UL	14
15	BLACK	18 AWG	CU	UL	15
16	BLACK	18 AWG	CU	UL	16
17	BLACK	18 AWG	CU	UL	17
18	BLACK	18 AWG	CU	UL	18
19	BLACK	18 AWG	CU	UL	19
20	BLACK	18 AWG	CU	UL	20
21	BLACK	18 AWG	CU	UL	21
22	BLACK	18 AWG	CU	UL	22
23	BLACK	18 AWG	CU	UL	23
24	BLACK	18 AWG	CU	UL	24
25	BLACK	18 AWG	CU	UL	25
26	BLACK	18 AWG	CU	UL	26
27	BLACK	18 AWG	CU	UL	27
28	BLACK	18 AWG	CU	UL	28
29	BLACK	18 AWG	CU	UL	29
30	BLACK	18 AWG	CU	UL	30
31	BLACK	18 AWG	CU	UL	31
32	BLACK	18 AWG	CU	UL	32

X20					
WIRE #	WIRE COLOR	WIRE GAUGE	WIRE TYPE	TYPE	TO
1	BLACK	18 AWG	CU	UL	1
2	BLACK	18 AWG	CU	UL	2

X21					
WIRE #	WIRE COLOR	WIRE GAUGE	WIRE TYPE	TYPE	TO
1	BLACK	18 AWG	CU	UL	1
2	BLACK	18 AWG	CU	UL	2
3	BLACK	18 AWG	CU	UL	3
4	BLACK	18 AWG	CU	UL	4
5	BLACK	18 AWG	CU	UL	5

X22					
WIRE #	WIRE COLOR	WIRE GAUGE	WIRE TYPE	TYPE	TO
1	BLACK	18 AWG	CU	UL	1
2	BLACK	18 AWG	CU	UL	2

X23					
WIRE #	WIRE COLOR	WIRE GAUGE	WIRE TYPE	TYPE	TO
1	BLACK	18 AWG	CU	UL	1
2	BLACK	18 AWG	CU	UL	2

X24					
WIRE #	WIRE COLOR	WIRE GAUGE	WIRE TYPE	TYPE	TO
1	BLACK	18 AWG	CU	UL	1

X25					
WIRE #	WIRE COLOR	WIRE GAUGE	WIRE TYPE	TYPE	TO
1	BLACK	18 AWG	CU	UL	1
2	BLACK	18 AWG	CU	UL	2

X26					
WIRE #	WIRE COLOR	WIRE GAUGE	WIRE TYPE	TYPE	TO
1	BLACK	18 AWG	CU	UL	1

X27					
WIRE #	WIRE COLOR	WIRE GAUGE	WIRE TYPE	TYPE	TO
1	BLACK	18 AWG	CU	UL	1
2	BLACK	18 AWG	CU	UL	2

X28					
WIRE #	WIRE COLOR	WIRE GAUGE	WIRE TYPE	TYPE	TO
1	BLACK	18 AWG	CU	UL	1
2	BLACK	18 AWG	CU	UL	2

PWL1041

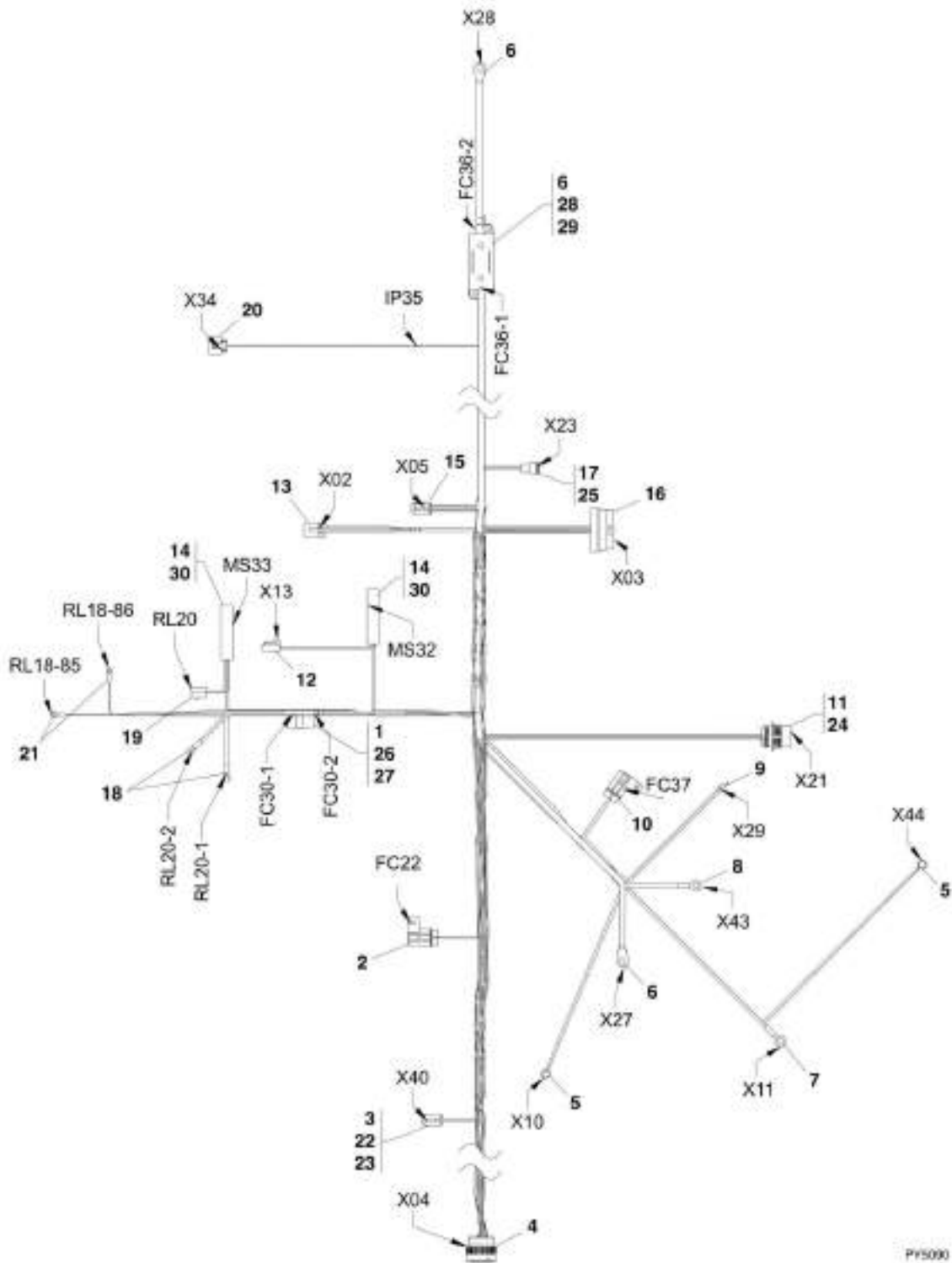
SECTION 10 - ELECTRICAL

FIGURE 10-9. ENGINE HARNESS - PERKINS ENGINE (SN 0160020943 through 0160040674, Including 0160020803, 0160020823 and 0160020824, Excluding 0160040468 and 0160040672)

ITEM	PART NUMBER	QTY	DESCRIPTION	REV
	1001001510	1	PERKINS ENGINE HARNESS, (includes all items)	D
1	91404337	1	CONNECTOR	
2	83481286	2	NUT	
3	83481285	2	LOCKWASHER	
4	91474467	2	STRAIN RELIEF	
5	91364010	1	CONNECTOR	
6	4460466	1	PLUG	
7	1001116983	3	CONNECTOR	
8	1001116706	3	TERMINAL	
9	1001117022	1	CONNECTOR ASSY, (includes 7.5 amp fuse)	
9	1001117019	1	CONNECTOR	
10	1001116733	2	TERMINAL	
11	7029771	1	COVER	
12	1001117057	1	CONNECTOR	
13	3740080	1	RELAY	
14	80963057	2	CONNECTOR	
15	80963068	3	TERMINAL	
16	80963065	5	SEAL	
17	80963061	1	CONNECTOR	
18	7026425	1	CONNECTOR	
19	80604016	1	LOCK CONNECTOR	
20	1001117021	1	CONNECTOR	
21	7029755	1	TPA	
22	4460746	2	TERMINAL	
24	1001117020	1	CONNECTOR	
25	7029775	1	TPA	
28	4461006	3	SEAL	
29	1001116707	1	CONNECTOR	
30	7026408	1	CONNECTOR	
31	80684018	1	WEDGELOCK	
32	91363021	1	DIODE	

SECTION 10 - ELECTRICAL

FIGURE 10-10. ENGINE HARNESS - CUMMINS ENGINE (SN 0160040675 to Present, Including 0160040468 and 0160040672)



Py5000

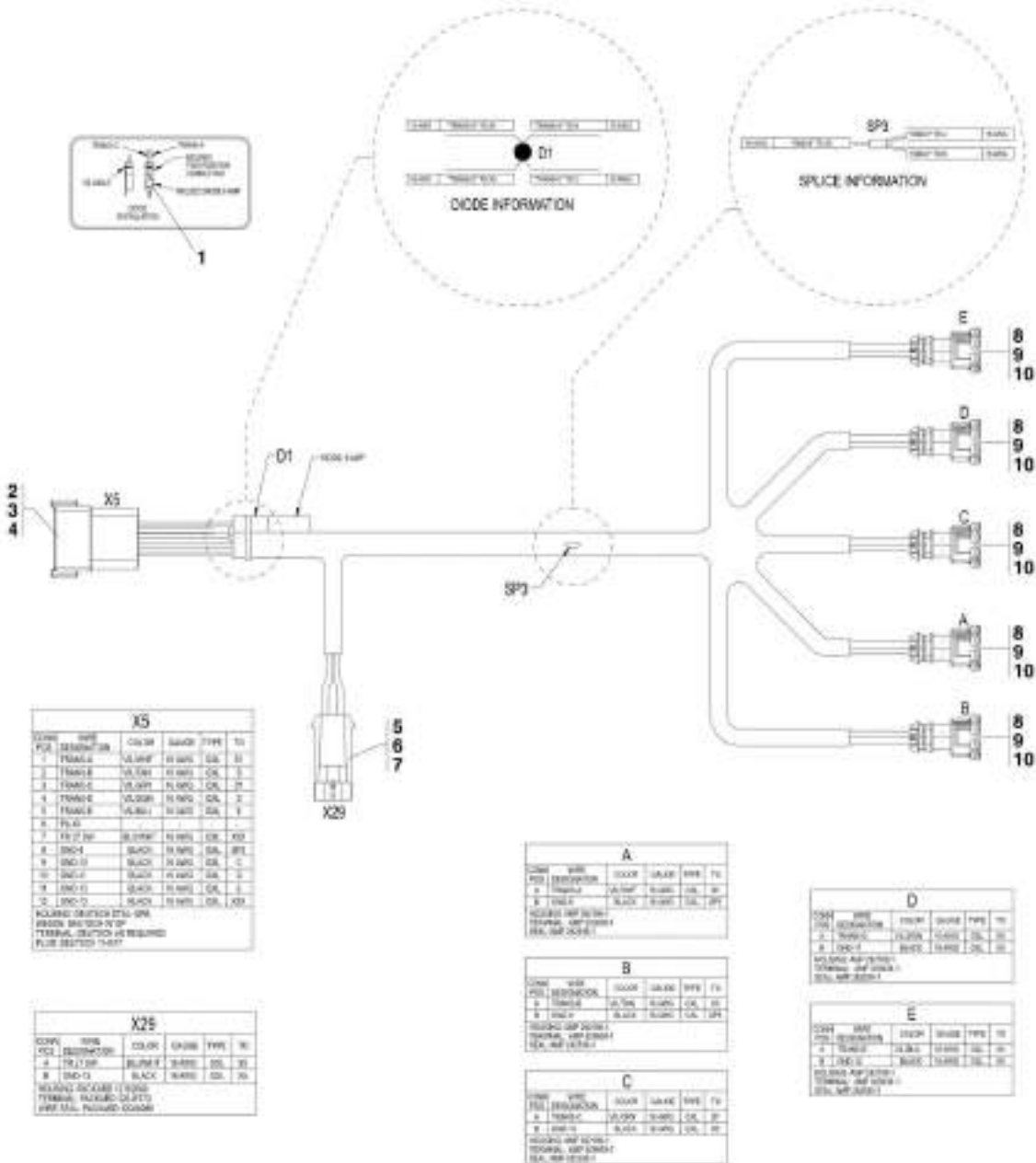
SECTION 10 - ELECTRICAL

FIGURE 10-10. ENGINE HARNESS - CUMMINS ENGINE (SN 0160040675 to Present, Including 0160040468 and 0160040672)

ITEM	PART NUMBER	QTY	DESCRIPTION	REV
	1001125280	1	CUMMINS ENGINE HARNESS, (includes all items)	D
1	4460142	2	TERMINAL RING	
2	1001117074	1	METRI-PACK CONNECTOR	
3	4460884	1	TERMINAL	
4	1001116962	1	CONNECTOR	
5	4460019	2	LUG TERMINAL	
6	4460443	4	TERMINAL	
7	8220164	1	RING TERMINAL	
8	8220045	1	RING TERMINAL	
9	4460806	1	FORK TERMINAL	
10	1001117070	1	METRI-PACK CONNECTOR	
11	1001112612	1	CONNECTOR	
12	4460891	1	TERMINAL	
13	1001116810	1	CONNECTOR	
14	91363021	1	MOLDED DIODE	
15	4460933	1	TERMINAL	
16	1001116831	1	CONNECTOR	
17	4461095	1	PLUG TERMINAL	
18	1001117111	2	FORK TERMINAL	
19	4460994	1	HOUSING TERMINAL	
20	1001125748	1	TERMINAL	
21	4460247	2	RING TERMINAL	
22	4460932	1	MATING CONNECTOR	
23	4460466	1	TERMINAL	
24	1001106736	1	DUST CAP WITH LANYARD	
25	4461070	1	MATING CONNECTOR	
26	1001125389	1	FUSE HOLDER	
27	1001126833	1	FUSE, 80 AMP	
28	8229260	1	FUSE HOLDER	
29	1001095336	1	FUSE, 150 AMP	
30	91363021	2	MOLDED DIODE	

SECTION 10 - ELECTRICAL

FIGURE 10-11. TRANSMISSION HARNESS - DANA TRANSMISSION (SN 0160020943 through 0160040675, Including 0160020803, 0160020823 and 0160020824, Excluding 0160040468 and 0160040672)



CONDUCTOR	WIRE COLOR	GAUGE	TYPE	TO
1	TRANS-ORANGE	16 AWG	CU	10
2	TRANS-ORANGE	16 AWG	CU	11
3	TRANS-ORANGE	16 AWG	CU	12
4	TRANS-ORANGE	16 AWG	CU	13
5	TRANS-ORANGE	16 AWG	CU	14
6	BLACK	16 AWG	CU	15
7	TRANS-ORANGE	16 AWG	CU	16
8	BLACK	16 AWG	CU	17
9	BLACK	16 AWG	CU	18
10	BLACK	16 AWG	CU	19
11	BLACK	16 AWG	CU	20
12	BLACK	16 AWG	CU	21
13	BLACK	16 AWG	CU	22

INSULATED CONDUCTOR WITH STRIP
 REGION: 0160020943-0160040675
 TERMINAL: 0160020943-0160040675
 FUSE: 0160020943-0160040675

CONDUCTOR	WIRE COLOR	GAUGE	TYPE	TO
1	TRANS-ORANGE	16 AWG	CU	10
2	TRANS-ORANGE	16 AWG	CU	11
3	TRANS-ORANGE	16 AWG	CU	12
4	TRANS-ORANGE	16 AWG	CU	13
5	TRANS-ORANGE	16 AWG	CU	14
6	BLACK	16 AWG	CU	15

INSULATED CONDUCTOR WITH STRIP
 REGION: 0160020943-0160040675
 TERMINAL: 0160020943-0160040675
 FUSE: 0160020943-0160040675

CONDUCTOR	WIRE COLOR	GAUGE	TYPE	TO
1	TRANS-ORANGE	16 AWG	CU	10
2	TRANS-ORANGE	16 AWG	CU	11
3	TRANS-ORANGE	16 AWG	CU	12
4	TRANS-ORANGE	16 AWG	CU	13
5	TRANS-ORANGE	16 AWG	CU	14
6	BLACK	16 AWG	CU	15

INSULATED CONDUCTOR WITH STRIP
 REGION: 0160020943-0160040675
 TERMINAL: 0160020943-0160040675
 FUSE: 0160020943-0160040675

CONDUCTOR	WIRE COLOR	GAUGE	TYPE	TO
1	TRANS-ORANGE	16 AWG	CU	10
2	TRANS-ORANGE	16 AWG	CU	11
3	TRANS-ORANGE	16 AWG	CU	12
4	TRANS-ORANGE	16 AWG	CU	13
5	TRANS-ORANGE	16 AWG	CU	14
6	BLACK	16 AWG	CU	15

INSULATED CONDUCTOR WITH STRIP
 REGION: 0160020943-0160040675
 TERMINAL: 0160020943-0160040675
 FUSE: 0160020943-0160040675

CONDUCTOR	WIRE COLOR	GAUGE	TYPE	TO
1	TRANS-ORANGE	16 AWG	CU	10
2	TRANS-ORANGE	16 AWG	CU	11
3	TRANS-ORANGE	16 AWG	CU	12
4	TRANS-ORANGE	16 AWG	CU	13
5	TRANS-ORANGE	16 AWG	CU	14
6	BLACK	16 AWG	CU	15

INSULATED CONDUCTOR WITH STRIP
 REGION: 0160020943-0160040675
 TERMINAL: 0160020943-0160040675
 FUSE: 0160020943-0160040675

CONDUCTOR	WIRE COLOR	GAUGE	TYPE	TO
1	TRANS-ORANGE	16 AWG	CU	10
2	TRANS-ORANGE	16 AWG	CU	11
3	TRANS-ORANGE	16 AWG	CU	12
4	TRANS-ORANGE	16 AWG	CU	13
5	TRANS-ORANGE	16 AWG	CU	14
6	BLACK	16 AWG	CU	15

INSULATED CONDUCTOR WITH STRIP
 REGION: 0160020943-0160040675
 TERMINAL: 0160020943-0160040675
 FUSE: 0160020943-0160040675

CONDUCTOR	WIRE COLOR	GAUGE	TYPE	TO
1	TRANS-ORANGE	16 AWG	CU	10
2	TRANS-ORANGE	16 AWG	CU	11
3	TRANS-ORANGE	16 AWG	CU	12
4	TRANS-ORANGE	16 AWG	CU	13
5	TRANS-ORANGE	16 AWG	CU	14
6	BLACK	16 AWG	CU	15

INSULATED CONDUCTOR WITH STRIP
 REGION: 0160020943-0160040675
 TERMINAL: 0160020943-0160040675
 FUSE: 0160020943-0160040675

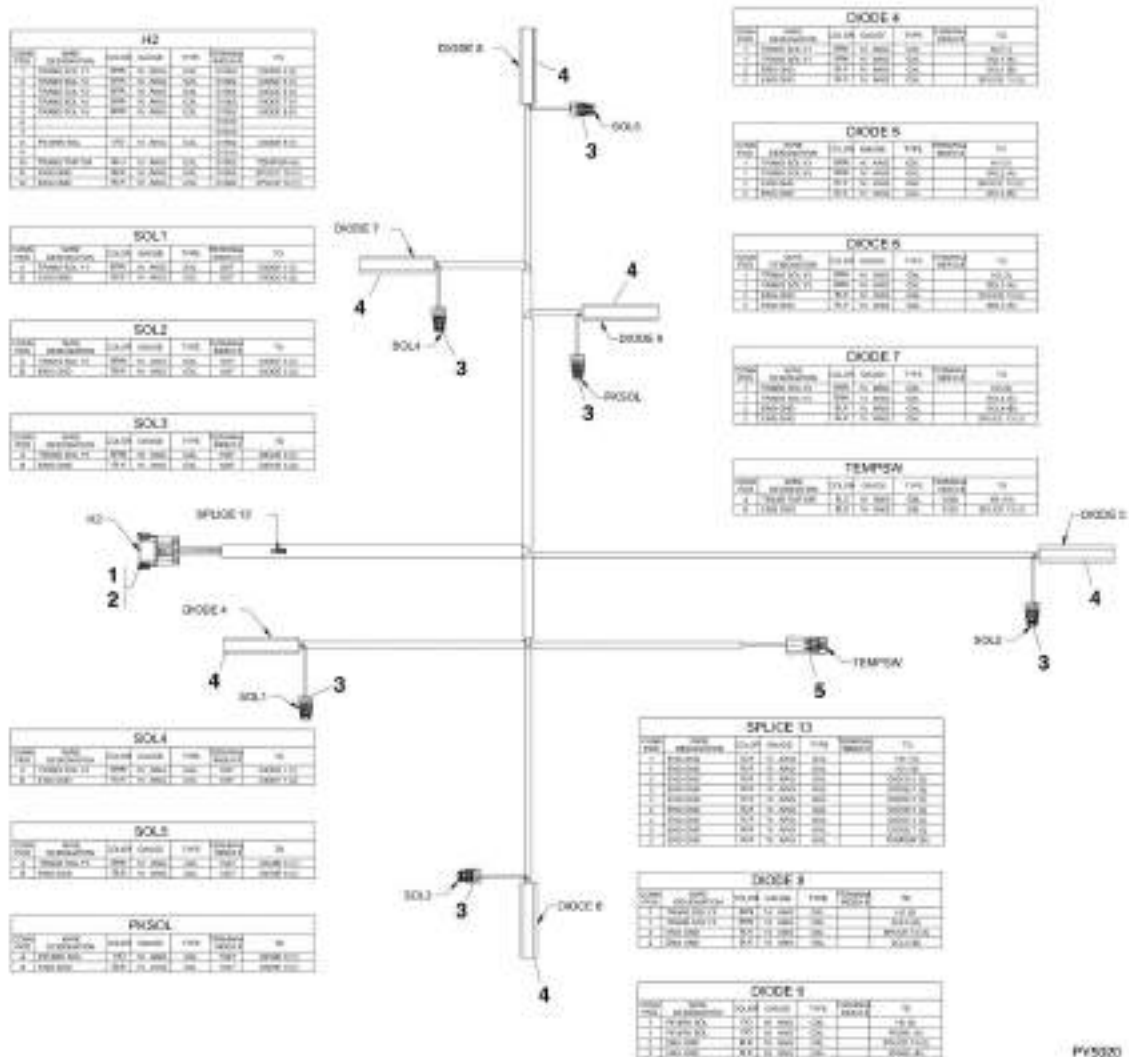
SECTION 10 - ELECTRICAL

FIGURE 10-11. TRANSMISSION HARNESS - DANA TRANSMISSION (SN 0160020943 through 0160040675, Including 0160020803, 0160020823 and 0160020824, Excluding 0160040468 and 0160040672)

ITEM	PART NUMBER	QTY	DESCRIPTION	REV
	1001001511	1	DANA TRANSMISSION HARNESS, (includes all items)	
1	91363021	1	MOLDED DIODE, 6AMP	
2	4460532	1	CONNECTOR	
3	80363179	1	WEDGELOCK	
4	4460466	1	PLUG	
5	1001117073	1	CONNECTOR	
6	4460693	1	TERMINAL	
7	4460608	1	SEAL	
8	1001116983	5	CONNECTOR	
9	70022608	5	TERMINAL	
10	70022609	5	SEAL	

SECTION 10 - ELECTRICAL

FIGURE 10-12. TRANSMISSION HARNESS - ZF (SN 0160040675 to Present, Including 0160040468 and 0160040672)



Pr5020

SECTION 10 - ELECTRICAL

FIGURE 10-12. TRANSMISSION HARNESS - ZF (SN 0160040675 to Present, Including 0160040468 and 0160040672)

ITEM	PART NUMBER	QTY	DESCRIPTION	REV
	1001115528	1	ZF TRANSMISSION HARNESS, (includes all items)	A
1	4460970	1	FEMALE RECEPTACLE	
2	80363179	1	SECONDARY WEDGELOCK	
3	4460955	6	CONNECTOR	
4	91363021	6	MOLDED DIODE	
5	1001117073	1	CONNECTOR	
6	70022741	1	LOCKWEDGE	

SECTION 10 - ELECTRICAL

FIGURE 10-13. CAB WORK LIGHT HARNESS (SN 0160034649 to Present)



PF1370

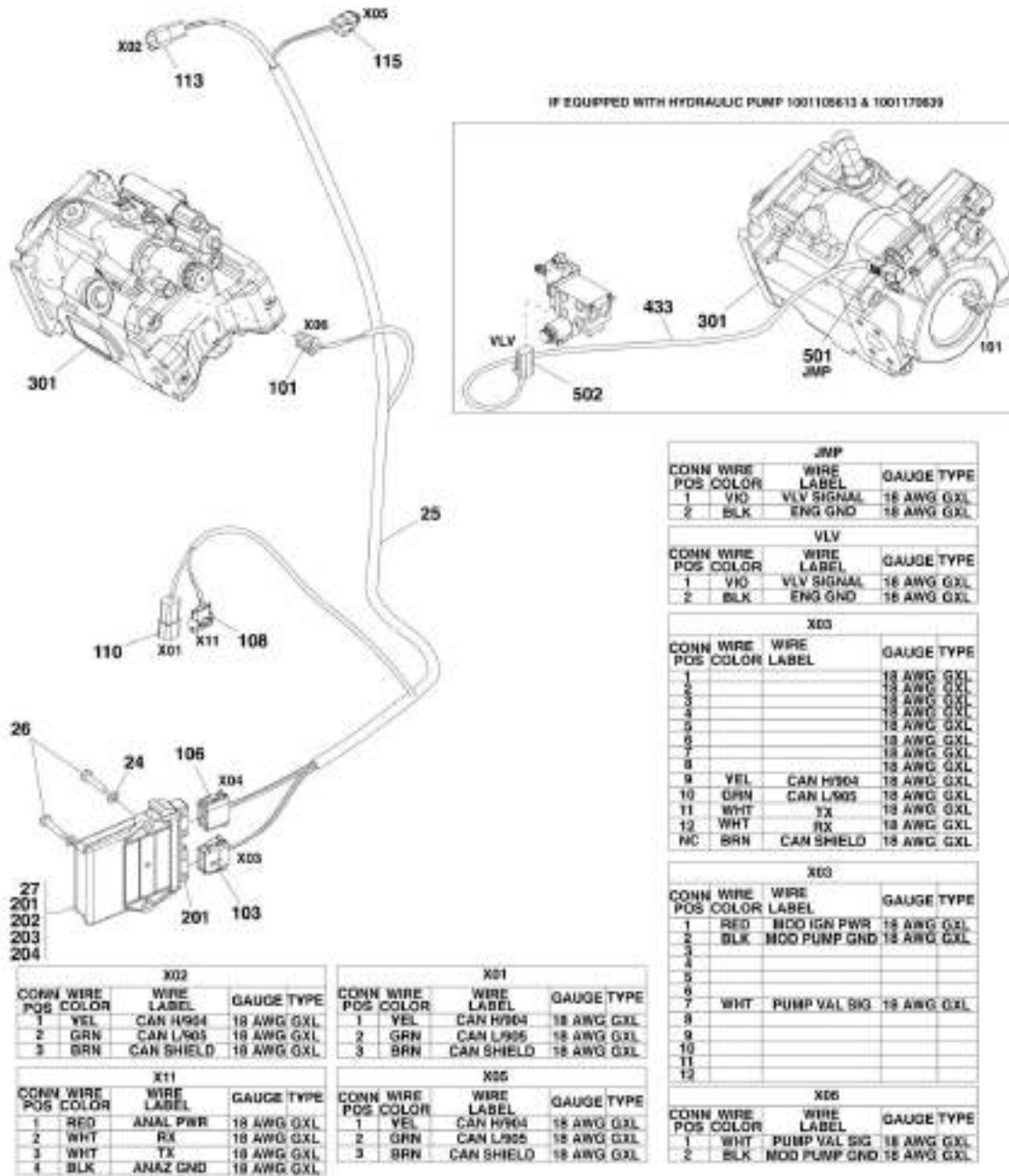
SECTION 10 - ELECTRICAL

FIGURE 10-13. CAB WORK LIGHT HARNESS (SN 0160034649 to Present)

ITEM	PART NUMBER	QTY	DESCRIPTION	REV
	1001100895	1	CAB WORK LIGHT HARNESS, (if equipped with front or top brick guard), (includes all items)	A
1	4460464	2	TERMINAL	
2	4460465	2	TERMINAL	
3	4460891	1	TERMINAL	
4	4460897	1	TERMINAL	
5	4920018	2	WIRE, 16 GA, BLACK	

SECTION 10 - ELECTRICAL

FIGURE 10-14. ANTI-STALL HARNESS AND CONTROL (SN 0160040675 to Present, Including 0160040468 and 0160040672)



ART. 3101401-10-14

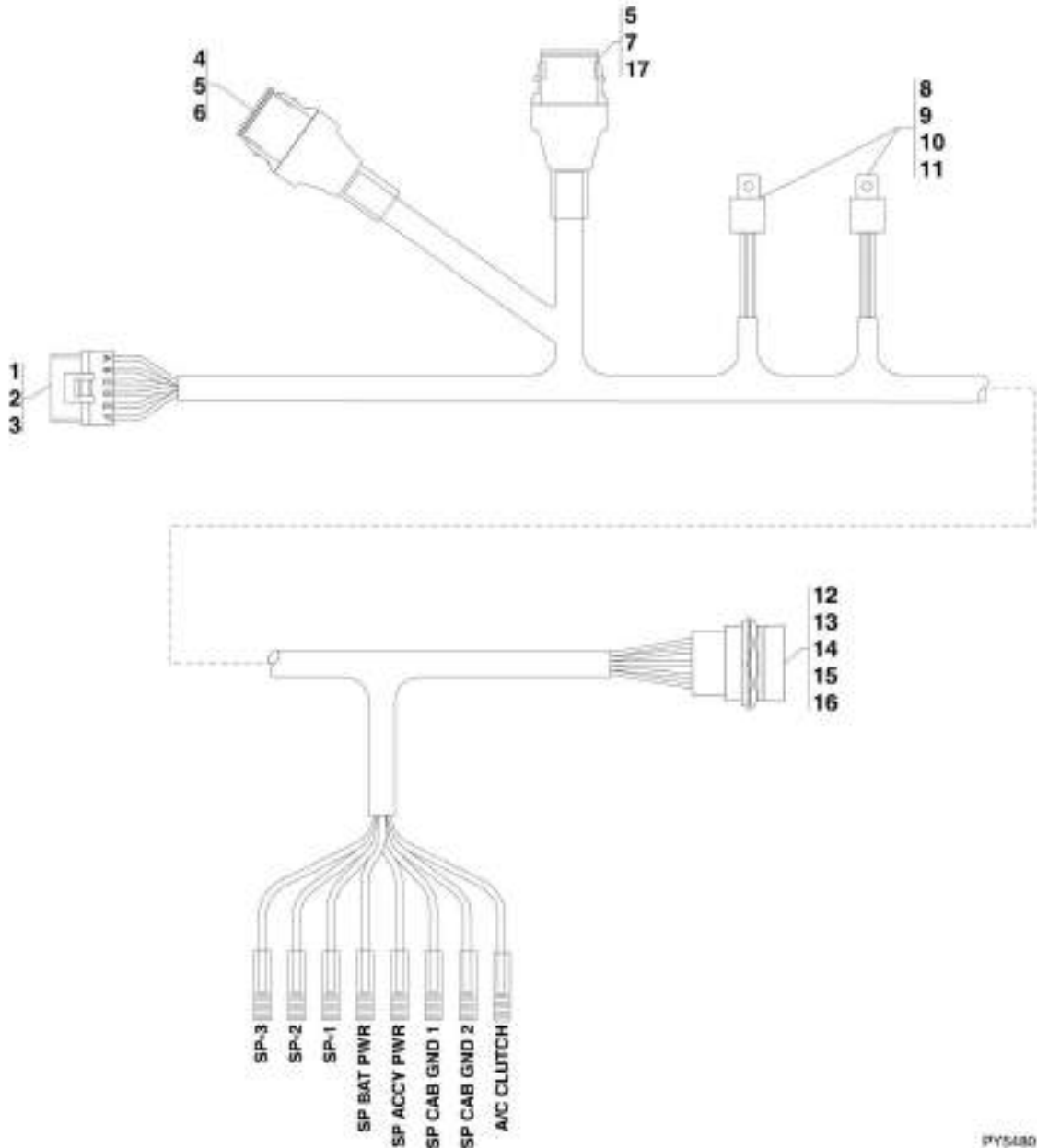
SECTION 10 - ELECTRICAL

FIGURE 10-14. ANTI-STALL HARNESS AND CONTROL (SN 0160040675 to Present, Including 0160040468 and 0160040672)

ITEM	PART NUMBER	QTY	DESCRIPTION	REV
24	4761400	2	LOCKWASHER, 1/4	
25	1001129081	1	ANTI-STALL HARNESS, (includes items 101 thru 115)	B
26	0641410	2	HEX HD CAPSCREW, 1/4-20X1-1/4, GR5	
27	1001128743	1	CONTROL, (includes items 201 thru 204)	E
101	4460891	1	TERMINAL, 2 POSITION	
101	80604018	1	WEDGELOCK	
101	4460465	2	TERMINAL SOCKET	
103	1001116808	1	CONNECTOR	
103	4460909	1	WEDGELOCK	
103	4460915	1	REAR SEAL	
103	1001126008	3	TERMINAL PIN	
103	4460518	9	TERMINAL, SEALING PLUG	
106	1001116774	1	CONNECTOR	
106	1001126009	4	TERMINAL	
106	4460908	1	HOUSING	
106	4460915	1	WEDGELOCK	
106	4460518	8	TERMINAL, SEALING PLUG	
108	4460761	1	TERMINAL, HOUSING MATE-N-LOC	
108	4460267	4	TERMINAL, PIN CONTACT	
110	4460932	1	TERMINAL, RECEPTACLE	
110	80604022	1	WEDGELOCK	
110	4460464	2	TERMINAL PIN	
110	4460466	2	TERMINAL, SEALING PLUG	
113	4460536	1	CONNECTOR	
113	91554022	1	WEDGELOCK	
113	4460943	3	TERMINAL PIN	
115	4461095	1	CONNECTOR	
115	4460944	3	TERMINAL SOCKET	
201	1001128741	1	ACCESSORY MODULE, PC BOARD	
202	0861493	1	CIRCUIT CARD BOX	
203	1001128779	1	TILT AND AUX DECAL	
204	1001128742	1	PUMP DISPLACEMENT SOFTWARE	
301		Ref	HYDRAULIC PUMP, (See HYDRAULIC COMPONENTS SECTION for Breakdown)	
433	1001136671	1	RELIEF VALVE JUMPER HARNESS, (includes items 501 & 502), (if equipped with Hydraulic Pump 1001105613 & 1001170639)	
501	4460891	1	CONNECTOR, (if equipped with Hydraulic Pump 1001105613 & 1001170639)	
501	4460465	2	TERMINAL	
501	80604018	1	WEDGELOCK	
502	4460897	1	CONNECTOR, (if equipped with Hydraulic Pump 1001105613 & 1001170639)	
502	4460464	2	TERMINAL	
502	80604017	1	WEDGELOCK	

SECTION 10 - ELECTRICAL

FIGURE 10-15. CAB CONTROL HARNESS (SN 0160040675 through 0160045923, Including 0160040468 and 0160040672)



PYS480

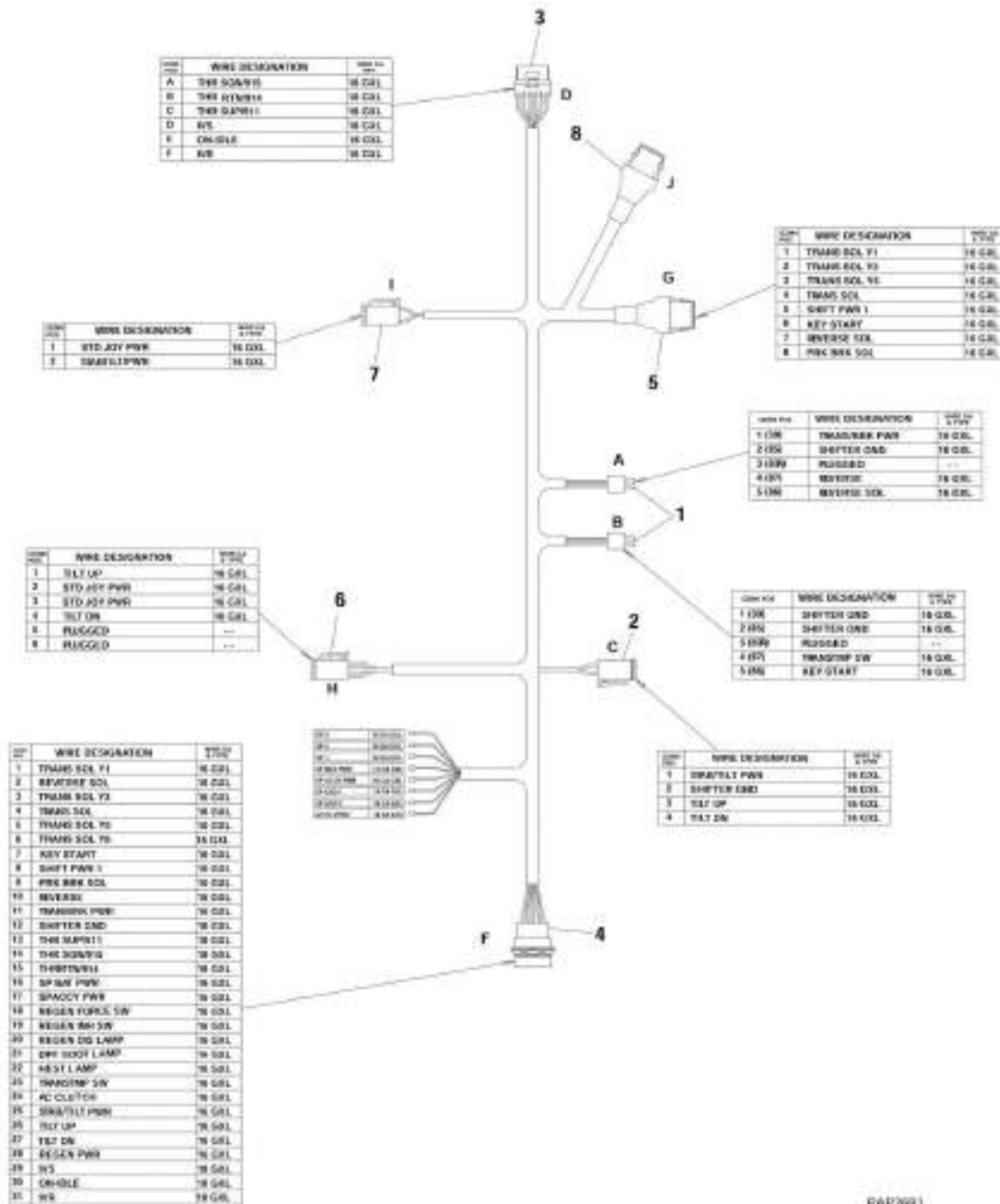
SECTION 10 - ELECTRICAL

FIGURE 10-15. CAB CONTROL HARNESS (SN 0160040675 through 0160045923, Including 0160040468 and 0160040672)

ITEM	PART NUMBER	QTY	DESCRIPTION	REV
	1001108838	NLA	CAB CONTROL HARNESS, (no longer available, use 1001099318 for replacement), (includes all items)	D
1	1001116751	1	PLUG	
2	91554014	1	TERMINAL	
3	1001117064	1	CONNECTOR	
4	N.S.S.	1	BOOT	
5	4460465	2	CONTACT	
6	4460933	1	CONNECTOR	
6	80604016	1	WEDGELOCK	
7	4460930	1	CONNECTOR	
7	8220525	1	WEDGE LOCK	
8	1001118282	2	CONNECTOR, (includes item 9)	
9	3740080	2	RELAY	
10	1001116733	2	TERMINAL	
11	91554023	2	PLUG	
12	4460503	1	CONNECTOR	
13	4460464	1	CONTACT	
14	4460466	1	PLUG	
15	83481286	1	NUT	
16	83481285	1	WASHER	
17	70020870	1	BOOT	

SECTION 10 - ELECTRICAL

FIGURE 10-16. CAB CONTROL HARNESS (SN 0160045923 through 0160056012)



PAP3681

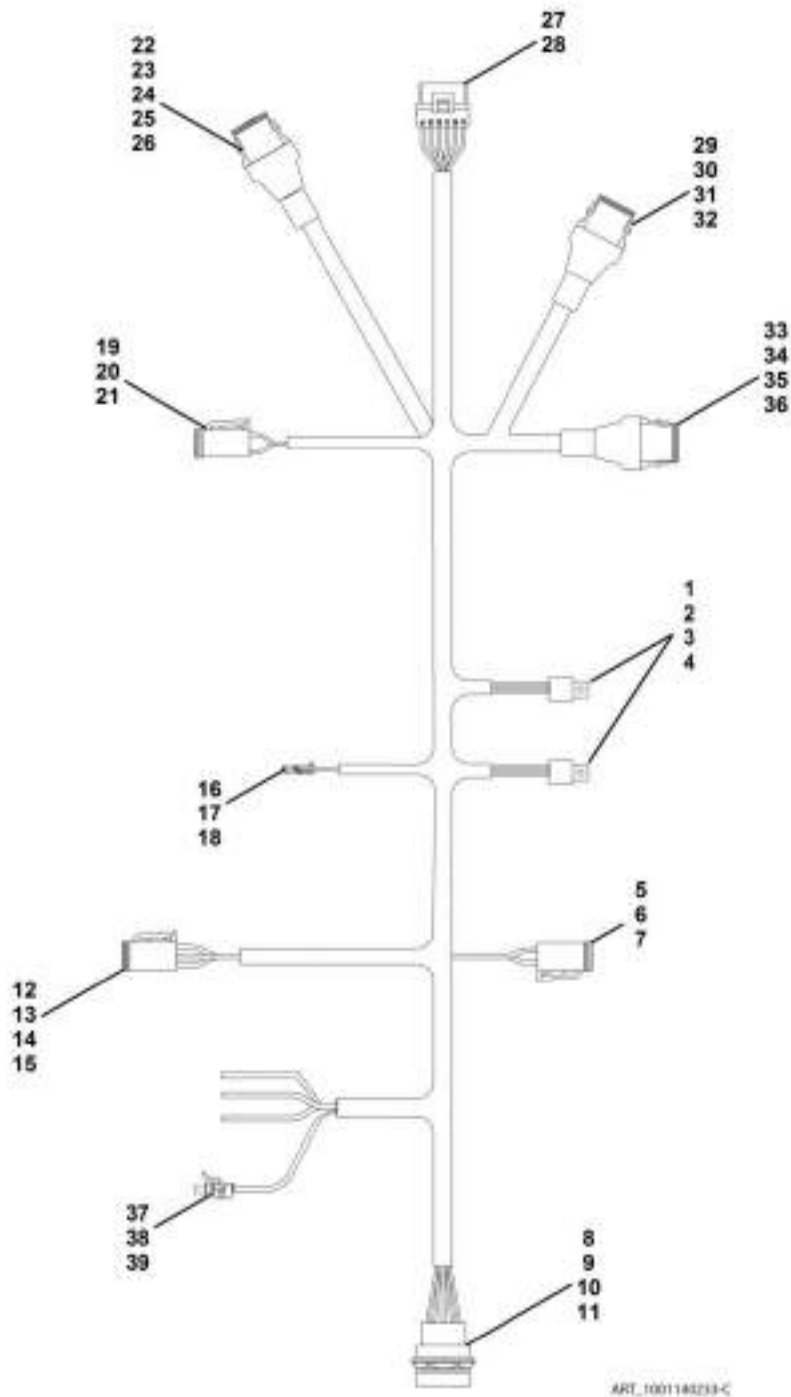
SECTION 10 - ELECTRICAL

FIGURE 10-16. CAB CONTROL HARNESS (SN 0160045923 through 0160056012)

ITEM	PART NUMBER	QTY	DESCRIPTION	REV
	1001099318	1	CAB CONTROL HARNESS, (includes all items)	I
1	3740080	2	RELAY	
1	4460374	2	CONNECTOR	
1	1001116733	4	TERMINAL	
1	91554023	1	PLUG	
2	4460884	1	CONNECTOR KIT, (includes rear seal)	
2	80604021	1	WEDGE LOCK	
2	4460465	4	SOCKET TERMINAL	
3	1001117064	1	CONNECTOR	
3	91554014	6	TERMINAL	
4	4460503	1	CONNECTOR	
4	4460464	31	TERMINAL	
4	4460470	1	NUT	
4	4460471	1	LOCKWASHER	
5	4460930	1	CONNECTOR KIT, (includes rear seal)	
5	8220525	1	WEDGE LOCK	
5	4460465	8	CONTACT	
5	70020870	1	BOOT	
6	4460894	1	CONNECTOR KIT, (includes locking seal)	
6	91504107	1	WEDGE LOCK	
6	4460465	4	CONTACT	
6	4460466	2	PLUG	
7	4460891	1	RELAY	
7	80604018	1	WEDGE LOCK	
7	4460465	2	SOCKET TERMINAL	
8	N.S.S.	1	CONNECTOR, (not used)	

SECTION 10 - ELECTRICAL

FIGURE 10-17. CAB CONTROL HARNESS (SN 0160056012 to Present)



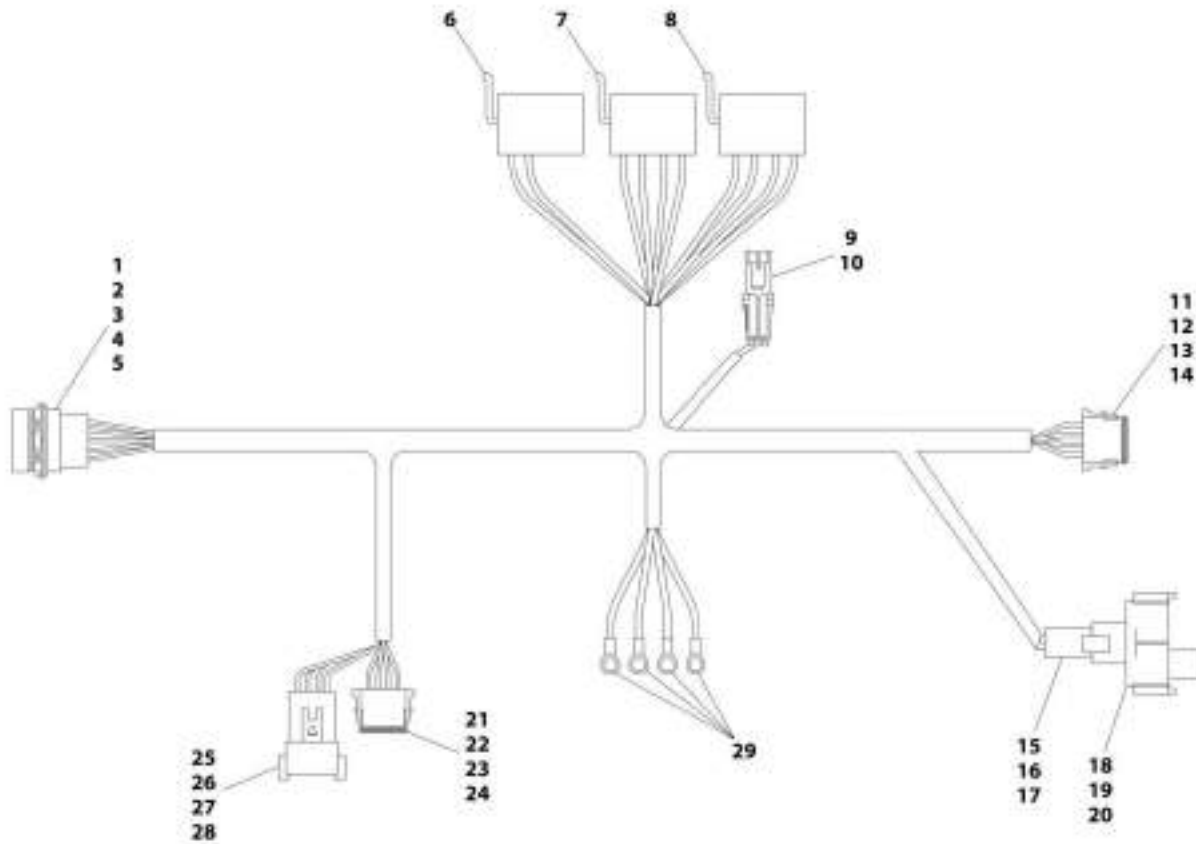
SECTION 10 - ELECTRICAL

FIGURE 10-17. CAB CONTROL HARNESS (SN 0160056012 to Present)

ITEM	PART NUMBER	QTY	DESCRIPTION	REV
	1001140233	Ref	TRANSMISSION RELAY HARNESS	C
1	3740080	2	RELAY	
2	1001118282	1	RELAY, METRI-PACK	
3	1001116733	4	TERMINAL	
4	1001128128	1	PLUG	
5	4460884	1	CONNECTOR	
6	80604021	1	LOCK, CONNECTOR	
7	4460465	4	TERMINAL	
8	4460503	1	CONNECTOR	
9	4460464	31	TERMINAL	
10	83481286	1	NUT	
11	83481285	1	WASHER, LOCK	
12	91504088	1	CONNECTOR	
13	91504107	1	LOCK, CONNECTOR	
14	77363229	4	CONNECTOR	
15	4460466	2	PLUG	
16	80963055	1	CONNECTOR	
17	80963068	1	TERMINAL	
18	77394009	1	SEAL, RED CABLE	
19	7026408	1	CONNECTOR	
20	80604018	1	LOCK, CONNECTOR	
21	77363229	2	LOCK, CONNECTOR	
22	4460851	1	CONNECTOR	
23	80604025	1	LOCK, CONNECTOR	
24	77363229	7	CONNECTOR	
25	4460466	1	PLUG	
26	70020870	1	BOOT	
27	1001117064	1	CONNECTOR	
28	91554014	6	TERMINAL	
29	80604016	1	LOCK, CONNECTOR	
30	4460465	9	TERMINAL	
31	4460930	1	PLUG	
32	80604025	1	LOCK, CONNECTOR	
33	4460930	1	PLUG	
34	80604025	1	LOCK, CONNECTOR	
35	4460465	1	CONNECTOR	
36	70020870	1	BOOT	
37	80963055	1	CONNECTOR	
38	80963068	1	TERMINAL	
39	80963065	1	SEAL	

SECTION 10 - ELECTRICAL

FIGURE 10-18. CAB DASH HARNESS (SN 0160040675 to Present, Including 0160040468 and 0160040672)



ART_1001108541.F

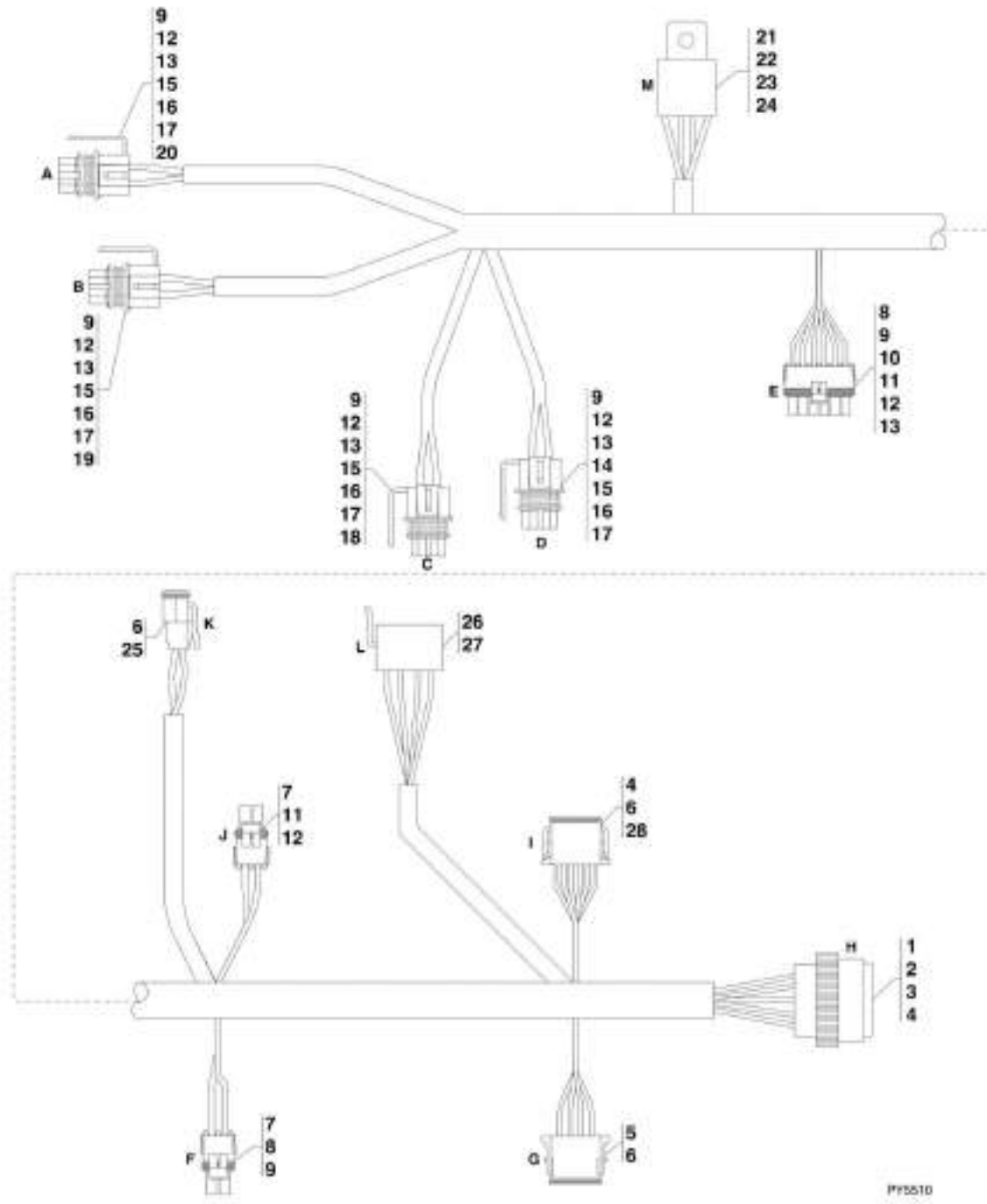
SECTION 10 - ELECTRICAL

FIGURE 10-18. CAB DASH HARNESS (SN 0160040675 to Present, Including 0160040468 and 0160040672)

ITEM	PART NUMBER	QTY	DESCRIPTION	REV
	1001108841	1	CAB DASH HARNESS	F
1	4460500	1	CONNECTOR	
2	4460465	30	TERMINAL	
3	4460466	1	PLUG	
4	83481286	1	NUT	
5	83481285	1	LOCKWASHER	
6	4460419	2	METRI-PACK CONNECTOR	
7	4460419	6	METRI-PACK CONNECTOR	
8	4460419	4	METRI-PACK CONNECTOR	
9	80963056	1	CONNECTOR	
10	4460475	1	TERMINAL	
11	8220524	1	CONNECTOR	
12	8220525	1	WEDGE LOCK	
13	4460465	7	TERMINAL	
14	4460466	1	PLUG	
15	77363242	1	CONNECTOR	
16	91554019	1	CONNECTOR LOCK	
17	4460944	2	TERMINAL	
18	7026425	1	CONNECTOR	
19	80604016	1	LOCK, CONNECTOR	
20	4460465	10	TERMINAL	
21	4460466	1	TERMINAL	
22	80363178	1	CONNECTOR	
23	80363179	1	LOCK, CONNECTOR	
24	4460465	1	TERMINAL	
25	4460466	1	PLUG	
26	4460945	1	TERMINAL	
27	70022224	1	CONNECTOR	
28	91554019	1	LOCK, CONNECTOR	
29	4460042	4	16 GA TERMINAL RING	

SECTION 10 - ELECTRICAL

FIGURE 10-19. VEC BOX HARNESS (SN 0160040675 to Present, Including 0160040468 and 0160040672)



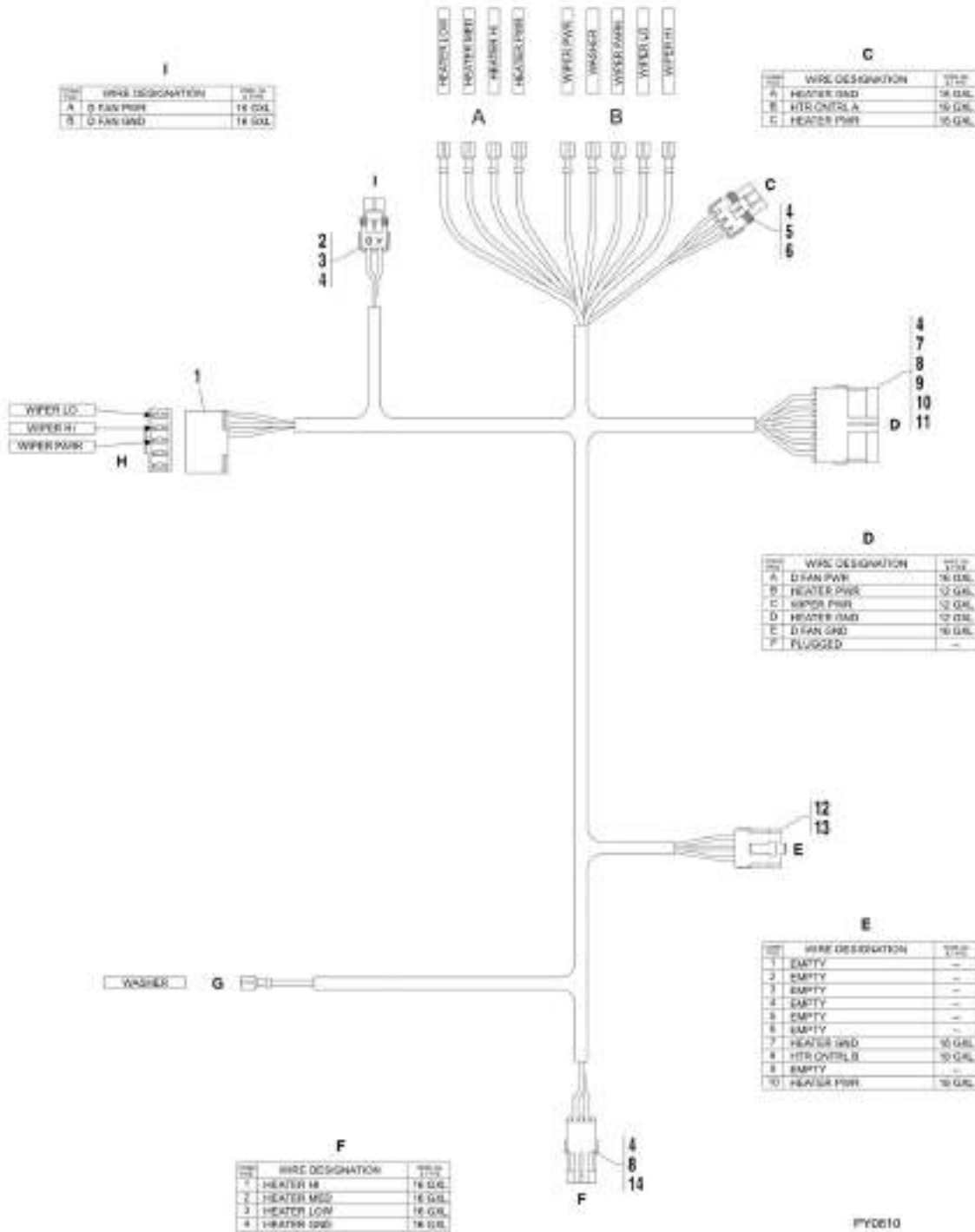
SECTION 10 - ELECTRICAL

FIGURE 10-19. VEC BOX HARNESS (SN 0160040675 to Present, Including 0160040468 and 0160040672)

ITEM	PART NUMBER	QTY	DESCRIPTION	REV
	1001112039	1	VEC BOX HARNESS, (includes all items)	E
1	91504089	1	CONNECTOR	
2	4460464	1	CONTACT	
3	4460508	1	CONTACT	
4	4460466	1	PLUG	
5	4460930	1	CONNECTOR	
5	80604025	1	WEDGELOCK	
6	4460465	2	TERMINAL	
7	4460742	2	CONNECTOR	
8	4460790	2	TERMINAL	
9	8220089	6	SEAL	
10	4460461	1	CONNECTOR	
11	4460457	2	TERMINAL	
12	4460458	4	SEAL	
13	1001116727	3	PLUG	
14	80484081	1	GREEN CONNECTOR	
15	7026414	4	CONNECTOR LOCK	
16	4460746	4	TERMINAL	
17	1001116747	4	TERMINAL	
18	80484084	1	BLUE CONNECTOR	
19	80484085	1	GRAY CONNECTOR	
20	1001121557	1	BLACK CONNECTOR	
21	1001118282	1	CONNECTOR, (includes item 22)	
22	3740080	1	RELAY	
23	1001116733	1	TERMINAL	
24	91554023	1	PLUG	
25	4460891	1	CONNECTOR	
25	80604018	1	WEDGELOCK	
26	7026439	1	HOUSING	
27	4460419	1	TERMINAL	
28	4460933	1	CONNECTOR	
28	80604016	1	WEDGELOCK	

SECTION 10 - ELECTRICAL

FIGURE 10-20. CAB OPTIONS HARNESS (SN 0160040675 to Present, Including 0160040468 and 0160040672)



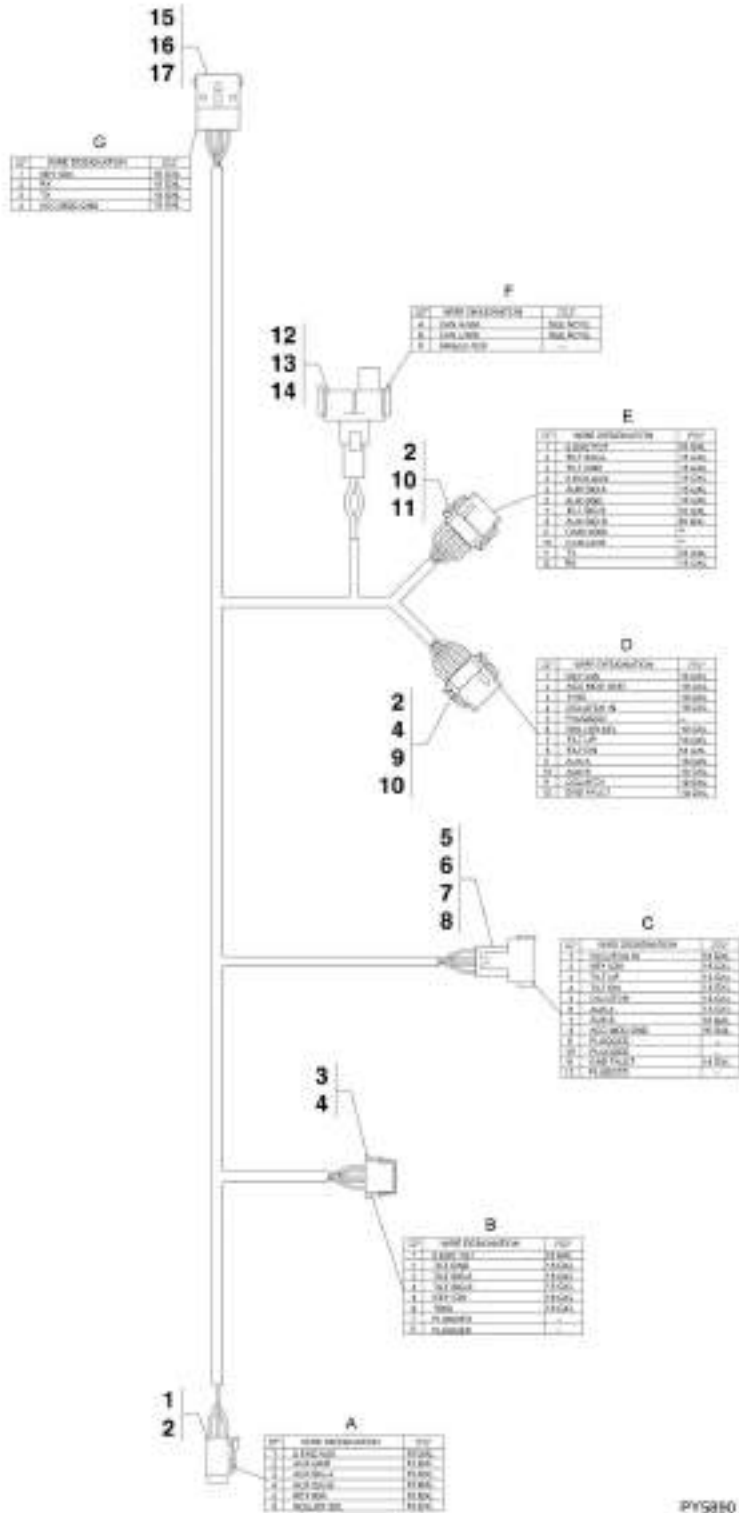
SECTION 10 - ELECTRICAL

FIGURE 10-20. CAB OPTIONS HARNESS (SN 0160040675 to Present, Including 0160040468 and 0160040672)

ITEM	PART NUMBER	QTY	DESCRIPTION	REV
	91563185	1	CAB OPTIONS HARNESS, (if equipped), (includes all items)	
1	7026431	1	CONNECTOR	
2	80963057	1	CONNECTOR	
3	80963068	1	TERMINAL	
4	80963065	4	SEAL	
5	4460459	1	CONNECTOR	
6	4460743	1	TERMINAL	
7	80963064	1	SHROUD	
8	80963069	2	TERMINAL	
9	4460850	1	TERMINAL	
10	80963067	1	SEAL	
11	80963070	1	DUST CAP PLUG	
12	7026429	1	CONNECTOR	
13	7026430	1	TERMINAL	
14	80963062	1	CONNECTOR	

SECTION 10 - ELECTRICAL

FIGURE 10-21. ACCESSORY MODULE HARNESS (SN 0160040675 to Present, Including 0160040468 and 0160040672)



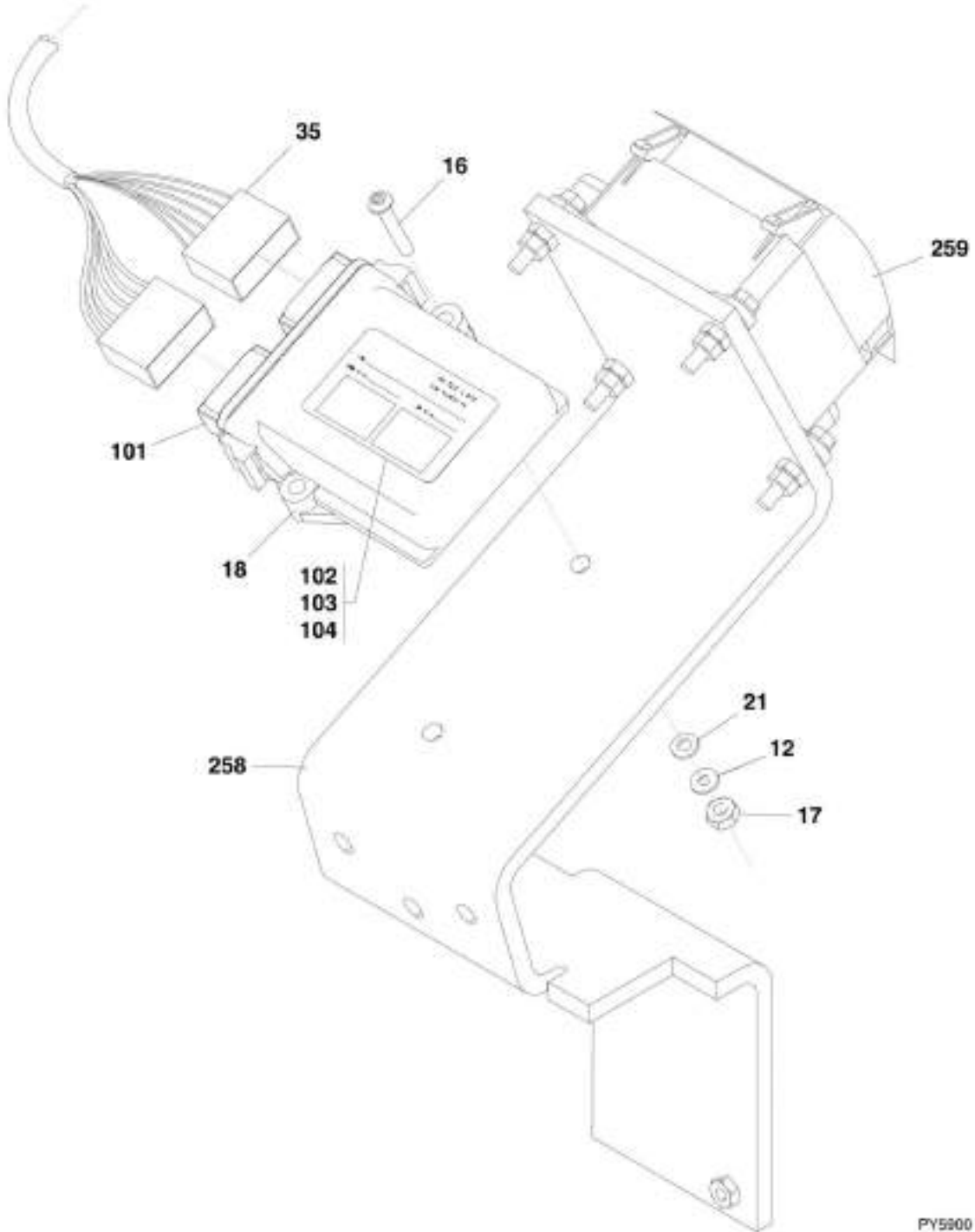
SECTION 10 - ELECTRICAL

FIGURE 10-21. ACCESSORY MODULE HARNESS (SN 0160040675 to Present, Including 0160040468 and 0160040672)

ITEM	PART NUMBER	QTY	DESCRIPTION	REV
	1001111148	1	ACCESSORY MODULE HARNESS, (includes all items)	D
1	1001126007	1	CONNECTOR	
1	N.S.S.	1	LOCK	
1	N.S.S.		REAR SEAL	
2	1001116694	4	TERMINAL	
3	70023831	1	CONNECTOR	
3	N.S.S.	1	LOCK	
3	N.S.S.		REAR SEAL	
4	4460518	2	TERMAINAL	
5	80363178	1	CONNECTOR	
6	80363179	1	SECONDARY WEDGELOCK	
7	4460464	1	CONNECTOR	
8	4460466	1	TERMINAL	
9	1001116808	1	CONNECTOR	
10	4460915	2	WEDGELOCK	
11	1001116774	1	CONNECTOR, DTM SERIES PLUG	
12	4460539	1	CONNECTOR, DTM SERIES PLUG	
13	91554019	1	SECONDARY WEDGELOCK	
14	4460944	1	TERMINAL	
15	1001119032	1	CONNECTOR	
16	4460761	1	CONNECTOR	
17	4460267	1	TERMINAL	

SECTION 10 - ELECTRICAL

FIGURE 10-22. TILT AND AUX CONTROL MODULE (SN 0160040675 to Present, Including 0160040468 and 0160040672)



PY5900

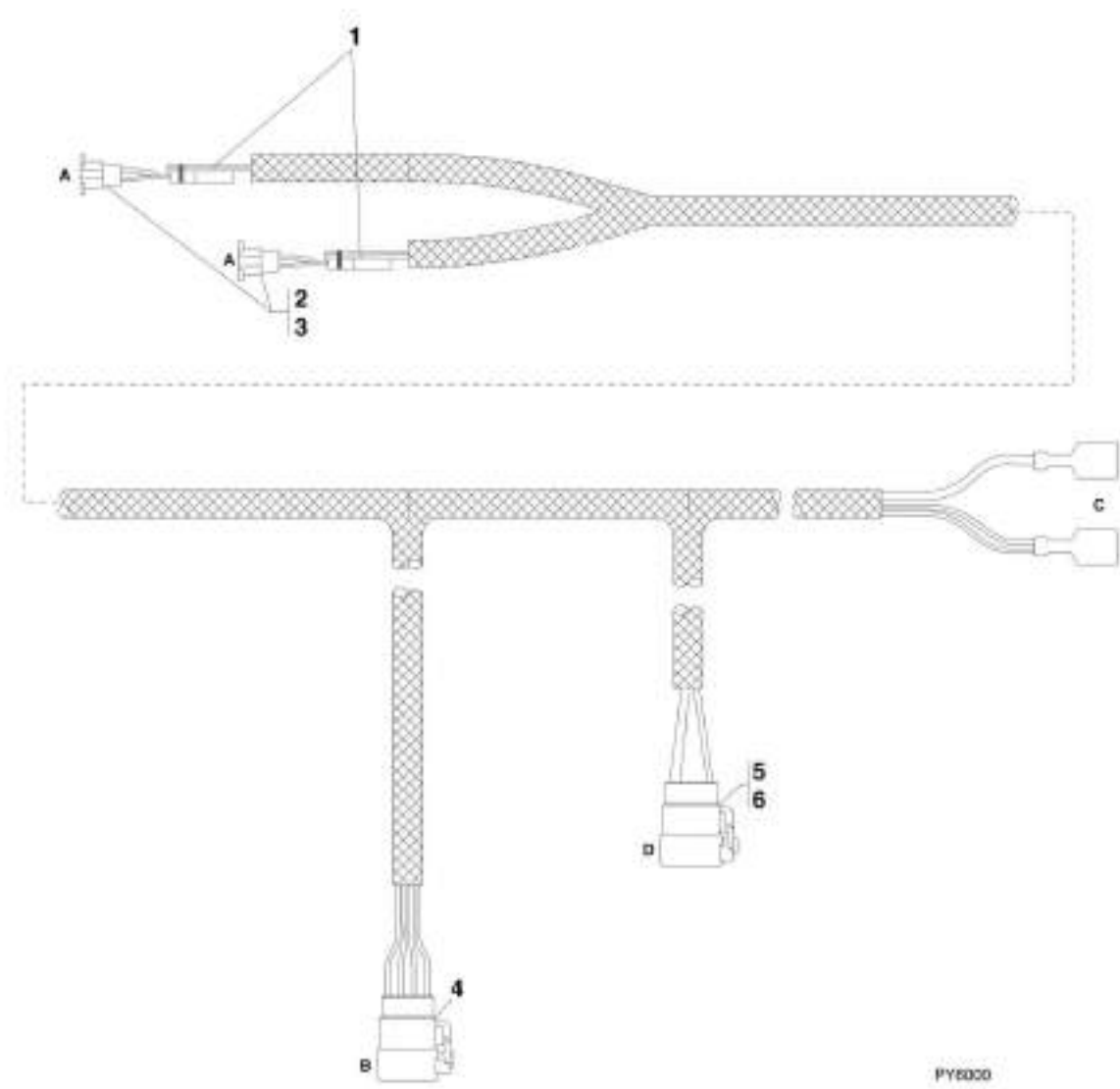
SECTION 10 - ELECTRICAL

FIGURE 10-22. TILT AND AUX CONTROL MODULE (SN 0160040675 to Present, Including 0160040468 and 0160040672)

ITEM	PART NUMBER	QTY	DESCRIPTION	REV
12	4761400	2	LOCKWASHER, 1/4	
16	8310722	2	BUTTON HD CAPSCREW, 1/4-20X1-1/2	
17	10701506	2	HEX NUT, 1/4-20	
18	1001106351	1	TILT AND AUX CONTROL MODULE, (includes items 101 thru 104)	F
21	4711400	3	WASHER, 1/4	
35		Ref	ACCESSORY MODULE HARNESS, (See ACCESSORY MODULE HARNESS for Breakdown)	
101	1001106352	1	ACCESSORY MODULE PC BOARD	
101	4460909	2	MATING CONNECTOR	
101	4460928	2	TERMINAL	
101	4460916	2	PLUG	
102	0861493	1	CIRCUIT CARD BOX	
103	1001106353	1	TILT AND AUX DECAL	
104	1001106354	1	SOFTWARE	
258		Ref	ACCELERATOR BRACKET, (See CONTROLS SECTION for Breakdown)	
259		Ref	VEC BOX ASSY, (See CAB SECTION for Breakdown)	

SECTION 10 - ELECTRICAL

FIGURE 10-23. TILT ON JOYSTICK HARNESS (Prior to SN 0160040675, Excluding 0160040468 and 0160040672)



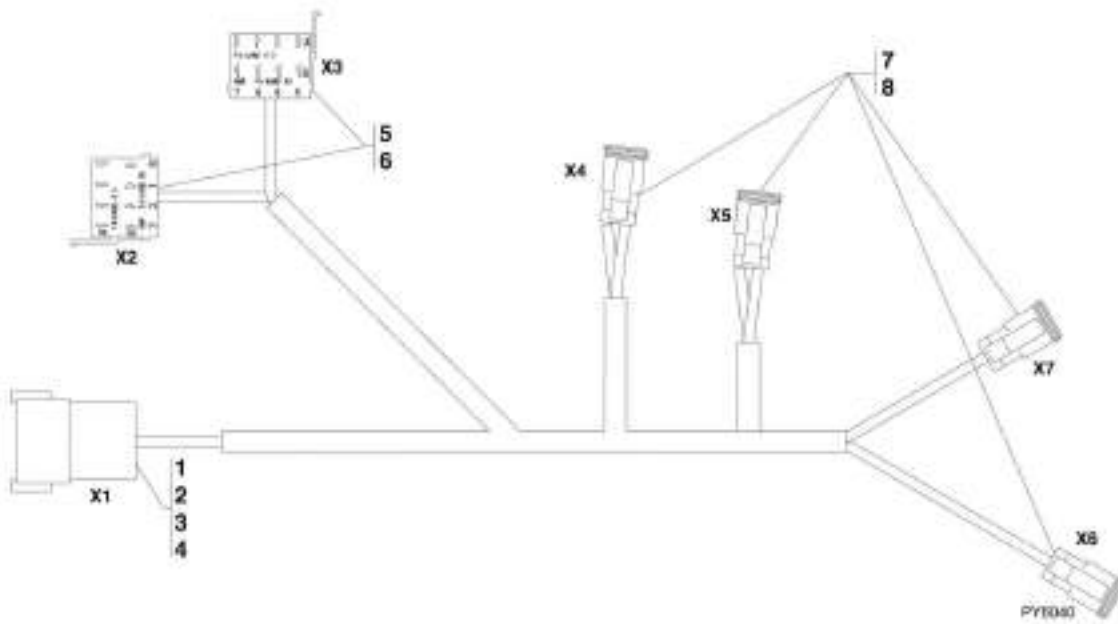
SECTION 10 - ELECTRICAL

FIGURE 10-23. TILT ON JOYSTICK HARNESS (Prior to SN 0160040675, Excluding 0160040468 and 0160040672)

ITEM	PART NUMBER	QTY	DESCRIPTION	REV
	1001099319	1	TILT ON JOYSTICK HARNESS, (includes all items)	A
1	91363021	2	DIODE	
2	91474468	2	CONNECTOR	
3	91474469	4	TERMINAL	
4	4460894	1	CONNECTOR	
4	80604023	1	WEDGELOCK	
5	4460891	1	CONNECTOR	
5	80604018	1	WEDGELOCK	
6	4460465	2	TERMINAL	

SECTION 10 - ELECTRICAL

FIGURE 10-24. CAB WORK LIGHT HARNESS (Prior to SN 0160059327, Including 0160040468 and 0160040672 , Excluding 0160058678, 0160058998, 0160059008, 0160059160, 0160059170 and 0160059320)



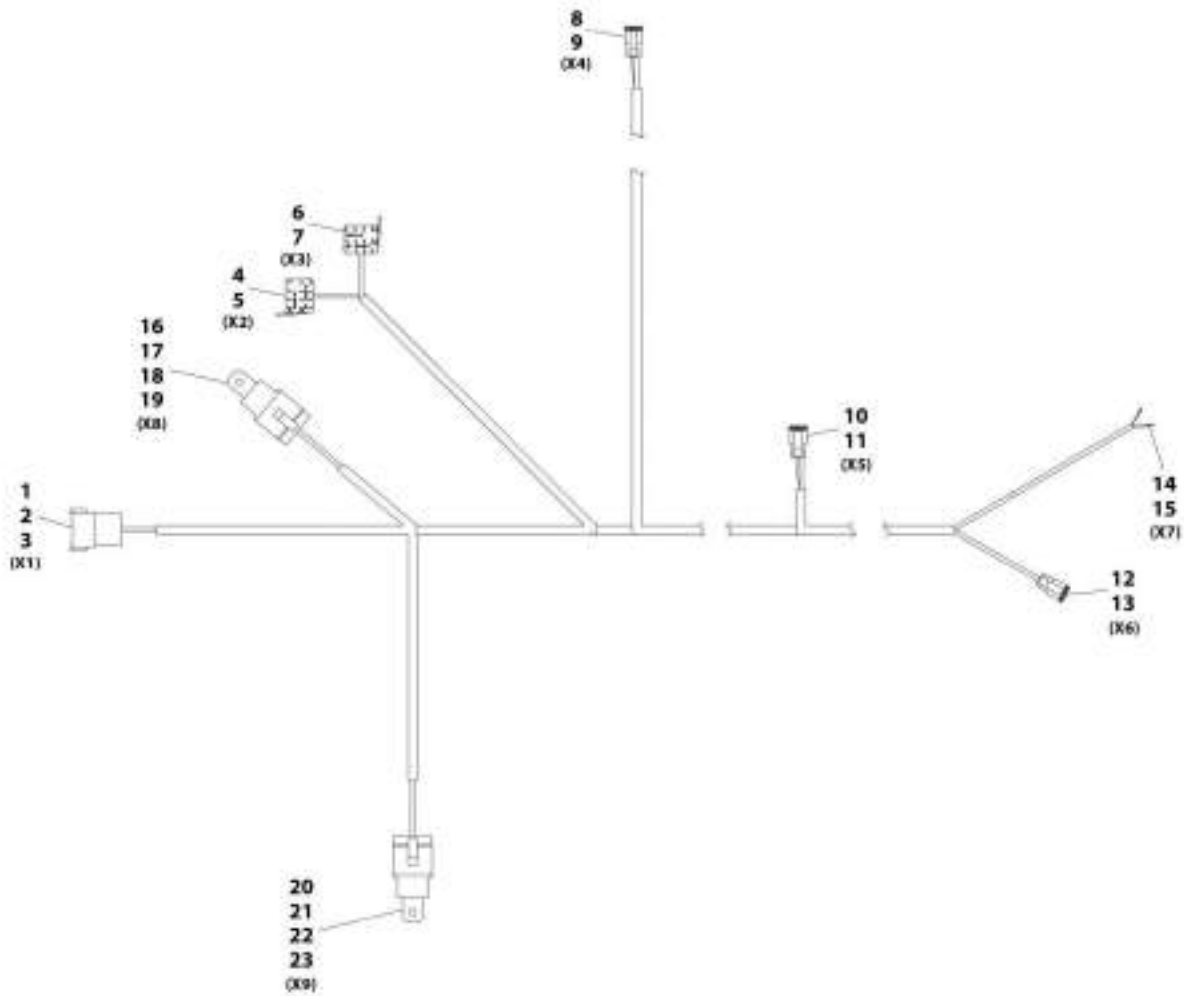
SECTION 10 - ELECTRICAL

FIGURE 10-24. CAB WORK LIGHT HARNESS (Prior to SN 0160059327, Including 0160040468 and 0160040672 , Excluding 0160058678, 0160058998, 0160059008, 0160059160, 0160059170 and 0160059320)

ITEM	PART NUMBER	QTY	DESCRIPTION	REV
	1001125384	1	CAB WORK LIGHT HARNESS, (if equipped), (includes all items)	B
1	4460931	1	CONNECTOR KIT	
1	80604025	1	WEDGELOCK	
2	4460465	2	TERMINAL	
3	4460942	4	TERMINAL	
4	4460466	2	PLUG	
5	7026439	2	CONNECTOR	
6	1001118384	8	TERMINAL	
7	4460891	4	CONNECTOR KIT	
7	80604018	4	WEDGELOCK	
8	4460942	8	TERMINAL	

SECTION 10 - ELECTRICAL

FIGURE 10-25. WORK LIGHT HARNESS (SN 0160059335 to Present, Including 0160058678, 0160058998, 0160059008, 0160059160, 0160059170 and 0160059320)



ART_1001224002-A

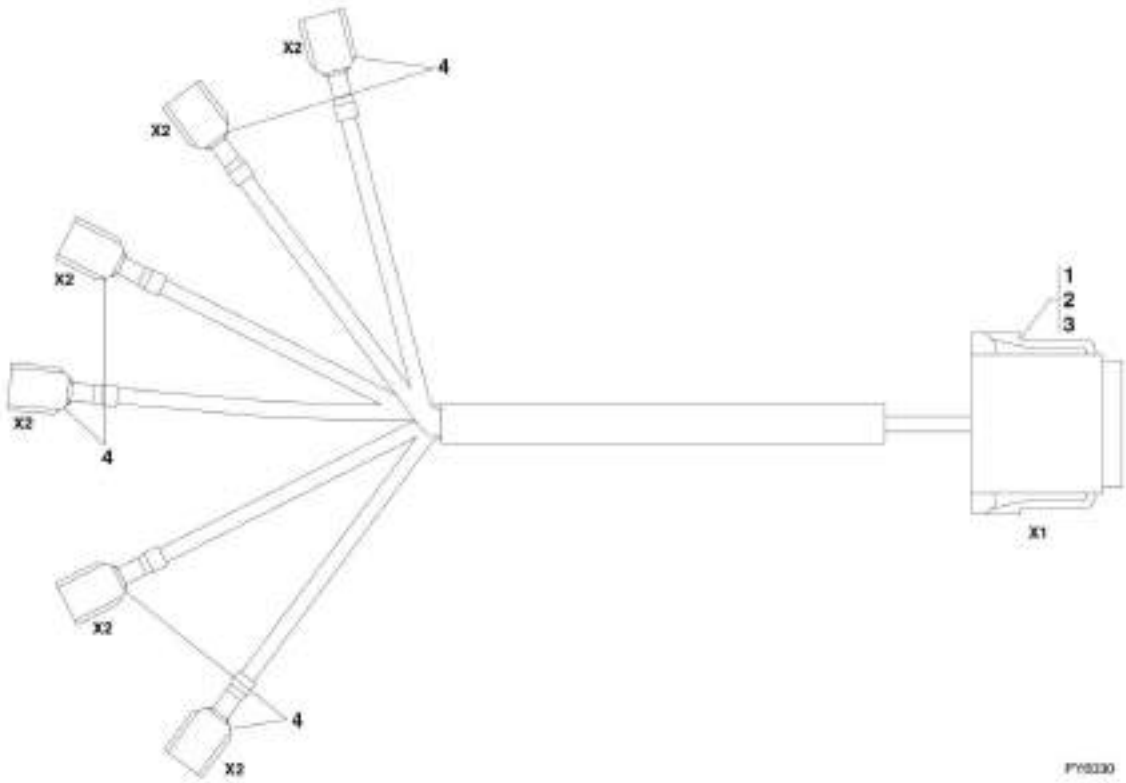
SECTION 10 - ELECTRICAL

FIGURE 10-25. WORK LIGHT HARNESS (SN 0160059335 to Present, Including 0160058678, 0160058998, 0160059008, 0160059160, 0160059170 and 0160059320)

ITEM	PART NUMBER	QTY	DESCRIPTION	REV
	1001224062	1	CAB WORK LIGHT HARNESS	A
1	4460931	1	CONNECTOR	
2	4460941	6	TERMINAL	
3	4460466	2	PLUG	
4	8220904	1	CONNECTOR	
5	1001118384	5	TERMINAL	
6	8220904	1	CONNECTOR	
7	1001118384	3	TERMINAL	
8	4460891	1	CONNECTOR	
9	4460942	2	TERMINAL	
10	4460891	1	CONNECTOR	
11	4460942	2	TERMINAL	
12	4460891	1	CONNECTOR	
13	4460942	2	TERMINAL	
14	4460458	1	SEAL	
15	4460746	2	TERMINAL	
16	1001117025	1	CONNECTOR	
17	3740080	1	RELAY	
18	1001116733	2	TERMINAL	
19	1001128128	1	PLUG	
20	1001117025	1	CONNECTOR	
21	3740080	1	RELAY	
22	1001116733	2	TERMINAL	
23	1001128128	1	PLUG	

SECTION 10 - ELECTRICAL

FIGURE 10-26. CAB WORK LIGHT AND BEACON LIGHT SWITCH HARNESS (Prior to SN 0160040675, Excluding 0160040468 and 0160040672)



P10330

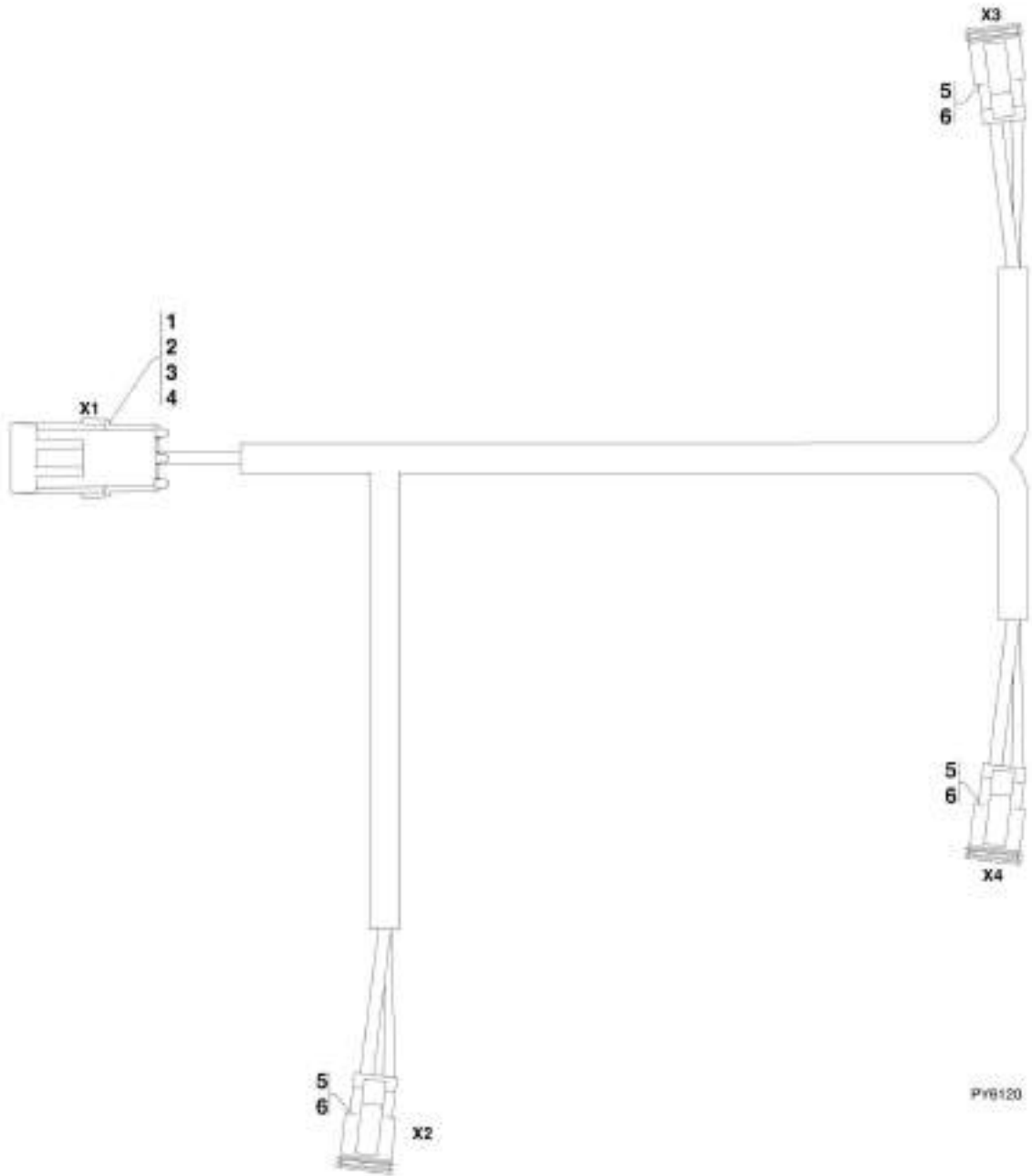
SECTION 10 - ELECTRICAL

**FIGURE 10-26. CAB WORK LIGHT AND BEACON LIGHT SWITCH HARNESS (Prior to SN 0160040675,
Excluding 0160040468 and 0160040672)**

ITEM	PART NUMBER	QTY	DESCRIPTION	REV
	1001090507	1	CAB WORK LIGHT AND BEACON LIGHT SWITCH HARNESS, (if equipped), (includes all items)	A
1	4460930	1	CONNECTOR	
1	80604025	1	WEDGELOCK	
2	N.S.S.	7	TERMINAL	
3	4460466	1	PLUG	
4	N.S.S.	6	TERMINAL, 1/4 FULLY INSULATED	

SECTION 10 - ELECTRICAL

FIGURE 10-27. BOOM WORK LIGHTS HARNESS



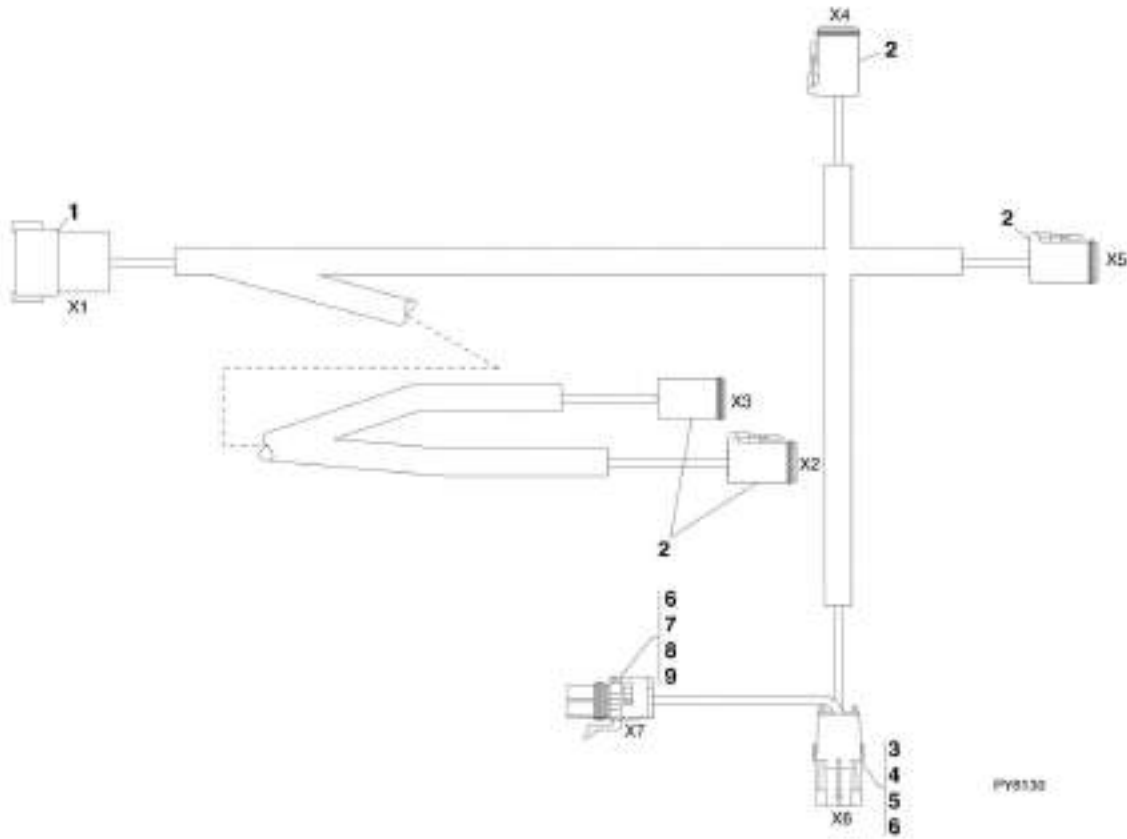
SECTION 10 - ELECTRICAL

FIGURE 10-27. BOOM WORK LIGHTS HARNESS

ITEM	PART NUMBER	QTY	DESCRIPTION	REV
	1001125382	1	BOOM WORK LIGHTS HARNESS, (if equipped), (includes all items)	A
1	80963062	1	CONNECTOR	
2	4460850	2	TERMINAL	
3	4460789	1	SEAL	
4	1001116727	2	PLUG	
5	4460891	3	CONNECTOR KIT	
5	80604018	3	WEDGELOCK	
6	4460942	6	TERMINAL	

SECTION 10 - ELECTRICAL

FIGURE 10-28. FRAME ROAD LIGHTS HARNESS



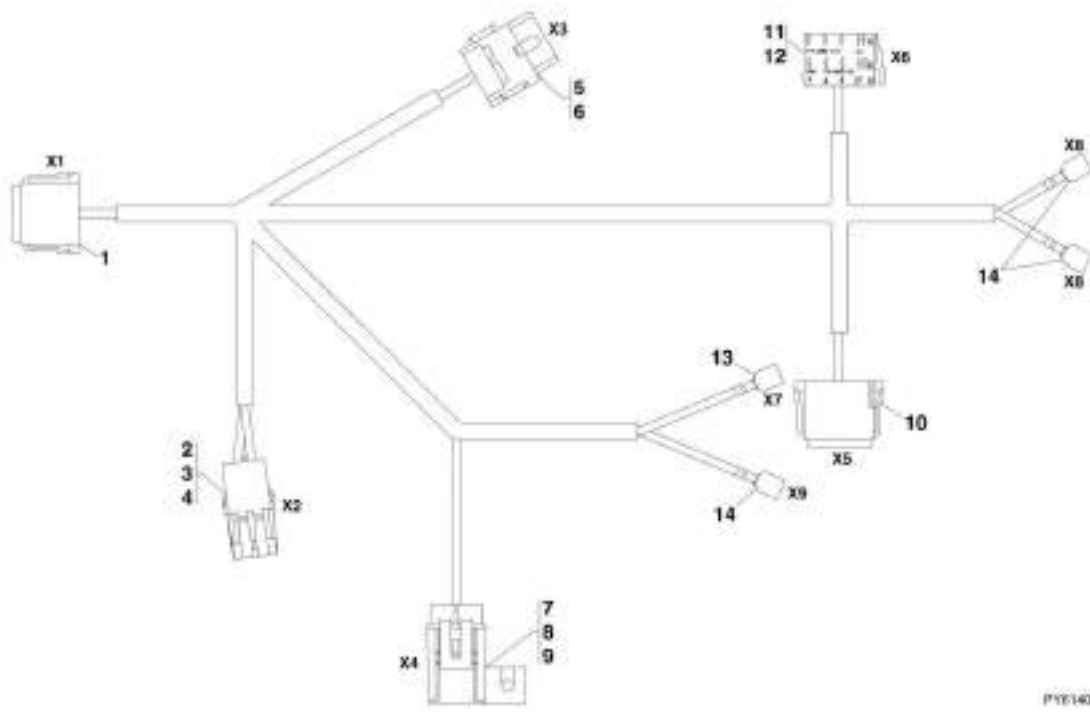
SECTION 10 - ELECTRICAL

FIGURE 10-28. FRAME ROAD LIGHTS HARNESS

ITEM	PART NUMBER	QTY	DESCRIPTION	REV
	1001125385	1	FRAME ROAD LIGHTS HARNESS, (if equipped), (includes all items)	A
1	91503105	1	CONNECTOR	
1	91503106	1	WEDGELOCK	
2	7026909	4	CONNECTOR	
2	80604023	4	WEDGELOCK	
3	80963062	1	CONNECTOR	
4	4460789	3	TERMINAL	
5	8220089	1	SEAL	
6	80963070	4	PLUG	
7	80963061	1	CONNECTOR	
8	80963068	2	TERMINAL	
9	4460458	1	SEAL	

SECTION 10 - ELECTRICAL

FIGURE 10-29. CAB ROAD LIGHTS HARNESS



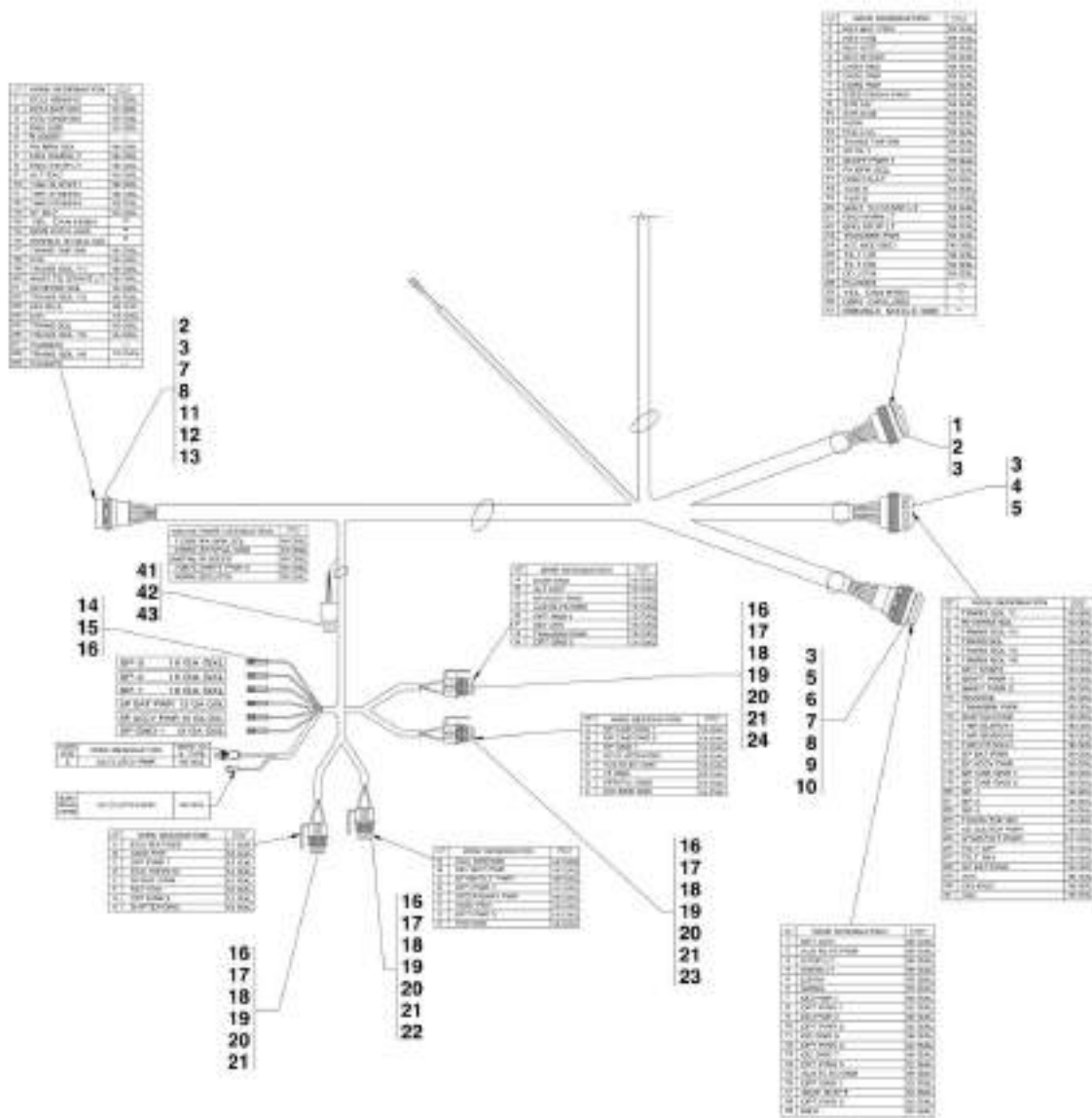
SECTION 10 - ELECTRICAL

FIGURE 10-29. CAB ROAD LIGHTS HARNESS

ITEM	PART NUMBER	QTY	DESCRIPTION	REV
	1001090509	1	CAB ROAD LIGHTS HARNESS, (if equipped), (includes all items)	C
1	4460851	1	CONNECTOR	
1	80604025	1	WEDGELOCK	
2	4461157	1	CONNECTOR	
3	4460475	2	TERMINAL	
4	8220081	1	SEAL	
5	1001117058	1	CONNECTOR	
6	4460419	2	TERMINAL	
7	1001117018	1	CONNECTOR, (includes 15 amp fuse)	
8	1001116733	2	TERMINAL	
9	7029771	1	COVER	
10	4460934	1	CONNECTOR	
10	80604016	1	WEDGELOCK	
11	1001117079	1	CONNECTOR	
12	1001118384	7	TERMINAL	
13	N.S.S.	1	1/4 SPADE TERMINAL	
14	N.S.S.	3	1/4 FEMALE TERMINAL	

SECTION 10 - ELECTRICAL

FIGURE 10-30. CHASSIS HARNESS



PaP11200

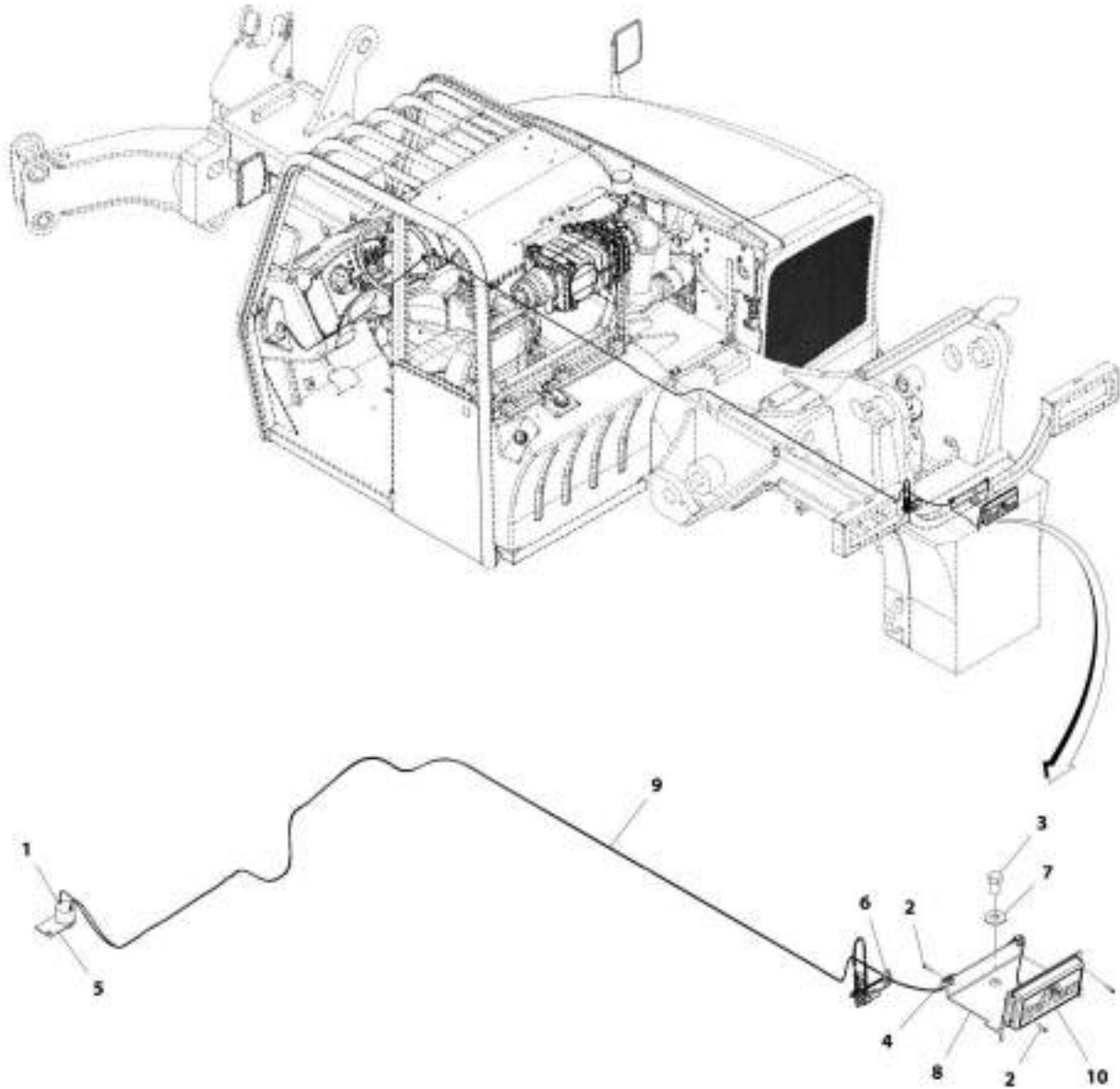
SECTION 10 - ELECTRICAL

FIGURE 10-30. CHASSIS HARNESS

ITEM	PART NUMBER	QTY	DESCRIPTION	REV
	1001108840	1	CHASSIS HARNESS, (includes all items)	E
1	7026910	1	CONNECTOR	
2	77363228	4	TERMINAL	
3	4460466	6	PLUG	
4	4460502	1	CONNECTOR	
5	77363229	3	CONTACT	
6	7026415	1	CONNECTOR	
7	83481286	2	NUT	
8	83481285	2	LOCK WASHER	
9	77363347	1	CONTACT	
10	4460469	1	CAP	
11	1001116968	1	CONNECTOR	
12	77363345	1	CONTACT	
13	4060518	1	PLUG	
14	80963056	1	CONNECTOR	
15	80963069	1	TERMINAL	
16	80963065	4	SEAL	
17	80484086	1	CONNECTOR	
18	7026414	1	LOCK	
19	4460746	2	TERMINAL	
20	1001116747	1	TERMINAL	
21	80963067	1	SEAL	
22	80484085	1	CONNECTOR	
23	80484084	1	CONNECTOR	
24	80484081	1	CONNECTOR	
25	1001116983	2	CONNECTOR	
26	1001116706	2	TERNINAL	
27	4461006	1	SEAL	
28	7026408	1	CONNECTOR	
29	80604018	1	LOCK	
30	7026413	1	CONNECTOR	
31	7026419	1	CAP	
32	1001117021	1	CONNECTOR	
33	8020890	1	LOCK	
34	4460789	1	SEAL	
35	80963061	1	CONNECTOR	
36	80963068	2	TERMINAL	
37	80963062	1	CONNECTOR	
38	80963070	1	DUST CAP	
39	80963057	1	CONNECTOR	
40	4461006	1	SEAL	
41	3740080	1	RELAY	
42	1001117057	2	CONNECTOR	
43	1001116733	2	TERMINAL	

SECTION 10 - ELECTRICAL

FIGURE 10-31. REVERSE SENSING SYSTEM INSTALLATION



ART_1001152538-A

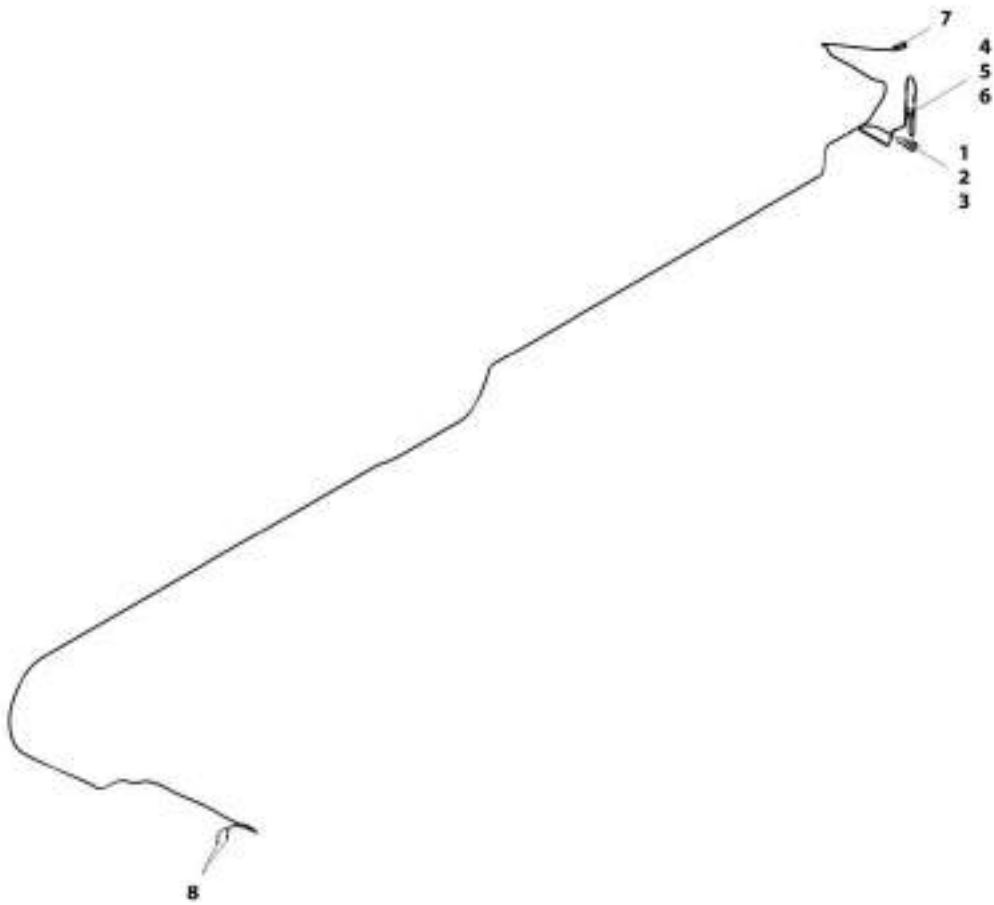
SECTION 10 - ELECTRICAL

FIGURE 10-31. REVERSE SENSING SYSTEM INSTALLATION

ITEM	PART NUMBER	QTY	DESCRIPTION	REV
	1001152538	Ref	REVERSE SENSING SYSTEM INSTALLATION	A
1	0140011	1	AUDIBLE SIGNAL DEVICE	
2	3931012	6	BOLT, 10-24X3/4	
3	0642210	1	BOLT, 3/4-10X1 1/4	
4	1320136	2	CLAMP, CABLE	
5	1001182662	1	BRACKET, AUDIBLE ALARM	
6	4240033	AR	STRAP, TIE	
7	4752200	1	WASHER, 3/4	
8	1001152220	1	BRACKET, BACKUP SENSOR	
9	1001153084	1	HARNES, REVERSE SENSOR, (See Separate Breakdown in this Section)	
10	1001182358	1	CONTROL, REVERSE SENSOR	

SECTION 10 - ELECTRICAL

FIGURE 10-32. REVERSE SENSOR HARNESS



ART_1001153084-B

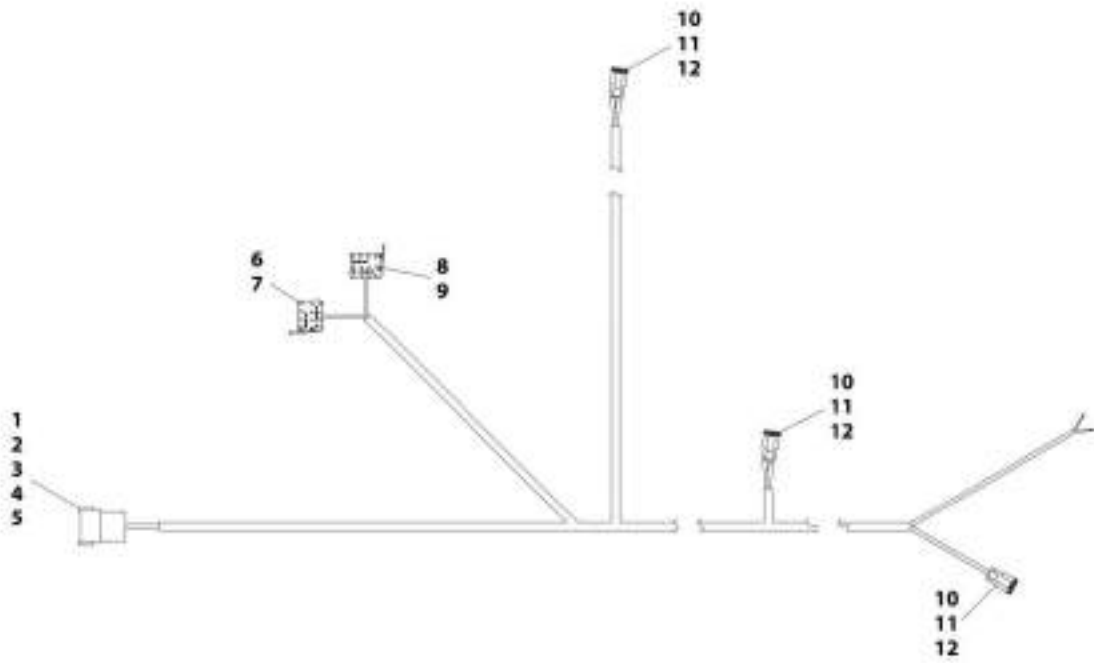
SECTION 10 - ELECTRICAL

FIGURE 10-32. REVERSE SENSOR HARNESS

ITEM	PART NUMBER	QTY	DESCRIPTION	REV
	1001153084	Ref	REVERSE SENSOR HARNESS	B
1	1001117021	1	CONNECTOR	
2	1001116728	2	TERMINAL	
3	4460458	2	TERMINAL, SEAL	
4	1001117026	1	CONNECTOR	
5	1001116745	2	TERMINAL	
6	4460458	2	TERMINAL, SEAL	
7	1001175733	1	CONNECTOR	
8	1001098122	2	TERMINAL, RING	

SECTION 10 - ELECTRICAL

FIGURE 10-33. CAB WORK LIGHT HARNESS



ART_1001158896-B

SECTION 10 - ELECTRICAL

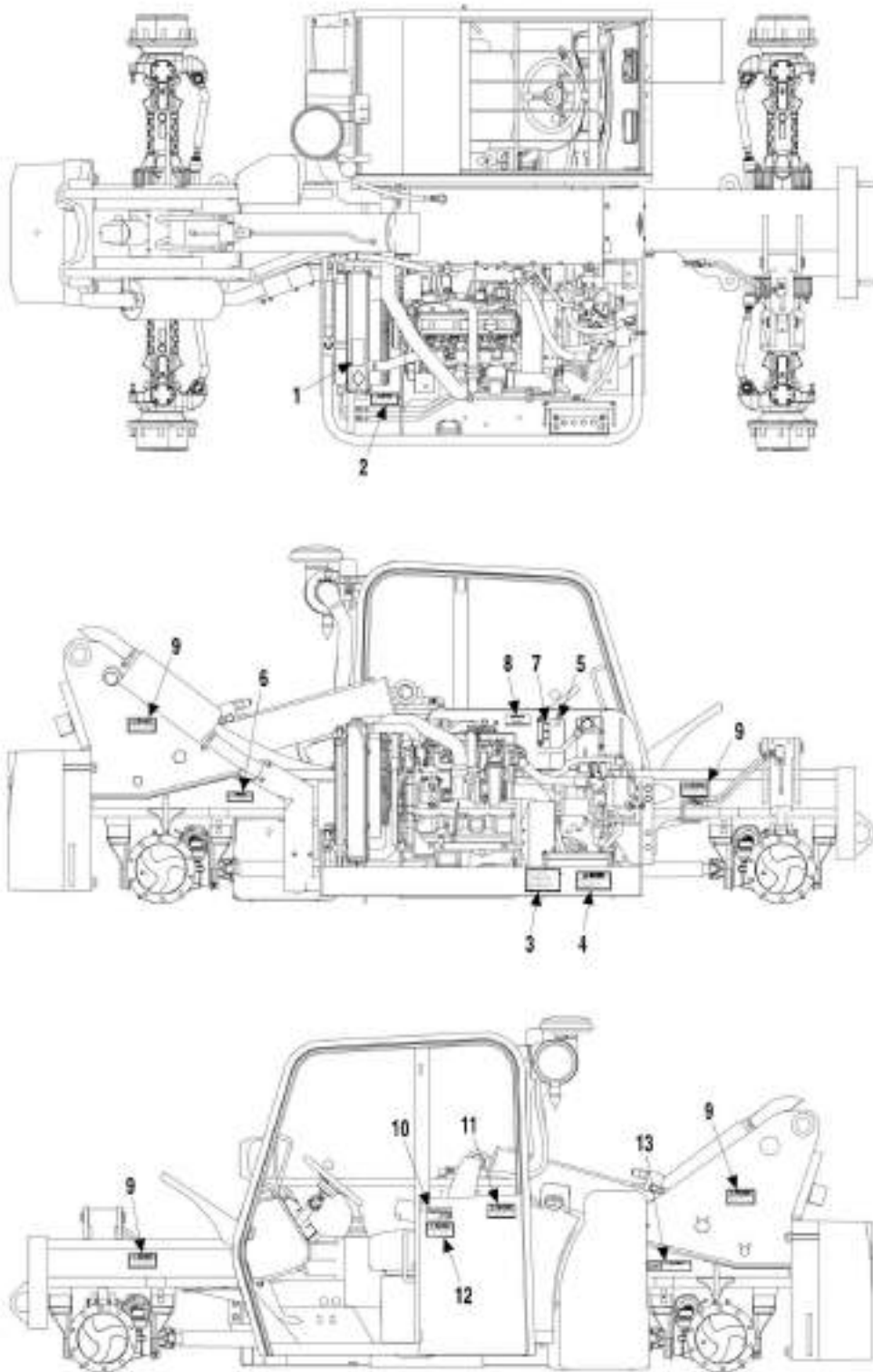
FIGURE 10-33. CAB WORK LIGHT HARNESS

ITEM	PART NUMBER	QTY	DESCRIPTION	REV
	1001158896	1	CAB WORK LIGHT HARNESS	B
1	91503105	1	CONNECTOR	
2	8220525	1	LOCK	
3	77363229	4	TERMINAL	
4	4460942	2	TERMINAL	
5	4460466	2	TERMINAL, SEALING PLUG	
6	7026439	1	HOUSING	
7	1001118384	5	TERMINAL	
8	7026439	1	HOUSING	
9	1001118384	3	TERMINAL	
10	7026408	3	CONNECTOR	
11	80604018	1	WEDGELOCK	
12	80463058	2	TERMINAL	

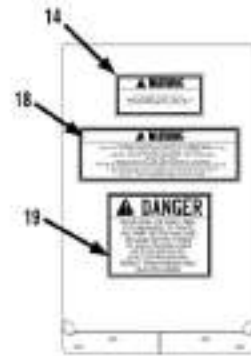
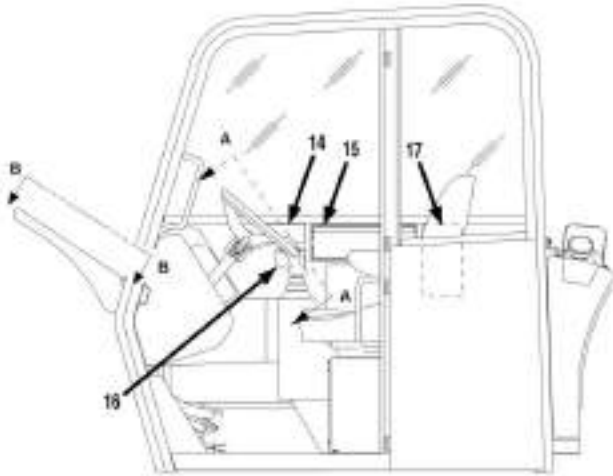
SECTION 11 - DECALS

SECTION 11 - DECALS

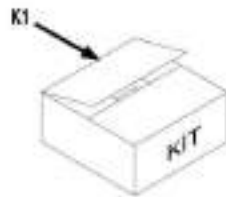
FIGURE 11-1. CAB AND FRAME DECALS (SN 0193001 through 0193007, SN 016000008 through 016000068)



SECTION 11 - DECALS



VIEW B-B



VIEW A-A

PV4758

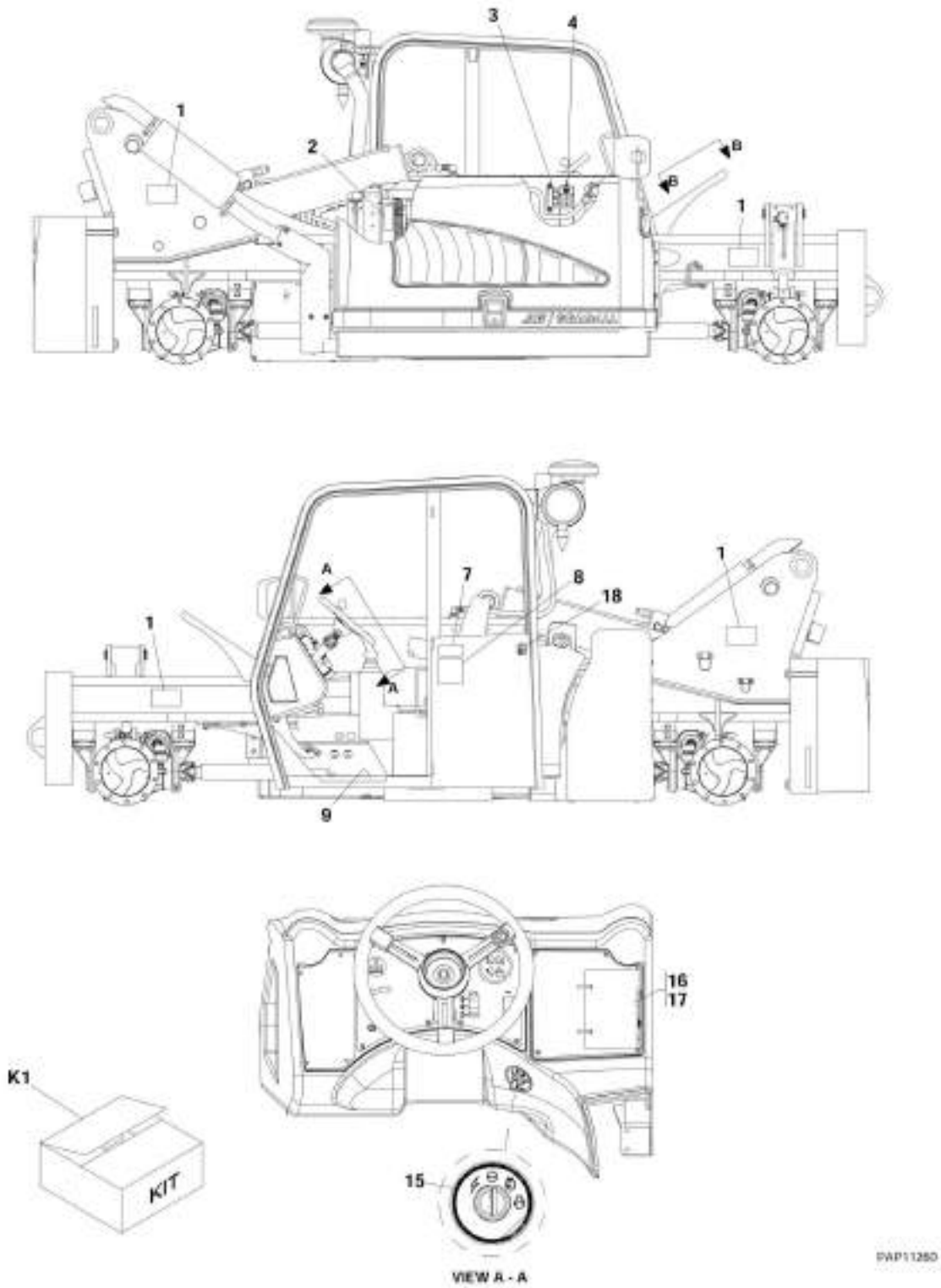
SECTION 11 - DECALS

FIGURE 11-1. CAB AND FRAME DECALS (SN 0193001 through 0193007, SN 016000008 through 0160000668)

ITEM	PART NUMBER	QTY	DESCRIPTION	REV
1	80603026	1	CAUTION DECAL	
2	91143281	1	WARNING DECAL	
3	91143285	1	INSTRUCTION DECAL	
4	91143284	1	WARNING DECAL	
5	91403573	1	HYDRAULIC FLUID DECAL	
6	91143280	1	WARNING DECAL	
7	91513198	1	OIL LEVEL DECAL	
8	91143288	1	HYDRAULIC OIL LEVEL	
9	91143282	4	WARNING DECAL	
10	77333027	1	USA DECAL	
11	91143286	1	WARNING DECAL	
12	91143283	1	WARNING DECAL	
13	91083492	1	OIL WARNING DECAL	
14	91323030	2	WARNING DECAL	
15	90553028	1	WARNING DECAL	
16	91403525	1	BOOM OPERATION DECAL	
17	N.S.S.	1	ATTACHMENT SN PLATE	
18	90553027	1	WARNING DECAL	
19	80603022	1	DANGER DECAL	
20	91403618	1	LOAD CHART COVER	
21	91513042	1	CAPACITY CHART	
22	91513188	1	CAPACITY CHART	
23	91513189	1	CAPACITY CHART	
24	91513190	1	CAPACITY CHART	
25	91513191	1	CAPACITY CHART	
26	91413061	1	IGNITION SWITCH DECAL	
K1	91515073	1	NES DECAL KIT	

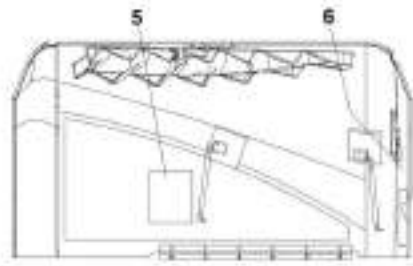
SECTION 11 - DECALS

FIGURE 11-2. CAB AND FRAME DECALS (SN 016000683 through 0160006218)



PAP11280

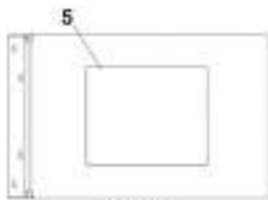
SECTION 11 - DECALS



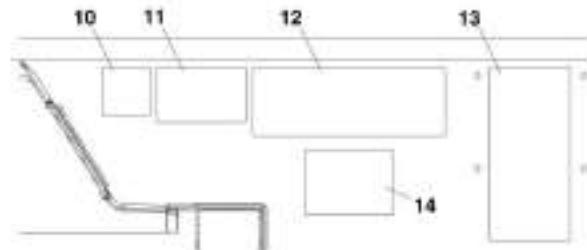
VIEW OF INSIDE OF ENGINE COVER
SN 0160001853 THROUGH 0160001853



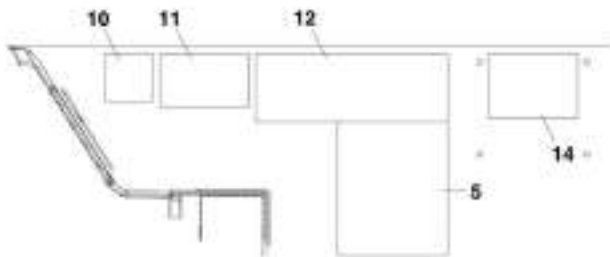
VIEW OF TOP OF ENGINE
SN 0160001857 THROUGH 0160006218



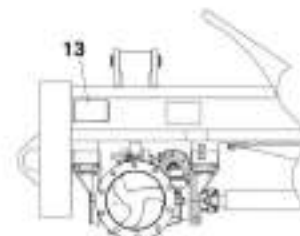
VIEW B - B
SN 0160001857 THROUGH 0160005423



VIEW OF DECALS INSIDE OF CAB ON RIGHT HAND SIDE OF WALL
SN 0160000683 THROUGH 0160005423
(ITEM 13 ONLY SN 0160000683 THROUGH 0160003961)



VIEW OF DECALS INSIDE OF CAB ON RIGHT HAND SIDE OF WALL
SN 0160005444 THROUGH 0160006218



VIEW OF FRONT LEFT SIDE OF MACHINE
SN 0160002988 THROUGH 0160006218

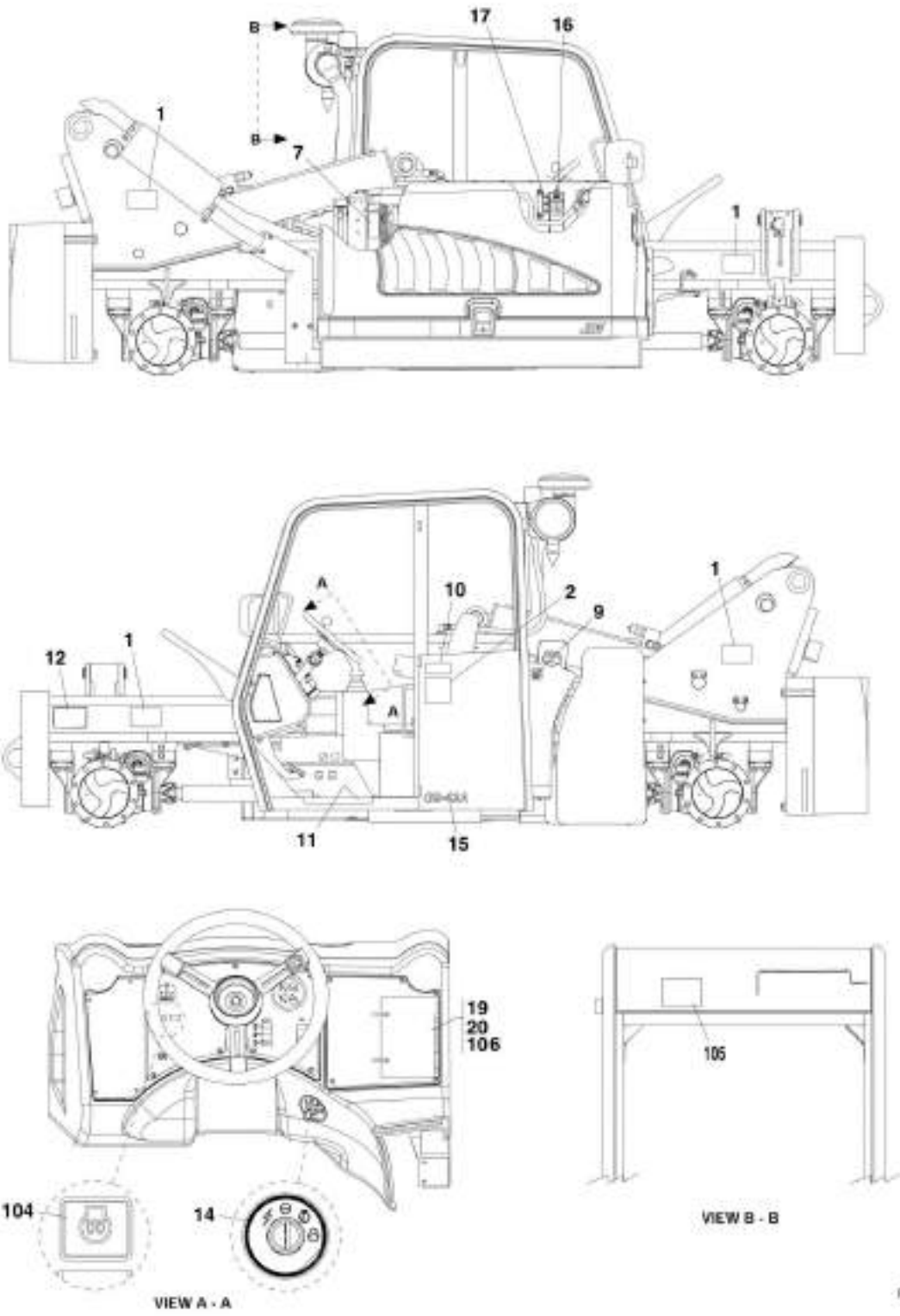
SECTION 11 - DECALS

FIGURE 11-2. CAB AND FRAME DECALS (SN 016000683 through 0160006218)

ITEM	PART NUMBER	QTY	DESCRIPTION	REV
1	91503108	4	PINCH POINT DECAL	
2	91503097	1	MOVING PARTS DECAL	
3	91513198	1	OIL LEVEL DECAL	
4	91513209	1	HYDRAULIC FLUID DECAL	
5	91513192	1	SERVICE INSTRUCTION PLATE	
6	91503099	1	BATTERY WARNING DECAL	
7	77333027	1	USA DECAL	
8	91503109	1	NO RIDERS DECAL	
9	91473210	NLA	NON-SKID FLOOR, (no longer available, use 1001152569 for replacement)	
9	1001152569	1	NON-SKID FLOOR	
10	91503102	1	BOOM CONTROL DECAL	
11	91503110	1	HIGH VOLTAGE DECAL	
12	91503098	1	SAFE OPERATION DECAL	
13	N.S.S.	1	ATTACHMENT SN PLATE	
14	91513208	1	LIFTING PERSONNEL DECAL	
15	91413061	1	IGNITION SWITCH DECAL	
16	91513207	1	LOAD CHART COVER	
17	91513042	1	CAPACITY CHART	
17	91513188	1	CAPACITY CHART	
17	91513189	1	CAPACITY CHART	
17	91513190	1	CAPACITY CHART	
17	91513191	1	CAPACITY CHART	
18	1701505	1	DIESEL FUEL DECAL	
K1	91515073	1	NES DECAL KIT	

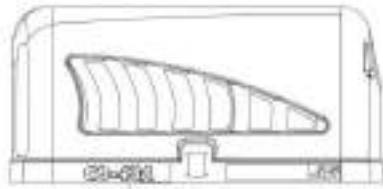
SECTION 11 - DECALS

FIGURE 11-3. CAB AND FRAME DECALS (SN 0160006234 through 0160040674, Excluding 0160040468 and 0160040672)

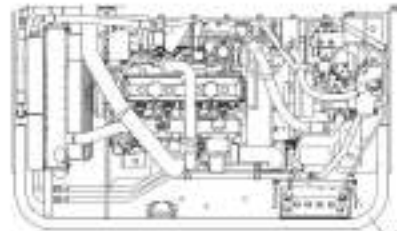


PWP11250

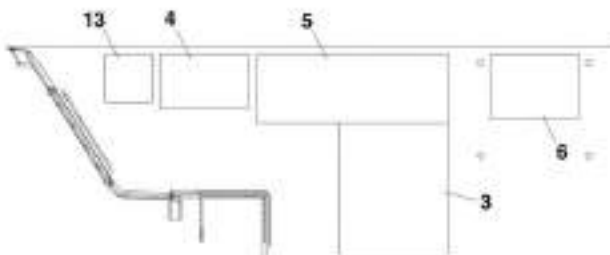
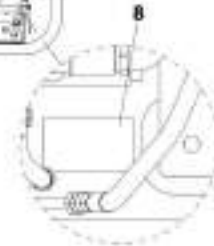
SECTION 11 - DECALS



15
VIEW OF ENGINE COVER



VIEW OF TOP OF ENGINE

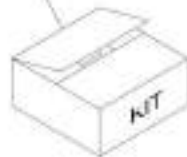


VIEW OF DECALS INSIDE OF CAB ON RIGHT HAND SIDE OF WALL



VIEW OF COUNTERWEIGHT

- K1
- K2
- K3
- K4
- K6
- K7
- K8



INT_91514001-150_2

SECTION 11 - DECALS

FIGURE 11-3. CAB AND FRAME DECALS (SN 0160006234 through 0160040674, Excluding 0160040468 and 0160040672)

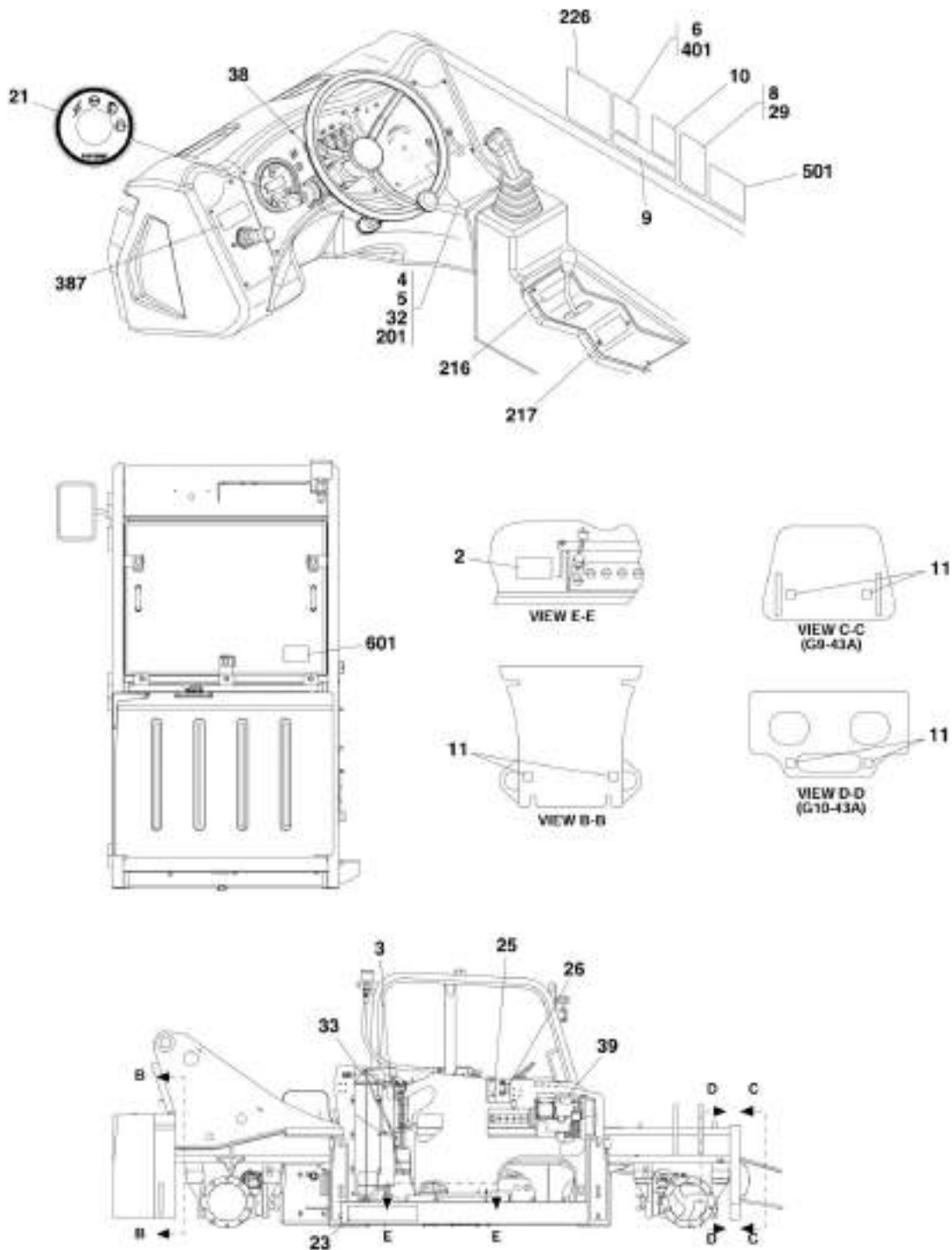
ITEM	PART NUMBER	QTY	DESCRIPTION	REV
1	91503108	4	PINCH POINT DECAL	
2	91503109	1	NO RIDERS DECAL	
3	91513192	1	SERVICE INSTRUCTION PLATE, G9-43A (Prior to SN 0160040069)	
3	91473217	1	SERVICE INSTRUCTION PLATE, G9-43A (SN 0160040121 through 0160040674)	
3	1001112773	1	SERVICE INSTRUCTION PLATE, (G10-43A)	
4	91503110	1	HIGH VOLTAGE DECAL	
5	91503098	1	SAFE OPERATION DECAL	
6	91513208	2	LIFTING PERSONNEL DECAL	
7	91503097	1	MOVING PARTS DECAL	
8	91503099	1	BATTERY WARNING DECAL	
9	1701505	1	DIESEL FUEL DECAL	
10	3251813	1	USA DECAL	
11	91473210	NLA	NON-SKID FLOOR, (no longer available, use 1001152569 for replacement)	
11	1001152569	1	NON-SKID FLOOR	
12	N.S.S.	1	SN PLATE	
13	91503102	1	BOOM OPERATION DECAL	
14	91413061	1	IGNITION SWITCH DECAL	
15	1706188	2	DECAL G9-43A	
15	1001112770	2	DECAL G10-43A	
16	91513209	1	HYDRAULIC FLUID DECAL	
17	91513198	1	OIL LEVEL DECAL	
18	1704885	1	WEBSITE DECAL	
19	91513207	1	CAPACITY CHART COVER, G9-43A (Prior to SN 0160037671)	
19	1001106002		CAPACITY CHART BOOKLET, G9-43A (SN 0160037671 to Present)	
19	1001110715	1	CAPACITY CHART COVER, G9-43A (SN 0160037671 to Present)	
19	1001113013		CAPACITY CHART BOOKLET, (G10-43A)	
19	1001113014	1	CAPACITY CHART COVER, (G10-43A)	
20	91513042	1	CAPACITY CHART, SLOPE PILER CARRIAGE, G9-43A (Prior to SN 0160037671)	
20	1001106034	1	CAPACITY CHART, STD CARRIAGE, G9-43A (SN 0160037671 to Present)	
20	1001113015	1	CAPACITY CHART, STD CARRIAGE, (G10-43A)	
20	91513188	1	CAPACITY CHART, DRYWALL CARRIAGE, G9-43A (Prior to SN 0160037671)	
20	1001106059	1	CAPACITY CHART, TILT CARRIAGE, G9-43A (SN 0160037671 to Present)	
20	1001113016	1	CAPACITY CHART, TILT CARRIAGE, (G10-43A)	
20	91513189	1	CAPACITY CHART, SWING MAST, G9-43A (Prior to SN 0160037671)	
20	1001106084	1	CAPACITY CHART, SWING CARRIAGE, G9-43A (SN 0160037671 to Present)	
20	1001113017	1	CAPACITY CHART, SWING CARRIAGE, (G10-43A)	
20	91513190	1	CAPACITY CHART, TRUSS BOOM, G9-43A (Prior to SN 0160037671)	
20	1001106134	1	CAPACITY CHART, TRUSS BOOM, G9-43A (SN 0160037671 to Present)	

SECTION 11 - DECALS

ITEM	PART NUMBER	QTY	DESCRIPTION	REV
20	1001113019	1	CAPACITY CHART, TRUSS BOOM, (G10-43A)	
20	1001106109	1	CAPACITY CHART, 102IN BUCKET, G9-43A (SN 0160037671 to Present)	
20	1001113018	1	CAPACITY CHART, BUCKET, (G10-43A)	
20	91513191	1	CAPACITY CHART, PERSONNEL PLATFORM, G9-43A (Prior to SN 0160037671)	
20	1001156119	1	CAPACITY CHART, STD CARRIAGE LIFT LUG, (G9-43A)	
20	1001156120	1	CAPACITY CHART, STD CARRIAGE LIFT LUG, (G10-43A)	
20	1001110402	1	SUPPLEMENTAL CAPACITY CHART BOOKLET, (G9-43A)	
20	1001106188	1	CAPACITY CHART, GRAPPLE BUCKET	
20	1001106223	1	CAPACITY CHART, TRUSS BOOM WITH WINCH	
20	1001106293	1	CAPACITY CHART, MAST	
20	1001156127	1	CAPACITY CHART, SIDE SHIFT	
20	1001115257	1	SUPPLEMENTAL CAPACITY CHART BOOKLET, (G10-43A)	
20	1001115258	1	CAPACITY CHART, GRAPPLE BUCKET	
20	1001115259	1	CAPACITY CHART, TRUSS BOOM WITH WINCH	
20	1001115260	1	CAPACITY CHART, MAST	
20	1001115261	1	CAPACITY CHART, SIDE SHIFT	
20	1001156128	1	CAPACITY CHART, BACK COVER	
104	1001090005	1	ENGINE PREHEAT DECAL, (Perkins Engines only) (SN 0160020943 to Present)	
105	1706300	1	WARNING DECAL, (Perkins Engines only) (SN 0160020943 to Present)	
106	1001114982	1	LUBRICATION CHART DECAL, (G9-43A)	
106	1001115116	1	LUBRICATION CHART DECAL, (G10-43A)	
K1	91515050	Ref	DECAL KIT, WHITE, (includes items 1 thru 10 & 13 thru 18 and items 1, 3 thru 5, 11 & 12 See BOOM DECALS) (SN 0160006234 to Present)	D
K2	91515070	1	SPANISH DECAL KIT	
K3	91515072	1	NATIONS RENT DECAL KIT	
K4	91515073	1	NES RENTALS DECAL KIT	
K6	91515055	1	UNITED RENTALS DECAL KIT	
K7	91515074	1	H AND E DECAL KIT	
K8	1001094529	1	R AND S DECAL KIT	

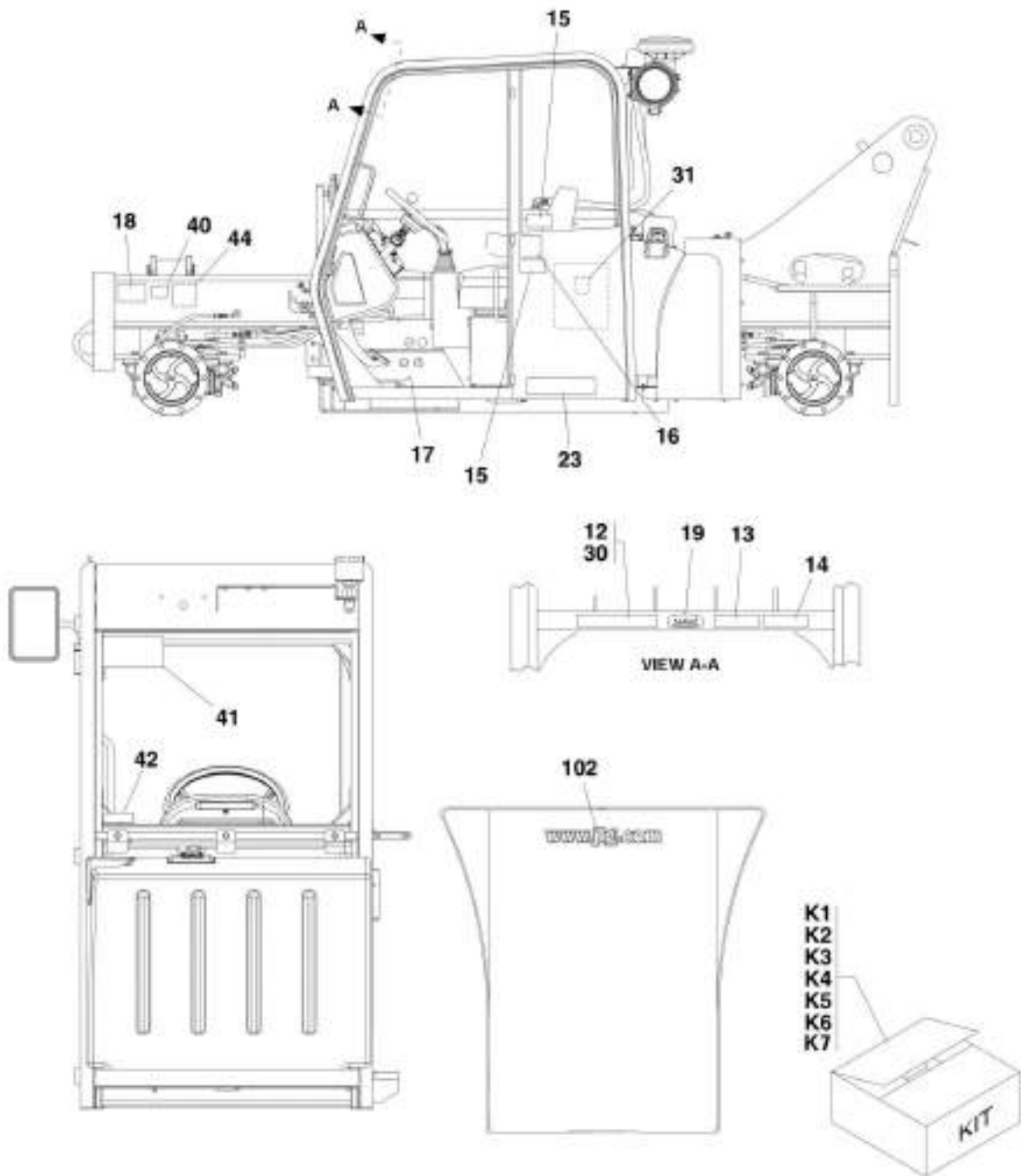
SECTION 11 - DECALS

FIGURE 11-4. CAB AND FRAME DECALS (SN 0160040675 to Present, Including 0160040468 and 0160040672)



ART_91514001_114_1

SECTION 11 - DECALS



ART. 91514001-11-4.2

SECTION 11 - DECALS

FIGURE 11-4. CAB AND FRAME DECALS (SN 0160040675 to Present, Including 0160040468 and 0160040672)

ITEM	PART NUMBER	QTY	DESCRIPTION	REV
	1001115110	Ref	DECAL INSTALLATION, (G9-43A), (ANSI), (not available to order, see items 2 thru 33, 38, 39, 40 See CAB AND FRAME DECALS and items 1, 7, 22, 24, 27 & 34 thru 37 See BOOM DECALS)	C, 5
	1001115111	Ref	DECAL INSTALLATION, (G9-43A), (ISO), (not available to order, see items 2 thru 33, 38, 39, 40 See CAB AND FRAME DECALS and items 1, 7, 22, 24, 27 & 34 thru 37 See BOOM DECALS)	D, 5
	1001163581	Ref	DECAL INSTALLATION, (G9-43A), (FRENCH), (not available to order, see items 2 thru 26, 31, 32, 33, 40 thru 44 & See CAB AND FRAME DECALS and items 1, 7, 22, 24 & 34 thru 37 See BOOM DECALS)	B
	1001115112	Ref	DECAL INSTALLATION, (G10-43A), (ANSI), (not available to order, see items 2 thru 33, 38, 39, 40 & 401 See CAB AND FRAME DECALS and items 1, 7, 22, 24, 27 & 34 thru 37 See BOOM DECALS)	C, 5
	1001115113	Ref	DECAL INSTALLATION, (G10-43A), (ISO), (not available to order, see items 2 thru 33, 38, 39, 40 & 401 See CAB AND FRAME DECALS and items 1, 7, 22, 24, 27 & 34 thru 37 See BOOM DECALS)	D, 5
	1001163582	Ref	DECAL INSTALLATION, (G10-43A), (FRENCH), (not available to order, see items 2 thru 26, 31, 32, 33, 40 thru 44 & See CAB AND FRAME DECALS and items 1, 7, 22, 24 & 34 thru 37 See BOOM DECALS)	B
2	1706296	1	BATTERY DECAL, (ANSI)	
2	1706281	1	BATTERY DECAL, (ISO)	
2	1001163174	1	BATTERY DECAL, (FRENCH)	
3	1706301	1	ROTATING PARTS DECAL, (ANSI)	
3	1706285	1	ROTATING PARTS DECAL, (ISO)	
3	1001163222	1	ROTATING PARTS DECAL, (FRENCH)	
4	1001130782	1	LUBRICATION CHART DECAL, (G9-43A)	
4	1001130792	1	LUBRICATION CHART DECAL, (G10-43A)	
5	1001130802	1	MAINTENANCE CHART DECAL	
6	1706851	1	DO NOT JUMP WARNING DECAL, (ANSI)	
6	1706283	1	DO NOT JUMP WARNING DECAL, (ISO)	
6	1001163321	1	DO NOT JUMP WARNING DECAL, (FRENCH)	
8	1706304	1	RUN OVER DECAL, (ANSI)	
8	1706293	1	RUN OVER DECAL, (ISO)	
8	1001163276	1	RUN OVER DECAL, (FRENCH)	
9	1706303	1	READ MANUAL DECAL, (ANSI)	
9	1706287	1	READ MANUAL DECAL, (ISO)	
9	1001163273	1	READ MANUAL DECAL, (FRENCH)	
10	1706767	1	MACHINE ROLL DECAL, (ANSI)	
10	1706289	1	MACHINE ROLL DECAL, (ISO)	
10	1001163291	1	MACHINE ROLL DECAL, (FRENCH)	
11	4109801	4	TIE-DOWN DECAL	
11	1702300	4	TIE-DOWN DECAL, (FRENCH)	
12	1706306	1	TIP OVER DECAL, (ANSI)	
12	1706288	1	TIP OVER DECAL, (ISO)	
12	1001163285	1	TIP OVER DECAL, (FRENCH)	
13	1706299	1	ELECTROCUTION HAZARD DECAL, (ANSI)	
13	1706284	1	ELECTROCUTION HAZARD DECAL, (ISO)	
13	1001163210	1	ELECTROCUTION HAZARD DECAL, (FRENCH)	

SECTION 11 - DECALS

ITEM	PART NUMBER	QTY	DESCRIPTION	REV
14	1706850	1	CRUSH HAZARD WARNING DECAL, (ANSI)	
14	1001092877	1	CRUSH HAZARD WARNING DECAL, (ISO)	
14	1001163304	1	CRUSH HAZARD WARNING DECAL, (FRENCH)	
15	1706768	1	NO RIDERS DECAL, (ANSI)	
15	1001092878	1	NO RIDERS DECAL, (ISO)	
15	1001163300	1	NO RIDERS DECAL, (FRENCH)	
16	3251813	1	BUILT IN THE USA NAMEPLATE	
17	91473210	1	NON SKID FLOOR	
17	1001152569	1	NON SKID FLOOR, (FRENCH)	
18	N.S.S.	1	SN PLATE	
19	8466306	1	TILT ANGLE GAUGE	
21	91413061	1	IGNITION SWITCH DECAL	
23	1706188	2	DECAL G9-43A	
23	1001112770	2	DECAL G10-43A	
25	4100181	1	HYDRAULIC FLUID DECAL	
26	91563220	1	OIL LEVEL DECAL	
29	1001115205	1	RIGHT SIDE DASH DECAL KIT, (ANSI), (includes items 6 thru 10)	1
29	1001115206	1	RIGHT SIDE DASH DECAL KIT, (ISO), (includes items 6 thru 10)	1
30	1001115208	1	CAB DECAL KIT, (ANSI), (includes items 201 thru 205)	1
30	1001115209	1	CAB DECAL KIT, (ISO), (includes items 201 thru 205)	1
31	1701640	1	MANUAL DECAL	
32	1001130920	1	MAINTENANCE CHART DECAL	
33	1001109053	1	COOLANT FILL DECAL	
38	91163028	1	SHIFTER DECAL	
39	1706300	1	ETHER STARTING WARNING DECAL, (ANSI)	
39	1706098	1	ETHER STARTING WARNING DECAL, (ISO)	
40	1001131271	1	PATENT TELEHANDLERS DECAL	
41	1001163212	1	DECAL, WARNING NO EITHER, (FRENCH)	
42	1001163355	1	DECAL, ULTRA LOW SULFUR DIESEL (FRENCH)	
43	1001163323	1	DECAL, WARNING HOT FLUID (FRENCH), (not shown)	
44	1702631	1	DECAL, BAR CODE	
102	1704885	1	WEBSITE DECAL	
201	1001130663	1	CAPACITY CHART BOOKLET, (G9-43A), (ANSI)	C
201	1001130662	1	FRONT COVER, (G9-43A), (ANSI)	
201	1001150777	1	STANDARD CARRIAGE, (G9-43A), (ANSI)	
201	1001130671	1	TILT CARRIAGE, (G9-43A), (ANSI)	
201	1001130672	1	SWING CARRIAGE, (G9-43A), (ANSI)	
201	1001130676	1	BUCKET, 102 IN, (G9-43A), (ANSI)	
201	1001130678	1	TRUSS BOOM, 15 FT, (G9-43A), (ANSI)	
201	1001150778	1	STANDARD CARRIAGE LIFT LUG, (G9-43A), (ANSI)	
201	1001130825	1	CAPACITY CHART BOOKLET, (G9-43A), (ISO)	C
201	1001130826	1	FRONT COVER, (G9-43A), (ISO)	
201	1001150779	1	STANDARD CARRIAGE, (G9-43A), (ISO)	
201	1001130828	1	TILT CARRIAGE, (G9-43A), (ISO)	
201	1001130829	1	SWING CARRIAGE, (G9-43A), (ISO)	
201	1001130830	1	BUCKET, 102 IN, (G9-43A), (ISO)	
201	1001130831	1	TRUSS BOOM, 15 FT, (G9-43A), (ISO)	
201	1001150780	1	STANDARD CARRIAGE LIFT LUG, (G9-43A), (ISO)	
201	1001130935	1	CAPACITY CHART BOOKLET, (G10-43A), (ANSI)	B
201	1001150781	1	FRONT COVER, (G10-43A), (ANSI)	
201	1001150782	1	STANDARD CARRIAGE, (G10-43A), (ANSI)	

SECTION 11 - DECALS

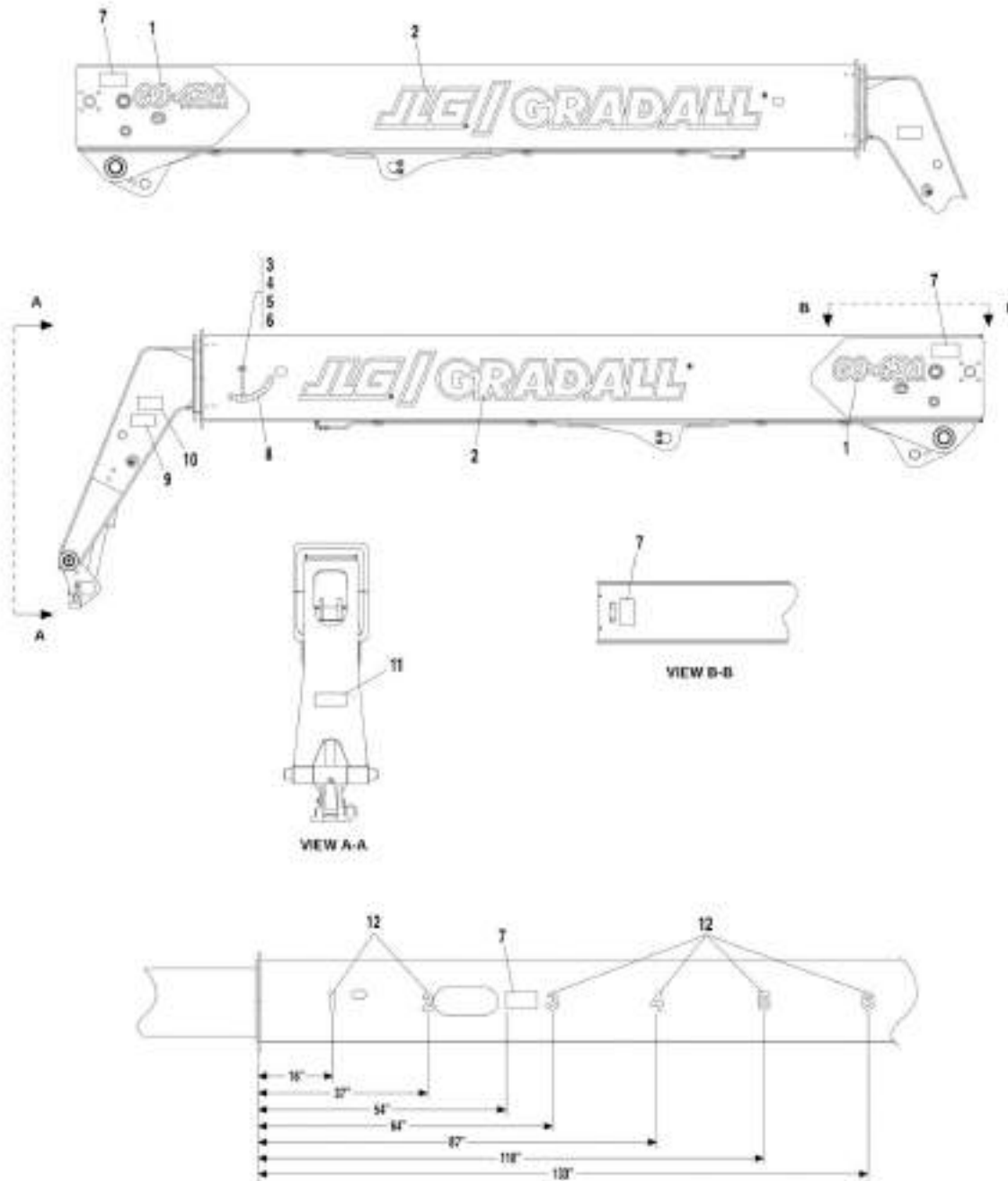
ITEM	PART NUMBER	QTY	DESCRIPTION	REV
201	1001130938	1	TILT CARRIAGE, (G10-43A), (ANSI)	
201	1001130939	1	SWING CARRIAGE, (G10-43A), (ANSI)	
201	1001130940	1	BUCKET, 102 IN, (G10-43A), (ANSI)	
201	1001150783	1	TRUSS BOOM, 15 FT, (G10-43A), (ANSI)	
201	1001150785	1	STANDARD CARRIAGE LIFT LUG, (G9-43A), (ANSI)	
201	1001115117	1	CAPACITY CHART BOOKLET, (G10-43A), (ISO) (Prior to SN 0160042701)	C
201	1001115118	1	FRONT COVER, (G10-43A), (ISO)	
201	1001115119	1	STANDARD CARRIAGE, (G10-43A), (ISO)	
201	1001115120	1	TILT CARRIAGE, (G10-43A), (ISO)	
201	1001115121	1	SWING CARRIAGE, (G10-43A), (ISO)	
201	1001115122	1	BUCKET, 102 IN, (G10-43A), (ISO)	
201	1001115123	1	TRUSS BOOM, 15 FT, (G10-43A), (ISO)	
201	1001156125	1	STANDARD CARRIAGE LIFT LUG, (G9-43A), (ANSI)	
201	1001132131	1	CAPACITY CHART BOOKLET, (G10-43A), (ISO) (SN 0160042701 to Present)	C
201	1001150786	1	FRONT COVER, (G10-43A), (ISO)	
201	1001150787	1	STANDARD CARRIAGE, (G10-43A), (ISO)	
201	1001132127	1	TILT CARRIAGE, (G10-43A), (ISO)	
201	1001132128	1	SWING CARRIAGE, (G10-43A), (ISO)	
201	1001132129	1	BUCKET, 102 IN, (G10-43A), (ISO)	
201	1001150788	1	TRUSS BOOM, 15 FT, (G10-43A), (ISO)	
201	1001150789	1	STANDARD CARRIAGE LIFT LUG, (G9-43A), (ISO)	
201	1001130708	1	OPTIONAL CAPACITY CHART BOOKLET, (G9-43A), (ANSI)	C
201	1001130709	1	GRAPPLE BUCKET, (G9-43A), (ANSI)	
201	1001130710	1	TRUSS BOOM WITH WINCH, (G9-43A), (ANSI)	
201	1001130711	1	VERTICAL MAST, (G9-43A), (ANSI)	
201	1001146993	1	SIDE SHIFT, (G9-43A), (ANSI)	
201	1001189292	1	TRUSS BOOM, (G9-43A), (ANSI)	
201	1001130818	1	OPTIONAL CAPACITY CHART BOOKLET, (G9-43A), (ISO)	D
201	1001130819	1	GRAPPLE BUCKET, (G9-43A), (ISO)	
201	1001130820	1	TRUSS BOOM WITH WINCH, (G9-43A), (ISO)	
201	1001130821	1	VERTICAL MAST, (G9-43A), (ISO)	
201	1001146994	1	SIDE SHIFT, (G9-43A), (ISO)	
201	1001191514	1	TRUSS BOOM ADJ, (G9-43A), (ISO)	
201	1001130844	1	OPTIONAL CAPACITY CHART BOOKLET, (G10-43A), (ANSI)	C
201	1001130845	1	GRAPPLE BUCKET, (G10-43A), (ANSI)	
201	1001130846	1	TRUSS BOOM WITH WINCH, (G10-43A), (ANSI)	
201	1001130847	1	VERTICAL MAST, (G10-43A), (ANSI)	
201	1001146995	1	SIDE SHIFT, (G10-43A), (ANSI)	
201	1001146996	1	SIDE SHIFT, (G9-43A), (ANSI)	
201	1001189294	1	TRUSS BOOM, (G9-43A), (ANSI)	
201	1001130852	1	OPTIONAL CAPACITY CHART BOOKLET, (G10-43A), (ISO)	C
201	1001130853	1	GRAPPLE BUCKET, (G10-43A), (ISO)	
201	1001130854	1	TRUSS BOOM WITH WINCH, (G10-43A), (ISO)	
201	1001130855	1	VERTICAL MAST, (G10-43A), (ISO)	
201	1001146997	1	SIDE SHIFT CARRIAGE, (G10-43A), (ISO)	
201	1001146998	1	BACK COVER, (G10-43A), (ISO)	
201	1001191515	1	TRUSS BOOM, (G10-43A), (ISO)	
216	1001108836	1	TILT/SWAY DECAL, (G9-43A, if equipped)	
216	1001108847	1	SWAY DECAL, (G10-43A), (G9-43A, if equipped)	

SECTION 11 - DECALS

ITEM	PART NUMBER	QTY	DESCRIPTION	REV
217	1001131509	1	AUX HYDRAULIC DECAL, (G9-43A)	
217	1001111229	1	OUTRIGGERS DECAL, (G10-43A)	
226	1001109459	1	BOOM CONTROL DECAL, (G9-43A, if equipped)	
226	1001109458	1	BOOM CONTROL DECAL, (G10-43A), (G9-43A, if equipped)	
387	1001108853	1	AUX HYDRAULIC DECAL (SN 0160040468 through 0160041950, Excluding 0160040971)	
387	1001131509	1	AUX HYDRAULIC DECAL (SN 0160041960 to Present, Including 0160040971)	
401	4107971	1	OUTRIGGER CONTACT WARNING DECAL, (G10-43A), (ANSI)	
401	1706279	1	OUTRIGGER CONTACT WARNING DECAL, (G10-43A), (ISO)	
501	1001160072	1	DECAL, REVERSE SENSING SYSTEM, (ANSI)	
501	1001160945	1	DECAL, REVERSE SENSING SYSTEM, (ENGLISH\FRENCH)	
501	1001160916	1	DECAL, REVERSE SENSING SYSTEM, (ISO)	
601	1001160071	1	DECAL, REAR WINDOW EXIT (ENGLISH)	
601	1001160787	1	DECAL, REAR WINDOW EXIT (ENGLISH/FRANCE)	
601	1001160912	1	DECAL, REAR WINDOW EXIT (ISO)	
K1	91475063	1	SUNBELT DECAL KIT	
K2	91515055	1	UNITED RENTALS DECAL KIT	
K3	91515073	1	NES RENTALS DECAL KIT	
K4	91515074	1	H AND E DECAL KIT	
K5	1001094529	1	RSC DECAL KIT, (G9-43A)	
K6	1001128553	1	HERTZ DECAL KIT, (G9-43A)	
K7	1001141458	1	LEAVITT DECAL KIT	

SECTION 11 - DECALS

FIGURE 11-5. BOOM DECALS (SN 0193001 through 0193007, SN 016000008 through 016000068)



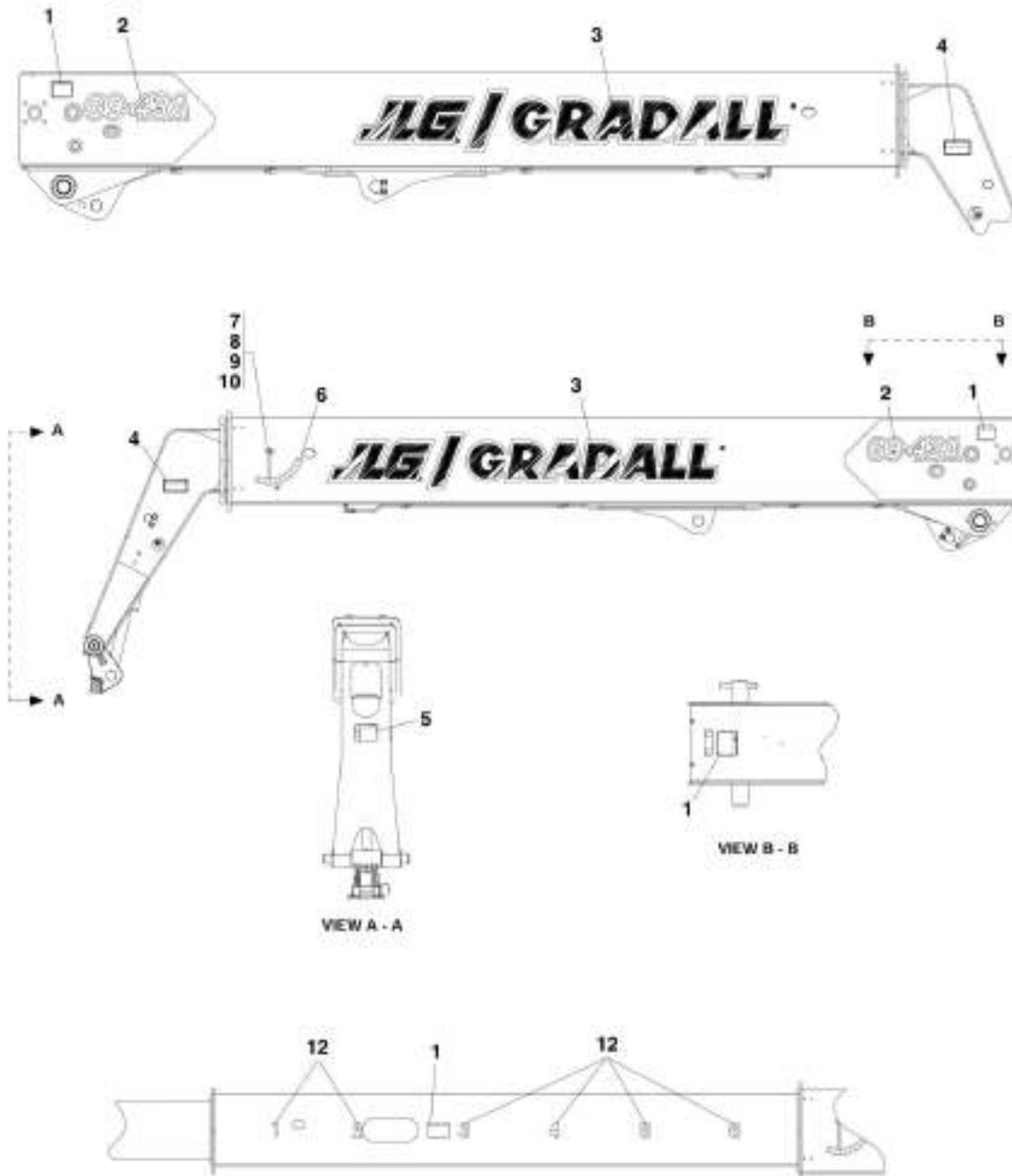
SECTION 11 - DECALS

FIGURE 11-5. BOOM DECALS (SN 0193001 through 0193007, SN 016000008 through 0160000668)

ITEM	PART NUMBER	QTY	DESCRIPTION	REV
1	91513043	2	DECAL G9-43A	
2	91473132	2	JLG/GRADALL DECAL - WHITE	
3	90200445	1	PENDULUM	
4	90200688	1	BEARING	
5	90026491	1	SHOULDER BOLT, 1/4-20	
6	88561108	1	FLAT WASHER, 5/16	
7	80603037	5	WARNING DECAL	
8	91003031	1	BOOM ANGLE DECAL - WHITE	
9	91143290	1	WARNING DECAL	
10	91143282	2	WARNING DECAL	
11	90553026	1	WARNING DECAL	
12	91553072	1	BOOM NUMBERS DECAL KIT	

SECTION 11 - DECALS

FIGURE 11-6. BOOM DECALS (SN 016000683 through 0160006218)



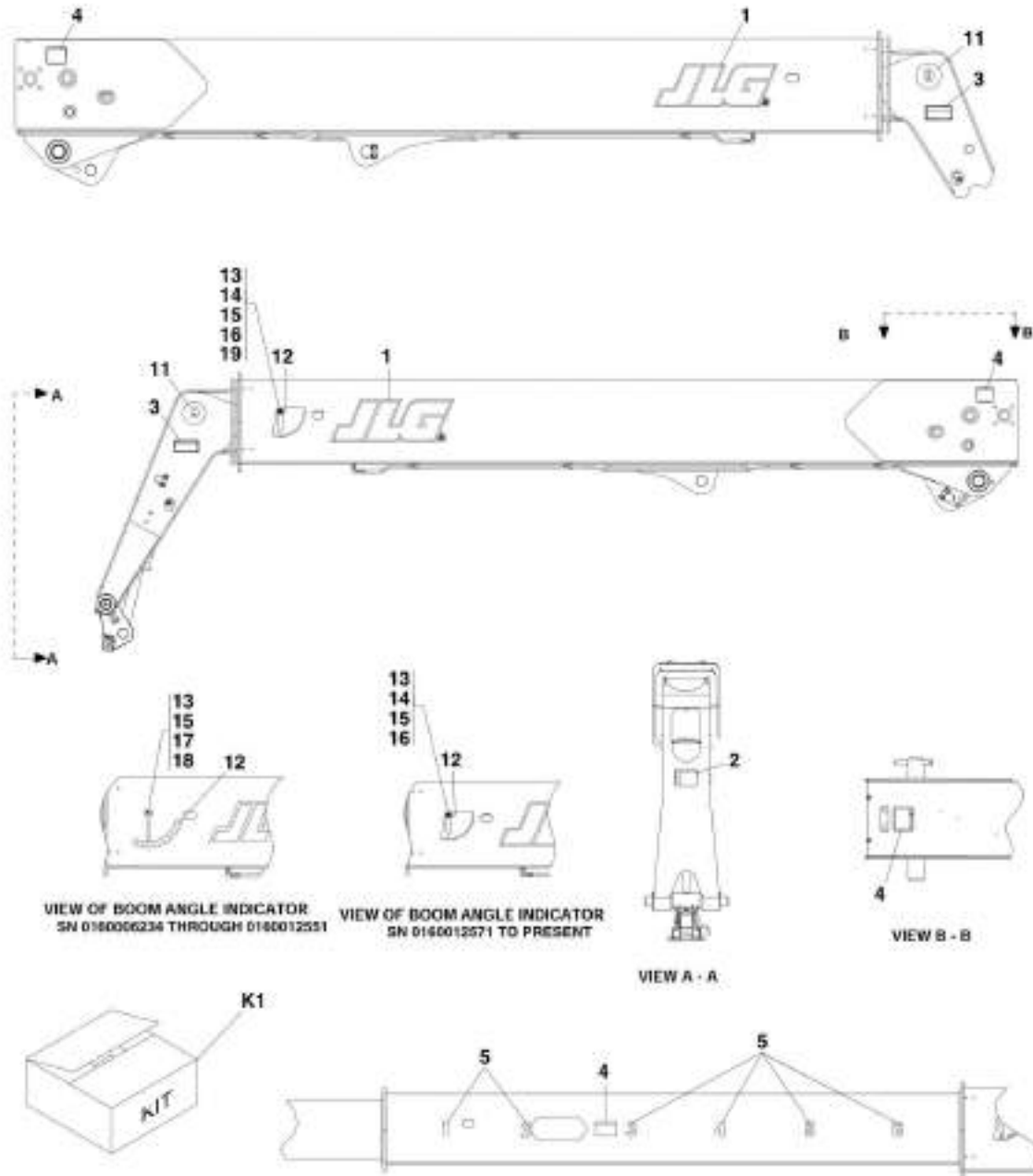
SECTION 11 - DECALS

FIGURE 11-6. BOOM DECALS (SN 0160000683 through 0160006218)

ITEM	PART NUMBER	QTY	DESCRIPTION	REV
1	91513210	5	PINCH POINT DECAL	
2	91513043	2	DECAL G9-43A	
3	91473132	2	JLG/GRADALL DECAL - WHITE	
4	91143282	2	WARNING DECAL	
5	91513208	1	LIFTING PERSONNEL DECAL	
6	91003031	1	BOOM ANGLE DECAL - WHITE	
7	90200445	1	PENDULUM	
8	90200688	1	BEARING	
9	90026491	1	SHOULDER BOLT, 1/4-20	
10	88561108	1	FLAT WASHER, 5/16	
12	91553072	1	BOOM NUMBERS DECAL KIT	

SECTION 11 - DECALS

FIGURE 11-7. BOOM DECALS (SN 0160006234 through 0160040674, Excluding 0160040468 and 0160040672)



PAP115TD

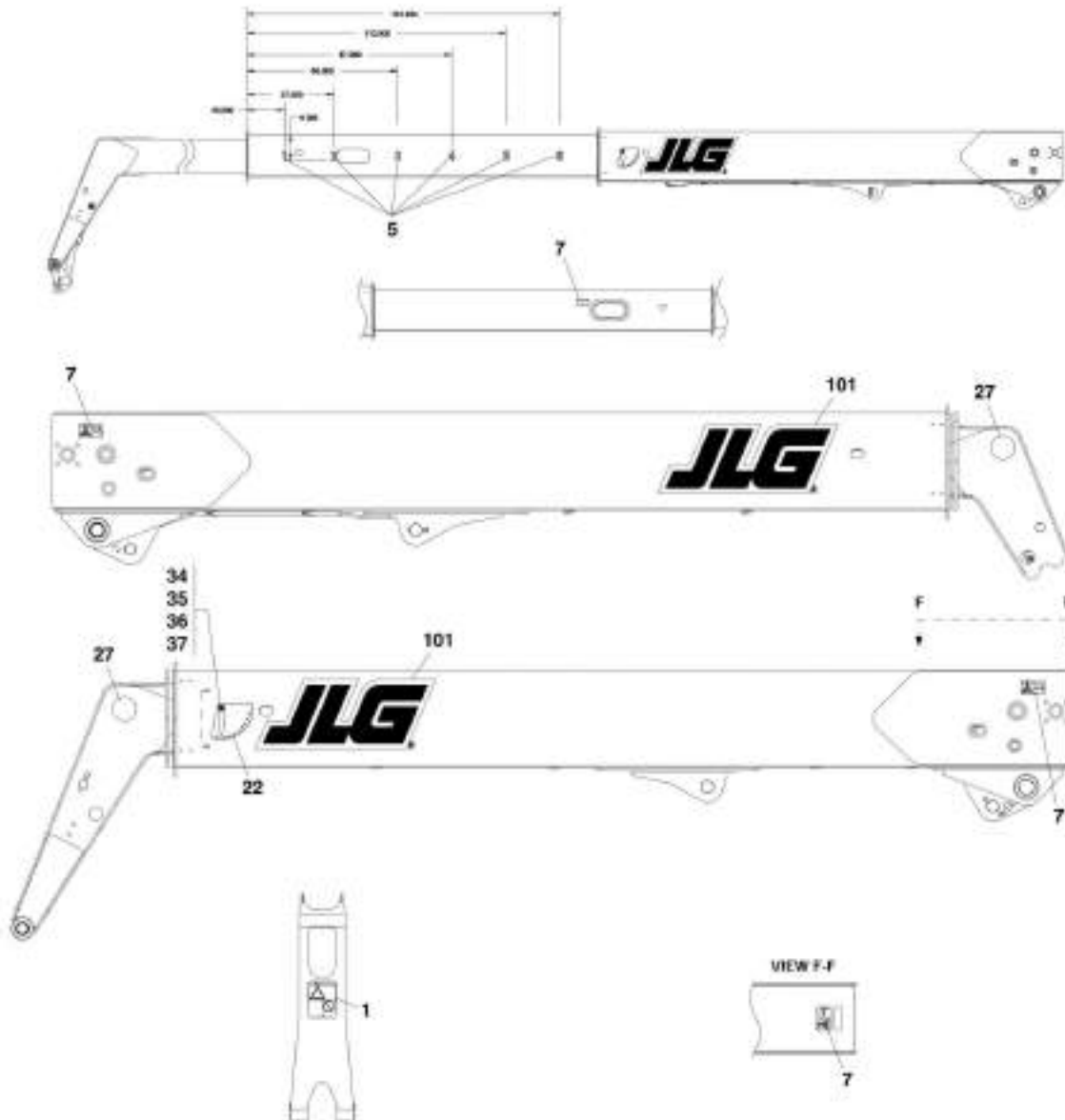
SECTION 11 - DECALS

FIGURE 11-7. BOOM DECALS (SN 0160006234 through 0160040674, Excluding 0160040468 and 0160040672)

ITEM	PART NUMBER	QTY	DESCRIPTION	REV
1	1705864	2	JLG DECAL, 12IN	
2	91513208	1	LIFTING PERSONNEL DECAL	
3	91143282	2	WARNING DECAL	
4	91513210	5	PINCH POINT DECAL	
5	91553072	1	BOOM NUMBERS DECAL KIT	
11	1706168	2	GOOSENECK DECAL, 9	
11	1706100	2	GOOSENECK DECAL, 10	
12	91003031	1	BOOM ANGLE DECAL (SN 0160006234 through 0160012551)	
12	4105262	1	BOOM ANGLE DECAL (SN 0160012571 to Present)	
13	90200445	1	PENDULUM (SN 0160006234 through 0160012551)	
13	7075611	1	PENDULUM (SN 0160012571 through 0160033133)	
13	1001098769	1	PENDULUM (SN 0160033134 to Present)	
14	8305647	1	NUT (SN 0160012571 through 0160033133)	
14	8305645	1	NUT (SN 0160033134 to Present)	
15	88561108	1	FLAT WASHER, 5/16 (SN 0160006234 through 0160012551)	
15	8307113	3	WASHER (SN 0160012571 through 0160033133)	
15	4711600	1	WASHER, 3/8 (SN 0160033134 to Present)	
16	0100011	AR	LOCTITE 242	
17	90200688	1	BEARING (SN 0160006234 through 0160012551)	
18	90026491	1	SHOULDER BOLT, 1/4-20 (SN 0160006234 through 0160012551)	
19	1001096404	1	ANGLE INDICATOR SPACER SLEEVE (SN 0160033134 to Present)	
K1	91515050	Ref	DECAL KIT, WHITE, (includes items 1, 3 thru 5, 11 & 12 and items 1 thru 10 & 13 thru 18 See CAB AND FRAME DECALS) (SN 0160006234 to Present)	D

SECTION 11 - DECALS

FIGURE 11-8. BOOM DECALS (SN 0160040675 to Present, Including 0160040468 and 0160040672)



PH15800

SECTION 11 - DECALS

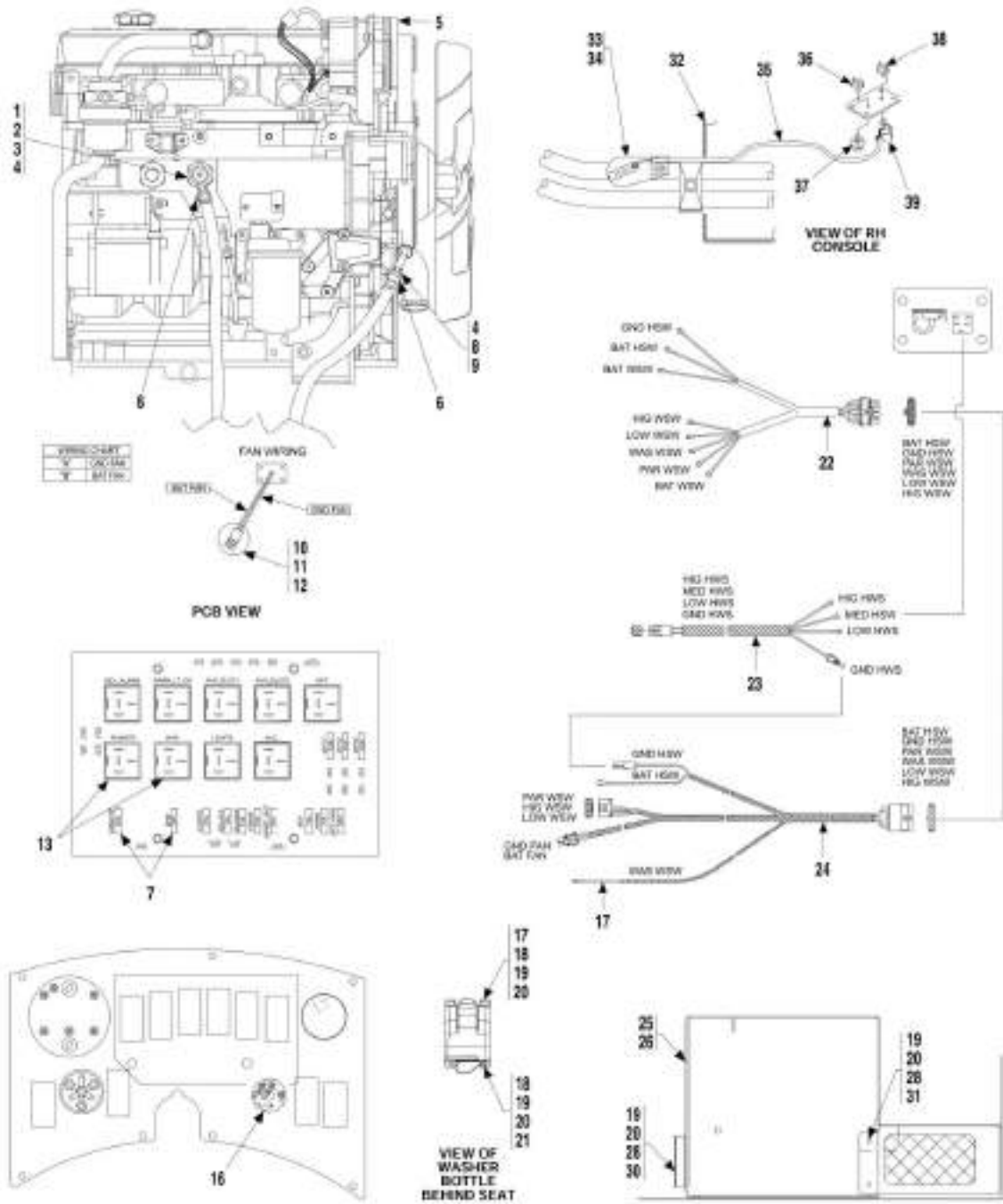
FIGURE 11-8. BOOM DECALS (SN 0160040675 to Present, Including 0160040468 and 0160040672)

ITEM	PART NUMBER	QTY	DESCRIPTION	REV
	1001115110	Ref	DECAL INSTALLATION, (G9-43A), (ANSI), (not available to order, see items 2 thru 33, 38 & 39 See CAB AND FRAME DECALS and items 1, 7, 22, 24, 27 & 34 thru 37 See BOOM DECALS)	C, 5
	1001115111	Ref	DECAL INSTALLATION, (G9-43A), (ISO), (not available to order, see items 2 thru 33, 38 & 39 See CAB AND FRAME DECALS and items 1, 7, 22, 24, 27 & 34 thru 37 See BOOM DECALS)	D, 5
	1001163581	Ref	DECAL INSTALLATION, (G9-43A), (FRENCH), (not available to order, see items 2 thru 26, 31, 32, 33, 40 thru 44 & See CAB AND FRAME DECALS and items 1, 7, 22, 24 & 34 thru 37 See BOOM DECALS)	B
	1001115112	Ref	DECAL INSTALLATION, (G10-43A), (ANSI), (not available to order, see items 2 thru 33, 38, 39 & 328 See CAB AND FRAME DECALS and items 1, 7, 22, 24, 27 & 34 thru 37 See BOOM DECALS)	C, 5
	1001115113	Ref	DECAL INSTALLATION, (G10-43A), (ISO), (not available to order, see items 2 thru 33, 38, 39 & 328 See CAB AND FRAME DECALS and items 1, 7, 22, 24, 27 & 34 thru 37 See BOOM DECALS)	D, 5
	1001163582	Ref	DECAL INSTALLATION, (G10-43A), (FRENCH), (not available to order, see items 2 thru 26, 31, 32, 33, 40 thru 44 & See CAB AND FRAME DECALS and items 1, 7, 22, 24 & 34 thru 37 See BOOM DECALS)	B
1	1706298	1	CARRY PERSONNEL DECAL, (ANSI)	
1	1706282	1	CARRY PERSONNEL DECAL, (ISO)	
1	1001163206	1	CARRY PERSONNEL DECAL, (FRENCH)	
7	1706302	5	PINCH POINT DECAL, (ANSI)	
7	1706292	5	PINCH POINT DECAL, (ISO)	
7	1001163223	5	PINCH POINT DECAL, (FRENCH)	
22	4105262	1	BOOM ANGLE INDICATOR DECAL	
24	91553072	1	BOOM NUMBERS DECAL	
27	1706170	2	GOOSENECK DECAL, 9, (G9-43A)	
27	1706100	2	GOOSENECK DECAL, 10, (G10-43A)	
34	1001098769	1	BOOM ANGLE INDICATOR PLATE	
35	1001096404	1	ANGLE INDICATOR SPACER SLEEVE	
36	4711600	1	WASHER, 3/8	
37	8305645	1	HEX LOCKNUT, 3/8-16	
101	1705864	2	JLG DECAL, 12IN	

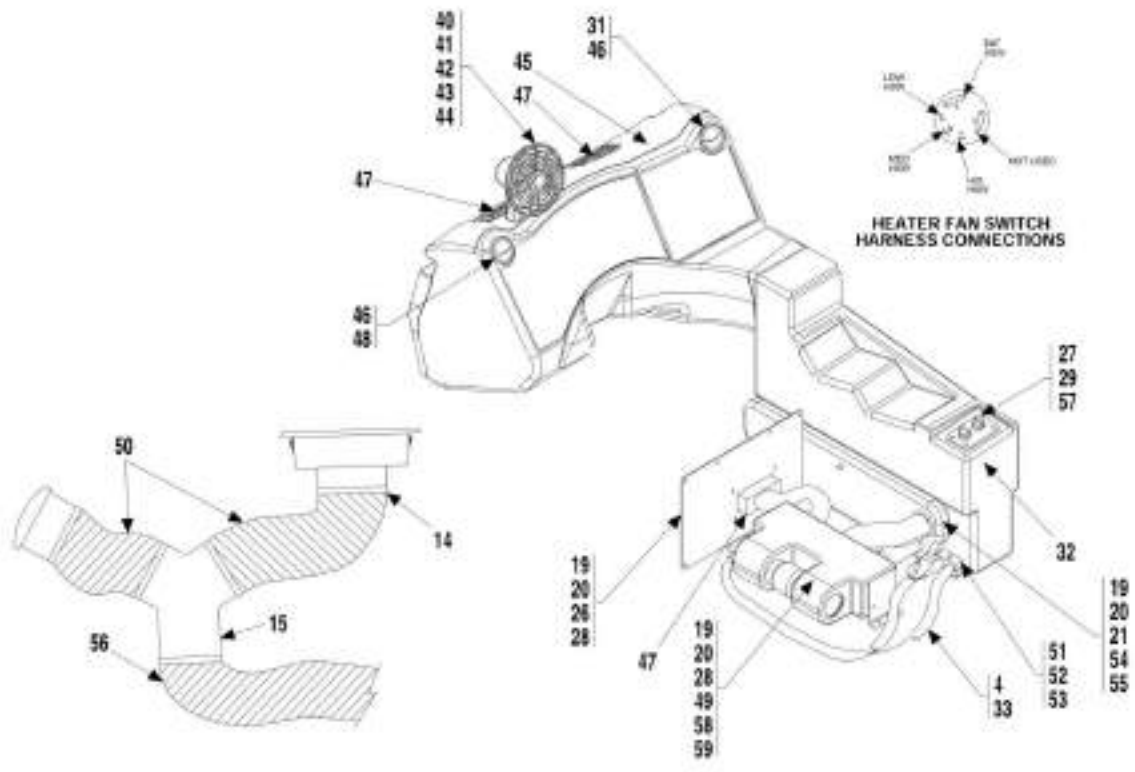
SECTION 12 - OPTIONS

SECTION 12 - OPTIONS

FIGURE 12-1. ENCLOSED CAB HEATER COMPONENTS (SN 0193001 through 0193007, SN 016000008 through 0160015259)



SECTION 12 - OPTIONS



SECTION 12 - OPTIONS

FIGURE 12-1. ENCLOSED CAB HEATER COMPONENTS (SN 0193001 through 0193007, SN 016000008 through 0160015259)

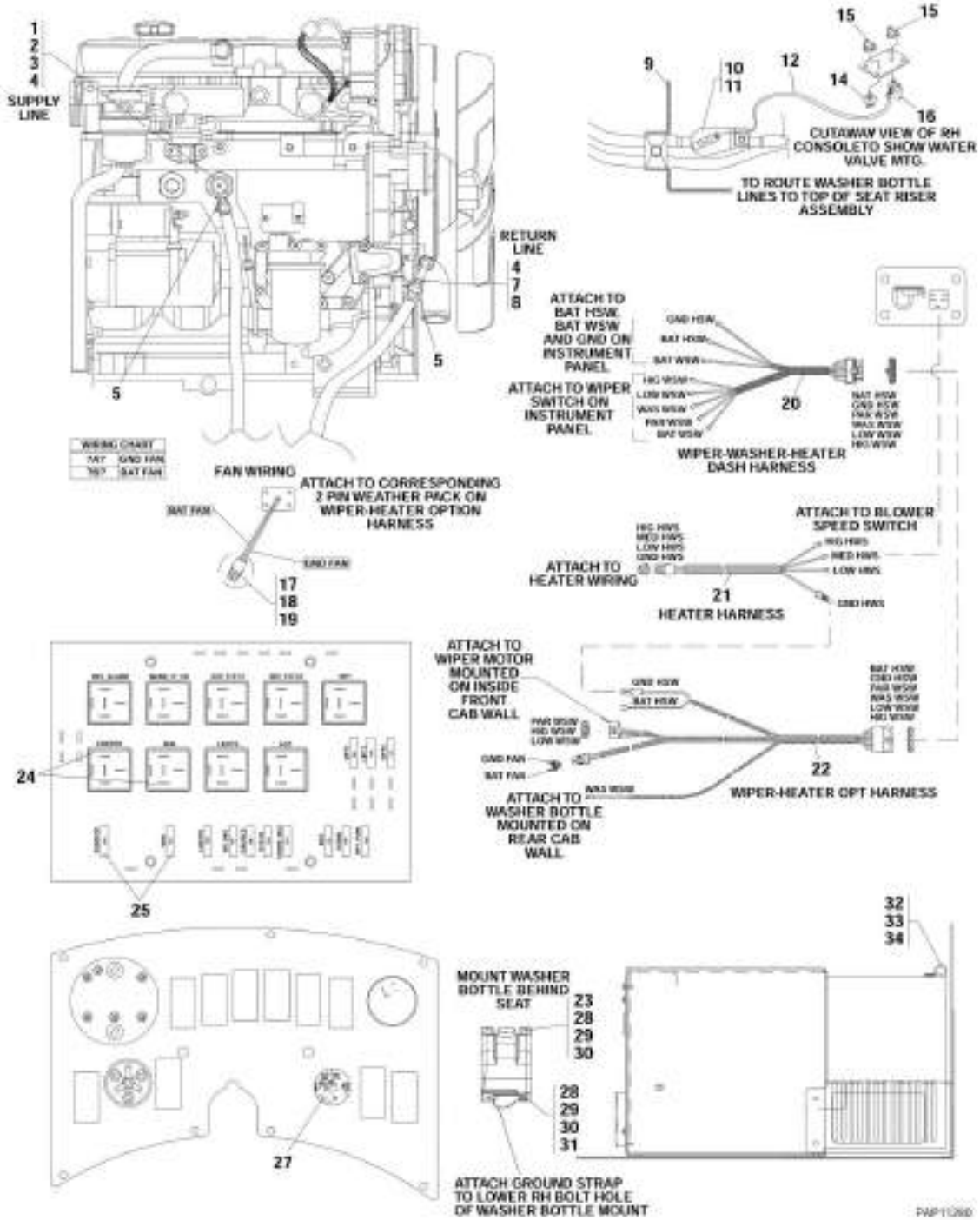
ITEM	PART NUMBER	QTY	DESCRIPTION	REV
	91405056	1	ENCLOSED CAB HEATER COMPONENTS, (includes all items)	
1		Ref	FITTING, (See ENGINE HEATER COMPONENTS for Breakdown)	
2		Ref	TRUCK VALVE, (See ENGINE HEATER COMPONENTS for Breakdown)	
3		Ref	COOLANT RESTRICTER ORIFICE, (See ENGINE HEATER COMPONENTS for Breakdown)	
4		Ref	HEATER HOSE, 5/8IN, (See ENGINE HEATER COMPONENTS for Breakdown)	
5		Ref	ENGINE ASSY, (See ENGINE AND ATTACHING PARTS SECTION for Breakdown)	
6		Ref	HEATER HOSE CLAMP, (See ENGINE HEATER COMPONENTS for Breakdown)	
7	8229262	2	FUSE, 25 AMP	
8		Ref	STRAIGHT FITTING, (See ENGINE HEATER COMPONENTS for Breakdown)	
9		Ref	BARBED FITTING, 90, (See ENGINE HEATER COMPONENTS for Breakdown)	
10	80963058	1	WEATHER PACK CONNECTOR, (shroud)	
11	80963069	2	WEATHER PACK CONNECTOR, (pins)	
12	80963065	2	WEATHER PACK CONNECTOR, (seals)	
13	77363265	2	RELAY	
14	85071128	18	HOSE CLAMP	
15	91403539	2	CONNECTOR, 3 WAY	
16	80963101	1	WIPER SWITCH	
17	83683085	1	WIPER BOTTLE	
18	88201005	3	HEX HD CAPSCREW, 1/4-20X1, GR5	
19	88561002	18	FLAT WASHER, 1/4	
20	88551009	17	LOCKWASHER, 1/4	
21	88501004	2	HEX NUT, 1/4-20	
22	91403351	1	WIPE/WASH HARNESS	
23	91403352	1	HEATER HARNESS	
24	91403350	1	WIPE/HEATER HARNESS	
25	91406114	1	HEATER COVER WELDMENT	
26	91406113	1	ACCESS, BEZEL COVER	
27	91413051	4	SOCKET FLAT HD CAPSCREW, #10-24X1-1/4	
28	88261015	13	SOCKET BUTTON HD CAPSCREW, 1/4-20X5/8	
29	80363034	4	TINNERMAN NUT	
30	91401421	1	VENT COVER	
31	91406119	1	HEATER COVER WELDMENT	
32	91403288	1	RH CONSOLE WITH HEATER	
33	86683193	4	HOSE CLAMP	
34	83683182	1	WATER VALVE	
35	91413038	1	HEATER CONTROL CABLE	
36	80363029	1	KNOB, 1/4 SHAFT	
37	80964001	1	BLOWER SWITCH	
38	80363069	1	KNOB, 3/16 SHAFT	
39	80363028	1	ROTARY CONTROL	
40	91403608	1	DEFROSTER FAN	
41	91401443	1	FAN BASE PLATE	

SECTION 12 - OPTIONS

ITEM	PART NUMBER	QTY	DESCRIPTION	REV
42	91033425	1	RUBBER GROMMET	
43	88211030	4	SOCKET HD CAPSCREW, #10-24X3/4, GR8	
44	77143017	4	WHIZ-LOCK NUT, #10-24	
45	91403299	1	DASH, ENCLOSED CAB	
46	80363106	2	VENT, CIRCULAR	
47	91403538	3	VENT, RECTANGULAR	
48	91403596	2	VENT REDUCER	
49	91403280	NLA	HEATER UNIT, (no longer available, order 1001114282 or see items 58 & 59 for service)	
50	71492150	1	VENT HOSE, 2	
51	77133279	1	CLAMP SET	
52	77133137	1	COVER PLATE	
53	88201023	1	HEX HD CAPSCREW, 5/16-18X1-3/4, GR5	
54	91403329	1	PLENUM, HEAT/AC	
55	88201011	1	HEX HD CAPSCREW, 1/4-20X2-1/2, GR5	
56	71492152	1	VENT HOSE, 2-1/2	
57	91403445	1	HEATER CONTROL PANEL	
58	70022804	1	HEATER FAN MOTOR REPLACEMENT KIT	
59	91404439	2	HEATER FAN WHEEL	

SECTION 12 - OPTIONS

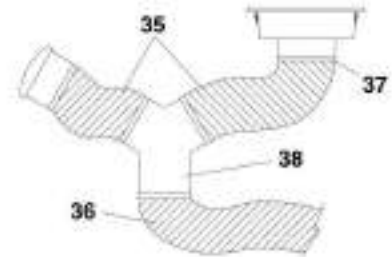
FIGURE 12-2. ENCLOSED CAB HEATER COMPONENTS (SN 0160015460 through 0160040674, Excluding 0160040468 and 0160040672)



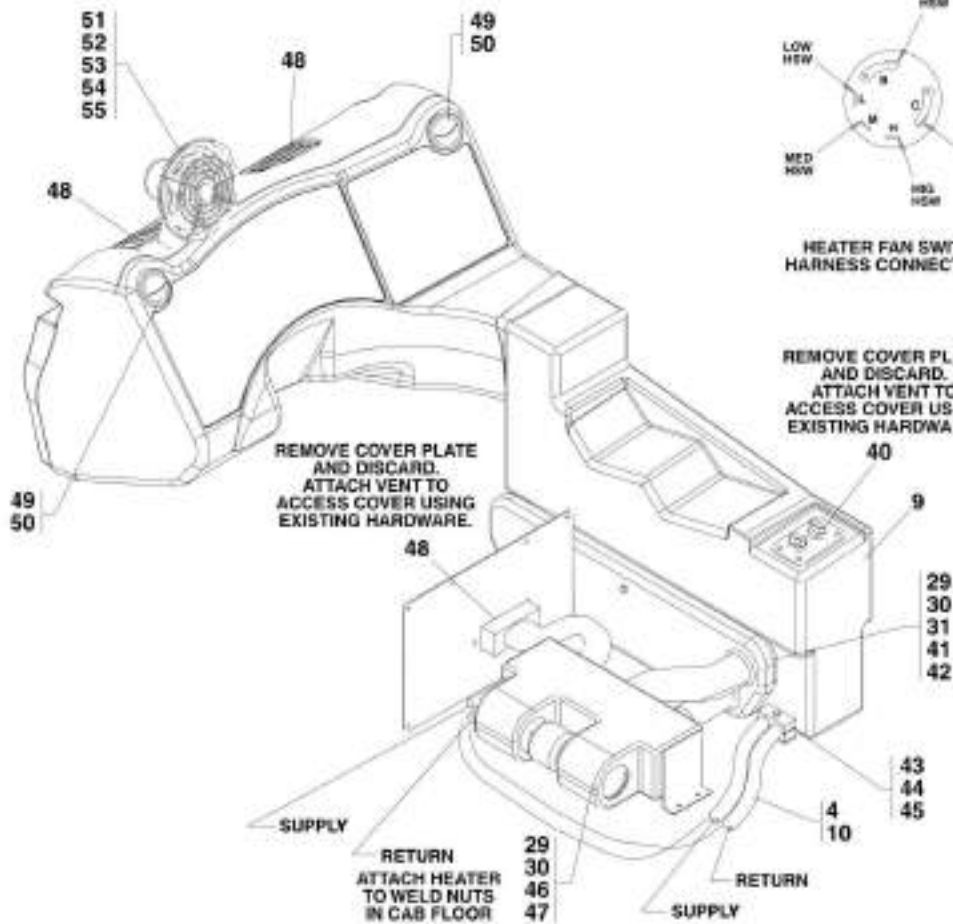
SECTION 12 - OPTIONS



USE THIS CLAMP TO ATTACH VENT HOSE TO VENTS, PLENUM AND HEATER



ATTACH HOSES FROM 3-WAY CONNECTORS TO FRONT OPENING ON THE PLENUM.



SECTION 12 - OPTIONS

**FIGURE 12-2. ENCLOSED CAB HEATER COMPONENTS (SN 0160015460 through 0160040674,
Excluding 0160040468 and 0160040672)**

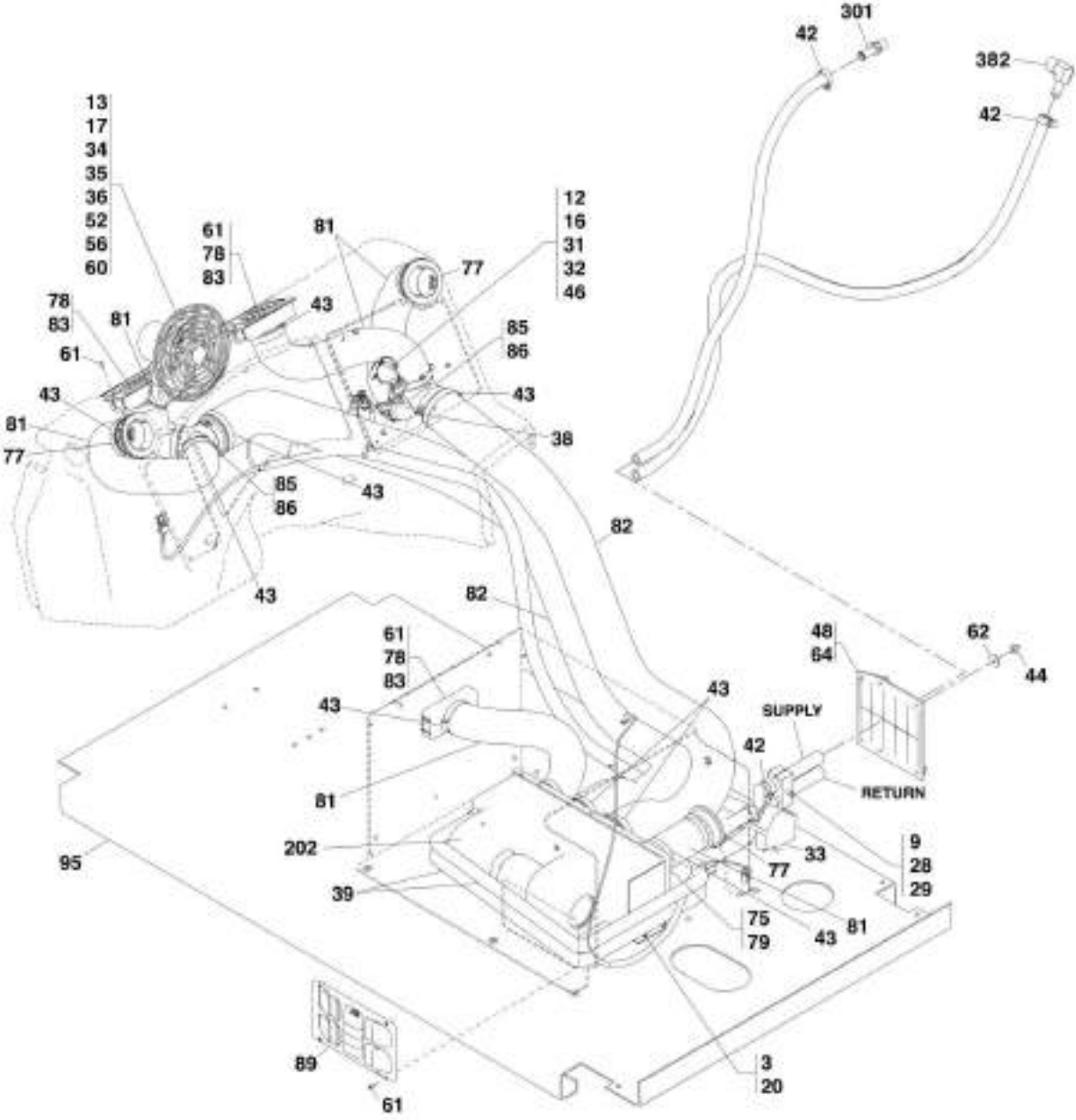
ITEM	PART NUMBER	QTY	DESCRIPTION	REV
	91475108	Ref	CAB ENCLOSURE KIT INSTALLATION, (not available to order, see items 1 thru 55 for service)	B
1		Ref	FITTING, (See ENGINE HEATER COMPONENTS for Breakdown)	
2		Ref	TRUCK VALVE, (See ENGINE HEATER COMPONENTS for Breakdown)	
3		Ref	COOLANT RESTRICTOR ORIFICE, (See ENGINE HEATER COMPONENTS for Breakdown)	
4		Ref	HEATER HOSE, 5/8IN, (See ENGINE HEATER COMPONENTS for Breakdown)	
5		Ref	HEATER HOSE CLAMP, (See ENGINE HEATER COMPONENTS for Breakdown)	
6	86683122	1	TIE WRAP	
7		Ref	STRAIGHT FITTING, (See ENGINE HEATER COMPONENTS for Breakdown)	
8		Ref	BARBED FITTING, 90, (See ENGINE HEATER COMPONENTS for Breakdown)	
9		Ref	RH CONSOLE, (See CAB SECTION for Breakdown)	
10	86683193	4	HOSE CLAMP	
11	83683182	1	WATER VALVE	
12	91413038	1	HEATER CABLE	
14	80964001	1	BLOWER SWITCH	
15	80363069	2	KNOB, 3/16 SHAFT	
16	80363028	1	ROTARY CONTROL	
17	80963058	1	WEATHER PACK SHROUD	
18	80963069	2	WEATHER PACK PINS	
19	80963065	2	WEATHER PACK SEALS	
20	91403351	1	WIPER/WASHER HARNESS	
21	91403352	1	HEATER HARNESS	
22	91403350	1	WIPER/HEATER HARNESS	
23	83683085	1	WASHER BOTTLE	
24	77363265	1	RELAY	
25	8229262	2	AUTO FUSE, 25 AMP	
27	80963101	1	WIPER SWITCH	
28	88201005	3	HEX HD CAPSCREW, 1/4-20X1	
29	88561002	9	FLAT WASHER, 1/4	
30	88551009	8	LOCKWASHER, 1/4	
31	88501004	2	HEX NUT, 1/4-20	
32	91413036	2	SELF TAPPING SCREW, #6X1/2	
33	24861170	2	CLAMP	
34	88561105	2	FLAT WASHER, #10	
35	71492150	10 ft	VENT HOSE, 2IN DIAMETER	
36	71492152	10.5 ft	VENT HOSE, 2 1/2IN DIAMETER	
37	84231107	18	HOSE CLAMP	
38	91403539	2	3 WAY CONNECTOR	
39		Ref	CAB ENCLOSURE, (See CAB SECTION for Breakdown)	
40	91403445	1	HEATER CONTROL PANEL	
41	91403329	1	HEAT/AC PLENUM	
42	88201011	1	HEX HD CAPSCREW, 1/4-20X2 1/2	
43	77133279	1	CLAMP SET	

SECTION 12 - OPTIONS

ITEM	PART NUMBER	QTY	DESCRIPTION	REV
44	77133137	1	COVER PLATE	
45	88201023	1	HEX HD CAPSCREW, 5/16-18X1 3/4	
46	91403280	1	HEATER UNIT	
47	88261015	4	BUTTON HD CAPSCREW, 1/4-20X5/8	
48	91413053	3	RECTANGULAR VENT	
49	91403596	2	VENT REDUCER	
50	80363106	2	CIRCULAR VENT	
51	91403608	1	DEFROSTER FAN	
52	91401443	1	FAN BASE PLATE	
53	91033425	1	RUBBER GROMMET	
54	88211030	4	SOCKET HD CAPSCREW, #10-24X3/4	
55	77143017	4	WHIZ-LOCK NUT, #10-24	

SECTION 12 - OPTIONS

FIGURE 12-3. ENCLOSED CAB HEATER COMPONENTS (SN 0160040675 to Present, Including 0160040468 and 0160040672)



ART. 91514001-12-3

SECTION 12 - OPTIONS

FIGURE 12-3. ENCLOSED CAB HEATER COMPONENTS (SN 0160040675 to Present, Including 0160040468 and 0160040672)

ITEM	PART NUMBER	QTY	DESCRIPTION	REV
3	0641405	4	HEX HD CAPSCREW, 1/4-20X5/8, GR5	
9	0641518	1	HEX HD CAPSCREW, 5/16-18X2-1/4, GR5	
12		Ref	FLAT HD CAPSCREW, #6-32X0.62, (See CAB SECTION for Breakdown)	
13	0741006	4	SOCKET HD CAPSCREW, #10-24X0.75	
16		Ref	HEX NUT, #6-32, GR2, (See CAB SECTION for Breakdown)	
17	3311005	4	HEX NUT, #10-24, GR2	
20	4711400	4	WASHER, 1/4	
28	77133137	1	COVER PLATE	
29	7713279	1	CLAMP SET	
31		Ref	KNOB, (See CAB SECTION for Breakdown)	
32		Ref	POTENTIOMETER ASSY, (8k ohms), (See CAB SECTION for Breakdown)	
33	80383231	1	HEATER CONTROL VALVE	
34	80963058	1	WEATHER PACK SHROUD	
35	80963065	2	WEATHER PACK SEALS	
36	80963069	2	WEATHER PACK PINS	
38		Ref	BLOWER SWITCH, (See CAB SECTION for Breakdown)	
39		Ref	HEATER HOSE, (See ENGINE HEATER COMPONENTS for Breakdown)	
42	86683193	8	HOSE CLAMP	
43	86883328	18	HOSE CLAMP	
44	88521004	4	LOCKNUT, 1/4-20	
46		Ref	TUBING CLIP, (See CAB SECTION for Breakdown)	
48	90206195	18 in	TRIM-LOCK	
52	91033425	1	RUBBER GROMMET	
56	91401443	1	FAN BASE PLATE	
60	91403608	1	DEFROSTER FAN	
61	91413036	10	SELF-TAPPING SCREW, #6X1/2	
62	91413050	4	WASHER, 1/4	
64	91473163	1	HOSE GUARD	
75	1001090344	AR	NEOPRENE TAPE, 1/16X1/2	
77	1001100278	3	ROUND VENT	
78	1001100279	3	DEFROST VENT	
79	1001100282	1	BLOWER UNIT COVER	
81	1001100446	78 in	HOSE	
82	1001100447	148 in	3 IN HOSE	
83	1001101216	3	DEFROST BASE VENT	
85	1001101668	2	3-WAY CONDUIT	
86	1001101669	2	3IN CONDUIT	
89	1001106849	1	RETURN AIR VENT	
95		Ref	ENCLOSED CAB, (See CAB SECTION for Breakdown)	
202	1001114282	1	3 SPEED HEATER ASSY	
301	8430048	1	FITTING, HOSE BARB	
382	1001135035	1	ADAPTER, 90	

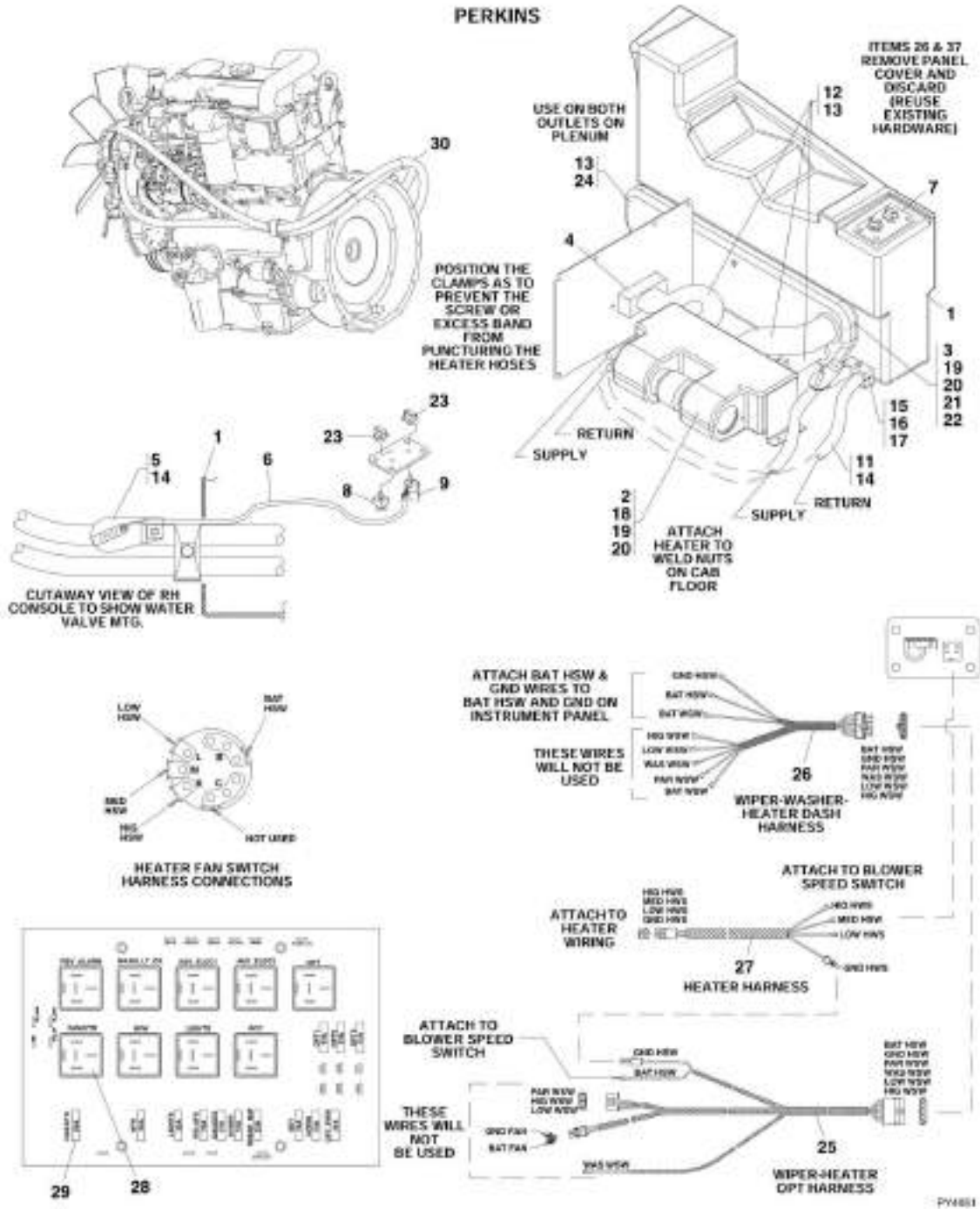
SECTION 12 - OPTIONS

FIGURE 12-4. OPEN CAB HEATER COMPONENTS (SN 0160015460 through 0160040674, Excluding 0160040468 and 0160040672)

ITEM	PART NUMBER	QTY	DESCRIPTION	REV
	91475109	1	OPEN CAB HEATER OPTION, (JOHN DEERE), (includes all items)	D
1		Ref	FITTING, (See ENGINE HEATER COMPONENTS for Breakdown)	
2		Ref	TRUCK VALVE, (See ENGINE HEATER COMPONENTS for Breakdown)	
3		Ref	COOLANT RESTRICTOR ORIFICE, (See ENGINE HEATER COMPONENTS for Breakdown)	
4		Ref	HEATER HOSE, 5/8IN, (See ENGINE HEATER COMPONENTS for Breakdown)	
5		Ref	HEATER HOSE CLAMP, (See ENGINE HEATER COMPONENTS for Breakdown)	
6		Ref	STRAIGHT FITTING, (See ENGINE HEATER COMPONENTS for Breakdown)	
7		Ref	BARBED FITTING, 90, (See ENGINE HEATER COMPONENTS for Breakdown)	
8	8229262	1	AUTO FUSE, 25 AMP	
9	86683193	4	HOSE CLAMP	
10	83683182	1	WATER VALVE	
11		Ref	RH CONSOLE WITH HEATER, (See CAB SECTION for Breakdown)	
12	91413038	1	HEATER CONTROL CABLE	
14	80964001	1	BLOWER SWITCH	
15	80363069	2	KNOB, 3/16 SHAFT	
16	80363028	1	ROTARY CONTROL	
17	91403351	1	WIPER/WASHER HARNESS	
18	91403352	1	HEATER HARNESS	
19	91403350	1	WIPER/HEATER HARNESS	
20	77363265	1	RELAY	
23	84231107	8	HOSE CLAMP	
24	91416020	2	VENT WELDMENT	
25	71492152	5.5 ft	VENT HOSE, 2-1/2IN DIA	
26	91403445	1	HEATER CONTROL PANEL	
27	91403329	1	HEAT/AC PLENUM	
28	88201011	1	HEX HD CAPSCREW, 1/4-20X2 1/2	
29	88561002	6	FLAT WASHER, 1/4	
30	88551009	5	LOCKWASHER, 1/4	
31	88501004	1	HEX NUT, 1/4-20	
32	77133279	1	CLAMP SET	
33	77133137	1	COVER PLATE	
34	88201023	1	HEX HD CAPSCREW, 5/16-18X1 3/4	
35	91403280	1	HEATER UNIT	
36	88261015	4	BUTTON HD CAPSCREW, 1/4-20X5/8	
37	91413053	1	RECTANGULAR VENT	
108		Ref	LOCTITE 567, (See ENGINE HEATER COMPONENTS for Breakdown)	

SECTION 12 - OPTIONS

FIGURE 12-5. OPEN CAB HEATER COMPONENTS (SN 0160020943 through 0160040674, Including 0160020803, 0160020823 and 0160020824, Excluding 0160040675 and 0160040672)



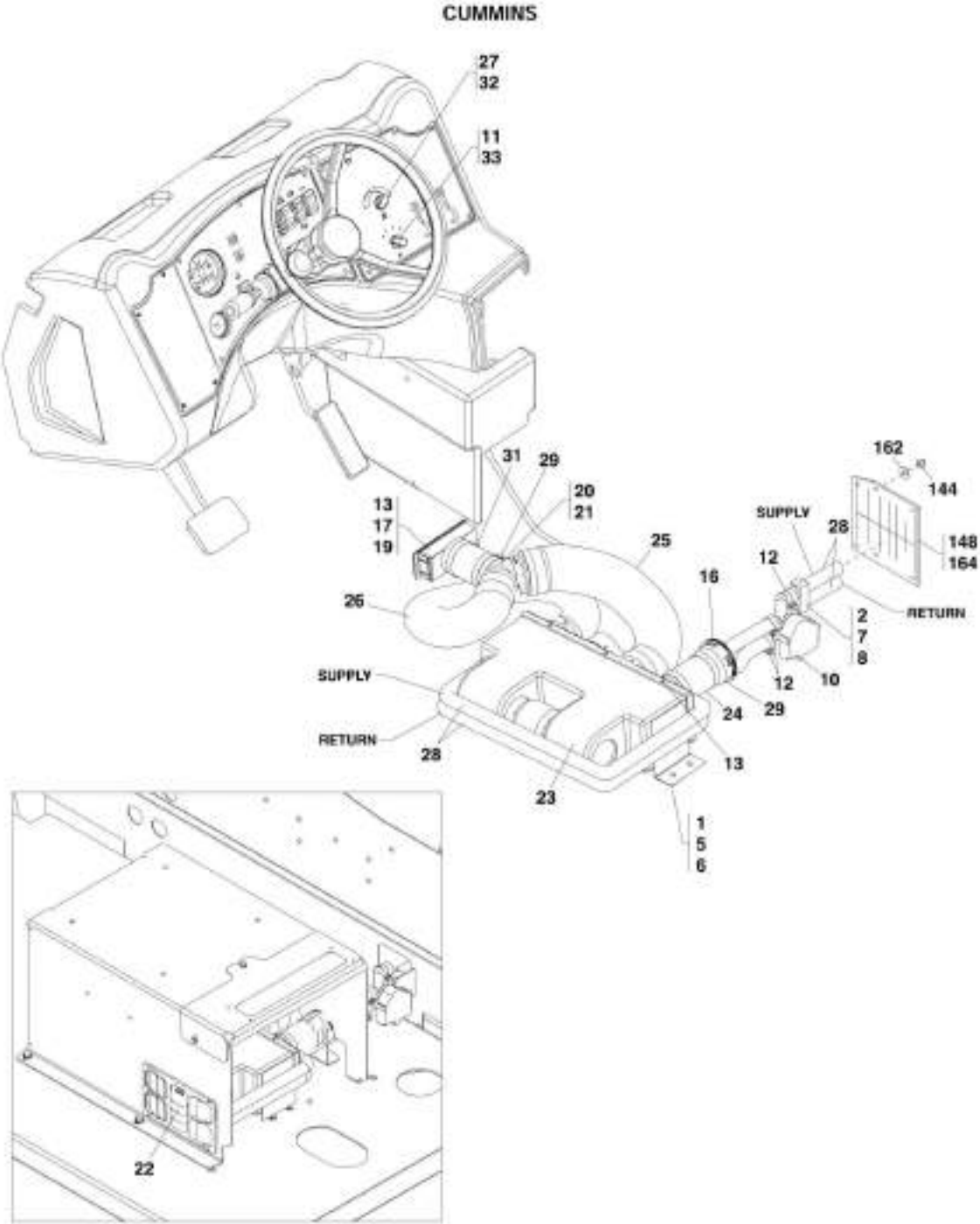
SECTION 12 - OPTIONS

FIGURE 12-5. OPEN CAB HEATER COMPONENTS (SN 0160020943 through 0160040674, Including 0160020803, 0160020823 and 0160020824, Excluding 0160040675 and 0160040672)

ITEM	PART NUMBER	QTY	DESCRIPTION	REV
	0275753	1	OPEN CAB HEATER OPTION, (PERKINS), (includes items 1 thru 30)	D
1		Ref	RH CONSOLE WITH HEATER, (See CAB SECTION for Breakdown)	
2	91403280	1	HEATER UNIT	
3	91403329	1	HEATER/AC PLENUM	
4	91413053	1	RECTANGULAR VENT	
5	83683182	1	WATER VALVE	
6	91413038	1	HEATER CONTROL CABLE	
7	91403445	1	HEATER CONTROL PANEL	
8	80964001	1	BLOWER SWITCH	
9	80363028	1	ROTARY CONTROL	
11	82033995	300 in	HEATER HOSE, 5/8IN	
12	71492152	5.5 ft	VENT HOSE, 2-1/2IN	
13	84231107	8	HOSE CLAMP	
14	86683193	4	HOSE CLAMP	
15	77133279	1	CLAMP SET	
16	77133137	1	COVER PLATE	
17	88201023	1	HEX HD CAPSCREW, 5/16-18X1-3/4, GR5	
18	88261015	4	BUTTON HD CAPSCREW, 1/4-20X5/8	
19	88561002	6	FLAT WASHER, 1/4	
20	88551009	5	LOCKWASHER, 1/4	
21	88201011	1	HEX HD CAPSCREW, 1/4-20X2-1/2, GR5	
22	88501004	1	HEX NUT, 1/4-20	
23	80363069	2	KNOB, 3/16 SHAFT	
24	91416020	2	VENT WELDMENT	
25	91403350	1	WIPER/HEATER HARNESS	
26	91403351	1	WIPER/WASHER HARNESS	
27	91403352	1	HEATER HARNESS	
28	77363265	1	RELAY	
29	80964009	1	FUSE, 25AMP	
30		Ref	ENGINE HEATER COMPONENTS INSTALLATION, (See ENGINE HEATER COMPONENTS for Breakdown)	

SECTION 12 - OPTIONS

FIGURE 12-6. OPEN CAB HEATER COMPONENTS (SN 0160040675 to Present, Including 0160040468 and 0160040672)



ART_31514081-124

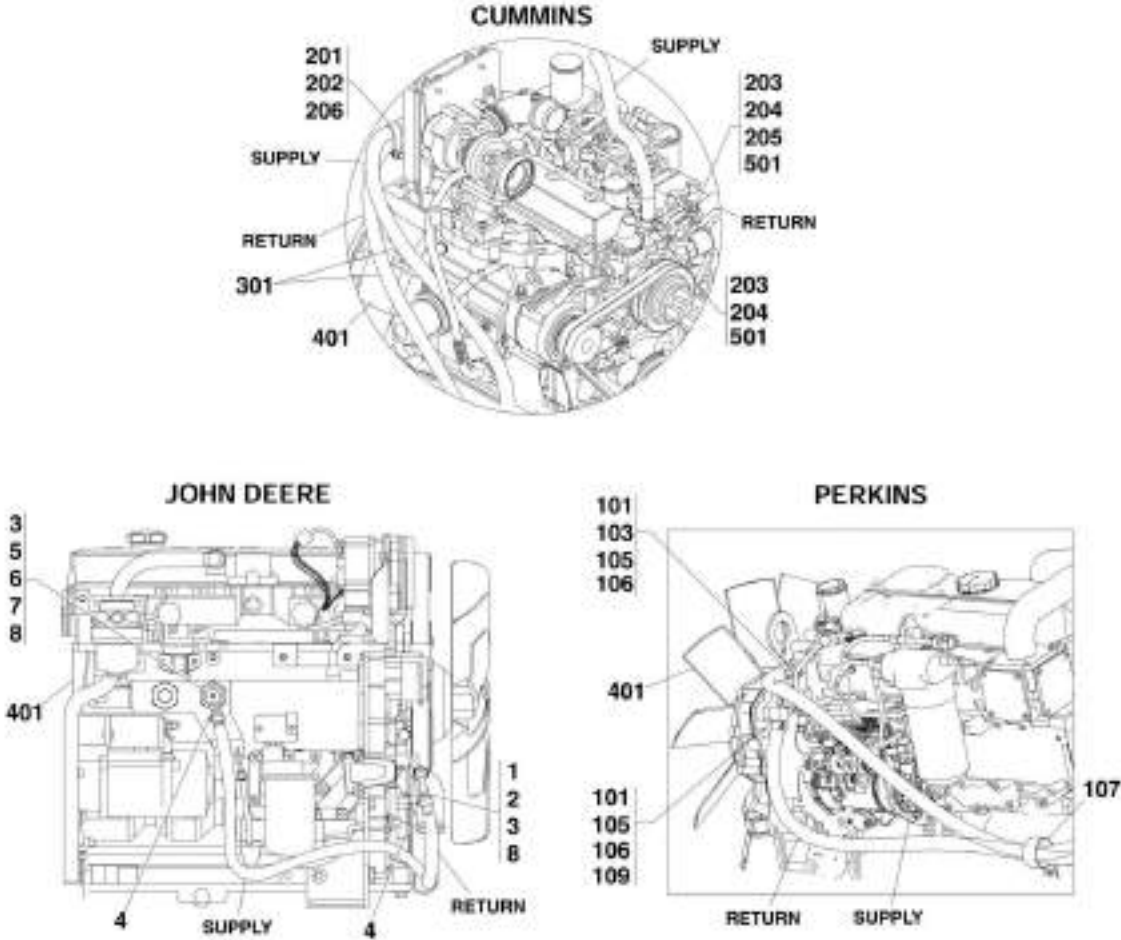
SECTION 12 - OPTIONS

FIGURE 12-6. OPEN CAB HEATER COMPONENTS (SN 0160040675 to Present, Including 0160040468 and 0160040672)

ITEM	PART NUMBER	QTY	DESCRIPTION	REV
	1001130586	Ref	HEATER OPTION INSTALLATION, (CUMMINS ENGINE), (not available to order, see items 1 thru 33 for service)	D
1	0630407	4	BUTTON HD CAPSCREW, 1/4-20X5/8	
2	0641518	1	HEX HD CAPSCREW, 5/16-18X2-1/4, GR5	
5	4711400	2	WASHER, 1/4	
6	4761400	4	LOCKWASHER, 1/4	
7	77133137	1	TWIN CLAMP COVER PLATE	
8	77133279	1	CLAMP SET	
10	80383231	1	HEATER CONTROL VALVE	
11		Ref	BLOWER SWITCH, (See CAB SECTION for Breakdown)	
12	8663193	6	HOSE CLAMP	
13	91413036	8	SELF TAPPING SCREW, #6X1/2	
14		Ref	CAB OPTIONS HARNESS, (not shown), (See ELECTRICAL SECTION for Breakdown)	
16	1001100278	1	ROUND VENT	
17	1001100279	1	DEFROST VENT	
19	1001101216	1	DEFROST BASE VENT	
20	1001101668	1	3-WAY CONDUIT	
21	1001101669	1	3IN CONDUIT	
22	1001106849	1	RETURN AIR VENT	
23	1001114282	1	3 SPEED HEATER ASSY	
24	1001100446	0.9 ft	HOSE	
25	1001100447	1.4 ft	HOSE	
26	71492152	2.5 ft	HOSE	
27		Ref	POTENTIOMETER ASSY, (See CAB SECTION for Breakdown)	
28		Ref	HEATER HOSE, (See ENGINE HEATER COMPONENTS for Breakdown)	
29	86883328	7	HOSE CLAMP	
31	84231107	1	HOSE CLAMP	
32		Ref	KNOB, (See CAB SECTION for Breakdown)	
33		Ref	KNOB, (See CAB SECTION for Breakdown)	
101		Ref	OPEN CAB, (not shown), (See CAB SECTION for Breakdown)	
144	88521004	4	LOCKNUT, 1/4-20	
148	90206195	54 in	TRIM-LOCK	
162	91413050	4	WASHER, 1/4	
164	91473163	1	HOSE GUARD	

SECTION 12 - OPTIONS

FIGURE 12-7. ENGINE HEATER COMPONENTS



AMF_81914001120

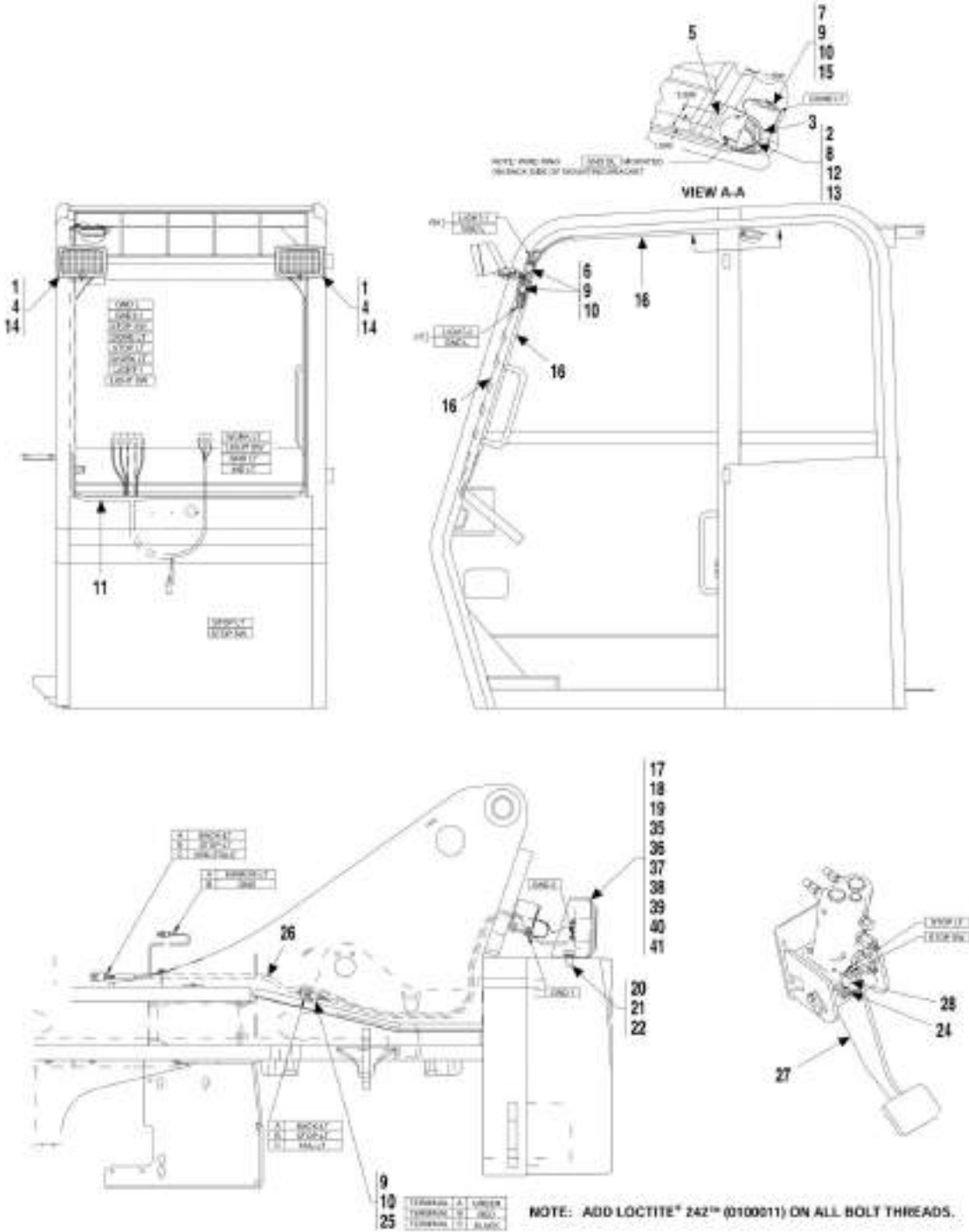
SECTION 12 - OPTIONS

FIGURE 12-7. ENGINE HEATER COMPONENTS

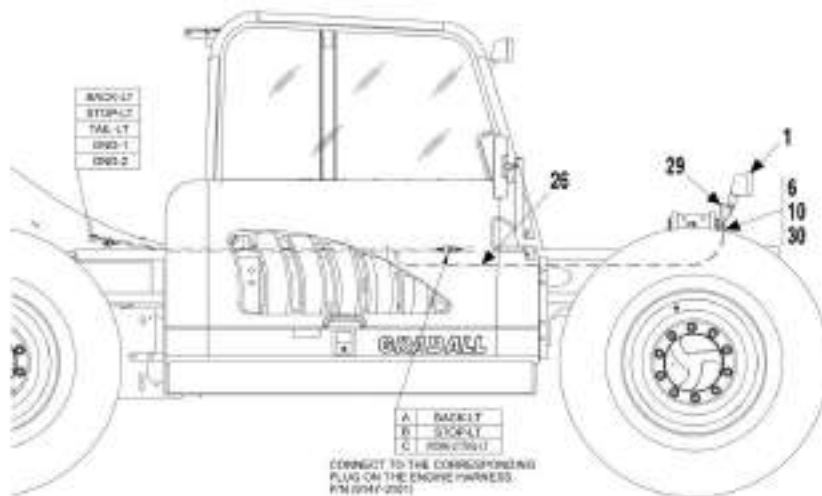
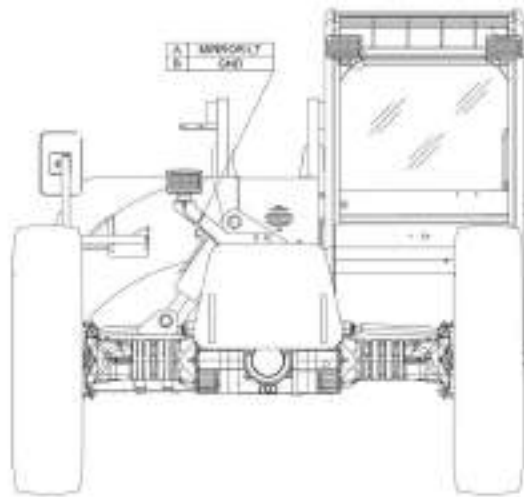
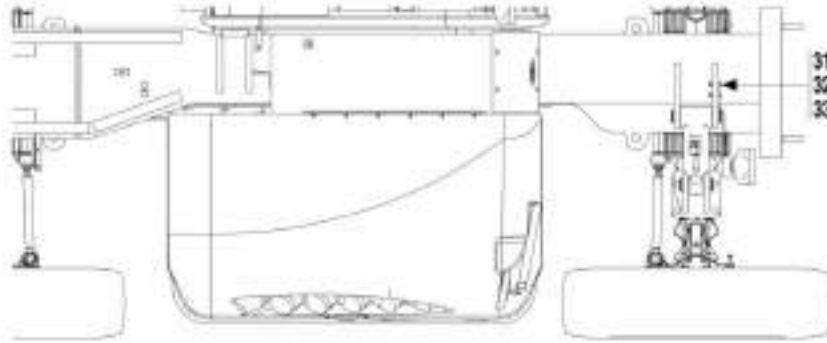
ITEM	PART NUMBER	QTY	DESCRIPTION	REV
	0275707	Ref	ENGINE HEATER COMPONENTS INSTALLATION , (JOHN DEERE, if equipped), (not available to order, see items 1 thru 8 for service) (Prior to SN 0160040675, Excluding 0160040468 and 0160040672)	A
1	80683073	1	STRAIGHT FITTING	
2	91403443	1	BARBED FITTING, 90	
3	82033995	20 ft	HEATER HOSE, 5/8IN, (enclosed cab) (SN 0193001 through 0193007, SN 016000008 through 0160015259)	
3	82033995	17 ft	HEATER HOSE, 5/8IN , (enclosed cab), (SN 0160015460 through 0160040674, Excluding 0160040468 and 0160040672)	
3	82033995	26 ft	HEATER HOSE, 5/8IN , (open cab) (SN 0160015460 through 0160040674, Excluding 0160040468 and 0160040672)	
4	86671187	2	HEATER HOSE CLAMP	
5	80373046	1	FITTING	
6	91083155	1	TRUCK VALVE	
7	77383540	1	COOLANT RESTRICTER ORIFICE	
8	0100020	AR	LOCTITE 567	
	0275750	Ref	ENGINE HEATER COMPONENTS INSTALLATION , (PERKINS, if equipped),(not available to order, see items 101 thru 109 for service) (SN 0160020943 through 0160040674, Excluding 0160040468 and 0160040672)	F
101	8405007	2	GEAR CLAMP	
103	77383540	1	COOLANT RESTRICTER ORIFICE	
105	82033995	25 ft	HEATER HOSE, 5/8IN	
106	0100020	AR	LOCTITE 567	
107	90028660	1	LOOP CLAMP	
109	84712749	1	BRASS ELBOW	
	1001127693	Ref	HEATER-ENGINE COMPONENTS INSTALLATION, (CUMMINS), (not available to order, see items 201 thru 206 for service) (SN 0160040675 to Present, Including 0160040468 and 0160040672)	B
201	0791607	1	WHIZ-LOCK SCREW, 3/8-16X7/8	
202	1321716	1	1IN CLAMP	
203	2220806	2	STRAIGHT FITTING	
204	8405007	2	CLAMP	
205	8540205	1	ADAPTER, 90	
206	77143015	1	WHIZ-LOCK NUT, 3/8-16	
301	82033995	17 ft	HEATER HOSE, (CUMMINS)	
401		Ref	ENGINE ASSY, (See ENGINE AND ATTACHING PARTS SECTION for Breakdown)	
501	2220806	2	STRAIGHT FITTING	

SECTION 12 - OPTIONS

FIGURE 12-8. WORKLIGHT PACKAGE (Prior to SN 0160031635)



SECTION 12 - OPTIONS



NOTE: ADD LOCTITE® 242™ (0100011) ON ALL BOLT THREADS.

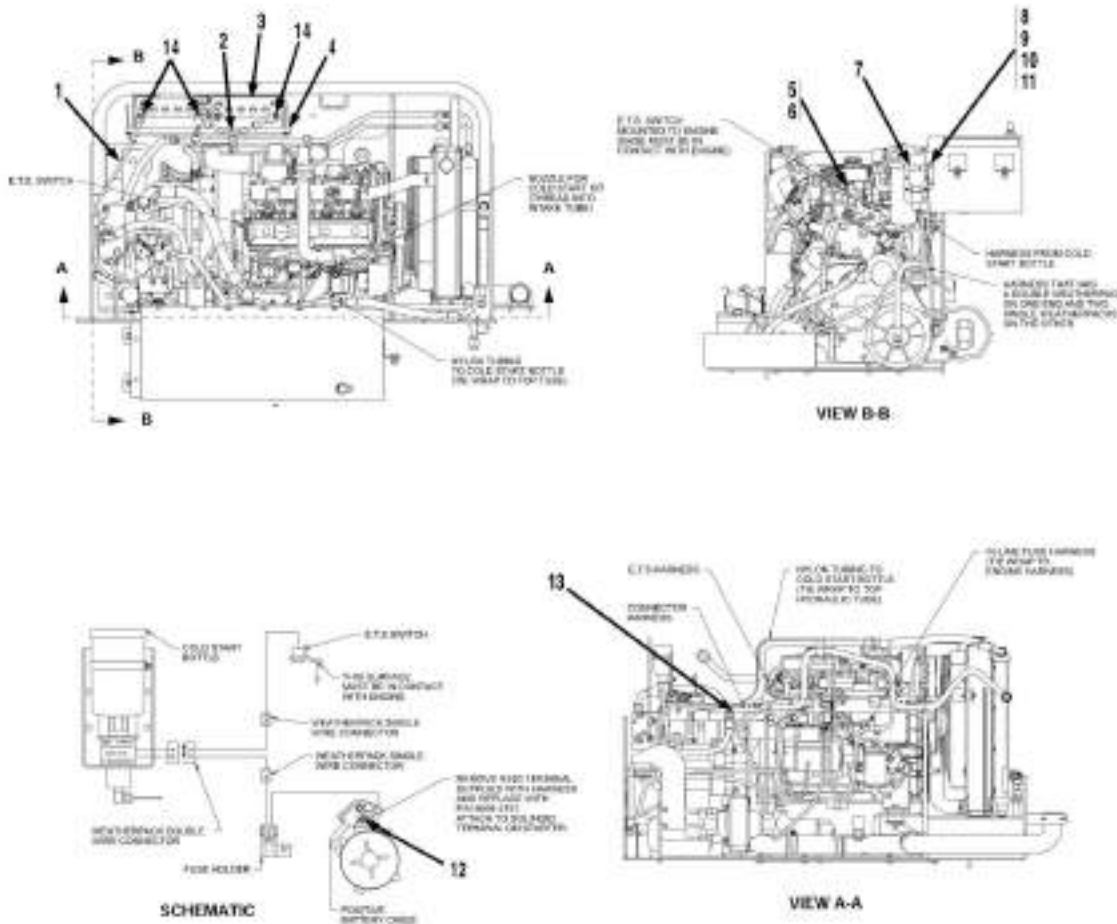
SECTION 12 - OPTIONS

FIGURE 12-8. WORKLIGHT PACKAGE (Prior to SN 0160031635)

ITEM	PART NUMBER	QTY	DESCRIPTION	REV
	91515032	1	WORK LIGHT PACKAGE, (includes all items)	F
1	80963050	3	UTILITY FLOOD LIGHT	
1	80964070	3	BULB	
2	24861167	1	INTERIOR LIGHT	
3	91361003	1	MOUNTING BRACKET	
4	91413052	2	WORK LIGHT MOUNTING BOLT	
5	88321022	2	SELF TAPPING SCREW, #8-32X3/8	
6	80963058	3	WEATHER PACK, SHROUD	
7	80963056	1	WEATHER PACK, SHROUD	
8	88551006	3	LOCKWASHER, #8	
9	80963069	8	MALE PIN TERMINAL	
10	80963066	10	CABLE SEAL	
11	91403305	1	LIGHT HARNESS	
12	89981036	3	PAN HD SCREW, #8-32X3/8	
13	88501610	3	HEX NUT, #8	
14	91403503	2	SPACER	
15	90029955	1	RUBBER GROMMET	
16	80961142	3	ECONOMY WIRING DUCT	
17	91121145	1	TAIL LIGHT HOUSING	
18	91121146	1	TAIL LIGHT BRACKET	
19	91365045	1	TAIL LIGHT ASSY, (includes items 35 thru 41)	
20	88201108	1	HEX HD CAPSCREW, 3/4-10X1-1/4	
21	88561115	1	WASHER, 3/4	
22	88551016	1	LOCKWASHER, 3/4	
23	91403613	1	WORK LIGHT DECAL	
24	91511127	1	STOPLIGHT SW MOUNTING TAB	
25	80963060	1	WEATHER PACK, SHROUD	
26	91403306	1	TAIL LIGHT HARNESS	
27	91516030	1	BRAKE PEDAL WITH TAB	
28	91143117	1	STOPLIGHT SWITCH	
29	91511126	1	FLOOD LIGHT BRACKET	
30	80963068	2	FEMALE PIN TERMINAL	
31	88201038	2	HEX HD CAPSCREW, 3/8-16X1-3/4	
32	88501006	2	HEX NUT, 3/8-16	
33	88551011	2	LOCKWASHER, 3/8	
34	91403304	1	TOGGLE SWITCH	
35	91123065	1	TAIL LIGHT	
36	86661147	38 in	16 GA BLACK WIRE	
37	86661149	38 in	16 GA GREEN WIRE	
38	86661152	38 in	16 GA RED WIRE	
39	86683480	3	BUTT CONNECTOR	
40	82033996	45 in	WIRE LOOM	
41	86683122	2	TIE WRAP	

SECTION 12 - OPTIONS

FIGURE 12-9. COLD START INSTALLATION - JOHN DEERE ENGINE (Prior to SN 0160040675, Excluding 0160040468 and 0160040672)



NOTE: ADD LOCTITE® 242™ (0100011) ON ALL BOLT THREADS.
 USE LOCTITE® 545™ (0100075) ON ALL HYDRAULIC FITTING THREADS.

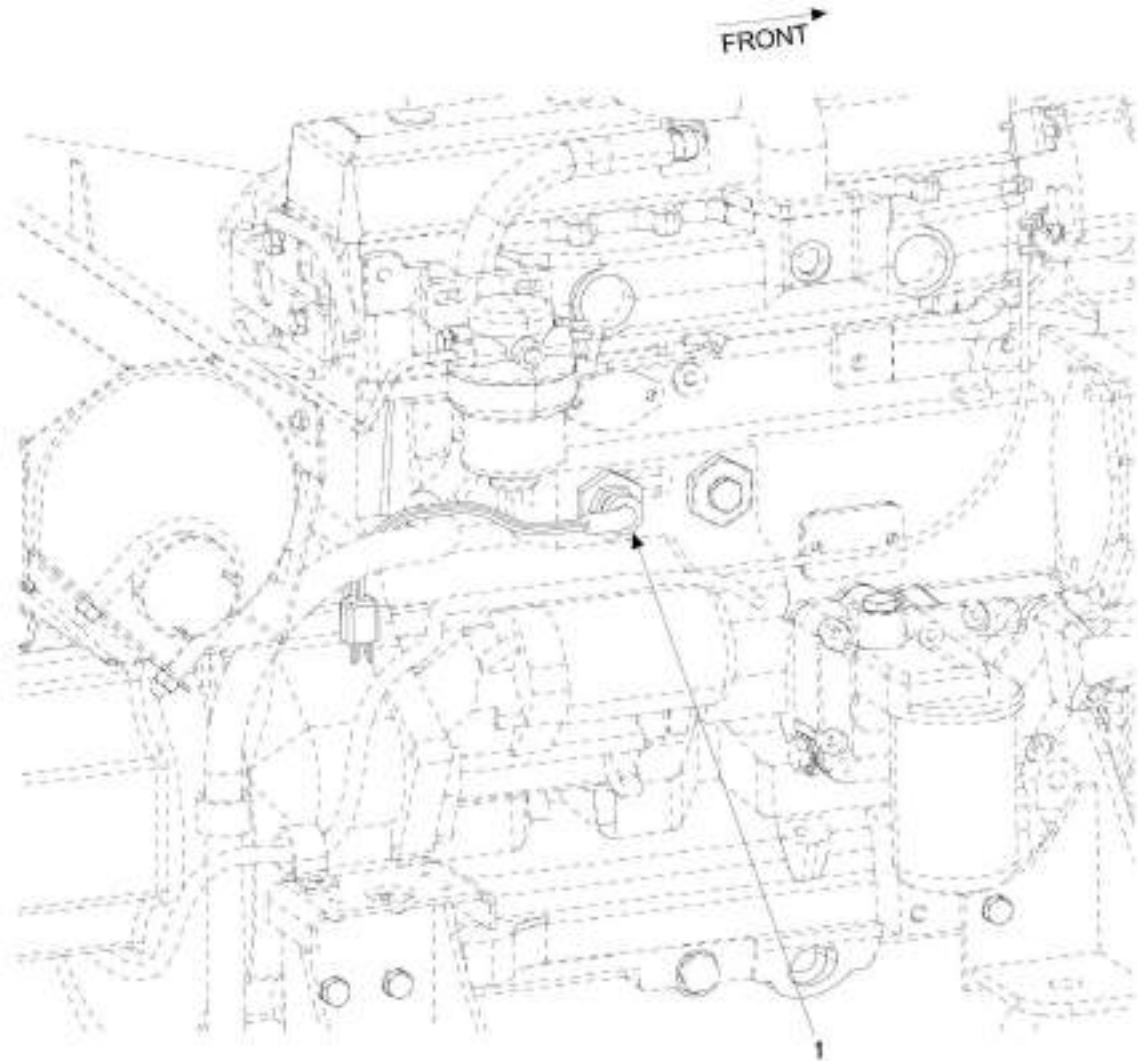
SECTION 12 - OPTIONS

**FIGURE 12-9. COLD START INSTALLATION - JOHN DEERE ENGINE (Prior to SN 0160040675,
Excluding 0160040468 and 0160040672)**

ITEM	PART NUMBER	QTY	DESCRIPTION	REV
	91515042	1	COLD START INSTALLATION, (includes items 5 thru 14)	D
1	91473166	1	NEGATIVE BATTERY CABLE (SN 0193001 through 0160018284)	
2	91403390	1	POSITIVE BATTERY CABLE (SN 0193001 through 0160018284)	
3	91083483	1	BATTERY, (12 volt, 1000 amps), TOP STUD, 3/8-16 UNC THREAD,BCI GROUP 31	
4	91401299	1	TIE DOWN (SN 0193001 through 0160018284)	
5	83191038	1	HEX HD CAPSCREW, M10-1.5X20	
6	83191013	1	LOCKWASHER, M10	
7	91403295	1	COLD START KIT	
7	70023156	1	VALVE, 12VDC	
8	88501004	4	HEX NUT, 1/4-20	
9	88551009	4	LOCKWASHER, 1/4	
10	88201003	4	HEX HD CAPSCREW, 1/4-20X3/4, GR5	
11	88561002	4	FLAT WASHER, 1/4	
12	91473239	1	RING TERMINAL	
13	90027187	AR	TIE WRAP	
14	77383567	3	TERMINAL NUT	

SECTION 12 - OPTIONS

FIGURE 12-10. BLOCK HEATER INSTALLATION - JOHN DEERE ENGINE (Prior to SN 0160040675, Excluding 0160040468 and 0160040672)



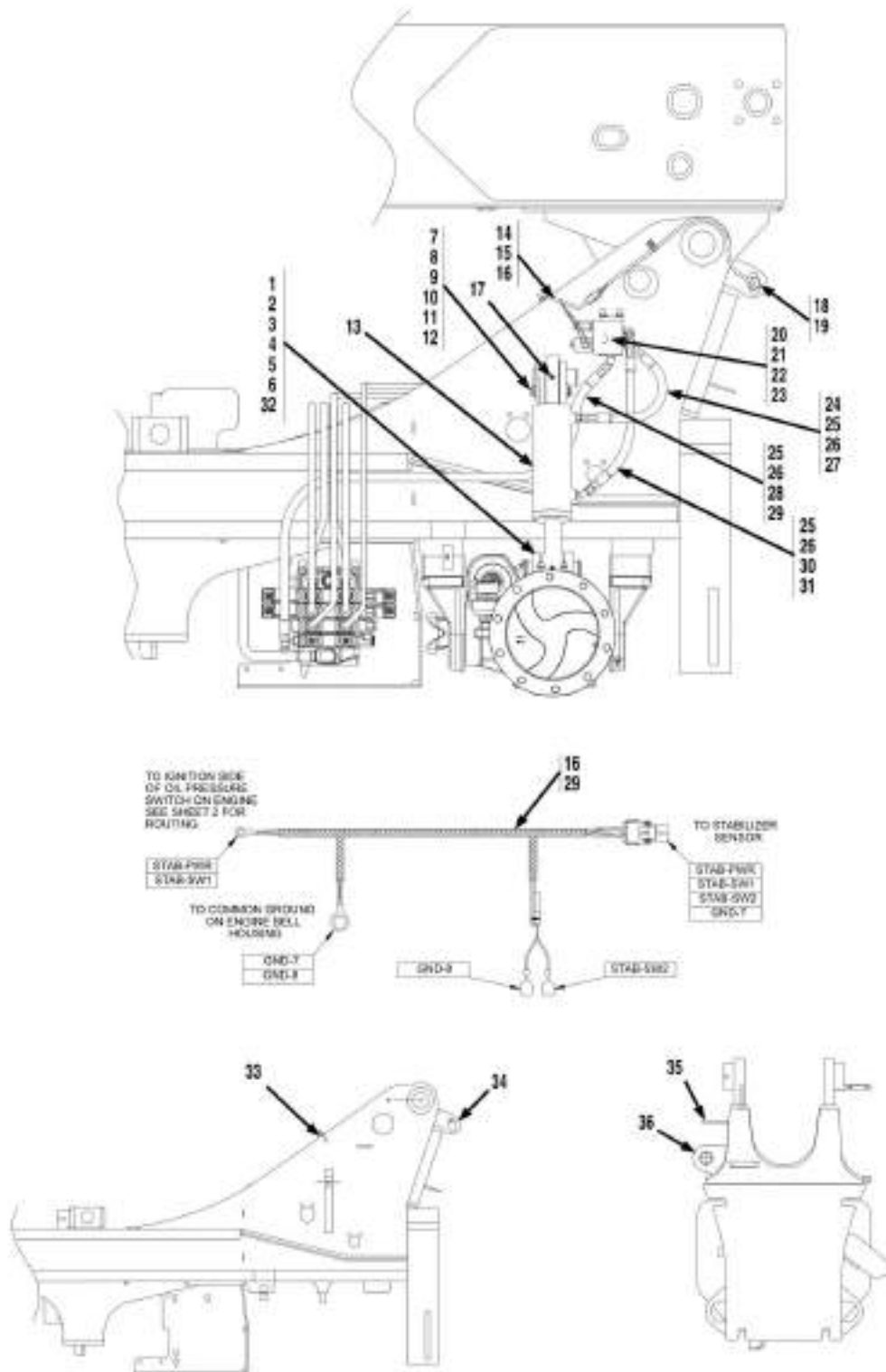
SECTION 12 - OPTIONS

**FIGURE 12-10. BLOCK HEATER INSTALLATION - JOHN DEERE ENGINE (Prior to SN 0160040675,
Excluding 0160040468 and 0160040672)**

ITEM	PART NUMBER	QTY	DESCRIPTION	REV
	80375012	Ref	BLOCK HEATER INSTALLATION, (not available to order, see item 1 for service)	
1	80373088	1	BLOCK HEATER	

SECTION 12 - OPTIONS

FIGURE 12-11. STABILIZER OPTION



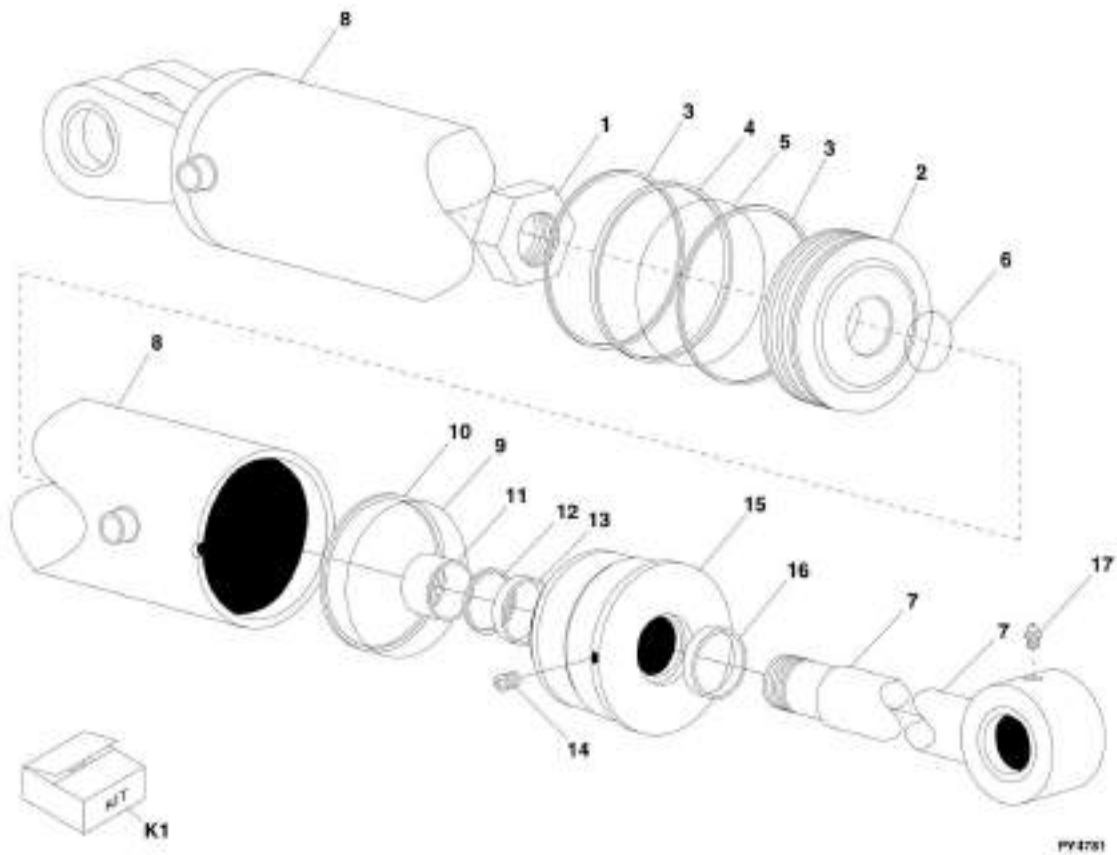
SECTION 12 - OPTIONS

FIGURE 12-11. STABILIZER OPTION

ITEM	PART NUMBER	QTY	DESCRIPTION	REV
	91515012	1	STABILIZER OPTION, (includes all items)	
1	91516018	1	SWAY PIVOT WELDMENT	
2	91511105	2	RETAINING PLATE	
3	77101143	4	HEX HD CAPSCREW, (torque to 545-595 lb-ft)	
4	90027475	7	WASHER, (three extra washers on bolt located in milled section of bracket)	
5	91403225	1	SWAY PIN	
6	90028935	2	SNAP RING	
7	91166062	1	PIN WELDMENT	
8	88201066	2	HEX HD CAPSCREW, 1/2-13X1-1/4, GR5	
9	88551013	2	LOCKWASHER, 1/2	
10	88561111	3	FLAT WASHER, 1/2	
11	91161269	1	KEEPER	
12	88201065	1	HEX HD CAPSCREW, 1/2-13X1, GR5	
13		Ref	STABILIZER CYLINDER, (See STABILIZER OPTION – STABILIZER CYLINDER for Breakdown)	
14	86621230	3	SUPPORT CLAMP	
15	77143006	3	WHIZ-LOCK NUT, 5/16	
16	91403297	1	STABILIZER HARNESS	
17	88671001	1	LUBE FITTING	
18	91365037	1	STABILIZER SENSOR ASSY, (includes the following five items)	
18	91143155	1	PROXIMITY SENSOR SWITCH	
18	80963062	1	WEATHER PACK CONNECTOR, (shroud)	
18	80963069	4	WEATHER PACK CONNECTOR, (male pin terminal)	
18	80963065	4	WEATHER PACK CONNECTOR, (cable seals)	
18	91053419	1	TIE WRAP	
19	91403156	2	WASHER	
20	91113003	1	STABILIZER VALVE	
21	83201073	2	HEX HD CAPSCREW, 3/8-16X5-1/4	
22	88551011	2	LOCKWASHER, 1/2	
23	88501006	2	HEX NUT, 3/8-16	
24	84717556	1	HOSE ASSY	
25	2220500	3	ELBOW, 45, (includes item 26)	
26	88591205	5	O-RING	
27	2220373	1	CONNECTOR, (includes item 26)	
28	84719598	1	HOSE ASSY	
29	90027187	12	TIE WRAP	
30	84718631	1	HOSE ASSY	
31	2220596	1	ELBOW, 90, (includes item 26)	
32	91143051	2	BUSHING	
33	85051384	3	WELD STUD	
34	91401256	1	SENSOR MOUNTING BRACKET	
35	91361026	1	STABILIZER VALVE MOUNTING BRACKET	
36	91511106	1	STABILIZER CYLINDER BRACKET	

SECTION 12 - OPTIONS

FIGURE 12-12. STABILIZER OPTION - STABILIZER CYLINDER



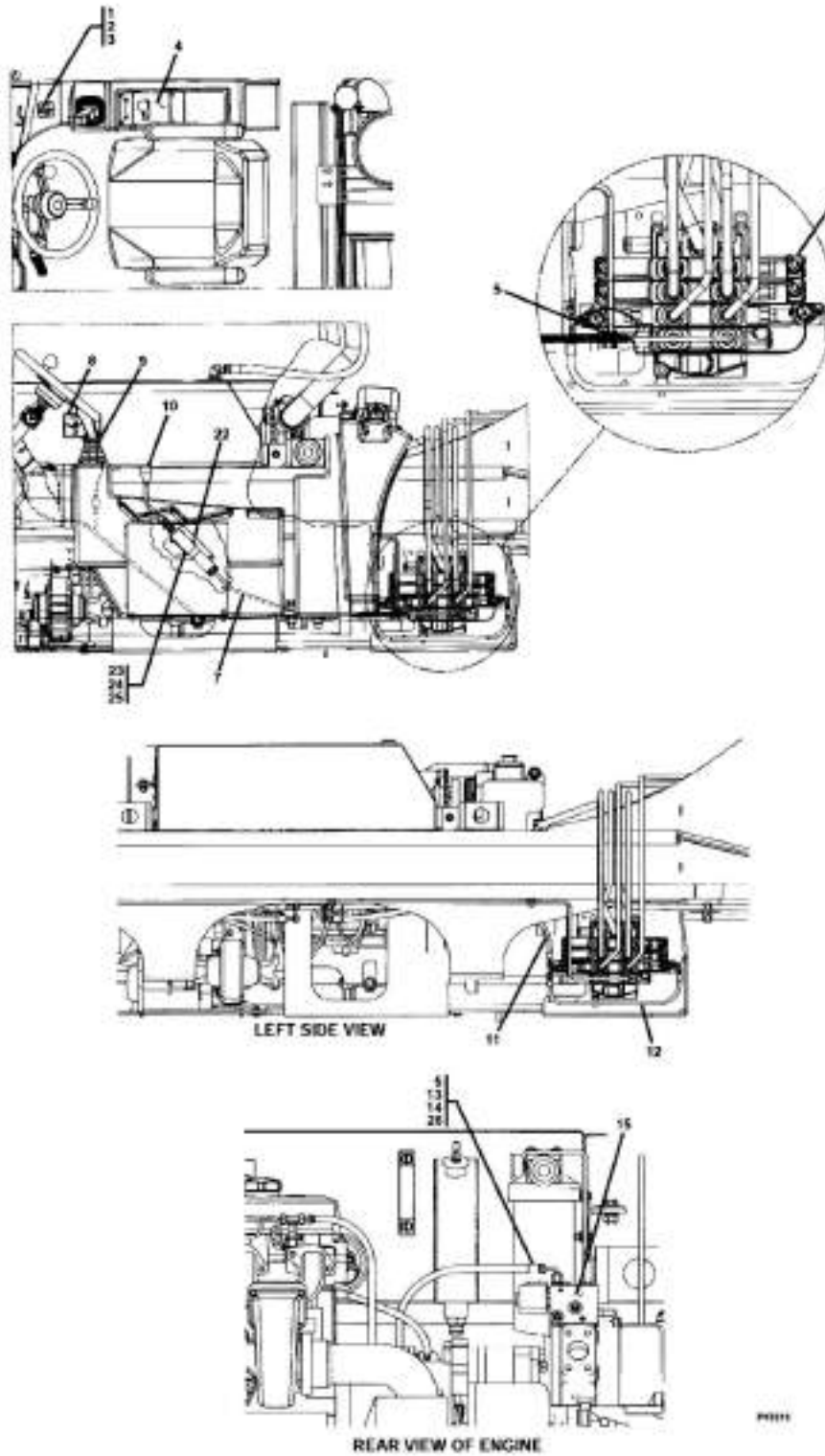
SECTION 12 - OPTIONS

FIGURE 12-12. STABILIZER OPTION - STABILIZER CYLINDER

ITEM	PART NUMBER	QTY	DESCRIPTION	REV
	91513046	1	STABILIZER CYLINDER, (includes all items)	
1	91064017	1	LOCK NUT	
2	91144033	1	PISTON	
3	Kit	2	WEAR RING	
4	Kit	1	PISTON SEAL	
5	Kit	1	O-RING	
6	Kit	1	O-RING	
7	91514066	1	SHAFT ASSEMBLY	
8	91514067	1	CASE ASSEMBLY	
9	Kit	1	O-RING	
10	Kit	1	BACK-UP RING	
11	Kit	2	WEAR RING	
12	Kit	1	STEP SEAL	
13	Kit	1	U-CUP	
14	91124096	1	SELF TAPPING SCREW	
15	91514069	1	HEAD	
16	Kit	1	CANNED WIPER	
17	91144128	1	GREASE FITTING	
K1	91514065	1	SEAL KIT, (includes items 3, 4, 5, 6, 9 thru 13 & 16)	

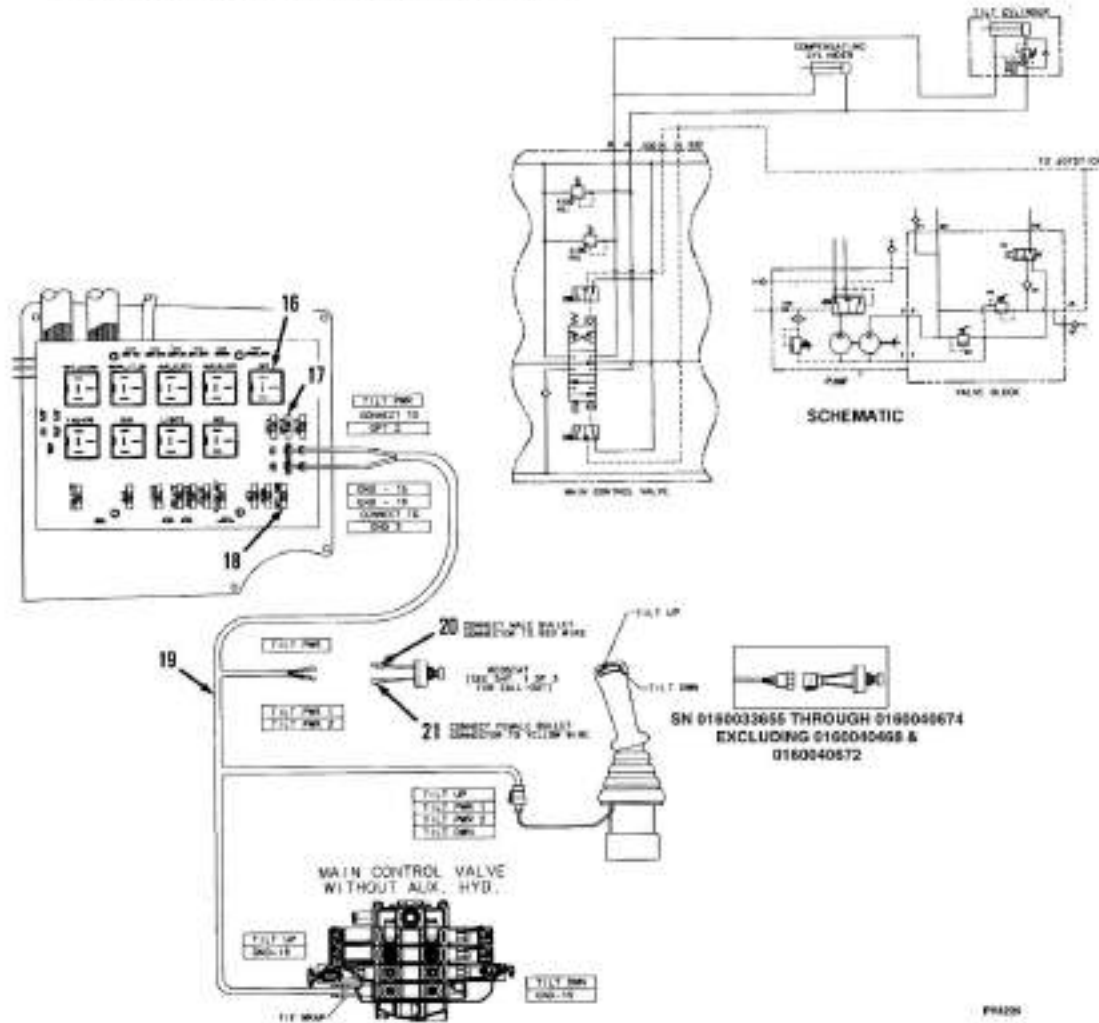
SECTION 12 - OPTIONS

FIGURE 12-13. TILT ON JOYSTICK WITH RH SWAY (Prior to SN 0160040675, Excluding 0160040468 and 0160040672)



SECTION 12 - OPTIONS

NOTE: ADD LOCTITE® 242™ (0100011) ON ALL BOLT THREADS.
 USE LOCTITE® 0100075™ ON ALL HYDRAULIC FITTING THREADS.



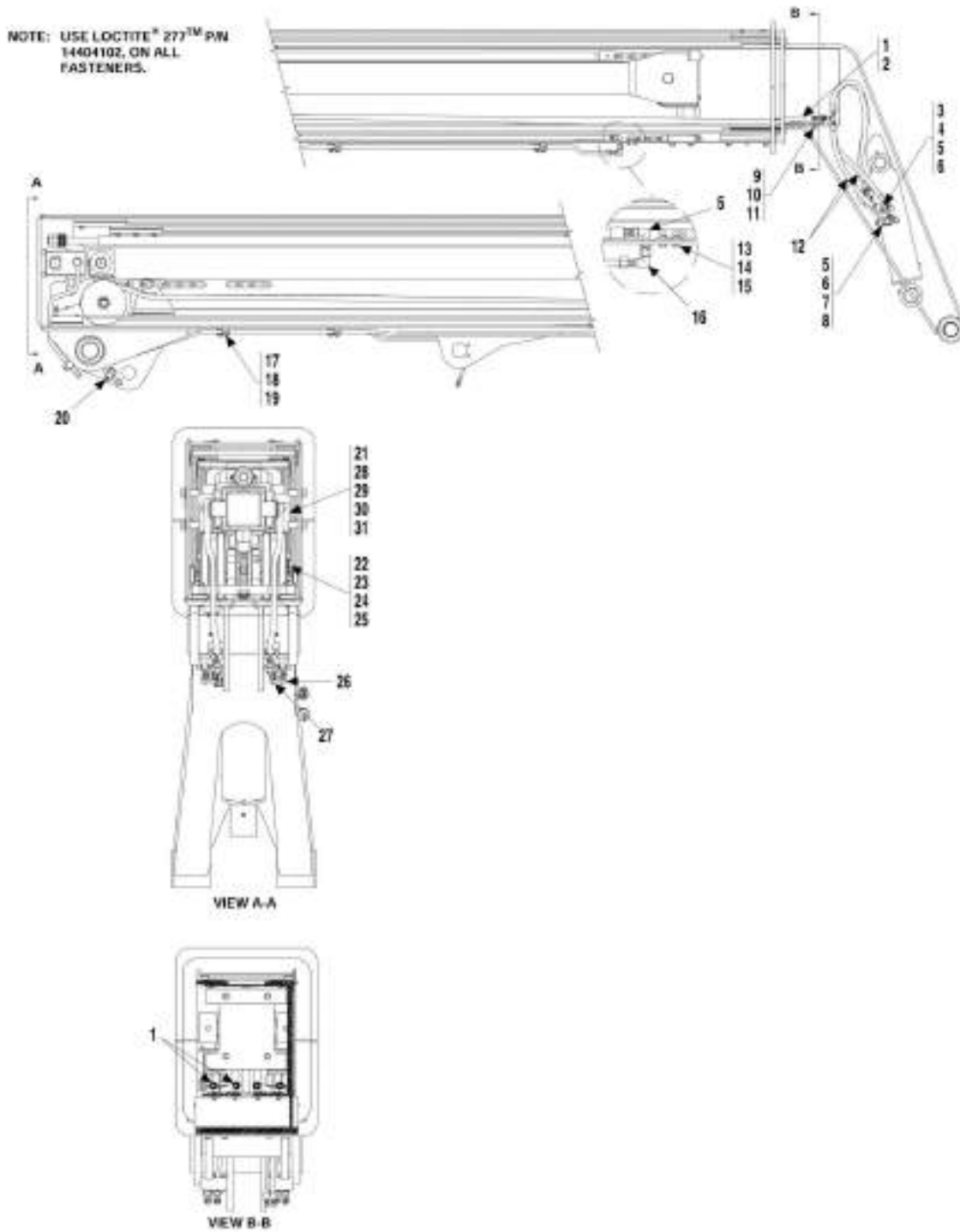
SECTION 12 - OPTIONS

FIGURE 12-13. TILT ON JOYSTICK WITH RH SWAY (Prior to SN 0160040675, Excluding 0160040468 and 0160040672)

ITEM	PART NUMBER	QTY	DESCRIPTION	REV
	91515025	Ref	TILT ON JOYSTICK WITH RH SWAY INSTALLATION, (not available to order, see items 1 thru 26 for service)	
1	80964002	1	RHEOSTAT (Prior to SN 0160033655)	
1	1001099174	1	RHEOSTAT (SN 0160033655 through 0160040674, Excluding 0160040468 and 0160040672)	
2	91401571	1	MOUNTING PLATE	
3	88321015	4	SELF-TAPPING SCREW	
4	91413029	1	RH SWAY CONTROL PANEL (Prior to SN 0160000877)	
4	91413113	1	RH SWAY CONTROL PANEL (SN 0160000877 through 0160040674, Excluding 0160040468 and 0160040672)	
5	90027187	AR	TIE WRAP	
6		Ref	MAIN CONTROL VALVE, (See MAIN CONTROL VALVE WITH TILT ON JOYSTICK for Breakdown)	
6		Ref	MAIN CONTROL VALVE WITH AUX, (See MAIN CONTROL VALVE WITH AUXILIARY HYDRAULICS AND TILT ON JOYSTICK for Breakdown)	
7	91473146	1	CABLE	
8	91513201	1	BOOM CONTROL DECAL	
9		Ref	BOOM JOYSTICK WITH TILT, (See CONTROLS SECTION for Breakdown)	
10	91513204	1	RH SWAY CONTROL	
11	84719775	1	HOSE ASSY	
12	84719776	1	HOSE ASSY	
13	2220635	1	RUN TEE, (includes item 14)	
14	88591204	1	O-RING	
15		Ref	BRAKE CONTROL BLOCK VALVE, (See HYDRAULIC COMPONENTS SECTION for Breakdown)	
16	77363265	1	RELAY	
17	77363268	1	FUSE, 15 AMP	
18	77363269	1	FUSE, 30 AMP	
19	91513119	1	TILT ON JOYSTICK CAB HARNESS (Prior to SN 0160033655)	
19	1001099319	1	TILT ON JOYSTICK CAB HARNESS (SN 0160033655 through 0160040674, Excluding 0160040468 and 0160040672)	
20	86983193	1	MALE BULLET CONNECTOR (Prior to SN 0160033655)	
21	77163105	1	FEMALE BULLET CONNECTOR (Prior to SN 0160033655)	
22	91416011	1	RH SWAY BRACKET (Prior to SN 0160031470)	
22	1001092843	1	RH SWAY BRACKET (SN 0160031470 through 0160040674, Excluding 0160040468 and 0160040672)	
23	88201010	3	HEX HD CAPSCREW, 1/4-20X2-1/4, GR5 (Prior to SN 0160001830)	
23	88201009	3	HEX HD CAPSCREW, 1/4-20X2, GR5 (SN 0160001830 through 0160040674, Excluding 0160040468 and 0160040672)	
24	88551009	3	LOCKWASHER, 1/4	
25	88501004	3	HEX NUT, 1/4-20	
26	2220473	1	FITTING, 90	

SECTION 12 - OPTIONS

FIGURE 12-14. AUXILIARY BOOM ASSEMBLY (Prior to SN 0160037671)



SECTION 12 - OPTIONS

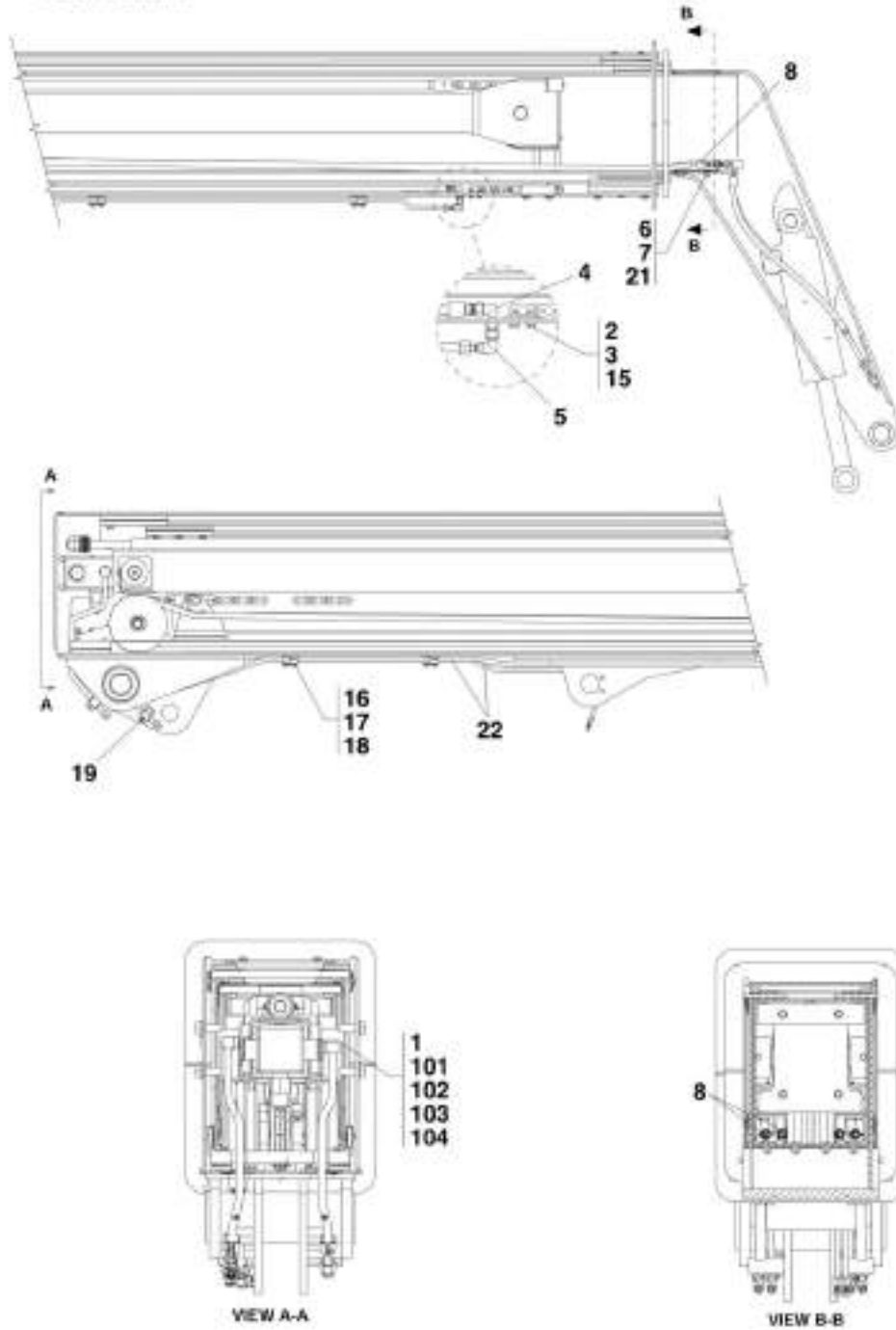
FIGURE 12-14. AUXILIARY BOOM ASSEMBLY (Prior to SN 0160037671)

ITEM	PART NUMBER	QTY	DESCRIPTION	REV
	91515005	1	AUXILIARY BOOM ASSY, (includes all items)	
1	84719754	2	HOSE ASSY	
2	88661085	2	BULKHEAD FITTING	
3	91403414	1	MALE QUICK CONNECT	
4	91043126	1	DUST CAP	
5	90027180	4	BULKHEAD FITTING	
6	91513106	2	FITTING, 90	
7	91403413	1	FEMALE QUICK CONNECT	
8	91043125	1	DUST PLUG	
9	88501006	2	HEX NUT, 3/8-16	
10	88551011	2	LOCKWASHER, 3/8	
11	91516015	1	HOSE RETAINER	
12	84719981	2	HOSE ASSY	
13	88201034	2	HEX HD CAPSCREW, 3/8-16X7/8, GR5	
14	88561109	2	FLAT WASHER, 3/8	
15	0903449	1	HOSE BRACKET	
16	91513140	2	ADAPTER	
17	77133139	8	CLAMP SET	
18	77133140	8	COVER PLATE	
19	77133177	8	HEX HD CAPSCREW, 5/16-18X1-3/8	
20	91083217	2	CLAMP SET	
21	91515028	1	RH HOSE RETAINER ASSY, (includes items 28 thru 31)	D
22	3580346	1	HOSE SHEAVE	
23	91403127	2	THRUST WASHER	
24	90028932	1	RETAINING RING	
25	91513110	1	RETRACT SHEAVE PIN	
26	4569363	1	TUBE ASSY (Prior to SN 0160037671)	
27	4569364	1	TUBE ASSY (Prior to SN 0160037671)	
28	91511111	1	RH HOSE RETAINER	
29	91513026	1	PAD	
30	88241023	4	SOCKET FLAT HD CAPSCREW, #10-24X5/8	
31	88501612	4	HEX NUT, 10-24	

SECTION 12 - OPTIONS

FIGURE 12-15. AUXILIARY BOOM ASSEMBLY (SN 0160037671 to Present)

NOTE: USE LOCTITE® 277™ PIN 14404102, ON ALL FASTENERS.



PAP11351

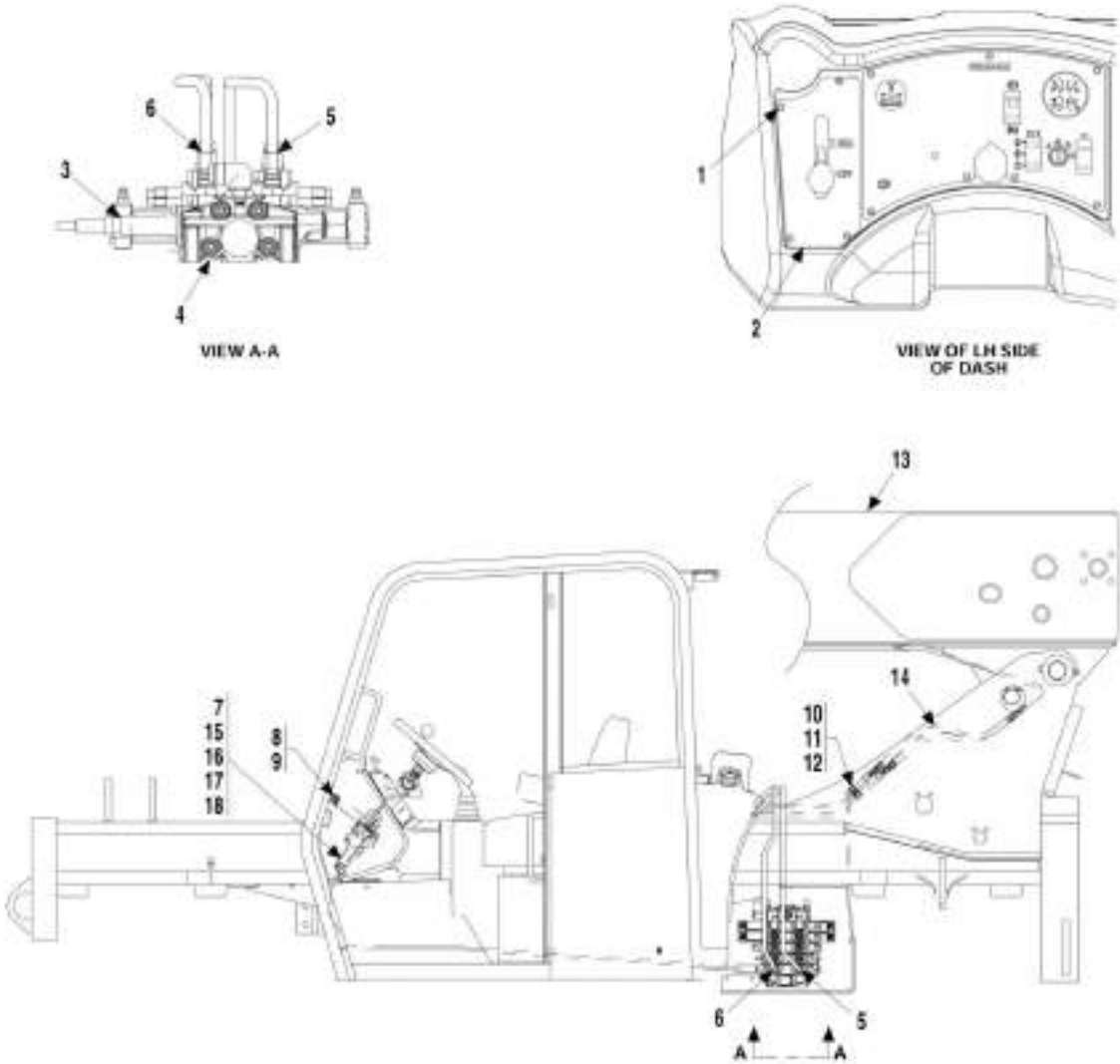
SECTION 12 - OPTIONS

FIGURE 12-15. AUXILIARY BOOM ASSEMBLY (SN 0160037671 to Present)

ITEM	PART NUMBER	QTY	DESCRIPTION	REV
	1001100094	1	AUXILIARY BOOM ASSY, (includes all items)	E
1	91515028	1	RH HOSE RETAINER ASSY, (includes items 101 thru 104)	D
2	0641607	2	HEX HD CAPSCREW, 3/8-16X7/8, GR5	
3	4711600	2	FLAT WASHER, 3/8	
4	2171208	2	BULKHEAD FITTING	
5	2221254	2	ADAPTER	
6	1001101775	1	HOSE RETAINER (Prior to SN 0160040675)	
7	88501006	2	HEX NUT, 3/8-16 (Prior to SN 0160040675)	
8	1001102977	1	HOSE ASSY	
15	1001090126	1	HOSE BRACKET	
16	77133139	4	CLAMP SET	
17	77133140	4	COVER PLATE	
18	77133177	4	HEX HD CAPSCREW, 5/16-18X1-3/8	
19	91083217	2	CLAMP SET	
21	4761600	2	LOCKWASHER, 3/8 (Prior to SN 0160040675)	
22	1001001341	2	TUBE ASSY	
101	91511111	1	RH HOSE RETAINER	
102	91513026	1	PAD	
103	88241023	4	SOCKET FLAT HD CAPSCREW, #10-24X5/8	
104	88501612	4	HEX NUT, 10-24	

SECTION 12 - OPTIONS

FIGURE 12-16. LH AUXILIARY HYDRAULIC ASSEMBLY (Prior to SN 0160040675, Excluding 0160040468 and 0160040672)



NOTE: ADD LOCTITE® 242™ (0100011) ON ALL BOLT THREADS.
 USE LOCTITE® 545™ (0100075) ON ALL HYDRAULIC FITTING THREADS.

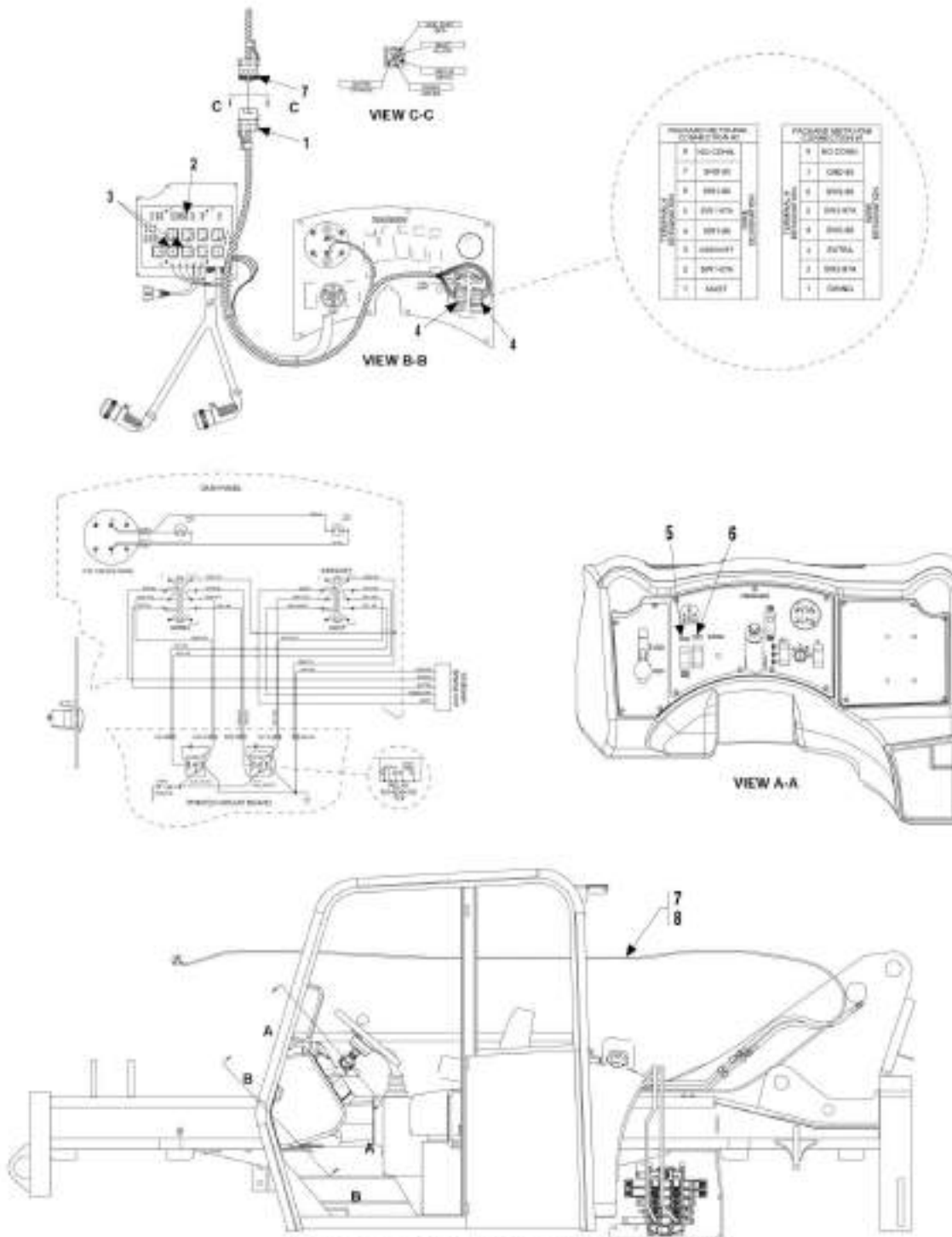
SECTION 12 - OPTIONS

FIGURE 12-16. LH AUXILIARY HYDRAULIC ASSEMBLY (Prior to SN 0160040675, Excluding 0160040468 and 0160040672)

ITEM	PART NUMBER	QTY	DESCRIPTION	REV
	91515020	1	LH AUX HYDRAULIC ASSY , (includes all items) (Prior to SN 0160038369, Excluding 0160033884)	E
	1001111805	1	LH AUX HYDRAULIC ASSY , (includes all items) (SN 0160038369 to Present, Including 0160033884)	B
1	80363033	4	FLAT HD CAPSCREW, #10-24X1	
2	91403316	1	LH DASH PANEL	
3	91513124	1	CABLE ADAPTER BONNET	
4		Ref	MAIN CONTROL VALVE, (See MAIN CONTROL VALVE WITH AUXILIARY HYDRAULICS for Breakdown)	
5	91513170	1	TUBE ASSY (Prior to SN 0160037671)	
5	1001112082	1	TUBE ASSY (SN 0160037671 through 0160040674, Excluding 0160040468 and 0160040672)	
6	91513169	1	TUBE ASSY (Prior to SN 0160037671)	
6	1001112081	1	TUBE ASSY (SN 0160037671 through 0160040674, Excluding 0160040468 and 0160040672)	
7	91403273	1	LH AUX JOYSTICK	
7	91404091	1	OVAL KNOB HANDLE	
8	88201065	2	HEX HD CAPSCREW, 1/2-13X1, GR5	
9	88561111	2	FLAT WASHER, 1/2	
10	77133177	1	HEX HD CAPSCREW, 5/16-18X1-3/8	
11	77133140	1	COVER PLATE	
12	77133139	1	CLAMP SET	
13		Ref	AUX BOOM ASSY, (See AUXILIARY BOOM ASSEMBLY for Breakdown)	
14	84719875	2	HOSE ASSY (Prior to SN 0160038369, Excluding 0160033884)	
14	1001111542	2	HOSE ASSY, ORFS/JIC (SN 0160038369 to Present, Including 0160033884)	
15	91473088	1	CONTROL CABLE	
16	1001091157	1	LH BRACKET	
17	88201011	3	HEX HD CAPSCREW, 1/4-20X2-1/2, GR5	
18	88501004	3	HEX NUT, 1/4-20	

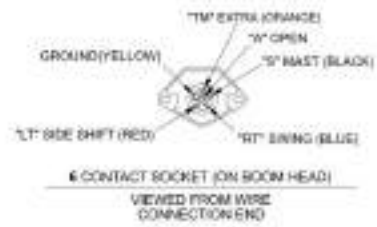
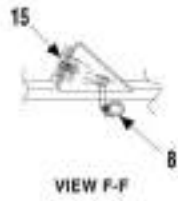
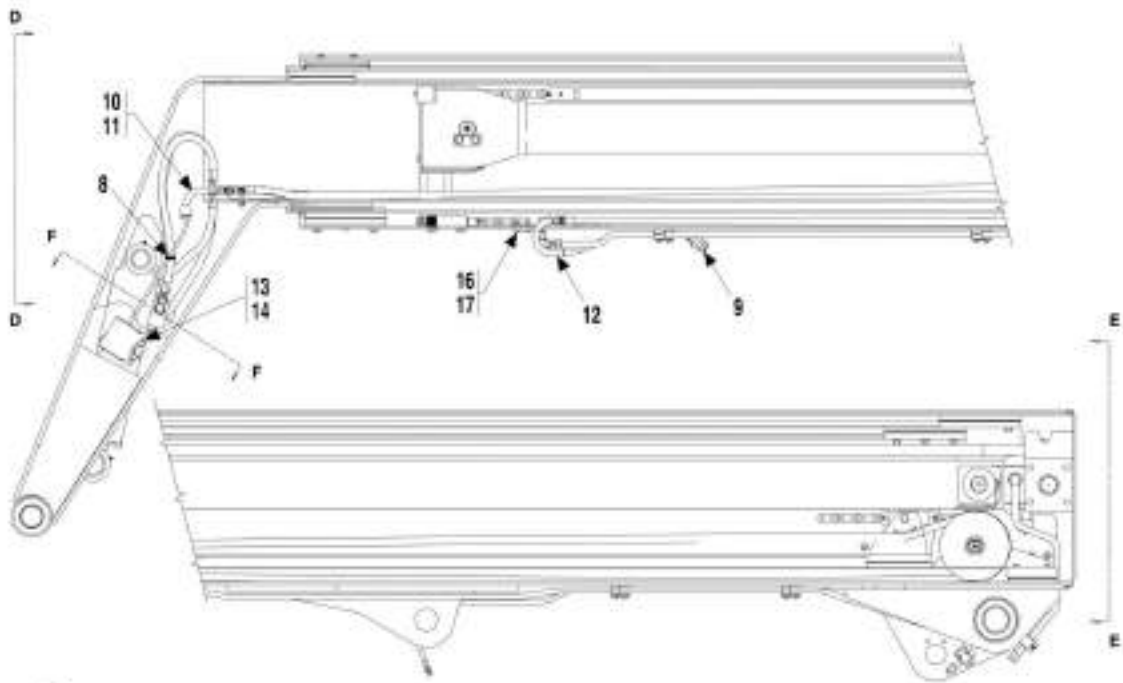
SECTION 12 - OPTIONS

FIGURE 12-17. AUXILIARY ELECTRICS ASSEMBLY (Prior to SN 0160037671)

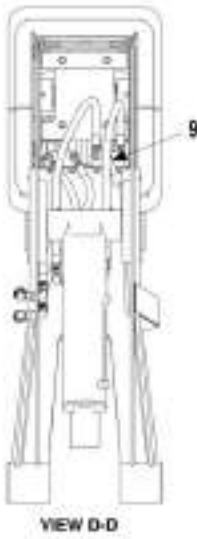


NOTE: ADD LOCTITE® 242™ (0100011) ON ALL BOLT THREADS.
USE LOCTITE® 545™ (0100075) ON TUBE FITTINGS.

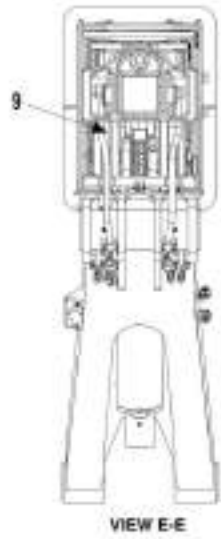
SECTION 12 - OPTIONS



CONN BODY LOC LETTER	WIRE COLOR	WIRE DESIGNATION
A	BLACK	MAST
B	RED	SHIFT
C	YELLOW	GND RS
D	BLUE	SWING
E	ORANGE	EXTRA
F	NO CONN.	NO CONN.



NOTE: ADD LOCTITE® 242™ (0100011) ON ALL BOLT THREADS.
USE LOCTITE® 545™ (0100075) ON TUBE FITTINGS.



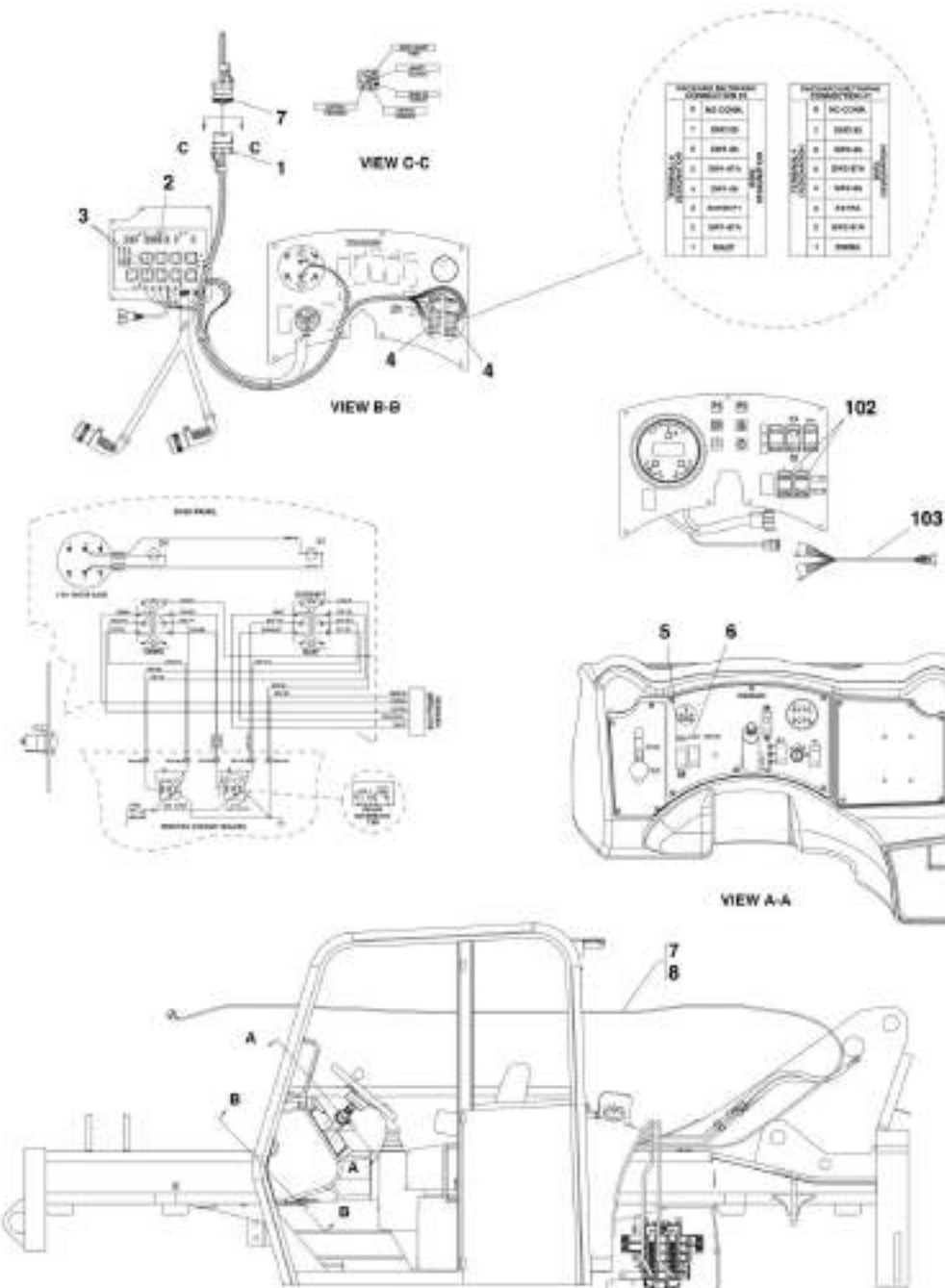
SECTION 12 - OPTIONS

FIGURE 12-17. AUXILIARY ELECTRICS ASSEMBLY (Prior to SN 0160037671)

ITEM	PART NUMBER	QTY	DESCRIPTION	REV
	91515026	Ref	AUX ELECTRICS ASSY, (not available to order, see items 1 thru 17 for service)	
1	91473125	1	AUX DASH HARNESS	
2	77363267	1	10 AMP FUSE	
3	77363265	2	RELAY	
4	91473127	2	SWITCH, DPDT	
5	91403607	1	SWING DECAL	
6	91403606	1	SWING MAST DECAL	
7	91513162	1	AUX FRAME HARNESS	
8	90027187	8	TIE WRAP	
9	91513123	1	AUX ELECTRIC HARNESS	
10	88661085	1	BULKHEAD UNION, 3/4-16X1/2 TUBE	
11	91513115	1	AUX ELECTRIC TUBE, TOP	
12	91513116	1	AUX ELECTRIC TUBE, BOTTOM	
13	91401276	1	CONNECTOR COVER	
14	88201005	2	HEX HD CAPSCREW, 1/4-20X1, GR5	
15	90207661	1	6 CONTACT SOCKET	
16	88201035	2	HEX HD CAPSCREW, 3/8-16X1, GR5	
17	88561109	2	FLAT WASHER, 3/8	

SECTION 12 - OPTIONS

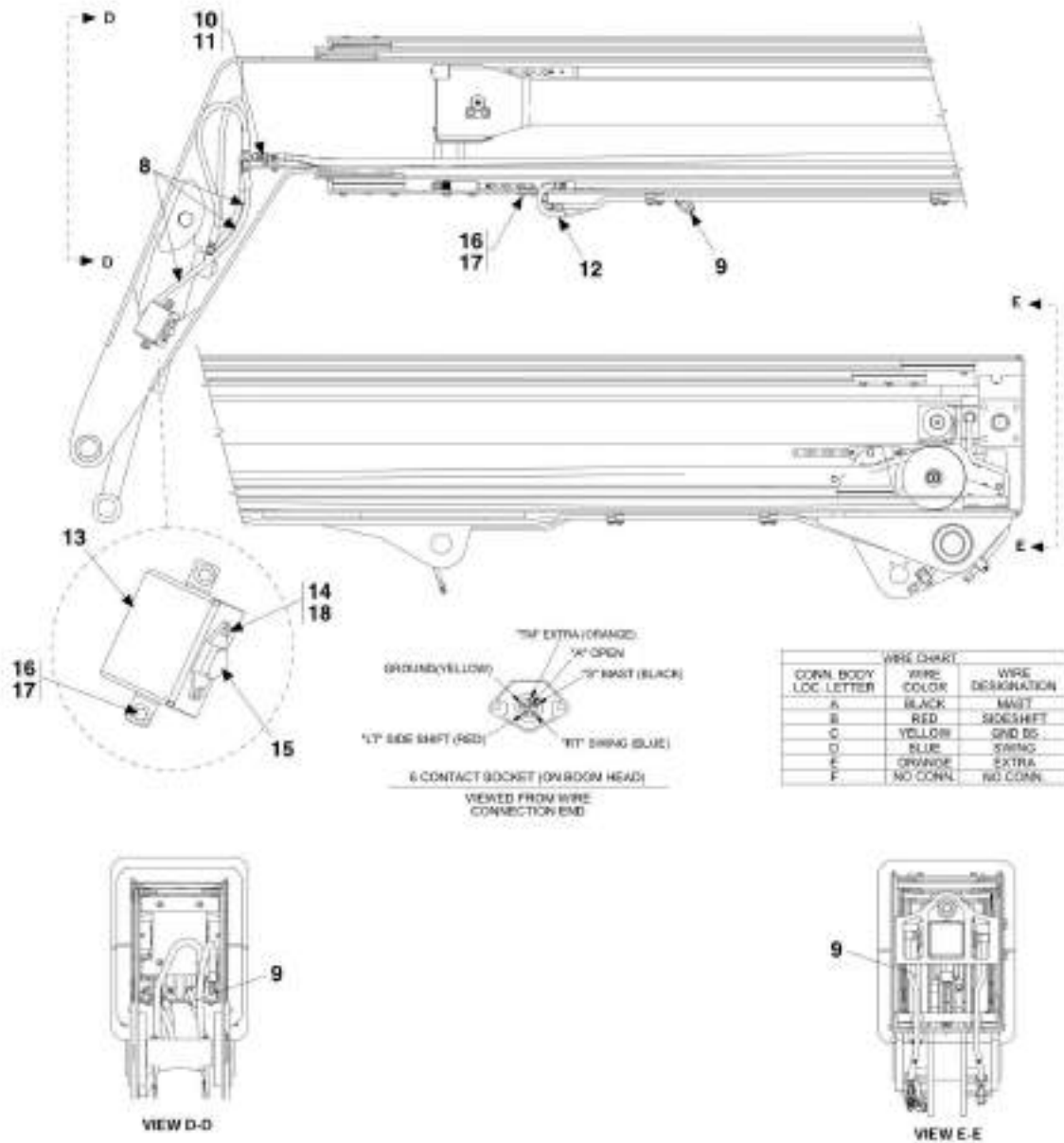
FIGURE 12-18. AUXILIARY ELECTRICS ASSEMBLY (SN 0160037671 to Present)



NOTE: ADD LOCTITE® 242™ (0100911) ON ALL BOLT THREADS.
USE LOCTITE® 545™ (0100075) ON TUBE FITTINGS.

PNP15423

SECTION 12 - OPTIONS



NOTE: ADD LOCTITE® 242™ (0100011) ON ALL BOLT THREADS.
 USE LOCTITE® 545™ (0100075) ON TUBE FITTINGS.

PY301E

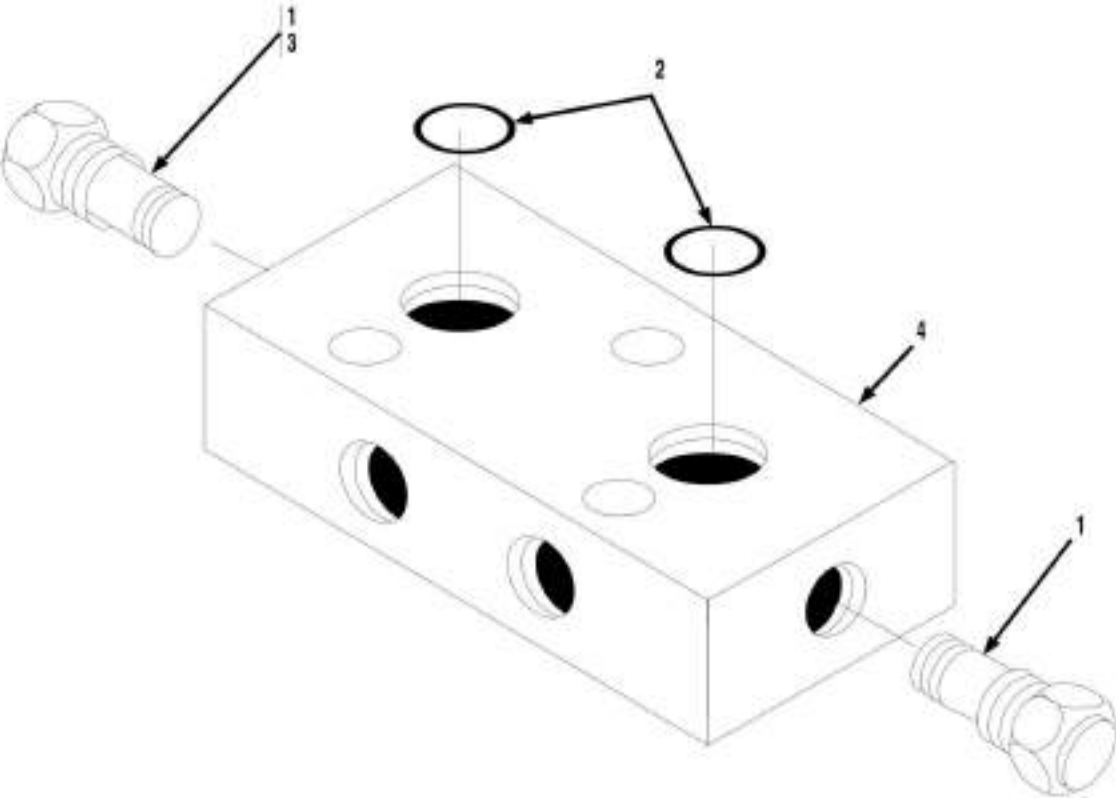
SECTION 12 - OPTIONS

FIGURE 12-18. AUXILIARY ELECTRICS ASSEMBLY (SN 0160037671 to Present)

ITEM	PART NUMBER	QTY	DESCRIPTION	REV
	1001101742	Ref	AUX ELECTRICS ASSY, (not available to order, see items 1 thru 18 for service)	B
1	91473125	1	AUX DASH HARNESS (Prior to SN 0160042801)	
2	77363267	1	AUTO FUSE, 10 AMP (Prior to SN 0160042801)	
3	77363265	2	RELAY (Prior to SN 0160042801)	
4	91473127	2	SWITCH, DPDT (Prior to SN 0160042801)	
5	91403607	1	SWING DECAL (Prior to SN 0160042801)	
6	91403606	1	SWING MAST DECAL (Prior to SN 0160042801)	
7	91513162	1	AUX FRAME HARNESS (Prior to SN 0160042801)	
7	1001128320	1	AUX FRAME HARNESS (SN 0160042801 to Present)	
8	8584003	9	NYLON TIE	
9	91513123	1	AUX ELECTRIC HARNESS	
10	2230025	1	BULKHEAD UNION, 3/4-16X1/2 TUBE	
11	91513115	1	AUX ELECTRIC TUBE, FRONT	
12	4569258	1	AUX ELECTRIC TUBE, BOTTOM	
13	1001099812	1	CONNECTOR COVER	
14	0641408	2	HEX HD CAPSCREW, 1/4-20X1, GR5	
15	90207661	1	6 CONTACT SOCKET	
16	0641608	2	HEX HD CAPSCREW, 3/8-16X1, GR5	
17	4711600	2	FLAT WASHER, 3/8	
18	4711400	2	FLAT WASHER, 1/4	
	91565066	Ref	CAB AUX ELECTRIC ASSY, (not available to order, see items 102 & 103 for service) (SN 0160042801 to Present)	B
102	91473127	2	SWITCH	
103		Ref	AUX ELECTRIC HARNESS, (See AUXILIARY ELECTRIC HARNESS for Breakdown)	

SECTION 12 - OPTIONS

FIGURE 12-19. SWAY CYLINDER VALVE



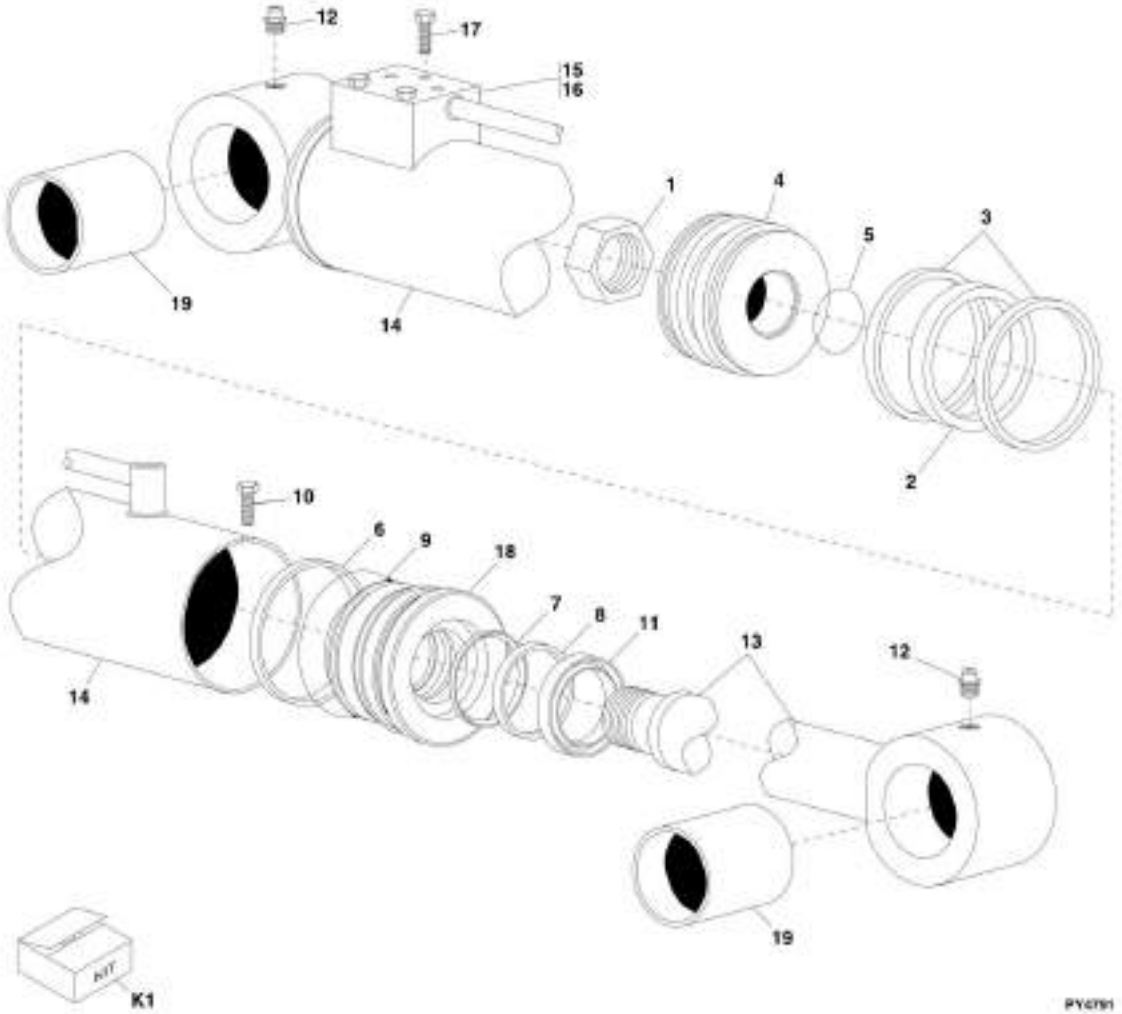
SECTION 12 - OPTIONS

FIGURE 12-19. SWAY CYLINDER VALVE

ITEM	PART NUMBER	QTY	DESCRIPTION	REV
	91403180	1	SWAY CYLINDER VALVE, (includes all items)	
1	91404216	2	VALVE CARTRIDGE	
2	91404215	2	O-RING	
3	91404217	1	PISTON	
4	91404218	1	VALVE BODY	

SECTION 12 - OPTIONS

FIGURE 12-20. SWAY CYLINDER



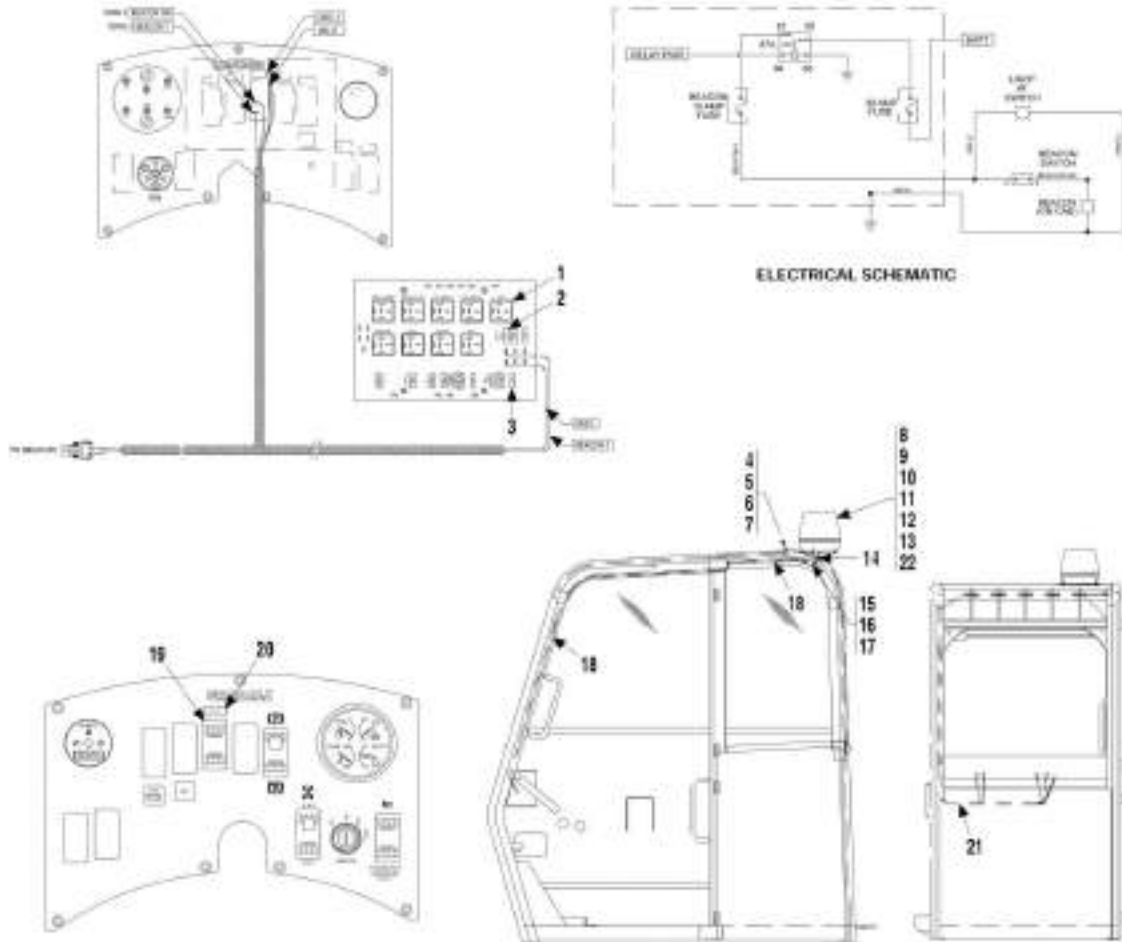
SECTION 12 - OPTIONS

FIGURE 12-20. SWAY CYLINDER

ITEM	PART NUMBER	QTY	DESCRIPTION	REV
	91403279	1	SWAY CYLINDER, (includes all items)	
1	91144038	1	LOCK NUT	
2	Kit	1	PISTON SEAL	
3	Kit	2	WEAR RING	
4	91404355	1	PISTON	
5	Kit	1	O-RING	
6	Kit	1	U-CUP SEAL	
7	Kit	1	STEP SEAL	
8	Kit	1	U-CUP SEAL	
9	Kit	1	O-RING	
10	91124096	1	SELF TAPPING SCREW	
11	Kit	1	WIPER	
12	91144128	2	GREASE FITTING	
13	91404361	1	SHAFT ASSY	
14	91404362	1	CASE ASSY	
15	91404363	1	COVER	
16	Kit	1	GASKET	
17	91404365	3	CAPSCREW	
18	91404366	1	HEAD	
19	91404352	2	BUSHING	
K1	91404367	AR	SEAL KIT, (includes items 2, 3, 5 thru 9, 11 & 16)	

SECTION 12 - OPTIONS

FIGURE 12-21. BEACON LIGHT INSTALLATION (Prior to SN 0160035414)



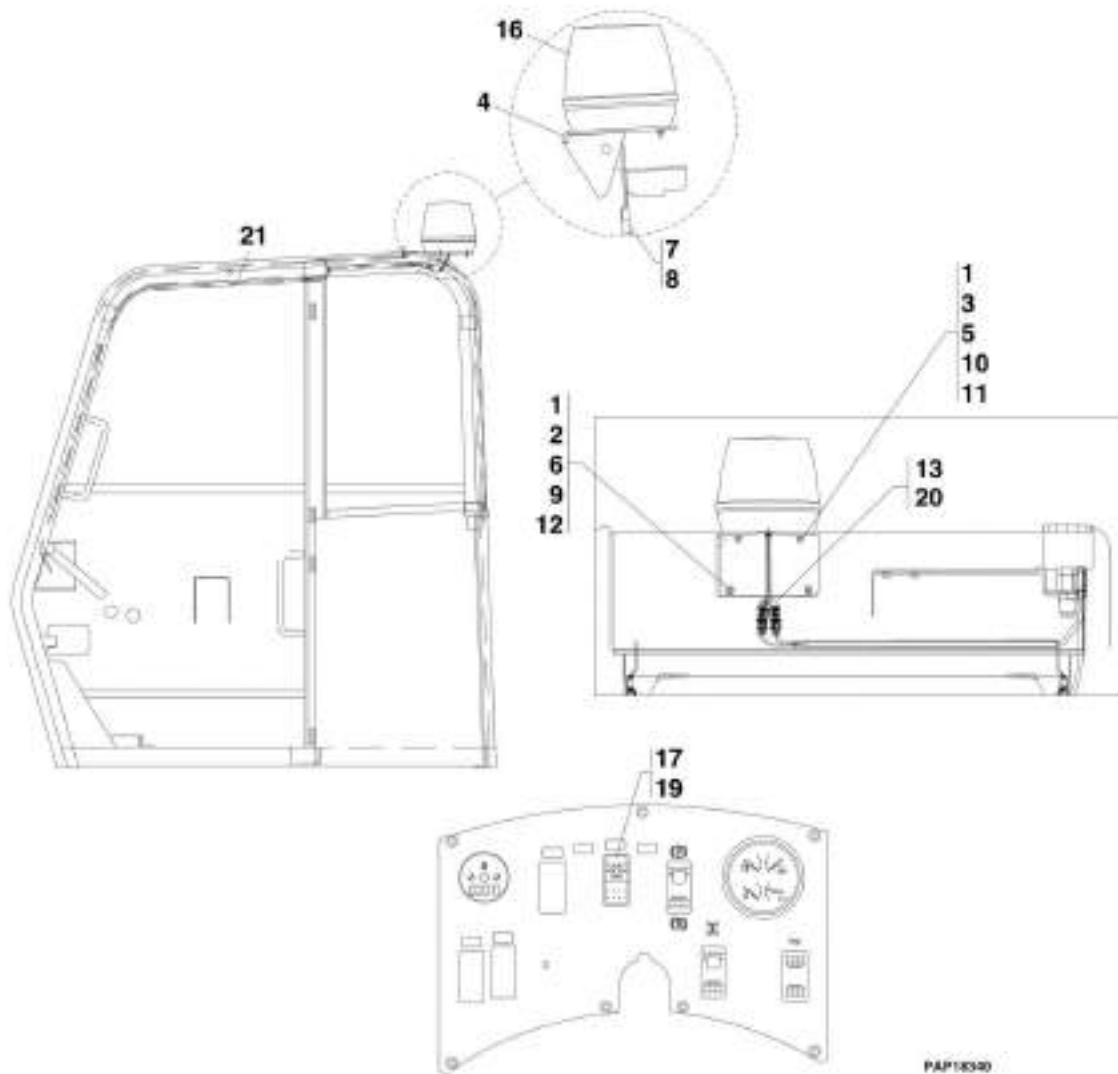
SECTION 12 - OPTIONS

FIGURE 12-21. BEACON LIGHT INSTALLATION (Prior to SN 0160035414)

ITEM	PART NUMBER	QTY	DESCRIPTION	REV
	91475059	Ref	BEACON LIGHT INSTALLATION, (if equipped), (not available to order, see items 1 thru 22 for service)	D
1	77363265	1	RELAY	
2	77363267	1	10 AMP FUSE	
3	77363269	1	30 AMP FUSE	
4	88201005	2	HEX HD CAPSCREW, 1/4-20X1, GR5	
5	88561002	2	FLAT WASHER, 1/4	
6	88551009	2	LOCKWASHER, 1/4	
7	88501004	2	HEX NUT, 1/4-20	
8	91343031	1	ROTATING BEACON, (includes item 22)	
9	91511206	1	BEACON BRACKET	
10	90027214	1	RUBBER GROMMET	
11	88301093	3	ROUND HD MACHINE SCREW, #10-24X3/4	
12	88551007	3	LOCKWASHER, #10	
13	88501612	3	HEX NUT, #10-24	
14	90029955	1	RUBBER GROMMET	
15	80963058	1	WEATHER PACK, (shroud)	
16	80963069	2	WEATHER PACK, (male pin terminal)	
17	80963065	2	WEATHER PACK, (cable seal)	
18	8096D097	79 in	ECONOMY WIRING DUCT	
19	91403304	1	TOGGLE SWITCH	
20	91413045	1	DECAL BEACON	
21	91413044	1	BEACON HARNESS	
22	91344053	1	BULB	

SECTION 12 - OPTIONS

FIGURE 12-22. BEACON LIGHT INSTALLATION (SN 0160035414 through 0160040674, Excluding 0160040468 and 0160040672)



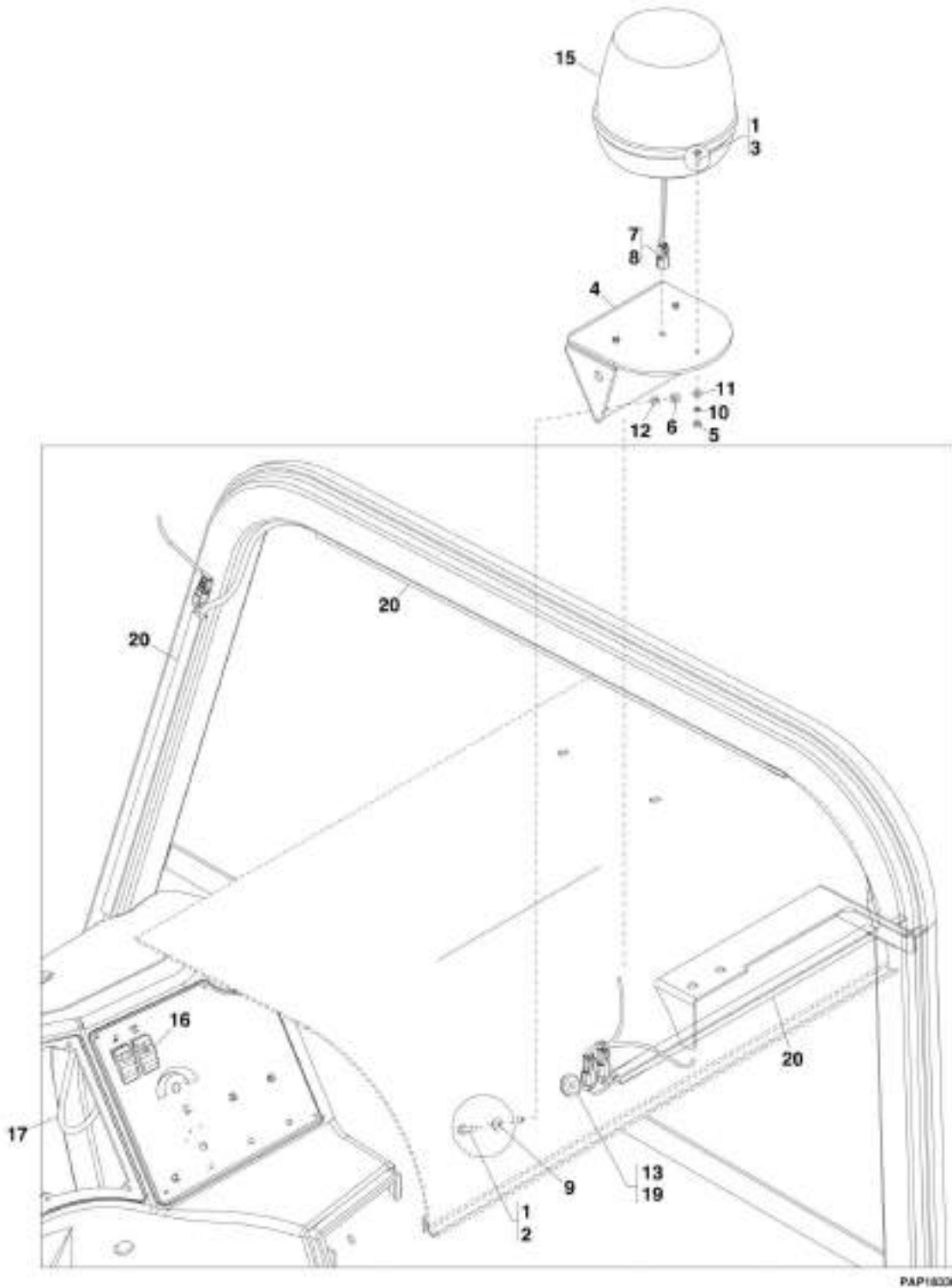
SECTION 12 - OPTIONS

FIGURE 12-22. BEACON LIGHT INSTALLATION (SN 0160035414 through 0160040674, Excluding 0160040468 and 0160040672)

ITEM	PART NUMBER	QTY	DESCRIPTION	REV
	1001098035	Ref	BEACON LIGHT INSTALLATION, (if equipped), (not available to order, see items 1 thru 21 for service)	C
1	0100011	AR	LOCTITE 242	
2	0641407	2	HEX HD CAPSCREW, 1/4-20X7/8, GR5	
3	0721006	3	INDENTED HEX HD MACHINE SCREW, #10-24X3/4	
4	0903669	1	BEACON BRACKET	
5	3311001	3	HEX NUT, #10-24, GR2	
6	3311401	2	HEX NUT, 1/4-20, GR2	
7	4460508	2	TERMINAL	
8	4461017	1	2 POSITION TERMINAL	
9	4711400	2	WASHER, 1/4	
10	4751000	3	WASHER, #10	
11	4761000	3	LOCKWASHER, #10	
12	4761400	2	LOCKWASHER, 1/4	
13	14404173	AR	SILICONE SEALANT	
16	91343031	1	ROTATING BEACON	
16	91344053	1	BULB	
17	1001090461	1	BEACON SWITCH	
18		Ref	CAB WORKLIGHT HARNESS, (not shown), (See ELECTRICAL SECTION for Breakdown)	
19		Ref	CAB WORKLIGHT AND BEACON LIGHT SWITCH HARNESS, (See ELECTRICAL SECTION for Breakdown)	
20	1001090615	1	GROMMET	
21	8096D097	72 in	ECONOMY WIRING DUCT	

SECTION 12 - OPTIONS

FIGURE 12-23. BEACON LIGHT INSTALLATION (SN 0160040675 through 0160059327, Including 0160040468 and 0160040672, Excluding 0160058678, 0160058998, 0160059008, 0160059160, 0160059170 and 0160059320)



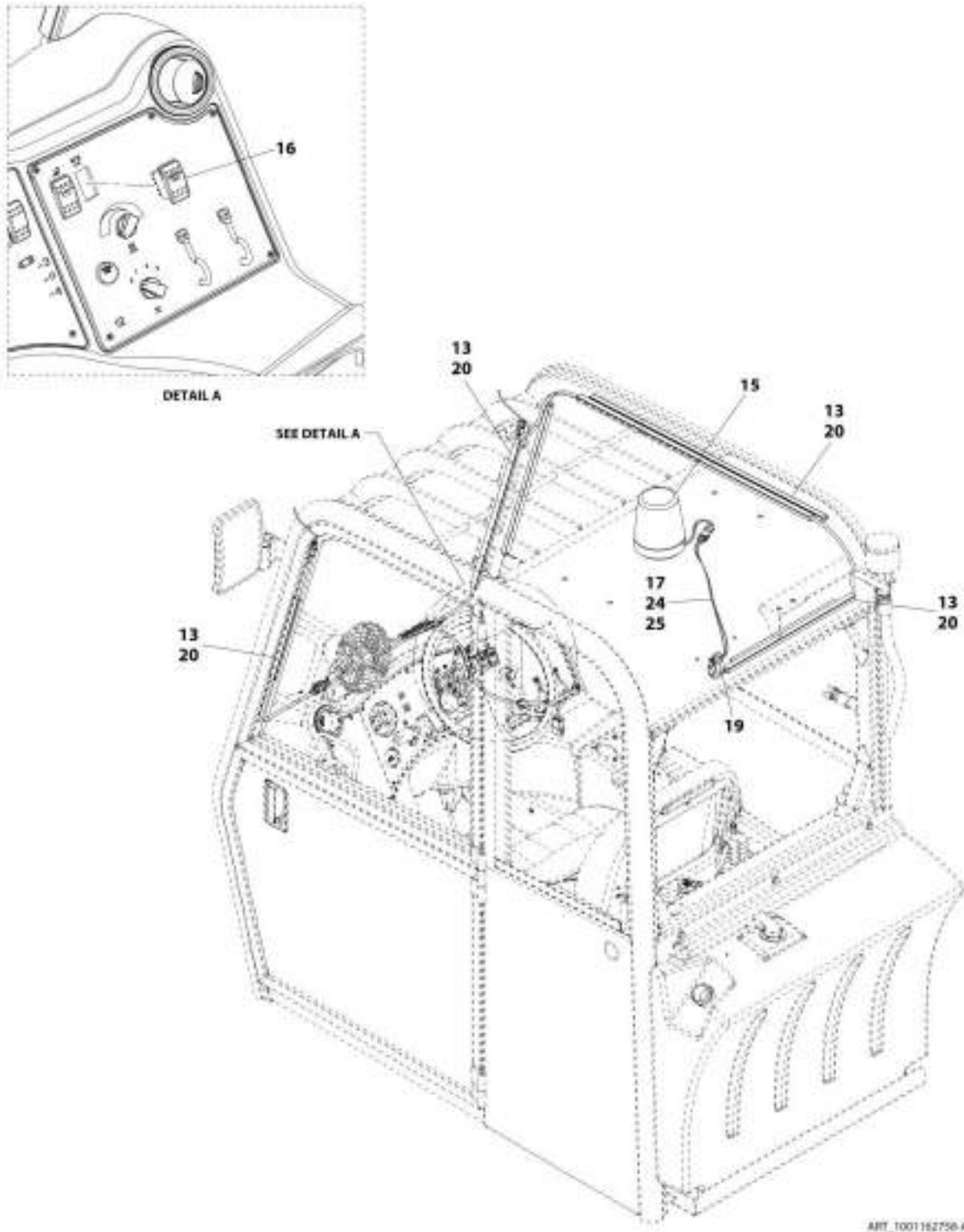
SECTION 12 - OPTIONS

FIGURE 12-23. BEACON LIGHT INSTALLATION (SN 0160040675 through 0160059327, Including 0160040468 and 0160040672, Excluding 0160058678, 0160058998, 0160059008, 0160059160, 0160059170 and 0160059320)

ITEM	PART NUMBER	QTY	DESCRIPTION	REV
	1001114492	Ref	BEACON LIGHT INSTALLATION, (if equipped), (not available to order, see items 1 thru 20 for service)	B
1	0100011	AR	LOCTITE 242	
2	0641407	2	HEX HD CAPSCREW, 1/4-20X7/8, GR5	
3	0721006	3	INDENTED HEX HD MACHINE SCREW, #10-24X3/4	
4	0903669	1	BEACON BRACKET	
5	3311001	3	HEX NUT, #10-24, GR2	
6	3311401	2	HEX NUT, 1/4-20, GR2	
7	4460508	2	TERMINAL	
8	4461017	1	2 POSITION TERMINAL	
9	4711400	2	WASHER, 1/4	
10	4751000	3	WASHER, #10	
11	4761000	3	LOCKWASHER, #10	
12	4761400	2	LOCKWASHER, 1/4	
13	14404173	AR	SILICONE SEALANT	
15	91343031	1	ROTATING BEACON	
15	91344053	1	BULB	
16	1001090461	1	BEACON SWITCH	
17		Ref	CAB WORKLIGHT HARNESS, (not shown), (See ELECTRICAL SECTION for Breakdown)	
19	1001090615	1	GROMMET	
20	8096D097	72 in	ECONOMY WIRING DUCT	

SECTION 12 - OPTIONS

FIGURE 12-24. BEACON LIGHT INSTALLATION (SN 0160059335 to Present, Including 0160058678, 0160058998, 0160059008, 0160059160, 0160059170 and 0160059320)



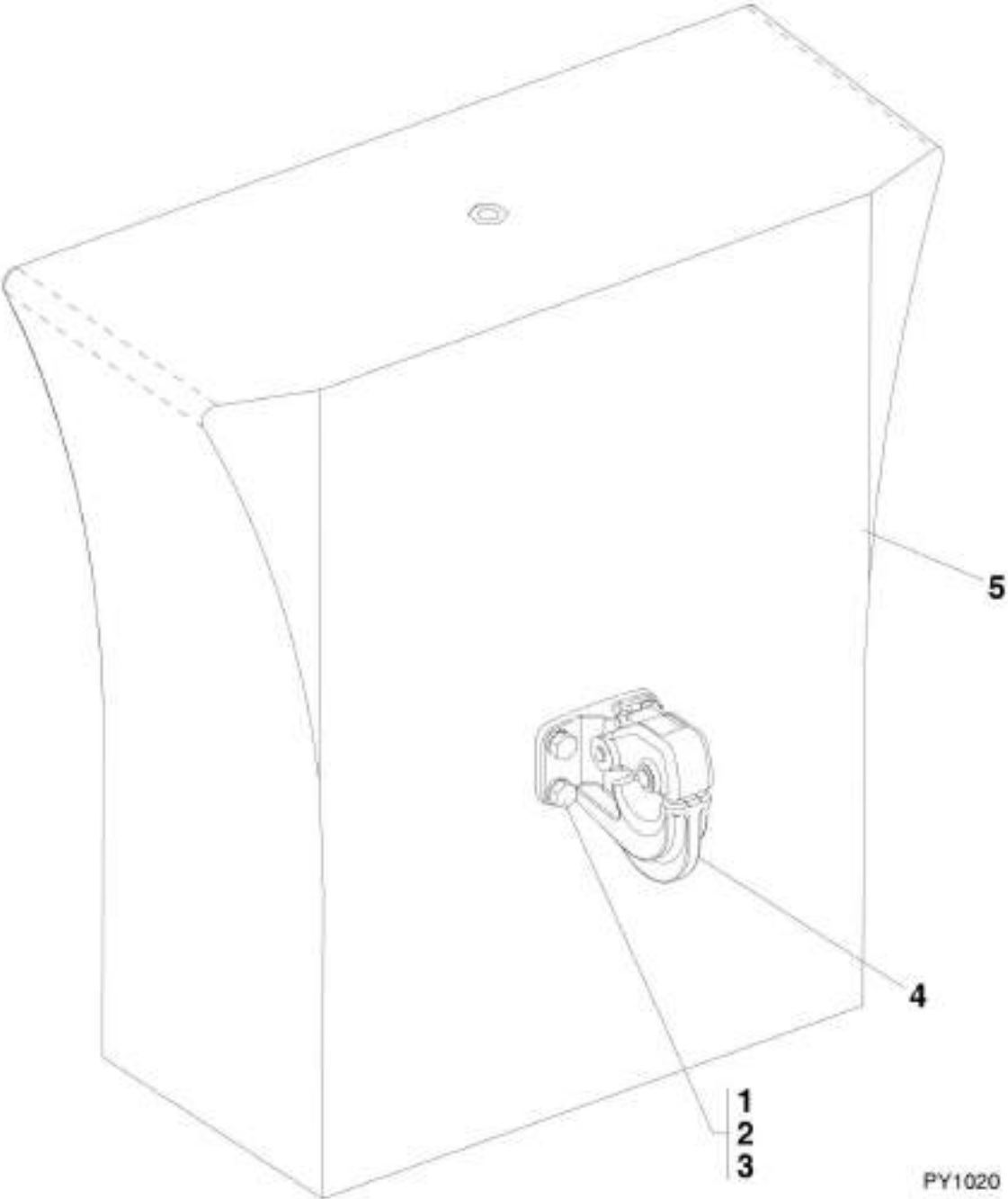
SECTION 12 - OPTIONS

FIGURE 12-24. BEACON LIGHT INSTALLATION (SN 0160059335 to Present, Including 0160058678, 0160058998, 0160059008, 0160059160, 0160059170 and 0160059320)

ITEM	PART NUMBER	QTY	DESCRIPTION	REV
	1001162758	Ref	BEACON LIGHT INSTALLATION, (if equipped), (not available to order, see items 13 thru 25 for service)	A
13	14404173	AR	SELANT, SILICONE	
15	8500066	1	BEACON, ROTATING	
16	1001090461	1	SWITCH, BEACON	
17	1001158896	1	HARNES, CAB WORK LIGHTS (See Separate Breakdown in ELECTRICAL Section)	
19	1001090615	1	GROMMET	
20	8096D097	1	DUCT, ECONOMY WIRING	
24	1001117021	1	CONNECTOR	
25	8220890	1	CONNECTOR	

SECTION 12 - OPTIONS

FIGURE 12-25. PINTLE HOOK INSTALLATION



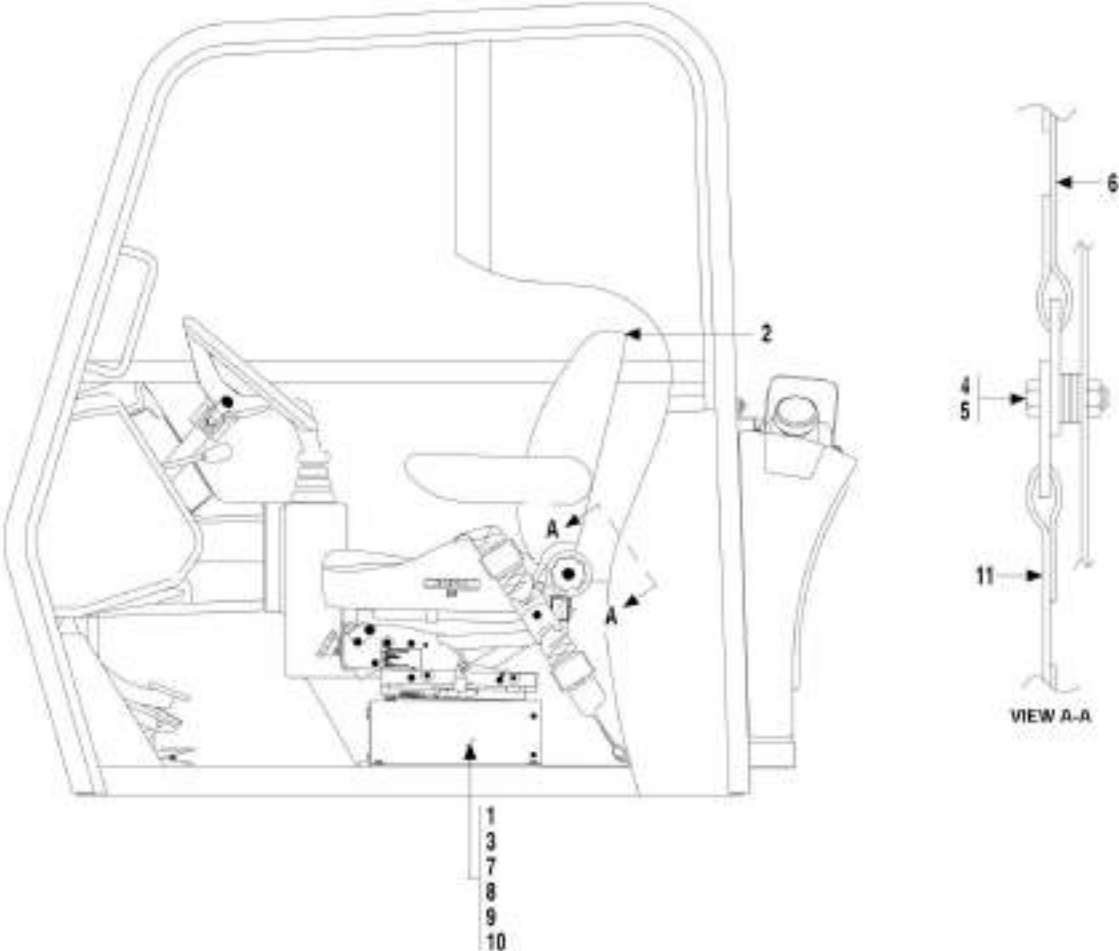
SECTION 12 - OPTIONS

FIGURE 12-25. PINTLE HOOK INSTALLATION

ITEM	PART NUMBER	QTY	DESCRIPTION	REV
	1001097095	1	PINTLE HOOK INSTALLATION, (includes all items)	C
1	0100011	AR	LOCTITE 242	
2	0681814	4	HEX HD CAPSCREW, 1/2-13X1-3/4	
3	88551013	4	LOCKWASHER, 1/2	
4	90200602	1	PINTLE HOOK	
5		Ref	COUNTERWEIGHT, (See FRAME AND ATTACHING PARTS SECTION for Breakdown)	

SECTION 12 - OPTIONS

FIGURE 12-26. SUSPENSION SEAT (SN 0193001 through 0193007, SN 016000008 through 0160015259)



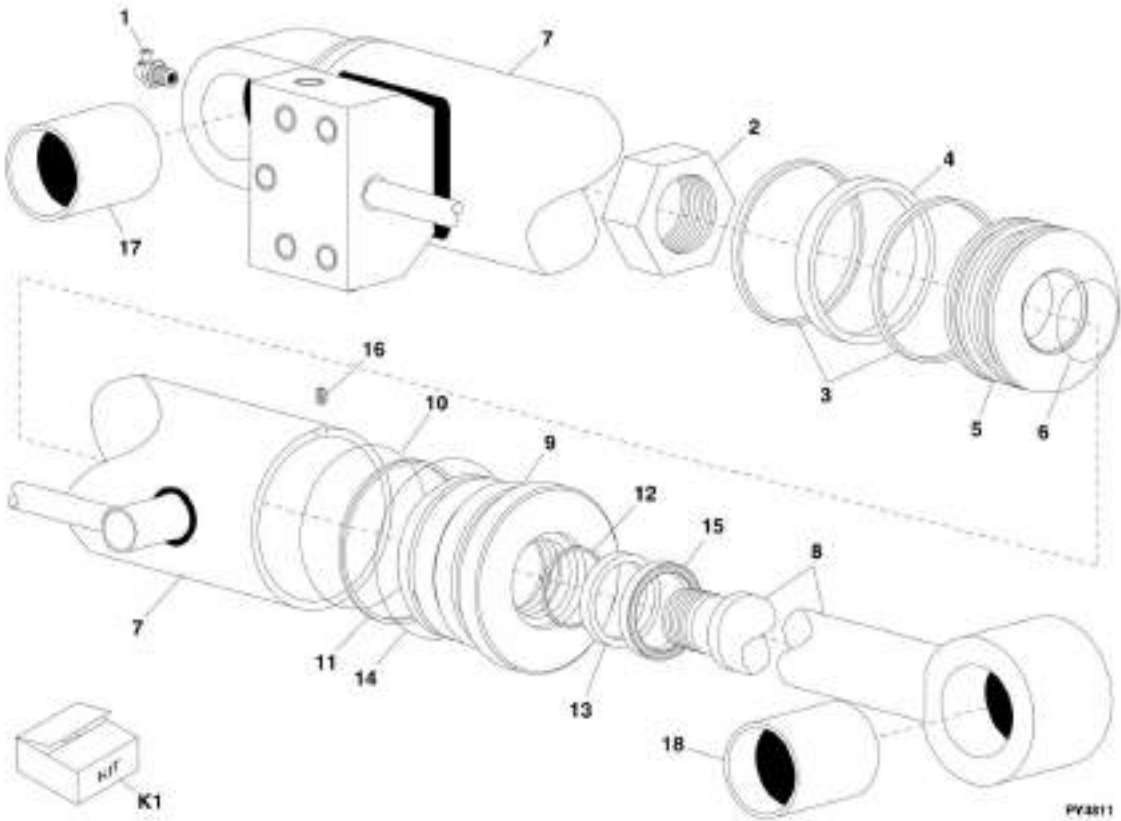
SECTION 12 - OPTIONS

FIGURE 12-26. SUSPENSION SEAT (SN 0193001 through 0193007, SN 016000008 through 0160015259)

ITEM	PART NUMBER	QTY	DESCRIPTION	REV
	91403527	NLA	SUSPENSION SEAT OPTION, (includes all items), (no longer available, See HEAVY DUTY SEAT REPLACEMENT KIT for Breakdown)	
1	91405050	1	SEAT RISER ASSY, (includes items 3, 7, 9 & 10)	
2	91403527	1	TRIMLINE MAGNUM 200 SEAT	
3	88551009	6	LOCKWASHER, 1/4	
4	88201551	2	HEX HD CAPSCREW, 7/16-20X1-1/2, GR5	
5	88561111	10	FLAT WASHER, 1/2	
6	91033029	1	STD SEAT BELT	
6	91033486	1	CALIFORNIA SEAT BELT	
7	91406116	1	SUSPENSION RISER WELDMENT	
8	91406114	1	ACCESS, BEZEL WELDMENT	
9	91401417	1	ACCESS COVER	
10	88261015	6	SOCKET BUTTON HD CAPSCREW, 1/4-20X5/8	
11	91403191	1	TETHER	

SECTION 12 - OPTIONS

FIGURE 12-27. SWING CYLINDER



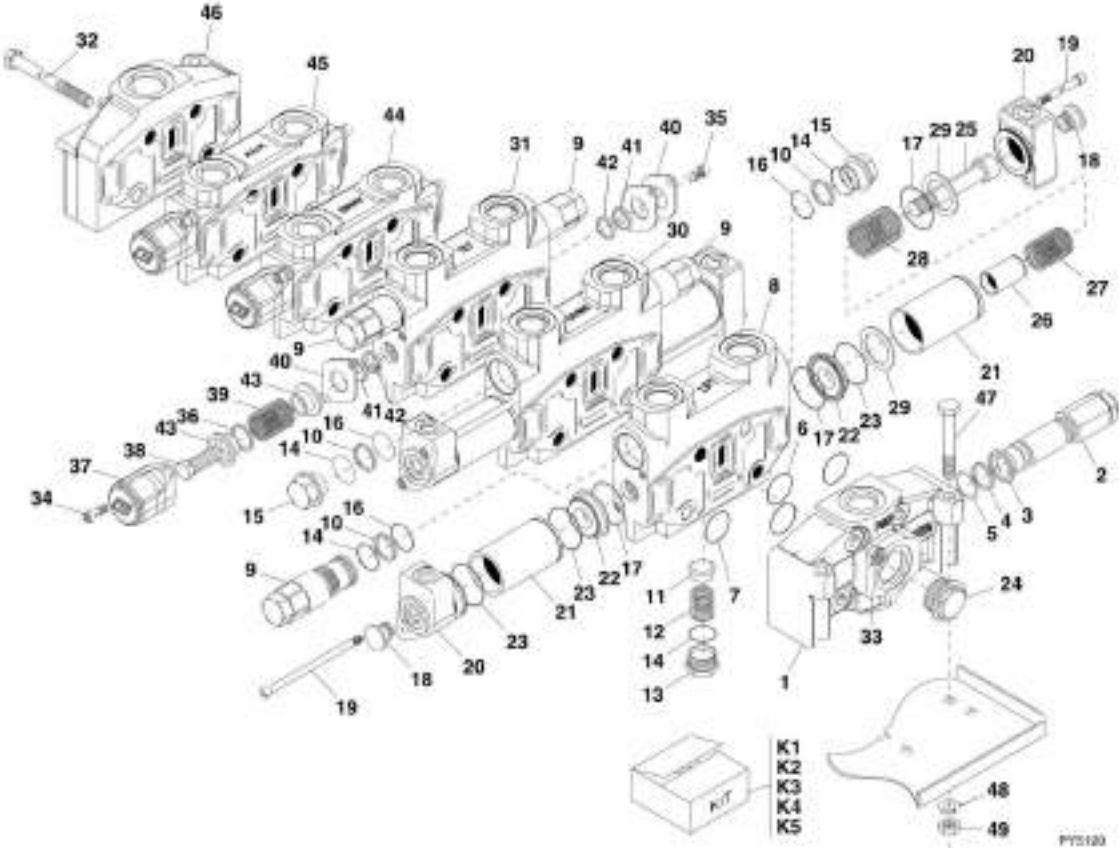
SECTION 12 - OPTIONS

FIGURE 12-27. SWING CYLINDER

ITEM	PART NUMBER	QTY	DESCRIPTION	REV
	91403322	1	SWING CYLINDER, (includes all items)	
1	91144125	1	GREASE FITTING	
2	91034156	1	LOCKNUT	
3	Kit	2	WEAR RING	
4	Kit	1	PISTON SEAL	
5	91404370	1	PISTON	
6	Kit	1	O-RING	
7	91404371	1	CASE ASSY	
8	91404372	1	SHAFT ASSY	
9	91404373	1	HEAD	
10	Kit	1	O-RING	
11	Kit	1	BACK-UP RING	
12	Kit	1	STEP SEAL	
13	Kit	1	U-CUP	
14	Kit	1	O-RING	
15	Kit	1	WIPER	
16	91404380	1	SETSCREW	
17	91034157	1	BUSHING	
18	91144267	1	BUSHING	
K1	91404381	AR	SEAL KIT, (includes items 3, 4, 6 & 10 thru 15)	

SECTION 12 - OPTIONS

FIGURE 12-28. MAIN CONTROL VALVE WITH AUXILIARY HYDRAULICS (Prior to SN 0160037671)



SECTION 12 - OPTIONS

FIGURE 12-28. MAIN CONTROL VALVE WITH AUXILIARY HYDRAULICS (Prior to SN 0160037671)

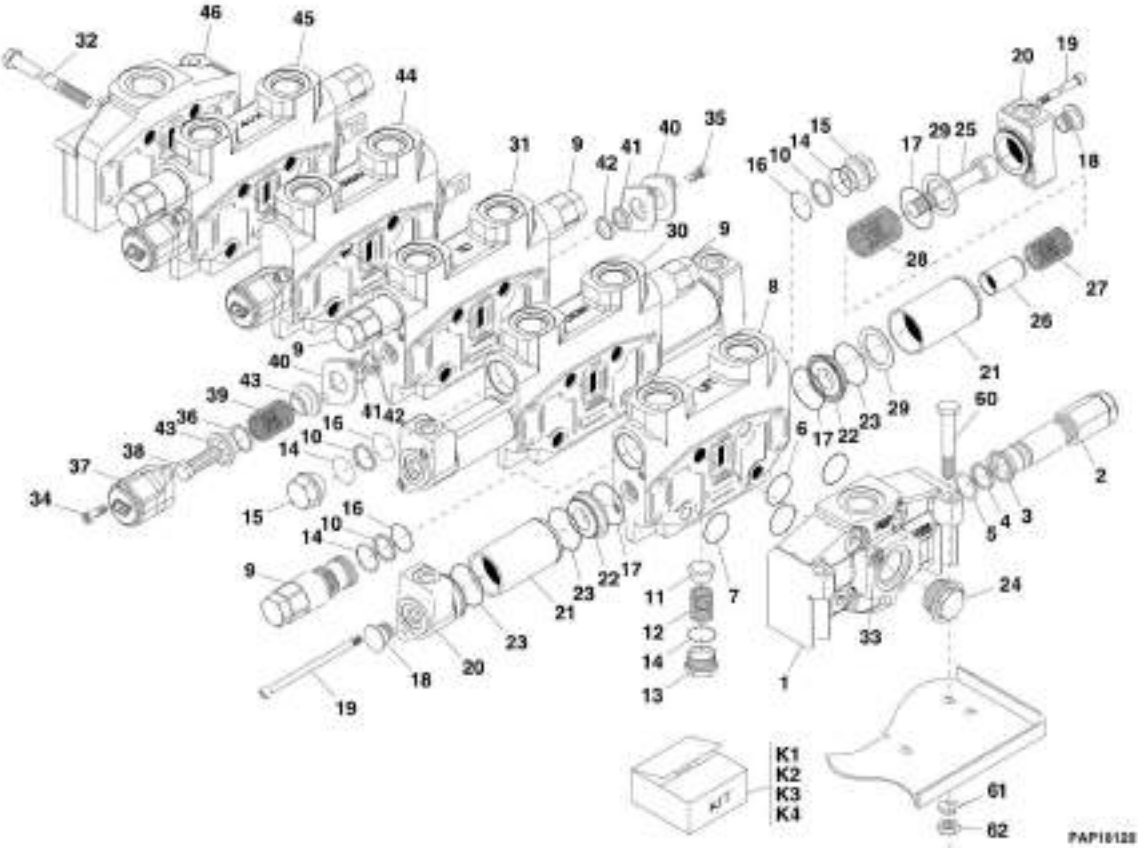
ITEM	PART NUMBER	QTY	DESCRIPTION	REV
	91513045	1	MAIN CONTROL VALVE, (includes items 1 thru 46)	B
1	91514228	1	INLET COVER ASSEMBLY, (includes items 2 & 24, one of item 6 and three of item 7)	
2	91514229	1	MAIN RELIEF VALVE, (includes items 3, 4 & 5)	
3	Kit	1	GASKET WASHER	
4	Kit	1	O-RING	
5	Kit	1	BACK-UP RING	
6	Kit	6	O-RING	
7	Kit	18	O-RING	
8	91514230	1	VALVE SECTION ASSY, (lift), (includes one of items 6, 9, 11 thru 15 & 25 thru 28 two of items 17, 18, 20, 21, 22 & 29, three of item 7 and four of items 19 & 23)	
9	91514222	4	PORT RELIEF VALVE, (includes one of items 10, 14 & 16)	
10	N.S.S.	6	BACK-UP RING	
11	N.S.S.	5	TRANSITION CHECK POPPET	
12	N.S.S.	5	CHECK SPRING	
13	N.S.S.	5	CHECK CAP	
14	Kit	11	O-RING	
15	91514232	2	PORT PLUG, (includes one of items 10, 14 & 16)	
16	N.S.S.	6	O-RING	
17	Kit	4	SEAL	
18	N.S.S.	4	PLUG	
19	N.S.S.	8	HEX SOCKET CAPSCREW	
20	N.S.S.	4	VALVE CAP	
21	N.S.S.	4	END CAP TUBE	
22	N.S.S.	4	TUBE	
23	Kit	8	SEAL	
24	91514233	1	PLUG	
25	N.S.S.	2	SHOULDER BOLT	
26	N.S.S.	2	STOP TUBE	
27	N.S.S.	2	INNER SPRING	
28	N.S.S.	2	OUTER SPRING	
29	N.S.S.	4	WASHER	
30	91514234	1	VALVE SECTION ASSY, (crowd), (includes one of items 6, 9, 11 thru 15 & 25 thru 28, two of items 17, 18, 20, 21, 22 & 29, three of item 7 and four of items 19 & 23)	
31	91514235	1	VALVE SECTION ASSY, (tilt), (includes one of items 6, 11 thru 14 & 36 thru 39, two of items 9, 34, 35 & 41 thru 43 and three of items 7 & 40)	
32	Kit	4	STUD ASSY, (includes item 33)	
33	Kit	4	HEX NUT	
34	N.S.S.	6	SCREW	
35	N.S.S.	6	SCREW	
36	N.S.S.	2	SPACER	
37	N.S.S.	3	VALVE CAP	
38	N.S.S.	3	STRIPPER BOLT	
39	N.S.S.	3	RETURN SPRING	
40	N.S.S.	9	RETAINING PLATE	
41	Kit	6	BACK-UP RING, (teflon)	
42	Kit	6	QUAD SEAL	

SECTION 12 - OPTIONS

ITEM	PART NUMBER	QTY	DESCRIPTION	REV
43	N.S.S.	6	SPRING GUIDE	
44	91514236	1	VALVE SECTION ASSY, (sway), (includes one of items 6, 11 thru 14 & 36 thru 39, two of items 34, 35, 41, 42 & 43 and three of items 7 & 40)	
45	91514238	1	VALVE SECTION ASSY, (aux), (includes one of items 6, 11 thru 14 & 36 thru 39, two of items 34, 35 & 41 thru 43 and three of items 7 & 40)	
46	91514237	1	OUTLET COVER ASSY	
47	88411074	3	ROUND HD CARRIAGE BOLT, 3/8-16X4	
48	88551011	3	LOCKWASHER, 3/8	
49	88501006	3	HEX NUT, 3/8-16	
K1	91514220	6	VALVE SECTION SEAL KIT, (includes one of item 6 and three of item 7)	
K2	91514221	1	MAIN RELIEF SEAL KIT, (includes items 3, 4 & 5)	
K3	91514226	3	SPOOL SEAL KIT, (includes one of items 6 & 14, two of items 41 & 42 and three of item 7)	
K4	91514227	2	REMOTE SEAL KIT, (includes one of items 6 & 14, two of item 17, three of item 7 and four of item 23)	
K5	91514247	1	STUD KIT, (includes items 32 & 33)	

SECTION 12 - OPTIONS

FIGURE 12-29. MAIN CONTROL VALVE WITH AUXILIARY HYDRAULICS (SN 0160037671 through 0160040674, Excluding 0160040468 and 0160040672)



SECTION 12 - OPTIONS

FIGURE 12-29. MAIN CONTROL VALVE WITH AUXILIARY HYDRAULICS (SN 0160037671 through 0160040674, Excluding 0160040668 and 0160040672)

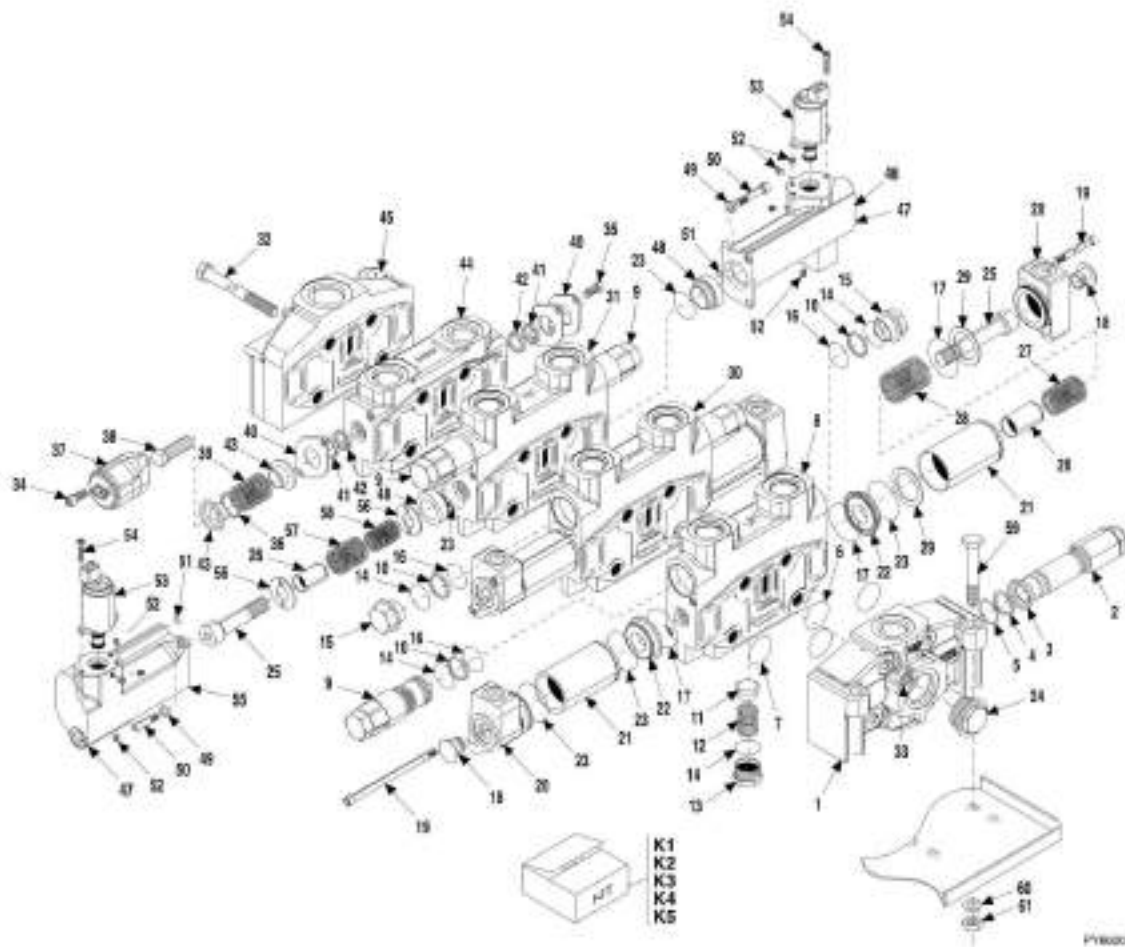
ITEM	PART NUMBER	QTY	DESCRIPTION	REV
	1001109216	1	MAIN CONTROL VALVE ASSY, (includes items 1 thru 59)	B
1	7029963	1	INLET COVER ASSEMBLY, (includes items 2 & 24, one of item 6 and three of item 7)	
2	91514229	1	MAIN RELIEF VALVE, (includes items 3, 4 & 5)	
3	Kit	1	GASKET WASHER	
4	Kit	1	O-RING	
5	Kit	1	BACK-UP RING	
6	Kit	6	O-RING	
7	Kit	18	O-RING	
8	91514230	1	VALVE SECTION ASSY, (lift), (includes one of items 6, 9, 11 thru 15 & 25 thru 28, two of items 17, 18, 20, 21, 22 & 29, three of item 7 and four of items 19 & 23)	
9	91514222	6	PORT RELIEF VALVE, (includes one of items 10, 14 & 16)	
10	N.S.S.	6	BACK-UP RING	
11	N.S.S.	5	TRANSITION CHECK POPPET	
12	N.S.S.	5	CHECK SPRING	
13	N.S.S.	5	CHECK CAP	
14	Kit	11	O-RING	
15	91514232	2	PORT PLUG, (includes one of items 10, 14 & 16)	
16	N.S.S.	6	O-RING	
17	Kit	4	SEAL	
18	N.S.S.	4	PLUG	
19	N.S.S.	8	HEX SOCKET CAPSCREW	
20	N.S.S.	4	VALVE CAP	
21	N.S.S.	4	END CAP TUBE	
22	N.S.S.	4	TUBE	
23	Kit	10	SEAL	
24	N.S.S.	1	PLUG	
25	N.S.S.	3	SHOULDER BOLT	
26	N.S.S.	3	STOP TUBE	
27	N.S.S.	2	INNER SPRING	
28	N.S.S.	2	OUTER SPRING	
29	N.S.S.	4	WASHER	
30	91514234	1	VALVE SECTION ASSY, (crowd), (includes one of items 6, 9, 11 thru 15 & 25 thru 28 two of items 17, 18, 20, 21, 22 & 29, three of item 7 and four of items 19 & 23)	
31	70023870	1	VALVE SECTION ASSY, (tilt), (includes items 41, 48 & 57, one of items 6 & 11 thru 14 two of item 9 and three of item 7)	
32	7029966	4	STUD ASSY, (includes item 33)	
33	N.S.S.	4	HEX NUT	
34	N.S.S.	4	SCREW	
35	N.S.S.	4	SCREW	
36	N.S.S.	1	SPACER	
37	N.S.S.	2	VALVE CAP	
38	N.S.S.	2	STRIPPER BOLT	
39	N.S.S.	2	RETURN SPRING	
40	N.S.S.	6	RETAINING PLATE	
41	Kit	6	BACK-UP RING, (teflon)	
42	Kit	4	QUAD SEAL	

SECTION 12 - OPTIONS

ITEM	PART NUMBER	QTY	DESCRIPTION	REV
43	N.S.S.	4	SPRING GUIDE	
44	7029964	1	VALVE SECTION ASSY, (sway), (includes one of items 6, 11 thru 14 & 36 thru 39 two of items 34, 35, 41, 42 & 43 and three of items 7 & 40)	
45	70023871	1	VALVE SECTION ASSY, (aux), (includes one of items 6, 11 thru 14 & 37 thru 39 two of items 34, 35, 41, 42 & 43 and three of items 7 & 40)	
46	91514237	1	OUTLET COVER ASSY	
47	N.S.S.	1	SPRING	
48	91514240	1	END CAP ASSY, (includes one of items 23, 49, 50, 53 & 55, two of items 51, 52 & 56 and four of item 54)	
49	N.S.S.	2	END CAP	
50	N.S.S.	2	RETAINER SEAL	
51	N.S.S.	4	LOCKWASHER	
52	N.S.S.	4	CAPSCREW, 1/4-20X.88	
53	N.S.S.	2	O-RING	
54	N.S.S.	8	EXPANDER PLUG	
55	70020170	2	SOLENOID	
56	N.S.S.	4	CAPSCREW	
57	91514241	1	END CAP ASSY, (includes items 47, 58 & 59, one of items 23, 25, 26, 49, 50, 53 & 55, two of items 51, 52 & 56 and four of item 54)	
58	N.S.S.	2	SPRING GUIDE	
59	N.S.S.	1	SPRING	
60	88411074	3	ROUND HD CARRIAGE BOLT, #3/8-16X4	
61	4761600	3	LOCKWASHER, 3/8	
62	88501006	3	HEX NUT, 3/8-16	
K1	91514220	6	VALVE SECTION SEAL KIT, (includes one of item 6 and three of item 7)	
K2	91514221	1	RELIEF SEAL KIT, (includes items 3, 4 & 5)	
K3	91514226	2	SPOOL SEAL KIT, (includes one of items 6 & 14, two of items 41 & 42 and three of item 7)	
K4	91514227	2	REMOTE SEAL KIT, (includes one of items 6 & 14, two of item 17, three of item 7 and four of item 23)	

SECTION 12 - OPTIONS

FIGURE 12-30. MAIN CONTROL VALVE WITH TILT ON JOYSTICK (Prior to SN 0160040675,
Excluding 0160040468 and 0160040672)



SECTION 12 - OPTIONS

**FIGURE 12-30. MAIN CONTROL VALVE WITH TILT ON JOYSTICK (Prior to SN 0160040675,
Excluding 0160040468 and 0160040672)**

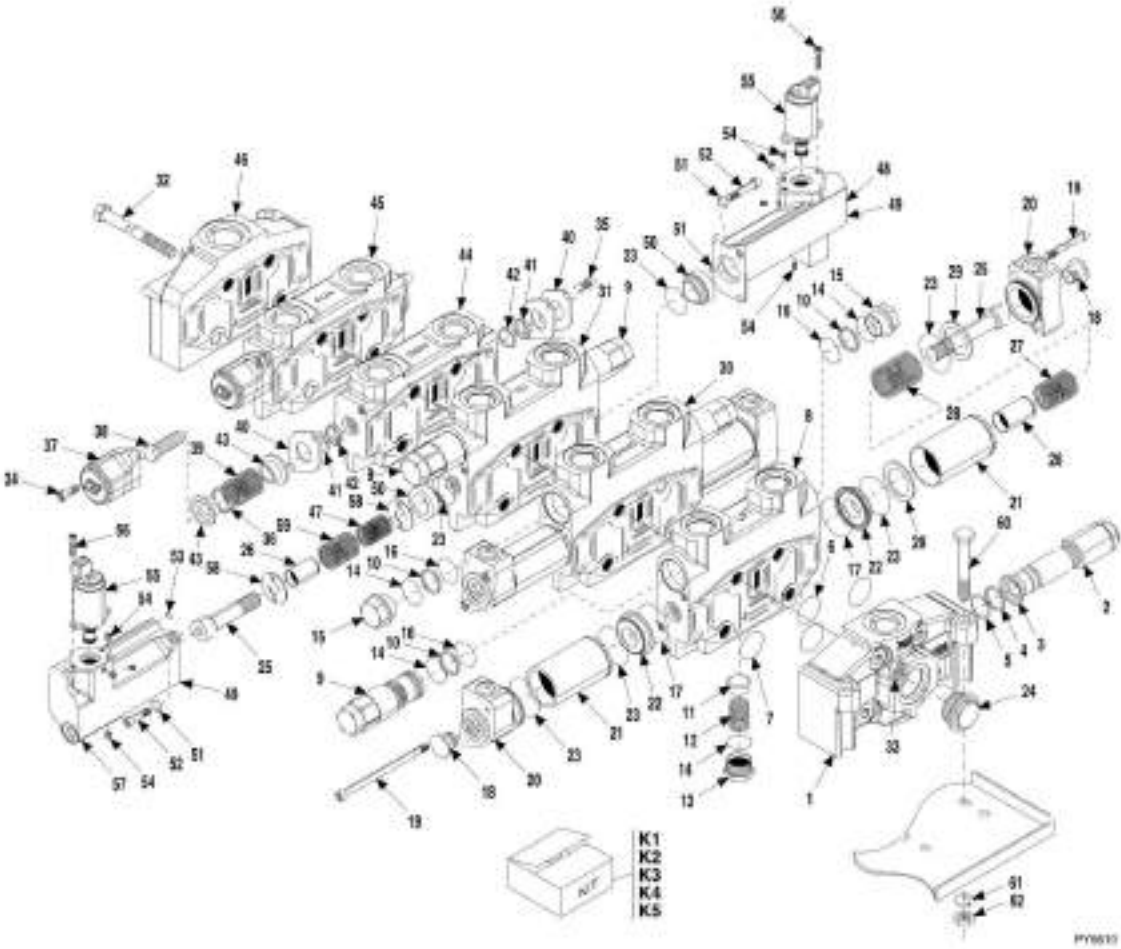
ITEM	PART NUMBER	QTY	DESCRIPTION	REV
	91513112	1	MAIN HYDRAULIC CONTROL VALVE, (includes items 1 thru 58)	A
1	91514228	1	INLET COVER ASSEMBLY, (includes items 2 & 24, one of item 6 and three of item 7)	
2	91514229	1	MAIN RELIEF VALVE, (includes items 3, 4 & 5)	
3	Kit	1	GASKET WASHER	
4	Kit	1	O-RING	
5	Kit	1	BACK-UP RING	
6	Kit	5	O-RING	
7	Kit	15	O-RING	
8	91514230	1	VALVE SECTION ASSY, (lift), (includes one of items 6, 9, 11 thru 15 & 25 thru 28 two of items 17, 18, 20, 21, 22 & 29, three of item 7 and four of items 19 & 23)	
9	91514222	4	PORT RELIEF VALVE, (includes one of items 10, 14 & 16)	
10	N.S.S.	6	BACK-UP RING	
11	N.S.S.	4	TRANSITION CHECK POPPET	
12	N.S.S.	4	CHECK SPRING	
13	N.S.S.	4	CHECK CAP	
14	Kit	10	O-RING	
15	91514232	2	PORT PLUG, (includes one of items 10, 14 & 16)	
16	N.S.S.	6	O-RING	
17	Kit	4	SEAL	
18	N.S.S.	4	PLUG	
19	N.S.S.	8	HEX SOCKET CAPSCREW	
20	N.S.S.	4	VALVE CAP	
21	N.S.S.	4	END CAP TUBE	
22	N.S.S.	4	TUBE	
23	Kit	10	SEAL	
24	91514233	1	PLUG	
25	N.S.S.	3	SHOULDER BOLT	
26	N.S.S.	3	STOP TUBE	
27	N.S.S.	2	INNER SPRING	
28	N.S.S.	2	OUTER SPRING	
29	N.S.S.	4	WASHER	
30	91514234	1	VALVE SECTION ASSY, (crowd), (includes one of items 6, 9, 11 thru 15 & 25 thru 28 two of items 17, 18, 20, 21, 22 & 29, three of item 7 and four of items 19 & 23)	
31	91514239	1	VALVE SECTION ASSY, (tilt), (includes items 45 & 55, one of items 6 & 11 thru 14 two of items 9 & 41 and three of item 7)	
32	Kit	4	STUD ASSY, (includes item 33)	
33	Kit	4	HEX NUT	
34	N.S.S.	2	SCREW	
35	N.S.S.	2	SCREW	
36	N.S.S.	1	SPACER	
37	N.S.S.	1	VALVE CAP	
38	N.S.S.	1	STRIPPER BOLT	
39	N.S.S.	1	RETURN SPRING	
39	N.S.S.	3	RETAINING PLATE	
41	Kit	4	BACK-UP RING, (teflon)	
42	Kit	2	QUAD SEAL	

SECTION 12 - OPTIONS

ITEM	PART NUMBER	QTY	DESCRIPTION	REV
43	N.S.S.	2	SPRING GUIDE	
44	91514236	1	VALVE SECTION ASSY, (sway), (includes items 34 thru 40 & 43, one of items 6 & 11 thru 14 two of item 41 and three of item 7)	
45	91514237	1	OUTLET COVER ASSY	
46	91514240	1	END CAP SUB ASSY, (includes one of items 23, 47, 48, 51 & 53, two of items 49, 50 & 54 and four of item 52)	
47	N.S.S.	2	END CAP	
48	N.S.S.	2	RETAINER SEAL	
49	N.S.S.	4	LOCKWASHER	
50	N.S.S.	4	CAPSCREW, 1/4-20X0.88	
51	N.S.S.	2	O-RING	
52	N.S.S.	8	EXPANDER PLUG	
53	70020170	2	SOLENOID	
54	N.S.S.	4	CAPSCREW	
55	91514241	1	END CAP SUB ASSY, (includes items 56, 57 & 58, one of items 23, 25, 26, 47, 48, 51, & 53, two of items 49, 50, & 54 and four of item 52)	
56	N.S.S.	2	SPRING GUIDE	
57	N.S.S.	1	SPRING	
58	N.S.S.	1	SPRING	
59	88411074	3	ROUND HD CARRIAGE BOLT, 3/8-16X4	
60	88551011	3	LOCKWASHER, 3/8	
61	88501006	3	HEX NUT, 3/8-16	
K1	91514220	5	VALVE SECTION SEAL KIT, (includes one of item 6 and three of item 7)	
K2	91514221	1	MAIN RELIEF SEAL KIT, (includes items 3, 4 & 5)	
K3	91514250	1	STUD KIT, (includes items 32 & 33)	
K4	91514226	1	SPOOL SEAL KIT, (includes one of items 6 & 14, two of items 41 & 42 and three of item 7)	
K5	91514227	2	REMOTE SEAL KIT, (includes one of items 6 & 14, two of item 17, three of item 7 and four of item 23)	

SECTION 12 - OPTIONS

**FIGURE 12-31. MAIN CONTROL VALVE WITH AUXILIARY HYDRAULICS AND TILT ON JOYSTICK
(Prior to SN 0160037671)**



SECTION 12 - OPTIONS

**FIGURE 12-31. MAIN CONTROL VALVE WITH AUXILIARY HYDRAULICS AND TILT ON JOYSTICK
(Prior to SN 0160037671)**

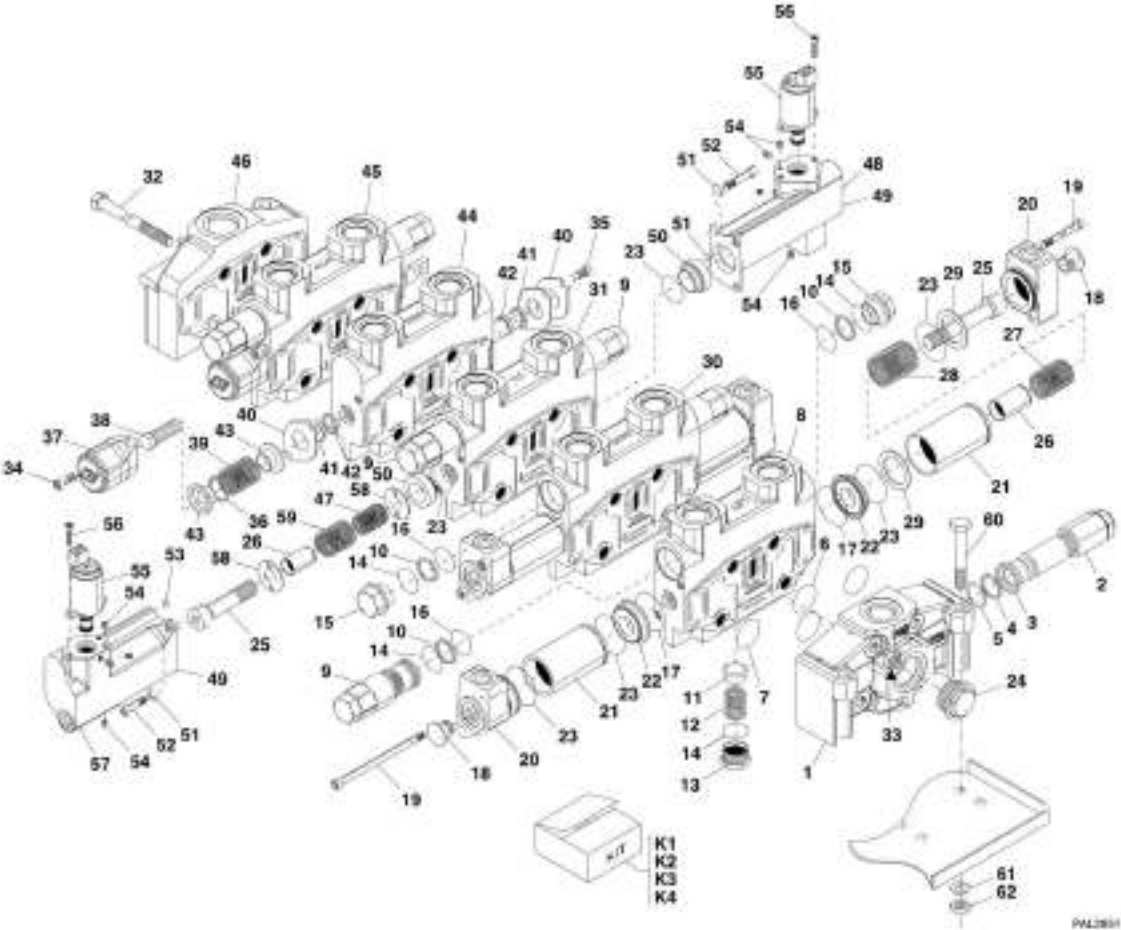
ITEM	PART NUMBER	QTY	DESCRIPTION	REV
	91513113	1	MAIN HYDRAULIC CONTROL VALVE, (includes items 1 thru 59)	B
1	91514228	1	INLET COVER ASSEMBLY, (includes items 2 & 24, one of item 6 & three of item 7)	
2	91514229	1	MAIN RELIEF VALVE, (includes items 3, 4 & 5)	
3	Kit	1	GASKET WASHER	
4	Kit	1	O-RING	
5	Kit	1	BACK-UP RING	
6	Kit	6	O-RING	
7	Kit	18	O-RING	
8	91514230	1	VALVE SECTION ASSY, (lift), (includes one of items 6, 9, 11 thru 15 & 25 thru 28, two of items 17, 18, 20, 21, 22 & 29, three of item 7 and four of items 19 & 23)	
9	91514222	4	PORT RELIEF VALVE, (includes one of items 10, 14 & 16)	
10	N.S.S.	6	BACK-UP RING	
11	N.S.S.	5	TRANSITION CHECK POPPET	
12	N.S.S.	5	CHECK SPRING	
13	N.S.S.	5	CHECK CAP	
14	Kit	11	O-RING	
15	91514232	2	PORT PLUG, (includes one of items 10, 14 & 16)	
16	N.S.S.	6	O-RING	
17	Kit	4	SEAL	
18	N.S.S.	4	PLUG	
19	N.S.S.	8	HEX SOCKET CAPSCREW	
20	N.S.S.	4	VALVE CAP	
21	N.S.S.	4	END CAP TUBE	
22	N.S.S.	4	TUBE	
23	Kit	10	SEAL	
24	91514233	1	PLUG	
25	N.S.S.	3	SHOULDER BOLT	
26	N.S.S.	3	STOP TUBE	
27	N.S.S.	2	INNER SPRING	
28	N.S.S.	2	OUTER SPRING	
29	N.S.S.	4	WASHER	
30	91514234	1	VALVE SECTION ASSY, (crowd), (includes one of items 6, 9, 11 thru 15 & 25 thru 28, two of items 17, 18, 20, 21, 22 & 29, three of item 7 and four of items 19 & 23)	
31	91514239	1	VALVE SECTION ASSY, (tilt), (includes items 41, 48 & 57, one of items 6 & 11 thru 14, two of item 9 & three of item 7)	
32	Kit	4	STUD ASSY, (includes item 33)	
33	Kit	4	HEX NUT	
34	N.S.S.	4	SCREW	
35	N.S.S.	4	SCREW	
36	N.S.S.	1	SPACER	
37	N.S.S.	2	VALVE CAP	
38	N.S.S.	2	STRIPPER BOLT	
39	N.S.S.	2	RETURN SPRING	
40	N.S.S.	6	RETAINING PLATE	
41	Kit	6	BACK-UP RING, (teflon)	
42	Kit	4	QUAD SEAL	

SECTION 12 - OPTIONS

ITEM	PART NUMBER	QTY	DESCRIPTION	REV
43	N.S.S.	4	SPRING GUIDE	
44	91514236	1	VALVE SECTION ASSY, (sway), (includes one of items 6, 11 thru 14 & 36 thru 39, two of items 34, 35, 41, 42 & 43 and three of items 7 & 40)	
45	91514238	1	VALVE SECTION ASSY, (aux), (includes one of items 6, 11 thru 14 & 37 thru 39, two of items 34, 35, 41, 42 & 43 and three of items 7 & 40)	
46	91514237	1	OUTLET COVER ASSY	
47	N.S.S.	1	SPRING	
48	91514240	1	END CAP ASSY, (includes one of items 23, 49, 50, 53 & 55, two of items 51, 52 & 56 and four of item 54)	
49	N.S.S.	2	END CAP	
50	N.S.S.	2	RETAINER SEAL	
51	N.S.S.	4	LOCKWASHER	
52	N.S.S.	4	CAPSCREW, 1/4-20X0.88	
53	N.S.S.	2	O-RING	
54	N.S.S.	8	EXPANDER PLUG	
55	N.S.S.	2	SOLENOID	
56	N.S.S.	4	CAPSCREW	
57	91514241	1	END CAP ASSY, (includes items 47, 58 & 59, one of items 23, 25, 26, 49, 50, 53 & 55, two of items 51, 52 & 56 and four of item 54)	
58	N.S.S.	2	SPRING GUIDE	
59	N.S.S.	1	SPRING	
60	88411074	3	ROUND HD CARRIAGE BOLT, 3/8-16X4	
61	88551011	3	LOCKWASHER, 3/8	
62	88501006	3	HEX NUT, 3/8-16	
K1	91514220	6	VALVE SECTION SEAL KIT, (includes one of item 6 & three of item 7)	
K2	91514221	1	RELIEF SEAL KIT, (includes items 3, 4 & 5)	
K3	91514247	1	STUD KIT, (includes items 32 & 33)	
K4	91514226	2	SPOOL SEAL KIT, (includes one of items 6 & 14, two of items 41 & 42 and three of item 7)	
K5	91514227	2	REMOTE SEAL KIT, (includes one of items 6 & 14, two of item 17, three of item 7 & four of item 23)	

SECTION 12 - OPTIONS

FIGURE 12-32. MAIN CONTROL VALVE WITH AUXILIARY HYDRAULICS AND TILT ON JOYSTICK (SN 0160037671 through 0160040674, Excluding 0160040468 and 0160040672)



SECTION 12 - OPTIONS

FIGURE 12-32. MAIN CONTROL VALVE WITH AUXILIARY HYDRAULICS AND TILT ON JOYSTICK (SN 0160037671 through 0160040674, Excluding 0160040468 and 0160040672)

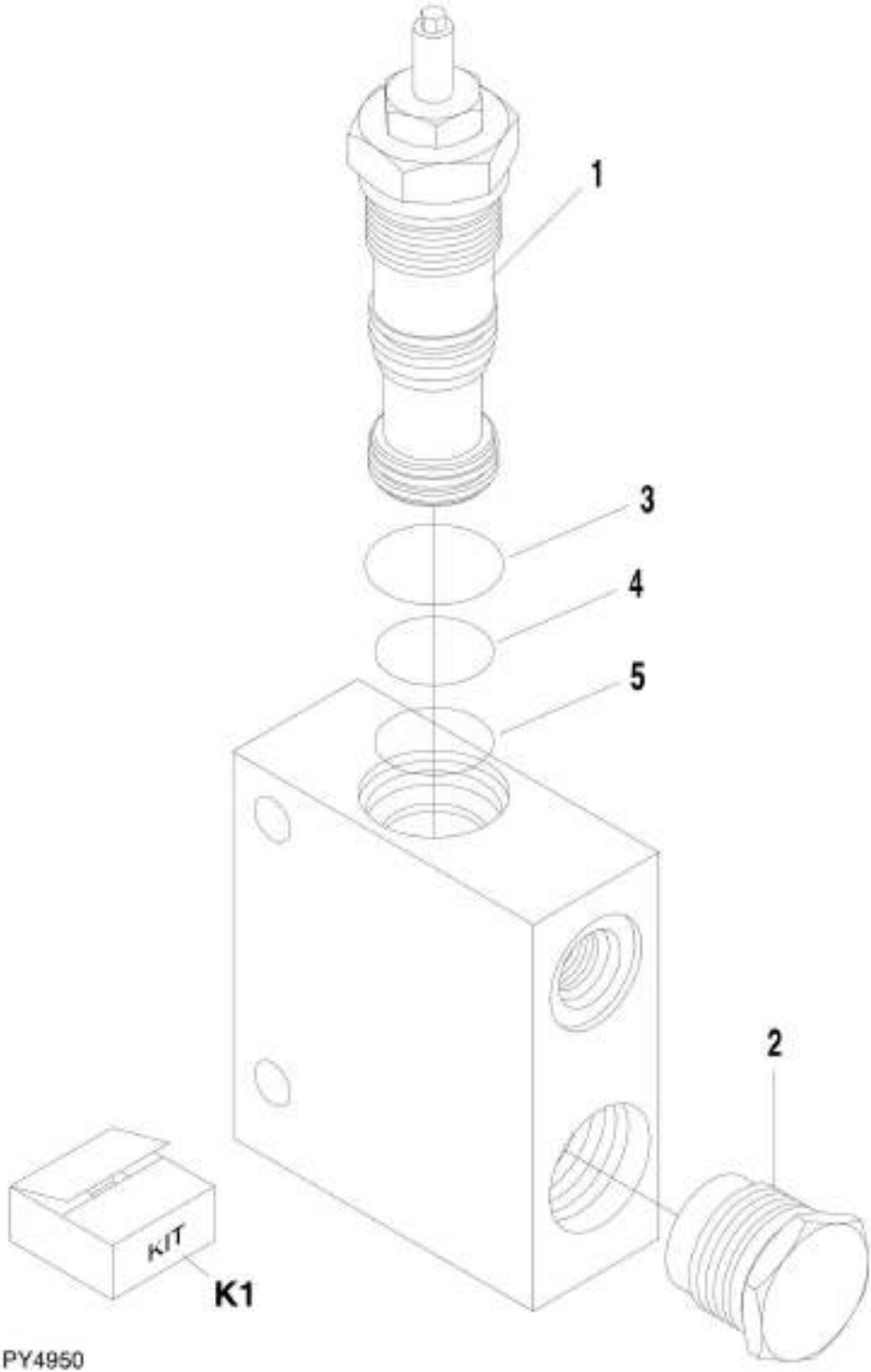
ITEM	PART NUMBER	QTY	DESCRIPTION	REV
	1001001033	1	MAIN HYDRAULIC CONTROL VALVE, (includes items 1 thru 59)	C
1	7029963	1	INLET COVER ASSEMBLY, (includes items 2 & 24, one of item 6 & three of item 7)	
2	91514229	1	MAIN RELIEF VALVE, (includes items 3, 4 & 5)	
3	Kit	1	GASKET WASHER	
4	Kit	1	O-RING	
5	Kit	1	BACK-UP RING	
6	Kit	6	O-RING	
7	Kit	18	O-RING	
8	91514230	1	VALVE SECTION ASSY, (lift), (includes one of items 6, 9, 11 thru 15 & 25 thru 28, two of items 17, 18, 20, 21, 22 & 29, three of item 7 and four of items 19 & 23)	
9	91514222	6	PORT RELIEF VALVE, (includes one of items 10, 14 & 16)	
10	N.S.S.	6	BACK-UP RING	
11	N.S.S.	5	TRANSITION CHECK POPPET	
12	N.S.S.	5	CHECK SPRING	
13	N.S.S.	5	CHECK CAP	
14	Kit	11	O-RING	
15	91514232	2	PORT PLUG, (includes one of items 10, 14 & 16)	
16	N.S.S.	6	O-RING	
17	Kit	4	SEAL	
18	N.S.S.	4	PLUG	
19	N.S.S.	8	HEX SOCKET CAPSCREW	
20	N.S.S.	4	VALVE CAP	
21	N.S.S.	4	END CAP TUBE	
22	N.S.S.	4	TUBE	
23	Kit	10	SEAL	
24	N.S.S.	1	PLUG	
25	N.S.S.	3	SHOULDER BOLT	
26	N.S.S.	3	STOP TUBE	
27	N.S.S.	2	INNER SPRING	
28	N.S.S.	2	OUTER SPRING	
29	N.S.S.	4	WASHER	
30	91514234	1	VALVE SECTION ASSY, (crowd), (includes one of items 6, 9, 11 thru 15 & 25 thru 28, two of items 17, 18, 20, 21, 22 & 29, three of item 7 and four of items 19 & 23)	
31	91514239	1	VALVE SECTION ASSY, (tilt), (includes items 41, 48 & 57, one of items 6 & 11 thru 14, two of item 9 and three of item 7)	
32	7029966	4	STUD ASSY, (includes item 33)	
33	N.S.S.	4	HEX NUT	
34	N.S.S.	4	SCREW	
35	N.S.S.	4	SCREW	
36	N.S.S.	1	SPACER	
37	N.S.S.	2	VALVE CAP	
38	N.S.S.	2	STRIPPER BOLT	
39	N.S.S.	2	RETURN SPRING	
40	N.S.S.	6	RETAINING PLATE	
41	Kit	6	BACK-UP RING, (teflon)	
42	Kit	4	QUAD SEAL	

SECTION 12 - OPTIONS

ITEM	PART NUMBER	QTY	DESCRIPTION	REV
43	N.S.S.	4	SPRING GUIDE	
44	7029964	1	VALVE SECTION ASSY, (sway), (includes one of items 6, 11 thru 14 & 36 thru 39, two of items 34, 35, 41, 42 & 43 and three of items 7 & 40)	
45	7029965	1	VALVE SECTION ASSY, (aux), (includes one of items 6, 11 thru 14 & 37 thru 39, two of items 34, 35, 41, 42 & 43 and three of items 7 & 40)	
46	91514237	1	OUTLET COVER ASSY	
47	N.S.S.	1	SPRING	
48	91514240	1	END CAP ASSY, (includes one of items 23, 49, 50, 53 & 55, two of items 51, 52 & 56 and four of item 54)	
49	N.S.S.	2	END CAP	
50	N.S.S.	2	RETAINER SEAL	
51	N.S.S.	4	LOCKWASHER	
52	N.S.S.	4	CAPSCREW, 1/4-20X.88	
53	N.S.S.	2	O-RING	
54	N.S.S.	8	EXPANDER PLUG	
55	70020170	2	SOLENOID	
56	N.S.S.	4	CAPSCREW	
57	91514241	1	END CAP ASSY, (includes items 47, 58 & 59, one of items 23, 25, 26, 49, 50, 53 & 55, two of items 51, 52 & 56 and four of item 54)	
58	N.S.S.	2	SPRING GUIDE	
59	N.S.S.	1	SPRING	
60	88411074	3	ROUND HD CARRIAGE BOLT, #3/8-16X4	
61	4761600	3	LOCKWASHER, 3/8	
62	88501006	3	HEX NUT, 3/8-16	
K1	91514220	6	VALVE SECTION SEAL KIT, (includes one of item 6 & three of item 7)	
K2	91514221	1	RELIEF SEAL KIT, (includes items 3, 4 & 5)	
K3	91514226	2	SPOOL SEAL KIT, (includes one of items 6 & 14, two of items 41 & 42 and three of item 7)	
K4	91514227	2	REMOTE SEAL KIT, (includes one of items 6 & 14, two of item 17, three of item 7 and four of item 23)	

SECTION 12 - OPTIONS

FIGURE 12-33. TRUSS BOOM PRESSURE VALVE - 1200 PSI



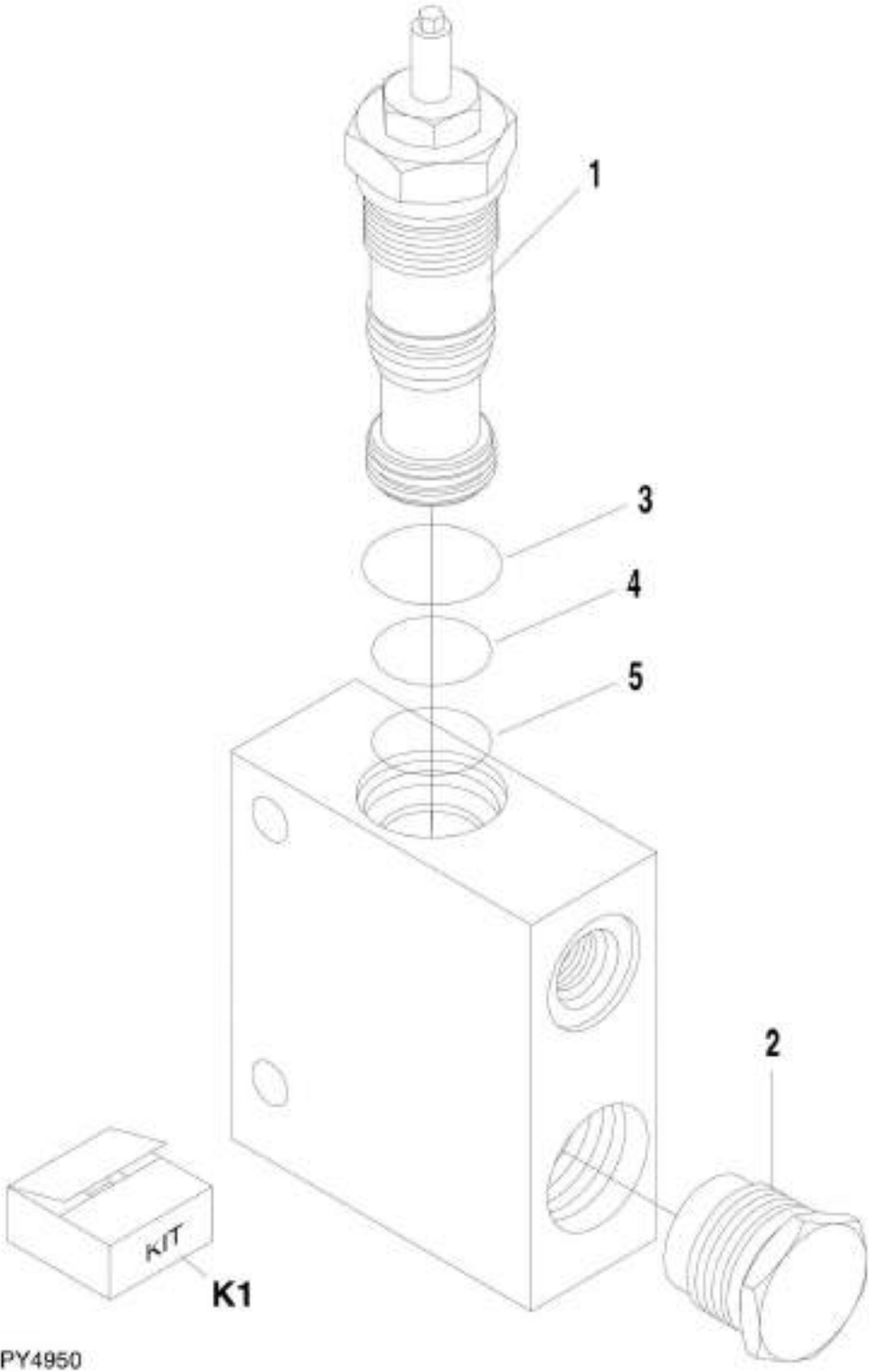
SECTION 12 - OPTIONS

FIGURE 12-33. TRUSS BOOM PRESSURE VALVE - 1200 PSI

ITEM	PART NUMBER	QTY	DESCRIPTION	REV
	91413041	1	TRUSS BOOM PRESSURE REDUCER VALVE, 1200PSI, (includes all items)	
1	91414046	1	PRESSURE REDUCING CARTRIDGE	
2	91414047	1	CHECK CARTRIDGE	
3	Kit	1	O-RING	
4	Kit	1	O-RING	
5	Kit	1	O-RING	
K1	91414045	1	SEAL KIT, (includes items 3, 4 & 5)	

SECTION 12 - OPTIONS

FIGURE 12-34. TRUSS BOOM PRESSURE VALVE - 1360 PSI



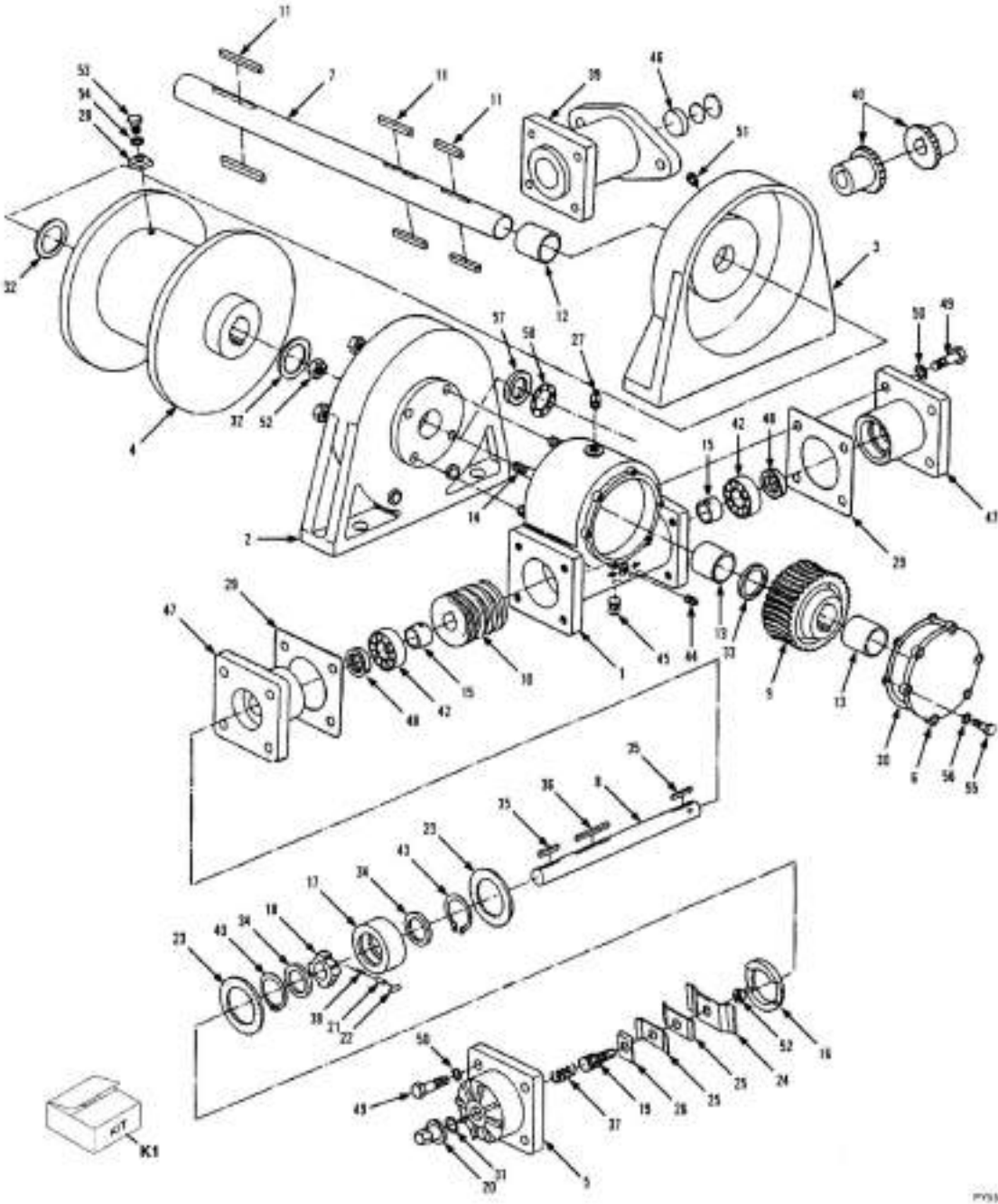
SECTION 12 - OPTIONS

FIGURE 12-34. TRUSS BOOM PRESSURE VALVE - 1360 PSI

ITEM	PART NUMBER	QTY	DESCRIPTION	REV
	91413040	1	TRUSS BOOM PRESSURE REDUCER VALVE, 1360PSI, (includes all items)	
1	91414048	1	PRESSURE REDUCING CARTRIDGE	
2	91414047	1	CHECK CARTRIDGE	
3	Kit	1	O-RING	
4	Kit	1	O-RING	
5	Kit	1	O-RING	
K1	91414045	1	SEAL KIT, (includes items 3, 4 & 5)	

SECTION 12 - OPTIONS

FIGURE 12-35. TRUSS BOOM WINCH



SECTION 12 - OPTIONS

FIGURE 12-35. TRUSS BOOM WINCH

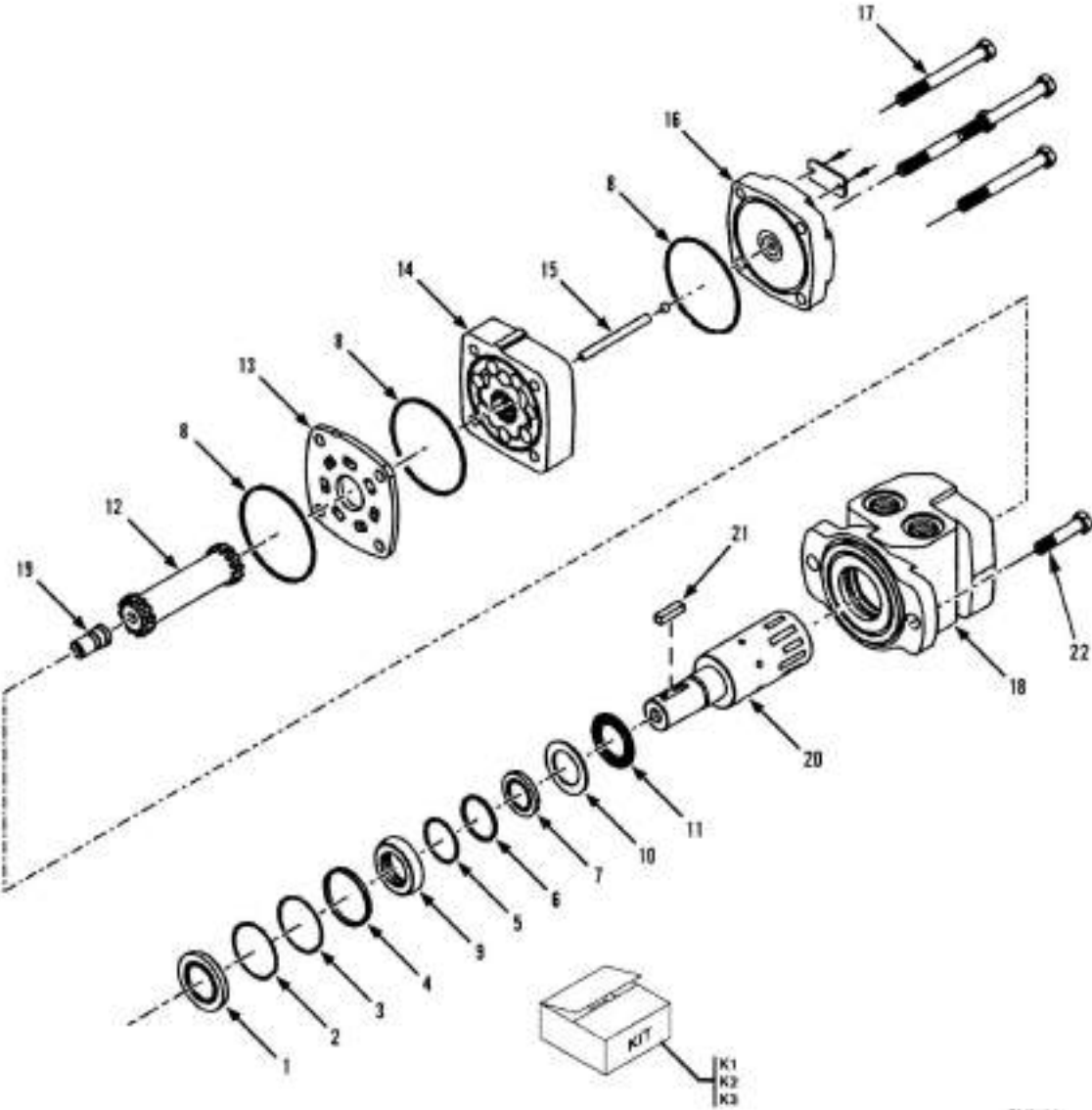
ITEM	PART NUMBER	QTY	DESCRIPTION	REV
	91413160	1	WINCH, 5IN DRUM, (includes all items on this page and on WINCH MOTOR)	B
	91413159	NLA	WINCH, 8IN DRUM, (no longer available, use 1001114795 on WINCH for replacement), (includes all items on this page and on WINCH MOTOR)	B
1	91404383	1	GEAR CASE	
2	N.S.S.	1	LOCK SET A	
3	91404385	1	LOCK SET B	
4	91404386	1	CABLE DRUM, 5IN	
4	91404432	1	CABLE DRUM, 8IN	
5	Kit	1	BRAKE DRUM	
6	91404388	1	GEAR CASE COVER	
7	90208148	1	CABLE DRUM SHAFT, 5IN	
7	91404433	1	CABLE DRUM SHAFT, 8IN	
8	91404389	1	WORM SHAFT, (includes item 10)	
9	N.S.S.	1	WORM GEAR	
10	N.S.S.	1	WORM	
11	91404392	6	CABLE DRUM SHAFT KEY	
12	N.S.S.	1	LOCK SEAT A BUSHING	
13	91404394	2	BUSHING	
14	91404395	4	STUD BOLT, 1/2X1-1/2	
15	91404396	2	COLLAR	
16	Kit	1	BRAKE PLATE	
17	Kit	1	BRAKE HOUSING	
18	Kit	1	BRAKE DRUM	
19	Kit	1	ADJUSTING BOLT	
20	Kit	1	ADJUSTING NUT	
21	Kit	1	SPRING SEAT	
22	Kit	1	ROLLER	
23	Kit	2	BRAKE LINING	
24	Kit	1	BRAKE PLATE A	
25	Kit	2	BRAKE PLATE B	
26	Kit	1	FIXING PLATE	
27	N.S.S.	1	OIL FILL PLUG	
28	N.S.S.	1	BEARING SHIM	
29	91404408	2	BEARING HUB GASKET	
30	91404409	1	GEAR CASE GASKET	
31	Kit	1	O-RING	
32	91404411	2	WASHER	
33	91404412	1	BUSHING	
34	Kit	2	SEAL	
35	91404413	2	WORM SHAFT KEY	
36	N.S.S.	1	WORM SHAFT KEY	
37	Kit	1	SPRING	
38	Kit	1	BRAKE DRUM SPRING	
39	N.S.S.	1	MOTOR MOUNT ADAPTER	
40	90208181	1	COUPLER	
42	91404416	2	BEARING	
43	Kit	2	V.C. TYPE LOCK RING	
44	91404418	1	OIL LEVEL PLUG	

SECTION 12 - OPTIONS

ITEM	PART NUMBER	QTY	DESCRIPTION	REV
45	91404419	1	OIL DRAIN PLUG	
46	N.S.S.	1	COUPLER SPACER	
47	91404420	2	BEARING HUB	
48	91404421	2	OIL SEAL	
49	Kit	8	CAPSCREW, 3/8X1-1/2	
50	Kit	8	LOCKWASHER	
51	N.S.S.	1	GREASE FITTING	
52	Kit	5	NUT	
53	91404426	1	HEX HD CAPSCREW, 3/8X1	
54	N.S.S.	1	LOCKWASHER	
55	N.S.S.	1	HEX HD CAPSCREW, 3/8X1	
56	Kit	1	BRAKE COVER GASKET	
57	91404430	1	OIL SEAL	
58	N.S.S.	1	LOCK SEAT GASKET	
K1	70020227	1	BRAKE LINING ASSY, (includes items 5, 16 thru 26, 31, 34, 37, 38, 43, 49, 50, 52 & 56)	

SECTION 12 - OPTIONS

FIGURE 12-36. WINCH MOTOR



PYS130

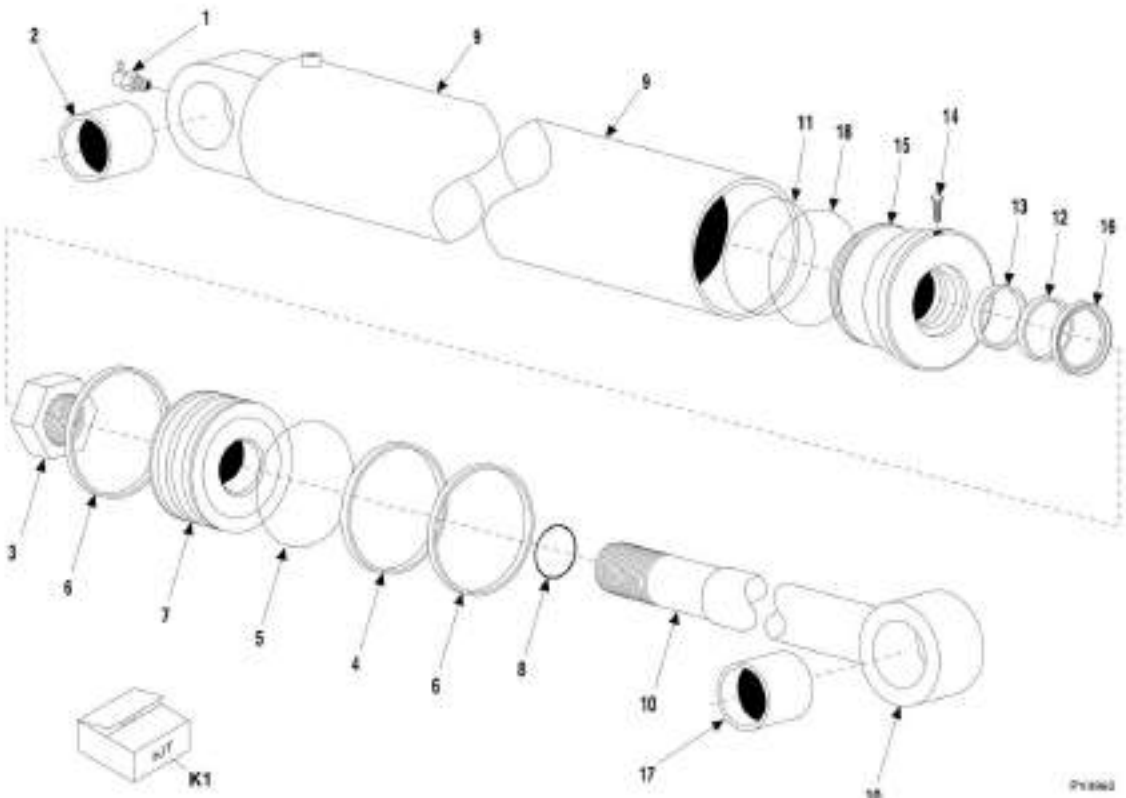
SECTION 12 - OPTIONS

FIGURE 12-36. WINCH MOTOR

ITEM	PART NUMBER	QTY	DESCRIPTION	REV
	91413039	1	WINCH MOTOR, (includes all items)	C
1	91414051	1	DUST SEAL	
2	Kit	1	SPLIT WIRE RING	
3	Kit	1	METAL BACK-UP SHIM	
4	Kit	1	HIGH PRESSURE SEAL	
5	Kit	1	METAL BACK-UP SHIM	
6	Kit	1	TEFLON BACK-UP SHIM	
7	Kit	1	SHAFT SEAL	
8	Kit	1	BODY SEAL	
9	Kit	1	SEAL CARRIER	
10	Kit	1	THRUST WASHER	
11	91414053	1	THRUST BEARRING	
12	91414054	1	DRIVE LINK	
13	91414055	1	MID MOUNT WEAR PLATE	
14	91414056	1	ROTOR KIT	
15	91414057	1	DRIVE LINK PIN	
16	91414058	1	END COVER	
17	91414059	1	BOLT SET	
18	91414060	1	HOUSING	
19	91414061	1	COOLING PLUG	
20	91414062	1	SHAFT, (includes item 21)	
21	91414063	1	KEY	
22	88201024	2	HEX HD CAPSCREW, 5/16-18X2, GR5	
K1	91414049	1	SEAL KIT, (includes items 1 thru 10)	
K2	91414050	1	SEAL KIT, (includes items 1 thru 8)	
K3	90208212	1	SEAL KIT, (includes items 9 & 10)	

SECTION 12 - OPTIONS

FIGURE 12-37. SWING CYLINDER



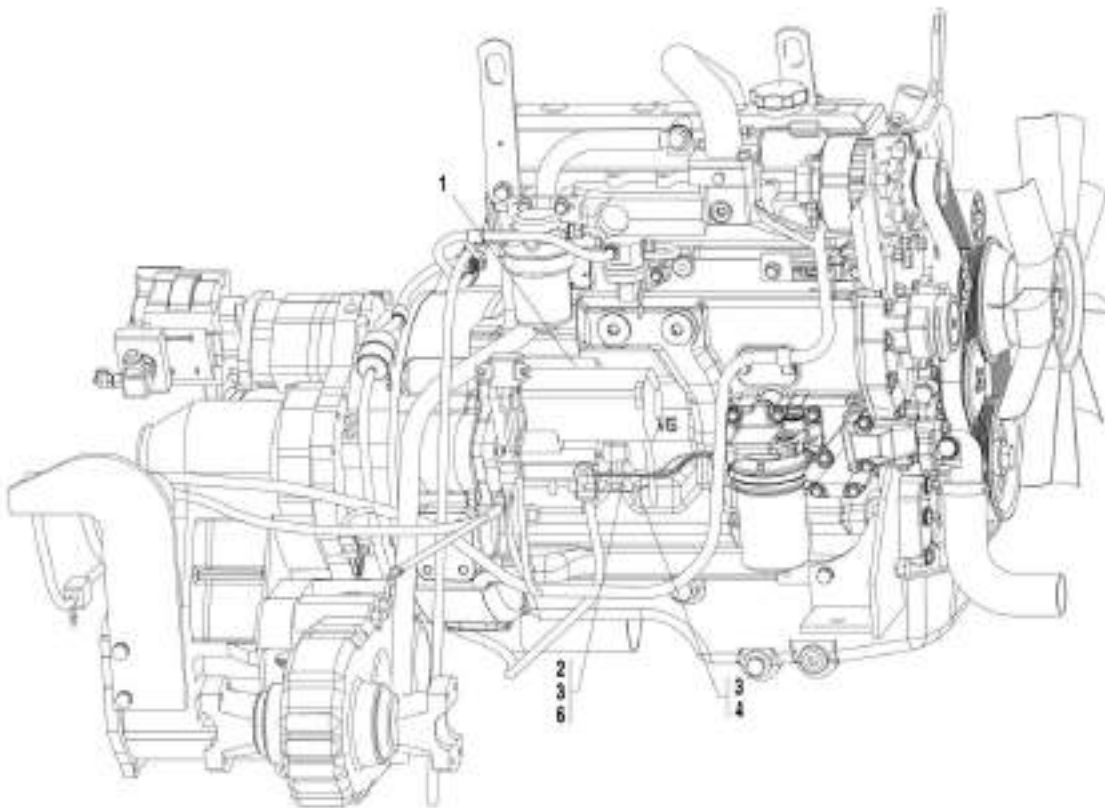
SECTION 12 - OPTIONS

FIGURE 12-37. SWING CYLINDER

ITEM	PART NUMBER	QTY	DESCRIPTION	REV
	90453034	1	SWING CYLINDER, (includes all items)	C
1	91144125	1	GREASE FITTING	
2	91034157	1	BUSHING	
3	91144038	1	LOCKNUT	
4	Kit	1	PISTON SEAL	
5	Kit	1	O-RING	
6	Kit	2	WEAR RING	
7	91144039	1	PISTON	
8	Kit	1	O-RING	
9	91034435	1	BARREL	
10	91034436	1	PISTON ROD	
11	Kit	1	BACK-UP RING	
12	Kit	1	U-CUP	
13	Kit	1	STEP SEAL	
14	91124096	1	SELF TAPING SCREW	
15	91144040	1	CYLINDER HEAD	
16	Kit	1	WIPER	
17	91124087	1	BUSHING	
18	Kit	1	O-RING	
K1	91144006	1	SEAL KIT, (includes items 4 thru 6, 8, 11 thru 13, 16 & 18)	

SECTION 12 - OPTIONS

FIGURE 12-38. STARTER KIT (SN 0193001 through 0193007, SN 016000008 through 016000660, Excluding 0160006594, 0160006599 and 0160006621)



NOTE: LEECE-NEVILLE & PRESTOLITE STARTERS NO LONGER AVAILABLE, ORDER DENSO STARTER KIT FOR REPLACEMENT

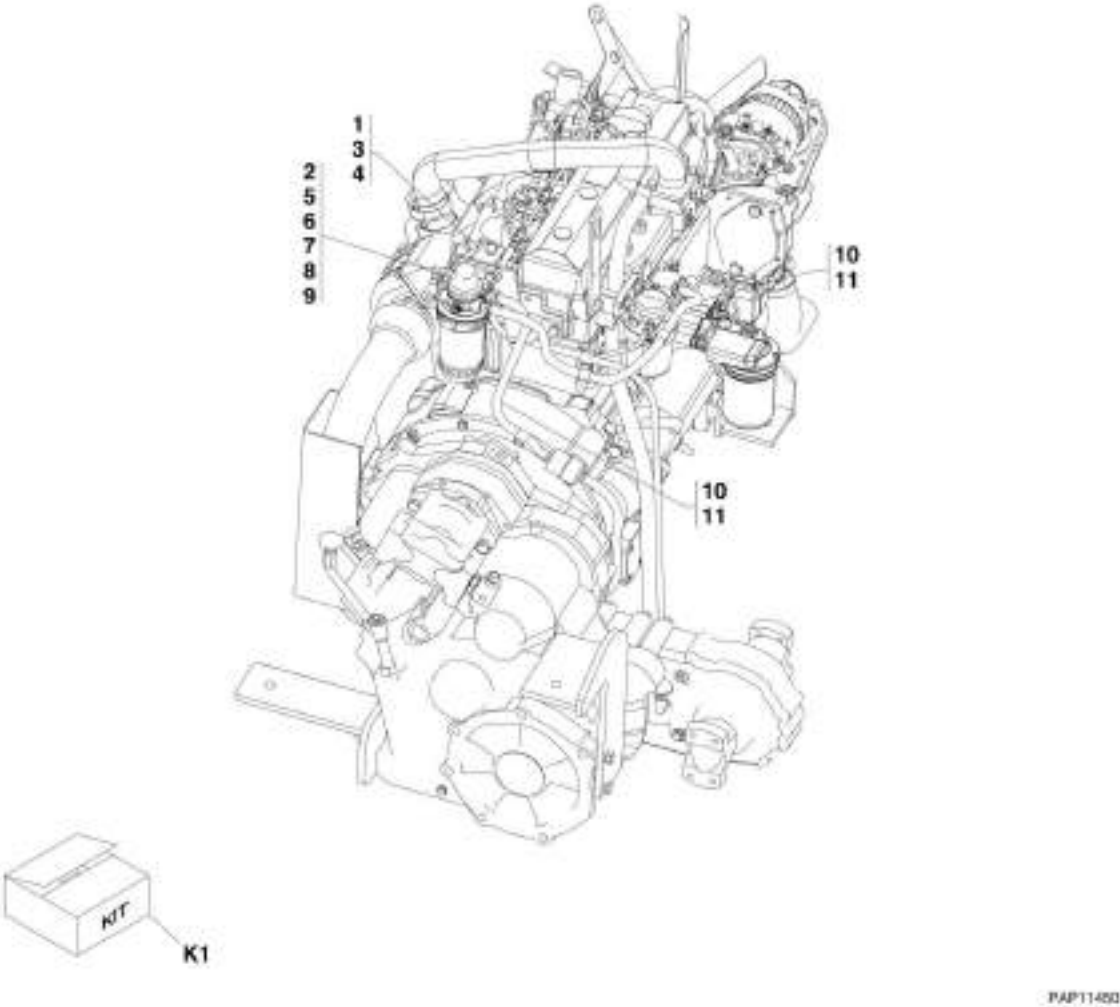
SECTION 12 - OPTIONS

FIGURE 12-38. STARTER KIT (SN 0193001 through 0193007, SN 0160000008 through 0160006660, Excluding 0160006594, 0160006599 and 0160006621)

ITEM	PART NUMBER	QTY	DESCRIPTION	REV
	91415083	1	STARTER KIT, (includes all items)	A
1	7026921	1	STARTER, (DENSO)	
2	91413148	1	JUMPER WIRES	
3	83681905	12 in	HEAT SHRINK INSULATION	
4	91413149	1	JUMPER WIRE	
6	71492134	12 in	SPLIT LOOM	

SECTION 12 - OPTIONS

FIGURE 12-39. FUEL/WATER SEPARATOR INSTALLATION - JOHN DEERE ENGINE (Prior to SN 0160040675, Excluding 0160040468 and 0160040672)



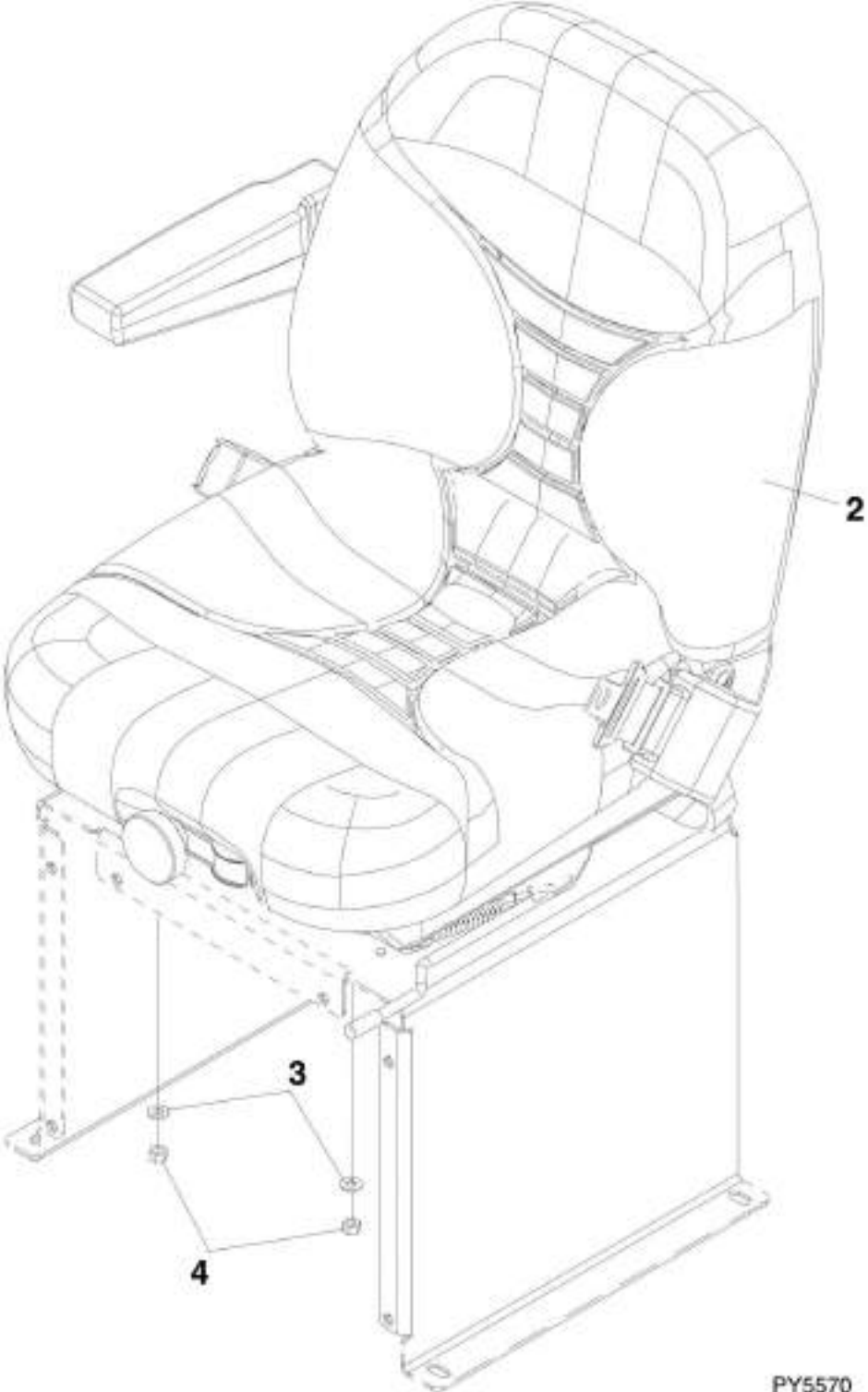
SECTION 12 - OPTIONS

FIGURE 12-39. FUEL/WATER SEPARATOR INSTALLATION - JOHN DEERE ENGINE (Prior to SN 0160040675, Excluding 0160040468 and 0160040672)

ITEM	PART NUMBER	QTY	DESCRIPTION	REV
	91475107	Ref	FUEL/WATER SEPARATOR INSTALLATION, (not available to order, see items 1 thru 11 for service)	B
1	91471242	1	FILTER BRACKET	
2	91473240	1	FUEL/WATER SEPARATOR	
2	91474633	1	FUEL/WATER SEPARATOR ELEMENT	
2	91474634	1	WATER COLLECTION BOWL	
2	91474635	1	REVERSE FLOW HAND PRIMER	
3	4832000	2	LOCKWASHER, 10mm	
4	0761012	2	HEX HD CAPSCREW, M10X1.5X25, GR5	
5	4761500	2	LOCKWASHER, 5/16	
6	3311501	2	HEX NUT, 5/16-18	
7	0641510	2	HEX HD CAPSCREW, 5/16-18X1-1/4, GR5	
8	2200233	2	SOCKET HD PIPE PLUG, (ports 1 & 2)	
9	2221114	2	BARBED FITTING, (ports 3 & 4)	
10	1320022	4	HOSE CLAMP	
11	2750532	3.83 ft	FUEL LINE, 3/8	
K1	2915111	1	FUEL/WATER SEPARATOR SERVICE KIT, (includes items 1 thru 11)	

SECTION 12 - OPTIONS

FIGURE 12-40. STANDARD SEAT REPLACEMENT KIT



PY5570

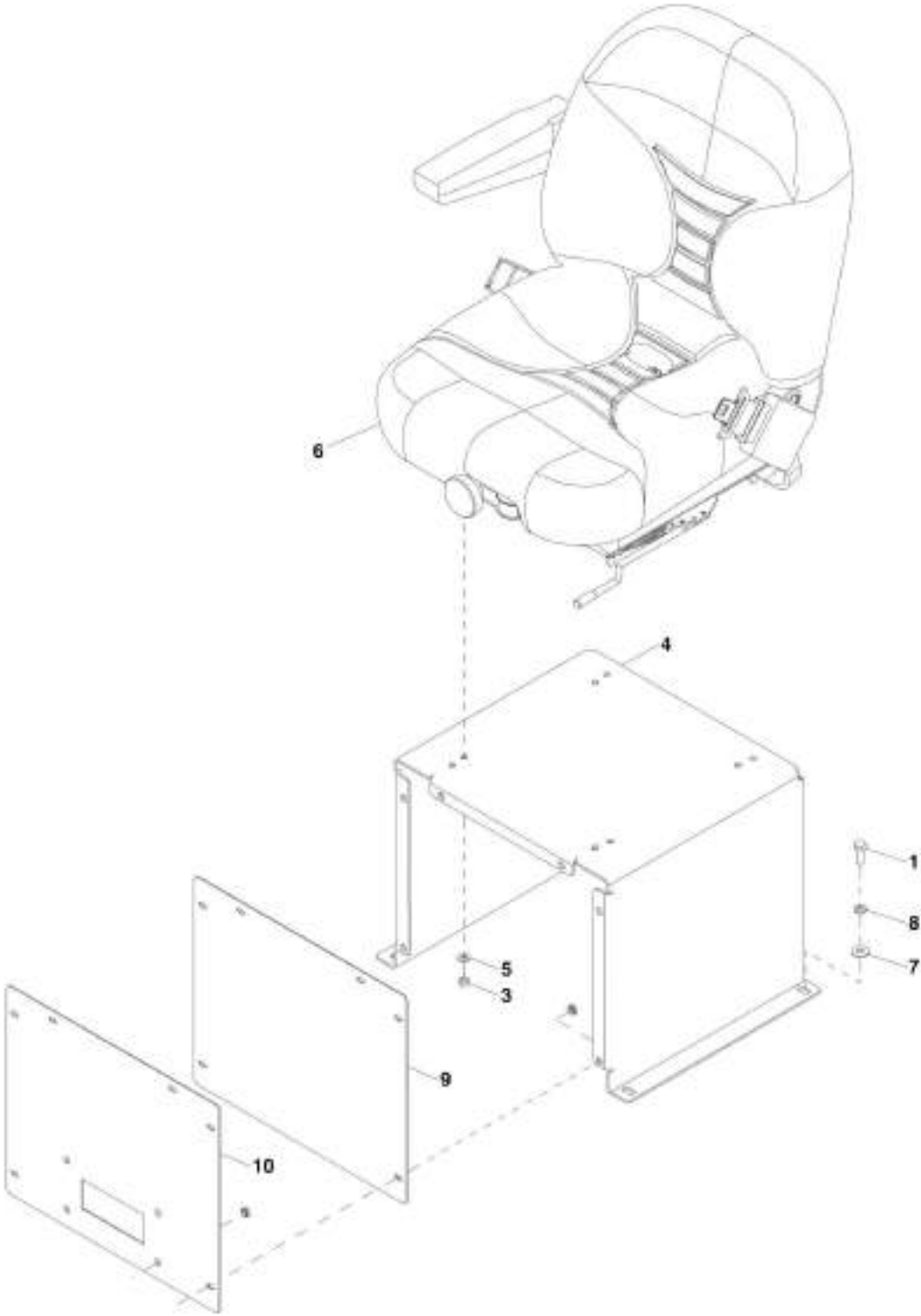
SECTION 12 - OPTIONS

FIGURE 12-40. STANDARD SEAT REPLACEMENT KIT

ITEM	PART NUMBER	QTY	DESCRIPTION	REV
	2915166	1	STANDARD SEAT REPLACEMENT KIT, (includes all items)	A
2	91563158	1	SUSPENSION SEAT WITH 2IN SEAT BELT, (See Separate Breakdown in CAB Section)	
3	4711500	4	PLAIN WASHER, 5/16	
4	3311505	4	HEX LOCKNUT, 5/16-18	

SECTION 12 - OPTIONS

FIGURE 12-41. HEAVY DUTY SEAT REPLACEMENT KIT



PAP11300

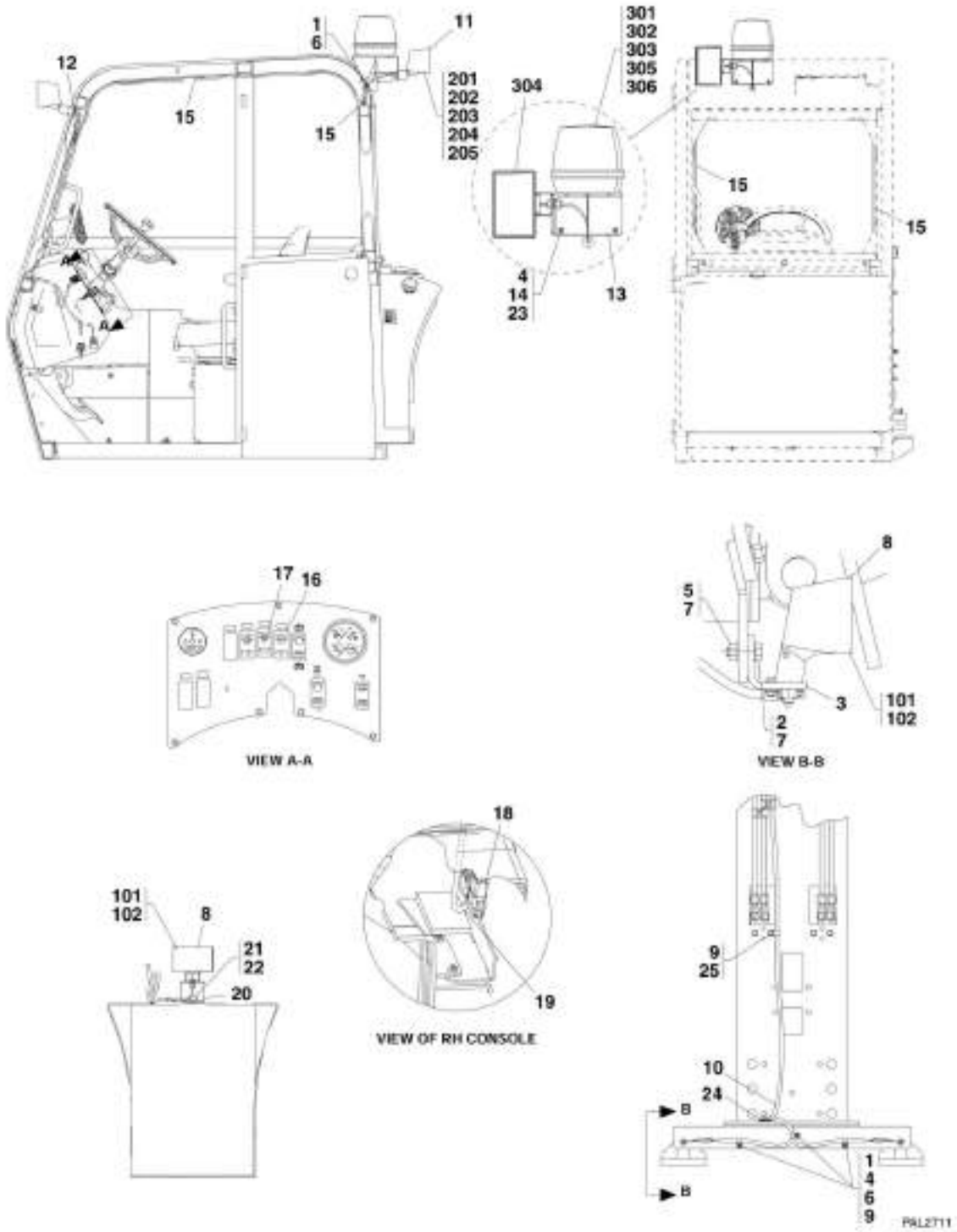
SECTION 12 - OPTIONS

FIGURE 12-41. HEAVY DUTY SEAT REPLACEMENT KIT

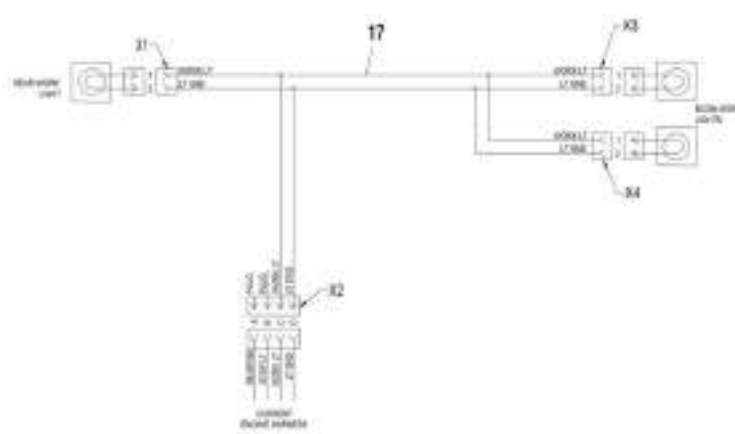
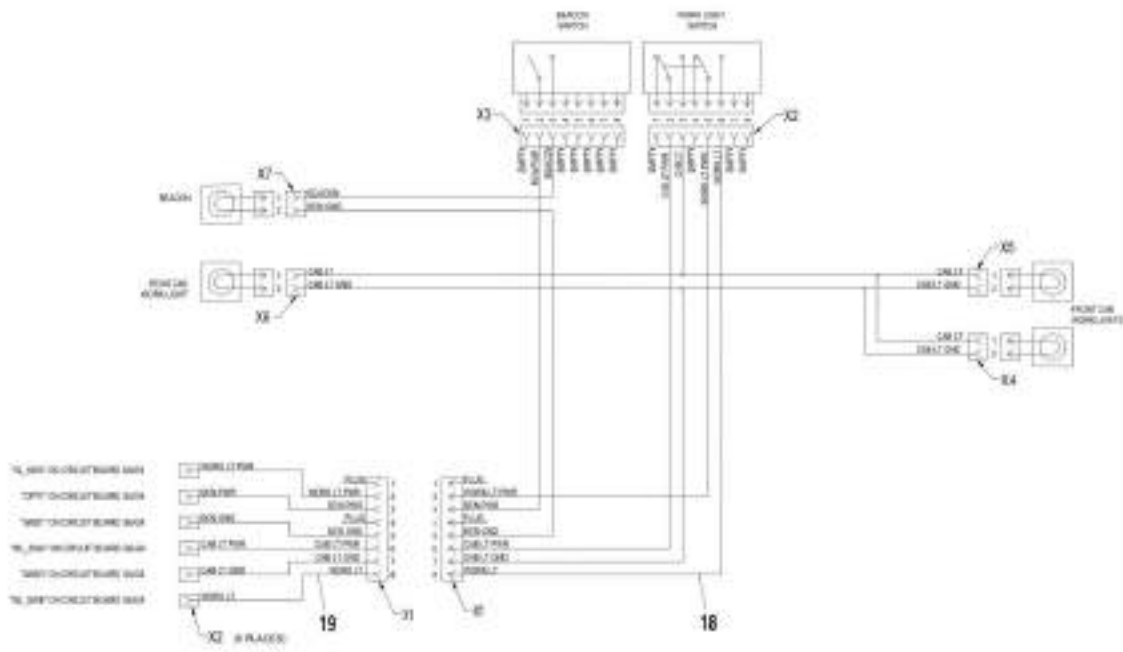
ITEM	PART NUMBER	QTY	DESCRIPTION	REV
	2915167	1	HEAVY DUTY SEAT REPLACEMENT KIT, (includes all items)	B
1	0641608	4	HEX HD CAP SCREW, 3/8-16	
3	3311505	4	LOCK NUT, 5/16-18	
4	91406115	1	SEAT RISER WELDMENT	
5	4711500	4	PLAIN WASHER, 5/16	
6	91563158	1	SUSPENSION SEAT WITH 2IN SEAT BELT, (See Separate Breakdown in CAB Section)	
7	4751600	4	WASHER, 3/8	
8	4761600	4	LOCKWASHER, 3/8	
9	91401415	1	ACCESS COVER PLATE	
10	91406113	1	ACCESS, BEZEL COVER	

SECTION 12 - OPTIONS

FIGURE 12-42. WORK LIGHT INSTALLATION (Prior to SN 0160030299)



SECTION 12 - OPTIONS



PALZ700

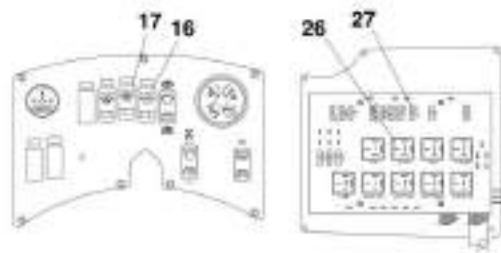
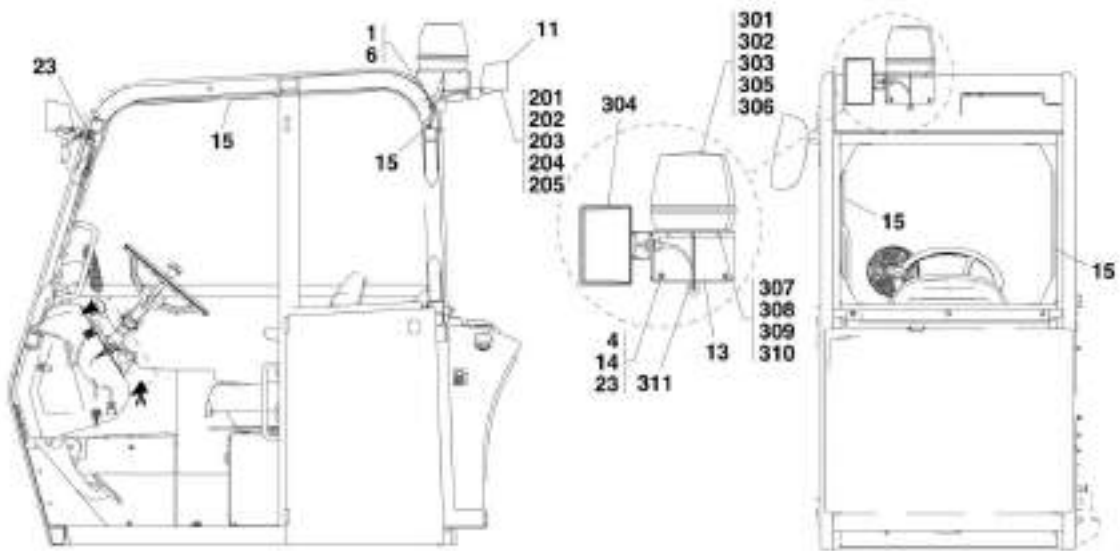
SECTION 12 - OPTIONS

FIGURE 12-42. WORK LIGHT INSTALLATION (Prior to SN 0160030299)

ITEM	PART NUMBER	QTY	DESCRIPTION	REV
	1001090468	Ref	WORK LIGHTS INSTALLATION, (not available to order, see items 1 thru 25 for service)	B
1	0641407	5	HEX HD CAPSCREW, 1/4-20X7/8, GR5	
2	0641815	2	HEX HD CAPSCREW, 1/2-13X1-7/8, GR5	
3	0903661	1	BOOM LIGHT MOUNTING BRACKET	
4	3311401	5	HEX NUT, 1/4-20	
5	3311801	2	HEX NUT, 1/2-13	
6	4711400	8	FLAT WASHER, 1/4	
7	4711800	4	FLAT WASHER, 1/2	
8	80963050	3	FLOOD LIGHT ASSY, (includes items 101 & 102)	A, 1
9	85941016	4	CLAMP	
10		Ref	BOOM WORK LIGHTS HARNESS, (See ELECTRICAL SECTION for Breakdown)	
11	1001090580	2	FLOOD LIGHT ASSY, (includes items 201 thru 205)	A
12	4071133	2	KEEPER	
13	1001090581	Ref	BEACON/FLOODLIGHT INSTALLATION, (not available to order, see items 301 thru 306 for service)	B
14	4761400	2	LOCKWASHER, 1/4	
15	8096D097	AR	WIRING DUCT	
16	1001090460	1	WORK LIGHTS SWITCH	
17	1001090461	1	BEACON SWITCH	
18		Ref	CAB WORK LIGHT HARNESS, (See ELECTRICAL SECTION for Breakdown)	
19		Ref	CAB WORK LIGHT AND BEACON LIGHT SWITCH HARNESS, (See ELECTRICAL SECTION for Breakdown)	
20	1001090522	1	BACK-UP LIGHT MOUNTING BRACKET	
21	0642214	1	HEX HD CAPSCREW, 3/4-10X1-3/4, GR5	
22	4712200	1	WASHER, 3/4	
23	14404173	AR	SILICONE SEALANT	
24	8406105	1	CLIP	
25	0641608	1	HEX HD CAPSCREW, 3/8-16X1, GR5	
101	77163105	3	FEMALE BULLET CONNECTOR	
102	86983193	3	MALE BULLET CONNECTOR	
201	4660508	4	PIN TERMINAL	
202	4461017	2	2 POSITION TERMINAL	
203	80963050	2	FLOOD LIGHT ASSY	A, 1
203	83664354	2	BULB	
204	91403503	2	SPACER	
205	91413052	2	WORK LIGHT MOUNTING BOLT	
301	0903669	1	BEACON BRACKET	
302	4460508	4	PIN TERMINAL	
303	4461017	2	2 POSITION TERMINAL	
304	80963050	1	FLOOD LIGHT ASSY	A, 1
304	83664354	1	BULB	
305	91343031	1	ROTATING BEACON	
305	91344053	1	BULB	
306	1001090615	1	GROMMET	

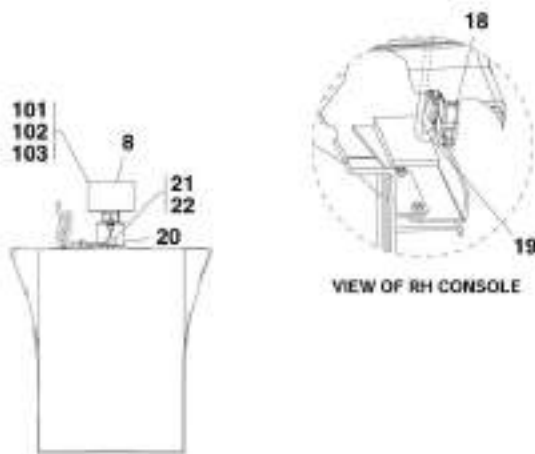
SECTION 12 - OPTIONS

FIGURE 12-43. WORK LIGHT INSTALLATION (SN 0160030299 through 0160040674, Excluding 0160040468 and 0160040672)

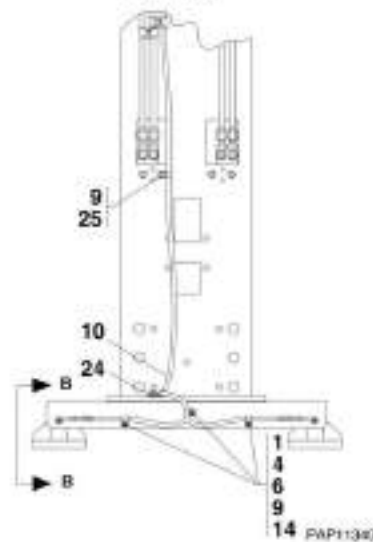


VIEW A-A

VIEW B-B

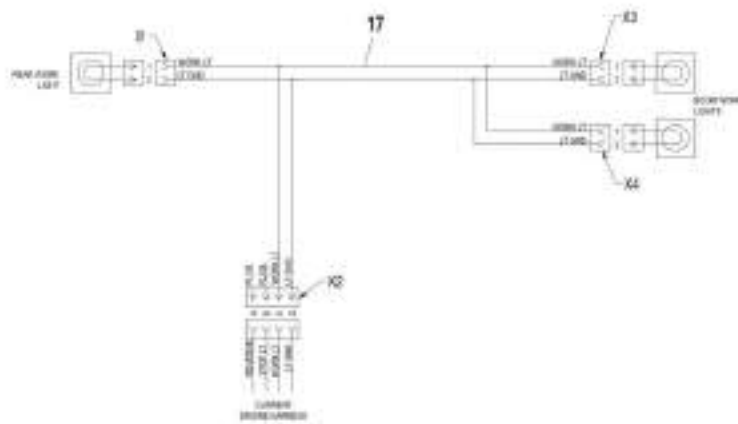
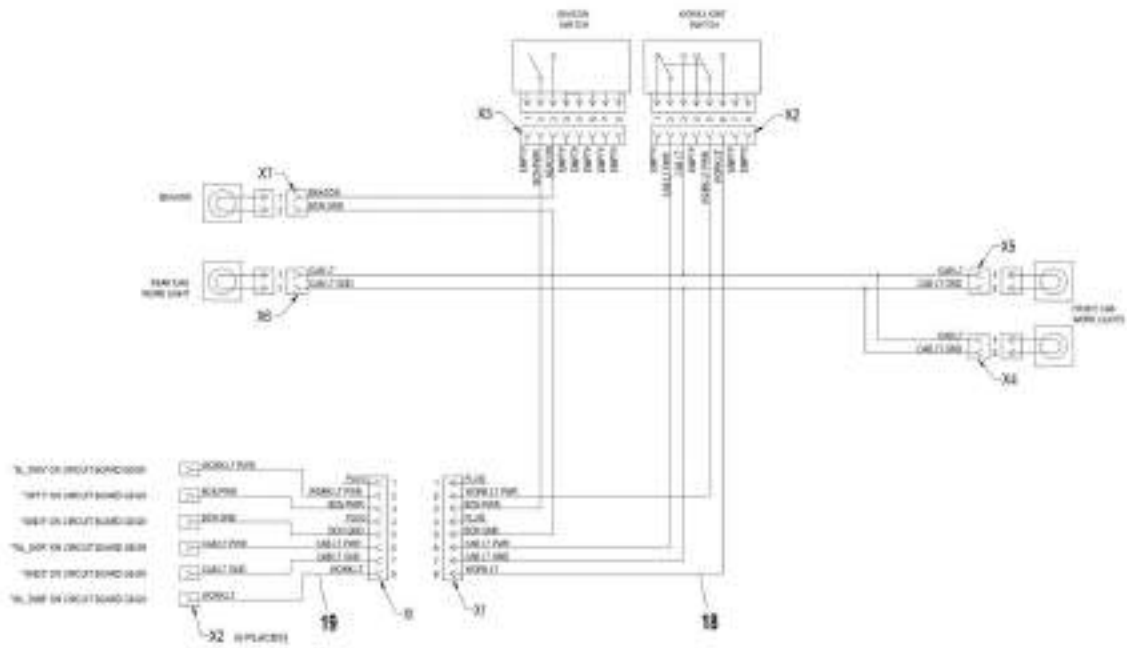


VIEW OF RH CONSOLE



14 PAP11380

SECTION 12 - OPTIONS



RM.2720

SECTION 12 - OPTIONS

FIGURE 12-43. WORK LIGHT INSTALLATION (SN 0160030299 through 0160040674, Excluding 0160040468 and 0160040672)

ITEM	PART NUMBER	QTY	DESCRIPTION	REV
	1001090468	Ref	WORK LIGHT INSTALLATION, (not available to order, see items 1 thru 28 for service)	H
1	0641407	5	HEX HD CAPSCREW, 1/4-20X7/8, GR5	
2	0641814	2	HEX HD CAPSCREW, 1/2-13X1-3/4, GR5	
3	0903661	1	BOOM LIGHT MOUNTING BRACKET	
4	3311401	5	HEX NUT, 1/4-20	
5	3311801	2	HEX NUT, 1/2-13	
6	4711400	8	FLAT WASHER, 1/4	
7	4711800	8	FLAT WASHER, 1/2	
8	1001095342	3	FLOOD LIGHT ASSY, (includes items 101 thru 103)	B
8	80964070	3	BULB	
9	85941016	3	CLAMP	
10		Ref	BOOM WORK LIGHTS HARNESS, (See ELECTRICAL SECTION for Breakdown)	
11	1001090580	2	FLOOD LIGHT ASSY, (includes items 201 thru 205)	B
13	1001090581	1	BEACON/FLOODLIGHT INSTALLATION, (includes items 301 thru 311)	D
14	4761400	5	LOCKWASHER, 1/4	
15	8096D097	8.3 ft	WIRING DUCT	
16	1001090460	1	WORK LIGHTS SWITCH	
17	1001090461	1	BEACON SWITCH	
18		Ref	CAB WORK LIGHTS HARNESS, (See ELECTRICAL SECTION for Breakdown)	
19		Ref	CAB WORK LIGHT AND BEACON LIGHT SWITCH HARNESS, (See ELECTRICAL SECTION for Breakdown)	
20	1001090522	1	BACK-UP LIGHT MOUNTING BRACKET	
21	0642210	1	HEX HD CAPSCREW, 3/4-10X1-1/4, GR5	
22	4712200	1	WASHER, 3/4	
23	14404173	AR	SILICON SEALANT	
24	8406105	1	CLIP	
25	0641608	1	HEX HD CAPSCREW, 3/8-16X1, GR5	
26	77363265	1	RELAY	
27	80694009	1	FUSE	
28	4761800	2	LOCKWASHER, 1/2	
101	4460464	2	PIN TERMINAL	
102	4460897	1	2 POSITION TERMINAL	
103	80963050	1	FLOOD LIGHT ASSY	A, 1
103	80964070	2	BULB	
201	4460464	2	PIN TERMINAL	
202	4460897	1	2 POSITION TERMINAL	
203	80963050	1	FLOOD LIGHT ASSY	A, 1
203	80964070	1	BULB	
204	91403503	1	SPACER	
205	91413052	1	WORK LIGHT MOUNTING BOLT	
301	0903669	1	BEACON BRACKET	
302	4460464	4	PIN TERMINAL	
303	4460897	2	2 POSITION TERMINAL	
304	1001099276	1	FLOOD LIGHT ASSY	A, 1
304	80964070	1	BULB	

SECTION 12 - OPTIONS

ITEM	PART NUMBER	QTY	DESCRIPTION	REV
305	91343031	1	ROTATING BEACON	
305	91344053	1	BULB	
306	1001090615	1	GROMMET	
307	0721006	3	INDENTED HEX HD MACHINE SCREW, #10-24X0.75	
308	3311001	3	NUT, #10-24, GR2	
309	4751000	3	WASHER, #10	
310	4761000	3	LOCKWASHER, #10	
311	2820035	AR	INSULATE	

SECTION 12 - OPTIONS

FIGURE 12-44. WORK LIGHT INSTALLATION (SN 0160040675 through 0160059327, Including 0160040468 and 0160040672, Excluding 0160058678, 0160058998, 0160059008, 0160059160, 0160059170 and 0160059320)

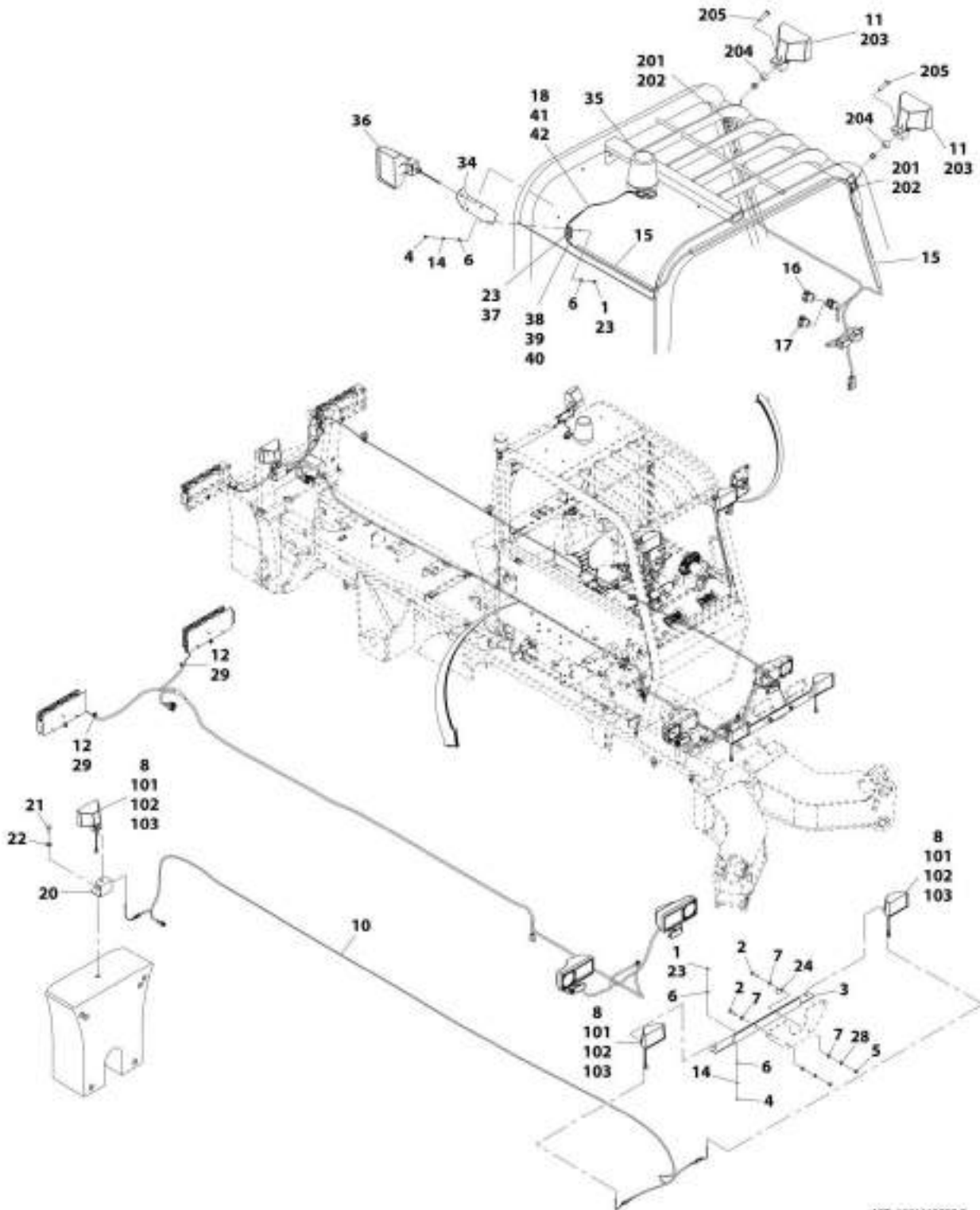
ITEM	PART NUMBER	QTY	DESCRIPTION	REV
	1001110091	Ref	WORK LIGHT INSTALLATION, (if equipped), (not available to order, see items 1 thru 29 for service)	C
1	0641407	5	HEX HD CAPSCREW, 1/4-20X7/8	
1		Ref	HEX HD CAPSCREW, 1/4-20X7/8, (See BEACON LIGHT INSTALLATION for Breakdown)	
2	0641814	2	HEX HD CAPSCREW, 1/2-13X2-3/4	
3	0903661	1	BOOM LIGHT MOUNTING BRACKET	
4	3311401	5	HEX NUT, 1/4-20, GR2	
4		Ref	HEX NUT, 1/4-20, GR2, (See BEACON LIGHT INSTALLATION for Breakdown)	
5	3311801	2	HEX NUT, 1/2-13, GR2	
6	4711400	8	WASHER, 1/4	
6		Ref	WASHER, 1/4, (See BEACON LIGHT INSTALLATION for Breakdown)	
7	4711800	8	WASHER, 1/2	
8	1001095342	3	FLOOD LIGHT ASSY, (includes items 101 thru 103)	B
10		Ref	BOOM WORK LIGHT HARNESS, (See ELECTRICAL SECTION for Breakdown)	
11	1001090580	2	FLOOD LIGHT ASSY, (includes items 201 thru 205)	B
12	1320263	3	CLAMP, 3/8	
13		Ref	BEACON LIGHT INSTALLATION, (See BEACON LIGHT INSTALLATION for Breakdown)	
14	4761400	5	LOCKWASHER, 1/4	
14		Ref	LOCKWASHER, 1/4, (See BEACON LIGHT INSTALLATION for Breakdown)	
15	8096D097	7.3 ft	ECONOMY WIRING DUCT	
16	1001090460	1	WORK LIGHT SWITCH	
17		Ref	BEACON LIGHT SWITCH, (See BEACON LIGHT INSTALLATION for Breakdown)	
18		Ref	CAB WORK LIGHT HARNESS, (See ELECTRICAL SECTION for Breakdown)	
20	1001090522	1	BACK-UP LIGHT MOUNTING BRACKET	
21	0642210	1	HEX HD CAPSCREW, 3/4-10X1-1/4	
22	4712200	1	WASHER, 3/4	
23	14404173	AR	SILICONE SEALANT	
24	8406105	1	CLAMP, 3/4	
28	4761800	2	LOCKWASHER, 1/2	
29	1320263	3	CLAMP, 3/8	
101	4460464	2	PIN TERMINAL	
102	4460897	1	2 POSITION TERMINAL	
103	80963050	1	FLOOD LIGHT ASSY	A, 1
103	80964070	2	BULB	
201	4460464	4	PIN TERMINAL	
202	4460897	2	2 POSITION TERMINAL	
203	80963050	2	FLOOD LIGHT ASSY	A, 1
203	83664354	2	BULB	
204	91403503	2	SPACER	
205	91413052	2	WORK LIGHT MOUNTING BOLT	
301		Ref	ROAD LIGHT INSTALLATION, (See ROAD LIGHTS	

SECTION 12 - OPTIONS

ITEM	PART NUMBER	QTY	DESCRIPTION	REV
			INSTALLATION for Breakdown)	

SECTION 12 - OPTIONS

FIGURE 12-45. WORK LIGHT INSTALLATION (SN 0160059335 to Present, Including 0160058678, 0160058998, 0160059008, 0160059160, 0160059170 and 0160059320)



ART_3001162757-B

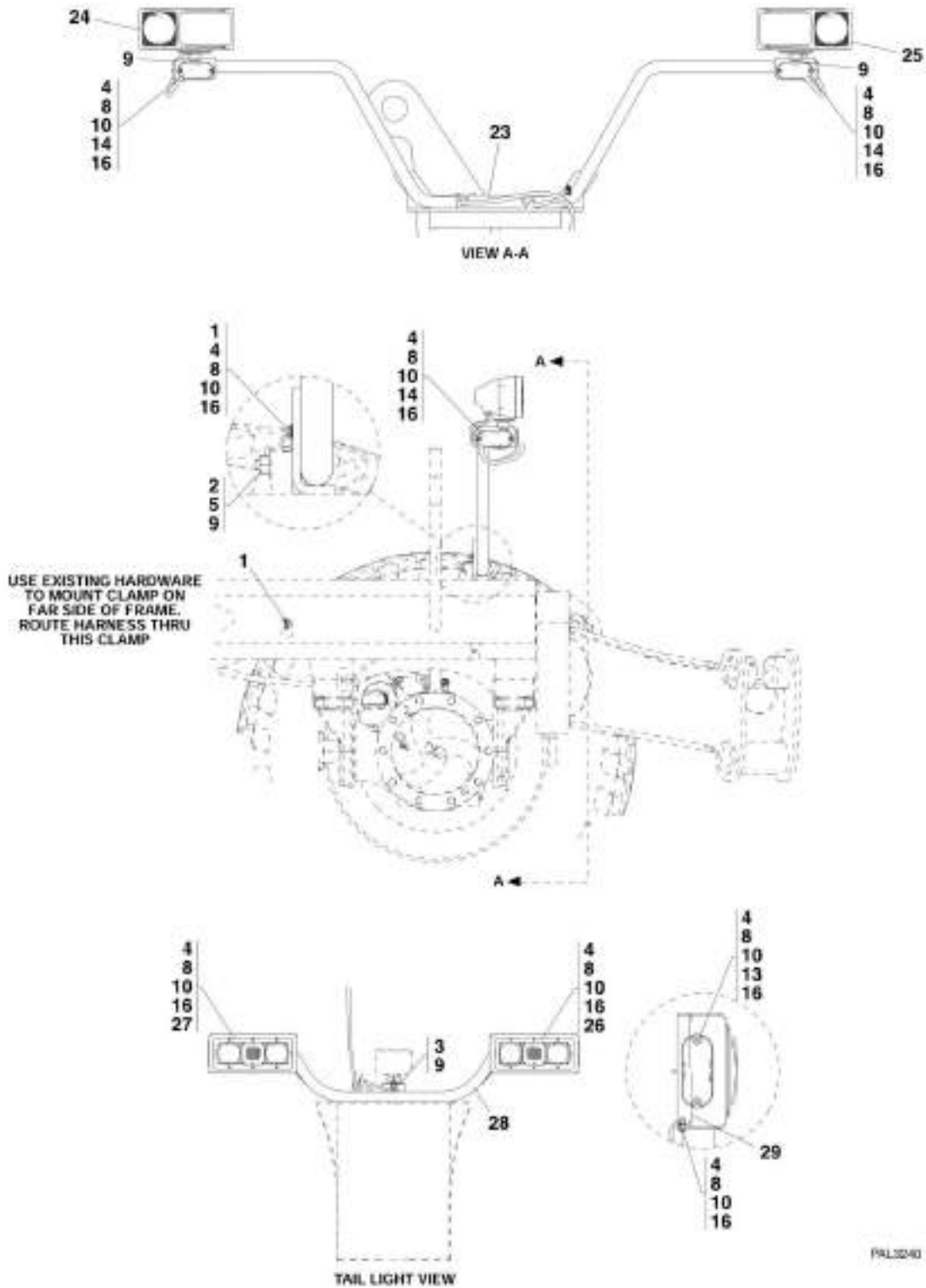
SECTION 12 - OPTIONS

FIGURE 12-45. WORK LIGHT INSTALLATION (SN 0160059335 to Present, Including 0160058678, 0160058998, 0160059008, 0160059160, 0160059170 and 0160059320)

ITEM	PART NUMBER	QTY	DESCRIPTION	REV
	1001162757	Ref	WORK LIGHT INSTALLATION, (if equipped), (not available to order, see items 1 thru 38 for service)	B
1	0641407	5	HEX HD CAPSCREW, 1/4-20X7/8	
2	0641814	2	HEX HD CAPSCREW, 1/2-13X2-3/4	
3	0903661	1	BOOM LIGHT MOUNTING BRACKET	
4	3311401	5	HEX NUT, 1/4-20 UNC GR2	
5	3311801	2	HEX NUT, 1/2-13 UNC GR2	
6	4711400	8	WASHER, 1/4	
7	4711800	8	WASHER, 1/2	
8	1001095342	3	FLOOD LIGHT ASSY, (includes items 101 thru 103)	B
10	1001125382	1	BOOM WORK LIGHT HARNESS (See Separate Breakdown in ELECTRICAL Section)	
11	1001090580	2	FLOOD LIGHT ASSY, (includes items 201 thru 205)	B
12	1320263	3	CLAMP	
14	4761400	5	WASHER, 1/4	
15	8096D097	7.3 ft	ECONOMY WIRING DUCT	
16	1001090460	1	WORK LIGHT SWITCH	
17	1001090461	1	BEACON SWITCH	
18	1001224062	1	CAB WORK LIGHT HARNESS (See Separate Breakdown in ELECTRICAL Section)	
20	1001090522	1	BACK-UP LIGHT MOUNTING BRACKET	
21	0642210	1	HEX HD CAPSCREW, 3/4-10X1-1/4	
22	4712200	1	WASHER, 3/4	
23	14404173	AR	SILICONE SEALANT	
24	8406105	1	CLAMP, SUPPORT, 3/4	
28	4761800	2	WASHER, 1/2	
29	1320263	3	CLAMP, SUPPORT, 3/8	
34	1001146009	1	WORKLIGHT BRACKET	
35	8500066	1	BEACON LIGHT	
36	1001099276	1	WORK LIGHT	
37	1001090615	1	GROMMET	
38	4460464	2	PIN	
39	4460897	1	CONNECTOR, 2 POS RECEPTACLE (DT)	
40	2820035	1.2 ft	INSULATE	
41	1001117021	1	CONNECTOR, METRI-PAK 280 (2 POS)	
42	8220890	1	CONNECTOR, LOCK (METRI-PACK 280, 2 POS)	
101	4460464	2	PIN TERMINAL	
102	4460897	1	2 POSITION TERMINAL	
103	80963050	1	FLOOD LIGHT ASSEMBLY	
201	4460464	2	PIN TERMINAL	
202	4460897	1	2 POSITION TERMINAL	
203	80963050	1	UTILITY FLOOD LIGHT A	
203	80964070	1	BULB	
204	91403503	1	SPACER	
205	91413052	1	WORK LIGHT MOUNTING BOLT	

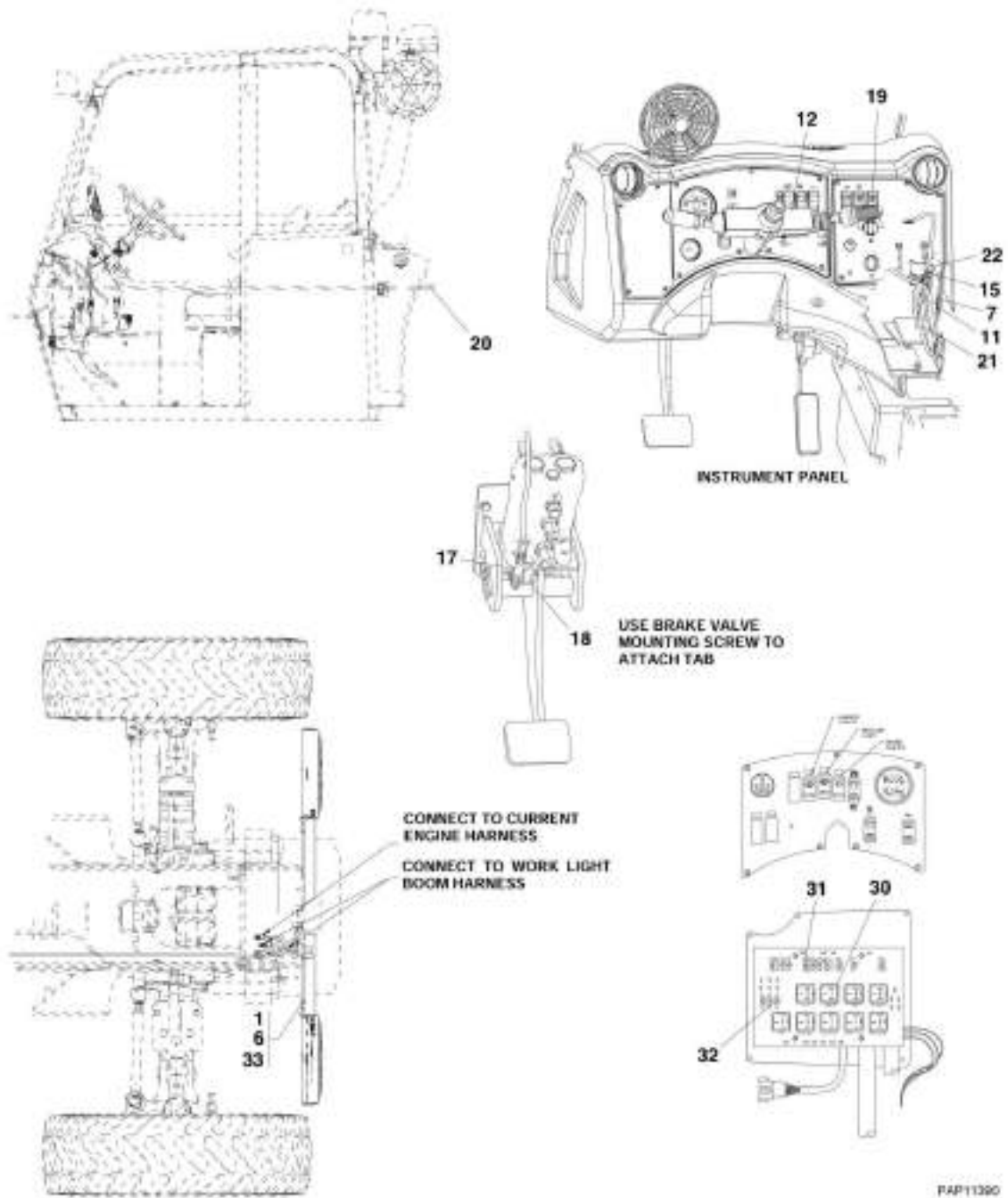
SECTION 12 - OPTIONS

FIGURE 12-46. ROAD LIGHTS INSTALLATION (Prior to SN 0160040675, Excluding 0160040468 and 0160040672)



PAL3240

SECTION 12 - OPTIONS



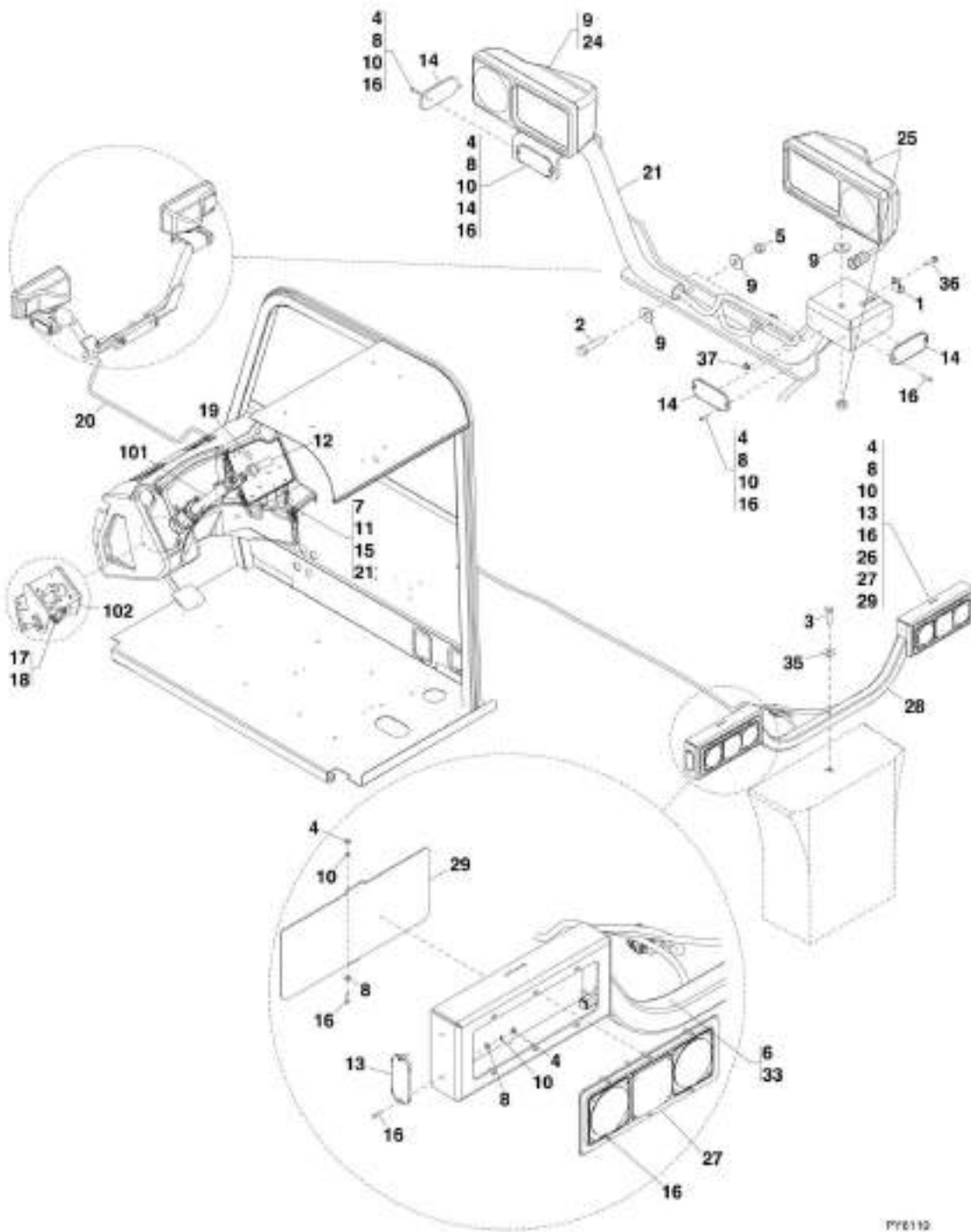
SECTION 12 - OPTIONS

FIGURE 12-46. ROAD LIGHTS INSTALLATION (Prior to SN 0160040675, Excluding 0160040468 and 0160040672)

ITEM	PART NUMBER	QTY	DESCRIPTION	REV
	1001090469	1	ROAD LIGHTS INSTALLATION, (includes all items)	F
1	80630	2	CLAMP, 1/2	
2	0641818	2	HEX HD CAPSCREW, 1/2-13X2-1/4, GR5, (torque to 75 lb-ft)	
3	0641822	1	HEX HD CAPSCREW, 1/2-13X2-3/4, GR5, (torque to 80 lb-ft)	
4	3311001	27	HEX NUT, 10-24	
5	311805	2	HEX LOCKNUT, 1/2-13	
6	3941506	2	TAP SCREW	
7	4461254	1	FASTON TERMINAL	
8	4711000	30	FLAT WASHER, #10	
9	4751800	7	FLAT WASHER, 1/2	
10	4761000	27	LOCKWASHER, #10	
11	8220050	1	CONNECT TERMINAL, MALE	
12	8223073	1	TURN SIGNAL SELECTOR	
13	10718991	2	REFLECTOR, RED	
14	10718992	4	REFLECTOR, YELLOW	
15	80983168	1	VARIABLE LOAD FLASHER	
16	88261010	27	SOCKET BUTTON HD CAPSCREW, #10-24X3/4	
17	91143117	1	STOPLIGHT SWITCH	
18	91511127	1	MOUNTING TAB	
19	1001090459	1	SWITCH	
20		Ref	FRAME ROAD LIGHTS HARNESS, (See ELECTRICAL SECTION for Breakdown)	
21		Ref	CAB ROAD LIGHTS HARNESS, (See ELECTRICAL SECTION for Breakdown)	
22	1001090510	1	ROAD LIGHTS HARNESS	
23	1001094264	1	FRONT ROAD LIGHTS BRACKET	
24	1001094390	1	FRONT ROAD LIGHTS, RH, (torque to 50 lb-ft)	
24	91503103	1	CONNECTOR	
24	91504107	1	LOCK CONNECTOR	
25	1001094391	1	FRONT ROAD LIGHTS, LH, (torque to 50 lb-ft)	
25	91503103	1	CONNECTOR	
25	91504107	1	LOCK CONNECTOR	
26	1001094392	1	TAIL LIGHT, RH	
26	91503103	1	CONNECTOR	
26	91504107	1	LOCK CONNECTOR	
27	1001094393	1	TAIL LIGHT, LH	
27	91503103	1	CONNECTOR	
27	91504107	1	LOCK CONNECTOR	
28	1001094523	1	TAIL LIGHT BRACKET	
29	1001094824	2	TAIL LIGHT COVER	
30	77363265	1	RELAY	
31	8229262	1	25A FUSE	
32	8229237	1	15A FUSE	
33	86621230	2	CLAMP, SUPPORT	

SECTION 12 - OPTIONS

FIGURE 12-47. ROAD LIGHTS INSTALLATION (SN 0160040675 to Present, Including 0160040468 and 0160040672)



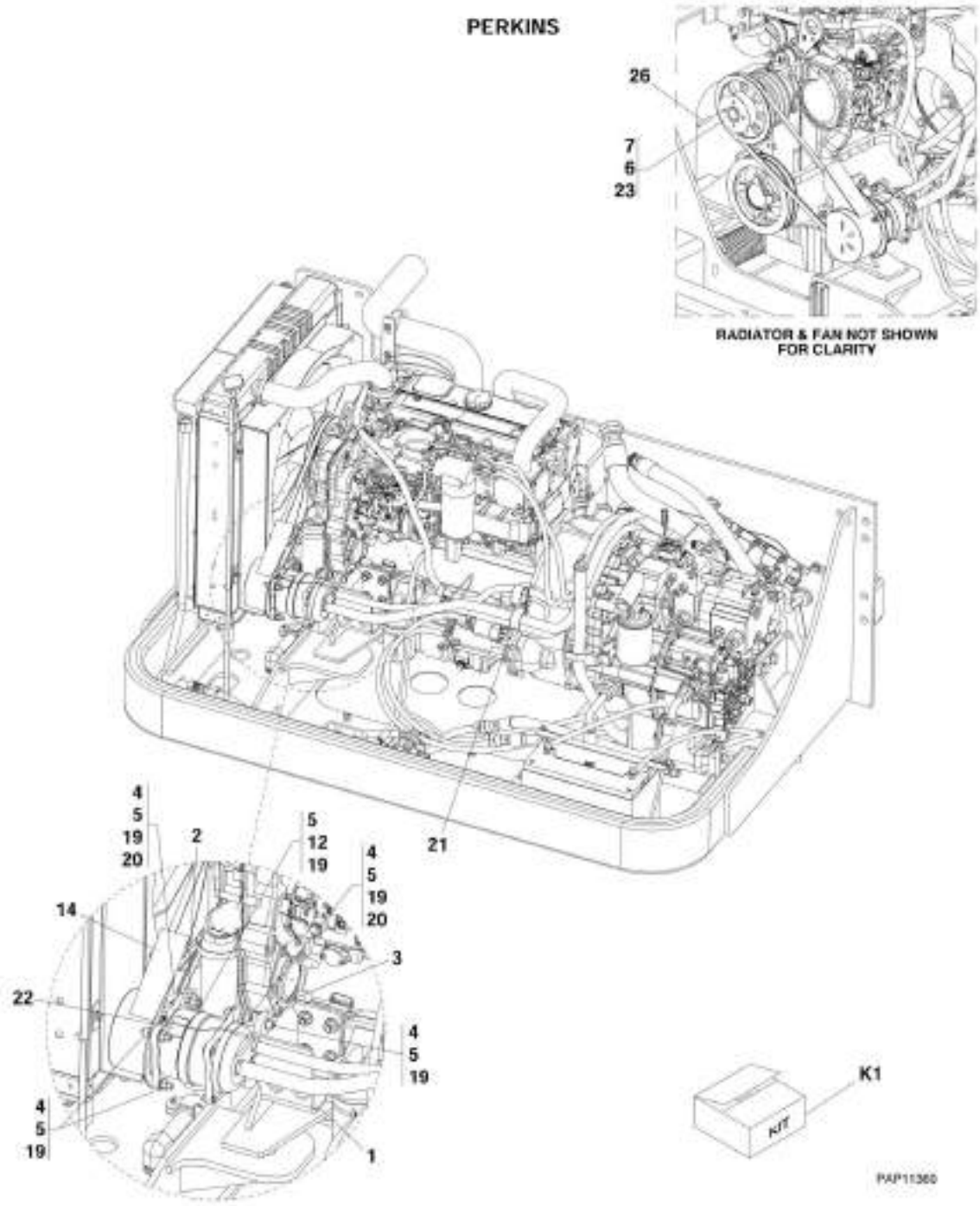
SECTION 12 - OPTIONS

FIGURE 12-47. ROAD LIGHTS INSTALLATION (SN 0160040675 to Present, Including 0160040468 and 0160040672)

ITEM	PART NUMBER	QTY	DESCRIPTION	REV
	1001113091	Ref	ROAD LIGHTS INSTALLATION, (if equipped), (not available to order, see items 1 thru 37 for service)	A,4
1	85941016	1	1/2IN CLAMP	
2	0641818	2	HEX HD CAPSCREW, 1/2-13X2-1/4, GR5	
3		Ref	HEX HD CAPSCREW, 3/4-10X2-3/4, GR5, (See WORK LIGHT INSTALLATION for Breakdown)	
4	3311001	26	HEX NUT, #10-24, GR2	
5	3311805	2	HEX LOCKNUT, 1/2-13, GR2	
6	3941506	2	SELF TAPPING MACHINE SCREW, 5/16X3/4	
7	4461254	1	CONNECTOR	
8	4711000	28	WASHER, #10	
9	4751800	6	WASHER, 1/2	
10	4761000	26	LOCKWASHER, #10	
11	8220050	1	CONNECTOR	
12	8223073	1	TURN SIGNAL SELECTOR	
13	10718991	2	RED REFLECTOR	
14	10718992	4	YELLOW REFLECTOR	
15	80983168	1	FLASHER,VARIABLE LOAD	
16	88261010	26	BUTTON HD CAPSCREW, #10-24X3/4	
17	91143117	1	STOPLIGHT SWITCH	
18	91511127	1	STOPLIGHT SWITCH MOUNTING TAB	
19	1001090459	1	HAZARD SWITCH	
20		Ref	FRAME ROAD LIGHTS HARNESS, (See ELECTRICAL SECTION for Breakdown)	
21		Ref	CAB ROAD LIGHTS HARNESS, (See ELECTRICAL SECTION for Breakdown)	
23	1001094264	1	FRONT ROAD LIGHTS BRACKET	
24	1001094390	1	RH FORWARD ROAD LIGHT ASSY, (torque to 50 lb-ft)	
25	1001094391	1	LH FORWARD ROAD LIGHT ASSY, (torque to 50 lb-ft)	
26	1001094392	1	RH TAIL LIGHT ASSY	
27	1001094393	1	LH TAIL LIGHT ASSY	
28	1001094523	1	TAIL LIGHT BRACKET	
29	1001094824	2	TAIL LIGHT COVER	
33	1320263	2	3/8IN CLAMP	
35		Ref	WASHER, 3/4, (See WORK LIGHT INSTALLATION for Breakdown)	
36	0791408	1	SERRATED FLANGE HEX HD CAPSCREW, 1/4-20X1	
37	3311408	1	FLANGE NUT, 1/4-20, GRADE F	
101		Ref	STEERING COLUMN, (See CONTROLS SECTION for Breakdown)	
102		Ref	BRAKE PEDAL INSTALLATION, (See CONTROLS SECTION for Breakdown)	

SECTION 12 - OPTIONS

FIGURE 12-48. ENGINE AIR CONDITIONING COMPONENTS PERKINS (Prior to SN 0160040675, Excluding 0160040468 and 0160040672)



SECTION 12 - OPTIONS

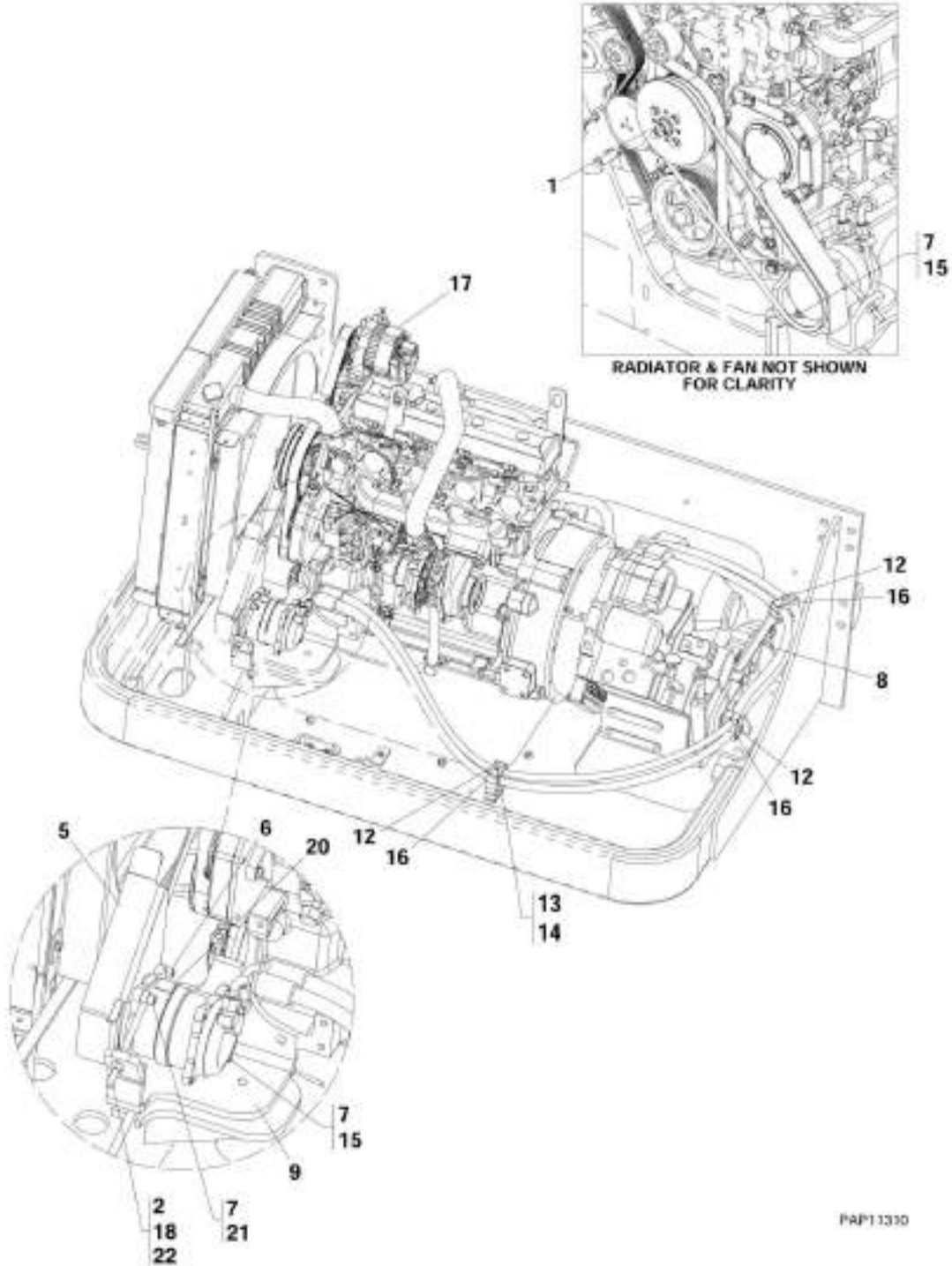
**FIGURE 12-48. ENGINE AIR CONDITIONING COMPONENTS PERKINS (Prior to SN 0160040675,
Excluding 0160040468 and 0160040672)**

ITEM	PART NUMBER	QTY	DESCRIPTION	REV
	1001090106	1	AIR CONDITIONING, (PERKINS), (includes all items)	K
1	1001091721	1	COMPRESSOR BRACKET	
2	1001090644	1	ADJUSTMENT BRACKET	
3	1001097848	1	FRONT ADJUSTMENT BRACKET	
4	3931624	7	SOC HD CAPSCREW, 3/8-16X1-1/2	
5	3311605	8	HEX LOCK NUT, 3/8-16, GR2	
6	1001091724	NLA	PULLEY, (no longer available, order Kit K1) (Prior to SN 0160038531)	
6	1001112888	1	PULLEY (SN 0160038531 to Present)	
7	1001112960	1	SPACER, AC PULLEY (SN 0160038531 to Present)	
12	3931620	1	SOC HD CAPSCREW, 3/8-16X1-1/4	
14	1001097849	1	COVER	
19	4711600	14	WASHER, 3/8	
20	4751600	2	WASHER, 3/8	
21	90028660	1	CLAMP, 1-3/4	
22	1001093526	1	A/C REFRIGERANT DECAL	
23	1001093244	AR	SHIM	
26	1001121270	4	STUD, M8X90	
K1	1001119506	1	PULLEY REPLACEMENT KIT, (includes items 6 & 7)	

SECTION 12 - OPTIONS

FIGURE 12-49. ENGINE AIR CONDITIONING COMPONENTS JOHN DEERE (Prior to SN 0160040675, Excluding 0160040468 and 0160040672)

JOHN DEERE



PAP11330

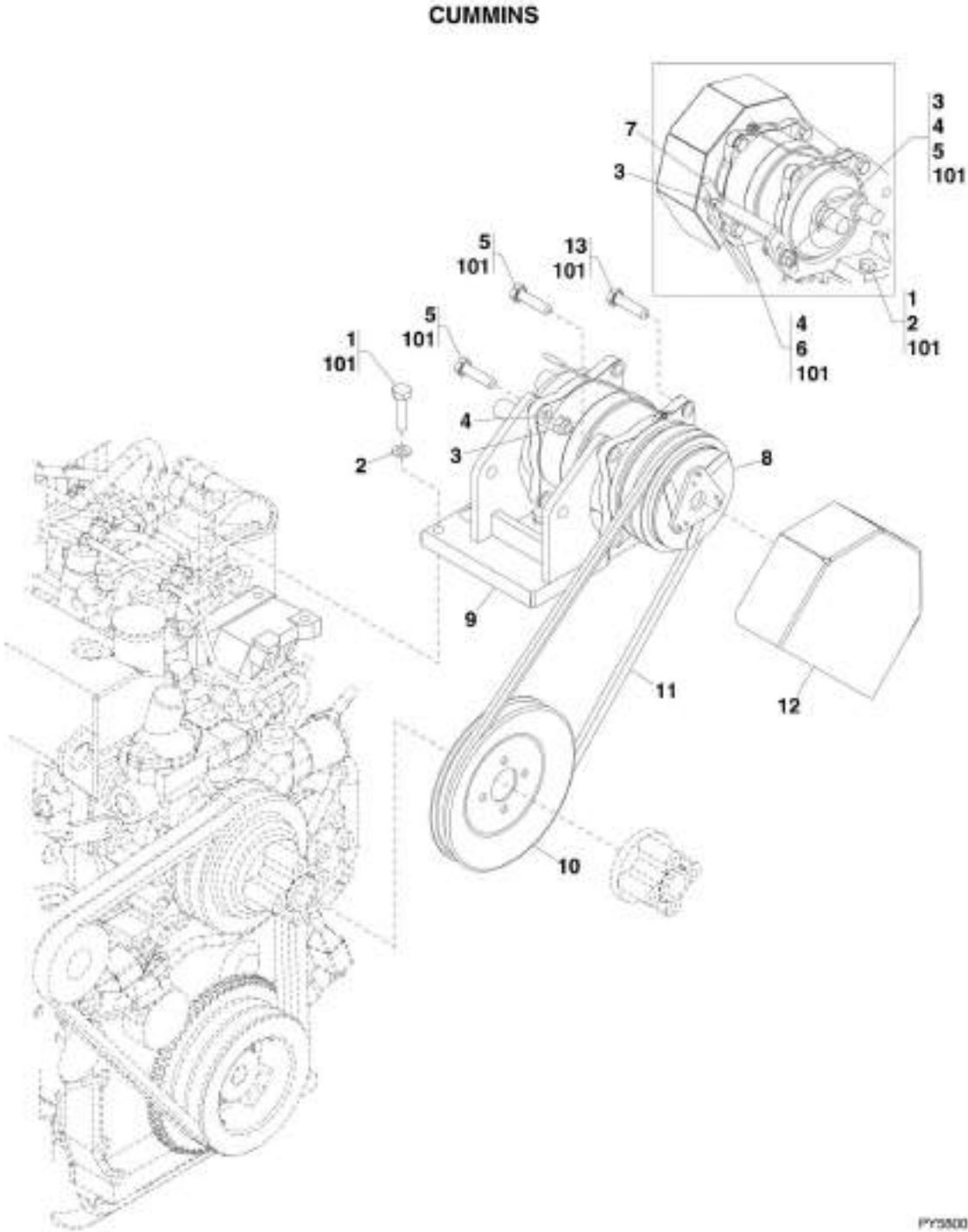
SECTION 12 - OPTIONS

**FIGURE 12-49. ENGINE AIR CONDITIONING COMPONENTS JOHN DEERE (Prior to SN 0160040675,
Excluding 0160040468 and 0160040672)**

ITEM	PART NUMBER	QTY	DESCRIPTION	REV
	0275723	1	AIR CONDITIONING, (JOHN DEERE), (includes all items)	E
1	80373112	1	PULLEY	
2	88681311	1	ROD END	
5	3380770	1	BELT GUARD	
6	3931620	1	SOC HD CAPSCREW, 3/8-16X1-1/2	
7	3931624	3	SOC HD CAPSCREW, 3/8-16X1-1/4	
8	4341376	1	HOSE CLAMP SUPPORT	
9	4341385	1	MOUNT BRACKET	
12	77133137	3	COVER PLATE	
13	77133306	1	STACK BOLT	
14	77133390	1	SAFETY CLIP	
15	77143015	2	LOCKNUT, 3/8-16	
16	77133279	3	CLAMP SET	
17	80973108	1	ALTERNATOR (Prior to SN 0160037671)	
17	1001108292	1	ALTERNATOR (SN 0160037671 through 0160040674, Excluding 0160040468 and 0160040672)	
18	88501006	2	HEX NUT, 3/8-16	
20	1001093526	1	A/C REFRIGERANT DECAL	
21	4751600	2	WASHER, 3/8	
22	4891600	2	HARDENED WASHER, 3/8	

SECTION 12 - OPTIONS

FIGURE 12-50. ENGINE AIR CONDITIONING COMPONENTS (SN 0160040675 to Present, Including 016004068 and 0160040672)



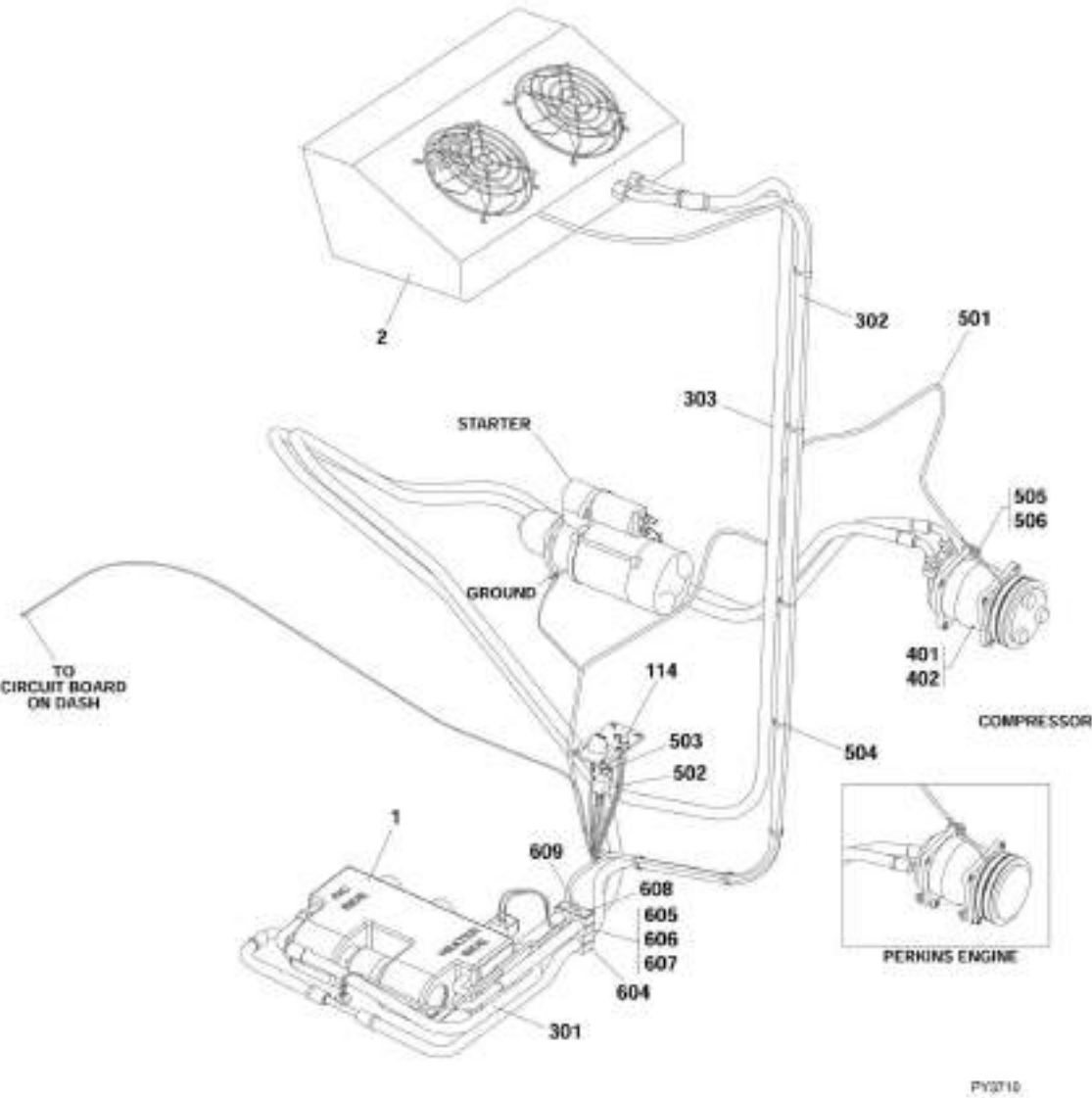
SECTION 12 - OPTIONS

FIGURE 12-50. ENGINE AIR CONDITIONING COMPONENTS (SN 0160040675 to Present, Including 016004068 and 0160040672)

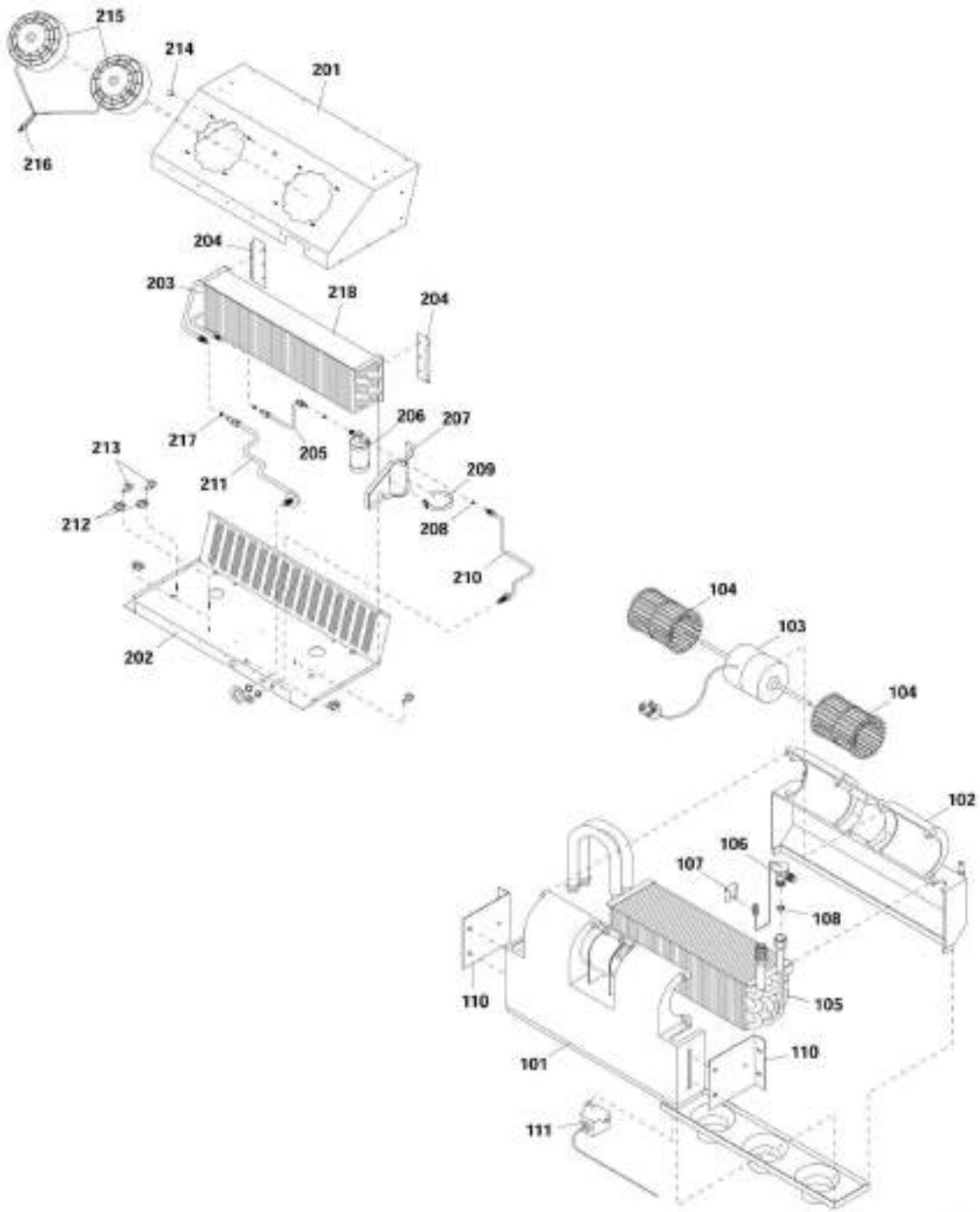
ITEM	PART NUMBER	QTY	DESCRIPTION	REV
	1001120451	Ref	AIR CONDITIONING COMPONENTS INSTLLATION, (CUMMINS), (not available to order, see items 1 thru 13 for service)	B
1	0711016	3	HEX HD CAPSCREW, M10X40, GR10.9	
2	4832000	3	SPRING LOCKWASHER, M10	
3	8305630	3	HEX LOCKNUT, M10X1.5	
4	8307221	3	WASHER, M10	
5	8310534	3	HEX HD CAPSCREW, M10X40, GR10.9	
6	8310736	1	HEX HD CAPSCREW, M10X50, GR10.9	
7	8310737	1	ROD END, M10X100	
8	1001107339	1	A/C COMPRESSOR CLUTCH	
9	1001120420	2	A/C MOUNT BRACKET	
10	1001120544	1	A/C DRIVE PULLEY	
11	1001120680	1	A/C BELT	
12	1001120856	1	A/C BELT SHIELD	
13	8310688	1	HEX HD CAPSCREW, M10X30	
101	0100011	AR	LOCTITE 242	

SECTION 12 - OPTIONS

FIGURE 12-51. AIR CONDITIONING COMPONENTS (Prior to SN 0160040675, Excluding 0160040468 and 0160040672)



SECTION 12 - OPTIONS



PVL3651

SECTION 12 - OPTIONS

FIGURE 12-51. AIR CONDITIONING COMPONENTS (Prior to SN 0160040675, Excluding 0160040468 and 0160040672)

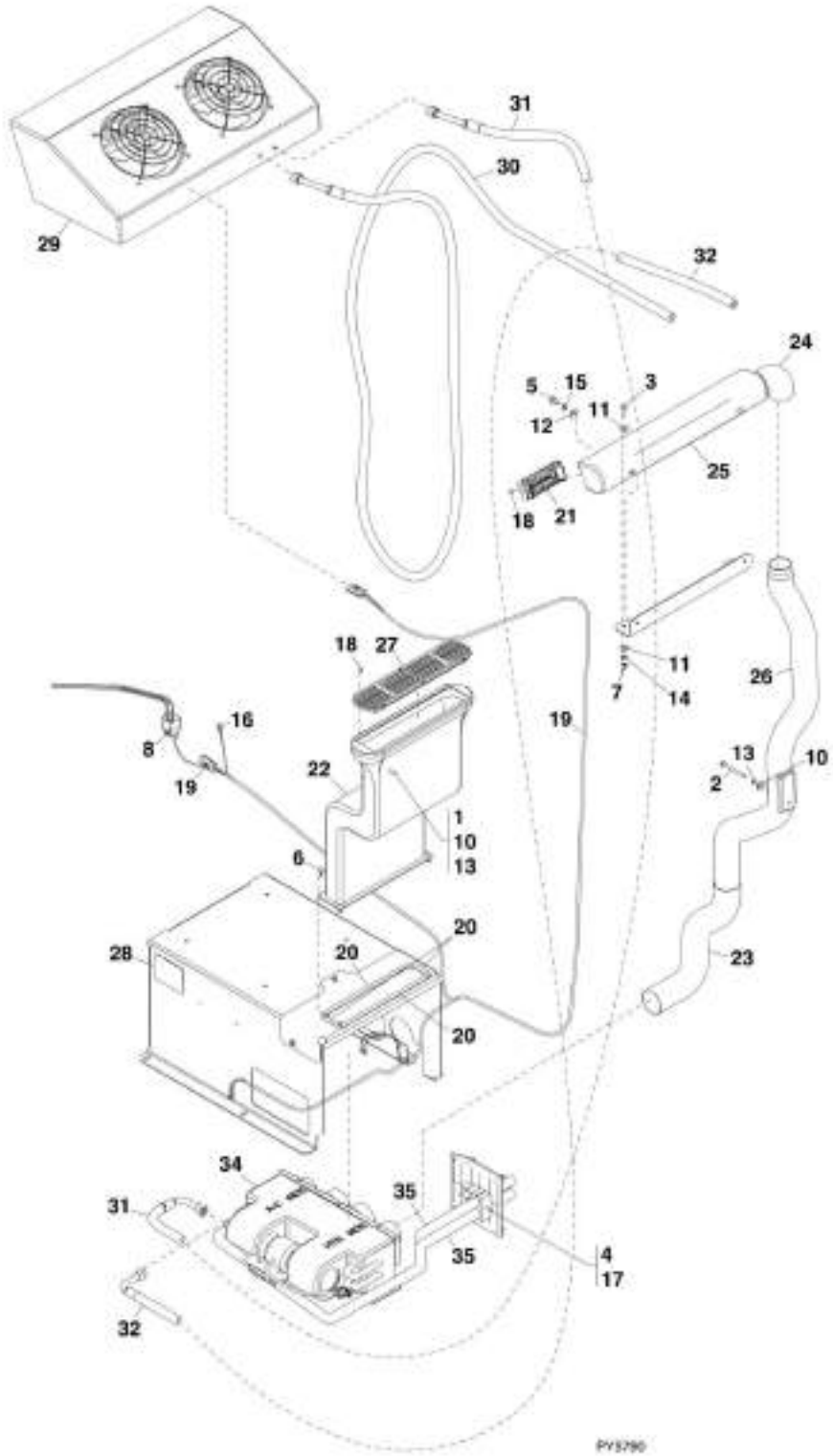
ITEM	PART NUMBER	QTY	DESCRIPTION	REV
1	1001107343	1	EVAPORATOR/HEATER UNIT, (includes items 101 thru 119)	B
2	1001107340	1	CONDENSOR, (includes items 201 thru 225)	A
101	70022552	1	CASE TOP	
102	70022553	1	CASE BOTTOM	
103	91404438	1	BLOWER MOTOR	
104	91404439	1	BLOWER WHEEL	
105	70022876	1	HEATER/COOLER COIL	
106	91514272	1	VALVE	
107	70022877	1	BULB CLAMP	
108	80363103	1	O-RING, #8	
110	70022878	2	LEG	
111	91514265	1	THERMOSTAT	
112	70022879	4	WORM GEAR CLAMP, (not illustrated)	
113	70022555	1	AIR RESTRICTER, (not illustrated)	
114	91514296	1	METRO SWITCH	
115	70022892	1.5 ft	CORK TAPE, (not illustrated)	
116	70022556	3 ft	DRAIN HOSE, 3/8, (not illustrated)	
117	70022557	1	DRAIN ELBOW, 3/8, (not illustrated)	
118	70022558	1	DRAIN TEE, 3/8, (not illustrated)	
119	80363099	1	PRESSURE SWITCH, (not illustrated)	
201	70020643	1	CASE TOP	
202	70022880	1	CASE BOTTOM	
203	70020644	1	OVERHEAD CONDENSER COIL	
204	70022881	2	MOUNTING BRACKET	
205	91514270	1	TUBE ASSY	
206	91514266	1	DRIER	
207	70022882	1	DRIER MOUNT	
208	80363102	1	O-RING	
209	70022883	1	HOSE CLAMP	
210	70020645	1	TUBE ASSY	
211	70020646	1	TUBE ASSY	
212	70022884	4	HOSE CLAMP	
213	70022885	3	CUSHION CLAMP	
214	70022886	1	HOLE PLUG	
215	91514295	2	CONDENSER FAN	
216	70020647	1	HARNESS PIGTAIL	
217	80363103	1	O-RING, #8	
218	70022891	2 ft	CLOSED CELL FOAM	
219	70020648	4	WELL NUT, (not illustrated)	
220	70022887	8	NYLON INSERT NUT, 1/4-20, (not illustrated)	
221	70020649	1	RELAY, (not illustrated)	
222	70022890	4	HEX HD CAPSCREW, 3/8-16X3, (not illustrated)	
223	70020650	1	HARNESS, (not illustrated)	
224	70022888	4	FLAT WASHER, 3/8, (not illustrated)	
225	70022889	4	LOCKWASHER, 3/8, (not illustrated)	
301	1001107427	1	HOSE ASSY	
302	1001107428	1	HOSE ASSY	
303	1001107429	1	HOSE ASSY	

SECTION 12 - OPTIONS

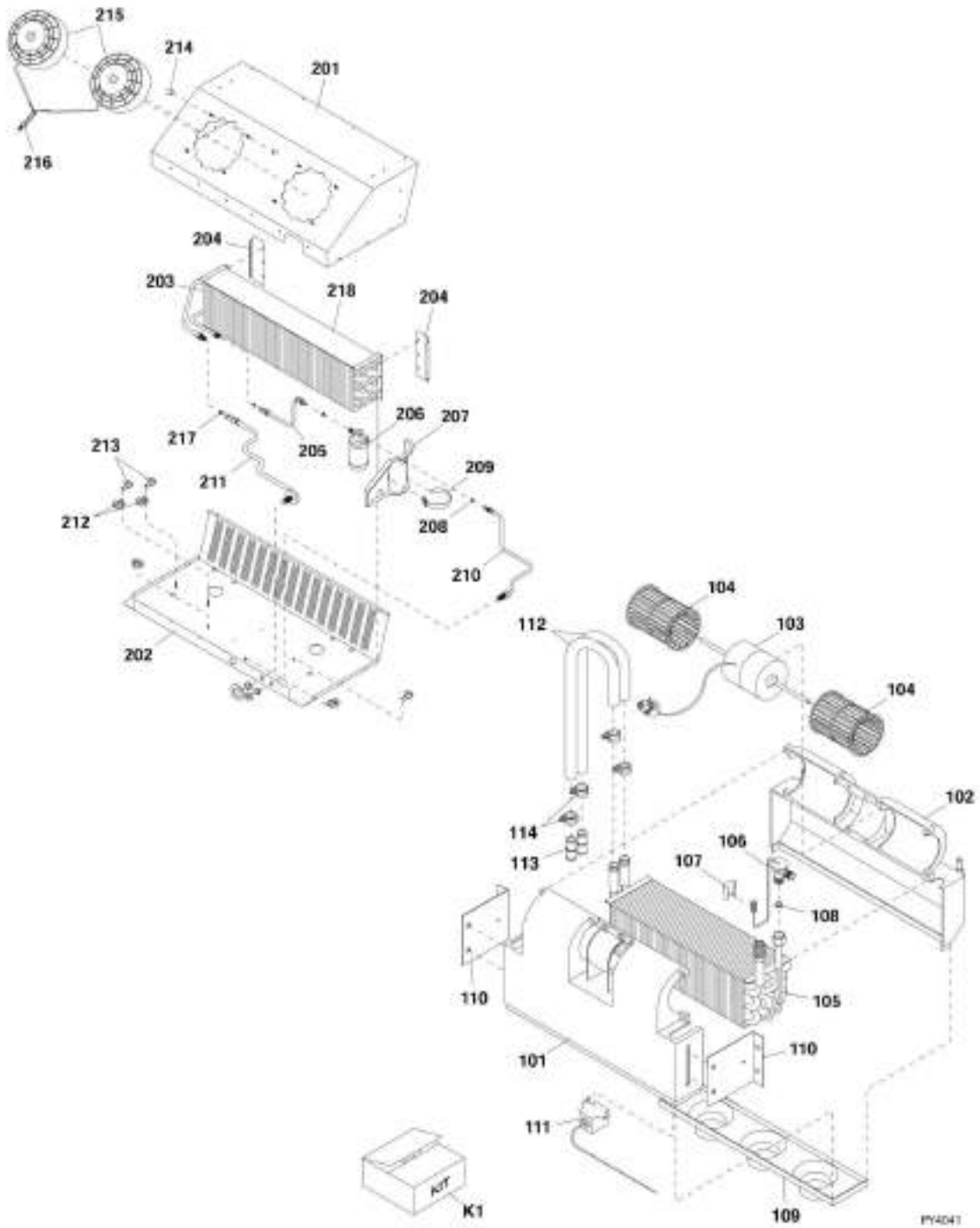
ITEM	PART NUMBER	QTY	DESCRIPTION	REV
401	1001107339	1	COMPRESSOR	
402	1001107344	1	BELT, (John Deere, Perkins Engine)	
403	80363102	2	O-RING, #6, (not illustrated)	
404	80363103	2	O-RING, #8, (not illustrated)	
405	80363104	2	O-RING, #10, (not illustrated)	
501	91513217	1	A/C WIRING HARNESS	
502	77383410	1	RELAY	
503	88201016	1	HEX HD CAPSCREW, 5/16-18X1/2	
504	90027187	14	TIE WRAP	
505	80973025	1	BOLT, 3/8-16X1, (John Deere Engine)	
505	0791608	1	SCREW, 3/8-16X1, (Perkins engine)	
506	77143015	1	LOCK NUT, 3/8-16	
604	77323029	1	CLAMP SET	
605	77133279	1	CLAMP SET	
606	77133306	1	STACK BOLT	
607	77133390	1	SAFETY CLIP	
608	77133137	1	COVER PLATE	
609	88201023	1	HEX HD CAPSCREW, 5/16-18X1-3/4	

SECTION 12 - OPTIONS

FIGURE 12-52. AIR CONDITIONING COMPONENTS (SN 0160040675 to Present, Including 016004068 and 0160040672)



SECTION 12 - OPTIONS



SECTION 12 - OPTIONS

FIGURE 12-52. AIR CONDITIONING COMPONENTS (SN 0160040675 to Present, Including 016004068 and 0160040672)

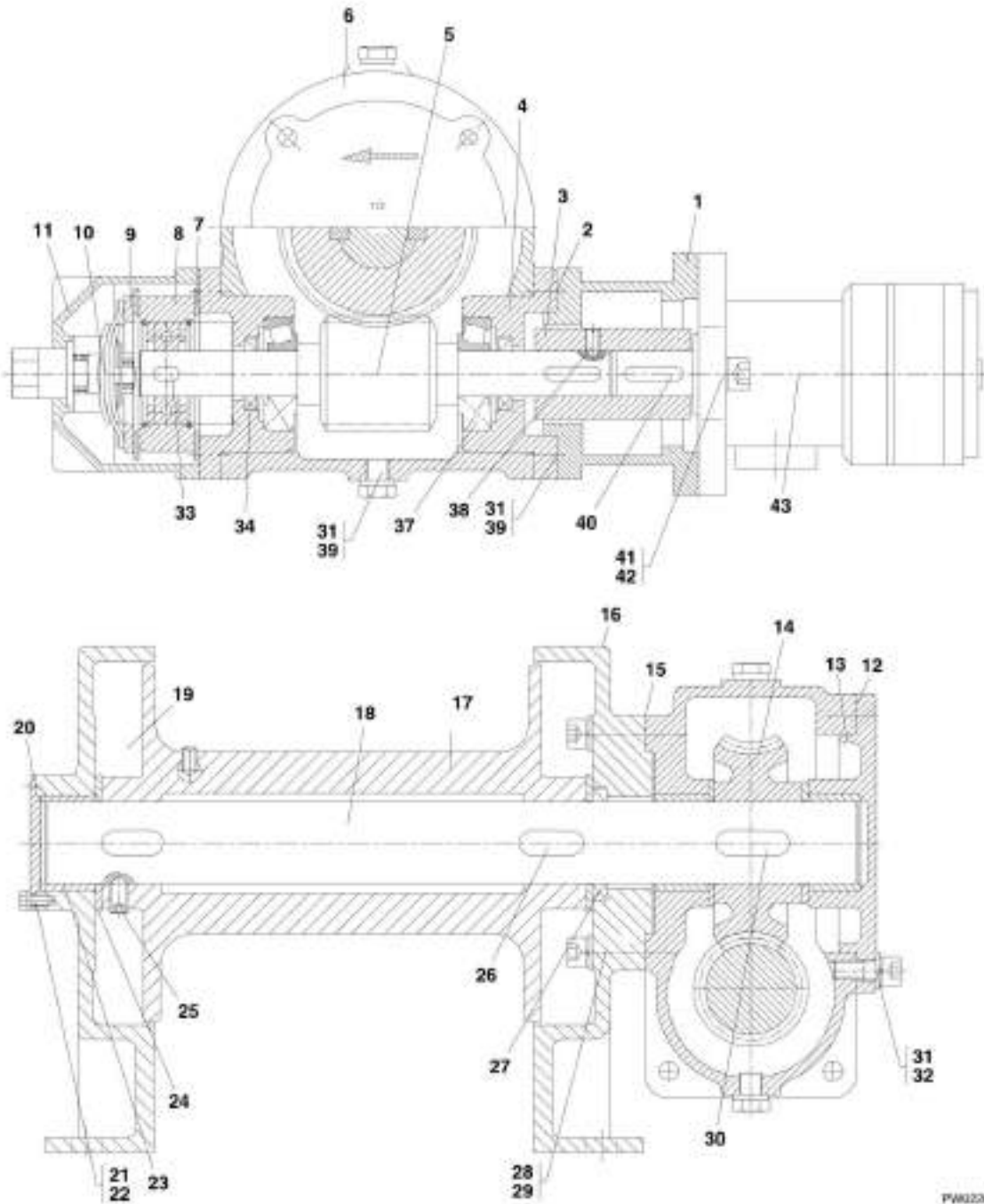
ITEM	PART NUMBER	QTY	DESCRIPTION	REV
	1001119691	Ref	AIR CONDITIONING COMPONENTS INSTALLATION, (not available to order, see items 1 thru 35 for service)	B
1	0641408	1	HEX HD CAPSCREW, 1/4-20X1, GR5	
2	0641424	1	HEX HD CAPSCREW, 1/4-20X3, GR5	
3	0641507	2	HEX HD CAPSCREW, 5/16-18X7/8, GR5	
4	0641532	1	HEX HD CAPSCREW, 5/16-18X4, GR5	
5	0641605	2	HEX HD CAPSCREW, 3/8-16X5/8, GR5	
6	1380158	4	RETAINER CLIP	
7	2080063	2	NYLON LOCK NUT, 1/4-20	
8	3740080	1	RELAY	
9	4240033	5	WIRE TIE, (not shown)	
10	4711400	2	WASHER, 1/4	
11	4751500	4	WASHER, 5/16	
12	4751600	2	WASHER, 3/8	
13	4761400	2	LOCKWASHER, 1/4	
14	4761500	2	LOCKWASHER, 5/16	
15	4761600	2	LOCKWASHER, 3/8	
16	10726703	1	MALE TERMINAL	
17	77323029	1	CLAMP SET	
18	91413036	10	SELF TAPPING SCREW, #6X1/2	
19	91563247	1	A/C HARNESS	
20	1001090344	28 in	NEOPRENE TAPE	
21	1001100279	2	DEFROST VENT	
22	1001100281	1	MAIN SUCTION VENT	
23	1001100446	21 in	HOSE	
24	1001100770	1	TUBE ASSY	
25	1001100773	1	BRACKET	
26	1001101259	1	TUBE ASSY	
27	1001101640	1	SUCTION VENT FILTER	
28	1001103956	1	A/C DECAL	
29	1001107340	1	CONDENSER, (includes items 201 thru 225)	A
30	1001107427	1	HOSE ASSY	
31	1001107428	1	HOSE ASSY	
32	1001107429	1	HOSE ASSY	
33		Ref	ENCLOSED CAB, (not shown), (See CAB SECTION for Breakdown)	
34	1001114283	1	EVAPORATOR/HEATER UNIT, (includes items 101 thru 121) (Prior to SN 0160045463)	B
34	1001142350	1	EVAPORATOR/HEATER UNIT, (includes items 101 thru 121) (SN 0160045463 to Present)	C
35	82033995	32 in	HOSE	
101	70022552	1	CASE TOP	
102	70022553	1	CASE BOTTOM	
103	70022805	1	BLOWER MOTOR	
104	91404439	1	BLOWER WHEEL (Prior to SN 0160045463)	
104	N.S.S.	1	BLOWER WHEEL (SN 0160045463 to Present)	
105	70022876	1	HEATER/COOLER COIL	
106	91514272	1	VALVE	
107	70022877	1	BULB CLAMP	

SECTION 12 - OPTIONS

ITEM	PART NUMBER	QTY	DESCRIPTION	REV
108	80363103	1	O-RING, #8	
109	N.S.S.	1	3 HOLE DEFROST TOP	
110	70022878	2	LEG (Prior to SN 0160045463)	
110	N.S.S.	2	LEG (SN 0160045463 to Present)	
111	91514265	1	THERMOSTAT (Prior to SN 0160045463)	
111	N.S.S.	1	THERMOSTAT (SN 0160045463 to Present)	
112	70020639	2	HEATER HOSE (Prior to SN 0160045463)	
112	N.S.S.	2	HEATER HOSE (SN 0160045463 to Present)	
113	N.S.S.	2	HEATER SPLICE	
114	70022879	4	WORM GEAR CLAMP	
115	70022555	1	AIR RESTRICTER, (not shown)	
116	91514296	1	METRO SWITCH, (not shown)	
117	70020640	1	12 VOLT RELAY, (not shown)	
118	70022556	3 ft	DRAIN HOSE, 3/8, (not shown)	
119	70022557	1	DRAIN ELBOW, 3/8, (not shown)	
120	70022558	1	DRAIN TEE, 3/8, (not shown)	
121	80363099	1	PRESSURE SWITCH, (not shown)	
201	70020643	1	CASE TOP	
202	70022880	1	CASE BOTTOM	
203	70020644	1	OVERHEAD CONDENSER COIL	
204	70022881	2	MOUNTING BRACKET	
205	91514270	1	TUBE ASSY	
206	91514266	1	DRIER	
207	70022882	1	DRIER MOUNT	
208	80363102	1	O-RING	
209	70022883	1	HOSE CLAMP	
210	70020645	1	TUBE ASSY	
211	70020646	1	TUBE ASSY	
212	70022884	4	HOSE CLAMP	
213	70022885	3	CUSHION CLAMP	
214	70022886	1	HOLE PLUG	
215	91514295	2	CONDENSER FAN	
216	70020647	1	HARNESS PIGTAIL	
217	80363103	1	O-RING, #8	
218	70022891	2 ft	CLOSED CELL FOAM	
219	70020648	4	WELL NUT, (not shown)	
220	70022887	8	NYLON INSERT NUT, 1/4-20, (not shown)	
221	70020649	1	RELAY, (not shown)	
222	70022890	4	HEX HD CAPSCREW, 3/8-16X3, (not shown)	
223	70020650	1	HARNESS, (not shown)	
224	70022888	4	FLAT WASHER, 3/8, (not shown)	
225	70022889	4	LOCKWASHER, 3/8, (not shown)	
301	70023109	1	WHITE MOTOR GASKET, (not shown)	
302	N.S.S.	2	BLACK FOAM, (not shown)	
303	70023110	1	RESISTOR, (not shown)	
304	N.S.S.	1	BOLT, (not shown)	
305	N.S.S.	1	NUT, (not shown)	
306	N.S.S.	1	CORK TAPE, (not shown)	
307	N.S.S.	2	CORK TAPE, (not shown)	
308	80363034	22	HOSE HEATER (not shown)	
K1	70022804	1	BLOWER MOTOR KIT, (includes items 103 & 301 thru 307)	

SECTION 12 - OPTIONS

FIGURE 12-53. WINCH



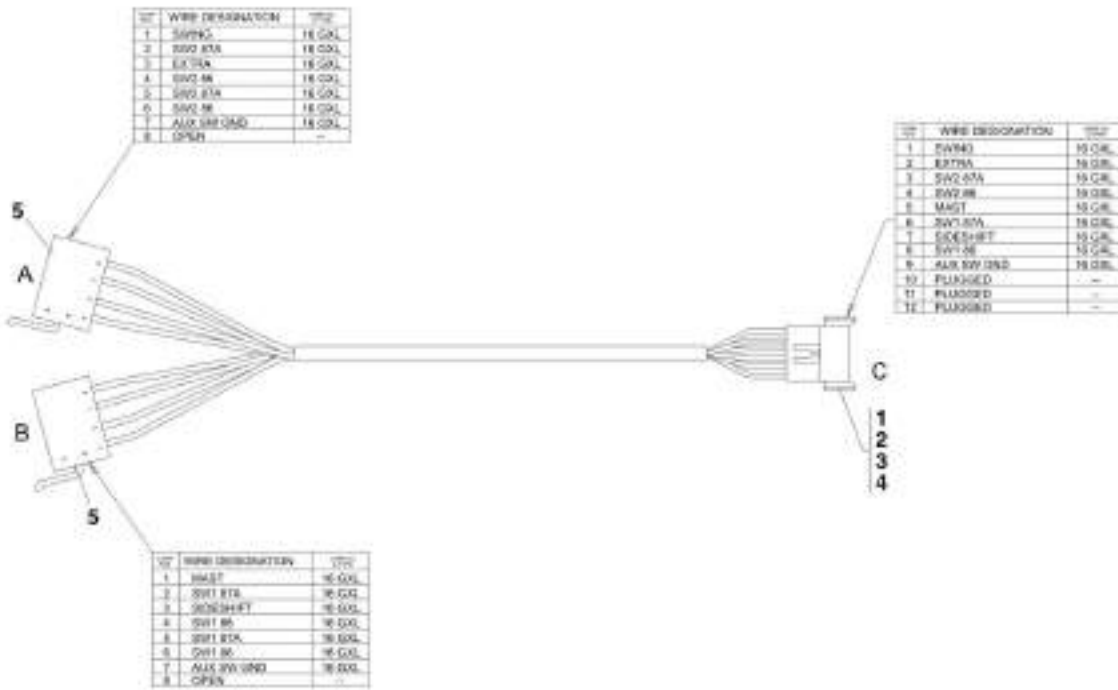
SECTION 12 - OPTIONS

FIGURE 12-53. WINCH

ITEM	PART NUMBER	QTY	DESCRIPTION	REV
	1001114795	1	WINCH WITH MOTOR, (includes all items)	A
1	70023747	1	MOTOR ADAPTER	
2	70023748	5	PAPER MAT	
3	70023749	1	COUPLING SHAFT	
4	70023750	2	BEARING HOUSING	
5	70023751	1	WORM	
6	70023752	1	GEAR HOUSING	
7	70023753	2	FRICTION PLATE	
8	70023754	1	OVERRUNNING CLUTCH	
9	70023755	1	FRICTION DISK	
10	70023756	1	BRAKE	
11	70023757	1	BRAKE SHELL	
12	70023758	2	PAPER MAT	
13	70023759	1	END CAP	
14	70023760	1	WORM GEAR	
15	70023761	1	PAPER MAT2	
16	70023762	1	CENTER BRACKET	
17	70023763	1	WINCH DRUM	
18	70023764	1	WORM GEAR SHAFT	
19	70023765	1	END BRACKET	
20	70023766	1	LEFT END CAP	
21	70023767	4	END CAP BOLT	
22	70023768	4	END CAP WASHER	
23	70023769	3	SELF LUBRICATING BEARING	
24	70023770	4	THRUST WASHER	
25	70023771	1	SHAFT BOLT	
26	70023772	4	DRUM SHAFT KEY	
27	70023773	1	CENTER BRACKET SEAL	
28	70023774	18	SPRING WASHER	
29	70023775	6	CENTER BRACKET BOLT	
30	70023776	2	DRUM SHAFT KEY	
31	70023777	10	GEAR COVER WASHER	
32	70023778	4	GEAR COVER BOLT	
33	70023779	1	WORM SHAFT KEY1	
34	70023780	2	WORM SHAFT SEAL	
35	70023781	3	GEAR HOUSING BOLT	
36	70023782	3	GEAR HOUSING WASHER	
37	70023783	2	TAPERED ROLLER BEARING	
38	70023784	3	MOTOR COUPLER SCREW	
39	70023785	8	MOTOR ADAPTER BOLT	
40	70023786	1	MOTOR COUPLER KEY	
41	70023787	2	MOTOR BOLT	
42	70023788	2	MOTOR WASHER	
43	70023789	1	MOTOR	

SECTION 12 - OPTIONS

FIGURE 12-54. AUXILIARY ELECTRIC HARNESS



WIRE CHART						
WIRE DESIGNATION	WIRE COLOR	WIRE GAUGE	WIRE END A	WIRE END B	WIRE END C	REMARKS
AUX SW GND	BLACK	18	CAR/ENGINE/CH	CAR/ENGINE/CH	DR1TCH 07	AUX SW GROUND
EXTRA	WHITE	18	CAR/ENGINE/CH	CAR/ENGINE/CH	DR1TCH 07	AUX EXTRA
MAST	WHITE	18	CAR/ENGINE/CH	CAR/ENGINE/CH	DR1TCH 07	MAST
SW1 SW	WHITE	18	CAR/ENGINE/CH	CAR/ENGINE/CH	DR1TCH 07	SW1 SW
SW2 SW	OR GRN	18	CAR/ENGINE/CH	CAR/ENGINE/CH	DR1TCH 07	AUX SW1 SW
SW1 SW	OR GRN	18	CAR/ENGINE/CH	CAR/ENGINE/CH	DR1TCH 07	AUX SW1 SW
SW2 SW	OR GRN	18	CAR/ENGINE/CH	CAR/ENGINE/CH	DR1TCH 07	AUX SW2 SW
SW2 SW	OR GRN	18	CAR/ENGINE/CH	CAR/ENGINE/CH	DR1TCH 07	AUX SW2 SW

Py2060

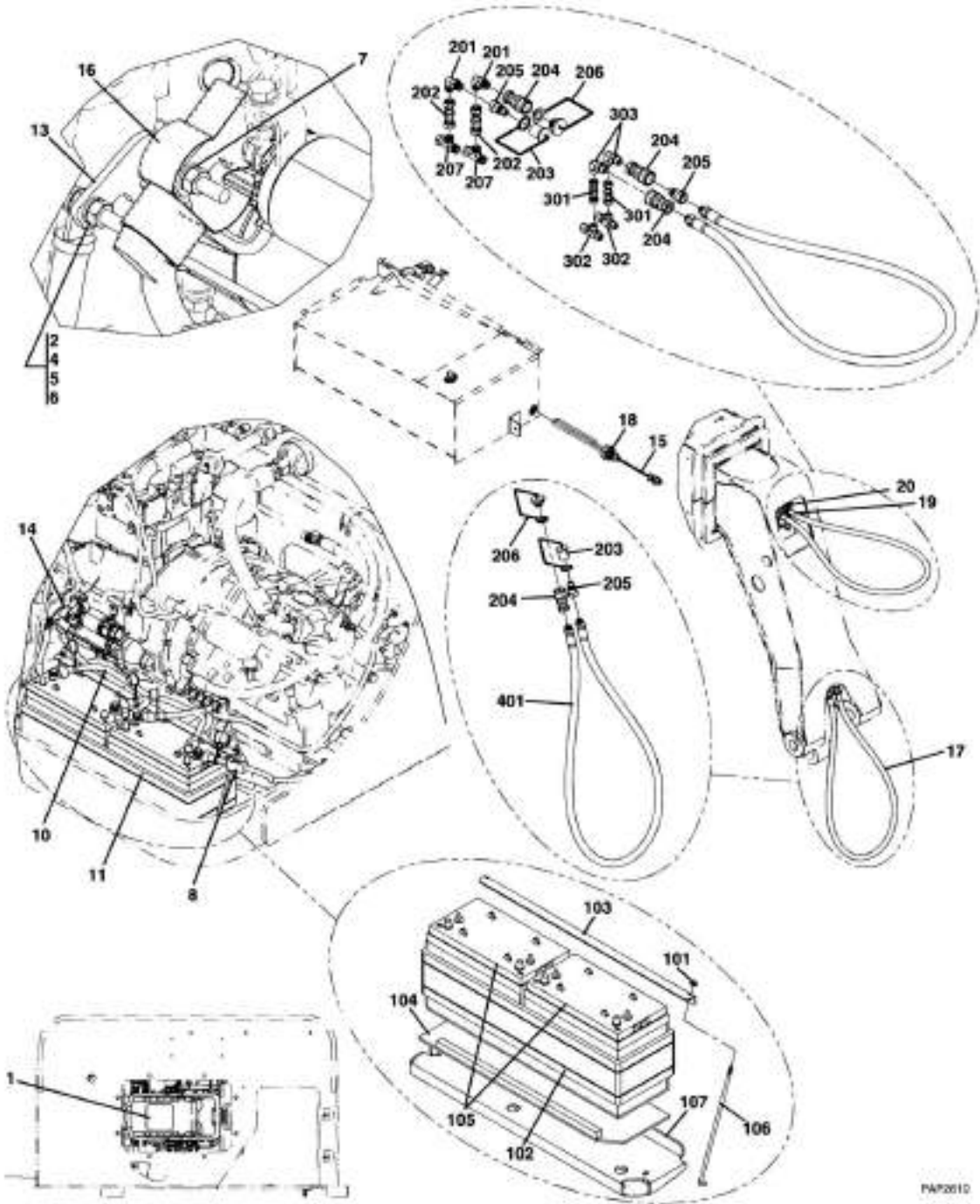
SECTION 12 - OPTIONS

FIGURE 12-54. AUXILIARY ELECTRIC HARNESS

ITEM	PART NUMBER	QTY	DESCRIPTION	REV
	91563192	1	AUXILIARY ELECTRICAL HARNESS, (includes all items)	A
1	4460532	1	CONNECTOR	
2	80363179	1	LOCK	
3	77363228	1	CONTACT	
4	4460466	1	PLUG	
5	4460419	2	TERMINAL	

SECTION 12 - OPTIONS

FIGURE 12-55. ARCTIC PACKAGE (SN 0160037905 through 0160040674)



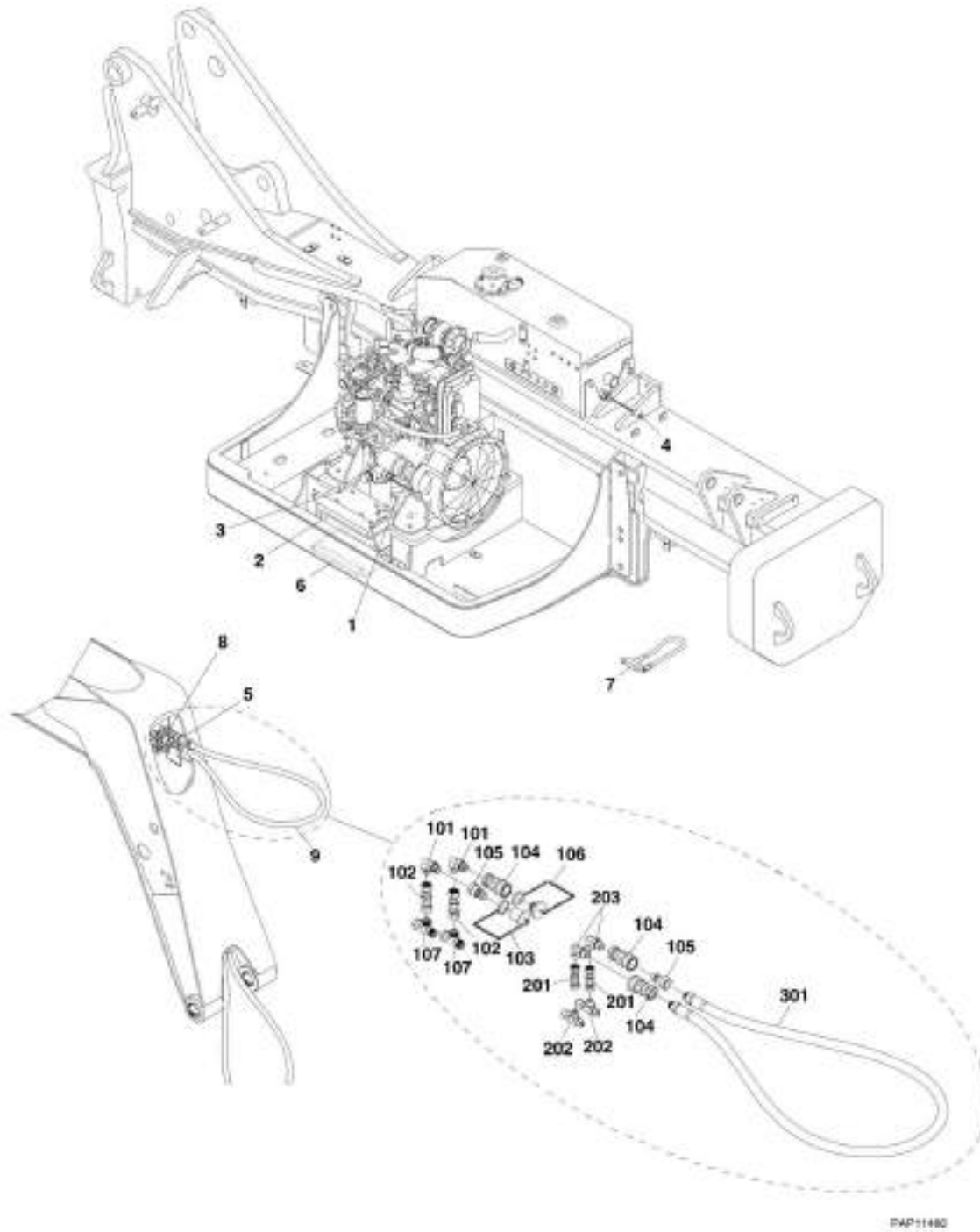
SECTION 12 - OPTIONS

FIGURE 12-55. ARCTIC PACKAGE (SN 0160037905 through 0160040674)

ITEM	PART NUMBER	QTY	DESCRIPTION	REV
	1001105968	1	ARCTIC PACKAGE, (includes all items)	C
1	0252654	1	OIL PAN HEATER	
2	0760815	2	HEX HD CAPSCREW, M8X35, GR 8.8	
3	1060626	1	3 WAY EXTENSION CORD, (not shown)	
4	3290801	2	HEX NUT, M8X1.25	
5	4811900	2	WASHER, 8mm	
6	4831900	2	SPRING LOCKWASHER, 8mm	
7	8310046	2	LOCKWASHER	
8	1001001616	1	NEGATIVE BATTERY CABLE	
10	1001098843	1	NEGATIVE BATTERY CABLE JUMPER	
11	1001098904	1	ARCTIC DUAL BATTERY, (includes items 101 thru 107)	A
13	1001104797	2	STARTER PLATE	
14	1001121391	1	STARTER MOTOR, (12V, 4.2 KW)	
15	1001105886	1	IMMERSION HYDRAULIC HEATER	
16	1001106507	1	BOOT POSITION STARTER TERMINAL	
17	1001121460	2	RECIRC HOSE, (includes items 203 thru 206 & 401)	A
18	1001107835	1	ADAPTOR	
19	1001121459	1	TILT RECIR, (includes items 201 thru 207)	A
20	1001121458	1	TILT RECIR, (includes items 203 thru 206 & 301 thru 303)	A
101	77143006	2	WHIZ-LOCK NUT, 5/16-18	
102	1001097000	1	BATTERY HEATER	
103	1001098473	1	BRACKET	
104	1001098739	1	DUAL BATTERY INSULATE	
105	1001098762	2	BATTERY, EV12A 1375 CCA	
106	1001098824	2	BATTERY HOLD DOWN BOLT	
107	1001099104	1	DUAL BATTERY MOUNT	
201	2130808	2	ELBOW, 90	
202	2172408	2	FITTING, 8-8 FG	
203	91043126	1	DUST CAP	
204	91403413	1	FEMALE QUICK DISCONNECT	
205	91403414	1	MALE QUICK DISCONNECT	
206	91043125	1	PLUG	
207	2170708	2	SWIVEL NUT RUN TEE, 1/2 TUBE	
301	2172406	2	FITTING, 6-6 FG	
302	2170706	2	SWIVEL NUT RUN TEE, 3/8 TUBE	
303	2130608	2	CONNECTOR, (includes o-ring)	
401	1001121454	1	HOSE ASSY	

SECTION 12 - OPTIONS

FIGURE 12-56. ARCTIC PACKAGE (SN 0160040675 to Present)



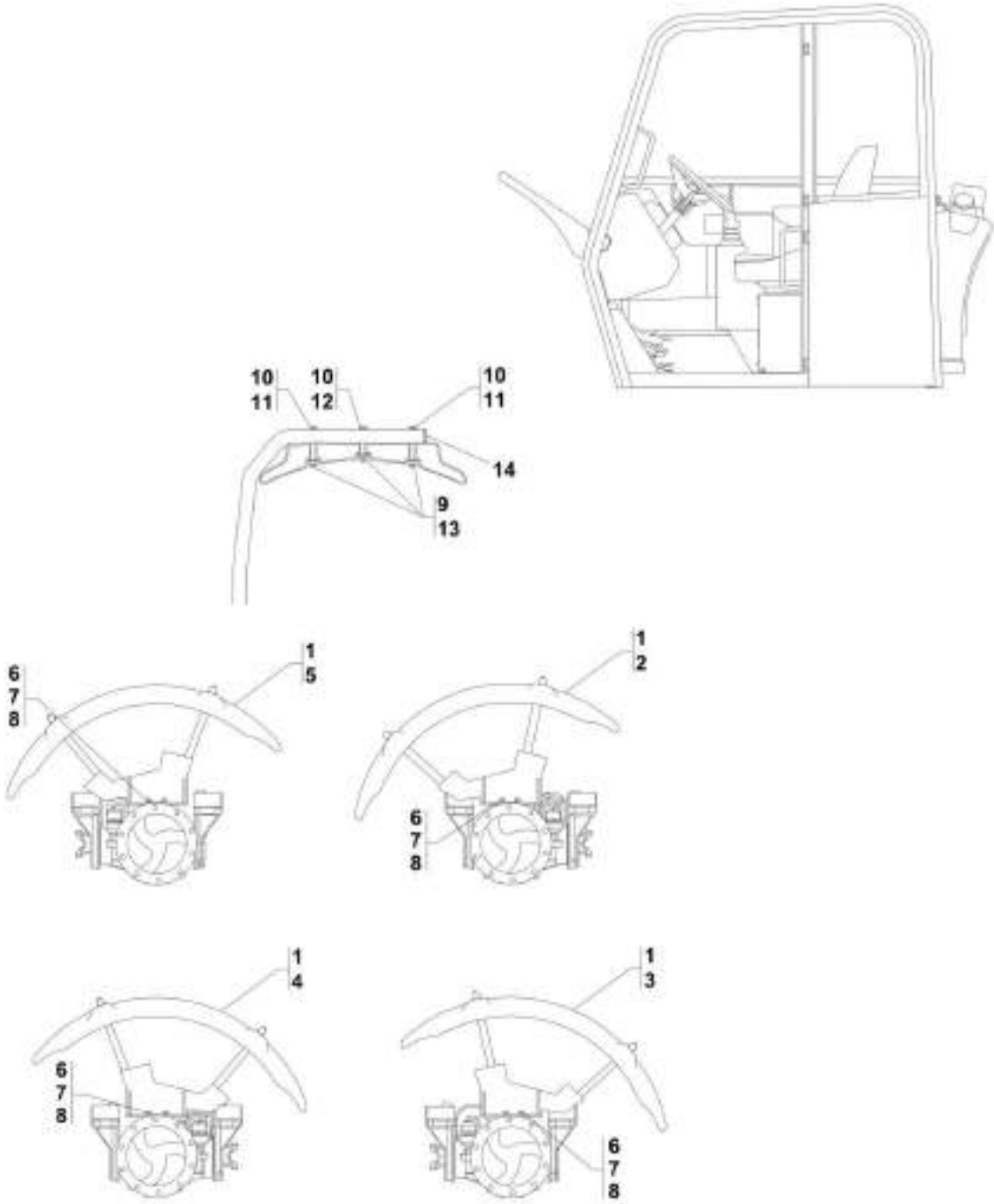
SECTION 12 - OPTIONS

FIGURE 12-56. ARCTIC PACKAGE (SN 0160040675 to Present)

ITEM	PART NUMBER	QTY	DESCRIPTION	REV
	1001130470	1	ARCTIC PACKAGE, (includes all items)	A
1	0252654	1	OIL PAN HEATER	
2	1001093564	1	BATTERY HEATER	
3	1001098762	1	BATTERY, EV12A 1375 CCA	
4	1001105886	1	IMMERSION HYDRAULIC HEATER	
5	1001121458	1	TILT RECIR, (includes items 103 thru 106 & 201 thru 203)	A
6	1001115878	1	BATTERY BASE INSULATE	
7	1060626	1	3 WAY EXTENSION CORD	
8	1001121459	1	TILT RECIR, (includes items 101 thru 107)	A
9	1001121460	2	RECIRC HOSE, (includes items 103 thru 106 & 301)	A
101	2130808	2	ELBOW, 90	
102	2172408	2	FITTING, 8-8 FG	
103	91043126	1	DUST CAP	
104	91403413	1	FEMALE QUICK DISCONNECT	
105	91403414	1	MALE QUICK DISCONNECT	
106	91043125	1	PLUG	
107	2170708	2	SWIVEL NUT RUN TEE, 1/2 TUBE	
201	2172406	2	FITTING, 6-6 FG	
202	2170706	2	SWIVEL NUT RUN TEE, 3/8 TUBE	
203	2130608	2	CONNECTOR, (includes o-ring)	
301	1001121454	1	HOSE ASSY	

SECTION 12 - OPTIONS

FIGURE 12-57. FENDER INSTALLATION



PAP11290

SECTION 12 - OPTIONS

FIGURE 12-57. FENDER INSTALLATION

ITEM	PART NUMBER	QTY	DESCRIPTION	REV
	91515071	1	FENDER INSTALLATION, (includes all items)	A
1	91473126	4	ROTOMOLD FENDER	
2	91516043	1	RH REAR FENDER MOUNT	
3	91516041	1	LH REAR FENDER MOUNT	
4	91516040	1	LH FRONT FENDER MOUNT	
5	91516042	1	RH FRONT FENDER MOUNT	
6	91514118	16	FENDER STUD, (torque to 94-104 lb-ft)	
7	91513266	16	HEX NUT, M12X1.25	
8	88551013	16	LOCKWASHER, 1/2	
9	88561003	24	FLAT WASHER, 5/16	
10	88561108	24	FLAT WASHER, 5/16	
11	88201030	16	HEX HD CAPSCREW, 5/16-18X3-1/2, GR5	
12	88201028	8	HEX HD CAPSCREW, 5/16-18X3-1/2, GR5	
13	88521205	24	LOCKNUT, 5/16-18	
14	3520176	8	PLUG, 1.25	

SECTION 13 - RECOMMENDED SPARE PARTS

SECTION 13 - RECOMMENDED SPARE PARTS

SECTION 13 - RECOMMENDED SPARE PARTS

FIGURE 13-1. RECOMMENDED SPARE PARTS

ITEM	PART NUMBER	QTY	DESCRIPTION	REV
	Note	Ref	Note: The following list will service fleets of machines (built to current production per date on the front cover) with repair parts which can be installed in the field. Parts from the list should be replaced when inventory is depleted to keep service parts stock supplied. For further information, contact your JLG dealer or the JLG Industries Parts Department.	
		Ref	BOOM ASSEMBLY	
	84719755	2	Tilt Cyl Hose (Prior to SN 0160037671)	
	1001103293	2	Tilt Cyl Hose (SN 0160037671 through 0160040674, Excluding 0160040468 and 0160040672)	
	1001001336	2	Tilt Cyl Hose (SN 0160040675 to Present, Including 0160040468 and 0160040672)	
	84719754	2	Boom Hose (Prior to SN 0160037671)	
	1001102977	2	Boom Hose (SN 0160037671 through 0160040674, Excluding 0160040468 and 0160040672)	
	1001001335	1	Boom Hose (SN 0160040675 to Present, Including 0160040468 and 0160040672)	
	3580346	1	Hose Sheave	
	91403530	10	Bearing Pad	
	91403531	2	Bearing Pad	
	91403532	2	Bearing Pad	
	1001117654	2	Bearing Pad	
	91513074	2	Bearing Pad	
	1001117656	8	Bearing Pad	
	1001117658	2	Bearing Pad	
	91401212	AR	Shim, 0.0598	
	91401213	AR	Shim, 0.0359	
	91401218	AR	Shim, 0.0598	
	91401219	AR	Shim, 0.0359	
	91401456	AR	Shim, 0.0598	
	91401457	AR	Shim, 0.0359	
	91361049	AR	Shim, 0.0598	
	91511096	AR	Shim, 0.0359	
	91511098	AR	Shim, 0.0598	
	91511099	AR	Shim, 0.0359	
	91511101	AR	Shim, 0.0598	
	91511102	AR	Shim, 0.0359	
	91401223	10	Spacer, 0.0598	
	91401224	2	Spacer, 0.0598	
	91401225	2	Spacer, 0.0598	
	91401450	2	Spacer, 0.0598	
	91511094	2	Spacer, 0.0598	
	91511097	4	Spacer, 0.0598	
	91511100	8	Spacer, 0.0598	
	91513023	1	Bearing Pad, Push Beam (Prior to SN 0160037671)	
	1001102974	1	Bearing Pad, Push Beam (SN 0160037671 to Present)	
	91403404	1	Quick Switch Pin (Prior to SN 160037671)	
	91403407	1	Quick Release Pin (Prior to SN 160037671)	
	1001105441	1	Quick Switch Lock Pin (SN 0160037671 to Present)	
	2940074	1	Latch	

SECTION 13 - RECOMMENDED SPARE PARTS

ITEM	PART NUMBER	QTY	DESCRIPTION	REV
		Ref	ENGINE	
	91415064	1	250 Hour Filter Kit, (JOHN DEERE) (SN 0193001 through 0160003121)	
	1001128960	1	1000 Hour Filter Kit, (JOHN DEERE) (SN 0193001 through 0160003121)	
	91415084	1	250 Hour Filter Kit, (JOHN DEERE) (SN 0160003210 to Present)	
	2915176	1	1000 Hour Filter Kit, (JOHN DEERE) (SN 0160003210 to Present)	
	1001001532	1	250 Hour Filter Kit, (PERKINS)	
	1001113602	1	1000 Hour Filter Kit, (PERKINS)	
	1001133662	1	250 Hour Filter Kit, (CUMMINS)	
	1001133663	1	1000 Hour Filter Kit, (CUMMINS)	
	91403513	1	Fuel Tank Cap, Non-Locking (Prior to SN 0160020150)	
	91403514	1	Fuel Tank Cap, Locking (Prior to SN 0160020150)	
	1001093641	1	Fuel Tank Cap, Non-Locking (SN 0160020150 to Present)	
	1001102657	1	Fuel Tank Cap, Locking (SN 0160020150 to Present)	
	91513159	1	Fan, (JOHN DEERE)	
	7029784	1	Fan, (PERKINS)	
	1001098559	1	Fan, (CUMMINS)	
	91404086	1	Alternator Belt, (JOHN DEERE)	
	7029779	1	Fan Belt, (PERKINS)	
	70021852	1	Fan Belt, (CUMMINS)	
	91474171	1	Dipstick, (JOHN DEERE)	
	7029894	1	Dipstick, (PERKINS)	
	70021854	1	Dipstick, (CUMMINS)	
		Ref	DRIVE TRAIN	
	91473031	1	FNR Shifter, 4-Speed (Prior to SN 0160040675, Excluding 0160040468 and 016004062)	
	91563226	1	FNR Shifter, 4-Speed (SN 0160040675 to Present, Including 0160040468 and 0160040672)	
	7028718	4	Wheel End Seal	
	91514111	4	Wheel End Bushing	
	7029300	4	Wheel Hub Seal	
	8036433	4	Universal Joint Kit	
		Ref	HYDRAULIC SYSTEM	
	91513211	1	Boom Joystick without Tilt (Prior to SN 0160040675, Excluding 0160040468 and 0160040672)	
	1001130050	1	Boom Joystick without Tilt (SN 0160040675 to Present, Including 0160040468 and 0160040672)	
	91513212	1	Boom Joystick with Tilt (Prior to SN 0160040675, Excluding 0160040468 and 0160040672)	
	1001130045	1	Boom Joystick with Tilt (SN 0160040675 to Present, Including 0160040468 and 0160040672)	
	91404010	1	Boom Joystick Grip without Tilt (Prior to SN 0160040675, Excluding 0160040468 and 0160040672)	
	91404325	1	Boom Joystick Grip with Tilt (Prior to SN 0160040675, Excluding 0160040468 and 0160040672)	
	91514020	1	Lift Cylinder Seal Kit (Prior to SN 0160033316)	
	70022061	1	Lift Cylinder Seal Kit (SN 0160033316 to Present)	
	91514036	1	Crowd Cylinder Seal Kit (Prior to SN 0160033222)	
	70022858	1	Crowd Cylinder Seal Kit (SN 0160033222 to Present)	
	91514050	1	Tilt Cylinder Seal Kit (SN 0193001 through 0160007141)	
	91514281	1	Tilt Cylinder Seal Kit (SN 0160007142 through 0160033297)	
	70024013	1	Tilt Cylinder Seal Kit (SN 0160033316 to Present)	

SECTION 13 - RECOMMENDED SPARE PARTS

ITEM	PART NUMBER	QTY	DESCRIPTION	REV
	91514050	1	Compensating Cylinder Seal Kit (SN 0193001 through 0160007141)	
	91514285	1	Compensating Cylinder Seal Kit (SN 0160007176 through 0160033297)	
	70024012	1	Compensating Cylinder Seal Kit (SN 0160033316 to Present)	
	91514063	1	Sway Cylinder Seal Kit (Prior to SN 0160033222)	
	70022864	1	Sway Cylinder Seal Kit (SN 0160033222 to Present)	
	70024217	2	Outrigger Cylinder Seal Kit G10-43A (Prior to SN 0160039840)	
	70023899	2	Outrigger Cylinder Seal Kit G10-43A (SN 0160039840 to Present)	
	2120168	1	Hydraulic Filter Element (Prior to SN 0160040675, Excluding 0160040468 and 0160040672)	
	91513077	1	Tank Filter (Prior to SN 0160040675, Excluding 0160040468 and 0160040672)	
	1001097732	1	Tank Filter (SN 0160040675 to Present, Including 0160040468 and 0160040672)	
	1340021	1	Breather	
	7024441	1	Fluid Level Gauge (Prior to SN 0160040675, Excluding 0160040468 and 0160040672)	
	91563136	1	Fluid Level Gauge (SN 0160040675 to Present, Including 0160040468 and 0160040672)	
	91084022	1	Bar Gauge (Prior to SN 0160040675, Excluding 0160040468 and 0160040672)	
		Ref	ELECTRICAL	
	91143314	1	Water Temp Sender, (JOHN DEERE)	
	91473115	1	Transmission Temp Switch (SN 0193001 through 0160002051)	
	91563121	1	Transmission Temp Switch (SN 0160002054 to Present)	
	24741047	1	Oil Press Switch, (JOHN DEERE)	
	91143315	1	Oil Press Sender	
	91403609	1	Fuel Level Sender (Prior to SN 0160040675, Excluding 0160040468 and 0160040672)	
	1001093388	NLA	Fuel Level Sender, (no longer available, use 1001148837 for replacement) (SN 0160040675 to Present, Including 0160040468 and 0160040672)	
	1001148837	1	Fuel Level Sender, (gaskets included)	
	77383377	1	Starter Relay	
	91403574	1	Back-up Alarm (Prior to SN 0160018152)	
	8270621	1	Back-up Alarm (SN 0160018152 to Present)	
	91033317	1	Ignition Switch	
	1001108293	1	Alternator, (JOHN DEERE)	
	7029783	1	Alternator, (PERKINS)	
	70021849	1	Alternator, (CUMMINS)	
	1001108291	1	Regulator, (JOHN DEERE)	
	91415083	1	Starter Kit (SN 0193001 through 0160006660)	
	7026921	1	Starter, (JOHN DEERE) (SN 0160006686 to Present)	
	7029782	1	Starter, (PERKINS) (SN 0160020943 through 0160040674, Including 0160020803, 0160020823 and 0160020824, Excluding 0160040468 and 0160040672)	
	70021850	1	Starter, (CUMMINS) (SN 0160040675 to Present, Including 0160040468 and 0160040672)	
	91414040	1	Starter Solenoid (SN 0193001 through 0160040674)	
	91414040	1	Starter Solenoid (SN 0160040675 to Present)	
	91143357	1	Horn	
		Ref	MISC	
	77384578	1	Ignition Key	

SECTION 13 - RECOMMENDED SPARE PARTS

ITEM	PART NUMBER	QTY	DESCRIPTION	REV
	80964051	1	Cab Door Key	
	91404275	1	Engine Cover Key	
	80904003	1	Hydraulic Test Kit	
	24604083	1	ORS O-Ring Kit	
	90214009	1	O-Ring Kit	
	91514003	1	Owner/Operator Manual (Prior to SN 0160005444)	
	31200150	1	Operation and Safety Manual (SN 0160005444 to Present)	
	91514002	1	Service Manual (Prior to SN 0160005444)	
	31200151	1	Service Manual (SN 0160005444 to Present)	
		Ref	SPECIAL TOOLS	
	10837075	1	Drive Plate Kit, 13.5 IN, Dana Transmission	
	70021975	1	Gauge, T11, Dana Drive Axle	
	2901443	1	Analyzer Kit, (includes cable)	
	1060633	1	Cable, Analyzer	

PART NUMBER INDEX

PART NUMBER INDEX

0080272..... 168	0641532..... 822	0682420..... 22	1001001341..... 463, 723
0100011..29, 47, 65, 132, 136, 139, 141, 143, 144, 147, 175, 177, 259, 377, 379, 389, 397, 416, 419, 427, 453, 475, 477, 681, 741, 743, 747, 815	0641605..... 822	0682440..... 23, 148	1001001344..... 413
0100019..... 18	0641606..... 379, 383	0682444..... 27, 148	1001001345..... 413
0100020..... 143, 703	0641607.... 41, 175, 177, 451, 463, 723	0700610..... 24	1001001422..... 168, 171
0100075.... 132, 175, 259, 291, 379	064160817, 22, 171, 359, 379, 383, 387, 389, 539, 732, 791, 794, 798	0700815..... 143	1001001491..... 143
0100093..... 168, 171	0641610...16, 23, 41, 457	0701014.... 147, 387, 389	1001001506..... 144
0140011..... 651	0641612..... 51, 65, 463	0701214..... 144	1001001507..... 144
0240156..... 111	0641617..... 363	0701215..... 147	1001001510..... 604
0252654..... 829, 831	0641628..... 415	0701617..... 143	1001001511..... 609
0274676..... 47	0641632..... 427	0711014..... 147	1001001514..... 144
0274800..... 45, 47	0641634..... 29, 37	0711015..... 143	1001001515..... 353
0275537..... 143	0641708..... 35	0711016..... 815	1001001516..... 601
0275643..... 175	0641709..... 147	0721006.... 741, 743, 799	1001001518..... 144
0275707..... 703	0641806..... 39	0731003..... 171	1001001519..... 353
0275723..... 813	0641808... 29, 45, 47, 51, 401, 541	0740605..... 356	1001001520..... 144, 587
0275750..... 703	0641809..... 18	0741006..... 695	1001001521..... 144, 587
0275753..... 699	0641810..... 35	0741610..... 65	1001001522..... 144, 587
0275799..... 47	0641812... 131, 144, 415, 419	0760608..... 187, 589	1001001528..... 144
0400075..... 589	0641814.... 798, 801, 803	0760612..... 18	1001001532..... 145, 837
05101441..... 63	0641815..... 794	0760808..... 144	1001001535..... 144
0630240..... 16	0641818..... 807, 809	0760810..... 144	1001001616..... 829
0630407..... 16, 23, 701	0641820..... 179	0760812..... 144, 191	1001001804..... 185
0641405..... 96, 351, 695	0641822..... 807	0760815..... 829	1001001805..... 185
0641406..... 18, 22, 143	0641830..... 144	0760822..... 132	1001001811..... 177
0641407.... 741, 743, 794, 798, 801, 803	0641832..... 37	0761010..... 131, 147	1001001812..... 177
0641408..17, 18, 23, 131, 341, 351, 377, 433, 435, 437, 453, 459, 461, 732, 822	0642012..... 33	0761012... 143, 185, 191, 787	1001001813..... 177
0641409..... 22	0642032..... 57, 65	0761014..... 147	1001001814..... 191
0641410..... 615	0642210... 651, 798, 801, 803	0761015..... 191	1001001819..... 191
0641412..... 356, 419	0642214..... 794	0761016..... 191	1001001820..... 191
0641414..... 453	0642216..... 33	0761215.... 131, 143, 191	1001001821..... 144
0641415..... 416	0642236..... 17	0761215.... 131, 143, 191	1001001822..... 177
0641416..... 397, 401	0651605..... 39, 43	0761614..... 131	1001001826..... 177
0641420..... 415, 421	0651606..... 35, 39, 43	0771014..... 132, 135	1001001827..... 191
0641424..... 822	0651607..... 35, 39, 43	0791406..... 335	1001001828..... 191
0641430.... 441, 445, 451, 463	0651608..... 35	0791408..... 809	1001001829..... 191
0641436..... 363	0651612..... 39	0791506.... 23, 136, 180	1001001831..... 191
0641504..... 22	0651614.... 39, 131, 135, 143	0791607..... 147, 703	1001001839..... 163
0641506.... 18, 179, 351, 425, 589	0651624..... 41	0791608..... 351, 819	1001001841..... 191
0641507..... 822	0651712..... 17	0791610..... 22	1001001851..... 144, 185
064150816, 23, 351, 367, 377, 389, 397, 401, 459, 461	0651806..... 39, 43	0791612..... 16, 22	1001001853..... 144, 185
0641510..... 351, 787	0651807..... 39, 43	0811510..... 255	1001080707..... 168, 171
0641511.... 455, 457, 463	0651808..... 39, 43	0811606..... 253, 255	1001081307..... 337
0641512..... 179	0651810..... 39, 43	0860520..... 95	1001081308..... 337
0641514.... 351, 423, 425, 441, 445, 589	0651811..... 35, 43	0861493..... 615, 631	1001081310..... 337
0641516..... 409, 413	0651812..... 35, 39, 43	0902991..... 143	1001081311..... 337
0641518..... 695, 701	0651814..... 35, 39	0903289..... 447	1001090005..... 669
0641520..... 415, 461	0681510..... 143	0903449..... 721	1001090021..... 459, 461
0641524..... 93	0681610..... 143	0903661... 794, 798, 801, 803	1001090022..... 455
0641526..... 459	0681810.... 65, 489, 491, 501, 503, 505	0903669... 741, 743, 794, 798	1001090035..... 455
	0681814..... 747	0930019..... 109	1001090036..... 455
	0682010... 469, 471, 473, 475	0930020..... 109	1001090037..... 455
	0682012..... 93	0930021..... 109	1001090039..... 455
	0682032..... 135	1001001016..... 563	1001090040..... 455
	0682216..... 18	1001001033..... 769	1001090041..... 455
	0682230..... 16, 23	1001001034..... 523	1001090042..... 455
	0682244..... 51	1001001067..... 573	1001090063..... 65
		1001001211..... 577, 579	1001090064..... 65
		1001001213..... 383	1001090106..... 811
		1001001335.... 451, 463, 836	1001090125..... 451
		1001001336.... 451, 836	1001090126..... 463, 723
		1001001338..... 463	1001090134..... 567
		1001001340.... 447, 451	1001090140..... 65
			1001090195..... 455
			1001090344..... 695, 822
			1001090459..... 807, 809

PART NUMBER INDEX

1001090460 794, 798, 801, 803	1001095810..... 95	1001099812.....732	1001103057 451
1001090461 741, 743, 745, 794, 798, 803	1001096019..... 95	1001099890.....51	1001103060 445
1001090468 794, 798	1001096020..... 95	1001099901.....69	1001103182 571
1001090469 807	1001096021..... 95	1001099902.....69	1001103250 463
1001090507 639	1001096023..... 95	1001099976.....328	1001103293 448, 836
1001090509 645	1001096024..... 95	1001100094.....723	1001103347 475
1001090510 807	1001096025..... 95	1001100189.....193	1001103553 351
1001090522 794, 798, 801, 803	1001096306..... 95	100110022785	1001103567 .. 17, 23, 341
1001090580 794, 798, 801, 803	1001096327..... 18	1001100228.....85	1001103637 95
1001090581 794, 798	1001096344..... 18	1001100229.....85	1001103647 291
1001090615 741, 743, 745, 794, 799, 803	1001096390.....425	1001100278.....695, 701	1001103663 22
1001090644 811	1001096404.....681, 683	1001100279.....695, 701, 822	1001103730 95
1001090741 387, 389	1001096728.18, 359, 361	1001100281.....822	1001103736 95
1001091118 387, 389	1001096786.....147	1001100282.....695	1001103956 822
1001091157 401, 725	1001097000.....829	1001100284.....328	1001104327 335
1001091173 389	1001097053.....147	1001100322.....351	1001104681 17
1001091458 16	1001097072.....95	1001100323.....327	1001104797 829
1001091721 811	1001097095.....24, 747	1001100446.....695, 701, 822	1001105159 441
1001091724 811	1001097149.....18	1001100447.....695, 701	1001105182 415
1001091959 549	1001097168.....95	1001100770.....822	1001105194 415
1001091983 387	1001097250.....421	1001100773.....822	1001105338 453
1001092252 455	1001097463.....259	1001100822.....61	1001105339 453
1001092280 95	1001097464.....291	1001100823.....61	1001105441 51, 836
1001092391 103	1001097466.....259, 291	1001100824.....61	1001105611 521
1001092481 95	1001097732.....541, 838	1001100879.....359	1001105613 533
1001092482 95	1001097848.....811	1001100880.....361	1001105620 415
1001092843 397, 718	1001097849.....811	1001100885.....613	1001105621 429
1001092849 357	1001097926.....437	1001100961.....23	1001105622 415, 429
1001092877 673	1001098035.....741	1001101115.....85	1001105627 416
1001092878 673	1001098042.....361	1001101116.....85	1001105628 416
1001093019 421	1001098122.....653	1001101216.....695, 701	1001105629 421
1001093127 177	1001098174.....51	1001101259.....822	1001105630 421, 433
1001093140 95	1001098218.....51	1001101640.....822	1001105631 433
1001093171 95, 105, 107	1001098233.....51	1001101666.....356	1001105692 416, 429
1001093244 811	1001098254.....23	1001101668.....695, 701	1001105751 457
1001093273 111	1001098344.....359	1001101669.....695, 701	1001105752 457
1001093377 85, 111	1001098382.....51	1001101706.....471, 473, 475	1001105753 457
1001093388 167, 171, 838	1001098388.....429	1001101742.....732	1001105755 457
1001093465 111	1001098389.....429	1001101775.....723	1001105757 457
1001093526 811, 813	1001098395.....433, 437	1001101956.....65	1001105758 457
1001093564 831	1001098396.....433, 437	1001102092.....443	1001105886 829, 831
1001093641 167, 171, 837	1001098397.....433, 437	1001102093.....443, 445	1001105968 829
1001094200 293	1001098398.....433, 437	1001102378.....65	1001106002 668
1001094264 807, 809	1001098425.....51, 463	1001102506.....291	1001106034 668
1001094330 111	1001098440.....425	1001102561.....375	1001106059 668
1001094390 807, 809	1001098441.....425	1001102649.....175, 177	1001106084 668
1001094391 807, 809	1001098473.....829	1001102655.....177	1001106109 669
1001094392 807, 809	1001098559.....147, 837	1001102657.....167, 171, 837	1001106134 668
1001094393 807, 809	1001098582.....96	1001102745.....447	1001106188 669
1001094399 807, 809	1001098739.....829	1001102746.....447	1001106223 669
1001094523 807, 809	1001098762.....829, 831	1001102813.....96	1001106293 669
1001094529 669, 675	1001098769.....681, 683	1001102815.....356	1001106351 631
1001094695 115	1001098824.....829	1001102930.....443	1001106352 631
1001094824 807, 809	1001098843.....829	1001102931.....147	1001106353 631
1001094830 111	1001098904.....829	1001102933.....147	1001106354 631
1001095336 607	1001099104.....829	1001102958.....41	1001106507 829
1001095342 798, 801, 803	1001099113.....65	1001102967.....37	1001106508 399
1001095418 81	1001099115.....65	1001102973.....39	1001106573 325
1001095744 249	1001099163.....356	1001102974.....41, 836	1001106574 325
	1001099174.....341, 718	1001102977.....447, 723, 836	1001106736 607
	1001099251.....179	1001103039.....451	1001106836 553
	1001099276.....798, 803		1001106849 695, 701
	1001099318.....619		1001106866 23
	1001099319.....633, 718		1001107090 549
	1001099351.....73		
	1001099378.....356		

PART NUMBER INDEX

1001107162.....445	1001111190 81, 118, 122	1001115122 674	1001117111.....607
1001107339.....815, 818	1001111229 674	1001115123 674	1001117136.....335
1001107340.....818, 822	1001111377 421	1001115153 23	1001117301.....193
1001107343.....818	1001111542 725	1001115205 673	1001117308.....589
1001107344.....819	1001111805 725	1001115206 673	1001117654.....35, 836
1001107427.....818, 822	1001111903 187	1001115208 673	1001117656....35, 39, 43, 836
1001107428.....818, 822	1001111904 187	1001115209 673	1001117658.....43, 836
1001107429.....818, 822	1001112039 625	1001115257 669	1001118045.....179
1001107464.....527	1001112079 453	1001115258 669	1001118046.....179
1001107686.....575	1001112080 453	1001115259 669	1001118060.....415
1001107814.....415	1001112081 725	1001115260 669	1001118065.....457
1001107828.....351	1001112082 725	1001115261 669	1001118068.....415
1001107835.....829	1001112158 22	1001115367 415	1001118071.....179
1001107895.....401	1001112612 607	1001115371 589	1001118092.....180
1001107955.....401	1001112770.....668, 673	1001115528 611	1001118101.....23
1001108252.....351	1001112773 668	1001115739 491	1001118102.....23
1001108288.....457	1001112888 811	1001115878 831	1001118138.....180
1001108291.....139, 141, 838	1001112960 811	1001115891 356	1001118194.....421
1001108292.....813	1001113013 668	1001116122 180	1001118217.....179
1001108293.....139, 141, 838	1001113014 668	1001116274 23	1001118245.....589
1001108380.....475	1001113015 668	1001116318 22	1001118282.....617, 621, 625
1001108383.....23	1001113016 668	1001116366 17	1001118384.....635, 637, 645, 655
1001108433.....589	1001113017 668	1001116418 187	1001118560.....453
1001108668.....118	1001113018 669	1001116439 579	1001119032.....629
1001108669.....122	1001113019 669	1001116461 22	1001119480.....147
1001108836.....674	1001113091 809	1001116505 187	1001119482.....147
1001108838.....617	1001113091 809	1001116612 337	1001119483.....148
1001108840.....648	1001113153 447	1001116613 337	1001119484.....148
1001108841.....623	1001113159 443	1001116694 629	1001119485.....148
1001108847.....674	1001113251 167	1001116706 604, 648	1001119506.....811
1001108853.....675	1001113353.....451, 463	1001116707 604	1001119528.....437
1001108890.....351	1001113495 441	1001116727 625, 641	1001119535.....415
1001108965.....22	1001113496 441	1001116728 653	1001119536.....421
1001108966.....22	1001113497 445	1001116733 604, 617, 619, 621, 625, 637, 645, 648	1001119537.....421
1001109038.....187	1001113498 445	1001116745 653	1001119632.....23
1001109053.....673	1001113501 451	1001116747 625, 648	1001119642.....147
1001109216.....757	1001113502 451	1001116751 617	1001119691.....822
1001109225.....487, 489, 491	1001113503 463	1001116774 615, 629	1001119731.....193
1001109338.....22	1001113504 463	1001116808 615, 629	1001119756.....165
1001109458.....675	1001113511 147	1001116810 607	1001119801.....415
1001109459.....675	1001113602.....145, 837	1001116831 607	1001119809.....415
1001109504.....421	1001114282.....695, 701	1001116902 24	1001119815.....415
1001109536.....147, 148	1001114283 822	1001116961 148	1001119828.....415
1001110055.....187	1001114294 22	1001116962 607	1001119891.....179
1001110079.....187	1001114295 22	1001116968 648	1001119892.....179
1001110091.....801	1001114296 22	1001116983 604, 609, 648	1001119893.....179
1001110402.....669	1001114297 22	1001117018 645	1001119894.....179
1001110480.....433	1001114492 743	1001117019 604	1001119958.....335
1001110704.....81	1001114560 179	1001117020 604	1001119959.....337
1001110715.....668	1001114675 24	1001117021 599, 601, 604, 648, 653, 745, 803	1001119967.....187
1001110734.....29	1001114699 413	1001117022 604	1001119994.....193
1001110738.....455	1001114708 459	1001117025 637	1001120026.....148
1001110739.....435	1001114795 825	1001117026 653	1001120178.....331
1001110741.....435	1001114803 179	1001117057 604, 648	1001120179.....331
1001110742.....435	1001114806 16	1001117058 645	1001120192.....421
1001110743.....435	1001114882 669	1001117064 617, 619, 621	1001120194.....421
1001110744.....435	1001115014 87	1001117070 607	1001120370.....180
1001110745.....459	1001115110.....672, 683	1001117073 593, 595, 597, 599, 609, 611	1001120376.....179
1001110746.....459	1001115111.....672, 683	1001117074 607	1001120377.....179
1001110786.....413	1001115112.....672, 683	1001117079 645	1001120420.....815
1001110808.....351	1001115113.....672, 683		1001120451.....815
1001111112.....341	1001115116.....669		1001120544.....815
1001111148.....629	1001115117 674		1001120550.....22
	1001115118 674		
	1001115119 674		
	1001115120 674		
	1001115121 674		

PART NUMBER INDEX

1001120554..... 22	1001127693..... 703	1001130940..... 674	1001150783..... 674
1001120620..... 421	1001128072..... 531	1001131130..... 341	1001150785..... 674
1001120625..... 421	1001128128..... 621, 637	1001131271..... 673	1001150786..... 674
1001120639..... 22	1001128274..... 33	1001131278..... 147	1001150787..... 674
1001120665..... 421	1001128320..... 732	1001131509..... 674, 675	1001150788..... 674
1001120680..... 815	1001128353..... 581	1001131759..... 337	1001150789..... 674
1001120777..... 179	1001128553..... 675	1001131760..... 337	1001151097..... 328
1001120856..... 815	1001128681..... 589	1001131806..... 399	1001151098..... 328
1001120914..... 65	1001128696..... 589	1001131808..... 351	1001151106..... 328
1001120915..... 65	1001128741..... 615	1001132110..... 253	1001151561..... 58
1001120963..... 327	1001128742..... 615	1001132127..... 674	1001151643..... 356
1001121101..... 327	1001128743..... 615	1001132128..... 674	1001151847..... 351, 357
1001121103..... 331	1001128744..... 541	1001132129..... 674	1001152220..... 651
1001121105..... 331	1001128779..... 615	1001132131..... 674	1001152266..... 356
1001121109..... 331	1001128960..... 132, 837	1001132514..... 57	1001152326..... 351, 357
1001121270..... 811	1001129081..... 615	1001133072..... 65	1001152538..... 651
1001121278..... 255	1001129484..... 253	1001133662..... 148, 837	1001152569..... 664, 668, 673
1001121391..... 829	1001130033..... 437	1001133663..... 148, 837	1001153084..... 651, 653
1001121454..... 829, 831	1001130036..... 437	1001134413..... 171	1001153342..... 451
1001121458..... 829, 831	1001130037..... 437	1001135035..... 695	1001156119..... 669
1001121459..... 829, 831	1001130045..... 393, 837	1001136342..... 147	1001156120..... 669
1001121460..... 829, 831	1001130047..... 437	1001136367..... 279	1001156125..... 674
1001121466..... 421	1001130049..... 416	1001136368..... 313	1001156127..... 669
1001121467..... 421	1001130050..... 393, 837	1001136375..... 416	1001156128..... 669
1001121519..... 327	1001130277..... 451	1001136495..... 416	1001156272..... 356
1001121557..... 625	1001130279..... 451	1001136500..... 416	1001158763..... 477
1001121659..... 22	1001130327..... 451	1001136501..... 416	1001158766..... 485
1001121676..... 180	1001130470..... 831	1001136671..... 615	1001158767..... 515
1001121717..... 180	1001130586..... 701	1001137512..... 103	1001158896..... 655, 745
1001121964..... 22	1001130662..... 673	1001138706..... 255	1001159129..... 421
1001121965..... 22	1001130663..... 673	1001140233..... 621	1001159949..... 363
1001122219..... 22	1001130671..... 673	1001140445..... 493	1001160071..... 675
1001122220..... 187	1001130672..... 673	1001140446..... 507	1001160072..... 675
1001125246..... 180	1001130676..... 673	1001141458..... 675	1001160787..... 675
1001125280..... 607	1001130678..... 673	1001142350..... 822	1001160889..... 363
1001125382..... 641, 803	1001130708..... 674	1001142788..... 51	1001160912..... 675
1001125384..... 635	1001130709..... 674	1001142790..... 127	1001160916..... 675
1001125385..... 643	1001130710..... 674	1001143692..... 51	1001160930..... 255
1001125389..... 607	1001130711..... 674	1001144798..... 337	1001160945..... 675
1001125410..... 331	1001130776..... 171	1001144799..... 338	1001160987..... 253, 255
1001125462..... 175, 177	1001130780..... 171	1001145206..... 356	1001161231..... 253
1001125714..... 475, 477	1001130782..... 672	1001146009..... 803	1001162379..... 253, 255
1001125748..... 607	1001130792..... 672	1001146084..... 57	1001162757..... 803
1001126007..... 629	1001130802..... 672	1001146086..... 57	1001162758..... 745
1001126008..... 615	1001130818..... 674	1001146088..... 57	1001162955..... 255
1001126009..... 615	1001130819..... 674	1001146159..... 57	1001163174..... 672
1001126589..... 381	1001130820..... 674	1001146160..... 58	1001163206..... 683
1001126756..... 441, 445, 451, 463	1001130821..... 674	1001146993..... 674	1001163210..... 672
1001126833..... 607	1001130825..... 673	1001146994..... 674	1001163212..... 673
1001126835..... 179	1001130826..... 673	1001146995..... 674	1001163222..... 672
1001126836..... 179	1001130828..... 673	1001146996..... 674	1001163223..... 683
1001126860..... 179	1001130829..... 673	1001146997..... 674	1001163273..... 672
1001126892..... 193	1001130830..... 673	1001146998..... 674	1001163276..... 672
1001126906..... 589	1001130831..... 673	1001147072..... 147	1001163285..... 672
1001126918..... 148	1001130844..... 674	1001148177..... 24	1001163291..... 672
1001126925..... 589	1001130845..... 674	1001148837..... 167, 171, 838	1001163300..... 673
1001126939..... 589	1001130846..... 674	1001148847..... 171	1001163321..... 672
1001126976..... 589	1001130847..... 674	1001149344..... 171	1001163323..... 673
1001126983..... 589	1001130852..... 674	1001150364..... 167, 171	1001163355..... 673
1001126984..... 589	1001130853..... 674	1001150777..... 673	1001163414..... 569
1001127174..... 23	1001130854..... 674	1001150778..... 673	1001163581..... 672, 683
1001127302..... 421	1001130855..... 674	1001150779..... 673	1001163582..... 672, 683
1001127442..... 457	1001130920..... 673	1001150780..... 673	1001165142..... 457
1001127519..... 148	1001130935..... 673	1001150781..... 673	1001165357..... 253, 255
1001127651..... 416	1001130938..... 673	1001150782..... 673	
	1001130939..... 674		

PART NUMBER INDEX

1001165578.....363	1319563.....227	1320263 801, 803, 809	2110406....433, 437, 455, 459, 461
1001165579.....363	1319571 229, 243, 251	1320299 423	2110604.....416
1001166829.....477, 479	1319576 243	1320748 251	2110606.....65, 113, 416, 433, 435, 437, 453, 577
1001170639.....537	1319581 229, 249	1320754 251	2110612.....453
1001174530.....495	1319585 229, 249	1320755 251	2110808.....65, 259, 291
1001174531.....509	1319590 229	1321265 247	2110810.....457
1001175733.....653	1319591 235	1321716 703	2110812.....455
1001176515.....75	1319595 ... 231, 233, 235, 237, 241	1340021 539, 541, 838	2111012.....451, 463
1001176983.....255	1319596 235, 237, 241	1360294 37	2111212.... 179, 441, 445
1001177201.....255	1319600 ... 231, 233, 235, 237, 239, 241	1360302 45, 47	2111612.....457
1001180469.....255	1319601 ... 231, 233, 235, 237, 239, 241	1380158 822	2111616.... 179, 415, 421, 455, 457
1001182358.....651	1319602 ... 231, 233, 235, 237, 239, 241	14403323 47, 475	2120168.....539, 838
1001182662.....651	1319603 ... 231, 233, 235, 237, 239, 241	14403416 587	2130404.....383
1001189292.....674	1319604 ... 231, 233, 235, 237, 239, 241	14404102 463	2130604.....148
1001189294.....674	1319604 ... 231, 233, 235, 237, 239, 241	14404173 . 359, 361, 741, 743, 745, 794, 798, 801, 803	2130606.... 113, 416, 421, 433, 435, 437, 461
1001191514.....674	1319606 ... 235, 237, 241	14404793 47	2130608.... 113, 416, 829, 831
1001191515.....674	1319607 235	14404978 168	2130808.....829, 831
1001194145.....179	1319608 235, 243	1671313 167, 171	2130810....421, 451, 457
1001224062.....637, 803	1319614 237	1701505 664, 668	2130812.....455
10268516.....183, 185	1319615 ... 231, 233, 237, 241	1701509 93, 96	2131210.....147, 415
1060379.....96	1319617 231, 233	1701640 673	2131212.... 441, 475, 477
1060626.....829, 831	1319618 231, 233	1702300 672	2131216.....415
1060633.....839	1319619 239	1702631 673	2131616.....179, 416
10701361.....144	1319620 231, 233	1702773 93, 95	2132020.....541
10701506.....631	1319621 231, 233	1704277 93, 96	21360810.....415
10705034.....113	1319622 231, 233	1704885 95, 668, 673	2144605....259, 291, 389, 429
10718991.....807, 809	1319623 231, 233	1705864 681, 683	2150604.....148
10718992.....807, 809	1319624 231, 233	1706098 673	2150606....416, 421, 429
10725554.....283, 317	1319625 231, 233	1706100 681, 683	2150808.....383
10726703.....822	1319626 231, 233	1706168 681	2151216.....415
10727280.....491, 505	1319627 231, 233	1706170 683	2160002....51, 441, 451, 463
10731744.....229	1319628 231, 233	1706188 668, 673	2170116.....179
10731756.....245	1319629 231, 233	1706279 675	2170206....415, 416, 421, 459, 461
10731758.....251	1319630 231, 233	1706281 672	2170306.....413, 421
10731761.....245	1319631 231, 233	1706282 683	2170308.....421
10731845...235, 237, 241	1319632 231, 233	1706283 672	2170406.....459
10731959.....251	1319635 241	1706284 672	2170410.....147, 415
10732071.....247	1319636 ... 231, 233, 241	1706285 672	2170506.....437
10732072.....247	1319638 231, 233	1706287 672	2170706....416, 829, 831
10837060...209, 211, 213	1319641 229	1706288 672	2170708.....829, 831
10837072.....199	1319646 229	1706289 672	2170716.....421, 455
10837074.....197	1319647 251	1706292 683	2170806....259, 291, 437, 459
10837075.....221, 839	1319648 251	1706293 672	2170816.....457
10868235.....199	1319652 247	1706296 672	2170916.....421
10868243.....203	1319651 247	1706298 683	2171108....51, 447, 451, 463
10868248.....203	1319661 247	1706299 672	2171116.....455, 457
10868254.....205	1319670 229, 247, 249	1706300 669, 673	2171208....451, 463, 723
10868277...209, 211, 213	1319683 247	1706301 672	2171216.....421
10868284.....211	1319684 247	1706302 683	2172106....65, 389, 429, 459
10868323.....217	1319685 247	1706303 672	2172108.....51, 463
10868329.....217	1319686 247	1706304 672	2172116.....415, 421
1101312.....183, 185	1319687 247	1706306 672	2172406.....829, 831
1101313.....183, 185	1319688 247	1706767 672	2172408.....829, 831
1120590.....167	1319689 247	1706768 673	2172416.....421
1120591.....168	1319693 247	1706850 672	2180849.....51, 463
1170019.....57	1319694 247	1706851 672	
1170021.....57	1319719 249	1706889 93, 95	
1170022.....57	1319726 249	1706893 93	
1170024.....57	1320012 179	2080040 96	
1170025.....57	1320022 143, 787	2080044 95	
1170027.....57	1320136 651	2080063 93, 822	
1170054.....65		2080064 93	
1170057.....65		2110404 415, 457	
1319229.....227			
1319436.....251			
1319558.....227			

PART NUMBER INDEX

2200233	787	24431386	115	3311408.....	809	4400483	180
2220237	539	24601710	144	3311501.....	93, 787	4400490	168
2220238	539	24604083	839	3311505.....	23, 789, 791	4400496	167
2220240	421, 457	24741047	131, 135, 838	3311508.....	180, 589	4420060	18, 361
2220371 77, 89, 410, 431, 453, 579		24861167	707	3311602.....	451	4460019	607
2220372 . 63, 77, 89, 100, 453		24861170	135, 692	3311605.....	143, 811	4460042	623
2220373 . 71, 77, 90, 100, 259, 291, 379, 423, 713		24921332 . 144, 183, 185, 189, 191, 193		3311801.....	179, 794, 798, 801, 803	4460142	607
2220374 71, 409, 423, 561, 563		2600216	93	3311805.....	145, 809	4460247	607
2220377	173, 419	2600281	95	3380770.....	813	4460267	615, 629
2220385 71, 87, 447		2716143	123	3421453.....	96	4460374	619
2220408 131, 136, 144		2717160	113	3423242.....	57, 65	4460419 ... 623, 625, 645, 827	
2220415	81	2717161	113	3423263.....	63	4460443	607
2220451 ... 131, 136, 144, 173, 443, 539		2717162	113	3423275.....	57, 65	4460457	625
2220464	539	2717283	113	3423276.....	57, 65, 81	4460458 ... 625, 637, 643, 653	
2220466 ... 379, 407, 409, 413		2717287	81	3423307.....	65	4460459 ... 593, 595, 601, 627	
2220473 81, 101, 407, 409, 413, 427, 431, 539, 718		2720058	136, 143	3440832.....	49	4460461	625
2220490	101	2750532 ... 135, 141, 144, 787		3510807.....	93	4460464 ... 613, 615, 617, 619, 621, 625, 629, 798, 801, 803	
2220499	71	2753000	143	3510809.....	93	4460465 ... 356, 613, 615, 617, 619, 621, 623, 625, 633, 635	
2220500	713	2753787	461	3520072.....	93, 95	4460466 ... 356, 604, 607, 609, 615, 617, 619, 621, 623, 625, 629, 635, 637, 639, 648, 655, 827	
2220516	387	2753902	87	3520176.....	22, 833	4460469	648
2220574	143, 439	2754326	409, 413	3520198.....	95	4460470	619
2220578 ... 173, 439, 539, 541		2754327	409, 413	3539685.....	93	4460471	619
2220579 259, 291		2754504	447	3573363.....	93	4460475	623, 645
2220596 71, 87, 561, 713		2755023	409, 413	3580346.....	37, 463, 721, 836	4460500	623
2220606	77, 89	2755024 ... 409, 413, 431		3641438.....	93	4460502	648
2220609	81	2755025	409, 413	3740080....	604, 617, 619, 621, 625, 637, 648, 822	4460503 ... 617, 619, 621	
2220619	387, 389	2820035	799, 803	3760170.....	96	4460508 ... 625, 741, 743, 794	
2220620	387	2900770	567	3780140.....	87, 101, 259	4460518 ... 393, 399, 615, 629	
2220628	81	2901443	839	3780177.....	101	4460532	609, 827
2220635	718	2902446	167	3790045.....	144	4460536	615
2220646 407, 409, 413		2915023	571	3790228.....	415	4460539	629
2220655	131	2915111	787	3820020.....	95	4460608 ... 593, 595, 597, 599, 609	
2220657	78, 90	2915166	789	3841203.....	65	4460693 ... 593, 595, 597, 599, 609	
2220671 87, 407, 409, 413, 447, 448		2915176	791	3900140.....	168	4460742	625
2220726	71, 87	2915176	136, 837	3900316.....	22	4460743	627
2220806	703	2940074	93, 95, 836	3900316.....	22	4460746 ... 599, 601, 604, 625, 637, 648	
2220883	559	3020039	387, 389	3911008.....	93	4460761	615, 629
2220893	539	311805	807	3911410.....	351	4460789 ... 599, 641, 643, 648	
2220899	101	31200150	839	3911428.....	93	4460790	625
2220947	447	31200151	839	3911528.....	93	4460806	607
2221114	787	31200160	93, 95	3931012.....	651	4460850	627, 641
2221164	143	31200336	95	3931620.....	811, 813	4460851	621, 645
2221165	143	31200387	95	3931624.....	811, 813	4460884 ... 356, 607, 619, 621	
2221244	389	31200388	95	3931672.....	29	4460891 ... 607, 613, 615, 619, 625, 633, 635, 637, 641	
2221254 451, 463, 723		3251813	668, 673	3941506.....	807, 809	4460894	619, 633
2221257	389	3271601	359	3960616.....	167		
2230024	100	3271605	539	4010308.....	143		
2230025	447, 732	3290305	143	4031913.....	475, 477		
2230044	447	3290501	143	4040292.....	325		
2340037	103	3290601	143	4040293.....	325		
2340038	103	3290605	22	4060518.....	648		
2340039	103	3290801 ... 144, 148, 829		4071133.....	359, 361, 794		
2340045	103	3291201	141	4100181.....	673		
2340046	103	3300143	29	4105262.....	681, 683		
2400073	143	3300240	57, 65	4107971.....	675		
2400074	143	3310601	356	4109801.....	672		
		3311001 93, 741, 743, 799, 807, 809		4110422.....	69, 73		
		3311005	695	4110473.....	113		
		3311401 ... 357, 397, 441, 445, 451, 463, 741, 743, 794, 798, 801, 803		4160215.....	373		
		3311405 22, 96, 416, 459, 461		4240033.....	357, 651, 822		
				4341287.....	17		
				4341318.....	143		
				4341376.....	813		
				4341385.....	813		

PART NUMBER INDEX

4460897.....613, 615, 798, 801, 803	732, 741, 743, 794, 798, 801, 803, 822	4832000 ... 143, 147, 185, 191, 387, 389, 787, 815	70020562.....109
4460908.....615	4711500 . 16, 23, 93, 132,	4832100 143, 148, 191	70020574.....163
4460909.....615, 631	143, 179, 377, 409,	4846265 93	70020639.....823
4460915.....615, 629	413, 425, 459, 461,	4846452 95	70020640.....823
4460916.....631	589, 789, 791	4846528 93	70020643.....818, 823
4460917.....393, 399	471160022, 41, 144, 171,	4891600 143, 813	70020644.....818, 823
4460928.....631	191, 359, 415, 451,	4891800 65, 489, 491, 501, 503, 505	70020645.....818, 823
4460930.....617, 619, 621, 625, 639	463, 539, 681, 683, 723, 732, 811	4892000 ... 469, 471, 473, 475	70020646.....818, 823
4460931.....635, 637	4711700 35, 147	4892400 22	70020647.....818, 823
4460932.....607, 615	4711800 39, 401, 541, 794, 798, 801, 803	4892500 148	70020648.....818, 823
4460933.....607, 617, 625	4712000 143	4892500 148	70020649.....818, 823
4460934.....645	4712200 33, 794, 798, 801, 803	4920018 613	70020650.....818, 823
4460941.....637	4740003 51	4923403 599	70020659.....549, 553
4460942.....635, 637, 641, 655	4740274 179	4923452 168, 171	70020660.....549, 553
4460943.....615	4751000 93, 741, 743, 799	5200605 144	70020661.....549, 553
4460944.....356, 615, 623, 629	4751200 357	5200814 187	70020662.....549, 553
4460945.....623	4751400 . 17, 22, 95, 351, 433, 437, 441, 445, 451, 453, 463	5241200 147	70020663.....549, 553
4460955.....611	475150017, 23, 351, 371, 373, 375, 385, 389, 822	5251016 141	70020665.....549, 553
4460970.....611	4751600 . 16, 22, 23, 171, 175, 177, 189, 457, 521, 791, 811, 813, 822	5261000 141	70020666.....549, 553
4460994.....607	4751800 18, 145, 179, 807, 809	6604662 81	70020667.....549, 553
4461006.....604, 648	4752200 651	6621412 144	70020668.....549, 553
4461017.....741, 743, 794	4761000 93, 741, 743, 799, 807, 809	70000656 247	70020669.....549, 553
4461070.....607	4761400 . 17, 22, 23, 143, 397, 401, 433, 437, 441, 445, 451, 453, 463, 615, 631, 701, 741, 743, 794, 798, 801, 803, 822	70001955 533	70020670.....549, 553
4461095.....607, 615	4761500 22, 131, 367, 375, 385, 389, 397, 401, 425, 787, 822	70001956 533	70020671.....549, 553
4461157.....645	4761600 ... 17, 23, 37, 41, 175, 177, 359, 379, 383, 387, 389, 415, 447, 451, 457, 464, 518, 521, 524, 577, 723, 758, 770, 791, 822	70002133 533	70020672.....549, 553
4461217.....399	4761700 17, 147	70002219 569	70020673.....549, 553
4461254.....807, 809	4761800 ... 18, 29, 37, 45, 47, 131, 144, 359, 361, 415, 419, 541, 798, 801, 803	70002224 569	70020674.....549, 553
4520368.....327	4762000 93	70002578 533, 537	70020675.....549, 553
4520369.....327	4791400 341	70002579 533	70020676.....549, 553
4520370.....327	4811600 171	70002580 533	70020677.....549, 553
4520371.....327	4811700 22, 187, 253, 589	70002581 533	70020678.....549, 553
4520375.....327	4811900 144, 829	70002582 533	70020679.....549, 553
4520449.....327	4812000 ... 143, 147, 191, 589	70002583 533	70020680.....549, 553
4520450.....327	4831600 143	70002585 533, 537	70020681.....549, 553
4520451.....327	4831700 17, 143	70002588 533	70020682.....550, 553
4520453.....327	4831900 ... 143, 148, 191, 829	70002590 533	70020683.....550
4520455.....327		70002591 533	70020684.....550
4520456.....327		70002592 533	70020797.....531
4520458.....327		70002593 533	70020823.....399
4520459.....327		70002594 533	70020870... 617, 619, 621
4520461.....327		70002595 533	70020898.....357
4520462.....327		70002596 534	70020923.....379, 383
4520481.....331		70002598 534, 537	70021177..263, 281, 285, 295, 315, 319
4520482.....331		70003849 569	70021282.....573
4520485.....331		70004416 537	70021283.....573
4520486.....331		70004421 537	70021284.....573
4540020.....225		70004422 537	70021285.....573
4569258.....732		70004426 537	70021286.....573
4569362.....447		70020036 251	70021287.....573
4569363.....721		70020170 . 524, 758, 762, 770	70021288.....573
4569364.....721		70020172 163	70021289.....573
4640438.....567		70020227 778	70021290.....573
4641312.....485		70020370 579	70021291.....573
4641500.....559		70020375 513, 515	70021292.....573
4641501.....113		70020402 197	70021293.....573
4641502.....113		70020407 205	70021294.....517, 573
4660508.....794		70020428 571	70021295.....573
4711000.....807, 809		70020493 251	70021296.....573
4711400.... 18, 22, 23, 93, 96, 341, 377, 416, 459, 461, 631, 695, 701,		70020549 251	70021297.....573
		70020551 377	70021298.....573
		70020552 .. 499, 501, 503	70021299.....573
		70020555 107	70021300.....573
			70021301.....573
			70021342.....73, 109
			70021349.....73

PART NUMBER INDEX

70021358	109	70022020	521, 527	70022558.....	818, 823	70022951	123
70021359	109	70022021	527	70022603.....	473	70022952	119
70021360	109	70022022	527	70022608.....	609	70022957	118, 122
70021361	109	70022023	521, 527	70022609.....	609	70022958	123
70021362	109	70022024	527	70022611.....	353	70022959	124
70021364	109	70022025	521	70022691.....	356	70022960	118, 122
70021365	109	70022028	73	70022741.....	611	70022961	123
70021366	109	70022038	567	70022773.....	265, 297	70022962	123
70021367	109	70022039	567	70022790.....	247	70022963	124
70021387	109	70022040	567	70022804.....	689, 823	70022964	124
70021391	109	70022041	567	70022805.....	822	70022965	123
70021392	109	70022042	567	70022813.....	295	70022966	123
70021393	565	70022043	567	70022814.....	295, 319	70022967	123
70021394	109	70022044	571	70022815.....	303	70022968	124
70021395	109	70022045	571	70022843.....	165	70022969	118, 122
70021396	109	70022046	571	70022844.....	165	70022970	118, 122
70021399	109	70022053	505	70022846.....	165	70022971	123
70021415	73	70022054	505	70022852.....	483, 485	70022972	123
70021440	75, 565	70022055	505	70022853.....	483, 485	70022973	123
70021444	565	70022056	491, 505	70022854.....	483, 485	70022974	123
70021446	565	70022057	473	70022855.....	483, 485	70022975	123
70021447	565	70022058	473, 475, 479	70022856.....	483, 485	70022976	123
70021448	565	70022059	473, 475, 479	70022857.....	483, 485	70022977	123
70021451	565	70022060	473, 475	70022858.....	483, 837	70022978	123
70021452	565	70022061	473, 475, 837	70022859.....	513, 515	70022979	123
70021464	565	70022062	473, 475	70022861.....	513, 515	70022980	119, 123
70021465	565	70022063	491	70022862.....	513, 515	70022981	124
70021466	565	70022064	491	70022863.....	513, 515	70022982	123
70021478	357	70022065	491	70022864.....	513, 838	70022983	124
70021485	357	70022066	491	70022876.....	818, 822	70022984	118, 122
70021487	163	70022067	491	70022877.....	818, 822	70022985	118, 122
70021526	243	70022126	267	70022878.....	818, 823	70022986	124
70021533	163	70022127	267	70022879.....	818, 823	70022987	118, 122
70021605	309	70022128	267	70022880.....	818, 823	70022988	123
70021606	307, 323	70022129	267	70022881.....	818, 823	70022989	124
70021607	307, 323	70022130	267	70022882.....	818, 823	70022990	119, 123
70021608	307	70022131	267	70022883.....	818, 823	70022991	123
70021609	307, 323	70022132	267	70022884.....	818, 823	70022992	118, 122
70021610	307, 323	70022133	267	70022885.....	818, 823	70022993	118, 122
70021611	307, 323	70022134	267	70022886.....	818, 823	70022994	118, 122
70021612	307, 323	70022135	267	70022887.....	818, 823	70022995	118, 122
70021613	307, 323	70022136	267	70022888.....	818, 823	70022996	124
70021614	281, 297, 315	70022137	267	70022889.....	818, 823	70022997	123, 127
70021615	271, 303	70022138	267	70022890.....	818, 823	70022998	119, 123
70021830	205	70022139	267	70022891.....	818, 823	70022999	123
70021849	165, 838	70022140	267, 283, 317	70022892.....	818	70023000	123, 124
70021850	165, 838	70022224	623	70022931.....	118, 122	70023001	123
70021852	165, 837	70022287	533, 537	70022932.....	118, 122	70023002	123
70021854	165, 837	70022288	533	70022933.....	122	70023003	118, 122
70021921	73	70022339	163	70022934.....	118, 122	70023004	118, 122
70021935	73	70022340	163	70022935.....	119, 123	70023005	119, 124
70021975	839	70022341	163	70022936.....	118, 123	70023006	119, 124
70021977	73	70022342	163	70022937.....	119, 123	70023007	119, 124
70021978	73	70022351	163	70022938.....	123	70023008	118, 122
70021979	73	70022352	163	70022939.....	119, 123	70023009	118, 122
70021980	109	70022353	163	70022940.....	123	70023010	118, 122
70021981	109	70022357	163	70022941.....	123	70023011	124
70022007	527	70022508	513, 515	70022942.....	119, 123	70023013	124
70022008	521, 527	70022527	73, 109	70022943.....	123	70023014	118, 122
70022010	521, 527	70022528	73	70022944.....	123	70023015	119, 124
70022011	521, 527	70022529	73	70022945.....	123	70023016	118, 122, 123
70022013	527	70022552	818, 822	70022946.....	119, 123	70023037	549, 553
70022014	527	70022553	818, 822	70022947.....	123	70023038	550, 554
70022015	527	70022555	818, 823	70022948.....	123	70023039	553
70022016	521, 527	70022556	818, 823	70022949.....	119, 123	70023109	823
70022019	521, 527	70022557	818, 823	70022950.....	119, 123	70023110	823

PART NUMBER INDEX

70023156.....	709	70023747.....	825	70023839.....	375	70024200.....	521
70023193.....	343	70023748.....	825	70023840.....	375	70024201.....	521
70023195.....	187	70023749.....	825	70023841.....	375	70024202.....	521
70023266.....	251	70023750.....	825	70023842.....	375	70024210.....	323
70023267.....	251	70023751.....	825	70023843.....	375	70024213.....	289
70023292.....	473, 475	70023752.....	825	70023844.....	375	70024215.....	289
70023293...473, 475, 479		70023753.....	825	70023845.....	375	70024216.....	323
70023311.....	521, 527	70023754.....	825	70023846.....	375	70024217.....	577, 838
70023312.....	527	70023755.....	825	70023847.....	375	70024262.....	569
70023313.....	527	70023756.....	825	70023848.....	375	70024266.....	475
70023314.....	527	70023757.....	825	70023849.....	375	70024267.....	475
70023315.....	527	70023758.....	825	70023850.....	375	70024268.....	475
70023316.....	527	70023759.....	825	70023851.....	375	70024270.....	253
70023317.....	527	70023760.....	825	70023852.....	375	70024271.....	253
70023318.....	521, 527	70023761.....	825	70023853.....	375	70024306.....	103
70023319.....	521, 527	70023762.....	825	70023854.....	375	70024307.....	103
70023320.....	521, 527	70023763.....	825	70023855.....	559	70024318.....	253
70023321.....	527	70023764.....	825	70023856.....	559	70024319.....	381
70023322.....	527	70023765.....	825	70023857.....	559	70024535.....	127
70023323.....	527	70023766.....	825	70023858.....	559	70024536.....	127
70023325.....	377, 381	70023767.....	825	70023859.....	581	70024537.....	127
70023331.....	179	70023768.....	825	70023860.....	581	70024538.....	127
70023332.....	179	70023769.....	825	70023861.....	581	70024539.....	583
70023334.....	179	70023770.....	825	70023862.....	581	70024540.....	127
70023335.....	179	70023771.....	825	70023863.....	581	70024541.....	127
70023336.....	179	70023772.....	825	70023864.....	581	70024542.....	127
70023337.....	179	70023773.....	825	70023865.....	581	70024543.....	127
70023338.....	179	70023774.....	825	70023866.....	581	70024544.....	127
70023339.....	179	70023775.....	825	70023867.....	581	70024545.....	127
70023340.....	179	70023776.....	825	70023868.....	581	70024546.....	127
70023341.....	179	70023777.....	825	70023869.....	581	70024547.....	583
70023342.....	179	70023778.....	825	70023870.....	757	70024548.....	583
70023349.....	533	70023779.....	825	70023871.....	758	70024549.....	583
70023350.....	534, 537	70023780.....	825	70023892.....	579	70024550.....	127
70023351.....	533	70023781.....	825	70023893.....	579	70024551.....	127
70023352.....	533	70023782.....	825	70023894.....	579	70024552.....	127
70023353.....	533	70023783.....	825	70023895.....	579	70024553.....	127
70023354.....	533	70023784.....	825	70023896.....	579	70024554.....	127
70023355.....	533	70023785.....	825	70023897.....	579	70024555.....	127
70023356.....	533	70023786.....	825	70023898.....	579	70024671...285, 303, 319	
70023357.....	533	70023787.....	825	70023899.....	579, 838	70024841.....	253
70023358.....	533	70023788.....	825	70023925.....	119, 124	70024848.....	289
70023359.....	533	70023789.....	825	70024002.....	567	70024849.....	289
70023360.....	533	70023791.....	165	70024004.....	283	70024851.....	285
70023361.....	533, 537	70023792.....	165	70024005.....	283	70025337.....	317
70023362.....	533, 537	70023793.....	165	70024012.....	505, 838	70025338.....	317
70023363.....	533	70023794.....	165	70024013.....	491, 837	70025339.....	283, 317
70023364.....	533, 537	70023796.....	179	70024020.....	569	70025561.....	285, 319
70023365.....	533	70023800.....	251	70024062.....	75	70025606.....	569
70023366.....	533	70023801.....	251	70024123.....	127	70025856.....	283
70023367.....	533	70023807.....	165	70024146.....	286, 319	70025857.....	285, 319
70023404.....	251	70023808.....	165	70024147.....	285, 319	70025887.....	283, 317
70023425...151, 155, 159		70023810.....	165	70024176.....	253	70025893.....	165
70023469.....	283, 317	70023811.....	165	70024177.....	253	70025918.....	507, 509
70023489.....	317	70023812.....	165	70024185.....	531	70025919.....	507, 509
70023490...269, 283, 317		70023813.....	165	70024186.....	531	70025920.....	493, 507
70023491.....	283, 317	70023814.....	575	70024188.....	531	70025921.....	493, 507
70023493.....	317	70023815.....	575	70024189.....	531	70025922...493, 495, 507,	
70023494.....	283, 317	70023816.....	575	70024192.....	521	509	
70023496.....	269, 283	70023817.....	575	70024193.....	521	70025923.....	507, 509
70023499.....	393	70023818.....	575	70024194.....	521	70025924.....	493
70023500.....	393	70023829.....	303	70024195.....	521	70025930.....	493, 495
70023532.....	255	70023831.....	629	70024196.....	521	70025931.....	493, 495
70023534.....	255	70023836.....	375	70024197.....	521	70025932.....	493, 495
70023535.....	255	70023837.....	375	70024198.....	521	70025933.....	493, 495
70023536.....	255	70023838.....	375	70024199.....	521	70025934.....	495, 509

PART NUMBER INDEX

70025935 495, 509	7026430 627	7026781 245	7029288 ... 263, 281, 295, 315
70025959 569	7026431 627	7026782 245	7029289 ... 263, 281, 295, 315
70025968 485	7026437 356	7026783 245	7029290 ... 263, 281, 295, 315
70025969 515	7026438 356	7026784 245	7029291 ... 263, 281, 295, 315
70025970 289	7026439 ... 625, 635, 655	7026785 247	7029292 ... 263, 281, 295, 315
70025971 317	7026440 356	7026786 247	7029293 265, 297
70025972 319	7026442 175, 177	7026787 247	7029294 265, 297
70025973 315	7026474 ... 499, 501, 503	7026788 247	7029295 ... 265, 285, 297, 319
70025974 315	7026477 379, 383	7026789 247	7029296 271, 303
70025980 319	7026478 379, 383	7026790 247	7029297 305
70026012 479	7026481 377, 381	7026791 249	7029298 ... 273, 289, 305
70026013 479	7026490 ... 265, 281, 297, 315	7026792 249	7029299 273, 305
70026014 479	7026572 187	7026793 249	7029300 ... 275, 285, 309, 319, 837
70026015 479	7026573 187	7026794 249	7029301 301
70026056 569	7026577 251	7026797 225	7029306 281, 315
70026057 569	7026578 251	7026798 347	7029307 281, 315
70026058 569	7026730 277, 311	7026799 347	7029309 285
70026059 569	7026731 ... 277, 285, 311, 319	7026900 347	7029417 249
70026060 569	7026739 395	7026901 347	7029520 105, 107
70026061 569	7026740 395	7026902 347	7029521 107
70026062 569	7026741 395	7026904 347	7029533 237
70026069 163	7026742 395	7026905 347	7029692 73, 109
70026635 163	7026743 395	7026906 347	7029714 109
70026699 75	7026744 227	7026909 643	7029715 245
70026714 537	7026745 227	7026910 648	7029732 277, 311
70026747 75	7026746 227	7026918 155, 159	7029733 ... 277, 285, 311, 319
70026944 75	7026747 227	7026920 155, 159	7029734 ... 273, 289, 305, 307, 323
70026946 75	7026748 227	7026921 ... 160, 785, 838	7029735 ... 273, 289, 305, 307, 323
70026948 75	7026749 227	7026922 155, 159	7029750 ... 285, 286, 297, 319
70026949 75	7026750 229	7026923 ... 151, 155, 159	7029751 ... 286, 297, 319
70026994 159	7026751 229	7026935 511	7029752 301
70027004 269	7026752 229	7026952 489	7029755 ... 599, 601, 604
70027005 269	7026753 229	7026960 489	7029760 ... 473, 475, 491, 505, 567, 577
70027300 165	7026754 229	7026962 489	7029771 604, 645
7007207 533	7026755 229	7027270 251	7029775 604
7007415 533	7026756 229	7027271 251	7029779 163, 837
7007426 533	7026757 231	7027273 251	7029782 163, 838
7007427 533	7026758 ... 231, 233, 235, 237, 239, 241	7027772 18	7029783 163, 838
7007429 533	7026759 ... 231, 233, 235, 237, 239, 241	7028060 201	7029784 163, 837
7007446 533	7026760 ... 231, 233, 235, 237, 239, 241	7028063 205	7029789 273, 289
7010769 559	7026761 ... 231, 233, 235, 237, 239, 241	7028109 223	7029814 577
7012773 563	7026762 233	7028110 195	7029815 577
7021275 533, 537	7026763 237	7028654 163	7029816 577
7022340 533	7026764 239	7028655 163	7029817 577
7023962 533	7026765 239	7028663 163	7029822 197
7023964 533	7026766 239	7028664 163	7029849 ... 231, 233, 235, 237, 239, 241
7024441 539, 838	7026767 239	7028666 163	7029850 ... 231, 233, 235, 237, 239, 241
7024574 571	7026768 239	7028676 163	7029851 ... 231, 233, 235, 237, 239, 241
7024935 531	7026769 ... 239, 243, 251	7028677 163	7029852 ... 231, 233, 235, 237, 239, 241
7024937 531	7026770 241	7028678 163	7029860 337
7024938 531	7026771 243	7028678 163	
7024939 531	7026772 243	7028680 163	
7024942 531	7026773 243	7028681 163	
7024943 531	7026774 243	7028689 163	
7024944 531	7026775 243	7028714 ... 265, 285, 297, 319	
7024945 531	7026776 245	7028715 ... 265, 285, 297, 319	
7024946 531	7026777 245	7028716 ... 265, 285, 297, 319	
7024947 531	7026778 245	7028718 ... 265, 297, 837	
7026408 ... 604, 621, 648, 655	7026779 245	7028733 ... 265, 286, 297, 319	
7026413 648	7026780 245	7029127 ... 265, 281, 297, 315	
7026414 625, 648		7029267 245	
7026415 648			
7026419 648			
7026425 ... 601, 604, 623			
7026429 627			

PART NUMBER INDEX

7029871.....491, 505	77133270.....453	80204048 . 267, 283, 299, 317	80363069..688, 692, 697, 699
7029872.....491, 505	77133279 . 689, 692, 697, 699, 701, 813, 819	80204049 267, 299	80363099.....818, 823
7029883.....557, 559	77133281 415	80204050 267, 299	80363102...818, 819, 823
7029885.....559	77133306 813, 819	80204051 267, 299	80363103..818, 819, 822, 823
7029887.....559	77133307 415	80204052 267, 299	80363104.....819
7029892.....353	77133390 813, 819	80204060 273, 289	80363106.....689, 693
7029894.....163, 837	77133810 100	80204065 .. 285, 297, 319	80363178.....623, 629
7029895.....163	77134026 529	80204071 . 271, 285, 303, 319	80363179..609, 611, 623, 629, 827
7029896.....163	77143003 . 135, 167, 173, 175, 177, 361	80204076 . 275, 285, 309, 319	80363195.....16
7029915.....563	77143006... 17, 101, 135, 173, 175, 177, 179, 183, 185, 587, 713, 829	80204108 273, 289	80363208.....356
7029916.....563	77143013 101	80204117 . 263, 273, 281, 289, 295, 305, 307, 315, 323	80364001.....343
7029917.....563	77143015 ... 63, 144, 147, 539, 587, 703, 813, 819	80204143 . 265, 281, 297, 315	80364009...335, 343, 345
7029963.....523, 757, 769	77143017 689, 693	80204144 . 265, 281, 297, 315	80364012.....345
7029964.....524, 758, 770	77163105 718, 794	80204281 . 273, 289, 305, 307, 323	80364023.....337
7029965.....524, 770	77321274 16	8020890 648	80364030.....345
7029966.....523, 757, 769	77323029 819, 822	80214120 . 275, 285, 309, 319	80364088.....343
7029967.....524	77333027 660, 664	80233142 385, 387	80364095.....391
7029968.....577	77344041 529	80233220 132, 135	8036433.....325, 837
7057141 175, 177	77363228 . 356, 591, 648, 827	80241137 16, 23	8036508.....521, 527
7062922.....81	77363229 . 591, 621, 648, 655	80263012 95	8036528.....245, 247
7075611 681	77363242 623	80263108 .. 371, 373, 385	8036529.....245
7110702.....81	77363265 . 353, 688, 692, 697, 699, 718, 728, 732, 739, 798, 807	80264031 335	8036575....231, 233, 235, 237, 239, 241
7110712.....81	77363267 . 353, 728, 732, 739	80264066 343	8036629.....579
7110722.....81	77363268 353, 718	80264138 391	8036750.....579
7112642.....85	77363269 .. 353, 718, 739	80264139 391	8036847.....229
7114941 85	77363345 591, 648	80304227 239	80373025.....132, 135
7131952.....16	77363347 591, 648	80304327 .. 229, 247, 249	80373046.....703
7139918.....113	77383118 27	80304394 .. 229, 243, 249	80373049.....148
71492134.....785	77383154 183, 185	80304405 227	80373088.....711
71492142.....78, 90	77383377 . 132, 141, 144, 589, 838	8032509 197	80373094.....183, 185
71492150.....689, 692	77383410 819	8032526 195, 197	80373112.....813
71492152..689, 692, 697, 699, 701	77383540 703	8032528 197	80374020.....155, 159
7301295.....113	77383567 .. 144, 587, 709	8032693 559	80374031.....155, 159
7301579.....113	77383790 183, 185	8032695 559	80374033.....155, 159
77101143.....259, 713	77384578 .. 353, 356, 838	80334379 561	80374036.....155, 159
77104007.....221	77394009 621	8033786 571	80374037.....155, 159
77104039.....199	8006013 163	8034940 197	80374050.....155, 159
77104041.....199	8007824 223	8034968 199	80374054.....155, 159
77104044.....221	80204002 . 263, 281, 295, 315	8035075 217	80375012.....711
77104056.....197	80204005 . 263, 271, 281, 285, 295, 303, 315, 319	8035081 217	8038231.....695, 701
77104081.....215	80204025 269, 301	8035092 195	80383410.....377
77104140.....215	80204026 269, 301	8035261 529	80384184.....343
7713279.....695	80204030 301	8035536 571	80384186.....343
77133052.....100, 419	80204031 301	8035831 124	80384187.....343
77133053.....101	80204033 . 269, 283, 301, 317	8035862 571	80384189.....343
77133073.....419	80204035 . 267, 283, 299, 317	8035863 571	80384191.....343
77133075.....421	80204043 . 267, 283, 299, 317	8035865 ... 483, 485, 513, 515	80384192.....343
77133076.....421	80204044 267, 299	8036190 235, 237	80384203.....337
77133089.....427, 429	80204047 267, 299	8036204 165	80384205.....343
77133136..100, 407, 439, 441, 445		8036250 249	80384207.....337
77133137..100, 407, 409, 413, 423, 425, 439, 441, 445, 689, 692, 695, 697, 699, 701, 813, 819		80363028 . 688, 692, 697, 699	80384213.....337
77133139..447, 451, 463, 721, 723, 725		80363029 688	80384218.....343
77133140..447, 451, 455, 457, 463, 721, 723, 725		80363033 349, 725	80384396.....165
77133168.....455, 457		80363034 . 349, 351, 688, 823	80463058.....655
77133177..447, 451, 463, 721, 723, 725			80484081.....625, 648
77133201.....101			80484084.....625, 648
77133209.....100			80484085.....625, 648
			80484086.....648
			80484088.....356
			80603022.....660
			80603026.....660
			80603037.....677

PART NUMBER INDEX

80604016 . 601, 604, 617, 621, 623, 625, 645	8096D097 . 739, 741, 743, 745, 794, 798, 801, 803	8310302.....113	84231107 . 692, 697, 699, 701
80604017 615	80973025 16, 23, 349, 819	8310382.....93	8430007 168
80604018 . 615, 619, 621, 625, 633, 635, 641, 648, 655	80973108 813	8310420.....255	8430048 695
80604021 .. 356, 619, 621	80983168 807, 809	8310435.....113	84521056 173
80604022 615	8160419 369	8310522.....18	84521062 63
80604023 633, 643	82033995 .. 699, 703, 822	8310534.....815	8466306 18, 24, 673
80604025 . 621, 625, 635, 639, 645	82033996 707	8310688.....815	84711342 419
80630 807	82033997 341	8310722.....631	84712749 703
8065062 81	8205655 571	8310736.....815	84717020 431
80673023 144	82092118 132	8310737 815	84717556 713
80683013 144	8220045 607	83191004... 132, 135, 141	84717593 71
80683073 703	8220050 807, 809	83191010.. 131, 135, 139, 141, 144	84718208 78, 90
80684018 604	8220081 645	83191013.. 131, 135, 136, 139, 141, 385, 709	84718545 439, 441
80694009 798	8220089 625, 643	83191014..... 131, 135	84718631 713
80904003 839	8220164 607	83191021..... 385	84718737 100
8093191 357	8220524 623	83191032... 135, 139, 141	84719060 100
8093192 357	8220525 ... 617, 619, 623, 655	83191038..... 135, 709	84719167 77, 89
80933140 425	8220890 745, 803	83191040..... 139, 141	84719185 100
80933367 253, 255	8220904 637	83191041..... 135	84719197 77, 89
80934498 391, 395	8223073 807, 809	83191043..... 135, 141	84719223 63
80961142 707	8229237 807	83191059..... 379	84719229 100, 115
80963050 . 707, 794, 798, 801, 803	8229242 357	83191062..... 139, 141	84719235 87
80963055 621	8229246 357	83193018..... 385, 387	84719236 87
80963056 .. 623, 648, 707	8229247 357	83201024..... 77, 89, 101	84719499 100
80963057 . 591, 593, 595, 597, 599, 601, 604, 627, 648	8229260 589, 607	83201026..... 77, 89, 101	84719598 713
80963058 . 591, 593, 688, 692, 695, 707, 739	8229262 ... 688, 692, 697, 807	83201044..... 132	84719610 539, 541
80963059 591	8270621 18, 22, 838	83201062..... 71, 87	84719614 423
80963060 . 591, 593, 595, 597, 599, 601, 707	8273029 183, 185	83201073..... 713	84719642 419
80963061 .. 604, 643, 648	8273257 183, 185	83201095..... 87	84719729 87
80963062 . 627, 641, 643, 648, 713	8273291 187	83201102..... 87	84719732 71
80963064 627	8275247 193	83201147 16, 23	84719754 .. 447, 721, 836
80963065 . 604, 621, 627, 648, 688, 692, 695, 713, 739	8303544 253	8342813..... 168	84719755 447, 836
80963066 601, 707	8303626 85	83481285.. 591, 593, 595, 597, 599, 601, 604, 617, 621, 623, 648	84719760 78, 90
80963067 . 591, 593, 595, 597, 599, 601, 627, 648	8303634 81, 113	83481286.. 591, 593, 595, 597, 599, 601, 604, 617, 621, 623, 648	84719765 100
80963068 . 591, 593, 595, 597, 599, 601, 604, 621, 627, 643, 648, 707	8303658 113	83664064..... 529	84719766 100
80963069 . 591, 593, 595, 601, 627, 648, 688, 692, 695, 707, 713, 739	8303715 81	83664354..... 794, 801	84719767 100
80963070 . 591, 593, 597, 599, 627, 643, 648	8303799 18	83671037..... 529	84719775 718
80963095 597, 599	8304042 457, 521	83674096..... 529	84719776 718
80963101 . 341, 356, 688, 692	8305012 85	83681905..... 785	84719846 259
80964001 . 356, 688, 692, 697, 699	8305038 191	83683085..... 688, 692	84719851 423
80964002 718	8305624 18, 22, 113	83683182.. 688, 692, 697, 699	84719852 423
80964009 699	8305630 815	83683254.. 591, 593, 595, 597, 599, 601	84719856 419
80964051 838	8305643 81, 113	83683308... 173, 175, 177	84719857 419
80964070 . 707, 798, 801, 803	8305644 85	83783030... 131, 135, 141	84719858 .. 407, 409, 413
	8305645 51, 463, 681, 683	83783043..... 419	84719859 427
	8305647 681	8390001..... 148	84719860 427
	8307007 85	8405007.... 147, 421, 703	84719861 427
	8307024 18, 24	8405104..... 179	84719862 .. 407, 409, 431
	8307112 85	8405212..... 179	84719863 431
	8307113 681	8405305..... 253, 255	84719864 431
	8307221 815	8406101..... 147, 589	84719865 407, 409
	8307904 81, 491	8406105.... 794, 798, 801, 803	84719866 407, 409
	8307916 51	8406201..... 147	84719867 419
	8307917 51	8410009..... 147	84719868 407
	8307918 81, 491	8420053..... 65, 113, 127	84719869 439
	8310046 829	8420055..... 65, 113, 127	84719870 443
	8310067 33, 51	8420231..... 168	84719871 447
	8310093 491		84719872 447
	8310160 81		84719873 447
	8310161 81		84719874 453
			84719875 725
			84719876 .. 407, 409, 413
			84719877 .. 407, 409, 413
			84719878 419
			84719879 431

PART NUMBER INDEX

84719880.....431	88201006..... 367	88501004 . 132, 401, 688,	88561007..... 132, 135
84719940..439, 441, 448,	88201008.63, 77, 89, 100	692, 697, 699, 709,	88561105.....49, 692
451	88201009..... 718	718, 725, 739	88561107.....367, 403
84719953.....419	88201010..... 718	88501005 . 16, 23, 71, 77,	88561108..101, 135, 183,
84719981.....721	88201011. 401, 689, 692,	89, 100, 539	185, 371, 373, 677,
84721039.....407	697, 699, 725	8850100616, 22, 83, 115,	679, 681, 833
8500066.....745, 803	88201016..... 819	371, 373, 447, 457,	88561109....63, 371, 373,
85051384.....713	88201018.... 16, 371, 373	464, 518, 521, 524,	447, 721, 728
85071128...173, 175, 688	88201020. 349, 371, 373,	707, 713, 721, 723,	88561111..132, 136, 467,
8520021.....579	375, 385, 539	754, 758, 762, 766,	469, 487, 497, 499,
8522012.....47	88201021..... 183, 185	770, 813	501, 539, 713, 725, 749
8540205.....703	88201023... 87, 100, 407,	8850100818, 67, 71, 359,	88561115.....707
8546407.....415	439, 689, 693, 697,	361, 539	88581112.....37
8580315.....81	699, 819	88501010..... 71, 87	88581115.....45, 47
8584001.....81	88201024..... 71, 781	88501012..... 17, 23	88581136.....77, 89, 101
8584003.....732	88201025..... 101	88501014..... 16, 23	88581149...481, 483, 491
85941016...794, 798, 809	88201026..... 349	88501016..... 63	88591013...407, 409, 413
8630003.....113	88201028..... 833	88501020..... 33	88591202.....407
8630019.....147	88201029..... 77, 89, 100	88501022..... 45, 47	88591204.....77, 89, 407,
8642207.....81	88201030..... 833	88501120..... 33	539, 577, 718
86521144.....101	88201033.... 33, 183, 185	88501307..... 17	8859120563, 71, 77, 291,
86621230...180, 713, 807	88201034.. 173, 447, 721	88501312..... 33	539, 561, 713
8663193.....701	88201035.. 167, 385, 728	88501412..... 33	88591206.....71, 87, 131,
86661147.....707	88201036..... 167	88501610..... 707	407, 447, 561
86661149.....707	88201037..... 115	88501612... 37, 463, 721,	88591207... 131, 173, 539
86661152.....707	88201038..... 707	723, 739	88591209..... 173, 407
86671187.....703	88201040..... 577	88521004..... 695, 701	88591211.....539
86683122.....78, 90, 379,	88201064..... 487	88521005..... 351	88621230.....144
439, 692, 707	88201065... 63, 467, 469,	88521010..... 132, 136	88631449.77, 89, 93, 101
86683193...688, 692, 695,	487, 489, 497, 499,	88521012..... 33, 49	88661002..439, 441, 448,
697, 699	501, 713, 725	88521016..... 63	451
86683480.....707	88201066..... 713	88521204..... 18	88661085.....721, 728
86883106..132, 135, 141,	88201067.... 49, 135, 539	88521205..... 589, 833	88661102.....439, 448
167	88201073..... 67, 71	88521206 . 173, 175, 177,	88661343.....385
86883327.....173, 177	88201105. 55, 63, 77, 83,	421	88661364.....385
86883328.....695, 701	89	88521304..... 371, 373	88661367.....419
86883469.....385	88201108..... 707	88521310. 55, 63, 77, 83,	88662065.....563
86983193.....718, 794	88201534..... 63	89	88662105.....385
86983648.....187	88201535..... 63	88551002..... 431, 435	88662523.....17, 23, 457
8750001.....415	88201549..... 17	88551006..... 90, 707	8866348.....22
8750005.....415	88201551..... 749	88551007..... 739	8866514.....18
8750022.....415	88211030..... 689, 693	8855100963, 77, 89, 367,	8866530.....18
8750025.....415	88211073..... 371, 373	403, 431, 435, 688,	88671001..29, 33, 37, 45,
8760268..63, 77, 89, 100,	88212288..... 33	692, 697, 699, 709,	47, 65, 67, 71, 439,
387	88221276..... 49	718, 739, 749	448, 713
8760351.....539	88241023... 37, 463, 721,	88551010 . 18, 71, 77, 87,	88671008.49, 77, 89, 101
876520478, 90, 101, 419,	723	90, 100, 135, 183, 185,	88671018.....77, 89, 101
423	88241053..... 83, 89	371, 373, 539	88671022.....63
8769132.....81	88251019..... 371, 373	88551011 . 33, 37, 41, 83,	88681311.....813
8769139.....409, 413	88261010..... 807, 809	90, 115, 167, 173, 183,	88691387.....356
8770016.....81	88261014..... 167	185, 385, 427, 447,	88711283..... 167, 168
8770064....259, 291, 385,	88261015. 688, 693, 697,	539, 707, 713, 721,	88712306.....135
387	699, 749	754, 762, 766	8880216-OM.....325
8770258.....389	88261022..... 539	88551013... 63, 136, 467,	8880217-OM.....325
8780031.....327	88261029..... 539	469, 487, 489, 497,	8880218-OM.....325
8780036.....328	88301093..... 739	499, 501, 539, 713,	88991001..... 131, 136
8780045.....328	88301191..... 167	747, 833	89981036.....707
8780048.....328	88301193..... 49	88551016..... 707	90022230.....567
8780050.....328	88302125..... 349	88561002..... 78, 90, 100,	90026491..677, 679, 681
8780264.....328	88302192..... 167, 171	349, 688, 692, 697,	90026803..591, 593, 595,
8786514.....327, 331	88321015..... 341, 718	699, 709, 739	597, 599, 601
88201002.....349	88321022..... 707	88561003 . 173, 349, 539,	90026965.....71
88201003.....709	88341022..... 105	833	90027180.....721
88201005..349, 371, 373,	88411074. 518, 524, 754,	88561004 . 115, 167, 183,	90027187..131, 141, 709,
403, 431, 688, 692,	758, 762, 766, 770	185, 191	713, 718, 728, 819
728, 739	8841322..... 249	88561006..... 49	90027214.....739

PART NUMBER INDEX

90027470 .. 35, 39, 41, 43	90554034 75	91053020..... 148, 427	91144039 783
90027471 35, 39, 43	90554042 73, 109	91053413... 409, 413, 415	91144040 783
90027472 33, 71, 87	90554045 565	91053419 713	91144125 751, 783
90027473 17, 23	90554054 73	91064017 511, 715	91144128. 467, 469, 471,
90027475 259, 713	90554061 109	91081158 132, 136	487, 489, 497, 499,
90028631 187	90554062 73, 109	91081313 29, 63	501, 503, 511, 715, 737
90028660 . 131, 135, 141,	90554063 109	91081577 63	91144190 379, 383
143, 703, 811	90554065 109	91081594 63	91144267 751
90028720 415	90554076 73, 109	91081622 63	91144478 337
90028932 37, 463, 721	90554077 109	91081630 63	91153007 183, 185
90028935 ... 33, 481, 511,	90554079 105	91081640 587, 589	91161269 713
513, 713	90554080 105, 107	91083126 183	91163014 29
90028946 371, 373	91003031 .. 677, 679, 681	91083136 371, 373	91163028 673
90028990 71	91014066 577	91083155 703	91163035 .. 189, 191, 193
90029955 707, 739	91023098 351	91083217 .. 447, 451, 463,	91163087 349, 351
90029999 87	91031236 63	721, 723	91163100 539, 541
90030271 168	91033029 17, 749	91083218... 132, 141, 144	91163129.. 144, 183, 185
90200003 . 55, 57, 63, 65,	91033038 77, 89, 93, 100	91083248 63	91163245 577
77, 81, 83, 89, 113	91033039 77, 89, 93, 100	91083483 587, 709	91163246 577
90200445 .. 677, 679, 681	91033137 . 173, 175, 177,	91083492 660	91164083 577
90200602 747	179	91083533 349	91164086 335
90200688 .. 677, 679, 681	91033186 63	91083535 87	91164087 335
90200755 .. 175, 177, 341	91033317 .. 353, 356, 838	91084022 539, 838	91164094 335
90201443 87	91033425 .. 688, 693, 695	91084198 175, 177	91164107 577
90203384 101	91033486 749	91113003 713	91164440 67
90204007 63	91034107 577	91121145 707	91166062 713
90204097 101	91034118 577	91121146 707	91203039 135
90204781 199	91034153 . 487, 497, 499,	91123062 397	91323030 660
90204823 197	501, 503	91123065 707	91334024 337
90205688 353	91034156 751	91123126 379, 383	91334031 343
90205870 63	91034157 751, 783	91124087 783	91334032 343
90205918 173	91034267 481	91124096 .. 467, 469, 471,	91334038 353
90206195 695, 701	91034317 529	489, 499, 501, 503,	91334135 337
90206198 27, 341	91034319 529	511, 715, 737, 783	91343031 . 739, 741, 743,
90206202 23	91034322 529	91140001 16, 24	794, 798
90206203 27	91034374 100, 115	91141124 481, 483	91343235 577
90207352 511	91034375 100, 115	91141128 37	91344018 343
90207463 443, 445	91034377 101, 115	91143051 259, 713	91344046 343
90207661 728, 732	91034399 101	91143117 ... 707, 807, 809	91344053 . 739, 741, 743,
90207662 100	91034400 101	91143122 .. 136, 139, 141,	794, 799
90207882 71	91034435 783	144	91355034 331
90208148 777	91034436 783	91143155 713	91355035 331
90208181 777	91041322 77, 89, 101	91143172 427	91355037 331
90208212 781	91041324 77, 89, 101	91143218 539	91355038 331
90214009 839	91041325 77, 89, 101	91143220 18, 23, 325	91361003 707
90402948 67, 71	91041326 77, 89, 101	91143280 660	91361026 713
90403056 71	91041327 77, 89, 101	91143281 660	91361049 39, 836
90451053 67	91041356 77, 89, 100	91143282 77, 89, 100,	91363021 . 591, 593, 595,
90451058 113	91041361 78, 90, 101	660, 677, 679, 681	597, 599, 601, 604,
90451061 101	91041362 101	91143283 660	607, 609, 611, 633
90453018 100	91041387 63	91143284 660	91364009 . 591, 593, 595,
90453023 100	91041451 45, 47	91143285 660	597, 599, 601
90453034 783	91041596 45, 47	91143286 660	91364010 . 591, 593, 595,
90453040 67	91043084 331	91143288 660	601, 604
90453041 67	91043125 . 51, 63, 71, 77,	91143290 677	91364023 183, 185
90553012 83, 90	81, 89, 100, 119, 123,	91143314 .. 131, 135, 144,	91365037 713
90553013 83, 89	463, 721, 829, 831	838	91365045 707
90553026 677	91043126 . 51, 63, 71, 77,	91143315 . 131, 135, 144,	91401168 403
90553027 660	81, 89, 100, 115, 119,	838	91401189 45, 47, 467,
90553028 660	123, 463, 721, 829, 831	91143339 591	469, 487, 489, 497,
90553036 105	91043186 78, 90	91143340 591	499, 501
90554016 73, 75, 109	91043221 77, 89, 93, 101	91143348 ... 173, 175, 177	91401198 .. 167, 168, 171
90554017 109	91043342 141	91143357 16, 23, 838	91401212 35, 39, 836
90554018 109	91044002 557	91144006 783	91401213 35, 39, 836
90554020 73	91044080 . 475, 491, 505,	91144033 715	91401218 43, 836
90554033 75	567, 577	91144038 737, 783	91401219 43, 836

PART NUMBER INDEX

91401223.....35, 39, 836	91403309.....403	91403601 .. 189, 191, 193	91404238.....151
91401224.....39, 836	91403316.....349, 725	91403606728, 732	91404239.....151
91401225.....43, 836	91403322.....751	91403607728, 732	91404241.....151
91401256.....713	91403324349, 351	91403608 .. 688, 693, 695	91404242... 151, 155, 159
91401266.77, 89, 93, 100	91403325.....16	91403609167, 838	91404243.....151
91401276.....728	91403326.....349	91403613.....707	91404248.....151
91401281.....587, 589	91403329 . 689, 692, 697, 699	91403618660	91404251... 151, 155, 159
91401299.....709	91403338101	91403620349	91404252.....151
91401303.....55, 63	91403339115	91404004155, 159	91404253... 151, 155, 159
91401324.....55, 63, 77	91403350 . 688, 692, 697, 699	91404008173	91404254.....151
91401340.....83, 89	91403351 . 688, 692, 697, 699	91404010391, 837	91404255... 151, 155, 159
91401415.....17, 791	91403352 . 688, 692, 697, 699	91404011391	91404256... 151, 155, 159
91401417.....749	91403359103	91404013391	91404257... 152, 155, 159
91401421.....688	91403364100, 103	91404016391	91404258... 152, 155, 159
91401423.....371, 373	9140336683, 89, 103	91404068167	91404259... 151, 155, 159
91401443... 688, 693, 695	9140338487	91404086 . 131, 155, 159, 837	91404260.....151
91401450.....35, 836	91403390709	91404088369	91404261.....151
91401456.....35, 39, 836	9140340449, 836	91404089369	91404262... 151, 155, 159
91401457.....35, 39, 836	9140340549	91404091369, 725	91404263.....151
91401487.....16, 23	9140340749, 836	91404093369	91404264... 151, 155, 159
91401516.....349, 351	91403408115	91404094369	91404265... 151, 155, 159
91401571.....341, 718	91403409115	91404095369	91404266.....151
91401581.....167	9140341149	91404096369	91404267... 151, 155, 159
91401590.....349, 351	9140341249	91404097369	91404268.....151
91403020.....49	91403413 . 51, 63, 65, 71, 77, 81, 87, 89, 100, 113, 119, 123, 127, 463, 721, 829, 831	91404098369	91404269.....151
91403026... 497, 499, 501	91403414 . 51, 63, 65, 71, 77, 81, 87, 89, 100, 113, 115, 119, 123, 127, 463, 721, 829, 831	91404099369	91404270.....151
91403053.....37	91403415101	91404100369	91404271.....151
91403060.....49	91403437167	91404101369	91404272.....151, 160
91403065.....45, 47	91403443703	91404102369	91404273.....151
91403095.....173, 175	91403445 . 689, 692, 697, 699	91404103369	91404275.....16, 839
91403096.....173, 175	9140344871	91404105369	91404286.. 487, 489, 497, 499, 501, 503, 511
91403097.....16, 23	91403473371, 373	91404106369	91404287.. 487, 489, 497, 499, 501, 503
91403098.....16, 23	91403474371, 373	91404107369	91404290.....345
91403119.....45, 47	91403476371, 373	91404109335, 345	91404291.....345
91403126.....37, 463	91403489 .. 189, 191, 193	91404110335, 345	91404292.....343
91403127.... 37, 463, 721	91403503 ... 18, 359, 361, 707, 794, 798, 801, 803	91404203497	91404293.....337
91403153.....16, 23	91403513167, 837	91404207369	91404294.....343
91403156.....713	91403514167, 837	91404208369	91404295.....337
91403176.....167	91403521371, 373	91404209369	91404296.....345
91403178.....369	91403524167	91404210369	91404297.....337
91403180.....735	91403525660	91404211 .. 371, 373, 375	91404298.....337
91403191.....749	9140352617	91404212 .. 371, 373, 375	91404299.....337
91403193.....328, 331	91403527749	91404213 .. 371, 373, 375	91404300.....343
91403216.....189	9140353035, 39, 836	91404215543, 735	91404301.....337
91403217.....16, 23	9140353143, 836	91404216735	91404302.....343, 345
91403225.....513, 713	9140353239, 836	91404217543, 735	91404303.....343
91403226... 481, 511, 513	91403533689	91404218735	91404304.....343
91403230.....17, 23, 93	91403538689	91404219151	91404305.....343
91403244.....183, 185	91403539688, 692	91404220 .. 151, 155, 159	91404306.....343
91403247.....385	91403573660	91404221 .. 151, 155, 159	91404309.....343
91403248.....131, 135	9140357416, 838	91404222 .. 151, 155, 159	91404310.....343
91403254.....167	91403579539, 541	91404223 .. 151, 155, 159	91404311.....343
91403265.....131	91403580100, 103	91404225 .. 151, 155, 159	91404312.....343
91403273.....401, 725	91403596689, 693	91404226 .. 151, 155, 159	91404313.....343
91403279.....737	9140360016	91404227151	91404314.....343
91403280.. 689, 693, 697, 699		91404228151	91404315.....343
91403288.....349, 688		91404229 .. 151, 155, 159	91404316.....343
91403293.....131, 135		91404230151	91404317.....343
91403295.....709		91404232 .. 151, 155, 159	91404318.....343
91403297.....713		91404233 .. 151, 155, 159	91404319.....343
91403298.....349		91404234 .. 151, 155, 159	91404320.....343
91403299.....689		91404235151	91404321.....343
91403304.....707, 739		91404236151	91404322.....345
91403305.....707		91404237151	91404323.....343
91403306.....707			

PART NUMBER INDEX

91404324	343	91405060	115	91414040..	139, 141, 165, 838	91473207	328
91404325	391, 837	91405061	115	91414045.....	773, 775	91473210..	664, 668, 673
91404326	391	91405070	100	91414046.....	773	91473211	349, 351
91404329	353	91405071	61	91414047.....	773, 775	91473213	353
91404330	353	91405073	55	91414048.....	775	91473217	668
91404331	353	91405074	55	91414049.....	781	91473219.....	373, 375
91404332	353	91405075	77	91414050.....	781	91473220.....	593
91404333	353	91405077	83	91414051.....	781	91473223.....	135
91404334	353	91405078	89	91414053.....	781	91473228.....	587
91404335	353	91405079	63	91414054.....	781	91473229.....	595
91404336	353	91405080	71	91414055.....	781	91473239.....	709
91404337 .	591, 593, 595, 597, 599, 601, 604	91405081	71	91414056.....	781	91473240.....	787
91404349	353	91405082	67	91414057.....	781	91474023.....	557, 559
91404350	353	91405083	67	91414058.....	781	91474024.....	557, 559
91404352	737	91405101	63	91414059.....	781	91474027.....	557, 559
91404355	737	91406026	131, 135	91414060.....	781	91474028.....	557
91404361	737	91406027	131, 141	91414061.....	781	91474034.....	557
91404362	737	91406048	63	91414062.....	781	91474171 .	131, 155, 159, 837
91404363	737	91406069 .	77, 89, 93, 100	91414063.....	781	91474182.....	529
91404365	737	91406070 .	77, 89, 93, 100	91415025.....	93	91474185..	151, 155, 159
91404366	737	91406072	100	91415026.....	100	91474186.....	195
91404367	737	91406113	688, 791	91415064.....	132, 837	91474188.....	195, 197
91404370	751	91406114	688, 749	91415083.....	785, 838	91474189.....	195, 197
91404371	751	91406115	17, 791	91415084.....	136, 837	91474190.....	195, 197
91404372	751	91406116	749	91416006.....	403	91474191.....	195
91404373	751	91406119	688	91416011.....	718	91474192.....	195, 197
91404380	751	91406139	371, 373	91416013.....	367	91474193.....	195
91404381	77, 89, 751	91406147	371, 373	91416014.....	167	91474194.....	195
91404382 ..	487, 489, 491	91406148	371, 373	91416017.....	367	91474195.....	195
91404383	777	91406155	101	91416018.....	100	91474197.....	197
91404385	777	91406156	93	91416020.....	697, 699	91474198.....	197
91404386	777	91411044	87	91471145.....	131, 135	91474199.....	197
91404388	777	91411050	78, 90, 101	91471150.....	16	91474200.....	197, 223
91404389	777	91411073	77, 89, 101	91471172.....	131	91474201.....	197
91404392	777	91413014	371	91471174.....	539	91474203.....	197
91404394	777	91413016	379	91471230.....	131, 135	91474204.....	197
91404395	777	91413029	718	91471240.....	503, 505	91474205.....	197
91404396	777	91413036 ...	23, 692, 695, 701, 822	91471242.....	787	91474206.....	197
91404408	777	91413038 .	688, 692, 697, 699	91473017.....	151	91474207.....	197
91404409	777	91413039	781	91473027.....	325	91474208.....	197
91404411	777	91413040	775	91473028.....	325	91474209.....	197, 223
91404412	777	91413041	775	91473031.....	379, 837	91474210.....	197
91404413	777	91413044	739	91473036.....	189	91474211.....	197
91404416	777	91413045	739	91473065.....	587	91474212.....	197
91404418	777	91413048	739	91473088.....	401, 725	91474213.....	197
91404419	778	91413050 .	349, 351, 695, 701	91473093.....	131, 136	91474214.....	197
91404420	778	91413051	349, 688	91473099.....	371	91474216.....	199
91404421	778	91413052 .	707, 794, 798, 801, 803	91473101.....	591	91474217.....	199
91404426	778	91413053 ..	693, 697, 699	91473103.....	183	91474218.....	199
91404430	778	91413061 .	660, 664, 668, 673	91473108...	173, 175, 177	91474219.....	199
91404432	777	91413099	77, 89, 100	91473115.....	131, 838	91474220.....	199
91404433	777	91413100	77, 89	91473117.....	189	91474221.....	199
91404437	16	91413111	349	91473119.....	189, 191	91474224.....	199
91404438	818	91413113	718	91473125.....	728, 732	91474226.....	199
91404439 ..	689, 818, 822	91413130	341	91473126.....	833	91474228.....	199
91404443	167	91413148	785	91473127...	356, 728, 732	91474230.....	201
91405032	49	91413149	785	91473132.....	677, 679	91474231.....	201
91405035	327	91413159	777	91473146..	367, 397, 401, 718	91474232.....	201
91405036	327	91413160	777	91473156.....	337	91474236.....	201
91405042	167	91414028	379	91473163...	351, 695, 701	91474239.....	201
91405047	403	91414029	379	91473166.....	709	91474241.....	203
91405050	749	91414038	529	91473178.....	189, 191	91474242.....	203
91405054	61			91473188.....	543	91474243.....	203
91405055	61			91473206.....	327, 331	91474245.....	203
91405056	688					91474247.....	203

PART NUMBER INDEX

91474248.....	203	91474324.....	215	91474413.....	17	91474634.....	787
91474250.....	205	91474325.....	217	91474416.....	17	91474635.....	787
91474251.....	205	91474326.....	217	91474417.....	17	91475027.....	371
91474252.....	205	91474328.....	217	91474418.....	17	91475031.....	327
91474253.....	205	91474330.....	217	91474419.....	17	91475032.....	327
91474254.....	205	91474331.....	217	91474420.....	16	91475033.....	367
91474255.....	205	91474332.....	217	91474424.....	16	91475037.....	401
91474256.....	205	91474334.....	217	91474425.....	16	91475048.....	379
91474257.....	205	91474336.....	217	91474427.....	17	91475051.....	561
91474258.....	205	91474338.....	217, 219	91474428.....	545	91475054.....	327
91474259.....	205	91474339.....	217, 219	91474429.....	546	91475055.....	327
91474262.....	205	91474340.....	217, 219	91474430.....	546	91475059.....	739
91474263.....	205	91474341.....	217, 219	91474431.....	546	91475063.....	675
91474264.....	205	91474342.....	217, 219	91474432.....	546	91475066.....	337
91474265.....	205, 223	91474343.....	217, 219	91474433.....	546	91475091.....	373
91474266.....	205	91474344.....	217, 219	91474434 ..	545, 549, 553	91475093.....	327
91474267.....	205	91474345.....	217, 219	91474435 ..	545, 549, 553	91475105.....	327
91474268.....	205	91474346.....	217, 219	91474436.....	545	91475107.....	787
91474269.....	205	91474347.....	217, 219	91474438.....	549, 553	91475108.....	692
91474270.....	205	91474348.....	217, 219	91474439 ..	545, 549, 553	91475109.....	697
91474271.....	205	91474349.....	217, 219	91474440 ..	545, 549, 553	91476022.....	139, 141
91474272.....	205	91474350.....	217, 219	91474441 ..	545, 549, 553	91476027.....	371
91474273.....	205	91474351.....	217, 219	91474442 ..	545, 549, 553	91476028.....	131, 135
91474274.....	205	91474352.....	217, 219	91474443.....	549, 553	91476031... ..	385, 387, 389
91474275.....	207	91474353.....	217	91474444.....	545	91476045.....	189, 191
91474276.....	207	91474356.....	221	91474446 ..	545, 549, 553	91476053.....	373
91474277.....	207	91474358.....	223	91474447 ..	545, 549, 553	91503097.....	664, 668
91474278.....	207	91474359.....	223	91474450 ..	545, 549, 553	91503098.....	664, 668
91474279.....	207	91474361.....	223	91474451 ..	545, 549, 553	91503099.....	664, 668
91474280.....	207	91474362.....	223	91474452.....	549, 553	91503102.....	664, 668
91474281.....	207	91474363.....	223	91474453 ..	545, 549, 553	91503103.....	807
91474282.....	207	91474364.....	223	91474454 ..	545, 549, 553	91503105..	353, 356, 643, 655
91474284.....	209	91474365.....	223	91474455 ..	545, 549, 553	91503106.....	356, 643
91474285.....	209	91474366.....	223	91474456 ..	545, 549, 553	91503108.....	664, 668
91474287.....	209	91474368.....	223	91474458 ..	545, 549, 553	91503109.....	664, 668
91474288... ..	209, 211, 213	91474370.....	223	91474459.....	549, 553	91503110.....	664, 668
91474289... ..	209, 211, 213	91474371.....	223	91474460.....	549, 553	91504028.....	391
91474290.....	209, 211	91474372.....	223	91474461.....	545	91504029.....	391, 395
91474294... ..	209, 211, 213	91474375.....	223	91474463.....	353	91504030.....	395
91474295... ..	209, 211, 213	91474376.....	223	91474464.....	353	91504031.....	395
91474296... ..	209, 211, 213	91474377.....	223	91474465.....	356	91504088.....	621
91474297... ..	209, 211, 213	91474380.....	223	91474467 ..	591, 593, 595, 597, 599, 601, 604	91504089.....	625
91474298.....	209, 213	91474381.....	223	91474468 ..	591, 593, 595, 597, 599, 601, 633	91504107... ..	619, 621, 807
91474299.....	209, 213	91474383.....	223	91474469 ..	591, 593, 595, 597, 599, 601, 633	91505062.....	18
91474300.....	209	91474385.....	199	91474472.....	17	91511008.....	39
91474302.....	211	91474387.....	201	91474477.....	17	91511009.....	39
91474303.....	211, 213	91474388.....	201	91474481.....	343	91511038.....	35
91474304.....	211	91474389.....	201	91474482.....	343	91511039.....	35
91474306.....	211, 213	91474390.....	201	91474484.....	557	91511047.....	41
91474307.....	211	91474391.....	201	91474488.....	543	91511048.....	41
91474308.....	213	91474393.....	201	91474490.....	543	91511049.....	33
91474309... ..	209, 211, 213	91474394.....	201	91474491.....	543	91511050.....	37
91474310... ..	209, 211, 213	91474395.....	201	91474492.....	343	91511094.....	39, 836
91474311.....	211	91474396.....	201	91474499.....	155, 159	91511096.....	39, 836
91474312.....	211	91474398.....	209	91474506.....	155, 159	91511097.....	43, 836
91474313.....	211, 215	91474399.....	211	91474512 ..	263, 281, 295, 315	91511098.....	43, 836
91474314.....	213	91474400.....	561	91474524.....	265, 297	91511099.....	43, 836
91474315.....	213	91474401.....	561	91474600.....	223	91511100.35, 39, 43, 836	
91474316.....	213	91474402.....	561, 563	91474601.....	223	91511101.35, 39, 43, 836	
91474317.....	213	91474403.....	561	91474623.....	223	91511102.35, 39, 43, 836	
91474318.....	213	91474404.....	561	91474627.....	223	91511105.....	259, 713
91474319.....	213	91474405.....	561	91474629 ..	152, 155, 160	91511106.....	713
91474320.....	215	91474406.....	561	91474630 ..	152, 156, 160	91511111... ..	463, 721, 723
91474321.....	215, 223	91474407.....	561, 563	91474631 ..	152, 156, 160	91511126.....	707
91474322.....	215	91474411.....	16	91474633.....	787	91511127... ..	707, 807, 809
91474323.....	215	91474412.....	17				

PART NUMBER INDEX

91511129..... 87	91513146443	91513280...501, 503, 505	91514091..... 295
91511136 18	91513149 173	91513282.....503, 505	91514095. 265, 285, 297,
91511142 45, 47	91513150 173	91513283.....489, 491	319
91511144 183, 185	91513155 ..407, 409, 413	91513284.....195	91514096..... 273
91511145 .. 385, 387, 389	91513156 ..407, 409, 413	91513285.....597	91514098. 263, 281, 295,
91511156 539	91513157407	91513287.....595	315
91511166 132, 136	91513159 ..131, 135, 837	91513288.....409, 413	91514099. 263, 265, 281,
91511167 18	91513160529	91513289.....409, 413	285, 295, 297, 315, 319
91511206 739	91513161 557	91513290..... 16	91514100..... 263, 295
91511215 167	91513162 728, 732	91514002.....839	91514101. 263, 281, 295,
91513002 481	91513163 439	91514003.....839	297, 315
91513003 33	91513164 439	91514004...467, 469, 471	91514102..... 295
91513011 37	91513165 443	91514009...467, 469, 471	91514103..... 295
91513013 37	91513167 447	91514013...467, 469, 471	91514104..... 265
91513015 47	91513169 725	91514014...467, 469, 471	91514110..... 265, 297
91513016 45, 47	91513170 725	91514019...467, 469, 471	91514111. 265, 285, 297,
91513017 45, 47	91513171 419	91514020..467, 469, 471,	319, 837
91513018 45, 47	9151317645, 47	837	91514112. 265, 285, 297,
91513022 41	9151317737	91514021.....481	319
91513023 41, 836	91513180 ..385, 387, 389	91514024.....481	91514113..... 265, 297
91513026 ... 37, 463, 721,	91513181 407	91514025.....481	91514114..... 265, 297
723	91513182 419	91514026.....481	91514115..... 265, 297
91513027 487	91513183 419	91514031.....481	91514117 .. 285, 297, 319
91513028 45, 47	91513186 335	91514034.....481	91514118..... 833
91513029 45, 47	91513188 ..660, 664, 668	91514035.....481	91514123. 265, 269, 283,
91513030 487, 489	91513189 ..660, 664, 668	91514036.....481, 837	285, 297, 301, 317, 319
91513031 447	91513190 ..660, 664, 668	91514037.....487, 497	91514124..... 267, 283
91513035 37	91513191 ..660, 664, 669	91514040.....487	91514125..... 299
91513036 261	91513192 664, 668	91514041.....487	91514126..... 299
91513037 293	91513194 16	91514042.....487, 497	91514127..... 299
91513038 511	91513197 18	91514047.....489	91514128..... 299
91513039 .. 467, 469, 471	91513198 ..660, 664, 668	91514050...487, 497, 837	91514129..... 299
91513040 497	91513199 33	91514051.....497	91514130. 267, 283, 299,
91513042 .. 660, 664, 668	91513200 33	91514052.....497	317
91513043 677, 679	91513201 341, 718	91514057.....511	91514131. 267, 283, 299,
91513044 517	91513202 175, 177	91514058.....511	317
91513045 753	91513203 175	91514059.....511	91514132..... 299
91513046 715	91513204 ..397, 401, 718	91514063.....511, 838	91514133. 269, 283, 301,
91513047 33	91513205 183, 185	91514064.....557, 559	317
91513053 467, 469	91513206 103	91514065.....715	91514134. 269, 283, 301,
91513054 497, 499	91513207 664, 668	91514066.....715	317
91513056 467	91513208 .664, 668, 679,	91514067.....715	91514135..... 269
91513057 539	681	91514069.....715	91514136..... 269
91513072 545	91513209 664, 668	91514071.....557	91514137..... 269
91513074 39, 836	91513210 679, 681	91514072.....557	91514138..... 269
91513077 539, 838	91513211 391, 837	91514073.....529	91514139..... 269
91513099 17	91513212 391, 837	91514074.....529	91514140..... 269
91513104 33	91513213 ..407, 409, 413	91514075.....529	91514141..... 269
91513106 721	91513214 ..407, 409, 413	91514076.....529	91514142..... 269, 301
91513110 37, 463, 721	91513215 175	91514077.....529	91514143..... 269, 283
91513112 761	91513217 819	91514078.....529	91514144..... 269
91513113 765	91513225 489	91514080.....263, 295	91514145..... 269
91513115 728, 732	91513226 ..499, 501, 503	91514081..263, 285, 295,	91514146. 271, 285, 303,
91513116 728	91513227 407	319	319
91513119 718	91513231 155	91514082..263, 285, 295,	91514147. 271, 285, 303,
91513120 16	91513234 ..132, 136, 143	319	319
91513121 17	91513242 37	91514083...263, 285, 295	91514148. 271, 285, 303,
91513122 17, 23	91513266 833	91514084...263, 285, 295	319
91513123 728, 732	91513271 159	91514085.....263, 295	91514149. 271, 285, 303,
91513124 .. 401, 403, 725	91513272 505	91514087 ..263, 281, 285,	319
91513125 379, 383	91513273 513	295, 315, 319	91514151..... 273, 289
91513134 453	91513274 473	91514088.....263, 295	91514152..... 273, 289
91513135 453	91513275 491	91514089..263, 273, 281,	91514153.. 273, 289, 305
91513140 447, 721	91513276 483	285, 289, 295, 315	91514154. 273, 289, 305,
91513141 195	91513279 .469, 471, 473,	91514090..263, 281, 295,	307, 323
91513145 443	475	315	91514155.. 273, 305, 307

PART NUMBER INDEX

91514156...273, 289, 305	91514212..... 529	91514266 818, 823	91516010.....37
91514157...273, 289, 305	91514213..... 529	91514270 818, 823	91516011.....41
91514158.....273, 289	91514214..... 529	91514272 818, 822	91516015.....721
91514159..273, 289, 305, 307, 323	91514215..... 529	91514276 . 489, 499, 501, 503	91516018.....713
91514160...273, 305, 307	91514216..... 529	91514277 . 489, 499, 501, 503	91516021.....447
91514161...273, 289, 305, 307, 323	91514217..... 529	91514278 489	91516024.....17
91514163.....273, 305	91514218.. 467, 469, 471	91514279 489	91516025.....173, 175
91514165..273, 289, 305, 307, 323	91514219..... 265, 297	91514280 489	91516029.....385
91514166.....273, 305	91514220 . 518, 524, 573, 754, 758, 762, 766, 770	91514281 489, 837	91516030.....385, 707
91514167...273, 289, 305	91514221 . 518, 524, 754, 758, 762, 766, 770	91514282 .. 499, 501, 503	91516040.....833
91514168.....273	91514222 . 517, 523, 753, 757, 761, 765, 769	91514283 .. 499, 501, 503	91516041.....833
91514170.....273	91514224 391	91514284 .. 499, 501, 503	91516042.....833
91514171.....273	91514226 . 518, 524, 754, 758, 762, 766, 770	91514285 . 499, 501, 503, 838	91516043.....833
91514172.....273	91514227 . 518, 524, 754, 758, 762, 766, 770	91514286 16	91516044.....17
91514173.....273	91514228 . 517, 753, 761, 765	91514287 219	91516045.....17
91514174..275, 285, 309, 319	91514229 . 517, 523, 753, 757, 761, 765, 769	91514288 219	91534005.....155, 159
91514175..275, 285, 309, 319	91514230 . 517, 523, 753, 757, 761, 765, 769	91514289 219	91535017.....327
91514176.....275, 309	91514232 . 517, 523, 753, 757, 761, 765, 769	91514290 219	91535019.....327
91514177..275, 285, 309, 319	91514233 . 517, 753, 761, 765	91514291 219	91543002.....331
91514178..275, 285, 309, 319	91514234 . 517, 523, 753, 757, 761, 765, 769	91514292 219	91545008.....331
91514179..275, 285, 309, 319	91514235 517, 753	91514293 219	91545010.....331
91514180..275, 285, 309, 319	91514236 . 518, 754, 762, 766	91514294 219	91553057.....155, 159
91514181..275, 285, 309, 319	91514237 . 518, 754, 758, 762, 766, 770	91514295 818, 823	91553072..677, 679, 681, 683
91514184..277, 285, 311, 319	91514238 754, 766	91514296 818, 823	91554014...617, 619, 621
91514185..277, 285, 311, 319	91514239 . 523, 761, 765, 769	91514297 539	91554019.....623, 629
91514186..277, 285, 311, 319	91514240 . 524, 758, 762, 766, 770	91515002 37	91554022.....615
91514188..277, 285, 311, 319	91514241 . 524, 758, 762, 766, 770	91515003 259	91554023...617, 619, 625
91514189..277, 285, 311, 319	91514244 16	91515004 291	91561192.....377
91514191.....299, 317	91514245 16	91515005 721	91561240.....145
91514193.....301	91514246 16	91515008 337	91561241.....145
91514194.....305	91514247 754, 766	91515011 539	91563079.....253
91514195.....305	91514248 . 467, 469, 471, 473, 481, 483	91515012 713	91563121..139, 141, 143, 147, 838
91514196.....545	91514250 518, 762	91515012 713	91563129.....187, 253
91514197...545, 549, 553	91514251 . 467, 469, 471, 473, 481, 483, 485	91515020 725	91563134.....187
91514198...545, 549, 553	91514253 17	91515022 259	91563136.....541, 838
91514199...545, 549, 553	91514255 265, 297	91515025 718	91563141.....103
91514200.....545	91514256 155, 159	91515026 728	91563142.....103
91514201.....545	91514257 155, 159	91515028 .. 463, 721, 723	91563143.....103
91514202.....545	91514258 155, 159	91515032 707	91563158...347, 789, 791
91514203.....529	91514259 155, 159	91515033 379	91563185.....627
91514204.....529	91514260 155, 159	91515036 87	91563191.....356
91514205.....529	91514261 175, 177	91515039 173	91563192.....827
91514206.....529	91514262 17	91515040 131, 139	91563197.....29
91514207.....529	91514263 17	91515041 183, 185	91563198.....29
91514208.....529	91514265 818, 823	91515042 709	91563199.....29
91514209.....529		91515047 397	91563200.....395
91514210.....529		91515048 385	91563201.....395
91514211.....529		91515049 175	91563208.....379, 383
		91515050 669, 681	91563213.....145
		91515055 669, 675	91563220.....673
		91515056 327	91563226.....383, 837
		91515060 135, 141	91563243.....41
		91515066 327	91563247.....822
		91515070 669	91565066.....732
		91515071 833	91565067.....23
		91515072 669	91565094.....107
		91515073 . 660, 664, 669, 675	91566050.....29
		91515074 669, 675	91566051.....29
		91516008 45, 47	
		91516009 33	



91514001



An Oshkosh Corporation Company

Corporate Office
 JLG Industries, Inc.
 1 JLG Drive
 McConnellsburg, PA 17233-9533
 USA

☎ +1-717-485-5161 (Corporate)
 ☎ +1-877-554-5438 (Customer Support Toll Free)
 📠 +1-717-485-6417

JLG Worldwide Locations

JLG Industries
 358 Park Road
 Regents Park
 NSW 2143
 Sydney 2143
 Australia
 ☎ +6 (1) 2) 87186300
 📠 +6 (1) 2) 65813058
 Email: techservicesaus@jlg.com

JLG Ground Support Oude
 Bunders 1034
 Breewaterstraat 12A
 3630 Maasmechelen
 Belgium
 ☎ +32 (0) 89 84 82 26
 Email: emeaservices@jlg.com

JLG Latino Americana LTDA.
 Rua Antonia Martins Luiz, 580
 Distrito Industrial Joao Narezzi
 Indaiatuba-SP 13347-404
 Brasil
 ☎ +55 (19) 3936 7664 (Parts)
 ☎ +55 (19) 3936 9049 (Service)
 Email: comercialpecas@jlg.com
 Email: servicos@jlg.com

Oshkosh-JLG (Tianjin)
 Equipment Technology LTD
 Shanghai Branch
 No. 465 Xiao Nan Road
 Feng Xian District
 Shanghai 201204
 China
 ☎ +86 (21) 800-819-0050

JLG Industries Dubai
 Jafza View
 PO Box 262728, LB 19
 30th Floor, Office 05
 Jebel Ali, Dubai
 ☎ +971 (0) 4 884 1131
 📠 +971 (0) 4 884 7683
 Email: emeaservices@jlg.com

JLG France SAS
 Z.I. Guillaume Mon Amy
 30204 Fauillet
 47400 Tonniens
 France
 ☎ +33 (0) 553 84 85 86
 📠 +33 (0) 553 84 85 74
 Email: pieces@jlg.com

JLG Deutschland GmbH
 M. Planck Str. 21
 27721 Ritterhude-ihlpohl
 Germany
 ☎ +49 (0) 421 69350-0
 📠 +49 (0) 421 69350-45
 Email: german-parts@jlg.com

JLG Equipment Services Ltd.
 Rm 1107 Landmark North
 39 Lung Sum Avenue
 Sheung Shui N. T.
 Hong Kong
 ☎ +852) 2639 5783
 📠 +852) 2639 5797

JLG Industries (Italia) S. R. L.
 Via Po, 22
 IT-20010 Pregnana Milanese (MI)
 Italy
 ☎ +39 (0) 2 9359 5210
 📠 +39 (0) 2 9359 5211
 Email: ricambi@jlg.com

JLG EMEA B.V.
 Polaris Avenue 63
 2132 JH Hoofddorp
 The Netherlands
 ☎ +31 (0) 23 565 5665
 Email: emeaservices@jlg.com

JLG NZ Access Equipment & Services
 28 Fisher Crescent
 Mt Wellington 1060
 Auckland, New Zealand
 ☎ +6 (12) 87186300
 📠 +6 (12) 65813058
 Email: techservicesaus@jlg.com

JLG Industries
 Vahutinskoe shosse 24b
 Khimki,
 Moscow Region 141400
 Russia Federation
 ☎ +7 (499) 922 06 99
 📠 +7 (499) 922 06 99

Oshkosh-JLG Singapore
 Technology Equipment P te Ltd.
 35 Tuas Avenue 2
 Jurong Industrial Estate
 Singapore 639454
 ☎ +65 6591 9030
 📠 +65 6591 9045
 Email: SEA@jlg.com

JLG Iberica S. L.
 Trapadella, 2
 Pol. Ind. Castellbisbal Sur
 08755 Castellbisbal
 Barcelona
 Spain
 ☎ +34 (0) 93 772 47 00
 📠 +34 (0) 93 77 117 62
 Email: parts_iberica@jlg.com

JLG Sverige AB
 Enkopingsvägen 150
 17627 Jarfalla
 Sweden
 ☎ +46 (0) 8 506 595 00
 📠 +46 (0) 8 506 595 27
 Email: nordicsupport@jlg.com

JLG Industries (UK) Ltd.
 Bentley House
 Bentley Avenue
 Middleton, Greater Manchester
 M24 2GP
 United Kingdom
 ☎ +44 (0) 161 654 1000
 📠 +44 (0) 161 654 1003
 Email: ukparts@jlg.com

www.jlg.com