



Engine Parts Manual

***Models
3614RS
4017RS***

Engine
1001141035 & 1001158033

31211006

*Revised
November 18, 2014*



EFFECTIVITY PAGE

June 10, 2014 - A - Original Release of Manual

November 18, 2014 - B - Revised Manual

TABLE OF CONTENTS

SECTION 1 - ENGINE	7
FIGURE 1-1. SEALING HOUSING	8
FIGURE 1-2. DIPSTICK	10
FIGURE 1-3. BLANKING PARTS	12
FIGURE 1-4. BREATHER LINE	14
FIGURE 1-5. OIL FILLER	16
FIGURE 1-6. BLANKING PARTS	18
FIGURE 1-7. OIL PAN	20
FIGURE 1-8. V-GROOVED PULLEY	22
FIGURE 1-9. FLYWHEEL	24
FIGURE 1-10. V-RIBBED BELT PULLEY	26
FIGURE 1-11. VALVE MECHANICAL COVER	28
FIGURE 1-12. IDLER GEAR	30
FIGURE 1-13. FASTENINGS	32
FIGURE 1-14. LUBRICATING OIL PUMP	34
FIGURE 1-15. OIL COOLER ASSEMBLY	36
FIGURE 1-16. BRACKET	38
FIGURE 1-17. TRANSFER PIPE	40
FIGURE 1-18. LUBRICATING OIL LINE	42
FIGURE 1-19. OIL RETURN LINE	44
FIGURE 1-20. FUEL INJECTOR PUMP	46
FIGURE 1-21. INJECTOR PUMP DRIVE	48
FIGURE 1-22. FUEL INJECTOR	50
FIGURE 1-23. FUEL FILTER	52
FIGURE 1-24. FUEL PREFILTER	54
FIGURE 1-25. FUEL SUPPLY PUMP	56
FIGURE 1-26. RAIL	58
FIGURE 1-27. FUEL LINE	60
FIGURE 1-28. CHARGE AIR PIPE	62
FIGURE 1-29. CHARGE AIR PIPE	64
FIGURE 1-30. CONTROL UNIT	66
FIGURE 1-31. V-RIBBED BELT PULLEY	68
FIGURE 1-32. V-RIBBED BELT PULLEY	70
FIGURE 1-33. COOLANT PUMP	72
FIGURE 1-34. HOUSING	74
FIGURE 1-35. COOLING WATER LINE	76
FIGURE 1-36. COOLANT PIPE	78
FIGURE 1-37. ADAPTER	80
FIGURE 1-38. EGR COOLER	82
FIGURE 1-39. HOSE CONNECTOR	84
FIGURE 1-40. EXHAUST MANIFOLD	86
FIGURE 1-41. BELLOW EXPANSION JOINT	88
FIGURE 1-42. BRACKET	90
FIGURE 1-43. COOLING WATER LINE	92
FIGURE 1-44. COOLING WATER LINE	94
FIGURE 1-45. BRACKET	96
FIGURE 1-46. EXHAUST GAS BEND	98
FIGURE 1-47. TURBOCHARGER	100
FIGURE 1-48. MANIFOLD	102
FIGURE 1-49. BELT TENSIONER	104
FIGURE 1-50. FASTENINGS	106
FIGURE 1-51. GENERATOR	108
FIGURE 1-52. GENERATOR MOUNTING	110
FIGURE 1-53. STARTER	112
FIGURE 1-54. PLUG-IN CONNECTOR	114
FIGURE 1-55. FASTENINGS	116
FIGURE 1-56. RELAY	118
FIGURE 1-57. CABLE HARNESS	120
FIGURE 1-58. FASTENINGS	122
FIGURE 1-59. ELECTRIC LINE	124
FIGURE 1-60. PROTECTING CAP	126
FIGURE 1-61. TACHO-GENERATOR	128
FIGURE 1-62. SENSOR	130
FIGURE 1-63. FASTENINGS	132
FIGURE 1-64. SPACER RING	134

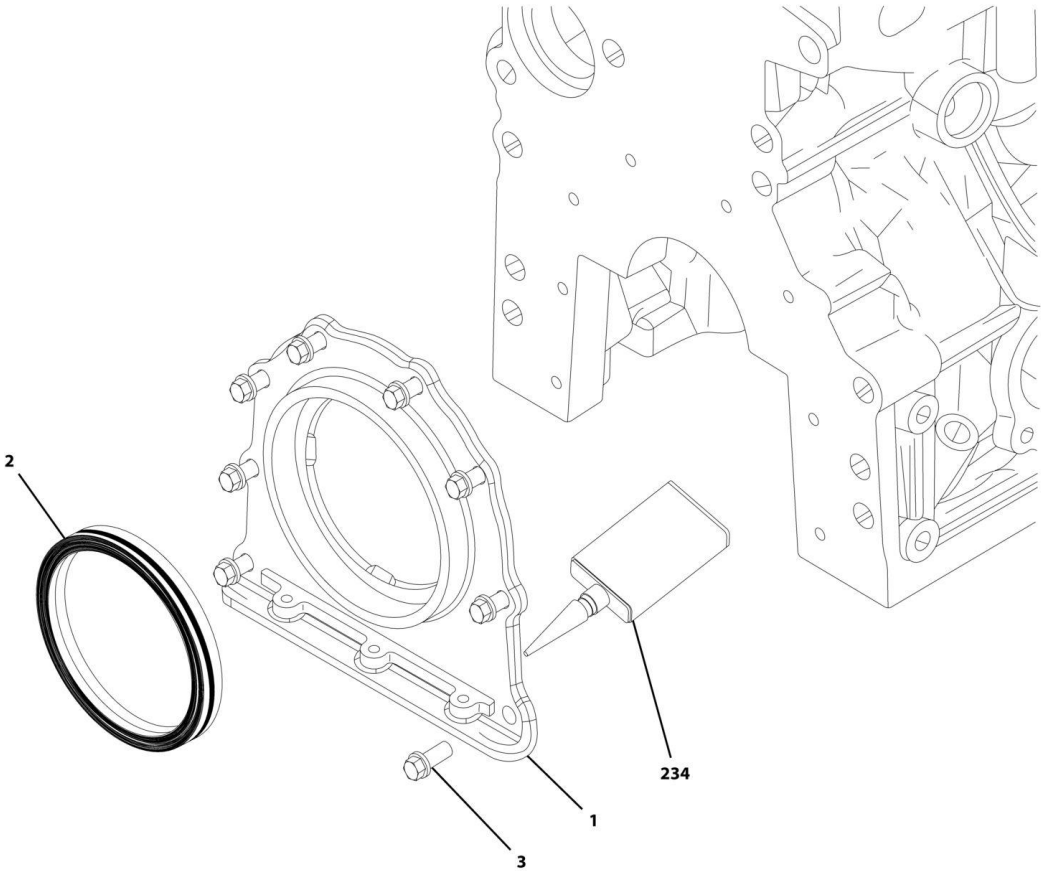
TABLE OF CONTENTS

FIGURE 1-65. FLYWHEEL HOUSING.....	136
FIGURE 1-66. GLOW PLUG.....	138
FIGURE 1-67. INLET.....	140
FIGURE 1-68. COMPENSATOR.....	142
FIGURE 1-69. BRACKET.....	144
FIGURE 1-70. MOUNTING MATERIAL.....	146
FIGURE 1-71. RETURNS ELEVATOR.....	148
FIGURE 1-72. TRANSMITTER MOUNT.....	150
FIGURE 1-73. SCREW PLUG.....	152
SECTION 2 - RECOMMENDED SPARE PARTS.....	155
FIGURE 2-1. RECOMMENDED SPARE PARTS.....	156
PART NUMBER INDEX.....	159

SECTION 1 - ENGINE

SECTION 1 - ENGINE

FIGURE 1-1. SEALING HOUSING



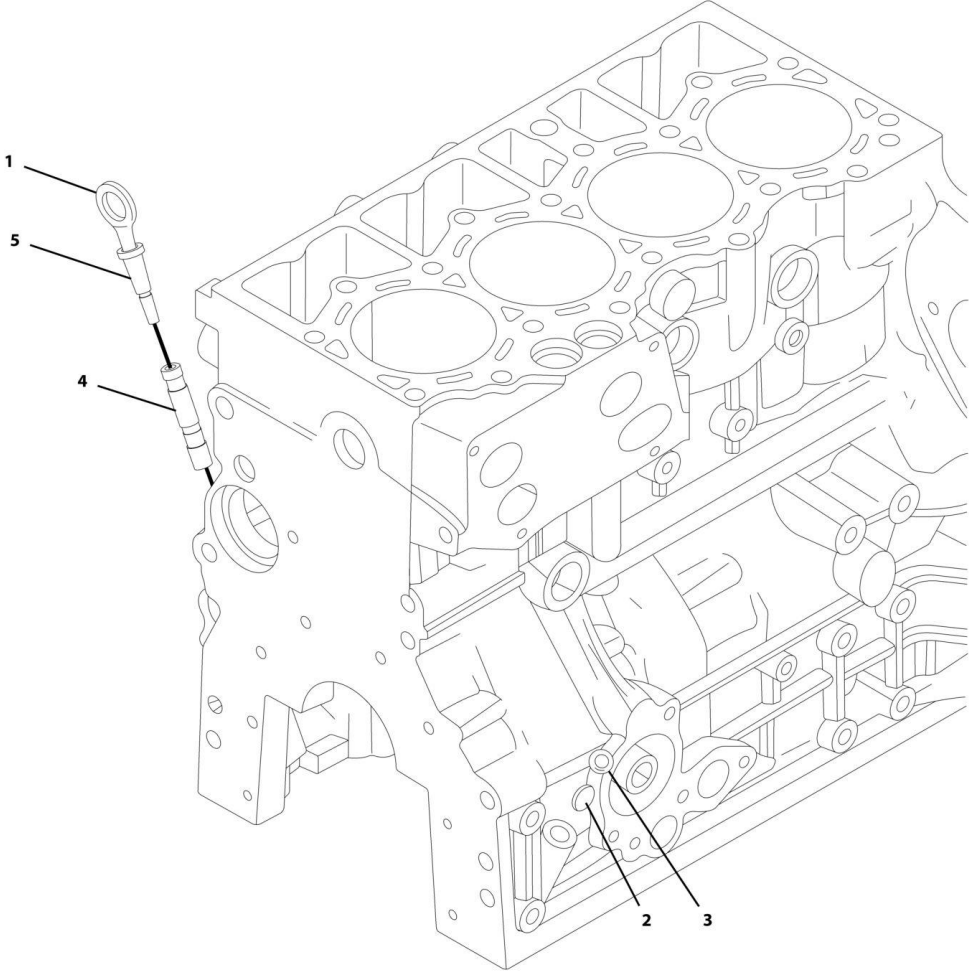
Art_PAP33600-B

FIGURE 1-1. SEALING HOUSING

ITEM	PART NUMBER	QTY	DESCRIPTION	REV
1	70025720	1	REAR END COVER, (includes item 2)	
2	70002718	1	ROTATING SHAFT LIP SEAL	
3	70025125	8	HEXAGON BOLT, (torque to 20 Nm/15 lb-ft)	
234		Ref	PACKING COMPOUND	

SECTION 1 - ENGINE

FIGURE 1-2. DIPSTICK



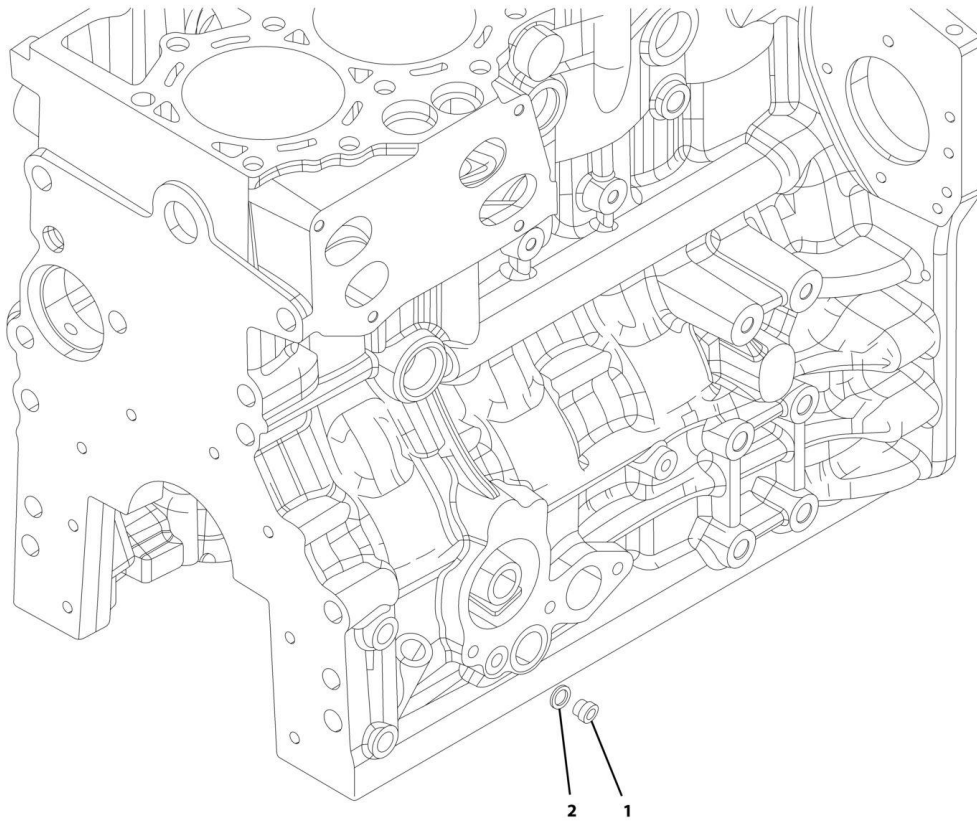
Art_PAP33610-B

FIGURE 1-2. DIPSTICK

ITEM	PART NUMBER	QTY	DESCRIPTION	REV
1	70025745	1	DIPSTICK, (includes item 5)	
2	70025665	1	BALL	
3	70025691	1	PLUG	
4	70025755	1	GUIDE TUBE	
5	7020442	2	O-SEAL	

SECTION 1 - ENGINE

FIGURE 1-3. BLANKING PARTS



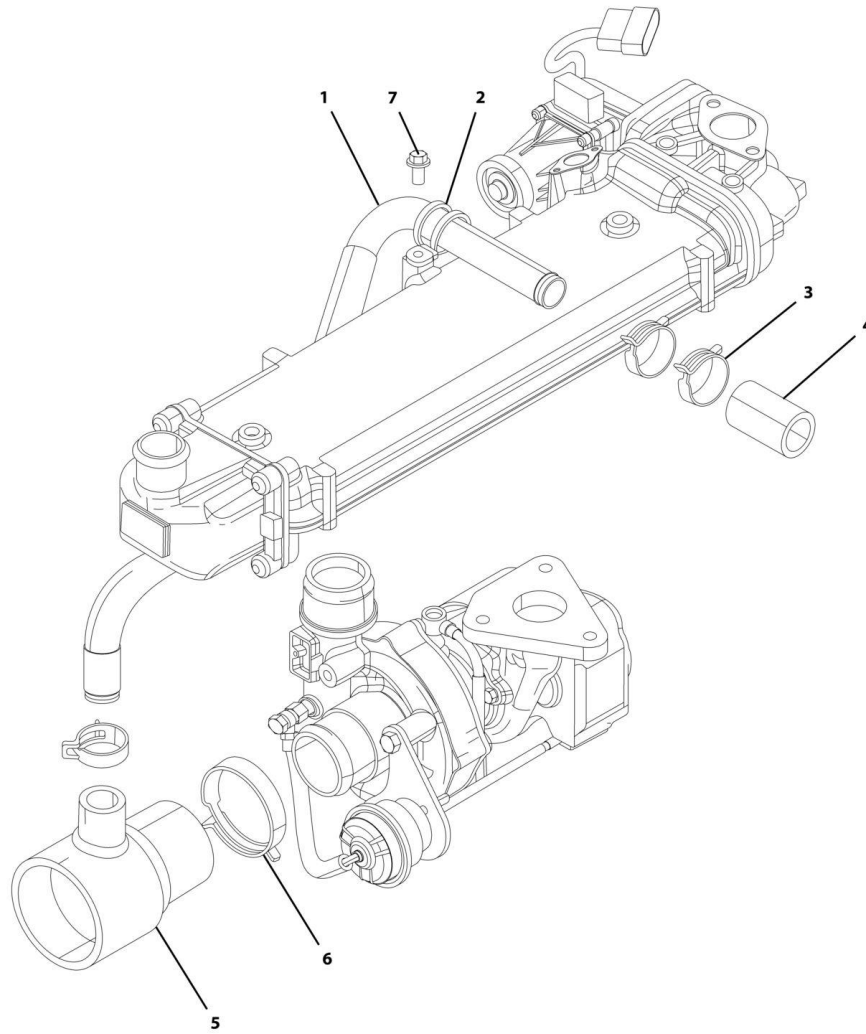
Art_PAP33620-B

FIGURE 1-3. BLANKING PARTS

ITEM	PART NUMBER	QTY	DESCRIPTION	REV
1	70025666	1	SCREW PLUG, (torque to 13 Nm/10 lb-ft)	
2	70040123	1	SEALING RING	

SECTION 1 - ENGINE

FIGURE 1-4. BREATHER LINE



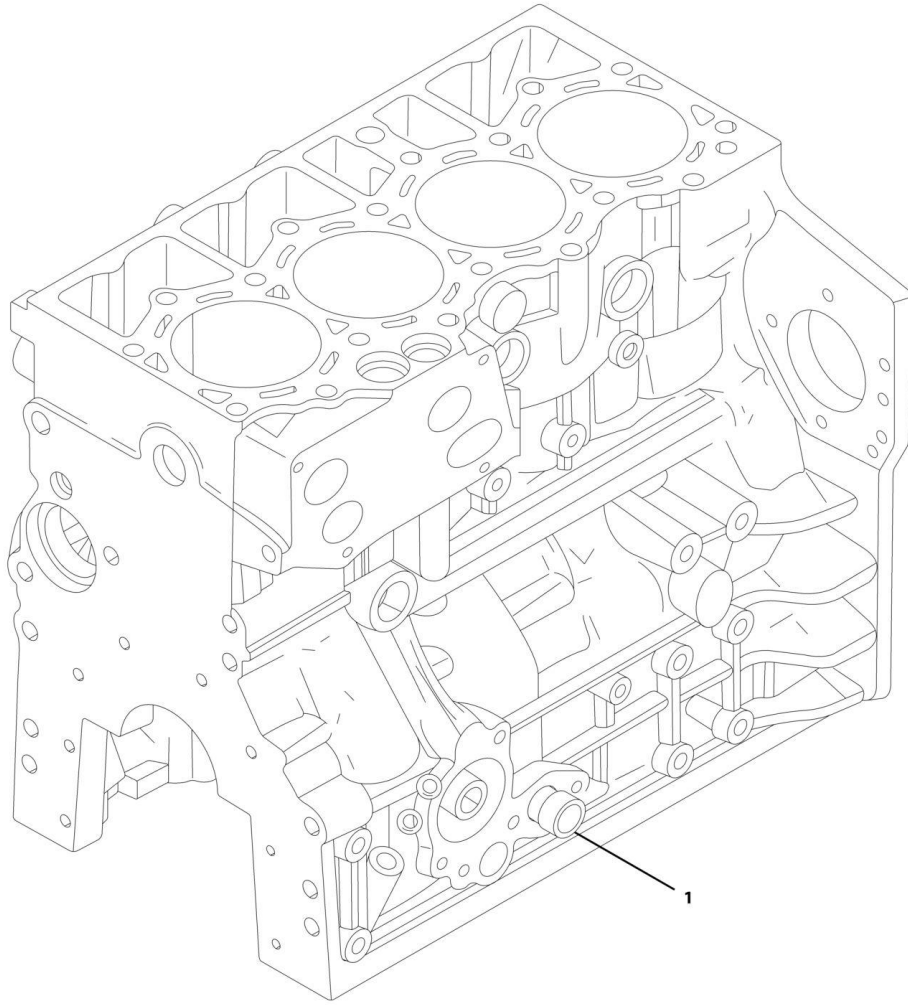
Art_PAP33630-B

FIGURE 1-4. BREATHER LINE

ITEM	PART NUMBER	QTY	DESCRIPTION	REV
1	70025774	1	BREATHER LINE, (includes items 2 thru 6)	
2	70025116	1	PIPE CLAMP	
3	70025111	3	SPRING BAND CLAMP	
4	70025119	1	RUBBER SLEEVE	
5	70025771	1	INTAKE PIPE	
6	70025680	1	SPRING BAND CLAMP	
7	70025128	1	HEXAGON BOLT, (torque to 8 Nm/6 lb-ft)	

SECTION 1 - ENGINE

FIGURE 1-5. OIL FILLER



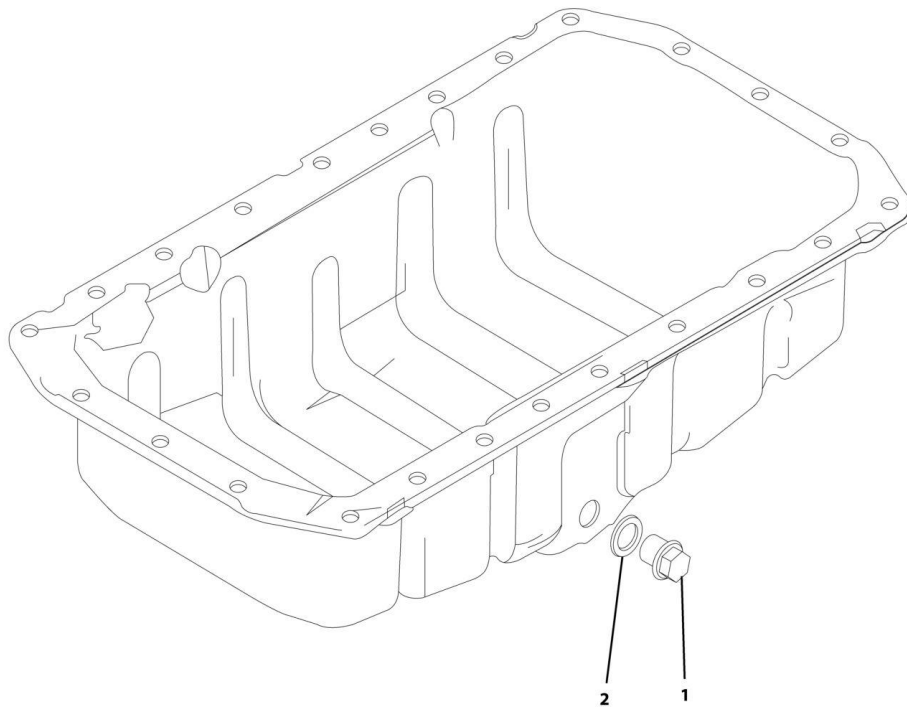
Art_PAP33640-B

FIGURE 1-5. OIL FILLER

ITEM	PART NUMBER	QTY	DESCRIPTION	REV
1	70025786	2	SCREW PLUG, (torque to 95 Nm/70 lb-ft)	

SECTION 1 - ENGINE

FIGURE 1-6. BLANKING PARTS



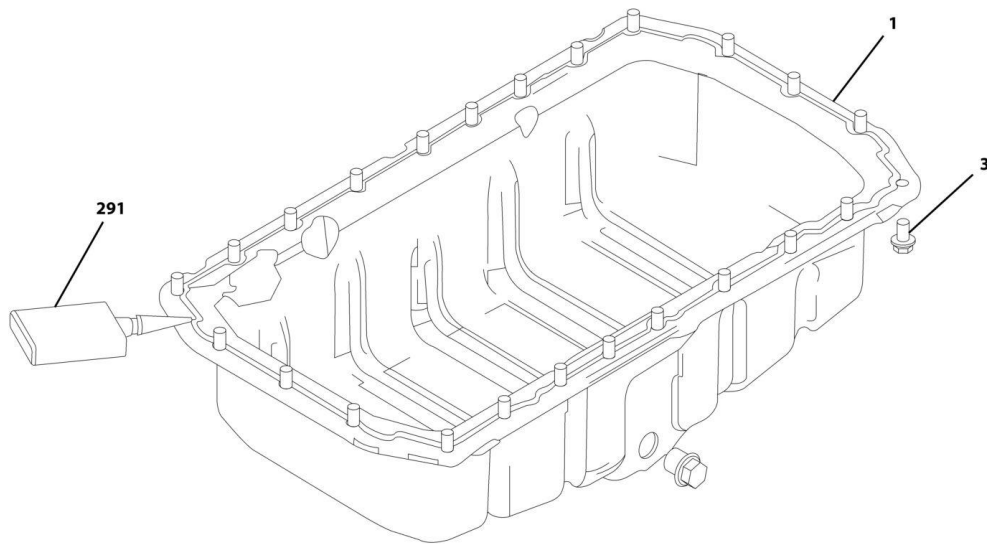
Art_PAP33650-B

FIGURE 1-6. BLANKING PARTS

ITEM	PART NUMBER	QTY	DESCRIPTION	REV
1	70025088	1	SCREW PLUG, (torque to 55 Nm/41 lb-ft)	
2	70025538	1	JOINT WASHER	

SECTION 1 - ENGINE

FIGURE 1-7. OIL PAN



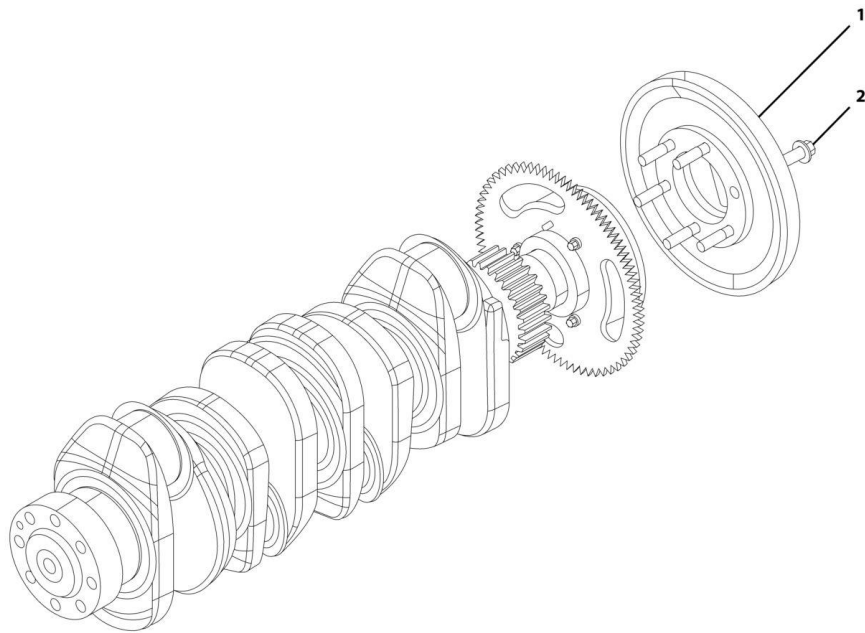
Art_PAP33660-B

FIGURE 1-7. OIL PAN

ITEM	PART NUMBER	QTY	DESCRIPTION	REV
1	70025765	1	OIL PAN	
3	70025123	24	TORX HEAD BOLT, (torque to 20 Nm/15 lb-ft)	
291		Ref	LOCTITE 5900	

SECTION 1 - ENGINE

FIGURE 1-8. V-GROOVED PULLEY



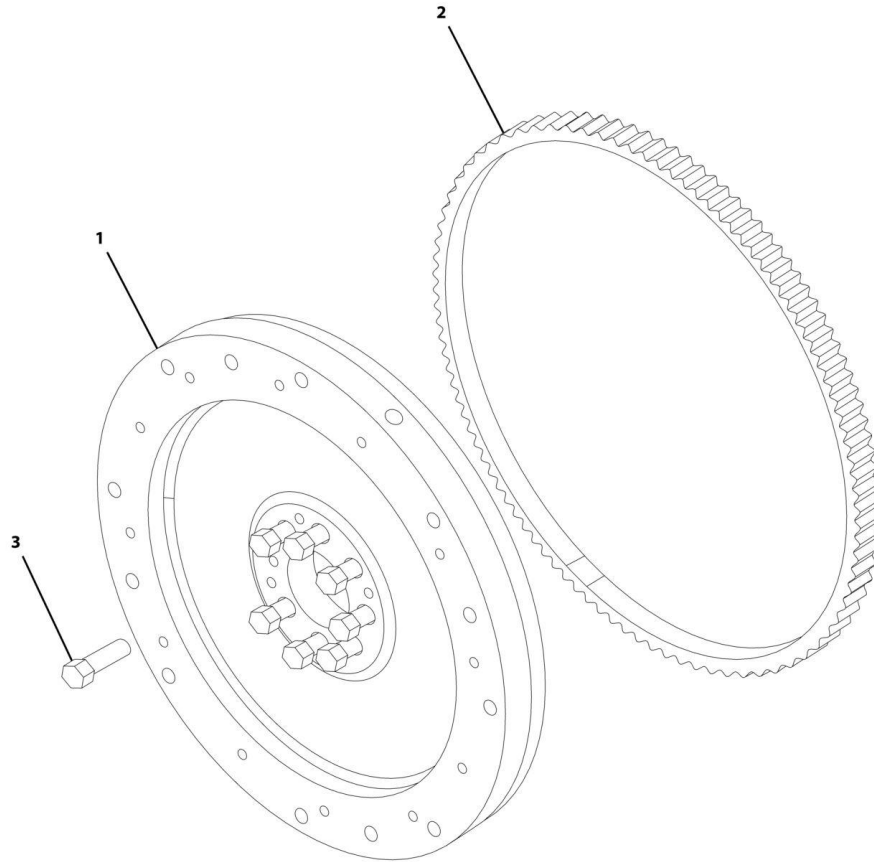
Art_PAP33670-B

FIGURE 1-8. V-GROOVED PULLEY

ITEM	PART NUMBER	QTY	DESCRIPTION	REV
1	70025743	1	V-GROOVED PULLEY	
2	70025688	6	HEXAGON BOLT, (torque to 60 Nm/44 lb-ft)	

SECTION 1 - ENGINE

FIGURE 1-9. FLYWHEEL



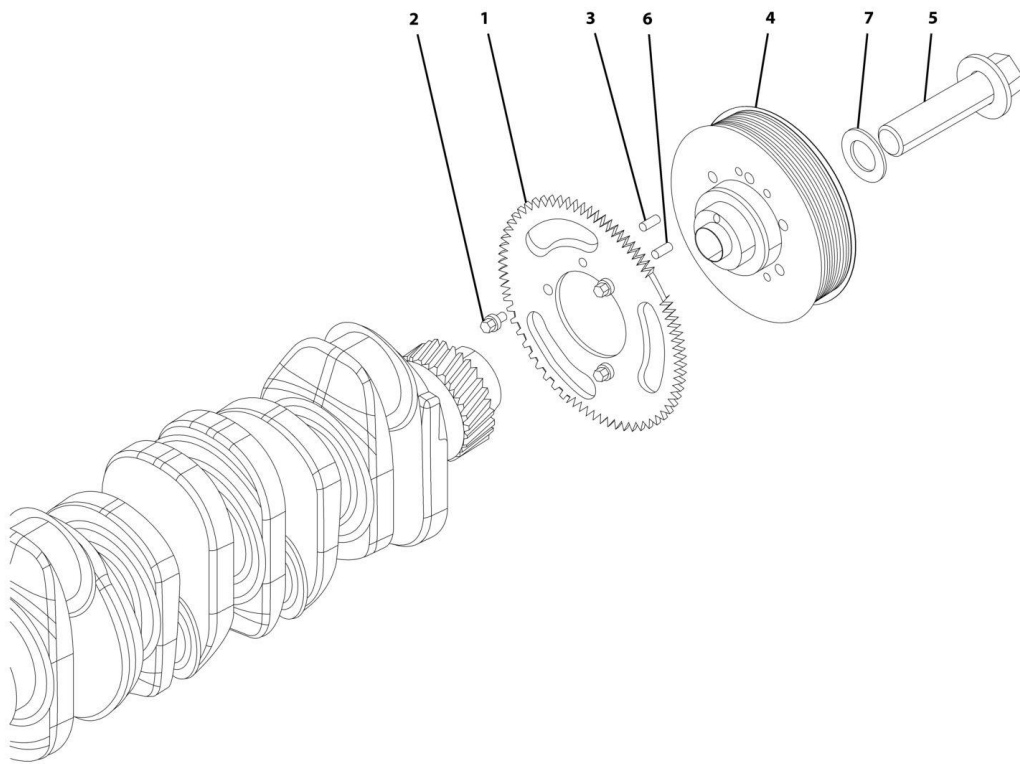
Art_PAP33680-B

FIGURE 1-9. FLYWHEEL

ITEM	PART NUMBER	QTY	DESCRIPTION	REV
1	70025757	1	FLYWHEEL, (includes item 2)	
2	7020208	1	GEAR RIM	
3	70025139	8	SCREW/BOLT	

SECTION 1 - ENGINE

FIGURE 1-10. V-RIBBED BELT PULLEY



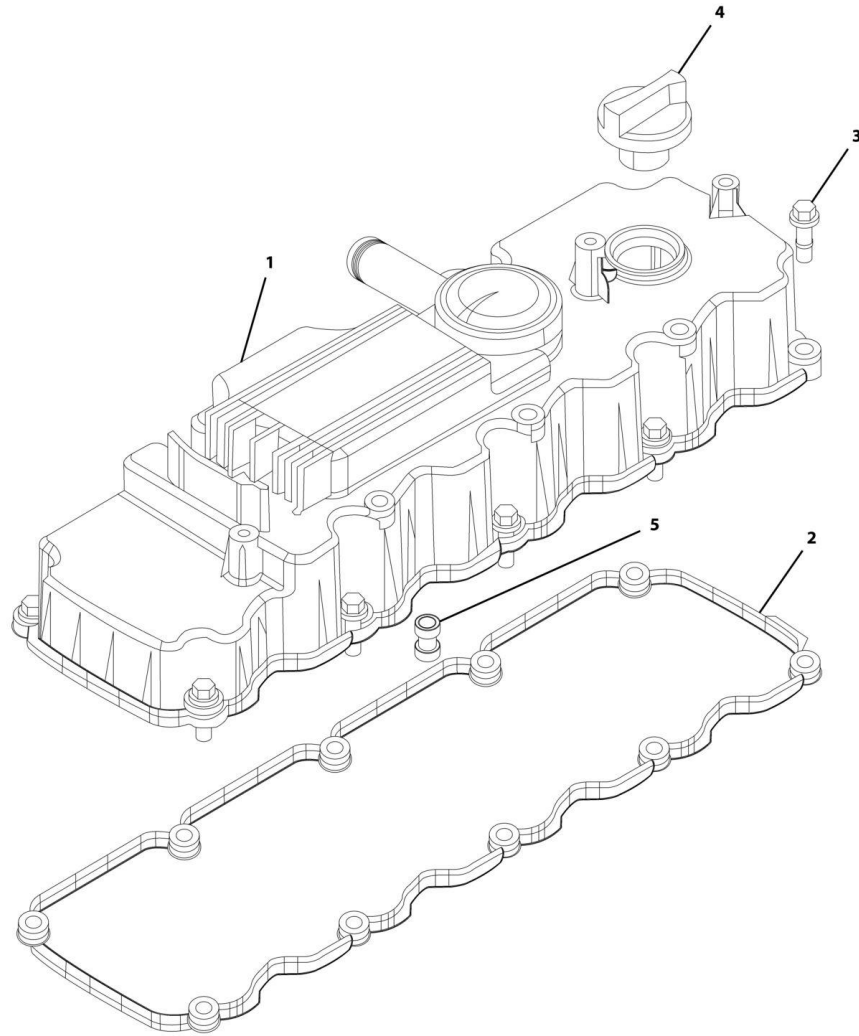
Art_PAP33690-B

FIGURE 1-10. V-RIBBED BELT PULLEY

ITEM	PART NUMBER	QTY	DESCRIPTION	REV
1	70025737	1	WHEEL SENSOR	
2	70001655	3	HEXAGON BOLT, (torque to 13 Nm/10 lb-ft)	
3	70025683	1	STRAIGHT PIN	
4	70025742	1	V-RIBBED BELT PULLEY	
5	70025770	1	HEXAGON BOLT, (torque to 100 Nm/74 lb-ft)	
6	70025663	1	STRAIGHT PIN	
7	70025705	1	PLAIN WASHER	

SECTION 1 - ENGINE

FIGURE 1-11. VALVE MECHANICAL COVER



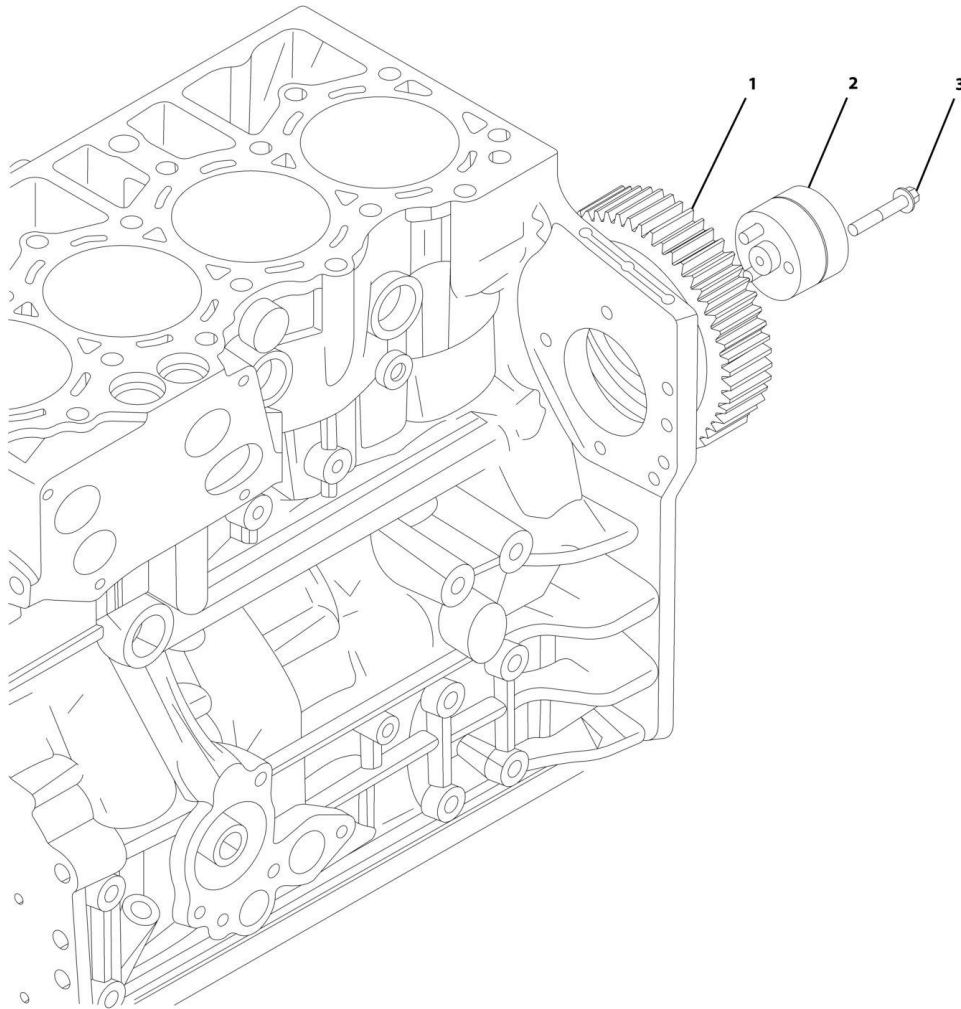
Art_PAP33700-B

FIGURE 1-11. VALVE MECHANICAL COVER

ITEM	PART NUMBER	QTY	DESCRIPTION	REV
1	70025746	1	COVER, (includes items 2 thru 4)	
2	70024481	1	GASKET	
3	70025727	10	SCREW/BOLT, (torque to 8.5 Nm/6 lb-ft)	
4	7020465	1	FILLER CAP	
5	70024511	1	PLUG	

SECTION 1 - ENGINE

FIGURE 1-12. IDLER GEAR



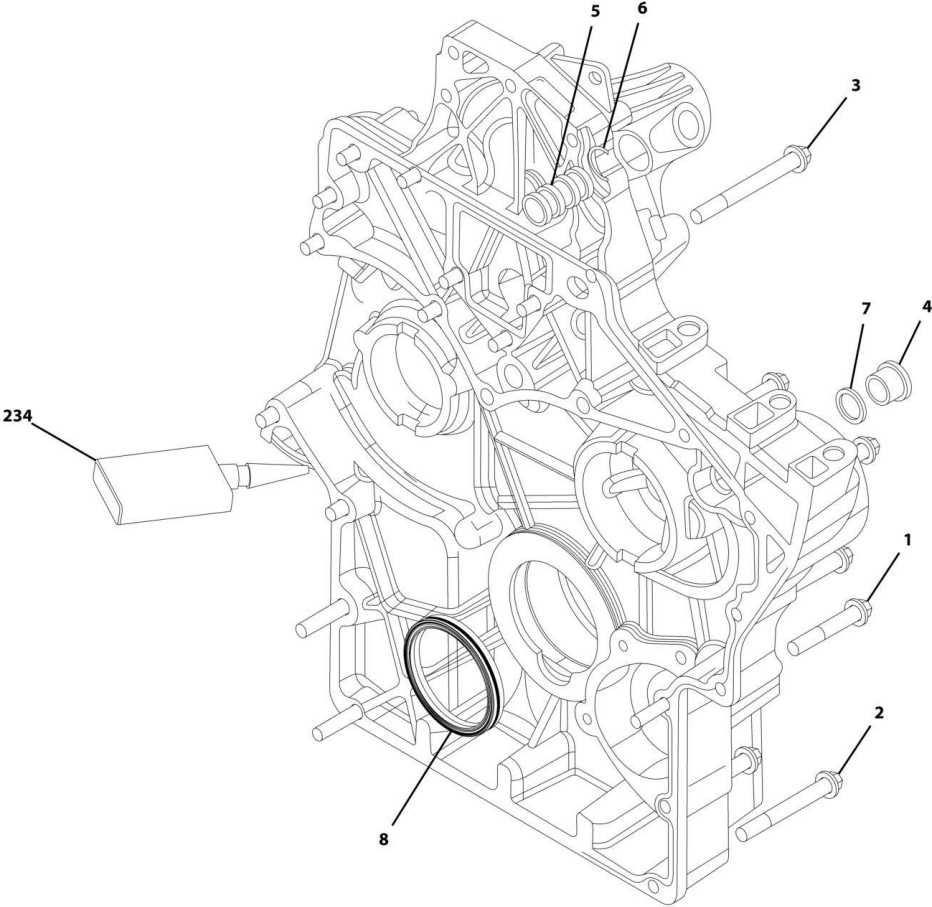
Art_PAP33710-B

FIGURE 1-12. IDLER GEAR

ITEM	PART NUMBER	QTY	DESCRIPTION	REV
1	70025739	1	IDLER GEAR	
2	70025740	1	SHAFT	
3	70025127	3	HEXAGON BOLT, (torque to 30 Nm/22 lb-ft)	

SECTION 1 - ENGINE

FIGURE 1-13. FASTENINGS



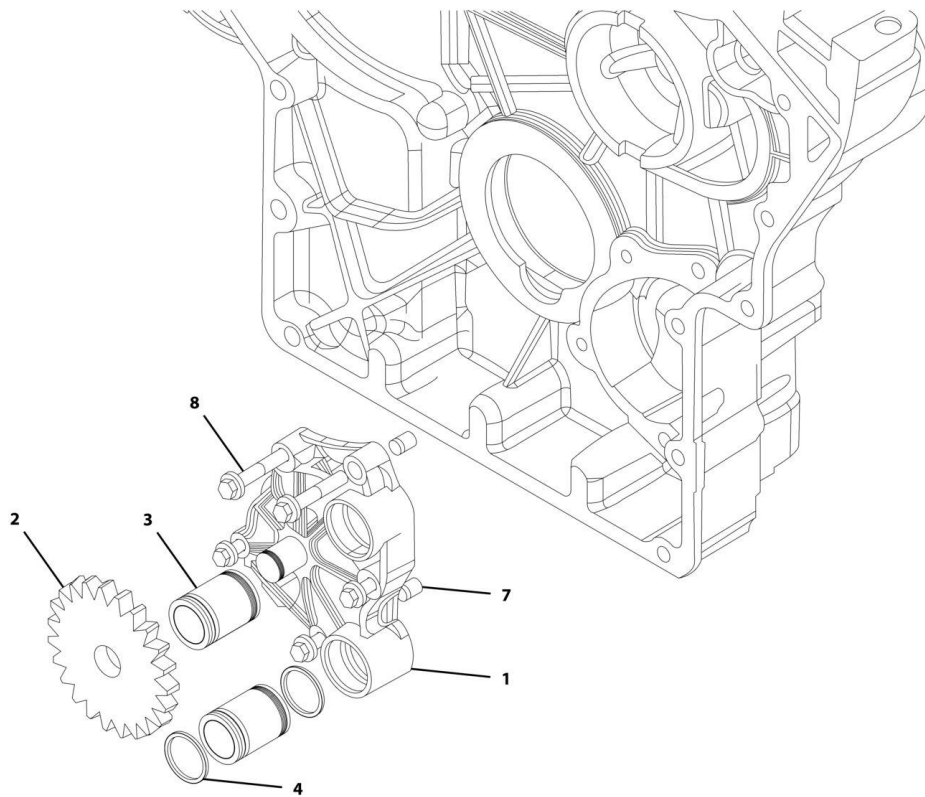
Art_PAP33720-B

FIGURE 1-13. FASTENINGS

ITEM	PART NUMBER	QTY	DESCRIPTION	REV
1	70025695	10	HEXAGON BOLT, (torque to 30 Nm/22 lb-ft)	
2	70025671	7	HEXAGON BOLT, (torque to 30 Nm/22 lb-ft)	
3	70025703	5	HEXAGON BOLT, (torque to 30 Nm/22 lb-ft)	
4	70025667	1	SCREW PLUG, (torque to 55 Nm/41 lb-ft)	
5	70025758	1	CONNECTOR	
6	70025704	1	HALF-MOON RING	
7	7029385	1	SEALING RING	
8	70004280	1	ROTATING SHAFT LIP SEAL	
234		Ref	PACKING COMPOUND	

SECTION 1 - ENGINE

FIGURE 1-14. LUBRICATING OIL PUMP



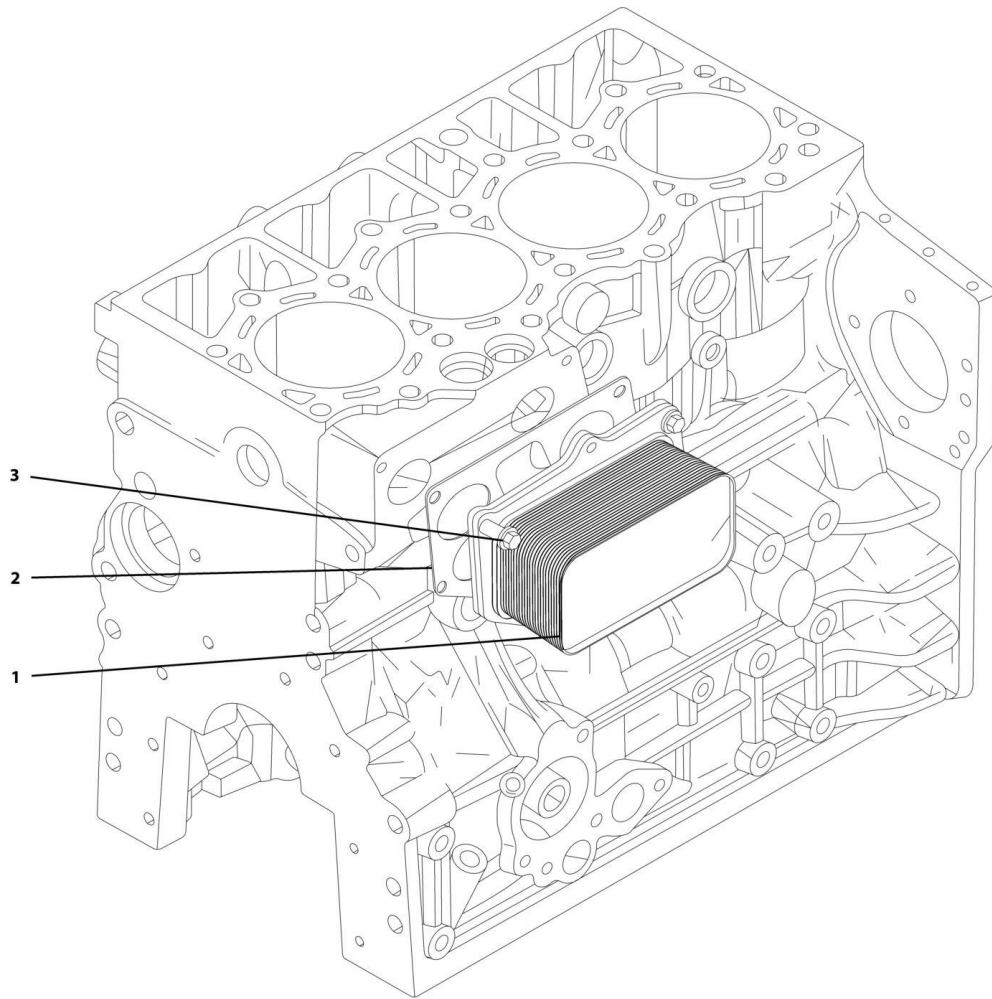
Art_PAP33730-B

FIGURE 1-14. LUBRICATING OIL PUMP

ITEM	PART NUMBER	QTY	DESCRIPTION	REV
1	70025763	1	OIL PUMP, (includes items 2 thru 4)	
2	N.S.S.	1	TOOTHED GEAR, (pressed into oil pump)	
3	70025717	2	ADAPTER TUBE	
4	70025718	4	O-RING	
7	70025714	2	DOWEL BUSH	
8	70025679	5	HEXAGON BOLT, (torque to 8.5 Nm/6 lb-ft)	

SECTION 1 - ENGINE

FIGURE 1-15. OIL COOLER ASSEMBLY



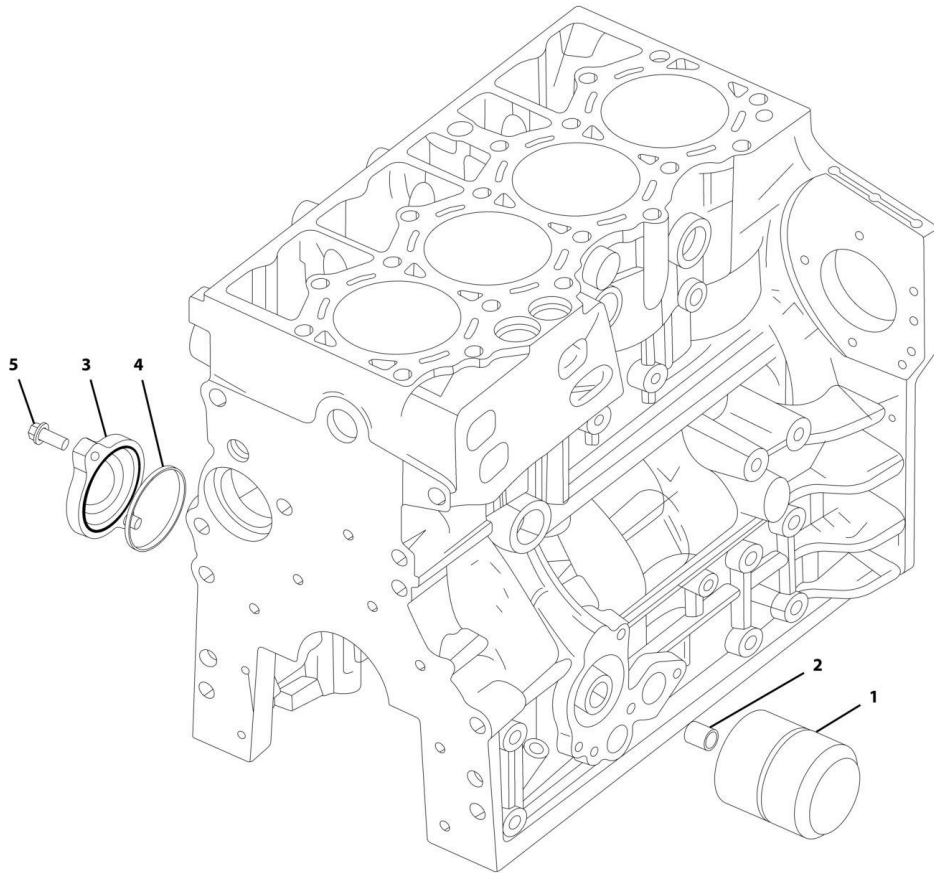
Art_PAP33740-B

FIGURE 1-15. OIL COOLER ASSEMBLY

ITEM	PART NUMBER	QTY	DESCRIPTION	REV
1	70004275	1	OIL COOLER	
2	70024495	1	GASKET	
3	70025125	4	HEXAGON BOLT, (torque to 30 Nm/22 lb-ft)	

SECTION 1 - ENGINE

FIGURE 1-16. BRACKET



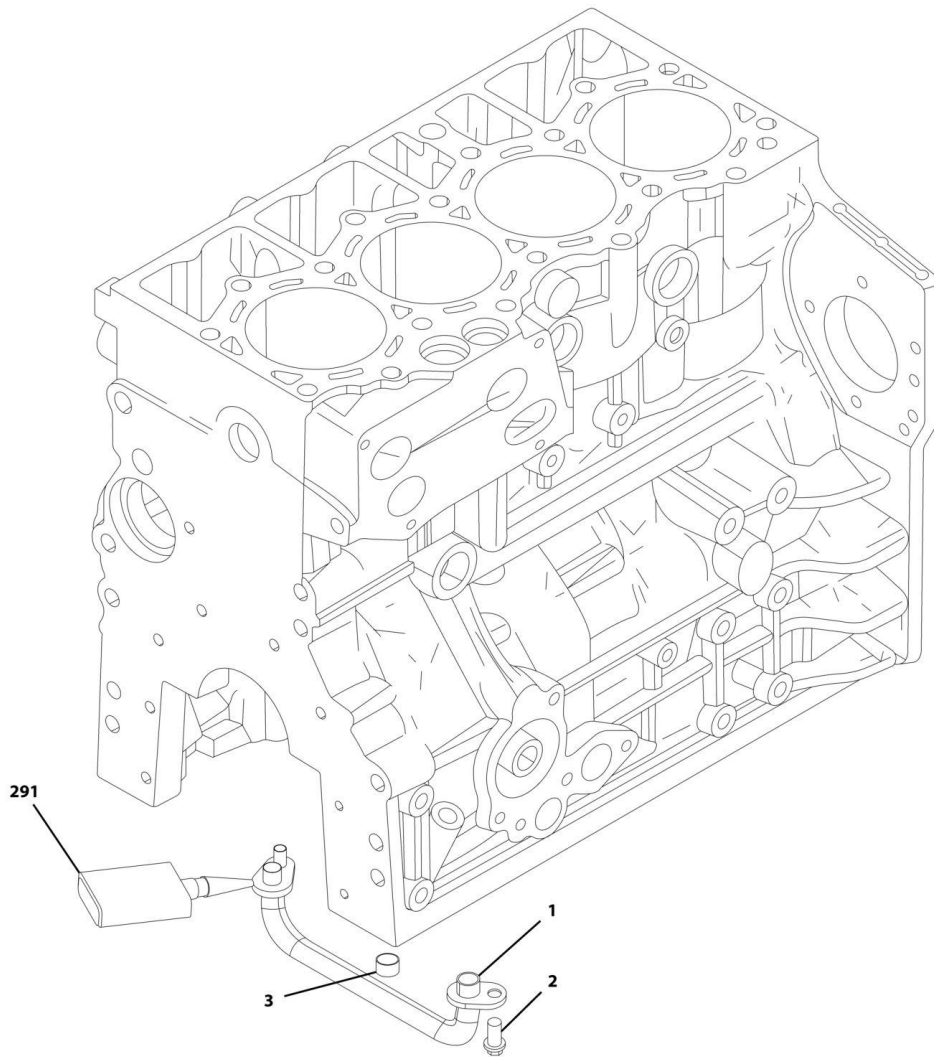
Art_PAP33750-B

FIGURE 1-16. BRACKET

ITEM	PART NUMBER	QTY	DESCRIPTION	REV
1	7016331	1	SPIN-ON OIL FILTER, (torque to 12 Nm/9 lb-ft)	
2	70025137	1	SCREWED BUSH, (torque to 40 Nm/30 lb-ft)	
3	70025731	1	COVER	
4	70002813	1	O-SEAL	
5	70025122	2	HEXAGON BOLT, (torque to 30 Nm/22 lb-ft)	

SECTION 1 - ENGINE

FIGURE 1-17. TRANSFER PIPE



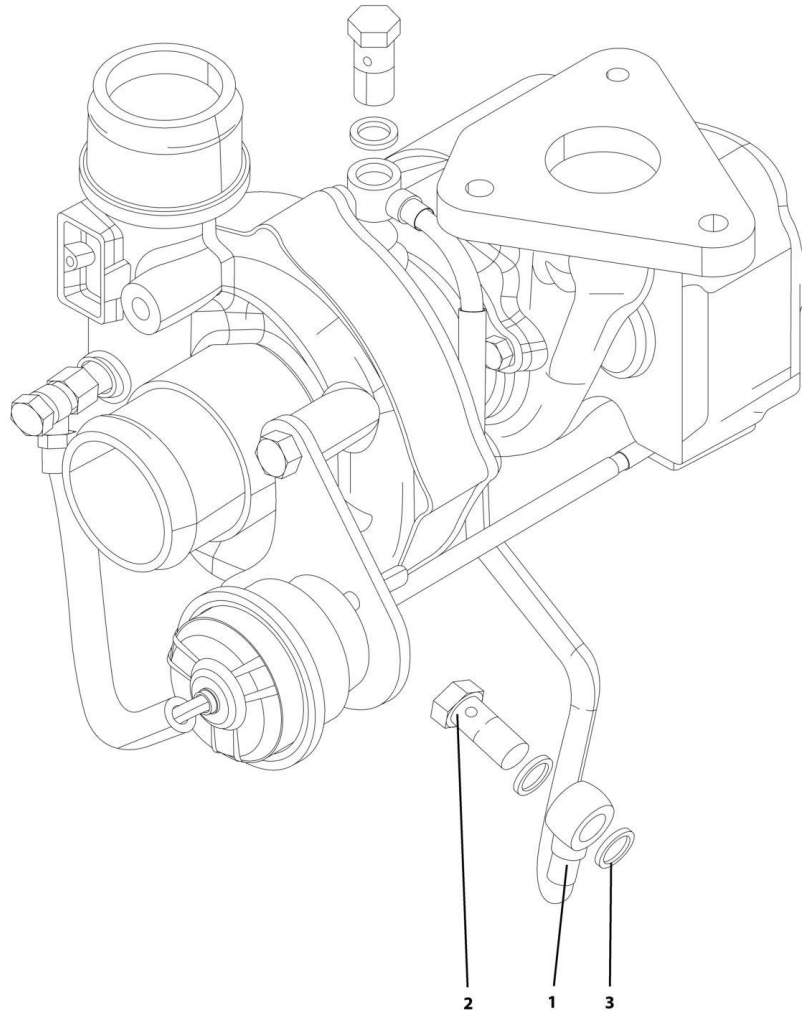
Art_PAP33760-B

FIGURE 1-17. TRANSFER PIPE

ITEM	PART NUMBER	QTY	DESCRIPTION	REV
1	70025730	1	TRANSFER PIPE	
2	70025694	2	TORX HEAD BOLT, (torque to 20 Nm/15 lb-ft)	
3	70025692	1	SCREW PLUG, (torque to 35 Nm/26 lb-ft)	
291		Ref	LOCTITE 5900	

SECTION 1 - ENGINE

FIGURE 1-18. LUBRICATING OIL LINE



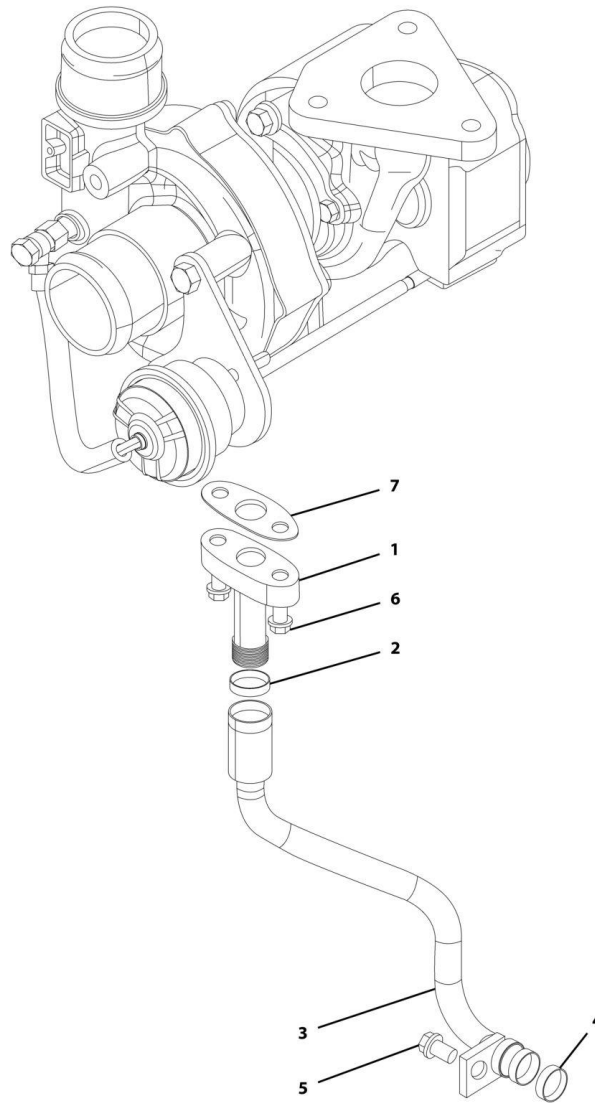
Art_PAP33770-B

FIGURE 1-18. LUBRICATING OIL LINE

ITEM	PART NUMBER	QTY	DESCRIPTION	REV
1	70025724	1	LUBRICATING OIL LINE, (includes items 2 & 3)	
2	70025085	2	HOLLOW SCREW	
3	70025105	4	SEALING RING	

SECTION 1 - ENGINE

FIGURE 1-19. OIL RETURN LINE



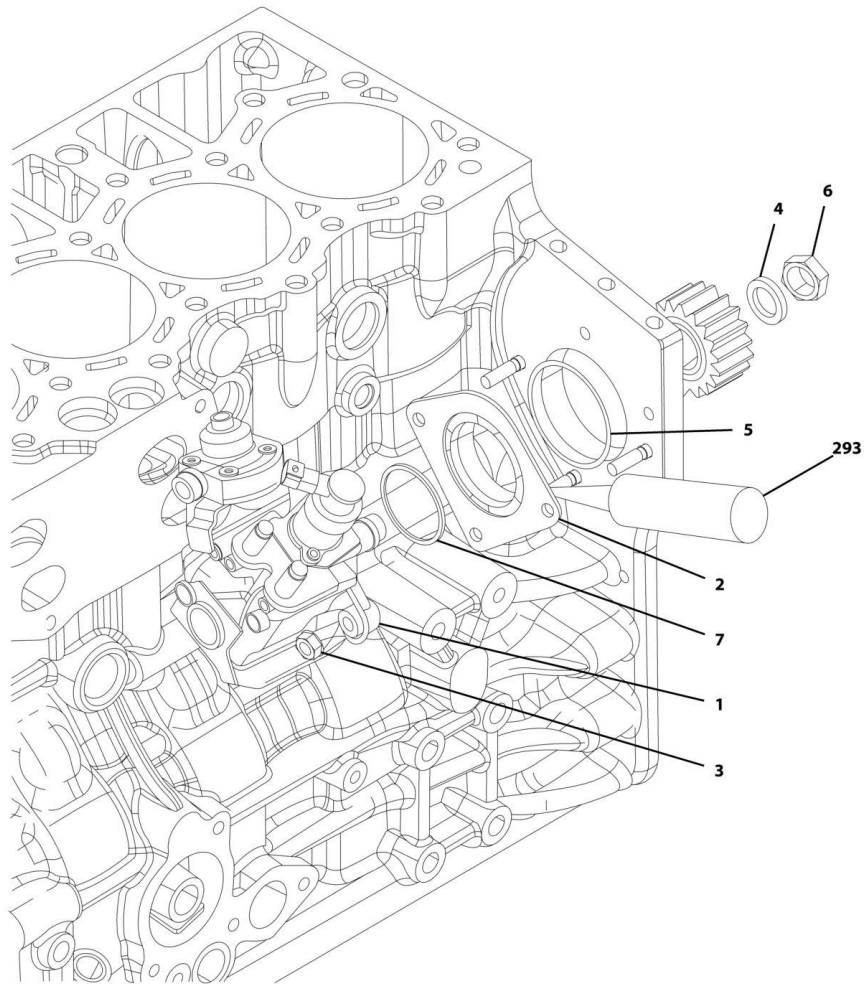
Art_PAP33780-B

FIGURE 1-19. OIL RETURN LINE

ITEM	PART NUMBER	QTY	DESCRIPTION	REV
1	70025787	1	ATTACHMENT FLANGE	
2	70040100	1	O-SEAL	
3	70025725	1	OIL RETURN LINE, (includes item 4)	
4	70025132	1	O-SEAL	
5	70025693	1	HEXAGON BOLT, (torque to 8.5 Nm/6 lb-ft)	
6	70025095	2	HEXAGON BOLT, (torque to 8.5 Nm/6 lb-ft)	
7	70024509	1	GASKET	

SECTION 1 - ENGINE

FIGURE 1-20. FUEL INJECTOR PUMP



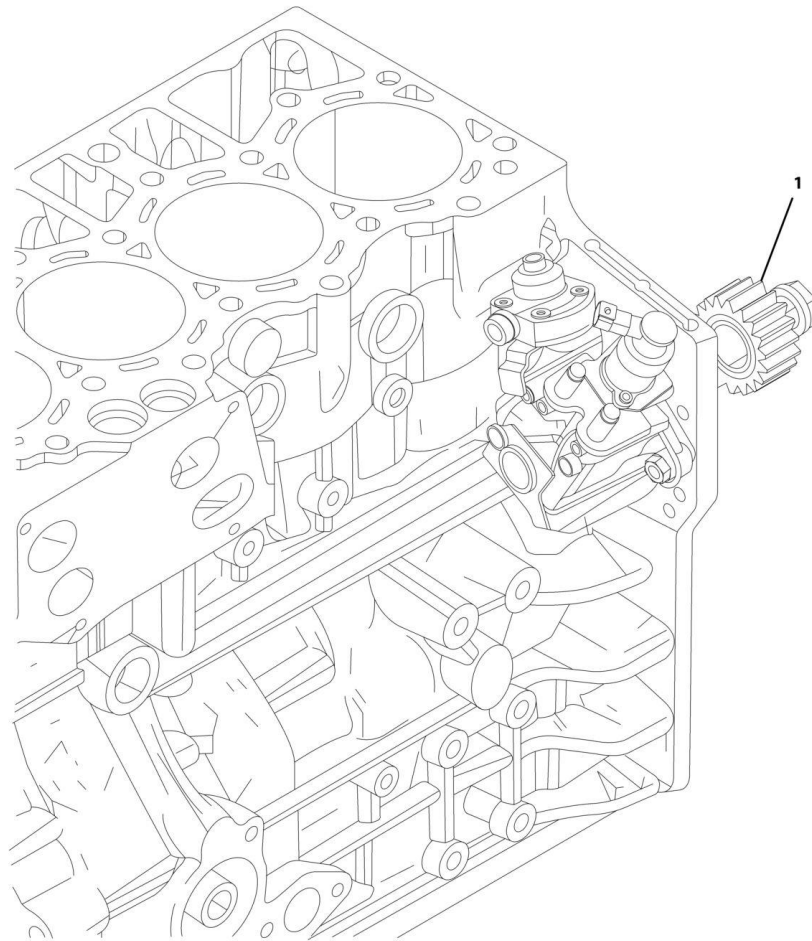
Art_PAP33790-B

FIGURE 1-20. FUEL INJECTOR PUMP

ITEM	PART NUMBER	QTY	DESCRIPTION	REV
1	70024487	1	FUEL INJECTOR PUMP, (includes item 7)	
2	70024488	1	DISTANCE PIECE	
3	70025104	3	HEXAGON NUT, (torque to 20 Nm/15 lb-ft)	
4	70025754	1	PLAIN WASHER	
5	70024517	1	O-SEAL	
6	70025087	1	HEXAGON NUT, (torque to 80 Nm/59 lb-ft)	
7	70025152	1	O-RING	
293		Ref	MULTIPURPOSE GREASE	

SECTION 1 - ENGINE

FIGURE 1-21. INJECTOR PUMP DRIVE



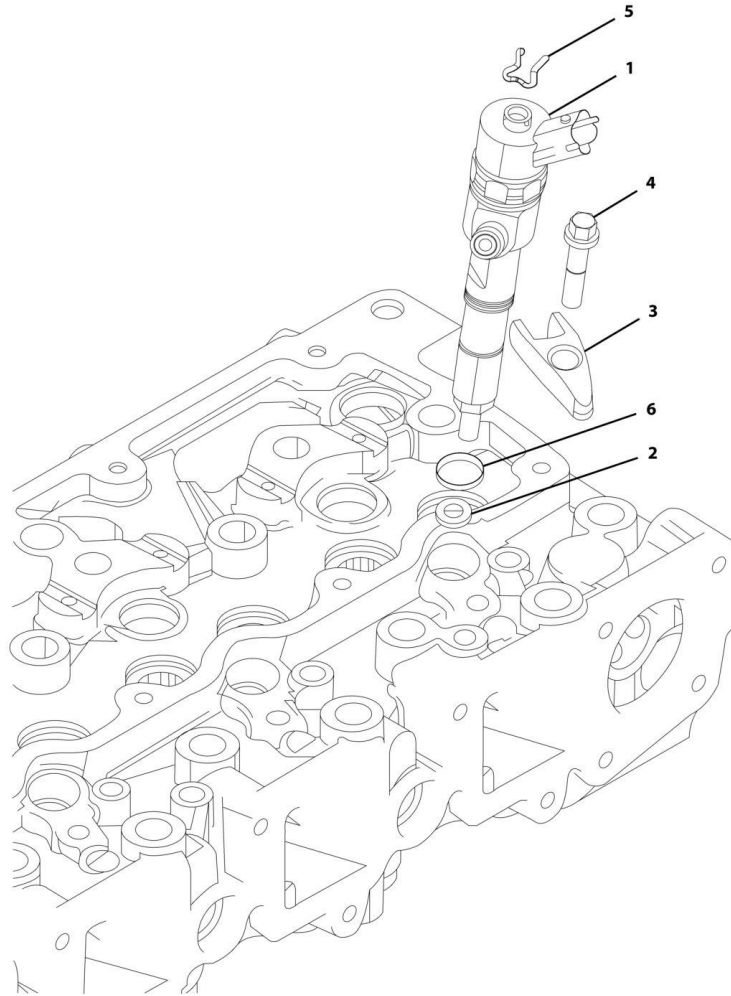
Art_PAP33800-B

FIGURE 1-21. INJECTOR PUMP DRIVE

ITEM	PART NUMBER	QTY	DESCRIPTION	REV
1	70025729	1	TOOTHED GEAR	

SECTION 1 - ENGINE

FIGURE 1-22. FUEL INJECTOR



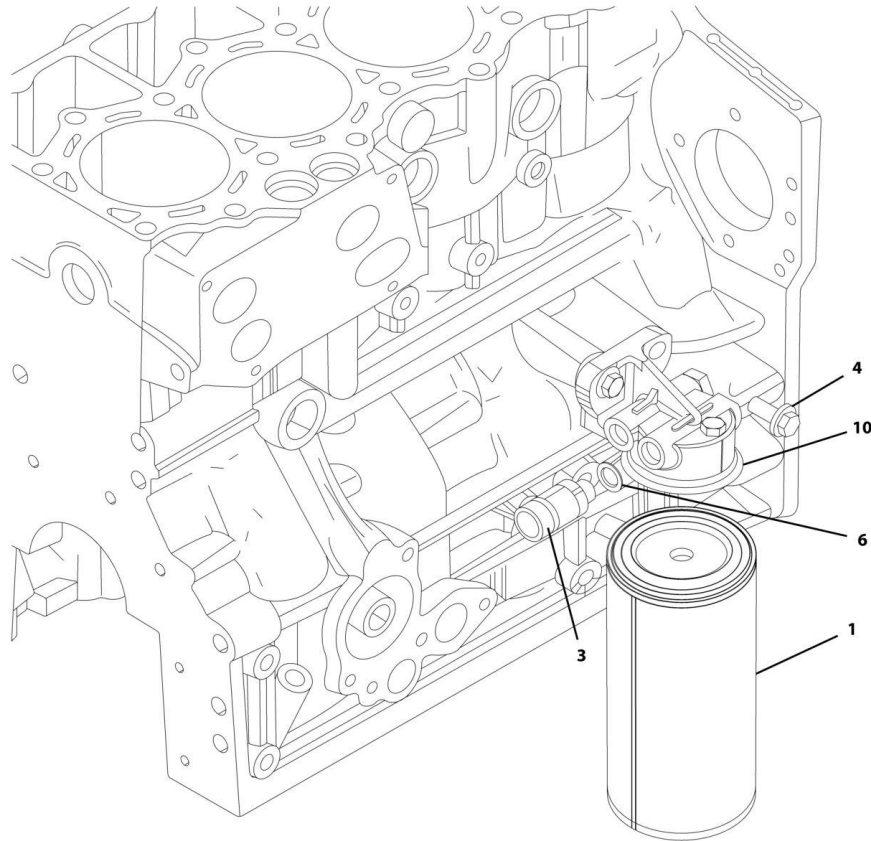
Art_PAP33810-B

FIGURE 1-22. FUEL INJECTOR

ITEM	PART NUMBER	QTY	DESCRIPTION	REV
1	70024485	4	INJECTOR, (includes items 2, 5 & 6)	
2	70025140	4	SEALING WASHER	
3	70025154	4	CLAMPING PAD/SHOE	
4	70025147	4	TORX HEAD BOLT, (torque to 30 Nm/22 lb-ft)	
5	70025146	4	CLAMP	
6	70025145	4	O-SEAL	

SECTION 1 - ENGINE

FIGURE 1-23. FUEL FILTER



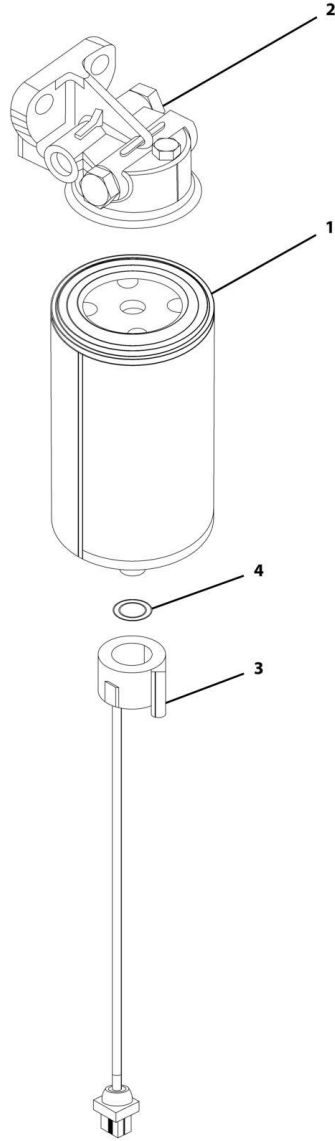
Art_PAP33820-B

FIGURE 1-23. FUEL FILTER

ITEM	PART NUMBER	QTY	DESCRIPTION	REV
1	70024962	1	SPIN-ON FUEL FILTER	
3	70024504	1	PRESSURE SENSOR, (includes item 6), (torque to 25 Nm/18 lb-ft)	
4	70025121	2	HEXAGON BOLT, (torque to 42 Nm/31 lb-ft)	
6	70024920	1	O-SEAL	
10	70024963	1	FUEL FILTER, (includes item 1)	

SECTION 1 - ENGINE

FIGURE 1-24. FUEL PREFILTER



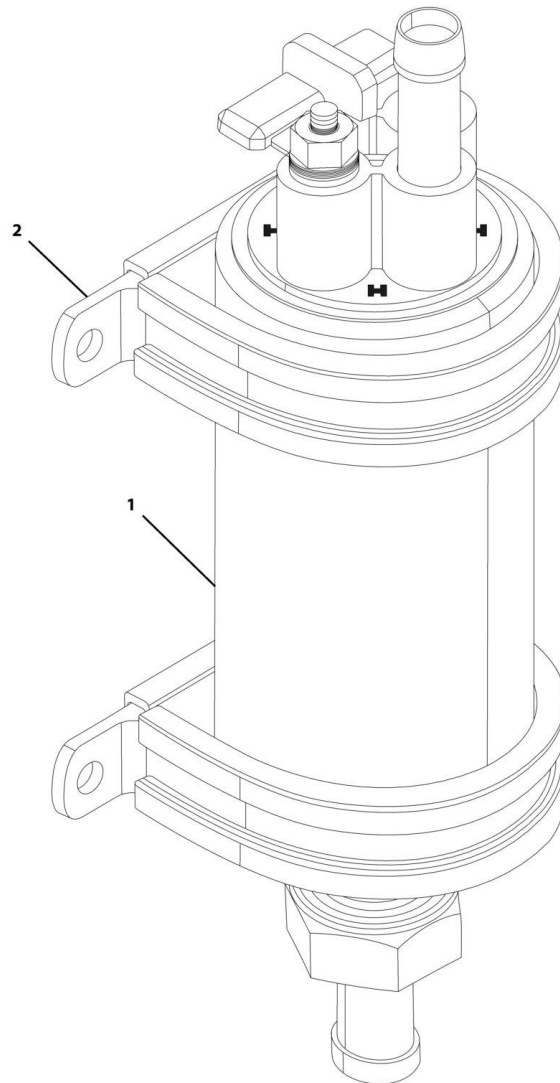
Art_PAP33830-B

FIGURE 1-24. FUEL PREFILTER

ITEM	PART NUMBER	QTY	DESCRIPTION	REV
1	70025153	1	FUEL FILTER	
2	70024961	1	FUEL FILTER, (includes items 1, 3 & 4)	
3	70024513	1	SENSOR CABLE, (includes item 4)	
4	70025239	1	SEALING RING	

SECTION 1 - ENGINE

FIGURE 1-25. FUEL SUPPLY PUMP



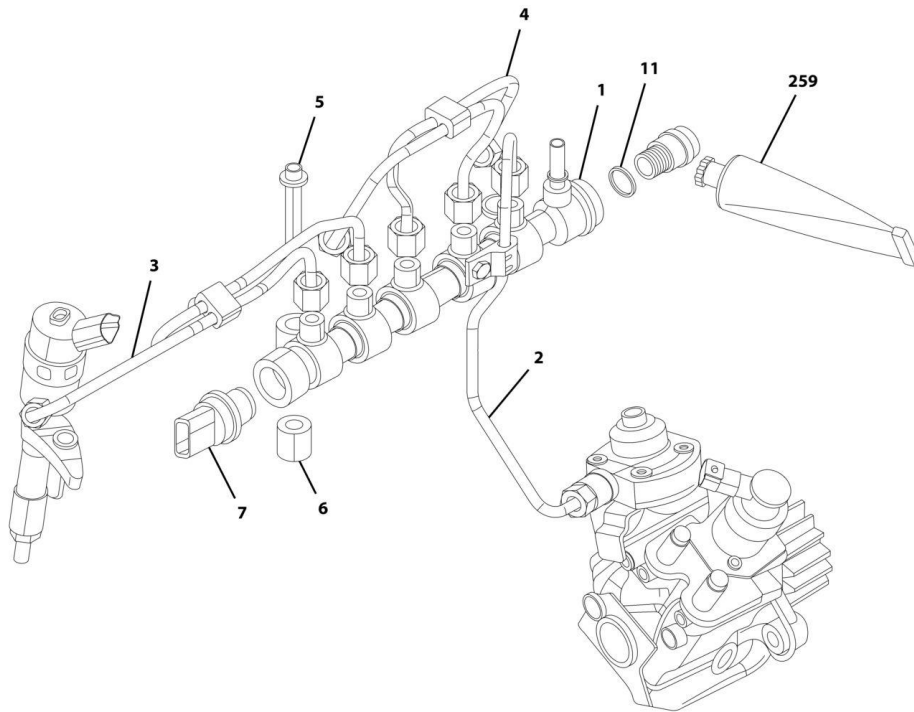
Art_PAP33840-B

FIGURE 1-25. FUEL SUPPLY PUMP

ITEM	PART NUMBER	QTY	DESCRIPTION	REV
1	70024486	1	FUEL SUPPLY PUMP, (12 Volt), (includes item 2)	
2	70025144	2	CLIP	

SECTION 1 - ENGINE

FIGURE 1-26. RAIL



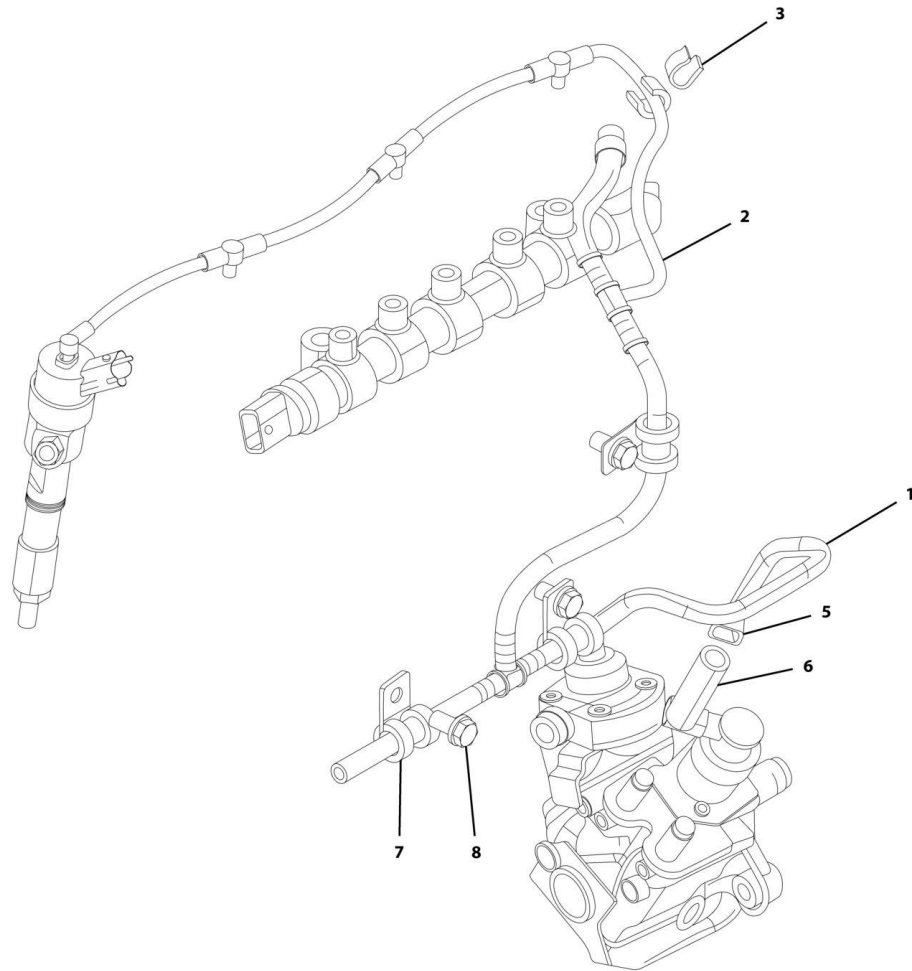
Art_PAP33850-B

FIGURE 1-26. RAIL

ITEM	PART NUMBER	QTY	DESCRIPTION	REV
1	70025151	1	RAIL, (includes items 7 & 11)	
2	70025534	1	HIGH PRESSURE PIPE	
3	70024498	1	HIGH PRESSURE PIPE	
4	70024499	1	HIGH PRESSURE PIPE	
5	70025674	2	TORX HEAD BOLT, (torque to 30 Nm/22 lb-ft)	
6	70025719	2	DISTANCE PIECE	
7	70025235	1	REPAIR KIT, (includes item 11)	
11	70025240	1	O-RING	
259		Ref	MULTIPURPOSE GREASE	

SECTION 1 - ENGINE

FIGURE 1-27. FUEL LINE



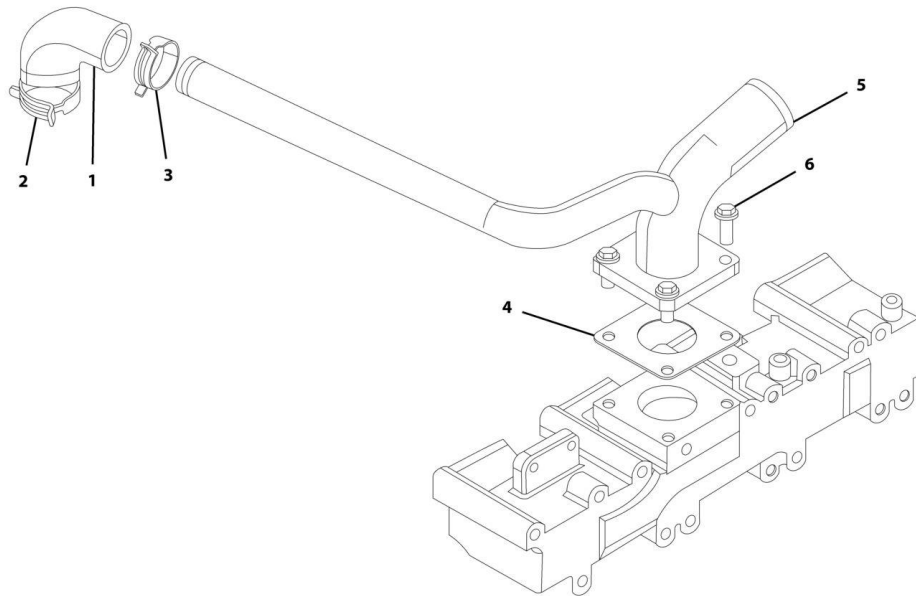
Art_PAP33860-B

FIGURE 1-27. FUEL LINE

ITEM	PART NUMBER	QTY	DESCRIPTION	REV
1	70024501	1	FUEL LINE, (includes items 5 thru 7)	
2	70025766	1	FUEL LEAKAGE PIPE	
3	70025756	2	HOSE RETAINER	
5	70025109	2	SPRING BAND CLAMP	
6	70025702	1	HOSE ASSEMBLY	
7	70025686	3	PIPE CLAMP	
8	70025126	3	HEXAGON BOLT	

SECTION 1 - ENGINE

FIGURE 1-28. CHARGE AIR PIPE



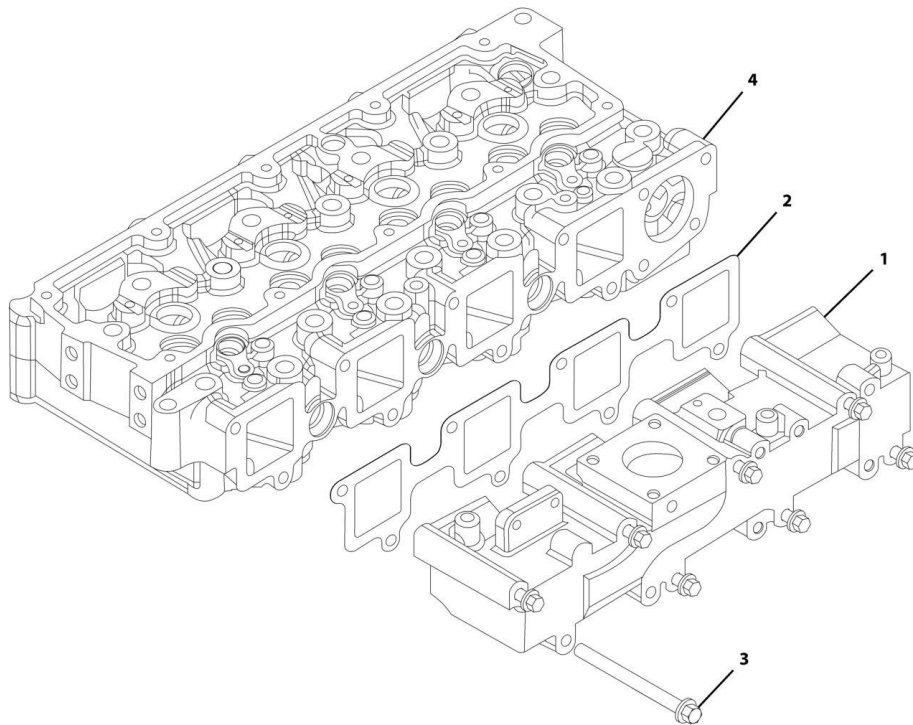
Art_PAP33870-B

FIGURE 1-28. CHARGE AIR PIPE

ITEM	PART NUMBER	QTY	DESCRIPTION	REV
1	70025721	1	HOSE	
2	70025675	1	SPRING BAND CLAMP	
3	70025681	1	SPRING BAND CLAMP	
4	70025726	1	GASKET	
5	70025748	1	CHARGE AIR PIPE	
6	70025122	4	HEXAGON BOLT, (torque to 30 Nm/22 lb-ft)	

SECTION 1 - ENGINE

FIGURE 1-29. CHARGE AIR PIPE



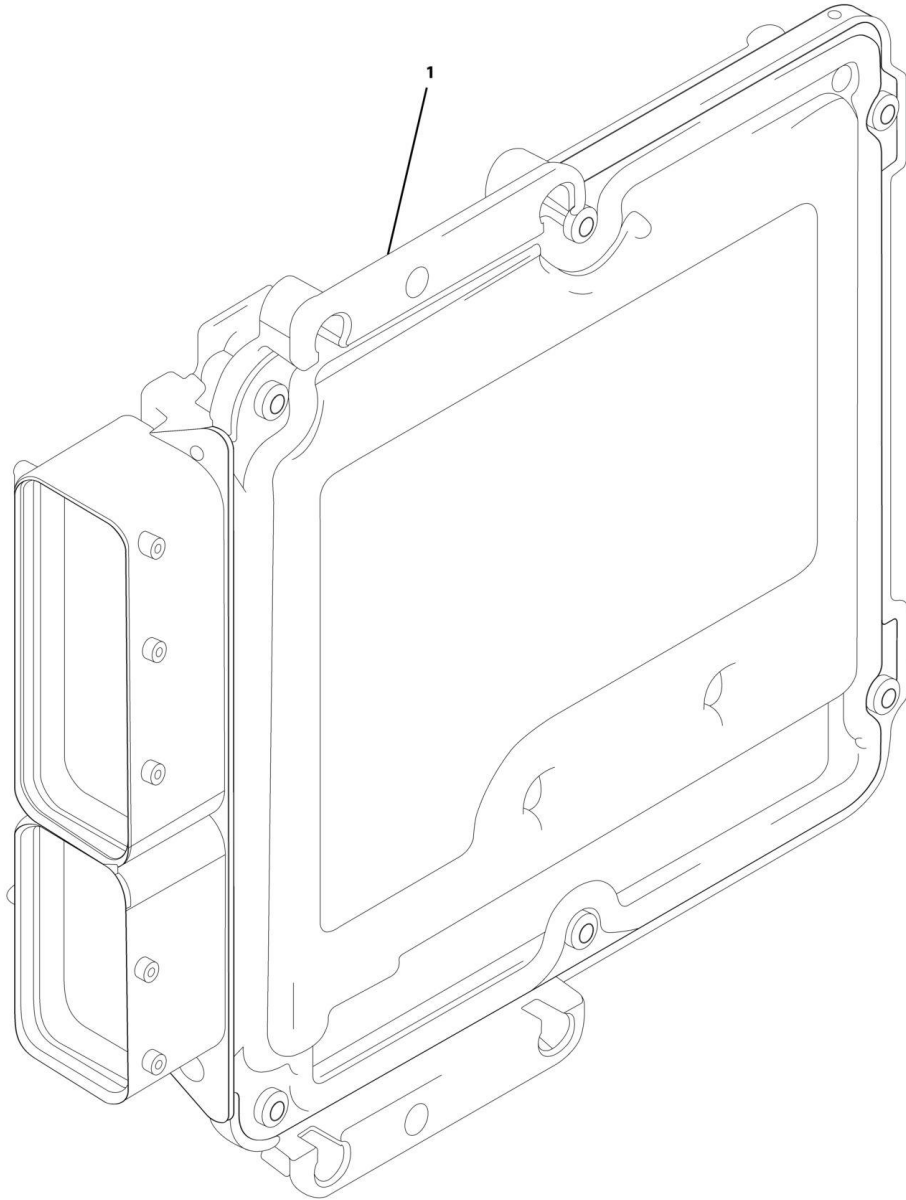
Art_PAP33880-B

FIGURE 1-29. CHARGE AIR PIPE

ITEM	PART NUMBER	QTY	DESCRIPTION	REV
1	70025772	1	CHARGE AIR PIPE	
2	70024475	1	INTAKE PIPE GASKET	
3	70025690	8	HEXAGON BOLT, (torque to 30 Nm/22 lb-ft)	
4		Ref	RETAINING PLATE	

SECTION 1 - ENGINE

FIGURE 1-30. CONTROL UNIT



Art_PAP33890-B

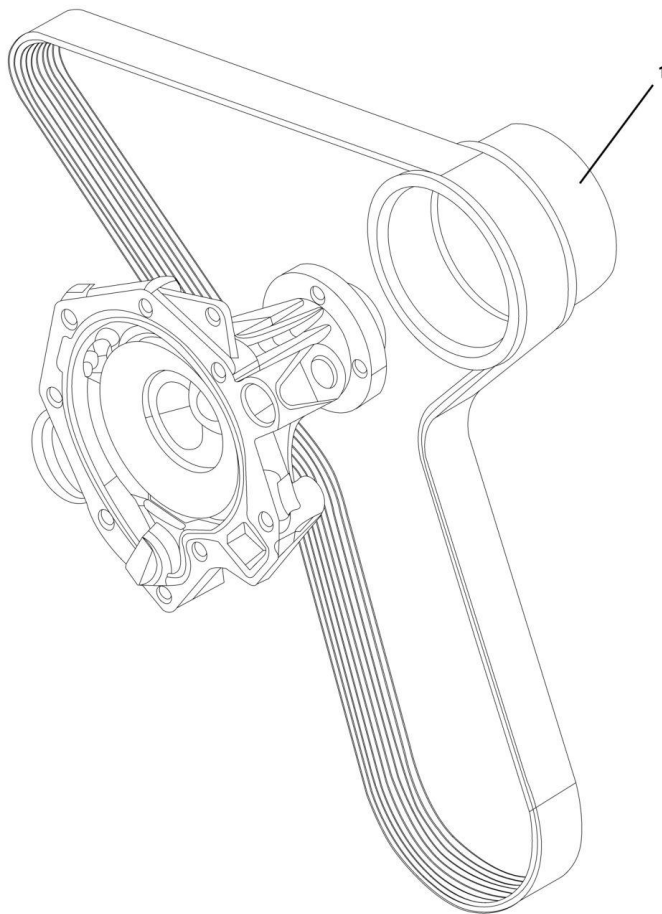
FIGURE 1-30. CONTROL UNIT

ITEM	PART NUMBER	QTY	DESCRIPTION	REV
1	70025210	1	CONTROL UNIT	
950	70025210	1	CONTROL UNIT	

SECTION 1 - ENGINE

FIGURE 1-31. V-RIBBED BELT PULLEY

IF EQUIPPED WITH ENGINE 1001141035



Art_PAP33900-B

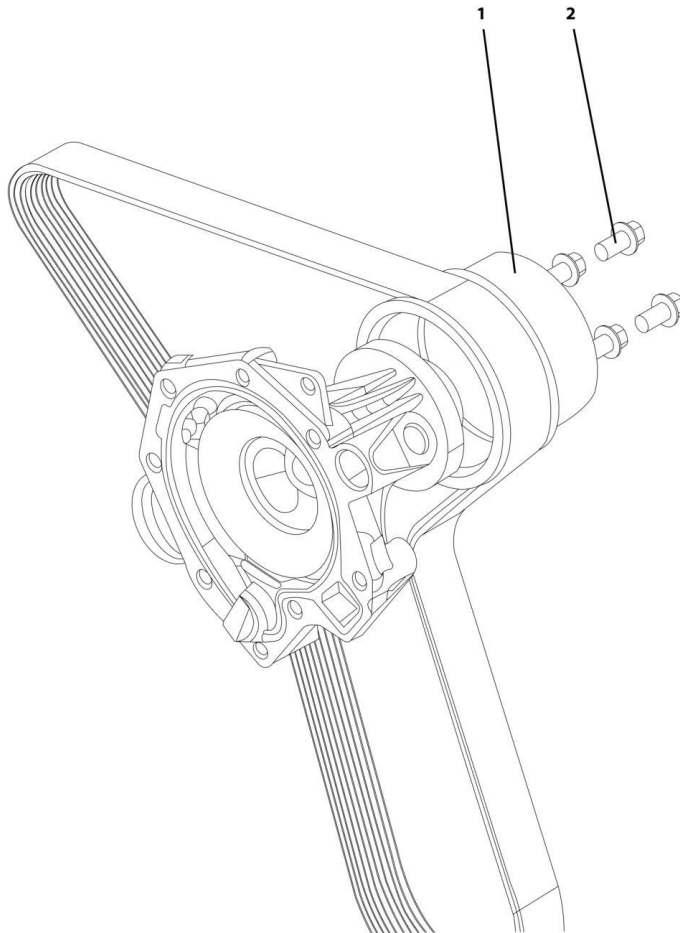
FIGURE 1-31. V-RIBBED BELT PULLEY

ITEM	PART NUMBER	QTY	DESCRIPTION	REV
1	70025775	1	V-RIBBED BELT PULLEY	

SECTION 1 - ENGINE

FIGURE 1-32. V-RIBBED BELT PULLEY

IF EQUIPPED WITH ENGINE 1001158033



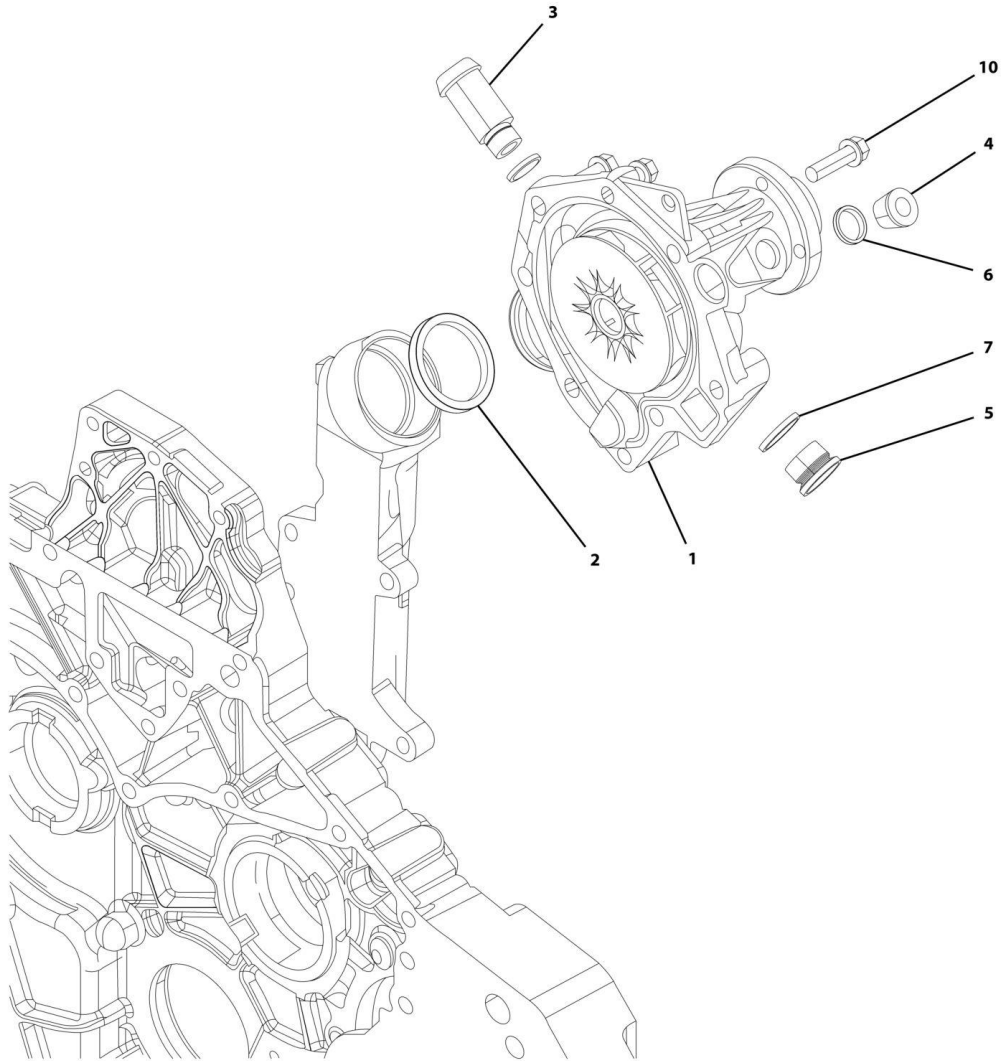
Art_PAP34310-B

FIGURE 1-32. V-RIBBED BELT PULLEY

ITEM	PART NUMBER	QTY	DESCRIPTION	REV
1	70025775	1	V-RIBBED BELT PULLEY	
2	70025126	4	HEXAGON BOLT (torque to 30 Nm/22 lb-ft)	

SECTION 1 - ENGINE

FIGURE 1-33. COOLANT PUMP



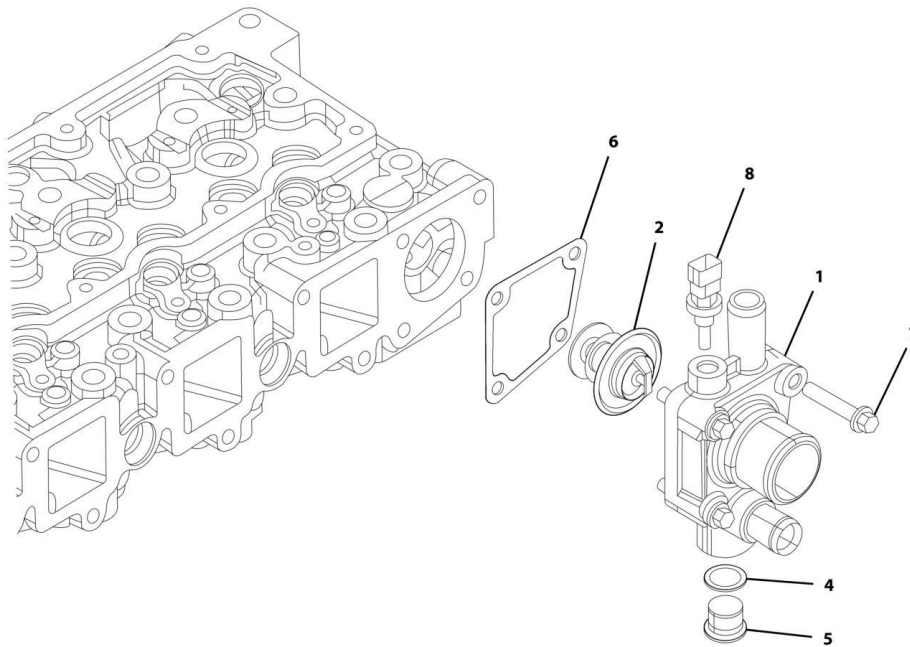
Art_PAP33910-B

FIGURE 1-33. COOLANT PUMP

ITEM	PART NUMBER	QTY	DESCRIPTION	REV
1	70025536	1	WATER PUMP, (includes items 2 thru 7)	
2	70025713	1	SEAL	
3	70025784	1	HOSE CONNECTOR, (torque to 35 Nm/26 lb-ft)	
4	70025668	1	SCREW PLUG, (torque to 35 Nm/26 lb-ft)	
5	70025084	1	SCREW PLUG, (torque to 60 Nm/42 lb-ft)	
6	70040126	2	SEALING RING	
7	7016309	1	SEALING RING	
10	70025124	3	HEXAGON BOLT, (torque to 14 Nm/10 lb-ft)	

SECTION 1 - ENGINE

FIGURE 1-34. HOUSING



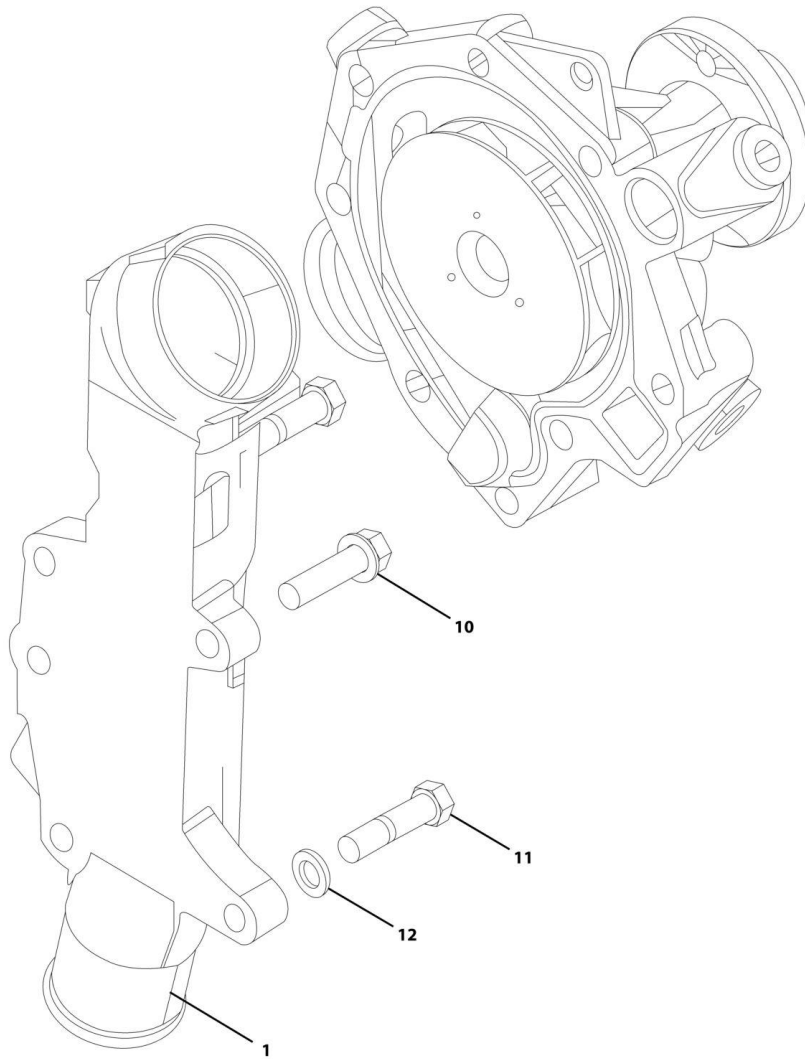
Art_PAP33920-B

FIGURE 1-34. HOUSING

ITEM	PART NUMBER	QTY	DESCRIPTION	REV
1	70025741	1	HOUSING, (includes items 2 thru 5)	
2	70024473	1	THERMOSTAT	
4	7016309	1	SEALING RING	
5	70025660	1	SCREW PLUG, (torque to 65 Nm/48 lb-ft)	
6	70024493	1	GASKET	
7	70025127	4	HEXAGON BOLT, (torque to 30 Nm/22 lb-ft)	
8	70024918	1	TEMPERATURE TRANSMITTER, (torque to 30 Nm/22 lb-ft)	

SECTION 1 - ENGINE

FIGURE 1-35. COOLING WATER LINE



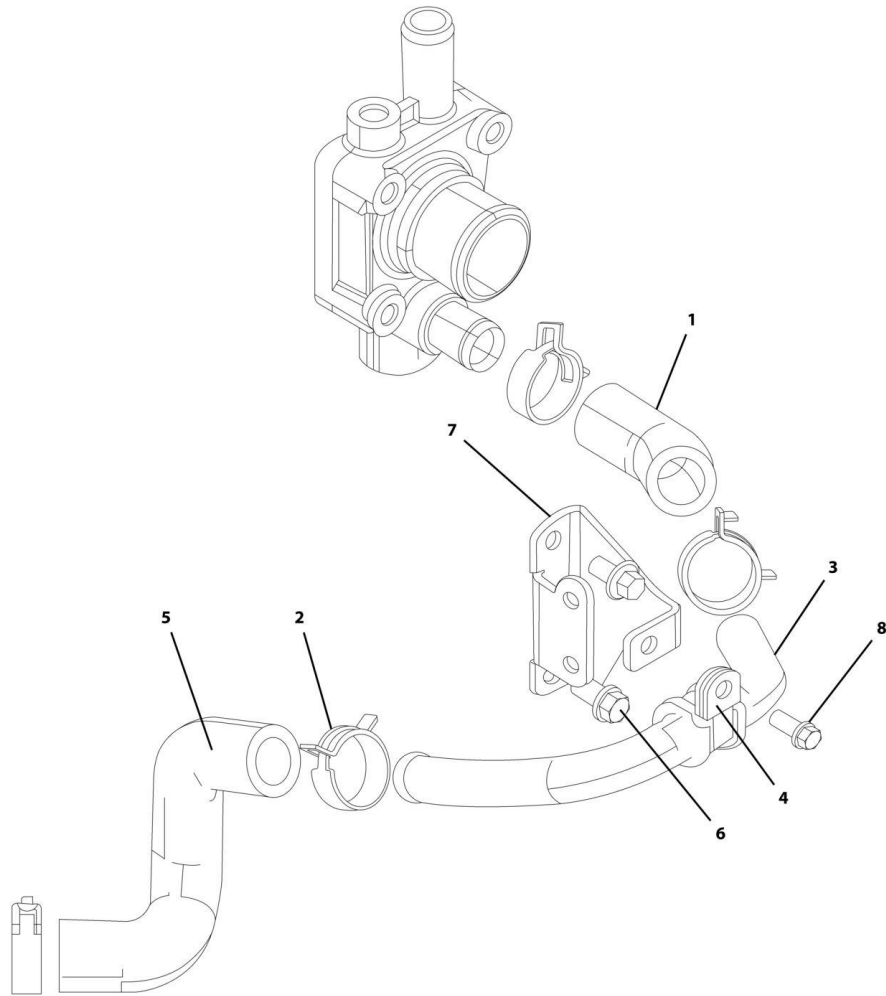
Art_PAP33930-B

FIGURE 1-35. COOLING WATER LINE

ITEM	PART NUMBER	QTY	DESCRIPTION	REV
1	70025762	1	COOLING WATER LINE	
10	70025124	1	HEXAGON BOLT, (torque to 14 Nm/10 lb-ft)	
11	70025669	2	FITTING BOLT, (torque to 14 Nm/10 lb-ft)	
12	70025661	2	SHIM RING	

SECTION 1 - ENGINE

FIGURE 1-36. COOLANT PIPE



Art_PAP33940-B

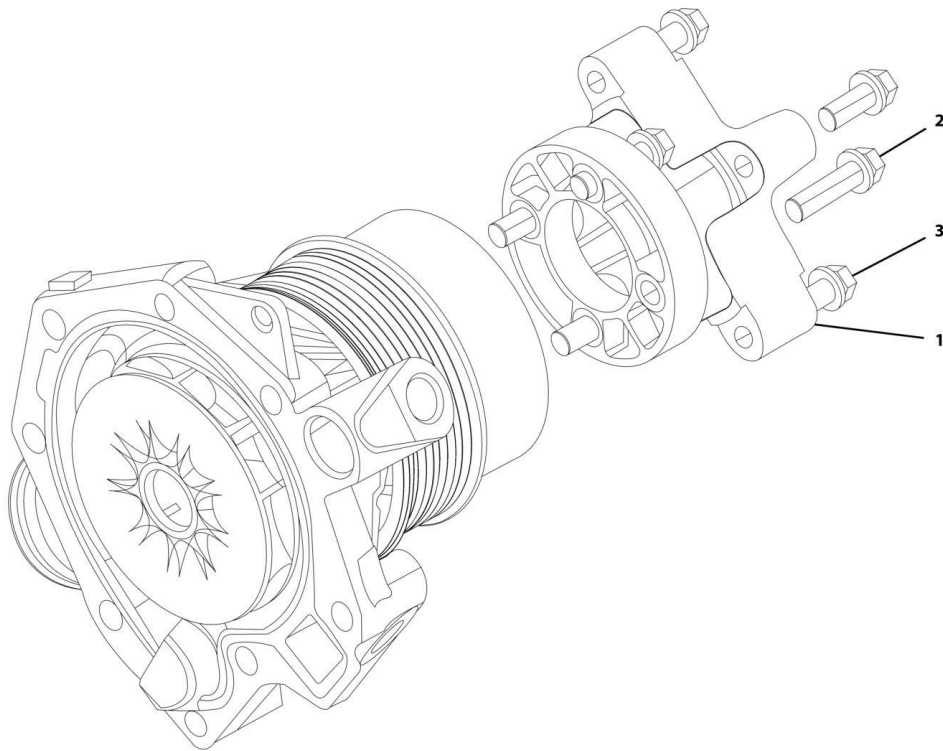
FIGURE 1-36. COOLANT PIPE

ITEM	PART NUMBER	QTY	DESCRIPTION	REV
1	70025747	1	MANIFOLD	
2	70025111	4	SPRING BAND CLAMP	
3	70025750	1	COOLING WATER LINE	
4	70025699	1	PIPE CLAMP	
5	70025749	1	HOSE	
6	70025126	2	HEXAGON BOLT, (torque to 30 Nm/22 lb-ft)	
7	70025764	1	SUPPORT PLATE	
8	70025128	1	HEXAGON BOLT, (torque to 13 Nm/10 lb-ft)	

SECTION 1 - ENGINE

FIGURE 1-37. ADAPTER

IF EQUIPPED WITH ENGINE 1001141035



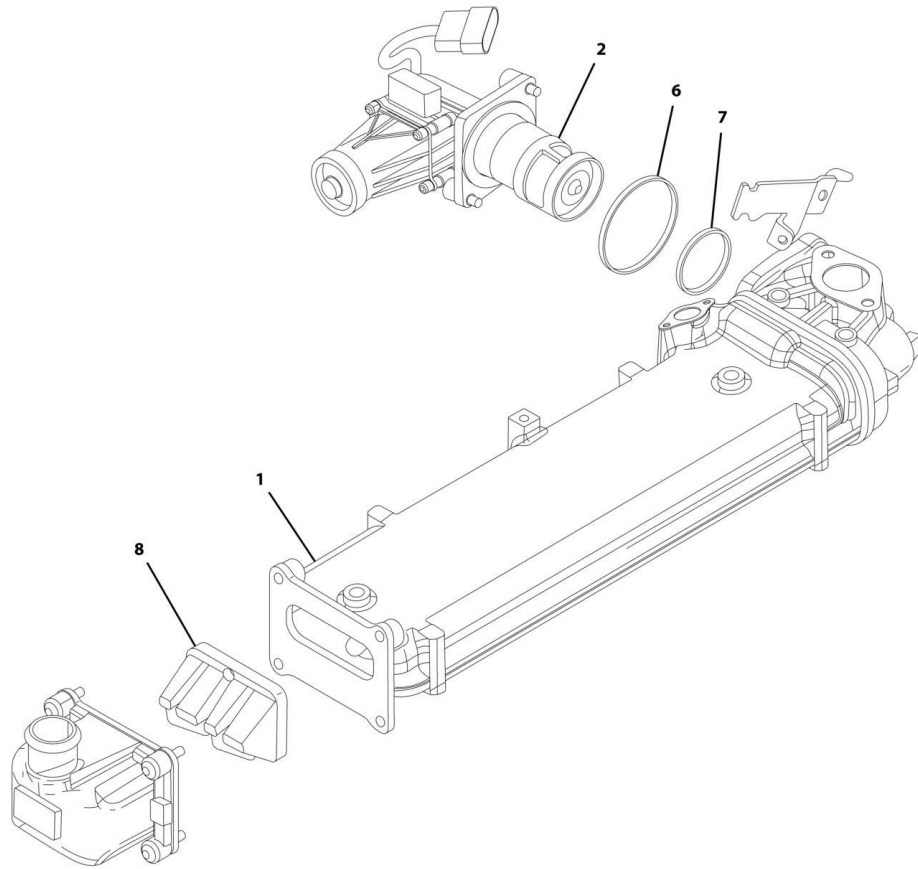
Art_PAP33950-B

FIGURE 1-37. ADAPTER

ITEM	PART NUMBER	QTY	DESCRIPTION	REV
1	70025795	1	ADAPTER	
2	70025124	4	HEXAGON BOLT, (torque to 30 Nm/22 lb-ft)	
3	70025125	4	HEXAGON BOLT, (torque to 30 Nm/22 lb-ft)	

SECTION 1 - ENGINE

FIGURE 1-38. EGR COOLER



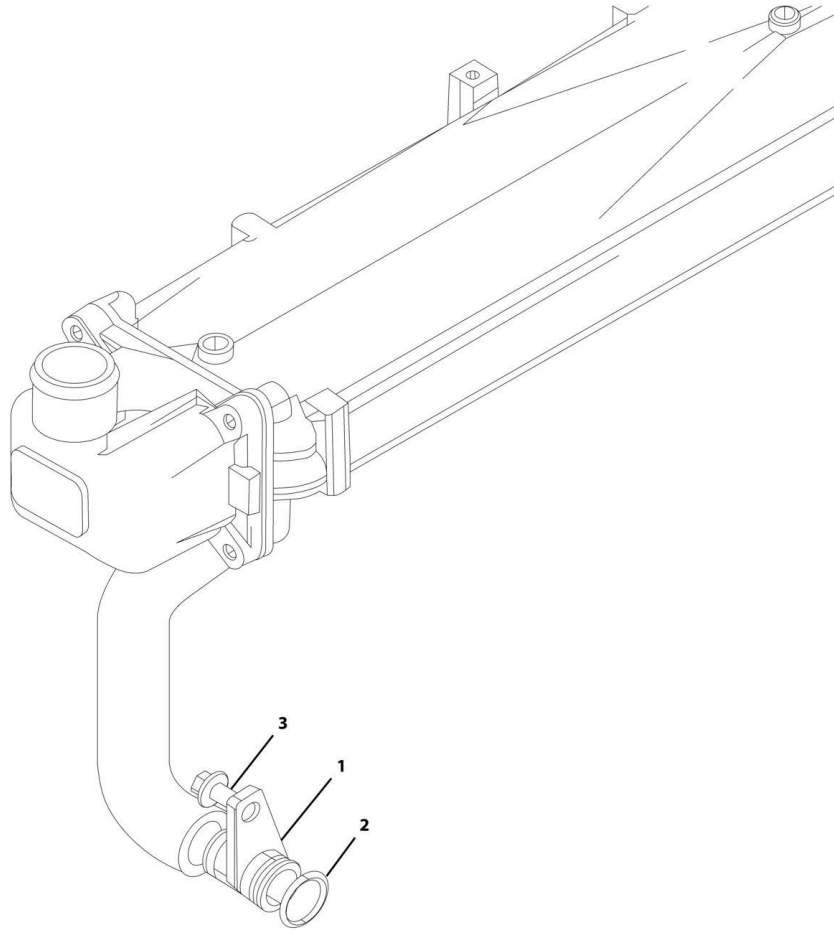
Art_PAP33960-B

FIGURE 1-38. EGR COOLER

ITEM	PART NUMBER	QTY	DESCRIPTION	REV
1	70025723	1	EGR MODULE, (includes items 2 thru 8)	
2	70025708	1	CONTROL VALVE, (includes items 6 & 7)	
6	70025710	1	O-SEAL	
7	70025709	1	O-SEAL	
8	70025768	1	SHUTTLE VALVE	

SECTION 1 - ENGINE

FIGURE 1-39. HOSE CONNECTOR



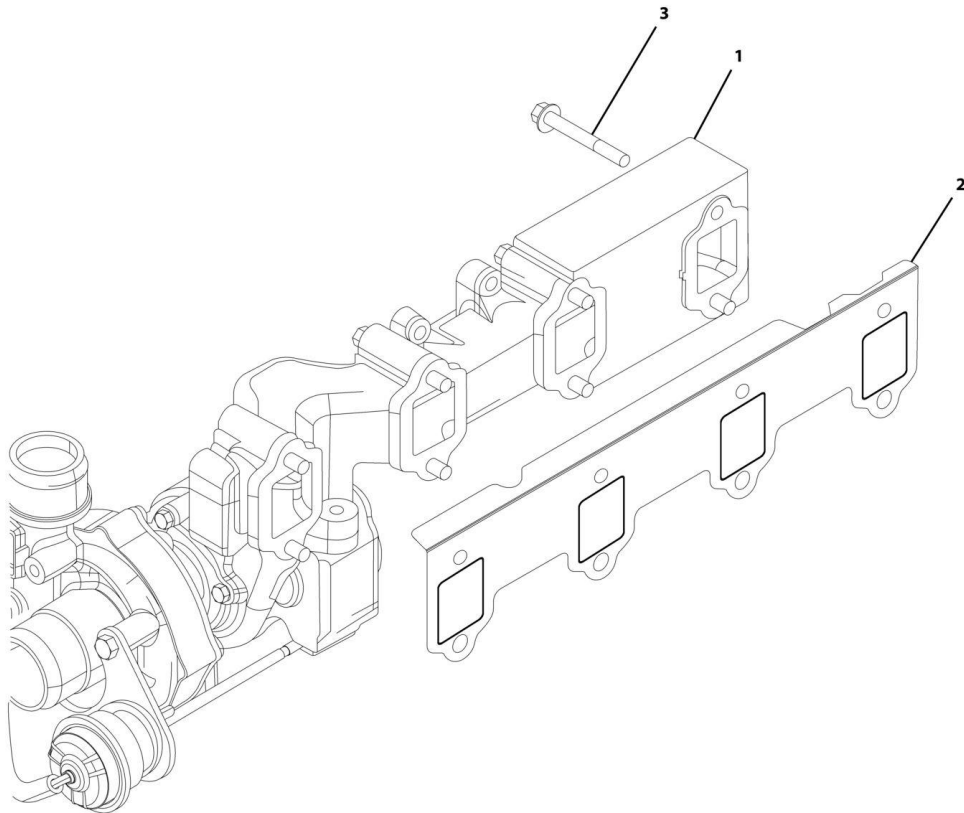
Art_PAP33970-B

FIGURE 1-39. HOSE CONNECTOR

ITEM	PART NUMBER	QTY	DESCRIPTION	REV
1	70025744	1	HOSE NIPPLE	
2	70024469	1	O-SEAL	
3	70025677	1	HEXAGON BOLT, (torque to 20 Nm/15 lb-ft)	

SECTION 1 - ENGINE

FIGURE 1-40. EXHAUST MANIFOLD



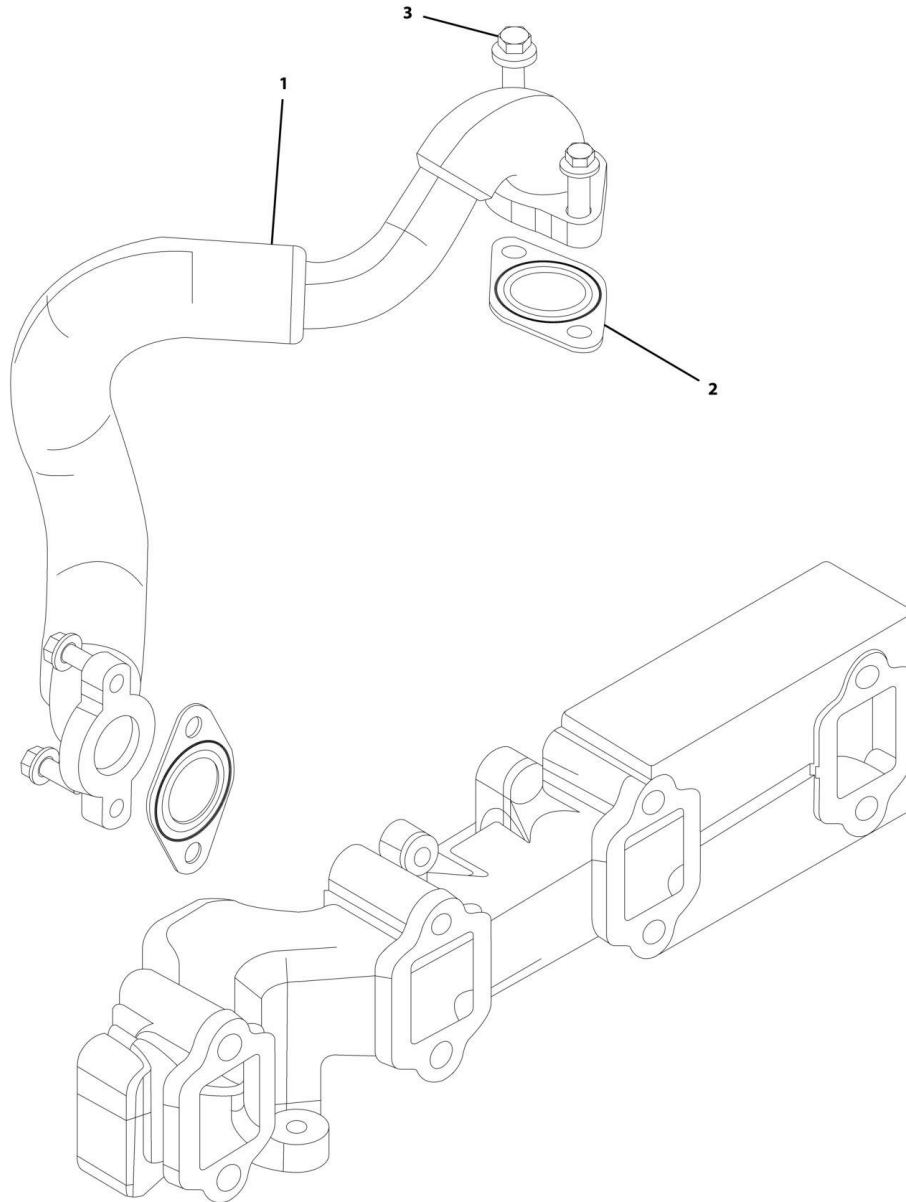
Art_PAP33980-B

FIGURE 1-40. EXHAUST MANIFOLD

ITEM	PART NUMBER	QTY	DESCRIPTION	REV
1		Ref	EXHAUST MANIFOLD	
2	70024482	1	GASKET	
3		Ref	HEXAGON BOLT, (torque to 30 Nm/22 lb-ft)	

SECTION 1 - ENGINE

FIGURE 1-41. BELLOW EXPANSION JOINT



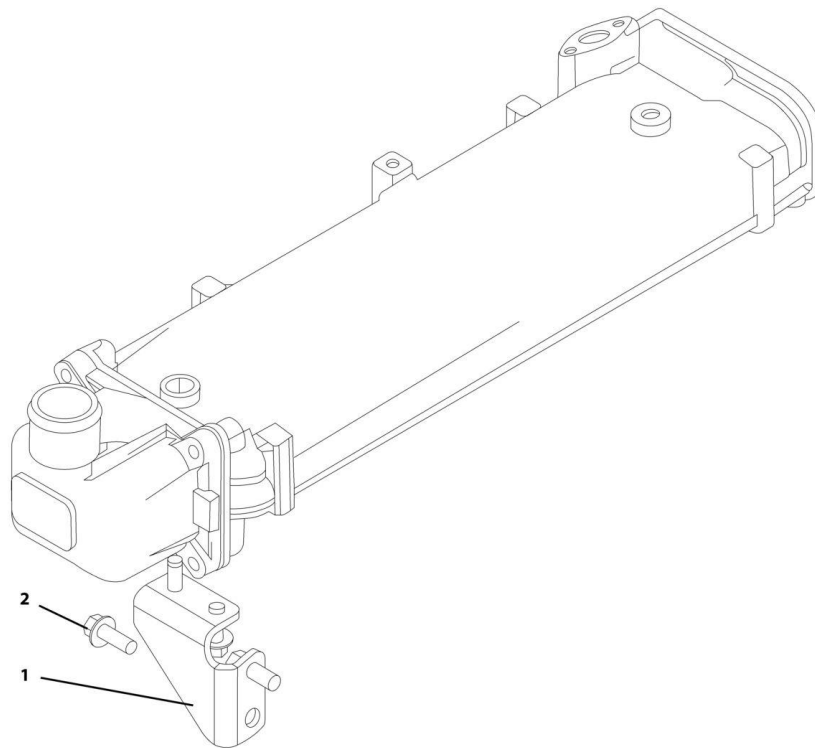
Art_PAP33990-B

FIGURE 1-41. BELLOW EXPANSION JOINT

ITEM	PART NUMBER	QTY	DESCRIPTION	REV
1	70025735	1	COMPENSATOR	
2	70024500	2	GASKET	
3	70025676	4	HEXAGON BOLT, (torque to 20 Nm/15 lb-ft)	

SECTION 1 - ENGINE

FIGURE 1-42. BRACKET



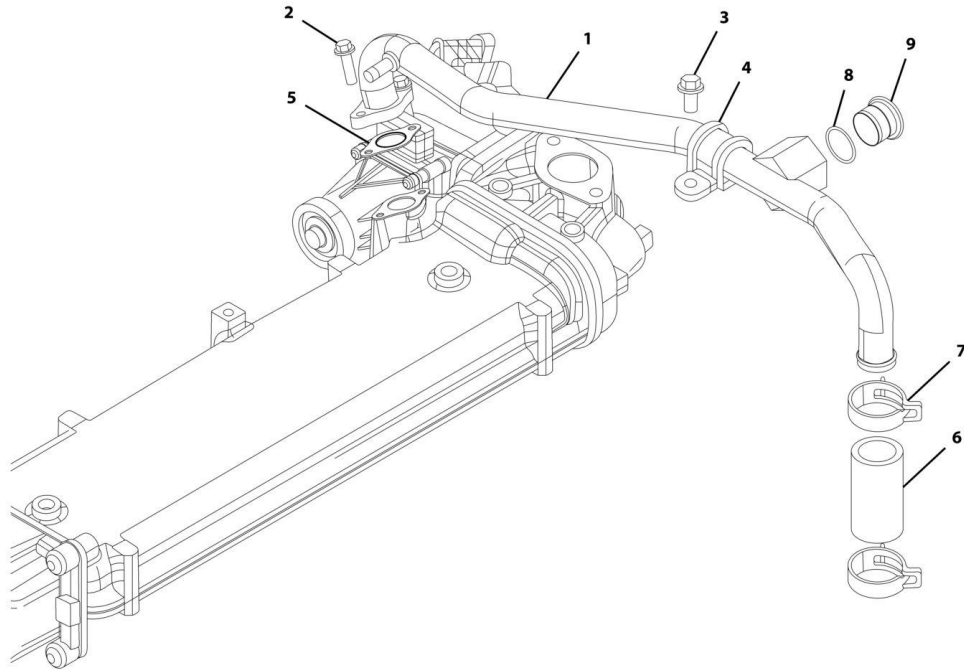
Art_PAP34000-B

FIGURE 1-42. BRACKET

ITEM	PART NUMBER	QTY	DESCRIPTION	REV
1	70025759	1	BRACKET	
2	70025110	4	HEXAGON BOLT, (torque to 20 Nm/15 lb-ft)	

SECTION 1 - ENGINE

FIGURE 1-43. COOLING WATER LINE



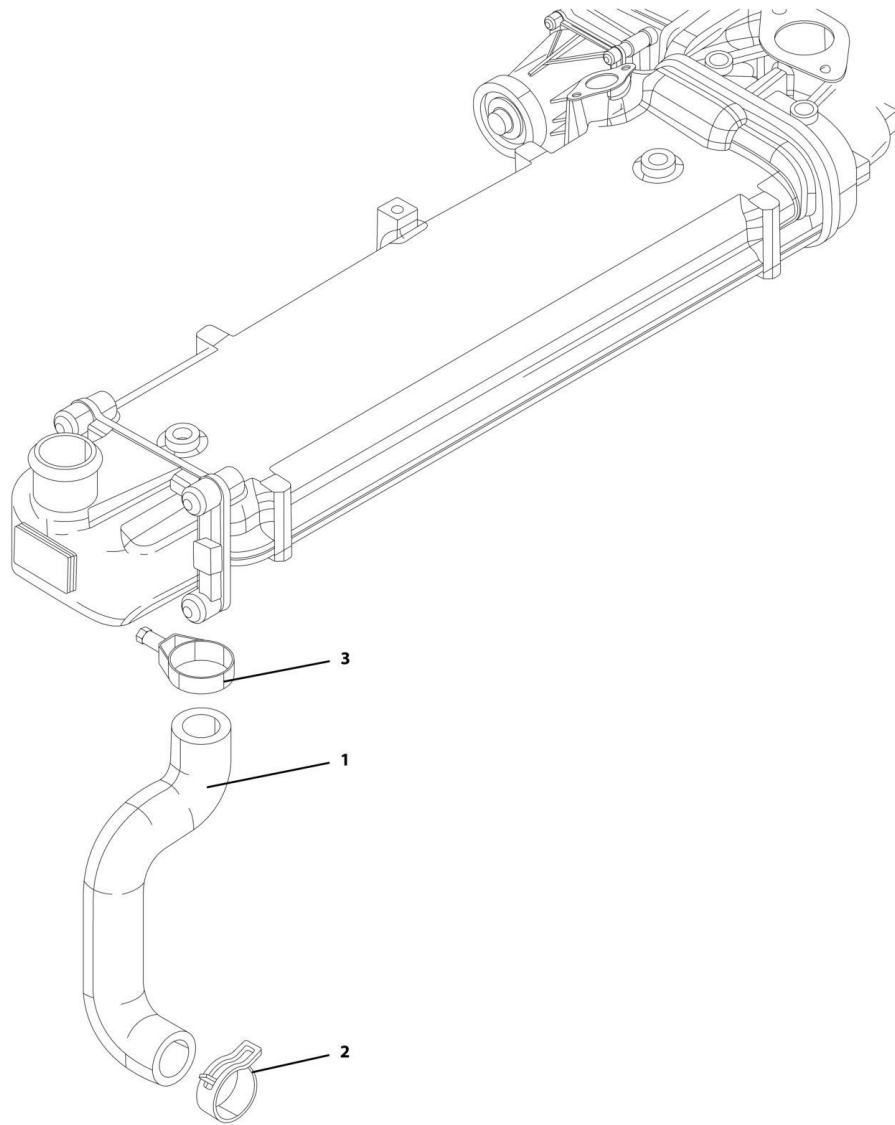
Art_PAP34010-B

FIGURE 1-43. COOLING WATER LINE

ITEM	PART NUMBER	QTY	DESCRIPTION	REV
1	70024496	1	COOLING WATER LINE, (includes items 8 & 9)	
2	70025689	2	TORX HEAD BOLT, (torque to 10 Nm/7 lb-ft)	
3	70025128	1	HEXAGON BOLT, (torque to 8 Nm/6 lb-ft)	
4	70025699	1	PIPE CLAMP	
5	70024478	1	GASKET	
6	70025701	1	RUBBER SLEEVE	
7	70025687	2	SPRING BAND CLAMP	
8	7020492	1	SEALING RING	
9	70025084	1	SCREW PLUG, (torque to 80 Nm/59 lb-ft)	

SECTION 1 - ENGINE

FIGURE 1-44. COOLING WATER LINE



Art_PAP34020-B

FIGURE 1-44. COOLING WATER LINE

ITEM	PART NUMBER	QTY	DESCRIPTION	REV
1	70024479	1	HOSE	
2	70025687	1	SPRING BAND CLAMP	
3	70025773	1	HOSE CLIP	

SECTION 1 - ENGINE

FIGURE 1-45. BRACKET

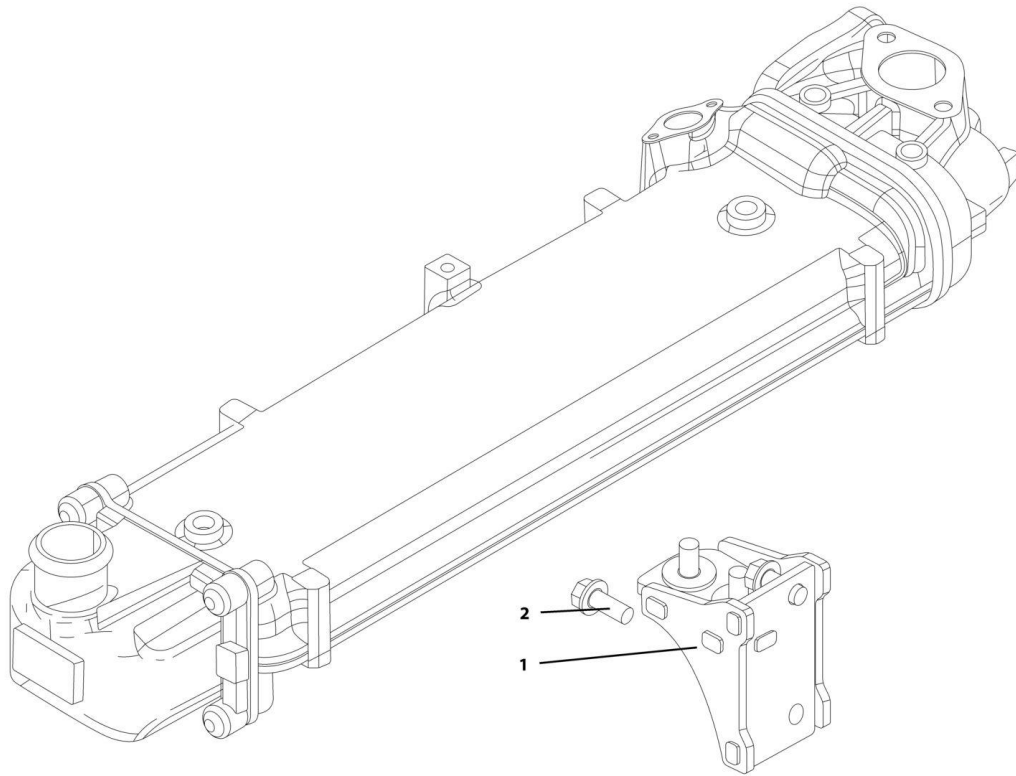
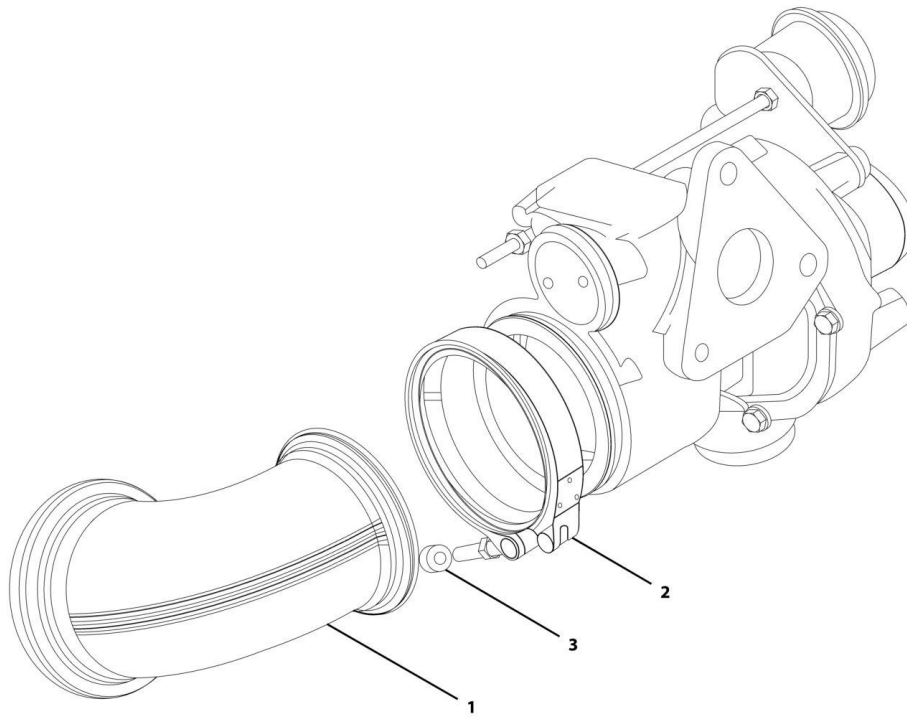


FIGURE 1-45. BRACKET

ITEM	PART NUMBER	QTY	DESCRIPTION	REV
1	70025734	1	BRACKET, (torque to 20 Nm/15 lb-ft)	
2	70025110	2	HEXAGON BOLT, (torque to 20 Nm/15 lb-ft)	

SECTION 1 - ENGINE

FIGURE 1-46. EXHAUST GAS BEND



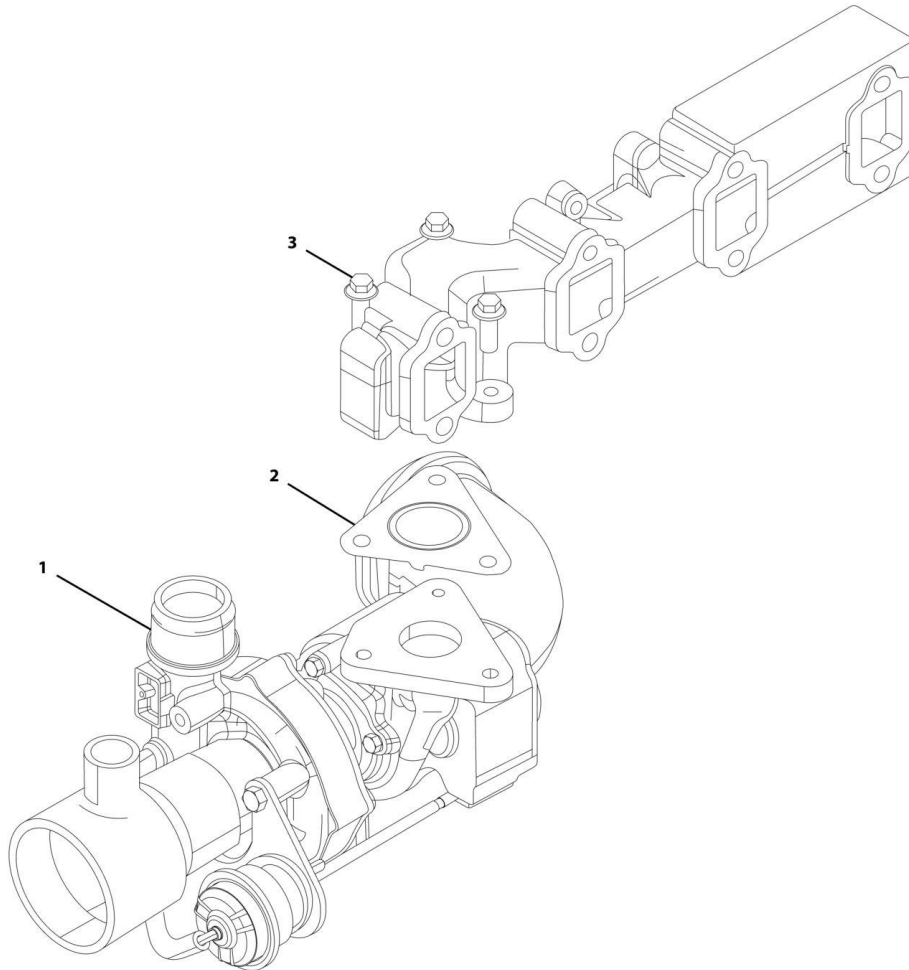
Art_PAP34040-B

FIGURE 1-46. EXHAUST GAS BEND

ITEM	PART NUMBER	QTY	DESCRIPTION	REV
1	70025751	1	EXHAUST GAS BEND	
2	70024512	1	CLIP	
3	70025788	1	NUT, (torque to 10 Nm/7 lb-ft)	

SECTION 1 - ENGINE

FIGURE 1-47. TURBOCHARGER



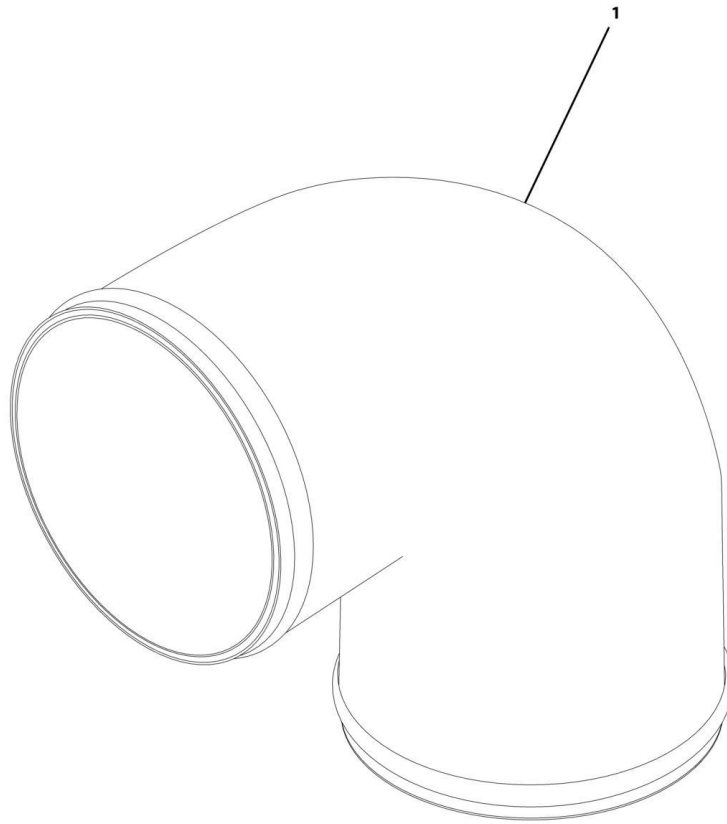
Art_PAP34050-B

FIGURE 1-47. TURBOCHARGER

ITEM	PART NUMBER	QTY	DESCRIPTION	REV
1	70025732	1	TURBOCHARGER	
2	70024480	1	GASKET	
3	70025676	3	HEXAGON BOLT, (torque to 30 Nm/22 lb-ft)	

SECTION 1 - ENGINE

FIGURE 1-48. MANIFOLD



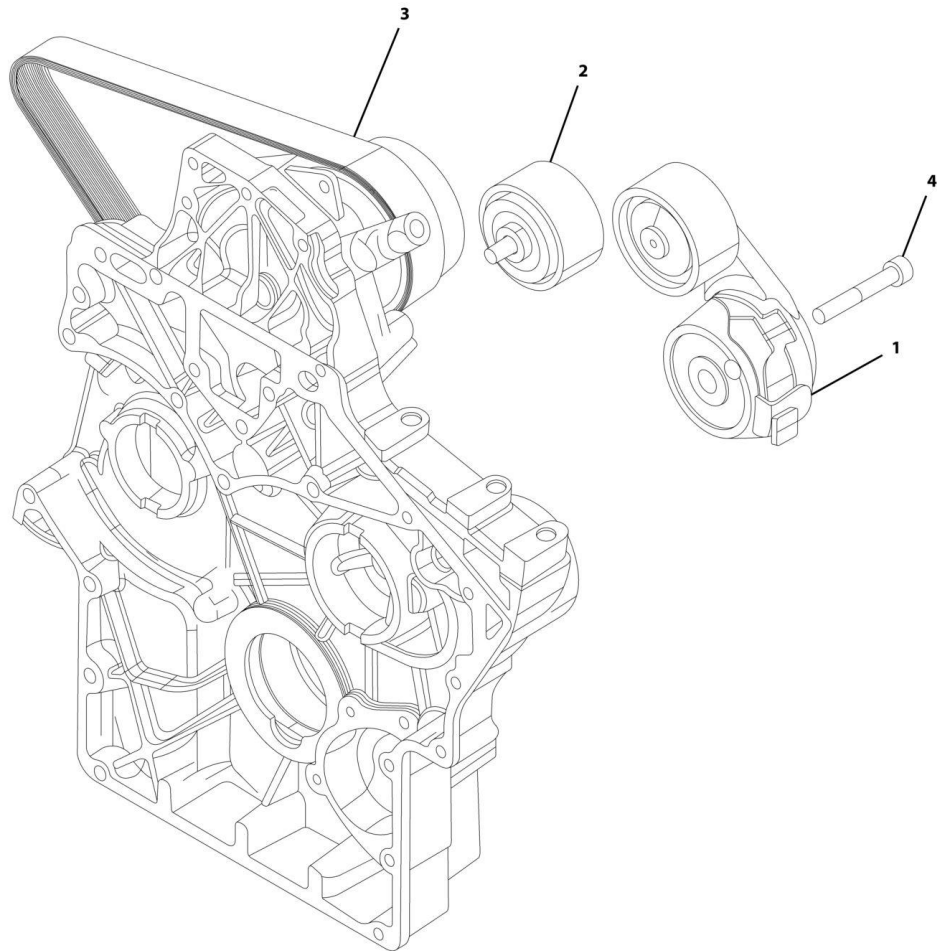
Art_PAP34060-B

FIGURE 1-48. MANIFOLD

ITEM	PART NUMBER	QTY	DESCRIPTION	REV
1	H005238	1	MANIFOLD	

SECTION 1 - ENGINE

FIGURE 1-49. BELT TENSIONER



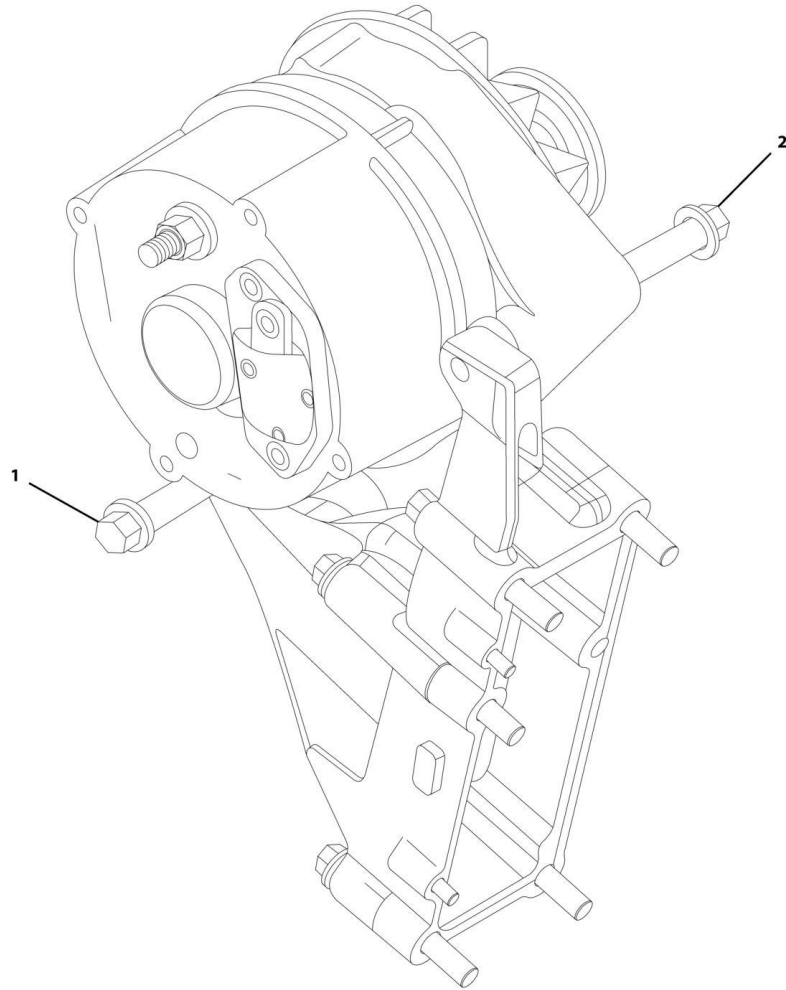
Art_PAP34070-B

FIGURE 1-49. BELT TENSIONER

ITEM	PART NUMBER	QTY	DESCRIPTION	REV
1	70025477	1	BELT TENSIONER	
2	70024484	1	IDLER ROLLER, (torque to 55 Nm/41 lb-ft)	
3	70025478	1	V-RIBBED BELT	
4	70025479	1	CHEESE HEAD SCREW, (torque to 55 Nm/41 lb-ft)	

SECTION 1 - ENGINE

FIGURE 1-50. FASTENINGS



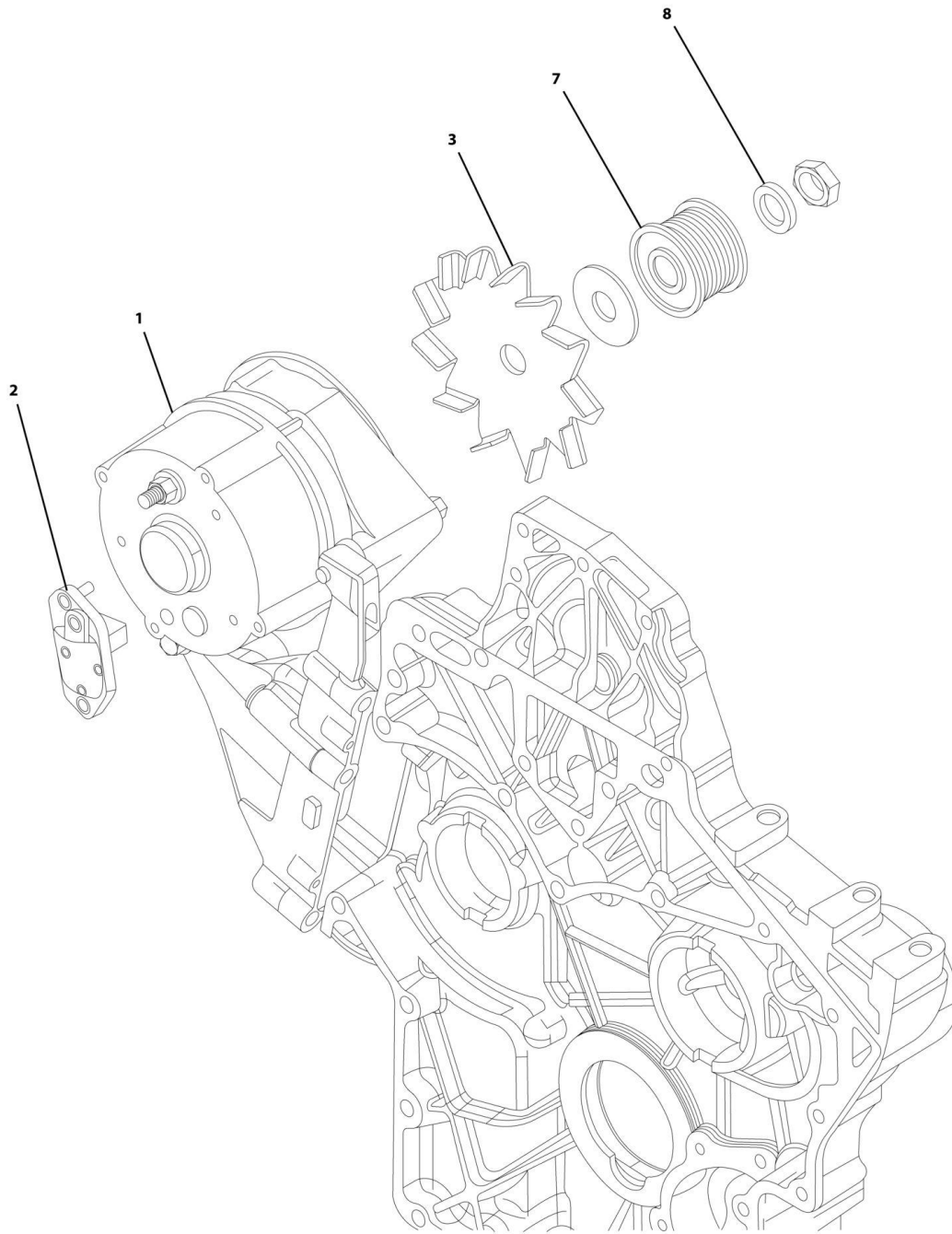
Art_PAP34080-B

FIGURE 1-50. FASTENINGS

ITEM	PART NUMBER	QTY	DESCRIPTION	REV
1	70025672	1	HEXAGON BOLT, (torque to 42 Nm/31 lb-ft)	
2	70025682	1	HEXAGON BOLT, (torque to 42 Nm/31 lb-ft)	

SECTION 1 - ENGINE

FIGURE 1-51. GENERATOR



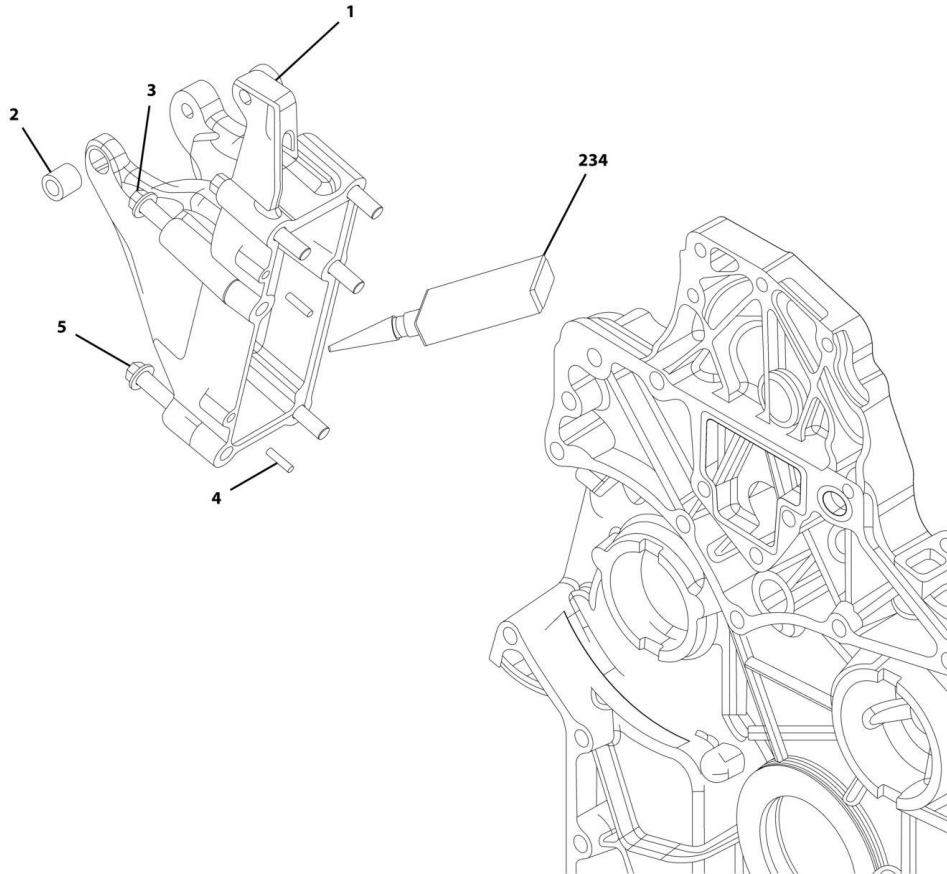
Art_PAP34090-B

FIGURE 1-51. GENERATOR

ITEM	PART NUMBER	QTY	DESCRIPTION	REV
1	70025533	1	GENERATOR, (includes items 2, 3 & 8)	
2	70025149	1	CONTROLLER	
3	70025131	1	FAN	
7	70025733	1	V-RIBBED BELT PULLEY	
8	70025141	1	FASTENINGS, (torque to 90 Nm/66 lb-ft)	

SECTION 1 - ENGINE

FIGURE 1-52. GENERATOR MOUNTING



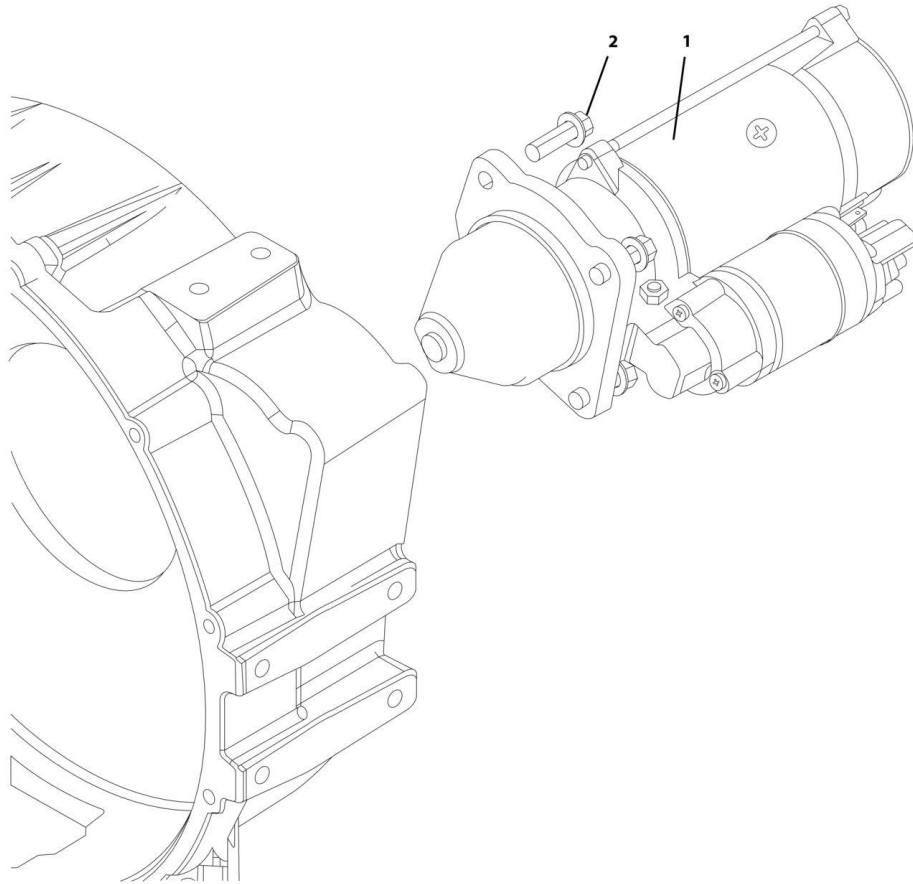
Art_PAP34100-B

FIGURE 1-52. GENERATOR MOUNTING

ITEM	PART NUMBER	QTY	DESCRIPTION	REV
1	70025736	1	BRACKET	
2	70025776	1	ADAPTER SLEEVE	
3	70025670	1	HEXAGON BOLT, (torque to 30 Nm/22 lb-ft)	
4	70025664	2	STRAIGHT PIN	
5	70025696	5	HEXAGON BOLT, (torque to 30 Nm/22 lb-ft)	
234		Ref	PACKING COMPOUND	

SECTION 1 - ENGINE

FIGURE 1-53. STARTER



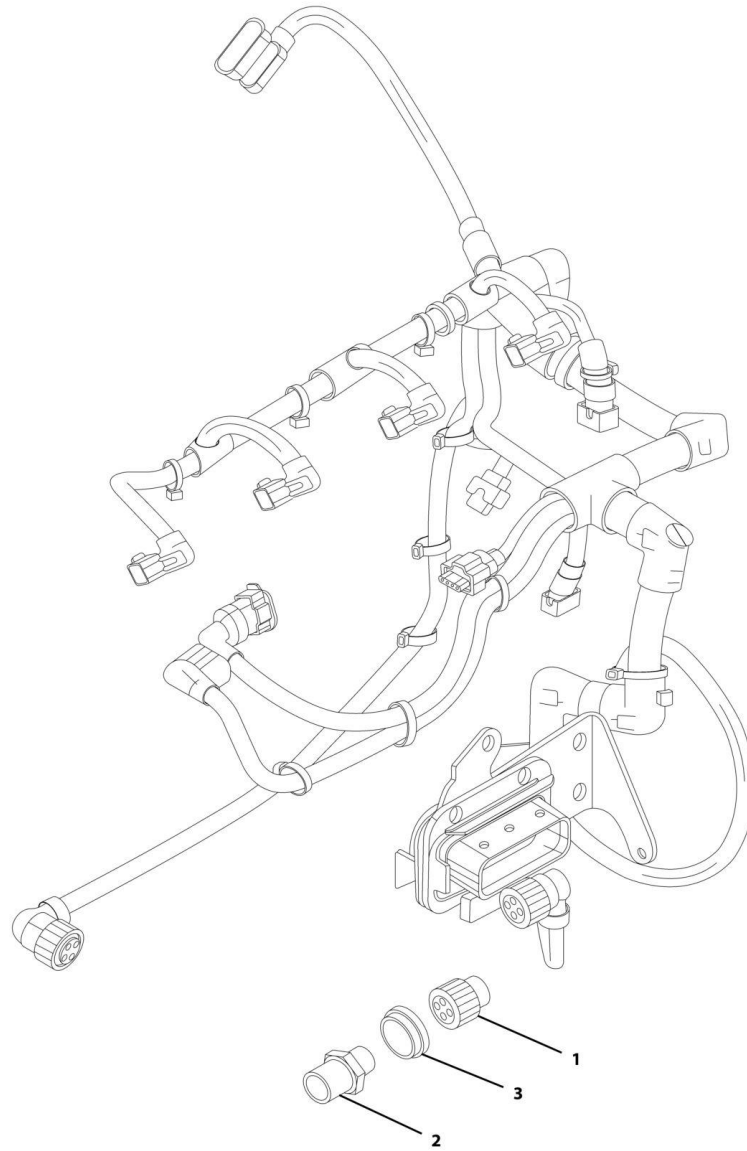
Art_PAP34110-B

FIGURE 1-53. STARTER

ITEM	PART NUMBER	QTY	DESCRIPTION	REV
1	70025535	1	STARTER	
2	70025099	3	HEXAGON BOLT, (torque to 60 Nm/44 lb-ft)	

SECTION 1 - ENGINE

FIGURE 1-54. PLUG-IN CONNECTOR



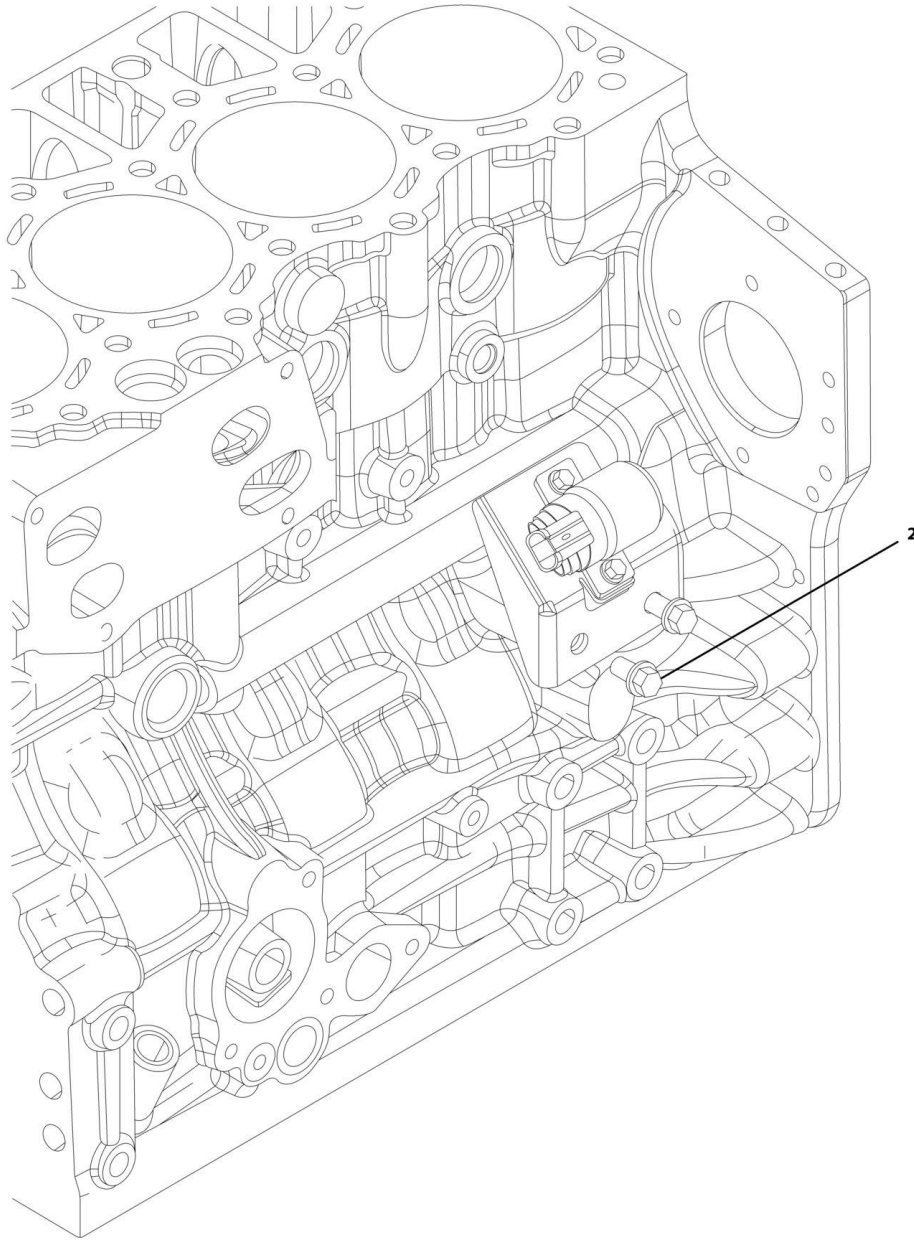
Art_PAP34120-B

FIGURE 1-54. PLUG-IN CONNECTOR

ITEM	PART NUMBER	QTY	DESCRIPTION	REV
1	70025221	1	PLUG-IN CONNECTOR	
2	70025781	1	PLUG-IN CONNECTOR	
3	70025779	1	FASTENING RING	

SECTION 1 - ENGINE

FIGURE 1-55. FASTENINGS



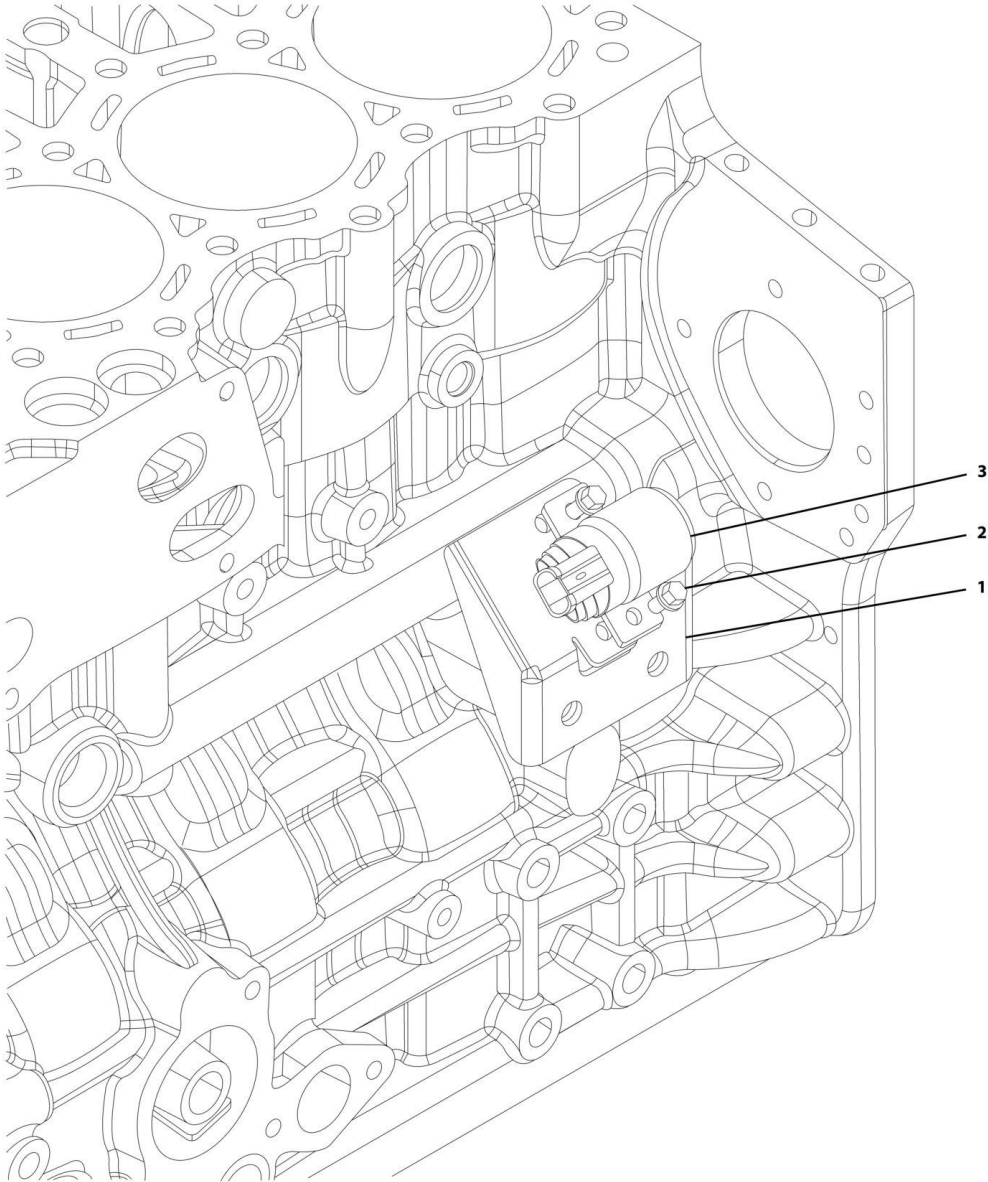
Art_PAP34130-B

FIGURE 1-55. FASTENINGS

ITEM	PART NUMBER	QTY	DESCRIPTION	REV
2	70025102	2	HEXAGON BOLT, (torque to 42 Nm/31 lb-ft)	

SECTION 1 - ENGINE

FIGURE 1-56. RELAY



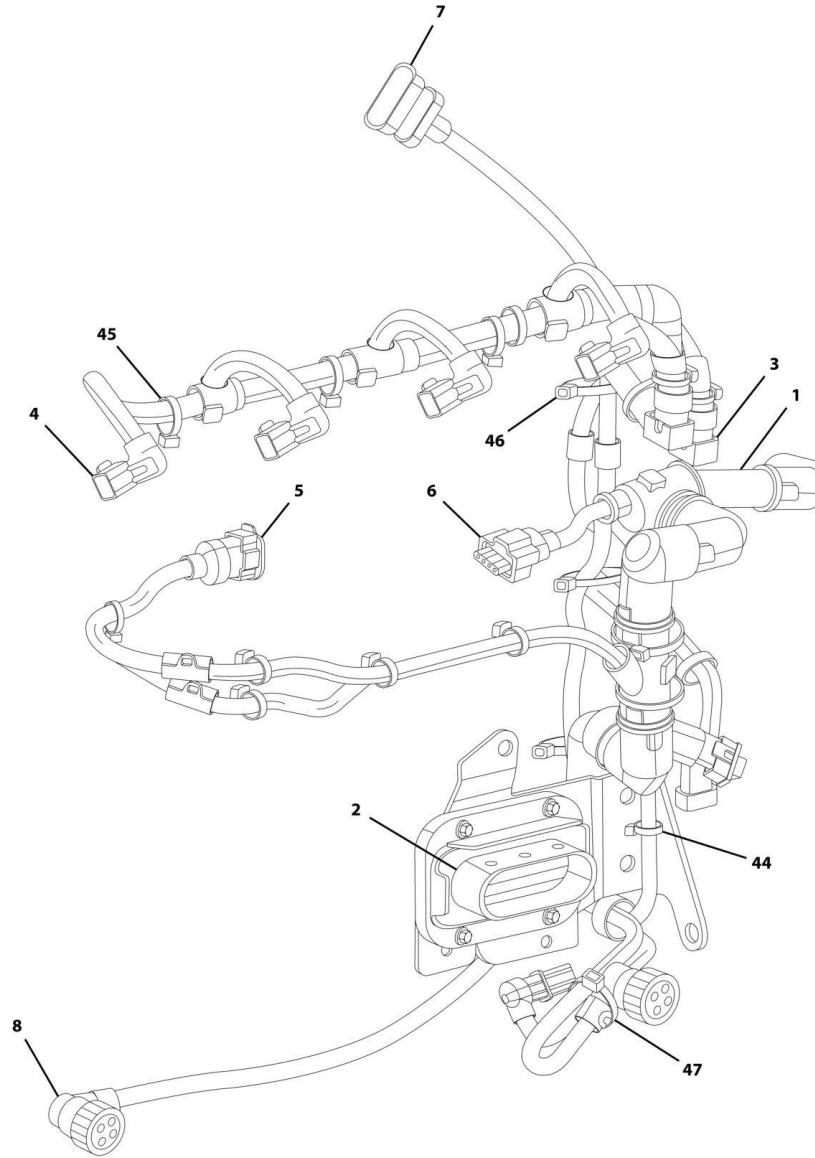
Art_PAP34140-B

FIGURE 1-56. RELAY

ITEM	PART NUMBER	QTY	DESCRIPTION	REV
1	70025767	1	RETAINING PLATE	
2	70001655	2	HEXAGON BOLT, (torque to 13 Nm/10 lb-ft)	
3	70025780	1	RELAY	

SECTION 1 - ENGINE

FIGURE 1-57. CABLE HARNESS



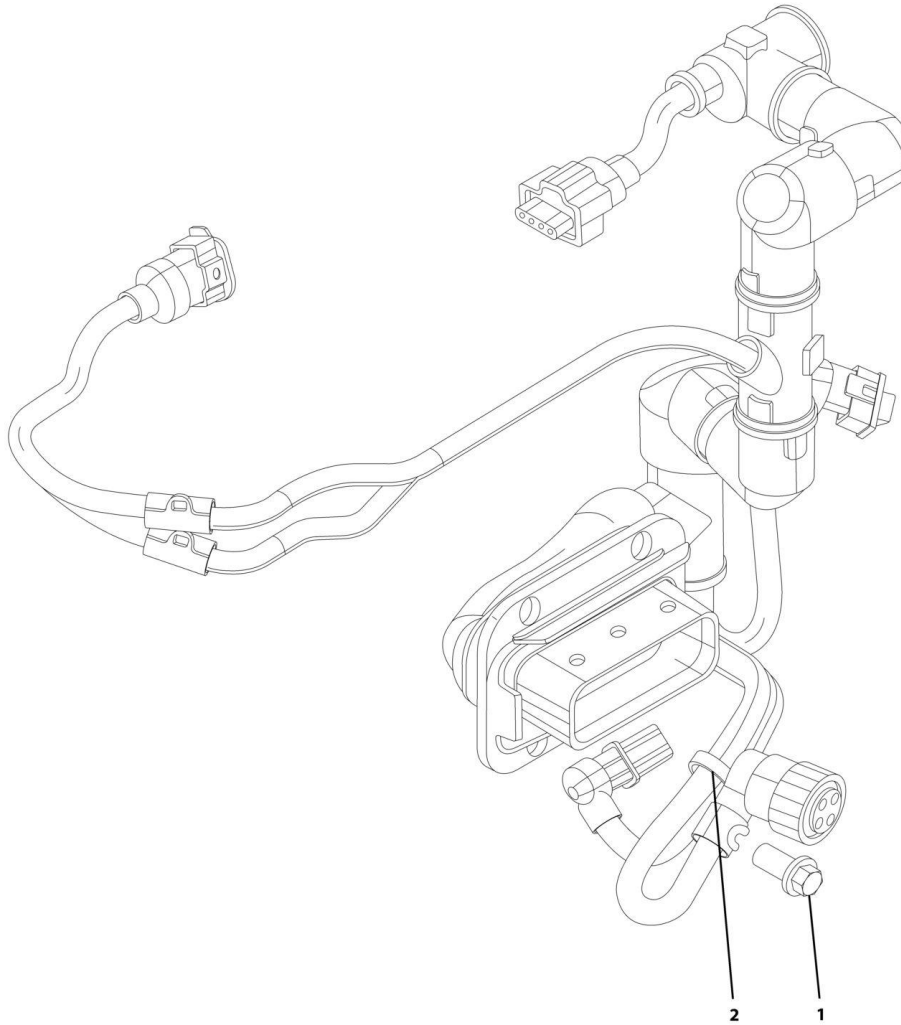
Art_PAP34150-B

FIGURE 1-57. CABLE HARNESS

ITEM	PART NUMBER	QTY	DESCRIPTION	REV
1	70025783	1	CABLE HARNESS, (includes items 2 thru 8 & 44 thru 47)	
2	70025782	1	PLUG-IN CONNECTOR, (X17)	
3	70025222	3	PLUG-IN CONNECTOR, (B 40.1/B 40.2/B 43)	
4	70025220	5	PLUG-IN CONNECTOR, (Y15.1/Y15.2/Y15.3/Y)	
5	70025223	1	PLUG-IN CONNECTOR, (B49)	
6	70025219	1	PLUG-IN CONNECTOR, (B48)	
7	70025238	1	PLUG-IN CONNECTOR, (Y20)	
8	70025221	2	PLUG-IN CONNECTOR, (B6/B 51)	
44	70025218	6	CLAMPING BAND	
45	70025217	13	CLAMPING BAND	
46	70025778	1	CLAMPING BAND	
47	70025224	3	CLAMPING BAND	

SECTION 1 - ENGINE

FIGURE 1-58. FASTENINGS



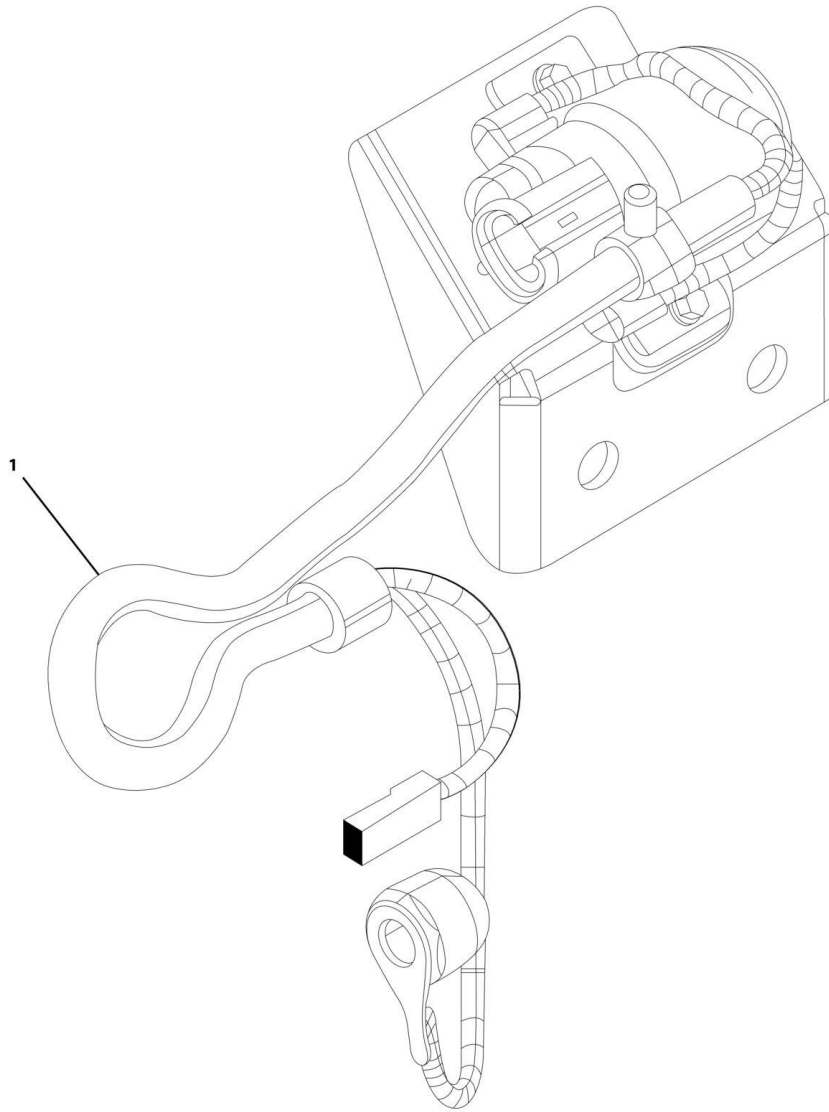
Art_PAP34160-B

FIGURE 1-58. FASTENINGS

ITEM	PART NUMBER	QTY	DESCRIPTION	REV
1	70025125	1	HEXAGON BOLT, (torque to 20 Nm/15 lb-ft)	
2	70025224	1	CLAMPING BAND	

SECTION 1 - ENGINE

FIGURE 1-59. ELECTRIC LINE



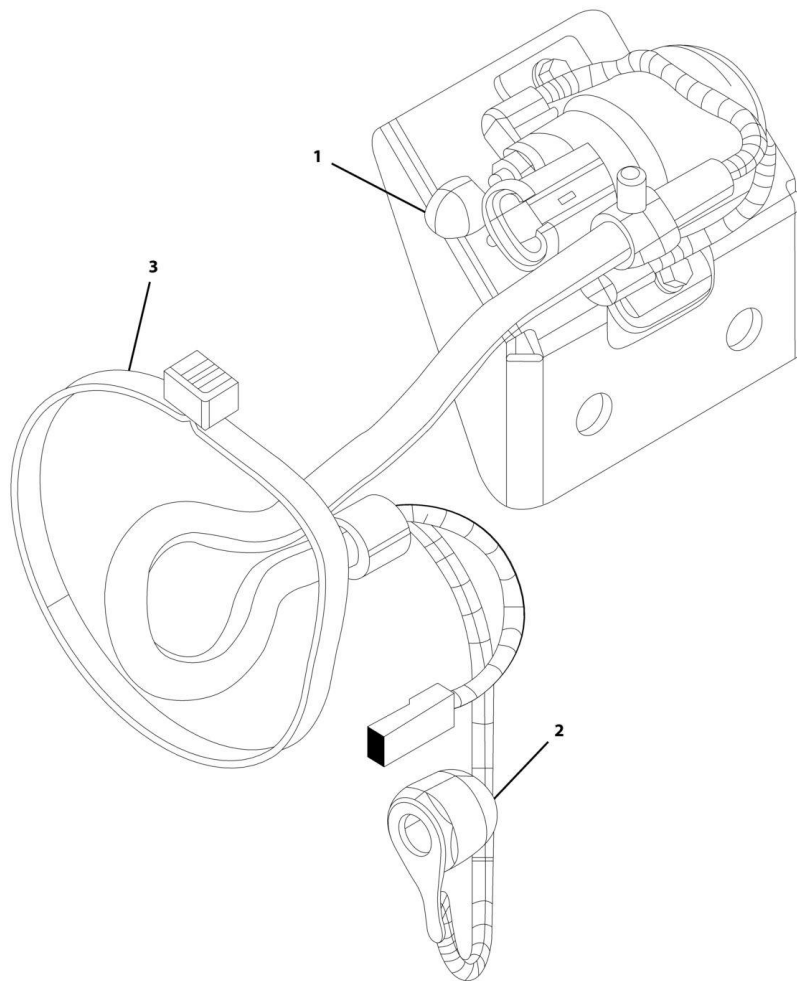
Art_PAP34170-B

FIGURE 1-59. ELECTRIC LINE

ITEM	PART NUMBER	QTY	DESCRIPTION	REV
1	70025777	1	ELECTRIC LINE	

SECTION 1 - ENGINE

FIGURE 1-60. PROTECTING CAP



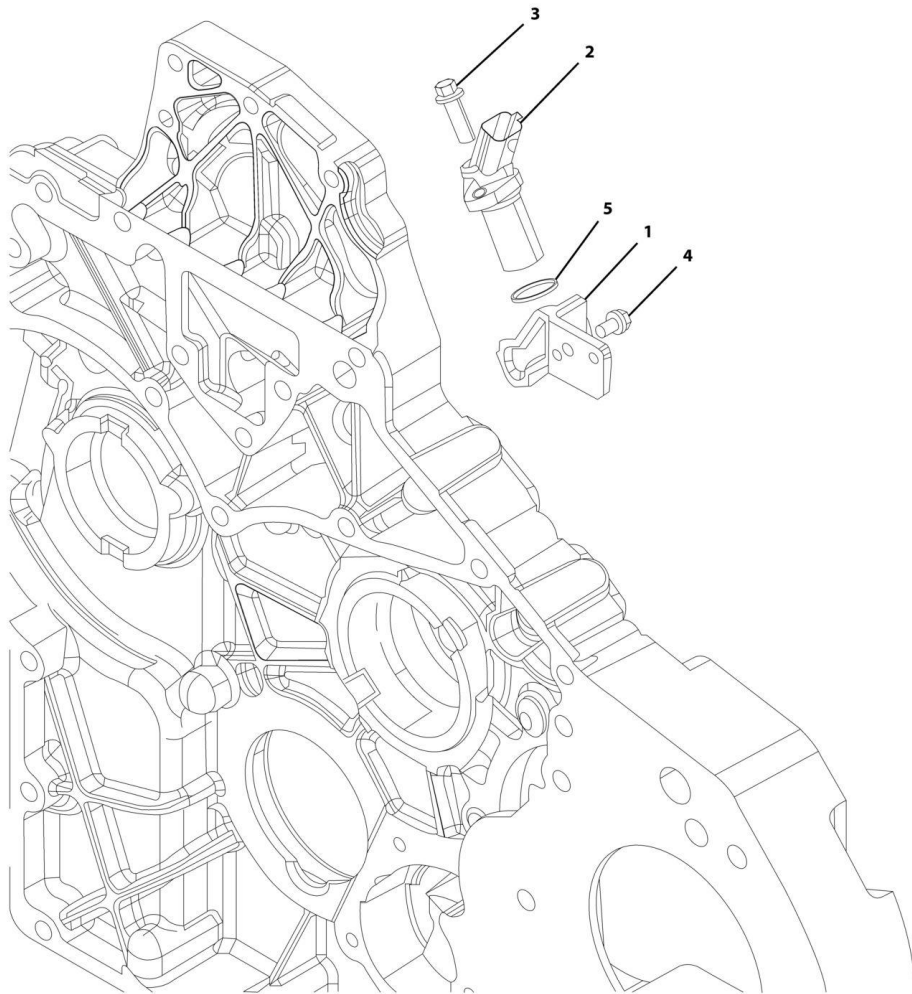
Art_PAP34180-B

FIGURE 1-60. PROTECTING CAP

ITEM	PART NUMBER	QTY	DESCRIPTION	REV
1	70025698	2	PROTECTING CAP	
2	70025700	1	PROTECTING CAP	
3	70025685	1	CLAMPING BAND	

SECTION 1 - ENGINE

FIGURE 1-61. TACHO-GENERATOR



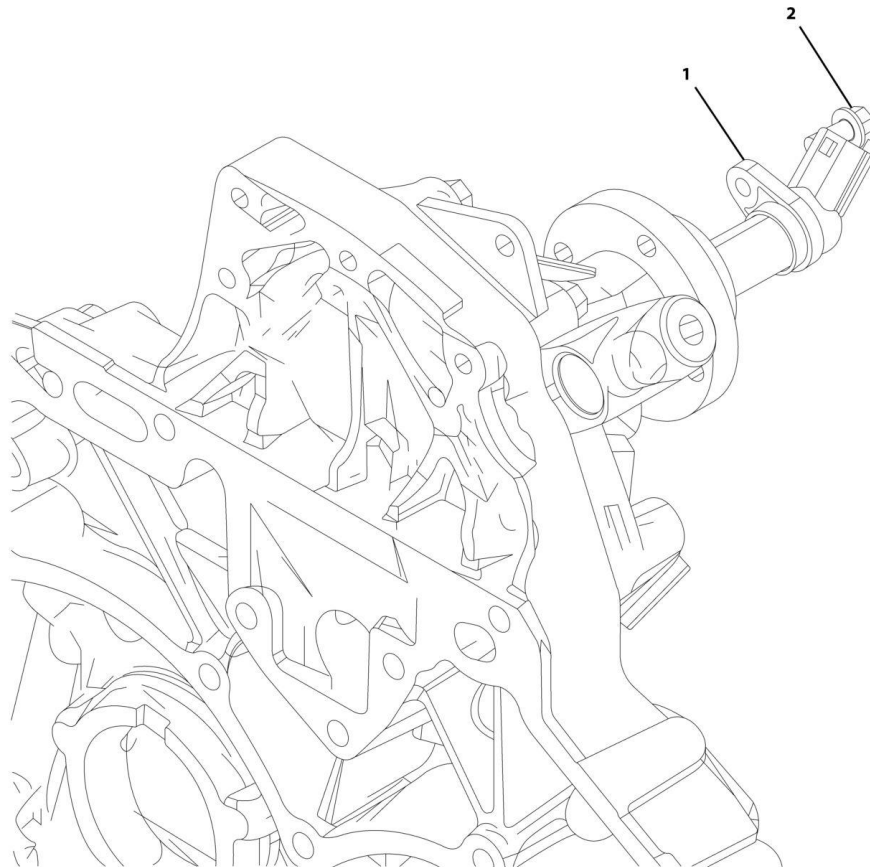
Art_PAP34190-B

FIGURE 1-61. TACHO-GENERATOR

ITEM	PART NUMBER	QTY	DESCRIPTION	REV
1	70025738	1	BRACKET	
2	70024503	1	TACHO-GENERATOR, (includes item 5)	
3	70025697	1	HEXAGON BOLT, (torque to 8.5 Nm/6 lb-ft)	
4	70025673	1	HEXAGON BOLT, (torque to 5 Nm/4 lb-ft)	
5	70024917	1	O-SEAL	

SECTION 1 - ENGINE

FIGURE 1-62. SENSOR



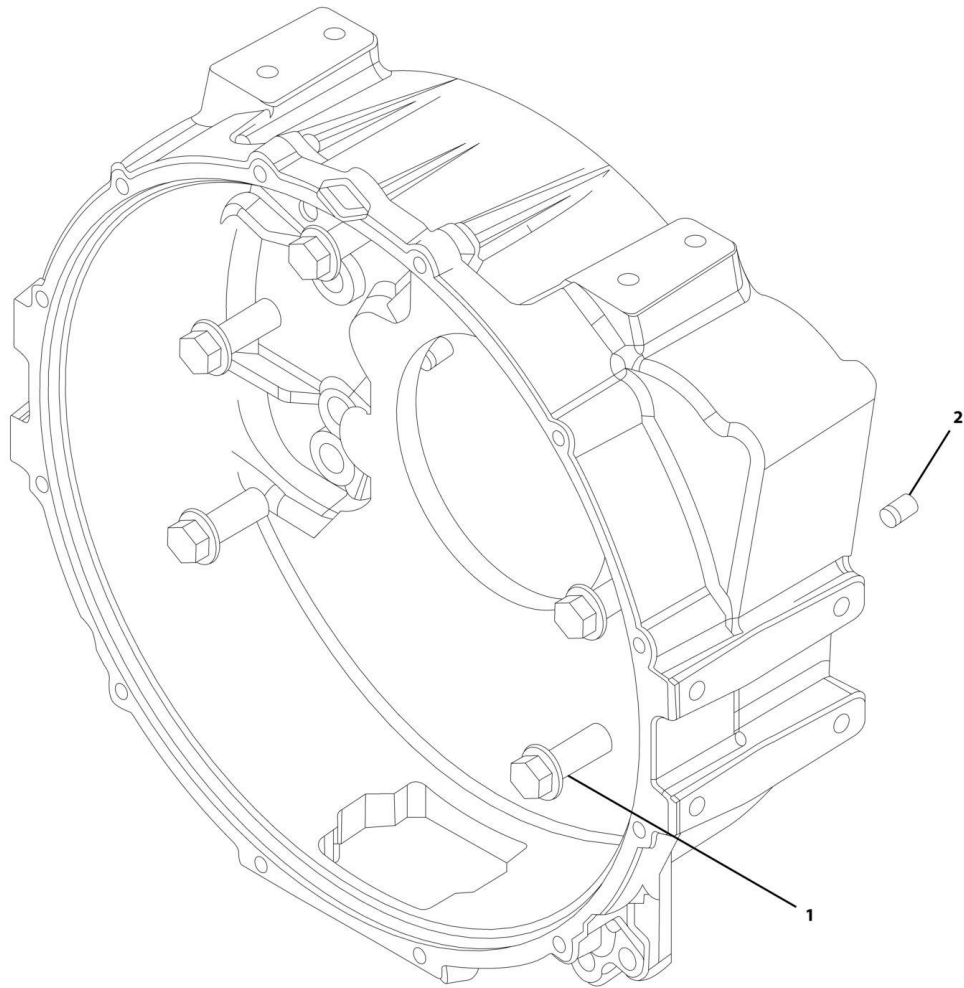
Art_PAP34200-B

FIGURE 1-62. SENSOR

ITEM	PART NUMBER	QTY	DESCRIPTION	REV
1	70024503	1	TACHO-GENERATOR, (includes item 3)	
2	70025128	1	HEXAGON BOLT, (torque to 8.5 Nm/6 lb-ft)	
3	70024917	1	O-SEAL, (not shown)	

SECTION 1 - ENGINE

FIGURE 1-63. FASTENINGS



Art_PAP34210-B

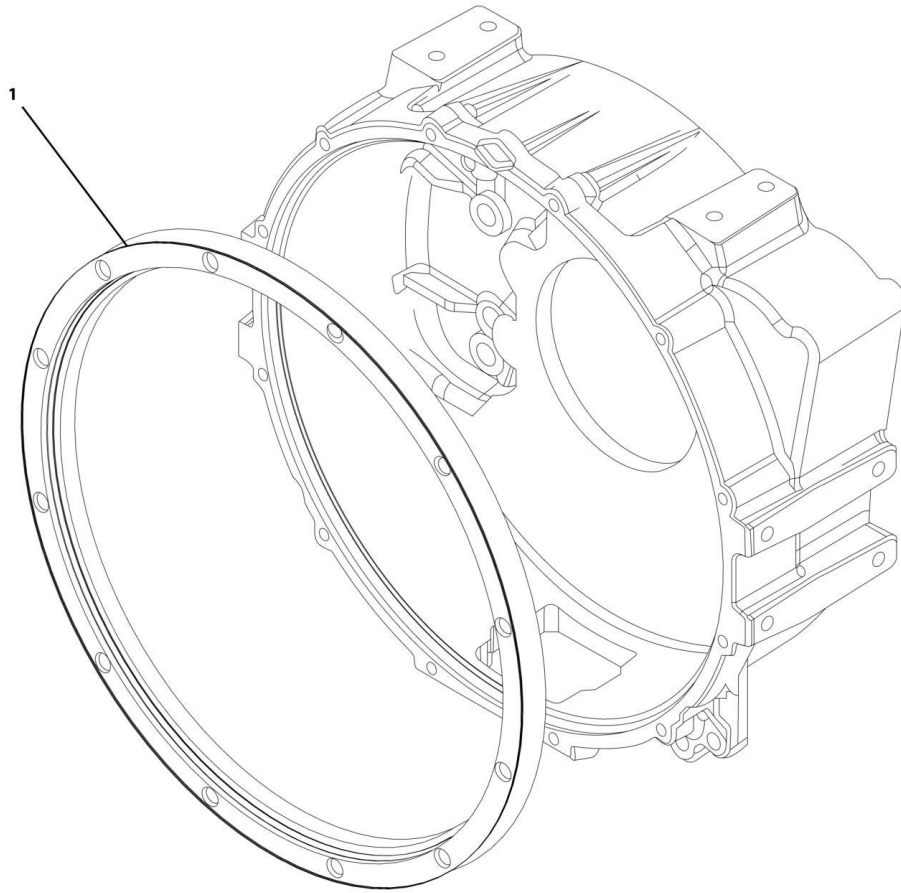
FIGURE 1-63. FASTENINGS

ITEM	PART NUMBER	QTY	DESCRIPTION	REV
1	70025712	6	HEXAGON BOLT, (torque to 170 Nm/125 lb-ft)	
2	70025706	2	CLAMPING BUSH	

SECTION 1 - ENGINE

FIGURE 1-64. SPACER RING

IF EQUIPPED WITH ENGINE 1001141035



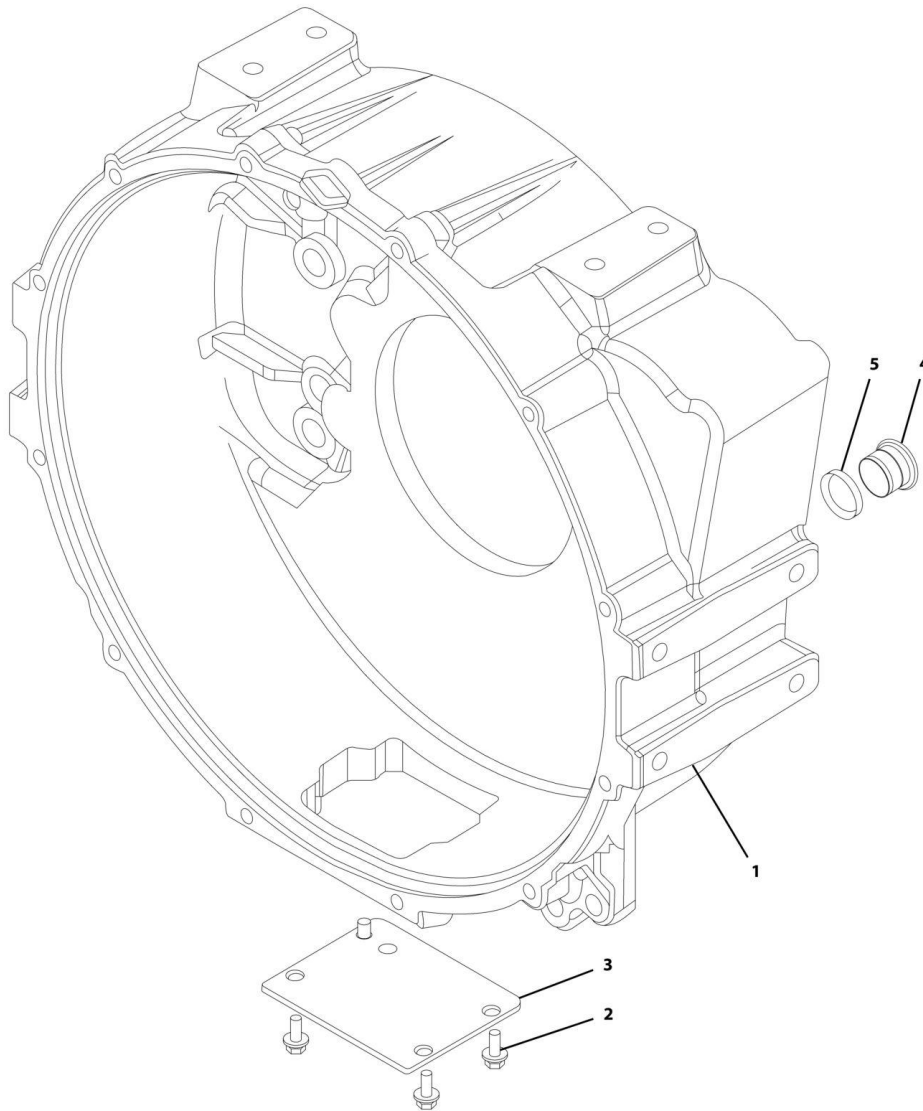
Art_PAP34220-B

FIGURE 1-64. SPACER RING

ITEM	PART NUMBER	QTY	DESCRIPTION	REV
1	70025794	1	SPACER RING	

SECTION 1 - ENGINE

FIGURE 1-65. FLYWHEEL HOUSING



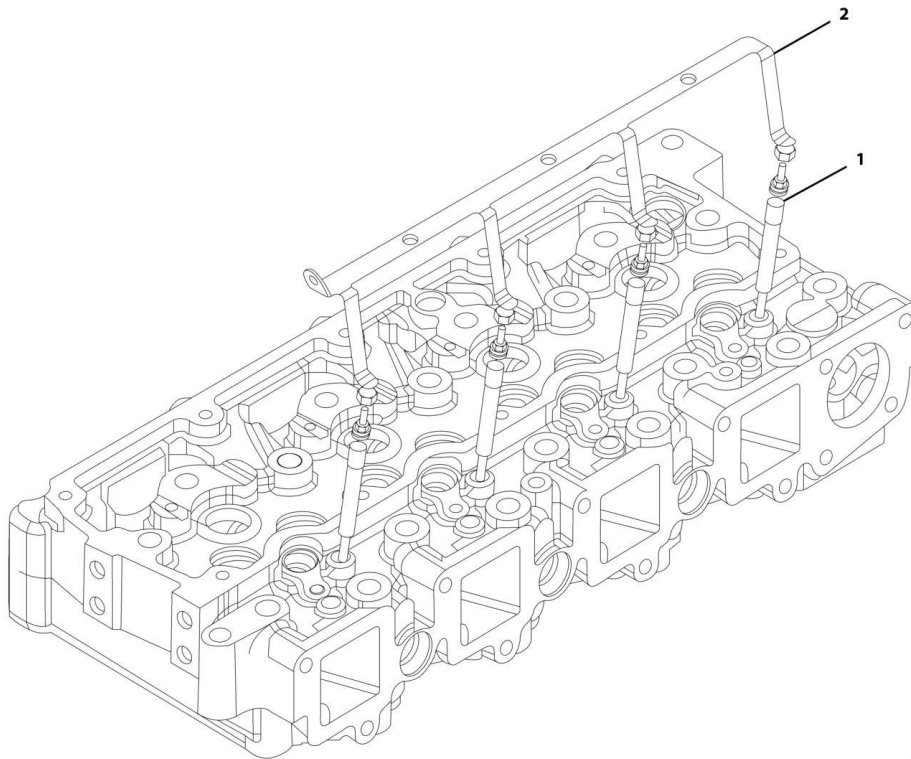
Art_PAP34230-B

FIGURE 1-65. FLYWHEEL HOUSING

ITEM	PART NUMBER	QTY	DESCRIPTION	REV
1	70025761	1	CONNECTION HOUSING, (includes items 2 thru 5)	
2	70001655	4	HEXAGON BOLT, (torque to 8.5 Nm/6 lb-ft)	
3	70025785	1	COVER PLATE	
4	70025084	1	SCREW PLUG, (torque to 80 Nm/59 lb-ft)	
5	7020492	1	SCREW PLUG	

SECTION 1 - ENGINE

FIGURE 1-66. GLOW PLUG



Art_PAP34240-B

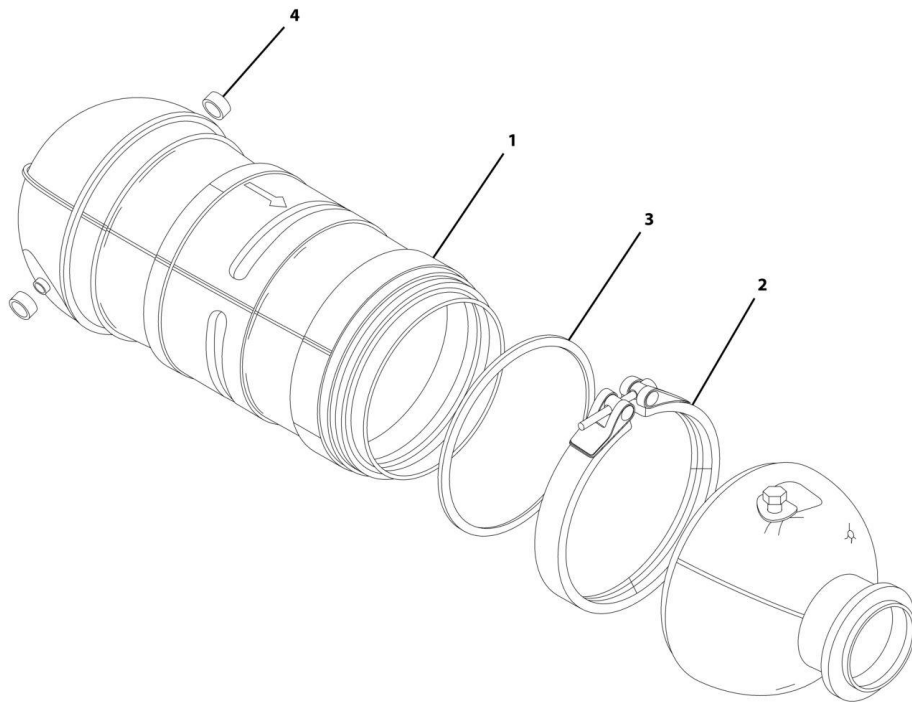
FIGURE 1-66. GLOW PLUG

ITEM	PART NUMBER	QTY	DESCRIPTION	REV
1	70024474	4	GLOW PLUG, (torque to 13.5 Nm/10 lb-ft)	
2	70025760	1	CONNECTING RAIL	

SECTION 1 - ENGINE

FIGURE 1-67. INLET

IF EQUIPPED WITH ENGINE 1001141035



Art_PAP34250-B

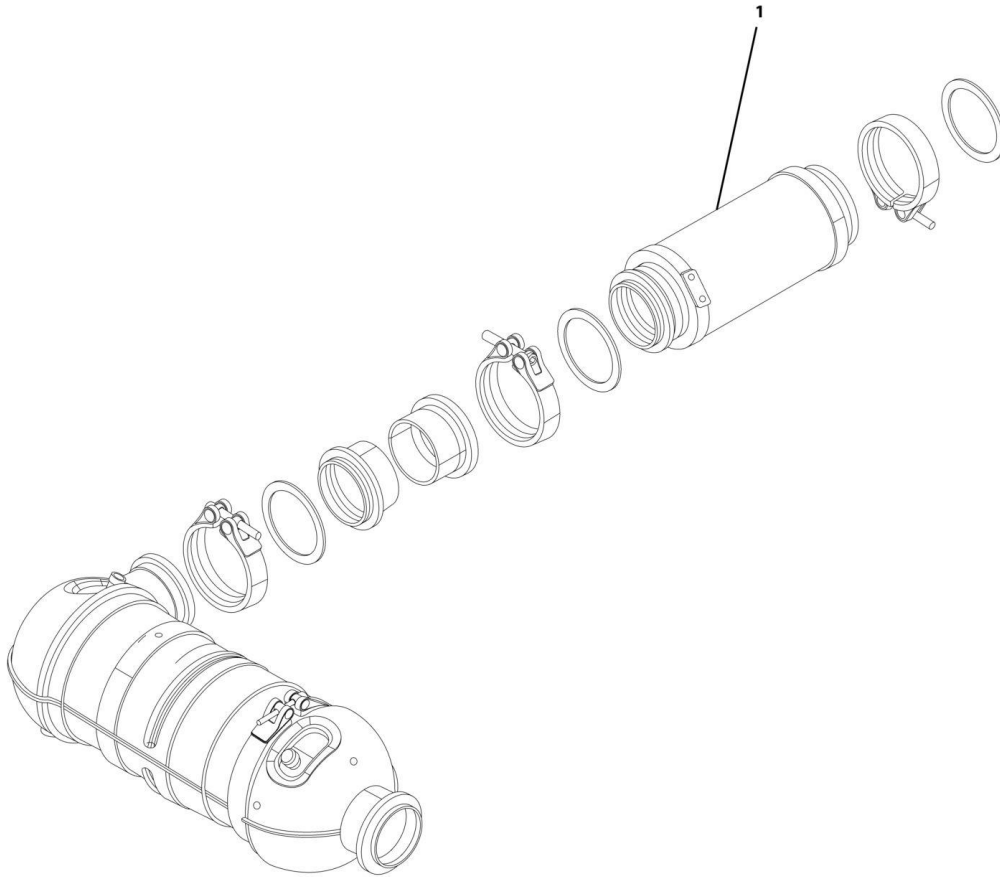
FIGURE 1-67. INLET

ITEM	PART NUMBER	QTY	DESCRIPTION	REV
1	70025799	1	INLET, (includes items 2 thru 4)	
2	70025800	1	CLIP	
3	70025801	1	GASKET	
4	70025244	2	LOCK	

SECTION 1 - ENGINE

FIGURE 1-68. COMPENSATOR

IF EQUIPPED WITH ENGINE 1001141035



Art_PAP34260-B

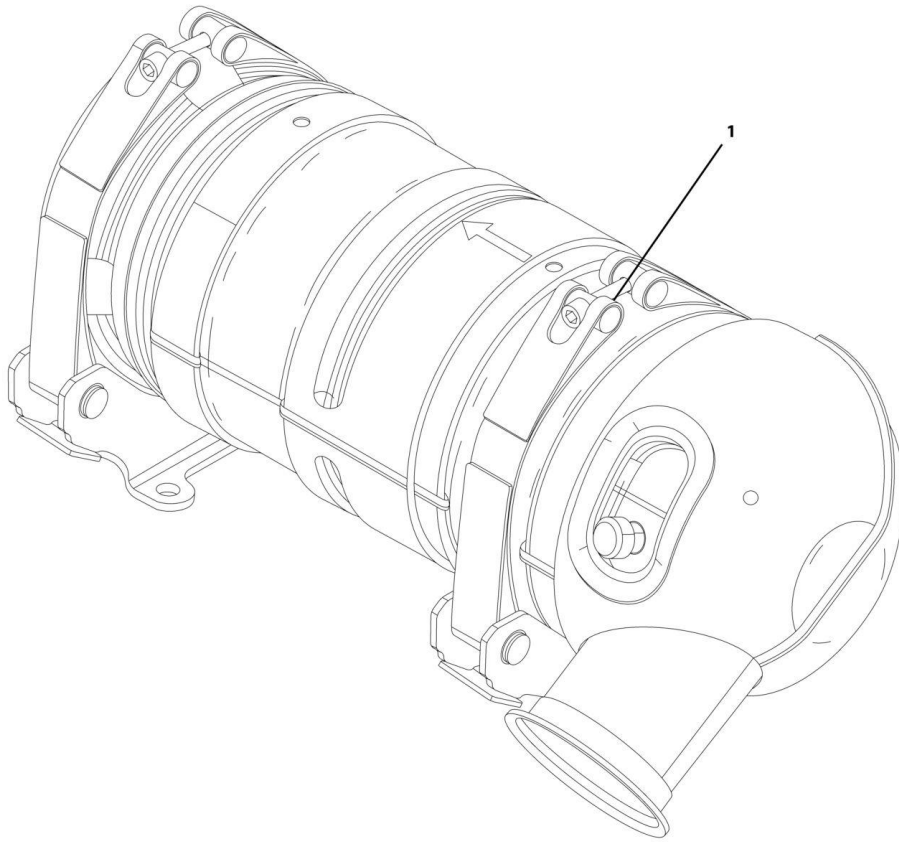
FIGURE 1-68. COMPENSATOR

ITEM	PART NUMBER	QTY	DESCRIPTION	REV
1	70025793	1	COMPENSATOR	

SECTION 1 - ENGINE

FIGURE 1-69. BRACKET

IF EQUIPPED WITH ENGINE 1001141035



Art_PAP34270-B

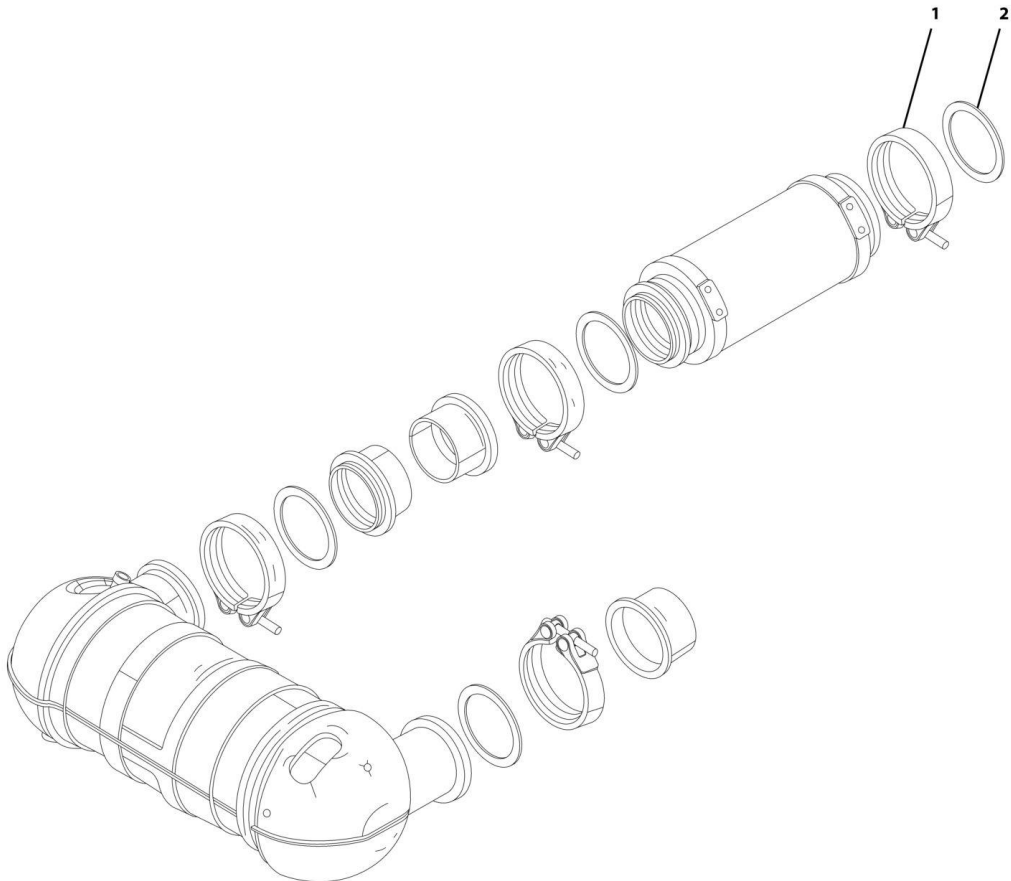
FIGURE 1-69. BRACKET

ITEM	PART NUMBER	QTY	DESCRIPTION	REV
1	70025245	2	BRACKET	

SECTION 1 - ENGINE

FIGURE 1-70. MOUNTING MATERIAL

IF EQUIPPED WITH ENGINE 1001141035



Art_PAP34280-B

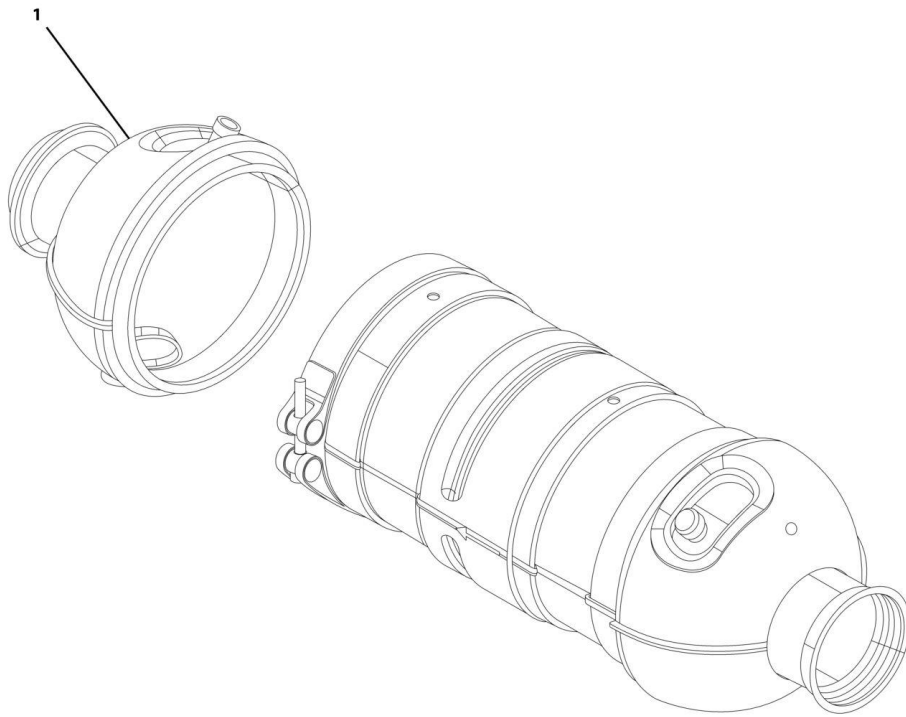
FIGURE 1-70. MOUNTING MATERIAL

ITEM	PART NUMBER	QTY	DESCRIPTION	REV
1	70025241	1	CLIP	
2	70025242	1	GASKET	

SECTION 1 - ENGINE

FIGURE 1-71. RETURNS ELEVATOR

IF EQUIPPED WITH ENGINE 1001141035



Art_PAP34290-B

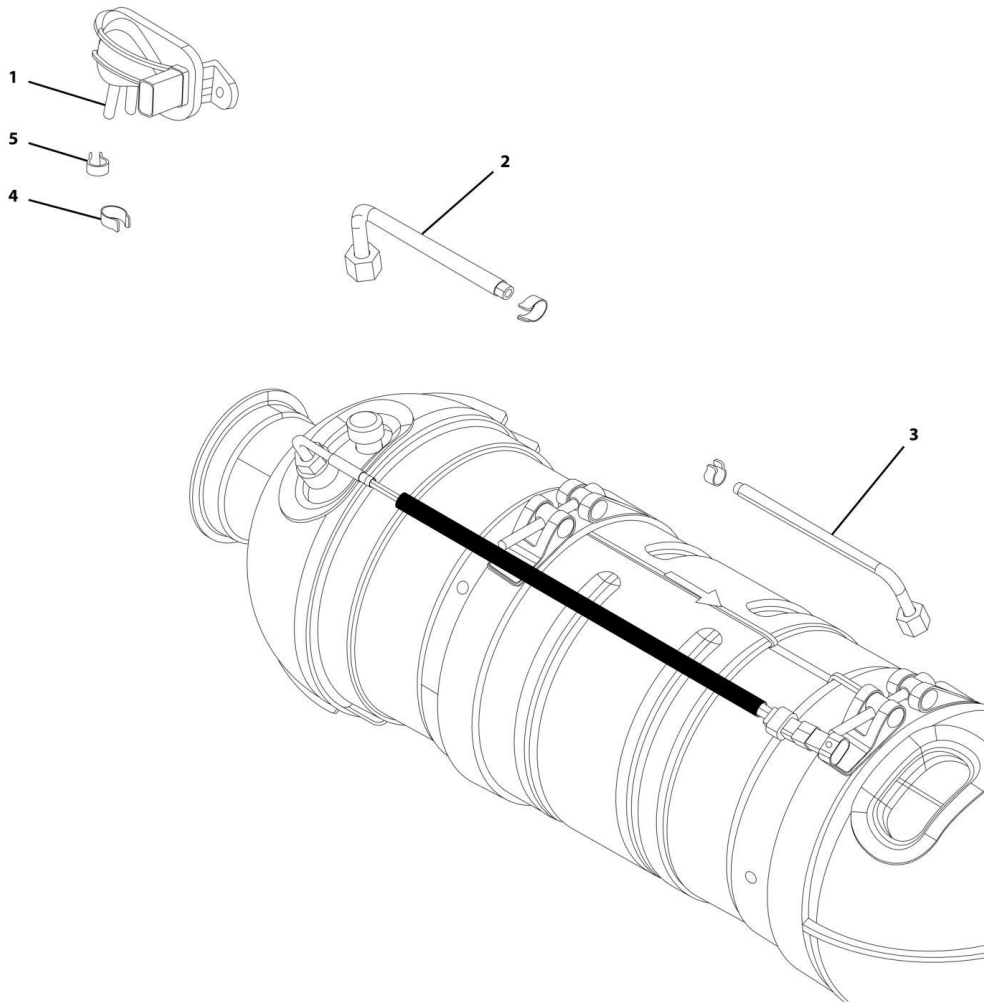
FIGURE 1-71. RETURNS ELEVATOR

ITEM	PART NUMBER	QTY	DESCRIPTION	REV
1	70025802	1	RETURNS ELEVATOR	

SECTION 1 - ENGINE

FIGURE 1-72. TRANSMITTER MOUNT

IF EQUIPPED WITH ENGINE 1001141035



Art_PAP34300-B

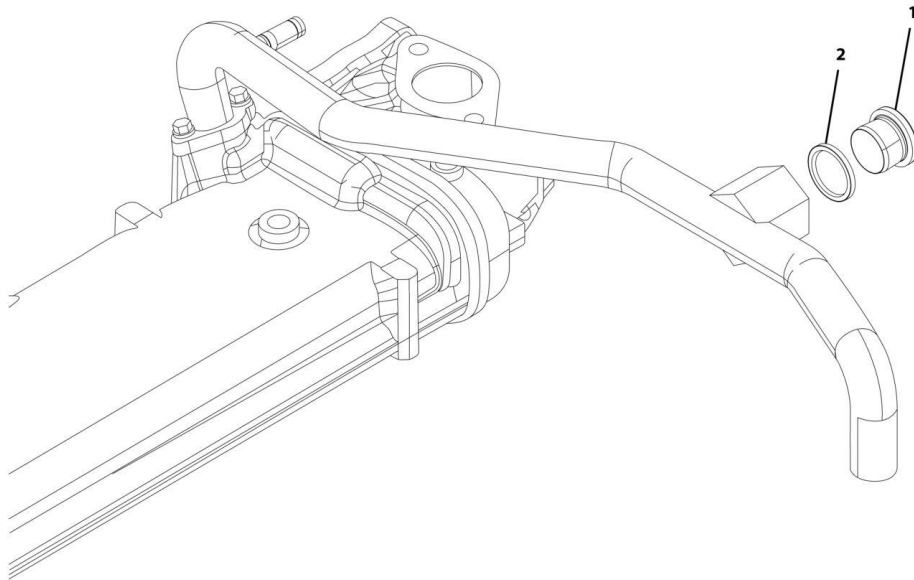
FIGURE 1-72. TRANSMITTER MOUNT

ITEM	PART NUMBER	QTY	DESCRIPTION	REV
1	70025796	1	PRESSURE SENSOR	
2	70025797	1	PRESSURE SENSOR	
3	70025798	1	PIPE/LINE/LEAD	
4	70025791	2	HOSE CLIP	
5	70025792	2	HOSE CLIP	

SECTION 1 - ENGINE

FIGURE 1-73. SCREW PLUG

IF EQUIPPED WITH ENGINE 1001158033



Art_PAP34320-B

FIGURE 1-73. SCREW PLUG

ITEM	PART NUMBER	QTY	DESCRIPTION	REV
1	70025084	1	SCREW PLUG, (torque to 80 Nm/59 lb-ft)	
2	7020492	1	SEALING RING	

SECTION 2 - RECOMMENDED SPARE PARTS

SECTION 2 - RECOMMENDED SPARE PARTS

FIGURE 2-1. RECOMMENDED SPARE PARTS

ITEM	PART NUMBER	QTY	DESCRIPTION	REV
	Note	Ref	The following list will service fleets of machines (built to current production per date on the front cover) with repair parts which can be installed in the field. Parts from the list should be replaced when inventory is depleted to keep service parts stock supplied. For further information, contact your JLG dealer or the JLG Industries Parts Department.	
		Ref	ENGINE	
	7020442	2	O-seal	
	70025088	1	Screw Plug	
	70025538	1	Joint Washer	
	7016331	1	Spin-on Oil Filter	
	70024962	1	Spin-on Fuel Filter	
	70025153	1	Fuel Filter	
	70025477	1	Belt Tensioner	
	70025478	1	V-ribbed Belt	
	70002718	1	Rotating Shaft Lip Seal	
	70025771	1	Intake Pipe	
	70024481	1	Gasket	
	70024511	1	Plug	
	70004280	1	Rotating Shaft Lip Seal	
	70004275	1	Oil Cooler	
	70024495	1	Gasket	
	70002813	1	O-seal	
	70025724	1	Lubrication Oil Line	
	70025787	1	Attachment Flange	
	70025725	1	Oil Return Line	
	70024509	1	Gasket	
	70024488	1	Distance Piece	
	70024517	1	O-seal	
	70024485	4	Injector	
	70024504	1	Pressure Sensor	
	70024513	1	Sensor Cable	
	70024486	1	Fuel Supply Pump	
	70025151	1	Rail	
	70025534	1	High Pressure Pipe	
	70024498	1	High Pressure Pipe	
	70024499	1	High Pressure Pipe	
	70025766	1	Fuel Leakage Pipe	
	70024501	1	Fuel Line	
	70024475	1	Intake Pipe Gasket	
	70025726	1	Gasket	
	70025210	1	Control Unit	
	70025536	1	Water Pump	
	70024473	1	Thermostat	
	70024493	1	Gasket	
	70025750	1	Cooling Water Line	
	70025747	1	Manifold	
	70025749	1	Hose	
	70025723	1	EGR Module	

SECTION 2 - RECOMMENDED SPARE PARTS

ITEM	PART NUMBER	QTY	DESCRIPTION	REV
	70024479	1	Hose	
	70024496	1	Cooling Water Line	
	70024478	1	Gasket	
	70024469	1	O-seal	
	70024500	2	Gasket	
	70024480	1	Gasket	
	70024512	1	Clip	
	70025535	1	Starter	
	70025533	1	Generator	
	70024484	1	Idler Roller	
	70024503	1	Tacho Generator	
	70024504	1	Pressure Sensor	
	70024474	4	Glow Plug	
	70025799	1	Inlet	
	70025801	1	Gasket	
	70025800	1	Clamp	

PART NUMBER INDEX

PART NUMBER INDEX

70001655.....27, 119, 137	70025128 .15, 79, 93, 131	70025682 107	70025750.....79, 156
70002718.....9, 156	70025131 109	70025683 27	70025751.....99
70002813.....39, 156	70025132 45	70025685 127	70025754.....47
70004275.....37, 156	70025137 39	70025686 61	70025755.....11
70004280.....33, 156	70025139 25	70025687 93, 95	70025756.....61
70024469.....85, 157	70025140 51	70025688 23	70025757.....25
70024473.....75, 156	70025141 109	70025689 93	70025758.....33
70024474.....139, 157	70025144 57	70025690 65	70025759.....91
70024475.....65, 156	70025145 51	70025691 11	70025760.....139
70024478.....93, 157	70025146 51	70025692 41	70025761.....137
70024479.....95, 157	70025147 51	70025693 45	70025762.....77
70024480.....101, 157	70025149 109	70025694 41	70025763.....35
70024481.....29, 156	70025151 59, 156	70025695 33	70025764.....79
70024482.....87	70025152 47	70025696 111	70025765.....21
70024484.....105, 157	70025153 55, 156	70025697 129	70025766.....61, 156
70024485.....51, 156	70025154 51	70025698 127	70025767.....119
70024486.....57, 156	70025210 67, 156	70025699 79, 93	70025768.....83
70024487.....47	70025217 121	70025700 127	70025770.....27
70024488.....47, 156	70025218 121	70025701 93	70025771.....15, 156
70024493.....75, 156	70025219 121	70025702 61	70025772.....65
70024495.....37, 156	70025220 121	70025703 33	70025773.....95
70024496.....93, 157	70025221 115, 121	70025704 33	70025774.....15
70024498.....59, 156	70025222 121	70025705 27	70025775.....69, 71
70024499.....59, 156	70025223 121	70025706 133	70025776.....111
70024500.....89, 157	70025224 121, 123	70025708 83	70025777.....125
70024501.....61, 156	70025235 59	70025709 83	70025778.....121
70024503...129, 131, 157	70025238 121	70025710 83	70025779.....115
70024504.....53, 156, 157	70025239 55	70025712 133	70025780.....119
70024509.....45, 156	70025240 59	70025713 73	70025781.....115
70024511.....29, 156	70025241 147	70025714 35	70025782.....121
70024512.....99, 157	70025242 147	70025717 35	70025783.....121
70024513.....55, 156	70025244 141	70025718 35	70025784.....73
70024517.....47, 156	70025245 145	70025719 59	70025785.....137
70024917.....129, 131	70025477 105, 156	70025720 9	70025786.....17
70024918.....75	70025478 105, 156	70025721 63	70025787.....45, 156
70024920.....53	70025479 105	70025723 83, 156	70025788.....99
70024961.....55	70025533 109, 157	70025724 43, 156	70025791.....151
70024962.....53, 156	70025534 59, 156	70025725 45, 156	70025792.....151
70024963.....53	70025535 113, 157	70025726 63, 156	70025793.....143
70025084.....73, 93, 137, 153	70025536 73, 156	70025727 29	70025794.....135
70025085.....43	70025538 19, 156	70025729 49	70025795.....81
70025087.....47	70025660 75	70025730 41	70025796.....151
70025088.....19, 156	70025661 77	70025731 39	70025797.....151
70025095.....45	70025663 27	70025732 101	70025798.....151
70025099.....113	70025664 111	70025733 109	70025799.....141, 157
70025102.....117	70025665 11	70025734 97	70025800.....141, 157
70025104.....47	70025666 13	70025735 89	70025801.....141, 157
70025105.....43	70025667 33	70025736 111	70025802.....149
70025109.....61	70025668 73	70025737 27	70040100.....45
70025110.....91, 97	70025669 77	70025738 129	70040123.....13
70025111.....15, 79	70025670 111	70025739 31	70040126.....73
70025116.....15	70025671 33	70025740 31	7016309.....73, 75
70025119.....15	70025672 107	70025741 75	7016331.....39, 156
70025121.....53	70025673 129	70025742 27	7020208.....25
70025122.....39, 63	70025674 59	70025743 23	7020442.....11, 156
70025123.....21	70025675 63	70025744 85	7020465.....29
70025124.....73, 77, 81	70025676 89, 101	70025745 11	7020492.....93, 137, 153
70025125...9, 37, 81, 123	70025677 85	70025746 29	7029385.....33
70025126.....61, 71, 79	70025679 35	70025747 79, 156	H005238103
70025127.....31, 75	70025680 15	70025748 63	
	70025681 63	70025749 79, 156	



An Oshkosh Corporation Company

Corporate Office
JLG Industries, Inc.
1 JLG Drive
McConnellsburg PA. 17233-9533
USA
☎ **(717) 485-5161(Corporate)**
☎ **(800) 554-5438(Service)**
📠 **(717) 485-6417**

JLG Worldwide Locations

JLG Industries
358 Park Road
Regents Park
NSW 2143
Sydney 2143
Australia
☎ +6 (12) 87186300
📠 +6 (12) 65813058
Email: techservicesauc@jlg.com

JLG Ground Support Oude
Bunders 1034
Breitwaterstraat 12A
3630 Maasmechelen
Belgium
☎ +32 (0) 89 84 82 26
Email: emeaservice@jlg.com

JLG Latino Americana LTDA
Rua Antonia Martins Luiz, 580
Distrito Industrial Joao Narezzi
Indaiatuba-SP 13347-404
Brasil
☎ +55 (19) 3936 7664 (Parts)
📠 +55(19)3936 9049 (Service)
Email: comercialpecas@jlg.com
Email: servicos@jlg.com

Oshkosh-JLG (Tianjin)
Equipment Technology LTD
Shanghai Branch
No 465 Xiao Nan Road
Feng Xian District
Shanghai 201204
China
☎ +86 (21) 800 819 0050

JLG Industries Dubai
Jafza View
PO Box 262728, LB 19
20th Floor, Office 05
Jebel Ali, Dubai
☎ +971 (0) 4 884 1131
📠 +971 (0) 4 884 7683
Email: emeaservice@jlg.com

JLG France SAS
Z.I. Guillaume Mon Amy
30204 Fauillet
47400 Tonniens
France
☎ +33 (0) 553 84 85 86
📠 +33 (0) 553 84 85 74
Email: pieces@jlg.com

JLG Deutschland GmbH
Max Planck Str. 21
27721 Ritterhude - Ihlpohl
Germany
☎ +49 (0) 421 69350-0
📠 +49 (0) 421 69350-45
Email: german-parts@jlg.com

JLG Equipment Services Ltd.
Rm 1107 Landmark North
39 Lung Sum Avenue
Sheung Shui N. T.
Hong Kong
☎ +(852) 2639 5783
📠 +(852) 2639 5797

JLG Industries (Italia) S.R.L.
Via Po. 22
20010 Pregnana Milanese (MI)
Italy
☎ +39 (0) 2 9359 5210
📠 +39 (0) 2 9359 5211
Email: ricambi@jlg.com

JLG EMEA B.V.
Polaris Avenue 63
2132 JH Hoofddorp
The Netherlands
☎ +31 (0) 23 565 5665
Email: emeaservice@jlg.com

JLG NZ Access Equipment &
Services
2B Fisher Crescent
Mt Wellington 1060
Auckland, New Zealand
☎ +6 (12) 87186300
📠 +6 (12) 65813058
Email: techservicesaus@jlg.com

JLG Industries
Vahutinskoe shosse 24b.
Khimki
Moscow Region 141400
Russia Federation
☎ +7 (499) 922 06 99
📠 +7 (499) 922 06 99

Oshkosh-JLG Singapore
Technology Equipment Pte Ltd.
35 Tuas Avenue 2
Jurong Industrial Estate
Singapore 639454
☎ +65 6591 9030
📠 +65 6591 9045
Email: SEA@jlg.com

JLG Iberica S.L.
Trapadella, 2
Pol. Ind. Castellbisbal Sur
08755 Castellbisbal
Barcelona
Spain
☎ +34 (0) 93 772 47 00
📠 +34 (0) 93 771 1762
Email: parts_iberica@jlg.com

JLG Sverige AB
Enkopingsvagen 150
176 27 Jarfalla
Sweden
☎ +46 (0) 8 506 595 00
📠 +46 (0) 8 506 595 27
Email: nordicsupport@jlg.com

JLG Industries (UK) Ltd.
Bentley House
Bentley Avenue
Middleton, Greater Manchester
M24 2GP
United Kingdom
☎ +44 (0) 161 654 1000
📠 +44 (0) 161 654 1003
Email: ukparts@jlg.com

www.jlg.com