



Engine Parts Manual

Models

G5-18A, 2505H

Agrovector 25.5

S/N 0160053000 & After including
0160051045, 0160051047,
0160051049, 0160051194 &
0160051359

TD 2.9 L4 Engine
1001136095 & 1001139668

31200936

Revised
September 20, 2013

EFFECTIVITY PAGE

July 19, 2013 - A - Original Release of Manual

September 20, 2013 - B - Revised Manual

EFFECTIVITY PAGE

TABLE OF CONTENTS

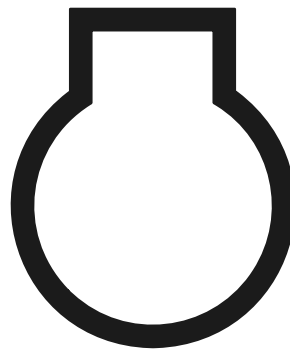
FIGURE NO.	TITLE	PAGE NO.
SECTION 1 –		
	ENGINE	1-1
1-1	Dipstick	1-2
1-2	Breather Line	1-4
1-3	Filler Cap	1-6
1-4	Oil Pan	1-8
1-5	Fly Wheel	1-10
1-6	V-Grooved Pulley	1-12
1-7	V-Grooved Pulley	1-14
1-8	Fastenings	1-16
1-9	Valve Mechanical Cover	1-18
1-10	Heat Protecting Shield	1-20
1-11	Front Cover	1-24
1-12	Lubrication Oil Pump	1-26
1-13	Lubricant Oil Filter	1-28
1-14	Oil Cooler	1-30
1-15	Oil Filter Assembly	1-32
1-16	Oil Suction Pipe	1-34
1-17	High Pressure Pump	1-36
1-18	Fuel Injector	1-38
1-19	Fuel Supply Pump	1-42
1-20	Fuel Filter	1-44
1-21	Fuel Prefilter	1-46
1-22	Rail	1-48
1-23	High Pressure Pipe	1-50
1-24	Fuel Line	1-52
1-25	Fuel Line	1-54
1-26	Intake Pipe	1-56
1-27	Charge Air Elbow	1-58
1-28	Charge Air Pipe	1-60
1-29	Control Unit	1-62
1-30	Coolant Pump	1-64
1-31	V-Grooved Pulley	1-66
1-32	Fastenings	1-68
1-33	Thermostat	1-70
1-34	Pipe/Line/Lead	1-72
1-35	Exhaust Manifold	1-74
1-36	Pipe/Line/Lead	1-76
1-37	EGR-Module	1-78
1-38	Turbocharger	1-80
1-39	V-Grooved Pulley	1-82
1-40	Generator	1-84
1-41	Fastenings	1-86
1-42	Starter	1-88
1-43	Cap	1-90

TABLE OF CONTENTS

FIGURE NO.	TITLE	PAGE NO.
1-44	Cable Harness	1-92
1-45	Fastenings	1-94
1-46	Cable Harness	1-96
1-47	Tacho Generator	1-100
1-48	Temperature Transmitter	1-102
1-49	Pressure Sensor	1-104
1-50	Sensor	1-106
1-51	Connection Housing	1-108
1-52	Glow Plug	1-110
1-53	Inlet	1-112
1-54	Bracket	1-114
1-55	Mounting Material	1-116
1-56	Returns Elevator	1-118
1-57	Special Tools	1-120
SECTION 2 – RECOMMENDED SPARE PARTS		2-1
SECTION 3 – PART NUMBER INDEX		3-1

SECTION 1

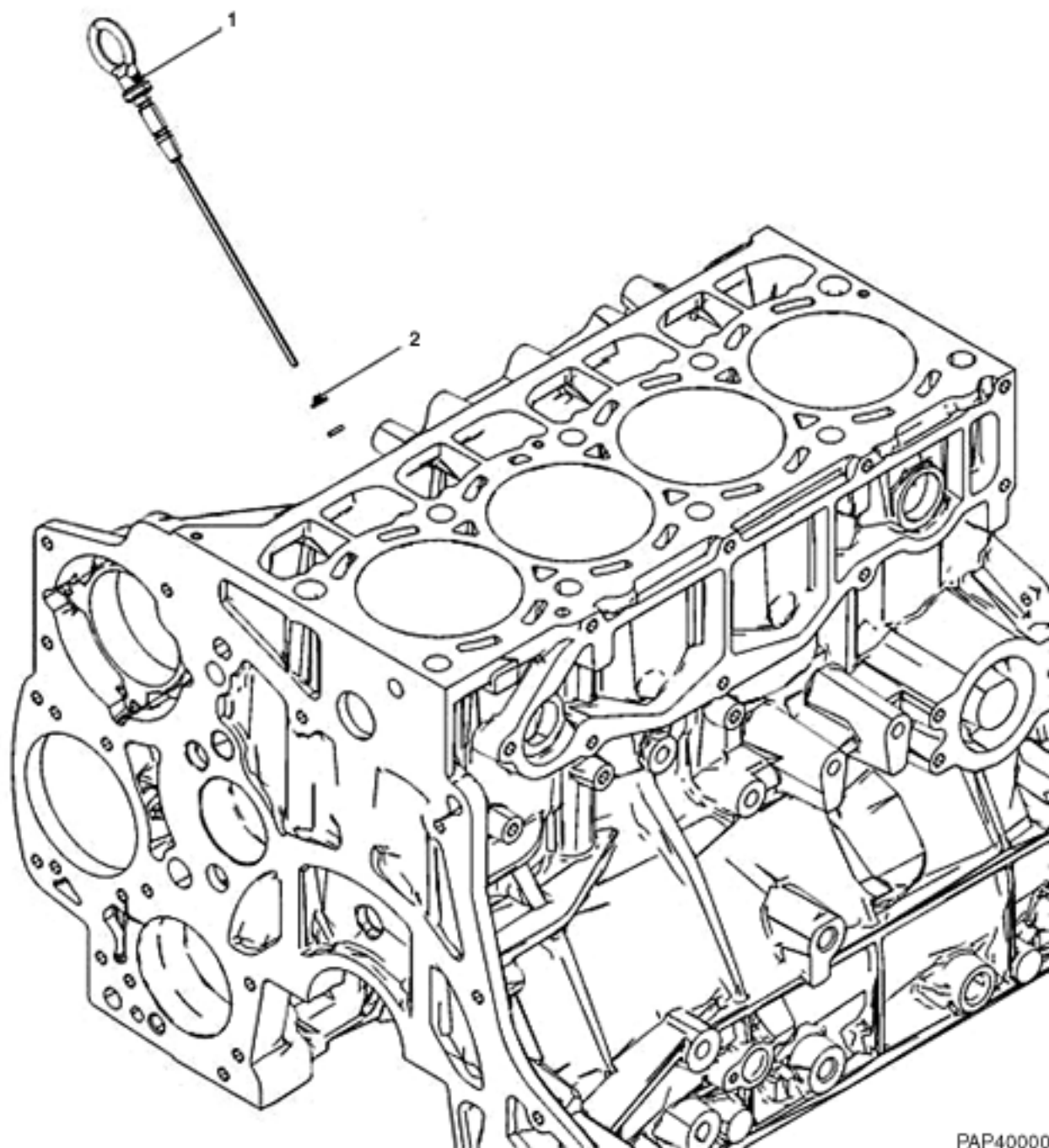
ENGINE





ENGINE

Figure 1-1 Dipstick



PAP40000



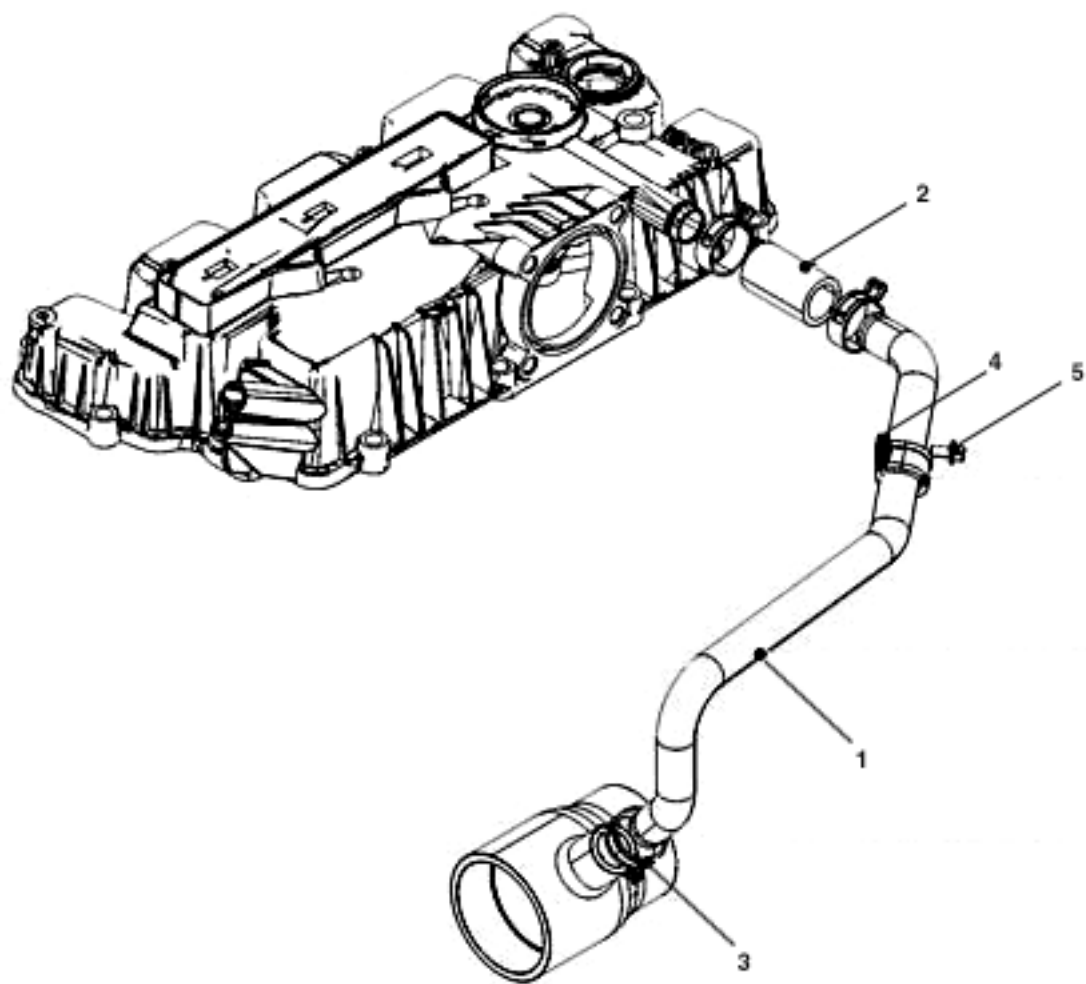
Figure 1-1 Dipstick

Item	Part Number	Qty.	Description	Rev.
1	70024904	1	DIPSTICK, (includes item 2)	
2	70024905	2	O-SEAL	



ENGINE

Figure 1-2 Breather Line



PAP40010

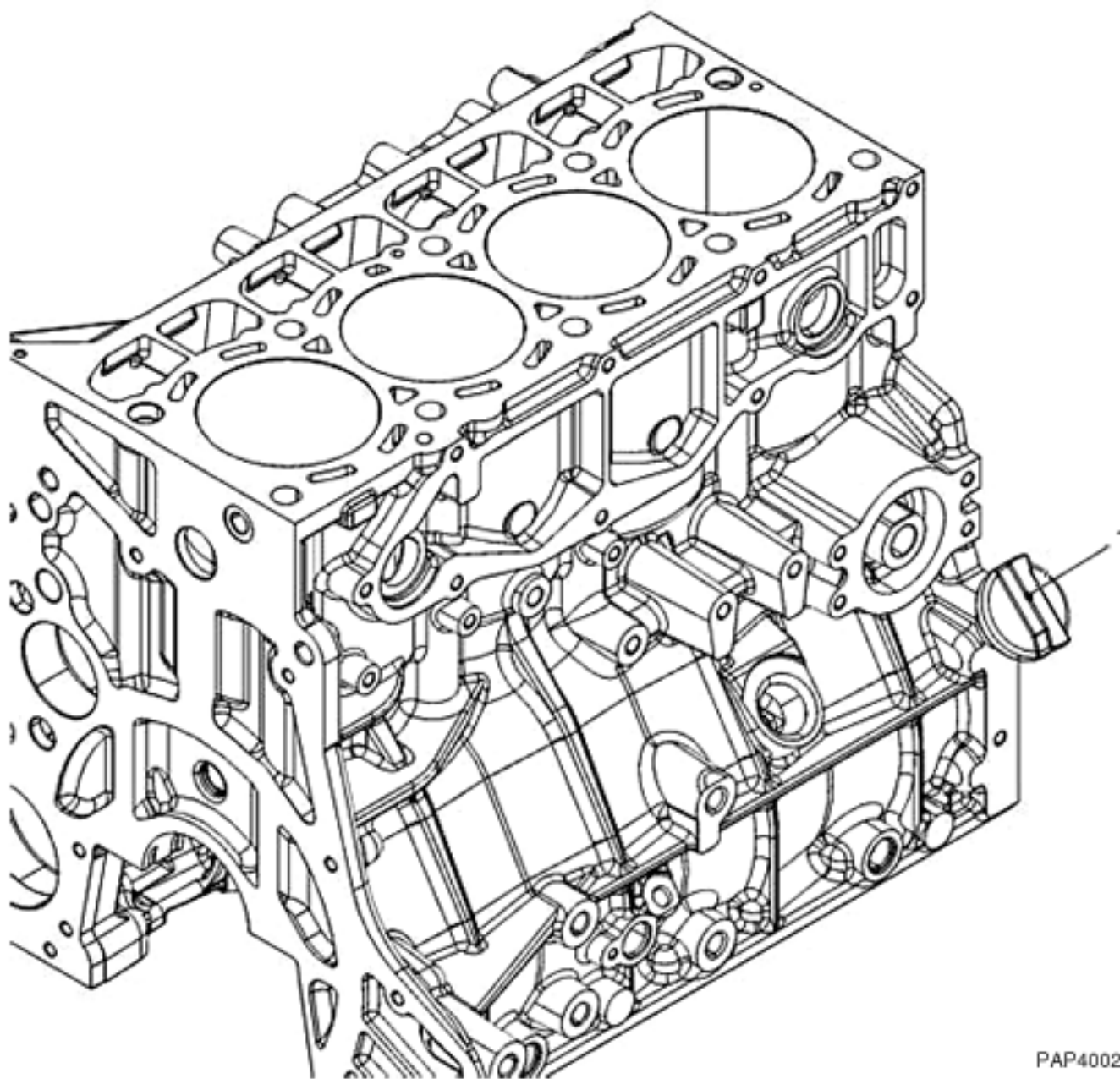


Figure 1-2 Breather Line

Item	Part Number	Qty.	Description	Rev.
1	70025199	1	BREATHER LINE	
2	70025119	1	RUBBER SLEEVE	
3	70025111	3	SPRING BAND CLAMP	
4	70025116	1	PIPE CLAMP	
5	70001655	1	HEXAGON BOLT	



Figure 1-3 Filler Cap



PAP40020



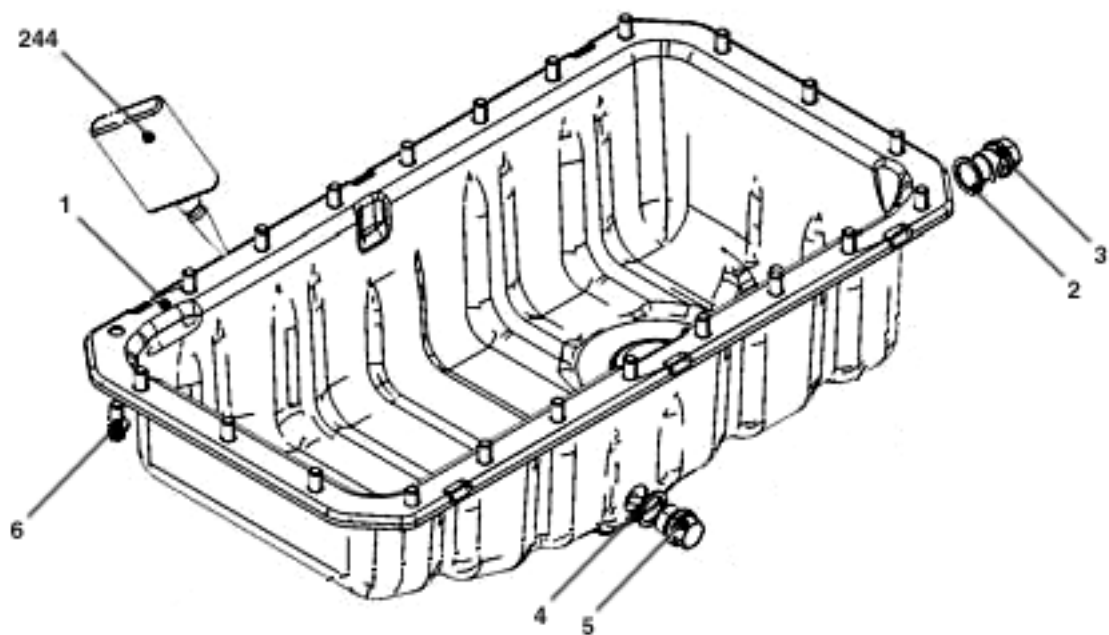
Figure 1-3 Filler Cap

Item	Part Number	Qty.	Description	Rev.
1	7020465	1	FILLER CAP	



ENGINE

Figure 1-4 Oil Pan



PAP40030

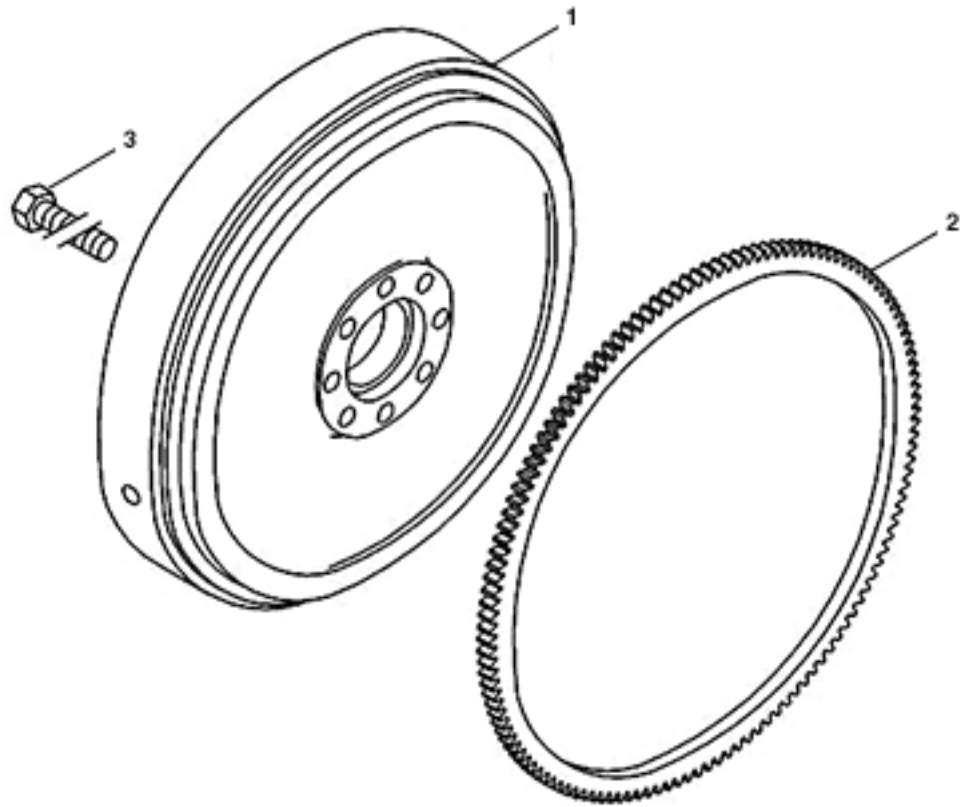
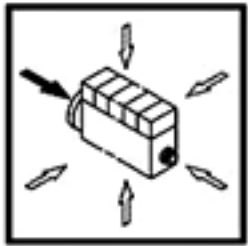


Figure 1-4 Oil Pan

Item	Part Number	Qty.	Description	Rev.
1	70025162	1	OIL PAN, (includes items 2 & 3)	
2	7020404	1	SEALING RING	
3	70025088	1	SCREW PLUG, (torque to 55 Nm/41 lb-ft)	
4	7020404	1	SEALING RING	
5	70025088	1	SCREW PLUG, (torque to 55 Nm/41 lb-ft)	
6	70025123	22	TORX-HD BOLT, (torque to 21 Nm/15 lb-ft)	
244		AR	LOCTITE® 5900™	



Figure 1-5 Fly Wheel



PAP40040

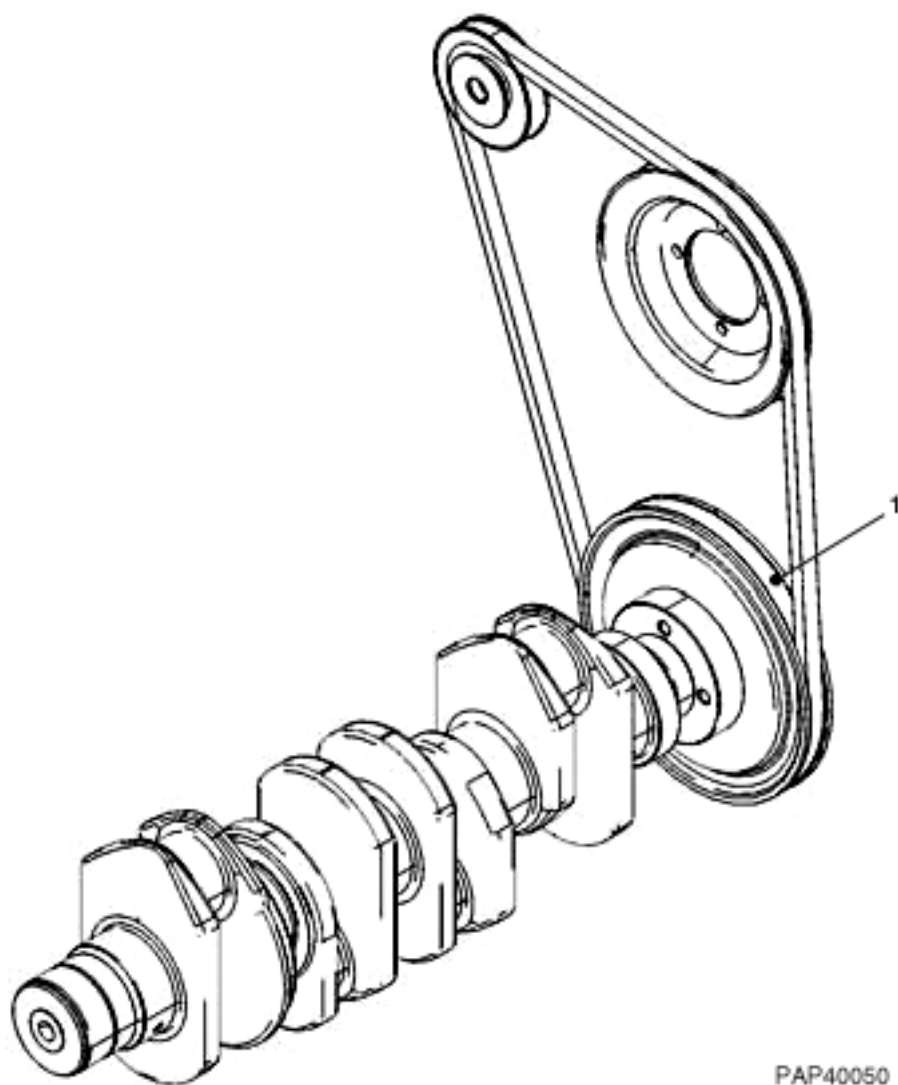


Figure 1-5 Fly Wheel

Item	Part Number	Qty.	Description	Rev.
1	70001870	1	FLY WHEEL, (includes item 2)	
2	7024579	1	GEAR RIM	
3	70025139	8	BOLT, (torque to 30 Nm/22 lb-ft)	



Figure 1-6 V-Grooved Pulley



PAP40050



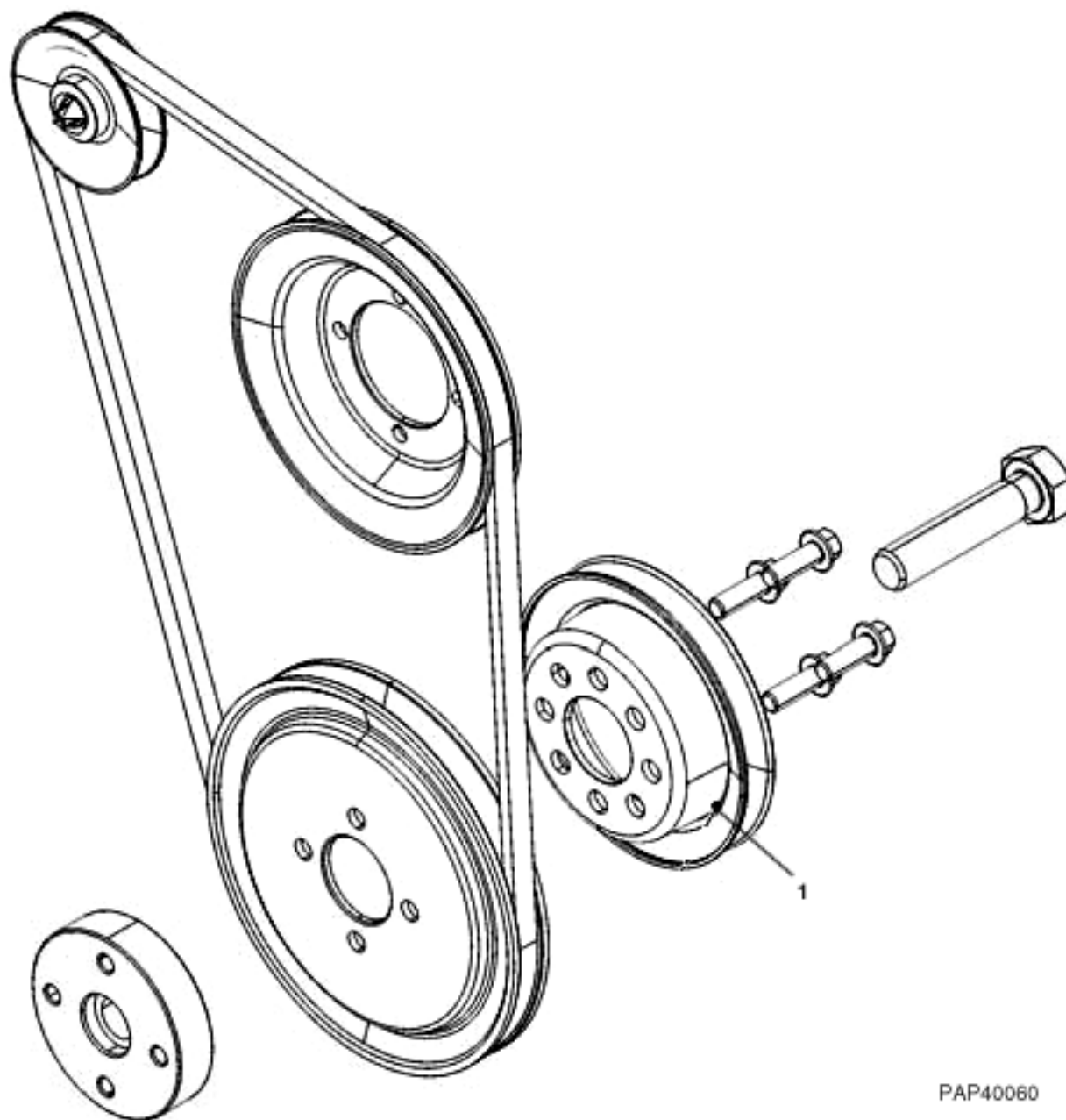
Figure 1-6 V-Grooved Pulley

Item	Part Number	Qty.	Description	Rev.
1	70025198	1	V-GROOVED PULLEY	



ENGINE

Figure 1-7 V-Grooved Pulley



PAP40060



Figure 1-7 V-Grooved Pulley

Item	Part Number	Qty.	Description	Rev.
1	3580158	1	V-GROOVED PULLEY	



Figure 1-8 Fastenings

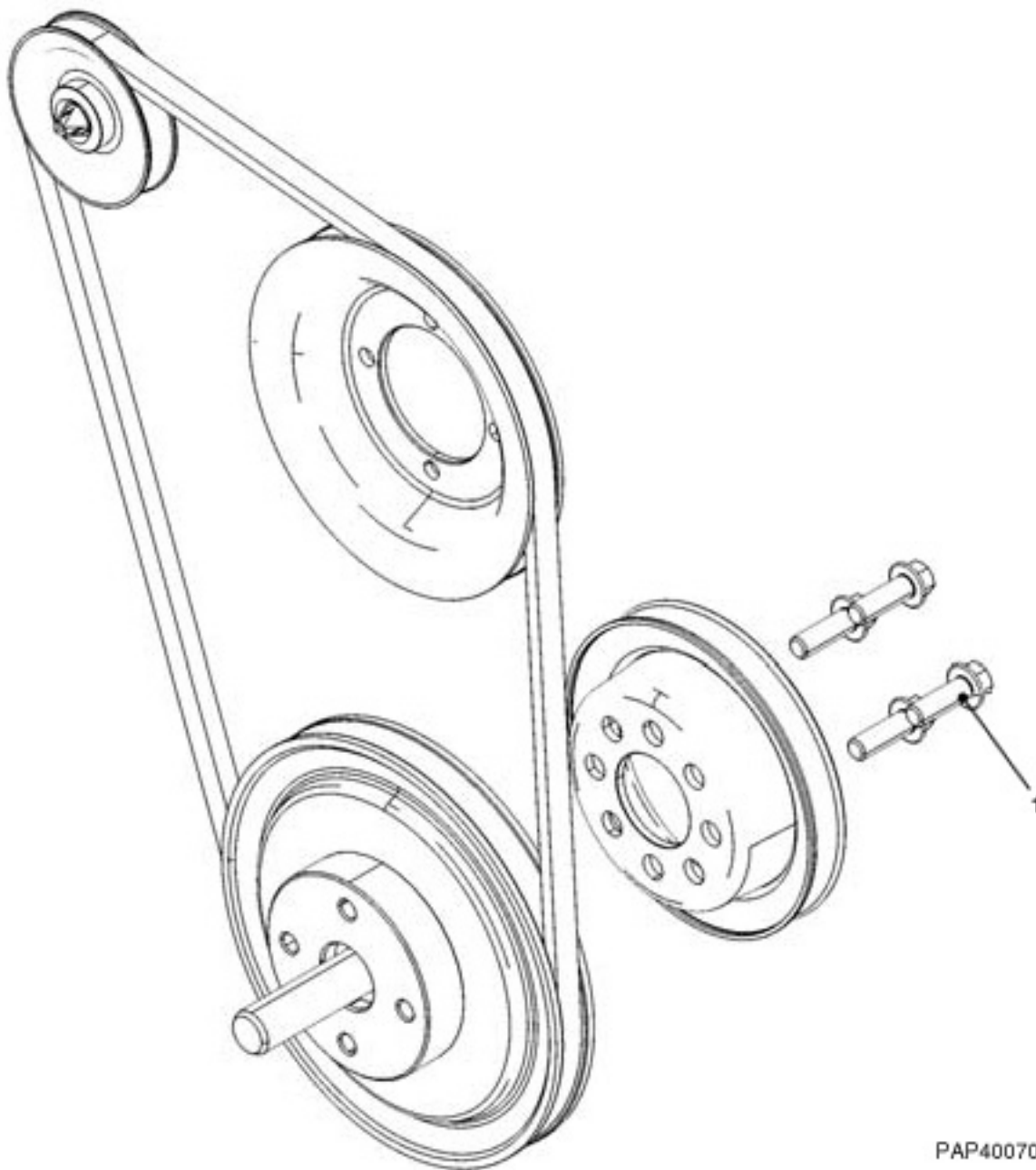


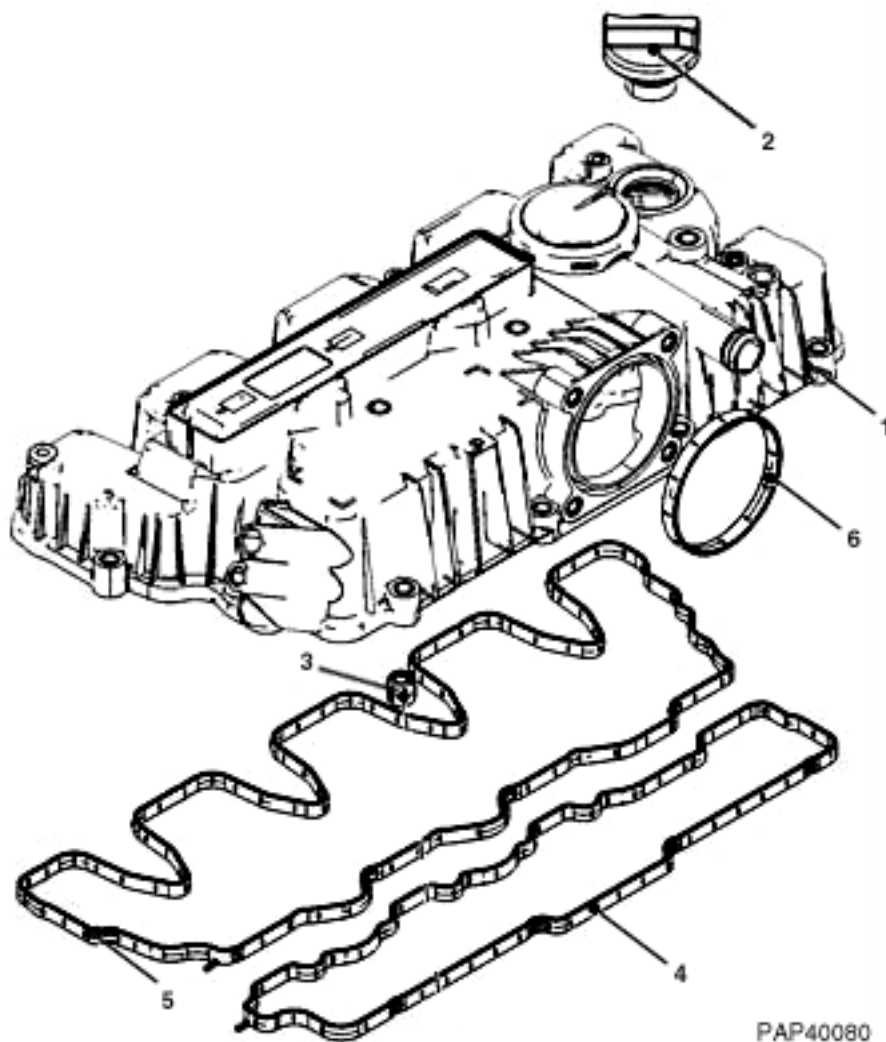


Figure 1-8 Fastenings

Item	Part Number	Qty.	Description	Rev.
1	70025097	4	HEXAGON BOLT, (torque to 60 Nm/44 lb-ft)	



Figure 1-9 Valve Mechanical Cover



PAP40080



Figure 1-9 Valve Mechanical Cover

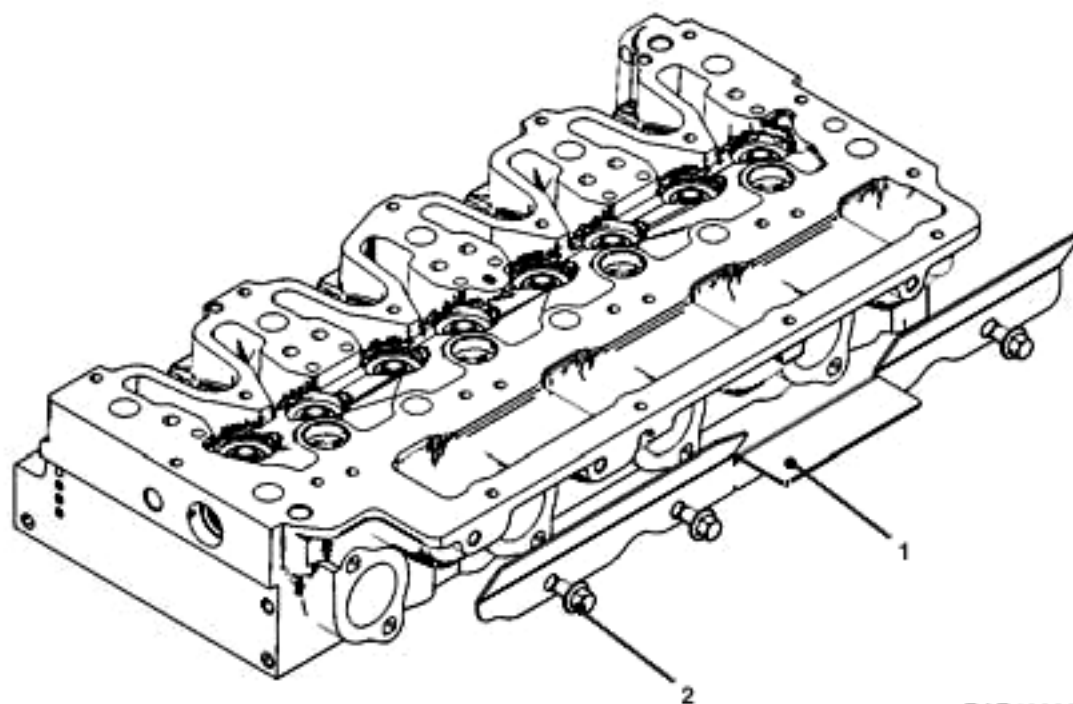
Item	Part Number	Qty.	Description	Rev.
1	70025163	1	VALVE MECHANICAL COVER, (includes items 2 thru 6), (torque to 8.5 Nm/6 lb-ft)	
2	7020465	1	FILLER CAP	
3	70025195	1	GASKET, (if equipped with Engine 1001136095)	
	70025205	1	GASKET, (if equipped with Engine 1001139668)	
4	70025194	1	GASKET, (if equipped with Engine 1001136095)	
	70025206	1	GASKET, (if equipped with Engine 1001139668)	
5	70025196	1	GASKET, (if equipped with Engine 1001136095)	
	70025207	1	GASKET, (if equipped with Engine 1001139668)	
6	70025193	1	GASKET, (if equipped with Engine 1001136095)	
	70025208	1	GASKET, (if equipped with Engine 1001139668)	



ENGINE

Figure 1-10 Heat Protecting Shield

IF EQUIPPED WITH ENGINE 1001136095



PAP40090

**Figure 1-10 Heat Protecting Shield**

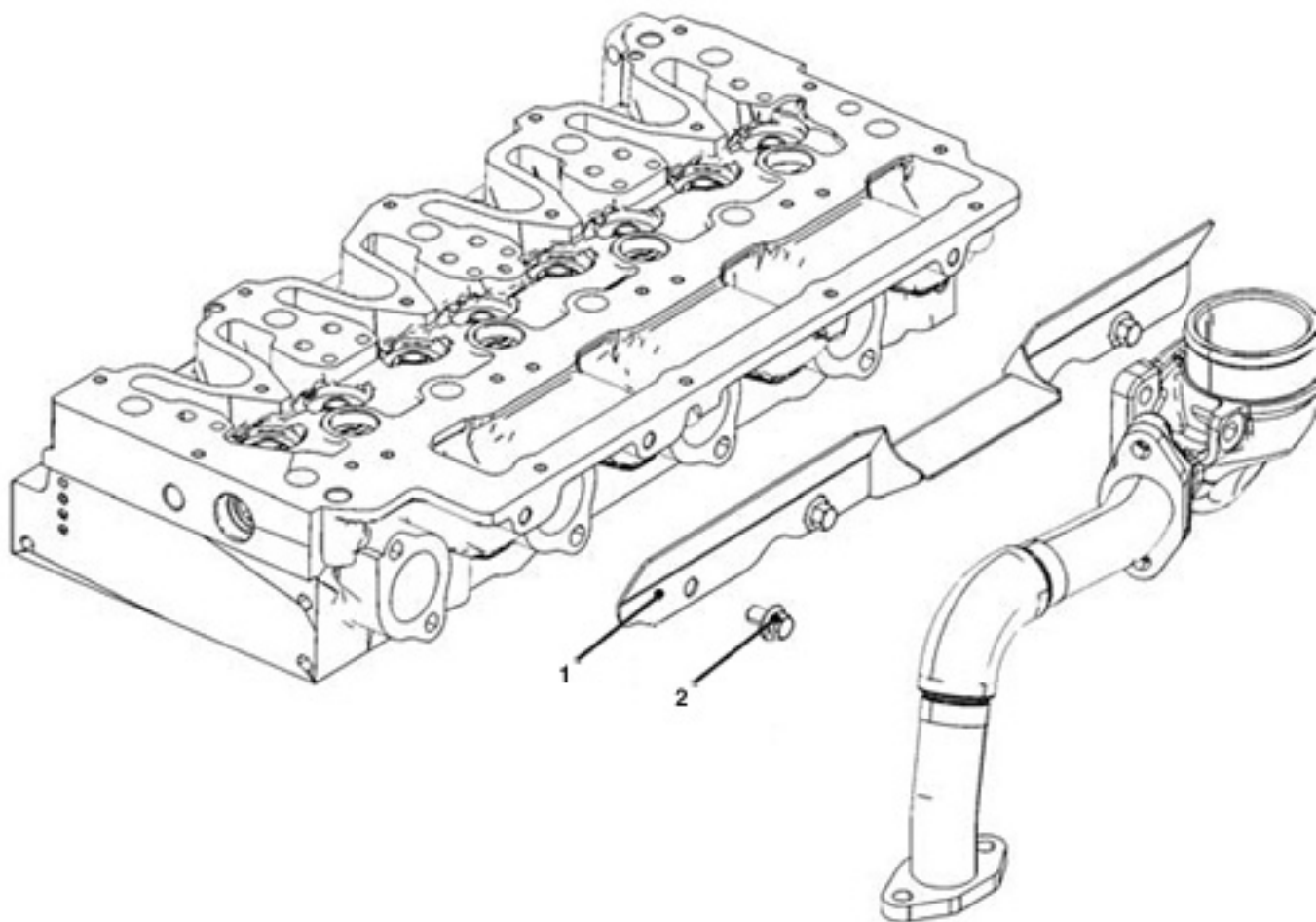
Item	Part Number	Qty.	Description	Rev.
1	70025197	1	HEAT PROTECTING SHIELD	
2	70025093	3	HEXAGON BOLT, (torque to 20 Nm/15 lb-ft)	



ENGINE

Figure 1-10 Heat Protecting Shield

IF EQUIPPED WITH ENGINE 1001139668



PAP40560

**Figure 1-10 Heat Protecting Shield**

Item	Part Number	Qty.	Description	Rev.
1	70025204	1	HEAT PROTECTING SHIELD	
2	70001655	3	HEXAGON BOLT, (torque to 20Nm/15 lb-ft)	



Figure 1-11 Front Cover

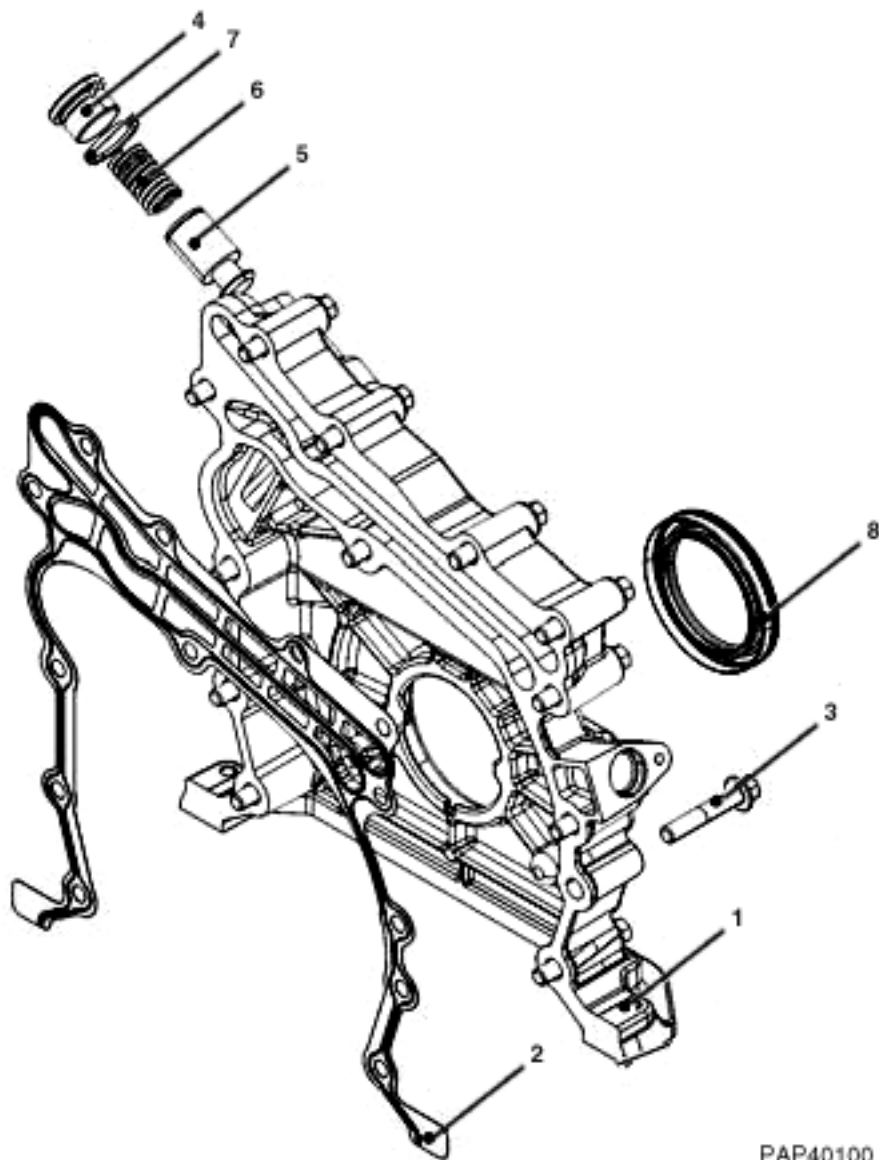


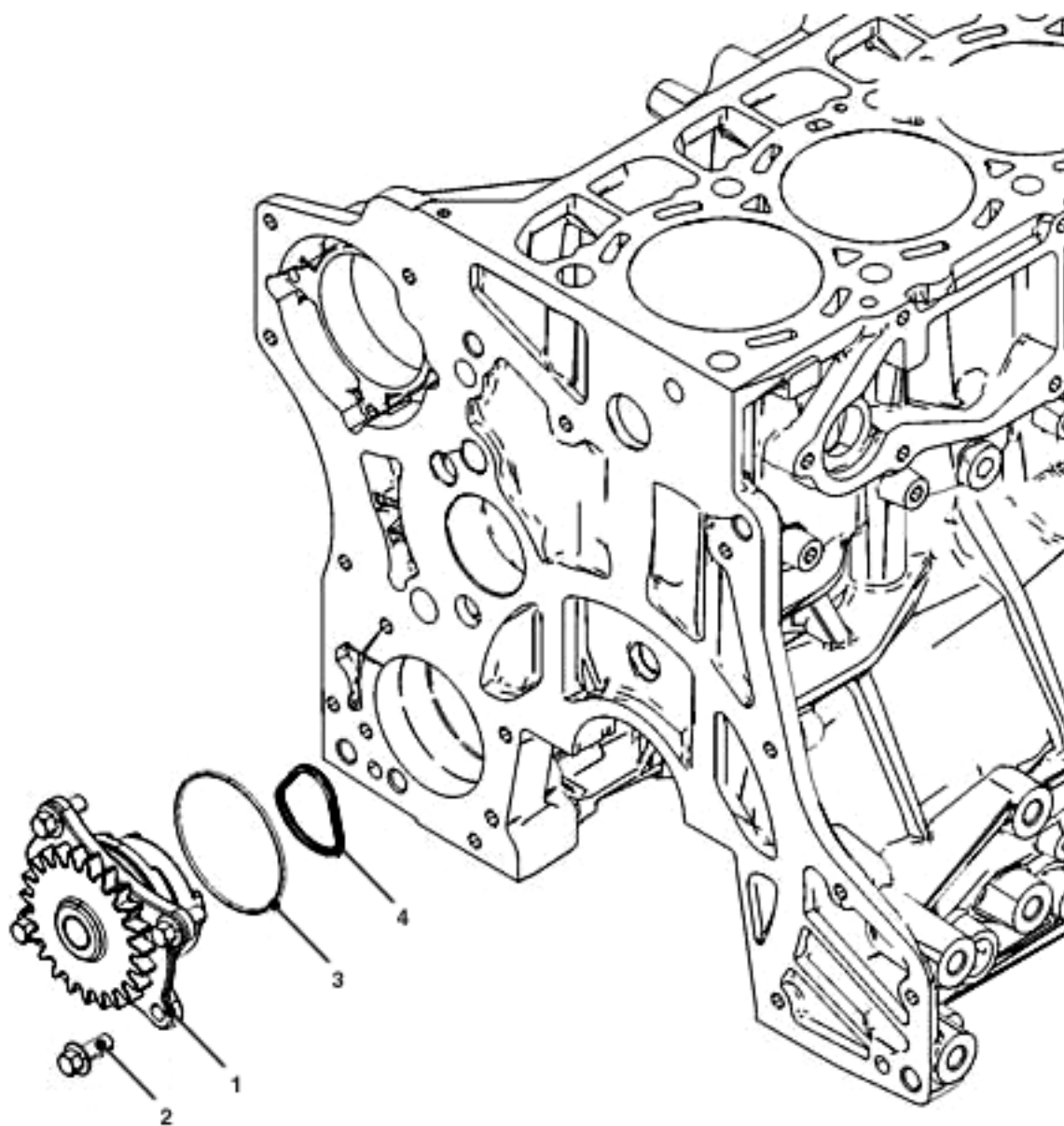


Figure 1-11 Front Cover

Item	Part Number	Qty.	Description	Rev.
1	70025190	1	CAP	
2	70024907	1	GASKET	
3	70025127	13	HEXAGON BOLT, (torque to 30 Nm/22 lb-ft)	
4	70025091	1	SCREW PLUG, (torque to 60 Nm/44 lb-ft)	
5	70025076	1	VALVE	
6	70025176	1	SPRING	
7	70025082	1	SEALING RING	
8	70040080	1	ROTATING SHAFT LIP SEAL	



Figure 1-12 Lubrication Oil Pump

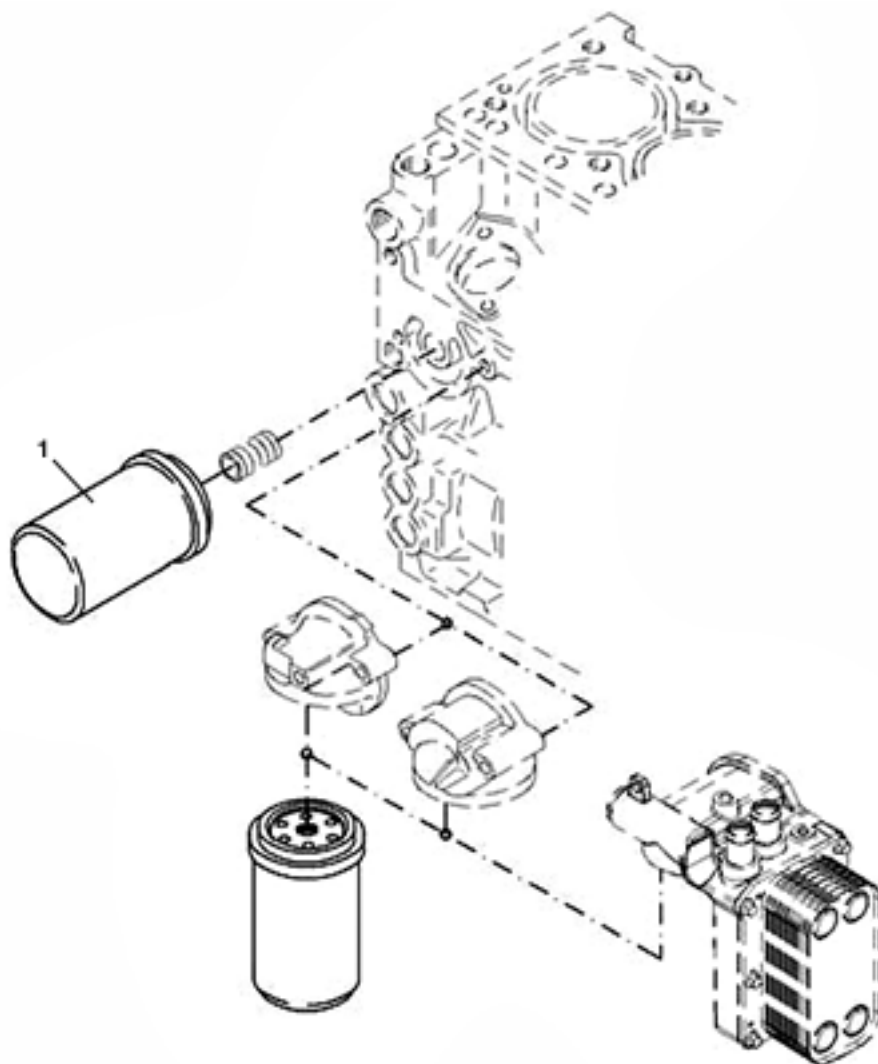
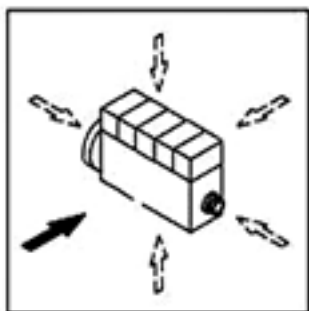


**Figure 1-12 Lubrication Oil Pump**

Item	Part Number	Qty.	Description	Rev.
1	70025202	1	LUBRICATION OIL PUMP, (includes items 3 & 4)	
2	70025125	4	HEXAGON BOLT, (torque to 20 Nm/15 lb-ft)	
3	70025135	1	O-SEAL	
4	70025136	1	GASKET	



Figure 1-13 Lubricant Oil Filter



PAP40120

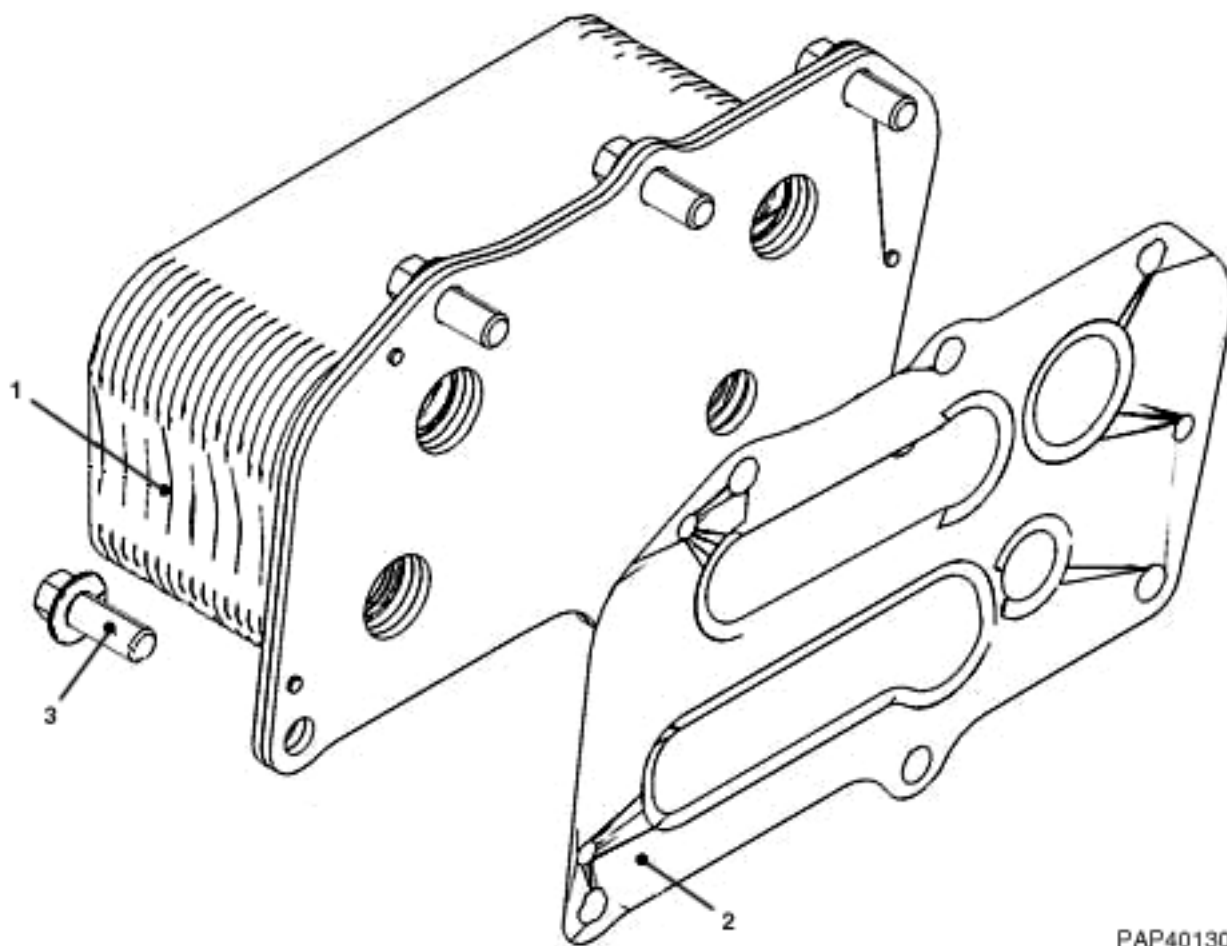


Figure 1-13 Lubricant Oil Filter

Item	Part Number	Qty.	Description	Rev.
1	7016331	1	SPIN-ON OIL FILTER	



Figure 1-14 Oil Cooler



PAP40130

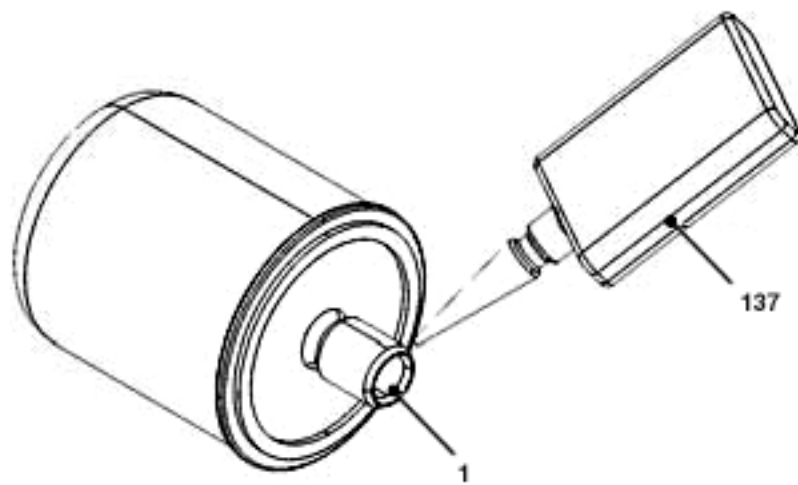


Figure 1-14 Oil Cooler

Item	Part Number	Qty.	Description	Rev.
1	70024494	1	OIL COOLER	
2	70024925	1	GASKET	
3	70025125	6	HEXAGON BOLT, (torque to 20 Nm/15 lb-ft)	



Figure 1-15 Oil Filter Assembly



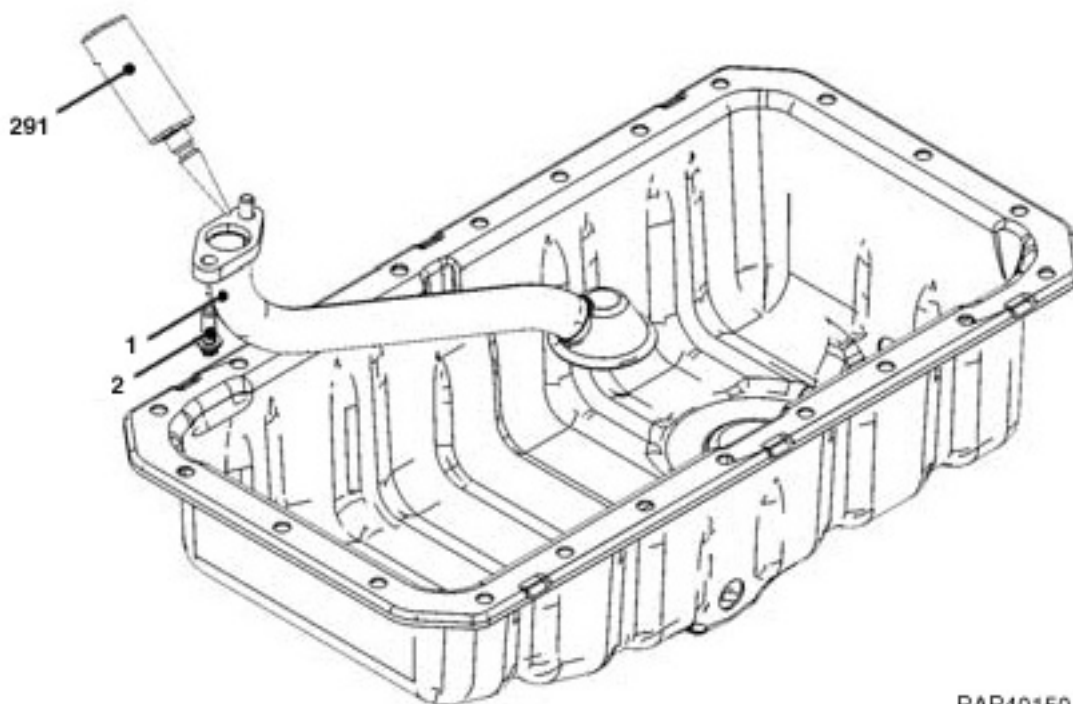
PAP40140

**Figure 1-15 Oil Filter Assembly**

Item	Part Number	Qty.	Description	Rev.
1 137	70025137	1 AR	SCREWED BUSH, (torque to 40 Nm/30 lb-ft) LOCTITE® 270™	



Figure 1-16 Oil Suction Pipe



PAP40150

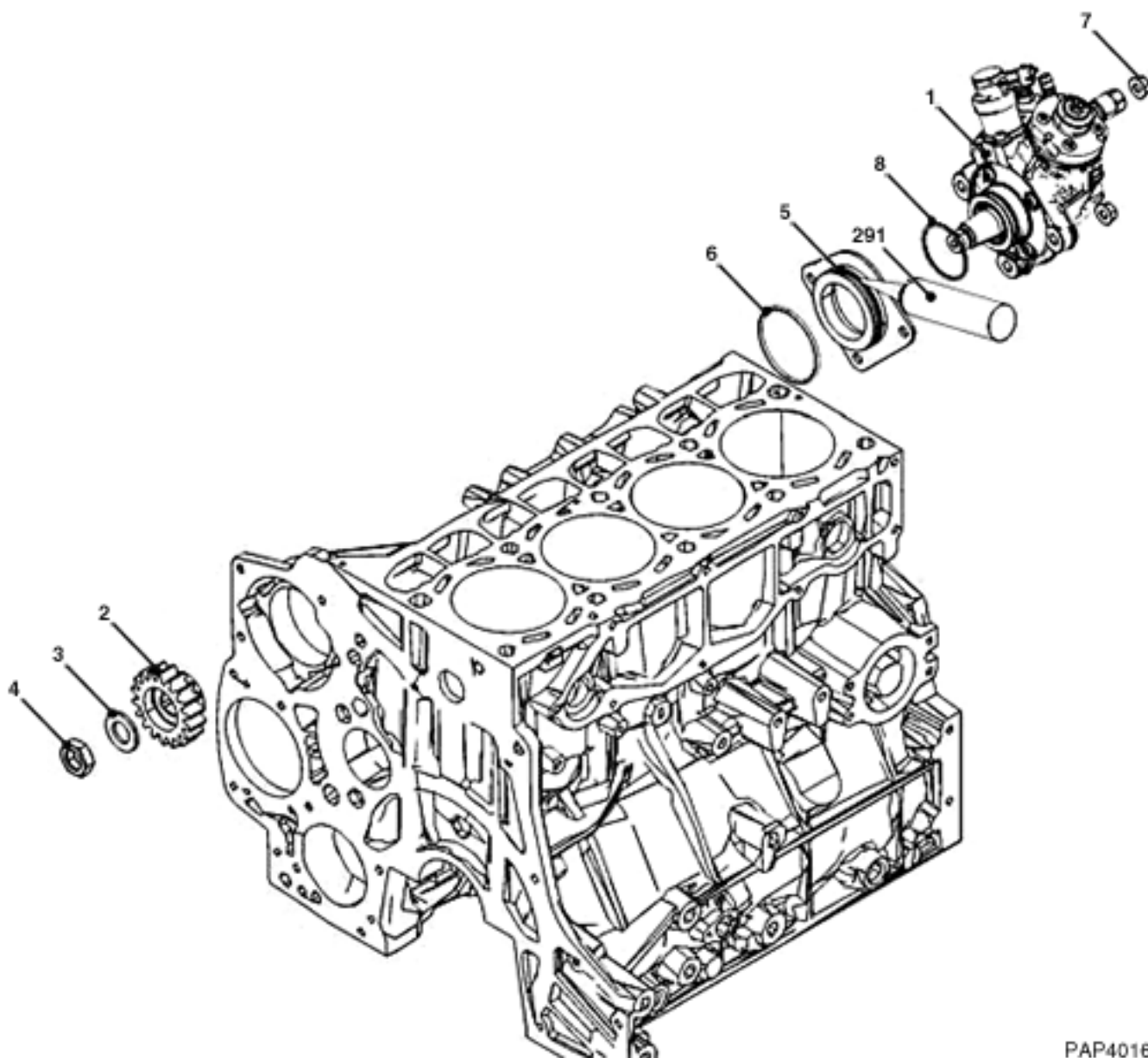


Figure 1-16 Oil Suction Pipe

Item	Part Number	Qty.	Description	Rev.
1	70025171	1	OIL SUCTION PIPE	
2	70025098	2	HEXAGON BOLT, (torque to 30 Nm/22 lb-ft)	
291		AR	PACKING COMPOUND	



Figure 1-17 High Pressure Pump



PAP40160



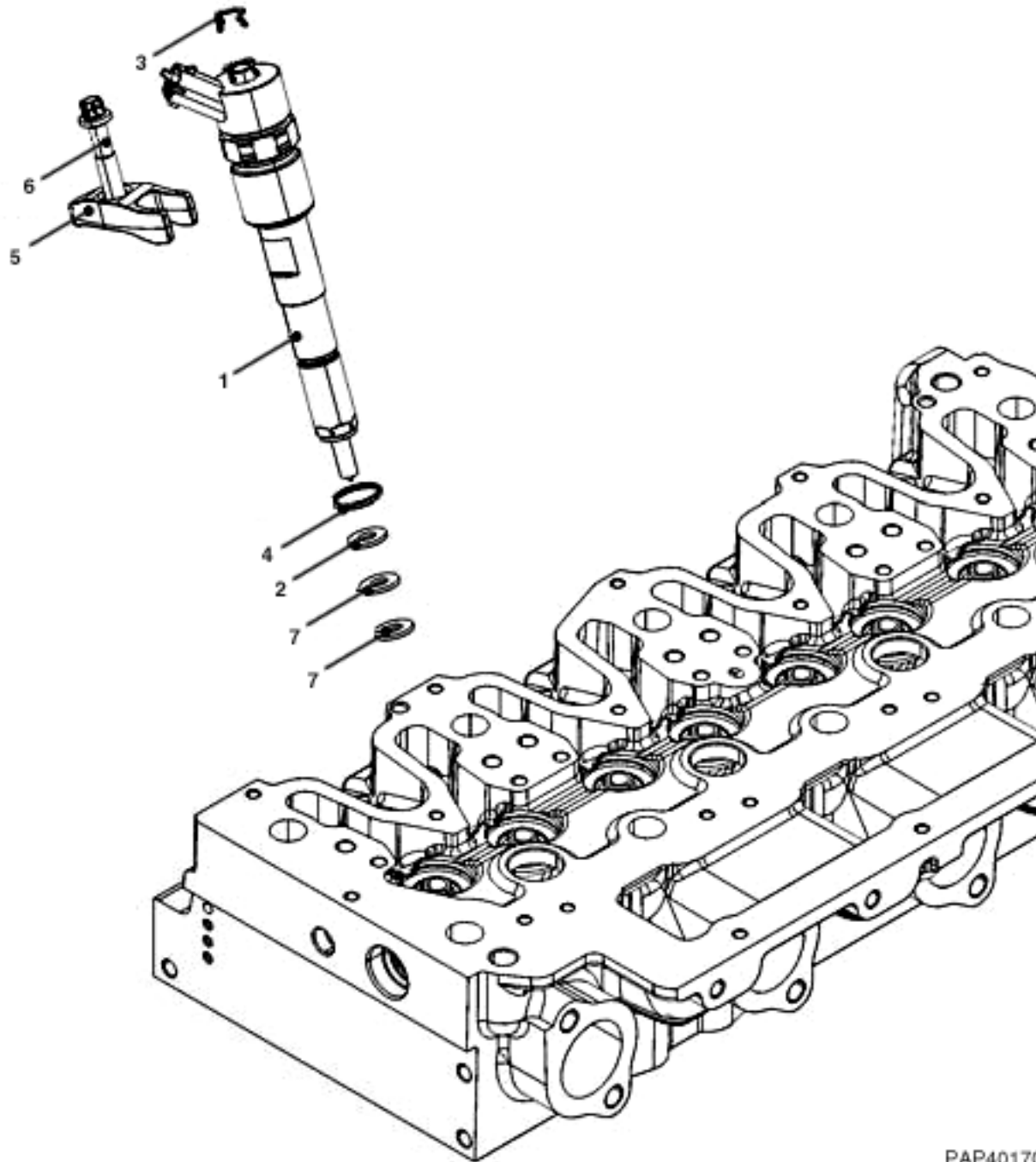
Figure 1-17 High Pressure Pump

Item	Part Number	Qty.	Description	Rev.
1	70024924	1	HIGH-PRESSURE PUMP, (includes item 8)	
2	70025188	1	TOOTHED GEAR	
3	70025080	1	PLAIN WASHER	
4	70025087	1	HEXAGON NUT, (torque to 80 Nm/59 lb-ft)	
5	70024488	1	DISTANCE PIECE	
6	70024517	1	O-SEAL	
7	70025104	3	HEXAGON NUT, (torque to 21 Nm/15 lb-ft)	
8	70025152	1	O-RING	
291		AR	GLUE	



Figure 1-18 Fuel Injector

IF EQUIPPED WITH ENGINE 1001136095



PAP40170

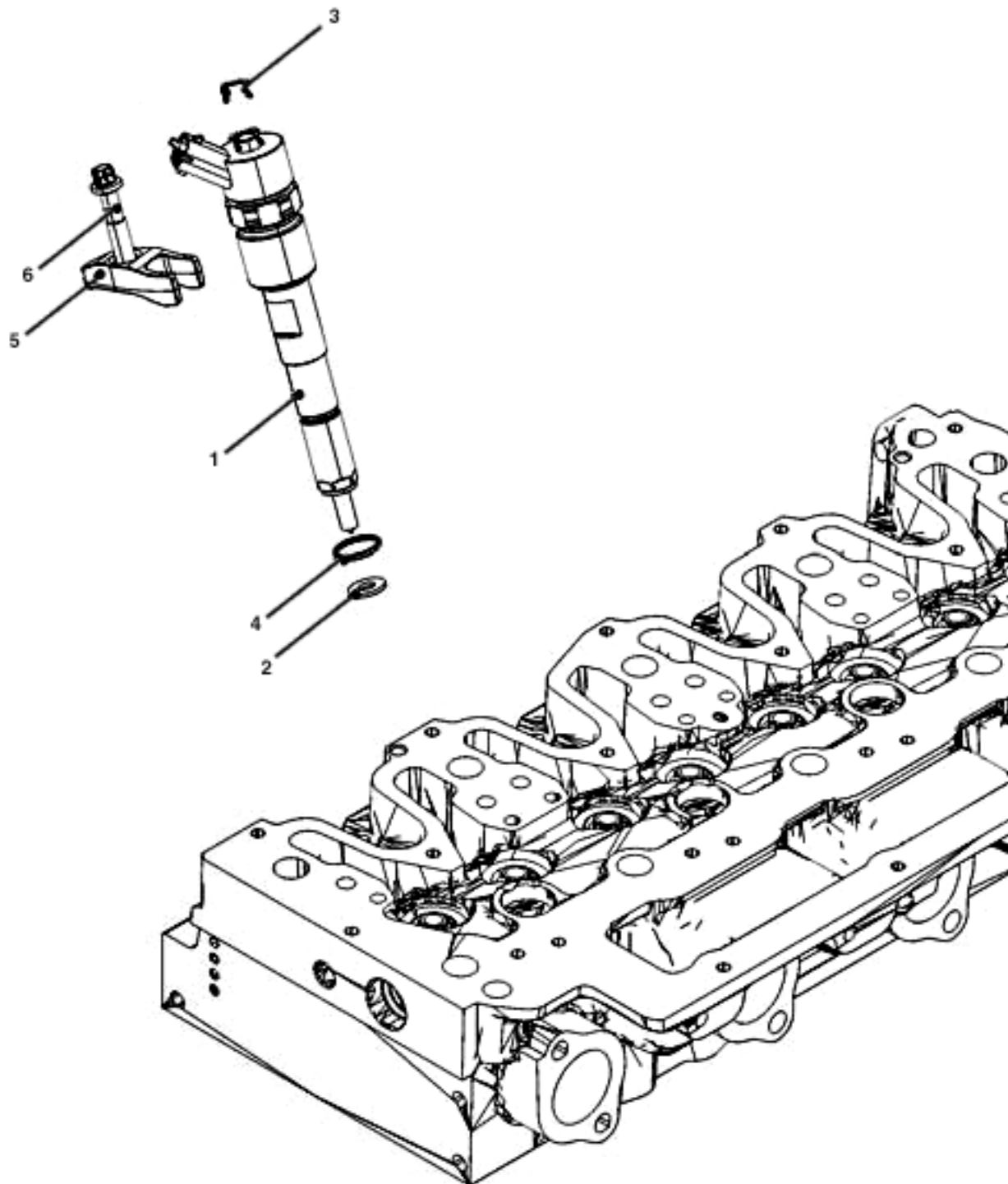
**Figure 1-18 Fuel Injector**

Item	Part Number	Qty.	Description	Rev.
1	70025187	1	FUEL INJECTOR, (includes items 2 thru 4 & 7)	
2	70025140	1	SEALING WASHER	
3	70025146	1	CLAMP	
4	70025145	1	O-SEAL	
5	70025154	1	CLAMPING PAD/SHOE	
6	70025147	1	TORX-HD BOLT, (torque to 30 Nm/22 lb-ft)	
7	70003136	2	SEALING RING	



Figure 1-18 Fuel Injector

IF EQUIPPED WITH ENGINE 1001139668



PAP40570



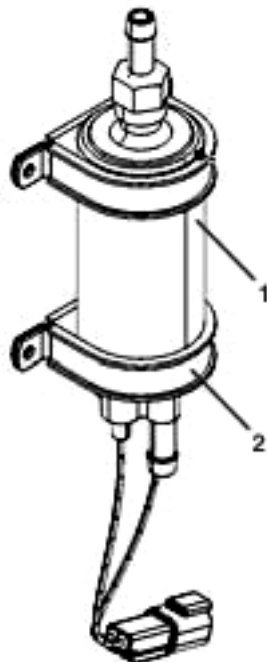
Figure 1-18 Fuel Injector

Item	Part Number	Qty.	Description	Rev.
1	70025181	1	INJECTOR, (includes items 2 thru 4)	
2	70025140	1	SEALING WASHER	
3	70025146	1	CLAMP	
4	70025145	1	O-SEAL	
5	70025154	1	CLAMPING PAD/SHOE	
6	70025147	1	TORX-HEAD BOLT, (torque to 30 Nm/22 lb-ft)	



ENGINE

Figure 1-19 Fuel Supply Pump



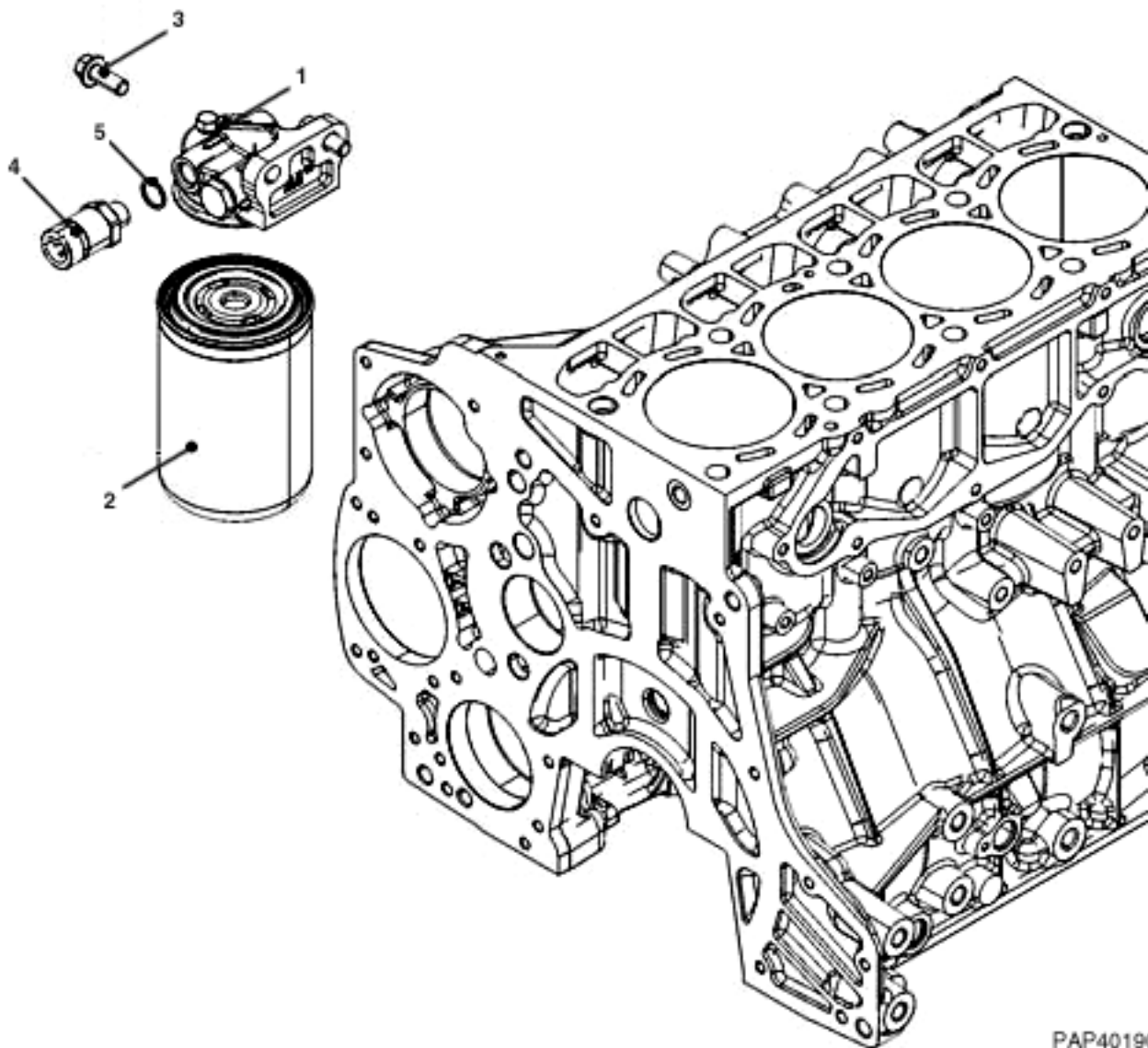
PAP40180

**Figure 1-19 Fuel Supply Pump**

Item	Part Number	Qty.	Description	Rev.
1	70024486	1	FUEL SUPPLY PUMP, (12 Volt), (includes item 2)	
2	70025144	2	CLIP	



FIGURE 1-20 Fuel Filter



PAP40190

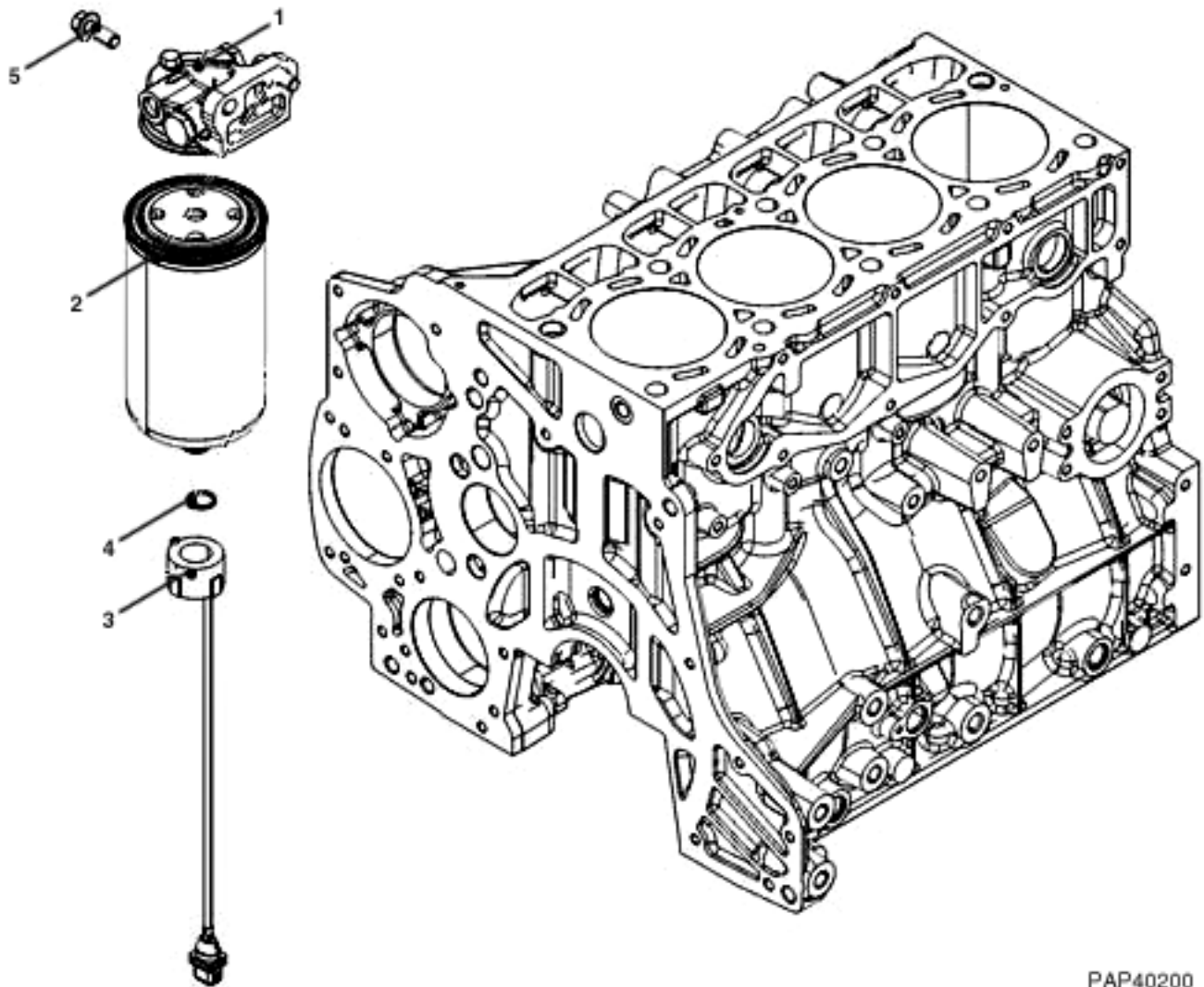
**Figure 1-20 Fuel Filter**

Item	Part Number	Qty.	Description	Rev.
1	70025160	1	FUEL FILTER, (includes item 2)	
2	70025161	1	SPIN-ON FUEL FILTER	
3	70025121	2	HEXAGON BOLT, (torque to 42 Nm/31 lb-ft)	
4	70024504	1	PRESSURE SENSOR, (includes item 5), (torque to 25 Nm/18 lb-ft)	
5	70024920	1	O-SEAL	



ENGINE

Figure 1-21 Fuel Prefilter



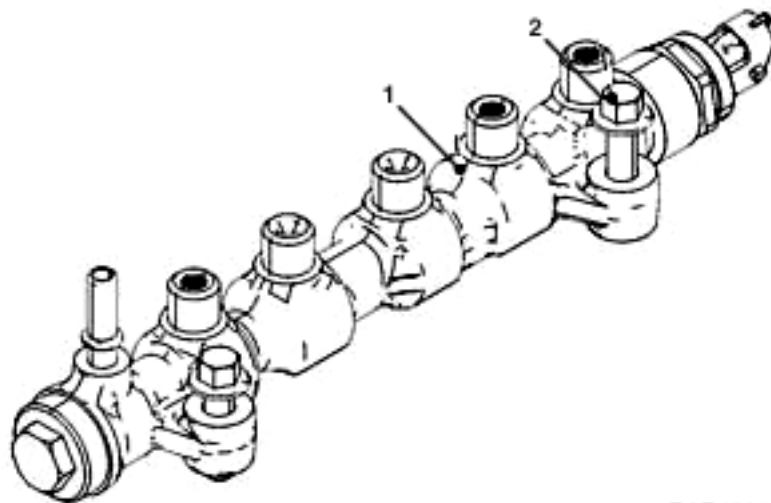
PAP40200

**Figure 1-21 Fuel Prefilter**

Item	Part Number	Qty.	Description	Rev.
1	70024961	1	FUEL FILTER, (includes items 2 thru 4)	
2	70025153	1	FUEL FILTER	
3	70024513	1	SENSOR CABLE, (includes item 4)	
4	70025239	1	SEALING RING	
5	70025121	2	HEXAGON BOLT, (torque to 42 Nm/31 lb-ft)	



Figure 1-22 Rail



PAP40210

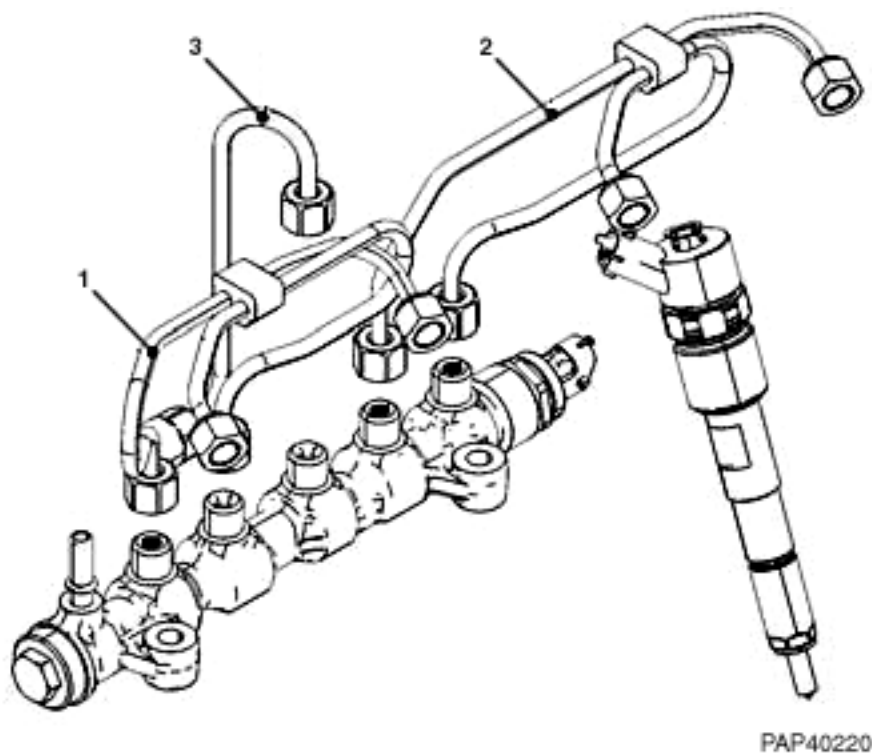


Figure 1-22 Rail

Item	Part Number	Qty.	Description	Rev.
1	70025151	1	RAIL	
2	70025124	2	HEXAGON BOLT, (torque to 30 Nm/22 lb-ft)	
950	70025235	1	REPAIR KIT, (includes item 952), (not shown)	
951		AR	MULTI-PURPOSE GREASE, (not shown)	
952	70025240	1	O-RING, (not shown)	



Figure 1-23 High Pressure Pipe



PAF40220



Figure 1-23 High Pressure Pipe

Item	Part Number	Qty.	Description	Rev.
1	70025182	1	FUEL LINE	
2	70025183	1	FUEL LINE	
3	70025184	1	FUEL LINE	

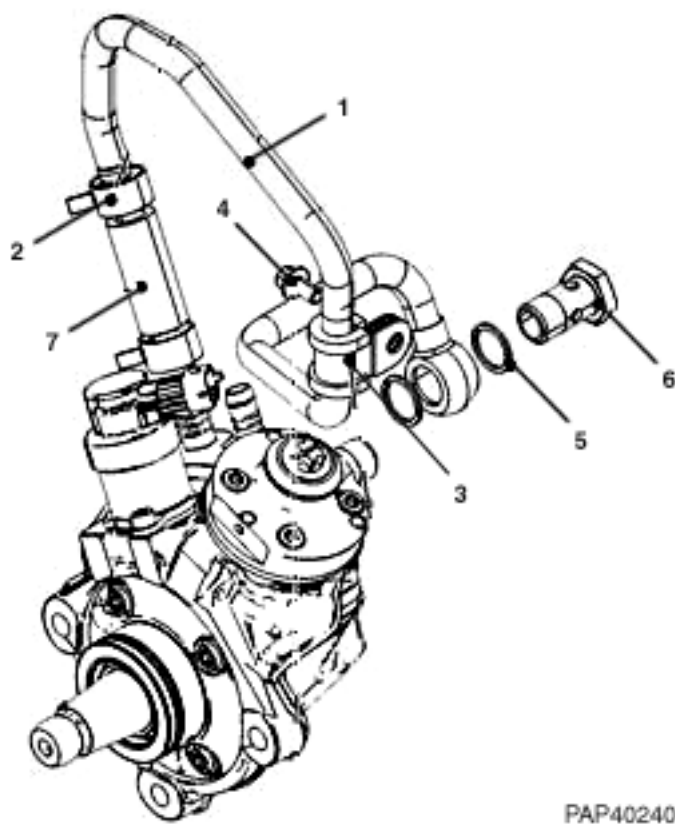


Figure 1-24 Fuel Line

Item	Part Number	Qty.	Description	Rev.
1	70024502	1	FUEL LEAKAGE PIPE	
2	70025185	1	FUEL LINE, (includes items 5 & 9)	
3	70025158	1	MANIFOLD, (includes items 6 thru 8)	
4	70001655	1	HEXAGON BOLT, (torque to 13 Nm/10 lb-ft)	
5	70025101	2	SPRING BAND CLAMP	
6	70025109	2	SPRING BAND CLAMP	
7	70025115	1	PIPE CLAMP	
8	70025133	1	RUBBER HOSE	
9	70025148	1	PLUG-IN CONNECTOR	



Figure 1-25 Fuel Line



PAP40240



Figure 1-25 Fuel Line

Item	Part Number	Qty.	Description	Rev.
1	70025186	1	FUEL LINE, (includes items 2, 3 & 5 thru 7)	
2	70025103	2	SPRING BAND CLAMP	
3	70025114	1	PIPE CLAMP	
4	70025094	1	HEXAGON BOLT, (torque to 30 Nm/22 lb-ft)	
5	70025083	2	SEALING RING	
6	70025089	1	HOLLOW SCREW, (torque to 49 Nm/36 lb-ft)	
7	70025157	1	FUEL HOSE	



ENGINE

Figure 1-26 Intake Pipe

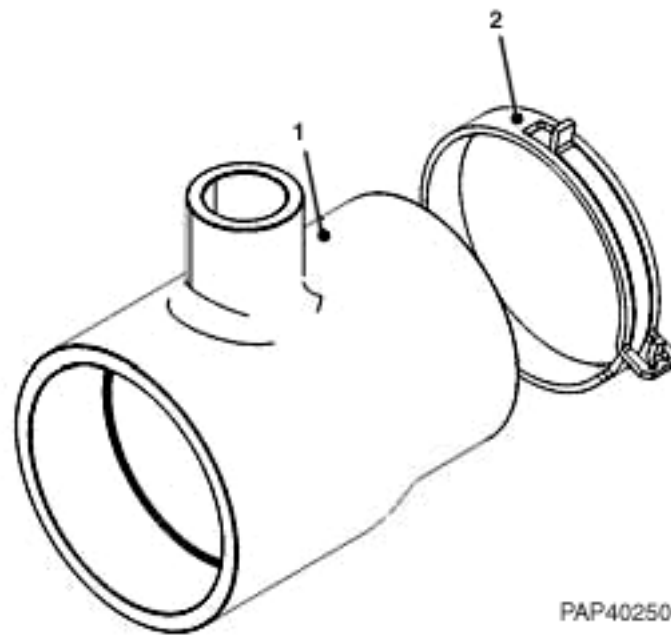


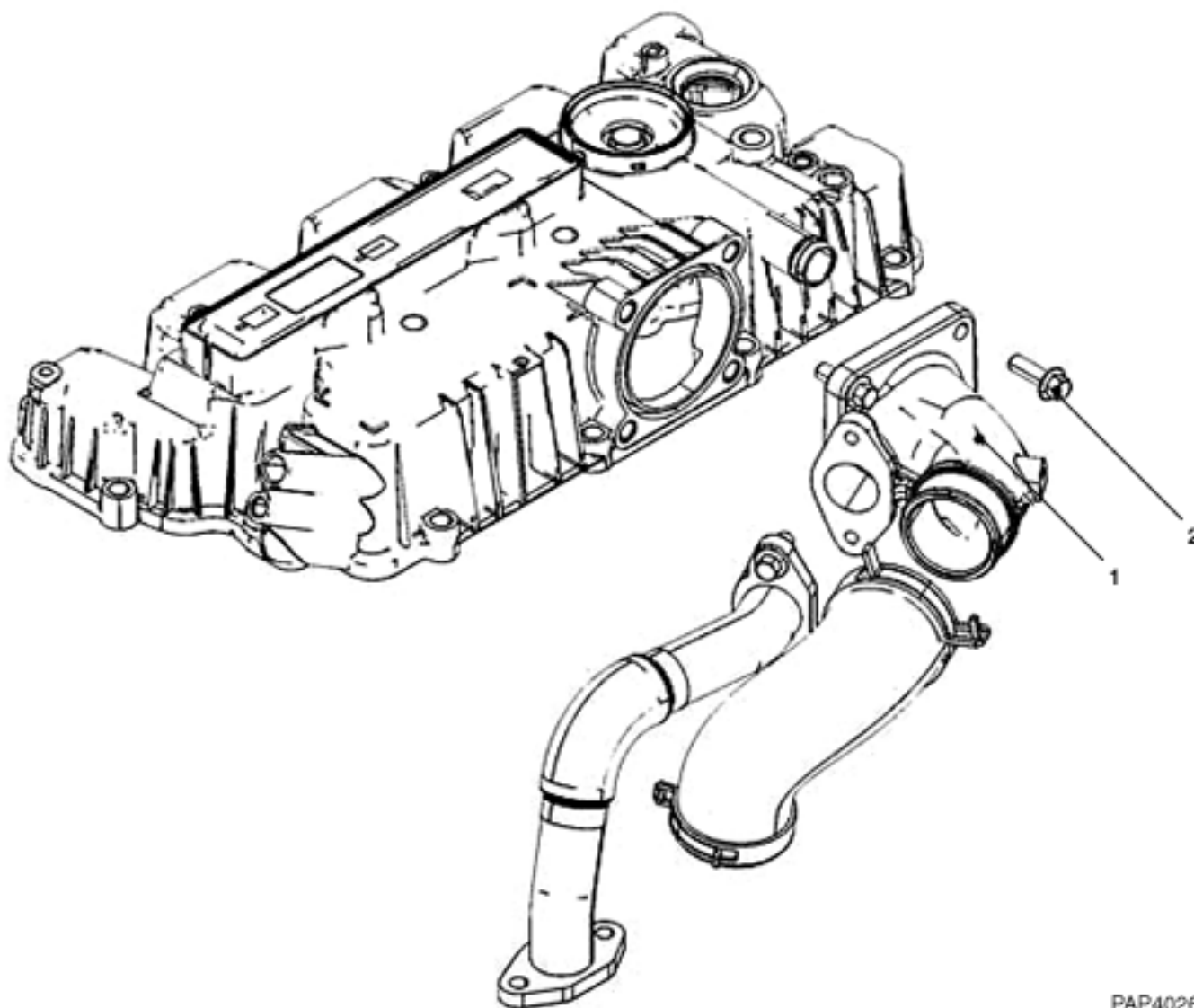


Figure 1-26 Intake Pipe

Item	Part Number	Qty.	Description	Rev.
1	70025168	1	INTAKE PIPE	
2	70025112	1	SPRING BAND CLAMP	



Figure 1-27 Charge Air Elbow



PAP40260



Figure 1-27 Charge Air Elbow

Item	Part Number	Qty.	Description	Rev.
1	70025169	1	CHARGE AIR ELBOW	
2	70025122	4	HEXAGON BOLT	



Figure 1-28 Charge Air Pipe

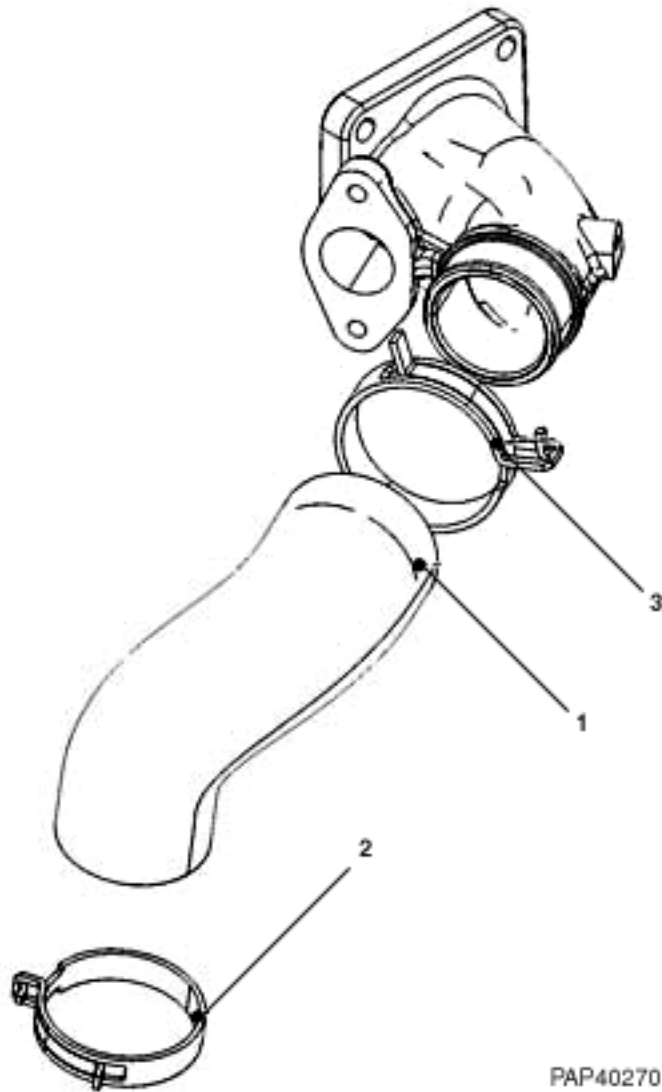


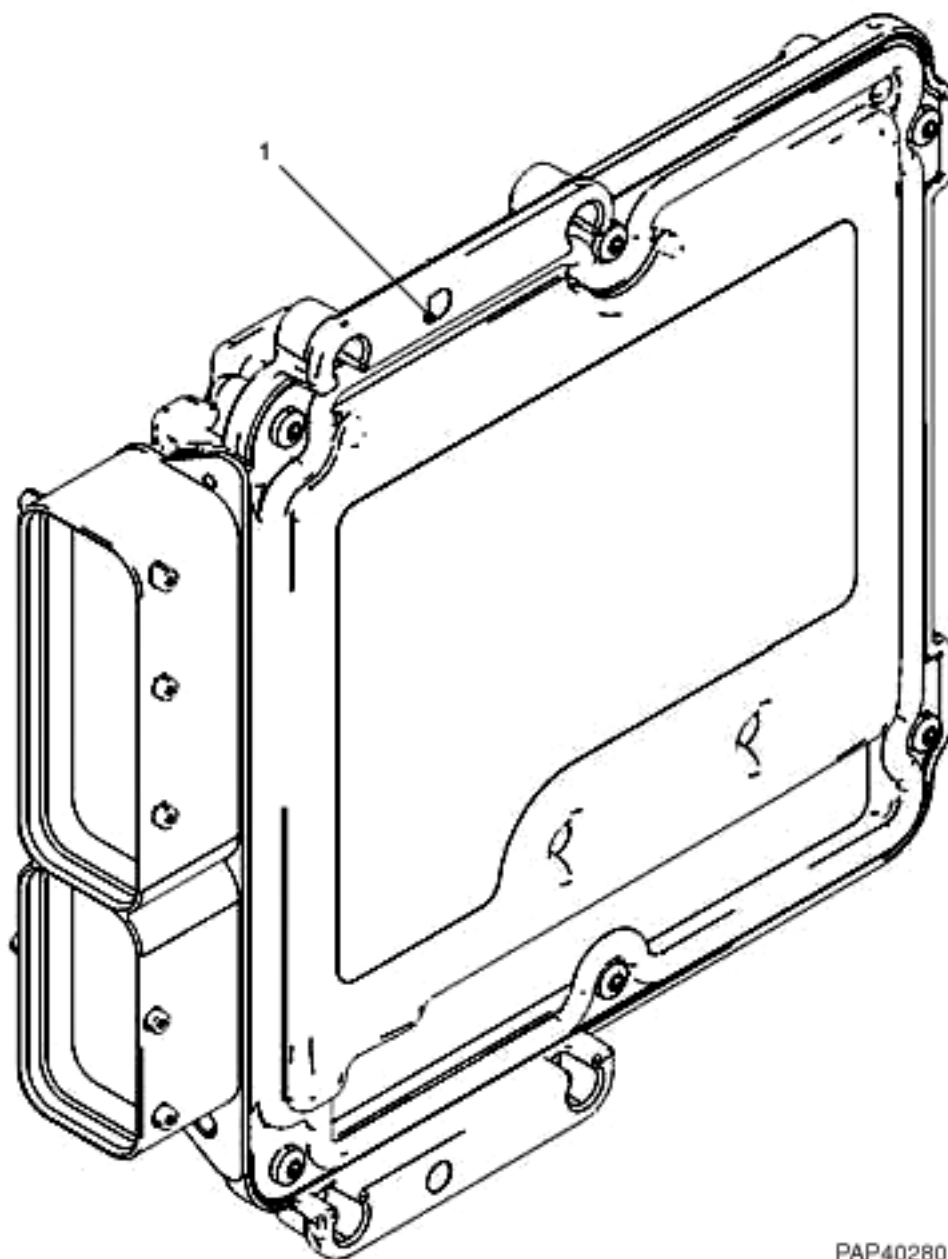


Figure 1-28 Charge Air Pipe

Item	Part Number	Qty.	Description	Rev.
1	70025167	1	CHARGE AIR PIPE	
2	70025107	1	SPRING BAND CLAMP	
3	70002675	1	SPRING BAND CLAMP	



Figure 1-29 Control Unit



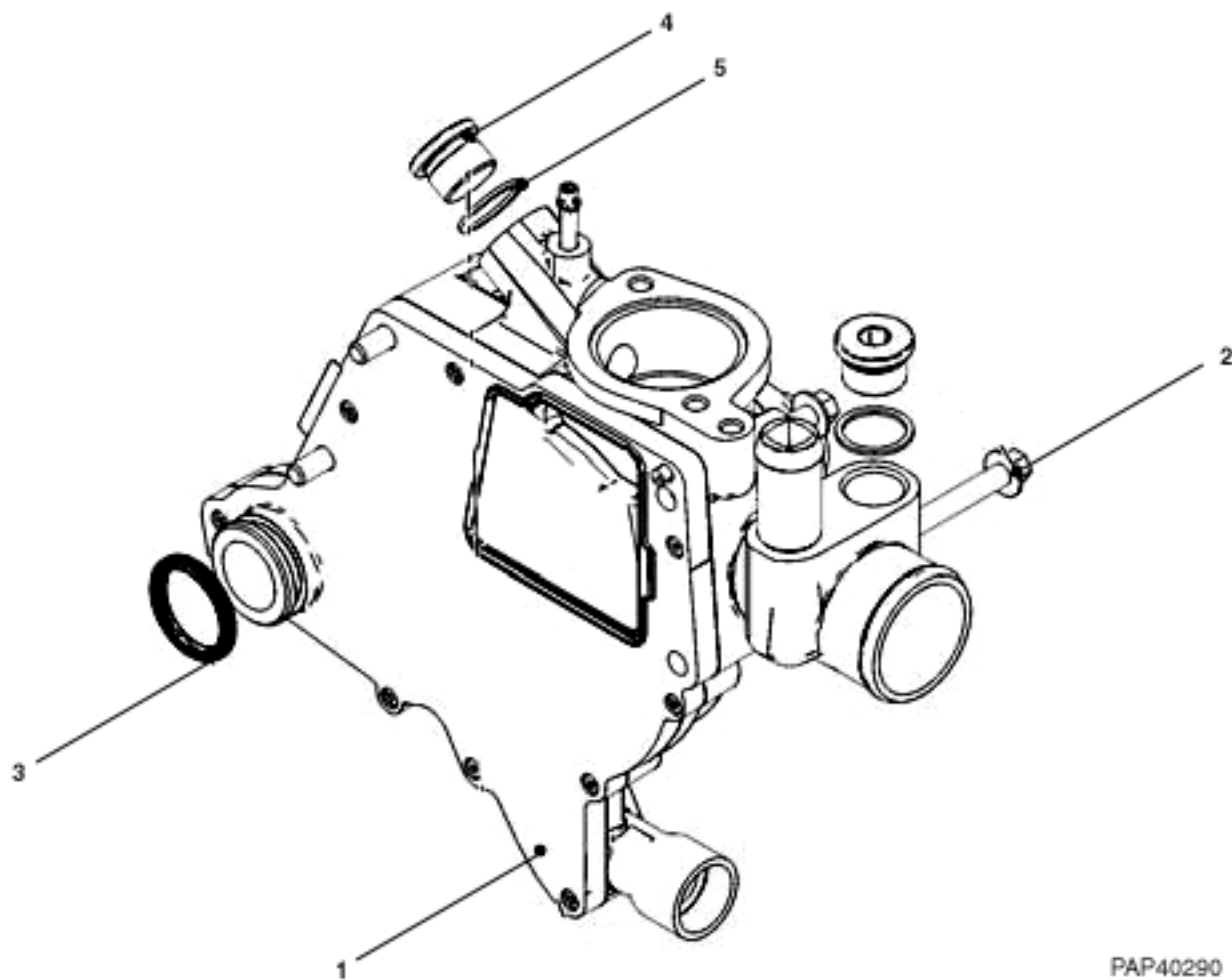
PAP40280

**Figure 1-29 Control Unit**

Item	Part Number	Qty.	Description	Rev.
1	70024472	1	CONTROL UNIT, (Control unit with engine spec record, without data record see item 950)	
950	70025210	1	CONTROL UNIT, (Control unit without engine spec record, with data record see item 1), (not shown)	



Figure 1-30 Coolant Pump



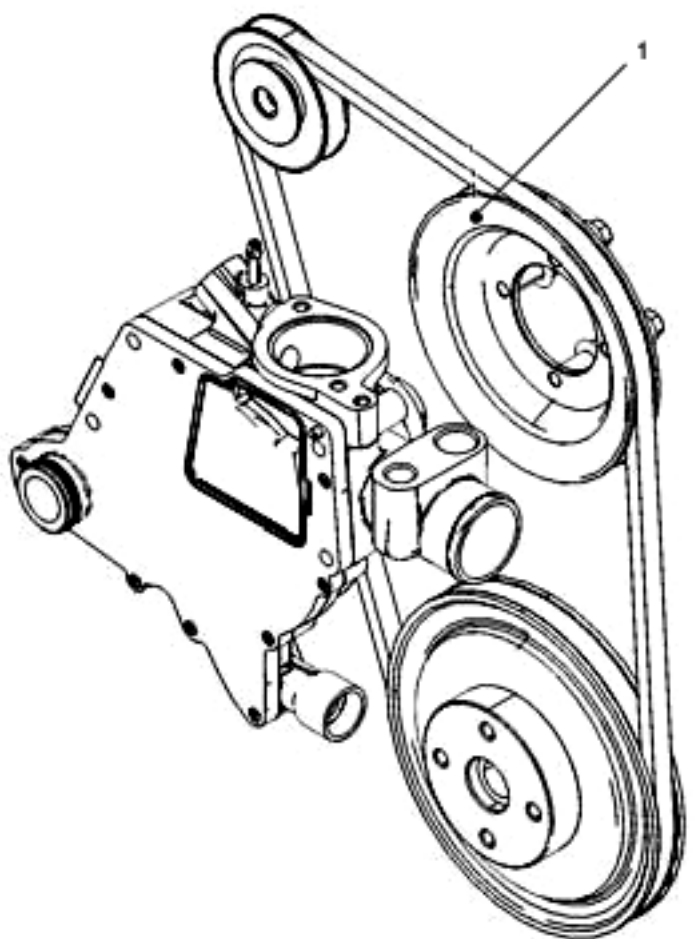
PAP40290

**Figure 1-30 Coolant Pump**

Item	Part Number	Qty.	Description	Rev.
1	70024910	1	COOLING WATER PUMP, (includes items 2 thru 4)	
2	70025129	4	HEXAGON BOLT, (torque to 30 Nm/22 lb-ft)	
3	70025200	1	SEALING RING	
4	70025084	2	SCREW PLUG	
5	7020492	2	SEALING RING	



Figure 1-31 V-Grooved Pulley



PAP40300

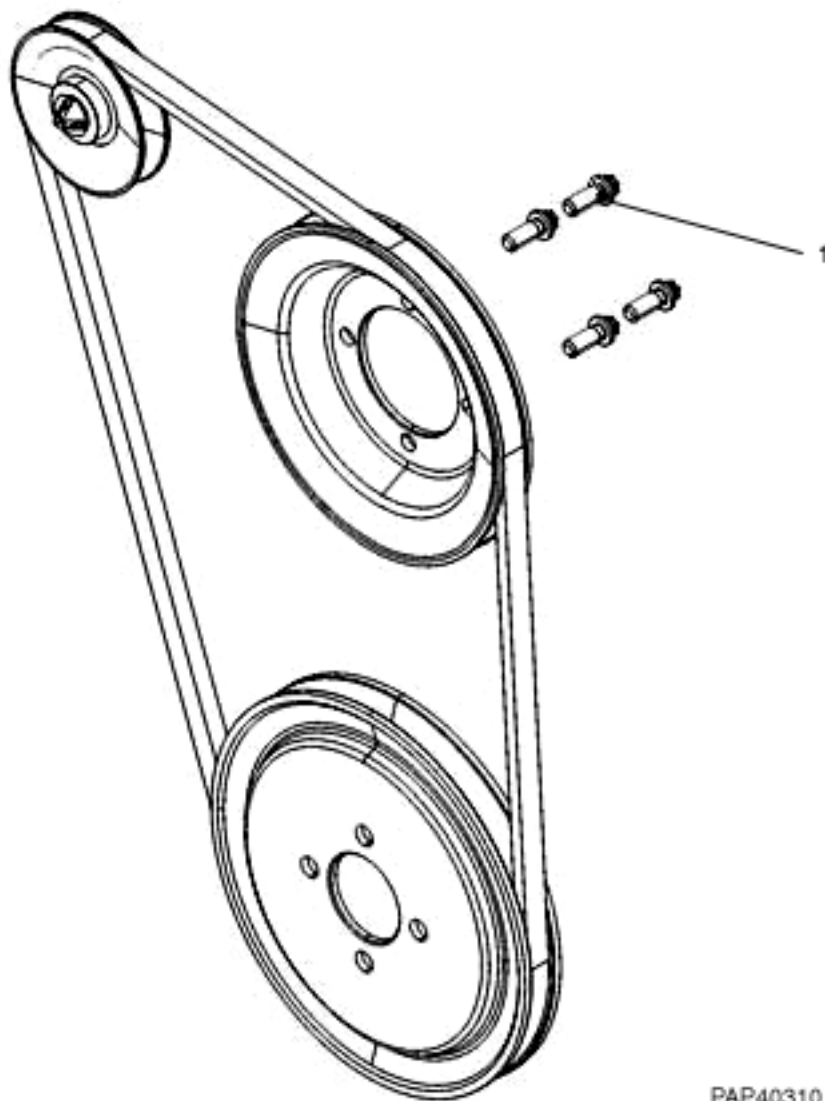


Figure 1-31 V-Grooved Pulley

Item	Part Number	Qty.	Description	Rev.
1	70025159	1	V-GROOVED PULLEY	



Figure 1-32 Fastenings



PAP40310

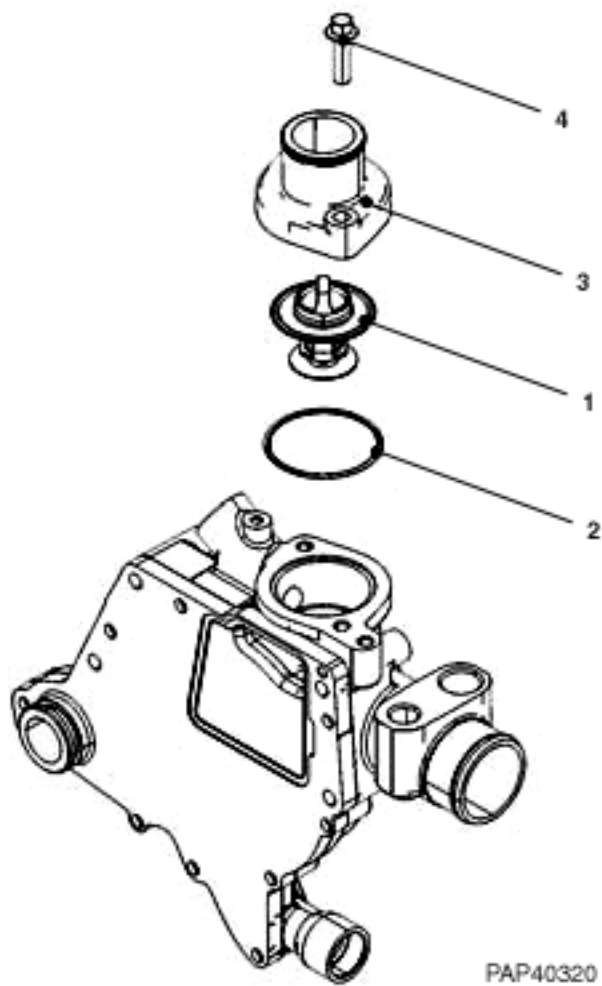


Figure 1-32 Fastenings

Item	Part Number	Qty.	Description	Rev.
1	70025118	4	TORX-HD BOLT, (torque to 30 Nm/22 lb-ft)	



Figure 1-33 Thermostat



P4P40320



Figure 1-33 Thermostat

Item	Part Number	Qty.	Description	Rev.
1	70024473	1	THERMOSTAT	
2	70025143	1	O-SEAL	
3	70025142	1	COVER	
4	70025124	2	HEXAGON BOLT, (torque to 13 Nm/10 lb-ft)	



Figure 1-34 Pipe/Line/Lead

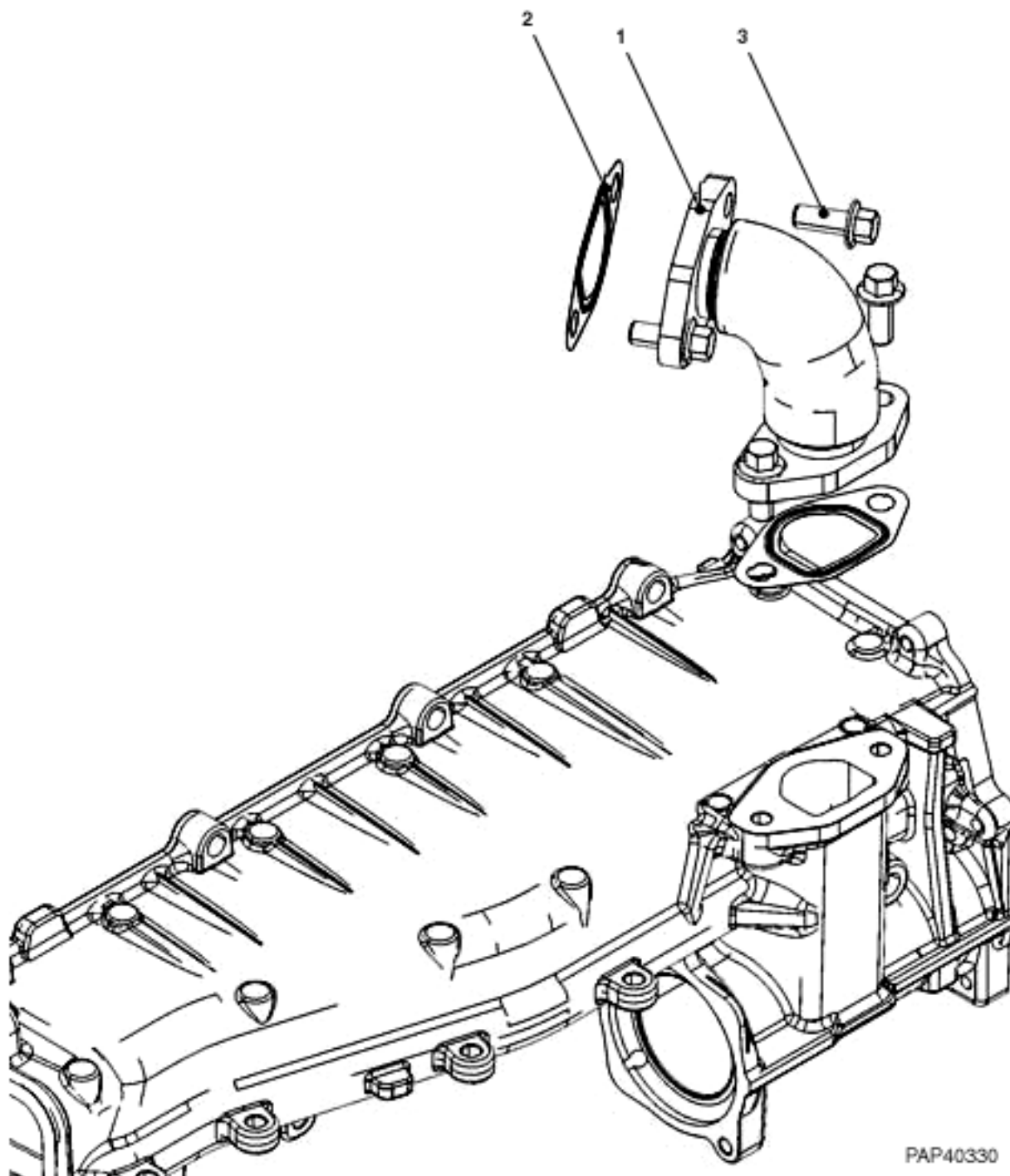


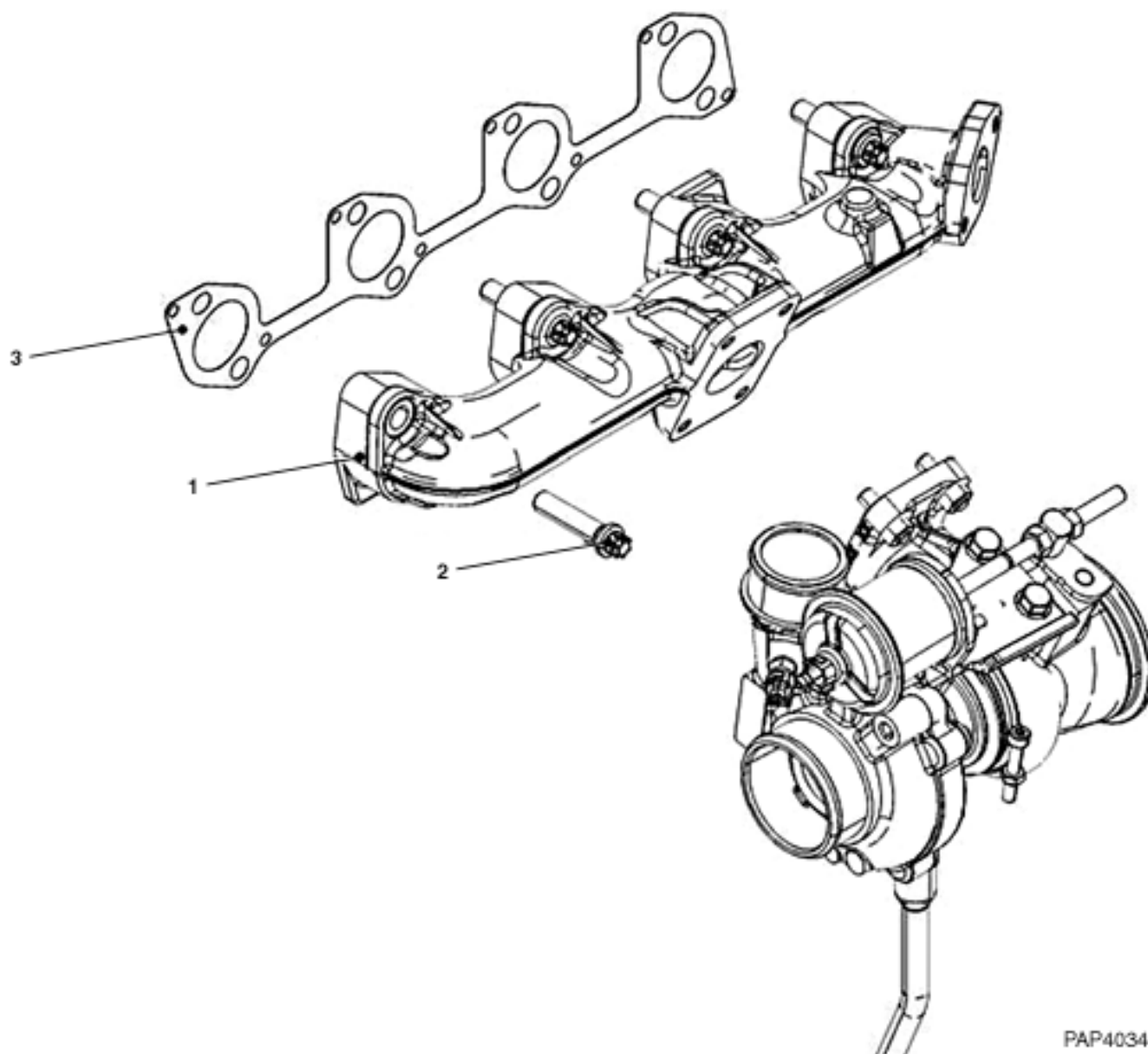


Figure 1-34 Pipe/Line/Lead

Item	Part Number	Qty.	Description	Rev.
1	70025177	1	PIPEWORK	
2	70025179	2	GASKET	
3	70025110	4	HEXAGON BOLT, (torque to 20 Nm/15 lb-ft)	



Figure 1-35 Exhaust Manifold



PAP40340

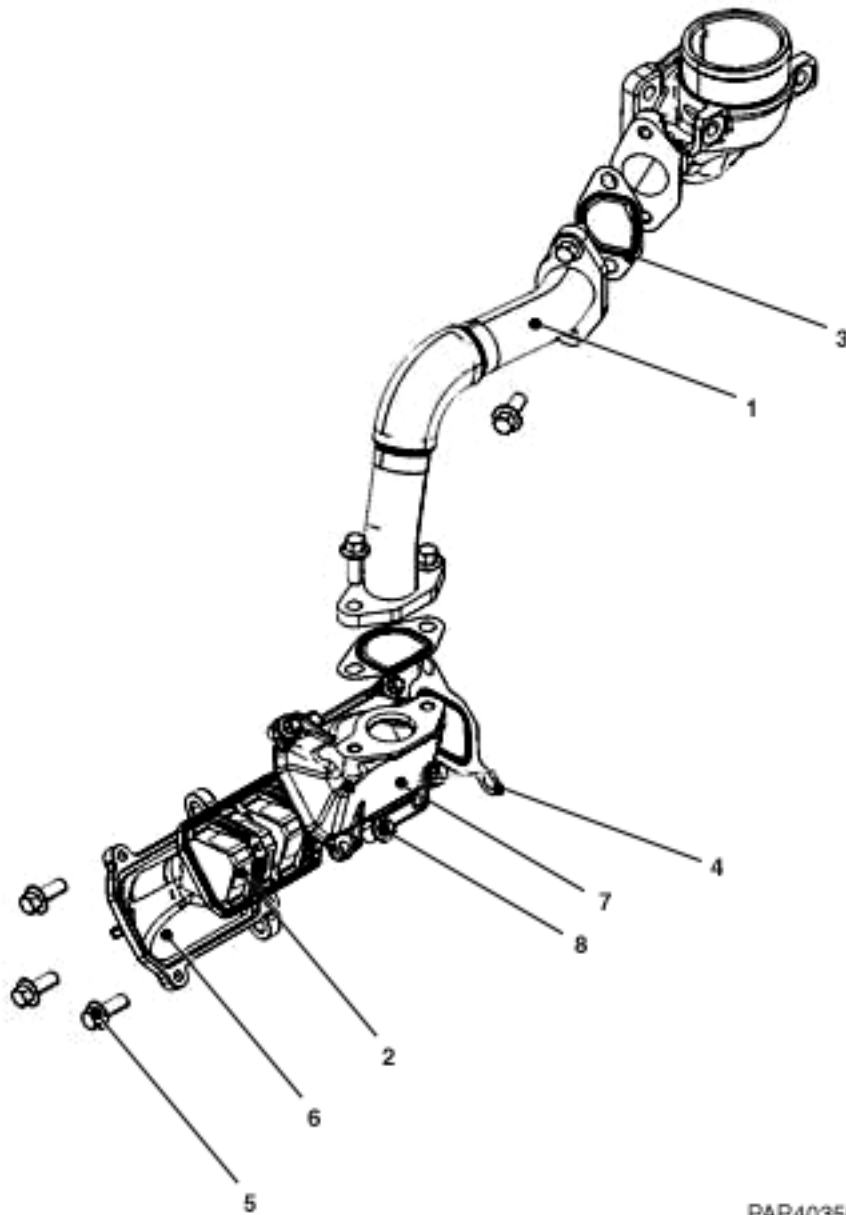


Figure 1-35 Exhaust Manifold

Item	Part Number	Qty.	Description	Rev.
1	70025170	1	EXHAUST MANIFOLD	
2	70025130	8	TORX-HD BOLT, (torque to 55 Nm/41 lb-ft)	
3	70025164	1	GASKET	



Figure 1-36 Pipe/Line/Lead



PAP40350

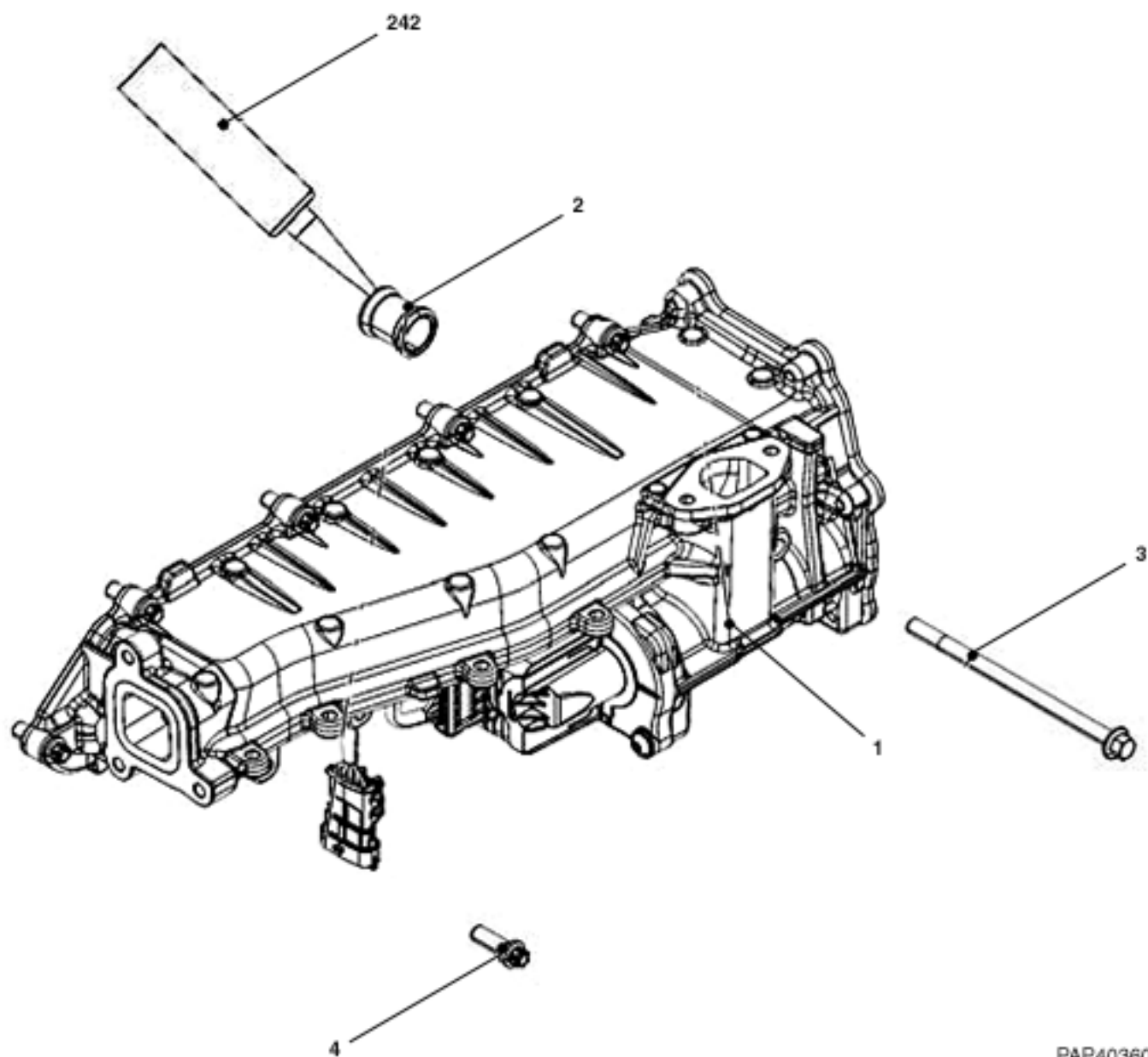


Figure 1-36 Pipe/Line/Lead

Item	Part Number	Qty.	Description	Rev.
1	70025178	1	PIPEWORK	
2	70025156	1	SHUTTLE VALVE	
3	70025179	2	GASKET	
4	70025180	1	GASKET	
5	70025125	7	HEXAGON BOLT	
6	70025174	1	HOUSING/CASE	
7	70025175	1	CAP	
8	70025117	4	HEXAGON BOLT	



Figure 1-37 EGR-Module



PAP40360

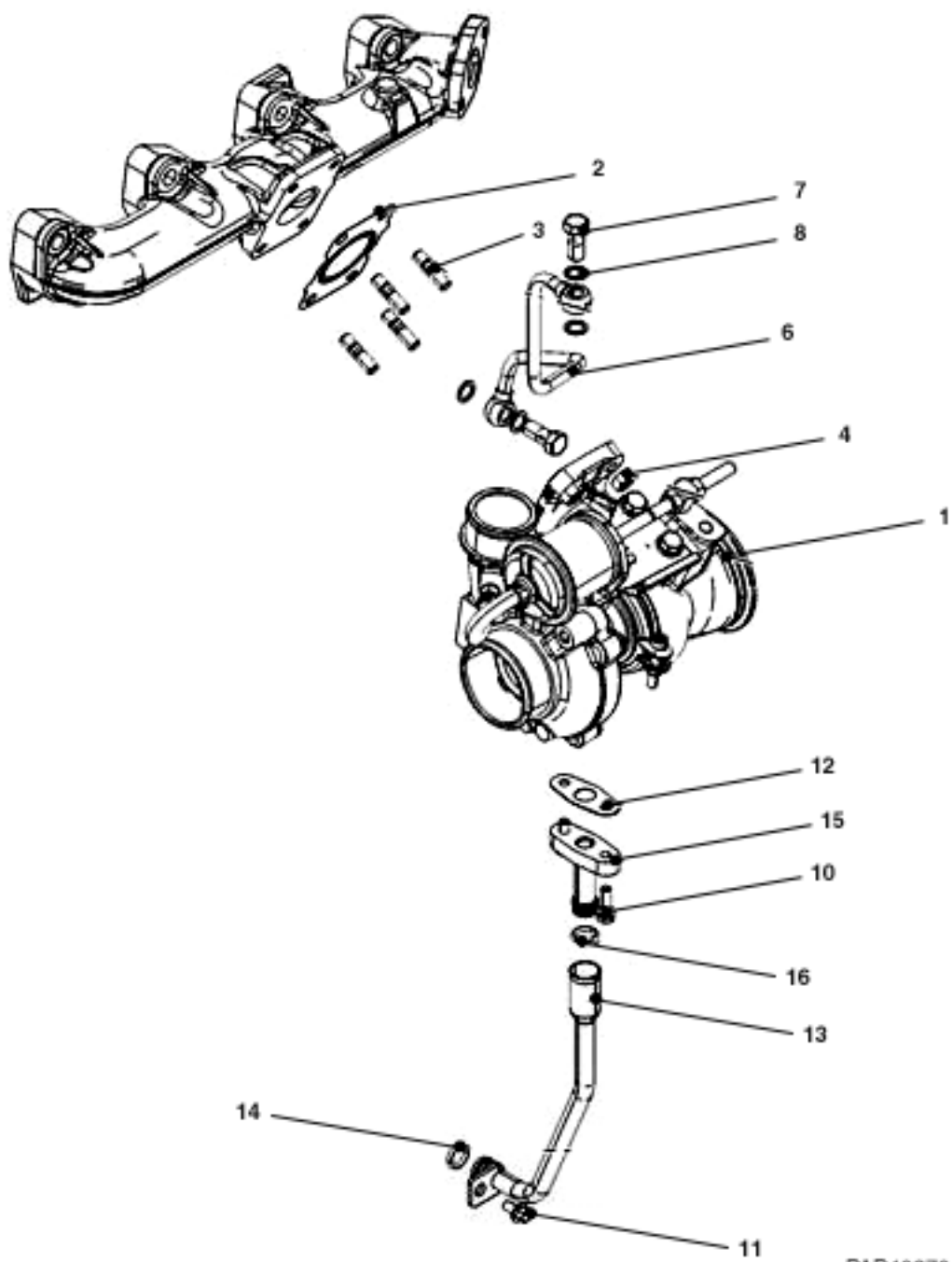


Figure 1-37 EGR-Module

Item	Part Number	Qty.	Description	Rev.
1	70025203	1	EGR-MODULE	
2	70025155	1	PLUG	
3	70025092	1	HEXAGON BOLT, (torque to 30 Nm/22 lb-ft)	
4	70025106	7	TORX-HD BOLT, (torque to 30 Nm/22 lb-ft)	
242		AR	GLUE	



Figure 1-38 Turbocharger



PAP40370

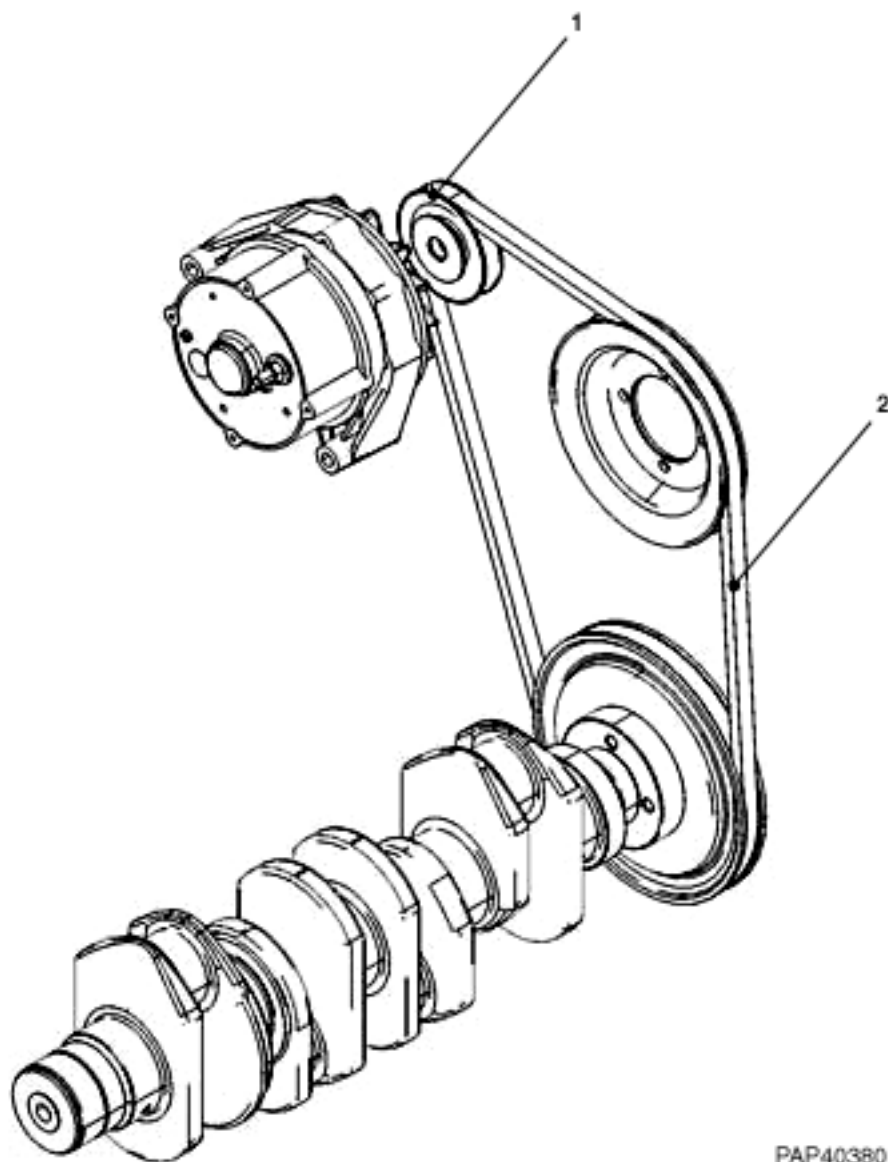


Figure 1-38 Turbocharger

Item	Part Number	Qty.	Description	Rev.
1	70024911	1	TURBOCHARGER	
2	70024912	1	GASKET	
3	70025096	4	STUD	
4	70025090	4	HEXAGON NUT, (torque to 21 Nm/15 lb-ft)	
6	70025172	1	LUBRICATION. OIL LINE, (includes items 7 & 8)	
7	70025085	2	HOLLOW SCREW, (torque to 18 Nm/13 lb-ft)	
8	70025105	4	SEALING RING	
10	70025095	2	HEXAGON BOLT, (torque to 8.5 Nm/6 lb-ft)	
11	70001655	1	HEXAGON BOLT, (torque to 8.5 Nm/6 lb-ft)	
12	70024509	1	GASKET	
13	70025173	1	RETURN LINE	
14	70025132	1	O-SEAL	
15	70025234	1	ATTACHMENT FLANGE	
16	70040100	1	O-SEAL	



Figure 1-39 V-Grooved Pulley



PAP40380



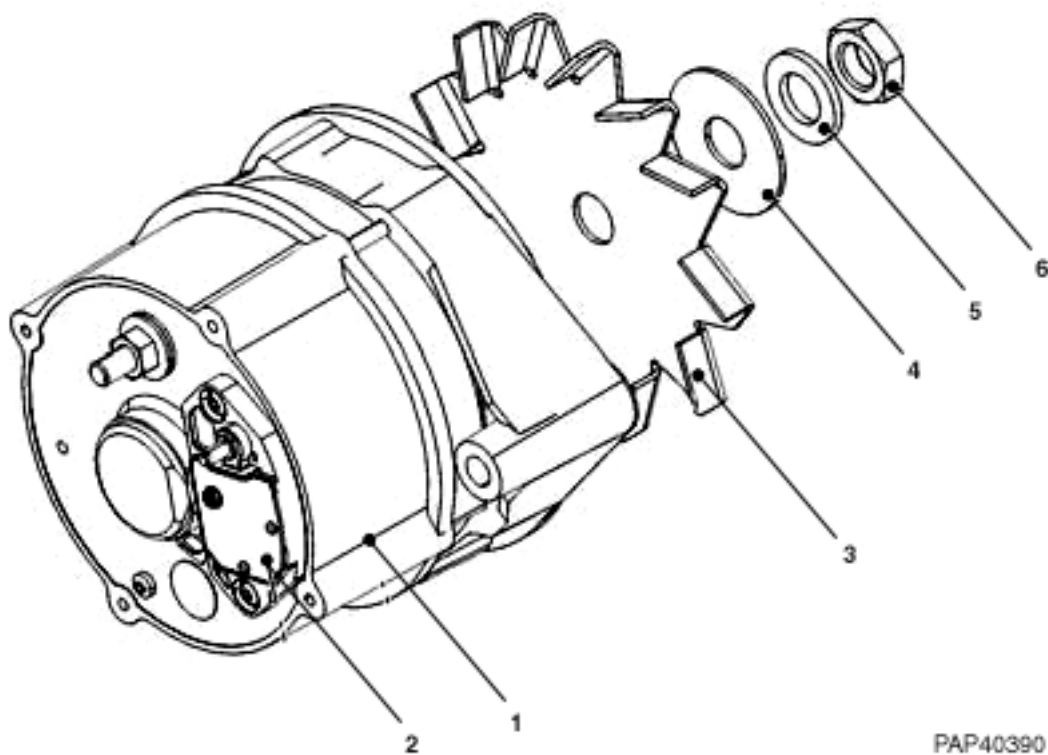
Figure 1-39 V-Grooved Pulley

Item	Part Number	Qty.	Description	Rev.
1	70025150	1	V-GROOVED PULLEY	
2	70024913	1	NARROW V-BELT	



ENGINE

Figure 1-40 Generator



PAP40390

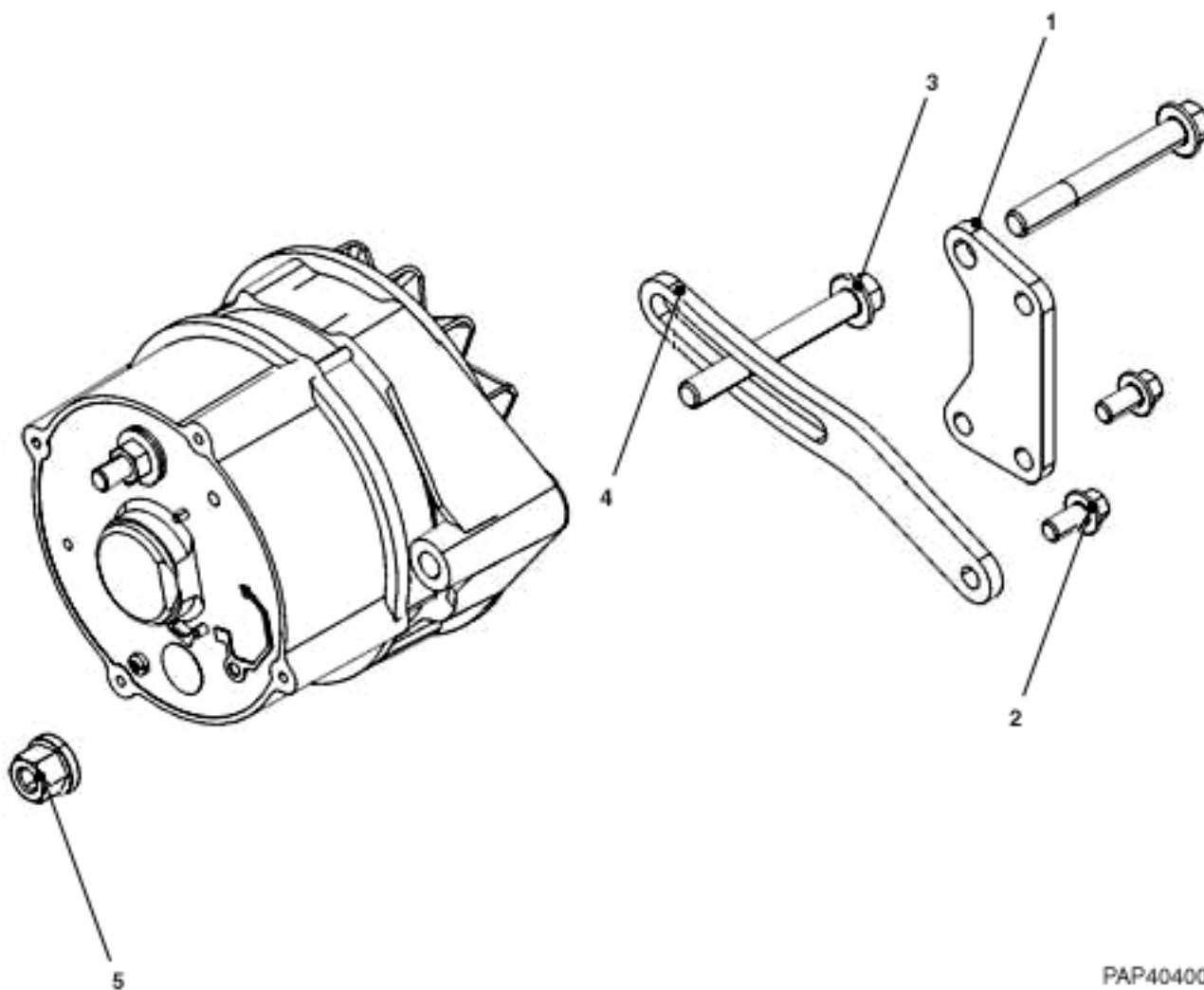
**Figure 1-40 Generator**

Item	Part Number	Qty.	Description	Rev.
1	70024914	1	GENERATOR, (includes items 2 thru 6)	
2	70025149	1	CONTROLLER	
3	70025131	1	FAN	
4	70025141	1	FASTENINGS, (includes items 5 & 6)	
5	70025079	1	PLAIN WASHER	
6	70025086	1	HEXAGON NUT	



ENGINE

Figure 1-41 Fastenings



PAP40400

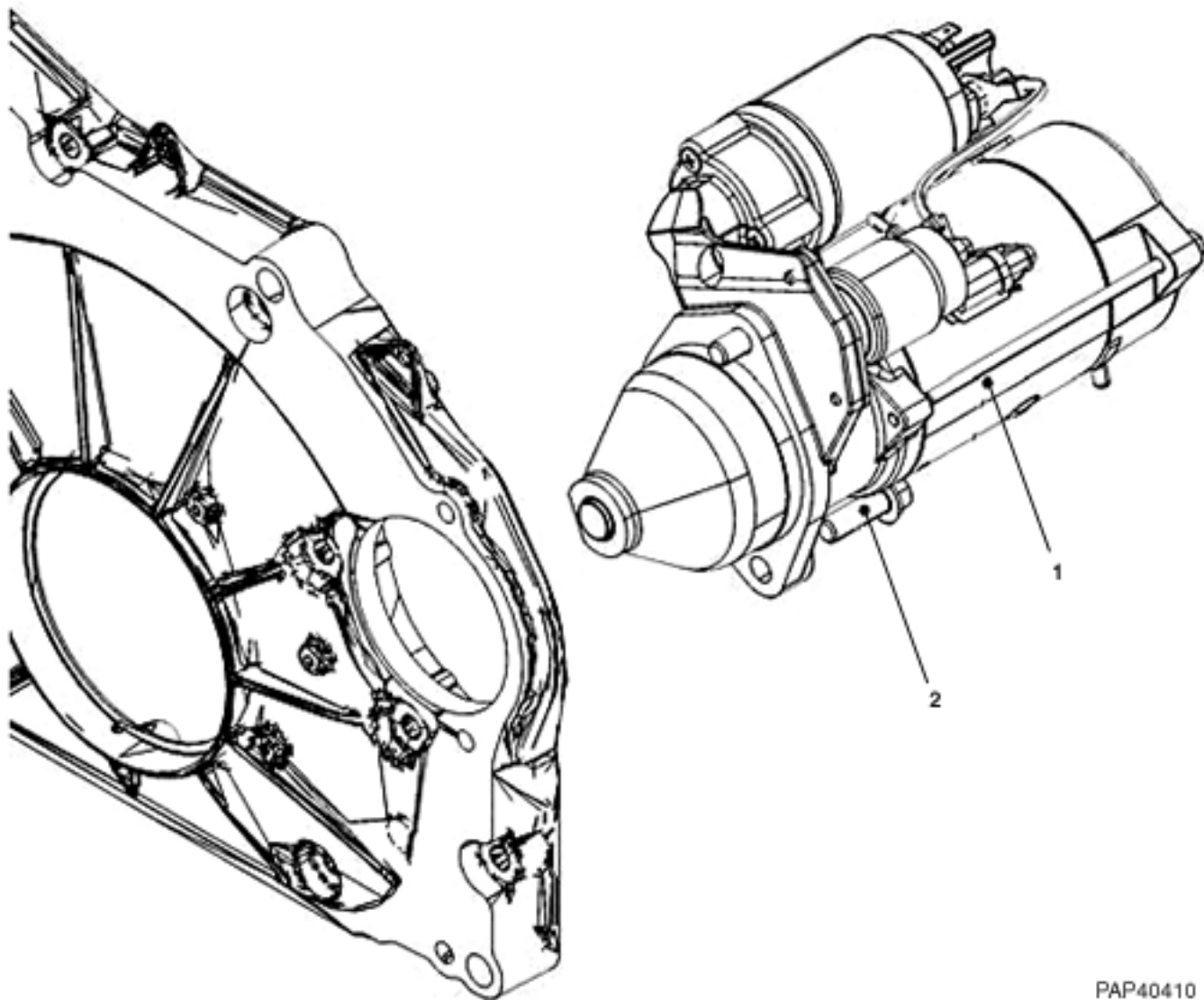


Figure 1-41 Fastenings

Item	Part Number	Qty.	Description	Rev.
1	70025191	1	RETAINING PLATE	
2	70025126	2	HEXAGON BOLT, (torque to 30 Nm/22 lb-ft)	
3	70025100	2	HEXAGON BOLT, (torque to 60 Nm/44 lb-ft)	
4	70025201	1	CLAMPING STRAP	
5	70025081	1	HEXAGON NUT	



Figure 1-42 Starter



PAP40410

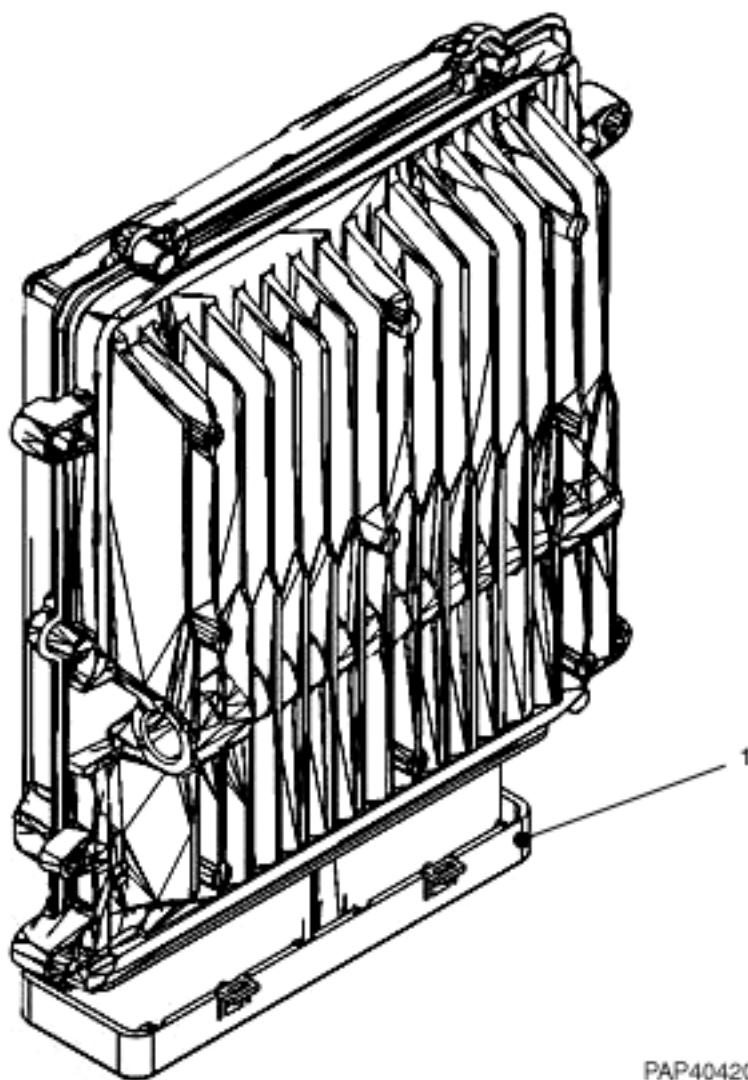


Figure 1-42 Starter

Item	Part Number	Qty.	Description	Rev.
1	70024915	1	STARTER	
2	70025099	2	HEXAGON BOLT, (torque to 25 Nm/18 lb-ft)	



Figure 1-43 Cap



PAP40420



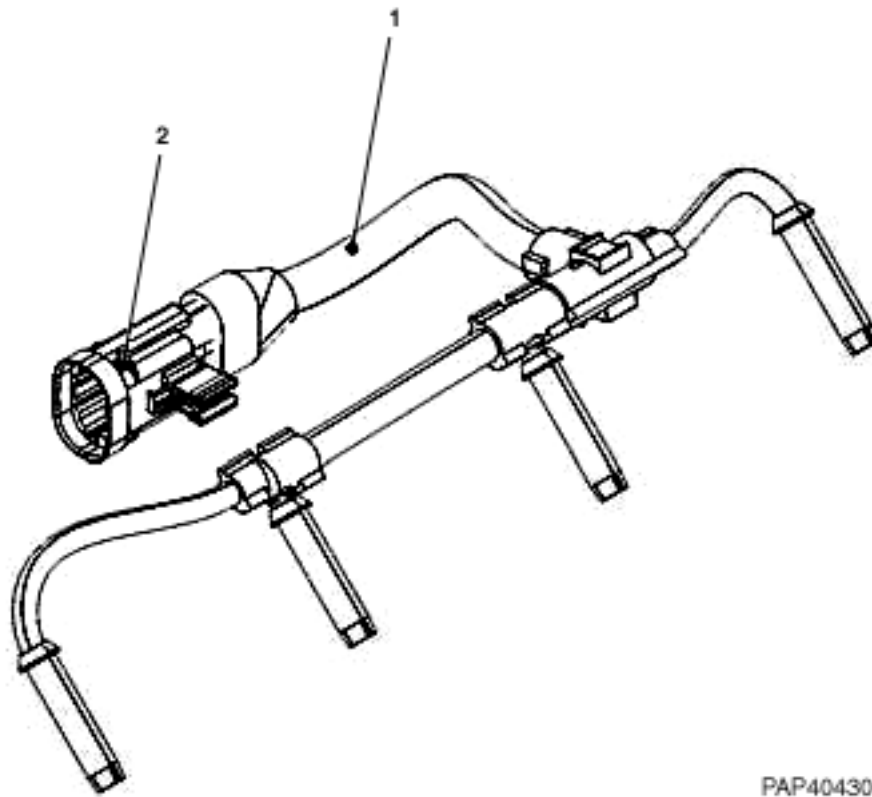
Figure 1-43 Cap

Item	Part Number	Qty.	Description	Rev.
1	70025227	1	CAP	



ENGINE

Figure 1-44 Cable Harness



PAP40430

**Figure 1-44 Cable Harness**

Item	Part Number	Qty.	Description	Rev.
1	70025231	1	CABLE HARNESS, (includes item 2)	
2	70025233	1	PLUG-IN CONNECTOR, (X18)	



ENGINE

Figure 1-45 Fastenings

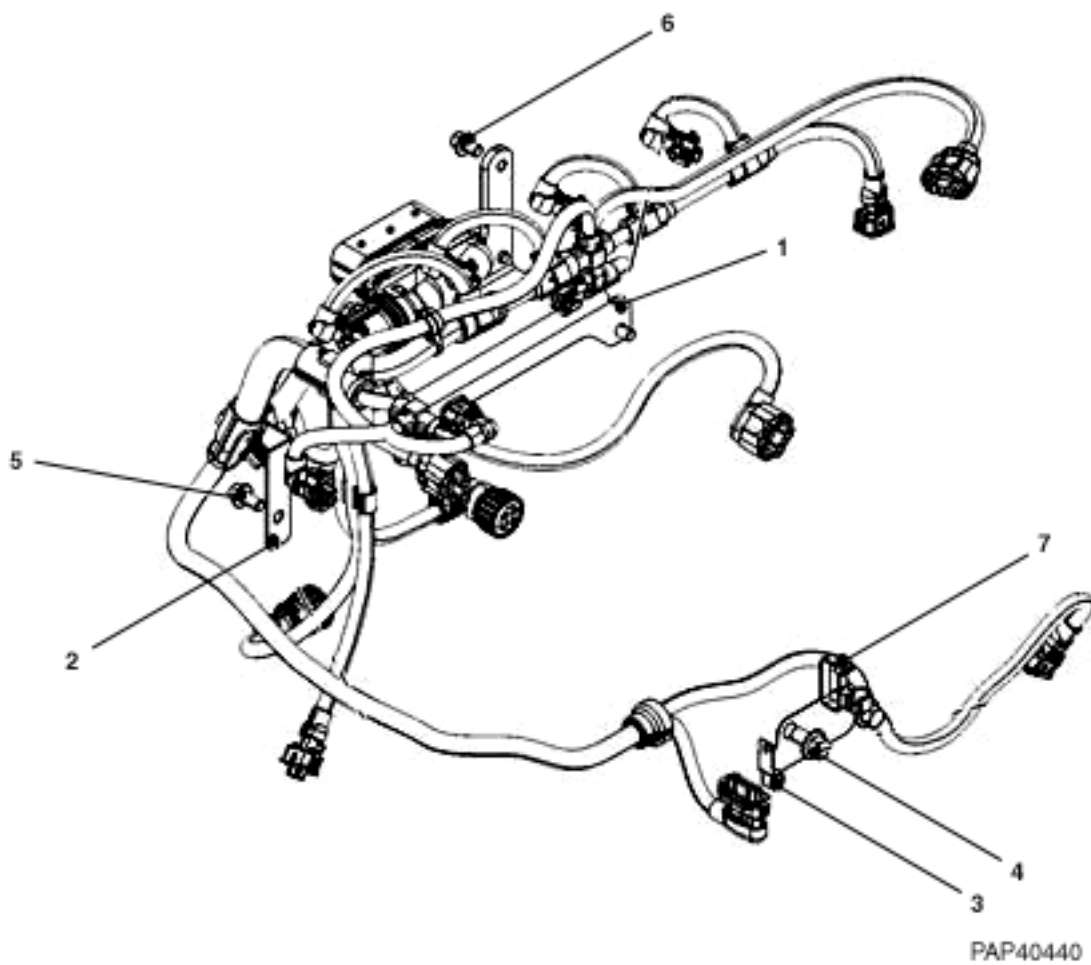




Figure 1-45 Fastenings

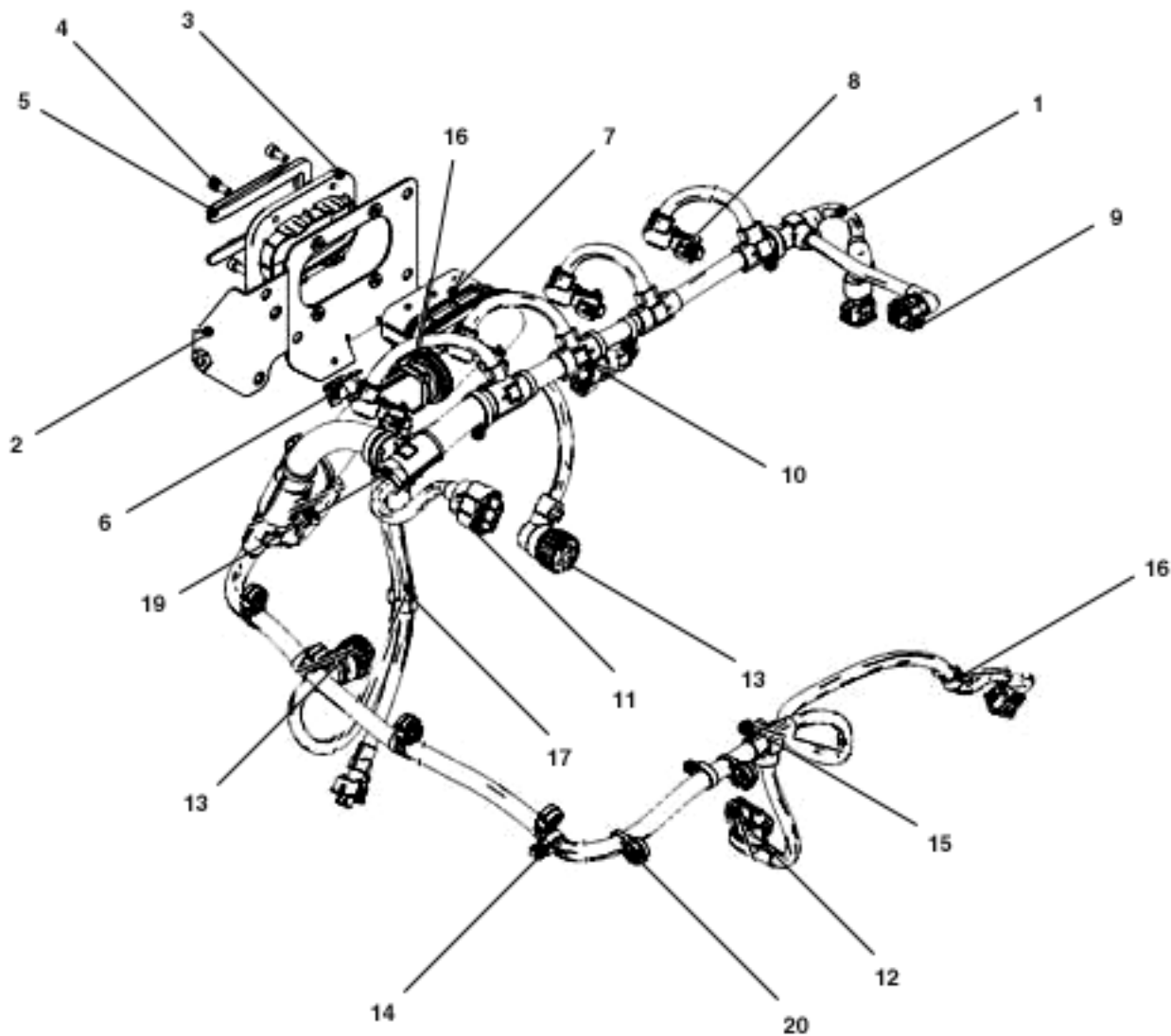
Item	Part Number	Qty.	Description	Rev.
1	70025166	1	ANGLE SUPPORT	
2	70025211	1	RETAINING PLATE	
3	70025189	1	RETAINING PLATE	
4	70025102	2	HEXAGON BOLT, (torque to 30 Nm/22 lb-ft)	
5	70025126	3	HEXAGON BOLT, (torque to 30 Nm/22 lb-ft)	
6	70025093	3	HEXAGON BOLT, (torque to 30 Nm/22 lb-ft)	
7	70025236	1	SUPPORT	



ENGINE

Figure 1-46 Cable Harness

IF EQUIPPED WITH ENGINE 1001136095



PAP40450



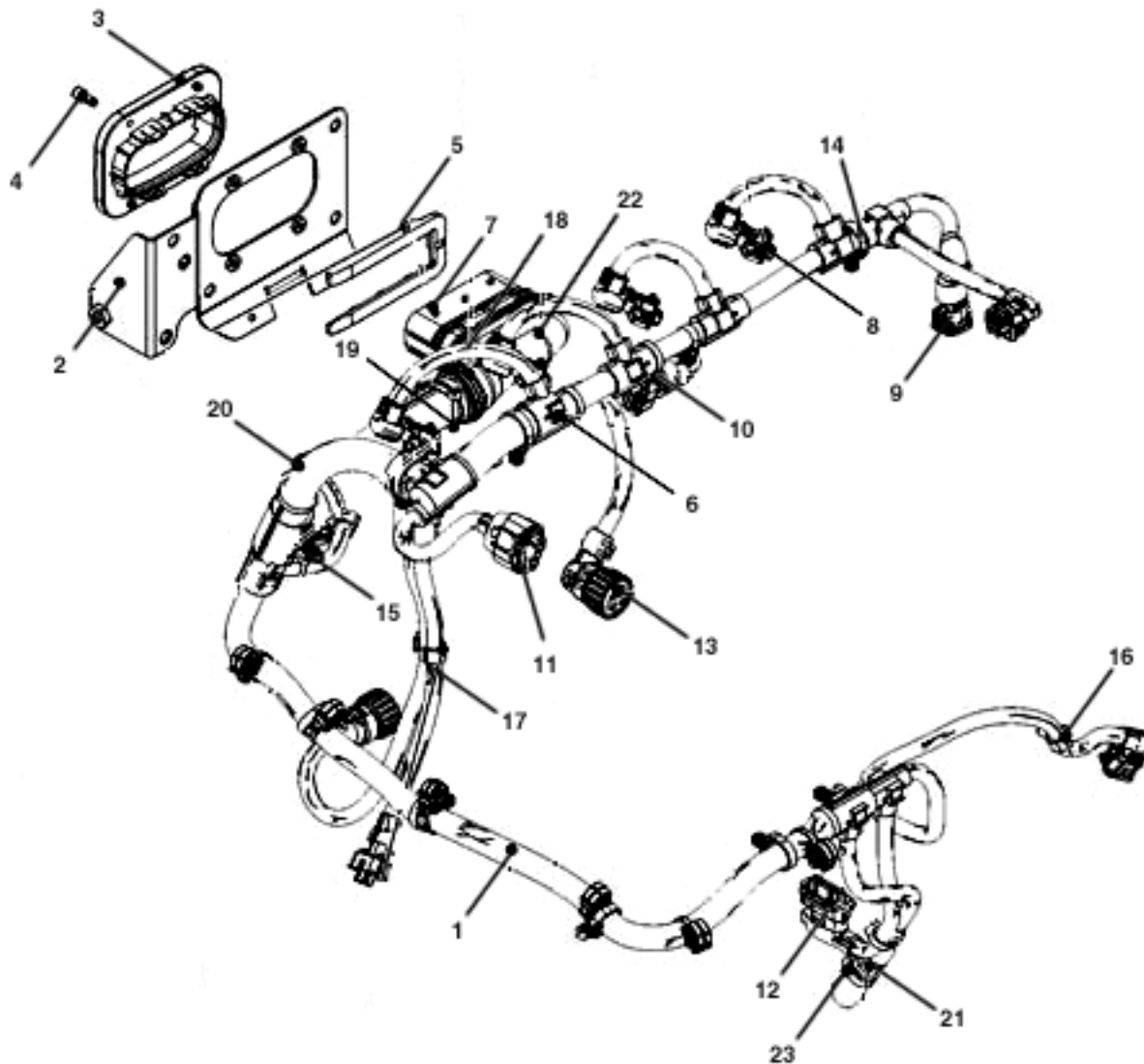
Figure 1-46 Cable Harness

Item	Part Number	Qty.	Description	Rev.
1	70025232	1	CABLE HARNESS, (includes items 2 thru 20)	
2	70025165	1	RETAINING PLATE	
3	70025216	1	ADAPTER	
4	70025134	4	CHEESE HD SCREW, (torque to 6 Nm/4 lb-ft)	
5	70025215	1	FIXING BRACKET	
6	70025228	2	BRACKET	
7	70025226	1	PLUG-IN CONNECTOR, (X17)	
8	70025220	5	PLUG-IN CONNECTOR, (Y15.3, Y15.2, Y15.4, Y15.1 & Y)	
9	70025222	4	PLUG-IN CONNECTOR, (B74, B43, B40.2 & B40.1)	
10	70025223	1	PLUG-IN CONNECTOR, (B49)	
11	70025219	1	PLUG-IN CONNECTOR, (B48)	
12	70025238	1	PLUG-IN CONNECTOR, (Y20)	
13	70025221	2	PLUG-IN CONNECTOR, (B6 & B51)	
14	70025217	8	CLAMPING BAND	
15	70025213	2	FIXING CLIP	
16	70025209	1	BRACKET	
17	70025225	1	SUPPORT	
18	70025229	1	WIRE FASTENER	
19	70025218	2	CLAMPING BAND	
20	70025230	6	WIRE FASTENER	



Figure 1-46 Cable Harness

IF EQUIPPED WITH ENGINE 1001139668



PA40580

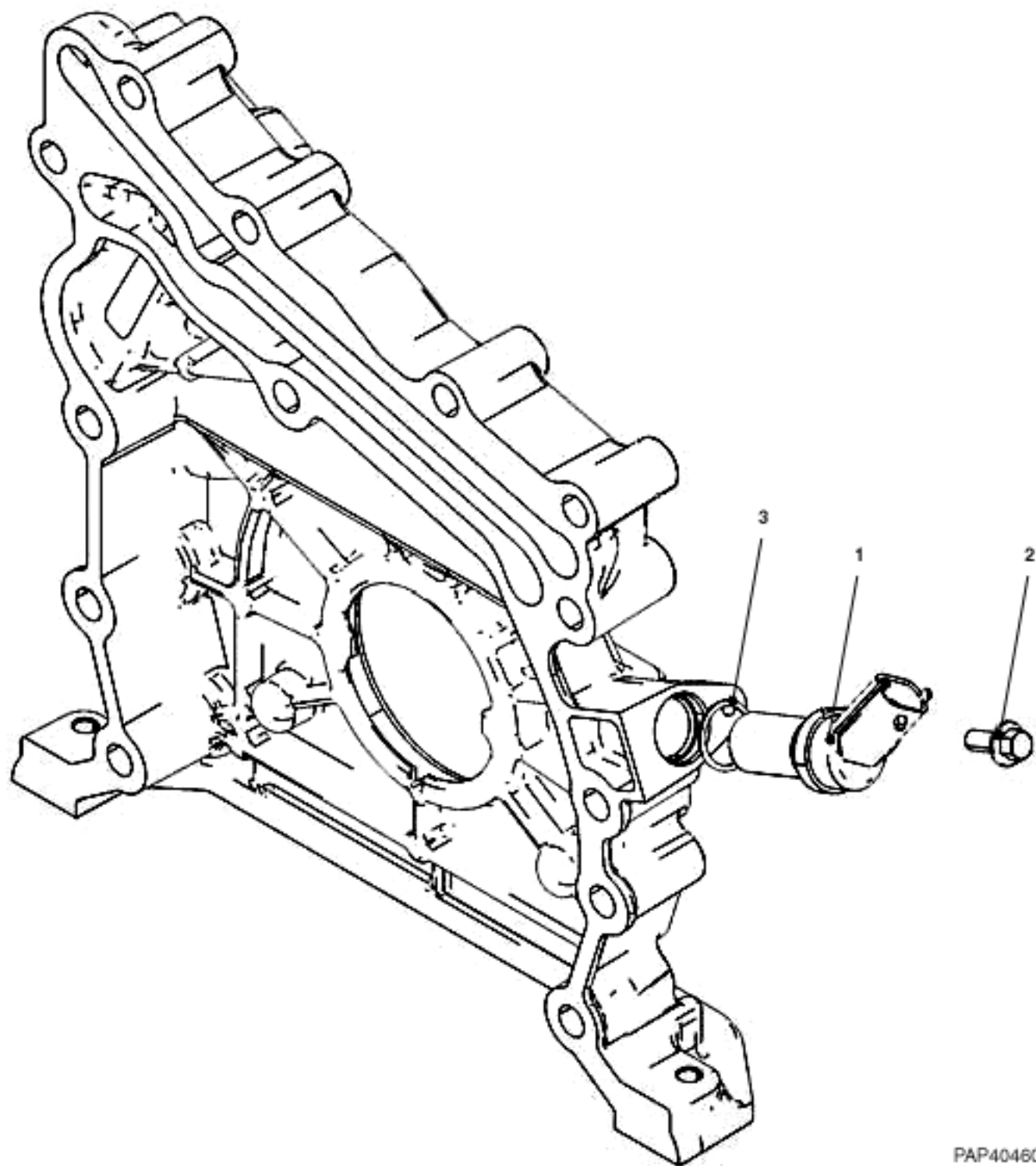


Figure 1-46 Cable Harness

Item	Part Number	Qty.	Description	Rev.
1	70025077	1	CABLE HARNESS, (includes items 2 thru 22)	
2	70025165	1	RETAINING PLATE	
3	70025216	1	ADAPTER	
4	70025134	4	CHEESE HD SCREW	
5	70025215	1	FIXING BRACKET	
6	70025228	2	BRACKET	
7	70025226	1	PLUG-IN CONNECTOR, (X17)	
8	70025220	5	PLUG-IN CONNECTOR, (Y15.1, Y15.2, Y15.3 & Y15.4)	
9	70025222	4	PLUG-IN CONNECTOR, (B43, B74, B40.1 & B40.2)	
10	70025223	1	PLUG-IN CONNECTOR, (B49)	
11	70025219	1	PLUG-IN CONNECTOR, (B48)	
12	70025238	1	PLUG-IN CONNECTOR, (Y20)	
13	70025221	2	PLUG-IN CONNECTOR, (B6 & B51)	
14	70025217	8	CLAMPING BAND	
15	70025213	2	FIXING CLIP	
16	70025209	1	BRACKET	
17	70025225	1	SUPPORT	
18	70025229	1	WIRE FASTENER	
19	70025218	2	CLAMPING BAND	
20	70025230	7	WIRE FASTENER	
21	70025237	1	PLUG-IN CONNECTOR	
22	70025214	1	CAP	
23	70025224	2	CLAMPING BAND	



Figure 1-47 Tacho Generator



PAP40460



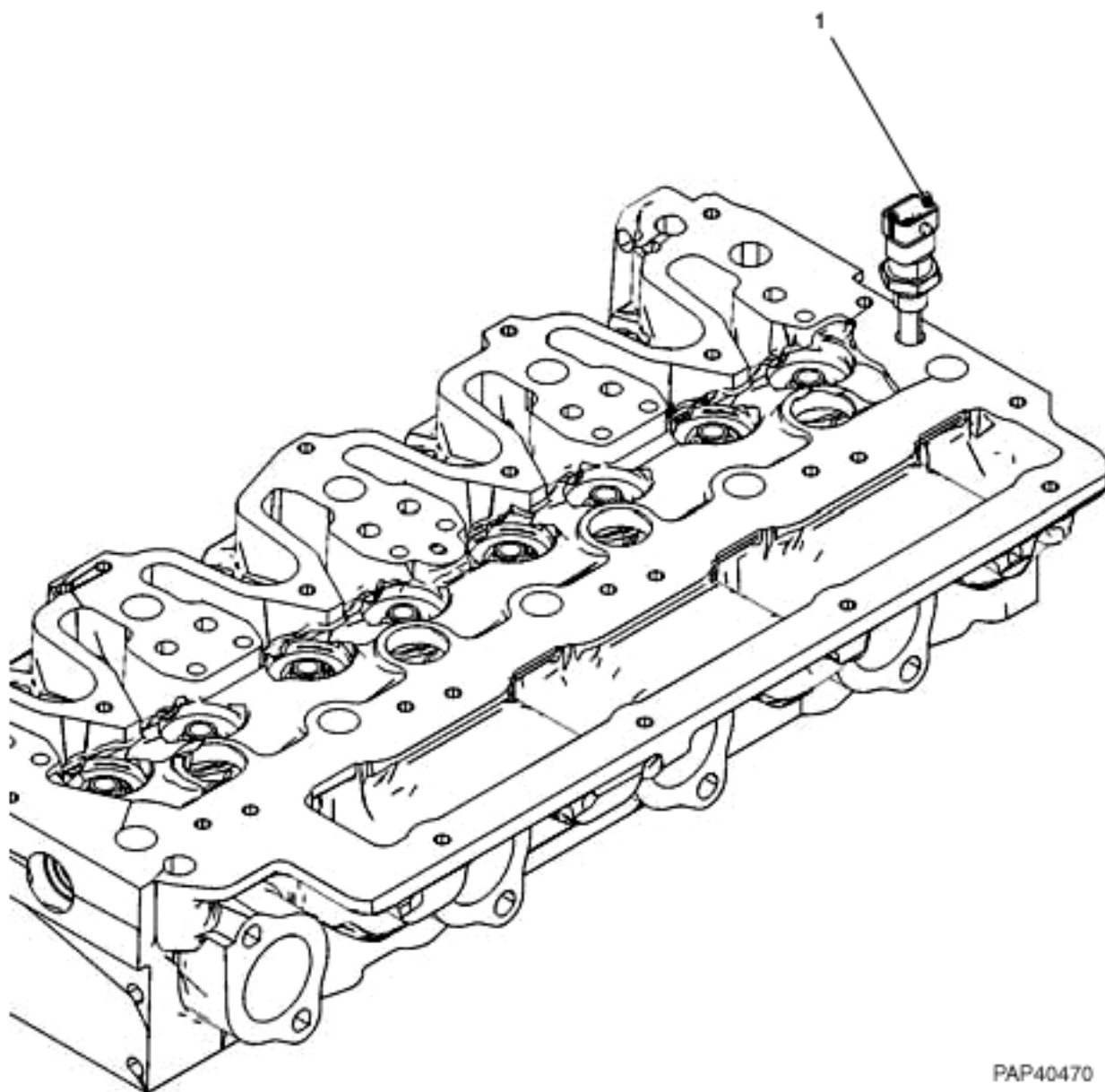
Figure 1-47 Tacho Generator

Item	Part Number	Qty.	Description	Rev.
1	70024503	1	TACHO-GENERATOR	
2	70025128	1	HEXAGON BOLT, (torque to 8.5 Nm/6 lb-ft)	
3	70024917	1	O-SEAL	



ENGINE

Figure 1-48 Temperature Transmitter



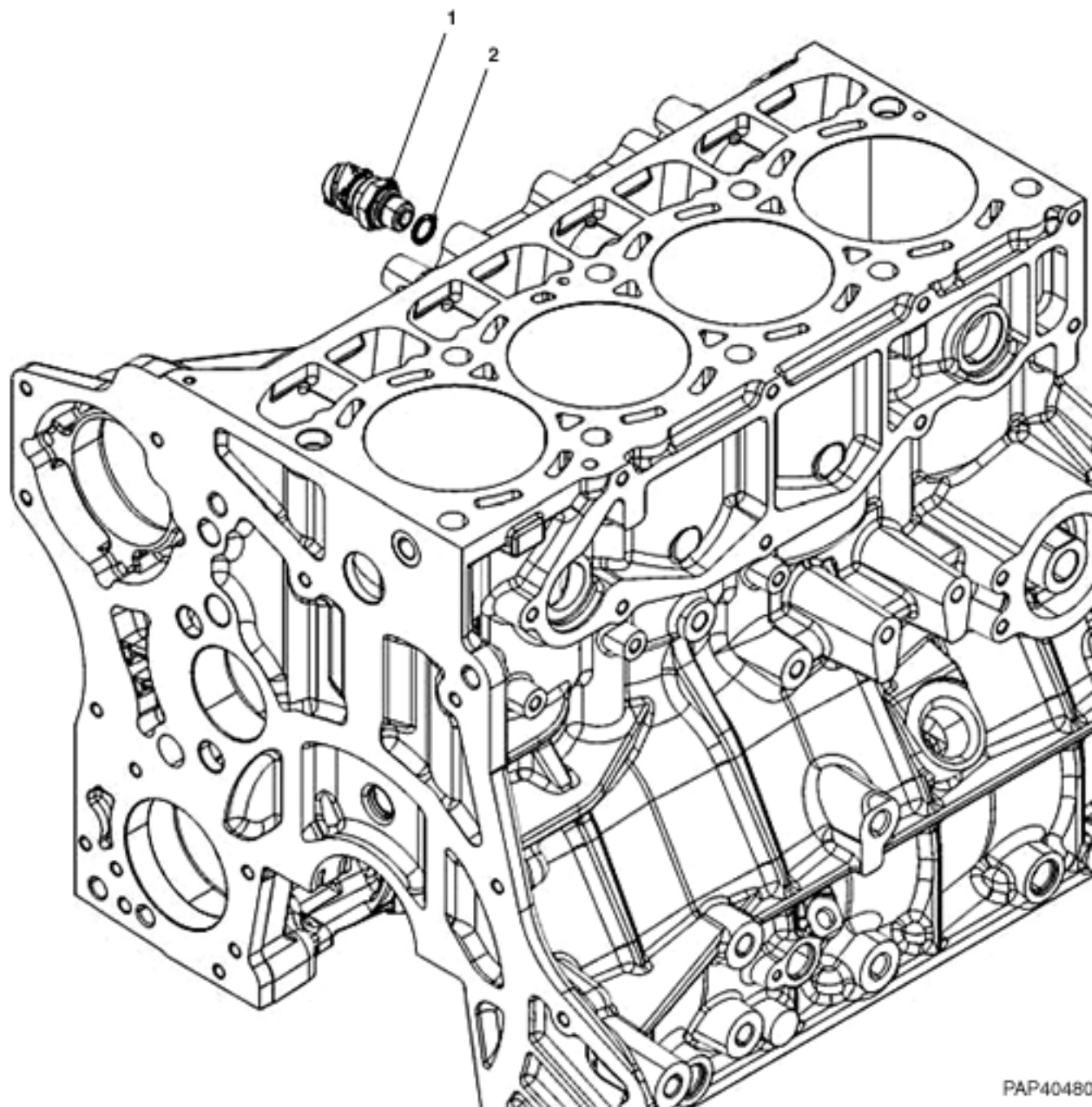
PAP40470

**Figure 1-48 Temperature Transmitter**

Item	Part Number	Qty.	Description	Rev.
1	70024918	1	TEMPERATURE TRANSMITTER	



Figure 1-49 Pressure Sensor



PAP40480



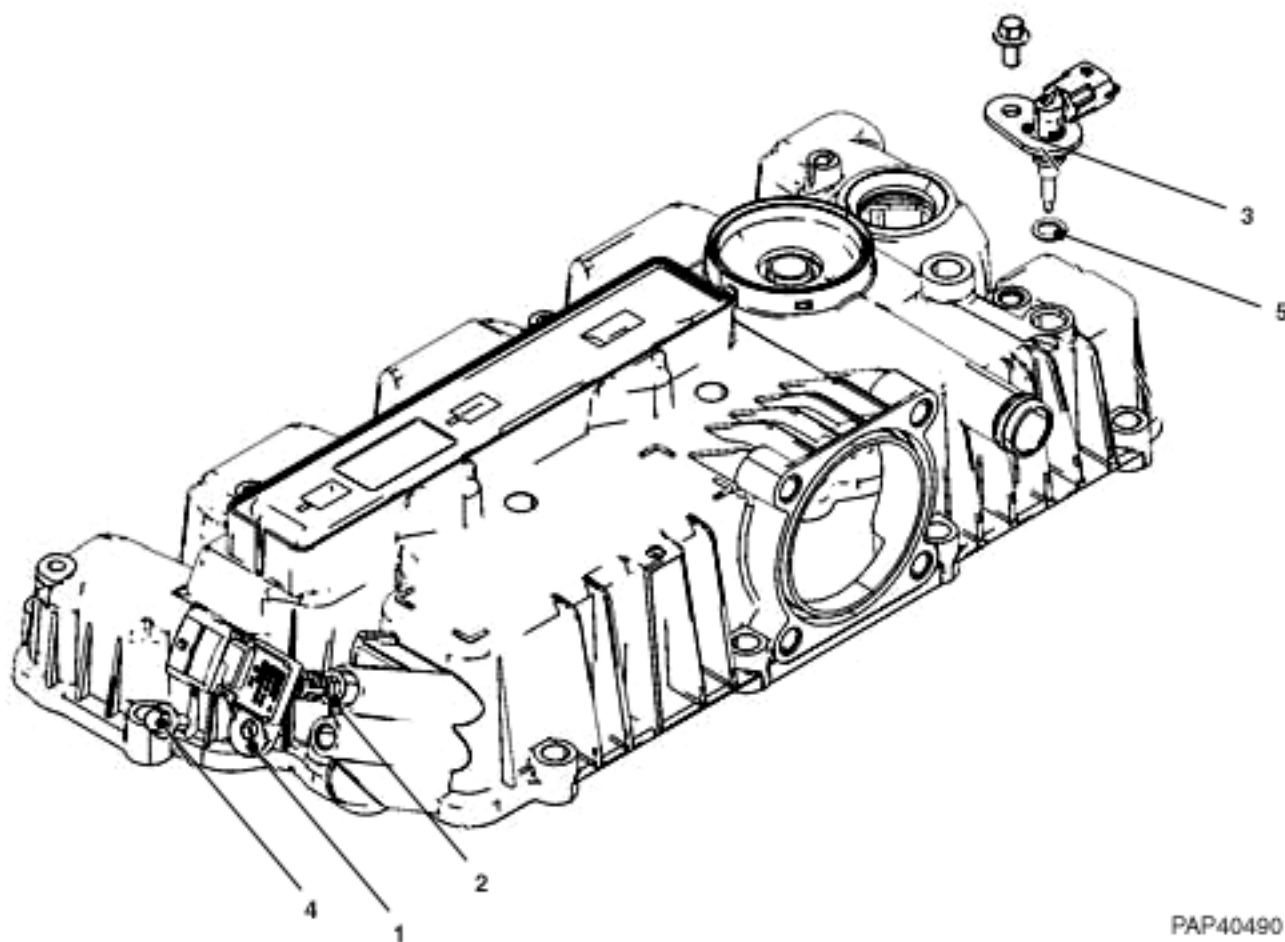
Figure 1-49 Pressure Sensor

Item	Part Number	Qty.	Description	Rev.
1	70024504	1	PRESSURE SENSOR, (includes item 2), (torque to 25 Nm/18 lb-ft)	
2	70024920	1	O-SEAL	



ENGINE

Figure 1-50 Sensor



PAP40490



Figure 1-50 Sensor

Item	Part Number	Qty.	Description	Rev.
1	70024507	1	PRESSURE SENSOR, (includes item 2)	
2	70025120	1	O-SEAL	
3	70024922	1	TEMPERATURE TRANSMITTER, (includes item 5)	
4	70001655	2	HEXAGON BOLT, (torque to 8.5 Nm/6 lb-ft)	
5	70025212	1	O-SEAL	



Figure 1-51 Connection Housing

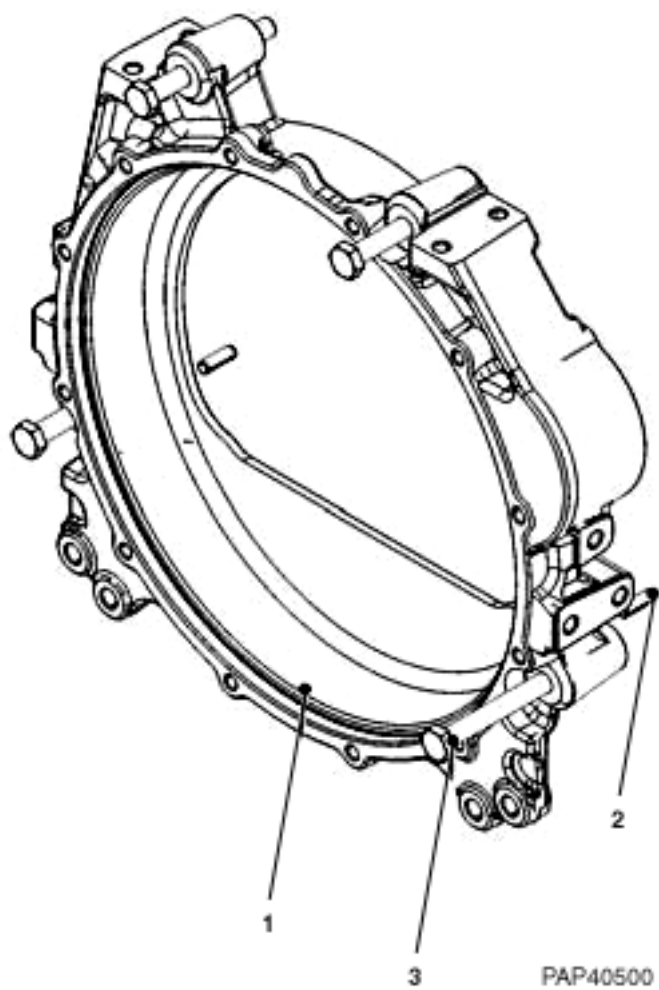


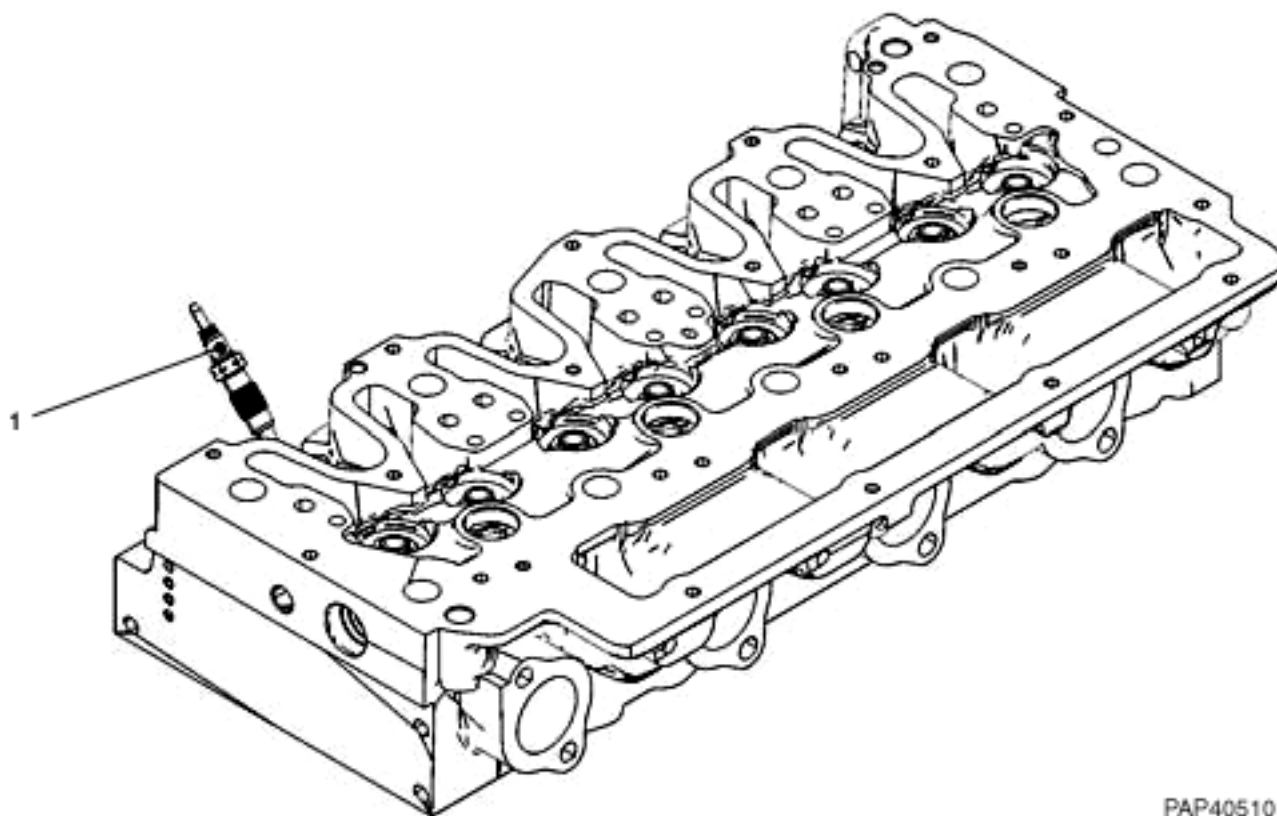


Figure 1-51 Connection Housing

Item	Part Number	Qty.	Description	Rev.
1	70025192	1	CONNECTION HOUSING	
2	70025113	2	STRAIGHT PIN	
3	70025108	4	HEXAGON BOLT, (torque to 70 Nm/52 lb-ft)	



Figure 1-52 Glow Plug



PAP40510



Figure 1-52 Glow Plug

Item	Part Number	Qty.	Description	Rev.
1	70000345	4	GLOW PLUG	



Figure 1-53 Inlet

IF EQUIPPED WITH ENGINE 1001136095

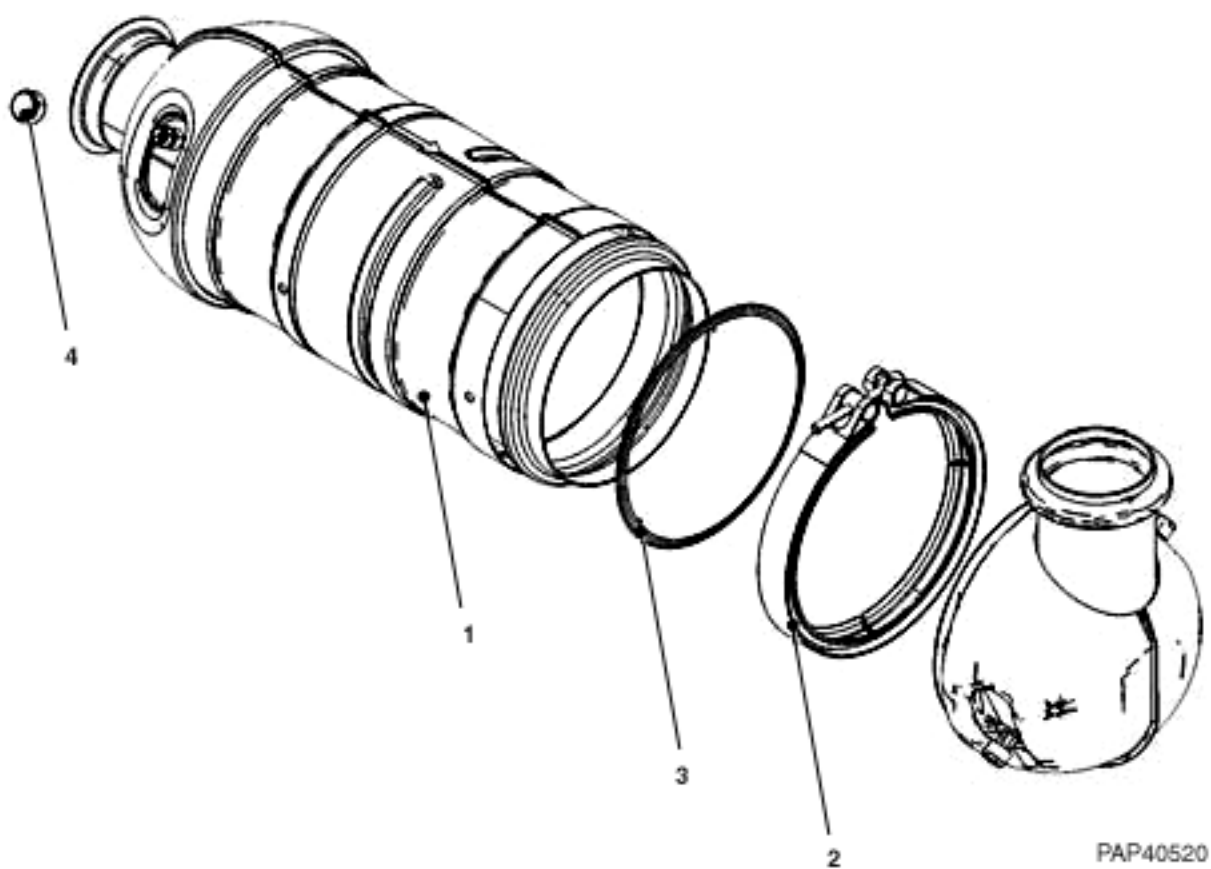




Figure 1-53 Inlet

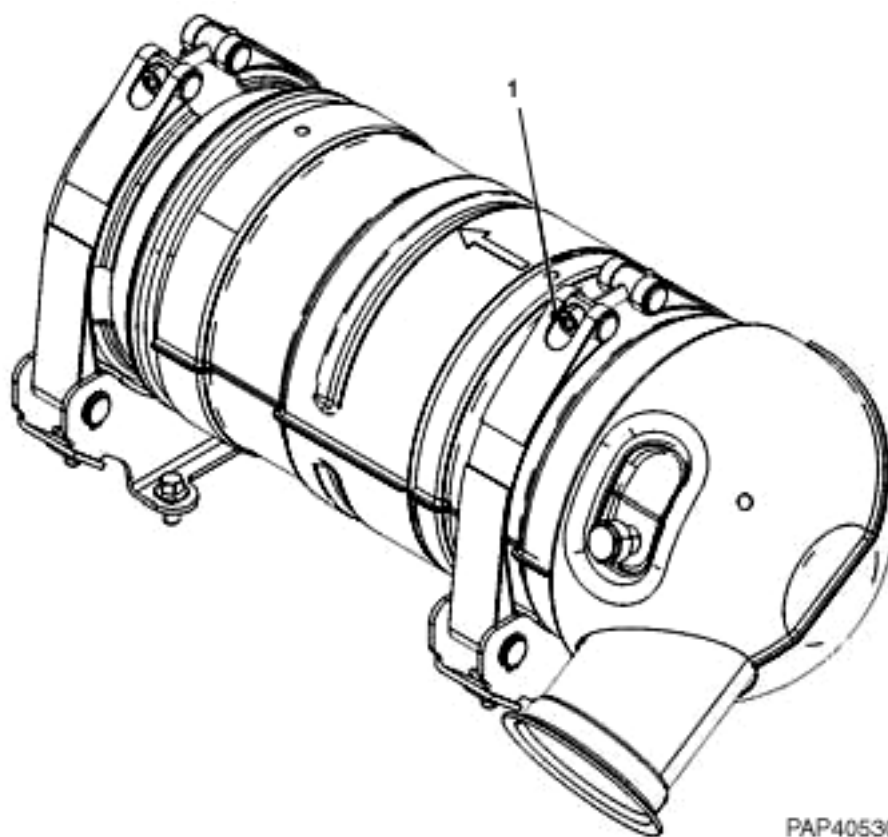
Item	Part Number	Qty.	Description	Rev.
1	70025243	1	INLET, (includes item 2 thru 4)	
2	70024515	1	CLIP	
3	70024516	1	GASKET	
4	70025244	2	LOCK	



ENGINE

Figure 1-54 Bracket

IF EQUIPPED WITH ENGINE 1001136095



PAP40530



Figure 1-54 Bracket

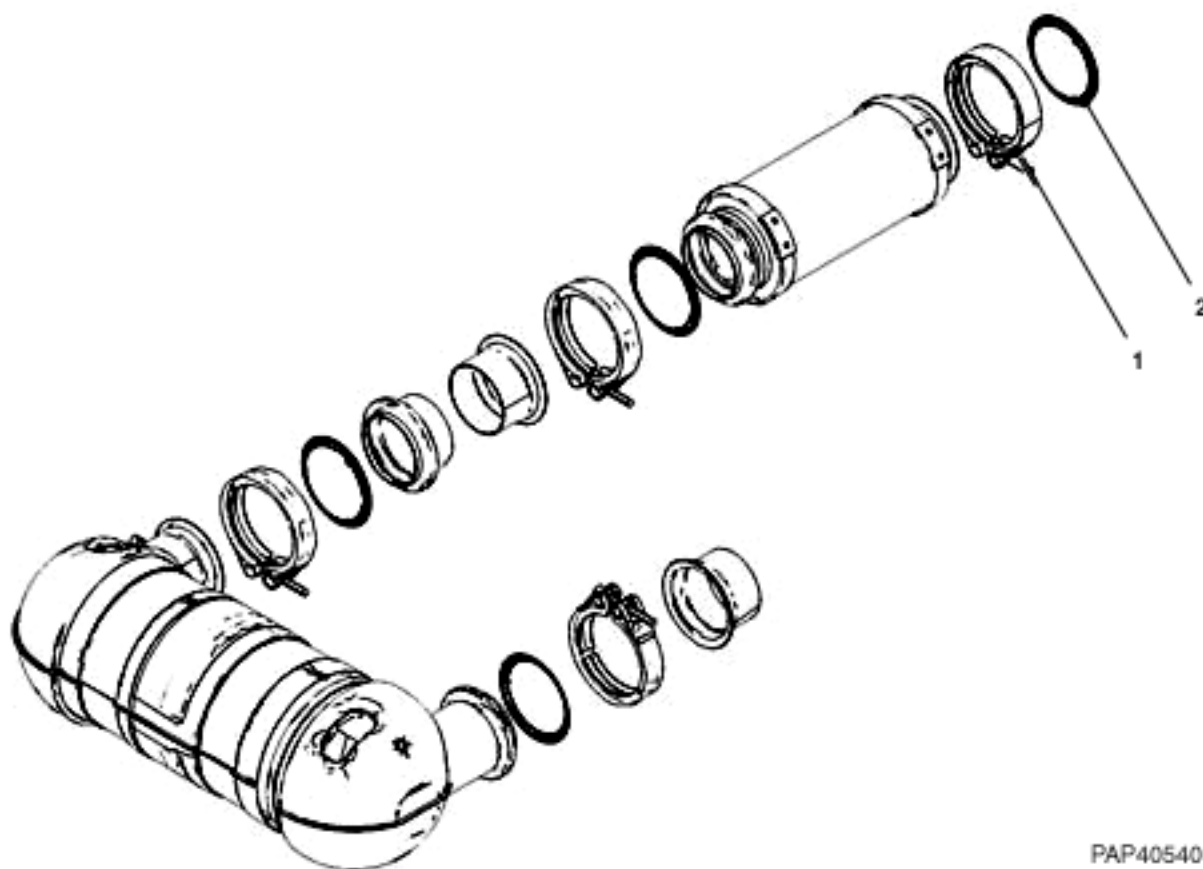
Item	Part Number	Qty.	Description	Rev.
1	70025245	2	BRACKET	



ENGINE

Figure 1-55 Mounting Material

IF EQUIPPED WITH ENGINE 1001136095



PAP40540



Figure 1-55 Mounting Material

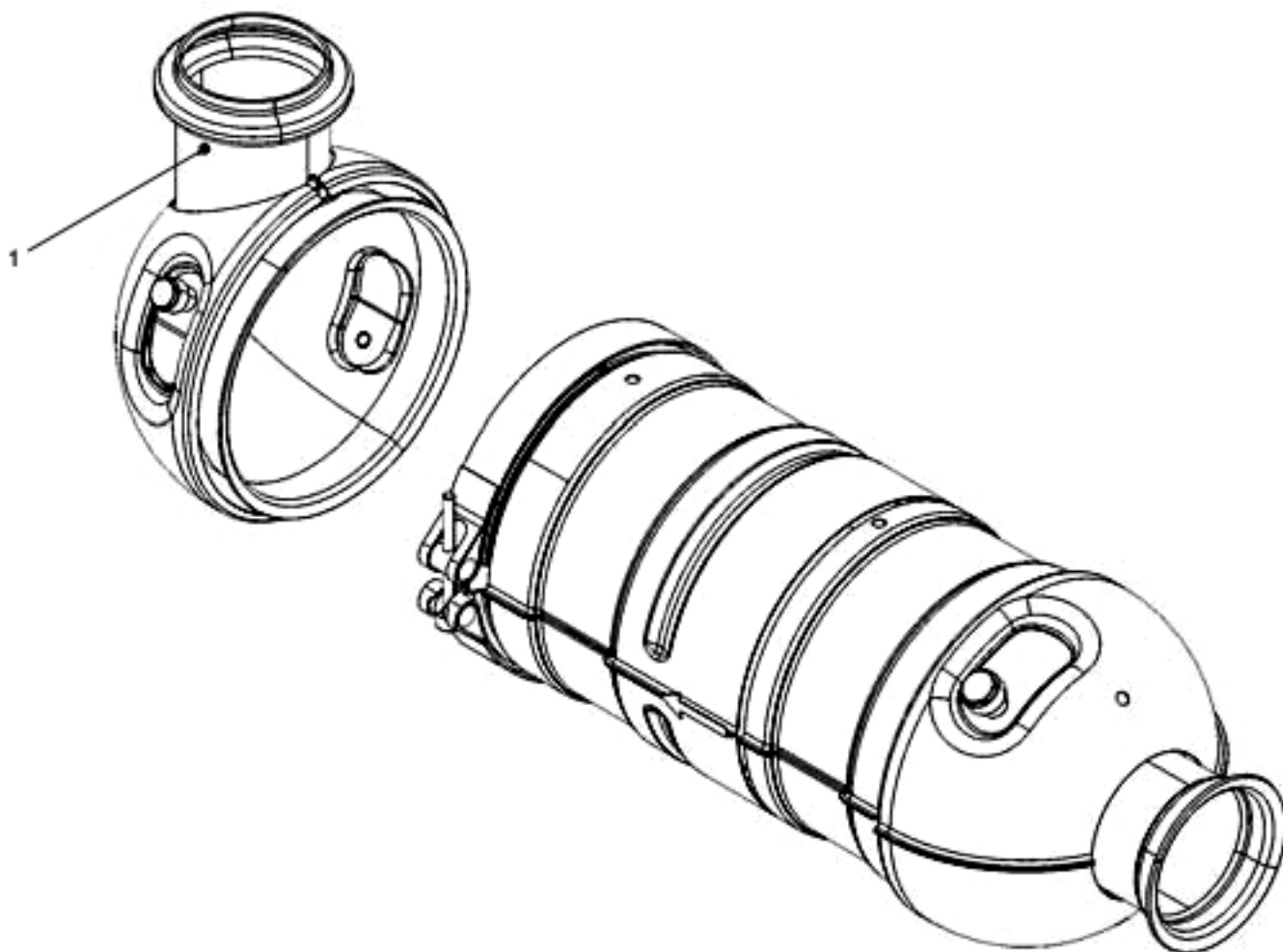
Item	Part Number	Qty.	Description	Rev.
1	70025241	1	CLIP	
2	70025242	1	GASKET	



ENGINE

Figure 1-56 Returns Elevator

IF EQUIPPED WITH ENGINE 1001136095



PAP40550



Figure 1-56 Returns Elevator

Item	Part Number	Qty.	Description	Rev.
1	70025246	1	RETURNS ELEVATOR	



ENGINE

Figure 1-57 Special Tools

This Page Intentionally Left Blank



Figure 1-57 Special Tools

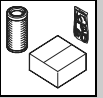
Item	Part Number	Qty.	Description	Rev.
	70025250	1	PUMP	
	70025255	1	ASSEMBLY SLEEVE	
	70025256	1	TESTING DEVICE	
	70025257	1	PLIERS	
	70025258	1	SOCKET WRENCH	
	70025259	1	DOG WRENCH	
	70025261	1	INSERT/ELEMENT	
	70025264	1	MEASUR. INSTRUMENT	
	70025266	1	BRUSH	
	70025268	1	TOOLS	
	70025269	1	CHECK DESIGNATION	
	70025271	1	FITTING TOOL	
	70025272	1	FITTING TOOL	
	70025273	1	CHECK DESIGNATION	
	70025275	1	PLIERS	
	70025276	1	DIAL GAUGE	
	70025277	1	DIAL GAUGE	
	70025279	1	SPECIAL TOOLS	
	70025280	1	PLUG	
	70025282	1	FITTING TOOL	
	70025283	1	FITTING TOOL	
	70025284	1	KEY	
	70025285	1	TOOL	
	70025287	1	PULLER	
	70025288	1	ASSEMBLY DEVICE	
	70025289	1	ASSEMBLY DEVICE	
	70025290	1	PULLER	
	70025292	1	DECOM INTERFACE	



ENGINE

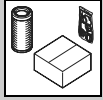
This Page Intentionally Left Blank

RECOMMENDED SPARE PARTS



The following list will service fleets of machines (built to current production per date on the front cover) with repair parts which can be installed in the field. Parts from the list should be replaced when inventory is depleted to keep service parts stock supplied. For further information, contact your JLG dealer or the JLG Industries Parts Department.

Part Number	Description	Qty./Machine
ENGINE		
70024904	DIPSTICK	1
70024905	O-SEAL	1
7020465	FILLER CAP	1
70024907	GASKET	1
70040080	ROTATING SHAFT LIP SEAL	1
7016331	OIL FILTER	1
70025153	FUEL PREFILTER	1
70024910	COOLANT WATER PUMP	1
70024911	TURBOCHARGER	1
70024912	GASKET	1
70024509	GASKET	1
70024913	V-BELT	1
70024914	GENERATOR	1
70024915	STARTER	1
70024503	TACHO-GENERATOR	1
70024917	O-SEAL	1
70024918	TEMPERATURE TRANSMITTER	1
70024504	PRESSURE SENSOR	1
70024920	O-SEAL	1
70024507	PRESSURE SENSOR	1
70024922	TEMPERATURE TRANSMITTER	1
70000345	GLOW PLUG	1
70024924	HIGH-PRESSURE PUMP	1
70024494	OIL COOLER	1
70024925	GASKET	1
70025202	OIL PUMP	1



RECOMMENDED SPARE PARTS

The following list will service fleets of machines (built to current production per date on the front cover) with repair parts which can be installed in the field. Parts from the list should be replaced when inventory is depleted to keep service parts stock supplied. For further information, contact your JLG dealer or the JLG Industries Parts Department.

Part Number	Description	Qty./Machine



Part Number	Page	Part Number	Page	Part Number	Page	Part Number	Page
70000345	1-111	70025100	1-87	70025159	1-67	70025218	1-97, 1-99
70001655	1-5, 1-23, 1-53, 1-81, 1-107	70025101	1-53	70025160	1-45	70025219	1-97, 1-99
70001870	1-11	70025102	1-95	70025161	1-45	70025220	1-97, 1-99
70002675	1-61	70025103	1-55	70025162	1-9	70025221	1-97, 1-99
70003136	1-39	70025104	1-37	70025163	1-19	70025222	1-97, 1-99
70024472	1-63	70025105	1-81	70025164	1-75	70025223	1-97, 1-99
70024473	1-71	70025106	1-79	70025165	1-97, 1-99	70025224	1-99
70024486	1-43	70025107	1-61	70025166	1-95	70025225	1-97, 1-99
70024488	1-37	70025108	1-109	70025167	1-61	70025226	1-97, 1-99
70024494	1-31	70025109	1-53	70025168	1-57	70025227	1-91
70024502	1-53	70025110	1-73	70025169	1-59	70025228	1-97, 1-99
70024503	1-101	70025111	1-5	70025170	1-75	70025229	1-97, 1-99
70024504	1-45, 1-105	70025112	1-57	70025171	1-35	70025230	1-97, 1-99
70024507	1-107	70025113	1-109	70025172	1-81	70025231	1-93
70024509	1-81	70025114	1-55	70025173	1-81	70025232	1-97
70024513	1-47	70025115	1-53	70025174	1-77	70025233	1-93
70024515	1-113	70025116	1-5	70025175	1-77	70025234	1-81
70024516	1-113	70025117	1-77	70025176	1-25	70025235	1-49
70024517	1-37	70025118	1-69	70025177	1-73	70025236	1-95
70024904	1-3	70025119	1-5	70025178	1-77	70025237	1-99
70024905	1-3	70025120	1-107	70025179	1-73, 1-77	70025238	1-97, 1-99
70024907	1-25	70025121	1-45, 1-47	70025180	1-77	70025239	1-47
70024910	1-65	70025122	1-59	70025181	1-41	70025240	1-49
70024911	1-81	70025123	1-9	70025182	1-51	70025241	1-117
70024912	1-81	70025124	1-49, 1-71	70025183	1-51	70025242	1-117
70024913	1-83	70025125	1-27, 1-31, 1-77	70025184	1-51	70025243	1-113
70024914	1-85	70025126	1-87, 1-95	70025185	1-53	70025244	1-113
70024915	1-89	70025127	1-25	70025186	1-55	70025245	1-115
70024917	1-101	70025128	1-101	70025187	1-39	70025246	1-119
70024918	1-103	70025129	1-65	70025188	1-37	70025250	1-121
70024920	1-45, 1-105	70025130	1-75	70025189	1-95	70025255	1-121
70024922	1-107	70025131	1-85	70025190	1-25	70025256	1-121
70024924	1-37	70025132	1-81	70025191	1-87	70025257	1-121
70024925	1-31	70025133	1-53	70025192	1-109	70025258	1-121
70024961	1-47	70025134	1-97, 1-99	70025193	1-19	70025259	1-121
70025076	1-25	70025135	1-27	70025194	1-19	70025261	1-121
70025077	1-99	70025136	1-27	70025195	1-19	70025264	1-121
70025079	1-85	70025137	1-33	70025196	1-19	70025266	1-121
70025080	1-37	70025138	1-15	70025197	1-21	70025268	1-121
70025081	1-87	70025139	1-11	70025198	1-13	70025269	1-121
70025082	1-25	70025140	1-39, 1-41	70025199	1-5	70025271	1-121
70025083	1-55	70025141	1-85	70025200	1-65	70025272	1-121
70025084	1-65	70025142	1-71	70025201	1-87	70025273	1-121
70025085	1-81	70025143	1-71	70025202	1-27	70025275	1-121
70025086	1-85	70025144	1-43	70025203	1-79	70025276	1-121
70025087	1-37	70025145	1-39, 1-41	70025204	1-23	70025277	1-121
70025088	1-9	70025146	1-39, 1-41	70025205	1-19	70025279	1-121
70025089	1-55	70025147	1-39, 1-41	70025206	1-19	70025280	1-121
70025090	1-81	70025148	1-53	70025207	1-19	70025282	1-121
70025091	1-25	70025149	1-85	70025208	1-19	70025283	1-121
70025092	1-79	70025150	1-83	70025209	1-97, 1-99	70025284	1-121
70025093	1-21, 1-95	70025151	1-49	70025210	1-63	70025285	1-121
70025094	1-55	70025152	1-37	70025211	1-95	70025287	1-121
70025095	1-81	70025153	1-47	70025212	1-107	70025288	1-121
70025096	1-81	70025154	1-39, 1-41	70025213	1-97, 1-99	70025289	1-121
70025097	1-17	70025155	1-79	70025214	1-99	70025290	1-121
70025098	1-35	70025156	1-77	70025215	1-97, 1-99	70025292	1-121
70025099	1-89	70025157	1-55	70025216	1-97, 1-99	70040080	1-25
		70025158	1-53	70025217	1-97, 1-99	70040100	1-81



PART NUMBER INDEX

Part Number	Page	Part Number	Page	Part Number	Page	Part Number	Page
7016331	1-29						
7020404	1-9						
7020465	1-7, 1-19						
7020492	1-65						
7024579	1-11						



An Oshkosh Corporation Company

Corporate Office
JLG Industries, Inc.
1 JLG Drive
McConnellsburg PA. 17233-9533
USA
☎ **(717) 485-5161(Corporate)**
☎ **(800) 554-5438(Service)**
📠 **(717) 485-6417**

JLG Worldwide Locations

JLG Industries
358 Park Road
Regents Park
NSW 2143
Sydney 2143
Australia
☎ +6 (12) 87186300
📠 +6 (12) 65813058
Email: techservicesauc@jlg.com

JLG Ground Support Oude
Bunders 1034
Breitwaterstraat 12A
3630 Maasmechelen
Belgium
☎ +32 (0) 89 84 82 26
Email: emeaservice@jlg.com

JLG Latino Americana LTDA
Rua Antonia Martins Luiz, 580
Distrito Industrial Joao Narezzi
Indaiatuba-SP 13347-404
Brasil
☎ +55 (19) 3936 7664 (Parts)
📠 +55(19)3936 9049 (Service)
Email: comercialpecas@jlg.com
Email: servicos@jlg.com

Oshkosh-JLG (Tianjin)
Equipment Technology LTD
Shanghai Branch
No 465 Xiao Nan Road
Feng Xian District
Shanghai 201204
China
☎ +86 (21) 800 819 0050

JLG Industries Dubai
Jafza View
PO Box 262728, LB 19
20th Floor, Office 05
Jebel Ali, Dubai
☎ +971 (0) 4 884 1131
📠 +971 (0) 4 884 7683
Email: emeaservice@jlg.com

JLG France SAS
Z.I. Guillaume Mon Amy
30204 Fauillet
47400 Tonniens
France
☎ +33 (0) 553 84 85 86
📠 +33 (0) 553 84 85 74
Email: pieces@jlg.com

JLG Deutschland GmbH
Max Planck Str. 21
27721 Ritterhude - Ihlpohl
Germany
☎ +49 (0) 421 69350-0
📠 +49 (0) 421 69350-45
Email: german-parts@jlg.com

JLG Equipment Services Ltd.
Rm 1107 Landmark North
39 Lung Sum Avenue
Sheung Shui N. T.
Hong Kong
☎ +(852) 2639 5783
📠 +(852) 2639 5797

JLG Industries (Italia) S.R.L.
Via Po. 22
20010 Pregnana Milanese (MI)
Italy
☎ +39 (0) 2 9359 5210
📠 +39 (0) 2 9359 5211
Email: ricambi@jlg.com

JLG EMEA B.V.
Polaris Avenue 63
2132 JH Hoofddorp
The Netherlands
☎ +31 (0) 23 565 5665
Email: emeaservice@jlg.com

JLG NZ Access Equipment &
Services
2B Fisher Crescent
Mt Wellington 1060
Auckland, New Zealand
☎ +6 (12) 87186300
📠 +6 (12) 65813058
Email: techservicesaus@jlg.com

JLG Industries
Vahutinskoe shosse 24b.
Khimki
Moscow Region 141400
Russia Federation
☎ +7 (499) 922 06 99
📠 +7 (499) 922 06 99

Oshkosh-JLG Singapore
Technology Equipment Pte Ltd.
35 Tuas Avenue 2
Jurong Industrial Estate
Singapore 639454
☎ +65 6591 9030
📠 +65 6591 9045
Email: SEA@jlg.com

JLG Iberica S.L.
Trapadella, 2
Pol. Ind. Castellbisbal Sur
08755 Castellbisbal
Barcelona
Spain
☎ +34 (0) 93 772 47 00
📠 +34 (0) 93 771 1762
Email: parts_iberica@jlg.com

JLG Sverige AB
Enkopingsvagen 150
176 27 Jarfalla
Sweden
☎ +46 (0) 8 506 595 00
📠 +46 (0) 8 506 595 27
Email: nordicsupport@jlg.com

JLG Industries (UK) Ltd.
Bentley House
Bentley Avenue
Middleton, Greater Manchester
M24 2GP
United Kingdom
☎ +44 (0) 161 654 1000
📠 +44 (0) 161 654 1003
Email: ukparts@jlg.com

www.jlg.com