

SKYTRAK[®]

Illustrated Parts Manual

Models
6036
6042

SN 0160069720 to Present
including 0160065792,
0160065798, 0160065824,
0160069383 & 0160069411

31211016

October 31, 2018 - Rev Q

JLG[®]
An Oshkosh Corporation Company

EFFECTIVITY PAGE

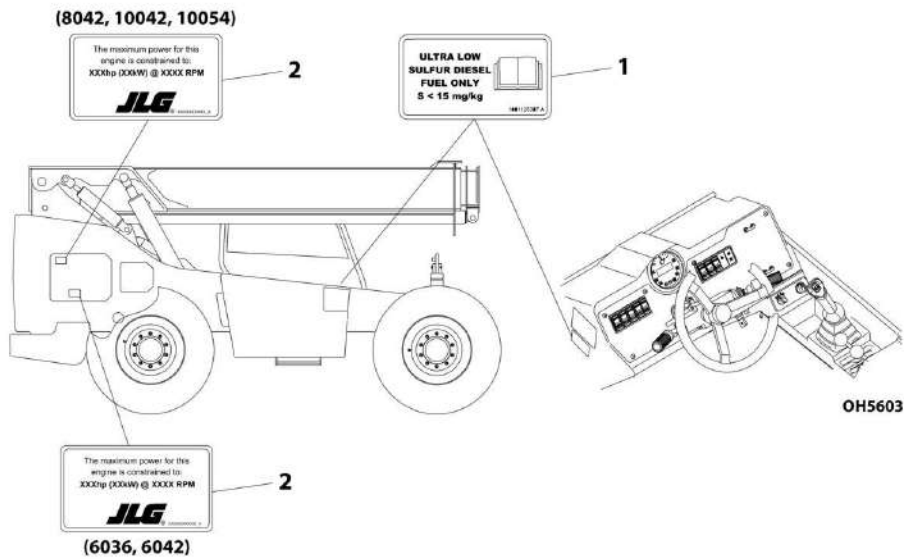
April 7, 2015 - A - Original Issue of Manual
April 20, 2015 - B - Revised Manual
August 12, 2015 - C - Revised Manual
November 10, 2015 - D - Revised Manual
February 22, 2016 - E - Revised Manual
May 24, 2016 - F - Revised Manual
August 20, 2016 - G - Revised Manual
November 30, 2016 - H - Revised Manual
March 20, 2017 - I - Revised Manual
May 25, 2017 - J - Revised Manual
August 21, 2017 - K - Revised Manual
November 9, 2017 - L - Revised Manual
January 18, 2018 - M - Revised Manual
March 23, 2018 - N - Revised Manual
May 31, 2018 - O - Revised Manual
August 31, 2018 - P - Revised Manual
October 31, 2018 - Q - Revised Manual

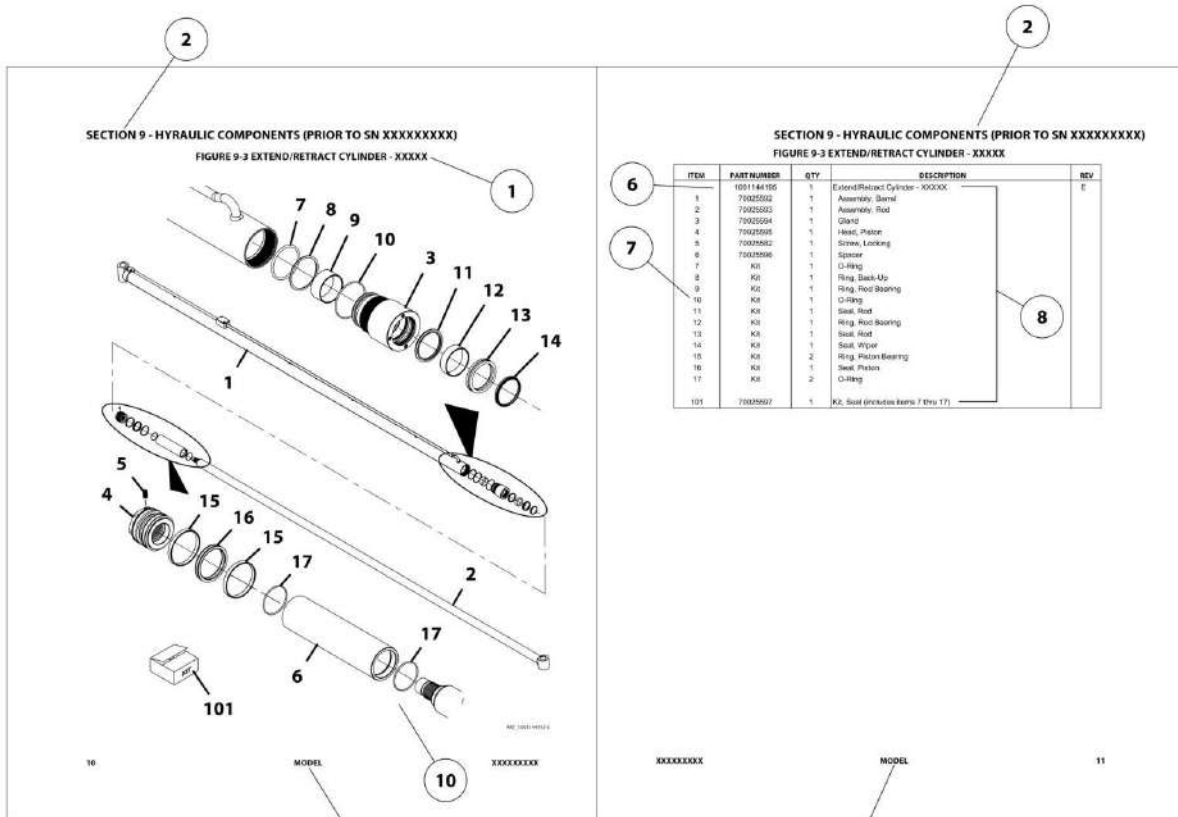
Machine Configuration

Two configurations of each machine are included in this manual. Determine if machine is equipped with Ultra Sulfur Fuel Decal (1) as indicated below.

- If equipped with the Ultra Low Sulfur decal, all specific references to this machine configuration will be referred to as Ultra Low Sulfur (ULS) from this point forward.
- If not equipped with the Ultra Low Sulfur decal, all specific references to this machine configuration will be referred to as Low Sulfur (LS) from this point forward.

Engine horsepower can be found on the decals (2) located inside the engine compartment doors.





General Information

1. MACHINE IDENTIFICATION

Machines are identified by model and in some cases a combination of model, serial number (S/N) or regional standard (e.g. ANSI, CE, CSA, AUS). Components may also be identified by S/N or manufacturer. Common components that may be identified by these characteristics are attachments, engine, transmission and hydraulic components.

2. PARTS MANUAL ORGANIZATION

Product information in this manual is organized under section titles. Frame, Engine and Electrical are a few examples. Each section is organized by Figure and page number. The information within the Figure is then organized by item number, part number, description and corresponding illustration(s).

3. TABLE OF CONTENTS

A table of contents (TOC) is found toward the beginning of the manual. Figure number, description and page number are provided for quick reference to the page containing the related information.

4. RECOMMENDED SPARE PARTS

The Recommended Spare Parts, located near the end of the manual, references most frequently used maintenance parts.

5. PARTS NUMBER INDEX

A numerical index listing all part numbers and the corresponding page number(s) appears at the back of the manual.

6. NON-SERVICED PARTS

In some instances it is necessary to display non-serviced parts, assemblies or installations. In the case of assemblies and installations there will be a Ref in the QTY column and a note after the item description stating what is available for service within. In the case of parts that are not available for service within assemblies or components there will be a NSS (Not Sold Separately) listed in the part number column of the manual.

7. PARTS LIST ITEM NUMBERS

Numbers shown in the Item column correspond to numbers used in the associated illustration(s). Item numbers which are missing from sequence and are not shown in the illustration(s) are not used on that page.

8. INDENTED PART DESCRIPTION

An indented part description is included in the item under which it is indented.

9. ABBREVIATIONS AND SYMBOLS

AC	Alternating Current
A/C	Air Conditioning
ADE	Advanced Design Electronics
AG	Agriculture
AMP	Amperage
ANSI	American National Standards Institute
AR	As Required
ASSY	Assembly
AUS	Australia
AUX	Auxiliary
AWG	American Wire Gauge
CAC	Charge Air Cooler
CE	European Conformity
CM	Centimeter
CONST	Construction
CSA	Canadian Standards Association
DEF	Diesel Exhaust Fluid
DIA	Diameter
DC	Direct Current
DTZ	Decentralized Transmission Zeros
ECU	Electronic Control Unit
EMS	Emergency Stop
FNR	Forward Neutral Reverse
FT	Foot
GA	Gauge
GR	Grade
HBP	High Boom Pivot
HHP	High Horse Power
HOC	Hydraulic Oil Cooler
HVAC	Heating, Ventilating, and Air Conditioning
ID	Inside Diameter
IN	Inch
ISO	International Organization for Standards
ITSDF	Industrial Truck Standards Development Foundation
JIC	Joint Industry Council
KG	Kilogram
KW	Kilowatt
L	Liter

LB	Pound
LBP	Low Boom Pivot
LCD	Liquid Crystal Display
LED	Light Emitting Diode
LH	Left Hand
LHD	Left Hand Drive
LHP	Low Horse Power
LMIS	Load Management Indicator System
LS	Low Sulfur
LSI	Load Stability Indicator
LSS	Load Sensing System
M ³	Cubic Meter
MA	Milliamp
M(m)	Metric/Meter
MM	Millimeter
N	Newton
NACD	North America Construction Division
NLA	No Longer Available
NSS	Not Sold Separately
OD	Outside Diameter
ORB	O-Ring Boss
ORFS	O-Ring Face Seal
OZ	Ounce
PR	Ply Rating
QT	Quart
QTY	Quantity
REF	Reference
REV	Revision
RH	Right Hand
RHD	Right Hand Drive
RHOC	Remote Hydraulic Oil Cooler
RUS	Russia
SAE	Society of Automotive Engineers
SAHR	Spring Applied Hydraulically Released
SN	Serial Number
SPD	Speed
TLU	Torque Lock Up
UGM	Universal Ground Module

10. ILLUSTRATION REFERENCE LETTERS

When necessary, illustrations may contain reference letters that are intended to track information from one point to another in the illustration such as harnesses and hoses or any other information that has been separated in the illustration

Note: Due to continuous product improvements, JLG Industries, Inc. reserves the right to make specification changes without prior notification. Contact JLG Industries, Inc. for updated information.

TABLE OF CONTENTS

SECTION 1 - FRAME AND ATTACHING PARTS.....	15
FIGURE 1-1. FRAME COMPONENTS INSTALLATION, 85HP - 6036 (ULS) (Prior to SN 0160074884, Excluding 0160074882)	16
FIGURE 1-2. FRAME COMPONENTS INSTALLATION, 85HP - 6036 (ULS) (SN 0160074884 through 0160086463, Including 0160074882)	18
FIGURE 1-3. FRAME COMPONENTS INSTALLATION, 74HP - 6036 (ULS).....	20
FIGURE 1-4. FRAME COMPONENTS INSTALLATION, 85HP - 6036 (LS) (Prior to SN 0160074884, Excluding 0160074882)...	22
FIGURE 1-5. FRAME COMPONENTS INSTALLATION, 85HP - 6036 (LS) (SN 0160074884 to Present, Including 0160074882)	24
FIGURE 1-6. FRAME COMPONENTS INSTALLATION, 85HP - 6042 (ULS) (Prior to SN 0160074884, Excluding 0160074882)	26
FIGURE 1-7. FRAME COMPONENTS INSTALLATION, 85HP - 6042 (ULS) (SN 0160074884 through 0160086463, Including 0160074882)	28
FIGURE 1-8. FRAME COMPONENTS INSTALLATION, 74HP - 6042 (ULS)	30
FIGURE 1-9. FRAME COMPONENTS INSTALLATION, 85HP - 6042 (LS) (Prior to SN 0160074884, Excluding 0160074882)..	32
FIGURE 1-10. FRAME COMPONENTS INSTALLATION, 85HP - 6042 (LS) (SN 0160074884 to Present, Including 0160074882)	34
FIGURE 1-11. HYDRAULIC/FUEL/DEF TANK INSTALLATION (Prior to SN 0160081935)	36
FIGURE 1-12. HYDRAULIC/FUEL/DEF TANK INSTALLATION (SN 0160081935 through 0160086463)	38
FIGURE 1-13. FRAME COVERS INSTALLATION, 85HP (ULS) (Prior to SN 0160086463)	40
FIGURE 1-14. FRAME COVERS INSTALLATION, 74HP (ULS).....	42
FIGURE 1-15. FRAME COVERS INSTALLATION, 85HP (LS)	44
FIGURE 1-16. FRAME COVERS INSTALLATION, 74HP (AIR SHUT OFF VALVE)	46
SECTION 2 - BOOM	49
FIGURE 2-1. BOOM INSTALLATION - 6036	50
FIGURE 2-2. FLY BOOM INSTALLATION - 6036 (SN 0160075657 to Present, Including 0160075650, 0160075651 and 0160075652)	56
FIGURE 2-3. BOOM INSTALLATION - 6042	58
FIGURE 2-4. FLY BOOM INSTALLATION - 6042 (SN 0160075657 to Present, Including 0160075650, 0160075651 and 0160075652)	64
FIGURE 2-5. BUSHING SHEAVE INSTALLATION - 6036.....	66
FIGURE 2-6. BUSHING SHEAVE INSTALLATION - 6042.....	68
FIGURE 2-7. HOSE PULLEY ASSEMBLY - 6036.....	70
FIGURE 2-8. HOSE PULLEY ASSEMBLY - 6042.....	72
FIGURE 2-9. RETRACT CHAIN ASSEMBLY - 6036.....	74
FIGURE 2-10. EXTEND CHAIN ASSEMBLY - 6036/RETRACT CHAIN ASSEMBLY - 6042.....	76
FIGURE 2-11. EXTEND CHAIN ASSEMBLY - 6042	78
FIGURE 2-12. QUICK COUPLER ASSEMBLY	80
FIGURE 2-13. BOOM AUXILIARY HYDRAULICS INSTALLATION - 6036.....	82
FIGURE 2-14. BOOM AUXILIARY HYDRAULICS INSTALLATION - 6042.....	84
FIGURE 2-15. LOCK PIN ASSEMBLY	86
FIGURE 2-16. RETRACT CHAIN SHEAVE	88
SECTION 3 - ATTACHMENTS	91
FIGURE 3-1. CARRIAGE ASSEMBLY (50 INCH) (Prior to SN 0160075657, Excluding 0160075650, 0160075651 and 0160075652)	92
FIGURE 3-2. CARRIAGE ASSEMBLY (50 INCH) (SN 0160075657 to Present, Including 0160075650, 0160075651 and 0160075652)	94
FIGURE 3-3. CARRIAGE ASSEMBLY (60 INCH) (Prior to SN 0160075657, Excluding 0160075650, 0160075651 and 0160075652)	96
FIGURE 3-4. CARRIAGE ASSEMBLY (60 INCH) (SN 0160075657 to Present, Including 0160075650, 0160075651 and 0160075652)	98
FIGURE 3-5. CARRIAGE ASSEMBLY (72 INCH) (Prior to SN 0160074884, Excluding 0160074882).....	100
FIGURE 3-6. CARRIAGE ASSEMBLY (72 INCH) (SN 0160074884 through 0160075657, Including 0160074882, Excluding 0160075650, 0160075651 and 0160075652).....	102
FIGURE 3-7. CARRIAGE ASSEMBLY (72 INCH) (SN 0160075657 to Present, Including 0160075650, 0160075651 and 0160075652)	104
FIGURE 3-8. DUAL FORK POSITIONING CARRIAGE (50 INCH)	106
FIGURE 3-9. DUAL FORK CARRIAGE (50 INCH).....	108
FIGURE 3-10. DUAL FORK CARRIAGE ASSEMBLY (50 INCH).....	110
FIGURE 3-11. DUAL FORK CARRIAGE VALVE ASSEMBLY	112
FIGURE 3-12. SIDE TILT CARRIAGE ASSEMBLY (50 INCH)	114
FIGURE 3-13. SIDE TILT CARRIAGE ASSEMBLY (50 INCH)	116
FIGURE 3-14. SIDE TILT CARRIAGE ASSEMBLY (60 INCH)	118
FIGURE 3-15. SIDE TILT CARRIAGE ASSEMBLY (60 INCH)	120

TABLE OF CONTENTS

FIGURE 3-16. SIDE TILT CARRIAGE ASSEMBLY (72 INCH)	122
FIGURE 3-17. SIDE TILT CARRIAGE ASSEMBLY (72 INCH)	124
FIGURE 3-18. SIDE SHIFT CARRIAGE ASSEMBLY (50 INCH)	126
FIGURE 3-19. 90 SWING CARRIAGE ASSEMBLY (72 INCH)	128
FIGURE 3-20. TRUSS BOOM (12 FOOT WITHOUT WINCH)	130
FIGURE 3-21. TRUSS BOOM (15 FOOT WITHOUT WINCH)	132
FIGURE 3-22. TRUSS BOOM (12 FOOT WITH WINCH)	134
FIGURE 3-23. ADJUSTABLE TRUSS BOOM	136
FIGURE 3-24. MAST (8 FOOT)	138
FIGURE 3-25. BUCKET (72 INCH)	142
FIGURE 3-26. BUCKET (96 INCH)	144
FIGURE 3-27. BUCKET (102 INCH)	146
FIGURE 3-28. GRAPPLE BUCKET	148
FIGURE 3-29. FORK MOUNTED BUCKET (60 INCH)	150
FIGURE 3-30. FORK MOUNTED PLATFORM (ASME)	152
FIGURE 3-31. FORK MOUNTED PLATFORM (ISO)	154
FIGURE 3-32. FORK MOUNTED PLATFORM (FRENCH)	156
FIGURE 3-33. FORK MOUNTED PLATFORM ASSEMBLY	158
FIGURE 3-34. FORK PIN LOCK INSTALLATION	160
FIGURE 3-35. FORK MOUNTED HOOK	162
FIGURE 3-36. SHEET MATERIAL HANDLER INSTALLATION	164
FIGURE 3-37. RH FORK SUPPORT ASSEMBLY	166
FIGURE 3-38. LH FORK SUPPORT ASSEMBLY	168
FIGURE 3-39. CUBING FORK	170
FIGURE 3-40. PALLET FORK (48X4X2.36)	172
FIGURE 3-41. PALLET FORK (48X5X2.36)	174
FIGURE 3-42. PALLET FORK (2.36X4X48)	176
FIGURE 3-43. PALLET FORK (2.4X4X60)	178
FIGURE 3-44. PALLET FORK (2.4X5X72)	180
FIGURE 3-45. DUAL TAPER FORK (60X7X1.75)	182
FIGURE 3-46. DUAL TAPER FORK (60X6X2.36)	184
FIGURE 3-47. DUAL TAPER FORK (72X6X2)	186
FIGURE 3-48. FORK EXTENSION (90 INCH)	188
FIGURE 3-49. TRASH HOPPER INSTALLATION	190
FIGURE 3-50. TRUSS BOOM ASSEMBLY (3 FOOT WITH WINCH)	192
FIGURE 3-51. COUPLER MOUNTED HOOK	194
FIGURE 3-52. SWEEPER ASSEMBLY	196
FIGURE 3-53. ADJUSTABLE TRUSS BOOM INSTALLATION (FORK MOUNTED)	198
SECTION 4 - ENGINE AND ATTACHING PARTS	201
FIGURE 4-1. ENGINE INSTALLATION, 85HP (ULS)	202
FIGURE 4-2. ENGINE INSTALLATION, 74HP (ULS)	204
FIGURE 4-3. ENGINE INSTALLATION, 85HP (LS)	206
FIGURE 4-4. ENGINE, 85HP (ULS)	208
FIGURE 4-5. ENGINE, 74HP (ULS)	210
FIGURE 4-6. ENGINE, 85HP (LS)	212
FIGURE 4-7. AFTER-TREATMENT INSTALLATION, 85HP (ULS)	214
FIGURE 4-8. EXHAUST INSTALLATION, 74HP (ULS)	216
FIGURE 4-9. EXHAUST INSTALLATION, 85HP (LS)	218
FIGURE 4-10. FAN INSTALLATION, 85HP	220
FIGURE 4-11. FAN INSTALLATION, 74HP	222
FIGURE 4-12. AIR CLEANER INSTALLATION (ULS)	224
FIGURE 4-13. AIR CLEANER INSTALLATION (LS)	226
FIGURE 4-14. AIR CLEANER ASSEMBLY (ULS)	228
FIGURE 4-15. AIR CLEANER ASSEMBLY (LS)	230
FIGURE 4-16. COOLING INSTALLATION, 85HP	232
FIGURE 4-17. COOLING INSTALLATION, 74HP	234
FIGURE 4-18. DEAERATION TANK ASSEMBLY	236
FIGURE 4-19. RADIATOR ASSEMBLY, 85HP	238
FIGURE 4-20. RADIATOR ASSEMBLY, 74HP	240
FIGURE 4-21. FUEL PLUMBING INSTALLATION (ULS)	242
FIGURE 4-22. FUEL PLUMBING INSTALLATION (LS)	244
FIGURE 4-23. PLUMBING COOLING INSTALLATION (ULS)	246
FIGURE 4-24. PLUMBING COOLING INSTALLATION (LS)	248
FIGURE 4-25. DEF SYSTEM INSTALLATION (ULS)	250
FIGURE 4-26. DEF MODULE PUMP (Prior to SN 0160077028)	252

TABLE OF CONTENTS

FIGURE 4-27. DEF MODULE PUMP (SN 0160077028 to Present).....	254
FIGURE 4-28. DEF COOLANT LINES INSTALLATION (Prior to SN 0160073686).....	256
FIGURE 4-29. DEF COOLANT LINES INSTALLATION (SN 0160073686 through 0160081935).....	258
FIGURE 4-30. DEF COOLANT LINES INSTALLATION (SN 0160081935 to Present).....	260
FIGURE 4-31. DEF LINES INSTALLATION (Prior to SN 0160081935).....	262
FIGURE 4-32. DEF LINES INSTALLATION (SN 0160081935 to Present).....	264
FIGURE 4-33. ISOLATION COUPLER INSTALLATION.....	266
FIGURE 4-34. A/C COMPONENTS INSTALLATION, 85HP.....	268
FIGURE 4-35. A/C COMPONENTS INSTALLATION, 74HP.....	270
FIGURE 4-36. ELECTRICAL ASSEMBLY, BLOCK HEAT CORDSET.....	272
FIGURE 4-37. HEATER BREATHER.....	274
FIGURE 4-38. AIR INTAKE SHUT OFF VALVE INSTALLATION.....	276
SECTION 5 - DRIVE TRAIN.....	279
FIGURE 5-1. DRIVE SHAFT INSTALLATION.....	280
FIGURE 5-2. FRONT DRIVE SHAFT ASSEMBLY.....	282
FIGURE 5-3. REAR DRIVE SHAFT ASSEMBLY.....	284
FIGURE 5-4. DRIVE SHAFT INPUT.....	286
FIGURE 5-5. AXLES INSTALLATION - 6036.....	288
FIGURE 5-6. AXLES INSTALLATION - 6042.....	290
FIGURE 5-7. FRONT AXLE ASSEMBLY.....	292
FIGURE 5-8. REAR AXLE ASSEMBLY - 6042.....	294
FIGURE 5-9. FRONT AXLE.....	296
FIGURE 5-10. FRONT AXLE, CENTRAL HOUSING.....	298
FIGURE 5-11. FRONT AXLE, DIFFERENTIAL.....	300
FIGURE 5-12. FRONT AXLE, HUB REDUCTION.....	302
FIGURE 5-13. FRONT AXLE, BRAKES.....	306
FIGURE 5-14. FRONT AXLE, STEERING.....	308
FIGURE 5-15. FRONT AXLE, TRUNION.....	310
FIGURE 5-16. REAR AXLE.....	312
FIGURE 5-17. REAR AXLE, CENTRAL HOUSING.....	314
FIGURE 5-18. REAR AXLE, DIFFERENTIAL.....	316
FIGURE 5-19. REAR AXLE, HUB REDUCTION.....	318
FIGURE 5-20. REAR AXLE, BRAKES.....	320
FIGURE 5-21. REAR AXLE, STEERING.....	322
FIGURE 5-22. REAR AXLE, TRUNION.....	324
FIGURE 5-23. TRANSMISSION INSTALLATION.....	326
FIGURE 5-24. TRANSMISSION.....	328
FIGURE 5-25. TRANSMISSION, ENGINE CONNECTION AND CONVERTER.....	330
FIGURE 5-26. TRANSMISSION, INPUT SHAFTS.....	332
FIGURE 5-27. TRANSMISSION, GEARBOX HOUSING.....	334
FIGURE 5-28. TRANSMISSION, COUPLING GROUP 1.....	336
FIGURE 5-29. TRANSMISSION, COUPLING GROUP 2.....	338
FIGURE 5-30. TRANSMISSION, COUPLING GROUP 3.....	340
FIGURE 5-31. TRANSMISSION, COUPLING GROUP 4.....	342
FIGURE 5-32. TRANSMISSION, REVERSING GEAR GROUP 1.....	344
FIGURE 5-33. TRANSMISSION, REVERSING GEAR GROUP 2.....	346
FIGURE 5-34. TRANSMISSION, OUTPUT.....	348
FIGURE 5-35. TRANSMISSION, CONTROL UNIT.....	350
FIGURE 5-36. TRANSMISSION, VALVE HOUSING ASSEMBLY.....	352
FIGURE 5-37. TRANSMISSION, VALVE BLOCK ASSEMBLY.....	354
FIGURE 5-38. TRANSMISSION, OIL PUMP AND FILTER.....	356
FIGURE 5-39. FENDER INSTALLATION.....	358
FIGURE 5-40. TIRE SET, 13.00-24 PNEUMATIC.....	360
FIGURE 5-41. RH TIRE AND WHEEL ASSEMBLY, 13.00-24 PNEUMATIC.....	362
FIGURE 5-42. LH TIRE AND WHEEL ASSEMBLY, 13.00-24 PNEUMATIC.....	364
FIGURE 5-43. TIRE SET, 13.00-24 FOAM.....	366
FIGURE 5-44. RH TIRE AND WHEEL ASSEMBLY, 13.00-24 FOAM.....	368
FIGURE 5-45. LH TIRE AND WHEEL ASSEMBLY, 13.00-24 FOAM.....	370
FIGURE 5-46. TIRE SET, 13.00-24 ROCK FOAM - 6042.....	372
FIGURE 5-47. TIRE AND WHEEL ASSEMBLY, 13.00-24 ROCK FOAM - 6042.....	374
FIGURE 5-48. TIRE SET, 15.50-25 PNEUMATIC.....	376
FIGURE 5-49. RH TIRE AND WHEEL ASSEMBLY, 15.50-25 PNEUMATIC.....	378
FIGURE 5-50. LH TIRE AND WHEEL ASSEMBLY, 15.50-25 PNEUMATIC.....	380
FIGURE 5-51. TIRE SET, 15.50-25 FOAM.....	382
FIGURE 5-52. RH TIRE AND WHEEL ASSEMBLY, 15.50-25 FOAM.....	384

TABLE OF CONTENTS

FIGURE 5-53. LH TIRE AND WHEEL ASSEMBLY, 15.50-25 FOAM.....	386
FIGURE 5-54. TIRE SET, 370/75-28 PNEUMATIC	388
FIGURE 5-55. TIRE AND WHEEL ASSEMBLY, 370/75-28 PNEUMATIC.....	390
FIGURE 5-56. TIRE SET, 370/75-28 FOAM	392
FIGURE 5-57. TIRE AND WHEEL ASSEMBLY, 370/75-28 FOAM	394
FIGURE 5-58. TIRE SET, 13.00-24 SOLID (Prior to SN 0160083772, Excluding 01600083362).....	396
FIGURE 5-59. TIRE SET, 315/95-28/8.5 SOLID (SN 0160083772 to Present, Including 01600083362)	398
FIGURE 5-60. TIRE SET, 370/75-28 PNEUMATIC NON-MARKING.....	400
FIGURE 5-61. TIRE & WHEEL ASSY, 370/75-28 PNEUMATIC NON-MARKING	402
FIGURE 5-62. TIRE SET, 370/75-28 FOAM NON-MARKING	404
 SECTION 6 - CAB	 407
FIGURE 6-1. CAB INSTALLATION.....	408
FIGURE 6-2. OPEN CAB INSTALLATION (Prior to SN 0160074884, Excluding 0160074882).....	410
FIGURE 6-3. OPEN CAB INSTALLATION (SN 0160074884 to Present, Including 0160074882)	414
FIGURE 6-4. OPEN CAB (Prior to SN 0160074884, Excluding 0160074882)	418
FIGURE 6-5. OPEN CAB (SN 0160074884 to Present, Including 0160074882)	420
FIGURE 6-6. ENCLOSED CAB WITH HEATER INSTALLATION (Prior to SN 0160074884, Excluding 0160074882)	422
FIGURE 6-7. ENCLOSED CAB WITH HEATER INSTALLATION (SN 0160074884 to Present, Including 0160074882)	426
FIGURE 6-8. ENCLOSED CAB WITH HEATER (Prior to SN 0160074884, Excluding 0160074882)	430
FIGURE 6-9. ENCLOSED CAB WITH HEATER (SN 0160074884 to Present, Including 0160074882)	432
FIGURE 6-10. CAB ENCLOSURE	434
FIGURE 6-11. CAB HEATER LINES INSTALLATION	436
FIGURE 6-12. ENCLOSED CAB WITH HEATER/AC INSTALLATION (Prior to SN 0160074884, Excluding 0160074882).....	438
FIGURE 6-13. ENCLOSED CAB WITH HEATER/AC INSTALLATION (SN 0160074884 to Present, Including 0160074882)	442
FIGURE 6-14. ENCLOSED CAB WITH HEATER/AC (Prior to SN 0160074884, Excluding 0160074882)	446
FIGURE 6-15. ENCLOSED CAB WITH HEATER/AC (SN 0160074884 to Present, Including 0160074882)	448
FIGURE 6-16. CAB HVAC ENCLOSURE	450
FIGURE 6-17. FLOOR HEATER.....	452
FIGURE 6-18. CAB DOOR	454
FIGURE 6-19. RH SLIDER WINDOW	456
FIGURE 6-20. FRONT WIPER ASSEMBLY	458
FIGURE 6-21. SKYLIGHT WIPER ASSEMBLY	460
FIGURE 6-22. CAB HEATER/AC LINES INSTALLATION	462
FIGURE 6-23. CAB SEAT (Prior to SN 0160074884, Excluding 0160074882).....	464
FIGURE 6-24. CAB SEAT (SN 0160074884 to Present, Including 0160074882)	466
FIGURE 6-25. SEAT BELT INSTALLATION (CALIFORNIA) (Prior to SN 0160077215)	468
FIGURE 6-26. SEAT BELT INSTALLATION (CALIFORNIA) (SN 0160077215 to Present).....	470
FIGURE 6-27. REAR DROPOUT WINDOW INSTALLATION (ANSI).....	472
FIGURE 6-28. REAR DROPOUT WINDOW INSTALLATION (ENGLISH/FRENCH).....	474
FIGURE 6-29. REAR DROPOUT WINDOW INSTALLATION (ISO)	476
FIGURE 6-30. ROOF BOX HVAC.....	478
FIGURE 6-31. BRAKE VALVE PLUG INSTALLATION - 6036.....	480
FIGURE 6-32. CLEARSKY INSTALLATION (ANSI)	482
FIGURE 6-33. CLEARSKY INSTALLATION (CE).....	484
FIGURE 6-34. HEATER VALVE	486
 SECTION 7 - CONTROLS.....	 489
FIGURE 7-1. ACCELERATOR.....	490
FIGURE 7-2. SECONDARY CONTROLS INSTALLATION.....	492
FIGURE 7-3. FRAME LEVEL CONTROL	494
FIGURE 7-4. AUXILIARY CONTROL	496
FIGURE 7-5. PILOT JOYSTICK CONTROL	498
FIGURE 7-6. BRAKE ASSEMBLY (SN 0160074884 through 0160081739, Including 0160074882).....	500
FIGURE 7-7. BRAKE ASSEMBLY (SN 0160081739 to Present).....	502
 SECTION 8 - HYDRAULIC CIRCUITS	 505
FIGURE 8-1. REAR BULKHEAD INSTALLATION - 6036.....	506
FIGURE 8-2. REAR BULKHEAD INSTALLATION, 85HP - 6042.....	508
FIGURE 8-3. REAR BULKHEAD INSTALLATION, 74HP - 6042 (Prior to SN 0160074826, Excluding 0160074805, 0160074807, 0160074809, 0160074811, 0160074812, 0160074815, 0160074819, 0160074820 and 0160074822)	510
FIGURE 8-4. REAR BULKHEAD INSTALLATION, 74HP - 6042 (SN 0160074826 to Present, Including 0160074805, 0160074807, 0160074809, 0160074811, 0160074812, 0160074815, 0160074819, 0160074820 and 0160074822)	512
FIGURE 8-5. PILOT CONTROLS INSTALLATION	514

TABLE OF CONTENTS

FIGURE 8-6. PILOT JOYSTICK ASSEMBLY	516
FIGURE 8-7. BRAKE HYDRAULICS INSTALLATION, 85HP (Prior to SN 0160074884, Excluding 0160074882)	518
FIGURE 8-8. BRAKE HYDRAULICS INSTALLATION, 85HP (SN 0160074884 to Present, Including 0160074882)	520
FIGURE 8-9. BRAKE HYDRAULICS INSTALLATION, 74HP (Prior to SN 0160074884, Excluding 0160074882)	522
FIGURE 8-10. BRAKE HYDRAULICS INSTALLATION, 74HP (SN 0160074884 to Present, Including 0160074882)	524
FIGURE 8-11. HYDRAULIC BRAKE VALVE INSTALLATION (Prior to SN 0160074884, Excluding 0160074882)	526
FIGURE 8-12. HYDRAULIC BRAKE VALVE INSTALLATION (SN 0160074884 through 0160081739, Including 0160074882)	528
FIGURE 8-13. HYDRAULIC BRAKE VALVE INSTALLATION (SN 0160081739 to Present)	530
FIGURE 8-14. STEERING HYDRAULICS INSTALLATION	532
FIGURE 8-15. STEERING VALVE INSTALLATION	534
FIGURE 8-16. FRAME AUXILIARY INSTALLATION (Prior to SN 0160074884, Excluding 0160074882)	536
FIGURE 8-17. FRAME AUXILIARY INSTALLATION (SN 0160074884 to Present, Including 0160074882)	538
FIGURE 8-18. FRONT AXLE HYDRAULIC INSTALLATION (Prior to SN 0160074884, Excluding 0160074882)	540
FIGURE 8-19. FRONT AXLE HYDRAULIC INSTALLATION (SN 0160074884 to Present, Including 0160074882)	542
FIGURE 8-20. FRONT AXLE HYDRAULIC ASSEMBLY (Prior to SN 0160074884, Excluding 0160074882)	544
FIGURE 8-21. FRONT AXLE HYDRAULIC ASSEMBLY (SN 0160074884 to Present, Including 0160074882)	546
FIGURE 8-22. REAR AXLE HYDRAULIC INSTALLATION (Prior to SN 0160074884, Excluding 0160074882)	548
FIGURE 8-23. REAR AXLE HYDRAULIC INSTALLATION (SN 0160074884 to Present, Including 0160074882)	550
FIGURE 8-24. REAR AXLE HYDRAULIC ASSEMBLY (Prior to SN 0160074884, Excluding 0160074882)	552
FIGURE 8-25. REAR AXLE HYDRAULIC ASSEMBLY (SN 0160074884 to Present, Including 0160074882)	554
FIGURE 8-26. HYDRAULIC EXTEND PLUMBING INSTALLATION	556
FIGURE 8-27. HYDRAULIC FORK PLUMBING INSTALLATION, 85HP	558
FIGURE 8-28. HYDRAULIC FORK PLUMBING INSTALLATION, 74HP	560
FIGURE 8-29. HYDRAULIC FRAME CYLINDERS INSTALLATION (Prior to SN 0160074884, Excluding 0160074882)	562
FIGURE 8-30. HYDRAULIC FRAME CYLINDERS INSTALLATION - 6042 (SN 0160074884 to Present, Including 0160074882)	564
FIGURE 8-31. HYDRAULIC FRAME CYLINDERS INSTALLATION - 6036 (SN 0160074884 through 0160075902, Including 0160074882, Excluding 0160075767, 0160075775, 0160075793 and 0160075794)	566
FIGURE 8-32. HYDRAULIC FRAME CYLINDERS INSTALLATION - 6036 (SN 0160075902 to Present, Including 0160075767, 0160075775, 0160075793 and 0160075794)	568
FIGURE 8-33. HYDRAULIC FRAME TILT PLUMBING INSTALLATION - 6036	570
FIGURE 8-34. HYDRAULIC FRAME TILT PLUMBING INSTALLATION - 6042	572
FIGURE 8-35. FRAME TILT INSTALLATION, 74HP - 6042	574
FIGURE 8-36. HYDRAULIC COOLER PLUMBING INSTALLATION, 85HP	576
FIGURE 8-37. HYDRAULIC COOLER PLUMBING INSTALLATION, 74HP	578
FIGURE 8-38. HYDRAULIC PUMP INSTALLATION, 85HP	580
FIGURE 8-39. HYDRAULIC PUMP INSTALLATION, 74HP	582
FIGURE 8-40. HYDRAULIC TRANSMISSION COOLER PLUMBING INSTALLATION	584
FIGURE 8-41. MAIN CONTROL VALVE INSTALLATION, 85HP - 6036 (Prior to SN 0160074884, Excluding 0160074882)	586
FIGURE 8-42. MAIN CONTROL VALVE INSTALLATION, 85HP - 6036 (SN 0160074884 to Present, Including 0160074882) ..	588
FIGURE 8-43. VALVE ASSEMBLY, 85HP - 6036 (Prior to SN 0160074884, Excluding 0160074882)	590
FIGURE 8-44. VALVE ASSEMBLY, 85HP - 6036 (SN 0160074884 to Present, Including 0160074882)	592
FIGURE 8-45. MAIN CONTROL VALVE INSTALLATION, 85HP - 6042 (Prior to SN 0160074884, Excluding 0160074882)	594
FIGURE 8-46. MAIN CONTROL VALVE INSTALLATION, 85HP - 6042 (SN 0160074884 to Present, Including 0160074882) ..	596
FIGURE 8-47. VALVE ASSEMBLY, 85HP - 6042 (Prior to SN 0160074884, Excluding 0160074882)	598
FIGURE 8-48. VALVE ASSEMBLY, 85HP - 6042 (SN 0160074884 to Present, Including 0160074882)	600
FIGURE 8-49. MAIN CONTROL VALVE INSTALLATION, 74HP	602
FIGURE 8-50. VALVE ASSEMBLY, 74HP	604
FIGURE 8-51. HYDRAULIC VALVES INSTALLATION, 85HP	606
FIGURE 8-52. HYDRAULIC VALVES INSTALLATION, 74HP - 6036	608
FIGURE 8-53. HYDRAULIC VALVES INSTALLATION, 74HP - 6042	610
FIGURE 8-54. SECONDARY VALVE INSTALLATION, 85HP	612
FIGURE 8-55. SECONDARY VALVE INSTALLATION, 74HP - 6036	614
FIGURE 8-56. SECONDARY VALVE INSTALLATION, 74HP - 6042	616
FIGURE 8-57. STEER SELECT VALVE ASSEMBLY (Prior to SN 0160080932)	618
FIGURE 8-58. STEER SELECT VALVE ASSEMBLY (SN 0160080932 to Present)	620
FIGURE 8-59. PISTON PUMP INSTALLATION, 74HP	622
SECTION 9 - HYDRAULIC COMPONENTS	625
FIGURE 9-1. LIFT CYLINDER - 6036	626
FIGURE 9-2. LIFT CYLINDER - 6042	628
FIGURE 9-3. LIFT CYLINDER - 6042	630
FIGURE 9-4. EXTEND/RETRACT CYLINDER - 6036	632
FIGURE 9-5. EXTEND/RETRACT CYLINDER - 6042	634
FIGURE 9-6. EXTEND/RETRACT CYLINDER - 6042	636
FIGURE 9-7. FORK TILT CYLINDER	638

TABLE OF CONTENTS

FIGURE 9-8. COMPENSATION CYLINDER	640
FIGURE 9-9. COMPENSATION CYLINDER - 6042	642
FIGURE 9-10. FRAME LEVEL CYLINDER - 6036	644
FIGURE 9-11. FRAME LEVEL CYLINDER - 6042	646
FIGURE 9-12. FRAME LEVEL CYLINDER - 6042	648
FIGURE 9-13. STABIL-TRAK CYLINDER	650
FIGURE 9-14. SIDE TILT CYLINDER	652
FIGURE 9-15. SIDE SHIFT CARRIAGE CYLINDER	654
FIGURE 9-16. SWING CARRIAGE CYLINDER	656
FIGURE 9-17. GRAPPLE BUCKET CYLINDER	658
FIGURE 9-18. MAIN CONTROL VALVE, 85HP	660
FIGURE 9-19. MAIN CONTROL VALVE, 74HP	662
FIGURE 9-20. GEAR PUMP	664
FIGURE 9-21. DEF TANK (Prior to SN 0160081935)	666
FIGURE 9-22. DEF TANK (SN 0160081935 to Present)	668
FIGURE 9-23. HYDRAULIC/FUEL/DEF TANK ASSEMBLY	670
FIGURE 9-24. HYDRAULIC/FUEL TANK ASSEMBLY	672
FIGURE 9-25. BRAKE VALVE (Prior to SN 0160074884, Excluding 0160074882)	674
FIGURE 9-26. BRAKE VALVE (SN 0160074884 to Present, Including 0160074882)	678
FIGURE 9-27. STEER SELECT VALVE	680
FIGURE 9-28. SECONDARY CONTROL VALVE	682
FIGURE 9-29. PISTON PUMP, 74HP	684
FIGURE 9-30. AIR SHUT OFF VALVE	686
FIGURE 9-31. FLOW DIVIDER VALVE	688
SECTION 10 - ELECTRICAL	691
FIGURE 10-1. ELECTRICAL INSTALLATION, 85HP - 6036 (ULS) (Prior to SN 0160086463)	692
FIGURE 10-2. ELECTRICAL INSTALLATION, 74HP - 6036 (ULS)	696
FIGURE 10-3. ELECTRICAL INSTALLATION, 85HP - 6036 (LS)	700
FIGURE 10-4. ELECTRICAL INSTALLATION, 85HP - 6042 (ULS) (Prior to SN 0160074884, Excluding 0160074882)	704
FIGURE 10-5. ELECTRICAL INSTALLATION, 85HP - 6042 (ULS) (SN 0160074884 through 0160086463, Including 0160074882)	708
FIGURE 10-6. ELECTRICAL INSTALLATION, 74HP - 6042 (ULS)	712
FIGURE 10-7. ELECTRICAL INSTALLATION, 85HP - 6042 (LS) (Prior to SN 0160074884, Excluding 0160074882)	716
FIGURE 10-8. ELECTRICAL INSTALLATION, 85HP - 6042 (LS) (SN 0160074884 to Present, Including 0160074882)	720
FIGURE 10-9. BATTERY INSTALLATION	724
FIGURE 10-10. RELAY PANEL INSTALLATION	726
FIGURE 10-11. RELAY PANEL COVER ASSEMBLY	728
FIGURE 10-12. ROADLIGHT PACKAGE INSTALLATION - 6036 (Prior to SN 0160073126)	730
FIGURE 10-13. ROADLIGHT PACKAGE INSTALLATION - 6036 (SN 0160073126 through 0160074883, Excluding 0160074882)	732
FIGURE 10-14. ROADLIGHT PACKAGE INSTALLATION - 6036 (SN 0160074884 to Present, Including 0160074882)	734
FIGURE 10-15. ROADLIGHT PACKAGE INSTALLATION - 6042 (Prior to SN 0160073126)	736
FIGURE 10-16. ROADLIGHT PACKAGE INSTALLATION - 6042 (SN 0160073126 through 0160074883, Excluding 0160074882)	738
FIGURE 10-17. ROADLIGHT PACKAGE INSTALLATION - 6042 (SN 0160074884 to Present, Including 0160074882)	740
FIGURE 10-18. LH ROADLIGHT ASSEMBLY (Prior to SN 0160073126)	742
FIGURE 10-19. LH ROADLIGHT ASSEMBLY (SN 0160073126 to Present)	744
FIGURE 10-20. RH ROADLIGHT ASSEMBLY (Prior to SN 0160073126)	746
FIGURE 10-21. RH ROADLIGHT ASSEMBLY (SN 0160073126 to Present)	748
FIGURE 10-22. LH ROADLIGHT BRACKET ASSEMBLY	750
FIGURE 10-23. RH ROADLIGHT BRACKET ASSEMBLY	752
FIGURE 10-24. WORKLIGHT PACKAGE INSTALLATION (Prior to SN 0160073126)	754
FIGURE 10-25. WORKLIGHT PACKAGE INSTALLATION (SN 0160073126 to Present)	756
FIGURE 10-26. LH WORKLIGHT ASSEMBLY (Prior to SN 0160073126)	758
FIGURE 10-27. LH WORKLIGHT ASSEMBLY (SN 0160073126 to Present)	760
FIGURE 10-28. RH WORKLIGHT ASSEMBLY (Prior to SN 0160073126)	762
FIGURE 10-29. RH WORKLIGHT ASSEMBLY (SN 0160073126 to Present)	764
FIGURE 10-30. ROTATING BEACON INSTALLATION (OPEN CAB)	766
FIGURE 10-31. ROTATING BEACON INSTALLATION (ENCLOSED CAB)	768
FIGURE 10-32. ENGINE HARNESS, 85HP (ULS) (Prior to SN 0160086463)	770
FIGURE 10-33. ENGINE HARNESS, 74HP (ULS)	776
FIGURE 10-34. ENGINE HARNESS, 85HP (LS)	782
FIGURE 10-35. CAB POWER DISTRIBUTION HARNESS	786
FIGURE 10-36. HVAC HARNESS	792
FIGURE 10-37. WIPER HARNESS	794

TABLE OF CONTENTS

FIGURE 10-38. TBAP HARNESS	796
FIGURE 10-39. ROAD LIGHT OPTION HARNESS (Prior to SN 0160073126)	798
FIGURE 10-40. ROAD LIGHT OPTION HARNESS (SN 0160073126 to Present).....	800
FIGURE 10-41. WORK LIGHT OPTION HARNESS	802
FIGURE 10-42. BEACON OPTION HARNESS.....	804
FIGURE 10-43. ROADLIGHT WORKLIGHT HARNESS	806
FIGURE 10-44. REVERSE SENSOR INSTALLATION	808
FIGURE 10-45. REVERSE SENSOR HARNESS.....	810
FIGURE 10-46. BACK-UP ALARM INSTALLATION	812
FIGURE 10-47. BACK-UP ALARM INSTALLATION (WHITE NOISE)	814
FIGURE 10-48. TELEMATICS INSTALLATION, UNITED RENTALS	816
FIGURE 10-49. TELEMATICS HARNESS	818
FIGURE 10-50. CLEARSKY TELEMATICS HARNESS	820
FIGURE 10-51. CANBUS TELEMATICS INSTALLATION	822
FIGURE 10-52. GATEWAY CONTROLLER.....	824
FIGURE 10-53. TELEMATICS GATEWAY HARNESS	826
FIGURE 10-54. CLEARSKY INSTALLATION 3-WIRE (ANSI)	828
FIGURE 10-55. CLEARSKY INSTALLATION 3-WIRE (CE).....	830
FIGURE 10-56. CONTROL ACCESSORY	832
FIGURE 10-57. POSI AIR SHUT OFF VALVE T4F HARNESS	834
FIGURE 10-58. POSI AIR SHUT OFF VALVE CAB HARNESS	836
FIGURE 10-59. ARCTIC WEATHER PACKAGE INSTALLATION - 74 HP (ULS).....	838
FIGURE 10-60. ARCTIC WEATHER PACKAGE INSTALLATION (LS)	840
FIGURE 10-61. HYDRAULIC TANK HEATER INSTALLATION	842
FIGURE 10-62. BATTERY BLANKET INSTALLATION.....	844
SECTION 11 - DECALS.....	847
FIGURE 11-1. DECAL INSTALLATION, 85HP - 6036 (ANSI) (Prior to SN 0160086463)	848
FIGURE 11-2. DECAL INSTALLATION, 74HP - 6036 (ANSI).....	852
FIGURE 11-3. DECAL INSTALLATION, 85HP - 6042 (ANSI) (Prior to SN 0160086463)	856
FIGURE 11-4. DECAL INSTALLATION, 74HP - 6042 (ANSI).....	860
FIGURE 11-5. DECAL INSTALLATION, 85HP - 6036 (ENGLISH/FRENCH) (Prior to SN 0160086463).....	864
FIGURE 11-6. DECAL INSTALLATION, 74HP - 6036 (ENGLISH/FRENCH).....	868
FIGURE 11-7. DECAL INSTALLATION, 85HP - 6042 (ENGLISH/FRENCH) (Prior to SN 0160086463).....	872
FIGURE 11-8. DECAL INSTALLATION, 74HP - 6042 (ENGLISH/FRENCH).....	876
FIGURE 11-9. DECAL INSTALLATION (ISO) - 6036	880
FIGURE 11-10. DECAL INSTALLATION (ISO) - 6042	884
FIGURE 11-11. CLEARSKY DECAL INSTALLATION.....	888
FIGURE 11-12. BOOM DECALS INSTALLATION - 6036	890
FIGURE 11-13. BOOM DECALS INSTALLATION - 6042	892
FIGURE 11-14. CAPACITY CHART (ANSI) - 6036 (Prior to SN 0160075657, Excluding 0160075650, 0160075651 and 0160075652)	894
FIGURE 11-15. CAPACITY CHART (ANSI) - 6036 (SN 0160075657 through 0160081191, Including 0160075650, 0160075651 and 0160075652).....	896
FIGURE 11-16. CAPACITY CHART (ANSI) - 6036 (SN 0160081192 to Present)	898
FIGURE 11-17. CAPACITY CHART (ISO) - 6036 (Prior to SN 0160075657, Excluding 0160075650, 0160075651 and 0160075652)	900
FIGURE 11-18. CAPACITY CHART (ISO) - 6036 (SN 0160075657 through 0160081191, Including 0160075650, 0160075651 and 0160075652).....	902
FIGURE 11-19. CAPACITY CHART (ISO) - 6036 (SN 0160081192 to Present).....	904
FIGURE 11-20. CAPACITY CHART (ANSI) - 6042 (Prior to SN 0160075657, Excluding 0160075650, 0160075651 and 0160075652)	906
FIGURE 11-21. CAPACITY CHART (ANSI) - 6042 (SN 0160075657 through 0160081191, Including 0160075650, 0160075651 and 0160075652).....	908
FIGURE 11-22. CAPACITY CHART (ANSI) - 6042 (SN 0160081192 to Present)	910
FIGURE 11-23. CAPACITY CHART (ISO) - 6042 (Prior to SN 0160075657, Excluding 0160075650, 0160075651 and 0160075652)	912
FIGURE 11-24. CAPACITY CHART (ISO) - 6042 (SN 0160075657 through 0160081191, Including 0160075650, 0160075651 and 0160075652).....	914
FIGURE 11-25. CAPACITY CHART (ISO) - 6042 (SN 0160081192 to Present).....	916
FIGURE 11-26. SUPPLEMENTAL CAPACITY CHART (ANSI) - 6036 (Prior to SN 0160075657, Excluding 0160075650, 0160075651 and 0160075652).....	918
FIGURE 11-27. SUPPLEMENTAL CAPACITY CHART (ANSI) - 6036 (SN 0160075657 through 0160081191, Including 0160075650, 0160075651 and 0160075652).....	920
FIGURE 11-28. SUPPLEMENTAL CAPACITY CHART (ANSI) - 6036 (SN 0160081192 to Present).....	922

TABLE OF CONTENTS

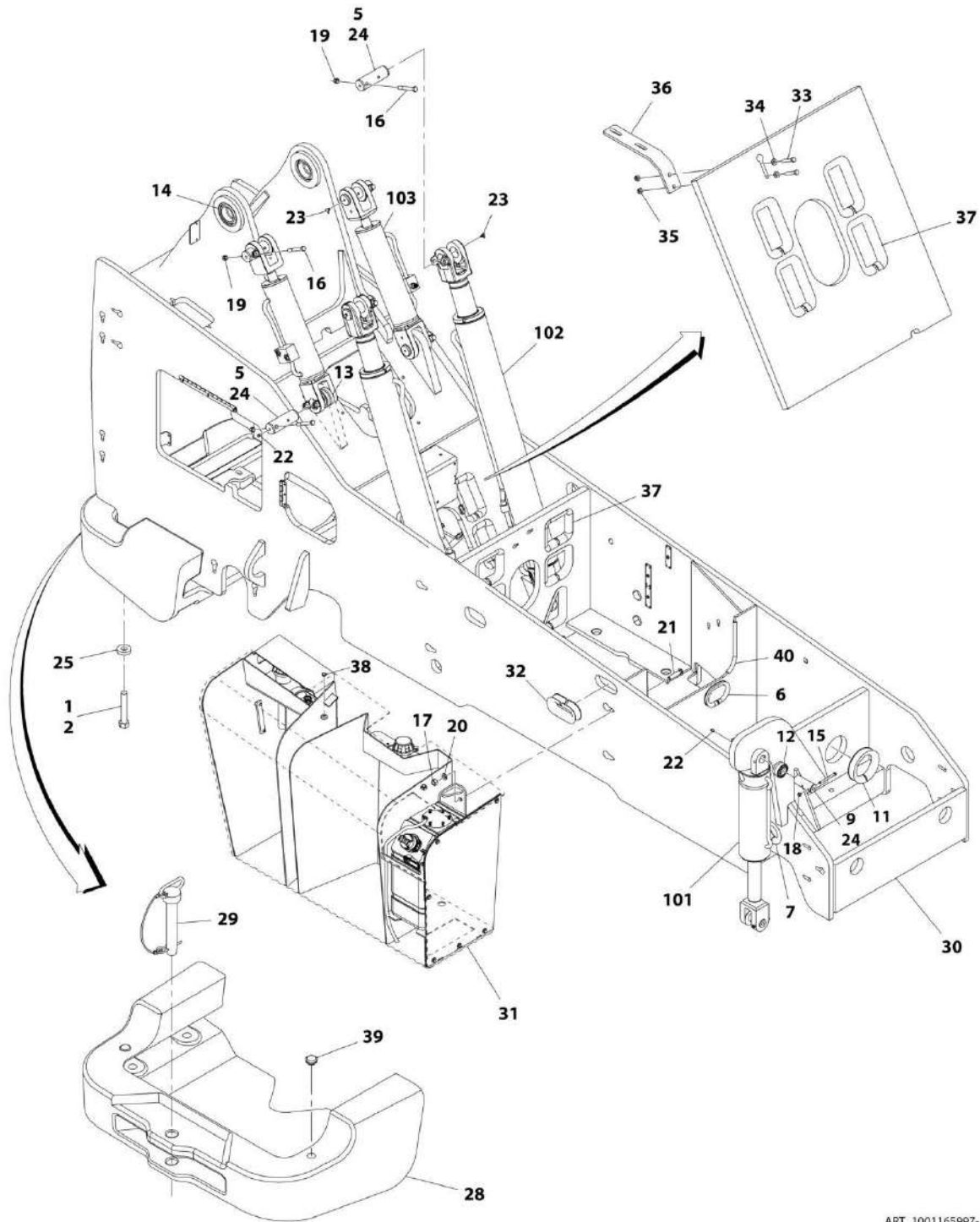
FIGURE 11-29. SUPPLEMENTAL CAPACITY CHART (ISO) - 6036 (Prior to SN 0160075657, Excluding 0160075650, 0160075651 and 0160075652)	924
FIGURE 11-30. SUPPLEMENTAL CAPACITY CHART (ISO) - 6036 (SN 0160075657 through 0160081191, Including 0160075650, 0160075651 and 0160075652)	926
FIGURE 11-31. SUPPLEMENTAL CAPACITY CHART (ISO) - 6036 (SN 0160081192 to Present).....	928
FIGURE 11-32. SUPPLEMENTAL CAPACITY CHART (ANSI) - 6042 (Prior to SN 0160075657, Excluding 0160075650, 0160075651 and 0160075652)	930
FIGURE 11-33. SUPPLEMENTAL CAPACITY CHART (ANSI) - 6042 (SN 0160075657 through 0160081191, Including 0160075650, 0160075651 and 0160075652)	932
FIGURE 11-34. SUPPLEMENTAL CAPACITY CHART (ANSI) - 6042 (SN 0160081192 to Present)	934
FIGURE 11-35. SUPPLEMENTAL CAPACITY CHART (ISO) - 6042 (Prior to SN 0160075657, Excluding 0160075650, 0160075651 and 0160075652)	936
FIGURE 11-36. SUPPLEMENTAL CAPACITY CHART (ISO) - 6042 (SN 0160075657 through 0160081191, Including 0160075650, 0160075651 and 0160075652)	938
FIGURE 11-37. SUPPLEMENTAL CAPACITY CHART (ISO) - 6042 (SN 0160081192 to Present).....	940
FIGURE 11-38. REVERSE SENSOR SYSTEM DECAL (ENGLISH).....	942
FIGURE 11-39. REVERSE SENSOR SYSTEM DECAL (ISO)	944
FIGURE 11-40. REVERSE SENSOR SYSTEM DECAL (ENGLISH/FRENCH).....	946
SECTION 12 - RECOMMENDED SPARE PARTS.....	949
FIGURE 12-1. RECOMMENDED SPARE PARTS.....	950
PART NUMBER INDEX.....	953

SECTION 1 - FRAME AND ATTACHING PARTS

SECTION 1 - FRAME AND ATTACHING PARTS

SECTION 1 - FRAME AND ATTACHING PARTS

FIGURE 1-1. FRAME COMPONENTS INSTALLATION, 85HP - 6036 (ULS) (Prior to SN 0160074884, Excluding 0160074882)



ART_1001165997-J

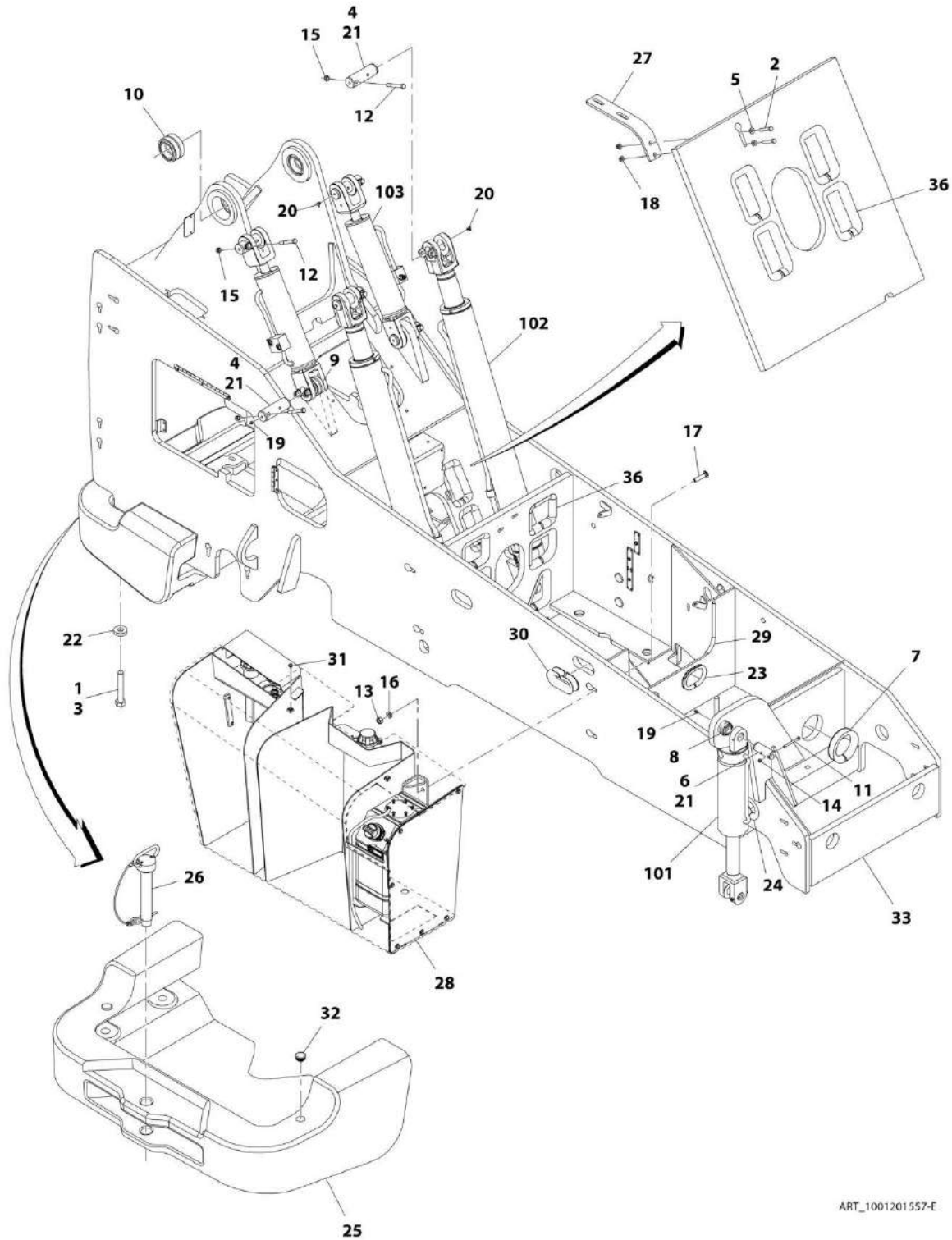
SECTION 1 - FRAME AND ATTACHING PARTS

FIGURE 1-1. FRAME COMPONENTS INSTALLATION, 85HP - 6036 (ULS) (Prior to SN 0160074884, Excluding 0160074882)

ITEM	PART NUMBER	QTY	DESCRIPTION	REV
	1001165997	Ref	Frame Components Installation, 85HP - 6036 (if equipped for ULS)	J
1	0100019	AR	Compound, Locking	
2	0682652	4	Bolt, 1-8X6-1/2	
5	3423227	8	Pin, Cylinder	
6	7124301	1	Conduit, 1/2X15-1/2	
7	7124471	2	Conduit, 1X12-1/2	
9	7137142	2	Pin, Cylinder	
11	7139613	1	Conduit, 1X18	
12	8050001	1	Bearing, Self-Align	
13	8065640	4	Bearing, Self-Align	
14	8065641	2	Bearing, Self-Align	
15	8303752	2	Bolt, 5/16-18X3-1/2	
16	8303782	8	Bolt, 1/2-13X4	
17	8305014	4	Nut, Hex 5/8-11	
18	8305626	2	Nut, Lock 5/16-18	
19	8305644	8	Nut, Lock 1/2-13	
20	8307009	4	Washer, Lock 5/8	
21	88411148	4	Bolt, Carriage 5/8-11X2.75	
22	8520001	6	Fitting, Straight Lube 1/8	
23	8520003	4	Fitting, 90 Lube 1/8	
24	8522012	AR	Lube, Anti-Seize	
25	80241137	4	Washer, Special	
28	1001208662	1	Counterweight, Rear	
29	1001160250	1	Pin, Hitch	
30	1001165041	1	Weldment, Frame	
31	1001169329	1	Installation, Hydraulic/Fuel/DEF Tank (See HYDRAULIC/FUEL/DEF TANK INSTALLATION for Breakdown)	
32	1001174229	1	Conduit, 1X13-1/2	
33	0641618	2	Bolt, 3/8-16X2-1/4	
34	4891600	2	Washer, 3/8	
35	8310522	2	Nut, Hex Flange 3/8-16	
36	1001166237	1	Bracket, Air Filter	
37	1001174227	10	Conduit, 1X21-1/2	
38	1001195826	2	Plug	
39	1001195952	2	Plug, Tube	
40	1001201923	2	Conduit, 1/2X10-1/2	
101	1001091901	1	Cylinder, Frame Level (See HYDRAULIC COMPONENTS SECTION for Breakdown)	
102	1001156164	2	Cylinder, Lift (See HYDRAULIC COMPONENTS SECTION for Breakdown)	
103	1001196110	2	Cylinder, Compensation (See HYDRAULIC COMPONENTS SECTION for Breakdown)	

SECTION 1 - FRAME AND ATTACHING PARTS

FIGURE 1-2. FRAME COMPONENTS INSTALLATION, 85HP - 6036 (ULS) (SN 0160074884 through 0160086463, Including 0160074882)



ART_1001201557-E

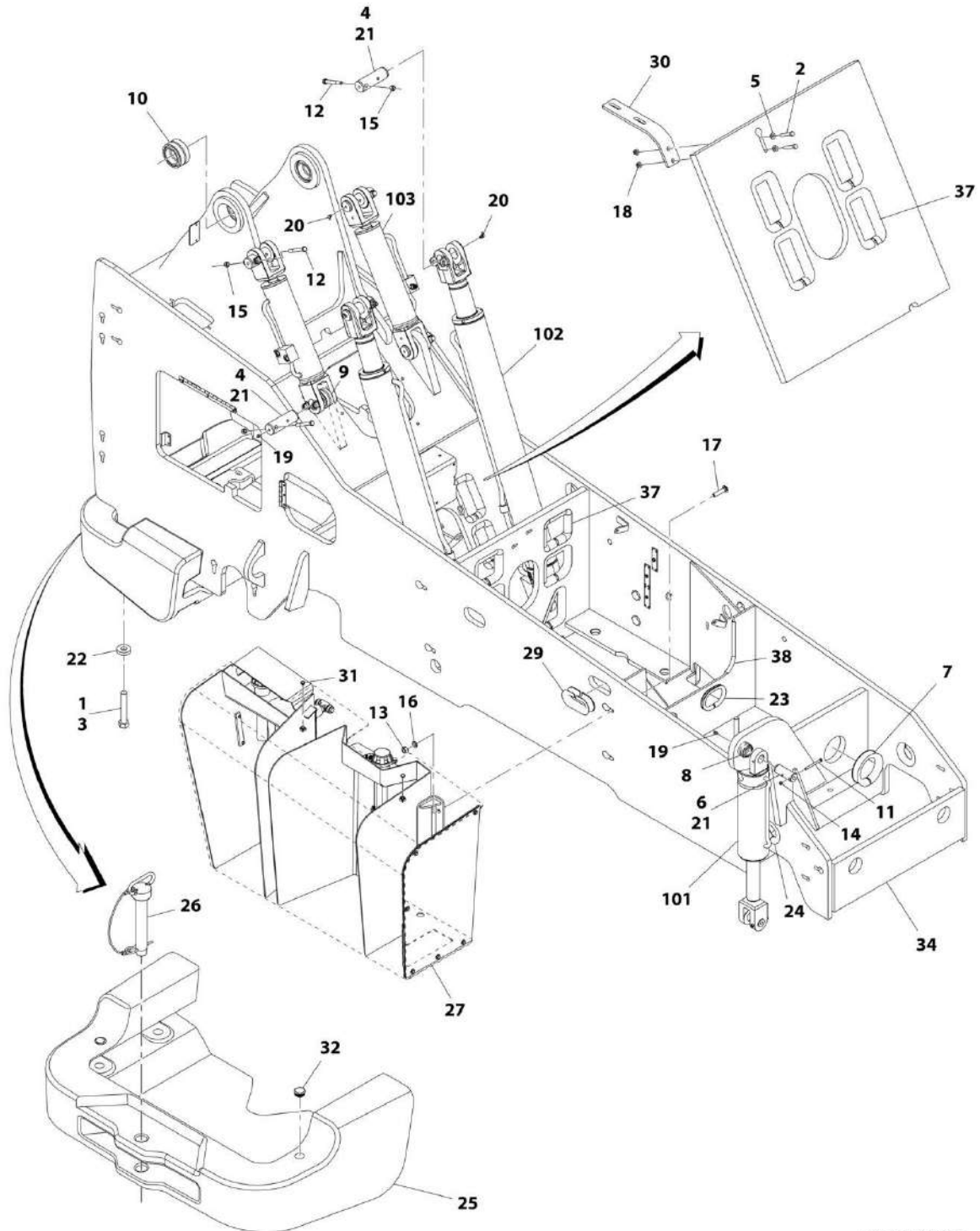
SECTION 1 - FRAME AND ATTACHING PARTS

FIGURE 1-2. FRAME COMPONENTS INSTALLATION, 85HP - 6036 (ULS) (SN 0160074884 through 0160086463, Including 0160074882)

ITEM	PART NUMBER	QTY	DESCRIPTION	REV
	1001201557	Ref	Frame Components Installation, 85HP - 6036 (if equipped for ULS)	E
1	0100019	AR	Compound, Locking	
2	0641618	2	Bolt, 3/8-16X2-1/4	
3	0682652	4	Bolt, 1-8X6-1/2	
4	3423227	8	Pin, Cylinder	
5	4891600	2	Washer, 3/8	
6	7137142	2	Pin, Cylinder	
7	7139613	1	Conduit, 1X18	
8	8050001	1	Bearing, Self-Align	
9	8065640	4	Bearing, Self-Align	
10	8065641	2	Bearing, Self-Align	
11	8303752	2	Bolt, 5/16-18X3-1/2	
12	8303782	8	Bolt, 1/2-13X4	
13	8305014	4	Nut, Hex 5/8-11	
14	8305626	2	Nut, Lock 5/16-18	
15	8305644	8	Nut, Lock 1/2-13	
16	8307009	4	Washer, Lock 5/8	
17	88411148	4	Bolt, Carriage 5/8-11X2-1/2	
18	8310522	2	Nut, Hex Flange 3/8-16	
19	8520001	6	Fitting, Straight Lube 1/8	
20	8520003	4	Fitting, 90 Lube 1/8	
21	8522012	AR	Lube, Anti-Seize	
22	80241137	4	Washer, Special	
23	7124301	1	Conduit, 1/2X15-1/2	
24	7124471	2	Conduit, 1X12-1/2	
25	1001208662	1	Counterweight, Rear	
26	1001160250	1	Pin, Hitch	
27	1001166237	1	Bracket, Air Filter	
28	1001169329	1	Installation, Hydraulic/Fuel/DEF Tank (See HYDRAULIC/FUEL/DEF TANK INSTALLATION for Breakdown)	
29	1001201923	2	Conduit, 1X10-1/2	
30	1001174229	1	Conduit, 1X13-1/2	
31	1001195826	2	Plug	
32	1001195952	2	Plug, Tube	
33	1001201561	1	Weldment, Frame	
36	1001174227	10	Conduit, 1X21-1/2	
101	1001091901	1	Cylinder, Frame Level (See HYDRAULIC COMPONENTS SECTION for Breakdown)	
102	1001156164	2	Cylinder, Lift (See HYDRAULIC COMPONENTS SECTION for Breakdown)	
103	1001196110	2	Cylinder, Compensation (See HYDRAULIC COMPONENTS SECTION for Breakdown)	

SECTION 1 - FRAME AND ATTACHING PARTS

FIGURE 1-3. FRAME COMPONENTS INSTALLATION, 74HP - 6036 (ULS)



ART_1001205684-F

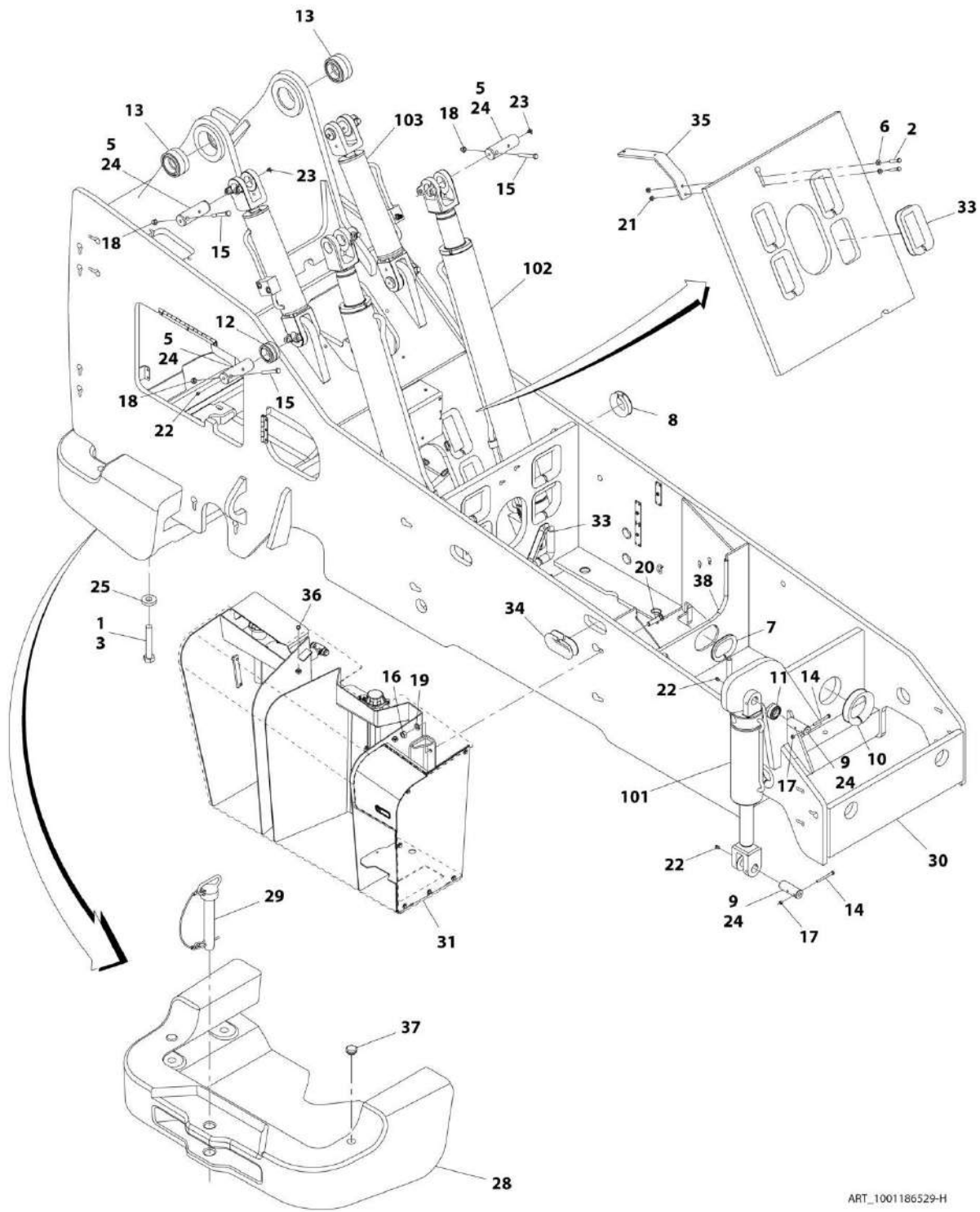
SECTION 1 - FRAME AND ATTACHING PARTS

FIGURE 1-3. FRAME COMPONENTS INSTALLATION, 74HP - 6036 (ULS)

ITEM	PART NUMBER	QTY	DESCRIPTION	REV
	1001205684	Ref	Frame Components Installation, 74HP - 6036 (if equipped for ULS)	F
1	0100019	AR	Compound, Locking	
2	0641618	2	Bolt, 3/8-16X2-1/4	
3	0682652	4	Bolt, 1-8X6-1/2 (Prior to SN 0160091925)	
3	0682648	4	Bolt, 1-8X6 (SN 0160091925 to Present)	
4	3423227	8	Pin, Cylinder	
5	4891600	2	Washer, 3/8	
6	7137142	2	Pin, Cylinder	
7	7139613	1	Conduit, 1X18	
8	8050001	1	Bearing, Self-Align	
9	8065640	4	Bearing, Self-Align	
10	8065641	2	Bearing, Self-Align	
11	8303752	2	Bolt, 5/16-18X3-1/2	
12	8303782	8	Bolt, 1/2-13X4	
13	8305014	4	Nut, Hex 5/8-11	
14	8305626	2	Nut, Lock 5/16-18	
15	8305644	8	Nut, Lock 1/2-13	
16	8307009	4	Washer, Lock 5/8	
17	88411148	4	Bolt, Carriage 5/8-11X2-1/2	
18	8310522	2	Nut, Hex Flange 3/8-16	
19	8520001	6	Fitting, Straight Lube 1/8	
20	8520003	4	Fitting, 90 Lube 1/8	
21	8522012	AR	Lube, Anti-Seize	
22	80241137	4	Washer, Special	
23	7124301	1	Conduit, 1/2X15-1/2	
24	7124471	3	Conduit, 1X12-1/2	
25	1001208662	1	Counterweight, Rear	
26	1001160250	1	Pin, Hitch	
27		Ref	Fuel/Hydraulic Tank Assembly (See Separate Breakdown in HYDRAULIC COMPONENTS Section)	
29	1001174229	1	Conduit, 1X13-1/2	
30	1001166237	1	Bracket, Air Filter	
31	1001195826	2	Plug	
32	1001195952	2	Plug, Tube	
34	1001201561	1	Weldment, Frame	
37	1001174227	10	Conduit, 1X21-1/2	
38	1001201923	2	Conduit, 1X10-1/2	
101	1001091901	1	Cylinder, Frame Level (See Separate Breakdown in HYDRAULIC COMPONENTS Section)	
102	1001156164	2	Cylinder, Lift (See Separate Breakdown in HYDRAULIC COMPONENTS Section)	
103	1001196110	2	Cylinder, Compensation (See Separate Breakdown in HYDRAULIC COMPONENTS Section)	

SECTION 1 - FRAME AND ATTACHING PARTS

FIGURE 1-4. FRAME COMPONENTS INSTALLATION, 85HP - 6036 (LS) (Prior to SN 0160074884, Excluding 0160074882)



ART_1001186529-H

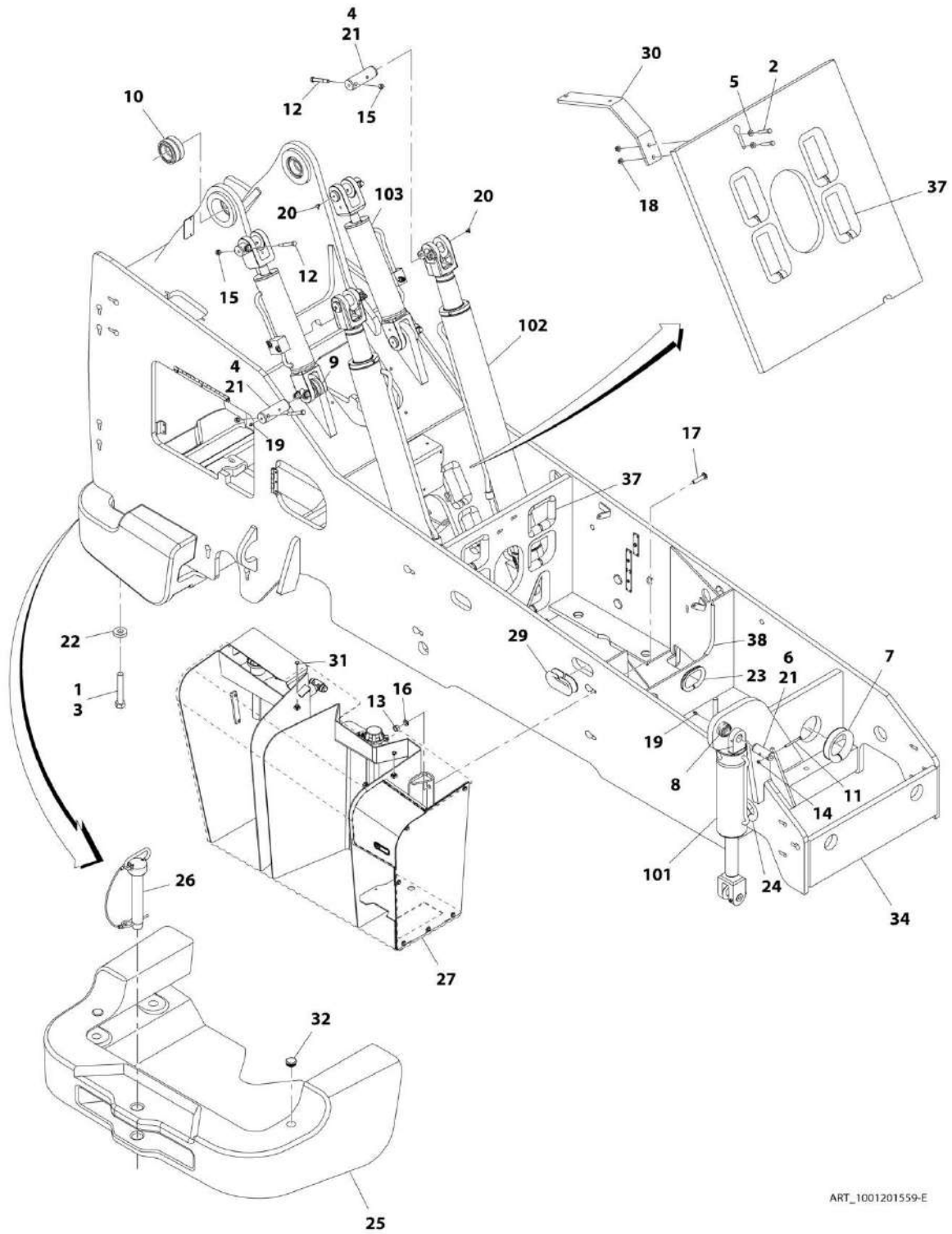
SECTION 1 - FRAME AND ATTACHING PARTS

FIGURE 1-4. FRAME COMPONENTS INSTALLATION, 85HP - 6036 (LS) (Prior to SN 0160074884, Excluding 0160074882)

ITEM	PART NUMBER	QTY	DESCRIPTION	REV
	1001186529	Ref	Frame Components Installation, 85HP - 6036 (if equipped for LS)	H
1	0100019	AR	Compound, Locking	
2	0641618	2	Bolt, 3/8-16X2-1/4	
3	0682652	4	Bolt, 1-8X6-1/2	
5	3423227	8	Pin, Cylinder	
6	4891600	2	Washer, 3/8	
7	7124301	1	Conduit, 1/2X15-1/2	
8	7124471	2	Conduit, 1X12-1/2	
9	7137142	2	Pin, Cylinder	
10	7139613	1	Conduit, 1X18	
11	8050001	1	Bearing, Self-Align	
12	8065640	4	Bearing, Self-Align	
13	8065641	2	Bearing, Self-Align	
14	8303752	2	Bolt, 5/16-18X3-1/2	
15	8303782	8	Bolt, 1/2-13X4	
16	8305014	4	Nut, Hex 5/8-11	
17	8305626	2	Nut, Lock 5/16-18	
18	8305644	8	Nut, Lock 1/2-13	
19	8307009	4	Washer, Lock 5/8	
20	88411148	4	Bolt, Carriage 5/8-11X2.75	
21	8310522	2	Nut, Hex Flange 3/8-16	
22	8520001	6	Fitting, Straight Lube 1/8	
23	8520003	4	Fitting, 90 Lube 1/8	
24	8522012	AR	Lube, Anti-Seize	
25	80241137	4	Washer, Special	
28	1001208662	1	Counterweight, Rear	
29	1001160250	1	Pin, Hitch	
30	1001165041	1	Weldment, Frame	
31	1001169466	1	Weldment, Fuel/Hydraulic/DEF Tank (See HYDRAULIC COMPONENTS SECTION for Breakdown)	
33	1001174227	10	Conduit, 1X21-1/2	
34	1001174229	1	Conduit, 1X13-1/2	
35	1001190306	1	Bracket, Air Filter	
36	1001195826	2	Plug	
37	1001195952	2	Plug, Tube	
38	1001201923	2	Conduit, 1X10-1/2	
101	1001091901	1	Cylinder, Frame Level (See HYDRAULIC COMPONENTS SECTION for Breakdown)	
102	1001156164	2	Cylinder, Lift (See HYDRAULIC COMPONENTS SECTION for Breakdown)	
103	1001196110	2	Cylinder, Compensation (See HYDRAULIC COMPONENTS SECTION for Breakdown)	

SECTION 1 - FRAME AND ATTACHING PARTS

FIGURE 1-5. FRAME COMPONENTS INSTALLATION, 85HP - 6036 (LS) (SN 0160074884 to Present, Including 0160074882)



ART_1001201559-E

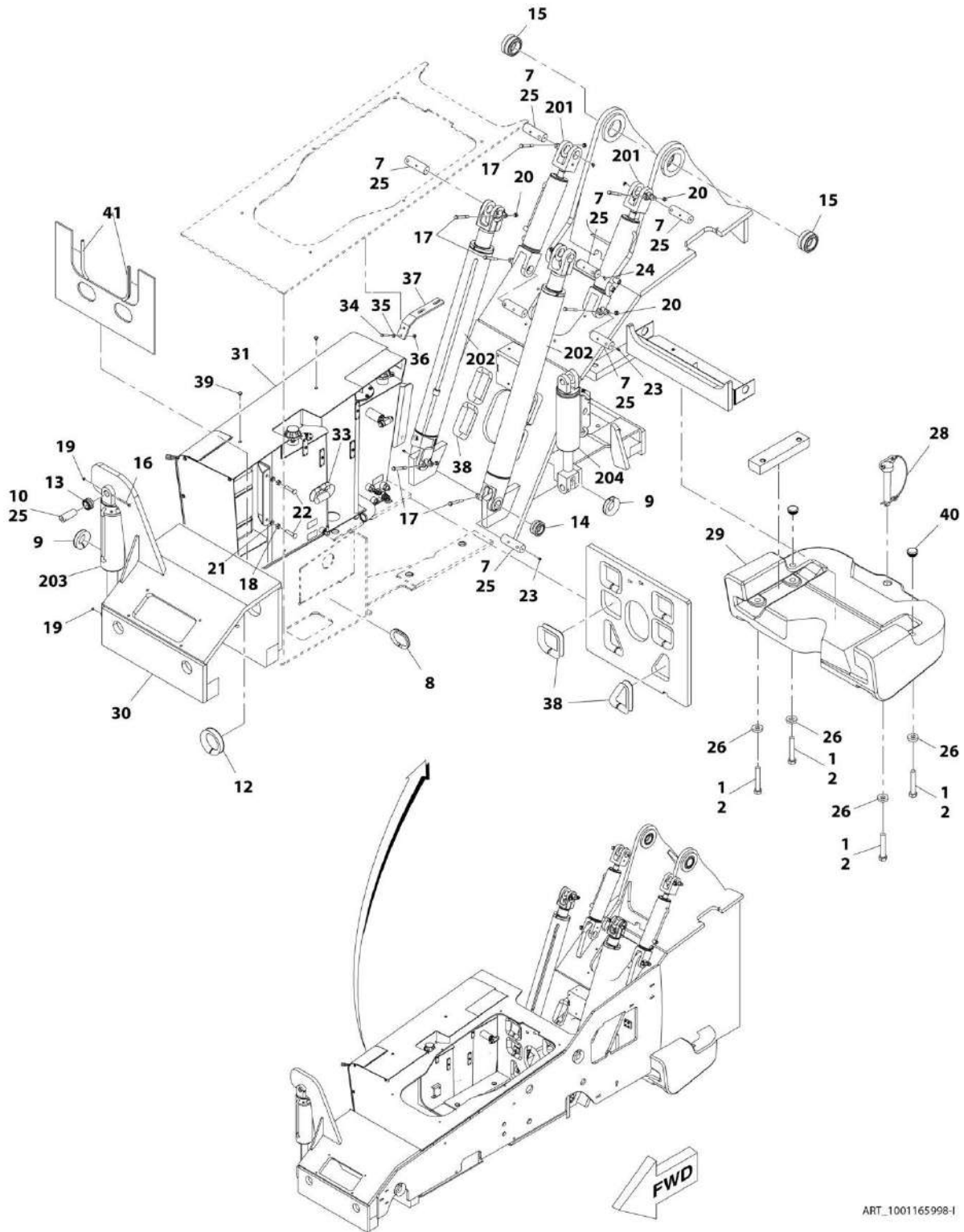
SECTION 1 - FRAME AND ATTACHING PARTS

FIGURE 1-5. FRAME COMPONENTS INSTALLATION, 85HP - 6036 (LS) (SN 0160074884 to Present, Including 0160074882)

ITEM	PART NUMBER	QTY	DESCRIPTION	REV
	1001201559	Ref	Frame Components Installation, 85HP - 6036 (if equipped for LS)	E
1	0100019	AR	Compound, Locking	
2	0641618	2	Bolt, 3/8-16X2-1/4	
3	0682652	4	Bolt, 1-8X6-1/2 (Prior to SN 0160091925)	
3	0682648	4	Bolt, 1-8X6 (SN 0160091925 to Present)	
4	3423227	8	Pin, Cylinder	
5	4891600	2	Washer, 3/8	
6	7137142	2	Pin, Cylinder	
7	7139613	1	Conduit, 1X18	
8	8050001	1	Bearing, Self-Align	
9	8065640	4	Bearing, Self-Align	
10	8065641	2	Bearing, Self-Align	
11	8303752	2	Bolt, 5/16-18X3-1/2	
12	8303782	8	Bolt, 1/2-13X4	
13	8305014	4	Nut, Hex 5/8-11	
14	8305626	2	Nut, Lock 5/16-18	
15	8305644	8	Nut, Lock 1/2-13	
16	8307009	4	Washer, Lock 5/8	
17	88411148	4	Bolt, Carriage 5/8-11X2-1/2	
18	8310522	2	Nut, Hex Flange 3/8-16	
19	8520001	6	Fitting, Straight Lube 1/8	
20	8520003	4	Fitting, 90 Degree Lube 1/8	
21	8522012	AR	Lube, Anti-Seize	
22	80241137	4	Washer, Special	
23	7124301	1	Conduit, 1/2X15-1/2	
24	7124471	2	Conduit, 1X12-1/2	
25	1001208662	1	Counterweight, Rear	
26	1001160250	1	Pin, Hitch	
27	1001169466	1	Weldment, Fuel/Hydraulic/DEF Tank (See HYDRAULIC COMPONENTS SECTION for Breakdown)	
29	1001174229	1	Conduit, 1X13-1/2	
30	1001190306	1	Bracket, Air Filter	
31	1001195826	2	Plug	
32	1001195952	2	Plug, Tube	
34	1001201561	1	Weldment, Frame	
37	1001174227	10	Conduit, 1X21-1/2	
38	1001201923	2	Conduit, 1X10-1/2	
101	1001091901	1	Cylinder, Frame Level (See HYDRAULIC COMPONENTS SECTION for Breakdown)	
102	1001156164	2	Cylinder, Lift (See HYDRAULIC COMPONENTS SECTION for Breakdown)	
103	1001196110	2	Cylinder, Compensation (See HYDRAULIC COMPONENTS SECTION for Breakdown)	

SECTION 1 - FRAME AND ATTACHING PARTS

FIGURE 1-6. FRAME COMPONENTS INSTALLATION, 85HP - 6042 (ULS) (Prior to SN 0160074884, Excluding 0160074882)



ART_1001165998-1

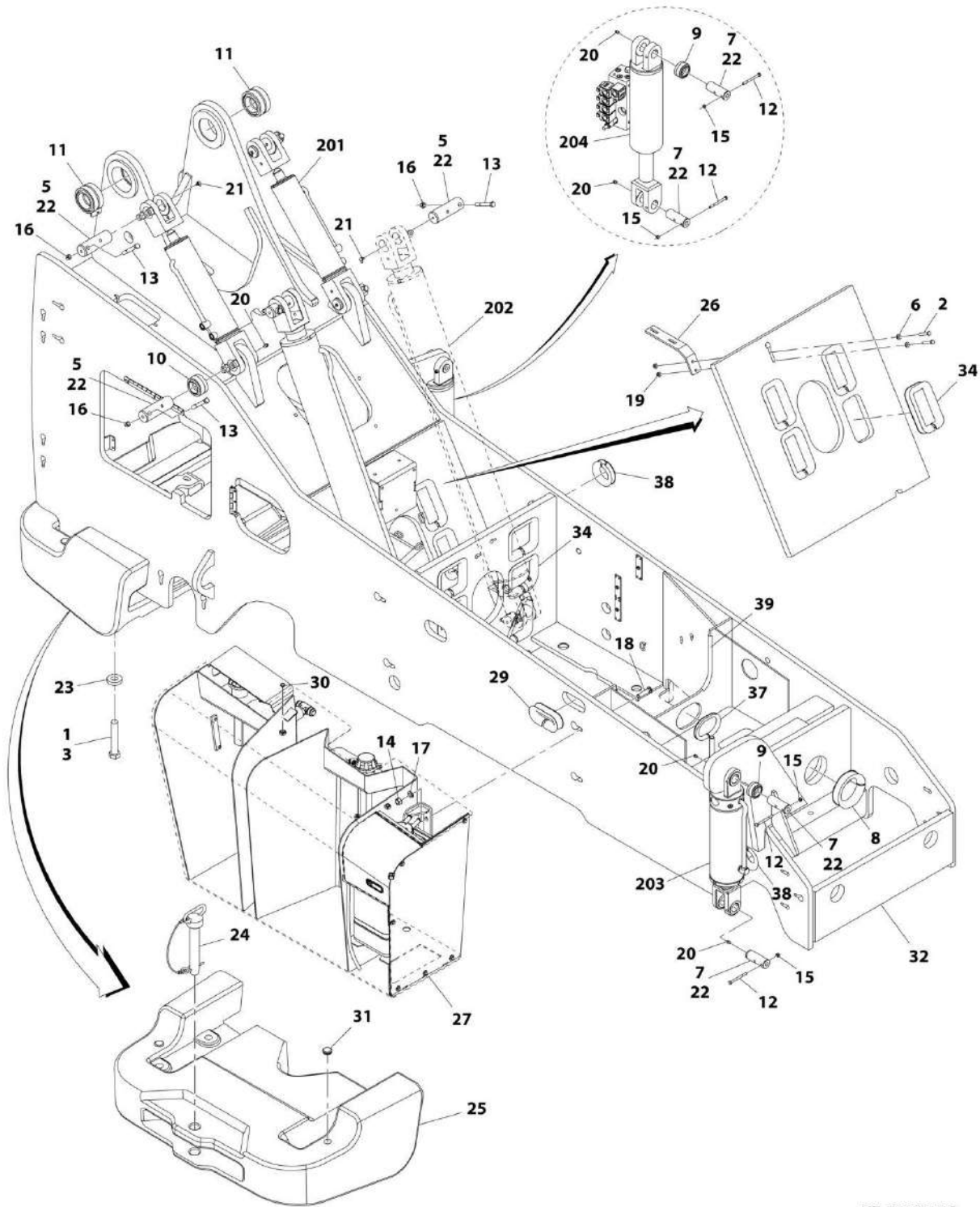
SECTION 1 - FRAME AND ATTACHING PARTS

FIGURE 1-6. FRAME COMPONENTS INSTALLATION, 85HP - 6042 (ULS) (Prior to SN 0160074884, Excluding 0160074882)

ITEM	PART NUMBER	QTY	DESCRIPTION	REV
	1001165998	Ref	Frame Components Installation, 85HP - 6042 (if equipped for ULS)	I
1	0100019	AR	Compound, Locking	
2	0682652	4	Bolt, 1-8X6, Grade 8	
7	3423227	8	Pin, Cylinder	
8	7124301	1	Conduit, 1/2X15-1/2	
9	7124471	3	Conduit, 1X12-1/2	
10	7137142	4	Pin, Cylinder	
12	7139613	1	Conduit, 1X18	
13	8050001	2	Bearing, Self-Align	
14	8065640	4	Bearing, Self-Align	
15	8065641	2	Bearing, Self-Align	
16	8303752	4	Bolt, 5/16-18X3-1/2	
17	8303782	8	Bolt, 1/2-13X4	
18	8305014	4	Nut, Hex 5/8-11	
19	8305626	4	Nut, Lock 5/16-18	
20	8305644	8	Nut, Lock 1/2-13	
21	8307009	4	Washer, Lock 5/8	
22	88411148	4	Bolt, Carriage 5/8-11X2.75	
23	8520001	8	Fitting, Straight Lube 1/8	
24	8520003	4	Fitting, 90 Lube 1/8	
25	8522012	AR	Lube, Anti-Seize	
26	80241137	4	Washer, Special	
28	1001160250	1	Pin, Hitch	
29	1001208663	1	Counterweight, Rear	
30	1001165044	1	Weldment, Frame	
31	1001169329	1	Installation, Hydraulic/Fuel/DEF Tank (See HYDRAULIC/FUEL/DEF TANK INSTALLATION for Breakdown)	
33	1001174229	1	Conduit, 1X13-1/2	
34	0641618	2	Bolt, 3/8-16X2-1/4	
35	4891600	2	Washer, 3/8	
36	8310522	2	Nut, Hex Flange 3/8-16	
37	1001166237	1	Bracket, Air Filter	
38	1001174227	10	Conduit, 1X21-1/2	
39	1001195826	2	Plug, 1/2 Push In	
40	1001195952	2	Plug, Tube	
41	1001201923	2	Conduit, 1/2X10-1/2	
201	2717260	2	Cylinder, Compensation (See HYDRAULIC COMPONENTS SECTION for Breakdown)	
202	1001156174	2	Cylinder, Lift (See HYDRAULIC COMPONENTS SECTION for Breakdown)	
203	2716563	1	Cylinder, Frame Level (See HYDRAULIC COMPONENTS SECTION for Breakdown)	
204	2717198	1	Cylinder, Stabil-Trak (See HYDRAULIC COMPONENTS SECTION for Breakdown)	

SECTION 1 - FRAME AND ATTACHING PARTS

FIGURE 1-7. FRAME COMPONENTS INSTALLATION, 85HP - 6042 (ULS) (SN 0160074884 through 0160086463, Including 0160074882)



ART_1001201565-F

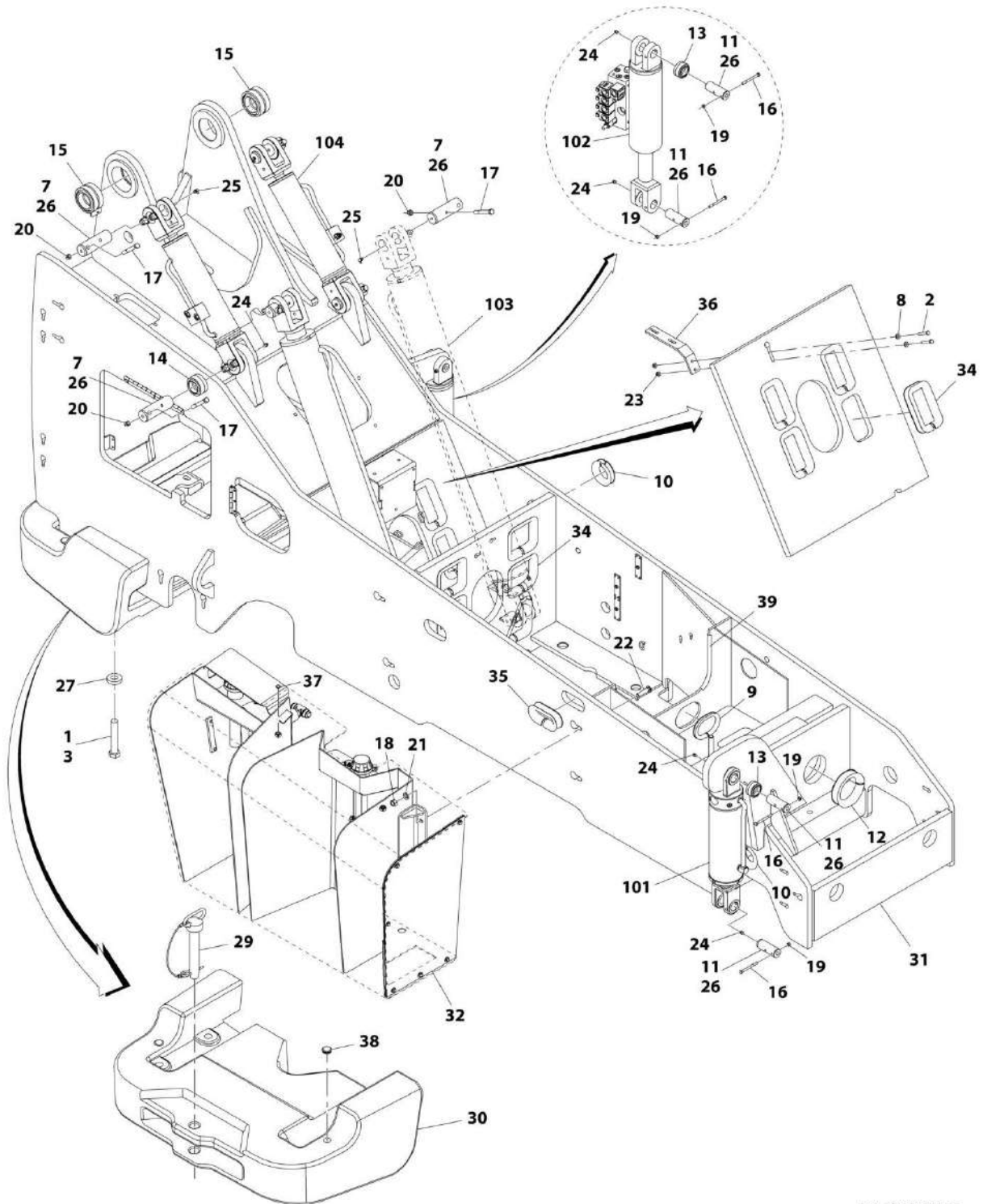
SECTION 1 - FRAME AND ATTACHING PARTS

FIGURE 1-7. FRAME COMPONENTS INSTALLATION, 85HP - 6042 (ULS) (SN 0160074884 through 0160086463, Including 0160074882)

ITEM	PART NUMBER	QTY	DESCRIPTION	REV
	1001201565	Ref	Frame Components Installation, 85HP - 6042 (if equipped for ULS)	F
1	0100019	AR	Compound, Locking	
2	0641618	2	Bolt, 3/8-16X2-1/4	
3	0682652	4	Bolt, 1-8X6-1/2	
5	3423227	8	Pin, Cylinder	
6	4891600	2	Washer, 3/8	
7	7137142	4	Pin, Cylinder	
8	7139613	1	Conduit, 1X18	
9	8050001	2	Bearing, Self-Align	
10	8065640	4	Bearing, Self-Align	
11	8065641	2	Bearing, Self-Align	
12	8303752	4	Bolt, 5/16-18X3-1/2	
13	8303782	8	Bolt, 1/2-13X4	
14	8305014	4	Nut, Hex 5/8-11	
15	8305626	4	Nut, Lock 5/16-18	
16	8305644	8	Nut, Lock 1/2-13	
17	8307009	4	Washer, Lock 5/8	
18	88411148	4	Bolt, Carriage 5/8-11X2.75	
19	8310522	2	Nut, Hex Flange 3/8-16	
20	8520001	8	Fitting, Straight Lube 1/8	
21	8520003	4	Fitting, 90 Lube 1/8	
22	8522012	AR	Lube, Anti-Seize	
23	80241137	4	Washer, Special	
24	1001160250	1	Pin, Hitch	
25	1001208663	1	Counterweight, Rear	
26	1001166237	1	Bracket, Air Filter	
27	1001169329	1	Installation, Hydraulic/Fuel/DEF Tank (See HYDRAULIC/FUEL/DEF TANK INSTALLATION for Breakdown)	
29	1001174229	1	Conduit, 1X13-1/2	
30	1001195826	2	Plug, 1/2 Push In	
31	1001195952	2	Plug, Tube	
32	1001201568	1	Weldment, Frame	
34	1001174227	10	Conduit, 1X21-1/2	
37	7124301	1	Conduit, 1/2X15-1/2	
38	7124471	3	Conduit, 1X12-1/2	
39	1001201923	2	Conduit, 1X10-1/2	
201	2717260	2	Cylinder, Compensation (See HYDRAULIC COMPONENTS SECTION for Breakdown)	
202		Ref	Cylinder, Lift (See HYDRAULIC COMPONENTS SECTION for Breakdown)	
203		Ref	Cylinder, Frame Level (See HYDRAULIC COMPONENTS SECTION for Breakdown)	
204	2717198	1	Cylinder, Stabil-Trak (See HYDRAULIC COMPONENTS SECTION for Breakdown)	

SECTION 1 - FRAME AND ATTACHING PARTS

FIGURE 1-8. FRAME COMPONENTS INSTALLATION, 74HP - 6042 (ULS)



ART_1001205685-G

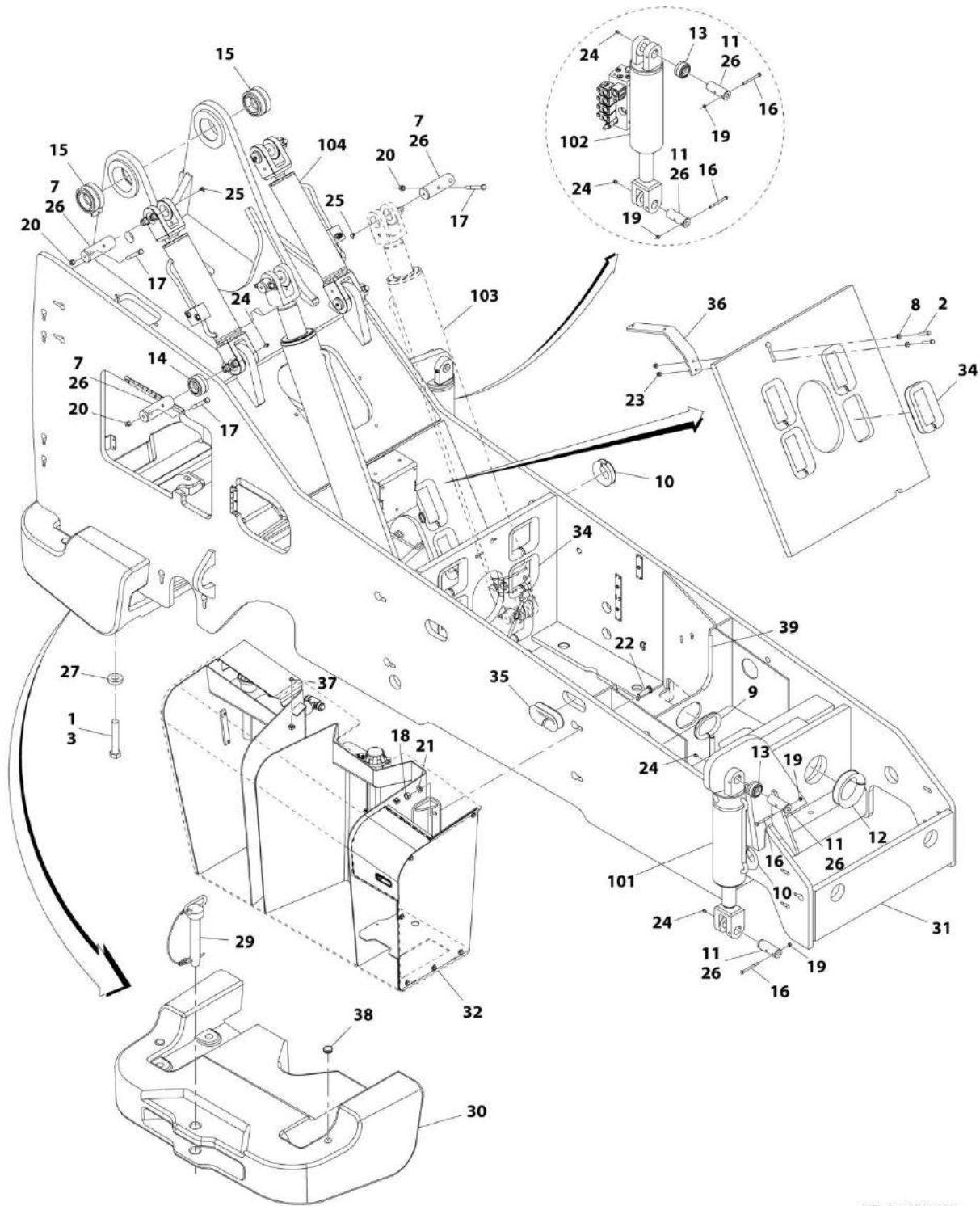
SECTION 1 - FRAME AND ATTACHING PARTS

FIGURE 1-8. FRAME COMPONENTS INSTALLATION, 74HP - 6042 (ULS)

ITEM	PART NUMBER	QTY	DESCRIPTION	REV
	1001205685	Ref	Frame Components Installation, 74HP - 6042 (if equipped for ULS)	G
1	0100019	AR	Compound, Locking	
2	0641618	2	Bolt, 3/8-16X2-1/4	
3	0682652	4	Bolt, 1-8X6-1/2 (Prior to SN 0160091924)	
3	0682648	4	Bolt, 1-8X6 (SN 0160091925 to Present)	
7	3423227	8	Pin, Cylinder	
8	4891600	2	Washer, 3/8	
9	7124301	1	Conduit, 1/2X15-1/2	
10	7124471	4	Conduit, 1X12-1/2	
11	7137142	4	Pin, Cylinder	
12	7139613	1	Conduit, 1X18	
13	8050001	2	Bearing, Self-Align	
14	8065640	4	Bearing, Self-Align	
15	8065641	2	Bearing, Self-Align	
16	8303752	4	Bolt, 5/16-18X3-1/2	
17	8303782	8	Bolt, 1/2-13X4	
18	8305014	4	Nut, Hex 5/8-11	
19	8305626	4	Nut, Lock 5/16-18	
20	8305644	8	Nut, Lock 1/2-13	
21	8307009	4	Washer, Lock 5/8	
22	88411148	4	Bolt, Carriage 5/8-11X2-1/2	
23	8310522	2	Nut, Hex Flange 3/8-16	
24	8520001	8	Fitting, Straight Lube 1/8	
25	8520003	4	Fitting, 90 Lube 1/8	
26	8522012	AR	Lube, Anti-Seize	
27	80241137	4	Washer, Special	
29	1001160250	1	Pin, Hitch	
30	1001208663	1	Counterweight, Rear	
31	1001201568	1	Weldment, Frame	
32		Ref	Fuel/Hydraulic Tank Assembly (See Separate Breakdown in HYDRAULIC COMPONENTS Section)	
34	1001174227	10	Conduit, 1X21-1/2	
35	1001174229	1	Conduit, 1X13-1/2	
36	1001166237	1	Bracket, Air Filter	
37	1001195826	2	Plug, 1/2 Push In	
38	1001195952	2	Plug, Tube	
39	1001201923	2	Conduit, 1X10-1/2	
101		Ref	Cylinder, Frame Level (See Separate Breakdown in HYDRAULIC COMPONENTS Section)	
102	2717198	1	Cylinder, Stabil-Trak (See Separate Breakdown in HYDRAULIC COMPONENTS Section)	
103		Ref	Cylinder, Lift (See Separate Breakdown in HYDRAULIC COMPONENTS Section)	
104	1001196110	2	Cylinder, Compensation (See Separate Breakdown in HYDRAULIC COMPONENTS Section)	

SECTION 1 - FRAME AND ATTACHING PARTS

FIGURE 1-9. FRAME COMPONENTS INSTALLATION, 85HP - 6042 (LS) (Prior to SN 0160074884, Excluding 0160074882)



ART_1001186530-H

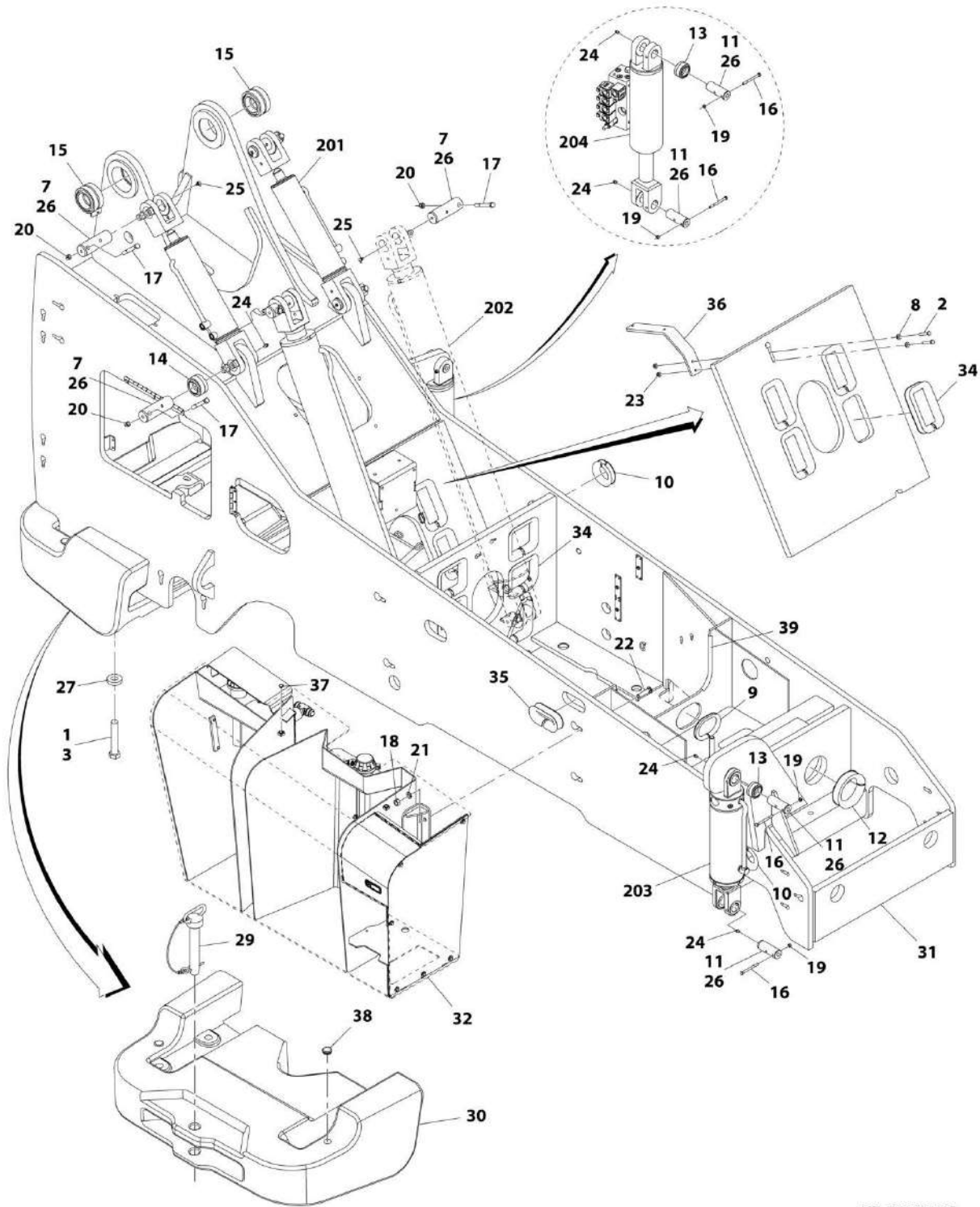
SECTION 1 - FRAME AND ATTACHING PARTS

FIGURE 1-9. FRAME COMPONENTS INSTALLATION, 85HP - 6042 (LS) (Prior to SN 0160074884, Excluding 0160074882)

ITEM	PART NUMBER	QTY	DESCRIPTION	REV
	1001186530	Ref	Frame Components Installation, 85HP - 6042 (if equipped for LS)	H
1	0100019	AR	Compound, Locking	
2	0641618	2	Bolt, 3/8-16X2-1/4	
3	0682652	4	Bolt, 1-8X6-1/2	
7	3423227	8	Pin, Cylinder	
8	4891600	2	Washer, 3/8	
9	7124301	1	Conduit, 1/2X15-1/2	
10	7124471	3	Conduit, 1X12-1/2	
11	7137142	4	Pin, Cylinder	
12	7139613	1	Conduit, 1X18	
13	8050001	2	Bearing, Self-Align	
14	8065640	4	Bearing, Self-Align	
15	8065641	2	Bearing, Self-Align	
16	8303752	4	Bolt, 5/16-18X3-1/2	
17	8303782	8	Bolt, 1/2-13X4	
18	8305014	4	Nut, Hex 5/8-11	
19	8305626	4	Nut, Lock 5/16-18	
20	8305644	8	Nut, Lock 1/2-13	
21	8307009	4	Washer, Lock 5/8	
22	88411148	4	Bolt, Carriage 5/8-11X2-3/4	
23	8310522	2	Nut, Hex Flange 3/8-16	
24	8520001	8	Fitting, Straight Lube 1/8	
25	8520003	4	Fitting, 90 Lube 1/8	
26	8522012	AR	Lube, Anti-Seize	
27	80241137	4	Washer, Special	
29	1001160250	1	Pin, Hitch	
30	1001208663	1	Counterweight, Rear	
31	1001165044	1	Weldment, Frame	
32	1001169466	1	Weldment, Fuel/Hydraulic/DEF Tank (See HYDRAULIC COMPONENTS SECTION for Breakdown)	
34	1001174227	10	Conduit, 1X21-1/2	
35	1001174229	1	Conduit, 1X13-1/2	
36	1001190306	1	Bracket, Air Filter	
37	1001195826	2	Plug	
38	1001195952	2	Plug, Tube	
39	1001201923	2	Conduit, 1X10-1/2	
101	2716563	1	Cylinder, Frame Level (See HYDRAULIC COMPONENTS SECTION for Breakdown)	
102	2717198	1	Cylinder, Stabil-Trak (See HYDRAULIC COMPONENTS SECTION for Breakdown)	
103	1001156174	2	Cylinder, Lift (See HYDRAULIC COMPONENTS SECTION for Breakdown)	
104	1001196110	2	Cylinder, Compensation (See HYDRAULIC COMPONENTS SECTION for Breakdown)	

SECTION 1 - FRAME AND ATTACHING PARTS

FIGURE 1-10. FRAME COMPONENTS INSTALLATION, 85HP - 6042 (LS) (SN 0160074884 to Present, Including 0160074882)



ART_1001201567-F

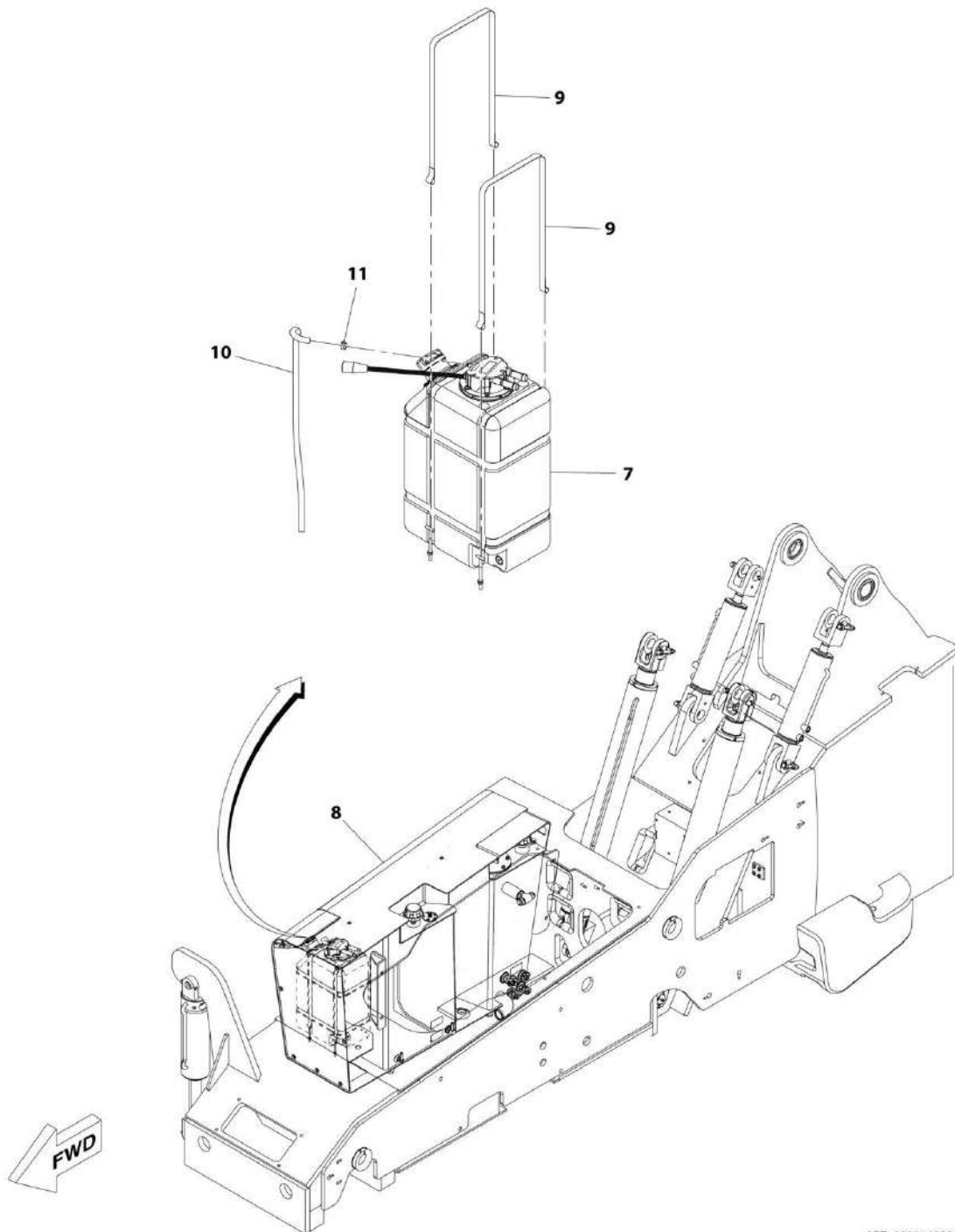
SECTION 1 - FRAME AND ATTACHING PARTS

FIGURE 1-10. FRAME COMPONENTS INSTALLATION, 85HP - 6042 (LS) (SN 0160074884 to Present, Including 0160074882)

ITEM	PART NUMBER	QTY	DESCRIPTION	REV
	1001201567	Ref	Frame Components Installation, 85HP - 6042 (if equipped for LS)	F
1	0100019	AR	Compound, Locking	
2	0641618	2	Bolt, 3/8-16X2-1/4	
3	0682652	4	Bolt, 1-8X6-1/2 (Prior to SN 0160091925)	
3	0682648	4	Bolt, 1-8X6 (SN 0160091925 to Present)	
7	3423227	8	Pin, Cylinder	
8	4891600	2	Washer, 3/8	
9	7124301	1	Conduit, 1/2X15-1/2	
10	7124471	3	Conduit, 1X12-1/2	
11	7137142	4	Pin, Cylinder	
12	7139613	1	Conduit, 1X18	
13	8050001	2	Bearing, Self-Align	
14	8065640	4	Bearing, Self-Align	
15	8065641	2	Bearing, Self-Align	
16	8303752	4	Bolt, 5/16-18X3-1/2	
17	8303782	8	Bolt, 1/2-13X4	
18	8305014	4	Nut, Hex 5/8-11	
19	8305626	4	Nut, Lock 5/16-18	
20	8305644	8	Nut, Lock 1/2-13	
21	8307009	4	Washer, Lock 5/8	
22	88411148	4	Bolt, Carriage 5/8-11X2.75	
23	8310522	2	Nut, Hex Flange 3/8-16	
24	8520001	8	Fitting, Straight Lube 1/8	
25	8520003	4	Fitting, 90 Lube 1/8	
26	8522012	AR	Lube, Anti-Seize	
27	80241137	4	Washer, Special	
29	1001160250	1	Pin, Hitch	
30	1001208663	1	Counterweight, Rear	
31	1001201568	1	Weldment, Frame	
32	1001169466	1	Installation, Hydraulic/Fuel/DEF Tank (See HYDRAULIC/FUEL/DEF TANK INSTALLATION for Breakdown)	
34	1001174227	10	Conduit, 1X21-1/2	
35	1001174229	1	Conduit, 1X13-1/2	
36	1001190306	1	Bracket, Air Filter	
37	1001195826	2	Plug, 1/2 Push In	
38	1001195952	2	Plug, Tube	
39	1001201923	2	Conduit, 1X10-1/2	
201	2717260	2	Cylinder, Compensation (See HYDRAULIC COMPONENTS SECTION for Breakdown)	
202		Ref	Cylinder, Lift (See HYDRAULIC COMPONENTS SECTION for Breakdown)	
203		Ref	Cylinder, Frame Level (See HYDRAULIC COMPONENTS SECTION for Breakdown)	
204	2717198	1	Cylinder, Stabil-Trak (See HYDRAULIC COMPONENTS SECTION for Breakdown)	

SECTION 1 - FRAME AND ATTACHING PARTS

FIGURE 1-11. HYDRAULIC/FUEL/DEF TANK INSTALLATION (Prior to SN 0160081935)



ART_1001169329-C

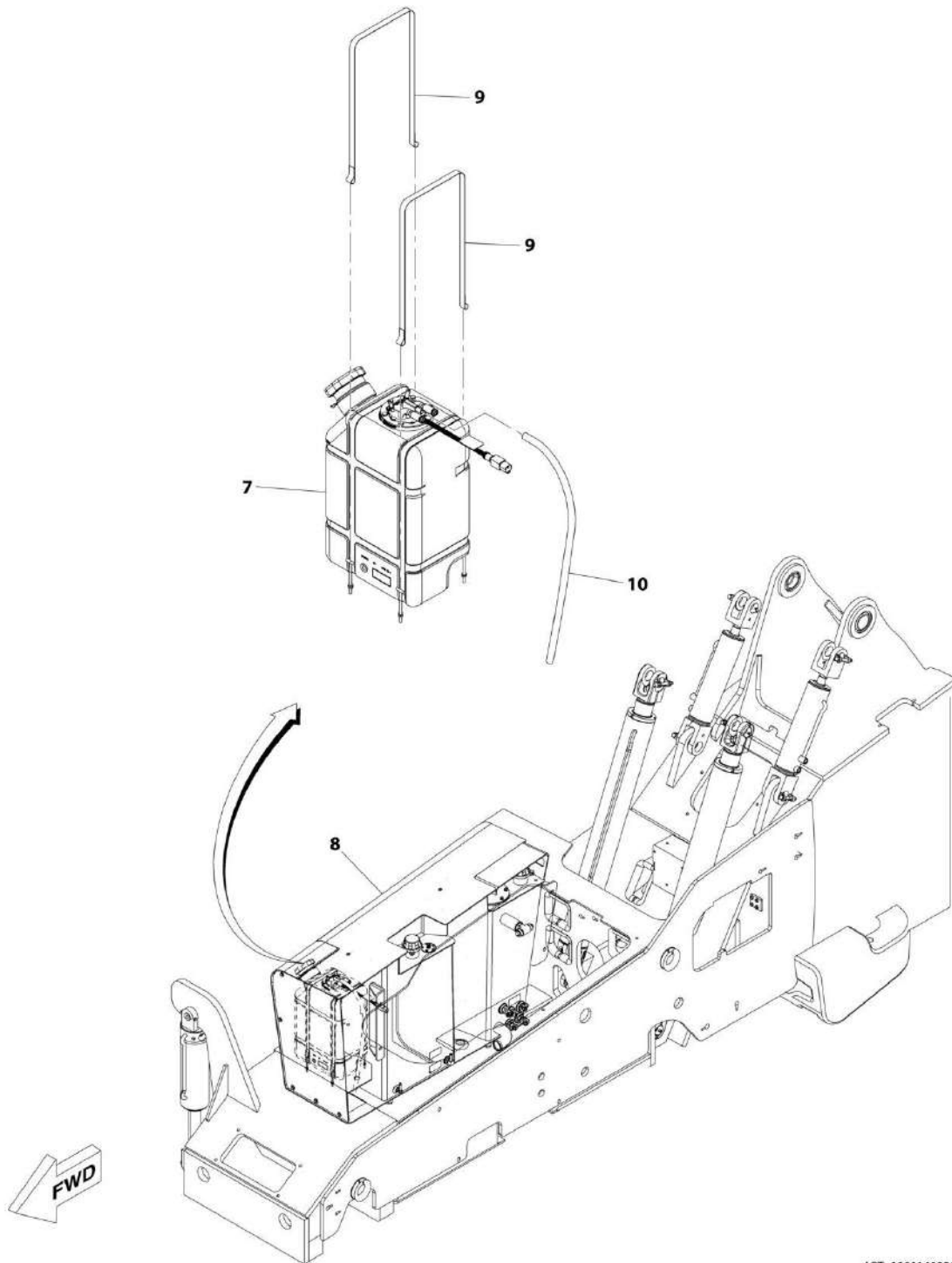
SECTION 1 - FRAME AND ATTACHING PARTS

FIGURE 1-11. HYDRAULIC/FUEL/DEF TANK INSTALLATION (Prior to SN 0160081935)

ITEM	PART NUMBER	QTY	DESCRIPTION	REV
7	1001169329	Ref	Hydraulic/Fuel/DEF Tank Installation	C
	1001168435	1	Tank, DEF (See Separate Breakdown in HYDRAULIC COMPONENTS Section)	
	70026584	1	DEF Filter	
8	1001169466	1	Weldment, Fuel/Hydraulic/DEF Tank (See Separate Breakdown in HYDRAULIC COMPONENTS Section)	
9	1001170856	2	Strap, DEF Tank	
10	1001172824	1	Hose, DEF Tank Vent	
11	1001213938	1	Clamp, Worm Gear	

SECTION 1 - FRAME AND ATTACHING PARTS

FIGURE 1-12. HYDRAULIC/FUEL/DEF TANK INSTALLATION (SN 0160081935 through 0160086463)



ART_1001169329-E

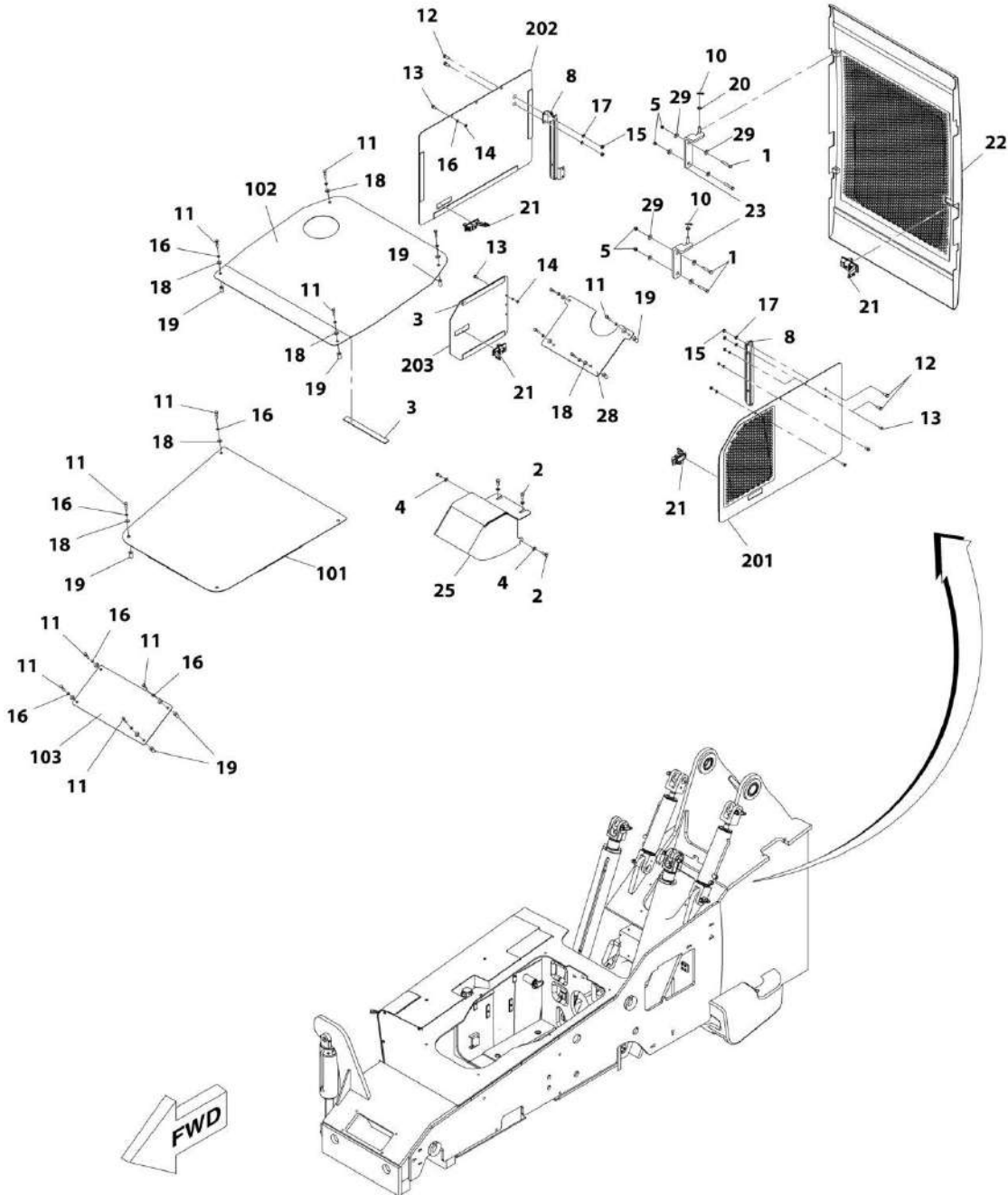
SECTION 1 - FRAME AND ATTACHING PARTS

FIGURE 1-12. HYDRAULIC/FUEL/DEF TANK INSTALLATION (SN 0160081935 through 0160086463)

ITEM	PART NUMBER	QTY	DESCRIPTION	REV
7	1001169329	Ref	Hydraulic/Fuel/DEF Tank Installation Tank, DEF (See Separate Breakdown in HYDRAULIC COMPONENTS Section)	E
	1001228986	Ref		
8	1001169466	1	Weldment, Fuel/Hydraulic/DEF Tank (See Separate Breakdown in HYDRAULIC COMPONENTS Section)	
9	1001170856	2	Strap, DEF Tank	
10	1001229095	1	Hose, DEF Tank Vent	

SECTION 1 - FRAME AND ATTACHING PARTS

FIGURE 1-13. FRAME COVERS INSTALLATION, 85HP (ULS) (Prior to SN 0160086463)



ART_1001166032-G

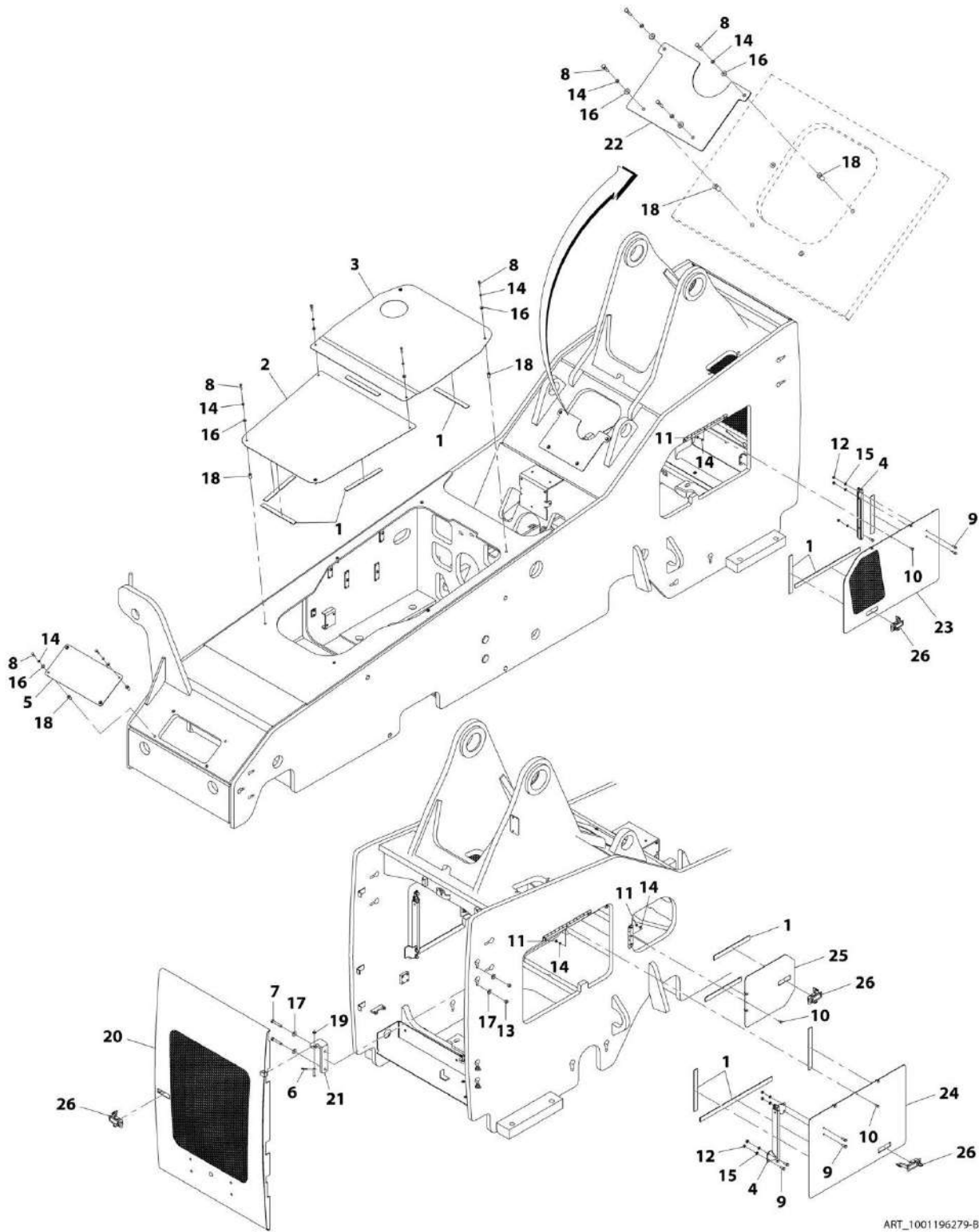
SECTION 1 - FRAME AND ATTACHING PARTS

FIGURE 1-13. FRAME COVERS INSTALLATION, 85HP (ULS) (Prior to SN 0160086463)

ITEM	PART NUMBER	QTY	DESCRIPTION	REV
	1001166032	Ref	Frame Covers Installation, 85HP (if equipped for ULS)	G
1	0641618	4	Bolt, 3/8-16X2-1/4	
2	0760810	4	Bolt, M8X20	
3	4420037	150 in	Tape, Insulation	
4	4811900	4	Washer, M8	
5	8305645	4	Nut, Lock 3/8-16	
8	7139714	2	Prop, Side Door	
10	8302470	2	Pin, Hair	
11	8303615	14	Bolt, 1/4-20X1-1/4	
12	8303656	8	Bolt, 5/16-18X7/8	
13	8303729	9	Bolt, 1/4-20X5/8	
14	8305004	9	Nut, Hex 1/4-20	
15	8305006	8	Nut, Hex 5/16-18	
16	8307002	23	Washer, Lock 1/4	
17	8307004	8	Washer, Lock 5/16	
18	8307202	14	Washer, Plain 1/4	
19	8580420	14	Nut, Well	
20	10732150	2	Washer, Flat M10	
21	1001190341	4	Latch, Adjustable Trigger	
22	1001156283	1	Door, Rear	
23	1001159319	2	Mount, Rear Door	
25	1001169172	1	Cover, DEF Supply	
28	1001167793	1	Plate, Air Intake Baffle	
29	8307204	8	Washer, Plain 3/8	
101	7139406	1	Cover, Lower Transmission	
102	7139455	1	Cover, Upper Transmission	
103	7150608	1	Cover, Front	
201	1001168930	1	Panel, Left Side Access	
202	1001171383	1	Panel, Engine Access Right Side	
203	1001171385	1	Panel, Air Cleaner Access	

SECTION 1 - FRAME AND ATTACHING PARTS

FIGURE 1-14. FRAME COVERS INSTALLATION, 74HP (ULS)



ART_1001196279-B

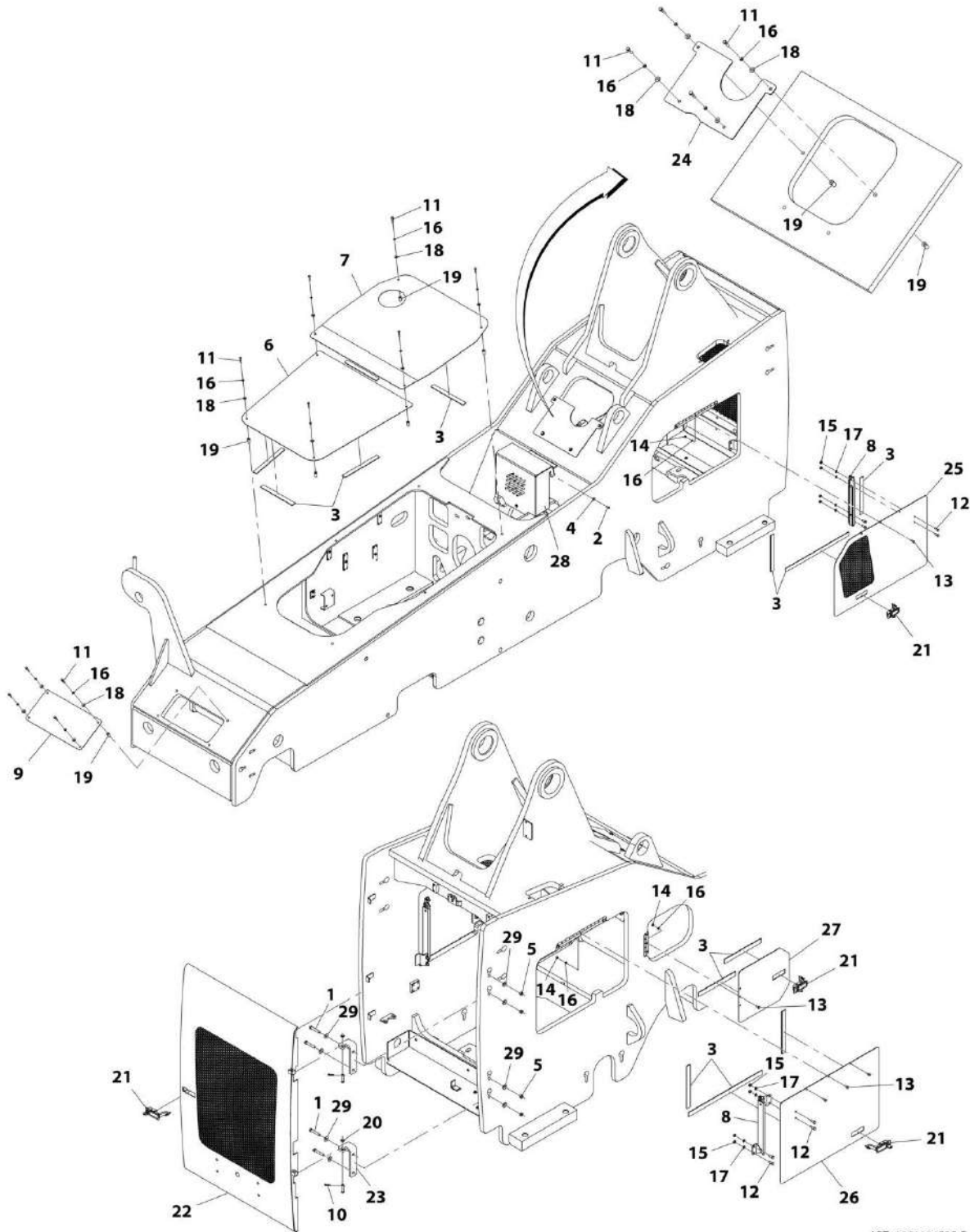
SECTION 1 - FRAME AND ATTACHING PARTS

FIGURE 1-14. FRAME COVERS INSTALLATION, 74HP (ULS)

ITEM	PART NUMBER	QTY	DESCRIPTION	REV
	1001196279	Ref	Frame Cover Installation, 74HP (if equipped for ULS)	B
1	4420037	150 in	Tape, Insulation	
2	7139406	1	Lower Cover, Transmission	
3	7139455	1	Upper Cover, Transmission - 6036	
4	7139714	2	Side Door	
5	7150608	1	Cover, Front	
6	8302470	2	Pin, Cotter	
7	0641618	4	Bolt, 3/8-16X2-1/4	
8	8303615	14	Bolt, 1/4-20X1-1/4	
9	8303656	8	Bolt, 5/16-18X7/8	
10	8303729	9	Bolt, 1/4-20X5/8	
11	8305004	9	Nut, Hex 1/4-20	
12	8305006	8	Nut, Hex 5/16-18	
13	8305645	4	Nut, Lock 3/8-16	
14	8307002	23	Washer, Lock 1/4	
15	8307004	8	Washer, Lock 5/16	
16	8307202	14	Washer, Plain 1/4	
17	8307204	8	Washer, Plain 3/8	
18	8580420	14	Nut, Well	
19	10732150	2	Washer, Flat M10	
20	1001156283	1	Door, Rear	
21	1001159319	2	Mount, Rear Door	
22	1001167793	1	Plate, Air Intake Baffle	
23	1001168930	1	Panel, Left Side Access	
24	1001171383	1	Panel, Engine Access Right Side	
25	1001171385	1	Panel, Air Cleaner Access	
26	1001190341	4	Latch, Adjustable Trigger	

SECTION 1 - FRAME AND ATTACHING PARTS

FIGURE 1-15. FRAME COVERS INSTALLATION, 85HP (LS)



ART_1001186535-E

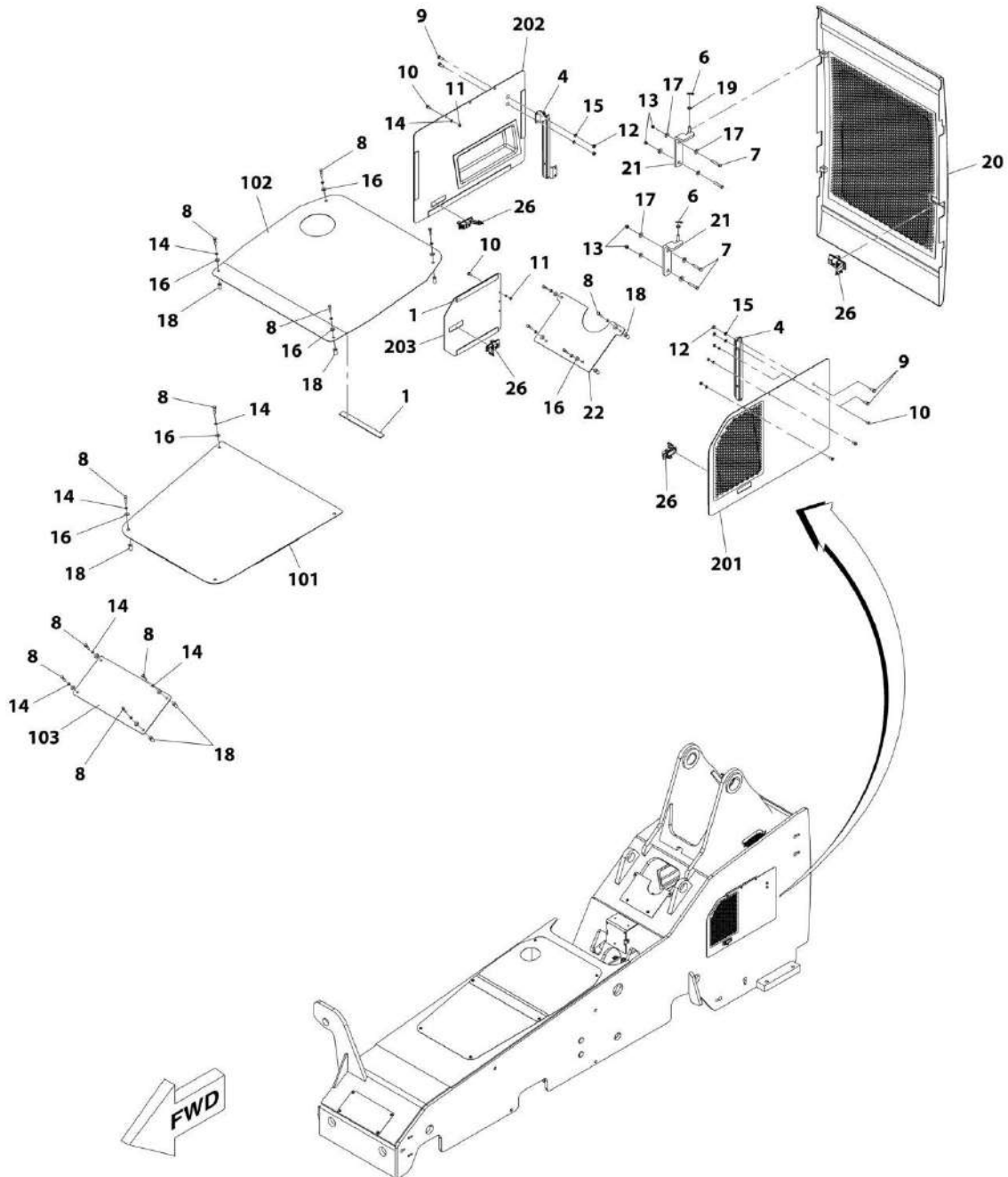
SECTION 1 - FRAME AND ATTACHING PARTS

FIGURE 1-15. FRAME COVERS INSTALLATION, 85HP (LS)

ITEM	PART NUMBER	QTY	DESCRIPTION	REV
	1001186535	Ref	Frame Covers Installation, 85HP (if equipped for LS)	E
1	0641618	4	Bolt, 3/8-16X2-1/4	
2	0760610	3	Bolt, M6X20	
3	4420037	150 in	Tape, Insulation	
4	4811702	3	Washer, M6	
5	8305645	4	Nut, Lock 3/8-16	
6	7139406	1	Cover, Lower Transmission	
7	7139455	1	Cover, Upper Transmission	
8	7139714	2	Prop, Side Door	
9	7150608	1	Cover, Front	
10	8302470	2	Pin, Hair	
11	8303615	14	Bolt, 1/4-20X1-1/4	
12	8303656	8	Bolt, 5/16-18X7/8	
13	8303729	9	Bolt, 1/4-20X5/8	
14	8305004	9	Nut, Hex 1/4-20	
15	8305006	8	Nut, Hex 5/16-18	
16	8307002	23	Washer, Lock 1/4	
17	8307004	8	Washer, Lock 5/16	
18	8307202	14	Washer, Plain 1/4	
19	8580420	14	Nut, Well	
20	10732150	2	Washer, Flat M10	
21	1001190341	4	Latch, Adjustable Trigger	
22	1001156283	1	Door, Rear	
23	1001159319	2	Mount, Rear Door	
24	1001208280	1	Plate, Air Intake Baffle	
25	1001168930	1	Panel, Left Side Access	
26	1001171383	1	Panel, Engine Access Right Side	
27	1001171385	1	Panel, Air Cleaner Access	
28	1001211690	1	Bracket, ECM Cover	
29	8307204	8	Washer	

SECTION 1 - FRAME AND ATTACHING PARTS

FIGURE 1-16. FRAME COVERS INSTALLATION, 74HP (AIR SHUT OFF VALVE)



ART_1001228508-A

SECTION 1 - FRAME AND ATTACHING PARTS

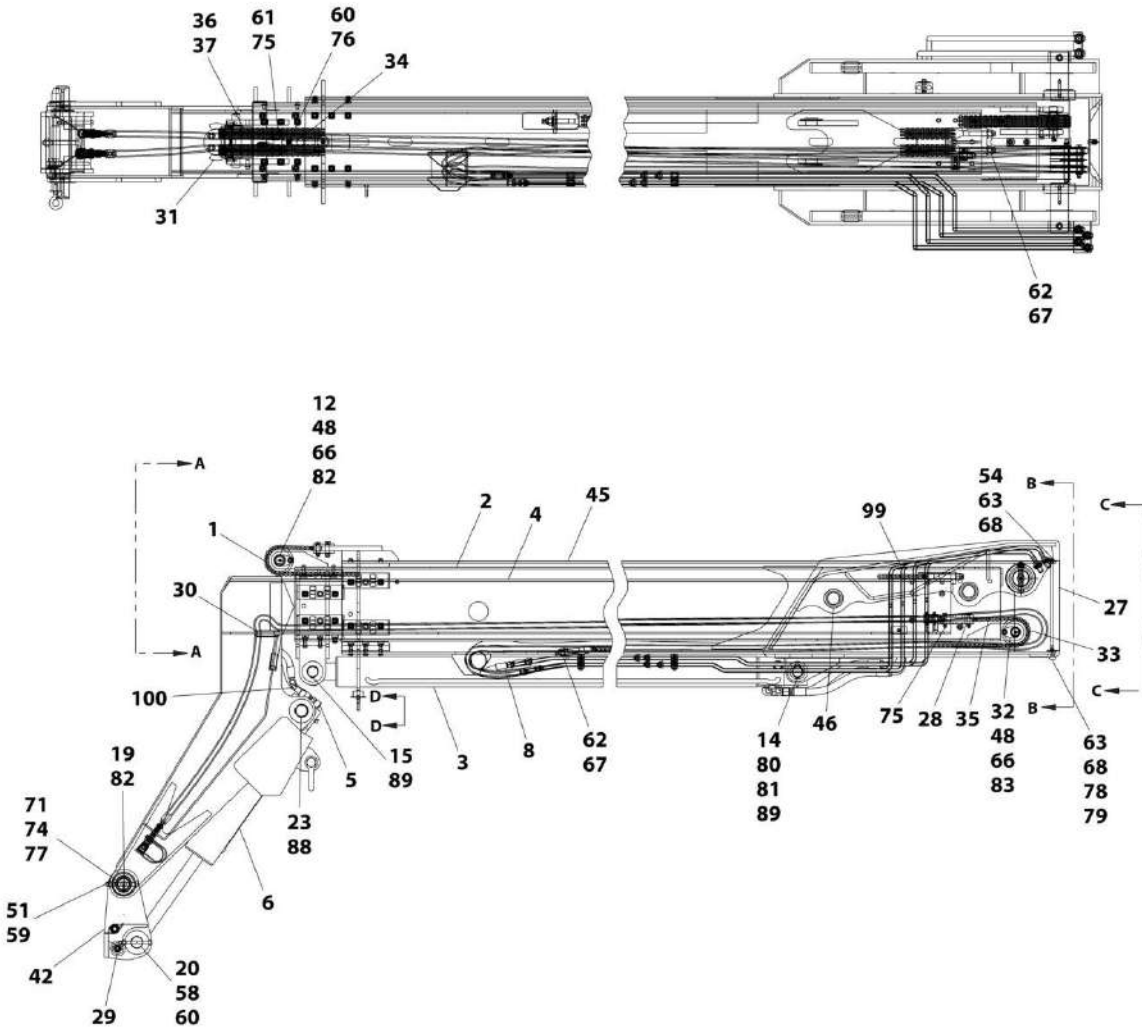
FIGURE 1-16. FRAME COVERS INSTALLATION, 74HP (AIR SHUT OFF VALVE)

ITEM	PART NUMBER	QTY	DESCRIPTION	REV
	1001228508	Ref	Frame Covers Installation, 74HP (Air Shut Off Valve)	A
1	4420037	150 in	Tape, Insulation	
4	7139714	2	Prop, Side Door	
6	8302470	2	Pin, Cotter	
7	0641618	4	Bolt, 3/8-16X2-1/4	
8	8303615	14	Bolt, 1/4-20X1-1/4	
9	8303656	8	Bolt, 5/16-18X7/8	
10	8303729	9	Bolt, 1/4-20X5/8	
11	8305004	9	Nut, Hex 1/4-20	
12	8305006	8	Nut, Hex 5/16-18	
13	8305645	4	Nut, Lock 3/8-16	
14	8307002	23	Washer, Lock 1/4	
15	8307004	8	Washer, Lock 5/16	
16	8307202	14	Washer, Plain 1/4	
17	8307204	8	Washer, Plain 3/8	
18	8580420	14	Nut, Well	
19	10732150	2	Washer, Flat M10	
20	1001156283	1	Door, Rear	
21	1001159319	2	Mount, Rear Door	
22	1001167793	1	Plate, Air Intake Baffle	
26	1001190341	4	Latch, Adjustable Trigger	
101	7139406	1	Lower Cover, Transmission	
102	7139455	1	Upper Cover, Transmission - 6036	
103	7150608	1	Cover, Front	
201	1001168930	1	Panel, Left Side Access	
202	1001216589	1	Panel, Engine Access Right Side	
203	1001171385	1	Panel, Air Cleaner Access	

SECTION 2 - BOOM

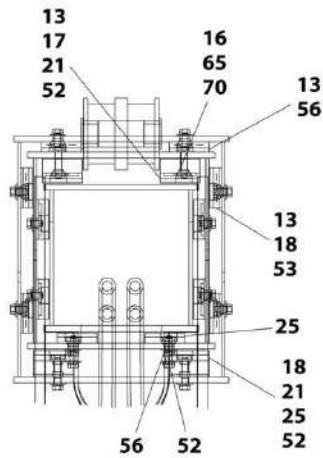
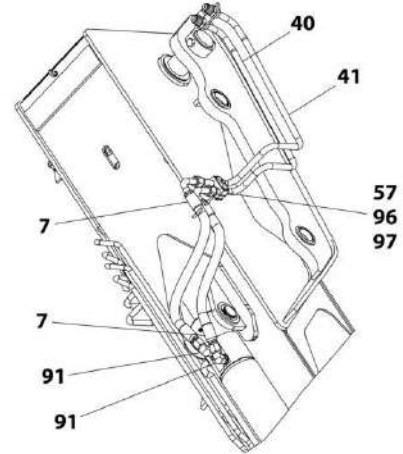
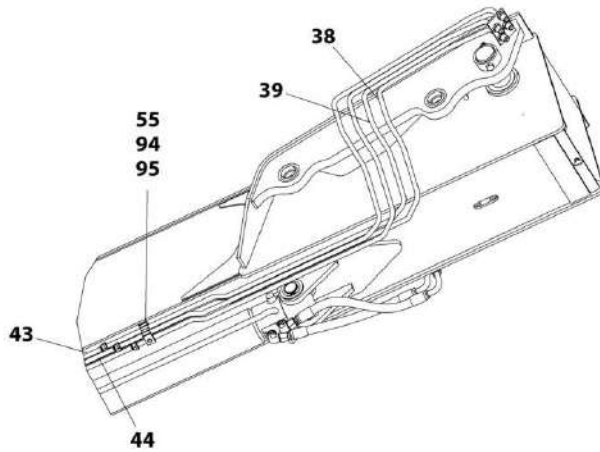
SECTION 2 - BOOM

FIGURE 2-1. BOOM INSTALLATION - 6036

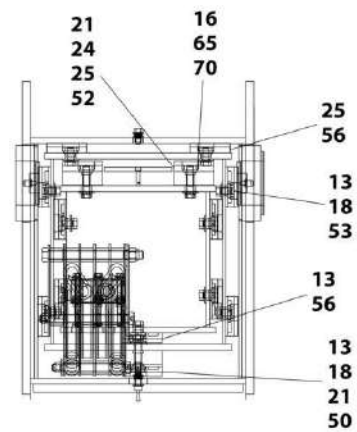


ART_1001155927_1-F

SECTION 2 - BOOM



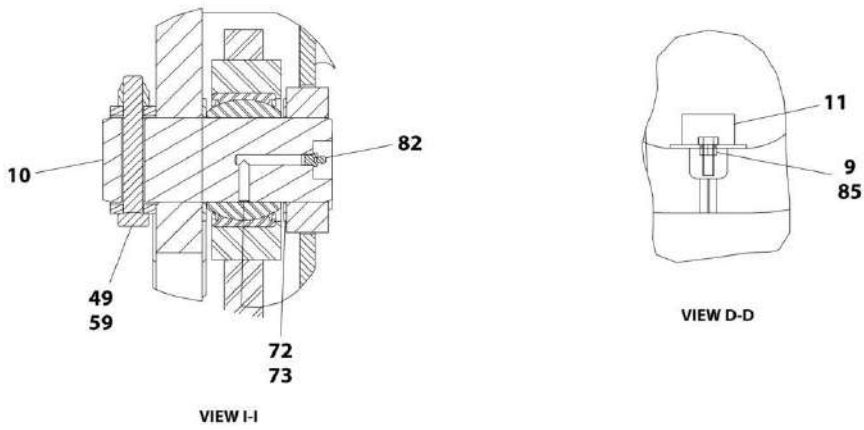
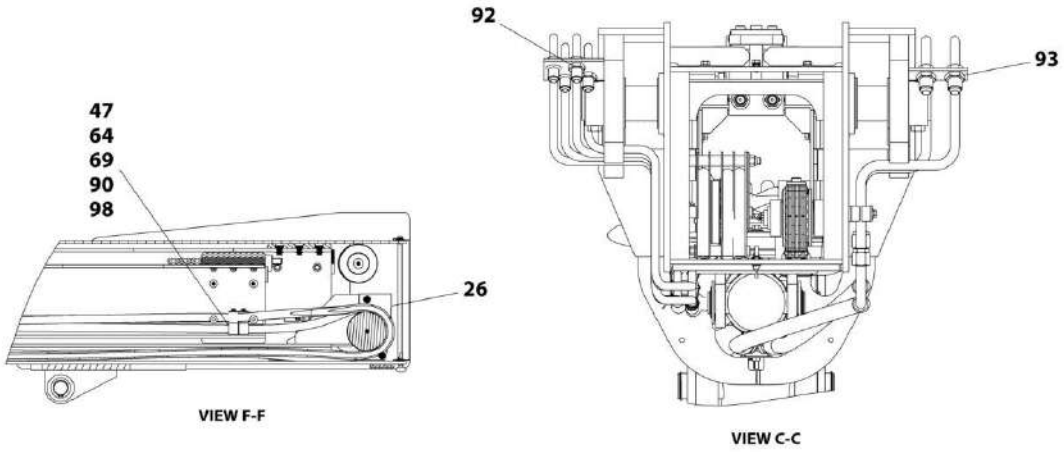
VIEW A-A



VIEW B-B

ART_1001155927_2-F

SECTION 2 - BOOM



ART_1001155927_3-F

SECTION 2 - BOOM

FIGURE 2-1. BOOM INSTALLATION - 6036

ITEM	PART NUMBER	QTY	DESCRIPTION	REV
	1001155927	Ref	Boom Installation - 6036	F
1	1001101861	1	Installation, Bushing Sheave (See BUSHING SHEAVE INSTALLATION - 6036 for Breakdown)	
2	1001155928	1	Boom, Second Section	
3	1001156013	1	Cylinder, Extend/Retract (See HYDRAULIC COMPONENTS SECTION for Breakdown)	
4	1001156032	1	Boom, Third Section (Prior to SN 0160075657, Excluding 0160075650, 0160075651 and 0160075652)	
4	1001210818	1	Installation, Fly Boom - 6036 (See FLY BOOM INSTALLATION - 6036 for Breakdown) (SN 0160075657 to Present, Including 0160075650, 0160075651 and 0160075652)	
5	2220596	2	Adapter, 90	
6	2716614	1	Cylinder, Fork Tilt (See HYDRAULIC COMPONENTS SECTION for Breakdown)	
7	2716760	2	Hose	
8	2716788	2	Hose	
9	3311601	1	Nut, Hex 3/8-16	
10	3423226	2	Pin, Boom Pivot	
11	5724622	1	Bumper, Rubber	
12	7063432	1	Pin	
13	7079572	22	Pad, Wear	
14	7081621	1	Pin, Base End	
15	7081631	1	Pin, Rod End	
16	7082311	68	Insert, Wear Pad	
17	7082342	AR	Shim, Wear Pad	
18	7082362	AR	Shim, Wear Pad	
19	7083922	1	Pin, Carriage Pivot	
20	7083992	1	Pin, Rod End	
21	7085442	7	Spacer, Wear Pad	
23	7095522	1	Pin	
24	7096491	6	Spacer	
25	7111572	8	Pad, Wear	
26	7116773	1	Assembly, Hose Pulley (See HOSE PULLEY ASSEMBLY - 6036 for Breakdown)	
27	7116822	1	Cover	
28	7117031	2	Link	
29	7118892	1	Assembly, Lock Pin (See LOCK PIN ASSEMBLY for Breakdown)	
30	7125811	1	Conduit	
31	7125811	1	Conduit	
32	7138977	1	Pin, Retract Chain Sheave	
33	7138986	1	Sheave, Retract Chain (See RETRACT CHAIN SHEAVE for Breakdown)	
34	7139180	2	Yoke, Extend Chain	
35	7139689	1	Assembly, Retract Chain (See RETRACT CHAIN ASSEMBLY - 6036 for Breakdown)	
36	7139692	1	Assembly, Extend Chain (See EXTEND CHAIN ASSEMBLY - 6036 for Breakdown)	
37	7139692	1	Assembly, Extend Chain (See EXTEND CHAIN ASSEMBLY - 6036 for Breakdown)	
38	7139726	1	Tube	
39	7139727	1	Tube	
40	7139730	1	Tube	

SECTION 2 - BOOM

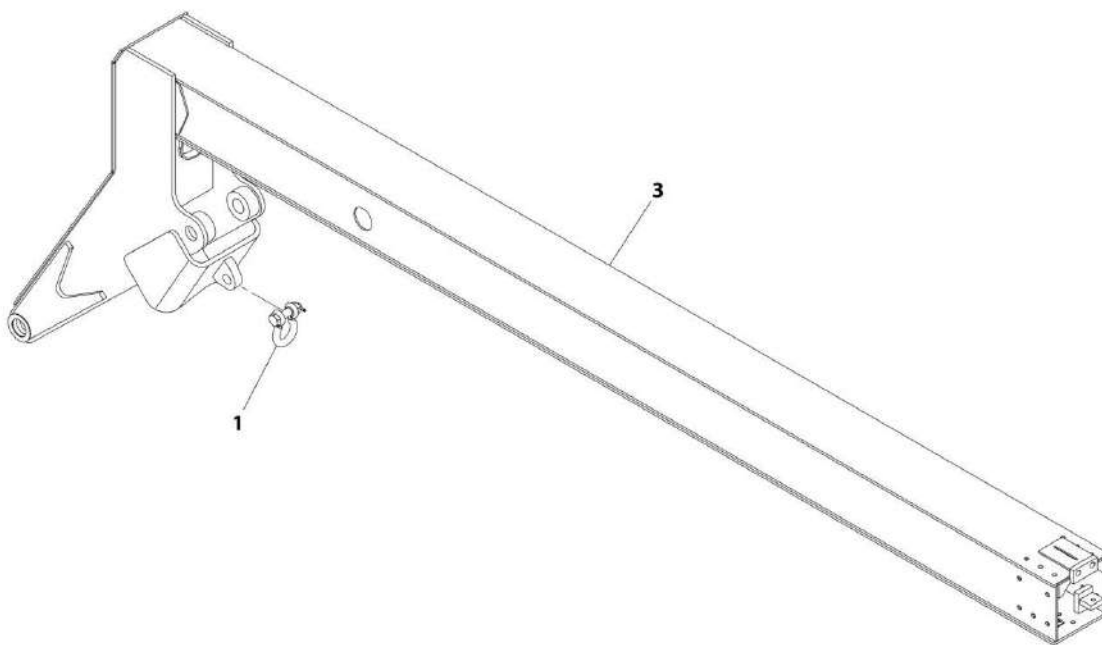
ITEM	PART NUMBER	QTY	DESCRIPTION	REV
41	7139731	1	Tube	
42	7139864	1	Assembly, Quick Coupler (See QUICK COUPLER ASSEMBLY for Breakdown)	
43	7150837	1	Tube	
44	7150838	1	Tube	
45	7302056	1	Boom, First Section	
46	8065640	4	Bearing, Self-Align	
47	8303090	4	Bolt, 1/4-20X1-3/4	
48	8303624	2	Bolt, 1/2-13X1	
49	8303655	2	Bolt, 5/8-11X4-1/2	
50	8303657	2	Bolt, 3/8-16X2	
51	8303666	1	Bolt, 5/8-11X5	
52	8303679	20	Bolt, 3/8-16X1-3/4	
53	8303681	32	Bolt, 3/8-16X3/4	
54	8303697	1	Bolt, 5/16-18X3/4	
55	8303715	3	Bolt, 5/16-18X1-1/2	
56	8303738	14	Bolt, 3/8-16X0.875	
57	8303746	1	Bolt, 5/16-18X1-3/4	
58	8303772	1	Bolt, 1/2-13X5	
59	8305643	3	Nut, Lock 5/8-11	
60	8305644	2	Nut, Lock 1/2-13	
61	8305645	4	Nut, Lock 3/8-16	
62	8305646	3	Nut, Lock 3/4-16	
63	8305906	2	Nut, Retainer 5/16-18	
64	8307002	4	Washer, Lock 1/4	
65	8307005	68	Washer, Lock 3/8	
66	8307007	2	Washer, Lock 1/2	
67	8307104	3	Washer, Plain 3/4	
68	8307106	2	Washer, Plain 5/16	
69	8307109	8	Washer, Plain 1/4	
70	8307204	64	Washer, Plain 3/8	
71	8307904	AR	Washer, Shim	
72	8307910	AR	Washer, Shim	
73	8307911	AR	Washer, Shim	
74	8307918	2	Washer, Shim	
75	8310019	4	Screw, Shoulder 1/2X1-1/2X3/8-16	
76	8310020	1	Screw, Shoulder 5/8X1-1/2X1/2-13	
77	8310093	AR	Washer, Shim	
78	8310431	1	Washer, Lock 5/16	
79	8310497	1	Screw, Thumb 5/16-18X1-1/2	
80	8310708	2	Washer, Plain 1-3/4	
81	8310712	2	Washer, Shim	
82	8520001	5	Fitting, Straight Lube	
83	8520003	1	Fitting, 90 Lube	
84	8522012	AR	Lube, Anti-Seize (not shown)	
85	8526007	AR	Compound, Thread Locking	
86	8526048	AR	Sealant, Compound (not shown)	
87	8526406	AR	Sealant, Varnish (not shown)	
88	8642224	2	Ring, Retaining	
89	8642234	4	Ring, Retaining	
90	8750029	2	Clamp Set, 3/4	
91	2220567	2	Adapter, 90	

SECTION 2 - BOOM

ITEM	PART NUMBER	QTY	DESCRIPTION	REV
92	8760465	2	Adapter, Bulkhead Nut	
93	8760468	2	Adapter, Bulkhead Nut	
94	8769122	3	Clamp Set, Twin 5/8	
95	8769123	3	Cover Plate, Twin	
96	8769128	1	Cover Plate, Twin	
97	8769139	1	Clamp Set, Twin 3/4	
98	8769153	2	Cover Plate, Single	
99	7139968	1	Assembly, Boom Auxiliary Hydraulics (See BOOM AUXILIARY HYDRAULICS ASSEMBLY - 6036 for Breakdown)	
100	2220683	1	Adapter	

SECTION 2 - BOOM

FIGURE 2-2. FLY BOOM INSTALLATION - 6036 (SN 0160075657 to Present, Including 0160075650, 0160075651 and 0160075652)



ART_1001210818-B

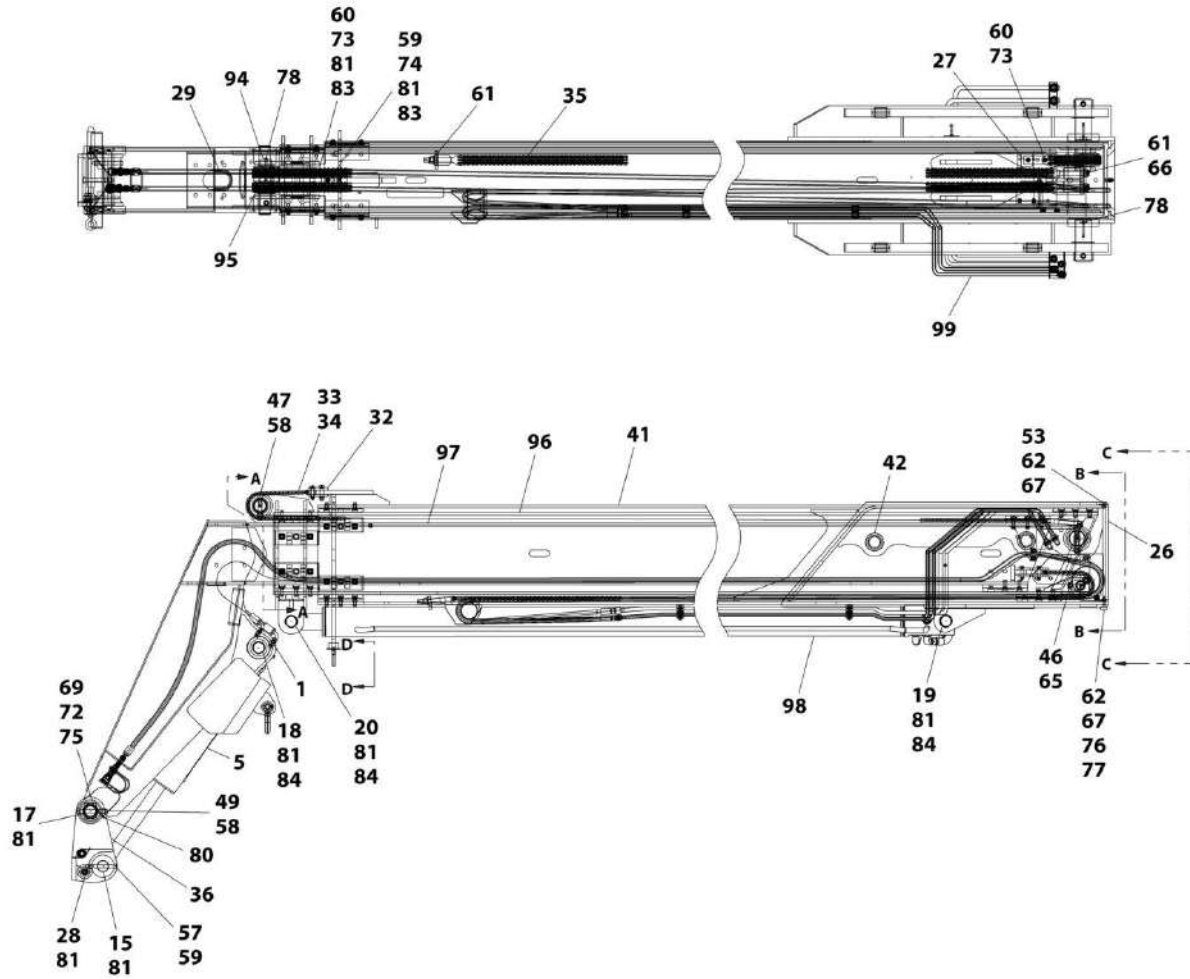
SECTION 2 - BOOM

FIGURE 2-2. FLY BOOM INSTALLATION - 6036 (SN 0160075657 to Present, Including 0160075650, 0160075651 and 0160075652)

ITEM	PART NUMBER	QTY	DESCRIPTION	REV
	1001210818	Ref	Fly Boom Installation - 6036	B
1	1001204045	1	Clevis, Bolt	
3	1001210809	1	Weldment, Boom	

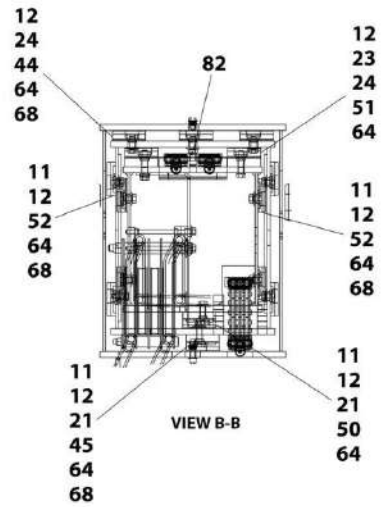
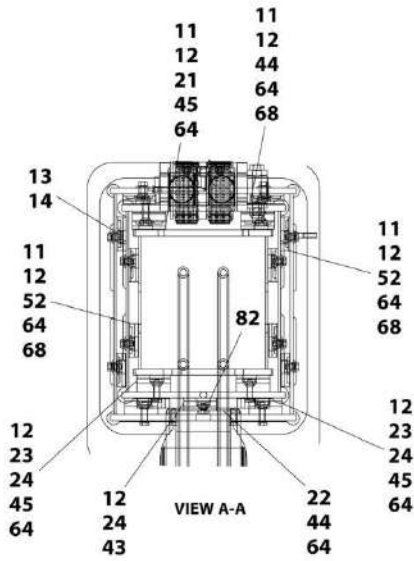
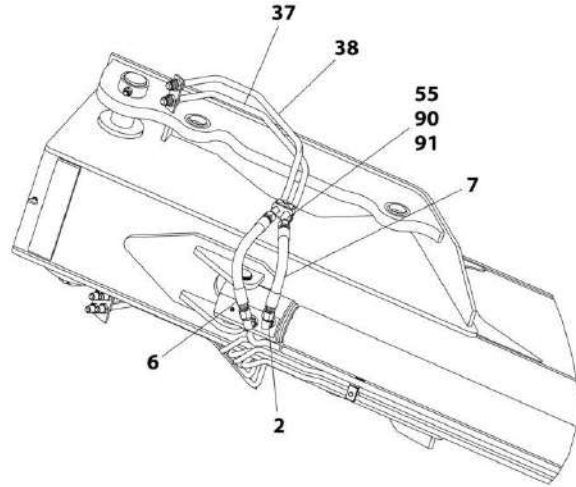
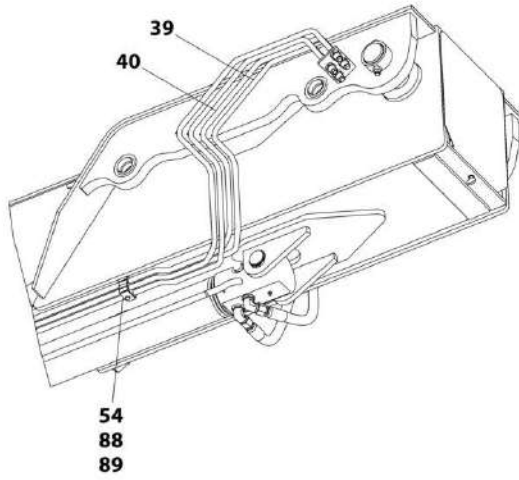
SECTION 2 - BOOM

FIGURE 2-3. BOOM INSTALLATION - 6042



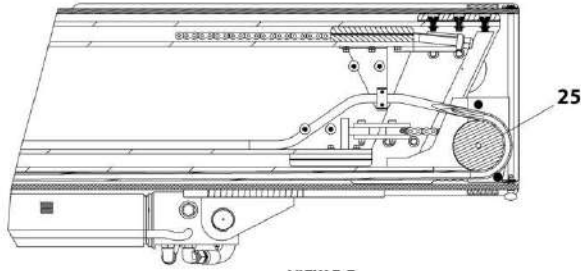
ART_1001155925_1-G

SECTION 2 - BOOM

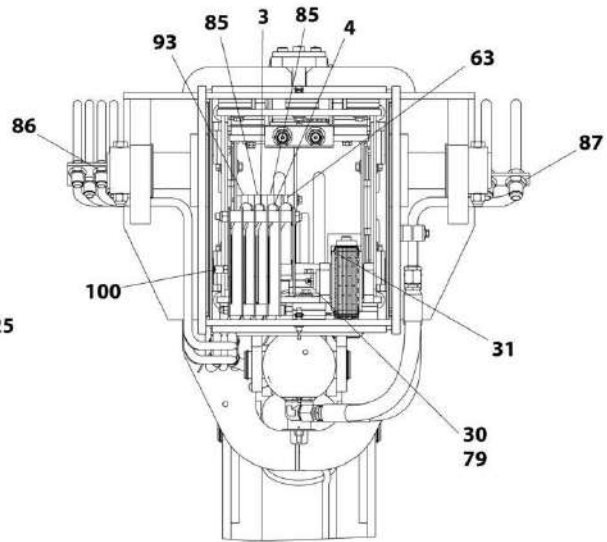


ART_1001155925_2-G

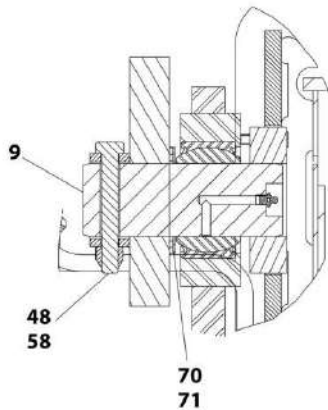
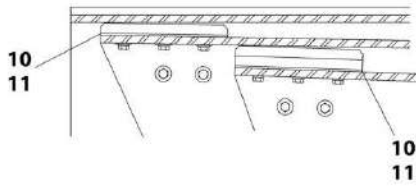
SECTION 2 - BOOM



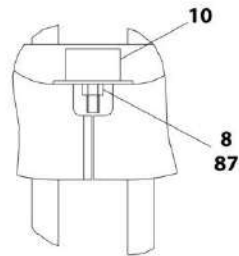
VIEW F-F



VIEW C-C



VIEW H-H



VIEW D-D

ART_1001155925_3-G

SECTION 2 - BOOM

FIGURE 2-3. BOOM INSTALLATION - 6042

ITEM	PART NUMBER	QTY	DESCRIPTION	REV
	1001155925	Ref	Boom Installation - 6042	G
1	2220373	2	Adapter, Straight	
2	2220578	2	Adapter, 90	
3	2713452	1	Hose	
4	2713452	1	Hose	
5	2716614	1	Cylinder, Fork Tilt (See HYDRAULIC COMPONENTS SECTION for Breakdown)	
6	2717018	1	Hose	
7	2717018	1	Hose	
8	3311601	1	Nut, Hex 3/8-16	
9	3423226	2	Pin, Boom Pivot	
10	5724622	1	Bumper, Rubber	
11	7079572	22	Pad, Wear	
12	7082311	73	Insert, Wear Pad	
13	7082342	AR	Shim, Wear Pad	
14	7082362	AR	Shim, Wear Pad	
15	7083992	1	Pin, Rod End	
17	7095352	1	Pin, Carriage Pivot	
18	7095522	1	Pin	
19	7096552	1	Pin, Base End	
20	7096562	1	Pin, Rod End	
21	7096702	4	Spacer, Wear Pad	
22	7096772	1	Spacer, Wear Pad	
23	7096882	6	Spacer, Wear Pad	
24	7111572	10	Pad, Wear	
25	7116733	1	Assembly, Hose Pulley (See HOSE PULLEY ASSEMBLY - 6042 for Breakdown)	
26	7116792	1	Cover	
27	7117031	2	Link	
28	7118892	1	Assembly, Lock Pin (See LOCK PIN ASSEMBLY for Breakdown)	
29	7125811	1	Conduit, 3/4X8	
30	7138977	1	Pin, Retract Chain Sheave	
31	7138986	1	Sheave, Retract Chain (See RETRACT CHAIN SHEAVE for Breakdown)	
32	7139180	2	Yoke, Extend Chain	
33	7139690	1	Assembly, Extend Chain (See EXTEND CHAIN ASSEMBLY - 6042 for Breakdown)	
34	7139690	1	Assembly, Extend Chain (See EXTEND CHAIN ASSEMBLY - 6042 for Breakdown)	
35	7139692	1	Assembly, Retract Chain (See RETRACT CHAIN ASSEMBLY - 6042 for Breakdown)	
36	7139864	1	Assembly, Quick Coupler (See QUICK COUPLER ASSEMBLY for Breakdown)	
37	7300670	1	Tube	
38	7300671	1	Tube	
39	7300672	1	Tube	
40	7300673	1	Tube	
41	7302052	1	Boom, First Section	
42	8065640	4	Bearing, Self-Align	
43	8303041	3	Bolt, 3/8-16X1/2	
44	8303620	18	Bolt, 3/8-16X1	

SECTION 2 - BOOM

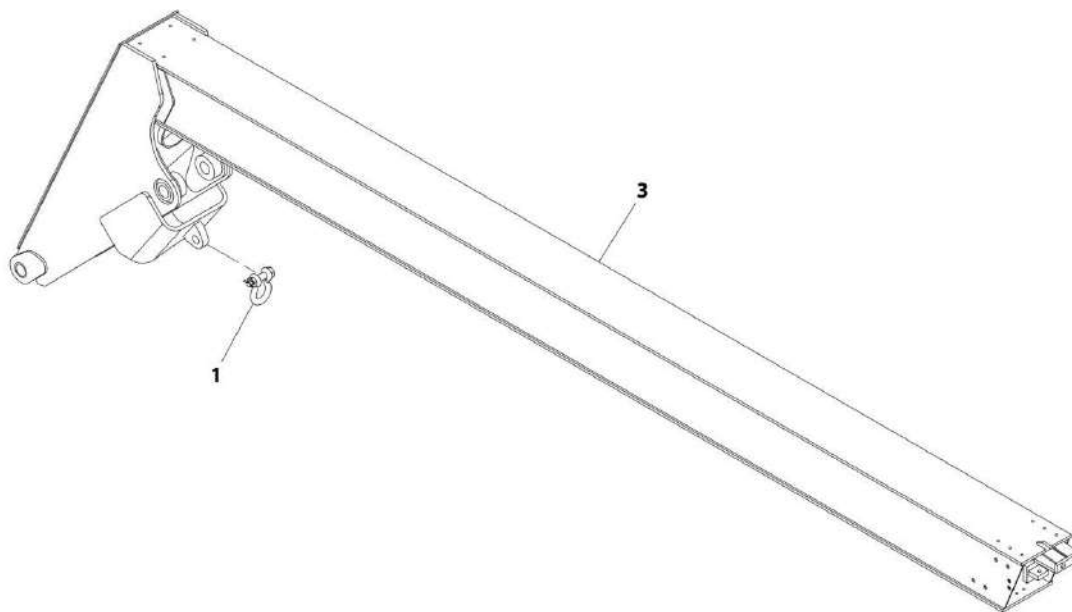
ITEM	PART NUMBER	QTY	DESCRIPTION	REV
45	8303621	18	Bolt, 3/8-16X1-1/2	
46	8303624	1	Bolt, 1/2-13X1	
47	8303634	1	Bolt, 5/8-11X4	
48	8303655	2	Bolt, 5/8-11X4-1/2	
49	8303666	1	Bolt, 5/8-11X5	
50	8303675	2	Bolt, 3/8-16X1-1/4	
51	8303679	6	Bolt, 3/8-16X1-3/4	
52	8303681	30	Bolt, 3/8-16X3/4	
53	8303697	1	Bolt, 5/16-18X3/4	
54	8303715	3	Bolt, 5/16-18X1-1/2	
55	8303746	1	Bolt, 5/16-18X1-3/4	
57	8303772	1	Bolt, 1/2-13X5	
58	8305643	4	Nut, Lock 5/8-11	
59	8305644	2	Nut, Lock 1/2-13	
60	8305645	4	Nut, Lock 3/8-16	
61	8305646	3	Nut, Lock 3/4-16	
62	8305906	2	Nut, Retainer 5/16-18	
63	8307004	2	Washer, Lock 5/16	
64	8307005	74	Washer, Lock 3/8	
65	8307007	1	Washer, Lock 1/2	
66	8307104	3	Washer, Plain 3/4	
67	8307106	2	Washer, Plain 5/16	
68	8307204	52	Washer, Plain 3/8	
69	8307904	AR	Washer, Shim	
70	8307910	AR	Washer, Shim	
71	8307911	AR	Washer, Shim	
72	8307918	2	Washer, Shim	
73	8310019	4	Screw, Shoulder 1/2X1-1/2X3/8-16	
74	8310020	1	Screw, Shoulder 5/8X1-1/2X1/2-13	
75	8310093	AR	Washer, Shim	
76	8310431	1	Washer, Lock 5/16	
77	8310497	1	Screw, Thumb 5/16-18X1-1/2	
78	8520001	3	Fitting, Straight Lube 1/8	
79	8520003	1	Fitting, 90 Lube 1/8	
80	8520013	2	Fitting, Straight Lube 1/8	
81	8522012	AR	Lube, Anti-Seize	
82	8526007	AR	Compound, Thread Locking	
83	8526406	AR	Sealant, Varnish	
84	8642224	6	Ring, Retaining	
85	8750003	4	Clamp, Half 5/8	
86	8760465	2	Adapter, Bulkhead Nut	
87	8760468	2	Adapter, Bulkhead Nut	
88	8769122	3	Clamp Set, Twin 5/8	
89	8769123	3	Cover Plate, Twin	
90	8769128	1	Cover Plate, Twin	
91	8769139	1	Clamp Set, Twin 3/4	
93	8769161	2	Clamp, Half 3/4	
94	1001097735	1	Pin, Extend Chain Sheave	
95	1001101845	1	Installation, Bushing Sheave (See BUSHING SHEAVE INSTALLATION - 6042 for Breakdown)	
96	1001155921	1	Boom, Second Section	
97	1001155923	1	Boom, Third Section (Prior to SN 0160075657, Excluding	

SECTION 2 - BOOM

ITEM	PART NUMBER	QTY	DESCRIPTION	REV
97	1001210819	1	0160075650, 0160075651 and 0160075652 Installation, Fly Boom - 6042 (See FLY BOOM INSTALLATION - 6042 for Breakdown) (SN 0160075657 to Present, Including 0160075650, 0160075651 and 0160075652)	
98		Ref	Cylinder, Extend/Retract (See HYDRAULIC COMPONENTS SECTION for Breakdown)	
99	7300678	1	Assembly, Boom Auxiliary Hydraulics (See BOOM AUXILIARY HYDRAULICS ASSEMBLY - 6042 for Breakdown)	
100	8310209	2	Bolt, 1/2-13X6	

SECTION 2 - BOOM

FIGURE 2-4. FLY BOOM INSTALLATION - 6042 (SN 0160075657 to Present, Including 0160075650, 0160075651 and 0160075652)



ART_1001210819-B

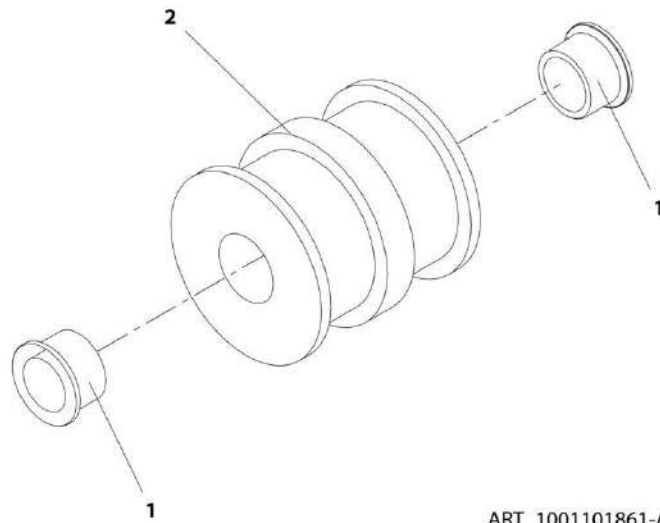
SECTION 2 - BOOM

FIGURE 2-4. FLY BOOM INSTALLATION - 6042 (SN 0160075657 to Present, Including 0160075650, 0160075651 and 0160075652)

ITEM	PART NUMBER	QTY	DESCRIPTION	REV
	1001210819	Ref	Fly Boom Installation - 6042	B
1	1001204045	1	Clevis, Bolt	
3	1001210808	1	Weldment, Boom	

SECTION 2 - BOOM

FIGURE 2-5. BUSHING SHEAVE INSTALLATION - 6036



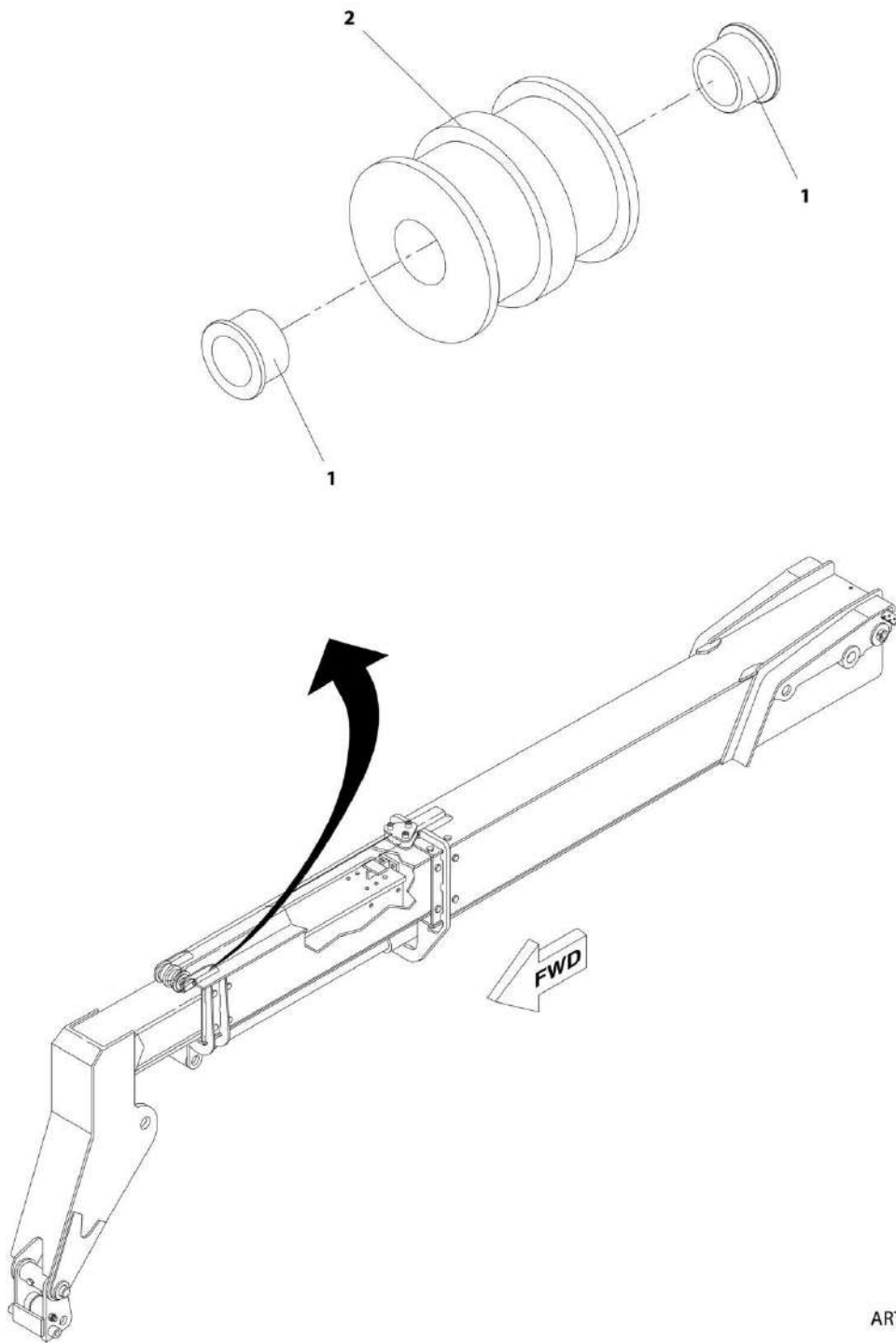
ART_1001101861-A

FIGURE 2-5. BUSHING SHEAVE INSTALLATION - 6036

ITEM	PART NUMBER	QTY	DESCRIPTION	REV
	1001101861	Ref	Bushing Sheave Installation - 6036	A
1	5906392	2	Bushing, Sheave	
2	7063452	1	Sheave, Extend Chain	

SECTION 2 - BOOM

FIGURE 2-6. BUSHING SHEAVE INSTALLATION - 6042



ART_1001101845-A

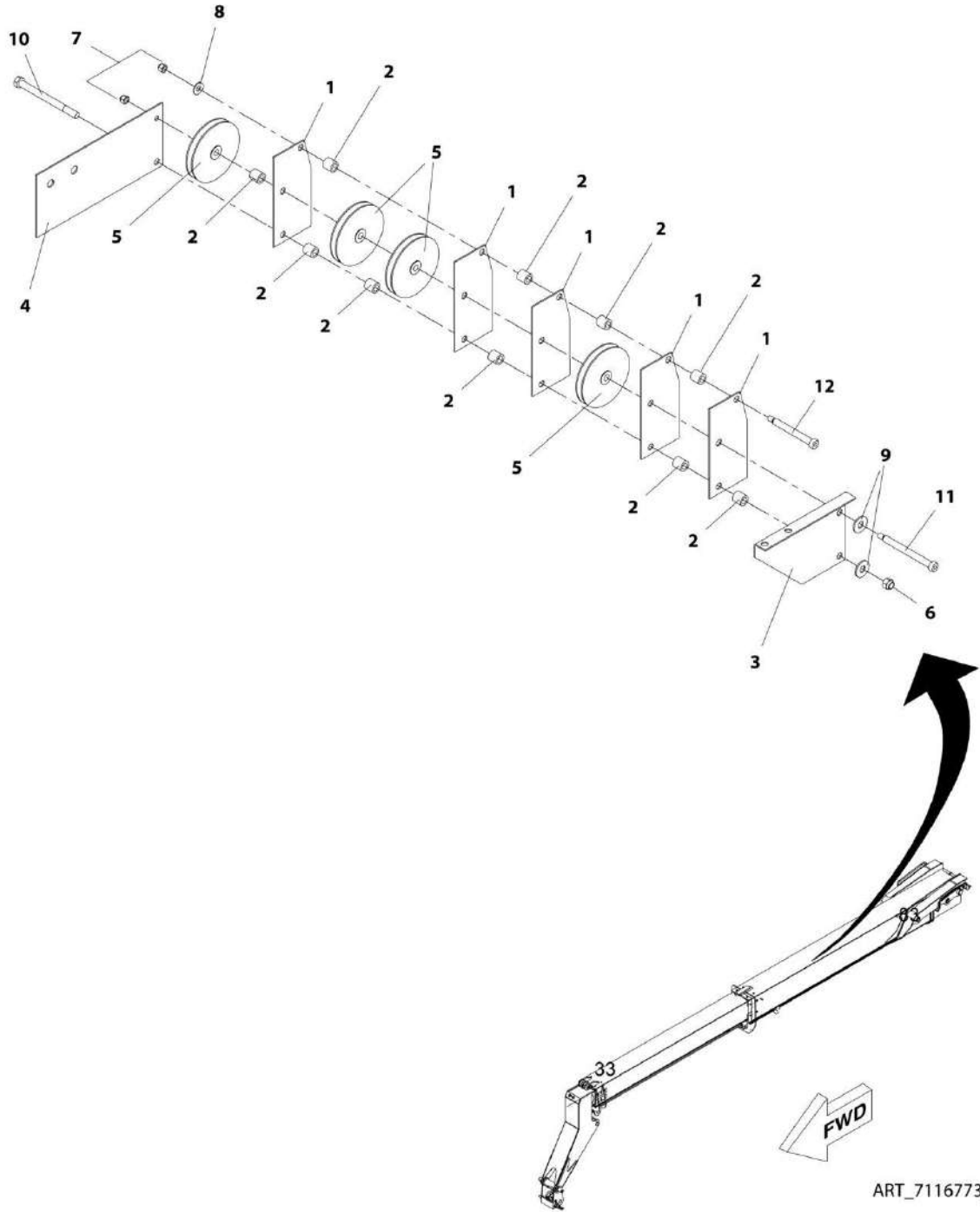
SECTION 2 - BOOM

FIGURE 2-6. BUSHING SHEAVE INSTALLATION - 6042

ITEM	PART NUMBER	QTY	DESCRIPTION	REV
	1001101845	Ref	Bushing Sheave Installation - 6042	A
1	7114112	1	Sheave, Extend Chain	
2	7126662	1	Bushing, Sheave	

SECTION 2 - BOOM

FIGURE 2-7. HOSE PULLEY ASSEMBLY - 6036



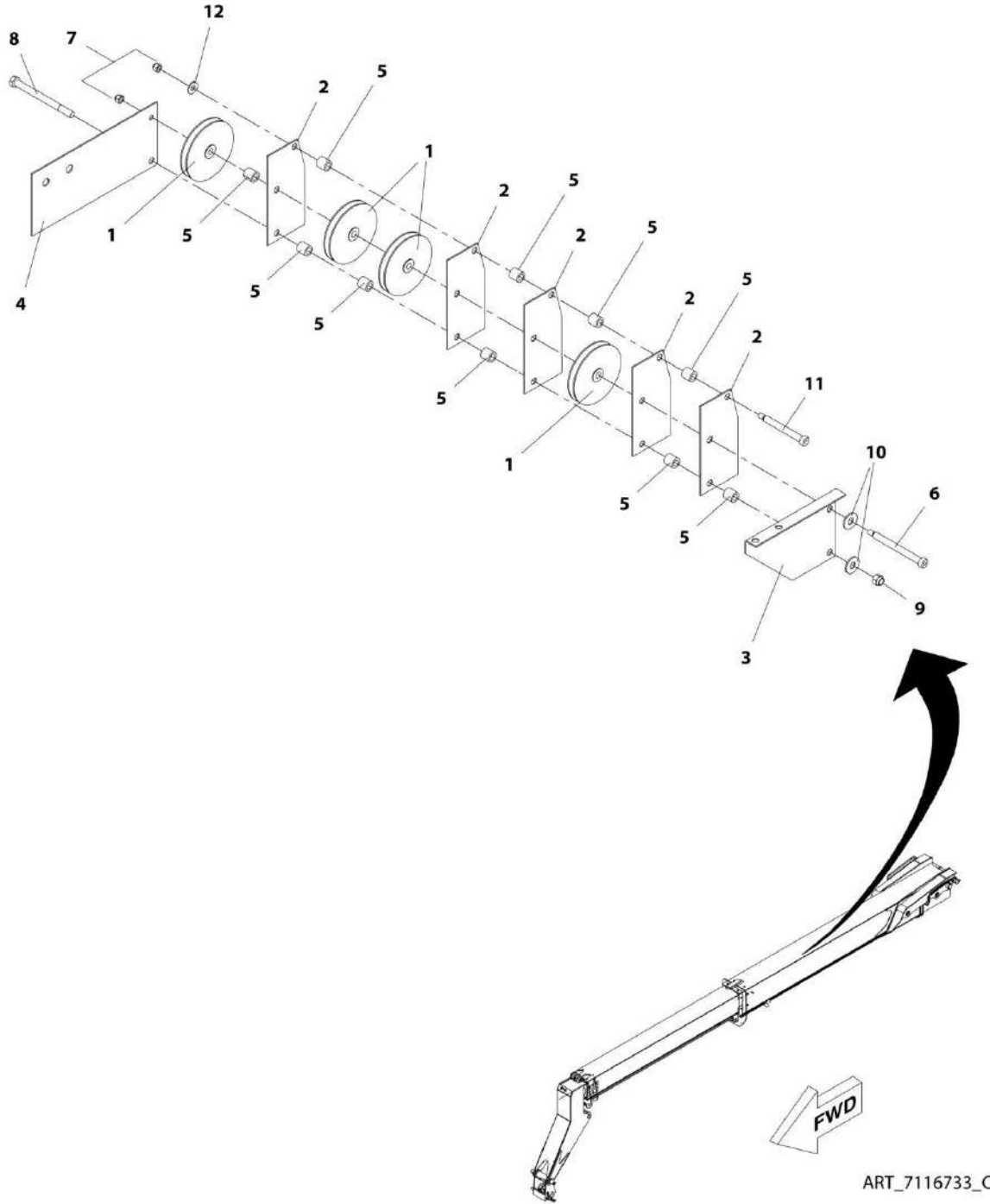
ART_7116773_E

FIGURE 2-7. HOSE PULLEY ASSEMBLY - 6036

ITEM	PART NUMBER	QTY	DESCRIPTION	REV
	7116773	Ref	Hose Pulley Assembly - 6036	E
1	7116642	5	Divider	
2	7116691	10	Spacer	
3	7116742	1	Bracket, RH	
4	7116752	1	Bracket, LH	
5	7116812	4	Wheel, Roller	
6	8305644	1	Nut, Lock 1/2-13	
7	8305645	2	Nut, Lock 3/8-16	
8	8307204	1	Washer, Plain 3/8	
9	8307206	2	Washer, Plain 1/2	
10	8310209	1	Bolt, 1/2-13X6	
11	8310235	1	Screw, Shoulder 1/2X5	
12	8310245	1	Screw, Shoulder 1/2X4	

SECTION 2 - BOOM

FIGURE 2-8. HOSE PULLEY ASSEMBLY - 6042



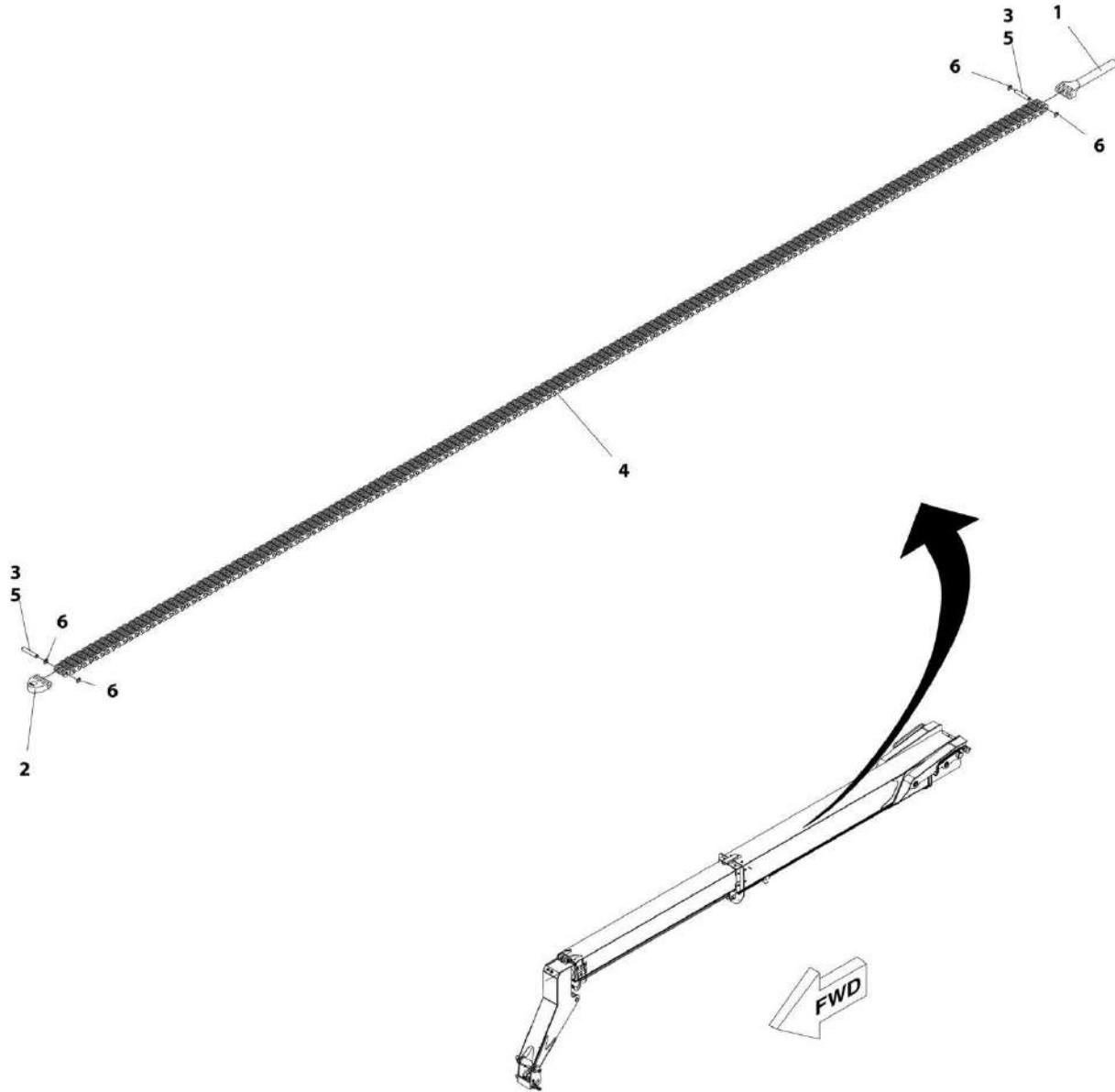
ART_7116733_C

FIGURE 2-8. HOSE PULLEY ASSEMBLY - 6042

ITEM	PART NUMBER	QTY	DESCRIPTION	REV
	7116733	Ref	Hose Pulley Assembly - 6042	C
1	7116812	4	Wheel, Roller	
2	7116642	5	Divider	
3	7116652	1	Bracket, RH	
4	7116662	1	Bracket, LH	
5	7116691	10	Spacer	
6	8310235	1	Screw, Shoulder 1/2X5	
7	8305645	2	Nut, Lock 3/8-16	
8	8310209	1	Bolt, 1/2-13X6	
9	8305644	1	Nut, Lock 1/2-13	
10	8307206	2	Washer, Plain 1/2	
11	8310245	1	Screw, Shoulder 1/2X4	
12	8307204	1	Washer, Plain 3/8	

SECTION 2 - BOOM

FIGURE 2-9. RETRACT CHAIN ASSEMBLY - 6036



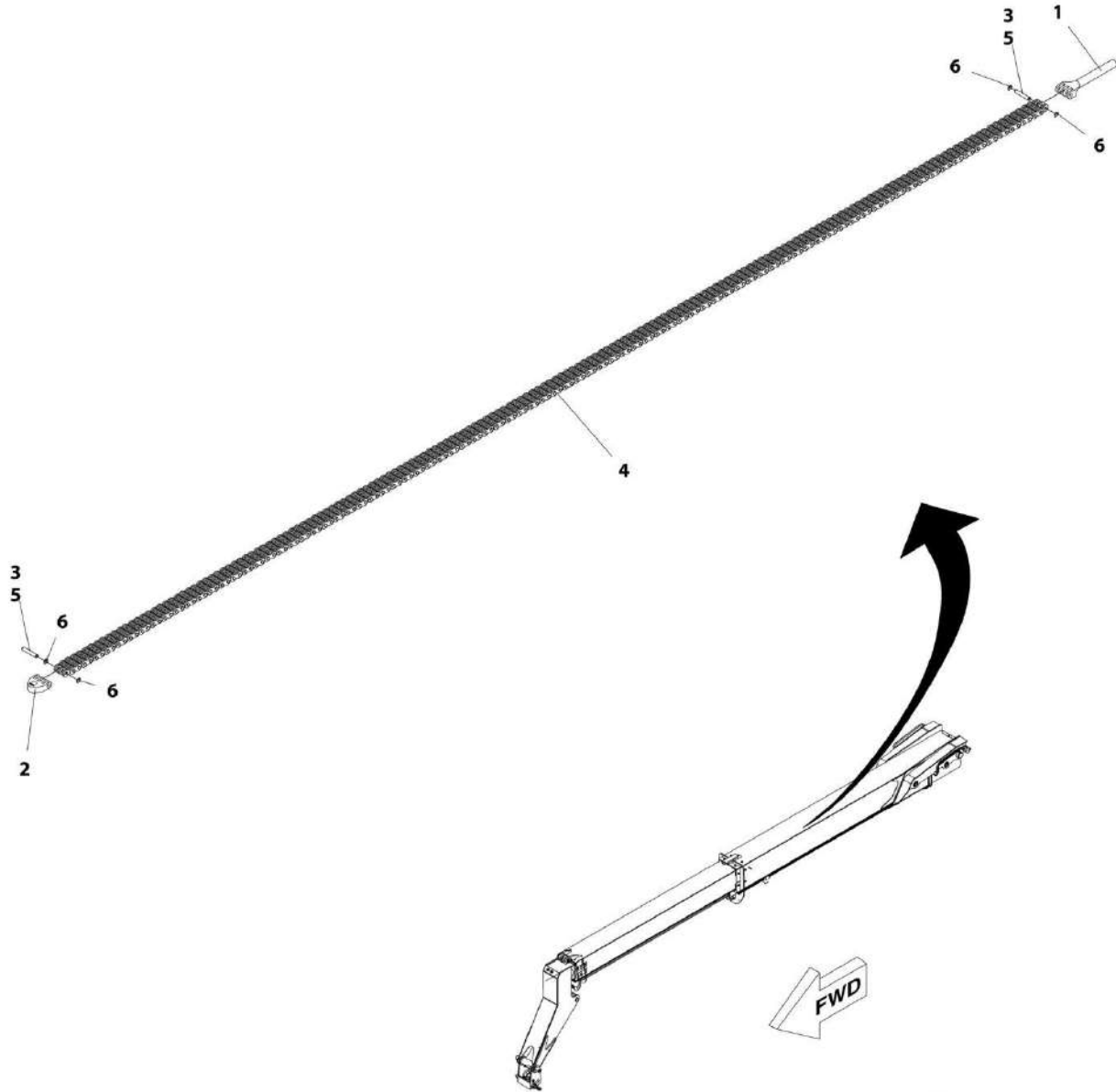
ART_7139689_B

FIGURE 2-9. RETRACT CHAIN ASSEMBLY - 6036

ITEM	PART NUMBER	QTY	DESCRIPTION	REV
	7139689	Ref	Retract Chain and Clevis Assembly - 6036	B
1	7139032	1	Clevis, Female Anchor	
2	7139416	1	Clevis, Female Anchor	
3	8124138	2	Pin, Chain Clevis	
4	8127021	1	Chain, Leaf	
5	8522012	AR	Lube, Anti-Seize	
6	8642237	4	Ring, Retaining	

SECTION 2 - BOOM

FIGURE 2-10. EXTEND CHAIN ASSEMBLY - 6036/RETRACT CHAIN ASSEMBLY - 6042



ART_7139692_B

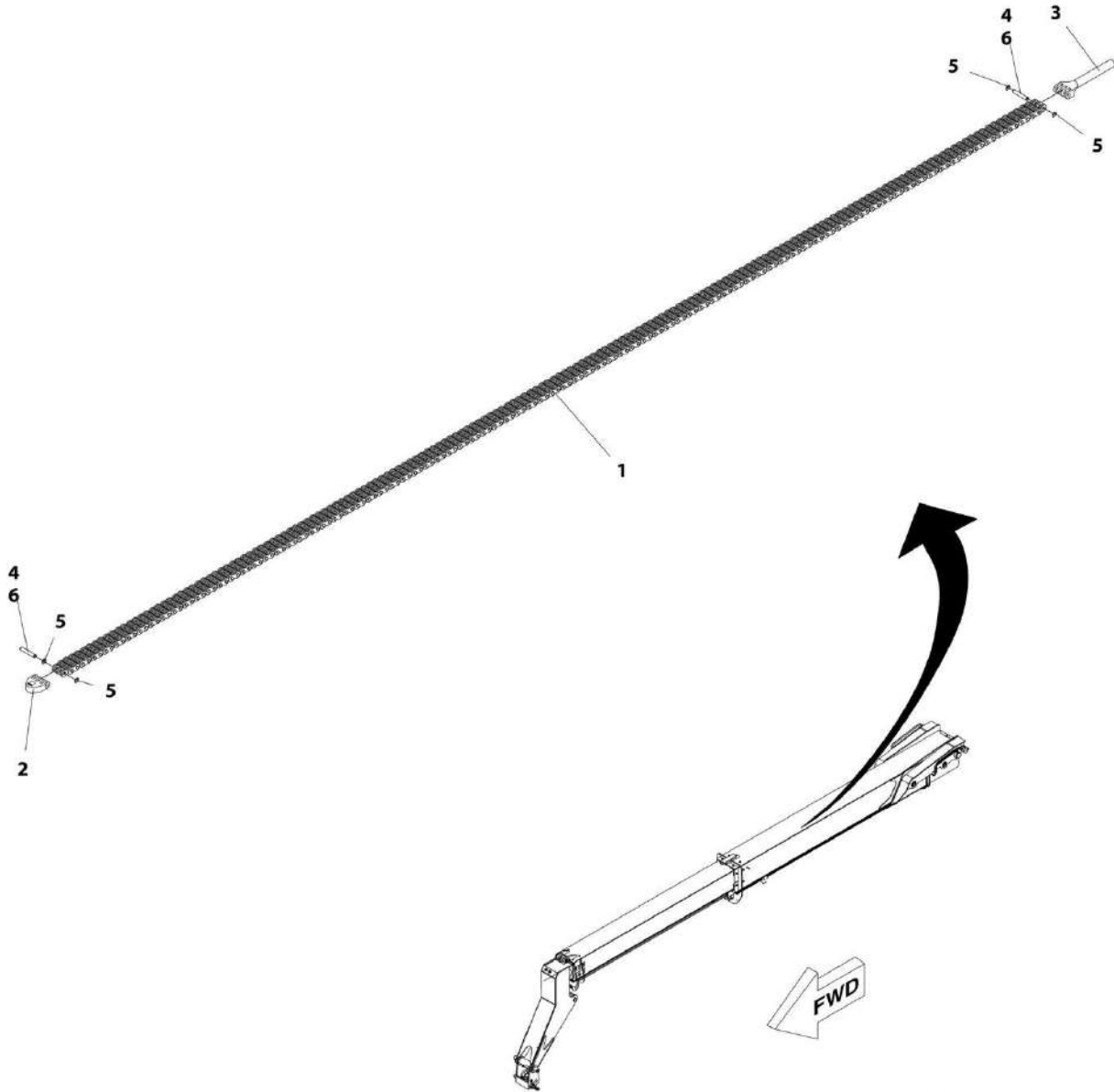
SECTION 2 - BOOM

FIGURE 2-10. EXTEND CHAIN ASSEMBLY - 6036/RETRACT CHAIN ASSEMBLY - 6042

ITEM	PART NUMBER	QTY	DESCRIPTION	REV
	7139692	Ref	Extend Chain Assembly - 6036/Retract Chain Assembly - 6042	B
1	7139032	1	Clevis, Female Anchor	
2	7139416	1	Clevis, Female Anchor	
3	8124138	2	Pin, Chain Clevis	
4	8127024	1	Chain, Leaf	
5	8522012	AR	Lube, Anti-Seize	
6	8642237	4	Ring, Retaining	

SECTION 2 - BOOM

FIGURE 2-11. EXTEND CHAIN ASSEMBLY - 6042



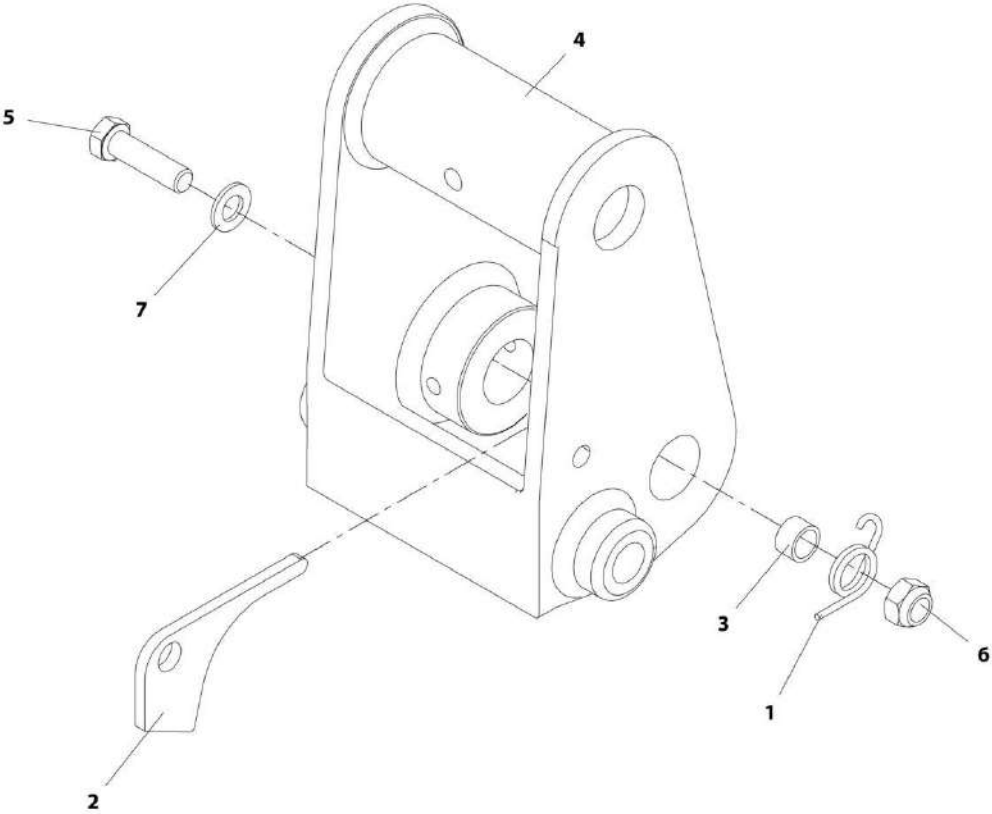
ART_7139690_B

FIGURE 2-11. EXTEND CHAIN ASSEMBLY - 6042

ITEM	PART NUMBER	QTY	DESCRIPTION	REV
	7139690	Ref	Extend Chain Assembly - 6042	B
1	8127022	1	Chain, Leaf	
2	7139416	1	Clevis, Female Anchor	
3	7139032	1	Clevis, Female Anchor	
4	8124138	2	Pin, Chain Clevis	
5	8642237	4	Ring, Retaining	
6	8522012	AR	Lube, Anti-Seize	

SECTION 2 - BOOM

FIGURE 2-12. QUICK COUPLER ASSEMBLY



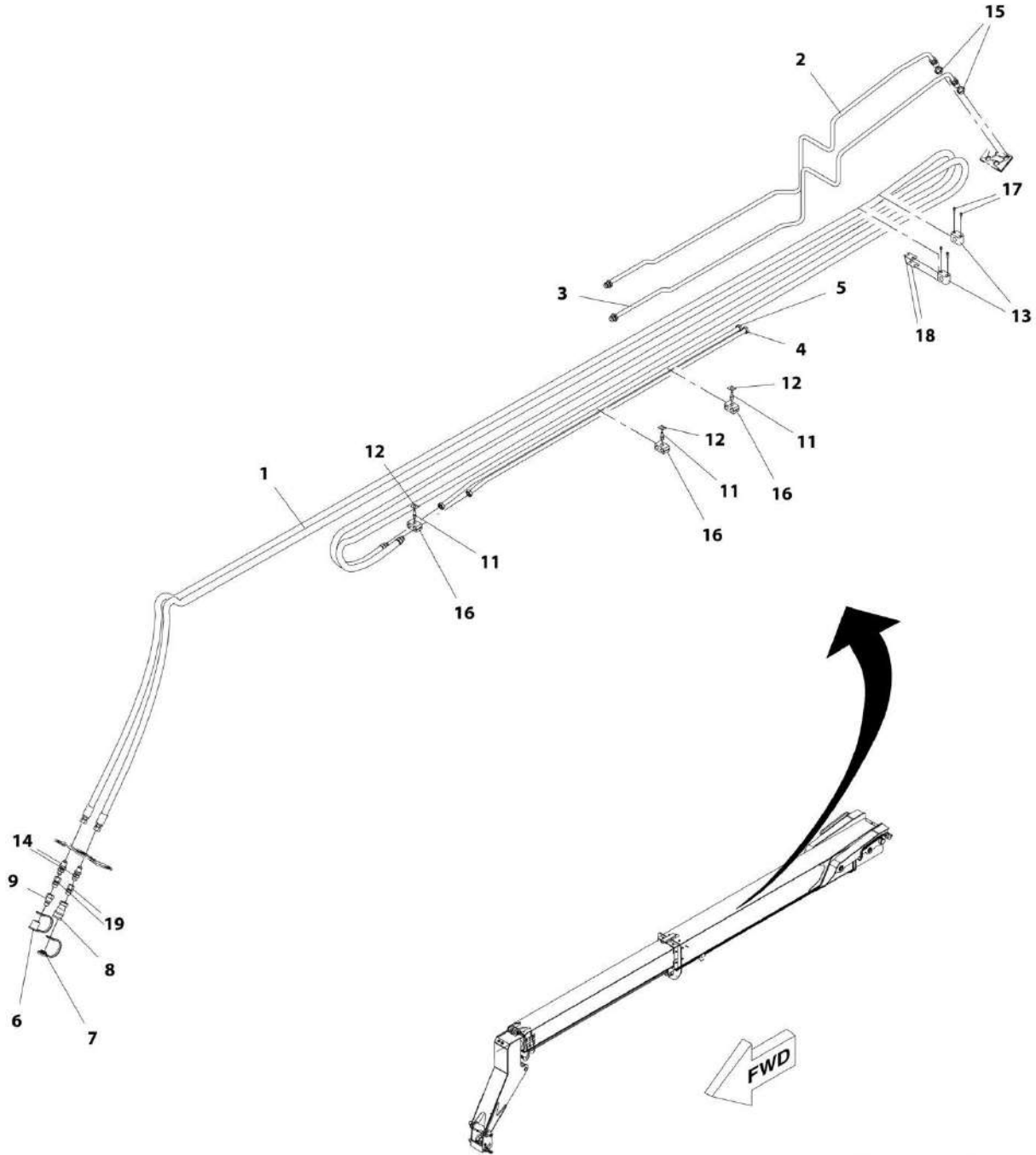
ART_7139864_B

FIGURE 2-12. QUICK COUPLER ASSEMBLY

ITEM	PART NUMBER	QTY	DESCRIPTION	REV
	7139864	Ref	Quick Coupler Assembly	B
1	7085552	1	Spring, Torsion	
2	7085562	1	Latch	
3	7085571	1	Spacer	
4	7139863	1	Link	
5	8303638	1	Bolt, 3/4-10X2-3/4	
6	8305619	1	Nut, Lock 3/4-10	
7	8307104	1	Washer, Plain 3/4	

SECTION 2 - BOOM

FIGURE 2-13. BOOM AUXILIARY HYDRAULICS INSTALLATION - 6036



ART_7139968_G

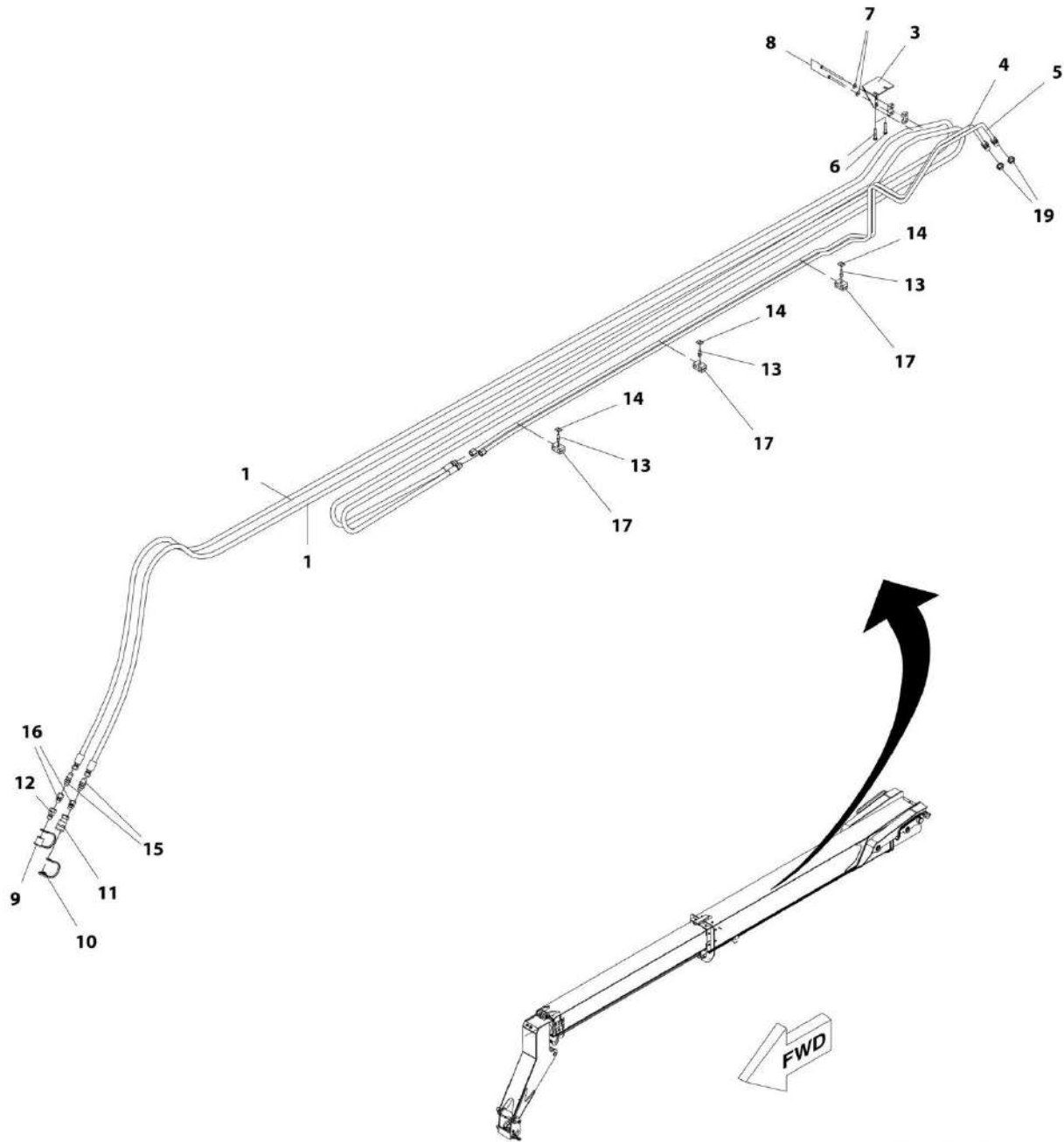
SECTION 2 - BOOM

FIGURE 2-13. BOOM AUXILIARY HYDRAULICS INSTALLATION - 6036

ITEM	PART NUMBER	QTY	DESCRIPTION	REV
	7139968	Ref	Boom Auxiliary Hydraulics Installation - 6036	G
1	2716792	2	Hose	
2	7139728	1	Tube, Auxiliary Inside	
3	7139729	1	Tube, Auxiliary Outside	
4	7150837	1	Tube, Boom Extension Outside Pipe	
5	7150838	1	Tube, Boom Extension Inside Pipe	
6	8420053	1	Cap, Dust	
7	8420055	1	Plug, Dust	
8	91403413	1	Adapter, Quick Disconnect	
9	91403414	1	Adapter, Quick Disconnect	
11	8750011	3	Bolt, Stacking 5/16	
12	8750017	3	Plate, Twin Clamp Locking	
13	8750029	2	Clamp Set, Single 3/4	
14	2230025	2	Adapter, Bulkhead Straight	
15	8760465	2	Adapter, Bulkhead Nut	
16	8769122	3	Clamp Set, Twin 5/8	
17	8769155	4	Bolt, Stacking	
18	8769156	2	Plate, Single Safety Lock	
19	2220651	2	Adapter, Straight	

SECTION 2 - BOOM

FIGURE 2-14. BOOM AUXILIARY HYDRAULICS INSTALLATION - 6042



ART_7300678_E

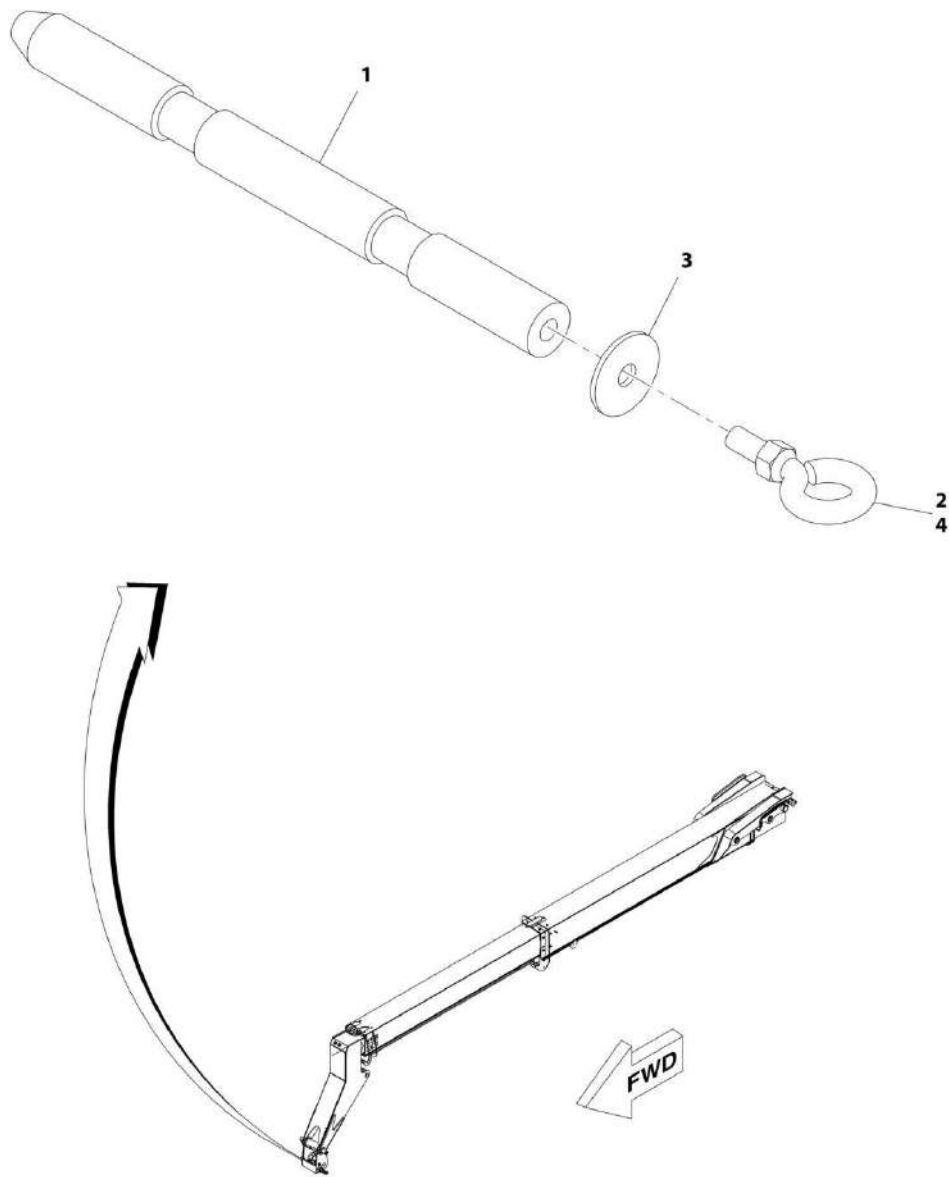
SECTION 2 - BOOM

FIGURE 2-14. BOOM AUXILIARY HYDRAULICS INSTALLATION - 6042

ITEM	PART NUMBER	QTY	DESCRIPTION	REV
	7300678	Ref	Boom Auxiliary Hydraulics Installation - 6042	E
1	2713082	2	Hose	
3	7111402	1	Support, Hose Clamp	
4	7300674	1	Tube, Boom Auxiliary Inner	
5	7300675	1	Tube, Boom Auxiliary Outer	
6	8303622	2	Bolt, 3/8-16X2	
7	8307203	2	Washer, Plain 5/16	
8	8310081	2	Bolt, 5/16-18X5	
9	8420053	1	Cap, Dust	
10	8420055	1	Plug, Dust	
11	91403413	1	Adapter, Quick Disconnect	
12	91403414	1	Adapter, Quick Disconnect	
13	8750011	3	Bolt, Stacking 5/16	
14	8750017	3	Plate, Twin Clamp Locking	
15	2230025	2	Adapter, Bulkhead Straight	
16	2220651	2	Adapter, Straight	
17	8769122	3	Clamp Set, Twin 5/8	
18	8769161	2	Clamp, Half Single 3/4	
19	8760465	1	Adapter, Bulkhead Nut	

SECTION 2 - BOOM

FIGURE 2-15. LOCK PIN ASSEMBLY



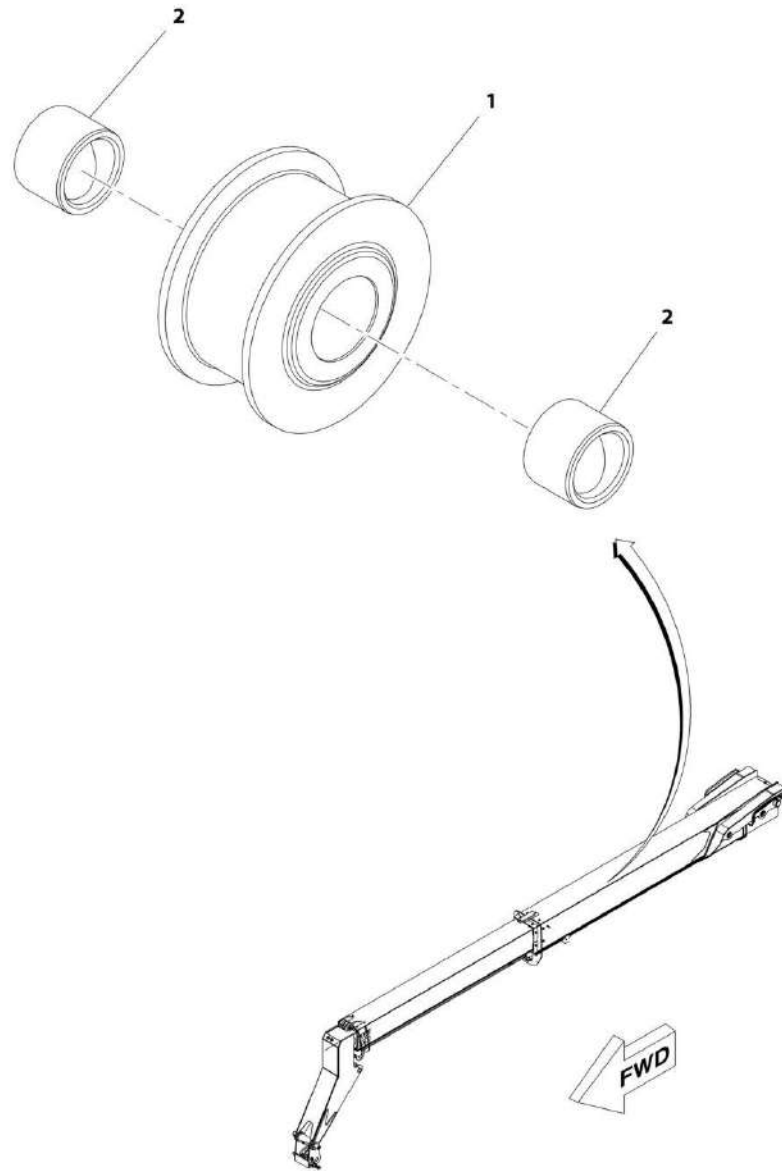
ART_7118892-B

FIGURE 2-15. LOCK PIN ASSEMBLY

ITEM	PART NUMBER	QTY	DESCRIPTION	REV
	7118892	Ref	Lock Pin Assembly	B
1	7118882	1	Pin	
2	8310266	2	Bolt, Eye 1/2-13X2	
3	8310276	3	Washer	
4	8526007	AR	Compound, Locking	

SECTION 2 - BOOM

FIGURE 2-16. RETRACT CHAIN SHEAVE



ART_7138986-C

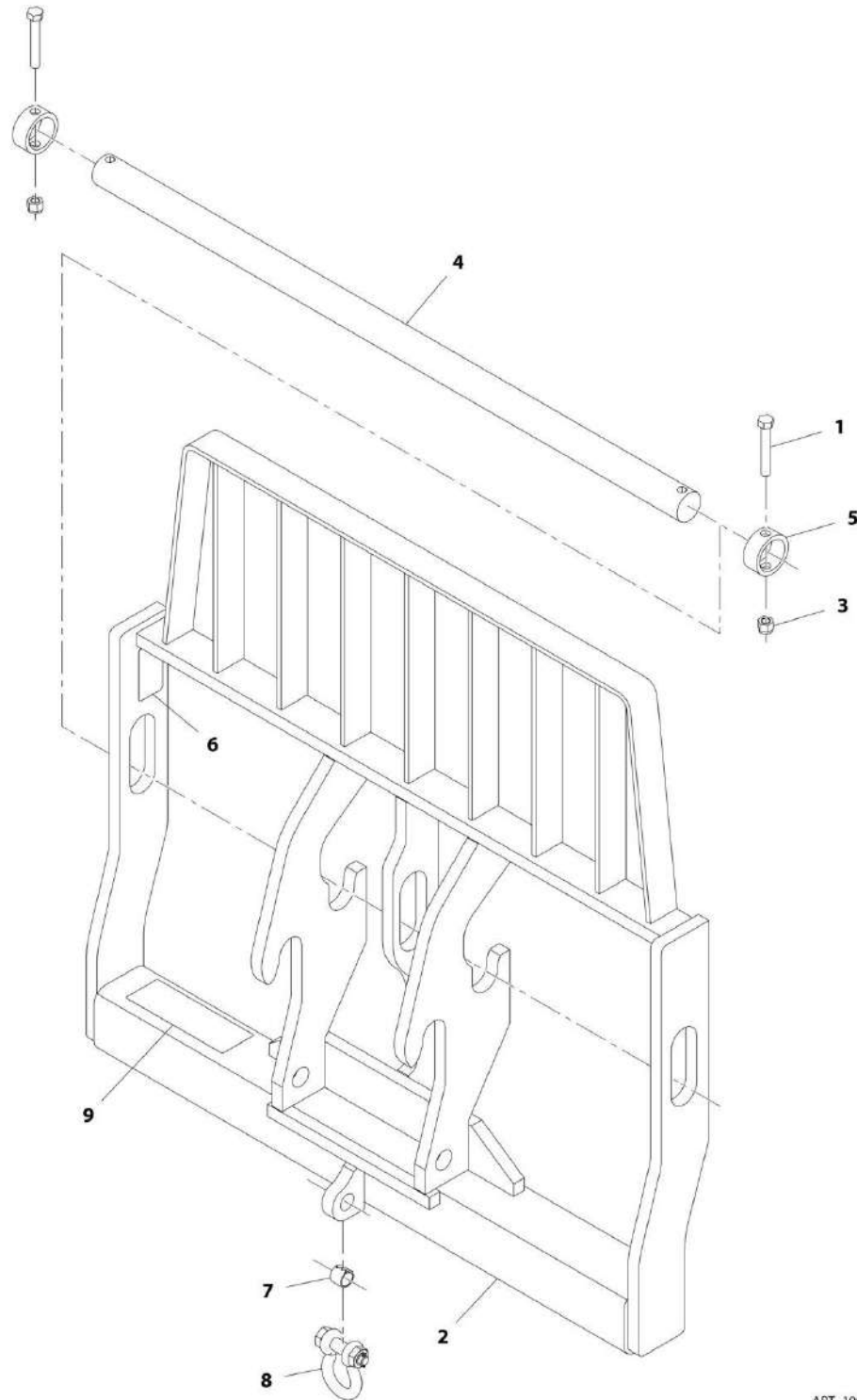
FIGURE 2-16. RETRACT CHAIN SHEAVE

ITEM	PART NUMBER	QTY	DESCRIPTION	REV
	7138986	Ref	Retract Chain Sheave	C
1	7138978	1	Sheave, Retract Chain	
2	7138979	2	Bushing, Sheave Retract Chain	

SECTION 3 - ATTACHMENTS

SECTION 3 - ATTACHMENTS

FIGURE 3-1. CARRIAGE ASSEMBLY (50 INCH) (Prior to SN 0160075657, Excluding 0160075650, 0160075651 and 0160075652)



ART_1001146084-D

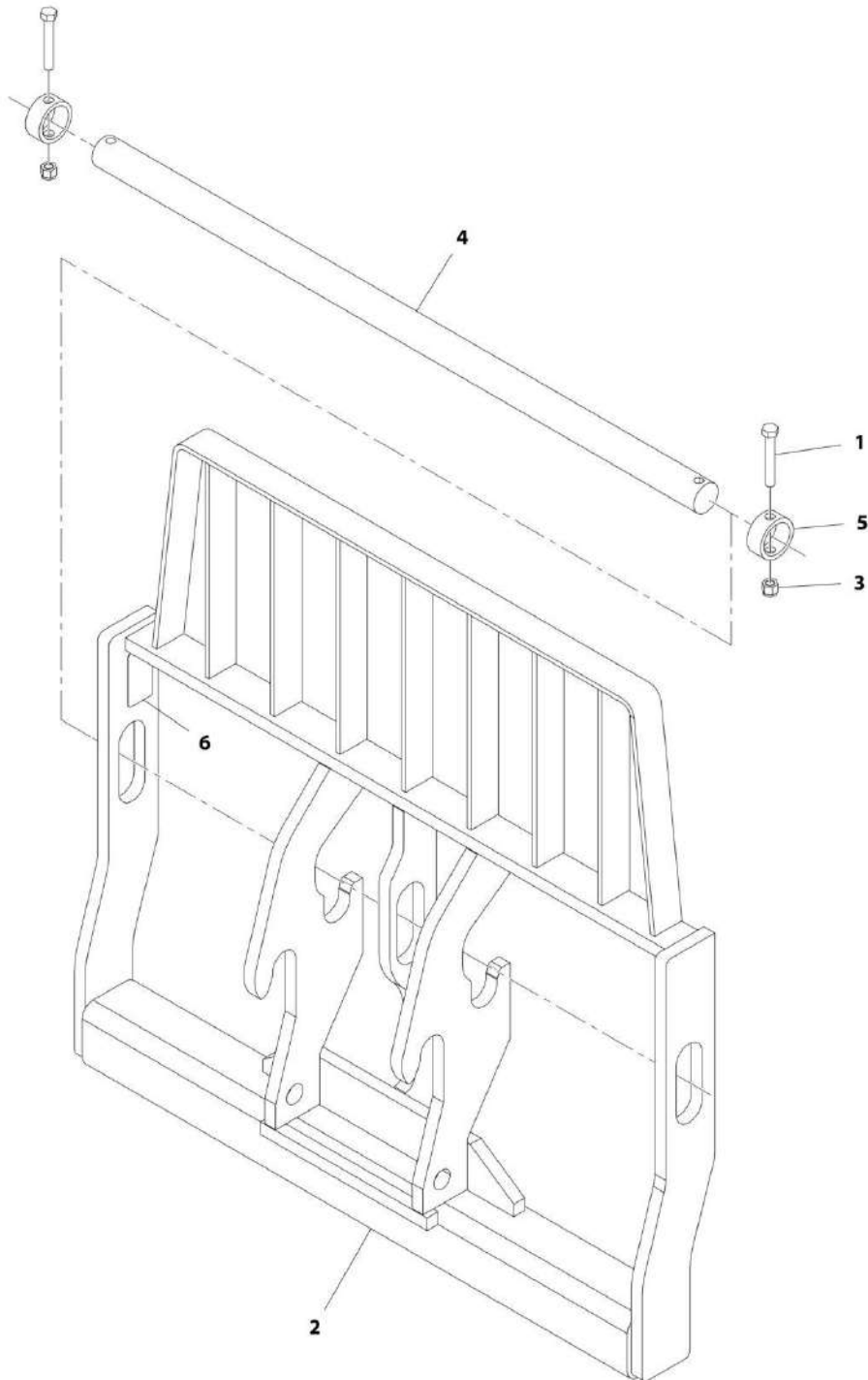
SECTION 3 - ATTACHMENTS

FIGURE 3-1. CARRIAGE ASSEMBLY (50 INCH) (Prior to SN 0160075657, Excluding 0160075650, 0160075651 and 0160075652)

ITEM	PART NUMBER	QTY	DESCRIPTION	REV
	1001146084	Ref	Carriage Assembly (50 Inch)	D
1	0642032	2	Bolt, 5/8-11X4	
2	N.S.S.	1	Weldment, Carriage	
3	3300240	2	Nut, Lock 5/8-11	
4	3423275	1	Pin, Fork	
5	90200003	2	Collar, Fork Pin	
6	N.S.S.	1	S/N Plate	
7	1001146159	1	Sleeve, Insert	
8	1001146160	1	Shackle, Bolt 3/4	
9	1001151561	1	Decal, Danger Swinging Loads	

SECTION 3 - ATTACHMENTS

FIGURE 3-2. CARRIAGE ASSEMBLY (50 INCH) (SN 0160075657 to Present, Including 0160075650, 0160075651 and 0160075652)



ART_1170021-F

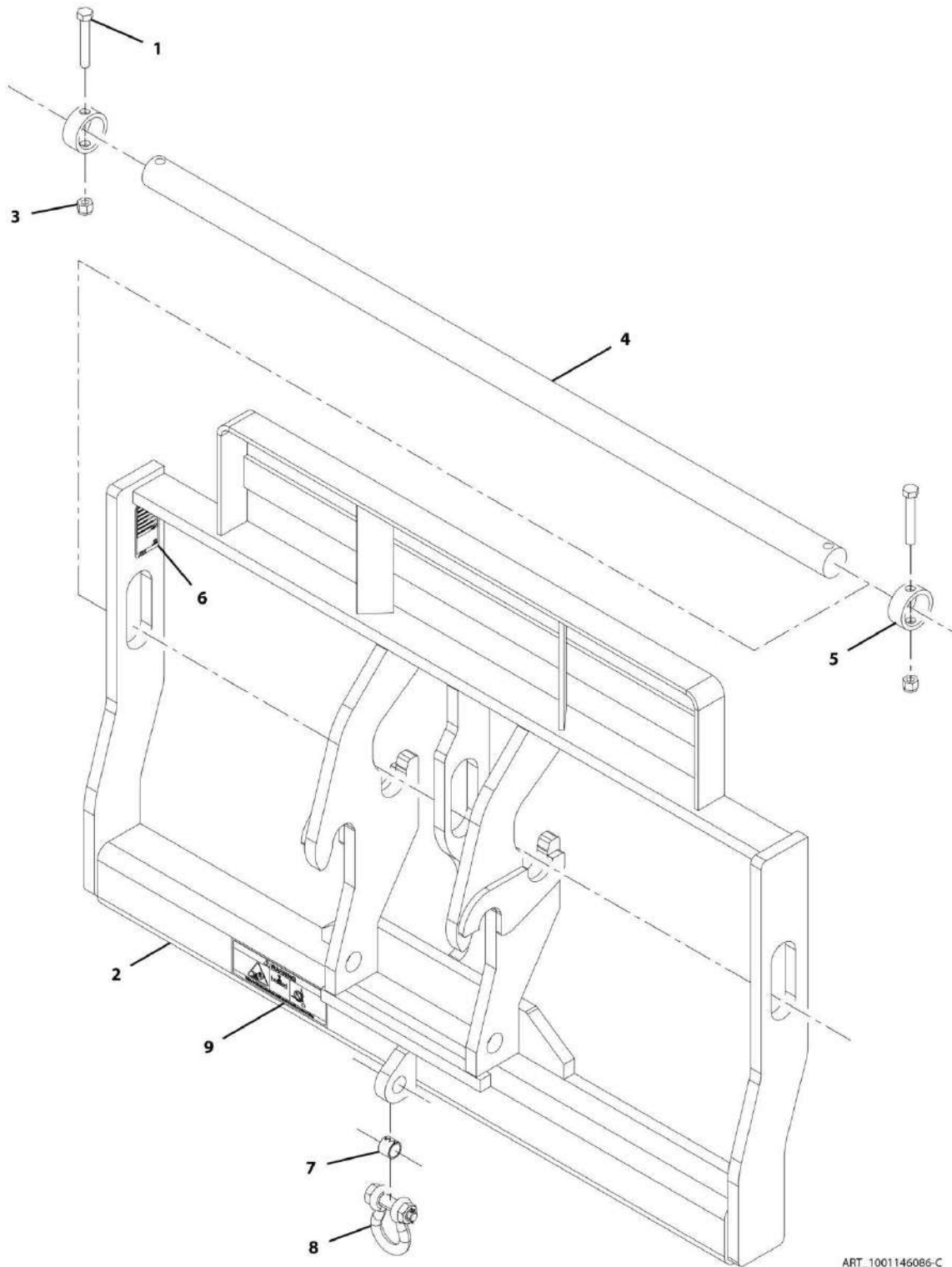
SECTION 3 - ATTACHMENTS

FIGURE 3-2. CARRIAGE ASSEMBLY (50 INCH) (SN 0160075657 to Present, Including 0160075650, 0160075651 and 0160075652)

ITEM	PART NUMBER	QTY	DESCRIPTION	REV
	1170021	Ref	Carriage Assembly (50 Inch)	F
1	0642032	2	Bolt, 5/8-11X4	
2	N.S.S.	1	Weldment, Carriage	
3	3300240	2	Nut, Lock 5/8-11	
4	3423275	1	Pin, Fork	
5	90200003	2	Collar, Fork Pin	
6	N.S.S.	1	S/N Plate	

SECTION 3 - ATTACHMENTS

FIGURE 3-3. CARRIAGE ASSEMBLY (60 INCH) (Prior to SN 0160075657, Excluding 0160075650, 0160075651 and 0160075652)



ART_1001146086-C

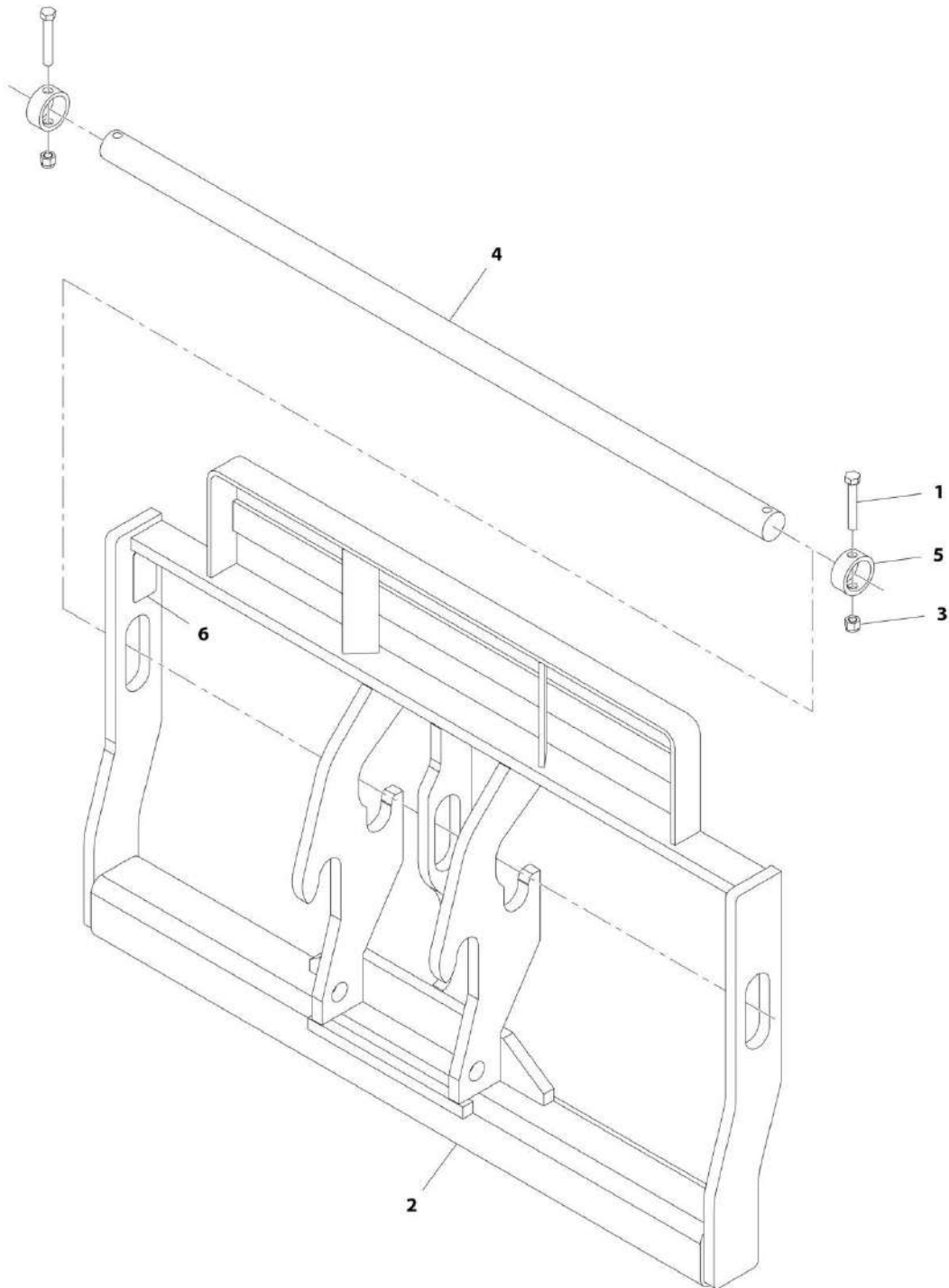
SECTION 3 - ATTACHMENTS

FIGURE 3-3. CARRIAGE ASSEMBLY (60 INCH) (Prior to SN 0160075657, Excluding 0160075650, 0160075651 and 0160075652)

ITEM	PART NUMBER	QTY	DESCRIPTION	REV
	1001146086	Ref	Carriage Assembly (60 Inch)	C
1	0642032	2	Bolt, 5/8-11X4	
2	N.S.S.	1	Weldment, Carriage	
3	3300240	2	Nut, Lock 5/8-11	
4	3423242	1	Pin, Fork	
5	90200003	2	Collar, Fork Pin	
6	N.S.S.	1	S/N Plate	
7	1001146159	1	Sleeve, Insert	
8	1001146160	1	Shackle, Bolt 3/4	
9	1001151561	1	Decal, Danger Swinging Loads	

SECTION 3 - ATTACHMENTS

FIGURE 3-4. CARRIAGE ASSEMBLY (60 INCH) (SN 0160075657 to Present, Including 0160075650, 0160075651 and 0160075652)



ART_1170024-F

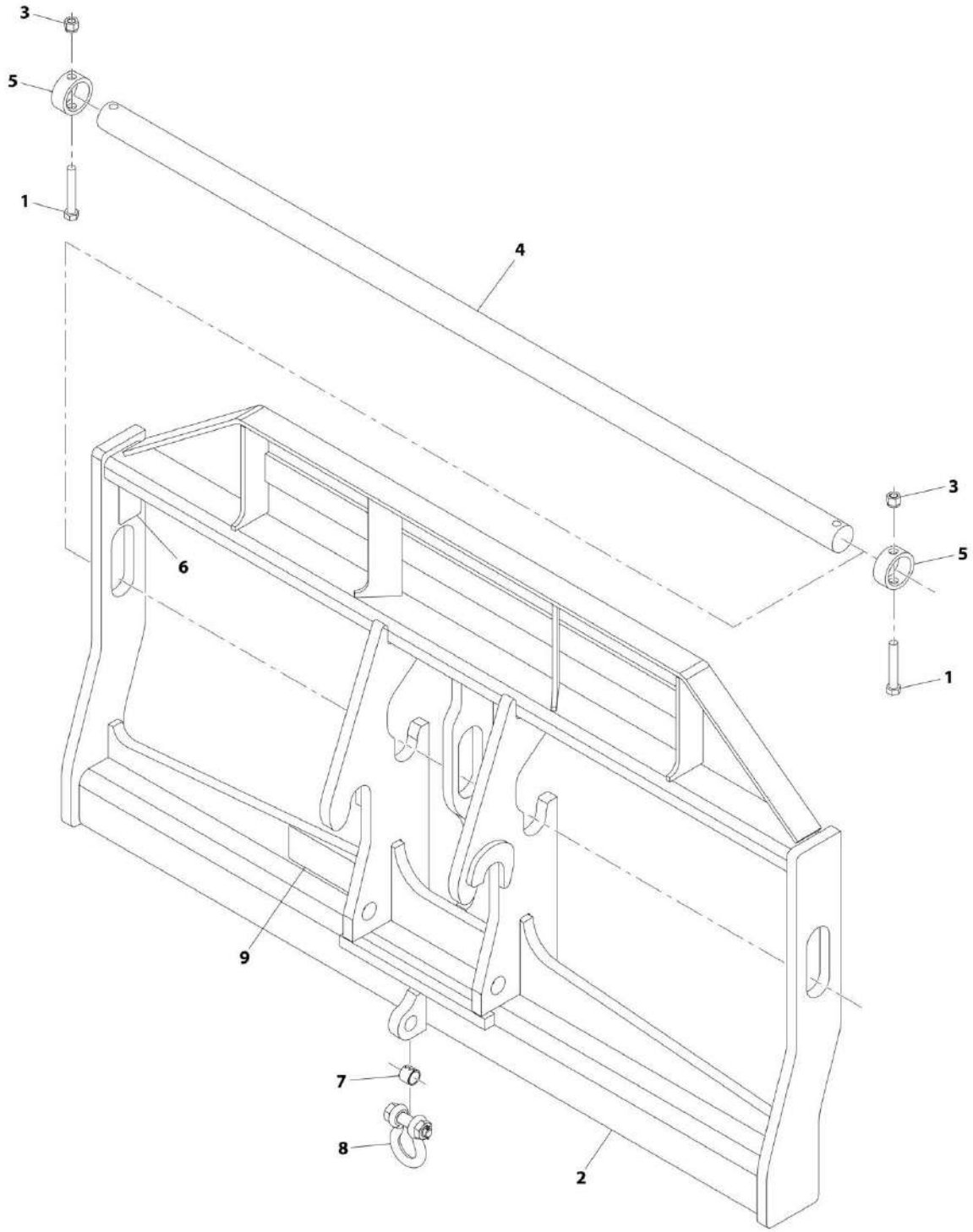
SECTION 3 - ATTACHMENTS

FIGURE 3-4. CARRIAGE ASSEMBLY (60 INCH) (SN 0160075657 to Present, Including 0160075650, 0160075651 and 0160075652)

ITEM	PART NUMBER	QTY	DESCRIPTION	REV
	1170024	Ref	Carriage Assembly (60 Inch)	F
1	0642032	2	Bolt, 5/8-11X4	
2	N.S.S.	1	Weldment, Carriage	
3	3300240	2	Nut, Lock 5/8-11	
4	3423242	1	Pin, Fork	
5	90200003	2	Collar, Fork Pin	
6	N.S.S.	1	S/N Plate	

SECTION 3 - ATTACHMENTS

FIGURE 3-5. CARRIAGE ASSEMBLY (72 INCH) (Prior to SN 0160074884, Excluding 0160074882)



ART_1001145088-F

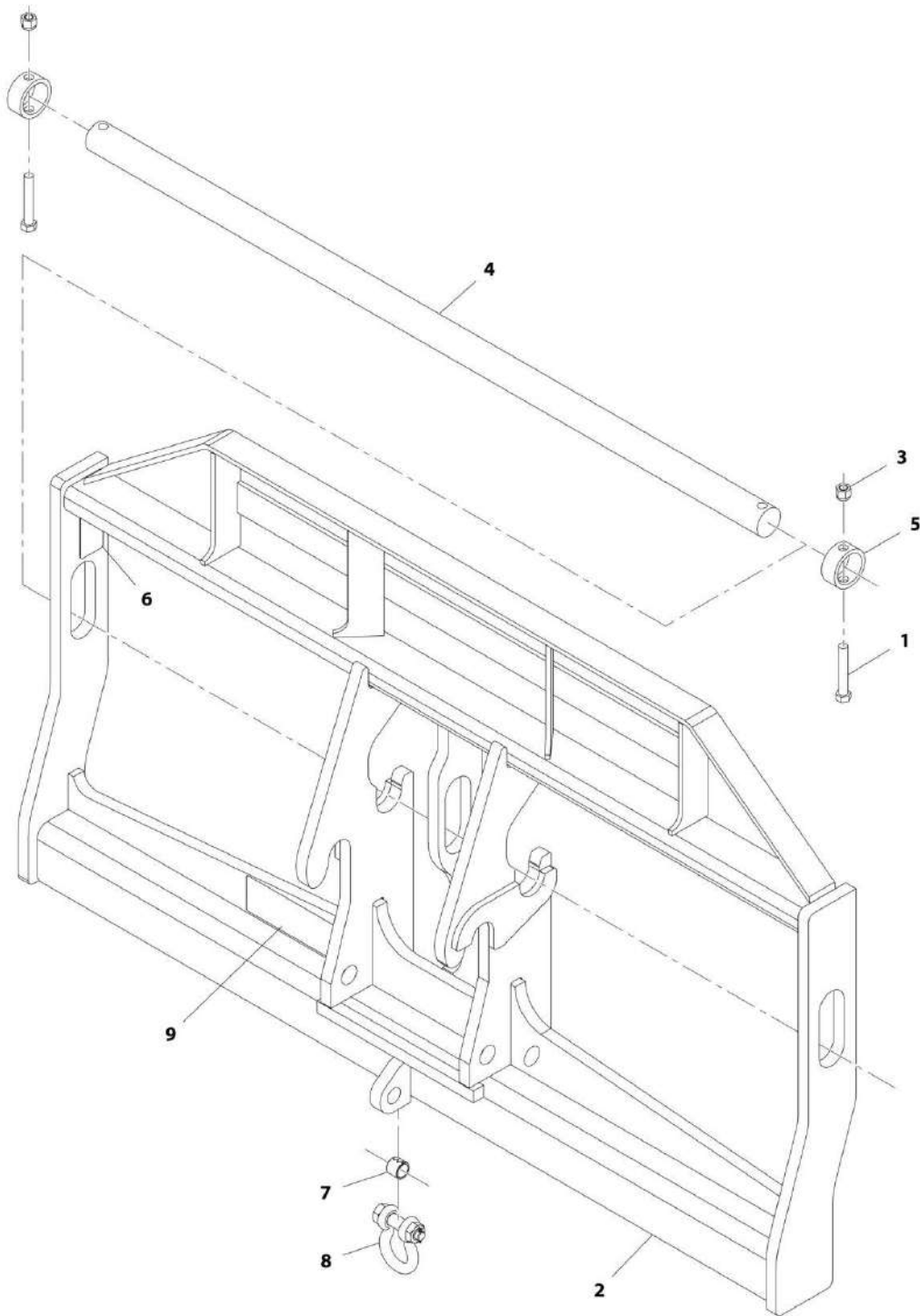
SECTION 3 - ATTACHMENTS

FIGURE 3-5. CARRIAGE ASSEMBLY (72 INCH) (Prior to SN 0160074884, Excluding 0160074882)

ITEM	PART NUMBER	QTY	DESCRIPTION	REV
	1001146088	NLA	Carriage Assembly (72 Inch), (no longer available, see items 1 through 9 for service or use 1001193794 for replacement)	F
1	0642032	2	Bolt, 5/8-11X4	
2	N.S.S.	1	Weldment, Carriage	
3	3300240	2	Nut, Lock 5/8-11	
4	3423276	1	Pin, Fork	
5	90200003	2	Collar, Fork Pin	
6	N.S.S.	1	S/N Plate	
7	1001146159	1	Sleeve, Insert	
8	1001146160	1	Shackle, Bolt 3/4	
9	1001151561	1	Decal, Danger Swinging Loads	

SECTION 3 - ATTACHMENTS

FIGURE 3-6. CARRIAGE ASSEMBLY (72 INCH) (SN 0160074884 through 0160075657, Including 0160074882, Excluding 0160075650, 0160075651 and 0160075652)



ART_1001193794-D

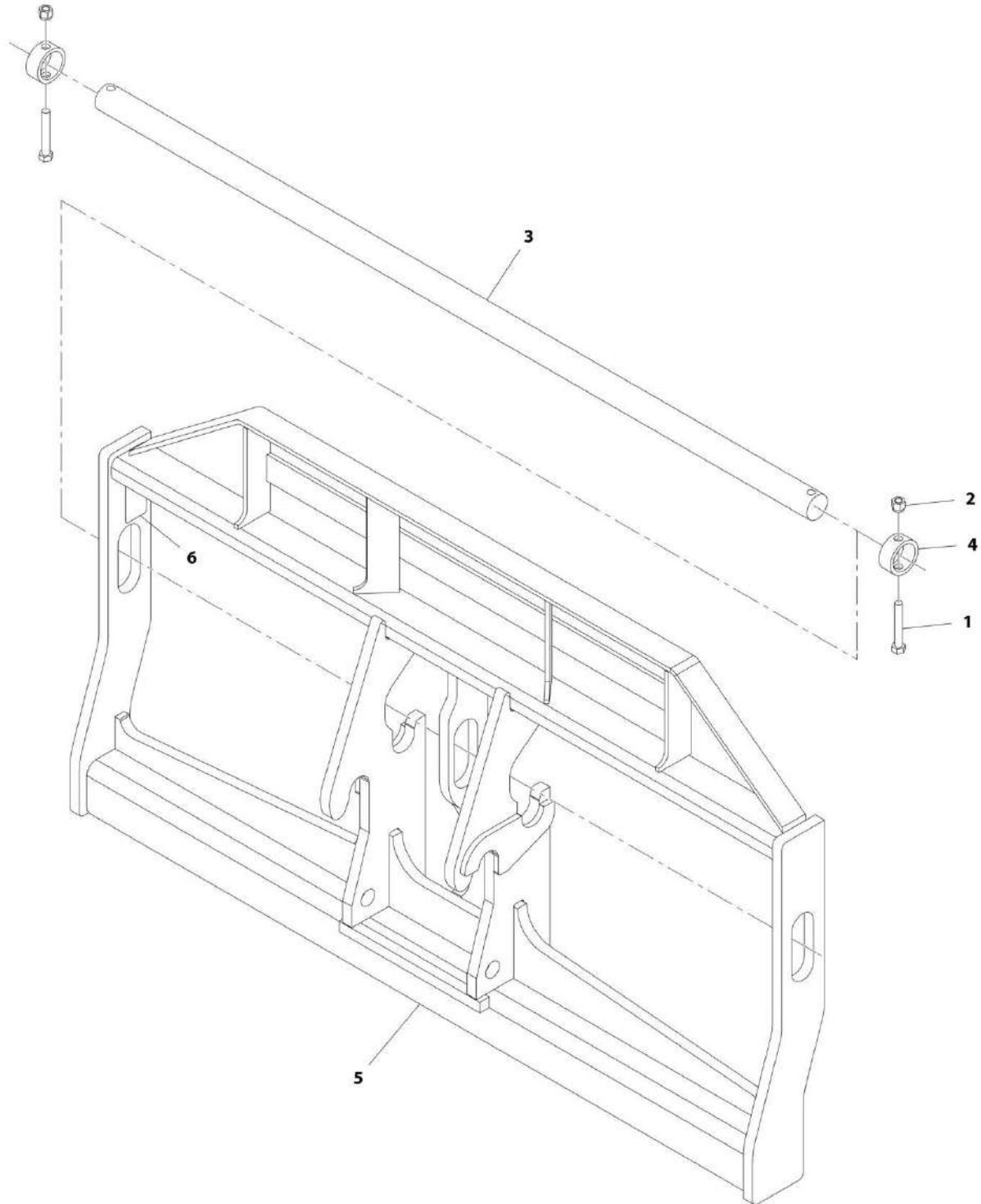
SECTION 3 - ATTACHMENTS

FIGURE 3-6. CARRIAGE ASSEMBLY (72 INCH) (SN 0160074884 through 0160075657, Including 0160074882, Excluding 0160075650, 0160075651 and 0160075652)

ITEM	PART NUMBER	QTY	DESCRIPTION	REV
	1001193794	Ref	Carriage Assembly (72 Inch)	D
1	0642032	2	Bolt, 5/8-11X4	
2	NSS	1	Weldment, Carriage	
3	3300240	2	Nut, Lock 5/8-11	
4	3423276	1	Pin, Fork	
5	90200003	2	Collar, Fork Pin	
6	NSS	1	S/N Plate	
7	1001146159	1	Sleeve, Insert	
8	1001146160	1	Shackle, Bolt 3/4	
9	1001151561	1	Decal, Danger Swinging Loads	

SECTION 3 - ATTACHMENTS

FIGURE 3-7. CARRIAGE ASSEMBLY (72 INCH) (SN 0160075657 to Present, Including 0160075650, 0160075651 and 0160075652)



ART_1001211516-A

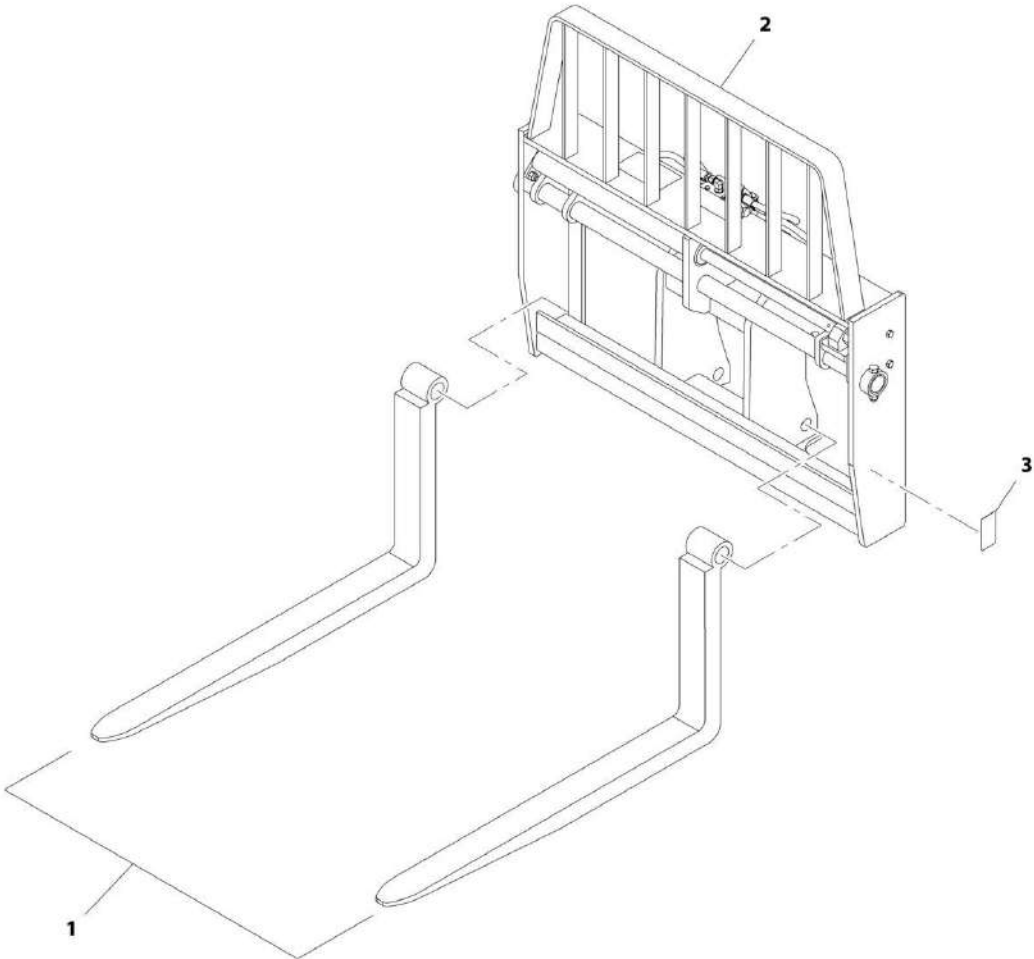
SECTION 3 - ATTACHMENTS

FIGURE 3-7. CARRIAGE ASSEMBLY (72 INCH) (SN 0160075657 to Present, Including 0160075650, 0160075651 and 0160075652)

ITEM	PART NUMBER	QTY	DESCRIPTION	REV
	1001211516	Ref	Carriage Assembly (72 Inch)	A
1	0642032	2	Bolt, 5/8-11X4	
2	3300240	2	Nut, Lock 5/8-11	
3	3423276	1	Pin, Fork	
4	90200003	2	Collar, Fork Pin	
5	N.S.S.	1	Weldment, Carriage	
6	N.S.S.	1	S/N Plate	

SECTION 3 - ATTACHMENTS

FIGURE 3-8. DUAL FORK POSITIONING CARRIAGE (50 INCH)



ART_7301295-G

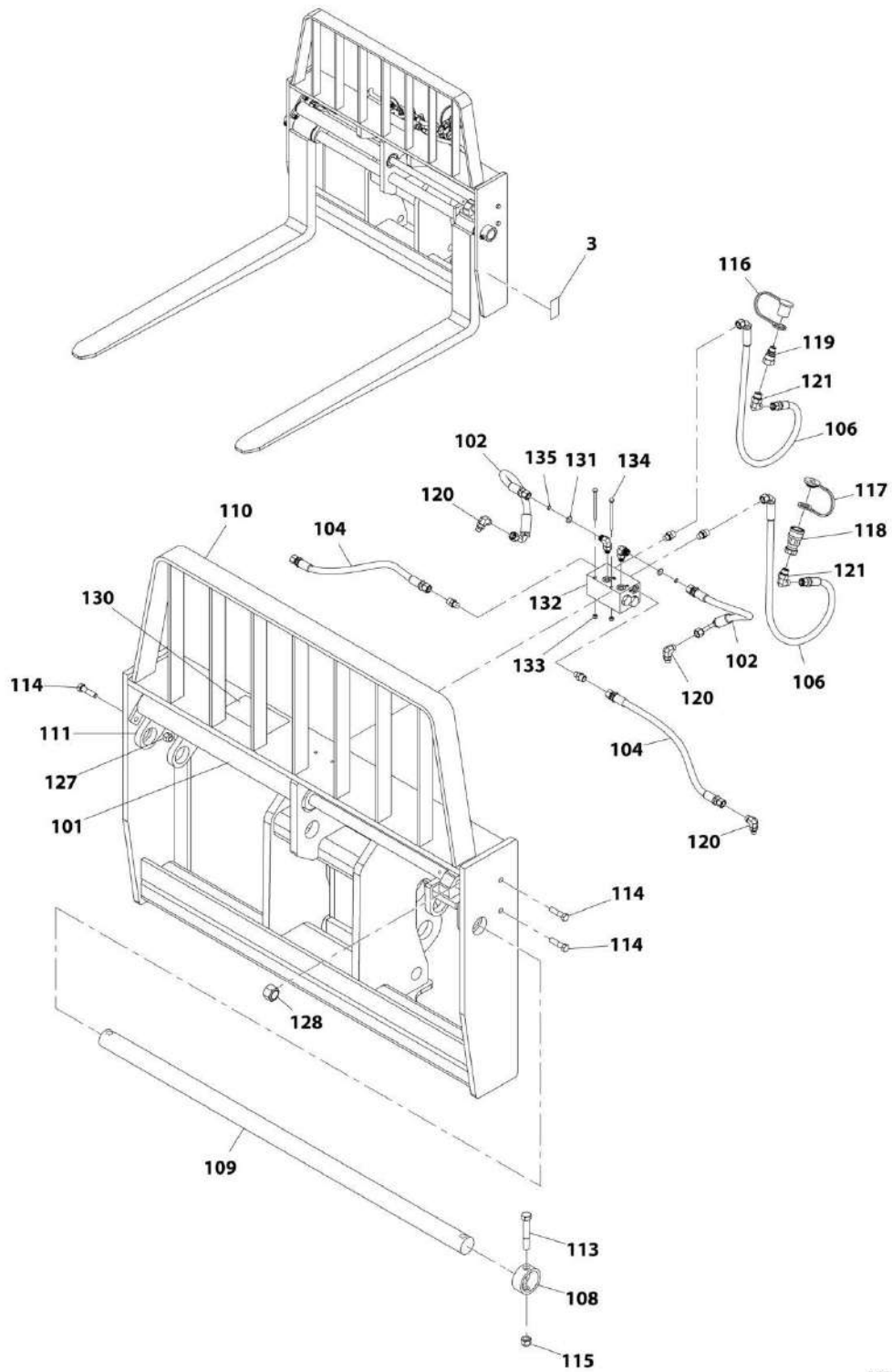
SECTION 3 - ATTACHMENTS

FIGURE 3-8. DUAL FORK POSITIONING CARRIAGE (50 INCH)

ITEM	PART NUMBER	QTY	DESCRIPTION	REV
	7301295	Ref	Dual Fork Positioning Carriage (50 Inch) (Prior to SN 0160082378)	G
1	7301408	2	Fork, Pallet	
2	7301568	1	Assembly, Dual Fork Carriage (See Separate Breakdown in this Section)	
3	N.S.S.	1	S/N Plate	

SECTION 3 - ATTACHMENTS

FIGURE 3-9. DUAL FORK CARRIAGE (50 INCH)



ART_7301295-H

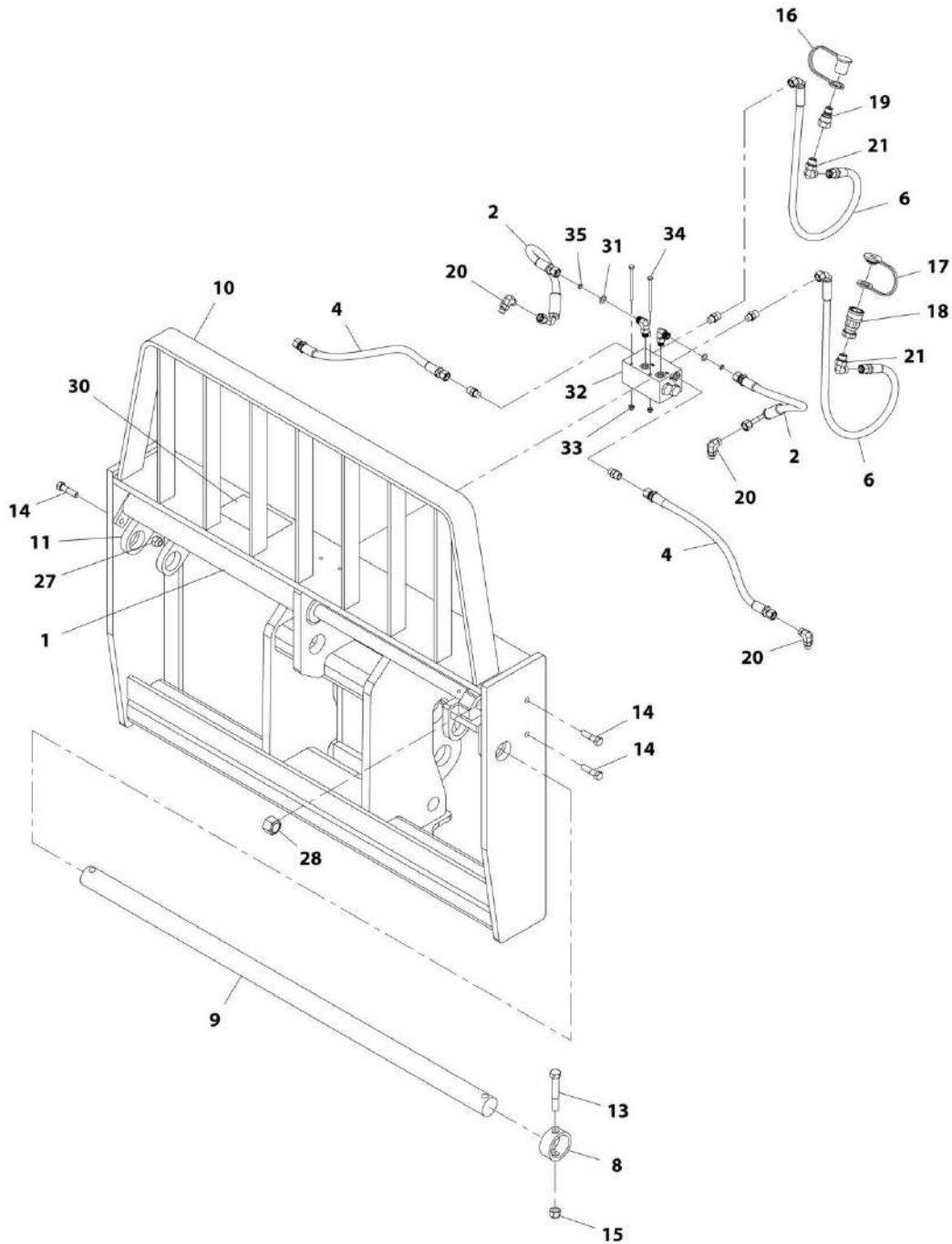
SECTION 3 - ATTACHMENTS

FIGURE 3-9. DUAL FORK CARRIAGE (50 INCH)

ITEM	PART NUMBER	QTY	DESCRIPTION	REV
	7301295	Ref	Dual Fork Carriage (50 Inch) (SN 0160082378 to Present)	H
3	N.S.S.	1	S/N Plate	
101	2717283	2	Cylinder, Fork Positioning	
102	2717160	2	Hose	
104	2717161	2	Hose	
106	2717162	2	Hose	
108	90200003	2	Collar, Fork Pin	
109	90451058	1	Shaft, Fork	
110	N.S.S.	1	Weldment, Carriage	
111	N.S.S.	1	Weldment, Fork Adapter	
113	8303634	2	Bolt, 5/8-11X4	
114	8303658	4	Bolt, 1/2-13X2	
115	8305643	2	Nut, Lock 5/8-11	
116	8420053	1	Cap, Dust	
117	8420055	1	Plug, Dust	
118	91403413	1	Adapter, Quick Disconnect	
119	91403414	1	Adapter, Quick Disconnect	
120	2130606	4	Adapter, 90 Straight	
121	2130608	2	Adapter, 90 Straight	
127	8310302	4	Nut, Lock 1/2-13	
128	10705034	2	Nut, Lock 1-14	
130	4110473	1	Decal, Warning Route Hoses	
131	7139918	2	Disk, Orifice	
132	4641502	1	Assembly, Dual Fork Carriage Valve (See Separate Breakdown in this Section)	
133	8305624	2	Nut, Lock 1/4-20	
134	8310435	2	Bolt, 1/4-20X3-3/4	
135	8630003	2	O-Ring	

SECTION 3 - ATTACHMENTS

FIGURE 3-10. DUAL FORK CARRIAGE ASSEMBLY (50 INCH)



ART_7301568-J

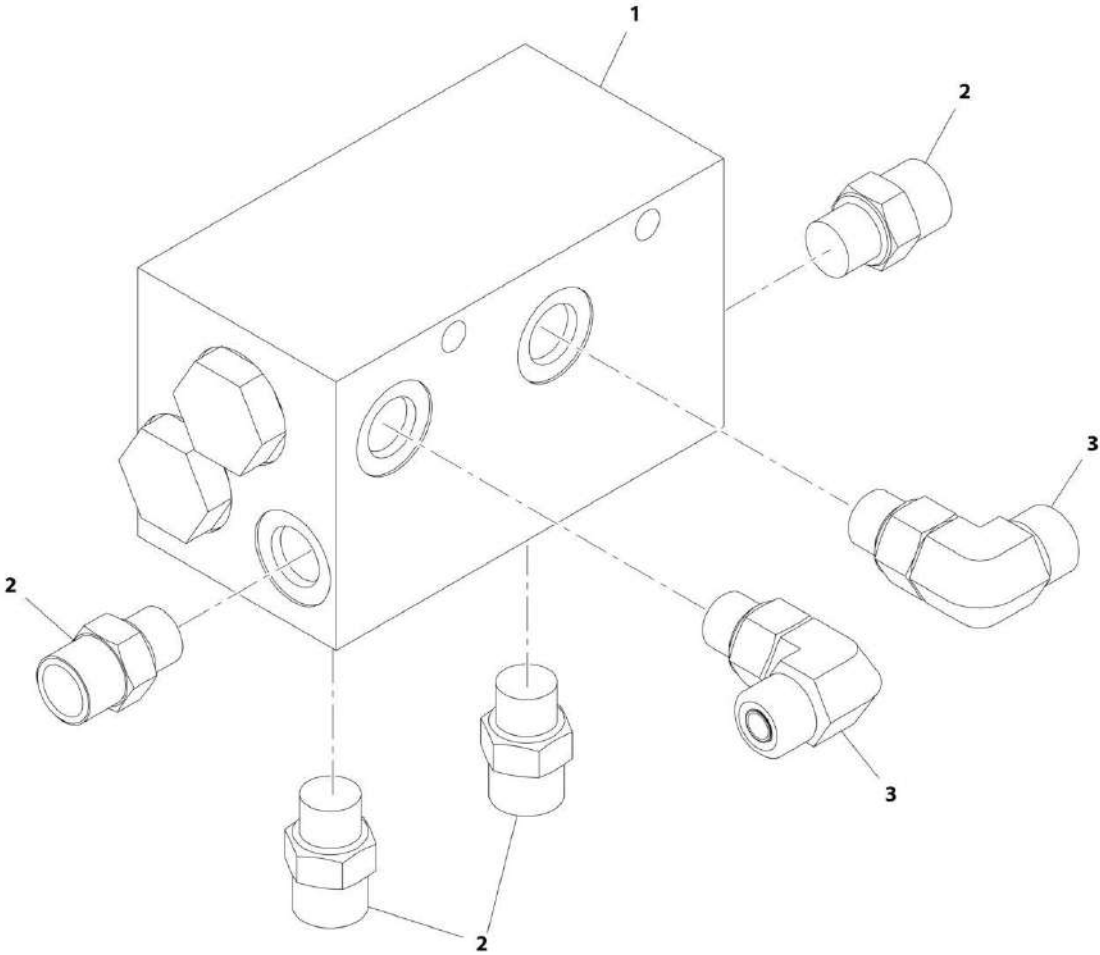
SECTION 3 - ATTACHMENTS

FIGURE 3-10. DUAL FORK CARRIAGE ASSEMBLY (50 INCH)

ITEM	PART NUMBER	QTY	DESCRIPTION	REV
	7301568	NLA	Dual Fork Carriage Assembly (50 Inch) (no longer available, see items 1 through 35 for service or use 7301295 for replacement)	J
1	2717283	2	Cylinder, Fork Positioning	
2	2717160	2	Hose	
4	2717161	2	Hose	
6	2717162	2	Hose	
8	90200003	2	Collar, Fork Pin	
9	90451058	1	Shaft, Fork	
10	N.S.S.	1	Weldment, Carriage	
11	N.S.S.	2	Weldment, Fork Adapter	
13	8303634	2	Bolt, 5/8-11X4	
14	8303658	4	Bolt, 1/2-13X2	
15	8305643	2	Nut, Lock 5/8-11	
16	8420053	1	Cap, Dust	
17	8420055	1	Plug, Dust	
18	91403413	1	Adapter, Quick Disconnect	
19	91403414	1	Adapter, Quick Disconnect	
20	2130606	4	Adapter, 90 Straight	
21	2130608	2	Adapter, 90 Straight	
27	8310302	4	Nut, Lock 1/2-13	
28	10705034	2	Nut, Lock 1-14	
30	4110473	1	Decal, Warning Route Hoses	
31	7139918	2	Disk, Orifice	
32	4641502	1	Assembly, Dual Fork Carriage Valve (See Separate Breakdown in this Section)	
33	8305624	2	Nut, Lock 1/4-20	
34	8310435	2	Bolt, 1/4-20X3-3/4	
35	8630003	2	O-Ring	

SECTION 3 - ATTACHMENTS

FIGURE 3-11. DUAL FORK CARRIAGE VALVE ASSEMBLY



ART_4641502-B

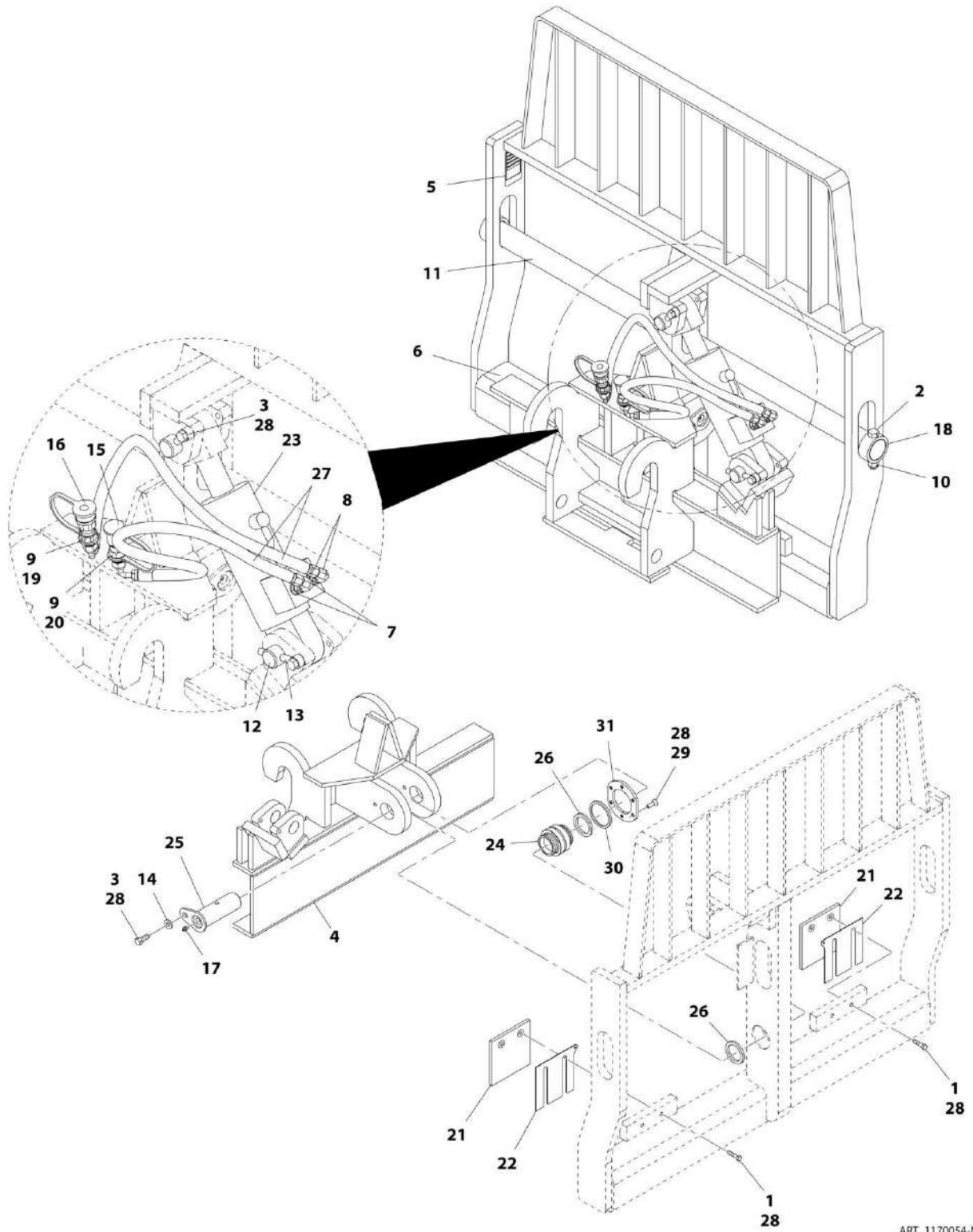
SECTION 3 - ATTACHMENTS

FIGURE 3-11. DUAL FORK CARRIAGE VALVE ASSEMBLY

ITEM	PART NUMBER	QTY	DESCRIPTION	REV
	4641502	Ref	Dual Fork Carriage Valve Assembly	B
1	4641501	1	Valve, Flow Divider (See Separate Breakdown in HYDRAULIC COMPONENTS Section)	
2	2110606	4	Adapter, Straight	
3	2130606	2	Adapter, 90	

SECTION 3 - ATTACHMENTS

FIGURE 3-12. SIDE TILT CARRIAGE ASSEMBLY (50 INCH)



ART_1170054-M

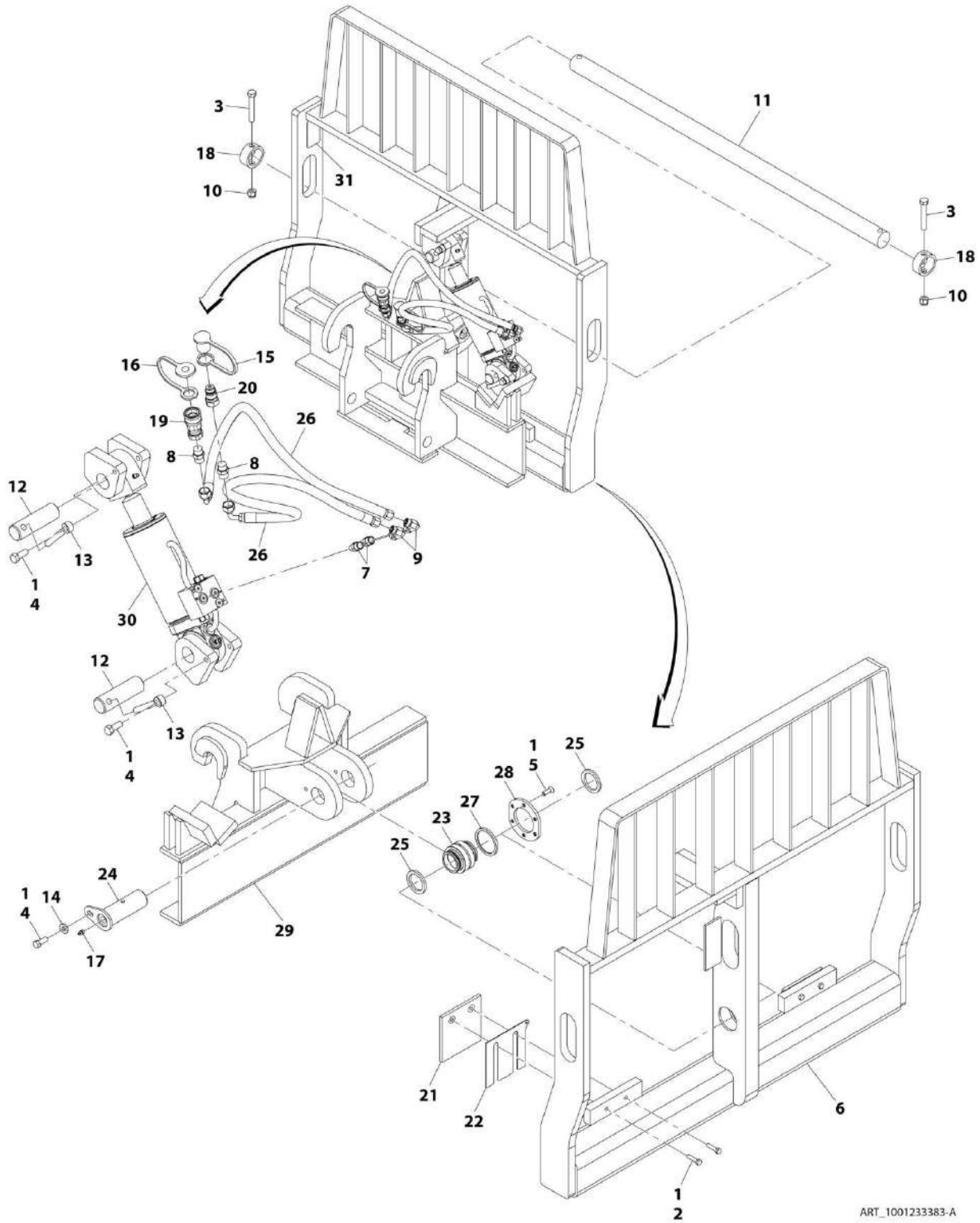
SECTION 3 - ATTACHMENTS

FIGURE 3-12. SIDE TILT CARRIAGE ASSEMBLY (50 INCH)

ITEM	PART NUMBER	QTY	DESCRIPTION	REV
	1170054	Ref	Side Tilt Carriage Assembly (50 Inch), (no longer available, see items 1 through 31 for service or 1001233383 for replacement)	M
1	0641612	4	Bolt, 3/8-16X1-1/2	
2	0642032	2	Bolt, 5/8-11X4	
3	0681810	3	Bolt, 1/2-13X1-1/4	
4	1001133072	1	Carriage, Base Pivot	
5	N.S.S.	1	S/N Plate	
6	N.S.S.	1	Carriage, Side Tilt	
7	2110606	2	Adapter, Straight	
8	2172106	2	Adapter, 90	
9	2110808	2	Adapter, Straight	
10	3300240	2	Nut, Lock 5/8-11	
11	3423275	1	Pin, Fork	
12	3423307	2	Pin, Side Tilt Cylinder	
13	3841203	2	Keeper, Rod	
14	4891800	1	Washer, 1/2	
15	8420053	1	Cap, Dust	
16	8420055	1	Plug, Dust	
17	88671001	1	Fitting, Grease	
18	90200003	2	Collar, Fork Pin	
19	91403413	1	Adapter	
20	91403414	1	Adapter	
21	1001090063	2	Pad, Wear	
22	1001090064	AR	Shim, Wear Pad	
23	1001163414	1	Cylinder, Side Tilt (See HYDRAULIC COMPONENTS SECTION for Breakdown)	
24	1001090140	1	Bearing, Side Tilt Spherical	
25	1001099113	1	Pin, Side Tilt Frame Pivot	
26	1001099115	2	Sleeve, Tilt Bearing Spacer	
27	1001102378	2	Hose	
28	0100011	AR	Compound, Locking	
29	0741610	6	Screw, 3/8-16X1-1/4	
30	1001120914	1	Shim, Bearing Retainer	
31	1001120915	1	Plate, Bearing Retainer	

SECTION 3 - ATTACHMENTS

FIGURE 3-13. SIDE TILT CARRIAGE ASSEMBLY (50 INCH)



ART_1001233383-A

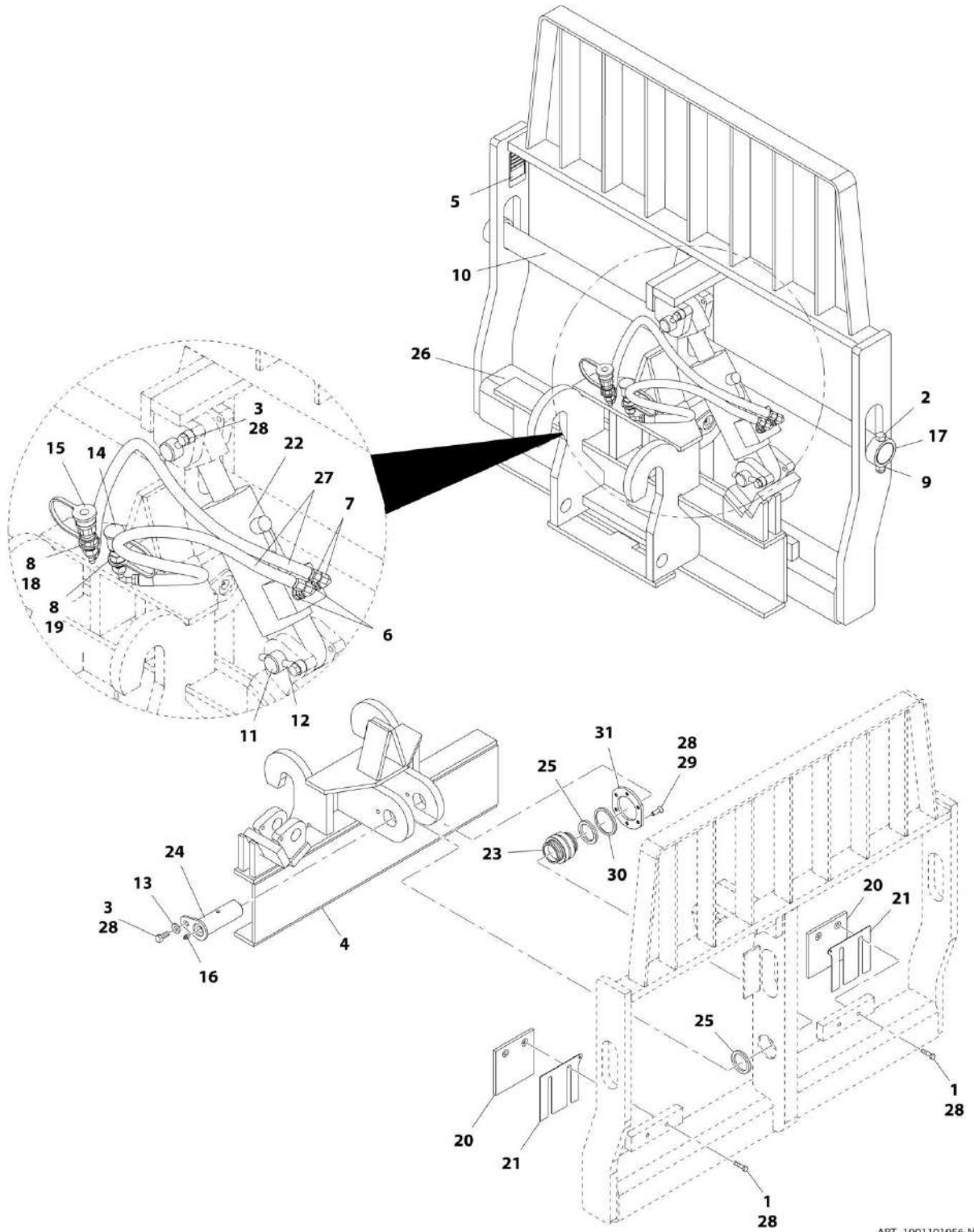
SECTION 3 - ATTACHMENTS

FIGURE 3-13. SIDE TILT CARRIAGE ASSEMBLY (50 INCH)

ITEM	PART NUMBER	QTY	DESCRIPTION	REV
	1001233383	Ref	Side Tilt Carriage Assembly (50 Inch)	A
1	0100011	AR	Compound, Locking	
2	0641612	4	Bolt, 3/8-16X1-1/2	
3	0642032	2	Bolt, 5/8-11X4	
4	0681810	3	Bolt, 1/2-13X1-1/4	
5	0741610	6	Screw, 3/8-16X1-1/4	
6	N.S.S.	1	Carriage, Side Tilt	
7	2110606	2	Adapter, Straight	
8	2110808	2	Adapter, Straight	
9	2172106	2	Adapter, 90	
10	3300240	2	Nut, Lock 5/8-11	
11	3423275	1	Pin, Fork	
12	3423307	2	Pin, Side Tilt Cylinder	
13	3841203	2	Keeper, Rod	
14	4891800	1	Washer, 1/2	
15	8420053	1	Cap, Dust	
16	8420055	1	Plug, Dust	
17	88671001	1	Fitting, Grease	
18	90200003	2	Collar, Fork Pin	
19	91403413	1	Adapter	
20	91403414	1	Adapter	
21	1001090063	2	Pad, Wear	
22	1001090064	AR	Shim, Wear Pad	
23	1001090140	1	Bearing, Side Tilt Spherical	
24	1001099113	1	Pin, Side Tilt Frame Pivot	
25	1001099115	2	Sleeve, Tilt Bearing Spacer	
26	1001102378	2	Hose	
27	1001120914	1	Shim, Bearing Retainer	
28	1001120915	1	Plate, Bearing Retainer	
29	1001133072	1	Carriage, Base Pivot	
30	1001163414	1	Cylinder, Side Tilt (See HYDRAULIC COMPONENTS SECTION for Breakdown)	
31	N.S.S.	1	S/N Plate	

SECTION 3 - ATTACHMENTS

FIGURE 3-14. SIDE TILT CARRIAGE ASSEMBLY (60 INCH)



ART_1001101956-N

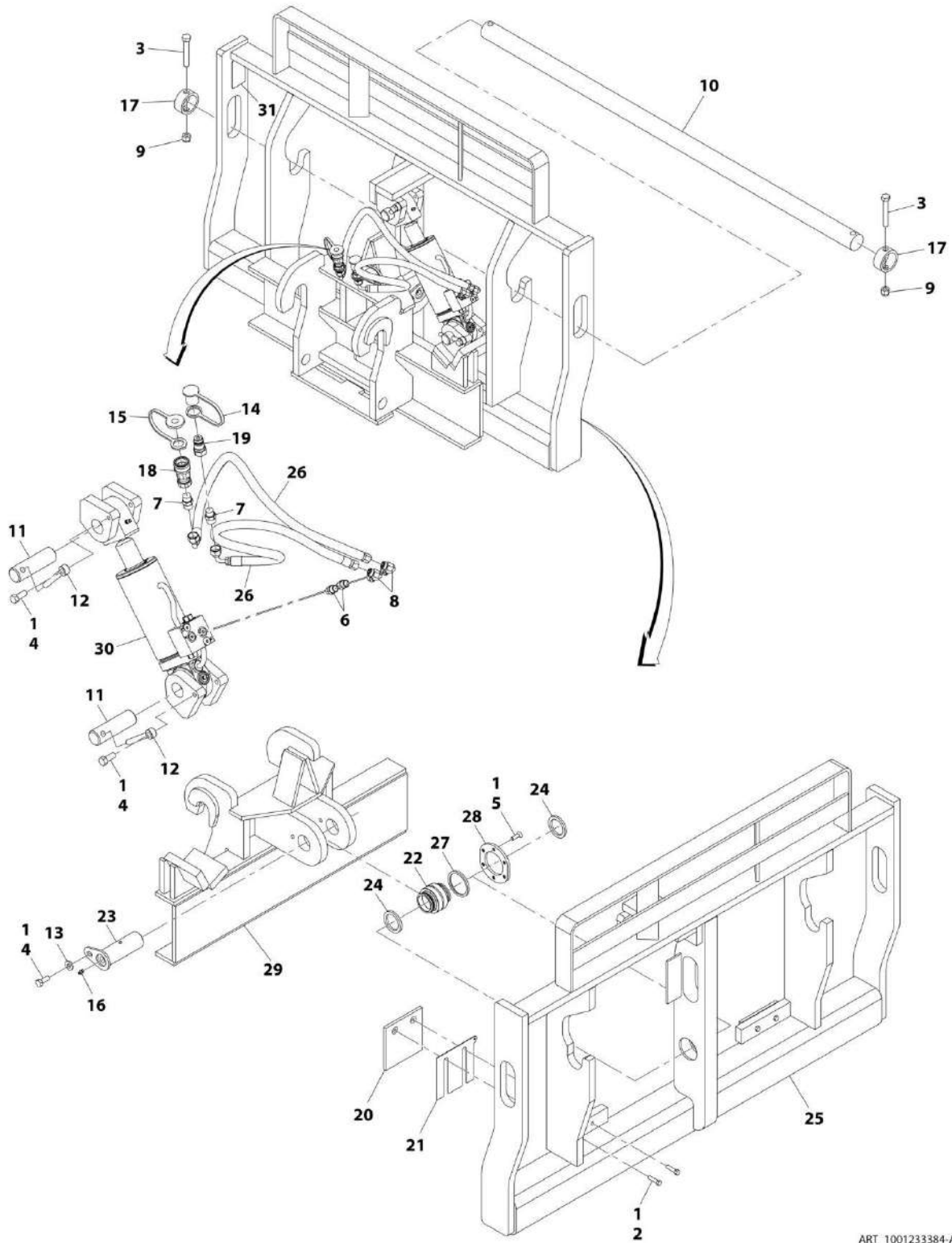
SECTION 3 - ATTACHMENTS

FIGURE 3-14. SIDE TILT CARRIAGE ASSEMBLY (60 INCH)

ITEM	PART NUMBER	QTY	DESCRIPTION	REV
	1001101956	Ref	Side Tilt Carriage Assembly (60 Inch), (no longer available, see items 1 through 31 for service or 1001233384 for replacement)	N
1	0641612	4	Bolt, 3/8-16X1-1/2	
2	0642032	2	Bolt, 5/8-11X4	
3	0681810	3	Bolt, 1/2-13X1-1/4	
4	1001133072	1	Carriage, Base Pivot	
5	N.S.S.	1	S/N Plate	
6	2110606	2	Adapter, Straight	
7	2172106	2	Adapter, 90	
8	2110808	2	Adapter, Straight	
9	3300240	2	Nut, Lock 5/8-11	
10	3423242	1	Pin, Fork	
11	3423307	2	Pin, Side Tilt Cylinder	
12	3841203	2	Keeper, Rod	
13	4891800	1	Washer, 1/2	
14	8420053	1	Cap, Dust	
15	8420055	1	Plug, Dust	
16	88671001	1	Fitting, Grease	
17	90200003	2	Collar, Fork Pin	
18	91403413	1	Adapter	
19	91403414	1	Adapter	
20	1001090063	2	Pad, Wear	
21	1001090064	AR	Shim, Wear Pad	
22	1001163414	1	Cylinder, Side Tilt (See HYDRAULIC COMPONENTS SECTION for Breakdown)	
23	1001090140	1	Bearing, Side Tilt Spherical	
24	1001099113	1	Pin, Side Tilt Frame Pivot	
25	1001099115	2	Sleeve, Tilt Bearing Spacer	
26	N.S.S.	1	Carriage, Side Tilt	
27	1001102378	2	Hose	
28	0100011	AR	Compound, Locking	
29	0741610	6	Screw, 3/8-16X1-1/4	
30	1001120914	1	Shim, Bearing Retainer	
31	1001120915	1	Plate, Bearing Retainer	

SECTION 3 - ATTACHMENTS

FIGURE 3-15. SIDE TILT CARRIAGE ASSEMBLY (60 INCH)



ART_1001233384-A

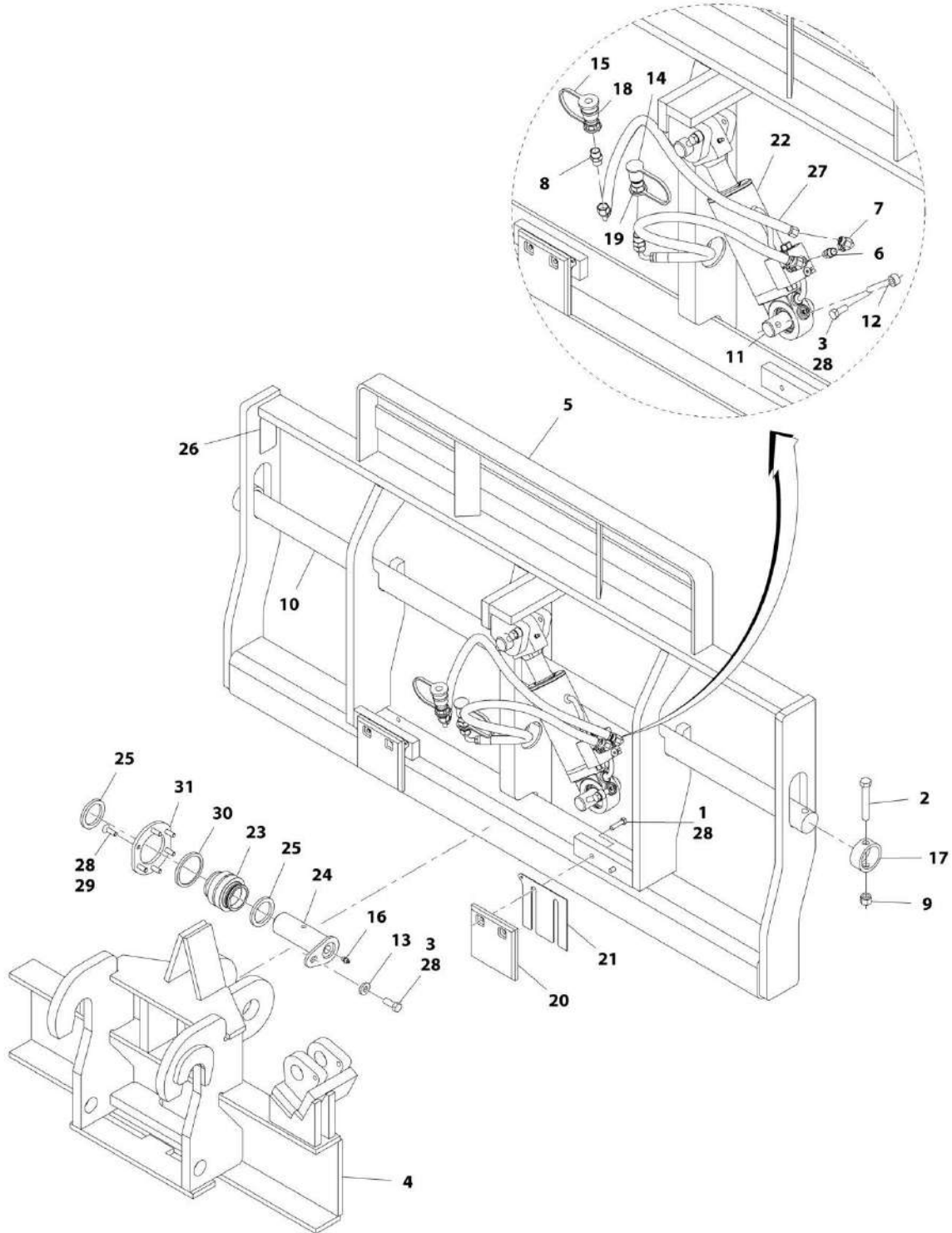
SECTION 3 - ATTACHMENTS

FIGURE 3-15. SIDE TILT CARRIAGE ASSEMBLY (60 INCH)

ITEM	PART NUMBER	QTY	DESCRIPTION	REV
	1001233384	Ref	Side Tilt Carriage Assembly (60 Inch)	A
1	0100011	AR	Compound, Locking	
2	0641612	4	Bolt, 3/8-16X1-1/2	
3	0642032	2	Bolt, 5/8-11X4	
4	0681810	3	Bolt, 1/2-13X1-1/4	
5	0741610	6	Screw, 3/8-16X1-1/4	
6	2110606	2	Adapter, Straight	
7	2110808	2	Adapter, Straight	
8	2172106	2	Adapter, 90	
9	3300240	2	Nut, Lock 5/8-11	
10	3423242	1	Pin, Fork	
11	3423307	2	Pin, Side Tilt Cylinder	
12	3841203	2	Keeper, Rod	
13	4891800	1	Washer, 1/2	
14	8420053	1	Cap, Dust	
15	8420055	1	Plug, Dust	
16	88671001	1	Fitting, Grease	
17	90200003	2	Collar, Fork Pin	
18	91403413	1	Adapter	
19	91403414	1	Adapter	
20	1001090063	2	Pad, Wear	
21	1001090064	AR	Shim, Wear Pad	
22	1001090140	1	Bearing, Side Tilt Spherical	
23	1001099113	1	Pin, Side Tilt Frame Pivot	
24	1001099115	2	Sleeve, Tilt Bearing Spacer	
25	N.S.S.	1	Carriage, Side Tilt	
26	1001102378	2	Hose	
27	1001120914	1	Shim, Bearing Retainer	
28	1001120915	1	Plate, Bearing Retainer	
29	1001133072	1	Carriage, Base Pivot	
30	1001163414	1	Cylinder, Side Tilt (See HYDRAULIC COMPONENTS SECTION for Breakdown)	
31	N.S.S.	1	S/N Plate	

SECTION 3 - ATTACHMENTS

FIGURE 3-16. SIDE TILT CARRIAGE ASSEMBLY (72 INCH)



ART_1170057-M

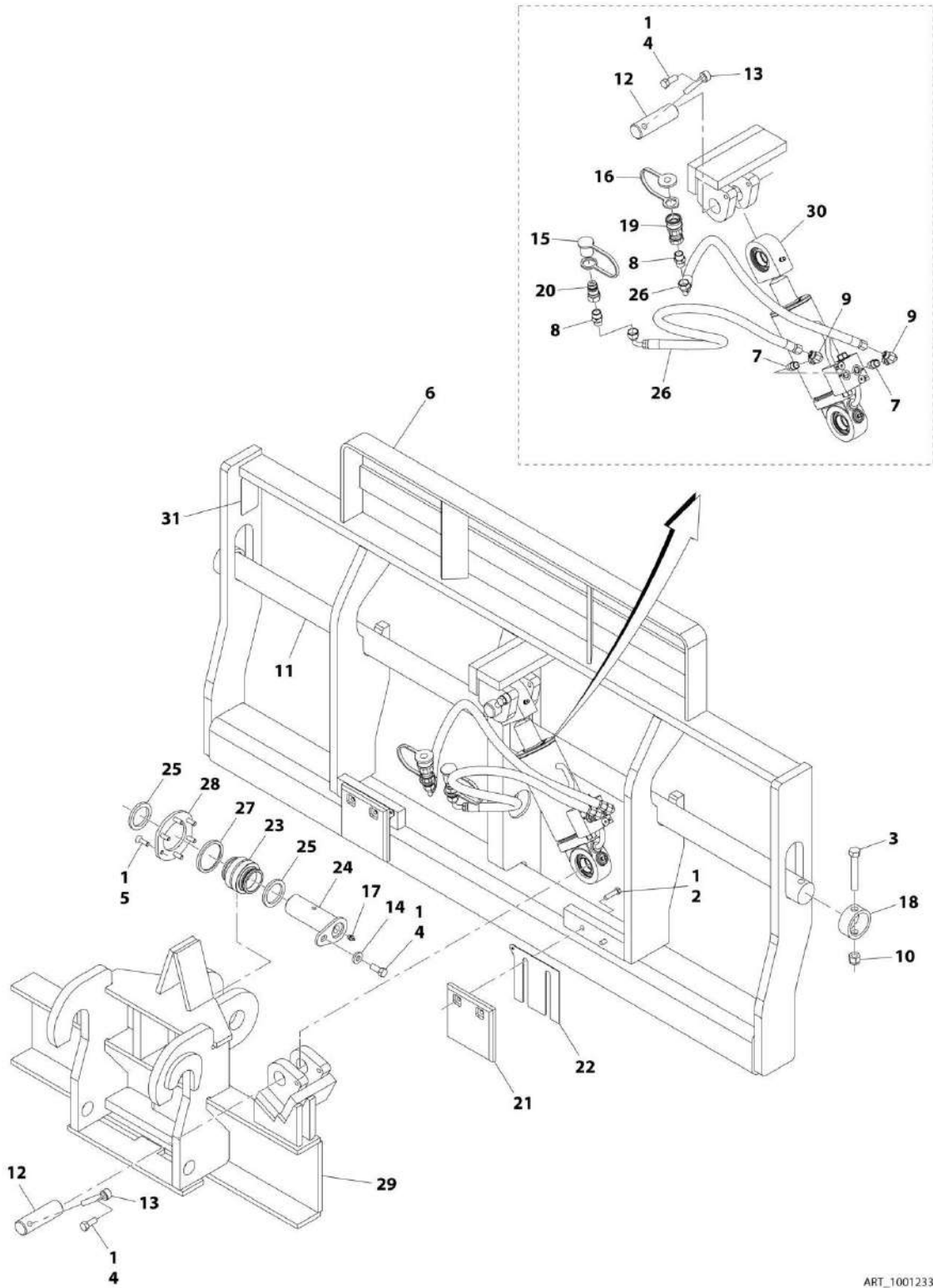
SECTION 3 - ATTACHMENTS

FIGURE 3-16. SIDE TILT CARRIAGE ASSEMBLY (72 INCH)

ITEM	PART NUMBER	QTY	DESCRIPTION	REV
	1170057	Ref	Side Tilt Carriage Assembly (72 Inch), (no longer available, see items 1 through 31 for service or 1001233385 for replacement)	M
1	0641612	4	Bolt, 3/8-16X1-1/2	
2	0642032	2	Bolt, 5/8-11X4	
3	0681810	3	Bolt, 1/2-13X1-1/4	
4	1001133072	1	Carriage, Base Pivot	
5	N.S.S.	1	Carriage, Side Tilt	
6	2110606	2	Adapter, Straight	
7	2172106	2	Adapter, 90	
8	2110808	2	Adapter, Straight	
9	3300240	2	Nut, Lock 5/8-11	
10	3423276	1	Pin, Fork	
11	3423307	2	Pin, Side Tilt Cylinder	
12	3841203	2	Keeper, Rod	
13	4891800	1	Washer, 1/2	
14	8420053	1	Cap, Dust	
15	8420055	1	Plug, Dust	
16	88671001	1	Fitting, Grease	
17	90200003	2	Collar, Fork Pin	
18	91403413	1	Adapter	
19	91403414	1	Adapter	
20	1001090063	2	Pad, Wear	
21	1001090064	AR	Shim, Wear Pad	
22	1001163414	1	Cylinder, Side Tilt (See HYDRAULIC COMPONENTS SECTION for Breakdown)	
23	1001090140	1	Bearing, Side Tilt Spherical	
24	1001099113	1	Pin, Side Tilt Frame Pivot	
25	1001099115	2	Sleeve, Tilt Bearing Spacer	
26	N.S.S.	1	S/N Plate	
27	1001102378	2	Hose	
28	0100011	AR	Compound, Locking	
29	0741610	6	Screw, 3/8-16X1-1/4	
30	1001120914	1	Shim, Bearing Retainer	
31	1001120915	1	Plate, Bearing Retainer	

SECTION 3 - ATTACHMENTS

FIGURE 3-17. SIDE TILT CARRIAGE ASSEMBLY (72 INCH)



ART_1001233385-A

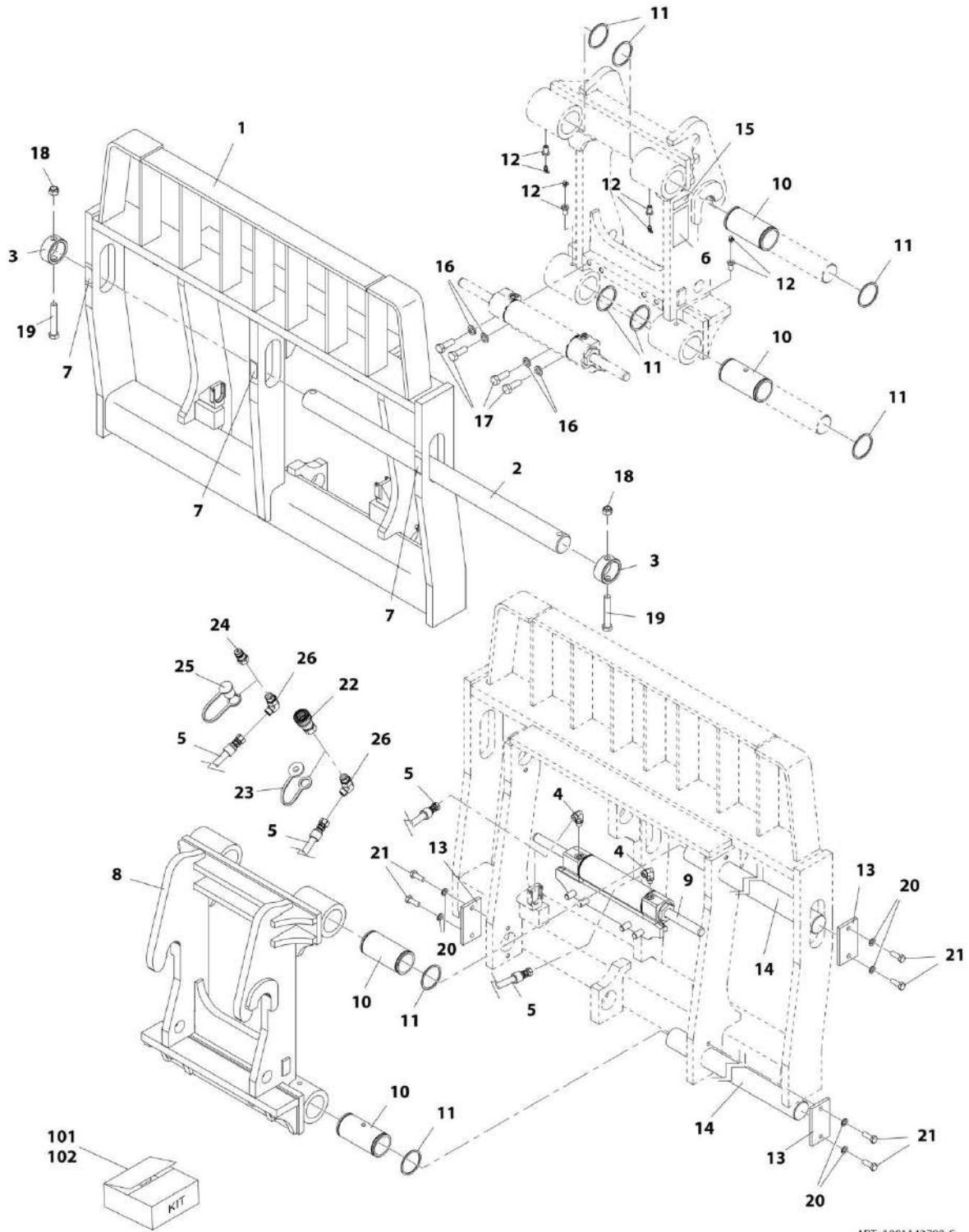
SECTION 3 - ATTACHMENTS

FIGURE 3-17. SIDE TILT CARRIAGE ASSEMBLY (72 INCH)

ITEM	PART NUMBER	QTY	DESCRIPTION	REV
	1001233385	Ref	Side Tilt Carriage Assembly (72 Inch)	A
1	0100011	AR	Compound, Locking	
2	0641612	4	Bolt, 3/8-16X1-1/2	
3	0642032	2	Bolt, 5/8-11X4	
4	0681810	3	Bolt, 1/2-13X1-1/4	
5	0741610	6	Screw, 3/8-16X1-1/4	
6	N.S.S.	1	Carriage, Side Tilt	
7	2110606	2	Adapter, Straight	
8	2110808	2	Adapter, Straight	
9	2172106	2	Adapter, 90	
10	3300240	2	Nut, Lock 5/8-11	
11	3423276	1	Pin, Fork	
12	3423307	2	Pin, Side Tilt Cylinder	
13	3841203	2	Keeper, Rod	
14	4891800	1	Washer, 1/2	
15	8420053	1	Cap, Dust	
16	8420055	1	Plug, Dust	
17	88671001	1	Fitting, Grease	
18	90200003	2	Collar, Fork Pin	
19	91403413	1	Adapter	
20	91403414	1	Adapter	
21	1001090063	2	Pad, Wear	
22	1001090064	AR	Shim, Wear Pad	
23	1001090140	1	Bearing, Side Tilt Spherical	
24	1001099113	1	Pin, Side Tilt Frame Pivot	
25	1001099115	2	Sleeve, Tilt Bearing Spacer	
26	1001102378	2	Hose	
27	1001120914	1	Shim, Bearing Retainer	
28	1001120915	1	Plate, Bearing Retainer	
29	1001133072	1	Carriage, Base Pivot	
30	1001163414	1	Cylinder, Side Tilt (See HYDRAULIC COMPONENTS SECTION for Breakdown)	
31	N.S.S.	1	S/N Plate	

SECTION 3 - ATTACHMENTS

FIGURE 3-18. SIDE SHIFT CARRIAGE ASSEMBLY (50 INCH)



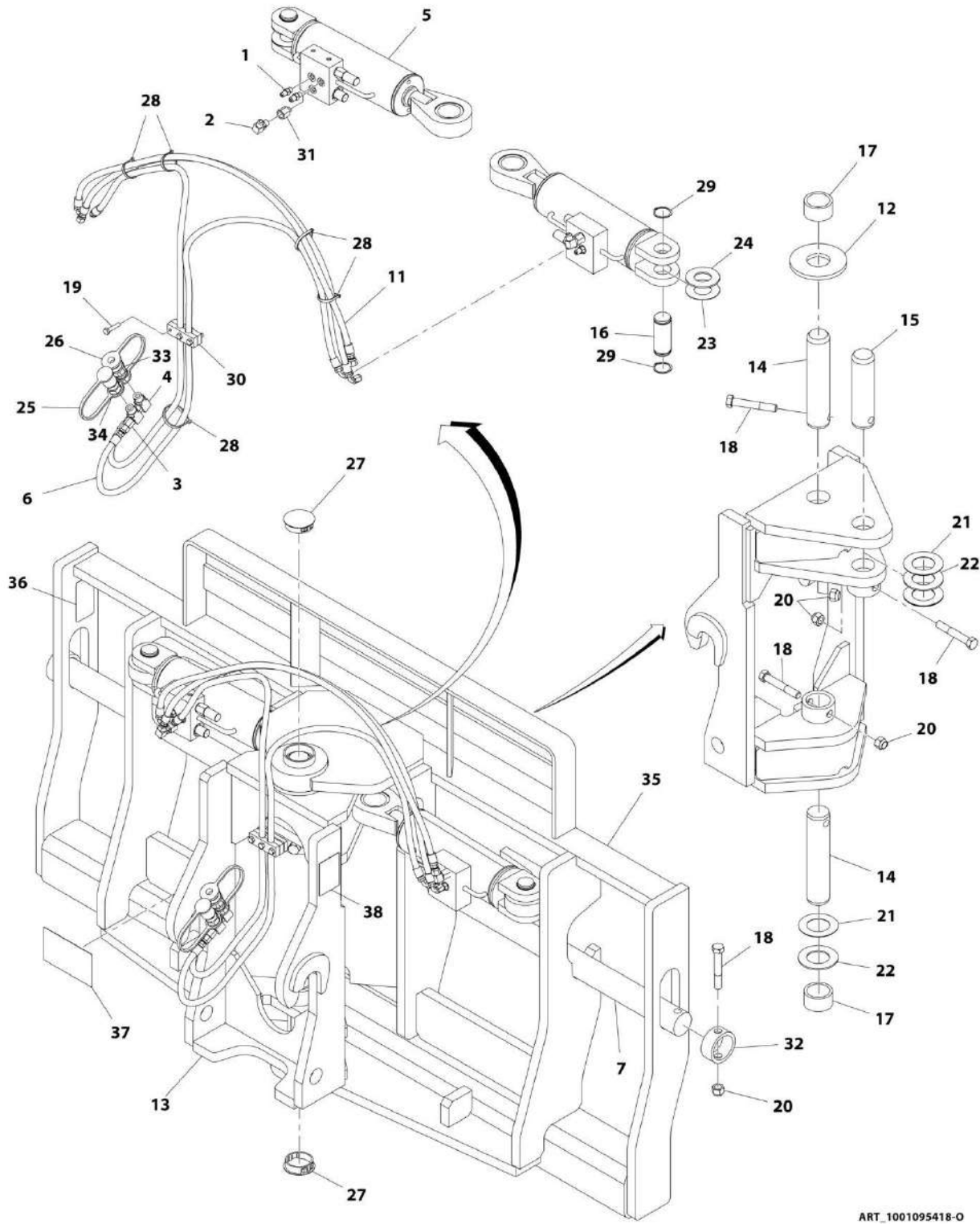
SECTION 3 - ATTACHMENTS

FIGURE 3-18. SIDE SHIFT CARRIAGE ASSEMBLY (50 INCH)

ITEM	PART NUMBER	QTY	DESCRIPTION	REV
	1001142790	Ref	Side Shift Carriage Assembly (50 Inch)	C
1	N.S.S.	1	Weldment	
2	70024535	1	Shaft	
3	70024536	2	Collar	
4	70024123	2	Adapter, 90 (includes O-Ring)	
5	70024537	2	Hose	
6	N.S.S.	1	S/N Plate	
7	70024538	3	Decal, Warning	
8	N.S.S.	1	Weldment	
9	70024539	1	Cylinder, Side Shift Carriage (50 Inch) (See HYDRAULIC COMPONENTS SECTION for Breakdown)	
10	70024540	4	Bushing	
11	70024541	8	Circlip	
12	70024542	4	Fitting, Grease	
13	70024543	4	Retainer	
14	70024544	2	Shaft	
15	N.S.S.	1	S/N Plate	
16	70024551	4	Washer, Lock 16	
17	70024552	4	Bolt, M16X45	
18	70024553	2	Nut, Hex M16	
19	70024554	2	Bolt, M16X100	
20	70022997	8	Washer, Lock 12	
21	70024555	8	Bolt, M12X35	
22	91403413	1	Adapter, Female Quick Disconnect	
23	8420055	1	Plug, Dust	
24	91403414	1	Adapter, Male Quick Disconnect	
25	8420053	1	Cap, Dust	
26	70024550	2	Adapter, 90 (includes O-Ring)	
101	70024545	1	Kit, Hydraulic Repair (includes items 5 & 22 thru 26)	
102	70024546	1	Kit, Retainer (includes items 13, 20 & 21)	

SECTION 3 - ATTACHMENTS

FIGURE 3-19. 90 SWING CARRIAGE ASSEMBLY (72 INCH)



ART_1001095418-O

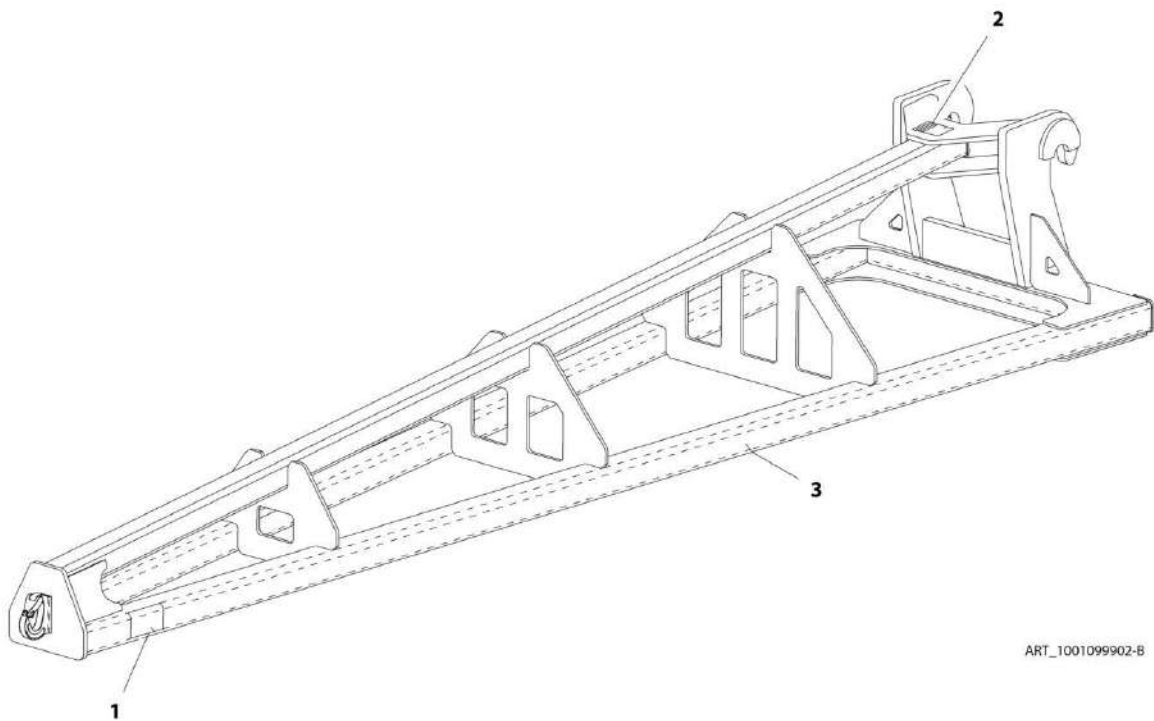
SECTION 3 - ATTACHMENTS

FIGURE 3-19. 90 SWING CARRIAGE ASSEMBLY (72 INCH)

ITEM	PART NUMBER	QTY	DESCRIPTION	REV
	1001095418	Ref	90 Swing Carriage Assembly (72 Inch)	M
1	2220415	4	Adapter, Straight	
2	2220473	2	Adapter, 90	
3	2220609	2	Adapter, Straight	
4	2220628	2	Adapter, 90	
5	1001103182	2	Swing Carriage Cylinder (See Separate Breakdown in HYDRAULIC COMPONENTS Section)	
6	2717287	2	Hose	
7	3423276	1	Pin, Fork	
11	6604662	2	Hose	
12	7062922	1	Washer, Thrust	
13	N.S.S.	1	Weldment, Pivot	
14	7110702	2	Pin, Pivot	
15	7110712	1	Pin, Cylinder	
16	7110722	2	Pin, Cylinder	
17	8065062	2	Bushing	
18	8303634	5	Bolt, 5/8-11X4	
19	8303715	3	Bolt, 5/16-18X1-1/2	
20	8305643	5	Nut, Lock 5/8-11	
21	8307904	AR	Washer, Shim	
22	8307918	AR	Washer, Shim	
23	8310160	AR	Washer, Shim	
24	8310161	AR	Washer, Shim	
25	8420053	1	Cap, Dust	
26	8420055	1	Plug, Dust	
27	8580315	2	Plug	
28	8584001	5	Wrap, Tie	
29	8642207	4	Ring, Retaining	
30	8769132	2	Clamp, Twin	
31	8770016	2	Adapter, Straight	
32	90200003	2	Collar, Fork Pin	
33	91403413	1	Adapter, Female Quick Disconnect	
34	91403414	1	Adapter, Male Quick Disconnect	
35	N.S.S.	1	Frame, Carriage	
36	N.S.S.	1	S/N Plate	
37	1001110704	1	Decal, Warning Crush Hazard	
38	1001111190	2	Decal, Warning	

SECTION 3 - ATTACHMENTS

FIGURE 3-20. TRUSS BOOM (12 FOOT WITHOUT WINCH)



ART_1001099902-B

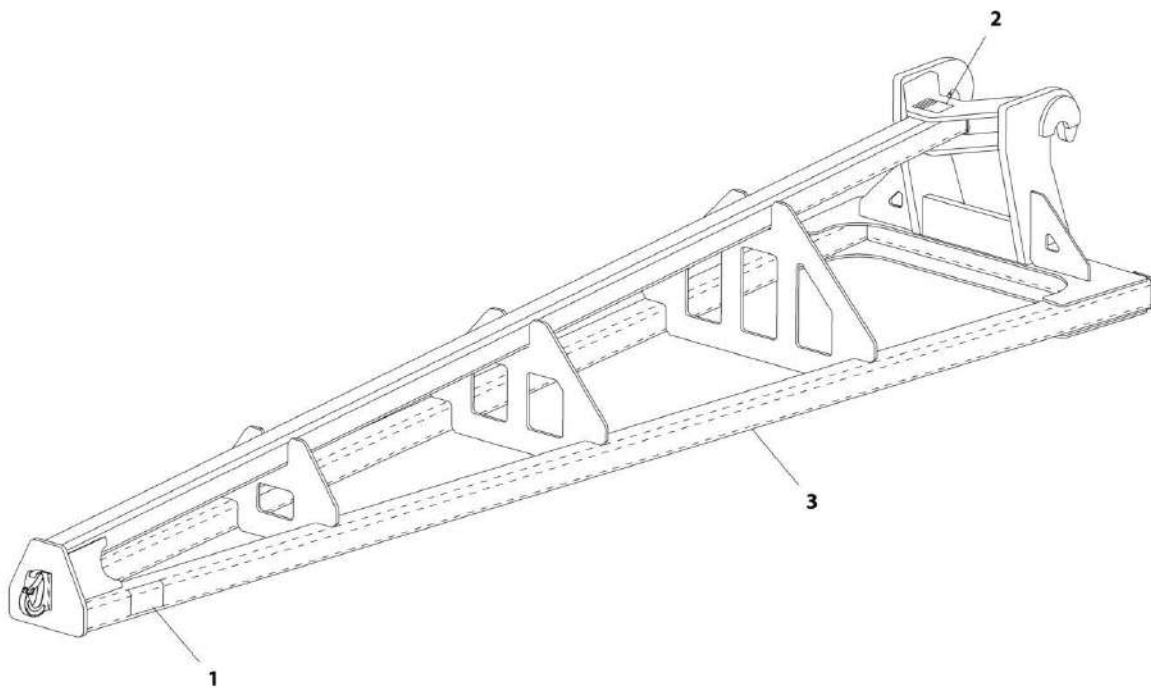
SECTION 3 - ATTACHMENTS

FIGURE 3-20. TRUSS BOOM (12 FOOT WITHOUT WINCH)

ITEM	PART NUMBER	QTY	DESCRIPTION	REV
	1001099902	Ref	Truss Boom (12 Foot without Winch)	B
1	4110422	2	Decal, Danger Swinging Loads	
2	N.S.S.	1	S/N Plate	
3	N.S.S.	1	Boom, Truss	

SECTION 3 - ATTACHMENTS

FIGURE 3-21. TRUSS BOOM (15 FOOT WITHOUT WINCH)



ART_1001099901-C

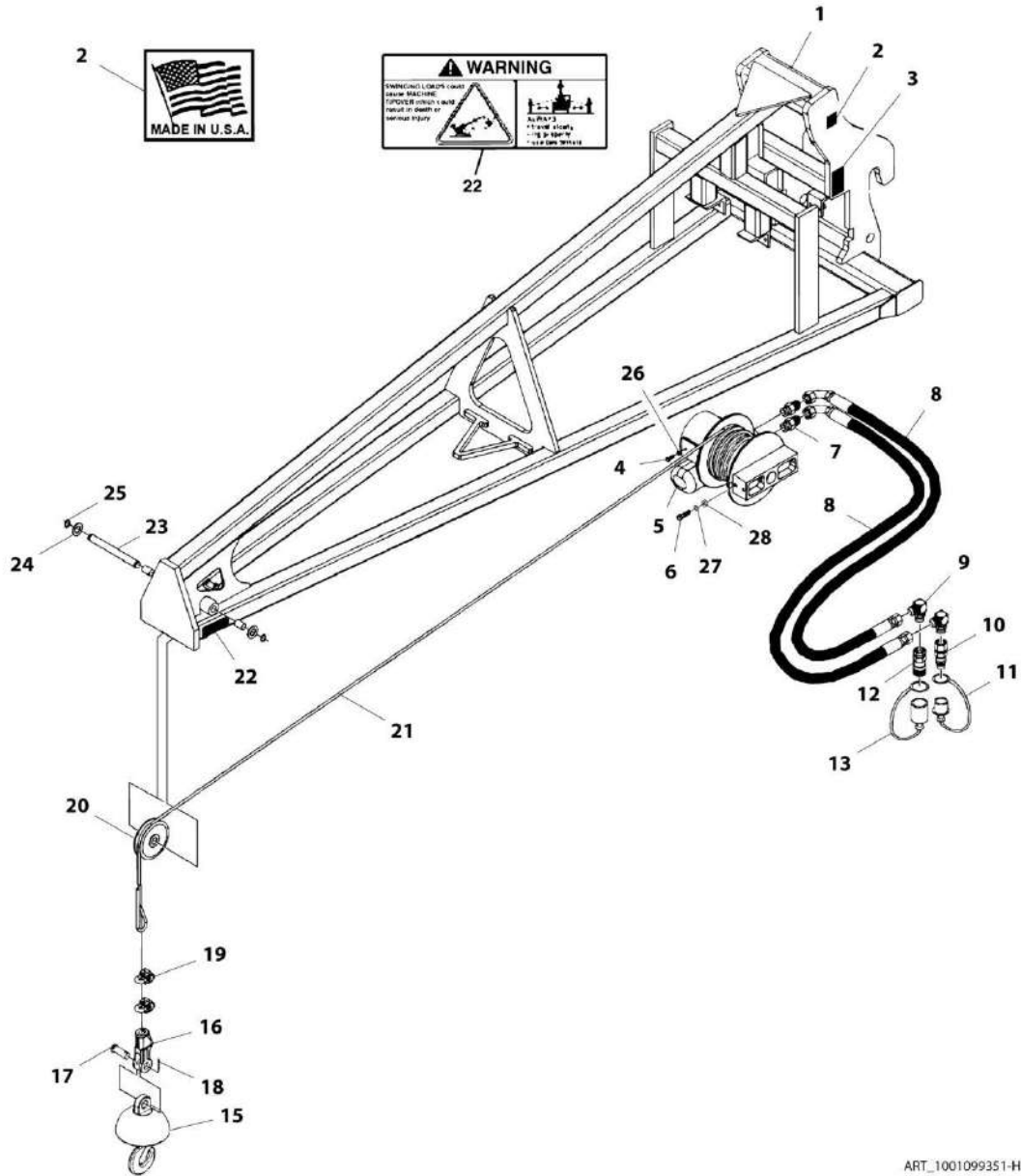
SECTION 3 - ATTACHMENTS

FIGURE 3-21. TRUSS BOOM (15 FOOT WITHOUT WINCH)

ITEM	PART NUMBER	QTY	DESCRIPTION	REV
	1001099901	Ref	Truss Boom (15 Foot without Winch)	C
1	4110422	1	Decal, Danger Swinging Loads	
2	N.S.S.	1	S/N Plate	
3	N.S.S.	1	Boom, Truss	

SECTION 3 - ATTACHMENTS

FIGURE 3-22. TRUSS BOOM (12 FOOT WITH WINCH)



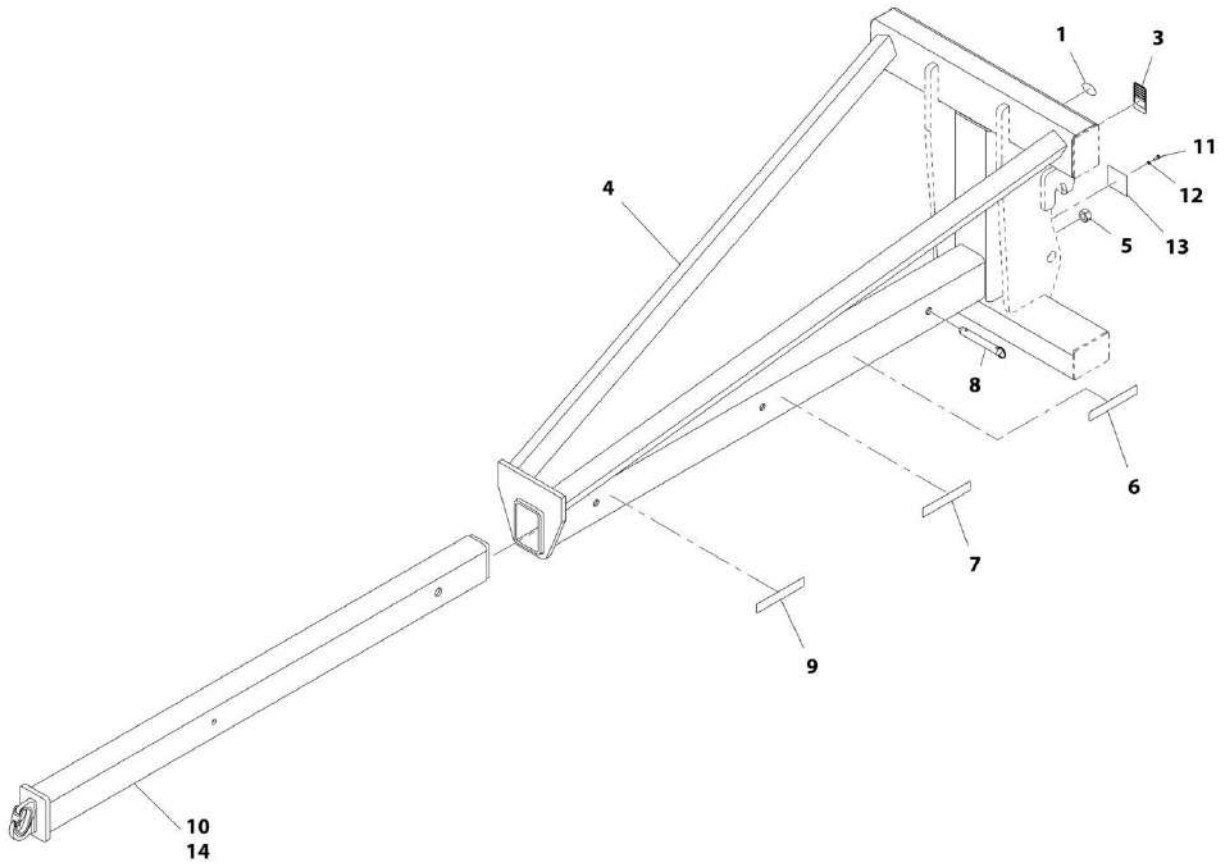
SECTION 3 - ATTACHMENTS

FIGURE 3-22. TRUSS BOOM (12 FOOT WITH WINCH)

ITEM	PART NUMBER	QTY	DESCRIPTION	REV
	1001099351	Ref	Truss Boom (12 Foot with Winch)	H
1	N.S.S.	1	Frame, Truss Boom	
2	90554016	1	Decal, Made in USA	
3	N.S.S.	1	S/N Plate	
4	70021349	4	Bolt, 3/8X1	
5	70021921	1	Motor, Truss Boom Winch	
6	70024059	2	Bolt, 1/2X1-3/4	
7	70021415	2	Connector	
8	70021977	2	Hose	
9	70022527	2	Elbow, 90	
10	7029692	1	Quick Coupler, Male	
11	90554062	1	Cap, Dust	
12	70021342	1	Quick Coupler, Female	
13	90554076	1	Cover, Dust	
15	70021978	1	Ball Swivel with Safety Hook	
16	70021979	1	Assembly, Socket (includes items 17 thru 18)	
17	N.S.S.	1	Pin	
18	N.S.S.	1	Pin, Cotter	
19	70022528	2	Clamp	
20	70021935	1	Pulley	
21	70022028	1	Cable	
22	4110422	2	Decal, Warning Swinging Loads	
23	70022529	1	Pin	
24	70024060	2	Washer, Flat 1	
25	70024061	2	Ring, Snap	
26	90554042	4	Washer, Lock 3/8	
27	90554020	2	Washer, Lock 1/2	
28	90554054	2	Nut, 1/2	

SECTION 3 - ATTACHMENTS

FIGURE 3-23. ADJUSTABLE TRUSS BOOM



ART_1001176515-B

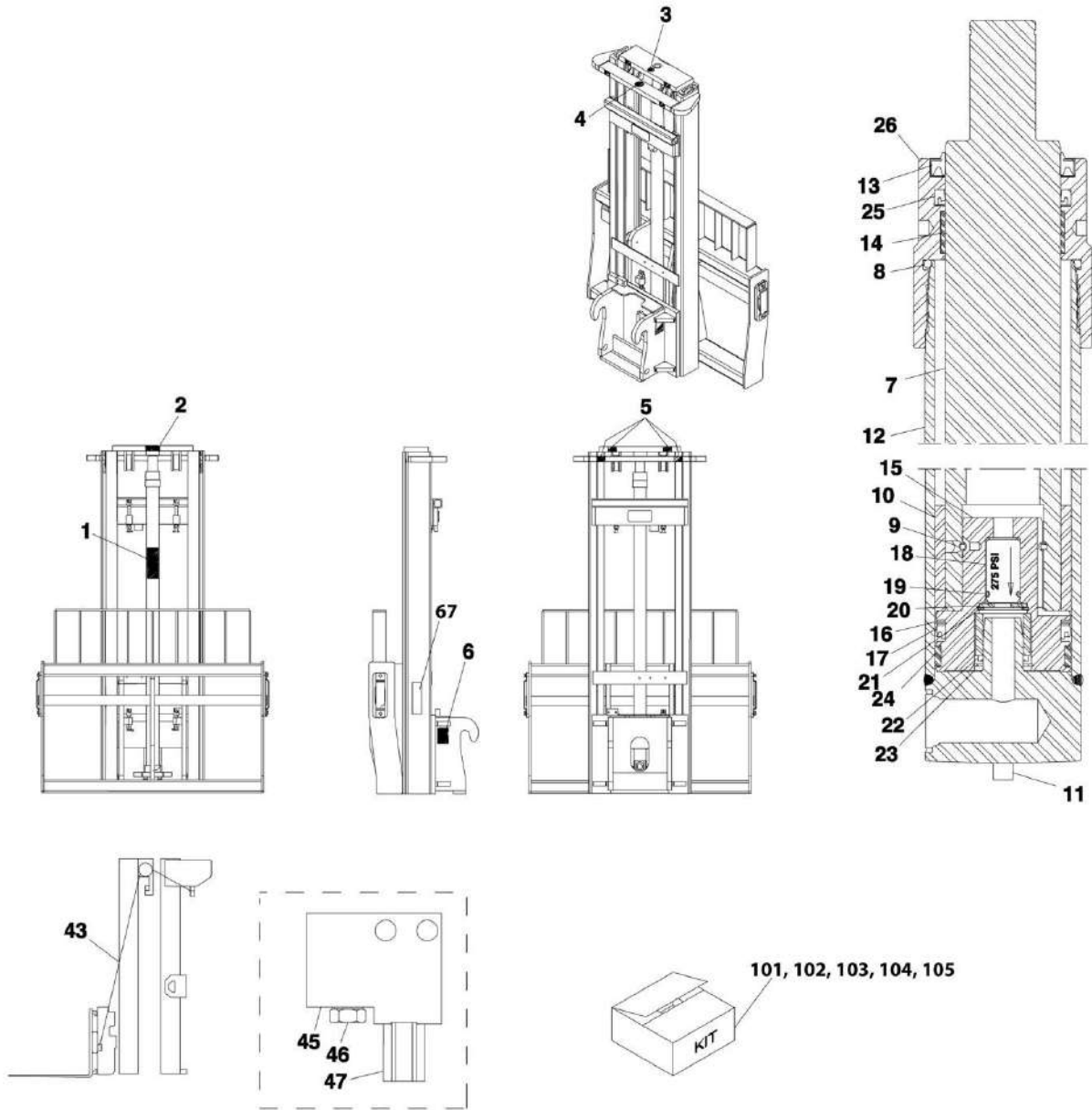
SECTION 3 - ATTACHMENTS

FIGURE 3-23. ADJUSTABLE TRUSS BOOM

ITEM	PART NUMBER	QTY	DESCRIPTION	REV
	1001176515	Ref	Adjustable Truss Boom	B
1	90554016	1	Decal, Made in USA	
3	N.S.S.	1	S/N Plate	
4	N.S.S.	1	Truss Boom, Adjustable	
5	70021440	1	Nut, Lock	
6	70024062	2	Decal, 4000 lbs cap	
7	70026944	2	Decal, 3000 lbs cap	
8	70026946	1	Pin	
9	70026699	2	Decal, 2000 lbs cap	
10	70026747	1	Stop Rod, Boom Extension	
11	90554033	1	Bolt, 3/4X1/4	
12	90554034	1	Washer, Lock 1/4	
13	70026948	1	Plate, Stop	
14	70026949	1	Boom, Telescopic	

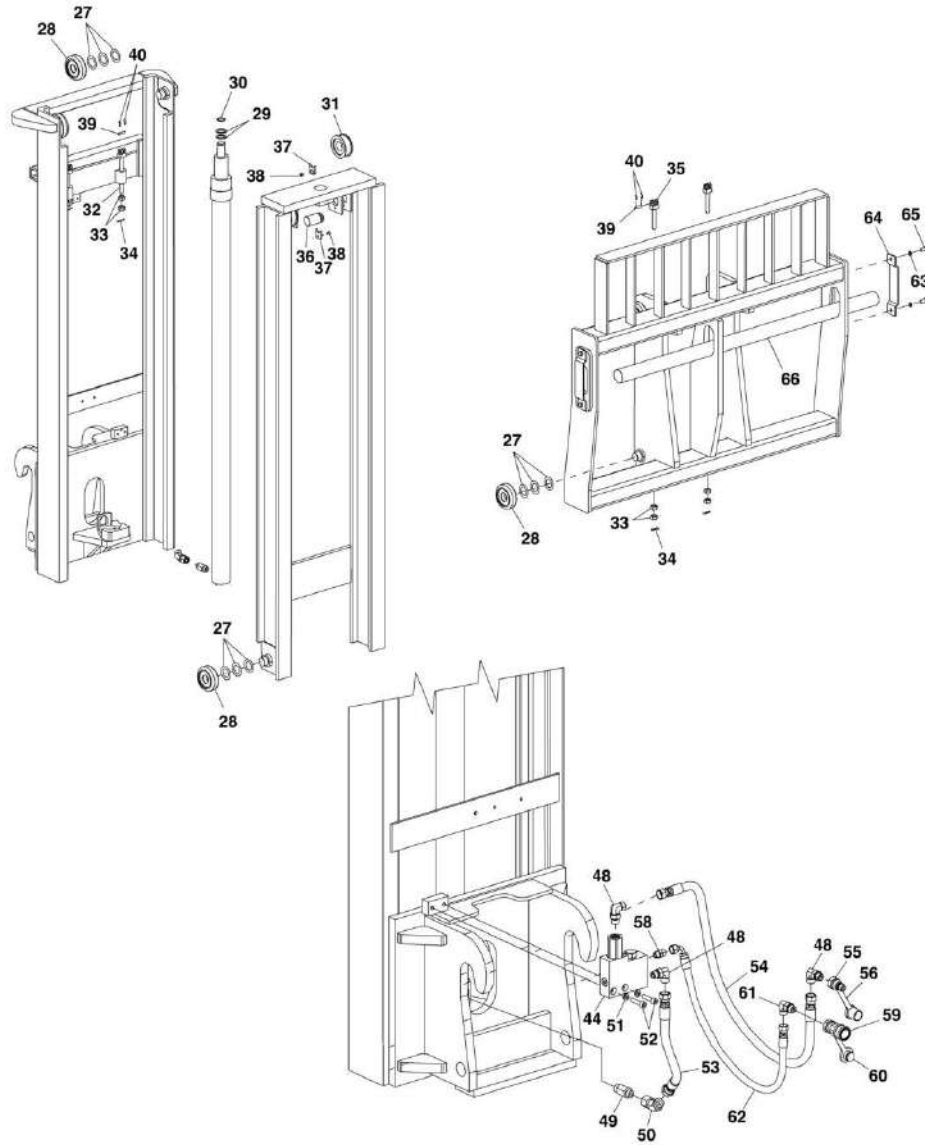
SECTION 3 - ATTACHMENTS

FIGURE 3-24. MAST (8 FOOT)



ART_1001108668_1-C

SECTION 3 - ATTACHMENTS



ART_1001108668_2-C

SECTION 3 - ATTACHMENTS

FIGURE 3-24. MAST (8 FOOT)

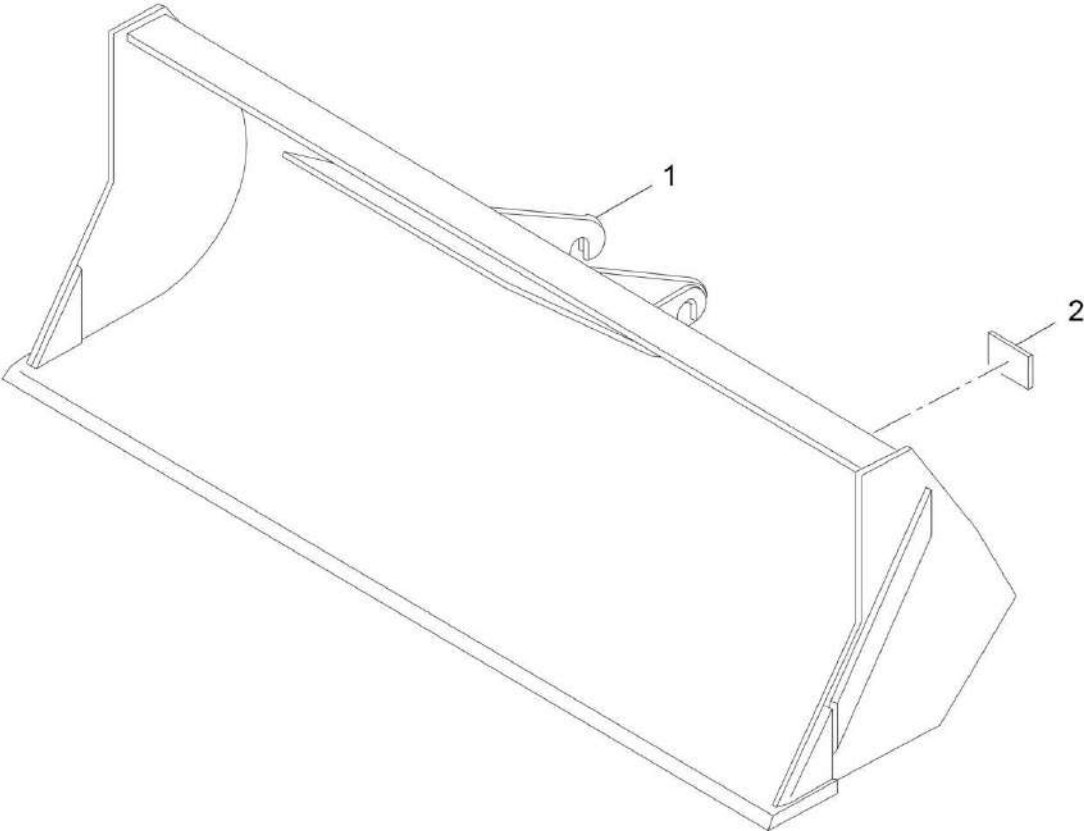
ITEM	PART NUMBER	QTY	DESCRIPTION	REV
	1001108668	Ref	Mast (8 Foot)	C
1	Kit	1	Decal, Warning	
2	Kit	1	Decal, Warning	
3	Kit	1	Decal, No Step	
4	Kit	1	Decal, No Step	
5	Kit	4	Decal, Hands Off	
6	Kit	2	Decal, Hose Routing	
6	70023008	1	Cylinder, Main Lift (includes items 7 thru 26)	
7	N.S.S.	1	Rod/Plunger	
8	Kit	1	O-Ring	
9	Kit	1	Wire, Pull	
10	N.S.S.	1	Spacer	
11	N.S.S.	2	Pin, Roll	
12	N.S.S.	1	Barrel	
13	Kit	1	Wiper	
14	Kit	1	Bushing	
15	N.S.S.	1	Barrel	
16	Kit	1	Ring, Nylon	
17	Kit	1	Seal, Piston	
18	Kit	1	Valve, Check	
19	Kit	1	O-Ring	
20	Kit	1	Washer	
21	Kit	1	Circlip	
22	N.S.S.	1	Sleeve	
23	Kit	1	Ring, Retaining	
24	Kit	1	Ring, Wear	
25	Kit	1	Seal, Rod	
26	70023004	1	Retainer/Gland	
27	70023014	24	Shim	
28	70022987	8	Bearing, Ball	
29	Kit	2	Washer, Shim	
30	70023016	1	Ring, Snap	
31	70022969	2	Assembly, Sheave	
32	70022960	2	Anchor, Chain	
33	70022957	8	Nut, 5/8-18	
34	70022993	4	Pin, Cotter	
35	70022995	2	Anchor, Chain	
36	70022984	1	Shaft, Sheave	
37	70022970	2	Bar, Retainer	
38	70023003	2	Capscrew	
39	70022994	4	Pin, Chain Anchor	
40	70022992	8	Pin, Cotter	
41	70022985	1	Shaft, Sheave	
43	70023009	2	Chain, Lift	
44	70022932	1	Assembly, PO Check Valve (includes items 45, 46 & 47)	
45	N.S.S.	1	Manifold	
46	70022931	1	Cartridge, PO Check Valve	
47	70023010	1	Check, PO	
48	70022934	3	Fitting, 90	
49	70022936	1	Limitter, Flow	

SECTION 3 - ATTACHMENTS

ITEM	PART NUMBER	QTY	DESCRIPTION	REV
50	70022937	1	Fitting, 45	
51	70022949	2	Washer, Lock M10	
52	70022950	2	Bolt	
53	70022942	1	Hose	
54	70022952	1	Hose	
55	91403414	1	Adapter, Male Quick Disconnect	
56	91043126	1	Cap, Dust	
58	70022939	1	Fitting, Straight	
59	91403413	1	Adapter, Female Quick Disconnect	
60	91043125	1	Plug, Dust	
61	70022935	1	Elbow, Straight Thread	
62	70022946	1	Hose	
63	70022949	4	Washer, Lock M10	
64	70022980	2	Keeper, Fork Pin	
65	70022998	4	Screw, M10X20	
66	70022990	1	Pin, Fork	
67	N.S.S.	1	S/N Plate	
101	70023925	1	Kit, Decal (includes items 1 thru 6)	
102	70023005	1	Seal Kit, Main Lift Cylinder (includes items 8, 9, 13, 14, 16, 17, 19, 21 & 23 thru 25)	
103	70023006	1	Kit, Check Valve (includes items 18 thru 21 & 23)	
104	70023007	1	Kit, Shim	
105	70023015	1	Kit, Mast Common Parts (includes items 27 thru 41)	

SECTION 3 - ATTACHMENTS

FIGURE 3-25. BUCKET (72 INCH)



ART_1001100822-C

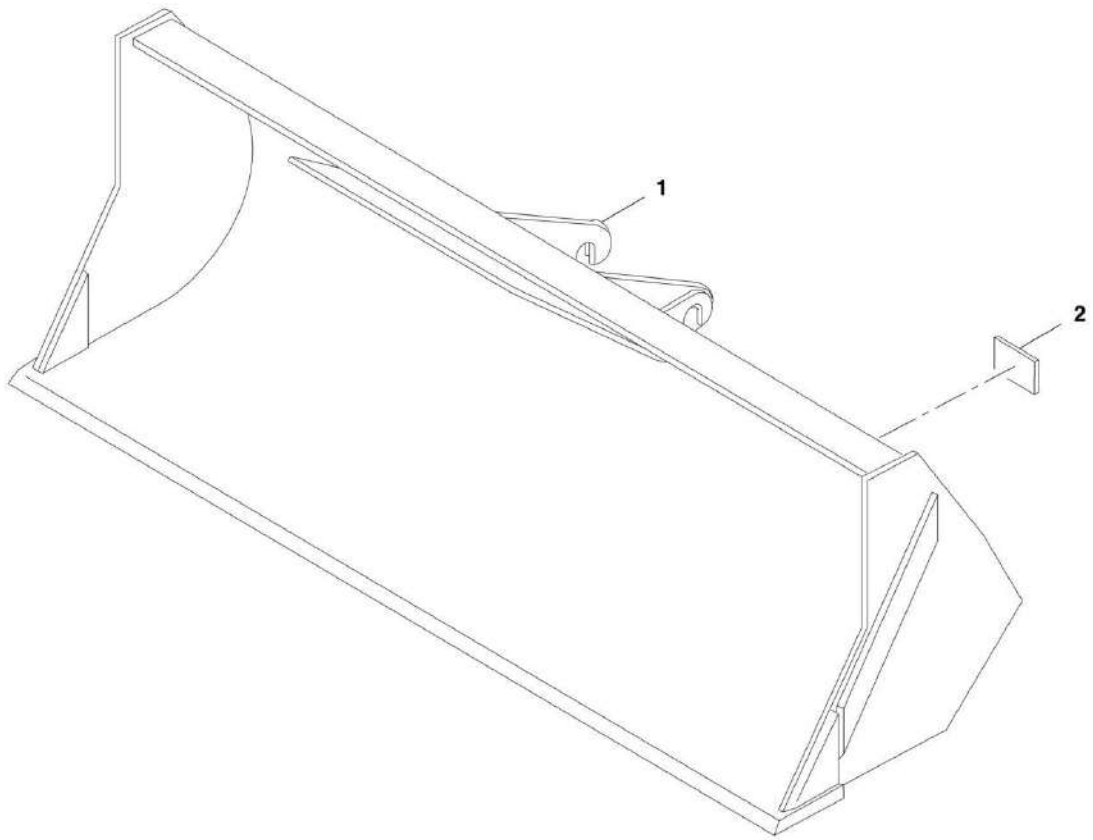
SECTION 3 - ATTACHMENTS

FIGURE 3-25. BUCKET (72 INCH)

ITEM	PART NUMBER	QTY	DESCRIPTION	REV
1	1001100822	Ref	Bucket (72 Inch)	C
2	N.S.S.	1	S/N Plate	

SECTION 3 - ATTACHMENTS

FIGURE 3-26. BUCKET (96 INCH)



ART_1001100823-C

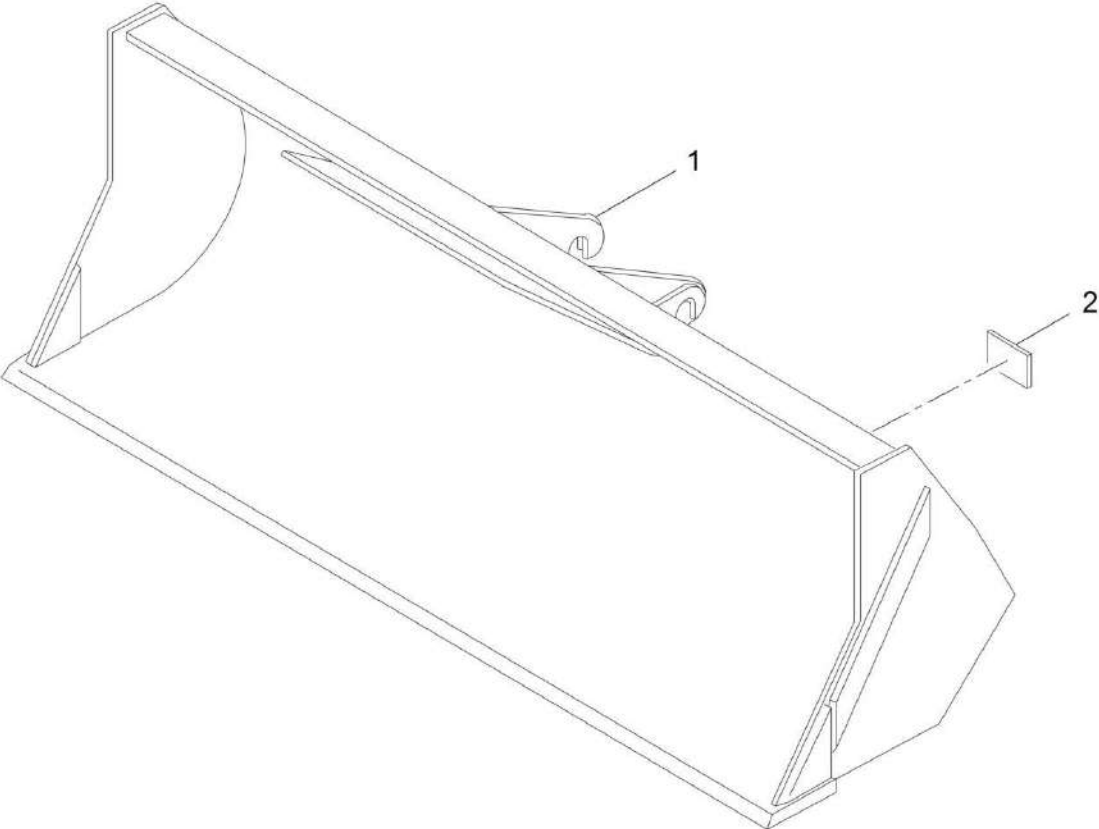
SECTION 3 - ATTACHMENTS

FIGURE 3-26. BUCKET (96 INCH)

ITEM	PART NUMBER	QTY	DESCRIPTION	REV
1	1001100823	Ref	Bucket (96 Inch)	C
2	N.S.S.	1	S/N Plate	

SECTION 3 - ATTACHMENTS

FIGURE 3-27. BUCKET (102 INCH)



ART_1001100824-C

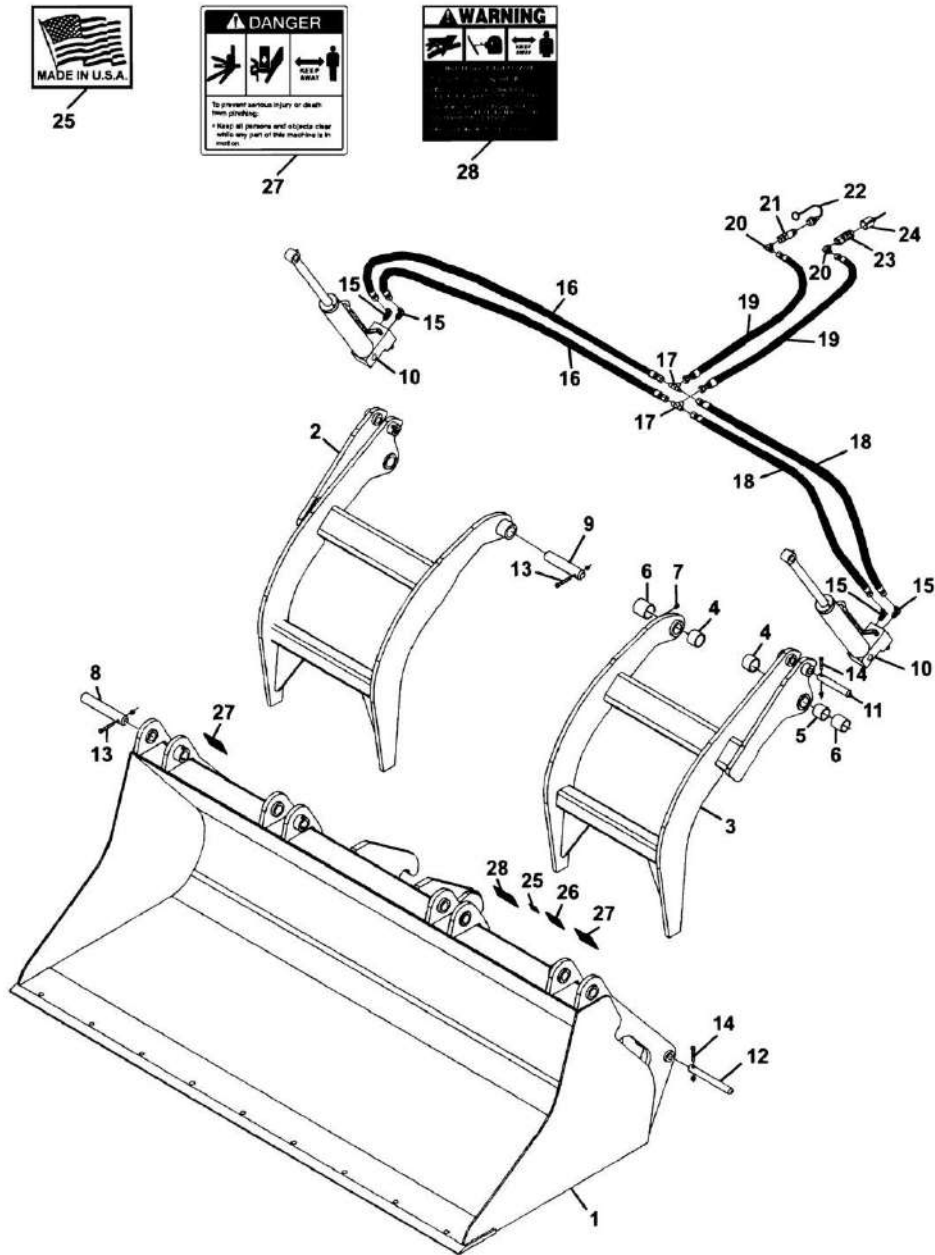
SECTION 3 - ATTACHMENTS

FIGURE 3-27. BUCKET (102 INCH)

ITEM	PART NUMBER	QTY	DESCRIPTION	REV
1	1001100824	Ref	Bucket (102 Inch)	C
2	N.S.S.	1	S/N Plate	

SECTION 3 - ATTACHMENTS

FIGURE 3-28. GRAPPLE BUCKET



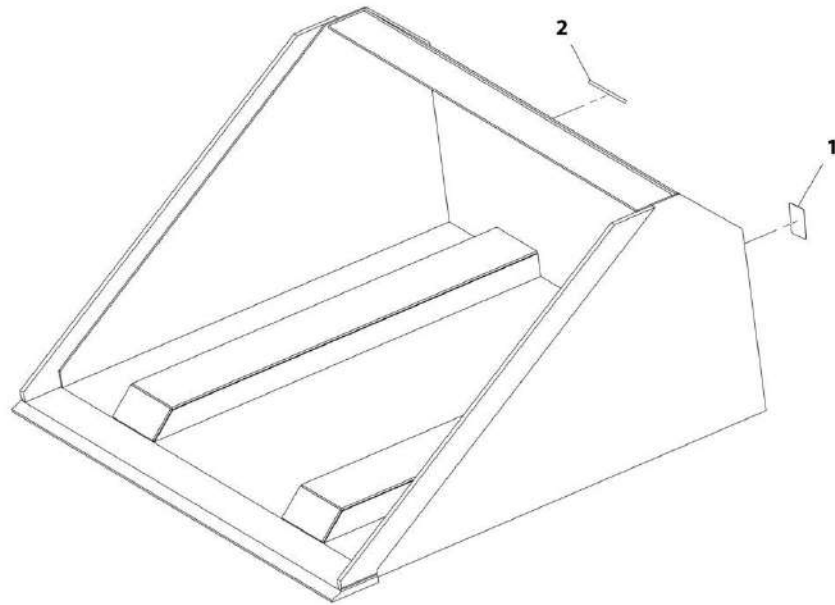
SECTION 3 - ATTACHMENTS

FIGURE 3-28. GRAPPLE BUCKET

ITEM	PART NUMBER	QTY	DESCRIPTION	REV
	0930020	Ref	Grapple Bucket	H
1	N.S.S.	1	Bucket	
1	70021387	4	Clamp, Hose	
2	70021391	1	Hook, RH Grapple	
3	70021392	1	Hook, LH Grapple	
4	70021358	4	Bushing	
5	70021359	2	Spacer	
6	70021360	4	Bushing	
7	7029714	4	Fitting, Grease	
8	70021361	2	Pin, Outer Pivot	
9	70021362	2	Pin, Inner Pivot	
10	70021393	2	Cylinder, Grapple Bucket (See HYDRAULIC COMPONENTS for Breakdown)	
11	70021364	2	Pin, Cylinder (base end)	
12	70021365	2	Pin, Cylinder (rod end)	
13	70021366	4	Bolt, 3/8X2-3/4	
13	70021367	4	Nut, Lock 3/8	
14	70021399	4	Bolt, 3/8X2-1/4	
14	70021367	4	Nut, Lock 3/8	
15	90554065	4	Elbow, 90	
16	70021980	2	Hose	
17	70020562	2	Fitting, Tee	
18	70021981	2	Hose	
19	70021982	2	Hose	
20	70022527	2	Elbow, 90	
21	7029692	1	Quick Coupler, Male	
22	90554062	1	Cover, Dust	
23	70021342	1	Quick Coupler, Female	
24	90554076	1	Cover, Dust	
25	90554016	1	Decal, Made in USA	
26	N.S.S.	1	S/N Plate	
27	90554017	2	Decal, Danger Pinch Point	
28	90554018	1	Decal, Warning High Pressure	

SECTION 3 - ATTACHMENTS

FIGURE 3-29. FORK MOUNTED BUCKET (60 INCH)



ART_1001195970-B

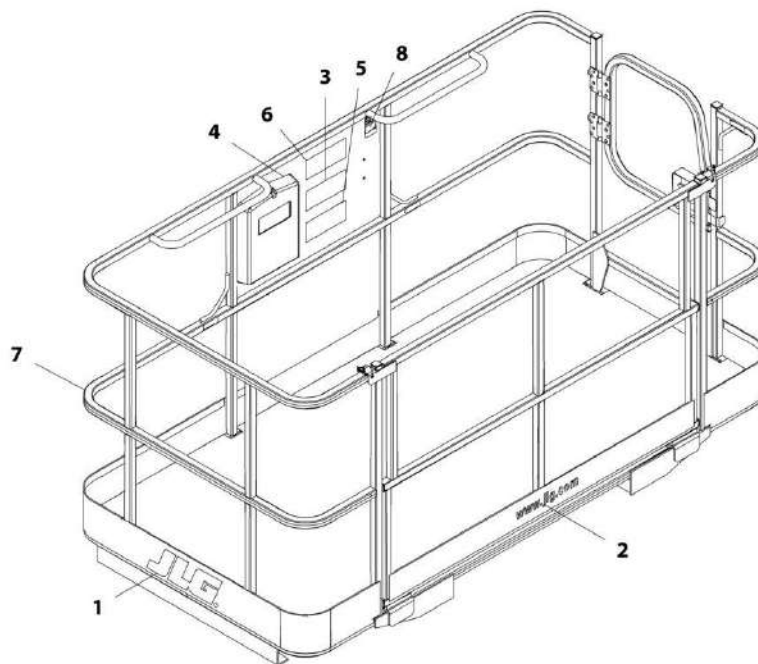
SECTION 3 - ATTACHMENTS

FIGURE 3-29. FORK MOUNTED BUCKET (60 INCH)

ITEM	PART NUMBER	QTY	DESCRIPTION	REV
	1001195970	Ref	Fork Mounted Bucket (60 Inch)	B
1	N.S.S.	1	S/N Plate	
2	70029028	1	Retention Pin Kit, (includes Pin, Retention Cable and Cotter Pin)	

SECTION 3 - ATTACHMENTS

FIGURE 3-30. FORK MOUNTED PLATFORM (ASME)



ART_1001103637-F

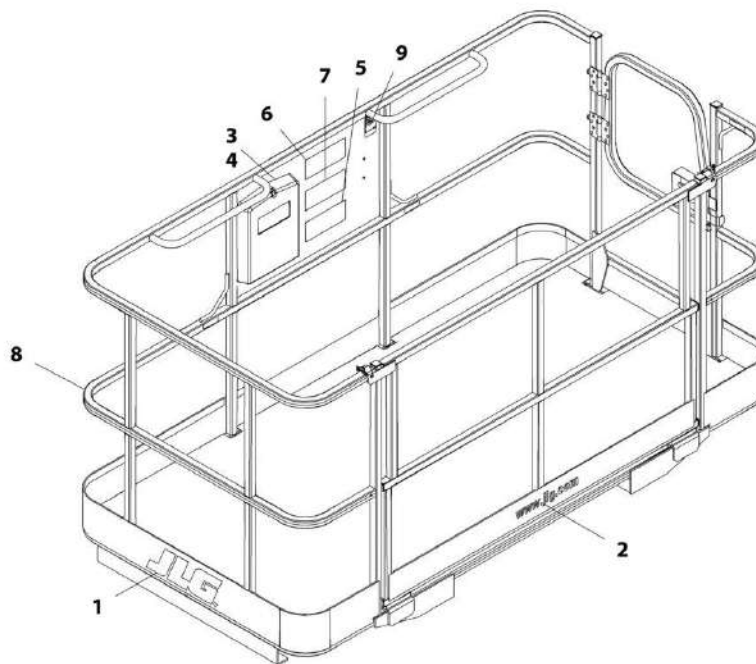
SECTION 3 - ATTACHMENTS

FIGURE 3-30. FORK MOUNTED PLATFORM (ASME)

ITEM	PART NUMBER	QTY	DESCRIPTION	REV
	1001103637	Ref	Fork Mounted Platform (ASME)	F
1	1702773	2	Decal, JLG	
2	1704885	1	Decal, Website	
3	1706892	1	Decal, Platform Warning	
4	31200160	1	Manual, Personnel Work Platform Operation and Safety	
5	1001092481	1	Decal, Warning Attachment	
6	1001092482	1	Decal, Platform Capacity	
7	1001096162	1	Platform, Fork Mounted (See Separate Breakdown in this Section)	
8	N.S.S.	1	S/N Plate	

SECTION 3 - ATTACHMENTS

FIGURE 3-31. FORK MOUNTED PLATFORM (ISO)



ART_1001103730-F

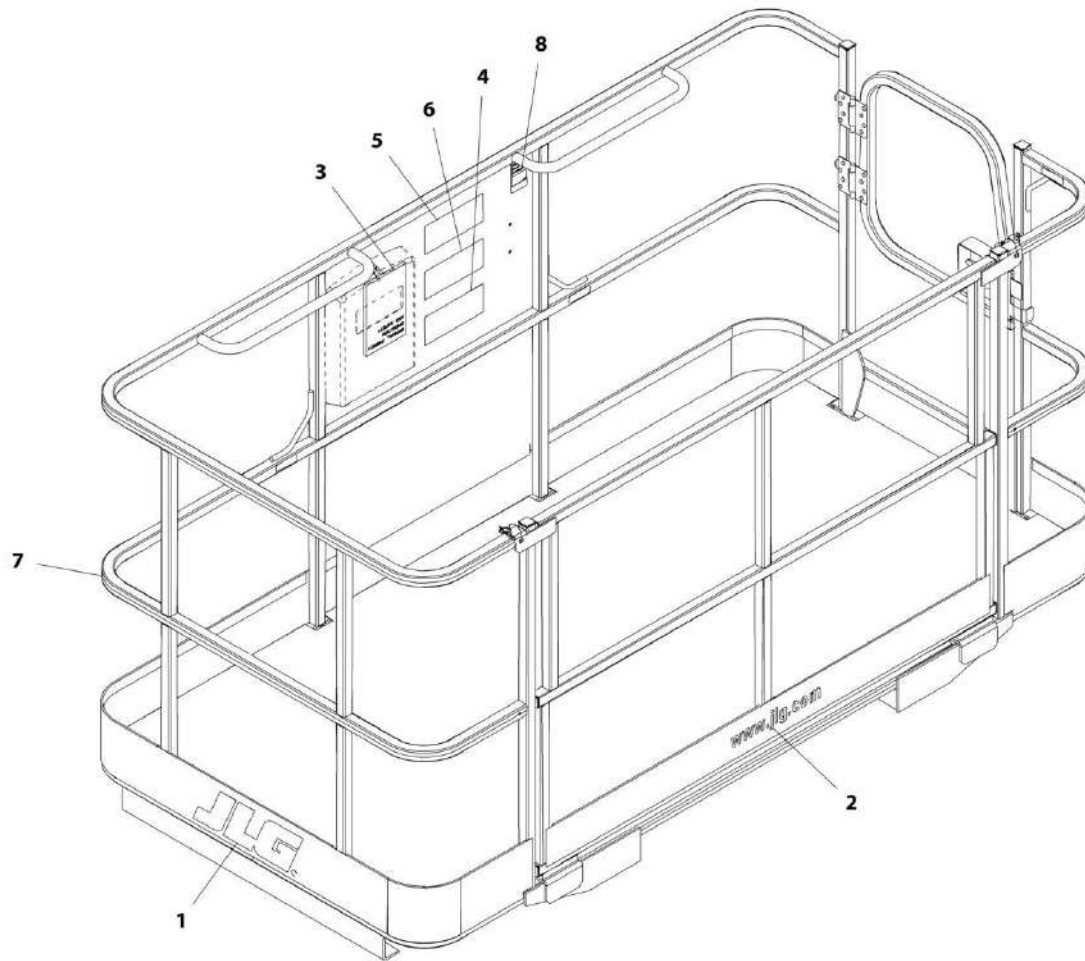
SECTION 3 - ATTACHMENTS

FIGURE 3-31. FORK MOUNTED PLATFORM (ISO)

ITEM	PART NUMBER	QTY	DESCRIPTION	REV
	1001103730	Ref	Fork Mounted Platform (ISO)	F
1	1702773	2	Decal, JLG	
2	1704885	1	Decal, Website	
3	31200387	1	Manual, Personnel Work Platform Operation and Safety (Spanish)	
4	31200388	1	Manual, Personnel Work Platform Operation and Safety (Portuguese)	
5	1001096021	1	Decal, Warning Attachment (ISO)	
6	1001096023	1	Decal, Platform Capacity (ISO)	
7	1001096025	1	Decal, Platform Warning (ISO)	
8	1001096162	1	Platform, Fork Mounted (See Separate Breakdown in this Section)	
9	N.S.S.	1	S/N Plate	

SECTION 3 - ATTACHMENTS

FIGURE 3-32. FORK MOUNTED PLATFORM (FRENCH)



ART_1001103736-F

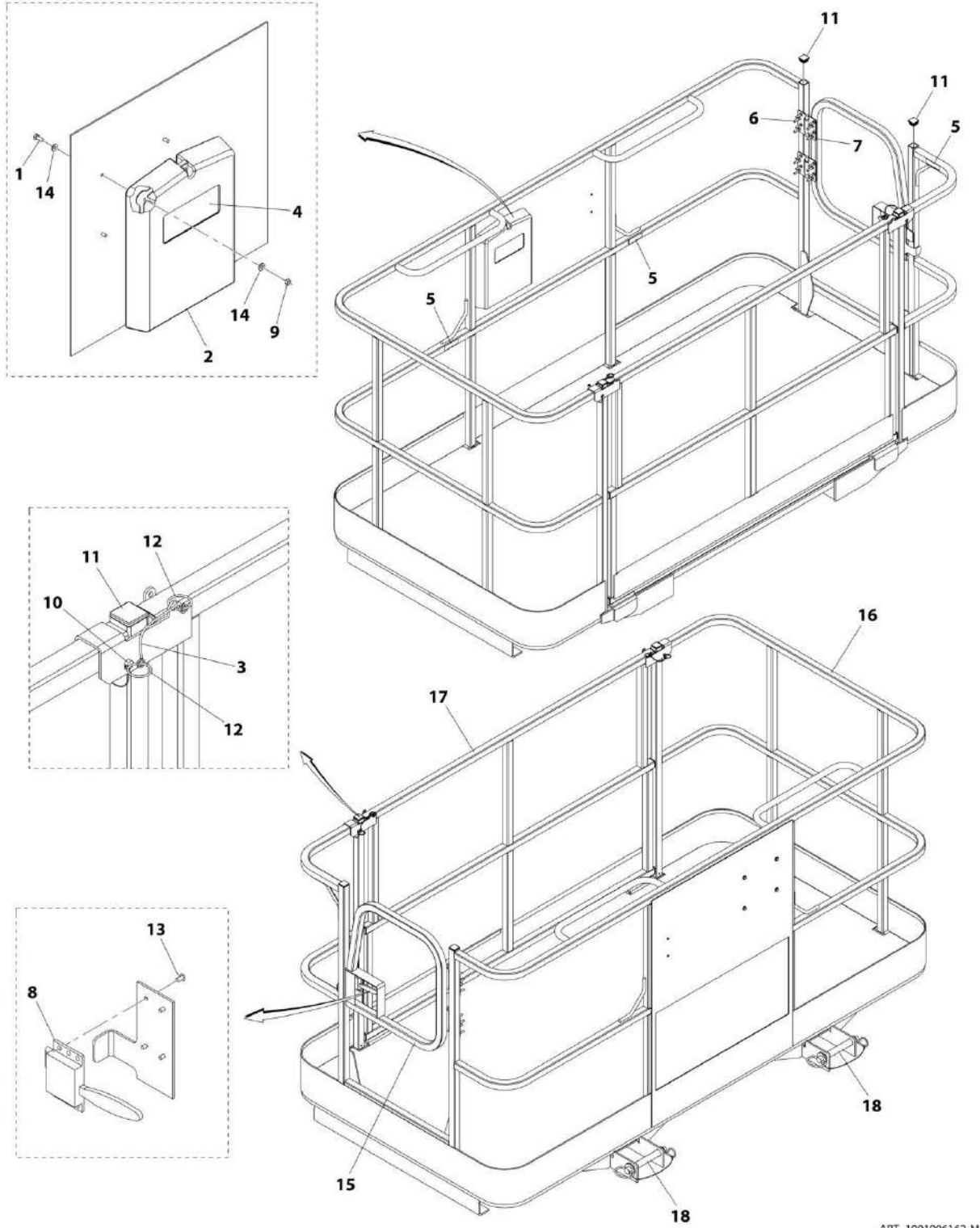
SECTION 3 - ATTACHMENTS

FIGURE 3-32. FORK MOUNTED PLATFORM (FRENCH)

ITEM	PART NUMBER	QTY	DESCRIPTION	REV
	1001103736	Ref	Fork Mounted Platform (FRENCH)	F
1	1702773	2	Decal, JLG	
2	1704885	1	Decal, Website	
3	31200386	1	Manual, Personnel Work Platform Operation and Safety (French)	
4	1001096019	1	Decal, Warning Attachment (French)	
5	1001096020	1	Decal, Platform Capacity (French)	
6	1001096024	1	Decal, Platform Warning (French)	
7	1001096162	1	Platform, Fork Mounted (See Separate Breakdown in this Section)	
8	N.S.S.	1	S/N Plate	

SECTION 3 - ATTACHMENTS

FIGURE 3-33. FORK MOUNTED PLATFORM ASSEMBLY



ART_1001096162-M

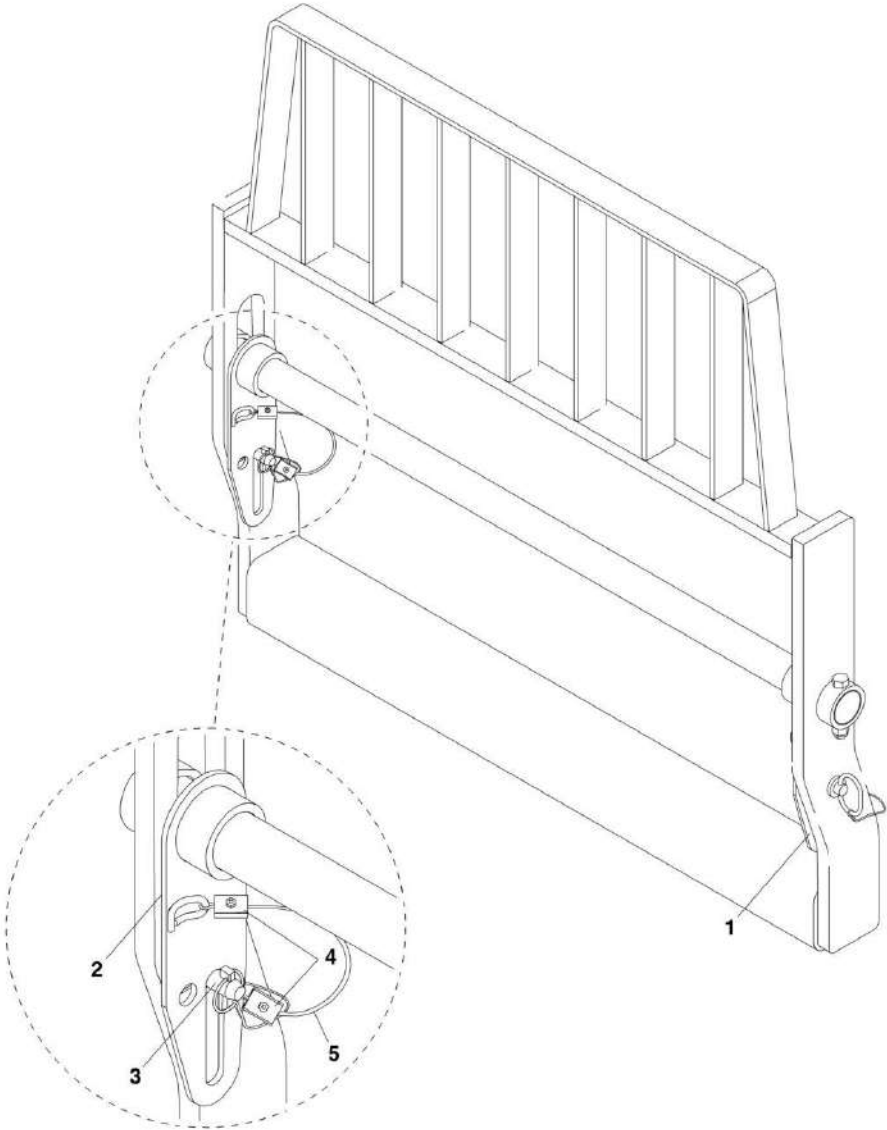
SECTION 3 - ATTACHMENTS

FIGURE 3-33. FORK MOUNTED PLATFORM ASSEMBLY

ITEM	PART NUMBER	QTY	DESCRIPTION	REV
	1001096162	Ref	Fork Mounted Platform	M
1	0641405	4	Bolt, 1/4-20X5/8	
2	0860520	1	Box, Manual Storage	
3	1060379	2	Cable, Lanyard	
4	1701509	1	Decal, Manual	
5	1704277	3	Decal, Lanyard Attach	
6	2080040	16	Fastener	
7	2600281	2	Hinge	
8	2940074	1	Latch	
9	3311405	4	Nut, Lock 1/4-20	
10	3421453	2	Pin	
11	3520072	10	Plug	
12	3760170	4	Ring	
13	3820020	4	Rivet	
14	4711400	8	Washer, 1/4	
15	1001144629J	1	Weldment, Gate	
16	N.S.S.	1	Platform, Fork Mounted	
17	1001095810	1	Weldment, Gate	
18	1001102813	2	Pin, Hitch	

SECTION 3 - ATTACHMENTS

FIGURE 3-34. FORK PIN LOCK INSTALLATION



ART_1001093465_B

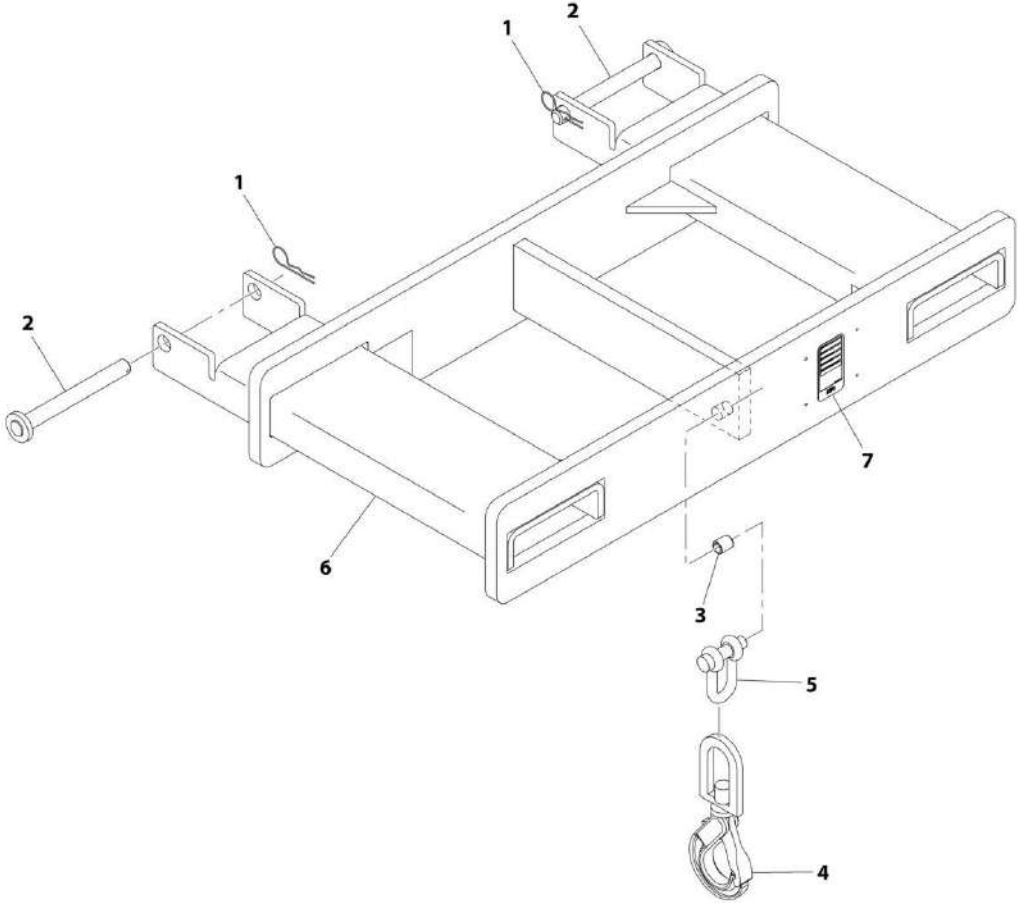
SECTION 3 - ATTACHMENTS

FIGURE 3-34. FORK PIN LOCK INSTALLATION

ITEM	PART NUMBER	QTY	DESCRIPTION	REV
	1001093465	Ref	Fork Pin Lock Installation	B
1	0240156	1	Lock, LH Fork Pin	
2	1001093273	1	Lock, RH Fork Pin	
3	1001093377	2	Pin, Hitch	
4	1001094830	4	Clamp	
5	1001094330	2	Lanyard	

SECTION 3 - ATTACHMENTS

FIGURE 3-35. FORK MOUNTED HOOK



ART_1001097205-H

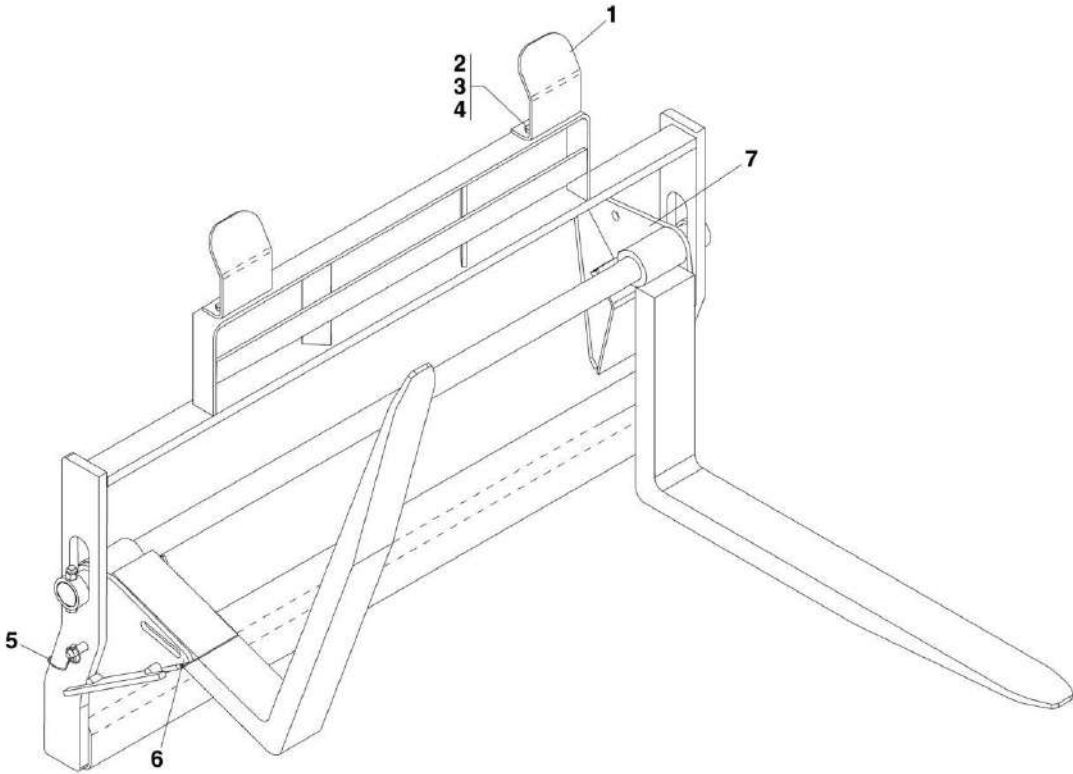
SECTION 3 - ATTACHMENTS

FIGURE 3-35. FORK MOUNTED HOOK

ITEM	PART NUMBER	QTY	DESCRIPTION	REV
	1001097205	Ref	Fork Mounted Hook	H
1	7029520	2	Pin, Cotter	
2	1001093171	2	Pin	
3	70020555	1	Bushing	
4	90554080	1	Hook	
5	7029521	1	Shackle, Chain	
6	N.S.S.	1	Weldment, Crane Hook	
7	N.S.S.	1	S/N Plate	

SECTION 3 - ATTACHMENTS

FIGURE 3-36. SHEET MATERIAL HANDLER INSTALLATION



ART_1001100227_A

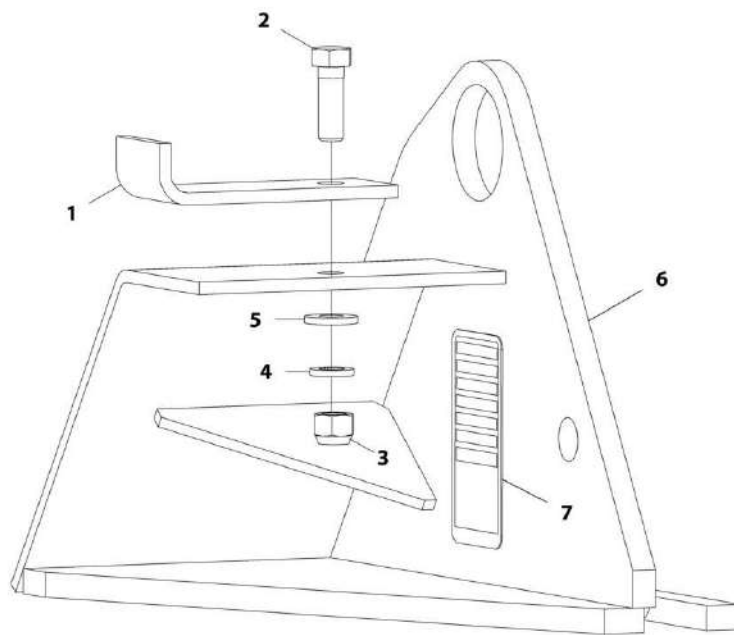
SECTION 3 - ATTACHMENTS

FIGURE 3-36. SHEET MATERIAL HANDLER INSTALLATION

ITEM	PART NUMBER	QTY	DESCRIPTION	REV
	1001100227	Ref	Sheet Material Handler Installation	A
1	7112642	2	Extension, Backrest	
2	8303626	4	Bolt, 1/2-13X1-1/2	
3	8305012	4	Nut, 1/2-13	
4	8307007	4	Washer, Lock 1/2	
5	1001093377	2	Pin, Hitch	
6	1001101115	1	Assembly, RH Fork Support (See RH FORK SUPPORT ASSEMBLY for Breakdown)	
7	1001101116	1	Assembly, LH Fork Support (See LH FORK SUPPORT ASSEMBLY for Breakdown)	

SECTION 3 - ATTACHMENTS

FIGURE 3-37. RH FORK SUPPORT ASSEMBLY



ART_1001101115_B

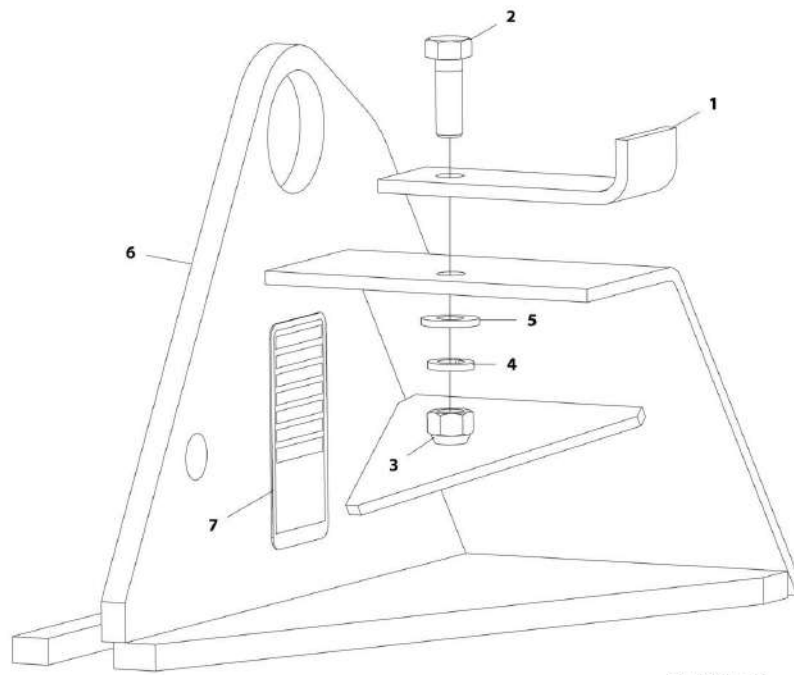
SECTION 3 - ATTACHMENTS

FIGURE 3-37. RH FORK SUPPORT ASSEMBLY

ITEM	PART NUMBER	QTY	DESCRIPTION	REV
	1001101115	Ref	RH Fork Support Assembly	B
1	7114941	1	Bar, Lock	
2	8303626	1	Bolt, 1/2-13X1-1/2	
3	8305644	1	Nut, Lock 1/2-13	
4	8307007	1	Washer, Lock 1/2	
5	8307112	1	Washer, 1/2	
6	1001100228	1	Support, RH Fork	
7	N.S.S.	1	S/N Plate	

SECTION 3 - ATTACHMENTS

FIGURE 3-38. LH FORK SUPPORT ASSEMBLY



ART_1001101116_C

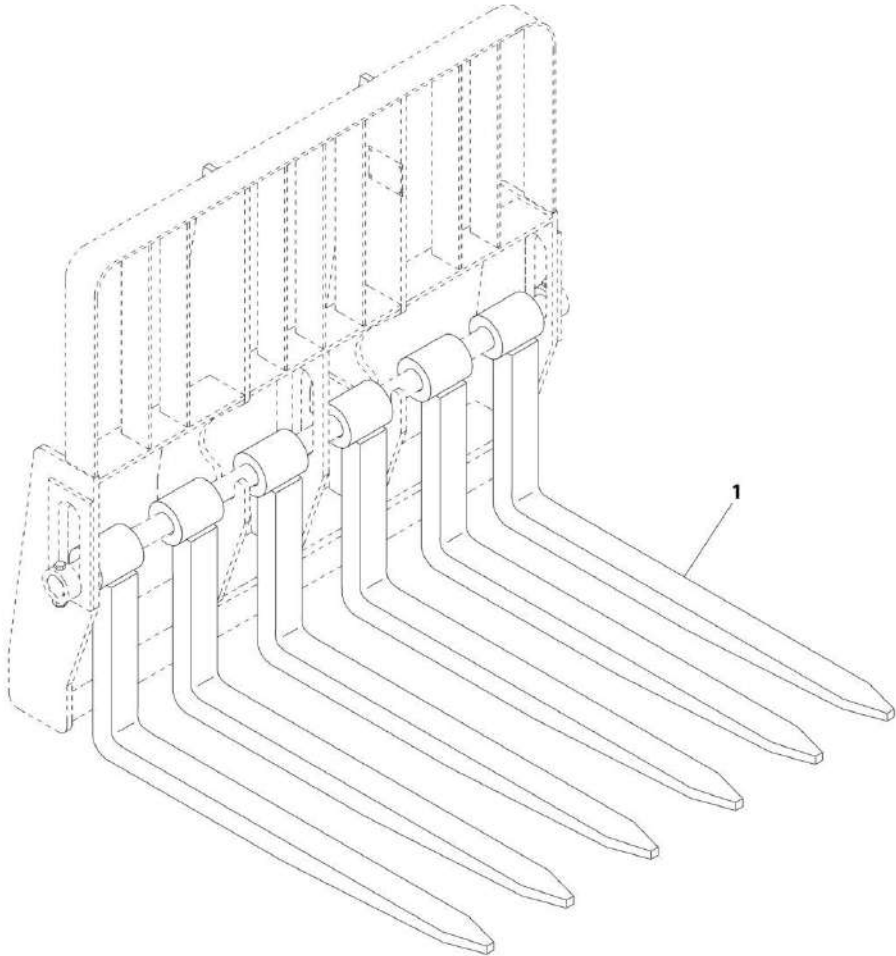
SECTION 3 - ATTACHMENTS

FIGURE 3-38. LH FORK SUPPORT ASSEMBLY

ITEM	PART NUMBER	QTY	DESCRIPTION	REV
	1001101116	Ref	LH Fork Support Assembly	C
1	7114941	1	Bar, Lock	
2	8303626	1	Bolt, 1/2-13X1-1/2	
3	8305644	1	Nut, Lock 1/2-13	
4	8307007	1	Washer, Lock 1/2	
5	8307112	1	Washer, 1/2	
6	1001100229	1	Support, LH Fork	
7	N.S.S.	1	S/N Plate	

SECTION 3 - ATTACHMENTS

FIGURE 3-39. CUBING FORK



ART_2340037-A

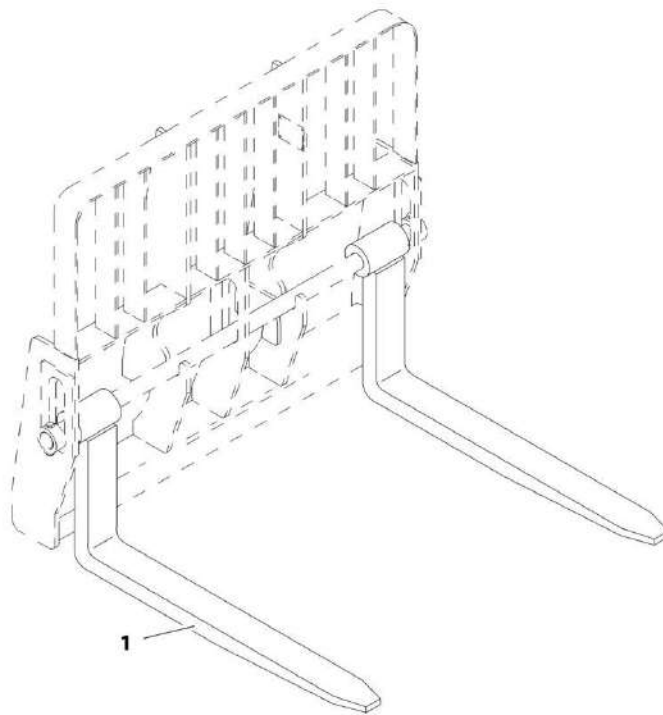
SECTION 3 - ATTACHMENTS

FIGURE 3-39. CUBING FORK

ITEM	PART NUMBER	QTY	DESCRIPTION	REV
1	2340037	6	Cubing Fork	A
N1	Note	Ref	FORKS RATED LESS THAN THE ATTACHMENT OR MACHINE'S CAPACITY DECREASES CAPACITY OF THE ATTACHMENT OR MACHINE TO THAT OF THE FORKS. FORKS RATED MORE THAN THE ATTACHMENT OR MACHINE'S CAPACITY DO NOT INCREASE ATTACHMENT OR MACHINE'S CAPACITY.	
N2	Note	Ref	PLEASE CONSULT JLG PARTS DEPARTMENT TO DETERMINE THE CORRECT FORKS APPLICABLE TO YOUR SPECIFIC CARRIASE ASSEMBLY AND APPLICATION.	

SECTION 3 - ATTACHMENTS

FIGURE 3-40. PALLET FORK (48X4X2.36)



ART_2340045_B

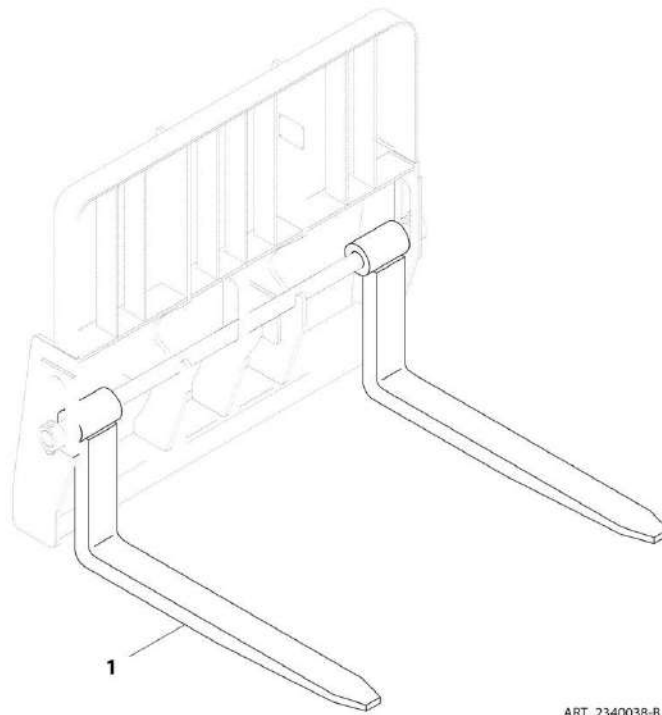
SECTION 3 - ATTACHMENTS

FIGURE 3-40. PALLET FORK (48X4X2.36)

ITEM	PART NUMBER	QTY	DESCRIPTION	REV
1	2340045	2	Pallet Fork (48X4X2.36)	B
N1	Note	Ref	FORKS RATED LESS THAN THE ATTACHMENT OR MACHINE'S CAPACITY DECREASES CAPACITY OF THE ATTACHMENT OR MACHINE TO THAT OF THE FORKS. FORKS RATED MORE THAN THE ATTACHMENT OR MACHINE'S CAPACITY DO NOT INCREASE ATTACHMENT OR MACHINE'S CAPACITY.	
N2	Note	Ref	PLEASE CONSULT JLG PARTS DEPARTMENT TO DETERMINE THE CORRECT FORKS APPLICABLE TO YOUR SPECIFIC CARRIASE ASSEMBLY AND APPLICATION.	

SECTION 3 - ATTACHMENTS

FIGURE 3-41. PALLET FORK (48X5X2.36)



ART_2340038-B

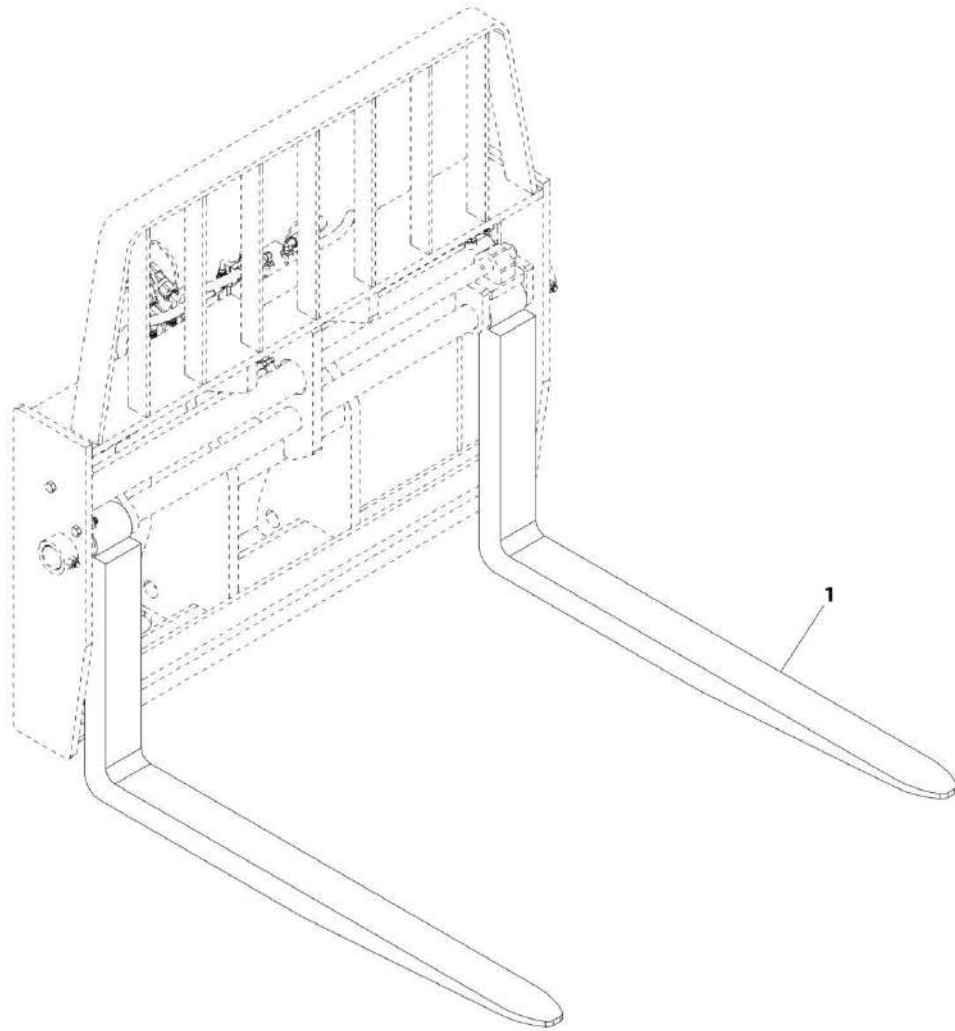
SECTION 3 - ATTACHMENTS

FIGURE 3-41. PALLET FORK (48X5X2.36)

ITEM	PART NUMBER	QTY	DESCRIPTION	REV
1	2340038	2	Pallet Fork (48X5X2.36)	B
N1	Note	Ref	FORKS RATED LESS THAN THE ATTACHMENT OR MACHINE'S CAPACITY DECREASES CAPACITY OF THE ATTACHMENT OR MACHINE TO THAT OF THE FORKS. FORKS RATED MORE THAN THE ATTACHMENT OR MACHINE'S CAPACITY DO NOT INCREASE ATTACHMENT OR MACHINE'S CAPACITY.	
N2	Note	Ref	PLEASE CONSULT JLG PARTS DEPARTMENT TO DETERMINE THE CORRECT FORKS APPLICABLE TO YOUR SPECIFIC CARRIASE ASSEMBLY AND APPLICATION.	

SECTION 3 - ATTACHMENTS

FIGURE 3-42. PALLET FORK (2.36X4X48)



ART_7301408-D

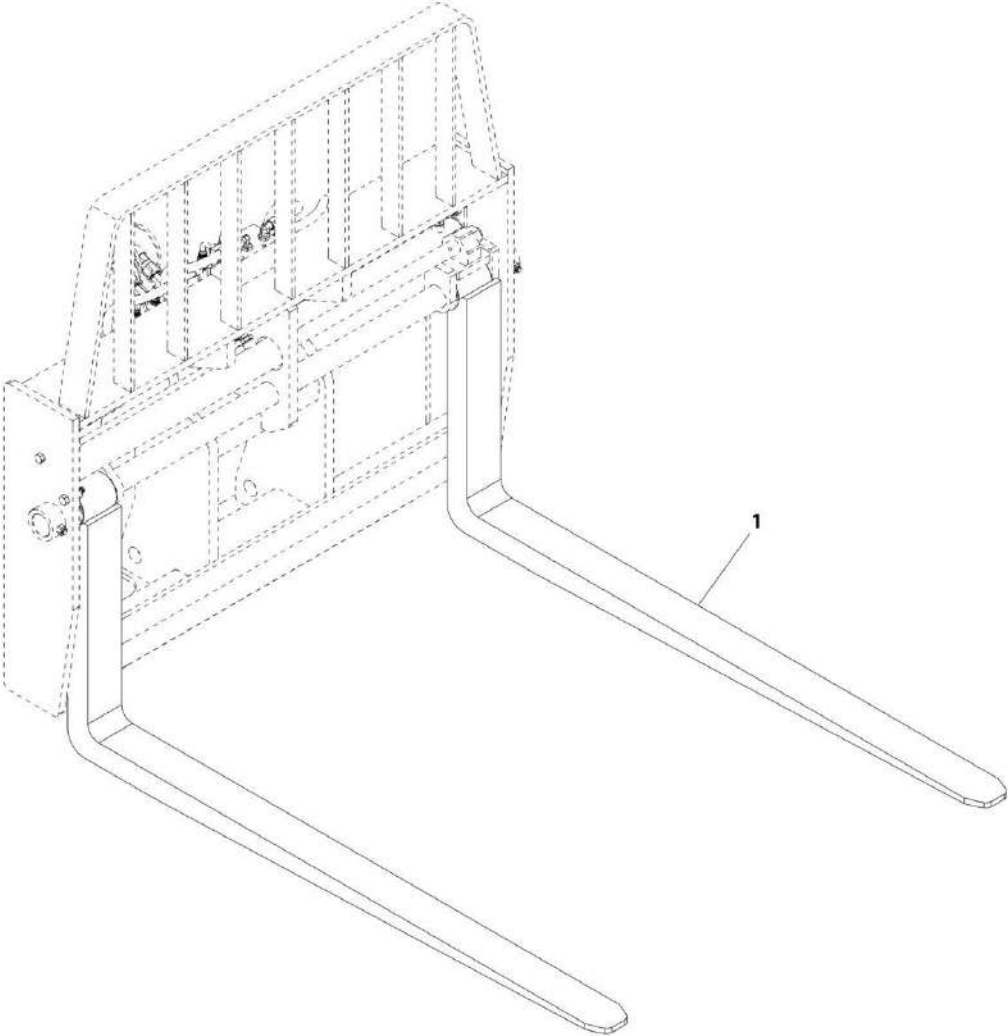
SECTION 3 - ATTACHMENTS

FIGURE 3-42. PALLET FORK (2.36X4X48)

ITEM	PART NUMBER	QTY	DESCRIPTION	REV
1	7301408	2	Pallet Fork (2.36X4X48)	D
N1	Note	Ref	FORKS RATED LESS THAN THE ATTACHMENT OR MACHINE'S CAPACITY DECREASES CAPACITY OF THE ATTACHMENT OR MACHINE TO THAT OF THE FORKS. FORKS RATED MORE THAN THE ATTACHMENT OR MACHINE'S CAPACITY DO NOT INCREASE ATTACHMENT OR MACHINE'S CAPACITY.	
N2	Note	Ref	PLEASE CONSULT JLG PARTS DEPARTMENT TO DETERMINE THE CORRECT FORKS APPLICABLE TO YOUR SPECIFIC CARRIASE ASSEMBLY AND APPLICATION.	

SECTION 3 - ATTACHMENTS

FIGURE 3-43. PALLET FORK (2.4X4X60)



ART_1001227379-A

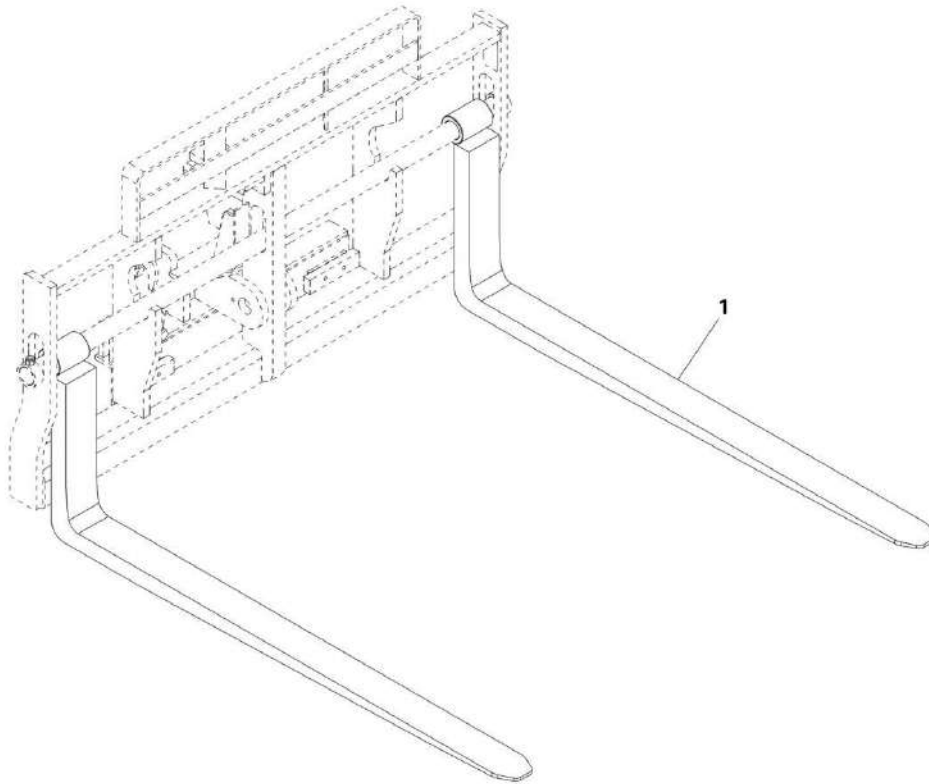
SECTION 3 - ATTACHMENTS

FIGURE 3-43. PALLET FORK (2.4X4X60)

ITEM	PART NUMBER	QTY	DESCRIPTION	REV
1	1001227379	2	Pallet Fork (2.4X4X60)	A
N1	Note	Ref	FORKS RATED LESS THAN THE ATTACHMENT OR MACHINE'S CAPACITY DECREASES CAPACITY OF THE ATTACHMENT OR MACHINE TO THAT OF THE FORKS. FORKS RATED MORE THAN THE ATTACHMENT OR MACHINE'S CAPACITY DO NOT INCREASE ATTACHMENT OR MACHINE'S CAPACITY.	
N2	Note	Ref	PLEASE CONSULT JLG PARTS DEPARTMENT TO DETERMINE THE CORRECT FORKS APPLICABLE TO YOUR SPECIFIC CARRIASE ASSEMBLY AND APPLICATION.	

SECTION 3 - ATTACHMENTS

FIGURE 3-44. PALLET FORK (2.4X5X72)



ART_1001232355-A

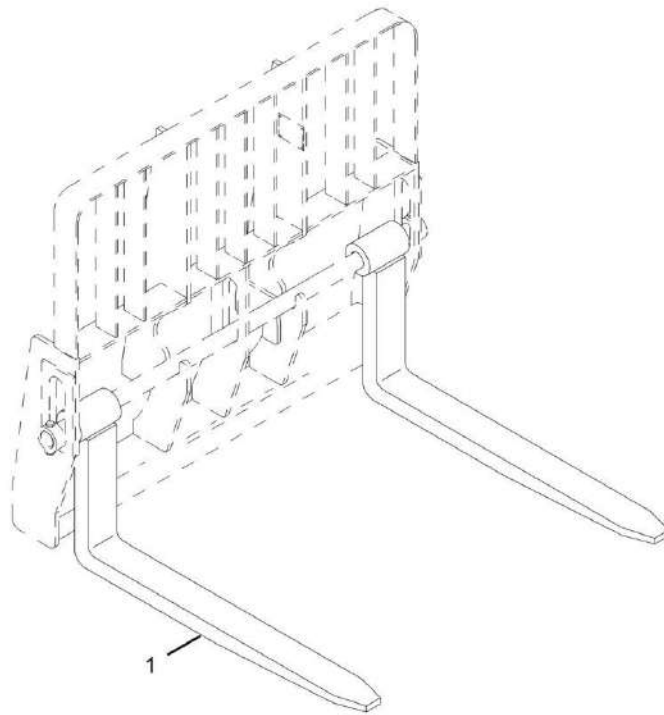
SECTION 3 - ATTACHMENTS

FIGURE 3-44. PALLET FORK (2.4X5X72)

ITEM	PART NUMBER	QTY	DESCRIPTION	REV
1	1001232355	2	Pallet Fork (2.4X5X72)	A
N1	Note	Ref	FORKS RATED LESS THAN THE ATTACHMENT OR MACHINE'S CAPACITY DECREASES CAPACITY OF THE ATTACHMENT OR MACHINE TO THAT OF THE FORKS. FORKS RATED MORE THAN THE ATTACHMENT OR MACHINE'S CAPACITY DO NOT INCREASE ATTACHMENT OR MACHINE'S CAPACITY.	
N2	Note	Ref	PLEASE CONSULT JLG PARTS DEPARTMENT TO DETERMINE THE CORRECT FORKS APPLICABLE TO YOUR SPECIFIC CARRIASE ASSEMBLY AND APPLICATION.	

SECTION 3 - ATTACHMENTS

FIGURE 3-45. DUAL TAPER FORK (60X7X1.75)



ART_2340045_B

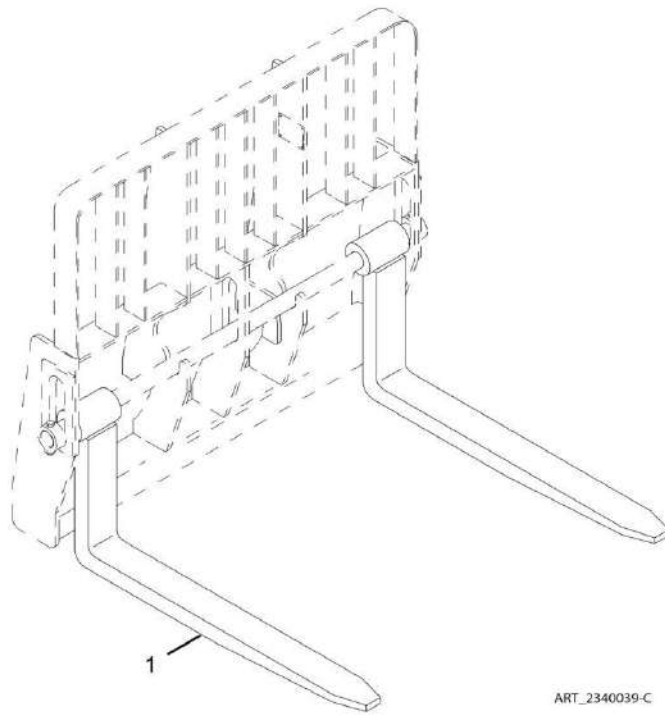
SECTION 3 - ATTACHMENTS

FIGURE 3-45. DUAL TAPER FORK (60X7X1.75)

ITEM	PART NUMBER	QTY	DESCRIPTION	REV
1	2340046	2	Dual Taper Fork (60X7X1.75)	B
N1	Note	Ref	FORKS RATED LESS THAN THE ATTACHMENT OR MACHINE'S CAPACITY DECREASES CAPACITY OF THE ATTACHMENT OR MACHINE TO THAT OF THE FORKS. FORKS RATED MORE THAN THE ATTACHMENT OR MACHINE'S CAPACITY DO NOT INCREASE ATTACHMENT OR MACHINE'S CAPACITY.	
N2	Note	Ref	PLEASE CONSULT JLG PARTS DEPARTMENT TO DETERMINE THE CORRECT FORKS APPLICABLE TO YOUR SPECIFIC CARRIAGE ASSEMBLY AND APPLICATION.	

SECTION 3 - ATTACHMENTS

FIGURE 3-46. DUAL TAPER FORK (60X6X2.36)



ART_2340039-C

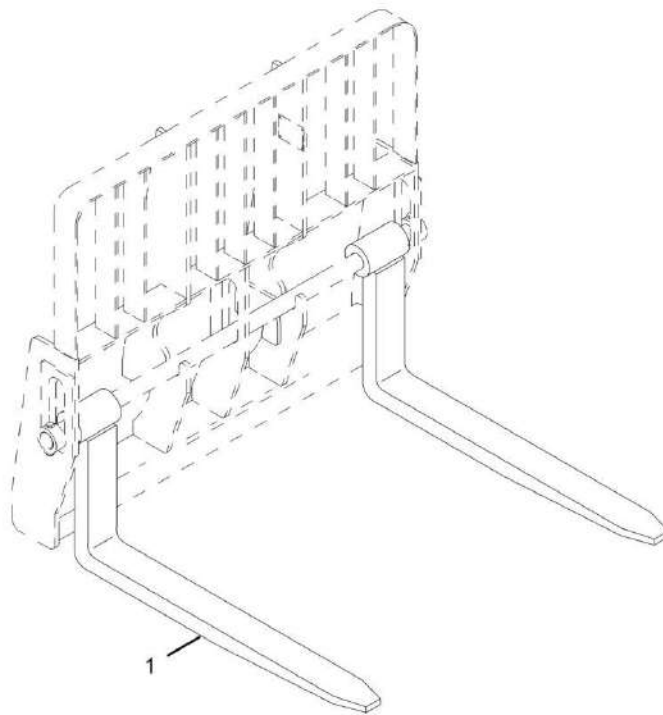
SECTION 3 - ATTACHMENTS

FIGURE 3-46. DUAL TAPER FORK (60X6X2.36)

ITEM	PART NUMBER	QTY	DESCRIPTION	REV
1	2340039	2	Dual Taper Fork (60X6X2.36)	C
N1	Note	Ref	FORKS RATED LESS THAN THE ATTACHMENT OR MACHINE'S CAPACITY DECREASES CAPACITY OF THE ATTACHMENT OR MACHINE TO THAT OF THE FORKS. FORKS RATED MORE THAN THE ATTACHMENT OR MACHINE'S CAPACITY DO NOT INCREASE ATTACHMENT OR MACHINE'S CAPACITY.	
N2	Note	Ref	PLEASE CONSULT JLG PARTS DEPARTMENT TO DETERMINE THE CORRECT FORKS APPLICABLE TO YOUR SPECIFIC CARRIAGE ASSEMBLY AND APPLICATION.	

SECTION 3 - ATTACHMENTS

FIGURE 3-47. DUAL TAPER FORK (72X6X2)



ART_1001092391_B

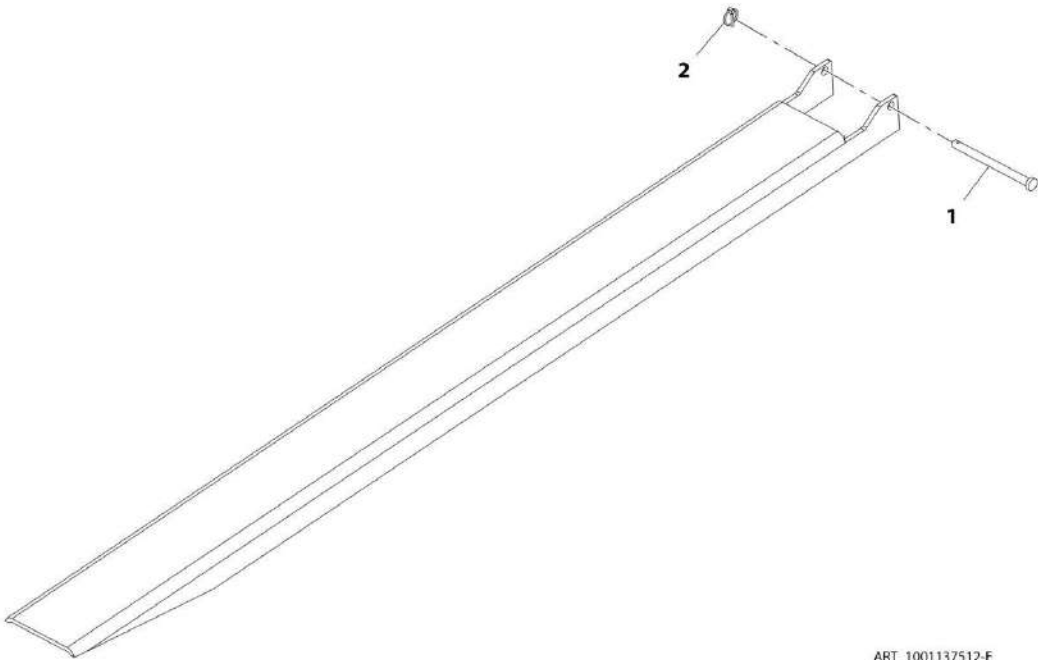
SECTION 3 - ATTACHMENTS

FIGURE 3-47. DUAL TAPER FORK (72X6X2)

ITEM	PART NUMBER	QTY	DESCRIPTION	REV
1	1001092391	2	Dual Taper Fork (72X6X2)	B
N1	Note	Ref	FORKS RATED LESS THAN THE ATTACHMENT OR MACHINE'S CAPACITY DECREASES CAPACITY OF THE ATTACHMENT OR MACHINE TO THAT OF THE FORKS. FORKS RATED MORE THAN THE ATTACHMENT OR MACHINE'S CAPACITY DO NOT INCREASE ATTACHMENT OR MACHINE'S CAPACITY.	
N2	Note	Ref	PLEASE CONSULT JLG PARTS DEPARTMENT TO DETERMINE THE CORRECT FORKS APPLICABLE TO YOUR SPECIFIC CARRIAGE ASSEMBLY AND APPLICATION.	

SECTION 3 - ATTACHMENTS

FIGURE 3-48. FORK EXTENSION (90 INCH)



ART_1001137512-E

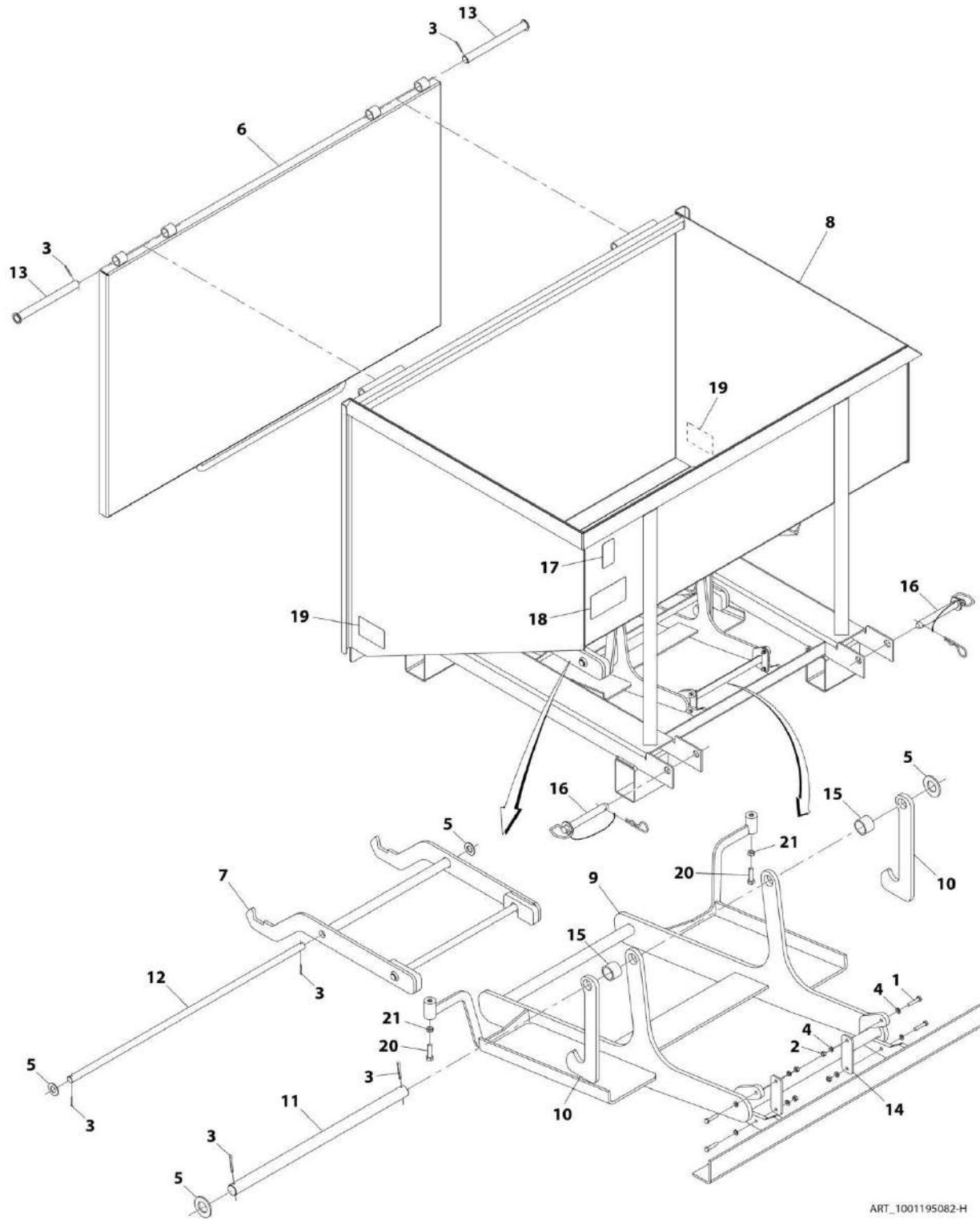
SECTION 3 - ATTACHMENTS

FIGURE 3-48. FORK EXTENSION (90 INCH)

ITEM	PART NUMBER	QTY	DESCRIPTION	REV
	1001137512	2	Fork Extension (90 Inch)	E
1	70024306	1	Pin	
2	70024307	1	Clip	
N1	Note	Ref	FORKS RATED LESS THAN THE ATTACHMENT OR MACHINE'S CAPACITY DECREASES CAPACITY OF THE ATTACHMENT OR MACHINE TO THAT OF THE FORKS. FORKS RATED MORE THAN THE ATTACHMENT OR MACHINE'S CAPACITY DO NOT INCREASE ATTACHMENT OR MACHINE'S CAPACITY.	
N2	Note	Ref		PLEASE CONSULT JLG PARTS DEPARTMENT TO DETERMINE THE CORRECT FORKS APPLICABLE TO YOUR SPECIFIC CARRIAGE ASSEMBLY AND APPLICATION.

SECTION 3 - ATTACHMENTS

FIGURE 3-49. TRASH HOPPER INSTALLATION



ART_1001195082-H

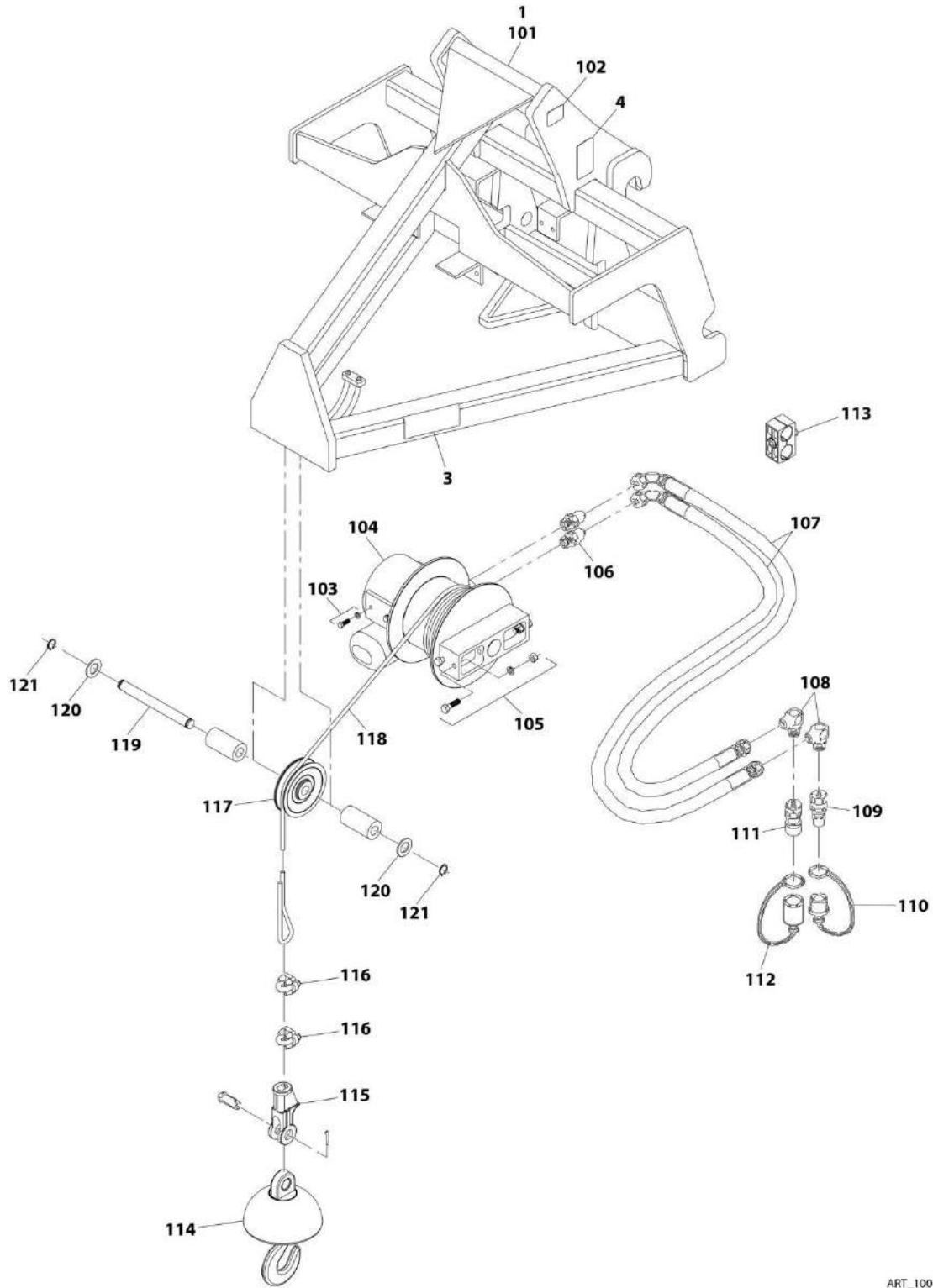
SECTION 3 - ATTACHMENTS

FIGURE 3-49. TRASH HOPPER INSTALLATION

ITEM	PART NUMBER	QTY	DESCRIPTION	REV
	1001195082	Ref	Trash Hopper Installation	H
1	0700614	4	Bolt, M6X30	
2	3290601	4	Nut, M6X1 Grade 8	
3	3391410	6	Pin	
4	4811700	8	Washer, M6	
5	5242400	4	Washer, M24	
6	1001192711	1	Door Assembly	
7	1001192720	1	Hook Assembly	
8	N.S.S.	1	Weldment, Trash Hopper	
9	1001192875	1	Tray Assembly	
10	1001192876	2	Arm, Swing	
11	1001192877	1	Rod, Swing	
12	1001193525	1	Bar	
13	1001193540	2	Pin	
14	1001193729	2	Plate	
15	1001198355	2	Spacer	
16	1001102813	2	Pin	
17	N.S.S.	1	S/N Plate	
18	1001203503	1	Decal, Trash Hopper Operation	
19	1706302	2	Decal, Pinch Point	
20	0641510	2	Bolt, 5/16-18 x 1-1/4	
21	3311502	2	Nut, 5/16-18	

SECTION 3 - ATTACHMENTS

FIGURE 3-50. TRUSS BOOM ASSEMBLY (3 FOOT WITH WINCH)



ART_1001100967-C

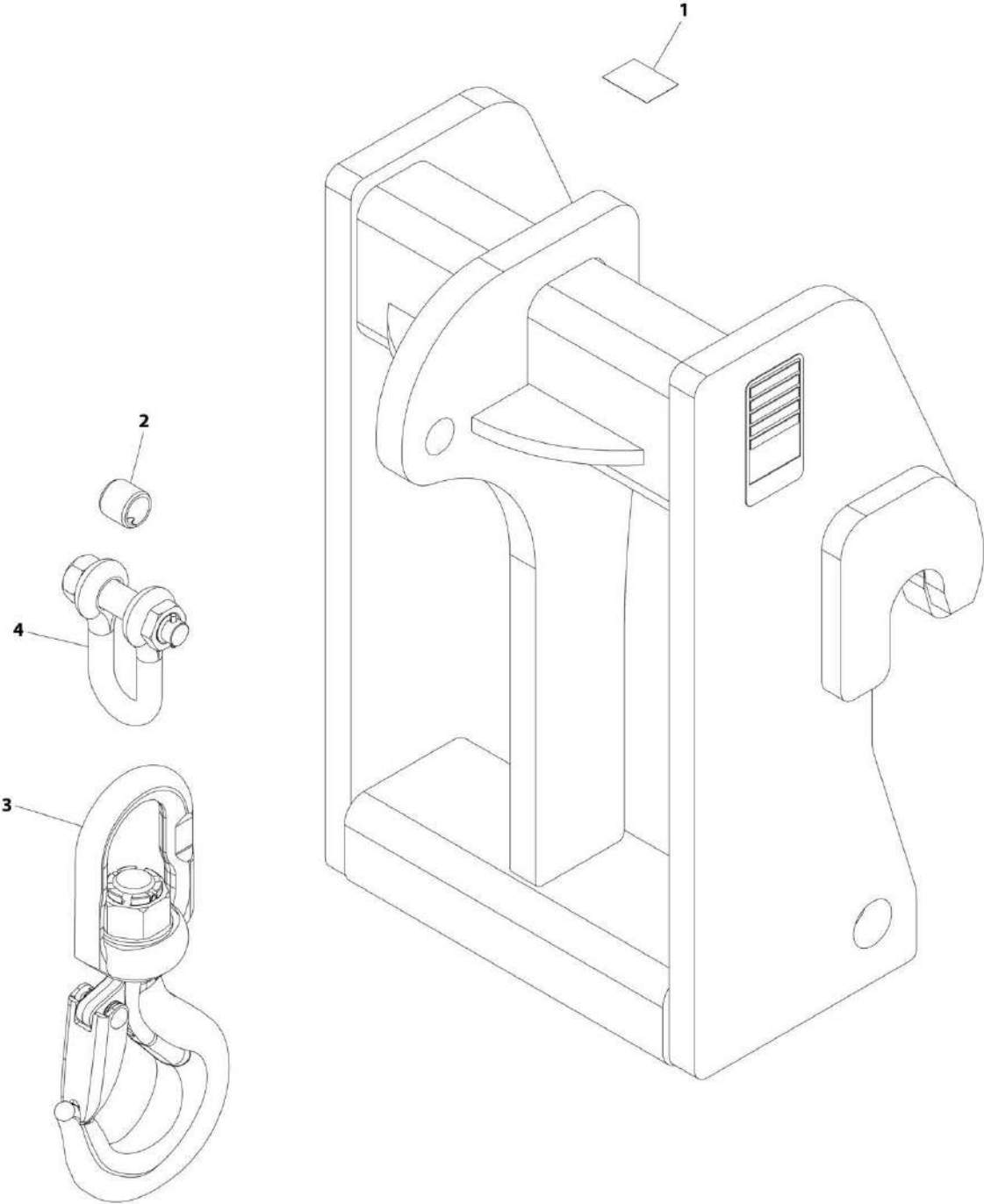
SECTION 3 - ATTACHMENTS

FIGURE 3-50. TRUSS BOOM ASSEMBLY (3 FOOT WITH WINCH)

ITEM	PART NUMBER	QTY	DESCRIPTION	REV
	1001100967	Ref	Truss Boom Assembly (3 Foot with Winch) (includes items 1, 3, 4 & 101 thru 121)	C
1	8380008	NLA	Truss Boom (3 Foot with Winch) (no longer available, use 1001100967 for replacement)	
3	4110422	2	Decal, Danger Swinging Loads	
4	N.S.S.	1	S/N Plate	
101	N.S.S.	1	Truss Boom Frame	
102	90554016	1	Decal	
103	70021349	4	Bolt	
103	90554042	4	Washer	
104	70021921	1	Winch, Truss Boom	
105	70024059	4	Bolt	
105	90554054	4	Nut	
105	90554020	4	Washer	
106	70021415	2	Fitting	
107	70021977	2	Hose	
108	70022527	2	Fitting, 90	
109	91403414	1	Hydraulic Coupler, Male	
110	8420053	1	Cap Dust, Male	
111	91403413	1	Hydraulic Coupler, Female	
112	8420055	1	Plug Dust, Female	
113	70021387	1	Clamp	
114	70021978	1	Ball Swivel Safety Hook	
115	70021979	1	Assembly, Socket	
116	70022528	2	Clamp	
117	70021935	1	Pulley	
118	70022028	1	Cable	
119	70022529	1	Pin	
120	70027009	2	Washer	
121	70026698	2	Ring, Snap	

SECTION 3 - ATTACHMENTS

FIGURE 3-51. COUPLER MOUNTED HOOK



ART_1001207606-B

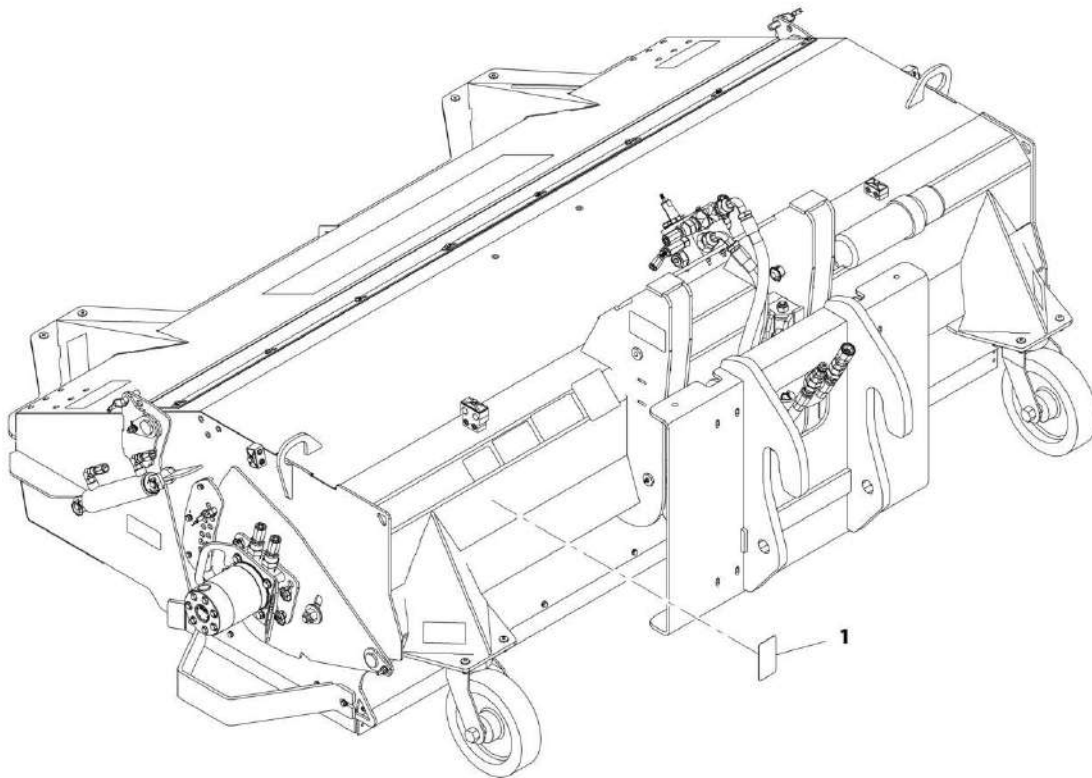
SECTION 3 - ATTACHMENTS

FIGURE 3-51. COUPLER MOUNTED HOOK

ITEM	PART NUMBER	QTY	DESCRIPTION	REV
	1001207606	Ref	Coupler Mounted Hook	B
1	90554016	1	Decal	
2	70020555	1	Bushing	
3	70026745	1	Hook Swivel	
4	70026746	1	Shackle Chain	

SECTION 3 - ATTACHMENTS

FIGURE 3-52. SWEEPER ASSEMBLY



ART_1001202904-B

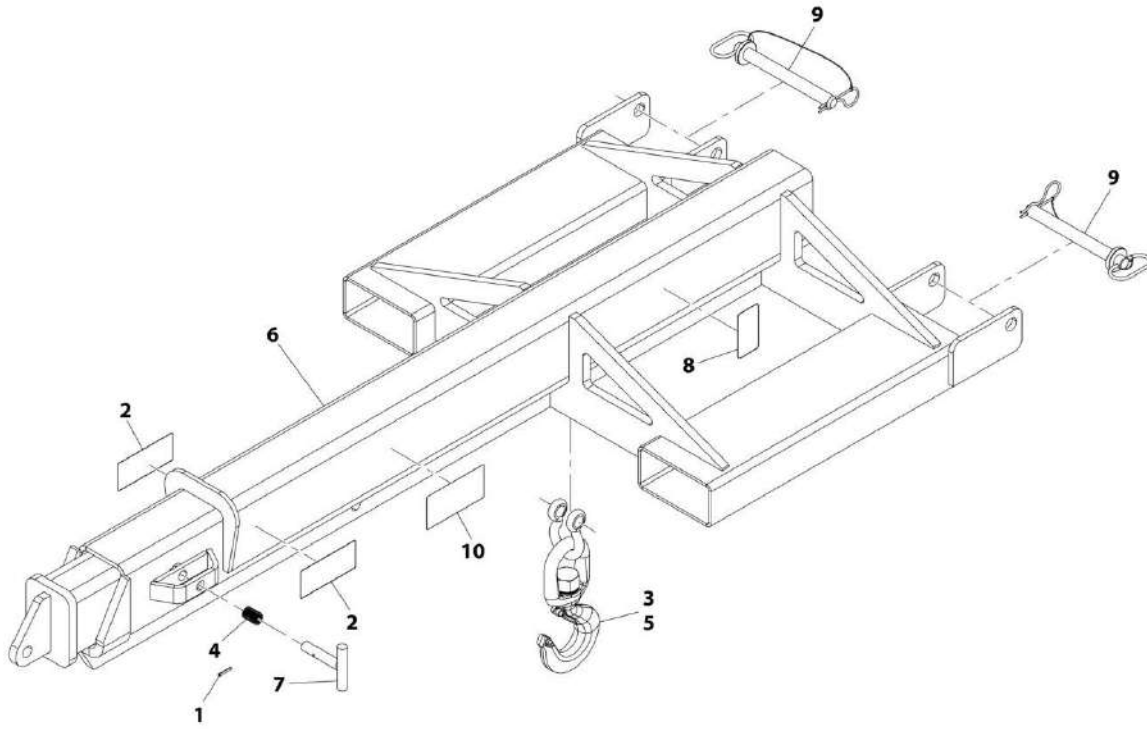
SECTION 3 - ATTACHMENTS

FIGURE 3-52. SWEEPER ASSEMBLY

ITEM	PART NUMBER	QTY	DESCRIPTION	REV
1	1001202904 N.S.S.	Ref 1	Sweeper Assembly S/N Plate	B

SECTION 3 - ATTACHMENTS

FIGURE 3-53. ADJUSTABLE TRUSS BOOM INSTALLATION (FORK MOUNTED)



ART_1001230241-F

SECTION 3 - ATTACHMENTS

FIGURE 3-53. ADJUSTABLE TRUSS BOOM INSTALLATION (FORK MOUNTED)

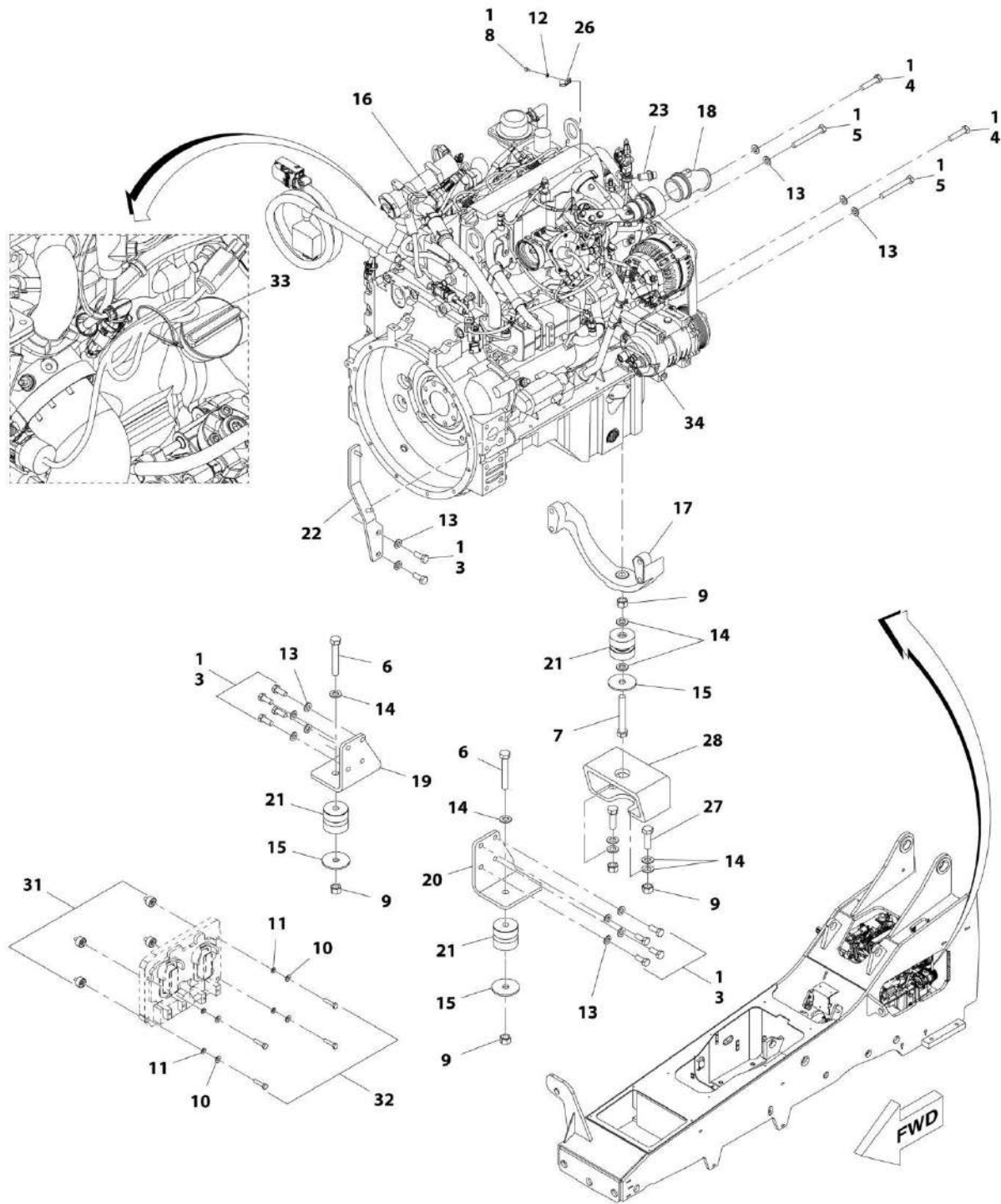
ITEM	PART NUMBER	QTY	DESCRIPTION	REV
	1001230241	Ref	Adjustable Truss Boom Installation (Fork Mounted)	F
1	3440620	1	Pin	
2	4110422	2	Decal, Danger Swinging Loads	
3	91403448	1	Hook, Swivel	
4	1001128890	1	Spring	
5	1001146160	1	Shackle	
6	N.S.S.	1	Truss Boom, Adjustable	
7	1001230239	1	Pin	
8	N.S.S.	1	Plate, Serial Number	
9	1001231692	2	Pin	
10	1001232500	1	Decal, Load Capacities	

SECTION 4 - ENGINE AND ATTACHING PARTS

SECTION 4 - ENGINE AND ATTACHING PARTS

SECTION 4 - ENGINE AND ATTACHING PARTS

FIGURE 4-1. ENGINE INSTALLATION, 85HP (ULS)



ART_1001160845-L

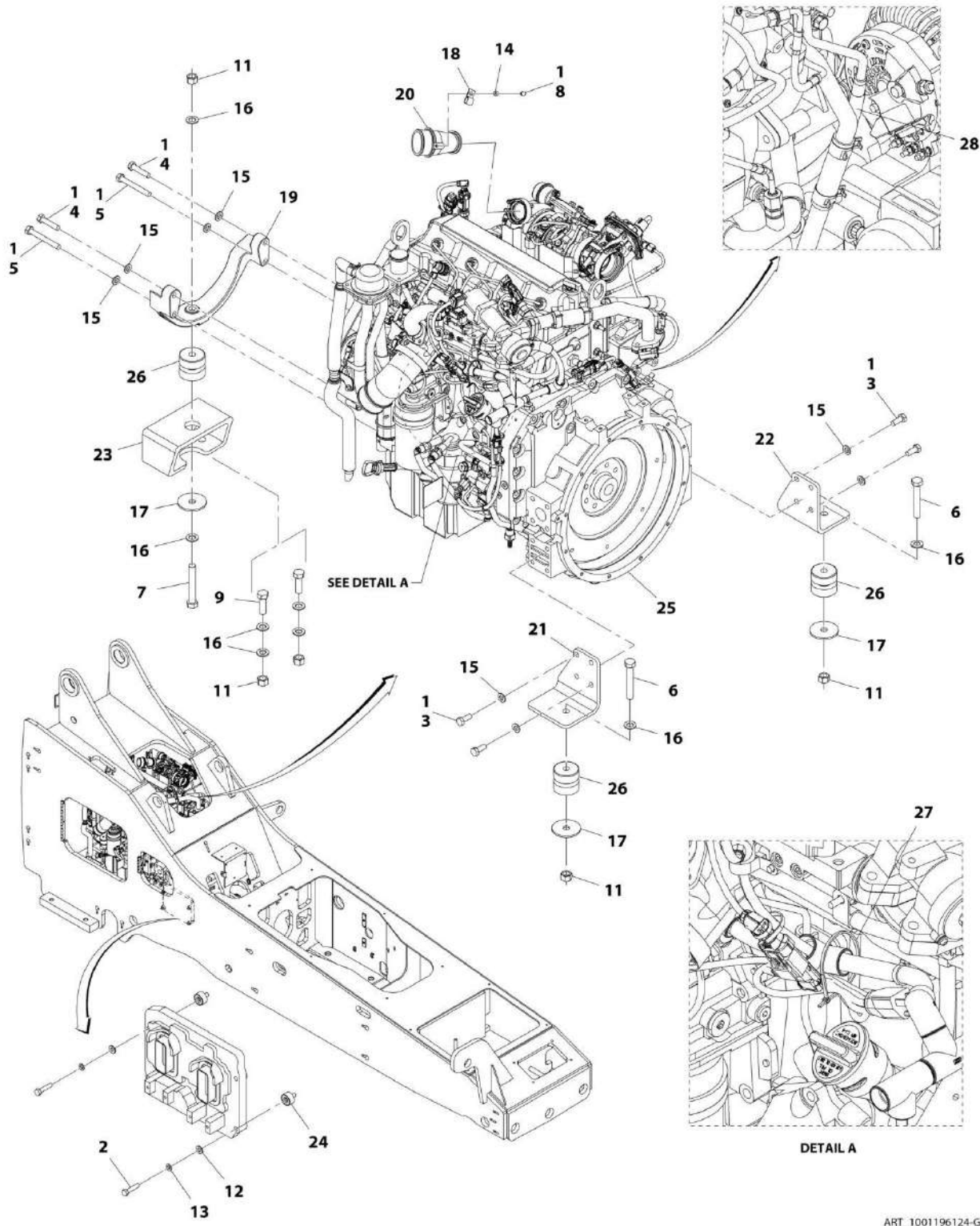
SECTION 4 - ENGINE AND ATTACHING PARTS

FIGURE 4-1. ENGINE INSTALLATION, 85HP (ULS)

ITEM	PART NUMBER	QTY	DESCRIPTION	REV
	1001160845	Ref	Engine Installation, 85HP (if equipped for ULS)	L
1	0100011	AR	Compound, Locking	
3	0711214	10	Bolt, M12X30	
4	0711219	2	Bolt, M12X55	
5	0711227	2	Bolt, M12X100	
6	0711627	2	Bolt, 16-2X100	
7	0711628	1	Bolt, 16-2X110	
8	0760605	1	Bolt, M6X10	
9	3331615	5	Nut, Lock M16X2	
10	4711500	4	Washer, Plain 5/16	
11	4761500	4	Washer, Lock 5/16	
12	4811700	1	Washer, M6	
13	4812100	14	Washer, M12	
14	4812300	8	Washer, M16	
15	7300435	3	Washer, Rebound	
16	1001154511	1	Engine (See ENGINE, 85HP (ULS) for Breakdown)	
17	1001160116	1	Bracket, Engine Mount Casting	
18	1001161920	1	Adapter	
19	1001165517	1	Bracket, Engine Mount	
20	1001165518	1	Bracket, Engine Mount	
21	1001165660	3	Mount, Isolator Engine	
22	1001197233	1	Bracket, Hose Support	
23	1001168822	1	Fitting, Hose Barb	
26	8406112	1	Clip, Tube 5/8	
27	0771618	2	Bolt, M16X50	
28	1001180473	1	Bracket, Rear Engine Mount	
31	1001186373	4	Mount, Isolator ECM	
32	0641511	4	Bolt, 5/16-18X1-3/8	
33	4260099	1	Strap, Tie	
34	7125871	1	Conduit, 1/2X8	

SECTION 4 - ENGINE AND ATTACHING PARTS

FIGURE 4-2. ENGINE INSTALLATION, 74HP (ULS)



ART_1001196124-G

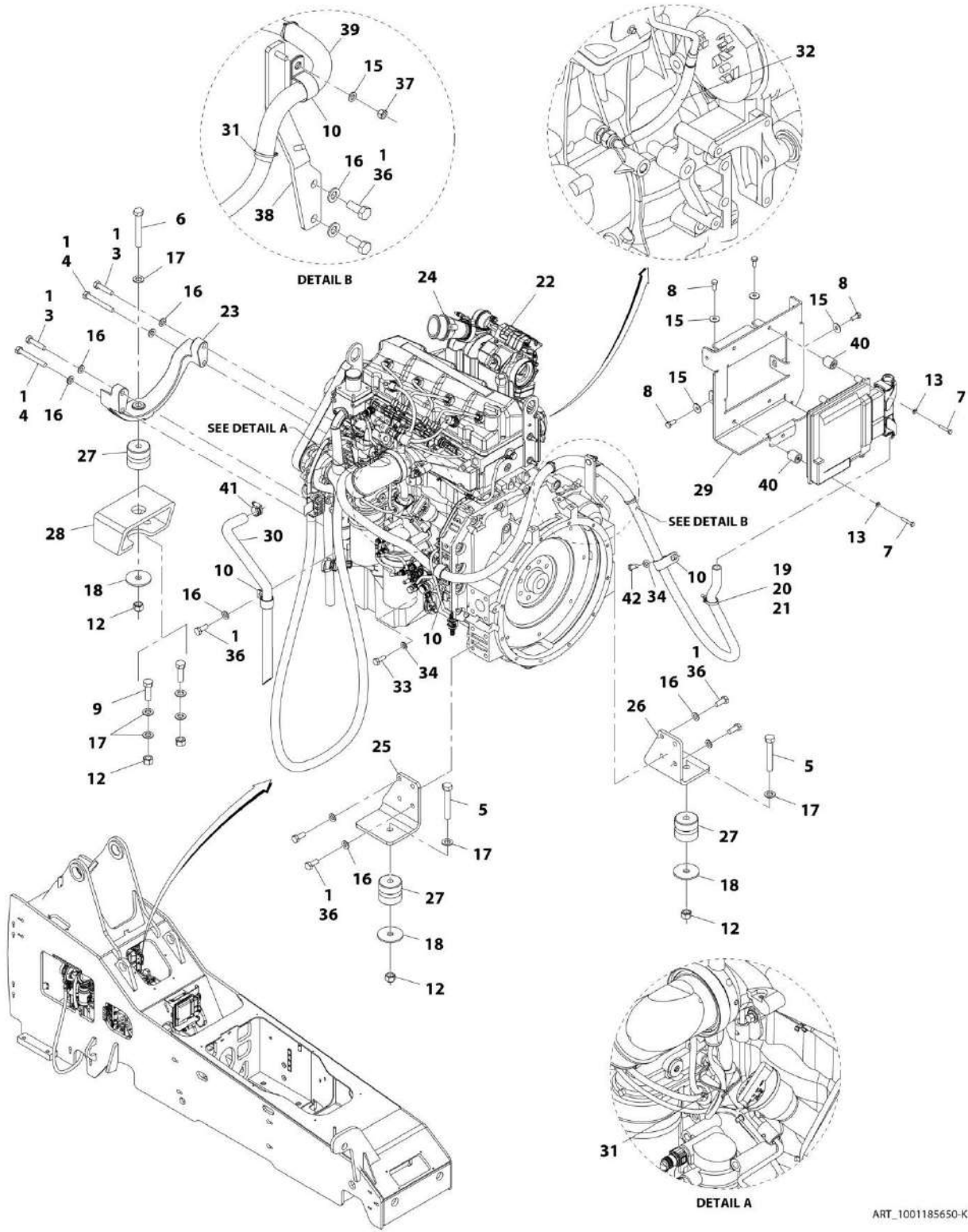
SECTION 4 - ENGINE AND ATTACHING PARTS

FIGURE 4-2. ENGINE INSTALLATION, 74HP (ULS)

ITEM	PART NUMBER	QTY	DESCRIPTION	REV
	1001196124	Ref	Engine Installation, 74HP (if equipped for ULS)	G
1	0100011	AR	Compound, Locking	
2	0641511	4	Bolt, 5/16-18X1-3/8	
3	0711214	8	Bolt, M12X30	
4	0711219	2	Bolt, M12X55	
5	0711227	2	Bolt, M12X100	
6	0711627	2	Bolt, M16X100	
7	0711628	1	Bolt, M16X110	
8	0760605	1	Bolt, M6X10	
9	0771618	2	Bolt, M16X50	
11	3331615	5	Nut, Lock M16X12	
12	4711500	4	Washer, 5/16	
13	4761500	4	Washer, Lock 5/16	
14	4811700	1	Washer, M6	
15	4812100	12	Washer, M12	
16	4812300	8	Washer, M16	
17	7300435	3	Washer, Rebound	
18	8406112	1	Clip, Tube 5/8	
19	1001160116	1	Bracket, Engine Mount Casting	
20	1001161920	1	Adapter	
21	1001165517	1	Bracket, Engine Mount	
22	1001165518	1	Bracket, Engine Mount	
23	1001180473	1	Bracket, Rear Engine Mount	
24	1001186373	4	Mount, Isolator ECM	
25	1001196665	1	Engine (See ENGINE, 74HP (ULS) for Breakdown)	
26	1001165660	3	Mount, Isolator Engine	
27	4240099	1	Strap, Tie	
28	7125871	1	Conduit 0.5X8	

SECTION 4 - ENGINE AND ATTACHING PARTS

FIGURE 4-3. ENGINE INSTALLATION, 85HP (LS)



ART_1001185650-K

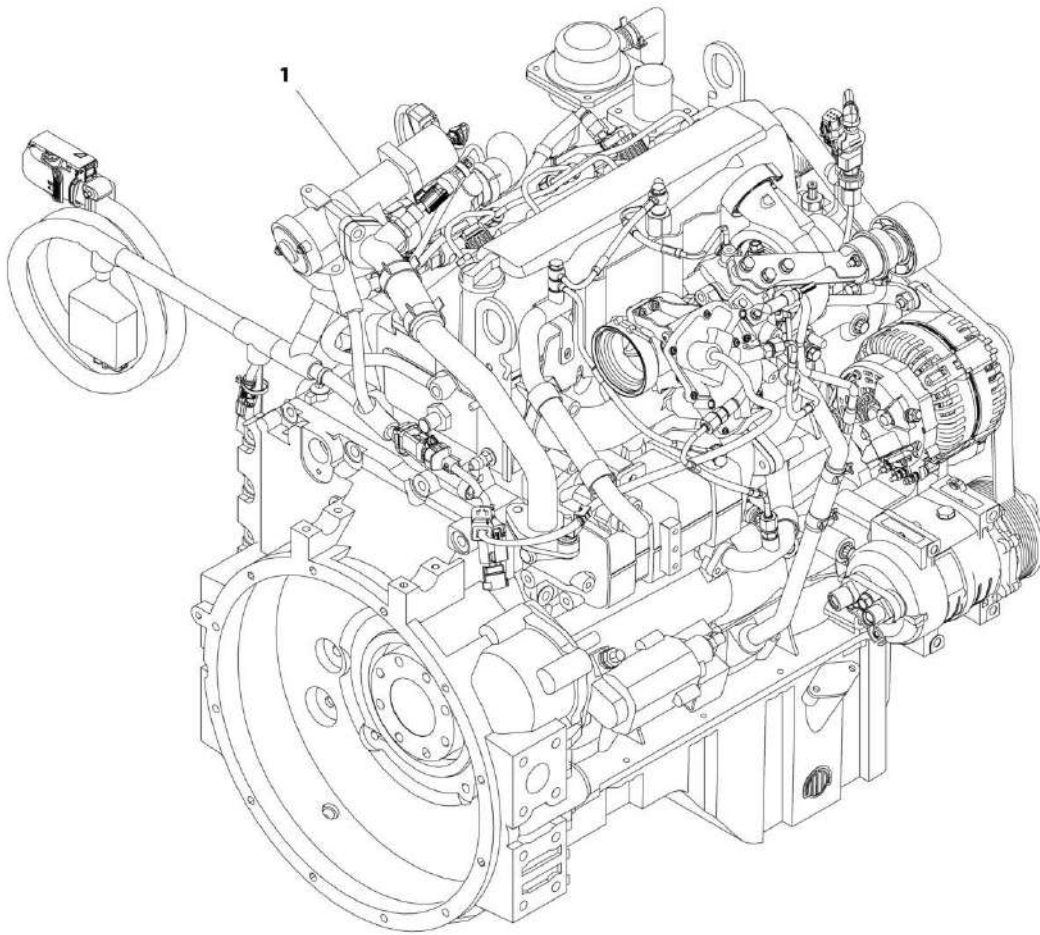
SECTION 4 - ENGINE AND ATTACHING PARTS

FIGURE 4-3. ENGINE INSTALLATION, 85HP (LS)

ITEM	PART NUMBER	QTY	DESCRIPTION	REV
	1001185650	Ref	Engine Installation, 85HP (if equipped for LS)	K
1	0100011	AR	Compound, Locking	
3	0711219	2	Bolt, M12X55	
4	0711227	2	Bolt, M12X100	
5	0711627	2	Bolt, M16X100	
6	0711628	1	Bolt, M16X110	
7	0760614	4	Bolt, M6X30	
8	0760810	4	Bolt, M8X20	
9	0771618	2	Bolt, M16X50	
10	8406303	4	Clip, Tube 1-3/16	
12	3331615	5	Nut, Lock M16X2	
13	4811700	4	Washer, M6	
15	4811902	5	Washer, M8	
16	4812100	15	Washer, M12	
17	4812300	7	Washer, M16	
18	7300435	3	Washer, Rebound	
19	8881800	1	Strap, Cable	
20	88261015	1	Bolt, 1/4-20X5/8	
21	1001138645	1	Mount, Cable Tie	
22	1001154790	1	Engine (See ENGINE, 85HP (LS) for Breakdown)	
23	1001160116	1	Bracket, Engine Mount Casting	
24	1001161920	1	Adapter	
25	1001165517	1	Bracket, Engine Mount	
26	1001165518	1	Bracket, Engine Mount	
27	1001165660	3	Mount, Isolator Engine	
28	1001180473	1	Bracket, Rear Engine Mount	
29	1001211688	1	Bracket, ECM Mount	
30	1001192134	1	Hose	
31	4240099	3	Strap, Tie	
32	7125871	1	Conduit	
33	0761014	1	Capscrew, 10X30	
34	4812000	2	Washer, M10	
36	0711214	11	Bolt, M12X30	
37	3290805	1	Nut, Lock M8X1-1/4	
38	1001197233	1	Bracket	
39	1001186718	1	Insulate, Heat Shield Tube	
40	1001211697	4	Mount, Isolator ECM	
41	1001173535	1	Clamp	
42	0641608	1	Bolt, 3/8-16X1	

SECTION 4 - ENGINE AND ATTACHING PARTS

FIGURE 4-4. ENGINE, 85HP (ULS)



ART_1001154511-P

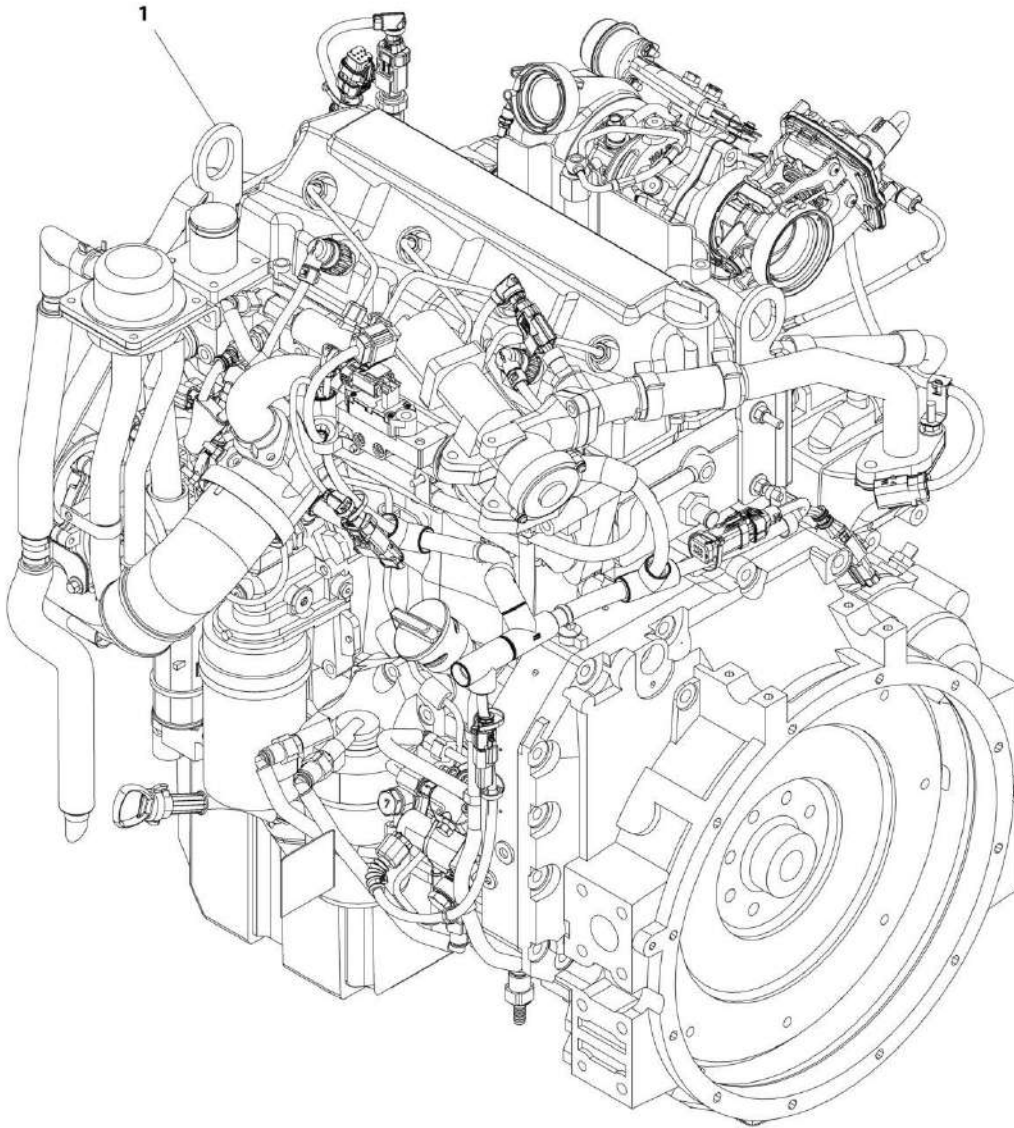
SECTION 4 - ENGINE AND ATTACHING PARTS

FIGURE 4-4. ENGINE, 85HP (ULS)

ITEM	PART NUMBER	QTY	DESCRIPTION	REV
	1001154511	1	Engine, QSF3.8, (130HP), (if equipped for ULS)	P
	70026220	1	Fuel Filter Assy, (includes filter head, seal & element)	
	70026453	1	Element, Fuel Filter	
	70026223	1	Pan, Oil	
	70026224	1	Seal, Oil Pan	
	70026225	1	Plug, Oil Pan	
	70026226	1	Seal, Oil Pan Plug	
	1001128594	1	Starter	
	70026228	1	Filler Cap, Valve Cover	
	70026229	1	Fan Belt, V-Ribbed	
	70026230	1	Support, Fan	
	70026231	1	Pulley, Fan	
	70026232	1	Alternator	
	70026233	NLA	Assembly, Primary Fuel Filter, (no longer available, use 70028450 for replacement)	
	70028450	1	Assembly, Primary Fuel Filter	
	70026234	1	Element, Fuel Filter Primary	
	70026235	1	Assembly, Dipstick Oil Level	
	70026236	1	Assembly, Block Heater	
	70026241	1	Assembly, Fuel Filter Plug	
	70026237	1	Filter, Oil	
	70023933	1	O-Ring, Oil Pressure Switch	
	70041620	2	Ring, Retaining	
	70041616	1	Bolt	
	70041617	1	Bearing, Ball	
	70041619	1	Retainer, Fan Hub	
	1322039	1	Spacer, Fan Pilot	
	1321094	19	Screw	
	70024016	1	Cap, Side Oil Fill	
	70022634	1	Flywheel w/Ring Gear	
	70023736	1	Ring Gear, Flywheel	
	1322040	1	Plug, Flywheel	

SECTION 4 - ENGINE AND ATTACHING PARTS

FIGURE 4-5. ENGINE, 74HP (ULS)



ART_100119665-J

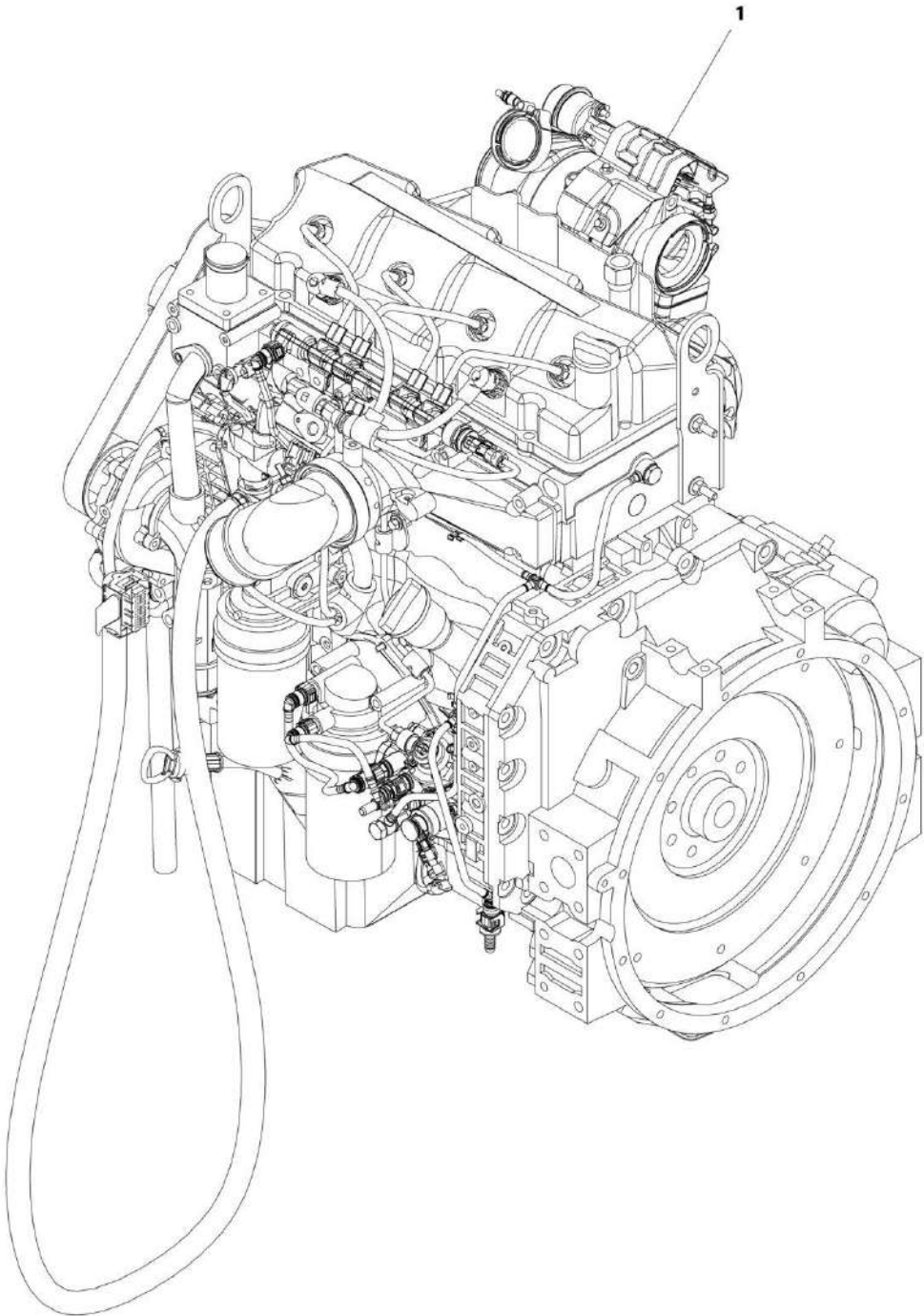
SECTION 4 - ENGINE AND ATTACHING PARTS

FIGURE 4-5. ENGINE, 74HP (ULS)

ITEM	PART NUMBER	QTY	DESCRIPTION	REV
	1001196665	Ref	ENGINE, 74HP (if equipped for ULS)	J
	70026220	1	Assembly, Secondary Fuel Filter (includes filter head, seal and element)	
	70026453	1	Element, Fuel Filter	
	70026221	1	Head, Fuel Filter	
	70026222	1	Assembly, Flywheel Housing	
	70027281	1	Pan, Oil	
	70026224	1	Seal, Oil Pan	
	70026225	1	Plug, Oil Pan	
	70026226	1	Seal, Oil Pan Plug	
	1001128594	1	Starter	
	70026228	1	Filler Cap, Valve Cover	
	70026229	1	Fan Belt, V-Ribbed	
	70026230	1	Support, Fan	
	70026231	1	Pulley, Fan	
	70026232	1	Alternator	
	70026233	NLA	Assembly, Primary Fuel Filter, (no longer available, use 70028450 for replacement)	
	70028450	1	Assembly, Primary Fuel Filter	
	70026234	1	Element, Fuel Filter	
	70026235	1	Assembly, Dipstick Oil Level	
	N.S.S.	1	Dipstick, (no longer available, use 70026235 for replacement)	
	N.S.S.	1	Tube, Dipstick, (no longer available, use 70026235 for replacement)	
	70026241	1	Assembly, Fuel Filter Plug	
	70026237	1	Filter, Oil	
	70023933	1	O-Ring, Oil Pressure Switch	
	70041620	2	Ring, Retaining	
	70041616	1	Bolt	
	70041617	1	Bearing, Ball	
	70041619	1	Retainer, Fan Hub	
	1322039	1	Spacer, Fan Pilot	
	1321094	19	Screw	
	70024016	1	Cap, Side Oil Fill	
	70022634	1	Flywheel w/Ring Gear	
	70023736	1	Ring Gear, Flywheel	
	1322040	1	Plug, Flywheel	

SECTION 4 - ENGINE AND ATTACHING PARTS

FIGURE 4-6. ENGINE, 85HP (LS)



ART_1001154790-J

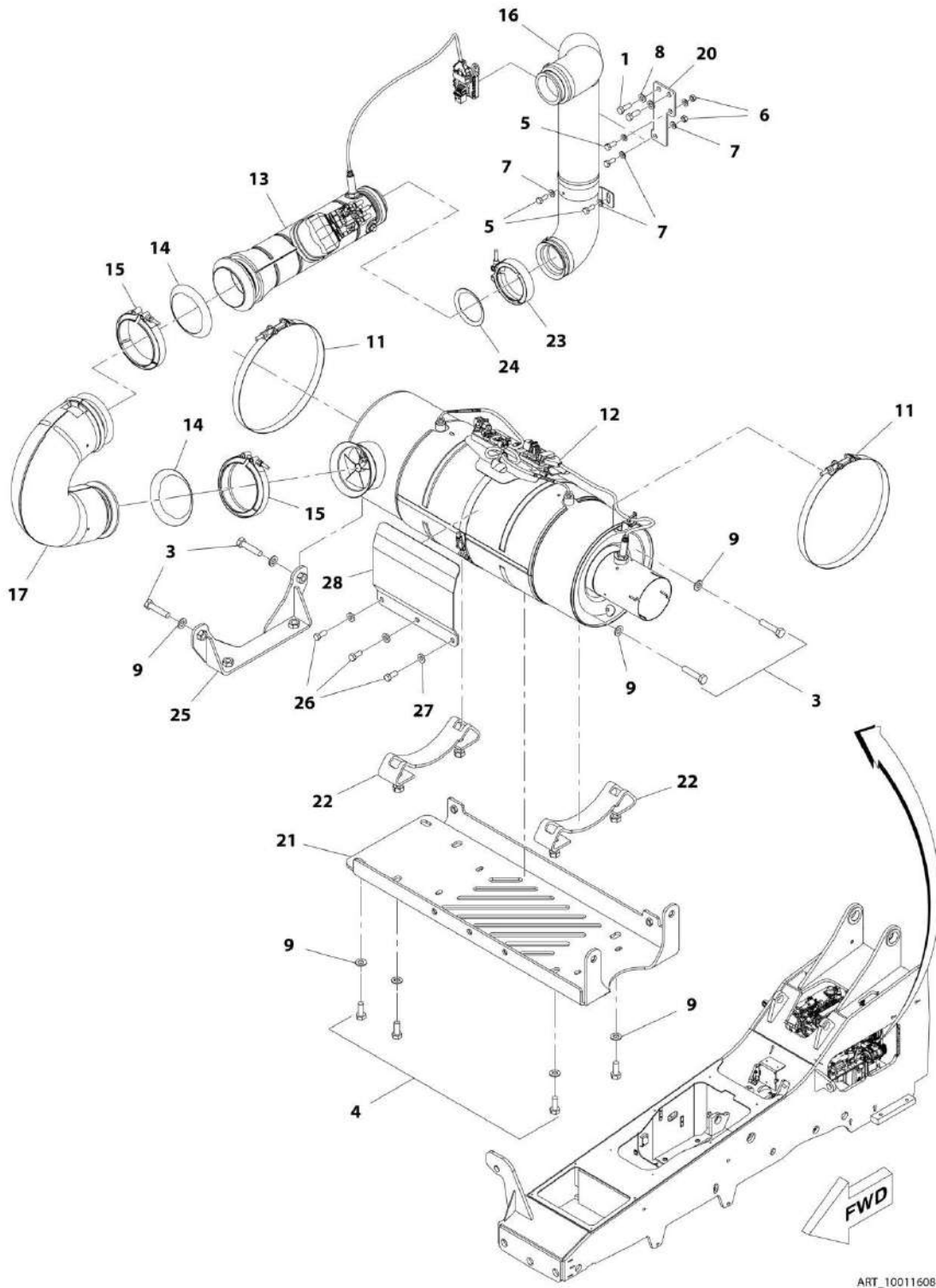
SECTION 4 - ENGINE AND ATTACHING PARTS

FIGURE 4-6. ENGINE, 85HP (LS)

ITEM	PART NUMBER	QTY	DESCRIPTION	REV
	1001154790	Ref	Engine, 85HP (if equipped for LS)	J
	70026800	1	Fuel Filter Assembly	
	70026801	1	Fuel Filter element	
	70026222	1	Assembly, Flywheel Housing	
	70027281	1	Pan, Oil	
	70026224	1	Seal, Oil Pan	
	70026225	1	Plug, Oil Pan	
	70026226	1	Seal, Oil Pan Plug	
	1001128594	1	Starter	
	70026228	1	Filler Cap, Valve Cover	
	70026229	1	Fan Belt, V-Ribbed	
	70026230	1	Support, Fan	
	70026231	1	Pulley, Fan	
	70026232	1	Alternator	
	70026233	1	Assembly, Primary Fuel Filter	
	70026234	1	Element, Fuel Filter	
	70026235	1	Assembly, Dipstick Oil Level	
	70026241	1	Assembly, Fuel Filter Plug	
	70026237	1	Filter, Oil	
	70041620	2	Ring, Retaining	
	70041616	1	Bolt	
	70041617	1	Bearing, Ball	
	70041619	1	Retainer, Fan Hub	
	1322039	1	Spacer, Fan Pilot	
	1321094	17	Screw	
	70024016	1	Cap, Side Oil Fill	
	70022634	1	Flywheel w/Ring Gear	
	70023736	1	Ring Gear, Flywheel	
	1322040	1	Plug, Flywheel	

SECTION 4 - ENGINE AND ATTACHING PARTS

FIGURE 4-7. AFTER-TREATMENT INSTALLATION, 85HP (ULS)



ART_1001160844-H

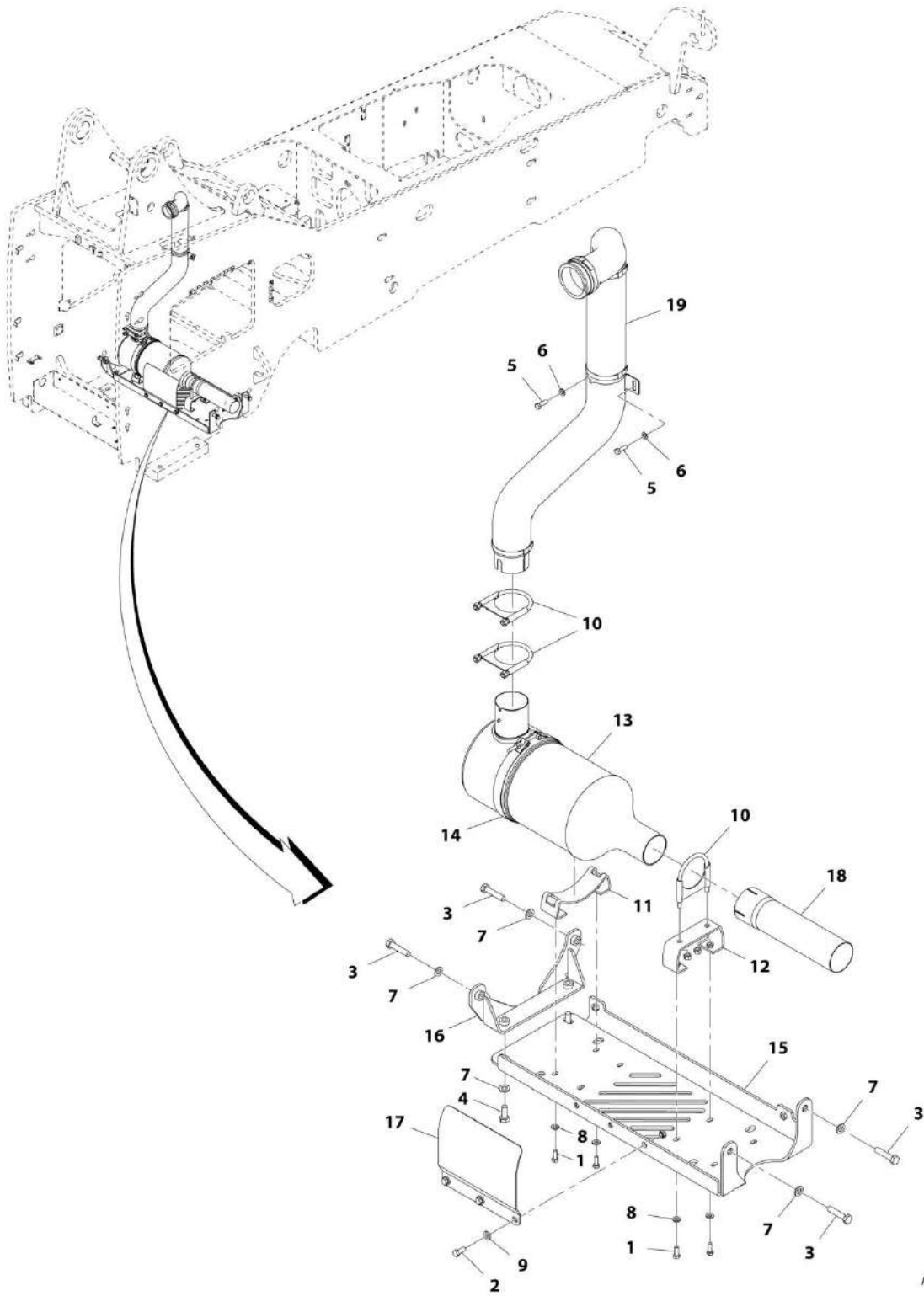
SECTION 4 - ENGINE AND ATTACHING PARTS

FIGURE 4-7. AFTER-TREATMENT INSTALLATION, 85HP (ULS)

ITEM	PART NUMBER	QTY	DESCRIPTION	REV
	1001160844	Ref	After-Treatment Installation, 85HP (if equipped for ULS)	H
1	0641608	2	Bolt, 3/8-16X1	
3	0701219	4	Bolt, M12X55	
4	0711214	6	Bolt, M12X30, Grade 10.9	
5	0760810	4	Bolt, M8X20	
6	3290801	2	Nut, M8X1-1/4	
7	4811900	6	Washer, M8	
8	4812000	2	Washer, M10	
9	4812100	10	Washer, M12	
11	1001159932	2	Strap, Clamp	
12	1001160782	1	Muffler, After-Treatment	
13	1001164404	1	Muffler, Decomposition Reactor Tube	
14	1001164837	2	Seal, Gasket	
15	1001164838	2	Clamp, V-Band	
16	1001183811	1	Pipe, Exhaust	
17	1001165609	1	Pipe, Exhaust	
20	1001166693	1	Bracket	
21	1001166935	1	Bracket	
22	1001166976	2	Bracket	
23	1001167167	1	Clamp, V-Band	
24	1001167168	1	Seal, Gasket	
25	1001169057	1	Bracket	
26	0641607	3	Capscrew, 3/8-16X7/8	
27	4891600	3	Washer, 3/8	
28	1001174327	1	Shield	

SECTION 4 - ENGINE AND ATTACHING PARTS

FIGURE 4-8. EXHAUST INSTALLATION, 74HP (ULS)



ART_1001196125-A

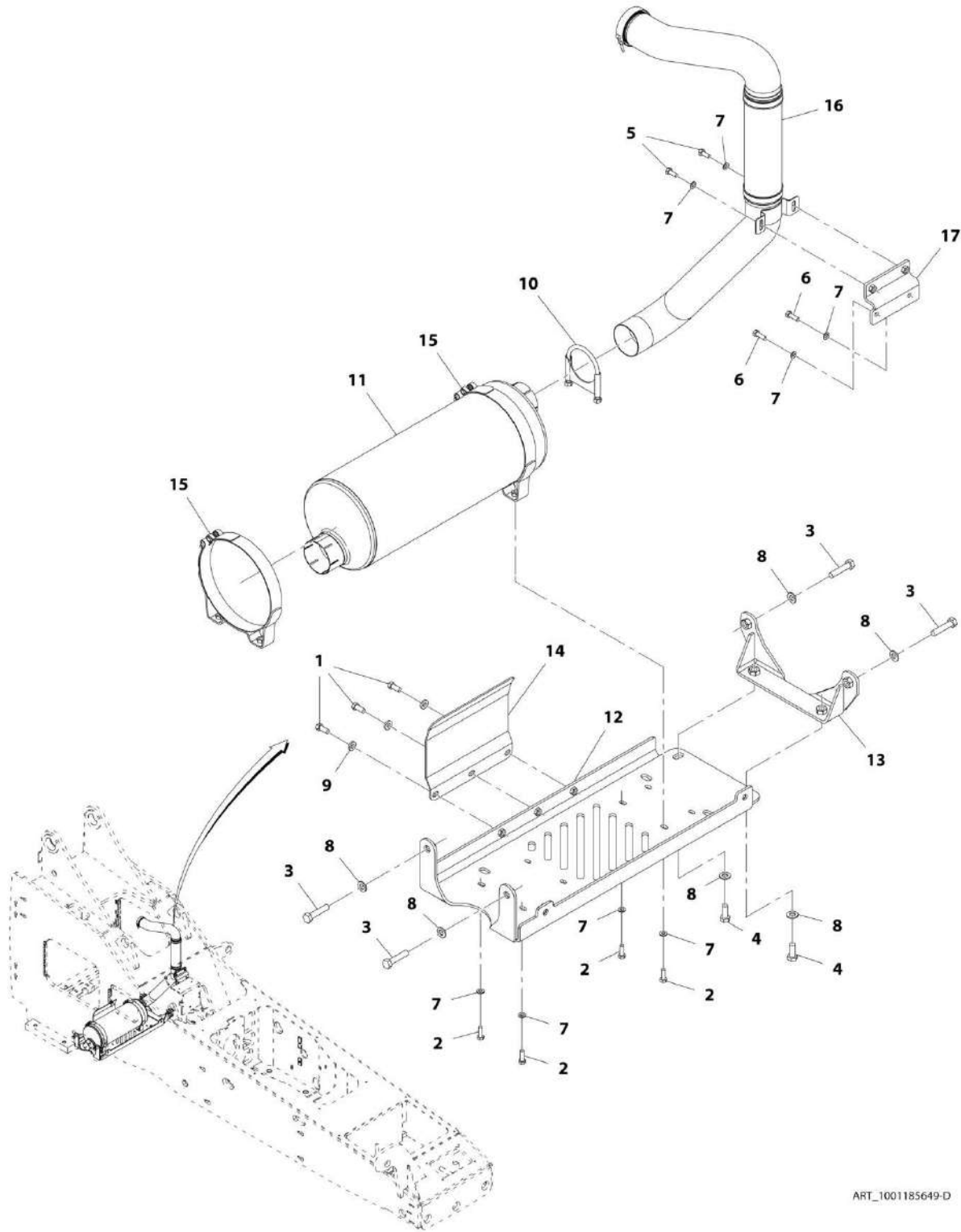
SECTION 4 - ENGINE AND ATTACHING PARTS

FIGURE 4-8. EXHAUST INSTALLATION, 74HP (ULS)

ITEM	PART NUMBER	QTY	DESCRIPTION	REV
	1001196125	Ref	Exhaust Installation, 74HP (if equipped for ULS)	A
1	0641507	4	Bolt, 5/16-18X7/8	
2	0641607	3	Bolt, 3/8-16X7/8	
3	0701219	4	Bolt, M12X55	
4	0711214	2	Bolt, M12X30	
5	0760812	2	Bolt, M8X25	
6	4811900	2	Washer, M8	
7	4812100	6	Washer, M12	
8	4891500	4	Washer, 5/16	
9	4891600	3	Washer, 3/8	
10	24921332	3	Clamp	
11	1001128363	1	Bracket	
12	1001128364	1	Bracket	
13	1001128714	1	Muffler	
14	1001128901	1	Strap	
15	1001166935	1	Bracket	
16	1001169057	1	Bracket	
17	1001174327	1	Shield	
18	1001196396	1	Pipe, Exhaust	
19	1001196397	1	Pipe, Exhaust	

SECTION 4 - ENGINE AND ATTACHING PARTS

FIGURE 4-9. EXHAUST INSTALLATION, 85HP (LS)



ART_1001185649-D

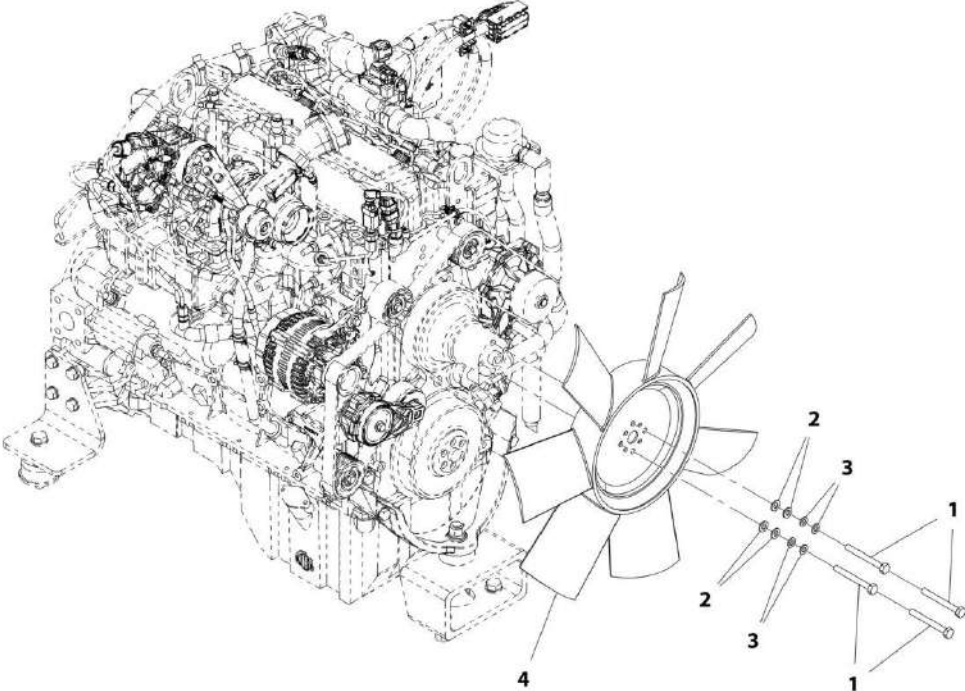
SECTION 4 - ENGINE AND ATTACHING PARTS

FIGURE 4-9. EXHAUST INSTALLATION, 85HP (LS)

ITEM	PART NUMBER	QTY	DESCRIPTION	REV
	1001185649	Ref	Exhaust Installation, 85HP (if equipped for LS)	D
1	0641607	3	Bolt, 3/8-16X7/8	
2	0700812	4	Bolt, M8X25	
3	0701219	4	Bolt, M12X55	
4	0711214	2	Bolt, M12X30, Grade 10.9	
5	0760810	2	Bolt, M8X20	
6	0760812	2	Bolt, M8X25	
7	4811900	8	Washer, M8	
8	4812100	6	Washer, M12	
9	4891600	3	Washer, 3/8	
10	24921332	1	Clamp	
11	91163035	1	Muffler	
12	1001166935	1	Bracket	
13	1001169057	1	Bracket	
14	1001174327	1	Shield	
15	1001180227	2	Muffler, Band Clamp	
16	1001190962	1	Pipe, Exhaust	
17	1001190990	1	Bracket, Exhaust Support	

SECTION 4 - ENGINE AND ATTACHING PARTS

FIGURE 4-10. FAN INSTALLATION, 85HP



ART_1001165668-B

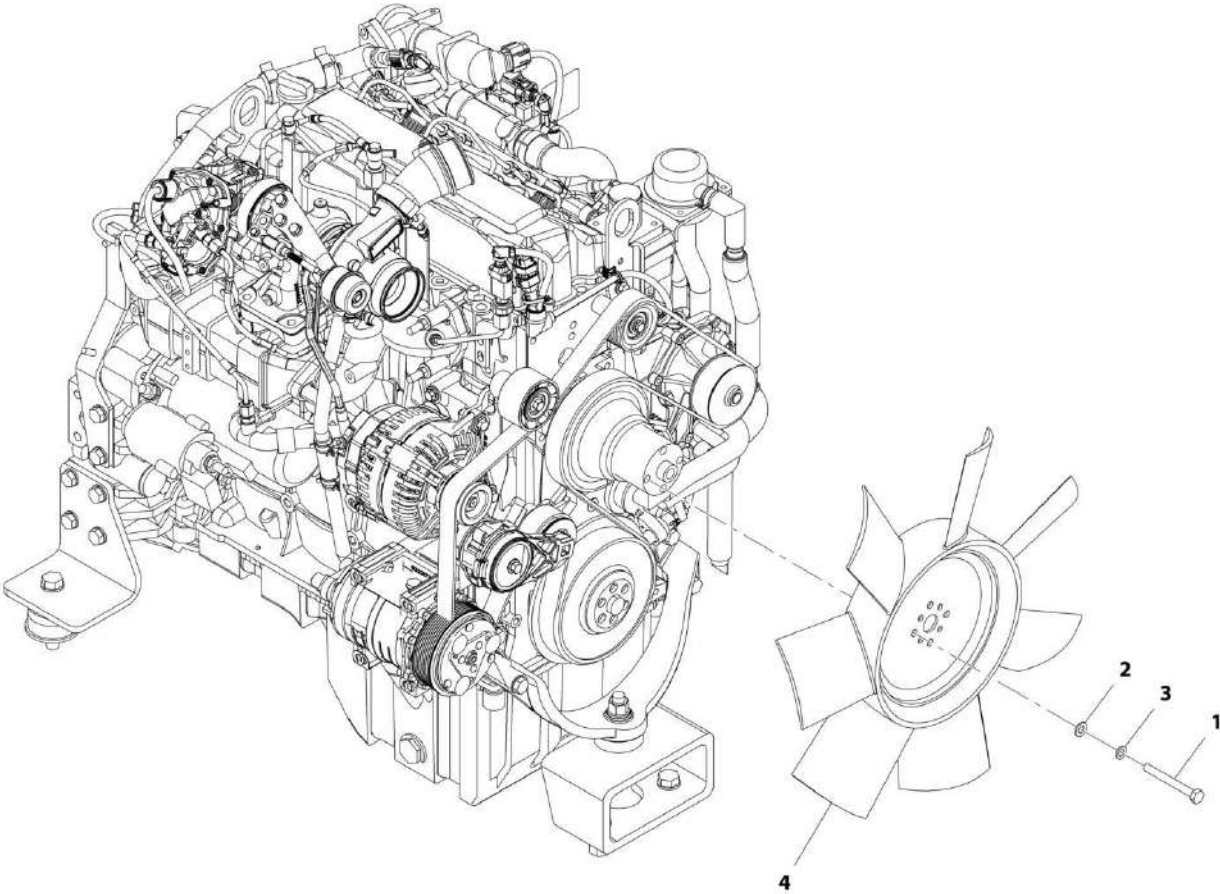
SECTION 4 - ENGINE AND ATTACHING PARTS

FIGURE 4-10. FAN INSTALLATION, 85HP

ITEM	PART NUMBER	QTY	DESCRIPTION	REV
	1001165668	Ref	Fan Installation, 85HP	B
1	0701026	4	Bolt, M10X90	
2	4812000	4	Washer, M10	
3	4832000	4	Washer, Lock M10	
4	1001174822	1	Fan	

SECTION 4 - ENGINE AND ATTACHING PARTS

FIGURE 4-11. FAN INSTALLATION, 74HP



ART_1001196736-B

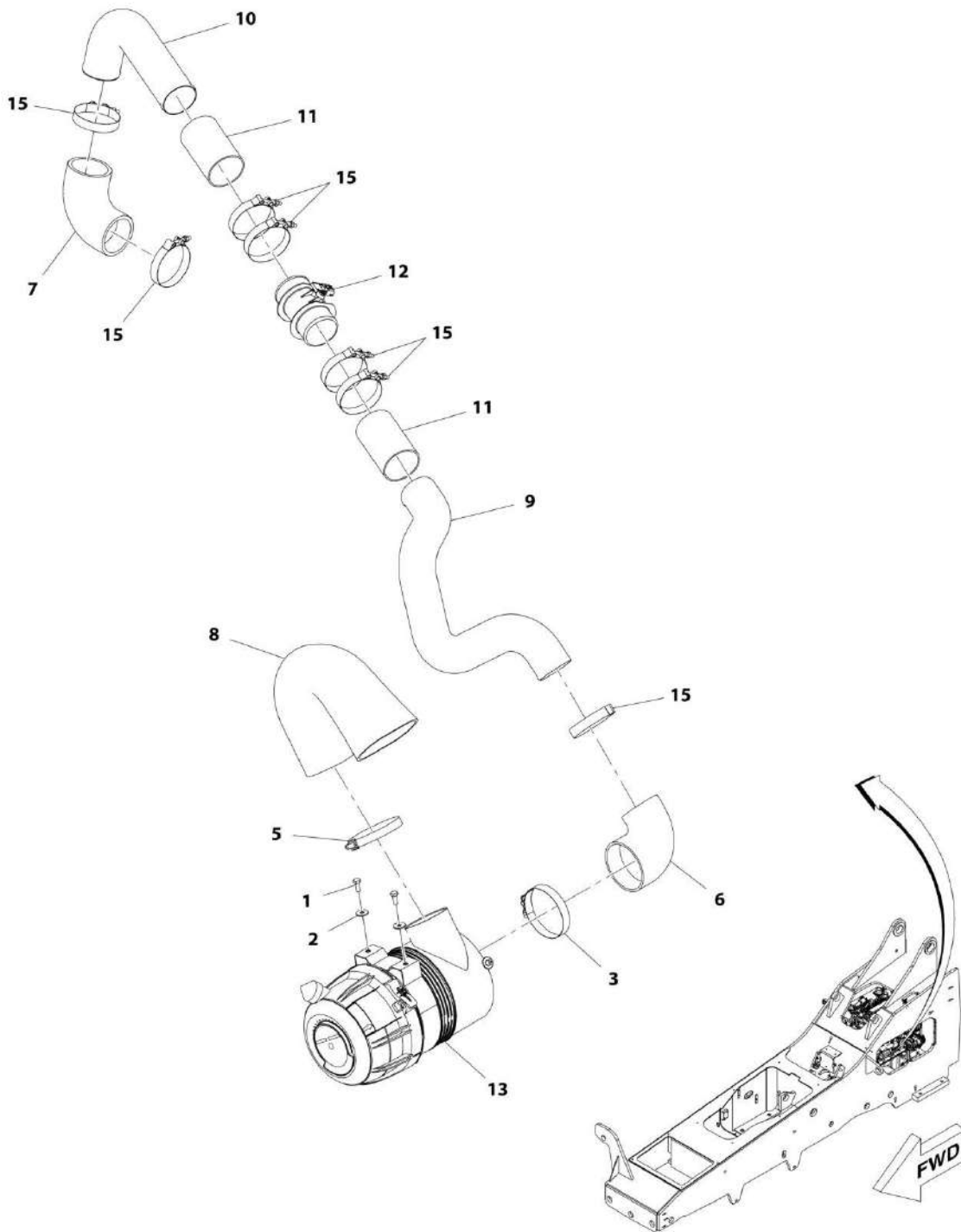
SECTION 4 - ENGINE AND ATTACHING PARTS

FIGURE 4-11. FAN INSTALLATION, 74HP

ITEM	PART NUMBER	QTY	DESCRIPTION	REV
	1001196736	Ref	Fan Installation, 74HP	B
1	0701026	4	Bolt, M10X90	
2	4812000	4	Washer, M10	
3	4832000	4	Washer, Lock M10	
4	1001203328	1	Fan	

SECTION 4 - ENGINE AND ATTACHING PARTS

FIGURE 4-12. AIR CLEANER INSTALLATION (ULS)



ART_1001165669-D

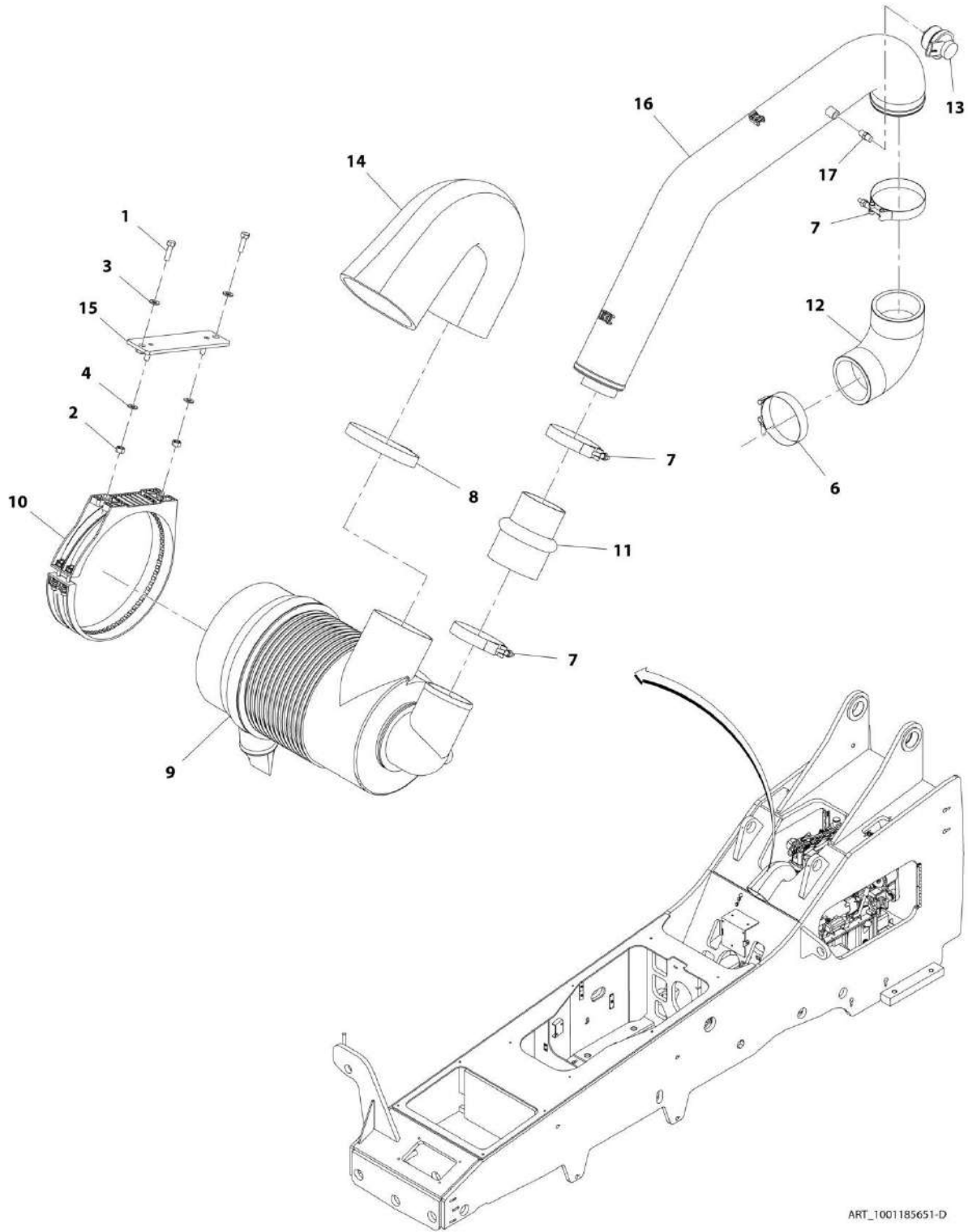
SECTION 4 - ENGINE AND ATTACHING PARTS

FIGURE 4-12. AIR CLEANER INSTALLATION (ULS)

ITEM	PART NUMBER	QTY	DESCRIPTION	REV
	1001165669	Ref	Air Cleaner Installation (if equipped for ULS)	D
1	0760810	2	Bolt, M8X20	
2	4811902	2	Washer, M8	
3	8405404	1	Clamp, T-Bolt	
5	10719267	1	Clamp, Hose	
6	1001201831	1	Hose, Air Intake	
7	1001120083	1	Hose, Air Intake	
8	1001165818	1	Hose, Air Intake	
9	1001168051	1	Pipe, Air Intake	
10	1001168052	1	Pipe, Air Intake	
11	1001168053	2	Hose, Sleeve	
12	1001169077	1	Sensor, PRS Temperature	
13	1001166566	1	Assembly, Air Cleaner (See AIR CLEANER ASSEMBLY (ULS) for Breakdown)	
15	8410007	7	Clamp, T-Bolt	

SECTION 4 - ENGINE AND ATTACHING PARTS

FIGURE 4-13. AIR CLEANER INSTALLATION (LS)



ART_1001185651-D

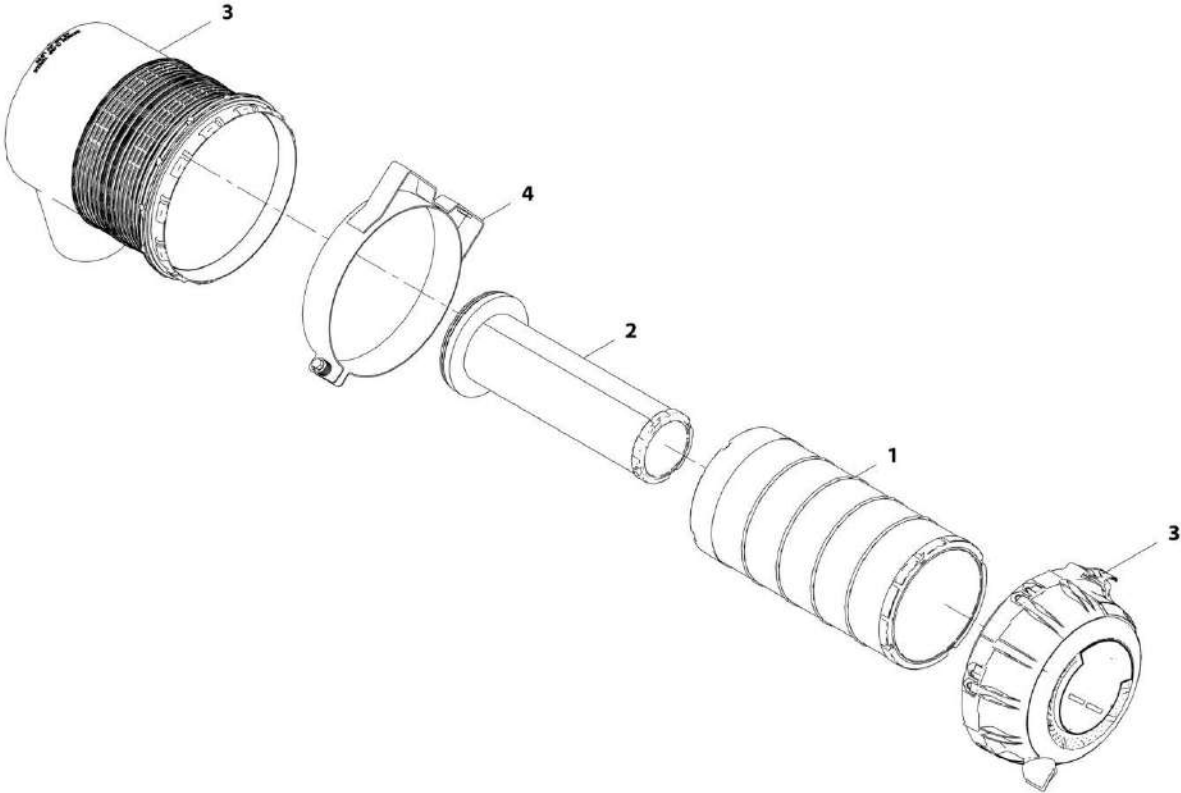
SECTION 4 - ENGINE AND ATTACHING PARTS

FIGURE 4-13. AIR CLEANER INSTALLATION (LS)

ITEM	PART NUMBER	QTY	DESCRIPTION	REV
	1001185651	Ref	Air Cleaner Installation (if equipped for LS)	D
1	0760815	2	Bolt, M8X35	
2	8305043	2	Nut, M8X1.25	
3	8307106	2	Washer, Plain 5/16	
4	8307222	2	Washer, Plain M8	
6	90028631	1	Clamp, T-Bolt	
7	8405307	3	Clamp, T-Bolt	
8	8410021	1	Clamp, T-Bolt	
9	10268515	1	Assembly, Air Cleaner (See AIR CLEANER ASSEMBLY (LS) for Breakdown)	
10	10268516	1	Band, Mounting	
11	91293003	1	Hose, Hump Reducer	
12	91083129	1	Elbow, Reducer	
13	1001166715	1	Restriction, Indicator	
14	1001190005	1	Hose, Air Intake	
15	1001190183	1	Bracket, Air Filter Band Mount	
16	1001212670	1	Pipe, Air Intake	
17	2180798	1	Fitting	

SECTION 4 - ENGINE AND ATTACHING PARTS

FIGURE 4-14. AIR CLEANER ASSEMBLY (ULS)



ART_1001166566-G

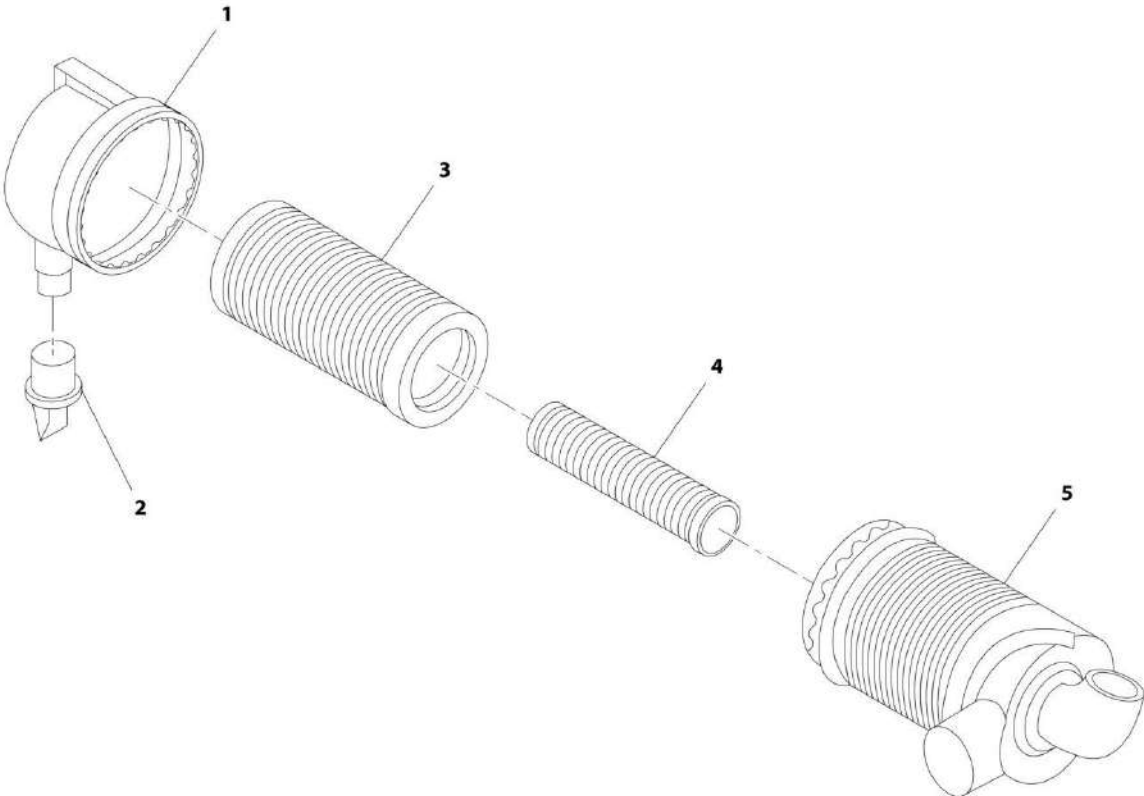
SECTION 4 - ENGINE AND ATTACHING PARTS

FIGURE 4-14. AIR CLEANER ASSEMBLY (ULS)

ITEM	PART NUMBER	QTY	DESCRIPTION	REV
	1001166566	Ref	Air Cleaner Assembly (if equipped for ULS)	G
1	70025852	1	Filter, Air Cylindrical Primary	
2	70025853	1	Filter, Air Cylindrical Secondary	
3	70026393	1	Cover, Air Cleaner	
4	70026394	1	Bracket, Mounting Band	

SECTION 4 - ENGINE AND ATTACHING PARTS

FIGURE 4-15. AIR CLEANER ASSEMBLY (LS)



ART_10268515-C

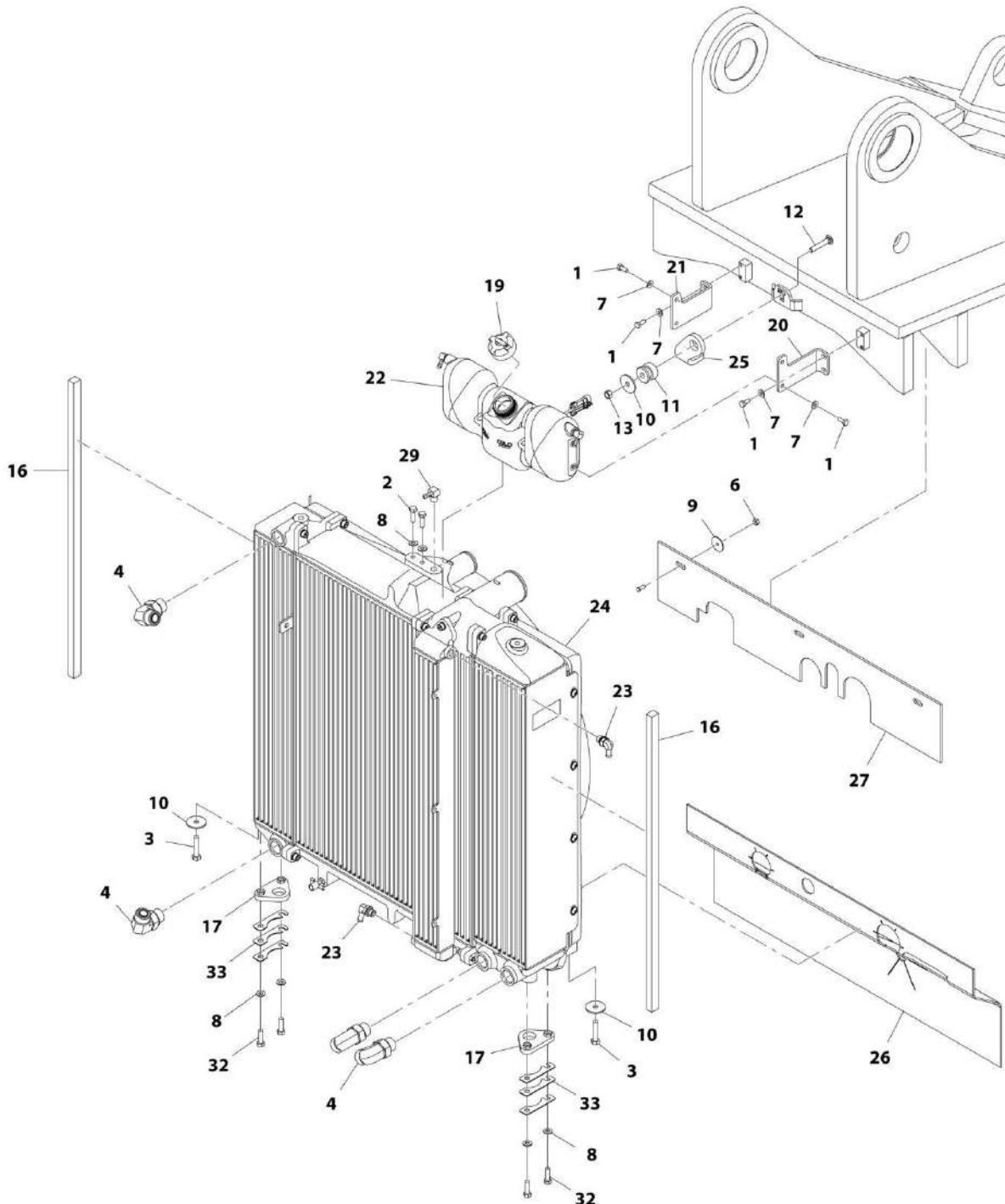
SECTION 4 - ENGINE AND ATTACHING PARTS

FIGURE 4-15. AIR CLEANER ASSEMBLY (LS)

ITEM	PART NUMBER	QTY	DESCRIPTION	REV
	10268515	Ref	Air Cleaner Assembly (if equipped for LS)	C
1	91364023	1	Cover Assembly	
2	80373094	1	Vacuator Valve	
3	1101312	1	Primary Filter Element	
4	1101313	1	Secondary Filter Element	
5	N.S.S.	1	Air Cleaner Body	

SECTION 4 - ENGINE AND ATTACHING PARTS

FIGURE 4-16. COOLING INSTALLATION, 85HP



ART_1001165670-K

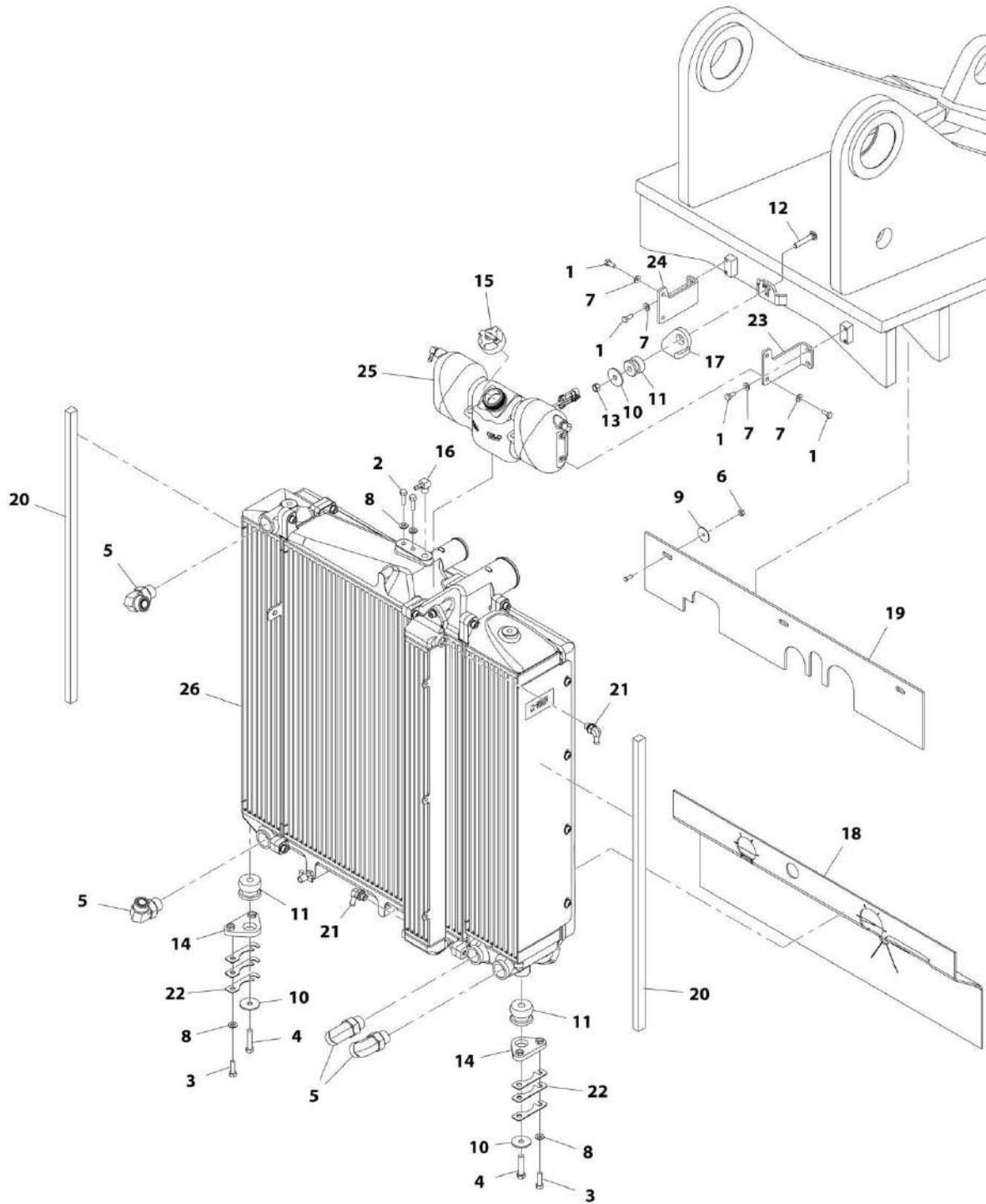
SECTION 4 - ENGINE AND ATTACHING PARTS

FIGURE 4-16. COOLING INSTALLATION, 85HP

ITEM	PART NUMBER	QTY	DESCRIPTION	REV
	1001165670	Ref	Cooling Installation, 85HP	K
1	0641405	8	Bolt, 1/4-20X5/8	
2	0641508	2	Bolt, 5/16-18X1	
3	0641614	2	Bolt, 3/8-16X1-3/4	
4	2131212	4	Adapter, 90	
6	3311401	3	Nut, 1/4-20	
7	4711400	8	Washer, 1/4	
8	4711500	6	Washer, 5/16	
9	4740362	3	Washer, Fender 1/4	
10	7057141	3	Washer, Flat	
11	8278020	3	Mount, Rubber Isolator	
12	8310281	1	Bolt, Carriage 3/8-16X2-1/4	
13	8305008	1	Nut, 3/8-16	
16	1001178582	2	Seal, Foam Gasket	
17	1001120869	2	Bracket, Cooler Mount Lower	
19	1001128341	1	Cap, Deaeration Tank	
20	1001181584	1	Bracket, LH Tank	
21	1001181585	1	Bracket, RH Tank	
22	1001182255	1	Assembly, Deaeration Tank (See DEAERATION TANK ASSEMBLY for Breakdown)	
23	1001178776	2	Fitting, Hose Barb 90	
24	1001168478	1	Assembly, Radiator (See RADIATOR ASSEMBLY, 85HP for Breakdown)	
25	1001169059	1	Mount, Cooler Bracket	
26	1001170117	1	Panel, Air Dam	
27	1001170186	1	Panel, Air Dam Upper	
29	1001134488	1	Fitting, Barbed 90	
32	0641509	4	Bolt, 5/16-18X1-1/8	
33	1001179845	6	Shim	

SECTION 4 - ENGINE AND ATTACHING PARTS

FIGURE 4-17. COOLING INSTALLATION, 74HP



ART_1001196737-E

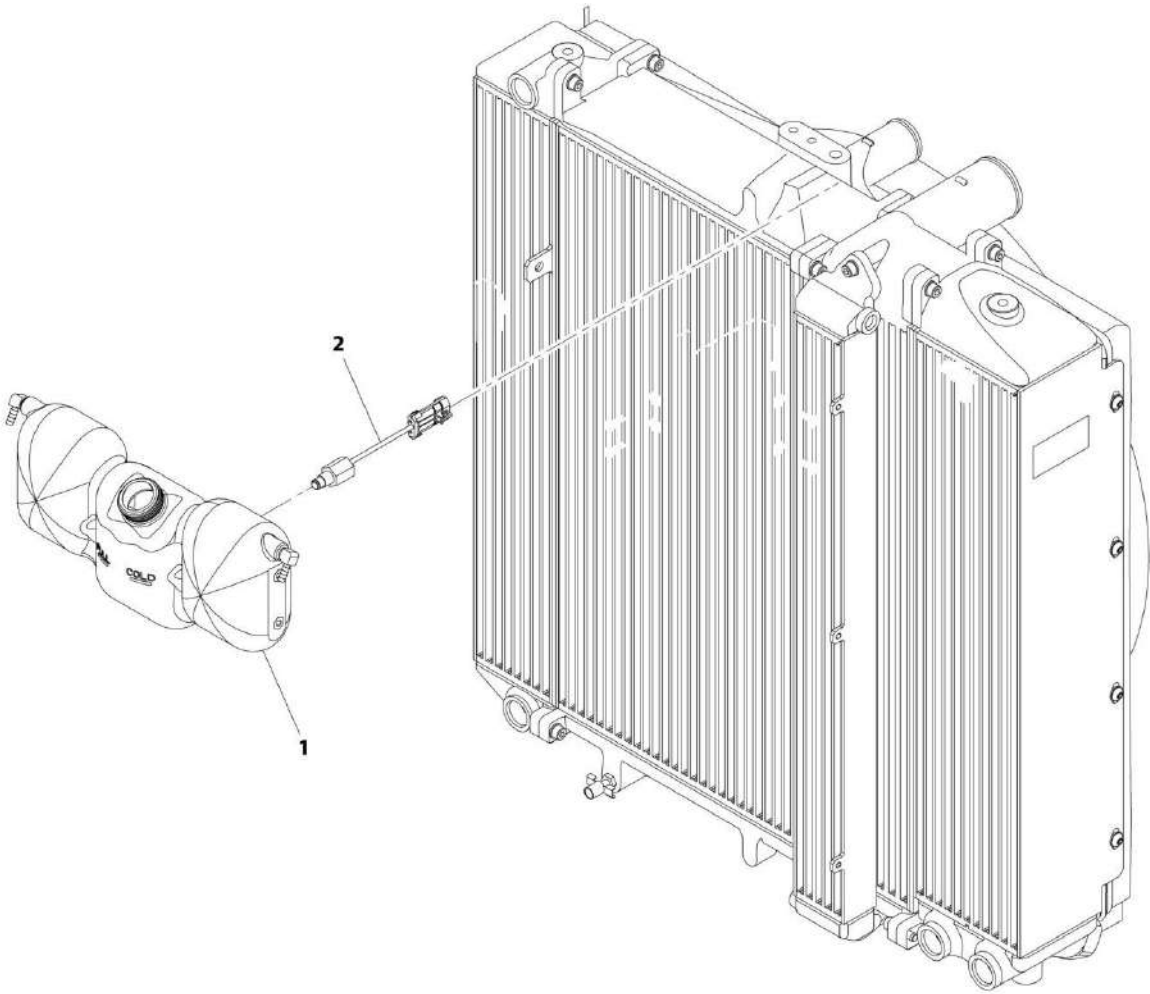
SECTION 4 - ENGINE AND ATTACHING PARTS

FIGURE 4-17. COOLING INSTALLATION, 74HP

ITEM	PART NUMBER	QTY	DESCRIPTION	REV
	1001196737	Ref	Cooling Installation, 74HP	E
1	0641405	8	Bolt, 1/4-20X5/8	
2	0641508	2	Bolt, 5/16-18X1	
3	0641509	4	Bolt, 5/16-18X1-1/8	
4	0641614	2	Bolt, 3/8-16X1-3/4	
5	2131212	4	Adapter, 90	
6	3311401	3	Nut, 1/4-20	
7	4711400	8	Washer, 1/4	
8	4711500	6	Washer, 5/16	
9	4740362	3	Washer, Fender, 1/4	
10	7057141	3	Washer, Flat	
11	8278020	3	Mount, Rubber Isolator	
12	8310281	1	Bolt, Carriage 3/8-16X2-1/4	
13	8305008	1	Nut, 3/8-16	
14	1001120869	2	Bracket, Cooler Mount Lower	
15	1001128341	1	Cap, Deaeration Tank	
16	1001134488	1	Fitting, Barbed 90	
17	1001169059	1	Mount, Cooler Bracket	
18	1001170117	1	Panel, Air Dam	
19	1001170186	1	Panel, Air Dam Upper	
20	1001178582	2	Seal, Foam Gasket	
21	1001178776	2	Fitting, Hose Barb 90	
22	1001179845	6	Shim	
23	1001181584	1	Bracket, LH Tank	
24	1001181585	1	Bracket, RH Tank	
25	1001182255	1	Assembly, Deaeration Tank (See DEAERATION TANK ASSEMBLY for Breakdown)	
26	1001197475	1	Assembly, Radiator (See RADIATOR ASSEMBLY, 74HP for Breakdown)	

SECTION 4 - ENGINE AND ATTACHING PARTS

FIGURE 4-18. DEAERATION TANK ASSEMBLY



ART_1001182255-J

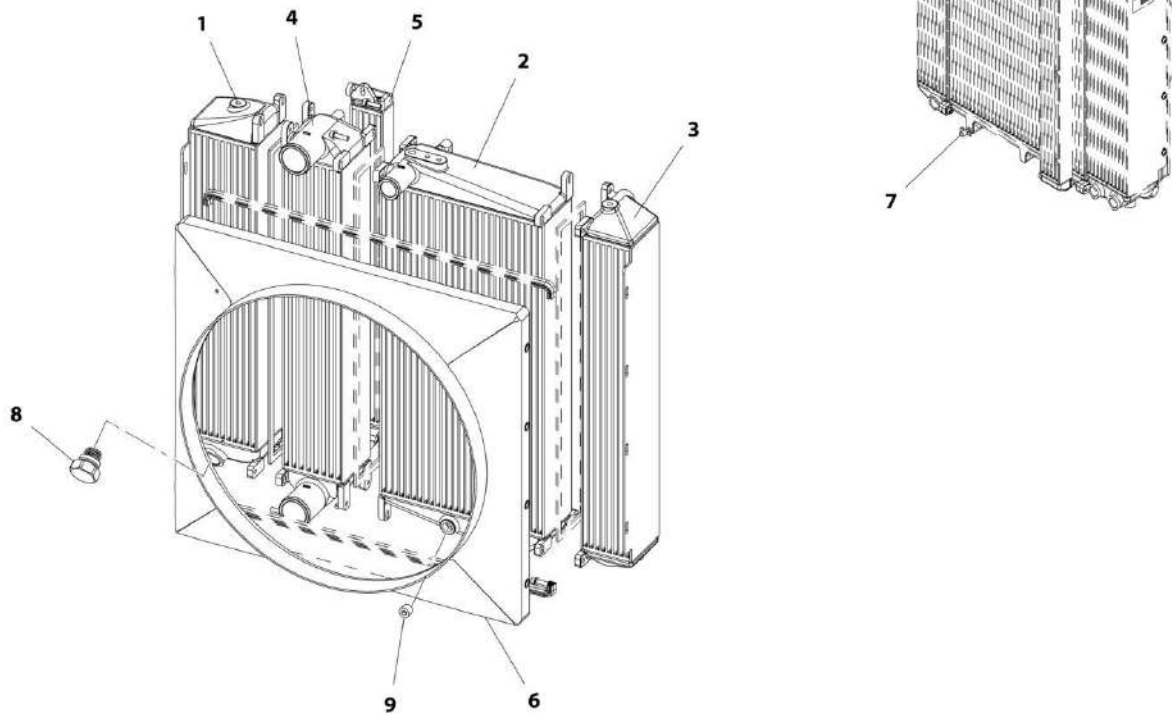
SECTION 4 - ENGINE AND ATTACHING PARTS

FIGURE 4-18. DEAERATION TANK ASSEMBLY

ITEM	PART NUMBER	QTY	DESCRIPTION	REV
	1001182255	Ref	Deaeration Tank Assembly	J
1	1001153912	1	Tank, Deaeration	
2	1001186327	NLA	Sensor, Coolant Level (no longer available, use 1001244360 for replacement)	
2	1001230847	NLA	Sensor, Coolant Level (no longer available, use 1001244360 for replacement)	
2	1001244360	1	Sensor, Coolant Level	

SECTION 4 - ENGINE AND ATTACHING PARTS

FIGURE 4-19. RADIATOR ASSEMBLY, 85HP



ART_1001168478-D

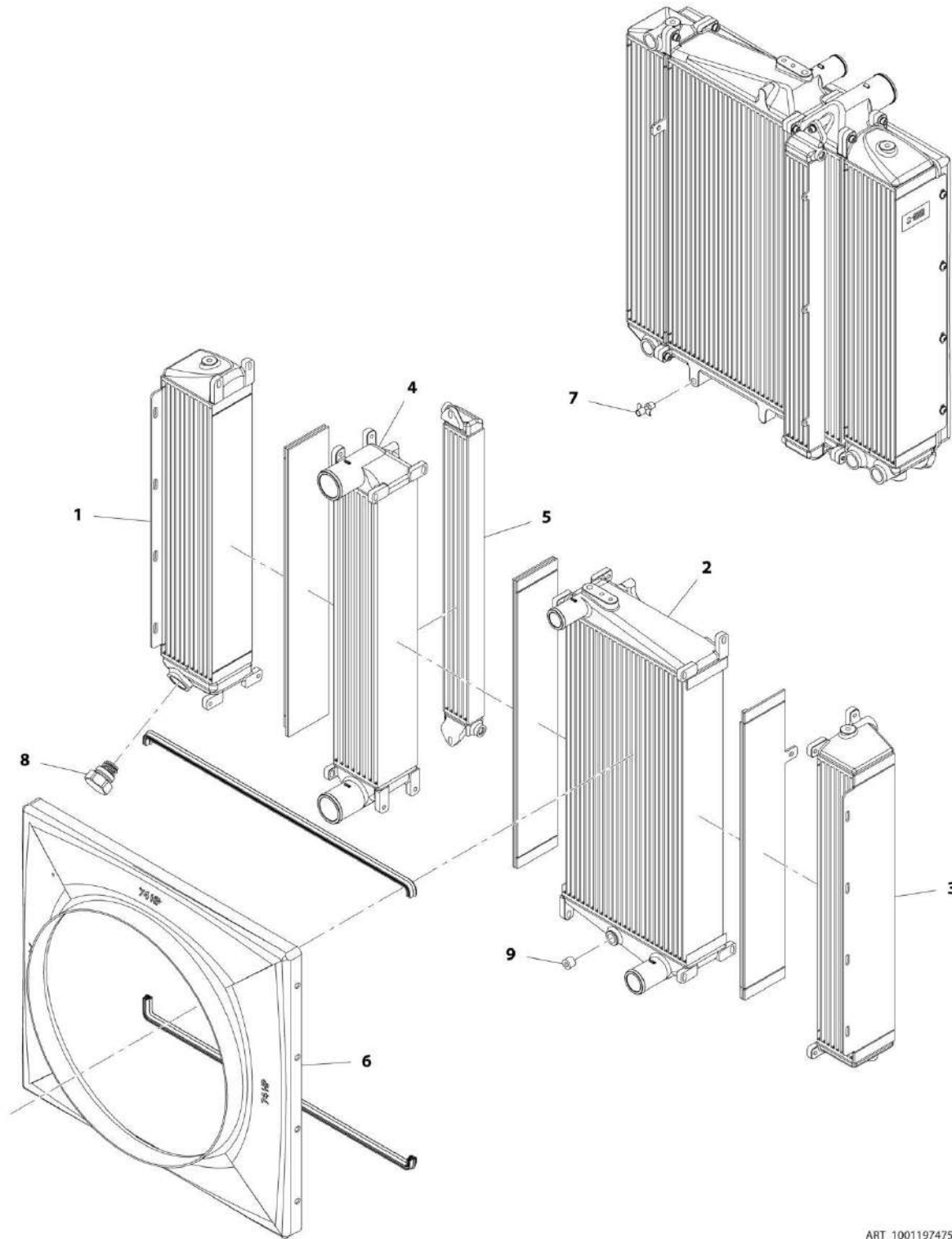
SECTION 4 - ENGINE AND ATTACHING PARTS

FIGURE 4-19. RADIATOR ASSEMBLY, 85HP

ITEM	PART NUMBER	QTY	DESCRIPTION	REV
	1001168478	Ref	Radiator Assembly, 85HP	D
1	70026075	1	Transmission Oil Cooler	
2	70026076	1	Radiator	
3	70026077	1	Hydraulic Oil Cooler	
4	70026078	1	Charge Air Cooler	
5	70026079	1	Fuel Cooler	
6	70026080	1	Shroud, Fan	
7	70026081	1	Petcock	
8	70026082	1	Valve, Bypass	
9	70026083	1	Plug, Hex	

SECTION 4 - ENGINE AND ATTACHING PARTS

FIGURE 4-20. RADIATOR ASSEMBLY, 74HP



ART_1001197475-C

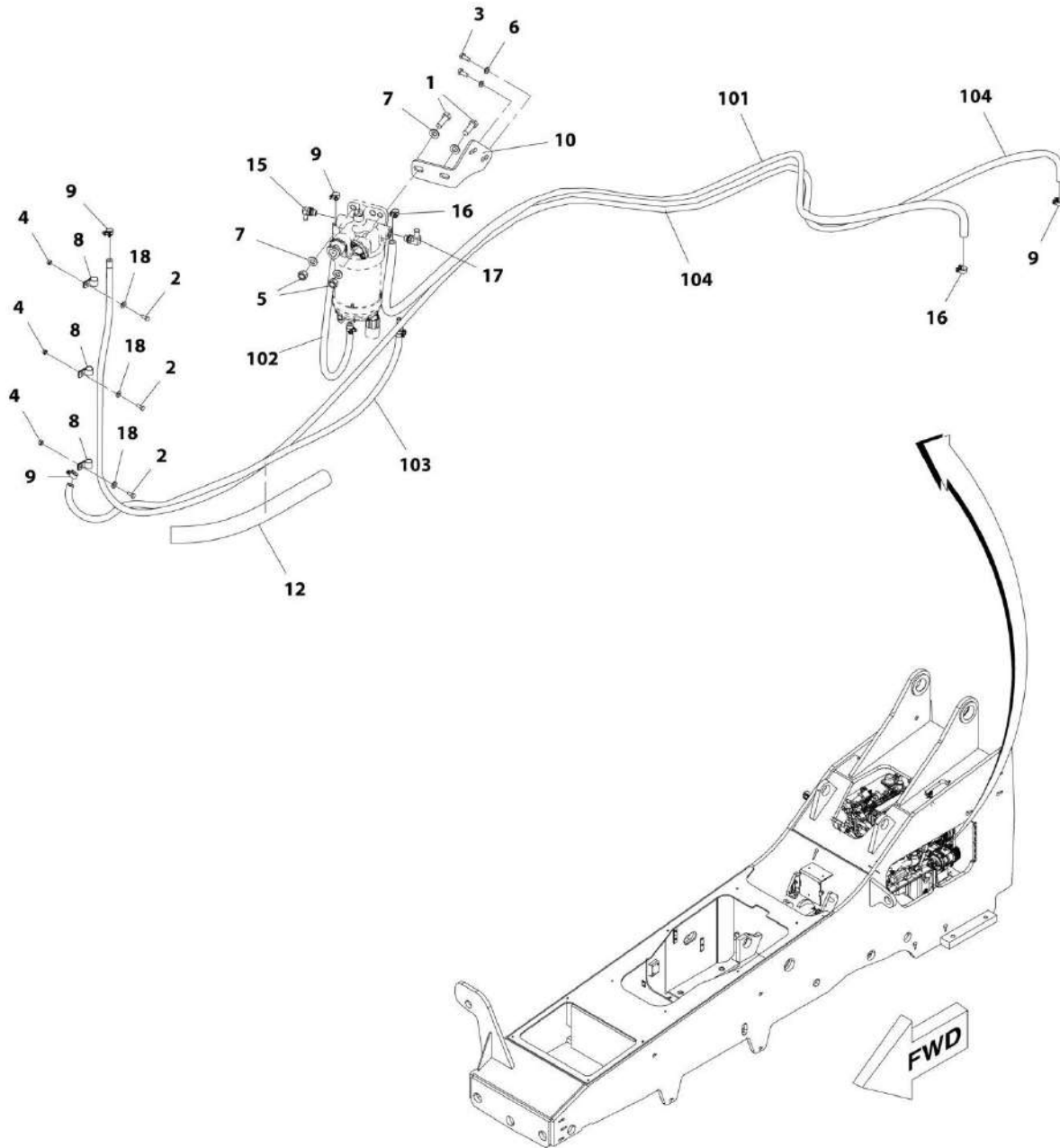
SECTION 4 - ENGINE AND ATTACHING PARTS

FIGURE 4-20. RADIATOR ASSEMBLY, 74HP

ITEM	PART NUMBER	QTY	DESCRIPTION	REV
	1001197475	Ref	Radiator Assembly, 74HP	C
1	70026075	1	Transmission Oil Cooler	
2	70026076	1	Radiator	
3	70026077	1	Hydraulic Oil Cooler	
4	70026078	1	Charge Air Cooler	
5	70026079	1	Fuel Cooler	
6	70027094	1	Fan Shroud	
7	70026081	1	Petcock	
8	70026082	1	Valve, Bypass	
9	70026083	1	Plug, Hex	

SECTION 4 - ENGINE AND ATTACHING PARTS

FIGURE 4-21. FUEL PLUMBING INSTALLATION (ULS)



ART_1001165672-H

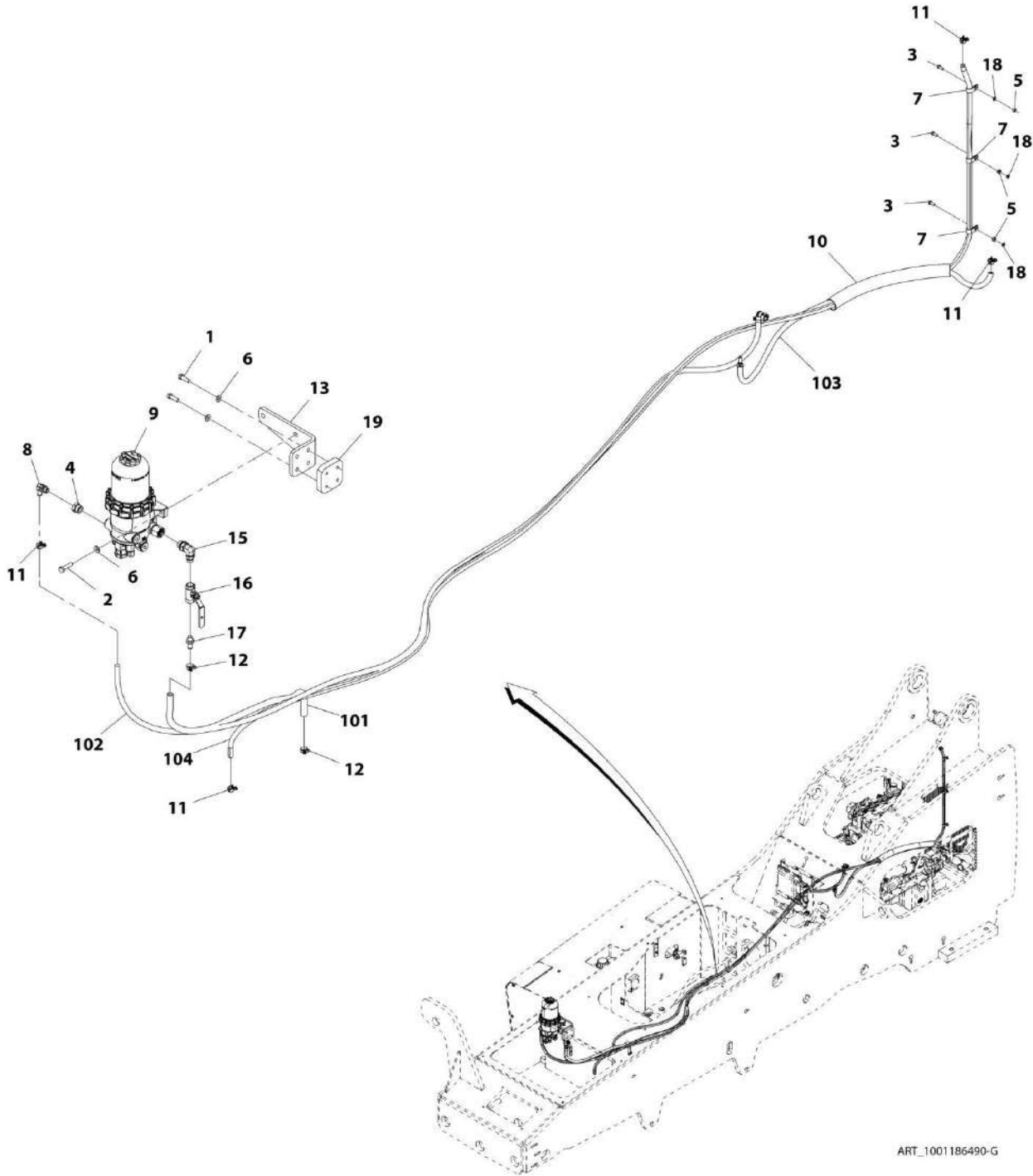
SECTION 4 - ENGINE AND ATTACHING PARTS

FIGURE 4-21. FUEL PLUMBING INSTALLATION (ULS)

ITEM	PART NUMBER	QTY	DESCRIPTION	REV
	1001165672	Ref	Fuel Plumbing Installation (if equipped for ULS)	H
1	0701216	2	Bolt, M12X40	
2	0760608	3	Bolt, M6X16	
3	0761012	2	Bolt, M10X25	
4	3290605	3	Nut, Lock M6X1	
5	3291205	2	Nut, Lock M12X1-3/4	
6	4812000	2	Washer, M10	
7	4812100	4	Washer, M12	
8	8406112	3	Clip, Tube 5/8	
9	1001136975	5	Clamp, Fuel Hose	
10	1001182603	1	Bracket, Filter Mount	
12	1001136358	1	Sleeve, Abrasion	
15	1001182094	1	Adapter, Banjo M14X3/8	
16	1001175568	2	Clip, Hose	
17	1001179375	1	Adapter, Banjo M14X1/2	
18	4811700	3	Washer, M6	
101	1001171802	1	Hose	
102	1001171803	1	Hose	
103	1001201111	1	Hose	
104	1001171805	1	Hose	

SECTION 4 - ENGINE AND ATTACHING PARTS

FIGURE 4-22. FUEL PLUMBING INSTALLATION (LS)



ART_1001186490-G

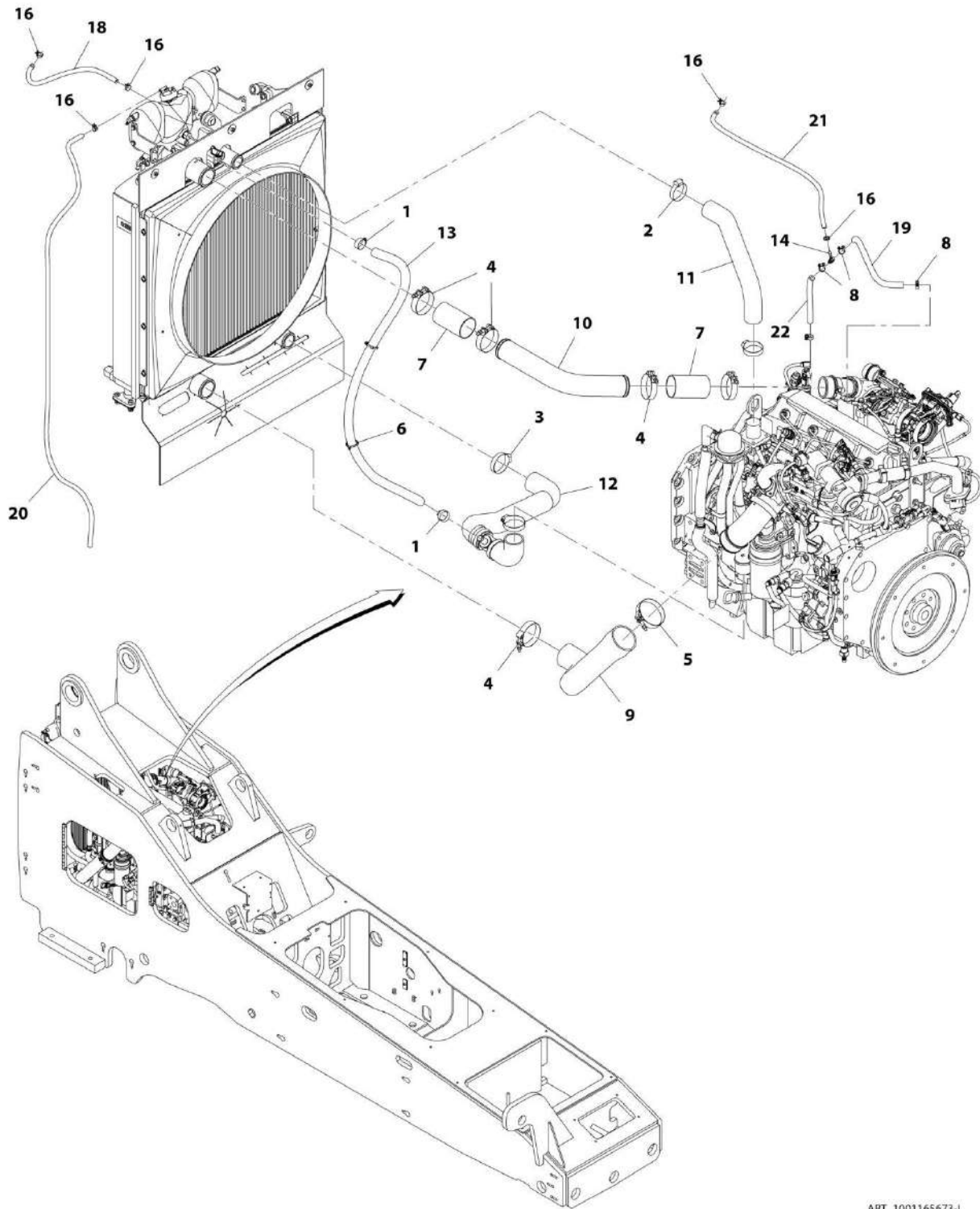
SECTION 4 - ENGINE AND ATTACHING PARTS

FIGURE 4-22. FUEL PLUMBING INSTALLATION (LS)

ITEM	PART NUMBER	QTY	DESCRIPTION	REV
	1001186490	Ref	Fuel Plumbing Installation (if equipped for LS)	G
1	0641609	4	Bolt, 3/8-16X1-1/8	
2	0641612	2	Bolt, 3/8-16X1-1/2	
3	0760608	3	Bolt, M6X16	
4	2220218	1	Adapter, Straight	
5	3290605	3	Nut, Lock M6X1	
6	4711600	6	Washer, 3/8	
7	8406112	3	Clip, Tube 5/8	
8	1001178776	1	Elbow, 90	
9	1001133534	1	Filter, Fuel	
10	1001136358	1	Sleeve, Abrasion	
11	1001136975	4	Clamp, Fuel Hose	
12	1001175568	2	Clip, Hose	
13	1001190349	1	Bracket, Support	
15	1001190629	1	Adapter, 90	
16	1001190630	1	Valve Shutoff, Female	
17	1001190631	1	Fitting, Hose Barb	
18	4811600	3	Washer, M6	
19	1001190344	1	Bracket	
101	1001190370	1	Hose	
102	1001190371	1	Hose	
103	1001201111	1	Hose	
104	1001171805	1	Hose	

SECTION 4 - ENGINE AND ATTACHING PARTS

FIGURE 4-23. PLUMBING COOLING INSTALLATION (ULS)



ART_1001165673-1

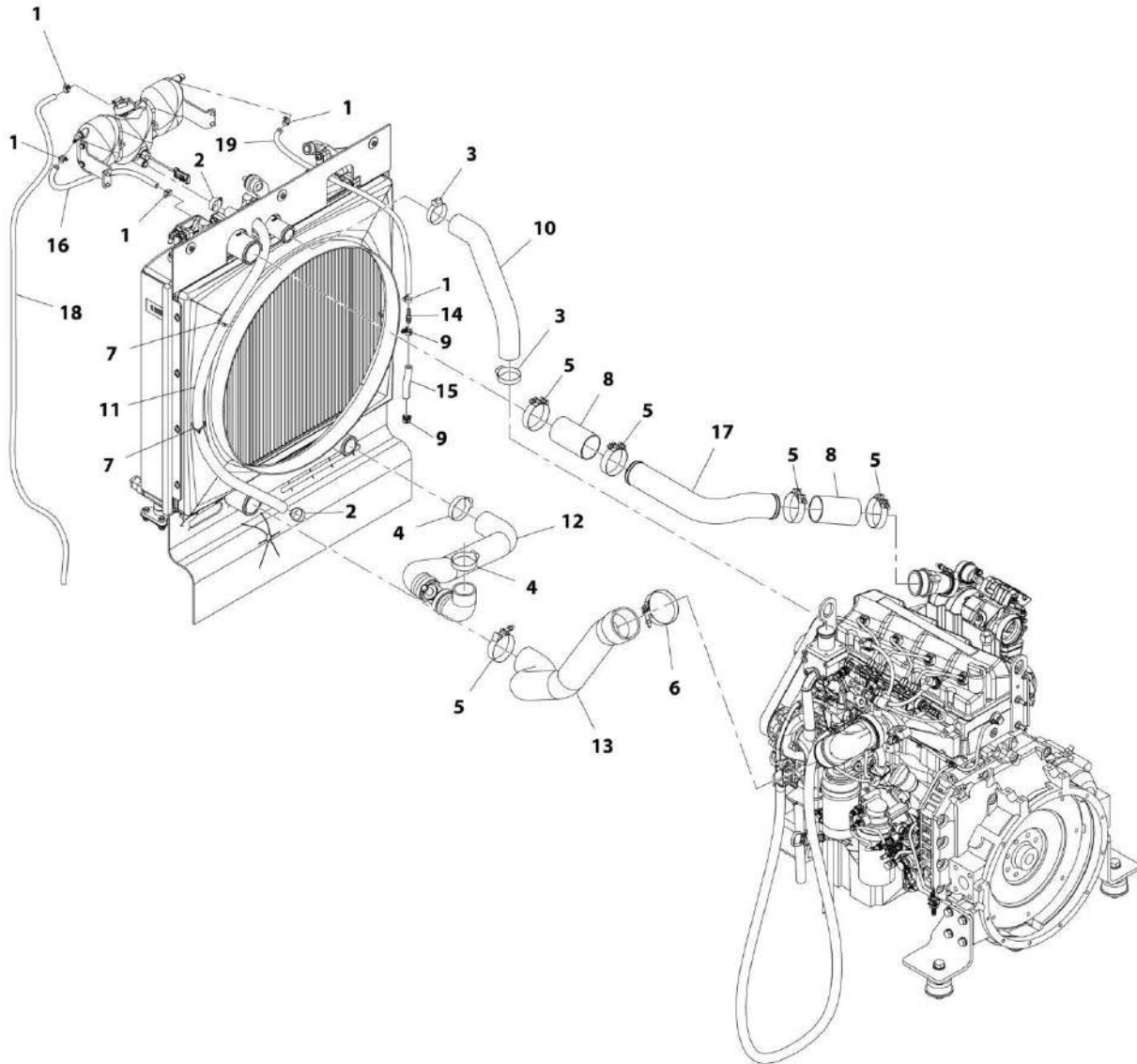
SECTION 4 - ENGINE AND ATTACHING PARTS

FIGURE 4-23. PLUMBING COOLING INSTALLATION (ULS)

ITEM	PART NUMBER	QTY	DESCRIPTION	REV
	1001165673	Ref	Plumbing Cooling Installation (if equipped for ULS)	I
1	8405007	2	Clamp, Gear 1-1/4	
2	8405104	2	Clamp, Gear 2-1/4	
3	8405201	2	Clamp, Gear 2-1/2	
4	8405212	5	Clamp, T-Bolt	
5	8405305	1	Clamp, T-Bolt	
6	1001004720	2	Strap, Cable	
7	1001114495	2	Hose, CAC Straight	
8	1001136975	4	Clamp, Fuel Hose	
9	1001201983	1	Hose, CAC Outlet	
10	1001169271	1	Pipe, CAC Inlet	
11	1001169272	1	Hose, Upper Radiator	
12	1001201945	1	Hose, Lower Radiator	
13	1001169274	1	Hose, Draw Down	
14	1001187362	NLA	Fitting, Union Tee, (no longer available, use 1001235725 for replacement)	
14	1001235725	1	Fitting, Union Tee	
16	1001213938	5	Clamp, Fuel Line	
18	1001203969	1	Hose, Vent Line	
19	1001203970	1	Hose, Vent Line	
20	1001204097	1	Hose, Vent Line	
21	1001204098	1	Hose, Vent Line	
22	1001204099	1	Hose, Vent Line	

SECTION 4 - ENGINE AND ATTACHING PARTS

FIGURE 4-24. PLUMBING COOLING INSTALLATION (LS)



ART_1001185652-D

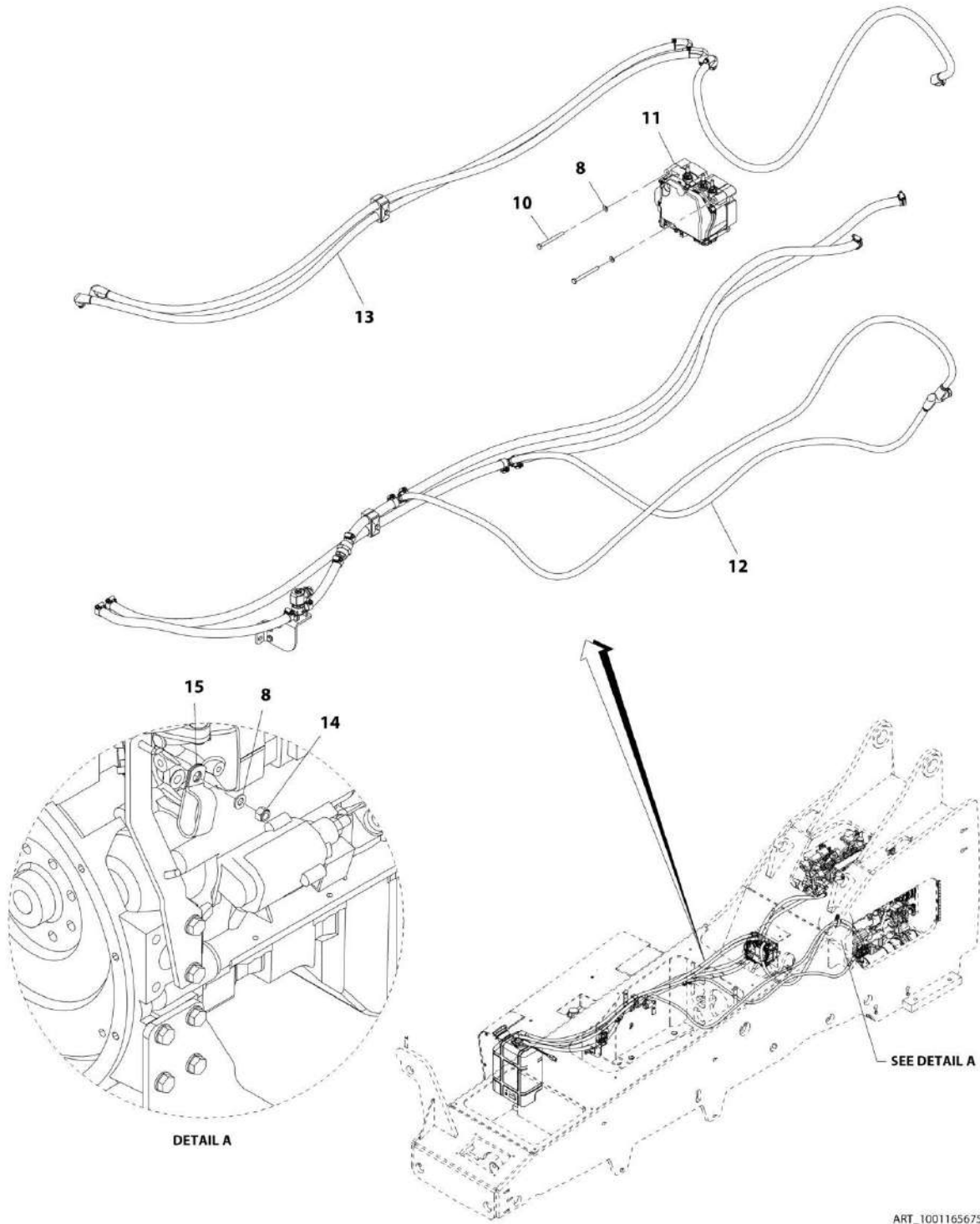
SECTION 4 - ENGINE AND ATTACHING PARTS

FIGURE 4-24. PLUMBING COOLING INSTALLATION (LS)

ITEM	PART NUMBER	QTY	DESCRIPTION	REV
	1001185652	Ref	Plumbing Cooling Installation (if equipped for LS)	D
1	1320022	5	Clamp, Fuel Line	
2	8405007	2	Clamp, Gear 1-1/4	
3	8405104	2	Clamp, Gear 2-1/4	
4	8405201	2	Clamp, Gear 2-1/2	
5	8405212	5	Clamp, T-Bolt	
6	8405305	1	Clamp, T-Bolt	
7	1001004720	2	Strap, Cable	
8	1001114495	2	Hose, CAC Straight	
9	1001136975	2	Clamp, Fuel Hose	
10	1001169272	1	Hose, Upper Radiator	
11	1001169274	1	Hose, Draw Down	
12	1001201945	1	Hose, Lower Radiator	
13	1001189318	1	Hose, CAC Outlet	
14	1001189602	1	Fitting, Union Tee	
15	1001189712	1	Hose, Vent Line 3/8	
16	1001203969	1	Hose, Vent 1/4	
17	1001189715	1	Pipe, CAC Inlet	
18	1001204097	1	Hose, Vent 1/4	
19	1001204098	1	Hose, Vent 1/4	

SECTION 4 - ENGINE AND ATTACHING PARTS

FIGURE 4-25. DEF SYSTEM INSTALLATION (ULS)



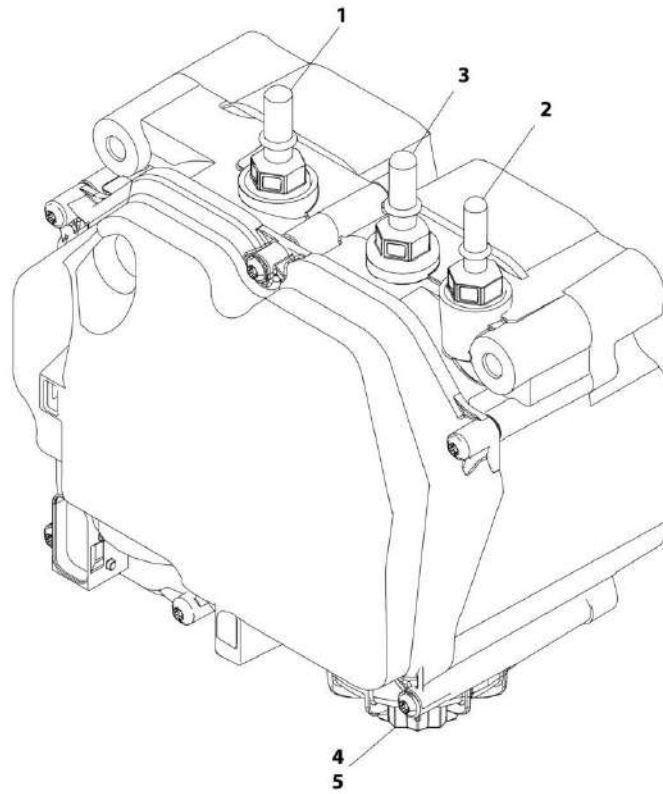
SECTION 4 - ENGINE AND ATTACHING PARTS

FIGURE 4-25. DEF SYSTEM INSTALLATION (ULS)

ITEM	PART NUMBER	QTY	DESCRIPTION	REV
	1001165675	Ref	DEF System Installation (if equipped for ULS)	J
8	4811900	4	Washer, M8	
10	8310424	3	Bolt, M8X90	
11		Ref	Pump, DEF Module (See DEF MODULE PUMP for Breakdown)	
12		Ref	Installation, DEF Coolant Lines (See separate Breakdown in this Section)	
13		Ref	Installation, DEF Lines (See separate Breakdown in this Section)	
14	3290805	1	Nut, Lock M8X1-1/4	
15	1001181899	1	Clamp	

SECTION 4 - ENGINE AND ATTACHING PARTS

FIGURE 4-26. DEF MODULE PUMP (Prior to SN 0160077028)



ART_1001154227-C

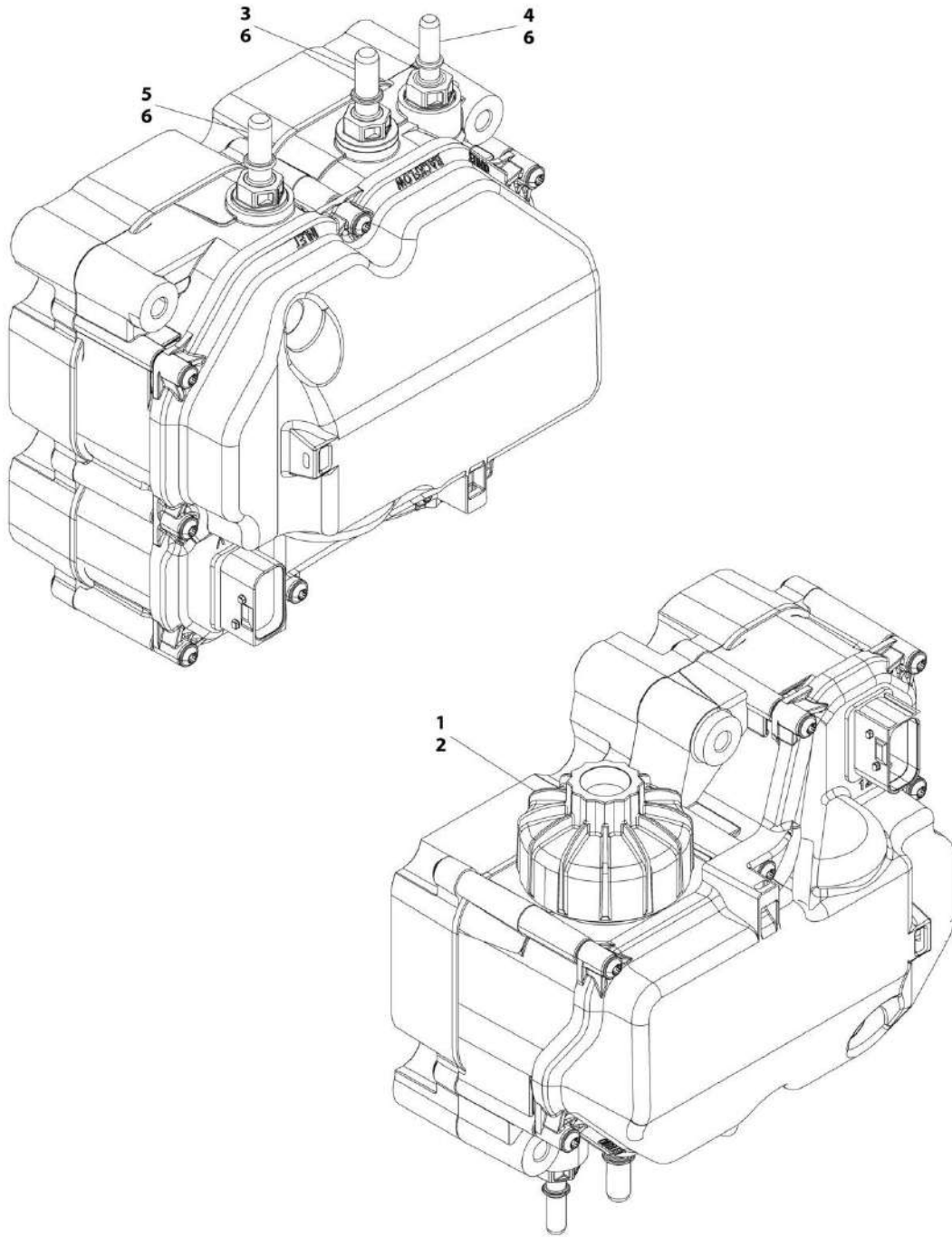
SECTION 4 - ENGINE AND ATTACHING PARTS

FIGURE 4-26. DEF MODULE PUMP (Prior to SN 0160077028)

ITEM	PART NUMBER	QTY	DESCRIPTION	REV
	1001154227	Ref	DEF Module Pump	C
1	70026244	1	Connector, Male (Inlet)	
2	70026245	1	Connector, Male (Outlet)	
3	70026246	1	Connector, Male (Backflow)	
4	70026247	1	Cap, Filter	
5	70026248	1	Kit, Filter	

SECTION 4 - ENGINE AND ATTACHING PARTS

FIGURE 4-27. DEF MODULE PUMP (SN 0160077028 to Present)



ART_1001213210-A

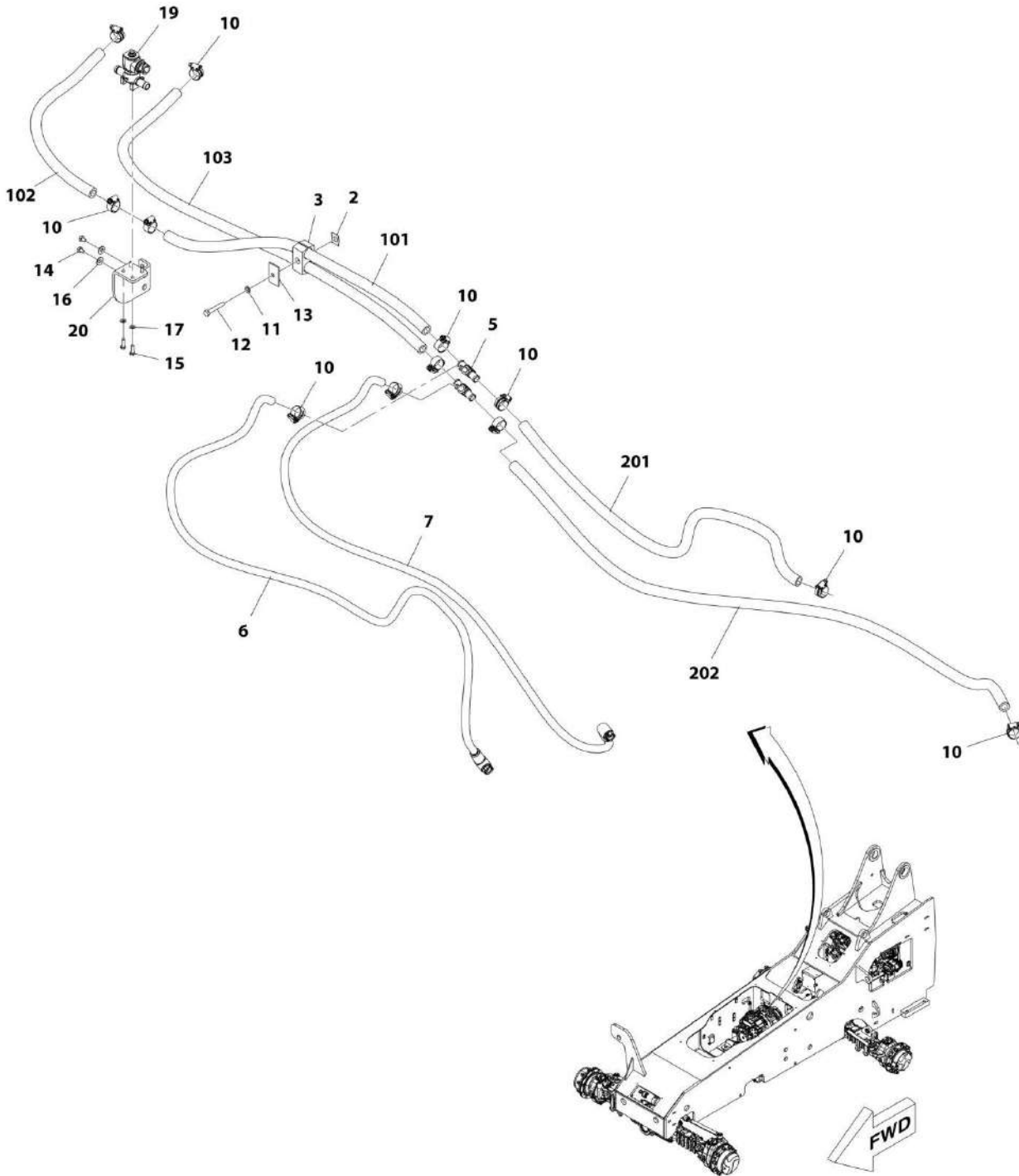
SECTION 4 - ENGINE AND ATTACHING PARTS

FIGURE 4-27. DEF MODULE PUMP (SN 0160077028 to Present)

ITEM	PART NUMBER	QTY	DESCRIPTION	REV
	1001213210	1	DEF Module Pump	A
1	70026248	1	Kit, Filter	
2	70026247	1	Cap, Filter	
3	70027705	1	Connector, Male (Backflow)	
4	70026245	1	Connector, Male (Outlet)	
5	70026244	1	Connector, Male (Inlet)	
6	70027706	3	Gasket, Circular (O-Ring)	

SECTION 4 - ENGINE AND ATTACHING PARTS

FIGURE 4-28. DEF COOLANT LINES INSTALLATION (Prior to SN 0160073686)



ART_1001169330-E

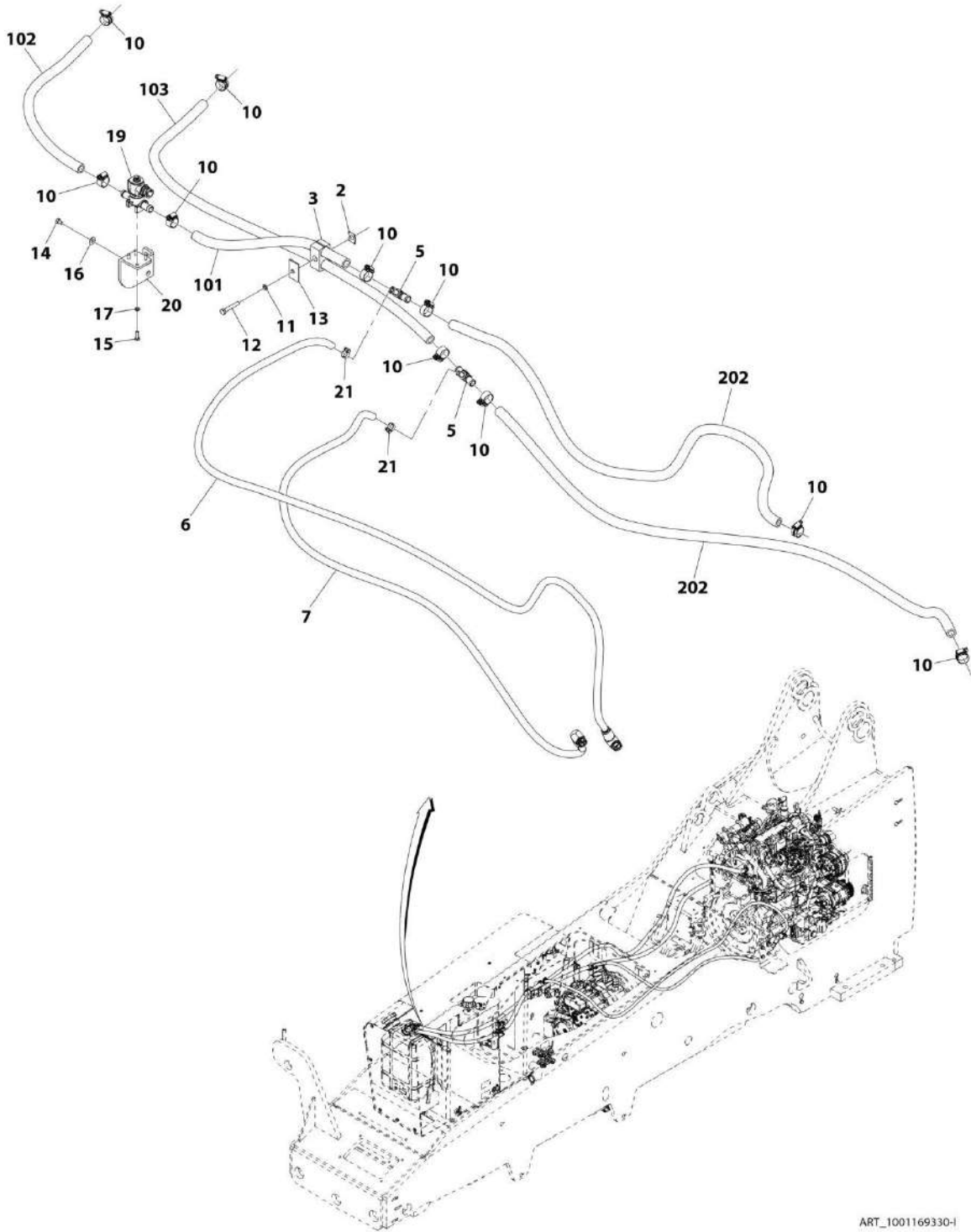
SECTION 4 - ENGINE AND ATTACHING PARTS

FIGURE 4-28. DEF COOLANT LINES INSTALLATION (Prior to SN 0160073686)

ITEM	PART NUMBER	QTY	DESCRIPTION	REV
	1001169330	Ref	DEF Coolant Lines Installation	E
2	8750017	1	Plate, Locking	
3	8769127	1	Clamp Set, Twin	
5	1001162212	2	Fitting, Hose Barb Tee	
6	1001169000	1	Hose	
7	1001169001	1	Hose	
10	1001173535	12	Clamp	
11	8307004	1	Washer, Lock 5/16	
12	8310009	1	Bolt, 5/16-18X2	
13	8769128	1	Plate, Twin Cover	
14	0641403	2	Bolt, 1/4-20X3/8	
15	0760610	4	Bolt, M6X20	
16	4751400	2	Washer, 1/4	
17	4811700	4	Washer, M6	
19	1001199670	1	Valve, Coolant Control	
20	1001199951	1	Bracket, Valve Mount	
101	1001171471	1	Hose	
102	1001171472	1	Hose	
103	1001171473	1	Hose	
201	1001169002	1	Hose	
202	1001171474	1	Hose	

SECTION 4 - ENGINE AND ATTACHING PARTS

FIGURE 4-29. DEF COOLANT LINES INSTALLATION (SN 0160073686 through 0160081935)



ART_1001169330-I

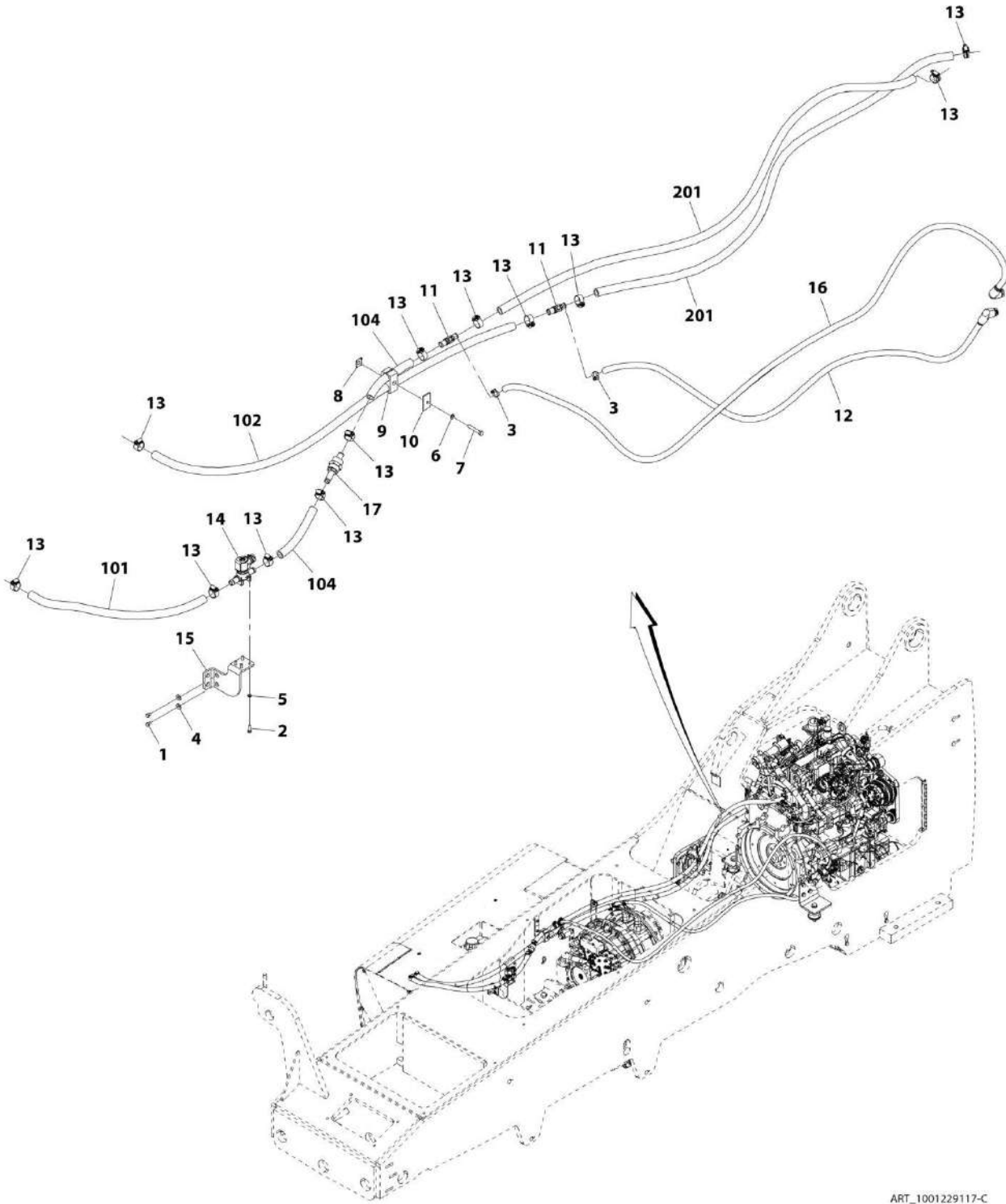
SECTION 4 - ENGINE AND ATTACHING PARTS

FIGURE 4-29. DEF COOLANT LINES INSTALLATION (SN 0160073686 through 0160081935)

ITEM	PART NUMBER	QTY	DESCRIPTION	REV
	1001169330	Ref	DEF Coolant Lines Installation	I
2	8750017	1	Plate, Locking	
3	8769127	1	Clamp Set, Twin	
5	1001162212	2	Fitting, Hose Barb Tee	
6	1001224096	1	Hose	
7	1001169001	1	Hose	
10	1001173535	10	Clamp	
11	8307004	1	Washer, Lock 5/16	
12	8310009	1	Bolt, 5/16-18X2	
13	8769128	1	Plate, Twin Cover	
14	0641403	2	Bolt, 1/4-20X3/8	
15	0760610	4	Bolt, M6X20	
16	4751400	2	Washer, 1/4	
17	4811700	4	Washer, M6	
19	1001199670	1	Valve, Coolant Flow	
20	1001199951	1	Bracket, Valve Mount	
21	1320022	2	Clamp	
101	1001224093	1	Hose	
102	1001171472	1	Hose	
103	1001171473	1	Hose	
202	1001171474	2	Hose	

SECTION 4 - ENGINE AND ATTACHING PARTS

FIGURE 4-30. DEF COOLANT LINES INSTALLATION (SN 0160081935 to Present)



ART_1001229117-C

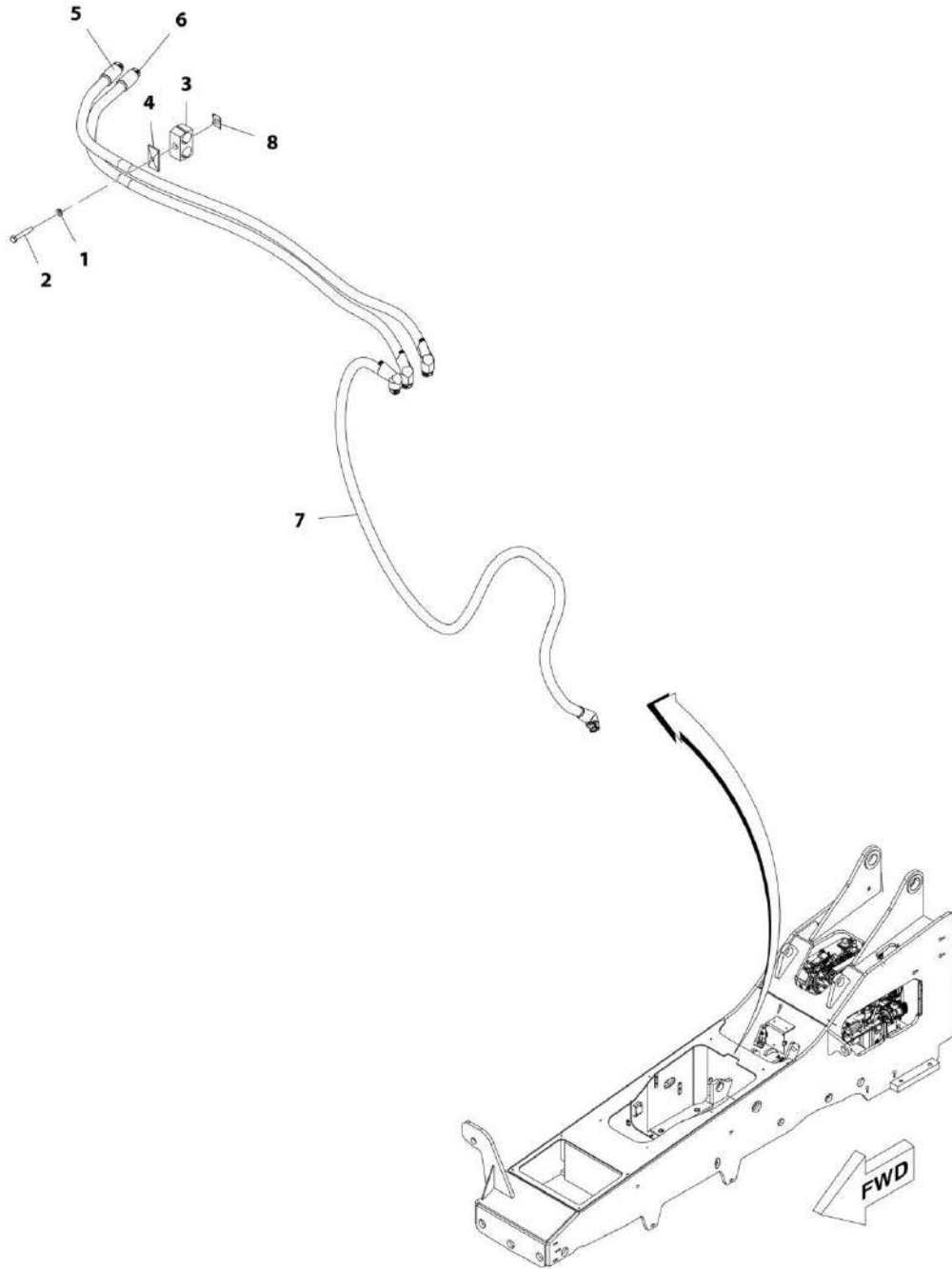
SECTION 4 - ENGINE AND ATTACHING PARTS

FIGURE 4-30. DEF COOLANT LINES INSTALLATION (SN 0160081935 to Present)

ITEM	PART NUMBER	QTY	DESCRIPTION	REV
	1001229117	Ref	DEF Coolant Lines Installation	C
1	0641403	2	Bolt, 1/4-20X3/8	
2	0760610	4	Bolt, M6X20	
3	1320022	2	Clamp, Fuel Line (Prior to SN 0160091642)	
3	1320032	2	Clamp, Fuel Line (SN 0160091642 to Present)	
4	4751400	2	Washer, 1/4	
5	4811700	4	Washer, M6	
6	8307004	1	Washer, Lock 5/16	
7	8310009	1	Bolt, 5/16-18X2	
8	8750017	1	Plate, Locking	
9	8769127	1	Clamp Set, Twin	
10	8769128	1	Plate, Twin Cover	
11	1001162212	2	Fitting, Hose Barb Tee	
12	1001169001	1	Hose	
13	1001173535	12	Clamp	
14	1001199670	1	Valve, Coolant Control	
15	1001199951	1	Bracket, Valve Mount	
16	1001224096	1	Hose	
17	1001228872	1	Filter, Coolant Screen	
101	1001171472	1	Hose	
102	1001171473	1	Hose	
104	1001229210	2	Hose	
201	1001171474	2	Hose	

SECTION 4 - ENGINE AND ATTACHING PARTS

FIGURE 4-31. DEF LINES INSTALLATION (Prior to SN 0160081935)



ART_1001169331-E

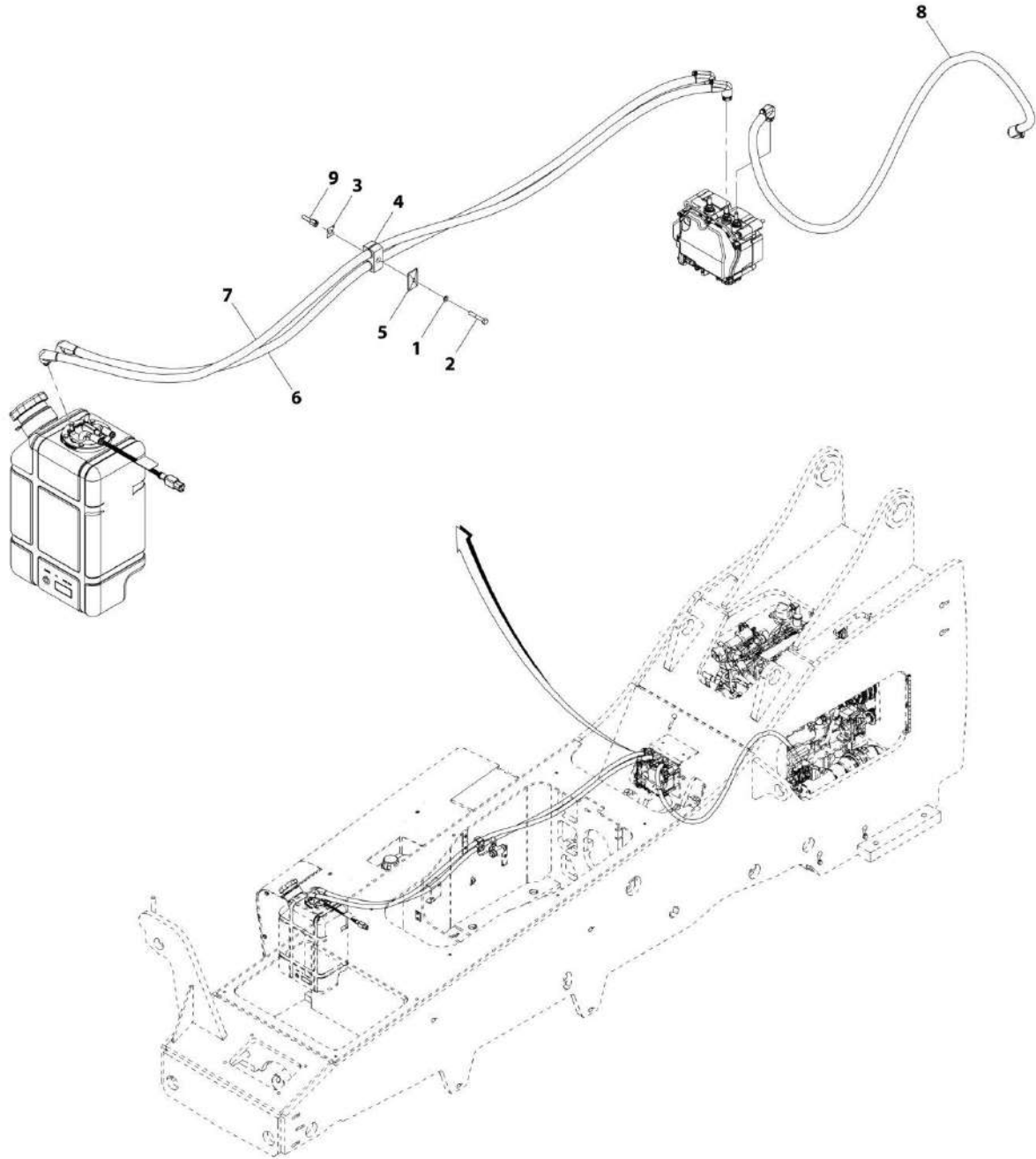
SECTION 4 - ENGINE AND ATTACHING PARTS

FIGURE 4-31. DEF LINES INSTALLATION (Prior to SN 0160081935)

ITEM	PART NUMBER	QTY	DESCRIPTION	REV
	1001169331	Ref	DEF Lines Installation	E
1	8307004	1	Washer, Lock 5/16	
2	8310009	1	Bolt, 5/16-18X2	
3	8750027	1	Clamp Set, Twin	
4	8769128	1	Plate, Twin Cover	
5	1001168857	1	Hose	
6	1001168858	1	Hose	
7	1001168859	1	Hose	
8	8750017	1	Plate, Locking	

SECTION 4 - ENGINE AND ATTACHING PARTS

FIGURE 4-32. DEF LINES INSTALLATION (SN 0160081935 to Present)



ART_1001229025-C

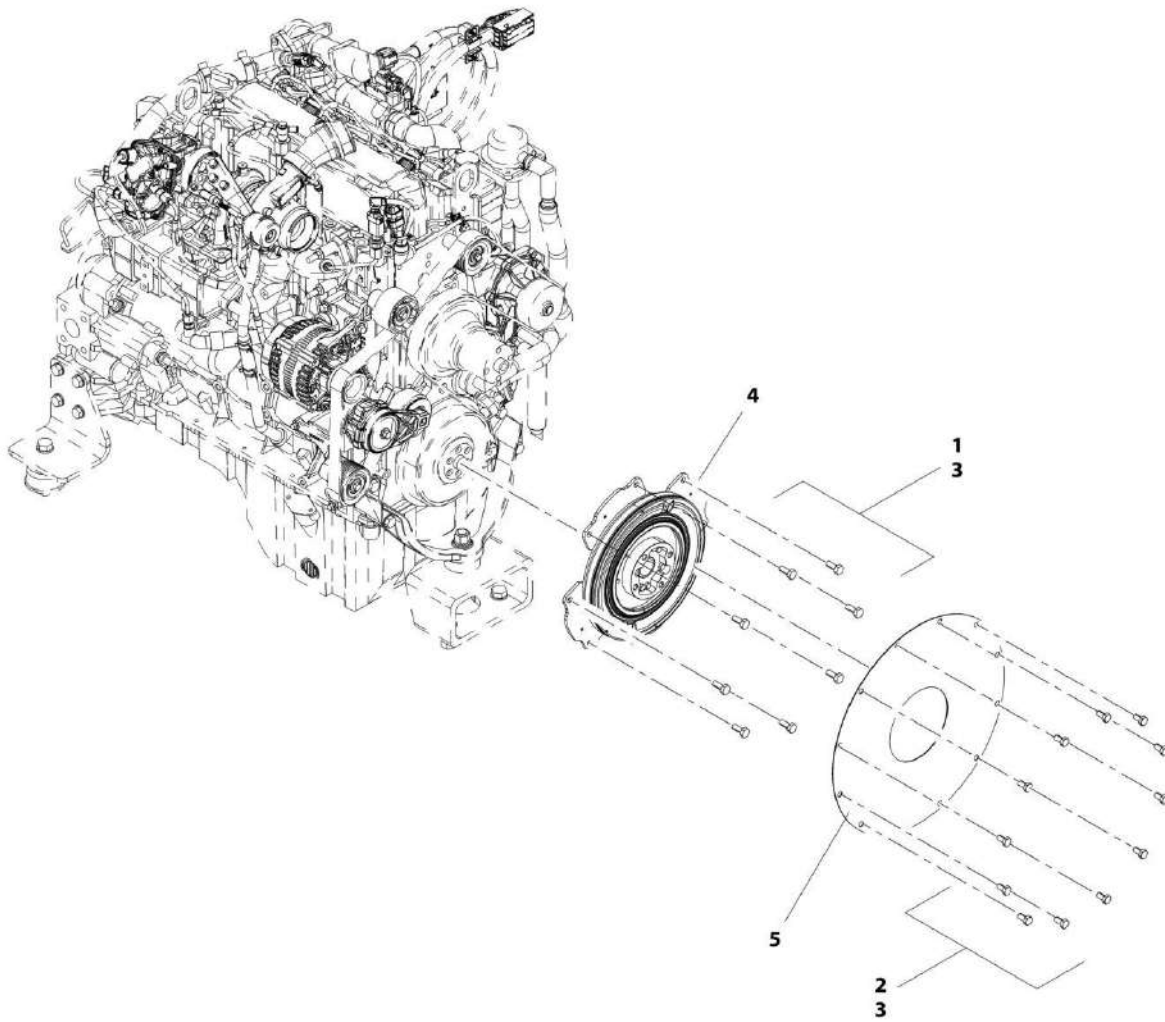
SECTION 4 - ENGINE AND ATTACHING PARTS

FIGURE 4-32. DEF LINES INSTALLATION (SN 0160081935 to Present)

ITEM	PART NUMBER	QTY	DESCRIPTION	REV
	1001229025	Ref	DEF Lines Installation	C
1	8307004	1	Washer, 5/16 (Prior to SN 0160091048)	
2	8310009	1	Bolt, 5/16-18X2 (Prior to SN 0160091048)	
3	8750017	1	Plate, Locking	
4	8769127	1	Clamp	
5	8769128	1	Plate, Cover (Prior to SN 0160091048)	
6	1001229023	1	Hose	
7	1001229024	1	Hose	
8	1001168859	1	Hose	
9	8750012	1	Bolt, Stacking (SN 0160091048 to Present)	

SECTION 4 - ENGINE AND ATTACHING PARTS

FIGURE 4-33. ISOLATION COUPLER INSTALLATION



ART_1001166229_B

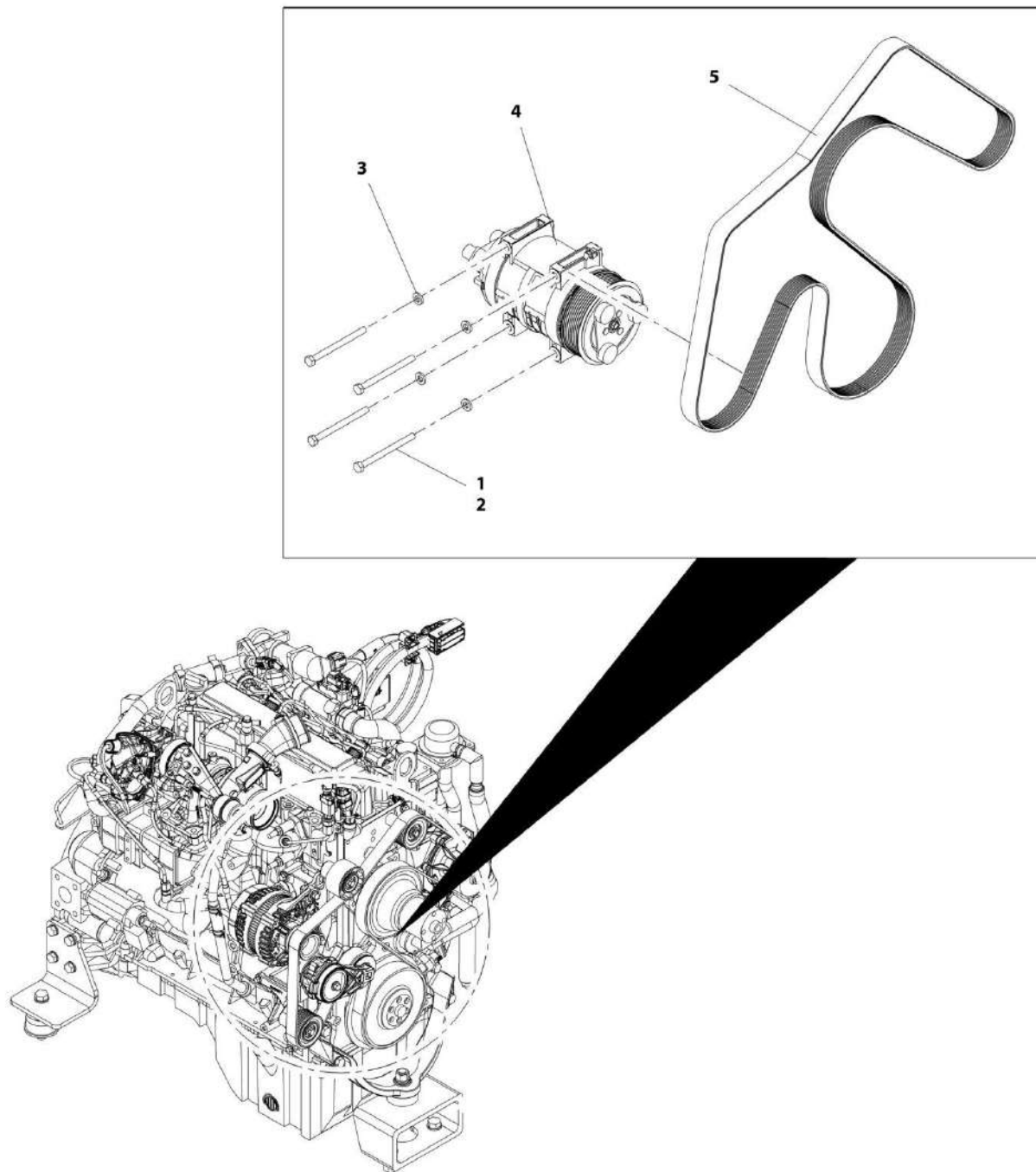
SECTION 4 - ENGINE AND ATTACHING PARTS

FIGURE 4-33. ISOLATION COUPLER INSTALLATION

ITEM	PART NUMBER	QTY	DESCRIPTION	REV
	1001166229	Ref	Isolation Coupler Installation	B
1	0761012	8	Bolt, M10X25	
2	8303784	12	Bolt, M10X20	
3	8526007	AR	Compound, Locking	
4	1001180244	1	Coupling, Torsion Damper	
5	1001185071	1	Panel, Isolation Coupler	

SECTION 4 - ENGINE AND ATTACHING PARTS

FIGURE 4-34. A/C COMPONENTS INSTALLATION, 85HP



ART_1001166008_A

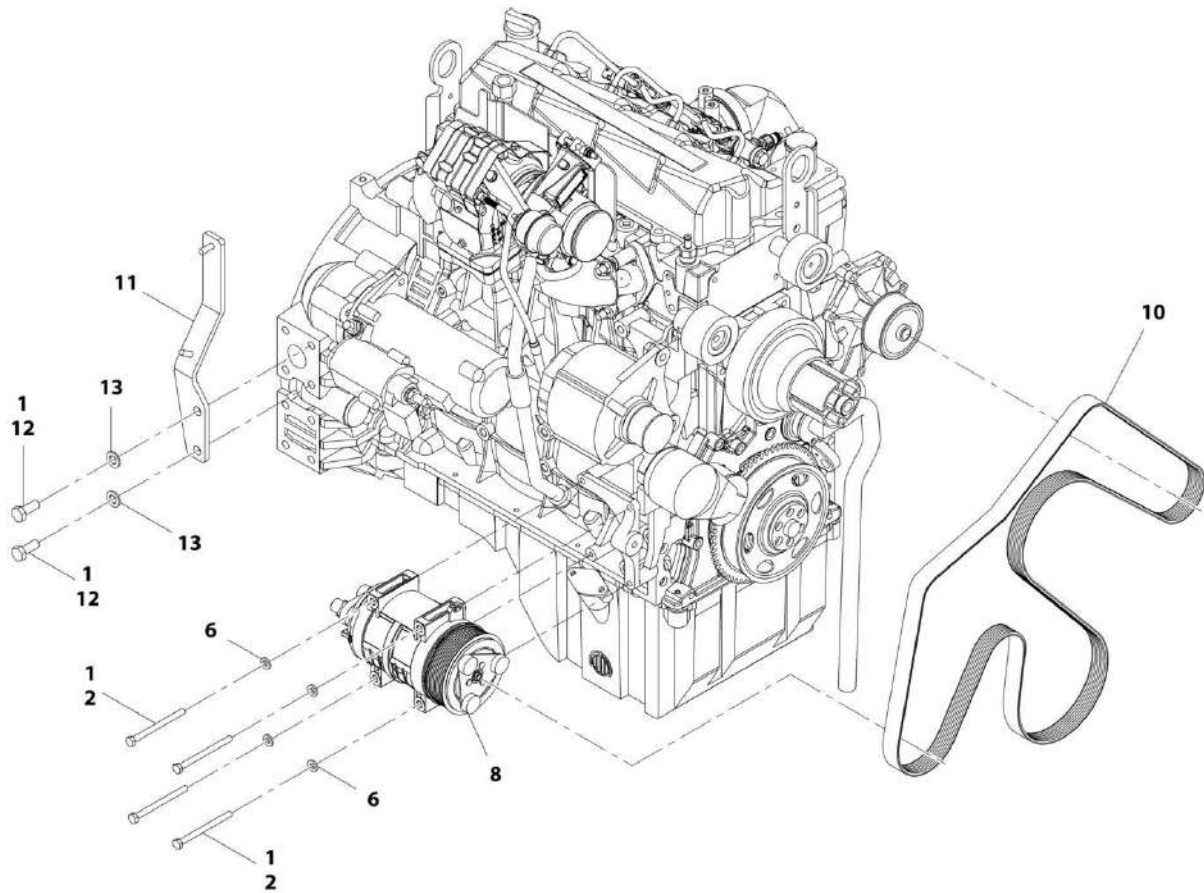
SECTION 4 - ENGINE AND ATTACHING PARTS

FIGURE 4-34. A/C COMPONENTS INSTALLATION, 85HP

ITEM	PART NUMBER	QTY	DESCRIPTION	REV
	1001166008	Ref	A/C Components Installation	A
1	0100011	AR	Compound, Locking	
2	0700827	4	Bolt, M8X100	
3	5240800	4	Washer, M8	
4	1001157663	1	Compressor, A/C	
5	1001167357	1	Belt	

SECTION 4 - ENGINE AND ATTACHING PARTS

FIGURE 4-35. A/C COMPONENTS INSTALLATION, 74HP



ART_1001190295-B

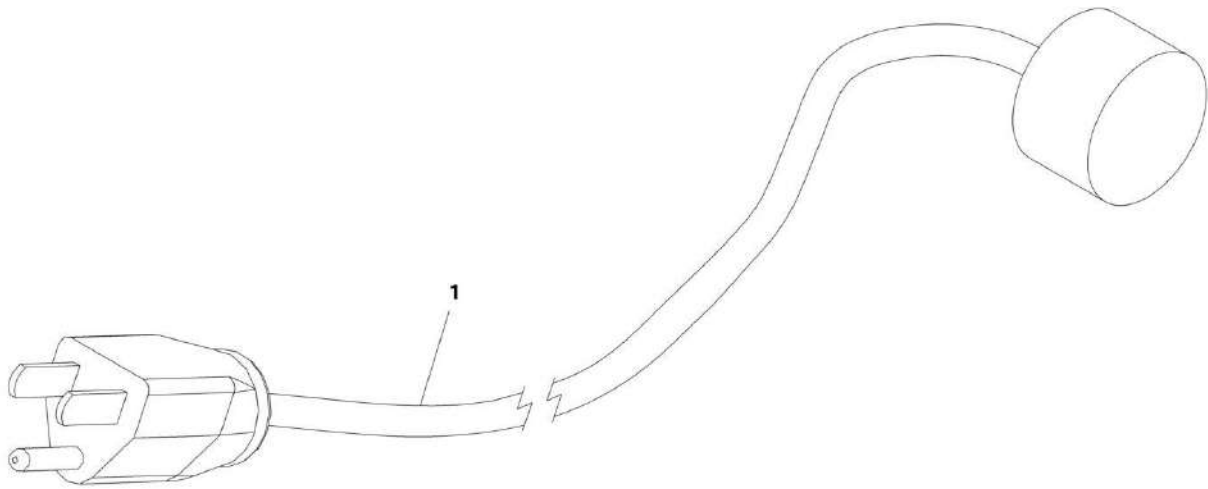
SECTION 4 - ENGINE AND ATTACHING PARTS

FIGURE 4-35. A/C COMPONENTS INSTALLATION, 74HP

ITEM	PART NUMBER	QTY	DESCRIPTION	REV
	1001190295	Ref	A/C Components Installation (if equipped for LS)	B
1	0100011	AR	Compound, Locking	
2	0700827	4	Bolt, M8X100	
6	5240800	4	Washer, M8	
8	1001157663	1	Compressor, A/C	
10	1001167357	1	Belt	
11	1001197233	1	Bracket, AC Hose Support	
12	0711214	2	Bolt, M12X30	
13	4812100	2	Washer, M12	

SECTION 4 - ENGINE AND ATTACHING PARTS

FIGURE 4-36. ELECTRICAL ASSEMBLY, BLOCK HEAT CORDSET



ART_1001195923-A

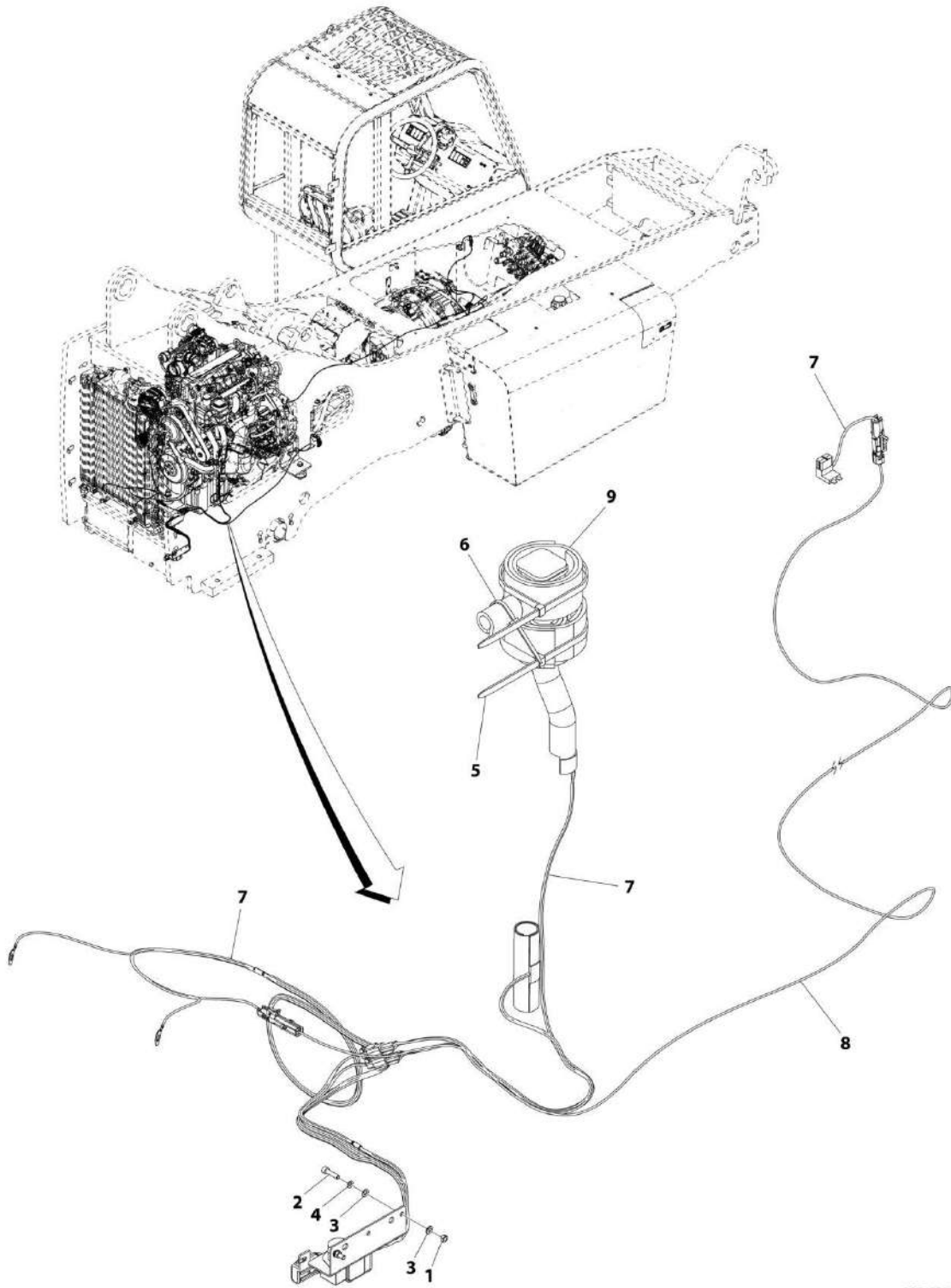
SECTION 4 - ENGINE AND ATTACHING PARTS

FIGURE 4-36. ELECTRICAL ASSEMBLY, BLOCK HEAT CORDSET

ITEM	PART NUMBER	QTY	DESCRIPTION	REV
	1001195923	Ref	Electrical Assembly, Block Heat Cordset	A

SECTION 4 - ENGINE AND ATTACHING PARTS

FIGURE 4-37. HEATER BREATHER



ART_1001232750-A

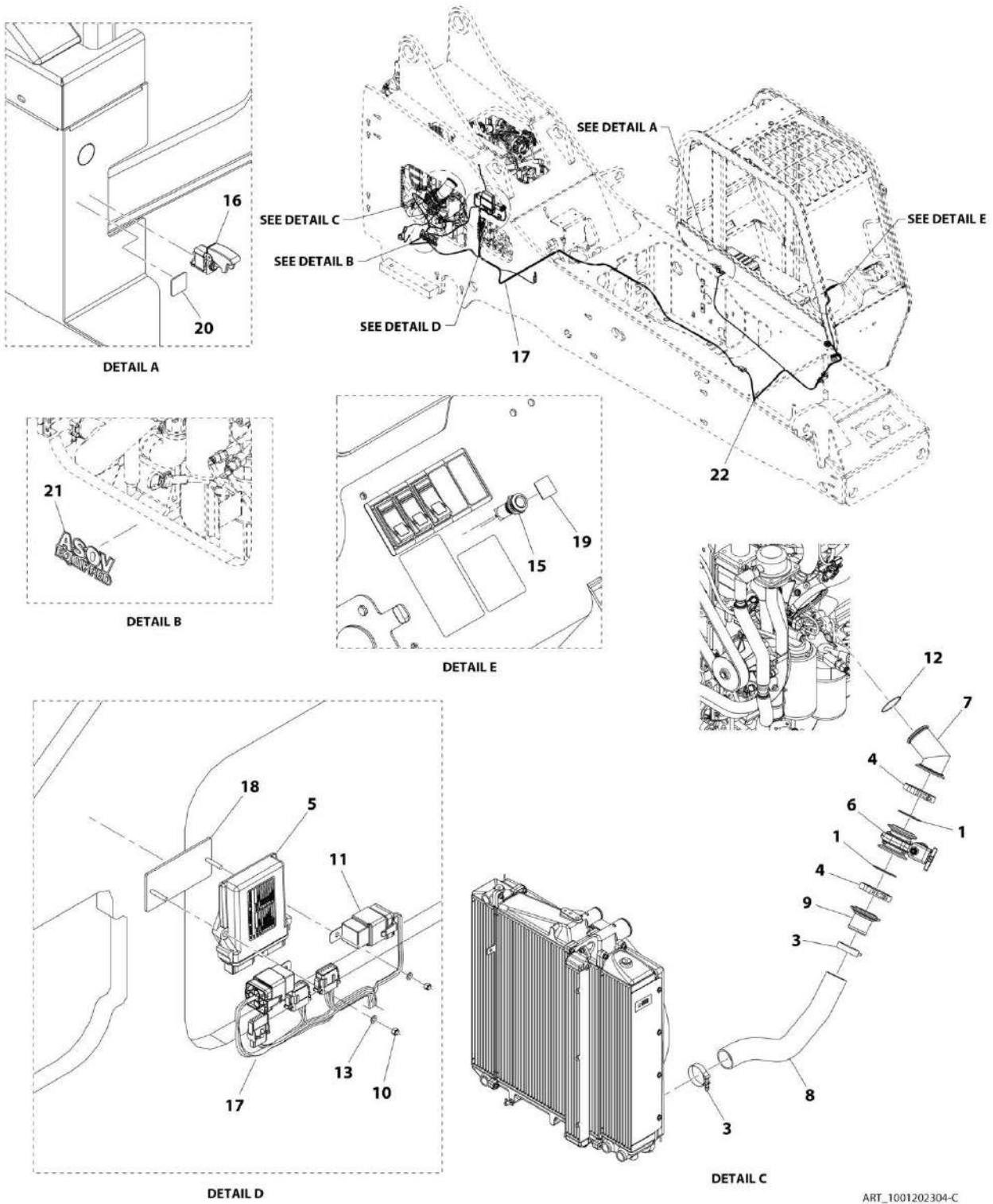
SECTION 4 - ENGINE AND ATTACHING PARTS

FIGURE 4-37. HEATER BREATHER

ITEM	PART NUMBER	QTY	DESCRIPTION	REV
	1001232750	Ref	Heater Breather	A
1	3290501	2	Nut, M5X0.8	
2	4031608	2	Screw, M5X20	
3	4811600	4	Washer, M5	
4	4831600	2	Washer, Lock M5	
5	01043892	2	Tie wrap, Long	
6	86683122	1	Tie wrap, Short	
7	1001232439	1	Engine, Cummins Breather Kit	
8	1001232599	1	Harness, Cummins Breather Jump	
9	1001232624	1	Insulate, Cummins Insulation	

SECTION 4 - ENGINE AND ATTACHING PARTS

FIGURE 4-38. AIR INTAKE SHUT OFF VALVE INSTALLATION



ART_1001202304-C

SECTION 4 - ENGINE AND ATTACHING PARTS

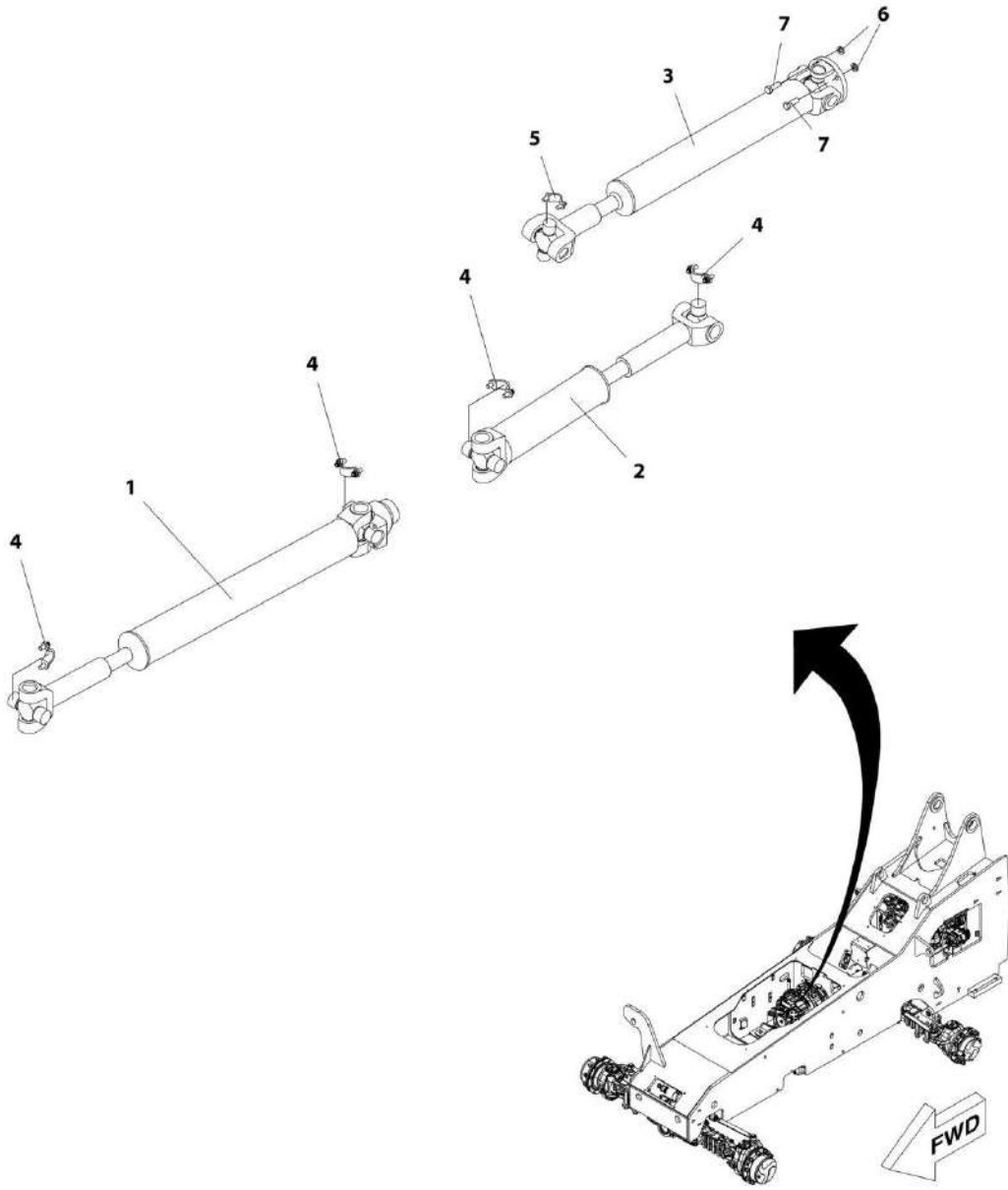
FIGURE 4-38. AIR INTAKE SHUT OFF VALVE INSTALLATION

ITEM	PART NUMBER	QTY	DESCRIPTION	REV
	1001202304	Ref	Air Intake Shut Off Valve Installation	C
1	3790152	2	Ring	
3	8405212	2	Clamp	
4	1001202247	2	Clamp	
5	1001203181	Ref	Accessory, Control (See Separate Breakdown in ELECTRICAL Section)	
6	1001204032	Ref	Valve, Air Shut Off (See Separate Breakdown in HYDRAULIC COMPONENTS Section)	
7	1001206956	1	Pipe	
8	1001206983	1	Hose	
9	1001206985	1	Adapter	
10	3290505	2	Nut, Lock M5X0.8 Grade 8	
11	3740080	2	Relay	
12	3790151	1	O-Ring	
13	4811600	2	Washer, M5	
14	91053419	AR	Strap, Cable (not shown)	
15	1001239539	1	Lamp	
16	1001215941	1	Switch	
17	1001216455	Ref	Harness, POSI Air Shut Off Valve T4F (See Separate Breakdown in ELECTRICAL Section)	
18	1001219082	1	Bracket	
19	1001227077	1	Decal, Air Shut Off	
20	1001227964	1	Decal, ASOV Test	
21	1001227989	1	Decal , ASOV Equipped	
22	1001231560	Ref	Harness, POSI Air Shut Off Valve Cab (See Separate Breakdown in ELECTRICAL Section)	

SECTION 5 - DRIVE TRAIN

SECTION 5 - DRIVE TRAIN

FIGURE 5-1. DRIVE SHAFT INSTALLATION



ART_1001166009_B

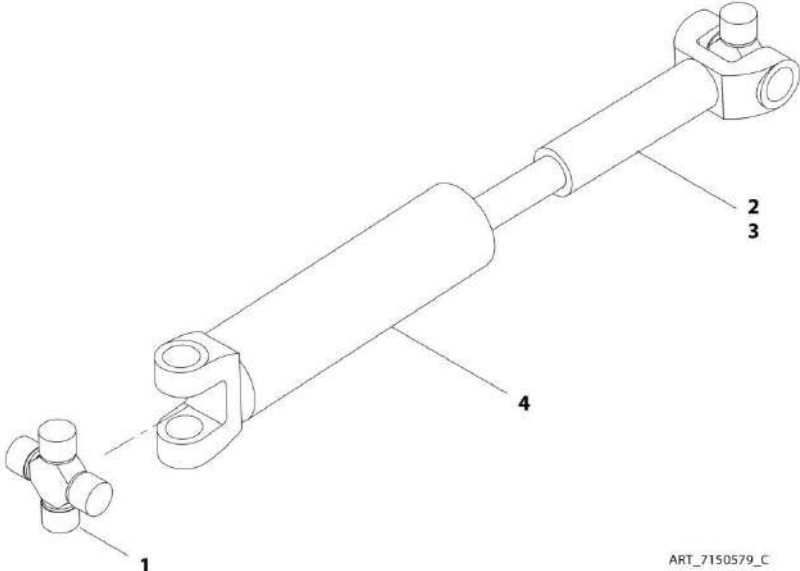
SECTION 5 - DRIVE TRAIN

FIGURE 5-1. DRIVE SHAFT INSTALLATION

ITEM	PART NUMBER	QTY	DESCRIPTION	REV
	1001166009	Ref	Drive Shaft Installation	B
1	7150579	1	Assembly, Front Drive Shaft (See FRONT DRIVE SHAFT ASSEMBLY for Breakdown)	
2	7150580	1	Assembly, Rear Drive Shaft (See REAR DRIVE SHAFT ASSEMBLY for Breakdown)	
3	7302028	1	Input, Drive Shaft (See DRIVE SHAFT INPUT for Breakdown)	
4	8880218-OM	4	Kit, Strap	
5	8880219-OM	1	Kit, Strap	
6	8307006	4	Washer, Lock 7/16	
7	8310425	4	Bolt, 7/16-20X1-1/4, Grade 8	

SECTION 5 - DRIVE TRAIN

FIGURE 5-2. FRONT DRIVE SHAFT ASSEMBLY



ART_7150579_C

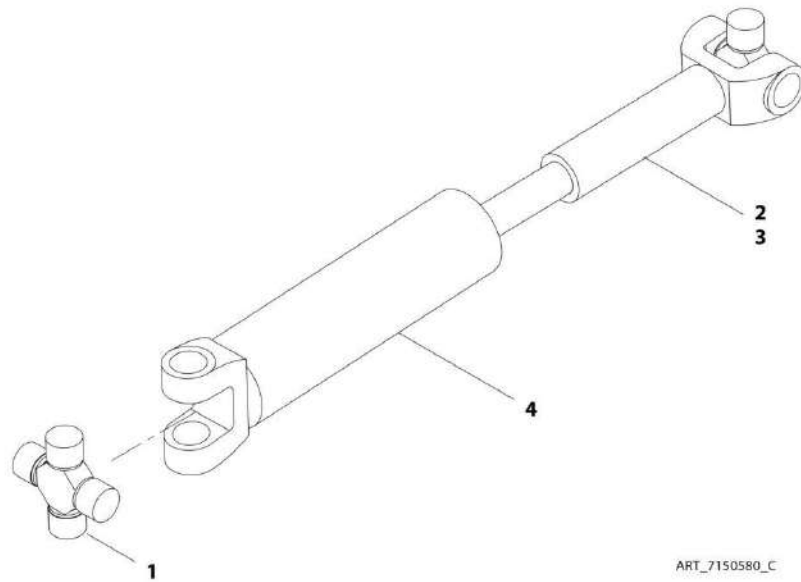
SECTION 5 - DRIVE TRAIN

FIGURE 5-2. FRONT DRIVE SHAFT ASSEMBLY

ITEM	PART NUMBER	QTY	DESCRIPTION	REV
	7150579	Ref	Front Drive Shaft Assembly	C
1	8036433	4	Kit, Cross and Bearing	
2	8035779	2	Kit, Dust Cap	
3	N.S.S.	1	Joint, Slip	
4	N.S.S.	1	Shaft, Yoke	

SECTION 5 - DRIVE TRAIN

FIGURE 5-3. REAR DRIVE SHAFT ASSEMBLY



ART_7150580_C

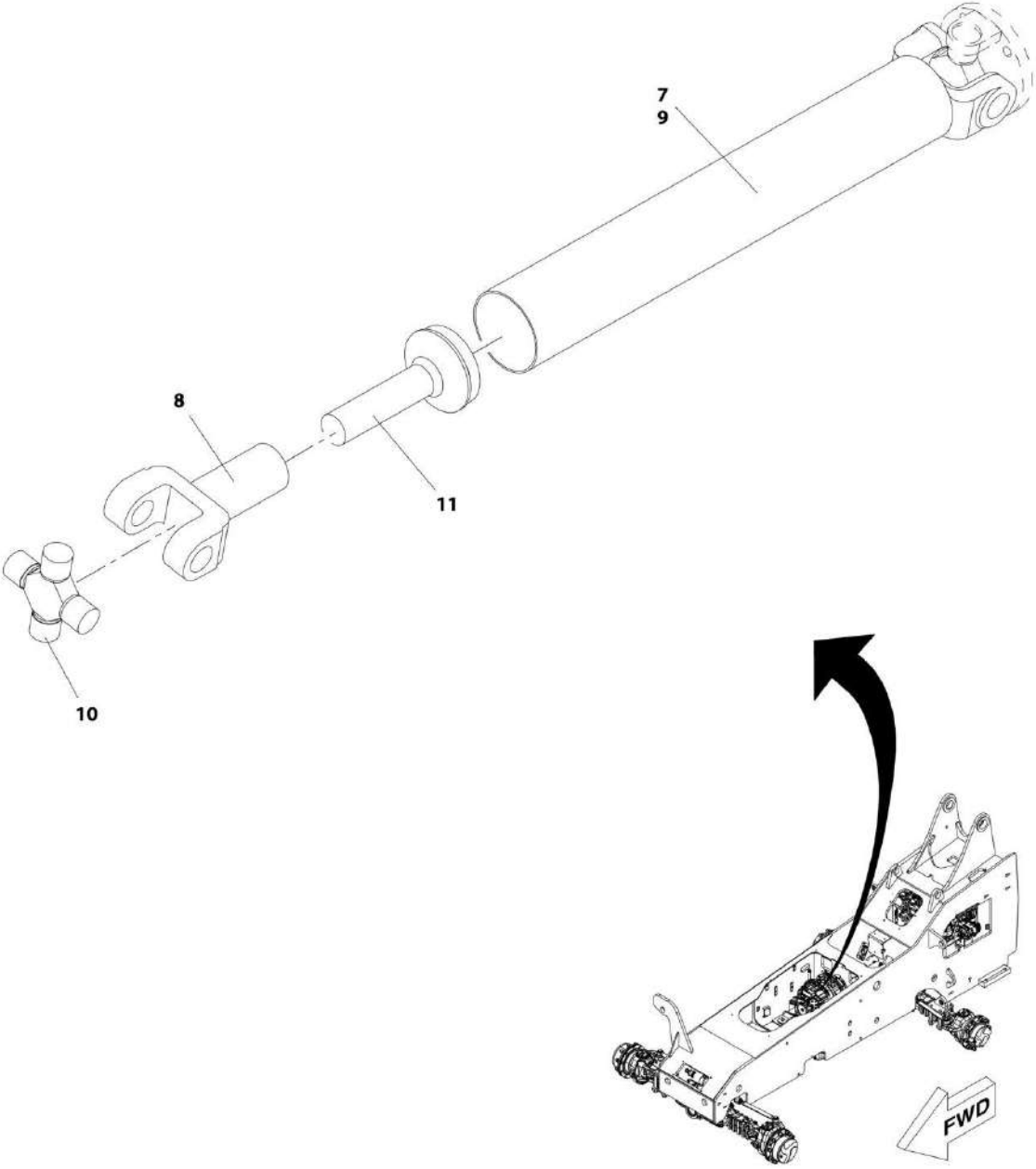
SECTION 5 - DRIVE TRAIN

FIGURE 5-3. REAR DRIVE SHAFT ASSEMBLY

ITEM	PART NUMBER	QTY	DESCRIPTION	REV
	7150580	Ref	Rear Drive Shaft Assembly	C
1	8036433	4	Kit, Cross and Bearing	
2	8035779	2	Kit, Dust Cap	
3	N.S.S.	1	Joint, Slip	
4	N.S.S.	1	Shaft, Yoke	

SECTION 5 - DRIVE TRAIN

FIGURE 5-4. DRIVE SHAFT INPUT



ART_7302028_D

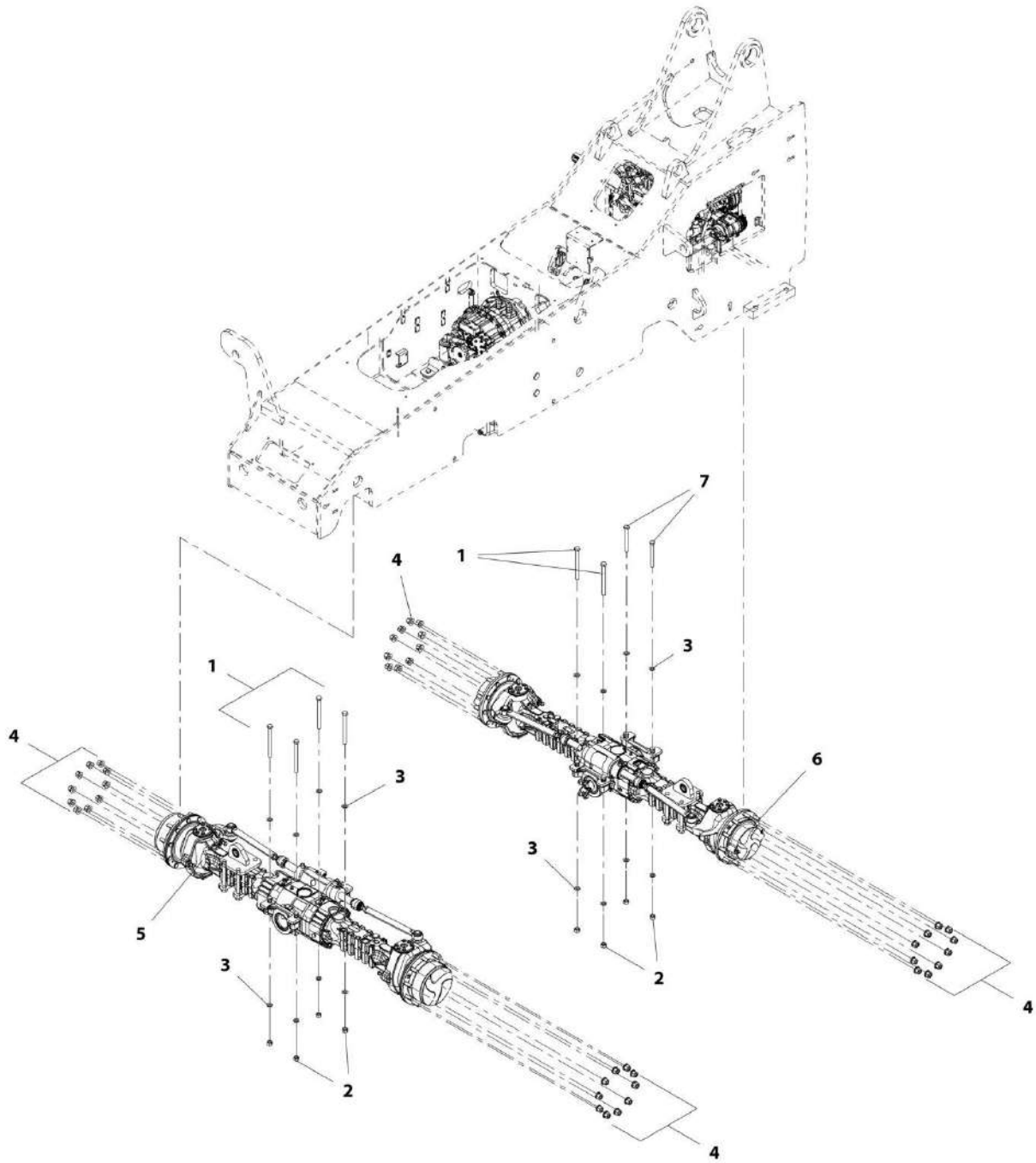
SECTION 5 - DRIVE TRAIN

FIGURE 5-4. DRIVE SHAFT INPUT

ITEM	PART NUMBER	QTY	DESCRIPTION	REV
	7302028	Ref	Drive Shaft Input	D
1	N.S.S.	1	Joint, Slip	
2	N.S.S.	1	Shaft, Yoke	
3	7029271	2	Kit, Cross and Bearing	
4	8033651	1	Kit, Dust Cap	

SECTION 5 - DRIVE TRAIN

FIGURE 5-5. AXLES INSTALLATION - 6036



ART_1001147874-C

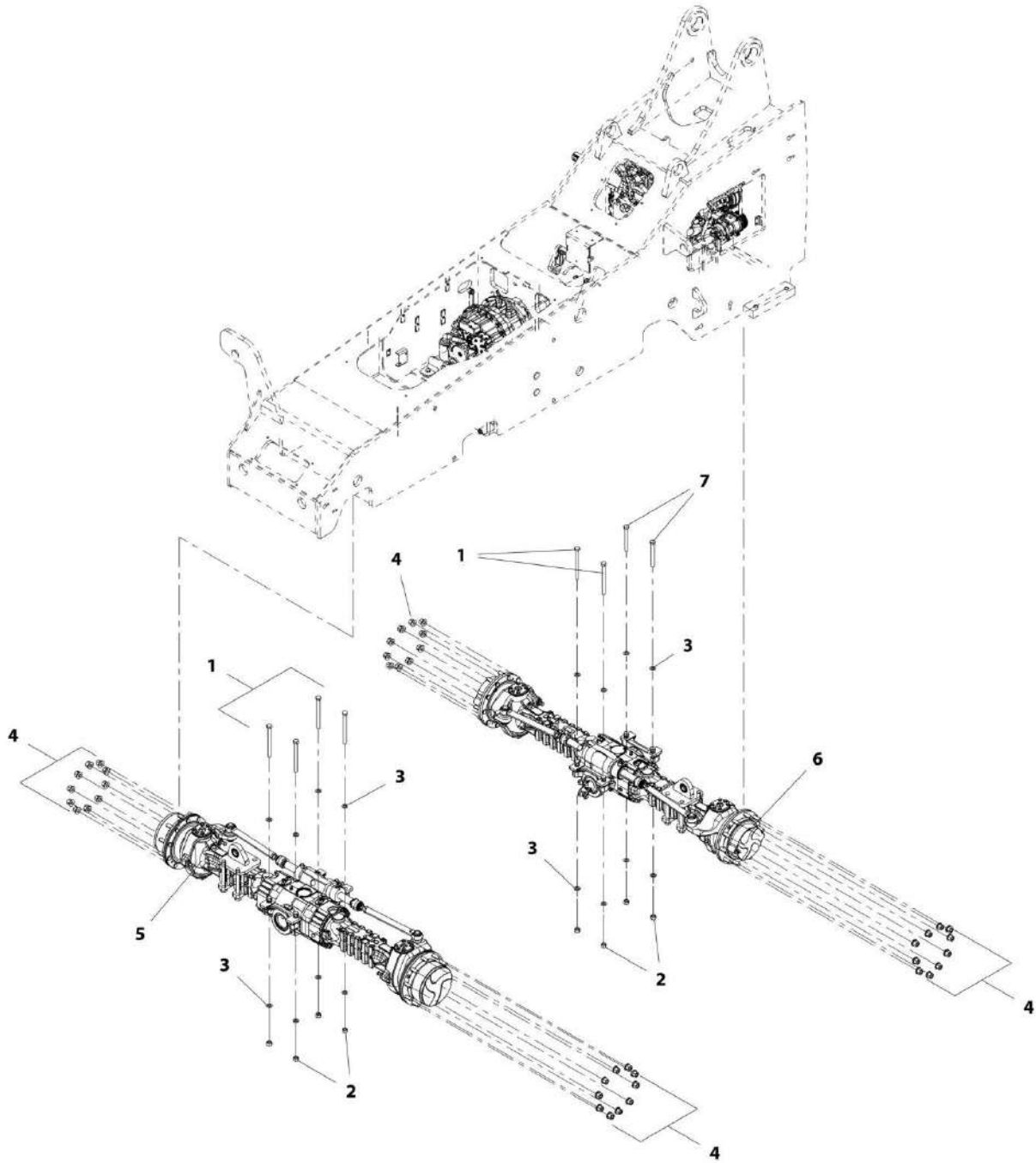
SECTION 5 - DRIVE TRAIN

FIGURE 5-5. AXLES INSTALLATION - 6036

ITEM	PART NUMBER	QTY	DESCRIPTION	REV
	1001147874	Ref	Axles Installation - 6036	C
1	0712040	6	Bolt, M20X230, Grade 10.9	
2	3332017	8	Nut, Lock M20X2-1/2	
3	8310620	16	Washer, M20	
4	91403193	40	Nut, Lug M22X1-1/2	
5	1001147378	1	Assembly, Front Axle (See FRONT AXLE ASSEMBLY for Breakdown)	
6	1001147379	1	Axle, Rear (See REAR AXLE for Breakdown)	
7	1001150349	2	Bolt, M20X180, Grade 10.9	

SECTION 5 - DRIVE TRAIN

FIGURE 5-6. AXLES INSTALLATION - 6042



ART_1001147875-C

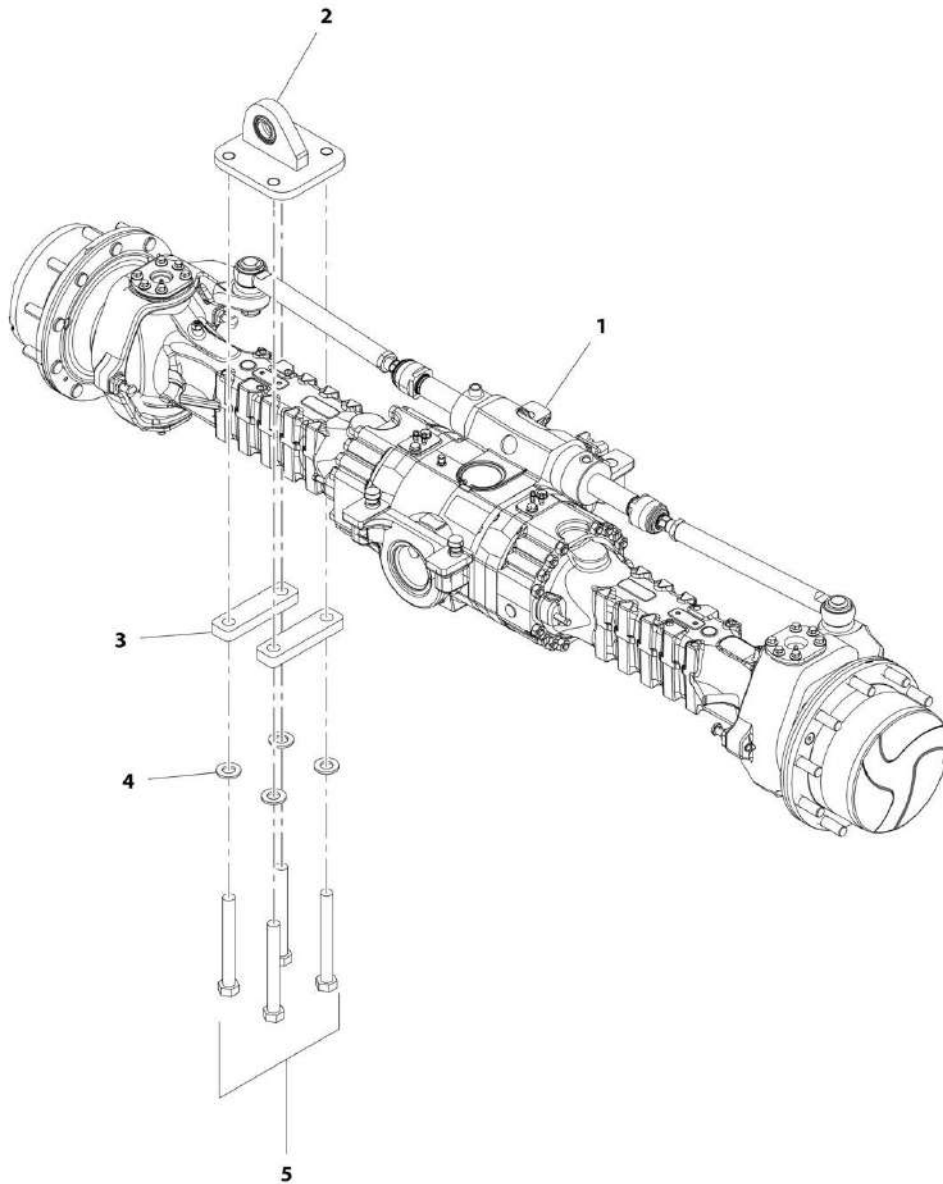
SECTION 5 - DRIVE TRAIN

FIGURE 5-6. AXLES INSTALLATION - 6042

ITEM	PART NUMBER	QTY	DESCRIPTION	REV
	1001147875	Ref	Axles Installation - 6042	C
1	0712040	6	Bolt, M20X230, Grade 10.9	
2	3332017	8	Nut, Lock M20X2-1/2	
3	8310620	16	Washer, M20	
4	91403193	40	Nut, Lug M22X1-1/2	
5	1001147378	1	Assembly, Front Axle (See FRONT AXLE ASSEMBLY for Breakdown)	
6	1001147380	1	Assembly, Rear Axle (See REAR AXLE ASSEMBLY - 6042 for Breakdown)	
7	1001150349	2	Bolt, M20X180, Grade 10.9	

SECTION 5 - DRIVE TRAIN

FIGURE 5-7. FRONT AXLE ASSEMBLY



ART_1001147378-A

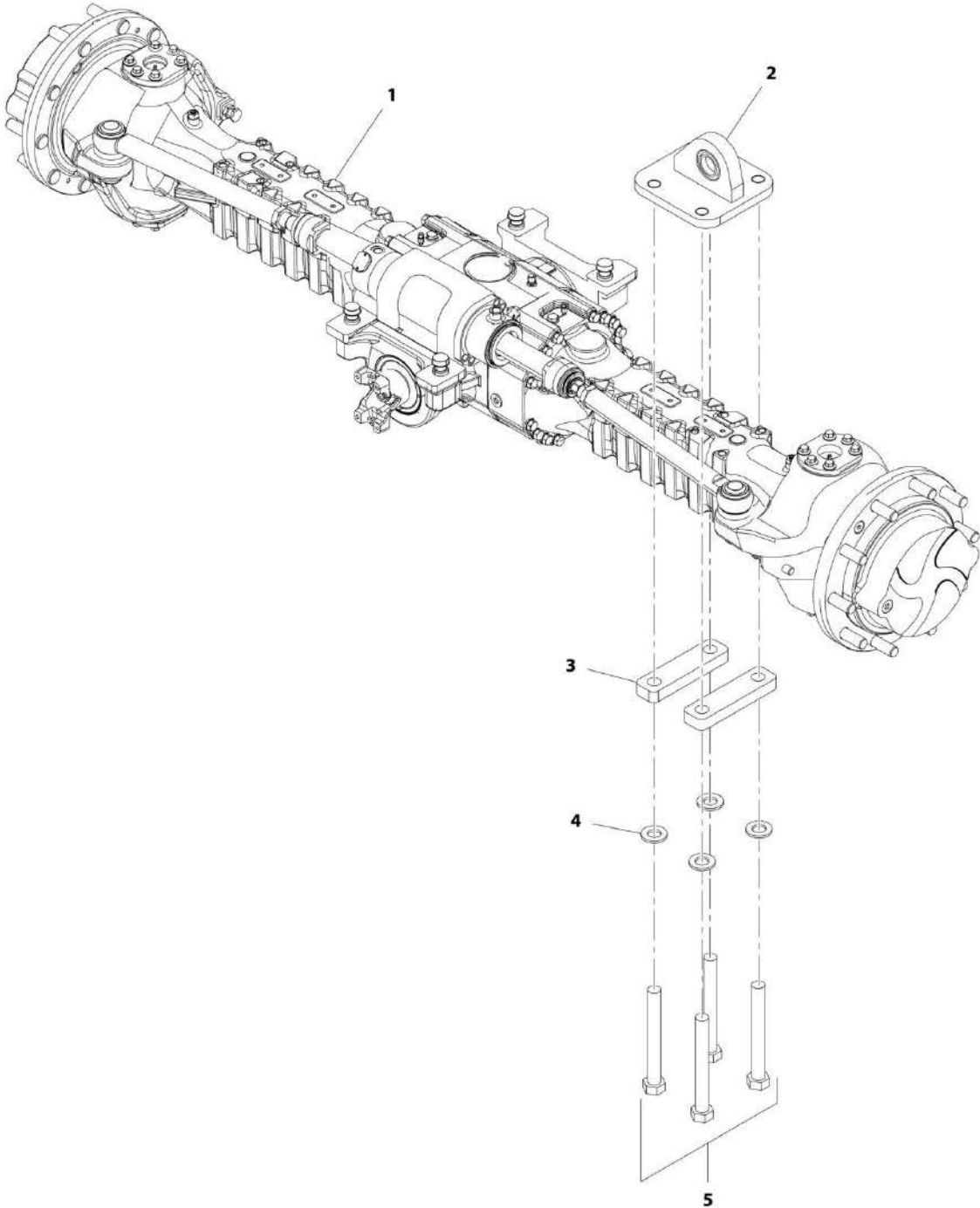
SECTION 5 - DRIVE TRAIN

FIGURE 5-7. FRONT AXLE ASSEMBLY

ITEM	PART NUMBER	QTY	DESCRIPTION	REV
	1001147378	Ref	Front Axle Assembly	A
1	1001147377	1	Axle, Front (See FRONT AXLE for Breakdown)	
2	1001147265	1	Bracket, Sway Pivot Assembly	
3	91471213	2	Plate, Retainer	
4	90027475	4	Washer	
5	83201147	4	Bolt, 1-8X8-1/2	

SECTION 5 - DRIVE TRAIN

FIGURE 5-8. REAR AXLE ASSEMBLY - 6042



ART_1001147380-A

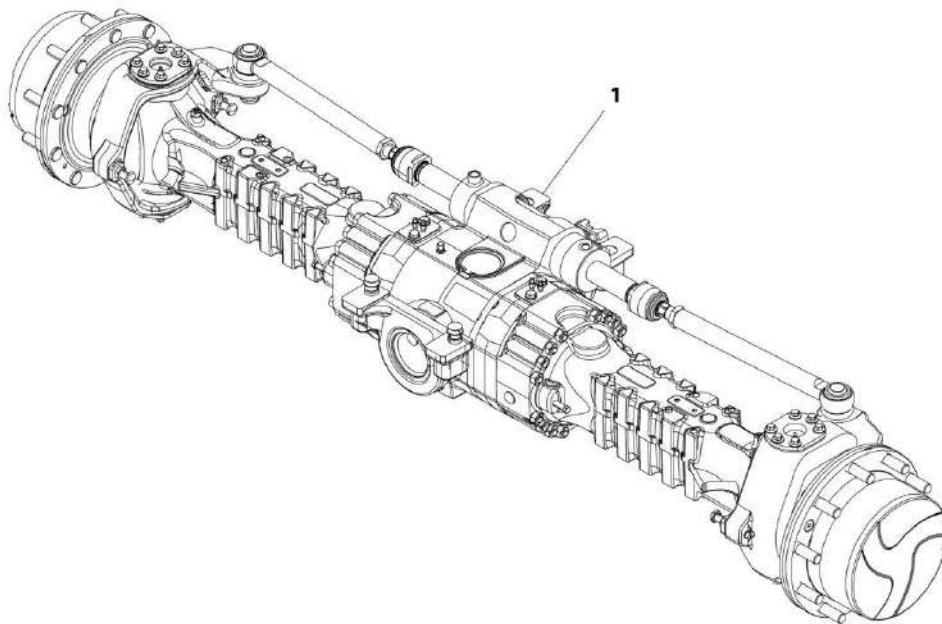
SECTION 5 - DRIVE TRAIN

FIGURE 5-8. REAR AXLE ASSEMBLY - 6042

ITEM	PART NUMBER	QTY	DESCRIPTION	REV
	1001147380	Ref	Rear Axle Assembly - 6042	A
1	1001147379	1	Axle, Rear (See REAR AXLE for Breakdown)	
2	1001147265	1	Bracket, Sway Pivot Assembly	
3	91471213	2	Plate, Retainer	
4	90027475	4	Washer	
5	83201147	4	Bolt, 1-8X8-1/2	

SECTION 5 - DRIVE TRAIN

FIGURE 5-9. FRONT AXLE



ART_1001147377-1_B

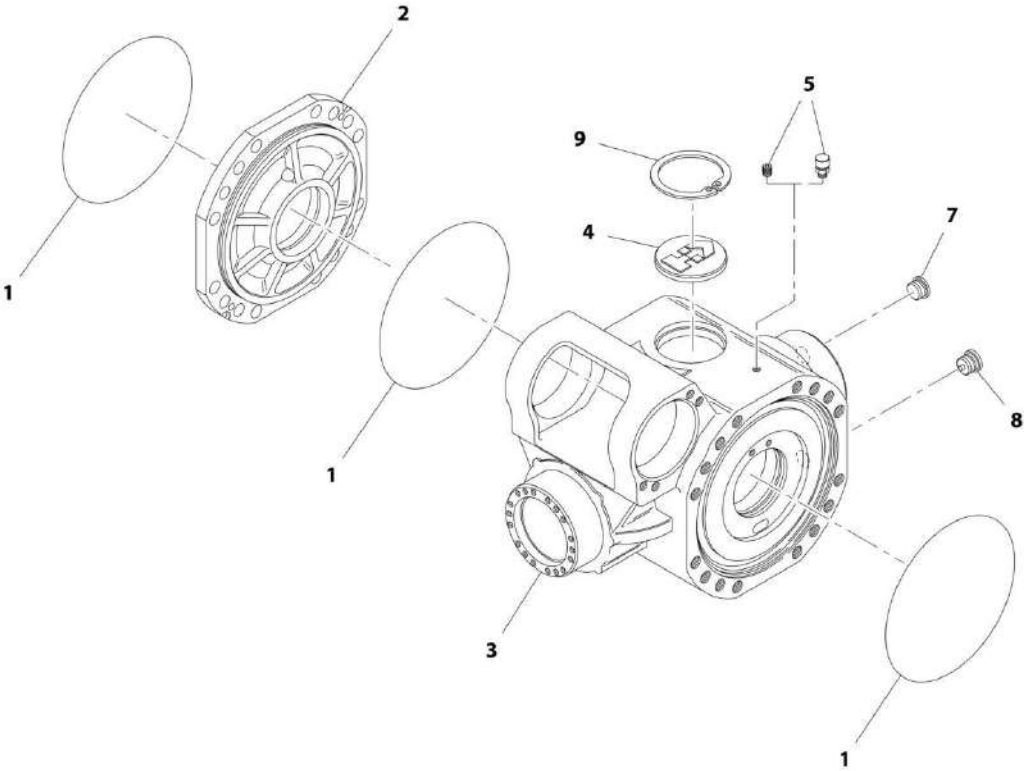
SECTION 5 - DRIVE TRAIN

FIGURE 5-9. FRONT AXLE

ITEM	PART NUMBER	QTY	DESCRIPTION	REV
1	1001147377	Ref	Front Axle	B
		Ref	Front Axle, Central Housing (See FRONT AXLE, CENTRAL HOUSING for Breakdown)	
2		Ref	Front Axle, Differential (See FRONT AXLE, DIFFERENTIAL for Breakdown)	
3		Ref	Front Axle, Hub Reduction (See FRONT AXLE, HUB REDUCTION for Breakdown)	
4		Ref	Front Axle, Brakes (See FRONT AXLE, BRAKES for Breakdown)	
5		Ref	Front Axle, Steering (See FRONT AXLE, STEERING for Breakdown)	
6		Ref	Front Axle, Trunion (See FRONT AXLE, TRUNION for Breakdown)	

SECTION 5 - DRIVE TRAIN

FIGURE 5-10. FRONT AXLE, CENTRAL HOUSING



ART_1001147377-2

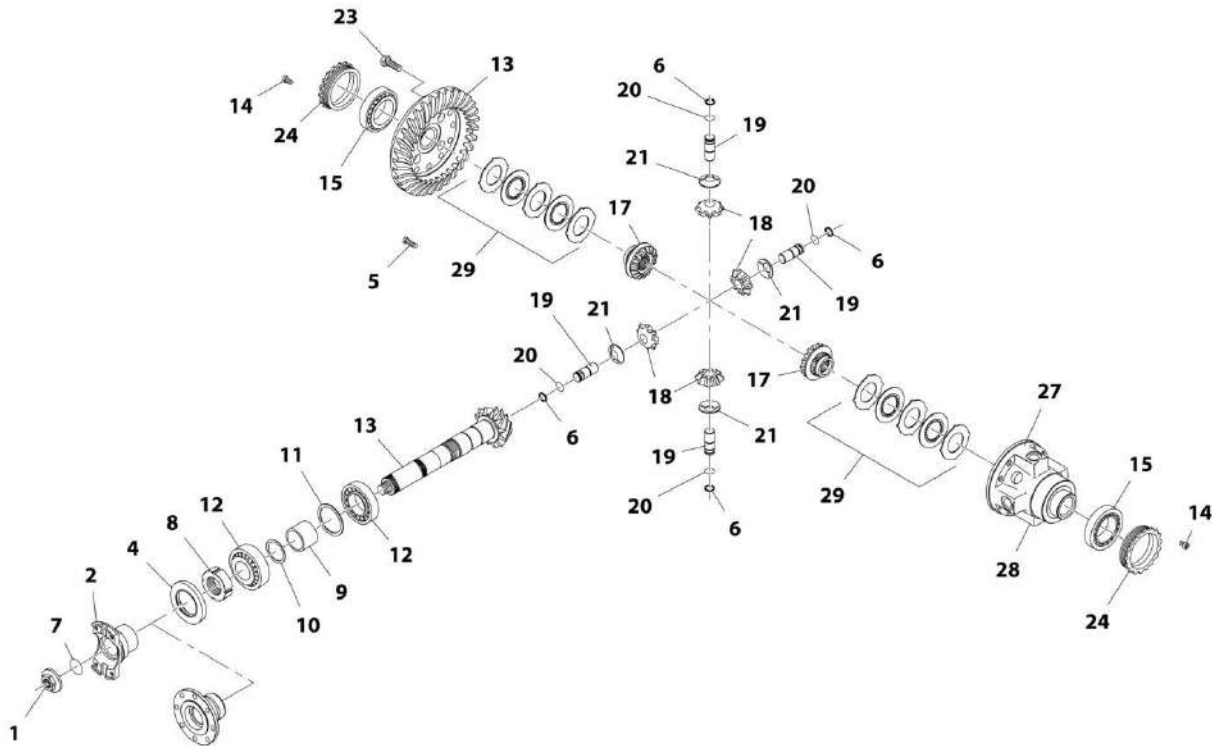
SECTION 5 - DRIVE TRAIN

FIGURE 5-10. FRONT AXLE, CENTRAL HOUSING

ITEM	PART NUMBER	QTY	DESCRIPTION	REV
1	91474507	3	O-Ring	
2	70024872	1	Cover	
3	7029426	1	Housing	
4	91514098	1	Plug	
5	91474512	1	Vent	
7	91514188	1	Plug	
8	91474513	1	Plug, Magnet	
9	80204005	1	Circlip	

SECTION 5 - DRIVE TRAIN

FIGURE 5-11. FRONT AXLE, DIFFERENTIAL



ART_1001147377-3

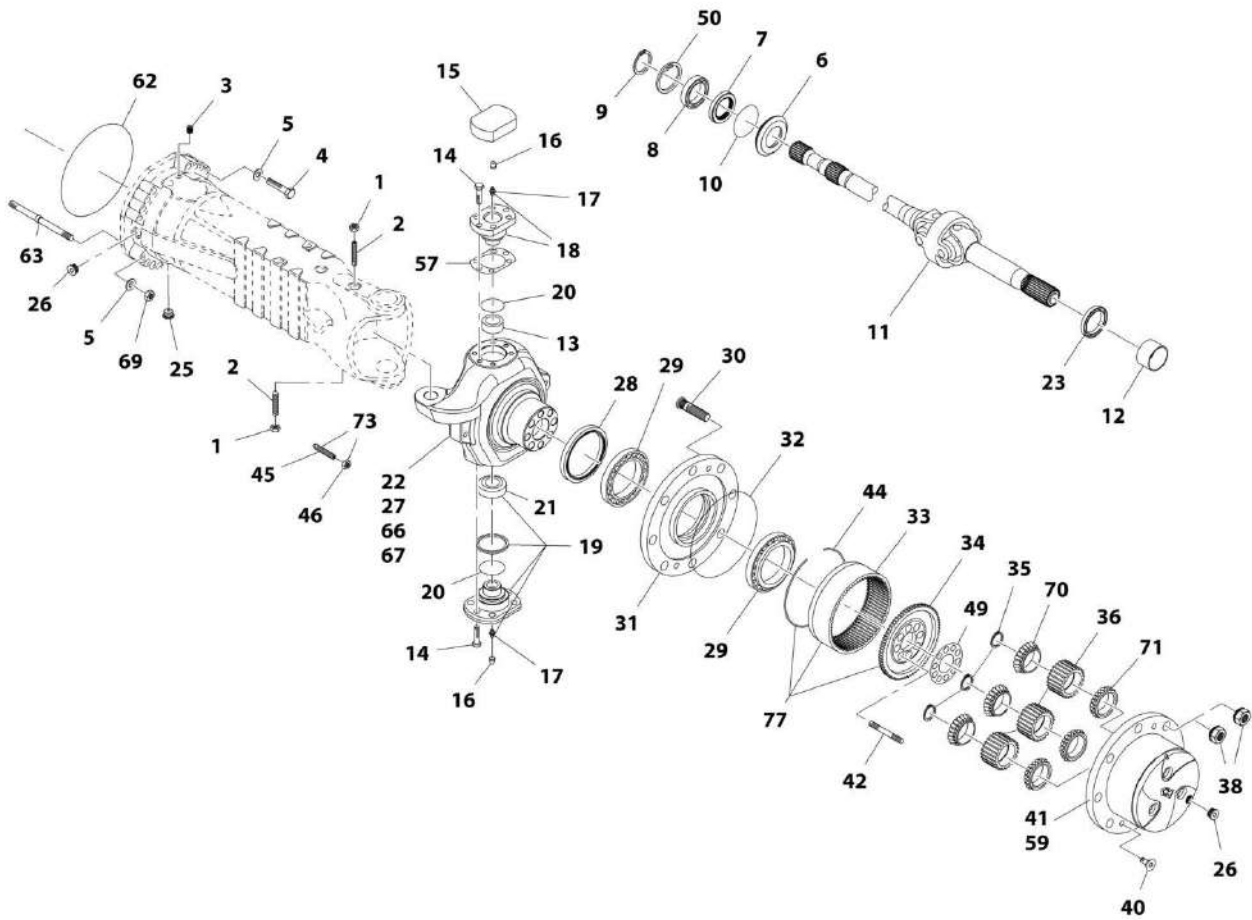
SECTION 5 - DRIVE TRAIN

FIGURE 5-11. FRONT AXLE, DIFFERENTIAL

ITEM	PART NUMBER	QTY	DESCRIPTION	REV
1	91474528	1	Nut	
2	70022797	1	Flange	
4	91474532	1	Seal	
5	91474591	4	Bolt	
6	91474550	4	Circlip	
7	91474529	1	O-Ring	
8	91474533	1	Nut, Ring	
9	91474539	1	Spacer	
10	91474537	1	Shim	
11	91474542	1	Shim	
12	3968141	2	Bearing, Taper Roller	
13	70026134	1	Bevel Gear Set	
14	91514134	2	Bolt	
15	91474548	2	Bearing, Taper Roller	
17	91474549	2	Gear, Differential Side	
18	7029129	4	Pinion, Differential	
19	7029131	4	Pin	
20	91474551	4	Circlip	
21	91474553	4	Washer, Friction	
23	91514123	12	Bolt	
24	91474547	2	Nut, Ring	
27	8007751	1	Carrier, Differential	
28	7028710	1	Limited Slip Differential	
29	8007755	2	Disc	

SECTION 5 - DRIVE TRAIN

FIGURE 5-12. FRONT AXLE, HUB REDUCTION



ART_1001147377-4

SECTION 5 - DRIVE TRAIN

FIGURE 5-12. FRONT AXLE, HUB REDUCTION

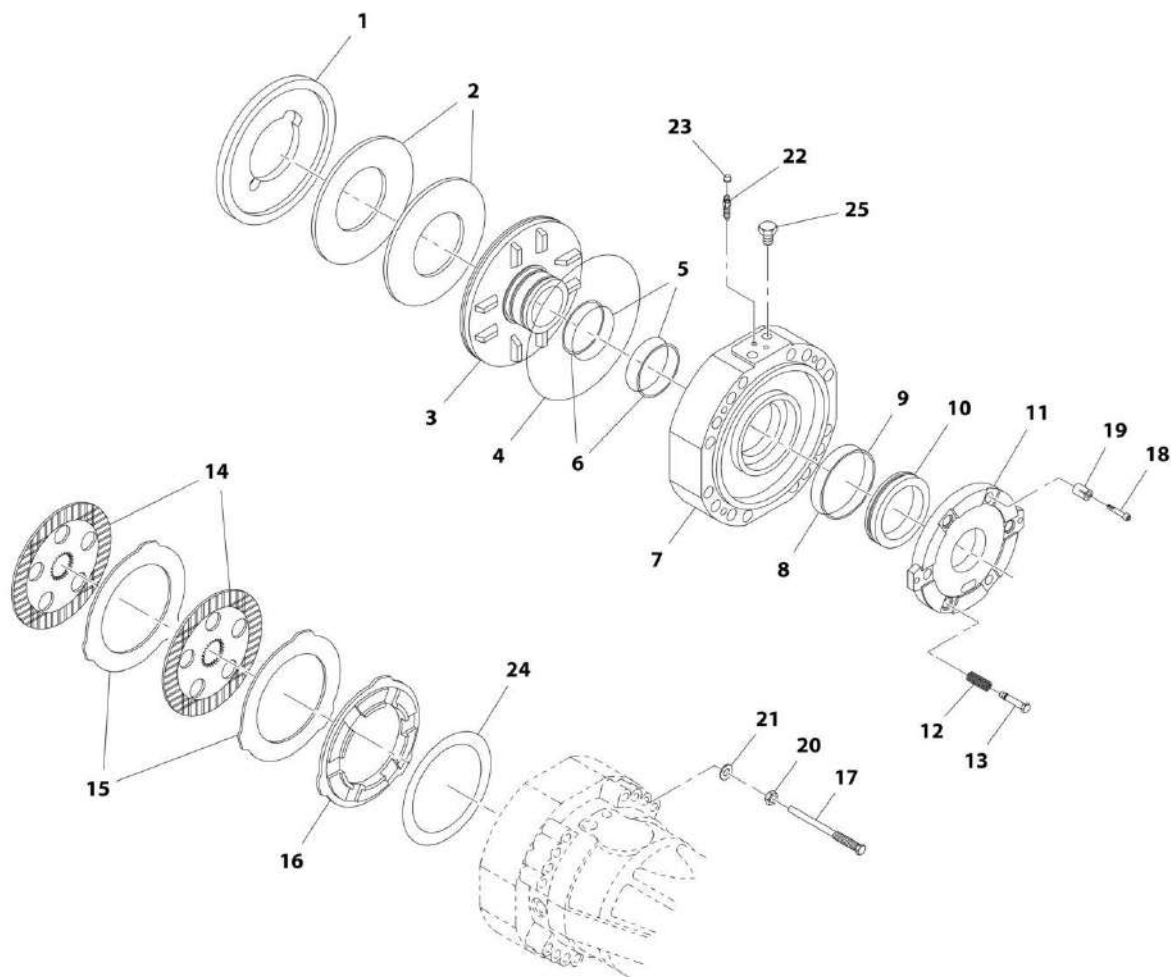
ITEM	PART NUMBER	QTY	DESCRIPTION	REV
1	91514082	2	Nut	
2	91514081	2	Bolt	
3	70026135	2	Axle Case	
4	70025548	24	Stud	
5	91514084	32	Washer	
6	91514149	2	Reduction Bushing	
7	91514147	2	Seal	
8	91514146	2	Ball Bearing	
9	80204071	2	Circlip	
10	91514148	2	O-Ring	
11	70026136	2	Double Universal Joint	
12	91514111	1	Bushing, Thrust	
13	7028714	2	Bushing	
14	91514123	24	Bolt	
15	91474524	2	Cover	
16	80204117	2	Plug	
17	91514099	2	Grease Fitting	
18	91514112	2	Pivot Pin	
19	7028715	2	Pivot Pin	
20	7028716	2	Excluder, Dust	
21	91514095	2	Bearing	
22	7028717	1	Steering Case, RH	
23	70025857	2	Seal	
25	91474513	2	Plug, Magnet	
26	91514188	4	Plug	
27	7028720	1	Steering Case, LH	
28	7028721	2	Seal	
29	91474576	4	Bearing	
30	80214120	20	Wheel Stud	
31	7028722	2	Wheel Hub	
32	91514181	2	O-Ring	
33	70024147	2	Ring Gear	
34	7028723	2	Ring Gear Support	
35	7028724	6	Circlip	
36	7028725	6	Differential Pinion	
38	91474584	20	Nut	
40	91514189	4	Bolt, Countersunk	
41	7026731	2	Planet Gear Carrier	
42	91474583	20	Stud	
44	91514175	2	Circlip	
45	91514117	4	Bolt	
46	80204065	4	Nut	
49	91474582	2	Locking Plate	
50	80204005	2	Circlip	
57	91514115	2	Shim	
59	70040710	2	Planet Gear Carrier	
62	91474507	2	O-Ring	
63	70025014	8	Stud	
66	7028729	1	Steering Case, LH	
67	7028730	1	Steering Case, RH	

SECTION 5 - DRIVE TRAIN

ITEM	PART NUMBER	QTY	DESCRIPTION	REV
69	91514083	32	Nut	
70	7028731	6	Bearing	
71	7028732	6	Bearing	
73	7028733	4	Bolt, Steering Adjust	
77	70025551	2	Ring Gear Support	

SECTION 5 - DRIVE TRAIN

FIGURE 5-13. FRONT AXLE, BRAKES



ART_1001147377-5

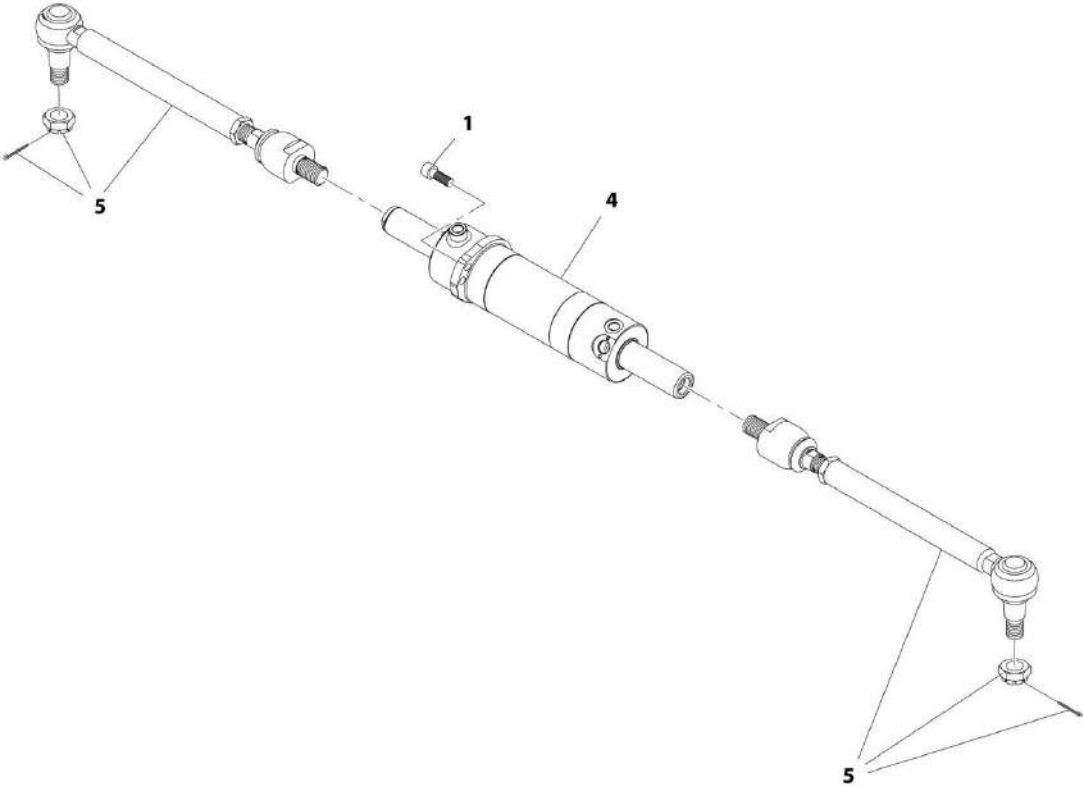
SECTION 5 - DRIVE TRAIN

FIGURE 5-13. FRONT AXLE, BRAKES

ITEM	PART NUMBER	QTY	DESCRIPTION	REV
1	7028734	1	Spacer	
2	91474559	4	Spring	
3	91474560	2	Piston	
4	91474561	2	O-Ring	
5	91514167	4	O-Ring	
6	91514153	4	Backup Ring	
7	7028735	2	Cover	
8	91474562	2	O-Ring	
9	91474563	2	Backup Ring	
10	91474564	2	Piston	
11	91474565	2	Intermediate Brake Disc	
12	91514159	6	Spring	
13	91514160	6	Bolt, Adjusting	
14	91474568	8	Disc	
15	91474569	8	Intermediate Brake Disc	
16	91474570	2	Spacer	
17	7028736	4	Bolt	
18	7029788	6	Bolt, Adjusting	
19	91514165	6	Spring	
20	80204060	4	Nut	
21	80204108	4	Washer, Lock	
22	80204281	4	Bleeding Bolt	
23	80204117	4	Plug	
24	91474573	2	Shim	
25	91514154	4	Plug	

SECTION 5 - DRIVE TRAIN

FIGURE 5-14. FRONT AXLE, STEERING



ART_1001147377-6

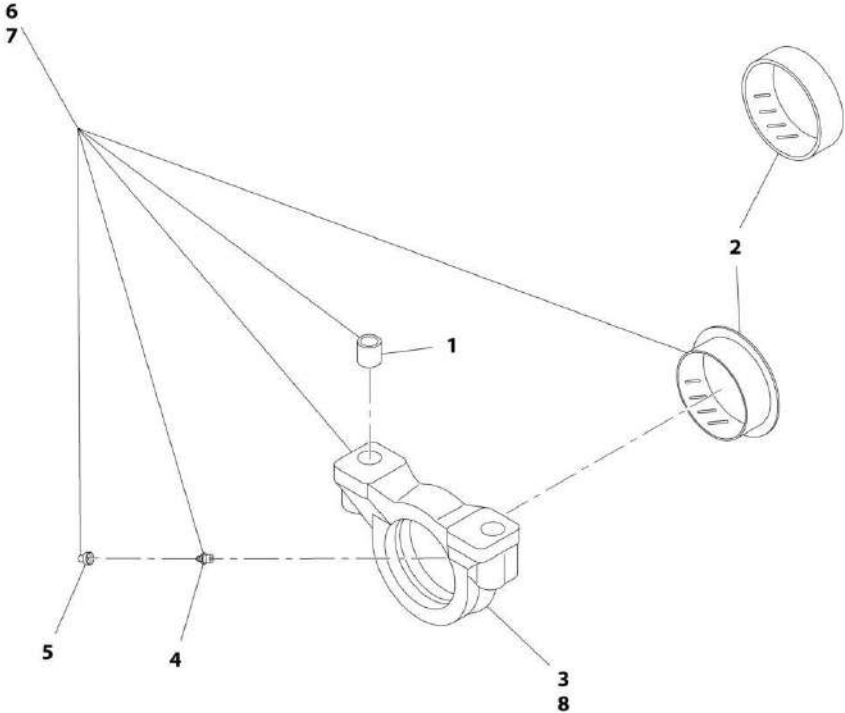
SECTION 5 - DRIVE TRAIN

FIGURE 5-14. FRONT AXLE, STEERING

ITEM	PART NUMBER	QTY	DESCRIPTION	REV
1	91474522	4	Bolt	
4	70026137	1	Cylinder	
5	70026138	2	Bar	

SECTION 5 - DRIVE TRAIN

FIGURE 5-15. FRONT AXLE, TRUNION



ART_1001147377-7

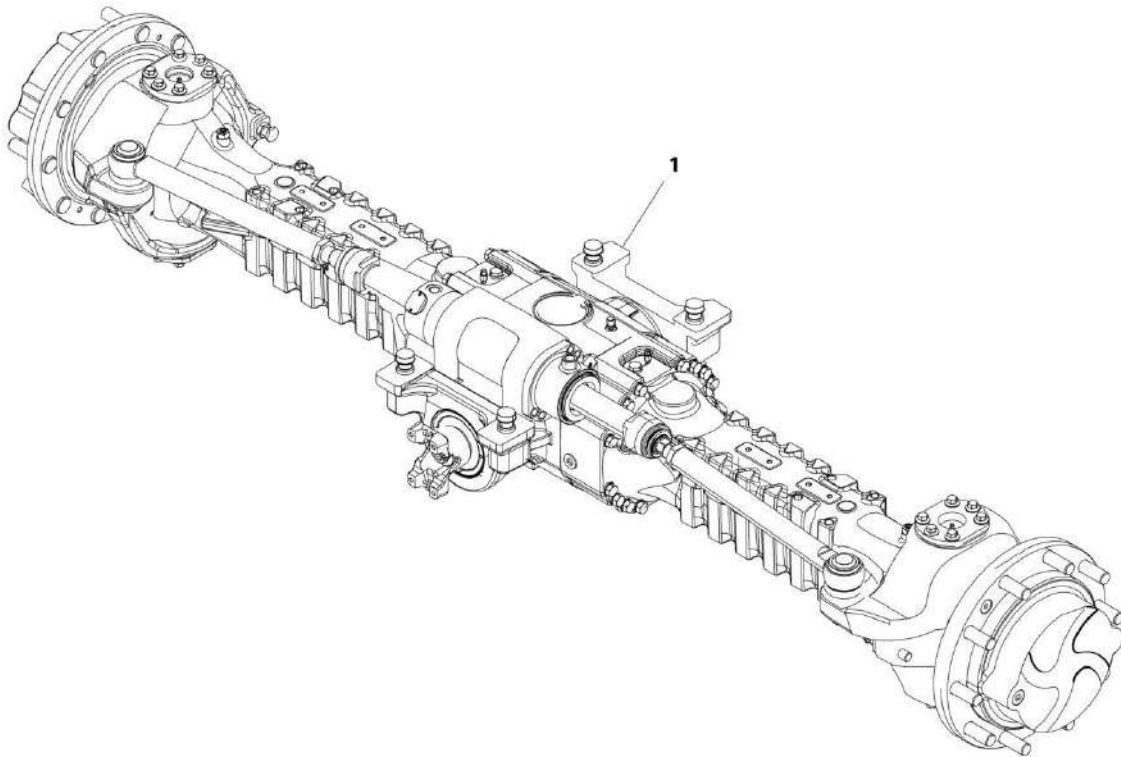
SECTION 5 - DRIVE TRAIN

FIGURE 5-15. FRONT AXLE, TRUNION

ITEM	PART NUMBER	QTY	DESCRIPTION	REV
1	91474516	2	Reduction Bushing	
2	91474515	1	Thrust Bushing	
3	7029282	1	Support	
4	91514099	1	Grease Fitting	
5	80204117	1	Plug	
6	7029282	1	Support	
7	7029283	1	Support	
8	7029283	1	Support	

SECTION 5 - DRIVE TRAIN

FIGURE 5-16. REAR AXLE



ART_1001147379-1_B

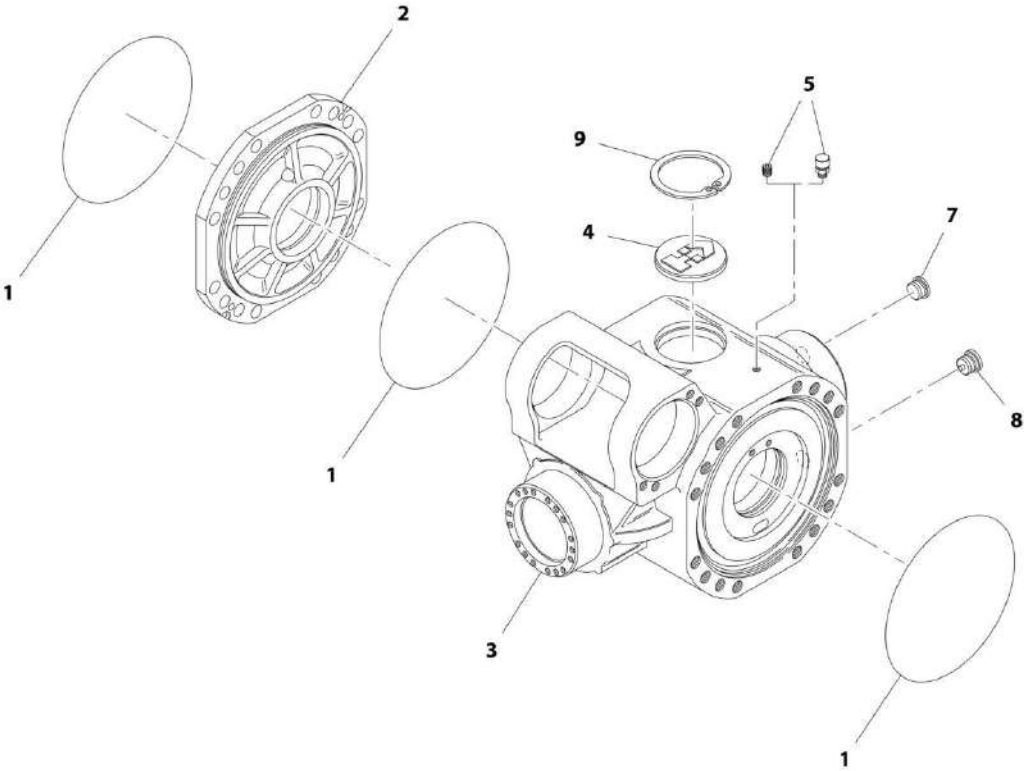
SECTION 5 - DRIVE TRAIN

FIGURE 5-16. REAR AXLE

ITEM	PART NUMBER	QTY	DESCRIPTION	REV
1	1001147379	Ref	Rear Axle	B
		Ref	Rear Axle, Central Housing (See REAR AXLE, CENTRAL HOUSING for Breakdown)	
2		Ref	Rear Axle, Differential (See REAR AXLE, DIFFERENTIAL for Breakdown)	
3		Ref	Rear Axle, Hub Reduction (See REAR AXLE, HUB REDUCTION for Breakdown)	
4		Ref	Rear Axle, Brakes (See REAR AXLE, BRAKES for Breakdown)	
5		Ref	Rear Axle, Steering (See REAR AXLE, STEERING for Breakdown)	
6		Ref	Rear Axle, Trunion (See REAR AXLE, TRUNION for Breakdown)	

SECTION 5 - DRIVE TRAIN

FIGURE 5-17. REAR AXLE, CENTRAL HOUSING



ART_1001147379-2

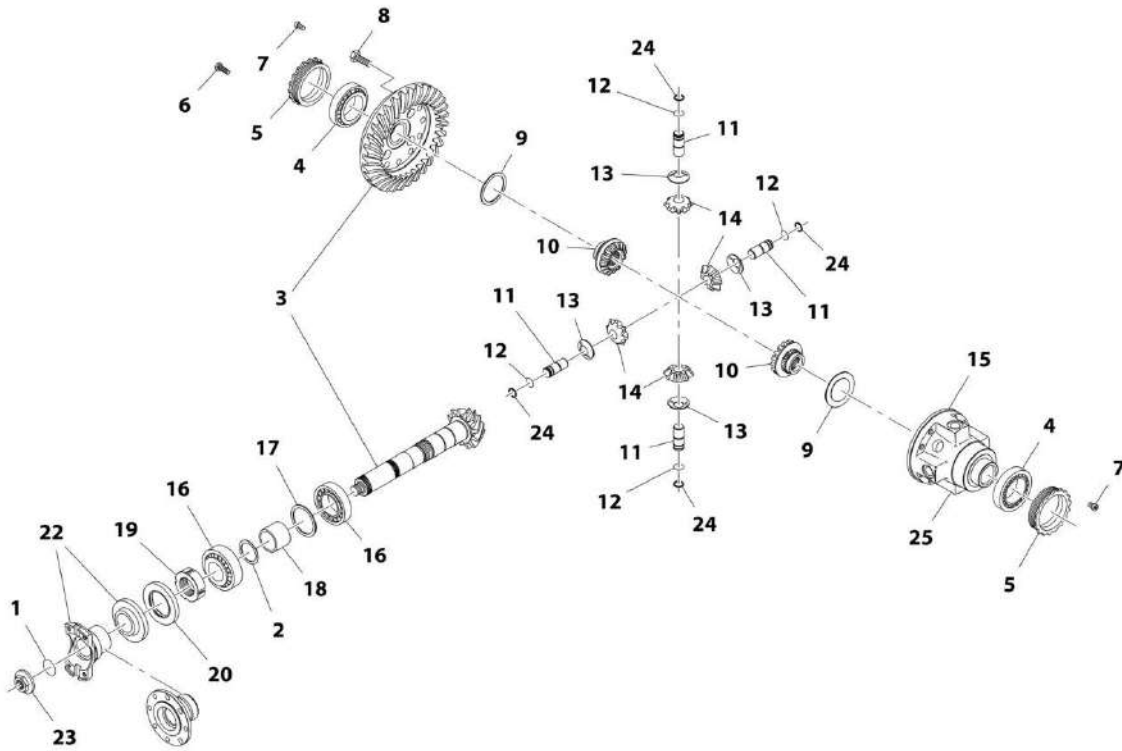
SECTION 5 - DRIVE TRAIN

FIGURE 5-17. REAR AXLE, CENTRAL HOUSING

ITEM	PART NUMBER	QTY	DESCRIPTION	REV
1	91474507	3	O-Ring	
2	70024519	1	Cover	
3	7029426	1	Housing	
4	91514098	1	Plug	
5	91474512	1	Vent	
7	91514188	1	Plug	
8	91474513	1	Plug, Magnet	
9	80204005	1	Circlip	

SECTION 5 - DRIVE TRAIN

FIGURE 5-18. REAR AXLE, DIFFERENTIAL



ART_1001147379-3

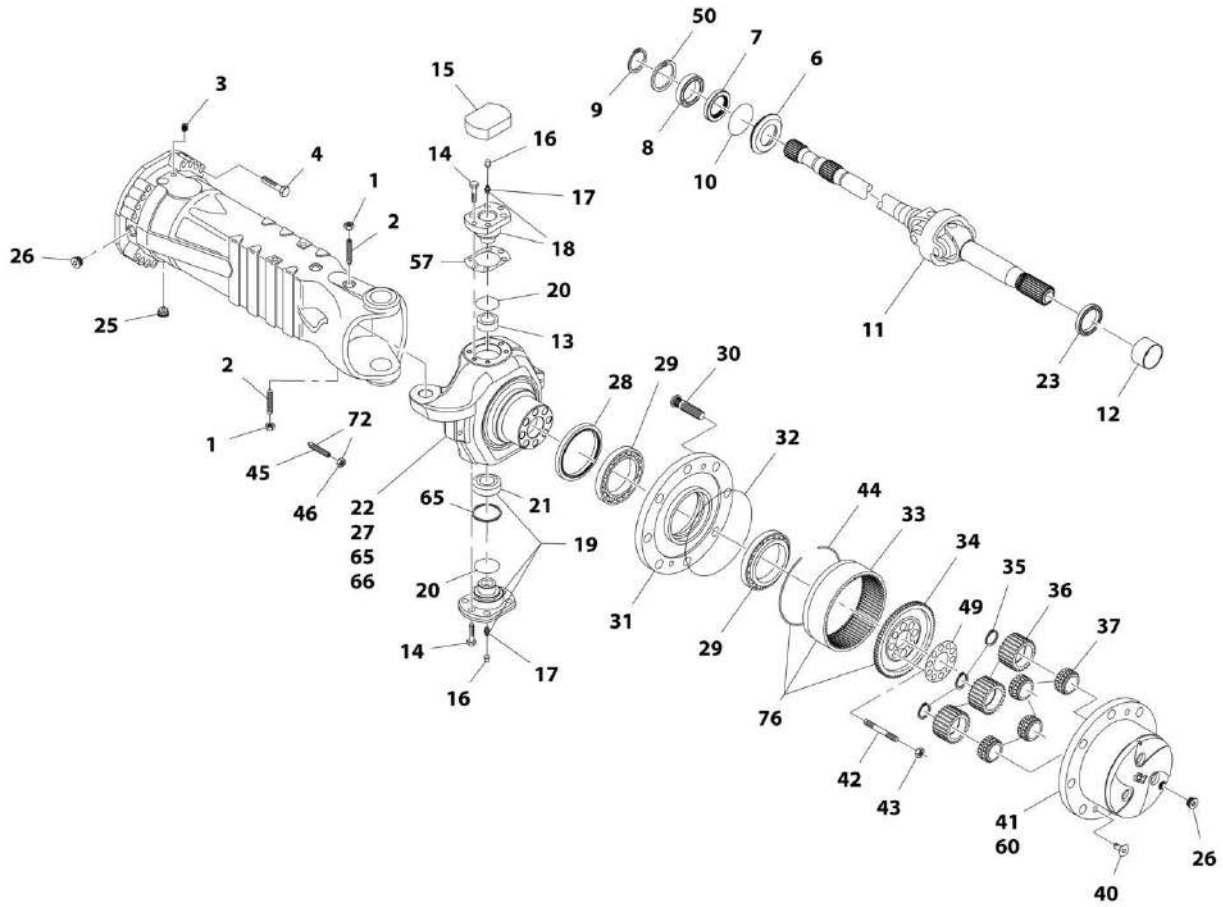
SECTION 5 - DRIVE TRAIN

FIGURE 5-18. REAR AXLE, DIFFERENTIAL

ITEM	PART NUMBER	QTY	DESCRIPTION	REV
1	91474529	1	O-Ring	
2	91474537	1	Shim	
3	70026139	1	Bevel Gear Set	
4	91474548	2	Bearing, Taper Roller	
5	91474547	2	Nut, Ring	
6	91474591	4	Bolt	
7	91514134	2	Bolt	
8	91514123	12	Bolt	
9	91474593	2	Friction Washer	
10	91474594	2	Differential Side Gear	
11	7029131	4	Pin	
12	91474551	4	Circlip	
13	91474553	4	Washer, Friction	
14	7029129	4	Pinion, Differential	
15	91474595	1	Differential Carrier	
16	3968141	2	Bearing, Taper Roller	
17	91474542	1	Shim	
18	91474539	1	Spacer	
19	91474533	1	Nut, Ring	
20	91474532	1	Seal	
22	70022797	1	Flange	
23	91474528	1	Nut	
24	91474550	4	Circlip	
25	91474596	1	Kit, Differential (include items 9 thru 15 & 24)	

SECTION 5 - DRIVE TRAIN

FIGURE 5-19. REAR AXLE, HUB REDUCTION



ART_1001147379-4

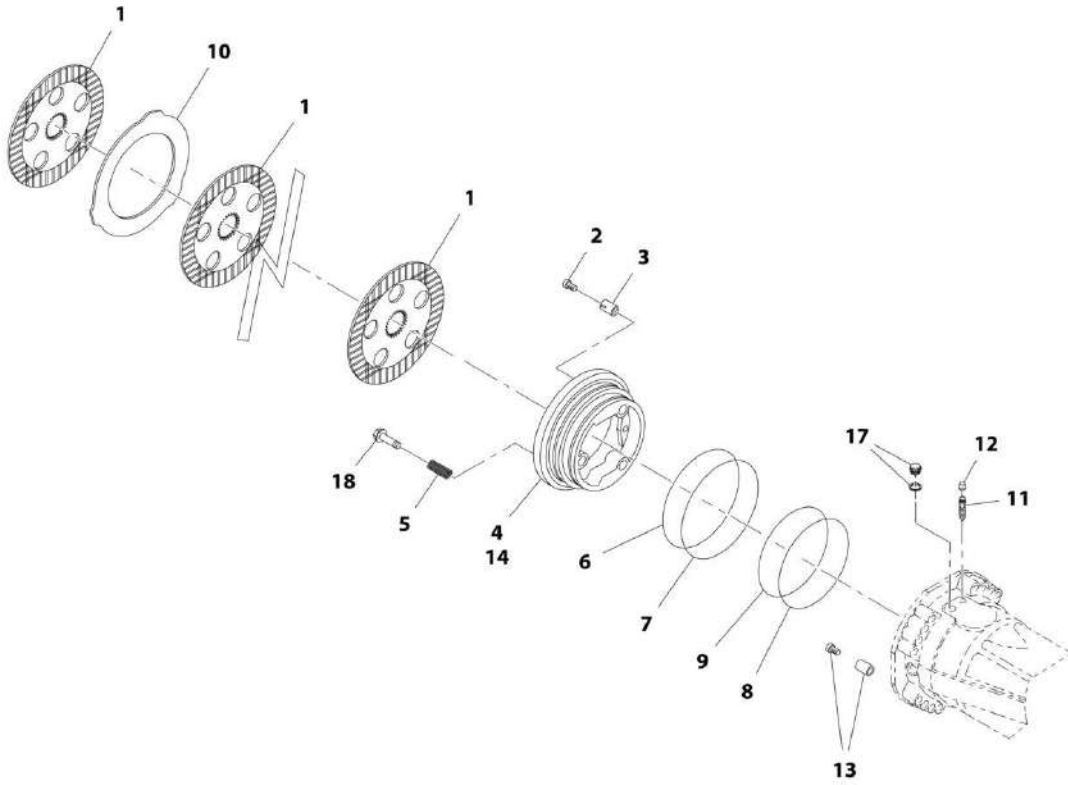
SECTION 5 - DRIVE TRAIN

FIGURE 5-19. REAR AXLE, HUB REDUCTION

ITEM	PART NUMBER	QTY	DESCRIPTION	REV
1	91514082	2	Nut	
2	91514081	2	Bolt	
3	70026140	2	Axle Case	
4	70022799	32	Bolt	
6	91514149	2	Reduction Bushing	
7	91514147	2	Seal	
8	91514146	2	Ball Bearing	
9	80204071	2	Circlip	
10	91514148	2	O-Ring	
11	70026141	2	Double Universal Joint	
12	91514111	1	Bushing, Thrust	
13	7028714	2	Bushing	
14	91514123	24	Bolt	
15	91474524	2	Cover	
16	80204117	2	Plug	
17	91514099	2	Grease Fitting	
18	91514112	2	Pivot Pin	
19	7028715	2	Pivot Pin	
20	7028716	2	Excluder, Dust	
21	91514095	2	Bearing	
22	7028717	1	Steering Case, RH	
23	70025857	1	Seal	
25	91474513	2	Plug, Magnet	
26	91514188	4	Plug	
27	7028720	1	Steering Case, LH	
28	7028721	2	Seal	
29	91474576	4	Bearing	
30	80214120	20	Wheel Stud	
31	7029737	2	Wheel Hub	
32	91514181	2	O-Ring	
33	91474580	2	Ring Gear	
34	91474581	2	Ring Gear Support	
35	91474585	8	Circlip	
36	70023900	8	Planet Gear and Bearing Assembly	
37	70023900	8	Planet Gear and Bearing Assembly	
40	91514189	4	Bolt, Countersunk	
41	7029286	2	Planet Gear Carrier	
42	91474583	20	Stud	
43	91474584	20	Nut	
44	91474579	2	Circlip	
45	91514117	4	Bolt	
46	80204065	4	Nut	
49	91474582	2	Locking Plate	
50	80204005	2	Circlip	
57	91514115	2	Shim	
60	7029431	2	Kit, Planet Gear Carrier (includes items 35 thru 37 & 41)	
65	7028729	1	Kit, Steering Case (includes items 12 & 22)	
66	7028730	1	Kit, Steering Case (includes items 12 & 27)	
72	7028733	4	Kit, Steering Adjust Bolt (includes items 45 & 46)	
76	7029736	2	Kit, Ring Gear Support (includes items 33, 34 & 44)	

SECTION 5 - DRIVE TRAIN

FIGURE 5-20. REAR AXLE, BRAKES



ART_1001147379-5

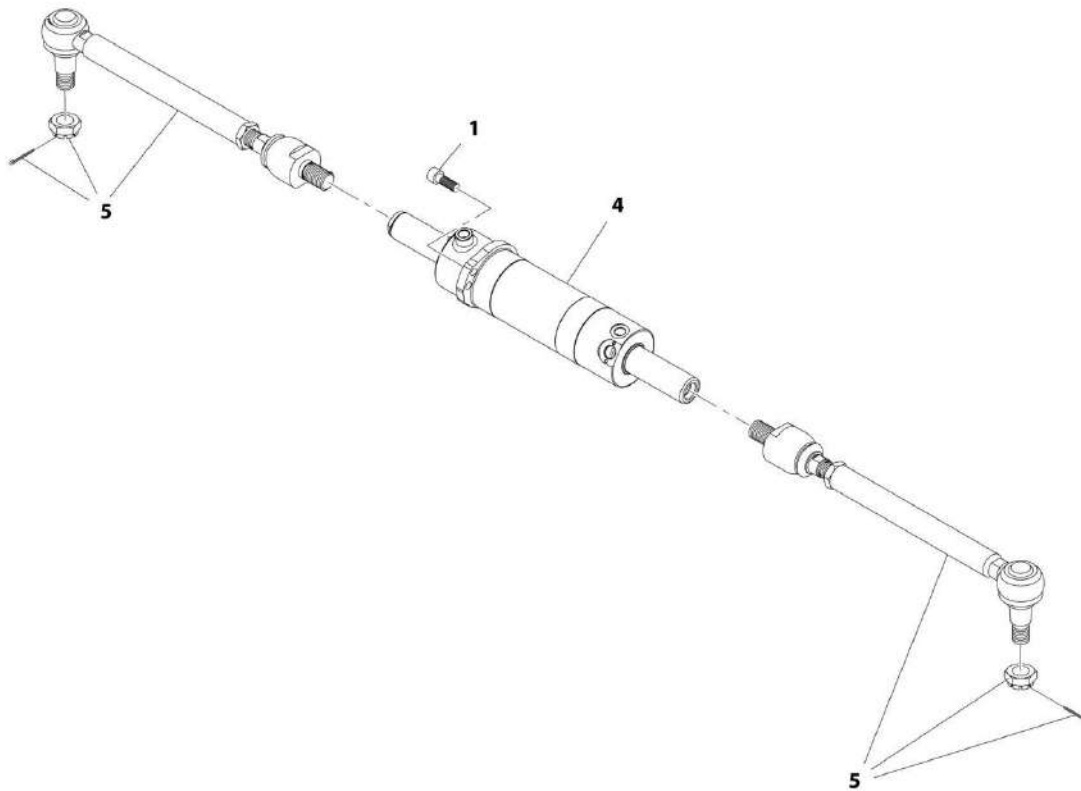
SECTION 5 - DRIVE TRAIN

FIGURE 5-20. REAR AXLE, BRAKES

ITEM	PART NUMBER	QTY	DESCRIPTION	REV
1	91474568	8	Disc	
2	7029786	6	Adjusting Bolt	
3	91514165	6	Spring	
4	70024524	2	Piston	
5	91514159	6	Spring	
6	3984436	2	Backup Ring	
7	3984458	2	O-Ring	
8	3984447	2	Backup Ring	
9	3984469	2	O-Ring	
10	91474569	10	Intermediate Brake Disc	
11	80204281	2	Bleeding Bolt	
12	80204117	2	Plug	
13	70021613	2	Bolt, Pilot	
14	70024525	2	Kit, Piston (includes items 3, 4 & 6 thru 9)	
17	91514154	2	Kit, Plug (includes Plug and Seal Washer)	
18	91514160	6	Bolt, Adjusting	

SECTION 5 - DRIVE TRAIN

FIGURE 5-21. REAR AXLE, STEERING



ART_1001147379-6

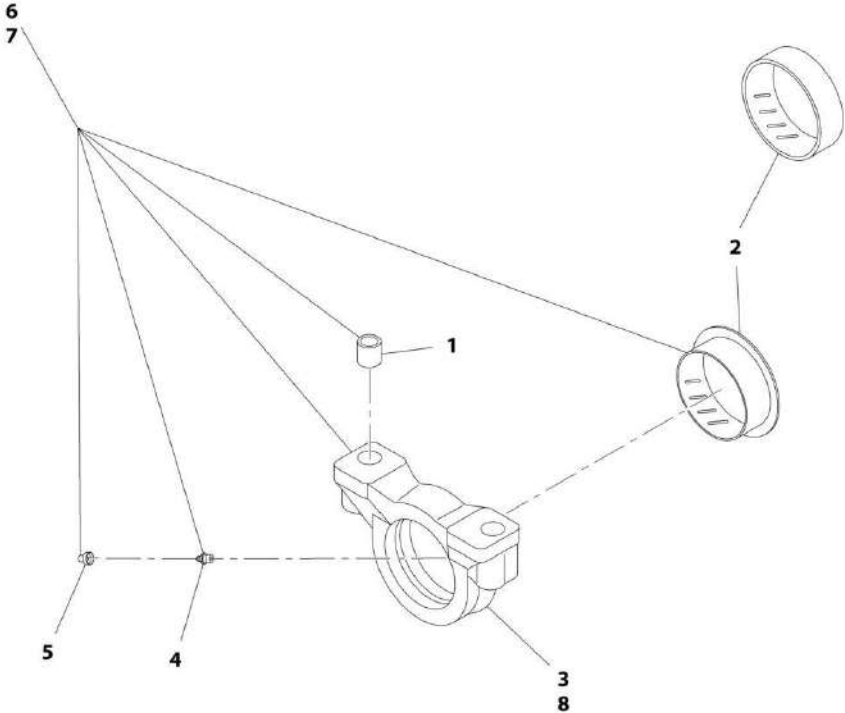
SECTION 5 - DRIVE TRAIN

FIGURE 5-21. REAR AXLE, STEERING

ITEM	PART NUMBER	QTY	DESCRIPTION	REV
1	91474522	4	Bolt	
4	70026137	1	Cylinder	
5	70026138	2	Bar	

SECTION 5 - DRIVE TRAIN

FIGURE 5-22. REAR AXLE, TRUNION



ART_1001147379-7

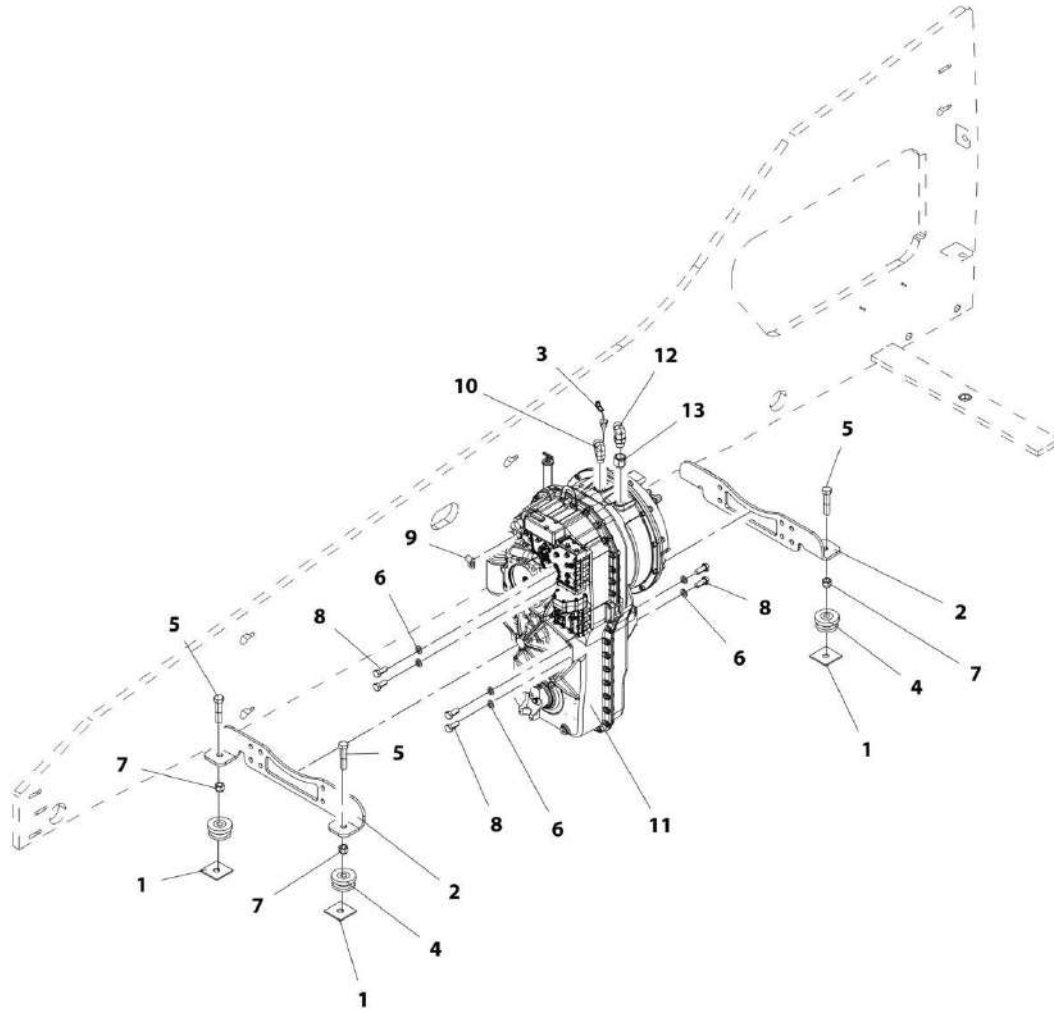
SECTION 5 - DRIVE TRAIN

FIGURE 5-22. REAR AXLE, TRUNION

ITEM	PART NUMBER	QTY	DESCRIPTION	REV
1	91474516	2	Reduction Bushing	
2	91474515	1	Thrust Bushing	
3	7029282	1	Support	
4	91514099	1	Grease Fitting	
5	80204117	1	Plug	
6	7029282	1	Support	
7	7029283	1	Support	
8	7029283	1	Support	

SECTION 5 - DRIVE TRAIN

FIGURE 5-23. TRANSMISSION INSTALLATION



ART_1001108524_A

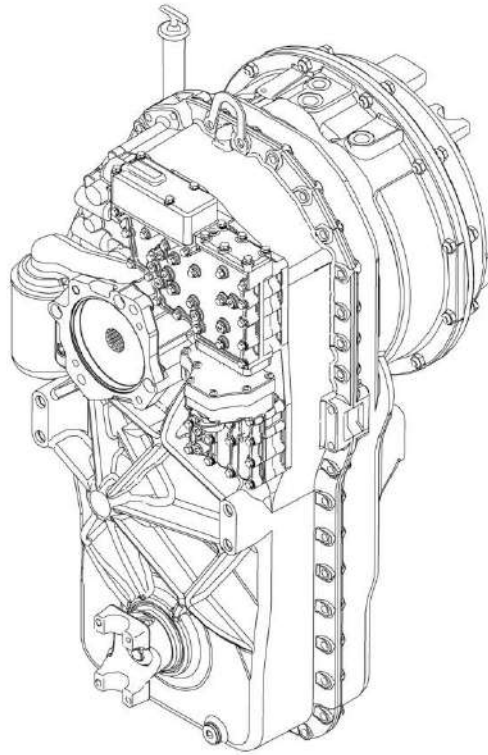
SECTION 5 - DRIVE TRAIN

FIGURE 5-23. TRANSMISSION INSTALLATION

ITEM	PART NUMBER	QTY	DESCRIPTION	REV
	1001108524	Ref	Transmission Installation	A
1	7054351	4	Washer, Rebound	
2	7138634	2	Bracket, Transmission Mount	
3	8223232	1	Switch, Transmission Temperature	
4	8278007	4	Mount, Rubber	
5	8303724	1	Bolt, 3/4-10X3-1/2	
6	8307049	8	Washer, Lock M16	
7	8310067	4	Nut, Lock 3/4-10	
8	8310215	8	Bolt, M16X40	
9	8406105	1	Clip, Tube	
10	2131210	1	Adapter, 90	
11	8841036	1	Transmission, 4-Speed (See TRANSMISSION for Breakdown)	
12	2131212	1	Adapter, 90	
13	8760548	1	Adapter, Straight	

SECTION 5 - DRIVE TRAIN

FIGURE 5-24. TRANSMISSION



ART_B841036-1_B

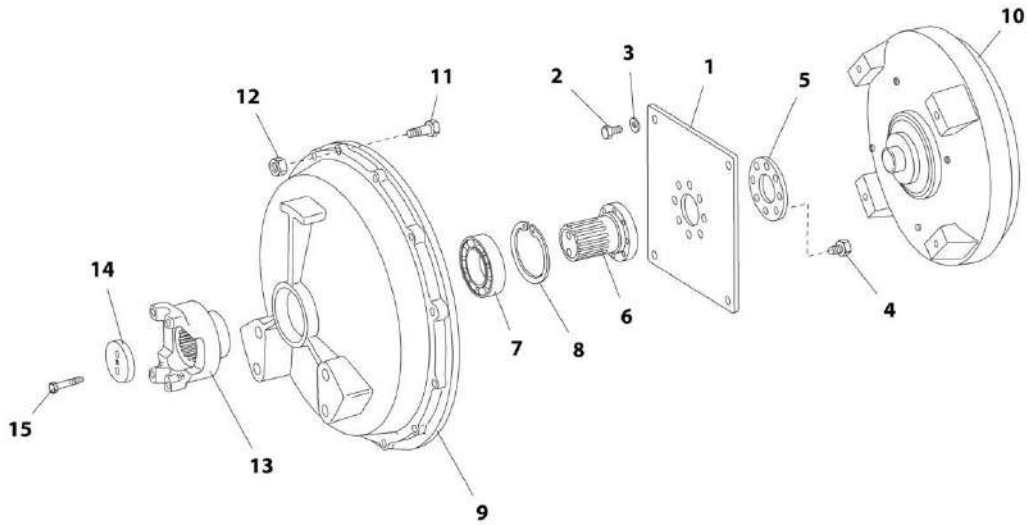
SECTION 5 - DRIVE TRAIN

FIGURE 5-24. TRANSMISSION

ITEM	PART NUMBER	QTY	DESCRIPTION	REV
	8841036	Ref	Transmission, 4-Speed	B
		Ref	Transmission, Engine Connection and Converter (See TRANSMISSION, ENGINE CONNECTION AND CONVERTER)	
		Ref	Transmission, Input Shafts (See TRANSMISSION, INPUT SHAFTS)	
		Ref	Transmission, Gearbox Housing (See TRANSMISSION, GEARBOX HOUSING)	
		Ref	Transmission, Coupling Group 1 (See TRANSMISSION, COUPLING GROUP 1)	
		Ref	Transmission, Coupling Group 2 (See TRANSMISSION, COUPLING GROUP 2)	
		Ref	Transmission, Coupling Group 3 (See TRANSMISSION, COUPLING GROUP 3)	
		Ref	Transmission, Coupling Group 4 (See TRANSMISSION, COUPLING GROUP 4)	
		Ref	Transmission, Reversing Gear Group 1 (See TRANSMISSION, REVERSING GEAR GROUP 1)	
		Ref	Transmission, Reversing Gear Group 2 (See TRANSMISSION, REVERSING GEAR GROUP 2)	
		Ref	Transmission, Output (See TRANSMISSION, OUTPUT)	
		Ref	Transmission, Control Unit (See TRANSMISSION, CONTROL UNIT)	
		Ref	Transmission, Valve Housing Assembly (See TRANSMISSION, VALVE HOUSING ASSEMBLY)	
		Ref	Transmission, Valve Block Assembly (See TRANSMISSION, VALVE BLOCK ASSEMBLY)	
		Ref	Transmission, Oil Pump and Filter (See TRANSMISSION, OIL PUMP AND FILTER)	

SECTION 5 - DRIVE TRAIN

FIGURE 5-25. TRANSMISSION, ENGINE CONNECTION AND CONVERTER



ART_B841036-2

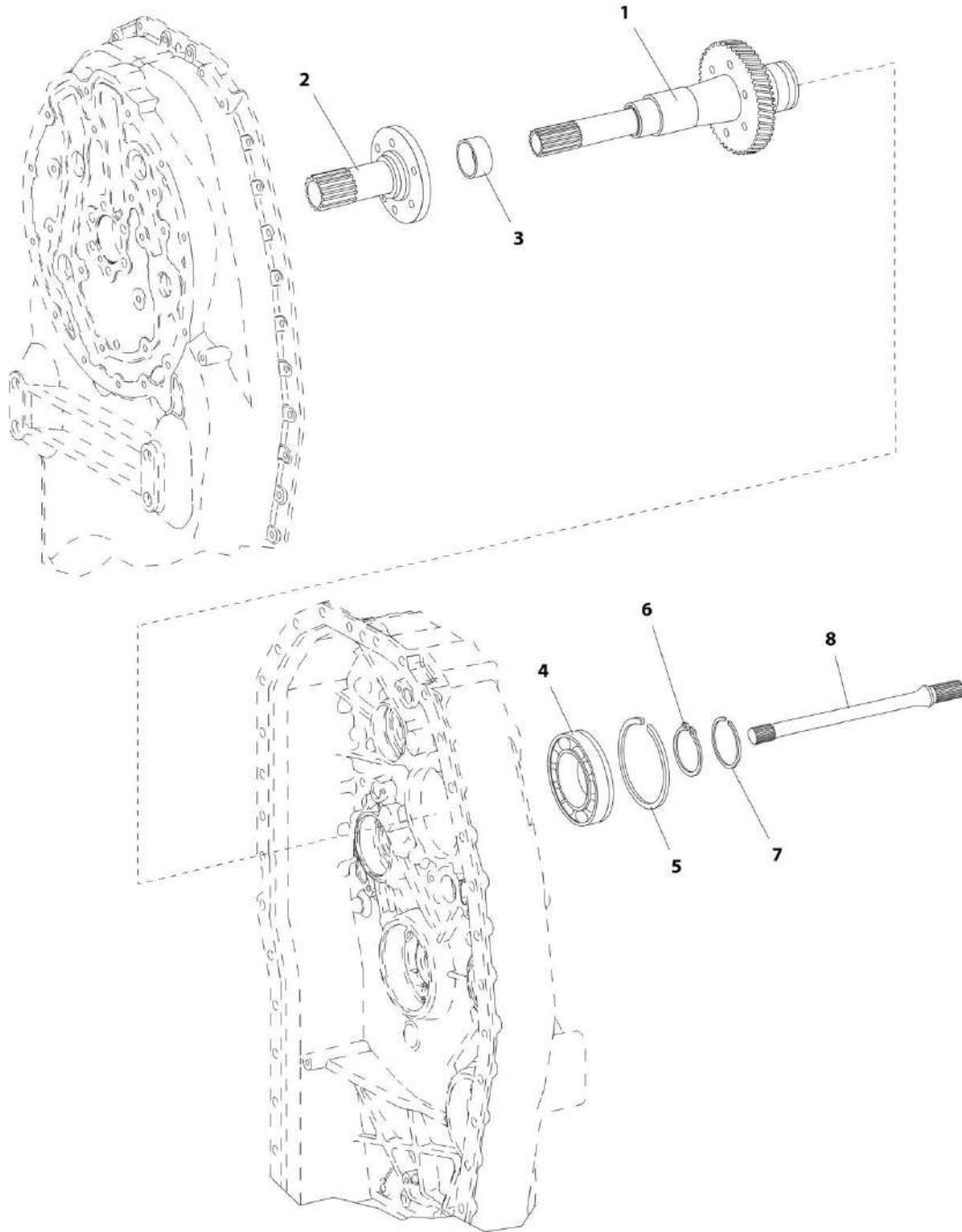
SECTION 5 - DRIVE TRAIN

FIGURE 5-25. TRANSMISSION, ENGINE CONNECTION AND CONVERTER

ITEM	PART NUMBER	QTY	DESCRIPTION	REV
1	1319203	1	Diaphragm	
2	1319204	4	Bolt, M10X18	
3	10732095	4	Washer	
4	10731702	8	Bolt, M10X16	
5	1319213	1	Washer	
6	70023482	1	Shaft, Input	
7	1319209	1	Bearing, Ball	
8	1319210	1	Ring, Retaining	
9	8036021	1	Cover	
10	8036022	1	Converter	
11	10731748	12	Bolt, M10X45	
12	10731751	12	Nut, M10	
13	1319211	1	Yoke, End	
14	1319205	1	Washer	
15	70023483	2	Bolt	

SECTION 5 - DRIVE TRAIN

FIGURE 5-26. TRANSMISSION, INPUT SHAFTS



ART_8841036-3

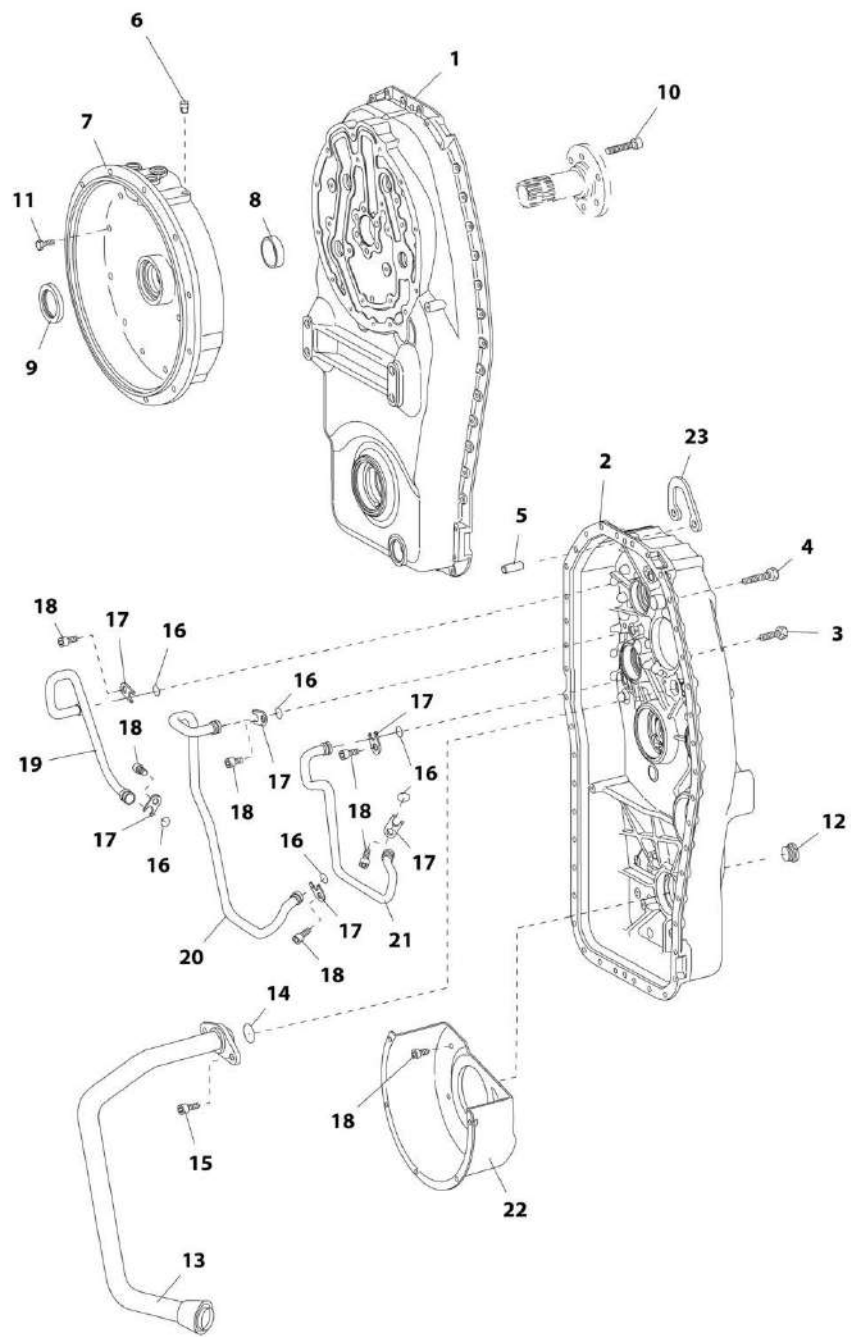
SECTION 5 - DRIVE TRAIN

FIGURE 5-26. TRANSMISSION, INPUT SHAFTS

ITEM	PART NUMBER	QTY	DESCRIPTION	REV
1	8036023	1	Shaft, Turbine	
2	1319557	1	Shaft, Stator	
3	1319558	1	Bushing, Bearing	
4	1319563	1	Bearing, Ball	
5	10731913	1	Ring, Snap	
6	80304405	1	Ring, Retaining	
7	1319565	1	Ring, Piston	
8	1319566	1	Shaft, Central	

SECTION 5 - DRIVE TRAIN

FIGURE 5-27. TRANSMISSION, GEARBOX HOUSING



ART_8841036-4

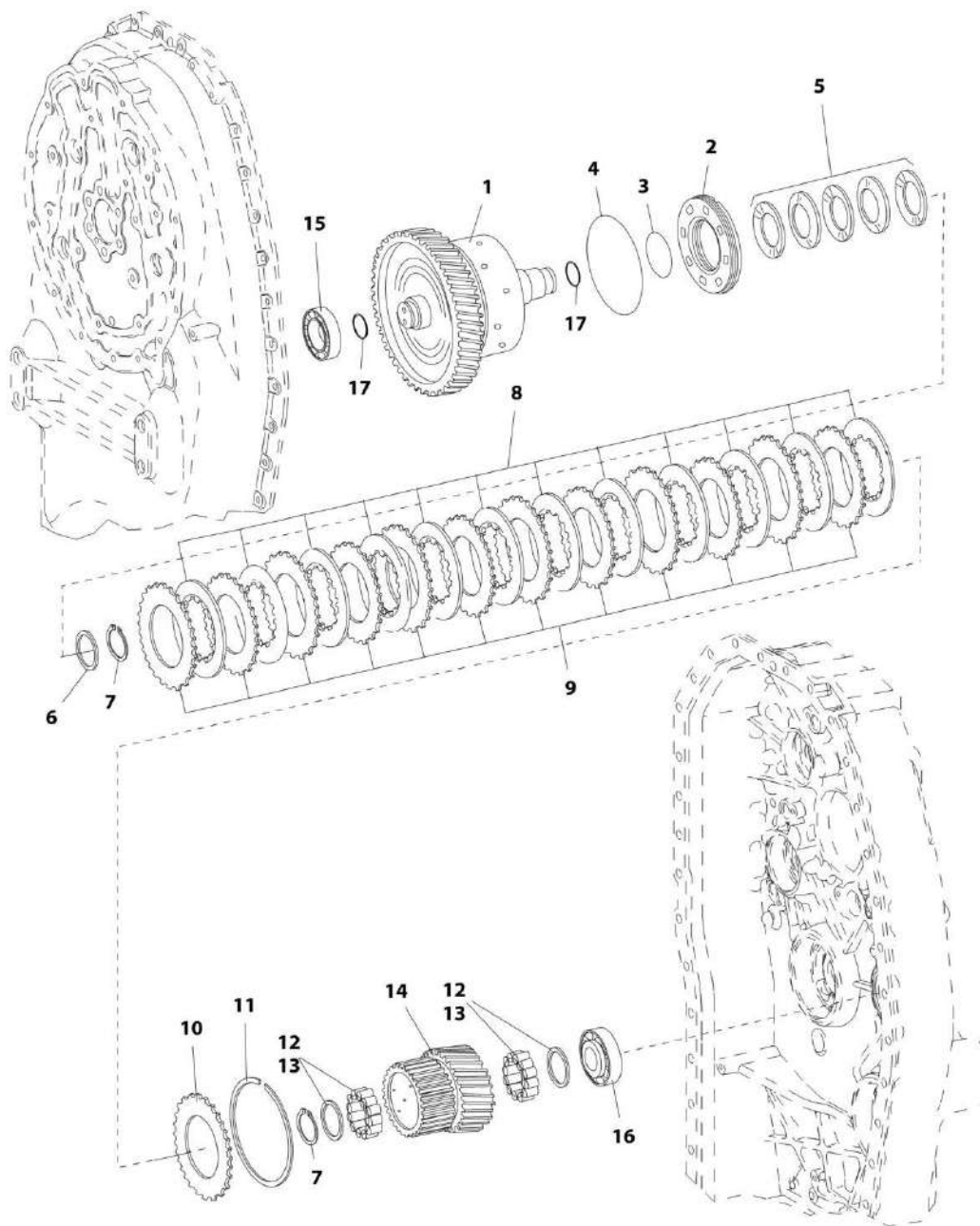
SECTION 5 - DRIVE TRAIN

FIGURE 5-27. TRANSMISSION, GEARBOX HOUSING

ITEM	PART NUMBER	QTY	DESCRIPTION	REV
1	8036024	1	Housing I	
2	8036025	1	Housing II	
3	1319569	36	Bolt, M10X30	
4	1319570	6	Bolt, M10X50	
5	1319571	2	Pin, Cylindrical M6X24	
6	10731744	1	Breather	
7	1319574	1	Bell, Converter	
8	1319575	1	Bushing, Bearing	
9	1319576	1	Seal, Shaft	
10	1319577	6	Screw, M10X50	
11	1319569	23	Bolt, M10X30	
12	70023404	1	Plug, Screw	
13	8036026	1	Pipe, Oil Suction	
14	70023885	1	O-Ring	
15	1319582	2	Screw, M8X20	
16	1319583	6	O-Ring	
17	1319584	6	Plate, Fixing	
18	1319585	11	Screw, M8X16	
19	1319586	1	Pipe	
20	1319587	1	Pipe	
21	8036027	1	Pipe	
22	8036028	1	Sheet, Screen	
23	1319590	1	Bracket	

SECTION 5 - DRIVE TRAIN

FIGURE 5-28. TRANSMISSION, COUPLING GROUP 1



ART_8841036-5

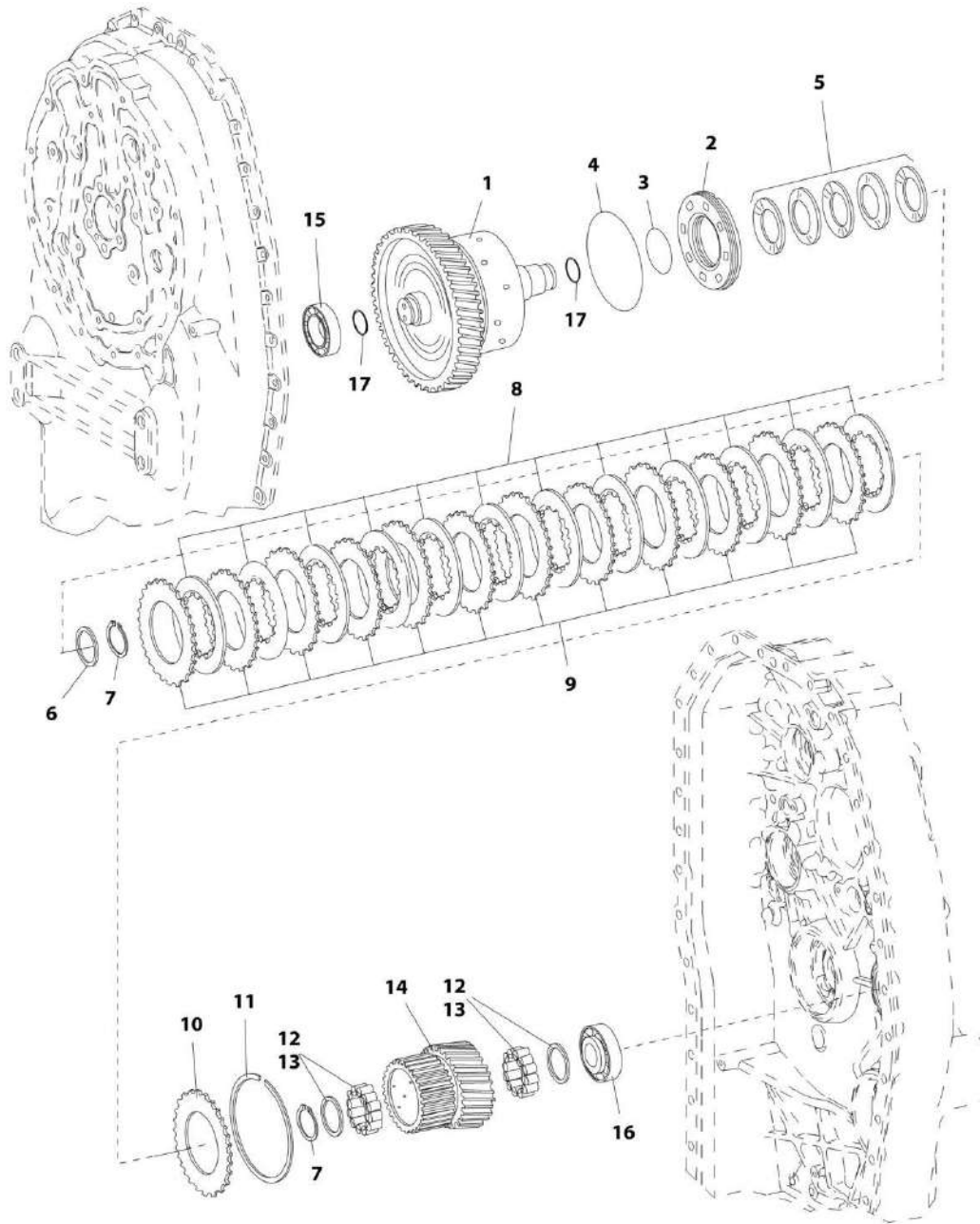
SECTION 5 - DRIVE TRAIN

FIGURE 5-28. TRANSMISSION, COUPLING GROUP 1

ITEM	PART NUMBER	QTY	DESCRIPTION	REV
1	1319591	1	Coupling	
2	1319592	1	Piston	
3	1319593	1	O-Ring, 52X3	
4	1319594	1	O-Ring, 115X3	
5	1319595	5	Spring, Cup	
6	1319596	1	Shim	
7	10731845	2	Ring, Retaining	
8	7026758	12	Disc, Inner Clutch	
9	7026759	12	Disc, Outer Clutch	
10	7026760	1	Shim, End	
11	1319600	1	Ring, Snap 4	
11	1319601	1	Ring, Snap 3-1/2	
11	1319602	1	Ring, Snap 3	
11	1319603	1	Ring, Snap 2-1/2	
11	1319604	1	Ring, Snap 2	
12	1319605	2	Cage, Roller	
13	1319606	2	Cage, Roller	
14	1319607	1	Carrier, Disc	
15	1319608	1	Bearing, Roller	
16	1319609	1	Bearing, Roller	
16	1319610	1	Bearing, Roller	
16	1319611	1	Bearing, Roller	
17	1319612	2	Ring, Piston 30X2	

SECTION 5 - DRIVE TRAIN

FIGURE 5-29. TRANSMISSION, COUPLING GROUP 2



ART_8841036-6

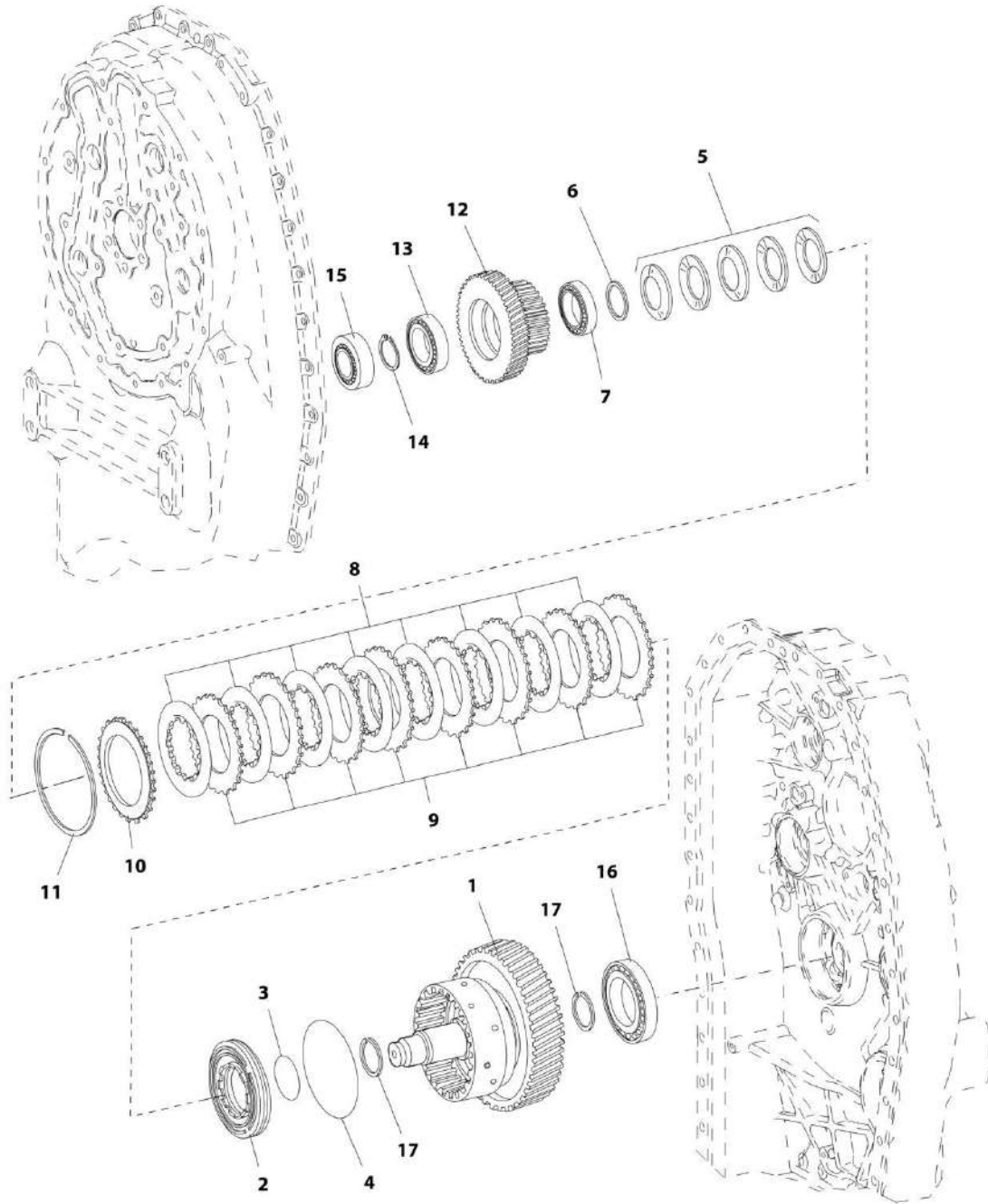
SECTION 5 - DRIVE TRAIN

FIGURE 5-29. TRANSMISSION, COUPLING GROUP 2

ITEM	PART NUMBER	QTY	DESCRIPTION	REV
1	1319613	1	Coupling	
2	8036029	1	Piston	
3	1319593	1	O-Ring, 52X3	
4	1319594	1	O-Ring, 115X3	
5	1319595	5	Spring, Cup	
6	1319596	1	Shim	
7	10731845	2	Ring, Retaining	
8	7026758	8	Disc, Inner Clutch	
9	7026759	8	Disc, Outer Clutch	
10	7026760	1	Shim, End	
11	1319600	1	Ring, Snap 4	
11	1319601	1	Ring, Snap 3-1/2	
11	1319602	1	Ring, Snap 3	
11	1319603	1	Ring, Snap 2-1/2	
11	1319604	1	Ring, Snap 2	
12	1319605	2	Cage, Roller	
13	1319606	2	Cage, Roller	
14	1319614	1	Carrier, Disc	
15	1319615	1	Bearing, Roller	
16	8036190	1	Assembly, Roller Bearing	
16	7029532	1	Ring, Outer	
16	7029533	1	Ring, Inner	
17	1319612	2	Ring, Piston 30X2	

SECTION 5 - DRIVE TRAIN

FIGURE 5-30. TRANSMISSION, COUPLING GROUP 3



ART_8841036-7

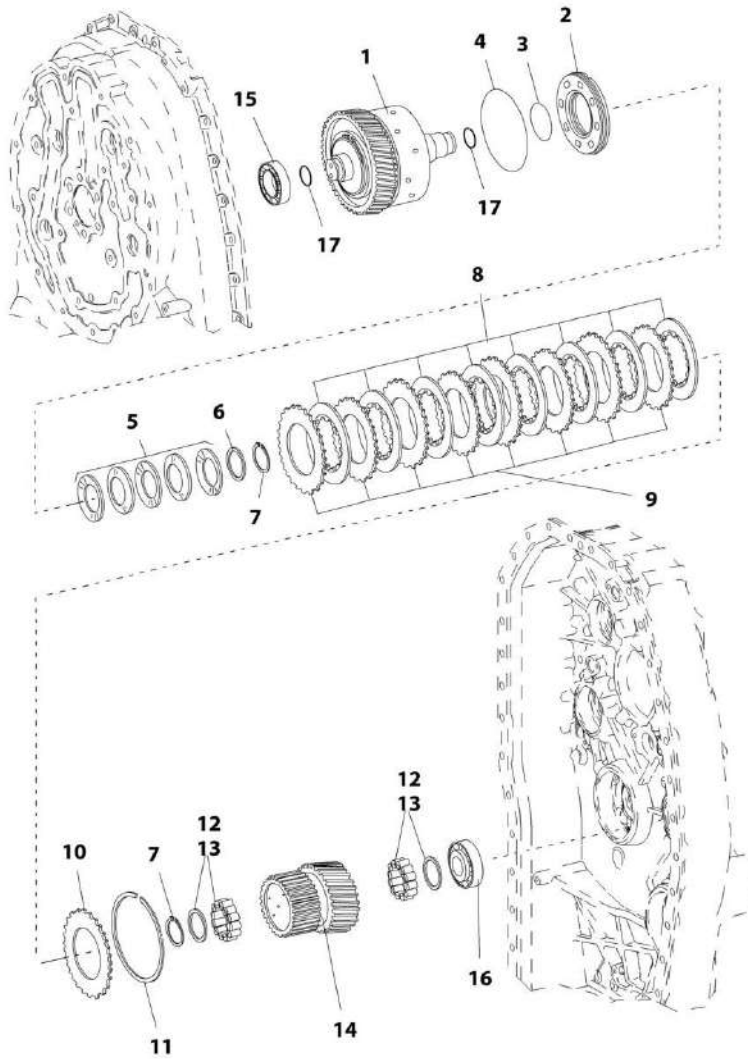
SECTION 5 - DRIVE TRAIN

FIGURE 5-30. TRANSMISSION, COUPLING GROUP 3

ITEM	PART NUMBER	QTY	DESCRIPTION	REV
1	1319616	1	Coupling	
2	8036029	1	Piston	
3	1319593	1	O-Ring, 52X3	
4	1319594	1	O-Ring, 115X3	
5	1319595	5	Spring, Cup	
6	1319617	1	Shim, Support	
7	1319618	1	Bearing, Roller	
8	7026758	8	Disc, Inner Clutch	
9	7026759	8	Disc, Outer Clutch	
10	7026760	1	Shim, End	
11	1319600	1	Ring, Snap 4	
11	1319601	1	Ring, Snap 3-1/2	
11	1319602	1	Ring, Snap 3	
11	1319603	1	Ring, Snap 2-1/2	
11	1319604	1	Ring, Snap 2	
12	1319619	1	Carrier, Disc	
13	1319620	1	Bearing, Roller	
14	1319621	1	Ring, Retaining 3.2	
14	1319622	1	Ring, Retaining 3.1	
14	1319623	1	Ring, Retaining 3	
14	1319624	1	Ring, Retaining 2.9	
14	1319625	1	Ring, Retaining 2.8	
14	1319626	1	Ring, Retaining 2.7	
14	1319627	1	Ring, Retaining 2.6	
14	1319628	1	Ring, Retaining 2.5	
14	1319629	1	Ring, Retaining 2.4	
14	1319630	1	Ring, Retaining 2.3	
14	1319631	1	Ring, Retaining 2.2	
14	1319632	1	Ring, Retaining 2.1	
15	8036190	1	Assembly, Roller Bearing	
15	7029532	1	Ring, Outer	
15	7029533	1	Ring, Inner	
16	1319633	1	Bearing, Roller	
17	1319612	2	Ring, Piston 30X2	

SECTION 5 - DRIVE TRAIN

FIGURE 5-31. TRANSMISSION, COUPLING GROUP 4



ART_8841036-8

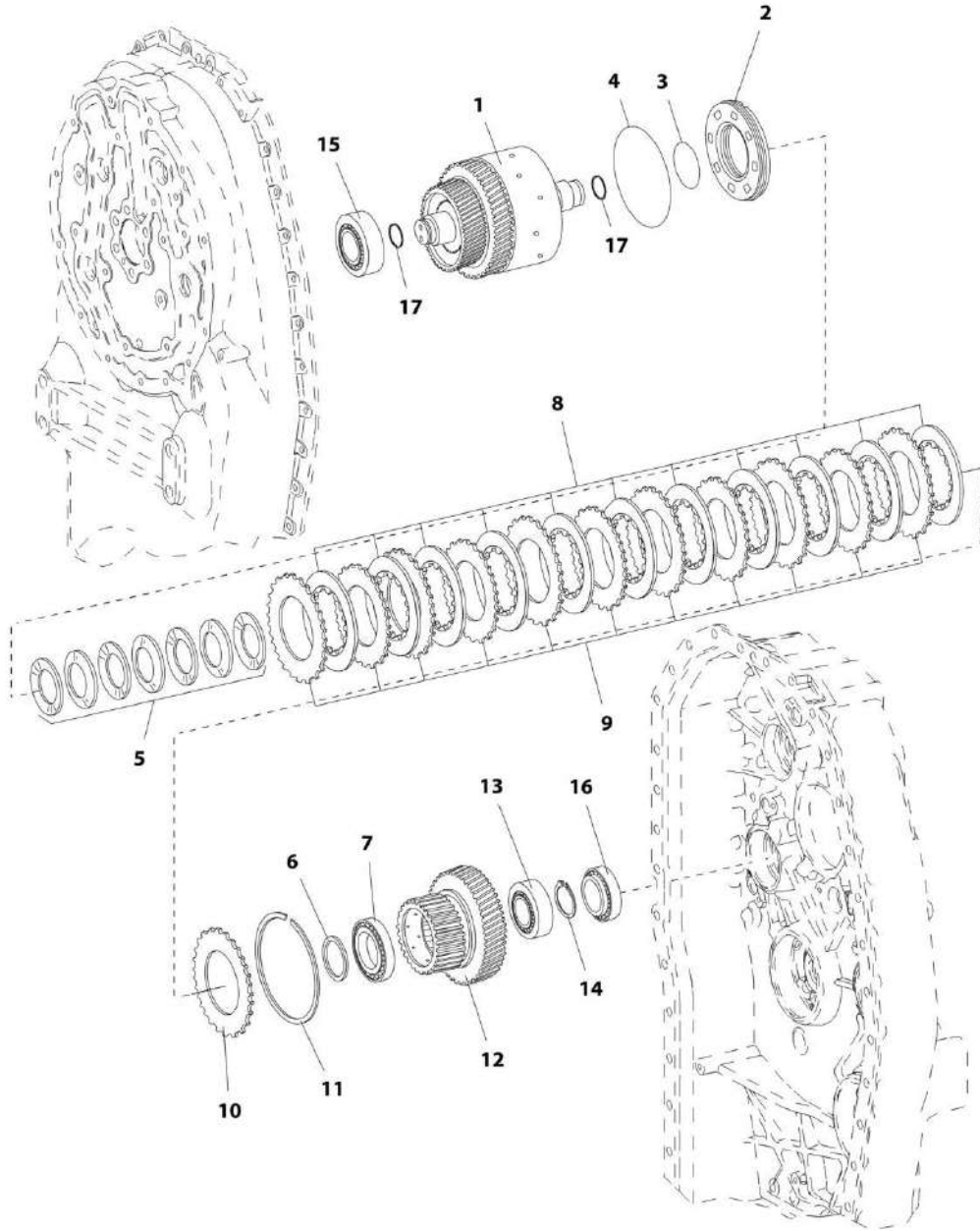
SECTION 5 - DRIVE TRAIN

FIGURE 5-31. TRANSMISSION, COUPLING GROUP 4

ITEM	PART NUMBER	QTY	DESCRIPTION	REV
1	1319634	1	Coupling	
2	8036029	1	Piston	
3	1319593	1	O-Ring, 52X3	
4	1319594	1	O-Ring, 115X3	
5	1319595	5	Spring, Cup	
6	1319596	1	Shim	
7	10731845	2	Ring, Retaining	
8	7026758	8	Disc, Inner Clutch	
9	7026759	8	Disc, Outer Clutch	
10	7026760	1	Shim, End	
11	1319600	1	Ring, Snap 4	
11	1319601	1	Ring, Snap 3-1/2	
11	1319602	1	Ring, Snap 3	
11	1319603	1	Ring, Snap 2-1/2	
11	1319604	1	Ring, Snap 2	
12	1319605	2	Cage, Roller	
13	1319606	2	Cage, Roller	
14	1319635	1	Carrier, Disc	
15	1319615	1	Bearing, Roller	
16	1319636	1	Bearing, Roller	
17	1319612	2	Ring, Piston 30X2	

SECTION 5 - DRIVE TRAIN

FIGURE 5-32. TRANSMISSION, REVERSING GEAR GROUP 1



ART_8841036-9

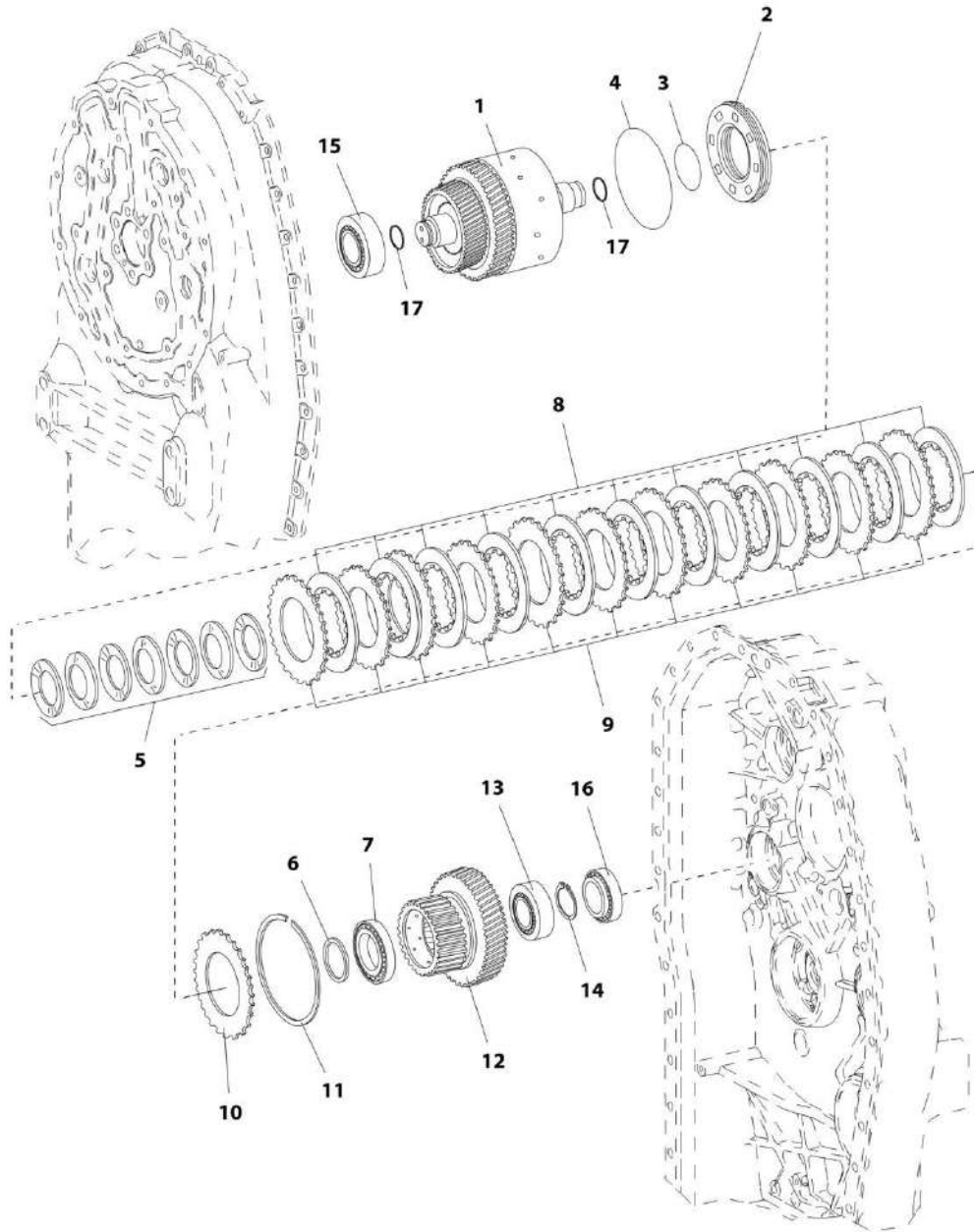
SECTION 5 - DRIVE TRAIN

FIGURE 5-32. TRANSMISSION, REVERSING GEAR GROUP 1

ITEM	PART NUMBER	QTY	DESCRIPTION	REV
1	1319637	1	Coupling	
2	8036029	1	Piston	
3	1319593	1	O-Ring, 52X3	
4	1319594	1	O-Ring, 115X3	
5	1319595	7	Spring, Cup	
6	1319617	1	Shim, Support	
7	1319618	1	Bearing, Roller	
8	7026758	11	Disc, Inner Clutch	
9	7026759	11	Disc, Outer Clutch	
10	7026760	1	Shim, End	
11	1319600	1	Ring, Snap 4	
11	1319601	1	Ring, Snap 3-1/2	
11	1319602	1	Ring, Snap 3	
11	1319603	1	Ring, Snap 2-1/2	
11	1319604	1	Ring, Snap 2	
12	1319638	1	Disc, Carrier	
13	1319620	1	Bearing, Roller	
14	1319621	1	Ring, Retaining 3.2	
14	1319622	1	Ring, Retaining 3.1	
14	1319623	1	Ring, Retaining 3	
14	1319624	1	Ring, Retaining 2.9	
14	1319625	1	Ring, Retaining 2.8	
14	1319626	1	Ring, Retaining 2.7	
14	1319627	1	Ring, Retaining 2.6	
14	1319628	1	Ring, Retaining 2.5	
14	1319629	1	Ring, Retaining 2.4	
14	1319630	1	Ring, Retaining 2.3	
14	1319631	1	Ring, Retaining 2.2	
14	1319632	1	Ring, Retaining 2.1	
15	1319615	1	Bearing, Roller	
16	1319636	1	Bearing, Roller	
17	1319612	2	Ring, Piston 30X2	

SECTION 5 - DRIVE TRAIN

FIGURE 5-33. TRANSMISSION, REVERSING GEAR GROUP 2



ART_8841036-10

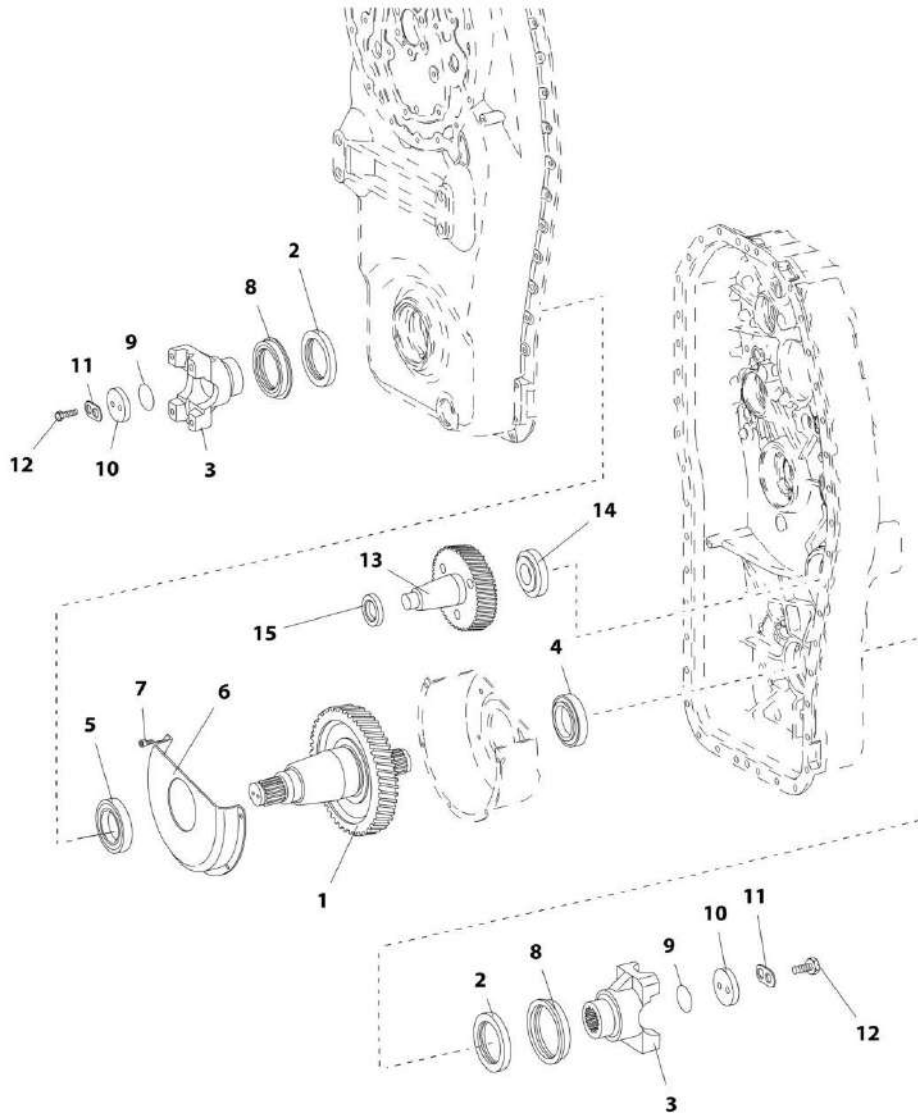
SECTION 5 - DRIVE TRAIN

FIGURE 5-33. TRANSMISSION, REVERSING GEAR GROUP 2

ITEM	PART NUMBER	QTY	DESCRIPTION	REV
1	1319639	1	Coupling	
2	8036029	1	Piston	
3	1319593	1	O-Ring, 52X3	
4	1319594	1	O-Ring, 115X3	
5	1319595	7	Spring, Cup	
6	1319617	1	Shim, Support	
7	1319618	1	Bearing, Roller	
8	7026758	11	Disc, Inner Clutch	
9	7026759	11	Disc, Outer Clutch	
10	7026760	1	Shim, End	
11	1319600	1	Ring, Snap 4	
11	1319601	1	Ring, Snap 3-1/2	
11	1319602	1	Ring, Snap 3	
11	1319603	1	Ring, Snap 2-1/2	
11	1319604	1	Ring, Snap 2	
12	1319638	1	Disc, Carrier	
13	1319620	1	Bearing, Roller	
14	1319621	1	Ring, Retaining 3.2	
14	1319622	1	Ring, Retaining 3.1	
14	1319623	1	Ring, Retaining 3	
14	1319624	1	Ring, Retaining 2.9	
14	1319625	1	Ring, Retaining 2.8	
14	1319626	1	Ring, Retaining 2.7	
14	1319627	1	Ring, Retaining 2.6	
14	1319628	1	Ring, Retaining 2.5	
14	1319629	1	Ring, Retaining 2.4	
14	1319630	1	Ring, Retaining 2.3	
14	1319631	1	Ring, Retaining 2.2	
14	1319632	1	Ring, Retaining 2.1	
15	1319608	1	Bearing, Roller	
16	1319636	1	Bearing, Roller	
17	1319612	2	Ring, Piston 30X2	

SECTION 5 - DRIVE TRAIN

FIGURE 5-34. TRANSMISSION, OUTPUT



ART_8841036-11

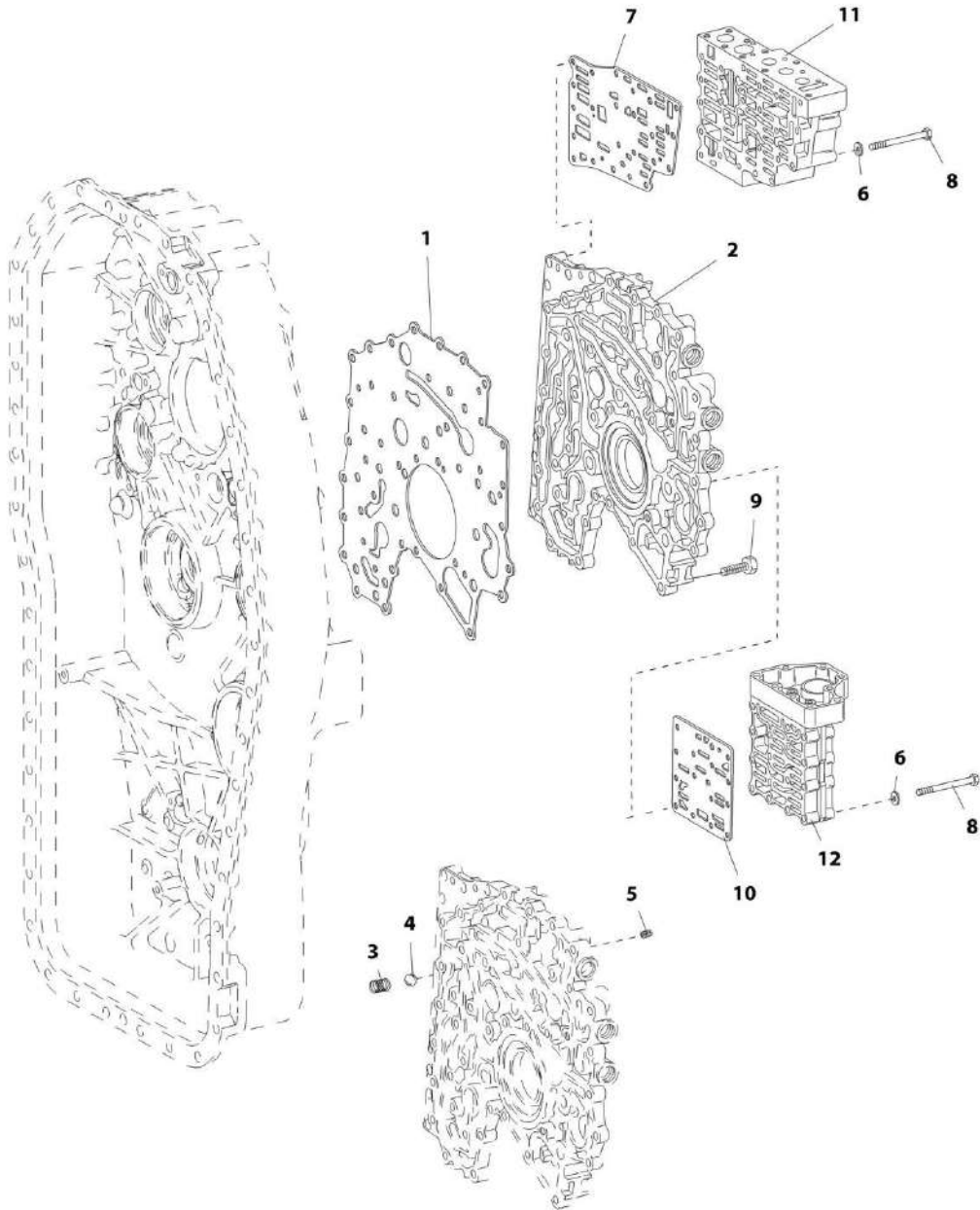
SECTION 5 - DRIVE TRAIN

FIGURE 5-34. TRANSMISSION, OUTPUT

ITEM	PART NUMBER	QTY	DESCRIPTION	REV
1	8036030	1	Shaft, Output	
2	1319641	2	Seal, Shaft	
3	7027273	2	Flange, Output	
4	N.S.S.	1	Assembly, Roller Bearing	
4	70020430	1	Cup, Bearing	
4	70020431	1	Cone, Bearing	
5	1319643	1	Bearing, Roller	
6	8036031	1	Sheet, Screen	
7	1319646	5	Bolt, M6X10	
8	1319647	2	Sheet, Screen	
9	10839156	2	O-Ring	
10	1319648	2	Washer, M10	
11	1319649	2	Washer, Tab	
12	10731959	4	Bolt, M8X25	
13	8036032	1	Shaft, Intermediate	
14	1319633	1	Bearing, Roller	
15	8036190	1	Assembly, Roller Bearing	
15	7029532	1	Ring, Outer	
15	7029533	1	Ring, Inner	

SECTION 5 - DRIVE TRAIN

FIGURE 5-35. TRANSMISSION, CONTROL UNIT



ART_8841036-12

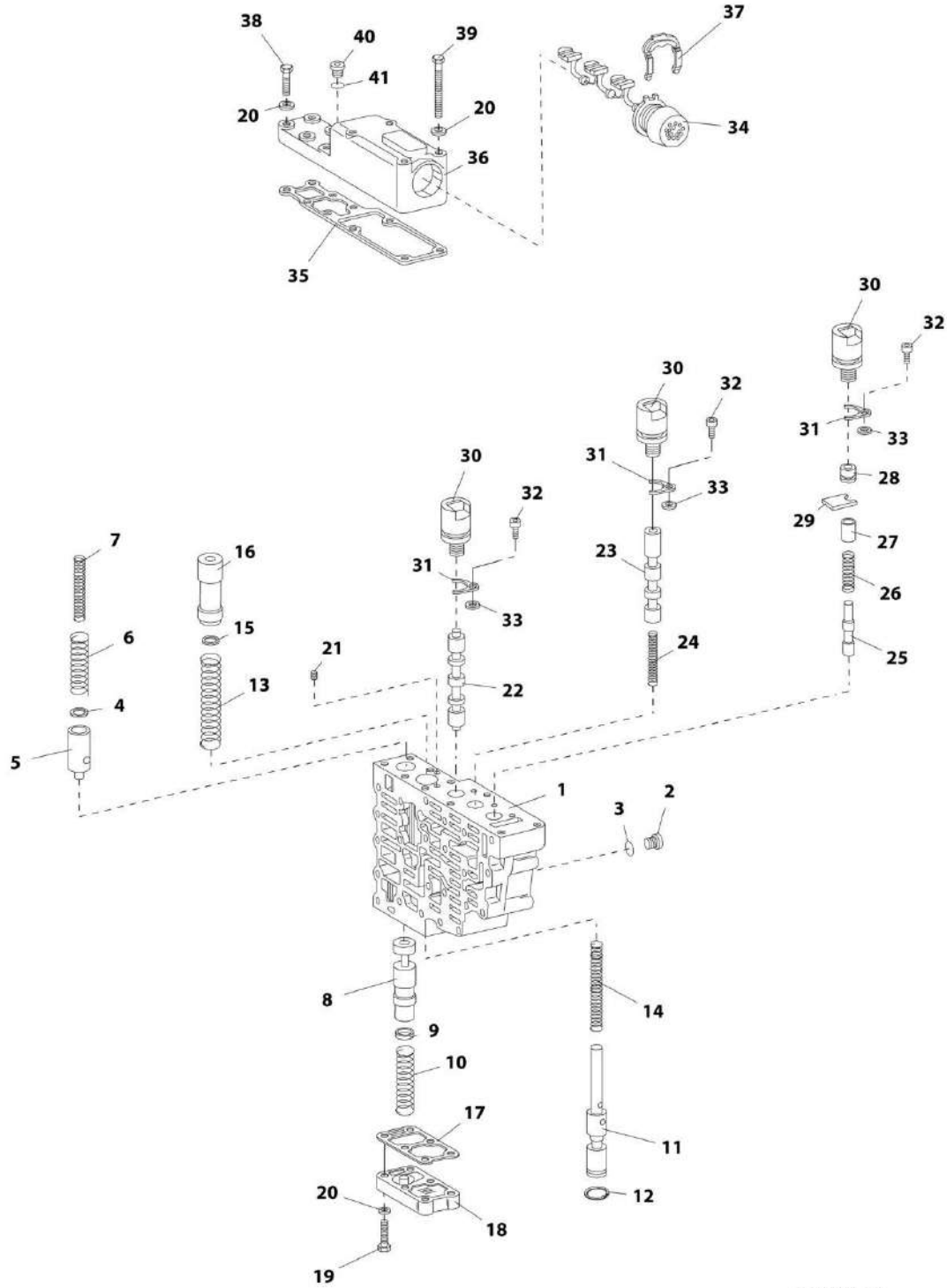
SECTION 5 - DRIVE TRAIN

FIGURE 5-35. TRANSMISSION, CONTROL UNIT

ITEM	PART NUMBER	QTY	DESCRIPTION	REV
1	1319650	1	Gasket	
2	8036033	1	Plate, Duct	
3	10732072	1	Spring, Compression	
4	10732071	1	Ball	
5	1319652	1	Orifice	
6	1319661	19	Washer, 6.4	
7	70020425	1	Plate, Intermediate	
8	7029037	19	Bolt, M6X60	
9	1319659	43	Screw, Torx M8X30	
10	70020426	1	Plate, Intermediate	
11		Ref	Housing, Valve (See TRANSMISSION, VALVE HOUSING ASSEMBLY for Breakdown)	
12		Ref	Block, Valve (See TRANSMISSION, VALVE BLOCK ASSEMBLY for Breakdown)	

SECTION 5 - DRIVE TRAIN

FIGURE 5-36. TRANSMISSION, VALVE HOUSING ASSEMBLY



ART_8841036-13

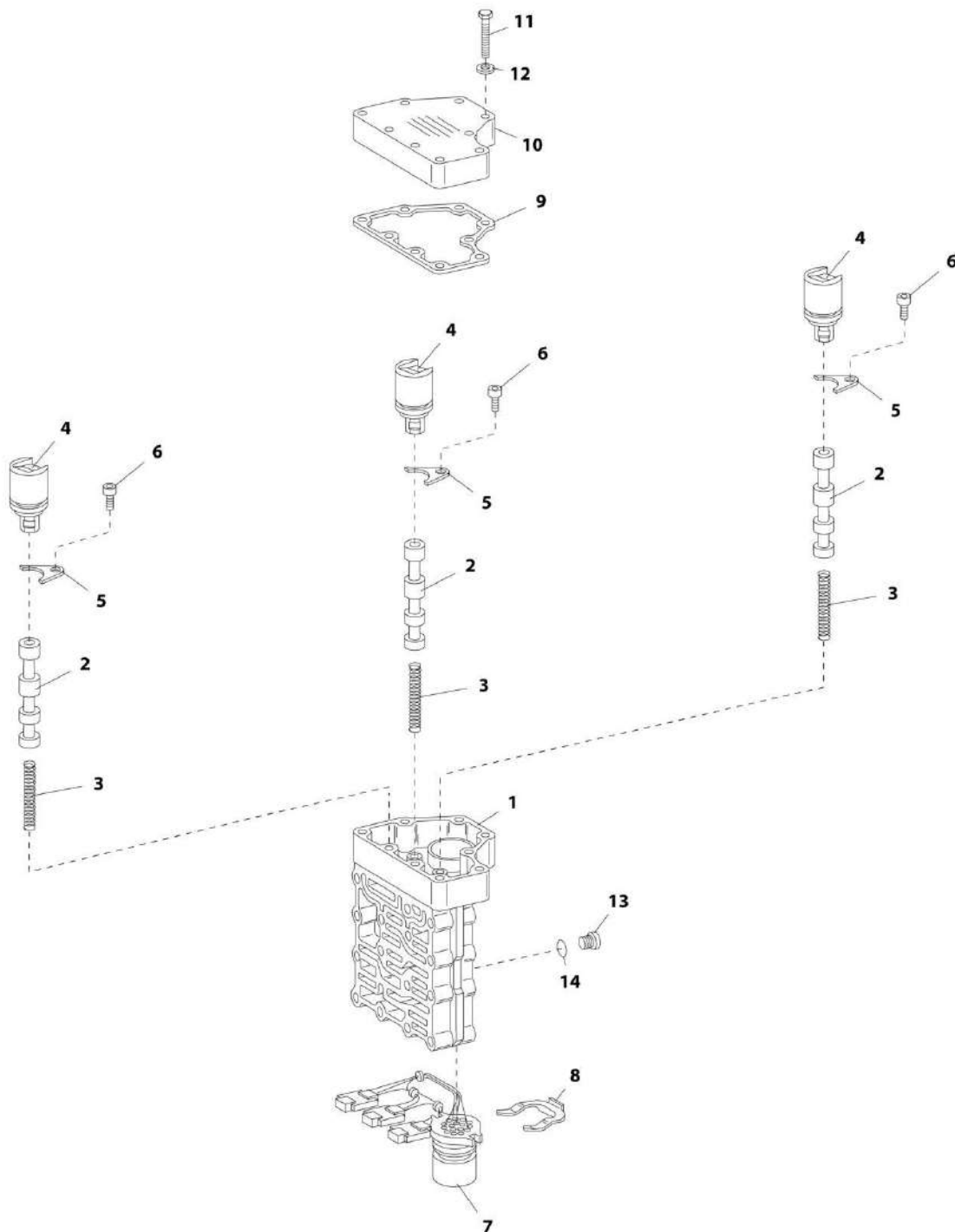
SECTION 5 - DRIVE TRAIN

FIGURE 5-36. TRANSMISSION, VALVE HOUSING ASSEMBLY

ITEM	PART NUMBER	QTY	DESCRIPTION	REV
	8036040	Ref	Valve Housing Assembly	
1	1319671	1	Housing, Valve	
2	1319670	7	Plug, Screw M10X1	
3	10731709	7	O-Ring	
4	8036036	1	Washer, 1	
5	7029039	1	Piston	
6	1319673	1	Spring, Compression	
7	8036038	1	Spring, Compression	
8	1319674	1	Piston	
9	1319675	1	Washer, 3.6	
9	1319676	1	Washer, 3.2	
9	1319677	1	Washer, 2.8	
9	1319678	1	Washer, 2.4	
9	1319679	1	Washer, 2	
10	1319680	1	Spring, Compression	
11	1319681	1	Control, Piston	
12	1319682	1	Washer, Lock 12	
13	1319683	1	Spring, Compression	
14	1319684	1	Spring, Compression	
15	1319685	1	Washer, 2	
15	1319686	1	Washer, 1	
15	1319687	1	Washer, 0.5	
15	1319688	1	Washer, 0.3	
15	1319689	1	Washer, 0.2	
16	1319690	1	Piston	
17	1319691	1	Seal	
18	1319692	1	Cover	
19	1319693	6	Bolt, M6X25	
20	1319661	16	Washer, 6.4	
21	1319652	1	Orifice	
22	1319694	1	Valve	
23	1319695	1	Piston	
24	1319696	1	Spring, Compression	
25	1319697	1	Piston	
26	1319698	1	Spring, Compression	
27	1319699	1	Spacer, Sleeve	
28	1319700	1	Plug	
29	1319701	1	Plate, Fixing	
30	1319702	3	Valve, Solenoid	
31	10732063	3	Plate, Fixing	
32	1319703	3	Bolt, M5X12	
33	10732064	3	Washer, 2	
34	1319704	1	Harness, Wiring	
35	1319705	1	Seal	
36	8036039	1	Cover	
37	1319707	1	Clamp, Retaining	
38	1319693	6	Bolt, M6X25	
39	7029037	4	Bolt, M6X60	
40	1319670	1	Plug, Screw M10X1	
41	10731709	1	O-Ring	

SECTION 5 - DRIVE TRAIN

FIGURE 5-37. TRANSMISSION, VALVE BLOCK ASSEMBLY



ART_B841036-14

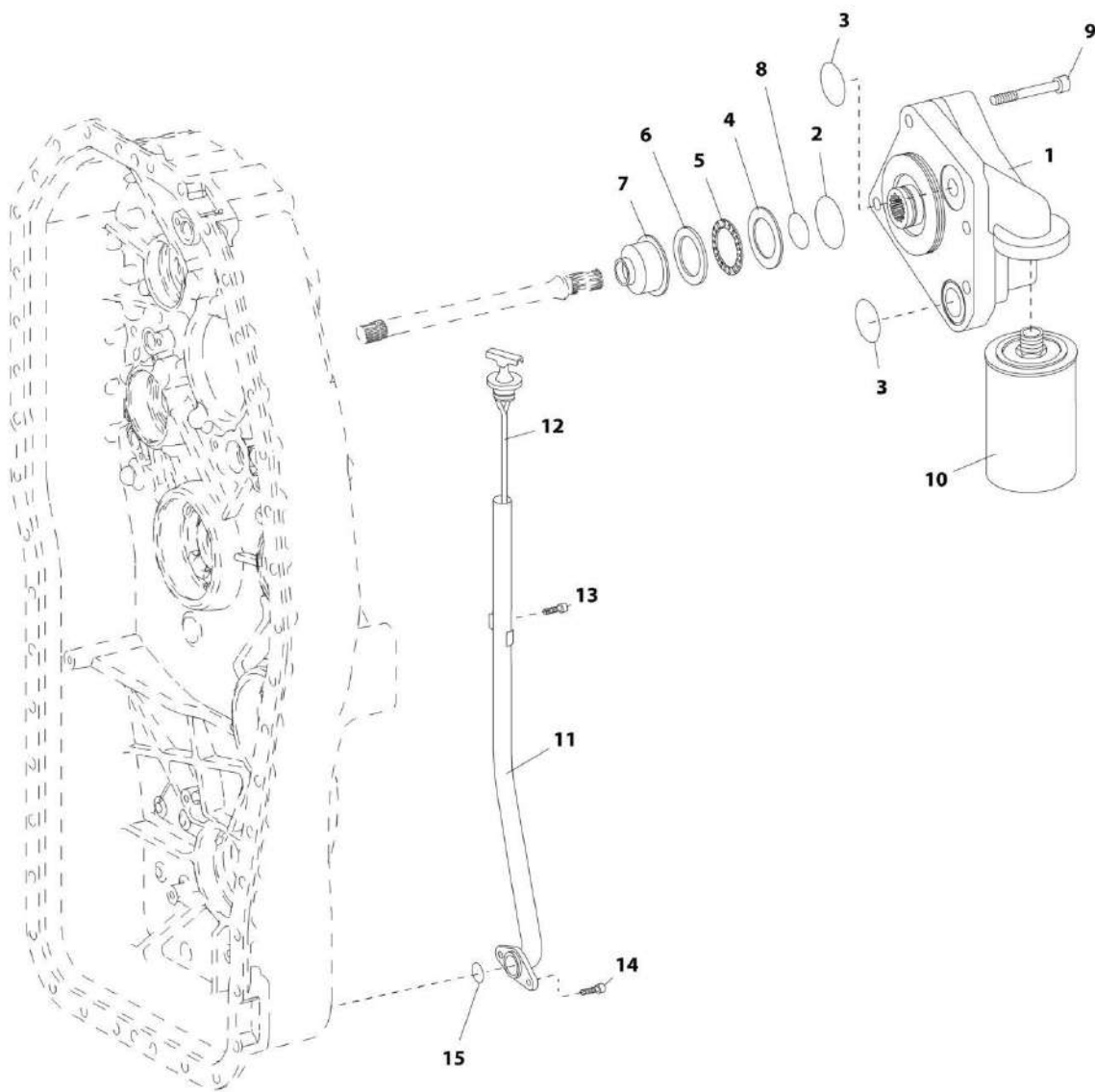
SECTION 5 - DRIVE TRAIN

FIGURE 5-37. TRANSMISSION, VALVE BLOCK ASSEMBLY

ITEM	PART NUMBER	QTY	DESCRIPTION	REV
	1319717	Ref	Valve Block Assembly	
1	70020427	1	Block, Valve	
2	1319710	3	Piston	
3	1319696	3	Spring, Compression	
4	1319702	3	Valve, Solenoid	
5	10732063	3	Plate, Fixing	
6	1319703	3	Bolt, M5X12	
7	1319711	1	Harness, Wiring	
8	1319707	1	Clamp, Retaining	
9	1319712	1	Gasket	
10	1319713	1	Cover	
11	1319714	9	Bolt, M5X32	
12	1319715	9	Washer, 5.3	
13	1319670	3	Plug, Screw M10X1	
14	10731709	3	O-Ring	

SECTION 5 - DRIVE TRAIN

FIGURE 5-38. TRANSMISSION, OIL PUMP AND FILTER



ART_B841036-15

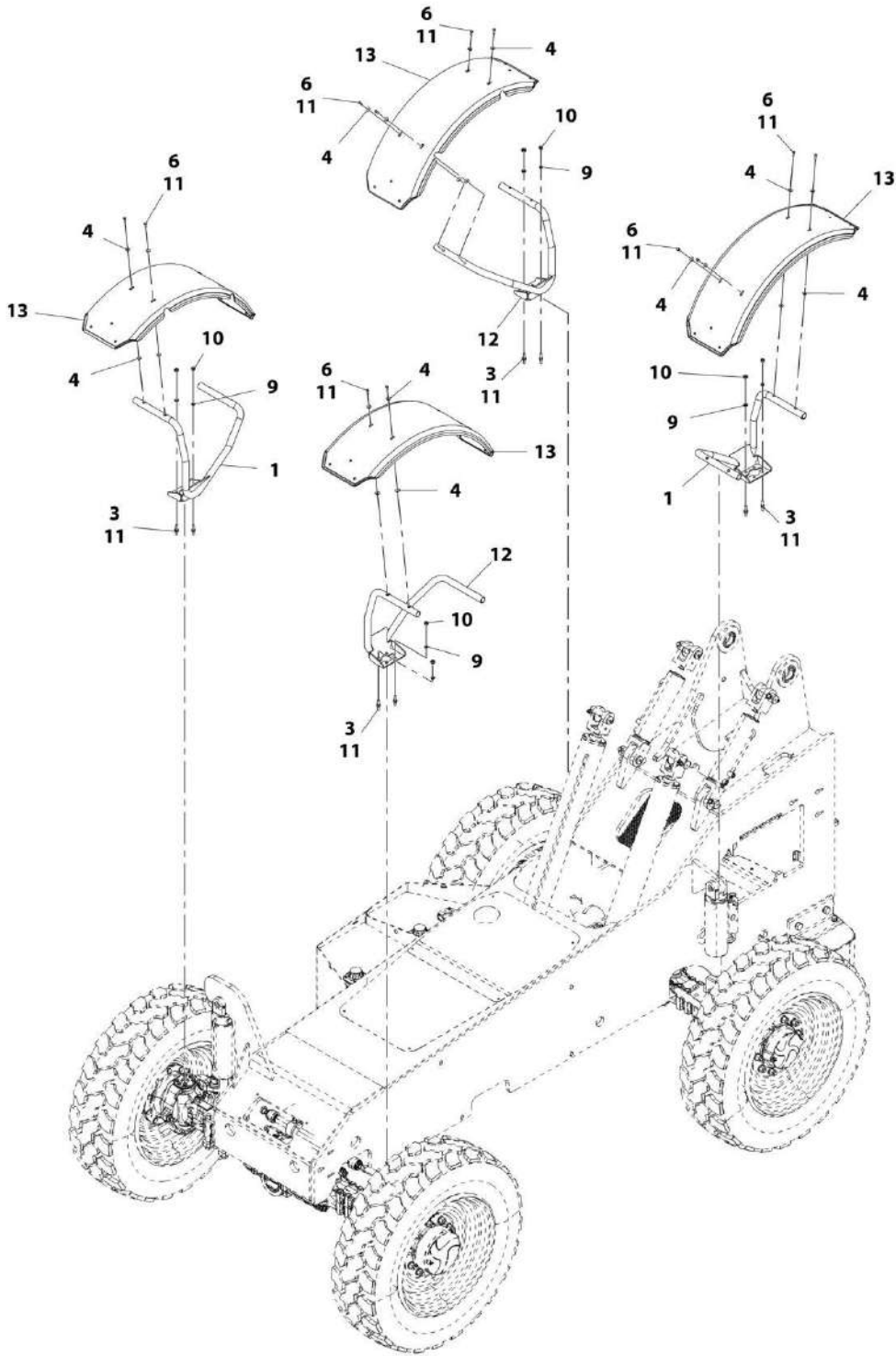
SECTION 5 - DRIVE TRAIN

FIGURE 5-38. TRANSMISSION, OIL PUMP AND FILTER

ITEM	PART NUMBER	QTY	DESCRIPTION	REV
1	1319718	1	Pump	
1	7029417	1	O-Ring, (between pump halves), (not shown)	
2	8036250	1	O-Ring	
3	1319719	2	O-Ring	
4	1319720	1	Washer, Axial 40X60X1	
5	1319721	1	Cage, Axial Needle	
6	1319722	1	Disc, Angle	
7	1319723	1	Sleeve, Stop	
8	1319724	1	O-Ring	
9	1319725	4	Bolt, M12X115	
10	1319726	1	Filter, Transmission Oil	
11	8036041	1	Tube, Dipstick	
12	8036042	1	Dipstick	
13	1319585	1	Screw, M8X16	
14	1319582	1	Screw, M8X20	
15	70023885	1	O-Ring	

SECTION 5 - DRIVE TRAIN

FIGURE 5-39. FENDER INSTALLATION



ART_1001150656-B

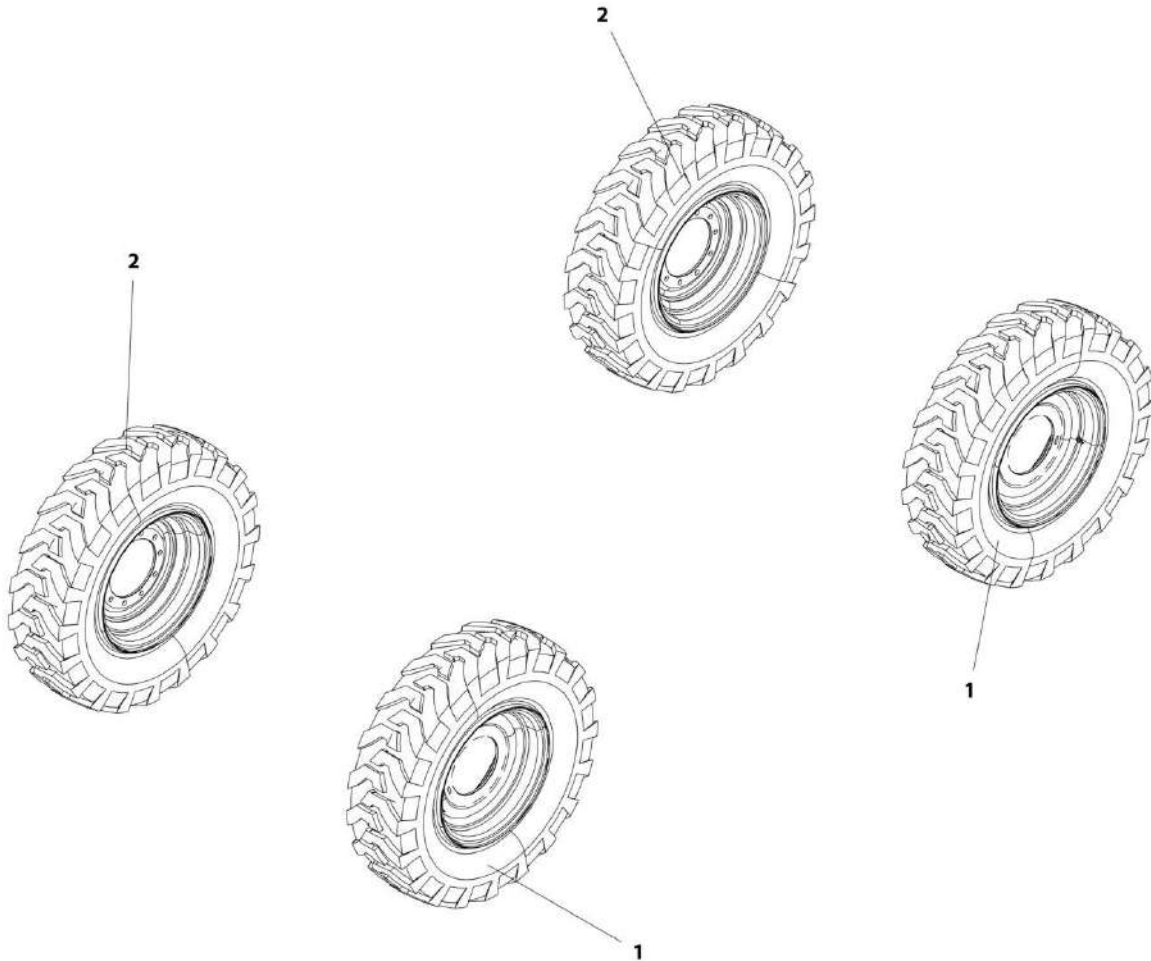
SECTION 5 - DRIVE TRAIN

FIGURE 5-39. FENDER INSTALLATION

ITEM	PART NUMBER	QTY	DESCRIPTION	REV
	1001150656	1	Fender Installation	B
1	1001150652	2	Bracket, Fender Weldment	
3	91514118	16	Stud, Fender	
4	4811902	32	Washer, M8	
6	0760812	16	Bolt, M8X25	
9	83191010	16	Washer, Lock M12	
10	91513266	16	Nut, M12X1-1/4	
11	1001095650	AR	Compound, Locking	
12	1001150655	2	Bracket, Fender Weldment	
13	1001154055	4	Fender	

SECTION 5 - DRIVE TRAIN

FIGURE 5-40. TIRE SET, 13.00-24 PNEUMATIC



ART_4520368_B

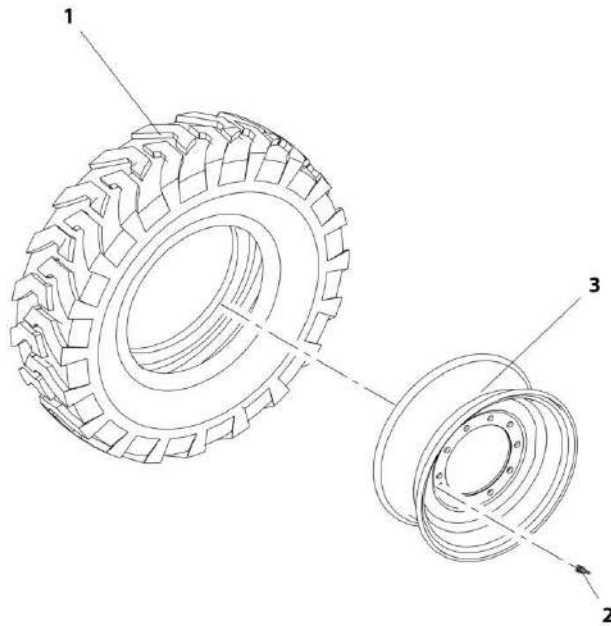
SECTION 5 - DRIVE TRAIN

FIGURE 5-40. TIRE SET, 13.00-24 PNEUMATIC

ITEM	PART NUMBER	QTY	DESCRIPTION	REV
	4520368	Ref	Tire Set, 13.00-24 Pneumatic	B
1	91405035	2	Assembly, RH Tire and Wheel (See RH TIRE AND WHEEL ASSEMBLY, 13.00-24 PNEUMATIC for Breakdown)	
2	91405036	2	Assembly, LH Tire and Wheel (See LH TIRE AND WHEEL ASSEMBLY, 13.00-24 PNEUMATIC for Breakdown)	

SECTION 5 - DRIVE TRAIN

FIGURE 5-41. RH TIRE AND WHEEL ASSEMBLY, 13.00-24 PNEUMATIC



ART_91405035_I

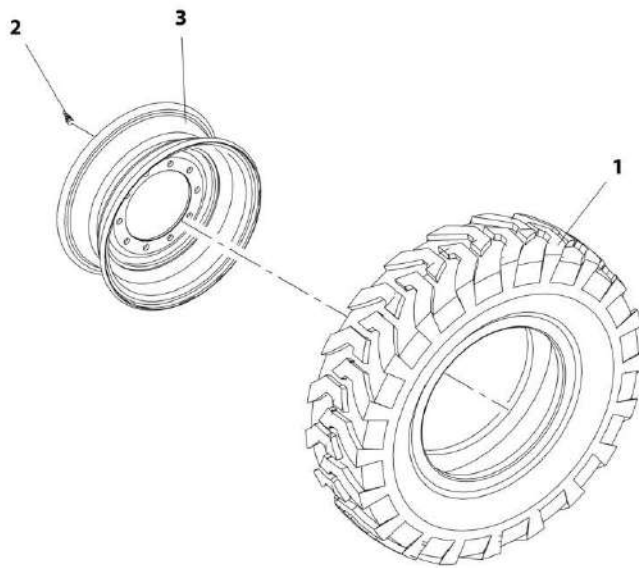
SECTION 5 - DRIVE TRAIN

FIGURE 5-41. RH TIRE AND WHEEL ASSEMBLY, 13.00-24 PNEUMATIC

ITEM	PART NUMBER	QTY	DESCRIPTION	REV
	91405035	Ref	RH Tire and Wheel Assembly, 13.00-24 Pneumatic	I
1	8780031	1	Tire, 13.00X24	
2	8786514	1	Valve, Stem	
3	91473206	1	Wheel, 24X9	

SECTION 5 - DRIVE TRAIN

FIGURE 5-42. LH TIRE AND WHEEL ASSEMBLY, 13.00-24 PNEUMATIC



ART_91405036_I

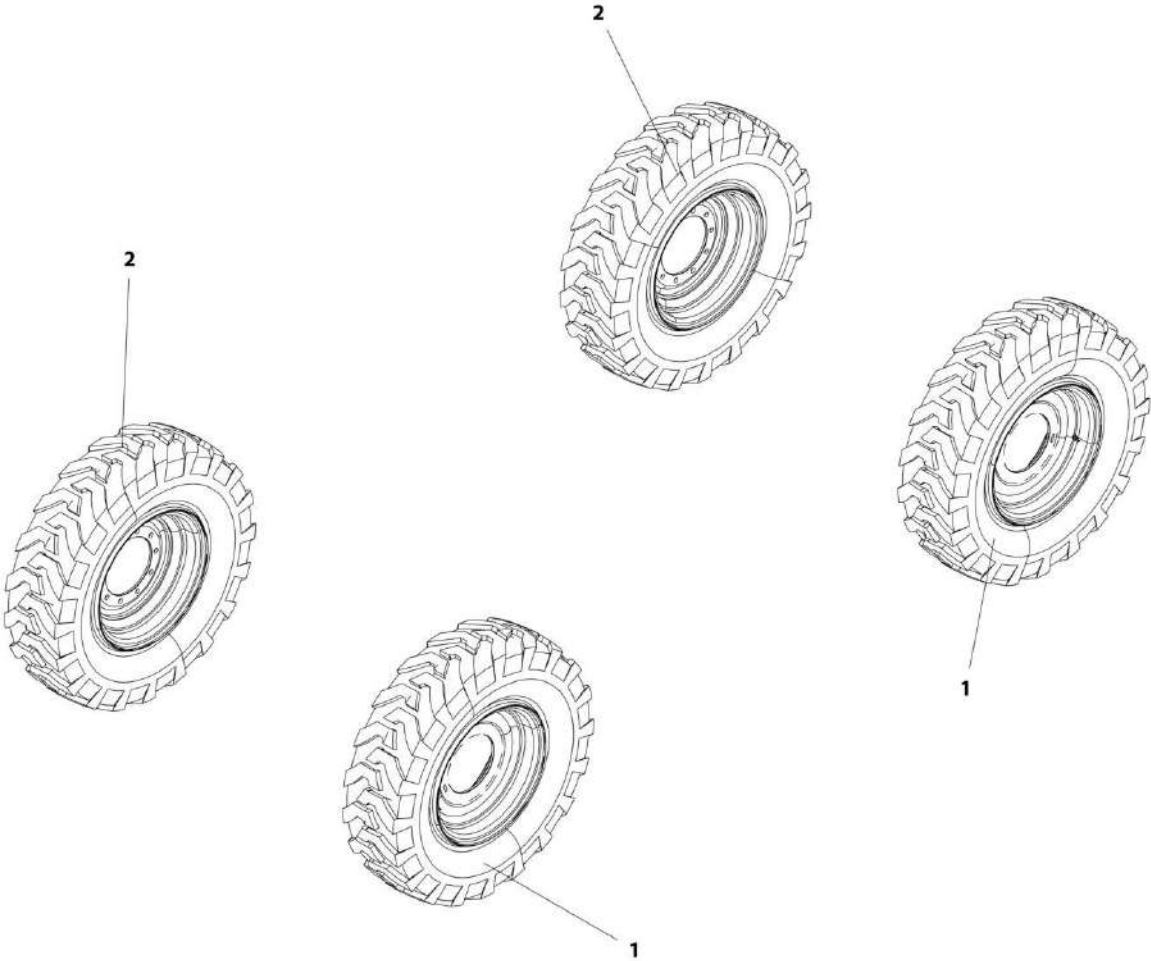
SECTION 5 - DRIVE TRAIN

FIGURE 5-42. LH TIRE AND WHEEL ASSEMBLY, 13.00-24 PNEUMATIC

ITEM	PART NUMBER	QTY	DESCRIPTION	REV
	91405036	Ref	LH Tire and Wheel Assembly, 13.00-24 Pneumatic	I
1	8780031	1	Tire, 13.00X24	
2	8786514	1	Valve, Stem	
3	91473206	1	Wheel, 24X9	

SECTION 5 - DRIVE TRAIN

FIGURE 5-43. TIRE SET, 13.00-24 FOAM



ART_4520370_B

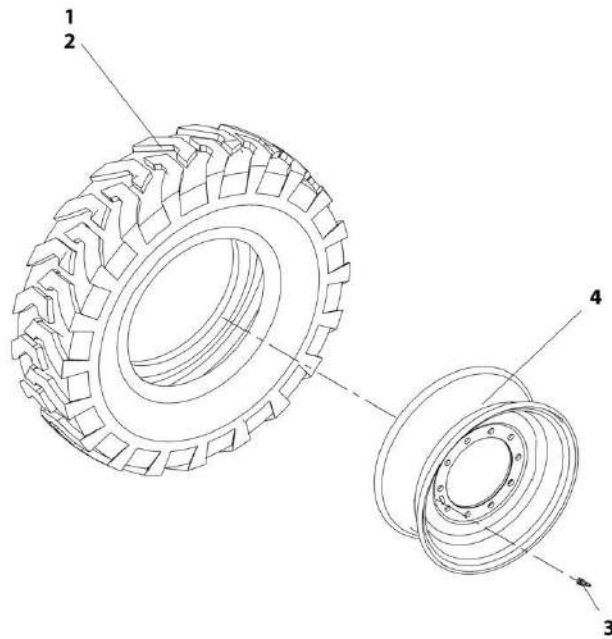
SECTION 5 - DRIVE TRAIN

FIGURE 5-43. TIRE SET, 13.00-24 FOAM

ITEM	PART NUMBER	QTY	DESCRIPTION	REV
	4520370	Ref	Tire Set, 13.00-24 Foam	B
1	91475054	2	Assembly, RH Tire and Wheel (See RH TIRE AND WHEEL ASSEMBLY, 13.00-24 FOAM for Breakdown)	
2	91475055	2	Assembly, LH Tire and Wheel (See LH TIRE AND WHEEL ASSEMBLY, 13.00-24 FOAM for Breakdown)	

SECTION 5 - DRIVE TRAIN

FIGURE 5-44. RH TIRE AND WHEEL ASSEMBLY, 13.00-24 FOAM



ART_91475054_E

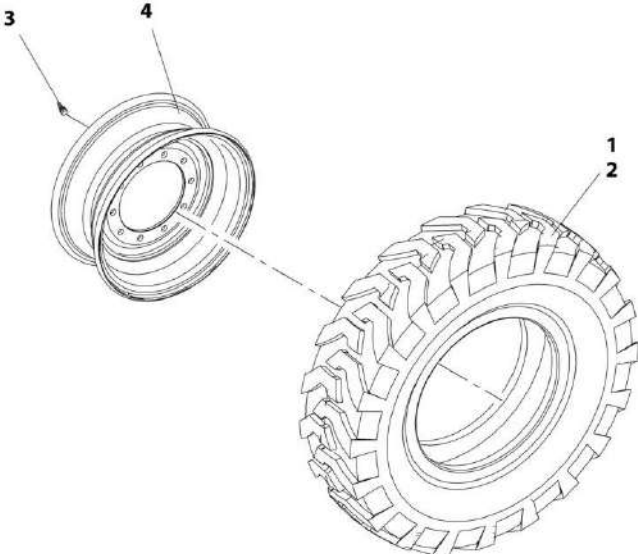
SECTION 5 - DRIVE TRAIN

FIGURE 5-44. RH TIRE AND WHEEL ASSEMBLY, 13.00-24 FOAM

ITEM	PART NUMBER	QTY	DESCRIPTION	REV
	91475054	1	RH Tire and Wheel Assembly, 13.00-24 Foam	E
1	8526203	AR	Fill, Foam	
2	8780031	1	Tire, 13.00X24	
3	8786514	1	Valve, Stem	
4	91473206	1	Wheel, 24X9	

SECTION 5 - DRIVE TRAIN

FIGURE 5-45. LH TIRE AND WHEEL ASSEMBLY, 13.00-24 FOAM



ART_91475055_E

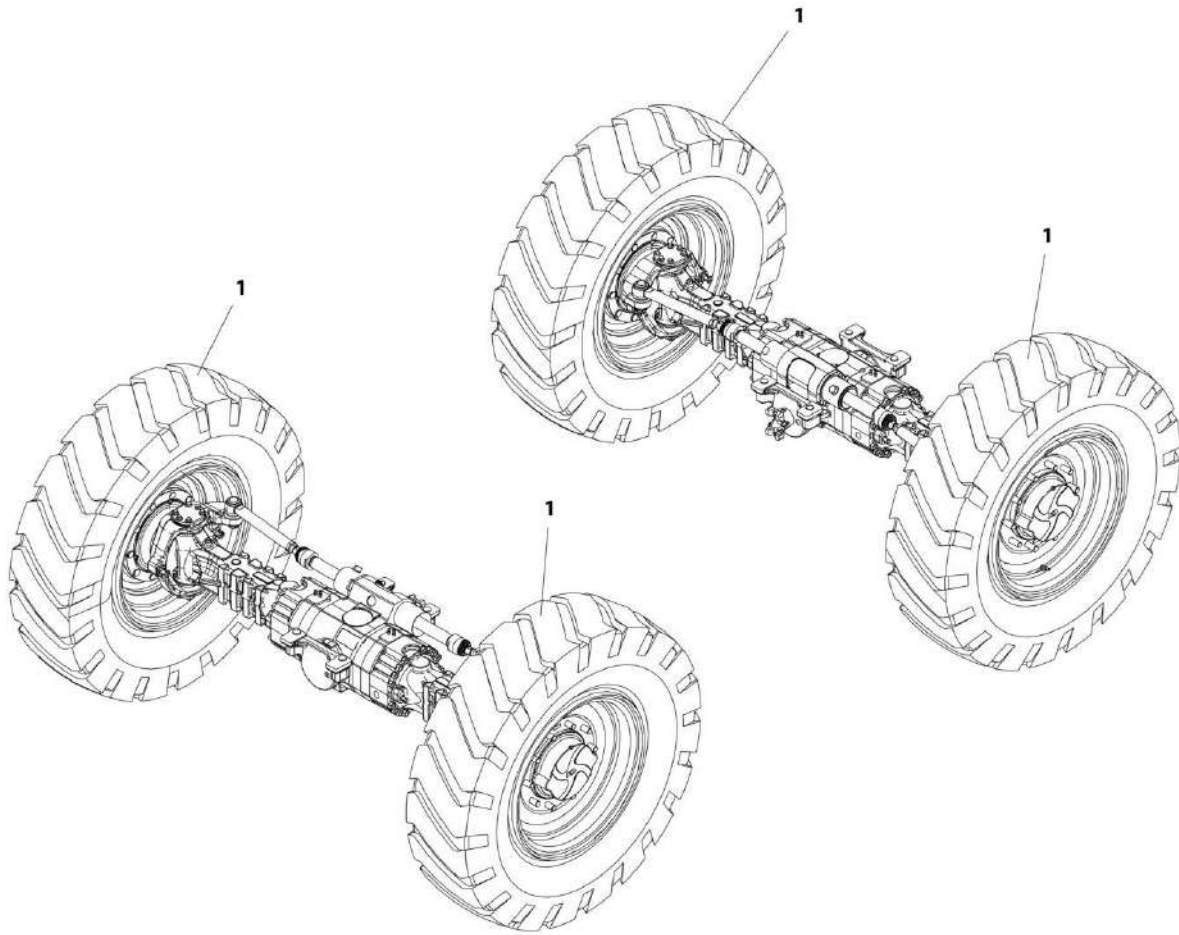
SECTION 5 - DRIVE TRAIN

FIGURE 5-45. LH TIRE AND WHEEL ASSEMBLY, 13.00-24 FOAM

ITEM	PART NUMBER	QTY	DESCRIPTION	REV
	91475055	Ref	LH Tire and Wheel Assembly, 13.00-24 Foam	E
1	8526203	1	Fill, Foam	
2	8780031	1	Tire, 13.00X24	
3	8786514	1	Valve, Stem	
4	91473206	1	Wheel, 24X9	

SECTION 5 - DRIVE TRAIN

FIGURE 5-46. TIRE SET, 13.00-24 ROCK FOAM - 6042



ART_4520371-A

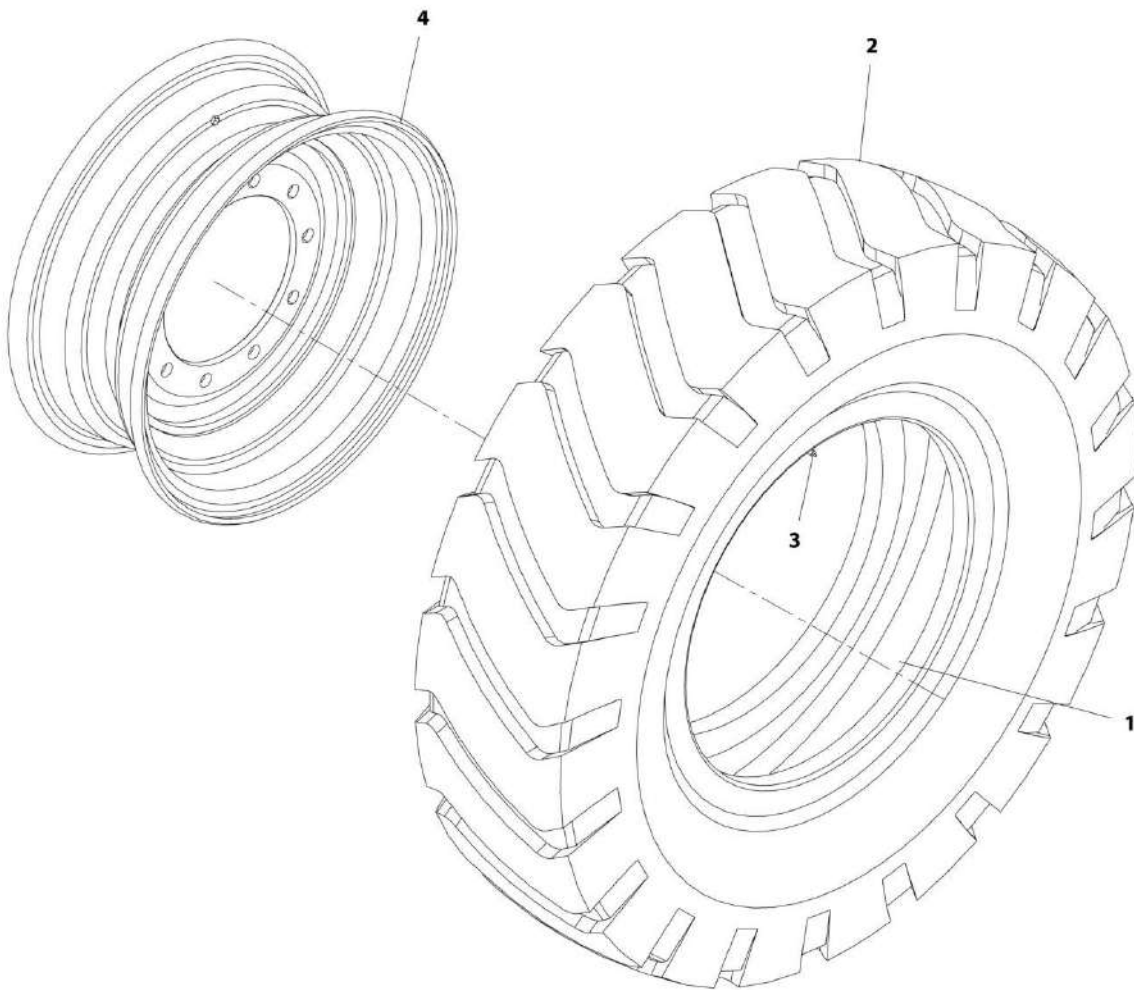
SECTION 5 - DRIVE TRAIN

FIGURE 5-46. TIRE SET, 13.00-24 ROCK FOAM - 6042

ITEM	PART NUMBER	QTY	DESCRIPTION	REV
1	4520371 91535019	Ref 4	Tire Set, 13.00-24 Rock Foam - 6042 Assembly, Tire and Wheel (See TIRE AND WHEEL ASSEMBLY, 13.00-24 ROCK FOAM - 6042 for Breakdown)	A

SECTION 5 - DRIVE TRAIN

FIGURE 5-47. TIRE AND WHEEL ASSEMBLY, 13.00-24 ROCK FOAM - 6042



ART_91535019-D

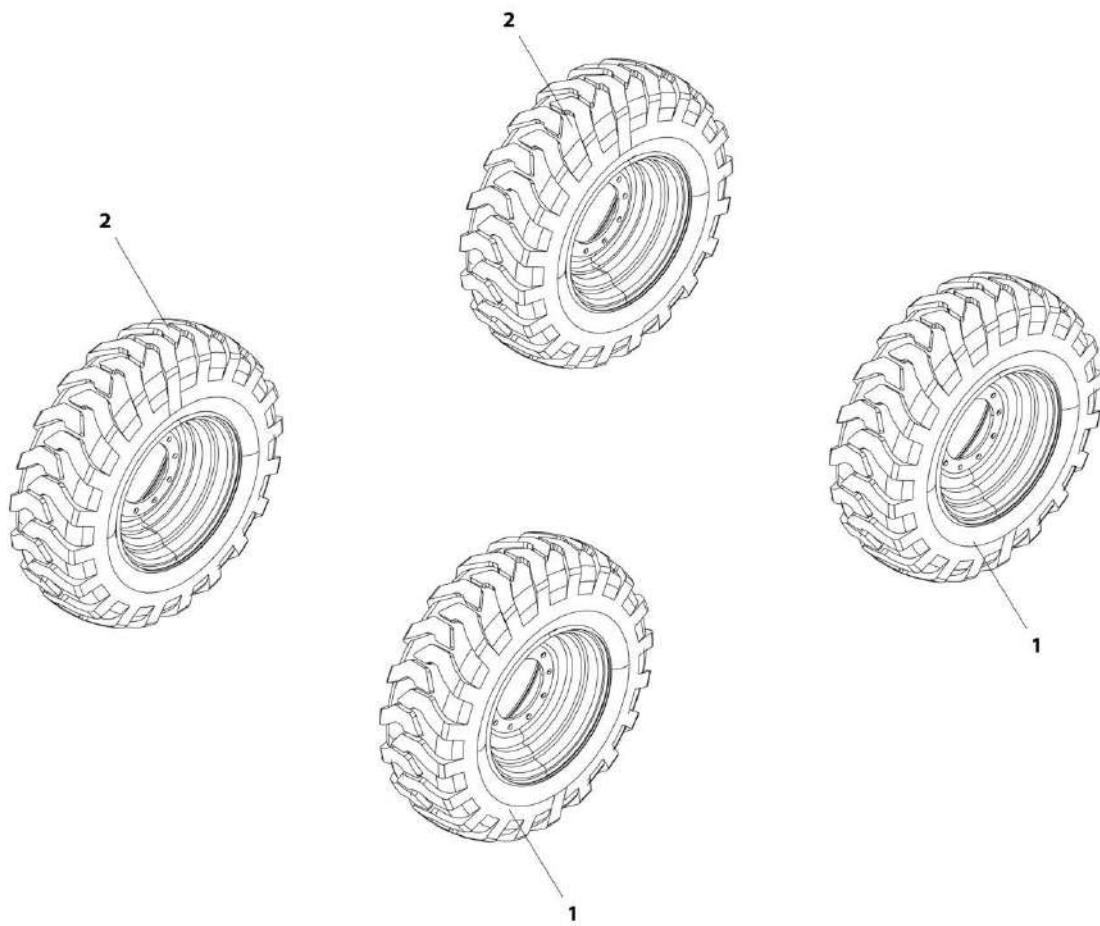
SECTION 5 - DRIVE TRAIN

FIGURE 5-47. TIRE AND WHEEL ASSEMBLY, 13.00-24 ROCK FOAM - 6042

ITEM	PART NUMBER	QTY	DESCRIPTION	REV
	91535019	Ref	Tire and Wheel Assembly, 13.00-24 Rock Foam - 6042	D
1	8526203	AR	Fill, Foam	
2	8780045	1	Tire, 13.00X24	
3	8786514	1	Valve, Stem	
4	91473206	1	Wheel, 24X9	

SECTION 5 - DRIVE TRAIN

FIGURE 5-48. TIRE SET, 15.50-25 PNEUMATIC



ART_4520455_B

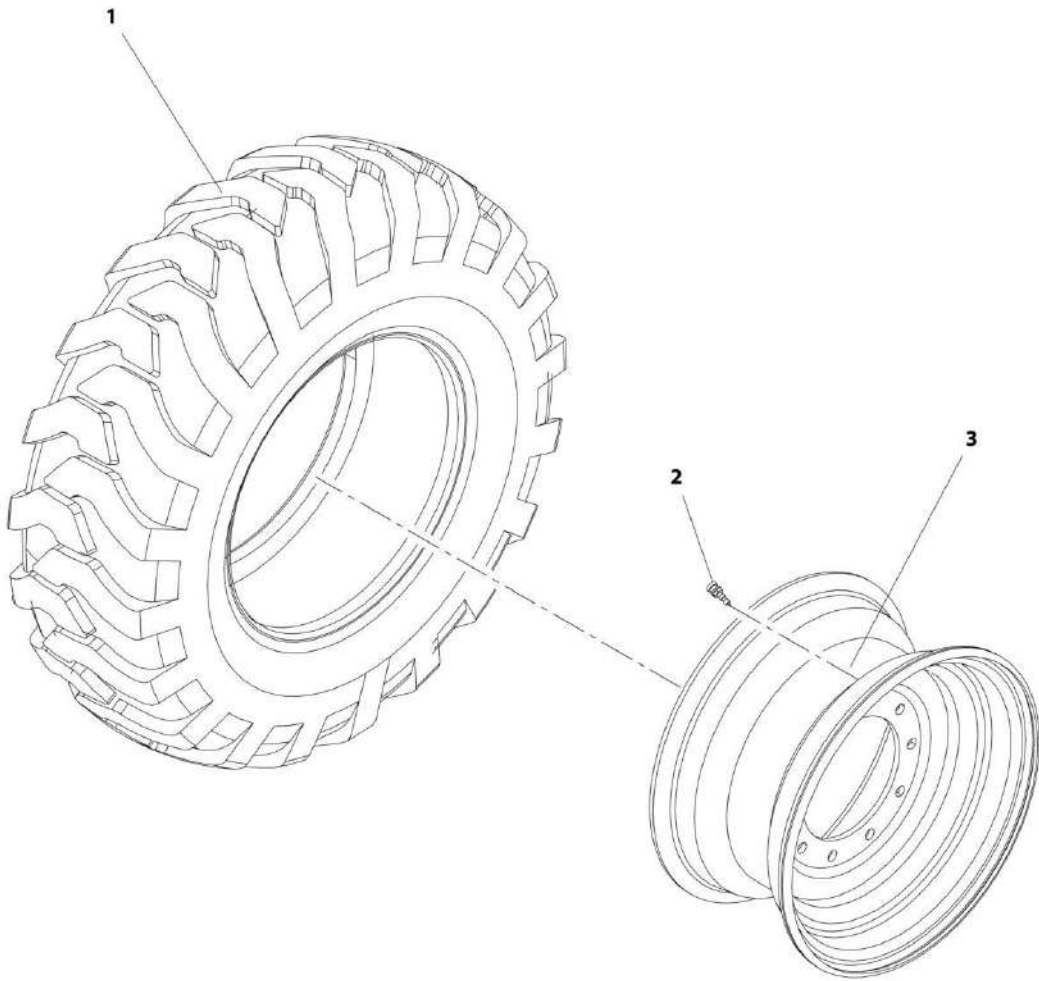
SECTION 5 - DRIVE TRAIN

FIGURE 5-48. TIRE SET, 15.50-25 PNEUMATIC

ITEM	PART NUMBER	QTY	DESCRIPTION	REV
1	4520455	Ref	Tire Set, 15.50-25 Pneumatic	B
	91475031	2	Assembly, RH Tire and Wheel (See RH TIRE AND WHEEL ASSEMBLY, 15.50-25 PNEUMATIC for Breakdown)	
2	91475032	2	Assembly, LH Tire and Wheel (See LH TIRE AND WHEEL ASSEMBLY, 15.50-25 PNEUMATIC for Breakdown)	

SECTION 5 - DRIVE TRAIN

FIGURE 5-49. RH TIRE AND WHEEL ASSEMBLY, 15.50-25 PNEUMATIC



ART_91475031_D

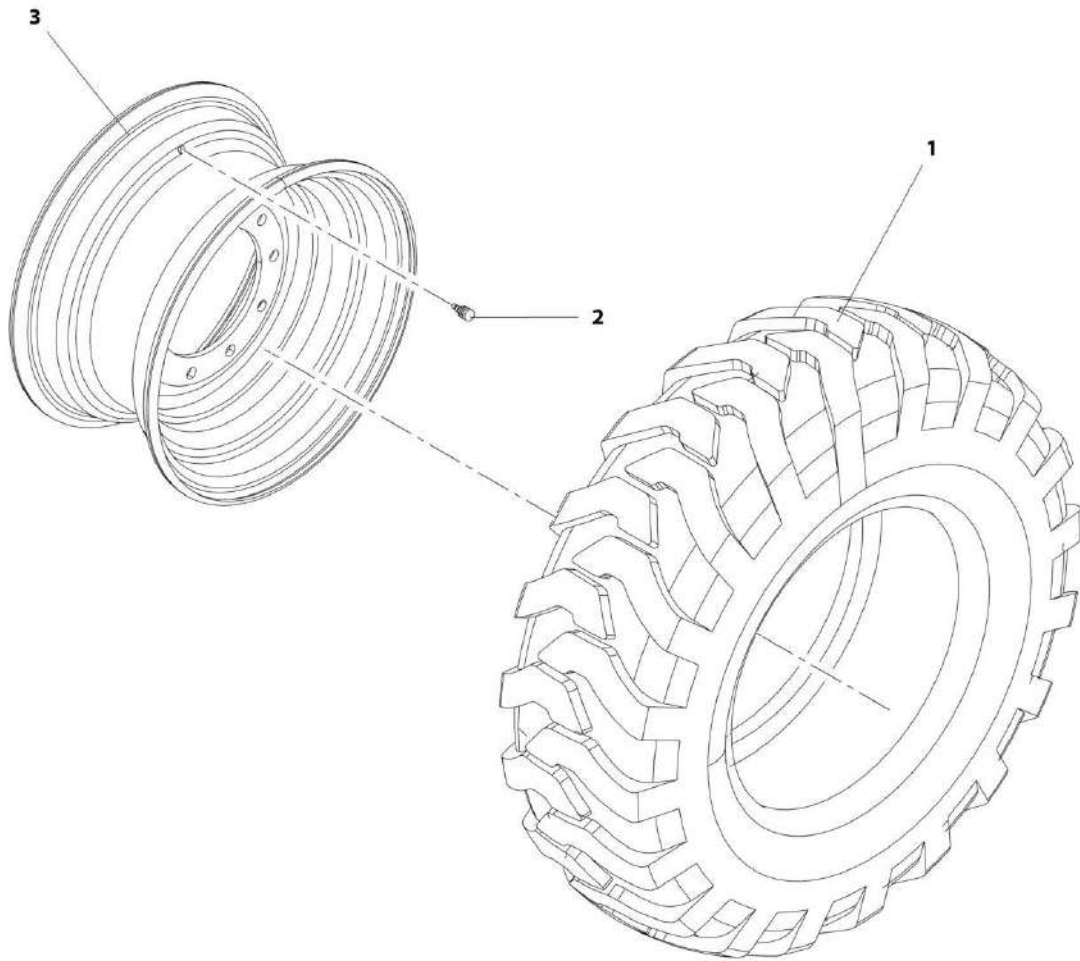
SECTION 5 - DRIVE TRAIN

FIGURE 5-49. RH TIRE AND WHEEL ASSEMBLY, 15.50-25 PNEUMATIC

ITEM	PART NUMBER	QTY	DESCRIPTION	REV
	91475031	Ref	RH Tire and Wheel Assembly, 15.50-25 Pneumatic	D
1	8780036	1	Tire, 15.5X25	
2	8786514	1	Valve, Stem	
3	91473207	1	Wheel, 25X13.00	

SECTION 5 - DRIVE TRAIN

FIGURE 5-50. LH TIRE AND WHEEL ASSEMBLY, 15.50-25 PNEUMATIC



ART_91475032_D

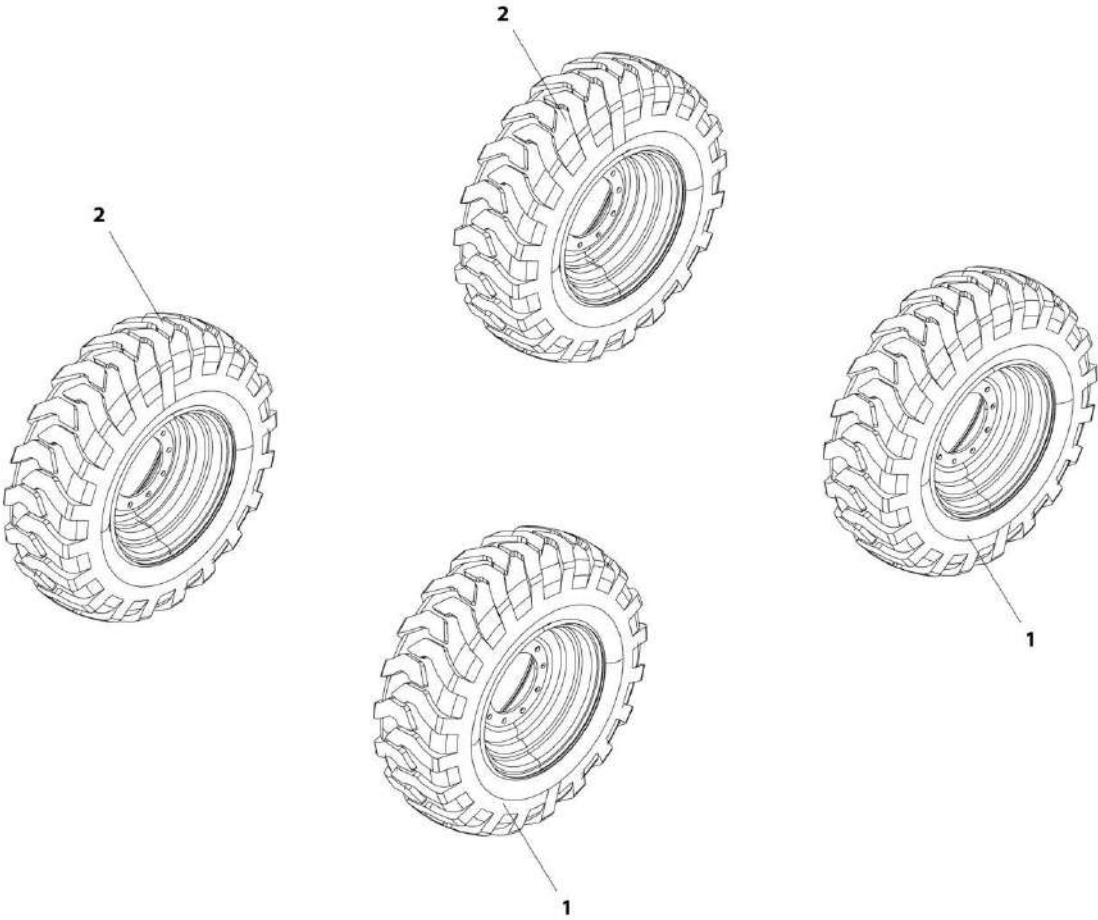
SECTION 5 - DRIVE TRAIN

FIGURE 5-50. LH TIRE AND WHEEL ASSEMBLY, 15.50-25 PNEUMATIC

ITEM	PART NUMBER	QTY	DESCRIPTION	REV
	91475032	Ref	LH Tire and Wheel Assembly, 15.50-25 Pneumatic	D
1	8780036	1	Tire, 15.5X25	
2	8786514	1	Valve, Stem	
3	91473207	1	Wheel, 25X13.00	

SECTION 5 - DRIVE TRAIN

FIGURE 5-51. TIRE SET, 15.50-25 FOAM



ART_4520456_B

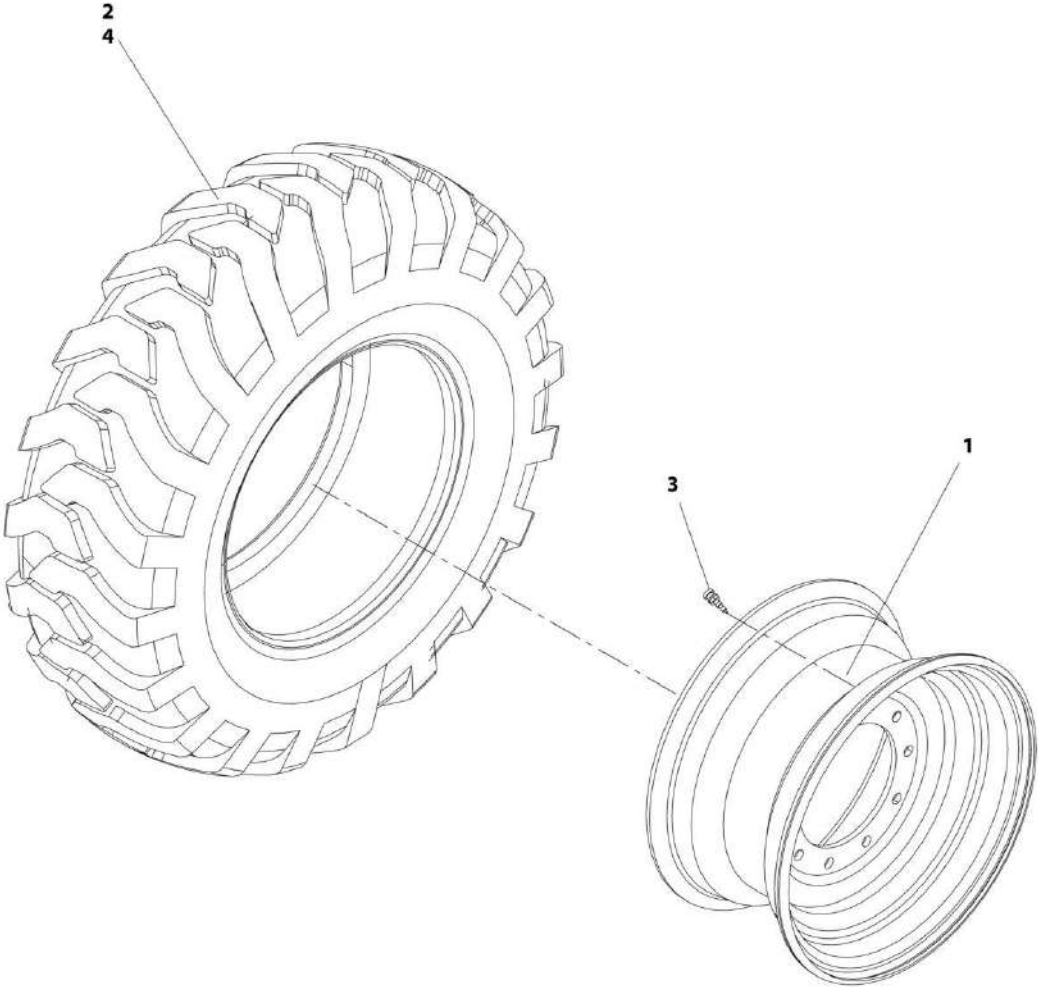
SECTION 5 - DRIVE TRAIN

FIGURE 5-51. TIRE SET, 15.50-25 FOAM

ITEM	PART NUMBER	QTY	DESCRIPTION	REV
1	4520456	Ref	Tire Set, 15.50-25 Foam	B
	4520449	2	Assembly, RH Tire and Wheel (See RH TIRE AND WHEEL ASSEMBLY, 15.50-25 FOAM for Breakdown)	
2	4520450	2	Assembly, LH Tire and Wheel (See LH TIRE AND WHEEL ASSEMBLY, 15.50-25 FOAM for Breakdown)	

SECTION 5 - DRIVE TRAIN

FIGURE 5-52. RH TIRE AND WHEEL ASSEMBLY, 15.50-25 FOAM



ART_4520449_B

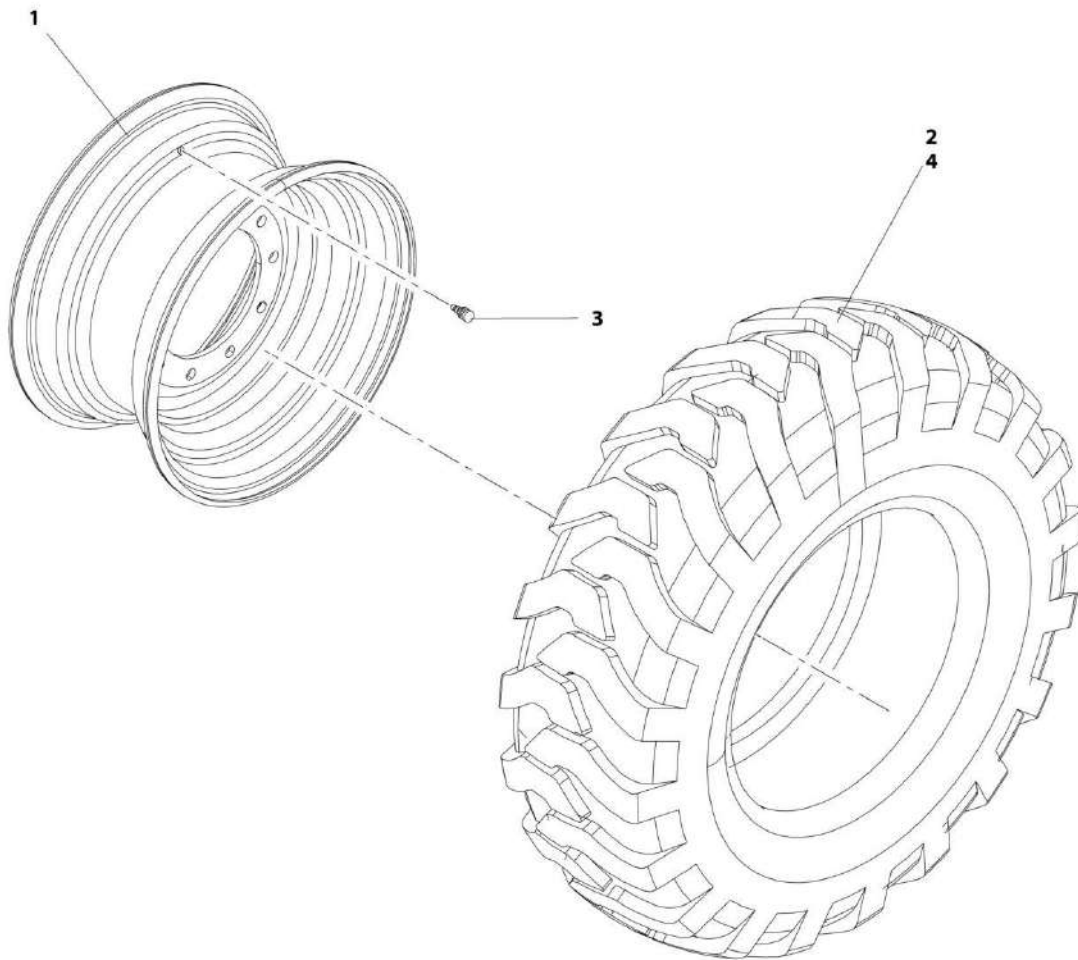
SECTION 5 - DRIVE TRAIN

FIGURE 5-52. RH TIRE AND WHEEL ASSEMBLY, 15.50-25 FOAM

ITEM	PART NUMBER	QTY	DESCRIPTION	REV
	4520449	Ref	RH Tire and Wheel Assembly, 15.50-25 Foam	B
1	91473207	1	Wheel, 25X13.00	
2	8780036	1	Tire, 15.50X25	
3	8786514	1	Valve, Stem	
4	8526203	AR	Fill, Foam	

SECTION 5 - DRIVE TRAIN

FIGURE 5-53. LH TIRE AND WHEEL ASSEMBLY, 15.50-25 FOAM



ART_4520450_B

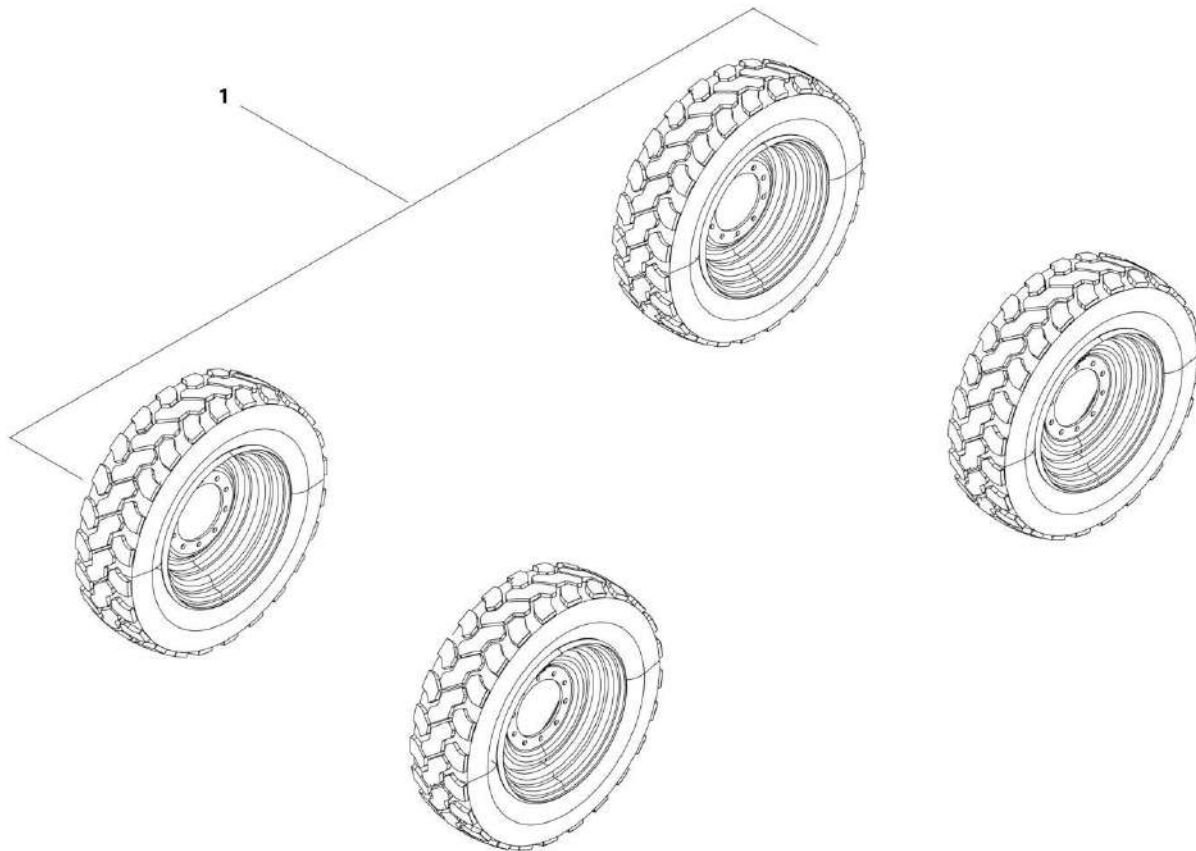
SECTION 5 - DRIVE TRAIN

FIGURE 5-53. LH TIRE AND WHEEL ASSEMBLY, 15.50-25 FOAM

ITEM	PART NUMBER	QTY	DESCRIPTION	REV
	4520450	Ref	LH Tire and Wheel Assembly, 15.50-25 Foam	B
1	91473207	1	Wheel, 25X13.00	
2	8780036	1	Tire, 15.50X25	
3	8786514	1	Valve, Stem	
4	8526203	AR	Fill, Foam	

SECTION 5 - DRIVE TRAIN

FIGURE 5-54. TIRE SET, 370/75-28 PNEUMATIC



ART_1001120963_B

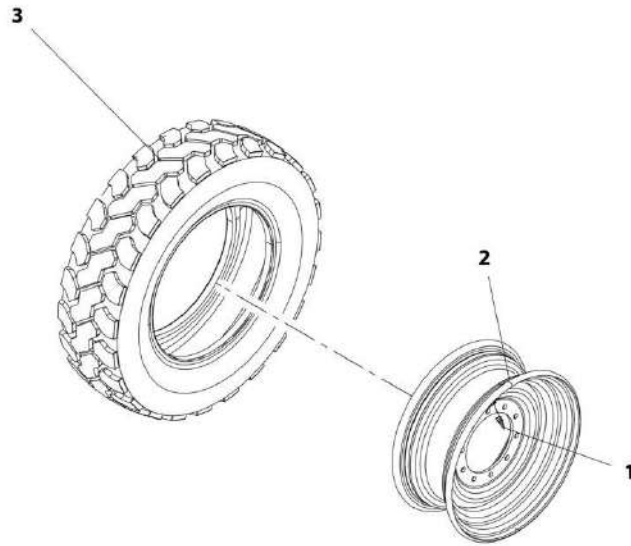
SECTION 5 - DRIVE TRAIN

FIGURE 5-54. TIRE SET, 370/75-28 PNEUMATIC

ITEM	PART NUMBER	QTY	DESCRIPTION	REV
1	1001120963 1001100323	Ref 4	Tire Set, 370/75-28 Pneumatic Assembly, Tire and Wheel (See TIRE AND WHEEL ASSEMBLY, 370/75-28 PNEUMATIC for Breakdown)	B

SECTION 5 - DRIVE TRAIN

FIGURE 5-55. TIRE AND WHEEL ASSEMBLY, 370/75-28 PNEUMATIC



ART_1001100323_D

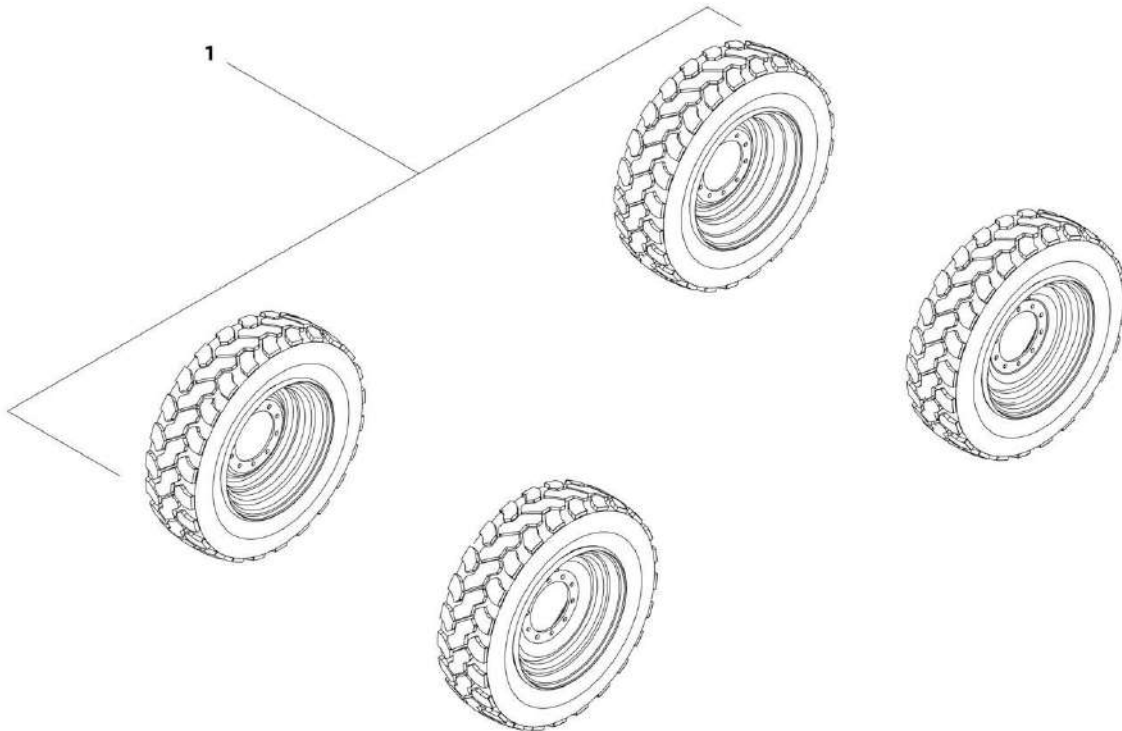
SECTION 5 - DRIVE TRAIN

FIGURE 5-55. TIRE AND WHEEL ASSEMBLY, 370/75-28 PNEUMATIC

ITEM	PART NUMBER	QTY	DESCRIPTION	REV
	1001100323	Ref	Tire and Wheel Assembly, 370/75-28 Pneumatic	D
1	8786514	1	Valve, Stem	
2	1001099976	1	Wheel, 28X11.00	
3	1001100284	1	Tire, 370/75-28	

SECTION 5 - DRIVE TRAIN

FIGURE 5-56. TIRE SET, 370/75-28 FOAM



ART_1001121519_B

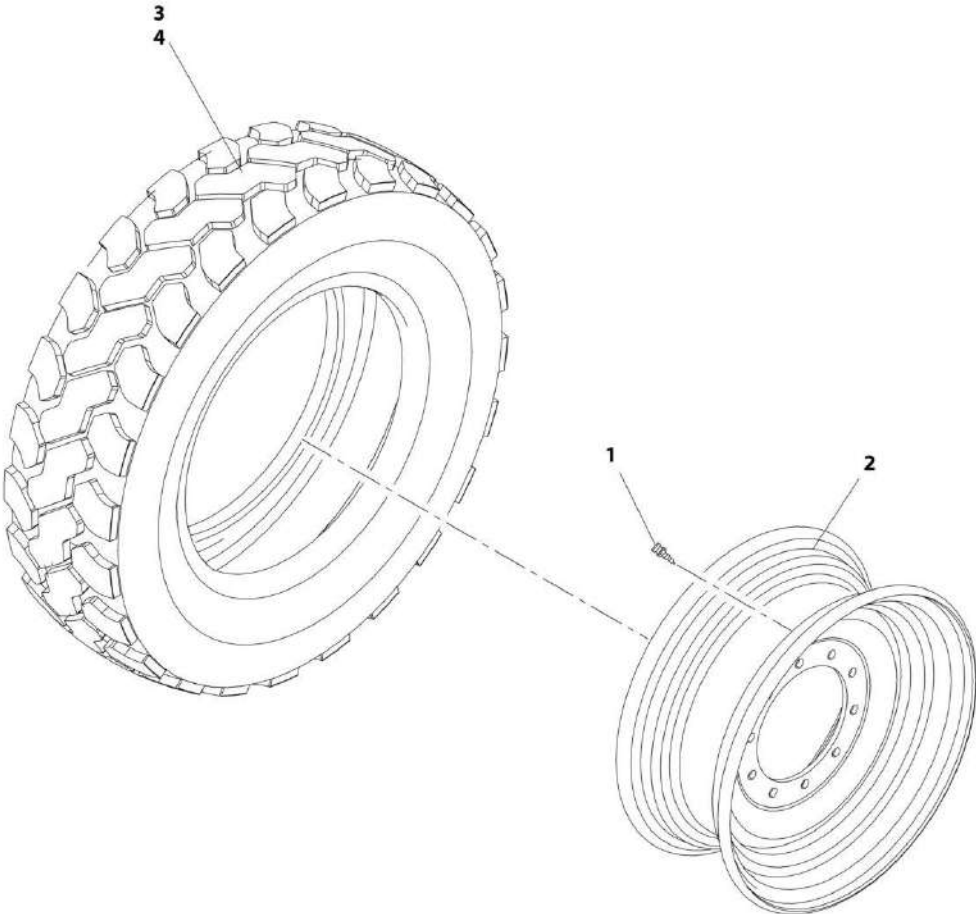
SECTION 5 - DRIVE TRAIN

FIGURE 5-56. TIRE SET, 370/75-28 FOAM

ITEM	PART NUMBER	QTY	DESCRIPTION	REV
1	1001121519 1001121101	Ref 4	Tire Set, 370/75-28 Foam Assembly, Tire and Wheel (See TIRE AND WHEEL ASSEMBLY, 370/75-28 FOAM for Breakdown)	B

SECTION 5 - DRIVE TRAIN

FIGURE 5-57. TIRE AND WHEEL ASSEMBLY, 370/75-28 FOAM



ART_1001121101_B

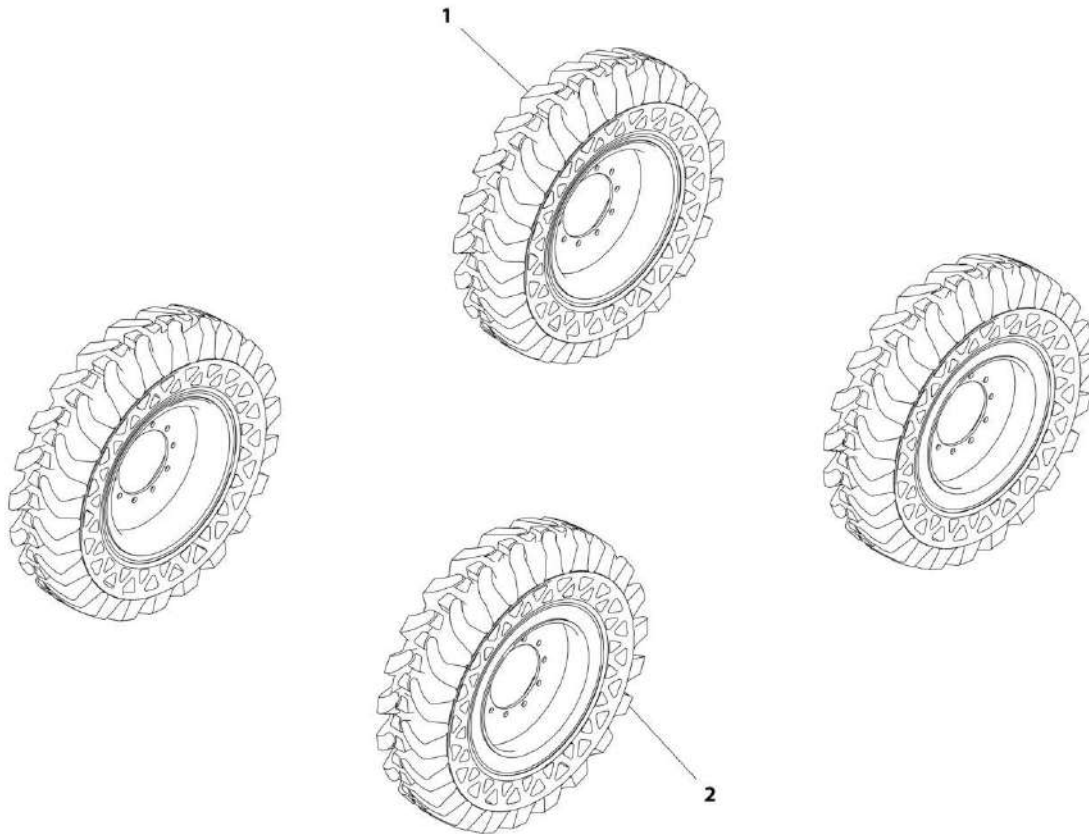
SECTION 5 - DRIVE TRAIN

FIGURE 5-57. TIRE AND WHEEL ASSEMBLY, 370/75-28 FOAM

ITEM	PART NUMBER	QTY	DESCRIPTION	REV
	1001121101	Ref	Tire and Wheel Assembly, 370/75-28 Foam	B
1	8786514	1	Valve, Stem	
2	1001099976	1	Wheel, 28X11.00	
3	1001100284	1	Tire, 370/75-28	
4	8526203	AR	Fill, Foam	

SECTION 5 - DRIVE TRAIN

FIGURE 5-58. TIRE SET, 13.00-24 SOLID (Prior to SN 0160083772, Excluding 01600083362)



ART_1001151106-A

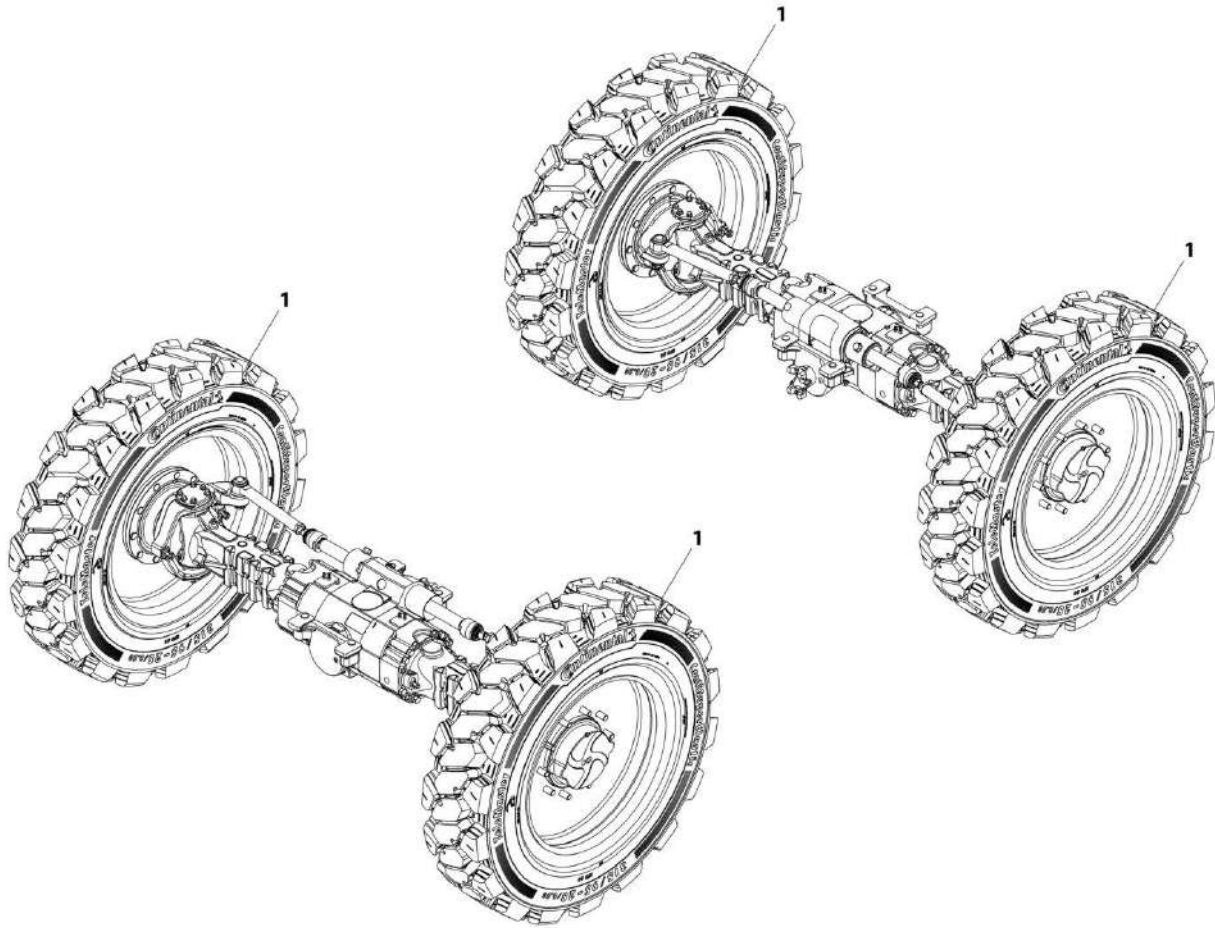
SECTION 5 - DRIVE TRAIN

FIGURE 5-58. TIRE SET, 13.00-24 SOLID (Prior to SN 0160083772, Excluding 01600083362)

ITEM	PART NUMBER	QTY	DESCRIPTION	REV
	1001151106	Ref	Tire Set, 13.00-24 Solid	A
1	1001151097	2	LH Tire, 13.00-24 Solid	
2	1001151098	2	RH Tire, 13.00-24 Solid	

SECTION 5 - DRIVE TRAIN

FIGURE 5-59. TIRE SET, 315/95-28/8.5 SOLID (SN 0160083772 to Present, Including 01600083362)



ART_1001221500-A

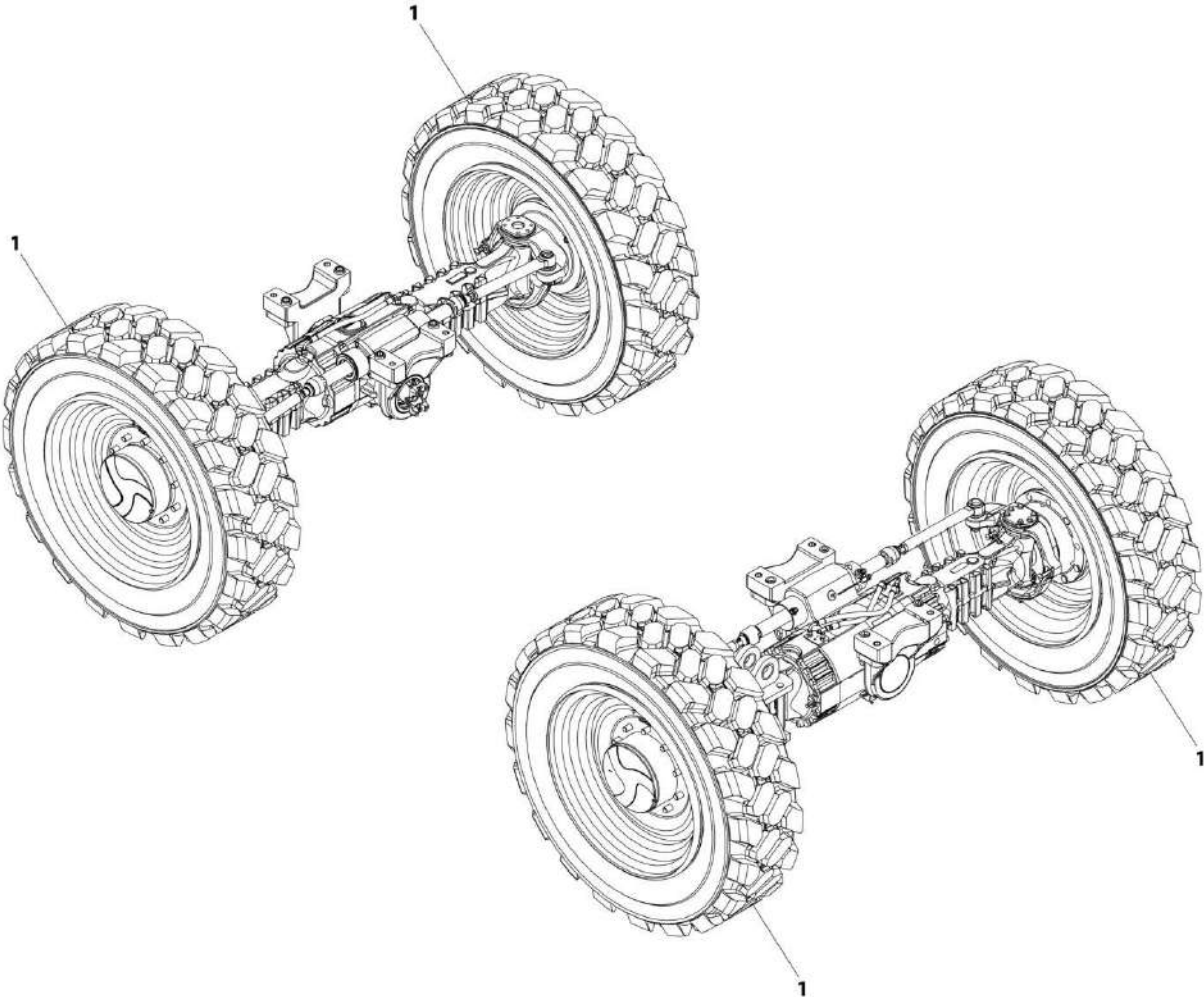
SECTION 5 - DRIVE TRAIN

FIGURE 5-59. TIRE SET, 315/95-28/8.5 SOLID (SN 0160083772 to Present, Including 01600083362)

ITEM	PART NUMBER	QTY	DESCRIPTION	REV
1	1001221500	Ref	Tire Set, 315/95-28/8.5 Solid	A
	1001213199J	4	Tire, 315/95-28/8.5 Solid	

SECTION 5 - DRIVE TRAIN

FIGURE 5-60. TIRE SET, 370/75-28 PNEUMATIC NON-MARKING



ART_1001241846-A

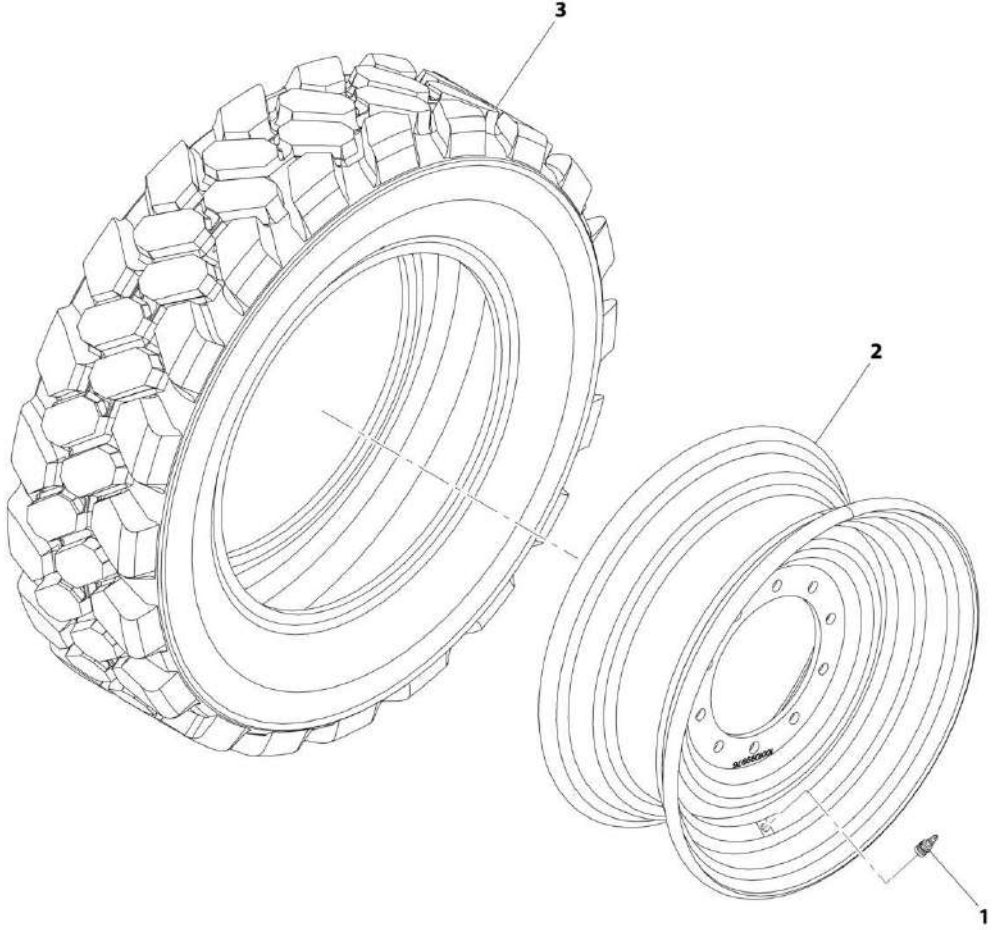
SECTION 5 - DRIVE TRAIN

FIGURE 5-60. TIRE SET, 370/75-28 PNEUMATIC NON-MARKING

ITEM	PART NUMBER	QTY	DESCRIPTION	REV
1	1001241846 1001241839	Ref 4	Tire Set, 370/75-28 - Pneumatic Non-Marking Assembly, Tire and Wheel (See Separate Breakdown in This Section)	A

SECTION 5 - DRIVE TRAIN

FIGURE 5-61. TIRE & WHEEL ASSY, 370/75-28 PNEUMATIC NON-MARKING



ART_1001241839-A

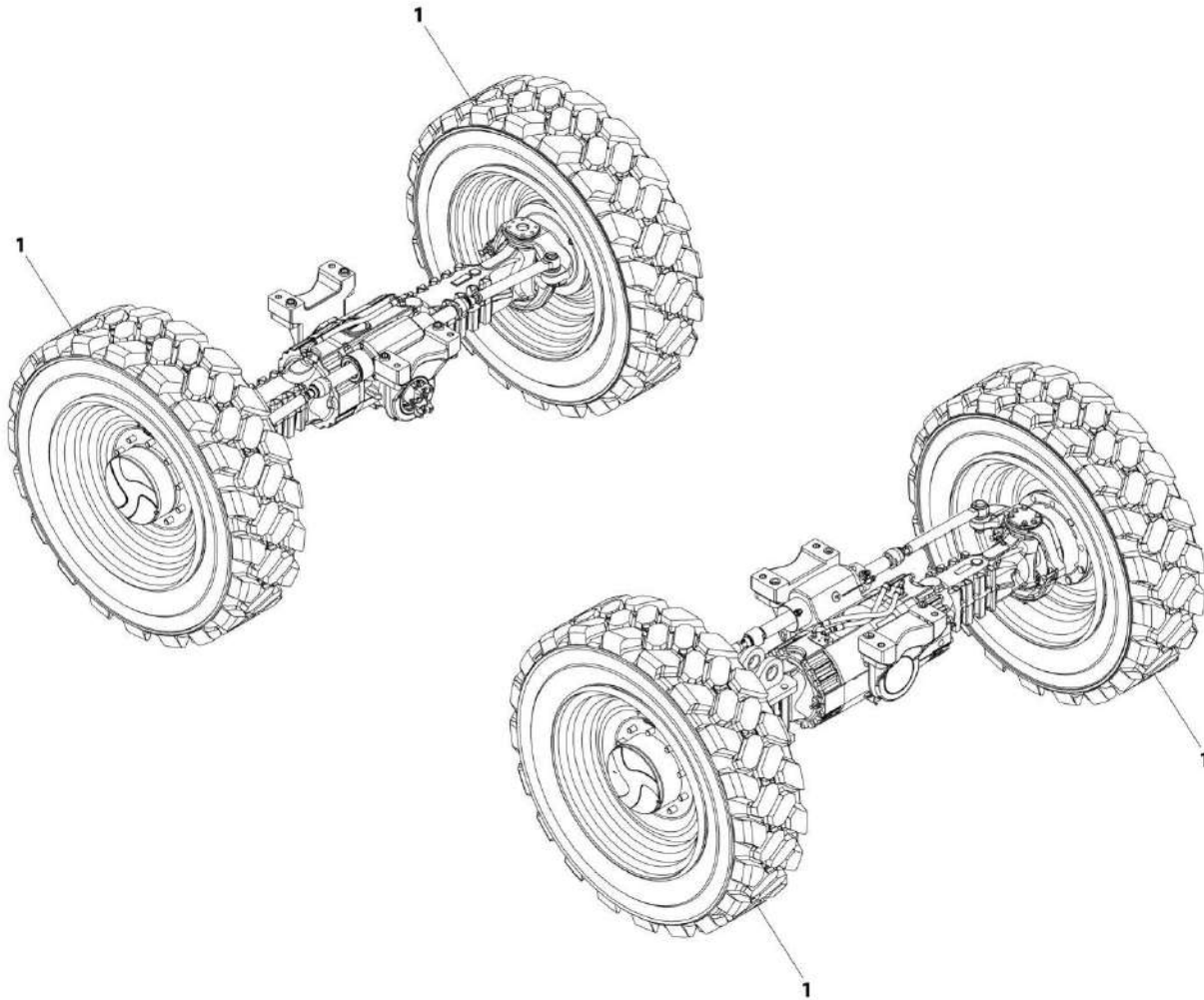
SECTION 5 - DRIVE TRAIN

FIGURE 5-61. TIRE & WHEEL ASSY, 370/75-28 PNEUMATIC NON-MARKING

ITEM	PART NUMBER	QTY	DESCRIPTION	REV
	1001241839	Ref	Tire/Wheel Assembly, 370/75-28 - Pneumatic Non-Marking	A
1	8786514	1	Valve, Stem	
2	1001099976	1	Wheel, 28X11.00	
3	1001241838	1	Tire, 370/75-28 Non-Marking	

SECTION 5 - DRIVE TRAIN

FIGURE 5-62. TIRE SET, 370/75-28 FOAM NON-MARKING



ART_1001241847-A

SECTION 5 - DRIVE TRAIN

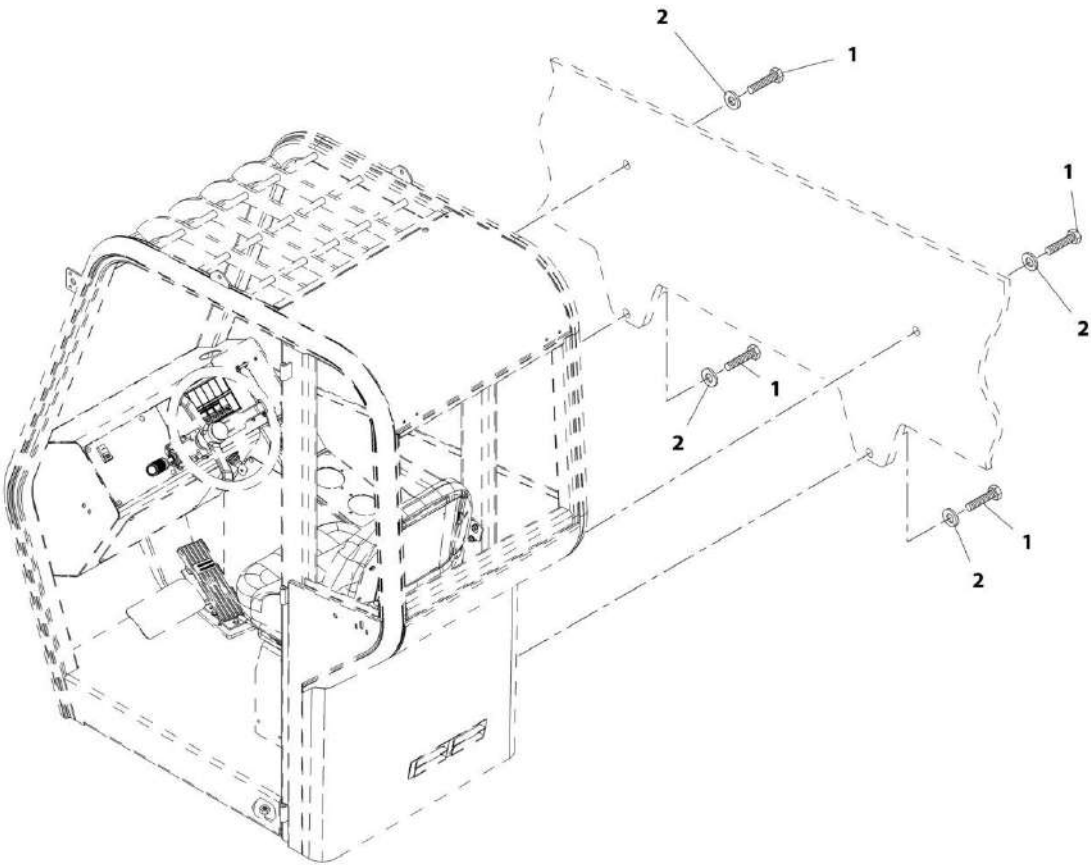
FIGURE 5-62. TIRE SET, 370/75-28 FOAM NON-MARKING

ITEM	PART NUMBER	QTY	DESCRIPTION	REV
1	1001241847	Ref	Tire/Wheel Set, 370/75-28 - Foam Non-Marking	A
	1001241840	4	Tire and Wheel, 370/75-28 - Foam Non-Marking	

SECTION 6 - CAB

SECTION 6 - CAB

FIGURE 6-1. CAB INSTALLATION



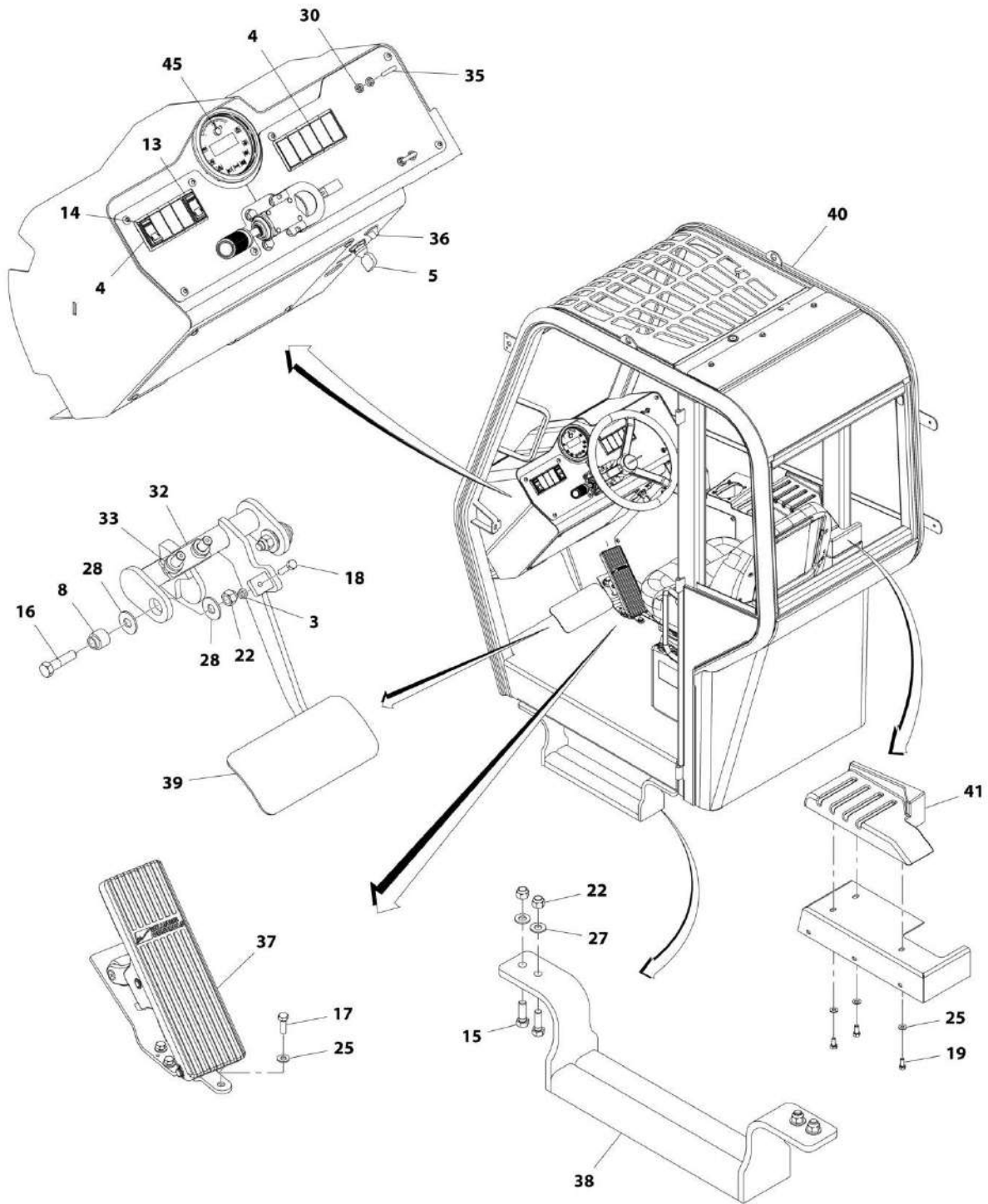
ART_713882_AA

FIGURE 6-1. CAB INSTALLATION

ITEM	PART NUMBER	QTY	DESCRIPTION	REV
	7138882	Ref	Cab Installation	AA
1	8310493	4	Bolt, 7/8-9X5-1/2, Grade 8	
2	8307011	4	Washer, Lock 7/8	

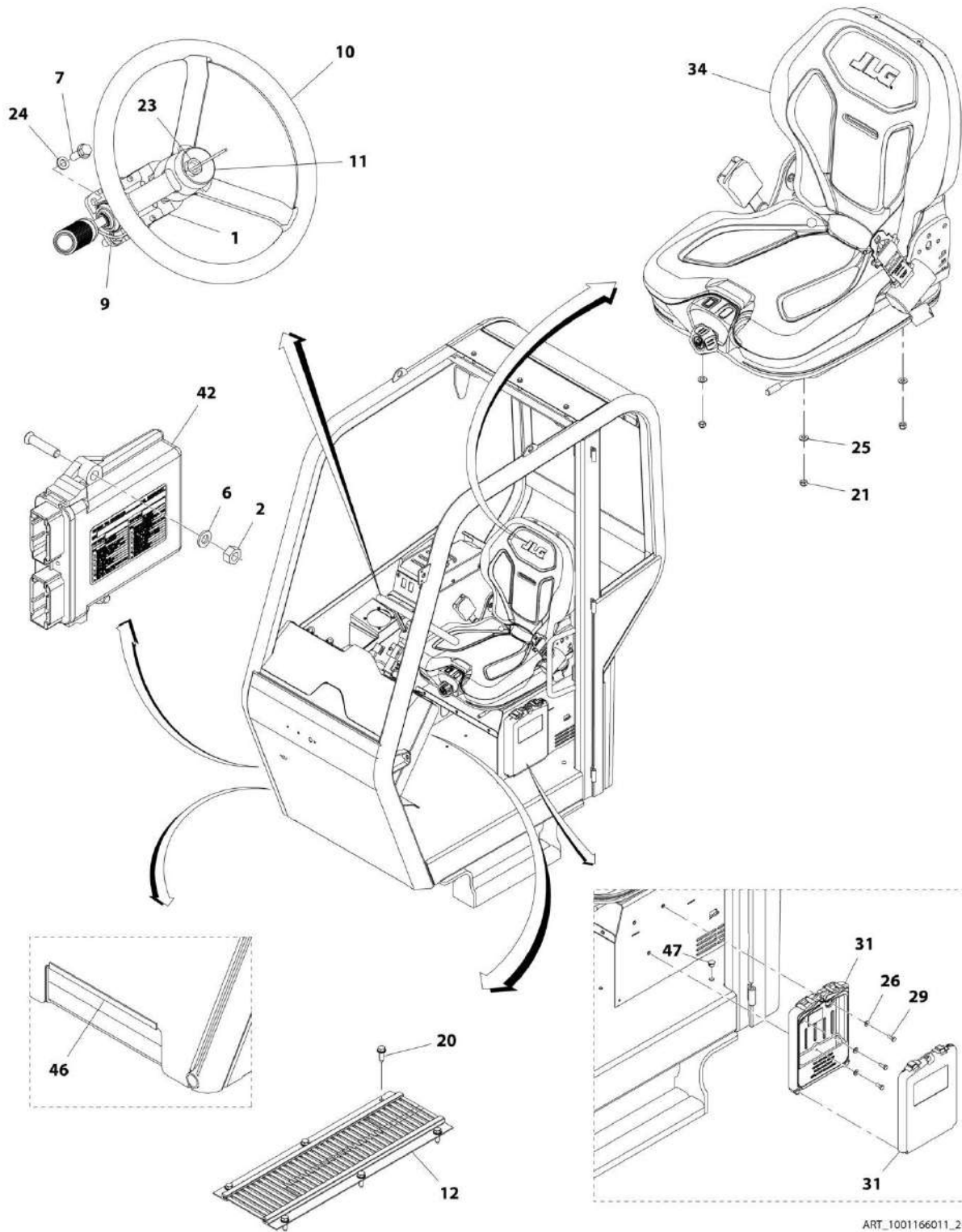
SECTION 6 - CAB

FIGURE 6-2. OPEN CAB INSTALLATION (Prior to SN 0160074884, Excluding 0160074882)



ART_1001166011_1-J

SECTION 6 - CAB



ART_1001166011_2-J

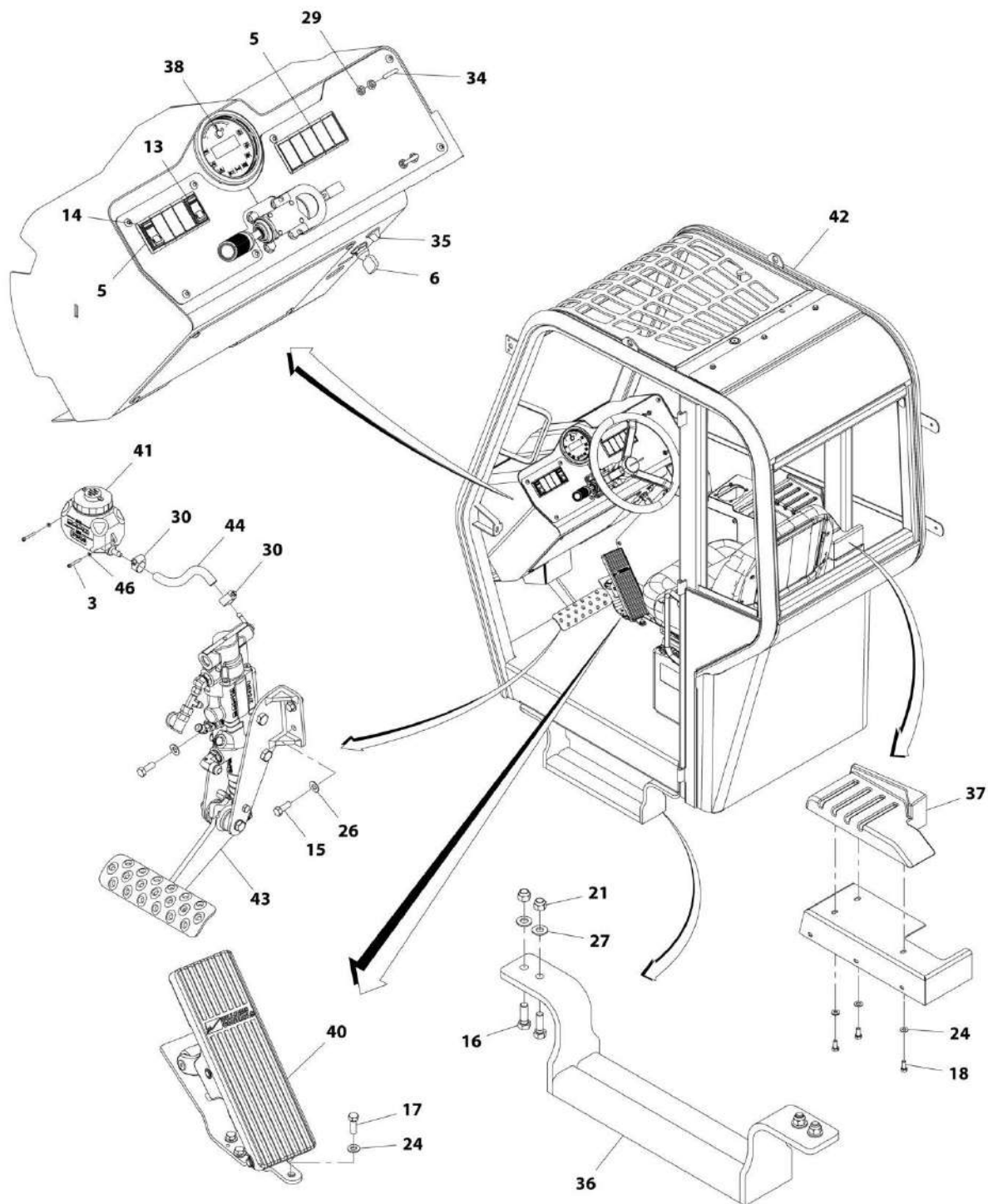
SECTION 6 - CAB

FIGURE 6-2. OPEN CAB INSTALLATION (Prior to SN 0160074884, Excluding 0160074882)

ITEM	PART NUMBER	QTY	DESCRIPTION	REV
	1001166011	Ref	Open Cab Installation	J
1	1600429	1	Selector, Transmission Control	
2	3311401	2	Nut, 1/4-20	
3	3311502	1	Nut, Jam 5/16-18	
4	4360569	2	Switch, Bezel	
5	4360690	1	Switch, Ignition	
5	8035807	1	Key (with cover)	
6	4761400	2	Washer, Lock 1/4	
7	5251014	4	Bolt, M10X30	
8	7129521	2	Pivot, Brake Pedal	
9	7138833	1	Column, Steering	
10	7138836	1	Wheel, Steering	
11	7138878	1	Button, Horn	
12	7138944	2	Strips, Brush	
13	8223037	1	Switch, Steer Select	
14	8223054	1	Switch, Park Brake	
15	8303626	4	Bolt, 1/2-13X1-1/2	
16	8303658	2	Bolt, 1/2-13X2	
17	8303670	4	Bolt, 5/16-18X1	
18	8303739	1	Bolt, 5/16-18X1-1/4	
19	8303697	3	Bolt, 5/16-18X3/4	
20	8303982	6	Screw, Self-Tapping 1/4-20X3/4	
21	8305626	4	Nut, Lock 5/16-18	
22	8305644	6	Nut, Lock 1/2-13	
23	8305916	1	Nut, Steering Column	
24	8307023	4	Washer, Lock M10	
25	8307106	11	Washer, 5/16	
26	8307109	3	Washer, 1/4	
27	8307112	4	Washer, 1/2	
28	8307206	4	Washer, 1/2	
29	8310026	3	Bolt, 1/4-20X3/4	
30	8310382	8	Nut, Flange 1/4-20	
31	8990147	1	Holder, Manual	
32	91511145	1	Bar, Tie	
33	91513180	2	Actuator	
34	1001101085	1	Seat, Cab (See CAB SEAT for Breakdown) (Prior to SN 0160074884, Excluding 0160074882)	
34	1001190229	1	Seat, Cab (See CAB SEAT for Breakdown) (SN 0160074884 to Present, Including 0160074882)	
35	1001102844	2	Bolt, U 1/4-20X1-1/4	
36	1001114867	1	Socket, 12V Power Point	
37	1001180555	1	Accelerator (See CONTROLS SECTION for Breakdown)	
38	1001141427	1	Mount, Cab Step	
39	1001143305	1	Pedal, Brake	
40	1001158089	1	Cab, Open (See OPEN CAB for Breakdown)	
41	1001159878	1	Support, Armrest	
42	1001210703	1	Controller	
45	1001170738	1	Gauge	
46	4060806	11 in	Shield, Flex Trim 5/16	
47	1001207963	1	Plug, 5/8	

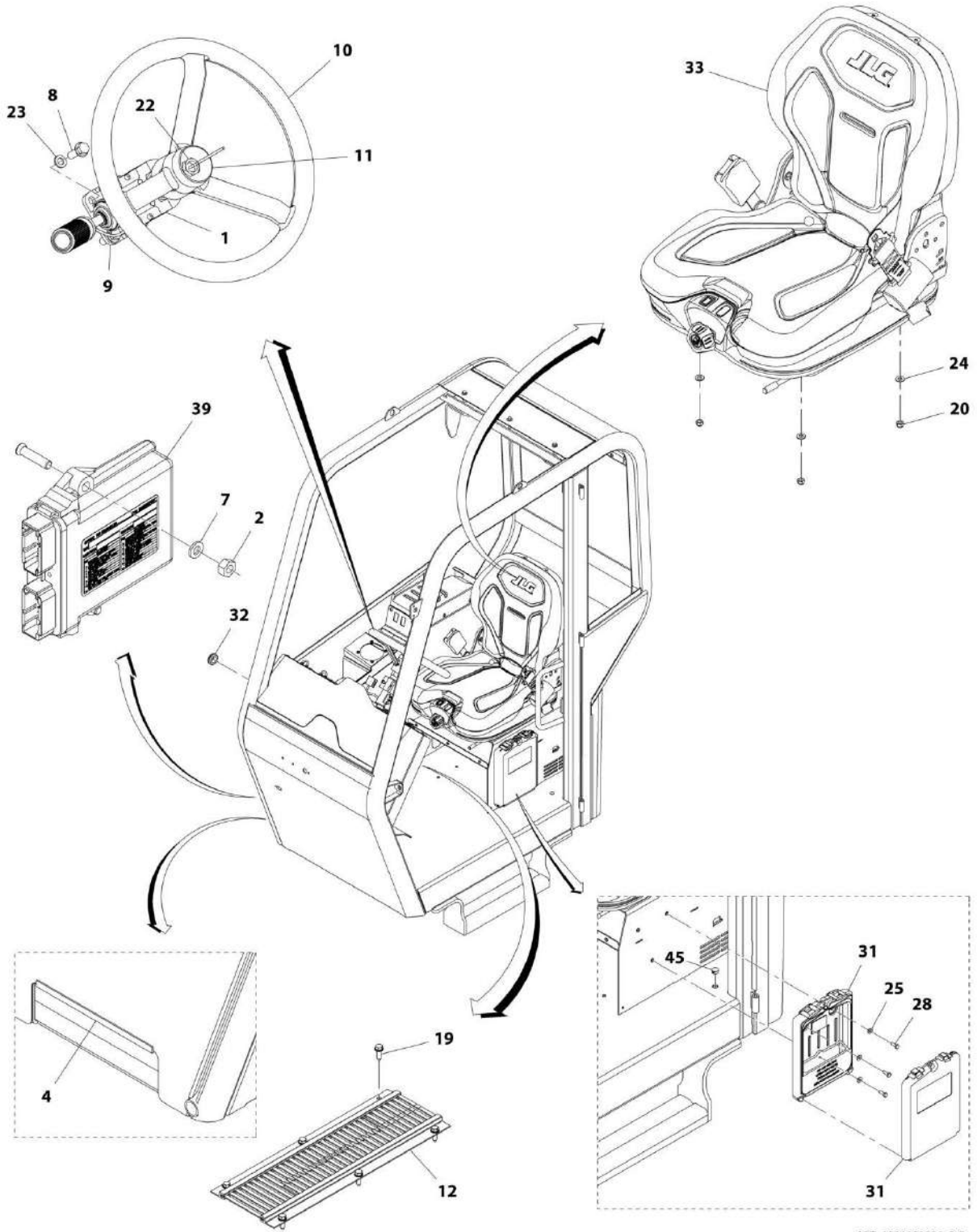
SECTION 6 - CAB

FIGURE 6-3. OPEN CAB INSTALLATION (SN 0160074884 to Present, Including 0160074882)



ART_1001181956_1-F

SECTION 6 - CAB



ART_1001181956_2-F

SECTION 6 - CAB

FIGURE 6-3. OPEN CAB INSTALLATION (SN 0160074884 to Present, Including 0160074882)

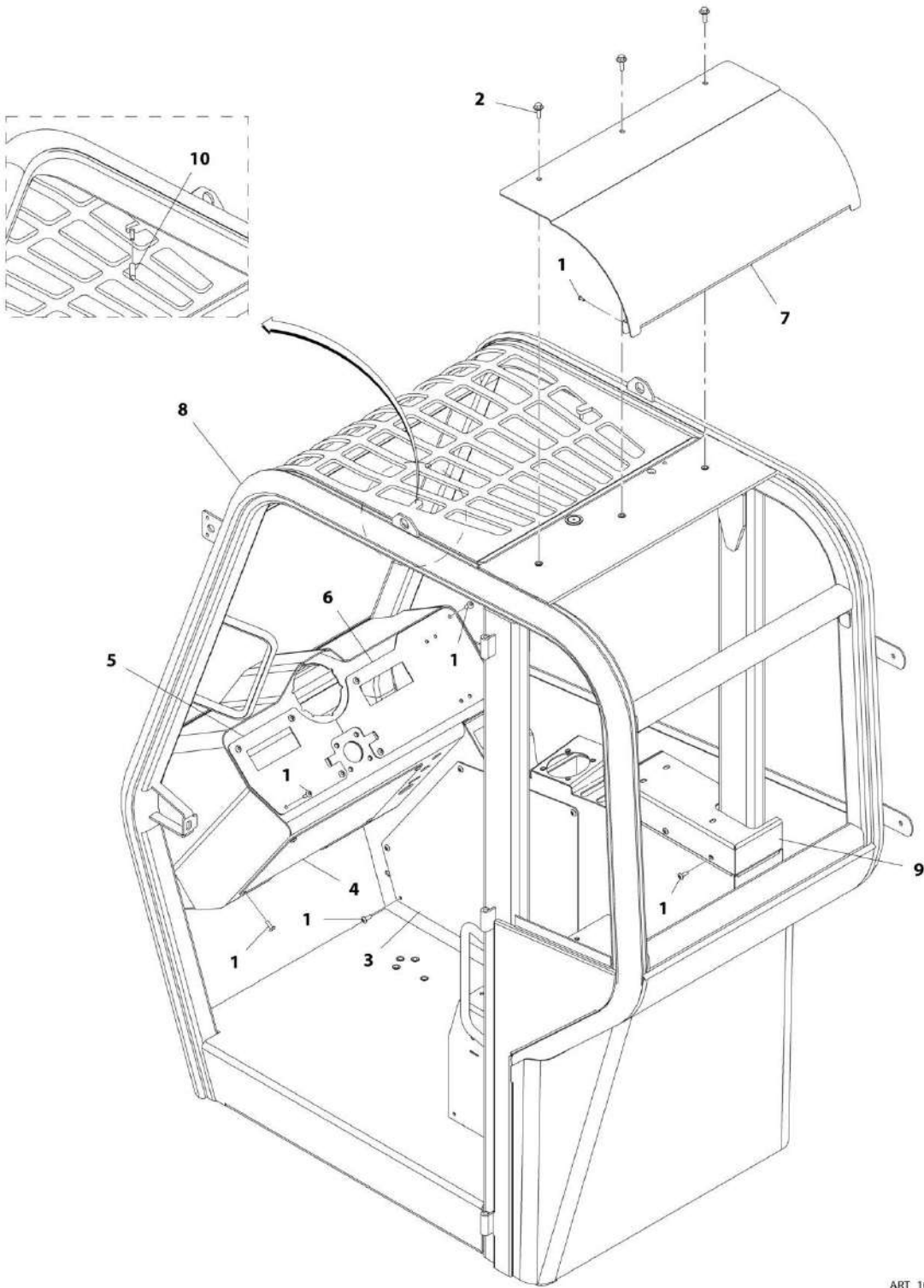
ITEM	PART NUMBER	QTY	DESCRIPTION	REV
	1001181956	Ref	Open Cab Installation	F
1	1600429	1	Selector, Transmission Control	
2	3311401	2	Nut, 1/4-20	
3	3930610	2	Bolt, 6-32X5/8	
4	4060806	11 in	Shield, Flex Trim, 5/16	
5	4360569	2	Switch, Bezel	
6	4360690	1	Switch, Ignition	
6	8035807	1	Key (with cover)	
7	4761400	2	Washer, Lock 1/4	
8	5251014	4	Bolt, M10X30	
9	7138833	1	Column, Steering	
10	7138836	1	Wheel, Steering	
11	7138878	1	Button, Horn	
12	7138944	2	Strips, Brush	
13	8223037	1	Switch, Steer Select	
14	8223054	1	Switch, Park Brake	
15	8303620	4	Bolt, 3/8-16X1	
16	8303626	4	Bolt, 1/2-13X1-1/2	
17	8303670	4	Bolt, 5/16-18X1	
18	8303697	3	Bolt, 5/16-18X3/4	
19	8303982	6	Screw, Self-Tapping 1/4-20X3/4	
20	8305626	4	Nut, Lock 5/16-18	
21	8305644	4	Nut, Lock 1/2-13	
22	8305916	1	Nut, Steering Column	
23	8307023	4	Washer, Lock M10	
24	8307106	11	Washer, Flat 5/16	
25	8307109	3	Washer, 1/4	
26	8307110	4	Washer, 3/8	
27	8307112	4	Washer, 1/2	
28	8310026	3	Bolt, 1/4-20X3/4	
29	8310382	8	Nut, Flange 1/4-20	
30	1320022	2	Clamp, Fuel Line	
31	8990147	1	Holder, Manual	
32	1001081049	1	Grommet, Split	
33	1001190229	1	Seat, Cab (See Separate Breakdown in this Section)	
34	1001102844	2	Bolt, U 1/4-20X1-1/4	
35	1001114867	1	Socket, 12V Power Point	
36	1001141427	1	Mount, Cab Step	
37	1001159878	1	Support, Armrest	
38	1001170738	1	Gauge	
39	1001210703	1	Controller	
40	1001180555	1	Accelerator (See Separate Breakdown in CONTROL Section)	
41	1001183164	1	Reservoir, Brake Valve	
42	1001185773	1	Cab, Open (See Separate Breakdown in this Section)	
43	1001201647	1	Assembly, Brake (See Separate Breakdown in CONTROL Section) (SN 0160074884 through 0160081739, Including 0160074882)	
43	1001223052	1	Assembly, Brake (See Separate Breakdown in CONTROL Section) (SN 0160081739 to Present)	
44	1001201658	1	Hose	

SECTION 6 - CAB

ITEM	PART NUMBER	QTY	DESCRIPTION	REV
45	1001207963	1	Plug, 5/8	
46	4710600	2	Washer	

SECTION 6 - CAB

FIGURE 6-4. OPEN CAB (Prior to SN 0160074884, Excluding 0160074882)



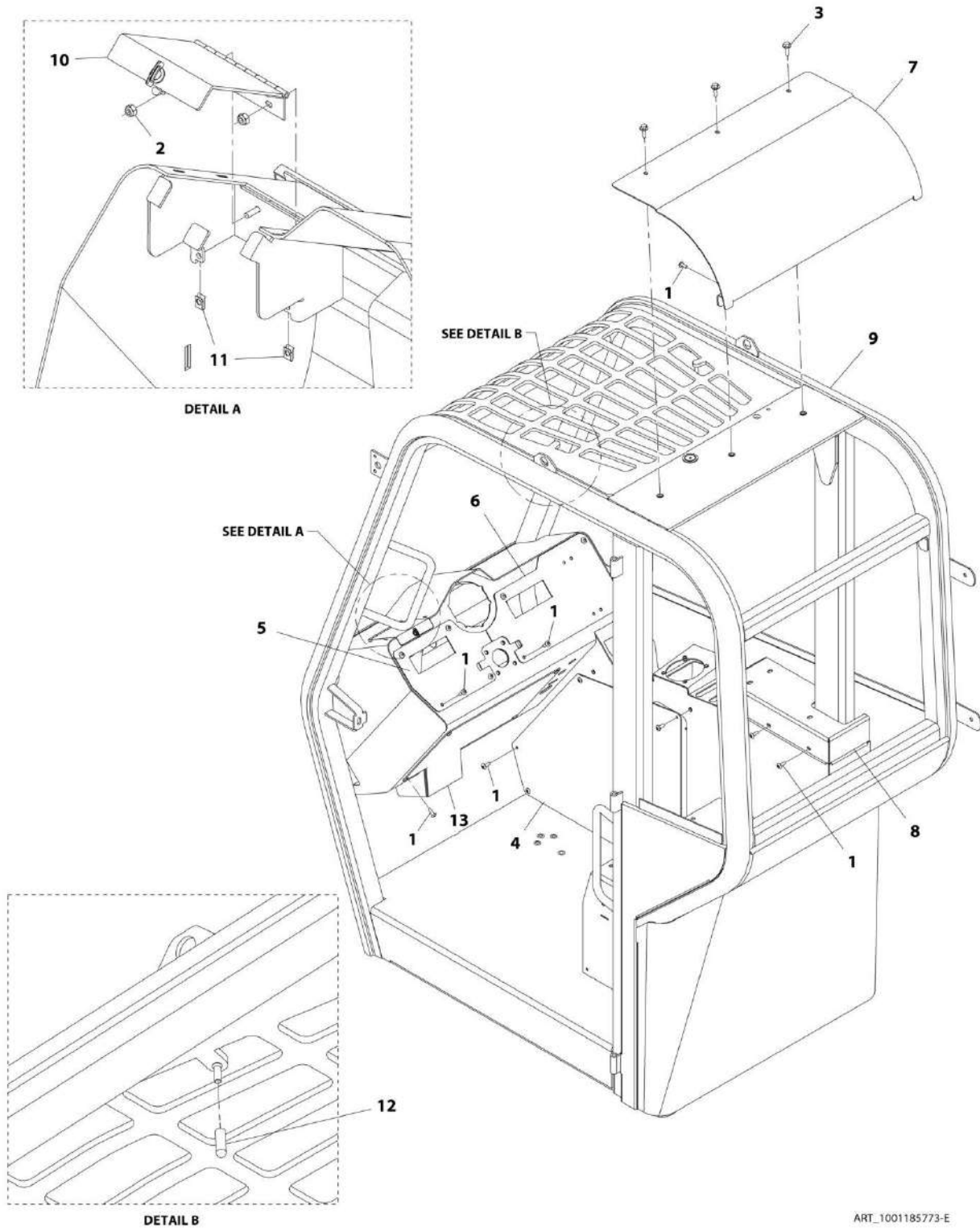
ART_1001158089-G

SECTION 6 - CAB**FIGURE 6-4. OPEN CAB (Prior to SN 0160074884, Excluding 0160074882)**

ITEM	PART NUMBER	QTY	DESCRIPTION	REV
	1001158089	Ref	Open Cab	G
1	8303034	25	Screw, 1/4-20X3/4	
2	1001149227	3	Screw, Hex Flange 5/16-18X1	
3	1001160788	1	Panel, RH Console Access Plate	
4	1001160789	1	Panel, Brake Access Plate	
5	1001160790	1	Panel, LH Dash Cover	
6	1001160791	1	Panel, RH Dash Cover	
7	1001160815	1	Panel, Roof Cover	
8	1001165583	1	Weldment, Cab	
9	1001165617	1	Assembly, Side Console Access Panel	
10	1001202615	2	Stud	

SECTION 6 - CAB

FIGURE 6-5. OPEN CAB (SN 0160074884 to Present, Including 0160074882)



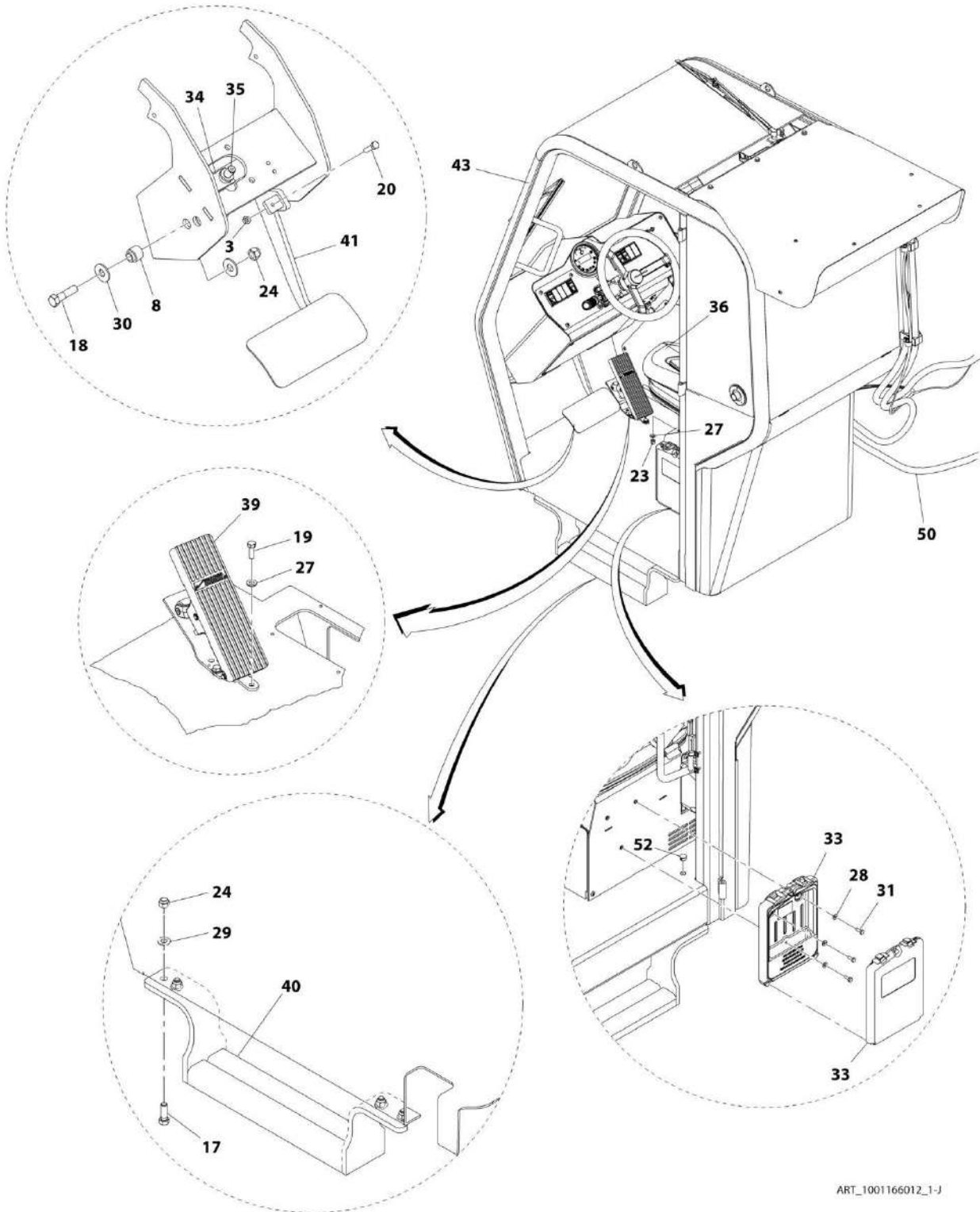
ART_1001185773-E

SECTION 6 - CAB**FIGURE 6-5. OPEN CAB (SN 0160074884 to Present, Including 0160074882)**

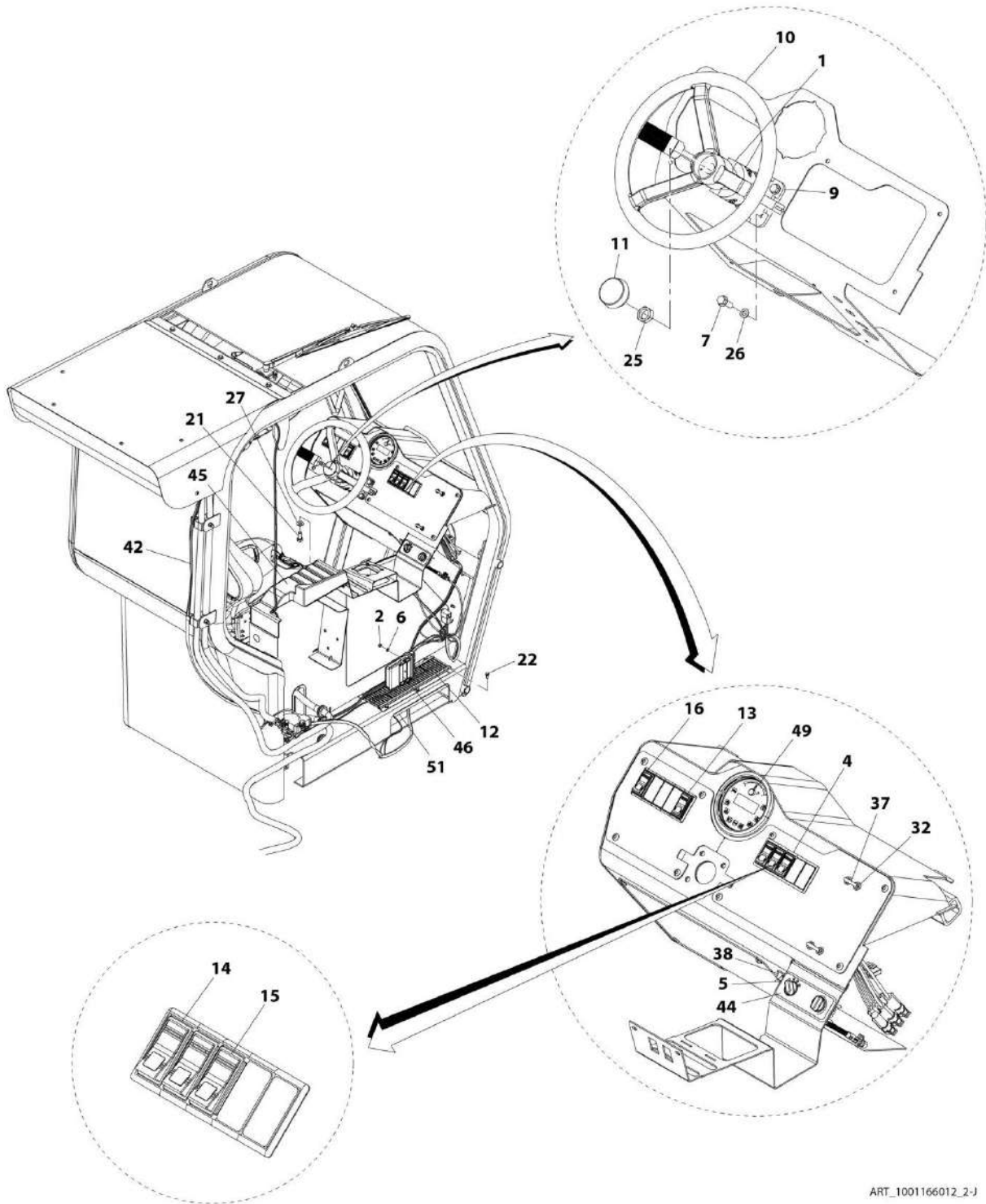
ITEM	PART NUMBER	QTY	DESCRIPTION	REV
	1001185773	Ref	Open Cab	E
1	8303034	25	Screw, 1/4-20X3/4	
2	8310085	2	Nut	
3	1001149227	3	Screw, Hex Flange 5/16-18X1	
4	1001160788	1	Panel, RH Console Access Plate	
5	1001160790	1	Panel, LH Dash Cover	
6	1001160791	1	Panel, RH Dash Cover	
7	1001160815	1	Panel, Roof Cover	
8	1001165617	1	Assembly, Side Console Access Panel	
9	1001185772	1	Weldment, Cab	
10	1001202189	1	Door, Brake Reservoir	
11	1001202202	2	Nut	
12	1001202615	2	Cap, Silicon Stud Cover	
13	1001202746	1	Panel, Brake Access Plate	

SECTION 6 - CAB

FIGURE 6-6. ENCLOSED CAB WITH HEATER INSTALLATION (Prior to SN 0160074884, Excluding 0160074882)



SECTION 6 - CAB



ART_1001166012_2-J

SECTION 6 - CAB

FIGURE 6-6. ENCLOSED CAB WITH HEATER INSTALLATION (Prior to SN 0160074884, Excluding 0160074882)

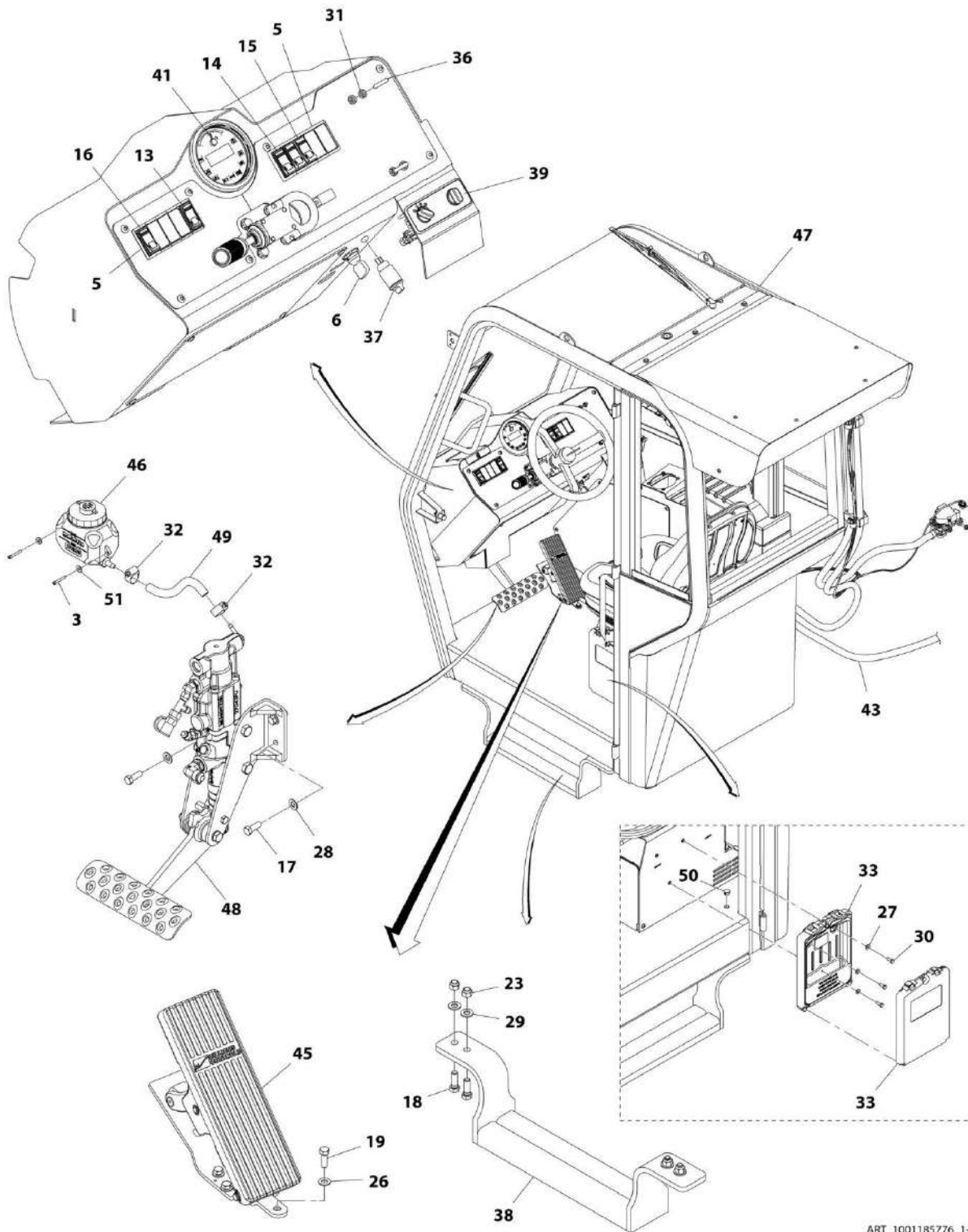
ITEM	PART NUMBER	QTY	DESCRIPTION	REV
	1001166012	Ref	Enclosed Cab with Heater Installation	J
1	1600429	1	Selector, Transmission Control	
2	3311401	2	Nut, 1/4-20	
3	3311502	1	Nut, Jam 5/16-18	
4	4360569	2	Switch, Bezel	
5	4360690	1	Switch, Ignition	
5	8035807	1	Key (with cover)	
6	4761400	2	Washer, Lock 1/4	
7	5251014	4	Bolt, M10X30	
8	7129521	2	Pivot, Brake Pedal	
9	7138833	1	Column, Steering	
10	7138836	1	Wheel, Steering	
11	7138878	1	Button, Horn	
12	7138944	2	Strips, Brush	
13	8223037	1	Switch, Steer Select	
14	8223043	2	Switch, Windscreen Wiper	
15	8223044	1	Switch, Windscreen Washer	
16	8223054	1	Switch, Park Brake	
17	8303626	4	Bolt, 1/2-13X1-1/2	
18	8303658	2	Bolt, 1/2-13X2	
19	8303670	4	Bolt, 5/16-18X1	
20	8303739	1	Bolt, 5/16-18X1-1/4	
21	8303697	3	Bolt, 5/16-18X3/4	
22	8303982	6	Screw, Self-Tapping 1/4-20X3/4	
23	8305626	4	Nut, Lock 5/16-18	
24	8305644	6	Nut, Lock 1/2-13	
25	8305916	1	Nut, Steering Column	
26	8307023	4	Washer, Lock M10	
27	8307106	11	Washer, 5/16	
28	8307109	3	Washer, 1/4	
29	8307112	4	Washer, 1/2	
30	8307206	4	Washer, 1/2	
31	8310026	3	Bolt, 1/4-20X3/4	
32	8310382	8	Nut, Flange 1/4-20	
33	8990147	1	Holder, Manual	
34	91511145	1	Bar, Tie	
35	91513180	2	Actuator	
36	1001101085	1	Seat, Cab (See CAB SEAT for Breakdown) (Prior to SN 0160074884, Excluding 0160074882)	
36	1001190229	1	Seat, Cab (See CAB SEAT for Breakdown) (SN 0160074884 to Present, Including 0160074882)	
37	1001102844	2	Bolt, U 1/4-20X1-1/4	
38	1001114867	1	Socket, 12V Power Point	
39	1001180555	1	Accelerator (See CONTROLS SECTION for Breakdown)	
40	1001141427	1	Mount, Cab Step	
41	1001143305	1	Pedal, Brake	
42	1001178347	1	Harness, HVAC (See ELECTRICAL SECTION for Breakdown)	
43	1001158090	1	Cab, Enclosed with Heater (See ENCLOSED CAB WITH HEATER for Breakdown)	

SECTION 6 - CAB

ITEM	PART NUMBER	QTY	DESCRIPTION	REV
44	1001159850	1	Panel, Heater Control	
45	1001159878	1	Support, Armrest	
46	1001210703	1	Controller	
49	1001170738	1	Gauge	
50	1001171807	1	Installation, Cab Heater Lines (See CAB HEATER LINES INSTALLATION for Breakdown)	
51	4060806	11 in	Shield, Flex Trim 5/16	
52	1001207963	1	Plug, 5/8	

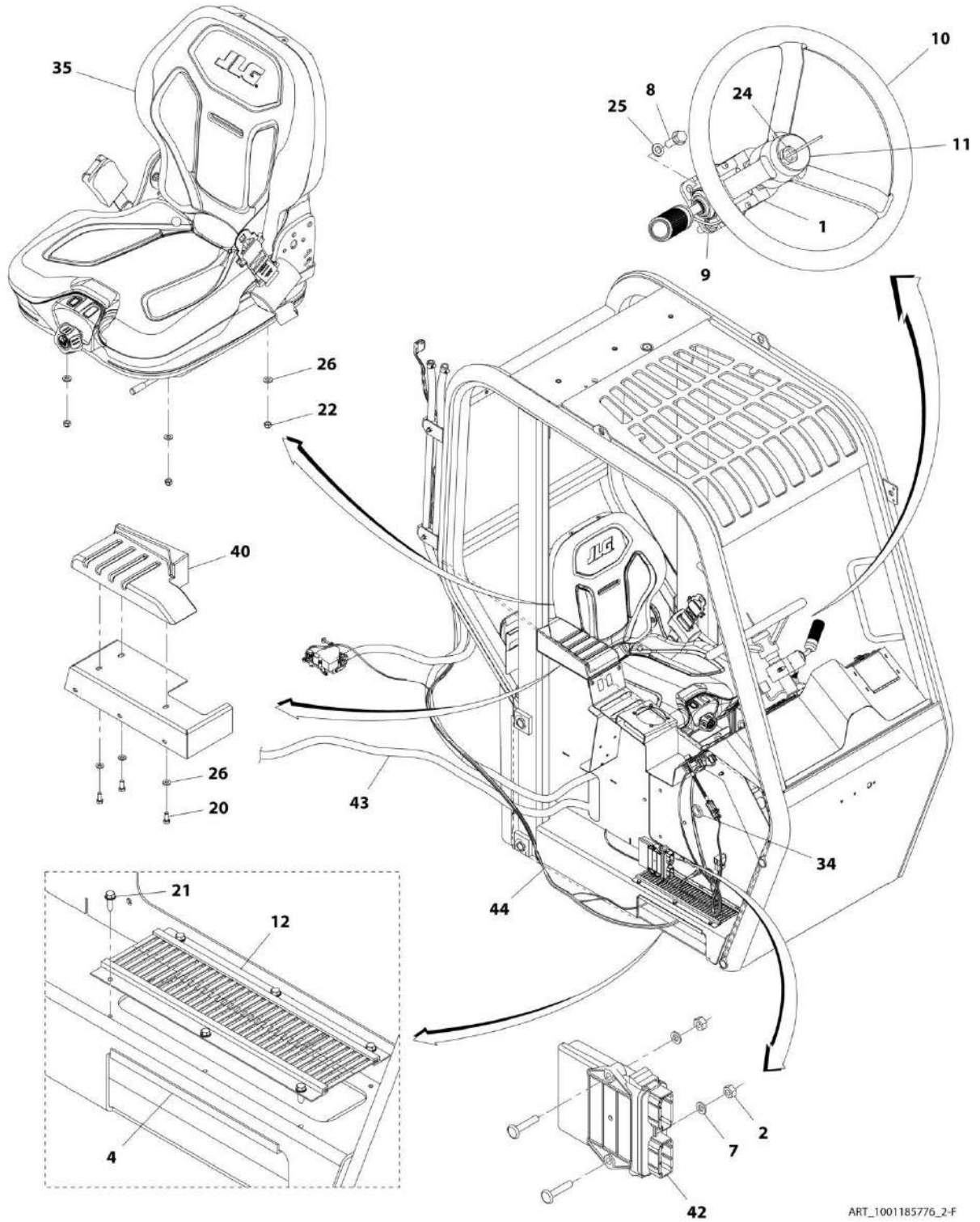
SECTION 6 - CAB

FIGURE 6-7. ENCLOSED CAB WITH HEATER INSTALLATION (SN 0160074884 to Present, Including 0160074882)



ART_1001185776_1-F

SECTION 6 - CAB



ART_1001185776_2-F

SECTION 6 - CAB

FIGURE 6-7. ENCLOSED CAB WITH HEATER INSTALLATION (SN 0160074884 to Present, Including 0160074882)

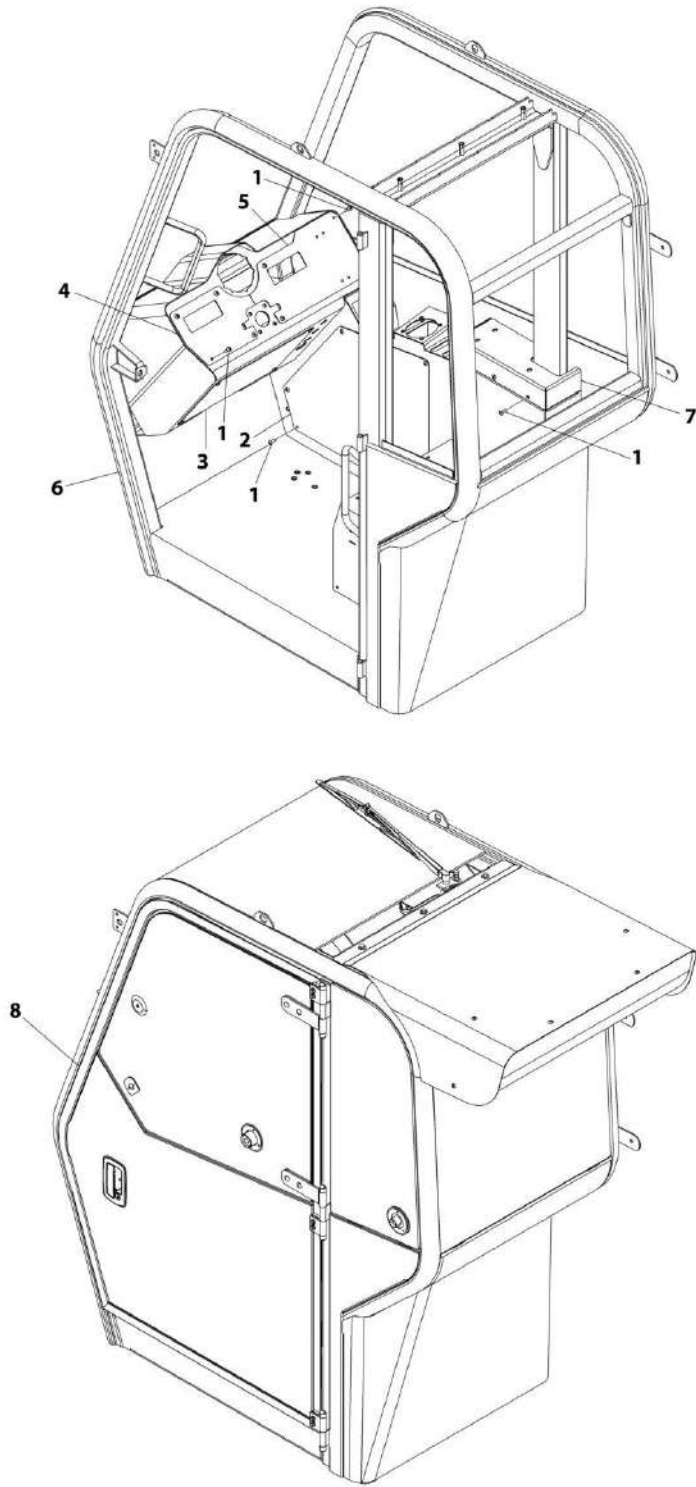
ITEM	PART NUMBER	QTY	DESCRIPTION	REV
	1001185776	Ref	Enclosed Cab with Heater Installation	F
1	1600429	1	Selector, Transmission Control	
2	3311401	2	Nut, 1/4-20	
3	3930610	2	Bolt, 6-32X5/8	
4	4060806	11 in	Shield, Flex Trim, 5/16	
5	4360569	2	Switch, Bezel	
6	4360690	1	Switch, Ignition	
6	8035807	1	Key (with cover)	
7	4761400	2	Washer, Lock 1/4	
8	5251014	4	Bolt, M10X30	
9	7138833	1	Column, Steering	
10	7138836	1	Wheel, Steering	
11	7138878	1	Button, Horn	
12	7138944	2	Strips, Brush	
13	8223037	1	Switch, Steer Select	
14	8223043	2	Switch, Windscreen Wiper	
15	8223044	1	Switch, Windscreen Washer	
16	8223054	1	Switch, Park Brake	
17	8303620	4	Bolt, 3/8-16X1	
18	8303626	4	Bolt, 1/2-13X1-1/2	
19	8303670	4	Bolt, 5/16-18X1	
20	8303697	3	Bolt, 5/16-18X3/4	
21	8303982	6	Screw, Self-Tapping 1/4-20X3/4	
22	8305626	4	Nut, Lock 5/16-18	
23	8305644	4	Nut, Lock 1/2-13	
24	8305916	1	Nut, Steering Column	
25	8307023	4	Washer, Lock M10	
26	8307106	11	Washer, Flat 5/16	
27	8307109	3	Washer, 1/4	
28	8307110	4	Washer, 3/8	
29	8307112	4	Washer, 1/2	
30	8310026	3	Bolt, 1/4-20X3/4	
31	8310382	8	Nut, Flange 1/4-20	
32	1320022	2	Clamp, Fuel Line	
33	8990147	1	Holder, Manual	
34	1001081049	1	Grommet, Split	
35	1001190229	1	Seat, Cab (See CAB SEAT for Breakdown)	
36	1001102844	2	Bolt, 1/4-20X1-1/4	
37	1001114867	1	Socket, 12V Power Point	
38	1001141427	1	Mount, Cab Step	
39	1001159850	1	Panel, Heater Control	
40	1001159878	1	Support, Armrest	
41	1001170738	1	Gauge	
42	1001210703	1	Controller	
43	1001171807	1	Installation, Cab Heater Lines (See Separate Breakdown in this Section)	
44	1001178347	1	Harness, HVAC (See Separate Breakdown in ELECTRICAL Section)	
45	1001180555	1	Accelerator (See Separate Breakdown in CONTROL Section)	

SECTION 6 - CAB

ITEM	PART NUMBER	QTY	DESCRIPTION	REV
46	1001183164	1	Reservoir, Brake Valve	
47	1001185774	1	Cab, Enclosed with Heater (See Separate Breakdown in this Section)	
48	1001201647	1	Assembly, Brake (See Separate Breakdown in CONTROL Section) (SN 0160074884 through 0160081739, Including 0160074882)	
48	1001223052	1	Assembly, Brake (See Separate Breakdown in CONTROL Section) (SN 0160081739 to Present)	
49	1001201658	1	Hose	
50	1001207963	1	Plug, 5/8	
51	4710600	2	Washer, Plain Dia	

SECTION 6 - CAB

FIGURE 6-8. ENCLOSED CAB WITH HEATER (Prior to SN 0160074884, Excluding 0160074882)



ART_1001158090-I

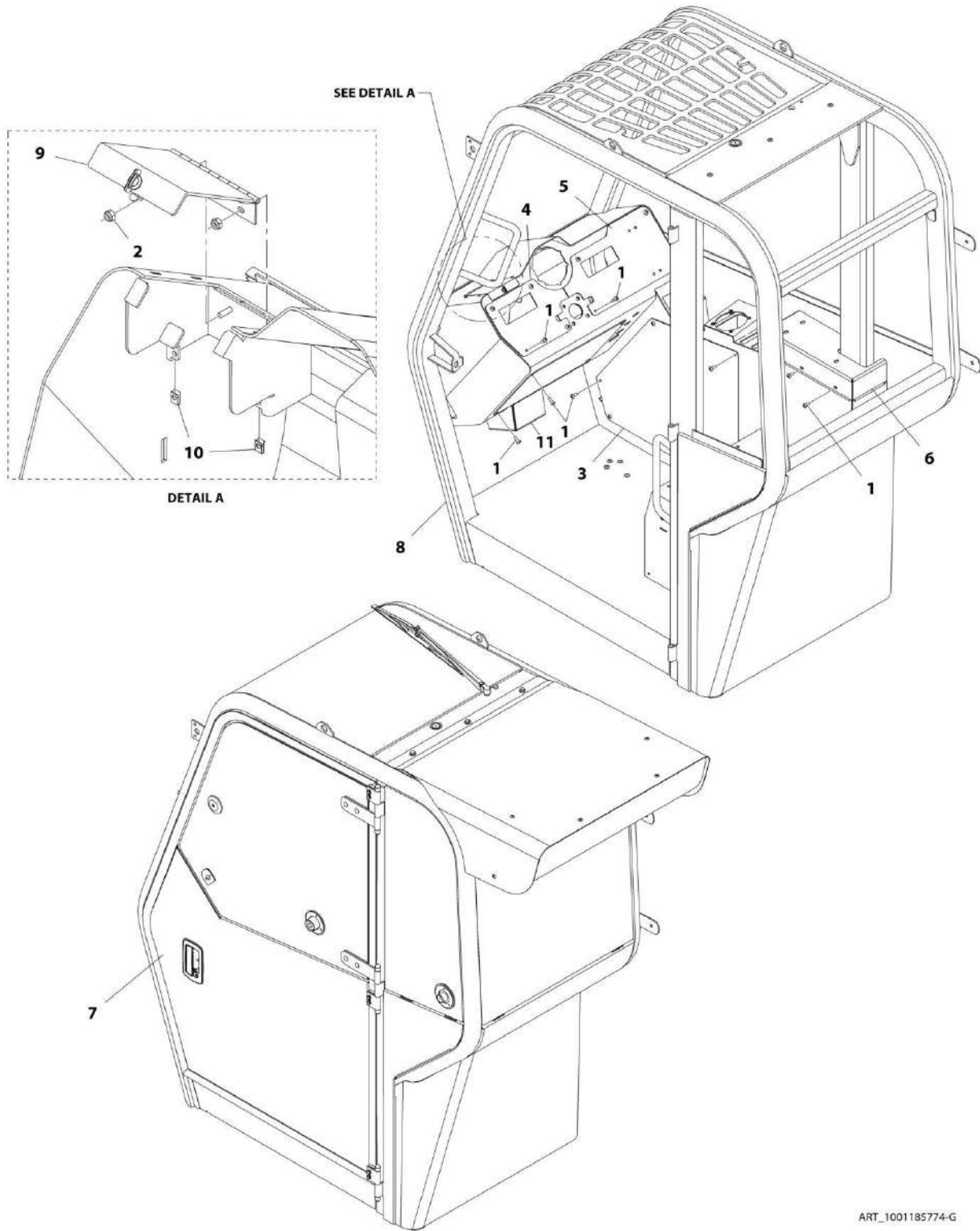
SECTION 6 - CAB

FIGURE 6-8. ENCLOSED CAB WITH HEATER (Prior to SN 0160074884, Excluding 0160074882)

ITEM	PART NUMBER	QTY	DESCRIPTION	REV
	1001158090	Ref	Enclosed Cab with Heater	1
1	8303034	22	Screw, 1/4-20X3/4	
2	1001160788	1	Panel, RH Console Access Plate	
3	1001160789	1	Panel, Brake Access Plate	
4	1001160790	1	Panel, LH Dash Cover	
5	1001160791	1	Panel, RH Dash Cover	
6	1001165583	1	Weldment, Cab	
7	1001165617	1	Assembly, Side Console Access Panel	
8	1001165823	1	Enclosure, Cab (See CAB ENCLOSURE for Breakdown)	

SECTION 6 - CAB

FIGURE 6-9. ENCLOSED CAB WITH HEATER (SN 0160074884 to Present, Including 0160074882)

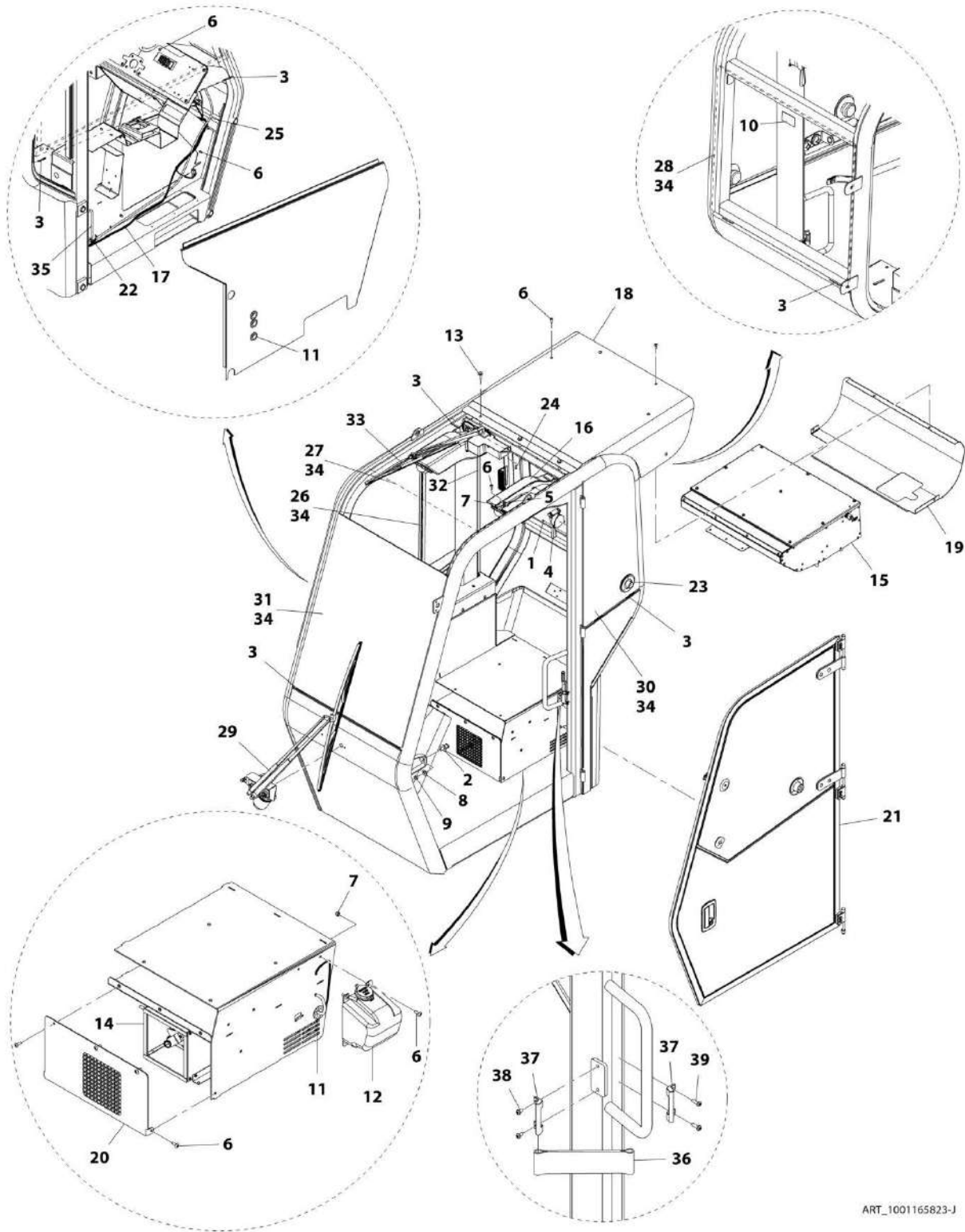


SECTION 6 - CAB**FIGURE 6-9. ENCLOSED CAB WITH HEATER (SN 0160074884 to Present, Including 0160074882)**

ITEM	PART NUMBER	QTY	DESCRIPTION	REV
	1001185774	Ref	Enclosed Cab with Heater	G
1	8303034	22	Screw, 1/4-20X3/4	
2	8310085	2	Nut	
3	1001160788	1	Panel, RH Console Access Plate	
4	1001160790	1	Panel, LH Dash Cover	
5	1001160791	1	Panel, RH Dash Cover	
6	1001165617	1	Assembly, Side Console Access Panel	
7	1001165823	1	Enclosure, Cab (See Separate Breakdown in this Section)	
8	1001185772	1	Weldment, Cab	
9	1001202189	1	Door, Brake Reservoir	
10	1001202202	2	Nut	
11	1001202746	1	Panel, Brake Access Plate	

SECTION 6 - CAB

FIGURE 6-10. CAB ENCLOSURE



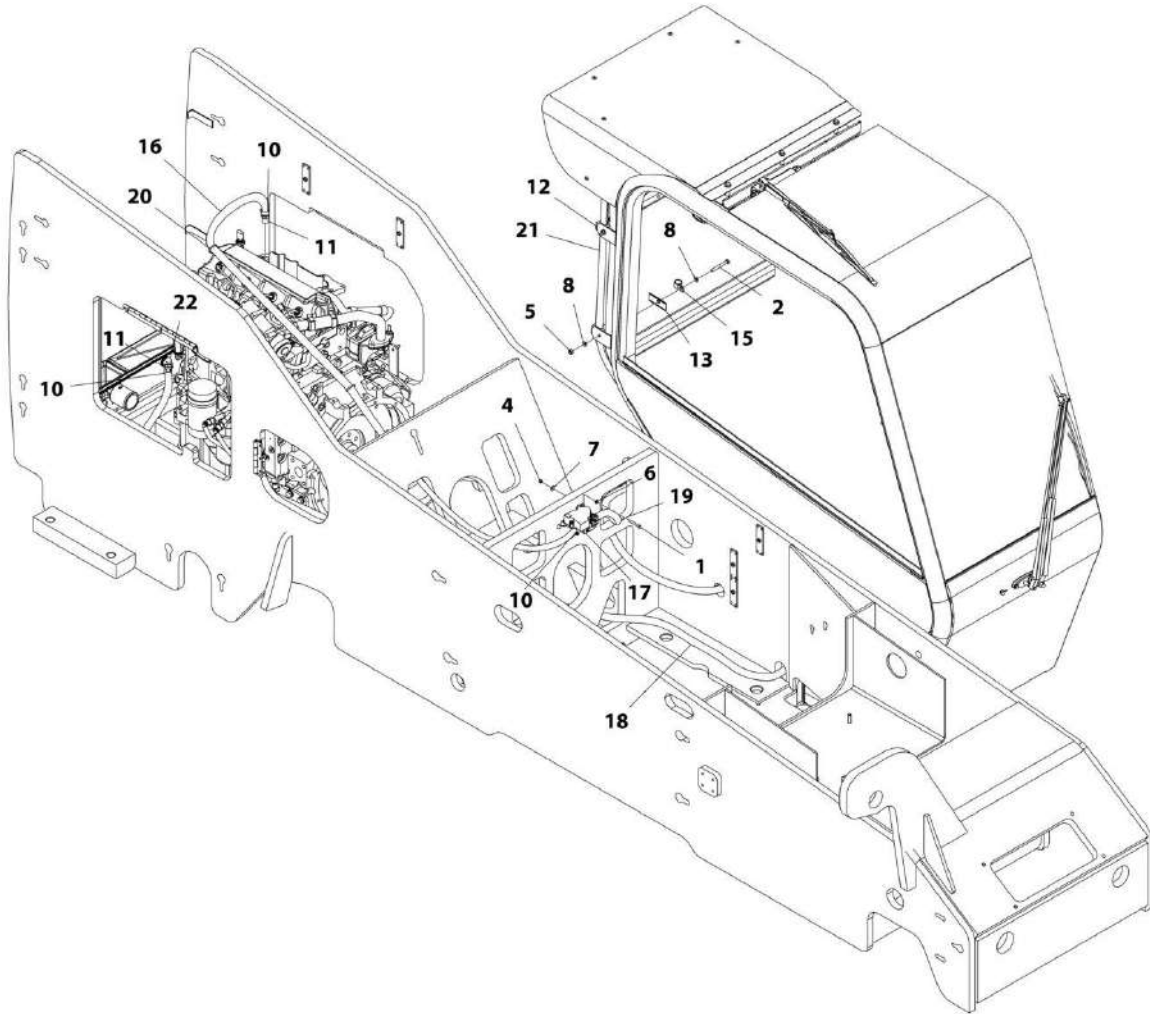
ART_1001165823-J

FIGURE 6-10. CAB ENCLOSURE

ITEM	PART NUMBER	QTY	DESCRIPTION	REV
	1001165823	Ref	Cab Enclosure	J
1	91404298	3	Rivet	
2	1001109478	1	Latch, Striker	
3	1001181968	13	Mould, Setting Block	
4	91404301	1	Hammer, Emergency	
5	4711400	2	Washer, 1/4	
6	8303034	33	Screw, 1/4-20X3/4	
7	8305624	4	Nut, Lock 1/4-20	
8	8307112	1	Washer, 1/2	
9	8310109	1	Nut, Lock 7/16-14	
10	91404299	1	Decal, Escape	
11	1001081049	4	Grommet, Split	
12	1001111112	1	Tank, Window Washer Fluid	
12	70025480	1	Pump, Reservoir	
13	1001149227	3	Screw, Hex Flange 5/16-18X1	
14	1001159856	1	Heater, Floor (See FLOOR HEATER for Breakdown)	
15	1001159860	1	Box, Roof	
16	1001160785	2	Duct, HVAC	
17	1001178349	1	Harness, Wiper (See ELECTRICAL SECTION for Breakdown)	
18	1001164282	1	Assembly, Top Hood	
19	1001164284	1	Assembly, Bottom Hood	
20	1001164717	1	Panel, Floor Heater Access	
21	1001165806	1	Door, Cab (See CAB DOOR for Breakdown)	
22	1001008742	1	Coupling, Tee	
23	1001081243	1	Retainer, Door Window Hold	
24	0630464	1	Screw, 10-24X1/2	
25	82033997	168 in	Hose, Washer Fluid	
26	8036050	1	Window, RH Slider (See RH SLIDER WINDOW for Breakdown)	
27	7138958	1	Glass, Skylight	
28	1001181707	1	Window, Rear	
29	8036056	1	Assembly, Front Wiper (See FRONT WIPER ASSEMBLY for Breakdown)	
30	1001181893	1	Window, LH Rear	
31	1001181903	1	Window, Windshield	
32	1001182091	1	Duct, Wire	
33	1001182470	1	Wiper, Skylight (See SKYLIGHT WIPER ASSEMBLY for Breakdown)	
34	1001177746	AR	Compound, Locking	
35	4060803	16.5 in	Shield, Flex Trim 1/8	
36	80384218	1	Strap, Door	
37	1001196128	2	Bracket, strap Holder	
38	1001197098	2	Screw, 10-24X3/8	
39	1001197099	2	Screw, 10-24X5/8	

SECTION 6 - CAB

FIGURE 6-11. CAB HEATER LINES INSTALLATION



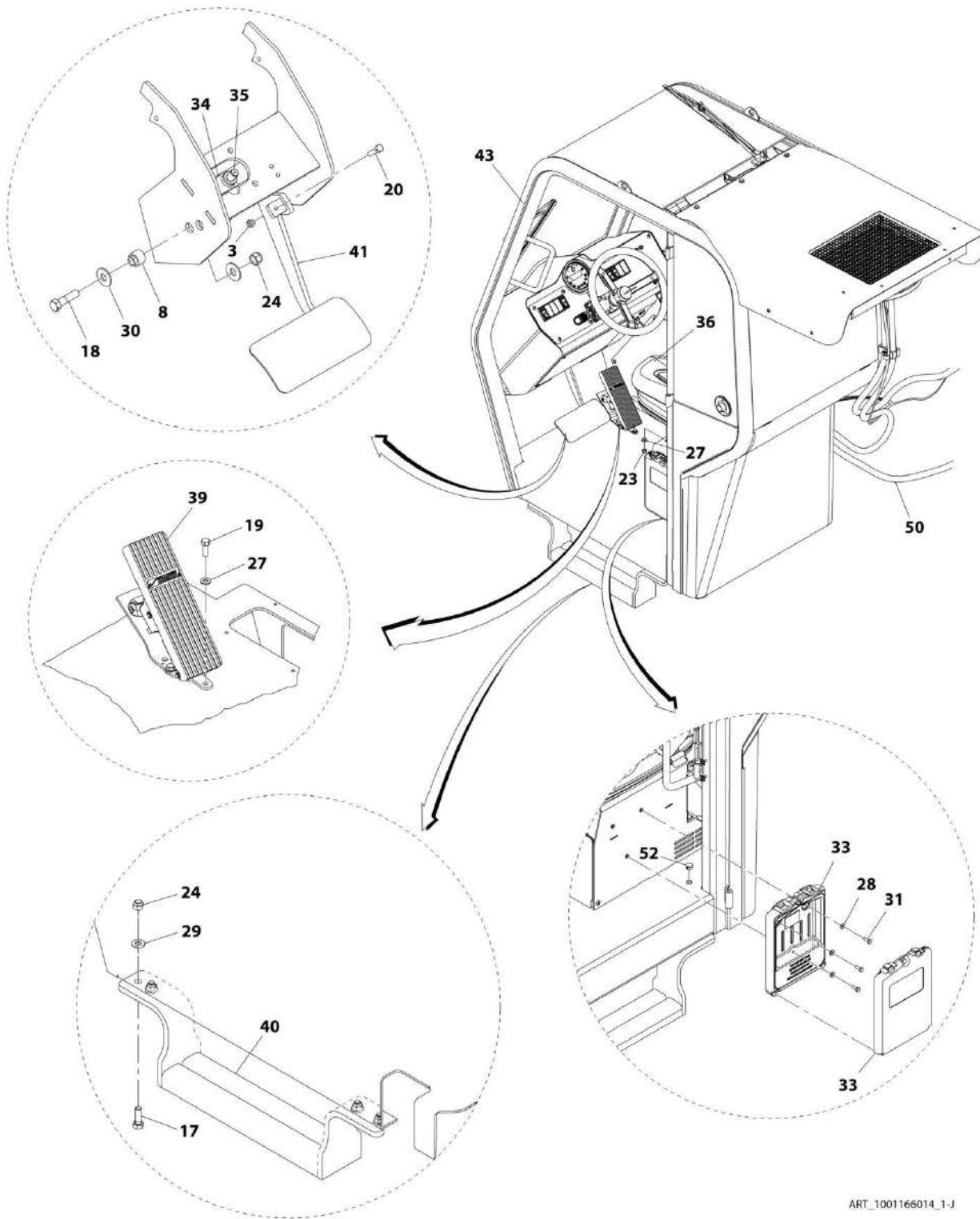
ART_1001171807-D

FIGURE 6-11. CAB HEATER LINES INSTALLATION

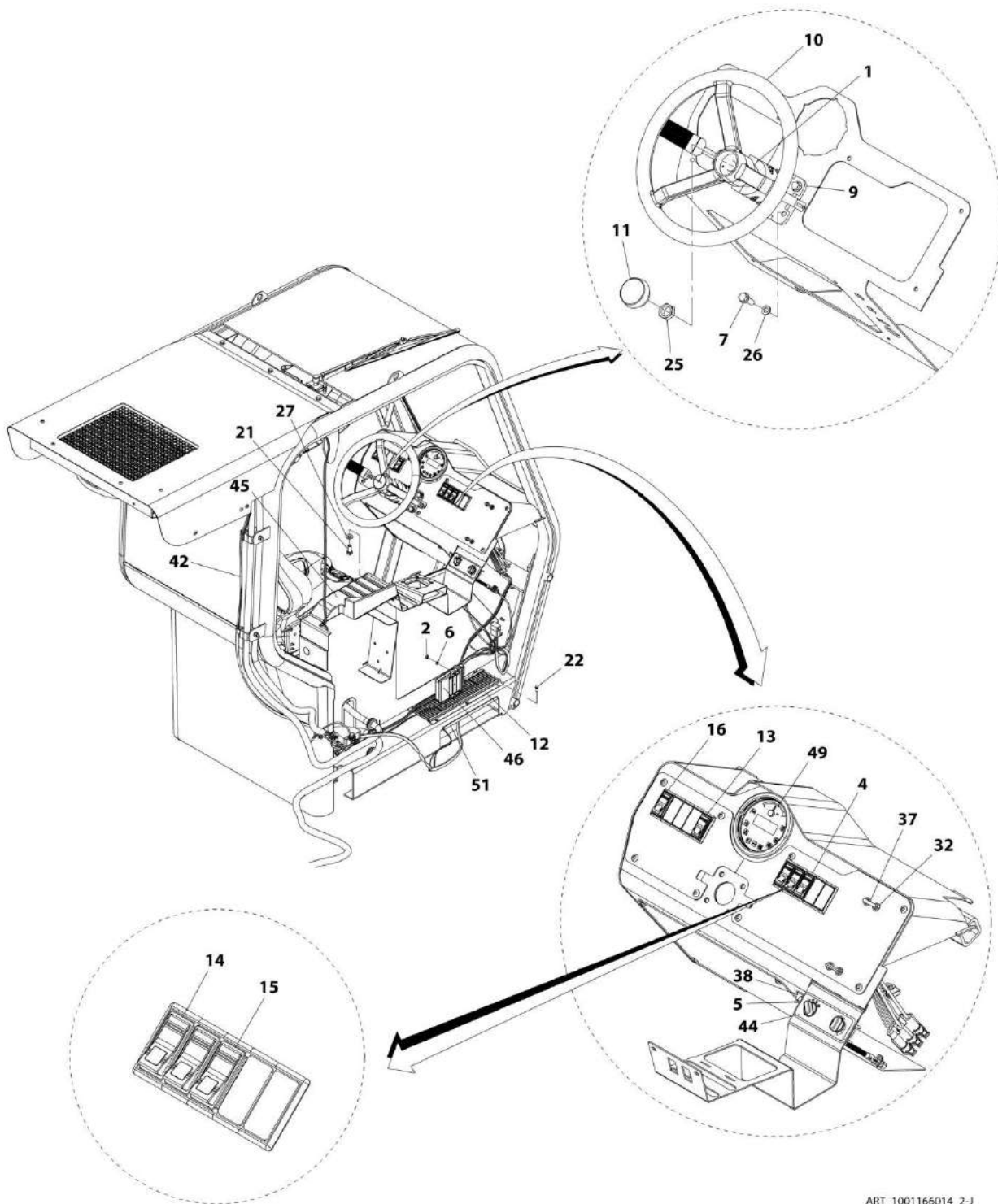
ITEM	PART NUMBER	QTY	DESCRIPTION	REV
	1001171807	Ref	Cab Heater Lines Installation	D
1	0700617	2	Bolt, M6X45	
2	0700822	2	Bolt, M8X70	
4	3290605	2	Nut, Lock M6X1	
5	3290805	2	Nut, Lock M8X1-1/4	
6	4811700	2	Washer, M6	
7	4811702	2	Washer, M6	
8	4811900	4	Washer, M8	
10	8405007	8	Clamp, Gear	
11	8430048	2	Reducer, Hose Barb	
12	77133133	2	Clamp, Twin	
13	77133134	2	Clamp, Cover Plate	
15	91043147	2	Clamp, Support	
16	1001158404	1	Hose, Cab Heater	
17	1001159844	1	Valve, Heater (See Separate Breakdown in this section)	
18	1001172537	1	Hose, Heater Return	
19	1001172561	1	Hose, Heater Send Valve to Roof	
20	8584001	4	Wrap, Tie	
21	1001173217	1	Hose, Heater Roof to Floor	
22	1001179229	1	Fitting, 45	

SECTION 6 - CAB

FIGURE 6-12. ENCLOSED CAB WITH HEATER/AC INSTALLATION (Prior to SN 0160074884, Excluding 0160074882)



SECTION 6 - CAB



ART_1001166014_2-J

SECTION 6 - CAB

FIGURE 6-12. ENCLOSED CAB WITH HEATER/AC INSTALLATION (Prior to SN 0160074884, Excluding 0160074882)

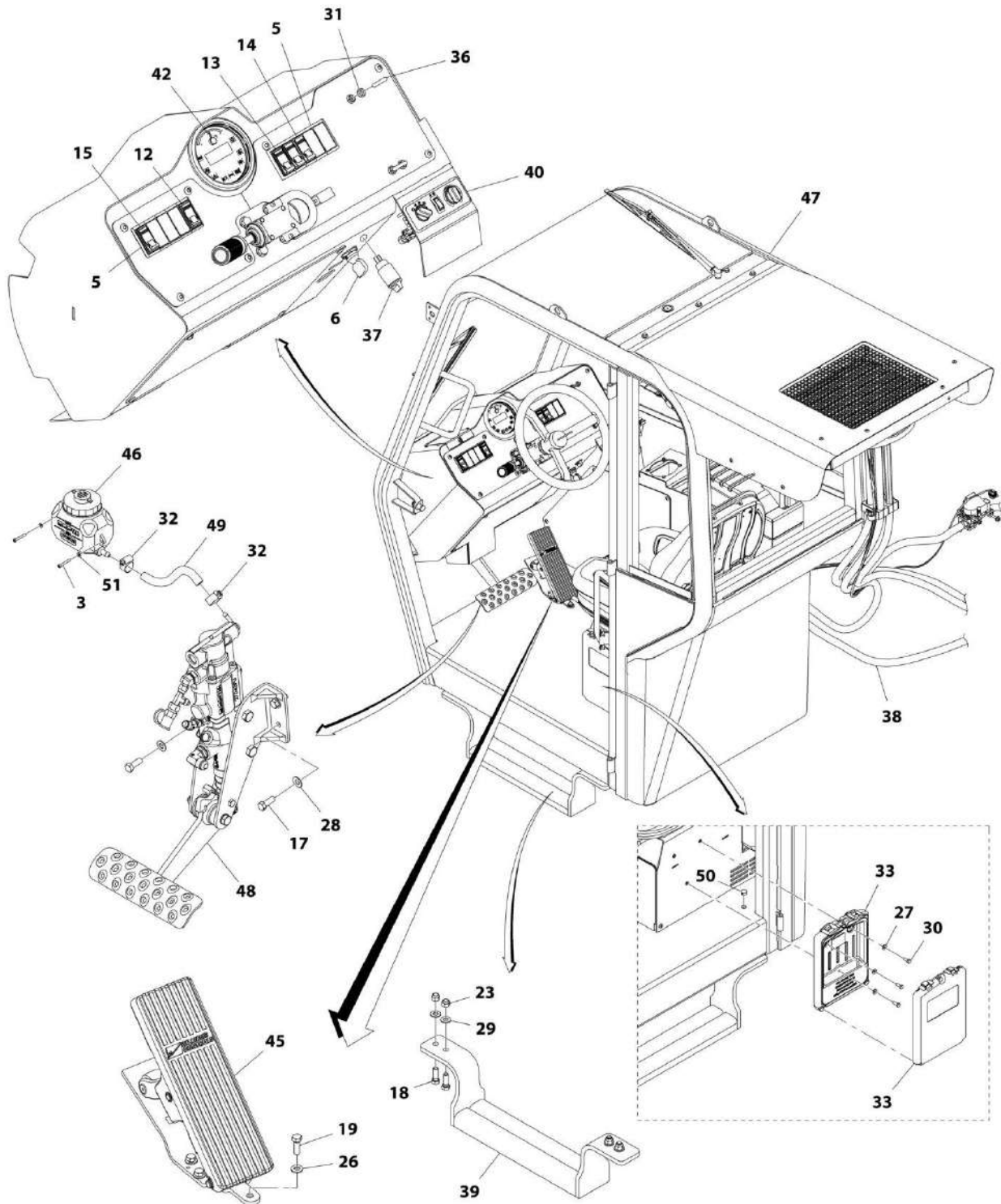
ITEM	PART NUMBER	QTY	DESCRIPTION	REV
	1001166014	Ref	Enclosed Cab with Heater/AC Installation	J
1	1600429	1	Selector, Transmission Control	
2	3311401	2	Nut, 1/4-20	
3	3311502	1	Nut, Jam 5/16-18	
4	4360569	2	Switch, Bezel	
5	4360690	1	Switch, Ignition	
5	8035807	1	Key (with cover)	
6	4761400	2	Washer, Lock 1/4	
7	5251014	4	Bolt, M10X30	
8	7129521	2	Pivot, Brake Pedal	
9	7138833	1	Column, Steering	
10	7138836	1	Wheel, Steering	
11	7138878	1	Button, Horn	
12	7138944	2	Strips, Brush	
13	8223037	1	Switch, Steer Select	
14	8223043	2	Switch, Windscreen Wiper	
15	8223044	1	Switch, Windscreen Washer	
16	8223054	1	Switch, Park Brake	
17	8303626	4	Bolt, 1/2-13X1-1/2	
18	8303658	2	Bolt, 1/2-13X2	
19	8303670	4	Bolt, 5/16-18X1	
20	8303739	1	Bolt, 5/16-18X1-1/4	
21	8303697	3	Bolt, 5/16-18X3/4	
22	8303982	6	Screw, Self-Tapping 1/4-20X3/4	
23	8305626	4	Nut, Lock 5/16-18	
24	8305644	6	Nut, Lock 1/2-13	
25	8305916	1	Nut, Steering Column	
26	8307023	4	Washer, Lock M10	
27	8307106	11	Washer, 5/16	
28	8307109	3	Washer, 1/4	
29	8307112	4	Washer, 1/2	
30	8307206	4	Washer, 1/2	
31	8310026	3	Bolt, 1/4-20X3/4	
32	8310382	8	Nut, Flange 1/4-20	
33	8990147	1	Holder, Manual	
34	91511145	1	Bar, Tie	
35	91513180	2	Actuator	
36	1001101085	1	Seat, Cab (See CAB SEAT for Breakdown) (Prior to SN 0160074884, Excluding 0160074882)	
36	1001190229	1	Seat, Cab (See CAB SEAT for Breakdown) (SN 0160074884 to Present, Including 0160074882)	
37	1001102844	2	Bolt, U 1/4-20X1-1/4	
38	1001114867	1	Socket, 12V Power Point	
39	1001180555	1	Accelerator (See CONTROLS SECTION for Breakdown)	
40	1001141427	1	Mount, Cab Step	
41	1001143305	1	Pedal, Brake	
42	1001178347	1	Harness, HVAC (See ELECTRICAL SECTION for Breakdown)	
43	1001158091	1	Cab, Enclosed with Heater/AC (See ENCLOSED CAB WITH HEATER/AC for Breakdown)	

SECTION 6 - CAB

ITEM	PART NUMBER	QTY	DESCRIPTION	REV
44	1001159851	1	Panel, HVAC Control	
45	1001159878	1	Support, Armrest	
46	1001210703	1	Controller	
49	1001170738	1	Gauge	
50	1001171806	1	Installation, Cab Heater/AC Lines (See CAB HEATER/AC LINES INSTALLATION for Breakdown)	
51	4060806	11	Shield, Flex Trim 5/16	
52	1001207963	1	Plug, 5/8	

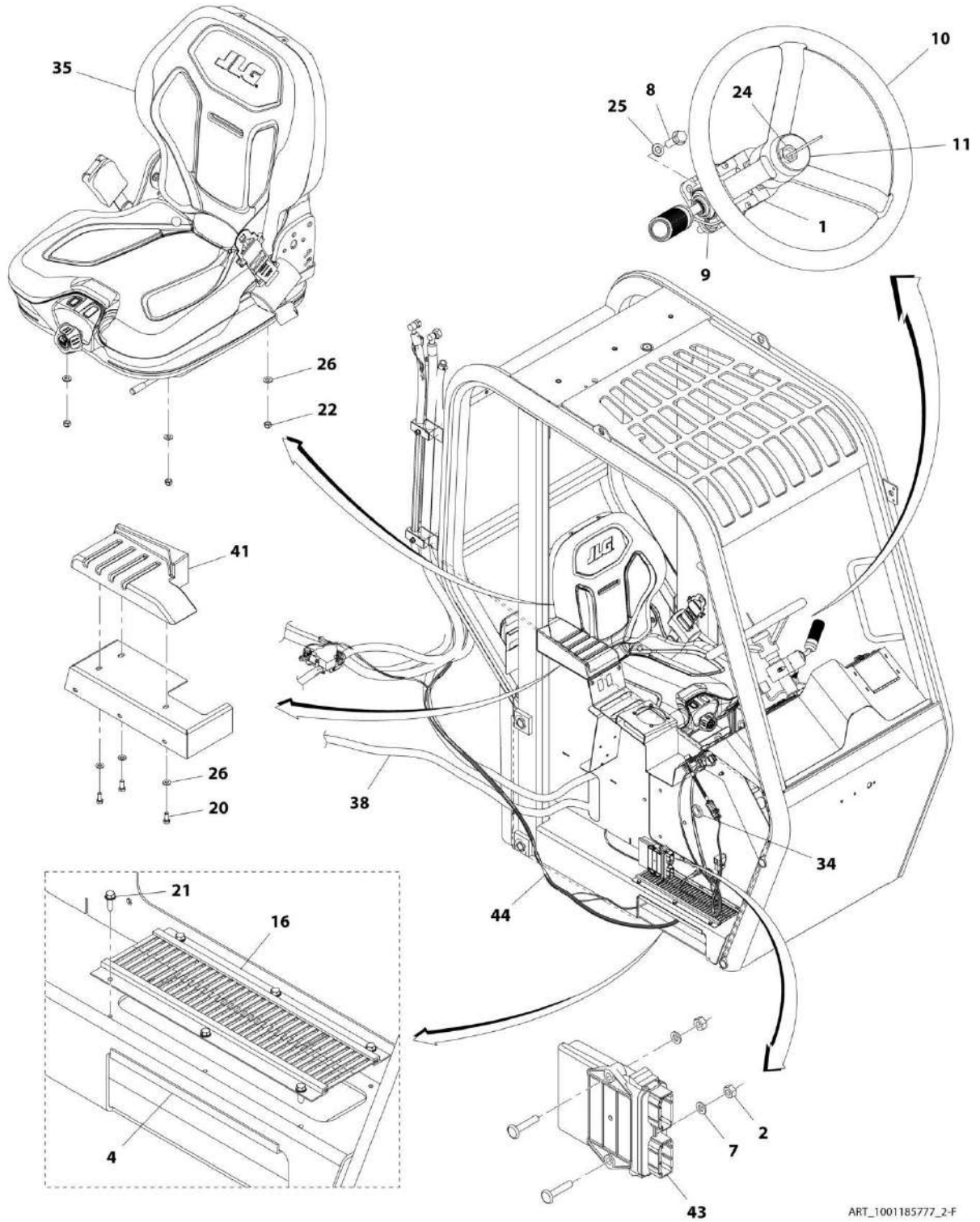
SECTION 6 - CAB

FIGURE 6-13. ENCLOSED CAB WITH HEATER/AC INSTALLATION (SN 0160074884 to Present, Including 0160074882)



ART_1001185777_1-F

SECTION 6 - CAB



ART_1001185777_2-F

SECTION 6 - CAB

FIGURE 6-13. ENCLOSED CAB WITH HEATER/AC INSTALLATION (SN 0160074884 to Present, Including 0160074882)

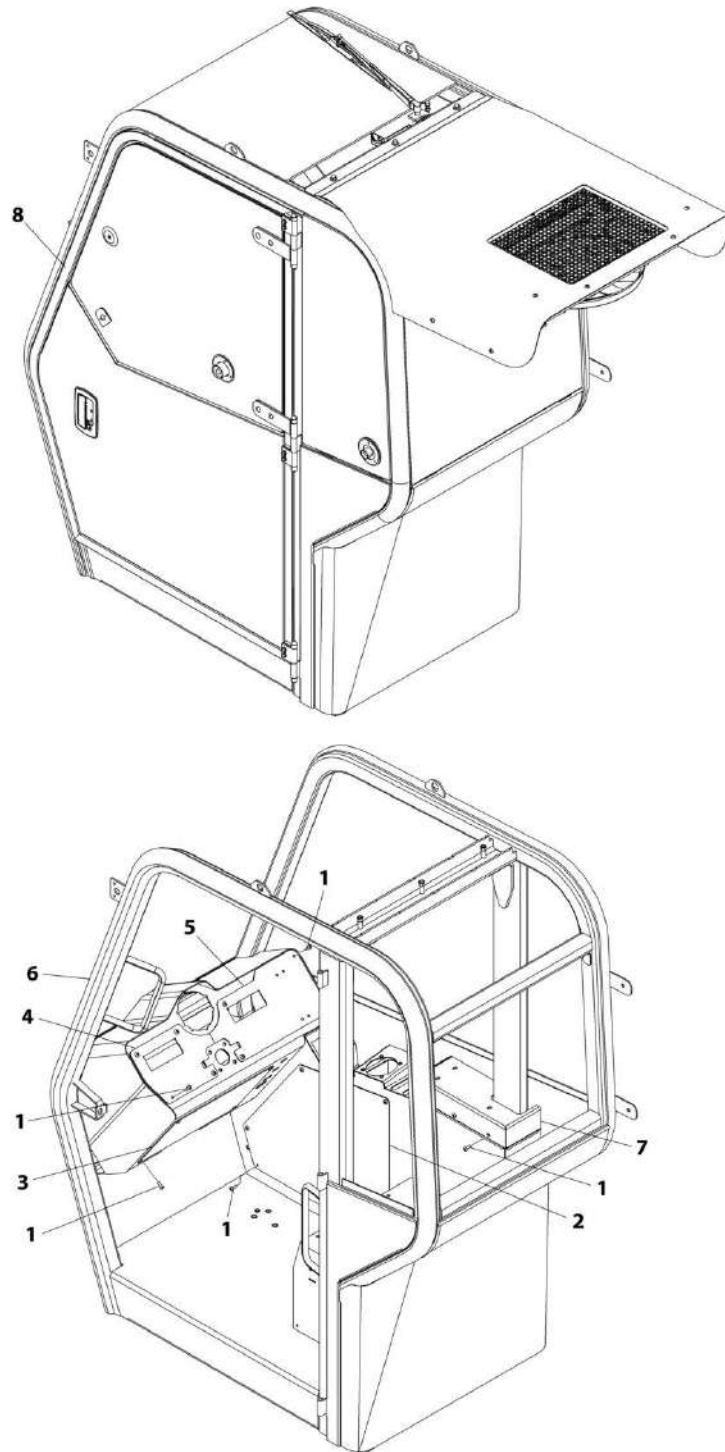
ITEM	PART NUMBER	QTY	DESCRIPTION	REV
	1001185777	Ref	Enclosed Cab with Heater/AC Installation	F
1	1600429	1	Selector, Transmission Control	
2	3311401	2	Nut, 1/4-20	
3	3930610	2	Bolt, 6-32X5/8	
4	4060806	11 in	Shield, Flex Trim 5/16	
5	4360569	2	Switch, Bezel	
6	4360690	1	Switch, Ignition	
7	4761400	2	Washer, Lock 1/4	
8	5251014	4	Bolt, M10X30	
9	7138833	1	Column, Steering	
10	7138836	1	Wheel, Steering	
11	7138878	1	Button, Horn	
12	8223037	1	Switch, Steer Select	
13	8223043	2	Switch, Windscreen Wiper	
14	8223044	1	Switch, Windscreen Washer	
15	8223054	1	Switch, Park Brake	
16	7138944	2	Strips, Brush	
17	8303620	4	Bolt, 3/8-16X1	
18	8303626	4	Bolt, 1/2-13X1-1/2	
19	8303670	4	Bolt, 5/16-18X1	
20	8303697	3	Bolt, 5/16-18X3/4	
21	8303982	6	Screw, Self-Tapping 1/4-20X3/4	
22	8305626	4	Nut, Lock 5/16-18	
23	8305644	4	Nut, Lock 1/2-13	
24	8305916	1	Nut, Steering Column	
25	8307023	4	Washer, Lock M10	
26	8307106	11	Washer, 5/16	
27	8307109	3	Washer, 1/4	
28	8307110	4	Washer, 3/8	
29	8307112	4	Washer, 1/2	
30	8310026	3	Bolt, 1/4-20X3/4	
31	8310382	8	Nut, Flange 1/4-20	
32	1320022	2	Clamp, Fuel Line	
33	8990147	1	Holder, Manual	
34	1001081049	1	Grommet	
35	1001190229	1	Seat, Cab (See CAB SEAT for Breakdown)	
36	1001102844	2	Bolt, U 1/4-20X1-1/4	
37	1001114867	1	Socket, 12V Power Point	
38	1001171806	1	Installation, Cab Heater/AC Lines (See Separate Breakdown in this Section)	
39	1001141427	1	Mount, Cab Step	
40	1001159851	1	Panel, HVAC Control	
41	1001159878	1	Support, Armrest	
42	1001170738	1	Gauge	
43	1001210703	1	Controller	
44	1001178347	1	Harness, HVAC (See Separate Breakdown in ELECTRICAL Section)	
45	1001180555	1	Accelerator (See Separate Breakdown in CONTROL Section)	
46	1001183164	1	Reservoir, Brake Valve	

SECTION 6 - CAB

ITEM	PART NUMBER	QTY	DESCRIPTION	REV
47	1001185775	1	Cab, Enclosed with Heater/AC (See Separate Breakdown in this Section)	
48	1001201647	1	Assembly, Brake (See Separate Breakdown in CONTROL Section) (SN 0160074884 through 0160081739, Including 0160074882)	
48	1001223052	1	Assembly, Brake (See Separate Breakdown in CONTROL Section) (SN 0160081739 to Present)	
49	1001201658	1	Hose	
50	1001207963	1	Plug, 5/8	
51	4710600	2	Washer, Plain Dia	

SECTION 6 - CAB

FIGURE 6-14. ENCLOSED CAB WITH HEATER/AC (Prior to SN 0160074884, Excluding 0160074882)



ART_1001158091-I

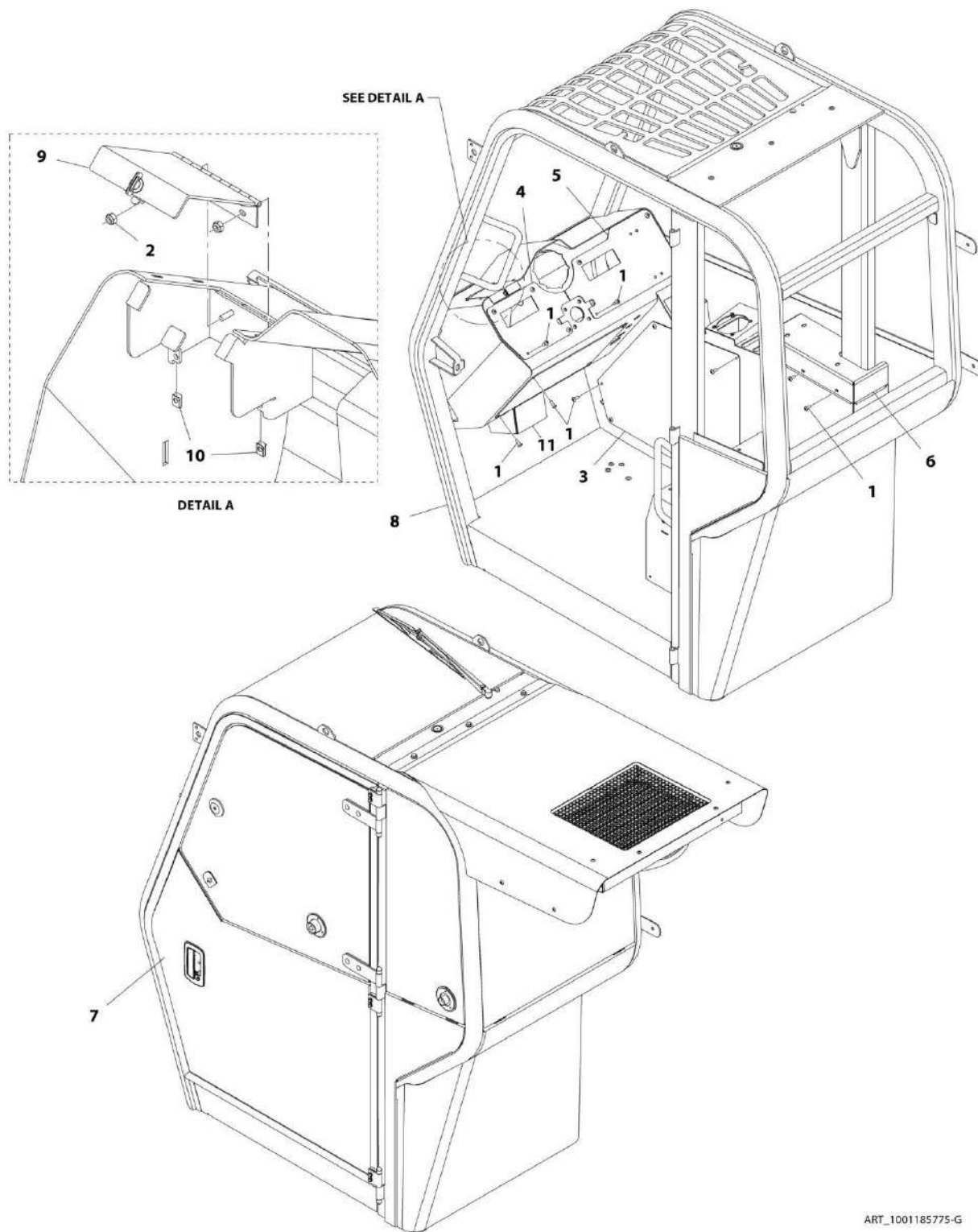
SECTION 6 - CAB

FIGURE 6-14. ENCLOSED CAB WITH HEATER/AC (Prior to SN 0160074884, Excluding 0160074882)

ITEM	PART NUMBER	QTY	DESCRIPTION	REV
	1001158091	Ref	Enclosed Cab with Heater/AC	1
1	8303034	22	Screw, 1/4-20X3/4	
2	1001160788	1	Panel, RH Console Access Plate	
3	1001160789	1	Panel, Brake Access Plate	
4	1001160790	1	Panel, LH Dash Cover	
5	1001160791	1	Panel, RH Dash Cover	
6	1001165583	1	Weldment, Cab	
7	1001165617	1	Assembly, Side Console Access Panel	
8	1001168066	1	Enclosure, Cab HVAC (See CAB HVAC ENCLOSURE for Breakdown)	

SECTION 6 - CAB

FIGURE 6-15. ENCLOSED CAB WITH HEATER/AC (SN 0160074884 to Present, Including 0160074882)

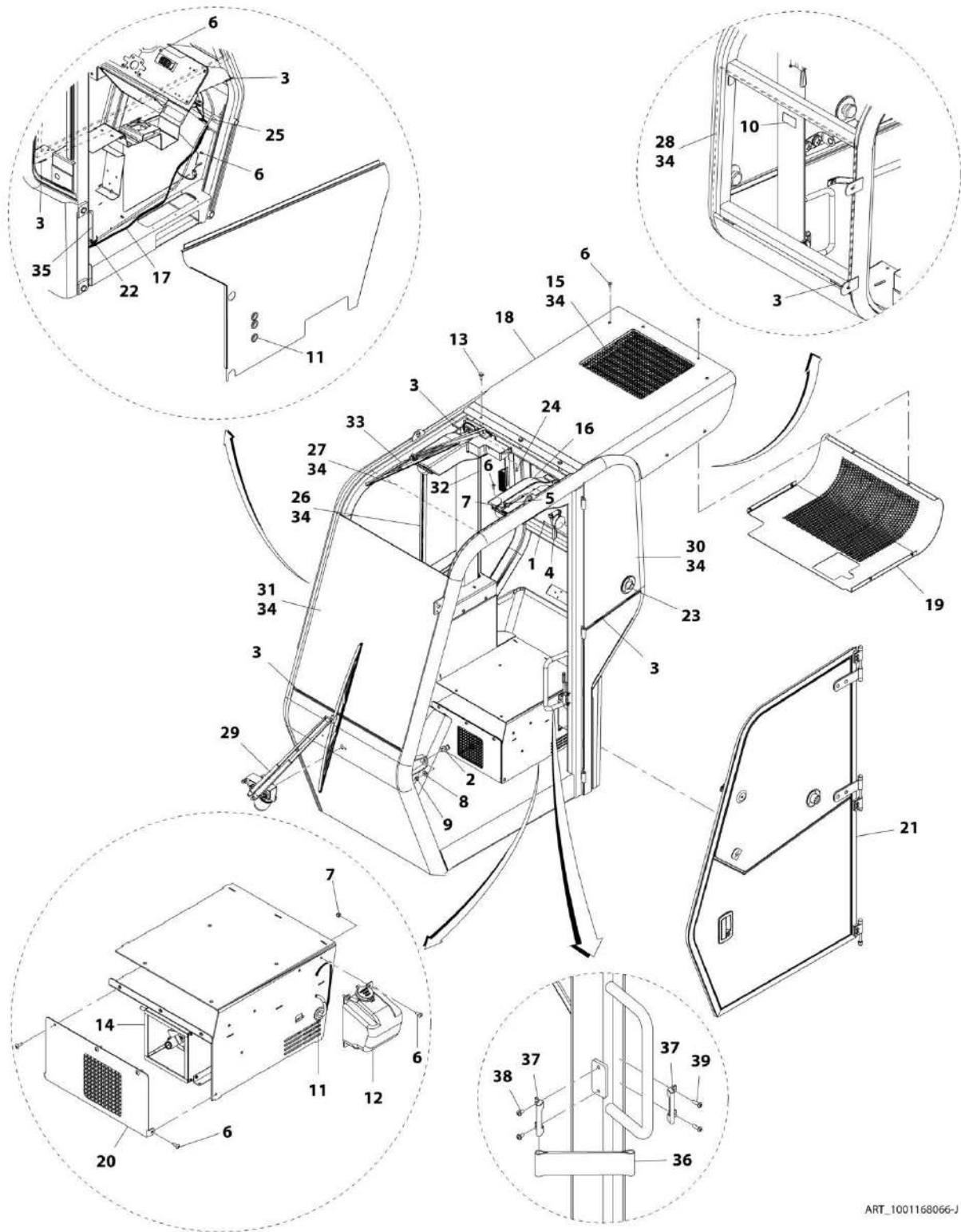


SECTION 6 - CAB**FIGURE 6-15. ENCLOSED CAB WITH HEATER/AC (SN 0160074884 to Present, Including 0160074882)**

ITEM	PART NUMBER	QTY	DESCRIPTION	REV
	1001185775	Ref	Enclosed Cab with Heater/AC	G
1	8303034	22	Screw, 1/4-20X3/4	
2	8310085	2	Nut, Lock M10	
3	1001160788	1	Panel, RH Console Access Plate	
4	1001160790	1	Panel, LH Dash Cover	
5	1001160791	1	Panel, RH Dash Cover	
6	1001165617	1	Assembly, Side Console Access Panel	
7	1001168066	1	Enclosure, Cab HVAC (See CAB HVAC ENCLOSURE for Breakdown)	
8	1001185772	1	Weldment, Cab	
9	1001202189	1	Door, Brake Reservoir	
10	1001202202	2	Nut, M6-32	
11	1001202746	1	Panel, Brake Access Plate	

SECTION 6 - CAB

FIGURE 6-16. CAB HVAC ENCLOSURE



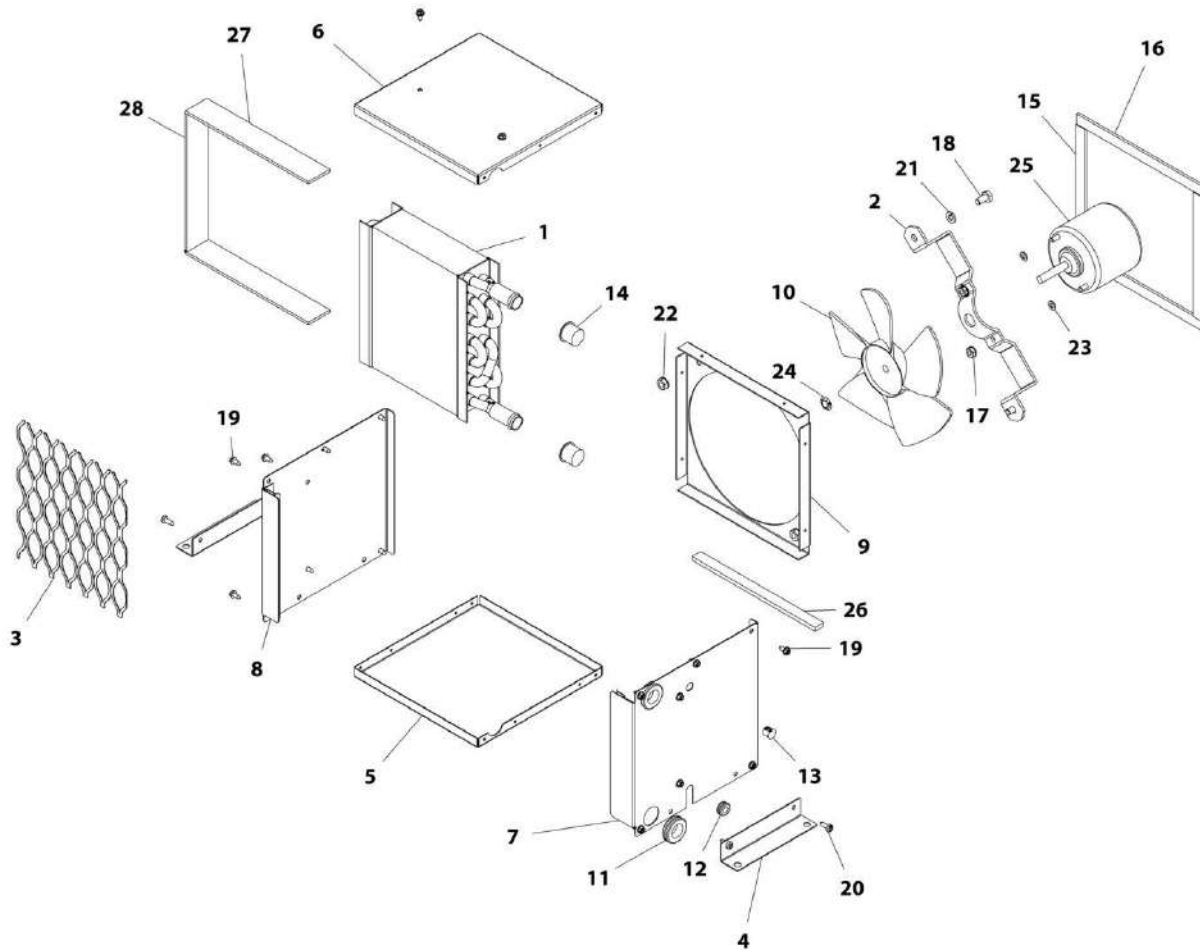
ART_1001168066-J

FIGURE 6-16. CAB HVAC ENCLOSURE

ITEM	PART NUMBER	QTY	DESCRIPTION	REV
	1001168066	Ref	Cab HVAC Enclosure	J
1	91404298	3	Rivet	
2	1001109478	1	Latch, Striker	
3	1001181968	13	Mould, Setting Block	
4	91404301	1	Hammer, Emergency	
5	4711400	2	Washer, 1/4	
6	8303034	35	Screw, 1/4-20X3/4	
7	8305624	4	Nut, Lock 1/4-20	
8	8307112	1	Washer, 1/2	
9	8310109	1	Nut, Lock 7/16-14	
10	91404299	1	Decal, Escape	
11	1001081049	4	Grommet, Split	
12	1001111112	1	Tank, Window Washer Fluid	
12	70025480	1	Pump, Reservoir	
13	1001149227	3	Screw, Hex Flange 5/16-18X1	
14	1001159856	1	Heater, Floor (See FLOOR HEATER for Breakdown)	
15	1001159861	1	Box, Roof (See ROOF BOX HVAC for Breakdown)	
16	1001160785	2	Duct, HVAC	
17	1001178349	1	Harness, Wiper (See ELECTRICAL SECTION for Breakdown)	
18	1001164096	1	Hood, Top	
19	1001164099	1	Hood, Bottom	
20	1001164717	1	Panel, Floor Heater Access	
21	1001165806	1	Door, Cab (See CAB DOOR for Breakdown)	
22	1001008742	1	Coupling, Tee	
23	1001081243	1	Retainer, Door Window Hold	
24	0630464	1	Screw, 10-24X1/2	
25	82033997	168 in	Hose, Washer Fluid	
26	8036050	1	Window, RH Slider (See RH SLIDER WINDOW for Breakdown)	
27	7138958	1	Glass, Skylight	
28	1001181707	1	Window, Rear	
29	8036056	1	Assembly, Front Wiper (See FRONT WIPER ASSEMBLY for Breakdown)	
30	1001181893	1	Window, LH Rear	
31	1001181903	1	Window, Windshield	
32	1001182091	1	Duct, Wire	
33	1001182470	1	Wiper, Skylight (See SKYLIGHT WIPER ASSEMBLY for Breakdown)	
34	1001177746	AR	Compound, Locking	
35	4060803	16.5 in	Shield, Flex Trim 1/8	
36	80384218	1	Strap, Door	
37	1001196128	2	Bracket, strap Holder	
38	1001197098	2	Screw, 10-24X3/8	
39	1001197099	2	Screw, 10-24X5/8	

SECTION 6 - CAB

FIGURE 6-17. FLOOR HEATER



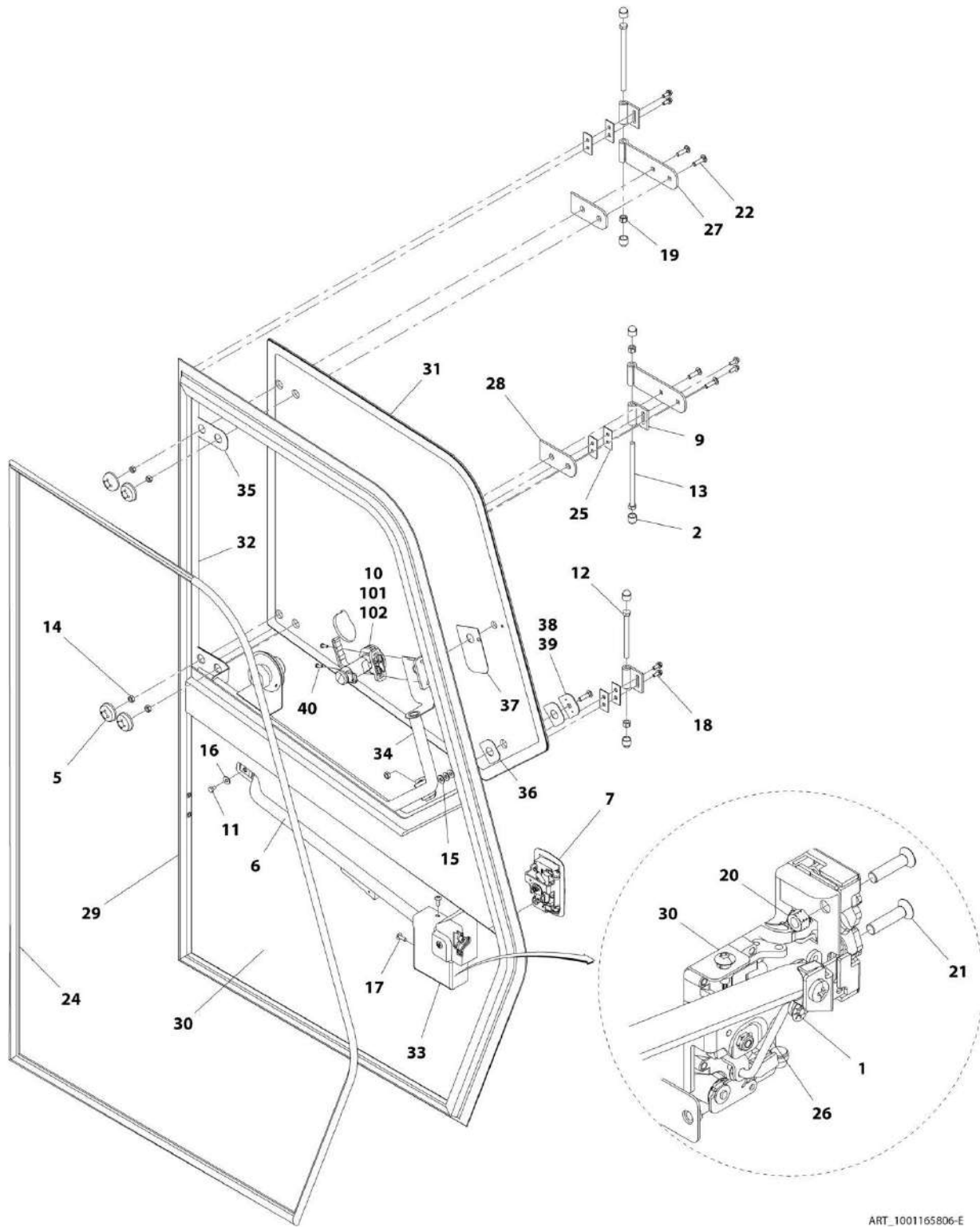
ART_1001159856-D

FIGURE 6-17. FLOOR HEATER

ITEM	PART NUMBER	QTY	DESCRIPTION	REV
	1001159856	Ref	Floor Heater	D
1	70026100	1	Coil, Heater	
2	70026101	1	Bracket, Motor	
3	70026102	1	Protector, Coil	
4	70026103	2	Bracket, Mounting	
5	70026104	1	Casing, Bottom	
6	70026105	1	Casing, Top	
7	70026106	1	Casing, RH Side	
8	70026107	1	Casing, LH Side	
9	70026108	1	Mount, Fan	
10	70026109	1	Fan	
11	70026110	2	Grommet	
12	70026111	1	Grommet, 3/8	
13	70026112	1	Plug, Hole 3/8	
14	70026113	2	Plug, 3/8	
15	70026114	2	Foam, 1/4X158	
16	70026114	2	Foam, 1/4X184	
17	70026115	2	Nut, 10-32	
18	70026116	2	Screw, 1/4-20X1/2	
19	70026117	16	Screw, 8X3/8	
20	70024855	4	Screw, Tap 8X1/2	
21	70026118	2	Lockwasher, 1/4	
22	70026119	2	Nut, Kep 1/4-20	
23	70026120	2	Washer, M5	
24	70026121	1	Retainer	
25	70026122	1	Motor Assembly, 12V	
26	70026123	1	Foam, 3/16X180	
27	70026124	2	Foam, 1/4X180	
28	70026124	1	Foam, 1/4X175	

SECTION 6 - CAB

FIGURE 6-18. CAB DOOR



ART_1001165806-E

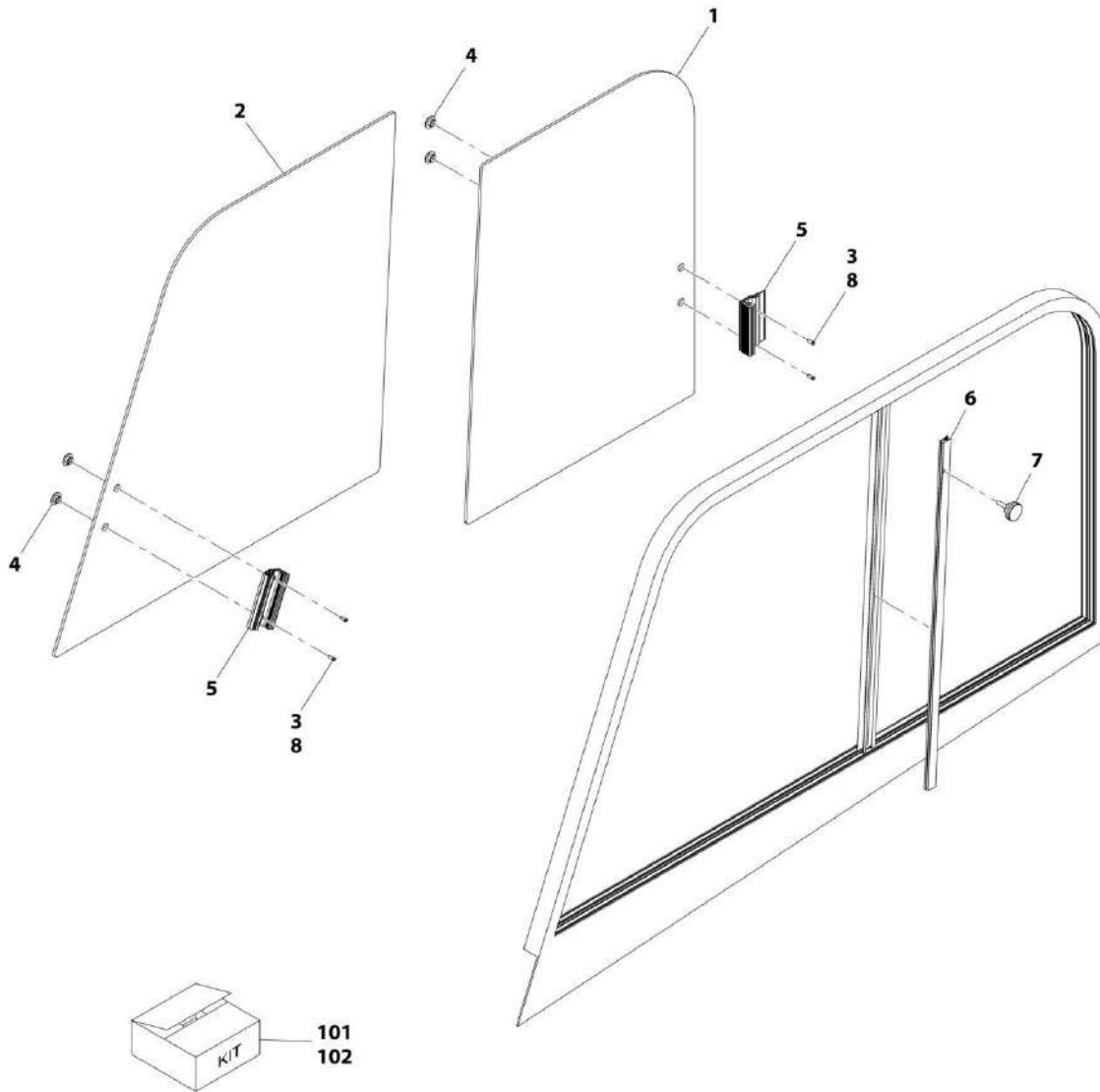
SECTION 6 - CAB

FIGURE 6-18. CAB DOOR

ITEM	PART NUMBER	QTY	DESCRIPTION	REV
	1001165806	Ref	Door, Cab	E
1	1001183104	2	Fastener, Latch	
2	1001182663	6	Cap, Hex Dome	
5	1001081246	5	Cap, Nut M6	
6	1001081247	1	Handle, Interior Cab Door	
7	1001081241	1	Handle, Exterior Cab Door	
7	70021948	1	Key, Cab Door	
9	1001183209	3	Hinge, Slotted	
10	1001002959	NLA	Handle, Window, (no longer available, use 1001220260 for replacement)	
10	1001220260	1	Handle, Window	
11	0641403	1	Bolt, 1/4-20X3/8	
12	0641636	1	Bolt, 3/8-16X4-1/2	
13	0641652	2	Bolt, 3/8-16X6-1/2	
14	3290801	5	Nut, M8X1-1/4	
15	4711500	3	Washer, 5/16	
16	4751400	1	Washer, 1/4	
17	8303034	2	Screw, 1/4-20X3/4	
18	8303119	6	Screw, 1/4-20X5/8	
19	8305603	3	Nut, Lock 3/8-16	
20	8305638	2	Nut, Lock M8X1-1/4	
21	1001094312	2	Screw, M8X30	
22	1001108575	5	Screw, M8X30	
24	1001182408	1	Seal, Door	
25	1001182135	6	Shim, Door Hinge	
26	1001182514	1	Linkage, Exterior Latch	
27	1001081242	2	Hinge, Door	
28	1001081266	2	Spacer, Hinge	
29	1001182842	1	Weldment, Door	
30	1001182800	1	Foam, Door	
31	1001182808	1	Glass, Door	
32	1001182810	1	Seal, Glass	
33	1001182865	1	Cover, Latch	
34	1001182871	1	Handle, Door Glass	
35	1001182882	2	Shim, Hinge	
36	1001182883	2	Shim, Handle	
37	1001182884	1	Shim, Handle Latch	
38	1001183084	1	Plate, Window	
39	1001177746	1	Compound, Locking	
40	1001197099	2	Screw, 1/4-24X5/8	
101	1001165276	1	Striker Plate	
102	1001165275	1	Window Latch	
103	1001169787	1	Latch Seal (not shown)	

SECTION 6 - CAB

FIGURE 6-19. RH SLIDER WINDOW



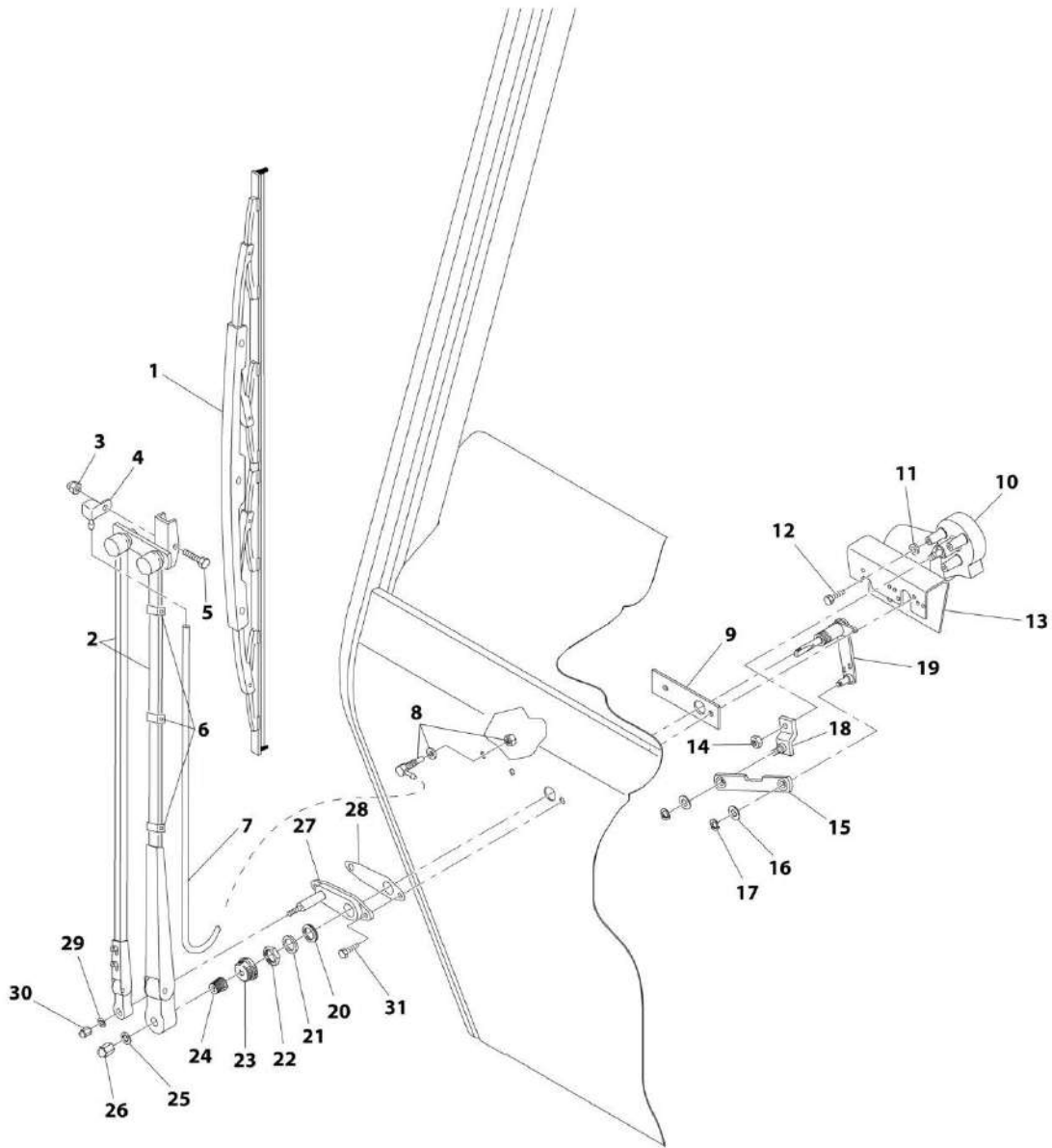
ART_8036050-B

FIGURE 6-19. RH SLIDER WINDOW

ITEM	PART NUMBER	QTY	DESCRIPTION	REV
	8036050	Ref	RH Slider Window	B
1	8036197	1	Glass, Rear Slide	
2	8036196	1	Glass, Front Slide	
3	Kit	1	Capscrew	
4	Kit	1	Spacer	
5	Kit	1	Latch	
6	Kit	1	Block, Lock	
7	Kit	1	Assembly, Knob	
8	8035523	AR	Compound, Locking	
101	8036199	1	Kit, Latch Assembly (includes items 3 thru 5)	
102	8036198	1	Kit, Friction Lock Assembly (includes items 6 & 7)	

SECTION 6 - CAB

FIGURE 6-20. FRONT WIPER ASSEMBLY



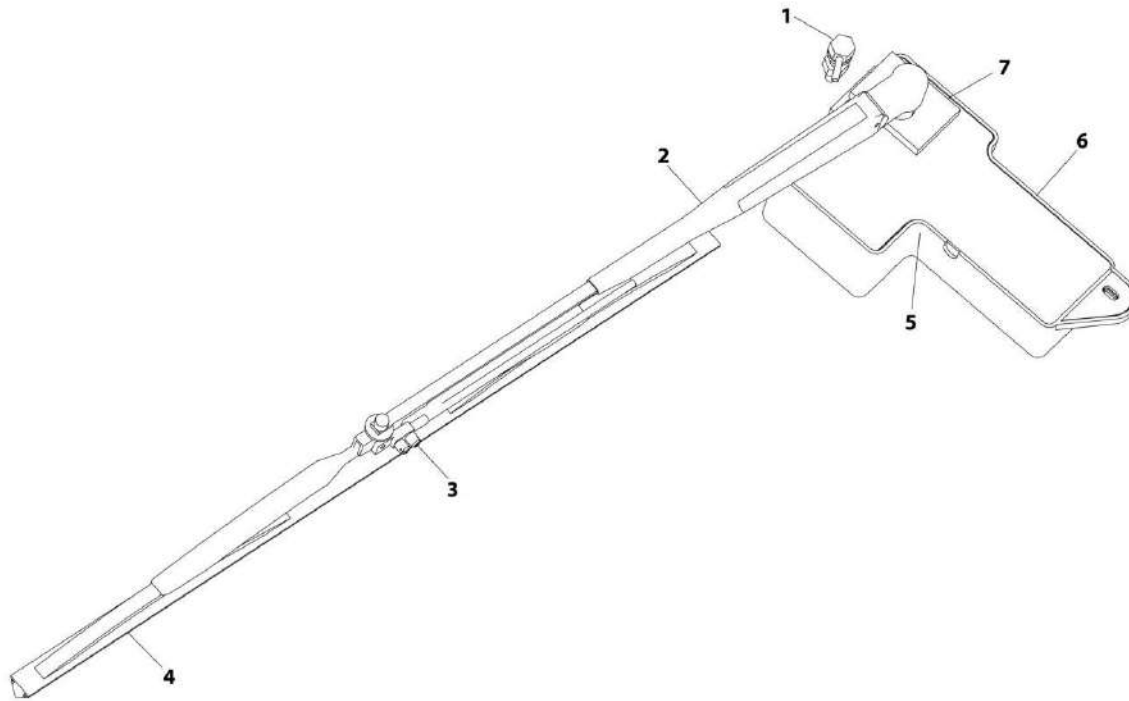
ART_8036056-A

FIGURE 6-20. FRONT WIPER ASSEMBLY

ITEM	PART NUMBER	QTY	DESCRIPTION	REV
	8036056	Ref	Front Wiper Assembly	A
1	80384213	1	Blade, Wiper	
2	8035393	1	Assembly, Wiper Arm	
3	N.S.S.	1	Nut, Lock	
4	N.S.S.	1	Nozzle, Sprayer	
5	N.S.S.	1	Bolt	
6	N.S.S.	3	Clip, Hose	
7	N.S.S.	1	Hose	
8	1001081310	1	Adaptor, Wet Arm	
9	8036100	1	Spacer, Front Wiper Motor	
10	7029860	1	Motor, Wiper 12V	
11	N.S.S.	3	Washer, 5/16	
12	N.S.S.	3	Bolt, 1/4-28X1	
13	N.S.S.	1	Bracket, Wiper Motor	
14	N.S.S.	1	Nut	
15	8035409	1	Link, Connecting	
16	N.S.S.	2	Washer, 0.56X0.251X0.015	
17	N.S.S.	2	Clip, Spring	
18	8035411	1	Drive, Wiper Arm	
19	8036099	1	Assembly, Wiper Shaft and Pivot	
20	N.S.S.	1	Washer, Rubber	
21	N.S.S.	1	Washer, Metal	
22	N.S.S.	1	Nut, Jam 11/16-18	
23	N.S.S.	1	Cap, Rubber	
24	N.S.S.	1	Driver, Knurled	
25	N.S.S.	1	Washer, Lock 3/8	
26	N.S.S.	1	Nut, Acorn 1/4-28	
27	8034815	1	Assembly, Panto Adaptor	
28	N.S.S.	1	Gasket	
29	N.S.S.	1	Washer, Lock 1/4	
30	N.S.S.	1	Nut, Acorn 1/4-28	
31	80384207	2	Bolt, 1/4-28X3/4	

SECTION 6 - CAB

FIGURE 6-21. SKYLIGHT WIPER ASSEMBLY



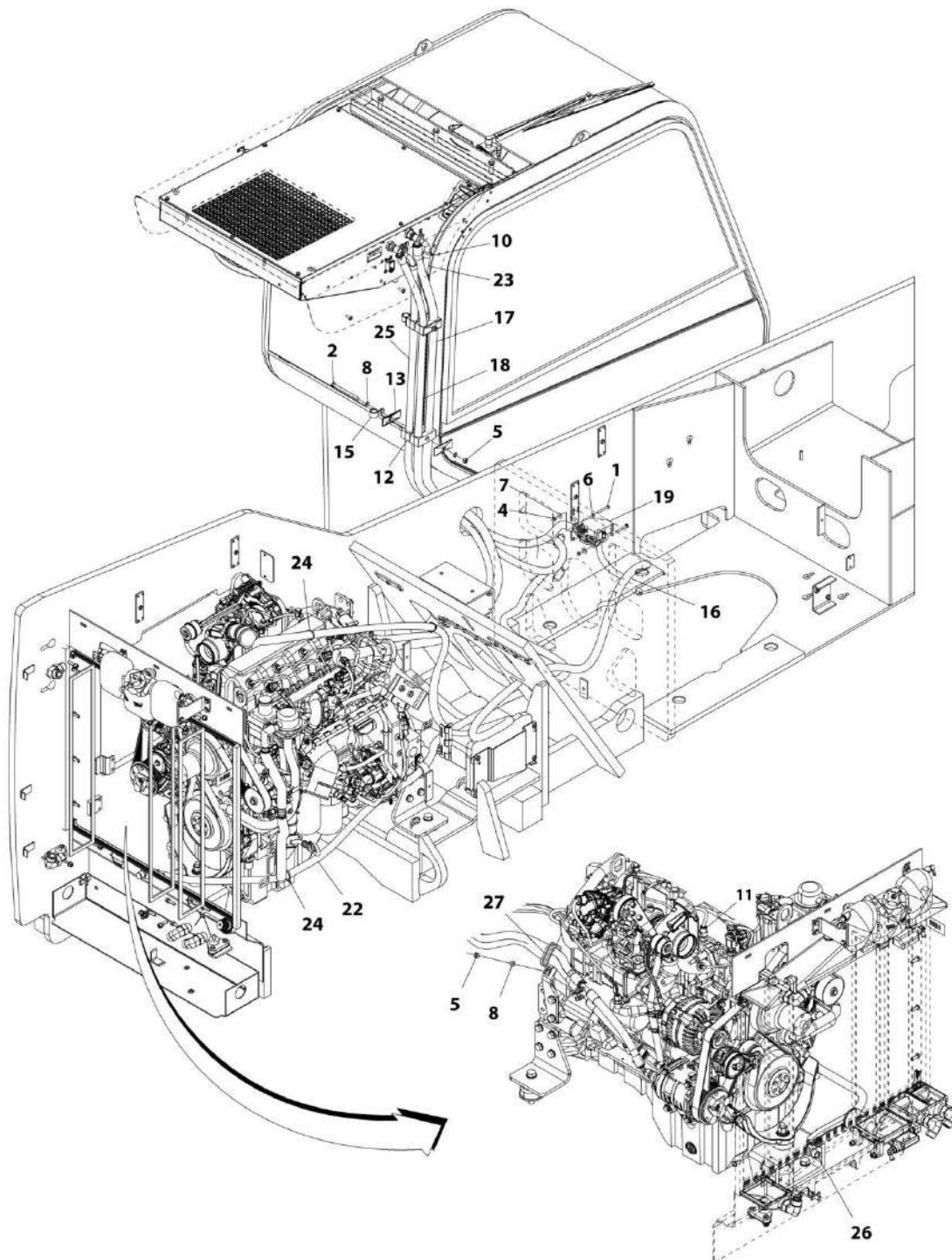
ART_1001182470-A

FIGURE 6-21. SKYLIGHT WIPER ASSEMBLY

ITEM	PART NUMBER	QTY	DESCRIPTION	REV
	1001182470	Ref	Skylight Wiper Assembly	A
1	1001081310	1	Adaptor, Wet Arm	
2	8035500	1	Arm, Wiper	
3	8035499	1	Arm, Wet Kit	
4	8035498	1	Blade, Wiper	
5	70020652	1	Motor, Wiper	
6	8035493	1	Cover, Wiper	
7	70026352	1	Block, Skylight Wiper Motor	

SECTION 6 - CAB

FIGURE 6-22. CAB HEATER/AC LINES INSTALLATION



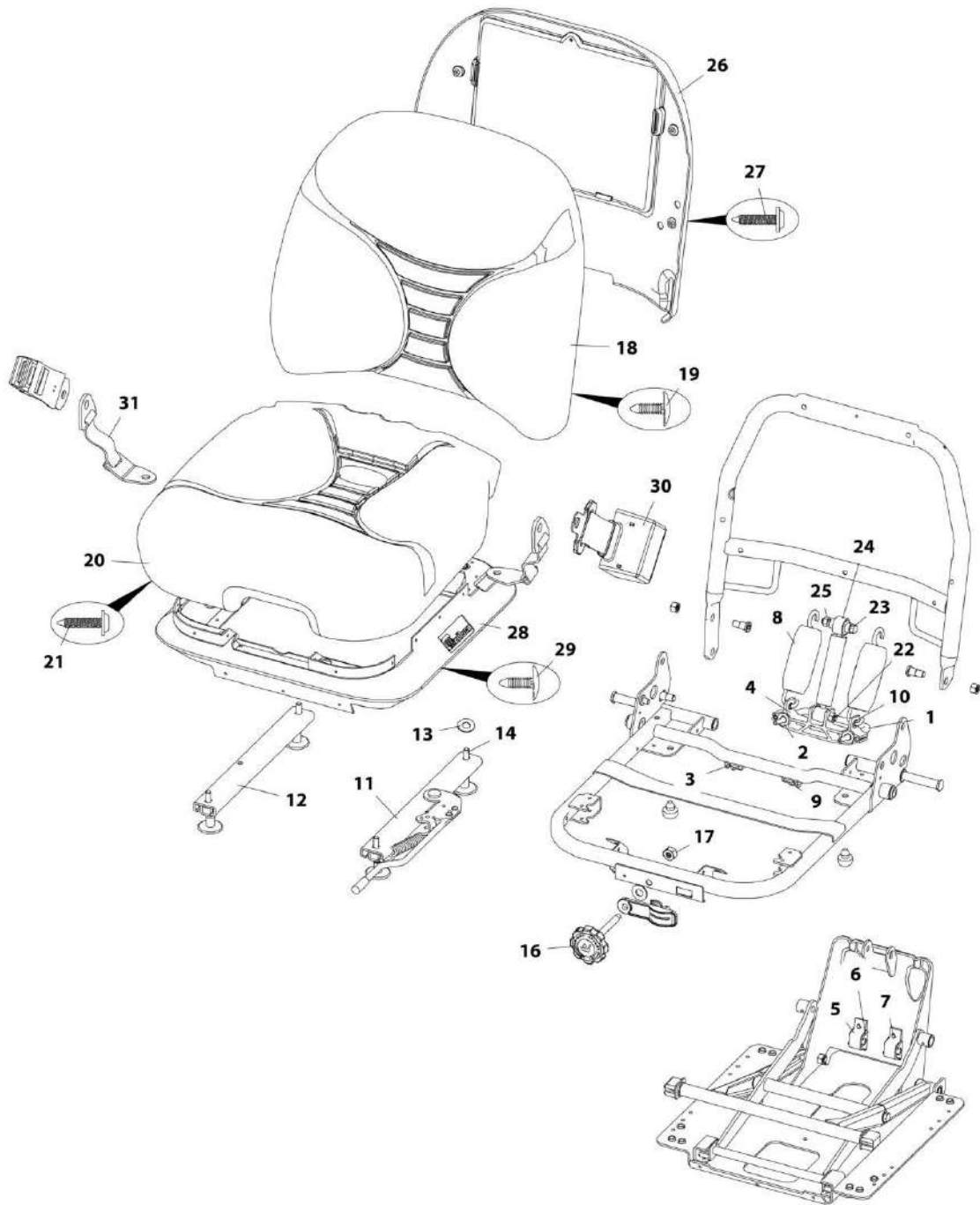
ART_1001171806-J

FIGURE 6-22. CAB HEATER/AC LINES INSTALLATION

ITEM	PART NUMBER	QTY	DESCRIPTION	REV
	1001171806	Ref	Cab Heater/AC Lines Installation	J
1	0700617	2	Bolt, M6X45	
2	0700828	2	Bolt, M8X110	
4	3290605	2	Nut, Lock M6X1	
5	3290805	3	Nut, Lock M8X1-1/4	
6	4811700	2	Washer, M6	
7	4811702	2	Washer, M6	
8	4811900	5	Washer, M8	
10	8405007	8	Clamp, Gear	
11	8430048	2	Reducer, Hose Barb	
12	77133133	4	Clamp, Twin	
13	77133134	4	Clamp, Cover Plate	
15	91043147	2	Clamp, Support	
16	1001158404	1	Hose, Cab Heater	
17	1001182798	1	Hose, A/C Compressor Suction	
18	1001182723	1	Hose, A/C Compressor Discharge	
19	1001159844	1	Valve, Heater (See Separate Breakdown in this section)	
22	1001172537	1	Hose, Heater Return	
23	1001172561	1	Hose, Heater Send Valve to Roof	
24	8584001	4	Wrap, Tie	
25	1001173217	1	Hose, Heater Roof to Floor	
26	1001179229	1	Fitting, 45	
27	1001164196	1	Clamp	

SECTION 6 - CAB

FIGURE 6-23. CAB SEAT (Prior to SN 0160074884, Excluding 0160074882)



ART_1001101085-D

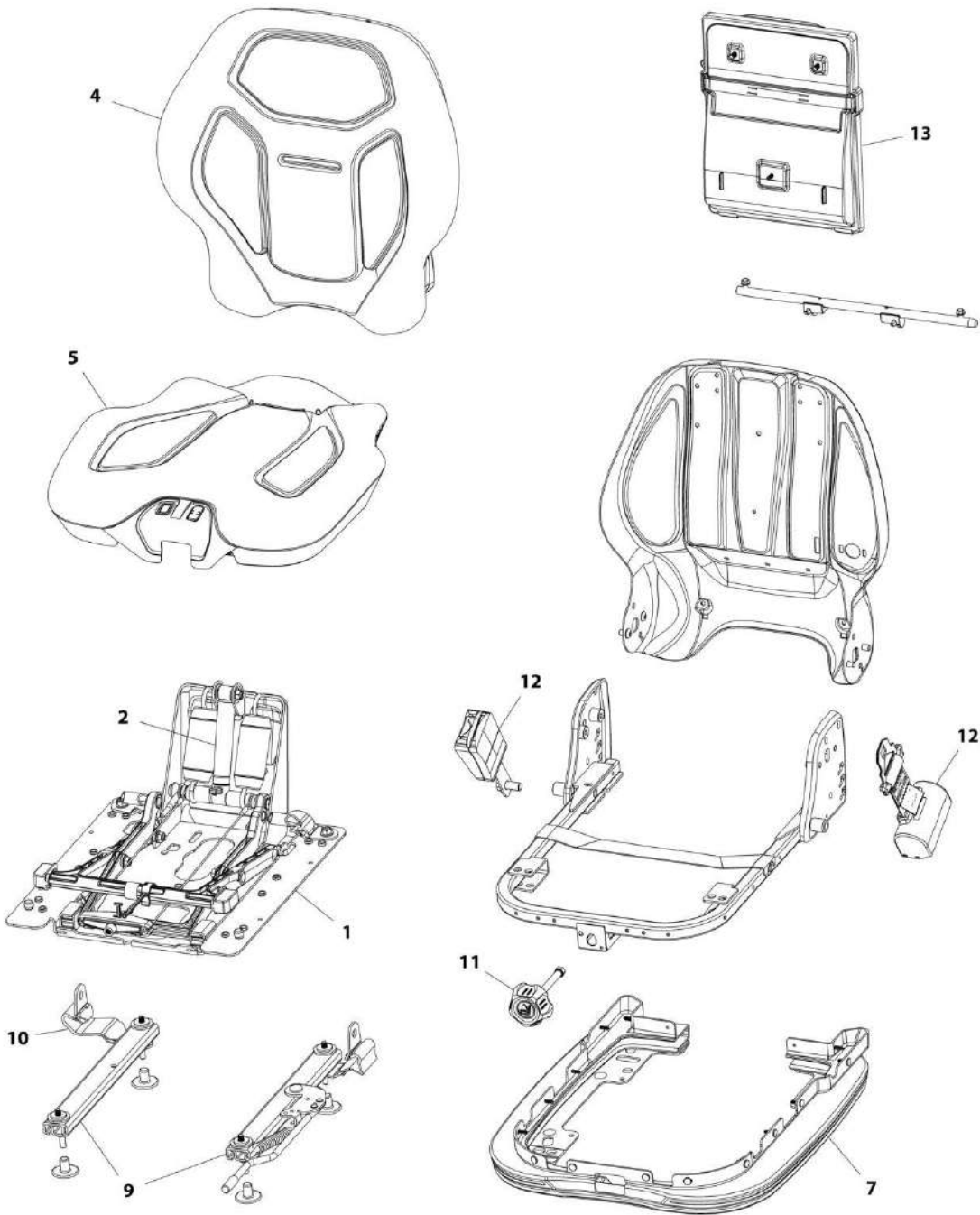
SECTION 6 - CAB

FIGURE 6-23. CAB SEAT (Prior to SN 0160074884, Excluding 0160074882)

ITEM	PART NUMBER	QTY	DESCRIPTION	REV
	1001101085	Ref	Cab Seat	D
	70020928	1	Kit, Spring and Saddle	
1	N.S.S.	1	Arm, Spring	
2	N.S.S.	1	Bushing, Saddle	
3	N.S.S.	1	Bearing, Spring Arm	
4	N.S.S.	1	Saddle, Spring	
5	N.S.S.	1	Strap, Pivot Block	
6	N.S.S.	1	Block, Pivot	
7	N.S.S.	1	Screw, Taptite 1/4-20	
8	N.S.S.	1	Spring, Suspension	
9	N.S.S.	1	Screw, 8-18	
10	N.S.S.	1	Bushing, Spring	
	7026798	1	Kit, Slide	
11	N.S.S.	1	Assembly, Adjuster	
12	N.S.S.	1	Adjuster, Slave	
13	N.S.S.	1	Spacer, Nylon	
14	N.S.S.	1	Screw, Taptite, 5/16-18	
	7026799	1	Kit, Knob	
16	N.S.S.	1	Knob	
17	N.S.S.	1	Nut, 5/16-18	
	7026900	1	Back Cushion Kit	
18	N.S.S.	1	Cushion, Back	
19	N.S.S.	1	Clip	
	7026901	1	Kit, Seat Cushion	
20	N.S.S.	1	Cushion, Seat	
21	N.S.S.	1	Screw, Taptite 1/4-15	
	70023040	1	Kit, Shock Absorber	
22	N.S.S.	1	Pin, Shock	
23	N.S.S.	1	Pin, Shock	
24	N.S.S.	1	Absorber, Shock	
25	N.S.S.	1	Nut, 5/16-18	
	7026902	1	Kit, Back Panel	
26	N.S.S.	1	Panel, Back	
27	N.S.S.	1	Screw, 8-18	
	70023890	1	Kit, Boot	
28	N.S.S.	1	Boot	
29	N.S.S.	1	Clip	
30	7026905	1	Kit, Seat Belt (2IN)	
	7026906	1	Kit, Tether	
31	N.S.S.	1	Strap, Tether	

SECTION 6 - CAB

FIGURE 6-24. CAB SEAT (SN 0160074884 to Present, Including 0160074882)



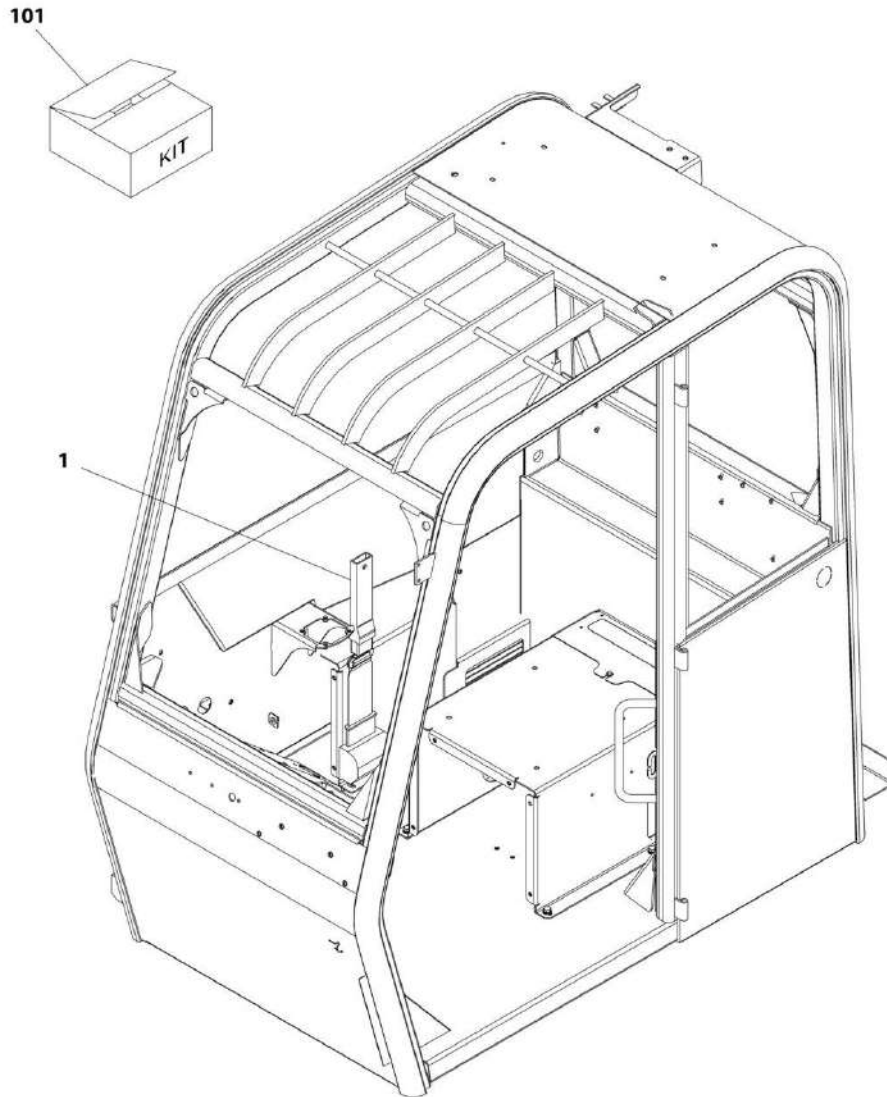
ART_1001190229-E

SECTION 6 - CAB**FIGURE 6-24. CAB SEAT (SN 0160074884 to Present, Including 0160074882)**

ITEM	PART NUMBER	QTY	DESCRIPTION	REV
	1001190229	Ref	Cab Seat	E
1	70027024	1	Suspension Assembly Kit	
2	70027025	1	Spring Saddle Assembly Kit	
4	70027026	1	Back Cushion Kit	
5	70027028	1	Seat Cushion Assembly Kit	
7	70027030	1	Boot Kit	
9	7026798	1	Adjuster Kit	
10	70027032	1	Tether strap	
11	70027033	1	Weight adjust knob kit	
12	70027034	2	Seat belt kit	
13	70027035	1	Document box kit	

SECTION 6 - CAB

FIGURE 6-25. SEAT BELT INSTALLATION (CALIFORNIA) (Prior to SN 0160077215)



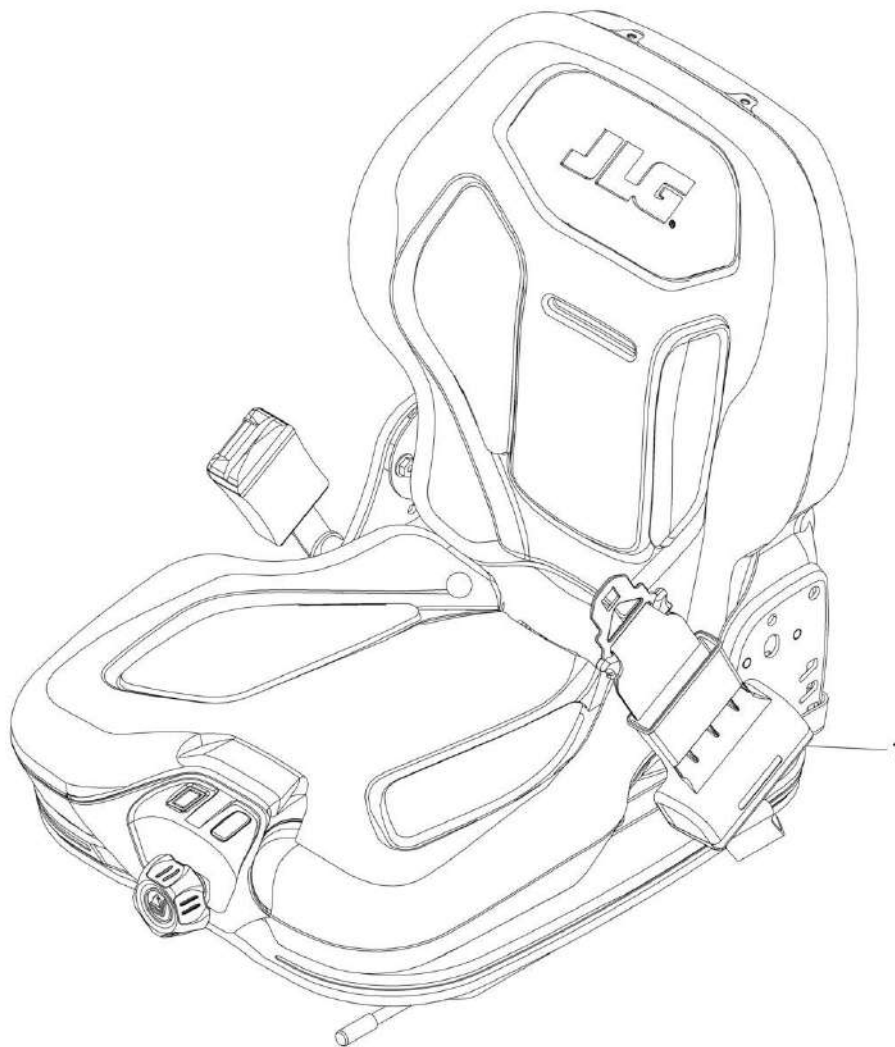
ART_91565064-A

FIGURE 6-25. SEAT BELT INSTALLATION (CALIFORNIA) (Prior to SN 0160077215)

ITEM	PART NUMBER	QTY	DESCRIPTION	REV
	91565064	Ref	Seat Belt Installation (California)	A
1	91563164	1	Belt, Seat	
101	70023139	1	Kit, 3 Inch Seat Belt (includes female and retractor ends)	

SECTION 6 - CAB

FIGURE 6-26. SEAT BELT INSTALLATION (CALIFORNIA) (SN 0160077215 to Present)



ART_1001215783-A

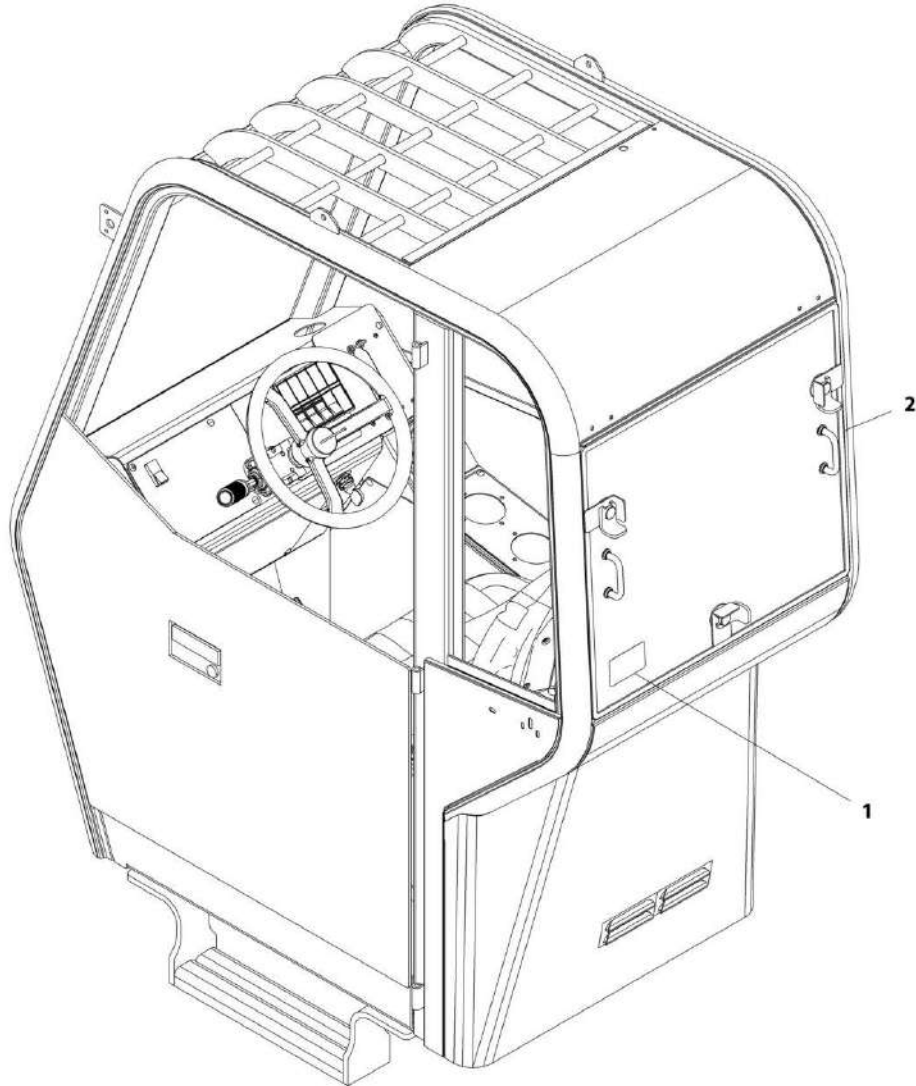
SECTION 6 - CAB

FIGURE 6-26. SEAT BELT INSTALLATION (CALIFORNIA) (SN 0160077215 to Present)

ITEM	PART NUMBER	QTY	DESCRIPTION	REV
1	1001215783 1001215778	Ref 1	Seat Belt Installation (California) Belt, Seat	A

SECTION 6 - CAB

FIGURE 6-27. REAR DROPOUT WINDOW INSTALLATION (ANSI)



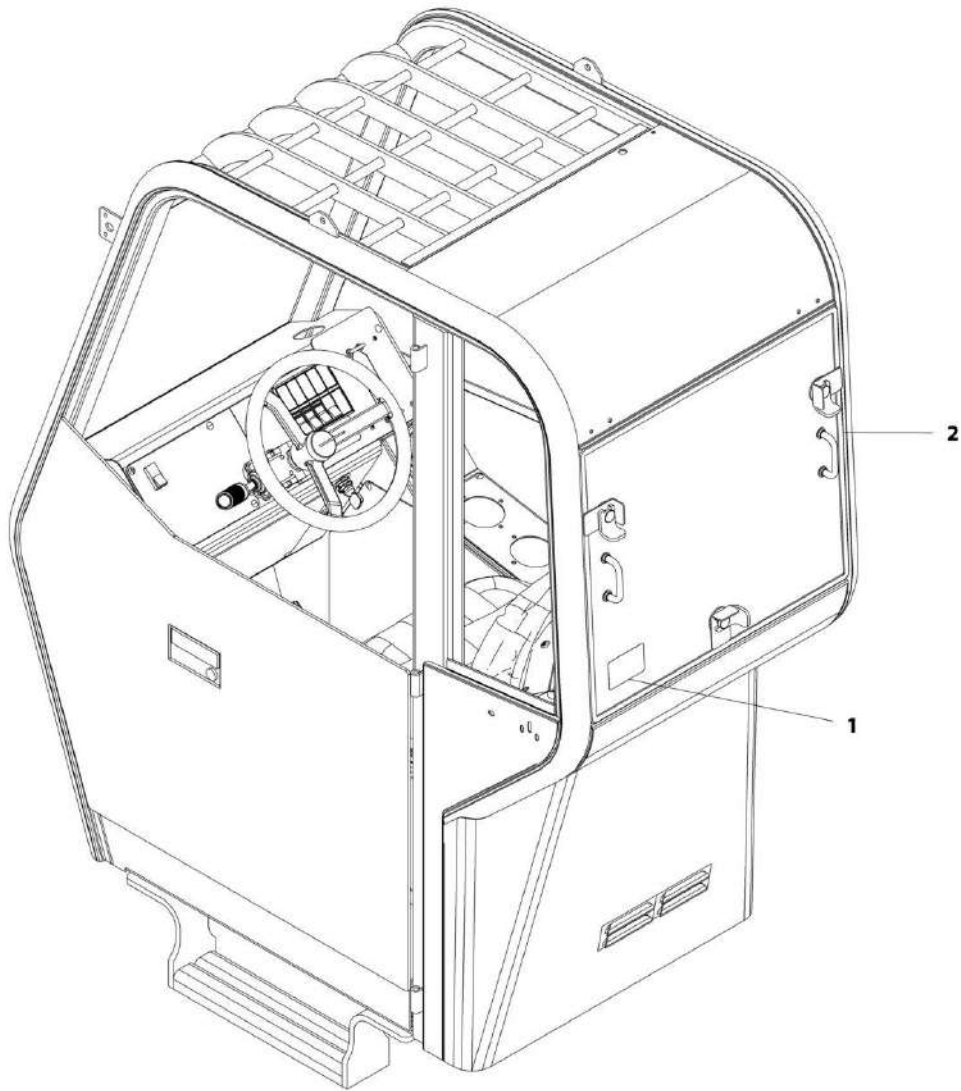
ART_1001162806-A

FIGURE 6-27. REAR DROPOUT WINDOW INSTALLATION (ANSI)

ITEM	PART NUMBER	QTY	DESCRIPTION	REV
	1001162806	Ref	Rear Dropout Window Installation (ANSI)	A
1	1001160071	2	Decal, Rear Emergency Exit	
2	1001162804	1	Window, Rear Dropout	

SECTION 6 - CAB

FIGURE 6-28. REAR DROPOUT WINDOW INSTALLATION (ENGLISH/FRENCH)



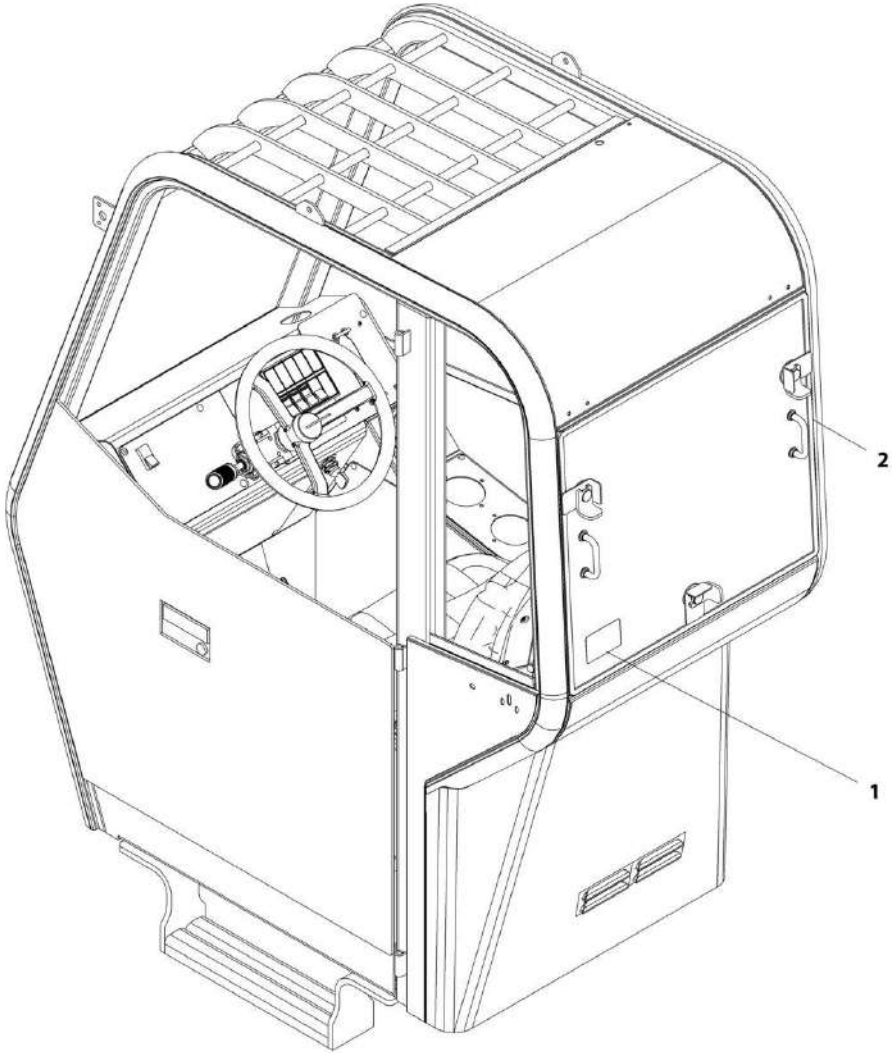
ART_1001167250-A

FIGURE 6-28. REAR DROPOUT WINDOW INSTALLATION (ENGLISH/FRENCH)

ITEM	PART NUMBER	QTY	DESCRIPTION	REV
	1001167250	Ref	Rear Dropout Window Installation (ENGLISH/FRENCH)	A
1	1001160787	2	Decal, Rear Emergency Exit	
2	1001162804	1	Window, Rear Dropout	

SECTION 6 - CAB

FIGURE 6-29. REAR DROPOUT WINDOW INSTALLATION (ISO)



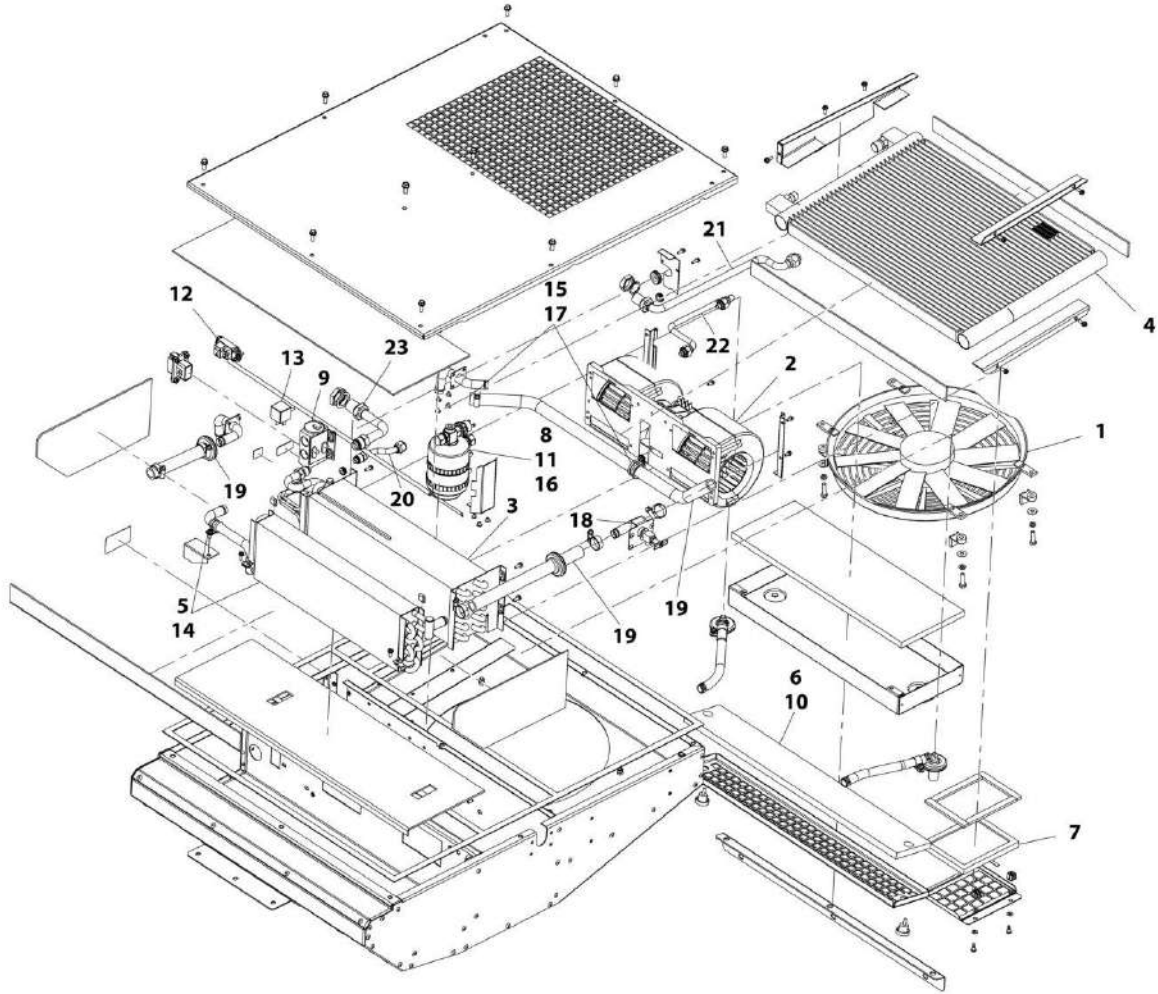
ART_1001167251-A

FIGURE 6-29. REAR DROPOUT WINDOW INSTALLATION (ISO)

ITEM	PART NUMBER	QTY	DESCRIPTION	REV
	1001167251	Ref	Rear Dropout Window Installation (ISO)	A
1	1001160912	2	Decal, Rear Emergency Exit	
2	1001162804	1	Window, Rear Dropout	

SECTION 6 - CAB

FIGURE 6-30. ROOF BOX HVAC



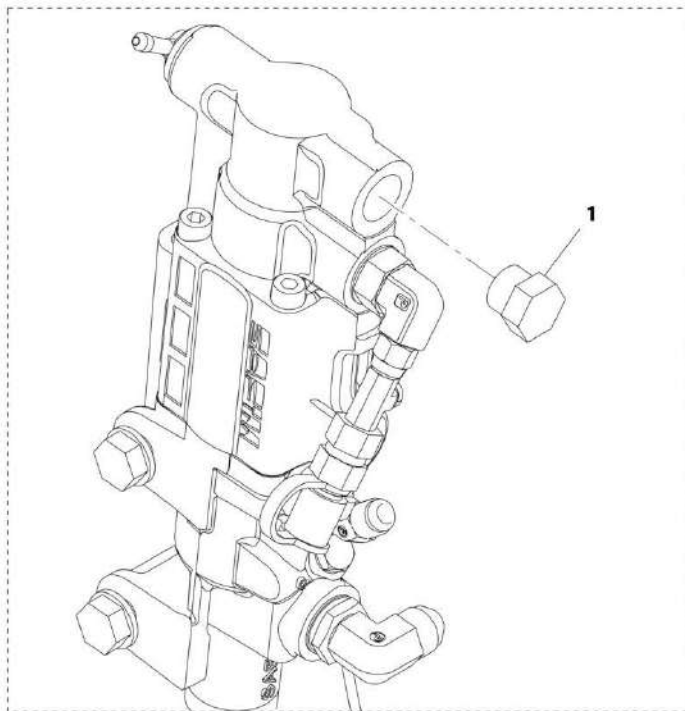
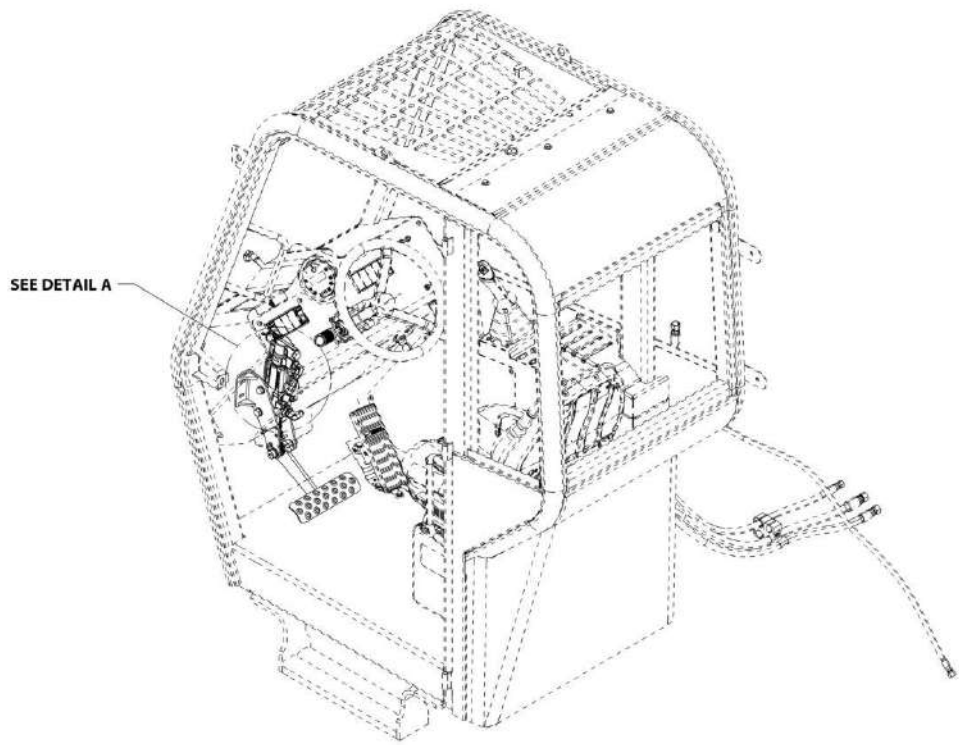
ART_1001159861-B

FIGURE 6-30. ROOF BOX HVAC

ITEM	PART NUMBER	QTY	DESCRIPTION	REV
	1001159861	Ref	Roof Box HVAC	B
1	70026945	1	Fan Assembly, 12V	
2	70026978	1	Blower, 12V	
3	70026979	1	Evaporator Coil	
4	70026980	1	Condenser	
5	70026981	1	Heater Coil	
6	70026982	1	Air Filter	
7	70026983	1	Air Filter	
8	70026854	1	Pressure Switch (H/L)	
9	70020876	1	Block Valve	
10	8036726	2	Knob	
11	70026984	1	Receiver Drier MCCEU	
12	70026985	1	Electronic Deicing Thermostat (EDT) Module	
13	70026986	1	Relay, 12V 30/40A	
14	70026987	1	Hose Clamp, 10	
15	70026988	1	Hose Clamp, 14	
16	70026989	2	Gear Clamp	
17	70026990	6	Hose Clamp, 5/8	
18	70026991	1	Bleeder Valve	
19	82033995	1	Hose	
20	70028782	1	Tube Assembly	
21	70028781	1	Tube Assembly	
22	70028780	1	Tube Assembly	
23	70028779	1	Tube Assembly	

SECTION 6 - CAB

FIGURE 6-31. BRAKE VALVE PLUG INSTALLATION - 6036



DETAIL A

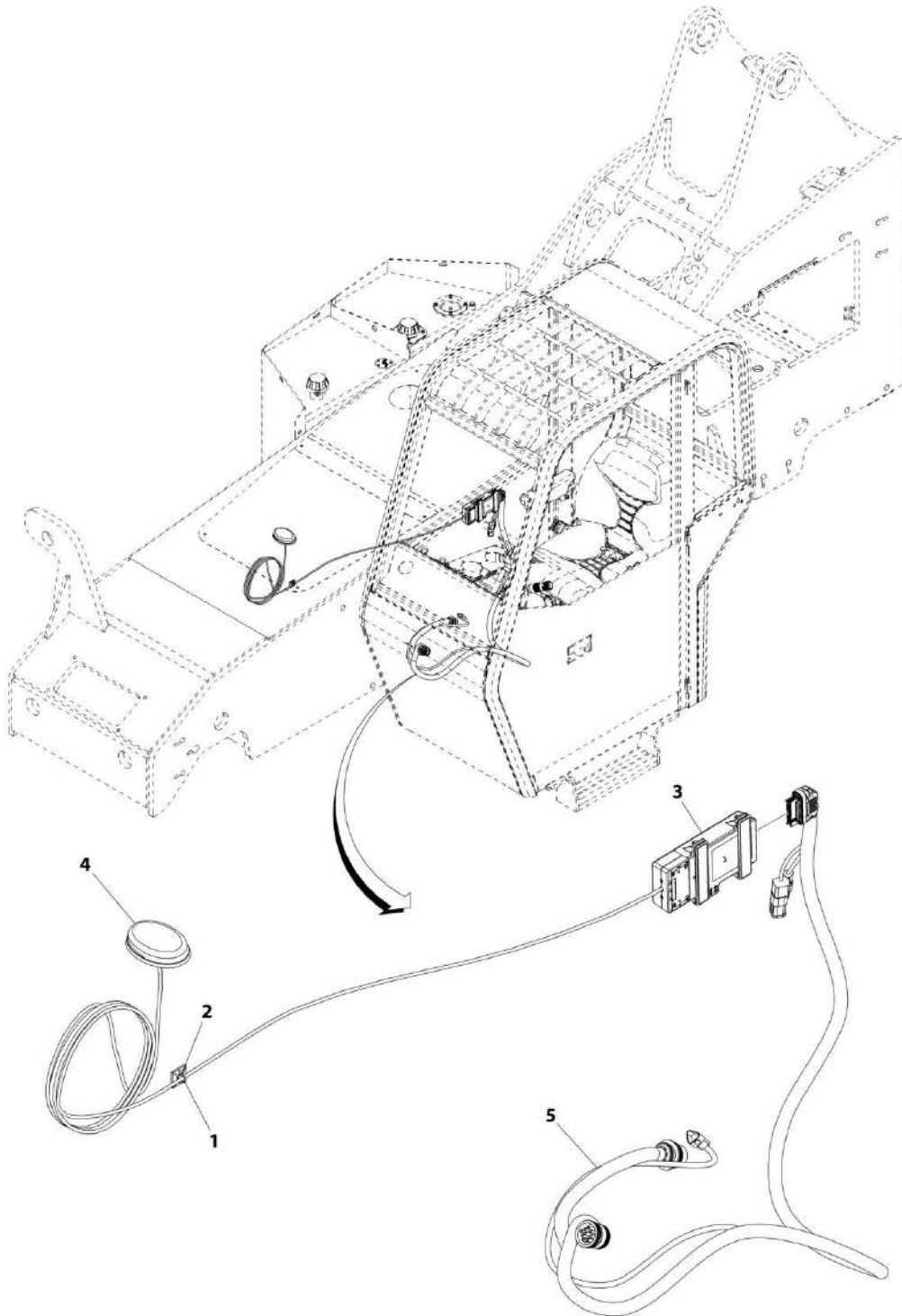
ART_1001211945-A

FIGURE 6-31. BRAKE VALVE PLUG INSTALLATION - 6036

ITEM	PART NUMBER	QTY	DESCRIPTION	REV
1	1001211945 2220238	Ref 1	Brake Valve Plug Installation - 6036 Adapter, Plug	A

SECTION 6 - CAB

FIGURE 6-32. CLEARSKY INSTALLATION (ANSI)



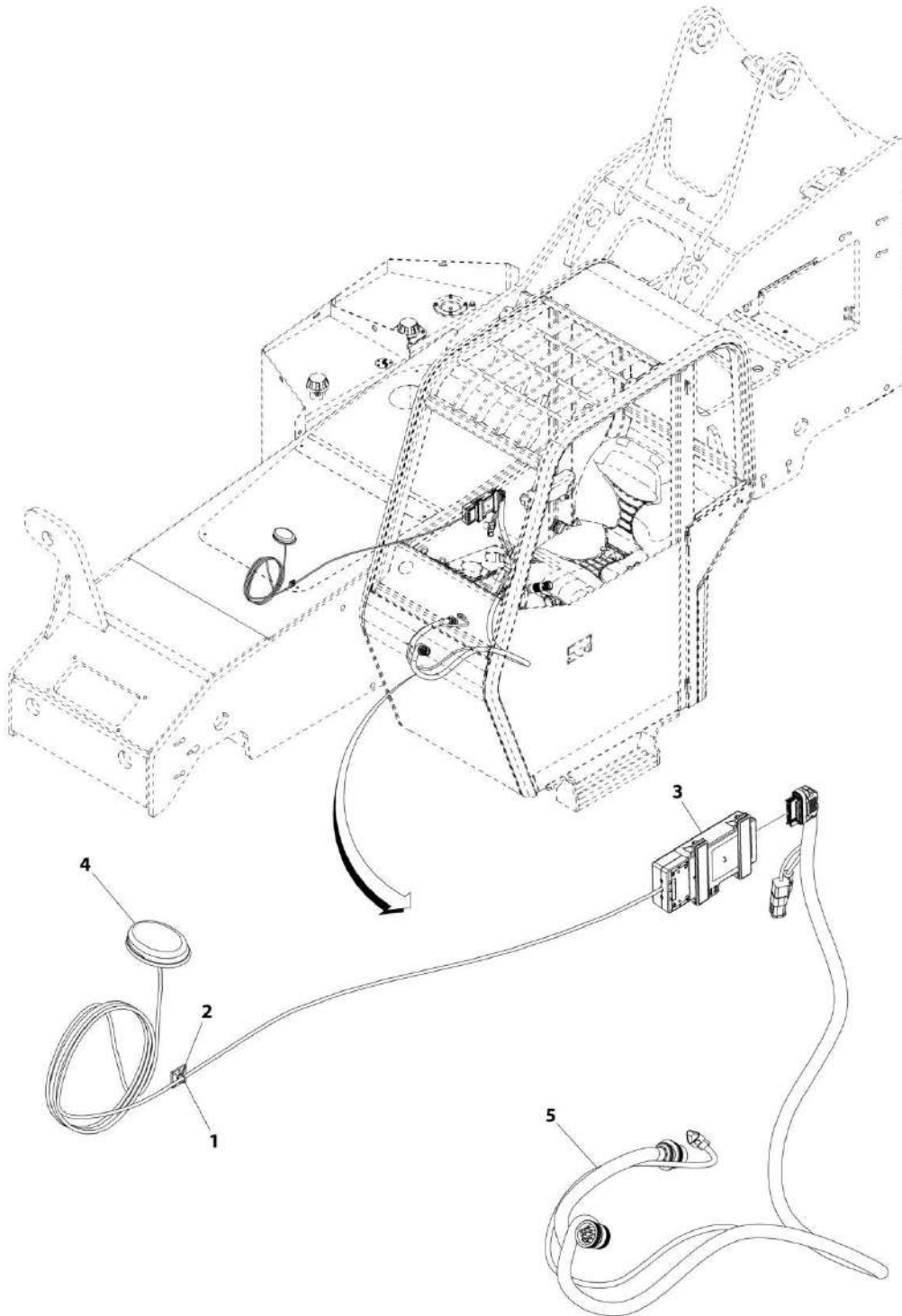
ART_1001227459-B

FIGURE 6-32. CLEARSKY INSTALLATION (ANSI)

ITEM	PART NUMBER	QTY	DESCRIPTION	REV
	1001227459	Ref	Clearsky Installation (ANSI)	B
1	4240032	AR	Strap, Tie	
2	4460234	AR	Mount, Cable Tie	
3	1001226796	1	Module	
4	1001226799	1	Antenna	
5	1001226856	1	Harness, Clearsky (See Separate Breakdown in Electrical Section)	

SECTION 6 - CAB

FIGURE 6-33. CLEARSKY INSTALLATION (CE)



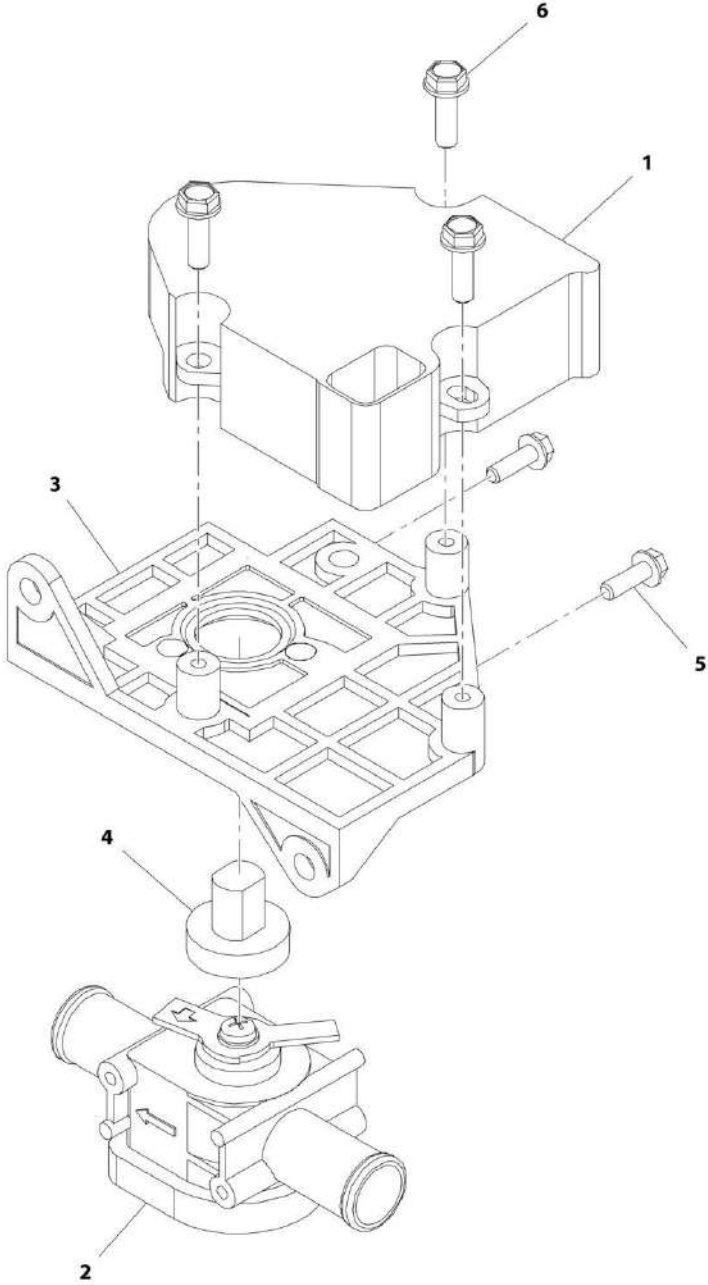
ART_1001239250-A

FIGURE 6-33. CLEARSKY INSTALLATION (CE)

ITEM	PART NUMBER	QTY	DESCRIPTION	REV
	1001239250	Ref	Clearsky Installation (CE)	A
1	4240032	AR	Strap, Tie	
2	4460234	AR	Mount, Cable Tie	
3	1001228954	1	Module	
4	1001226799	1	Antenna	
5	1001226856	1	Harness, Clearsky (See Separate Breakdown in Electrical Section)	

SECTION 6 - CAB

FIGURE 6-34. HEATER VALVE



ART_1001159844-C

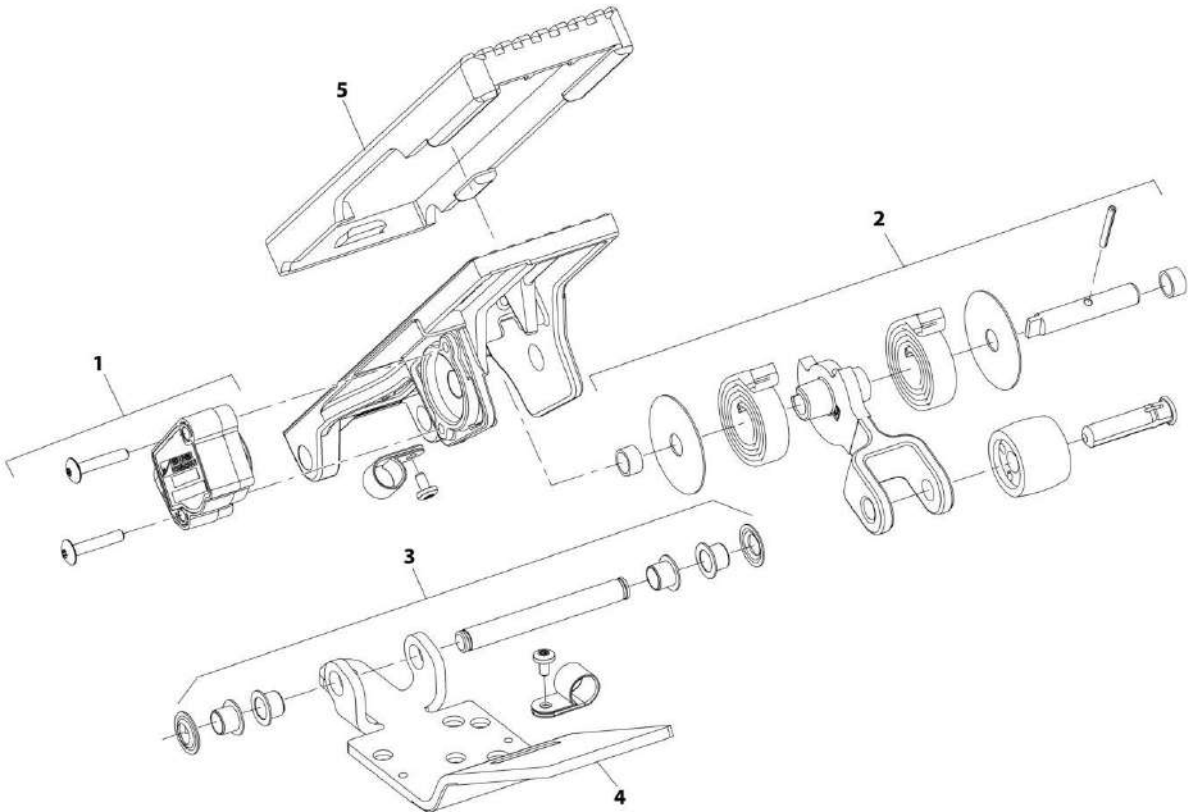
FIGURE 6-34. HEATER VALVE

ITEM	PART NUMBER	QTY	DESCRIPTION	REV
	1001159844	Ref	Heater Valve	C
1	70026088	1	Motor Actuator, 12V	
2	70026089	1	Assembly, Heater Valve	
3	70026090	1	Assembly, Valve Bracket	
4	70026091	1	Adapter, Shaft	
5	70026092	2	Screw, 8-18X1/2	
6	70026093	3	Screw, 10-16X5/8	

SECTION 7 - CONTROLS

SECTION 7 - CONTROLS

FIGURE 7-1. ACCELERATOR



ART_1001180555-B

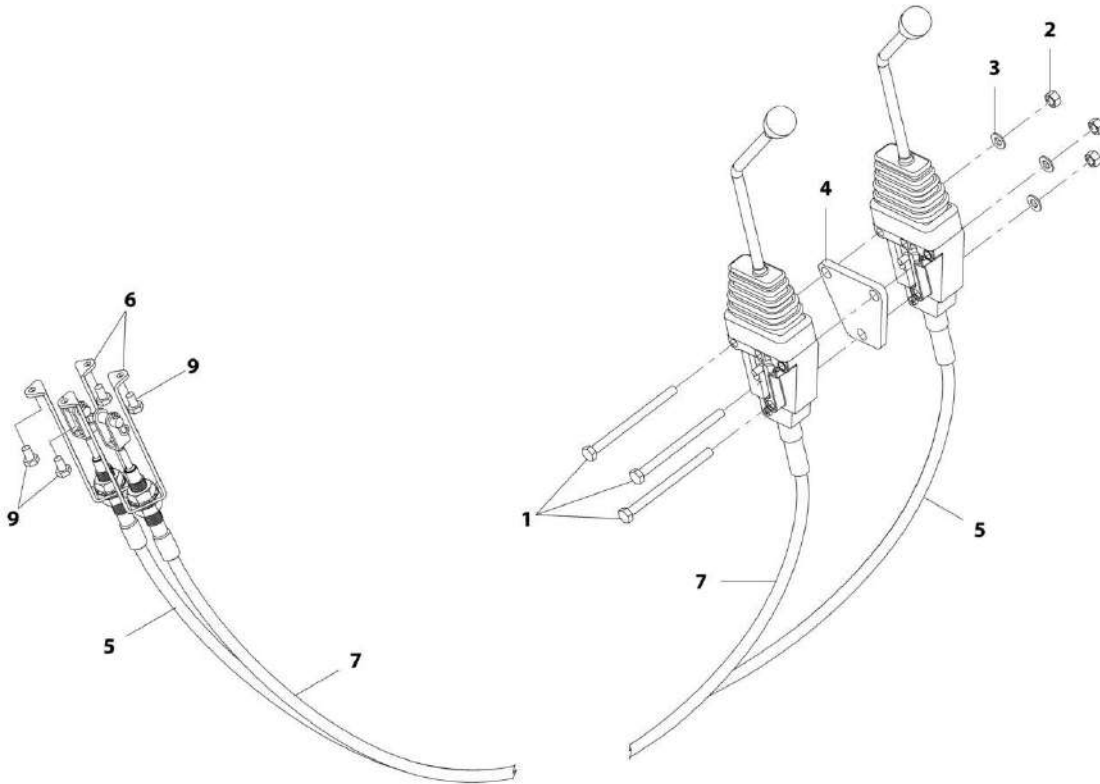
SECTION 7 - CONTROLS

FIGURE 7-1. ACCELERATOR

ITEM	PART NUMBER	QTY	DESCRIPTION	REV
	1001180555	Ref	Accelerator	B
1	70024319	1	Kit, Sensor	
2	70020404	1	Kit, Roller	
3	91554009	1	Kit, Pin	
4	70026074	1	Plate, Base	
5	91554005	1	Cover	

SECTION 7 - CONTROLS

FIGURE 7-2. SECONDARY CONTROLS INSTALLATION



ART_1001161785-E

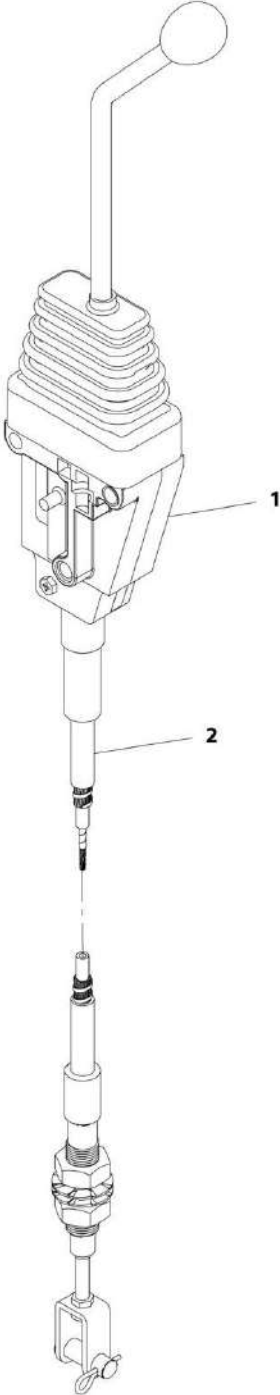
SECTION 7 - CONTROLS

FIGURE 7-2. SECONDARY CONTROLS INSTALLATION

ITEM	PART NUMBER	QTY	DESCRIPTION	REV
	1001161785	Ref	Secondary Controls Installation	E
1	0700828	3	Bolt, M8X110	
2	8305043	3	Nut, M8X1-1/4	
3	8307222	3	Washer, M8	
4	1001174340	1	Bracket, Control Spacer Plate	
5	1001175036	1	Control, Frame Level (See FRAME LEVEL CONTROL for Breakdown)	
6	1001173585	2	Adapter, Cable Standoff	
7	1001175035	1	Control, Auxiliary (See AUXILIARY CONTROL for Breakdown)	
9	1001188619	4	Bolt, M6X10	

SECTION 7 - CONTROLS

FIGURE 7-3. FRAME LEVEL CONTROL



ART_1001175036-C

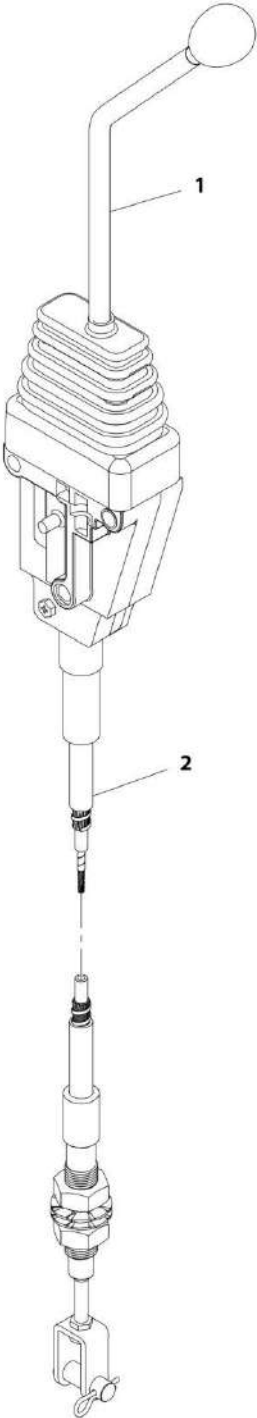
SECTION 7 - CONTROLS

FIGURE 7-3. FRAME LEVEL CONTROL

ITEM	PART NUMBER	QTY	DESCRIPTION	REV
	1001175036	Ref	Frame Level Control	C
1	1001173582	1	Control	
2	1001173583	1	Cable	

SECTION 7 - CONTROLS

FIGURE 7-4. AUXILIARY CONTROL



ART_1001175035-C

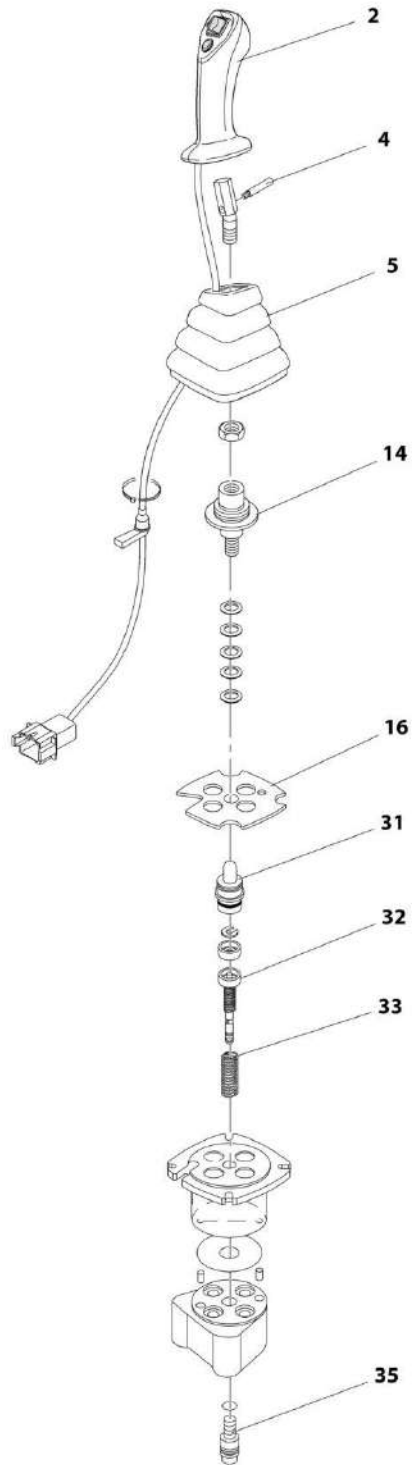
SECTION 7 - CONTROLS

FIGURE 7-4. AUXILIARY CONTROL

ITEM	PART NUMBER	QTY	DESCRIPTION	REV
	1001175035	Ref	Auxiliary Control	C
1	1001173581	1	Control	
2	1001173583	1	Cable	

SECTION 7 - CONTROLS

FIGURE 7-5. PILOT JOYSTICK CONTROL



ART_1001158002-B

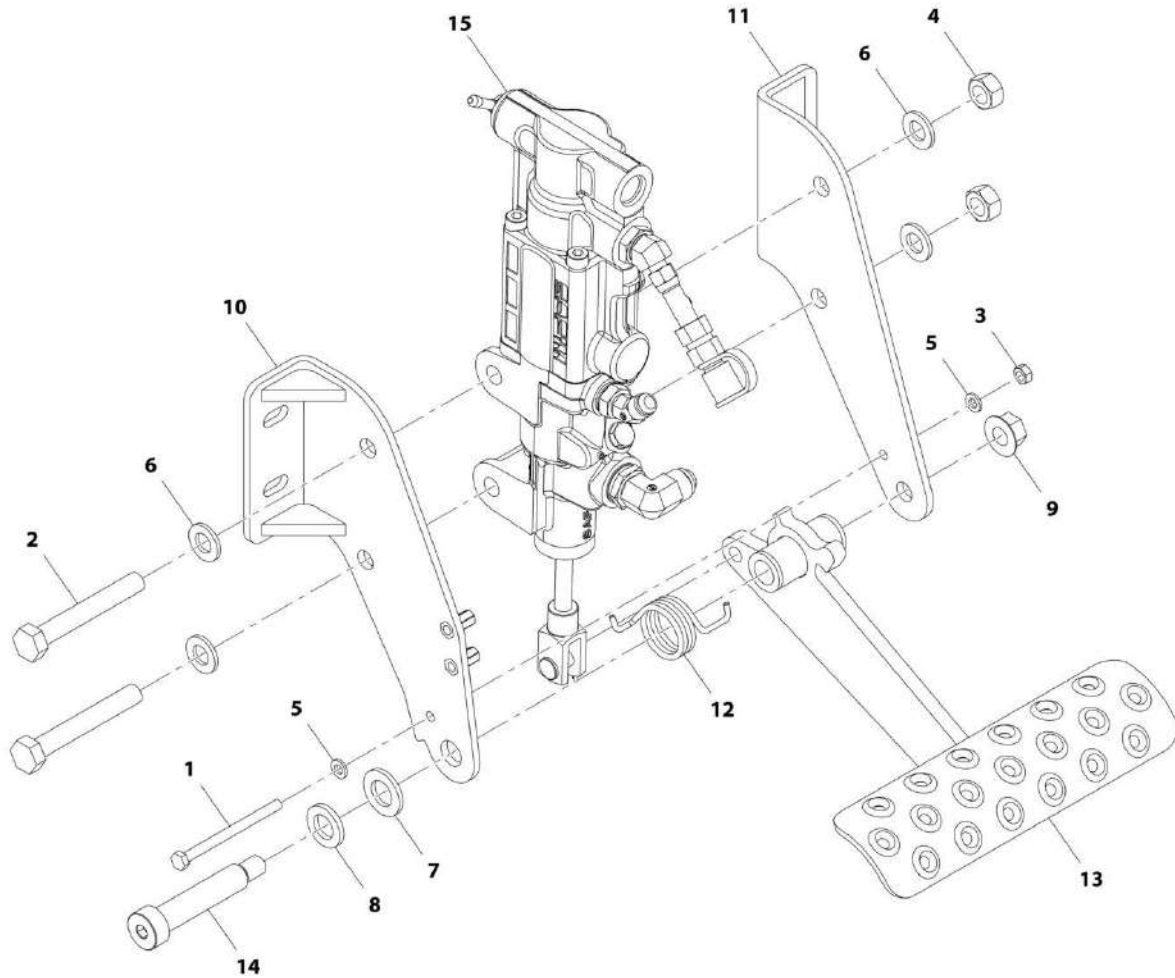
SECTION 7 - CONTROLS

FIGURE 7-5. PILOT JOYSTICK CONTROL

ITEM	PART NUMBER	QTY	DESCRIPTION	REV
	1001158002	Ref	Pilot Joystick Control	B
2	70026097	1	Handle	
4	91404011	1	Kit, Bent Lever	
5	80364095	1	Boot, Rubber	
14	80264138	1	Kit, Cardan	
16	91404013	1	Plate, Retaining	
31	91304025	2	Kit, Plunger (set of two)	
32	70026098	4	Unit, Regulating	
33	91514225	1	Spring, Return (set of four)	
35	91404326	1	Kit, Seal	

SECTION 7 - CONTROLS

FIGURE 7-6. BRAKE ASSEMBLY (SN 0160074884 through 0160081739, Including 0160074882)



ART_1001201647-C

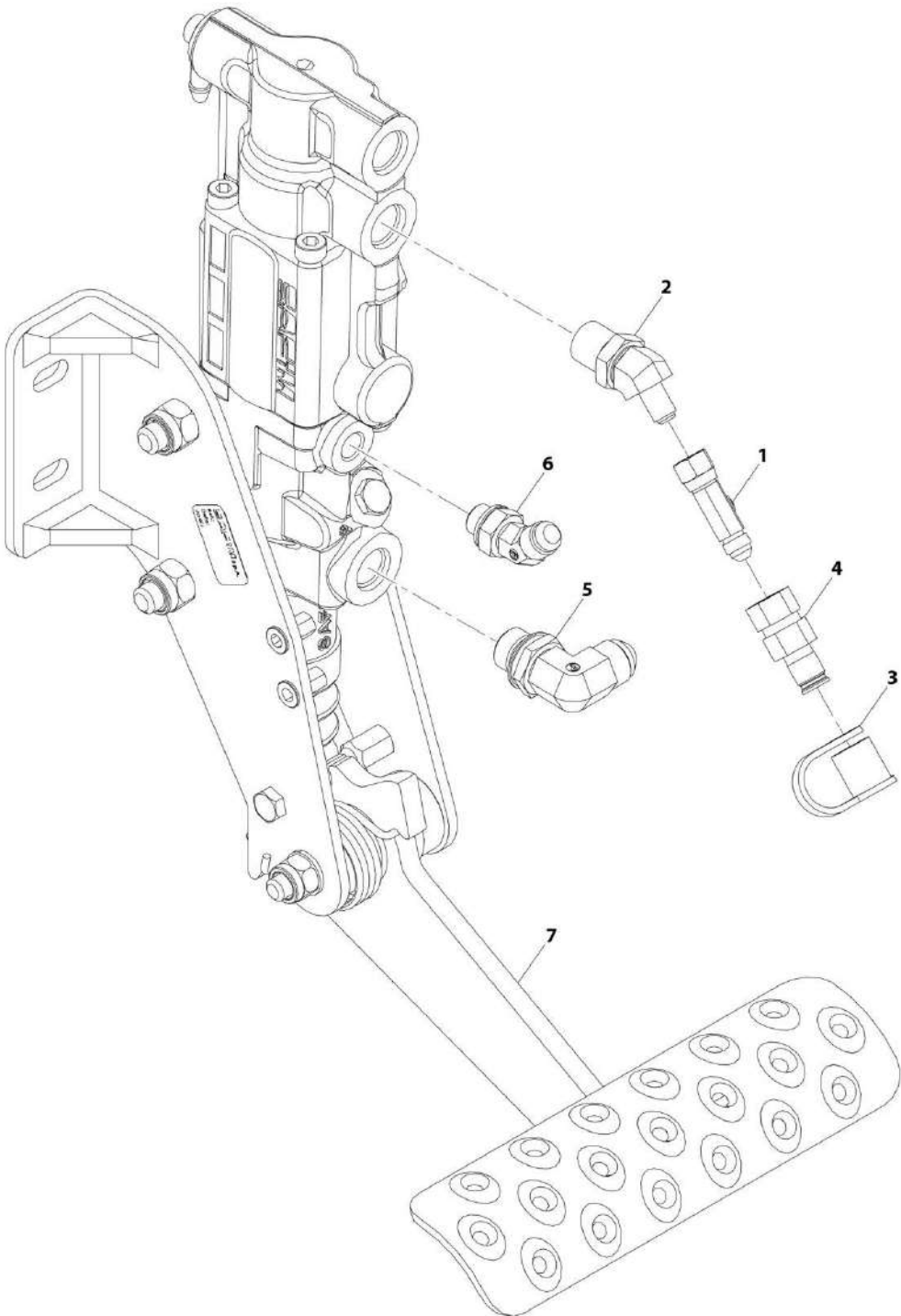
SECTION 7 - CONTROLS

FIGURE 7-6. BRAKE ASSEMBLY (SN 0160074884 through 0160081739, Including 0160074882)

ITEM	PART NUMBER	QTY	DESCRIPTION	REV
	1001201647	Ref	Brake Assembly	C
1	0700624	1	Cap-Screw, 6X80	
2	0711225	2	Cap-Screw, 12X85	
3	3290605	1	Nut, M6	
4	3291201	2	Nut, M12X1.75	
5	4811700	2	Washer, M6	
6	4812100	4	Washer, M12	
7	4812300	1	Washer, M16	
8	4832300	1	Lock-Washer, M16	
9	5261200	1	Flange Nut	
10	1001201637	1	Bracket, Brake Valve LH	
11	1001201639	1	Bracket, Brake Valve RH	
12	1001201650	1	Spring, Torsion Brake Pedal	
13	1001201651	1	Pedal, Brake	
14	1001201657	1	Screw	
15	1001201736	1	Installation, Hydraulic Brake Valve (See HYDRAULIC CIRCUITS for Breakdown)	

SECTION 7 - CONTROLS

FIGURE 7-7. BRAKE ASSEMBLY (SN 0160081739 to Present)



ART_1001223052-A

SECTION 7 - CONTROLS

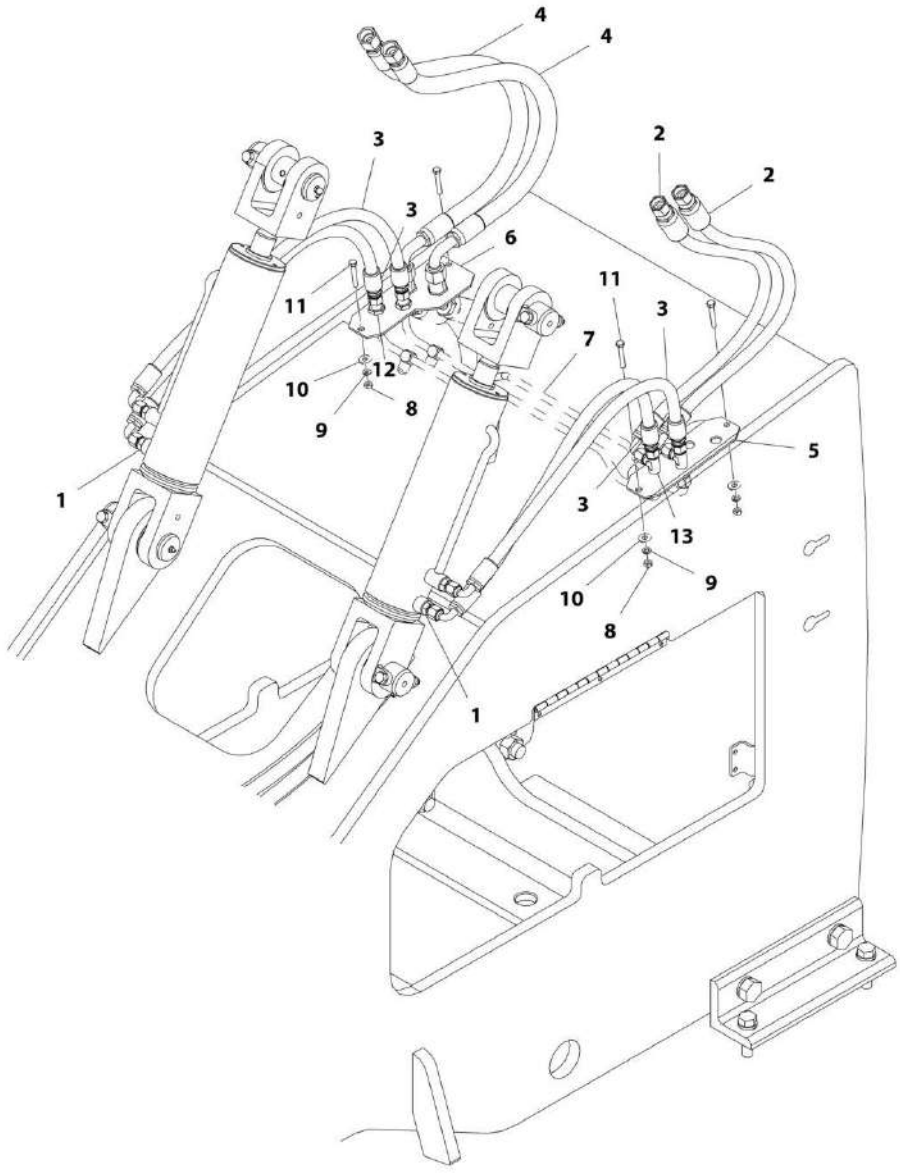
FIGURE 7-7. BRAKE ASSEMBLY (SN 0160081739 to Present)

ITEM	PART NUMBER	QTY	DESCRIPTION	REV
	1001223052	Ref	Brake Assembly	A
1	2220605	1	Adapter	
2	2221344	1	Adapter	
3	8430032	1	Plug, Dust Cap	
4	10727374	1	Adapter	
5	91473086	1	Adapter	
6	1001183341	1	Adapter	
7	1001223050	1	Installation, Hydraulic Brake Valve (See Separate Breakdown in HYDRAULIC CIRCUITS Section)	

SECTION 8 - HYDRAULIC CIRCUITS

SECTION 8 - HYDRAULIC CIRCUITS

FIGURE 8-1. REAR BULKHEAD INSTALLATION - 6036



ART_1001196388-A

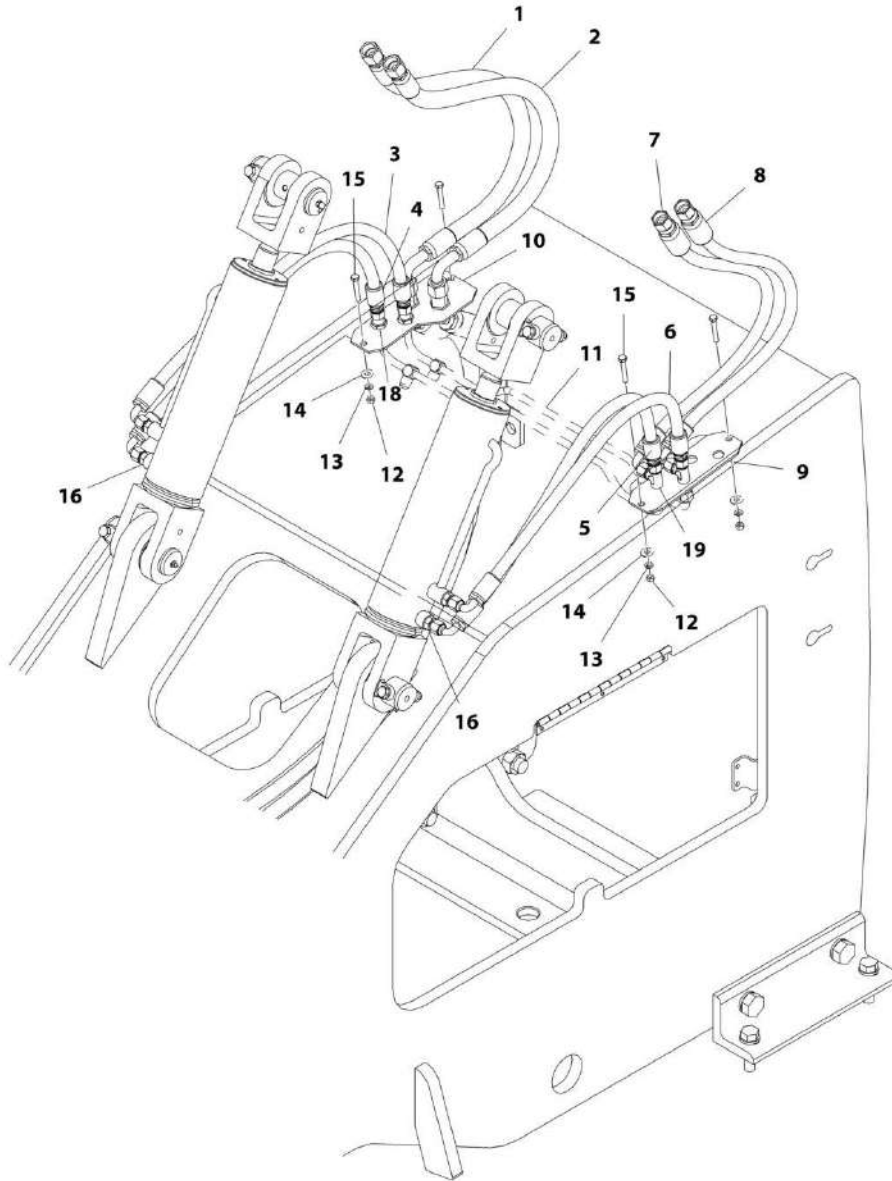
SECTION 8 - HYDRAULIC CIRCUITS

FIGURE 8-1. REAR BULKHEAD INSTALLATION - 6036

ITEM	PART NUMBER	QTY	DESCRIPTION	REV
	1001196388	Ref	Rear Bulkhead Installation - 6036	A
1	2220373	4	Adapter, Straight JIC	
2	2716714	2	Hose	
3	2716773	4	Hose	
4	2755060	2	Hose	
5	7139504	1	Sheet, Bulkhead	
6	7139505	1	Sheet, Bulkhead	
7	7300214	2	Tube	
8	8305006	4	Nut, 5/16-18	
9	8307004	4	Washer, Lock 5/16	
10	8307203	8	Washer, 5/16	
11	8310009	4	Bolt, 5/16-18X2	
12	8760463	2	Adapter, Bulkhead Nut	
13	8760477	2	Adapter, Bulkhead Run Tee	

SECTION 8 - HYDRAULIC CIRCUITS

FIGURE 8-2. REAR BULKHEAD INSTALLATION, 85HP - 6042



ART_7310018-C

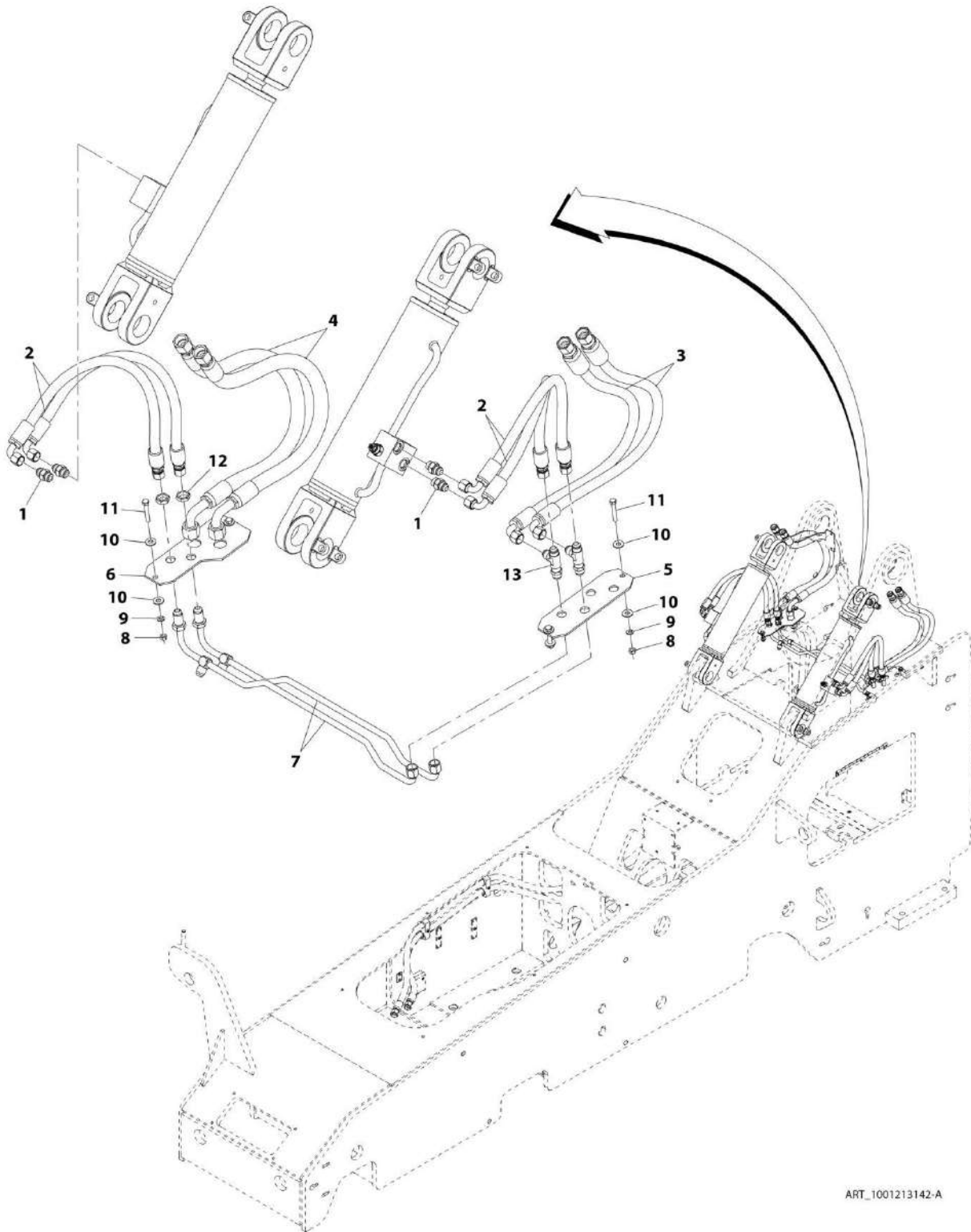
SECTION 8 - HYDRAULIC CIRCUITS

FIGURE 8-2. REAR BULKHEAD INSTALLATION, 85HP - 6042

ITEM	PART NUMBER	QTY	DESCRIPTION	REV
	7310018	Ref	Rear Bulkhead Installation - 6042	C
1	2755060	1	Hose	
2	2755060	1	Hose	
3	2716684	1	Hose	
4	2716684	1	Hose	
5	2716684	1	Hose	
6	2716684	1	Hose	
7	2716714	1	Hose	
8	2716714	1	Hose	
9	7139504	1	Sheet, Bulkhead	
10	7139505	1	Sheet, Bulkhead	
11	7300214	2	Tube	
12	8305006	4	Nut, 5/16-18	
13	8307004	4	Washer, Lock 5/16	
14	8307203	4	Washer, 5/16	
15	8310009	4	Bolt, 5/16-18X2	
16	2220373	4	Adapter, Straight JIC	
18	8760463	2	Adapter, Bulkhead Nut	
19	8760477	2	Adapter, Bulkhead Run Tee	

SECTION 8 - HYDRAULIC CIRCUITS

FIGURE 8-3. REAR BULKHEAD INSTALLATION, 74HP - 6042 (Prior to SN 0160074826, Excluding 0160074805, 0160074807, 0160074809, 0160074811, 0160074812, 0160074815, 0160074819, 0160074820 and 0160074822)



ART_1001213142-A

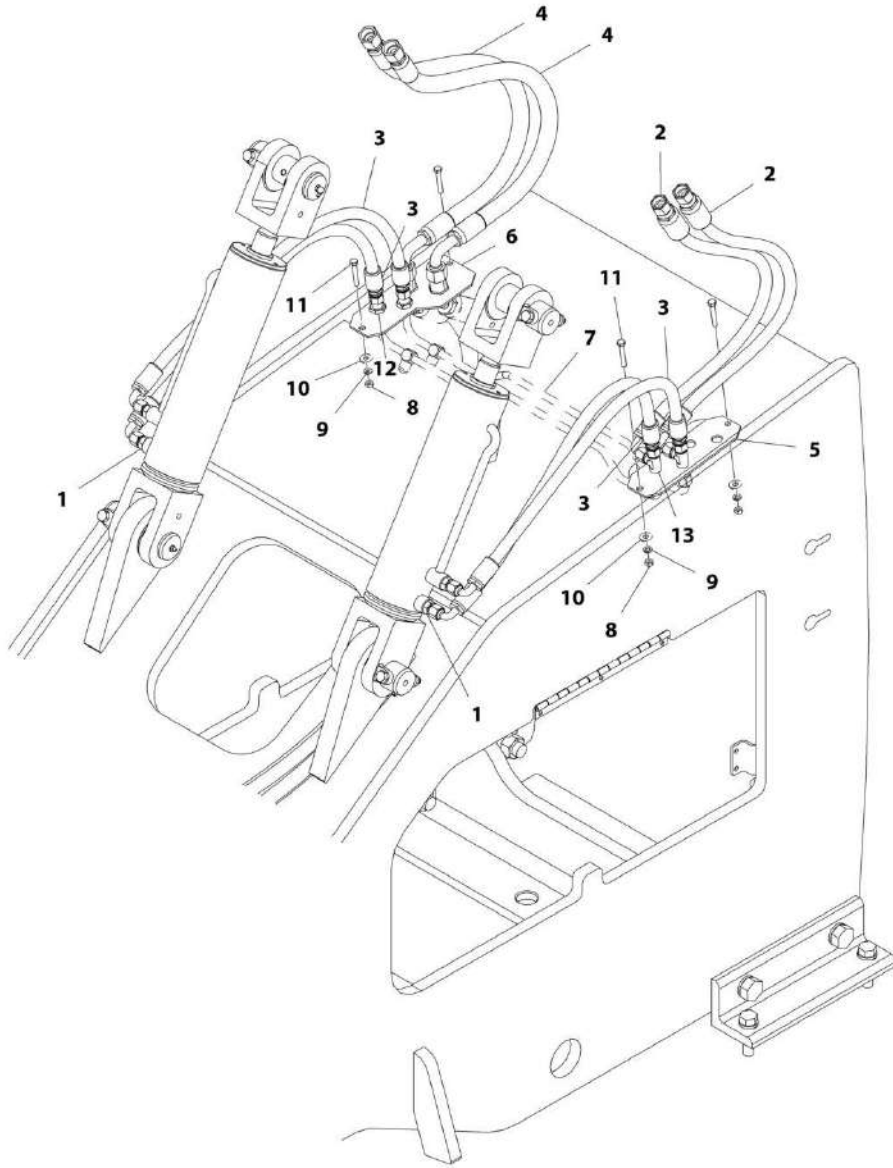
SECTION 8 - HYDRAULIC CIRCUITS

FIGURE 8-3. REAR BULKHEAD INSTALLATION, 74HP - 6042 (Prior to SN 0160074826, Excluding 0160074805, 0160074807, 0160074809, 0160074811, 0160074812, 0160074815, 0160074819, 0160074820 and 0160074822)

ITEM	PART NUMBER	QTY	DESCRIPTION	REV
	1001213142	Ref	Rear Bulkhead Installation 74HP - 6042	A
1	2220373	4	Adapter, Straight JIC	
2	2716684	4	Hose	
3	2716714	2	Hose, Boom	
4	2755060	2	Hose	
5	7139504	1	Sheet, Bulkhead	
6	7139505	1	Sheet, Bulkhead	
7	7300214	2	Tube	
8	8305006	4	Nut, Hex 5/16-18	
9	8307004	4	Washer, Lock 5/16	
10	8307203	8	Washer, Plain 5/16	
11	8310009	4	Bolt, 5/16-18X2	
12	8760463	2	Adapter, Bulkhead Nut	
13	8760477	2	Adapter, Bulkhead Run Tee	

SECTION 8 - HYDRAULIC CIRCUITS

FIGURE 8-4. REAR BULKHEAD INSTALLATION, 74HP - 6042 (SN 0160074826 to Present, Including 0160074805, 0160074807, 0160074809, 0160074811, 0160074812, 0160074815, 0160074819, 0160074820 and 0160074822)



ART_1001196388-A

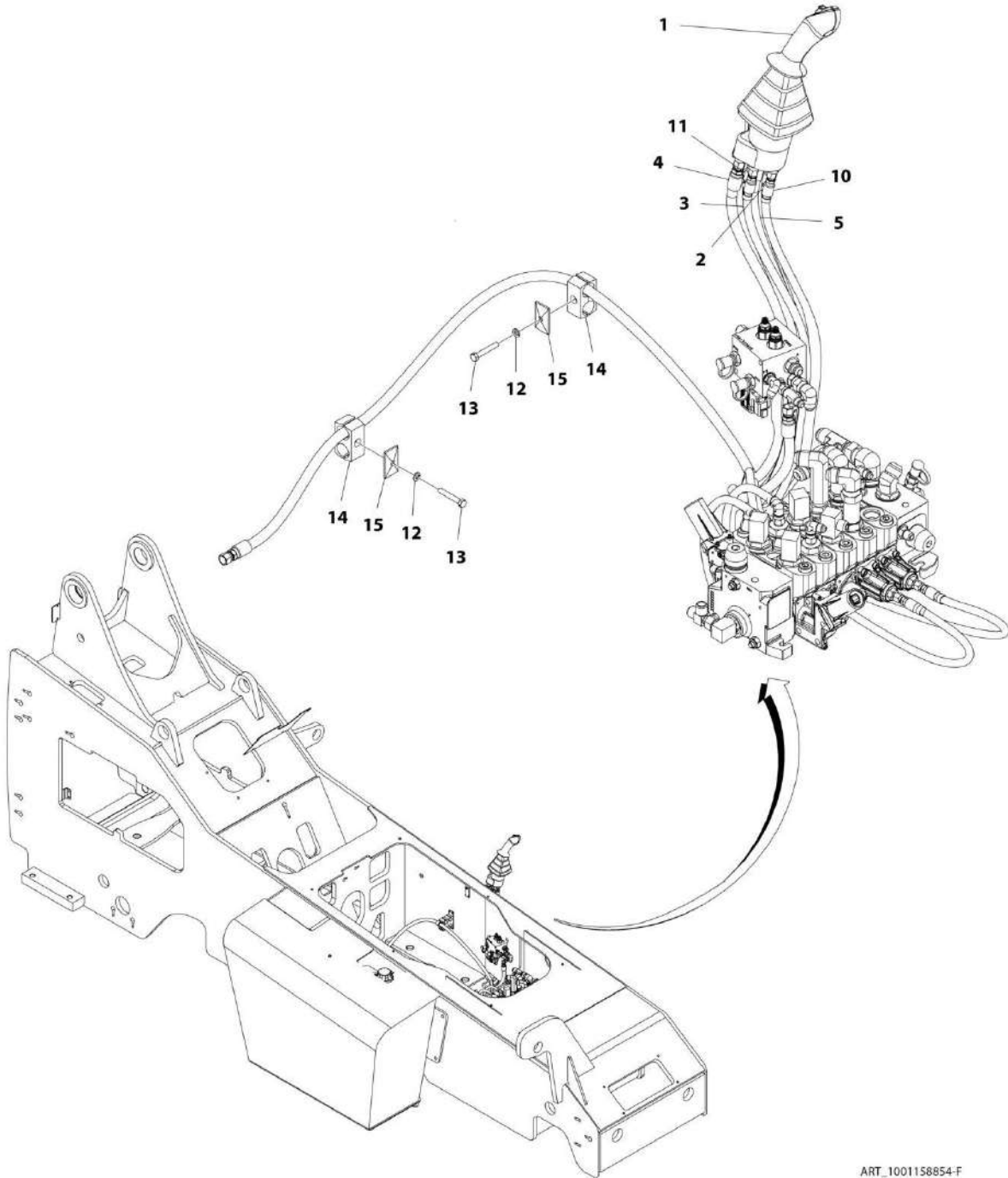
SECTION 8 - HYDRAULIC CIRCUITS

FIGURE 8-4. REAR BULKHEAD INSTALLATION, 74HP - 6042 (SN 0160074826 to Present, Including 0160074805, 0160074807, 0160074809, 0160074811, 0160074812, 0160074815, 0160074819, 0160074820 and 0160074822)

ITEM	PART NUMBER	QTY	DESCRIPTION	REV
	1001196388	Ref	Rear Bulkhead Installation - 6036	A
1	2220373	4	Adapter, Straight JIC	
2	2716714	2	Hose	
3	2716773	4	Hose	
4	2755060	2	Hose	
5	7139504	1	Sheet, Bulkhead	
6	7139505	1	Sheet, Bulkhead	
7	7300214	2	Tube	
8	8305006	4	Nut, 5/16-18	
9	8307004	4	Washer, Lock 5/16	
10	8307203	8	Washer, 5/16	
11	8310009	4	Bolt, 5/16-18X2	
12	8760463	2	Adapter, Bulkhead Nut	
13	8760477	2	Adapter, Bulkhead Run Tee	

SECTION 8 - HYDRAULIC CIRCUITS

FIGURE 8-5. PILOT CONTROLS INSTALLATION



ART_1001158854-F

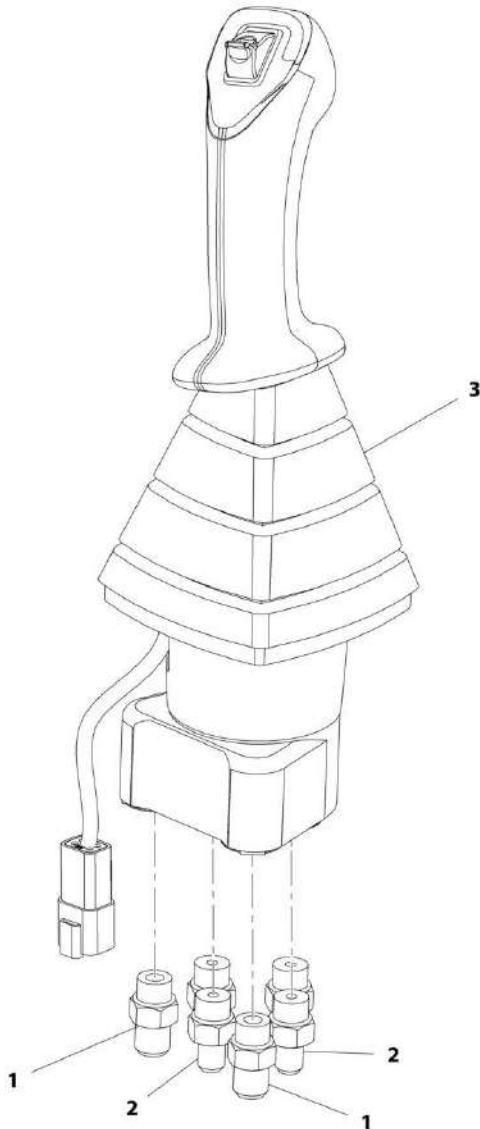
SECTION 8 - HYDRAULIC CIRCUITS

FIGURE 8-5. PILOT CONTROLS INSTALLATION

ITEM	PART NUMBER	QTY	DESCRIPTION	REV
	1001158854	Ref	Pilot Controls Installation	F
1	1001158004	1	Assembly, Pilot Joystick (See PILOT JOYSTICK ASSEMBLY for Breakdown)	
2	1001158199	1	Hose	
3	1001158200	1	Hose	
4	1001172225	1	Hose	
5	1001160109	1	Hose	
10	1001195875	1	Hose	
11	1001195880	1	Hose	
12	8307004	2	Washer, Lock 5/16	
13	8310009	2	Bolt, 5/16-18X2	
14	8769127	2	Clamp	
15	8769128	2	Plate, Cover	

SECTION 8 - HYDRAULIC CIRCUITS

FIGURE 8-6. PILOT JOYSTICK ASSEMBLY



ART_1001158004-A

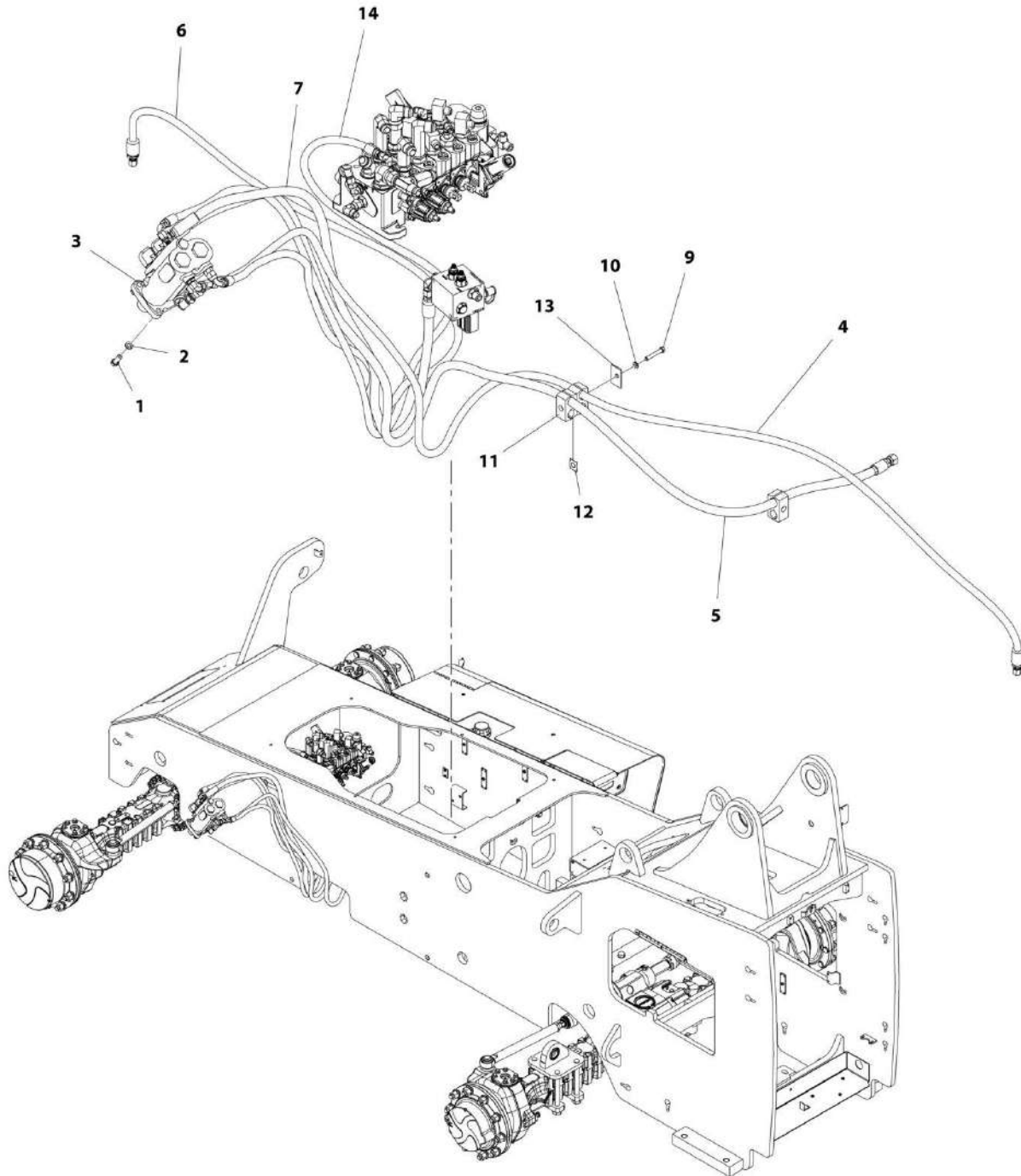
SECTION 8 - HYDRAULIC CIRCUITS

FIGURE 8-6. PILOT JOYSTICK ASSEMBLY

ITEM	PART NUMBER	QTY	DESCRIPTION	REV
	1001158004	Ref	Pilot Joystick Assembly	A
1	2220371	2	Adapter, Straight JIC	
2	2220582	4	Adapter, Straight JIC	
3	1001158002	1	Control, Pilot Joystick (See CONTROLS SECTION for Breakdown)	

SECTION 8 - HYDRAULIC CIRCUITS

FIGURE 8-7. BRAKE HYDRAULICS INSTALLATION, 85HP (Prior to SN 0160074884, Excluding 0160074882)



ART_1001158855-G

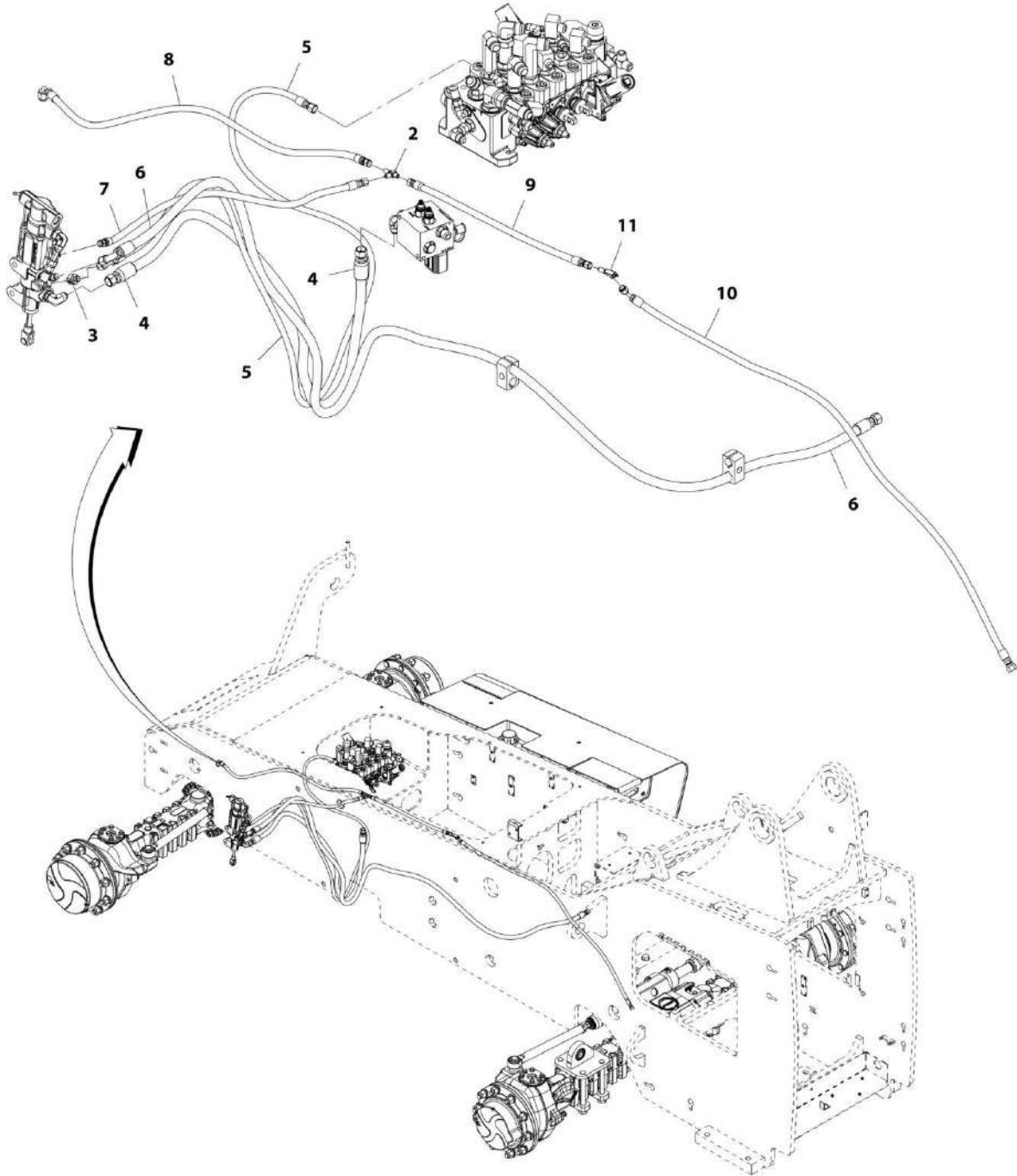
SECTION 8 - HYDRAULIC CIRCUITS

FIGURE 8-7. BRAKE HYDRAULICS INSTALLATION, 85HP (Prior to SN 0160074884, Excluding 0160074882)

ITEM	PART NUMBER	QTY	DESCRIPTION	REV
	1001158855	Ref	Brake Hydraulics Installation, 85HP	G
1	8303755	4	Bolt, M10X30	
2	8307023	4	Washer, Lock M10	
3	1001158551	1	Installation, Hydraulic Brake Valve (See HYDRAULIC BRAKE VALVE INSTALLATION for Breakdown)	
4	1001158243	1	Hose	
5	1001158268	1	Hose	
6	1001201631	1	Hose	
7	1001160108	1	Hose	
9	8310009	1	Bolt, 5/16-18X2	
10	8307004	1	Washer, Lock 5/16	
11	8750027	1	Clamp Set, Twin	
12	8750017	1	Plate, Twin Clamp Locking	
13	8769128	1	Cover Plate, Twin	
14	1001185960	1	Hose	

SECTION 8 - HYDRAULIC CIRCUITS

FIGURE 8-8. BRAKE HYDRAULICS INSTALLATION, 85HP (SN 0160074884 to Present, Including 0160074882)



ART_1001201718-D

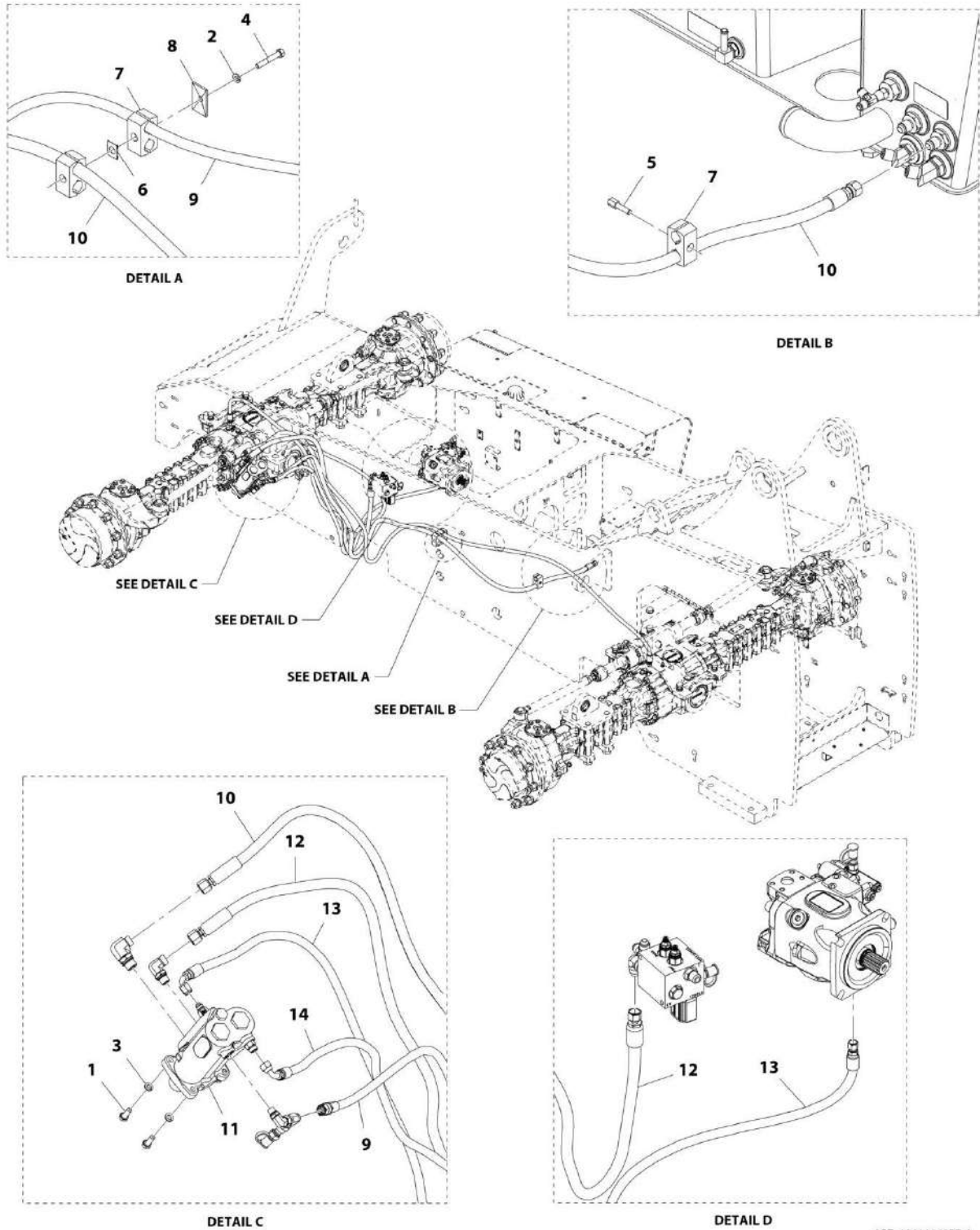
SECTION 8 - HYDRAULIC CIRCUITS

FIGURE 8-8. BRAKE HYDRAULICS INSTALLATION, 85HP (SN 0160074884 to Present, Including 0160074882)

ITEM	PART NUMBER	QTY	DESCRIPTION	REV
	1001201718	Ref	Brake Hydraulics Installation, 85HP	D
2	10728823	1	Adapter	
3	1001183370	1	Valve, Check	
4	1001201726	1	Hose	
5	1001205811	1	Hose	
6	1001201728	1	Hose	
7	1001210854	1	Hose	
8	1001210855	1	Hose	
9	1001210856	1	Hose	
10	1001210857	1	Hose	
11	1001201734	1	Manifold, Brake Bleeder Tee	

SECTION 8 - HYDRAULIC CIRCUITS

FIGURE 8-9. BRAKE HYDRAULICS INSTALLATION, 74HP (Prior to SN 0160074884, Excluding 0160074882)



ART_1001196277-A

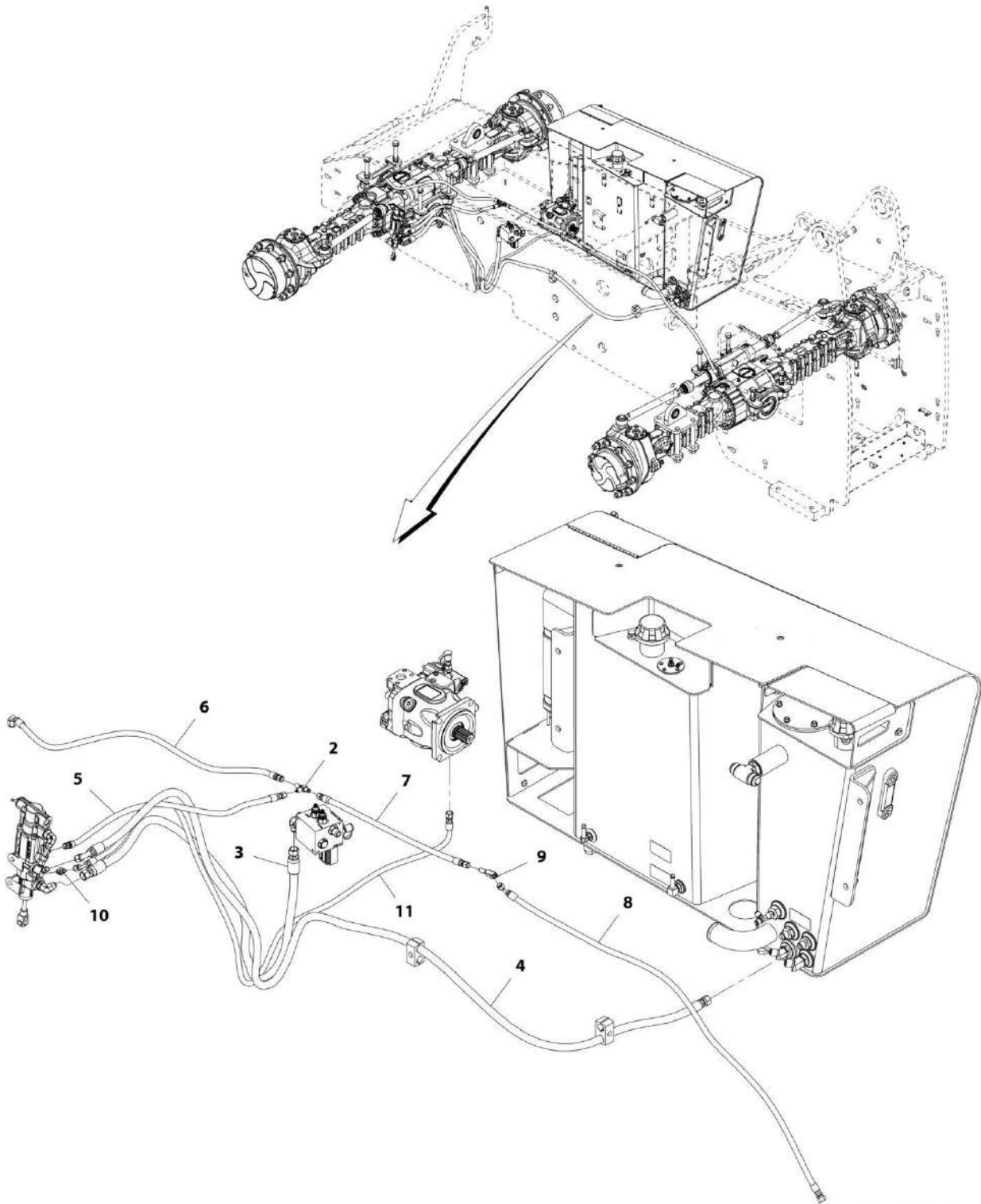
SECTION 8 - HYDRAULIC CIRCUITS

FIGURE 8-9. BRAKE HYDRAULICS INSTALLATION, 74HP (Prior to SN 0160074884, Excluding 0160074882)

ITEM	PART NUMBER	QTY	DESCRIPTION	REV
	1001196277	Ref	Brake Hydraulics Installation, 74HP	A
1	8303755	4	Bolt M10X30	
2	8307004	1	Washer 5/16	
3	8307023	4	Washer M10	
4	8310009	1	Bolt, 5/16-18X2	
5	8750012	1	Bolt, Stacking	
6	8750017	1	Plate, Twin Clamp Locking	
7	8750027	2	Clamp Set, Twin	
8	8769128	1	Cover Plate, Twin	
9	1001158243	1	Hose	
10	1001158268	1	Hose	
11	1001158551	1	Installation, Hydraulic Brake Valve (See HYDRAULIC BRAKE VALVE INSTALLATION for Breakdown)	
12	1001160108	1	Hose	
13	1001196280	1	Hose	
14	1001201631	1	Hose	

SECTION 8 - HYDRAULIC CIRCUITS

FIGURE 8-10. BRAKE HYDRAULICS INSTALLATION, 74HP (SN 0160074884 to Present, Including 0160074882)



ART_1001205753-C

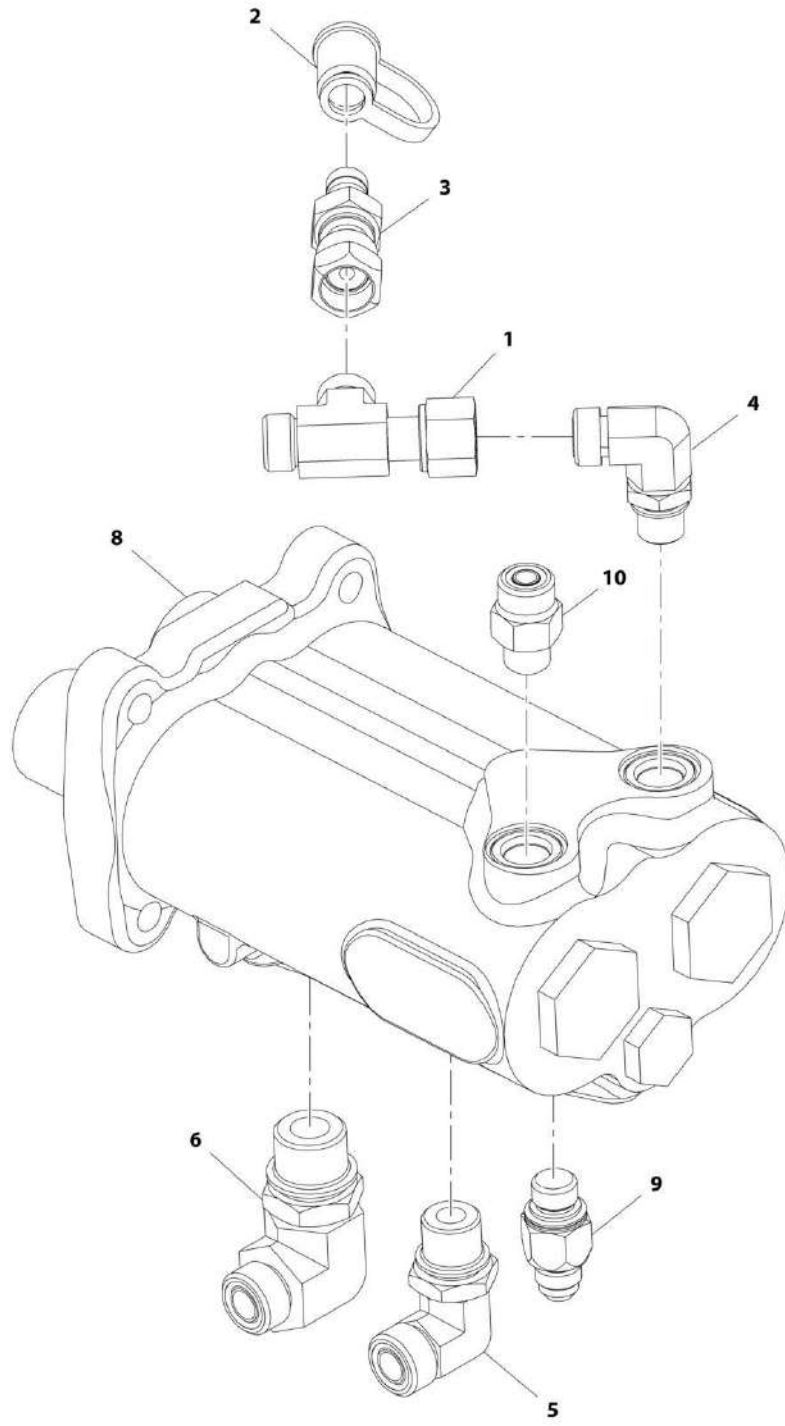
SECTION 8 - HYDRAULIC CIRCUITS

FIGURE 8-10. BRAKE HYDRAULICS INSTALLATION, 74HP (SN 0160074884 to Present, Including 0160074882)

ITEM	PART NUMBER	QTY	DESCRIPTION	REV
	1001205753	Ref	Brake Hydraulics Installation, 74HP	C
2	10728823	1	Adapter, Run Tee	
3	1001201726	1	Hose	
4	1001201728	1	Hose	
5	1001210854	1	Hose	
6	1001210855	1	Hose	
7	1001210856	1	Hose	
8	1001210857	1	Hose	
9	1001201734	1	Manifold, Brake Bleeder Tee	
10	1001183370	1	Valve, Check	
11	1001209223	1	Hose	

SECTION 8 - HYDRAULIC CIRCUITS

FIGURE 8-11. HYDRAULIC BRAKE VALVE INSTALLATION (Prior to SN 0160074884, Excluding 0160074882)



ART_1001158551-D

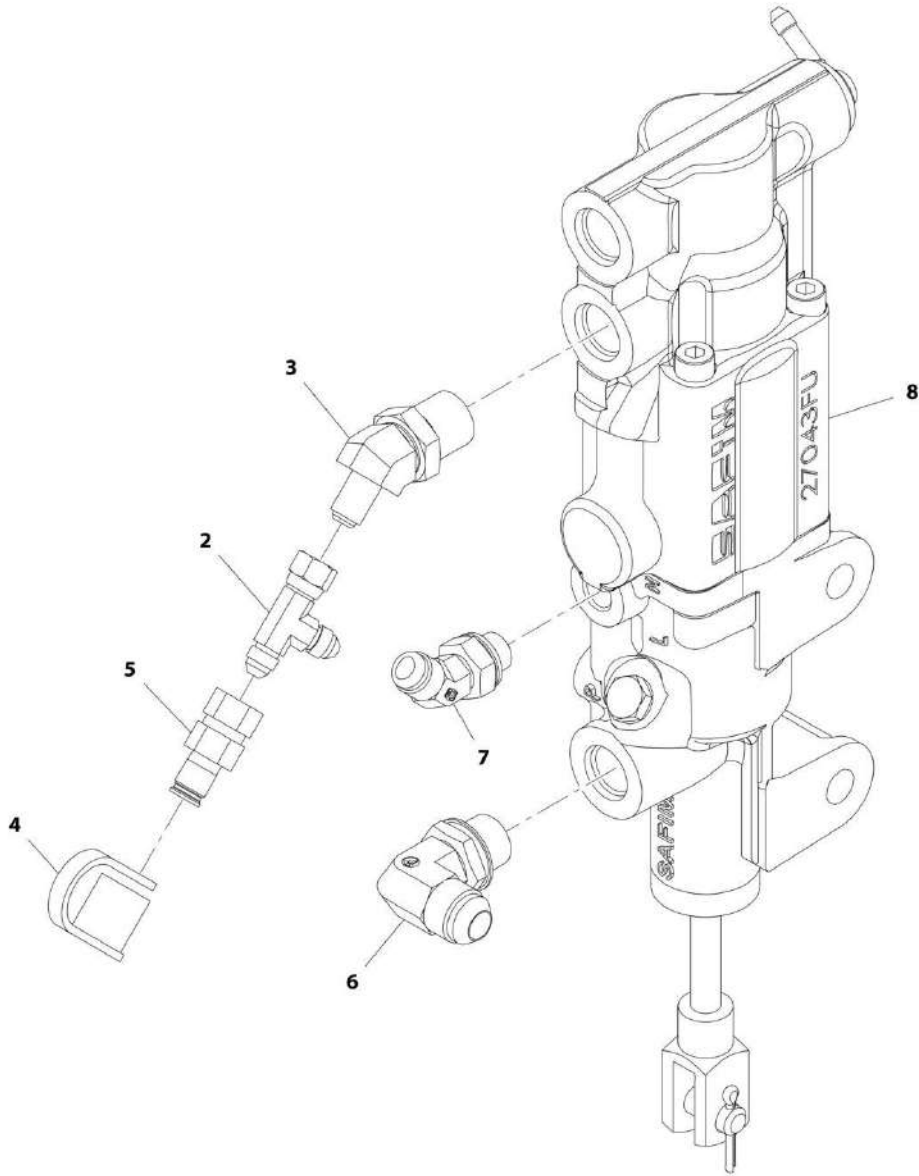
SECTION 8 - HYDRAULIC CIRCUITS

FIGURE 8-11. HYDRAULIC BRAKE VALVE INSTALLATION (Prior to SN 0160074884, Excluding 0160074882)

ITEM	PART NUMBER	QTY	DESCRIPTION	REV
	1001158551	Ref	Hydraulic Brake Valve Installation	D
1	2170706	1	Adapter, Run Tee	
2	8430032	1	Cap, Dust	
3	8430081	1	Adapter, Diagnostic	
4	8770109	1	Adapter, 90 ORFS	
5	8770120	1	Adapter, 90 ORFS	
6	8770175	1	Adapter, 90 ORFS	
8	1001106836	1	Valve, Brake (See HYDRAULIC COMPONENTS SECTION for Breakdown)	
9	1001172100	1	Valve, Check	
10	2144605	1	Adapter	

SECTION 8 - HYDRAULIC CIRCUITS

FIGURE 8-12. HYDRAULIC BRAKE VALVE INSTALLATION (SN 0160074884 through 0160081739, Including 0160074882)



ART_1001201736-E

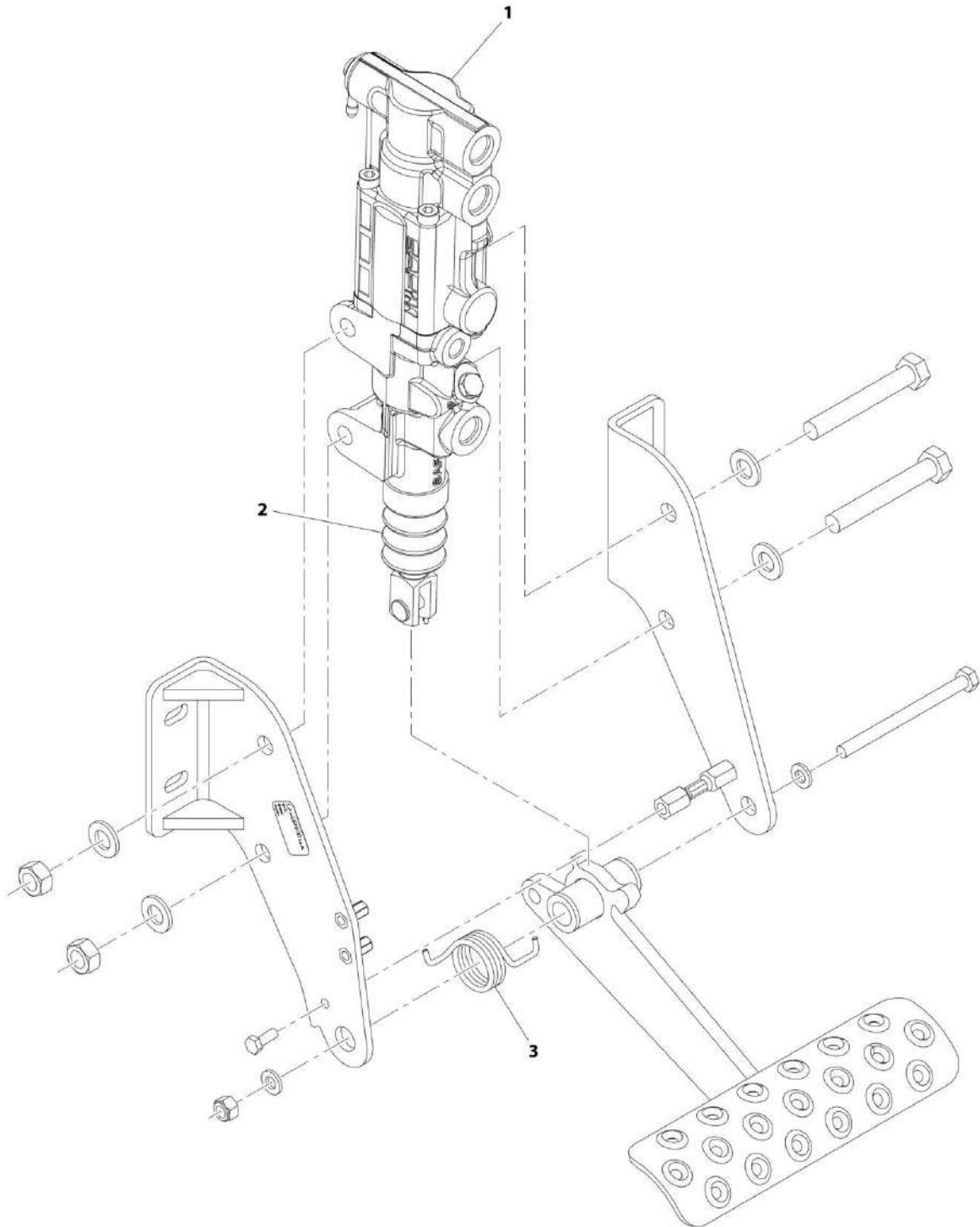
SECTION 8 - HYDRAULIC CIRCUITS

FIGURE 8-12. HYDRAULIC BRAKE VALVE INSTALLATION (SN 0160074884 through 0160081739, Including 0160074882)

ITEM	PART NUMBER	QTY	DESCRIPTION	REV
	1001201736	Ref	Hydraulic Brake Valve Installation	E
2	2220605	1	Adapter	
3	2221344	1	Adapter	
4	8430032	1	Plug, Dust Cap	
5	10727374	1	Adapter	
6	91473086	1	Adapter	
7	1001183341	1	Adapter	
8	1001201721	1	Valve, Brake (See HYDRAULIC COMPONENTS SECTION for Breakdown)	

SECTION 8 - HYDRAULIC CIRCUITS

FIGURE 8-13. HYDRAULIC BRAKE VALVE INSTALLATION (SN 0160081739 to Present)



ART_1001223050-A

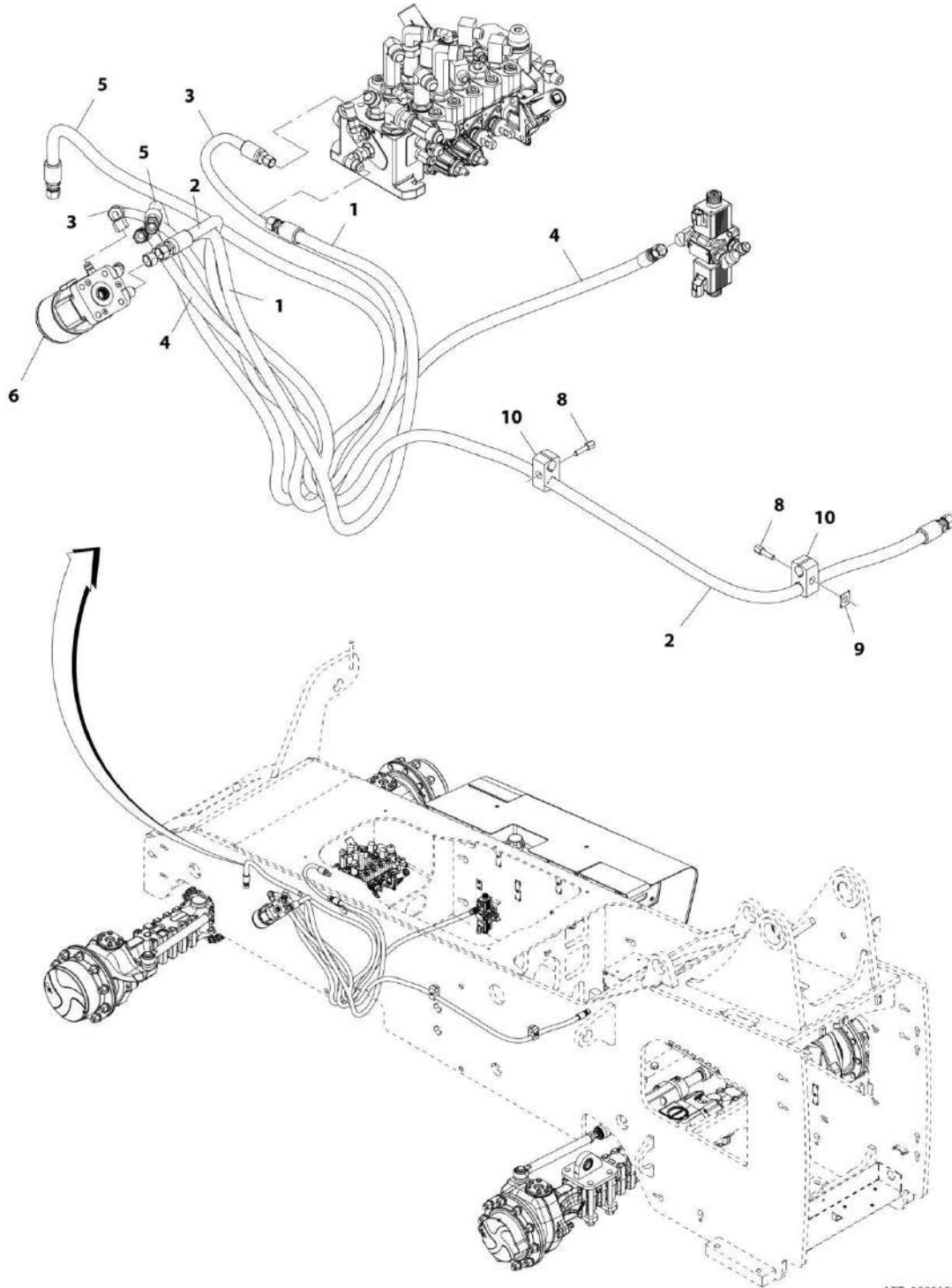
SECTION 8 - HYDRAULIC CIRCUITS

FIGURE 8-13. HYDRAULIC BRAKE VALVE INSTALLATION (SN 0160081739 to Present)

ITEM	PART NUMBER	QTY	DESCRIPTION	REV
1	1001223050	Ref	Hydraulic Brake Valve Installation	A
	1001201721	1	Brake Valve (See Separate Breakdown in HYDRAULIC COMPONENTS Section)	
2	70025859	1	Dust Cover	
3	70028546	1	Return Spring	

SECTION 8 - HYDRAULIC CIRCUITS

FIGURE 8-14. STEERING HYDRAULICS INSTALLATION



ART_1001158856-H

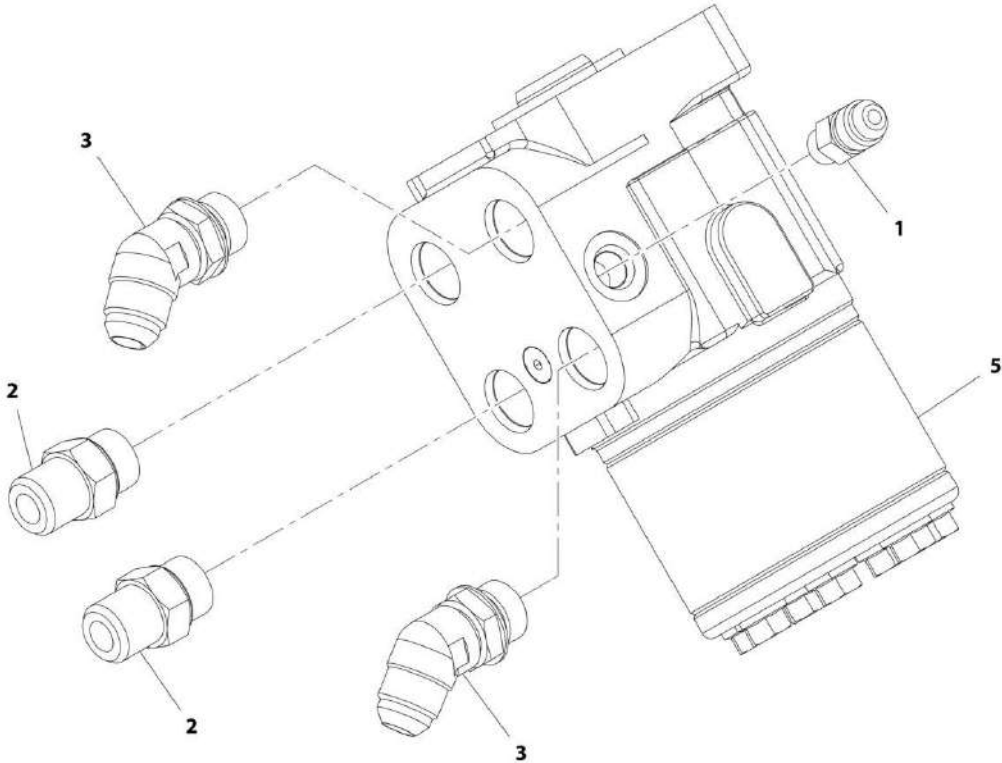
SECTION 8 - HYDRAULIC CIRCUITS

FIGURE 8-14. STEERING HYDRAULICS INSTALLATION

ITEM	PART NUMBER	QTY	DESCRIPTION	REV
	1001158856	Ref	Steering Hydraulics Installation	H
1	1001158264	1	Hose	
2	1001158266	1	Hose	
3	1001158293	1	Hose	
4	1001173230	1	Hose	
5	1001158337	1	Hose	
6	1001158528	1	Installation, Steering Valve (See Separate Breakdown in this Section)	
8	8750012	2	Bolt, Stacking	
9	8750017	1	Plate, Twin Clamp Locking	
10	8750027	2	Clamp Set, Twin	

SECTION 8 - HYDRAULIC CIRCUITS

FIGURE 8-15. STEERING VALVE INSTALLATION



ART_1001158528-C

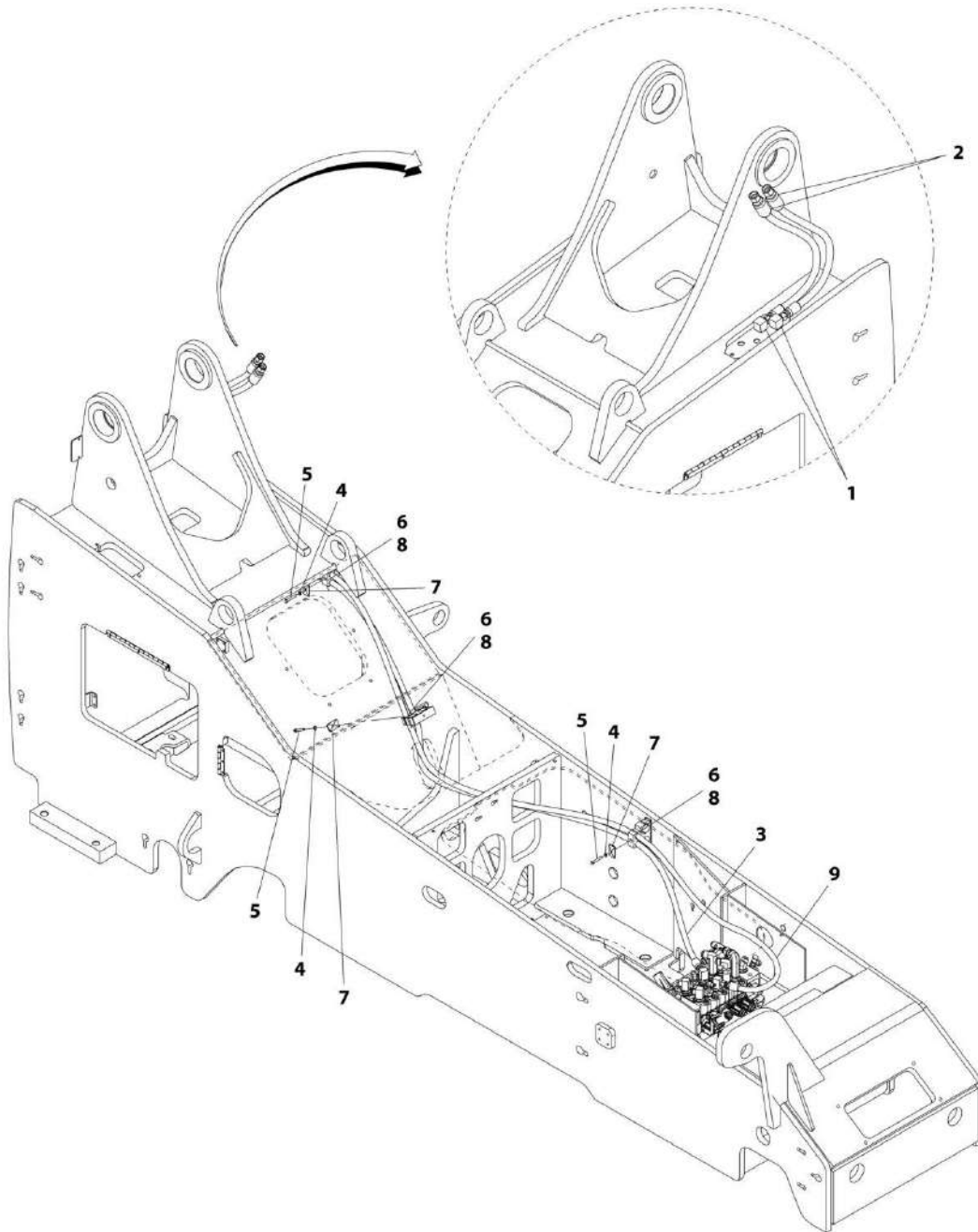
SECTION 8 - HYDRAULIC CIRCUITS

FIGURE 8-15. STEERING VALVE INSTALLATION

ITEM	PART NUMBER	QTY	DESCRIPTION	REV
	1001158528	1	Steering Valve Installation	C
1	2220603	1	Adapter, Straight JIC	
2	2220373	2	Adapter, Straight JIC	
3	2220500	2	Adapter, 45 JIC	
5	1001158527	1	Valve, Steering	

SECTION 8 - HYDRAULIC CIRCUITS

FIGURE 8-16. FRAME AUXILIARY INSTALLATION (Prior to SN 0160074884, Excluding 0160074882)



ART_1001159250-F

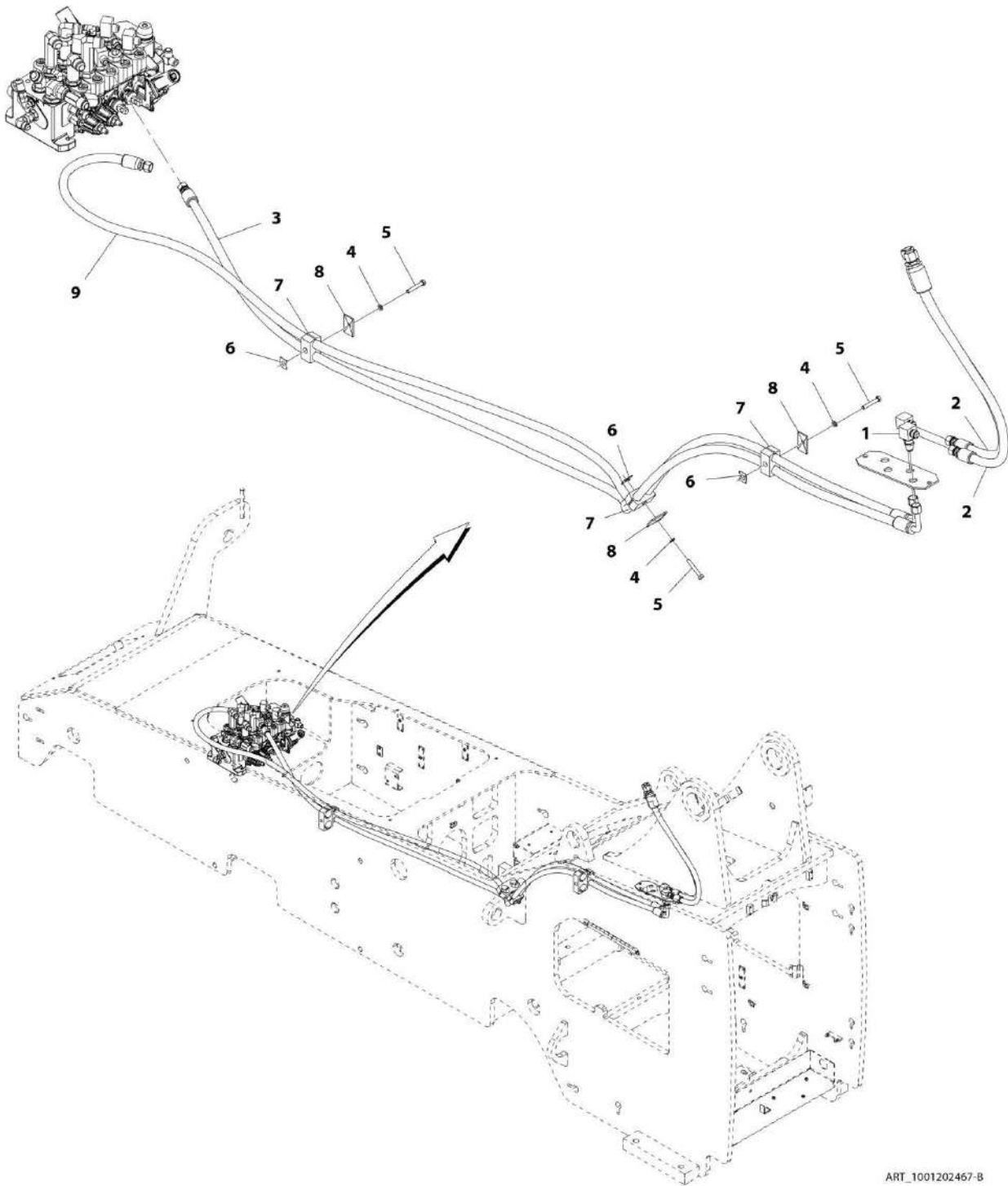
SECTION 8 - HYDRAULIC CIRCUITS

FIGURE 8-16. FRAME AUXILIARY INSTALLATION (Prior to SN 0160074884, Excluding 0160074882)

ITEM	PART NUMBER	QTY	DESCRIPTION	REV
	1001159250	Ref	Frame Auxiliary Installation	F
1	2230044	2	Adapter, Bulkhead 90 JIC	
2	2716713	2	Hose	
3	2716768	1	Hose	
4	8307004	3	Washer, Lock 5/16	
5	8310009	3	Bolt, 5/16-18X2	
6	8750017	3	Plate, Twin Clamp Locking	
7	8769128	3	Cover Plate, Twin	
8	8750027	3	Clamp Set, Twin	
9	1001182051	1	Hose	

SECTION 8 - HYDRAULIC CIRCUITS

FIGURE 8-17. FRAME AUXILIARY INSTALLATION (SN 0160074884 to Present, Including 0160074882)



ART_1001202467-B

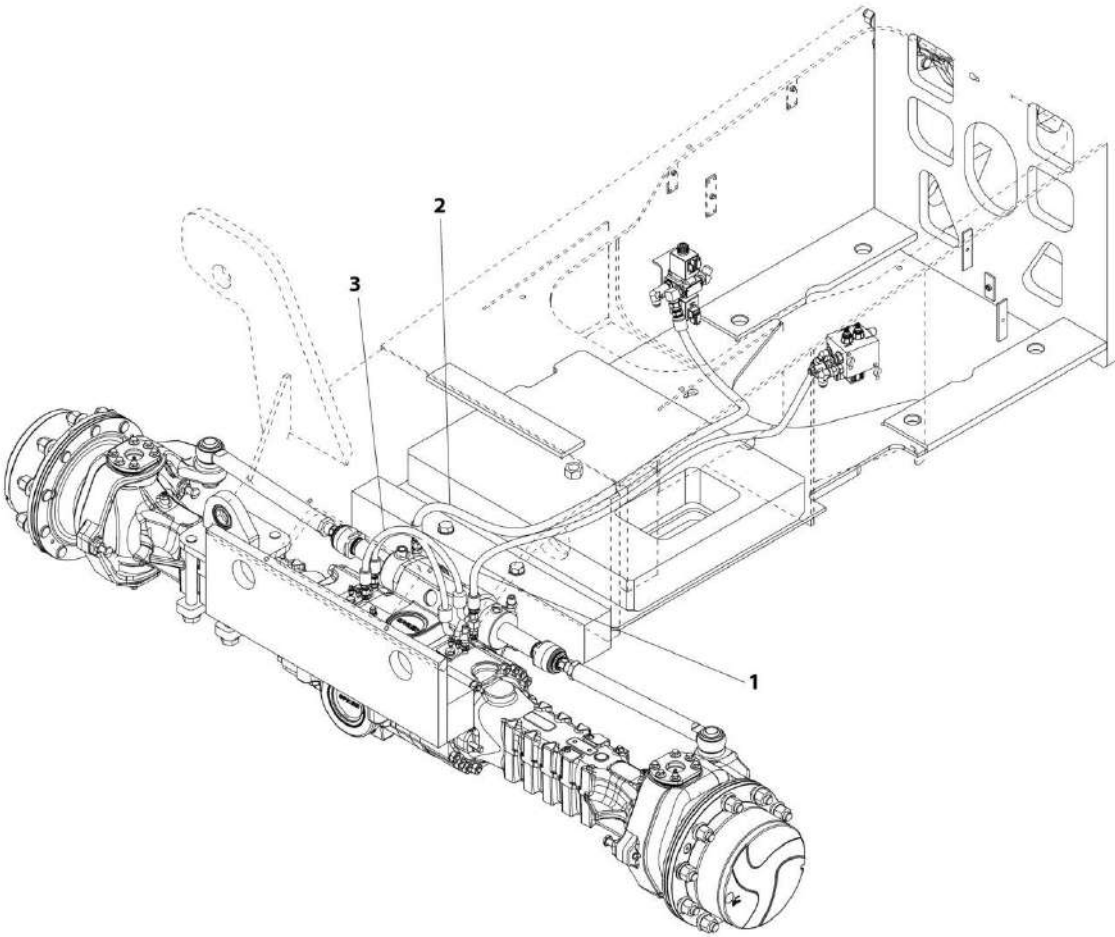
SECTION 8 - HYDRAULIC CIRCUITS

FIGURE 8-17. FRAME AUXILIARY INSTALLATION (SN 0160074884 to Present, Including 0160074882)

ITEM	PART NUMBER	QTY	DESCRIPTION	REV
	1001202467	Ref	Frame Auxiliary Installation	B
1	2230044	2	Adapter, Bulkhead 90 JIC	
2	2716713	2	Hose	
3	2716768	1	Hose	
4	8307004	3	Washer, Lock 5/16	
5	8310009	3	Bolt, 5/16-18X2	
6	8750017	3	Plate, Twin Clamp Locking	
7	8750027	3	Clamp Set, Twin	
8	8769128	3	Cover Plate, Twin	
9	1001182051	1	Hose	

SECTION 8 - HYDRAULIC CIRCUITS

FIGURE 8-18. FRONT AXLE HYDRAULIC INSTALLATION (Prior to SN 0160074884, Excluding 0160074882)



ART_1001159697-D

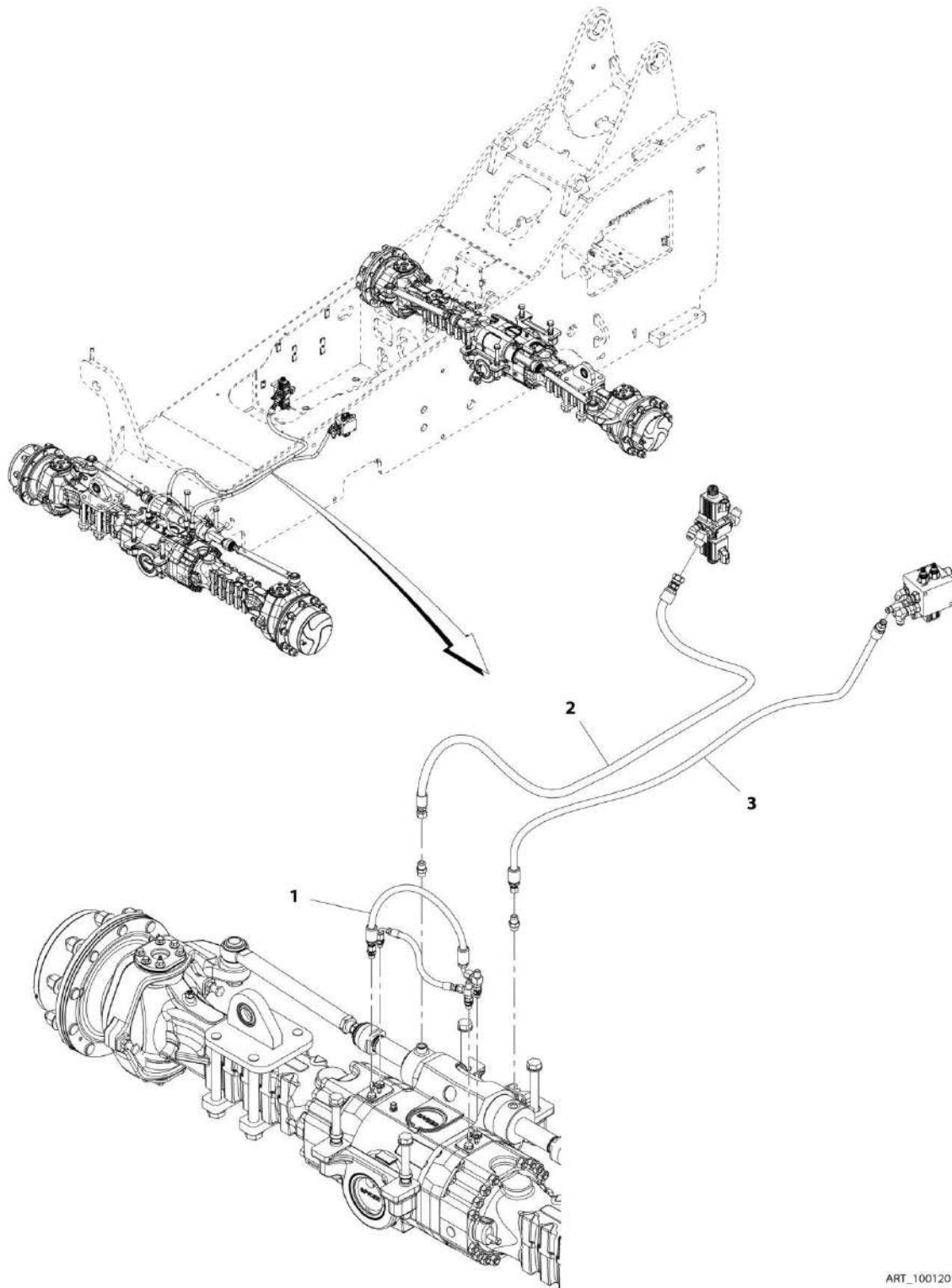
SECTION 8 - HYDRAULIC CIRCUITS

FIGURE 8-18. FRONT AXLE HYDRAULIC INSTALLATION (Prior to SN 0160074884, Excluding 0160074882)

ITEM	PART NUMBER	QTY	DESCRIPTION	REV
	1001159697	Ref	Front Axle Hydraulic Installation	D
1	2716763	1	Hose	
2	1001194757	1	Hose	
3	1001149513	1	Assembly, Front Axle Hydraulic (See FRONT AXLE HYDRAULIC ASSEMBLY for Breakdown)	

SECTION 8 - HYDRAULIC CIRCUITS

FIGURE 8-19. FRONT AXLE HYDRAULIC INSTALLATION (SN 0160074884 to Present, Including 0160074882)



ART_1001201987-C

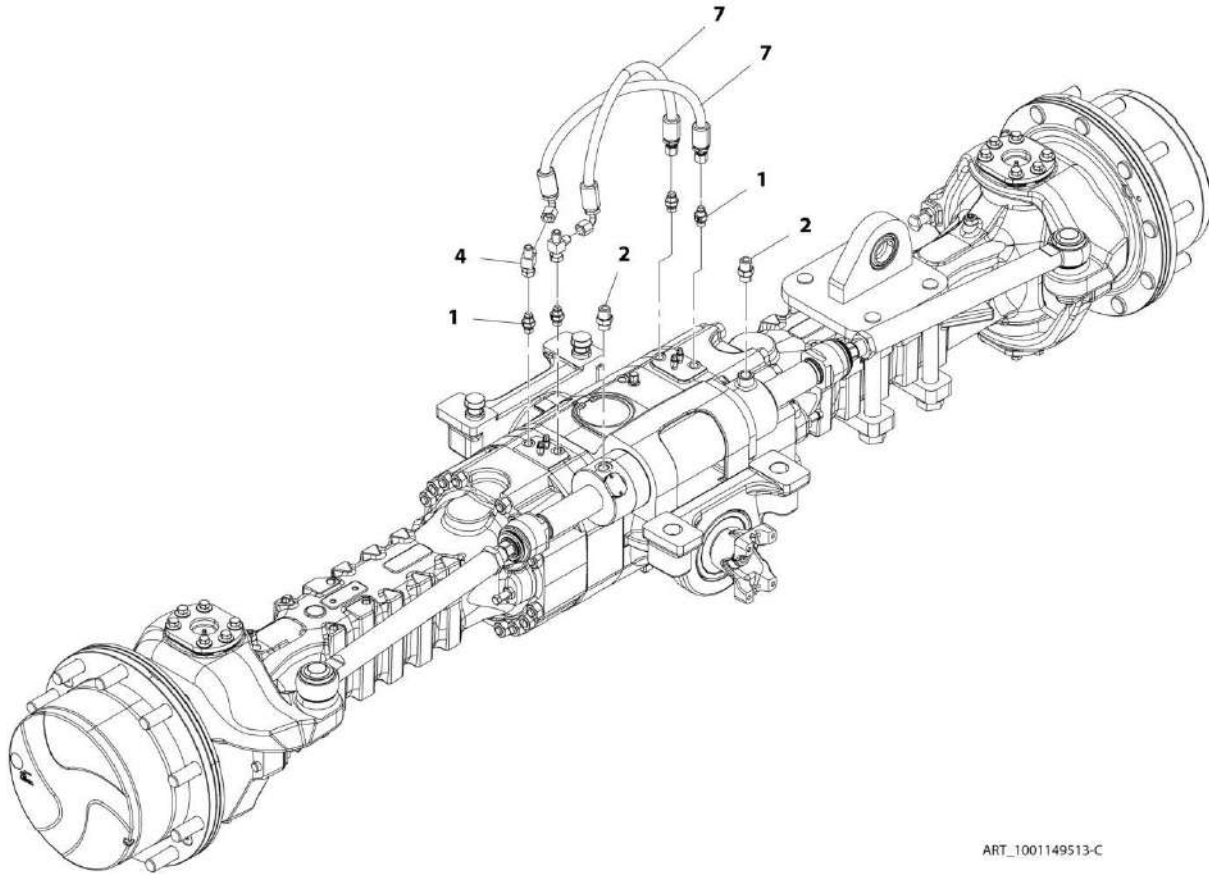
SECTION 8 - HYDRAULIC CIRCUITS

FIGURE 8-19. FRONT AXLE HYDRAULIC INSTALLATION (SN 0160074884 to Present, Including 0160074882)

ITEM	PART NUMBER	QTY	DESCRIPTION	REV
	1001201987	Ref	Front Axle Hydraulic Installation	C
1	1001201988	1	Assembly, Front Axle Hydraulic (See Separate Breakdown in this Section)	
2	1001194757	1	Hose	
3	2716763	1	Hose	

SECTION 8 - HYDRAULIC CIRCUITS

FIGURE 8-20. FRONT AXLE HYDRAULIC ASSEMBLY (Prior to SN 0160074884, Excluding 0160074882)



ART_1001149513-C

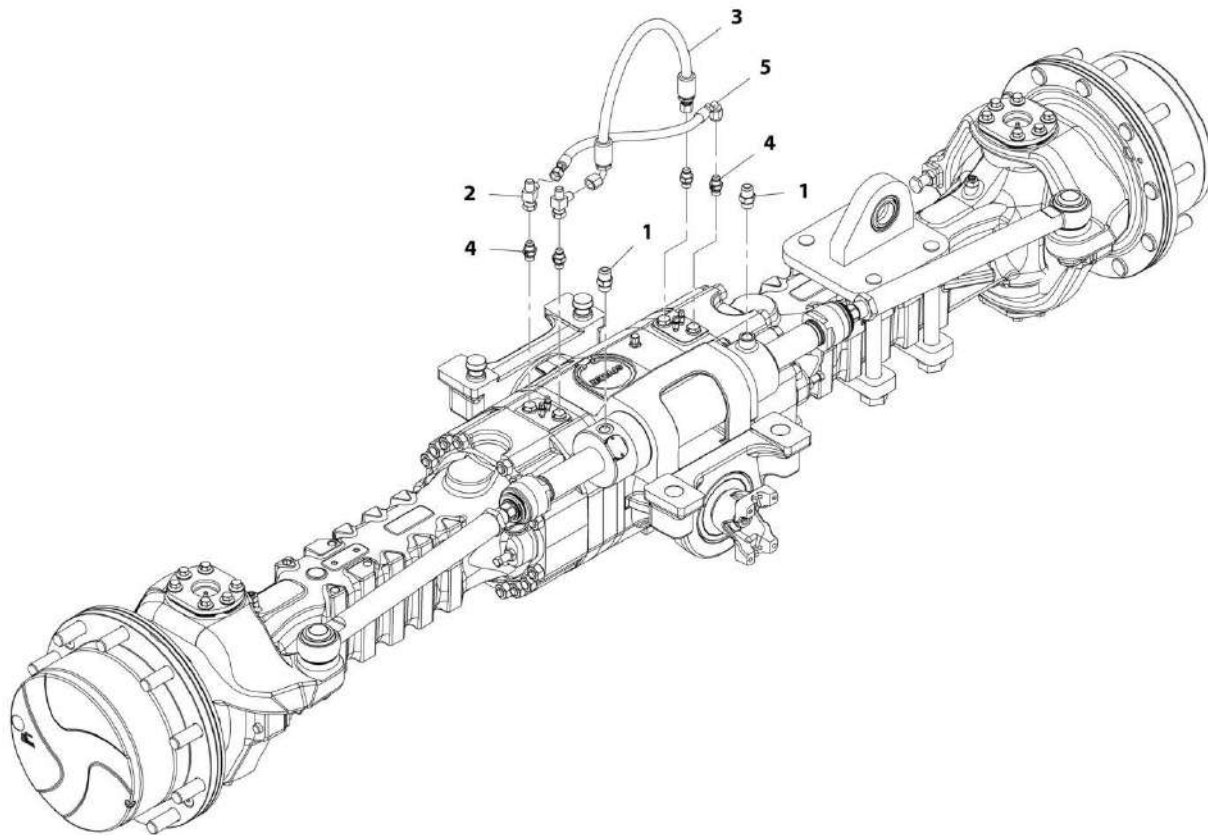
SECTION 8 - HYDRAULIC CIRCUITS

FIGURE 8-20. FRONT AXLE HYDRAULIC ASSEMBLY (Prior to SN 0160074884, Excluding 0160074882)

ITEM	PART NUMBER	QTY	DESCRIPTION	REV
	1001149513	Ref	Front Axle Hydraulic Assembly	C
1	8770064	4	Adapter, Straight	
2	2220373	2	Adapter, Straight	
4	2220635	2	Adapter, Run Tee	
7	2716670	2	Hose	

SECTION 8 - HYDRAULIC CIRCUITS

FIGURE 8-21. FRONT AXLE HYDRAULIC ASSEMBLY (SN 0160074884 to Present, Including 0160074882)



ART_1001201988-B

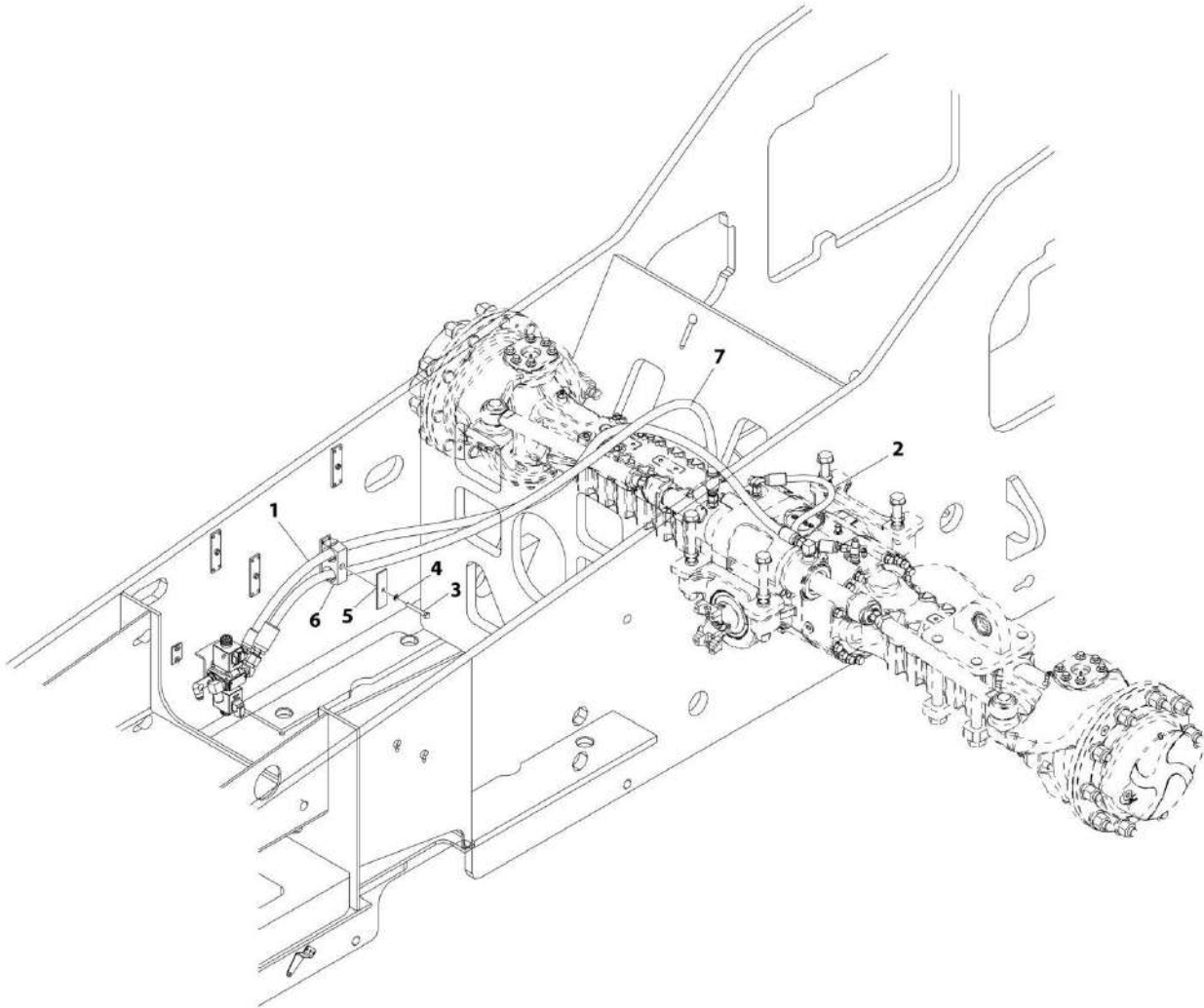
SECTION 8 - HYDRAULIC CIRCUITS

FIGURE 8-21. FRONT AXLE HYDRAULIC ASSEMBLY (SN 0160074884 to Present, Including 0160074882)

ITEM	PART NUMBER	QTY	DESCRIPTION	REV
	1001201988	Ref	Front Axle Hydraulic Assembly	B
1	2220373	2	Adapter, Straight	
2	2220635	2	Adapter, Run Tee	
3	2716670	1	Hose	
4	8770064	4	Adapter, Straight	
5	1001210858	1	Hose	

SECTION 8 - HYDRAULIC CIRCUITS

FIGURE 8-22. REAR AXLE HYDRAULIC INSTALLATION (Prior to SN 0160074884, Excluding 0160074882)



ART_1001160137-C

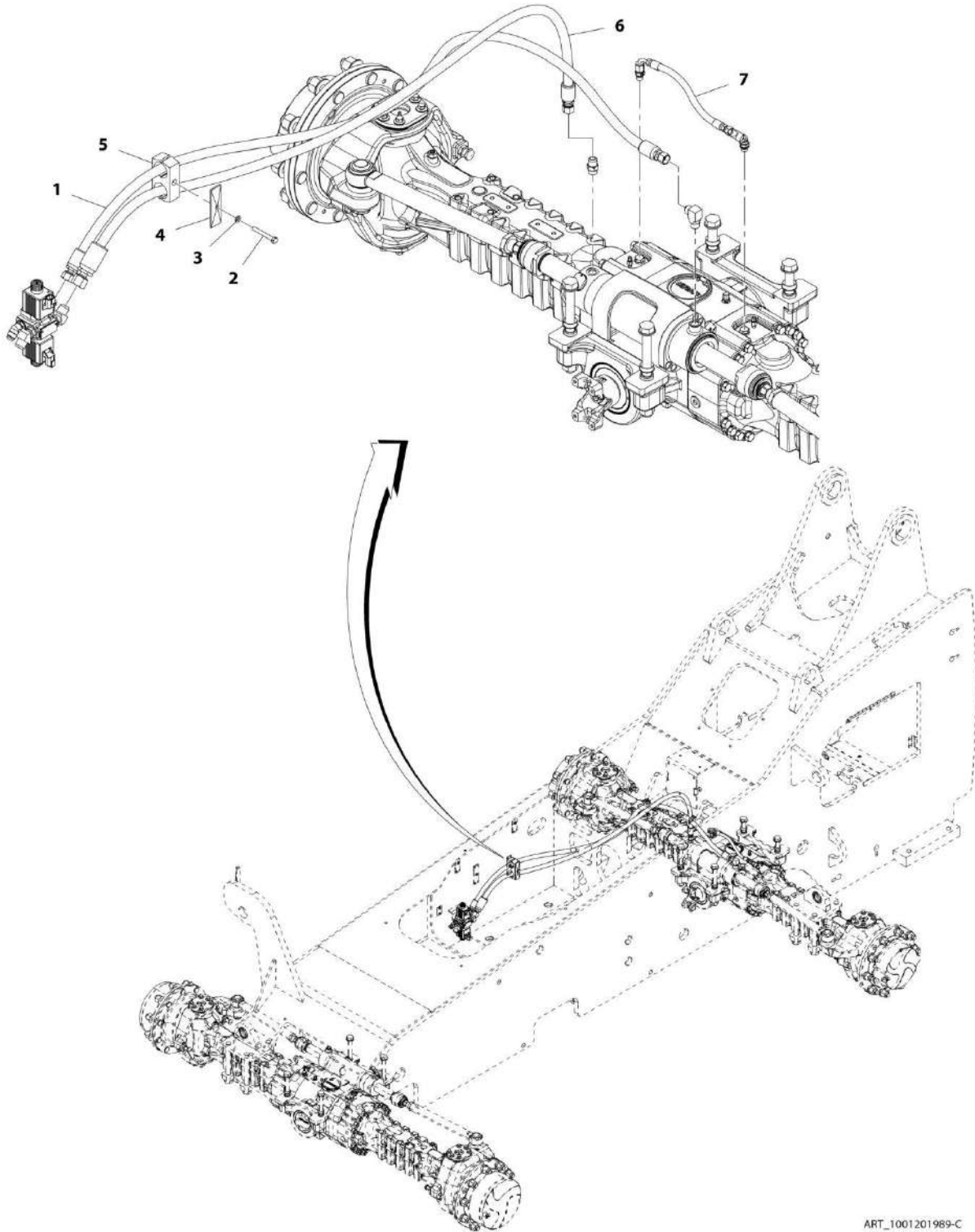
SECTION 8 - HYDRAULIC CIRCUITS

FIGURE 8-22. REAR AXLE HYDRAULIC INSTALLATION (Prior to SN 0160074884, Excluding 0160074882)

ITEM	PART NUMBER	QTY	DESCRIPTION	REV
	1001160137	Ref	Rear Axle Hydraulic Installation	C
1	2716673	1	Hose	
2	1001149515	1	Assembly, Rear Axle Hydraulic (See REAR AXLE HYDRAULIC ASSEMBLY for Breakdown)	
3	8303757	1	Bolt, 5/16-18X2-1/2	
4	8307004	1	Washer, Lock 5/16	
5	8750025	1	Cover Plate, Twin	
6	8750040	1	Clamp Set, Twin	
7	1001178224	1	Hose	

SECTION 8 - HYDRAULIC CIRCUITS

FIGURE 8-23. REAR AXLE HYDRAULIC INSTALLATION (SN 0160074884 to Present, Including 0160074882)



ART_1001201989-C

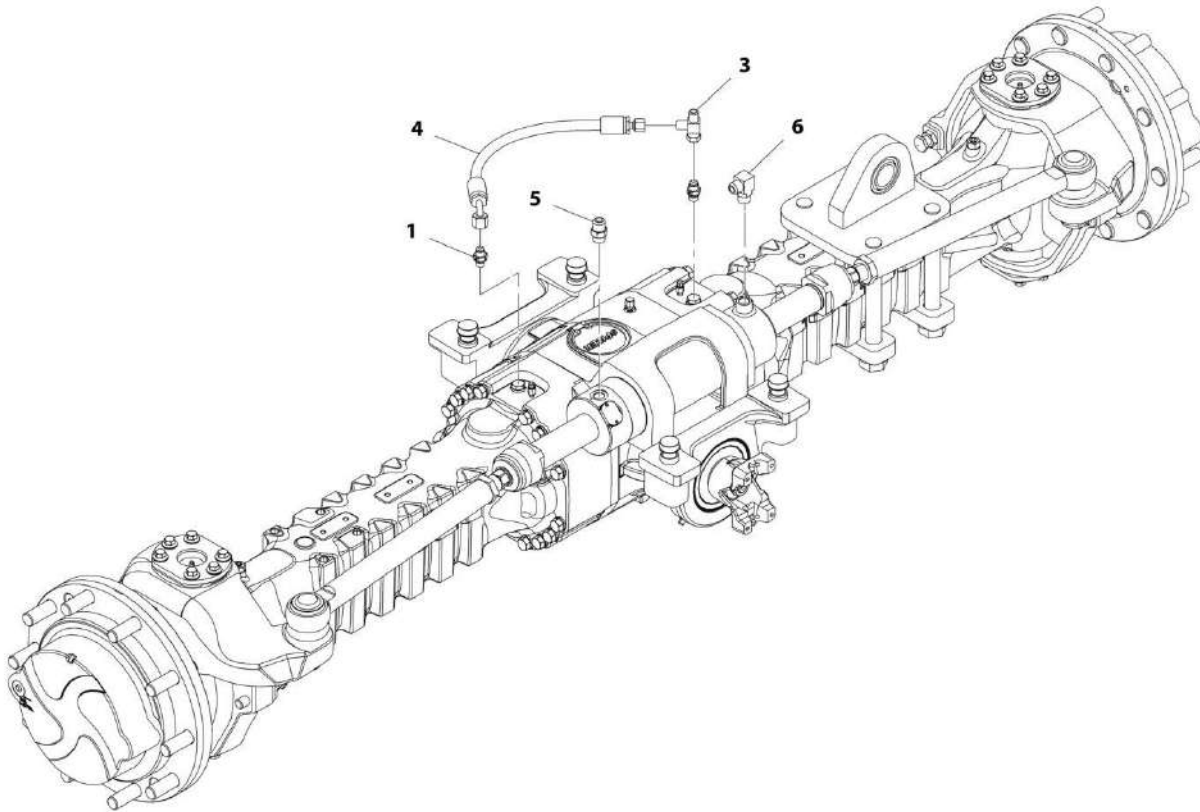
SECTION 8 - HYDRAULIC CIRCUITS

FIGURE 8-23. REAR AXLE HYDRAULIC INSTALLATION (SN 0160074884 to Present, Including 0160074882)

ITEM	PART NUMBER	QTY	DESCRIPTION	REV
	1001201989	Ref	Rear Axle Hydraulic Installation	C
1	2716673	1	Hose	
2	8303757	1	Bolt, 5/16-18X2-1/2	
3	8307004	1	Washer, Lock 5/16	
4	8750025	1	Cover Plate, Twin	
5	8750040	1	Clamp Set, Twin	
6	1001178224	1	Hose	
7	1001201990	1	Assembly, Rear Axle Hydraulic (See Separate Breakdown in this Section)	

SECTION 8 - HYDRAULIC CIRCUITS

FIGURE 8-24. REAR AXLE HYDRAULIC ASSEMBLY (Prior to SN 0160074884, Excluding 0160074882)



ART_1001149515-C

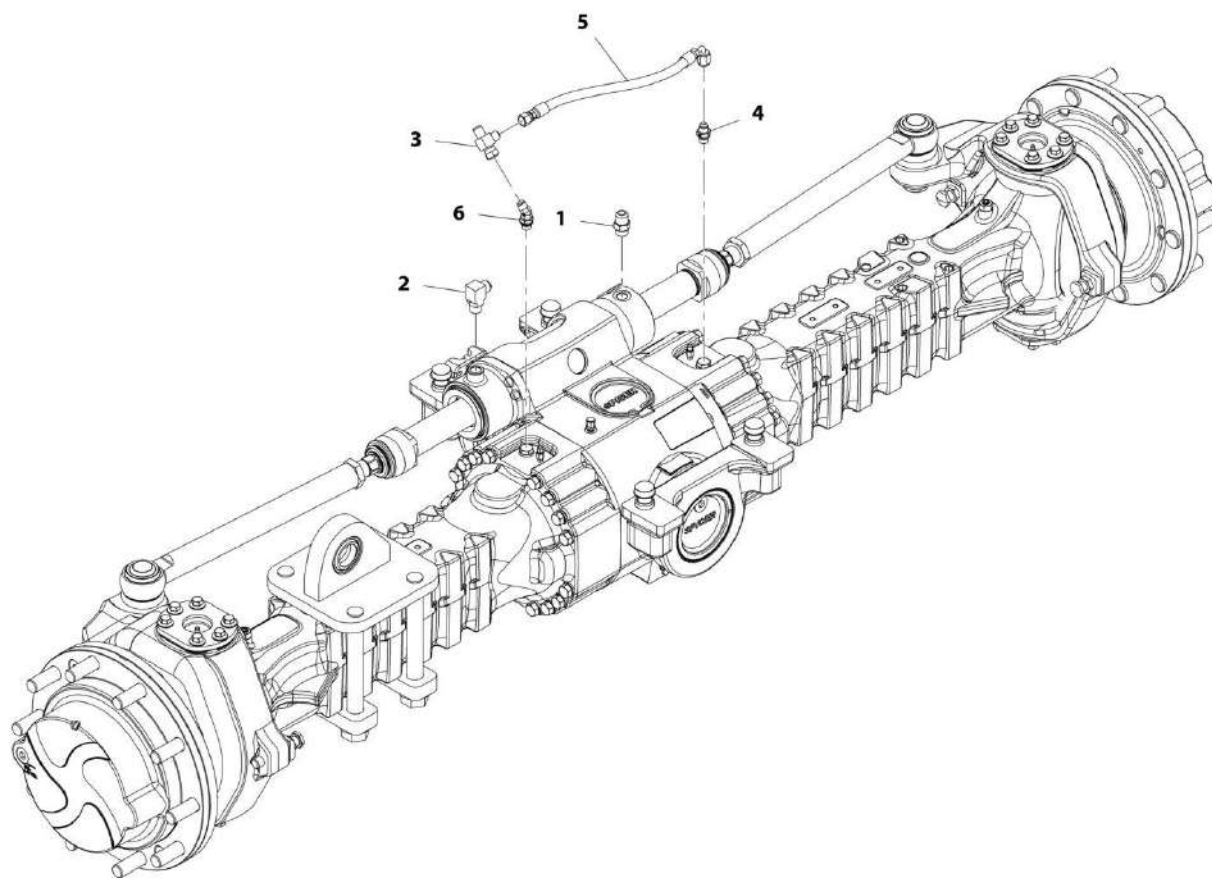
SECTION 8 - HYDRAULIC CIRCUITS

FIGURE 8-24. REAR AXLE HYDRAULIC ASSEMBLY (Prior to SN 0160074884, Excluding 0160074882)

ITEM	PART NUMBER	QTY	DESCRIPTION	REV
	1001149515	Ref	Rear Axle Hydraulic Assembly	C
1	8770064	2	Adapter, Straight	
3	2220635	1	Adapter, Run Tee	
4	1001202628	1	Hose	
5	2220373	1	Adapter, Straight	
6	2220596	1	Adapter, 90	

SECTION 8 - HYDRAULIC CIRCUITS

FIGURE 8-25. REAR AXLE HYDRAULIC ASSEMBLY (SN 0160074884 to Present, Including 0160074882)



ART_1001201990-B

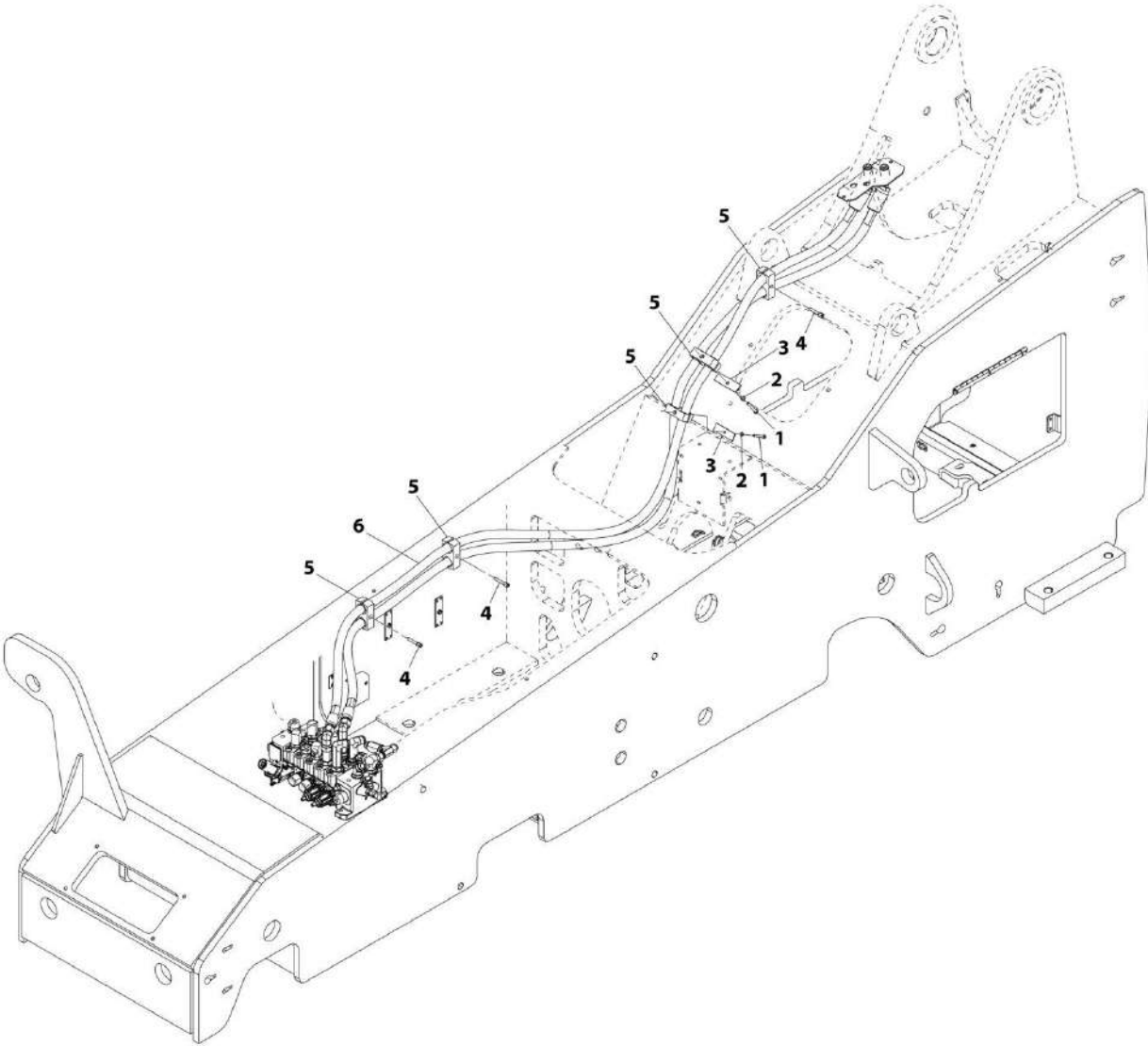
SECTION 8 - HYDRAULIC CIRCUITS

FIGURE 8-25. REAR AXLE HYDRAULIC ASSEMBLY (SN 0160074884 to Present, Including 0160074882)

ITEM	PART NUMBER	QTY	DESCRIPTION	REV
	1001201990	Ref	Rear Axle Hydraulic Assembly	B
1	2220373	1	Adapter, Straight	
2	2220596	1	Adapter, 90	
3	2220635	1	Adapter, Run Tee	
4	8770064	1	Adapter, Straight	
5	1001210858	1	Hose	
6	1001202043	1	Adapter, 45	

SECTION 8 - HYDRAULIC CIRCUITS

FIGURE 8-26. HYDRAULIC EXTEND PLUMBING INSTALLATION



ART_1001159869-D

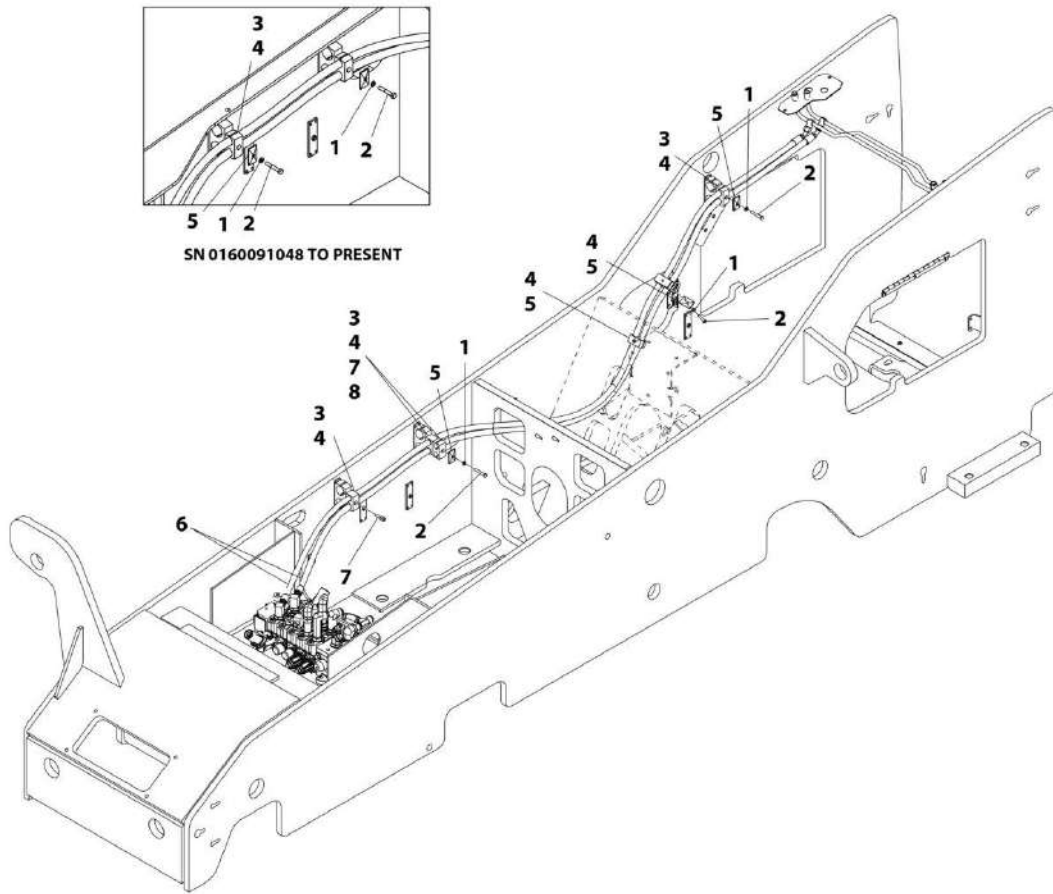
SECTION 8 - HYDRAULIC CIRCUITS

FIGURE 8-26. HYDRAULIC EXTEND PLUMBING INSTALLATION

ITEM	PART NUMBER	QTY	DESCRIPTION	REV
	1001159869	Ref	Hydraulic Extend Plumbing Installation	D
1	8303757	2	Bolt, 5/16-18X2-1/2	
2	8307004	2	Washer, Lock 5/16	
3	8750025	2	Cover Plate, Twin	
4	8750026	3	Bolt, Stacking	
5	8750040	5	Clamp Set, Twin	
6	1001114202	2	Hose	

SECTION 8 - HYDRAULIC CIRCUITS

FIGURE 8-27. HYDRAULIC FORK PLUMBING INSTALLATION, 85HP



ART_1001159870-G

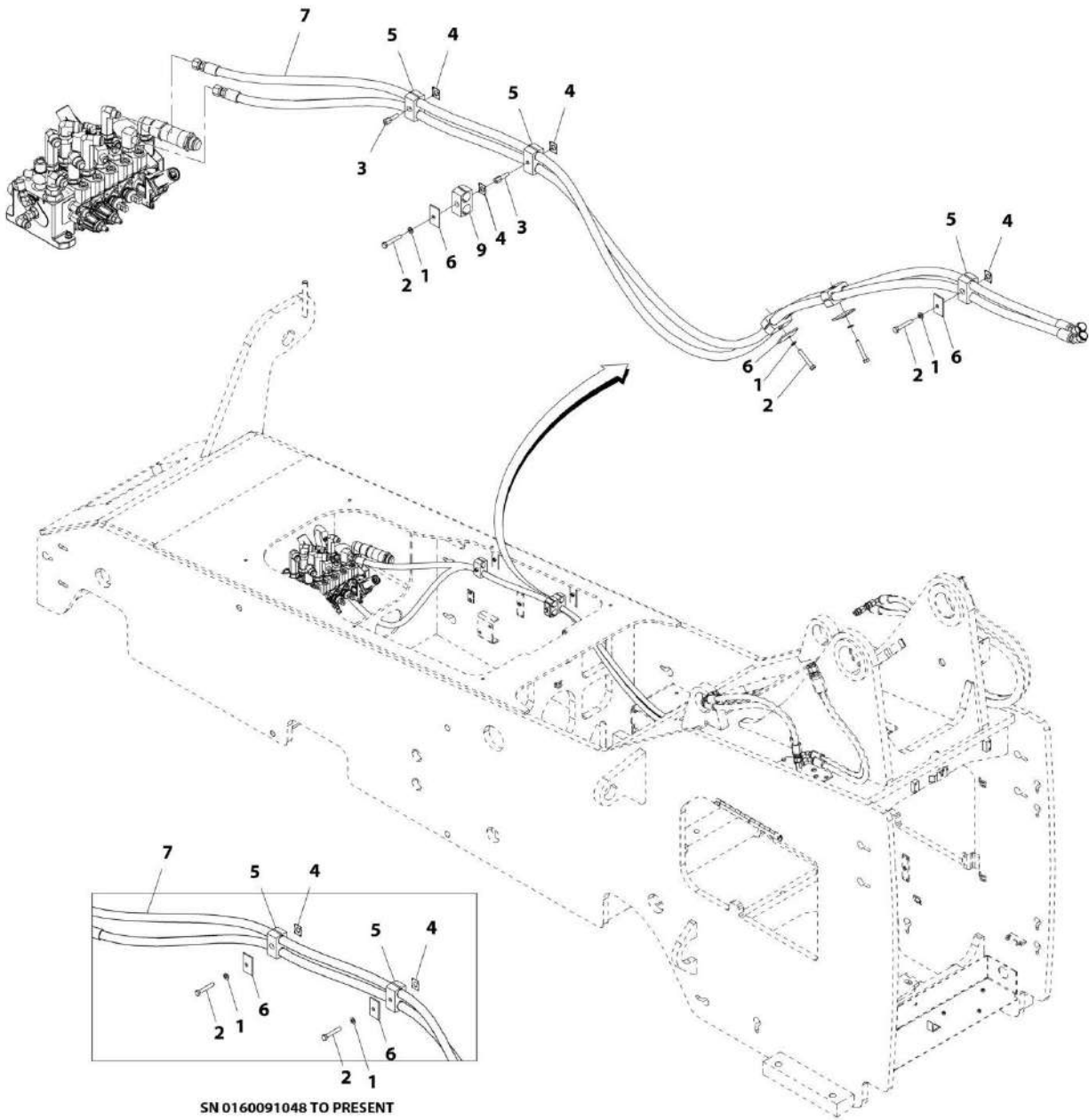
SECTION 8 - HYDRAULIC CIRCUITS

FIGURE 8-27. HYDRAULIC FORK PLUMBING INSTALLATION, 85HP

ITEM	PART NUMBER	QTY	DESCRIPTION	REV
	1001159870	Ref	Hydraulic Fork Plumbing Installation, 85HP	G
1	8307004	4	Washer, Lock 5/16 (Prior to SN 0160091048)	
1	8307004	5	Washer, Lock 5/16 (SN 0160091048 to Present)	
2	8310009	4	Bolt, 5/16-18X2 (Prior to SN 0160091048)	
2	8310009	5	Bolt, 5/16-18X2 (SN 0160091048 to Present)	
3	8750017	4	Plate, Twin Clamp Locking (Prior to SN 0160091048)	
3	8750017	3	Plate, Twin Clamp Locking (SN 0160091048 to Present)	
4	8750027	5	Clamp Set, Twin	
5	8769128	4	Cover Plate, Twin (Prior to SN 0160091048)	
5	8769128	5	Cover Plate, Twin (SN 0160091048 to Present)	
6	1001126043	2	Hose	
7	8750012	2	Bolt, Stacking (Prior to SN 0160091048)	
8	8769127	1	Clamp Set, Twin (Prior to SN 0160091048)	

SECTION 8 - HYDRAULIC CIRCUITS

FIGURE 8-28. HYDRAULIC FORK PLUMBING INSTALLATION, 74HP



ART_1001196293-F

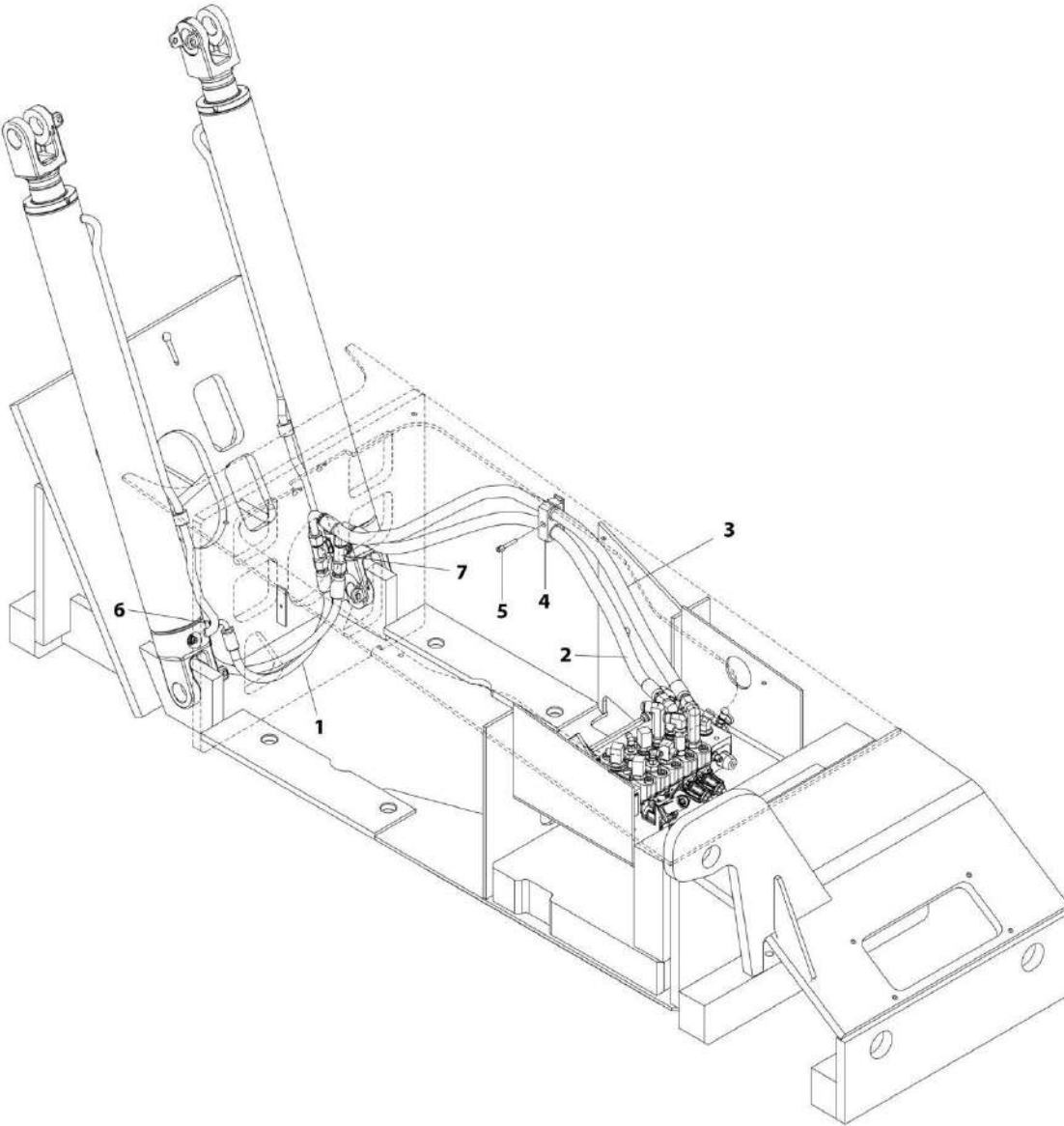
SECTION 8 - HYDRAULIC CIRCUITS

FIGURE 8-28. HYDRAULIC FORK PLUMBING INSTALLATION, 74HP

ITEM	PART NUMBER	QTY	DESCRIPTION	REV
	1001196293	Ref	Hydraulic Fork Plumbing Installation, 74HP	F
1	8307004	4	Washer, Lock 5/16 (Prior to SN 0160091048)	
1	8307004	5	Washer, Lock 5/16 (SN 0160091048 to Present)	
2	8310009	4	Bolt, 5/16-18X2 (Prior to SN 0160091048)	
2	8310009	5	Bolt, 5/16-18X2 (SN 0160091048 to Present)	
3	8750012	2	Bolt, Stacking (Prior to SN 0160091048)	
4	8750017	4	Plate, Twin Clamp Locking (Prior to SN 0160091048)	
4	8750017	3	Plate, Twin Clamp Locking (SN 0160091048 to Present)	
5	8750027	5	Clamp Set, Twin	
6	8769128	4	Cover Plate, Twin (Prior to SN 0160091048)	
6	8769128	5	Cover Plate, Twin (SN 0160091048 to Present)	
7	1001126043	2	Hose	
9	8769127	1	Clamp Set, Twin (Prior to SN 0160091048)	

SECTION 8 - HYDRAULIC CIRCUITS

FIGURE 8-29. HYDRAULIC FRAME CYLINDERS INSTALLATION (Prior to SN 0160074884, Excluding 0160074882)



ART_1001159871-D

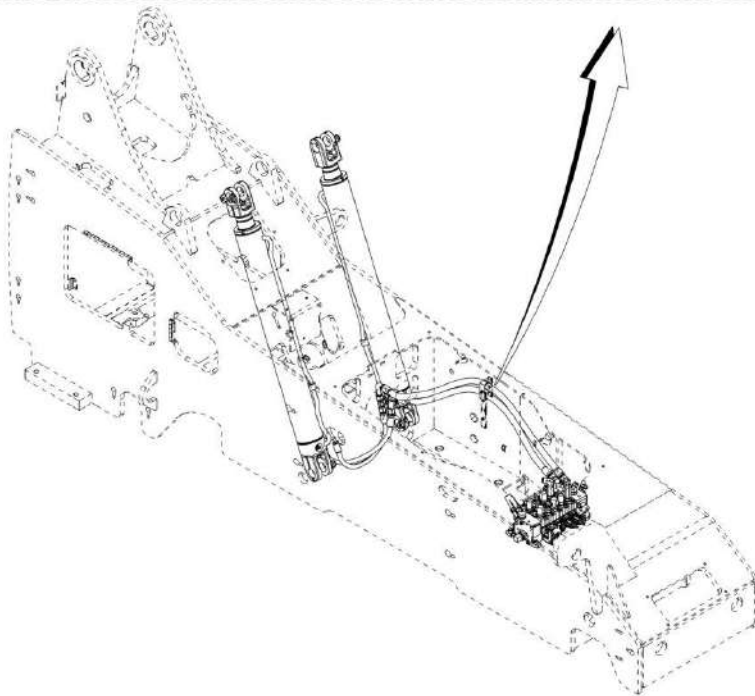
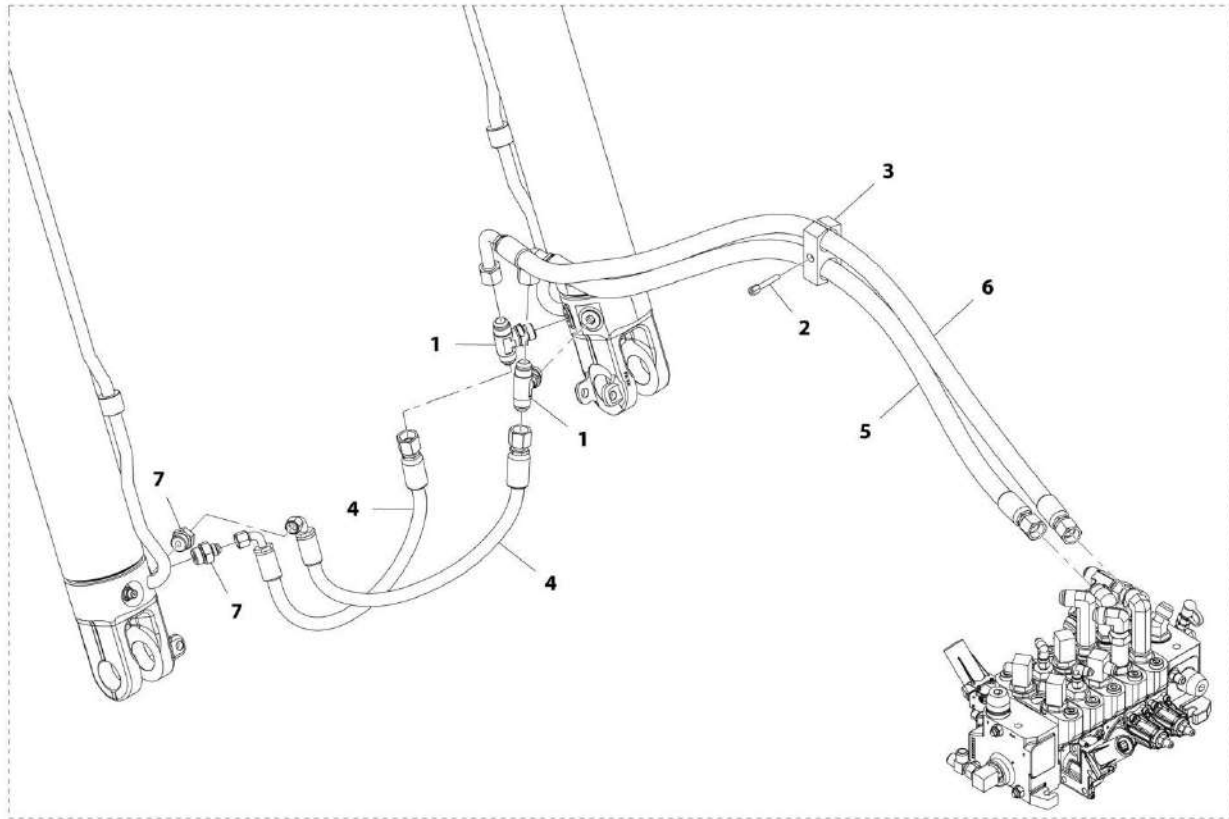
SECTION 8 - HYDRAULIC CIRCUITS

FIGURE 8-29. HYDRAULIC FRAME CYLINDERS INSTALLATION (Prior to SN 0160074884, Excluding 0160074882)

ITEM	PART NUMBER	QTY	DESCRIPTION	REV
	1001159871	Ref	Hydraulic Frame Cylinders Installation	D
1	2716675	2	Hose	
2	2716784	1	Hose	
3	2716785	1	Hose	
4	8750040	1	Clamp Set, Twin	
5	8750026	1	Bolt, Stacking	
6	2220375	2	Adapter, Straight	
7	2220695	2	Adapter, Branch Tee	

SECTION 8 - HYDRAULIC CIRCUITS

FIGURE 8-30. HYDRAULIC FRAME CYLINDERS INSTALLATION - 6042 (SN 0160074884 to Present, Including 0160074882)



ART_1001202468-C

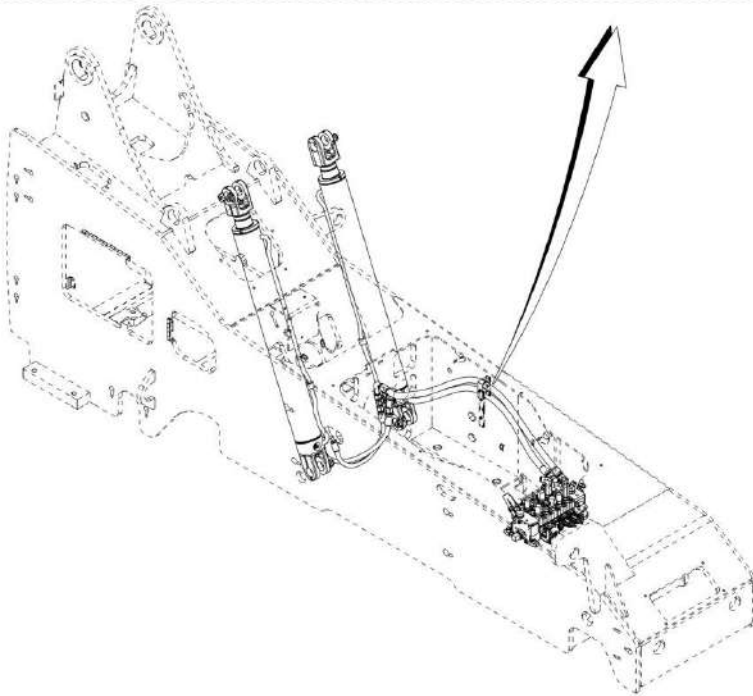
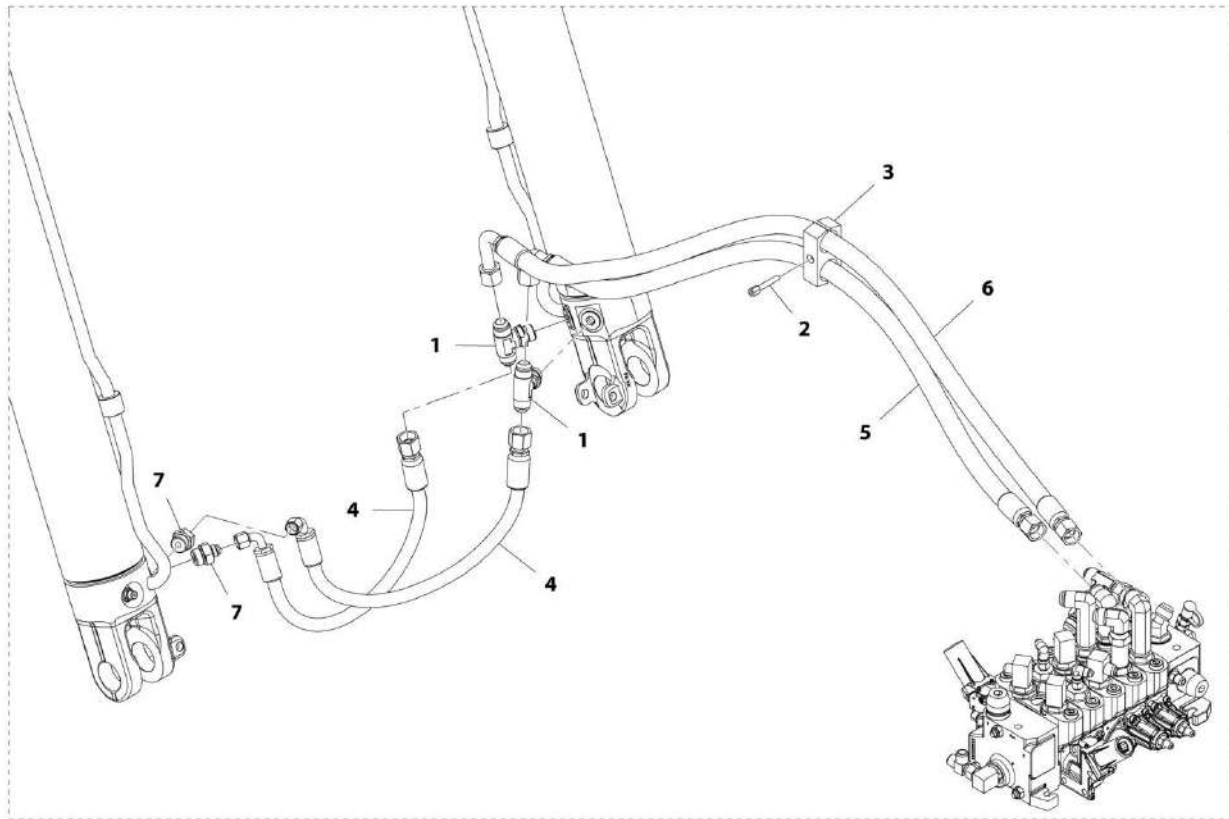
SECTION 8 - HYDRAULIC CIRCUITS

FIGURE 8-30. HYDRAULIC FRAME CYLINDERS INSTALLATION - 6042 (SN 0160074884 to Present, Including 0160074882)

ITEM	PART NUMBER	QTY	DESCRIPTION	REV
	1001202468	Ref	Hydraulic Frame Cylinders Installation	C
1	2220695	2	Adapter, Branch Tee	
2	8750026	1	Bolt, Stacking	
3	8750040	1	Clamp Set, Twin	
4	2716675	2	Hose	
5	2716784	1	Hose	
6	2716785	1	Hose	
7	2220375	2	Adapter, Straight	

SECTION 8 - HYDRAULIC CIRCUITS

FIGURE 8-31. HYDRAULIC FRAME CYLINDERS INSTALLATION - 6036 (SN 0160074884 through 0160075902, Including 0160074882, Excluding 0160075767, 0160075775, 0160075793 and 0160075794)



ART_1001202468-C

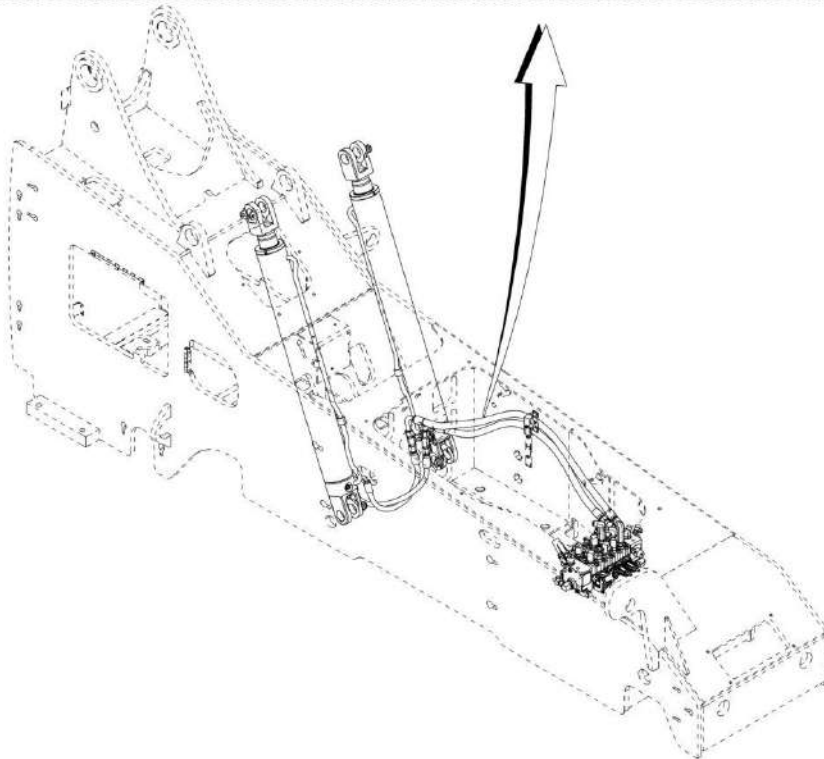
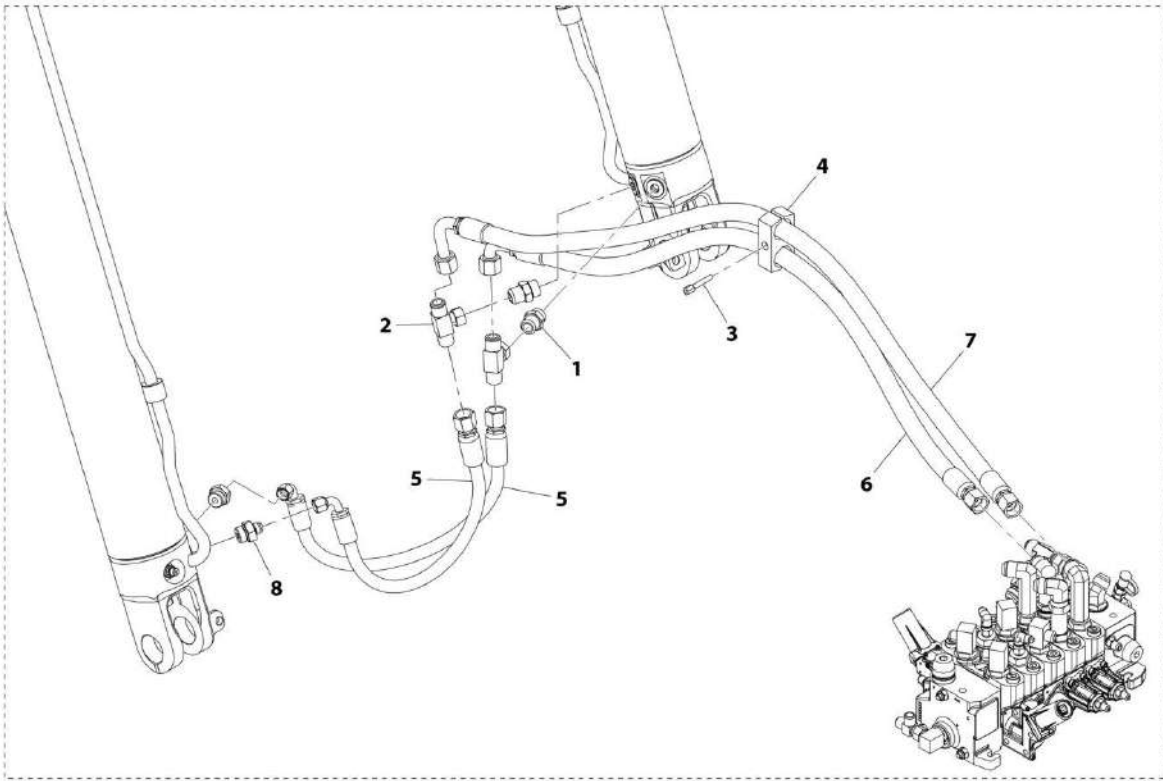
SECTION 8 - HYDRAULIC CIRCUITS

FIGURE 8-31. HYDRAULIC FRAME CYLINDERS INSTALLATION - 6036 (SN 0160074884 through 0160075902, Including 0160074882, Excluding 0160075767, 0160075775, 0160075793 and 0160075794)

ITEM	PART NUMBER	QTY	DESCRIPTION	REV
	1001202468	Ref	Hydraulic Frame Cylinders Installation	C
1	2220695	2	Adapter, Branch Tee	
2	8750026	1	Bolt, Stacking	
3	8750040	1	Clamp Set, Twin	
4	2716675	2	Hose	
5	2716784	1	Hose	
6	2716785	1	Hose	
7	2220375	2	Adapter, Straight	

SECTION 8 - HYDRAULIC CIRCUITS

FIGURE 8-32. HYDRAULIC FRAME CYLINDERS INSTALLATION - 6036 (SN 0160075902 to Present, Including 0160075767, 0160075775, 0160075793 and 0160075794)



ART_1001215159-A

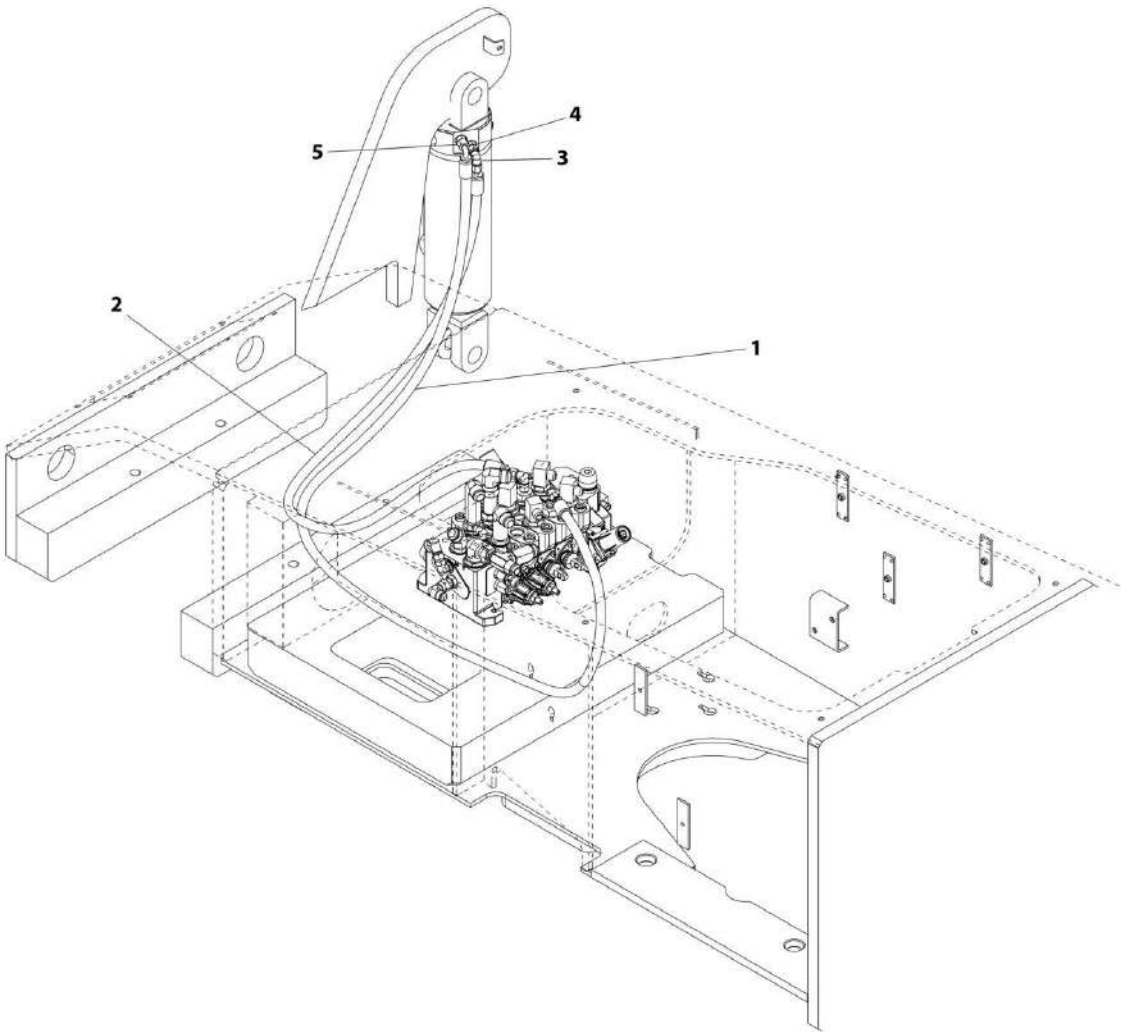
SECTION 8 - HYDRAULIC CIRCUITS

FIGURE 8-32. HYDRAULIC FRAME CYLINDERS INSTALLATION - 6036 (SN 0160075902 to Present, Including 0160075767, 0160075775, 0160075793 and 0160075794)

ITEM	PART NUMBER	QTY	DESCRIPTION	REV
	1001215159	Ref	Hydraulic Frame Cylinders Installation	A
1	2220451	2	Adapter	
2	2220682	2	Adapter	
3	8750026	1	Bolt, Stacking	
4	8750040	1	Clamp Set	
5	2716675	2	Hose	
6	2716784	1	Hose	
7	2716785	1	Hose	
8	2220375	2	Adapter	

SECTION 8 - HYDRAULIC CIRCUITS

FIGURE 8-33. HYDRAULIC FRAME TILT PLUMBING INSTALLATION - 6036



ART_1001160825-D

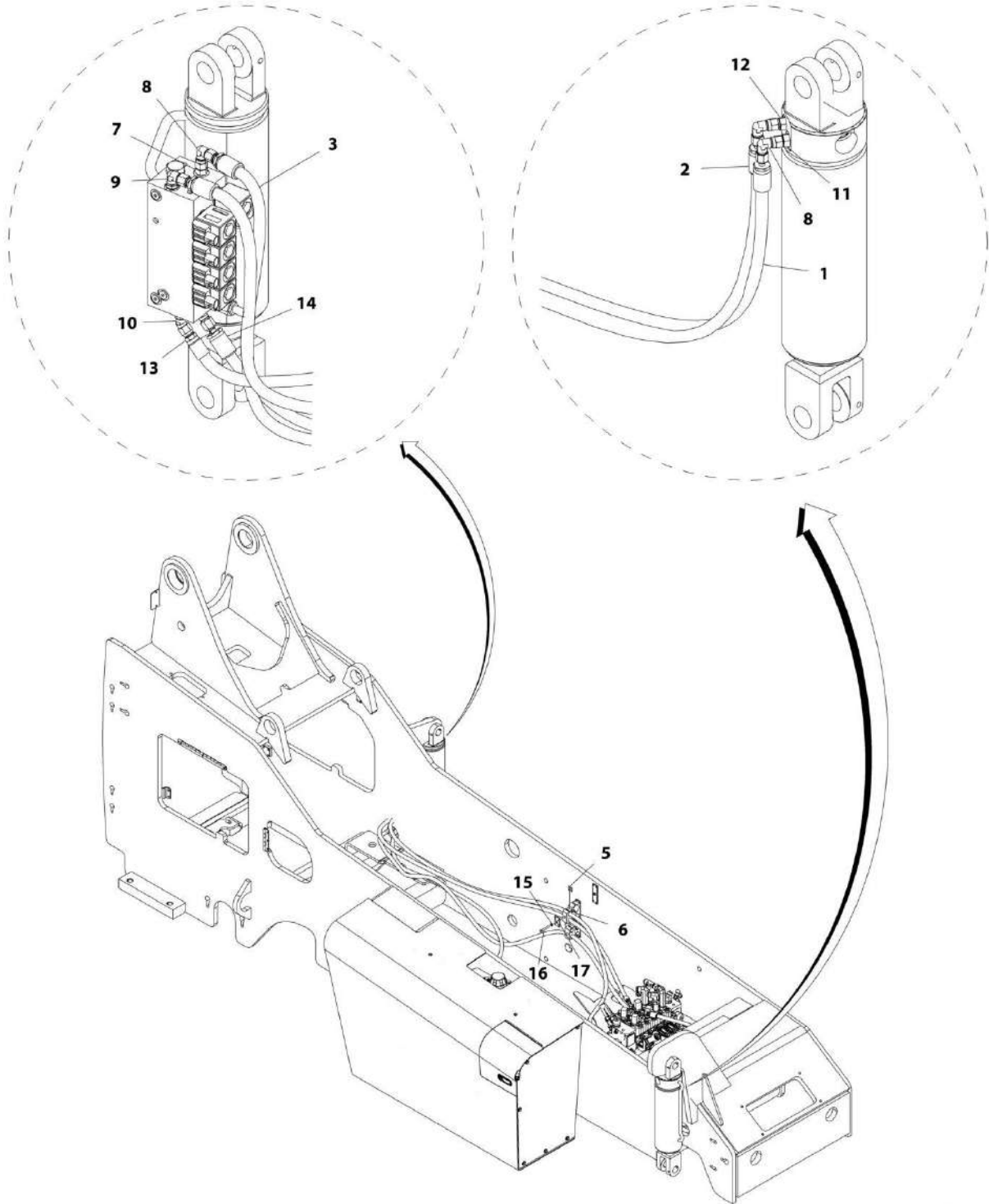
SECTION 8 - HYDRAULIC CIRCUITS

FIGURE 8-33. HYDRAULIC FRAME TILT PLUMBING INSTALLATION - 6036

ITEM	PART NUMBER	QTY	DESCRIPTION	REV
	1001160825	Ref	Hydraulic Frame Tilt Plumbing Installation - 6036	D
1	1001160832	1	Hose	
2	1001182048	1	Hose	
3	8760268	1	Adapter, 90	
4	8902857	1	Valve, Restrictor Check	
5	8902858	1	Valve, Restrictor Check	

SECTION 8 - HYDRAULIC CIRCUITS

FIGURE 8-34. HYDRAULIC FRAME TILT PLUMBING INSTALLATION - 6042



ART_1001159112-E

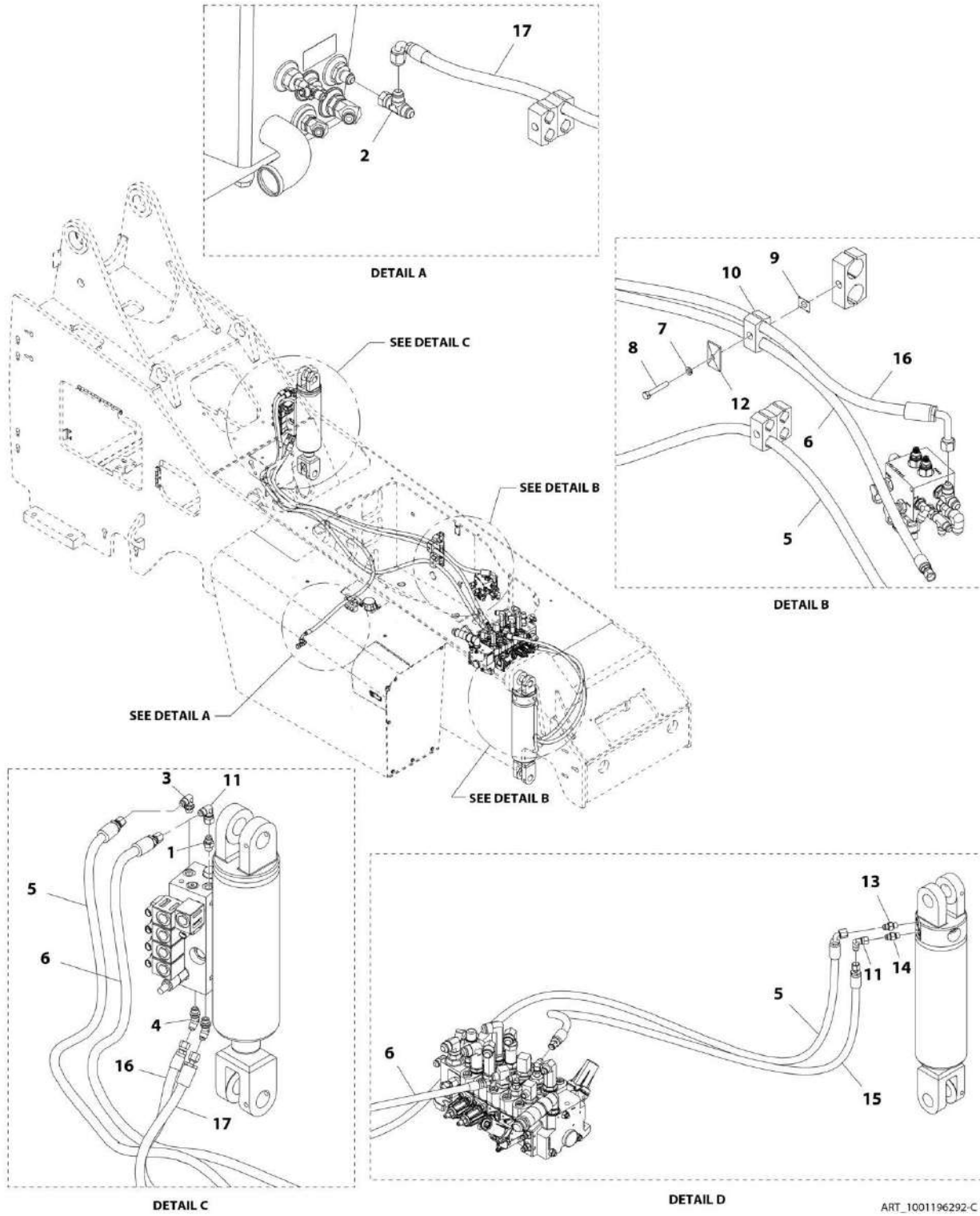
SECTION 8 - HYDRAULIC CIRCUITS

FIGURE 8-34. HYDRAULIC FRAME TILT PLUMBING INSTALLATION - 6042

ITEM	PART NUMBER	QTY	DESCRIPTION	REV
	1001159112	1	Hydraulic Frame Tilt Plumbing Installation - 6042	E
1	1001182048	1	Hose	
2	2717019	1	Hose	
3	2717020	1	Hose	
5	8750017	1	Plate, Twin Clamp Locking	
6	8750027	1	Clamp Set, Twin	
7	2220371	1	Adapter, Straight	
8	8760268	2	Adapter, 90	
9	2220473	1	Adapter, 90	
10	2220501	2	Adapter, 45	
11	8902857	1	Valve, Restrictor Check	
12	8902858	1	Valve, Restrictor Check	
13	1001159114	1	Hose	
14	1001159115	1	Hose	
15	8307004	1	Washer, Lock 5/16	
16	8310009	1	Bolt, 5/16-18X2	
17	8769128	1	Cover Plate, Twin	

SECTION 8 - HYDRAULIC CIRCUITS

FIGURE 8-35. FRAME TILT INSTALLATION, 74HP - 6042



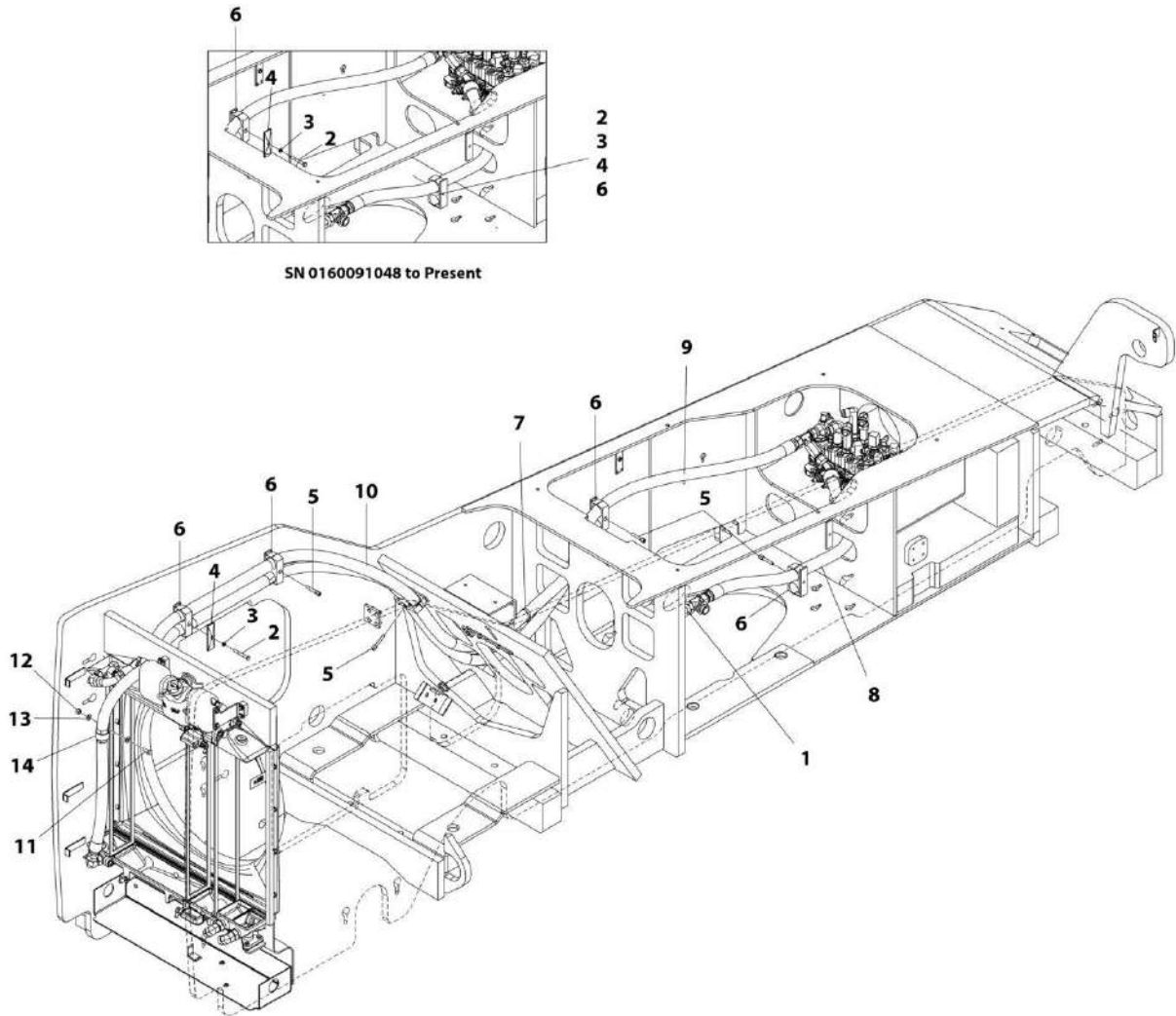
SECTION 8 - HYDRAULIC CIRCUITS

FIGURE 8-35. FRAME TILT INSTALLATION, 74HP - 6042

ITEM	PART NUMBER	QTY	DESCRIPTION	REV
	1001196292	Ref	Frame Tilt Installation, 74HP - 6042 (If equipped)	C
1	2220371	1	Adapter, Straight JIC	
2	2220385	1	Adapter, Run Tee	
3	2220473	1	Adapter, 90	
4	2220501	2	Adapter, 45	
5	2717019	1	Hose	
6	2717020	1	Hose	
7	8307004	1	Washer, Lock 5/16	
8	8310009	1	Bolt, 5/16-18X2	
9	8750017	1	Plate, Twin Clamp Locking	
10	8750027	1	Clamp Set, Twin	
11	8760268	2	Adapter, 90	
12	8769128	1	Cover Plate, Twin	
13	8902857	1	Valve, Restrictor Check	
14	8902858	1	Valve, Restrictor Check	
15	1001182048	1	Hose	
16	1001196646	1	Hose	
17	1001197412	1	Hose (Prior to SN 0160076131, Excluding 0160076070, 0160076073, 0160076087, 0160076088, 0160076089, 0160076095 and 0160076096)	
17	1001212057	1	Hose (SN 0160076131 to Present, Including 0160076070, 0160076073, 0160076087, 0160076088, 0160076089, 0160076095 and 0160076096)	

SECTION 8 - HYDRAULIC CIRCUITS

FIGURE 8-36. HYDRAULIC COOLER PLUMBING INSTALLATION, 85HP



ART_1001172000-I

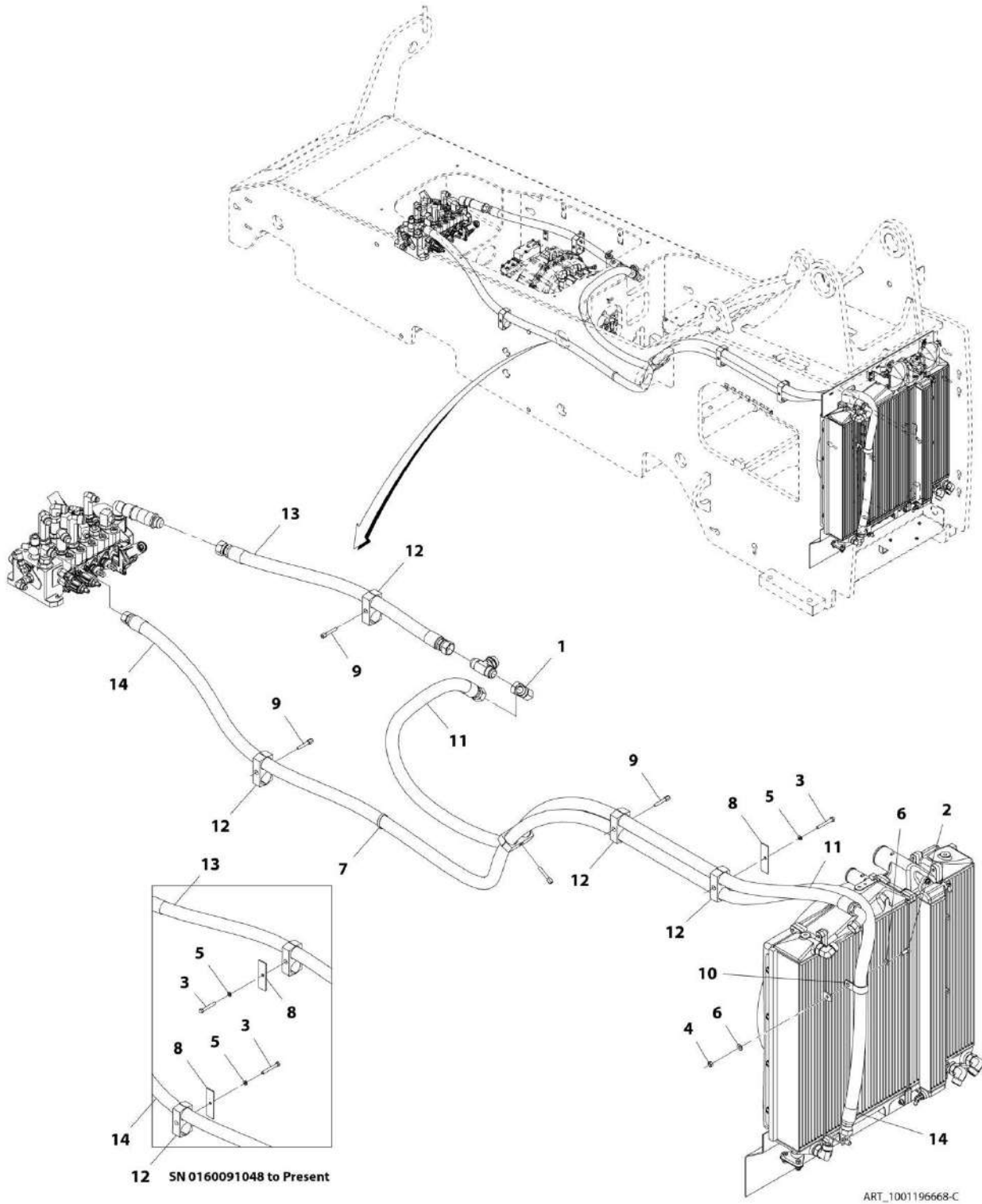
SECTION 8 - HYDRAULIC CIRCUITS

FIGURE 8-36. HYDRAULIC COOLER PLUMBING INSTALLATION, 85HP

ITEM	PART NUMBER	QTY	DESCRIPTION	REV
	1001172000	Ref	Hydraulic Cooler Plumbing Installation, 85HP	I
1	2220878	1	Adapter, 90	
2	8303757	1	Bolt, 5/16-18X2-1/2 (Prior to SN 0160091048)	
2	8303757	3	Bolt, 5/16-18X2-1/2 (SN 0160091048 to Present)	
3	8307004	1	Washer, Lock 5/16 (Prior to SN 0160091048)	
3	8307004	3	Washer, Lock 5/16 (SN 0160091048 to Present)	
4	8750025	1	Cover Plate, Twin (Prior to SN 0160091048)	
4	8750025	3	Cover Plate, Twin (SN 0160091048 to Present)	
5	8750026	4	Bolt, Stacking (Prior to SN 0160091048)	
5	8750026	2	Bolt, Stacking (SN 0160091048 to Present)	
6	1001196109	5	Clamp Set, Twin	
7	8584007	AR	Wrap, Tie	
8	1001205874	1	Hose	
9	1001192014	1	Hose	
10	1001192015	1	Hose	
11	8303620	1	Bolt, 3/8-16X1	
12	8305008	1	Nut, 3/8-16	
13	8307110	2	Washer, 3/8	
14	85841150	1	Clamp, Support	

SECTION 8 - HYDRAULIC CIRCUITS

FIGURE 8-37. HYDRAULIC COOLER PLUMBING INSTALLATION, 74HP



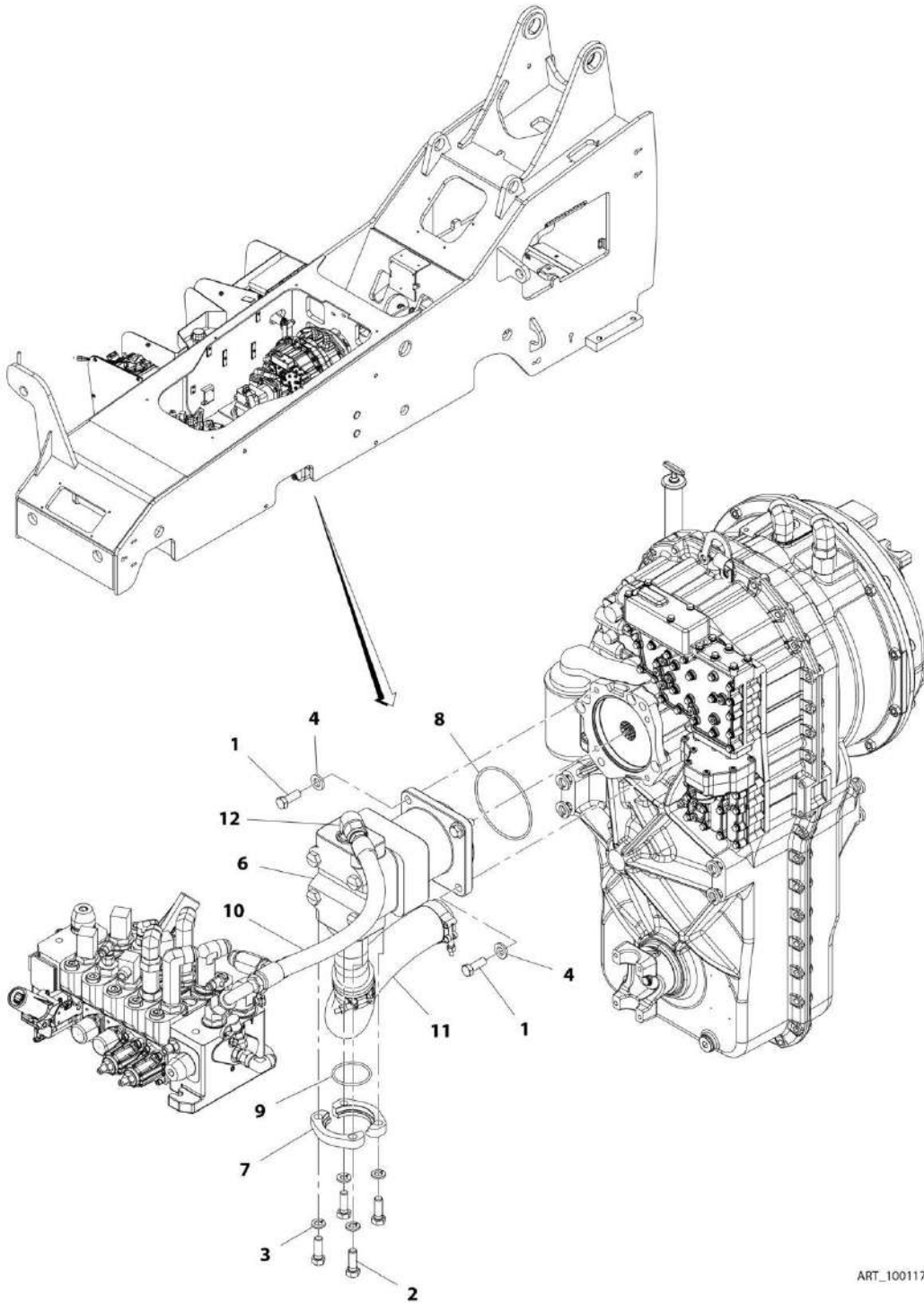
SECTION 8 - HYDRAULIC CIRCUITS

FIGURE 8-37. HYDRAULIC COOLER PLUMBING INSTALLATION, 74HP

ITEM	PART NUMBER	QTY	DESCRIPTION	REV
	1001196668	Ref	Hydraulic Cooler Plumbing Installation, 74HP	C
1	2220878	1	Adapter, 90	
2	8303620	1	Bolt, 3/8-16X1	
3	8303757	1	Bolt, 5/16-18X2-1/2 (Prior to SN 0160091048)	
3	8303757	3	Bolt, 5/16-18X2-1/2 (SN 0160091048 to Present)	
4	8305008	1	Nut, 3/8-16	
5	8307004	1	Washer, Lock 5/16 (Prior to SN 0160091048)	
5	8307004	3	Washer, Lock 5/16 (SN 0160091048 to Present)	
6	8307110	2	Washer, 3/8	
7	8584007	AR	Wrap, Tie	
8	8750025	1	Cover Plate, Twin (Prior to SN 0160091048)	
8	8750025	3	Cover Plate, Twin (SN 0160091048 to Present)	
9	8750026	4	Bolt, Stacking (Prior to SN 0160091048)	
9	8750026	2	Bolt, Stacking (SN 0160091048 to Present)	
10	85841150	1	Clamp, Support	
11	1001192015	1	Hose	
12	1001196109	5	Clamp Set, Twin	
13	1001196669	1	Hose	
14	1001196671	1	Hose	

SECTION 8 - HYDRAULIC CIRCUITS

FIGURE 8-38. HYDRAULIC PUMP INSTALLATION, 85HP



ART_1001172363-E

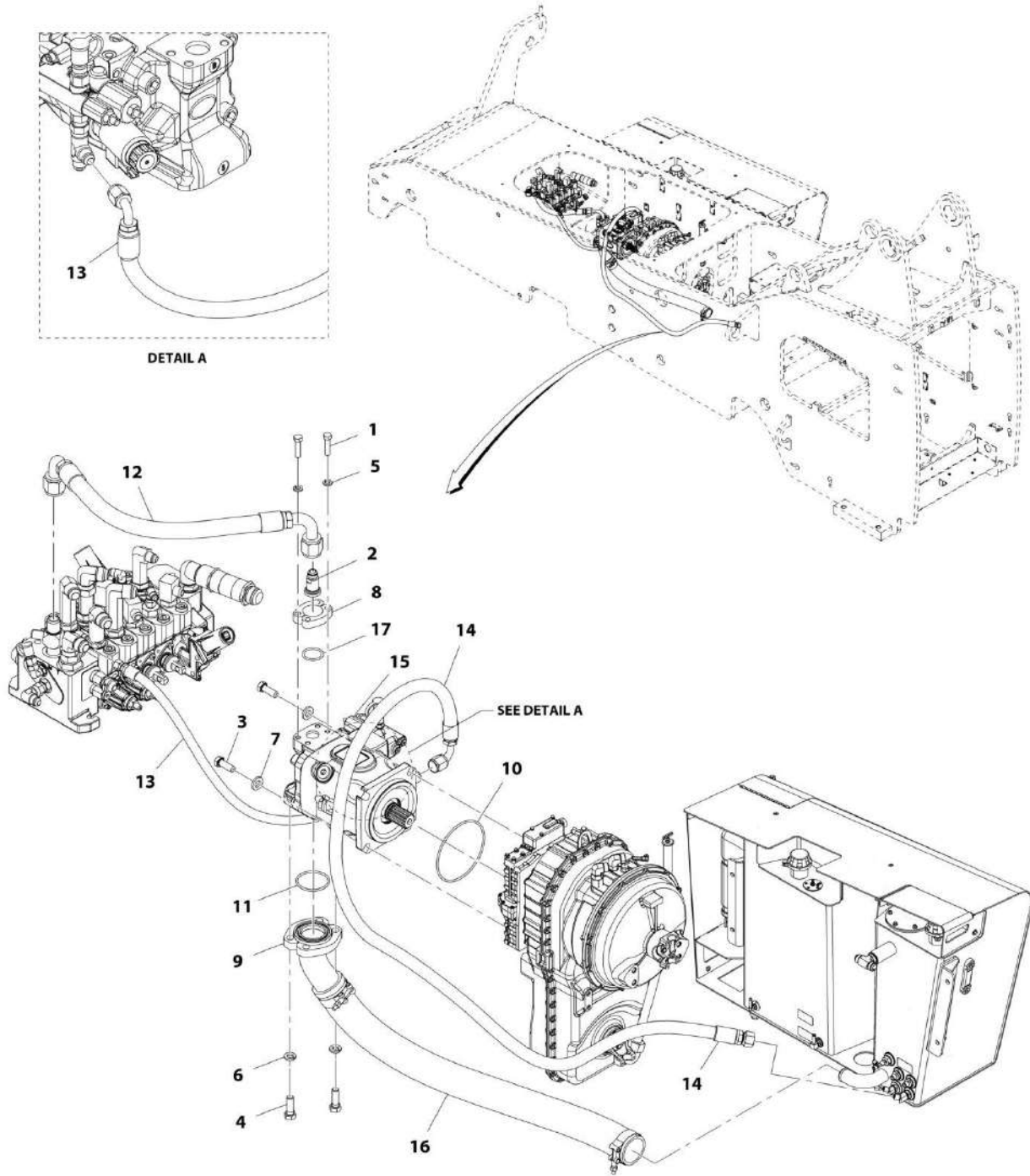
SECTION 8 - HYDRAULIC CIRCUITS

FIGURE 8-38. HYDRAULIC PUMP INSTALLATION, 85HP

ITEM	PART NUMBER	QTY	DESCRIPTION	REV
	1001172363	Ref	Hydraulic Pump Installation, 85HP	E
1	8303519	4	Bolt, M12X35	
2	8303626	4	Bolt, 1/2-13X1-1/2	
3	8307007	4	Washer, Lock 1/2	
4	8310356	4	Washer, M12	
6	8440162	1	Pump, Gear (See HYDRAULIC COMPONENTS for Breakdown)	
7	8546407	2	Flange Half	
8	8630019	1	O-Ring	
9	8640208	1	O-Ring	
10	1001159034	1	Hose	
11	1001197765	Ref	Hose (no longer available, use 1001227508 for replacement)	
11	1001227508	1	Hose	
12	2220465	1	Adapter, 90	

SECTION 8 - HYDRAULIC CIRCUITS

FIGURE 8-39. HYDRAULIC PUMP INSTALLATION, 74HP



ART_1001196650-D

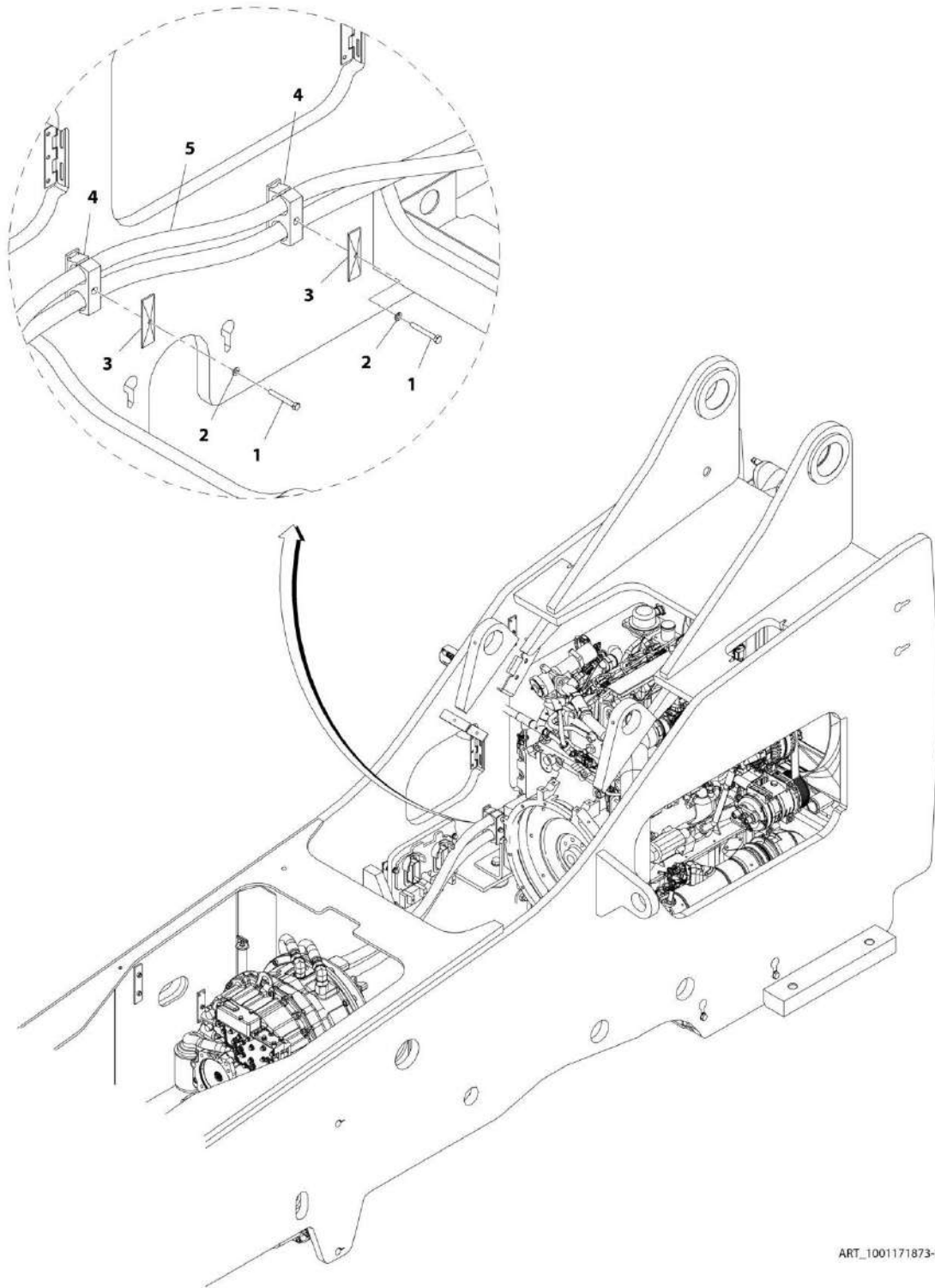
SECTION 8 - HYDRAULIC CIRCUITS

FIGURE 8-39. HYDRAULIC PUMP INSTALLATION, 74HP

ITEM	PART NUMBER	QTY	DESCRIPTION	REV
	1001196650	Ref	Hydraulic Pump Installation, 74HP	D
1	0641612	4	Bolt, 3/8-16X1-1/2	
2	1001213118	1	Adapter, 90	
3	8303519	4	Bolt, M12X35	
4	8303626	4	Bolt, 1/2-13X1-1/2	
5	8307005	4	Washer, Lock 3/8	
6	8307007	4	Washer, Lock 1/2	
7	8310356	4	Washer, M12	
8	8530030	2	Flange Half	
9	8546407	2	Flange Half	
10	8630019	1	O-Ring	
11	8640208	1	O-Ring	
12	1001196647	1	Hose (Prior to SN 0160076131, Excluding 0160076070, 0160076073, 0160076087, 0160076088, 0160076089, 0160076095 and 0160076096)	
12	1001213103	1	Hose (SN 0160076131 to Present, Including 0160076070, 0160076073, 0160076087, 0160076088, 0160076089, 0160076095 and 0160076096)	
13	1001196648	1	Hose	
14	1001196649	1	Hose	
15	1001197066	1	Installation, Piston Pump (See PISTON PUMP INSTALLATION, 74HP for Breakdown)	
16	1001197765	Ref	Hose (no longer available, use 1001227508 for replacement)	
16	1001227508	1	Hose	
17	8640123	1	O-Ring	

SECTION 8 - HYDRAULIC CIRCUITS

FIGURE 8-40. HYDRAULIC TRANSMISSION COOLER PLUMBING INSTALLATION



ART_1001171873-B

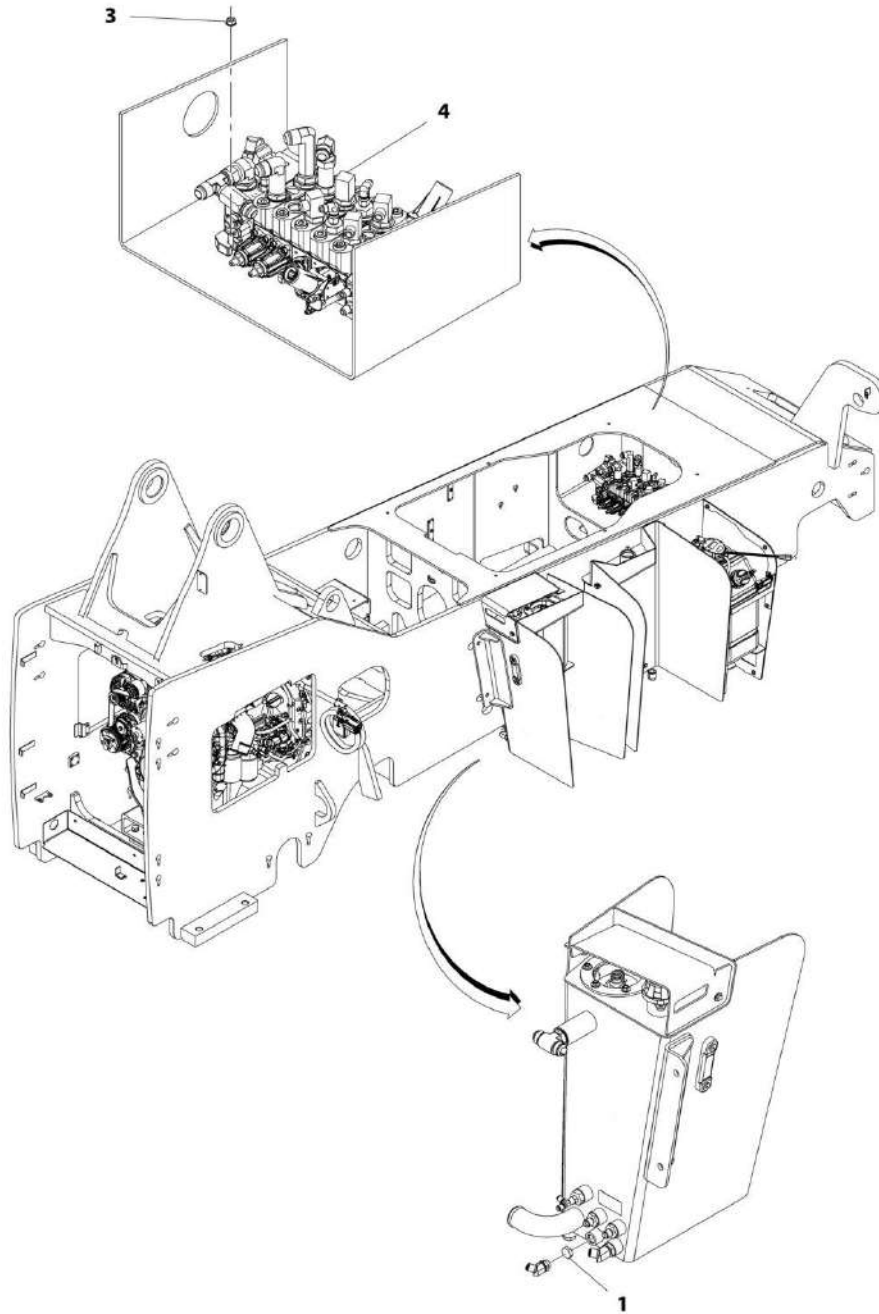
SECTION 8 - HYDRAULIC CIRCUITS

FIGURE 8-40. HYDRAULIC TRANSMISSION COOLER PLUMBING INSTALLATION

ITEM	PART NUMBER	QTY	DESCRIPTION	REV
	1001171873	Ref	Hydraulic Transmission Cooler Plumbing Installation	B
1	8303757	2	Bolt, 5/16-18X2-1/2	
2	8307004	2	Washer, Lock 5/16	
3	8750025	2	Cover Plate, Twin	
4	8750040	2	Clamp Set, Twin	
5	1001171986	2	Hose	

SECTION 8 - HYDRAULIC CIRCUITS

FIGURE 8-41. MAIN CONTROL VALVE INSTALLATION, 85HP - 6036 (Prior to SN 0160074884, Excluding 0160074882)



ART_1001172198-C

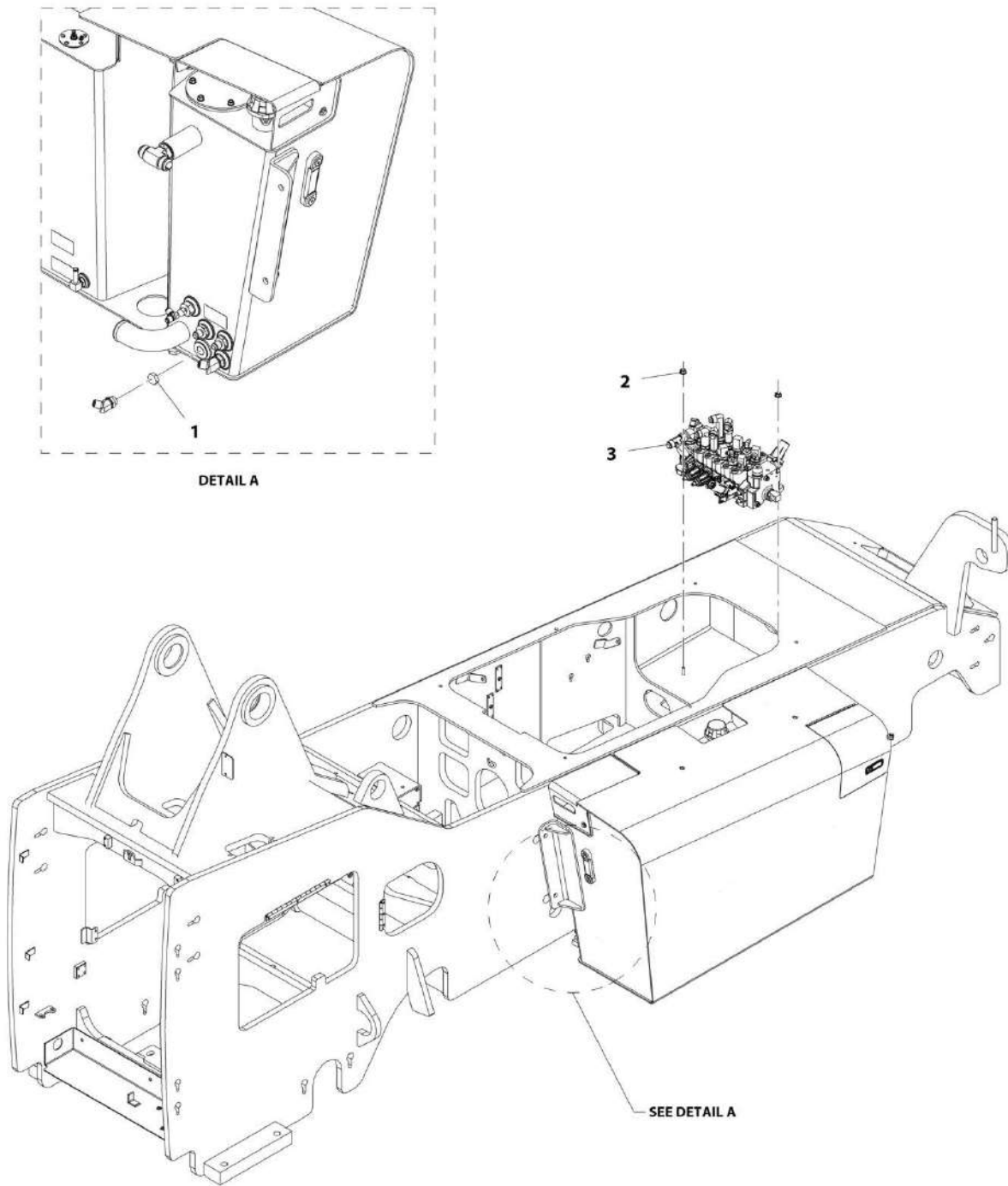
SECTION 8 - HYDRAULIC CIRCUITS

FIGURE 8-41. MAIN CONTROL VALVE INSTALLATION, 85HP - 6036 (Prior to SN 0160074884, Excluding 0160074882)

ITEM	PART NUMBER	QTY	DESCRIPTION	REV
	1001172198	Ref	Main Control Valve Installation, 85HP - 6036	C
1	2220239	1	Adapter, Plug	
3	8310522	2	Nut, Flange 3/8-16	
4	1001157937	1	Assembly, Valve (See VALVE ASSEMBLY, 85HP - 6036 for Breakdown)	

SECTION 8 - HYDRAULIC CIRCUITS

FIGURE 8-42. MAIN CONTROL VALVE INSTALLATION, 85HP - 6036 (SN 0160074884 to Present, Including 0160074882)



ART_1001202465-A

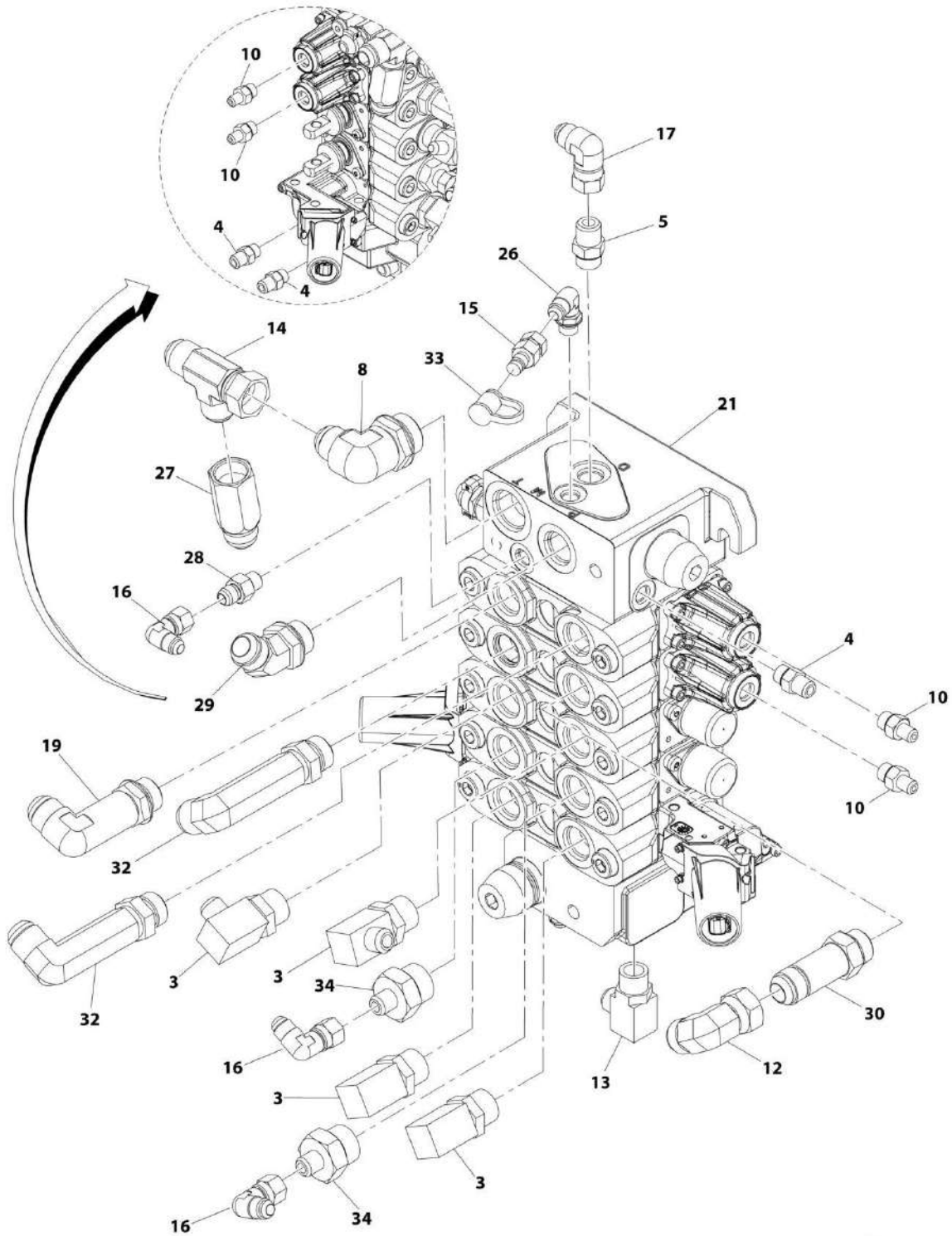
SECTION 8 - HYDRAULIC CIRCUITS

FIGURE 8-42. MAIN CONTROL VALVE INSTALLATION, 85HP - 6036 (SN 0160074884 to Present, Including 0160074882)

ITEM	PART NUMBER	QTY	DESCRIPTION	REV
	1001202465	Ref	Main Control Valve Installation, 85HP - 6036	A
1	2220239	1	Adapter, Plug	
2	8310522	2	Nut, Flange 3/8-16	
3	1001202466	1	Assembly, Valve (See VALVE ASSEMBLY, 85HP - 6036 for Breakdown)	

SECTION 8 - HYDRAULIC CIRCUITS

FIGURE 8-43. VALVE ASSEMBLY, 85HP - 6036 (Prior to SN 0160074884, Excluding 0160074882)



ART_1001157937-G

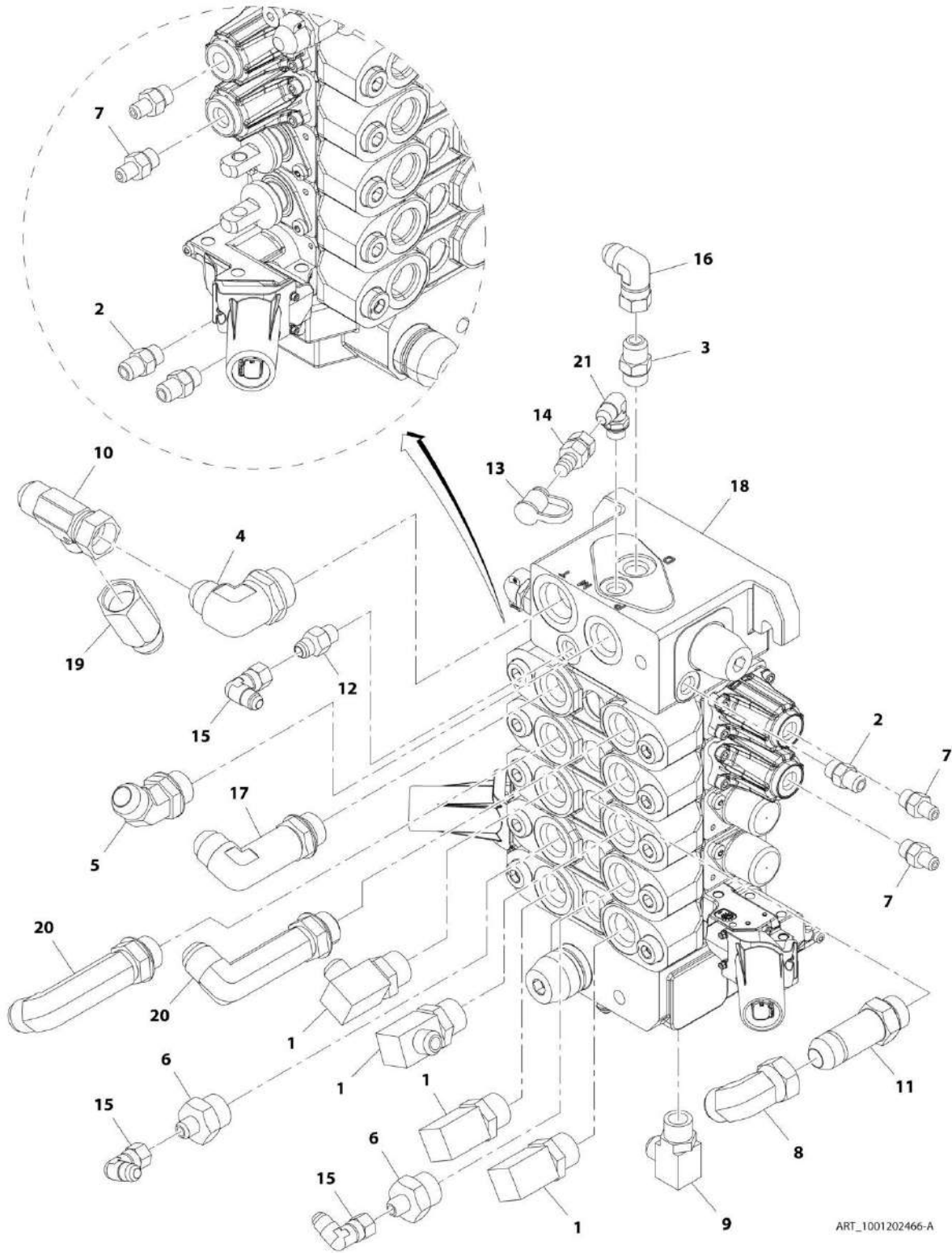
SECTION 8 - HYDRAULIC CIRCUITS

FIGURE 8-43. VALVE ASSEMBLY, 85HP - 6036 (Prior to SN 0160074884, Excluding 0160074882)

ITEM	PART NUMBER	QTY	DESCRIPTION	REV
	1001157937	Ref	Valve Assembly, 85HP - 6036	G
3	2220366	4	Adapter, 90	
4	2220371	3	Adapter, Straight	
5	2220373	1	Adapter, Straight	
8	2220465	1	Adapter, 90	
10	2220582	4	Adapter, Straight	
12	2220655	1	Adapter, 90	
13	2220671	1	Adapter, 90	
14	2220700	1	Adapter, Run Tee	
15	8430046	1	Adapter, Diagnostic	
16	8760268	3	Adapter, 90	
17	8765204	1	Adapter, 90	
19	8770157	1	Adapter, Long 90	
21	1001157925	1	Valve, Main Control (See HYDRAULIC COMPONENTS SECTION for Breakdown)	
26	2220473	1	Adapter, 90	
27	1001162401	1	Valve, Check	
28	4640780	1	Valve, Check	
29	2220498	1	Adapter, 45	
30	2220974	1	Adapter, Long Straight	
32	1001181576	2	Adapter, 90	
33	8430032	1	Cap, Dust	
34	2220577	2	Adapter, Straight	

SECTION 8 - HYDRAULIC CIRCUITS

FIGURE 8-44. VALVE ASSEMBLY, 85HP - 6036 (SN 0160074884 to Present, Including 0160074882)



ART_1001202466-A

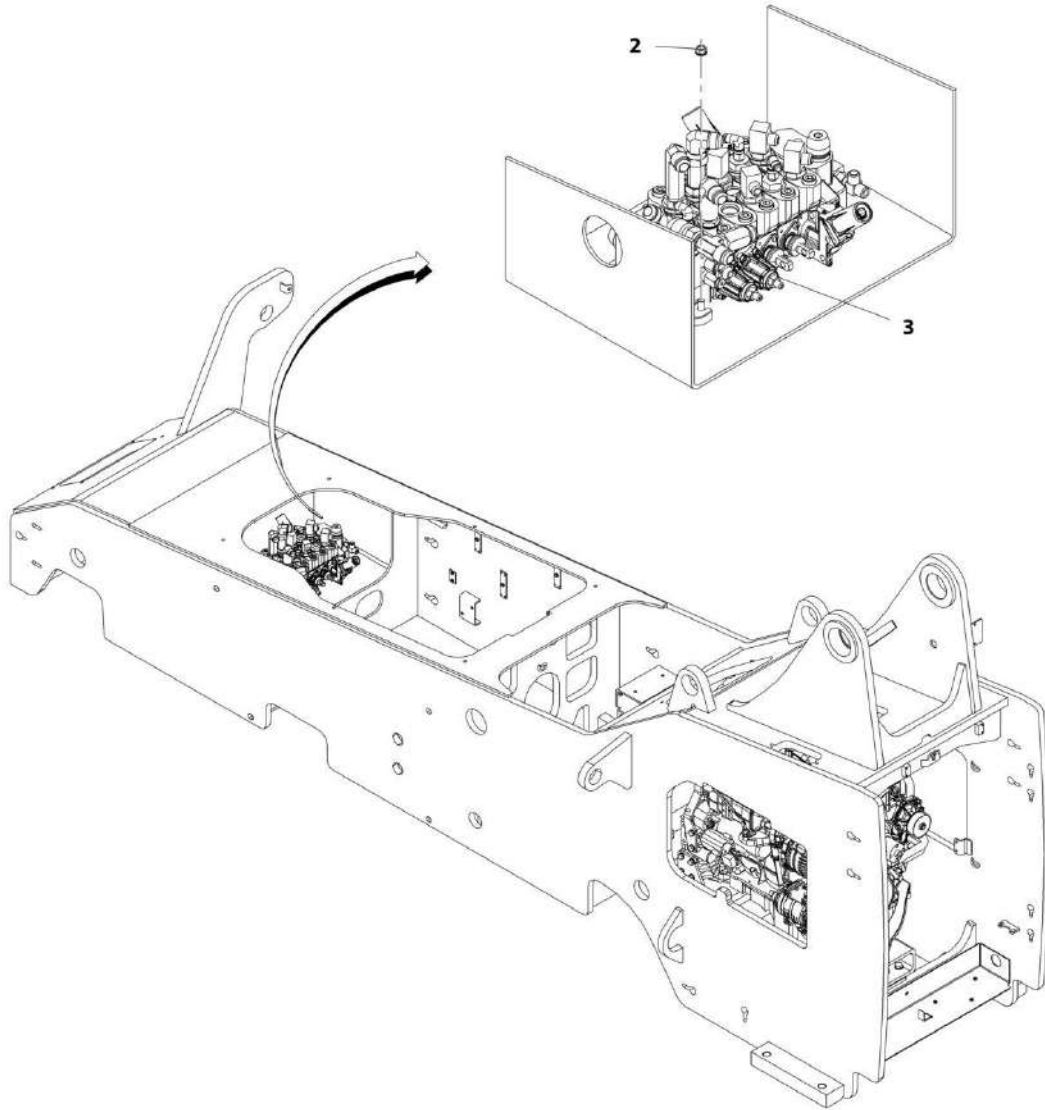
SECTION 8 - HYDRAULIC CIRCUITS

FIGURE 8-44. VALVE ASSEMBLY, 85HP - 6036 (SN 0160074884 to Present, Including 0160074882)

ITEM	PART NUMBER	QTY	DESCRIPTION	REV
	1001202466	Ref	Valve Assembly, 85HP - 6036	A
1	2220366	4	Adapter, 90	
2	2220371	3	Adapter, Straight	
3	2220373	1	Adapter, Straight	
4	2220465	1	Adapter, 90	
5	2220498	1	Adapter, 45	
6	2220577	2	Adapter, Straight	
7	2220582	4	Adapter, Straight	
8	2220655	1	Adapter, 90	
9	2220671	1	Adapter, 90	
10	2220700	1	Adapter, Run Tee	
11	2220974	1	Adapter, Long Straight	
12	4640780	1	Valve, Check	
13	8430032	1	Plug, Dust Cap	
14	8430046	1	Adapter, Diagnostic	
15	8760268	3	Adapter, 90	
16	8765204	1	Adapter, 90	
17	8770157	1	Adapter, Long 90	
18	1001157925	1	Valve, Main Control (See HYDRAULIC COMPONENTS SECTION for Breakdown)	
19	1001162401	1	Valve, Check	
20	1001181576	2	Adapter, 90	
21	2220473	1	Adapter, 90	

SECTION 8 - HYDRAULIC CIRCUITS

FIGURE 8-45. MAIN CONTROL VALVE INSTALLATION, 85HP - 6042 (Prior to SN 0160074884, Excluding 0160074882)



ART_1001172197-C

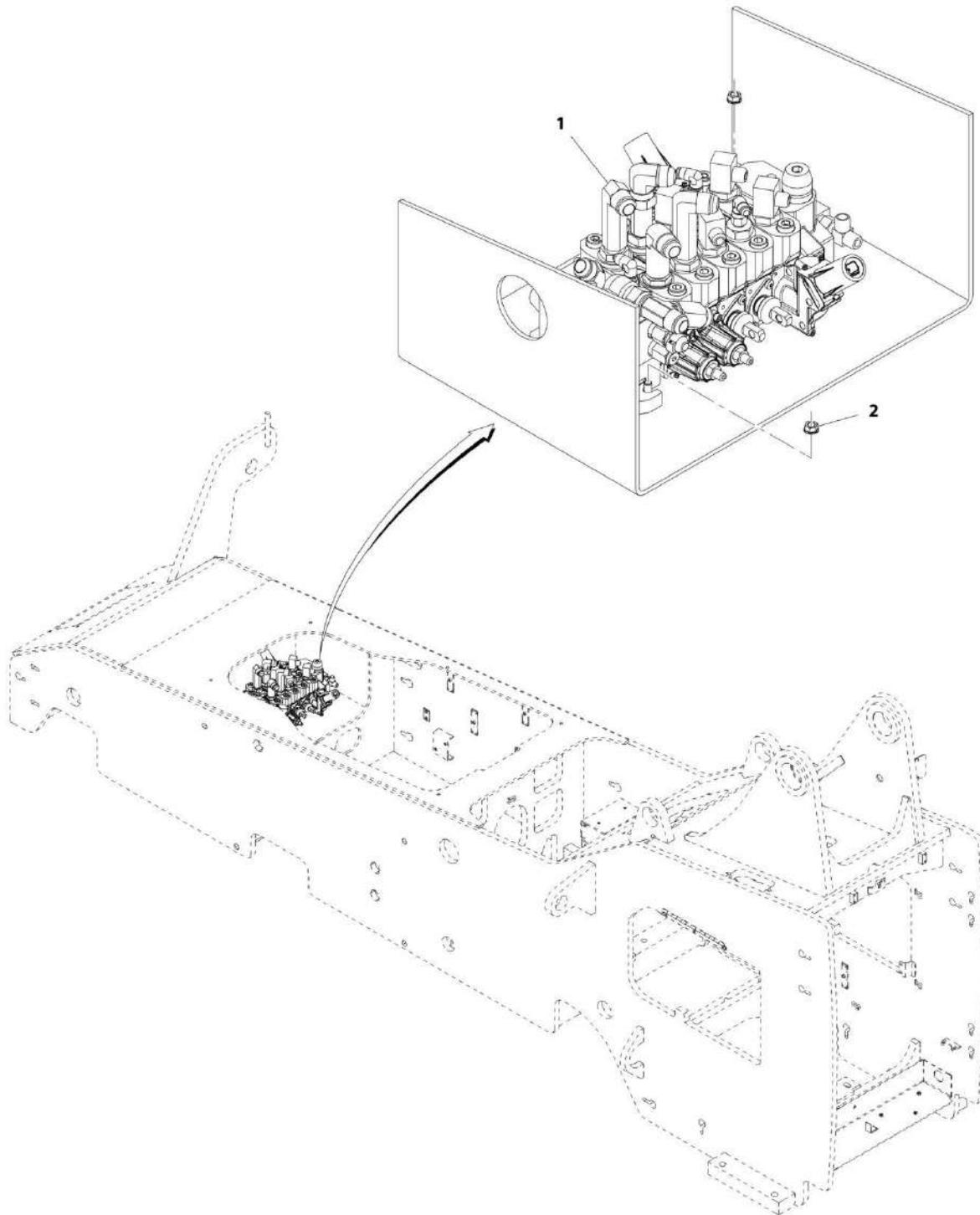
SECTION 8 - HYDRAULIC CIRCUITS

FIGURE 8-45. MAIN CONTROL VALVE INSTALLATION, 85HP - 6042 (Prior to SN 0160074884, Excluding 0160074882)

ITEM	PART NUMBER	QTY	DESCRIPTION	REV
	1001172197	Ref	Main Control Valve Installation, 85HP - 6042	C
2	8310522	2	Nut, Flange 3/8-16	
3	1001157939	1	Assembly, Valve (See VALVE ASSEMBLY, 85HP - 6042 for Breakdown)	

SECTION 8 - HYDRAULIC CIRCUITS

FIGURE 8-46. MAIN CONTROL VALVE INSTALLATION, 85HP - 6042 (SN 0160074884 to Present, Including 0160074882)



ART_1001202469-A

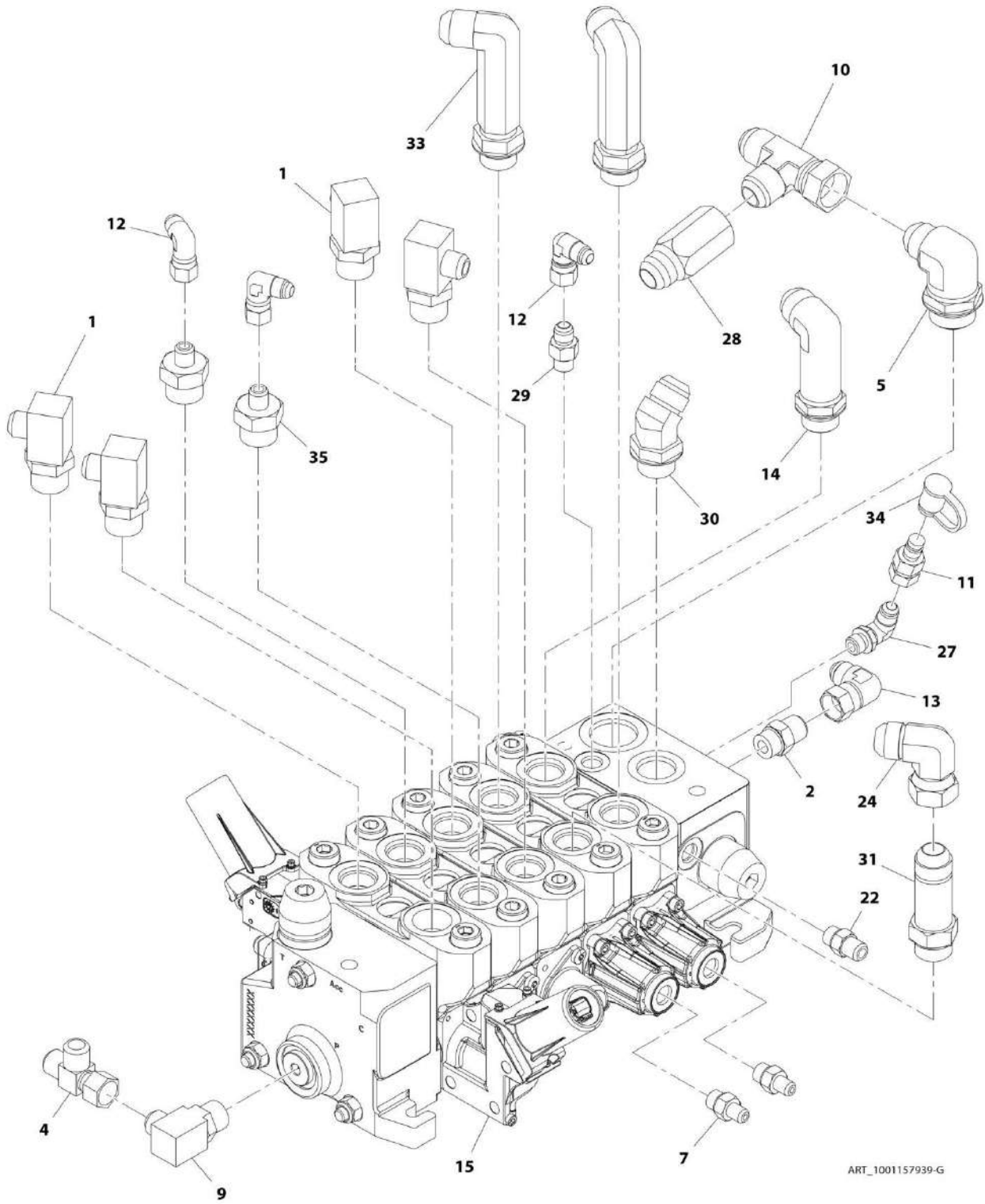
SECTION 8 - HYDRAULIC CIRCUITS

FIGURE 8-46. MAIN CONTROL VALVE INSTALLATION, 85HP - 6042 (SN 0160074884 to Present, Including 0160074882)

ITEM	PART NUMBER	QTY	DESCRIPTION	REV
	1001202469	Ref	Main Control Valve Installation, 85HP - 6042	A
1	1001202470	1	Assembly, Valve (See VALVE ASSEMBLY - 6042 for Breakdown)	
2	8310522	2	Nut, Flange 3/8-16	

SECTION 8 - HYDRAULIC CIRCUITS

FIGURE 8-47. VALVE ASSEMBLY, 85HP - 6042 (Prior to SN 0160074884, Excluding 0160074882)



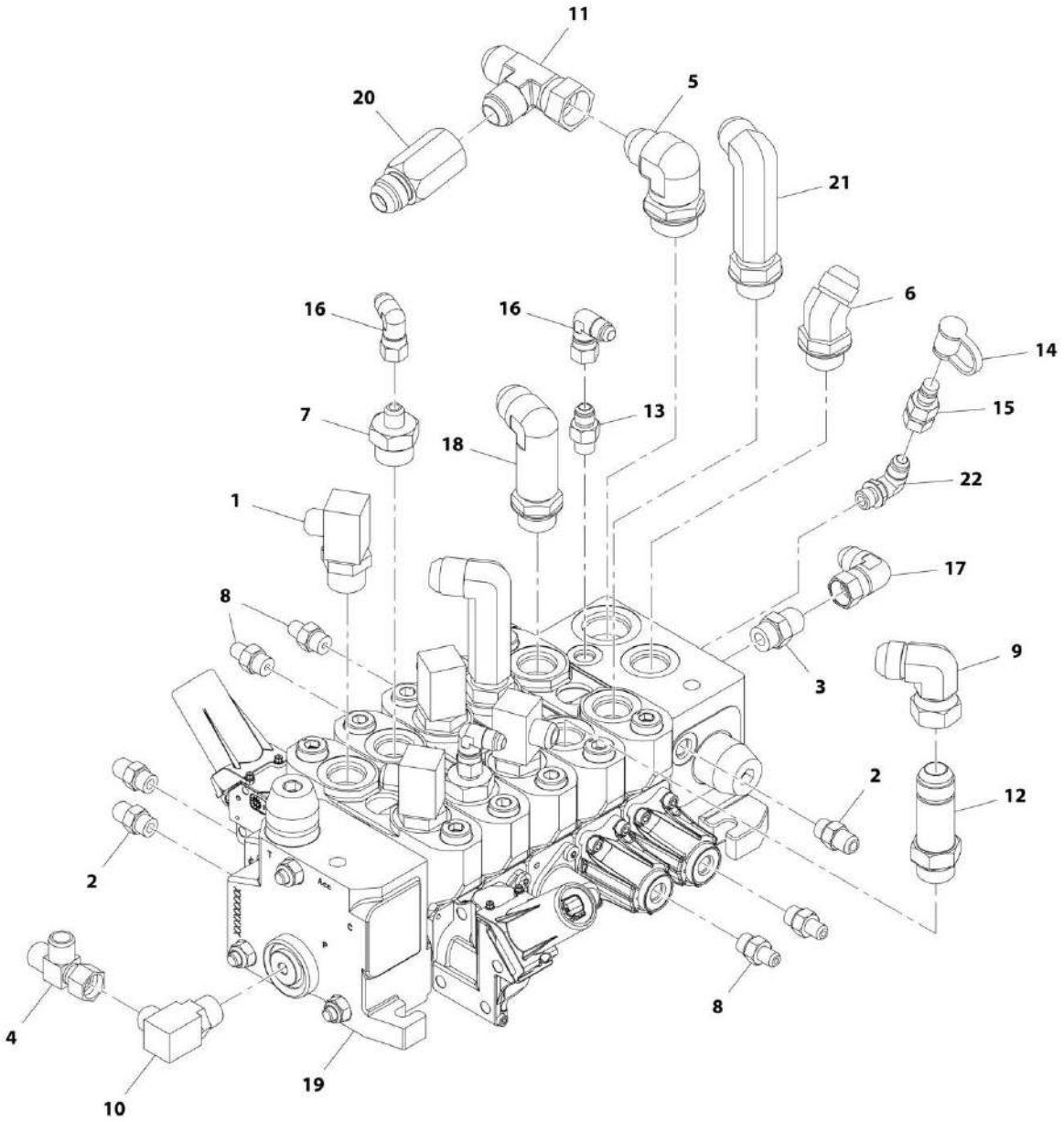
SECTION 8 - HYDRAULIC CIRCUITS

FIGURE 8-47. VALVE ASSEMBLY, 85HP - 6042 (Prior to SN 0160074884, Excluding 0160074882)

ITEM	PART NUMBER	QTY	DESCRIPTION	REV
	1001157939	Ref	Valve Assembly, 85HP - 6042	G
1	2220366	4	Adapter, 90	
2	2220373	1	Adapter, Straight	
4	2220385	1	Adapter, Run Tee	
5	2220465	1	Adapter, 90	
7	2220582	4	Adapter, Straight	
9	2220671	1	Adapter, 90	
10	2220700	1	Adapter, Run Tee	
11	8430046	1	Adapter, Diagnostic	
12	8760268	3	Adapter, 90	
13	8765204	1	Adapter, 90	
14	8770157	1	Adapter, Long 90	
15	1001157925	1	Valve, Main Control (See HYDRAULIC COMPONENTS SECTION for Breakdown)	
22	2220371	3	Adapter, Straight	
24	2220655	1	Adapter, 90	
27	2220473	1	Adapter, 90	
28	1001162401	1	Valve, Check	
29	4640780	1	Valve, Check	
30	2220498	1	Adapter, 45	
31	2220974	1	Adapter, Long Straight	
33	1001181576	2	Adapter, 90	
34	8430032	1	Cap, Dust	
35	2220577	2	Adapter, Straight	

SECTION 8 - HYDRAULIC CIRCUITS

FIGURE 8-48. VALVE ASSEMBLY, 85HP - 6042 (SN 0160074884 to Present, Including 0160074882)



ART_1001202470-A

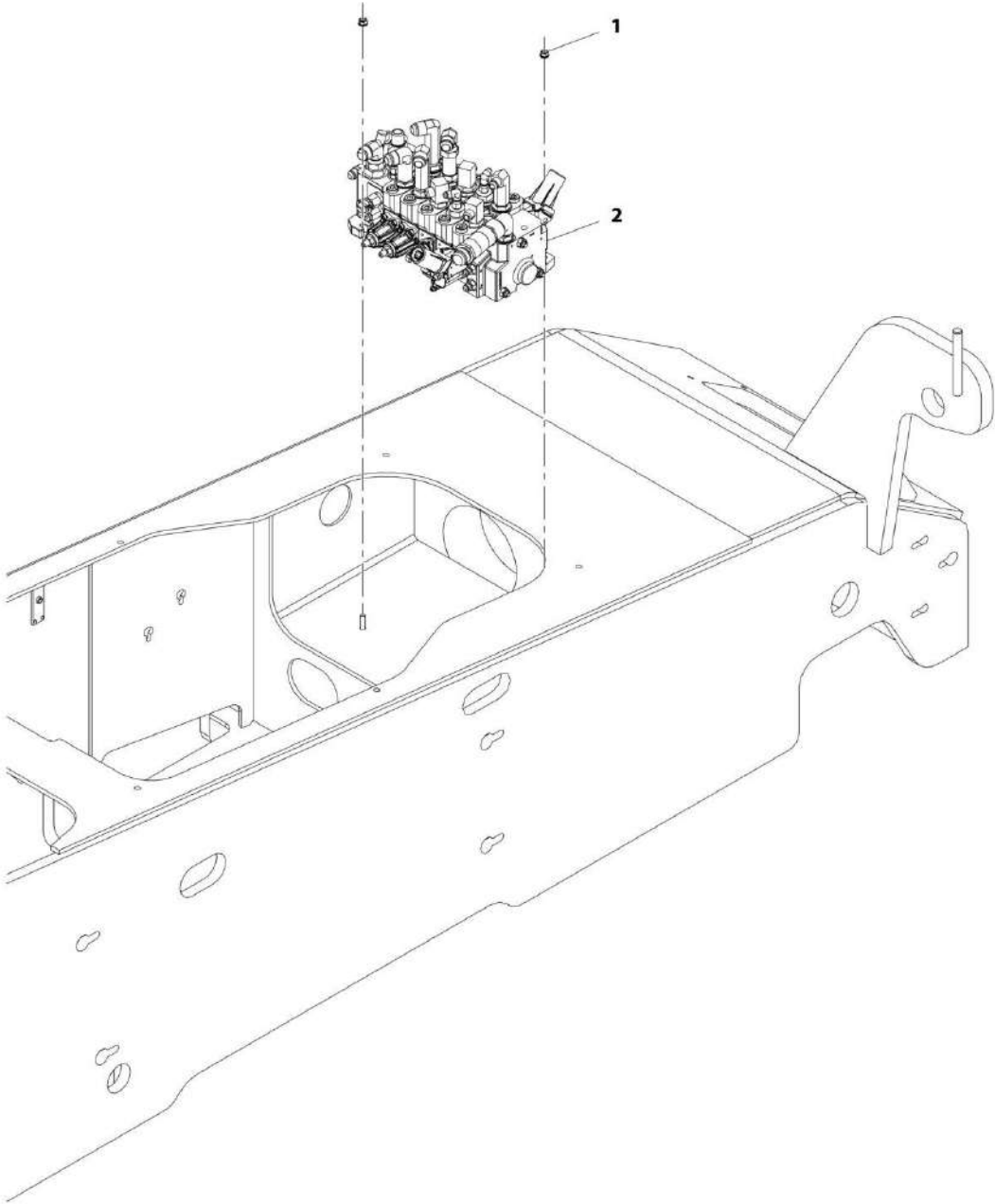
SECTION 8 - HYDRAULIC CIRCUITS

FIGURE 8-48. VALVE ASSEMBLY, 85HP - 6042 (SN 0160074884 to Present, Including 0160074882)

ITEM	PART NUMBER	QTY	DESCRIPTION	REV
	1001202470	Ref	Valve Assembly, 85HP - 6042	A
1	2220366	4	Adapter, 90	
2	2220371	3	Adapter, Straight	
3	2220373	1	Adapter, Straight	
4	2220385	1	Adapter, Run Tee	
5	2220465	1	Adapter, 90	
6	2220498	1	Adapter, 45	
7	2220577	2	Adapter, Straight	
8	2220582	4	Adapter, Straight	
9	2220655	1	Adapter, 90	
10	2220671	1	Adapter, 90	
11	2220700	1	Adapter, Run Tee	
12	2220974	1	Adapter, Long Straight	
13	4640780	1	Valve, Check	
14	8430032	1	Cap, Dust	
15	8430046	1	Adapter, Diagnostic	
16	8760268	3	Adapter, 90	
17	8765204	1	Adapter, 90	
18	8770157	1	Adapter, Long 90	
19	1001157925	1	Valve, Main Control (See HYDRAULIC COMPONENTS SECTION for Breakdown)	
20	1001162401	1	Valve, Check	
21	1001181576	2	Adapter, 90	
22	2220473	1	Adapter, 90	

SECTION 8 - HYDRAULIC CIRCUITS

FIGURE 8-49. MAIN CONTROL VALVE INSTALLATION, 74HP



ART_1001196290-A

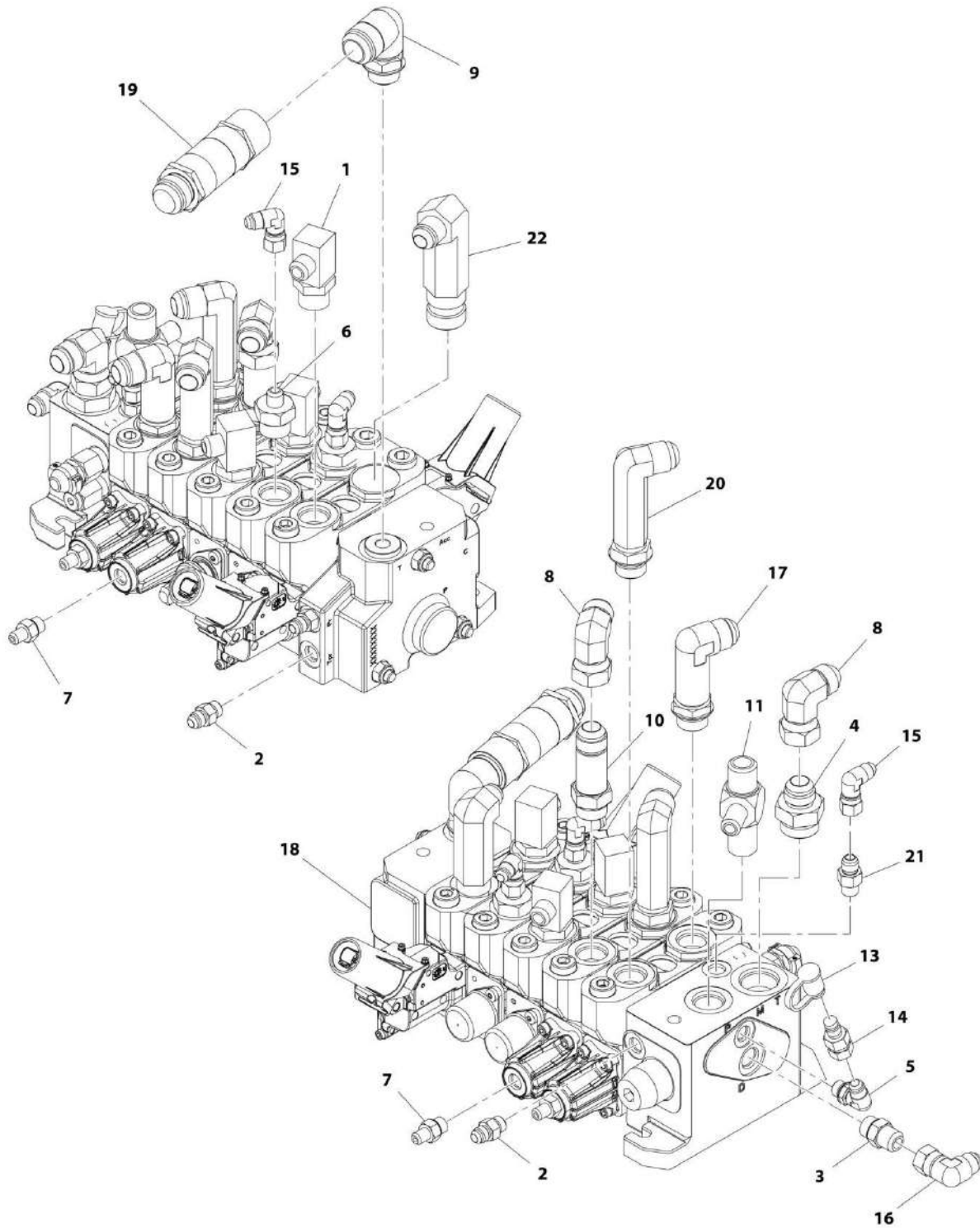
SECTION 8 - HYDRAULIC CIRCUITS

FIGURE 8-49. MAIN CONTROL VALVE INSTALLATION, 74HP

ITEM	PART NUMBER	QTY	DESCRIPTION	REV
	1001196290	Ref	Main Control Valve Installation, 74HP	A
1	8310522	2	Nut, Flange 3/8-16	
2	1001196287	1	Assembly, Valve (See VALVE ASSEMBLY,74HP for Breakdown)	

SECTION 8 - HYDRAULIC CIRCUITS

FIGURE 8-50. VALVE ASSEMBLY, 74HP



ART_1001196287-D

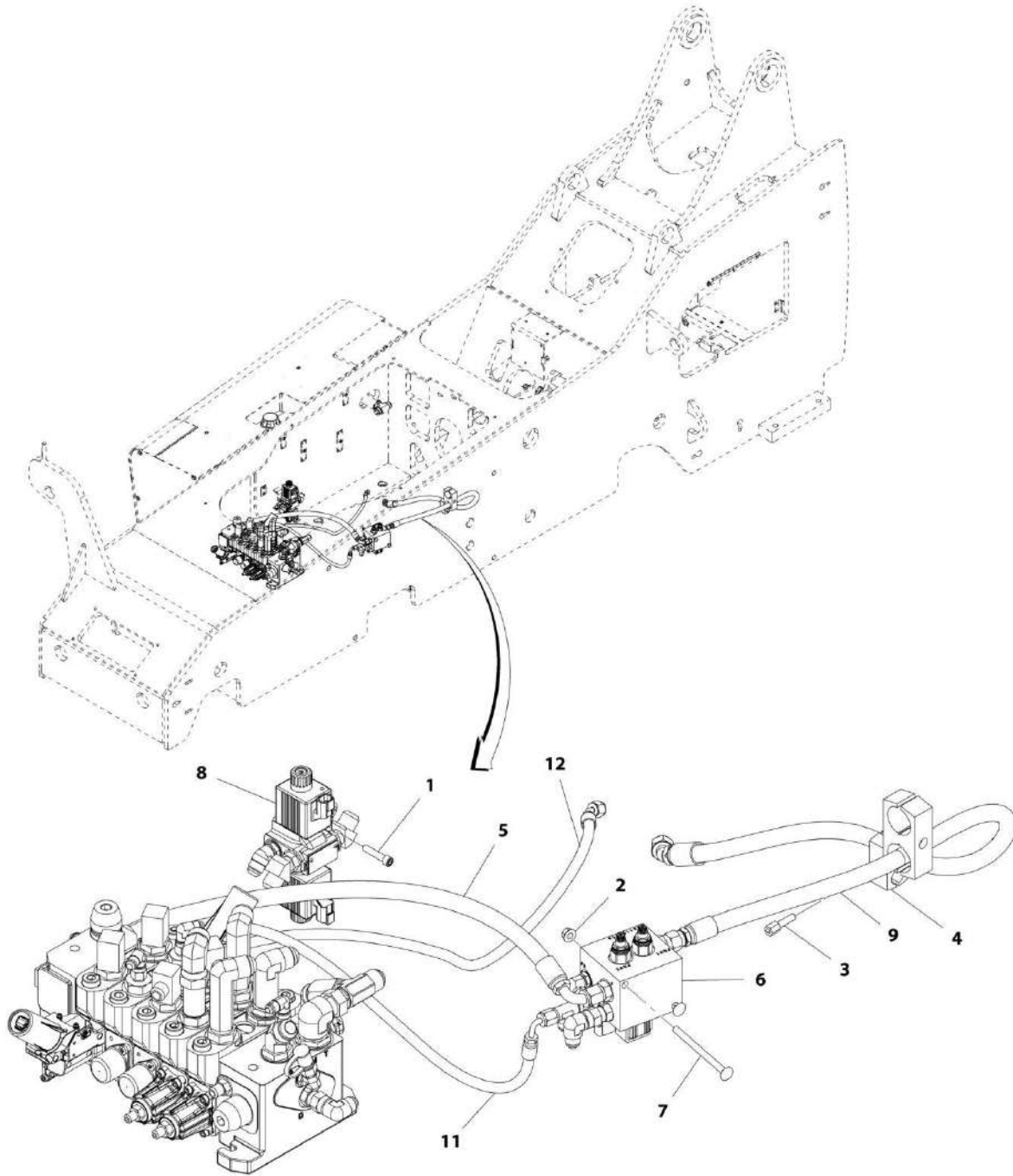
SECTION 8 - HYDRAULIC CIRCUITS

FIGURE 8-50. VALVE ASSEMBLY, 74HP

ITEM	PART NUMBER	QTY	DESCRIPTION	REV
	1001196287	Ref	Valve Assembly, 74HP	D
1	2220366	3	Adapter, 90	
2	2220371	3	Adapter, Straight	
3	2220373	1	Adapter, Straight	
4	2220435	1	Adapter, Straight	
5	2220473	1	Adapter, 90	
6	2220577	2	Adapter, Straight	
7	2220582	4	Adapter, Straight	
8	2220655	2	Adapter, 90	
9	2220664	1	Adapter, 90	
10	2220974	1	Adapter, Straight	
11	2221063	1	Adapter, Run Tee	
13	8430032	1	Cap, Dust	
14	8430046	1	Adapter, Diagnostic	
15	8760268	3	Adapter, 90	
16	8765204	1	Adapter, 90	
17	8770157	1	Adapter, 90	
18	1001157923	1	Valve, Main Control (See HYDRAULIC COMPONENTS SECTION for Breakdown)	
19	1001174375	1	Valve, Check	
20	1001181576	2	Adapter, 90	
21	2220371	1	Adapter	
22	1001210063	1	Adapter, 90	

SECTION 8 - HYDRAULIC CIRCUITS

FIGURE 8-51. HYDRAULIC VALVES INSTALLATION, 85HP



ART_1001174225-F

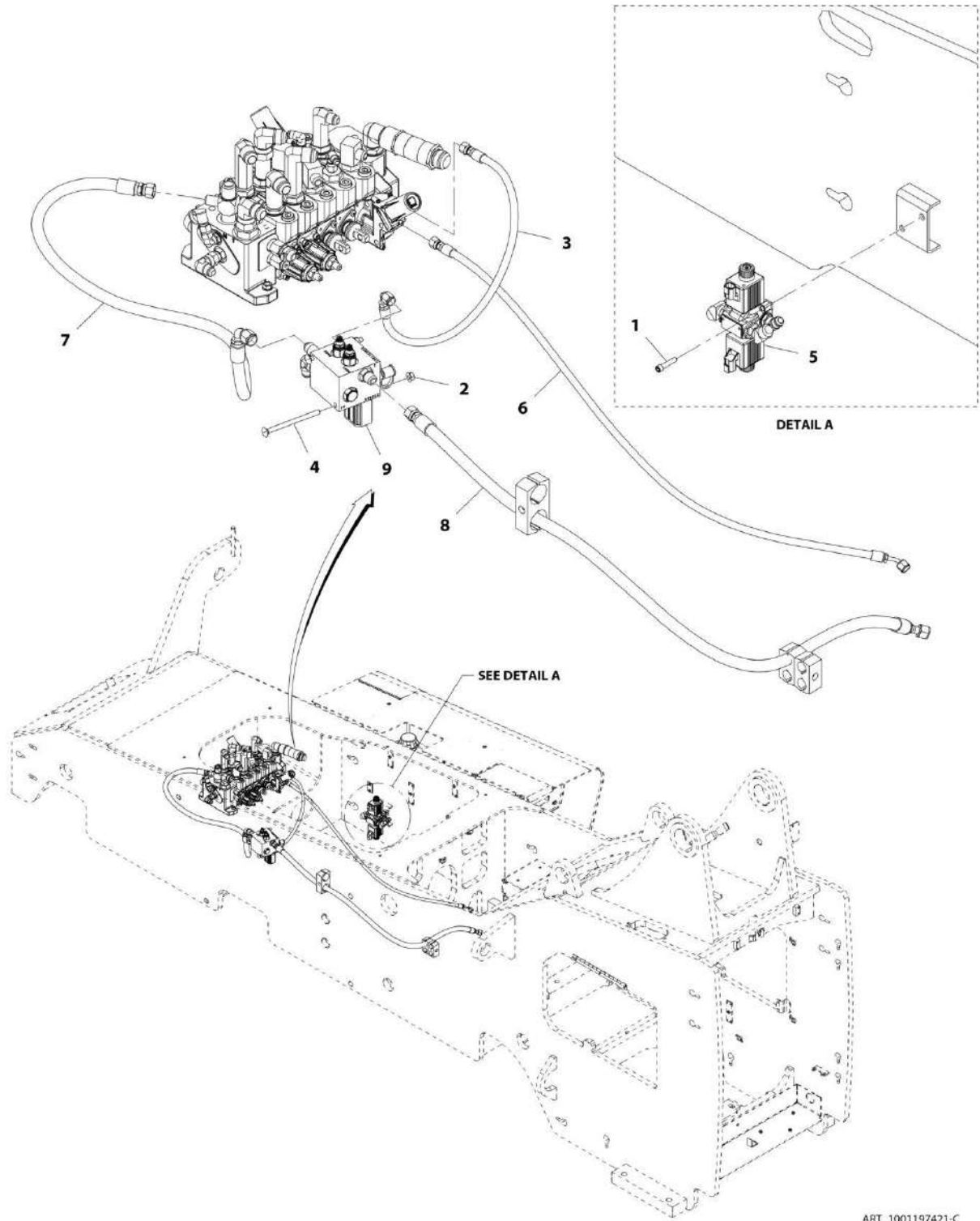
SECTION 8 - HYDRAULIC CIRCUITS

FIGURE 8-51. HYDRAULIC VALVES INSTALLATION, 85HP

ITEM	PART NUMBER	QTY	DESCRIPTION	REV
	1001174225	Ref	Hydraulic Valves Installation, 85HP	F
1	8304608	2	Screw, 5/16-18X1-1/2	
2	8310420	2	Nut, Flange 5/16-18	
3	8750012	1	Bolt, Stacking	
4	8750027	1	Clamp Set, Twin	
5	1001159113	1	Hose	
6	1001159658	1	Installation, Secondary Valve (See Separate Breakdown in this Section)	
7	1001163685	2	Bolt, Carriage 5/16-18X4-1/2	
8		Ref	Assembly, Steer Select Valve (See Separate Breakdown in this Section)	
9	1001174297	1	Hose	
11	1001162650	1	Hose	
12	1001173764	1	Hose	

SECTION 8 - HYDRAULIC CIRCUITS

FIGURE 8-52. HYDRAULIC VALVES INSTALLATION, 74HP - 6036



ART_1001197421-C

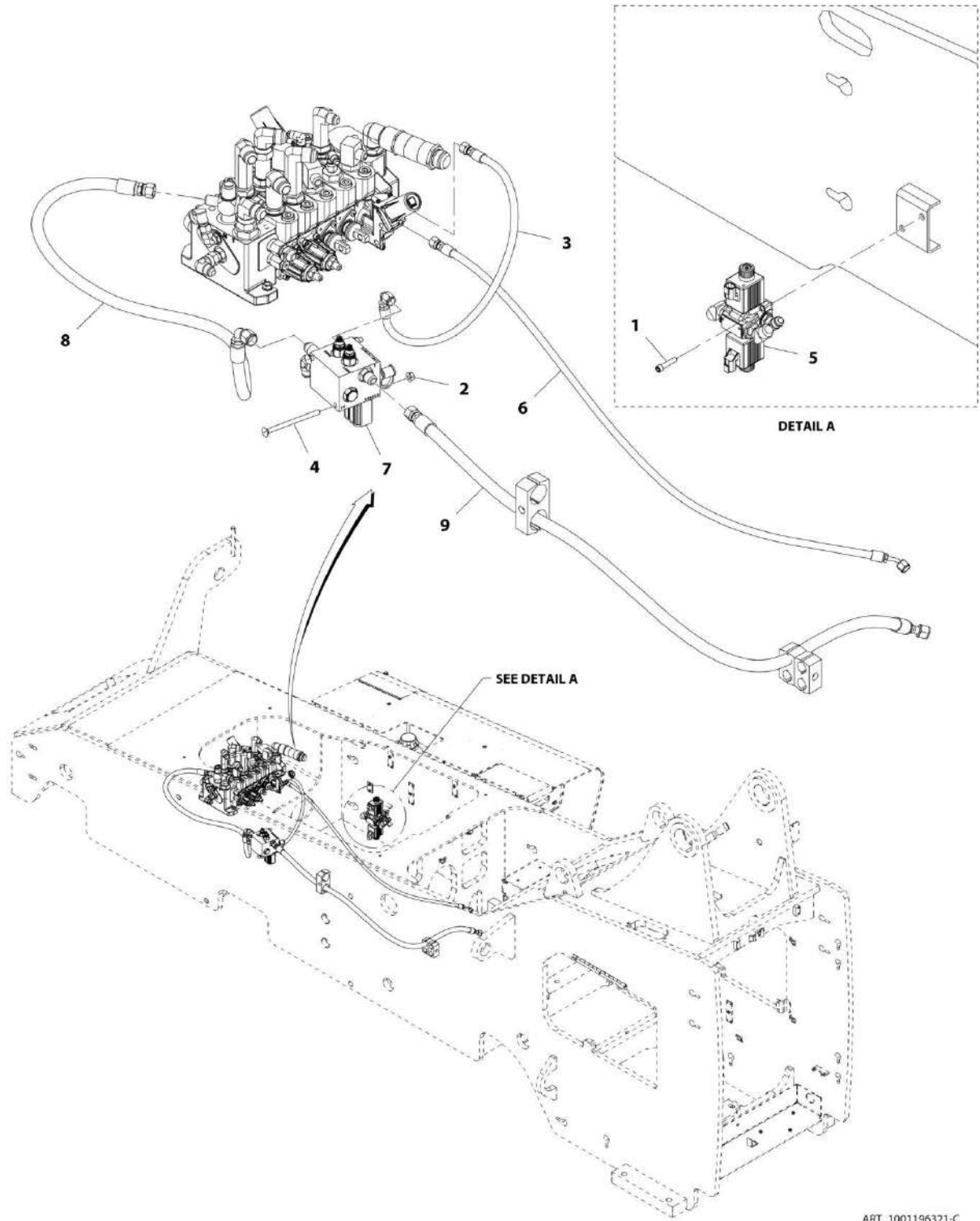
SECTION 8 - HYDRAULIC CIRCUITS

FIGURE 8-52. HYDRAULIC VALVES INSTALLATION, 74HP - 6036

ITEM	PART NUMBER	QTY	DESCRIPTION	REV
	1001197421	Ref	Hydraulic Valves Installation, 74HP - 6036 (If equipped)	C
1	8304608	2	Screw, 5/16-18X1-1/2	
2	8310420	2	Nut, Flange 5/16-18	
3	1001162650	1	Hose	
4	1001163685	2	Bolt, Carriage 5/16-18X4-1/2	
5		Ref	Assembly, Steer Select Valve (See Separate Breakdown in this Section)	
6	1001173764	1	Hose	
7	1001196296	1	Hose	
8	1001196297	1	Hose	
9	1001197422	1	Installation, Secondary Valve (See Separate Breakdown in this Section)	

SECTION 8 - HYDRAULIC CIRCUITS

FIGURE 8-53. HYDRAULIC VALVES INSTALLATION, 74HP - 6042



ART_1001196321-C

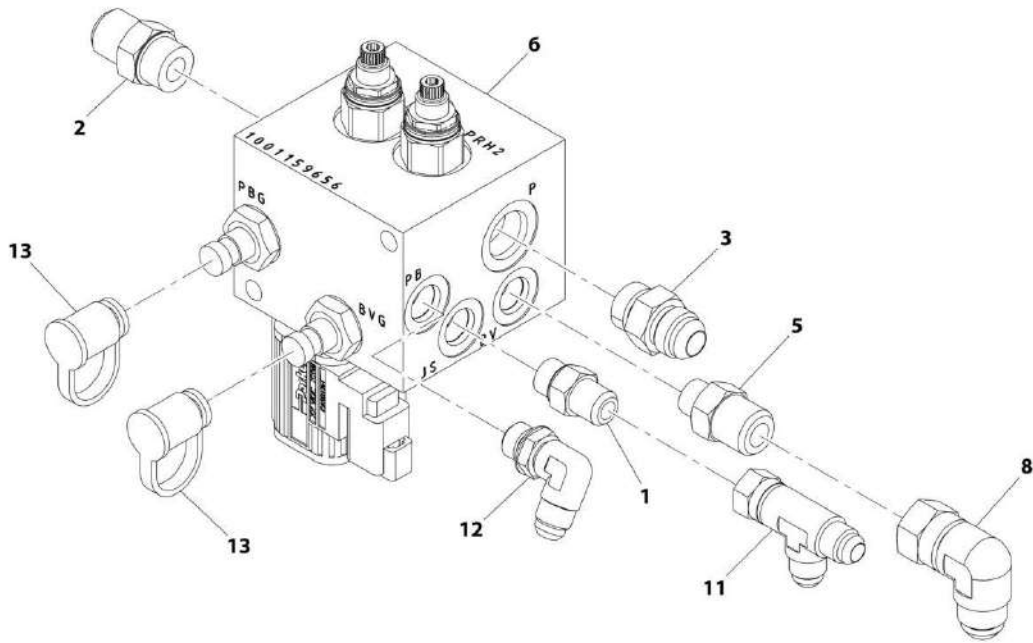
SECTION 8 - HYDRAULIC CIRCUITS

FIGURE 8-53. HYDRAULIC VALVES INSTALLATION, 74HP - 6042

ITEM	PART NUMBER	QTY	DESCRIPTION	REV
	1001196321	Ref	Hydraulic Valves Installation, 74HP - 6042 (If equipped)	C
1	8304608	2	Screw, 5/16-18X1-1/2	
2	8310420	2	Nut, Flange 5/16-18	
3	1001162650	1	Hose	
4	1001163685	2	Bolt, Carriage 5/16-18X4-1/2	
5		Ref	Assembly, Steer Select Valve (See Separate Breakdown in this Section)	
6	1001173764	1	Hose	
7	1001196294	1	Installation, Secondary Valve (See Separate Breakdown in this Section)	
8	1001196296	1	Hose	
9	1001196297	1	Hose	

SECTION 8 - HYDRAULIC CIRCUITS

FIGURE 8-54. SECONDARY VALVE INSTALLATION, 85HP



ART_1001159658-F

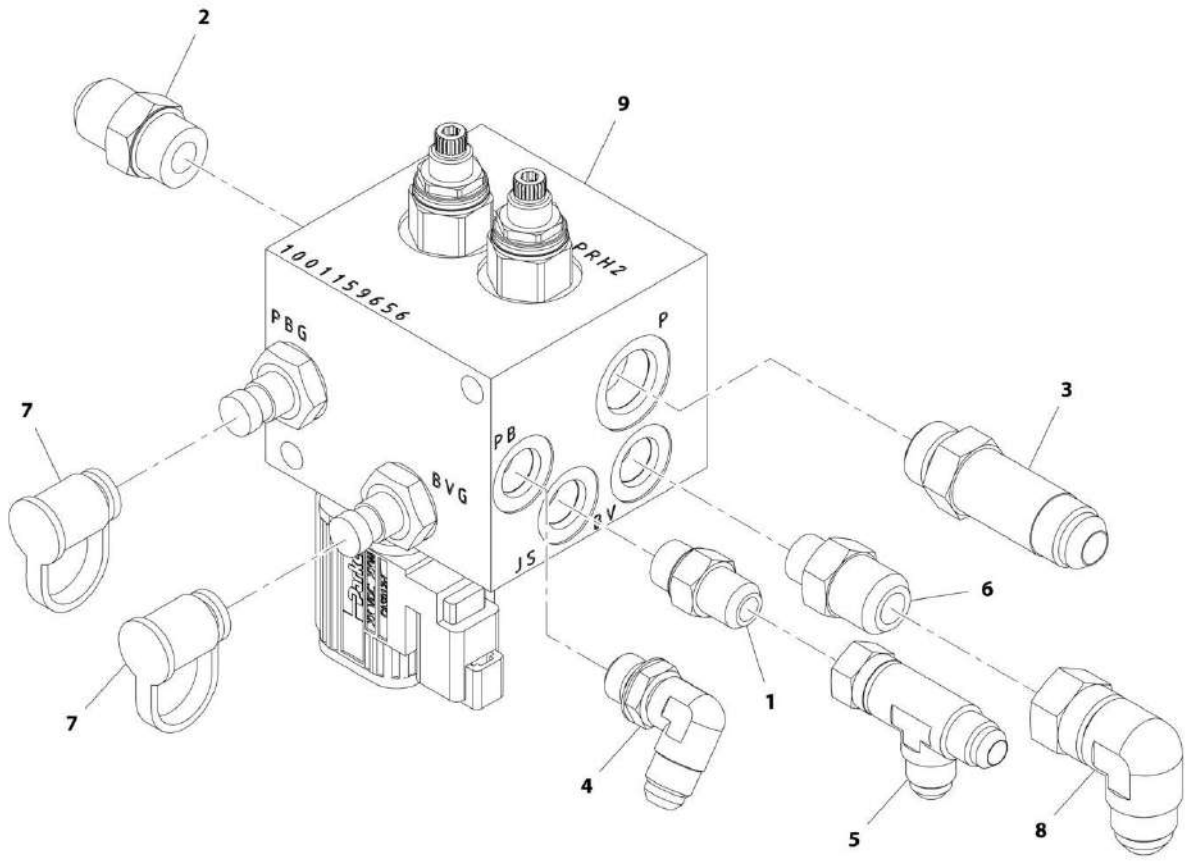
SECTION 8 - HYDRAULIC CIRCUITS

FIGURE 8-54. SECONDARY VALVE INSTALLATION, 85HP

ITEM	PART NUMBER	QTY	DESCRIPTION	REV
	1001159658	1	Secondary Valve Installation, 85HP	F
1	2220371	1	Adapter, Straight	
2	2220373	1	Adapter, Straight	
3	2220373	1	Adapter, Straight	
5	2220600	1	Adapter, Straight	
6	1001159656	1	Valve, Secondary Control (See HYDRAULIC COMPONENTS SECTION for Breakdown)	
8	8765204	1	Adapter, 90	
11	2220635	1	Adapter, Run Tee	
12	2220473	1	Adapter, 90	
13	8430032	2	Cap, Dust	

SECTION 8 - HYDRAULIC CIRCUITS

FIGURE 8-55. SECONDARY VALVE INSTALLATION, 74HP - 6036



ART_1001197422-A

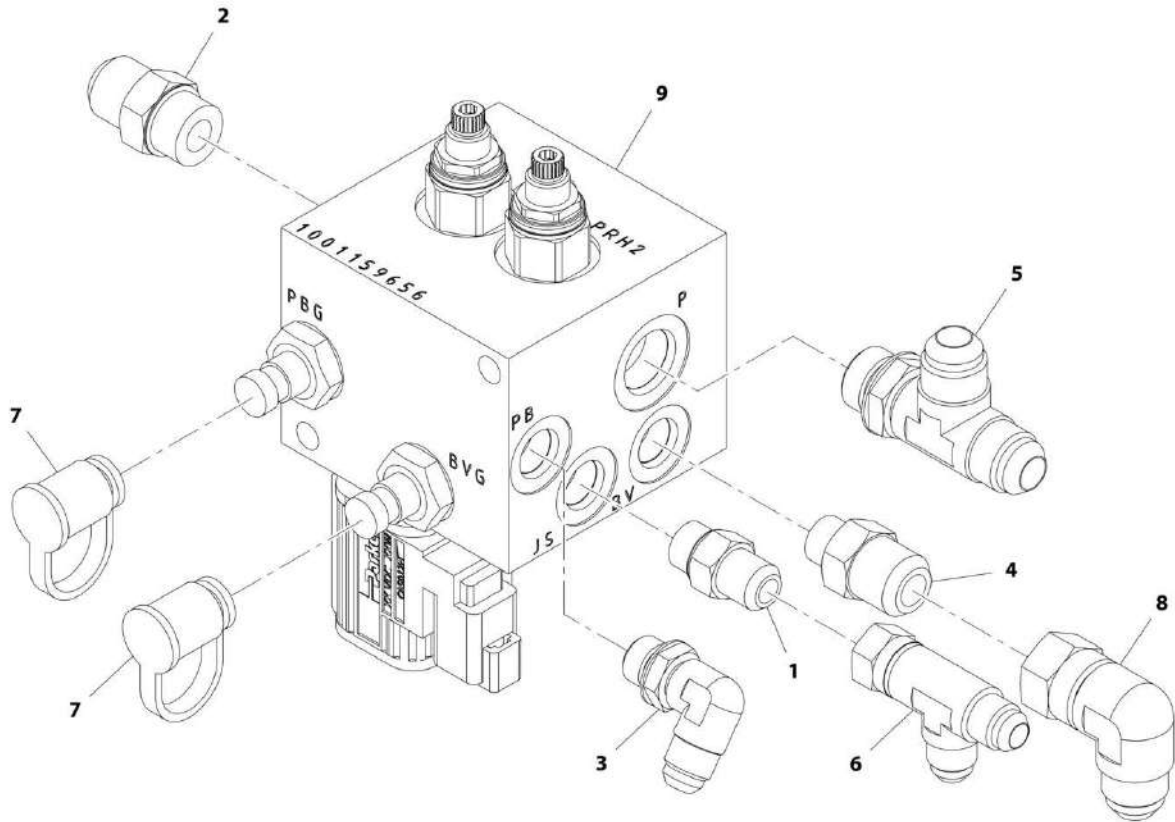
SECTION 8 - HYDRAULIC CIRCUITS

FIGURE 8-55. SECONDARY VALVE INSTALLATION, 74HP - 6036

ITEM	PART NUMBER	QTY	DESCRIPTION	REV
	1001197422	Ref	Secondary Valve Installation, 74HP - 6036 (If equipped)	A
1	2220371	1	Adapter, Straight	
2	2220373	1	Adapter, Straight	
3	2220381	1	Adapter, Straight	
4	2220473	1	Adapter, 90	
5	2220635	1	Adapter, Run Tee	
6	2220600	1	Adapter, Straight	
7	8430032	2	Cap, Dust	
8	8765204	1	Adapter, 90	
9	1001159656	1	Valve, Secondary Control (See HYDRAULIC COMPONENTS SECTION for Breakdown)	

SECTION 8 - HYDRAULIC CIRCUITS

FIGURE 8-56. SECONDARY VALVE INSTALLATION, 74HP - 6042



ART_1001196294-A

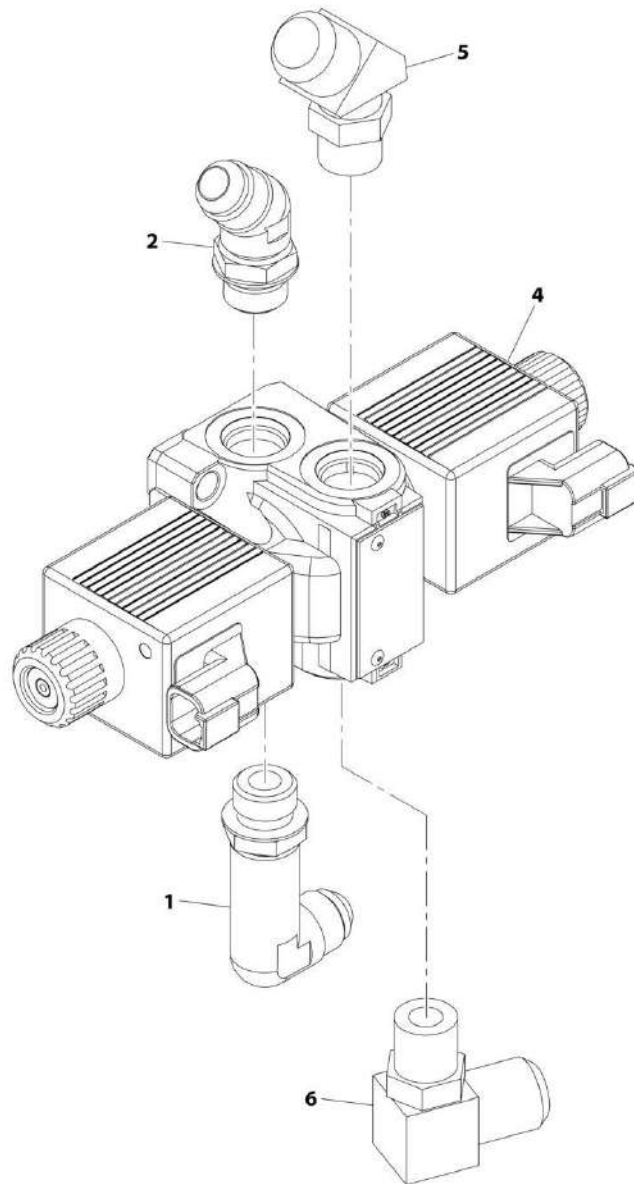
SECTION 8 - HYDRAULIC CIRCUITS

FIGURE 8-56. SECONDARY VALVE INSTALLATION, 74HP - 6042

ITEM	PART NUMBER	QTY	DESCRIPTION	REV
	1001196294	Ref	Secondary Valve Installation, 74HP - 6042 (If equipped)	A
1	2220371	1	Adapter, Straight	
2	2220373	1	Adapter, Straight	
3	2220473	1	Adapter, 90	
4	2220600	1	Adapter, Straight	
5	2220602	1	Adapter, Run Tee	
6	2220635	1	Adapter, Run Tee	
7	8430032	2	Cap, Dust	
8	8765204	1	Adapter, 90	
9	1001159656	1	Valve, Secondary Control (See HYDRAULIC COMPONENTS SECTION for Breakdown)	

SECTION 8 - HYDRAULIC CIRCUITS

FIGURE 8-57. STEER SELECT VALVE ASSEMBLY (Prior to SN 0160080932)



ART_1001172784-F

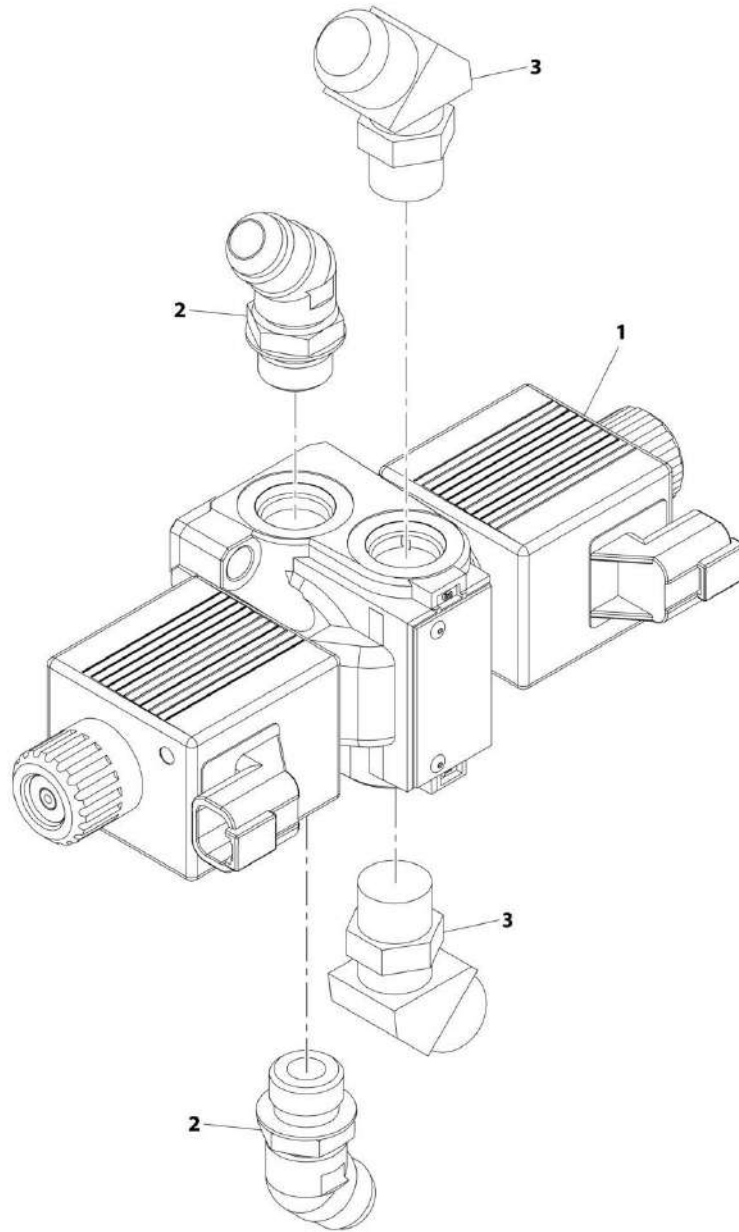
SECTION 8 - HYDRAULIC CIRCUITS

FIGURE 8-57. STEER SELECT VALVE ASSEMBLY (Prior to SN 0160080932)

ITEM	PART NUMBER	QTY	DESCRIPTION	REV
	1001172784	Ref	Steer Select Valve Assembly	F
1	2220474	1	Adapter, Long 90	
2	2220500	1	Adapter, 45	
4	1001153748	1	Valve, Steer Select (See Separate Breakdown in HYDRAULIC COMPONENTS Section)	
5	2220950	1	Adapter, 45	
6	2221042	1	Adapter, 90	

SECTION 8 - HYDRAULIC CIRCUITS

FIGURE 8-58. STEER SELECT VALVE ASSEMBLY (SN 0160080932 to Present)



ART_1001228677-A

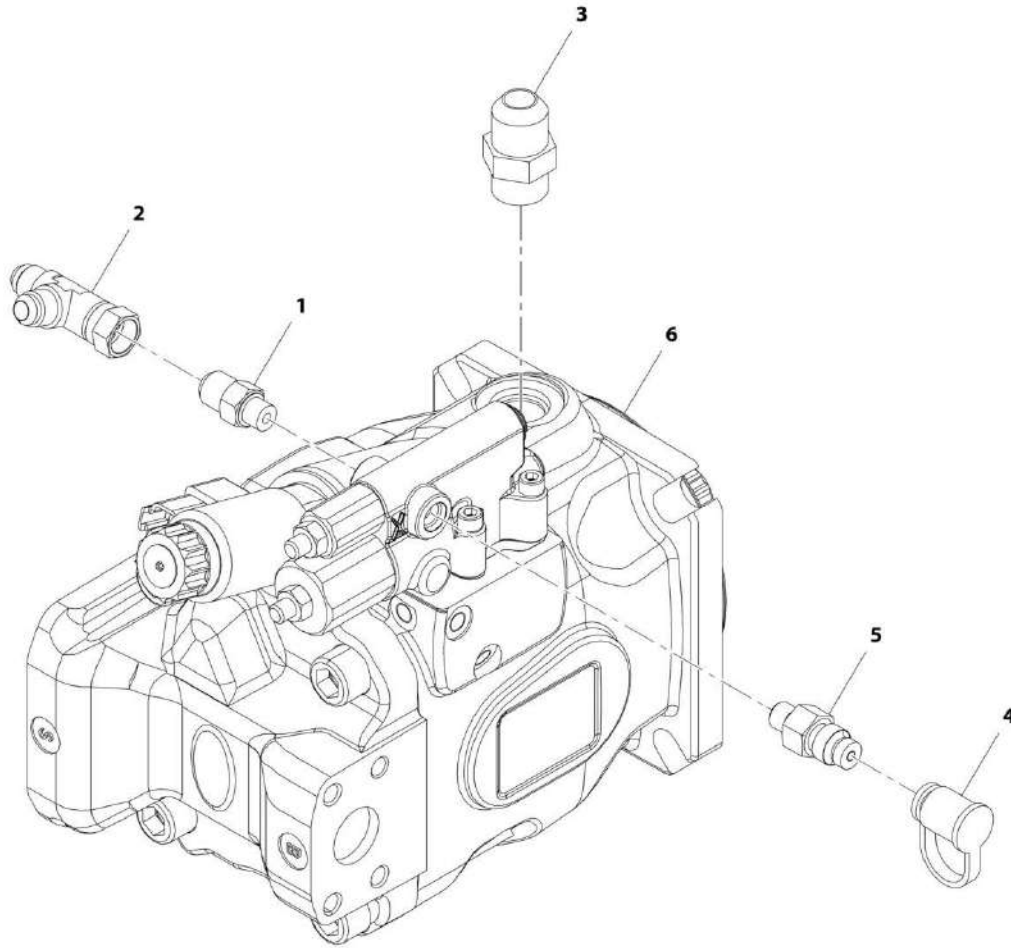
SECTION 8 - HYDRAULIC CIRCUITS

FIGURE 8-58. STEER SELECT VALVE ASSEMBLY (SN 0160080932 to Present)

ITEM	PART NUMBER	QTY	DESCRIPTION	REV
1	1001228677	Ref	Steer Select Valve Assembly	A
	1001153748	1	Valve, Steer Select (See Separate Breakdown in HYDRAULIC COMPONENTS Section)	
2	2220500	2	Adapter, 45	
3	2220950	2	Adapter, 45	

SECTION 8 - HYDRAULIC CIRCUITS

FIGURE 8-59. PISTON PUMP INSTALLATION, 74HP



ART_1001197066-A

SECTION 8 - HYDRAULIC CIRCUITS

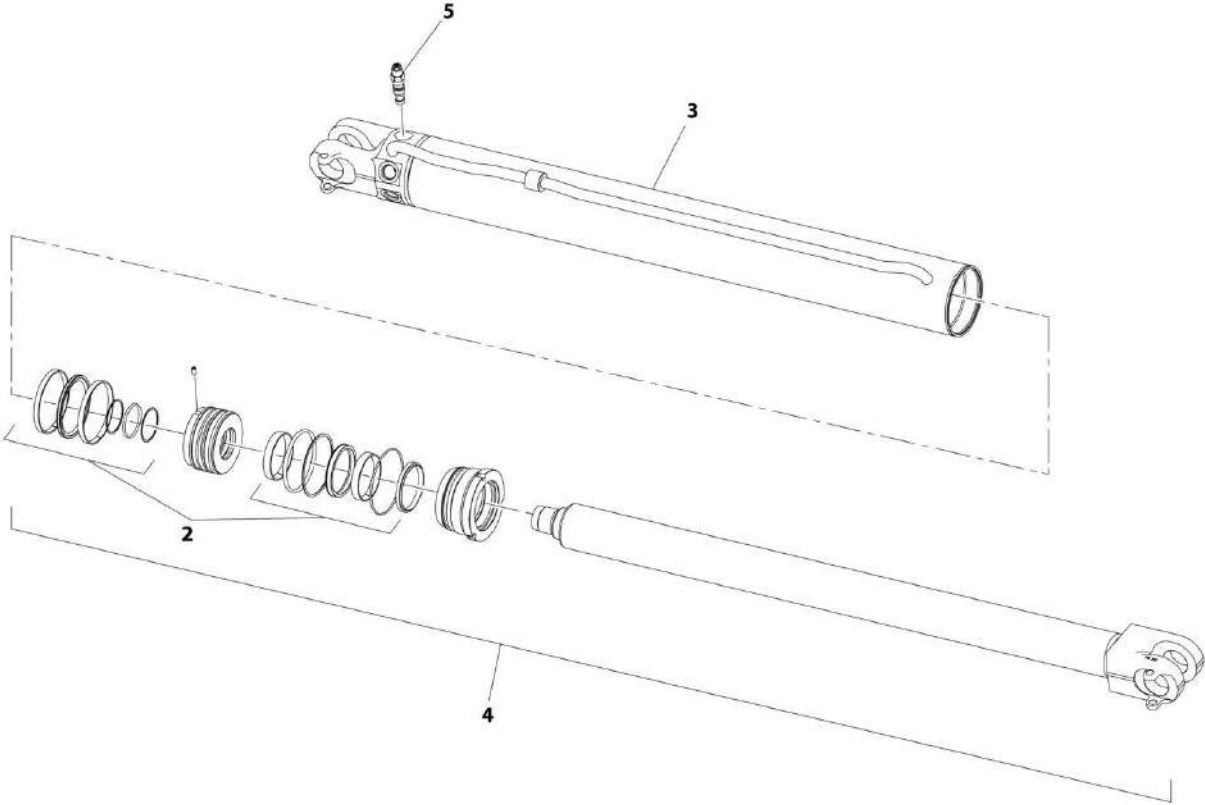
FIGURE 8-59. PISTON PUMP INSTALLATION, 74HP

ITEM	PART NUMBER	QTY	DESCRIPTION	REV
	1001197066	Ref	Piston Pump Installation, 74HP	A
1	2220603	1	Adapter	
2	2220635	1	Adapter, Tee	
3	2220947	1	Adapter, Straight	
4	8430032	1	Cap Dust	
5	8430033	1	Adapter, Straight	
6	1001168376	1	Pump, Piston (See HYDRAULIC COMPONENTS SECTION for Breakdown)	

SECTION 9 - HYDRAULIC COMPONENTS

SECTION 9 - HYDRAULIC COMPONENTS

FIGURE 9-1. LIFT CYLINDER - 6036



ART_1001156164-G

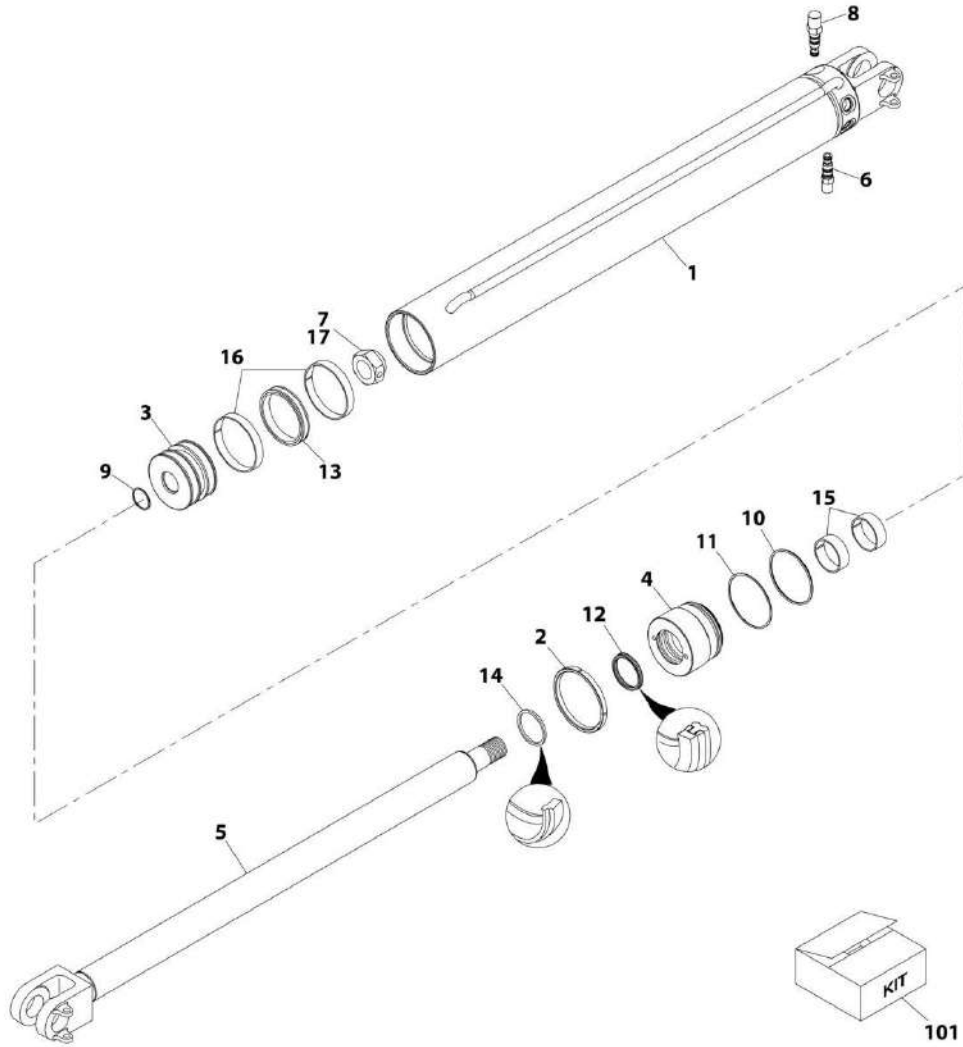
SECTION 9 - HYDRAULIC COMPONENTS

FIGURE 9-1. LIFT CYLINDER - 6036

ITEM	PART NUMBER	QTY	DESCRIPTION	REV
	1001156164	Ref	Lift Cylinder - 6036	G
2	70026044	1	Kit, Seal	
3	70026045	1	Assembly, Barrel	
4	70026046	1	Assembly, Rod	
5	70026047	1	Valve, Counterbalance	

SECTION 9 - HYDRAULIC COMPONENTS

FIGURE 9-2. LIFT CYLINDER - 6042



ART_1001156174-E

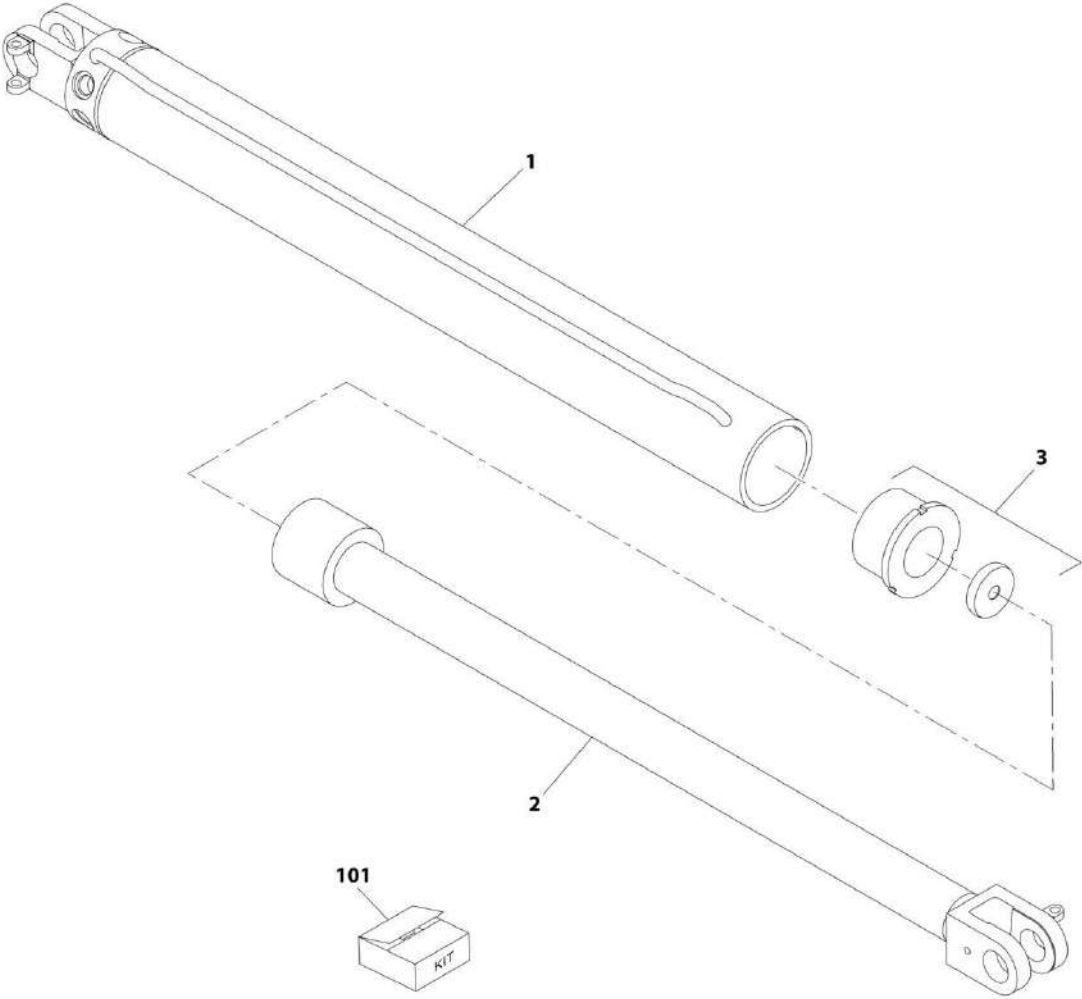
SECTION 9 - HYDRAULIC COMPONENTS

FIGURE 9-2. LIFT CYLINDER - 6042

ITEM	PART NUMBER	QTY	DESCRIPTION	REV
	1001156174	Ref	Lift Cylinder - 6042 (Be sure to check the part number on your cylinder prior to ordering replacement parts)	E
1	70026019	1	Weldment, Tube	
2	8036398	1	Collar, Locking	
3	8036397	1	Piston	
4	70026020	1	Gland, Head	
5	70026021	1	Weldment, Rod	
6	8035785	1	Plug, Hex	
7	8036394	1	Nut, Lock	
8	8035321	1	Valve, Counterbalance	
8	8035327	1	Kit, Seal	
9	Kit	1	O-Ring	
10	Kit	1	O-Ring	
11	Kit	1	Ring, Backup	
12	Kit	1	Seal, DZR	
13	Kit	1	T-Seal, Capped	
14	Kit	1	Seal, Wiper	
15	Kit	2	Wearband, Precision	
16	Kit	2	Wearband, Precision	
17	8526011	AR	Compound, Locking	
101	70026022	1	Kit, Seal (includes items 9 thru 16)	

SECTION 9 - HYDRAULIC COMPONENTS

FIGURE 9-3. LIFT CYLINDER - 6042



ART_1001180760-C

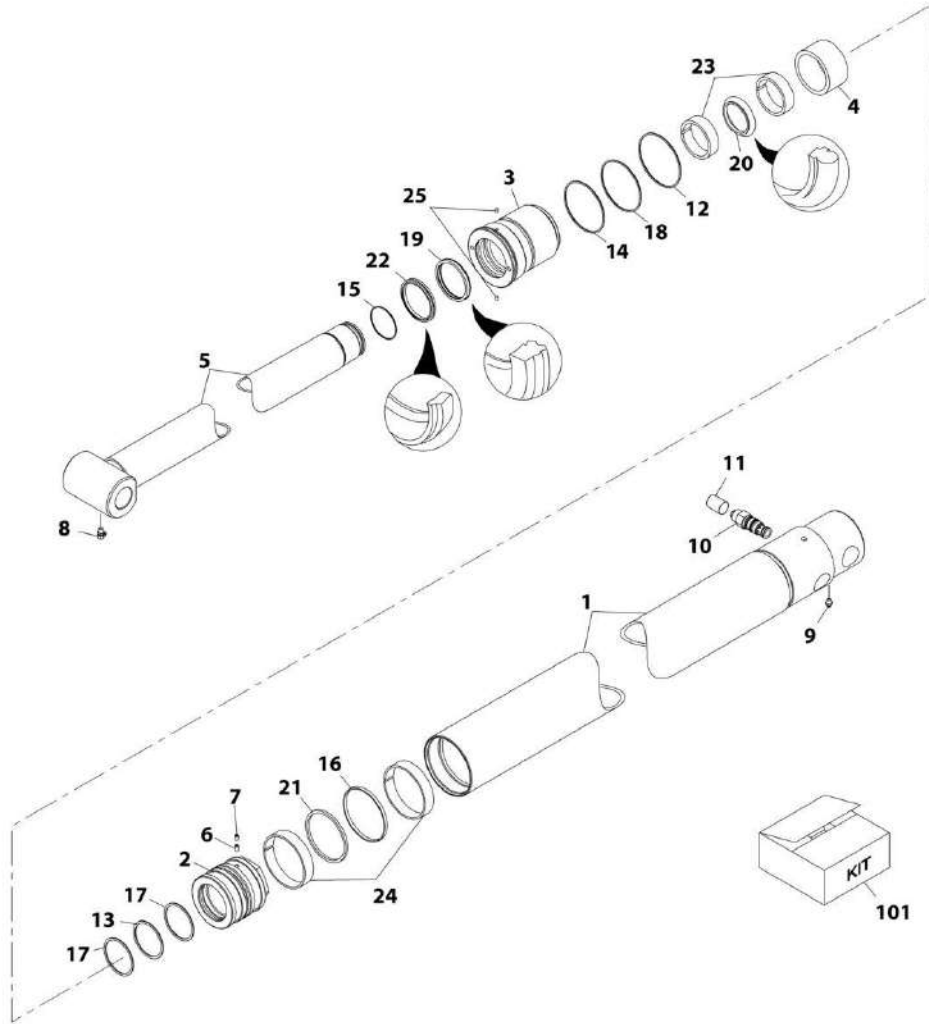
SECTION 9 - HYDRAULIC COMPONENTS

FIGURE 9-3. LIFT CYLINDER - 6042

ITEM	PART NUMBER	QTY	DESCRIPTION	REV
	1001180760	Ref	Lift Cylinder - 6042 (Be sure to check the part number on your cylinder prior to ordering replacement parts)	C
1	70027683	1	Tube Assembly Kit	
1	Kit	1	Tube	
1	Kit	3	O-Ring	
2	70027684	1	Rod Assembly	
3	70027685	1	Rod Cover Kit	
3	Kit	1	Rod Cover	
3	Kit	1	Rod Bushing	
3	Kit	1	Retaining Ring	
13	70027686	1	Piston (not shown)	
19	70027687	1	Piston Nut Kit (not shown)	
19	Kit	1	Piston Nut (not shown)	
19	Kit	1	Set Screw (not shown)	
21	7029327	1	Counterbalance Valve (not shown)	
23	70027688	1	Plug Kit (not shown)	
23	Kit	3	Plug (not shown)	
23	Kit	3	O-Ring (not shown)	
101	Kit	1	Seal Kit Cylinder	
101	Kit	1	U-Packing	
101	Kit	1	Retaining Ring	
101	Kit	1	O-Ring	
101	Kit	1	O-Ring	
101	Kit	1	Piston Seal	
101	Kit	2	Back-up Ring	

SECTION 9 - HYDRAULIC COMPONENTS

FIGURE 9-4. EXTEND/RETRACT CYLINDER - 6036



ART_1001156013-C

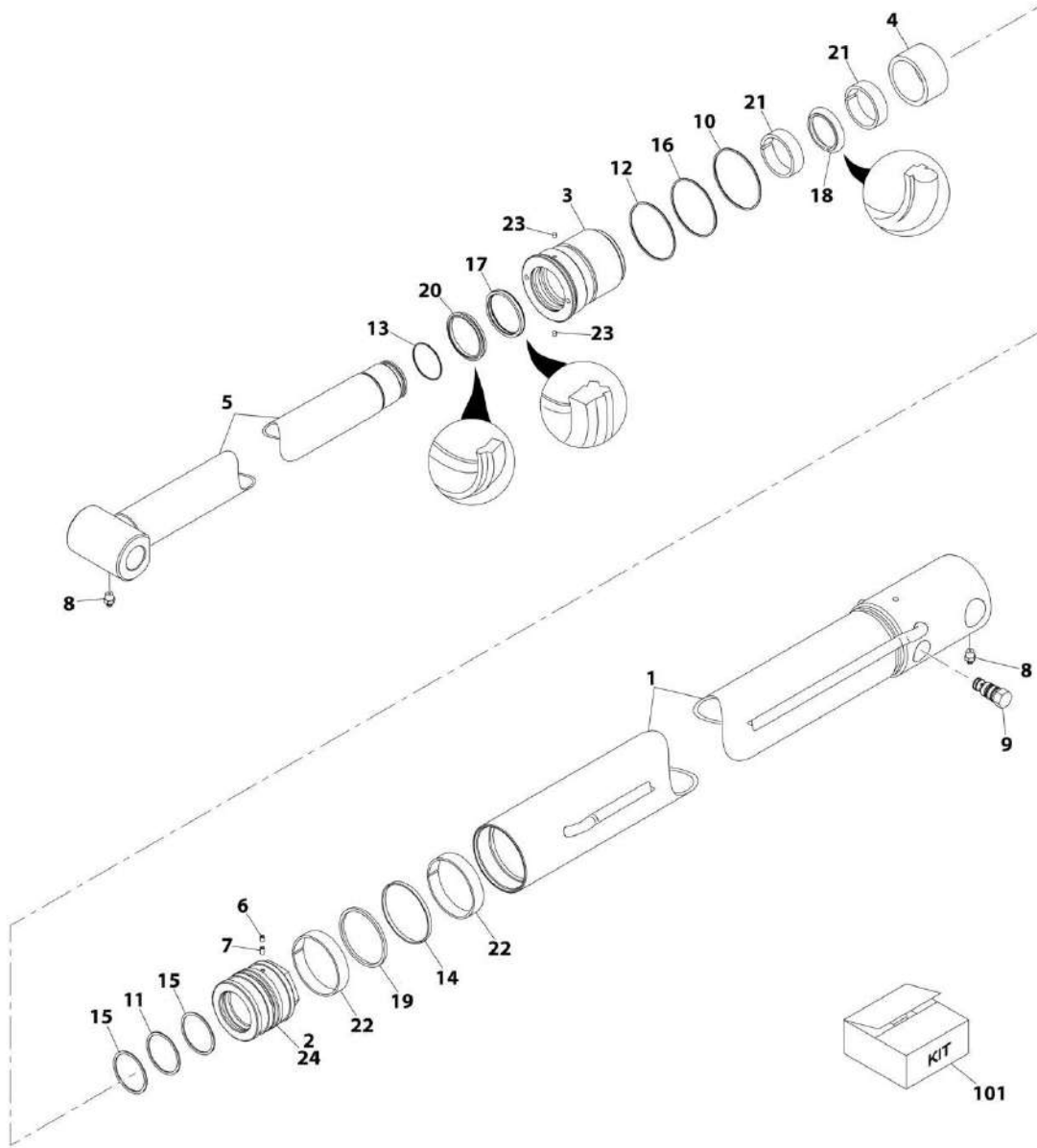
SECTION 9 - HYDRAULIC COMPONENTS

FIGURE 9-4. EXTEND/RETRACT CYLINDER - 6036

ITEM	PART NUMBER	QTY	DESCRIPTION	REV
	1001156013	Ref	Extend/Retract Cylinder - 6036	C
1	70026033	1	Weldment, Tube	
2	8036402	1	Piston	
3	8036403	1	Gland, Head	
4	8036404	1	Spacer, Rod	
5	8036405	1	Weldment, Rod	
6	8036406	1	Screw, Set 5/16-18X0.38	
7	8035536	1	Screw, Set 5/16-18X1/2	
8	8520021	1	Fitting, 90 Lube	
9	70020375	1	Fitting, Straight Lube	
10	70026034	1	Valve, Counterbalance	
11	8036407	1	Cap, Tamperproof	
12	Kit	1	O-Ring	
13	Kit	1	O-Ring	
14	Kit	1	O-Ring	
15	Kit	1	O-Ring	
16	Kit	1	Ring, Square	
17	Kit	2	Ring, Backup	
18	Kit	1	Ring, Backup	
19	Kit	1	U-Cup	
20	Kit	1	Seal, Buffer	
21	Kit	1	Seal, Piston	
22	Kit	1	Seal, Wiper	
23	Kit	2	Wearband, Precision	
24	Kit	2	Wearband, Precision	
25	Kit	2	Insert, Locking	
101	8036502	1	Kit, Seal (includes items 12 thru 25)	

SECTION 9 - HYDRAULIC COMPONENTS

FIGURE 9-5. EXTEND/RETRACT CYLINDER - 6042



ART_1001156012-D

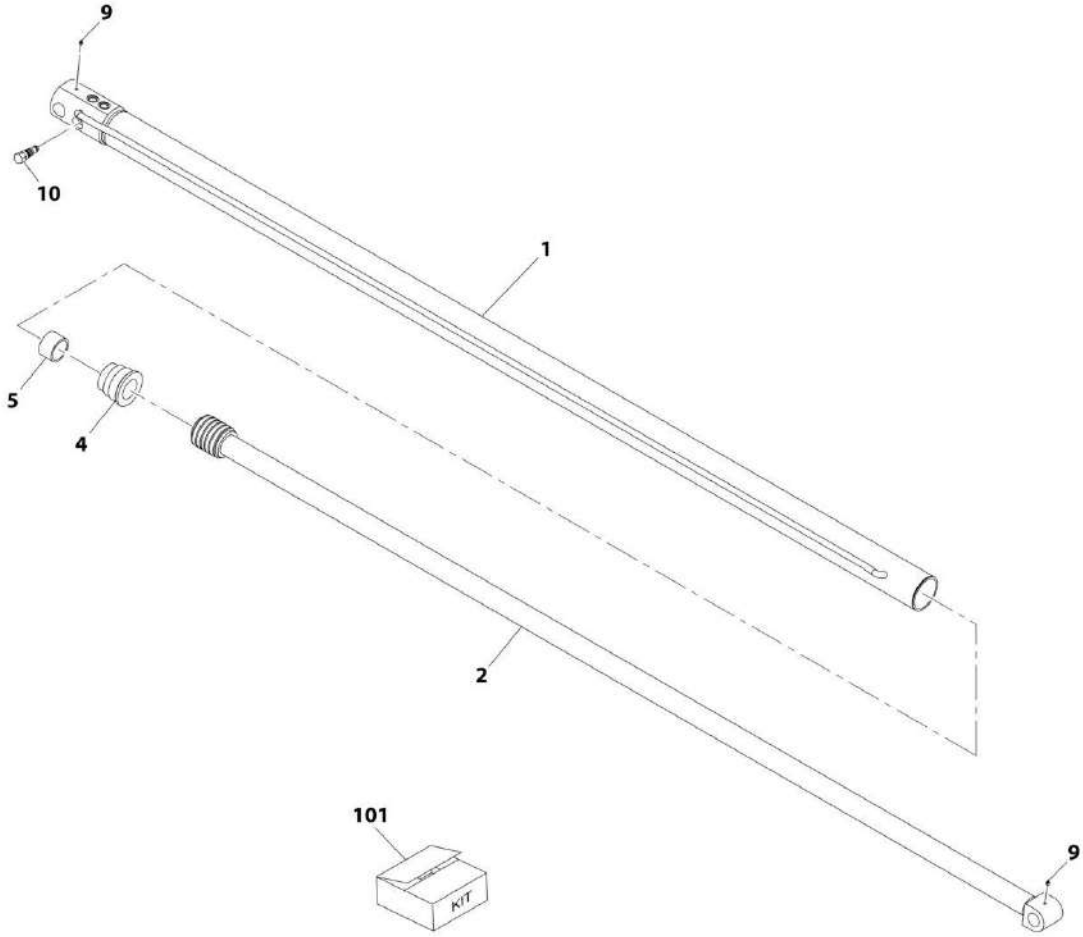
SECTION 9 - HYDRAULIC COMPONENTS

FIGURE 9-5. EXTEND/RETRACT CYLINDER - 6042

ITEM	PART NUMBER	QTY	DESCRIPTION	REV
	1001156012	Ref	Extend/Retract Cylinder - 6042 (Be sure to check the part number on your cylinder prior to ordering replacement parts)	D
1	70026035	1	Weldment, Tube	
2	8036402	1	Piston	
3	8036403	1	Gland, Head	
4	8036498	1	Spacer, Rod	
5	8036499	1	Weldment, Rod	
6	8036406	1	Screw, Set 5/16-18X0.38	
7	8035536	1	Screw, Set 5/16-18X1/2	
8	70020375	2	Fitting, Straight Lube	
9	8036590	1	Valve, Counterbalance	
10	Kit	1	O-Ring	
11	Kit	1	O-Ring	
12	Kit	1	O-Ring	
13	Kit	1	O-Ring	
14	Kit	1	Ring, Square	
15	Kit	2	Ring, Backup	
16	Kit	1	Ring, Backup	
17	Kit	1	U-Cup	
18	Kit	1	Seal, Buffer	
19	Kit	1	Seal, Piston	
20	Kit	1	Seal, Wiper	
21	Kit	2	Wearband, Precision	
22	Kit	2	Wearband, Precision	
23	Kit	2	Insert, Locking	
24	8526011	AR	Compound, Locking	
101	8036502	1	Kit, Seal (includes items 10 thru 23)	

SECTION 9 - HYDRAULIC COMPONENTS

FIGURE 9-6. EXTEND/RETRACT CYLINDER - 6042



ART_1001180764-C

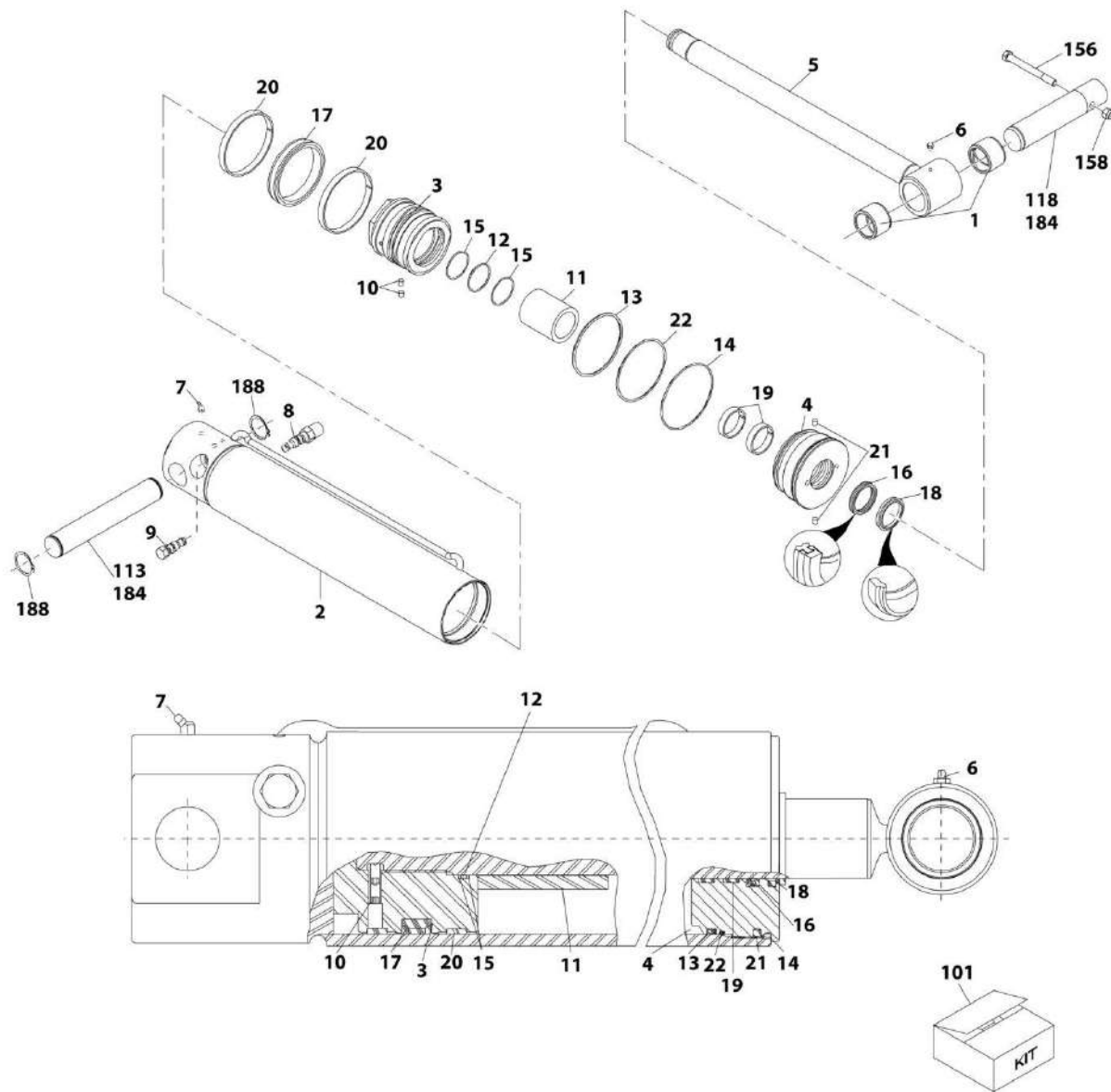
SECTION 9 - HYDRAULIC COMPONENTS

FIGURE 9-6. EXTEND/RETRACT CYLINDER - 6042

ITEM	PART NUMBER	QTY	DESCRIPTION	REV
	1001180764	Ref	Extend/Retract Cylinder - 6042, (Be sure to check the part number on your cylinder prior to ordering replacement parts)	C
1	70027697	1	Tube Assembly	
2	70027698	1	Rod Assembly	
3	70027699	1	Piston	
4	70027700	1	Gland	
5	70027701	1	Spacer	
6	N.S.S.	1	Plug	
7	2220885	2	Plug	
8	70027702	2	Plug	
9	70022566	1	Grease Nipple	
10	70028639	1	Counter Balance	
11	70005847	1	Set Screw	
12	70027703	4	Piston Packing	
13	Kit	2	Wear Ring	
14	Kit	1	O-Ring	
15	Kit	1	Rod Packing	
16	Kit	3	Dust Wiper	
17	Kit	1	Wear Ring	
18	Kit	1	O-Ring	
19	Kit	1	Back-Up Ring	
20	Kit	2	O-Ring	
101	70027704	1	Seal Kit (includes items 13 thru 20)	

SECTION 9 - HYDRAULIC COMPONENTS

FIGURE 9-7. FORK TILT CYLINDER



ART_2716614-E

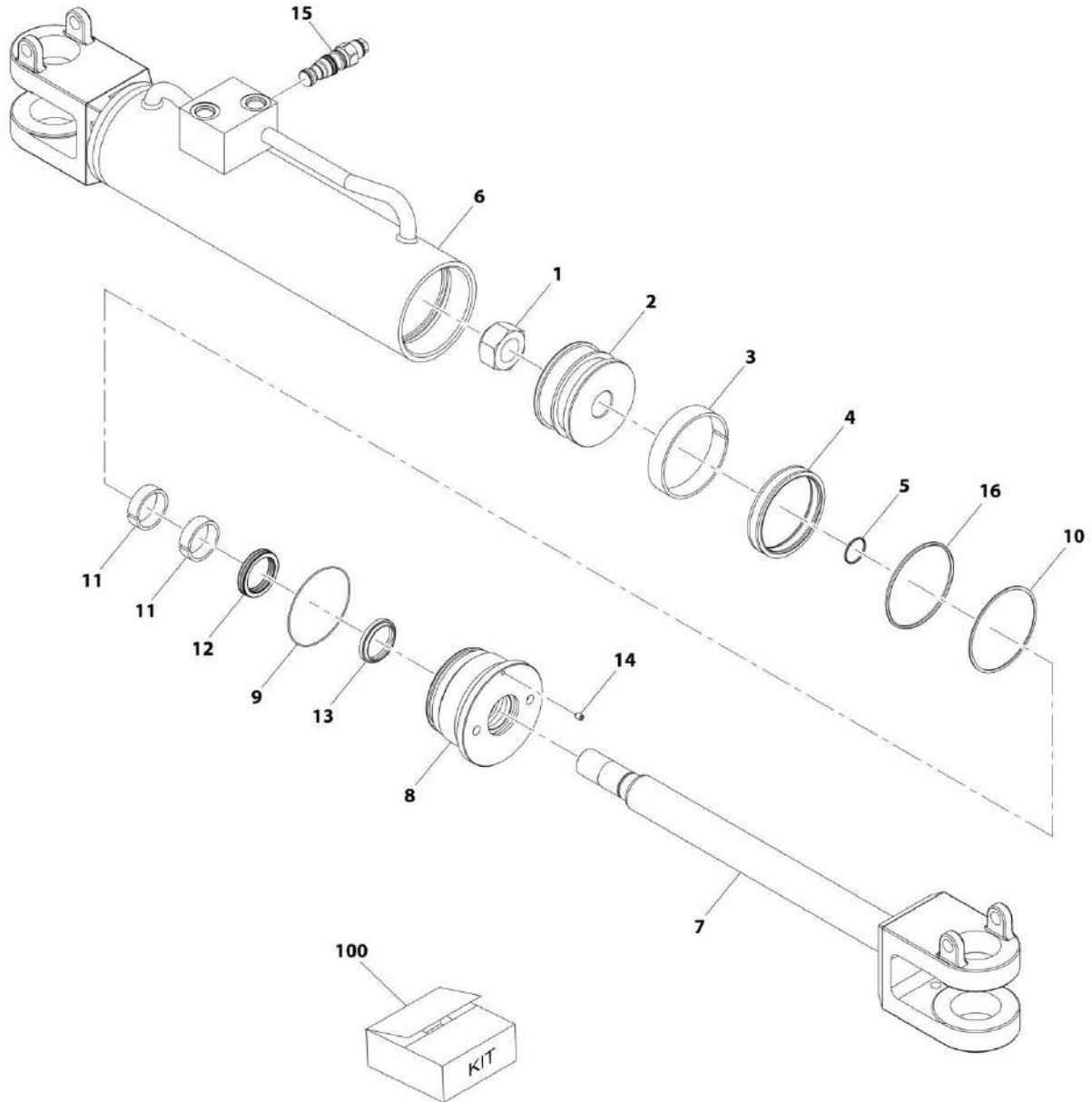
SECTION 9 - HYDRAULIC COMPONENTS

FIGURE 9-7. FORK TILT CYLINDER

ITEM	PART NUMBER	QTY	DESCRIPTION	REV
	2716614	Ref	Fork Tilt Cylinder	E
1	8036149	2	Bearing	
2	70023265	1	Weldment, Tube	
3	8036392	1	Piston	
4	8036391	1	Gland	
5	8036389	1	Weldment, Rod	
6	8036144	1	Fitting, Straight Lube	
7	8520034	1	Fitting, 45 Lube	
8	8035321	1	Valve, Counterbalance	
8	8035327	1	Kit, Seal	
9	8036393	1	Valve, Check	
9	8205655	1	Kit, Seal	
10	8035536	2	Screw, Set 5/16-18X1/2	
11	8036390	1	Spacer, Rod	
12	Kit	1	O-Ring	
13	Kit	1	O-Ring	
14	Kit	1	O-Ring	
15	Kit	2	Ring, Dynamic Back-Up	
16	Kit	1	Z-Seal, Deep	
17	Kit	1	T-Seal, Capped	
18	Kit	1	Seal, Wiper	
19	Kit	2	Wearband, Precision	
20	Kit	2	Wearband, Precision	
21	Kit	2	Insert, Locking	
22	Kit	1	Ring, Dynamic Back-Up	
101	8035720	1	Kit, Seal (includes items 12 thru 22)	

SECTION 9 - HYDRAULIC COMPONENTS

FIGURE 9-8. COMPENSATION CYLINDER



ART_1001196110-D

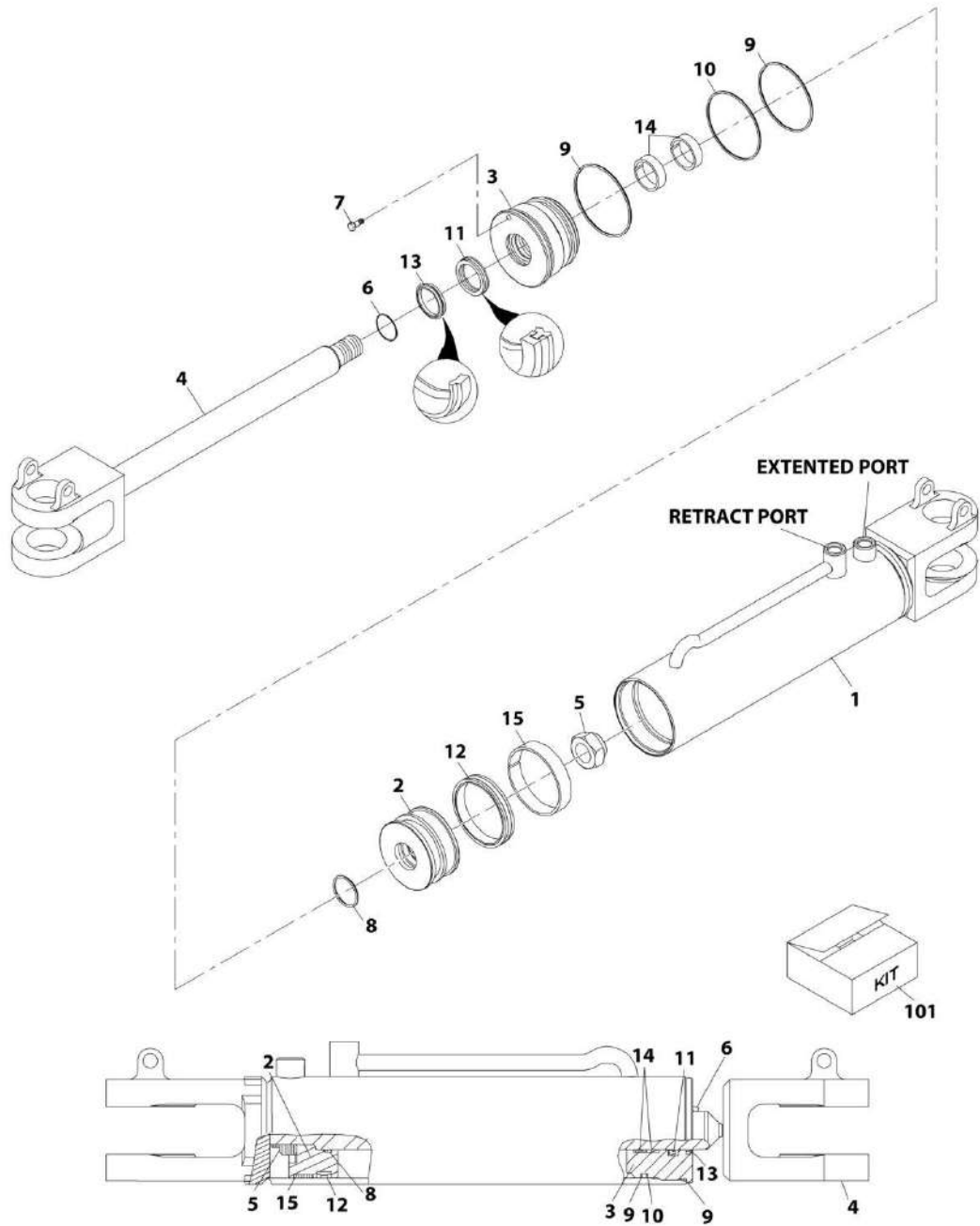
SECTION 9 - HYDRAULIC COMPONENTS

FIGURE 9-8. COMPENSATION CYLINDER

ITEM	PART NUMBER	QTY	DESCRIPTION	REV
	1001196110	Ref	Compensation Cylinder	D
1	8036778	1	Nut, Lock	
2	7029247	1	Piston	
3	Kit	1	Wear Ring	
4	Kit	1	Piston Seal	
5	Kit	1	O-Ring	
6	N.S.S.	1	Barrel	
7	7029251	1	Rod	
8	70028160	1	Rod Guide	
9	Kit	1	O-Ring	
10	Kit	1	Back-Up Ring	
11	Kit	2	Wear Ring	
12	Kit	1	Z-Seal	
13	Kit	1	Wiper Ring	
14	Kit	1	Screw	
15	1001198366	1	Valve, Counterbalance (Prior to SN 0160091642)	
		Ref	Seal Kit, CB Valve	
15	1001232216	1	Valve, Counterbalance (SN 0160091642 to Present)	
16	Kit	1	O-Ring	
100	70028159	1	Seal Kit, (includes items 3, 4, 5, 9 thru 14 & 16)	

SECTION 9 - HYDRAULIC COMPONENTS

FIGURE 9-9. COMPENSATION CYLINDER - 6042



ART_2717260-B

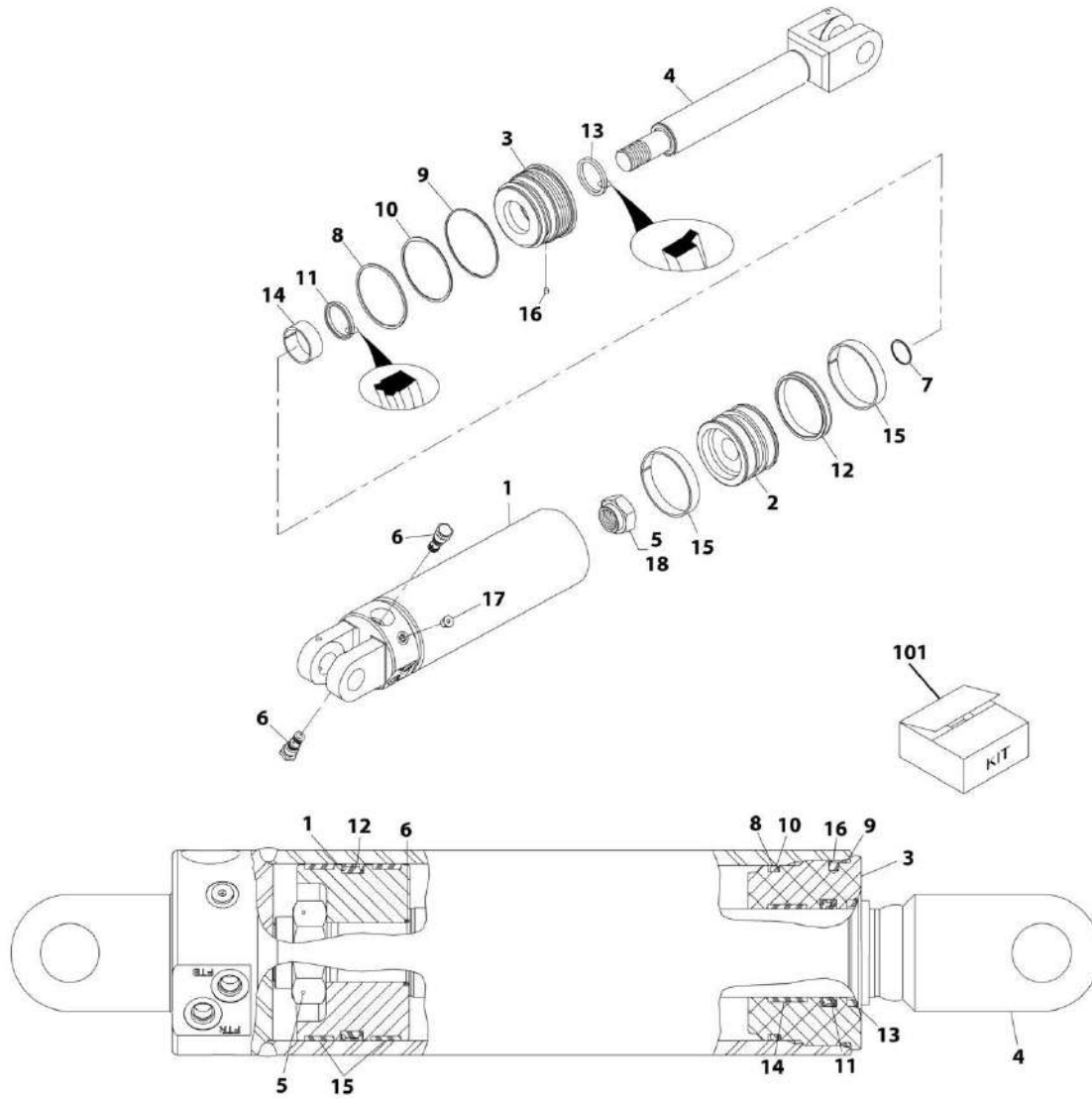
SECTION 9 - HYDRAULIC COMPONENTS

FIGURE 9-9. COMPENSATION CYLINDER - 6042

ITEM	PART NUMBER	QTY	DESCRIPTION	REV
	2717260	Ref	Compensation Cylinder - 6042	B
1	N.S.S.	1	Tube, Cylinder	
2	7029247	1	Piston	
3	7029250	1	Guide	
4	7029251	1	Rod	
5	7017278	1	Nut, Lock 1-1/8-12	
6	7029249	1	O-Ring	
7	8036811	1	Screw, Set 1/4-20X3/8	
8	Kit	1	O-Ring	
9	Kit	2	O-Ring	
10	Kit	1	Ring, Back-Up	
11	Kit	1	Z-Seal, Deep	
12	Kit	1	T-Seal, Capped	
13	Kit	1	Ring, Wear	
14	Kit	2	Ring, Wear	
15	Kit	1	Ring, Wear	
101	7028739	1	Kit, Seal (includes items 8 thru 15)	
N1	Note	Ref	QUANTITIES SHOWN ARE FOR ONE CYLINDER ONLY	

SECTION 9 - HYDRAULIC COMPONENTS

FIGURE 9-10. FRAME LEVEL CYLINDER - 6036



ART_1001091901-C

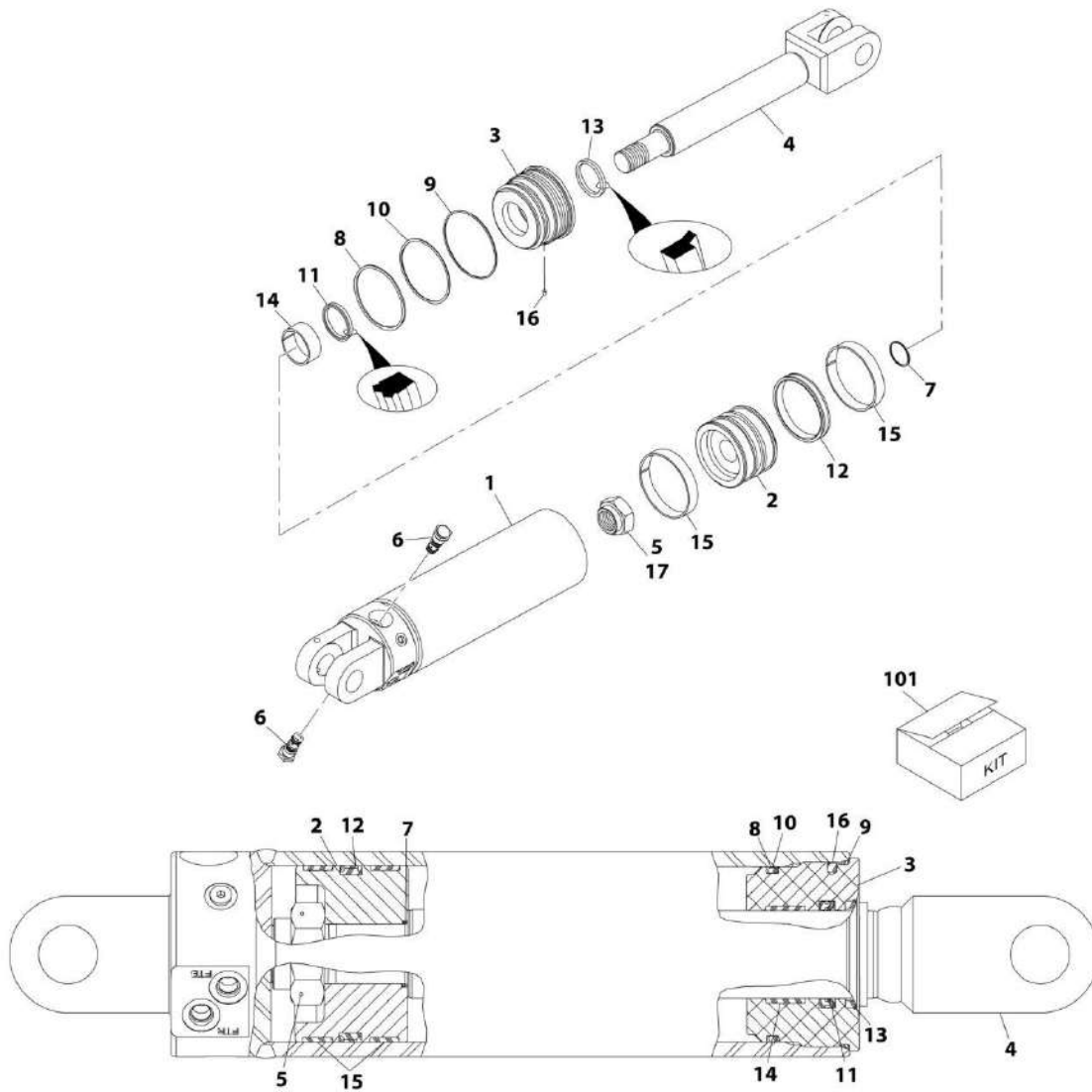
SECTION 9 - HYDRAULIC COMPONENTS

FIGURE 9-10. FRAME LEVEL CYLINDER - 6036

ITEM	PART NUMBER	QTY	DESCRIPTION	REV
	1001091901	Ref	Frame Level Cylinder - 6036	C
1	N.S.S.	1	Weldment, Tube	
2	8035323	1	Piston	
3	8035324	1	Gland, Head	
4	8035758	1	Weldment, Rod	
5	8035322	1	Nut, Lock 1-1/2-12	
6	1001091885	2	Valve, Counterbalance	
6	70021583	1	Kit, Seal	
7	Kit	1	O-Ring	
8	Kit	1	O-Ring	
9	Kit	1	O-Ring	
10	Kit	1	Ring, Back-Up	
11	Kit	1	Z-Seal, Deep	
12	Kit	1	T-Seal, Capped	
13	Kit	1	Seal, Wiper	
14	Kit	1	Wearband, Precision	
15	Kit	2	Wearband, Precision	
16	Kit	1	Insert, Locking	
17	8035785	2	Plug, Hex	
18	8526011	AR	Compound, Locking	
101	8035326	1	Kit, Seal (includes items 7 thru 16)	

SECTION 9 - HYDRAULIC COMPONENTS

FIGURE 9-11. FRAME LEVEL CYLINDER - 6042



ART_2716563-D

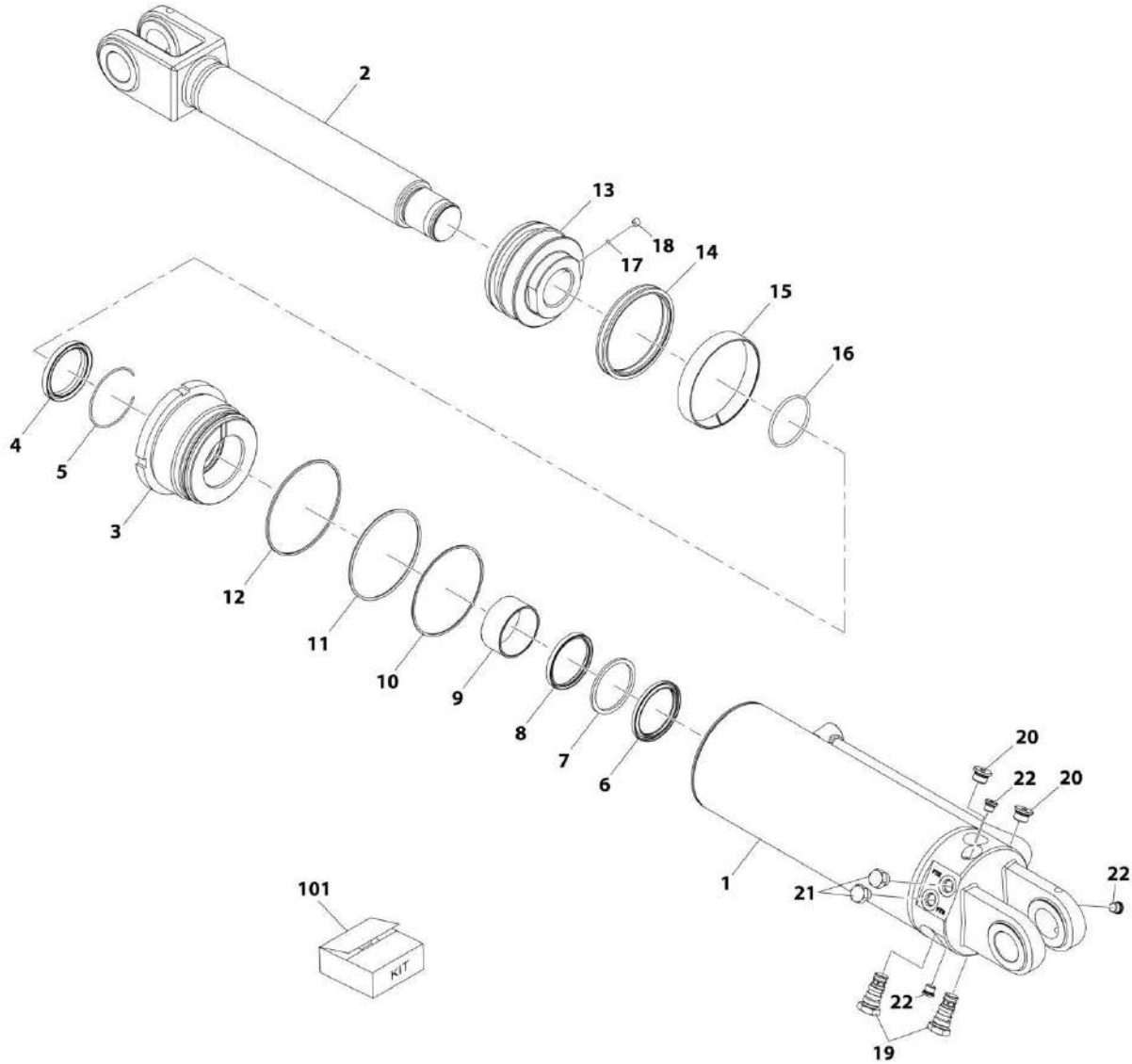
SECTION 9 - HYDRAULIC COMPONENTS

FIGURE 9-11. FRAME LEVEL CYLINDER - 6042

ITEM	PART NUMBER	QTY	DESCRIPTION	REV
	2716563	Ref	Frame Level Cylinder - 6042 (Be sure to check the part number on your cylinder prior to ordering replacement parts)	D
1	N.S.S.	1	Weldment, Tube	
2	8035323	1	Piston	
3	8035324	1	Gland, Head	
4	8035758	1	Weldment, Rod	
5	8035322	1	Nut, Lock 1-1/2-12	
6	8035757	2	Valve, P.O. Check	
6	8035327	2	Kit, Seal	
7	Kit	1	O-Ring	
8	Kit	1	O-Ring	
9	Kit	1	O-Ring	
10	Kit	1	Ring, Back-Up	
11	Kit	1	Z-Seal, Deep	
12	Kit	1	T-Seal, Capped	
13	Kit	1	Seal, Wiper	
14	Kit	1	Wearband, Precision	
15	Kit	2	Wearband, Precision	
16	Kit	1	Insert, Locking	
17	8526011	AR	Compound, Locking	
101	8035326	1	Kit, Seal (includes items 7 thru 16)	

SECTION 9 - HYDRAULIC COMPONENTS

FIGURE 9-12. FRAME LEVEL CYLINDER - 6042



ART_1001180762-C

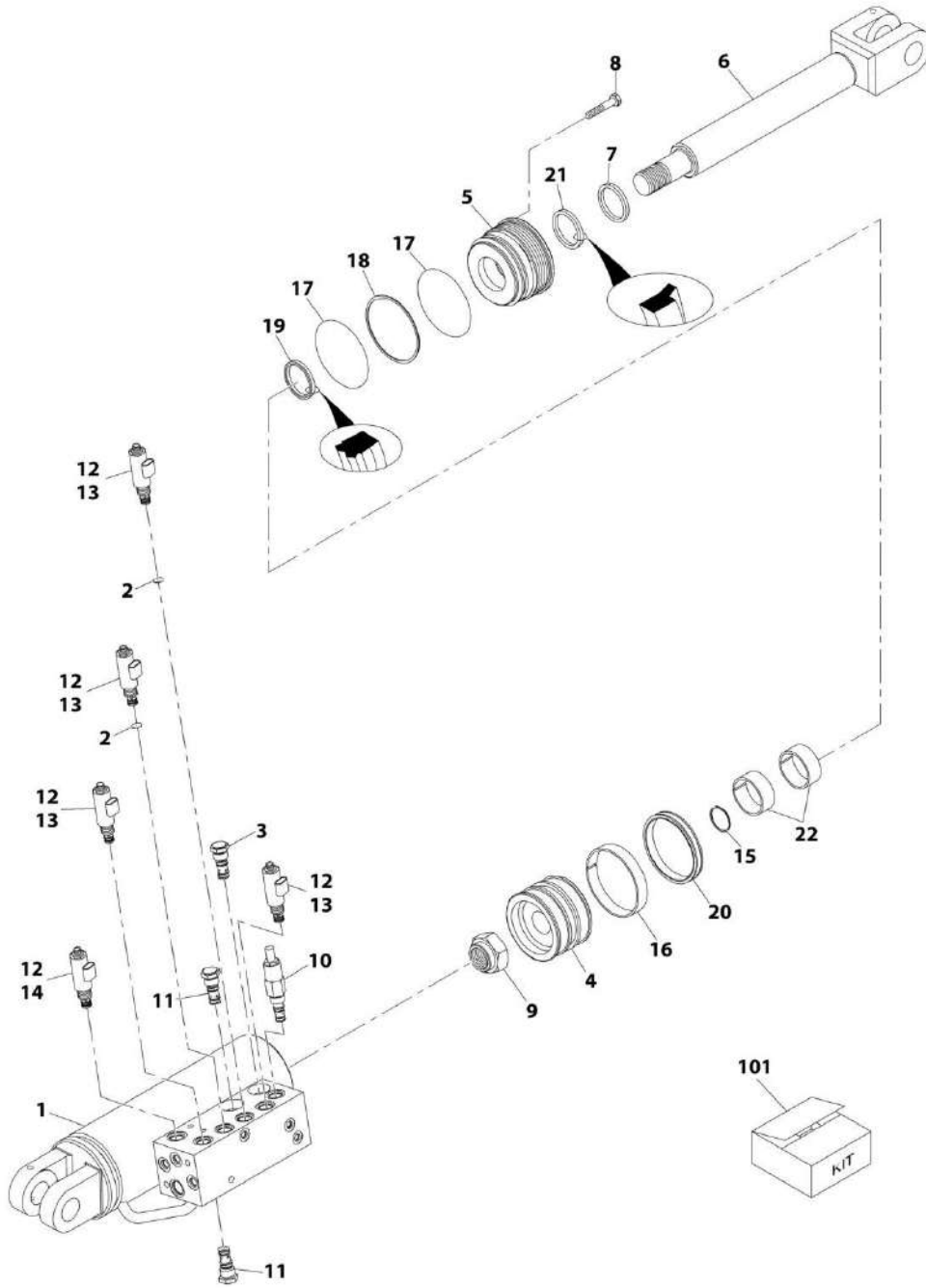
SECTION 9 - HYDRAULIC COMPONENTS

FIGURE 9-12. FRAME LEVEL CYLINDER - 6042

ITEM	PART NUMBER	QTY	DESCRIPTION	REV
	1001180762	Ref	Frame Level Cylinder - 6042 (Be sure to check the part number on your cylinder prior to ordering replacement parts)	C
1	70027689	1	Tube Assembly	
2	70027690	1	Rod Assembly	
3	70027691	1	Gland	
4	Kit	1	Dust Wiper	
5	70027244	1	Retain Ring	
6	Kit	1	Rod Seal	
7	Kit	1	Back Up Ring	
8	Kit	1	Buffer Ring	
9	70004637	1	Dry Bearing	
10	Kit	1	O-Ring	
11	Kit	1	Back Up Ring	
12	Kit	1	O-Ring	
13	70027692	1	Piston	
14	Kit	1	Piston Seal	
15	Kit	1	Wear Ring	
16	Kit	1	O-Ring	
17	70022564	1	Steel Ball	
18	70022563	1	Set Screw	
19	70027693	2	Check Valve	
20	70027694	2	Plug	
21	70027695	2	Plug	
22	2220883	3	Plug	
101	70027696	1	Seal Kit	

SECTION 9 - HYDRAULIC COMPONENTS

FIGURE 9-13. STABIL-TRAK CYLINDER



ART_2717198-E

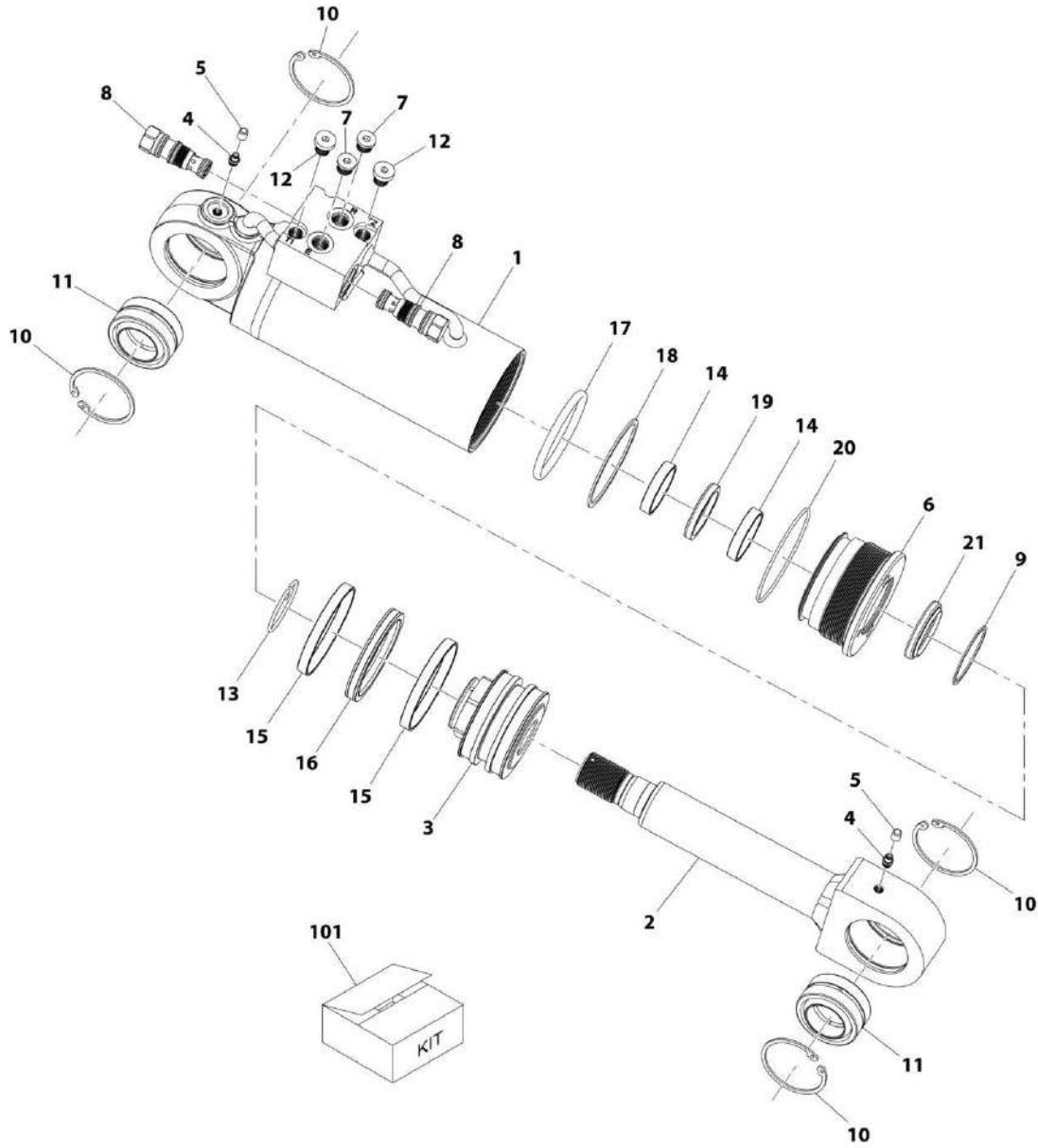
SECTION 9 - HYDRAULIC COMPONENTS

FIGURE 9-13. STABIL-TRAK CYLINDER

ITEM	PART NUMBER	QTY	DESCRIPTION	REV
	2717198	Ref	Stabil-Trak Cylinder	E
1	N.S.S.	1	Weldment, Tube	
2	8035781	2	Disk, Conical Orifice	
3	8036582	1	Valve, Check	
3	7017496	1	Kit, Seal	
4	8036826	1	Piston	
5	8036828	1	Guide	
6	8036827	1	Weldment, Rod	
7	7029153	1	O-Ring	
8	8036811	1	Screw, Set 1/4-20X3/8	
9	8036825	1	Nut, Lock 1-1/2-12	
10	8035282	1	Valve, Pressure Reducing	
10	8032994	1	Kit, Seal	
11	8035281	2	Valve, P.O. Check	
11	8036192	2	Kit, Seal	
12	7029246	5	Coil, Solenoid	
13	8036581	4	Valve, Solenoid 2-Way 12V	
13	7017496	4	Kit, Seal	
14	8036580	1	Valve, Solenoid 4-Way 12V	
14	7012903	1	Kit, Seal	
15	Kit	1	O-Ring	
16	Kit	1	Ring, Wear	
17	Kit	2	O-Ring	
18	Kit	1	Ring, Back-Up	
19	Kit	1	Z-Seal, Deep	
20	Kit	1	T-Seal, Capped	
21	Kit	1	Ring, Wiper	
22	Kit	2	Ring, Wear	
101	8036747	1	Kit, Seal (includes items 15 thru 22)	

SECTION 9 - HYDRAULIC COMPONENTS

FIGURE 9-14. SIDE TILT CYLINDER



ART_1001163414-A

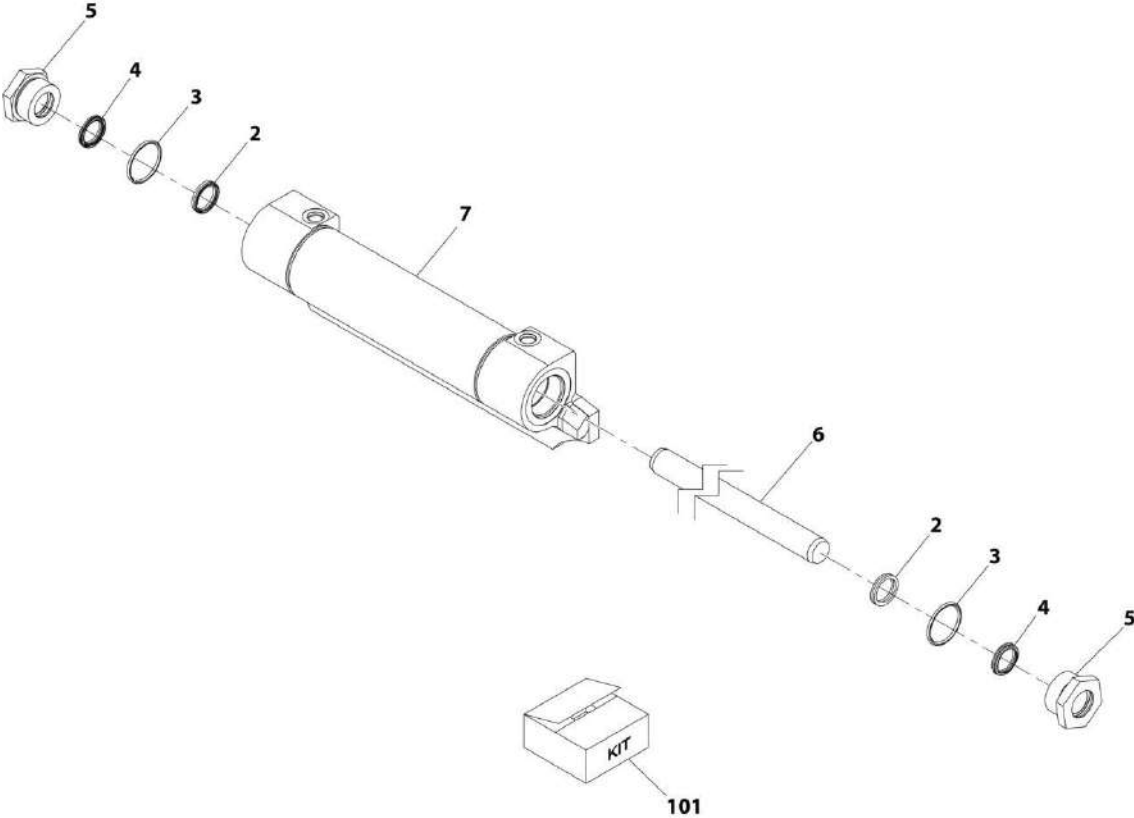
SECTION 9 - HYDRAULIC COMPONENTS

FIGURE 9-14. SIDE TILT CYLINDER

ITEM	PART NUMBER	QTY	DESCRIPTION	REV
	1001163414	Ref	Side Tilt Cylinder	A
1	70026056	1	Barrel	
2	70026057	1	Rod	
3	70026058	1	Head, Piston	
4	70025606	2	Nipple, Grease	
5	70024020	2	Fitting, Grease	
6	70003849	1	Gland	
7	70025959	2	Plug	
8	70026059	2	Valve, P.O. Check	
9	70002219	1	Ring, Internal Snap	
10	70026060	4	Ring, Internal Snap	
11	70026061	2	Bearing, Spherical	
12	70024262	2	Plug	
13	70002224	1	Ring, Locking	
14	Kit	2	Ring, Rod Bearing	
15	Kit	2	Ring, Piston Bearing	
16	Kit	1	Seal, Piston	
17	Kit	1	O-Ring	
18	Kit	1	Ring, Back-Up	
19	Kit	1	Seal, Rod	
20	Kit	1	O-Ring	
21	Kit	1	Seal, Wiper	
101	70026062	1	Kit, Seal (includes items 14 thru 21)	

SECTION 9 - HYDRAULIC COMPONENTS

FIGURE 9-15. SIDE SHIFT CARRIAGE CYLINDER



ART_70024539-B

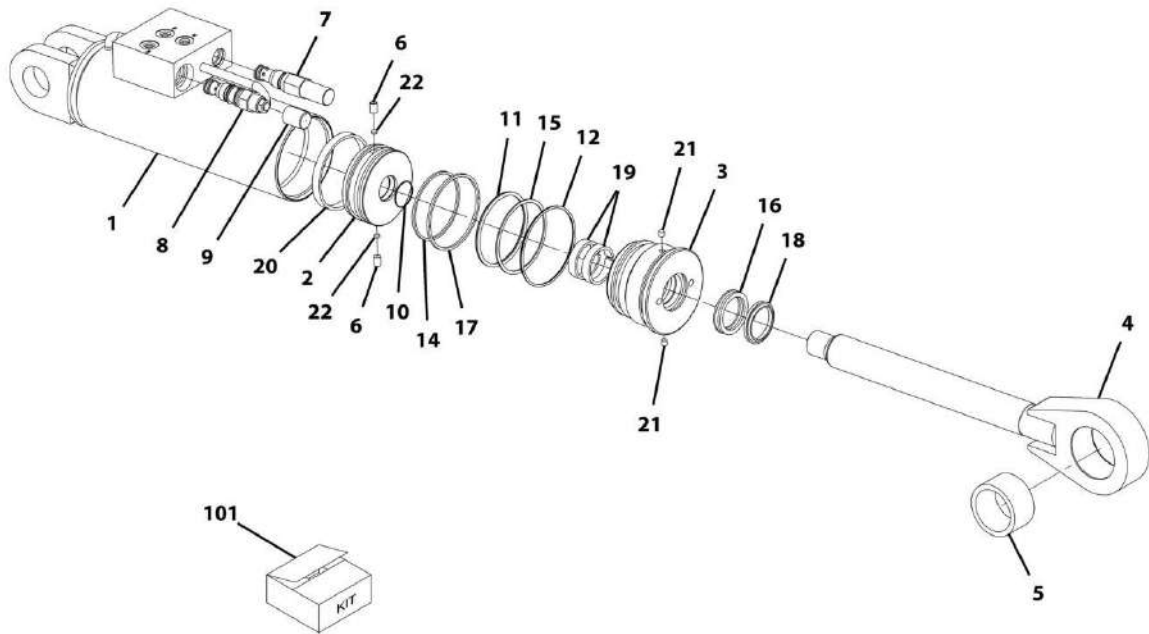
SECTION 9 - HYDRAULIC COMPONENTS

FIGURE 9-15. SIDE SHIFT CARRIAGE CYLINDER

ITEM	PART NUMBER	QTY	DESCRIPTION	REV
	70024539	Ref	Side Shift Carriage Cylinder	B
2	Kit	2	Seal, Rod	
3	70024547	2	O-Ring	
4	Kit	2	Seal, Rod Wiper	
5	70024548	2	Seal, Retainer	
6	N.S.S.	1	Rod	
7	N.S.S.	1	Barrel	
101	70024549	1	Kit, Seal (includes items 2 & 4)	

SECTION 9 - HYDRAULIC COMPONENTS

FIGURE 9-16. SWING CARRIAGE CYLINDER



ART_1001103182-B

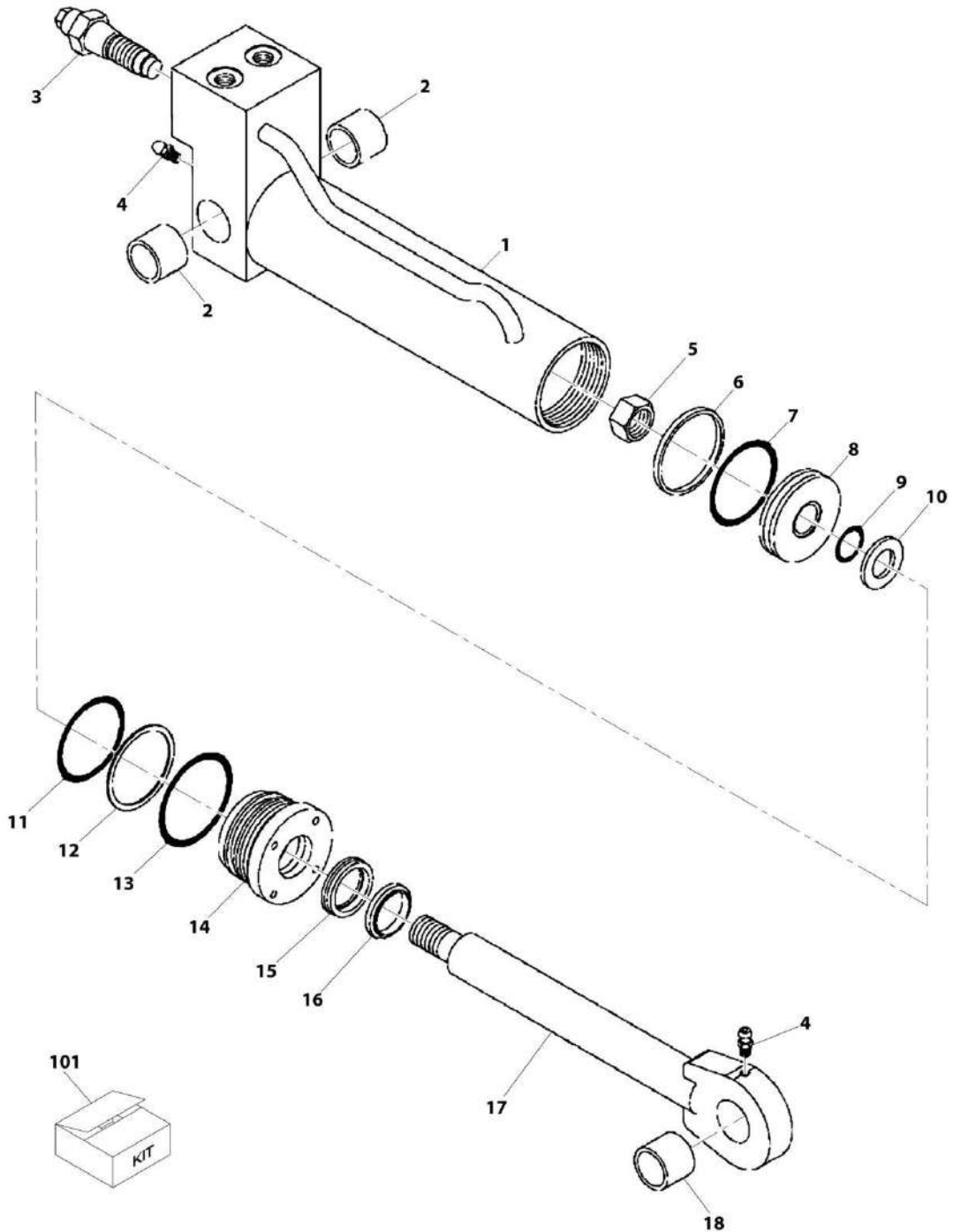
SECTION 9 - HYDRAULIC COMPONENTS

FIGURE 9-16. SWING CARRIAGE CYLINDER

ITEM	PART NUMBER	QTY	DESCRIPTION	REV
	1001103182	Ref	Swing Carriage Cylinder	B
1	70022044	1	Assembly, Tube	
2	8035863	1	Piston	
3	8035862	1	Gland, Head	
4	70022045	1	Assembly, Rod	
5	70022046	1	Bearing	
6	8035536	2	Screw, Set 5/16-18X1/2	
7	70020428	1	Valve, Relief	
7	7024574	1	Kit, Seal	
8	8033786	1	Valve, Counterbalance	
8	8205655	1	Kit, Seal	
11	Kit	1	O-Ring	
12	Kit	1	O-Ring	
13	Kit	1	O-Ring	
14	Kit	1	Ring, Square	
15	Kit	1	Ring, Backup	
16	Kit	1	Seal	
17	Kit	1	Seal, Piston	
18	Kit	1	Wiper, Rod	
19	Kit	2	Wearband	
20	Kit	1	Wearband	
21	Kit	2	Insert	
22	Kit	2	Insert	
101	2915023	1	Kit, Seal (includes items 11 thru 22)	

SECTION 9 - HYDRAULIC COMPONENTS

FIGURE 9-17. GRAPPLE BUCKET CYLINDER



ART_70021393-A

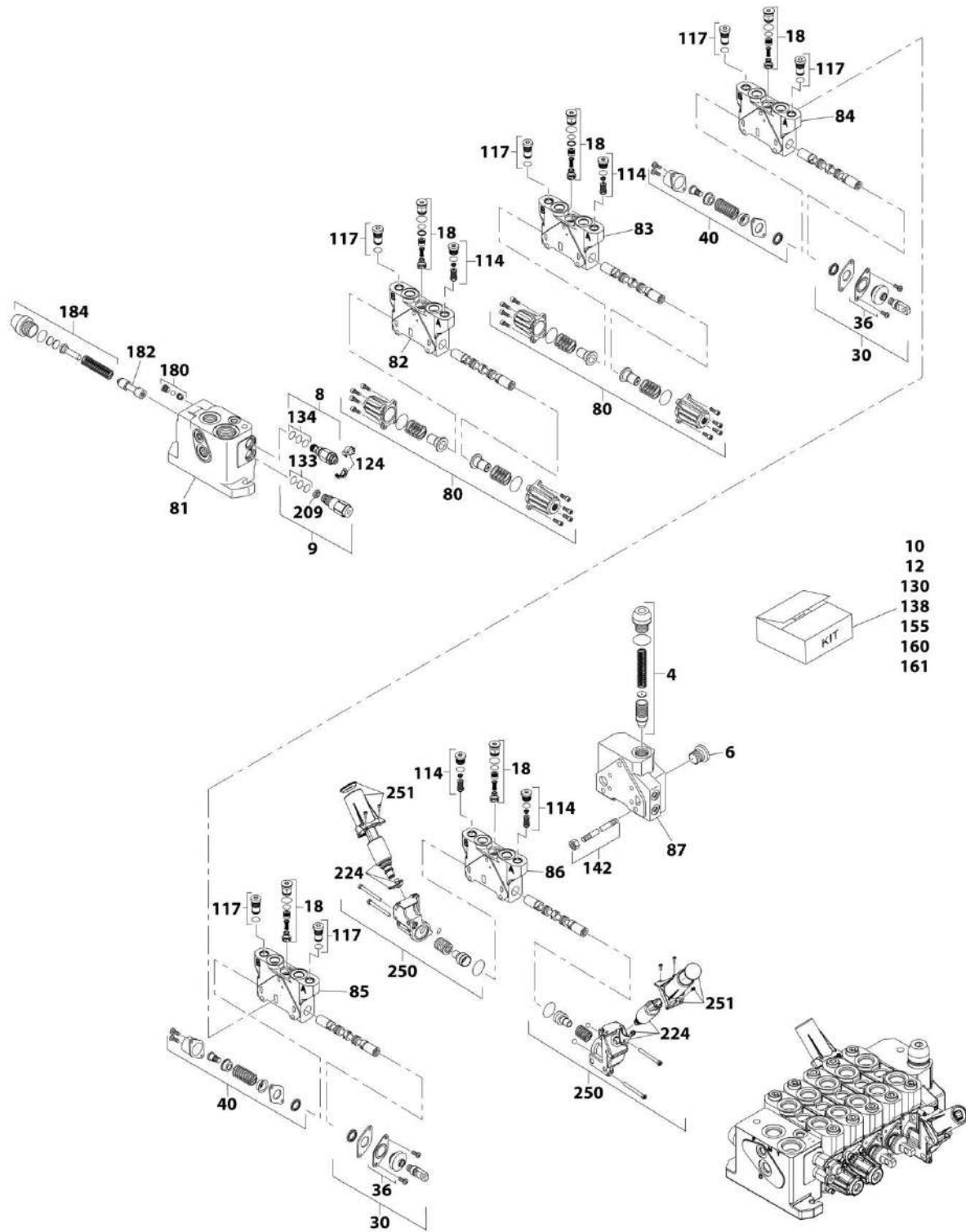
SECTION 9 - HYDRAULIC COMPONENTS

FIGURE 9-17. GRAPPLE BUCKET CYLINDER

ITEM	PART NUMBER	QTY	DESCRIPTION	REV
	70021393	Ref	Grapple Bucket Cylinder	A
1	70021465	1	Tube, Cylinder	
2	70021448	2	Bushing	
3	70021464	2	Cartridge, Valve	
4	90554045	2	Fitting, Grease	
5	70021440	1	Nut, Hex	
6	Kit	1	Ring, Piston	
7	Kit	1	O-Ring	
8	70021451	1	Piston	
9	Kit	1	O-Ring	
10	70021444	1	Washer	
11	Kit	1	O-Ring	
12	Kit	1	Washer, Back-Up	
13	Kit	1	O-Ring	
14	70021446	1	Gland, Cylinder	
15	Kit	1	Seal, Poly-Pak	
16	Kit	1	Wiper, Rod	
17	70021466	1	Rod, Piston	
18	70021447	1	Bushing	
101	70021452	1	Kit, Seal (includes items 6, 7, 9, 11 thru 13, 15 & 16)	

SECTION 9 - HYDRAULIC COMPONENTS

FIGURE 9-18. MAIN CONTROL VALVE, 85HP



ART_1001157925-E

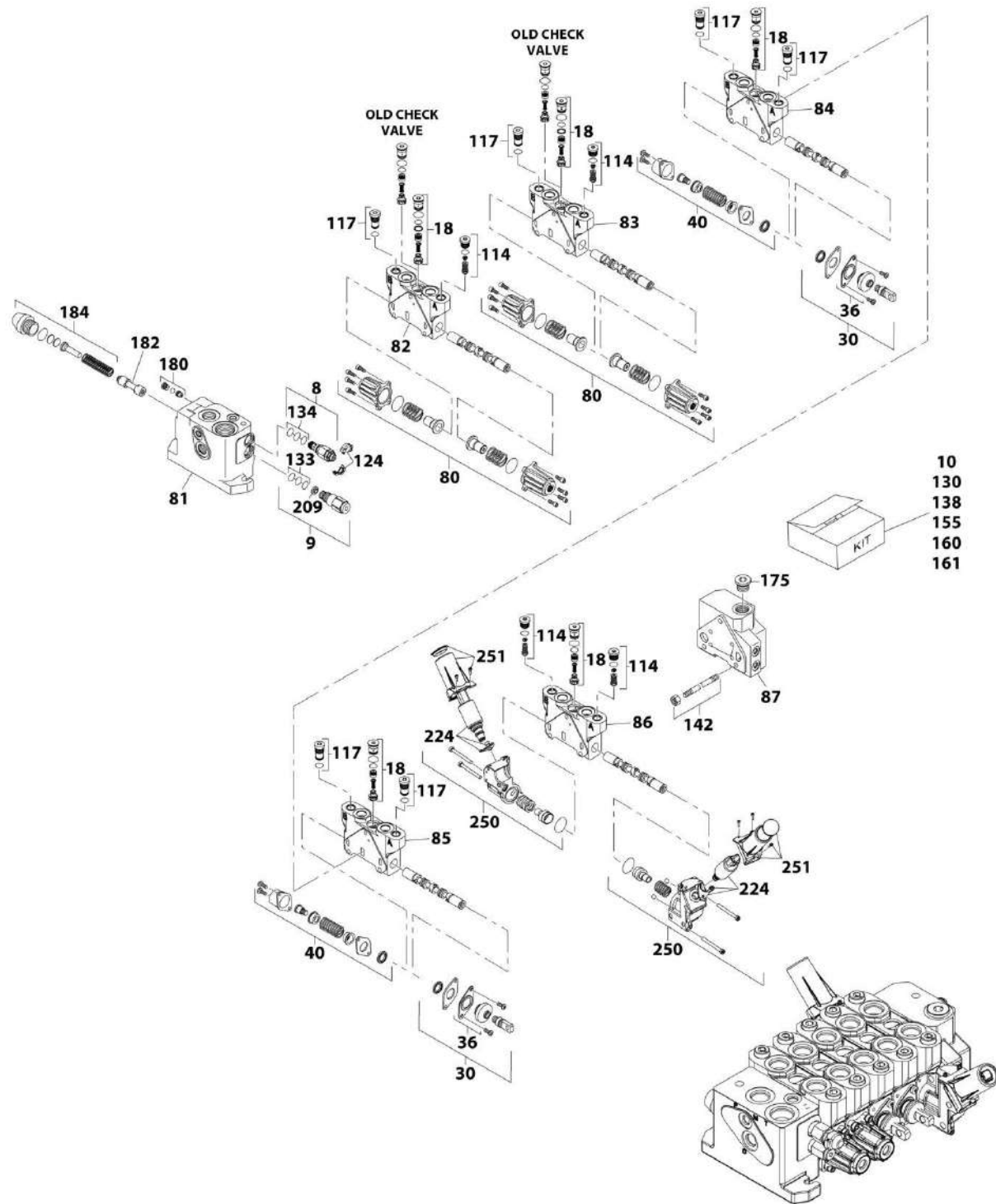
SECTION 9 - HYDRAULIC COMPONENTS

FIGURE 9-18. MAIN CONTROL VALVE, 85HP

ITEM	PART NUMBER	QTY	DESCRIPTION	REV
	1001157925	Ref	Main Control Valve, 85HP	E
4	70022671	1	Kit, Regulation	
6	70026199	1	Plug	
8	70020693	1	Valve, Pressure Relief	
9	70020695	1	Regulator, Flow	
10	70022683	1	Seal Kit, Inlet	
12	70022684	1	Seal Kit, Outlet	
18	70026189	5	Kit, Compensator	
30	70026194	2	Kit, Operation	
36	70026195	2	Kit, Bellows	
40	70026196	2	Kit, Cover	
80	70026190	2	Kit, Hydraulic Pilot Actuator	
81	70027846	1	Inlet	
82	70027847	1	Lift Section	
83	70027848	1	Extend/Retract Section	
84	70027849	1	Aux Section	
85	70027850	1	Sway Section	
86	70027851	1	Tilt Section	
87	70022714	1	Outlet	
114	70026191	4	Valve, Pressure Relief	
117	70026192	6	Plug	
124	70020694	1	Cover, Locking	
130	70022683	5	Seal Kit, Element	
133	70020711	1	Seal Kit, Flow Regulator	
134	70020712	1	Seal Kit, Pressure Relief Valve	
138	70022686	1	Seal Kit, Element	
142	70026200	3	Rod, Tie	
155	70026197	2	Kit, Seal	
160	70026193	4	Seal Kit, Element	
161	70022687	1	Seal Kit, Element	
180	70022676	1	Kit, Shuttle Valve	
182	N.S.S.	1	Spool, CD	
184	70022678	1	Kit, Plug	
209	70021874	1	Filter, Flow Regulator	
224	70022680	2	Kit, Solenoid	
250	70022682	2	Kit, Solenoid	
251	70026198	2	Kit, Cap	

SECTION 9 - HYDRAULIC COMPONENTS

FIGURE 9-19. MAIN CONTROL VALVE, 74HP



ART_1001157923-D

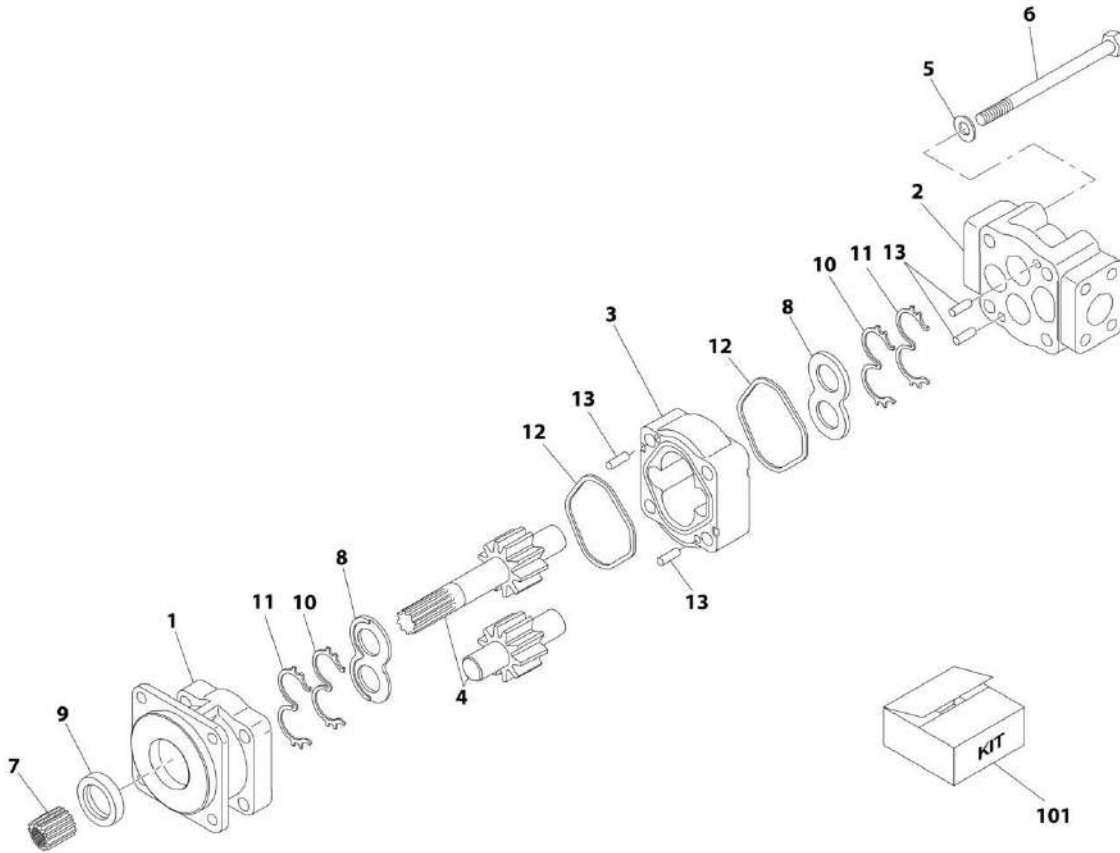
SECTION 9 - HYDRAULIC COMPONENTS

FIGURE 9-19. MAIN CONTROL VALVE, 74HP

ITEM	PART NUMBER	QTY	DESCRIPTION	REV
	1001157923	Ref	Main Control Valve, 74HP	D
8	70020693	1	Valve, Pressure Relief (includes item 134)	
9	70020695	1	Flow Regulator, (includes items 133 & 209)	
10	70022683	1	Seal Kit, Inlet	
18	70026189	5	Kit, Compensator	
30	70026194	2	Kit, Operation (includes items 36)	
36	70026195	2	Kit, Bellows	
40	70026196	2	Kit, Cover	
80	70026190	2	Kit, Hydraulic Pilot Actuator	
81	70027846	1	Inlet	
82	70027847	1	Lift Section	
83	70027848	1	Extend/Retract Section	
84	70027849	1	Aux Section	
85	70027850	1	Sway Section	
86	70027851	1	Tilt Section	
87	70022714	1	Outlet	
114	70026191	4	Valve, Pressure Relief	
117	70026192	6	Plug	
124	70020694	1	Cover, Locking	
130	70022683	5	Seal Kit, Inlet	
133	70020711	1	Seal Kit, Flow Regulator	
134	70020712	1	Seal Kit, Pressure Relief	
138	70022686	2	Seal Kit, Element	
142	70026200	3	Rod, Tie	
155	70026197	2	Kit, Seal	
160	70026193	4	Seal Kit, Element	
161	70022687	1	Seal Kit, Complete Element	
175	70026201	1	Plug, Outlet	
180	70022676	1	Kit, Shuttle Valve	
182	N.S.S.	1	Spool, CD	
184	70022678	1	Kit, Plug	
209	70021874	1	Filter, Flow Regulator	
224	70022680	2	Kit, Solenoid	
250	70022682	2	Kit, Solenoid, (includes items 224 & 251)	
251	70026198	2	Kit, Cap	

SECTION 9 - HYDRAULIC COMPONENTS

FIGURE 9-20. GEAR PUMP



ART_8440162-AA

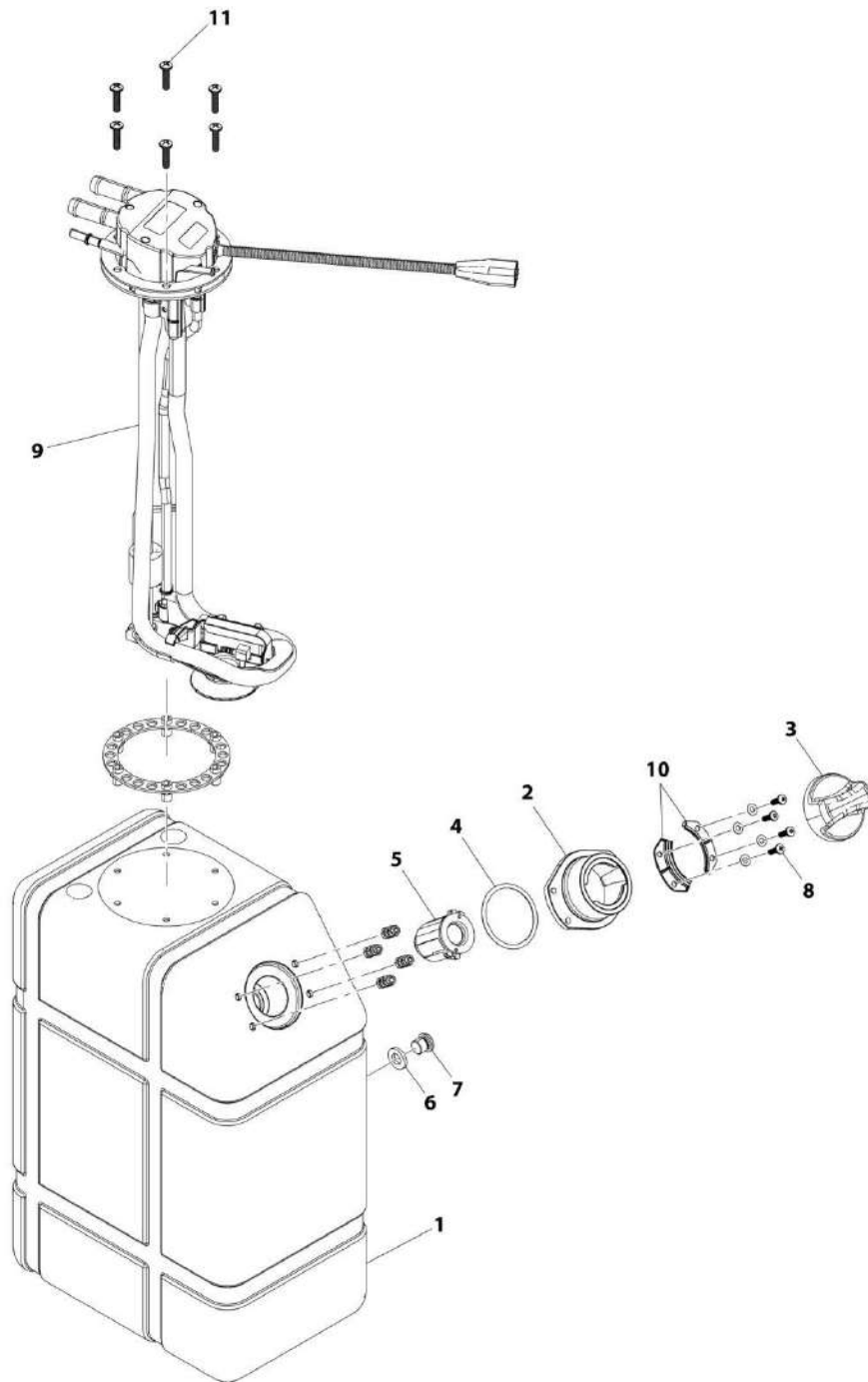
SECTION 9 - HYDRAULIC COMPONENTS

FIGURE 9-20. GEAR PUMP

ITEM	PART NUMBER	QTY	DESCRIPTION	REV
	8440162	Ref	Gear Pump	AA
1	N.S.S.	1	Housing, SEC	
2	N.S.S.	1	Housing, PEC	
3	8036428	1	Housing, Gear	
4	8036271	1	Set, Gear Shaft	
5	N.S.S.	4	Washer	
6	8035745	4	Capscrew	
7	8035744	1	Adapter, Spline	
8	N.S.S.	2	Plate, Thrust	
9	Kit	1	Seal, Lip	
10	Kit	2	Seal, Channel	
11	Kit	2	Seal, Back-Up	
12	Kit	2	Seal, Square R	
13	83671037	4	Pin, Dowel	
101	8036429	1	Kit, Seal (includes items 9 thru 12)	

SECTION 9 - HYDRAULIC COMPONENTS

FIGURE 9-21. DEF TANK (Prior to SN 0160081935)



ART_1001168435-F

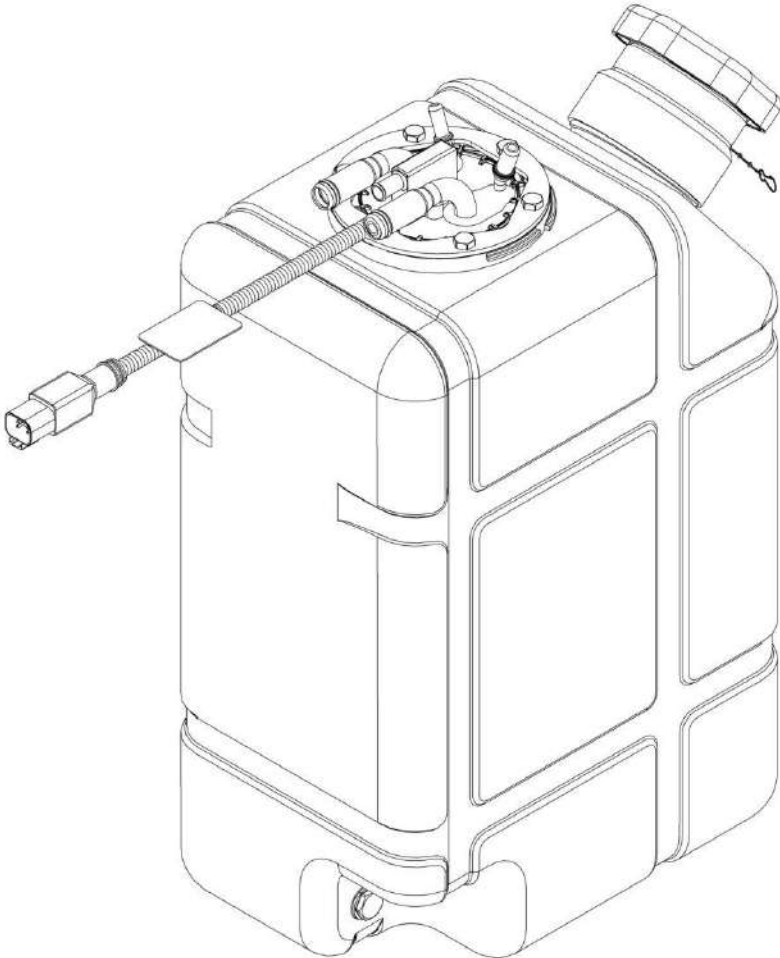
SECTION 9 - HYDRAULIC COMPONENTS

FIGURE 9-21. DEF TANK (Prior to SN 0160081935)

ITEM	PART NUMBER	QTY	DESCRIPTION	REV
	1001168435	Ref	DEF Tank Assembly	F
1	70026269	1	Tank, DEF	
2	70026270	1	Neck, DEF	
3	70026271	1	Cap, DEF	
4	70026272	1	O-Ring, Fill Neck	
5	70026273	1	Adapter	
6	70026274	1	Gasket	
7	70026275	1	Plug, M14X1-1/2	
8	70026276	4	Screw, Torx 10-24X5/8	
9	70026277	1	Sensor	
9	70026584	1	Filter, DEF	
10	70026278	2	Retainer, Tether	
11	70026279	6	Screw, Torx 1/4-20X3/4	

SECTION 9 - HYDRAULIC COMPONENTS

FIGURE 9-22. DEF TANK (SN 0160081935 to Present)



ART_1001228986-A

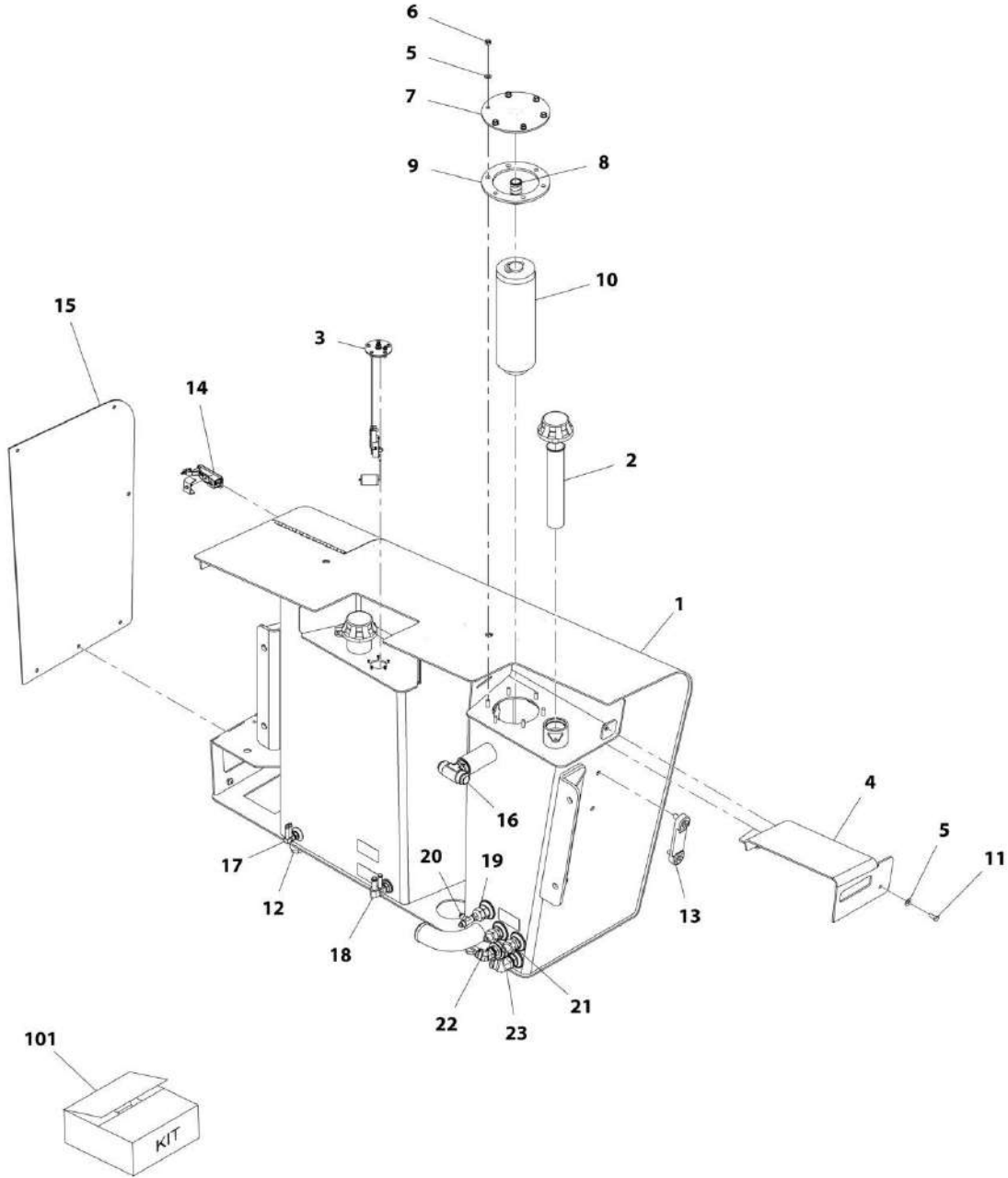
SECTION 9 - HYDRAULIC COMPONENTS

FIGURE 9-22. DEF TANK (SN 0160081935 to Present)

ITEM	PART NUMBER	QTY	DESCRIPTION	REV
	1001228986	Ref	DEF Tank Assembly, (Contact Cummins at 1-800-CUMMINS for all service if the DEF tank assembly is still within warranty. Warranty may be voided if service is conducted by anyone other than Cummins service personnel)	A

SECTION 9 - HYDRAULIC COMPONENTS

FIGURE 9-23. HYDRAULIC/FUEL/DEF TANK ASSEMBLY



ART_1001169466-L

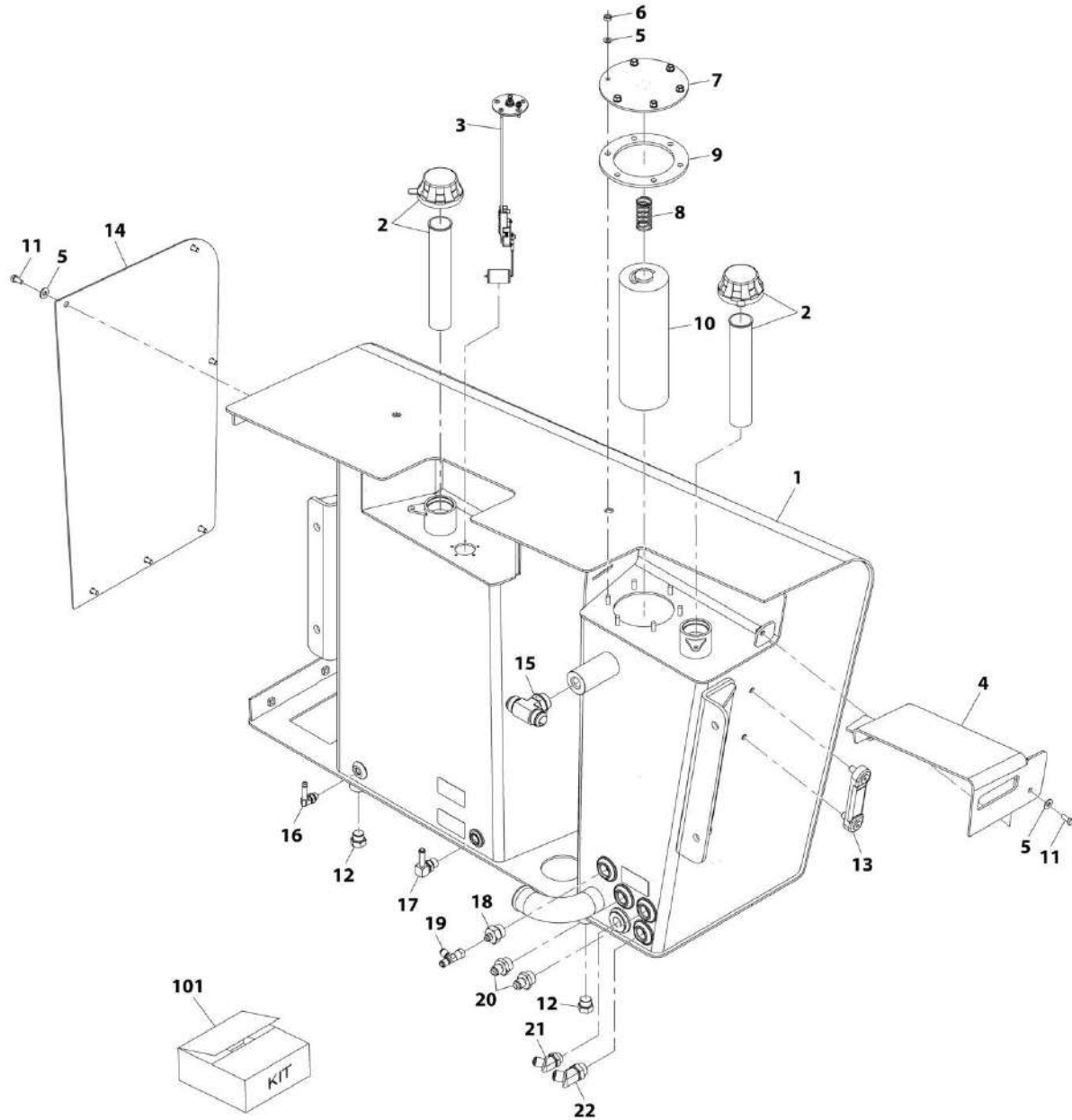
SECTION 9 - HYDRAULIC COMPONENTS

FIGURE 9-23. HYDRAULIC/FUEL/DEF TANK ASSEMBLY

ITEM	PART NUMBER	QTY	DESCRIPTION	REV
	1001169466	Ref	Hydraulic/Fuel/DEF Tank Assembly	L
1	N.S.S.	1	Weldment, Hydraulic/Fuel Tank	
2	7139077	2	Filler/Breather	
3	1001145026	1	Sensor, Fuel	
4	1001199116	1	Panel, Hydraulic Fill Cover	
5	1001170329	7	Washer, Flat M8	
6	3300429	6	Nut, Hex 31-18	
7	1001199135	1	Assembly, Cover	
8	1001199136	1	Spring	
9	1001199177	1	Seal	
10	1001199205	1	Element, Filter	
11	8303697	1	Bolt, Hex Hd 5/16-18X3/4	
12	2220239	2	Plug	
13	7024441	1	Gauge, Sight	
14	1001199199	1	Latch	
15	1001199181	1	Cover, DEF Tank	
16	8760552	1	Tee, Branch	
17	1001178776	1	Elbow, 90	
18	1001199210	1	Elbow, 90	
19	2220577	1	Adapter	
20	2220635	1	Tee, Run	
21	2220375	2	Adapter	
22	2220499	1	Elbow, 45	
23	8770048	1	Elbow, 45	
101	70024152	1	Kit, Filter (Includes Items 9 & 10)	

SECTION 9 - HYDRAULIC COMPONENTS

FIGURE 9-24. HYDRAULIC/FUEL TANK ASSEMBLY



ART_1001227211-A

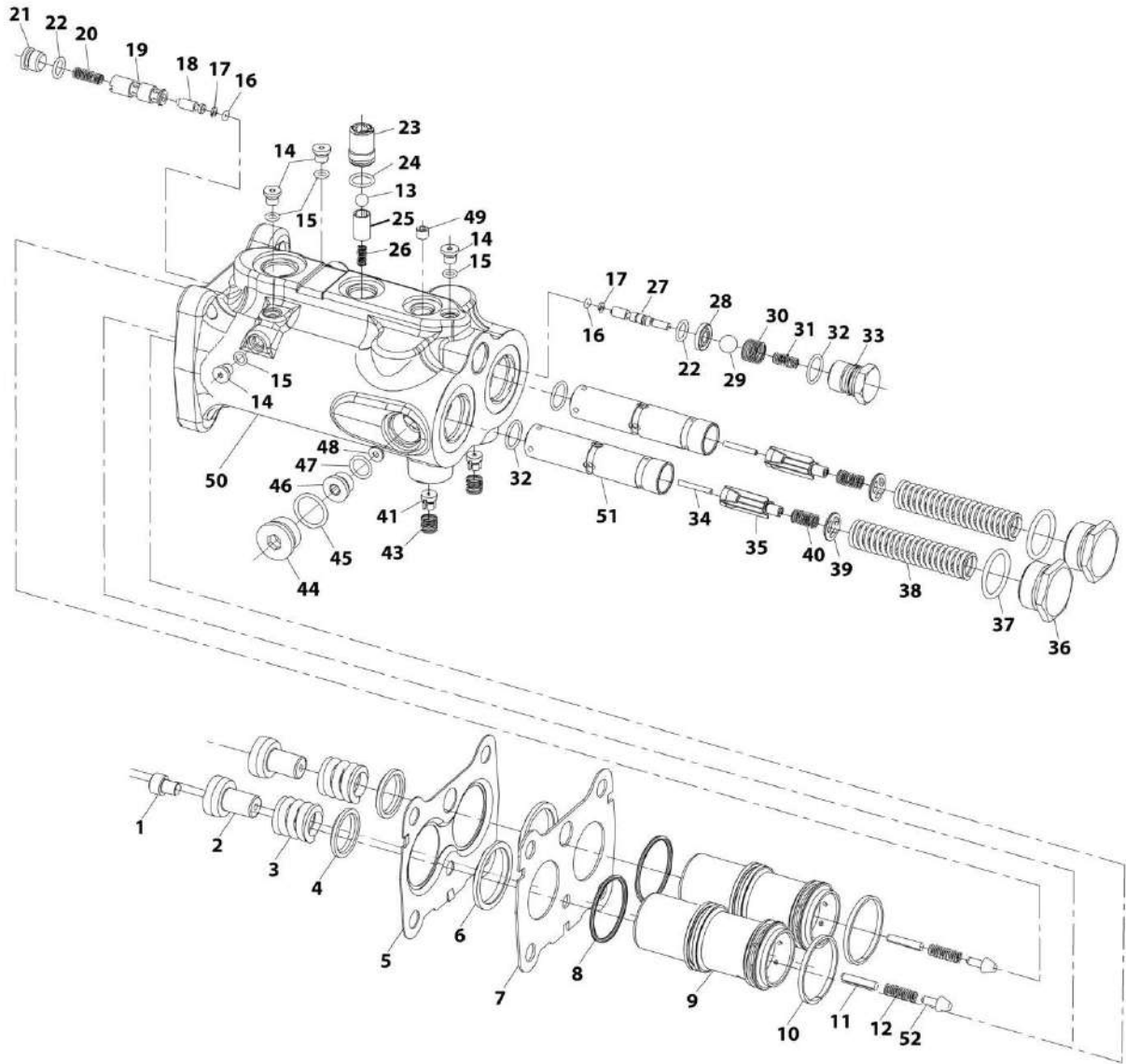
SECTION 9 - HYDRAULIC COMPONENTS

FIGURE 9-24. HYDRAULIC/FUEL TANK ASSEMBLY

ITEM	PART NUMBER	QTY	DESCRIPTION	REV
	1001227211	Ref	Hydraulic/Fuel Tank Assembly	A
1	N.S.S.	1	Weldment, Hydraulic/Fuel Tank	
2	7139077	2	Filler/Breather	
3	1001145026	1	Sensor, Fuel	
4	1001199116	1	Panel, Hydraulic Fill Cover	
5	1001170329	13	Washer, Flat M8	
6	3300429	6	Nut, Hex 31-18	
7	1001199135	1	Assembly, Cover	
8	1001199136	1	Spring	
9	1001199177	1	Seal	
10	1001199205	1	Element, Filter	
11	8303697	7	Bolt, Hex Hd 5/16-18X3/4	
12	2220239	2	Plug	
13	7024441	1	Gauge, Sight	
14	1001199181	1	Cover, DEF Tank	
15	8760552	1	Tee, Branch	
16	1001178776	1	Elbow, 90	
17	1001199210	1	Elbow, 90	
18	2220577	1	Adapter	
19	2220635	1	Tee, Run	
20	2220375	2	Adapter	
21	2220499	1	Elbow, 45	
22	8770048	1	Elbow, 45	
101	70024152	1	Kit, Filter (Includes Items 9 & 10)	

SECTION 9 - HYDRAULIC COMPONENTS

FIGURE 9-25. BRAKE VALVE (Prior to SN 0160074884, Excluding 0160074882)



ART_1001106836-B

SECTION 9 - HYDRAULIC COMPONENTS

FIGURE 9-25. BRAKE VALVE (Prior to SN 0160074884, Excluding 0160074882)

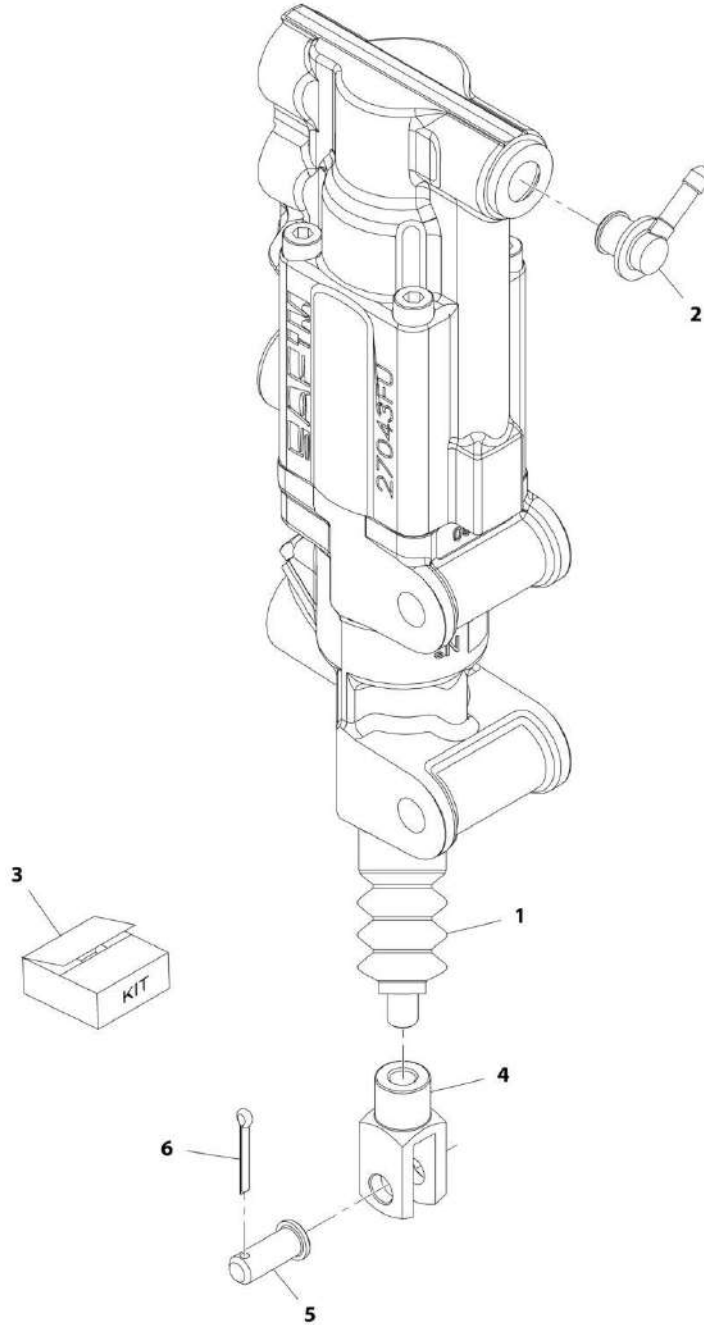
ITEM	PART NUMBER	QTY	DESCRIPTION	REV
	1001106836	Ref	Brake Valve	B
1	91474454	1	Screw	
2	91474442	2	Pin	
3	70020659	2	Spring	
4	91474441	2	Wiper	
5	70020660	1	Cover	
6	91474440	2	Wiper	
7	70020661	1	Cover	
8	91474439	2	Ring, Quad	
9	70020662	2	Piston	
10	70020663	2	Ring, Piston	
11	70023037	2	Pin	
12	91474438	2	Spring	
13	91474452	1	Ball	
14	91474450	4	Plug	
15	91474451	4	O-Ring	
16	91474453	2	O-Ring	
17	91514199	2	Ring, Back-Up	
18	91474455	1	Piston, Dump	
19	91474456	1	Spool, Dump	
20	70020665	1	Spring	
21	91474458	1	Plug	
22	91514198	2	O-Ring	
23	70020666	1	Seat, Inlet	
24	70020667	1	O-Ring	
25	70020668	1	Retainer	
26	70020669	1	Spring	
27	91474447	1	Piston	
28	91474446	1	Seat	
29	70020670	1	Ball	
30	70020671	1	Spring	
31	70020672	1	Spring	
32	91514197	3	O-Ring	
33	91474443	1	Plug	
34	70020673	2	Roller, Needle	
35	70020674	2	Check, Make-Up	
36	91474434	2	Plug	
37	91474435	2	O-Ring	
38	70020675	2	Spring	
39	70020676	2	Guide, Spring	
40	70020677	2	Spring	
41	70020678	2	Orifice	
43	70020679	2	Spring	
44	91474459	1	Plug	
45	91474460	1	O-Ring	
46	70020680	1	Plug	
47	70020681	1	O-Ring	
48	70020682	1	Orifice	
49	70023039	1	Orifice	
50	N.S.S.	1	Housing	

SECTION 9 - HYDRAULIC COMPONENTS

ITEM	PART NUMBER	QTY	DESCRIPTION	REV
51	N.S.S.	2	Spool	
52	70023038	2	Poppet	

SECTION 9 - HYDRAULIC COMPONENTS

FIGURE 9-26. BRAKE VALVE (SN 0160074884 to Present, Including 0160074882)



ART_1001201721-D

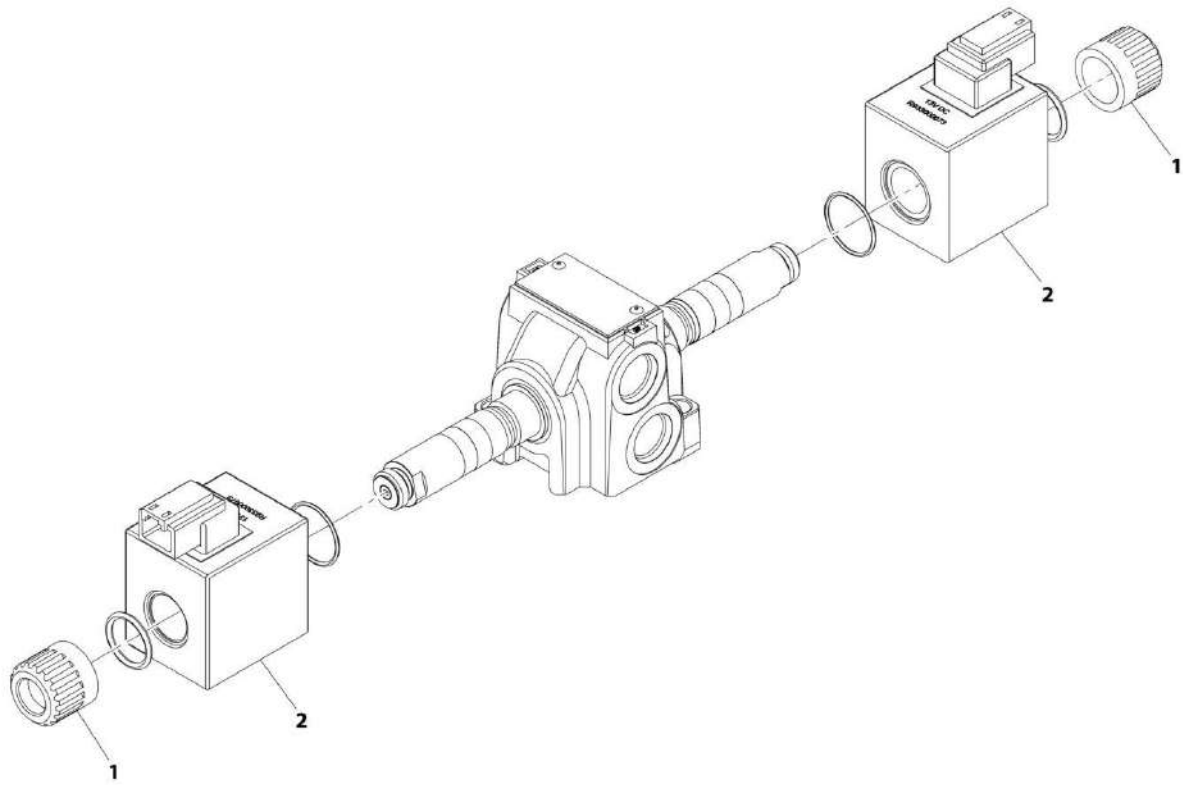
SECTION 9 - HYDRAULIC COMPONENTS

FIGURE 9-26. BRAKE VALVE (SN 0160074884 to Present, Including 0160074882)

ITEM	PART NUMBER	QTY	DESCRIPTION	REV
	1001201721	Ref	Brake Valve	D
1	70025859	1	Dust Cover	
2	70027275	1	Reservoir Joint	
3	70027276	1	Seal Kit	
4	70022650	1	Yoke	
5	70020743	1	Yoke Pin	
6	70020745	1	Pin, Cotter	

SECTION 9 - HYDRAULIC COMPONENTS

FIGURE 9-27. STEER SELECT VALVE



ART_1001153748-C

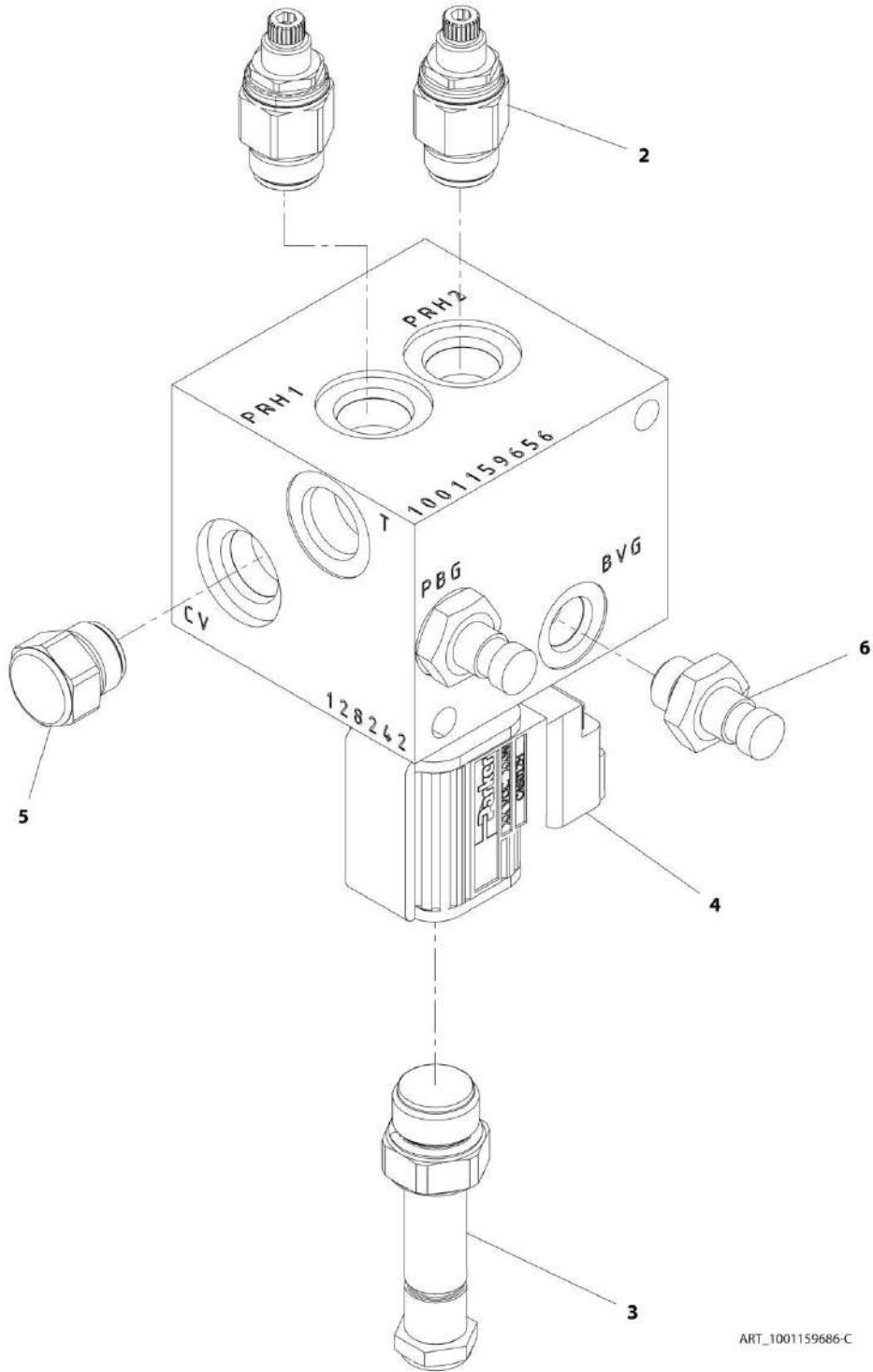
SECTION 9 - HYDRAULIC COMPONENTS

FIGURE 9-27. STEER SELECT VALVE

ITEM	PART NUMBER	QTY	DESCRIPTION	REV
	1001153748	Ref	Steer Select Valve	C
1	70020867	2	Kit, Retainer, W/Seals	
2	70026582	2	Coil	

SECTION 9 - HYDRAULIC COMPONENTS

FIGURE 9-28. SECONDARY CONTROL VALVE



ART_1001159686-C

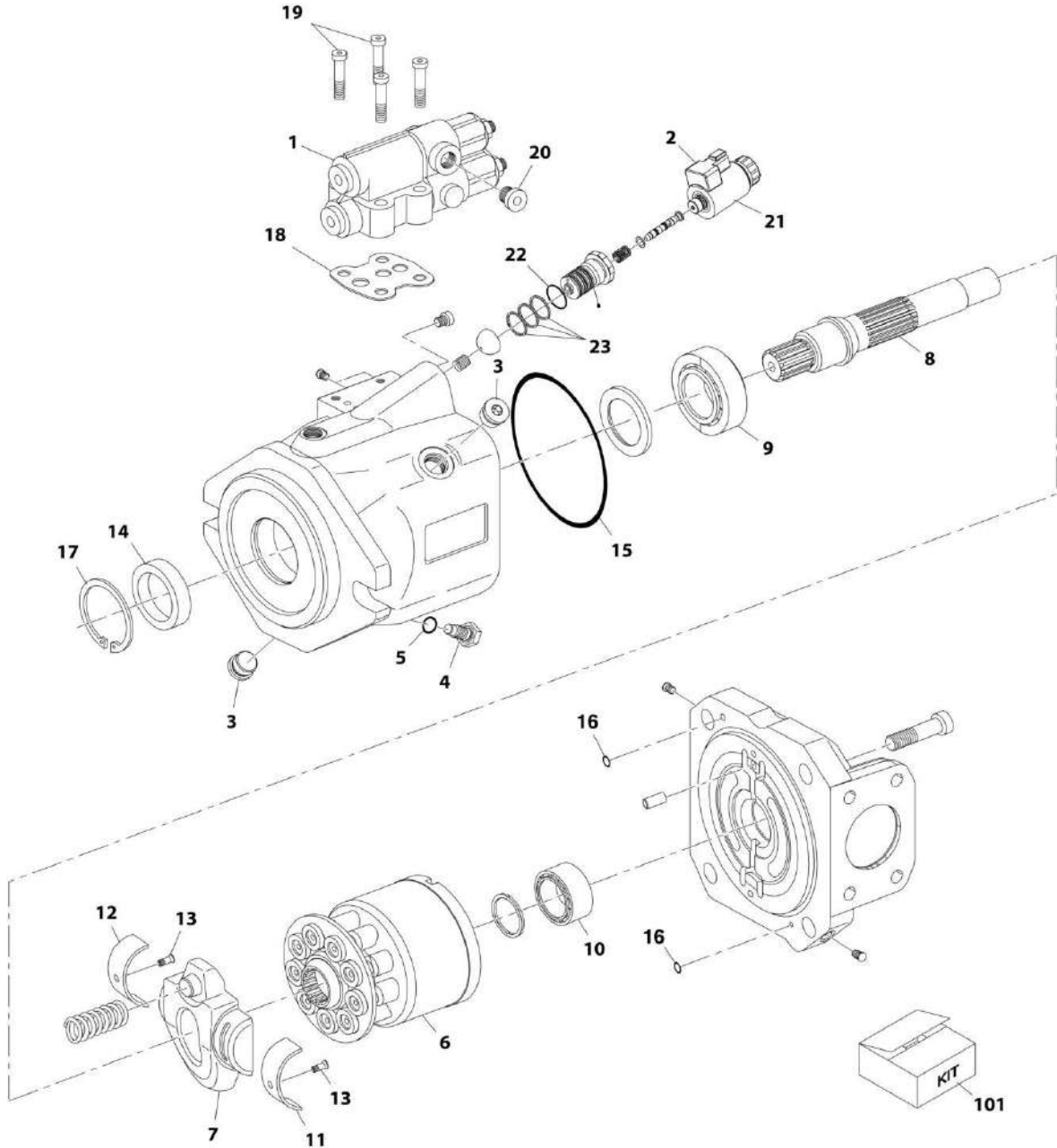
SECTION 9 - HYDRAULIC COMPONENTS

FIGURE 9-28. SECONDARY CONTROL VALVE

ITEM	PART NUMBER	QTY	DESCRIPTION	REV
	1001159656	Ref	Secondary Control Valve	C
2	70026084	2	Valve, Pressure Reducing	
2	8032694	2	Kit, Seal	
3	80434056	1	Valve, 3-Way	
3	8032695	1	Kit, Seal	
4	70026085	1	Coil	
5	91474023	1	Valve, Check	
5	7010769	1	Kit, Seal	
6	70026086	2	Nipple	

SECTION 9 - HYDRAULIC COMPONENTS

FIGURE 9-29. PISTON PUMP, 74HP



ART_1001168376-C

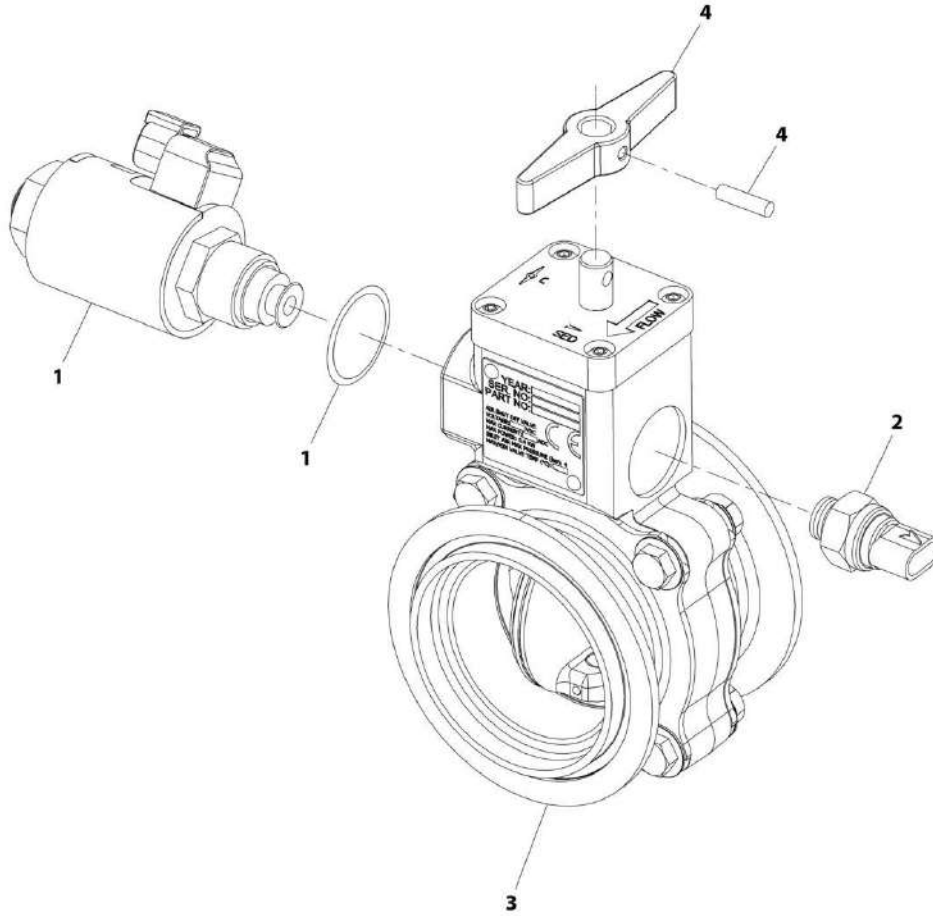
SECTION 9 - HYDRAULIC COMPONENTS

FIGURE 9-29. PISTON PUMP, 74HP

ITEM	PART NUMBER	QTY	DESCRIPTION	REV
	1001168376	Ref	Piston Pump, 74HP	C
1	70003738	1	Valve, Control	
2	70024186	1	Valve, Control	
3	70024407	2	Plug	
4	70024408	1	Screw, Stop	
5	Kit	1	O-Ring	
6	70024411	1	Rotary Group	
7	70024412	1	Plate, Swash	
8	7024939	1	Shaft, Drive	
9	7024943	1	Bearing	
10	7024944	1	Bearing	
11	70024414	1	Bearing-Liner	
12	70024415	1	Bearing-Liner	
13	7024953	2	Screw	
14	80634004	1	Seal, Shaft	
15	Kit	1	O-Ring	
16	Kit	2	Ring, Seal	
17	80334277	1	Ring, Retaining	
18	70021867	1	Gasket	
19	7024954	4	Screw	
20	70024416	1	Plug	
21	70025897	1	Solenoid	
22	Kit	1	O-Ring	
23	70024417	3	R-Ring	
101	70024189	1	Kit, Seal (includes items 5, 15, 16 & 22)	

SECTION 9 - HYDRAULIC COMPONENTS

FIGURE 9-30. AIR SHUT OFF VALVE



ART_1001204032-A

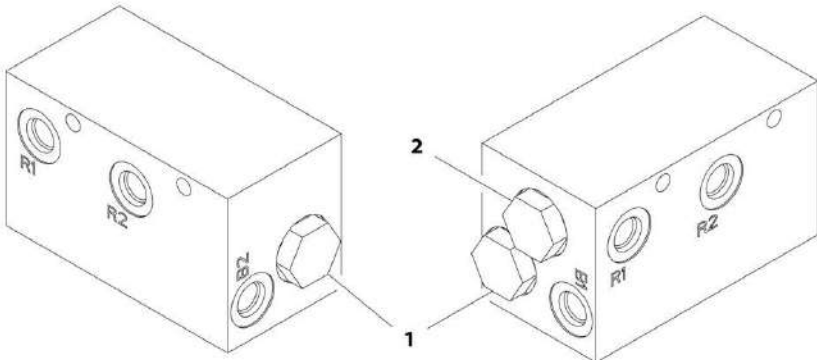
SECTION 9 - HYDRAULIC COMPONENTS

FIGURE 9-30. AIR SHUT OFF VALVE

ITEM	PART NUMBER	QTY	DESCRIPTION	REV
	1001204032	Ref	Air Shut Off Valve	A
1	70028514	1	Kit, Solenoid 12V	
	N.S.S.	1	Solenoid	
	N.S.S.	1	Coil, 12V	
	N.S.S.	1	O-Ring	
2	70028515	1	Kit, Switch	
	N.S.S.	1	Switch, Ball	
	N.S.S.	1	O-Ring	
3	70028516	1	Kit, Flange and Hardware	
	N.S.S.	1	Flange, Female	
	N.S.S.	1	Flange, Male	
	N.S.S.	4	Bolt	
	N.S.S.	8	Washer	
	N.S.S.	4	Locknut	
4	70028517	1	Handle	
	N.S.S.	1	Handle, Reset	
	N.S.S.	1	Pin	

SECTION 9 - HYDRAULIC COMPONENTS

FIGURE 9-31. FLOW DIVIDER VALVE



ART_4641501-A

SECTION 9 - HYDRAULIC COMPONENTS

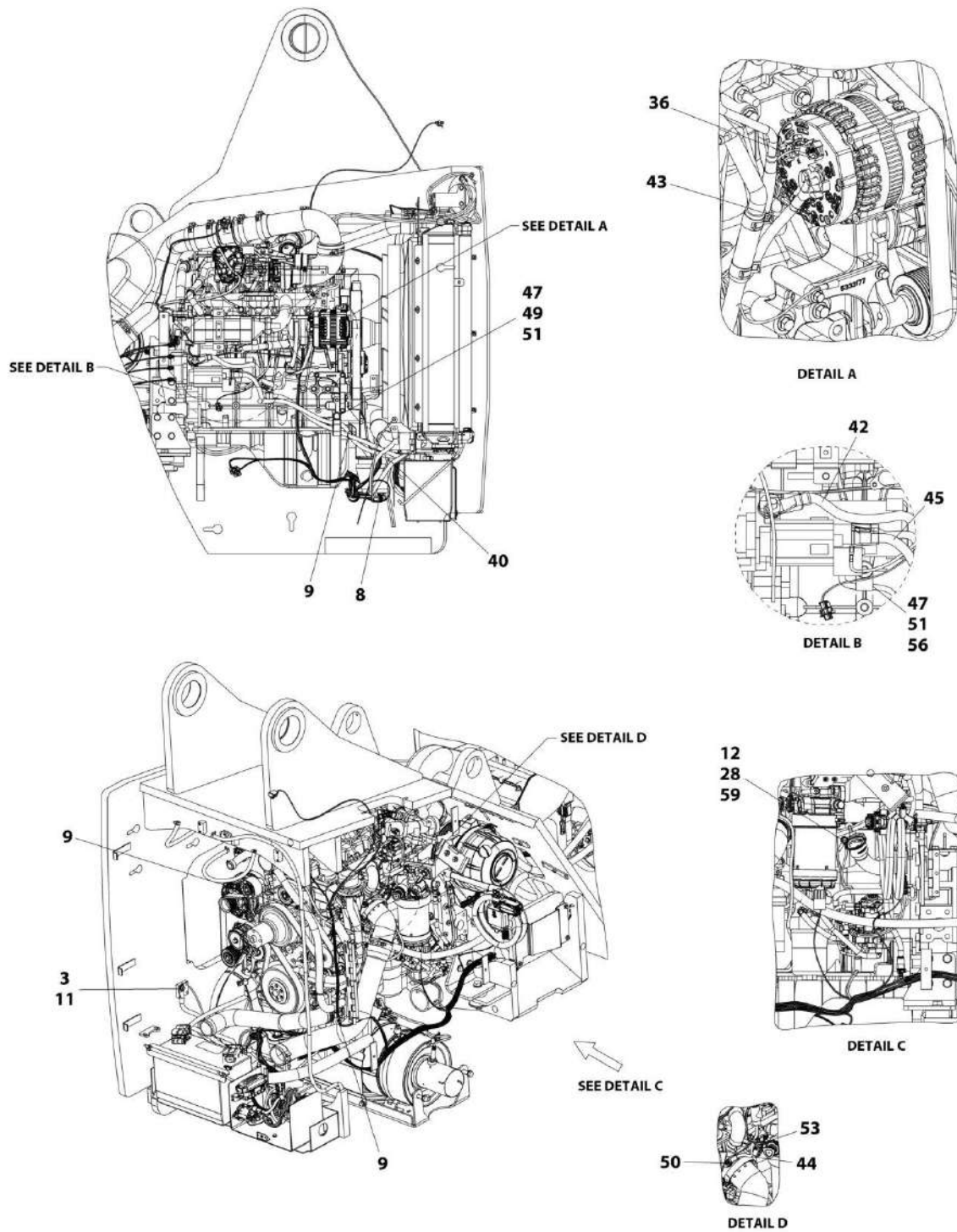
FIGURE 9-31. FLOW DIVIDER VALVE

ITEM	PART NUMBER	QTY	DESCRIPTION	REV
	4641501	Ref	Flow Divider Valve	A
1	70023928	2	Cartridge, PO Check Valve	
2	70023929	1	Cartridge, Valve	

SECTION 10 - ELECTRICAL

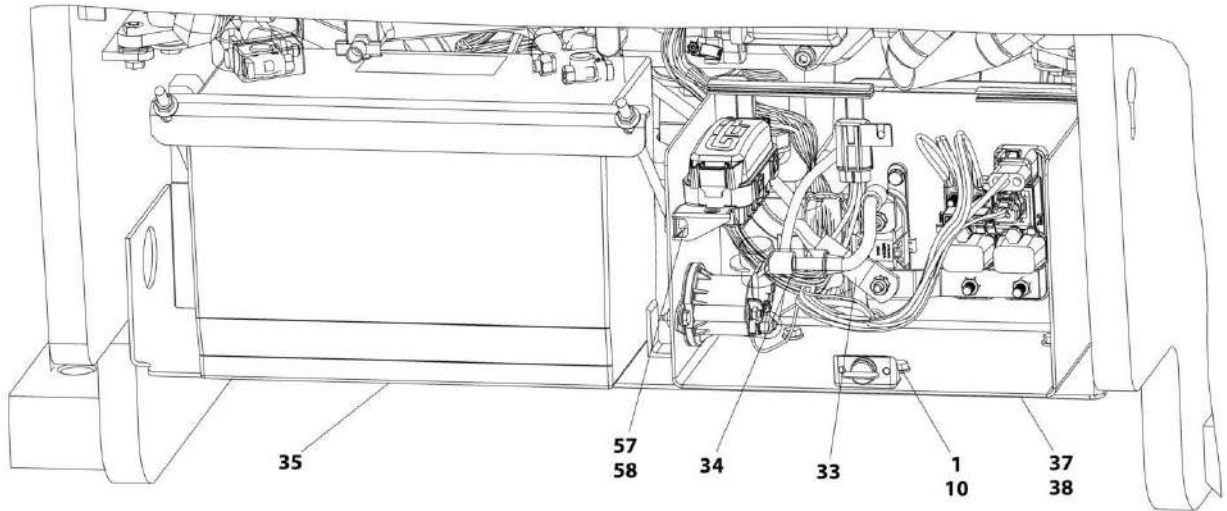
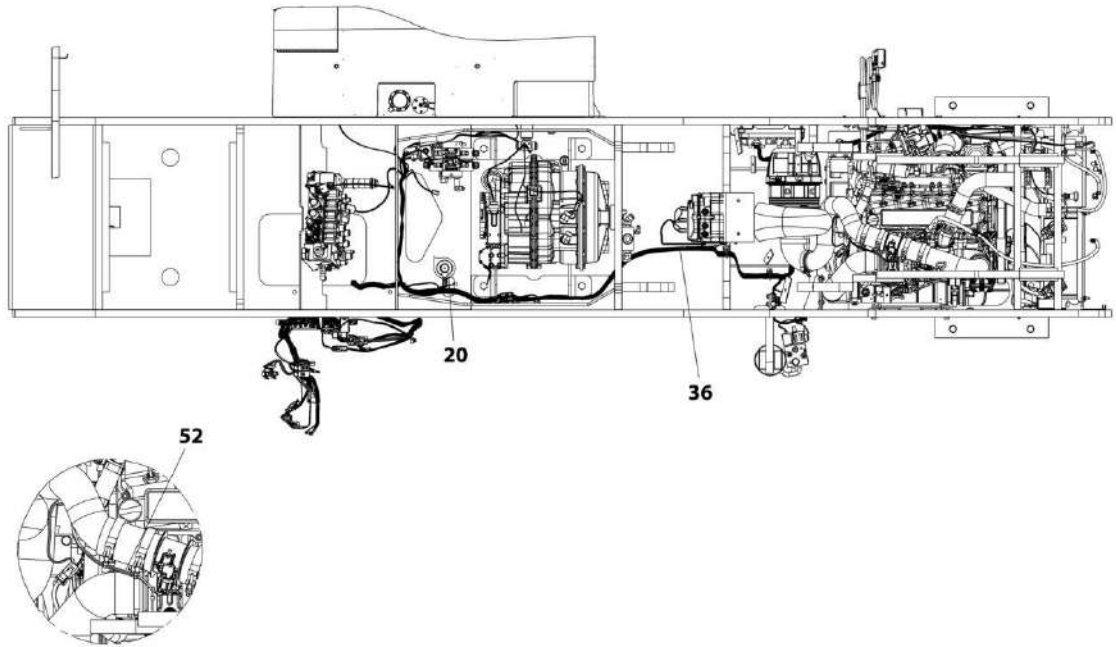
SECTION 10 - ELECTRICAL

FIGURE 10-1. ELECTRICAL INSTALLATION, 85HP - 6036 (ULS) (Prior to SN 0160086463)



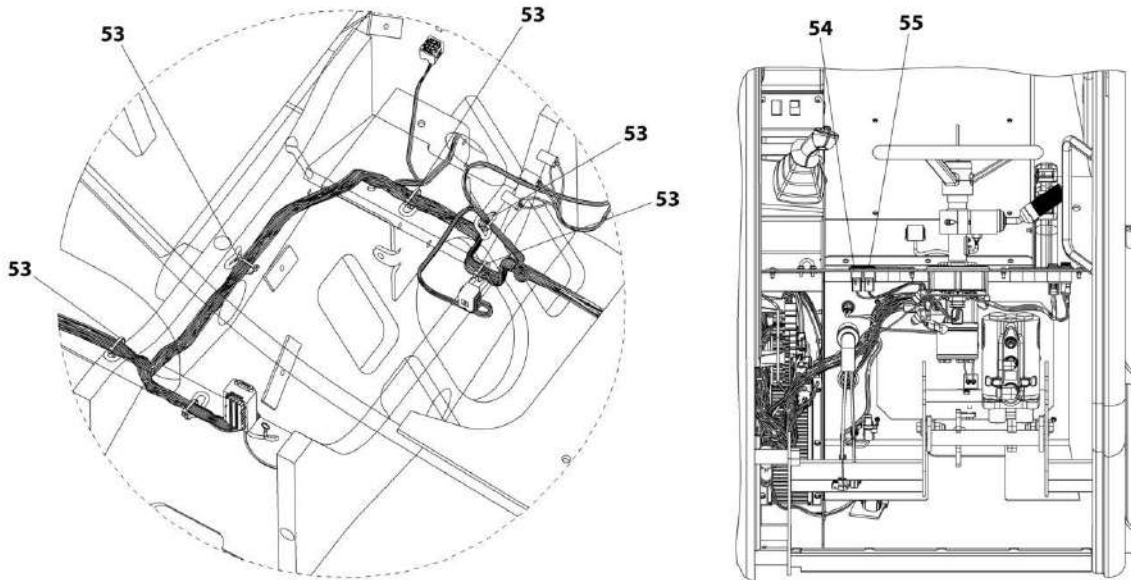
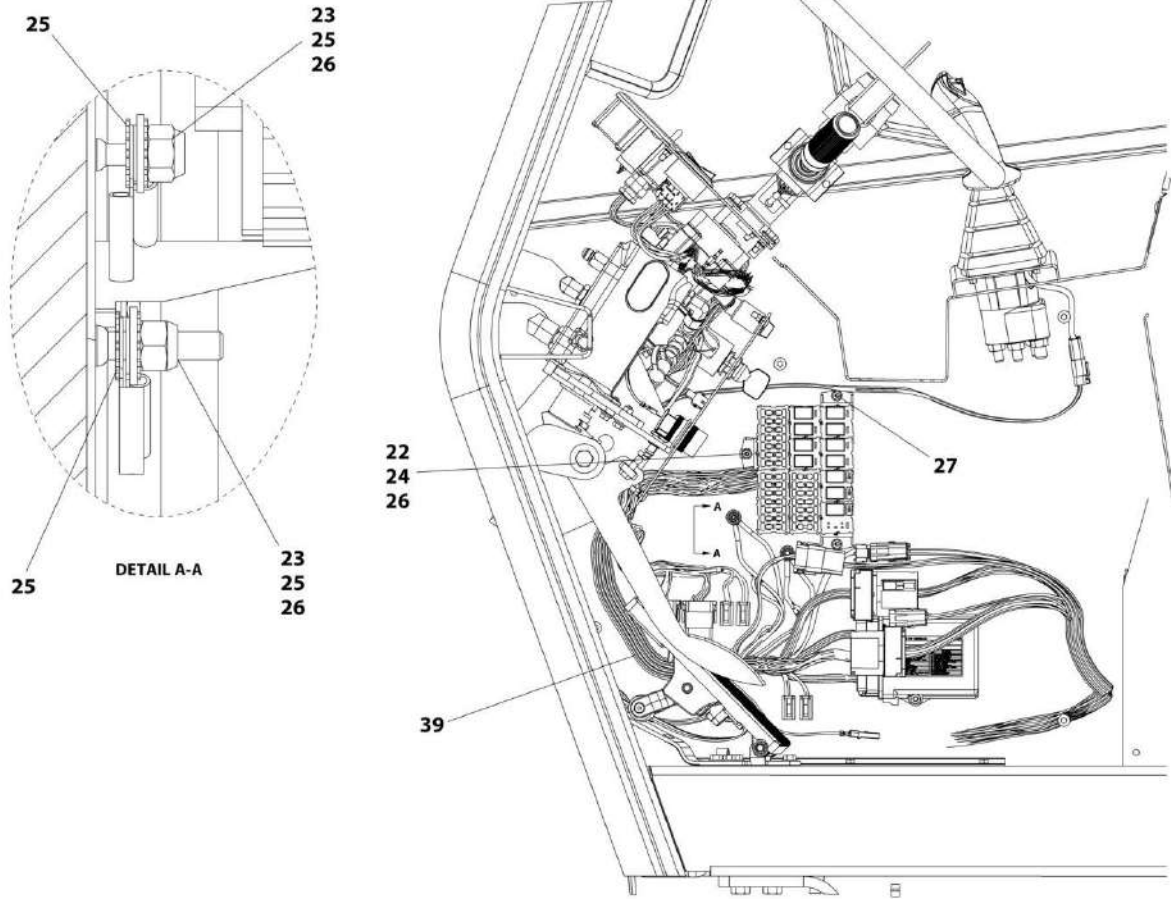
ART_1001166029_1-K

SECTION 10 - ELECTRICAL



ART_1001166029_2-K

SECTION 10 - ELECTRICAL



ART_1001166029_3-K

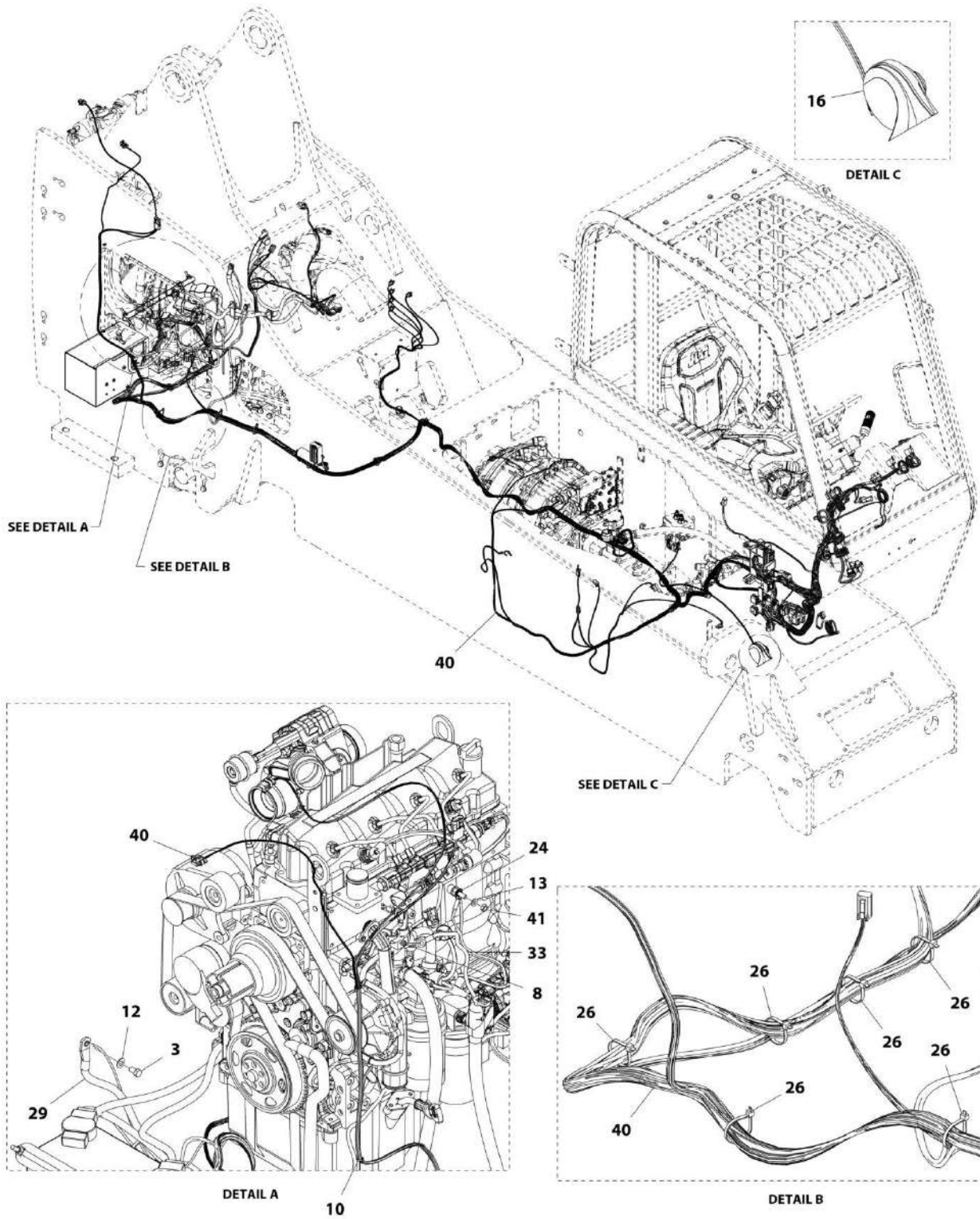
SECTION 10 - ELECTRICAL

FIGURE 10-1. ELECTRICAL INSTALLATION, 85HP - 6036 (ULS) (Prior to SN 0160086463)

ITEM	PART NUMBER	QTY	DESCRIPTION	REV
	1001166029	Ref	Electrical Installation, 85HP - 6036 (if equipped for ULS)	K
1	0641404	3	Bolt, 1/4-20X1/2	
3	0641605	1	Bolt, 3/8-16X5/8	
8	1062255	1	Strap, Tie	
9	4240017	3	Strap, Tie	
10	4711400	3	Washer, 1/4	
11	4711600	1	Washer, 3/8	
12	4811900	1	Washer, M8	
20	8270620	1	Horn, Signal	
22	8305002	3	Nut, 10-24	
23	8305624	2	Nut, Lock 1/4-20	
24	8307003	3	Washer, Lock M10	
25	8307027	4	Washer, Lock 5/16	
26	8307106	5	Washer, 5/16	
27	8307111	3	Washer, M10	
28	8310046	1	Washer, Lock External Tooth M10	
33	1001171633	1	Cable, Buss Power	
34	1001171237	1	Cable, Grid Heater to Fuse Power	
35	1001186841	1	Installation, Battery (See BATTERY INSTALLATION for Breakdown)	
36	1001169620	1	Harness, Engine (See ENGINE HARNESS, 85HP (ULS) Breakdown)	
37	1001170233	1	Installation, Relay Panel (See RELAY PANEL INSTALLATION for Breakdown)	
38	1001170234	1	Assembly, Relay Panel Cover (See RELAY PANEL COVER ASSEMBLY for Breakdown)	
39	1001178285	1	Harness, Cab Power Distribution (See CAB POWER DISTRIBUTION HARNESS for Breakdown)	
40	1001171234	1	Cable, Battery Negative	
42	1001171236	1	Cable, Starter Ground	
43	1001171238	1	Cable, Alternator Power	
44	1001171239	1	Cable, Grid Heater Power	
45	1001171757	1	Cable, Starter Power	
47	0761212	2	Bolt, M12X25	
49	1001181899	1	Clamp	
50	3290601	1	Nut, M6X1	
51	4812100	2	Washer, M12	
52	1001184835	1	Harness, TBAP (See TBAP HARNESS for Breakdown)	
53	8584001	13	Wrap, Tie	
54	1001172135	1	Indicator, Engine	
55	1001172136	1	Indicator, Hest	
56	8406105	1	Clip, Tube	
57	4811700	2	Washer, M6	
58	8303545	2	Bolt, M6X14	
59	3290801	1	Nut, M8X1.25	

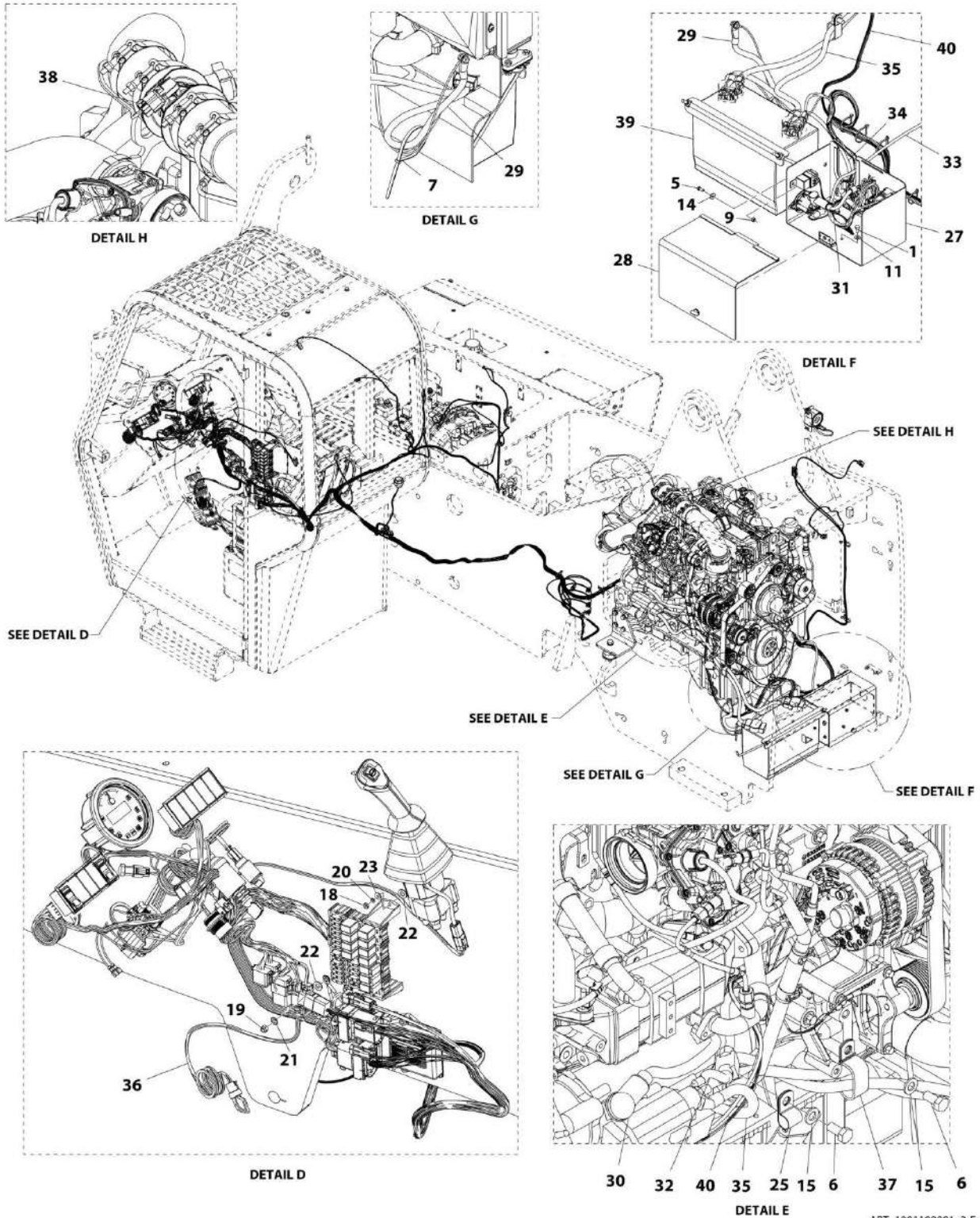
SECTION 10 - ELECTRICAL

FIGURE 10-2. ELECTRICAL INSTALLATION, 74HP - 6036 (ULS)



ART_1001199891_1-F

SECTION 10 - ELECTRICAL



ART_1001199891_2-F

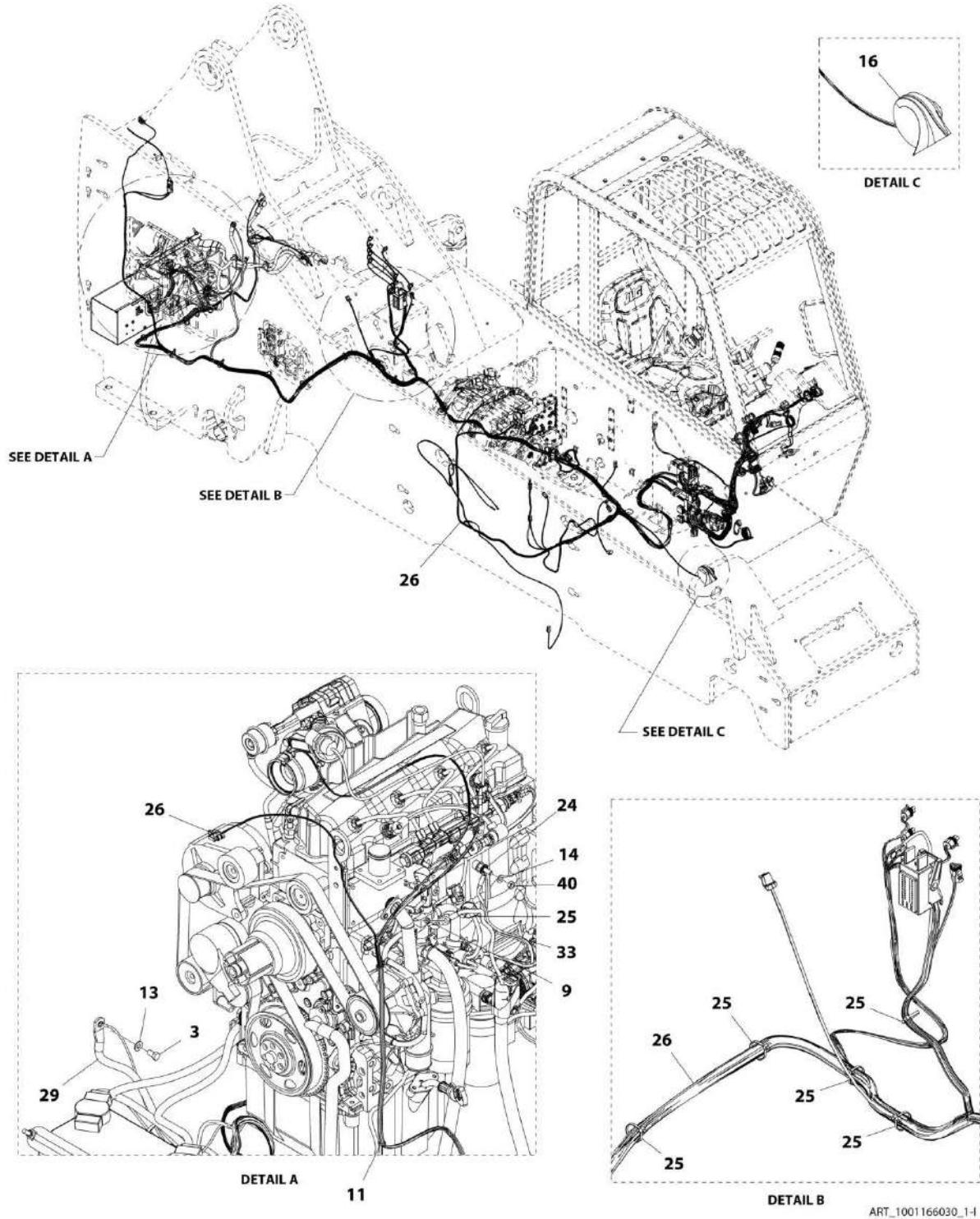
SECTION 10 - ELECTRICAL

FIGURE 10-2. ELECTRICAL INSTALLATION, 74HP - 6036 (ULS)

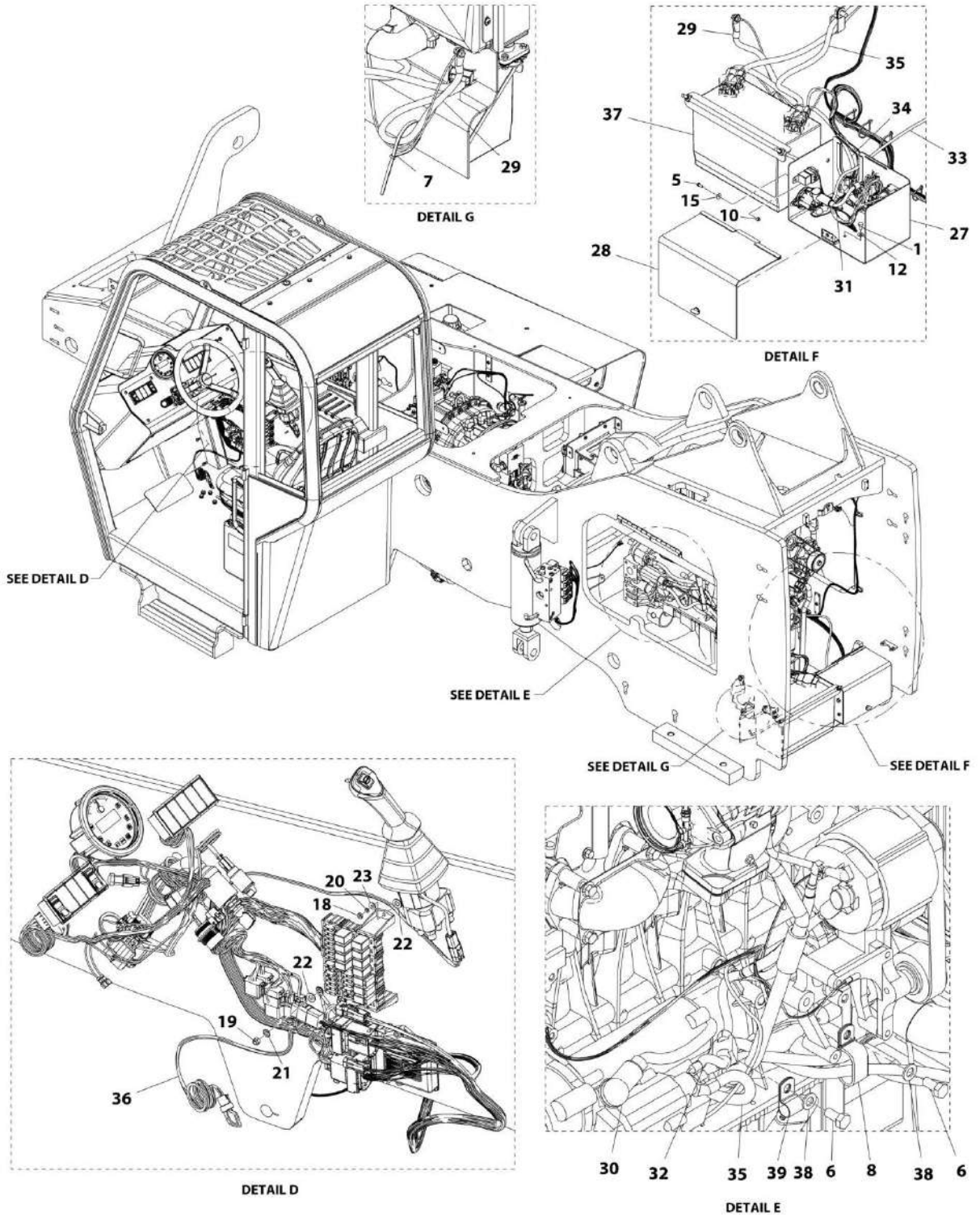
ITEM	PART NUMBER	QTY	DESCRIPTION	REV
	1001199891	Ref	Electrical Installation, 74HP - 6036 (if equipped for ULS)	F
1	0641404	3	Bolt, 1/4Bolt, 1/4-20X1/2	
3	0641605	1	Bolt, 3/8-16X5/8	
5	8303545	1	Bolt, M8X14	
6	0761212	2	Bolt, M12X25	
7	1062255	1	Strap, Tie	
8	3290601	1	Nut, M6X1	
9	3290605	1	Nut, M6X1	
10	4240017	3	Strap, Tie	
11	4711400	3	Washer, 1/4	
12	4711600	1	Washer, 3/8	
13	4811900	1	Washer, M8	
14	4811702	1	Washer, M6	
15	4812100	2	Washer, M12	
16	8270620	1	Horn, Signal	
18	8305002	3	Nut, 10-24	
19	8305624	2	Nut, Lock 1/4-20	
20	8307003	3	Washer, M10	
21	8307027	4	Washer, Lock 5/16	
22	8307106	5	Washer, 5/16	
23	8307111	3	Washer, M10	
24	8310046	1	Washer, Lock External Tooth M10	
25	8406105	1	Clip, Tube	
26	8584001	12	Wrap, Tie	
27	1001170233	1	Installation, Relay Panel (See RELAY PANEL INSTALLATION for Breakdown)	
28	1001170234	1	Assembly, Relay Panel Cover (See RELAY PANEL COVER ASSEMBLY for Breakdown)	
29	1001171234	1	Cable, Battery Negative	
30	1001171236	1	Cable, Starter Ground	
31	1001171237	1	Cable, Grid Heater to Fuse Power	
32	1001171238	1	Cable, Alternator Power	
33	1001171239	1	Cable, Grid Heater Power	
34	1001171633	1	Cable, Buss Power	
35	1001171757	1	Cable, Starter Power	
36	1001178285	1	Harness, Cab Power Distribution (See CAB POWER DISTRIBUTION HARNESS for Breakdown)	
37	1001181899	1	Clamp	
38	1001184835	1	Harness, TBAP (See TBAP HARNESS for Breakdown)	
39	1001186841	1	Installation, Battery (See BATTERY INSTALLATION for Breakdown)	
40	1001199889	1	Engine Harness, 74HP (See ENGINE HARNESS, 74HP (ULS) for Breakdown)	
41	3290801	1	Nut, M8X1.25	

SECTION 10 - ELECTRICAL

FIGURE 10-3. ELECTRICAL INSTALLATION, 85HP - 6036 (LS)



SECTION 10 - ELECTRICAL



ART_1001166030_21

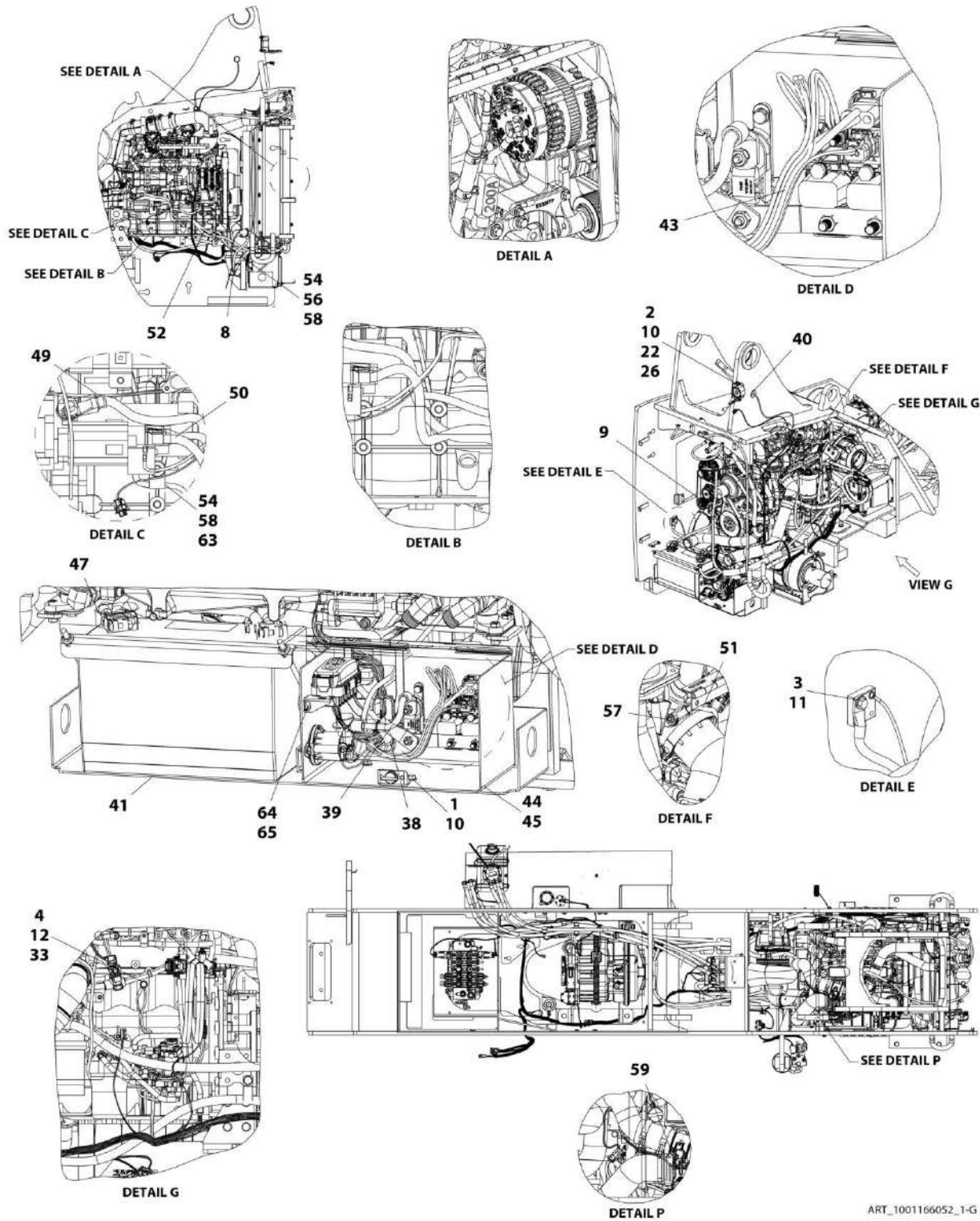
SECTION 10 - ELECTRICAL

FIGURE 10-3. ELECTRICAL INSTALLATION, 85HP - 6036 (LS)

ITEM	PART NUMBER	QTY	DESCRIPTION	REV
	1001166030	Ref	Electrical Installation, 85HP - 6036 (if equipped for LS)	I
1	0641404	3	Bolt, 1/4-20X1/2	
3	0641605	1	Bolt, 3/8-16X5/8	
5	8303545	1	Bolt, M8X14	
6	0761212	2	Bolt, M12X25	
7	1062255	1	Strap, Tie	
8	1001181899	1	Clamp	
9	3290601	1	Nut, M6X1	
10	3290605	1	Nut, M6X1	
11	4240017	3	Strap, Tie	
12	4711400	3	Washer, 1/4	
13	4711600	1	Washer, 3/8	
14	4811900	1	Washer, M8	
15	4811702	1	Washer, M6	
16	8270620	1	Horn, Signal	
18	8305002	3	Nut, 10-24	
19	8305624	2	Nut, Lock 1/4-20	
20	8307003	3	Washer, Lock M10	
21	8307027	4	Washer, Lock 5/16	
22	8307106	5	Washer, 5/16	
23	8307111	3	Washer, M10	
24	8310046	1	Washer, Lock External Tooth M10	
25	8584001	13	Wrap, Tie	
26	1001189488	1	Engine Harness (See ENGINE HARNESS, 85HP (LS) for Breakdown)	
27	1001170233	1	Installation, Relay Panel (See RELAY PANEL INSTALLATION for Breakdown)	
28	1001170234	1	Assembly, Relay Panel Cover (See RELAY PANEL COVER ASSEMBLY for Breakdown)	
29	1001171234	1	Cable, Battery Negative	
30	1001171236	1	Cable, Starter Ground	
31	1001171237	1	Cable, Grid Heater to Fuse Power	
32	1001171238	1	Cable, Alternator Power	
33	1001171239	1	Cable, Grid Heater Power	
34	1001171633	1	Cable, Buss Power	
35	1001171757	1	Cable, Starter Power	
36	1001178285	1	Harness, Cab Power Distribution (See CAB POWER DISTRIBUTION HARNESS for Breakdown)	
37	1001186841	1	Installation, Battery (See BATTERY INSTALLATION for Breakdown)	
38	4812100	2	Washer, M12	
39	8406105	1	Clip, Tube	
40	3290801	1	Nut, M8X1.25	

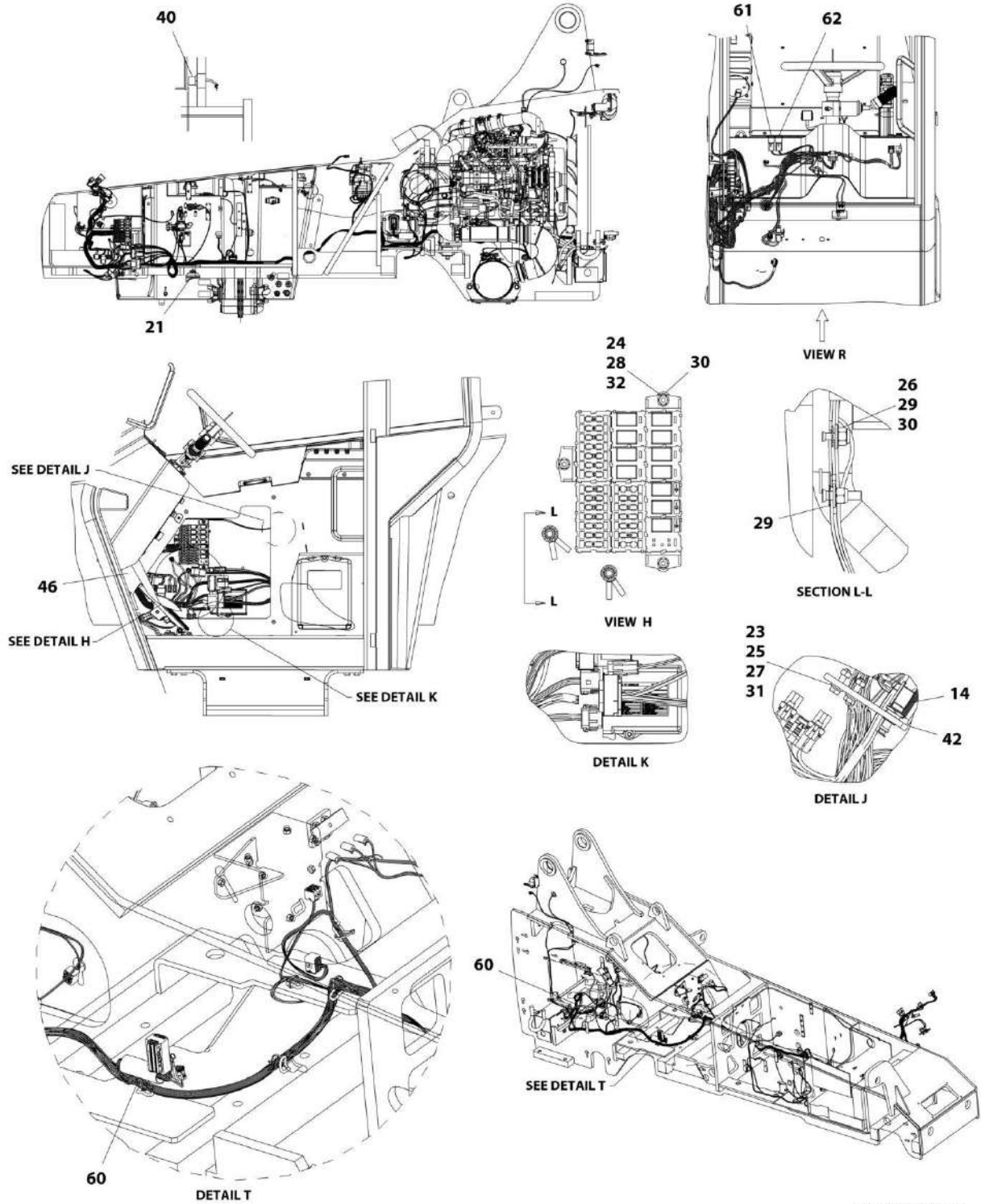
SECTION 10 - ELECTRICAL

FIGURE 10-4. ELECTRICAL INSTALLATION, 85HP - 6042 (ULS) (Prior to SN 0160074884, Excluding 0160074882)



ART_1001166052_1-G

SECTION 10 - ELECTRICAL



ART_1001166052_2-G

SECTION 10 - ELECTRICAL

FIGURE 10-4. ELECTRICAL INSTALLATION, 85HP - 6042 (ULS) (Prior to SN 0160074884, Excluding 0160074882)

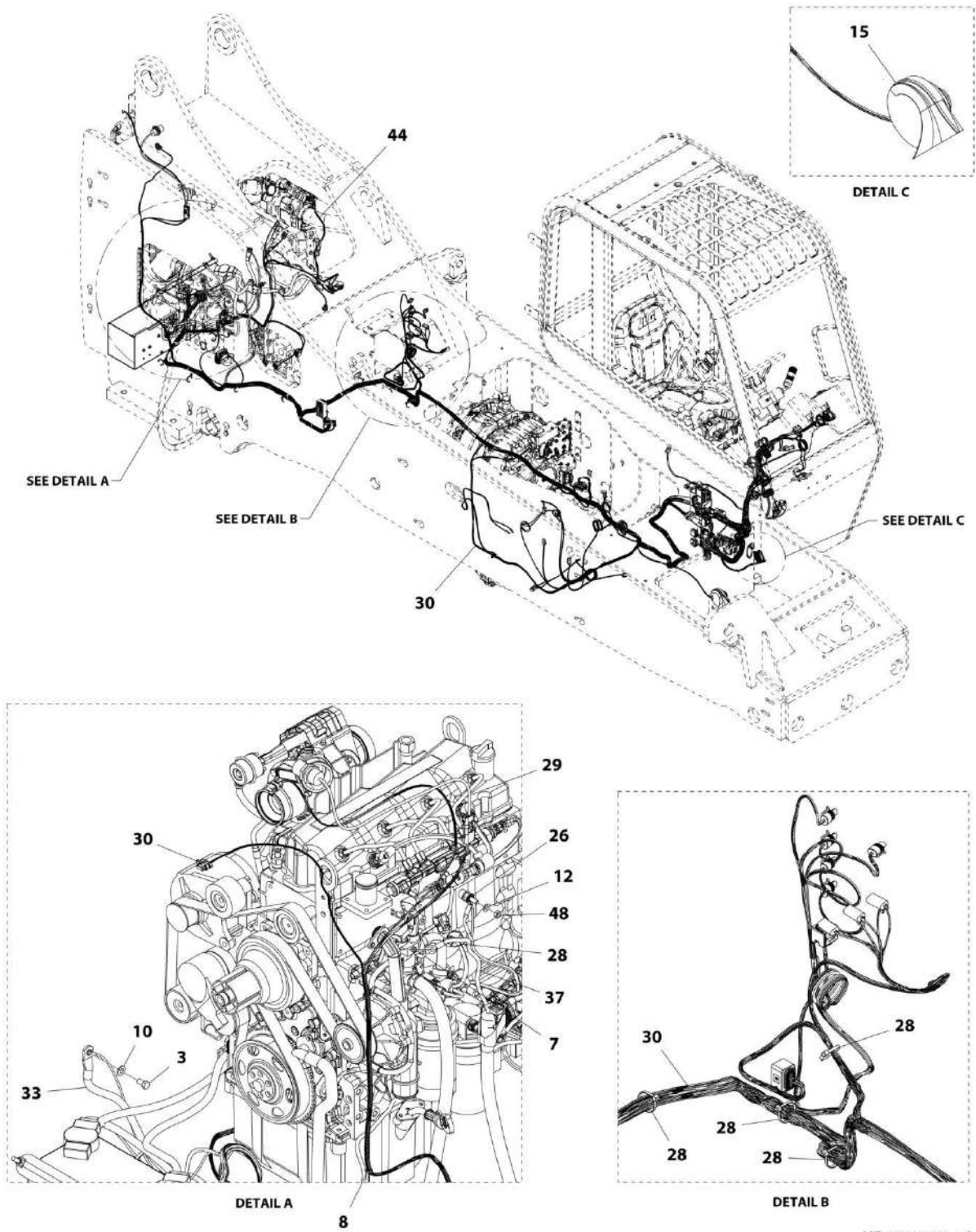
ITEM	PART NUMBER	QTY	DESCRIPTION	REV
	1001166052	Ref	Electrical Installation - 6042 (if equipped for ULS)	G
1	0641404	3	Bolt, 1/4-20X1/2	
2	0641406	2	Bolt, 1/4-20X3/4	
3	0641605	1	Bolt, 3/8-16X5/8	
4	0760810	1	Bolt, M8X20	
8	1062255	1	Strap, Tie	
9	4240017	3	Strap, Tie	
10	4711400	5	Washer, 1/4	
11	4711600	1	Washer, 3/8	
12	4811900	1	Washer, M8	
14	8223025	1	Switch, Service Brake	
21	8270620	1	Horn, Signal	
22	8270621	1	Alarm, Back-Up	
23	8303540	2	Bolt, 1/4-20X1	
24	8305002	3	Nut, 10-24	
25	8305004	2	Nut, 1/4-20	
26	8305624	4	Nut, Lock 1/4-20	
27	8307002	2	Washer, Lock 1/4	
28	8307003	3	Washer, Lock M10	
29	8307027	4	Washer, Lock 5/16	
30	8307106	5	Washer, 5/16	
31	8307109	2	Washer, 1/4	
32	8307111	3	Washer, M10	
33	8310046	1	Washer, Lock External Tooth M10	
38	1001171633	1	Cable, Buss Power	
39	1001171237	1	Cable, Grid Heater to Fuse Power	
40	1001130307	1	Sensor, Boom	
41	1001186841	1	Installation, Battery (See BATTERY INSTALLATION for Breakdown)	
42	1001143307	1	Plate, Brake Switch	
43	1001169620	1	Harness, Engine (See ENGINE HARNESS, 85HP (ULS) for Breakdown)	
44	1001170233	1	Installation, Relay Panel (See RELAY PANEL INSTALLATION for Breakdown)	
45	1001170234	1	Assembly, Relay Panel Cover (See RELAY PANEL COVER ASSEMBLY for Breakdown)	
46	1001178285	1	Harness, Cab Power Distribution (See CAB POWER DISTRIBUTION HARNESS for Breakdown)	
47	1001171234	1	Cable, Battery Negative	
49	1001171236	1	Cable, Starter Ground	
50	1001171238	1	Cable, Alternator Power	
51	1001171239	1	Cable, Grid Heater Power	
52	1001171757	1	Cable, Starter Power	
54	0761212	2	Bolt, M12X25	
56	1001181899	1	Clamp	
57	3290601	1	Nut, M6X1	
58	4812100	2	Washer, M12	
59	1001184835	1	Harness, TBAP (See TBAP HARNESS for Breakdown)	
60	8584001	13	Wrap, Tie	
61	1001172135	1	Indicator, Engine	

SECTION 10 - ELECTRICAL

ITEM	PART NUMBER	QTY	DESCRIPTION	REV
62	1001172136	1	Indicator, Hest	
63	8406105	1	Clip, Tube	
64	4811700	2	Washer, M6	
65	8303545	2	Bolt, M6X14	

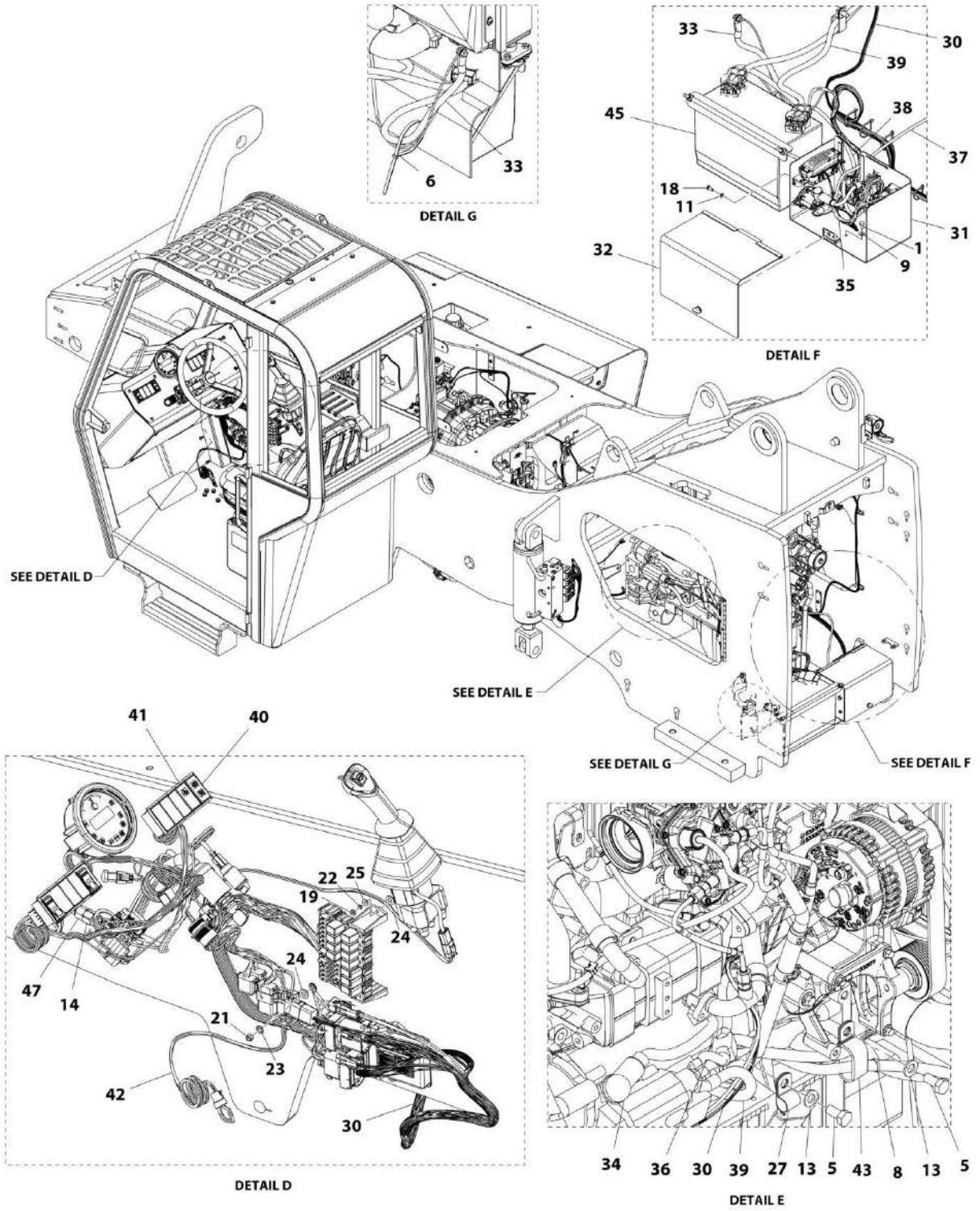
SECTION 10 - ELECTRICAL

FIGURE 10-5. ELECTRICAL INSTALLATION, 85HP - 6042 (ULS) (SN 0160074884 through 0160086463, Including 0160074882)



ART_1001201813_1-G

SECTION 10 - ELECTRICAL



ART_1001201813_2-G

SECTION 10 - ELECTRICAL

FIGURE 10-5. ELECTRICAL INSTALLATION, 85HP - 6042 (ULS) (SN 0160074884 through 0160086463, Including 0160074882)

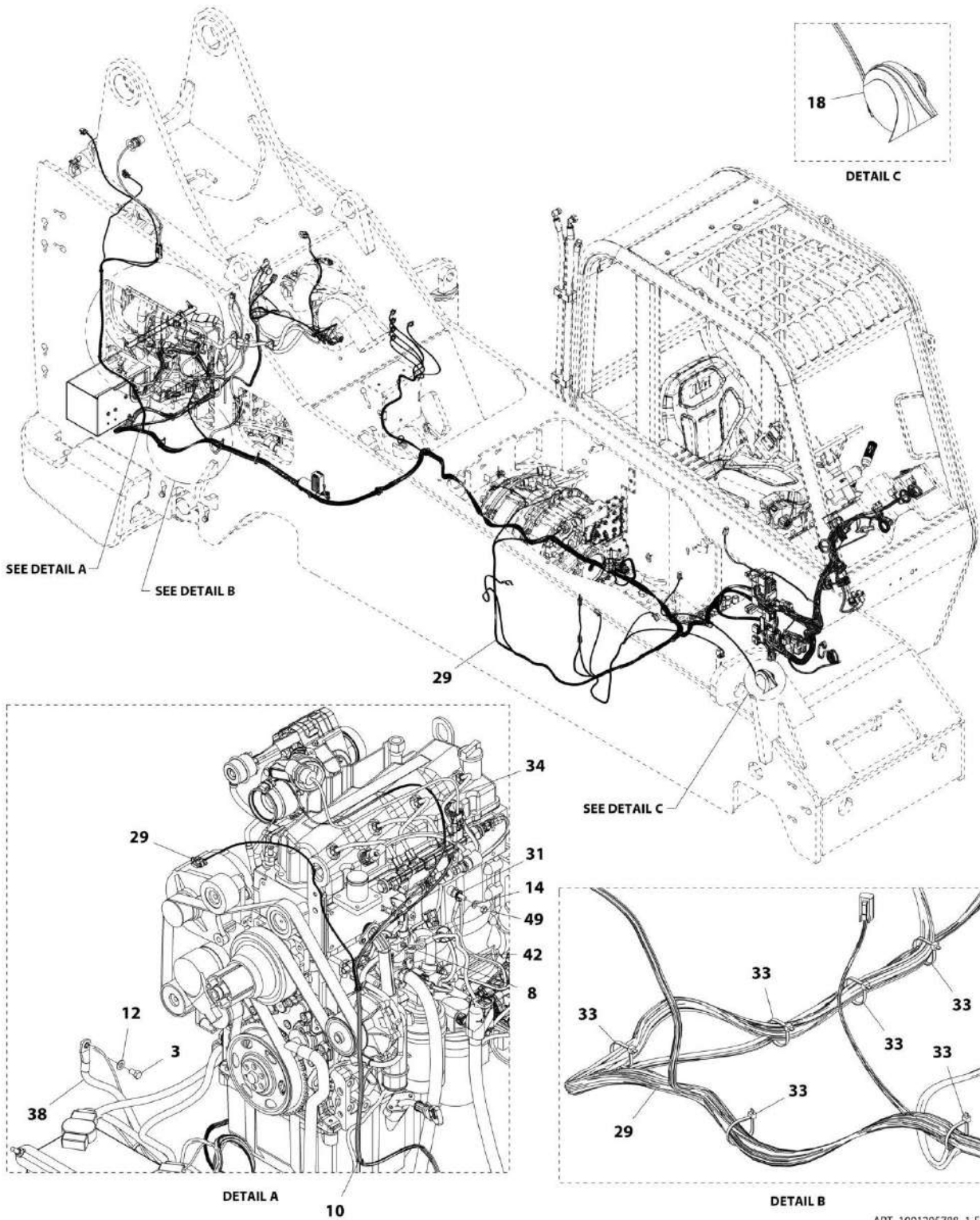
ITEM	PART NUMBER	QTY	DESCRIPTION	REV
	1001201813	Ref	Electrical Installation, 85HP - 6042 (if equipped for ULS)	G
1	0641404	3	Bolt, 1/4-20X1/2	
3	0641605	1	Bolt, 3/8-16X5/8	
5	0761212	2	Bolt, M12X25	
6	1062255	1	Strap, Tie	
7	3290601	1	Nut, M6X1	
8	4240017	3	Strap, Tie	
9	4711400	3	Washer, 1/4	
10	4711600	1	Washer, 3/8	
11	4811700	2	Washer, M6	
12	4811900	1	Washer, M8	
13	4812100	2	Washer, M12	
14	1001211279	NLA	Switch, Pressure, (no longer available, use 1001220432 for replacement)	
14	1001220432	1	Switch, Pressure	
15	8270620	1	Horn, Signal	
18	8303545	2	Bolt, M6X14	
19	8305002	3	Nut, M10-24	
21	8305624	2	Nut, Lock 1/4-20	
22	8307003	3	Washer, Lock M10	
23	8307027	4	Washer, Lock 5/16	
24	8307106	5	Washer, 5/16	
25	8307111	3	Washer	
26	8310046	1	Washer, Lock External Tooth M10	
27	8406105	1	Clip	
28	8584001	13	Tie Wrap	
29	1001130307	1	Sensor, Boom	
30	1001169620	1	Harness, Engine (See ENGINE HARNESS, 85HP (ULS) for Breakdown)	
31	1001170233	1	Installation, Relay Panel (See RELAY PANEL INSTALLATION for Breakdown)	
32	1001170234	1	Assembly, Relay Panel Cover (See RELAY PANEL COVER ASSEMBLY for Breakdown)	
33	1001171234	1	Cable, Battery Negative	
34	1001171236	1	Cable, Starter Ground	
35	1001171237	1	Cable, Grid Heater to Fuse Power	
36	1001171238	1	Cable, Alternator Power	
37	1001171239	1	Cable, Grid Heater Power	
38	1001171633	1	Cable, Buss Power	
39	1001171757	1	Cable, Starter Power	
40	1001172135	1	Indicator, Engine	
41	1001172136	1	Indicator, Hest	
42	1001178285	1	Harness, Cab Power Distribution (See CAB POWER DISTRIBUTION HARNESS for Breakdown)	
43	1001181899	1	Clamp	
44	1001184835	1	Harness, TBAP (See TBAP HARNESS for Breakdown)	
45	1001186841	1	Installation, Battery (See BATTERY INSTALLATION for Breakdown)	
47	2220214	1	Adapter	

SECTION 10 - ELECTRICAL

ITEM	PART NUMBER	QTY	DESCRIPTION	REV
48	3290801	1	Nut, M8X1.25	

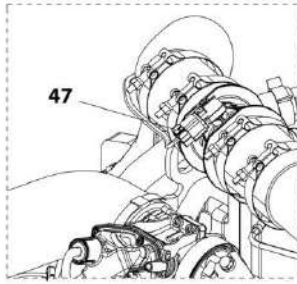
SECTION 10 - ELECTRICAL

FIGURE 10-6. ELECTRICAL INSTALLATION, 74HP - 6042 (ULS)

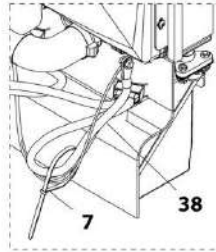


ART_1001205788_1-F

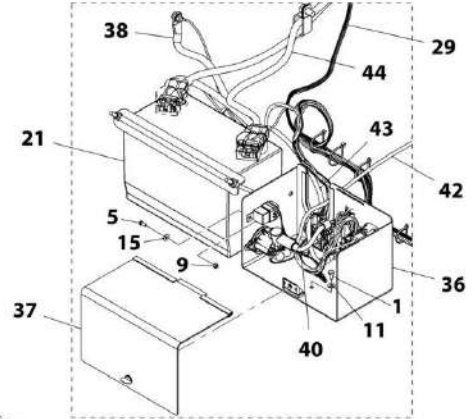
SECTION 10 - ELECTRICAL



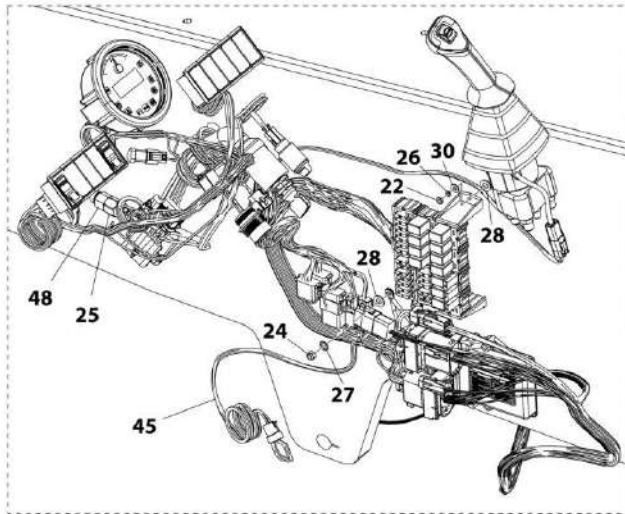
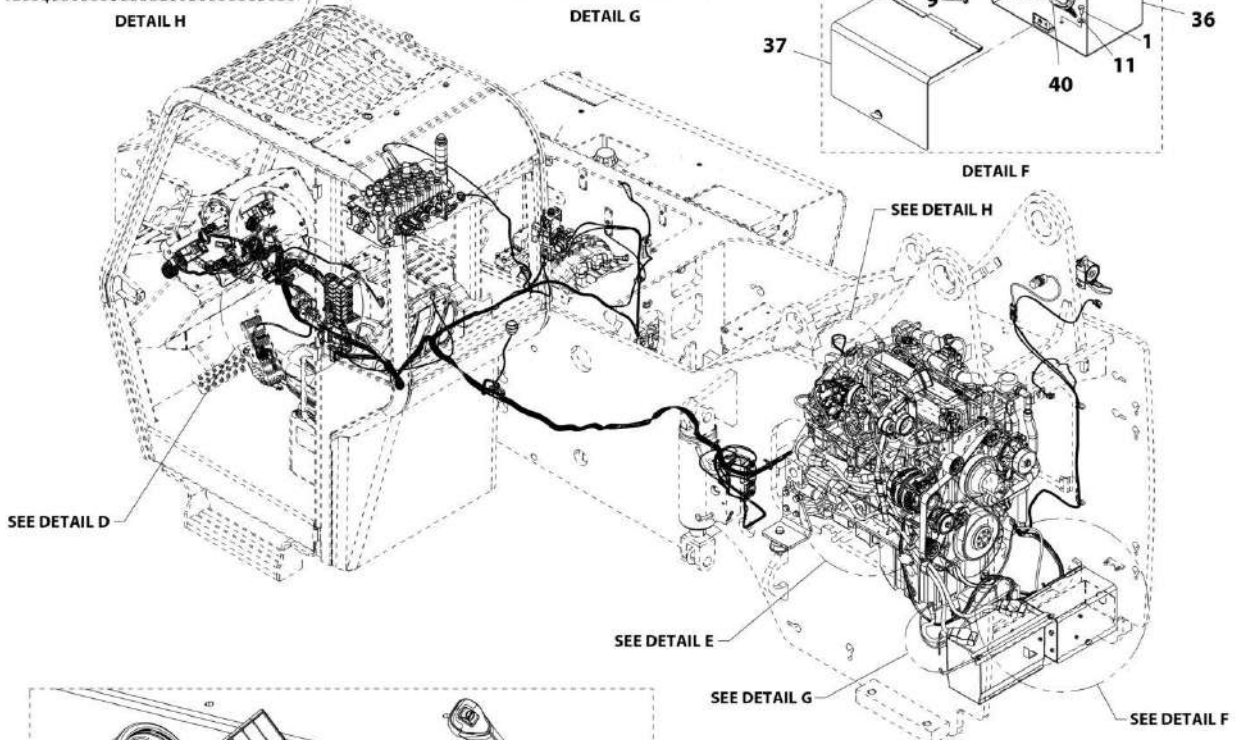
DETAIL H



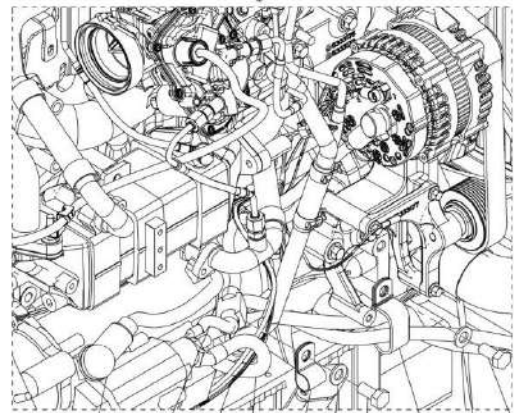
DETAIL G



DETAIL F



DETAIL D



DETAIL E

ART_1001205788_2-F

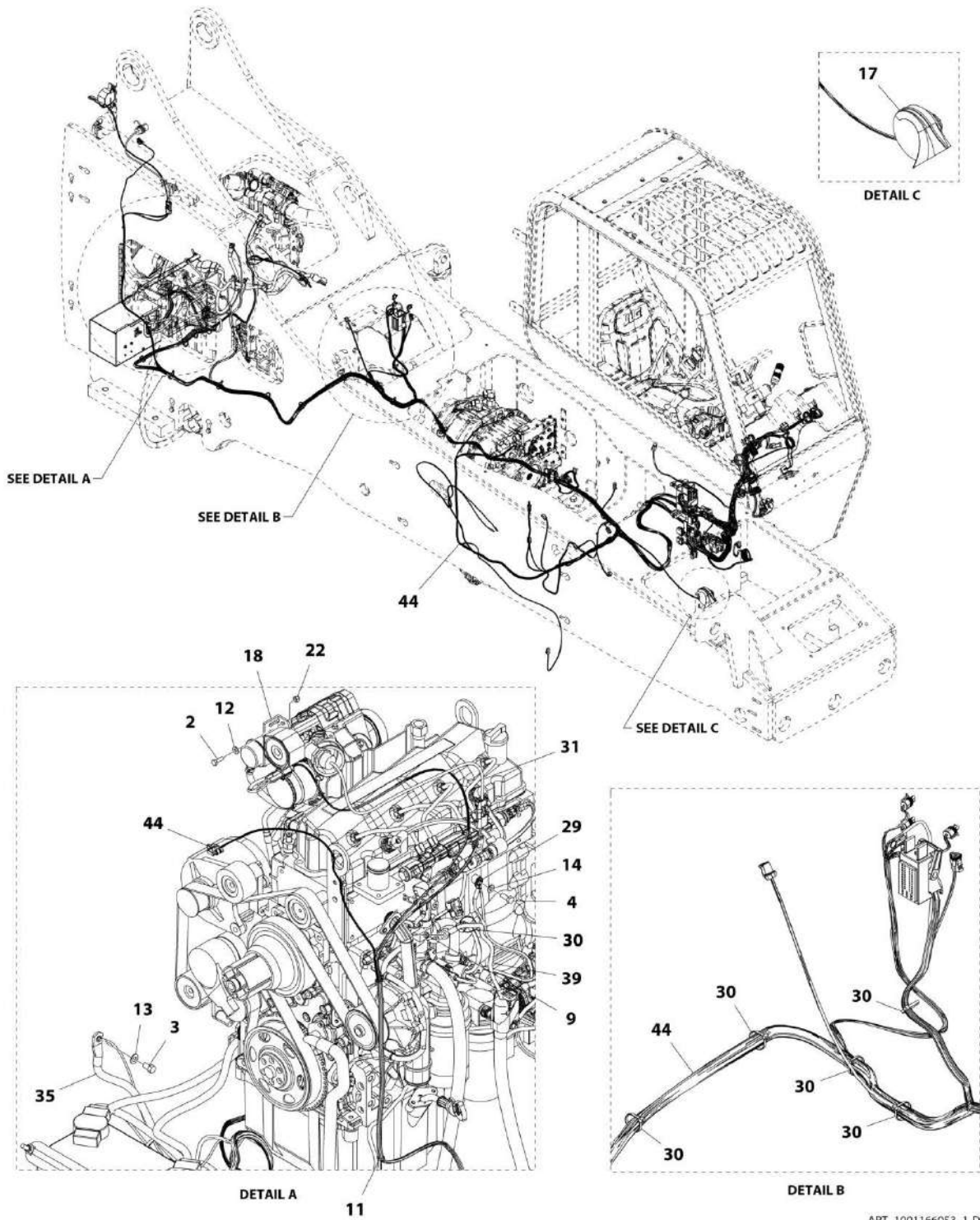
SECTION 10 - ELECTRICAL

FIGURE 10-6. ELECTRICAL INSTALLATION, 74HP - 6042 (ULS)

ITEM	PART NUMBER	QTY	DESCRIPTION	REV
	1001205788	Ref	Electrical Installation, 74HP - 6042 (if equipped for ULS)	F
1	0641404	3	Bolt, 1/4Bolt, 1/4-20X1/2	
3	0641605	1	Bolt, 3/8-16X5/8	
5	8303545	1	Bolt, M8X14	
6	0761212	2	Bolt, M12X25	
7	1062255	1	Strap, Tie	
8	3290601	1	Nut, M6X1	
9	3290605	1	Nut, M6X1	
10	4240017	3	Strap, Tie	
11	4711400	3	Washer, 1/4	
12	4711600	1	Washer, 3/8	
14	4811900	1	Washer, M8	
15	4811702	1	Washer, M6	
16	4812100	2	Washer, M12	
18	8270620	1	Horn, Signal	
21	1001186841	1	Installation, Battery (See BATTERY INSTALLATION for Breakdown)	
22	8305002	3	Nut, 10-24	
24	8305624	2	Nut, Lock 1/4-20	
25	1001211279	NLA	Switch, Pressure, (no longer available, use 1001220432 for replacement)	
25	1001220432	1	Switch, Pressure	
26	8307003	3	Washer, Lock M10	
27	8307027	4	Washer, Lock 5/16	
28	8307106	5	Washer, 5/16	
29	1001199889	1	Engine Harness (74HP) (See ENGINE HARNESS, 74HP (ULS) for Breakdown)	
30	8307111	3	Washer, M10	
31	8310046	1	Washer, Lock External Tooth M10	
32	8406105	1	Clip, Tube	
33	8584001	12	Wrap, Tie	
34	1001130307	1	Sensor, Boom	
36	1001170233	1	Installation, Relay Panel (See RELAY PANEL INSTALLATION for Breakdown)	
37	1001170234	1	Assembly, Relay Panel Cover (See RELAY PANEL COVER ASSEMBLY for Breakdown)	
38	1001171234	1	Cable, Battery Negative	
39	1001171236	1	Cable, Starter Ground	
40	1001171237	1	Cable, Grid Heater to Fuse Power	
41	1001171238	1	Cable, Alternator Power	
42	1001171239	1	Cable, Grid Heater Power	
43	1001171633	1	Cable, Buss Power	
44	1001171757	1	Cable, Starter Power	
45	1001178285	1	Harness, Cab Power Distribution (See CAB POWER DISTRIBUTION HARNESS for Breakdown)	
46	1001181899	1	Clamp	
47	1001184835	1	Harness, TBAP (See TBAP HARNESS for Breakdown)	
48	2220214	1	Adapter	
49	3290801	1	Nut, M8X1.25	

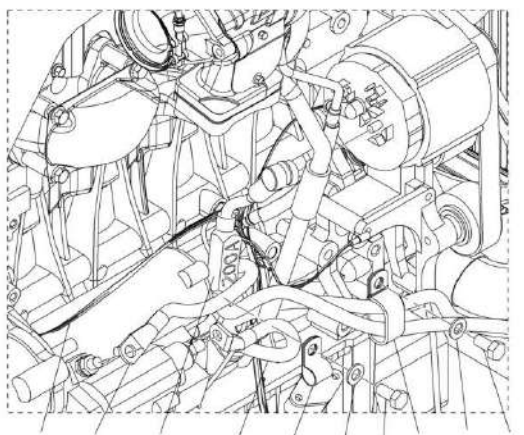
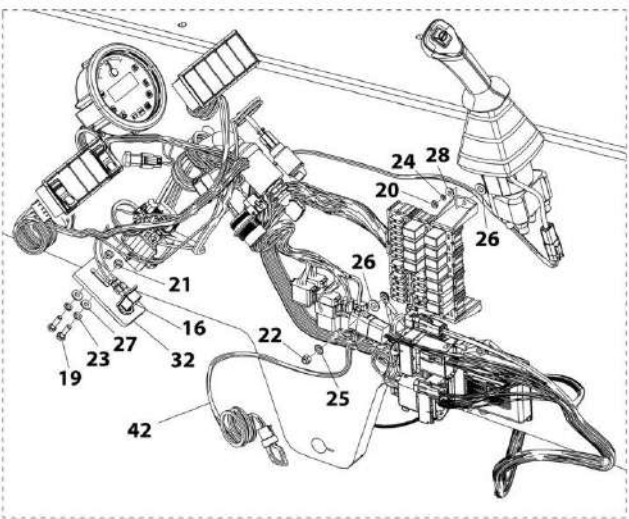
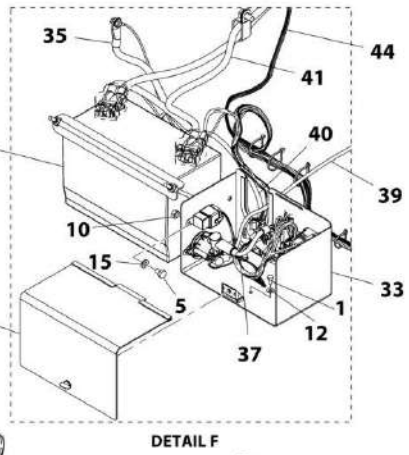
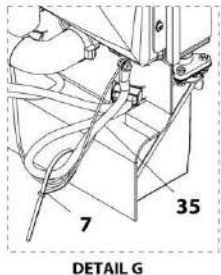
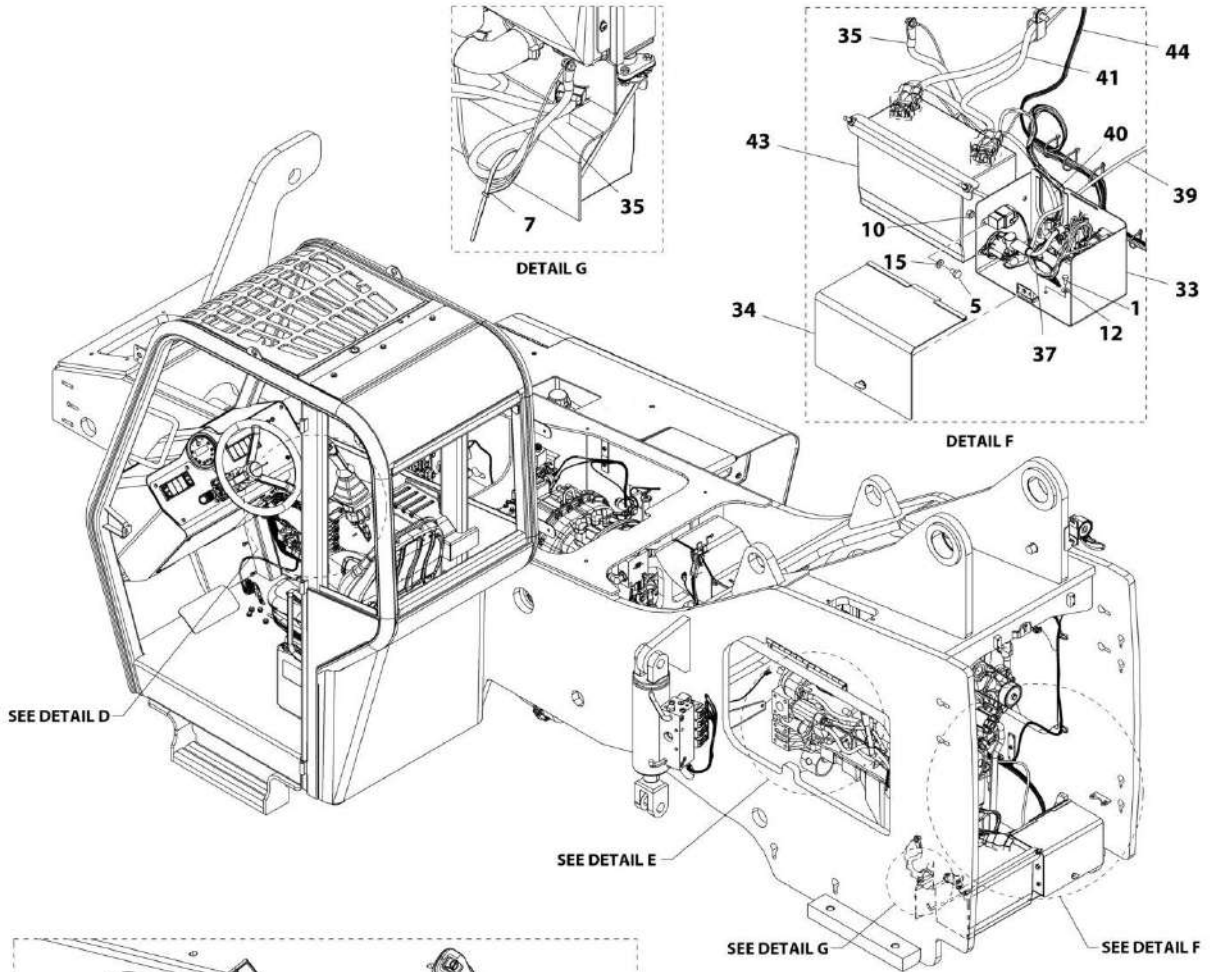
SECTION 10 - ELECTRICAL

FIGURE 10-7. ELECTRICAL INSTALLATION, 85HP - 6042 (LS) (Prior to SN 0160074884, Excluding 0160074882)



ART_1001166053_1-D

SECTION 10 - ELECTRICAL



DETAIL D

DETAIL E

ART_1001166053_2-D

SECTION 10 - ELECTRICAL

FIGURE 10-7. ELECTRICAL INSTALLATION, 85HP - 6042 (LS) (Prior to SN 0160074884, Excluding 0160074882)

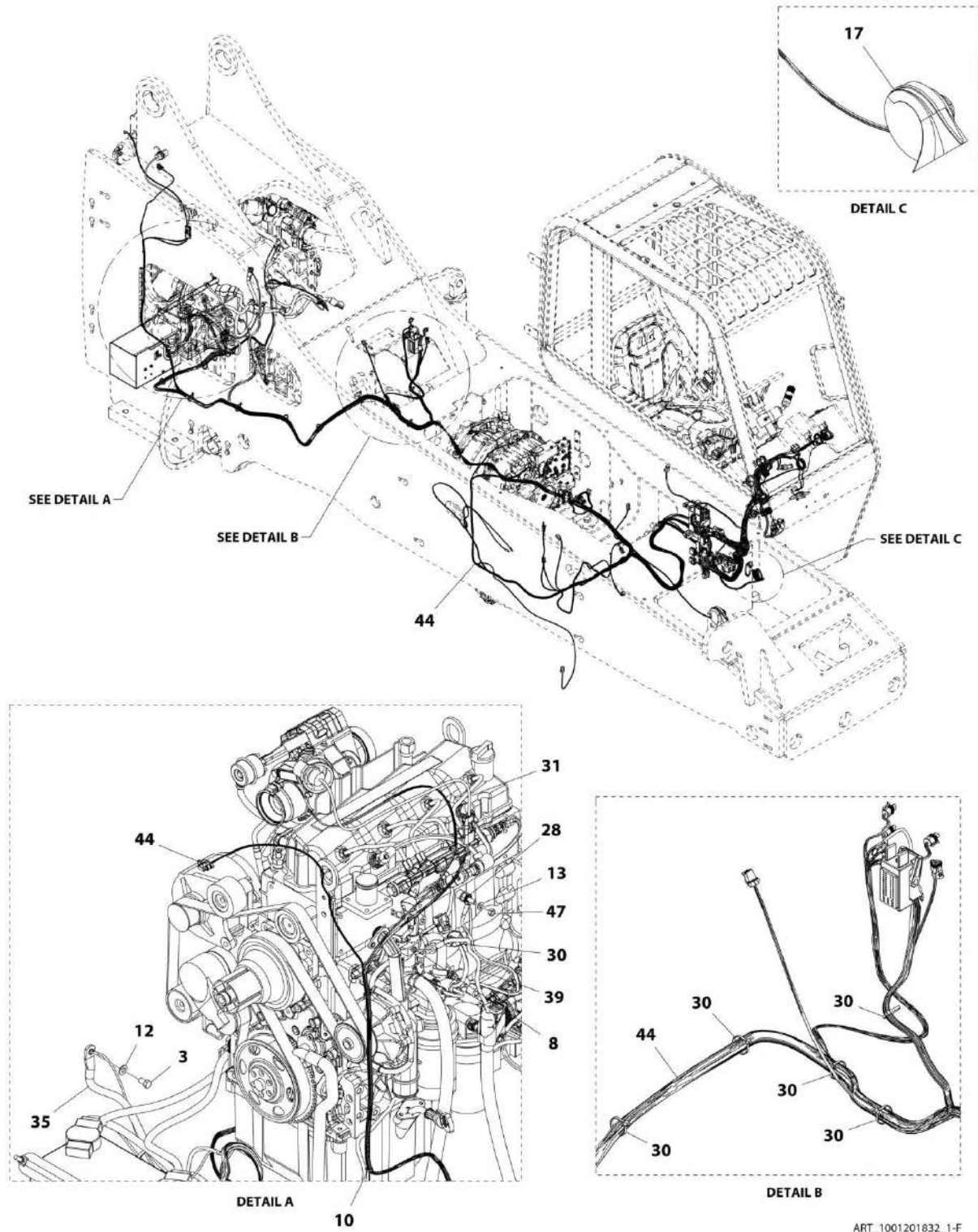
ITEM	PART NUMBER	QTY	DESCRIPTION	REV
	1001166053	Ref	Electrical Installation, 85HP - 6042 (if equipped for LS)	D
1	0641404	3	Bolt, 1/4-20X1/2	
2	0641406	2	Bolt, 1/4-20X3/4	
3	0641605	1	Bolt, 3/8-16X5/8	
4	0760810	1	Bolt, M8X20	
5	0761007	1	Bolt, M8X14	
6	0761212	2	Bolt, M12X25	
7	1062255	1	Strap, Tie	
8	1001195039	1	Clamp	
9	3290601	1	Nut, M6X1	
10	3291001	1	Nut, M10X1.5	
11	4240017	3	Strap, Tie	
12	4711400	5	Washer, 1/4	
13	4711600	1	Washer, 3/8	
14	4811900	1	Washer, M8	
15	4812000	1	Washer, M10	
16	8223025	2	Switch, Service Brake	
17	8270620	1	Horn, Signal	
18	8270621	1	Alarm, Back-Up	
19	8303540	2	Bolt, 1/4-20X1	
20	8305002	3	Nut, 10-24	
21	8305004	2	Nut, 1/4-20	
22	8305624	4	Nut, Lock 1/4-20	
23	8307002	2	Washer, Lock 1/4	
24	8307003	3	Washer, Lock M10	
25	8307027	4	Washer, Lock 5/16	
26	8307106	5	Washer, 5/16	
27	8307109	2	Washer, 1/4	
28	8307111	3	Washer, M10	
29	8310046	1	Washer, Lock External Tooth M10	
30	8584001	13	Wrap, Tie	
31	1001130307	1	Sensor, Boom	
32	1001143307	1	Plate, Brake Switch	
33	1001170233	1	Installation, Relay Panel (See RELAY PANEL INSTALLATION for Breakdown)	
34	1001170234	1	Assembly, Relay Panel Cover (See RELAY PANEL COVER ASSEMBLY for Breakdown)	
35	1001171234	1	Cable, Battery Negative	
36	1001171236	1	Cable, Starter Ground	
37	1001171237	1	Cable, Grid Heater to Fuse Power	
38	1001171238	1	Cable, Alternator Power	
39	1001171239	1	Cable, Grid Heater Power	
40	1001171633	1	Cable, Buss Power	
41	1001171757	1	Cable, Starter Power	
42	1001178285	1	Harness, Cab Power Distribution (See CAB POWER DISTRIBUTION HARNESS for Breakdown)	
43	1001186841	1	Installation, Battery (See BATTERY INSTALLATION for Breakdown)	
44	1001189488	1	Engine Harness (See ENGINE HARNESS, 85HP (LS) for Breakdown)	

SECTION 10 - ELECTRICAL

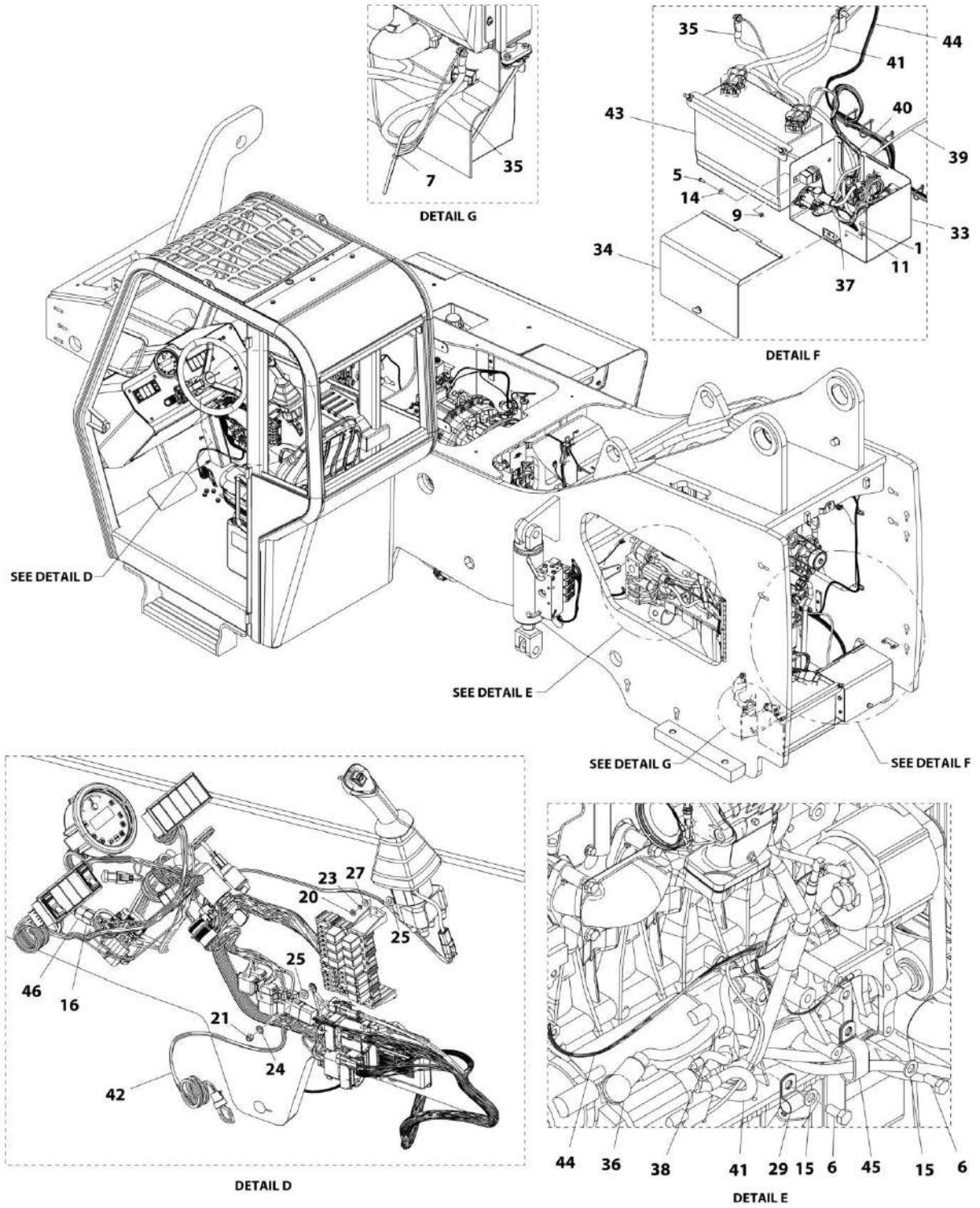
ITEM	PART NUMBER	QTY	DESCRIPTION	REV
45	4812100	2	Washer, M12	
46	8406105	1	Clip, Tube	

SECTION 10 - ELECTRICAL

FIGURE 10-8. ELECTRICAL INSTALLATION, 85HP - 6042 (LS) (SN 0160074884 to Present, Including 0160074882)



SECTION 10 - ELECTRICAL



ART_1001201832_2-F

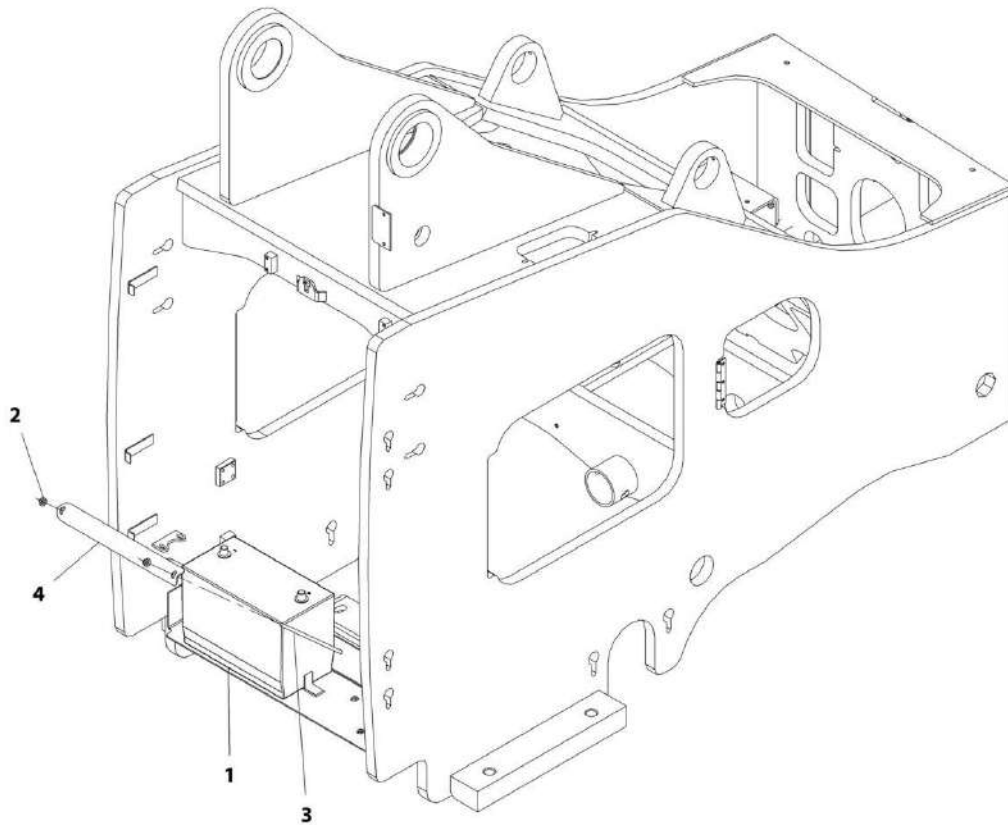
SECTION 10 - ELECTRICAL

FIGURE 10-8. ELECTRICAL INSTALLATION, 85HP - 6042 (LS) (SN 0160074884 to Present, Including 0160074882)

ITEM	PART NUMBER	QTY	DESCRIPTION	REV
	1001201832	Ref	Electrical Installation, 85HP - 6042 (if equipped for LS)	F
1	0641404	3	Bolt, 1/4-20X1/2	
3	0641605	1	Bolt, 3/8-16X5/8	
5	8303545	1	Bolt, M8X14	
6	0761212	2	Bolt, M12X25	
7	1062255	1	Strap, Tie	
8	3290601	1	Nut, M6X1	
9	3290605	1	Nut, M6X1	
10	4240017	2	Strap, Tie	
11	4711400	3	Washer, 1/4	
12	4711600	1	Washer, 3/8	
13	4811900	1	Washer, M8	
14	4811702	1	Washer, M6	
15	4812100	2	Washer, M12	
16	1001211279	NLA	Switch, Pressure, (no longer available, use 1001220432 for replacement)	
16	1001220432	1	Switch, Pressure	
17	8270620	1	Horn, Signal	
20	8305002	3	Nut, 10-24	
21	8305624	2	Nut, Lock 1/4-20	
23	8307003	3	Washer, Lock M10	
24	8307027	4	Washer, Lock 5/16	
25	8307106	5	Washer, 5/16	
27	8307111	3	Washer, M10	
28	8310046	1	Washer, Lock External Tooth M10	
29	8406105	1	Clip	
30	8584001	13	Wrap, Tie	
31	1001130307	1	Sensor, Boom	
33	1001170233	1	Installation, Relay Panel (See RELAY PANEL INSTALLATION for Breakdown)	
34	1001170234	1	Assembly, Relay Panel Cover (See RELAY PANEL COVER ASSEMBLY for Breakdown)	
35	1001171234	1	Cable, Battery Negative	
36	1001171236	1	Cable, Starter Ground	
37	1001171237	1	Cable, Grid Heater to Fuse Power	
38	1001171238	1	Cable, Alternator Power	
39	1001171239	1	Cable, Grid Heater Power	
40	1001171633	1	Cable, Buss Power	
41	1001171757	1	Cable, Starter Power	
42	1001178285	1	Harness, Cab Power Distribution (See CAB POWER DISTRIBUTION HARNESS for Breakdown)	
43	1001186841	1	Installation, Battery (See BATTERY INSTALLATION for Breakdown)	
44	1001189488	1	Engine Harness (See ENGINE HARNESS, 85HP (LS) for Breakdown)	
45	1001181899	1	Clamp	
46	2220214	1	Adapter	
47	3290801	1	Nut, M8X1.25	

SECTION 10 - ELECTRICAL

FIGURE 10-9. BATTERY INSTALLATION



ART_1001186841-A

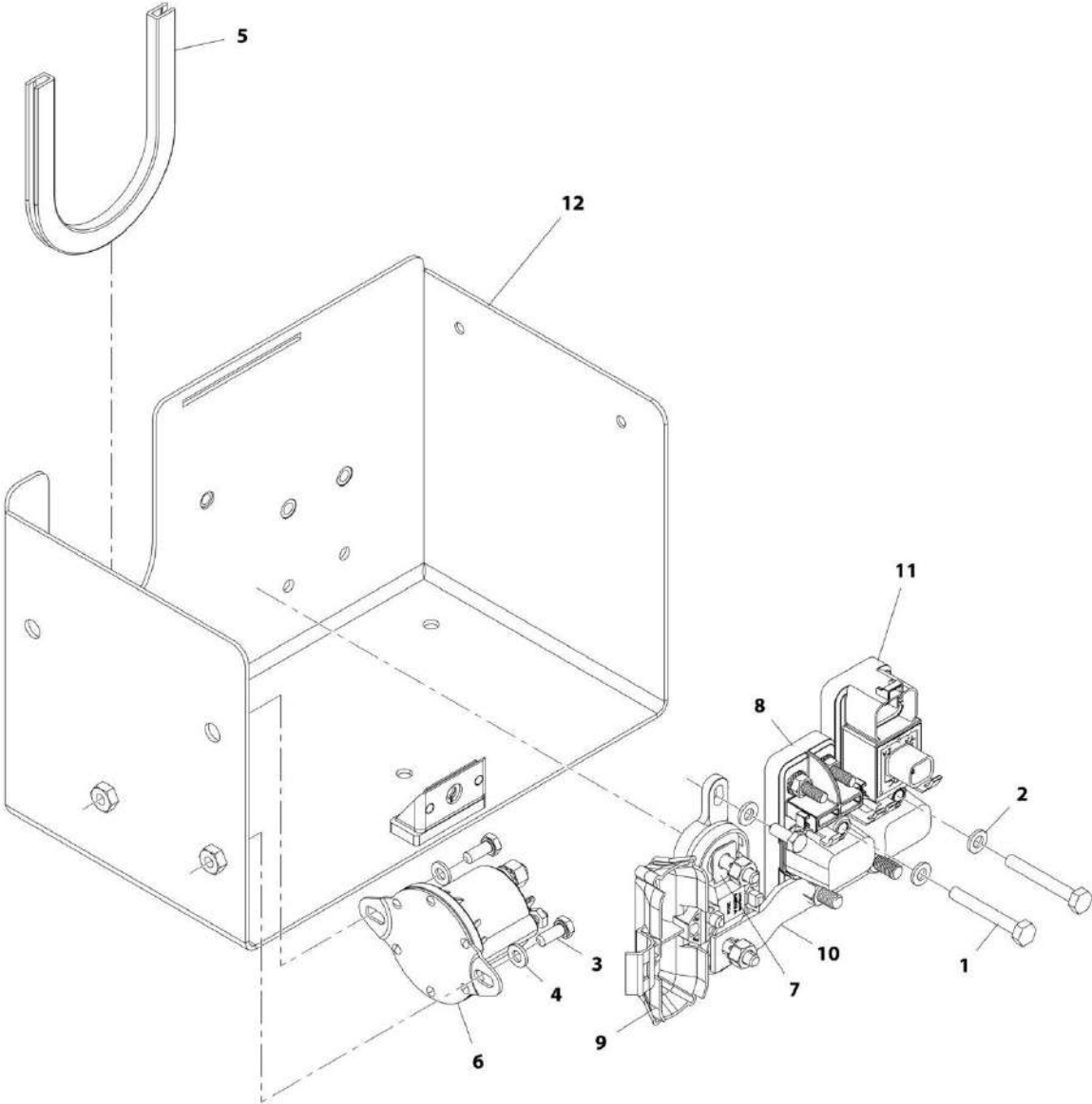
SECTION 10 - ELECTRICAL

FIGURE 10-9. BATTERY INSTALLATION

ITEM	PART NUMBER	QTY	DESCRIPTION	REV
	1001186841	Ref	Battery Installation	A
1	0400075	1	Battery, 12V	
2	77143006	2	Nut, Whiz Lok 5/16-18	
3	91081640	2	Bolt, Battery Hold Down	
4	1001186721	1	Plate, Battery Hold Down	

SECTION 10 - ELECTRICAL

FIGURE 10-10. RELAY PANEL INSTALLATION



ART_1001170233-F

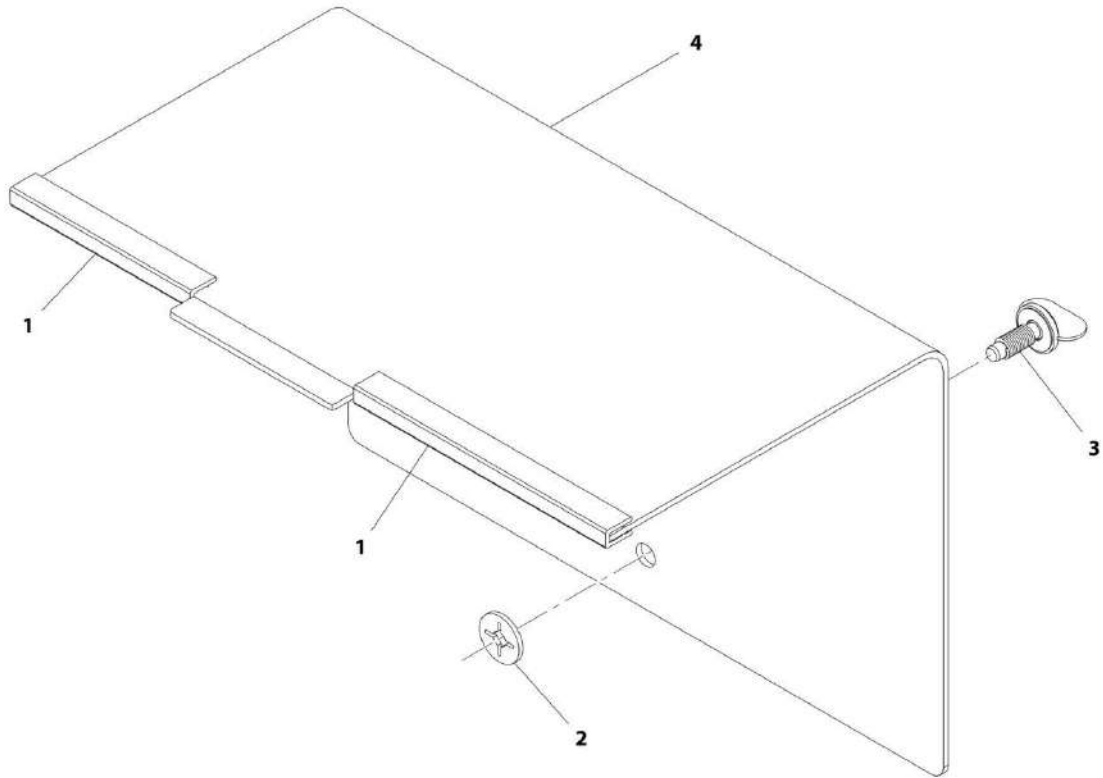
SECTION 10 - ELECTRICAL

FIGURE 10-10. RELAY PANEL INSTALLATION

ITEM	PART NUMBER	QTY	DESCRIPTION	REV
	1001170233	Ref	Relay Panel Installation	F
1	0641415	2	Bolt, 1/4-20X1-7/8	
2	4761400	2	Washer, Lock 1/4	
3	8303545	4	Bolt, M6X14	
4	8307219	4	Washer, M6	
5	90206196	257 mm	Trim, Vinyl Edge	
6	1001186417	1	Relay, 150 Amp	
7	1001118245	1	Fuse, 250 Amp	
8	1001127699	1	Fuse, Power Module	
9	1001127700	1	Holder, AMG Fuse	
10	1001129615	1	Bar, Buss Connector	
11	1001184316	1	Relay, Power Module	
12	1001170230	1	Bracket, Relay Mount	

SECTION 10 - ELECTRICAL

FIGURE 10-11. RELAY PANEL COVER ASSEMBLY



ART_1001170234-A

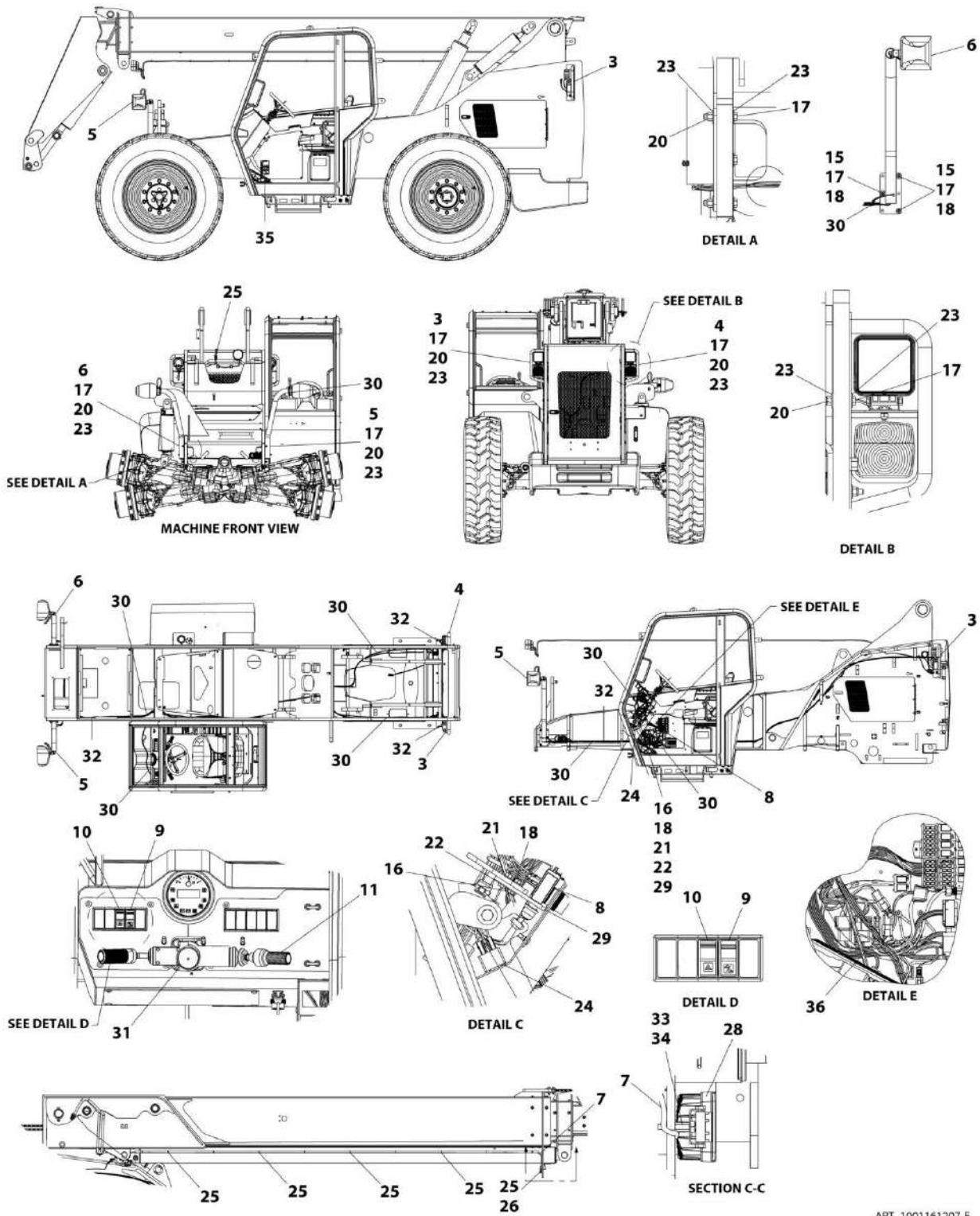
SECTION 10 - ELECTRICAL

FIGURE 10-11. RELAY PANEL COVER ASSEMBLY

ITEM	PART NUMBER	QTY	DESCRIPTION	REV
	1001170234	Ref	Relay Panel Cover Assembly	A
1	90206196	220 mm	Trim, Vinyl Edge	
2	1001135770	1	Washer, Push-On Retainer	
3	1001135777	1	Screw, Fastener Assembly Wing Head	
4	1001170235	1	Cover, Relay Panel	

SECTION 10 - ELECTRICAL

FIGURE 10-12. ROADLIGHT PACKAGE INSTALLATION - 6036 (Prior to SN 0160073126)



ART_1001161207-E

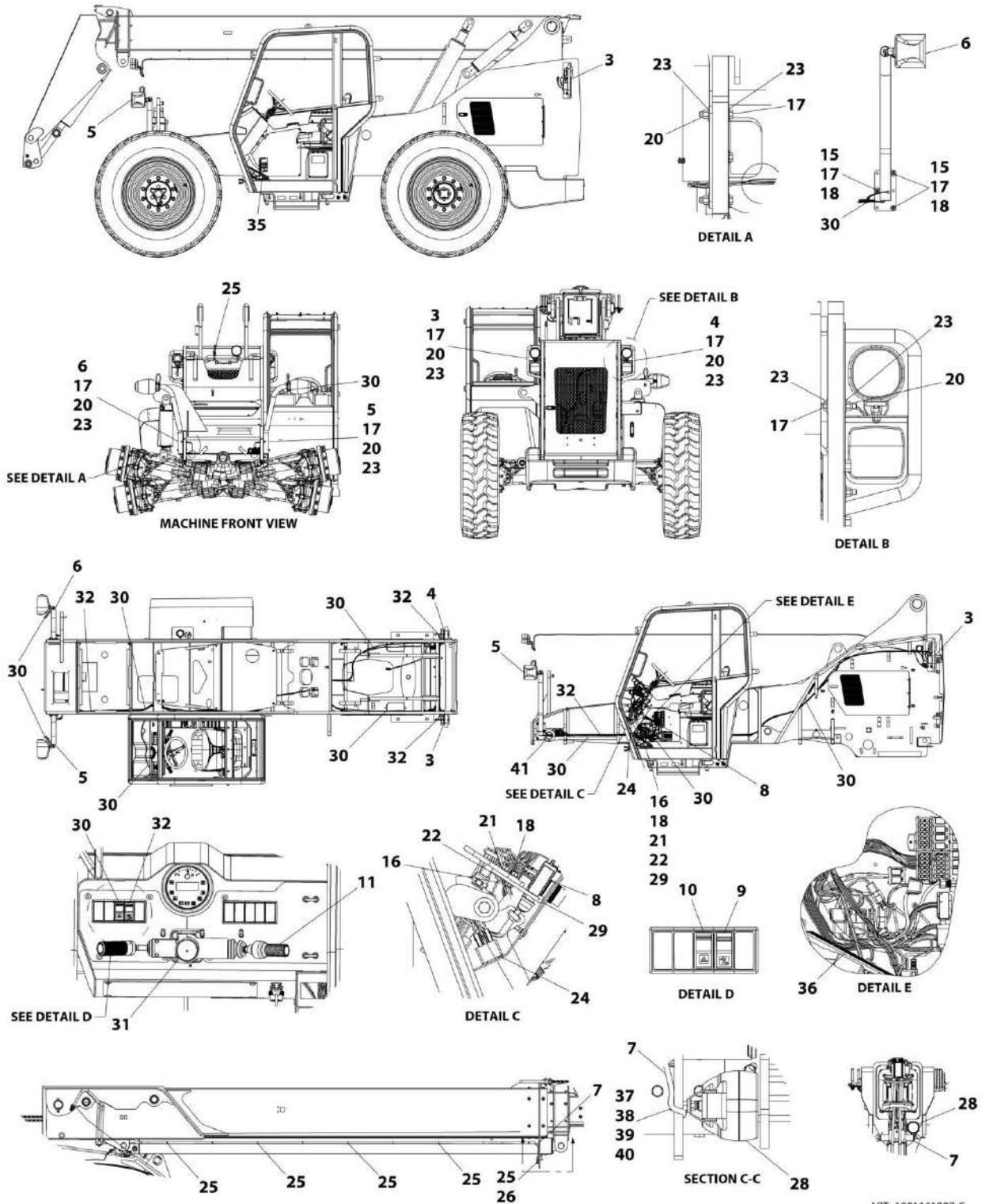
SECTION 10 - ELECTRICAL

FIGURE 10-12. ROADLIGHT PACKAGE INSTALLATION - 6036 (Prior to SN 0160073126)

ITEM	PART NUMBER	QTY	DESCRIPTION	REV
	1001161207	Ref	Roadlight Package Installation - 6036	E
3	1001205350	1	Assembly, LH Roadlight (See LH ROADLIGHT ASSEMBLY for Breakdown)	
4	1001205351	1	Assembly, RH Roadlight (See RH ROADLIGHT ASSEMBLY for Breakdown)	
5	7150699	1	Assembly, LH Roadlight Bracket (See LH ROADLIGHT BRACKET ASSEMBLY for Breakdown)	
6	7150716	1	Assembly, RH Roadlight Bracket (See RH ROADLIGHT BRACKET ASSEMBLY for Breakdown)	
7	7150730	1	Cord, Boom Work Light	
8	8223057	1	Switch, Brake Lights	
9	8223059	1	Switch, Work Light	
10	8223060	1	Switch, Hazard	
11	8223073	1	Control, Turn Signal	
16	8303540	2	Bolt, 1/4-20X1	
17	8303771	10	Bolt, 3/8-16X2-1/4	
18	8305004	2	Nut, Hex 1/4-20	
20	8305645	10	Nut, Lock 3/8-16	
21	8307002	2	Washer, Lock 1/4	
22	8307109	2	Washer, Plain 1/4	
23	8307204	20	Washer, Plain 3/8	
24	8500203	1	Flasher, Hazard Warning 12V	
25	8584001	32	Wrap, Tie	
26	8584018	2	Mount, Cable Tie	
28	1001205177	1	Worklight	
29	1001143307	1	Plate, Brake Switch	
30	1001178346	1	Harness, Road Light Option (See ROAD LIGHT OPTION HARNESS for Breakdown)	
31	88211516	2	Screw, 10-32X1-3/4	
32	1001178344	1	Harness, Work Light Option (See WORK LIGHT OPTION HARNESS for Breakdown)	
33	1001205179	1	Nut, 5/16	
34	1001205674	1	Bolt, 5/16-18X2	
35	1001205264	1	Decal, Light Fuse Panel	
36	1001205248	1	Harness, Roadlight Worklight (See ROADLIGHT WORKLIGHT HARNESS for Breakdown)	

SECTION 10 - ELECTRICAL

FIGURE 10-13. ROADLIGHT PACKAGE INSTALLATION - 6036 (SN 0160073126 through 0160074883, Excluding 0160074882)



ART_1001161207-G

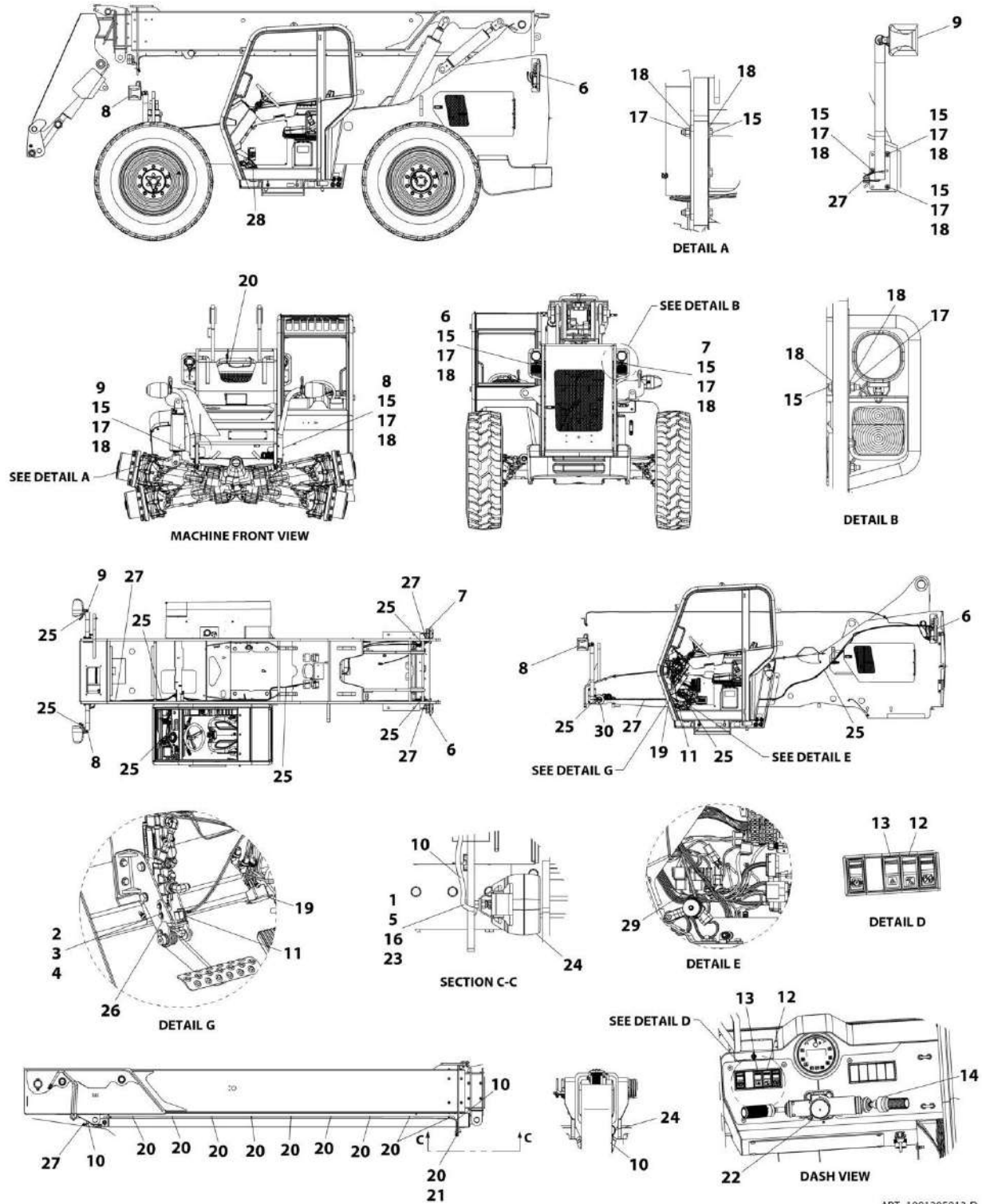
SECTION 10 - ELECTRICAL

**FIGURE 10-13. ROADLIGHT PACKAGE INSTALLATION - 6036 (SN 0160073126 through 0160074883,
Excluding 0160074882)**

ITEM	PART NUMBER	QTY	DESCRIPTION	REV
	1001161207	Ref	Roadlight Package Installation - 6036	G
3	7150679	1	Assembly, LH Roadlight (See LH ROADLIGHT ASSEMBLY for Breakdown)	
4	7150689	1	Assembly, RH Roadlight (See RH ROADLIGHT ASSEMBLY for Breakdown)	
5	7150699	1	Assembly, LH Roadlight Bracket (See LH ROADLIGHT BRACKET ASSEMBLY for Breakdown)	
6	7150716	1	Assembly, RH Roadlight Bracket (See RH ROADLIGHT BRACKET ASSEMBLY for Breakdown)	
7	7150730	1	Cord, Boom Work Light	
8	8223057	1	Switch, Brake Lights	
9	8223059	1	Switch, Work Light	
10	8223060	1	Switch, Hazard	
11	8223073	1	Control, Turn Signal	
16	8303540	2	Bolt, 1/4-20X1	
17	8303771	10	Bolt, 3/8-16X2-1/4	
18	8305004	2	Nut, Hex 1/4-20	
20	8305645	10	Nut, Lock 3/8-16	
21	8307002	2	Washer, Lock 1/4	
22	8307109	2	Washer, Plain 1/4	
23	8307204	20	Washer, Plain 3/8	
24	8500203	1	Flasher, Hazard Warning 12V	
25	8584001	32	Wrap, Tie	
26	8584018	2	Mount, Cable Tie	
28	1001096314	1	Worklight	
29	1001143307	1	Plate, Brake Switch	
30	1001178346	1	Harness, Road Light Option (See ROAD LIGHT OPTION HARNESS for Breakdown)	
31	88211516	2	Screw, 10-32X1-3/4	
32	1001178344	1	Harness, Work Light Option (See WORK LIGHT OPTION HARNESS for Breakdown)	
35	1001205264	1	Decal, Light Fuse Panel	
36	1001205248	1	Harness, Roadlight Worklight (See ROADLIGHT WORKLIGHT HARNESS for Breakdown)	
37	0641511	1	Bolt, 5/16-18X1-3/8	
38	4891600	1	Washer, 3/8	
39	8305626	1	Nut, Lock 5/16-18	
40	88501005	1	Nut, 5/16-18	
41	7124471	1	Conduit, 1X12.5	

SECTION 10 - ELECTRICAL

FIGURE 10-14. ROADLIGHT PACKAGE INSTALLATION - 6036 (SN 0160074884 to Present, Including 0160074882)



ART_1001205813-D

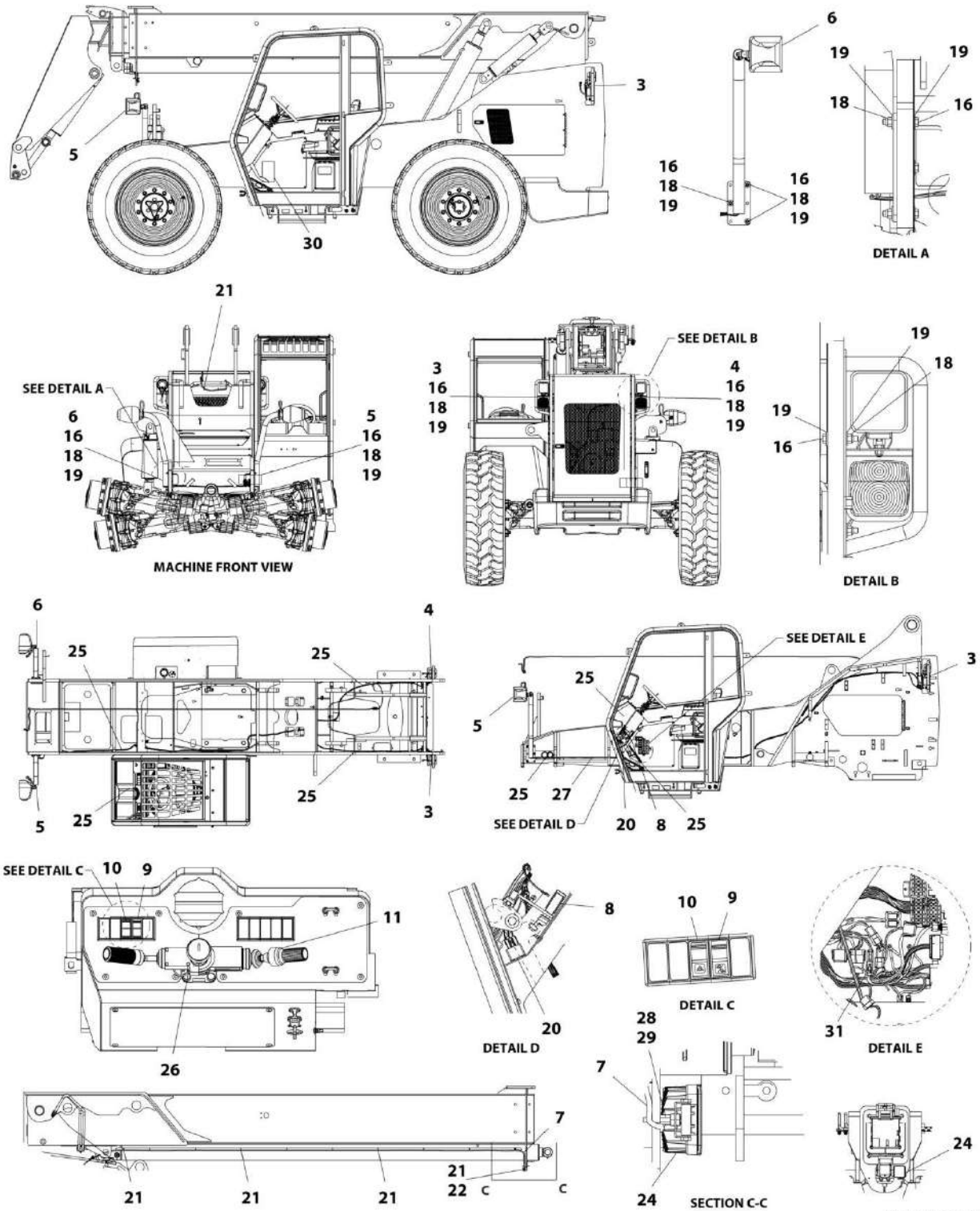
SECTION 10 - ELECTRICAL

FIGURE 10-14. ROADLIGHT PACKAGE INSTALLATION - 6036 (SN 0160074884 to Present, Including 0160074882)

ITEM	PART NUMBER	QTY	DESCRIPTION	REV
	1001205813	Ref	Roadlight Package Installation - 6036	D
1	0641511	1	Bolt, 5/16-18X1-3/8	
2	0700614	2	Bolt, M6X30	
3	4811700	2	Washer, M6	
4	4831700	2	Lockwasher, M6	
5	4891600	1	Washer, 3/8	
6	7150679	1	Assembly, LH Roadlight (See LH ROADLIGHT ASSEMBLY for Breakdown)	
7	7150689	1	Assembly, RH Roadlight (See RH ROADLIGHT ASSEMBLY for Breakdown)	
8	7150699	1	Assembly, LH Roadlight Bracket (See LH ROADLIGHT BRACKET ASSEMBLY for Breakdown)	
9	7150716	1	Assembly, RH Roadlight Bracket (See RH ROADLIGHT BRACKET ASSEMBLY for Breakdown)	
10	7150730	1	Cord, Boom Work Light	
11	8223025	1	Switch, Brake Lights	
12	8223059	1	Switch, Work Light	
13	8223060	1	Switch, Hazard	
14	8223073	1	Control, Turn Signal	
15	8303771	10	Bolt, 3/8-16X2-1/4	
16	8305626	1	Nut, Lock 5/16-18	
17	8305645	10	Nut, Lock 3/8-16	
18	8307204	20	Washer, 3/8	
19	8500203	1	Flasher, Hazard Warning 12V	
20	8584001	32	Wrap, Tie	
21	8584018	2	Mount, Cable Tie	
22	88211516	2	Screw, M10-32X1-3/4	
23	88501005	1	Nut, 5/16-18	
24	1001096314	1	Worklight	
25	1001178346	1	Harness, Road Light Option (See ROAD LIGHT OPTION HARNESS for Breakdown)	
26	1001201752	1	Bracket, Brake Switch	
27	1001178344	1	Harness, Work Light Option (See WORK LIGHT OPTION HARNESS for Breakdown)	
28	1001205264	1	Decal, Light Fuse Panel	
29	1001205248	1	Harness, Roadlight Worklight (See ROADLIGHT WORKLIGHT HARNESS for Breakdown)	
30	7124471	1	Conduit, 1X12.5	

SECTION 10 - ELECTRICAL

FIGURE 10-15. ROADLIGHT PACKAGE INSTALLATION - 6042 (Prior to SN 0160073126)



ART_1001161208-E

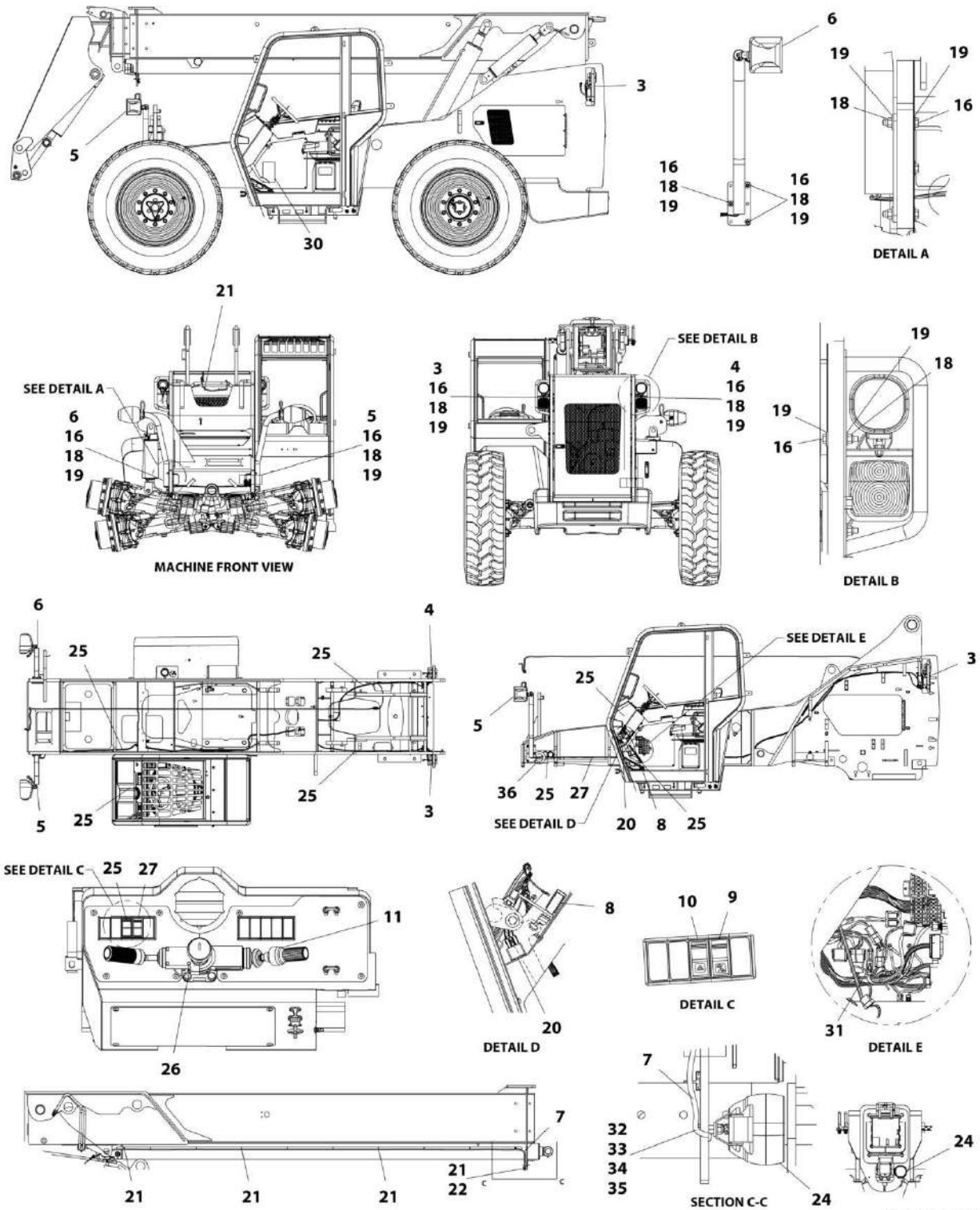
SECTION 10 - ELECTRICAL

FIGURE 10-15. ROADLIGHT PACKAGE INSTALLATION - 6042 (Prior to SN 0160073126)

ITEM	PART NUMBER	QTY	DESCRIPTION	REV
	1001161208	Ref	Roadlight Package Installation	E
3	1001205350	1	Assembly, LH Roadlight (See LH ROADLIGHT ASSEMBLY for Breakdown)	
4	1001205351	1	Assembly, RH Roadlight (See RH ROADLIGHT ASSEMBLY for Breakdown)	
5	7150699	1	Assembly, LH Roadlight Bracket (See LH ROADLIGHT BRACKET ASSEMBLY for Breakdown)	
6	7150716	1	Assembly, RH Roadlight Bracket (See RH ROADLIGHT BRACKET ASSEMBLY for Breakdown)	
7	7150730	1	Cord, Boom Work Light	
8	8223057	1	Switch, Brake Lights	
9	8223059	1	Switch, Work Light	
10	8223060	1	Switch, Hazard	
11	8223073	1	Control, Turn Signal	
16	8303771	10	Bolt, 3/8-16X2-1/4	
18	8305645	10	Nut, Lock 3/8-16	
19	8307204	20	Washer, 3/8	
20	8500203	1	Flasher, Hazard Warning 12V	
21	8584001	32	Wrap, Tie	
22	8584018	2	Mount, Cable Tie	
24	1001205177	1	Worklight	
25	1001178346	1	Harness, Road Light Option (See ROAD LIGHT OPTION HARNESS for Breakdown)	
26	88211516	2	Screw, 10-32X1-3/4	
27	1001178344	1	Harness, Work Light Option (See WORK LIGHT OPTION HARNESS for Breakdown)	
28	1001205179	1	Nut, 5/16	
29	1001205674	1	Bolt, 5/16-18X2	
30	1001205264	1	Decal, Light Fuse Panel	
31	1001205248	1	Harness, Roadlight Worklight (See ROADLIGHT WORKLIGHT HARNESS for Breakdown)	

SECTION 10 - ELECTRICAL

FIGURE 10-16. ROADLIGHT PACKAGE INSTALLATION - 6042 (SN 0160073126 through 0160074883, Excluding 0160074882)



ART_1001161208-G

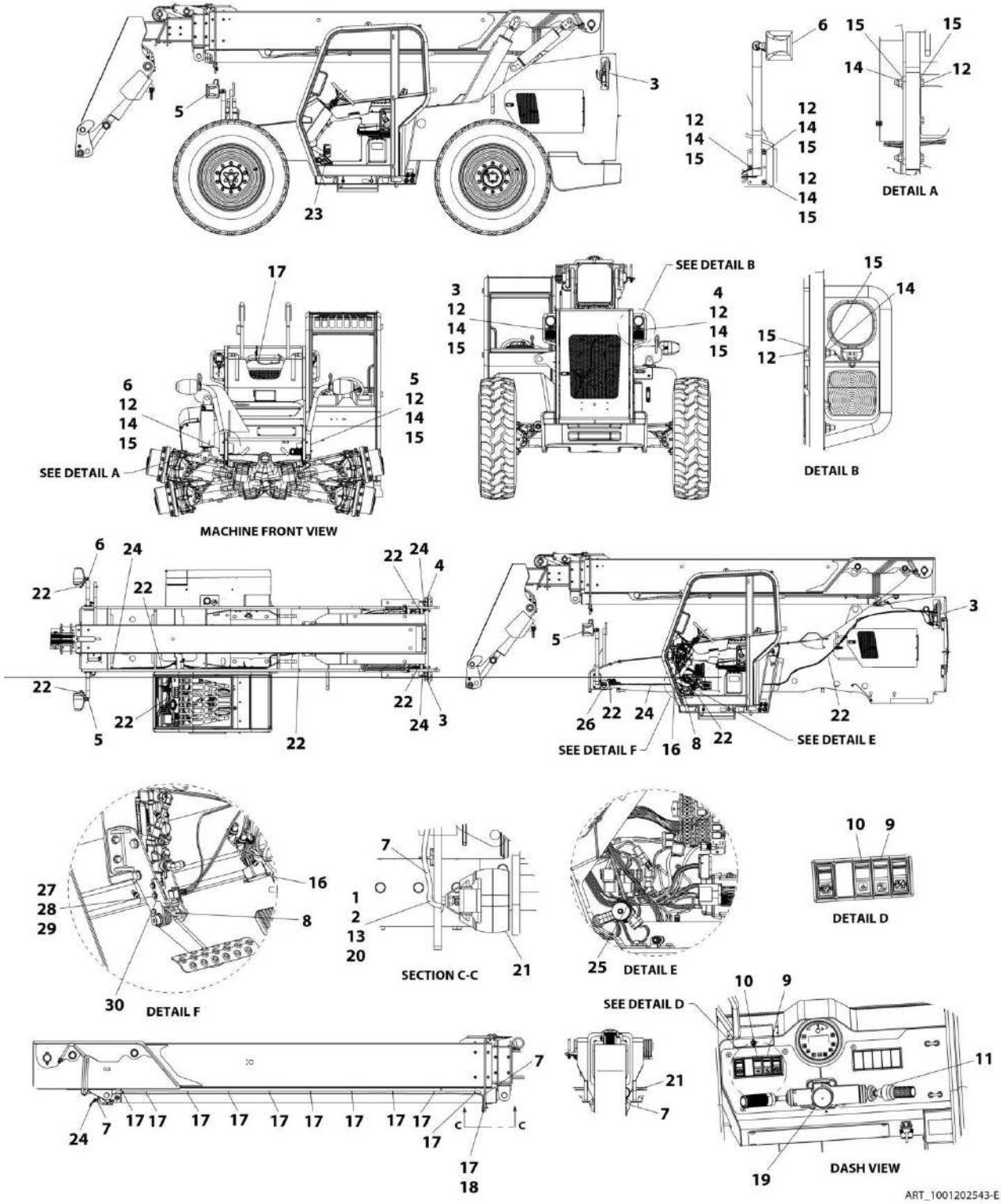
SECTION 10 - ELECTRICAL

**FIGURE 10-16. ROADLIGHT PACKAGE INSTALLATION - 6042 (SN 0160073126 through 0160074883,
Excluding 0160074882)**

ITEM	PART NUMBER	QTY	DESCRIPTION	REV
	1001161208	Ref	Roadlight Package Installation - 6042	G
3	7150679	1	Assembly, LH Roadlight (See LH ROADLIGHT ASSEMBLY for Breakdown)	
4	7150689	1	Assembly, RH Roadlight (See RH ROADLIGHT ASSEMBLY for Breakdown)	
5	7150699	1	Assembly, LH Roadlight Bracket (See LH ROADLIGHT BRACKET ASSEMBLY for Breakdown)	
6	7150716	1	Assembly, RH Roadlight Bracket (See RH ROADLIGHT BRACKET ASSEMBLY for Breakdown)	
7	7150730	1	Cord, Boom Work Light	
8	8223057	1	Switch, Brake Lights	
9	8223059	1	Switch, Work Light	
10	8223060	1	Switch, Hazard	
11	8223073	1	Control, Turn Signal	
16	8303771	10	Bolt, 3/8-16X2-1/4	
18	8305645	10	Nut, Lock 3/8-16	
19	8307204	20	Washer, 3/8	
20	8500203	1	Flasher, Hazard Warning 12V	
21	8584001	32	Wrap, Tie	
22	8584018	2	Mount, Cable Tie	
24	1001096314	1	Worklight	
24	8036216	1	Screw, Worklight Lens	
24	8036218	1	Bulb, Worklight Halogen	
25	1001178346	1	Harness, Road Light Option (See ROAD LIGHT OPTION HARNESS for Breakdown)	
26	88211516	2	Screw, 10-32X1-3/4	
27	1001178344	1	Harness, Work Light Option (See WORK LIGHT OPTION HARNESS for Breakdown)	
30	1001205264	1	Decal, Light Fuse Panel	
31	1001205248	1	Harness, Roadlight Worklight (See ROADLIGHT WORKLIGHT HARNESS for Breakdown)	
32	0641511	1	Bolt, 5/16-18X1-3/8	
33	4891600	1	Washer, 3/8	
34	8305626	1	Nut, Lock 5/16-18	
35	88501005	1	Nut, 5/16-18	
36	7124471	1	Conduit, 1X12.5	

SECTION 10 - ELECTRICAL

FIGURE 10-17. ROADLIGHT PACKAGE INSTALLATION - 6042 (SN 0160074884 to Present, Including 0160074882)



ART_1001202543-E

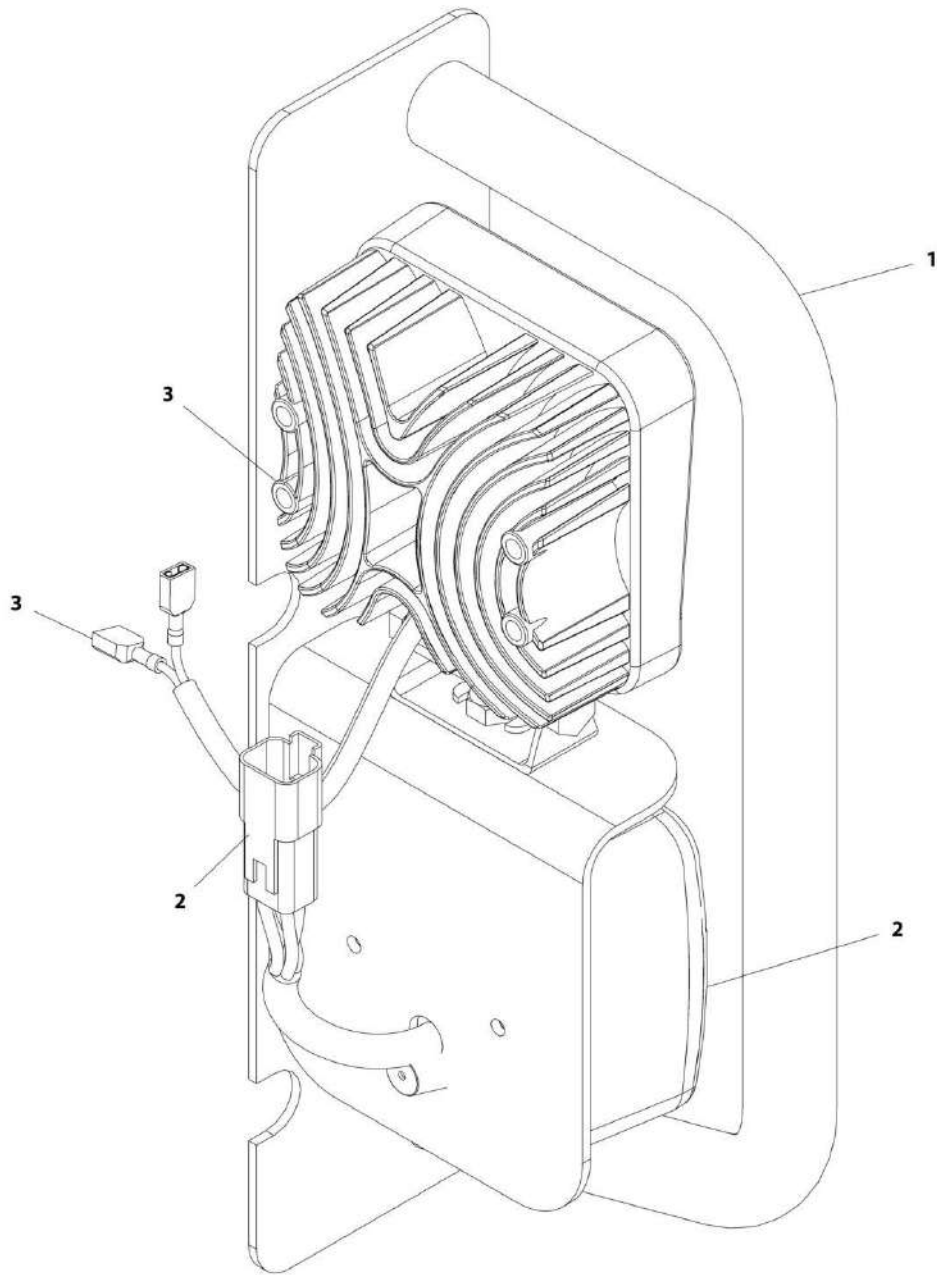
SECTION 10 - ELECTRICAL

FIGURE 10-17. ROADLIGHT PACKAGE INSTALLATION - 6042 (SN 0160074884 to Present, Including 0160074882)

ITEM	PART NUMBER	QTY	DESCRIPTION	REV
	1001202543	Ref	Roadlight Package Installation	E
1	0641511	1	Bolt, 5/16-18X1-3/8	
2	4891600	1	Washer, 3/8	
3	7150679	1	Assembly, LH Roadlight (See LH ROADLIGHT ASSEMBLY for Breakdown)	
4	7150689	1	Assembly, RH Roadlight (See RH ROADLIGHT ASSEMBLY for Breakdown)	
5	7150699	1	Assembly, LH Roadlight Bracket (See LH ROADLIGHT BRACKET ASSEMBLY for Breakdown)	
6	7150716	1	Assembly, RH Roadlight Bracket (See RH ROADLIGHT BRACKET ASSEMBLY for Breakdown)	
7	7150730	1	Cord, Boom Work Light	
8	8223025	1	Switch, Brake Lights	
9	8223059	1	Switch, Work Light	
10	8223060	1	Switch, Hazard	
11	8223073	1	Control, Turn Signal	
12	8303771	10	Bolt, 3/8-16X2-1/4	
13	8305626	1	Nut, Lock 5/16-18	
14	8305645	10	Nut, Lock 3/8-16	
15	8307204	20	Washer, 3/8	
16	8500203	1	Flasher, Hazard Warning 12V	
17	8584001	32	Wrap, Tie	
18	8584018	2	Mount, Cable Tie	
19	88211516	2	Screw, M10-32X1-3/4	
20	88501005	1	Nut, 5/16-18	
21	1001096314	1	Worklight	
22	1001178346	1	Harness, Road Light Option (See ROAD LIGHT OPTION HARNESS for Breakdown)	
23	1001205264	1	Decal	
24	1001178344	1	Harness, Work Light Option (See WORK LIGHT OPTION HARNESS for Breakdown)	
25	1001205248	1	Harness, Roadlight Worklight (See ROADLIGHT WORKLIGHT HARNESS for Breakdown)	
26	7124471	1	Conduit, 1X12.5	
27	0700614	2	Bolt, M6X30	
28	4811700	2	Washer, M6	
29	4831700	2	Lockwasher, M6	
30	1001201752	1	Bracket, Brake Switch	

SECTION 10 - ELECTRICAL

FIGURE 10-18. LH ROADLIGHT ASSEMBLY (Prior to SN 0160073126)



ART_1001205350-A

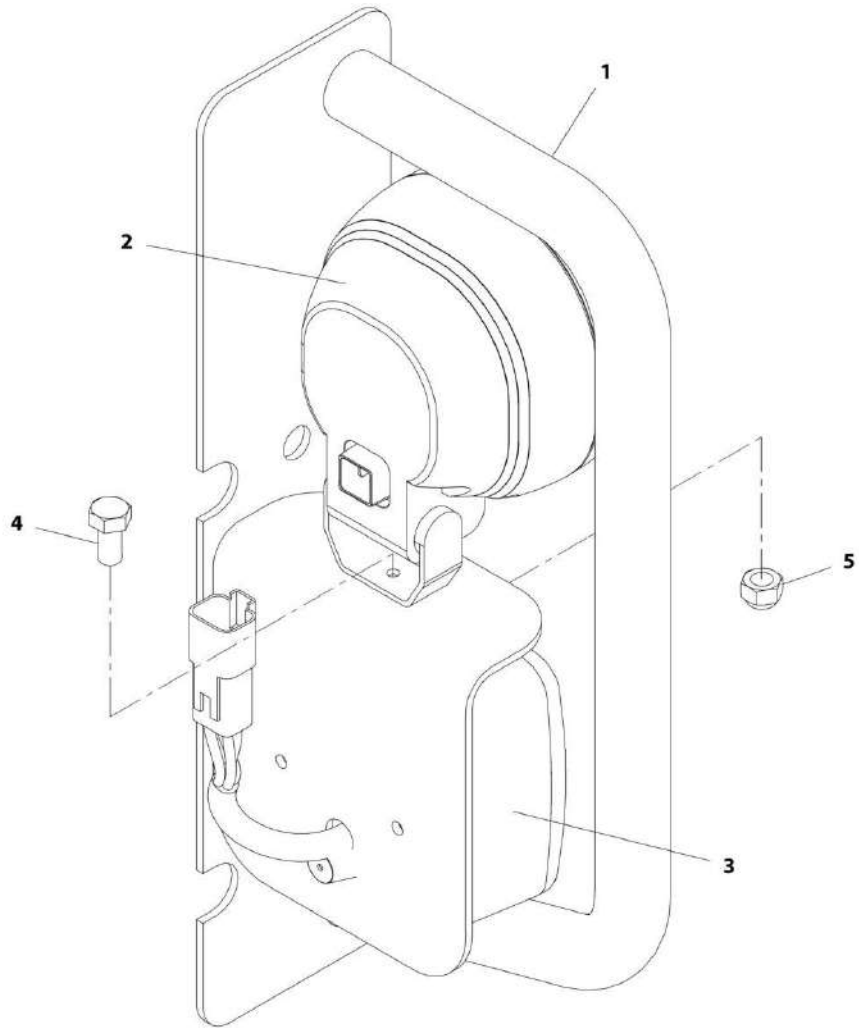
SECTION 10 - ELECTRICAL

FIGURE 10-18. LH ROADLIGHT ASSEMBLY (Prior to SN 0160073126)

ITEM	PART NUMBER	QTY	DESCRIPTION	REV
	1001205350	Ref	LH Roadlight Assembly	A
1	7150681	1	Assembly, LH Roadlight Bracket	
2	7150690	1	Light, Tail/Indicator	
3	1001205177	1	Worklight	

SECTION 10 - ELECTRICAL

FIGURE 10-19. LH ROADLIGHT ASSEMBLY (SN 0160073126 to Present)



ART_7150679-C

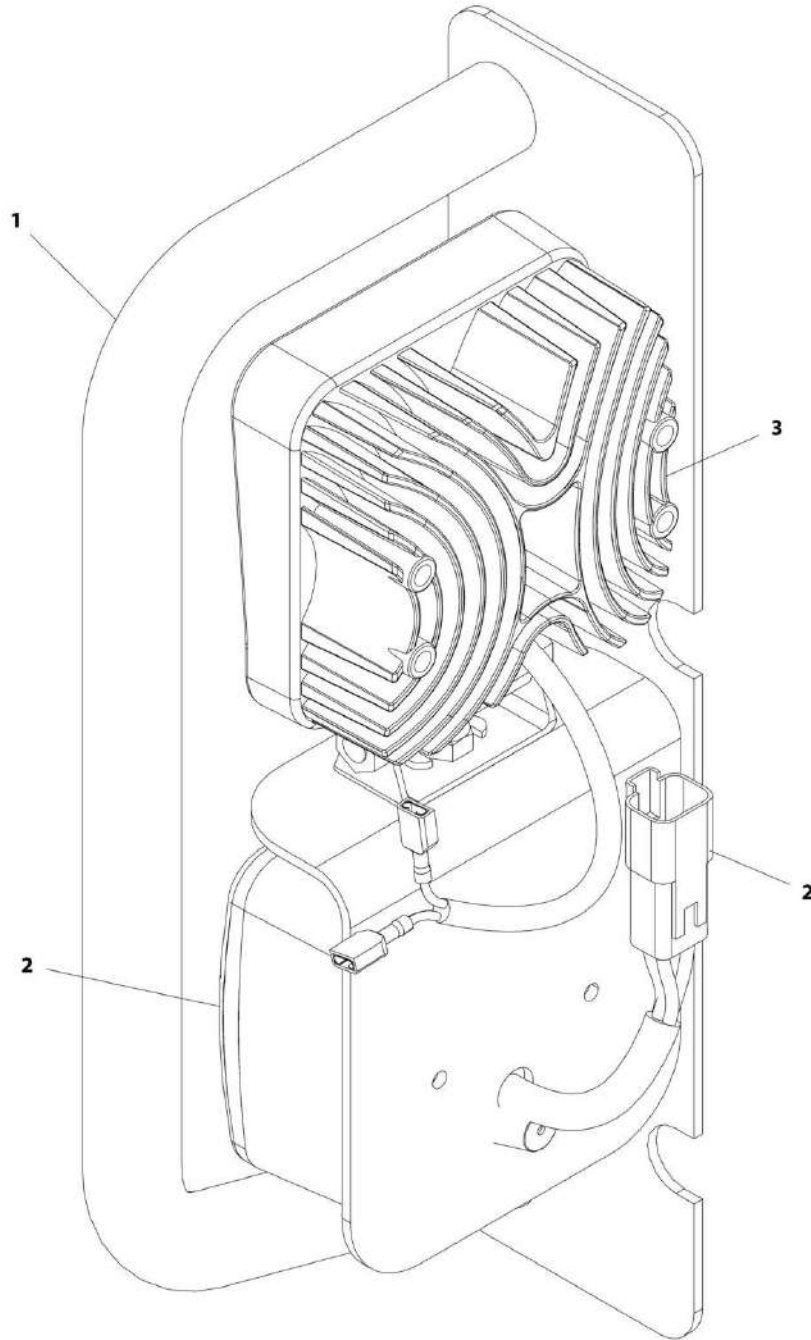
SECTION 10 - ELECTRICAL

FIGURE 10-19. LH ROADLIGHT ASSEMBLY (SN 0160073126 to Present)

ITEM	PART NUMBER	QTY	DESCRIPTION	REV
	7150679	Ref	LH Roadlight Assembly	C
1	7150681	1	Assembly, LH Roadlight Bracket	
2	1001096314	1	Worklight	
2	8036216	4	Screw, Worklight Lens	
2	8036218	1	Bulb, Worklight Halogen	
3	7150690	1	Light, Tail/Indicator	
3	N.S.S.	1	Screw, Tail Light Lens	
3	8036219	1	Lens, Tail Light	
3	8036221	1	Bulb, Blinker 12V, 21W	
3	8036222	1	Bulb, Tail and Brake Light 12V, 21/5W	
3	8036220	1	Harness, Wiring (includes 4-way connector)	
4	8303745	1	Bolt, 5/16-18X5/8	
5	8305626	1	Nut, Lock 5/16-18	

SECTION 10 - ELECTRICAL

FIGURE 10-20. RH ROADLIGHT ASSEMBLY (Prior to SN 0160073126)



ART_1001205351-A

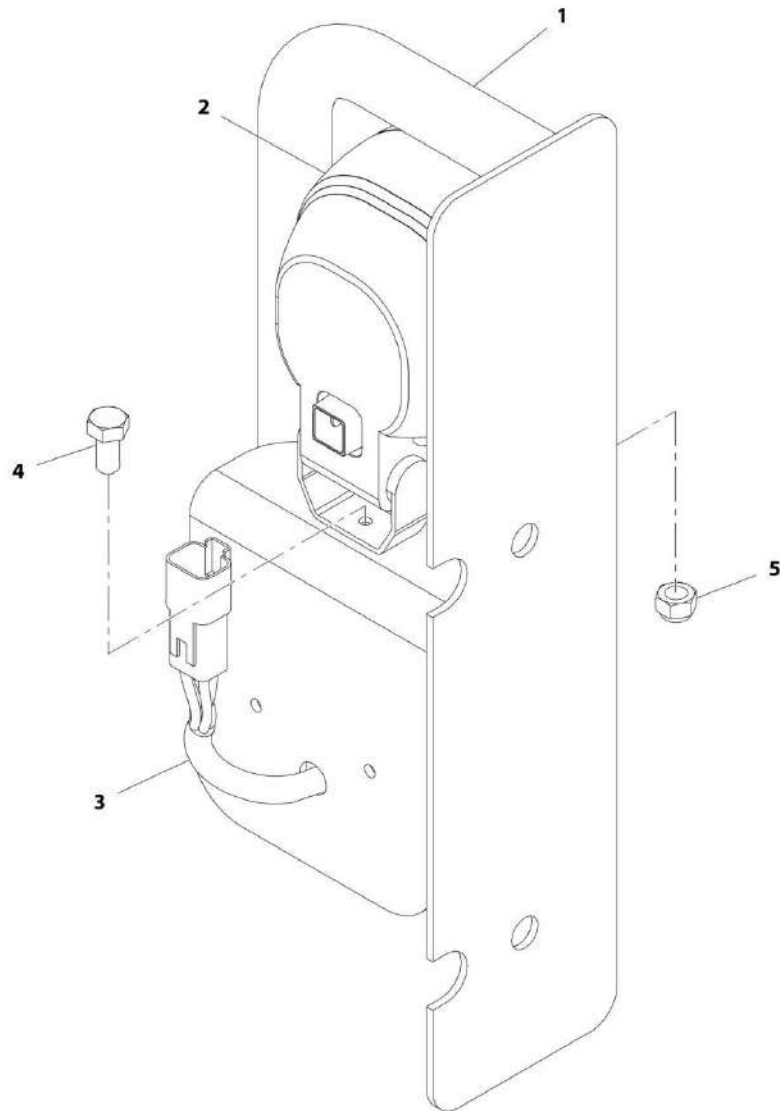
SECTION 10 - ELECTRICAL

FIGURE 10-20. RH ROADLIGHT ASSEMBLY (Prior to SN 0160073126)

ITEM	PART NUMBER	QTY	DESCRIPTION	REV
	1001205351	Ref	RH Roadlight Assembly	A
1	7150680	1	Assembly, RH Roadlight Bracket	
2	7150690	1	Light, Tail/Indicator	
3	1001205177	1	Worklight	

SECTION 10 - ELECTRICAL

FIGURE 10-21. RH ROADLIGHT ASSEMBLY (SN 0160073126 to Present)



ART_7150689-C

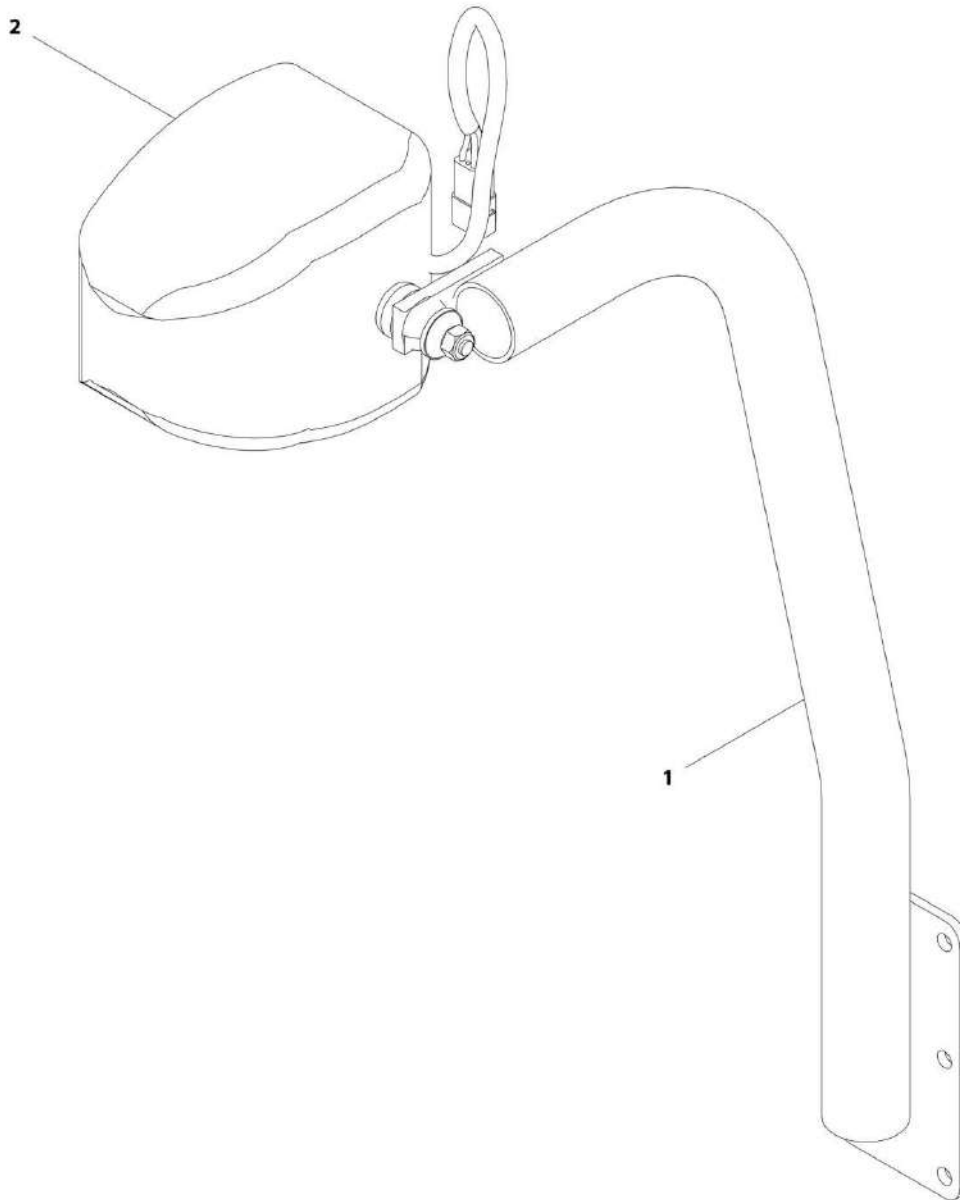
SECTION 10 - ELECTRICAL

FIGURE 10-21. RH ROADLIGHT ASSEMBLY (SN 0160073126 to Present)

ITEM	PART NUMBER	QTY	DESCRIPTION	REV
	7150689	Ref	RH Roadlight Assembly	C
1	7150680	1	Assembly, RH Roadlight Bracket	
2	1001096314	1	Worklight	
2	8036216	4	Screw, Worklight Lens	
2	8036218	1	Bulb, Worklight Halogen	
3	7150690	1	Light, Tail/Indicator	
3	N.S.S.	1	Screw, Tail Light Lens	
3	8036219	1	Lens, Tail Light	
3	8036221	1	Bulb, Blinker 12V, 21W	
3	8036222	1	Bulb, Tail and Brake Light 12V, 21/5W	
3	8036220	1	Harness, Wiring (includes 4-way connector)	
4	8303745	1	Bolt, 5/16-18X5/8	
5	8305626	1	Nut, Lock 5/16-18	

SECTION 10 - ELECTRICAL

FIGURE 10-22. LH ROADLIGHT BRACKET ASSEMBLY



ART_7150699-B

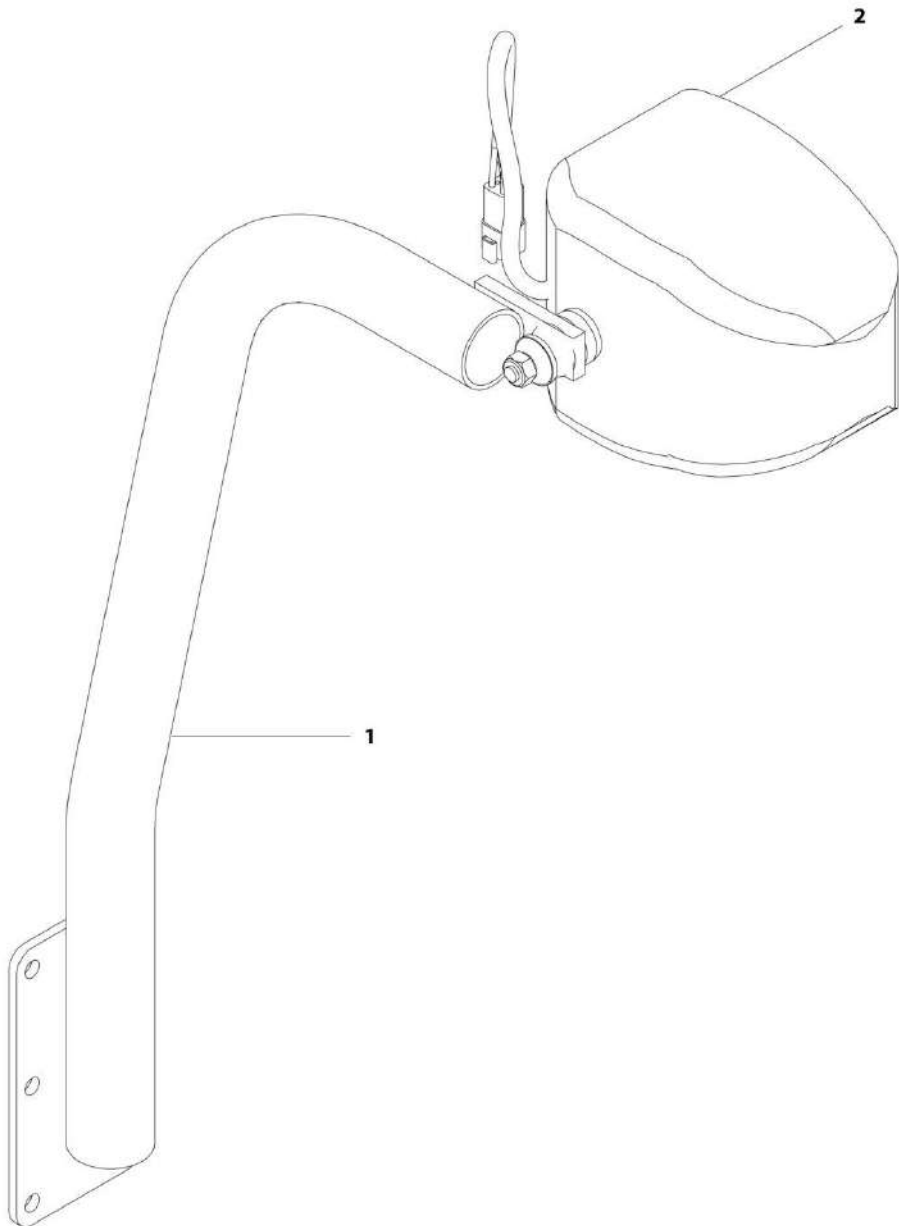
SECTION 10 - ELECTRICAL

FIGURE 10-22. LH ROADLIGHT BRACKET ASSEMBLY

ITEM	PART NUMBER	QTY	DESCRIPTION	REV
	7150699	Ref	LH Roadlight Bracket Assembly	B
1	7150685	1	Bracket, LH Roadlight	
2	7150702	1	Roadlight, LH Front	
2	8036216	6	Screw, Headlight Lens	
2	8036212	1	Lens, Headlight	
2	8036213	1	Bulb, Headlight 12V, 60/55W	
2	8036214	1	Bulb, Blinker 12V, 5W	
2	8036215	1	Harness, Wiring (includes 6-way connector)	
2	8036209	1	Lens, Left Amber Headlight	

SECTION 10 - ELECTRICAL

FIGURE 10-23. RH ROADLIGHT BRACKET ASSEMBLY



ART_7150716-B

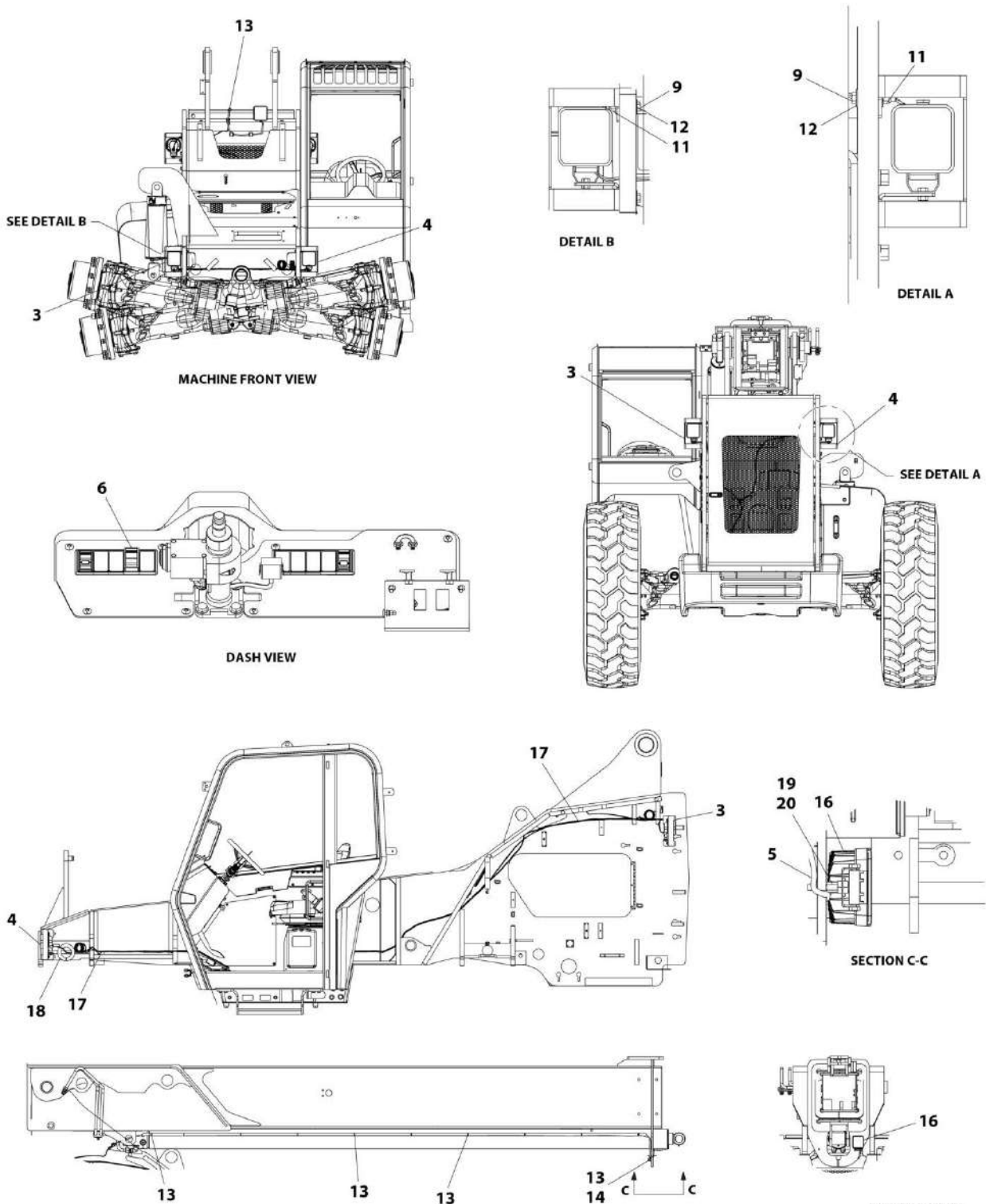
SECTION 10 - ELECTRICAL

FIGURE 10-23. RH ROADLIGHT BRACKET ASSEMBLY

ITEM	PART NUMBER	QTY	DESCRIPTION	REV
	7150716	Ref	RH Roadlight Bracket Assembly	B
1	7150717	1	Bracket, RH Roadlight	
2	7150703	1	Roadlight, LH Front	
2	8036210	1	Lens, Right Amber Headlight	
2	8036216	6	Screw, Headlight Lens	
2	8036212	1	Lens, Headlight	
2	8036213	1	Bulb, Headlight, 12V, 60/55W	
2	8036214	1	Bulb, Blinker 12V, 5W	
2	8036215	1	Harness, Wiring (includes 6-way connector)	

SECTION 10 - ELECTRICAL

FIGURE 10-24. WORKLIGHT PACKAGE INSTALLATION (Prior to SN 0160073126)



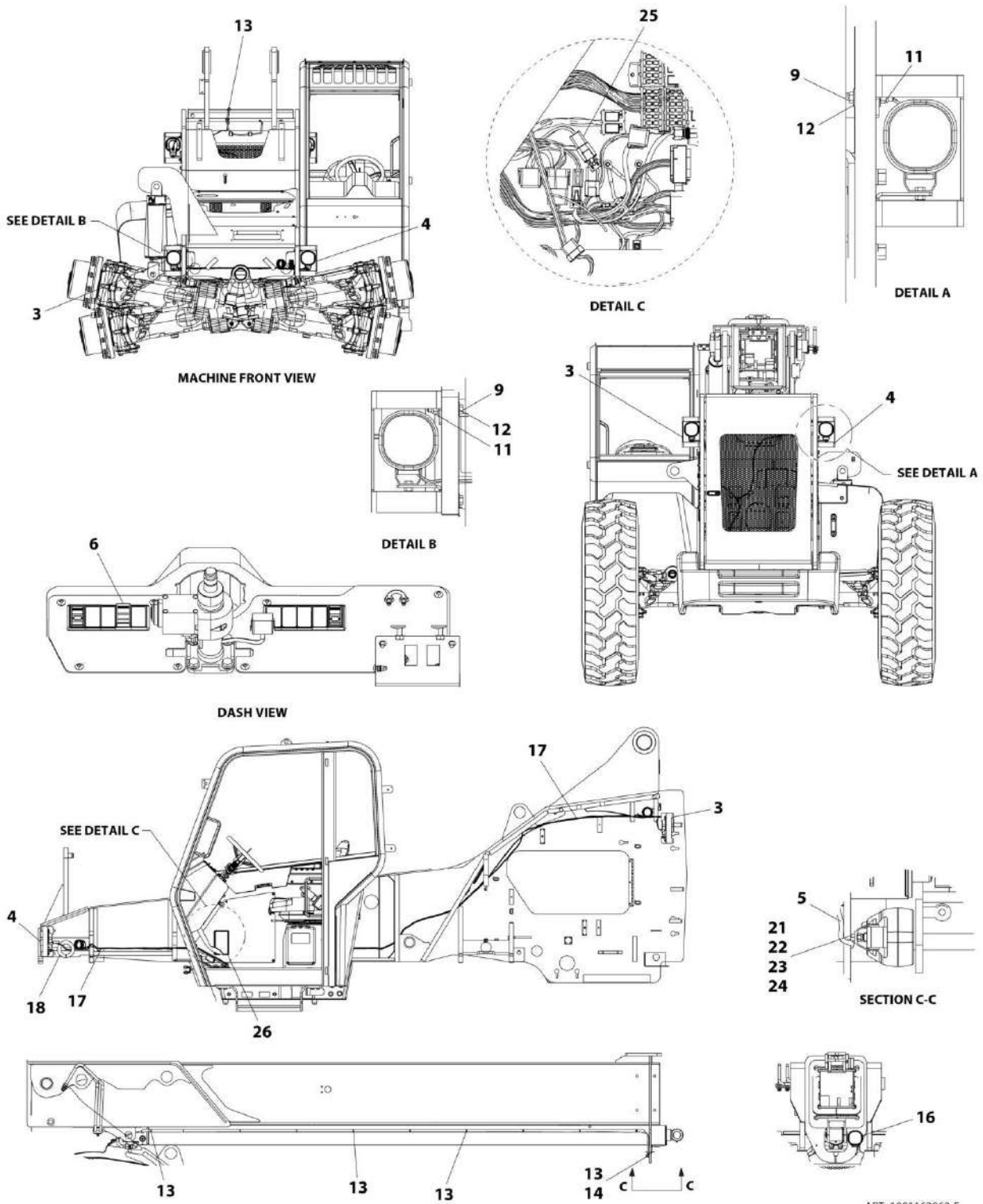
SECTION 10 - ELECTRICAL

FIGURE 10-24. WORKLIGHT PACKAGE INSTALLATION (Prior to SN 0160073126)

ITEM	PART NUMBER	QTY	DESCRIPTION	REV
	1001162862	Ref	Worklight Package Installation	E
3	1001205347	1	Assembly, LH Worklight (See LH WORKLIGHT ASSEMBLY for Breakdown)	
4	1001205348	1	Assembly, RH Worklight (See RH WORKLIGHT ASSEMBLY for Breakdown)	
5	7150730	1	Cord, Boom Work Light	
6	8223059	1	Switch, Work Light	
9	8303771	8	Bolt, 3/8-16X2-1/4	
10	8305626	1	Nut, Lock 5/16-18	
11	8305645	8	Nut, Lock 3/8-16	
12	8307204	16	Washer, 3/8	
13	8584001	32	Wrap, Tie	
14	8584018	2	Mount, Cable Tie	
16	1001205177	1	Worklight	
17	1001178344	1	Harness, Work Light Option (See WORK LIGHT OPTION HARNESS for Breakdown)	
18	7124471	1	Conduit, 1X12.5	
19	1001205179	1	Nut, 5/16-18X7/8	
20	1001205674	1	Bolt, 5/16-18X2	

SECTION 10 - ELECTRICAL

FIGURE 10-25. WORKLIGHT PACKAGE INSTALLATION (SN 0160073126 to Present)



ART_1001162862-F

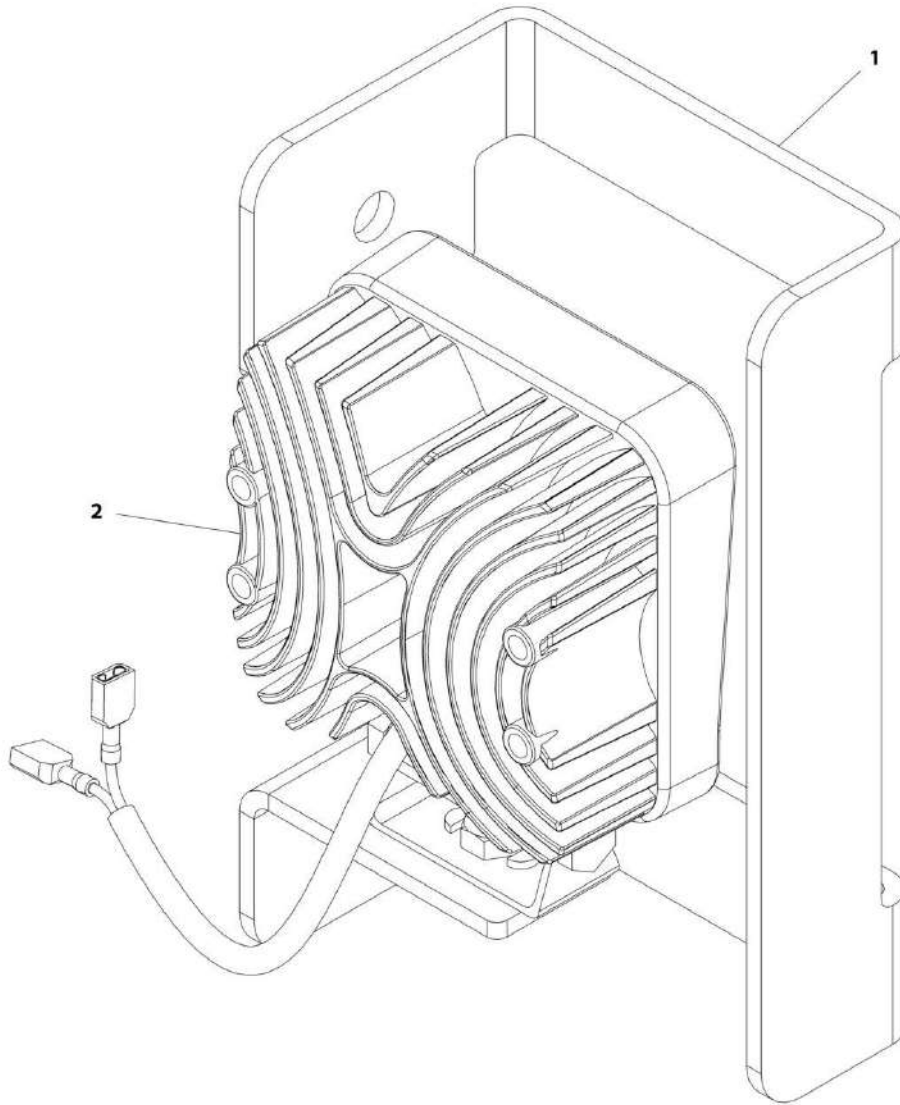
SECTION 10 - ELECTRICAL

FIGURE 10-25. WORKLIGHT PACKAGE INSTALLATION (SN 0160073126 to Present)

ITEM	PART NUMBER	QTY	DESCRIPTION	REV
	1001162862	Ref	Worklight Package Installation	F
3	7150673	2	Assembly, LH Worklight (See LH WORKLIGHT ASSEMBLY for Breakdown)	
4	7150688	2	Assembly, RH Worklight (See RH WORKLIGHT ASSEMBLY for Breakdown)	
5	7150730	1	Cord, Boom Work Light	
6	8223059	1	Switch, Work Light	
9	8303771	8	Bolt, 3/8-16X2-1/4	
11	8305645	8	Nut, Lock 3/8-16	
12	8307204	16	Washer, 3/8	
13	8584001	34	Wrap, Tie	
14	8584018	4	Mount, Cable Tie	
16	1001096314	1	Worklight	
16	8036216	4	Screw, Worklight Lens	
16	8036218	1	Bulb, Worklight Halogen	
17	1001178344	1	Harness, Work Light Option (See WORK LIGHT OPTION HARNESS for Breakdown)	
18	7124471	1	Conduit, 1X12.5	
21	8305626	1	Nut, Lock 5/16-18	
22	0641511	1	Bolt, 5/16-18X1-3/8	
23	4891600	1	Washer, 3/8	
24	88501005	1	Nut, 5/16-18	
25	1001205248	1	Harness, Roadlight Worklight (See ROADLIGHT WORKLIGHT HARNESS for Breakdown)	
26	1001205264	1	Decal, Light Fuse Panel	

SECTION 10 - ELECTRICAL

FIGURE 10-26. LH WORKLIGHT ASSEMBLY (Prior to SN 0160073126)



ART_1001205347-A

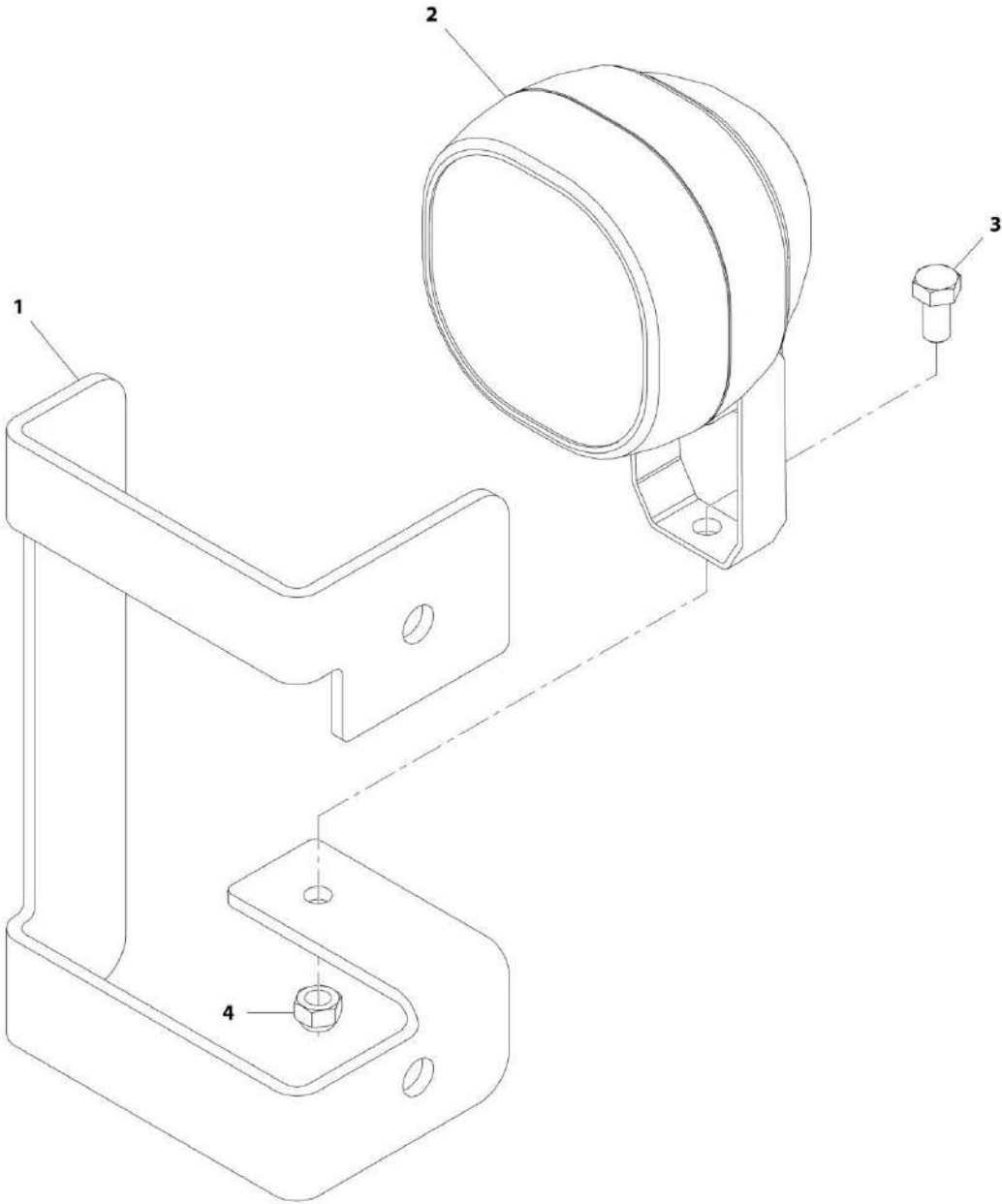
SECTION 10 - ELECTRICAL

FIGURE 10-26. LH WORKLIGHT ASSEMBLY (Prior to SN 0160073126)

ITEM	PART NUMBER	QTY	DESCRIPTION	REV
	1001205347	Ref	LH Worklight Assembly	A
1	1001097080	1	Bracket, LH Worklight Mount	
2	1001205177	1	Worklight	

SECTION 10 - ELECTRICAL

FIGURE 10-27. LH WORKLIGHT ASSEMBLY (SN 0160073126 to Present)



ART_7150673-D

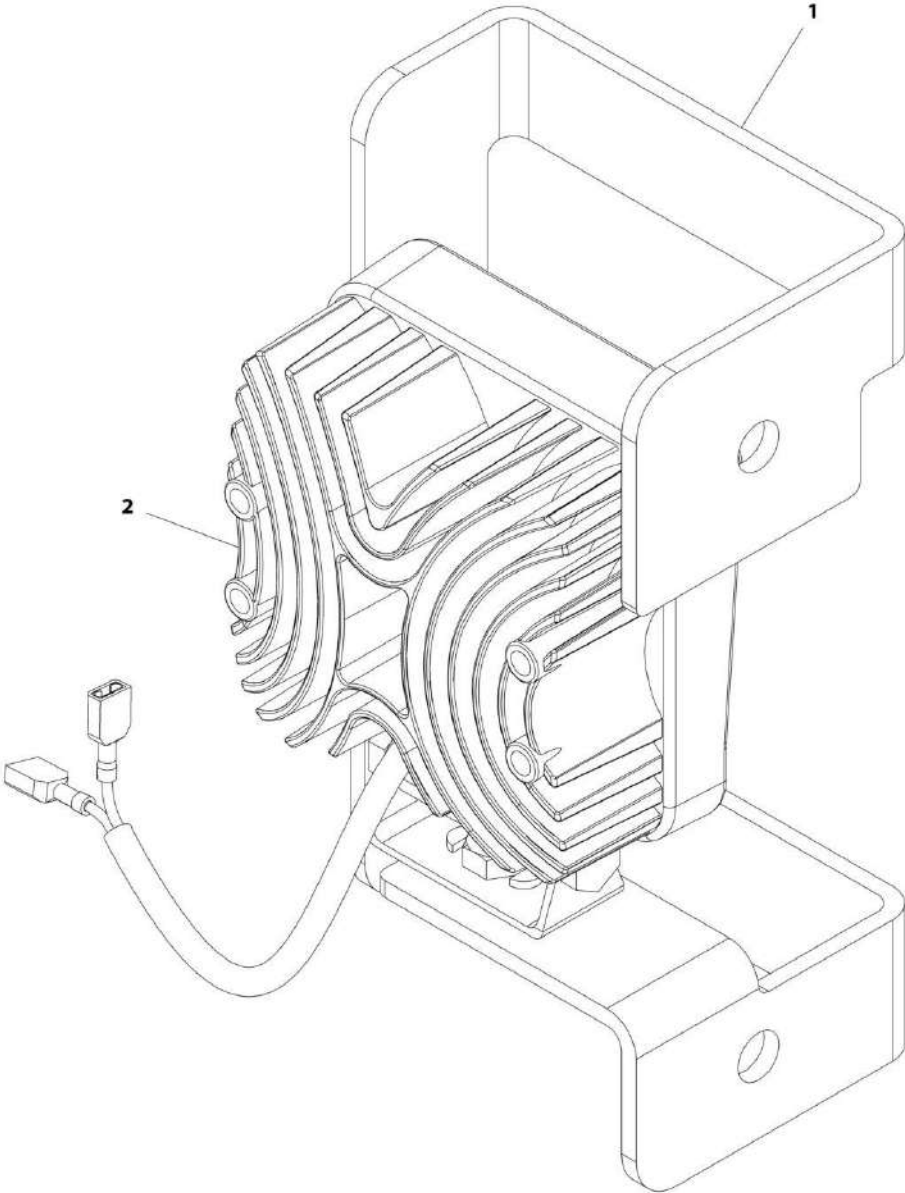
SECTION 10 - ELECTRICAL

FIGURE 10-27. LH WORKLIGHT ASSEMBLY (SN 0160073126 to Present)

ITEM	PART NUMBER	QTY	DESCRIPTION	REV
	7150673	Ref	LH Worklight Assembly	D
1	1001097080	1	Bracket, LH Worklight Mount	
2	1001096314	1	Worklight	
2	8036216	4	Screw, Worklight Lens	
2	8036218	1	Bulb, Worklight Halogen	
3	8303745	1	Bolt, 5/16-18X5/8	
4	8305626	1	Nut, Lock 5/16-18	

SECTION 10 - ELECTRICAL

FIGURE 10-28. RH WORKLIGHT ASSEMBLY (Prior to SN 0160073126)



ART_1001205348-A

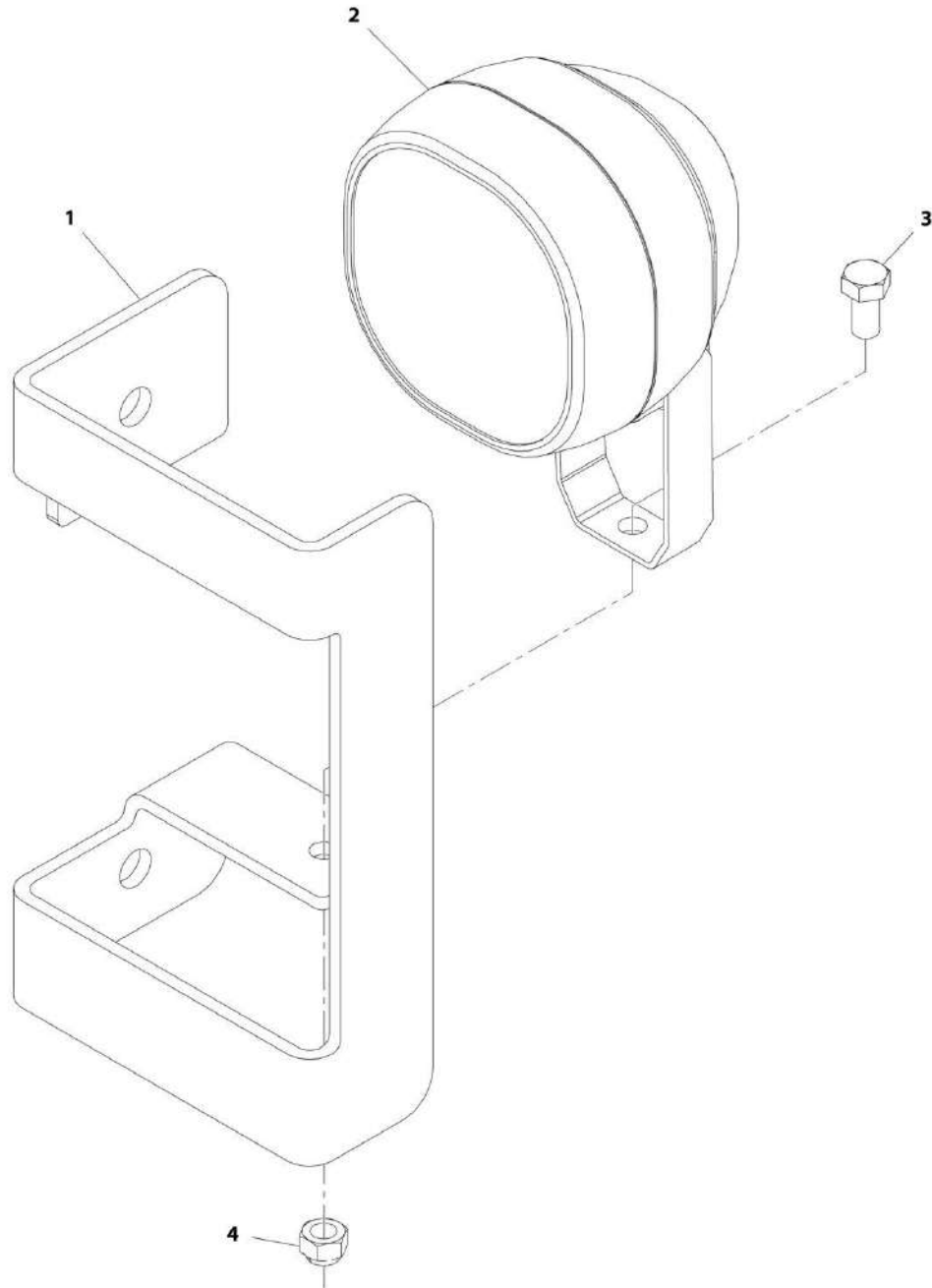
SECTION 10 - ELECTRICAL

FIGURE 10-28. RH WORKLIGHT ASSEMBLY (Prior to SN 0160073126)

ITEM	PART NUMBER	QTY	DESCRIPTION	REV
	1001205348	Ref	RH Worklight Assembly	A
1	1001097079	1	Bracket, RH Worklight Mount	
2	1001205177	1	Worklight	

SECTION 10 - ELECTRICAL

FIGURE 10-29. RH WORKLIGHT ASSEMBLY (SN 0160073126 to Present)



ART_7150688-D

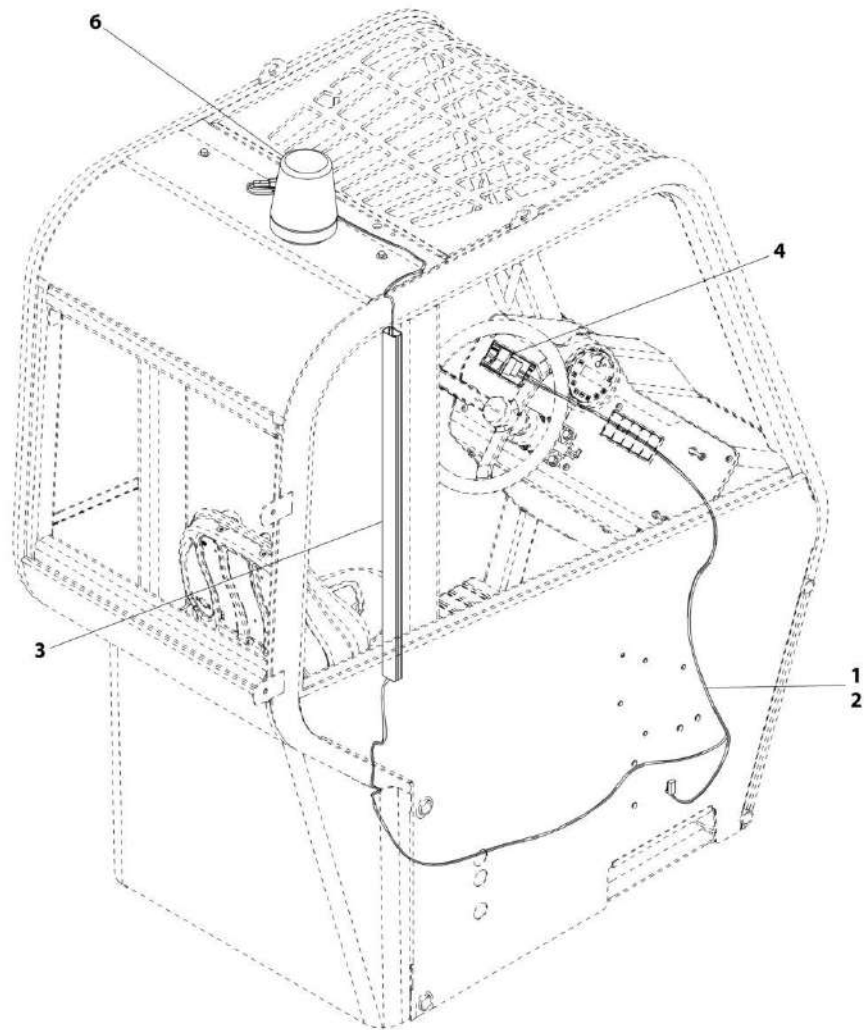
SECTION 10 - ELECTRICAL

FIGURE 10-29. RH WORKLIGHT ASSEMBLY (SN 0160073126 to Present)

ITEM	PART NUMBER	QTY	DESCRIPTION	REV
	7150688	Ref	RH Worklight Assembly	D
1	1001097079	1	Bracket, RH Worklight Mount	
2	1001096314	1	Worklight	
2	8036216	4	Screw, Worklight Lens	
2	8036218	1	Bulb, Worklight Halogen	
3	8303745	1	Bolt, 5/16-18X5/8	
4	8305626	1	Nut, Lock 5/16-18	

SECTION 10 - ELECTRICAL

FIGURE 10-30. ROTATING BEACON INSTALLATION (OPEN CAB)



ART_1001161212-F

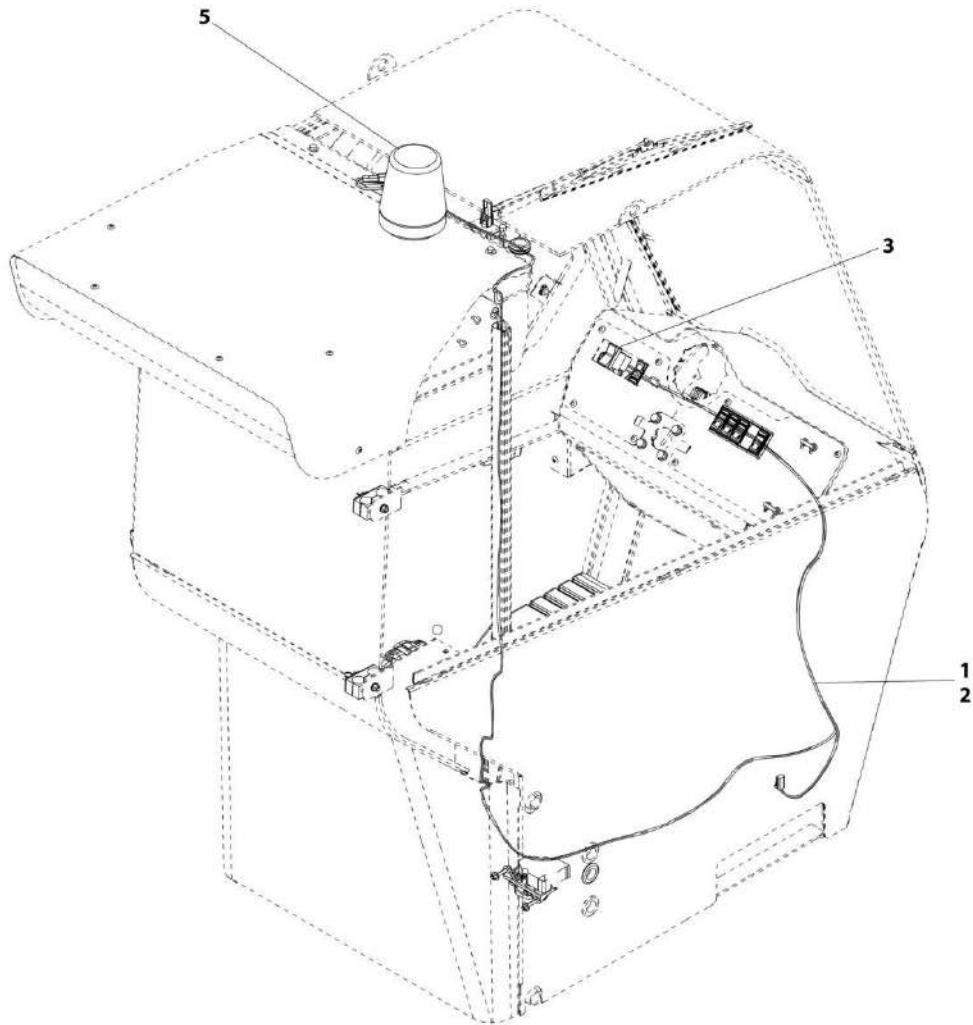
SECTION 10 - ELECTRICAL

FIGURE 10-30. ROTATING BEACON INSTALLATION (OPEN CAB)

ITEM	PART NUMBER	QTY	DESCRIPTION	REV
	1001161212	Ref	Rotating Beacon Installation (Open Cab)	F
1	0100009	AR	Sealant	
2	1001178345	1	Harness, Beacon Option (See BEACON OPTION HARNESS for Breakdown)	
3	1001182091	1	Duct, Upper Wire	
4	8223038	1	Switch, Beacon	
6	8500066	1	Light, Rotating Beacon	

SECTION 10 - ELECTRICAL

FIGURE 10-31. ROTATING BEACON INSTALLATION (ENCLOSED CAB)



ART_1001161213-D

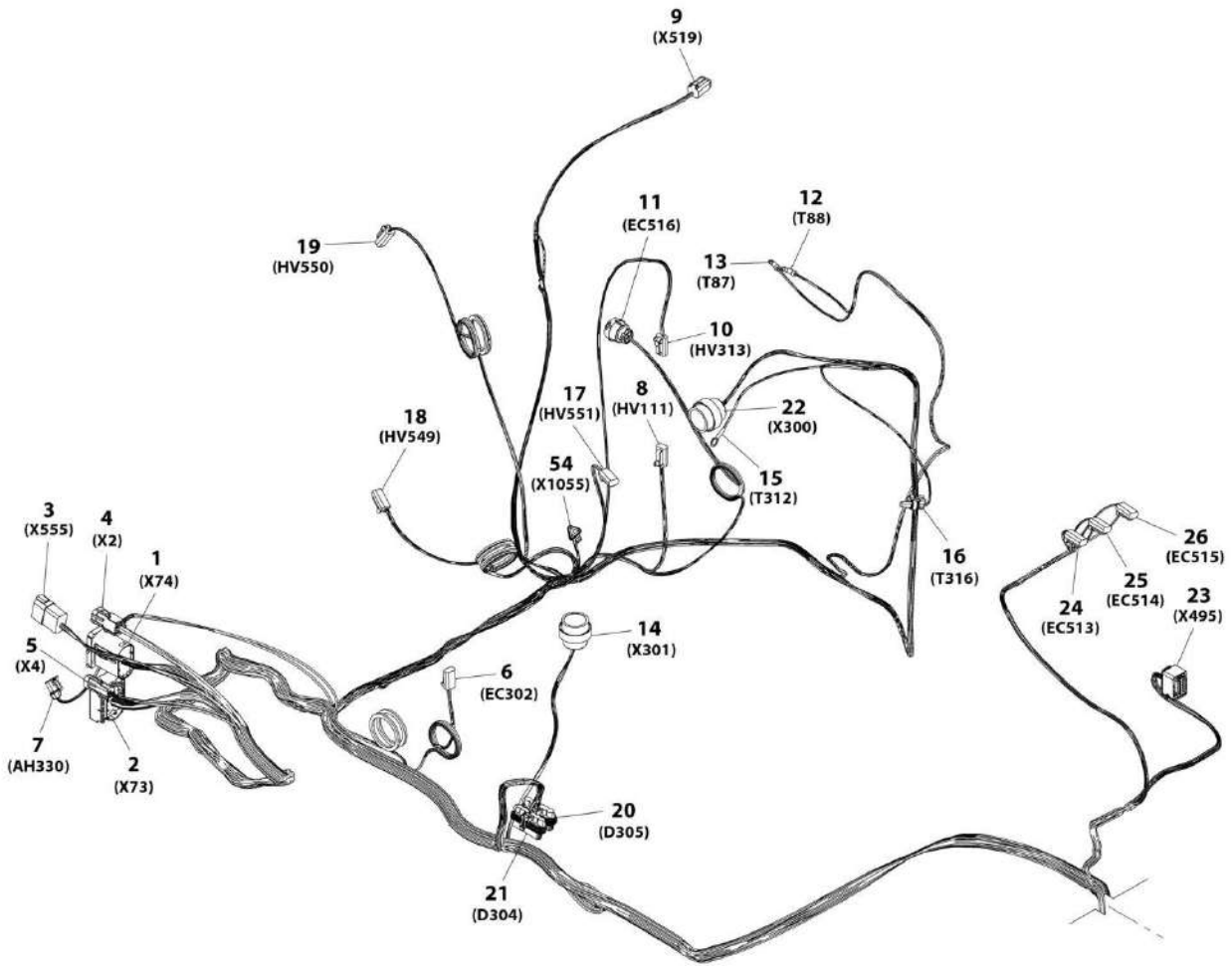
SECTION 10 - ELECTRICAL

FIGURE 10-31. ROTATING BEACON INSTALLATION (ENCLOSED CAB)

ITEM	PART NUMBER	QTY	DESCRIPTION	REV
	1001161213	Ref	Rotating Beacon Installation (Enclosed Cab)	D
1	0100009	AR	Sealant	
2	1001178345	1	Harness, Beacon Option (See BEACON OPTION HARNESS for Breakdown)	
3	8223038	1	Switch, Beacon	
5	8500066	1	Light, Rotating Beacon	

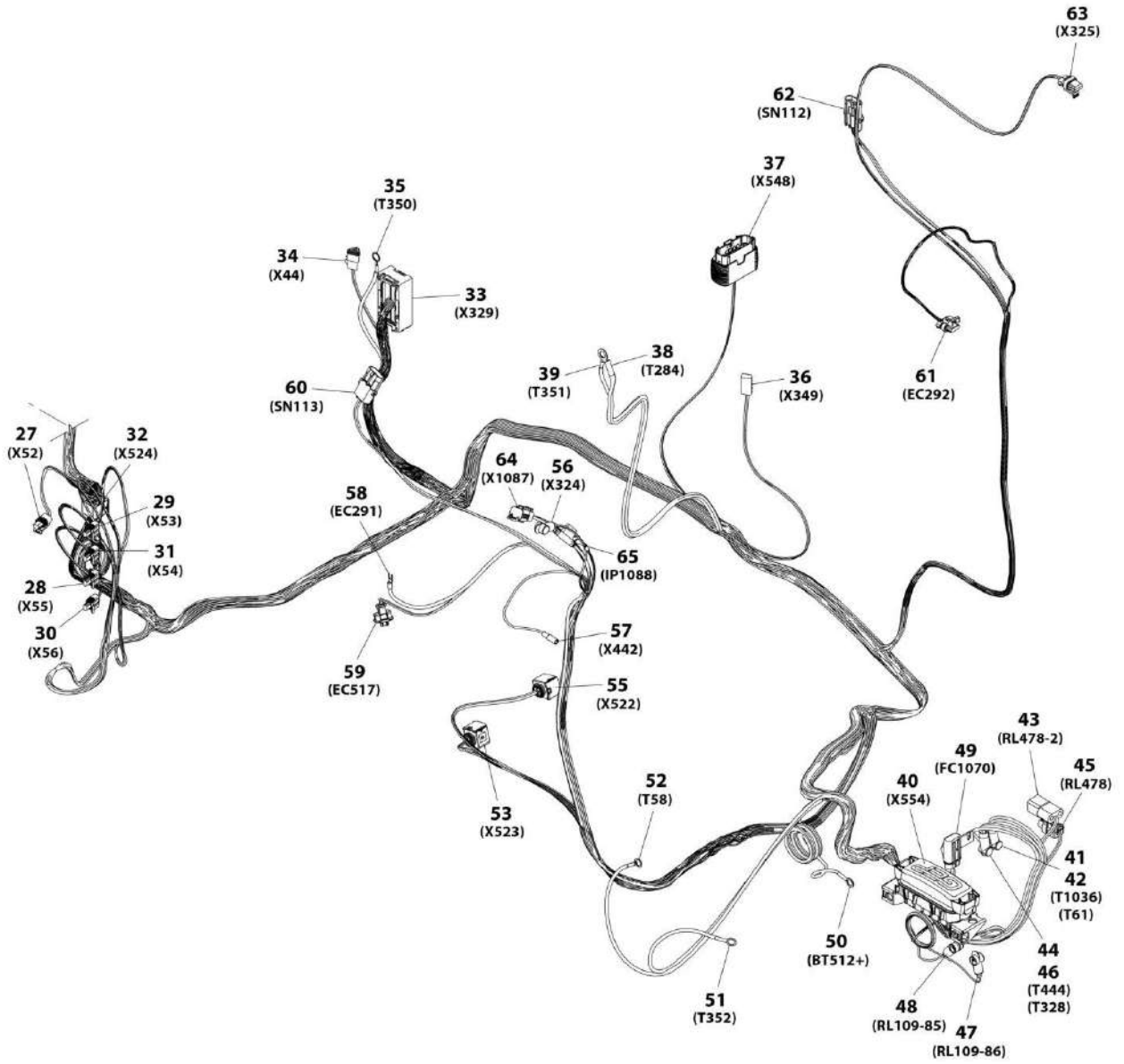
SECTION 10 - ELECTRICAL

FIGURE 10-32. ENGINE HARNESS, 85HP (ULS) (Prior to SN 0160086463)



ART_1001169620_1-J

SECTION 10 - ELECTRICAL



ART_1001169620_2-J

SECTION 10 - ELECTRICAL

FIGURE 10-32. ENGINE HARNESS, 85HP (ULS) (Prior to SN 0160086463)

ITEM	PART NUMBER	QTY	DESCRIPTION	REV
	1001169620	Ref	Engine Harness, 85HP (if equipped for ULS)	J
1	8220929	1	Connector	
	70024253	1	Lock, Secondary	
	1001116745	1	Terminal	
	4460458	14	Seal	
	1001116729	13	Terminal	
	1001116727	1	Plug	
2	8220927	1	Connector	
	70024256	1	Lock, Slide	
	70024255	1	Seal, Connector	
	70024254	1	Lock, Secondary	
	8220097	11	Terminal	
	4460458	11	Seal	
	8220098	3	Terminal	
	80963067	3	Seal	
	1001116727	1	Plug	
3	4460931	1	Connector	
	80604024	1	Lock, Wedge	
	4460464	6	Terminal	
	4460466	2	Plug	
4	80963062	1	Connector	
	4460850	4	Terminal	
	80963067	4	Seal	
5	4461157	1	Connector	
	4460475	2	Terminal	
	4460458	2	Seal	
6	4460891	1	Connector	
	80604018	1	Lock, Wedge	
	4460465	2	Terminal	
7	1001117068	1	Connector	
	8220124	2	Terminal	
	80963067	2	Seal	
8	4460891	1	Connector	
	80604018	1	Lock, Wedge	
	4460465	2	Terminal	
	4460458	2	Seal	
9	4460884	1	Connector	
	80604021	1	Lock, Wedge	
	4460465	4	Terminal	
10	4460891	1	Connector	
	80604018	1	Lock, Wedge	
	4460465	2	Terminal	
	4460458	2	Seal	
11	1001167620	1	Connector	
	1001176004	2	Terminal	
	1001167624	2	Plug	
	1001176002	2	Seal	
12	4460042	1	Terminal, Ring	
13	4460042	1	Terminal, Ring	
14	8220536	1	Connector	

SECTION 10 - ELECTRICAL

ITEM	PART NUMBER	QTY	DESCRIPTION	REV
	1001116757	4	Terminal	
	1001116758	3	Plug	
	1001189875	4	Seal	
15	4460256	1	Terminal, Ring	
16	1001119004	1	Connector	
	8220889	1	Lock, Secondary Terminal	
	1001116728	1	Terminal	
	4460458	1	Seal	
17	4460891	1	Connector	
	80604018	1	Lock, Wedge	
	4460465	2	Terminal	
18	4460891	1	Connector	
	80604018	1	Lock, Wedge	
	4460465	2	Terminal	
19	4460891	1	Connector	
	80604018	1	Lock, Wedge	
	4460465	2	Terminal	
20	4460744	1	Connector	
	1001116728	4	Terminal	
	8220081	4	Seal	
	1001116727	2	Plug	
	8220366	1	Diode Board Flyback	
	8220375	1	Cap	
21	4460744	1	Connector	
	1001116728	4	Terminal	
	8220081	4	Seal	
	1001116727	2	Plug	
	8220366	1	Diode Board Flyback	
	8220375	1	Cap	
22	8220536	1	Connector	
	1001116757	4	Terminal	
	1001116758	3	Terminal	
	1001189875	4	Seal	
23	1001165194	1	Connector	
	1001166556	10	Terminal	
	1001126391	2	Terminal	
	1001126393	10	Seal	
24	4460891	1	Connector	
	80604018	1	Lock, Wedge	
	4460465	2	Terminal	
25	4460891	1	Connector	
	80604018	1	Lock, Wedge	
	4460465	2	Terminal	
26	4460891	1	Connector	
	80604018	1	Lock, Wedge	
	4460465	2	Terminal	
27	4460955	1	Connector	
	1001116748	2	Terminal	
28	4460955	1	Connector	
	1001116748	2	Terminal	
29	4460955	1	Connector	

SECTION 10 - ELECTRICAL

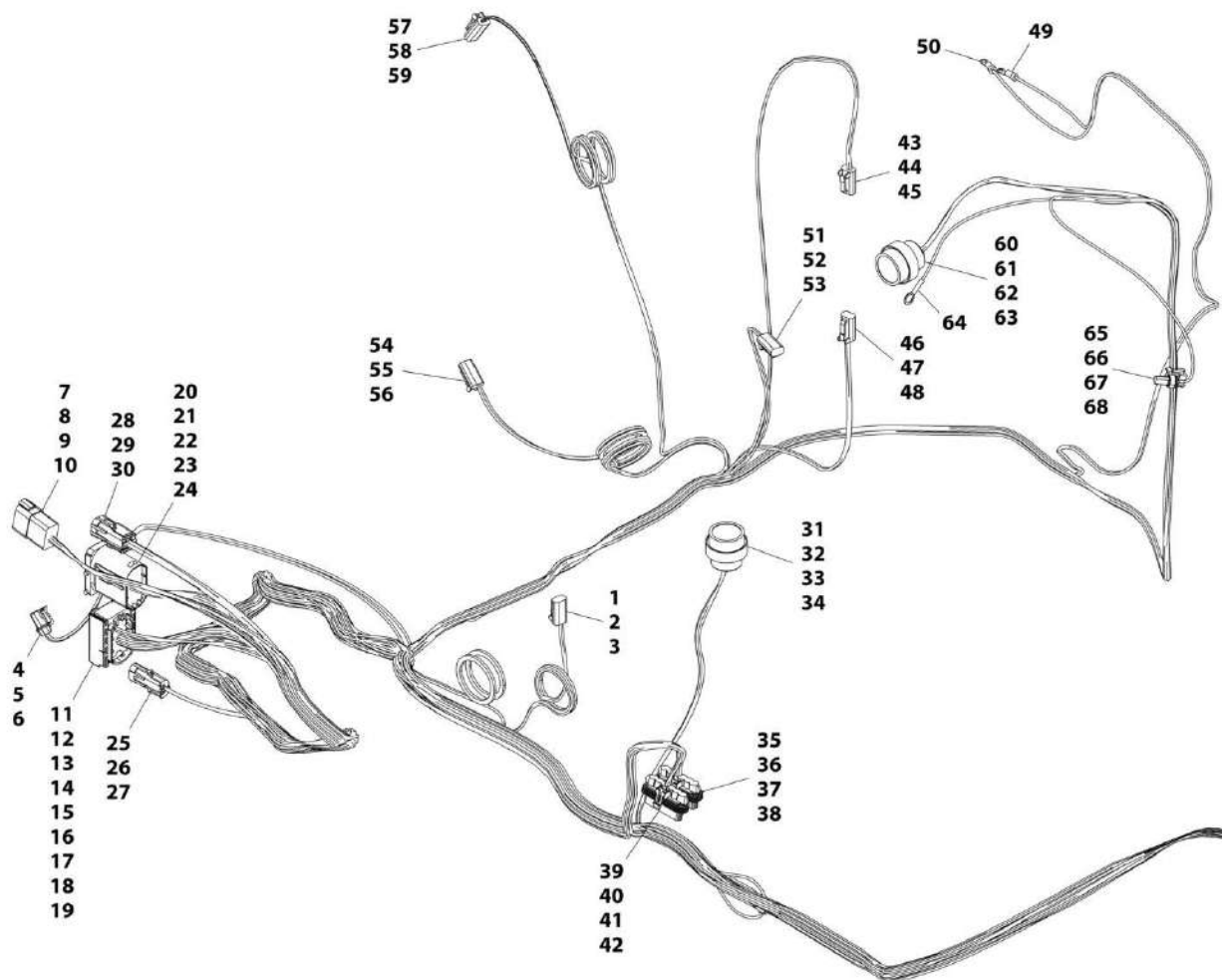
ITEM	PART NUMBER	QTY	DESCRIPTION	REV
	1001116748	2	Terminal	
30	4460955	1	Connector	
	1001116748	2	Terminal	
31	4460955	1	Connector	
	1001116748	2	Terminal	
32	1001176935	1	Connector	
	1001166704	4	Terminal	
	4461006	4	Seal	
33	1001167641	1	Connector	
	1001167643	1	Cover	
	1001167644	1	Lock, Secondary	
	1001167646	1	Relief, Strain	
	1001167647	1	Boot, Rubber	
	1001167648	12	Terminal	
	1001167650	54	Plug	
	1001167649	30	Terminal	
34	4461095	1	Connector	
	4461070	1	Attach Mating Connector	
	4460465	2	Terminal	
	4460466	1	Terminal	
35	4460019	1	Terminal, Ring	
36	4460891	1	Connector	
	80604018	1	Lock, Wedge	
	4460465	2	Terminal	
37	1001125083	1	Connector	
	1001125085	1	Terminal	
	1001125089	1	Terminal	
38	8220164	2	Terminal, Ring	
39	4460019	1	Terminal, Ring	
40	1001167617	1	Connector	
	4460746	22	Terminal	
	1001116727	24	Plug	
	1001189877	2	Seal	
	8220089	1	Seal	
	4460458	19	Seal	
	8220125	2	Terminal	
	80963067	2	Seal	
	1001187512	1	Decal	
	1001187513	1	Decal	
	1001095704	5	Relay	
	8229244	2	Fuse, 15 Amp	
41	4460312	2	Terminal, Ring	
	1001195087	1	Red Boot	
42	4460312	1	Terminal, Ring	
43	1001117103	1	Connector	
	7026404	1	Lock, Connector	
	1001121730	2	Terminal	
	8220160	2	Seal	
44	4460312	1	Terminal, Ring	
45	1001116950	1	Connector	
	4460465	2	Terminal	

SECTION 10 - ELECTRICAL

ITEM	PART NUMBER	QTY	DESCRIPTION	REV
46	4460312	2	Terminal, Ring	
	1001195087	1	Red Boot	
47	4460247	1	Terminal, Ring	
	1001195055	1	Red Boot	
48	4460247	1	Terminal, Ring	
	1001195087	1	Red Boot	
49	1001117070	1	Connector	
	1001116734	2	Terminal	
50	4460019	1	Terminal, Ring	
51	4460019	1	Terminal, Ring	
52	4460019	1	Terminal, Ring	
53	1001176935	1	Connector	
	1001166704	4	Terminal	
	4461006	4	Seal	
	4461095	1	Connector	
54	4461070	1	Attach Mating Connector	
	4460465	2	Terminal	
	4460466	1	Plug	
	1001167528	1	Connector	
55	1001166704	4	Terminal	
	4461006	4	Seal	
	8220058	1	Terminal, Ring	
56	1001195055	1	Red Boot	
	1001117125	1	Terminal, Snap Plug	
57	1001117125	1	Terminal, Snap Plug	
58	1001117111	1	Terminal, Fork	
59	1001126487	1	Connector	
	1001126484	2	Terminal	
	4461006	2	Seal	
	4460476	1	Connector	
60	4460475	3	Terminal	
	4460458	3	Seal	
	1001125027	1	Connector	
61	70026217	1	Lock, Secondary	
	8220124	3	Terminal	
	4460608	3	Seal	
	4460476	1	Connector	
62	4460475	3	Terminal	
	4460458	3	Seal	
	1001117021	1	Connector	
63	1001116728	2	Terminal	
	8220081	2	Seal	
	4460884	1	Connector	
	80604021	1	Lock, Secondary	
64	1001192401	1	Dust Cap	
	1001157890	1	Terminal	
	1001116692	2	Terminal	
	4460466	1	Plug	
	2400066	1	Connector	
65	8229242	1	Fuse, 5 Amp	

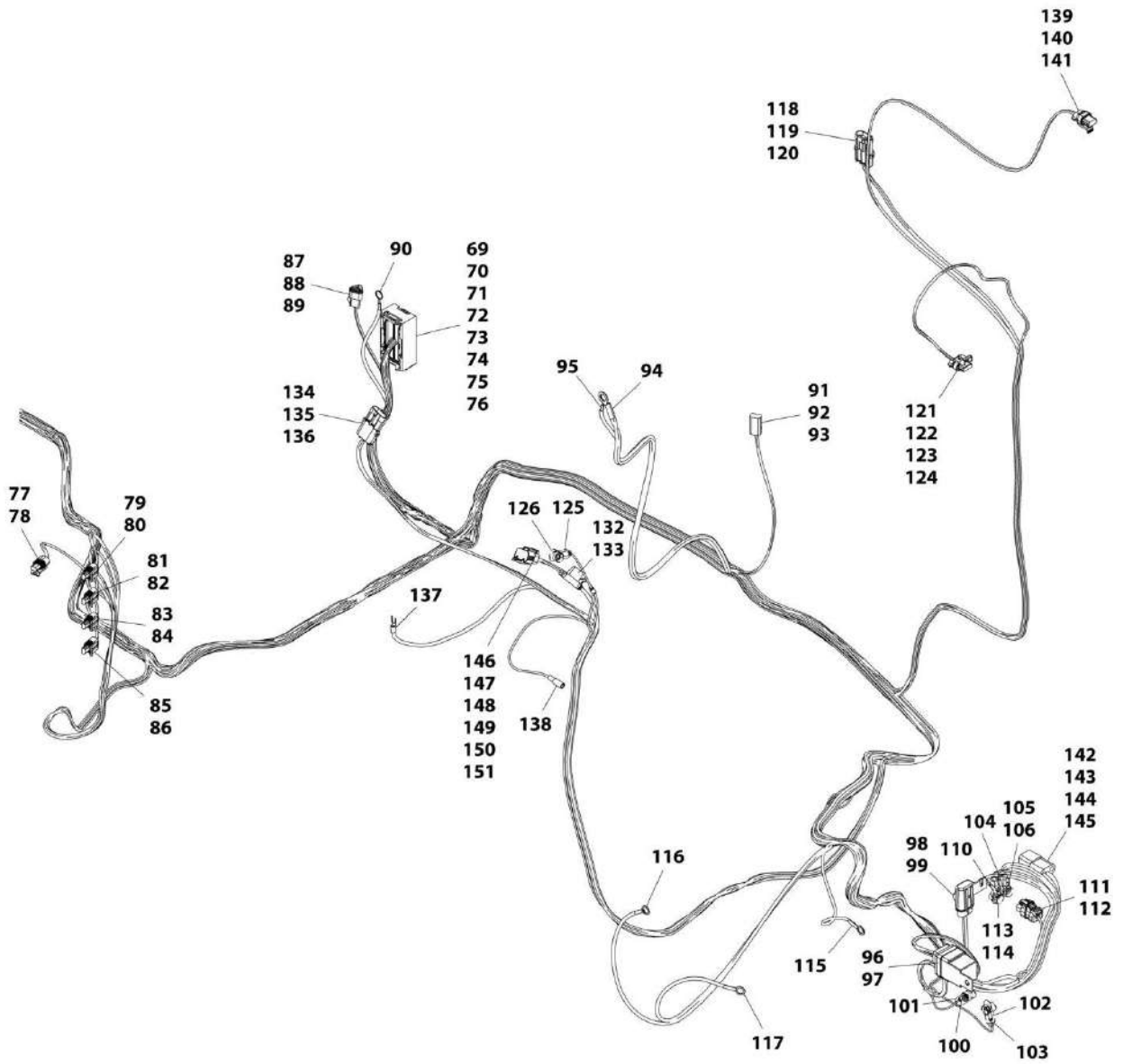
SECTION 10 - ELECTRICAL

FIGURE 10-33. ENGINE HARNESS, 74HP (ULS)



ART_1001199889_1-E

SECTION 10 - ELECTRICAL



ART_1001199889_2-E

SECTION 10 - ELECTRICAL

FIGURE 10-33. ENGINE HARNESS, 74HP (ULS)

ITEM	PART NUMBER	QTY	DESCRIPTION	REV
	1001199889	Ref	Engine Harness, 74HP (if equipped for ULS)	E
1	4460891	1	Connector	
2	80604018	1	Lock, Wedge	
3	4460465	2	Terminal	
4	1001117068	1	Connector	
5	8220124	2	Terminal	
6	80963067	2	Seal	
7	4460931	1	Connector	
8	91503106	1	Lock, Wedge	
9	4460464	4	Terminal	
10	4460466	4	Plug	
11	8220927	1	Connector	
12	70024256	1	Lock, Slide	
13	70024255	1	Seal, Connector	
14	70024254	1	Lock, Secondary	
15	8220097	10	Terminal	
16	4460458	10	Seal	
17	8220098	3	Terminal	
18	80963067	3	Seal	
19	1001116727	2	Plug	
20	8220929	1	Connector	
21	70024253	1	Lock, Secondary	
22	1001116745	1	Terminal	
23	1001116729	14	Terminal	
24	4460458	15	Seal	
25	4461157	1	Connector	
26	4460475	2	Terminal	
27	4460458	2	Seal	
28	80963062	1	Connector	
29	4460850	4	Terminal	
30	80963067	4	Seal	
31	8220536	1	Connector	
32	1001116758	3	Plug	
33	1001116757	4	Terminal	
34	1001189875	4	Seal	
35	4460744	1	Connector	
36	1001116728	4	Terminal	
37	1001116727	2	Plug	
38	8220081	4	Seal	
39	4460744	1	Connector	
40	1001116728	4	Terminal	
41	1001116727	2	Plug	
42	8220081	4	Seal	
43	4460891	1	Connector	
44	80604018	1	Lock, Wedge	
45	4460465	2	Terminal	
46	4460891	1	Connector	
47	80604018	1	Lock, Wedge	
48	4460465	2	Terminal	
49	4460042	1	Terminal, Ring	

SECTION 10 - ELECTRICAL

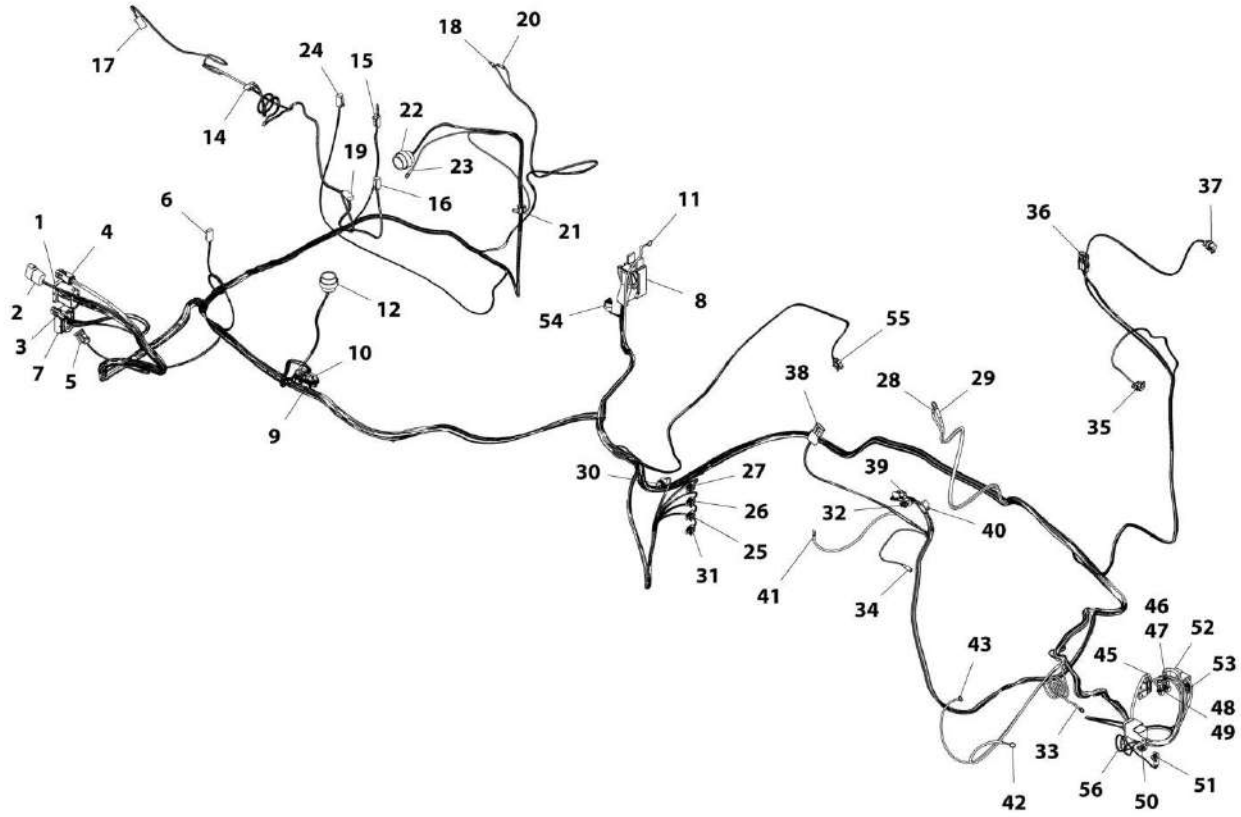
ITEM	PART NUMBER	QTY	DESCRIPTION	REV
50	4460042	1	Terminal, Ring	
51	4460891	1	Connector	
52	80604018	1	Lock, Wedge	
53	4460465	2	Terminal	
54	4460891	1	Connector	
55	80604018	1	Lock, Wedge	
56	4460465	2	Terminal	
57	4460891	1	Connector	
58	80604018	1	Lock, Wedge	
59	4460465	2	Terminal	
60	8220536	1	Connector	
61	1001116757	4	Terminal	
62	1001116758	3	Plug	
63	1001189875	4	Seal	
64	4460256	1	Terminal, Ring	
65	1001119004	1	Connector	
66	8220889	1	Lock, Secondary	
67	1001116728	1	Terminal	
68	4460458	1	Seal	
69	1001167641	1	Connector	
70	1001167643	1	Cover	
71	1001167644	1	Lock, Secondary	
72	1001167646	1	Lock, Secondary	
73	1001167647	1	Boot, Rubber	
74	1001167648	10	Terminal	
75	1001167650	75	Plug	
76	1001167649	11	Terminal	
77	4460955	1	Connector	
78	1001116748	2	Terminal	
79	4460955	1	Connector	
80	1001116748	2	Terminal	
81	4460955	1	Connector	
82	1001116748	2	Terminal	
83	4460955	1	Connector	
84	1001116748	2	Terminal	
85	4460955	1	Connector	
86	1001116748	2	Terminal	
87	4461095	1	Connector	
88	4460465	2	Terminal	
89	4460466	1	Plug	
90	4460019	1	Terminal, Ring	
91	4460891	1	Connector	
92	80604018	1	Lock, Wedge	
93	4460465	2	Terminal	
94	8220164	2	Terminal, Ring	
95	4460019	1	Terminal, Ring	
96	1001145707	1	Connector	
97	1001116732	4	Terminal	
98	1001117070	1	Connector	
99	1001116734	2	Terminal	
100	4460247	1	Terminal, Ring	

SECTION 10 - ELECTRICAL

ITEM	PART NUMBER	QTY	DESCRIPTION	REV
101	1001195057	1	Red Boot	
102	4460247	1	Terminal, Ring	
103	1001195055	1	Red Boot	
104	4460312	1	Terminal, Ring	
105	4460312	1	Terminal, Ring	
106	1001195087	1	Red Boot	
110	4460312	1	Terminal, Ring	
111	1001116950	1	Connector	
112	4460465	2	Terminal	
113	4460312	2	Terminal, Ring	
114	1001195087	1	Red Boot	
115	4460019	1	Terminal, Ring	
116	4460019	1	Terminal, Ring	
117	4460019	1	Terminal, Ring	
118	4460476	1	Connector	
119	4460475	3	Terminal	
120	4460458	3	Seal	
121	1001125027	1	Connector	
122	70026217	1	Lock, Secondary	
123	8220124	3	Terminal	
124	4460608	3	Seal	
125	8220058	1	Terminal, Ring	
126	1001195055	1	Red Boot	
132	2400060	1	Fuse Holder	
133	8229242	1	Fuse 5A	
134	4460476	1	Connector	
135	4460475	3	Terminal	
136	4460458	3	Seal	
137	1001117111	1	Terminal, Fork	
138	1001117125	1	Terminal, Snap Plug	
139	1001117021	1	Connector	
140	1001116728	2	Terminal	
141	8220081	2	Seal	
142	1001117103	1	Connector	
143	7026404	1	Lock, Connector	
144	1001121730	2	Terminal	
145	8220160	2	Seal	
146	4460884	1	Connector	
147	80604021	1	Lock, Wedge	
148	1001157890	1	Terminal	
149	1001116692	2	Terminal	
150	4460466	1	Plug	
151	1001192401	1	Dust Cap	

SECTION 10 - ELECTRICAL

FIGURE 10-34. ENGINE HARNESS, 85HP (LS)



ART_1001189488-I

SECTION 10 - ELECTRICAL

FIGURE 10-34. ENGINE HARNESS, 85HP (LS)

ITEM	PART NUMBER	QTY	DESCRIPTION	REV
	1001189488	Ref	Engine Harness, 85HP (if equipped for LS)	I
1	8220929	1	Connector	
	1001116745	1	Terminal	
	1001116729	14	Terminal	
	4460458	15	Seal	
2	4460931	1	Connector	
	80604024	1	Lock, Wedge	
	4460464	4	Terminal	
	4460466	4	Plug	
3	4461157	1	Connector	
	4460475	2	Terminal	
	4460458	2	Seal	
4	80963062	1	Connector	
	4460850	4	Terminal	
	80963067	4	Seal	
5	1001117068	1	Connector	
	8220124	2	Terminal	
	80963067	2	Seal	
6	4460891	1	Connector	
	80604018	1	Lock, Wedge	
	4460465	2	Terminal	
7	8220927	1	Connector	
	8220097	12	Terminal	
	8220098	2	Terminal	
	1001116727	1	Plug	
	4460458	11	Seal	
	80963067	2	Seal	
	1001189877	1	Seal	
8	1001133173	1	Connector	
	1001138643	6	Terminal	
	1001126356	77	Terminal	
	1001138642	8	Terminal	
	1001126351	3	Terminal	
	1001126353	6	Seal	
9	4460744	1	Connector	
	1001116728	4	Terminal	
	1001116727	2	Plug	
	8220081	4	Seal	
10	4460744	1	Connector	
	1001116728	4	Terminal	
	1001116727	2	Plug	
	8220081	4	Seal	
11	4460019	1	Terminal, Ring	
12	8220536	1	Connector	
	1001116758	3	Plug	
	1001116757	4	Terminal	
	1001189875	4	Seal	
14	4460891	1	Connector	
	80604018	1	Lock, Wedge	
	4460465	2	Terminal	

SECTION 10 - ELECTRICAL

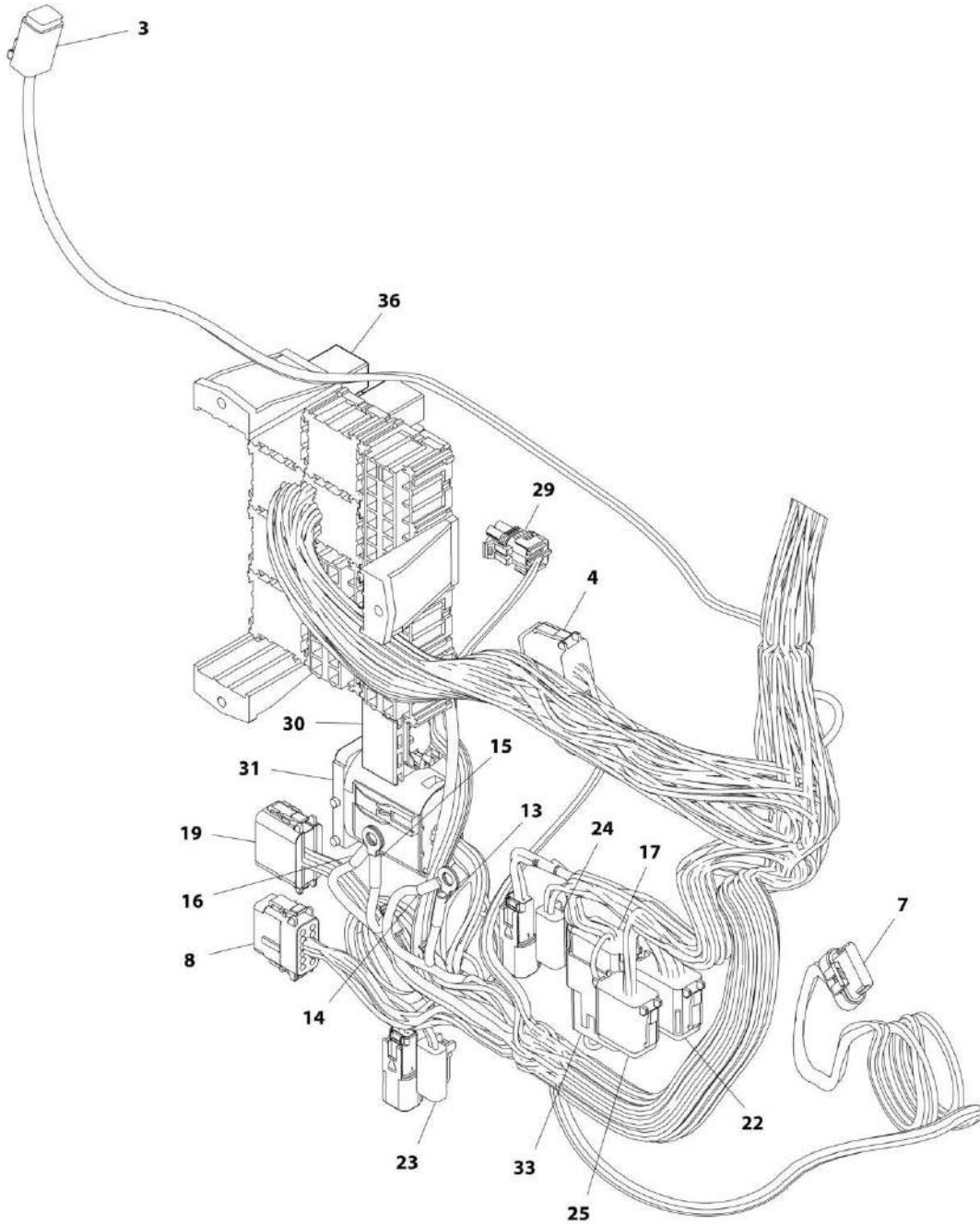
ITEM	PART NUMBER	QTY	DESCRIPTION	REV
15	4460891	1	Connector	
	80604018	1	Lock, Wedge	
	4460465	2	Terminal	
16	4460891	1	Connector	
	80604018	1	Lock, Wedge	
	4460465	2	Terminal	
17	4460891	1	Connector	
	80604018	1	Lock, Wedge	
	4460465	2	Terminal	
18	4460042	1	Terminal, Ring	
19	4460891	1	Connector	
	80604018	1	Lock, Wedge	
	4460465	2	Terminal	
20	4460042	1	Terminal, Ring	
21	1001119004	1	Connector	
	1001116728	1	Terminal	
	4460458	1	Seal	
22	8220536	1	Connector	
	1001116757	4	Terminal	
	1001116758	3	Plug	
	1001189875	4	Seal	
23	4460256	1	Terminal, Ring	
24	4460891	1	Connector	
	80604018	1	Lock, Wedge	
	4460465	2	Terminal	
25	4460955	1	Connector	
	1001116748	2	Terminal	
26	4460955	1	Connector	
	1001116748	2	Terminal	
27	4460955	1	Connector	
	1001116748	2	Terminal	
28	4460019	1	Terminal, Ring	
29	8220164	1	Terminal, Ring	
30	4460955	1	Connector	
	1001116748	2	Terminal	
31	4460955	1	Connector	
	1001116748	2	Terminal	
32	8220058	1	Terminal, Ring	
33	4460019	1	Terminal, Ring	
34	1001117125	1	Terminal, Snap Plug	
35	1001125027	1	Connector	
	8220124	3	Terminal	
	4460608	3	Seal	
36	4460476	1	Connector	
	4460475	3	Terminal	
	4460458	3	Seal	
37	1001117021	1	Connector	
	1001116728	2	Terminal	
	8220081	2	Seal	
38	4460476	1	Connector	
	4460475	3	Terminal	

SECTION 10 - ELECTRICAL

ITEM	PART NUMBER	QTY	DESCRIPTION	REV
	4460458	3	Seal	
39	4460884	1	Connector	
	80604021	1	Lock, Wedge	
	4460465	3	Terminal	
	4460466	1	Plug	
	1001192401	1	Dust Cap	
40	2400060	1	Fuse	
41	4460142	1	Connector	
	1001117111	1	Terminal	
42	4460019	1	Terminal, Ring	
43	4460019	1	Terminal, Ring	
45	1001117070	1	Connector	
	1001116734	2	Terminal	
46	4460312	1	Terminal, Ring	
	1001195087	1	Red Boot	
47	4460312	2	Terminal, Ring	
48	4460312	2	Terminal, Ring	
	1001195087	1	Red Boot	
49	4460312	1	Terminal, Ring	
50	4460247	1	Terminal, Ring	
	1001195057	1	Black Boot	
51	4460247	1	Terminal, Ring	
	1001195055	1	Red Boot	
52	1001117103	1	Connector	
	1001121730	2	Terminal	
53	1001116950	1	Connector	
	4460465	2	Terminal	
54	4461095	1	Plug	
	4461070	1	Connector	
	4460465	2	Terminal	
	4460466	1	Terminal	
55	1001209097	1	Connector	
	8220124	2	Terminal	
56	1001145707	1	Connector	
	1001116732	4	Terminal	

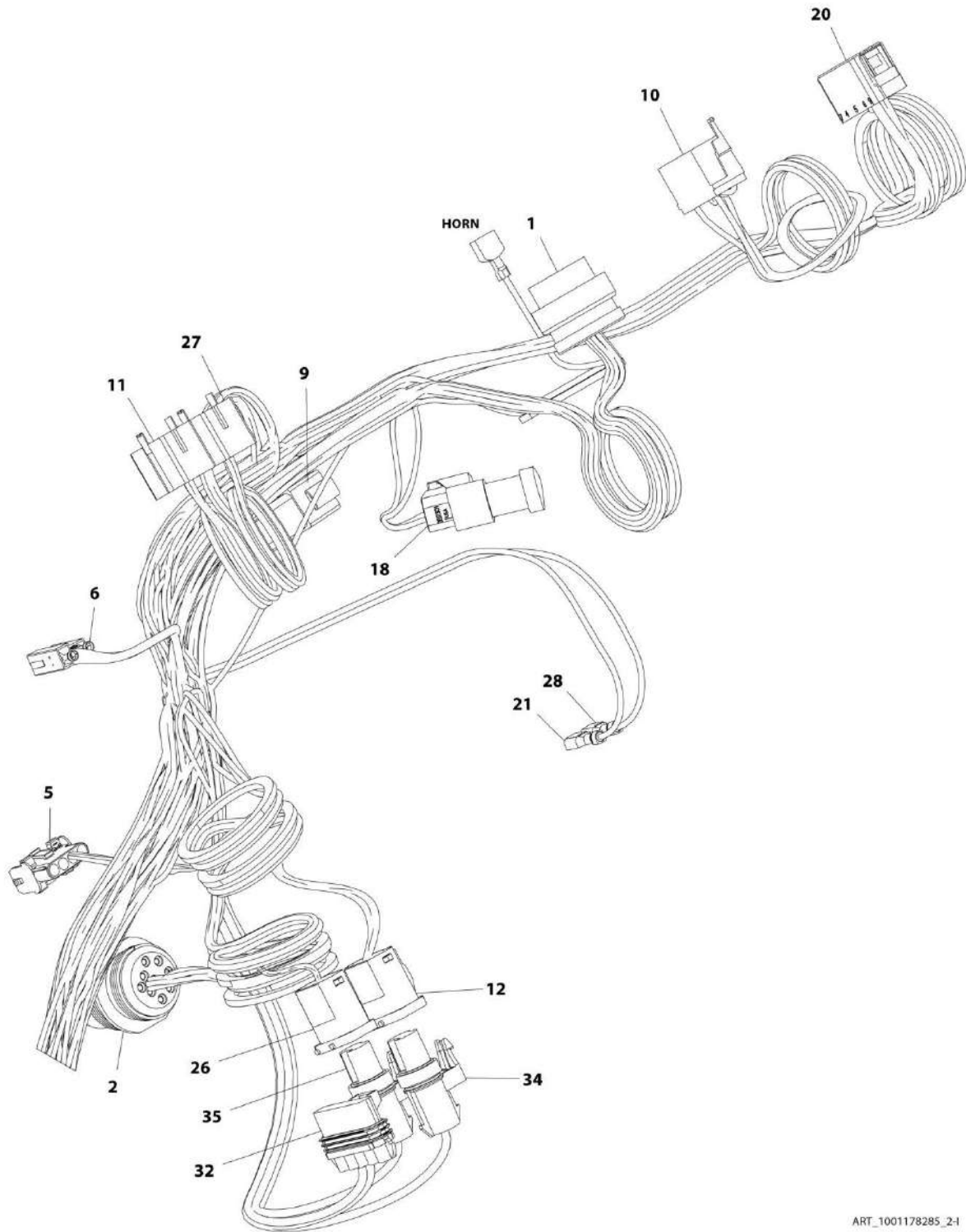
SECTION 10 - ELECTRICAL

FIGURE 10-35. CAB POWER DISTRIBUTION HARNESS



ART_1001178285_1-I

SECTION 10 - ELECTRICAL



ART_1001178285_2-1

SECTION 10 - ELECTRICAL

FIGURE 10-35. CAB POWER DISTRIBUTION HARNESS

ITEM	PART NUMBER	QTY	DESCRIPTION	REV
	1001178285	Ref	Cab Power Distribution Harness	I
1	4460872	1	Connector	
	4460871	10	Terminal, Socket	
	4460905	4	Plug, Seal	
2	1001112612	1	Connector	
	1001149712	1	Cap	
	1001125784	1	Lockwasher	
	1001125785	1	Nut	
	4460464	6	Terminal	
	4460466	3	Plug	
3	4460884	1	Connector	
	80604021	1	Lock, Wedge	
	4460465	4	Terminal	
4	4460930	1	Connector	
	80604025	1	Lock, Wedge	
	4460465	6	Terminal	
	4460466	2	Plug	
5	4460761	1	Connector	
	1001118378	4	Terminal	
6	1001200833	1	Terminal	
7	1001117064	1	Connector	
	91554014	6	Terminal	
8	1001116808	1	Connector	
	4460909	1	Housing	
	4460915	1	Lock, Wedge	
	1001126008	10	Terminal, Socket	
	4460518	2	Terminal, Plug	
9	4460970	1	Connector	
	80363179	1	Lock, Wedge	
	4460464	9	Terminal	
	4460466	3	Plug	
10	8220904	1	Connector	
	4460419	6	Terminal	
11	1001117119	1	Connector	
	1001159186	4	Terminal	
12	4460891	1	Connector	
	80604018	1	Lock, Wedge	
	1001157890	1	Terminal	
	4460942	1	Terminal	
13	1001117106	1	Terminal, Ring	
14	1001117106	1	Terminal, Ring	
15	1001117106	1	Terminal, Ring	
16	1001117106	1	Terminal, Ring	
17	4460836	1	Connector	
	80604016	1	Lock, Wedge	
	4460509	5	Terminal, Socket	
	4460465	6	Terminal	
	4460466	1	Plug	
18	1001116812	1	Connector	
	91554019	1	Lock, Wedge	

SECTION 10 - ELECTRICAL

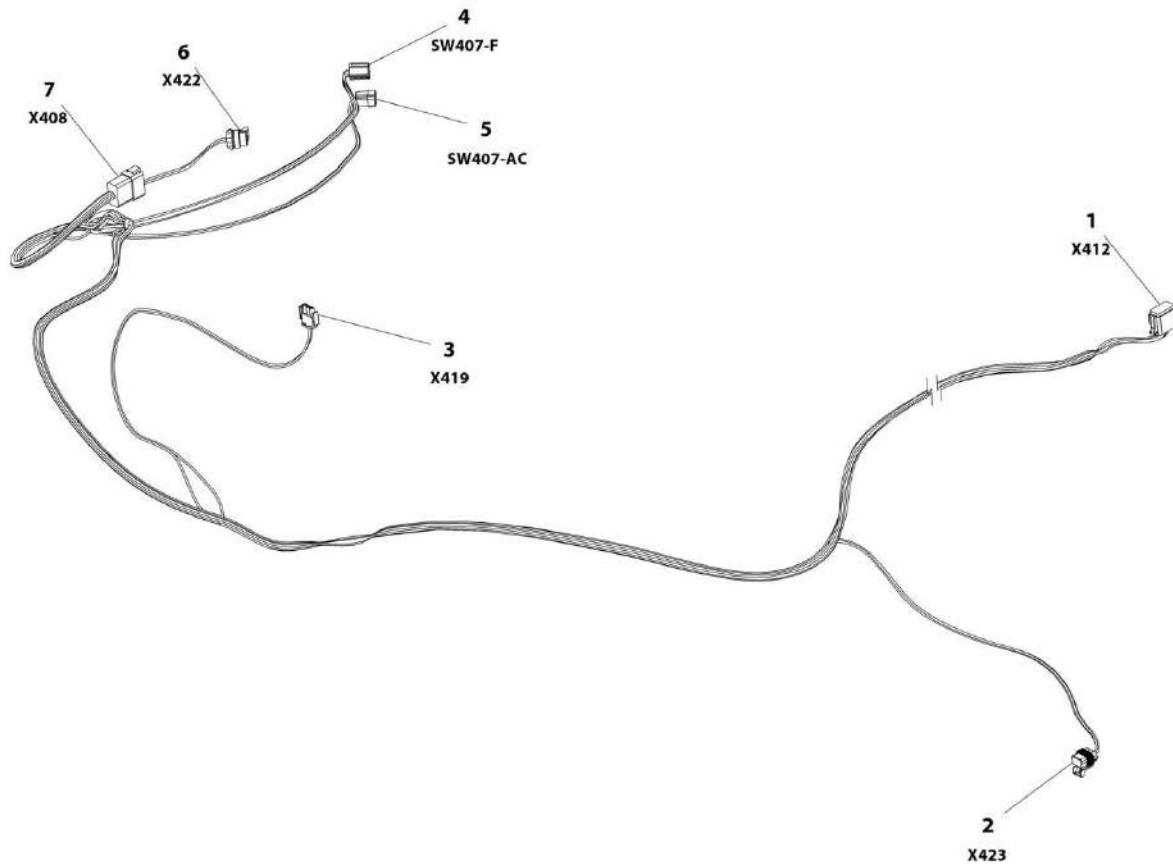
ITEM	PART NUMBER	QTY	DESCRIPTION	REV
	4461070	1	Connector	
	4460465	2	Terminal	
	4460466	1	Plug	
19	1001116774	1	Connector	
	4460908	1	Housing	
	4460915	1	Lock, Wedge	
	1001126008	12	Terminal, Socket	
20	8220904	1	Connector	
	4460419	8	Terminal	
	1001195760	2	Terminal	
21	8220051	1	Terminal	
22	4460933	1	Connector	
	80604016	1	Lock, Wedge	
	1001003174	3	Terminal, Socket	
	4460465	7	Terminal	
	4460466	2	Terminal	
23	4460897	1	Connector	
	80604018	1	Lock, Wedge	
	4460464	2	Terminal	
24	4460891	1	Connector	
	80604018	1	Lock, Wedge	
	4460465	1	Terminal	
	1001157890	1	Terminal	
25	4460930	1	Connector	
	8220525	1	Lock, Wedge	
	4460465	3	Terminal	
	1001157890	2	Terminal	
	4460466	3	Plug	
26	4461017	1	Connector	
	80604018	1	Lock, Wedge	
	4460508	2	Terminal, Socket	
27	1001117119	1	Connector	
	1001159186	2	Terminal	
28	8220051	1	Terminal	
29	80963061	1	Connector	
	4460790	4	Terminal, Socket	
	8220089	4	Seal	
30	8220927	1	Connector	
	70024256	1	Lock, Slide	
	70024255	1	Seal, Connector	
	70024254	1	Lock, Secondary	
	1001116747	12	Terminal	
	8220081	12	Seal	
	4460746	3	Terminal	
	4460458	3	Seal	
31	8220929	1	Connector	
	70024253	1	Lock, Secondary	
	8220097	12	Terminal	
	8220125	2	Terminal	
	4460458	14	Seal	
	1001116727	1	Plug	

SECTION 10 - ELECTRICAL

ITEM	PART NUMBER	QTY	DESCRIPTION	REV
32	1001121726	1	Connector	
	70026219	1	Lock, TPA	
	8220125	2	Terminal	
	8220089	2	Seal	
	1001116726	1	Terminal	
	4460458	1	Seal	
	1001116727	2	Plug	
	33	4460970	1	Connector
80363179		1	Lock, Wedge	
4460466		6	Terminal	
4460464		6	Terminal	
34	1001121728	1	Connector, Packard Female, 1POS	
	70026218	1	Lock, TPA	
	1001121730	1	Terminal	
35	1001121728	1	Connector, Packard Female, 1POS	
	70026218	1	Lock, TPA	
	1001121730	1	Terminal	
36	1001200845	3	Leg, Mounting	
	1001205172	11	Relay, Micro 280, 12V, 35 Amp	
	1001129285	3	Fuse, Mini Diode	
	1001177198	6	Module, 2 Fuse	
	1001187952	3	Assembly, Electrical	
	8229261	2	Fuse, Type 5 A	
	8229233	4	Fuse, Type 7.5 A	
	8229234	7	Fuse, Type 10 A	
	8229237	1	Fuse, Type 15 A	
	8229235	4	Fuse, Type 20 A	
	8229238	1	Fuse, Type 40 A	
	1001116710	11	Terminal	
	1001116712	3	Terminal	
	1001210779	1	Terminal	
	1001192050	10	Terminal	
	1001210776	4	Terminal	
	1001192049	11	Terminal	
1001210778	2	Terminal		
1001210777	8	Terminal		

SECTION 10 - ELECTRICAL

FIGURE 10-36. HVAC HARNESS



ART_1001178347-D

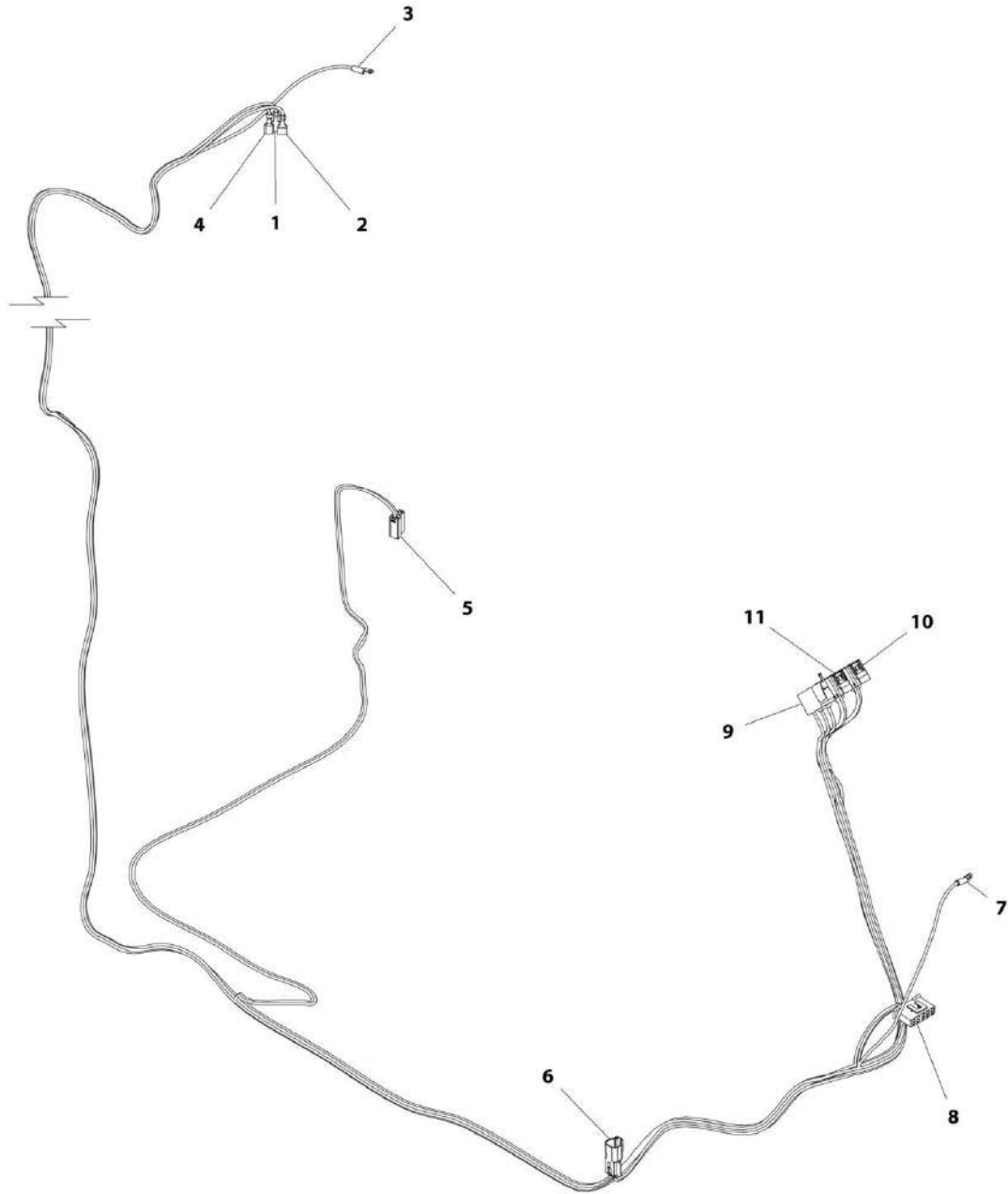
SECTION 10 - ELECTRICAL

FIGURE 10-36. HVAC HARNESS

ITEM	PART NUMBER	QTY	DESCRIPTION	REV
	1001178347	Ref	HVAC Harness	D
1	4460933	1	Connector	
	80604016	1	Lock, Wedge	
	4460942	9	Terminal	
	4460465	2	Terminal	
	4460466	1	Terminal	
2	8220895	1	Connector	
	70026216	1	Lock, Secondary	
	8220124	3	Terminal	
	1001116751	3	Terminal, Plug	
3	4460326	1	Connector	
	4460268	2	Terminal	
4	1001117080	1	Connector	
	1001116723	5	Terminal	
5	1001117059	1	Connector	
	1001116736	3	Terminal	
6	1001125027	1	Connector	
	70026217	1	Lock, Secondary	
	8220124	3	Terminal	
7	4460950	1	Connector	
	80363179	1	Lock, Wedge	
	1001157891	5	Terminal	
	4460464	6	Terminal	
	4460466	1	Terminal	

SECTION 10 - ELECTRICAL

FIGURE 10-37. WIPER HARNESS



ART_1001178349-D

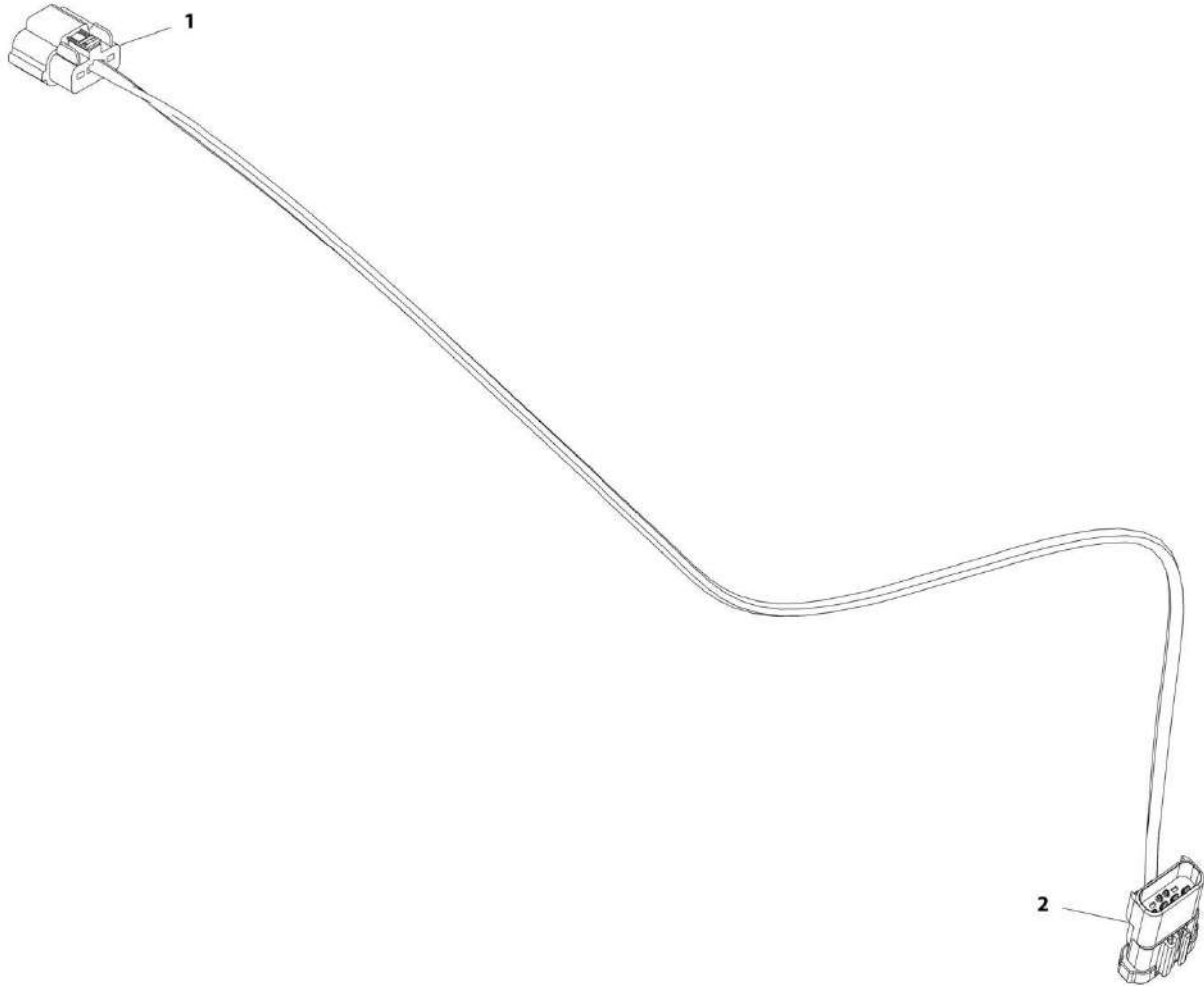
SECTION 10 - ELECTRICAL

FIGURE 10-37. WIPER HARNESS

ITEM	PART NUMBER	QTY	DESCRIPTION	REV
	1001178349	Ref	Wiper Harness	D
1	8220051	1	Terminal	
2	8220051	1	Terminal	
3	8220035	1	Terminal, Ring	
4	8220051	1	Terminal	
5	4460994	1	Housing, Terminal	
	1001169816	2	Terminal	
6	4460897	1	Connector	
	80604017	1	Lock, Wedge	
	4460464	2	Terminal	
7	8220007	1	Terminal, Ring	
8	1001127066	1	Connector	
	1001116720	3	Terminal	
9	8220904	1	Connector	
	4460419	5	Terminal	
10	1001117081	1	Connector	
	4460419	9	Terminal	
11	1001117081	1	Connector	
	4460419	9	Terminal	

SECTION 10 - ELECTRICAL

FIGURE 10-38. TBAP HARNESS



ART_1001184835-A

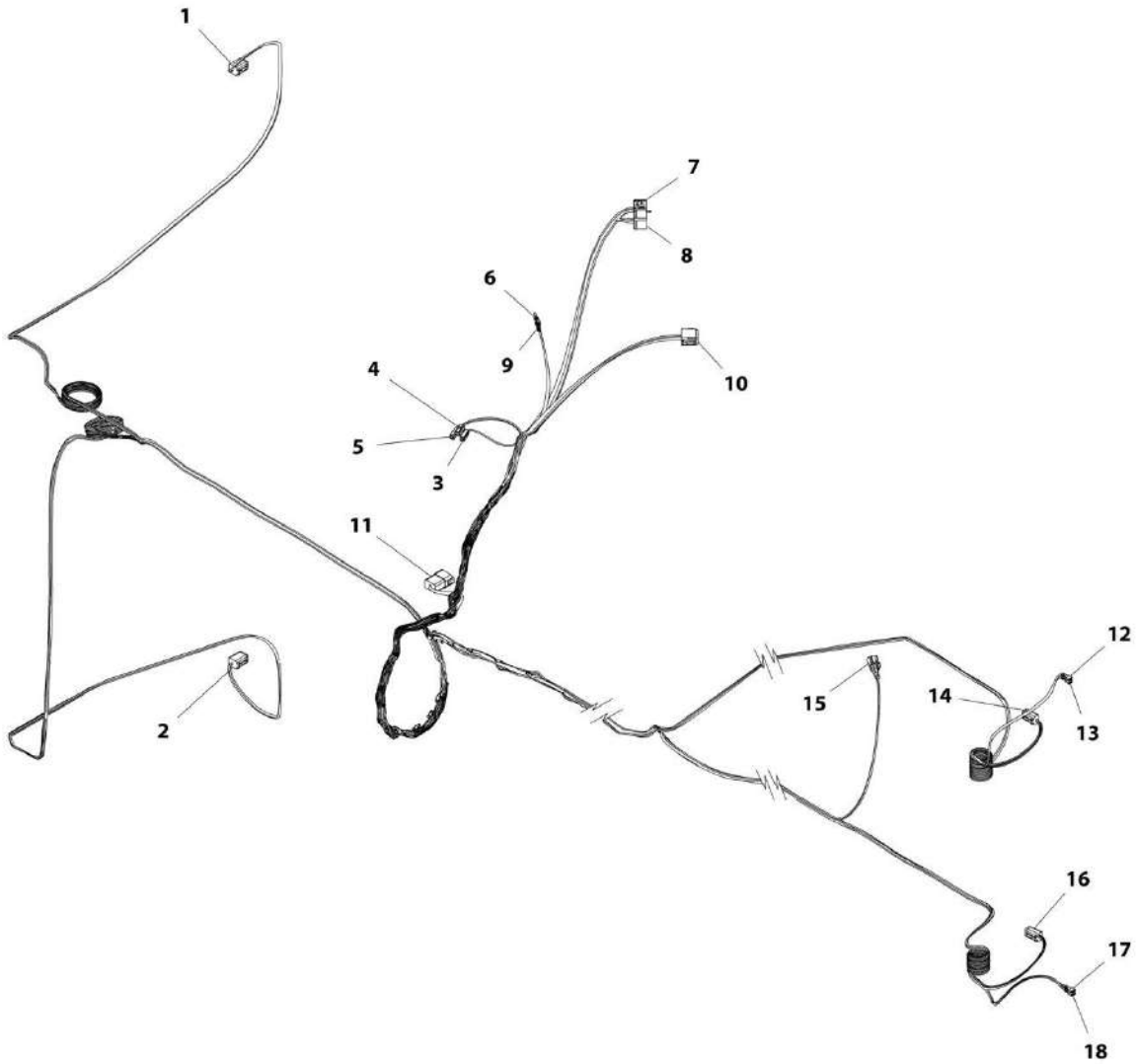
SECTION 10 - ELECTRICAL

FIGURE 10-38. TBAP HARNESS

ITEM	PART NUMBER	QTY	DESCRIPTION	REV
1	1001184835	Ref	TBAP Harness	A
	10011184495	1	Connector	
	1001184494	4	Terminal	
	1001184496	4	Seal	
2	1001184491	1	Connector	
	1001184493	4	Terminal	

SECTION 10 - ELECTRICAL

FIGURE 10-39. ROAD LIGHT OPTION HARNESS (Prior to SN 0160073126)



ART_1001178346-D

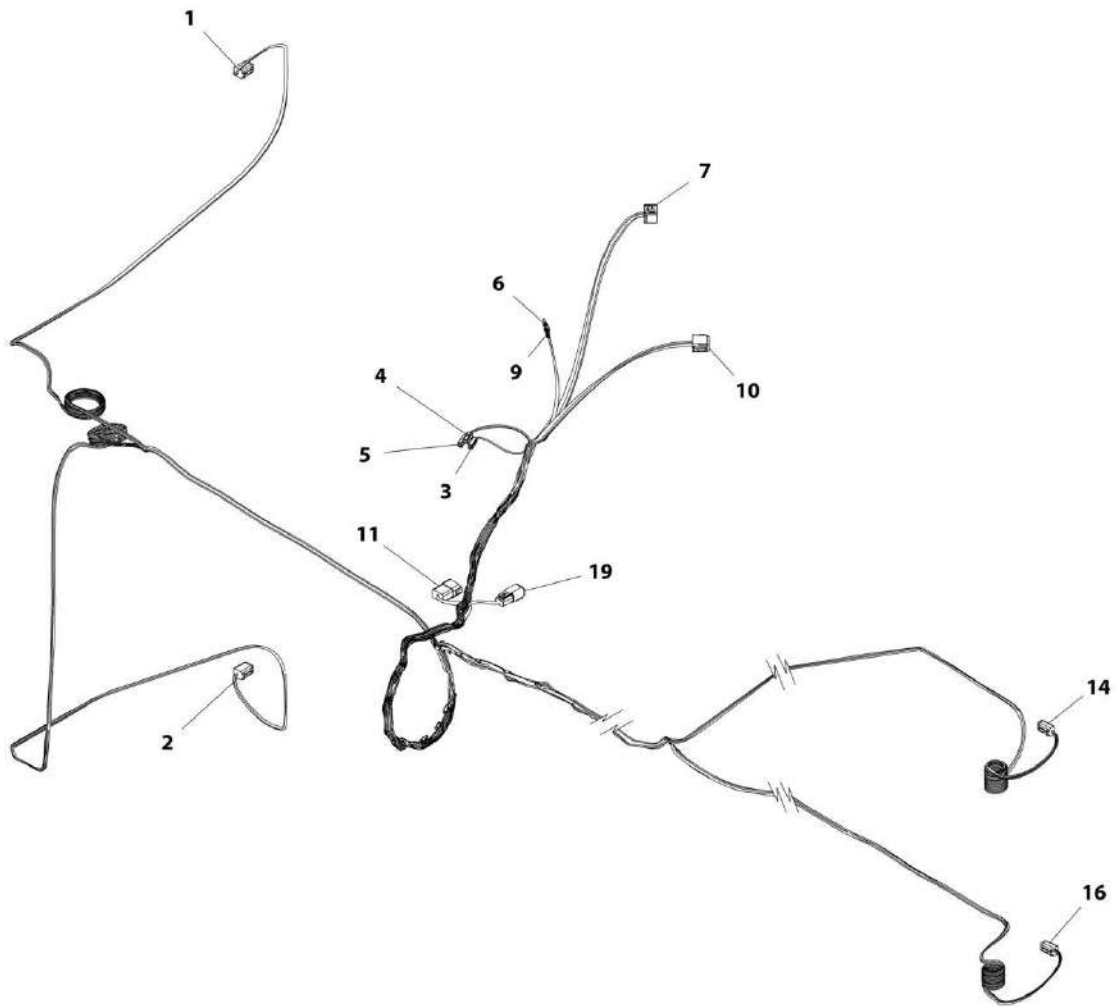
SECTION 10 - ELECTRICAL

FIGURE 10-39. ROAD LIGHT OPTION HARNESS (Prior to SN 0160073126)

ITEM	PART NUMBER	QTY	DESCRIPTION	REV
	1001178346	Ref	Road Light Option Harness	D
1	4460894	1	Connector	
	80604023	1	Lock, Wedge	
	4460465	5	Terminal	
	4460466	1	Plug	
2	4460894	1	Connector	
	80604023	1	Lock, Wedge	
	4460465	5	Terminal	
	4460466	1	Plug	
3	7116572	1	Connector	
	1001116736	1	Terminal	
4	7116572	1	Connector	
	1001116736	1	Terminal	
5	7116572	1	Connector	
	1001116736	1	Terminal	
6	4460019	1	Terminal, Ring	
7	1001117079	1	Connector	
	4460419	9	Terminal	
8	8220904	1	Connector	
	4460419	6	Terminal	
9	4460019	1	Terminal, Ring	
10	4460933	1	Connector	
	80604016	1	Lock, Wedge	
	4460465	8	Terminal	
	4460466	4	Plug	
11	4460931	1	Connector	
	80604024	1	Lock, Wedge	
	4460466	3	Plug	
	4460464	2	Terminal	
	1001157891	2	Terminal	
	4460941	1	Terminal	
12	8220051	1	Terminal	
13	8220051	1	Terminal	
14	4460884	1	Connector	
	80604021	1	Lock, Wedge	
	4460465	3	Terminal	
	4460942	1	Terminal	
15	1001117026	1	Connector	
	8220890	1	Lock, Secondary	
	1001116725	1	Terminal	
	8220089	1	Seal	
	1001116729	1	Terminal	
	8220081	1	Seal	
16	4460884	1	Connector	
	80604021	1	Lock, Wedge	
	4460465	3	Terminal	
	4460942	1	Terminal	
17	8220051	1	Terminal	
18	8220051	1	Terminal	

SECTION 10 - ELECTRICAL

FIGURE 10-40. ROAD LIGHT OPTION HARNESS (SN 0160073126 to Present)



ART_1001178346-F

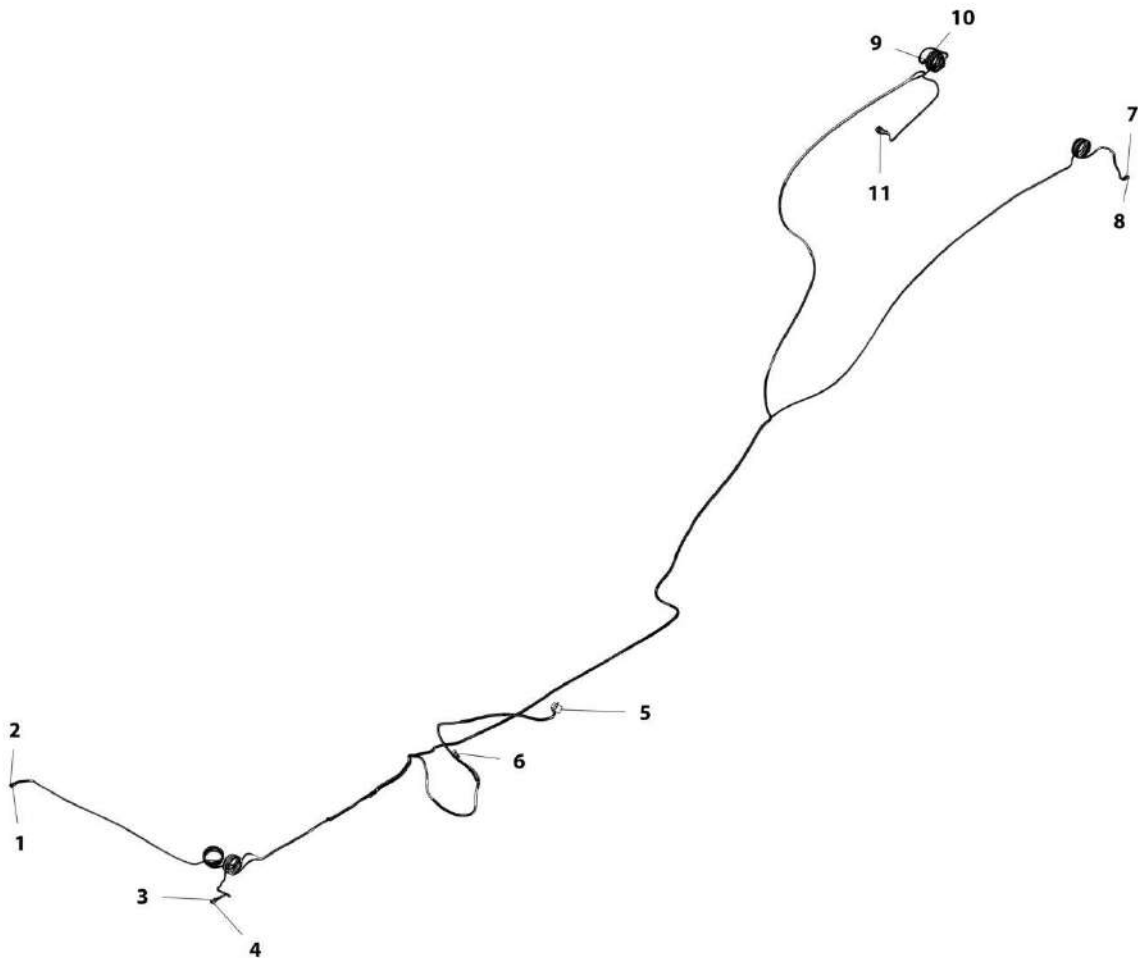
SECTION 10 - ELECTRICAL

FIGURE 10-40. ROAD LIGHT OPTION HARNESS (SN 0160073126 to Present)

ITEM	PART NUMBER	QTY	DESCRIPTION	REV
	1001178346	Ref	Road Light Option Harness	F
1	4460894	1	Connector	
	80604023	1	Lock, Wedge	
	4460465	5	Terminal	
	4460466	1	Plug	
2	4460894	1	Connector	
	80604023	1	Lock, Wedge	
	4460465	5	Terminal	
	4460466	1	Plug	
3	7116572	1	Connector	
	1001116736	1	Terminal	
4	7116572	1	Connector	
	1001116736	1	Terminal	
5	7116572	1	Connector	
	1001116736	1	Terminal	
6	8220051	1	Terminal, Ring	
7	1001117079	1	Connector	
	4460019	9	Terminal	
9	8220051	1	Terminal, Ring	
10	4460933	1	Connector	
	80604016	8	Lock, Wedge	
	4460465	1	Terminal	
	4460466	1	Plug	
11	4460931	1	Connector	
	80604024	1	Lock, Wedge	
	4460466	3	Plug	
	4460464	2	Terminal	
	1001157891	2	Terminal	
	4460941	1	Terminal	
13	8220051	1	Terminal, Ring	
14	4460884	1	Connector	
	80604021	1	Lock, Wedge	
	4460465	3	Terminal	
	4460942	1	Terminal	
15	1001117026	1	Connector	
	8220890	1	Lock, Wedge	
	1001116725	1	Terminal	
	8220089	1	Seal	
	1001116729	1	Terminal	
	8220081	1	Seal	
16	4460884	1	Connector	
	80604021	1	Lock, Wedge	
	4460465	3	Terminal	
	4460942	1	Terminal	
19	4461018	1	Kit, Connector	
	N.S.S.	1	Lock, Wedge	
	4460509	1	Terminal	

SECTION 10 - ELECTRICAL

FIGURE 10-41. WORK LIGHT OPTION HARNESS



ART_1001178344-E

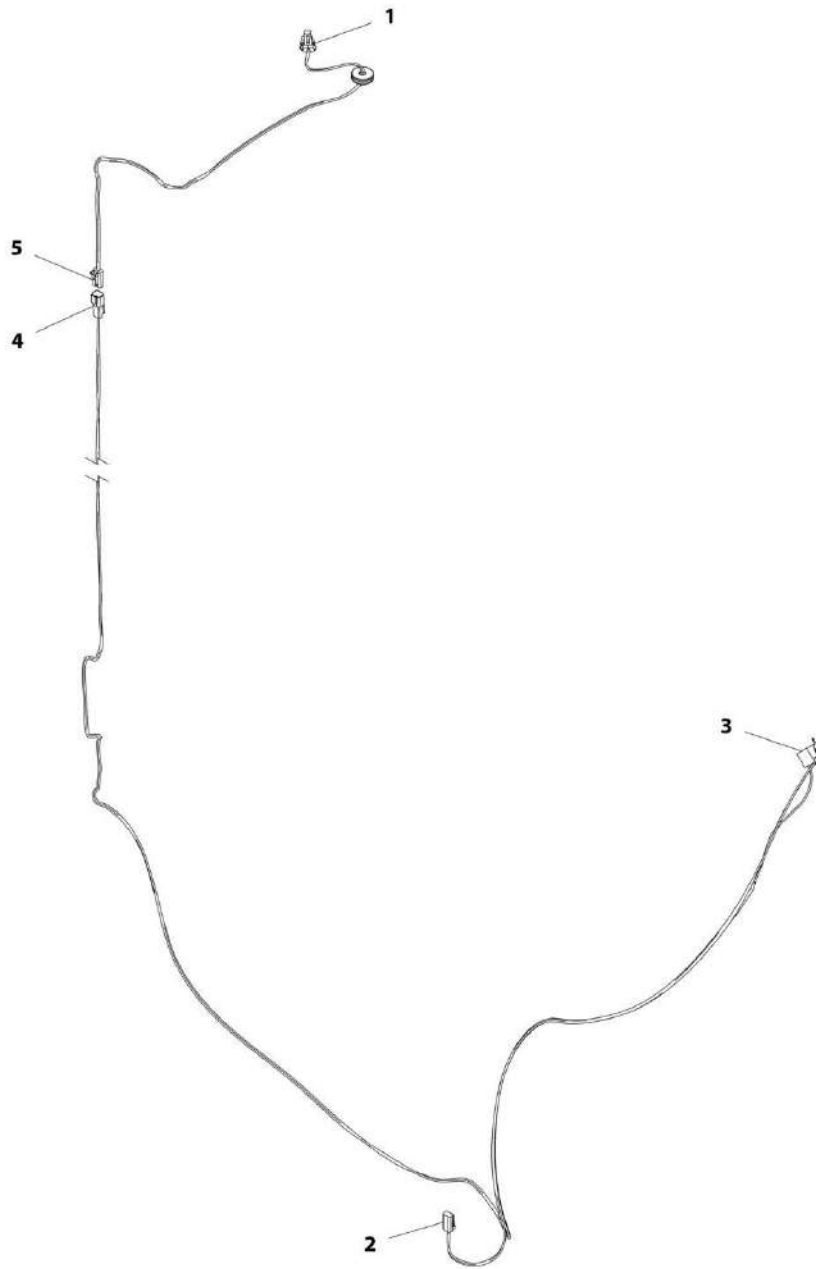
SECTION 10 - ELECTRICAL

FIGURE 10-41. WORK LIGHT OPTION HARNESS

ITEM	PART NUMBER	QTY	DESCRIPTION	REV
	1001178344	Ref	Work Light Option Harness	E
1	8220051	1	Terminal	
2	8220051	1	Terminal	
3	8220051	1	Terminal	
4	8220051	1	Terminal	
5	8220904	1	Connector	
	4460419	6	Terminal	
6	4461018	1	Connector	
	80604017	1	Lock, Wedge	
	4460509	2	Terminal	
7	8220051	1	Terminal	
8	8220051	1	Terminal	
9	8220051	1	Terminal	
10	8220051	1	Terminal	
11	1001117026	1	Connector	
	8220890	1	Lock, Secondary	
	1001116729	2	Terminal	
	8220081	2	Seal	

SECTION 10 - ELECTRICAL

FIGURE 10-42. BEACON OPTION HARNESS



ART_1001178345-G

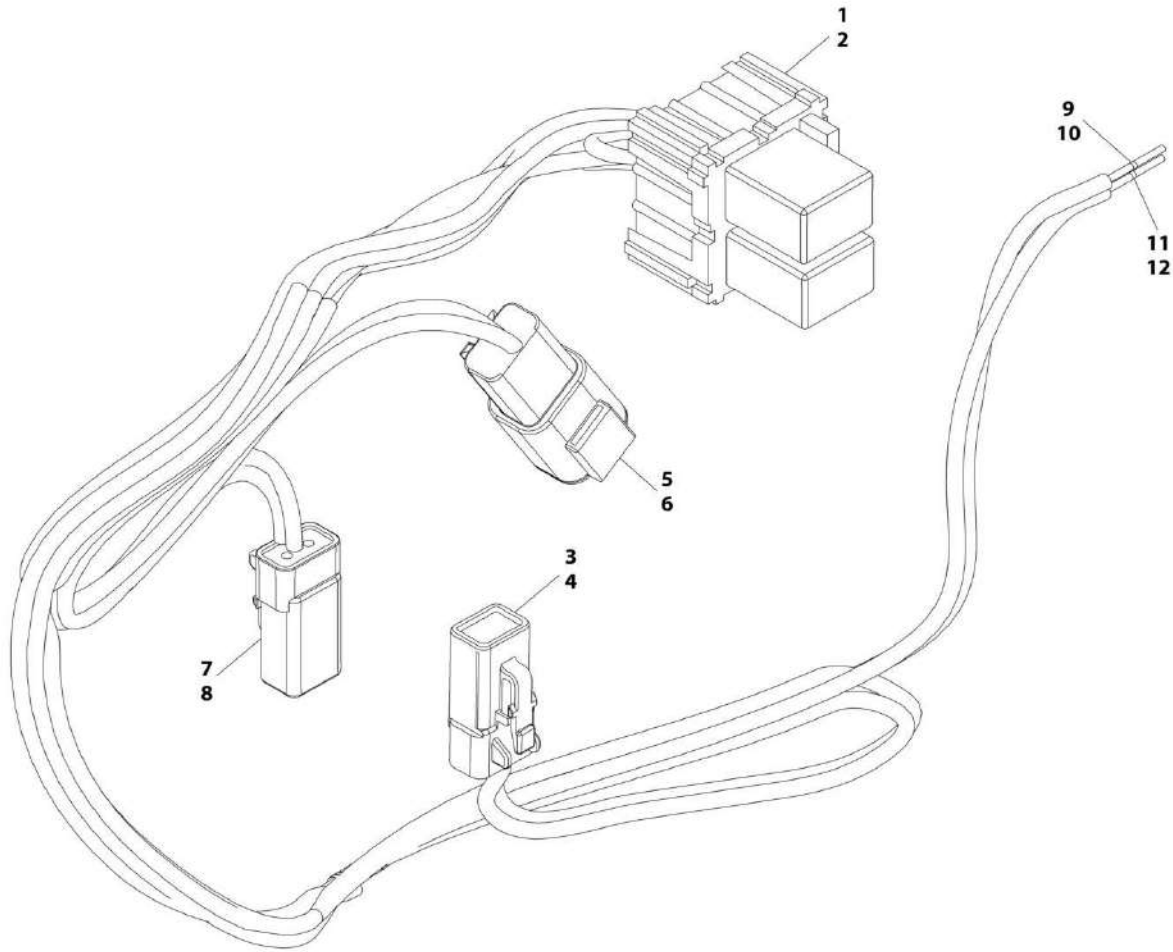
SECTION 10 - ELECTRICAL

FIGURE 10-42. BEACON OPTION HARNESS

ITEM	PART NUMBER	QTY	DESCRIPTION	REV
	1001178345	Ref	Beacon Option Harness	G
1	1001117021	1	Connector	
	1001116728	2	Terminal	
	4460458	2	Seal	
2	4460891	1	Connector	
	80604017	1	Lock, Wedge	
	4460465	2	Terminal	
3	8220904	1	Connector	
	4460419	5	Terminal	
4	4460897	1	Connector	
	4460464	2	Terminal	
5	4460891	1	Connector	
	4460465	2	Terminal	

SECTION 10 - ELECTRICAL

FIGURE 10-43. ROADLIGHT WORKLIGHT HARNESS



ART_1001205248-A

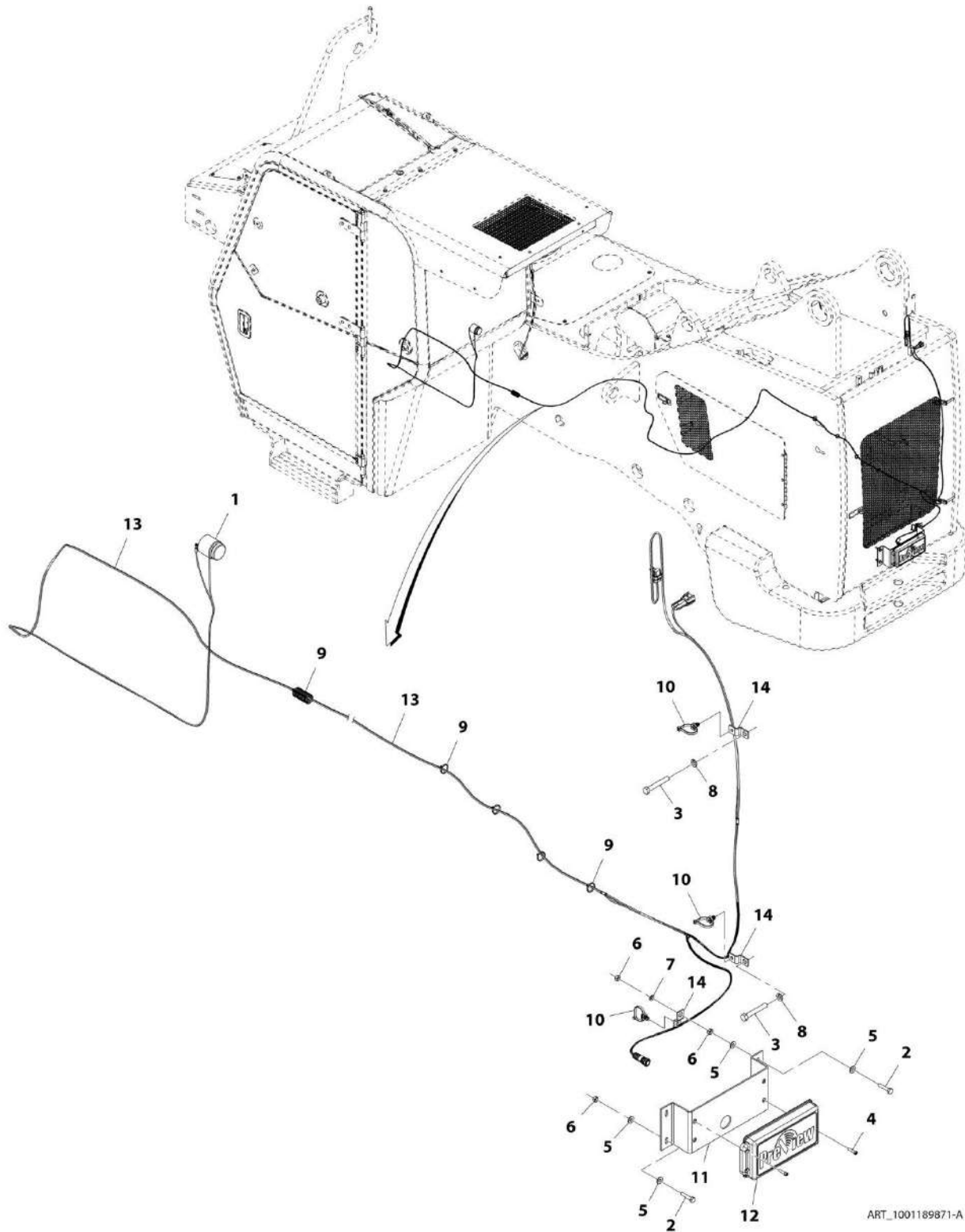
SECTION 10 - ELECTRICAL

FIGURE 10-43. ROADLIGHT WORKLIGHT HARNESS

ITEM	PART NUMBER	QTY	DESCRIPTION	REV
	1001205248	Ref	Roadlight Worklight Harness	A
1	1001177198	1	Connector	
2	1001116712	12	Terminal	
3	4461018	1	Connector	
4	4460509	2	Terminal	
5	4461017	1	Connector	
6	4460508	2	Terminal	
7	4461018	1	Connector	
8	4460509	2	Terminal	
9	4460790	1	Terminal, Socket	
10	8220089	1	Seal	
11	4460790	1	Terminal, Socket	
12	8220089	1	Seal	

SECTION 10 - ELECTRICAL

FIGURE 10-44. REVERSE SENSOR INSTALLATION



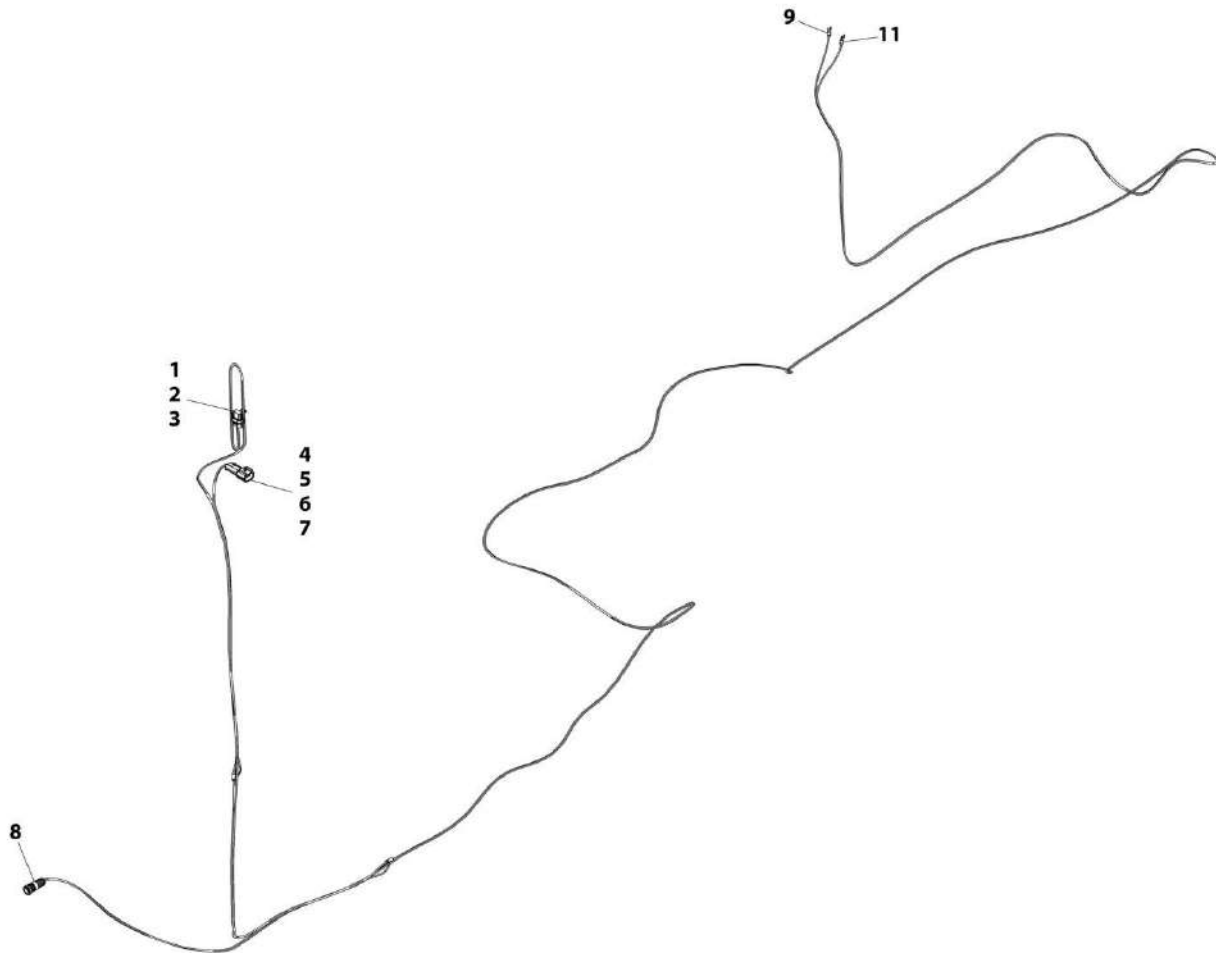
SECTION 10 - ELECTRICAL

FIGURE 10-44. REVERSE SENSOR INSTALLATION

ITEM	PART NUMBER	QTY	DESCRIPTION	REV
	1001189871	Ref	Reverse Sensor Installation	A
1	0140011	1	Audible, Signal Device	
2	0641410	4	Capscrew, 1/4-20X1	
3	0641620	2	Capscrew, 3/8-16X2	
4	3931012	4	Capscrew, 10-24X3/4	
5	4711400	8	Washer, 1/4	
6	8305004	5	Nut, 1/4-20	
7	8307002	1	Washer, Lock 1/4	
8	8307005	2	Washer, Lock 3/8	
9	8584001	AR	Wrap, Tie 3/16	
10	1001004720	3	Strap, Cable	
11	1001154375	1	Bracket	
12	1001182358	1	Control, Reverse Sensor	
13	1001189886	1	Harness, Reverse Sensor (See REVERSE SENSOR HARNESS for Breakdown)	
14	1001204692	3	Bracket	

SECTION 10 - ELECTRICAL

FIGURE 10-45. REVERSE SENSOR HARNESS



ART_1001189886-B

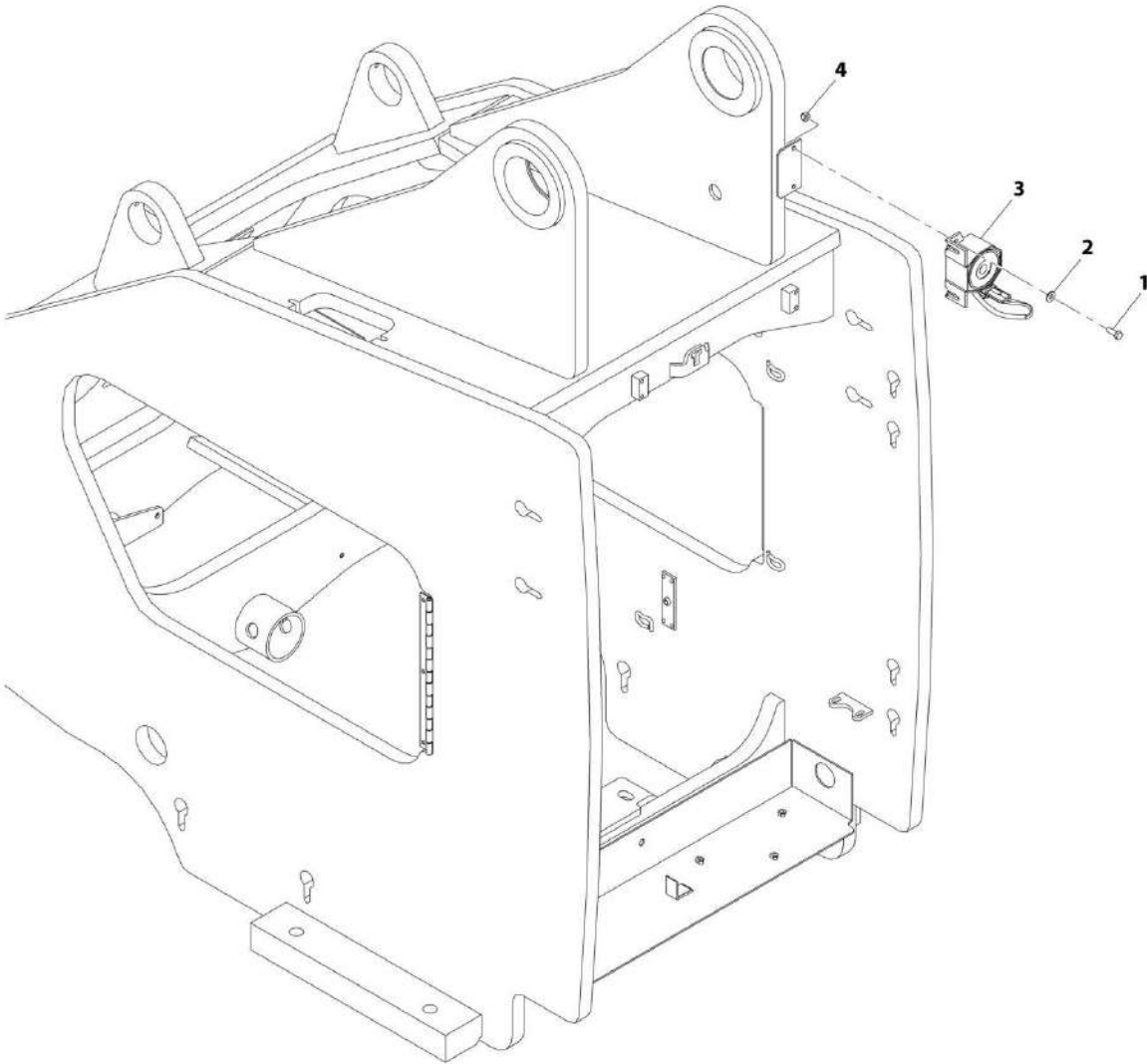
SECTION 10 - ELECTRICAL

FIGURE 10-45. REVERSE SENSOR HARNESS

ITEM	PART NUMBER	QTY	DESCRIPTION	REV
	1001189886	Ref	Reverse Sensor Harness	B
1	1001117021	1	Connector	
2	1001116728	2	Terminal	
3	4460458	2	Seal	
4	1001117026	1	Connector	
5	8220890	1	Lock, Secondary	
6	1001116745	2	Terminal	
7	4460458	2	Seal	
8	1001175733	1	Connector	
9	4460183	1	Fork Terminal	
11	4460183	1	Fork Terminal	

SECTION 10 - ELECTRICAL

FIGURE 10-46. BACK-UP ALARM INSTALLATION



ART_1001206542-A

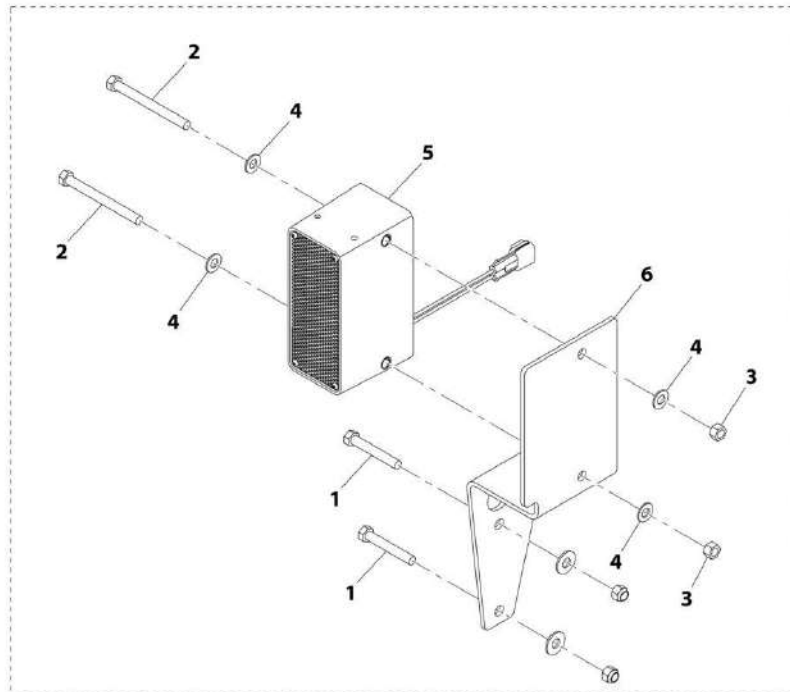
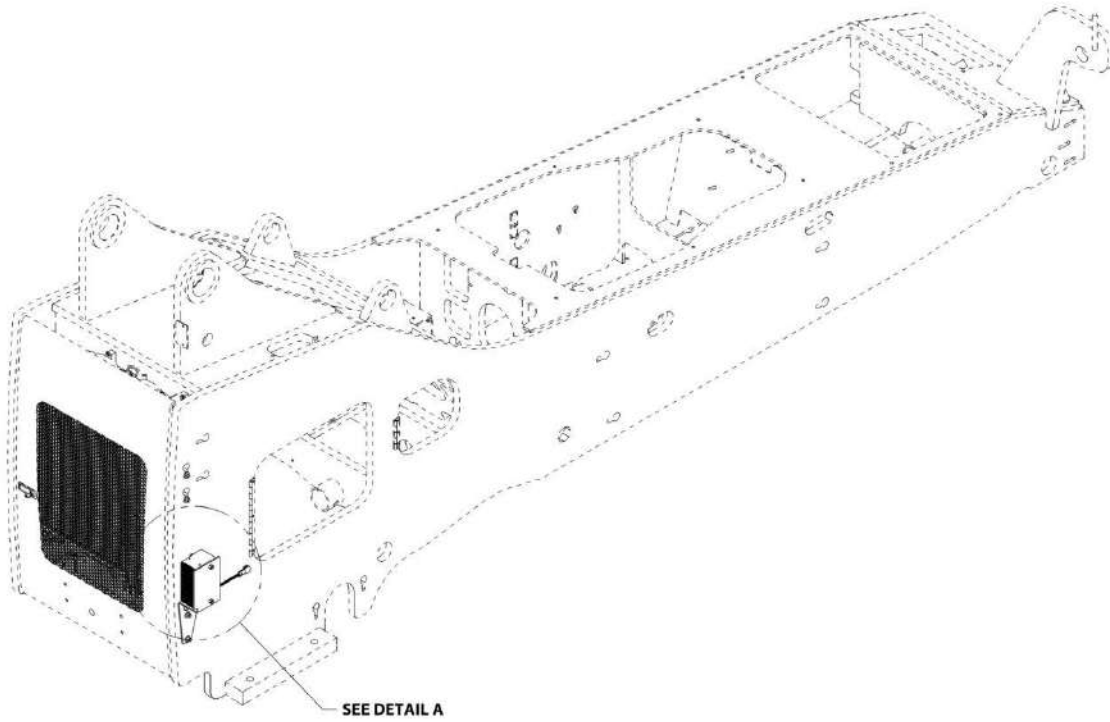
SECTION 10 - ELECTRICAL

FIGURE 10-46. BACK-UP ALARM INSTALLATION

ITEM	PART NUMBER	QTY	DESCRIPTION	REV
	1001206542	Ref	Back-Up Alarm Installation	A
1	0641406	2	Bolt, 1/4-20X3/4	
2	4711400	2	Washer, 1/4	
3	8270621	1	Alarm, Back-Up	
4	8305624	2	Nut, Lock 1/4-20	

SECTION 10 - ELECTRICAL

FIGURE 10-47. BACK-UP ALARM INSTALLATION (WHITE NOISE)



DETAIL A

ART_1001206543-A

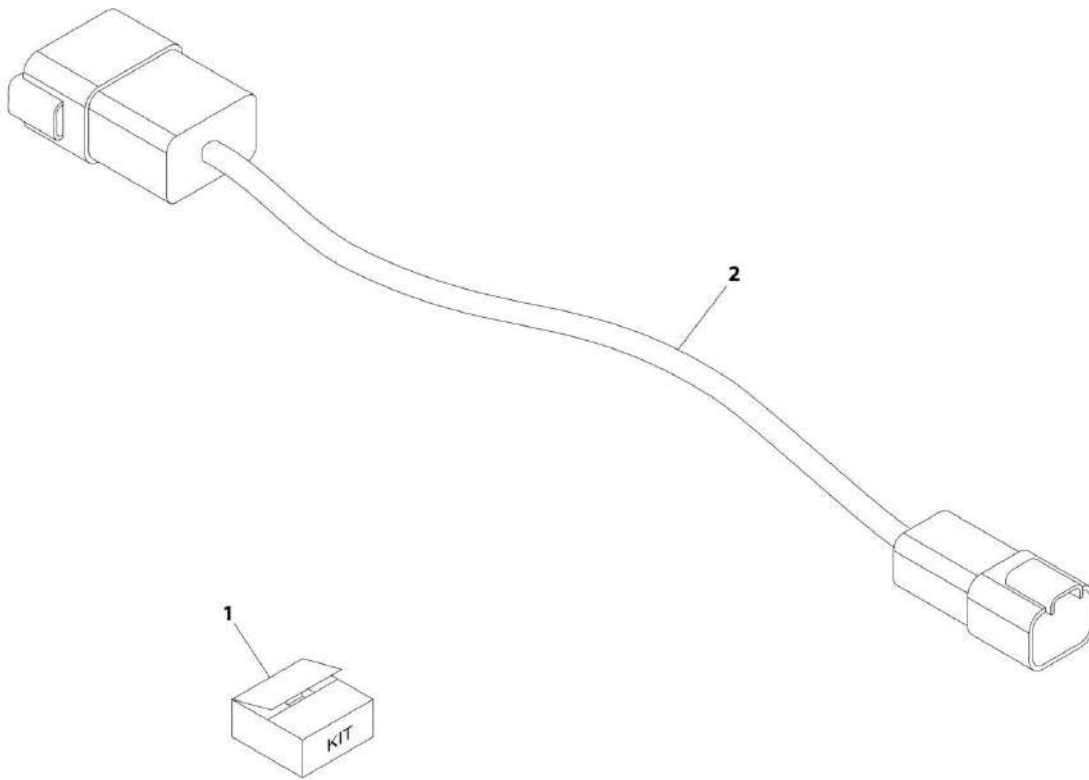
SECTION 10 - ELECTRICAL

FIGURE 10-47. BACK-UP ALARM INSTALLATION (WHITE NOISE)

ITEM	PART NUMBER	QTY	DESCRIPTION	REV
	1001206543	Ref	Back-Up Alarm Installation (White Noise)	A
1	0641620	2	Bolt, 3/8-16X2-1/2	
2	0641632	2	Bolt, 3/8-16X4	
3	3311605	2	Nut, 3/8-16	
4	4711600	4	Washer, 3/8	
5	1001198728	1	Alarm	
6	1001213574	1	Bracket	

SECTION 10 - ELECTRICAL

FIGURE 10-48. TELEMATICS INSTALLATION, UNITED RENTALS



ART_1001195610-A

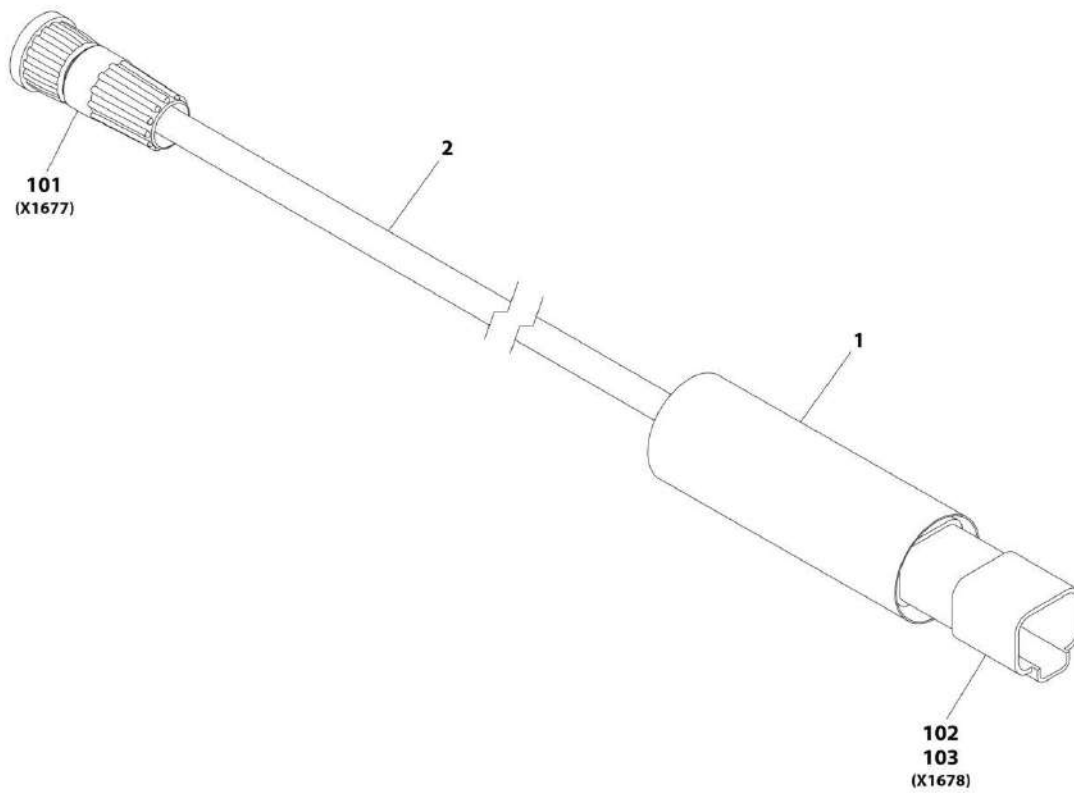
SECTION 10 - ELECTRICAL

FIGURE 10-48. TELEMATICS INSTALLATION, UNITED RENTALS

ITEM	PART NUMBER	QTY	DESCRIPTION	REV
	1001195610	Ref	Telematics Installation, United Rentals	A
1	N.S.S.	1	Telematics Kit	
2	1001195423	1	Harness, Jumper	

SECTION 10 - ELECTRICAL

FIGURE 10-49. TELEMATICS HARNESS



ART_1001227066-A

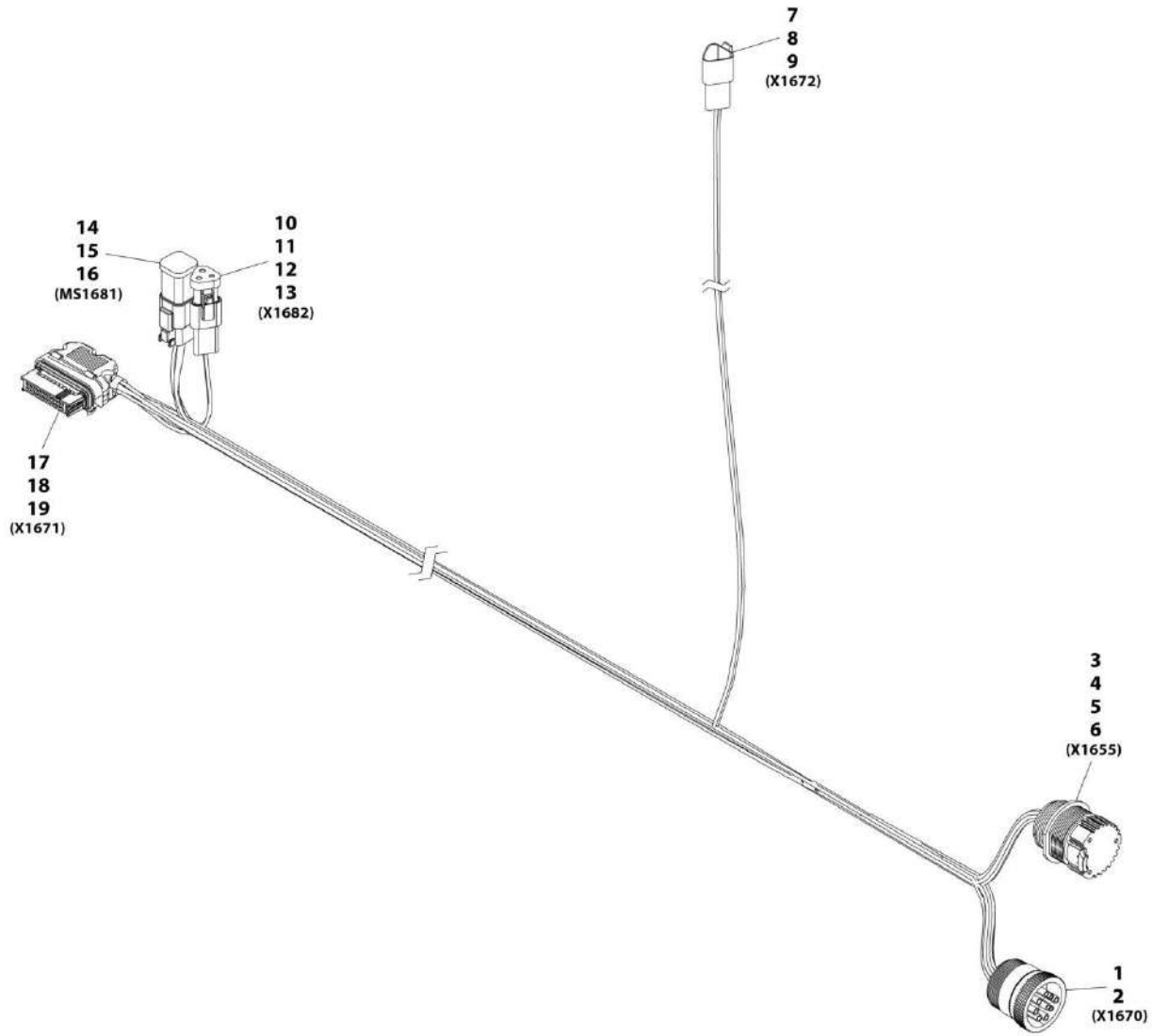
SECTION 10 - ELECTRICAL

FIGURE 10-49. TELEMATICS HARNESS

ITEM	PART NUMBER	QTY	DESCRIPTION	REV
	1001227066	Ref	Telematics Harness	A
1	1001226400	0.33 ft	Insulate, Heat Shrink	
2	1001227068	3.3 ft	Cable	
101	1001227266	1	Connector	
102	1001129407	1	Connector	
103	4460464	4	Terminal	

SECTION 10 - ELECTRICAL

FIGURE 10-50. CLEARSKY TELEMATICS HARNESS



ART_1001226856-A

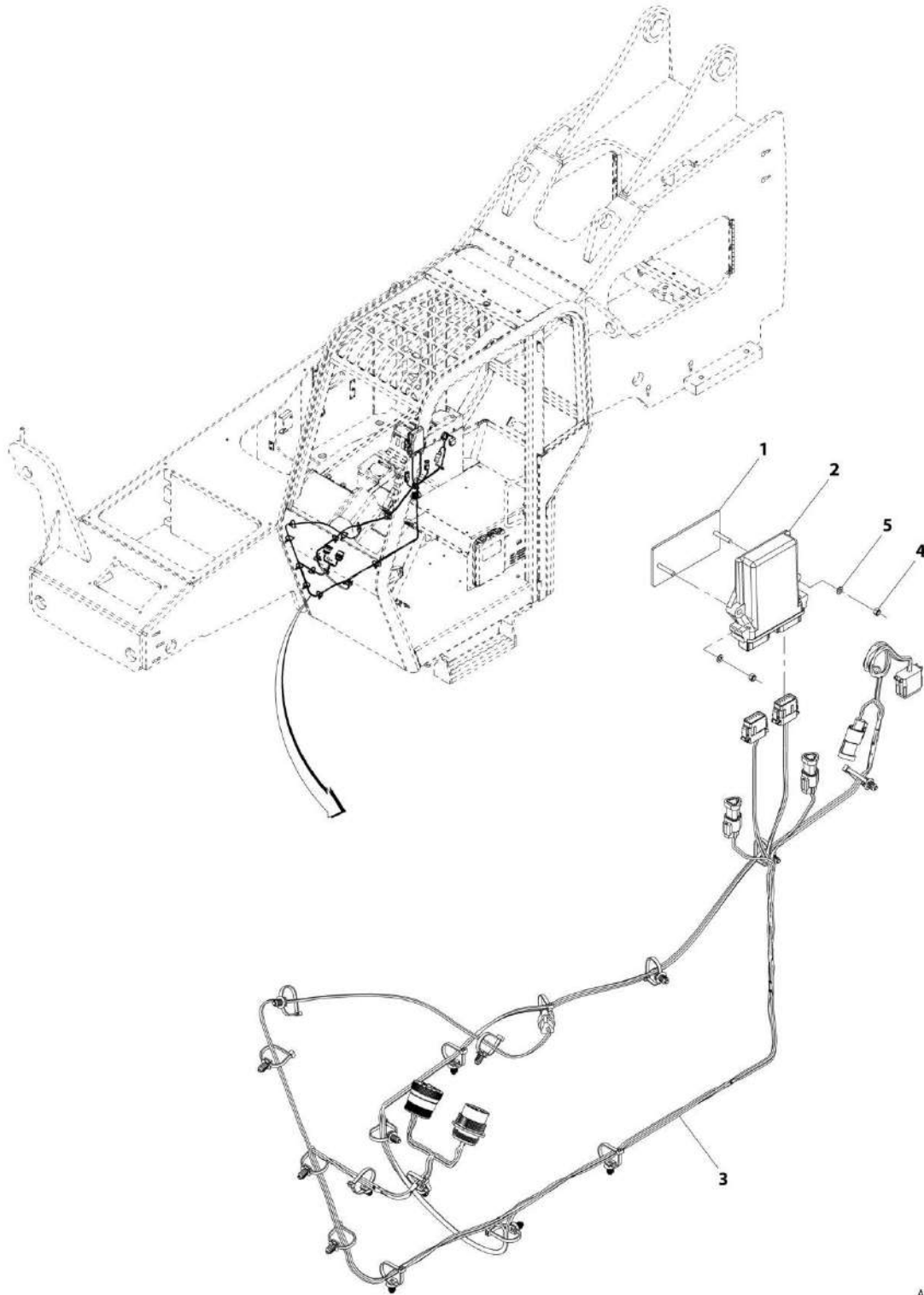
SECTION 10 - ELECTRICAL

FIGURE 10-50. CLEARSKY TELEMATICS HARNESS

ITEM	PART NUMBER	QTY	DESCRIPTION	REV
	1001226856	Ref	Clearsky Telematics Harness	A
1	1001112796	1	Connector	
2	4460465	9	Terminal	
3	1001112612	1	Connector	
4	1001149712	1	Cap	
5	1001116693	6	Terminal	
6	4460466	3	Plug	
7	1001144147	1	Connector	
8	4460464	2	Terminal	
9	4460466	1	Plug	
10	1001144147	1	Connector	
11	1001116815	1	Plug	
12	4460464	2	Terminal	
13	4460466	1	Plug	
14	4460894	1	Connector	
15	1001226541	1	Bussbar	
16	4460465	6	Terminal	
17	1001226636	1	Connector	
18	1001116731	16	Plug	
19	1001226637	8	Terminal	

SECTION 10 - ELECTRICAL

FIGURE 10-51. CANBUS TELEMATICS INSTALLATION



ART_1001220468-A

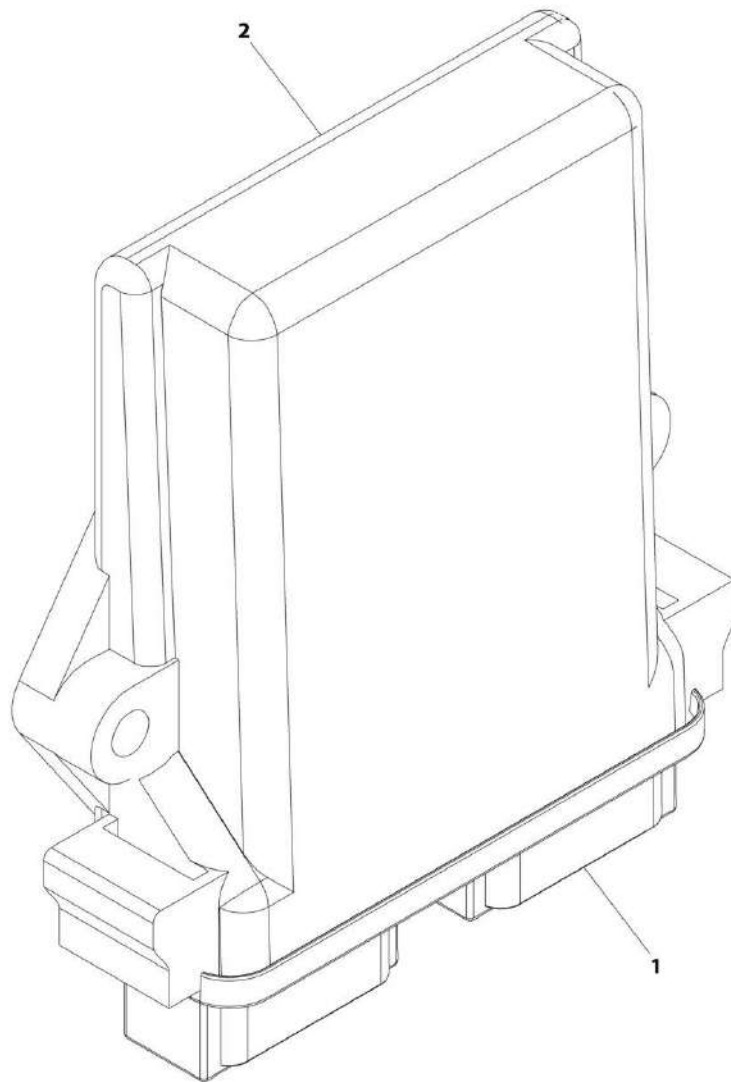
SECTION 10 - ELECTRICAL

FIGURE 10-51. CANBUS TELEMATICS INSTALLATION

ITEM	PART NUMBER	QTY	DESCRIPTION	REV
	1001220468	Ref	Canbus Telematics Installation	A
1	1001219082	1	Bracket, Control Mount	
2	1001229458	1	Controller, Gateway (See Separate Breakdown in Electrical Section)	
3	1001219895	1	Telematics Gateway Harness (See Separate Breakdown in Electrical Section)	
4	3290505	2	Nut, M5X0.8	
5	4811600	2	Washer, M6	

SECTION 10 - ELECTRICAL

FIGURE 10-52. GATEWAY CONTROLLER



ART_1001229458-B

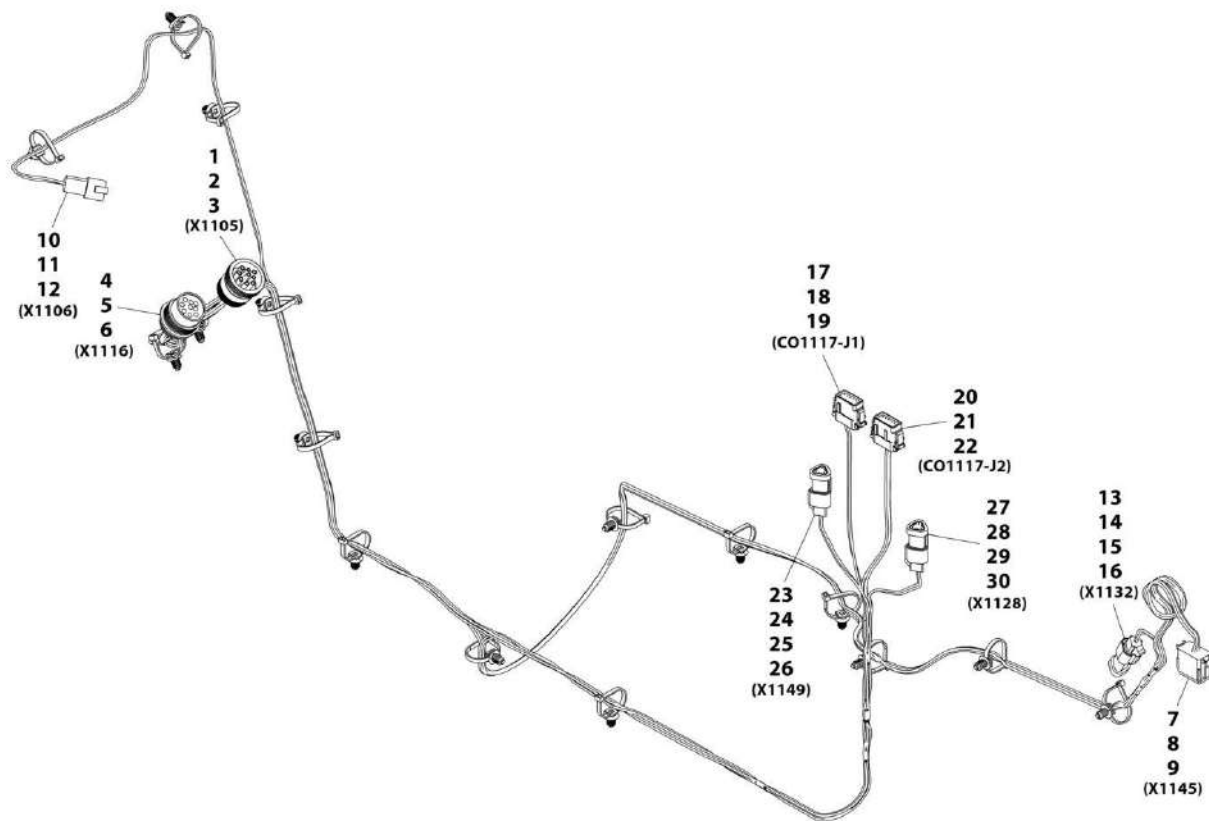
SECTION 10 - ELECTRICAL

FIGURE 10-52. GATEWAY CONTROLLER

ITEM	PART NUMBER	QTY	DESCRIPTION	REV
	1001229458	Ref	Gateway Controller	B
1	1001100828	1	PC Board	
2	1001100829	1	Box, Circuit Card	
3	1001229457	1	Software, Gateway (not shown)	

SECTION 10 - ELECTRICAL

FIGURE 10-53. TELEMATICS GATEWAY HARNESS



ART_1001219895-A

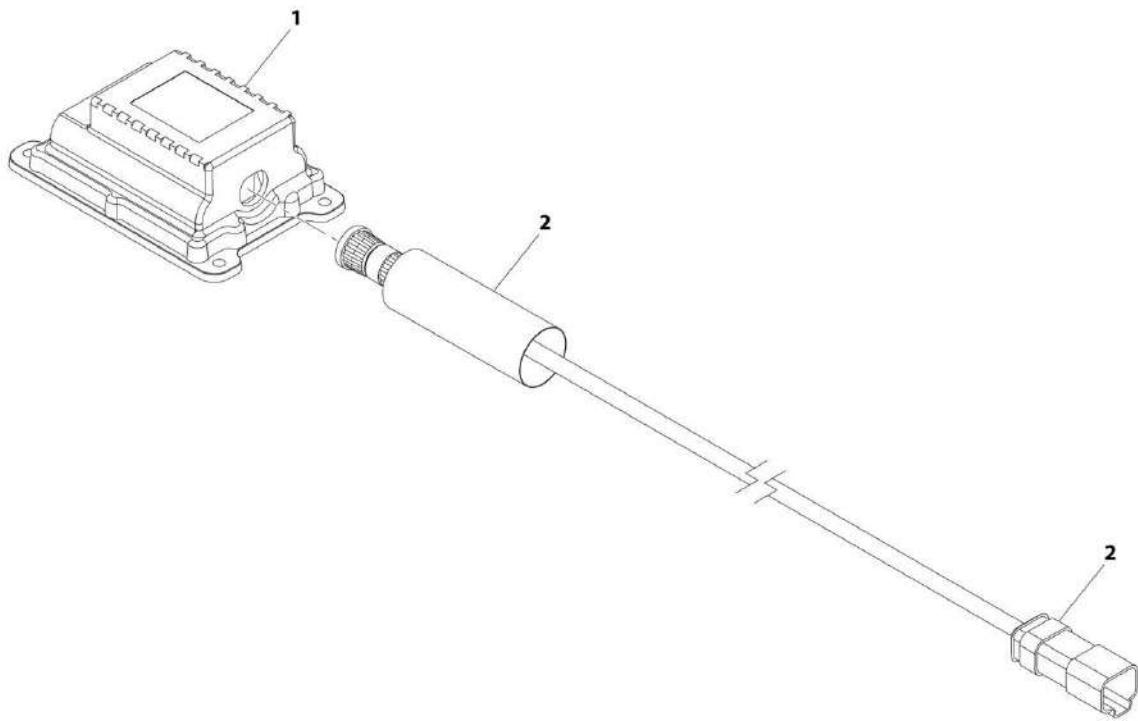
SECTION 10 - ELECTRICAL

FIGURE 10-53. TELEMATICS GATEWAY HARNESS

ITEM	PART NUMBER	QTY	DESCRIPTION	REV
	1001219895	Ref	Telematics Gateway Harness	A
1	1001112796	1	Connector	
2	1001116692	6	Terminal	
3	4460466	3	Plug	
4	1001112612	1	Connector	
5	1001116693	6	Terminal	
6	4460466	3	Plug	
7	4460933	1	Connector	
8	1001116692	5	Terminal	
9	4460466	7	Plug	
10	1001144147	1	Connector	
11	4460464	2	Terminal	
12	4460466	1	Plug	
13	1001116812	1	Connector	
14	4461070	1	Terminal	
15	4460944	2	Terminal	
16	4460466	1	Plug	
17	1001116774	1	Connector	
18	4460518	8	Plug	
19	1001116694	4	Terminal	
20	1001116808	1	Connector	
21	4460518	10	Plug	
22	1001116694	2	Terminal	
23	1001116812	1	Connector	
24	4461070	1	Terminal	
25	4460944	2	Terminal	
26	4460466	1	Plug	
27	1001116812	1	Connector	
28	4461070	1	Terminal	
29	4460944	2	Terminal	
30	4460466	1	Plug	

SECTION 10 - ELECTRICAL

FIGURE 10-54. CLEARSKY INSTALLATION 3-WIRE (ANSI)



ART_1001229107-C

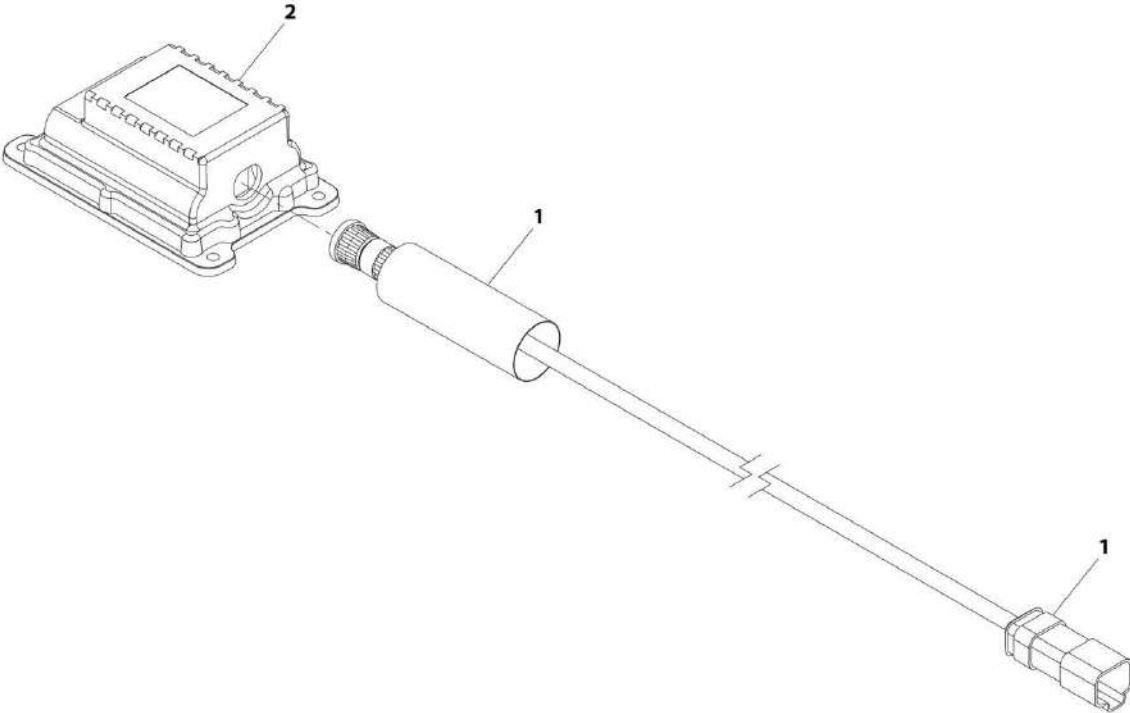
SECTION 10 - ELECTRICAL

FIGURE 10-54. CLEARSKY INSTALLATION 3-WIRE (ANSI)

ITEM	PART NUMBER	QTY	DESCRIPTION	REV
1	1001229107	Ref	Clearsky Installation 3-Wire (ANSI)	C
	1001226328	1	Module, 3W TCU	
	1001227066	Ref	Telematics Harness (See Separate Breakdown in this Section)	

SECTION 10 - ELECTRICAL

FIGURE 10-55. CLEARSKY INSTALLATION 3-WIRE (CE)



ART_1001233237-C

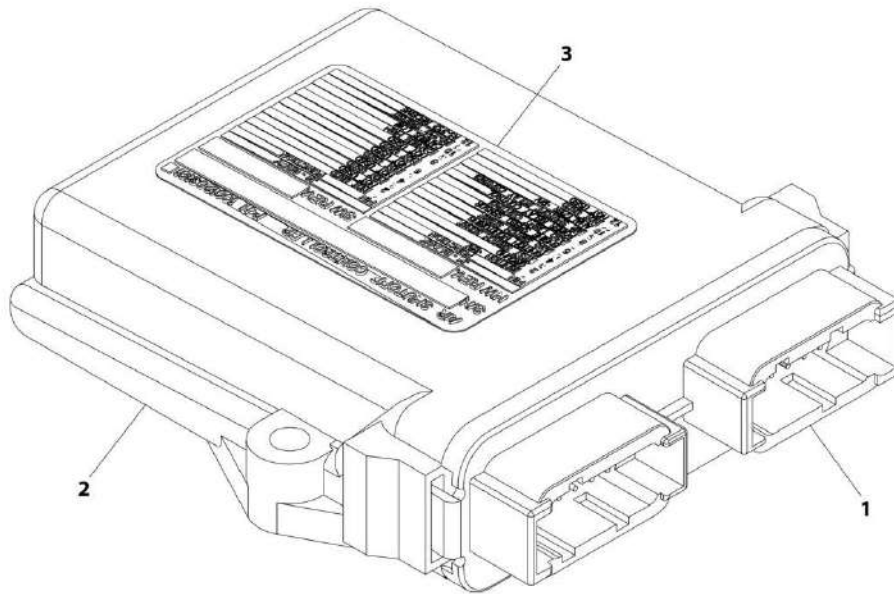
SECTION 10 - ELECTRICAL

FIGURE 10-55. CLEARSKY INSTALLATION 3-WIRE (CE)

ITEM	PART NUMBER	QTY	DESCRIPTION	REV
1	1001233237	Ref	Clearsky Installation 3-Wire (CE)	C
	1001227066	Ref	Telematics Harness (See Separate Breakdown in this Section)	
2	1001233236	1	Module, 3W TCU	

SECTION 10 - ELECTRICAL

FIGURE 10-56. CONTROL ACCESSORY



ART_1001203181-C

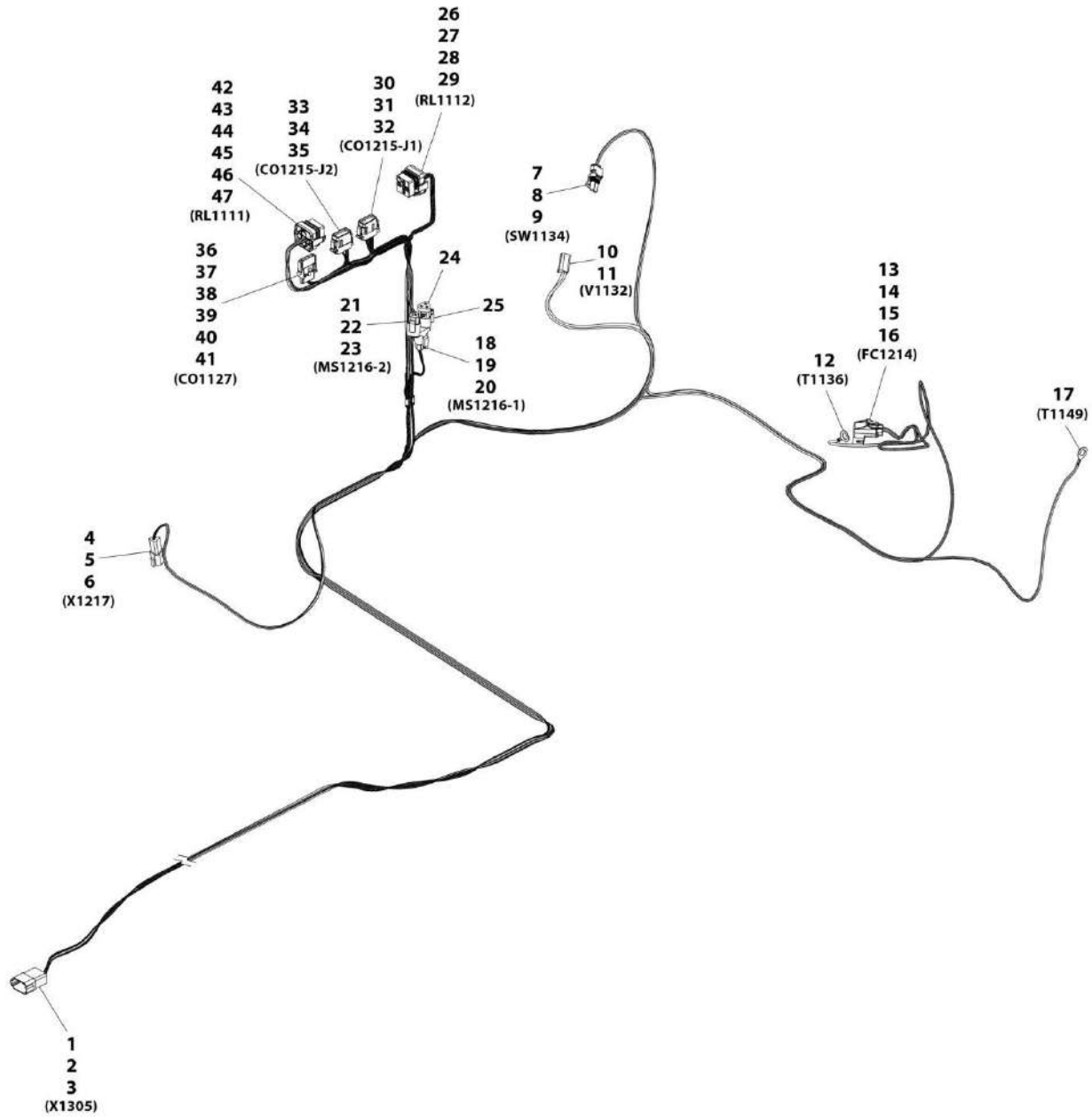
SECTION 10 - ELECTRICAL

FIGURE 10-56. CONTROL ACCESSORY

ITEM	PART NUMBER	QTY	DESCRIPTION	REV
	1001203181	Ref	Control Accessory	C
1	1001215630	1	PC Board	
2	0861493	1	Box, Circuit Card	
3	1001215631	1	Decal	
4	1001215632	1	Software (not shown)	

SECTION 10 - ELECTRICAL

FIGURE 10-57. POSI AIR SHUT OFF VALVE T4F HARNESS



ART_1001216455-D

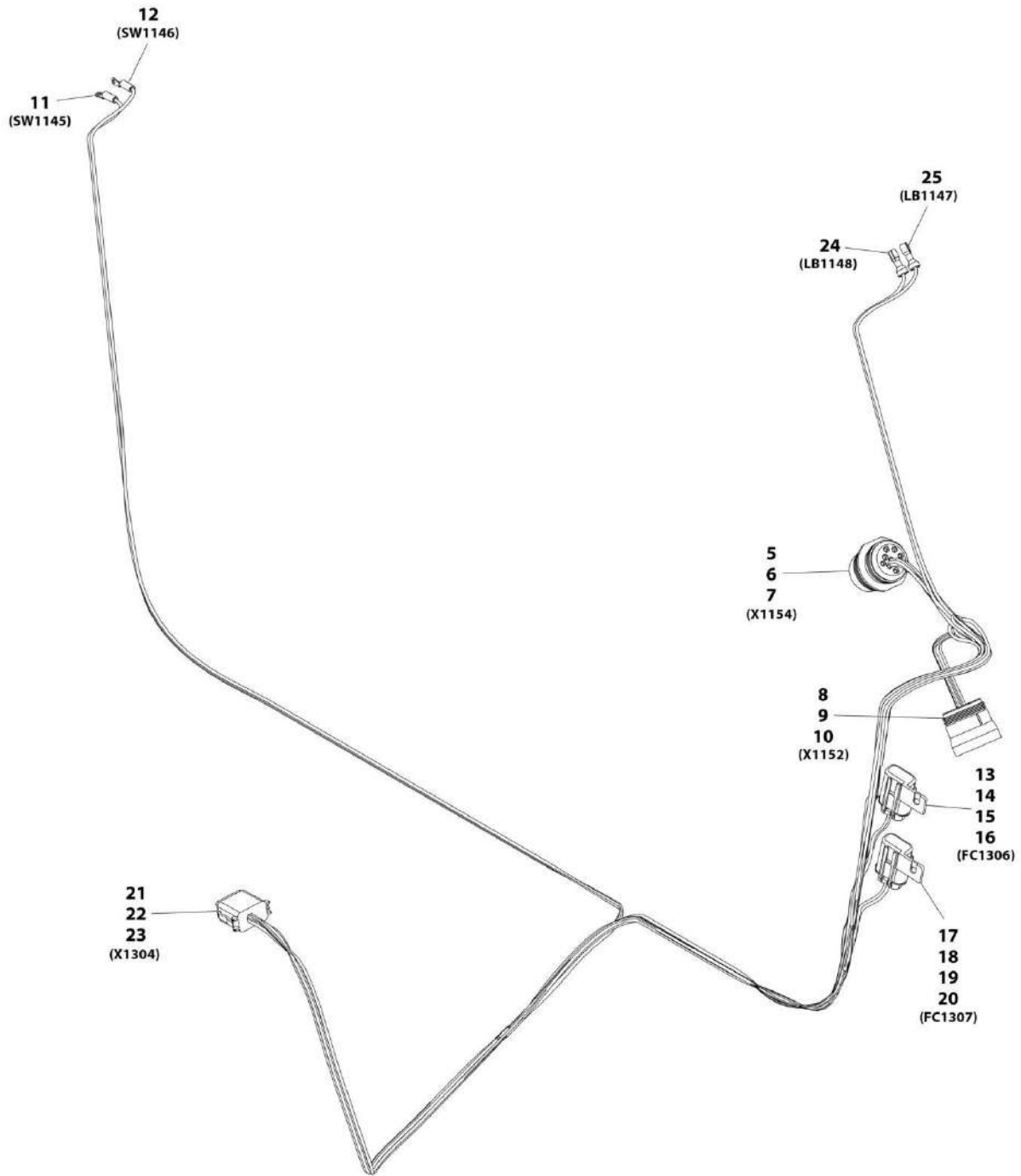
SECTION 10 - ELECTRICAL

FIGURE 10-57. POSI AIR SHUT OFF VALVE T4F HARNESS

ITEM	PART NUMBER	QTY	DESCRIPTION	REV
	1001216455	Ref	POSI Air Shut Off Valve T4F, Harness	D
1	4460931	1	Connector	
2	4460464	6	Terminal	
3	4460466	2	Plug	
4	1001144147	1	Connector	
5	4460464	2	Terminal	
6	4460466	1	Plug	
7	4460742	1	Connector	
8	4460457	2	Terminal	
9	4460458	2	Seal	
10	4460891	1	Connector	
11	1001157890	2	Terminal	
12	1001187078	1	Terminal, Ring	
13	1001231397	1	Connector	
14	8229235	1	Fuse 20A	
15	1001231401	2	Terminal	
16	1001230402	2	Seal	
17	1001187078	1	Connector	
18	1001116812	1	Connector	
19	4460465	2	Terminal	
20	4460466	1	Plug	
21	4460539	1	Connector	
22	4460465	2	Terminal	
23	4460466	1	Plug	
24	1001116815	1	Connector, 3 Pin	
25	4460945	1	Terminal, 3 Way "T" Receptacle	
26	1001231398	1	Connector	
27	1001231400	4	Terminal	
28	1001231406	1	Plug	
29	1001231404	4	Seal	
30	1001116808	1	Connector	
31	1001126008	9	Terminal	
32	4460518	3	Plug	
33	1001116774	1	Connector	
34	4460518	8	Plug	
35	1001126008	4	Terminal	
36	4460761	1	Connector	
37	4460321	1	Connector - 4 Position	
38	4460809	4	Plug	
39	1001118378	4	Terminal	
40	1001143551	1	Seal	
41	1001218358	1	Lanyard, Rope	
42	1001231398	1	Connector	
43	1001231401	2	Terminal	
44	1001231400	2	Terminal	
45	1001231406	1	Plug	
46	1001231402	2	Seal	
47	1001231404	2	Seal	

SECTION 10 - ELECTRICAL

FIGURE 10-58. POSI AIR SHUT OFF VALVE CAB HARNESS



ART_1001231560-C

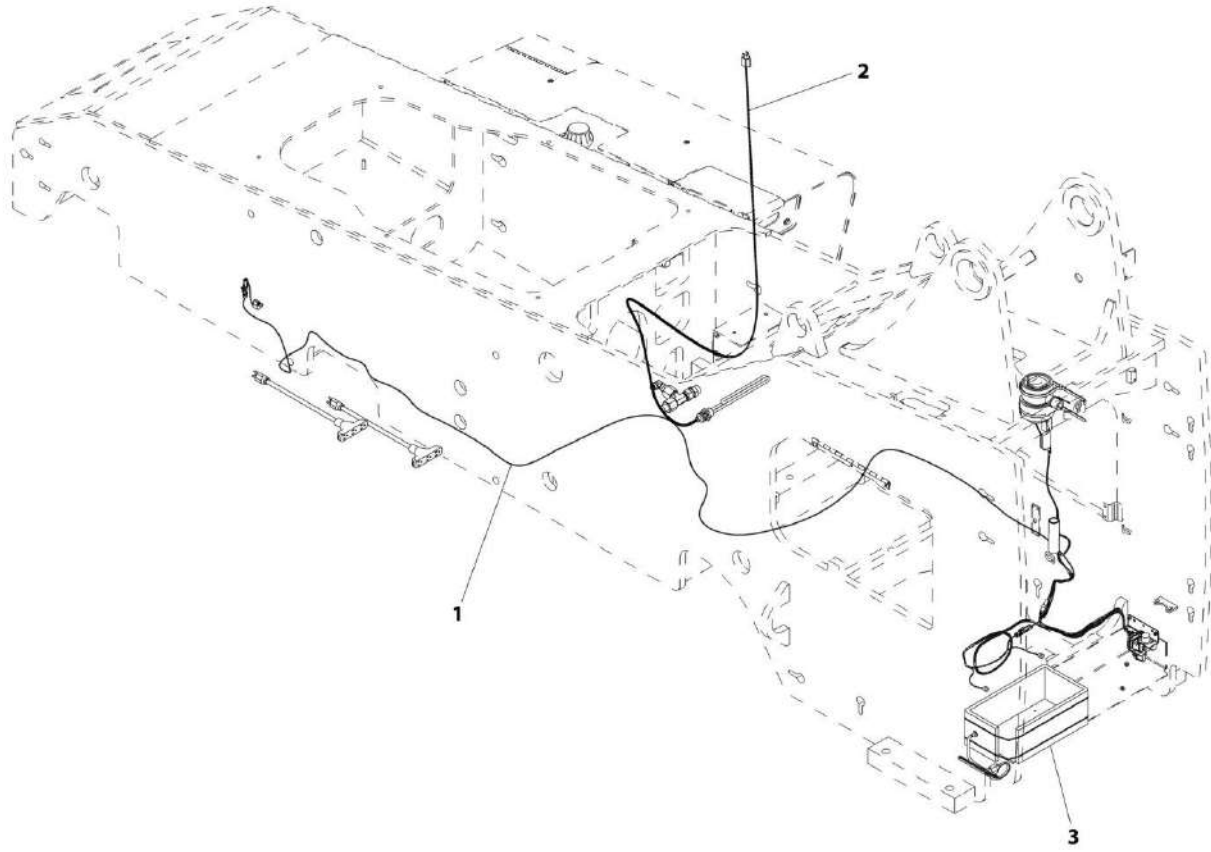
SECTION 10 - ELECTRICAL

FIGURE 10-58. POSI AIR SHUT OFF VALVE CAB HARNESS

ITEM	PART NUMBER	QTY	DESCRIPTION	REV
	1001231560	Ref	POSI Air Shut Off Valve Cab, Harness	C
5	1001112612	1	Connector	
6	4460464	6	Terminal	
7	4460466	3	Plug	
8	1001116945	1	Connector	
9	4460465	6	Terminal	
10	4460466	3	Plug	
11	8220035	1	Terminal, Ring	
12	8220035	1	Terminal, Ring	
13	1001231397	1	Connector	
14	8229261	1	Fuse 5A	
15	1001231400	2	Terminal	
16	1001231404	2	Plug	
17	1001231397	1	Connector	
18	8229234	1	Fuse 10A	
19	1001231400	2	Terminal	
20	1001231404	2	Plug	
21	4460930	1	Connector	
22	4460465	6	Terminal	
23	4460466	2	Plug	
24	8220108	1	Connector	
25	8220108	1	Connector	

SECTION 10 - ELECTRICAL

FIGURE 10-59. ARCTIC WEATHER PACKAGE INSTALLATION - 74 HP (ULS)



ART_1001234531-A

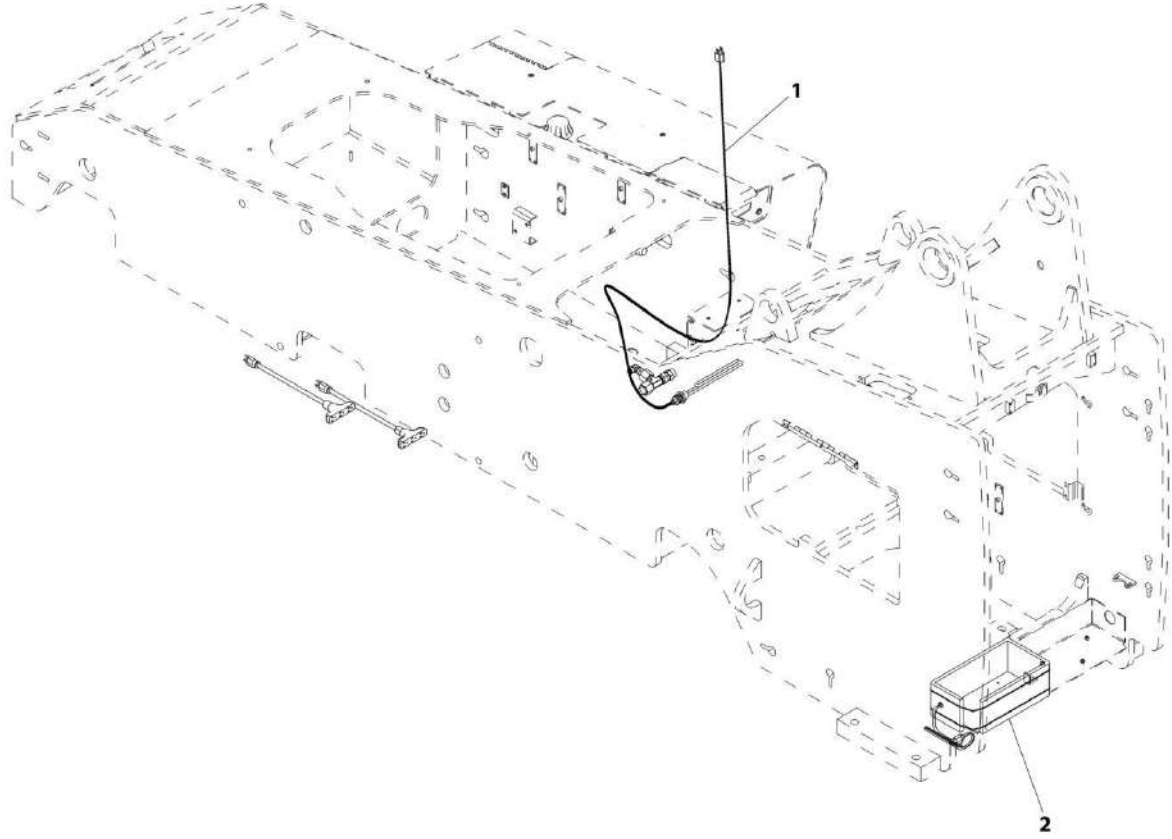
SECTION 10 - ELECTRICAL

FIGURE 10-59. ARCTIC WEATHER PACKAGE INSTALLATION - 74 HP (ULS)

ITEM	PART NUMBER	QTY	DESCRIPTION	REV
1	1001234531	Ref	Arctic Weather Package Installation - 74 HP (ULS)	A
	1001232750	Ref	Heater, Breather - 74 HP (See Separate Breakdown in Engine And Attaching Parts Section)	
2	1001234098	Ref	Installation, Tank Heater (See Separate Breakdown in this Section)	
3	1001234216	Ref	Installation, Battery Blanket (See Separate Breakdown in this Section)	

SECTION 10 - ELECTRICAL

FIGURE 10-60. ARCTIC WEATHER PACKAGE INSTALLATION (LS)



ART_1001239959-A

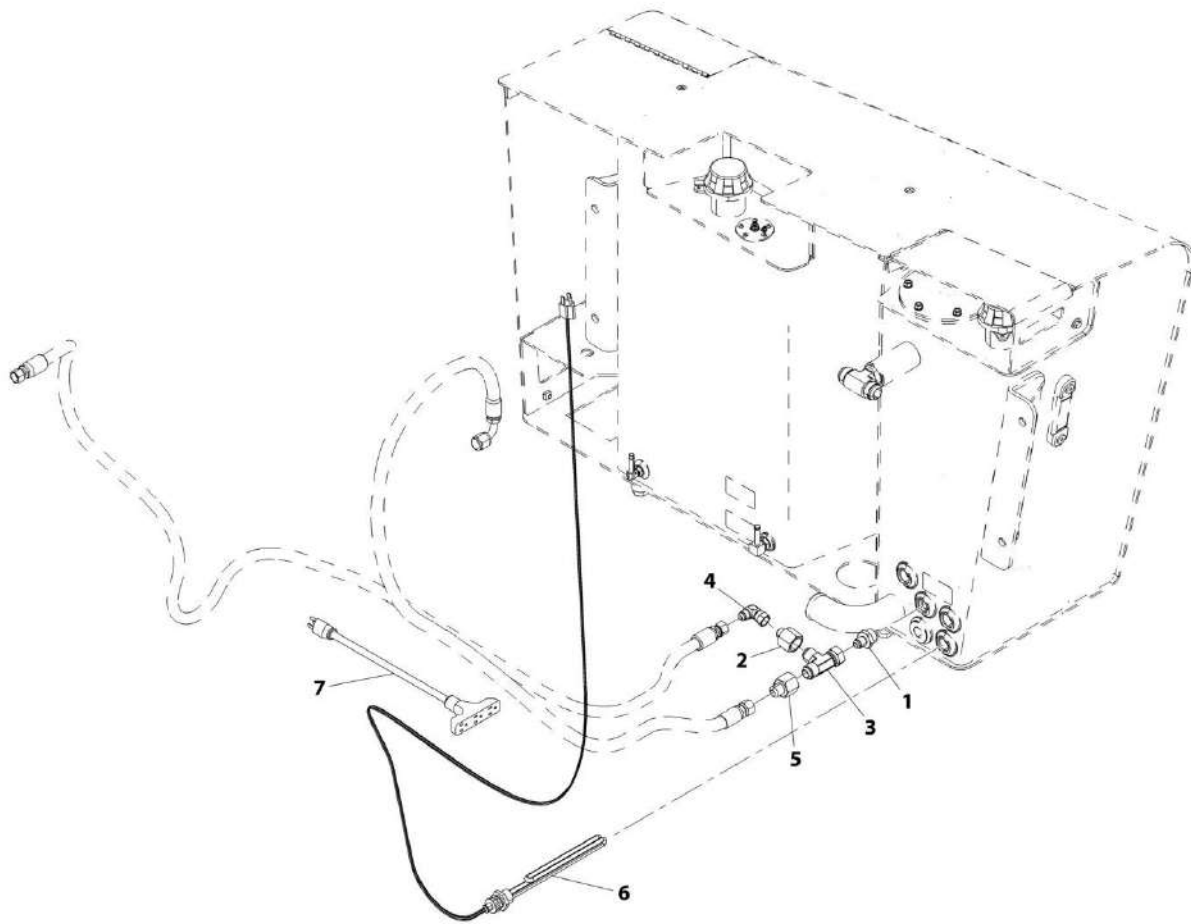
SECTION 10 - ELECTRICAL

FIGURE 10-60. ARCTIC WEATHER PACKAGE INSTALLATION (LS)

ITEM	PART NUMBER	QTY	DESCRIPTION	REV
1	1001239959	Ref	Arctic Weather Package Installation (LS)	A
	1001234098	Ref	Installation, Tank Heater (See Separate Breakdown in this Section)	
2	1001234216	Ref	Installation, Battery Blanket	

SECTION 10 - ELECTRICAL

FIGURE 10-61. HYDRAULIC TANK HEATER INSTALLATION



ART_1001234098-A

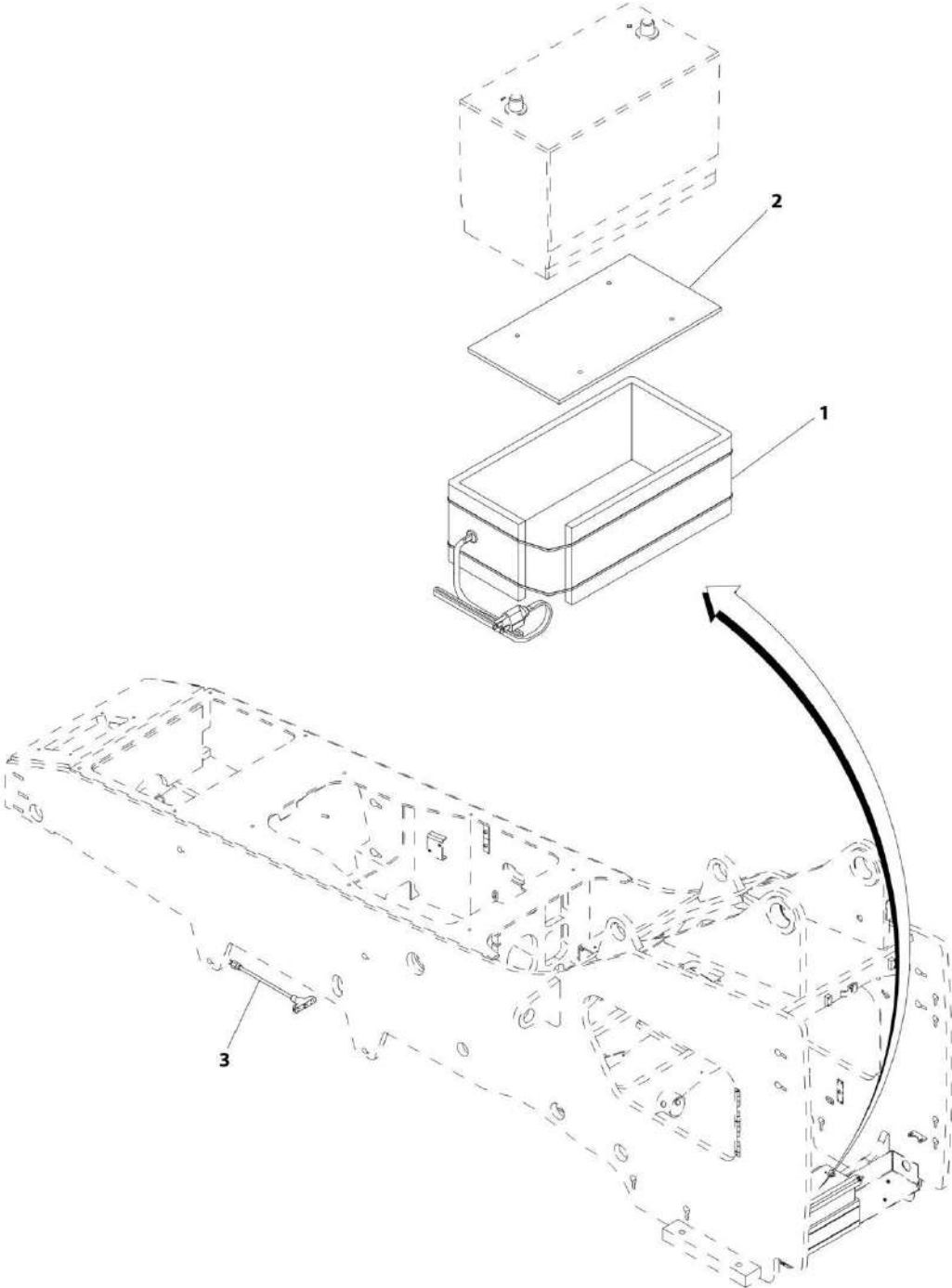
SECTION 10 - ELECTRICAL

FIGURE 10-61. HYDRAULIC TANK HEATER INSTALLATION

ITEM	PART NUMBER	QTY	DESCRIPTION	REV
	1001234098	Ref	Hydraulic Tank Heater Installation	A
1	2220451	1	Connector	
2	2220622	1	Reducer	
3	2220700	1	Tee Fitting	
4	8765204	1	Elbow	
5	1001094696	1	Adapter	
6	1001105886	1	Immersion Heater	
7	1060626	1	3 Way Plug	

SECTION 10 - ELECTRICAL

FIGURE 10-62. BATTERY BLANKET INSTALLATION



ART_1001234216-A

SECTION 10 - ELECTRICAL

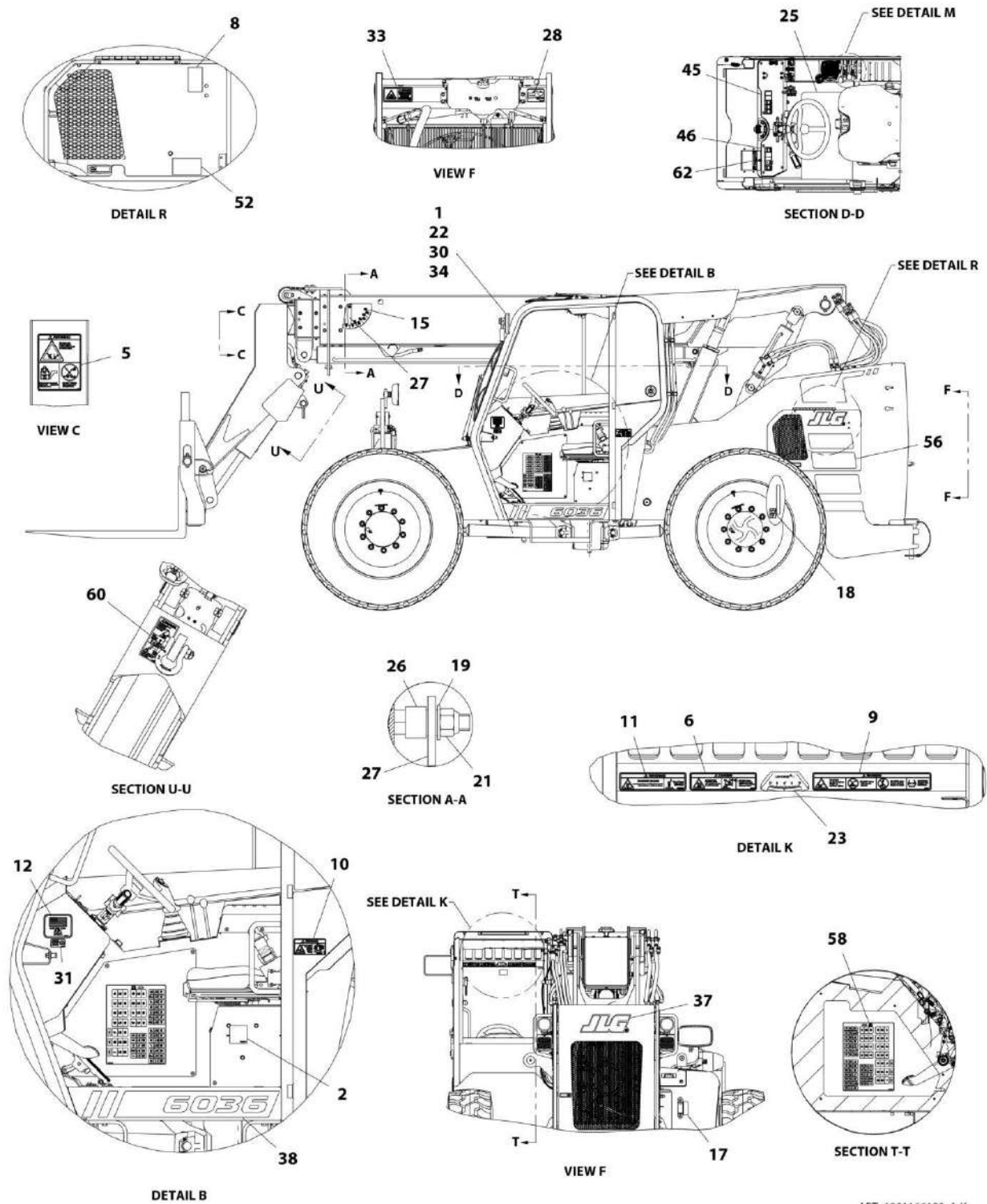
FIGURE 10-62. BATTERY BLANKET INSTALLATION

ITEM	PART NUMBER	QTY	DESCRIPTION	REV
	1001234216	Ref	Battery Blanket Installation	A
1	1001093564	1	Battery Heater	
2	1001119278	1	Battery Insulate	
3	1060626	1	3 Way Plug	

SECTION 11 - DECALS

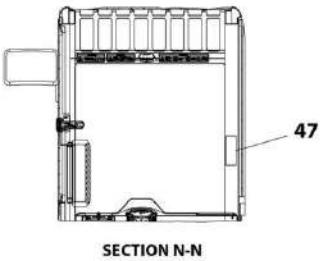
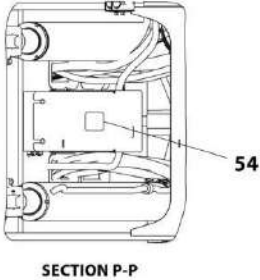
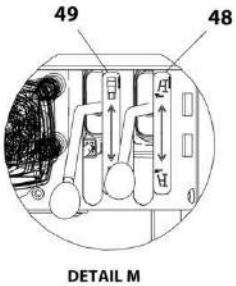
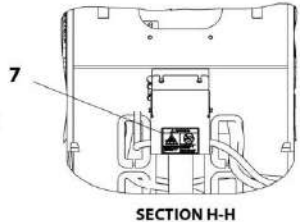
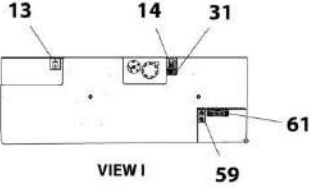
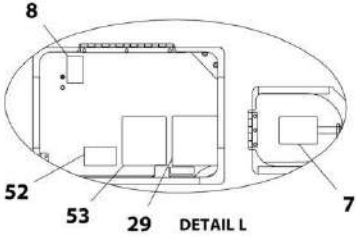
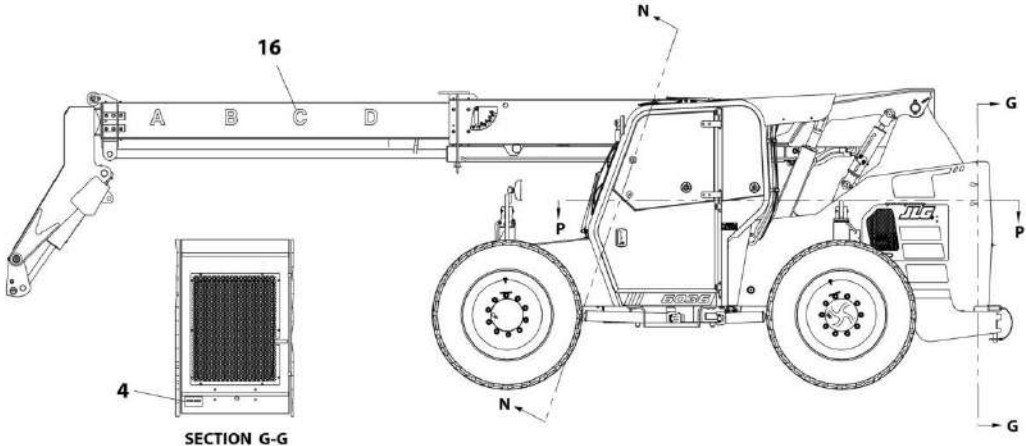
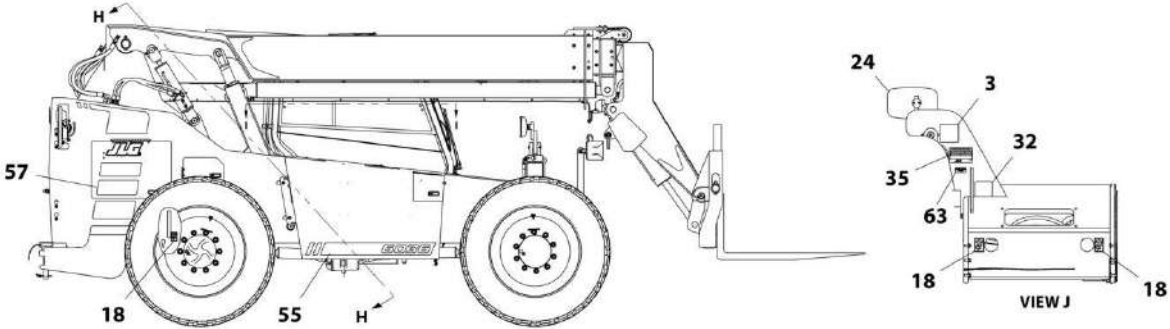
SECTION 11 - DECALS

FIGURE 11-1. DECAL INSTALLATION, 85HP - 6036 (ANSI) (Prior to SN 0160086463)



ART_1001166103_1-K

SECTION 11 - DECALS



ART_1001166103_2-K

SECTION 11 - DECALS

FIGURE 11-1. DECAL INSTALLATION, 85HP - 6036 (ANSI) (Prior to SN 0160086463)

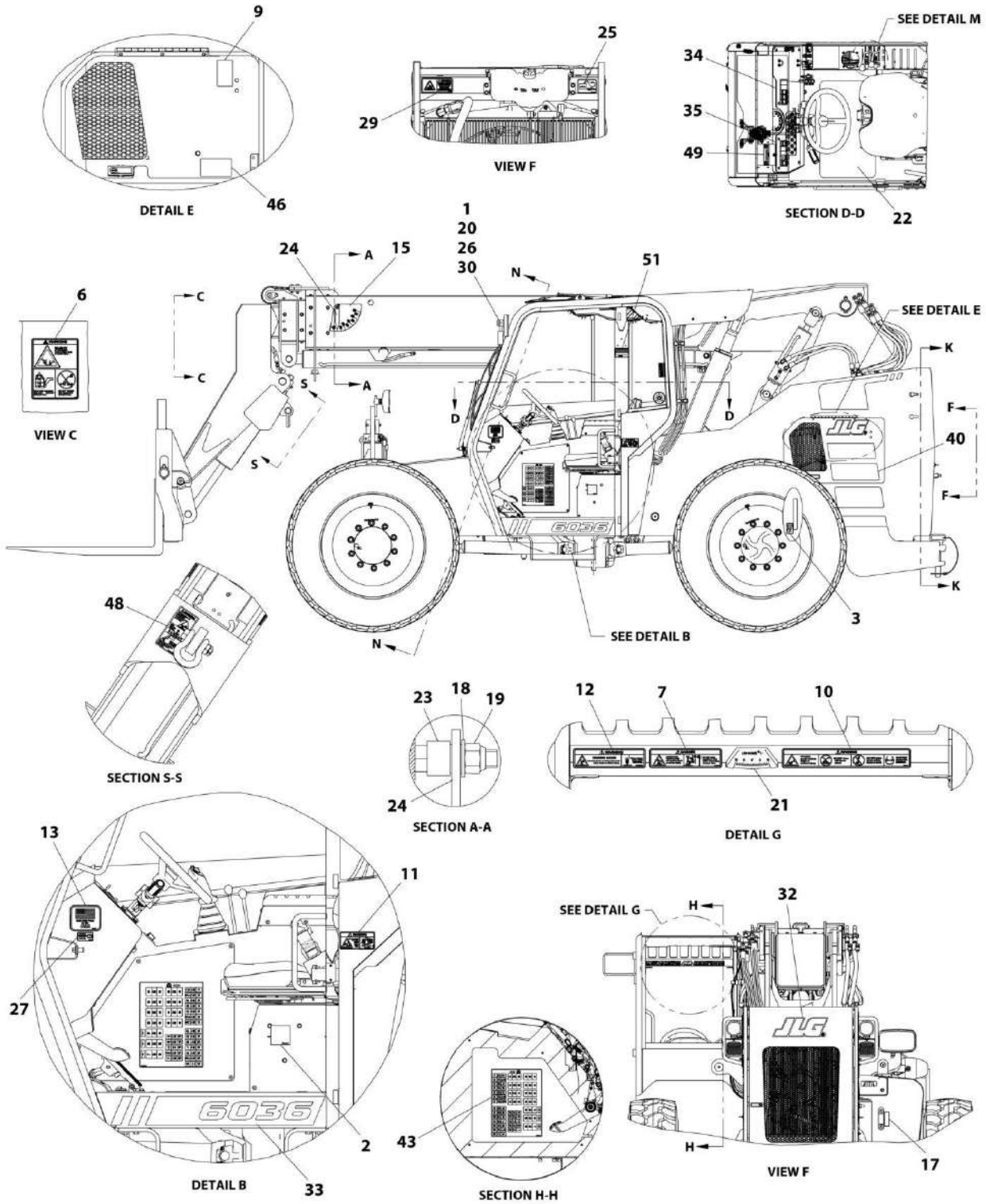
ITEM	PART NUMBER	QTY	DESCRIPTION	REV
	1001166103	Ref	Decal Installation, 85HP - 6036 (ANSI)	K
1	0700610	2	Bolt, M6X20	
2	1701640	1	Decal, Manual	
3	1702631	1	Decal, Bar Code	
4	1706296	1	Decal, Battery Hazard	
5	1706298	1	Decal, Carry Personnel	
6	1706299	1	Decal, Contacting Power Lines Warning	
7	1706300	2	Decal, Ether Starting Warning	
8	1706301	2	Decal, Keep Clear of Rotating Parts Warning	
9	1706306	1	Decal, Tip Over Warning	
10	1706768	1	Decal, No Riders	
11	1706850	1	Decal, Crush Hazard Warning	
12	3251813	1	Decal, USA	
13	4100181	1	Decal, Hydraulic Oil Fill	
14	1001189017	1	Decal, Diesel Fuel Fill	
15	4105262	1	Decal, Boom Angle Indicator	
16	4107442	1	Decal, Boom Extend Letters	
17	4108302	1	Decal, Hydraulic Oil Level	
18	1702300	4	Decal, Tie Down	
19	4711600	1	Washer, 3/8	
21	8305645	1	Nut, Lock 3/8-16	
22	8307024	2	Washer, Lock M6	
23	8466306	1	Gage, Tilt Angle	
24	1001191635	1	Mirror, RH	
25	10139087	1	Tread, Safety	
26	1001096404	1	Sleeve, Angle Indicator Spacer	
27	1001098769	1	Plate, Boom Angle Indicator	
28	1001109053	1	Decal, Coolant Fill	
29	1001191992	1	Decal, Lubrication Chart	
30	1001114675	1	Arm, Mirror	
31	1001125387	2	Decal, Ultra Low Sulfur Fuel	
32	1001131271	1	Decal, Telehandlers Patent	
33	1001139578	1	Decal, Hot Fluid Warning	
34	1001148177	1	Mirror, Rectangular	
35	N.S.S.	1	S/N Plate	
37	1001157274	1	Decal, Rear Door JLG Logo	
38	1001157616	1	Decal, Cab	
45	1001158272	1	Decal, RH Overlay	
46	1001158319	1	Decal, LH Overlay	
47	1001162734	1	Decal, Joystick Control	
48	1001162735	1	Decal, Sway Control	
49	1001162736	1	Decal, Auxiliary Control	
52	1001173423	2	Decal, MCO 85HP	
53	1001174152	1	Decal, Maintenance Chart	
54	1001142452	1	Decal, No Step	
55	1001179352	1	Decal, Tank	
56	1001179378	1	Decal, LH Rear Frame Stripe	
57	1001179379	1	Decal, RH Rear Frame Stripe	
58	1001189327	1	Decal, Main Fuse Panel	
59	1001196806	1	Decal, Diesel Exhaust Fluid	

SECTION 11 - DECALS

ITEM	PART NUMBER	QTY	DESCRIPTION	REV
60	1001207217	1	Decal, Danger Swinging Load (SN 0160075657 to Present, Including 0160075650, 0160075651 and 0160075652)	
61	1001219212	1	Decal, DEF Fluid	
62	1001218659	1	Decal, Brake Fluid	
63	1001223453	1	Decal, ICES (CAN)	

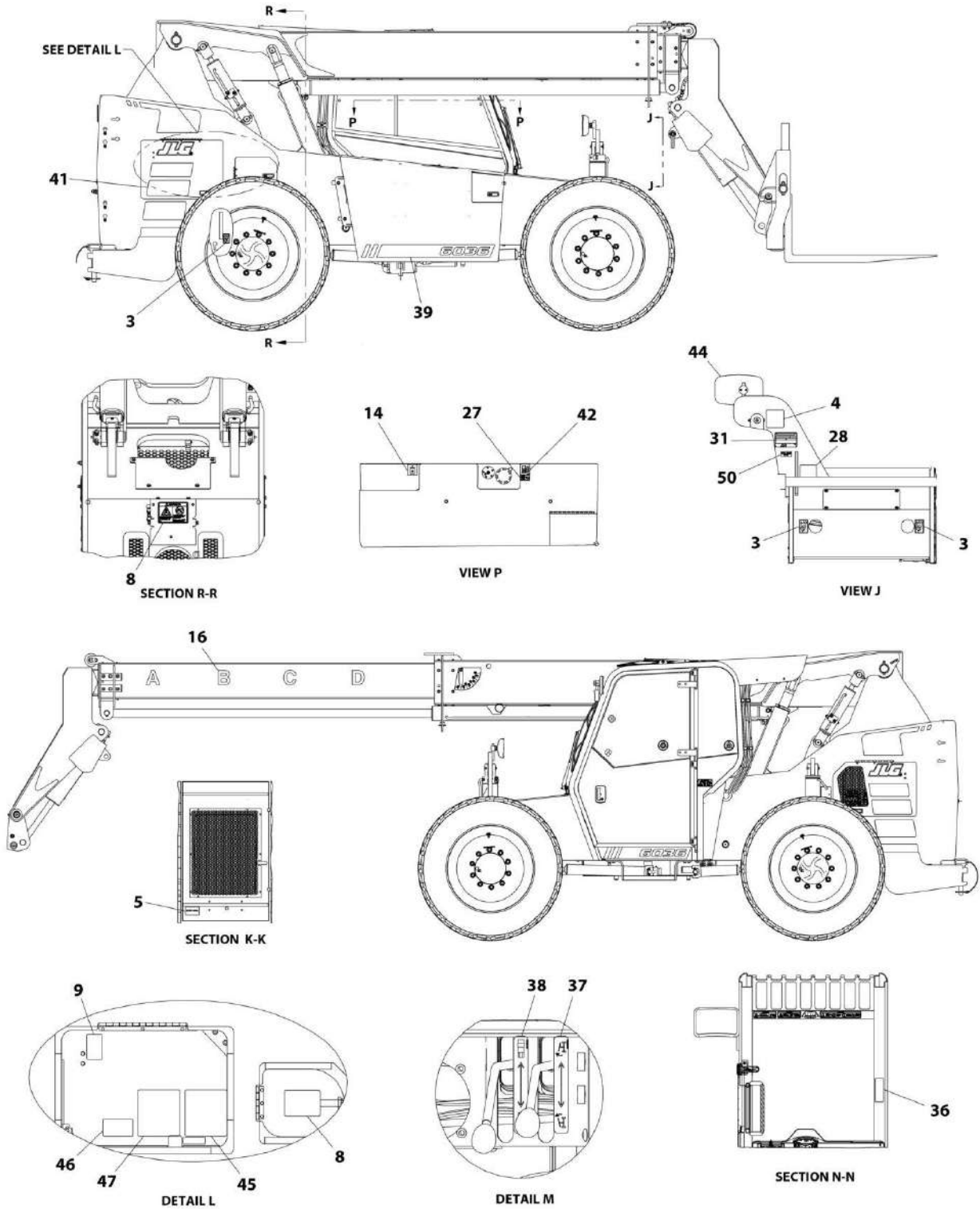
SECTION 11 - DECALS

FIGURE 11-2. DECAL INSTALLATION, 74HP - 6036 (ANSI)



ART_1001202755_1-G

SECTION 11 - DECALS



ART_1001202755_2-G

SECTION 11 - DECALS

FIGURE 11-2. DECAL INSTALLATION, 74HP - 6036 (ANSI)

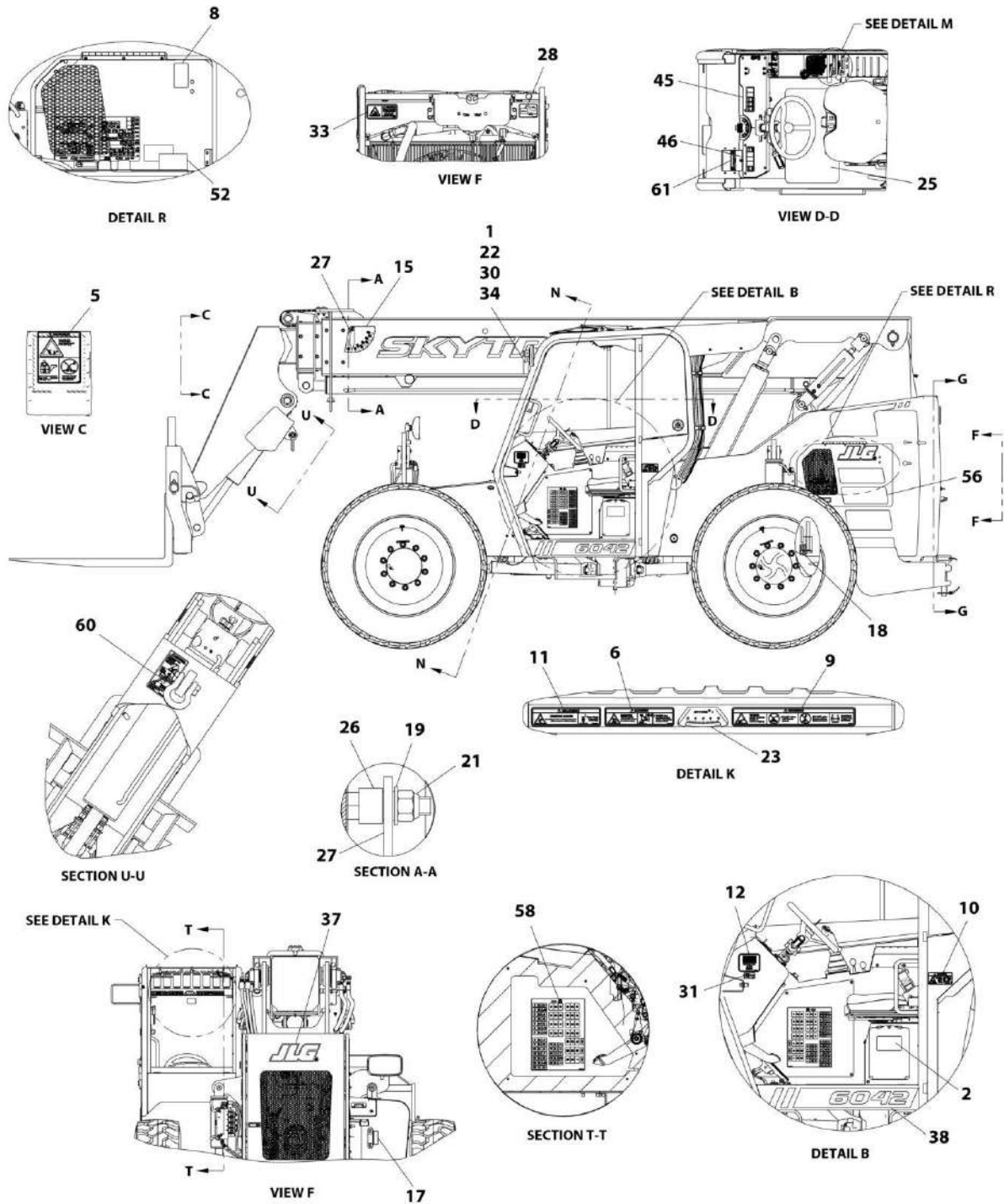
ITEM	PART NUMBER	QTY	DESCRIPTION	REV
	1001202755	Ref	Decal Installation, 74HP - 6036 (ANSI)	G
1	0700610	2	Bolt, M6X20	
2	1701640	1	Decal, Manual	
3	1702300	4	Decal, Tie Down	
4	1702631	1	Decal, Bar Code	
5	1706296	1	Decal, Battery Hazard	
6	1706298	1	Decal, Carry Personnel	
7	1706299	1	Decal, Contacting Power Lines Warning	
8	1706300	2	Decal, Ether Starting Warning	
9	1706301	2	Decal, Keep Clear of Rotating Parts Warning	
10	1706306	1	Decal, Tip Over Warning	
11	1706768	1	Decal, No Riders	
12	1706850	1	Decal, Crush Hazard Warning	
13	3251813	1	Decal, USA	
14	4100181	1	Decal, Hydraulic Oil Fill	
15	4105262	1	Decal, Boom Angle Indicator	
16	4107442	1	Decal, Boom Extend Letters	
17	4108302	1	Decal, Hydraulic Oil Level	
18	4711600	1	Washer, 3/8	
19	8305645	1	Nut, Lock 3/8-16	
20	8307024	2	Washer, Lock M6	
21	8466306	1	Gage, Tilt Angle	
22	10139087	1	Tread, Safety	
23	1001096404	1	Sleeve, Angle Indicator Spacer	
24	1001098769	1	Plate, Boom Angle Indicator	
25	1001109053	1	Decal, Coolant Fill	
26	1001114675	1	Arm, Mirror	
27	1001125387	2	Decal, Ultra Low Sulfur Fuel	
28	1001131271	1	Decal, Telehandlers Patent	
29	1001139578	1	Decal, Hot Fluid Warning	
30	1001148177	1	Mirror, Rectangular	
31	N.S.S.	1	S/N Plate	
32	1001157274	1	Decal, Rear Door JLG Logo	
33	1001157616	1	Decal, Cab	
34	1001158272	1	Decal, RH Overlay	
35	1001158319	1	Decal, LH Overlay	
36	1001162734	1	Decal, Joystick Control	
37	1001162735	1	Decal, Sway Control	
38	1001162736	1	Decal, Auxiliary Control	
39	1001179352	1	Decal, Tank	
40	1001179378	1	Decal, LH Rear Frame Stripe	
41	1001179379	1	Decal, RH Rear Frame Stripe	
42	1001189017	1	Decal, Diesel Fuel Fill	
43	1001189327	1	Decal, Main Fuse Panel	
44	1001191635	1	Mirror Assembly, RH	
45	1001191992	1	Decal, Lubrication Chart	
46	1001202626	2	Decal, 74HP	
47	1001202627	1	Decal, Maintenance Chart	
48	1001207217	1	Decal, Danger Swinging Load (SN 0160075657 to Present, Including 0160075650, 0160075651 and 0160075652)	

SECTION 11 - DECALS

ITEM	PART NUMBER	QTY	DESCRIPTION	REV
49	1001218659	1	Decal, Brake Fluid	
50	1001223453	1	Decal, ICES (CAN)	
51	1001231801	1	Decal, Warning Prop 65 Diesel	

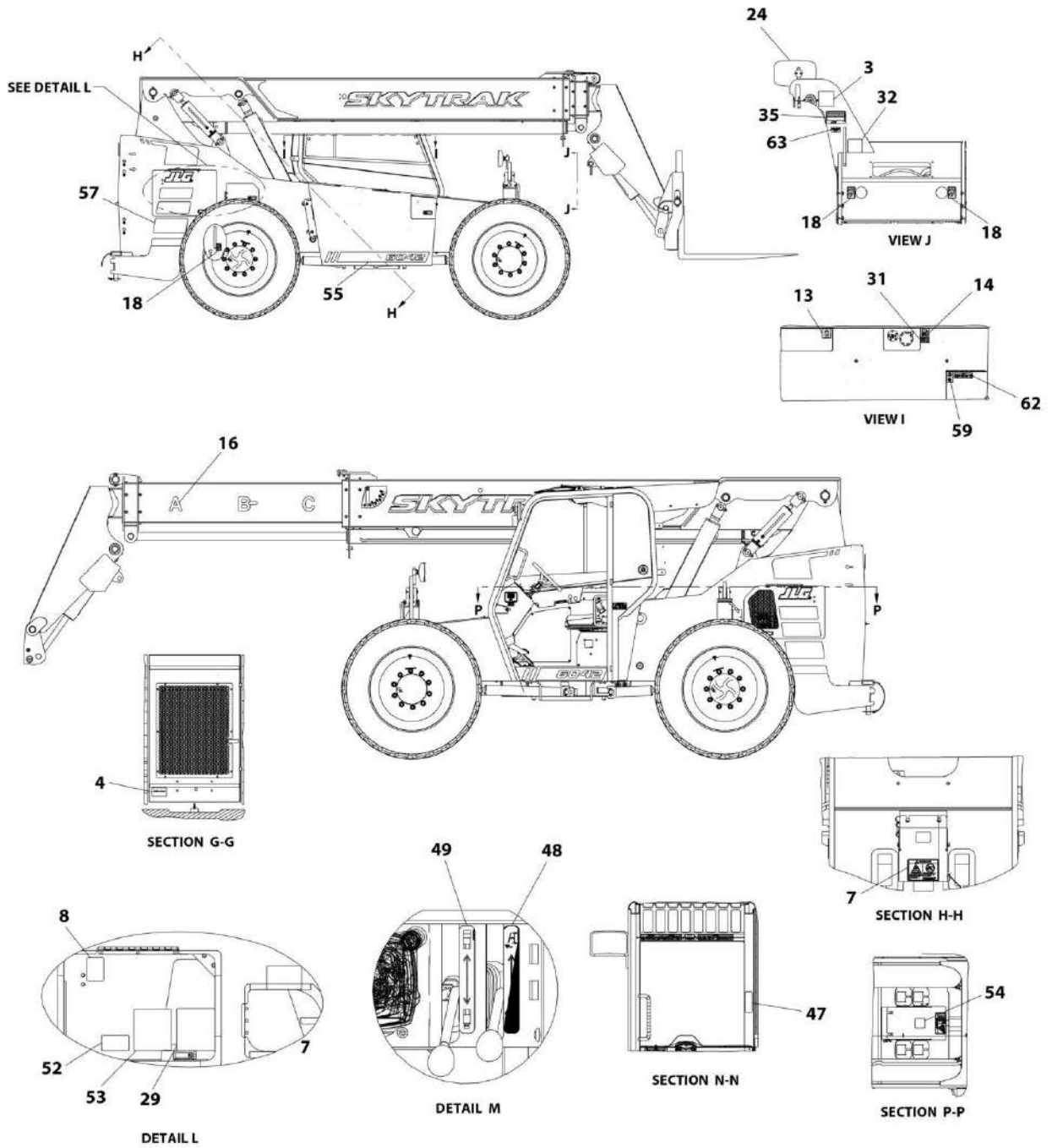
SECTION 11 - DECALS

FIGURE 11-3. DECAL INSTALLATION, 85HP - 6042 (ANSI) (Prior to SN 0160086463)



ART_1001166106_T-K

SECTION 11 - DECALS



ART_1001166106_2-K

SECTION 11 - DECALS

FIGURE 11-3. DECAL INSTALLATION, 85HP - 6042 (ANSI) (Prior to SN 0160086463)

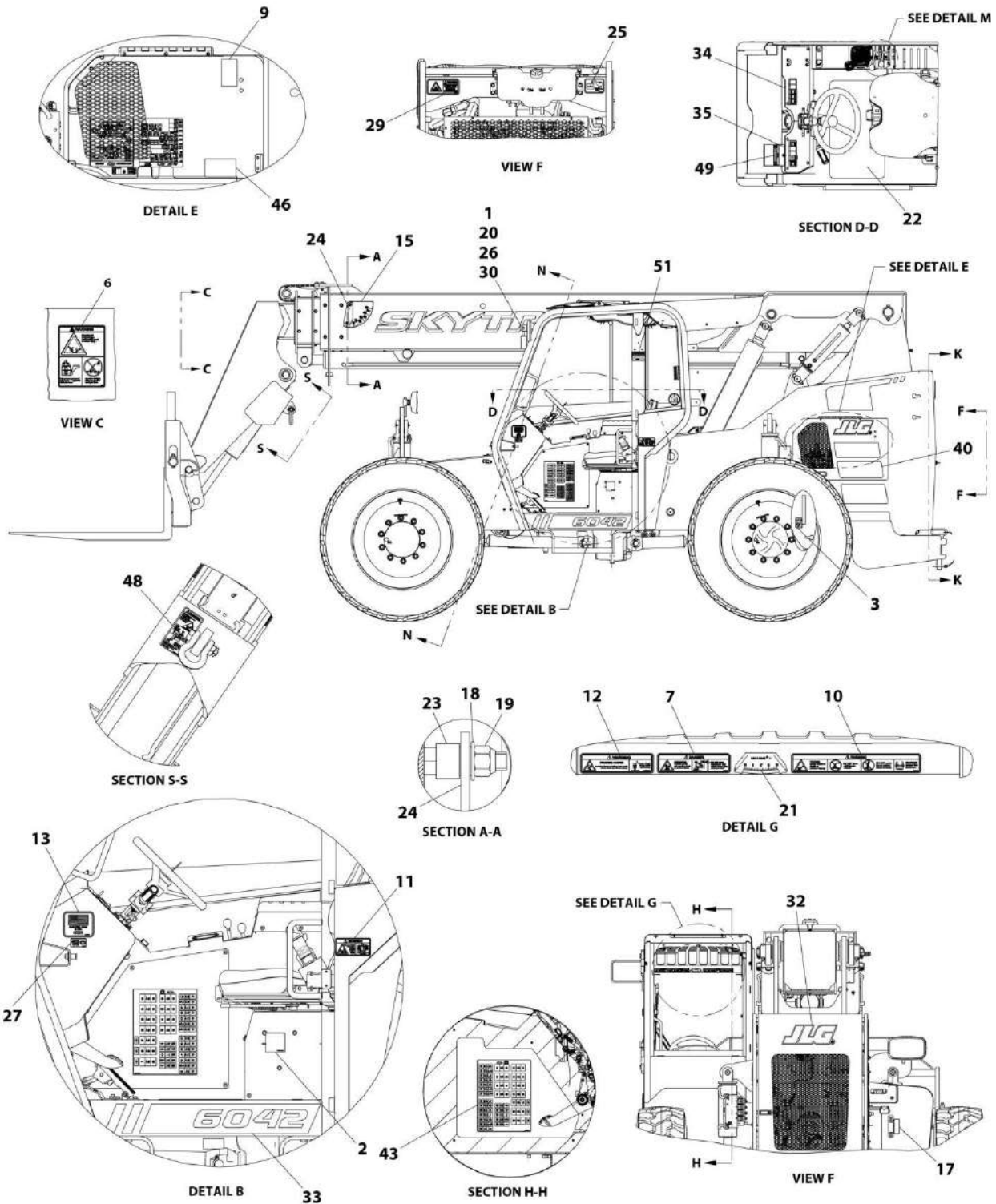
ITEM	PART NUMBER	QTY	DESCRIPTION	REV
	1001166106	Ref	Decal Installation, 85HP - 6042 (ANSI)	K
1	0700610	2	Bolt, M6X20	
2	1701640	1	Decal, Manual	
3	1702631	1	Decal, Bar Code	
4	1706296	1	Decal, Battery Hazard	
5	1706298	1	Decal, Carry Personnel	
6	1706299	1	Decal, Contacting Power Lines Warning	
7	1706300	2	Decal, Ether Starting Warning	
8	1706301	2	Decal, Keep Clear of Rotating Parts Warning	
9	1706306	1	Decal, Tip Over Warning	
10	1706768	1	Decal, No Riders	
11	1706850	1	Decal, Crush Hazard Warning	
12	3251813	1	Decal, USA	
13	4100181	1	Decal, Hydraulic Oil Fill	
14	1001189017	1	Decal, Diesel Fuel Fill	
15	4105262	1	Decal, Boom Angle Indicator	
16	4107442	1	Decal, Boom Extend Letters	
17	4108302	1	Decal, Hydraulic Oil Level	
18	1702300	4	Decal, Tie Down	
19	4711600	1	Washer, 3/8	
21	8305645	1	Nut, Lock 3/8-16	
22	8307024	2	Washer, Lock M6	
23	8466306	1	Gage, Tilt Angle	
24	1001191635	1	Mirror, RH	
25	10139087	1	Tread, Safety	
26	1001096404	1	Sleeve, Angle Indicator Spacer	
27	1001098769	1	Plate, Boom Angle Indicator	
28	1001109053	1	Decal, Coolant Fill	
29	1001191993	1	Decal, Lubrication Chart	
30	1001114675	1	Arm, Mirror	
31	1001125387	2	Decal, Ultra Low Sulfur Fuel	
32	1001131271	1	Decal, Telehandlers Patent	
33	1001139578	1	Decal, Hot Fluid Warning	
34	1001148177	1	Mirror, Rectangular	
35	N.S.S.	1	S/N Plate	
37	1001157274	1	Decal, Rear Door JLG Logo	
38	1001157615	1	Decal, Cab	
45	1001158272	1	Decal, RH Overlay	
46	1001158319	1	Decal, LH Overlay	
47	1001162734	1	Decal, Joystick Control	
48	1001162735	1	Decal, Sway Control	
49	1001162736	1	Decal, Auxiliary Control	
52	1001173423	2	Decal, MCO 85HP	
53	1001174152	1	Decal, Maintenance Chart	
54	1001142452	1	Decal, No Step	
55	1001179338	1	Decal, Tank	
56	1001179378	1	Decal, LH Rear Frame Stripe	
57	1001179379	1	Decal, RH Rear Frame Stripe	
58	1001189327	1	Decal, Main Fuse Panel	
59	1001196806	1	Decal, Diesel Exhaust Fluid	

SECTION 11 - DECALS

ITEM	PART NUMBER	QTY	DESCRIPTION	REV
60	1001207217	1	Decal, Danger Swinging Load (SN 0160075657 to Present, Including 0160075650, 0160075651 and 0160075652)	
61	1001218659	1	Decal, Brake Fluid	
62	1001219212	1	Decal, DEF Fluid	
63	1001223453	1	Decal, ICES (CAN)	

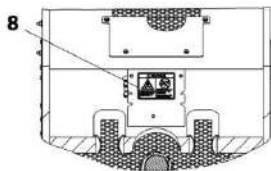
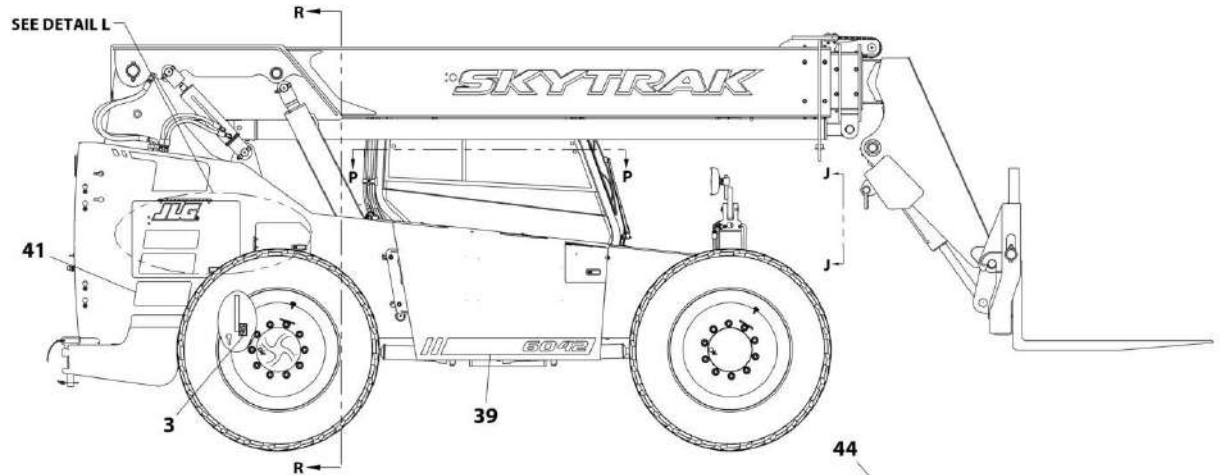
SECTION 11 - DECALS

FIGURE 11-4. DECAL INSTALLATION, 74HP - 6042 (ANSI)

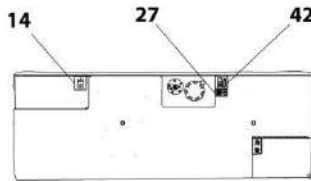


ART_1001202757_1-G

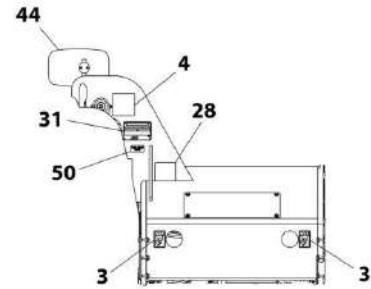
SECTION 11 - DECALS



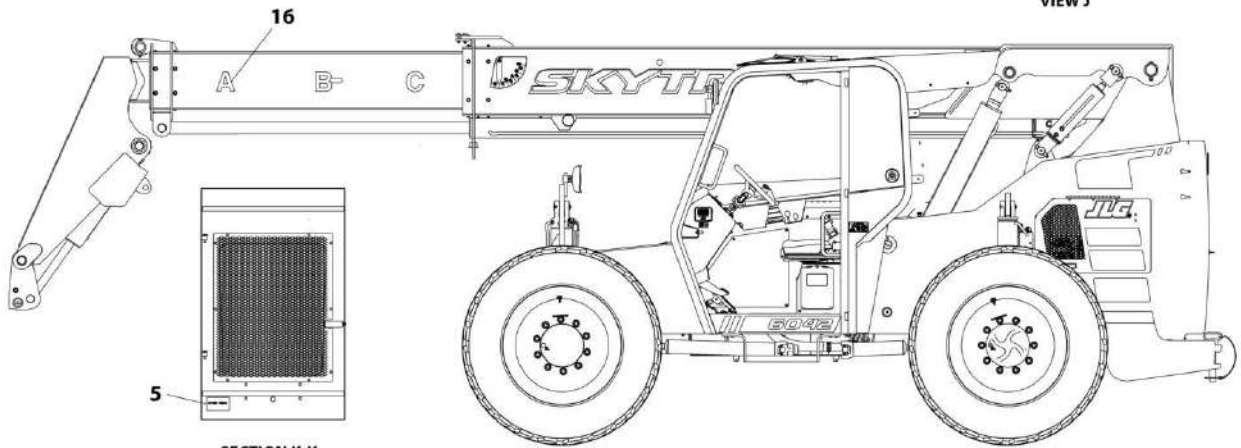
SECTION R-R



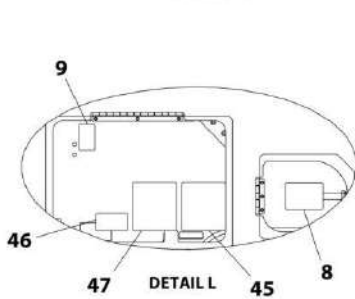
VIEW P



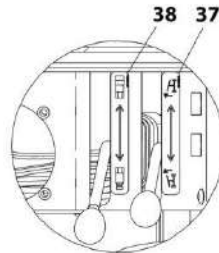
VIEW J



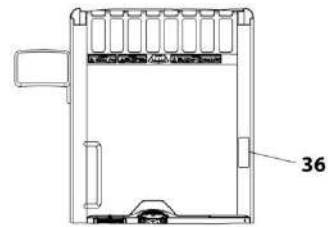
SECTION K-K



DETAIL L



DETAIL M



SECTION N-N

ART_1001202757_2-G

SECTION 11 - DECALS

FIGURE 11-4. DECAL INSTALLATION, 74HP - 6042 (ANSI)

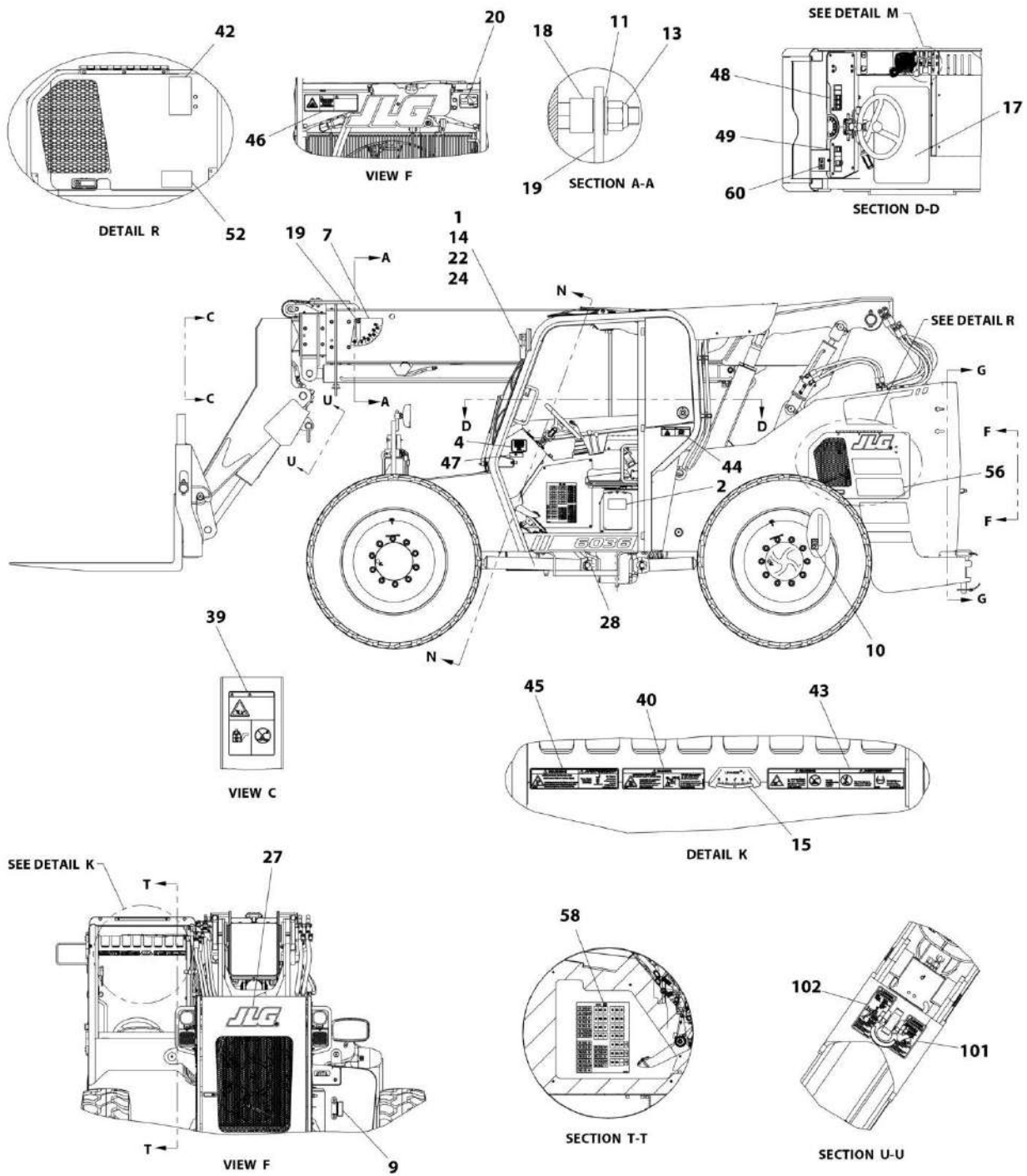
ITEM	PART NUMBER	QTY	DESCRIPTION	REV
	1001202757	Ref	Decal Installation, 74HP - 6042 (ANSI)	G
1	0700610	2	Bolt, M6X20	
2	1701640	1	Decal, Manual	
3	1702300	4	Decal, Tie Down	
4	1702631	1	Decal, Bar Code	
5	1706296	1	Decal, Battery Hazard	
6	1706298	1	Decal, Carry Personnel	
7	1706299	1	Decal, Contacting Power Lines Warning	
8	1706300	2	Decal, Ether Starting Warning	
9	1706301	2	Decal, Keep Clear of Rotating Parts Warning	
10	1706306	1	Decal, Tip Over Warning	
11	1706768	1	Decal, No Riders	
12	1706850	1	Decal, Crush Hazard Warning	
13	3251813	1	Decal, USA	
14	4100181	1	Decal, Hydraulic Oil Fill	
15	4105262	1	Decal, Boom Angle Indicator	
16	4107442	1	Decal, Boom Extend Letters	
17	4108302	1	Decal, Hydraulic Oil Level	
18	4711600	1	Washer, 3/8	
19	8305645	1	Nut, Lock 3/8-16	
20	8307024	2	Washer, Lock M6	
21	8466306	1	Gage, Tilt Angle	
22	10139087	1	Tread, Safety	
23	1001096404	1	Sleeve, Angle Indicator Spacer	
24	1001098769	1	Plate, Boom Angle Indicator	
25	1001109053	1	Decal, Coolant Fill	
26	1001114675	1	Arm, Mirror	
27	1001125387	2	Decal, Ultra Low Sulfur Fuel	
28	1001131271	1	Decal, Telehandlers Patent	
29	1001139578	1	Decal, Hot Fluid Warning	
30	1001148177	1	Mirror, Rectangular	
31	N.S.S.	1	S/N Plate	
32	1001157274	1	Decal, Rear Door JLG Logo	
33	1001157615	1	Decal, Cab	
34	1001158272	1	Decal, RH Overlay	
35	1001158319	1	Decal, LH Overlay	
36	1001162734	1	Decal, Joystick Control	
37	1001162735	1	Decal, Sway Control	
38	1001162736	1	Decal, Auxiliary Control	
39	1001179338	1	Decal, Tank	
40	1001179378	1	Decal, LH Rear Frame Stripe	
41	1001179379	1	Decal, RH Rear Frame Stripe	
42	1001189017	1	Decal, Diesel Fuel Fill	
43	1001189327	1	Decal, Main Fuse Panel	
44	1001191635	1	Mirror Assembly, RH	
45	1001191993	1	Decal, Lubrication Chart	
46	1001202626	2	Decal, 74HP	
47	1001202627	1	Decal, Maintenance Chart	
48	1001207217	1	Decal, Danger Swinging Load (SN 0160075657 to Present, Including 0160075650, 0160075651 and 0160075652)	

SECTION 11 - DECALS

ITEM	PART NUMBER	QTY	DESCRIPTION	REV
49	1001218659	1	Decal, Brake Fluid	
50	1001223453	1	Decal, ICES (CAN)	
51	1001231801	1	Decal, Warning Prop 65 Diesel	

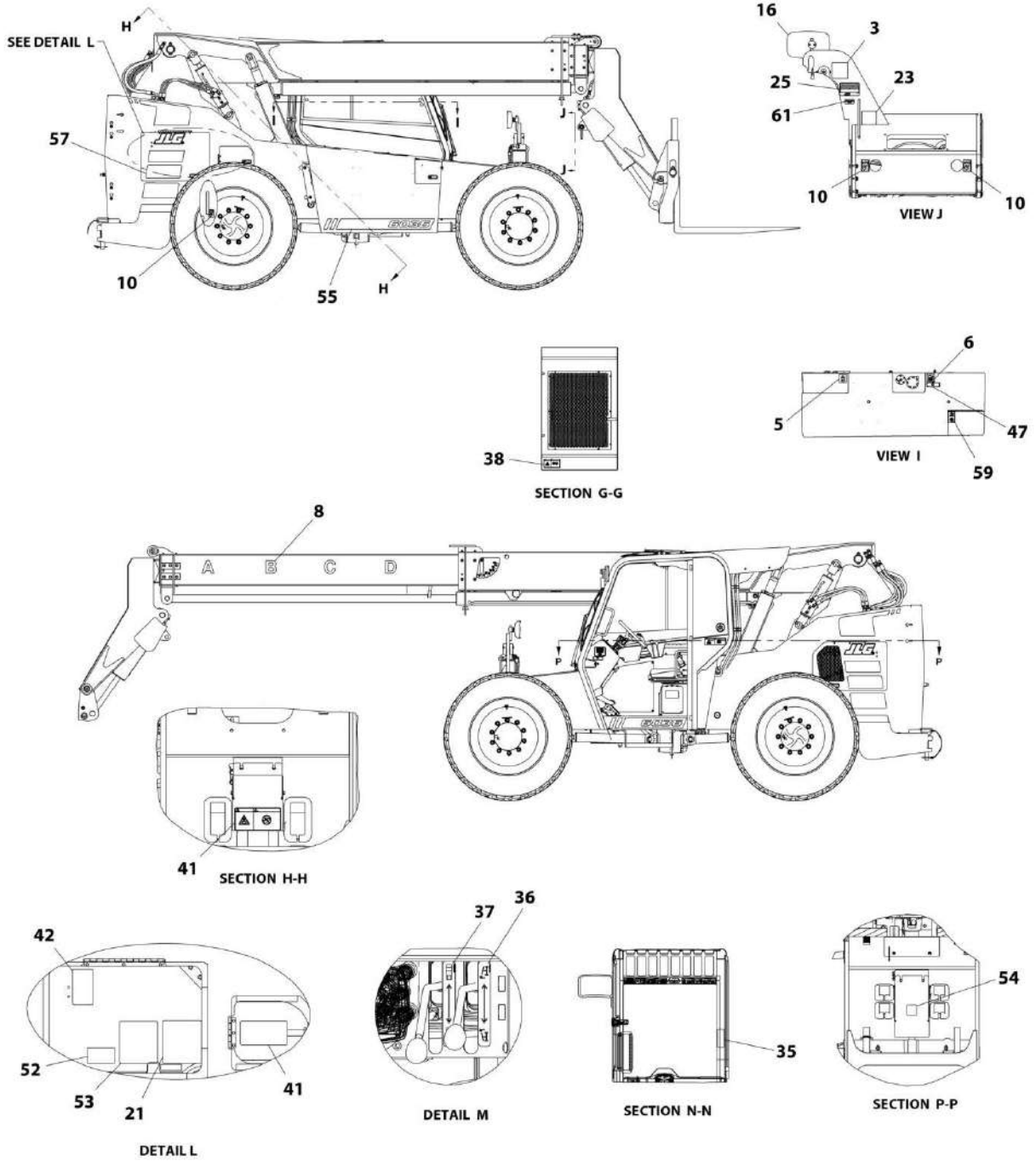
SECTION 11 - DECALS

FIGURE 11-5. DECAL INSTALLATION, 85HP - 6036 (ENGLISH/FRENCH) (Prior to SN 0160086463)



ART_1001166104_1-K

SECTION 11 - DECALS



ART_1001166104_2-K

SECTION 11 - DECALS

FIGURE 11-5. DECAL INSTALLATION, 85HP - 6036 (ENGLISH/FRENCH) (Prior to SN 0160086463)

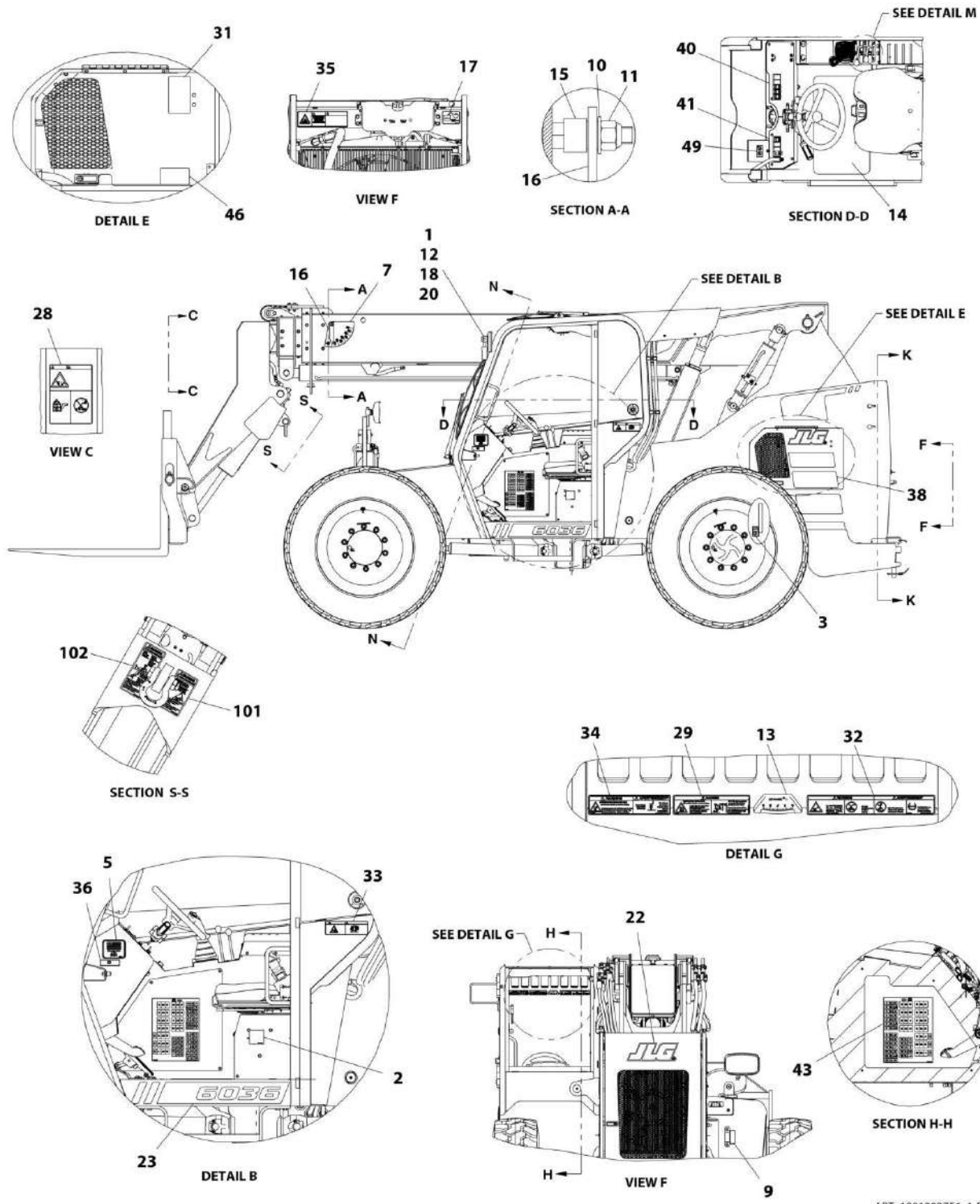
ITEM	PART NUMBER	QTY	DESCRIPTION	REV
	1001166104	Ref	Decal Installation, 85HP - 6036 (ENGLISH/FRENCH)	K
1	0700610	2	Bolt, M6X20	
2	1701640	1	Decal, Manual	
3	1702631	1	Decal, Bar Code	
4	3251813	1	Decal, USA	
5	4100181	1	Decal, Hydraulic Oil Fill	
6	1001189017	1	Decal, Diesel Fuel Fill	
7	4105262	1	Decal, Boom Angle Indicator	
8	4107442	1	Decal, Boom Extend Letters	
9	4108302	1	Decal, Hydraulic Oil Level	
10	1702300	4	Decal, Tie Down	
11	4711600	1	Washer, 3/8	
13	8305645	1	Nut, Lock 3/8-16	
14	8307024	2	Washer, Lock M6	
15	8466306	1	Gage, Tilt Angle	
16	1001191635	1	Mirror, RH	
17	10139087	1	Tread, Safety	
18	1001096404	1	Sleeve, Angle Indicator Spacer	
19	1001098769	1	Plate, Boom Angle Indicator	
20	1001109053	1	Decal, Coolant Fill	
21	1001191992	1	Decal, Lubrication Chart	
22	1001114675	1	Arm, Mirror	
23	1001131271	1	Decal, Telehandlers Patent	
24	1001148177	1	Mirror, Rectangular	
25	N.S.S.	1	S/N Plate	
27	1001157274	1	Decal, Rear Door JLG Logo	
28	1001157616	1	Decal, Cab	
35	1001162734	1	Decal, Joystick Control	
36	1001162735	1	Decal, Sway Control	
37	1001162736	1	Decal, Auxiliary Control	
38	1001163174	1	Decal, Battery Warning	
39	1001163206	1	Decal, Carry Personnel	
40	1001163210	1	Decal, Electrocutation Hazard	
41	1001163212	2	Decal, No Ether Warning	
42	1001163222	2	Decal, Moving Parts	
43	1001163285	1	Decal, Tip Over Warning	
44	1001163300	1	Decal, No Riders	
45	1001163304	1	Decal, Crush Hazard Warning	
46	1001163323	1	Decal, Hot Fluid Warning	
47	1001163355	2	Decal, Ultra Low Sulfur Diesel	
48	1001180175	1	Decal, RH Overlay	
49	1001180176	1	Decal, LH Overlay	
52	1001173423	2	Decal, MCO 85HP	
53	1001174152	1	Decal, Maintenance Chart	
54	1001142452	1	Decal, No Step	
55	1001179352	1	Decal, Tank	
56	1001179378	1	Decal, LH Rear Frame Stripe	
57	1001179379	1	Decal, RH Rear Frame Stripe	
58	1001189327	1	Decal, Main Fuse Panel	
59	1001196806	1	Decal, Diesel Exhaust Fluid	

SECTION 11 - DECALS

ITEM	PART NUMBER	QTY	DESCRIPTION	REV
60	1001219211	1	Decal, DEF Fluid	
61	1001223453	1	Decal, ICES (CAN)	
101	1001210581	1	Decal, Danger Swing Load Boom Head (SN 0160075657 to Present, Including 0160075650, 0160075651 and 0160075652)	
102	1001210582	1	Decal, Capacity Rating Boom Head (SN 0160075657 to Present, Including 0160075650, 0160075651 and 0160075652)	

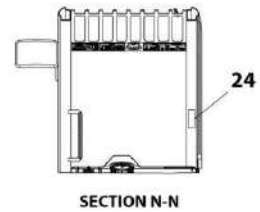
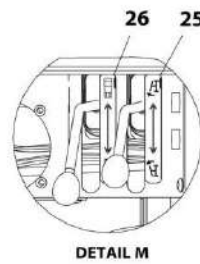
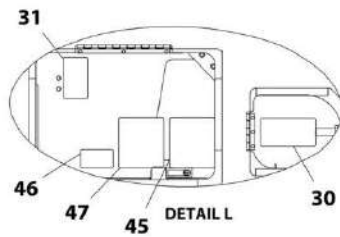
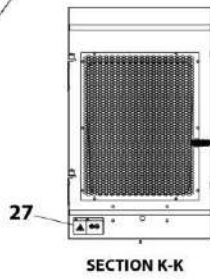
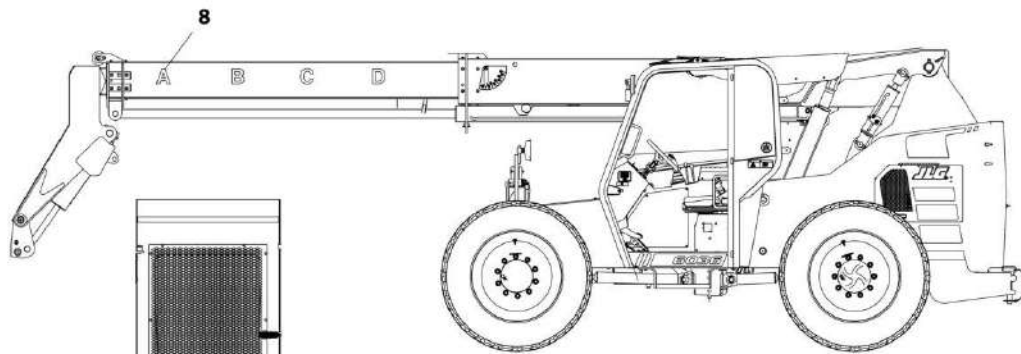
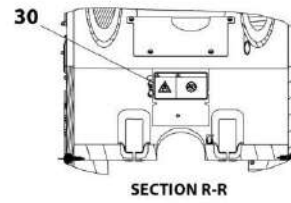
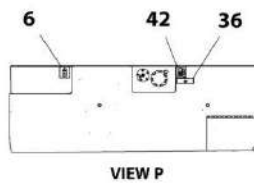
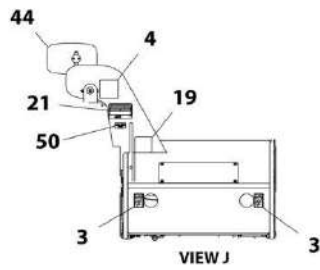
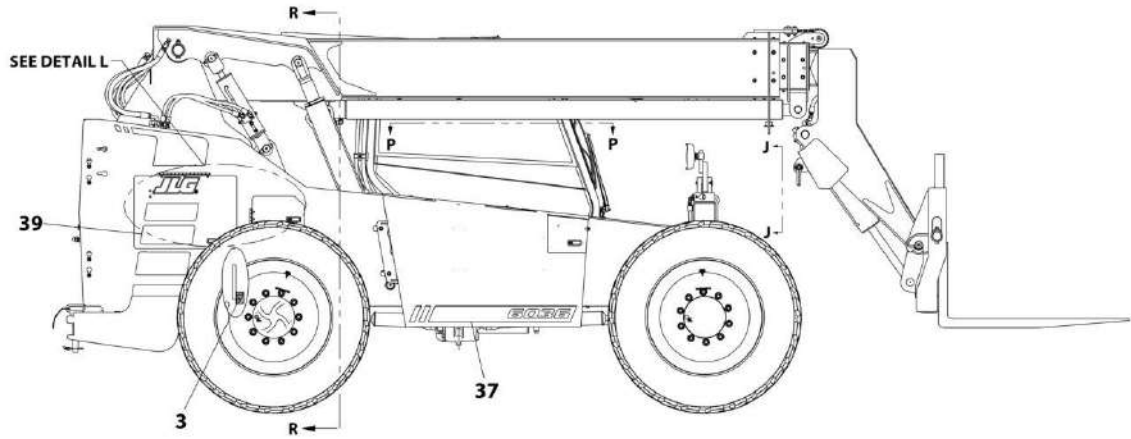
SECTION 11 - DECALS

FIGURE 11-6. DECAL INSTALLATION, 74HP - 6036 (ENGLISH/FRENCH)



ART_1001202756_1-D

SECTION 11 - DECALS



ART_1001202756_2-D

SECTION 11 - DECALS

FIGURE 11-6. DECAL INSTALLATION, 74HP - 6036 (ENGLISH/FRENCH)

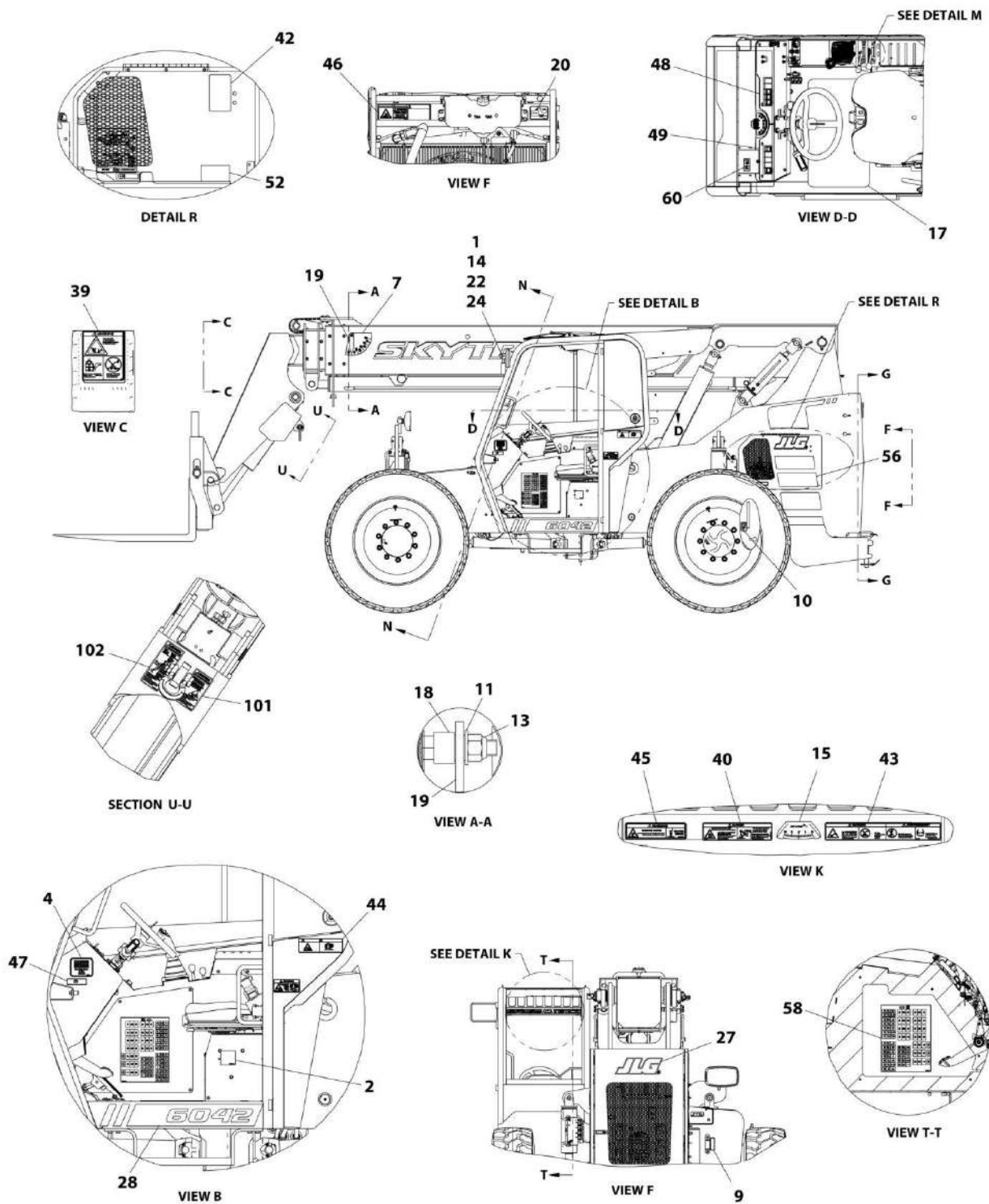
ITEM	PART NUMBER	QTY	DESCRIPTION	REV
	1001202756	Ref	Decal Installation, 74HP - 6036 (ENGLISH/FRENCH)	D
1	0700610	2	Bolt, M6X20	
2	1701640	1	Decal, Manual	
3	1702300	4	Decal, Tie Down	
4	1702631	1	Decal, Bar Code	
5	3251813	1	Decal, USA	
6	4100181	1	Decal, Hydraulic Oil Fill	
7	4105262	1	Decal, Boom Angle Indicator	
8	4107442	1	Decal, Boom Extend Letters	
9	4108302	1	Decal, Hydraulic Oil Level	
10	4711600	1	Washer, 3/8	
11	8305645	1	Nut, Lock 3/8-16	
12	8307024	2	Washer, Lock M6	
13	8466306	1	Gage, Tilt Angle	
14	10139087	1	Tread, Safety	
15	1001096404	1	Sleeve, Angle Indicator Spacer	
16	1001098769	1	Plate, Boom Angle Indicator	
17	1001109053	1	Decal, Coolant Fill	
18	1001114675	1	Arm, Mirror	
19	1001131271	1	Decal, Telehandlers Patent	
20	1001148177	1	Mirror, Rectangular	
21	1001154575	1	S/N Plate	
22	1001157274	1	Decal, Rear Door JLG Logo	
23	1001157616	1	Decal, Cab	
24	1001162734	1	Decal, Joystick Control	
25	1001162735	1	Decal, Sway Control	
26	1001162736	1	Decal, Auxiliary Control	
27	1001163174	1	Decal, Battery Warning	
28	1001163206	1	Decal, Carry Personnel	
29	1001163210	1	Decal, Electrocutation Hazard	
30	1001163212	2	Decal, No Ether Warning	
31	1001163222	2	Decal, Moving Parts	
32	1001163285	1	Decal, Tip Over Warning	
33	1001163300	1	Decal, No Riders	
34	1001163304	1	Decal, Crush Hazard Warning	
35	1001163323	1	Decal, Hot Fluid Warning	
36	1001163355	2	Decal, Ultra Low Sulfur Diesel	
37	1001179352	1	Decal, Tank	
38	1001179378	1	Decal, LH Rear Frame Stripe	
39	1001179379	1	Decal, RH Rear Frame Stripe	
40	1001180175	1	Decal, RH Overlay	
41	1001180176	1	Decal, LH Overlay	
42	1001189017	1	Decal, Diesel Fuel Fill	
43	1001189327	1	Decal, Main Fuse Panel	
44	1001191635	1	Mirror Assembly, RH	
45	1001191992	1	Decal, Lubrication Chart	
46	1001202626	2	Decal, 74HP	
47	1001202627	1	Decal, Maintenance Chart	
49	1001219211	1	Decal, Brake Fluid	
50	1001223453	1	Decal, ICES (CAN)	

SECTION 11 - DECALS

ITEM	PART NUMBER	QTY	DESCRIPTION	REV
101	1001210581	1	Decal, Danger Swing Load Boom Head (SN 0160075657 to Present, Including 0160075650, 0160075651 and 0160075652)	
102	1001210582	1	Decal, Capacity Rating Boom Head (SN 0160075657 to Present, Including 0160075650, 0160075651 and 0160075652)	

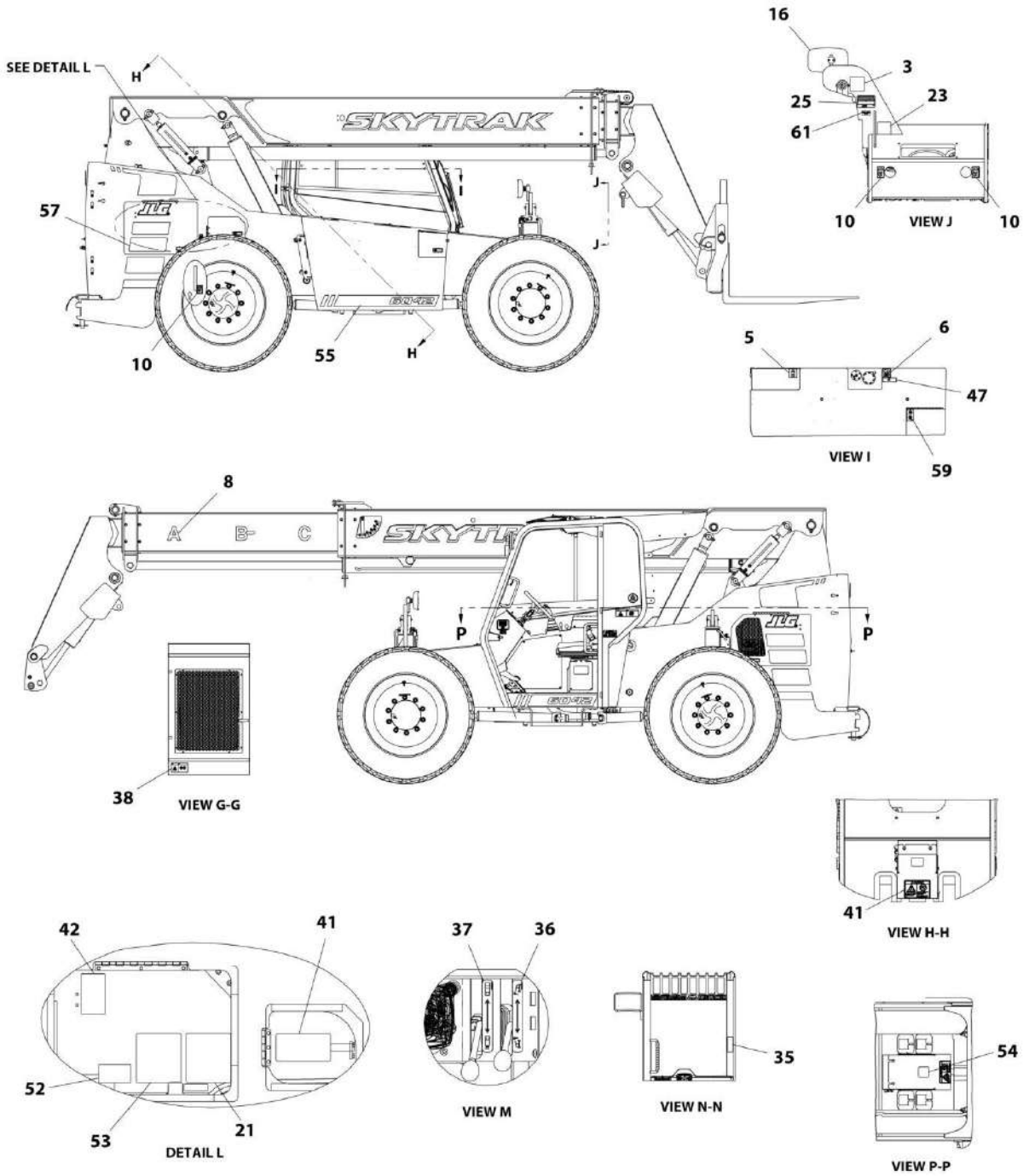
SECTION 11 - DECALS

FIGURE 11-7. DECAL INSTALLATION, 85HP - 6042 (ENGLISH/FRENCH) (Prior to SN 0160086463)



ART_1001166107_1-K

SECTION 11 - DECALS



ART_1001166107_2-K

SECTION 11 - DECALS

FIGURE 11-7. DECAL INSTALLATION, 85HP - 6042 (ENGLISH/FRENCH) (Prior to SN 0160086463)

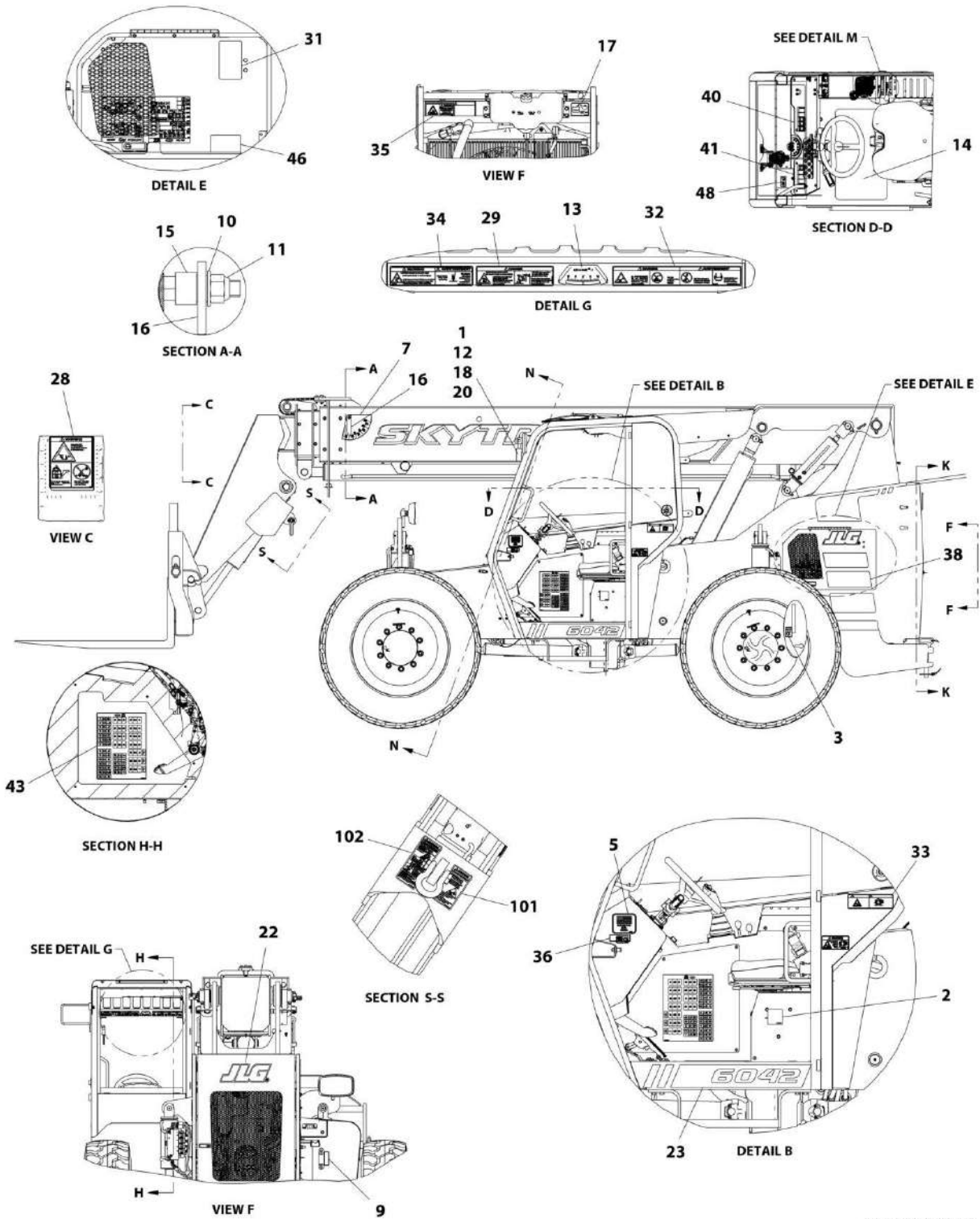
ITEM	PART NUMBER	QTY	DESCRIPTION	REV
	1001166107	Ref	Decal Installation, 85HP - 6042 (ENGLISH/FRENCH)	K
1	0700610	2	Bolt, M6X20	
2	1701640	1	Decal, Manual	
3	1702631	1	Decal, Bar Code	
4	3251813	1	Decal, USA	
5	4100181	1	Decal, Hydraulic Oil Fill	
6	1001189017	1	Decal, Diesel Fuel Fill	
7	4105262	1	Decal, Boom Angle Indicator	
8	4107442	1	Decal, Boom Extend Letters	
9	4108302	1	Decal, Hydraulic Oil Level	
10	1702300	4	Decal, Tie Down	
11	4711600	1	Washer, 3/8	
13	8305645	1	Nut, Lock 3/8-16	
14	8307024	2	Washer, Lock M6	
15	8466306	1	Gage, Tilt Angle	
16	1001191635	1	Mirror, RH	
17	10139087	1	Tread, Safety	
18	1001096404	1	Sleeve, Angle Indicator Spacer	
19	1001098769	1	Plate, Boom Angle Indicator	
20	1001109053	1	Decal, Coolant Fill	
21	1001191993	1	Decal, Lubrication Chart	
22	1001114675	1	Arm, Mirror	
23	1001131271	1	Decal, Telehandlers Patent	
24	1001148177	1	Mirror, Rectangular	
25	N.S.S.	1	S/N Plate	
27	1001157274	1	Decal, Rear Door JLG Logo	
28	1001157615	1	Decal, Cab	
35	1001162734	1	Decal, Joystick Control	
36	1001162735	1	Decal, Sway Control	
37	1001162736	1	Decal, Auxiliary Control	
38	1001163174	1	Decal, Battery Warning	
39	1001163206	1	Decal, Carry Personnel	
40	1001163210	1	Decal, Electrocutation Hazard	
41	1001163212	2	Decal, No Ether Warning	
42	1001163222	2	Decal, Moving Parts	
43	1001163285	1	Decal, Tip Over Warning	
44	1001163300	1	Decal, No Riders	
45	1001163304	1	Decal, Crush Hazard Warning	
46	1001163323	1	Decal, Hot Fluid Warning	
47	1001163355	2	Decal, Ultra Low Sulfur Diesel	
48	1001180175	1	Decal, RH Overlay	
49	1001180176	1	Decal, LH Overlay	
52	1001173423	2	Decal, MCO 85HP	
53	1001174152	1	Decal, Maintenance Chart	
54	1001142452	1	Decal, No Step	
55	1001179338	1	Decal, Tank	
56	1001179378	1	Decal, LH Rear Frame Stripe	
57	1001179379	1	Decal, RH Rear Frame Stripe	
58	1001189327	1	Decal, Main Fuse Panel	
59	1001196806	1	Decal, Diesel Exhaust Fluid	

SECTION 11 - DECALS

ITEM	PART NUMBER	QTY	DESCRIPTION	REV
60	1001219211	1	Decal, Brake Fluid	
61	1001223453	1	Decal, ICES (CAN)	
101	1001210581	1	Decal, Danger Swing Load Boom Head (SN 0160075657 to Present, Including 0160075650, 0160075651 and 0160075652)	
102	1001210582	1	Decal, Capacity Rating Boom Head (SN 0160075657 to Present, Including 0160075650, 0160075651 and 0160075652)	

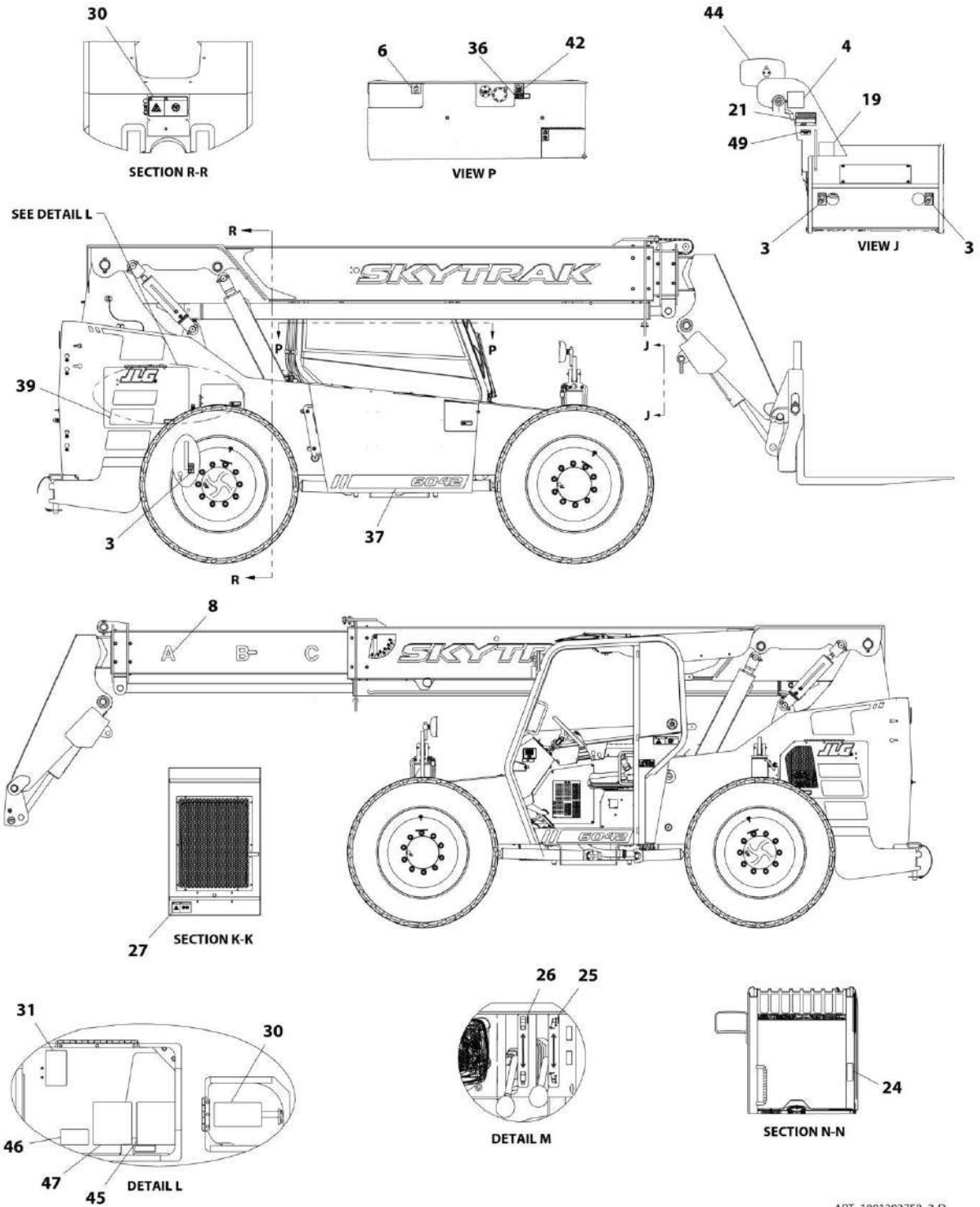
SECTION 11 - DECALS

FIGURE 11-8. DECAL INSTALLATION, 74HP - 6042 (ENGLISH/FRENCH)



ART_1001202758_1-D

SECTION 11 - DECALS



ART_1001202758_2-D

SECTION 11 - DECALS

FIGURE 11-8. DECAL INSTALLATION, 74HP - 6042 (ENGLISH/FRENCH)

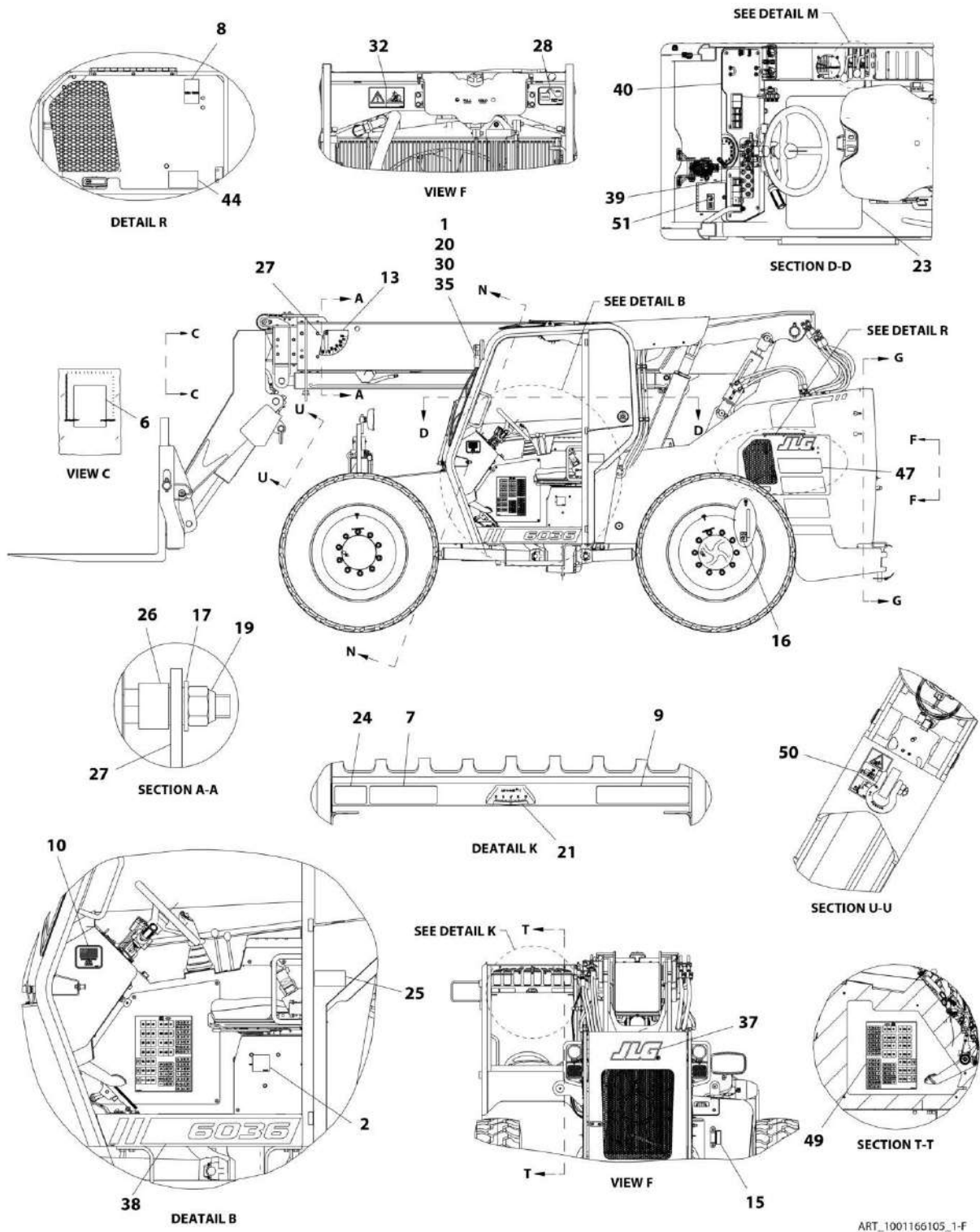
ITEM	PART NUMBER	QTY	DESCRIPTION	REV
	1001202758	Ref	Decal Installation, 74HP - 6042 (ENGLISH/FRENCH)	D
1	0700610	2	Bolt, M6X20	
2	1701640	1	Decal, Manual	
3	1702300	4	Decal, Tie Down	
4	1702631	1	Decal, Bar Code	
5	3251813	1	Decal, USA	
6	4100181	1	Decal, Hydraulic Oil Fill	
7	4105262	1	Decal, Boom Angle Indicator	
8	4107442	1	Decal, Boom Extend Letters	
9	4108302	1	Decal, Hydraulic Oil Level	
10	4711600	1	Washer, 3/8	
11	8305645	1	Nut, Lock 3/8-16	
12	8307024	2	Washer, Lock M6	
13	8466306	1	Gage, Tilt Angle	
14	10139087	1	Tread, Safety	
15	1001096404	1	Sleeve, Angle Indicator Spacer	
16	1001098769	1	Plate, Boom Angle Indicator	
17	1001109053	1	Decal, Coolant Fill	
18	1001114675	1	Arm, Mirror	
19	1001131271	1	Decal, Telehandlers Patent	
20	1001148177	1	Mirror, Rectangular	
21	1001154575	1	S/N Plate	
22	1001157274	1	Decal, Rear Door JLG Logo	
23	1001157615	1	Decal, Cab	
24	1001162734	1	Decal, Joystick Control	
25	1001162735	1	Decal, Sway Control	
26	1001162736	1	Decal, Auxiliary Control	
27	1001163174	1	Decal, Battery Warning	
28	1001163206	1	Decal, Carry Personnel	
29	1001163210	1	Decal, Electrocutation Hazard	
30	1001163212	2	Decal, No Ether Warning	
31	1001163222	2	Decal, Moving Parts	
32	1001163285	1	Decal, Tip Over Warning	
33	1001163300	1	Decal, No Riders	
34	1001163304	1	Decal, Crush Hazard Warning	
35	1001163323	1	Decal, Hot Fluid Warning	
36	1001163355	2	Decal, Ultra Low Sulfur Diesel	
37	1001179338	1	Decal, Tank	
38	1001179378	1	Decal, LH Rear Frame Stripe	
39	1001179379	1	Decal, RH Rear Frame Stripe	
40	1001180175	1	Decal, RH Overlay	
41	1001180176	1	Decal, LH Overlay	
42	1001189017	1	Decal, Diesel Fuel Fill	
43	1001189327	1	Decal, Main Fuse Panel	
44	1001191635	1	Mirror Assembly, RH	
45	1001191993	1	Decal, Lubrication Chart	
46	1001202626	2	Decal, 74HP	
47	1001202627	1	Decal, Maintenance Chart	
48	1001219211	1	Decal, Brake Fluid	
49	1001223453	1	Decal, ICES (CAN)	

SECTION 11 - DECALS

ITEM	PART NUMBER	QTY	DESCRIPTION	REV
101	1001210581	1	Decal, Danger Swing Load Boom Head (SN 0160075657 to Present, Including 0160075650, 0160075651 and 0160075652)	
102	1001210582	1	Decal, Capacity Rating Boom Head (SN 0160075657 to Present, Including 0160075650, 0160075651 and 0160075652)	

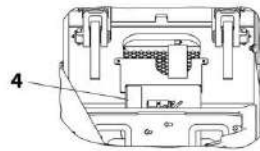
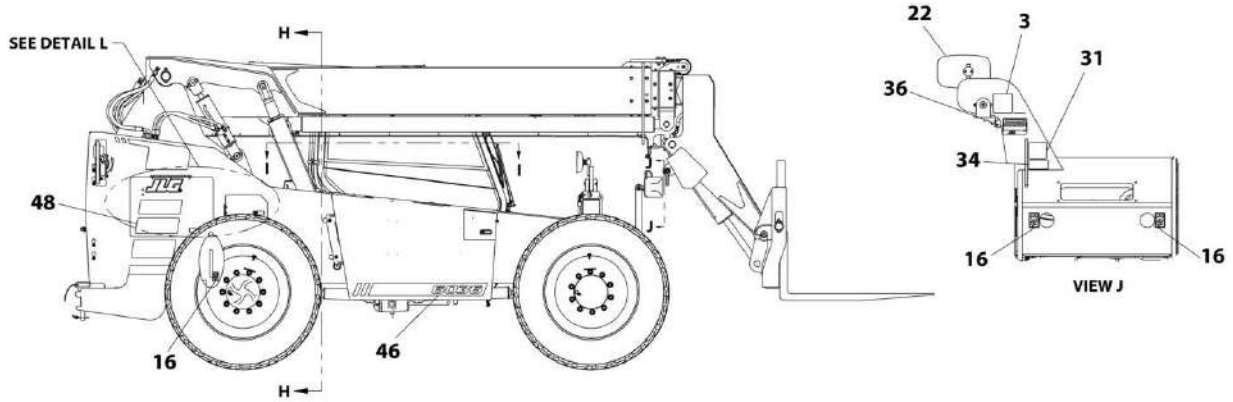
SECTION 11 - DECALS

FIGURE 11-9. DECAL INSTALLATION (ISO) - 6036

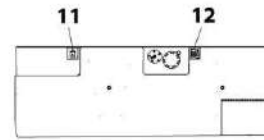


ART_1001166105_1-F

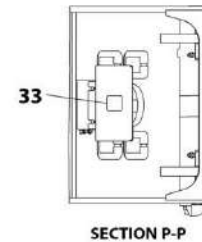
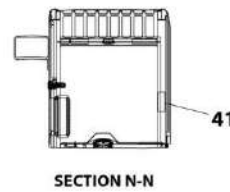
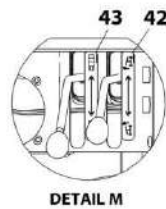
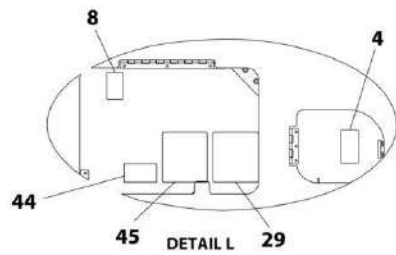
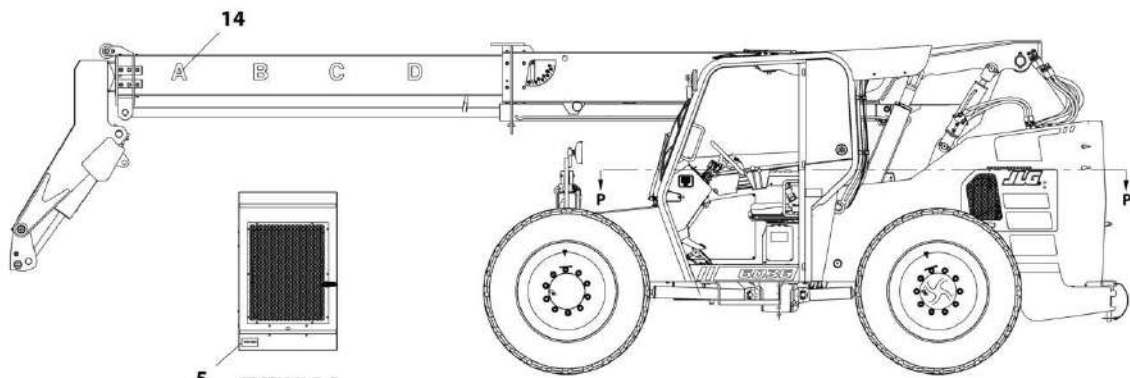
SECTION 11 - DECALS



SECTION H-H



VIEW I



ART_1001166105_2-F

SECTION 11 - DECALS

FIGURE 11-9. DECAL INSTALLATION (ISO) - 6036

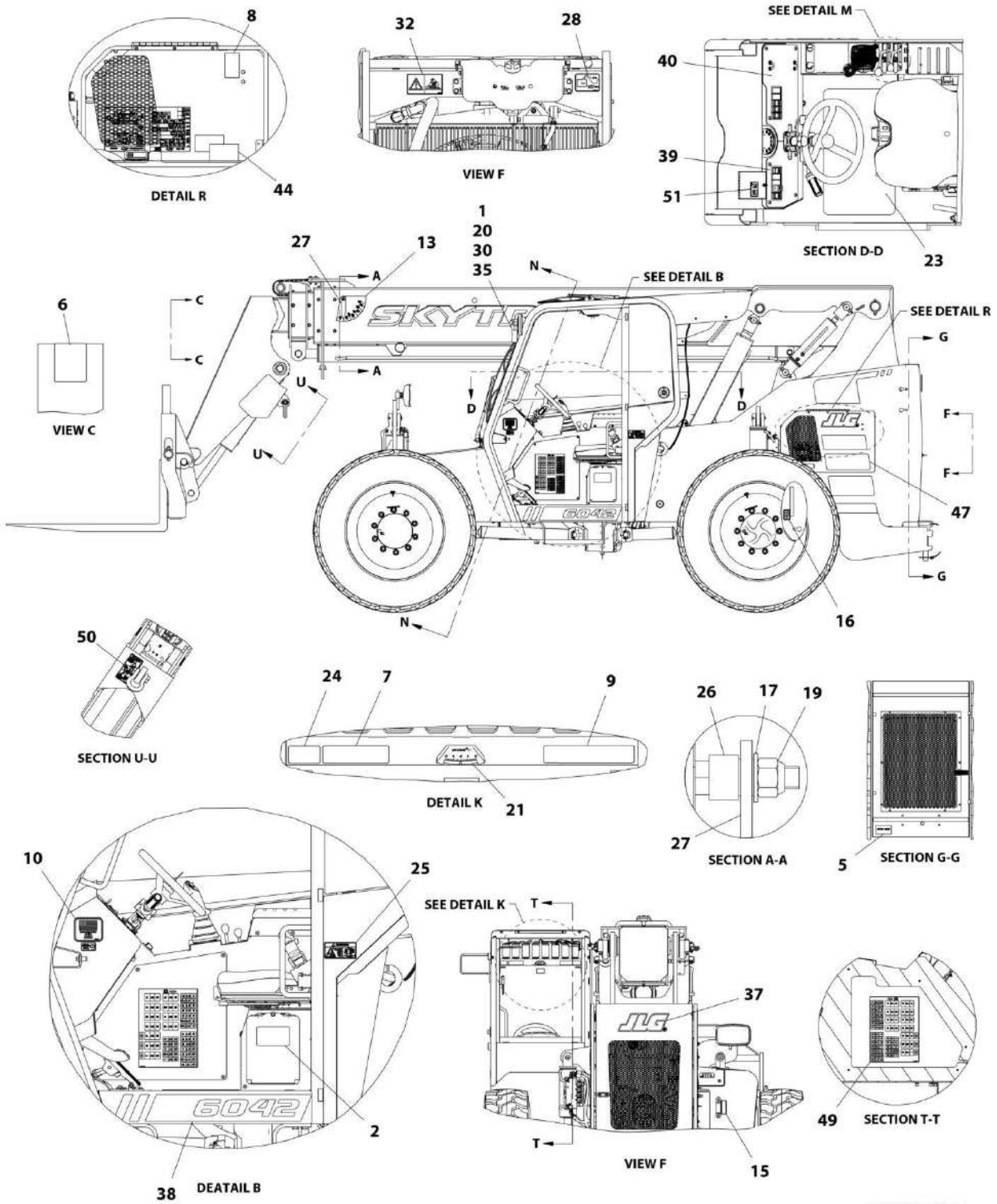
ITEM	PART NUMBER	QTY	DESCRIPTION	REV
	1001166105	Ref	Decal Installation (ISO) - 6036	F
1	0700610	2	Bolt, M6X20	
2	1701640	1	Decal, Manual	
3	1702631	1	Decal, Bar Code	
4	1706098	2	Decal, Ether Starting Warning	
5	1706281	1	Decal, Battery Warning	
6	1706282	1	Decal, Carry Personnel	
7	1706284	1	Decal, Electrocution Hazard	
8	1706285	2	Decal, Moving Parts	
9	1706288	1	Decal, Tip Over Warning	
10	3251813	1	Decal, USA	
11	4100181	1	Decal, Hydraulic Oil Fill	
12	1001189017	1	Decal, Diesel Fuel Fill	
13	4105262	1	Decal, Boom Angle Indicator	
14	4107442	1	Decal, Boom Extend Letters	
15	4108302	1	Decal, Hydraulic Oil Level	
16	1702300	4	Decal, Tie Down	
17	4711600	1	Washer, 3/8	
19	8305645	1	Nut, Lock 3/8-16	
20	8307024	2	Washer, Lock M6	
21	8466306	1	Gage, Tilt Angle	
22	1001191635	1	Mirror, RH	
23	10139087	1	Tread, Safety	
24	1001092877	1	Decal, Crush Hazard Warning	
25	1001092878	1	Decal, No Riders	
26	1001096404	1	Sleeve, Angle Indicator Spacer	
27	1001098769	1	Plate, Boom Angle Indicator	
28	1001109053	1	Decal, Coolant Fill	
29	1001191992	1	Decal, Lubrication Chart	
30	1001114675	1	Arm, Mirror	
31	1001131271	1	Decal, Telehandlers Patent	
32	1001139942	1	Decal, Hot Fluid Warning	
33	1001142452	1	Decal, No Step	
34	1001143852	1	Decal, LRC EPA	
35	1001148177	1	Mirror, Rectangular	
36	1001154575	1	S/N Plate	
37	1001157274	1	Decal, Rear Door JLG Logo	
38	1001157616	1	Decal, Cab	
39	1001158320	1	Decal, LH Overlay	
40	1001158321	1	Decal, RH Overlay	
41	1001162734	1	Decal, Joystick Control	
42	1001162735	1	Decal, Sway Control	
43	1001162736	1	Decal, Auxiliary Control	
44	1001173423	2	Decal, MCO 85HP	
45	1001174152	1	Decal, Maintenance Chart (85HP)	
45	1001202627	1	Decal, Maintenance Chart (74HP)	
46	1001179352	1	Decal, Tank	
47	1001179378	1	Decal, LH Rear Frame Stripe	
48	1001179379	1	Decal, RH Rear Frame Stripe	
49	1001189327	1	Decal, Main Fuse Panel	

SECTION 11 - DECALS

ITEM	PART NUMBER	QTY	DESCRIPTION	REV
50	1001207218	1	Decal, Danger Swinging Load (SN 0160075657 to Present, Including 0160075650, 0160075651 and 0160075652)	
51	1001219211	1	Decal, DEF Fluid	

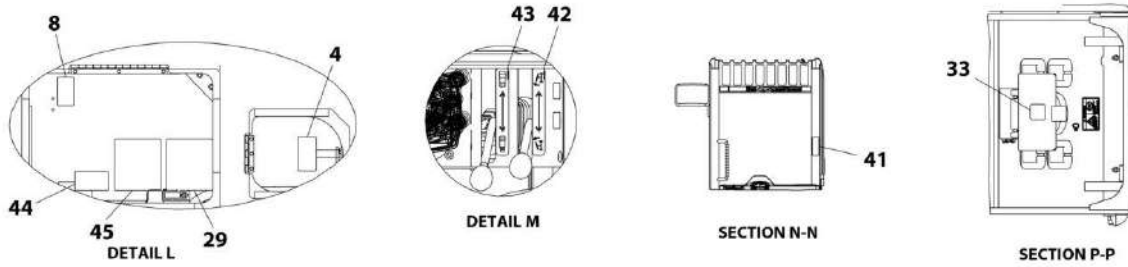
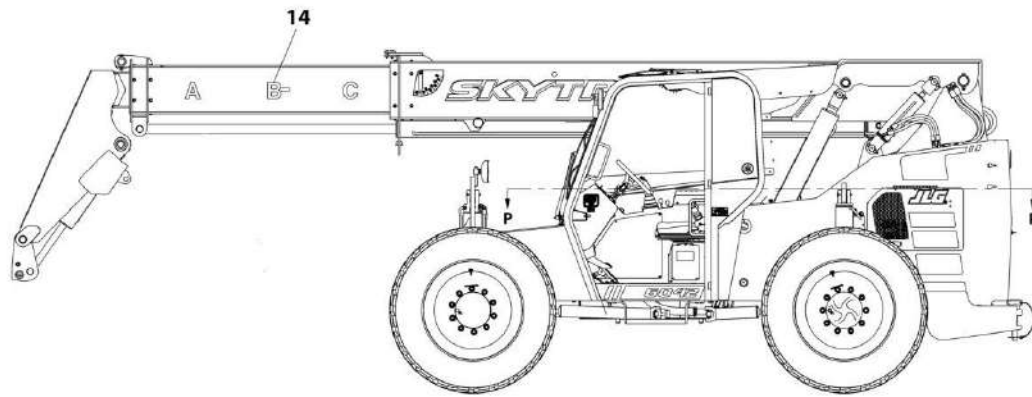
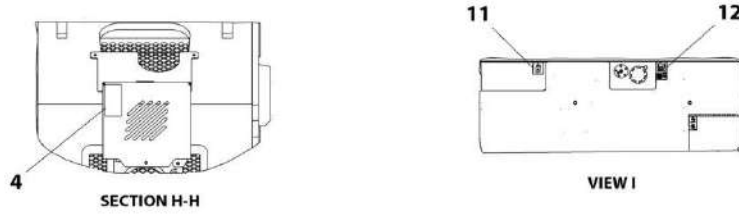
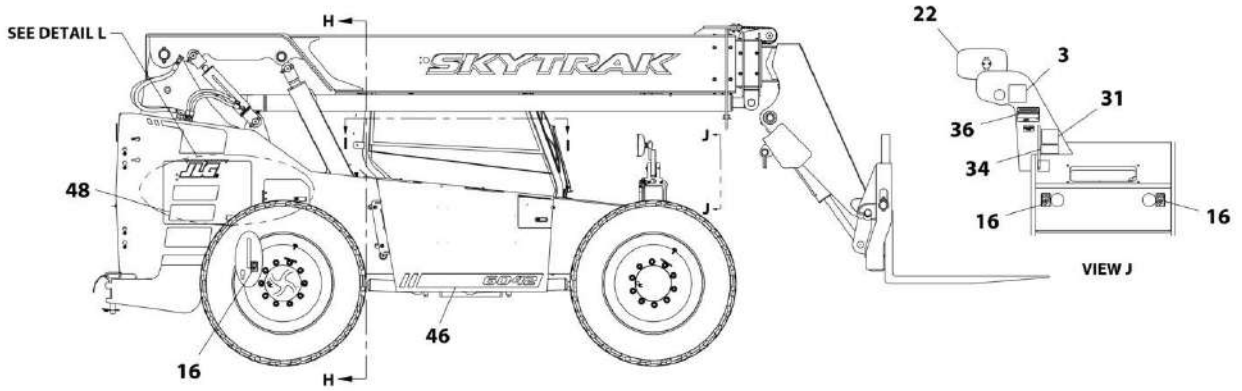
SECTION 11 - DECALS

FIGURE 11-10. DECAL INSTALLATION (ISO) - 6042



ART_1001166108_1-F

SECTION 11 - DECALS



ART_1001166108_2-F

SECTION 11 - DECALS

FIGURE 11-10. DECAL INSTALLATION (ISO) - 6042

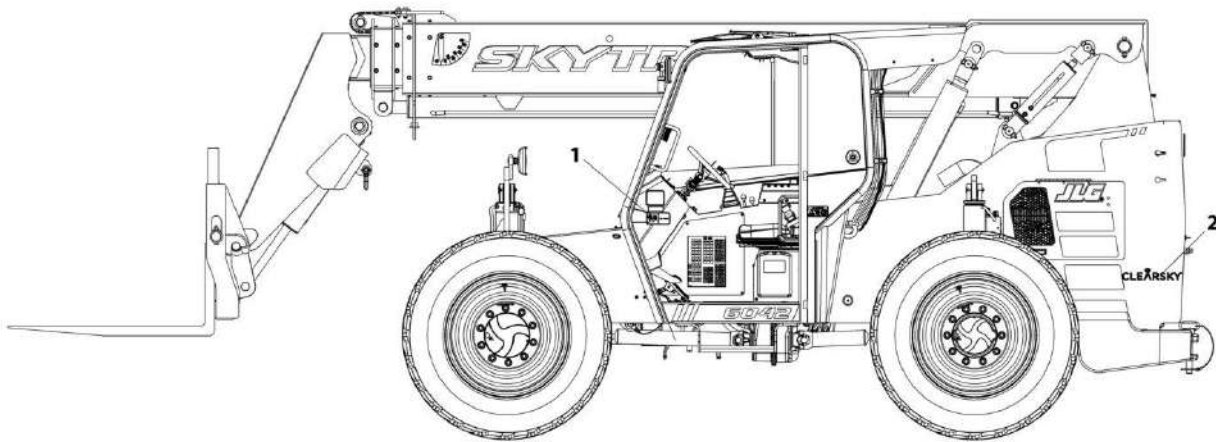
ITEM	PART NUMBER	QTY	DESCRIPTION	REV
	1001166108	Ref	Decal Installation (ISO) - 6042	F
1	0700610	2	Bolt, M6X20	
2	1701640	1	Decal, Manual	
3	1702631	1	Decal, Bar Code	
4	1706098	2	Decal, Ether Starting Warning	
5	1706281	1	Decal, Battery Warning	
6	1706282	1	Decal, Carry Personnel	
7	1706284	1	Decal, Electrocution Hazard	
8	1706285	2	Decal, Moving Parts	
9	1706288	1	Decal, Tip Over Warning	
10	3251813	1	Decal, USA	
11	4100181	1	Decal, Hydraulic Oil Fill	
12	1001189017	1	Decal, Diesel Fuel Fill	
13	4105262	1	Decal, Boom Angle Indicator	
14	4107442	1	Decal, Boom Extend Letters	
15	4108302	1	Decal, Hydraulic Oil Level	
16	1702300	4	Decal, Tie Down	
17	4711600	1	Washer, 3/8	
19	8305645	1	Nut, Lock 3/8-16	
20	8307024	2	Washer, Lock M6	
21	8466306	1	Gage, Tilt Angle	
22	1001191635	1	Mirror, RH	
23	10139087	1	Tread, Safety	
24	1001092877	1	Decal, Crush Hazard Warning	
25	1001092878	1	Decal, No Riders	
26	1001096404	1	Sleeve, Angle Indicator Spacer	
27	1001198769	1	Plate, Boom Angle Indicator	
28	1001109053	1	Decal, Coolant Fill	
29	1001191993	1	Decal, Lubrication Chart	
30	1001114675	1	Arm, Mirror	
31	1001131271	1	Decal, Telehandlers Patent	
32	1001139942	1	Decal, Hot Fluid Warning	
33	1001142452	1	Decal, No Step	
34	1001143852	1	Decal, LRC EPA	
35	1001148177	1	Mirror, Rectangular	
36	1001154575	1	S/N Plate	
37	1001157274	1	Decal, Rear Door JLG Logo	
38	1001157615	1	Decal, Cab	
39	1001158320	1	Decal, LH Overlay	
40	1001158321	1	Decal, RH Overlay	
41	1001162734	1	Decal, Joystick Control	
42	1001162735	1	Decal, Sway Control	
43	1001162736	1	Decal, Auxiliary Control	
44	1001173423	2	Decal, MCO 85HP	
45	1001174152	1	Decal, Maintenance Chart (85HP)	
45	1001202627	1	Decal, Maintenance Chart (74HP)	
46	1001179338	1	Decal, Tank	
47	1001179378	1	Decal, LH Rear Frame Stripe	
48	1001179379	1	Decal, RH Rear Frame Stripe	
49	1001189327	1	Decal, Main Fuse Panel	

SECTION 11 - DECALS

ITEM	PART NUMBER	QTY	DESCRIPTION	REV
50	1001207218	1	Decal, Danger Swinging Load (SN 0160075657 to Present, Including 0160075650, 0160075651 and 0160075652)	
51	1001219211	1	Decal, Brake Fluid	

SECTION 11 - DECALS

FIGURE 11-11. CLEARSKY DECAL INSTALLATION



ART_1001229703-B

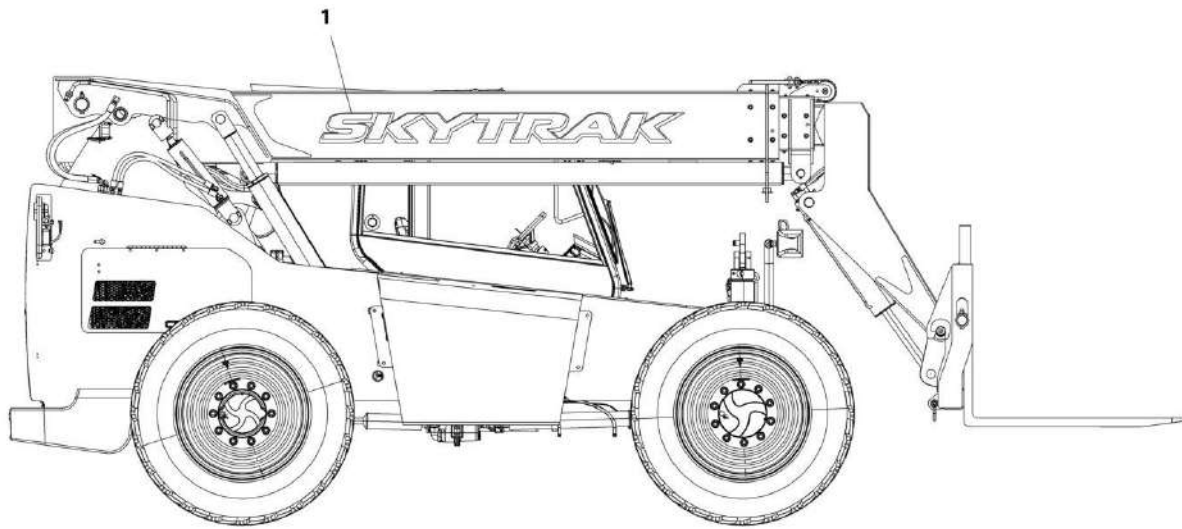
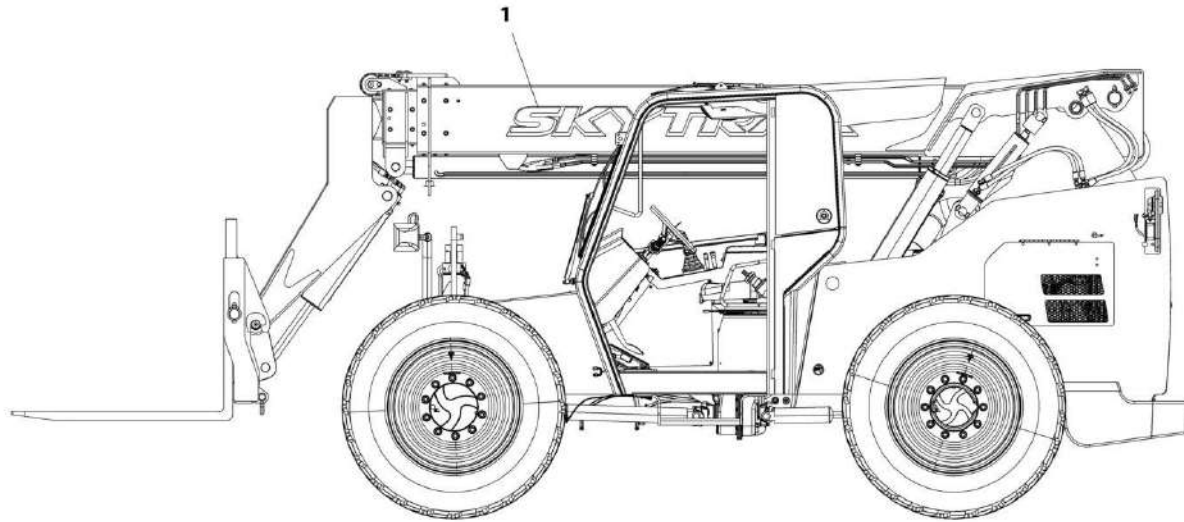
SECTION 11 - DECALS

FIGURE 11-11. CLEARSKY DECAL INSTALLATION

ITEM	PART NUMBER	QTY	DESCRIPTION	REV
	1001229703	Ref	Clearsky Decal Installation	B
1	1001120989	1	Decal, Radio Frequency	
2	1001116208	1	Decal, Clear Sky	

SECTION 11 - DECALS

FIGURE 11-12. BOOM DECALS INSTALLATION - 6036



ART_1001158071-A

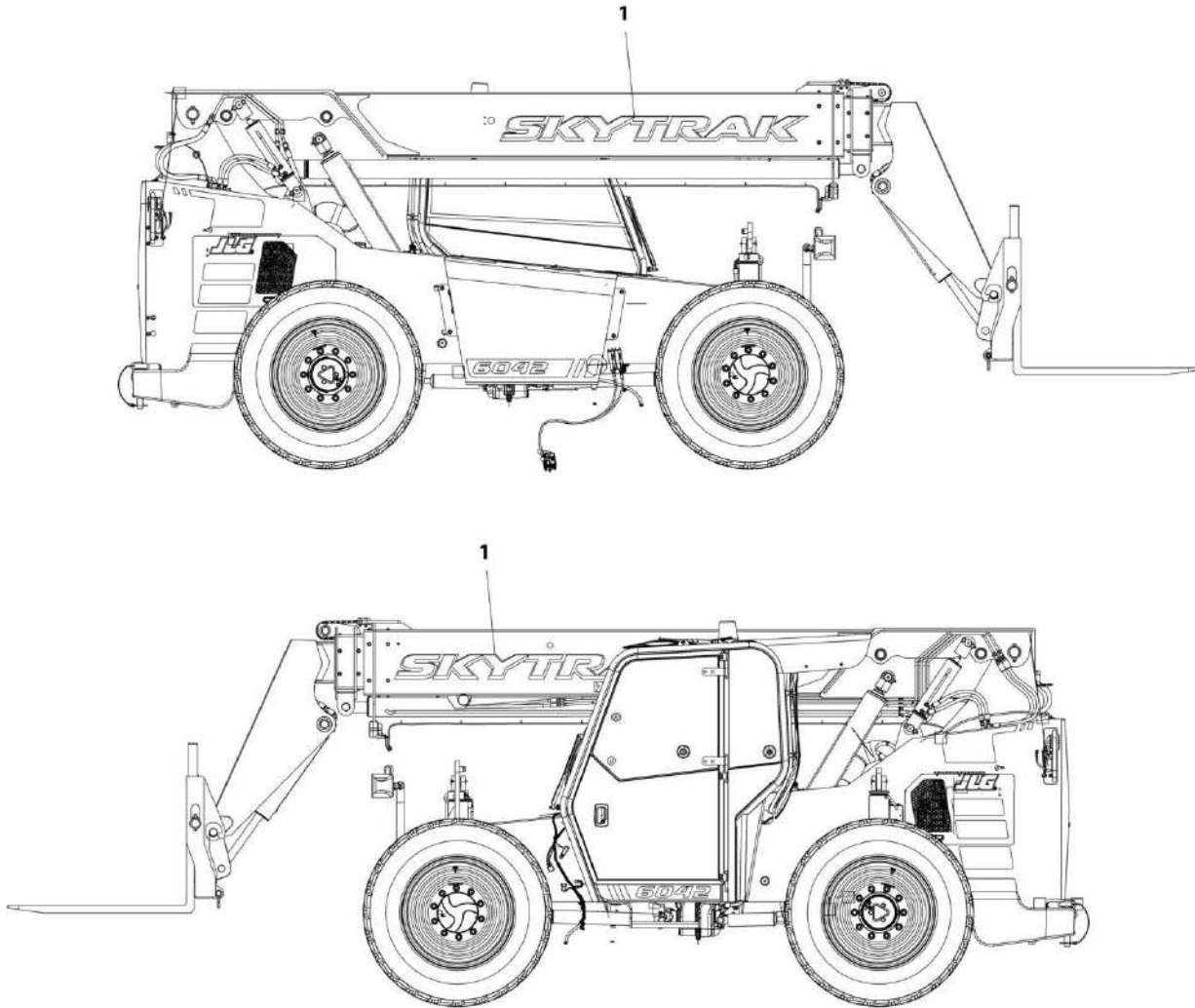
SECTION 11 - DECALS

FIGURE 11-12. BOOM DECALS INSTALLATION - 6036

ITEM	PART NUMBER	QTY	DESCRIPTION	REV
1	1001158071	Ref	Boom Decals Installation - 6036	A
	1001157275	2	Decal, Boom	

SECTION 11 - DECALS

FIGURE 11-13. BOOM DECALS INSTALLATION - 6042



ART_1001158069-A

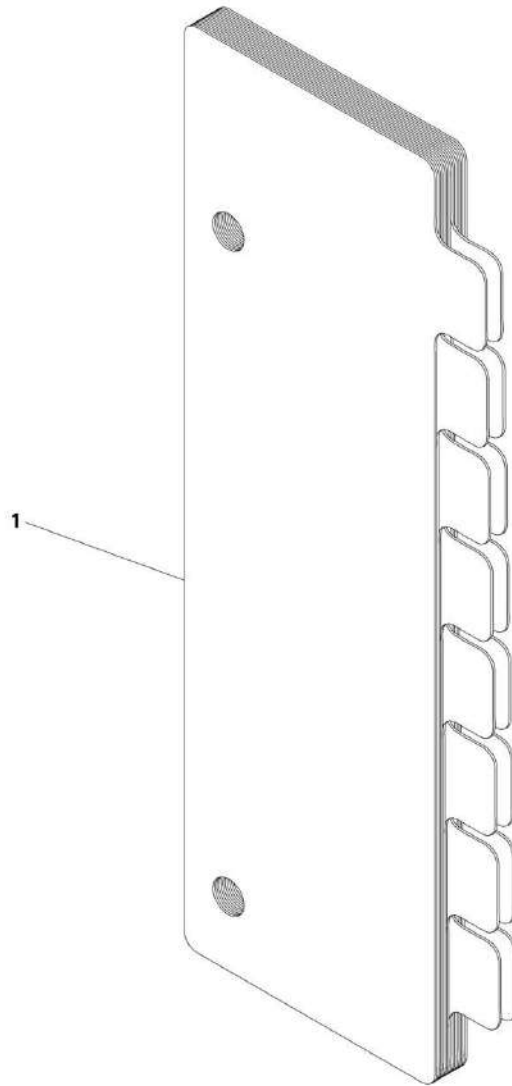
SECTION 11 - DECALS

FIGURE 11-13. BOOM DECALS INSTALLATION - 6042

ITEM	PART NUMBER	QTY	DESCRIPTION	REV
1	1001158069	Ref	Boom Decals Installation - 6042	A
	1001157275	2	Decal, Boom	

SECTION 11 - DECALS

FIGURE 11-14. CAPACITY CHART (ANSI) - 6036 (Prior to SN 0160075657, Excluding 0160075650, 0160075651 and 0160075652)



ART_1001199500-C

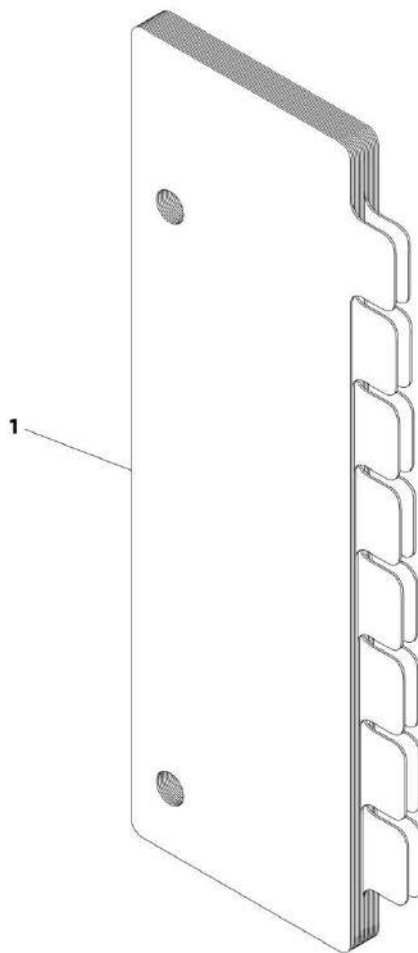
SECTION 11 - DECALS

FIGURE 11-14. CAPACITY CHART (ANSI) - 6036 (Prior to SN 0160075657, Excluding 0160075650, 0160075651 and 0160075652)

ITEM	PART NUMBER	QTY	DESCRIPTION	REV
1	1001106012	NLA	Capacity Chart (ANSI) - 6036 (no longer available, use 1001199500 for replacement)	C
1	1001199500	1	Capacity Chart (ANSI) - 6036	C

SECTION 11 - DECALS

FIGURE 11-15. CAPACITY CHART (ANSI) - 6036 (SN 0160075657 through 0160081191, Including 0160075650, 0160075651 and 0160075652)



ART_1001211867-C

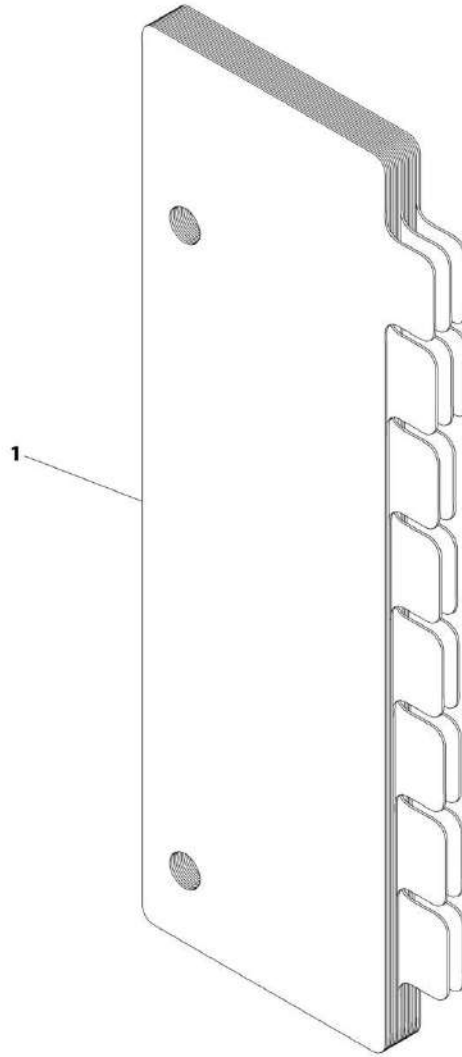
SECTION 11 - DECALS

FIGURE 11-15. CAPACITY CHART (ANSI) - 6036 (SN 0160075657 through 0160081191, Including 0160075650, 0160075651 and 0160075652)

ITEM	PART NUMBER	QTY	DESCRIPTION	REV
1	1001211867	1	Capacity Chart (ANSI) - 6036	C

SECTION 11 - DECALS

FIGURE 11-16. CAPACITY CHART (ANSI) - 6036 (SN 0160081192 to Present)



ART_1001211867-E

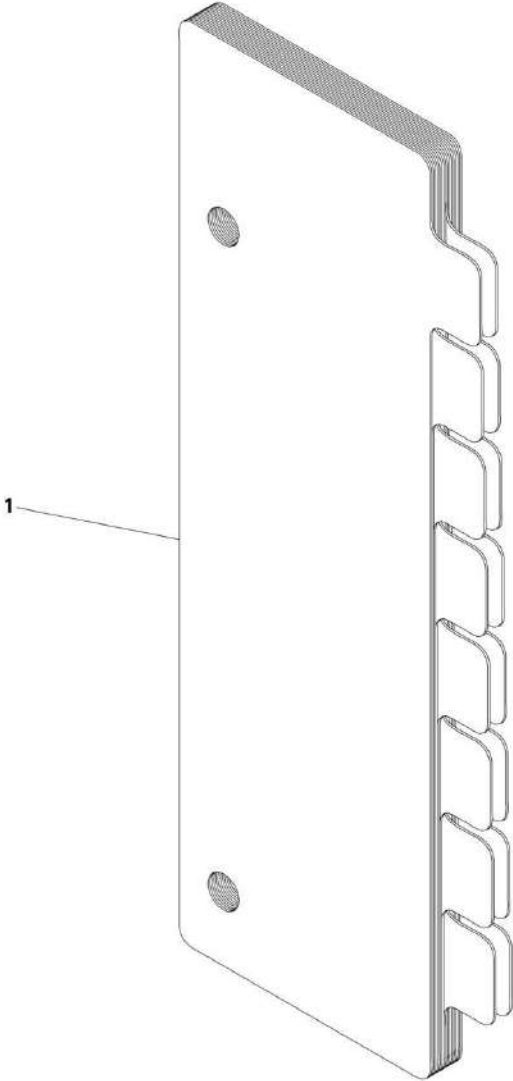
SECTION 11 - DECALS

FIGURE 11-16. CAPACITY CHART (ANSI) - 6036 (SN 0160081192 to Present)

ITEM	PART NUMBER	QTY	DESCRIPTION	REV
1	1001211867	1	Capacity Chart (ANSI) - 6036	E

SECTION 11 - DECALS

FIGURE 11-17. CAPACITY CHART (ISO) - 6036 (Prior to SN 0160075657, Excluding 0160075650, 0160075651 and 0160075652)



ART_1001199501-C

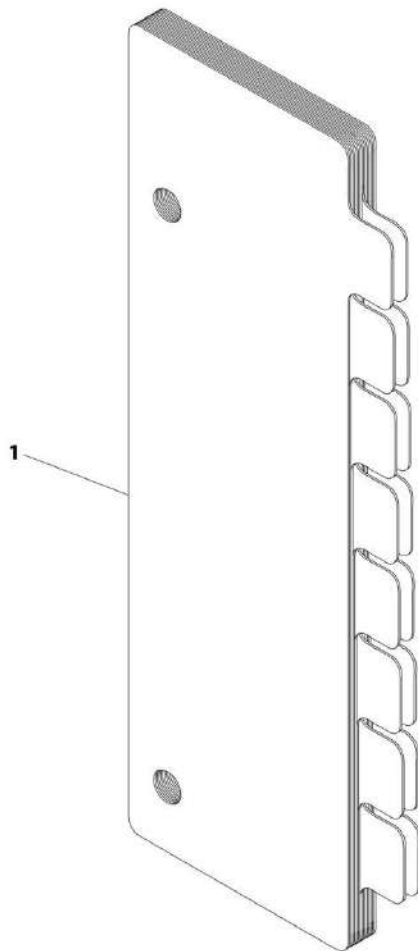
SECTION 11 - DECALS

FIGURE 11-17. CAPACITY CHART (ISO) - 6036 (Prior to SN 0160075657, Excluding 0160075650, 0160075651 and 0160075652)

ITEM	PART NUMBER	QTY	DESCRIPTION	REV
1	1001127753	NLA	Capacity Chart (ISO) - 6036 (no longer available, use 1001199501 for replacement)	C
1	1001199501	1	Capacity Chart (ISO) - 6036	C

SECTION 11 - DECALS

FIGURE 11-18. CAPACITY CHART (ISO) - 6036 (SN 0160075657 through 0160081191, Including 0160075650, 0160075651 and 0160075652)



ART_1001211868-C

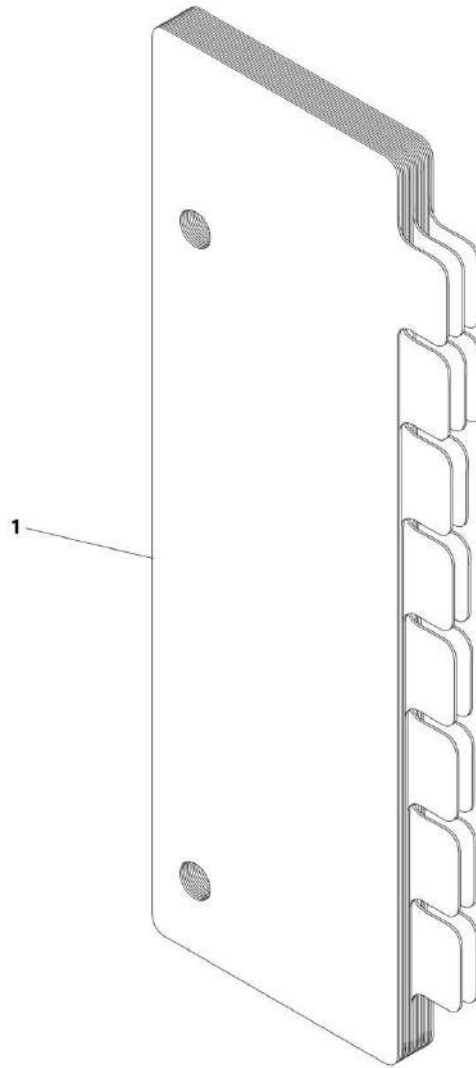
SECTION 11 - DECALS

FIGURE 11-18. CAPACITY CHART (ISO) - 6036 (SN 0160075657 through 0160081191, Including 0160075650, 0160075651 and 0160075652)

ITEM	PART NUMBER	QTY	DESCRIPTION	REV
1	1001211868	1	Capacity Chart (ISO) - 6036	C

SECTION 11 - DECALS

FIGURE 11-19. CAPACITY CHART (ISO) - 6036 (SN 0160081192 to Present)



ART_1001211868-E

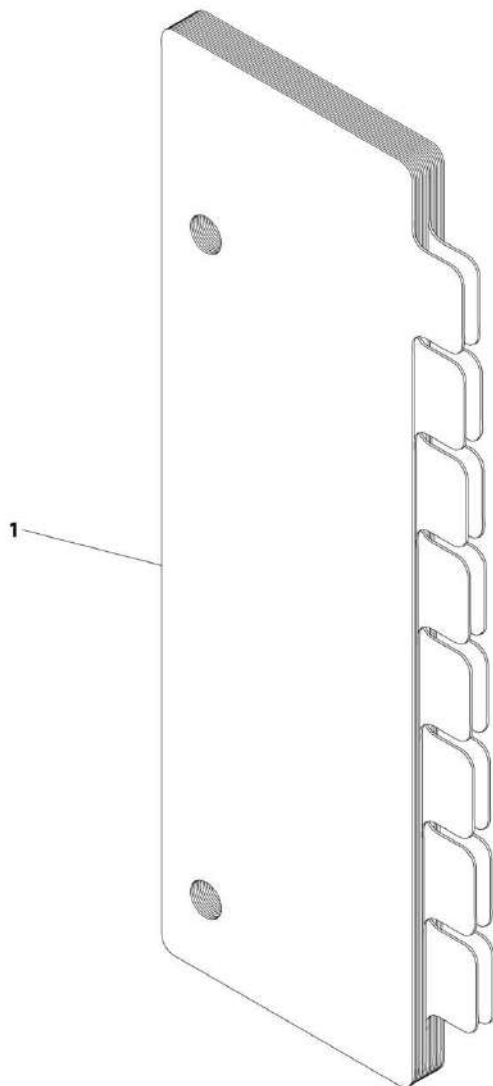
SECTION 11 - DECALS

FIGURE 11-19. CAPACITY CHART (ISO) - 6036 (SN 0160081192 to Present)

ITEM	PART NUMBER	QTY	DESCRIPTION	REV
1	1001211868	1	Capacity Chart (ISO) - 6036	E

SECTION 11 - DECALS

FIGURE 11-20. CAPACITY CHART (ANSI) - 6042 (Prior to SN 0160075657, Excluding 0160075650, 0160075651 and 0160075652)



ART_1001199504-C

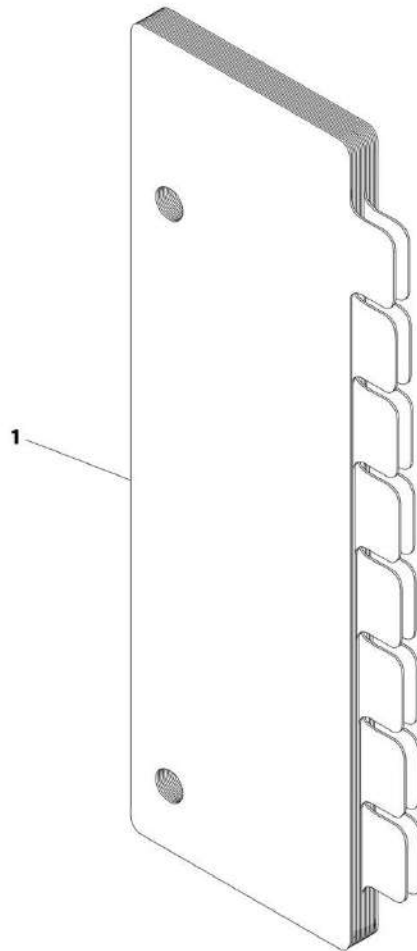
SECTION 11 - DECALS

FIGURE 11-20. CAPACITY CHART (ANSI) - 6042 (Prior to SN 0160075657, Excluding 0160075650, 0160075651 and 0160075652)

ITEM	PART NUMBER	QTY	DESCRIPTION	REV
1	1001106013	NLA	Capacity Chart (ANSI) - 6042 (no longer available, use 1001199504 for replacement)	C
1	1001199504	1	Capacity Chart (ANSI) - 6042	C

SECTION 11 - DECALS

FIGURE 11-21. CAPACITY CHART (ANSI) - 6042 (SN 0160075657 through 0160081191, Including 0160075650, 0160075651 and 0160075652)



ART_1001211869-C

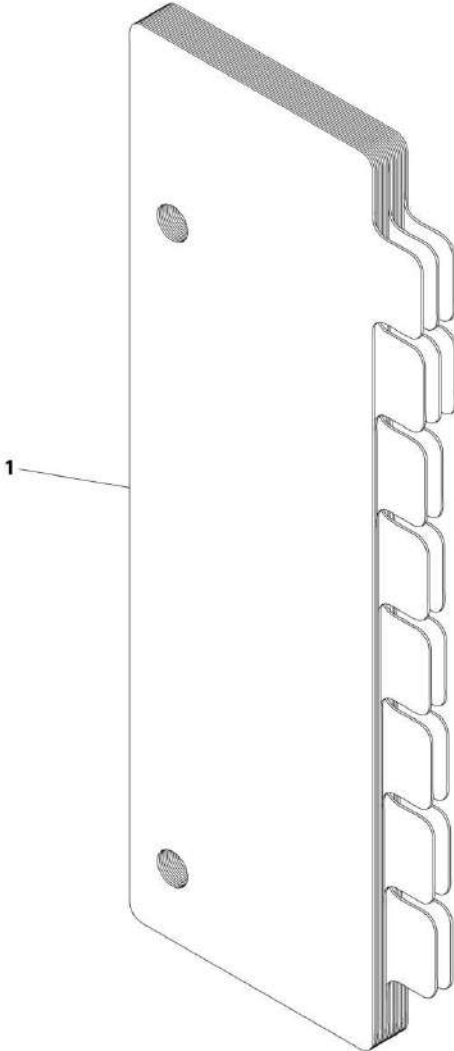
SECTION 11 - DECALS

FIGURE 11-21. CAPACITY CHART (ANSI) - 6042 (SN 0160075657 through 0160081191, Including 0160075650, 0160075651 and 0160075652)

ITEM	PART NUMBER	QTY	DESCRIPTION	REV
1	1001211869	1	Capacity Chart (ANSI) - 6042	C

SECTION 11 - DECALS

FIGURE 11-22. CAPACITY CHART (ANSI) - 6042 (SN 0160081192 to Present)



ART_1001211869-E

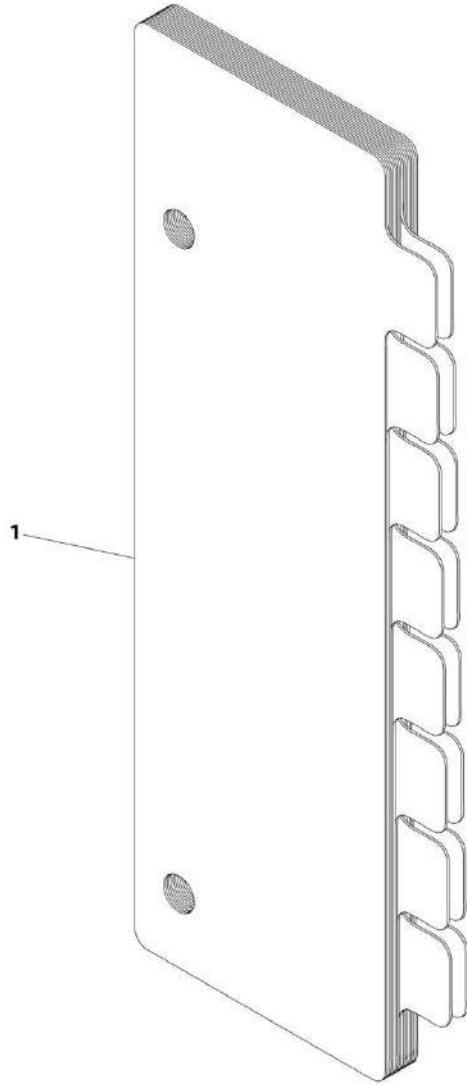
SECTION 11 - DECALS

FIGURE 11-22. CAPACITY CHART (ANSI) - 6042 (SN 0160081192 to Present)

ITEM	PART NUMBER	QTY	DESCRIPTION	REV
1	1001211869	1	Capacity Chart (ANSI) - 6042	E

SECTION 11 - DECALS

FIGURE 11-23. CAPACITY CHART (ISO) - 6042 (Prior to SN 0160075657, Excluding 0160075650, 0160075651 and 0160075652)



ART_1001199505-C

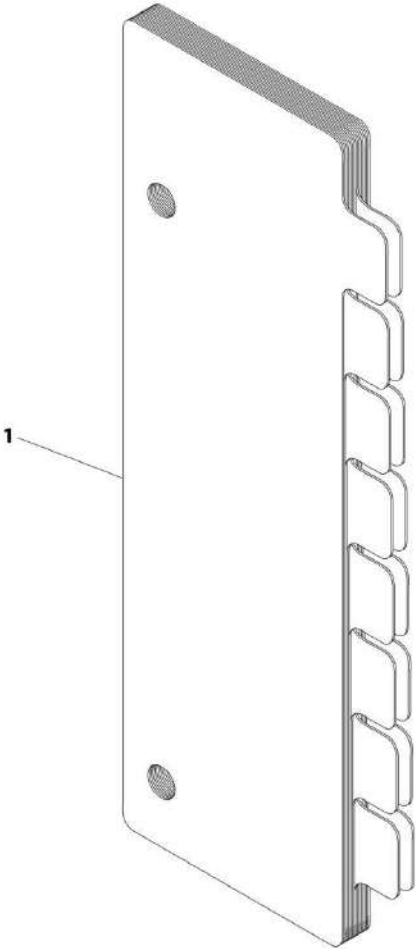
SECTION 11 - DECALS

FIGURE 11-23. CAPACITY CHART (ISO) - 6042 (Prior to SN 0160075657, Excluding 0160075650, 0160075651 and 0160075652)

ITEM	PART NUMBER	QTY	DESCRIPTION	REV
1	1001127593	NLA	Capacity Chart (ISO) - 6042 (no longer available, use 1001199505 for replacement)	C
1	1001199505	1	Capacity Chart (ISO) - 6042	C

SECTION 11 - DECALS

FIGURE 11-24. CAPACITY CHART (ISO) - 6042 (SN 0160075657 through 0160081191, Including 0160075650, 0160075651 and 0160075652)



ART_1001211870-C

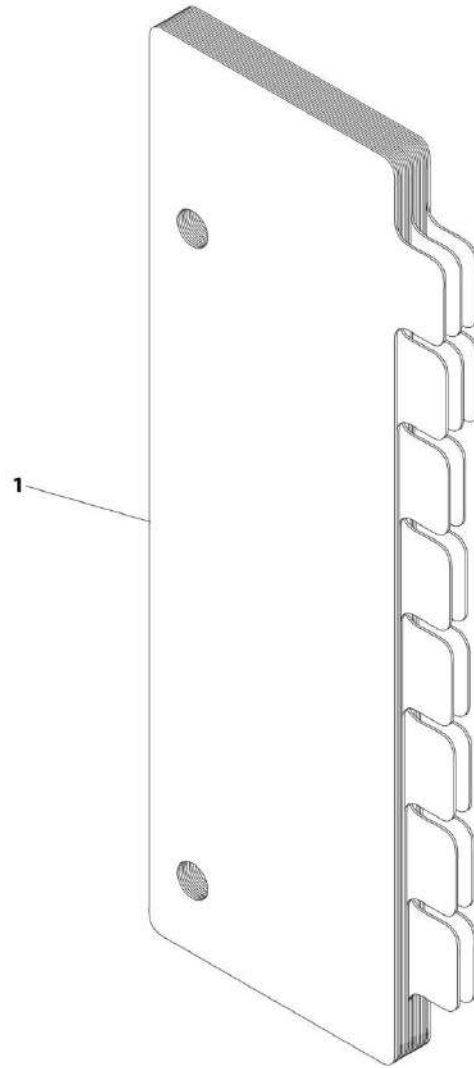
SECTION 11 - DECALS

FIGURE 11-24. CAPACITY CHART (ISO) - 6042 (SN 0160075657 through 0160081191, Including 0160075650, 0160075651 and 0160075652)

ITEM	PART NUMBER	QTY	DESCRIPTION	REV
1	1001211870	1	Capacity Chart (ISO) - 6042	C

SECTION 11 - DECALS

FIGURE 11-25. CAPACITY CHART (ISO) - 6042 (SN 0160081192 to Present)



ART_1001211870-E

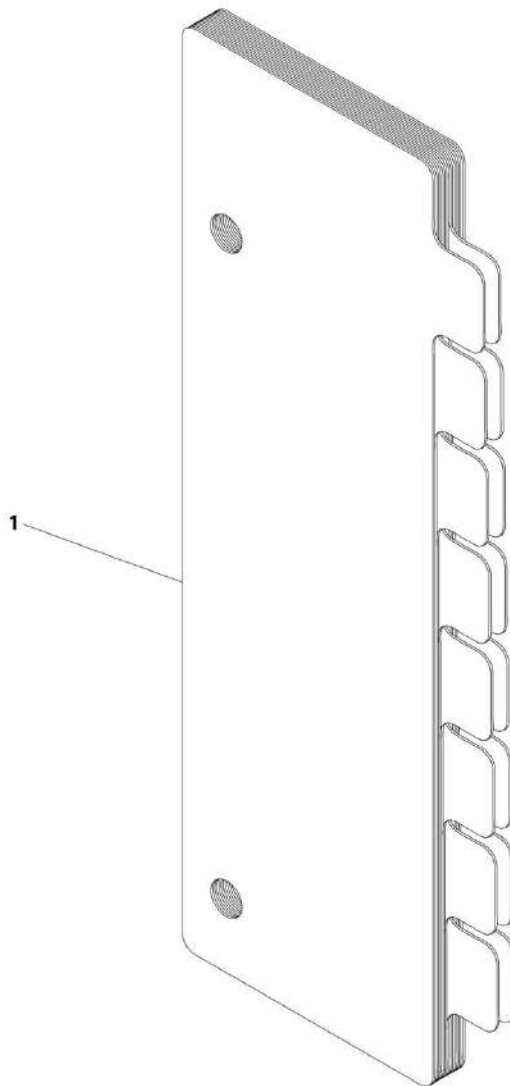
SECTION 11 - DECALS

FIGURE 11-25. CAPACITY CHART (ISO) - 6042 (SN 0160081192 to Present)

ITEM	PART NUMBER	QTY	DESCRIPTION	REV
1	1001211870	1	Capacity Chart (ISO) - 6042	E

SECTION 11 - DECALS

FIGURE 11-26. SUPPLEMENTAL CAPACITY CHART (ANSI) - 6036 (Prior to SN 0160075657, Excluding 0160075650, 0160075651 and 0160075652)



ART_1001199500-C

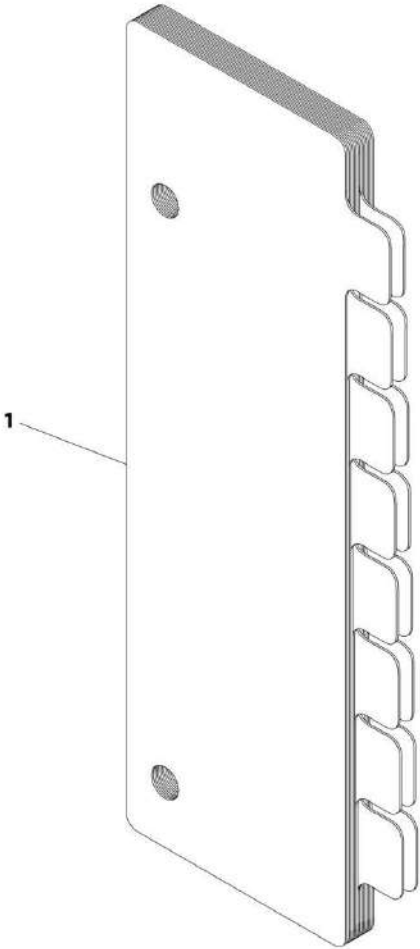
SECTION 11 - DECALS

**FIGURE 11-26. SUPPLEMENTAL CAPACITY CHART (ANSI) - 6036 (Prior to SN 0160075657,
Excluding 0160075650, 0160075651 and 0160075652)**

ITEM	PART NUMBER	QTY	DESCRIPTION	REV
1	1001110412	NLA	Supplemental Capacity Chart (ANSI) - 6036 (no longer available, use 1001199500 for replacement)	D
1	1001199500	1	Capacity Chart (ANSI) - 6036	C

SECTION 11 - DECALS

FIGURE 11-27. SUPPLEMENTAL CAPACITY CHART (ANSI) - 6036 (SN 0160075657 through 0160081191, Including 0160075650, 0160075651 and 0160075652)



ART_1001211867-C

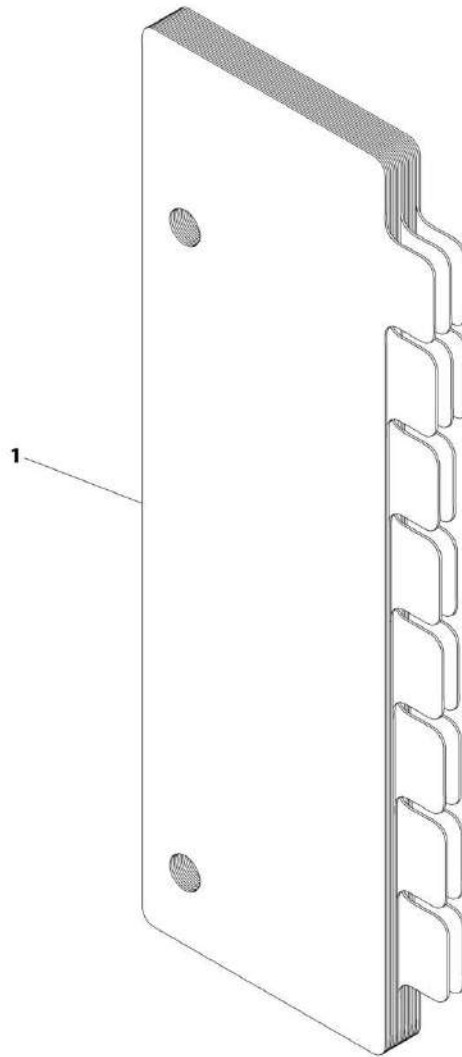
SECTION 11 - DECALS

FIGURE 11-27. SUPPLEMENTAL CAPACITY CHART (ANSI) - 6036 (SN 0160075657 through 0160081191, Including 0160075650, 0160075651 and 0160075652)

ITEM	PART NUMBER	QTY	DESCRIPTION	REV
1	1001211867	1	Capacity Chart (ANSI) - 6036	C

SECTION 11 - DECALS

FIGURE 11-28. SUPPLEMENTAL CAPACITY CHART (ANSI) - 6036 (SN 0160081192 to Present)



ART_1001211867-E

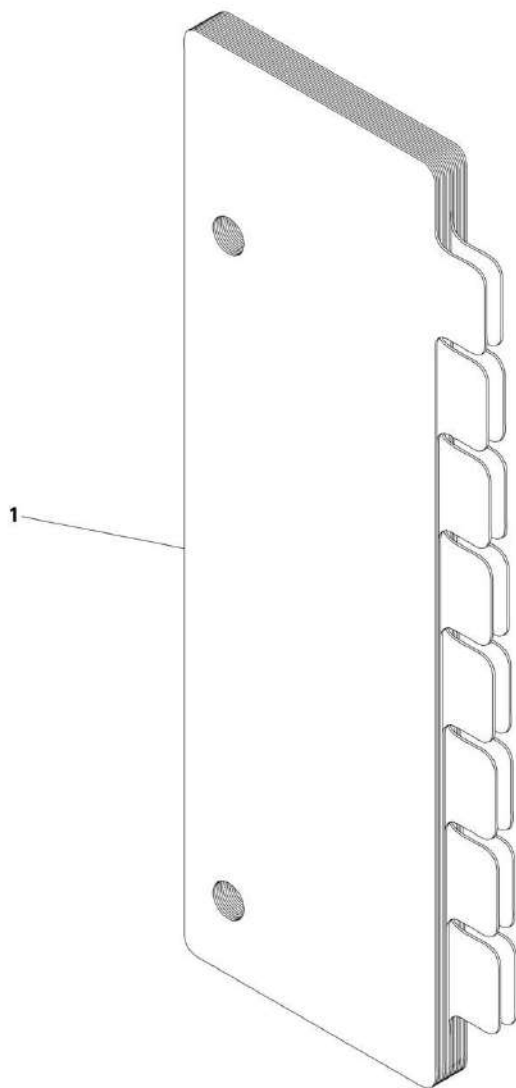
SECTION 11 - DECALS

FIGURE 11-28. SUPPLEMENTAL CAPACITY CHART (ANSI) - 6036 (SN 0160081192 to Present)

ITEM	PART NUMBER	QTY	DESCRIPTION	REV
1	1001211867	1	Capacity Chart (ANSI) - 6036	E

SECTION 11 - DECALS

FIGURE 11-29. SUPPLEMENTAL CAPACITY CHART (ISO) - 6036 (Prior to SN 0160075657, Excluding 0160075650, 0160075651 and 0160075652)



ART_1001199501-C

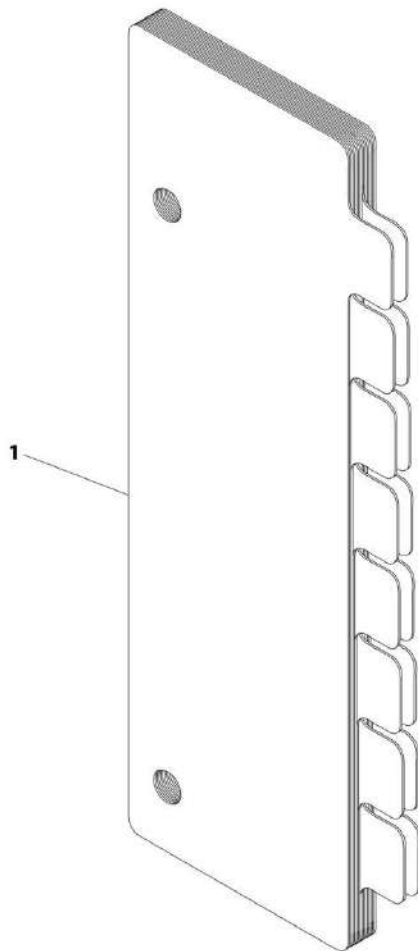
SECTION 11 - DECALS

FIGURE 11-29. SUPPLEMENTAL CAPACITY CHART (ISO) - 6036 (Prior to SN 0160075657, Excluding 0160075650, 0160075651 and 0160075652)

ITEM	PART NUMBER	QTY	DESCRIPTION	REV
1	1001127755	NLA	Supplemental Capacity Chart (ISO) - 6036 (no longer available, use 1001199501 for replacement)	D
1	1001199501	1	Capacity Chart (ISO) - 6036	C

SECTION 11 - DECALS

FIGURE 11-30. SUPPLEMENTAL CAPACITY CHART (ISO) - 6036 (SN 0160075657 through 0160081191, Including 0160075650, 0160075651 and 0160075652)



ART_1001211868-C

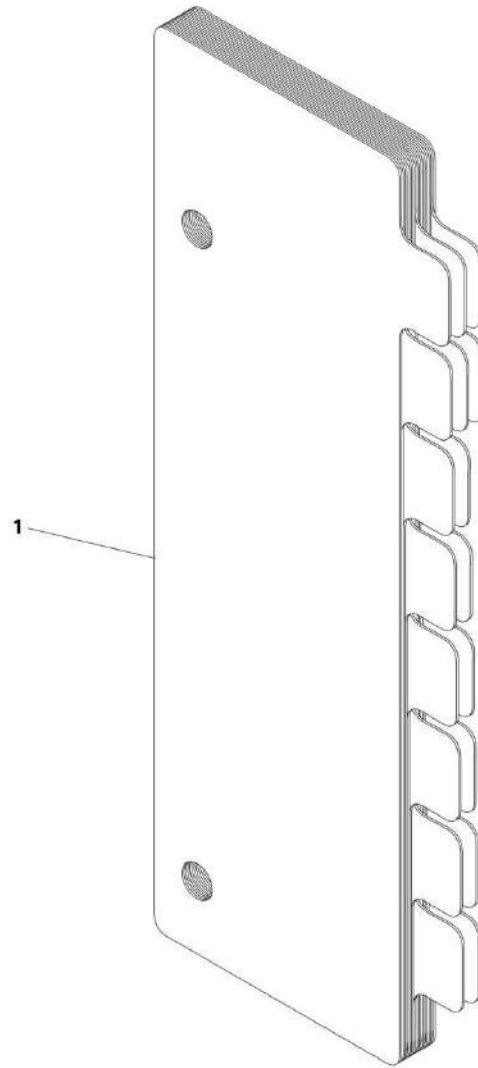
SECTION 11 - DECALS

FIGURE 11-30. SUPPLEMENTAL CAPACITY CHART (ISO) - 6036 (SN 0160075657 through 0160081191, Including 0160075650, 0160075651 and 0160075652)

ITEM	PART NUMBER	QTY	DESCRIPTION	REV
1	1001211868	1	Capacity Chart (ISO) - 6036	C

SECTION 11 - DECALS

FIGURE 11-31. SUPPLEMENTAL CAPACITY CHART (ISO) - 6036 (SN 0160081192 to Present)



ART_1001211868-E

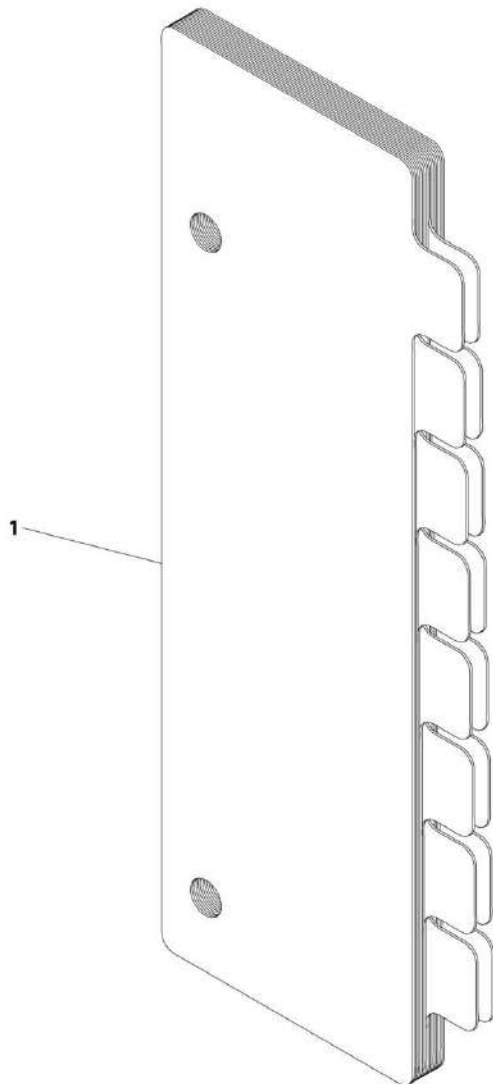
SECTION 11 - DECALS

FIGURE 11-31. SUPPLEMENTAL CAPACITY CHART (ISO) - 6036 (SN 0160081192 to Present)

ITEM	PART NUMBER	QTY	DESCRIPTION	REV
1	1001211868	1	Capacity Chart (ISO) - 6036	E

SECTION 11 - DECALS

FIGURE 11-32. SUPPLEMENTAL CAPACITY CHART (ANSI) - 6042 (Prior to SN 0160075657, Excluding 0160075650, 0160075651 and 0160075652)



ART_1001199504-C

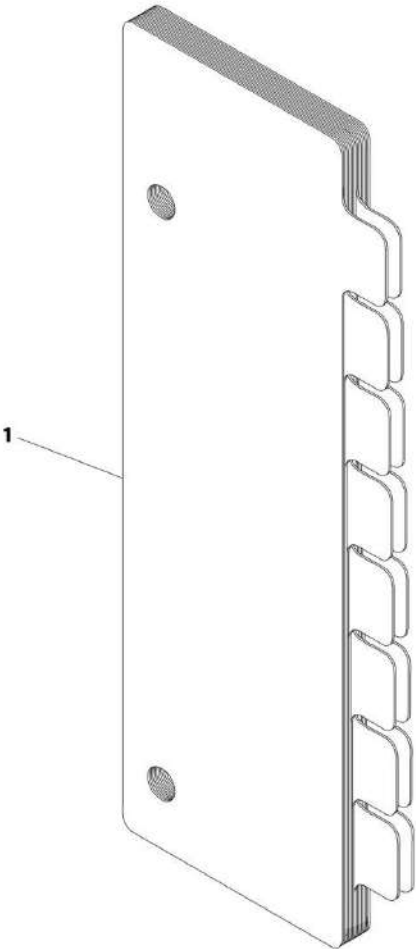
SECTION 11 - DECALS

**FIGURE 11-32. SUPPLEMENTAL CAPACITY CHART (ANSI) - 6042 (Prior to SN 0160075657,
Excluding 0160075650, 0160075651 and 0160075652)**

ITEM	PART NUMBER	QTY	DESCRIPTION	REV
1	1001110413	NLA	Supplemental Capacity Chart (ANSI) - 6042 (no longer available, use 1001199504 for replacement)	D
1	1001199504	1	Capacity Chart (ANSI) - 6042	C

SECTION 11 - DECALS

FIGURE 11-33. SUPPLEMENTAL CAPACITY CHART (ANSI) - 6042 (SN 0160075657 through 0160081191, Including 0160075650, 0160075651 and 0160075652)



ART_1001211869-C

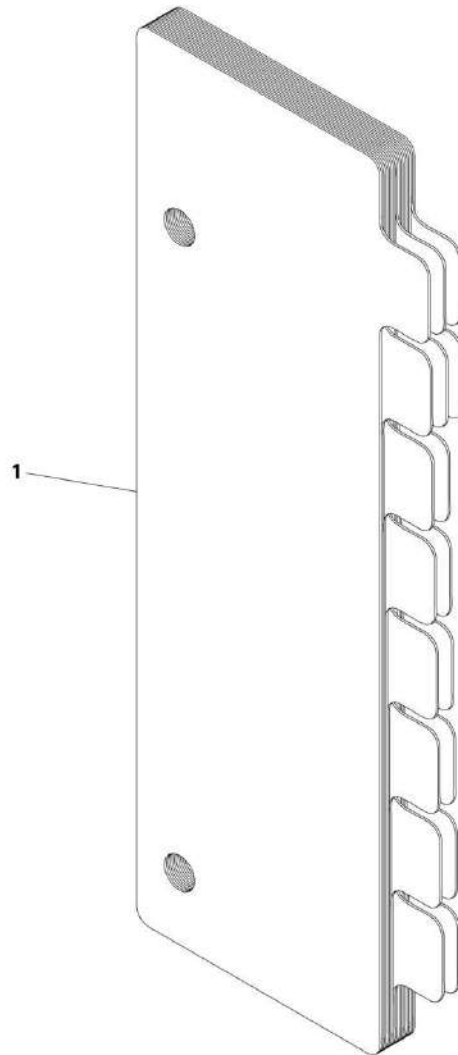
SECTION 11 - DECALS

FIGURE 11-33. SUPPLEMENTAL CAPACITY CHART (ANSI) - 6042 (SN 0160075657 through 0160081191, Including 0160075650, 0160075651 and 0160075652)

ITEM	PART NUMBER	QTY	DESCRIPTION	REV
1	1001211869	1	Capacity Chart (ANSI) - 6042	C

SECTION 11 - DECALS

FIGURE 11-34. SUPPLEMENTAL CAPACITY CHART (ANSI) - 6042 (SN 0160081192 to Present)



ART_1001211869-E

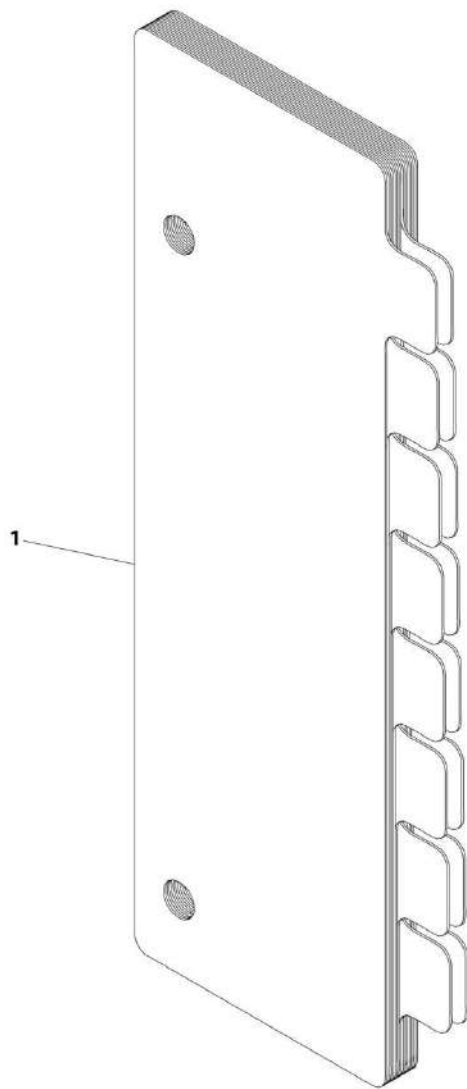
SECTION 11 - DECALS

FIGURE 11-34. SUPPLEMENTAL CAPACITY CHART (ANSI) - 6042 (SN 0160081192 to Present)

ITEM	PART NUMBER	QTY	DESCRIPTION	REV
1	1001211869	1	Capacity Chart (ANSI) - 6042	E

SECTION 11 - DECALS

FIGURE 11-35. SUPPLEMENTAL CAPACITY CHART (ISO) - 6042 (Prior to SN 0160075657, Excluding 0160075650, 0160075651 and 0160075652)



ART_1001199505-C

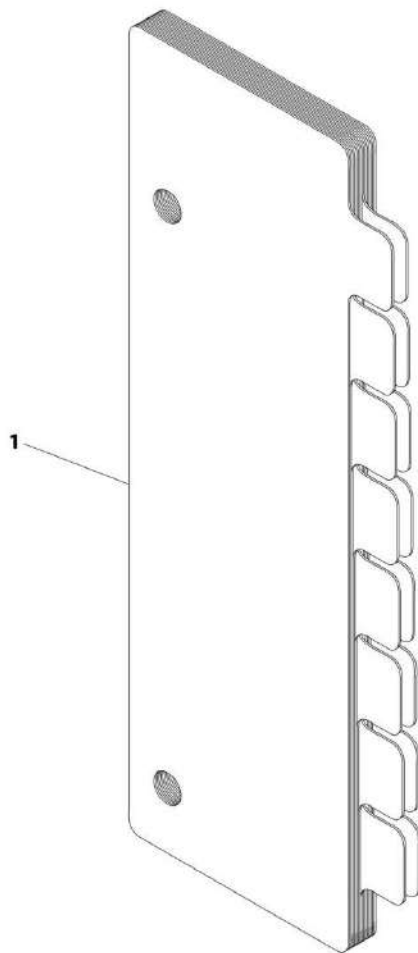
SECTION 11 - DECALS

FIGURE 11-35. SUPPLEMENTAL CAPACITY CHART (ISO) - 6042 (Prior to SN 0160075657, Excluding 0160075650, 0160075651 and 0160075652)

ITEM	PART NUMBER	QTY	DESCRIPTION	REV
1	1001127594	NLA	Supplemental Capacity Chart (ISO) - 6042 (no longer available, use 1001199505 for replacement)	D
1	1001199505	1	Capacity Chart (ISO) - 6042	C

SECTION 11 - DECALS

FIGURE 11-36. SUPPLEMENTAL CAPACITY CHART (ISO) - 6042 (SN 0160075657 through 0160081191, Including 0160075650, 0160075651 and 0160075652)



ART_1001211870-C

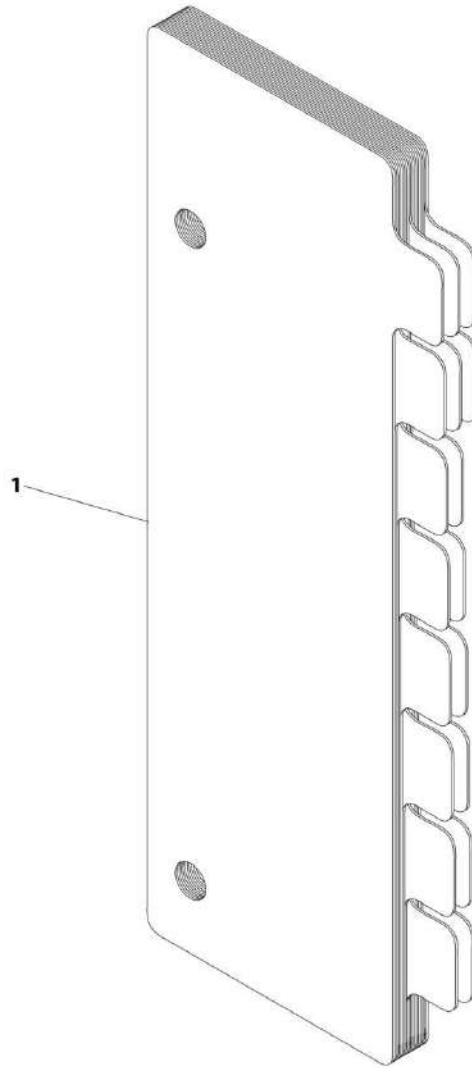
SECTION 11 - DECALS

FIGURE 11-36. SUPPLEMENTAL CAPACITY CHART (ISO) - 6042 (SN 0160075657 through 0160081191, Including 0160075650, 0160075651 and 0160075652)

ITEM	PART NUMBER	QTY	DESCRIPTION	REV
1	1001211870	1	Capacity Chart (ISO) - 6042	C

SECTION 11 - DECALS

FIGURE 11-37. SUPPLEMENTAL CAPACITY CHART (ISO) - 6042 (SN 0160081192 to Present)



ART_1001211870-E

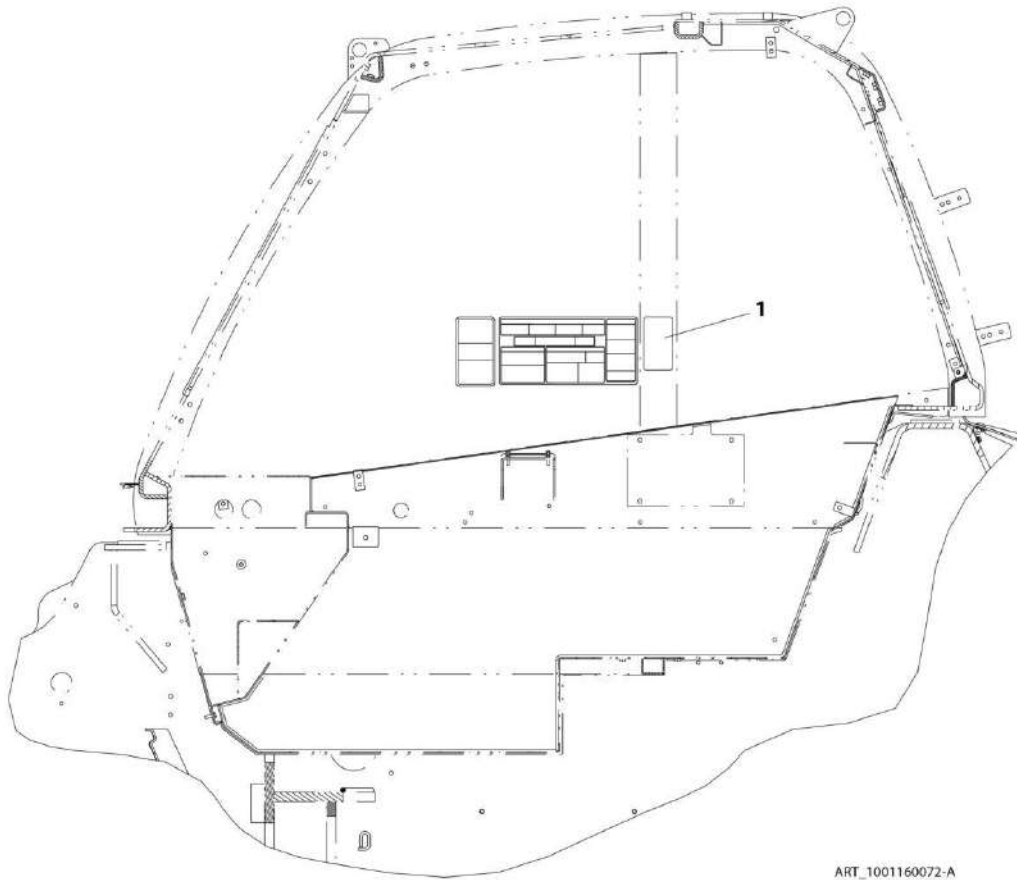
SECTION 11 - DECALS

FIGURE 11-37. SUPPLEMENTAL CAPACITY CHART (ISO) - 6042 (SN 0160081192 to Present)

ITEM	PART NUMBER	QTY	DESCRIPTION	REV
1	1001211870	1	Capacity Chart (ISO) - 6042	E

SECTION 11 - DECALS

FIGURE 11-38. REVERSE SENSOR SYSTEM DECAL (ENGLISH)



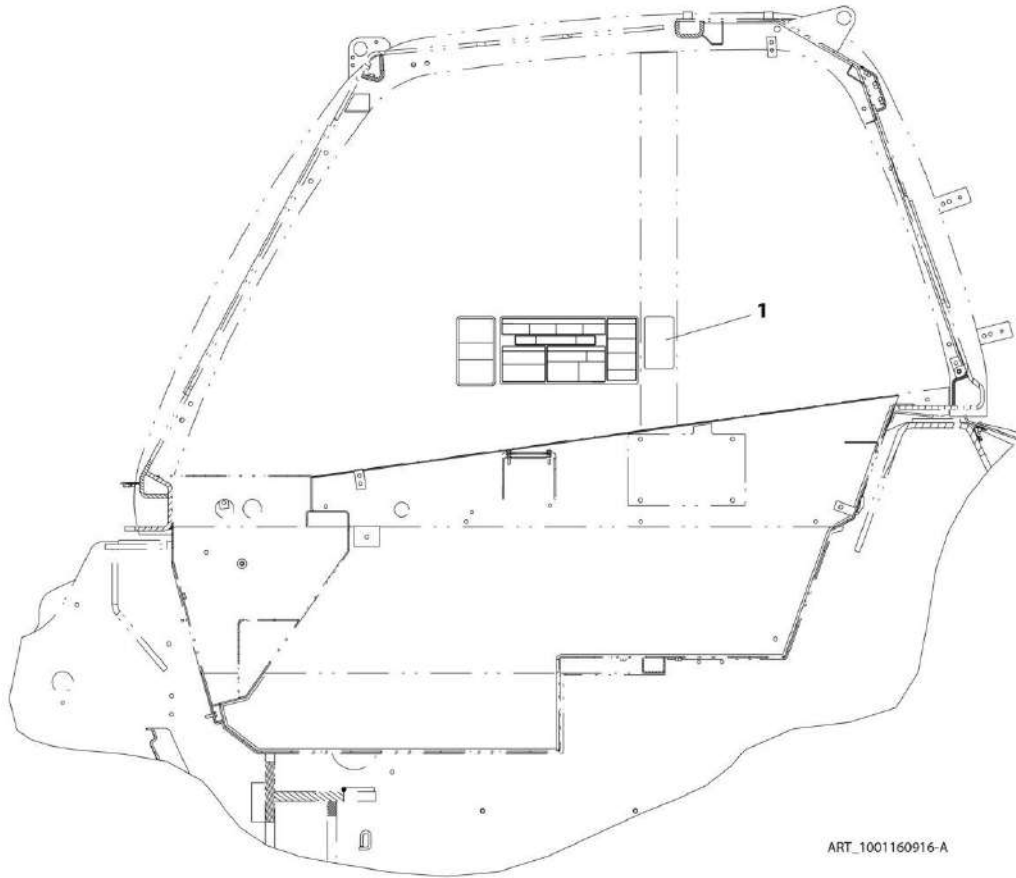
SECTION 11 - DECALS

FIGURE 11-38. REVERSE SENSOR SYSTEM DECAL (ENGLISH)

ITEM	PART NUMBER	QTY	DESCRIPTION	REV
1	1001160072	1	Reverse Sensor System Decal (English)	A

SECTION 11 - DECALS

FIGURE 11-39. REVERSE SENSOR SYSTEM DECAL (ISO)



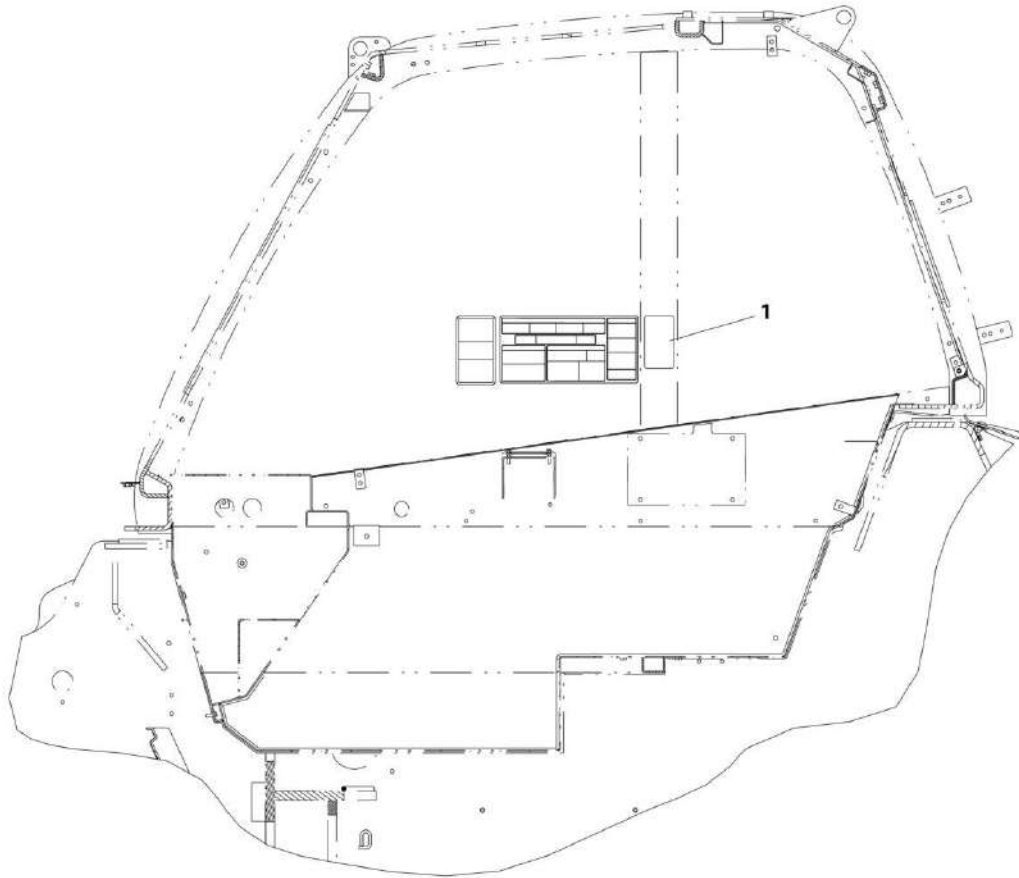
SECTION 11 - DECALS

FIGURE 11-39. REVERSE SENSOR SYSTEM DECAL (ISO)

ITEM	PART NUMBER	QTY	DESCRIPTION	REV
1	1001160916	1	Reverse Sensor System Decal (ISO)	A

SECTION 11 - DECALS

FIGURE 11-40. REVERSE SENSOR SYSTEM DECAL (ENGLISH/FRENCH)



ART_1001160945-A

SECTION 11 - DECALS

FIGURE 11-40. REVERSE SENSOR SYSTEM DECAL (ENGLISH/FRENCH)

ITEM	PART NUMBER	QTY	DESCRIPTION	REV
1	1001160945	1	Reverse Sensor System Decal (ENGLISH/FRENCH)	A

SECTION 12 - RECOMMENDED SPARE PARTS

SECTION 12 - RECOMMENDED SPARE PARTS

SECTION 12 - RECOMMENDED SPARE PARTS

FIGURE 12-1. RECOMMENDED SPARE PARTS

ITEM	PART NUMBER	QTY	DESCRIPTION	REV
		Ref	Boom	
	2716788	2	Hose, Fork Tilt Cylinder - 6036	
	2713452	2	Hose, Fork Tilt Cylinder - 6042	
	2716714	2	Hose, Boom	
	7079572	AR	Pad, Wear	
	7111572	AR	Pad, Wear	
	7082311	AR	Insert, Wear Pad	
	7082342	AR	Shim, Wear Pad	
	7082362	AR	Shim, Wear Pad	
	7085442	AR	Spacer, Wear Pad - 6036	
	7096702	AR	Spacer, Wear Pad - 6042	
	7096772	AR	Spacer, Wear Pad - 6042	
	7096882	AR	Spacer, Wear Pad - 6042	
		Ref	Engine and Attaching Parts	
	70026234	1	Element, Fuel Filter	
	70026237	1	Filter, Oil	
	1001174822	1	Fan	
	70026229	1	Fan Belt, V-Ribbed	
	1001199737	1	Kit, Filter, 250 Hour	
	70026237	1	Filter, Oil	
	70026234	1	Element, Fuel Filter	
	70026453	1	Cartridge, Fuel Filter	
	70025852	1	Filter, Cylindrical Air Primary	
	70025853	1	Filter, Cylindrical Air Secondary	
	1001199738	1	Kit, Filter, 1000 Hour	
	70026237	1	Filter, Oil	
	70026234	1	Element, Fuel Filter	
	70026453	1	Cartridge, Fuel Filter	
	70025852	1	Filter, Cylindrical Air Primary	
	70025853	1	Filter, Cylindrical Air Secondary	
	70024152	1	Kit, Hydraulic Filter	
	1319726	1	Kit, Hydraulic Filter	
		Ref	Drive Train	
	1600429	1	Selector, Transmission Control	
	1319726	1	Filter, Transmission Oil	
	91474576	8	Bearing	
		Ref	Hydraulic System	
	1001158002	1	Control, Pilot Joystick	
	8036502	1	Kit, Seal, Extend/Retract Cylinder	
	70026044	2	Kit, Seal, Lift Cylinder - 6036	
	70026022	2	Kit, Seal, Lift Cylinder - 6042	
	8035326	1	Kit, Seal, Frame Level Cylinder	
	8035720	1	Kit, Seal, Fork Tilt Cylinder	
	8036747	1	Kit, Seal, Stabil-Trak Cylinder	
	7028739	2	Kit, Seal, Compensation Cylinder	

SECTION 12 - RECOMMENDED SPARE PARTS

ITEM	PART NUMBER	QTY	DESCRIPTION	REV
	2915023	2	Kit, Seal, Swing Carriage Cylinder	
	70026062	1	Kit, Seal, Side Tilt Cylinder	
	70021452	2	Kit, Seal, Grapple Bucket Cylinder	
	70026206	1	Element, Filter, Hydraulic/Fuel/DEF Tank	
	70026584	1	Filter, DEF	
	7139077	1	Filler/Breather	
	7024441	1	Gauge, Sight	
	70024152	1	Kit, Filter, Hydraulic/Fuel/DEF Tank	
	8270620	1	Horn, Signal	
		Ref	Miscellaneous	
	8035807	1	Key, Ignition (with cover)	
	8342808	1	Key, Air Cleaner Access Panel	
	70021948	1	Key, Cab Door	
	80384213	1	Blade, Front Wiper	
	8035498	1	Blade, Skylight Wiper	
		Ref	Special Tools	
	70010239	1	Two-Armed Puller, 160-150mm, ZF Transmission	
	70023174	1	Eye Bolt Assortment, ZF Transmission	
	70022872	1	Internal Extractor, 45-58mm, ZF Transmission	
	70022871	1	Counter Support, ZF Transmission	
	70026448	1	Tool, Spanner Wrench	

PART NUMBER INDEX

PART NUMBER INDEX

0100009.....767, 769	0711627 203, 205, 207	1001096021 155	1001110412.....919
0100011.... 115, 117, 119, 121, 123, 125, 203, 205, 207, 269, 271	0711628 203, 205, 207	1001096023 155	1001110413.....931
0100019....17, 19, 21, 23, 25, 27, 29, 31, 33, 35	0712040 289, 291	1001096024 157	1001110704.....129
01043892.....275	0741610... 115, 117, 119, 121, 123, 125	1001096025 155	1001111112.....435, 451
0140011.....809	0760605 203, 205	1001096162 153, 155, 157, 159	1001111190.....129
0240156.....161	0760608 243, 245	1001096314 733, 735, 739, 741, 745, 749, 757, 761, 765	1001112612.....788, 821, 827, 837
0400075.....725	0760610 45, 257, 259, 261	1001096404 850, 854, 858, 862, 866, 870, 874, 878, 882, 886	1001112796.....821, 827
0630464.....435, 451	0760614 207	1001097079 763, 765	1001114202.....557
0641403....257, 259, 261, 455	0760810 41, 207, 215, 219, 225, 706, 718	1001097080 759, 761	1001114495.....247, 249
0641404....695, 698, 702, 706, 710, 714, 718, 722	0760812 217, 219, 359	1001097205 163	1001114675.....850, 854, 858, 862, 866, 870, 874, 878, 882, 886
0641405.....159, 233, 235	0760815 227	1001097735 62	1001114867.....412, 416, 424, 428, 440, 444
0641406....706, 718, 813	0761007 718	1001098769 850, 854, 858, 862, 866, 870, 874, 878, 882	1001116208.....889
0641410.....809	0761012 243, 267	1001099113 115, 117, 119, 121, 123, 125	1001116692.....775, 780, 827
0641415.....727	0761014 207	1001099115 115, 117, 119, 121, 123, 125	1001116693.....821, 827
0641507.....217	0761212 ... 695, 698, 702, 706, 710, 714, 718, 722	1001099901 133	1001116694.....827
0641508.....233, 235	0771618 203, 205, 207	1001099902 131	1001116710.....790
0641509.....233, 235	0860520 159	1001100227 165	1001116712.....795
0641510.....191	0861493 833	1001100228 167	1001116723.....793
0641511....203, 205, 733, 735, 739, 741, 757	0930020 149	1001100229 169	1001116725.....799, 801
0641605....695, 698, 702, 706, 710, 714, 718, 722	1001002959 455	1001100284 391, 395	1001116726.....790
0641607....215, 217, 219	1001003174 789	1001100323 389, 391	1001116727.....772, 773, 774, 778, 783, 789, 790
0641608.....207, 215	1001004720 247, 249, 809	1001100822 143	1001116728.....773, 775, 778, 779, 780, 783, 784, 805, 811
0641609.....245	1001008742 435, 451	1001100823 145	1001116729.....772, 778, 783, 799, 801, 803
0641612.... 115, 117, 119, 121, 123, 125, 245, 583	1001081049 416, 428, 435, 444, 451	1001100824 147	1001116731.....821
0641614.....233, 235	1001081241 455	1001100828 825	1001116732.....779, 785
0641618....17, 19, 21, 23, 25, 27, 29, 31, 33, 35, 41, 43, 45, 47	1001081242 455	1001100829 825	1001116734.....775, 779, 785
0641620.....809, 815	1001081243 435, 451	1001100967 193	1001116736.....793, 799, 801
0641632.....815	1001081244 455	1001101085 412, 424, 440, 465	1001116745.....772, 778, 783, 811
0641636.....455	1001081245 455	1001101115 165, 167	1001116747.....789
0641652.....455	1001081246 455	1001101116 165, 169	1001116748.....773, 774, 779, 784
0642032....93, 95, 97, 99, 101, 103, 105, 115, 117, 119, 121, 123, 125	1001081247 455	1001101845 62, 69	1001116751.....793
0681810.... 115, 117, 119, 121, 123, 125	1001081266 455	1001101861 53, 67	1001116757.....773, 778, 779, 783, 784
0682648....21, 25, 31, 35	1001081310 459, 461	1001101956 119	1001116758.....773, 778, 779, 783, 784
0682652....17, 19, 21, 23, 25, 27, 29, 31, 33, 35	1001090063 115, 117, 119, 121, 123, 125	1001102378 115, 117, 119, 121, 123, 125	1001116774.....789, 827, 835
0700610....850, 854, 858, 862, 866, 870, 874, 878, 882, 886	1001090064 115, 117, 119, 121, 123, 125	1001102813 159, 191	1001116808.....788, 827, 835
0700614....191, 735, 741	1001090140 115, 117, 119, 121, 123, 125	1001102844 412, 416, 424, 428, 440, 444	1001116812.....788, 827, 835
0700617.....437, 463	1001091885 645	1001103182 129, 657	1001116815.....821, 835
0700624.....501	1001091901 ... 17, 19, 21, 23, 25, 645	1001103637 153	1001116945.....837
0700812.....219	1001092391 187	1001103730 155	1001116950.....774, 780, 785
0700822.....437	1001092481 153	1001103736 157	1001117021.....775, 780, 784, 805, 811
0700827.....269, 271	1001092482 153	1001105886 843	1001117026.....799, 801, 803, 811
0700828.....463, 493	1001092877 882, 886	1001106012 895	1001117059.....793
0701026.....221, 223	1001092878 882, 886	1001106013 907	1001117064.....788
0701216.....243	1001093171 163	1001106836 527, 675	
0701219....215, 217, 219	1001093273 161	1001108524 327	
0711214....203, 205, 207, 215, 217, 219, 271	1001093377 161, 165	1001108575 455	
0711219....203, 205, 207	1001093465 161	1001108668 140	
0711225.....501	1001093564 845	1001109053 850, 854, 858, 862, 866, 870, 874, 878, 882, 886	
0711227....203, 205, 207	1001094312 455	1001109478 435, 451	
	1001094330 161		
	1001094696 843		
	1001094830 161		
	1001095418 129		
	1001095650 359		
	1001095704 774		
	1001095810 159		
	1001096019 157		
	1001096020 157		

PART NUMBER INDEX

1001117068 772, 778, 783	1001128890..... 199	1001150349.....289, 291	1001158319 850, 854, 858, 862
1001117070 775, 779, 785	1001128901.....217	1001150652.....359	1001158320 882, 886
1001117079 799, 801	1001129285..... 790	1001150655.....359	1001158321 882, 886
1001117080 793	1001129407..... 819	1001150656.....359	1001158337 533
1001117081 795	1001129615..... 727	1001151097397	1001158404 437, 463
1001117103 774, 780, 785	1001130307..... 706, 710, 714, 718, 722	1001151098.....397	1001158527 535
1001117106 788	1001131271..... 850, 854, 858, 862, 866, 870, 874, 878, 882, 886	1001151106.....397	1001158528 533, 535
1001117111 775, 780, 785	1001133072..... 115, 117, 119, 121, 123, 125	1001151561..93, 97, 101, 103	1001158551 519, 523, 527
1001117119 788, 789	1001133173..... 783	1001153748.....619, 621, 681	1001158854 515
1001117125 775, 780, 784	1001133534..... 245	1001153912.....237	1001158855 519
1001118245 727	1001134488..... 233, 235	1001154055.....359	1001158856 533
1001118378 788, 835	1001135770..... 729	1001154227.....253	1001159034 581
10011184495 797	1001135777..... 729	1001154375.....809	1001159112 573
1001119004 773, 779, 784	1001136358..... 243, 245	1001154511 203, 209	1001159113 607
1001119278 845	1001136975..... 243, 245, 247, 249	1001154575.....870, 878, 882, 886	1001159114 573
1001120083 225	1001137512..... 189	1001154790 207, 213	1001159115 573
1001120869 233, 235	1001138642..... 783	100115592162	1001159186 788, 789
1001120914 115, 117, 119, 121, 123, 125	1001138643..... 783	1001155923.....62	1001159250 537
1001120915 115, 117, 119, 121, 123, 125	1001138645..... 207	1001155925.....61	1001159319 ... 41, 43, 45, 47
1001120963 389	1001139578..... 850, 854, 858, 862	100115592753	1001159656 613, 615, 617, 683
1001120989 889	1001139942..... 882, 886	1001155928.....53	1001159658 607, 613
1001121101 393, 395	1001141427..... 412, 416, 424, 428, 440, 444	1001156012.....635	1001159697 541
1001121519 393	1001142452..... 850, 858, 866, 874, 882, 886	1001156013.....53, 633	1001159844 437, 463, 487
1001121726 790	1001142790..... 127	1001156032.....53	1001159850 425, 428
1001121728 790	1001143305..... 412, 424, 440	1001156164.....17, 19, 21, 23, 25, 627	1001159851 441, 444
1001121730 774, 780, 785, 790	1001143307..... 706, 718, 731, 733	1001156174...27, 33, 629	1001159856 435, 451, 453
1001125027 775, 780, 784, 793	1001143551..... 835	1001156283.....41, 43, 45, 47	1001159860 435
1001125083 774	1001143852..... 882, 886	1001157274.....850, 854, 858, 862, 866, 870, 874, 878, 882, 886	1001159861 451, 479
1001125085 774	1001144147..... 821, 827, 835	1001157275.....891, 893	1001159869 557
1001125089 774	1001144629J..... 159	1001157615.....858, 862, 874, 878, 886	1001159870 559
1001125387 850, 854, 858, 862	1001145026..... 671, 673	1001157616.....850, 854, 866, 870, 882	1001159871 563
1001125784 788	1001145707..... 779, 785	1001157663.....269, 271	1001159878 412, 416, 425, 428, 441, 444
1001125785 788	1001146084..... 93	1001157890.....775, 780, 788, 789, 835	1001159932 215
1001126008 788, 789, 835	1001146086.....97	1001157891.....793, 799, 801	1001160071 473
1001126043 559, 561	1001146088..... 101	1001157923.....605, 663	1001160072 943
1001126351 783	1001146159..93, 97, 101, 103	1001157925.....591, 593, 599, 601, 661	1001160108 519, 523
1001126353 783	1001146160..93, 97, 101, 103, 199	1001157937587, 591	1001160109 515
1001126356 783	1001147265..... 293, 295	1001157939.....595, 599	1001160116 203, 205, 207
1001126391 773	1001147377..... 293, 297	1001158002.....499, 517, 950	1001160137 549
1001126393 773	1001147378..... 289, 291, 293	1001158004.....515, 517	1001160250 ... 17, 19, 21, 23, 25, 27, 29, 31, 33, 35
1001126484 775	1001147379..... 289, 295, 313	1001158006.....893	1001160782 215
1001126487 775	1001147379..... 289, 295, 313	1001158009.....891	1001160785 435, 451
1001127066 795	1001147380..... 291, 295	1001158071891	1001160787 475
1001127593 913	1001147874..... 289	1001158089.....412, 419	1001160788 419, 421, 431, 433, 447, 449
1001127594 937	1001147875..... 291	1001158090.....424, 431	1001160789 419, 431, 447
1001127699 727	1001148177..... 850, 854, 858, 862, 866, 870, 874, 878, 882, 886	1001158091440, 447	1001160790 419, 421, 431, 433, 447, 449
1001127700 727	1001149227..... 419, 421, 435, 451	1001158199515	1001160791 419, 421, 431, 433, 447, 449
1001127753 901	1001149513..... 541, 545	1001158200515	1001160815 419, 421
1001127755 925	1001149515..... 549, 553	1001158243.....519, 523	1001160825 571
1001128341 233, 235	1001149712..... 788, 821	1001158264.....533	1001160832 571
1001128363 217		1001158266.....533	1001160844 215
1001128364 217		1001158268.....519, 523	1001160845 203
1001128594 209, 211, 213		1001158272.....850, 854, 858, 862	1001160912 477
1001128714 217		1001158293.....533	

PART NUMBER INDEX

1001160916.....945	1001165517 203, 205, 207	1001167650 774, 779	1001171383..... 41, 43, 45
1001160945.....947	1001165518 203, 205, 207	1001167793 41, 43, 47	1001171385.... 41, 43, 45, 47
1001161207 731, 733	1001165583 419, 431, 447	1001168051 225	1001171471.....257
1001161208.....737, 739	1001165609 215	1001168052 225	1001171472.....257, 259, 261
1001161212.....767	1001165617 419, 421, 431, 433, 447, 449	1001168053 225	1001171473.....257, 259, 261
1001161213.....769	1001165660 203, 205, 207	1001168066 447, 449, 451	1001171474.....257, 259, 261
1001161785.....493	1001165668 221	1001168376 623, 685	1001171633.....695, 698, 702, 706, 710, 714, 718, 722
1001161920.....203, 205, 207	1001165669 225	1001168435 37, 667	1001171757.....695, 698, 702, 706, 710, 714, 718, 722
1001162212.....257, 259, 261	1001165670 233	1001168478 233, 239	1001171802.....243
1001162401 591, 593, 599, 601	1001165672 243	1001168822 203	1001171803.....243
1001162650.....607, 609, 611	1001165673 247	1001168857 263	1001171805.....243, 245
1001162734.....850, 854, 858, 862, 866, 870, 874, 878, 882, 886	1001165675 251	1001168858 263	1001171806.....441, 444, 463
1001162735.....850, 854, 858, 862, 866, 870, 874, 878, 882, 886	1001165806 435, 451, 455	1001168859 263, 265	1001171807.....425, 428, 437
1001162736.....850, 854, 858, 862, 866, 870, 874, 878, 882, 886	1001165818 225	1001168930 ... 41, 43, 45, 47	1001171873.....585
1001162804.....473, 475, 477	1001165823 431, 433, 435	1001169000 257	1001171986.....585
1001162806.....473	1001165997 17	1001169001 257, 259, 261	1001172000.....577
1001162862.....755, 757	1001165998 27	1001169002 257	1001172100.....527
1001163174.....866, 870, 874, 878	1001166008 269	1001169057 215, 217, 219	1001172135.....695, 706, 710
1001163206.....866, 870, 874, 878	1001166009 281	1001169059 233, 235	1001172136.....695, 707, 710
1001163210.....866, 870, 874, 878	1001166011 412	1001169077 225	1001172197.....595
1001163212.....866, 870, 874, 878	1001166012 424	1001169172 41	1001172198.....587
1001163222.....866, 870, 874, 878	1001166014 440	1001169271 247	1001172225.....515
1001163285.....866, 870, 874, 878	1001166029 695	1001169272 247, 249	1001172363.....581
1001163300.....866, 870, 874, 878	1001166030 702	1001169274 247, 249	1001172537.....437, 463
1001163304.....866, 870, 874, 878	1001166032 41	1001169329 ... 17, 19, 27, 29, 37, 39	1001172561.....437, 463
1001163323.....866, 870, 874, 878	1001166052 706	1001169330 257, 259	1001172784.....619
1001163355.....866, 870, 874, 878	1001166053 718	1001169331 263	1001172824.....37
1001163414.....115, 117, 119, 121, 123, 125, 653	1001166103 850	1001169466 ... 23, 25, 33, 35, 37, 39, 671	1001173217.....437, 463
1001163685.....607, 609, 611	1001166104 866	1001169620 695, 706, 710, 772	1001173230.....533
1001164096.....451	1001166105 882	1001169787 455	1001173423.....850, 858, 866, 874, 882, 886
1001164099.....451	1001166106 858	1001169816 795	1001173535.....207, 257, 259, 261
1001164196.....463	1001166107 874	1001170117 233, 235	1001173581.....497
1001164282.....435	1001166108 886	1001170186 233, 235	1001173582.....495
1001164284.....435	1001166229 267	1001170230 727	1001173583.....495, 497
1001164404.....215	1001166237 ... 17, 19, 21, 27, 29, 31	1001170233 695, 698, 702, 706, 710, 714, 718, 722, 727	1001173585.....493
1001164717 435, 451	1001166556 773	1001170234 695, 698, 702, 706, 710, 714, 718, 722, 729	1001173764.....607, 609, 611
1001164837.....215	1001166566 225, 229	1001170329 671, 673	1001174152.....850, 858, 866, 874, 882, 886
1001164838.....215	1001166693 215	1001170738 412, 416, 425, 428, 441, 444	1001174225.....607
1001165041 17, 23	1001166704 774, 775	1001170856 37, 39	1001174227.... 17, 19, 21, 23, 25, 27, 29, 31, 33, 35
1001165044 27, 33	1001166715 227	1001171234 695, 698, 702, 706, 710, 714, 718, 722	1001174229.... 17, 19, 21, 23, 25, 27, 29, 31, 33, 35
1001165194.....773	1001166935 215, 217, 219	1001171236 695, 698, 702, 706, 710, 714, 718, 722	1001174297.....607
1001165275.....455	1001166976 215	1001171237 695, 698, 702, 706, 710, 714, 718, 722	1001174327.....215, 217, 219
1001165276.....455	1001167167 215	1001171238 695, 698, 702, 706, 710, 714, 718, 722	1001174340.....493
	1001167168 215	1001171239 695, 698, 702, 706, 710, 714, 718, 722	1001174375.....605
	1001167250 475		1001174822.....221, 950
	1001167251 477		1001175035.....493, 497
	1001167357 269, 271		
	1001167528 775		
	1001167617 774		
	1001167620 772		
	1001167624 772		
	1001167641 774, 779		
	1001167643 774, 779		
	1001167644 774, 779		
	1001167646 774, 779		
	1001167647 774, 779		
	1001167648 774, 779		
	1001167649 774, 779		

PART NUMBER INDEX

1001175036 493, 495	1001182048..... 571, 573, 575	1001187078..... 835	1001195055 775, 780, 785
1001175568 243, 245	1001182051..... 537, 539	1001187362..... 247	1001195057 780, 785
1001175733 811	1001182091..... 435, 451, 767	1001187512..... 774	1001195082 191
1001176002 772	1001182094..... 243	1001187513..... 774	1001195087 774, 775, 780, 785
1001176004 772	1001182135..... 455	1001187952..... 790	1001195423 817
1001176515 137	1001182255..... 233, 235, 237	1001188619..... 493	1001195610 817
1001176935 774, 775	1001182358..... 809	1001189017..... 850, 854, 858, 862, 866, 870, 874, 878, 882, 886	1001195760 789
1001177198 790, 807	1001182408..... 455	1001189318..... 249	1001195826 ... 17, 19, 21, 23, 25, 27, 29, 31, 33, 35
1001177746 435, 451, 455	1001182470..... 435, 451, 461	1001189327..... 850, 854, 858, 862, 866, 870, 874, 878, 882, 886	1001195875 515
1001178224 549, 551	1001182514..... 455	1001189488..... 702, 718, 722, 783	1001195880 515
1001178285 695, 698, 702, 706, 710, 714, 718, 722, 788	1001182603..... 243	1001189602..... 249	1001195923 273
1001178344 731, 733, 735, 737, 739, 741, 755, 757, 803	1001182663..... 455	1001189712..... 249	1001195952 ... 17, 19, 21, 23, 25, 27, 29, 31, 33, 35
1001178345 767, 769, 805	1001182723..... 463	1001189715..... 249	1001195970 151
1001178346 731, 733, 735, 737, 739, 741, 799, 801	1001182798..... 463	1001189871 809	1001196109 577, 579
1001178347 424, 428, 440, 444, 793	1001182800..... 455	1001189875..... 773, 778, 779, 783, 784	1001196110 ... 17, 19, 21, 23, 25, 31, 33, 641
1001178349 435, 451, 795	1001182808..... 455	1001189877..... 774, 783	1001196124 205
1001178582 233, 235	1001182810..... 455	1001189886..... 809, 811	1001196125 217
1001178776 233, 235, 245, 671, 673	1001182842..... 455	1001190005..... 227	1001196128 435, 451
1001179229 437, 463	1001182865..... 455	1001190183..... 227	1001196277 523
1001179338 858, 862, 874, 878, 886	1001182871..... 455	1001190229..... 412, 416, 424, 428, 440, 444, 467	1001196279 43
1001179352 850, 854, 866, 870, 882	1001182882..... 455	1001190295..... 271	1001196280 523
1001179375 243	1001182883..... 455	1001190306..... 23, 25, 33, 35	1001196287 603, 605
1001179378 850, 854, 858, 862, 866, 870, 874, 878, 882, 886	1001182884..... 455	1001190341 41, 43, 45, 47	1001196290 575
1001179379 850, 854, 858, 862, 866, 870, 874, 878, 882, 886	1001183084..... 455	1001190344 245	1001196292 561
1001179845 233, 235	1001183104..... 455	1001190349 245	1001196294 611, 617
1001180175 866, 870, 874, 878	1001183164..... 416, 429, 444	1001190370 245	1001196296 609, 611
1001180176 866, 870, 874, 878	1001183209..... 455	1001190371 245	1001196297 609, 611
1001180227 219	1001183341..... 503, 529	1001190629 245	1001196321 611
1001180244 267	1001183370..... 521, 525	1001190630 245	1001196388 507, 513
1001180473 203, 205, 207	1001183811..... 215	1001190631 245	1001196396 217
1001180555 412, 416, 424, 428, 440, 444, 491	1001184316..... 727	1001190962 219	1001196397 217
1001180760 631	1001184491..... 797	1001190990 219	1001196646 575
1001180762 649	1001184493..... 797	1001191635..... 850, 854, 858, 862, 866, 870, 874, 878, 882, 886	1001196647 583
1001180764 637	1001184494..... 797	1001191922 850, 854, 866, 870, 882	1001196648 583
1001181576 591, 593, 599, 601, 605	1001184496..... 797	1001191992 850, 854, 866, 870, 882	1001196649 583
1001181584 233, 235	1001184835..... 695, 698, 706, 710, 714, 797	1001191993..... 858, 862, 874, 878, 886	1001196650 583
1001181585 233, 235	1001185071..... 267	1001192014 577	1001196655 205, 211
1001181707 435, 451	1001185077..... 219	1001192015 577, 579	1001196668 579
1001181893 435, 451	1001185649..... 219	1001192049 790	1001196669 579
1001181899 251, 695, 698, 702, 706, 710, 714, 722	1001185650..... 207	1001192050 790	1001196671 579
1001181903 435, 451	1001185651..... 227	1001192134 207	1001196736 223
1001181956 416	1001185652..... 249	1001192401 775, 780, 785	1001196737 235
1001181968 435, 451	1001185772..... 421, 433, 449	1001192711 191	1001196806 850, 858, 866, 874
	1001185773..... 416, 421	1001192720 191	1001197066 583, 623
	1001185774..... 429, 433	1001192875 191	1001197098 435, 451
	1001185775..... 445, 449	1001192876 191	1001197099 435, 451, 455
	1001185776..... 428	1001192877 191	1001197233 203, 207, 271
	1001185777..... 444	1001193525 191	1001197412 575
	1001185960..... 519	1001193540 191	1001197421 609
	1001186327..... 237	1001193729 191	1001197422 609, 615
	1001186373..... 203, 205	1001193794 103	1001197475 235, 241
	1001186417..... 727	1001194757 541, 543	1001197765 581, 583
	1001186490..... 245	1001195039 718	1001198355 191
	1001186529..... 23		1001198366 641
	1001186530..... 33		1001198728 815
	1001186535..... 45		1001198769 886
	1001186718..... 207		
	1001186721..... 725		
	1001186841..... 695, 698, 702, 706, 710, 714, 718, 722, 725		

PART NUMBER INDEX

1001199116.....671, 673	1001202465..... 589	1001208280..... 45	1001219895.....823, 827
1001199135.....671, 673	1001202466..... 589, 593	1001208662 ... 17, 19, 21, 23, 25	1001220260.....455
1001199136.....671, 673	1001202467..... 539	1001208663 ... 27, 29, 31, 33, 35	1001220432..... 710, 714, 722
1001199177.....671, 673	1001202468..... 565, 567	1001209097..... 785	1001220468..... 823
1001199181.....671, 673	1001202469..... 597	1001209223..... 525	1001221500..... 399
1001199199.....671	1001202470..... 597, 601	1001210063..... 605	1001223050.....503, 531
1001199205.....671, 673	1001202543..... 741	1001210581..... 867, 871, 875, 879	1001223052.....416, 429, 445, 503
1001199210.....671, 673	1001202615..... 419, 421	1001210582..... 867, 871, 875, 879	1001223453.....851, 855, 859, 863, 867, 870, 875, 878
1001199500.....895, 919	1001202626..... 854, 862, 870, 878	1001210703..... 412, 416, 425, 428, 441, 444	1001224093..... 259
1001199501.....901, 925	1001202627..... 854, 862, 870, 878, 882, 886	1001210776..... 790	1001224096.....259, 261
1001199504.....907, 931	1001202628..... 553	1001210777..... 790	1001226328..... 829
1001199505.....913, 937	1001202746..... 421, 433, 449	1001210778..... 790	1001226400..... 819
1001199670.....257, 259, 261	1001202755..... 854	1001210779..... 790	1001226541.....821
1001199737..... 950	1001202756..... 870	1001210808..... 65	1001226636..... 821
1001199738..... 950	1001202757..... 862	1001210809..... 57	1001226637..... 821
1001199889.....698, 714, 778	1001202758..... 878	1001210818..... 53, 57	1001226796..... 483
1001199891..... 698	1001202904..... 197	1001210819..... 63, 65	1001226799..... 483, 485
1001199951.....257, 259, 261	1001203181..... 277, 833	1001210854..... 521, 525	1001226856.....483, 485, 821
1001200833..... 788	1001203328..... 223	1001210855..... 521, 525	1001227066.....819, 829, 831
1001200845..... 790	1001203503..... 191	1001210856..... 521, 525	1001227068..... 819
1001201111.....243, 245	1001203969..... 247, 249	1001210857..... 521, 525	1001227077.....277
1001201557..... 19	1001203970..... 247	1001210858..... 547, 555	1001227211.....673
1001201559.....25	1001204032..... 277, 687	1001211279..... 710, 714, 722	1001227266..... 819
1001201561..... 19, 21, 25	1001204045..... 57, 65	1001211516..... 105	1001227379..... 179
1001201565.....29	1001204097..... 247, 249	1001211688..... 207	1001227459..... 483
1001201567.....35	1001204098..... 247, 249	1001211690..... 45	1001227508.....581, 583
1001201568.....29, 31, 35	1001204099..... 247	1001211697..... 207	1001227964.....277
1001201631.....519, 523	1001204692..... 809	1001211867..... 897, 899, 921, 923	1001227989.....277
1001201637.....501	1001205172..... 790	1001211868..... 903, 905, 927, 929	1001228508..... 47
1001201639.....501	1001205177..... 731, 737, 743, 747, 755, 759, 763	1001211869..... 909, 911, 933, 935	1001228677.....621
1001201647.....416, 429, 445, 501	1001205179..... 731, 737, 755	1001211870..... 915, 917, 939, 941	1001228872.....261
1001201650.....501	1001205248..... 731, 733, 735, 737, 739, 741, 757, 807	1001211945..... 481	1001228954..... 485
1001201651.....501	1001205264..... 731, 733, 735, 737, 739, 741, 757	1001212057..... 575	1001228986..... 39, 669
1001201657.....501	1001205347..... 755, 759	1001212057..... 575	1001229023.....265
1001201658.....416, 429, 445	1001205348..... 755, 763	1001212670..... 227	1001229024.....265
1001201718.....521	1001205350..... 731, 737, 743	1001213103..... 583	1001229025.....265
1001201721.....529, 531, 679	1001205351..... 731, 737, 747	1001213118..... 583	1001229095..... 39
1001201726.....521, 525	1001205674..... 731, 737, 755	1001213142..... 511	1001229107..... 829
1001201728.....521, 525	1001205684..... 21	1001213199J..... 399	1001229117.....261
1001201734.....521, 525	1001205685..... 31	1001213210..... 255	1001229210.....261
1001201736.....501, 529	1001205753..... 525	1001213574..... 815	1001229457..... 825
1001201752.....735, 741	1001205788..... 714	1001213938..... 37, 247	1001229458.....823, 825
1001201813..... 710	1001205811..... 521	1001215159..... 569	1001229703..... 889
1001201831.....225	1001205813..... 735	1001215630..... 833	1001230239..... 199
1001201832.....722	1001205874..... 577	1001215631..... 833	1001230241..... 199
1001201923..... 17, 19, 21, 23, 25, 27, 29, 31, 33, 35	1001206542..... 813	1001215632..... 833	1001230402..... 835
1001201945.....247, 249	1001206543..... 815	1001215778..... 471	1001230847..... 237
1001201983.....247	1001206956..... 277	1001215783..... 471	1001231397..... 835, 837
1001201987.....543	1001206983..... 277	1001215941..... 277	1001231398..... 835
1001201988.....543, 547	1001206985..... 277	1001216455..... 277, 835	1001231400.....835, 837
1001201989.....551	1001207217..... 851, 854, 859, 862	1001216589..... 47	1001231402.....835, 837
1001201990.....551, 555	1001207218..... 883, 887	1001218358..... 835	1001231406..... 835
1001202043.....555	1001207606..... 195	1001218659..... 851, 855, 859, 863	1001231560.....277, 837
1001202189.....421, 433, 449	1001207963..... 412, 417, 425, 429, 441, 445	1001219082..... 277, 823	1001231692..... 199
1001202202.....421, 433, 449		1001219211..... 867, 870, 875, 878, 883, 887	1001231801.....855, 863
1001202247.....277		1001219212..... 851, 859	1001232216.....641
1001202304.....277			1001232355..... 181
			1001232439.....275
			1001232500..... 199

PART NUMBER INDEX

1001232599 275	1319565 333	1319636.....343, 345, 347	1320022 ... 249, 259, 261, 416, 428, 444
1001232624 275	1319566 333	1319637.....345	1320032 261
1001232750 275, 839	1319569 335	1319638.....345, 347	1321094 209, 211, 213
1001233236 831	1319570 335	1319639.....347	1322039 209, 211, 213
1001233237 831	1319571 335	1319641.....349	1322040 209, 211, 213
1001233383 117	1319574 335	1319643.....349	1600429... 412, 416, 424, 428, 440, 444, 950
1001233384 121	1319575 335	1319646.....349	1701509 159
1001233385 125	1319576 335	1319647.....349	1701640 ... 850, 854, 858, 862, 866, 870, 874, 878, 882, 886
1001234098 839, 841, 843	1319577 335	1319648.....349	1702300 ... 850, 854, 858, 862, 866, 870, 874, 878, 882, 886
1001234216 839, 841, 845	1319582 335, 357	1319649.....349	1702631 ... 850, 854, 858, 862, 866, 870, 874, 878, 882, 886
1001234531 839	1319583 335	1319650.....351	1702773 153, 155, 157
1001235725 247	1319584 335	1319652.....351, 353	1704277 159
1001239250 485	1319585 335, 357	1319659.....351	1704885 153, 155, 157
1001239250 485	1319586 335	1319661.....351, 353	1706098 882, 886
1001239539 277	1319587 335	1319670.....353, 355	1706281 882, 886
1001239959 841	1319590 335	1319671.....353	1706282 882, 886
1001241838 403	1319591 337	1319673.....353	1706284 882, 886
1001241839 401, 403	1319592 337	1319674.....353	1706285 882, 886
1001241840 405	1319593 ... 337, 339, 341, 343, 345, 347	1319675.....353	1706288 882, 886
1001241846 401	1319594 ... 337, 339, 341, 343, 345, 347	1319676.....353	1706296... 850, 854, 858, 862
1001241847 405	1319595 ... 337, 339, 341, 343, 345, 347	1319677.....353	1706298 ... 850, 854, 858, 862
1001244360 237	1319596 337, 339, 343	1319678.....353	1706299... 850, 854, 858, 862
10139087 . 850, 854, 858, 862, 866, 870, 874, 878, 882, 886	1319600 ... 337, 339, 341, 343, 345, 347	1319679.....353	1706300 ... 850, 854, 858, 862
10268515 227, 231	1319601 ... 337, 339, 341, 343, 345, 347	1319680.....353	1706301... 850, 854, 858, 862
10268516 227	1319602 ... 337, 339, 341, 343, 345, 347	1319681.....353	1706302 191
1060379 159	1319603 ... 337, 339, 341, 343, 345, 347	1319682.....353	1706306... 850, 854, 858, 862
1060626 843, 845	1319604 ... 337, 339, 341, 343, 345, 347	1319683.....353	1706768 ... 850, 854, 858, 862
1062255 ... 695, 698, 702, 706, 710, 714, 718, 722	1319605 337, 339, 343	1319684.....353	1706850... 850, 854, 858, 862
10705034 109, 111	1319606 337, 339, 343	1319685.....353	1706892 153
10719267 225	1319607 337	1319686.....353	2080040 159
10727374 503, 529	1319608 337, 347	1319687.....353	2110606... 113, 115, 117, 119, 121, 123, 125
10728823 521, 525	1319609 337	1319688.....353	2110808 ... 115, 117, 119, 121, 123, 125
10731702 331	1319610 337	1319689.....353	2130606 109, 111, 113
10731709 353, 355	1319611 337	1319690.....353	2130608 109, 111
10731744 335	1319612 ... 337, 339, 341, 343, 345, 347	1319691.....353	2131210 327
10731748 331	1319613 339	1319692.....353	2131212 233, 235, 327
10731751 331	1319614 339	1319693.....353	2144605 527
10731845 .. 337, 339, 343	1319615 339, 343, 345	1319694.....353	2170706 527
10731913 333	1319616 341	1319695.....353	2172106... 115, 117, 119, 121, 123, 125
10731959 349	1319617 341, 345, 347	1319696.....353, 355	2180798 227
10732063 353, 355	1319618 341, 345, 347	1319697.....353	2220214 710, 714, 722
10732064 353	1319619 341	1319698.....353	2220218 245
10732071 351	1319620 341, 345, 347	1319699.....353	2220238 481
10732072 351	1319621 341, 345, 347	1319700.....353	2220239 ... 587, 589, 671, 673
10732095 331	1319622 341, 345, 347	1319701.....353	2220366... 591, 593, 599, 601, 605
10732150 .. 41, 43, 45, 47	1319623 341, 345, 347	1319702.....353, 355	
10839156 349	1319624 341, 345, 347	1319703.....353, 355	
1101312 231	1319625 341, 345, 347	1319704.....353	
1101313 231	1319626 341, 345, 347	1319705.....353	
1170021 95	1319627 341, 345, 347	1319707 353, 355	
1170024 99	1319628 341, 345, 347	1319710.....355	
1170054 115	1319629 341, 345, 347	1319711.....355	
1170057 123	1319630 341, 345, 347	1319712.....355	
1319203 331	1319631 341, 345, 347	1319713.....355	
1319204 331	1319632 341, 345, 347	1319714.....355	
1319205 331	1319633 341, 349	1319715.....355	
1319209 331	1319634 343	1319717.....355	
1319210 331	1319635 343	1319718.....357	
1319211 331		1319719.....357	
1319213 331		1319720.....357	
1319557 333		1319721.....357	
1319558 333		1319722.....357	
1319563 333		1319723.....357	
		1319724.....357	
		1319725.....357	
		1319726.....357, 950	

PART NUMBER INDEX

2220371.....517, 573, 575, 591, 593, 599, 601, 605, 613, 615, 617	2340038 175	3300240 ... 93, 95, 97, 99, 101, 103, 105, 115, 117, 119, 121, 123, 125	4360690.....412, 416, 424, 428, 440, 444
2220373.....61, 507, 509, 511, 513, 535, 545, 547, 553, 555, 591, 593, 599, 601, 605, 613, 615, 617	2340039 185	3300429 671, 673	4420037.....41, 43, 45, 47
2220375.....563, 565, 567, 569, 671, 673	2340045 173	3311401 ... 233, 235, 412, 416, 424, 428, 440, 444	4460019.....774, 775, 779, 780, 783, 784, 785, 799, 801
2220381 615	2400060 780, 785	3311405 159	4460042.....772, 778, 779, 784
2220385.....575, 599, 601	2400066 775	3311502 ... 191, 412, 424, 440	4460142.....785
2220415 129	24921332 217, 219	3311601 53, 61	4460183.....811
2220435 605	2600281 159	3311605 815	4460234.....483, 485
2220451 569, 843	2713082 85	3331615 203, 205, 207	4460247 775, 779, 780, 785
2220465.....581, 591, 593, 599, 601	2713452 61, 950	3332017 289, 291	4460256.....773, 779, 784
2220473.....129, 573, 575, 591, 593, 599, 601, 605, 613, 615, 617	2716563 27, 33, 647	3391410 191	4460268.....793
2220474 619	2716614 53, 61, 639	3421453 159	4460312.....774, 775, 780, 785
2220498.....591, 593, 599, 601	2716670 545, 547	3423226 53, 61	4460321.....835
2220499 671, 673	2716673 549, 551	3423227 ... 17, 19, 21, 23, 25, 27, 29, 31, 33, 35	4460326.....793
2220500.....535, 619, 621	2716675 ... 563, 565, 567, 569	3423242 97, 99, 119, 121	4460419....788, 789, 795, 799, 803, 805
2220501 573, 575	2716713 537, 539	3423275 93, 95, 115, 117	4460457.....835
2220567 54	2716714 ... 507, 509, 511, 513, 950	3423276 ... 101, 103, 105, 123, 125, 129	4460458.....772, 773, 774, 775, 778, 779, 780, 783, 784, 785, 789, 790, 805, 811, 835
2220577.....591, 593, 599, 601, 605, 671, 673	2716760 53	3423307 ... 115, 117, 119, 121, 123, 125	4460464....772, 778, 783, 788, 789, 790, 793, 795, 799, 801, 805, 819, 821, 827, 835, 837
2220578 61	2716763 541, 543	3440620 199	4460465....772, 773, 774, 775, 778, 779, 780, 783, 784, 785, 788, 789, 793, 799, 801, 805, 821, 835, 837
2220582.....517, 591, 593, 599, 601, 605	2716768 537, 539	3520072 159	4460466....772, 774, 775, 778, 779, 780, 783, 785, 788, 789, 790, 793, 799, 801, 821, 827, 835, 837
2220596.....53, 553, 555	2716773 507, 513	3740080 277	4460475....772, 775, 778, 780, 783, 784
2220600.....613, 615, 617	2716784 ... 563, 565, 567, 569	3760170 159	4460476....775, 780, 784
2220602 617	2716785 ... 563, 565, 567, 569	3790151 277	4460508.....789, 807
2220603.....535, 623	2716788 53, 950	3790152 277	4460509....788, 801, 803, 807
2220605.....503, 529	2716792 83	3820020 159	4460518....788, 827, 835
2220609 129	2717018 61	3841203 ... 115, 117, 119, 121, 123, 125	4460539.....835
2220622.....843	2717019 573, 575	3930610 416, 428, 444	4460608....775, 780, 784
2220628.....129	2717020 573, 575	3931012 809	4460742.....835
2220635.....545, 547, 553, 555, 613, 615, 617, 623, 671, 673	2717160 109, 111	3968141 301, 317	4460744....773, 778, 783
2220651 83, 85	2717161 109, 111	3984436 321	4460746.....774, 789
2220655.....591, 593, 599, 601, 605	2717162 109, 111	3984447 321	4460761.....788, 835
2220664 605	2717198 ... 27, 29, 31, 33, 35, 651	3984458 321	4460790.....789, 807
2220671 591, 593, 599, 601	2717260 ... 27, 29, 35, 643	3984469 321	4460809.....835
2220682 569	2717283 109, 111	4031608 275	4460836.....788
2220683 55	2717287 129	4060803 435, 451	4460850....772, 778, 783
2220695.....563, 565, 567	2755060 ... 507, 509, 511, 513	4060806 ... 412, 416, 425, 428, 441, 444	4460871.....788
2220700.....591, 593, 599, 601, 843	2915023 657, 951	4100181 ... 850, 854, 858, 862, 866, 870, 874, 878, 882, 886	4460872.....788
2220788 577, 579	2940074 159	4105262 ... 850, 854, 858, 862, 866, 870, 874, 878, 882, 886	4460884....772, 775, 780, 785, 788, 799, 801
2220883 649	31200160 153	4107442 ... 850, 854, 858, 862, 866, 870, 874, 878, 882, 886	4460891....772, 773, 774, 778, 779, 783, 784, 788, 789, 805, 835
2220885 637	31200386 157	4108302 ... 850, 854, 858, 862, 866, 870, 874, 878, 882, 886	4460894....799, 801, 821
2220947 623	31200387 155	4110422 ... 131, 133, 135, 193, 199	4460897....789, 795, 805
2220950 619, 621	31200388 155	4110473 109, 111	4460905.....788
2220974.....591, 593, 599, 601, 605	3251813 ... 850, 854, 858, 862, 866, 870, 874, 878, 882, 886	4240017 ... 695, 698, 702, 706, 710, 714, 718, 722	
2221042 619	3290501 275	4240032 483, 485	
2221063 605	3290505 277, 823	4240099 205, 207	
2221344 503, 529	3290601 ... 191, 695, 698, 702, 706, 710, 714, 718, 722	4260099 203	
2230025 83, 85	3290605 ... 243, 245, 437, 463, 501, 698, 702, 714, 722	4360569 ... 412, 416, 424, 428, 440, 444	
2230044 537, 539	3290801 ... 215, 455, 695, 698, 702, 711, 714, 722		
2340037 171	3290805 ... 207, 251, 437, 463		
	3291001 718		
	3291201 501		
	3291205 243		

PART NUMBER INDEX

4460908 789	4811902 207, 225, 359	70020680.....675	70022678 661, 663
4460909 788	4812000 ... 207, 215, 221, 223, 243, 718	70020681.....675	70022680 661, 663
4460915 788, 789	4812100 ... 203, 205, 207, 215, 217, 219, 243, 271, 501, 695, 698, 702, 706, 710, 714, 719, 722	70020682.....675	70022682 661, 663
4460930 788, 789, 837		70020693.....661, 663	70022683 661, 663
4460931 ... 772, 778, 783, 799, 801, 835		70020694.....661, 663	70022684 661
4460933 ... 789, 793, 799, 801, 827		70020695.....661, 663	70022686 661, 663
4460941 799, 801	4812300 ... 203, 205, 207, 501	70020711.....661, 663	70022687 661, 663
4460942 ... 788, 793, 799, 801	4831600 275	70020712.....661, 663	70022714 661, 663
4460944 827	4831700 735, 741	70020743.....679	70022797 301, 317
4460945 835	4832000 221, 223	70020745.....679	70022799 319
4460950 793	4832300 501	70020867 681	70022871 951
4460955 ... 773, 774, 779, 784	4891500 217	70020876 479	70022872 951
4460970 788, 790	4891600 ... 17, 19, 21, 23, 25, 27, 29, 31, 33, 35, 215, 217, 219, 733, 735, 739, 741, 757	70020928 465	70022931 140
4460994 795	4891800 ... 115, 117, 119, 121, 123, 125	70021342..... 135, 149	70022932 140
4461006 774, 775	5240800 269, 271	70021349..... 135, 193	70022934 140
4461017 789, 807	5242400 191	70021358..... 149	70022935 141
4461018 801, 803, 807	5251014 ... 412, 416, 424, 428, 440, 444	70021359..... 149	70022936 140
4461070 ... 774, 775, 785, 789, 827	5261200 501	70021360..... 149	70022937 141
4461095 ... 774, 775, 779, 785	5724622 53, 61	70021361..... 149	70022939 141
4461157 772, 778, 783	5906392 67	70021362..... 149	70022942 141
4520368 361	6604662 129	70021364..... 149	70022946 141
4520370 367	70002219 653	70021365..... 149	70022949 141
4520371 373	70002224 653	70021366..... 149	70022950 141
4520449 383, 385	70003738 685	70021367..... 149	70022952 141
4520450 383, 387	70003849 653	70021387..... 149, 193	70022957 140
4520455 377	70004637 649	70021391..... 149	70022960 140
4520456 383	70005847 637	70021392..... 149	70022969 140
4640780 ... 591, 593, 599, 601	70010239 951	70021393..... 149, 659	70022970 140
4641501 113, 689	70020375 633, 635	70021399..... 149	70022980 141
4641502 109, 111, 113	70020404 491	70021415..... 135, 193	70022984 140
4710600 ... 417, 429, 445	70020425 351	70021440..... 137, 659	70022985 140
4711400 ... 159, 233, 235, 435, 451, 695, 698, 702, 706, 710, 714, 718, 722, 809, 813	70020426 351	70021444..... 659	70022987 140
4711500 ... 203, 205, 233, 235, 455	70020427 355	70021446..... 659	70022990 141
4711600 ... 245, 695, 698, 702, 706, 710, 714, 718, 722, 815, 850, 854, 858, 862, 866, 870, 874, 878, 882, 886	70020428 657	70021447..... 659	70022992 140
4740362 233, 235	70020430 349	70021448..... 659	70022993 140
4751400 ... 257, 259, 261, 455	70020431 349	70021451..... 659	70022994 140
4761400 ... 412, 416, 424, 428, 440, 444, 727	70020555 163, 195	70021452..... 659, 951	70022995 140
4761500 203, 205	70020562 149	70021464..... 659	70022997 127
4811600 ... 245, 275, 277, 823	70020652 461	70021465..... 659	70022998 141
4811700 ... 191, 203, 205, 207, 243, 257, 259, 261, 437, 463, 501, 695, 707, 710, 735, 741	70020659 675	70021466..... 659	70023003 140
4811702 45, 437, 463, 698, 702, 714, 722	70020660 675	70021583..... 645	70023004 140
4811900 41, 215, 217, 219, 251, 437, 463, 695, 698, 702, 706, 710, 714, 718, 722	70020661 675	70021613..... 321	70023005 141
	70020662 675	70021867 685	70023006 141
	70020663 675	70021874 661, 663	70023007 141
	70020665 675	70021921 135, 193	70023008 140
	70020666 675	70021935 135, 193	70023009 140
	70020667 675	70021948 455, 951	70023010 140
	70020668 675	70021977 135, 193	70023014 140
	70020669 675	70021978 135, 193	70023015 141
	70020670 675	70021979 135, 193	70023016 140
	70020671 675	70021980 149	70023037 675
	70020672 675	70021981 149	70023038 676
	70020673 675	70021982 149	70023039 675
	70020674 675	70022028 135, 193	70023040 465
	70020675 675	70022044 657	70023139 469
	70020676 675	70022045 657	70023174 951
	70020677 675	70022046 657	70023265 639
	70020678 675	70022527 ... 135, 149, 193	70023404 335
	70020679 675	70022528 135, 193	70023482 331
		70022529 135, 193	70023483 331
		70022563 649	70023736 .. 209, 211, 213
		70022564 649	70023885 335, 357
		70022566 637	70023890 465
		70022634 ... 209, 211, 213	70023900 319
		70022650 679	70023925 141
		70022671 661	70023928 689
		70022676 661, 663	70023929 689

PART NUMBER INDEX

70023933.....209, 211	70026020.....629	70026138.....309, 323	70026699.....137
70024016...209, 211, 213	70026021.....629	70026139.....317	70026745.....195
70024020.....653	70026022.....629, 950	70026140.....319	70026746.....195
70024059.....135, 193	70026033.....633	70026141.....319	70026747.....137
70024060.....135	70026034.....633	70026189.....661, 663	70026800.....213
70024061.....135	70026035.....635	70026190.....661, 663	70026801.....213
70024062.....137	70026044.....627, 950	70026191.....661, 663	70026854.....479
70024123.....127	70026045.....627	70026192.....661, 663	70026944.....137
70024147.....303	70026046.....627	70026193.....661, 663	70026945.....479
70024152..671, 673, 950, 951	70026047.....627	70026194.....661, 663	70026946.....137
70024186.....685	70026056.....653	70026195.....661, 663	70026948.....137
70024189.....685	70026057.....653	70026196.....661, 663	70026949.....137
70024253...772, 778, 789	70026058.....653	70026197.....661, 663	70026978.....479
70024254...772, 778, 789	70026059.....653	70026198.....661, 663	70026979.....479
70024255...772, 778, 789	70026060.....653	70026199.....661	70026980.....479
70024256...772, 778, 789	70026061.....653	70026200.....661, 663	70026981.....479
70024262.....653	70026062.....653, 951	70026201.....663	70026982.....479
70024306.....189	70026074.....491	70026206.....951	70026983.....479
70024307.....189	70026075.....239, 241	70026216.....793	70026984.....479
70024319.....491	70026076.....239, 241	70026217..775, 780, 793	70026985.....479
70024407.....685	70026077.....239, 241	70026218.....790	70026986.....479
70024408.....685	70026078.....239, 241	70026219.....790	70026987.....479
70024411.....685	70026079.....239, 241	70026220.....209, 211	70026988.....479
70024412.....685	70026080.....239	70026221.....211	70026989.....479
70024414.....685	70026081.....239, 241	70026222.....211, 213	70026990.....479
70024415.....685	70026082.....239, 241	70026223.....209	70026991.....479
70024416.....685	70026083.....239, 241	70026224..209, 211, 213	70027009.....193
70024417.....685	70026084.....683	70026225..209, 211, 213	70027024.....467
70024519.....315	70026085.....683	70026226..209, 211, 213	70027025.....467
70024524.....321	70026086.....683	70026228..209, 211, 213	70027026.....467
70024525.....321	70026088.....487	70026229..209, 211, 213, 950	70027028.....467
70024535.....127	70026089.....487	70026230..209, 211, 213	70027030.....467
70024536.....127	70026090.....487	70026231..209, 211, 213	70027032.....467
70024537.....127	70026091.....487	70026232..209, 211, 213	70027033.....467
70024538.....127	70026092.....487	70026233..209, 211, 213	70027034.....467
70024539.....127, 655	70026093.....487	70026234..209, 211, 213, 950	70027035.....467
70024540.....127	70026097.....499	70026235..209, 211, 213	70027094.....241
70024541.....127	70026098.....499	70026236.....209	70027244.....649
70024542.....127	70026100.....453	70026237..209, 211, 213, 950	70027275.....679
70024543.....127	70026101.....453	70026241..209, 211, 213	70027276.....679
70024544.....127	70026102.....453	70026244.....253, 255	70027281.....211, 213
70024545.....127	70026103.....453	70026245.....253, 255	70027683.....631
70024546.....127	70026104.....453	70026246.....253	70027684.....631
70024547.....655	70026105.....453	70026247.....253, 255	70027685.....631
70024548.....655	70026106.....453	70026248.....253, 255	70027686.....631
70024549.....655	70026107.....453	70026269.....667	70027687.....631
70024550.....127	70026108.....453	70026270.....667	70027688.....631
70024551.....127	70026109.....453	70026271.....667	70027689.....649
70024552.....127	70026110.....453	70026272.....667	70027690.....649
70024553.....127	70026111.....453	70026273.....667	70027691.....649
70024554.....127	70026112.....453	70026274.....667	70027692.....649
70024555.....127	70026113.....453	70026275.....667	70027693.....649
70024855.....453	70026114.....453	70026276.....667	70027694.....649
70024872.....299	70026115.....453	70026277.....667	70027695.....649
70025014.....303	70026116.....453	70026278.....667	70027696.....649
70025480.....435, 451	70026117.....453	70026279.....667	70027697.....637
70025548.....303	70026118.....453	70026352.....461	70027698.....637
70025551.....304	70026119.....453	70026393.....229	70027699.....637
70025606.....653	70026120.....453	70026394.....229	70027700.....637
70025852.....229, 950	70026121.....453	70026448.....951	70027701.....637
70025853.....229, 950	70026122.....453	70026453..209, 211, 950	70027702.....637
70025857.....303, 319	70026123.....453	70026582.....681	70027703.....637
70025859.....531, 679	70026124.....453	70026584....37, 667, 951	70027704.....637
70025897.....685	70026134.....301	70026698.....193	70027705.....255
70025959.....653	70026135.....303		70027706.....255
70026019.....629	70026136.....303		70027846.....661, 663
	70026137.....309, 323		70027847.....661, 663

PART NUMBER INDEX

70027848	661, 663	7028735	307	7116652.....	73	7150580	281, 285
70027849	661, 663	7028736	307	7116662.....	73	7150608	41, 43, 45, 47
70027850	661, 663	7028739	643, 950	7116691.....	71, 73	7150673	757, 761
70027851	661, 663	7029037	351, 353	7116733.....	61, 73	7150679... 733, 735, 739,	
70028159	641	7029039	353	7116742.....	71	741, 745	
70028160	641	7029129	301, 317	7116752.....	71	7150680	747, 749
70028450	209, 211	7029131	301, 317	7116773.....	53, 71	7150681	743, 745
70028514	687	7029153	651	7116792.....	61	7150685	751
70028515	687	7029246	651	7116812.....	71, 73	7150688	757, 765
70028516	687	7029247	641, 643	7116822.....	53	7150689... 733, 735, 739,	
70028517	687	7029249	643	7117031.....	53, 61	741, 749	
70028546	531	7029250	643	7118882.....	87	7150690 ... 743, 745, 747,	
70028639	637	7029251	641, 643	7118892.....	53, 61, 87	749	
70028779	479	7029271	287	7124301	17, 19, 21, 23,	7150699... 731, 733, 735,	
70028780	479	7029282	311, 325	25, 27, 29, 31, 33, 35		737, 739, 741, 751	
70028781	479	7029283	311, 325	7124471	17, 19, 21, 23,	7150702	751
70028782	479	7029286	319	25, 27, 29, 31, 33, 35,		7150703	753
70029028	151	7029327	631	733, 735, 739, 741,		7150716... 731, 733, 735,	
70040710	303	7029417	357	755, 757		737, 739, 741, 753	
70041616 ..	209, 211, 213	7029426	299, 315	7125811.....	53, 61	7150717	753
70041617 ..	209, 211, 213	7029431	319	7125871	203, 205, 207	7150730 ... 731, 733, 735,	
70041619 ..	209, 211, 213	7029520	163	7126662.....	69	737, 739, 741, 755, 757	
70041620 ..	209, 211, 213	7029521	163	7129521	412, 424, 440	7150837	54, 83
7010769	683	7029532 ...	339, 341, 349	7137142	17, 19, 21, 23,	7150838	54, 83
7012903	651	7029533 ...	339, 341, 349	25, 27, 29, 31, 33, 35		7300214 ... 507, 509, 511,	
7017278	643	7029692	135, 149	7138634.....	327	513	
7017496	651	7029714	149	7138833....	412, 416, 424,	7300435	203, 205, 207
7024441	671, 673, 951	7029736	319	428, 440, 444		7300670	61
7024574	657	7029737	319	7138836....	412, 416, 424,	7300671	61
7024939	685	7029786	321	428, 440, 444		7300672	61
7024943	685	7029788	307	7138878....	412, 416, 424,	7300673	61
7024944	685	7029860	459	428, 440, 444		7300674	85
7024953	685	7054351	327	7138882.....	409	7300675	85
7024954	685	7057141	233, 235	7138944....	412, 416, 424,	7300678	63, 85
7026404	774, 780	7062922	129	428, 440, 444		7301295	107, 109
7026731	303	7063432	53	7138958.....	435, 451	7301408	107, 177
7026758 ...	337, 339, 341,	7063452	67	7138977.....	53, 61	7301568	107, 111
343, 345, 347		7079572	53, 61, 950	7138978.....	89	7302028	281, 287
7026759 ...	337, 339, 341,	7081621	53	7138979.....	89	7302052	61
343, 345, 347		7081631	53	7138986.....	53, 61, 89	7302056	54
7026760 ...	337, 339, 341,	7082311	53, 61, 950	7139032.....	75, 77, 79	7310018	509
343, 345, 347		7082342	53, 61, 950	7139077	671, 673, 951	77133133	437, 463
7026798	465, 467	7082362	53, 61, 950	7139180.....	53, 61	77133134	437, 463
7026799	465	7083922	53	7139406....	41, 43, 45, 47	77143006	725
7026900	465	7083992	53, 61	7139416.....	75, 77, 79	8007751	301
7026901	465	7085442	53, 950	7139455....	41, 43, 45, 47	8007755	301
7026902	465	7085552	81	7139504....	507, 509, 511,	80204005 .	299, 303, 315,
7026905	465	7085562	81	513		319	
7026906	465	7085571	81	7139505....	507, 509, 511,	80204060	307
7027273	349	7095352	61	513		80204065	303, 319
7028710	301	7095522	53, 61	7139613....	17, 19, 21, 23,	80204071	303, 319
7028714	303, 319	7096491	53	25, 27, 29, 31, 33, 35		80204108	307
7028715	303, 319	7096552	61	7139689.....	53, 75	80204117 .	303, 307, 311,
7028716	303, 319	7096562	61	7139690.....	61, 79	319, 321, 325	
7028717	303, 319	7096702	61, 950	7139692.....	53, 61, 77	80204281	307, 321
7028720	303, 319	7096772	61, 950	7139714....	41, 43, 45, 47	80214120	303, 319
7028721	303, 319	7096882	61, 950	7139726.....	53	80241137 .	17, 19, 21, 23,
7028722	303	7110702	129	7139727.....	53	25, 27, 29, 31, 33, 35	
7028723	303	7110712	129	7139728.....	83	80264138	499
7028724	303	7110722	129	7139729.....	83	80304405	333
7028725	303	7111402	85	7139730.....	53	8032694	683
7028729	303, 319	7111572	53, 61, 950	7139731.....	54	8032695	683
7028730	303, 319	7112642	165	7139863.....	81	8032994	651
7028731	304	7114112	69	7139864.....	54, 61, 81	80334277	685
7028732	304	7114941	167, 169	7139918.....	109, 111	8033651	287
7028733	304, 319	7116572	799, 801	7139968.....	55, 83	8033786	657
7028734	307	7116642	71, 73	7150579.....	281, 283	8034815	459

PART NUMBER INDEX

8035281.....651	8036215 751, 753	8065640 ... 17, 19, 21, 23,	8223073....731, 733, 735,
8035282.....651	8036216 ... 739, 745, 749,	25, 27, 29, 31, 33, 35,	737, 739, 741
8035321.....629, 639	751, 753, 757, 761, 765	54, 61	8223232.....327
8035322.....645, 647	8036218 ... 739, 745, 749,	8065641 ... 17, 19, 21, 23,	8229233.....790
8035323.....645, 647	757, 761, 765	25, 27, 29, 31, 33, 35	8229234.....790, 837
8035324.....645, 647	8036219 745, 749	80963061 789	8229235.....790, 835
8035326.....645, 647, 950	8036220 745, 749	80963062 ..772, 778, 783	8229237.....790
8035327.....629, 639, 647	8036221 745, 749	80963067 . 772, 774, 778,	8229238.....790
8035393.....459	8036222 745, 749	783	8229242.....775, 780
8035409.....459	8036250 357	8124138 75, 77, 79	8229244.....774
8035411.....459	8036271 665	8127021 75	8229261.....790, 837
8035493.....461	80363179 .. 788, 790, 793	8127022 79	8270620....695, 698, 702,
8035498.....461, 951	8036389 639	8127024 77	706, 710, 714, 718,
8035499.....461	8036390 639	82033995 479	722, 951
8035500.....461	8036391 639	82033997 435, 451	8270621....706, 718, 813
8035523.....457	8036392 639	8205655 639, 657	8278007.....327
8035536....633, 635, 639,	8036393 639	8220007 795	8278020.....233, 235
657	8036394 629	8220035 795, 837	8302470....41, 43, 45, 47
8035720.....639, 950	8036397 629	8220051 ... 789, 795, 799,	8303034....419, 421, 431,
8035744.....665	8036398 629	801, 803	433, 435, 447, 449,
8035745.....665	8036402 633, 635	8220058 775, 780, 784	451, 455
8035757.....647	8036403 633, 635	8220081 ... 773, 775, 778,	8303041.....61
8035758.....645, 647	8036404 633	780, 783, 784, 789,	8303090.....54
8035779.....283, 285	8036405 633	799, 801, 803	8303119.....455
8035781.....651	8036406 633, 635	8220089 ... 774, 789, 790,	8303519.....581, 583
8035785.....629, 645	8036407 633	799, 801, 807	8303540....706, 718, 731,
8035807....412, 416, 424,	80364095 499	8220097 ... 772, 778, 783,	733
428, 440, 951	8036428 665	789	8303545....695, 698, 702,
8035862.....657	8036429 665	8220098 772, 778, 783	707, 710, 714, 722, 727
8035863.....657	8036433 283, 285	8220108 837	8303615....41, 43, 45, 47
8036021.....331	8036498 635	8220124 ... 772, 775, 778,	8303620.....61, 416, 428,
8036022.....331	8036499 635	780, 783, 784, 785, 793	444, 577, 579
8036023.....333	8036502 ... 633, 635, 950	8220125 774, 789, 790	8303621.....62
8036024.....335	8036580 651	8220160 774, 780	8303622.....85
8036025.....335	8036581 651	8220164 774, 779, 784	8303624.....54, 62
8036026.....335	8036582 651	8220366 773	8303626....165, 167, 169,
8036027.....335	8036590 635	8220375 773	412, 416, 424, 428,
8036028.....335	8036726 479	8220525 789	440, 444, 581, 583
8036029....339, 341, 343,	8036747 651, 950	8220536 ... 772, 773, 778,	8303634.....62, 109, 111,
345, 347	8036778 641	779, 783, 784	129
8036030.....349	8036811 643, 651	8220889 773, 779	8303638.....81
8036031.....349	8036825 651	8220890 ... 799, 801, 803,	8303655.....54, 62
8036032.....349	8036826 651	811	8303656....41, 43, 45, 47
8036033.....351	8036827 651	8220895 793	8303657.....54
8036036.....353	8036828 651	8220904 ... 788, 789, 795,	8303658....109, 111, 412,
8036038.....353	80373094 231	799, 803, 805	424, 440
8036039.....353	80384207 459	8220927 ... 772, 778, 783,	8303666.....54, 62
8036040.....353	80384213 459, 951	789	8303670....412, 416, 424,
8036041.....357	80384218 435, 451	8220929 ... 772, 778, 783,	428, 440, 444
8036042.....357	80434056 683	789	8303675.....62
8036050....435, 451, 457	8050001 ... 17, 19, 21, 23,	8223025 ... 706, 718, 735,	8303679.....54, 62
8036056....435, 451, 459	25, 27, 29, 31, 33, 35	741	8303681.....54, 62
8036099.....459	80604016 . 788, 789, 793,	8223037 ... 412, 416, 424,	830369754, 62, 412, 416,
8036100.....459	799, 801	428, 440, 444	424, 428, 440, 444,
8036144.....639	80604017 .. 795, 803, 805	8223038 767, 769	671, 673
8036149.....639	80604018 . 772, 773, 774,	8223043 ... 424, 428, 440,	8303715.....54, 62, 129
8036190....339, 341, 349	778, 779, 783, 784,	444	8303724.....327
8036192.....651	788, 789	8223044 ... 424, 428, 440,	8303729....41, 43, 45, 47
8036196.....457	80604021 . 772, 775, 780,	444	8303738.....54
8036197.....457	785, 788, 799, 801	8223054 ... 412, 416, 424,	8303739....412, 424, 440
8036198.....457	80604023 799, 801	428, 440, 444	8303745....745, 749, 761,
8036199.....457	80604024 . 772, 783, 799,	8223057 ... 731, 733, 737,	765
8036209.....751	801	739	8303746.....54, 62
8036210.....753	80604025 788	8223059 ... 731, 733, 735,	8303752....17, 19, 21, 23,
8036212.....751, 753	80634004 685	737, 739, 741, 755, 757	25, 27, 29, 31, 33, 35
8036213.....751, 753	8065062 129	8223060 ... 731, 733, 735,	8303755.....519, 523
8036214.....751, 753		737, 739, 741	

PART NUMBER INDEX

8303757 ... 549, 551, 557, 577, 579, 585	8307007 54, 62, 165, 167, 169, 581, 583	8310281 233, 235	8520021 633
8303771 ... 731, 733, 735, 737, 739, 741, 755, 757	8307009 ... 17, 19, 21, 23, 25, 27, 29, 31, 33, 35	8310302 109, 111	8520034 639
8303772 54, 62	8307011 409	8310356 581, 583	8522012 ... 17, 19, 21, 23, 25, 27, 29, 31, 33, 35, 54, 62, 75, 77, 79
8303782 ... 17, 19, 21, 23, 25, 27, 29, 31, 33, 35	8307023 ... 412, 416, 424, 428, 440, 444, 519, 523	8310382 412, 416, 424, 428, 440, 444	8526007 ... 54, 62, 87, 267
8303784 267	8307024 ... 850, 854, 858, 862, 866, 870, 874, 878, 882, 886	8310420 607, 609, 611	8526011 ... 629, 635, 645, 647
8303982 ... 412, 416, 424, 428, 440, 444	8307027 ... 695, 698, 702, 706, 710, 714, 718, 722	8310424 251	8526048 54
8304608 607, 609, 611	8307049 327	8310425 281	8526203 ... 369, 371, 375, 385, 387, 395
8305002 ... 695, 698, 702, 706, 710, 714, 718, 722	8307104 54, 62, 81	8310431 54, 62	8526406 54, 62
8305004 ... 41, 43, 45, 47, 706, 718, 731, 733, 809	8307106 54, 62, 227, 412, 416, 424, 428, 440, 444, 695, 698, 702, 706, 710, 714, 718, 722	8310435 109, 111	8530030 583
8305006 ... 41, 43, 45, 47, 507, 509, 511, 513	8307109 54, 412, 416, 424, 428, 440, 444, 706, 718, 731, 733	8310493 409	8546407 581, 583
8305008 ... 233, 235, 577, 579	8307110 ... 416, 428, 444, 577, 579	8310497 54, 62	8580315 129
8305012 165	8307111 ... 695, 698, 702, 706, 710, 714, 718, 722	8310522 17, 19, 21, 23, 25, 27, 29, 31, 33, 35, 587, 589, 595, 597, 603	8580420 ... 41, 43, 45, 47
8305014 ... 17, 19, 21, 23, 25, 27, 29, 31, 33, 35	8307112 ... 167, 169, 412, 416, 424, 428, 435, 440, 444, 451	8310620 289, 291	8584001 ... 129, 437, 463, 695, 698, 702, 706, 710, 714, 718, 722, 731, 733, 735, 737, 739, 741, 755, 757, 809
8305043 227, 493	8307202 41, 43, 45, 47	8310708 54	8584007 577, 579
8305603 455	8307203 85, 507, 509, 511, 513	8310712 54	8584018 ... 731, 733, 735, 737, 739, 741, 755, 757
8305619 81	8307204 ... 41, 43, 45, 47, 54, 62, 71, 73, 731, 733, 735, 737, 739, 741, 755, 757	83191010 359	85841150 577, 579
8305624 ... 109, 111, 435, 451, 695, 698, 702, 706, 710, 714, 718, 722, 813	8307206 71, 73, 412, 424, 440	83201147 293, 295	8630003 109, 111
8305626 ... 17, 19, 21, 23, 25, 27, 29, 31, 33, 35, 412, 416, 424, 428, 440, 444, 733, 735, 739, 741, 745, 749, 755, 757, 761, 765	8307219 727	8342808 951	8630019 581, 583
8305638 455	8307222 227, 493	83671037 665	8640123 583
8305643 54, 62, 109, 111, 129	8307904 54, 62, 129	8380008 193	8640208 581, 583
8305644 ... 17, 19, 21, 23, 25, 27, 29, 31, 33, 35, 54, 62, 71, 73, 167, 169, 412, 416, 424, 428, 440, 444	8307910 54, 62	8405007 247, 249, 437, 463	8642207 129
8305645 ... 41, 43, 45, 47, 54, 62, 71, 73, 731, 733, 735, 737, 739, 741, 755, 757, 850, 854, 858, 862, 866, 870, 874, 878, 882, 886	8307911 54, 62	8405104 247, 249	8642224 54, 62
8305646 54, 62	8307918 54, 62, 129	8405201 247, 249	8642234 54
8305906 54, 62	8310009 ... 257, 259, 261, 263, 265, 507, 509, 511, 513, 515, 519, 523, 537, 539, 559, 561, 573, 575	8405212 247, 249, 277	8642237 75, 77, 79
8305916 ... 412, 416, 424, 428, 440, 444	8310019 54, 62	8405305 247, 249	86683122 275
8307002 ... 41, 43, 45, 47, 54, 706, 718, 731, 733, 809	8310020 54, 62	8405307 227	8750003 62
8307003 ... 695, 698, 702, 706, 710, 714, 718, 722	8310026 ... 412, 416, 424, 428, 440, 444	8405404 225	8750011 83, 85
8307004 ... 41, 43, 45, 47, 62, 257, 259, 261, 263, 265, 507, 509, 511, 513, 515, 519, 523, 537, 539, 549, 551, 557, 559, 561, 573, 575, 577, 579, 585	8310046 ... 695, 698, 702, 706, 710, 714, 718, 722	8406105 327, 695, 698, 702, 707, 710, 714, 719, 722	8750012 ... 265, 523, 533, 559, 561, 607
8307005 54, 62, 583, 809	8310067 327	8406112 203, 205, 243, 245	8750017 83, 85, 257, 259, 261, 263, 265, 519, 523, 533, 537, 539, 559, 561, 573, 575
8307006 281	8310081 85	8406303 207	8750025 ... 549, 551, 557, 577, 579, 585
	8310085 421, 433, 449	8410007 225	8750026 ... 557, 563, 565, 567, 569, 577, 579
	8310093 54, 62	8410021 227	8750027 ... 263, 519, 523, 533, 537, 539, 559, 561, 573, 575, 607
	8310109 435, 451	8420053 83, 85, 109, 111, 115, 117, 119, 121, 123, 125, 127, 129, 193	8750029 54, 83
	8310160 129	8420055 83, 85, 109, 111, 115, 117, 119, 121, 123, 125, 127, 129, 193	8750040 ... 549, 551, 557, 563, 565, 567, 569, 585
	8310161 129	8430032 503, 527, 529, 591, 593, 599, 601, 605, 613, 615, 617, 623	8760268 ... 571, 573, 575, 591, 593, 599, 601, 605
	8310209 63, 71, 73	8430033 623	8760463 ... 507, 509, 511, 513
	8310215 327	8430046 591, 593, 599, 601, 605	8760465 55, 62, 83, 85
	8310235 71, 73	8430048 437, 463	8760468 55, 62
	8310245 71, 73	8430081 527	8760477 ... 507, 509, 511, 513
	8310266 87	8440162 581, 665	8760548 327
	8310276 87	8466306 850, 854, 858, 862, 866, 870, 874, 878, 882, 886	8760552 671, 673
		8500066 767, 769	8765204 ... 591, 593, 599, 601, 605, 613, 615, 617, 843
		8500203 731, 733, 735, 737, 739, 741	8769122 55, 62, 83, 85
		8520001 17, 19, 21, 23, 25, 27, 29, 31, 33, 35, 54, 62	8769123 55, 62
		8520003 17, 19, 21, 23, 25, 27, 29, 31, 33, 35, 54, 62	
		8520013 62	

PART NUMBER INDEX

8769127.....257, 259, 261, 265, 515, 559, 561	90554016 . 135, 137, 149, 193, 195	91474442 675	91474593.....317
876912855, 62, 257, 259, 261, 263, 265, 515, 519, 523, 537, 539, 559, 561, 573, 575	90554017 149	91474443 675	91474594.....317
8769132.....129	90554018 149	91474446 675	91474595.....317
8769139.....55, 62	90554020 135, 193	91474447 675	91474596.....317
8769153.....55	90554033 137	91474450 675	91475031.....377, 379
8769155.....83	90554034 137	91474451 675	91475032.....377, 381
8769156.....83	90554042 135, 193	91474452 675	91475054.....367, 369
8769161.....62, 85	90554045 659	91474453 675	91475055.....367, 371
8770016.....129	90554054 135, 193	91474454 675	91503106.....778
8770048.....671, 673	90554062 135, 149	91474455 675	91511145...412, 424, 440
8770064....545, 547, 553, 555	90554065 149	91474456 675	91513180...412, 424, 440
8770109.....527	90554076 135, 149	91474458 675	91513266.....359
8770120.....527	90554080 163	91474459 675	91514081.....303, 319
8770157....591, 593, 599, 601, 605	91043125 141	91474460 675	91514082.....303, 319
8770175.....527	91043126 141	91474507 ..299, 303, 315	91514083.....304
8780031....363, 365, 369, 371	91043147 437, 463	91474512 299, 315	91514084.....303
8780036....379, 381, 385, 387	91053419 277	91474513 .299, 303, 315, 319	91514095.....303, 319
8780045.....375	91081640 725	91474515 311, 325	91514098.....299, 315
8786514....363, 365, 369, 371, 375, 379, 381, 385, 387, 391, 395, 403	91083129 227	91474516 311, 325	91514099..303, 311, 319, 325
88211516..731, 733, 735, 737, 739, 741	91163035 219	91474522 309, 323	91514111.....303, 319
88261015.....207	91293003 227	91474524 303, 319	91514112.....303, 319
8841036.....327, 329	91304025 499	91474528 301, 317	91514115.....303, 319
88411148..17, 19, 21, 23, 25, 27, 29, 31, 33, 35	91364023 231	91474529 301, 317	91514117.....303, 319
88501005..733, 735, 739, 741, 757	91403193 289, 291	91474532 301, 317	91514118.....359
88671001..115, 117, 119, 121, 123, 125	91403413 83, 85, 109, 111, 115, 117, 119, 121, 123, 125, 127, 129, 141, 193	91474533 301, 317	91514123..301, 303, 317, 319
8880218-OM.....281	91403414 83, 85, 109, 111, 115, 117, 119, 121, 123, 125, 127, 129, 141, 193	91474537 301, 317	91514134.....301, 317
8880219-OM.....281	91403448 199	91474539 301, 317	91514146.....303, 319
8881800.....207	91404011 499	91474542 301, 317	91514147.....303, 319
8902857.....571, 573, 575	91404013 499	91474547 301, 317	91514148.....303, 319
8902858.....571, 573, 575	91404298 435, 451	91474548 301, 317	91514149.....303, 319
8990147....412, 416, 424, 428, 440, 444	91404299 435, 451	91474549 301	91514153.....307
90027475.....293, 295	91404301 435, 451	91474550 301, 317	91514154.....307, 321
90028631.....227	91404326 499	91474551 301, 317	91514159.....307, 321
90200003..93, 95, 97, 99, 101, 103, 105, 109, 111, 115, 117, 119, 121, 123, 125, 129	91405035 361, 363	91474553 301, 317	91514160.....307, 321
90206196.....727, 729	91405036 361, 365	91474559 307	91514165.....307, 321
90451058.....109, 111	91471213 293, 295	91474560 307	91514167.....307
	91473086 503, 529	91474562 307	91514175.....303
	91473206 . 363, 365, 369, 371, 375	91474563 307	91514181.....303, 319
	91473207 . 379, 381, 385, 387	91474564 307	91514188..299, 303, 315, 319
	91474023 683	91474565 307	91514189.....303, 319
	91474434 675	91474568 307, 321	91514197.....675
	91474435 675	91474569 307, 321	91514198.....675
	91474438 675	91474570 307	91514199.....675
	91474439 675	91474573 307	91514225.....499
	91474440 675	91474576 ..303, 319, 950	91535019.....373, 375
	91474441 675	91474579 319	91554005.....491
		91474580 319	91554009.....491
		91474581 319	91554014.....788
		91474582 303, 319	91554019.....788
		91474583 303, 319	91563164.....469
		91474584 303, 319	91565064.....469
		91474585 319	
		91474591 301, 317	



31211016



An Oshkosh Corporation Company

Corporate Office
JLG Industries, Inc.
1 JLG Drive
McConnellsburg, PA 17233-9533 USA
☎ **(717) 485-5161 (Corporate)**
☎ **(877) 554-5438 (Customer Support)**
☎ **(717) 485-6417**

Visit our website for JLG Worldwide Locations.
www.jlg.com